



# Illustrated Parts Manual

***Models***  
**800S**  
**860SJ**

**PVC**  
**2307**

**P/N**  
**31222374**

**January 8, 2024 - Rev B**

**ANSI**

**CE**



**UK**  
**CA**

**AS/NZS**



An Oshkosh Corporation Company



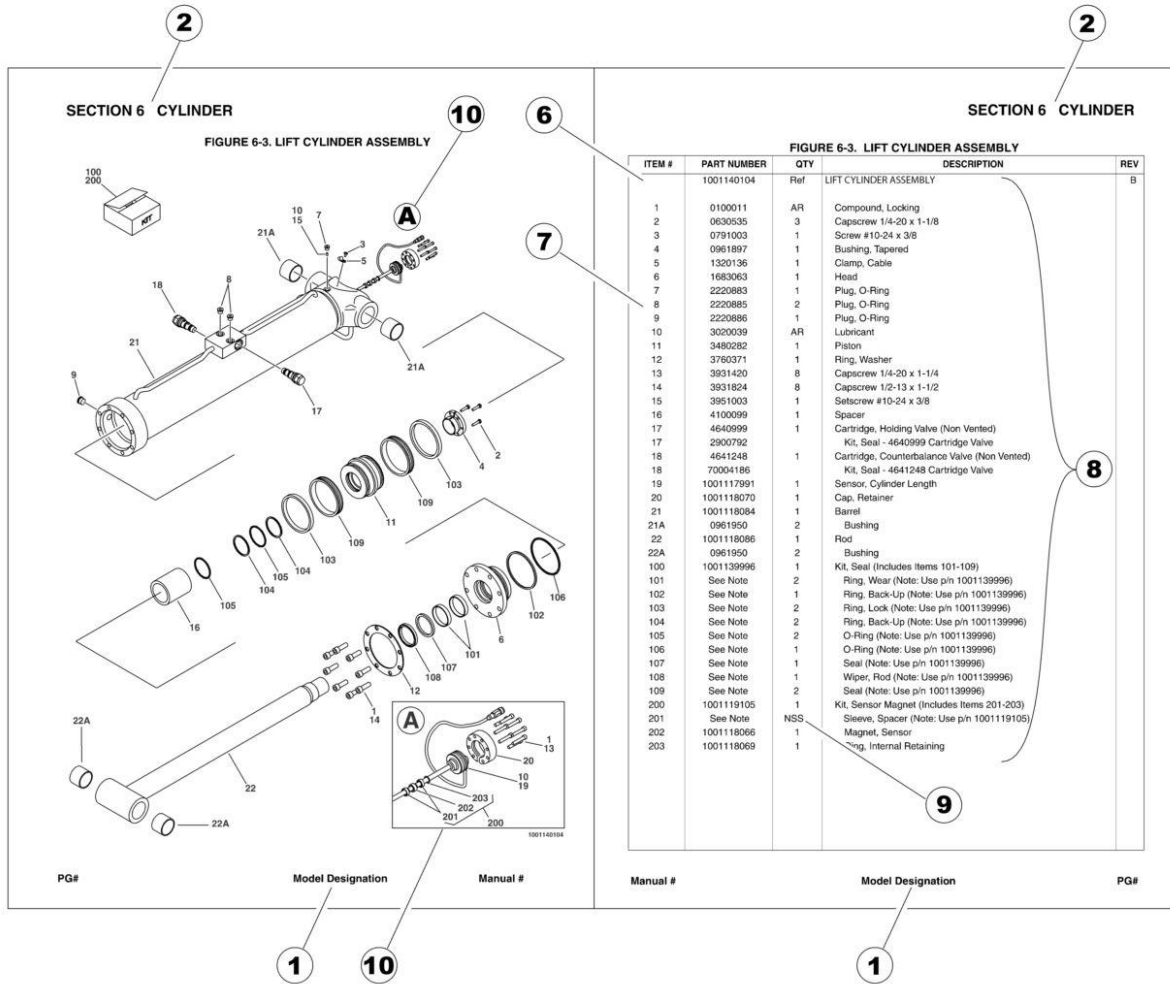


## **REVISION LOG**

July 1, 2023 - A - Original Issue of Manual (Edited to B/M 1001245337 Revision AW)

January 8, 2024 - B - Revised Manual (Edited to B/M 1001245337 Revision AW)

# GENERAL INFORMATION



## 1) MACHINE IDENTIFICATION

Machines are identified by model and in some cases a combination of models, serial number (SN) or regional standard (i.e ANSI, CE, CSA). Components may also be identified by SN or manufacturer. Common components that may be identified by these characteristics are engines and hydraulic components.

## 2) PARTS MANUAL ORGANIZATION

Product information in this manual is organized under section titles. Frame, Cylinder, Hydraulic and Electrical are a few examples. Each section is organized by figure and page number. The information within the Figure is then organized by item number, part number, description and corresponding illustration (s).

## 3) TABLE OF CONTENTS (NOT SHOWN)

A table of contents is found toward the beginning of the manual. Figure number, description and page number are provided for quick reference to the page containing the related information.

## 4) RECOMMENDED SPARE PARTS (NOT SHOWN)

The Recommended Spare Parts List, located near the end of the manual, reference most frequently used maintenance parts.

## 5) PART NUMBER INDEX (NOT SHOWN)

A numerical index listing all part numbers and the corresponding page number(s) appears at the back of the manual.

## GENERAL INFORMATION

### 6) NON-SERVICED PARTS

In some instances, it is necessary to display non-serviced parts, assemblies or installations. In the case of assemblies and installations there will be a Ref in the Qty. column. In case of parts that are not available for service within assemblies or components, there will be a NSS (Not Sold Separately) or NLA (No Longer Available) listed in the Qty. column of the manual.

### 7) PARTS LIST ITEM NUMBERS

Numbers shown in the item# column correspond to numbers used in the associated illustration (s). Item numbers which are missing from the sequence in the parts list are not used on that page.

### 8) INDENTED PARTS DESCRIPTION

An indented part description is included in the item under which it is indented.

### 9) ABBREVIATION AND SYMBOLS

AC.....	Alternating Current	L.....	Liter
ADE.....	Advanced Design Electronics	LB(LBS).....	Pounds
AG.....	Agricultural	LCD.....	Liquid Crystal Display
ANSI.....	American National Standards Institute	LED.....	Light Emitting Diodes
AR.....	As Required	LH.....	Left Hand
ASSY.....	Assembly	LRC.....	Low Rated Countries
AUS.....	Australia	LSS.....	Load Sensing System
AUX.....	Auxiliary	M(m).....	Metric/Meter
AWG.....	American Wire Gauge	MM(mm).....	Milimeter
B/M.....	Bill of Material	mA.....	Miliamps
CAC.....	Charge Air Cooler	NLA.....	No Longer Available
CE.....	European Conformity	NPT.....	National Pipe Threads
CCW.....	Counter Clockwise	NSS.....	Not Sold Separately
CM.....	Centimeter	OD.....	Outside Diameter
CW.....	Clockwise	ORB.....	O-Ring Boss
CSA.....	Canadian Standards Association	ORFS.....	O-Ring Face Seal
CYL.....	Cylinder	OZ (oz).....	Ounces
DIA.....	Diameter	PG.....	Page
DC.....	Direct Current	PN.....	Part Number
DEF.....	Diesel Exhaust Fluid	QT(qt.).....	Quarts
EMS.....	Emergency Stop	QTY.....	Quantity
ENG.....	Engine	REF.....	Reference
FT(ft).....	Feet	REV.....	Revision Level
GA(Ga).....	Gauge	RH.....	Right Hand
HRC.....	High Rated Countries	SAE.....	Society of Automotive Engineers
HVAC.....	Heating, Ventilating, and Air Conditioning	SN.....	Serial Number
HYD.....	Hydraulic	SPEC(S).....	Specifications
Hz.....	Hertz	T/T.....	Turntable
ID.....	Inside Diameter	UGM.....	Universal Ground Module
IN.....	inches	V.....	Volts
ISO.....	International Organization for Standards	W.....	Watts
JIC.....	Joint Industry Council	#.....	Number
KG.....	Kilogram		

### 10) ILLUSTRATION REFERENCE LETTERS

When necessary, illustrations may contain reference letters that are intended to track information (i. e. hoses, harnesses) from one point to another or to track visual enlargement of components to show details that may be located in another area on the illustration.

*Note: Due to continuous product improvements, JLG Industries, Inc. reserves the right to make specification changes without prior notification. Contact JLG Industries, Inc. for updated information.*



# TABLE OF CONTENTS

SECTION 1 - FRAME.....	19
FIGURE 1-1. AXLE INSTALLATION - FIXED (WITHOUT TOW PACKAGE) .....	20
FIGURE 1-2. AXLE INSTALLATION - OSCILLATING (WITHOUT TOW PACKAGE) (MACHINES WITH SN STARTING WITH 03 OR 13) .....	22
FIGURE 1-3. AXLE INSTALLATION - OSCILLATING (WITHOUT TOW PACKAGE) (MACHINES WITH SN STARTING WITH B3) .....	24
FIGURE 1-4. AXLE INSTALLATION - OSCILLATING (WITH TOW PACKAGE) (MACHINES WITH SN STARTING WITH 03) ...	26
FIGURE 1-5. AXLE INSTALLATION - OSCILLATING (WITH TOW PACKAGE) (MACHINES WITH SN STARTING WITH B3)...	28
FIGURE 1-6. STEERING INSTALLATION - WITHOUT TOW PACKAGE (MACHINES WITH SN STARTING WITH 03 OR 13) ..	30
FIGURE 1-7. STEERING INSTALLATION - WITHOUT TOW PACKAGE (MACHINES WITH SN STARTING WITH B3) .....	32
FIGURE 1-8. STEERING INSTALLATION - WITH TOW PACKAGE (MACHINES WITH SN STARTING WITH 03) .....	34
FIGURE 1-9. STEERING INSTALLATION - WITH TOW PACKAGE (MACHINES WITH SN STARTING WITH B3).....	36
FIGURE 1-10. WHEEL DRIVE AND FRAME VALVES INSTALLATION - 2WD .....	38
FIGURE 1-11. WHEEL DRIVE AND FRAME VALVES INSTALLATION – 4WD - DANFOSS MOTOR .....	40
FIGURE 1-12. WHEEL DRIVE AND FRAME VALVES INSTALLATION - 4WD - HENGLI MOTOR .....	42
FIGURE 1-13. HUB ASSEMBLY - 2WD FRONT .....	44
FIGURE 1-14. DRIVE HUB/BRAKE ASSEMBLY .....	46
FIGURE 1-15. DRIVE MOTOR ASSEMBLY - 2WD .....	48
FIGURE 1-16. DRIVE MOTOR ASSEMBLY - 4WD - DANFOSS MOTOR.....	50
FIGURE 1-17. DRIVE MOTOR ASSEMBLY - 4WD - HENGLI MOTOR.....	52
FIGURE 1-18. TIRE & WHEEL INSTALLATION - 15-625 NHS FOAM-FILLED .....	54
FIGURE 1-19. TIRE AND WHEEL INSTALLATION 18-625 NHS FOAM-FILLED TIRE .....	56
FIGURE 1-20. TIRE AND WHEEL INSTALLATION 18-625 NHS FOAM-FILLED NON-MARKING TIRE .....	58
FIGURE 1-21. TIRE AND WHEEL INSTALLATION 18-22.5 NHS FOAM-FILLED NON-MARKING TIRE .....	60
FIGURE 1-22. LP TANK BRACKETS INSTALLATIONS .....	62
FIGURE 1-23. FRAME SHIELDS INSTALLATION - 2WS .....	64
FIGURE 1-24. TOW PACKAGE INSTALLATION (ENGLISH DECALS).....	66
FIGURE 1-25. TOW PACKAGE INSTALLATION (FRENCH/ENGLISH DECALS).....	68
FIGURE 1-26. TOW BAR ASSEMBLY .....	70
SECTION 2 - TURNTABLE .....	73
FIGURE 2-1. CONTROL VALVES INSTALLATION (800S) .....	74
FIGURE 2-2. CONTROL VALVES INSTALLATION (860SJ).....	76
FIGURE 2-3. MAIN CONTROL VALVE ASSEMBLY .....	78
FIGURE 2-4. SWING DRIVE INSTALLATION .....	80
FIGURE 2-5. SWING MOTOR/HUB ASSEMBLY .....	82
FIGURE 2-6. TURNTABLE BEARING INSTALLATION (ALL SPECS EXCEPT CHINA SPECS) .....	86
FIGURE 2-7. TURNTABLE BEARING INSTALLATION (CHINA SPECS).....	88
FIGURE 2-8. REMOTE BEARING LUBE INSTALLATION .....	90
FIGURE 2-9. TURNTABLE LOCK INSTALLATION.....	92
FIGURE 2-10. ROTARY COUPLING INSTALLATION .....	94
FIGURE 2-11. TANK INSTALLATION - GAS ENGINES (HELGESEN 25 GAL HYDRAULIC TANK WITH 6IN DIA BREATHER) ..	96
FIGURE 2-12. TANK INSTALLATION - GAS ENGINES (JIANGYING 25 GAL HYDRAULIC TANK WITH 4IN DIA BREATHER) ..	98
FIGURE 2-13. TANK INSTALLATION - GAS ENGINES (47.8 GAL CAPACITY HYDRAULIC TANK).....	100
FIGURE 2-14. TANK INSTALLATION - DIESEL ENGINES (HELGESEN 25 GAL HYDRAULIC TANK WITH 6IN BREATHER) ..	102

# TABLE OF CONTENTS

FIGURE 2-15. TANK INSTALLATION - DIESEL ENGINES (JIANGYING 25 GAL HYDRAULIC TANK WITH 4IN DIA BREATHER)	104
FIGURE 2-16. TANK INSTALLATION - DIESEL ENGINES (47.8 GAL CAPACITY HYDRAULIC TANK)	106
FIGURE 2-17. TANK INSTALLATION - DIESEL ENGINES (MACHINES WITH HOSTILE ENVIRONMENT PACKAGE) (25 GAL HYDRAULIC TANK WITH 6 INCH BREATHER)	108
FIGURE 2-18. TANK INSTALLATION - DIESEL ENGINES (MACHINES WITH HOSTILE ENVIRONMENT PACKAGE) (25 GAL HYDRAULIC TANK WITH 4 INCH BREATHER)	110
FIGURE 2-19. TANK INSTALLATION - DIESEL ENGINES (MACHINES WITH HOSTILE ENVIRONMENT PACKAGE) (47.8 GAL CAPACITY HYDRAULIC TANK)	112
FIGURE 2-20. HYDRAULIC TANK ASSEMBLY (HELGESEN 25 GAL HYDRAULIC TANK WITH 6IN DIA BREATHER)	114
FIGURE 2-21. HYDRAULIC TANK ASSEMBLY (JIANGYING 25 GAL HYDRAULIC TANK WITH 4IN DIA BREATHER)	116
FIGURE 2-22. HYDRAULIC TANK ASSEMBLY (47.8 GAL CAPACITY HYDRAULIC TANK)	118
FIGURE 2-23. AUXILIARY PUMP WITHOUT BATTERY DISCONNECT SWITCH INSTALLATION (MACHINES WITH SN STARTING WITH 03)	120
FIGURE 2-24. AUXILIARY PUMP WITHOUT BATTERY DISCONNECT SWITCH INSTALLATION (MACHINES WITH SN STARTING WITH B3)	122
FIGURE 2-25. AUXILIARY PUMP WITH BATTERY DISCONNECT SWITCH INSTALLATION (MACHINES WITH SN STARTING WITH 03)	124
FIGURE 2-26. AUXILIARY PUMP WITH BATTERY DISCONNECT SWITCH INSTALLATION (MACHINES WITH SN STARTING WITH B3)	126
FIGURE 2-27. AUXILIARY PUMP WITH BATTERY DISCONNECT SWITCH INSTALLATION (MACHINES WITH SN STARTING WITH B3)	128
FIGURE 2-28. GROUND CONTROL BOX ASSEMBLY - WITH DEUTZ D2011 - WITH MECHANICAL HOUR METER (ANSI EXPORT (LRC) AND AUSTRALIAN SPECS) (800S)	130
FIGURE 2-29. GROUND CONTROL BOX ASSEMBLY - WITH DEUTZ D2011 (CE & UK CA SPECS) (800S)	134
FIGURE 2-30. GROUND CONTROL BOX ASSEMBLY - WITH DEUTZ D2011 - WITH MECHANICAL HOUR METER (ANSI EXPORT (LRC) AND AUSTRALIAN SPECS) WITH TILT SENSOR (860SJ)	138
FIGURE 2-31. GROUND CONTROL BOX ASSEMBLY - WITH DEUTZ D2011 (CE & UK CA SPECS) WITH TILT SENSOR (860SJ)	142
FIGURE 2-32. GROUND CONTROL BOX ASSEMBLY - WITH DEUTZ D2011 (HIGH TEMP MARKETS) (ANSI EXPORT (LRC) AND AUSTRALIAN SPECS) (860SJ)	146
FIGURE 2-33. GROUND CONTROL BOX ASSEMBLY - WITH DEUTZ TD2.9L4 - WITH MECHANICAL HOUR METER (ANSI, ANSI EXPORT (HRC), CSA AND JAPANESE SPECS) (800S)	150
FIGURE 2-34. GROUND CONTROL BOX ASSEMBLY - WITH DEUTZ TD2.9L4 (STAGE V) (CE & UK CA SPECS) (800S)	154
FIGURE 2-35. GROUND CONTROL BOX ASSEMBLY - WITH DEUTZ TD2.9L4 - WITH MECHANICAL HOUR METER (ANSI, ANSI EXPORT (HRC), ANSI EXPORT (LRC WITH SN B3), CSA, JAPANESE, AUSTRALIAN (SN B3), RUSSIAN (SN B3) AND CHINA SPECS) WITH TILT SENSOR (860SJ)	158
FIGURE 2-36. GROUND CONTROL BOX ASSEMBLY - WITH DEUTZ TD2.9L4 (STAGE V) (CE & UK CA SPECS) WITH TILT SENSOR (860SJ)	162
FIGURE 2-37. GROUND CONTROL BOX ASSEMBLY - WITH FORD DF 2.5L - WITH MECHANICAL HOUR METER (ANSI, ANSI EXPORT (LRC & HRC) AND CSA SPECS) (800S)	166
FIGURE 2-38. GROUND CONTROL BOX ASSEMBLY - WITH FORD DF 2.5L - WITH MECHANICAL HOUR METER (ANSI, ANSI EXPORT (LRC & HRC), AUSTRALIAN AND CSA SPECS) (860SJ)	170
FIGURE 2-39. LIGHT PANEL INSTALLATION (MACHINES WITH SN STARTING WITH 03 OR 13)	174
FIGURE 2-40. LIGHT PANEL INSTALLATION (MACHINES WITH SN STARTING WITH B3)	176
FIGURE 2-41. ALARM INSTALLATION	178
FIGURE 2-42. WHITE NOISE ALARM INSTALLATION - AMBIENT	180
FIGURE 2-43. WHITE NOISE ALARM INSTALLATION - CONSTANT	182
FIGURE 2-44. CLEARSKY INSTALLATION	184
FIGURE 2-45. STROBE LIGHT INSTALLATION (AMBER) (ALL SPECS EXCEPT CHINEASE SPECS)	186
FIGURE 2-46. STROBE LIGHT INSTALLATION (AMBER) (CHINEASE SPECS)	188

# TABLE OF CONTENTS

FIGURE 2-47. STROBE LIGHT INSTALLATION (BLUE).....	190
FIGURE 2-48. STROBE LIGHT INSTALLATION (RED) .....	192
FIGURE 2-49. NO BEACON INSTALLATION .....	194
FIGURE 2-50. DUAL CAPACITY INSTALLATION - ELEVATION AND TRANSPORTATION (800S).....	196
FIGURE 2-51. DUAL CAPACITY INSTALLATION - ELEVATION AND TRANSPORTATION (860SJ).....	198
FIGURE 2-52. LOWER SENSOR ASSEMBLY .....	200
FIGURE 2-53. EXHAUST STACK INSTALLATION - STEEL HOOD (DEUTZ D2011 ENGINES).....	202
FIGURE 2-54. EXHAUST STACK INSTALLATION - STEEL HOOD WITH HOSTILE ENVIRONMENT MACHINES (DEUTZ D2011 ENGINES).....	204
FIGURE 2-55. EXHAUST STACK INSTALLATION - STEEL HOOD WITH HOSTILE ENVIRONMENT MACHINES (DEUTZ TD2.9L4 ENGINES) (MACHINES WITH SN STARTING WITH B3).....	206
FIGURE 2-56. EXHAUST STACK INSTALLATION - STEEL HOOD (DEUTZ TD2.9L4 ENGINES) (MACHINES WITH SN STARTING WITH 03 OR 13).....	208
FIGURE 2-57. EXHAUST STACK INSTALLATION - STEEL HOOD (DEUTZ TD2.9L4 (STAGE V) ENGINES) (MACHINES WITH SN STARTING WITH 03) .....	210
FIGURE 2-58. EXHAUST STACK INSTALLATION - STEEL HOOD (DEUTZ TD2.9L4 ENGINES) (MACHINES WITH SN STARTING WITH B3).....	212
FIGURE 2-59. EXHAUST STACK INSTALLATION - STEEL HOOD (DEUTZ TD2.9L4 (STAGE V) ENGINES) (MACHINES WITH SN STARTING WITH B3).....	214
FIGURE 2-60. EXHAUST STACK INSTALLATION - STEEL HOOD WITH HOSTILE ENVIRONMENT MACHINES (DEUTZ TD2.9L4 ENGINES) (MACHINES WITH SN STARTING WITH 03 OR 13).....	216
FIGURE 2-61. EXHAUST STACK INSTALLATION - STEEL HOOD (FORD DF 2.5L ENGINES) .....	218
FIGURE 2-62. HOODS INSTALLATION - ABS (DEUTZ D2011 ENGINES) .....	220
FIGURE 2-63. HOODS INSTALLATION - ABS (DEUTZ TD2.9L4 AND DEUTZ TD2.9L4 (STAGE V) ENGINES) (CE & UK CA SPECS ONLY).....	224
FIGURE 2-64. HOODS INSTALLATION - STEEL (DEUTZ D2011 ENGINES).....	228
FIGURE 2-65. HOODS INSTALLATION - STEEL WITH HOSTILE ENVIRONMENT MACHINES (DEUTZ D2011 ENGINES) (MACHINES WITH SN STARTING WITH 03 OR 13).....	232
FIGURE 2-66. HOODS INSTALLATION – STEEL WITH HOSTILE ENVIRONMENT MACHINES (DEUTZ TD2.9L4 ENGINES) (MACHINES WITH SN STARTING WITH B3).....	236
FIGURE 2-67. HOODS INSTALLATION – STEEL (DEUTZ TD2.9L4 AND DEUTZ TD2.9L4 (STAGE V) ENGINES) (MACHINES WITH SN STARTING WITH 03 OR 13).....	240
FIGURE 2-68. HOODS INSTALLATION - STEEL (DEUTZ TD2.9L4 ENGINES) (MACHINES WITH SN STARTING WITH B3) .....	244
FIGURE 2-69. HOODS INSTALLATION - STEEL (DEUTZ TD2.9L4 (STAGE V) ENGINES) (MACHINES WITH SN STARTING WITH B3).....	248
FIGURE 2-70. HOODS INSTALLATION – STEEL WITH HOSTILE ENVIRONMENT MACHINES (DEUTZ TD2.9L4 ENGINES).....	252
FIGURE 2-71. HOODS INSTALLATION – STEEL (FORD DF 2.5L ENGINES).....	256
FIGURE 2-72. HOOD ASSEMBLY - ENGINE SIDE REAR (DEUTZ TD2.9L4 ENGINES) (MACHINES WITH SN STARTING WITH B3).....	260
FIGURE 2-73. HOOD ASSEMBLY - ENGINE SIDE REAR (DEUTZ TD2.9L4 (STAGE V) ENGINES) (MACHINES WITH SN STARTING WITH B3).....	262
FIGURE 2-74. HOOD ASSEMBLY - TANK SIDE REAR (DEUTZ TD2.9L4 AND DEUTZ TD2.9L4 (STAGE V) ENGINES) (MACHINES WITH SN STARTING WITH B3).....	264
FIGURE 2-75. LIFTING PLATE INSTALLATION.....	266
FIGURE 2-76. SKYAIR AIR COMPRESSOR INSTALLATION (DEUTZ D2011 AND FORD DF 2.5L ENGINES) .....	268
FIGURE 2-77. SKYAIR AIR COMPRESSOR INSTALLATION (DEUTZ TD2.9L4 ENGINES).....	270
FIGURE 2-78. AIR COMPRESSOR ASSEMBLY .....	272
FIGURE 2-79. WHITE NOISE ALARM HARNESS.....	276
SECTION 3 - ENGINE .....	279
FIGURE 3-1. DEUTZ D2011 ENGINE INSTALLATION (WITHOUT ARCTIC PACKAGE).....	280

# TABLE OF CONTENTS

FIGURE 3-2. DEUTZ D2011 ENGINE INSTALLATION (WITH ARCTIC PACKAGE).....	282
FIGURE 3-3. DEUTZ D2011 ENGINE INSTALLATION - (WITH ARCTIC PACKAGE) (WITH 47.8 GAL CAPACITY HYDRAULIC TANK) .....	286
FIGURE 3-4. DEUTZ D2011 ENGINE INSTALLATION (HIGH TEMP MARKETS) .....	290
FIGURE 3-5. DEUTZ D2011 ENGINE/PUMP SUB-ASSEMBLY (WITHOUT ARCTIC PACKAGE).....	292
FIGURE 3-6. DEUTZ D2011 ENGINE/PUMP SUB-ASSEMBLY (WITH ARCTIC PACKAGE) .....	294
FIGURE 3-7. DEUTZ D2011 ENGINE AND PUMP SUB-ASSEMBLY - (WITH ARCTIC PACKAGE) (WITH 47.8 GAL CAPACITY HYDRAULIC TANK).....	296
FIGURE 3-8. DEUTZ D2011 ENGINE ASSEMBLY (WITHOUT ARCTIC PACKAGE).....	298
FIGURE 3-9. DEUTZ D2011 ENGINE ASSEMBLY (WITH ARCTIC PACKAGE) .....	302
FIGURE 3-10. DEUTZ D2011 ENGINE COMPONENTS .....	306
FIGURE 3-11. DEUTZ TD2.9L4 (ERM4) ENGINE INSTALLATION (WITHOUT ARCTIC PACKAGE).....	310
FIGURE 3-12. DEUTZ TD2.9L4 ENGINE INSTALLATION (WITH ARCTIC PACKAGE).....	314
FIGURE 3-13. DEUTZ TD2.9L4 (STAGE V) ENGINE INSTALLATION .....	318
FIGURE 3-14. DEUTZ TD2.9L4 ENGINE INSTALLATION - (WITH ARCTIC PACKAGE) (WITH 47.8 GAL CAPACITY HYDRAULIC TANK).....	322
FIGURE 3-15. DEUTZ TD2.9L4 ENGINE INSTALLATION (CHINA III) .....	326
FIGURE 3-16. DEUTZ TD2.9L4 ENGINE INSTALLATION (CHINA IV) .....	330
FIGURE 3-17. DEUTZ TD2.9L4 (ERM4) ENGINE/PUMP SUB-ASSEMBLY (WITHOUT ARCTIC PACKAGE) .....	334
FIGURE 3-18. DEUTZ TD2.9L4 ENGINE/PUMP SUB-ASSEMBLY (WITH ARCTIC PACKAGE) .....	336
FIGURE 3-19. DEUTZ TD2.9L4 ENGINE AND PUMP SUB-ASSEMBLY - (WITH ARCTIC PACKAGE) (WITH 47.8 GAL CAPACITY HYDRAULIC TANK).....	338
FIGURE 3-20. DEUTZ TD2.9L4 ENGINE/PUMP SUB-ASSEMBLY (STAGE V) .....	340
FIGURE 3-21. DEUTZ TD2.9L4 ENGINE/PUMP SUB-ASSEMBLY (CHINA III).....	342
FIGURE 3-22. DEUTZ TD2.9L4 ENGINE/PUMP SUB-ASSEMBLY (CHINA IV) .....	344
FIGURE 3-23. DEUTZ TD2.9L4 (ERM4) ENGINE ASSEMBLY (WITHOUT ARCTIC PACKAGE) .....	346
FIGURE 3-24. DEUTZ TD2.9L4 ENGINE ASSEMBLY (WITH ARCTIC PACKAGE).....	352
FIGURE 3-25. DEUTZ TD2.9L4 ENGINE ASSEMBLY (STAGE V) .....	358
FIGURE 3-26. DEUTZ TD2.9L4 ENGINE ASSEMBLY (CHINA III ENGINE).....	364
FIGURE 3-27. DEUTZ TD2.9L4 ENGINE ASSEMBLY (CHINA IV ENGINE) .....	370
FIGURE 3-28. DEUTZ ENGINE CHINA IV .....	376
FIGURE 3-29. DEUTZ TD2.9L4 (ERM4) ENGINE COMPONENTS .....	378
FIGURE 3-30. DEUTZ TD2.9L4 ENGINE COMPONENTS (STAGE V).....	382
FIGURE 3-31. DEUTZ TD2.9L4 ENGINE COMPONENTS (CHINA III ENGINE) .....	384
FIGURE 3-32. DEUTZ TD2.9L4 ENGINE COMPONENTS (CHINA IV ENGINE) .....	388
FIGURE 3-33. DEUTZ D2.9L4 - EMR5 ENGINE INSTALLATION WITH ARCTIC PACKAGE .....	390
FIGURE 3-34. DEUTZ D2.9L4 - EMR5 ENGINE AND PUMP SUB-ASSEMBLY WITH ARCTIC PACKAGE .....	394
FIGURE 3-35. ENGINE ASSEMBLY - DEUTZ D2.9L4 EMR5 ENGINE (WITH ARCTIC PACKAGE) .....	396
FIGURE 3-36. DEUTZ D2.9L4 - EMR5 ENGINE INSTALLATION WITHOUT ARCTIC PACKAGE.....	402
FIGURE 3-37. DEUTZ D2.9L4 - EMR5 ENGINE AND PUMP SUB-ASSEMBLY WITHOUT ARCTIC PACKAGE .....	406
FIGURE 3-38. ENGINE ASSEMBLY - DEUTZ D2.9L4 EMR5 ENGINE (WITHOUT ARCTIC PACKAGE).....	408
FIGURE 3-39. ENGINE COMPONENTS - DEUTZ D2.9L4 EMR5 ENGINE .....	414
FIGURE 3-40. FUEL PUMP/FILTER BRACKET ASSEMBLY (DEUTZ TD2.9L4 ENGINES).....	416
FIGURE 3-41. FUEL PUMP/FILTER BRACKET ASSEMBLY (DEUTZ TD2.9L4 (STAGE V) ENGINES).....	418
FIGURE 3-42. FUEL PUMP/FILTER BRACKET ASSEMBLY (DEUTZ TD2.9L4 ENGINES) (CHINA III & CHINA IV ENGINE).....	420
FIGURE 3-43. BREATHER HEATER INST (DEUTZ TD2.9L4 ENGINES) .....	422
FIGURE 3-44. FORD ENGINE INSTALLATION - (WITHOUT ARCTIC PACKAGE) .....	424



# TABLE OF CONTENTS

FIGURE 3-45. FORD ENGINE AND PUMP SUB-ASSEMBLY - (WITHOUT ARCTIC PACKAGE).....	428
FIGURE 3-46. FORD ENGINE ASSEMBLY (WITHOUT ARCTIC PACKAGE) .....	430
FIGURE 3-47. FORD ENGINE PREP ASSEMBLY .....	436
FIGURE 3-48. FORD ENGINE BRACKETS AND EXHAUST MANIFOLD INSTALLATION.....	438
FIGURE 3-49. FORD ENGINE DRIVE BELT INSTALLATION (MACHINES WITHOUT GENERATOR) .....	440
FIGURE 3-50. FORD ENGINE COMPONENTS.....	442
FIGURE 3-51. PUMP COUPLING KIT (DEUTZ ENGINES) .....	446
FIGURE 3-52. HYDROSTATIC PUMP ASSEMBLY .....	448
FIGURE 3-53. VARIABLE PUMP ASSEMBLY - DEUTZ TD2.9L4 STAGE V ENGINES.....	450
FIGURE 3-54. VARIABLE PUMP ASSEMBLY - ALL ENGINES EXCEPT FOR DEUTZ TD2.9L4 STAGE V ENGINES .....	454
FIGURE 3-55. HYDROSTATIC PUMP ASSEMBLY.....	456
FIGURE 3-56. EXHAUST PIPE INSTALLATION - DEUTZ TD2.9L4 ENGINES.....	458
FIGURE 3-57. EXHAUST PIPE INSTALLATION - DEUTZ TD2.9L4 (STAGE V) ENGINES .....	460
FIGURE 3-58. EXHAUST PIPE INSTALLATION - FORD DF 2.5L ENGINES .....	462
FIGURE 3-59. SPARK ARRESTOR MUFFLER INSTALLATION - DEUTZ D2011 ENGINES .....	464
FIGURE 3-60. SPARK ARRESTING PIPE (MACHINES WITH SN STARTING WITH B3) .....	466
FIGURE 3-61. FUEL-WATER SEPARATOR INSTALLATION - DEUTZ D2011.....	468
FIGURE 3-62. FUEL-WATER SEPARATOR INSTALLATION - DEUTZ TD2.9L4.....	470
FIGURE 3-63. FUEL FILTER ASSEMBLY (DEUTZ TD2.9L4 ENGINES) .....	472
FIGURE 3-64. RIGHT ENGINE SUPPORT INSTALLATION (DEUTZ D2011 ENGINES MACHINES WITHOUT GENERATORS) .....	474
FIGURE 3-65. RIGHT ENGINE SUPPORT INSTALLATION (DEUTZ D2011 ENGINES MACHINES WITH GENERATORS)....	476
FIGURE 3-66. ENGINE HOOD BAFFLE INSTALLATION - DEUTZ TD2.9L4 AND DEUTZ 2.9L4 (STAGE V) ENGINES WITH ABS HOODS .....	478
FIGURE 3-67. ENGINE HOOD BAFFLE INSTALLATION - DEUTZ TD2.9L4 AND DEUTZ 2.9L4 (STAGE V) ENGINES WITH STEEL HOODS .....	480
FIGURE 3-68. ENGINE TRAY JACK INSTALLATION - DEUTZ ENGINES .....	482
FIGURE 3-69. ENGINE TRAY JACK INSTALLATION - FORD ENGINES.....	484
FIGURE 3-70. QUICKFIT OIL DRAIN VALVE (DEUTZ ENGINES).....	486
FIGURE 3-71. 2500W/110V/60HZ GENERATOR INSTALLATION - DEUTZ D2011 ENGINES .....	488
FIGURE 3-72. 2500W/110V/60HZ GENERATOR INSTALLATION - DEUTZ TD2.9L4 ENGINES.....	490
FIGURE 3-73. 2500W/110V/60HZ GENERATOR INSTALLATION - FORD ENGINES .....	494
FIGURE 3-74. 2500W/220V/50HZ GENERATOR INSTALLATION - DEUTZ D2011 ENGINES.....	498
FIGURE 3-75. 4000W/50HZ GENERATOR INSTALLATION - DEUTZ D2011 ENGINES .....	500
FIGURE 3-76. 4000W/60HZ GENERATOR INSTALLATION - DEUTZ D2011 ENGINES .....	504
FIGURE 3-77. 4000W/50HZ GENERATOR INSTALLATION - DEUTZ TD2.9L4 AND DEUTZ TD2.9L4 (STAGE V) ENGINES .	508
FIGURE 3-78. 4000W/60HZ GENERATOR INSTALLATION - DEUTZ TD2.9L4 ENGINES .....	512
FIGURE 3-79. 7500W/50HZ SKYPOWER GENERATOR INSTALLATION - DEUTZ D2011 ENGINES.....	516
FIGURE 3-80. 7500W/60HZ SKYPOWER GENERATOR INSTALLATION - DEUTZ D2011 ENGINES.....	520
FIGURE 3-81. 7500W/50HZ SKYPOWER GENERATOR INSTALLATION - DEUTZ TD2.9L4 AND DEUTZ TD2.9L4 (STAGE V) ENGINES .....	524
FIGURE 3-82. 7500W/60HZ SKYPOWER GENERATOR INSTALLATION - DEUTZ TD2.9L4 AND DEUTZ TD2.9L4 (STAGE V) ENGINES .....	528
FIGURE 3-83. 7500W/60HZ SKYPOWER GENERATOR INSTALLATION - FORD DF 2.5L ENGINES .....	532
SECTION 4 - BOOM .....	537
FIGURE 4-1. BOOMS AND CYLINDERS INSTALLATION (800S).....	538

# TABLE OF CONTENTS

FIGURE 4-2. BOOMS AND CYLINDERS INSTALLATION (MACHINES WITH SN STARTING WITH 03 OR 13) (860SJ).....	540
FIGURE 4-3. BOOMS AND CYLINDERS INSTALLATION (MACHINES WITH SN STARTING WITH B3) (860SJ) (Prior to SN B300022542, Except SN B300022465 through B300022467) .....	542
FIGURE 4-4. BOOMS AND CYLINDERS INSTALLATION (MACHINES WITH SN STARTING WITH B3) (860SJ) (SN B300022542 to Present, SN B300022465 through B300022467) .....	546
FIGURE 4-5. MAIN BOOM ASSEMBLY (800S).....	550
FIGURE 4-6. MAIN BOOM ASSEMBLY (MACHINES WITH SN STARTING WITH 03 OR 13) (860SJ) .....	554
FIGURE 4-7. MAIN BOOM ASSEMBLY (MACHINES WITH SN STARTING WITH B3) (860SJ) .....	558
FIGURE 4-8. JIB ASSEMBLY (MACHINES WITH SN STARTING WITH 03 OR 13) .....	562
FIGURE 4-9. JIB ASSEMBLY (MACHINES WITH SN STARTING WITH B3) (Prior to SN B300022542, Except SN B300022465 through B300022467).....	564
FIGURE 4-10. JIB ASSEMBLY (MACHINES WITH SN STARTING WITH B3) (860SJ) (SN B300022542 to Present, SN B300022465 through B300022467) .....	566
FIGURE 4-11. ROTATOR ASSEMBLY (800S) .....	568
FIGURE 4-12. ROTATOR ASSEMBLY (860SJ) .....	570
FIGURE 4-13. PLATFORM ROTATOR ASSEMBLY (MACHINES WITH SN STARTING WITH B3) (SN B300022542 to Present, SN B300022465 through B300022467) .....	572
FIGURE 4-14. PLATFORM SUPPORT INSTALLATION (Prior to SN B300022542, Except SN B300022465 through B300022467) .....	574
FIGURE 4-15. PLATFORM SUPPORT INSTALLATION - (MACHINES WITH SN STARTING WITH B3) (SN B300022542 to Present, SN B300022465 through B300022467) .....	576
FIGURE 4-16. PLATFORM SUPPORT ASSEMBLY - (MACHINES WITH SN STARTING WITH B3) (SN B300022542 to Present, SN B300022465 through B300022467) .....	578
FIGURE 4-17. POWER TRACK INSTALLATION - MAIN BOOM (800S).....	580
FIGURE 4-18. POWER TRACK INSTALLATION - MAIN BOOM (860SJ).....	582
FIGURE 4-19. POWERTRACK WITH PLASTIC CLAMP INSTALLATION (MACHINES WITH SN STARTING WITH B3) (EXCEPT CHINESE SPECS).....	584
FIGURE 4-20. POWERTRACK WITH STEEL CLAMP INSTALLATION (MACHINES WITH SN STARTING WITH 03) (ALL SPECS) (800S).....	586
FIGURE 4-21. POWERTRACK WITH STEEL CLAMP INSTALLATION (MACHINES WITH SN STARTING WITH 03) (ALL SPECS) (860SJ) .....	588
FIGURE 4-22. POWERTRACK WITH STEEL CLAMP INSTALLATION (MACHINES WITH SN STARTING WITH B3) (CHINESE SPECS).....	590
FIGURE 4-23. POWER TRACK SUPPORT BRACKET INSTALLATION - MAIN BOOM (860SJ).....	592
FIGURE 4-24. CONTROL VALVE INSTALLATION (800S) .....	594
FIGURE 4-25. CONTROL VALVE INSTALLATION (860SJ).....	596
FIGURE 4-26. PLATFORM VALVE ASSEMBLY (800S).....	598
FIGURE 4-27. PLATFORM VALVE ASSEMBLY (860SJ).....	600
FIGURE 4-28. LEVEL SENSOR SWITCH INSTALLATION.....	602
SECTION 5 - PLATFORM .....	605
FIGURE 5-1. PLATFORM ASSEMBLY WITH DROP-BAR - 30IN X 3FT (76CM X 1M) .....	606
FIGURE 5-2. PLATFORM ASSEMBLY WITH DROP-BAR - 30IN X 4FT (76CM X 1.22M) .....	608
FIGURE 5-3. PLATFORM ASSEMBLY WITH DROP-BAR - 30IN X 5FT (76CM X 1.52M) .....	610
FIGURE 5-4. PLATFORM ASSEMBLY WITH DROP-BAR - 36IN X 6FT (91.5CM X 1.83M) .....	612
FIGURE 5-5. PLATFORM ASSEMBLY WITH DROP BAR - 36IN X 6FT (91.5CM X 1.83M) (SHIPYARD MACHINES).....	614
FIGURE 5-6. PLATFORM ASSEMBLY WITH DROP BAR - 36IN X 6FT (91.5CM X 1.83M) (SHIPYARD MACHINES WITH PLATFORM BUMPERS REQUIRED).....	616
FIGURE 5-7. PLATFORM ASSEMBLY WITH DROP-BAR - 36IN X 8FT (91.5CM X 2.44M) .....	618
FIGURE 5-8. PLATFORM ASSEMBLY WITH GATE - 30IN X 4FT (76CM X 1.22M) .....	620

# TABLE OF CONTENTS

FIGURE 5-9. PLATFORM ASSEMBLY WITH GATE - 30IN X 5FT (76CM X 1.52M).....	622
FIGURE 5-10. PLATFORM ASSEMBLY WITH GATE- 36IN X 6FT (91.5CM X 1.83M).....	624
FIGURE 5-11. PLATFORM ASSEMBLY WITH GATE - 36IN X 8FT (91.5CM X 2.44M).....	626
FIGURE 5-12. PLATFORM ASSEMBLY WITH 1 GATE / 2 DROP BARS (TRI-ENTRY) - 36IN X 6FT (91.5CM X 1.83M) .....	628
FIGURE 5-13. PLATFORM ASSEMBLY WITH 3 DROP BARS (TRI-ENTRY) - 36IN X 6FT (91.5CM X 1.83M) .....	630
FIGURE 5-14. PLATFORM ASSEMBLY WITH 1 GATE / 2 DROP BARS (TRI-ENTRY) - 36IN X 8FT (91.5CM X 2.44M) .....	632
FIGURE 5-15. PLATFORM ASSEMBLY WITH 3 DROP BARS (TRI-ENTRY) - 36IN X 8FT (91.5CM X 2.44M) .....	634
FIGURE 5-16. PLATFORM ASSEMBLY WITH FALL ARREST (6FT) .....	636
FIGURE 5-17. PLATFORM ASSEMBLY WITH FALL ARREST (8FT) .....	638
FIGURE 5-18. PLATFORM CONSOLE AND FOOTSWITCH INSTALLATION .....	640
FIGURE 5-19. PLATFORM CONSOLE ASSEMBLY .....	642
FIGURE 5-20. FOOTSWITCH ASSEMBLY.....	646
FIGURE 5-21. FALL ARREST INSTALLATION (BOLT-ON) (4FT/1.22M PLATFORM) .....	648
FIGURE 5-22. FALL ARREST INSTALLATION (BOLT-ON) (6FT/1.82M PLATFORM) .....	650
FIGURE 5-23. FALL ARREST INSTALLATION (BOLT-ON) (8FT/2.4M PLATFORM) .....	652
FIGURE 5-24. FALL ARREST INSTALLATION (BOLT-ON) (6FT/1.82M TRI-ENTRY PLATFORM) .....	654
FIGURE 5-25. LIGHT PANEL INSTALLATION (MACHINES WITH SN STARTING WITH 03 OR 13).....	656
FIGURE 5-26. LIGHT PANEL INSTALLATION (MACHINES WITH SN STARTING WITH B3) .....	658
FIGURE 5-27. JIB SWITCH INSTALLATION (860SJ).....	660
FIGURE 5-28. SKYEYE INSTALLATION .....	662
FIGURE 5-29. SKYGUARD BAR INSTALLATION .....	664
FIGURE 5-30. SKYLINE INSTALLATION .....	666
FIGURE 5-31. STORAGE TRAY INSTALLATION - CENTER.....	668
FIGURE 5-32. SKYCUTTER INSTALLATION.....	670
FIGURE 5-33. SKYWELDER/SKYCUTTER COMBO INSTALLATION (60HZ).....	672
FIGURE 5-34. PLASMA CUTTER ASSEMBLY.....	676
FIGURE 5-35. SKYWELDER INSTALLATION (50HZ).....	678
FIGURE 5-36. SKYWELDER INSTALLATION (60HZ).....	680
FIGURE 5-37. WELDER ASSEMBLY .....	682
FIGURE 5-38. SKYWELDER PREP PACKAGE (60HZ) .....	684
FIGURE 5-39. SKYGLAZIER INSTALLATION (ENGLISH LANGUAGE DECALS) .....	686
FIGURE 5-40. SKYGLAZIER INSTALLATION (SPANISH LANGUAGE DECALS) .....	688
FIGURE 5-41. SKYGLAZIER INSTALLATION (PORTUGUESE LANGUAGE DECALS).....	690
FIGURE 5-42. SOFT TOUCH SYSTEM INSTALLATION - 6FT/1.83M PLATFORM.....	692
FIGURE 5-43. SOFT TOUCH SYSTEM INSTALLATION - 6FT/1.83M FALL ARREST PLATFORM.....	694
FIGURE 5-44. SOFT TOUCH SYSTEM INSTALLATION - 8FT/2.44M PLATFORM.....	696
FIGURE 5-45. SOFT TOUCH SYSTEM INSTALLATION - 8FT/2.44M FALL ARREST PLATFORM.....	698
FIGURE 5-46. PLATFORM BUMPER PADDING INSTALLATION (OPTIONAL) .....	700
FIGURE 5-47. USB CHARGER INSTALLATION .....	702
SECTION 6 - CYLINDER.....	705
FIGURE 6-1. AXLE LOCKOUT CYLINDER ASSEMBLY .....	706
FIGURE 6-2. AXLE LOCKOUT CYLINDER ASSEMBLY .....	708
FIGURE 6-3. LEVEL CYLINDER ASSEMBLY - PLATFORM SLAVE (800S).....	710
FIGURE 6-4. LEVEL CYLINDER ASSEMBLY - PLATFORM SLAVE (MACHINES WITH SN STARTING WITH 03 OR 13) (860SJ) .....	712

# TABLE OF CONTENTS

FIGURE 6-5. LEVEL CYLINDER ASSEMBLY - PLATFORM SLAVE (MACHINES WITH SN STARTING WITH B3) (860SJ).....	714
FIGURE 6-6. LIFT CYLINDER ASSEMBLY - JIB (860SJ).....	716
FIGURE 6-7. LIFT CYLINDER ASSEMBLY - JIB (860SJ).....	718
FIGURE 6-8. LIFT CYLINDER ASSEMBLY - MAIN BOOM (800S).....	720
FIGURE 6-9. LIFT CYLINDER ASSEMBLY - MAIN BOOM (860SJ).....	722
FIGURE 6-10. LIFT CYLINDER ASSEMBLY - MAIN BOOM (860SJ).....	724
FIGURE 6-11. STEER CYLINDER ASSEMBLY.....	726
FIGURE 6-12. STEER CYLINDER ASSEMBLY.....	728
FIGURE 6-13. TELESCOPE CYLINDER ASSEMBLY (800S).....	730
FIGURE 6-14. TELESCOPE CYLINDER ASSEMBLY (860SJ).....	732
SECTION 7 - HYDRAULIC.....	735
FIGURE 7-1. HYDRAULIC DIAGRAM - AXLE (OSCILLATING).....	736
FIGURE 7-2. HYDRAULIC DIAGRAM - DRIVE (2WD).....	738
FIGURE 7-3. HYDRAULIC DIAGRAM - DRIVE (2WD WITHOUT TOWBAR AND ARCTIC PACKAGE) (ALL SPECS).....	742
FIGURE 7-4. HYDRAULIC DIAGRAM - DRIVE (2WD WITH TOW BAR PACKAGE).....	746
FIGURE 7-5. HYDRAULIC DIAGRAM - DRIVE (4WD WITHOUT ARCTIC PACKAGE).....	750
FIGURE 7-6. HYDRAULIC DIAGRAM - DRIVE (4WD WITH ARCTIC PACKAGE).....	754
FIGURE 7-7. HYDRAULIC DIAGRAM - DRIVE (4WD WITH TOW BAR PACKAGE).....	758
FIGURE 7-8. HYDRAULIC DIAGRAM - DRIVE (4WD WITH ARCTIC & TOW BAR PACKAGE).....	762
FIGURE 7-9. HYDRAULIC DIAGRAM - DRIVE (4WD WITH ARCTIC PACKAGE).....	766
FIGURE 7-10. HYDRAULIC DIAGRAM - STANDARD (WITH TOW BAR PACKAGE) (800S).....	770
FIGURE 7-11. HYDRAULIC DIAGRAM - STANDARD (WITHOUT TOW BAR PACKAGE) (860SJ).....	774
FIGURE 7-12. HYDRAULIC DIAGRAM - DRIVE (4WD WITHOUT ARCTIC PACKAGE) (ANSI, CSA AND JAPANESE SPECS ONLY).....	778
FIGURE 7-13. HYDRAULIC DIAGRAM - DRIVE (4WD WITH ARCTIC PACKAGE) (ANSI, CSA AND RUSSIAN SPECS ONLY).....	782
FIGURE 7-14. HYDRAULIC DIAGRAM - DRIVE (2WD WITH TOWBAR PACKAGE) (ANSI AND CSA SPECS ONLY).....	786
FIGURE 7-15. HYDRAULIC DIAGRAM - DRIVE (4WD WITH TOWBAR PACKAGE) (ANSI, CSA AND RUSSIAN SPECS ONLY).....	790
FIGURE 7-16. HYDRAULIC DIAGRAM - DRIVE (4WD WITH TOWBAR AND ARCTIC PACKAGE) (ANSI AND CSA SPECS ONLY).....	794
FIGURE 7-17. HYDRAULIC DIAGRAM - STANDARD (WITH TOW BAR PACKAGE) (860SJ).....	798
SECTION 8 - ELECTRICAL.....	803
FIGURE 8-1. AC BOX AT PLATFORM INSTALLATION - 110V GFI RECEPTACLE (ALL SPECS EXCEPT AUSTRALIAN, CE & UK CA SPECS).....	804
FIGURE 8-2. AC BOX AT PLATFORM INSTALLATION - 220V (ANSI, CSA & JAPANESE SPECS).....	806
FIGURE 8-3. AC BOX AT PLATFORM MID-BOOM PLUG INSTALLATION (WITHOUT 7500W SKYPOWER GENERATOR) (ANSI EXPORT, AUSTRALIAN, CE & UK CA SPECS).....	808
FIGURE 8-4. AC BOX AT PLATFORM MID-BOOM PLUG INSTALLATION (WITHOUT GENERATOR) (CHINA SPECS).....	810
FIGURE 8-5. AC BOX AT PLATFORM INSTALLATION - 110V IEC 60309 YELLOW WITHOUT 2500W GENERATOR (CE & UK CA SPECS).....	812
FIGURE 8-6. AC BOX AT PLATFORM INSTALLATION - 110V IEC 60309 YELLOW WITH 2500W GENERATOR (CE & UK CA SPECS).....	814
FIGURE 8-7. AC BOX AT PLATFORM INSTALLATION - 110V IEC YELLOW (CE & UK CA SPECS) (MACHINES WITH 4000W GENERATOR).....	816
FIGURE 8-8. AC BOX AT PLATFORM INSTALLATION - 220V IEC BLUE (CE & UK CA SPECS) (MACHINES WITH 2500W GENERATOR OR NO GENERATOR OPTION).....	818

# TABLE OF CONTENTS

FIGURE 8-9. AC BOX AT PLATFORM INSTALLATION - 220V IEC 60309 BLUE WITH 2500W GENERATOR (CE & UK CA SPECS) .....	820
FIGURE 8-10. AC BOX AT PLATFORM INSTALLATION - 220V IEC BLUE (CE & UK CA SPECS) (MACHINES WITH 4000W GENERATOR).....	822
FIGURE 8-11. AC BOX AT PLATFORM INSTALLATION - 220V CEE7 POST GROUND (CE & UK CA SPECS) (MACHINES WITH 2500W GENERATOR OR NO GENERATOR OPTION) .....	824
FIGURE 8-12. AC BOX AT PLATFORM INSTALLATION - 220V CEE7 POST GROUND (2X4 BOX) WITH 2500W GENERATOR (CE & UK CA SPECS).....	826
FIGURE 8-13. AC BOX AT PLATFORM INSTALLATION - 220V CEE7 POST GROUND (CE & UK CA SPECS) (MACHINES WITH 4000W GENERATOR) .....	828
FIGURE 8-14. AC BOX AT PLATFORM INSTALLATION - 220V CEE7 SIDE GROUND (CE & UK CA SPECS) (MACHINES WITH 2500W GENERATOR OR NO GENERATOR OPTION) .....	830
FIGURE 8-15. AC BOX AT PLATFORM INSTALLATION - 220V CEE7 SIDE GROUND (2X4 BOX) WITH 2500W GENERATOR (CE & UK CA SPECS).....	832
FIGURE 8-16. AC BOX AT PLATFORM INSTALLATION - 220V CEE7 SIDE GROUND (CE & UK CA SPECS) (MACHINES WITH 4000W GENERATOR) .....	834
FIGURE 8-17. AC BOX AT PLATFORM INSTALLATION - 220V AFSINT 107 KEYED GROUND (CE & UK CA SPECS) (MACHINES WITH 2500W GENERATOR OR NO GENERATOR OPTION) .....	836
FIGURE 8-18. AC BOX AT PLATFORM INSTALLATION - 220V AFSINT 107 KEYED GROUND (2X4 BOX) WITH 2500W GENERATOR (CE & UK CA SPECS) .....	838
FIGURE 8-19. AC BOX AT PLATFORM INSTALLATION - 220V AFSINT 107 KEYED GROUND (CE & UK CA SPECS) (MACHINES WITH 4000W GENERATOR) .....	840
FIGURE 8-20. AC BOX AT PLATFORM INSTALLATION - 220V (2X4 BOX & COVER ONLY - LOCALLY SUPPLIED RECEPTACLE) (4000W GENERATOR) .....	842
FIGURE 8-21. AC BOX AT PLATFORM INSTALLATION - 240V GFCI RECEPTACLE (ANSI, ANSI EXPORT AND CSA SPECS WITH 4000W SKYPOWER GENERATOR).....	844
FIGURE 8-22. AC BOX AT PLATFORM INSTALLATION - 240V GFCI RECEPTACLE (ANSI AND CSA SPECS WITH 7500W SKYPOWER GENERATOR) .....	846
FIGURE 8-23. AC CABLE WITH 16 AMP BREAKER INSTALLATION (WITHOUT 7500W SKYPOWER GENERATOR) (CE & UK CA SPECS) .....	848
FIGURE 8-24. AC CABLE WITH 10 AMP BREAKER INSTALLATION (WITHOUT 7500W SKYPOWER GENERATOR) (CE & UK CA SPECS) .....	850
FIGURE 8-25. ANALYZER CABLE HARNESS .....	852
FIGURE 8-26. BEACON CONTROL HARNESS (BLUE AND RED STROBE LIGHTS).....	854
FIGURE 8-27. BATTERY DISCONNECT SWITCH INSTALLATION .....	856
FIGURE 8-28. BOOM CABLES INSTALLATION - WITHOUT ARCTIC PACKAGE (ALL SPECS) (800S).....	858
FIGURE 8-29. BOOM CABLES INSTALLATION - WITH ARCTIC PACKAGE (ANSI, ANSI EXPORT AND CSA SPECS) (800S) .....	860
FIGURE 8-30. BOOM CABLES INSTALLATION - WITH 4000W GENERATOR AND WITHOUT ARCTIC PACKAGE (ANSI, ANSI EXPORT, CSA AND JAPANESE SPECS) (800S) .....	862
FIGURE 8-31. BOOM CABLES INSTALLATION - WITH 7500W GENERATOR AND WITHOUT ARCTIC PACKAGE (ALL SPECS) (800S).....	864
FIGURE 8-32. BOOM CABLES INSTALLATION - WITH 7500W GENERATOR AND WITH ARCTIC PACKAGE (ANSI, ANSI EXPORT AND CSA SPECS) (800S).....	866
FIGURE 8-33. BOOM CABLES INSTALLATION - WITHOUT ARCTIC PACKAGE (ALL SPECS) (860SJ).....	868
FIGURE 8-34. BOOM CABLES INSTALLATION - WITH ARCTIC PACKAGE (ANSI, ANSI EXPORT AND CSA SPECS) (860SJ) .....	870
FIGURE 8-35. BOOM CABLES INSTALLATION - WITH 4000W GENERATOR AND WITHOUT ARCTIC PACKAGE (ANSI, ANSI EXPORT, CSA AND JAPANESE SPECS) (860SJ).....	872
FIGURE 8-36. BOOM CABLES INSTALLATION - WITH 7500W GENERATOR AND WITHOUT ARCTIC PACKAGE (ALL SPECS) (860SJ).....	874
FIGURE 8-37. BOOM CABLES INSTALLATION - WITH 7500W GENERATOR AND WITH ARCTIC PACKAGE (ANSI, ANSI EXPOERT AND CSA SPECS) (860SJ).....	876

# TABLE OF CONTENTS

FIGURE 8-38. BOOM CABLES INSTALLATION - WITHOUT AC CABLES (CHINA SPECS) (860SJ) .....	878
FIGURE 8-39. BOOM HARNESS (MAIN BOOM) (WITHOUT ARCTIC PACKAGE) (800S) .....	880
FIGURE 8-40. BOOM HARNESS (MAIN BOOM) (WITH ARCTIC PACKAGE) (800S) .....	882
FIGURE 8-41. BOOM HARNESS (MAIN BOOM) (WITHOUT ARCTIC PACKAGE) (860SJ) .....	884
FIGURE 8-42. BOOM HARNESS (MAIN BOOM) (WITH ARCTIC PACKAGE) (860SJ).....	886
FIGURE 8-43. BOOM CABLE (TOWER BOOM) (WITHOUT ARCTIC PACKAGE).....	888
FIGURE 8-44. BOOM CABLE (TOWER BOOM) (WITHOUT ARCTIC PACKAGE).....	890
FIGURE 8-45. BREAKER BOX KIT - ONE DOUBLE 16AMP BREAKER (CE & UK CA SPECS WITHOUT 7500W GENERATOR) .....	892
FIGURE 8-46. BREAKER BOX KIT - ONE DOUBLE 16AMP BREAKER (WITH 4000W/50HZ GENERATOR).....	894
FIGURE 8-47. BREAKER BOX KIT - 10 AMP (CE & UK CA SPECS WITHOUT 7500W GENERATOR) .....	896
FIGURE 8-48. CLEARSKY INSTALLATION - 3G CANBUS CONNECTION (ANSI EXPORT, CE & UK CA SPECS) .....	898
FIGURE 8-49. CLEARSKY INSTALLATION - 3G CANBUS CONNECTION (AUSTRALIAN SPECS) .....	900
FIGURE 8-50. CLEARSKY INSTALLATION - 4G CANBUS CONNECTION (ANSI & CSA SPECS).....	902
FIGURE 8-51. CLEARSKY INSTALLATION - 4G CANBUS CONNECTION (CHINA SPECS).....	904
FIGURE 8-52. CLEARSKY INSTALLATION 3-WIRE CONNECTION (ALL SPECS EXCEPT UL & CHINA SPECS) .....	906
FIGURE 8-53. CLEARSKY HARNESS - 3G & 4G CANBUS CONNECTIONS .....	908
FIGURE 8-54. CLEARSKY HARNESS - 3 WIRE CONNECTION.....	910
FIGURE 8-55. CSB HARNESS.....	912
FIGURE 8-56. ECU POWER JUMPER HARNESS.....	914
FIGURE 8-57. ENGINE HARNESS - DEUTZ D2011 ENGINES (ANSI EXPORT (LRC) AND AUSTRALIAN SPECS) .....	916
FIGURE 8-58. ENGINE HARNESS - DEUTZ D2011 ENGINES (CE & UK CA SPECS) .....	918
FIGURE 8-59. GROUND CONTROL ENGINE HARNESS - DEUTZ TD2.9L4 (STAGE V) ENGINE .....	920
FIGURE 8-60. ENGINE HARNESS - DEUTZ TD2.9L4 ENGINES & CHINA IV ENGINES WITHOUT DIESEL PARTICULATE FILTER.....	922
FIGURE 8-61. ENGINE HARNESS - DEUTZ TD2.9L4 (STAGE V & CHINA IV) ENGINES WITH DIESEL PARTICULATE FILTER .....	926
FIGURE 8-62. ENGINE HARNESS - FORD DF 2.5L ENGINES .....	930
FIGURE 8-63. FUEL PUMP HARNESS - DEUTZ TD2.9L4 ENGINES .....	932
FIGURE 8-64. FUEL HARNESS - DEUTZ TD2.9L4 (STAGE V) ENGINE .....	934
FIGURE 8-65. GENERATOR TO ENGINE HARNESS - 2500W (FORD ENGINES).....	936
FIGURE 8-66. GENERATOR TO ENGINE HARNESS - 4000W/50HZ (DEUTZ D2011 ENGINES).....	938
FIGURE 8-67. GENERATOR TO ENGINE HARNESS - 4000W/60HZ (DEUTZ ENGINES) .....	940
FIGURE 8-68. GENERATOR TO ENGINE HARNESS - 4000W/50HZ (DEUTZ TD2.9L4 ENGINES).....	942
FIGURE 8-69. GENERATOR TO ENGINE HARNESS - 7500W SKYPOWER GENERATOR (DEUTZ D2011 ENGINES) .....	944
FIGURE 8-70. GENERATOR HARNESS - 7500W SKYPOWER (DEUTZ TD2.9L4 T4F ENGINES) .....	946
FIGURE 8-71. GENERATOR TO ENGINE HARNESS - 7500W SKYPOWER (FORD DF 2.5L ENGINES).....	948
FIGURE 8-72. GENERATOR TO REAR OF BOOM HARNESS - 110V .....	950
FIGURE 8-73. GENERATOR TO REAR OF BOOM HARNESS - 220V .....	952
FIGURE 8-74. GROUND CONTROL BOX HARNESS .....	954
FIGURE 8-75. HOLDING VALVE/LIFT DUMP HARNESS ASSEMBLY (WITHOUT ARCTIC PACKAGE).....	956
FIGURE 8-76. HOLDING VALVE/LIFT DUMP HARNESS ASSEMBLY (WITH ARCTIC PACKAGE) .....	958
FIGURE 8-77. PLATFORM CONSOLE BOX HARNESS .....	960
FIGURE 8-78. RECEPTACLE BOX KIT - 110V IEC YELLOW WITHOUT 2500W GENERATOR (CE & UK CA SPECS) .....	962
FIGURE 8-79. RECEPTACLE BOX KIT - 110V IEC YELLOW WITH 2500W GENERATOR (CE & UK CA SPECS) .....	964
FIGURE 8-80. RECEPTACLE BOX KIT - 220V IEC BLUE WITHOUT 2500W GENERATOR (CE & UK CA SPECS) .....	966

# TABLE OF CONTENTS

FIGURE 8-81. RECEPTACLE BOX KIT - 220V IEC BLUE WITH 2500W GENERATOR (CE & UK CA SPECS) .....	968
FIGURE 8-82. RECEPTACLE BOX KIT - 220V CEE7 POST GROUND 2X4 BOX (CE & UK CA SPEC) .....	970
FIGURE 8-83. RECEPTACLE BOX KIT - 220V CEE7 POST GROUND 2X4 BOX WITH 2500W GENERATOR (CE & UK CA SPEC).....	972
FIGURE 8-84. RECEPTACLE BOX KIT - 220V CEE7 SIDE GROUND 2X4 BOX (CE & UK CA SPEC).....	974
FIGURE 8-85. RECEPTACLE BOX KIT - 220V CEE7 SIDE GROUND 2X4 BOX WITH 2500W GENERATOR (CE & UK CA SPEC).....	976
FIGURE 8-86. RECEPTACLE BOX KIT - 220V AFSINT107 KEYED GROUND (CE & UK CA SPECS) .....	978
FIGURE 8-87. RECEPTACLE BOX KIT - 220V AFSINT107 KEYED GROUND 2X4 BOX WITH 2500W GENERATOR (CE & UK CA SPECS) .....	980
FIGURE 8-88. SKYEYE INTERMEDIATE HARNESS.....	982
FIGURE 8-89. SKYEYE RECEIVER HARNESS .....	984
FIGURE 8-90. SKYEYE EMITTER HARNESS.....	986
FIGURE 8-91. SKYLINE HARNESS.....	988
FIGURE 8-92. SKYGUARD INTERFACE HARNESS .....	990
FIGURE 8-93. STROBE LIGHT JUMPER HARNESS.....	992
FIGURE 8-94. TILT SENSOR HARNESS .....	994
FIGURE 8-95. VALVE HARNESS .....	996
SECTION 9 - DECALS.....	999
FIGURE 9-1. DECAL INSTALLATION (ANSI SPECS) (800S) .....	1000
FIGURE 9-2. DECAL INSTALLATION (AUSTRALIAN SPECS) (800S) .....	1004
FIGURE 9-3. DECAL INSTALLATION (BRAZILIAN SPECS) (800S) .....	1008
FIGURE 9-4. DECAL INSTALLATION (CE & UK CA SPECS) (800S) .....	1012
FIGURE 9-5. DECAL INSTALLATION (CHINESE SPECS) (800S).....	1016
FIGURE 9-6. DECAL INSTALLATION (CSA SPECS) (800S) .....	1020
FIGURE 9-7. DECAL INSTALLATION (JAPANESE SPECS) (800S).....	1024
FIGURE 9-8. DECAL INSTALLATION (KOREAN SPECS) (800S) .....	1028
FIGURE 9-9. DECAL INSTALLATION (LATIN AMERICAN SPECS) (800S) .....	1032
FIGURE 9-10. DECAL INSTALLATION (ANSI SPECS) (860SJ) .....	1036
FIGURE 9-11. DECAL INSTALLATION (AUSTRALIAN SPECS) (860SJ) .....	1040
FIGURE 9-12. DECAL INSTALLATION (BRAZILIAN SPECS) (860SJ) .....	1044
FIGURE 9-13. DECAL INSTALLATION(CE & UK CA SPECS) (860SJ) .....	1048
FIGURE 9-14. DECAL INSTALLATION (CHINESE SPECS) (860SJ).....	1052
FIGURE 9-15. DECAL INSTALLATION (CSA SPECS) (860SJ) .....	1056
FIGURE 9-16. DECAL INSTALLATION (JAPANESE SPECS) (860SJ).....	1060
FIGURE 9-17. DECAL INSTALLATION (KOREAN SPECS) (860SJ).....	1064
FIGURE 9-18. DECAL INSTALLATION (LATIN AMERICAN SPECS) (860SJ).....	1068
FIGURE 9-19. DECAL INSTALLATION - OPTIONS .....	1072
FIGURE 9-20. SKYWELDER DECAL INSTALLATION - 50HZ .....	1076
FIGURE 9-21. SKYWELDER DECAL INSTALLATION - 60HZ .....	1078
SECTION 10 - RECOMMENDED SERVICE PARTS STOCK .....	1081
FIGURE 10-1. RECOMMENDED SERVICE PARTS STOCK .....	1082
SECTION 11 - SPECIAL OPTIONS.....	1085
FIGURE 11-1. SPECIAL OPTIONS/ACCESSORIES/KITS.....	1086

# TABLE OF CONTENTS

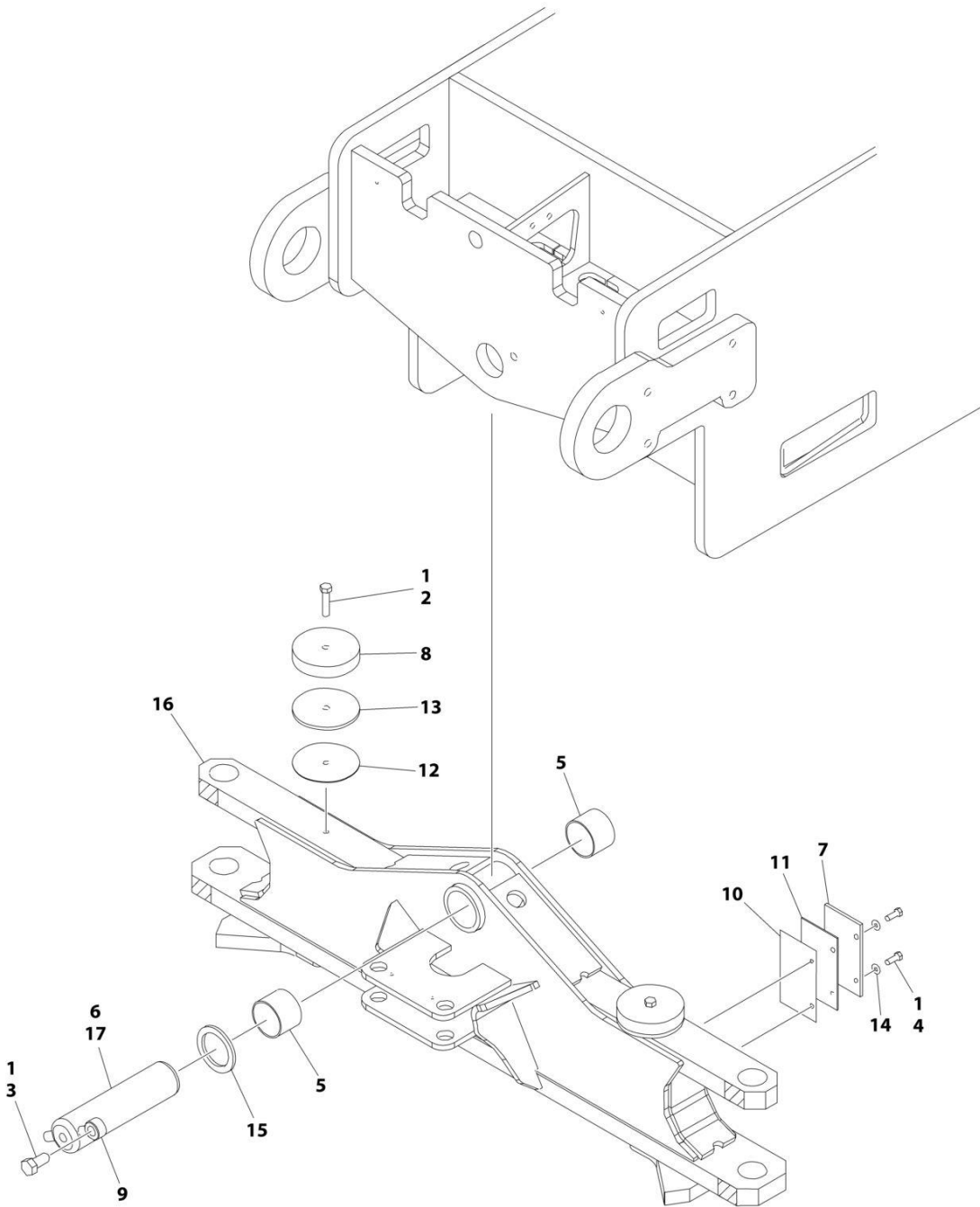
PART NUMBER INDEX..... 1093



**SECTION 1 - FRAME**

# SECTION 1 - FRAME

## FIGURE 1-1. AXLE INSTALLATION - FIXED (WITHOUT TOW PACKAGE)



ART\_1001151037

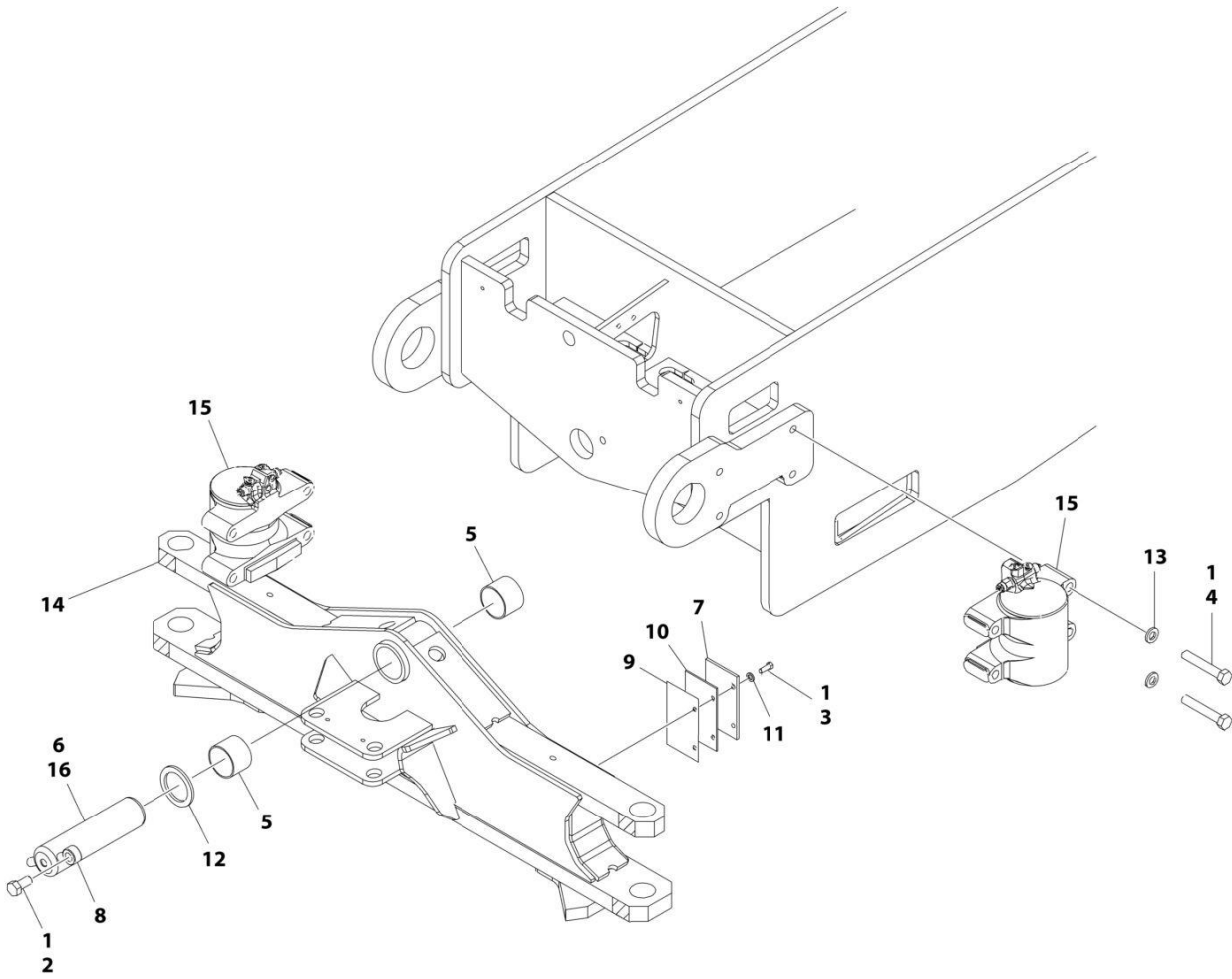
## SECTION 1 - FRAME

**FIGURE 1-1. AXLE INSTALLATION - FIXED (WITHOUT TOW PACKAGE)**

ITEM	PART NUMBER	QTY	DESCRIPTION	REV
	1001151037	Ref	FIXED AXLE INSTALLATION	C
1	0100011	AR	Compound, Locking	
2	0641818	2	Bolt 1/2 x 2-1/4	
3	0642212	1	Bolt 3/4 x 1-1/2	
4	0681608	4	Bolt 3/8 x 1 Grade 8	
5	0962102	2	Bushing	
6	3020039	AR	Lubricant	
7	3538047	2	Shim, Wear	
8	3539877	2	Plate, Stop	
9	3841287	1	Keeper, Pin	
10	4070878	AR	Shim 1/16	
11	4070879	AR	Shim 1/8	
12	4070944	AR	Shim 1/16	
13	4070945	AR	Shim 1/4	
14	4711600	4	Washer 3/8	
15	4740472	1	Washer, Special	
16	1001152719	1	Axle	
17	1001156710	1	Pin	

# SECTION 1 - FRAME

FIGURE 1-2. AXLE INSTALLATION - OSCILLATING (WITHOUT TOW PACKAGE) (MACHINES WITH SN STARTING WITH 03 OR 13)



ART\_1001154584

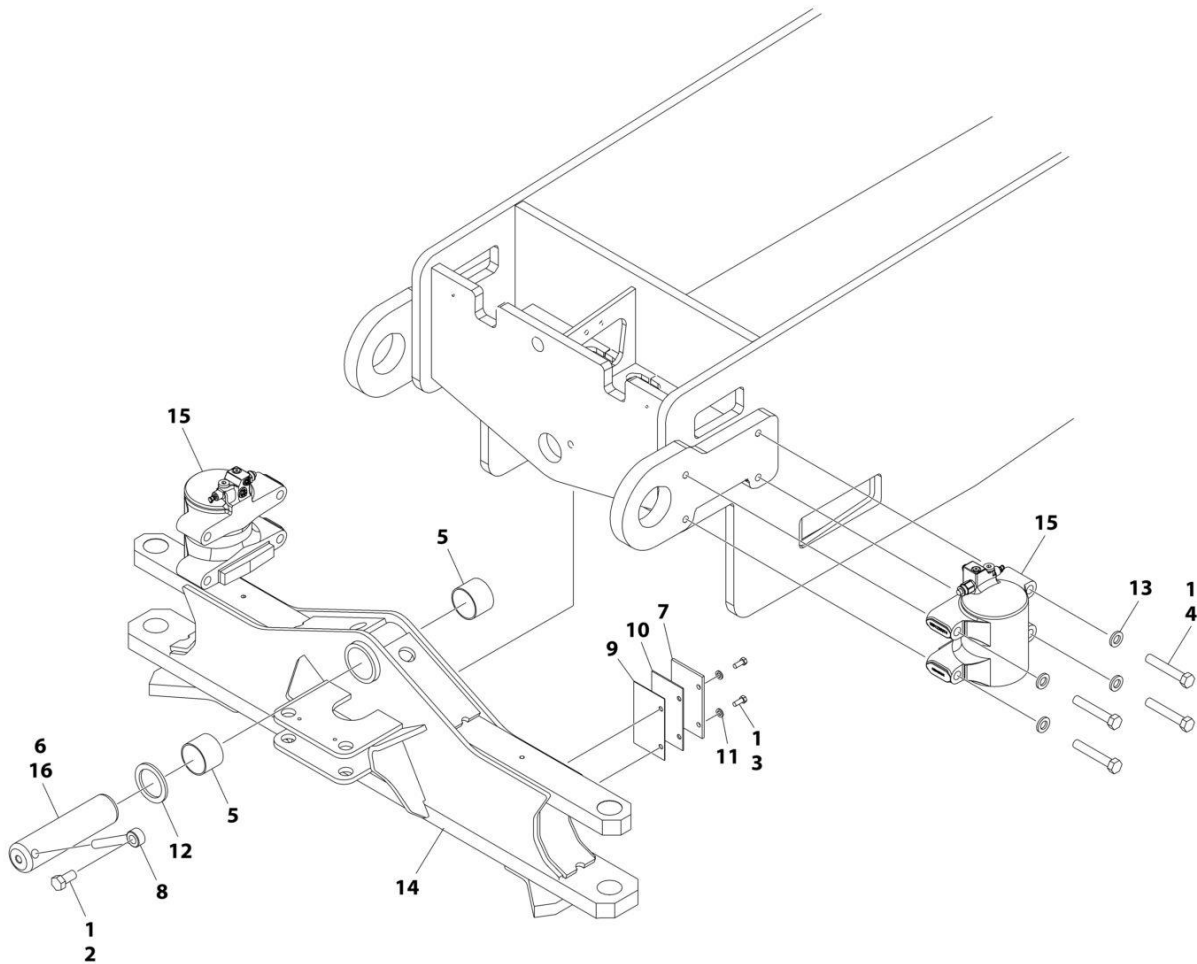
## SECTION 1 - FRAME

**FIGURE 1-2. AXLE INSTALLATION - OSCILLATING (WITHOUT TOW PACKAGE) (MACHINES WITH SN STARTING WITH 03 OR 13)**

ITEM	PART NUMBER	QTY	DESCRIPTION	REV
	1001154584	Ref	AXLE INSTALLATION	D
1	0100011	AR	Compound, Locking	
2	0642212	1	Bolt 3/4 x 1-1/2	
3	0681608	4	Bolt 3/8 x 1 Grade 8	
4	0682236	8	Bolt 3/4 x 4-1/2 Grade 8	
5	0962102	2	Bushing	
6	3020039	AR	Lubricant	
7	3538047	2	Shim .25	
8	3841287	1	Keeper, Pin	
9	4070878	AR	Shim 16 Gauge	
10	4070879	AR	Shim 11 Gauge	
11	4711600	4	Washer 3/8	
12	4740472	1	Washer	
13	4892200	8	Washer 3/4	
14	1001152719	1	Axle	
15	1001204560	2	Axle Lockout Cylinder Assembly (See Separate Breakdown in CYLINDER SECTION)	
16	1001156710	1	Pin	

# SECTION 1 - FRAME

FIGURE 1-3. AXLE INSTALLATION - OSCILLATING (WITHOUT TOW PACKAGE) (MACHINES WITH SN STARTING WITH B3)



ART\_1001231147

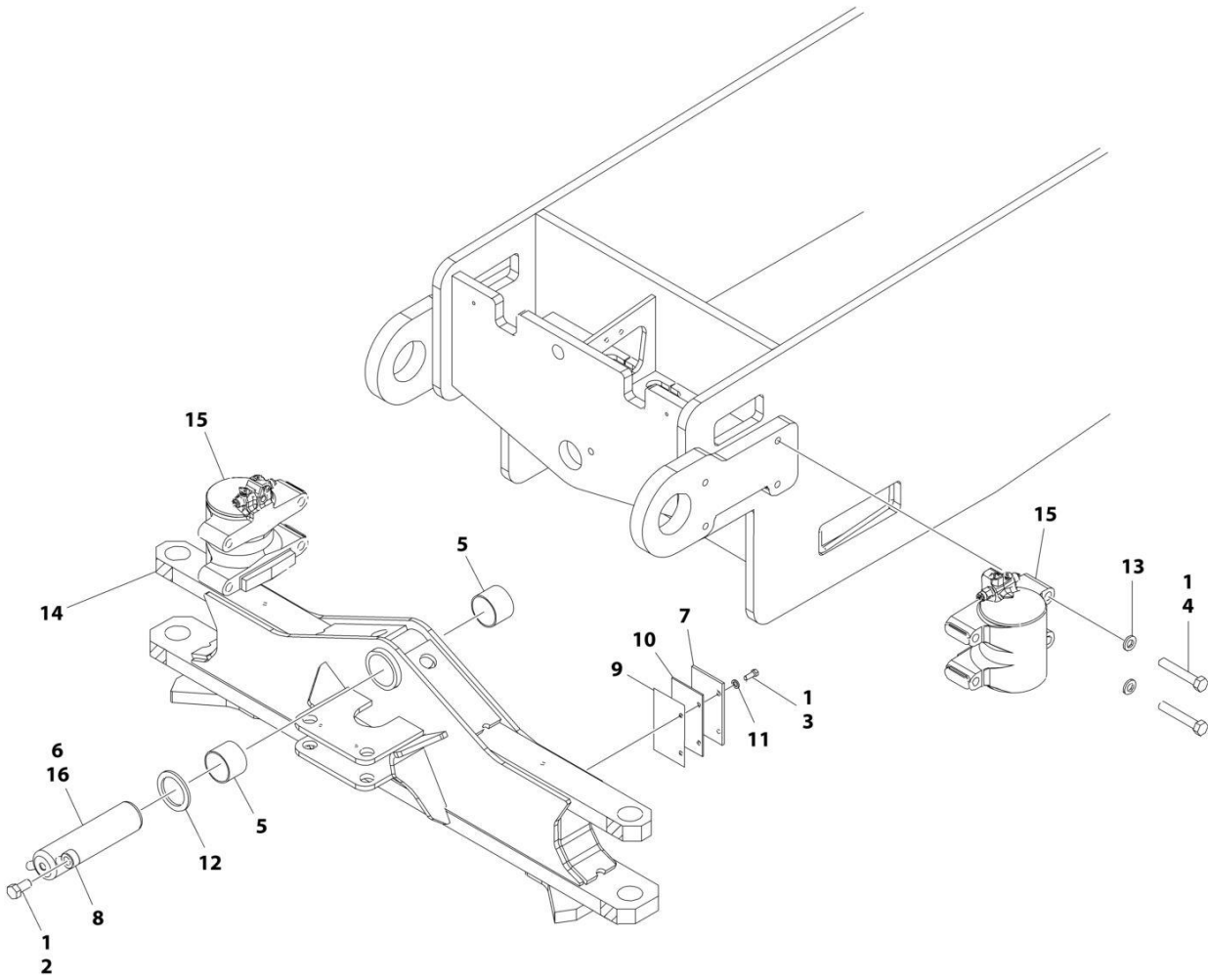
## SECTION 1 - FRAME

**FIGURE 1-3. AXLE INSTALLATION - OSCILLATING (WITHOUT TOW PACKAGE) (MACHINES WITH SN STARTING WITH B3)**

ITEM	PART NUMBER	QTY	DESCRIPTION	REV
	1001231147	Ref	OSCILLATING AXLE INSTALLATION	A
1	0100011	AR	Compound, Locking	
2	0642212	1	Bolt 3/4 x 1-1/2	
3	0681608	4	Bolt 3/8 x1 Grade 8	
4	0682236	8	Bolt 3/4 x 4-1/2 Grade 8	
5	0962102	2	Bushing	
6	3020039	AR	Lubricant	
7	3538047	2	Shim, Axle Wear	
8	3841287	1	Shaft, Keeper 3/8 x 6	
9	4070878	2	Shim, Axle Wear	
10	4070879	2	Shim, Axle Wear	
11	4711600	4	Washer 3/8	
12	4740472	1	Washer, Special	
13	4892200	8	Flatwasher 3/4in Hardened	
14	1001152719	1	Axle	
15	1001230374	2	Axle Lockout Cylinder Assembly (See Separate Breakdown in CYLINDER SECTION)	
16	1001156710	1	Pin	

# SECTION 1 - FRAME

FIGURE 1-4. AXLE INSTALLATION - OSCILLATING (WITH TOW PACKAGE) (MACHINES WITH SN STARTING WITH 03)



ART\_1001155194



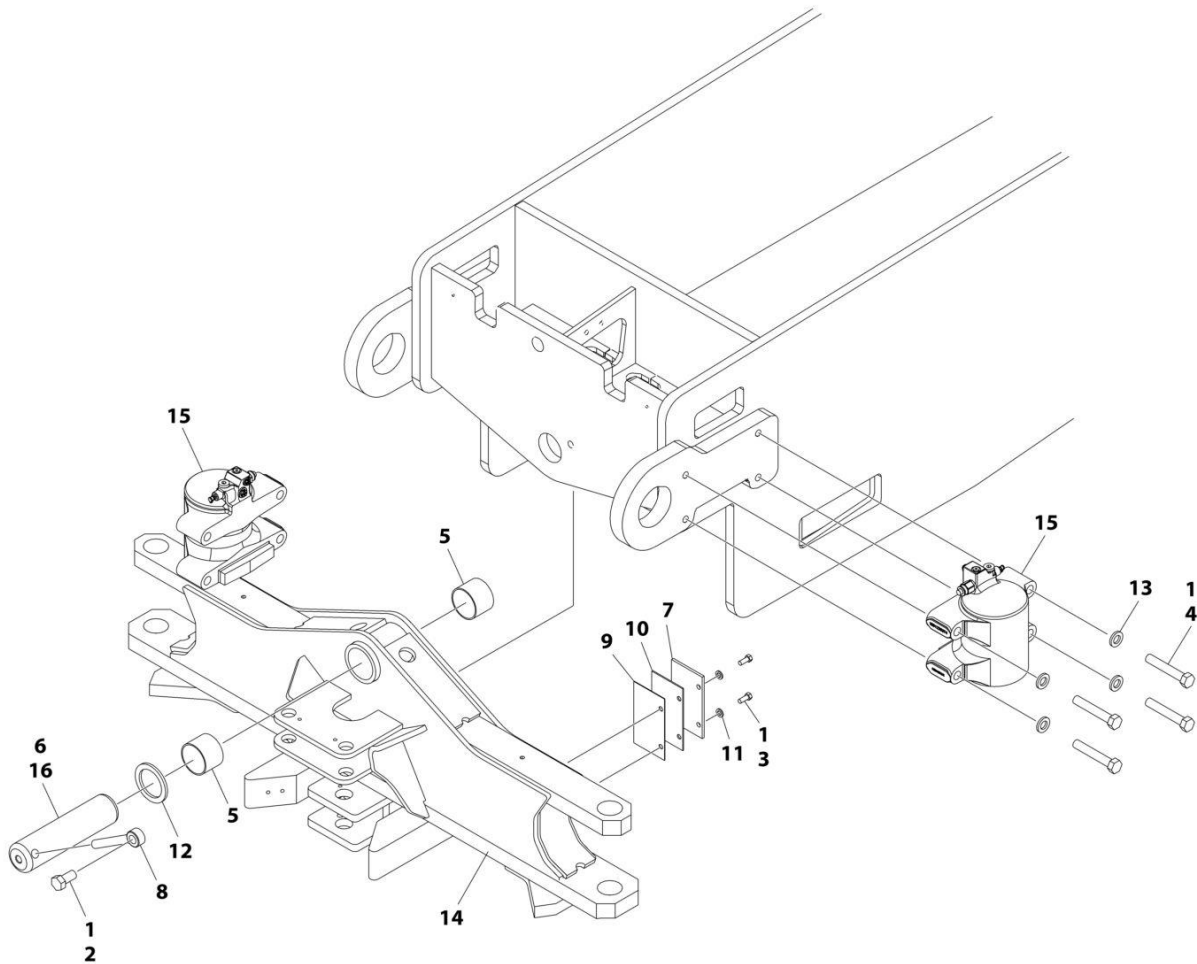
## SECTION 1 - FRAME

**FIGURE 1-4. AXLE INSTALLATION - OSCILLATING (WITH TOW PACKAGE) (MACHINES WITH SN STARTING WITH 03)**

ITEM	PART NUMBER	QTY	DESCRIPTION	REV
	1001155194	Ref	AXLE INSTALLATION	D
1	0100011	AR	Compound, Locking	
2	0642212	1	Bolt 3/4 x 1-1/2	
3	0681608	4	Bolt 3/8 x 1 Grade 8	
4	0682236	8	Bolt 3/4 x 4-1/2 Grade 8	
5	0962102	2	Bushing	
6	3020039	AR	Lubricant	
7	3538047	2	Shim .25	
8	3841287	1	Keeper, Pin	
9	4070878	AR	Shim 16 Gauge	
10	4070879	AR	Shim 11 Gauge	
11	4711600	4	Washer 3/8	
12	4740472	1	Washer	
13	4892200	8	Washer 3/4	
14	1001154875	1	Axle	
15	1001204560	2	Axle Lockout Cylinder Assembly (See Separate Breakdown in CYLINDER SECTION)	
16	1001156710	1	Pin	

# SECTION 1 - FRAME

FIGURE 1-5. AXLE INSTALLATION - OSCILLATING (WITH TOW PACKAGE) (MACHINES WITH SN STARTING WITH B3)



ART\_1001232540

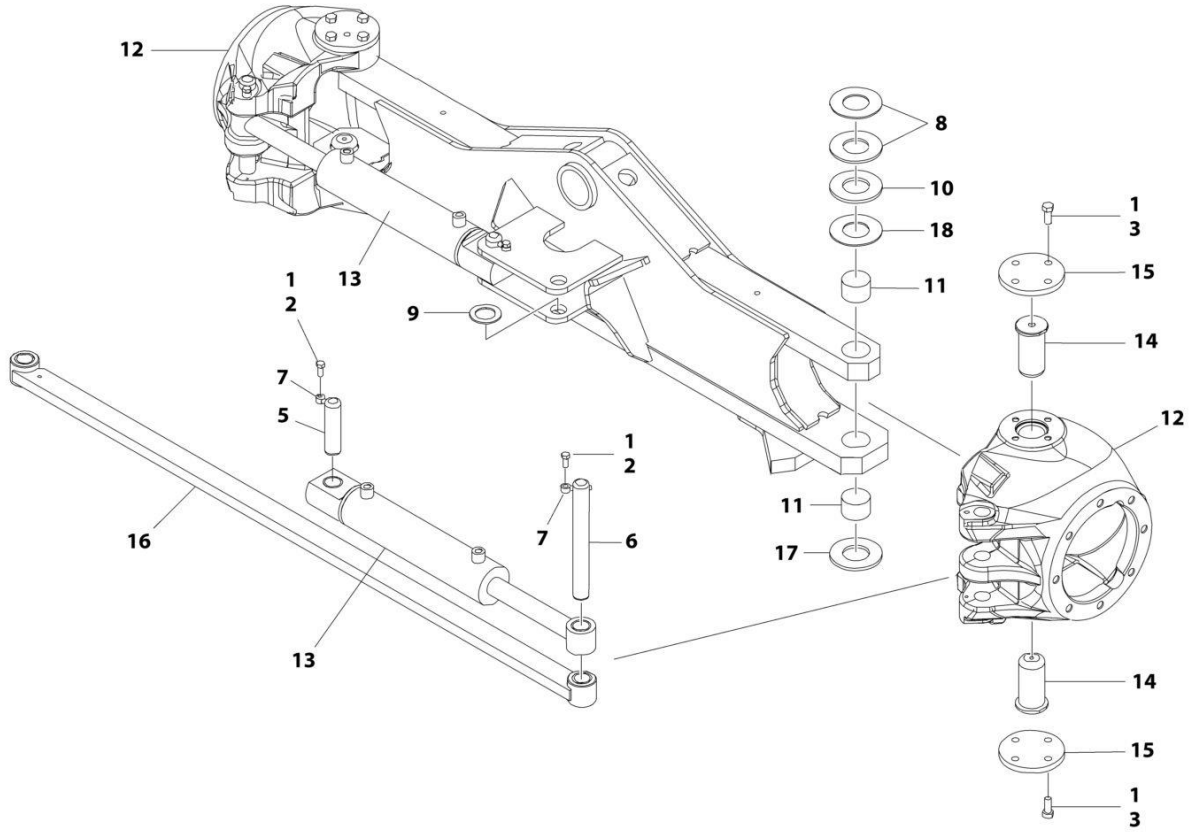
## SECTION 1 - FRAME

**FIGURE 1-5. AXLE INSTALLATION - OSCILLATING (WITH TOW PACKAGE) (MACHINES WITH SN STARTING WITH B3)**

ITEM	PART NUMBER	QTY	DESCRIPTION	REV
	1001232540	Ref	OSCILLATING AXLE INSTALLATION	A
1	0100011	AR	Compound, Locking	
2	0642212	1	Bolt 3/4 x 1-1/2	
3	0681608	4	Bolt 3/8 x1 Grade 8	
4	0682236	8	Bolt 3/4 x 4-1/2 Grade 8	
5	0962102	2	Bushing	
6	3020039	AR	Lubricant	
7	3538047	2	Shim, Axle Wear	
8	3841287	1	Shaft, Keeper 3/8 x 6	
9	4070878	2	Shim, Axle Wear	
10	4070879	2	Shim, Axle Wear	
11	4711600	4	Washer 3/8	
12	4740472	1	Washer, Special	
13	4892200	8	Washer 3/4 Hardened	
14	1001154875	1	Axle	
15	1001230374	2	Axle Lockout Cylinder Assembly (See Separate Breakdown in CYLINDER SECTION)	
16	1001156710	1	Pin	

# SECTION 1 - FRAME

FIGURE 1-6. STEERING INSTALLATION - WITHOUT TOW PACKAGE (MACHINES WITH SN STARTING WITH 03 OR 13)



ART\_1001151034

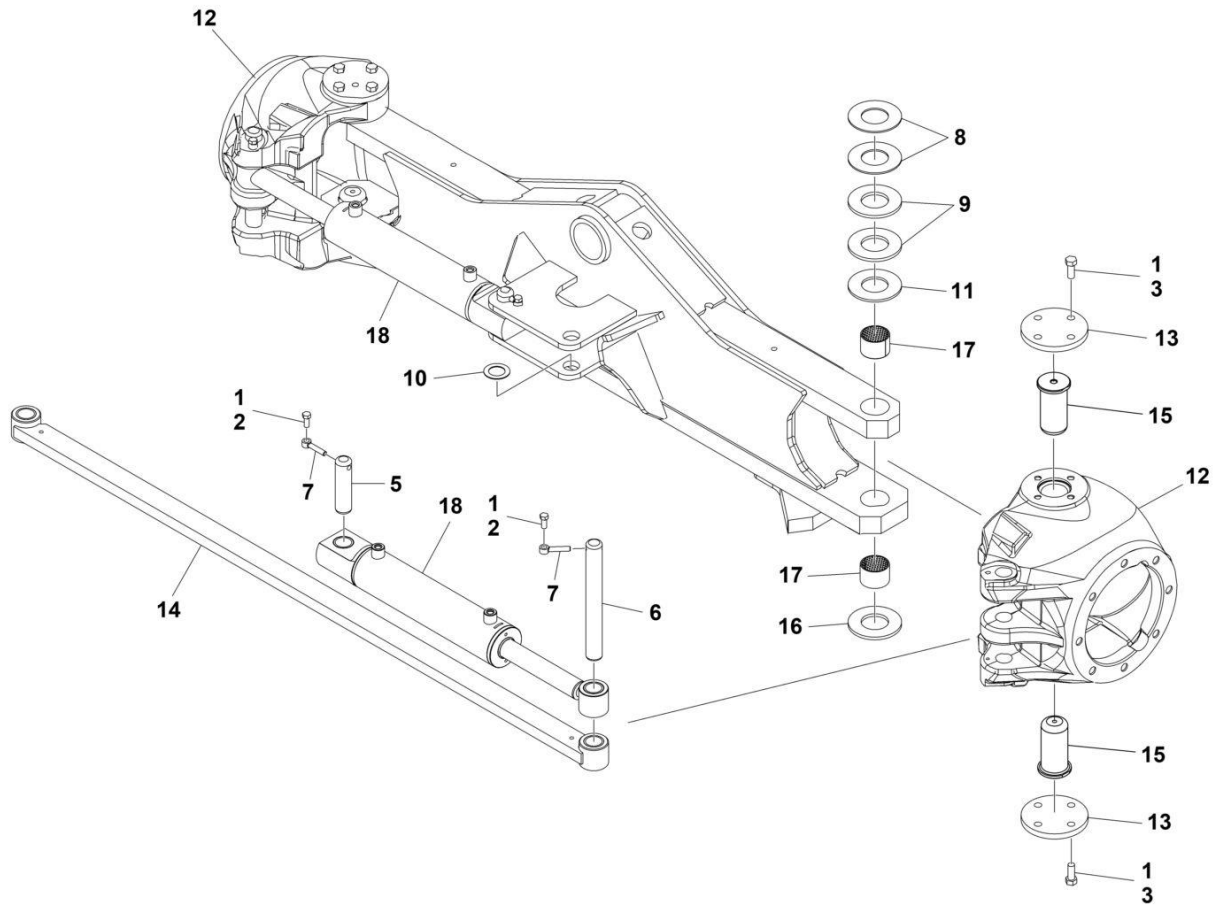
## SECTION 1 - FRAME

**FIGURE 1-6. STEERING INSTALLATION - WITHOUT TOW PACKAGE (MACHINES WITH SN STARTING WITH 03 OR 13)**

ITEM	PART NUMBER	QTY	DESCRIPTION	REV
	1001151034	Ref	STEER INSTALLATION	H
1	0100011	AR	Compound, Locking	
2	0641607	4	Bolt 3/8 x 7/8	
3	0641810	16	Bolt 1/2 x 1-1/4	
5	3422417	2	Pin	
6	3422790	2	Pin	
7	3841520	4	Keeper, Pin	
8	4740256	AR	Washer, Thrust	
9	4740473	2	Washer	
10	1001103810	AR	Washer, Thrust	
11	1001165657	4	Bearing	
12	1001150372	2	Spindle	
13	1001150539	2	Steer Cylinder Assembly (See Separate Breakdown in CYLINDER SECTION)	
14	1001161355	4	Kingpin	
15	1001150937	4	Plate	
16	1001151980	1	Tie-Rod	
17	1001161399	2	Washer, Thrust	
18	4740463	AR	Washer, Thrust	

# SECTION 1 - FRAME

FIGURE 1-7. STEERING INSTALLATION - WITHOUT TOW PACKAGE (MACHINES WITH SN STARTING WITH B3)



ART\_1001230783

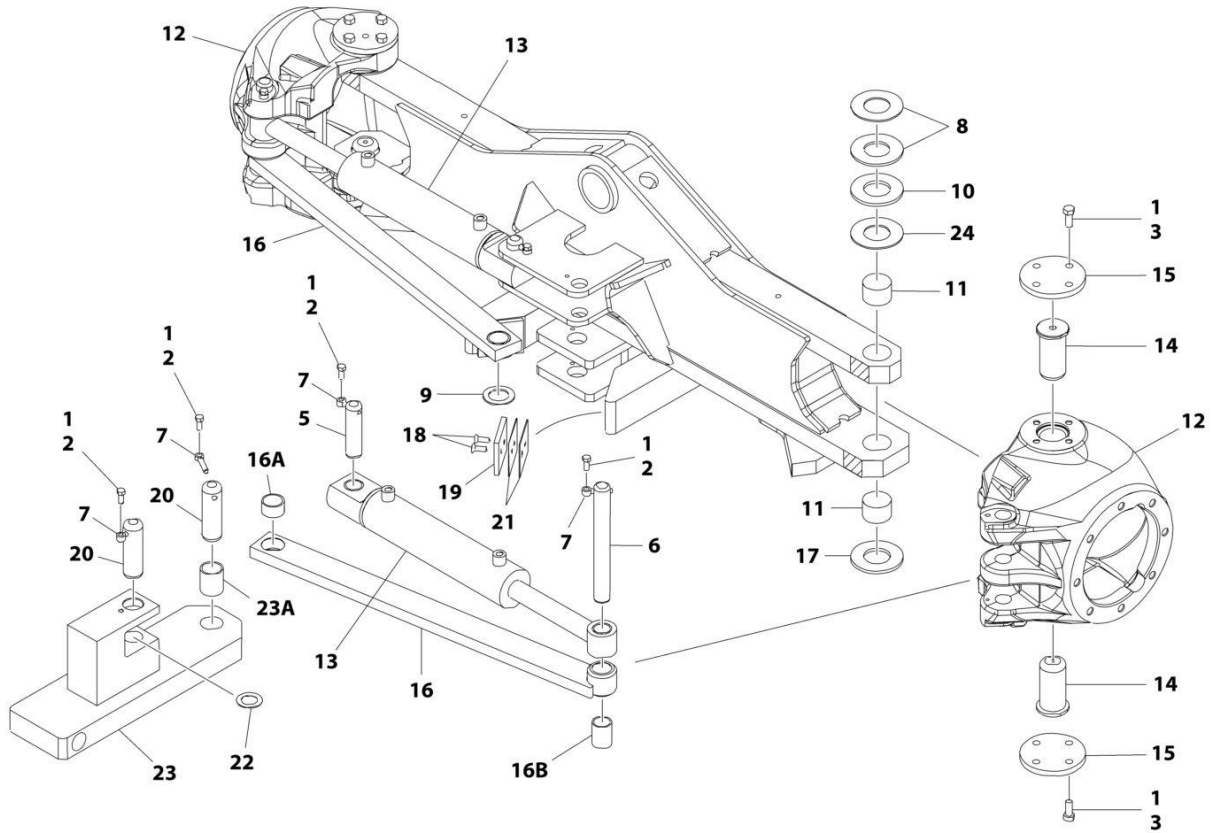
## SECTION 1 - FRAME

**FIGURE 1-7. STEERING INSTALLATION - WITHOUT TOW PACKAGE (MACHINES WITH SN STARTING WITH B3)**

ITEM	PART NUMBER	QTY	DESCRIPTION	REV
	1001230783	Ref	STEER INSTALLATIONS	C
1	0100011	AR	Compound, Locking	
2	0641607	4	Bolt 3/8 x 7/8	
3	0641810	16	Bolt 1/2 x 1-1/4	
4	3020029	AR	Lubricant	
5	3422417	2	Pin	
6	3422790	2	Pin	
7	3841520	4	Keeper, Pin	
8	4740256	4	Thrustwasher	
9	4740463	4	Thrustwasher	
10	4740473	2	Washer, Special	
11	1001103810	2	Thrustwasher	
12	1001150372	2	Spindle	
13	1001150937	4	Plate	
14	1001151980	1	Tie-Rod	
15	1001161355	4	Kingpin	
16	1001161399	2	Thrustwasher	
17	1001165657	4	Bearing	
18	1001230375	2	Steer Cylinder Assembly (See Separate Breakdown in CYLINDER SECTION)	

# SECTION 1 - FRAME

## FIGURE 1-8. STEERING INSTALLATION - WITH TOW PACKAGE (MACHINES WITH SN STARTING WITH 03)



ART\_1001155192



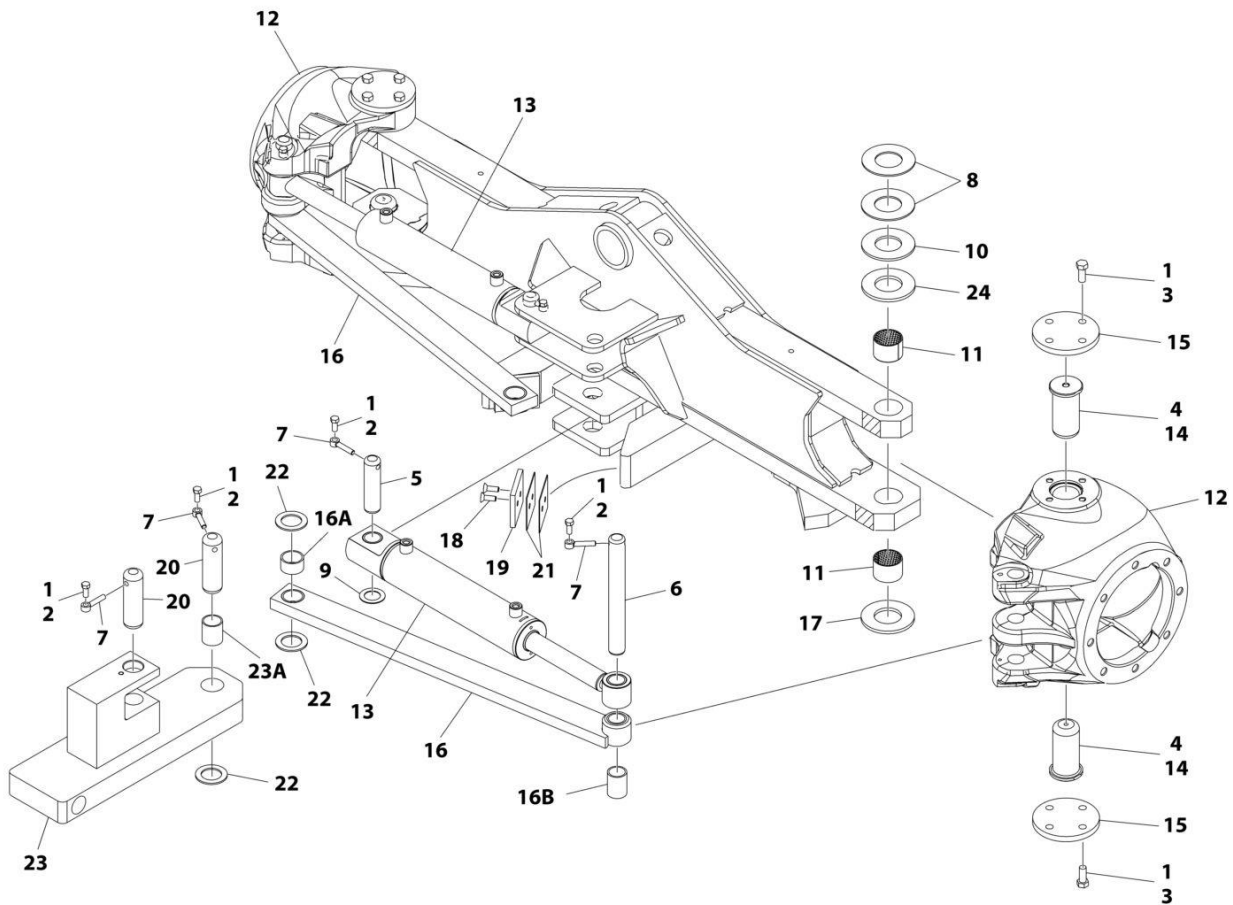
## SECTION 1 - FRAME

**FIGURE 1-8. STEERING INSTALLATION - WITH TOW PACKAGE (MACHINES WITH SN STARTING WITH 03)**

ITEM	PART NUMBER	QTY	DESCRIPTION	REV
	1001155192	Ref	STEER INSTALLATION	G
1	0100011	AR	Compound, Locking	
2	0641607	6	Bolt 3/8 x 7/8	
3	0641810	16	Bolt 1/2 x 1-1/4	
5	3422417	2	Pin	
6	3422790	2	Pin	
7	3841520	6	Keeper, Pin	
8	4740256	AR	Washer, Thrust	
9	4740473	2	Washer	
10	1001103810	AR	Washer, Thrust	
11	1001165657	4	Bearing	
12	1001150372	2	Spindle	
13	1001150539	2	Steer Cylinder Assembly (See Separate Breakdown in CYLINDER SECTION)	
14	1001161355	4	Kingpin	
15	1001150937	4	Plate	
16	1001154931	2	Tie-Rod	
16A	0962181	1	Bushing	
16B	0962152	1	Bushing	
17	1001161399	2	Washer, Thrust	
18	0741609	4	Screw 3/8 x 1-1/8	
19	3340966	2	Pad, Stop	
20	3422848	2	Pin, Hitch	
21	4071059	AR	Shim 16 Gauge	
22	4740155	3	Washer, Thrust	
23	1001155035	1	Link	
23A	0962348	1	Bushing	
24	4740463	AR	Washer, Thrust	

# SECTION 1 - FRAME

## FIGURE 1-9. STEERING INSTALLATION - WITH TOW PACKAGE (MACHINES WITH SN STARTING WITH B3)



ART\_1001232539

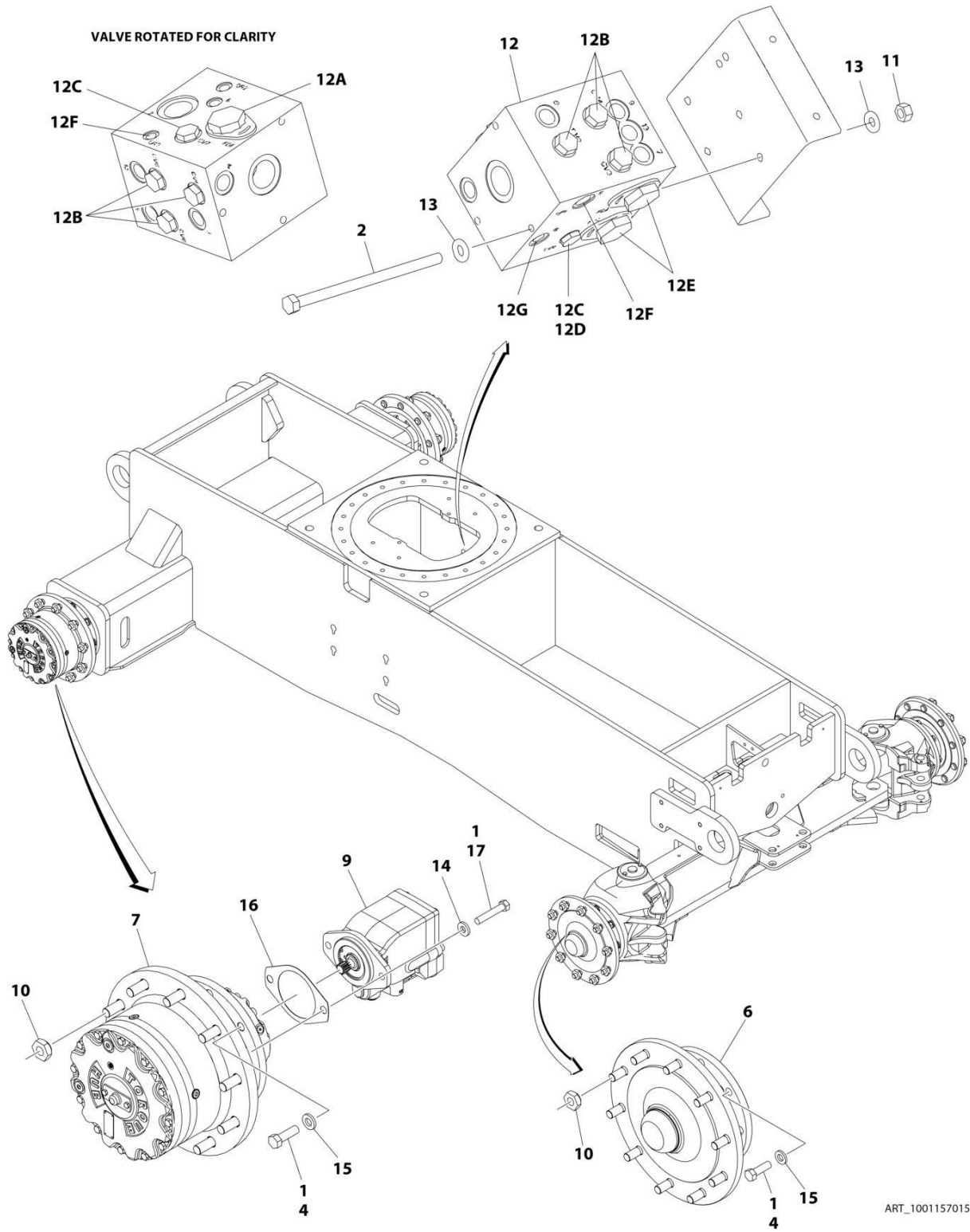
## SECTION 1 - FRAME

**FIGURE 1-9. STEERING INSTALLATION - WITH TOW PACKAGE (MACHINES WITH SN STARTING WITH B3)**

ITEM	PART NUMBER	QTY	DESCRIPTION	REV
	1001232539	Ref	STEER INSTALLATION	F
1	0100011	AR	Compound, Locking	
2	0641607	6	Bolt 3/8 x 7/8	
3	0641810	16	Bolt 1/2 x 1-1/4	
4	3020029	AR	Lubricant	
5	3422417	2	Pin	
6	3422790	2	Pin	
7	3841520	6	Keeper, Pin	
8	4740256	4	Thrustwasher	
9	4740473	2	Washer, Special	
10	1001103810	2	Thrustwasher	
11	1001165657	4	Bearing	
12	1001150372	2	Spindle	
13	1001230375	2	Steer Cylinder Assembly (See Separate Breakdown in CYLINDER SECTION)	
14	1001161355	4	Kingpin	
15	1001150937	4	Plate	
16	1001154931	2	Tie-Rod	
16A	0962181	1	Bushing	
16B	0962152	1	Bushing	
17	1001161399	2	Thrustwasher	
18	0741609	4	Screw 3/8 x 1-1/8	
19	3340966	2	Pad, Stop	
20	3422848	2	Pin, Hitch	
21	4071059	4	Shim	
22	4740155	3	Thrustwasher	
23	1001155035	1	Link	
23A	0962348	1	Bushing	
24	4740463	4	Thrustwasher	

# SECTION 1 - FRAME

## FIGURE 1-10. WHEEL DRIVE AND FRAME VALVES INSTALLATION - 2WD



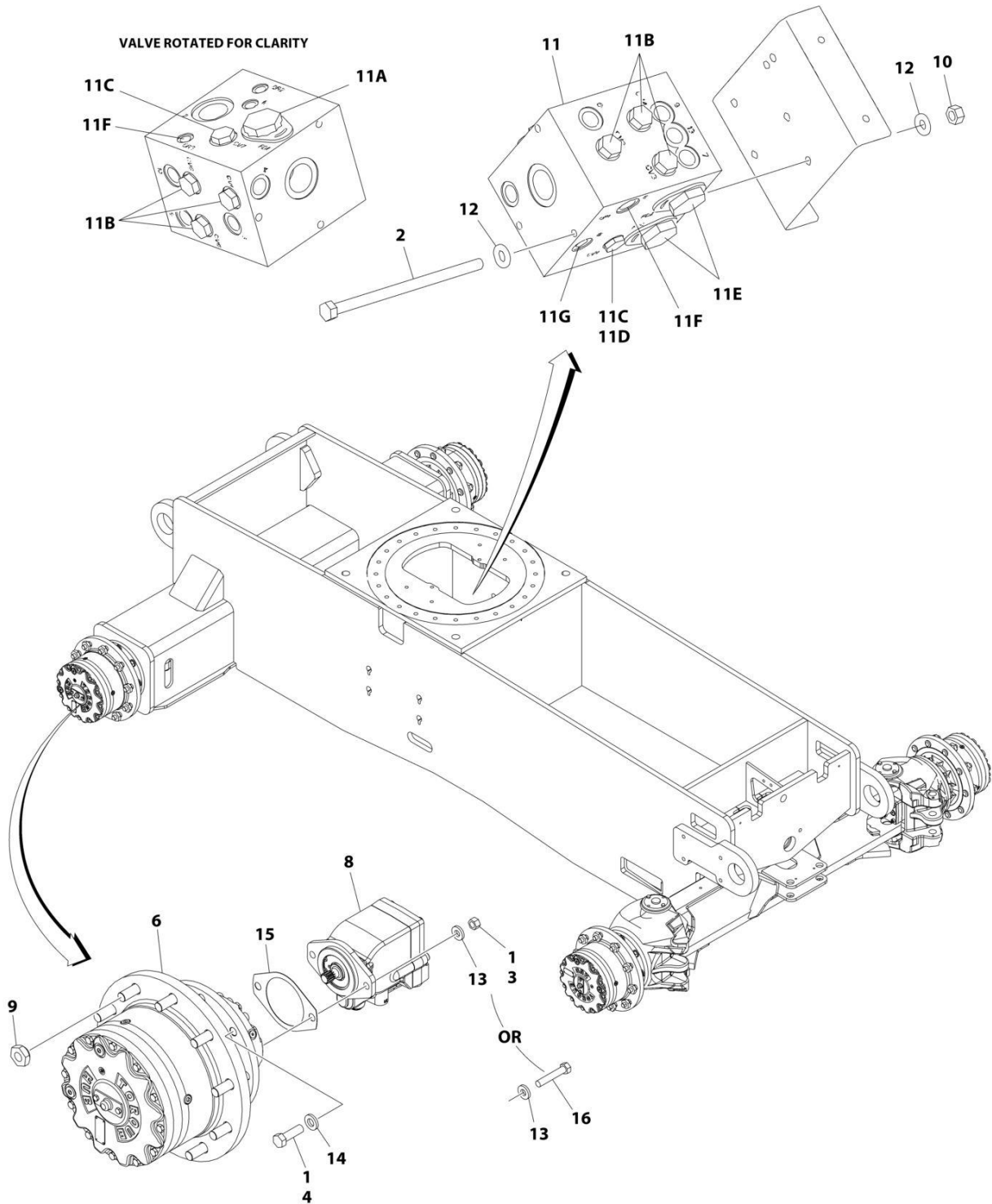
## SECTION 1 - FRAME

**FIGURE 1-10. WHEEL DRIVE AND FRAME VALVES INSTALLATION - 2WD**

ITEM	PART NUMBER	QTY	DESCRIPTION	REV
	1001157015	Ref	WHEEL DRIVE INSTALLATION - 2WD	E
1	0100011	AR	Compound, Locking	
2	0641542	2	Bolt 5/16 x 5 1/4	
4	0682016	32	Bolt 5/8 x 2 Grade 8	
6	2780229	2	Hub Assembly (See Separate Breakdown in this Section)	
7	1001219219	2	Drive Hub Assembly (See Separate Breakdown in this Section)	
9	3160347	2	Drive Motor Assembly (See Separate Breakdown in this Section)	
10	3300007	40	Nut, Wheel	
11	3311505	2	Nut 5/16	
12	1001099870	1	Flow Divider Valve Assembly	C
12A	7023933	1	Cartridge, Flow Divider	
12A	7021625	1	Seal Kit - 7023933 Cartridge	
12A	70000781	1	Lockdown Kit	
12B	7022397	1	Cartridge, Check	
12B	7022399	1	Seal Kit - 7022397 Cartridge	
12C	70002390	1	Cartridge, Check	
12C	7022399	1	Seal Kit - 70002390 Cartridge	
12D	7024881	1	Piston, Pilot	
12E	7017406	1	Plug	
12F	7024844	1	Plug	
12F	7017492	1	Orifice	
13	4711500	4	Washer 5/16	
14	4891800	4	Washer, 1/2	
15	4892000	32	Washer 5/8	
16	3960526	2	Gasket	
17	0681822	4	Bolt 1/2 x 2-3/4 Grade 8	

# SECTION 1 - FRAME

FIGURE 1-11. WHEEL DRIVE AND FRAME VALVES INSTALLATION – 4WD - DANFOSS MOTOR



ART\_1001157016

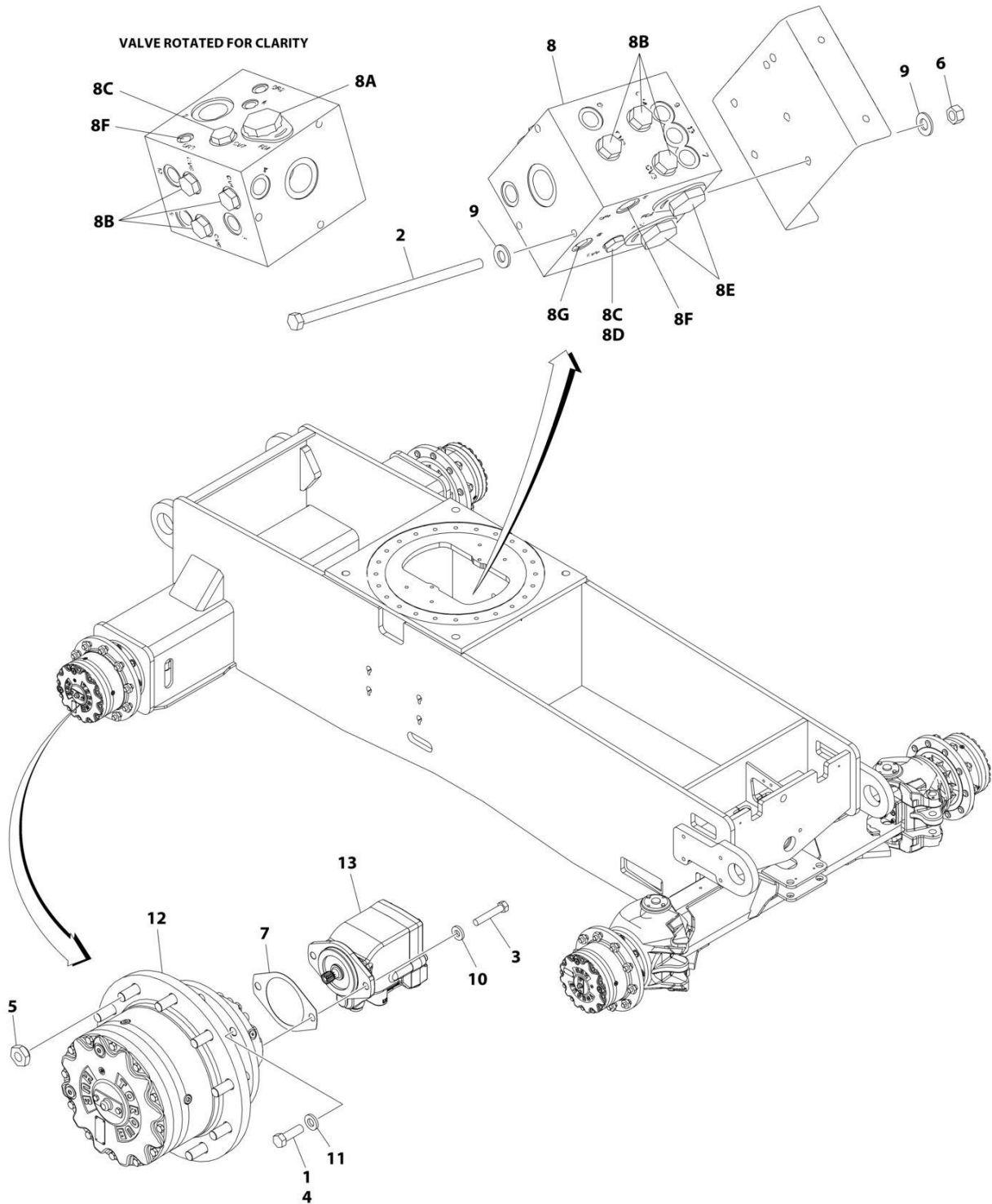
## SECTION 1 - FRAME

**FIGURE 1-11. WHEEL DRIVE AND FRAME VALVES INSTALLATION – 4WD - DANFOSS MOTOR**

ITEM	PART NUMBER	QTY	DESCRIPTION	REV
	1001157016	Ref	WHEEL DRIVE AND FRAME VALVES INSTALLATION	E
1	0100011	AR	Compound, Locking	
2	0641560	3	Bolt 5/16 x 7-1/2	
3	3311801	8	Nut 1/2	
4	0682016	32	Bolt 5/8 x 2 Grade 8	
5	2300016	AR	Fluid, Hydraulic (Not Shown)	
6	1001219219	4	Drive Hub Assembly (See Separate Breakdown in this Section)	
8	3160348	4	Drive Motor Assembly (See Separate Breakdown in this Section)	
9	3300007	40	Nut, Wheel	
10	3311505	3	Nut 5/16	
11	4641303	1	Flow Divider Valve Assembly	C
11A	7023933	1	Cartridge, Flow Divider	
11A	7021625	1	Seal Kit - 7023933 Cartridge	
11B	7022397	6	Cartridge, Check	
11B	7022399	6	Seal Kit - 7022397 Cartridge	
11C	7021639	2	Cartridge, Check Valves	
11C	2900756	2	Seal Kit - 7021639 Cartridge	
11D	7024881	1	Piston, Pilot	
11E	7023917	2	Cartridge, Flow Divider	
11E	7021625	2	Seal Kit - 7023917 Cartridge	
11F	70003935	2	Orifice	
11G	70003936	1	Orifice	
12	4711500	6	Washer 5/16	
13	4891800	8	Washer 1/2	
14	4892000	32	Washer 5/8	
15	3960526	2	Gasket	
16	0681822	4	Bolt 1/2 x 2-3/4	

# SECTION 1 - FRAME

## FIGURE 1-12. WHEEL DRIVE AND FRAME VALVES INSTALLATION - 4WD - HENGLI MOTOR



ART\_1001285009



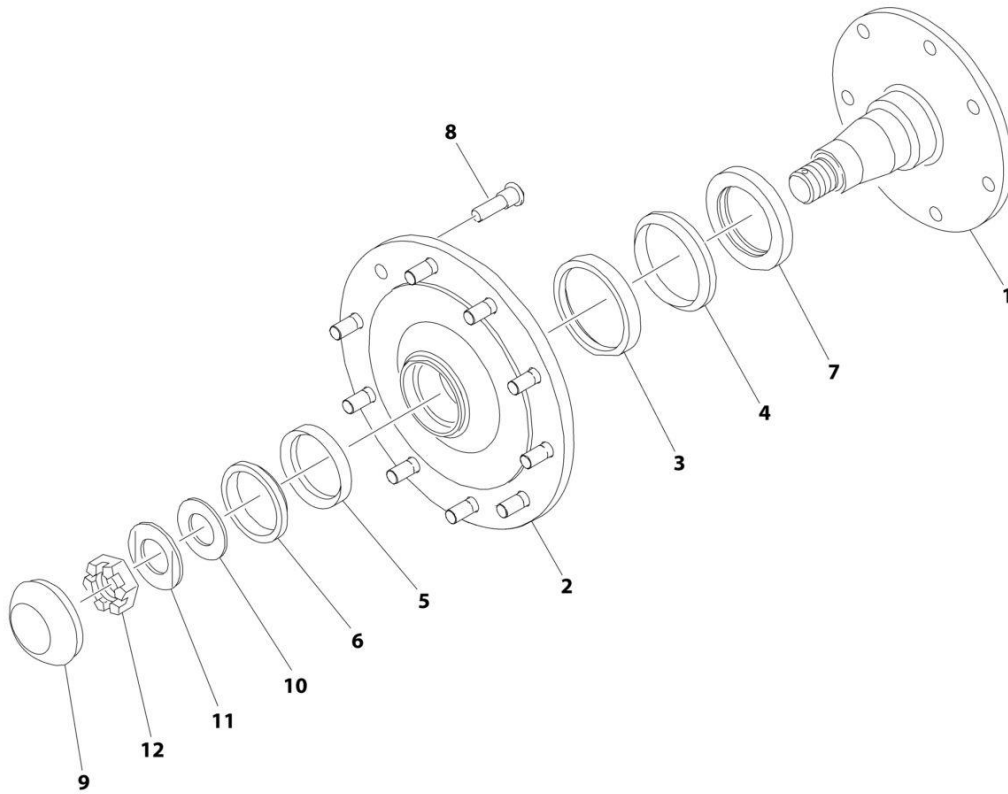
## SECTION 1 - FRAME

**FIGURE 1-12. WHEEL DRIVE AND FRAME VALVES INSTALLATION - 4WD - HENGLI MOTOR**

ITEM	PART NUMBER	QTY	DESCRIPTION	REV
	1001285009	Ref	WHEEL DRIVE AND FRAME VALVES INSTALLATION	A
1	0100011	AR	Compound, Locking	
2	0641560	3	Bolt 5/16 x 7-1/2	
3	0681822	8	Bolt 1/2 x 2-3/4	
4	0682016	32	Bolt 5/8 x 2 Grade 8	
5	3300007	40	Nut, Wheel	
6	3311505	3	Nut 5/16	
7	3960526	4	Gasket	
8	4641303	1	Flow Divider Valve Assembly	
8A	7023933	1	Cartridge, Flow Divider	
8A	7021625	1	Seal Kit - 7023933 Cartridge	
8B	7022397	6	Cartridge, Check	
8B	7022399	6	Seal Kit - 7022397 Cartridge	
8C	7021639	2	Cartridge, Check Valves	
8C	2900756	2	Seal Kit - 7021639 Cartridge	
8D	7024881	1	Piston, Pilot	
8E	7023917	2	Cartridge, Flow Divider	
8E	7021625	2	Seal Kit - 7023917 Cartridge	
8F	70003935	2	Orifice	
8G	70003936	1	Orifice	
9	4711500	6	Washer 5/16	
10	4891800	8	Washer 1/2	
11	4892000	32	Washer 5/8	
12	1001219219	4	Drive Hub Assembly (See Separate Breakdown in this Section)	
13	1001278022	4	Drive Motor Assembly (See Separate Breakdown in this Section)	

# SECTION 1 - FRAME

## FIGURE 1-13. HUB ASSEMBLY - 2WD FRONT



ART\_2780229

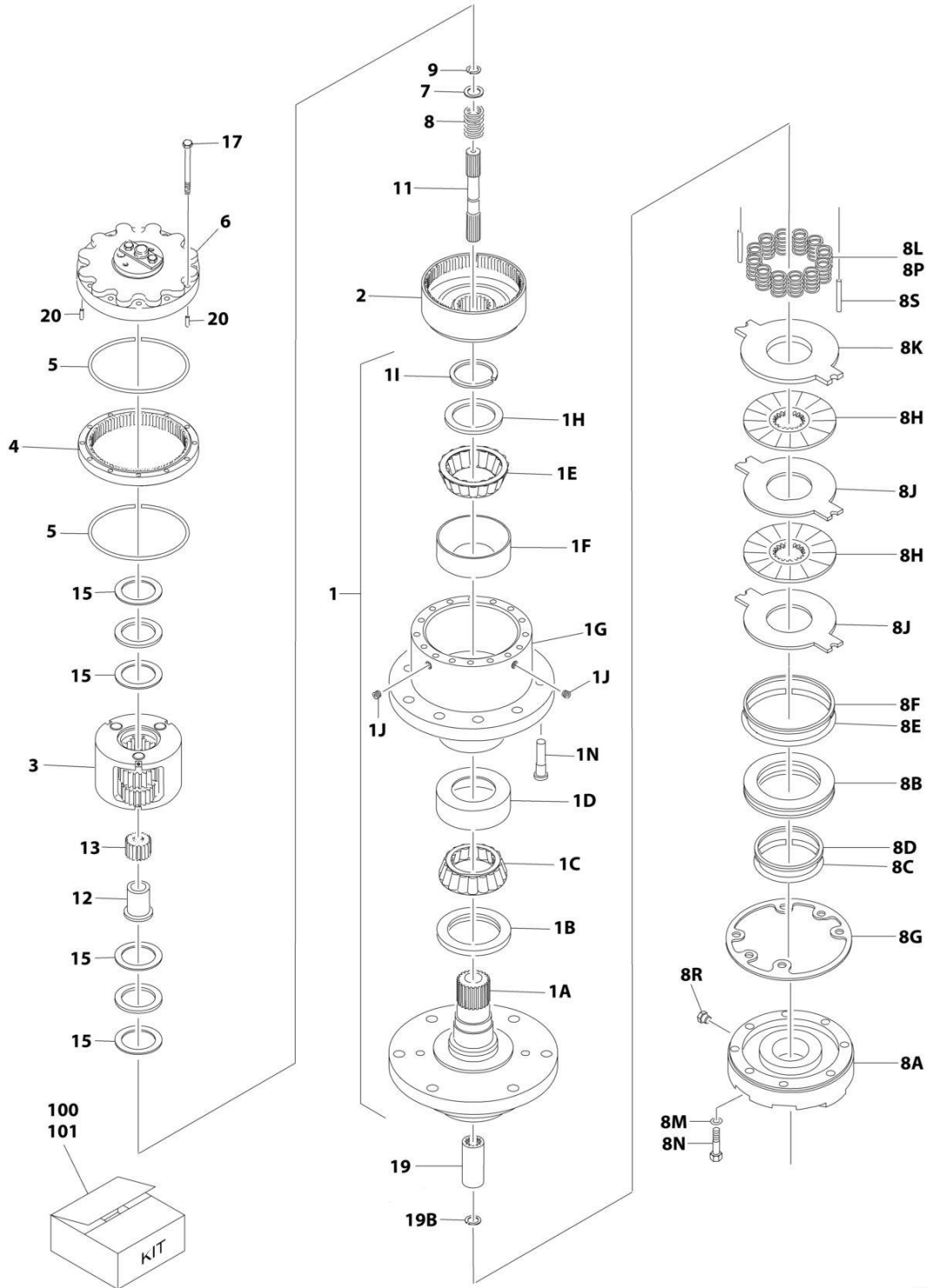
# SECTION 1 - FRAME

**FIGURE 1-13. HUB ASSEMBLY - 2WD FRONT**

ITEM	PART NUMBER	QTY	DESCRIPTION	REV
	2780229	Ref	HUB ASSEMBLY	A
1	7017052	1	Spindle (1 per Assembly)	
2	7017053	1	Housing (1 per Assembly)	
3	7010404	1	Cup, Bearing - Inner (1 per Assembly)	
4	7010405	1	Cone, Bearing - Inner (1 per Assembly)	
5	7017056	1	Cup, Bearing - Outer (1 per Assembly)	
6	7017055	1	Cone, Bearing - Outer (1 per Assembly)	
7	7010406	1	Seal, Lip (1 per Assembly)	
8	7000265	10	Stud (10 per Assembly)	
9	7017054	1	Dust Cap (1 per Assembly)	
10	7017051	1	Washer, Special (1 per Assembly)	
11	7017057	1	Washer, Tanged (1 per Assembly)	
12	7017058	1	Nut, Bearing (1 per Assembly)	

# SECTION 1 - FRAME

## FIGURE 1-14. DRIVE HUB/BRAKE ASSEMBLY



ART\_1001219219

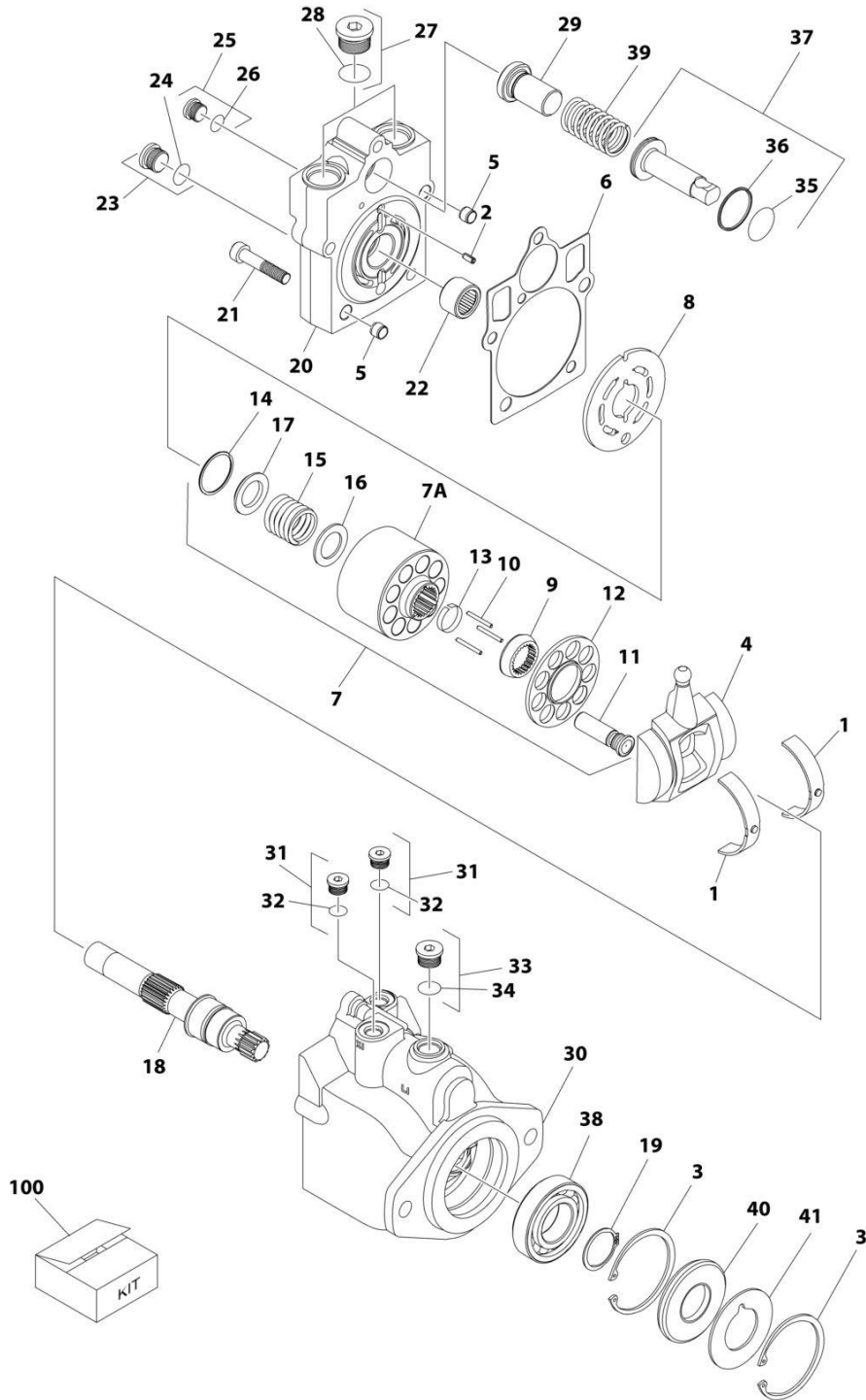
# SECTION 1 - FRAME

## FIGURE 1-14. DRIVE HUB/BRAKE ASSEMBLY

ITEM	PART NUMBER	QTY	DESCRIPTION	REV
	1001219219	Ref	DRIVE HUB/BRAKE ASSEMBLY	C
1	See Note	NSS	Spindle/Housing Assembly (Note: Not Available - Purchase Individual Components)	
1A	70006677	1	Spindle	
1B	70006678	1	Seal	
1C	1001091460	1	Cone, Bearing	
1D	1001091460	1	Cup, Bearing	
1E	1001091461	1	Cone, Bearing	
1F	1001091461	1	Cup, Bearing	
1G	See Note	NSS	Housing (Note: Not Available - Not Available for Purchase)	
1H	7000239	1	Thrustwasher	
1I	7000240	1	Ring, Retaining	
1J	7001928	1	Plug, Pipe	
1N	See Note	NSS	Stud, Wheel (Note: Not Available - Not Available for Purchase)	
2	7024782	1	Gear, Ring	
3	70006673	1	Carrier Assembly	
4	7024151	1	Gear, Internal	
5	7000224	2	O-Ring	
6	70006674	NSS	Cover Assembly (Note: Not Available - Not Available for Purchase)	
7	70006691	1	Thrustwasher	
8	7000283	1	Spring	
8A	7024191	1	Housing, Piston	
8B	70006684	1	Piston	
8C	See Note	NSS	O-Ring (Note: Use Item 101)	
8D	See Note	NSS	Ring, Back-up (Note: Use Item 101)	
8E	See Note	NSS	O-Ring (Note: Use Item 101)	
8F	See Note	NSS	Ring, Back-up (Note: Use Item 101)	
8G	See Note	NSS	Gasket (Note: Use Items 100 & 101)	
8H	See Note	NSS	Brake, Stator (Note: Use Item 100)	
8J	See Note	NSS	Brake, Rotor (Note: Use Item 100)	
8K	See Note	NSS	Plate, Pressure (Note: Use Item 100)	
8L	80344004	10	Spring	
8M	70006685	6	Capscrew	
8N	70006690	6	Lockwasher	
8P	70006680	2	Spring	
8R	7017082	2	Plug	
8S	7024190	2	Pin, Dowel	
9	7000284	1	Ring, Retaining	
11	70006675	1	Shaft, Input	
12	7024154	1	Spacer, Input	
13	7024149	1	Gear, Sun	
15	70006692	2	Thrustwasher	
17	7000289	12	Bolt 3/8 x 2-1/2in (Grade 8)	
19	70006676	1	Coupling	
19B	7017028	1	Ring, Retaining	
20	7017047	2	Pin, Dowel	
100	70006832	1	Friction Disc Kit (Includes Items 8G, 8H, 8J & 8K)	
101	70006833	1	Seal Kit (Includes Items - 8C-8G)	

# SECTION 1 - FRAME

## FIGURE 1-15. DRIVE MOTOR ASSEMBLY - 2WD



ART\_3160347

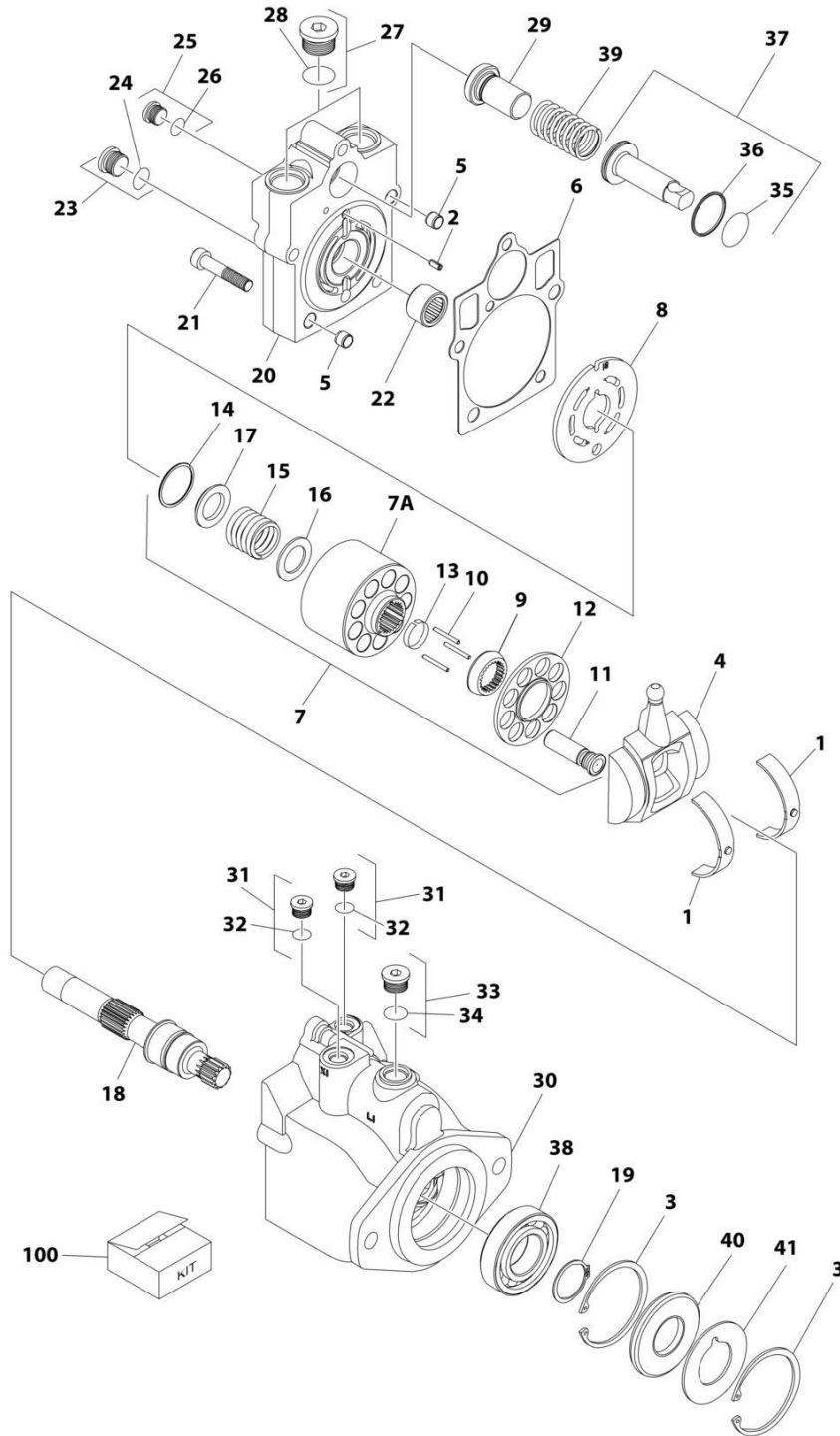
# SECTION 1 - FRAME

## FIGURE 1-15. DRIVE MOTOR ASSEMBLY - 2WD

ITEM	PART NUMBER	QTY	DESCRIPTION	REV
	3160347	Ref	DRIVE MOTOR ASSEMBLY	B
1	7022302	2	Bearing, Journal	
2	7007446	1	Pin	
3	7007438	2	Ring, Retaining	
4	7022305	1	Swash Plate	
5	See Note	2	Pin (Note: Not Available for Purchase)	
6	See Note	NSS	Gasket (Note: Use Item 100)	
7	7027740	1	Cylinder Block Kit (Includes Items 7A & 9-17)	
7A	See Note	NSS	Block, Cylinder (Note: Use Item 7)	
8	7024862	1	Plate, Valve	
9	7021277	1	Guide, Slipper Retainer	
10	7021275	3	Pin, Slipper Hold Down	
11	See Note	NSS	Piston Assembly (Note: Use Item 7)	
12	See Note	NSS	Retainer, Slipper (Note: Use Item 7)	
13	See Note	NSS	Retainer, Hold Down Pin (Note: Use Item 7)	
14	7022311	1	Ring, Retaining	
15	7024867	1	Spring	
16	7022313	1	Washer	
17	7022314	1	Retainer, Spring	
18	7023910	1	Shaft	
19	7007439	1	Ring, Retaining	
20	70000795	1	Cap, End - Axial	
21	7022368	5	Screw	
22	7021249	1	Bearing, Needle	
23	2220886	1	Plug (Includes Item 24)	
24	See Note	1	O-Ring (Note: Use Item 23 or 100)	
25	2220883	1	Plug (Includes Item 26)	
26	See Note	NSS	O-Ring (Note: Use Item 25 or 100)	
27	2220888	2	Plug (Includes Item 28)	
28	See Note	NSS	O-Ring (Note: Use Item 27 or 100)	
29	7027741	1	Seat, Spring	
30	See Note	NSS	Housing (Note: Not Available - Purchase Complete Assembly)	
31	2220883	2	Plug (Includes Item 32)	
32	See Note	NSS	O-Ring (Note: Use Item 31 or 100)	
33	2220886	1	Plug (Includes Item 34)	
34	See Note	NSS	O-Ring (Note: Use Item 33 or 100)	
35	See Note	NSS	O-Ring (Note: Use Item 100)	
36	See Note	NSS	Ring, Seal (Note: Use Item 100)	
37	7024871	1	Piston, Servo (Includes Items 35 & 36)	
38	7007437	1	Bearing	
39	7022326	1	Spring	
40	See Note	NSS	Seal, Lip (Note: Use Item 100)	
41	7022371	1	Washer, Support	
		Ref	KIT OPTIONS:	
100	7022328	1	Seal Kit (Includes Items 6, 24, 26, 28, 32, 34, 35, 36 & 40)	

# SECTION 1 - FRAME

## FIGURE 1-16. DRIVE MOTOR ASSEMBLY - 4WD - DANFOSS MOTOR



ART\_3160348



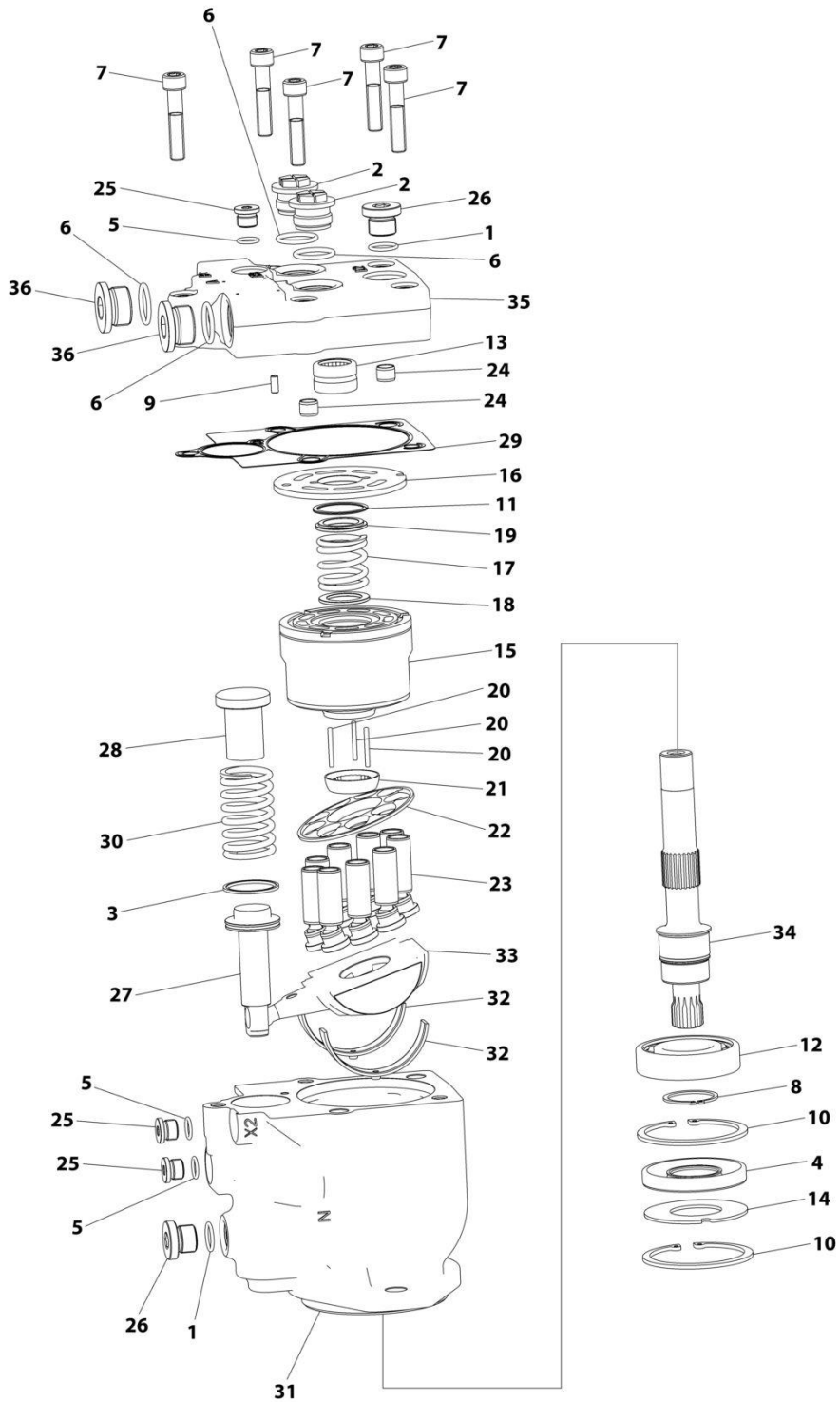
## SECTION 1 - FRAME

**FIGURE 1-16. DRIVE MOTOR ASSEMBLY - 4WD - DANFOSS MOTOR**

ITEM	PART NUMBER	QTY	DESCRIPTION	REV
	3160348	Ref	DRIVE MOTOR ASSEMBLY	D
1	7022302	2	Bearing, Journal	
2	7007446	1	Pin	
3	7007438	2	Ring, Retaining	
4	7022305	1	Swash Plate	
5	See Note	2	Pin (Note: Not Available for Purchase)	
6	See Note	NSS	Gasket (Note: Use Item 100)	
7	7023907	1	Cylinder Block Kit (Includes Items 7A & 9-17)	
7A	See Note	NSS	Block, Cylinder (Note: Use Item 7)	
8	7023908	1	Plate, Valve	
9	7021277	1	Guide, Slipper Retainer	
10	7021275	3	Pin, Slipper Hold Down	
11	See Note	NSS	Piston Assembly (Note: Use Item 7)	
12	7022310	1	Retainer, Slipper	
13	7021276	1	Retainer, Hold Down Pin	
14	7022311	1	Ring, Retaining	
15	7022312	1	Spring	
16	7024868	1	Washer	
17	7022314	1	Retainer, Spring	
18	7023910	1	Shaft	
19	7007439	1	Ring, Retaining	
20	70000797	1	Cap, End - Axial	
21	7022368	5	Screw	
22	7021249	1	Bearing, Needle	
23	2220886	1	Plug (Includes Item 24)	
24	See Note	1	O-Ring (Note: Use Item 23 or 100)	
25	2220883	1	Plug (Includes Item 26)	
26	See Note	NSS	O-Ring (Note: Use Item 25 or 100)	
27	2220888	2	Plug (Includes Item 28)	
28	See Note	NSS	O-Ring (Note: Use Item 27 or 100)	
29	7022372	1	Seat, Spring	
30	See Note	NSS	Housing (Note: Not Available - Purchase Complete Assembly)	
31	2220883	2	Plug (Includes Item 32)	
32	See Note	NSS	O-Ring (Note: Use Item 31 or 100)	
33	2220886	1	Plug (Includes Item 34)	
34	See Note	NSS	O-Ring (Note: Use Item 33 or 100)	
35	See Note	NSS	O-Ring (Note: Use Item 100)	
36	See Note	NSS	Ring, Seal (Note: Use Item 100)	
37	7024854	1	Piston, Servo (Includes Items 35 & 36)	
38	7007437	1	Bearing	
39	7022326	1	Spring	
40	See Note	1	Seal, Lip (Note: Use Item 100)	
41	7022371	1	Washer, Support	
		Ref	KIT OPTIONS:	
100	7022328	1	Seal Kit (Includes Items 6, 24, 26, 28, 32, 34, 35, 36 & 40)	

# SECTION 1 - FRAME

## FIGURE 1-17. DRIVE MOTOR ASSEMBLY - 4WD - HENGLI MOTOR



ART\_1001278022

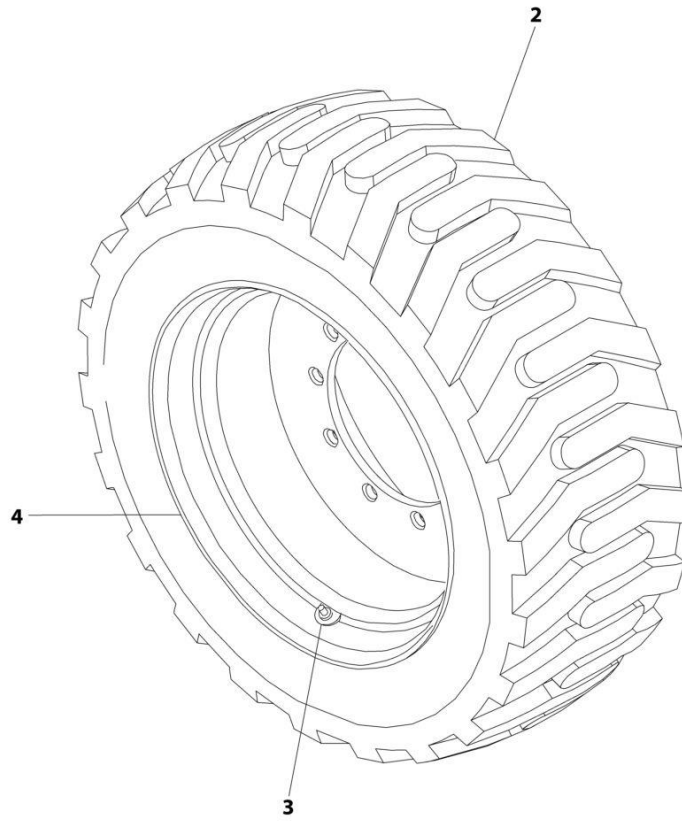
# SECTION 1 - FRAME

**FIGURE 1-17. DRIVE MOTOR ASSEMBLY - 4WD - HENGLI MOTOR**

ITEM	PART NUMBER	QTY	DESCRIPTION	REV
	1001278022	Ref	DRIVE MOTOR ASSEMBLY	B
1	70007847	2	O-Ring	
2	70007848	2	Plug	
3	70007849	1	Ring, Sealing	
4	70007850	1	Bearing	
5	70007851	3	O-Ring	
6	70007852	4	O-Ring	
7	70007853	5	Capscrew M10 x 50	
8	70007854	1	Circlip	
9	70007855	1	Pin	
10		Ref	Circlip	
11	70007856	1	Ring, Retaining	
12	70007857	1	Bearing	
13	70007858	1	Bearing	
14	70007859	1	Gasket	
15	70007860	1	Cylinder	
16	70007861	1	Plate, Valve	
17	70007862	1	Spring	
18	70007863	1	Gasket	
19	70007864	1	Gasket	
20	70007865	3	Pin	
21	70007866	1	Bushing	
22	70007867	1	Retainer	
23	70007868	9	Piston	
24	70007869	2	Pin	
25	70007870	3	Plug	
26	70007871	2	Plug	
27	70007872	1	Piston	
28	70007873	1	Seat, Spring	
29	70007874	1	Gasket	
30	70007875	1	Spring	
31	See Note	NSS	Housing (Note: Purchase Complete Assembly)	
32	70007876	2	Bushing	
33	70007877	1	Plate, Swash	
34	70007878	1	Shaft	
35	See Note	NSS	Cover (Note: Purchase Complete Assembly)	
36	See Note	Ref	Plug (Note: Shipping Use Only)	

# SECTION 1 - FRAME

FIGURE 1-18. TIRE & WHEEL INSTALLATION - 15-625 NHS FOAM-FILLED



ART\_0270886

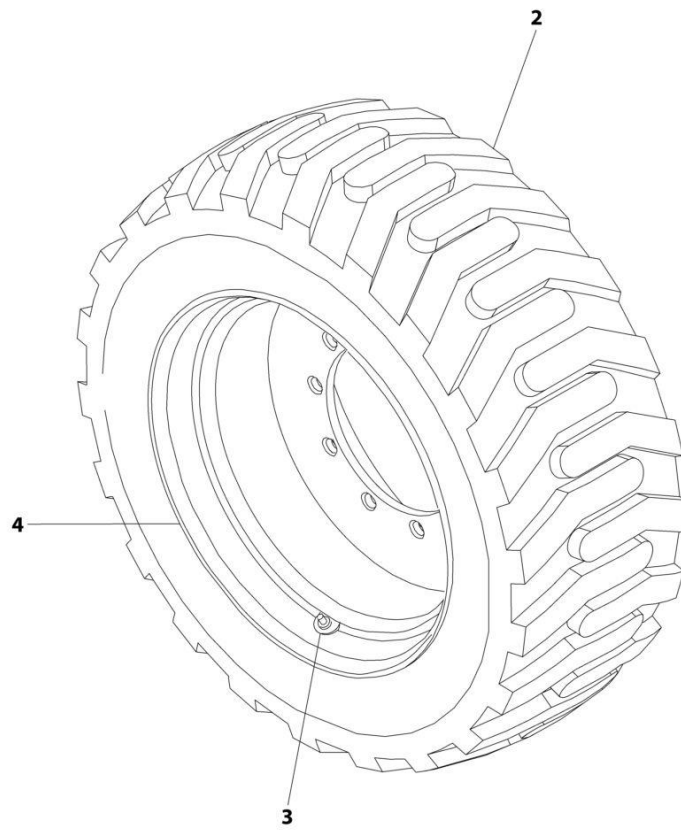
**SECTION 1 - FRAME**

**FIGURE 1-18. TIRE & WHEEL INSTALLATION - 15-625 NHS FOAM-FILLED**

ITEM	PART NUMBER	QTY	DESCRIPTION	REV
	0270886	Ref	TIRE AND WHEEL INSTALLATION	D
	0271085	2	Tire and Wheel Assembly - 15-625 NHS Foam-Filled LH Side	I
	0271086	2	Tire and Wheel Assembly - 15-625 NHS Foam-Filled RH Side	I
		Ref	Note: Assemblies may require ballast/foam filling to manufacturer's specifications prior to installing on a machine. Refer to Operation and Safety or Service and Maintenance Manuals.	
		Ref	Purchase individual tire and/or rim only if able to foam fill tire and wheel assembly, otherwise, purchase complete assembly.	
2	4520252	1	Tire 15-625	
3	4641122	1	Valve, Air	
4	4860224	1	Rim, Wheel - 13 x 24.5 Rim	

## SECTION 1 - FRAME

FIGURE 1-19. TIRE AND WHEEL INSTALLATION 18-625 NHS FOAM-FILLED TIRE



ART\_0270888

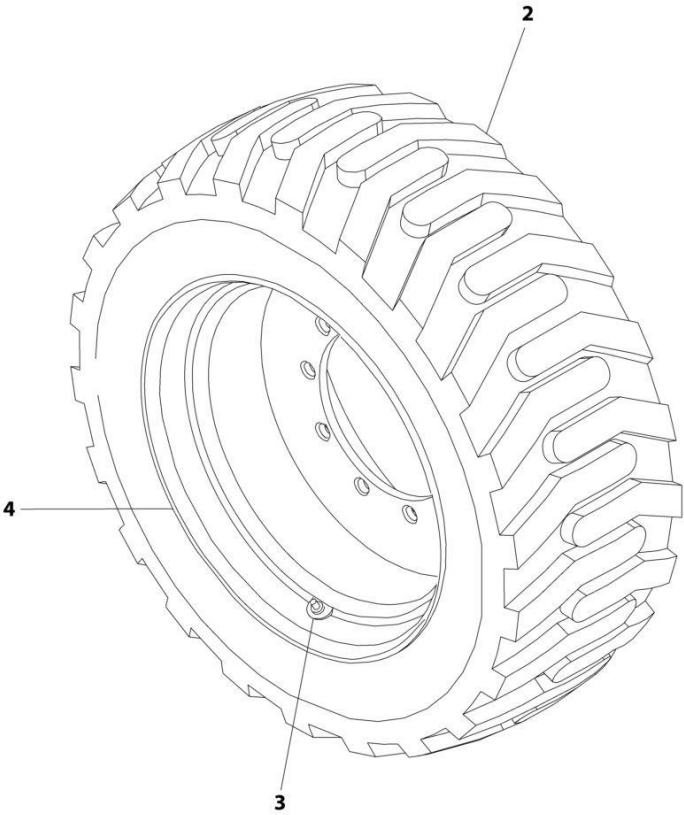
**SECTION 1 - FRAME**

**FIGURE 1-19. TIRE AND WHEEL INSTALLATION 18-625 NHS FOAM-FILLED TIRE**

ITEM	PART NUMBER	QTY	DESCRIPTION	REV
	0270888	Ref	TIRE AND WHEEL INSTALLATION	C
	0271090	2	Tire and Wheel Assembly - 18-625 NHS Foam-Filled LH Side	G
	0271091	2	Tire and Wheel Assembly - 18-625 NHS Foam-Filled RH Side	G
		Ref	Note: Assemblies may require ballast/foam filling to manufacturer's specifications prior to installing on a machine. Refer to Operation and Safety or Service and Maintenance Manuals.	
		Ref	Purchase individual tire and/or rim only if able to foam fill tire and wheel assembly, otherwise, purchase complete assembly.	
2	4520253	1	Tire 18-625	
3	4641122	1	Valve, Air	
4	4860225	1	Rim, Wheel - 15 x 24.5 Rim	

**SECTION 1 - FRAME**

**FIGURE 1-20. TIRE AND WHEEL INSTALLATION 18-625 NHS FOAM-FILLED NON-MARKING TIRE**



ART\_1001169757



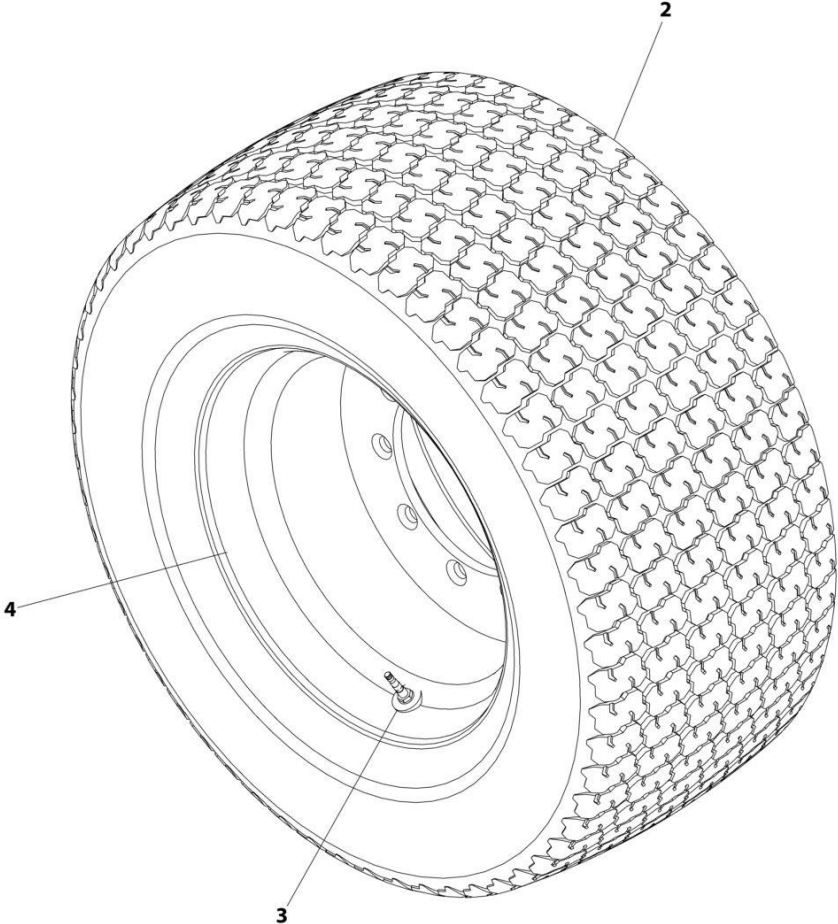
## SECTION 1 - FRAME

**FIGURE 1-20. TIRE AND WHEEL INSTALLATION 18-625 NHS FOAM-FILLED NON-MARKING TIRE**

ITEM	PART NUMBER	QTY	DESCRIPTION	REV
	1001169757	Ref	TIRE AND WHEEL INSTALLATION	A
	1001169755	2	Tire and Wheel Assembly - 18-625 NHS Foam-Filled Non-Marking LH Side	D
	1001169756	2	Tire and Wheel Assembly - 18-625 NHS Foam-Filled Non-Marking RH Side	D
		Ref	Note: Assemblies may require ballast/foam filling to manufacturer's specifications prior to installing on a machine. Refer to Operation and Safety or Service and Maintenance Manuals.	
		Ref	Purchase individual tire and/or rim only if able to foam fill tire and wheel assembly, otherwise, purchase complete assembly.	
2	1001169754	1	Tire 18-625 Non-Marking	
3	4641122	1	Valve, Air	
4	4860225	1	Rim, Wheel - 15 x 24.5 Rim	

**SECTION 1 - FRAME**

**FIGURE 1-21. TIRE AND WHEEL INSTALLATION 18-22.5 NHS FOAM-FILLED NON-MARKING TIRE**



ART\_1001268884

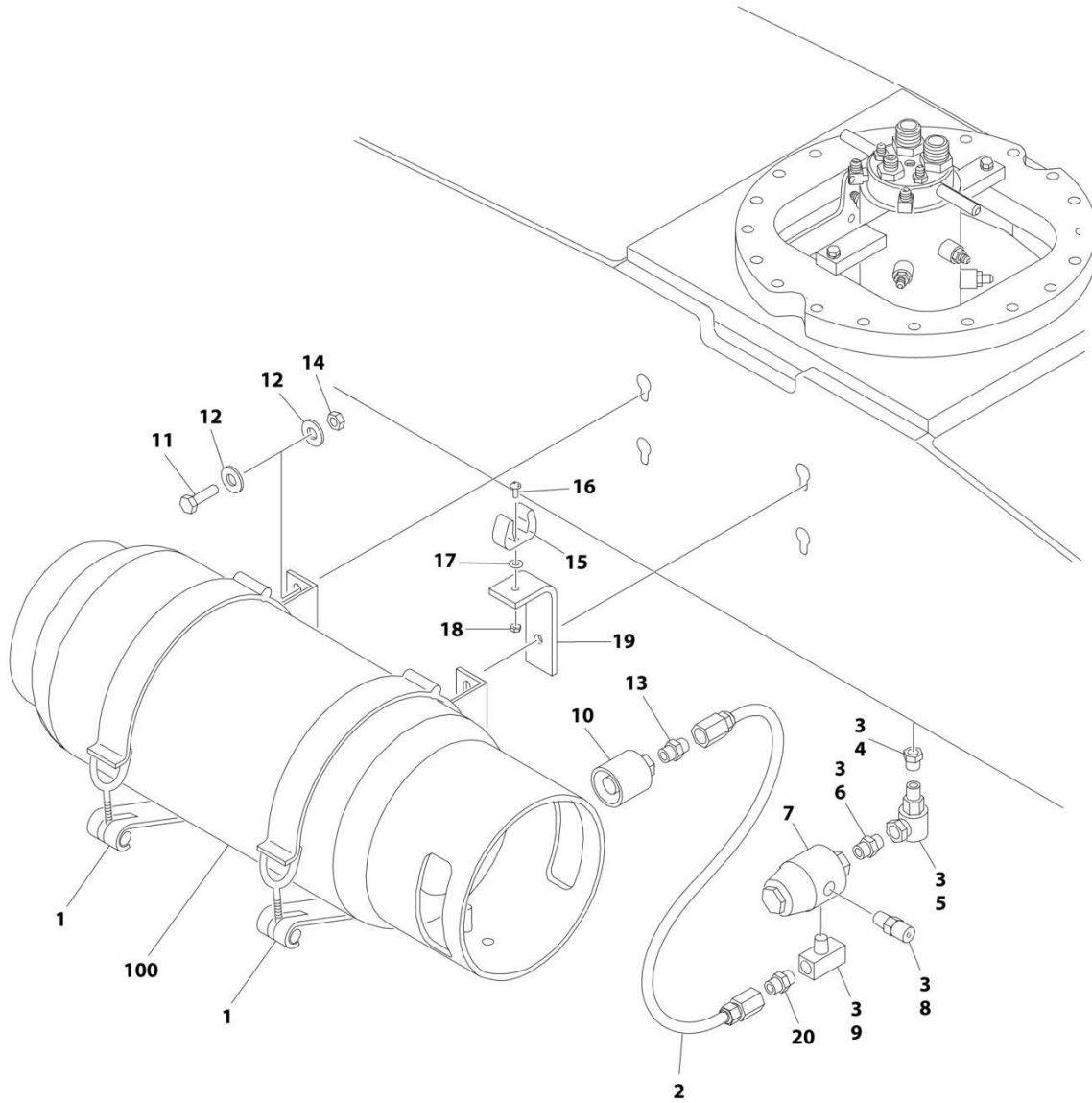
## SECTION 1 - FRAME

**FIGURE 1-21. TIRE AND WHEEL INSTALLATION 18-22.5 NHS FOAM-FILLED NON-MARKING TIRE**

ITEM	PART NUMBER	QTY	DESCRIPTION	REV
	1001268884	Ref	TIRE AND WHEEL INSTALLATION	A
	1001268883	4	Tire and Wheel Assembly - 41 x 18LL x 22.5 NHS Foam-Filled Non-Marking	B
		Ref	Note: Assemblies may require ballast/foam filling to manufacturer's specifications prior to installing on a machine. Refer to Operation and Safety or Service and Maintenance Manuals.	
		Ref	Purchase individual tire and/or rim only if able to foam fill tire and wheel assembly, otherwise, purchase complete assembly.	
2	4520256	1	Tire 41 x 18LL x 22.5 Non-Marking	
3	4641122	1	Valve, Air	
4	1001209982	1	Rim, Wheel - 22.5 x 14 Rim	

# SECTION 1 - FRAME

## FIGURE 1-22. LP TANK BRACKETS INSTALLATIONS



ART\_1001151010

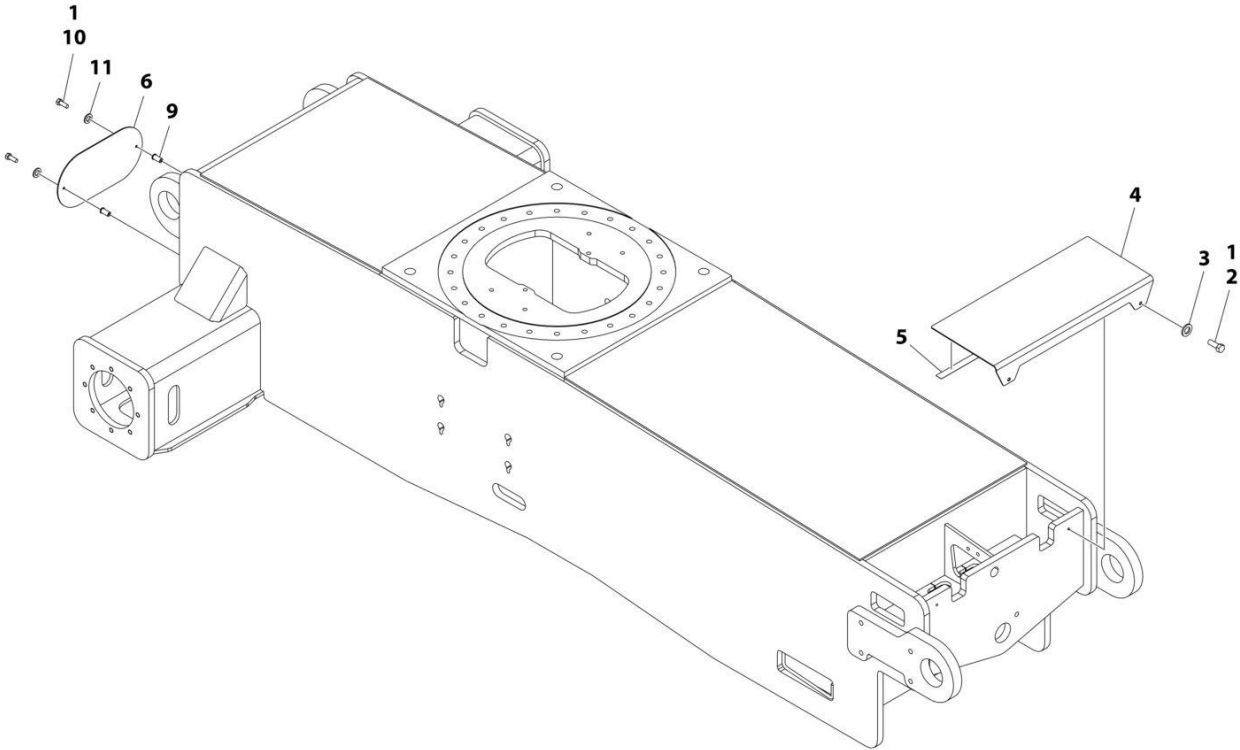
## SECTION 1 - FRAME

**FIGURE 1-22. LP TANK BRACKETS INSTALLATIONS**

ITEM	PART NUMBER	QTY	DESCRIPTION	REV
	1001151010	Ref	LP TANK BRACKETS INSTALLATION	E
1	1320220	2	Clamp	
1	1320127	2	Clamp, Toggle (1 Per Clamp)	
2	2720144	2	Hose	
3	0100020	AR	Sealant, Pipe	
4	2221197	1	Fitting, Reducer	
5	1001247358	1	Fitting, 90 Swivel	
6	2220261	1	Fitting, Nipple	
7	2180388	1	Fitting, Bulkhead	
8	2180389	1	Valve, Relief	
9	2220418	1	Fitting, Tee	
10	2180387	2	Fitting, Straight	
11	0641617	8	Bolt 3/8 x 2-1/8	
12	4751600	16	Washer 3/8	
13	2180418	2	Fitting, Connector	
14	3311605	8	Nut 3/8	
15	1320218	2	Clamp, Spring	
16	0720804	2	Screw #8 x 1/2	
17	4750800	4	Washer #8	
18	3310805	2	Nut #8	
19	0181949	2	Angle, Support	
20	2221024	2	Fitting, Union Ball Check	
100	4400275	1	Tank, LP - 43.5 Lbs. (Aluminum)	

**SECTION 1 - FRAME**

**FIGURE 1-23. FRAME SHIELDS INSTALLATION - 2WS**



ART\_1001158203

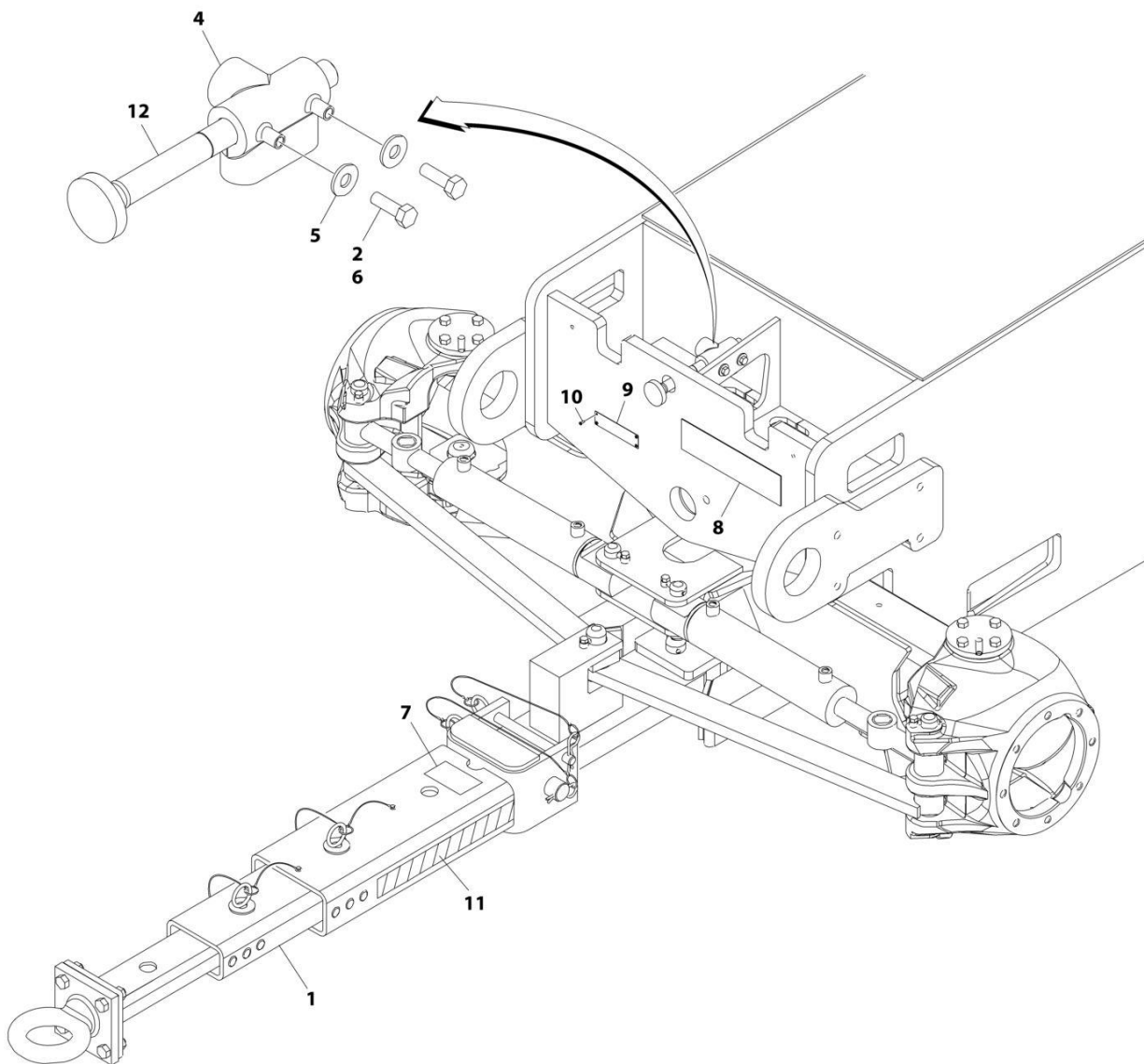
# SECTION 1 - FRAME

## FIGURE 1-23. FRAME SHIELDS INSTALLATION - 2WS

ITEM	PART NUMBER	QTY	DESCRIPTION	REV
	1001158203	Ref	FRAME SHIELDS INSTALLATION	D
1	0100011	AR	Compound, Locking	
2	0641606	2	Bolt 3/8 x 3/4	
3	4751600	2	Washer 3/8	
4	1001158187	1	Cover	
5	4280296	27 in/ 68cm	Trim	
6	1001158188	1	Cover	
9	8580420	2	Nut, Well	
10	0641410	2	Bolt 1/4 x 1-1/4	
11	4751400	2	Washer 1/4	

# SECTION 1 - FRAME

## FIGURE 1-24. TOW PACKAGE INSTALLATION (ENGLISH DECALS)



ART\_1001158436



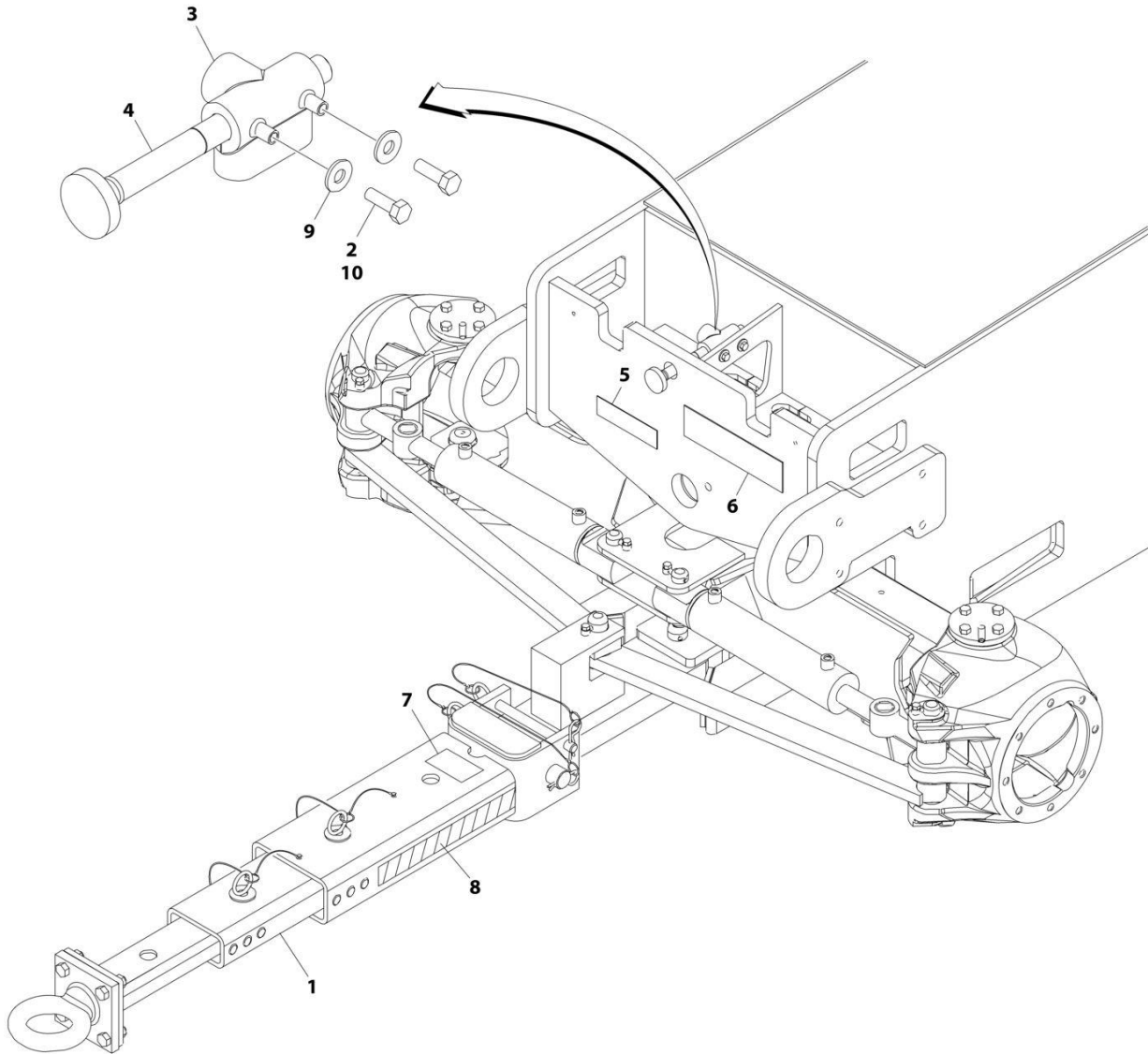
## SECTION 1 - FRAME

**FIGURE 1-24. TOW PACKAGE INSTALLATION (ENGLISH DECALS)**

ITEM	PART NUMBER	QTY	DESCRIPTION	REV
	1001158436	Ref	TOW BAR INSTALLATION (ENGLISH DECALS)	B
	0270528	1	Tow Bar Assembly (See Separate Breakdown in this Section)	
2	0641508	2	Bolt 5/16 x 1	
4	4640261	1	Valve, Select	
5	4751500	4	Washer 5/16	
6	0100011	AR	Compound, Locking	
7	1704578	2	Decal - Crushing	
8	1705090	1	Decal - Towing Instructions	
9	3250872	1	Decal/Nameplate - Steer/Tow Select Valve	
10	3820001	4	Rivet	
11	4420051	AR	Tape, Safety	
12	1001160780	1	Extension, Rod	

# SECTION 1 - FRAME

FIGURE 1-25. TOW PACKAGE INSTALLATION (FRENCH/ENGLISH DECALS)



ART\_1001220283

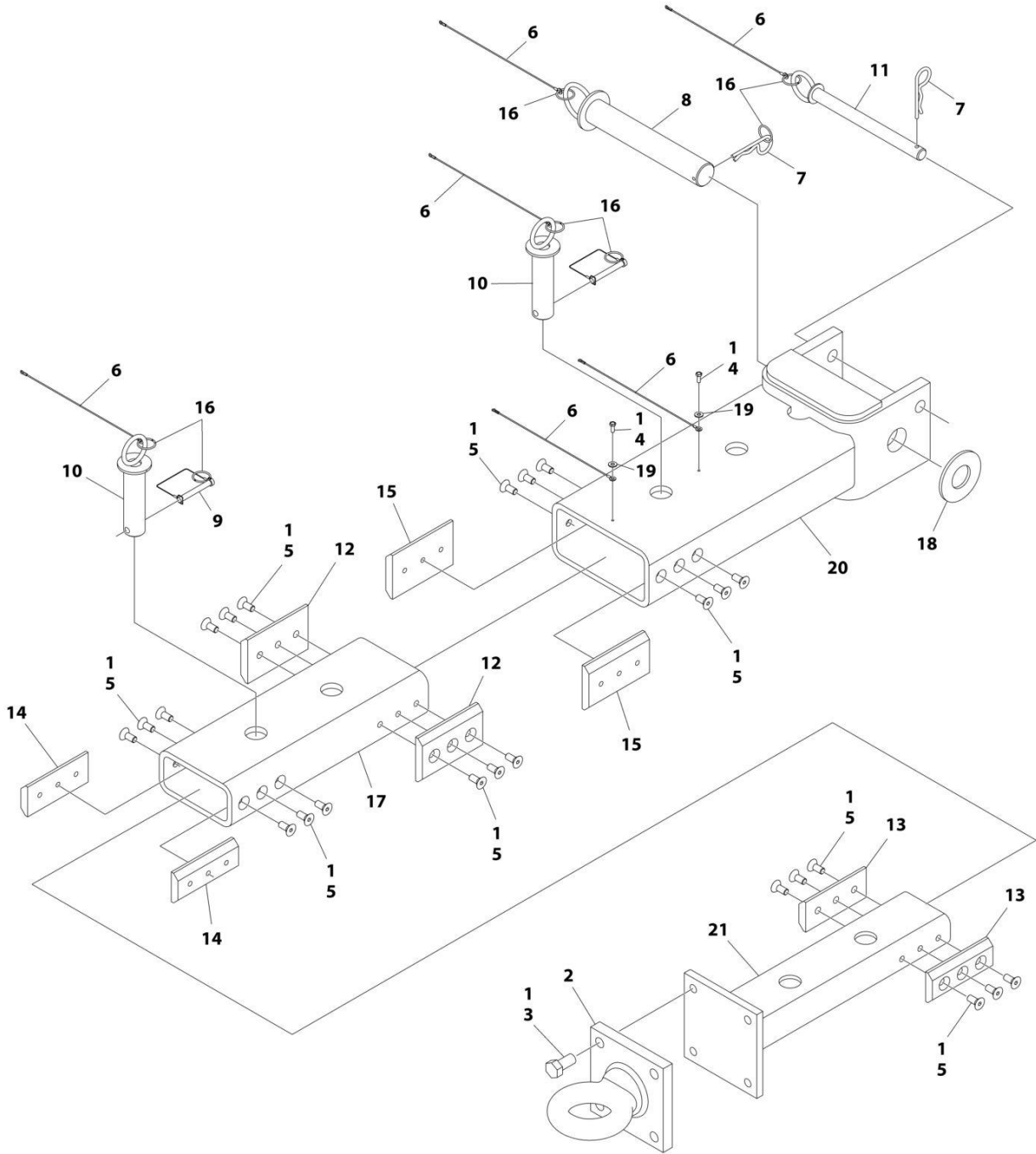
## SECTION 1 - FRAME

**FIGURE 1-25. TOW PACKAGE INSTALLATION (FRENCH/ENGLISH DECALS)**

ITEM	PART NUMBER	QTY	DESCRIPTION	REV
	1001220283	Ref	TOW BAR INSTALLATION (FRENCH/ENGLISH DECALS)	A
	0270528	1	Tow Bar Assembly (See Separate Breakdown in this Section)	
2	0641508	2	Bolt 5/16 x 1	
3	4640261	1	Valve, Select	
4	1001160780	1	Extension, Rod	
5	1704272	1	Decal/Nameplate - Steer/Tow Select Valve	
6	1705820	1	Decal - Towing Instructions	
7	1706593	2	Decal - Crushing	
8	4420051	AR	Tape, Safety	
9	4751500	4	Washer 5/16	
10	0100011	AR	Compound, Locking	

# SECTION 1 - FRAME

## FIGURE 1-26. TOW BAR ASSEMBLY



ART\_0270528

# SECTION 1 - FRAME

## FIGURE 1-26. TOW BAR ASSEMBLY

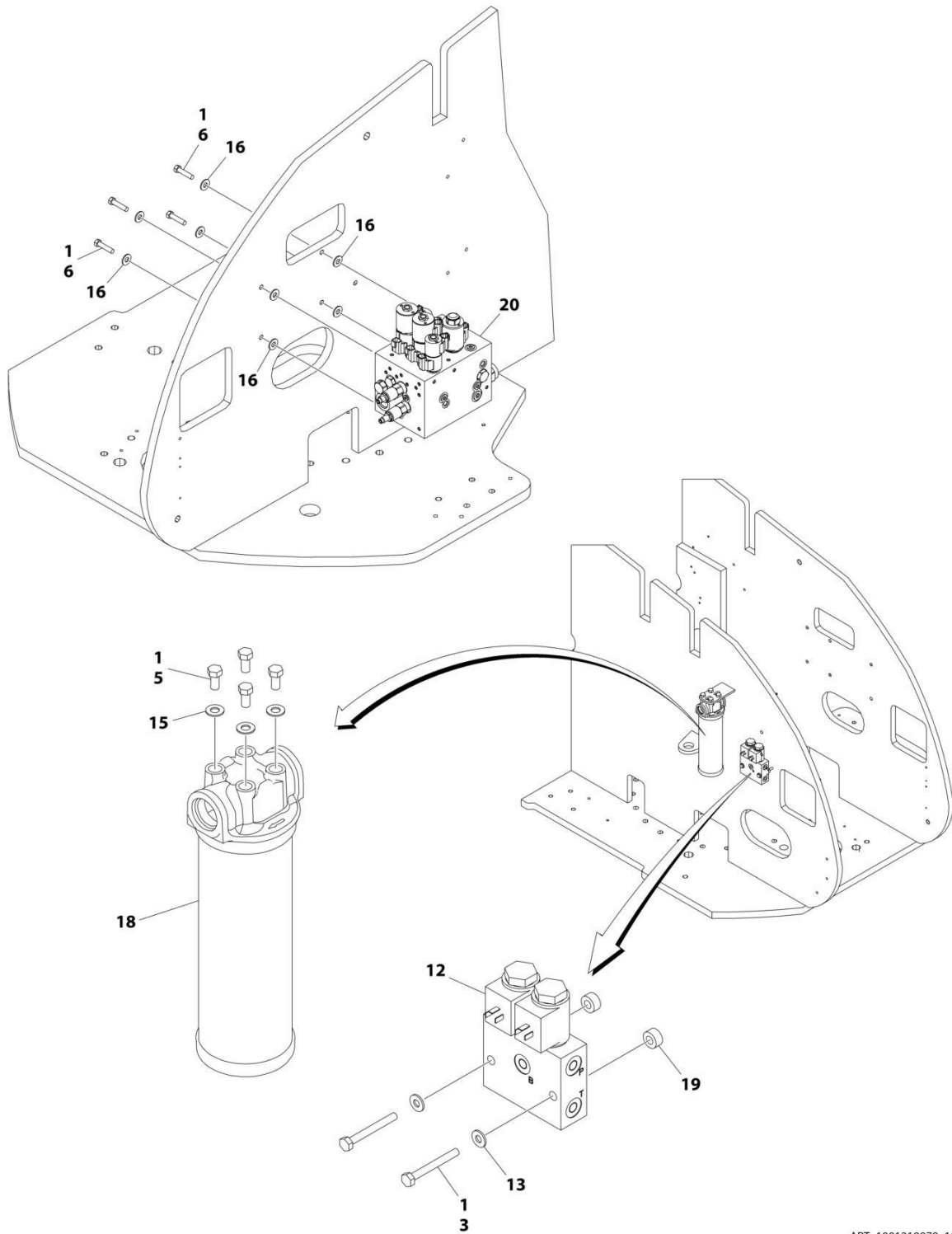
ITEM	PART NUMBER	QTY	DESCRIPTION	REV
	0270528	Ref	TOW BAR ASSEMBLY	B
1	0100011	AR	Compound, Locking	
2	0362910	1	Pintle, Draw Eye	
3	0642010	4	Bolt 5/8 x 1-1/4	
4	0721004	2	Screw, Hex Machine	
5	0741607	24	Screw, Countersunk 3/8 x 7/8	
6	1060584	6	Cable, Lanyard	
7	3420372	2	Pin, Cotter	
8	3420447	1	Pin, Towing	
9	3421565	2	Pin, Snap	
10	3422841	2	Pin	
11	3422847	1	Pin	
12	3572009	2	Plate, Slide Stop	
13	3572010	2	Plate, Slide Stop	
14	3572011	2	Plate, Slide Stop	
15	3572012	2	Plate, Slide Stop	
16	3760170	8	Ring, Split	
17	4568133	1	Tube, Tow Bar	
18	4740036	1	Washer	
19	4751000	2	Washer #10	
20	4846295	1	Tow Bar Attach Weldment	
21	4846296	1	Pintle Attach Weldment	



**SECTION 2 - TURNTABLE**

# SECTION 2 - TURNTABLE

## FIGURE 2-1. CONTROL VALVES INSTALLATION (800S)



ART\_1001219979\_10F2



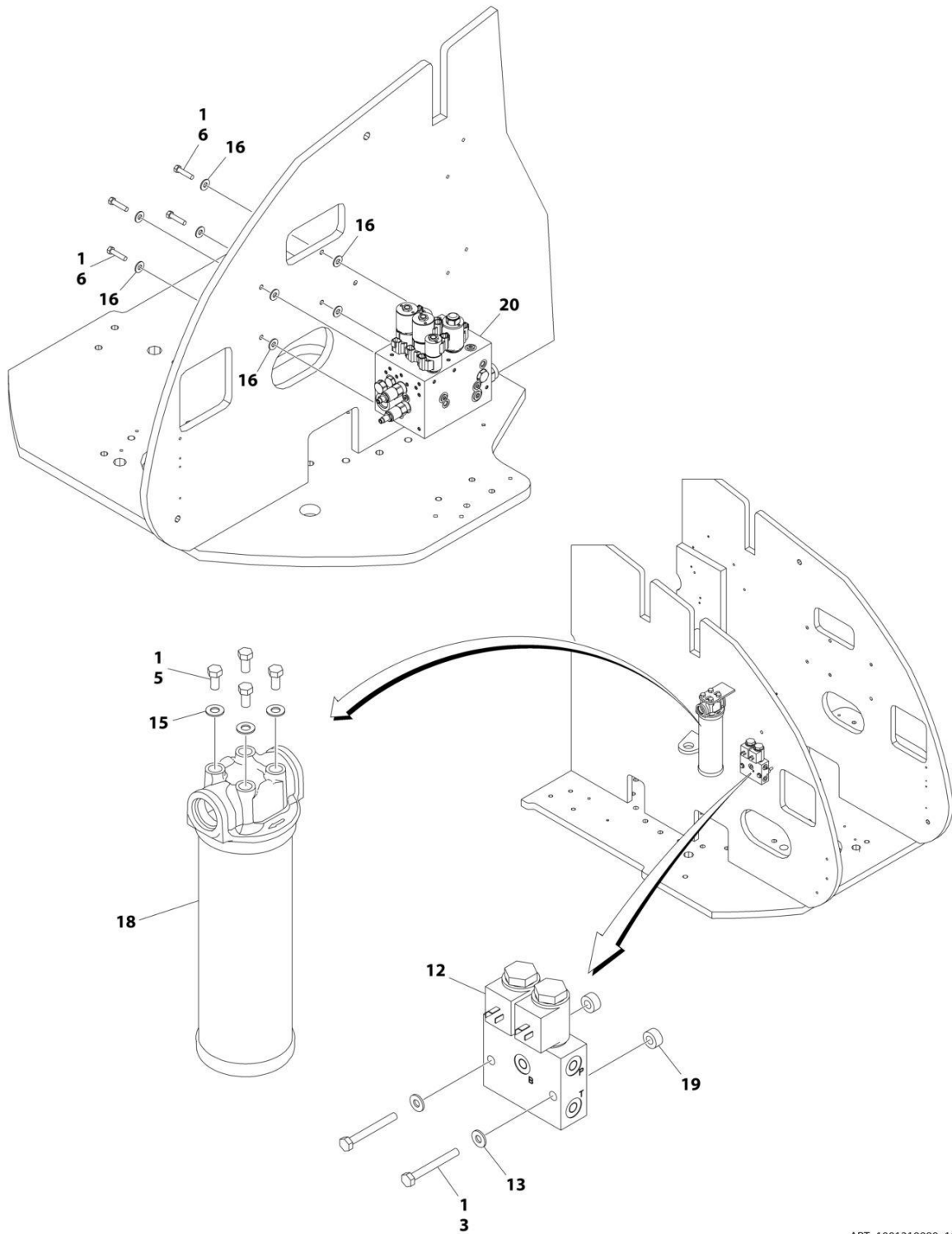
**SECTION 2 - TURNTABLE**

**FIGURE 2-1. CONTROL VALVES INSTALLATION (800S)**

ITEM	PART NUMBER	QTY	DESCRIPTION	REV
	1001219979	Ref	VALVES INSTALLATION	B
1	0100011	AR	Compound, Locking	
3	0641418	2	Bolt 1/4 x 2-1/4	
5	0641606	4	Bolt 3/8 x 3/4	
6	0641613	4	Bolt 3/8 x 1-5/8	
12	4641317	1	Dual Select Valve Assembly	C
12	7012944	2	Coil	
12	7012941	2	Cartridge Less Coil	
12	7010543	2	Seal Kit - 7012941 Valve (1 Per Cartridge)	
13	4711400	2	Washer 1/4	
15	4711600	4	Washer 3/8	
16	4751600	8	Washer 3/8	
18	1001108617	AR	Hydraulic Filter Assembly	
18	70002231	1	Element, Filter	
19	1001110425	1	Spacer	
20	1001235900	1	Main Control Valve Assembly (See Separate Breakdown in this Section)	

# SECTION 2 - TURNTABLE

## FIGURE 2-2. CONTROL VALVES INSTALLATION (860SJ)



ART\_1001219980\_10F2

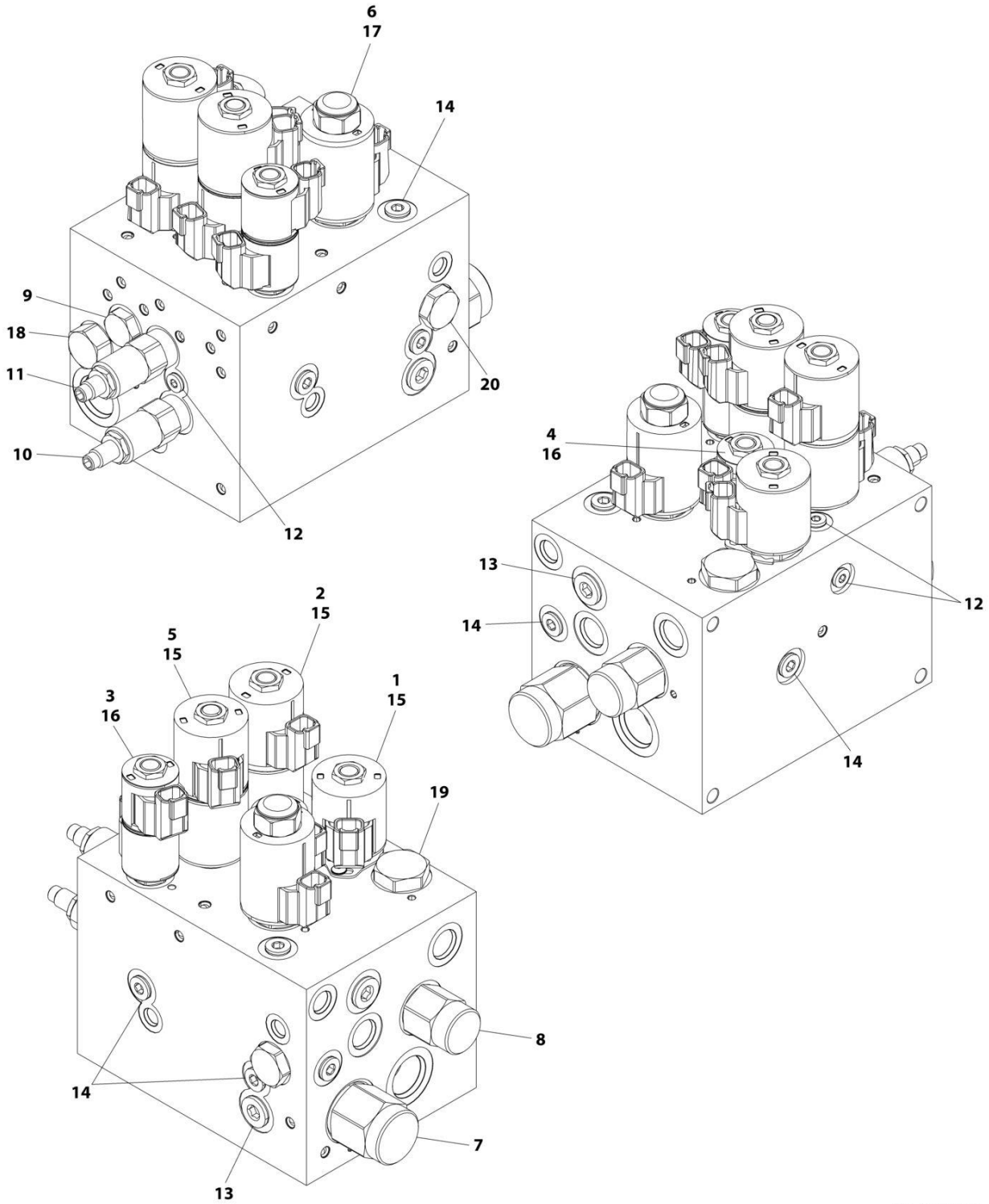
# SECTION 2 - TURNTABLE

**FIGURE 2-2. CONTROL VALVES INSTALLATION (860SJ)**

ITEM	PART NUMBER	QTY	DESCRIPTION	REV
	1001219980	Ref	VALVES INSTALLATION	B
1	0100011	AR	Compound, Locking	
3	0641418	2	Bolt 1/4 x 2-1/4	
5	0641606	4	Bolt 3/8 x 3/4	
6	0641613	4	Bolt 3/8 x 1-5/8	
12	4641317	1	Dual Select Valve Assembly	C
12	7012944	2	Coil	
12	7012941	2	Cartridge Less Coil	
12	7010543	2	Seal Kit - 7012941 Valve (1 Per Cartridge)	
13	4711400	2	Washer 1/4	
15	4711600	4	Washer 3/8	
16	4751600	8	Washer 3/8	
18	1001108617	AR	Hydraulic Filter Assembly	
18	70002231	1	Element, Filter	
19	1001110425	1	Spacer	
20	1001235900	1	Main Control Valve Assembly (See Separate Breakdown in this Section)	

# SECTION 2 - TURNTABLE

## FIGURE 2-3. MAIN CONTROL VALVE ASSEMBLY



ART\_1001235900

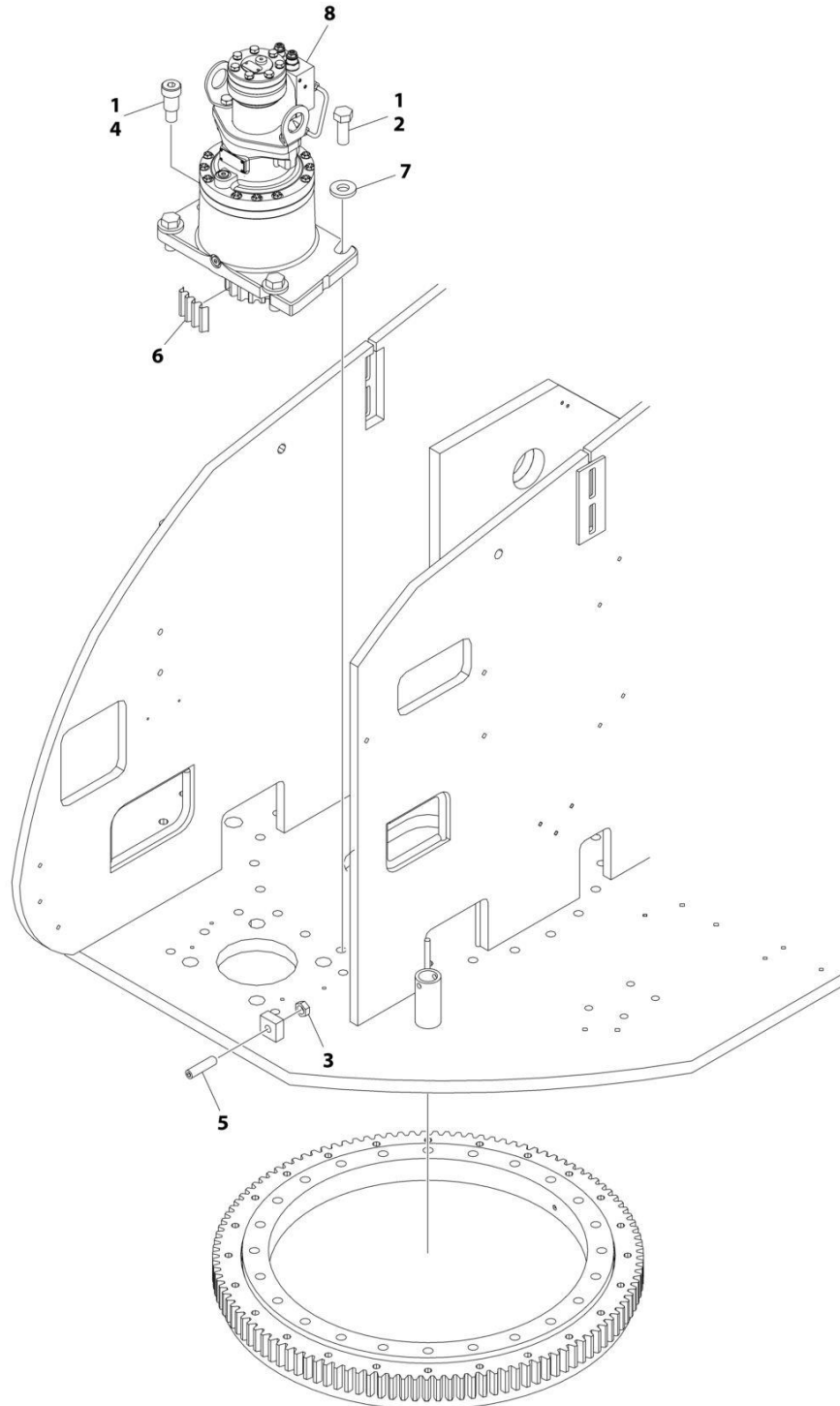
**SECTION 2 - TURNTABLE**

**FIGURE 2-3. MAIN CONTROL VALVE ASSEMBLY**

ITEM	PART NUMBER	QTY	DESCRIPTION	REV
	1001235900	Ref	MAIN CONTROL VALVE ASSEMBLY	B
1	70004570	1	Cartridge, Solenoid Valve (Main Dump)	
1	70004571	1	Seal Kit - 70004570 Valve	
1	70005725	1	Lock Down Kit	
2	7023925	1	Cartridge, Solenoid Valve (Steer)	
2	7012903	1	Seal Kit - 7023925 Valve	
3	7017452	1	Cartridge, Solenoid Valve (Tele)	
3	7017402	1	Seal Kit - 7017452 Valve	
4	7021612	1	Cartridge, Solenoid Valve (Lift)	
4	7012907	1	Seal Kit - 7021612 Valve	
5	70003022	1	Cartridge, Solenoid Valve (Swing)	
5	7012903	1	Seal Kit - 70003022 Valve	
6	70004572	1	Cartridge, Solenoid Valve (Tele)	
6	70004573	1	Seal Kit - 70004572 Valve	
7	70004574	1	Cartridge, Valve	
7	70004575	1	Seal Kit - 70004574 Valve	
8	70004576	1	Cartridge, Valve	
8	70004577	1	Seal Kit - 70004576 Valve	
9	10837580	1	Cartridge, Valve	
9	7010543	1	Seal Kit - 10837580 Valve	
10	7017422	1	Cartridge, Valve	
10	7012998	1	Seal Kit - 7017422 Valve	
11	70004578	1	Cartridge, Valve	
11	7021653	1	Seal Kit - 70004578 Valve	
12	91164059	3	Plug, #4	
13	91164057	3	Plug, #8	
14	91164079	6	Plug, #6	
15	70003788	5	Coil	
16	70002386	3	Coil	
17	70003789	1	Coil	
18	70004579	1	Cartridge, Valve	
18	70004580	1	Seal Kit - 70004579 Valve	
19	70004581	1	Cartridge, Valve	
19	70004571	1	Seal Kit - 70004581 Valve	
20	7023985	1	Cartridge, Valve	
20	7017496	1	Seal Kit - 7023985 Valve	

# SECTION 2 - TURNTABLE

## FIGURE 2-4. SWING DRIVE INSTALLATION



ART\_1001094899

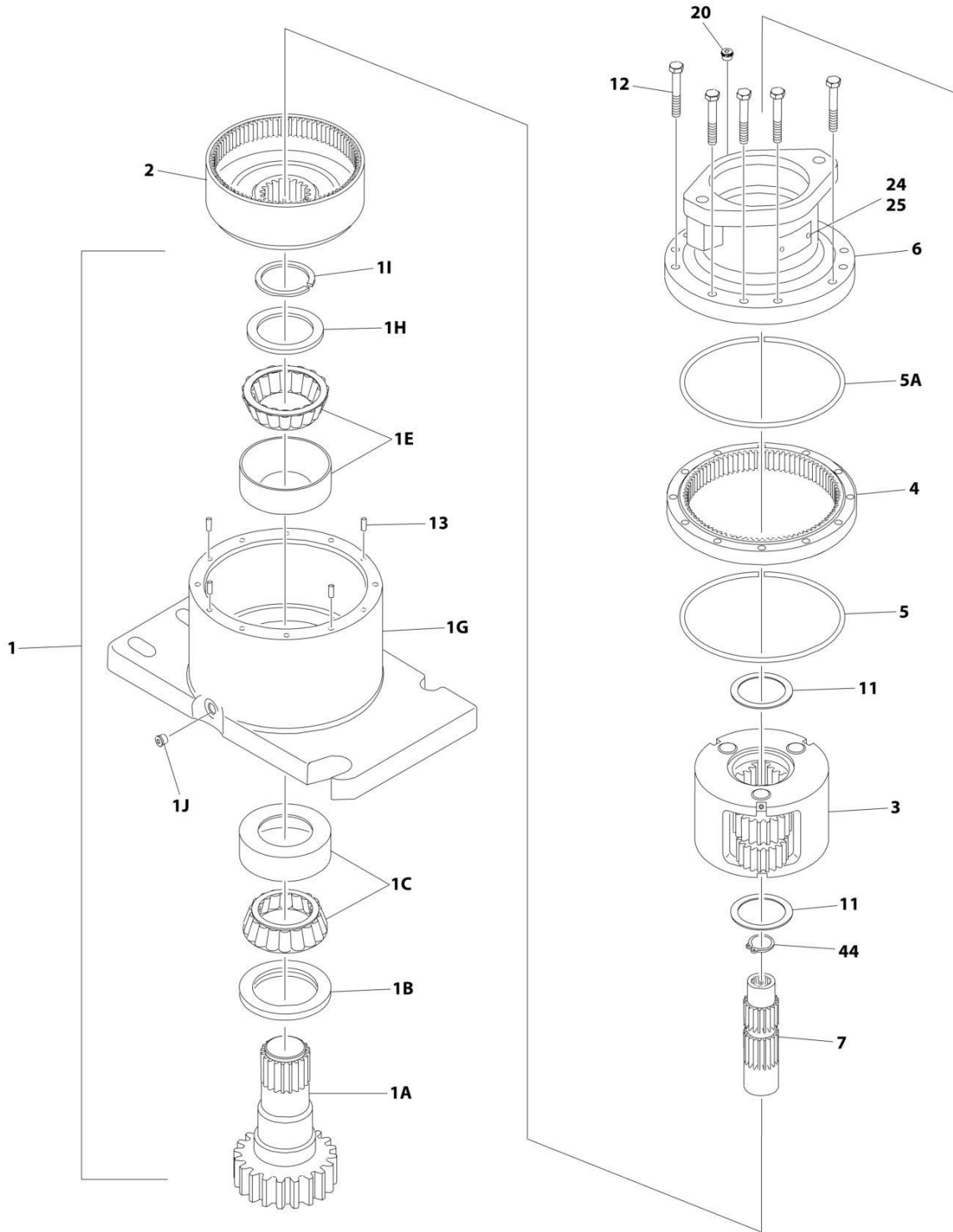
**SECTION 2 - TURNTABLE**

**FIGURE 2-4. SWING DRIVE INSTALLATION**

<b>ITEM</b>	<b>PART NUMBER</b>	<b>QTY</b>	<b>DESCRIPTION</b>	<b>REV</b>
	1001094899	Ref	SWING DRIVE INSTALLATION	E
1	0100019	AR	Compound, Locking	
2	0682216	4	Bolt 3/4 x 2 Grade 8	
3	3312002	1	Nut, Jam 3/4	
4	3900293	1	Bolt, Shoulder	
5	3952020	2	Setscrew 5/8 x 2-1/2	
6	1001125492	1	Shim	
7	4740057	4	Washer 3/4 Hardened	
8	1001229810	1	Swing Motor/Swing Hub Assembly (See Separate Breakdown in this Section)	

# SECTION 2 - TURNTABLE

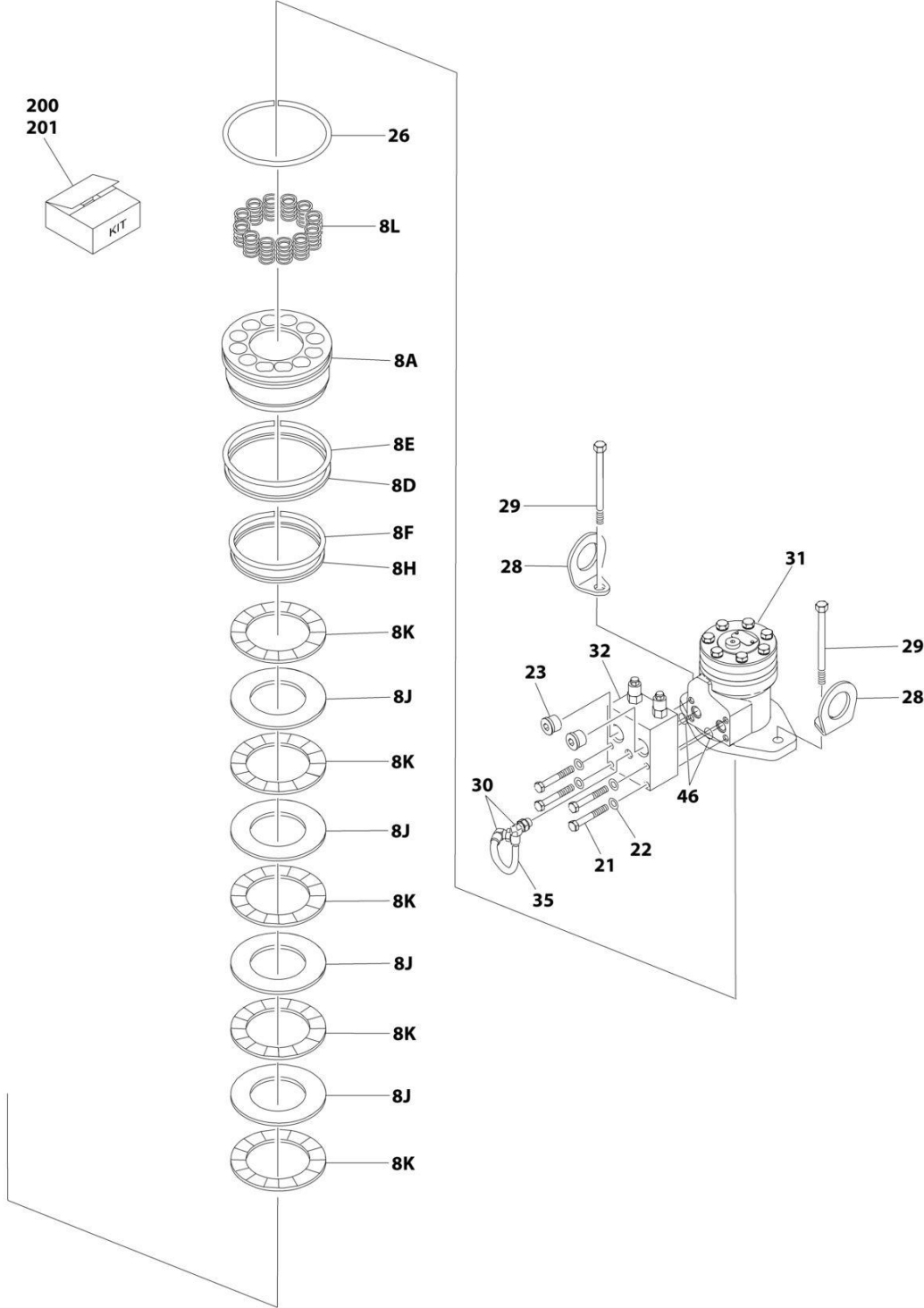
## FIGURE 2-5. SWING MOTOR/HUB ASSEMBLY



ART\_1001229810\_10F2



# SECTION 2 - TURNTABLE



ART\_1001229810\_20F2

## SECTION 2 - TURNTABLE

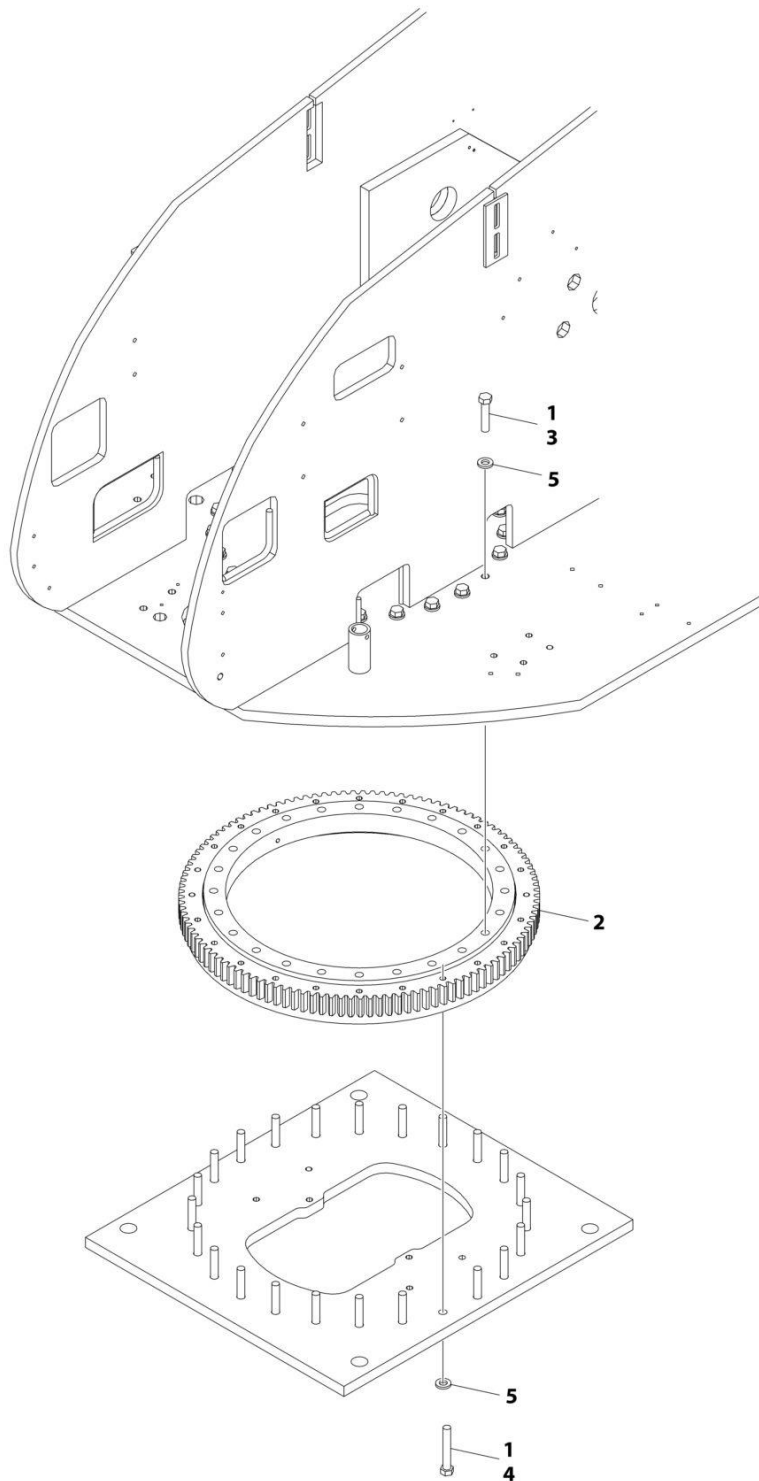
**FIGURE 2-5. SWING MOTOR/HUB ASSEMBLY**

ITEM	PART NUMBER	QTY	DESCRIPTION	REV
	1001229810	Ref	SWING MOTOR/HUB ASSEMBLY	C
1	See Note	1	Housing/Shaft Assembly (Note: Not Available - Purchase Individual Components)	
1A	7010492	1	Shaft, Output	
1B	7000228	1	Seal, Lip	
1C	7000255	1	Bearing Kit (Includes Cup and Cone)	
1E	7000257	1	Bearing Kit (Includes Cup and Cone)	
1G	7024762	1	Housing	
1H	7007633	1	Washer, Thrust	
1I	7000229	1	Ring, Retaining	
1J	7017072	1	Plug, Pipe	
2	7000246	1	Gear, Internal	
3	7000247	1	Carrier Assembly	
4	7000248	1	Gear, Ring	
5	7000230	1	O-Ring	
5A	7017070	1	O-Ring	
6	1001229810	NSS	Housing, Brake (Note: Not Available - Purchase Complete Assembly)	
7	70005203	1	Gear, Sun	
8A	70004037	1	Piston	
8D	70004041	1	O-Ring	
8E	70004044	1	Ring, Back-up	
8F	70004042	1	O-Ring	
8H	70004043	1	Ring, Back-up	
8J	70002085	4	Disc, Rotor	
8K	70002085	5	Disc, Stator	
8L	70002066	14	Spring	
11	7000253	2	Washer, Thrust	
12	7000217	12	Bolt 3/8 x 2-1/4 Grade 8	
13	7017080	4	Pin, Dowel	
20	7017072	1	Plug, Pipe	
21	7024704	4	Bolt 5/16 x 2 Grade 8	
22	70004045	4	Washer	
23	7017023	2	Plug, Pipe	
24	See Note	NSS	Plate, ID (Note: Not Available for Purchase)	
25	See Note	NSS	Rivet (Note: Not Available for Purchase)	
26	7024763	1	O-Ring	
28	See Note	NSS	Lug, Lifting (Note: Not Available for Purchase)	
29	70004040	2	Bolt 1/2 x 1 (Grade 8)	
30	7017085	2	Elbow	
31	70006304	1	Motor Assembly	
32	7024784	1	Valve Assembly - Complete (No Serviceable Parts)	
35	70004047	1	Tube	
44	7017028	1	Ring, Internal Retaining	
45	7000213	2	O-Ring	
		Ref	KIT OPTIONS:	
200	7024100	1	Seal Kit - Swing Hub (Includes Items 1B, 1I, 5, 5A & 11)	
201	70002085	1	Disc Kit - Swing Brake (Includes Items 8J & 8K)	



# SECTION 2 - TURNTABLE

FIGURE 2-6. TURNTABLE BEARING INSTALLATION (ALL SPECS EXCEPT CHINA SPECS)



ART\_0271002

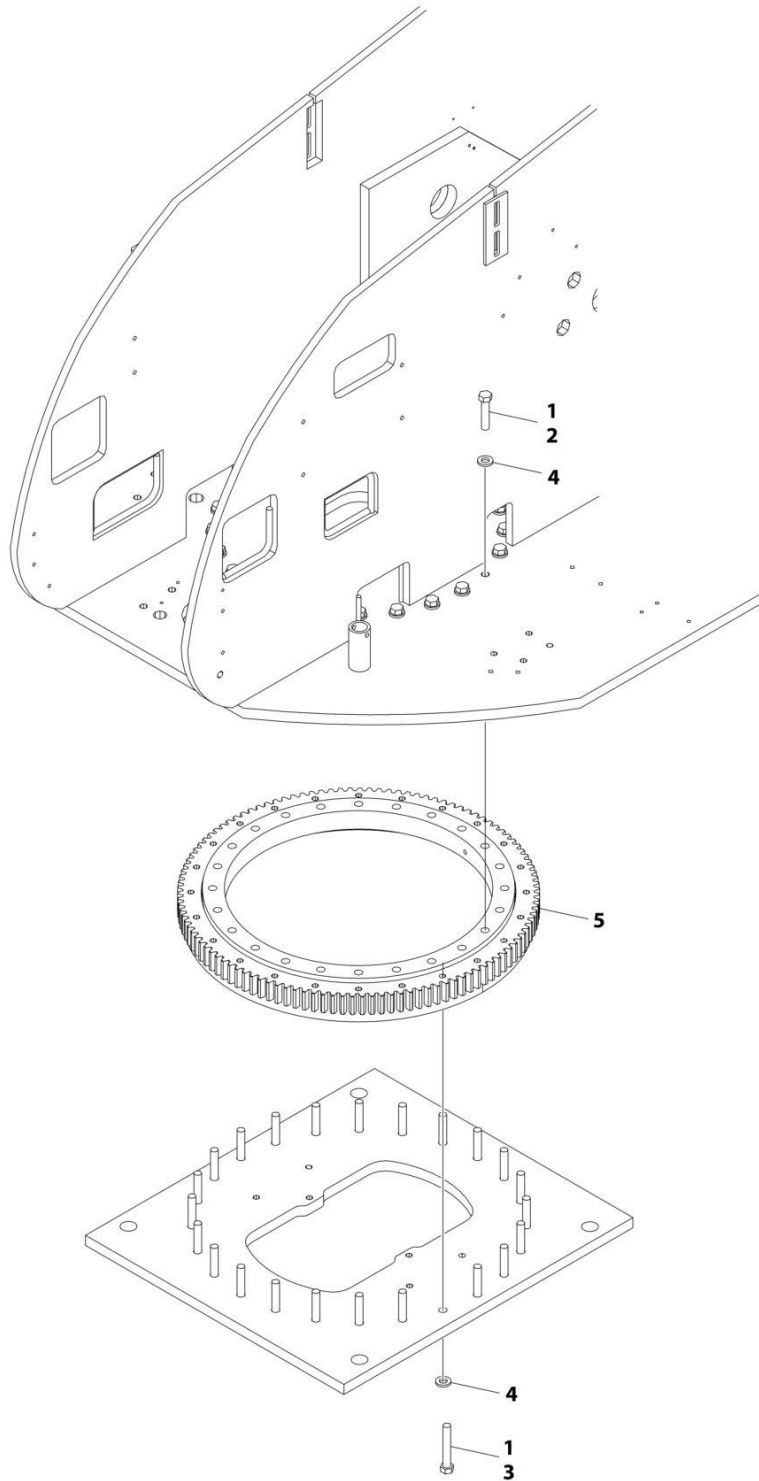
**SECTION 2 - TURNTABLE**

**FIGURE 2-6. TURNTABLE BEARING INSTALLATION (ALL SPECS EXCEPT CHINA SPECS)**

<b>ITEM</b>	<b>PART NUMBER</b>	<b>QTY</b>	<b>DESCRIPTION</b>	<b>REV</b>
	0271002	Ref	TURNTABLE BEARING INSTALLATION	E
1	0100019	AR	Compound, Locking	
2	0440244	1	Bearing, Turntable	
3	0682023	24	Bolt 5/8 x 2-7/8 Grade 8	
4	0682032	24	Bolt 5/8 x 4 Grade 8	
5	4892000	48	Washer, 5/8 Hardened	

# SECTION 2 - TURNTABLE

## FIGURE 2-7. TURNTABLE BEARING INSTALLATION (CHINA SPECS)



ART\_1001287730

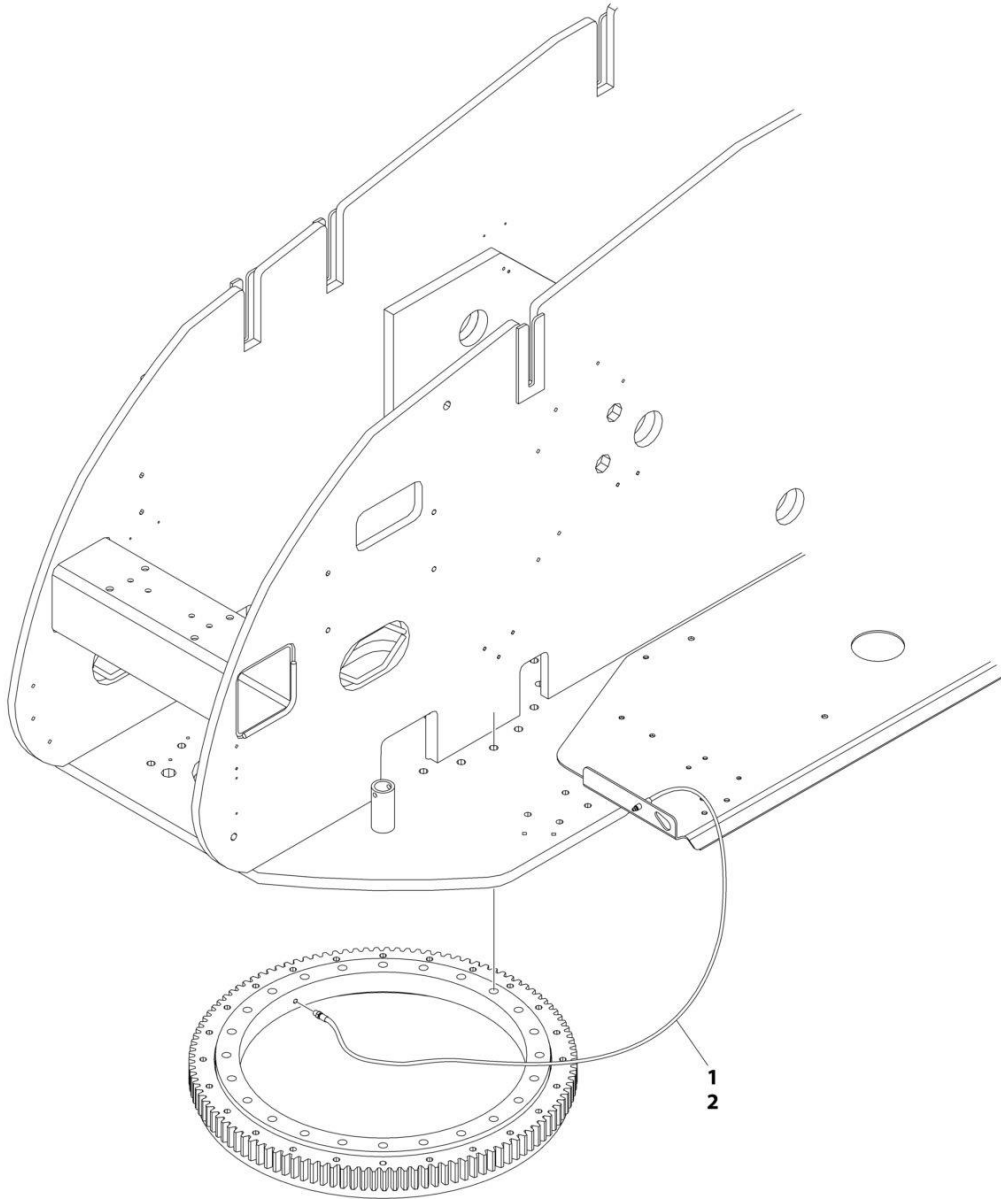
**SECTION 2 - TURNTABLE**

**FIGURE 2-7. TURNTABLE BEARING INSTALLATION (CHINA SPECS)**

<b>ITEM</b>	<b>PART NUMBER</b>	<b>QTY</b>	<b>DESCRIPTION</b>	<b>REV</b>
	1001287730	Ref	TURNTABLE BEARING INSTALLATION	A
1	0100019	AR	Compound, Locking	
2	0682023	24	Bolt 5/8 x 2-7/8	
3	0682032	24	Bolt 5/8 x 4	
4	4892000	48	Washer 5/8	
5	1001287729	1	Bearing, Turntable	

## SECTION 2 - TURNTABLE

FIGURE 2-8. REMOTE BEARING LUBE INSTALLATION



ART\_1001161076



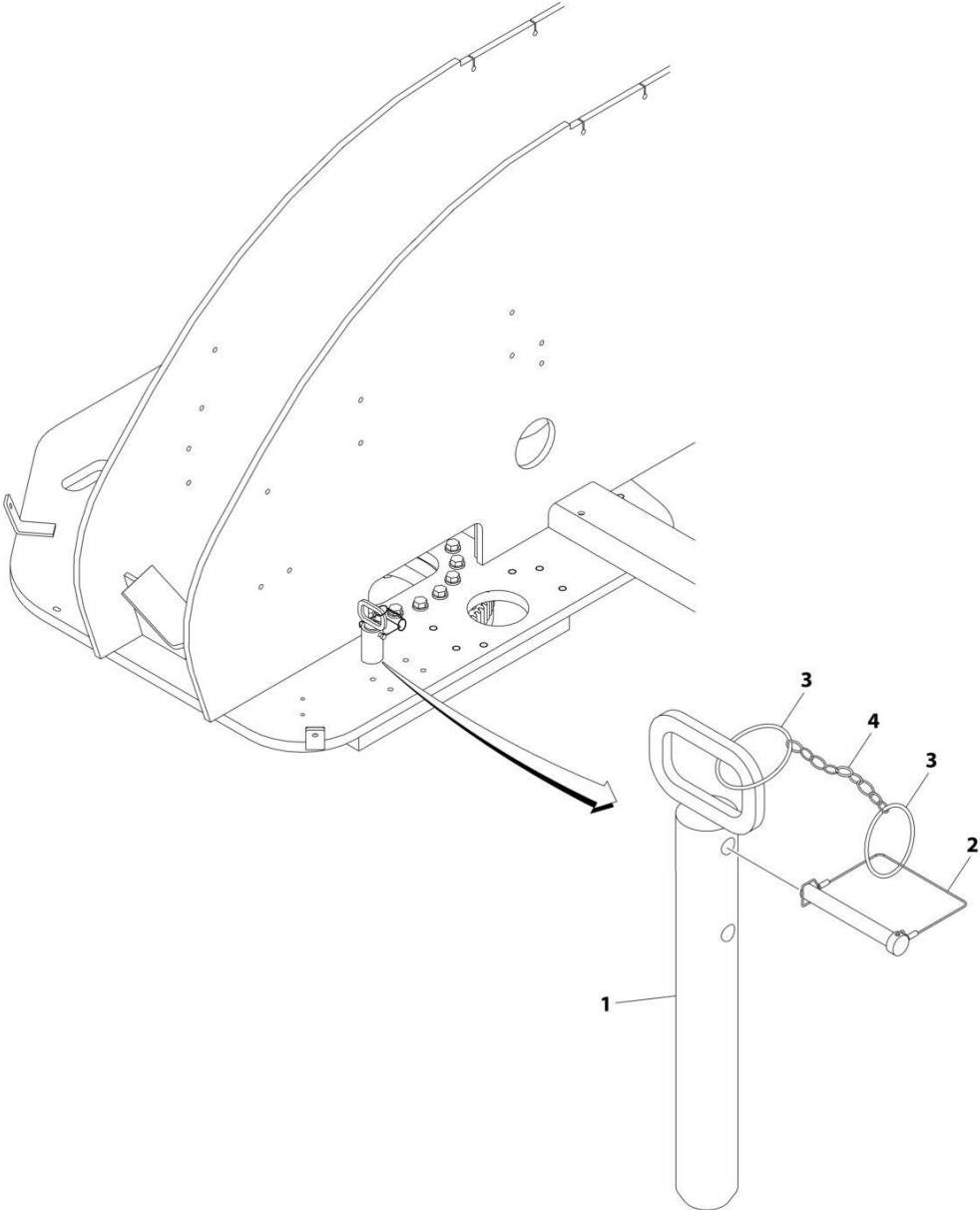
**SECTION 2 - TURNTABLE**

**FIGURE 2-8. REMOTE BEARING LUBE INSTALLATION**

<b>ITEM</b>	<b>PART NUMBER</b>	<b>QTY</b>	<b>DESCRIPTION</b>	<b>REV</b>
	1001161076	Ref	REMOTE BEARING LUBE INSTALLATION	B
1	0100011	AR	Compound, Locking	
2	1001188125	1	Hose and Fitting Assembly	

**SECTION 2 - TURNTABLE**

**FIGURE 2-9. TURNTABLE LOCK INSTALLATION**



ART\_0259147

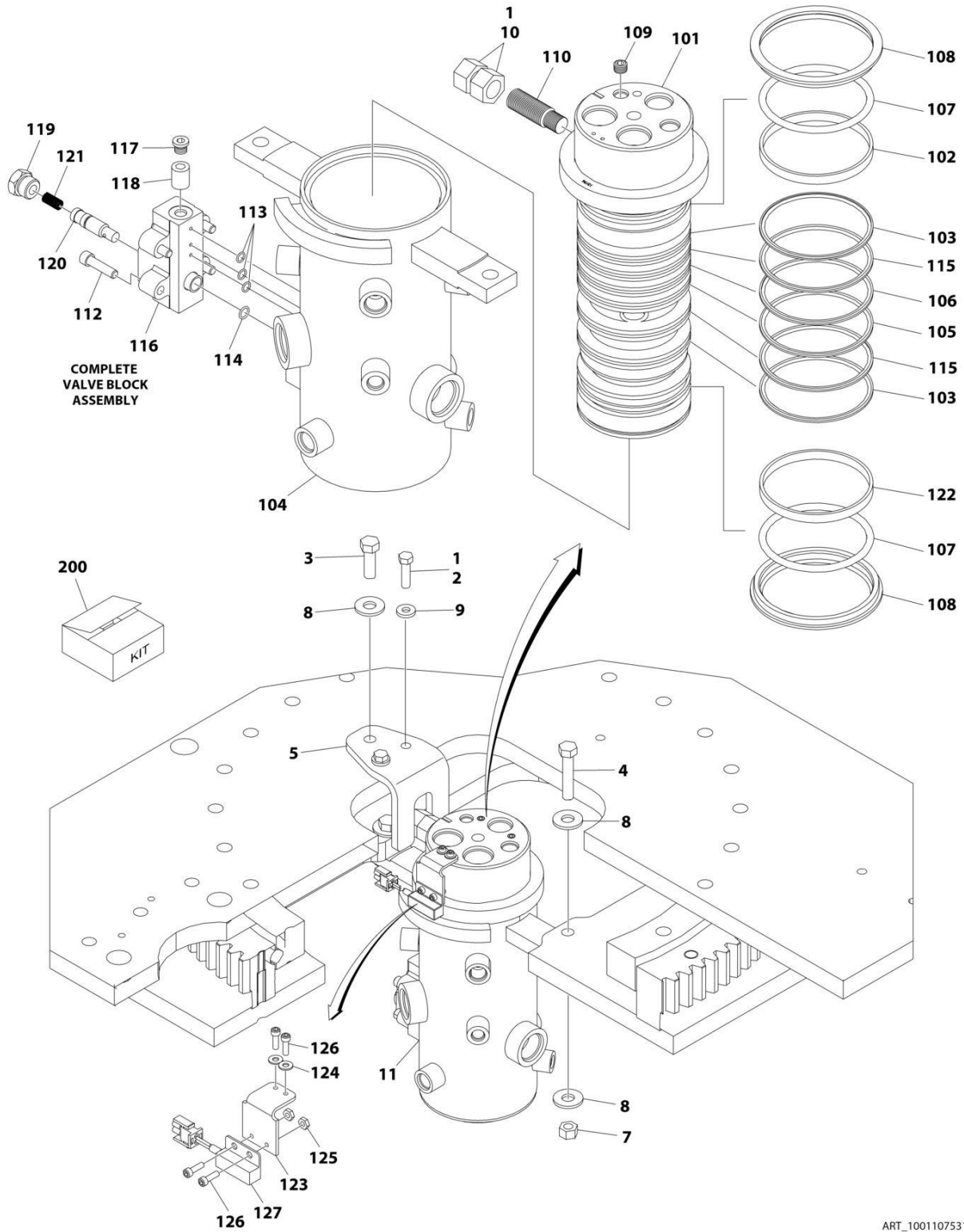
**SECTION 2 - TURNTABLE**

**FIGURE 2-9. TURNTABLE LOCK INSTALLATION**

<b>ITEM</b>	<b>PART NUMBER</b>	<b>QTY</b>	<b>DESCRIPTION</b>	<b>REV</b>
	0259147	Ref	TURNTABLE LOCK INSTALLATION	B
1	4844958	1	Pin	
2	3421565	1	Pin, Snap	
3	3760170	2	Ring, Quick Release	
4	1260017	9 in/ 23cm	Chain	

# SECTION 2 - TURNTABLE

## FIGURE 2-10. ROTARY COUPLING INSTALLATION



ART\_1001107531

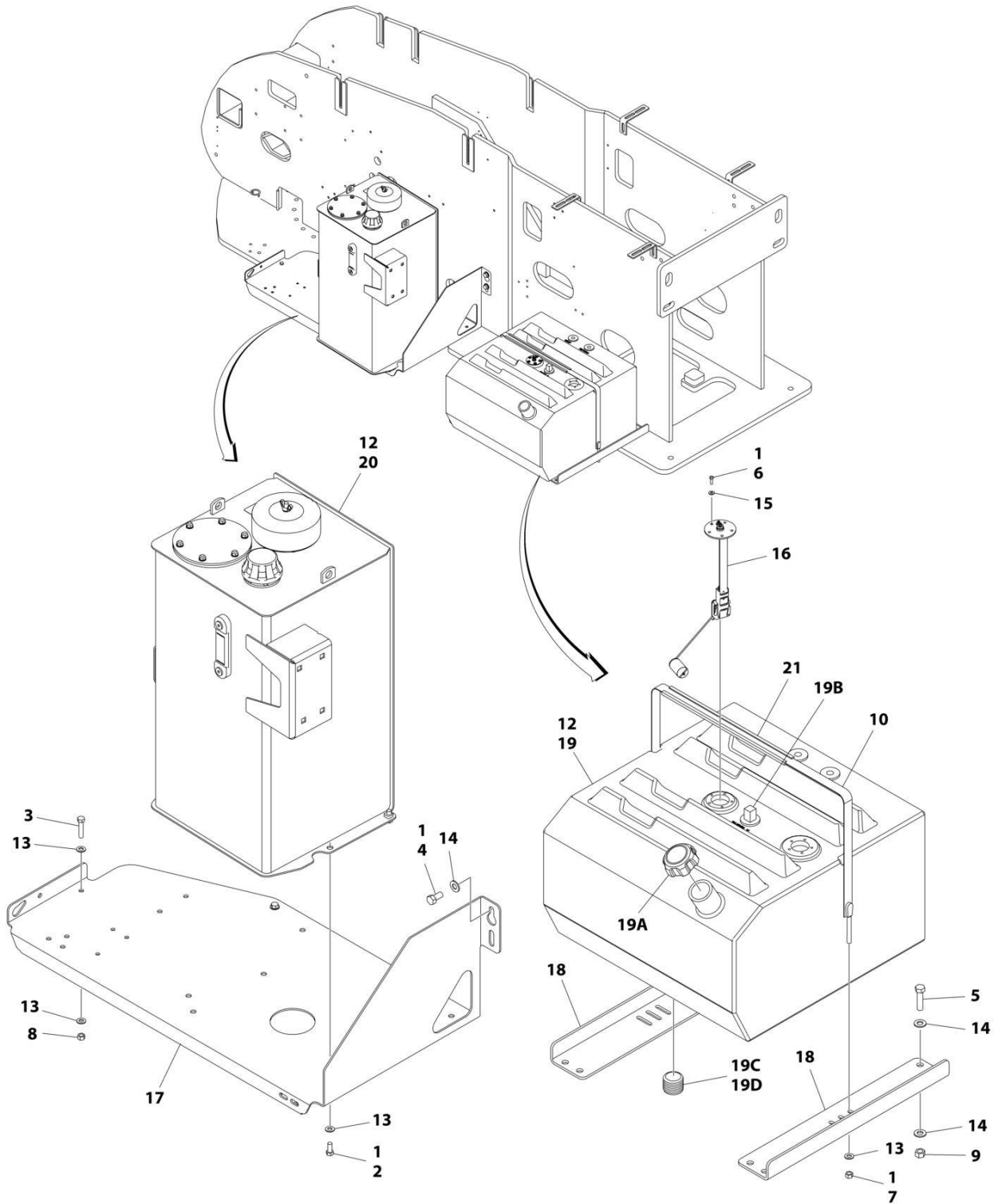
# SECTION 2 - TURNTABLE

**FIGURE 2-10. ROTARY COUPLING INSTALLATION**

ITEM	PART NUMBER	QTY	DESCRIPTION	REV
	1001107531	Ref	ROTARY COUPLING INSTALLATION	A
1	0100011	AR	Compound, Locking	
2	0641611	2	Bolt 3/8 x 1-3/8	
3	0641812	1	Bolt 1/2 x 1-1/2	
4	0641820	2	Bolt 1/2 x 2-1/2	
5	0903242	1	Bracket	
7	3271805	2	Nut 1/2	
8	4751800	5	Washer 1/2 Regular	
9	4891600	2	Washer 3/8 Hardened	
10	3322201	2	Nut 3/4	
11	1001106974	1	Coupling, Rotary (See Items 101-128 for Breakdown)	
	1001106974	Ref	ROTARY COUPLING ASSEMBLY	B
101	1001106974	1	Body (Note: Not Available - Purchase Complete Assembly)	
102	70001248	1	Seal, Poly	
103	70001248	2	O-Ring/Seal	
104	See Note	NSS	Housing (Note: Not Available - Purchase Complete Assembly)	
105	70001248	6	Seal, Cap	
106	70001248	6	O-Ring	
107	7026503	2	Ring, Thrust	
108	7026504	2	Ring, Retaining	
109	80934561	2	Plug	
110	See Note	NSS	Lug, Torque (Note: Not Available for Purchase)	
112	7026197	4	Capscrew	
113	70001248	3	O-Ring	
114	70001248	1	O-Ring	
115	70001248	2	Bearing	
116	7024404	1	Block Valve Assembly	
117	7026505	1	Plug	
118	7026506	1	Valve, Check	
119	7026507	1	Plug	
120	7024404	1	Plunger, Valve (Note: Not Available for Purchase)	
121	7026509	1	Spring	
122	70001248	1	Seal, Oil	
123	70003454	1	Bracket, Switch Mounting	
124	4711000	4	Washer #10	
125	See Note	NSS	Nut 1/4 (Note: Not Available for Purchase)	
126	See Note	NSS	Capscrew 1/4 (Note: Not Available for Purchase)	
127	4360517	1	Switch, Proximity	
128	See Note	AR	Protective Netting (Not Shown) (Note: Not Available for Purchase)	
200	70001248	Ref	Seal Kit - (Includes Items 102, 103, 105, 106, 113, 114, 115 & 122)	

## SECTION 2 - TURNTABLE

FIGURE 2-11. TANK INSTALLATION - GAS ENGINES (HELGESEN 25 GAL HYDRAULIC TANK WITH 6IN DIA BREATHER)



ART\_1001178210

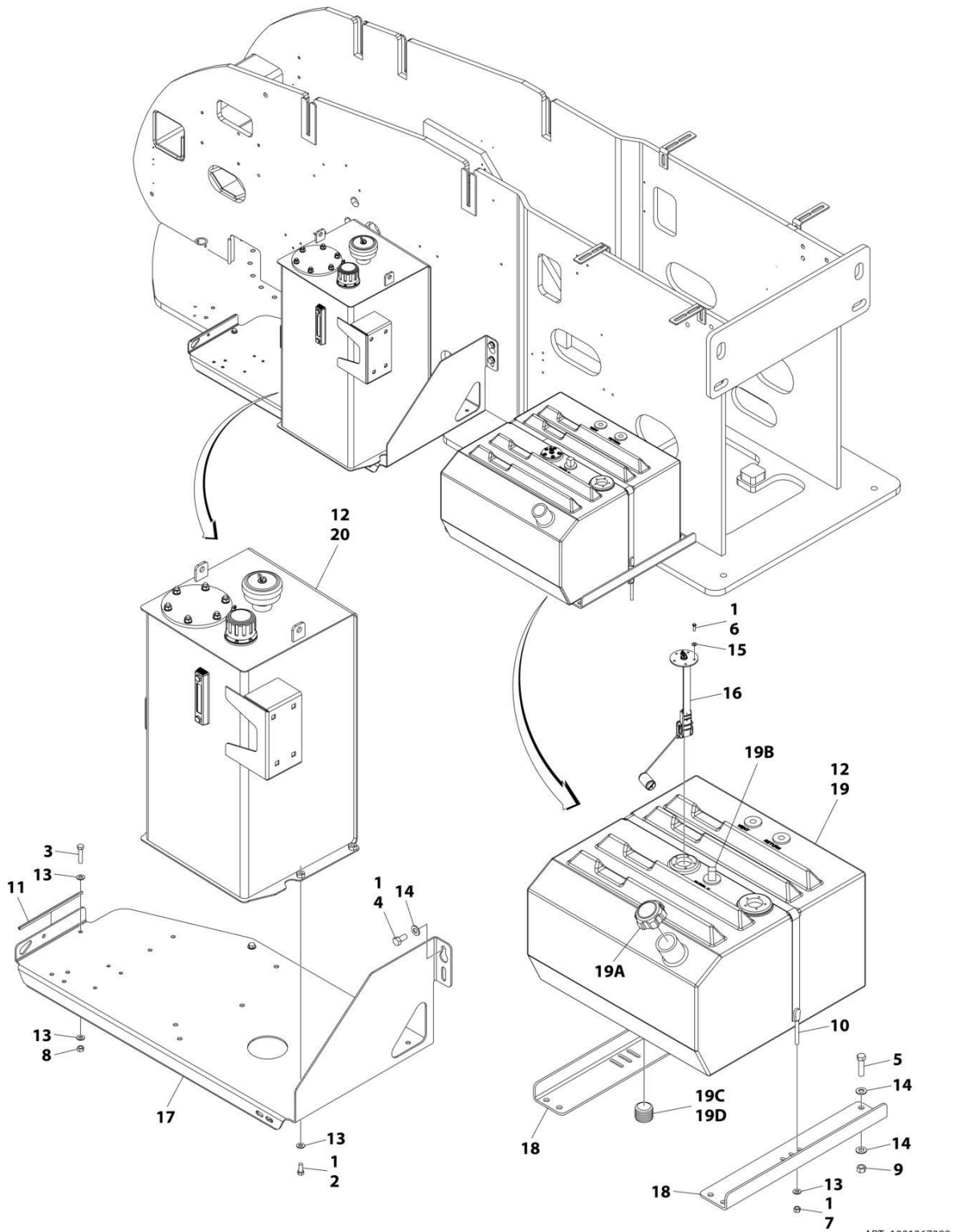
**SECTION 2 - TURNTABLE**

**FIGURE 2-11. TANK INSTALLATION - GAS ENGINES (HELGESEN 25 GAL HYDRAULIC TANK WITH 6IN DIA BREATHER)**

ITEM	PART NUMBER	QTY	DESCRIPTION	REV
	1001178210	Ref	TANKS INSTALLATION – GAS ENGINES	D
1	0100011	AR	Compound, Locking	
2	0641607	4	Bolt 3/8 x 7/8	
3	0641614	2	Bolt 3/8 x 1-3/4	
4	0641808	2	Bolt 1/2 x 1	
5	0641816	4	Bolt 1/2 x 2	
6	0731005	5	Capscrew #10 x 5/8	
7	3311601	2	Nut 3/8	
8	3311605	2	Nut 3/8	
9	3311805	4	Nut 1/2	
10	4240139	1	Strap, Tank Mounting	
12	4420038	6 ft/ 1.7m	Tape, Rubber	
13	4711600	10	Washer 3/8	
14	4711800	10	Washer 1/2	
15	4751000	5	Washer #10	
16	1001148607	1	Gauge, Fuel Level	
17	1001156805	1	Tray, Tank	
18	1001157056	2	Mount	
19	1001160559	1	Fuel Tank Assembly	
19A	1001211336	1	Cap	
19B	7020043	1	Tube, Pickup	
19C	2200222	1	Plug	
19D	0100020	AR	Sealant	
20	1001178057	1	Hydraulic Tank Assembly (See Separate Breakdown in this Section)	
21	4060804	9 in/ 23 cm	Flex-Trim	

## SECTION 2 - TURNTABLE

FIGURE 2-12. TANK INSTALLATION - GAS ENGINES (JIANGYING 25 GAL HYDRAULIC TANK WITH 4IN DIA BREATHER)





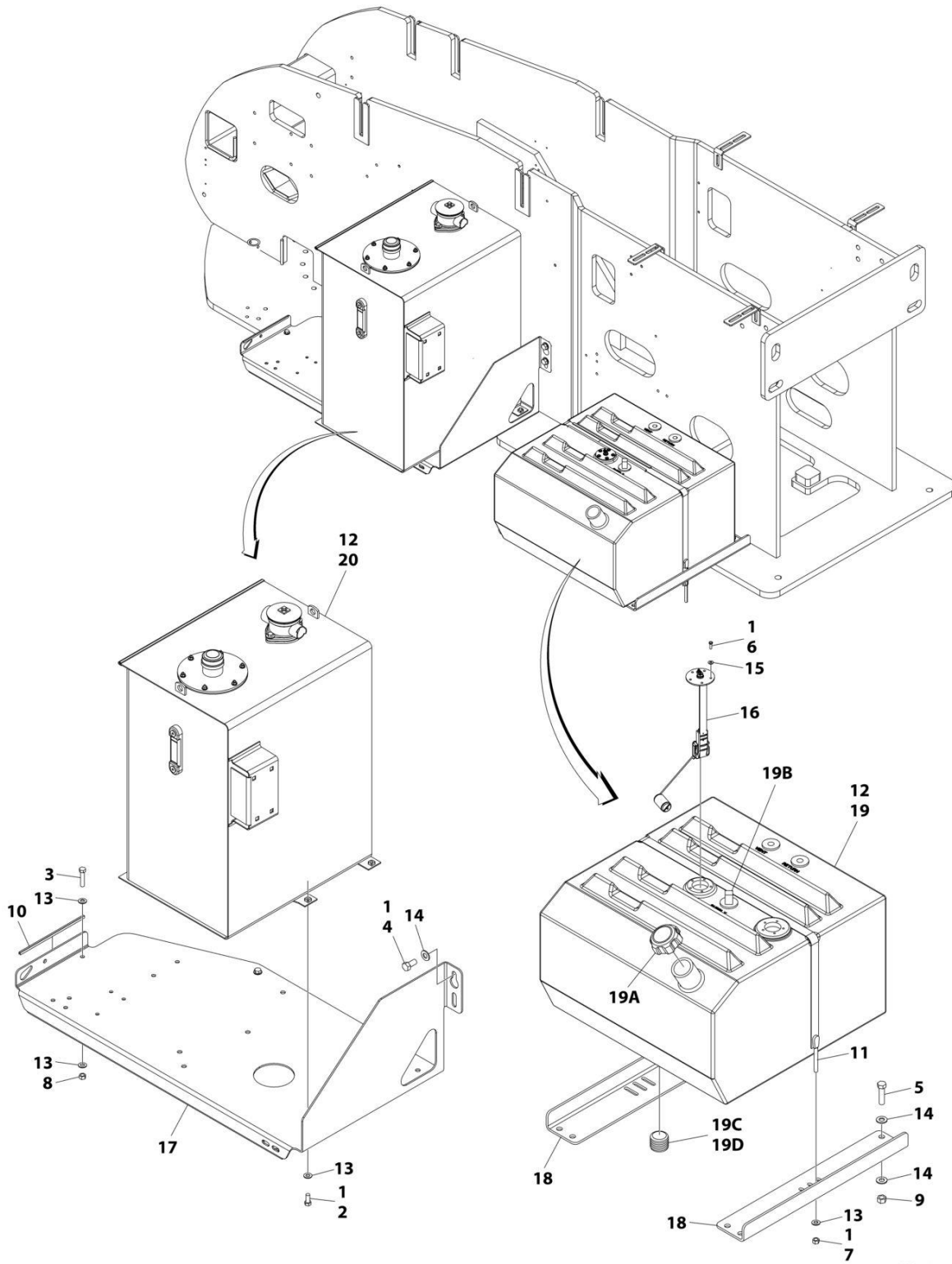
## SECTION 2 - TURNTABLE

**FIGURE 2-12. TANK INSTALLATION - GAS ENGINES (JIANGYING 25 GAL HYDRAULIC TANK WITH 4IN DIA BREATHER)**

ITEM	PART NUMBER	QTY	DESCRIPTION	REV
	1001267288	Ref	TANK INSTALLATION (Machines With SN Starting With B3)	A
1	0100011	AR	Compound, Locking	
2	0641607	4	Bolt 3/8 x 7/8	
3	0641614	2	Bolt 3/8 x 1-3/4	
4	0641808	2	Bolt 1/2 x 1	
5	0641816	4	Bolt 1/2 x 2	
6	0731005	5	Capscrew #10 x 5/8	
7	3311601	2	Nut 3/8	
8	3311605	2	Nut 3/8	
9	3311805	4	Nut 1/2	
10	4240139	1	Strap	
11	4060804	9 in/ 23cm	Flex-Trim	
12	4420038	6 ft/ 1.7m	Tape, Rubber	
13	4711600	10	Washer 3/8	
14	4711800	10	Washer 1/2	
15	4751000	5	Washer #10	
16	1001148607	1	Sensor, Fuel	
17	1001156805	1	Tray, Tank	
18	1001157056	2	Mount	
19	1001160559	1	Fuel Tank	
19A	1001211336	1	Vented Fuel Cap	
19B	7020043	1	Tube, Pickup	
19C	2200222	1	Plug	
19D	0100020	1	Sealant	
20	1001267678	1	Hydraulic Tank Assembly (See Separate Breakdown in this Section)	

# SECTION 2 - TURNTABLE

## FIGURE 2-13. TANK INSTALLATION - GAS ENGINES (47.8 GAL CAPACITY HYDRAULIC TANK)



ART\_1001285830

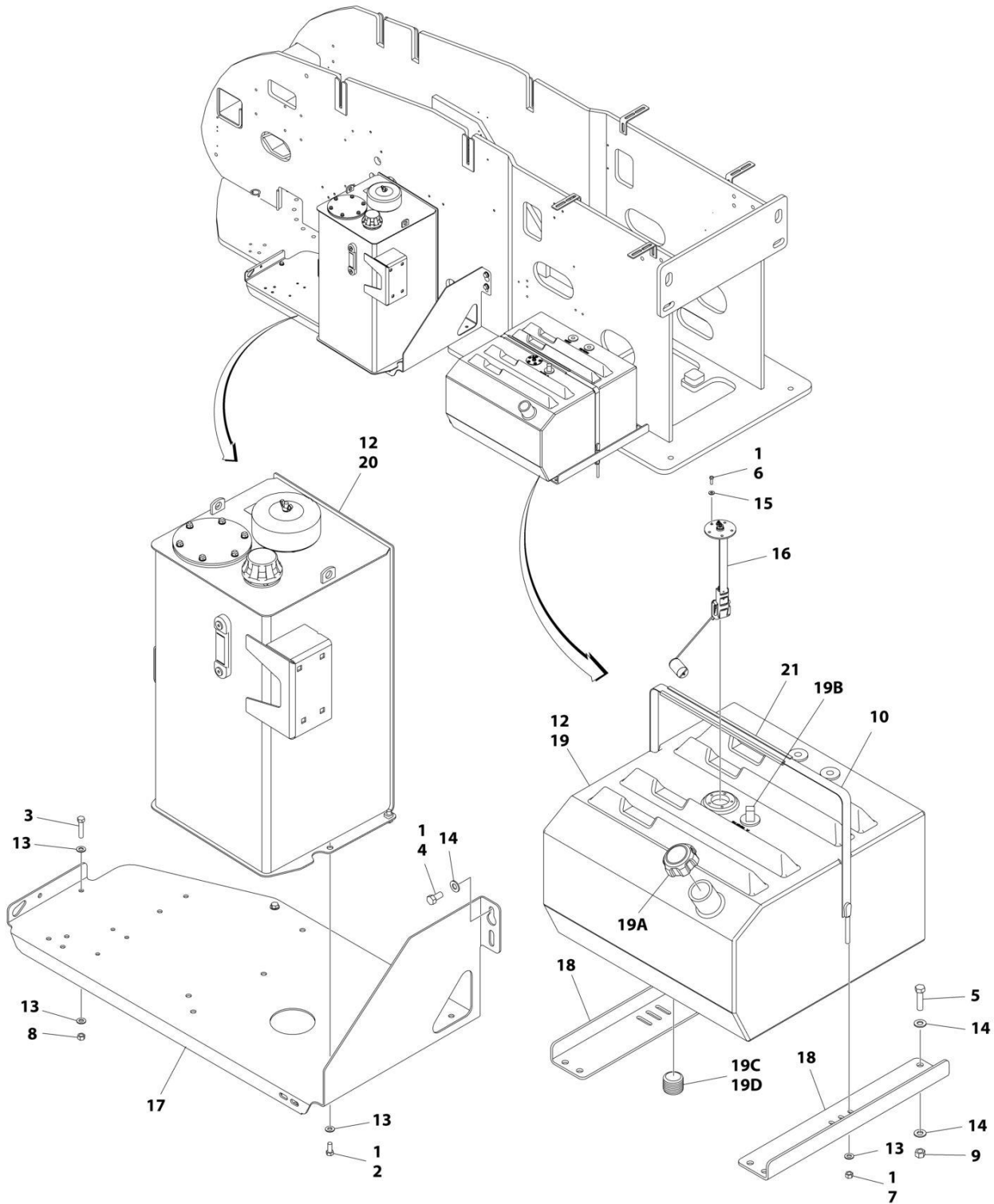
## SECTION 2 - TURNTABLE

**FIGURE 2-13. TANK INSTALLATION - GAS ENGINES (47.8 GAL CAPACITY HYDRAULIC TANK)**

ITEM	PART NUMBER	QTY	DESCRIPTION	REV
	1001285830	Ref	TANK INSTALLATION	B
1	0100011	AR	Compound, Locking	
2	0641607	4	Bolt 3/8 x 7/8	
3	0641614	2	Bolt 3/8 x 1-3/4	
4	0641808	2	Bolt 1/2 x 1	
5	0641816	4	Bolt 1/2 x 2	
6	0731005	5	Capscrew #10 x 5/8	
7	3311601	2	Nut 3/8	
8	3311605	2	Nut 3/8	
9	3311805	4	Nut 1/2	
10	4060804	9 in/ 23cm	Flex-Trim	
11	4240139	1	Strap	
12	4420038	6 ft/ 1.7m	Tape, Rubber	
13	4711600	10	Washer 3/8	
14	4711800	10	Washer 1/2	
15	4751000	5	Washer #10	
16	1001148607	1	Sensor, Fuel	
17	1001156805	1	Tray, Tank	
18	1001157056	2	Mount	
19	1001160559	1	Fuel Tank	
19A	1001211336	1	Vented Fuel Cap	
19B	7020043	1	Tube, Pickup	
19C	2200222	1	Plug	
19D	0100020	1	Sealant	
20	1001285379	1	Hydraulic Tank Assembly (See Separate Breakdown in this Section)	

## SECTION 2 - TURNTABLE

FIGURE 2-14. TANK INSTALLATION - DIESEL ENGINES (HELGESEN 25 GAL HYDRAULIC TANK WITH 6IN BREATHER)



ART\_1001178209

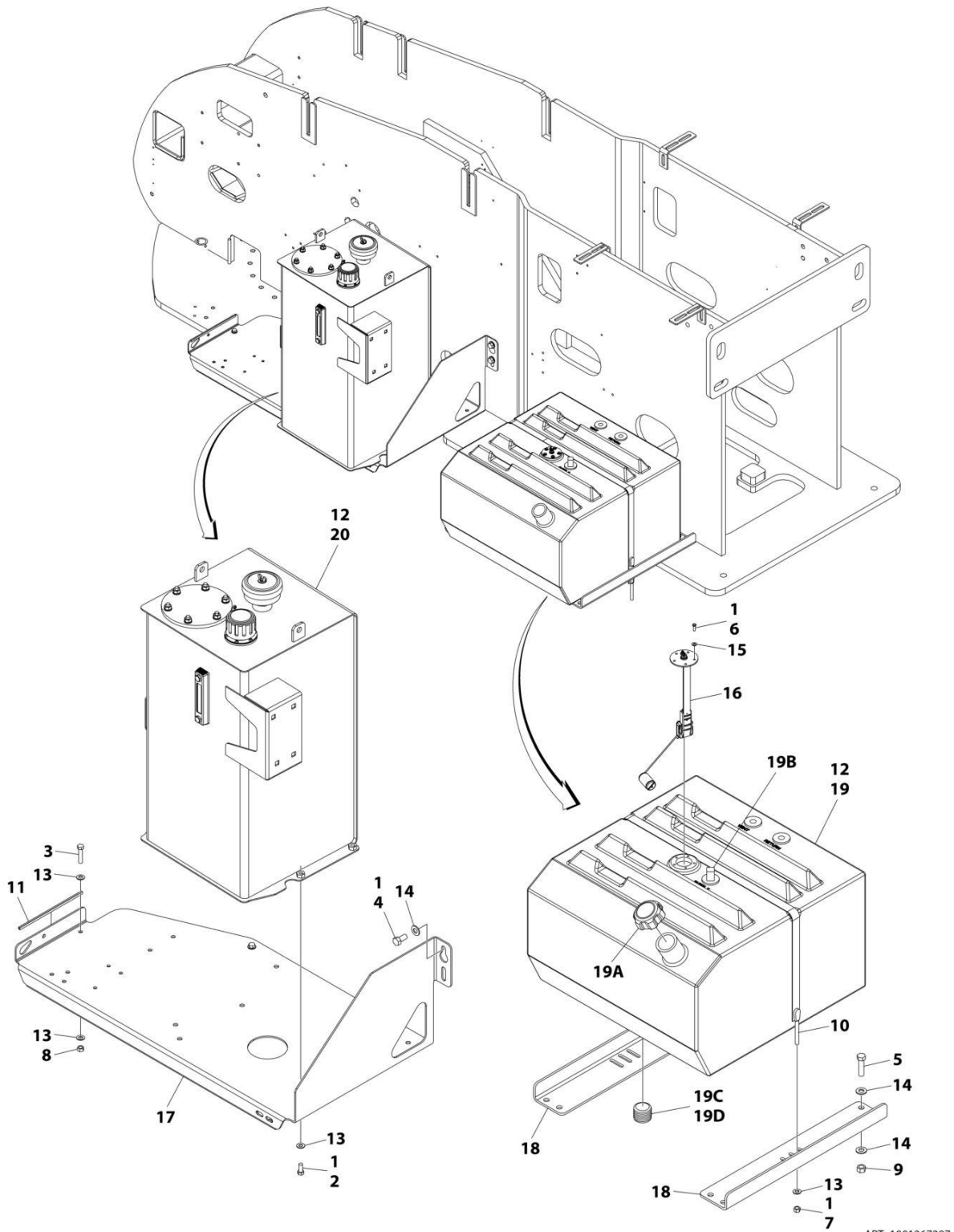
## SECTION 2 - TURNTABLE

**FIGURE 2-14. TANK INSTALLATION - DIESEL ENGINES (HELGESEN 25 GAL HYDRAULIC TANK WITH 6IN BREATHER)**

ITEM	PART NUMBER	QTY	DESCRIPTION	REV
	1001178209	Ref	TANKS INSTALLATION – DIESEL ENGINES	D
1	0100011	AR	Compound, Locking	
2	0641607	4	Bolt 3/8 x 7/8	
3	0641614	2	Bolt 3/8 x 1-3/4	
4	0641808	2	Bolt 1/2 x 1	
5	0641816	4	Bolt 1/2 x 2	
6	0731005	5	Capscrew #10 x 5/8	
7	3311601	2	Nut 3/8	
8	3311605	2	Nut 3/8	
9	3311805	4	Nut 1/2	
10	4240139	1	Strap, Tank Mounting	
12	4420038	6 ft/1.7 m	Tape, Rubber	
13	4711600	10	Washer 3/8	
14	4711800	10	Washer 1/2	
15	4751000	5	Washer #10	
16	1001148607	1	Gauge, Fuel Level	
17	1001156805	1	Tray, Tank	
18	1001157056	2	Mount	
19	1001160567	1	Fuel Tank Assembly	
19A	70004414	1	Cap	
19B	7020043	1	Tube, Pickup	
19C	2200222	1	Plug	
19D	0100020	AR	Sealant	
20	1001178057	1	Hydraulic Tank Assembly (See Separate Breakdown in this Section)	
21	4060804	9 in/23 cm	Flex-Trim	

## SECTION 2 - TURNTABLE

FIGURE 2-15. TANK INSTALLATION - DIESEL ENGINES (JIANGYING 25 GAL HYDRAULIC TANK WITH 4IN DIA BREATHER)



ART\_1001267287

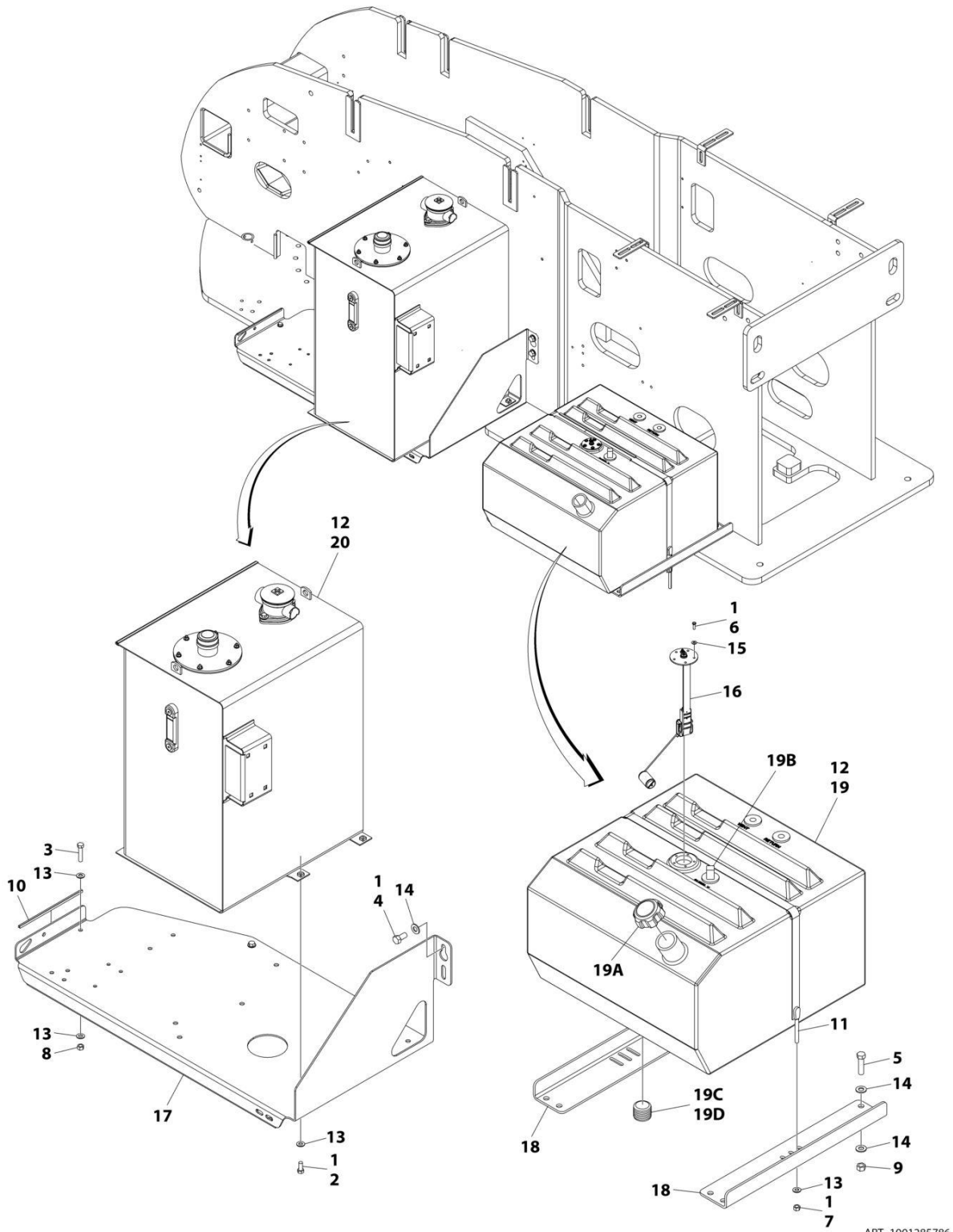
## SECTION 2 - TURNTABLE

**FIGURE 2-15. TANK INSTALLATION - DIESEL ENGINES (JIANGYING 25 GAL HYDRAULIC TANK WITH 4IN DIA BREATHER)**

ITEM	PART NUMBER	QTY	DESCRIPTION	REV
	1001267287	Ref	TANK INSTALLATION (Machines With SN Starting With B3)	B
1	0100011	AR	Compound, Locking	
2	0641607	4	Bolt 3/8 x 7/8	
3	0641614	2	Bolt 3/8 x 1-3/4	
4	0641808	2	Bolt 1/2 x 1	
5	0641816	4	Bolt 1/2 x 2	
6	0731005	5	Capscrew #10 x 5/8	
7	3311601	2	Nut 3/8	
8	3311605	2	Nut 3/8	
9	3311805	4	Nut 1/2	
10	4240139	1	Strap	
11	4060804	9 in/ 23cm	Flex-Trim	
12	4420038	6 ft/ 1.7m	Tape, Rubber	
13	4711600	10	Washer 3/8	
14	4711800	10	Washer 1/2	
15	4751000	5	Washer #10	
16	1001148607	1	Sensor, Fuel	
17	1001156805	1	Tray, Tank	
18	1001157056	2	Mount	
19	1001160567	1	Fuel Tank	
19A	70004414	1	Cap	
19B	7020043	1	Tube, Pickup	
19C	2200222	1	Plug	
19D	0100020	1	Sealant	
20	1001267678	1	Hydraulic Tank Assembly (See Separate Breakdown in this Section)	

# SECTION 2 - TURNTABLE

## FIGURE 2-16. TANK INSTALLATION - DIESEL ENGINES (47.8 GAL CAPACITY HYDRAULIC TANK)





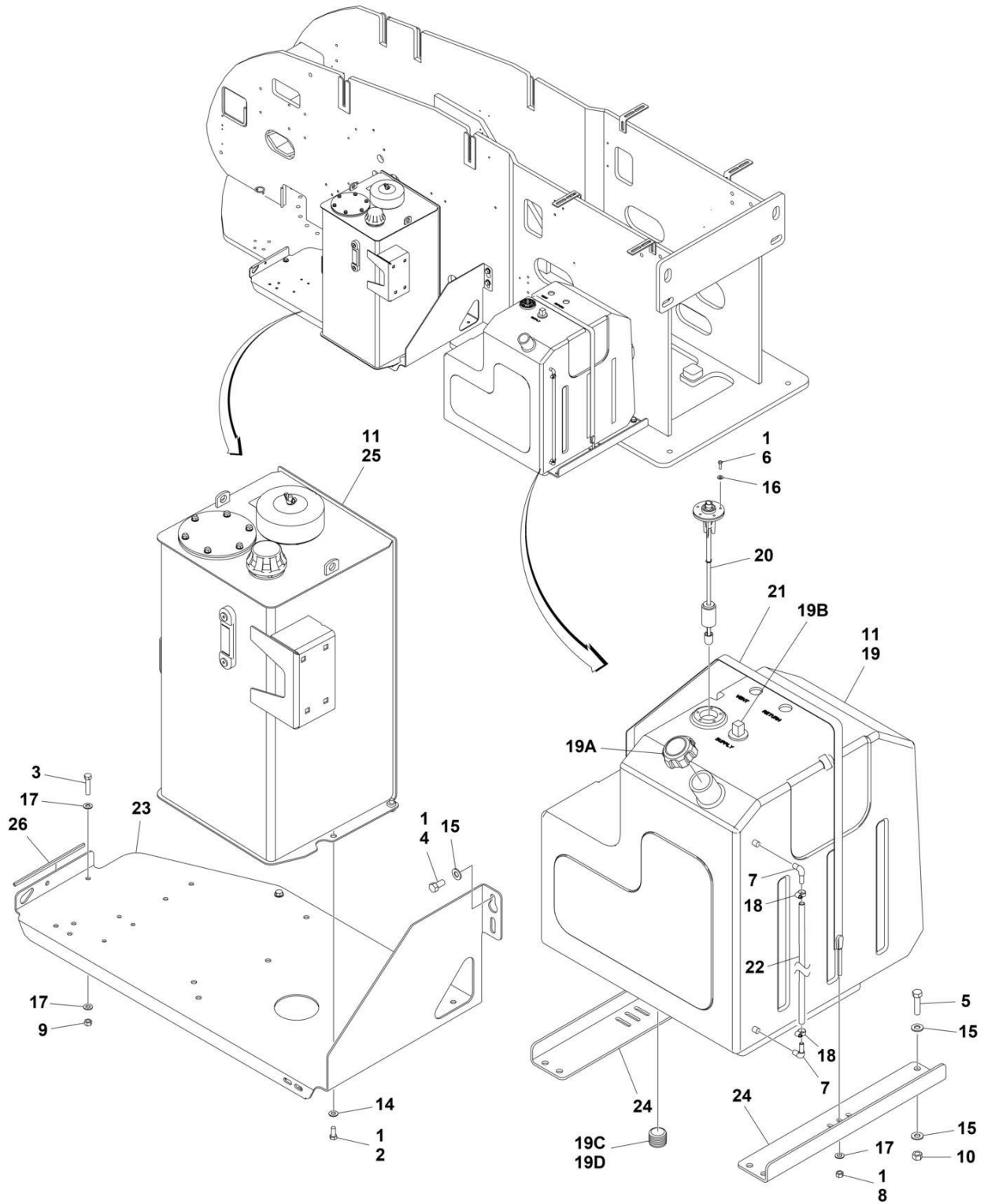
## SECTION 2 - TURNTABLE

**FIGURE 2-16. TANK INSTALLATION - DIESEL ENGINES (47.8 GAL CAPACITY HYDRAULIC TANK)**

ITEM	PART NUMBER	QTY	DESCRIPTION	REV
	1001285786	Ref	TANK INSTALLATION	B
1	0100011	AR	Compound, Locking	
2	0641607	4	Bolt 3/8 x 7/8	
3	0641614	2	Bolt 3/8 x 1-3/4	
4	0641808	2	Bolt 1/2 x 1	
5	0641816	4	Bolt 1/2 x 2	
6	0731005	5	Capscrew #10 x 5/8	
7	3311601	2	Nut 3/8	
8	3311605	2	Nut 3/8	
9	3311805	4	Nut 1/2	
10	4060804	9 in/ 23cm	Flex-Trim	
11	4240139	1	Strap	
12	4420038	6 ft/ 1.7m	Tape, Rubber	
13	4711600	10	Washer 3/8	
14	4711800	10	Washer 1/2	
15	4751000	5	Washer #10	
16	1001148607	1	Sensor, Fuel	
17	1001156805	1	Tray, Tank	
18	1001157056	2	Mount	
19	1001160567	1	Fuel Tank	
19A	70004414	1	Cap	
19B	7020043	1	Tube, Pickup	
19C	2200222	1	Plug	
19D	0100020	1	Sealant	
20	1001285379	1	Hydraulic Tank Assembly (See Separate Breakdown in this Section)	

## SECTION 2 - TURNTABLE

FIGURE 2-17. TANK INSTALLATION - DIESEL ENGINES (MACHINES WITH HOSTILE ENVIRONMENT PACKAGE) (25 GAL HYDRAULIC TANK WITH 6 INCH BREATHER)



ART\_1001178211

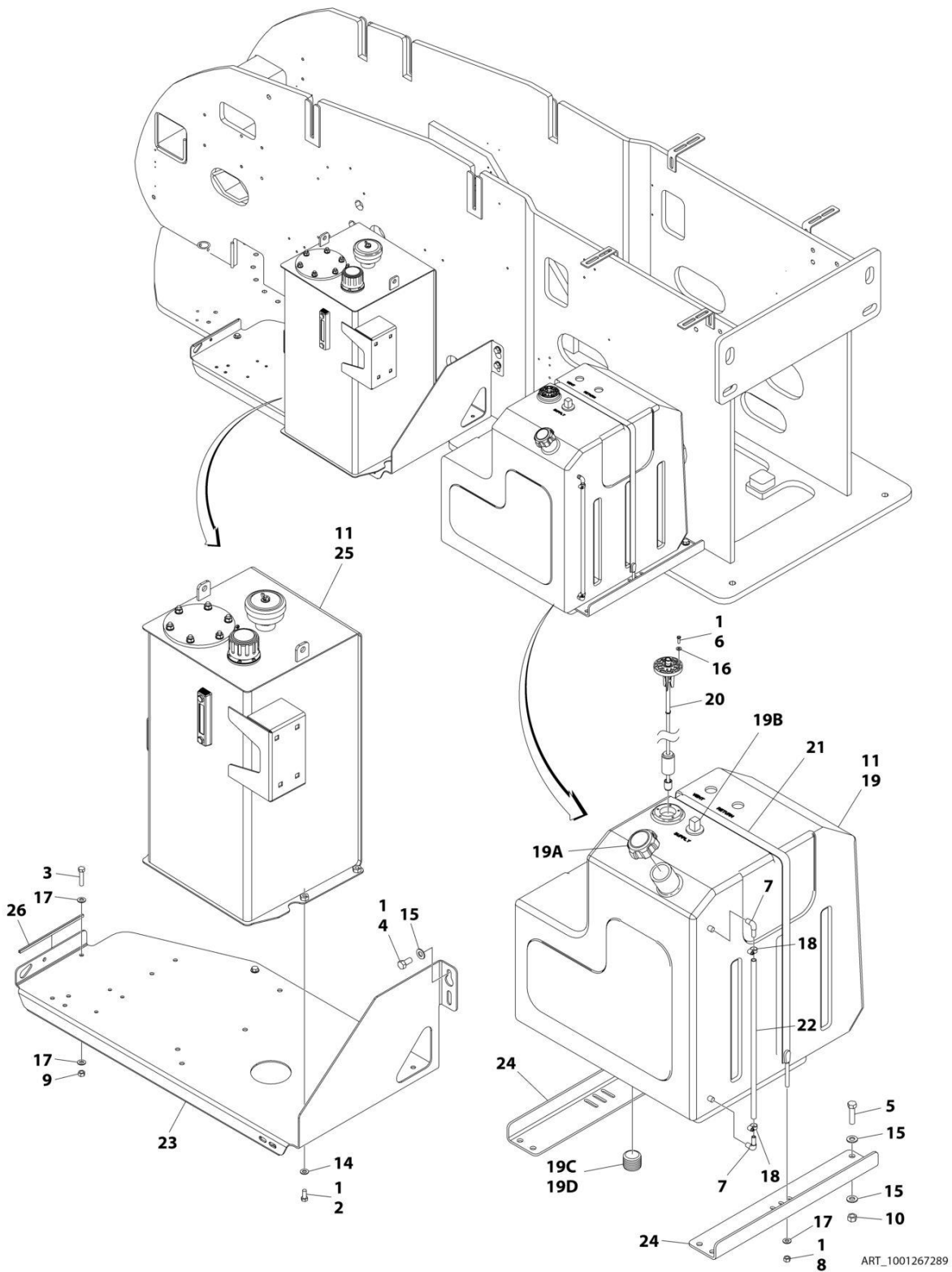
## SECTION 2 - TURNTABLE

**FIGURE 2-17. TANK INSTALLATION - DIESEL ENGINES (MACHINES WITH HOSTILE ENVIRONMENT PACKAGE) (25 GAL HYDRAULIC TANK WITH 6 INCH BREATHER)**

ITEM	PART NUMBER	QTY	DESCRIPTION	REV
	1001178211	Ref	TANKS INSTALLATION – DIESEL ENGINES	C
1	0100011	AR	Compound, Locking	
2	0641607	4	Bolt 3/8 x 7/8	
3	0641614	2	Bolt 3/8 x 1-3/4	
4	0641808	2	Bolt 1/2 x 1	
5	0641816	4	Bolt 1/2 x 2	
6	0731005	5	Capscrew #10 x 5/8	
7	2180467	2	Fitting, Straight NPT/Barbed	
8	3311601	2	Nut 3/8	
9	3311605	2	Nut 3/8	
10	3311805	4	Nut 1/2	
11	4420038	6 ft/ 1.7m	Tape, Rubber	
12	4460834	1	Connector - 2 Position (Not Shown)	
13	4460842	2	Terminal (Not Shown)	
14	4711600	4	Washer 3/8	
15	4711800	10	Washer 1/2	
16	4751000	6	Washer #10	
17	4751600	6	Washer 3/8	
18	8405009	2	Clamp	
19	1001108579	1	Fuel Tank Assembly	
19A	7016314	1	Cap	
19B	70004413	1	Tube, Pickup	
19C	2200222	2	Plug (Not Shown)	
19D	0100020	AR	Sealant (Not Shown)	
20	1001109048	1	Gauge, Fuel Level	
21	1001110059	1	Strap, Tank Mounting	
22	1001113103	1	Tube, Fuel Sight	
23	1001156805	1	Tray, Tank	
24	1001157056	2	Mount	
25	1001178057	1	Hydraulic Tank Assembly (See Separate Breakdown in this Section)	
26	4060804	9 in/ 23cm	Flex-Trim	

## SECTION 2 - TURNTABLE

FIGURE 2-18. TANK INSTALLATION - DIESEL ENGINES (MACHINES WITH HOSTILE ENVIRONMENT PACKAGE) (25 GAL HYDRAULIC TANK WITH 4 INCH BREATHER)



ART\_1001267289

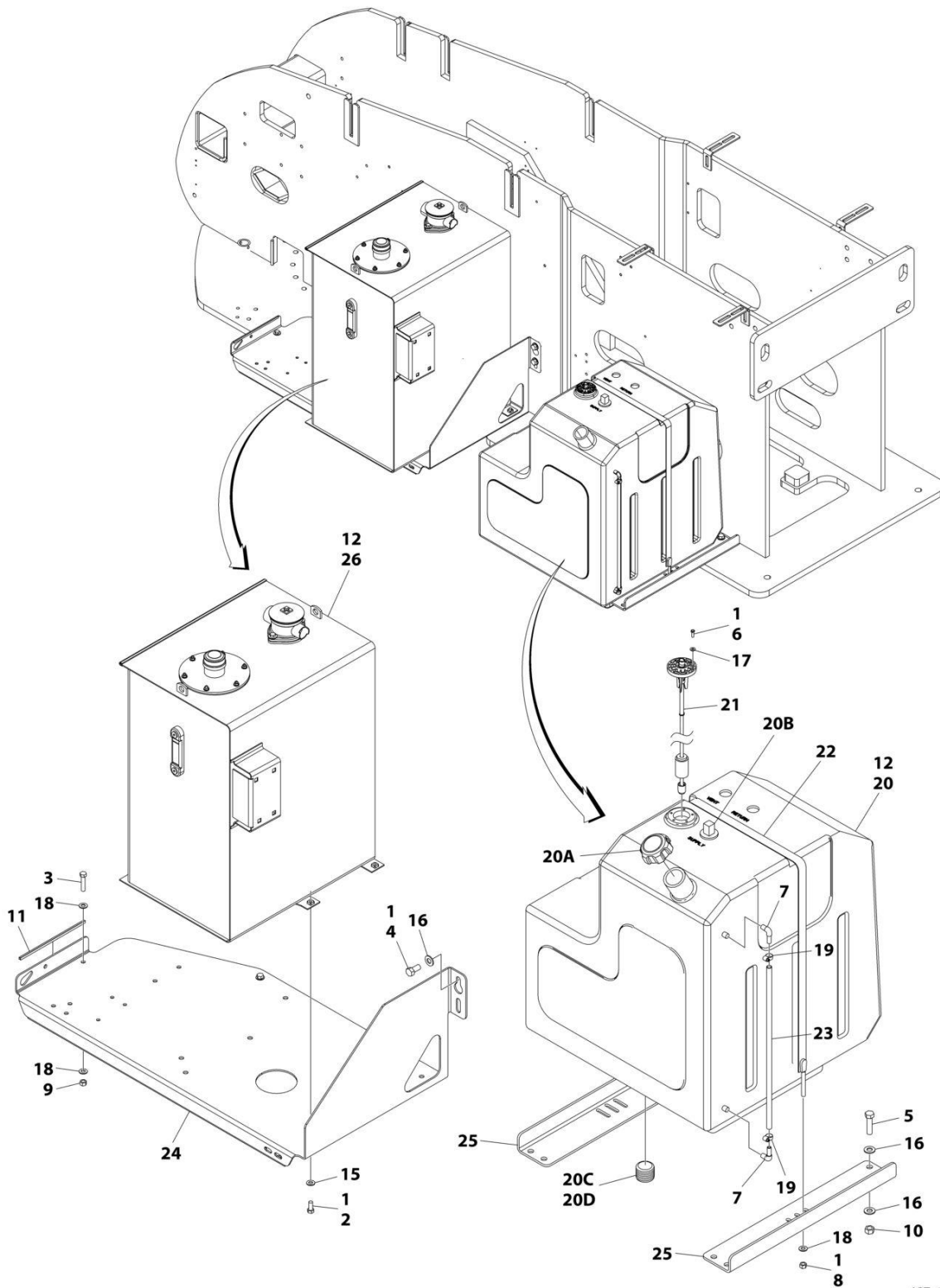
## SECTION 2 - TURNTABLE

**FIGURE 2-18. TANK INSTALLATION - DIESEL ENGINES (MACHINES WITH HOSTILE ENVIRONMENT PACKAGE) (25 GAL HYDRAULIC TANK WITH 4 INCH BREATHER)**

ITEM	PART NUMBER	QTY	DESCRIPTION	REV
	1001267289	Ref	TANK INSTALLATION (Machines With SN Starting With B3)	A
1	0100011	AR	Compound, Locking	
2	0641607	4	Bolt 3/8 x 7/8	
3	0641614	2	Bolt 3/8 x 1-3/4	
4	0641808	2	Bolt 1/2 x 1	
5	0641816	4	Bolt 1/2 x 2	
6	0731005	5	Capscrew #10 x 5/8	
7	2180467	2	Fitting 1/4 x 5/16	
8	3311601	2	Nut 3/8	
9	3311605	2	Nut 3/8	
10	3311805	4	Nut 1/2	
11	4420038	6 ft/ 1.7m	Tape, Rubber	
12	4460834	1	Connector (Not Shown)	
13	4460842	2	Terminal (Not Shown)	
14	4711600	4	Washer 3/8	
15	4711800	10	Washer 1/2	
16	4751000	6	Washer #10	
17	4751600	6	Washer 3/8	
18	8405009	2	Clamp, Hose	
19	1001108579	1	Fuel Tank	
19A	1001211336	1	Vented Fuel Cap	
19B	7020043	1	Tube, Pickup	
19C	2200222	1	Plug	
19D	0100020	1	Sealant	
20	1001109048	1	Gauge, Fuel Level	
21	1001110059	1	Strap	
22	1001113103	1	Tube	
23	1001156805	1	Tray, Tank	
24	1001157056	2	Mount	
25	1001267678	1	Hydraulic Tank Assembly (See Separate Breakdown in this Section)	
26	4060804	9 in/ 23cm	Flex-Trim	

## SECTION 2 - TURNTABLE

FIGURE 2-19. TANK INSTALLATION - DIESEL ENGINES (MACHINES WITH HOSTILE ENVIRONMENT PACKAGE) (47.8 GAL CAPACITY HYDRAULIC TANK)



ART\_1001285831

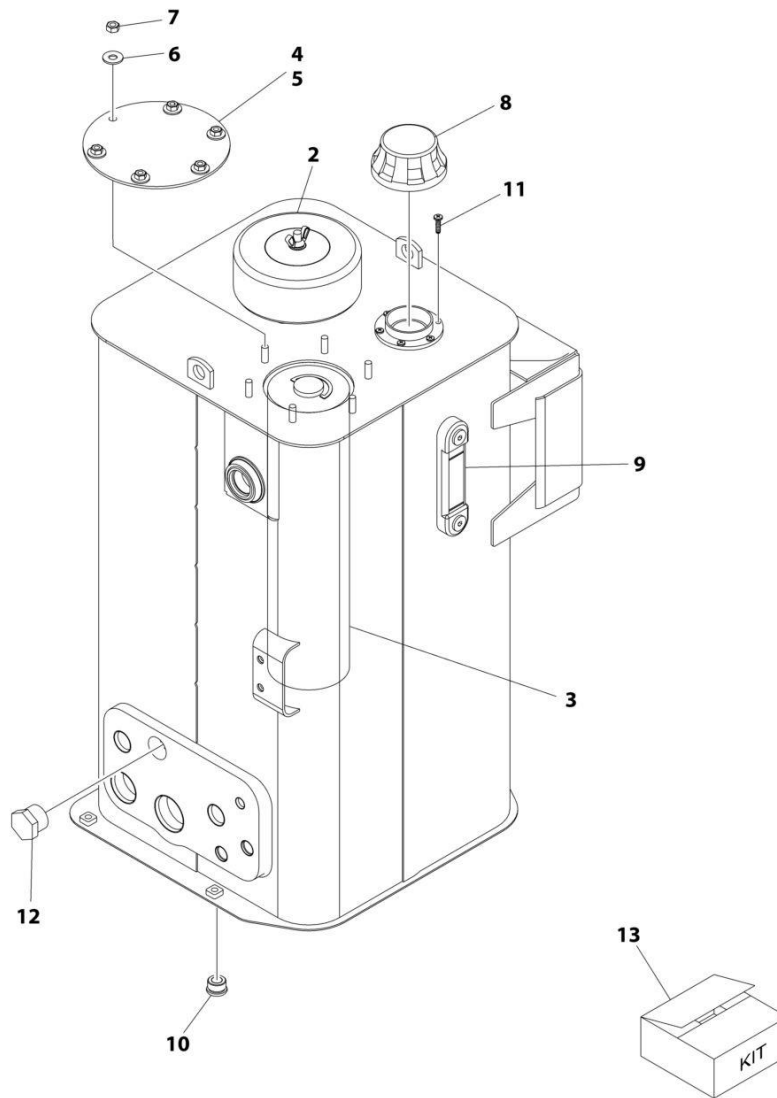
## SECTION 2 - TURNTABLE

**FIGURE 2-19. TANK INSTALLATION - DIESEL ENGINES (MACHINES WITH HOSTILE ENVIRONMENT PACKAGE) (47.8 GAL CAPACITY HYDRAULIC TANK)**

ITEM	PART NUMBER	QTY	DESCRIPTION	REV
	1001285831	Ref	TANK INSTALLATION	B
1	0100011	AR	Compound, Locking	
2	0641607	4	Bolt 3/8 x 7/8	
3	0641614	2	Bolt 3/8 x 1-3/4	
4	0641808	2	Bolt 1/2 x 1	
5	0641816	4	Bolt 1/2 x 2	
6	0731005	5	Capscrew #10 x 5/8	
7	2180467	2	Fitting 1/4 x 5/16	
8	3311601	2	Nut 3/8	
9	3311605	2	Nut 3/8	
10	3311805	4	Nut 1/2	
11	4060804	9 in/ 23cm	Flex-Trim	
12	4420038	6 ft/ 1.7m	Tape, Rubber	
13	4460834	1	Connector (Not Shown)	
14	4460842	2	Terminal (Not Shown)	
15	4711600	4	Washer 3/8	
16	4711800	10	Washer 1/2	
17	4751000	5	Washer #10	
18	4751600	6	Washer 3/8	
19	8405009	2	Clamp, Hose	
20	1001108579	1	Fuel Tank	
20A	1001211336	1	Vented Fuel Cap	
20B	7020043	1	Tube, Pickup	
20C	2200222	1	Plug	
20D	0100020	1	Sealant	
21	1001109048	1	Gauge, Fuel Level	
22	1001110059	1	Strap	
23	1001113103	1	Tube	
24	1001156805	1	Tray, Tank	
25	1001157056	2	Mount	
26	1001285379	1	Hydraulic Tank Assembly (See Separate Breakdown in this Section)	

## SECTION 2 - TURNTABLE

FIGURE 2-20. HYDRAULIC TANK ASSEMBLY (HELGESEN 25 GAL HYDRAULIC TANK WITH 6IN DIA BREATHER)



ART\_1001178057



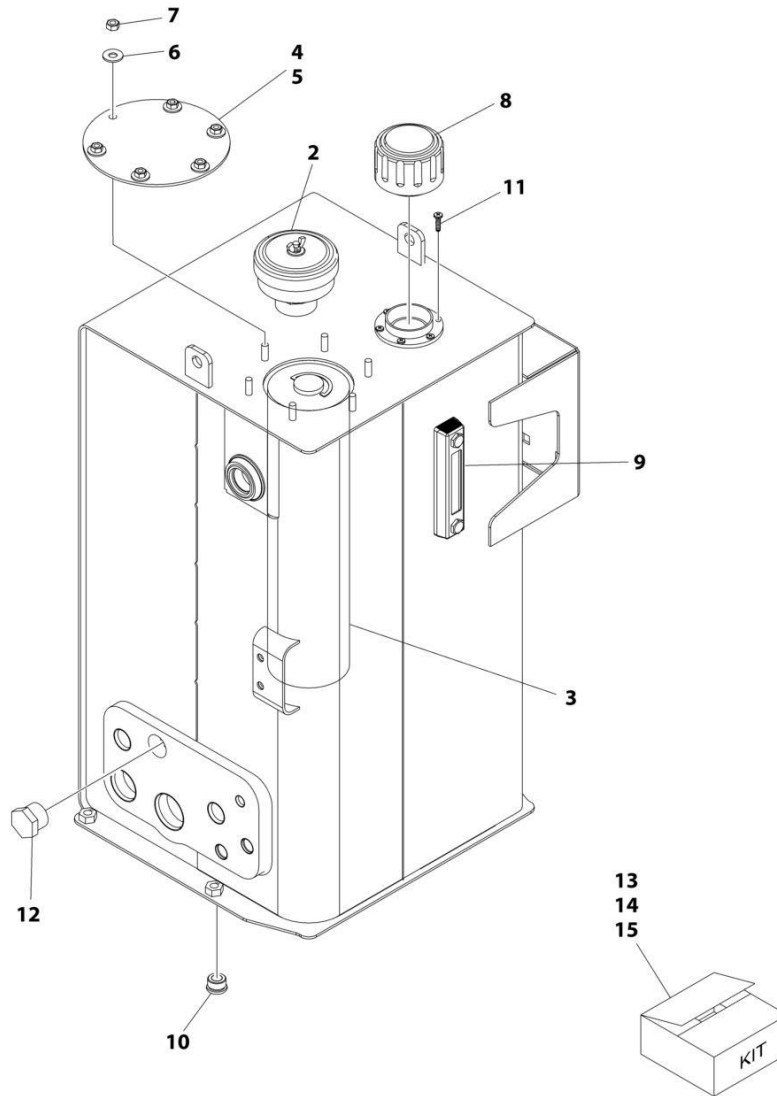
**SECTION 2 - TURNTABLE**

**FIGURE 2-20. HYDRAULIC TANK ASSEMBLY (HELGESEN 25 GAL HYDRAULIC TANK WITH 6IN DIA BREATHER)**

ITEM	PART NUMBER	QTY	DESCRIPTION	REV
	1001178057	Ref	HYDRAULIC TANK ASSEMBLY	D
2	70005708	1	Breather Assembly (Includes Breather, Element and Wingnut)	
2	See Note	NSS	Element, Breather (Note: Use p/n 70005708 or Item 13)	
3	See Note	NSS	Element, Hydraulic (Note: Use Item 13)	
4	70002839	1	Gasket	
5	See Note	NSS	Cover (Note: Not Available for Purchase)	
6	83304173	6	Washer 5/16	
7	70004199	6	Nut 5/16	
8	70002838	1	Cap, Fill	
9	7024441	1	Gauge, Level	
10	70002112	1	Plug	
11	70004795	6	Screw #10 x 3/4	
12	See Note	NSS	Plug (Note: Not Available - Purchase Locally)	
13	70002814	1	Hydraulic Tank Service Kit (Includes Items 2-4)	

## SECTION 2 - TURNTABLE

FIGURE 2-21. HYDRAULIC TANK ASSEMBLY (JIANGYING 25 GAL HYDRAULIC TANK WITH 4IN DIA BREATHER)



ART\_1001267678

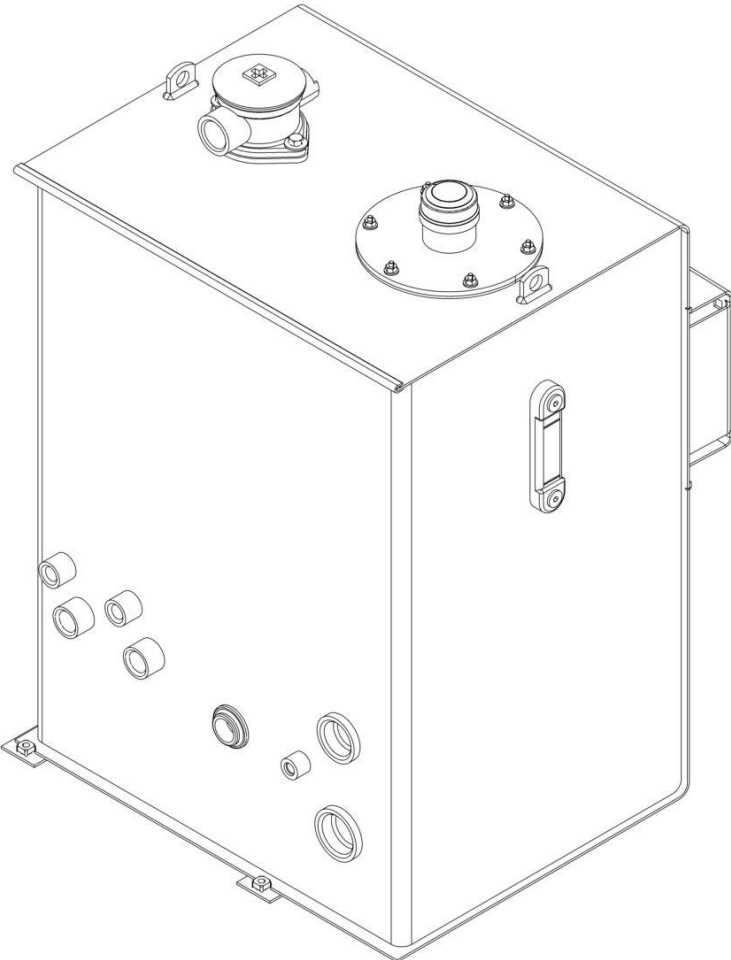
**SECTION 2 - TURNTABLE**

**FIGURE 2-21. HYDRAULIC TANK ASSEMBLY (JIANGYING 25 GAL HYDRAULIC TANK WITH 4IN DIA BREATHER)**

ITEM	PART NUMBER	QTY	DESCRIPTION	REV
	1001267678	REF	HYDRAULIC TANK ASSEMBLY	A
1	See Note	NSS	Hydraulic Tank Weldment (Not Shown) (Note: Not Available for Purchase)	
2	See Note	NSS	Breather Assembly (Note: Use Item 13)	
3	See Note	NSS	Element, Filter (Note: Use Item Use Item 14)	
4	70002839	1	Gasket	
5	See Note	NSS	Cover (Note: Not Available for Purchase)	
6	83304173	6	Washer 1/4	
7	70004199	6	Nut 5/16	
8	70002838	1	Cap, Fill	
9	70024441	1	Gauge, Level	
10	70002112	1	Plug	
11	70004795	6	Screw 10 x 3/4	
12	See Note	NSS	Plug (Note: Not Available for Purchase)	
13	70007726	1	Breather Kit (Note: Includes Item 2)	
14	70007727	1	Return Filter Kit (Note: Includes Item 3)	
15	70007725	1	Level Gauge Kit	

**SECTION 2 - TURNTABLE**

**FIGURE 2-22. HYDRAULIC TANK ASSEMBLY (47.8 GAL CAPACITY HYDRAULIC TANK)**



ART\_1001285379

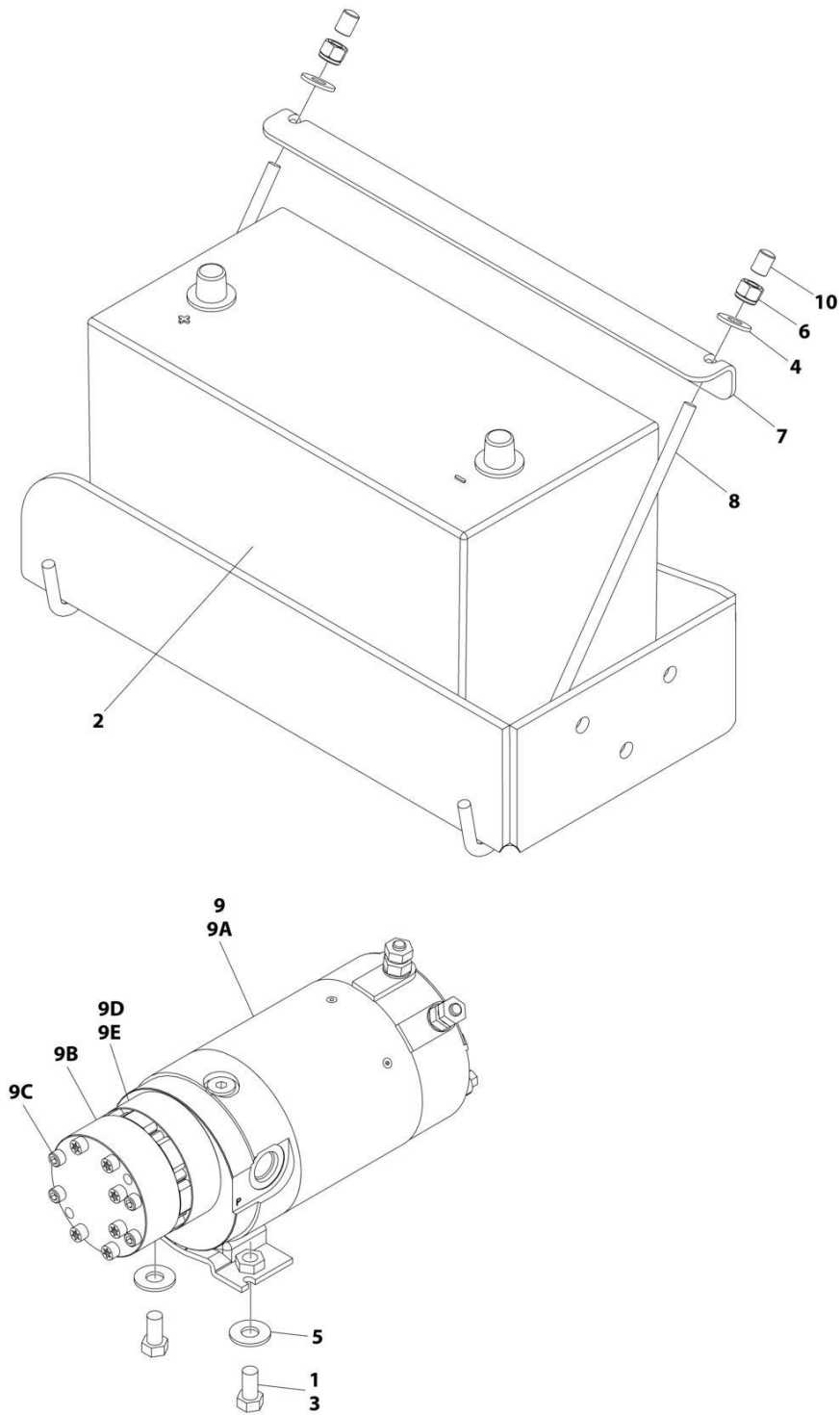
**SECTION 2 - TURNTABLE**

**FIGURE 2-22. HYDRAULIC TANK ASSEMBLY (47.8 GAL CAPACITY HYDRAULIC TANK)**

ITEM	PART NUMBER	QTY	DESCRIPTION	REV
	1001285379 See Note	Ref Ref	HYDRAULIC TANK ASSEMBLY Note: No Service Parts Available at Time of Printing	B

## SECTION 2 - TURNTABLE

FIGURE 2-23. AUXILIARY PUMP WITHOUT BATTERY DISCONNECT SWITCH INSTALLATION  
(MACHINES WITH SN STARTING WITH 03)



ART\_1001239472

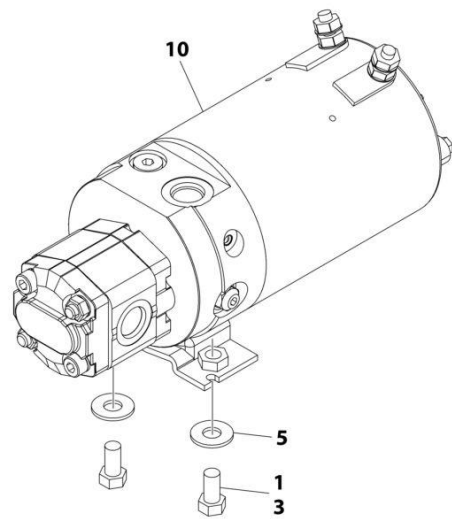
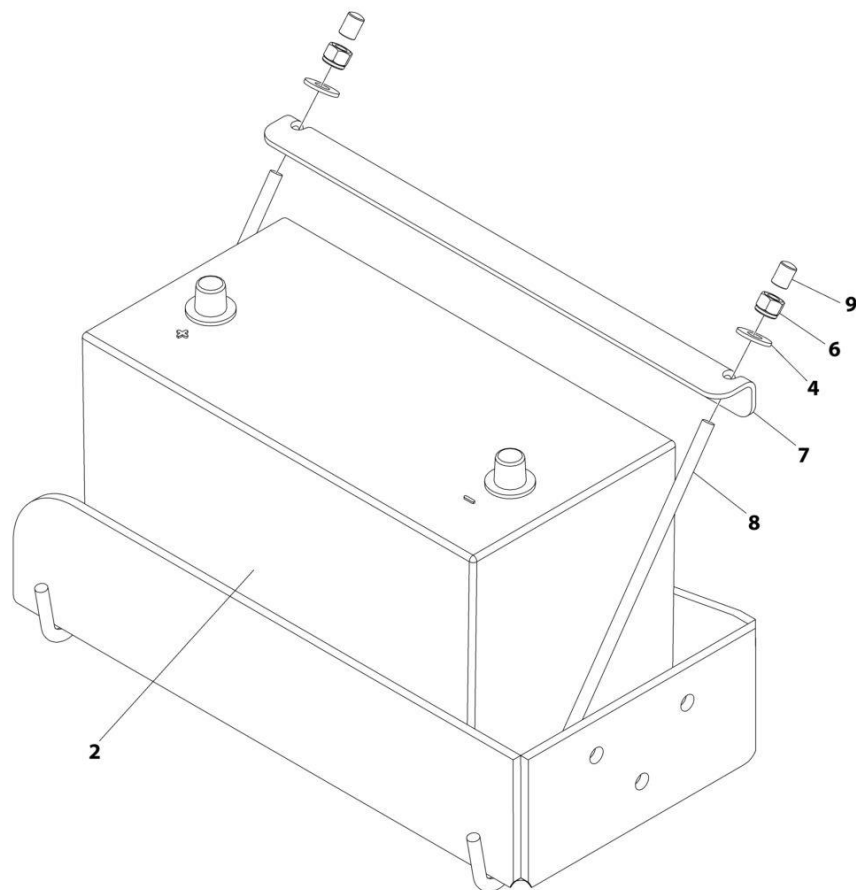
**SECTION 2 - TURNTABLE**

**FIGURE 2-23. AUXILIARY PUMP WITHOUT BATTERY DISCONNECT SWITCH INSTALLATION  
(MACHINES WITH SN STARTING WITH 03)**

ITEM	PART NUMBER	QTY	DESCRIPTION	REV
	1001239472	Ref	AUXILIARY PUMP WITH BATTERY WITHOUT BATTERY DISCONNECT SWITCH INSTALLATION	A
1	0100011	AR	Compound, Locking	
2	0400075	1	Battery	
3	0641606	2	Bolt 3/8 x 3/4	
4	4751500	2	Washer 5/16	
5	4751600	2	Washer 3/8	
6	88521205	2	Nut 5/16	
7	91401281	1	Hold-down, Battery	
8	1001093382	2	Bolt, Battery Hold-down	
9	1001137459	1	Auxiliary Pump Assembly	
9A	70003998	1	Motor	
9B	70004266	1	Pump	
9C	70001020	4	Screw	
9D	70003612	2	O-Ring	
9E	70004267	1	O-Ring	
10	1001218572	2	Cap, Vinyl	

## SECTION 2 - TURNTABLE

FIGURE 2-24. AUXILIARY PUMP WITHOUT BATTERY DISCONNECT SWITCH INSTALLATION  
(MACHINES WITH SN STARTING WITH B3)



ART\_1001284157



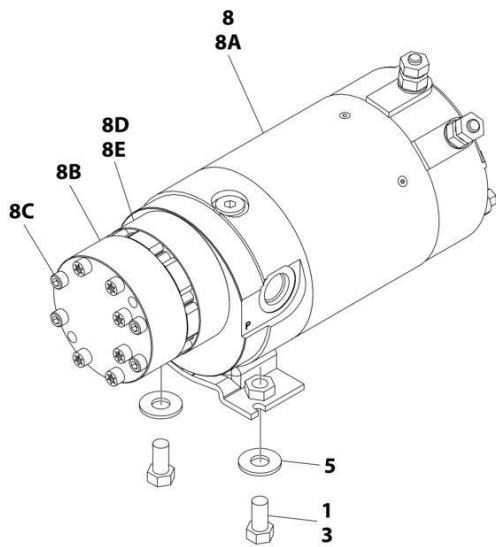
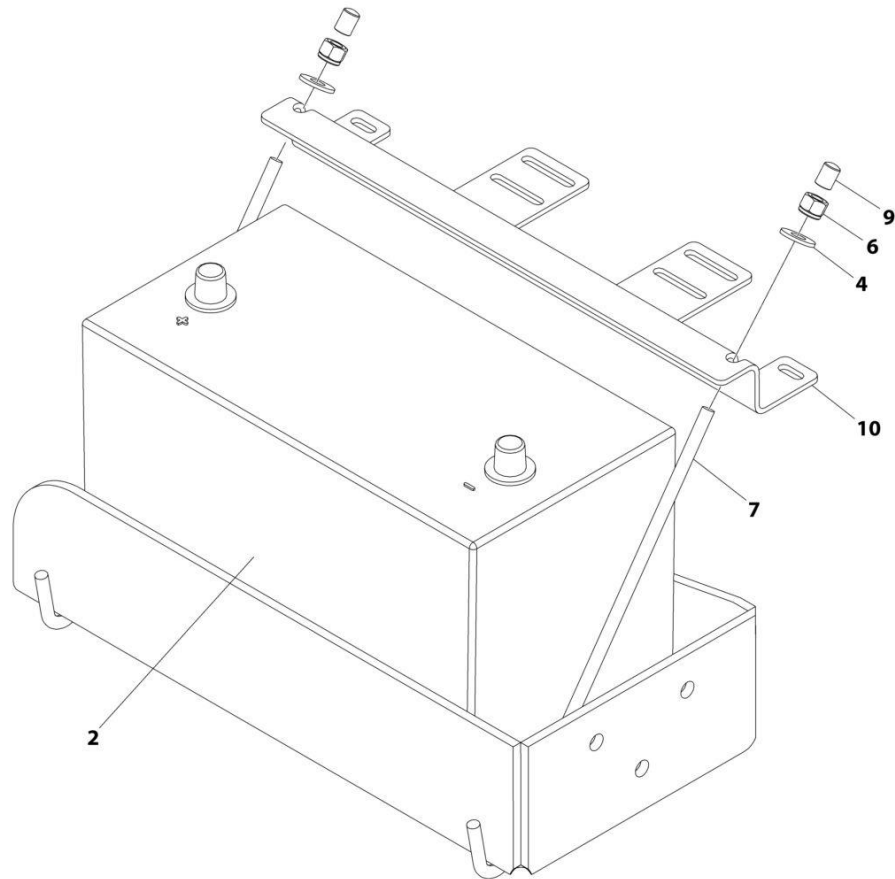
**SECTION 2 - TURNTABLE**

**FIGURE 2-24. AUXILIARY PUMP WITHOUT BATTERY DISCONNECT SWITCH INSTALLATION  
(MACHINES WITH SN STARTING WITH B3)**

ITEM	PART NUMBER	QTY	DESCRIPTION	REV
	1001284157	Ref	AUXILIARY PUMP WITHOUT BATTERY DISCONNECT SWITCH INSTALLATION	A
1	0100011	AR	Compound, Locking	
2	0400075	1	Battery	
3	0761010	2	Bolt M10 x 20	
4	4751500	2	Washer 5/16	
5	4812002	2	Washer M10	
6	88521205	2	Nut 5/16	
7	91401281	1	Hold-down, Battery	
8	1001093382	2	Bolt, Battery Hold-down	
9	1001218572	2	Cap, Vinyl	
10	1001284156	1	Auxiliary Pump Assembly	

## SECTION 2 - TURNTABLE

FIGURE 2-25. AUXILIARY PUMP WITH BATTERY DISCONNECT SWITCH INSTALLATION (MACHINES WITH SN STARTING WITH 03)



ART\_1001239471

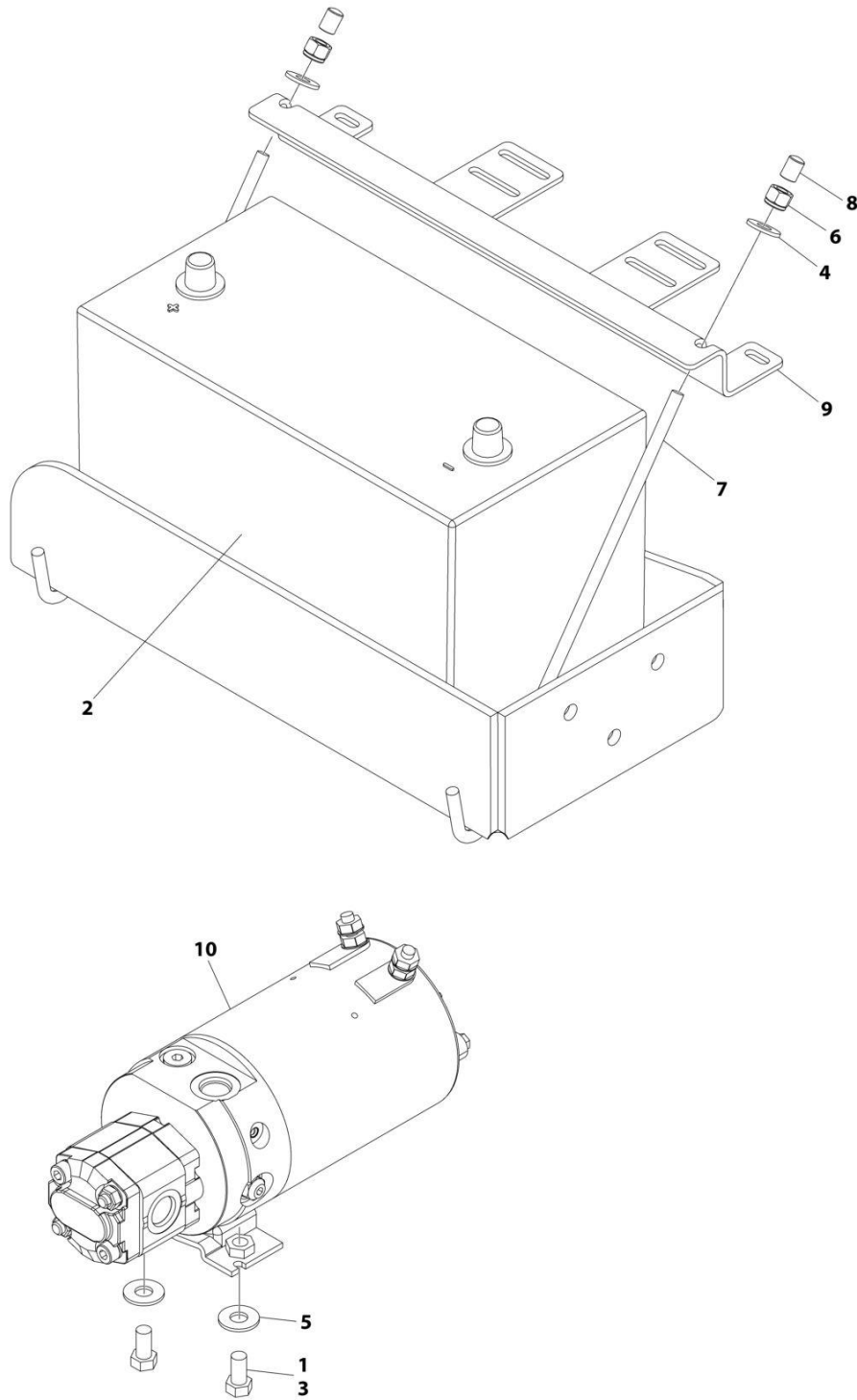
**SECTION 2 - TURNTABLE**

**FIGURE 2-25. AUXILIARY PUMP WITH BATTERY DISCONNECT SWITCH INSTALLATION (MACHINES WITH SN STARTING WITH 03)**

ITEM	PART NUMBER	QTY	DESCRIPTION	REV
	1001239471	Ref	AUXILIARY PUMP WITH BATTERY WITH BATTERY DISCONNECT SWITCH INSTALLATION	A
1	0100011	AR	Compound, Locking	
2	0400075	1	Battery	
3	0641606	2	Bolt 3/8 x 3/4	
4	4751500	2	Washer 5/16	
5	4751600	2	Washer 3/8	
6	88521205	2	Nut 5/16	
7	1001093382	2	Bolt, Battery Hold-down	
8	1001137459	1	Auxiliary Pump Assembly	
8A	70003998	1	Motor	
8B	70004266	1	Pump	
8C	70001020	4	Screw	
8D	70003612	2	O-Ring	
8E	70004267	1	O-Ring	
9	1001218572	2	Cap, Vinyl	
10	1001236303	1	Hold-down, Battery	

## SECTION 2 - TURNTABLE

FIGURE 2-26. AUXILIARY PUMP WITH BATTERY DISCONNECT SWITCH INSTALLATION (MACHINES WITH SN STARTING WITH B3)



ART\_1001287884

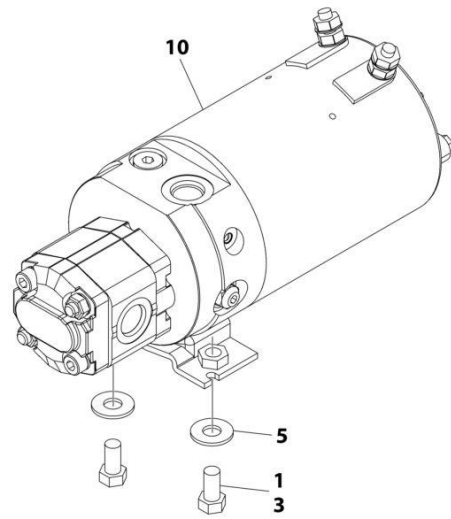
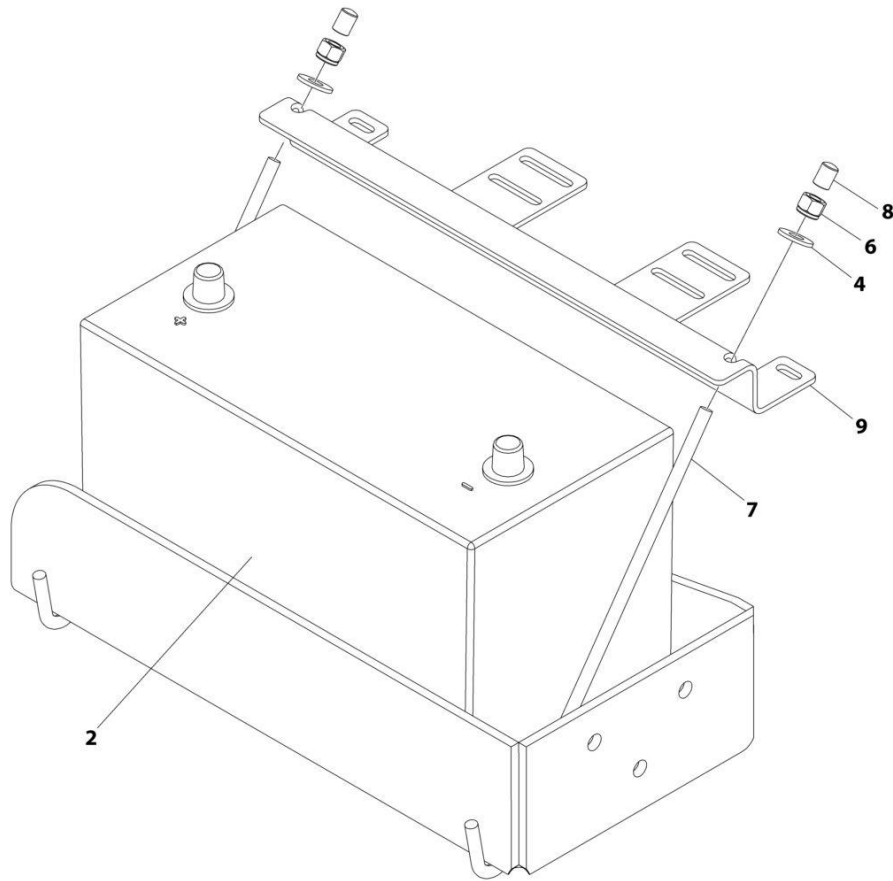
**SECTION 2 - TURNTABLE**

**FIGURE 2-26. AUXILIARY PUMP WITH BATTERY DISCONNECT SWITCH INSTALLATION (MACHINES WITH SN STARTING WITH B3)**

ITEM	PART NUMBER	QTY	DESCRIPTION	REV
	1001287884	Ref	AUXILIARY PUMP WITH BATTERY DISCONNECT SWITCH INSTALLATION	A
1	0100011	AR	Compound, Locking	
2	0400075	1	Battery	
3	0761010	2	Bolt M10 x 20	
4	4751500	2	Washer 5/16	
5	4812002	2	Washer M10	
6	88521205	2	Nut 5/16	
7	1001093382	2	Bolt, Battery Hold-down	
8	1001218572	2	Cap, Vinyl	
9	1001236303	1	Hold-down, Battery	
10	1001284156	1	Auxiliary Pump Assembly	

## SECTION 2 - TURNTABLE

FIGURE 2-27. AUXILIARY PUMP WITH BATTERY DISCONNECT SWITCH INSTALLATION (MACHINES WITH SN STARTING WITH B3)



ART\_1001287884

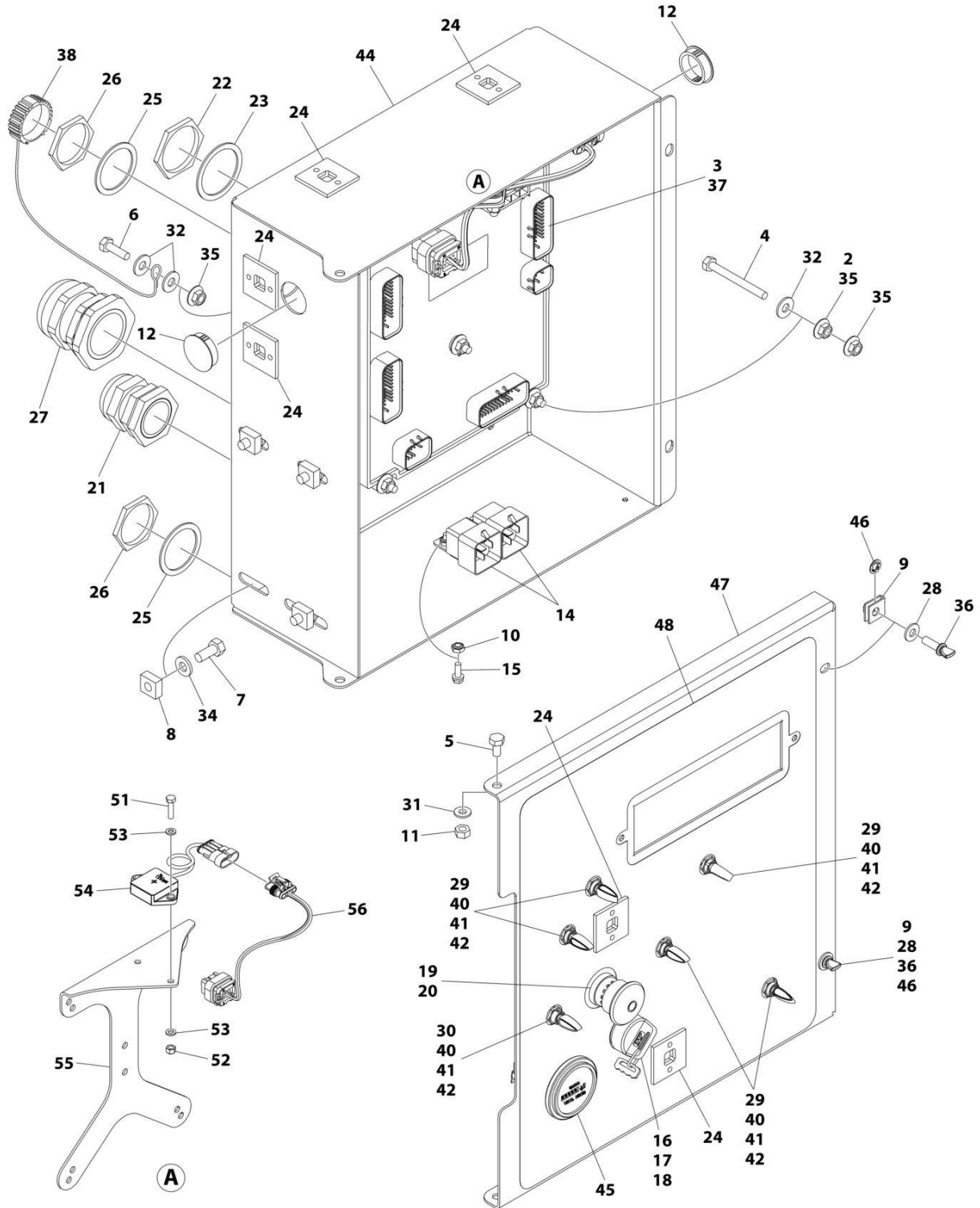
**SECTION 2 - TURNTABLE**

**FIGURE 2-27. AUXILIARY PUMP WITH BATTERY DISCONNECT SWITCH INSTALLATION (MACHINES WITH SN STARTING WITH B3)**

ITEM	PART NUMBER	QTY	DESCRIPTION	REV
	1001287884	Ref	AUXILIARY PUMP WITH BATTERY DISCONNECT SWITCH INSTALLATION	A
1	0100011	AR	Compound, Locking	
2	0400075	1	Battery	
3	0761010	2	Bolt M10 x 20	
4	4751500	2	Washer 5/16	
5	4812002	2	Washer M10	
6	88521205	2	Nut 5/16	
7	1001093382	2	Bolt, Battery Hold-down	
8	1001218572	2	Cap, Vinyl	
9	1001236303	1	Hold-down, Battery	
10	1001284156	1	Auxiliary Pump Assembly	

# SECTION 2 - TURNTABLE

FIGURE 2-28. GROUND CONTROL BOX ASSEMBLY - WITH DEUTZ D2011 - WITH MECHANICAL HOUR METER (ANSI EXPORT (LRC) AND AUSTRALIAN SPECS) (800S)



ART\_1001266469\_D



## SECTION 2 - TURNTABLE

**FIGURE 2-28. GROUND CONTROL BOX ASSEMBLY - WITH DEUTZ D2011 - WITH MECHANICAL HOUR METER (ANSI EXPORT (LRC) AND AUSTRALIAN SPECS) (800S)**

ITEM	PART NUMBER	QTY	DESCRIPTION	REV
	1001266469	Ref	GROUND CONTROL BOX ASSEMBLY	D
2	0100011	AR	Compound, Locking	
3	0100048	AR	Grease, Dielectric	
4	0630548	5	Bolt 2-1/2	
5	0641404	2	Bolt 1/4 x 1/2	
6	0641407	1	Bolt 1/4 x 7/8	
7	0641506	4	Bolt 5/16 x 3/4	
8	3300205	4	Nut, Retainer	
9	3300353	2	Nut, Tinnerman	
10	3300408	2	Nut	
11	3311405	2	Nut 1/4	
12	3520031	2	Plug	
14	3740049	2	Relay	
15	3900268	2	Bolt #10 x 1/2	
16	3910804	6	Screw #8 x 1/4	
17	4070991	1	Shim	
18	4360469	1	Switch, Key	
18	2860030	1 Set	Key Replacement	
19	4360475	1	Switch, Emergency Stop	
19	7020175	1	Cap, Mushroom	
19	7020176	1	Block, Contact	
20	4360476	1	Switch, Contact Block	
21	4460426	1	Connector, Strain Relief	
22	4460470	1	Nut, Terminal	
23	4460471	1	Lockwasher, Terminal	
24	4460488	6	Mounting Base, Terminal	
25	4460496	2	Washer, Terminal	
26	4460497	2	Nut, Terminal	
27	4460526	1	Connector, Strain Relief	
28	4711400	2	Washer 1/4	
29	4740397	5	Spacer	
30	4740444	1	Washer	
31	4740518	2	Washer	
32	4751400	7	Washer 1/4	
34	4891500	4	Washer 5/16	
35	77143013	11	Nut 1/4	
36	1001103308	2	Thumbscrew 1/4 x 3/4	
37	1001280600	1	Module, Ground Control (Note: Recalibration Required When Replaced)	
38	1001106736	1	Cap, Dust	
39	1001285515	1	Engine Harness (Not Shown - See Separate Breakdown in ELECTRICAL Section)	
40	1001155043	6	Washer	
41	1001155044	6	Nut 15/32	
42	1001155045	6	Switch, Toggle	
43	1001284973	1	Control Valve Harness (Not Shown - See Separate Breakdown in ELECTRICAL Section)	
44	1001287464	1	Plate	
45	10836804	1	Hour Meter	

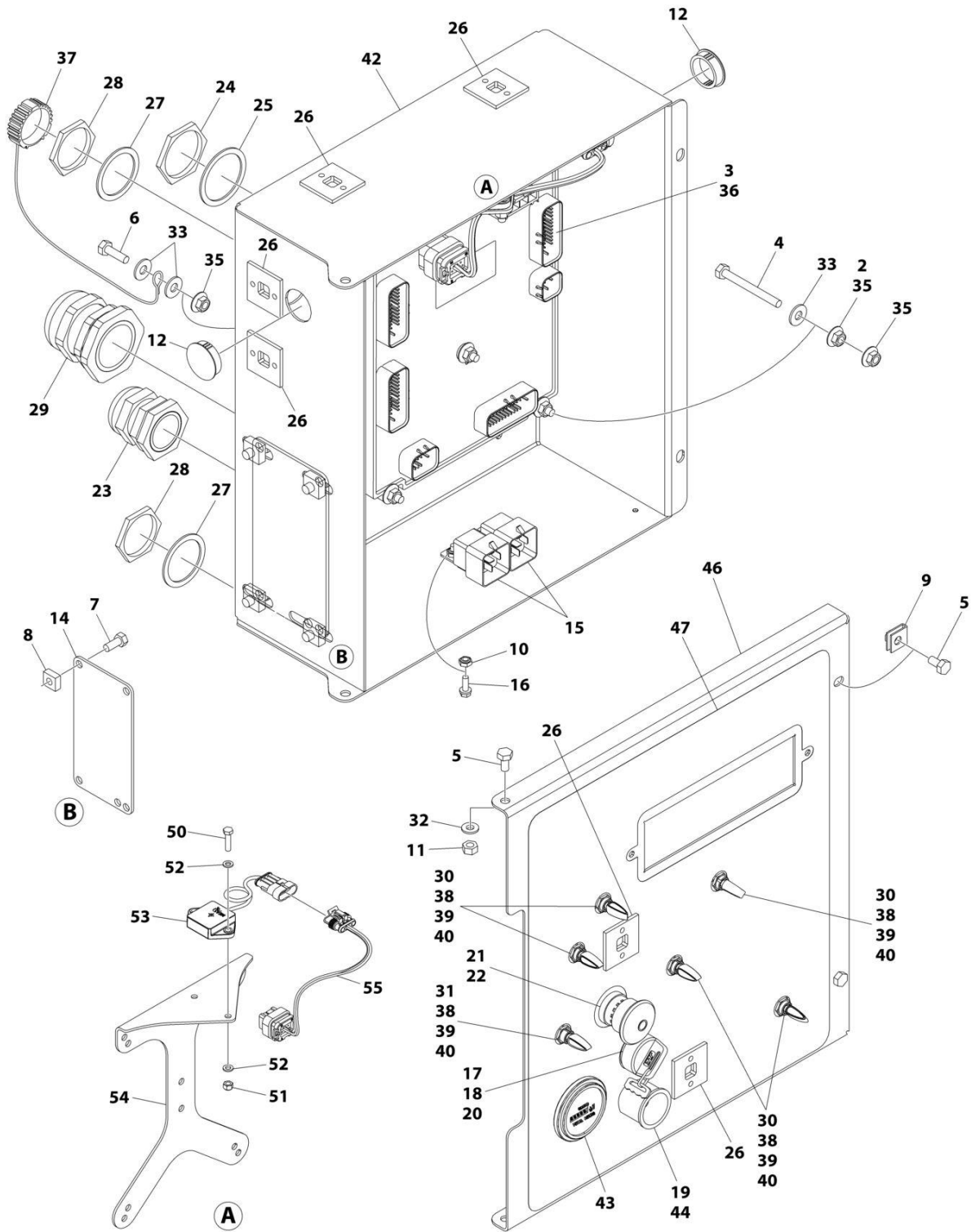
## SECTION 2 - TURNTABLE

ITEM	PART NUMBER	QTY	DESCRIPTION	REV
46	1001188874	2	Nut	
47	1001280403	1	Plate	
48	1001266479	1	Decal - Ground Control Box	
49	1001285346	1	Ground Control Box Harness (Not Shown - See Separate Breakdown in ELECTRICAL Section)	
51	0760612	2	Bolt M6 x 25	
52	3290605	2	Nut, Lock M6	
53	4811700	4	Washer M6	
54	1001219601	1	Sensor, Tilt	
55	1001271794	1	Bracket, Tilt Sensor	
56	1001276143	1	Harness, Tilt Sensor (See Separate Breakdown in ELECTRICAL Section)	



# SECTION 2 - TURNTABLE

FIGURE 2-29. GROUND CONTROL BOX ASSEMBLY - WITH DEUTZ D2011 (CE & UK CA SPECS)  
(800S)



ART\_1001266471\_D

## SECTION 2 - TURNTABLE

**FIGURE 2-29. GROUND CONTROL BOX ASSEMBLY - WITH DEUTZ D2011 (CE & UK CA SPECS)  
(800S)**

ITEM	PART NUMBER	QTY	DESCRIPTION	REV
	1001266471	Ref	GROUND CONTROL BOX ASSEMBLY	D
2	0100011	AR	Compound, Locking	
3	0100048	AR	Grease, Dielectric	
4	0630548	5	Bolt 2-1/2	
5	0641404	4	Bolt 1/4 x 1/2	
6	0641407	1	Bolt 1/4 x 7/8	
7	0641506	4	Bolt 5/16 x 3/4	
8	3300205	4	Nut, Retainer	
9	3300353	2	Nut, Tinnerman	
10	3300408	2	Nut	
11	3311405	2	Nut 1/4	
12	3520031	2	Plug	
14	3539219	1	Plate	
15	3740049	2	Relay	
16	3900268	2	Bolt #10 x 1/2	
17	3910804	6	Screw #8 x 1/4	
18	4070991	1	Shim	
19	4360387	1	Switch, Push Button	
20	4360469	1	Switch, Key	
20	2860030	1 Set	Key Replacement	
21	4360475	1	Switch, Emergency Stop	
21	7020175	1	Cap, Mushroom	
21	7020176	1	Block, Contact	
22	4360476	1	Switch, Contact Block	
23	4460426	1	Connector, Strain Relief	
24	4460470	1	Nut, Terminal	
25	4460471	1	Lockwasher, Terminal	
26	4460488	6	Mounting Base, Terminal	
27	4460496	2	Washer, Terminal	
28	4460497	2	Nut, Terminal	
29	4460526	1	Connector, Strain Relief	
30	4740397	5	Spacer	
31	4740444	1	Washer	
32	4740518	2	Washer	
33	4751400	7	Washer 1/4	
35	77143013	11	Nut 1/4	
36	1001280600	1	Module, Ground Control (Note: Re-calibration Required When Replaced)	
37	1001106736	1	Cap, Dust	
38	1001155043	6	Washer	
39	1001155044	6	Nut 15/32	
40	1001155045	6	Switch, Toggle	
41	1001284973	1	Control Valve Harness (Not Shown - See Separate Breakdown in ELECTRICAL Section)	
42	1001287464	1	Plate	
43	10836804	1	Gauge, Display	
44	1001176469	1	Shroud	
45	1001286027	1	Engine Harness (Not Shown - See Separate Breakdown in ELECTRICAL Section)	

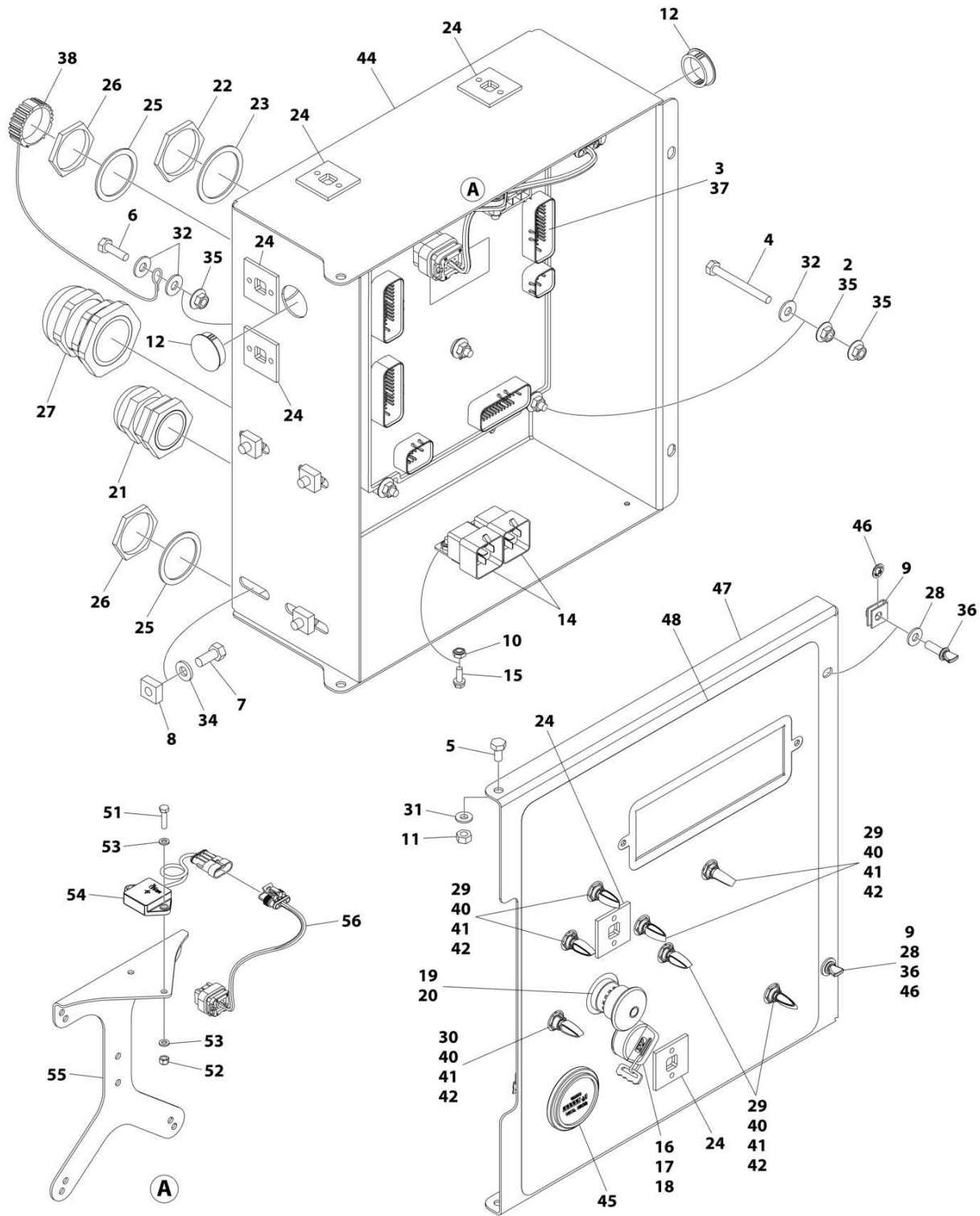
## SECTION 2 - TURNTABLE

ITEM	PART NUMBER	QTY	DESCRIPTION	REV
46	1001297391	1	Plate	
47	1001266481	1	Decal-Ground Control Box	
48	1001285346	1	Ground Control Box Harness (Not Shown - See Separate Breakdown in ELECTRICAL Section)	
50	0760612	2	Bolt M6 x 25	
51	3290605	2	Nut, Lock M6	
52	4811700	4	Washer M6	
53	1001219601	1	Sensor, Tilt	
54	1001271794	1	Bracket, Tilt Sensor	
55	1001276143	1	Harness, Tilt Sensor (See Separate Breakdown in ELECTRICAL Section)	



## SECTION 2 - TURNTABLE

FIGURE 2-30. GROUND CONTROL BOX ASSEMBLY - WITH DEUTZ D2011 - WITH MECHANICAL HOUR METER (ANSI EXPORT (LRC) AND AUSTRALIAN SPECS) WITH TILT SENSOR (860SJ)



ART\_1001266470\_D



## SECTION 2 - TURNTABLE

**FIGURE 2-30. GROUND CONTROL BOX ASSEMBLY - WITH DEUTZ D2011 - WITH MECHANICAL HOUR METER (ANSI EXPORT (LRC) AND AUSTRALIAN SPECS) WITH TILT SENSOR (860SJ)**

ITEM	PART NUMBER	QTY	DESCRIPTION	REV
	1001266470	Ref	GROUND CONTROL BOX ASSEMBLY	D
2	0100011	AR	Compound, Locking	
3	0100048	AR	Grease, Dielectric	
4	0630548	5	Bolt 2-1/2	
5	0641404	2	Bolt 1/4 x 1/2	
6	0641407	1	Bolt 1/4 x 7/8	
7	0641506	4	Bolt 5/16 x 3/4	
8	3300205	4	Nut, Retainer	
9	3300353	2	Nut, Tinnerman	
10	3300408	2	Nut	
11	3311405	2	Nut 1/4	
12	3520031	2	Plug	
14	3740049	2	Relay	
15	3900268	2	Bolt #10 x 1/2	
16	3910804	6	Screw #8 x 1/4	
17	4070991	1	Shim	
18	4360469	1	Switch, Key	
18	2860030	1 Set	Key Replacement	
19	4360475	1	Switch, Emergency Stop	
19	7020175	1	Cap, Mushroom	
19	7020176	1	Block, Contact	
20	4360476	1	Switch, Contact Block	
21	4460426	1	Connector, Strain Relief	
22	4460470	1	Nut, Terminal	
23	4460471	1	Lockwasher, Terminal	
24	4460488	6	Mounting Base, Terminal	
25	4460496	2	Washer, Terminal	
26	4460497	2	Nut, Terminal	
27	4460526	1	Connector, Strain Relief	
28	4711400	2	Washer 1/4	
29	4740397	6	Spacer	
30	4740444	1	Washer	
31	4740518	2	Washer	
32	4751400	7	Washer 1/4	
34	4891500	4	Washer 5/16	
35	77143013	11	Nut 1/4	
36	1001103308	2	Thumbscrew 1/4 x 3/4	
37	1001280600	1	Module, Ground Control (Note: Recalibration Required When Replaced)	
38	1001106736	1	Cap, Dust	
39	1001285515	1	Engine Harness (Not Shown - See Separate Breakdown in ELECTRICAL Section)	
40	1001155043	7	Washer	
41	1001155044	7	Nut 15/32	
42	1001155045	7	Switch, Toggle	
43	1001284973	1	Control Valve Harness (Not Shown - See Separate Breakdown in ELECTRICAL Section)	
44	1001287464	1	Plate	
45	10836804	1	Hour Meter	

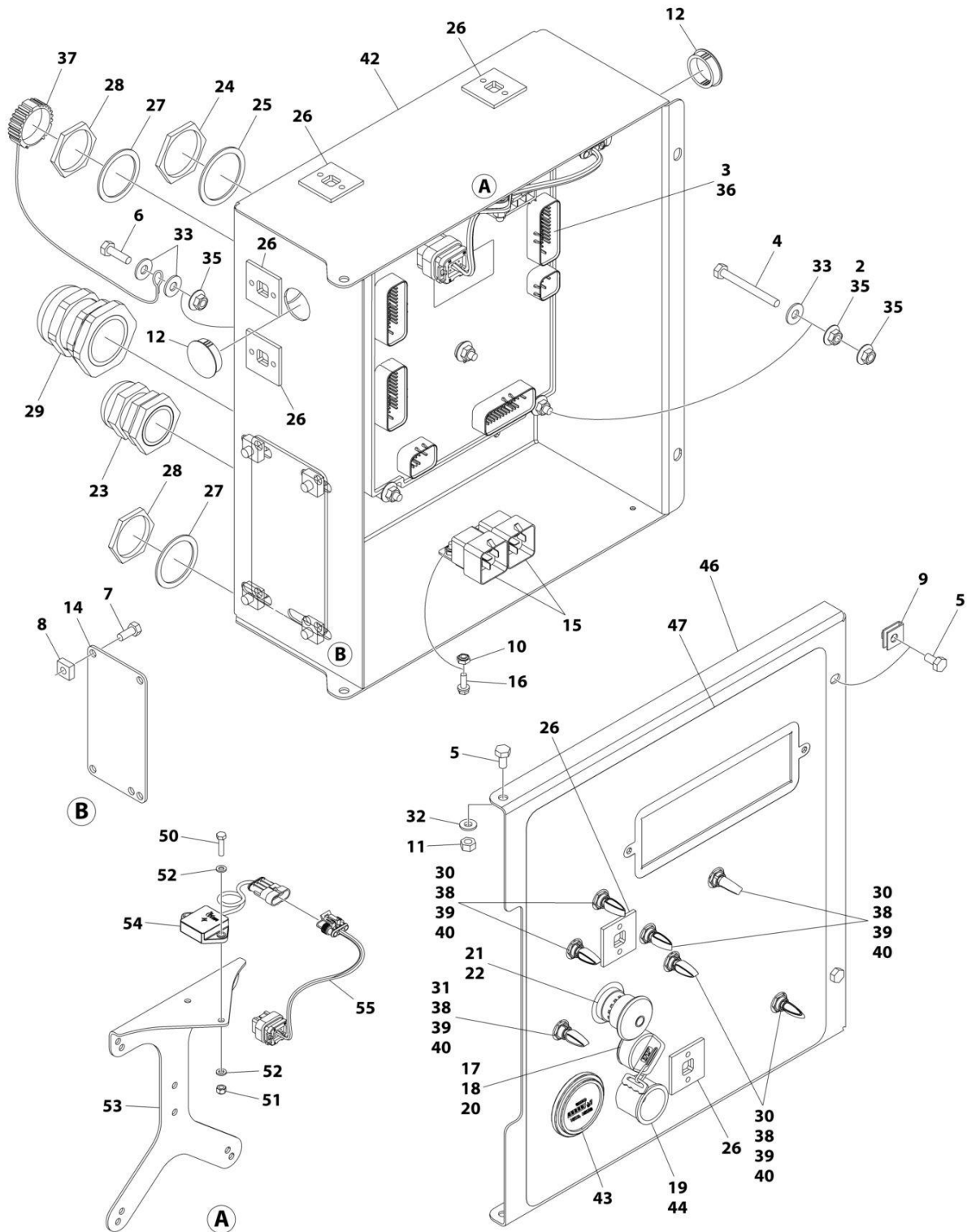
## SECTION 2 - TURNTABLE

ITEM	PART NUMBER	QTY	DESCRIPTION	REV
46	1001188874	2	Nut	
47	1001280403	1	Plate	
48	1001266480	1	Decal - Ground Control Box	
49	1001285346	1	Ground Control Box Harness (Not Shown - See Separate Breakdown in ELECTRICAL Section)	
51	0760612	2	Bolt M6 x 25	
52	3290605	2	Nut, Lock M6	
53	4811700	4	Washer M6	
54	1001219601	1	Sensor, Tilt	
55	1001271794	1	Bracket, Tilt Sensor	
56	1001276143	1	Harness, Tilt Sensor (See Separate Breakdown in ELECTRICAL Section)	



# SECTION 2 - TURNTABLE

## FIGURE 2-31. GROUND CONTROL BOX ASSEMBLY - WITH DEUTZ D2011 (CE & UK CA SPECS) WITH TILT SENSOR (860SJ)



ART\_1001266472\_D

## SECTION 2 - TURNTABLE

**FIGURE 2-31. GROUND CONTROL BOX ASSEMBLY - WITH DEUTZ D2011 (CE & UK CA SPECS)  
WITH TILT SENSOR (860SJ)**

ITEM	PART NUMBER	QTY	DESCRIPTION	REV
	1001266472	Ref	GROUND CONTROL BOX ASSEMBLY	D
2	0100011	AR	Compound, Locking	
3	0100048	AR	Grease, Dielectric	
4	0630548	5	Bolt 2-1/2	
5	0641404	4	Bolt 1/4 x 1/2	
6	0641407	1	Bolt 1/4 x 7/8	
7	0641506	4	Bolt 5/16 x 3/4	
8	3300205	4	Nut, Retainer	
9	3300353	2	Nut, Tinnerman	
10	3300408	2	Nut	
11	3311405	2	Nut 1/4	
12	3520031	2	Plug	
14	3539219	1	Plate	
15	3740049	2	Relay	
16	3900268	2	Bolt #10 x 1/2	
17	3910804	6	Screw #8 x 1/4	
18	4070991	1	Shim	
19	4360387	1	Switch, Push Button	
20	4360469	1	Switch, Key	
20	2860030	1 Set	Key Replacement	
21	4360475	1	Switch, Emergency Stop	
21	7020175	1	Cap, Mushroom	
21	7020176	1	Block, Contact	
22	4360476	1	Switch, Contact Block	
23	4460426	1	Connector, Strain Relief	
24	4460470	1	Nut, Terminal	
25	4460471	1	Lockwasher, Terminal	
26	4460488	6	Mounting Base, Terminal	
27	4460496	2	Washer, Terminal	
28	4460497	2	Nut, Terminal	
29	4460526	1	Connector, Strain Relief	
30	4740397	6	Spacer	
31	4740444	1	Washer	
32	4740518	2	Washer	
33	4751400	7	Washer 1/4	
35	77143013	11	Nut 1/4	
36	1001280600	1	Module, Ground Control (Note: Recalibration Required When Replaced)	
37	1001106736	1	Cap, Dust	
38	1001155043	7	Washer	
39	1001155044	7	Nut 15/32	
40	1001155045	7	Switch, Toggle	
41	1001284973	1	Control Valve Harness (Not Shown - See Separate Breakdown in ELECTRICAL Section)	
42	1001287464	1	Plate	
43	10836804	1	Gauge, Display	
44	1001176469	1	Shroud	
45	1001286027	1	Engine Harness (Not Shown - See Separate Breakdown in ELECTRICAL Section)	

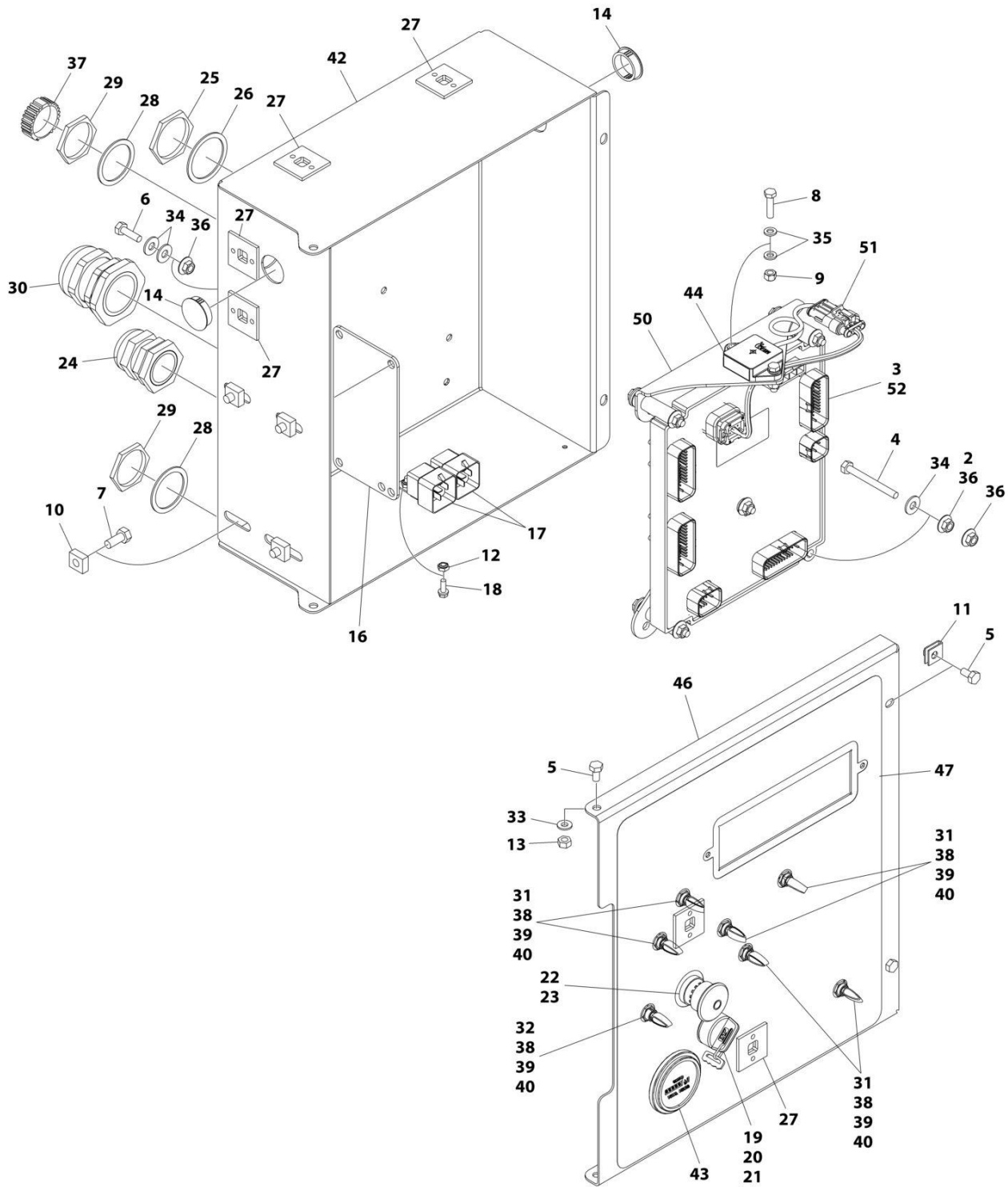
## SECTION 2 - TURNTABLE

ITEM	PART NUMBER	QTY	DESCRIPTION	REV
46	1001297391	1	Plate	
47	1001266482	1	Decal - Ground Control Box	
48	1001285346	1	Ground Control Box Harness (Not Shown - See Separate Breakdown in ELECTRICAL Section)	
50	0760612	2	Bolt M6 x 25	
51	3290605	2	Nut, Lock M6	
52	4811700	4	Washer M6	
53	1001271794	1	Bracket, Tilt Sensor	
54	1001219601	1	Sensor, Tilt	
55	1001276143	1	Harness, Tilt Sensor (See Separate Breakdown in ELECTRICAL Section)	



# SECTION 2 - TURNTABLE

**FIGURE 2-32. GROUND CONTROL BOX ASSEMBLY - WITH DEUTZ D2011 (HIGH TEMP MARKETS)  
(ANSI EXPORT (LRC) AND AUSTRALIAN SPECS) (860SJ)**



ART\_1001278612\_C



## SECTION 2 - TURNTABLE

**FIGURE 2-32. GROUND CONTROL BOX ASSEMBLY - WITH DEUTZ D2011 (HIGH TEMP MARKETS)  
(ANSI EXPORT (LRC) AND AUSTRALIAN SPECS) (860SJ)**

ITEM	PART NUMBER	QTY	DESCRIPTION	REV
	1001278612	Ref	GROUND CONTROL BOX ASSEMBLY	C
2	0100011	AR	Compound, Locking	
3	0100048	AR	Grease, Dielectric	
4	0630548	5	Bolt 2-1/2 Tap	
5	0641404	4	Bolt 1/4 x 1/2	
6	0641407	1	Bolt 1/4 x 7/8	
7	0641506	4	Bolt 5/16 x 3/4	
8	0760612	2	Bolt M6 x 25	
9	3290605	2	Nut, Lock M6	
10	3300205	4	Nut, Retainer	
11	3300353	2	Nut, Tinnerman	
12	3300408	2	Nut, Plastic Insert	
13	3311405	2	Nut 1/4	
14	3520031	2	Plug	
16	3539219	1	Plate, Reinforcement	
17	3740049	2	Relay	
18	3900268	2	Bolt #10 x 1/2	
19	3910804	6	Bolt #8 x 1/4	
20	4070991	1	Shim	
21	4360469	1	Switch, Key	
22	4360475	1	Switch, Emergency Stop	
22	7020175	1	Cap, Mushroom	
22	7020176	1	Block, Contact	
23	4360476	1	Switch, Contact Block	
24	4460426	1	Connector, Strain Relief	
25	4460470	1	Nut, Terminal	
26	4460471	1	Washer, Terminal	
27	4460488	6	Mounting Base, Terminal	
28	4460496	2	Washer, Terminal	
29	4460497	2	Nut, Terminal	
30	4460526	1	Connector, Strain Relief	
31	4740397	6	Spacer	
32	4740444	1	Washer	
33	4740518	2	Washer	
34	4751400	7	Washer 1/4	
35	4811700	4	Washer M6	
36	77143013	11	Nut 1/4	
37	1001106736	1	Cap, Dust	
38	1001155043	7	Washer	
39	1001155044	7	Nut 15/32	
40	1001155045	7	Switch, Toggle	
41	1001284973	1	Harness, Platform Valve (Not Shown - See Separate Breakdown in ELECTRICAL Section)	
42	1001287464	1	Box Less Lid	
43	10836804	1	Gauge, Display	
44	1001219601	1	Sensor, Tilt	
45	1001286027	1	Harness, Engine (Not Shown - See Separate Breakdown in ELECTRICAL Section)	
46	1001280403	1	Plate	

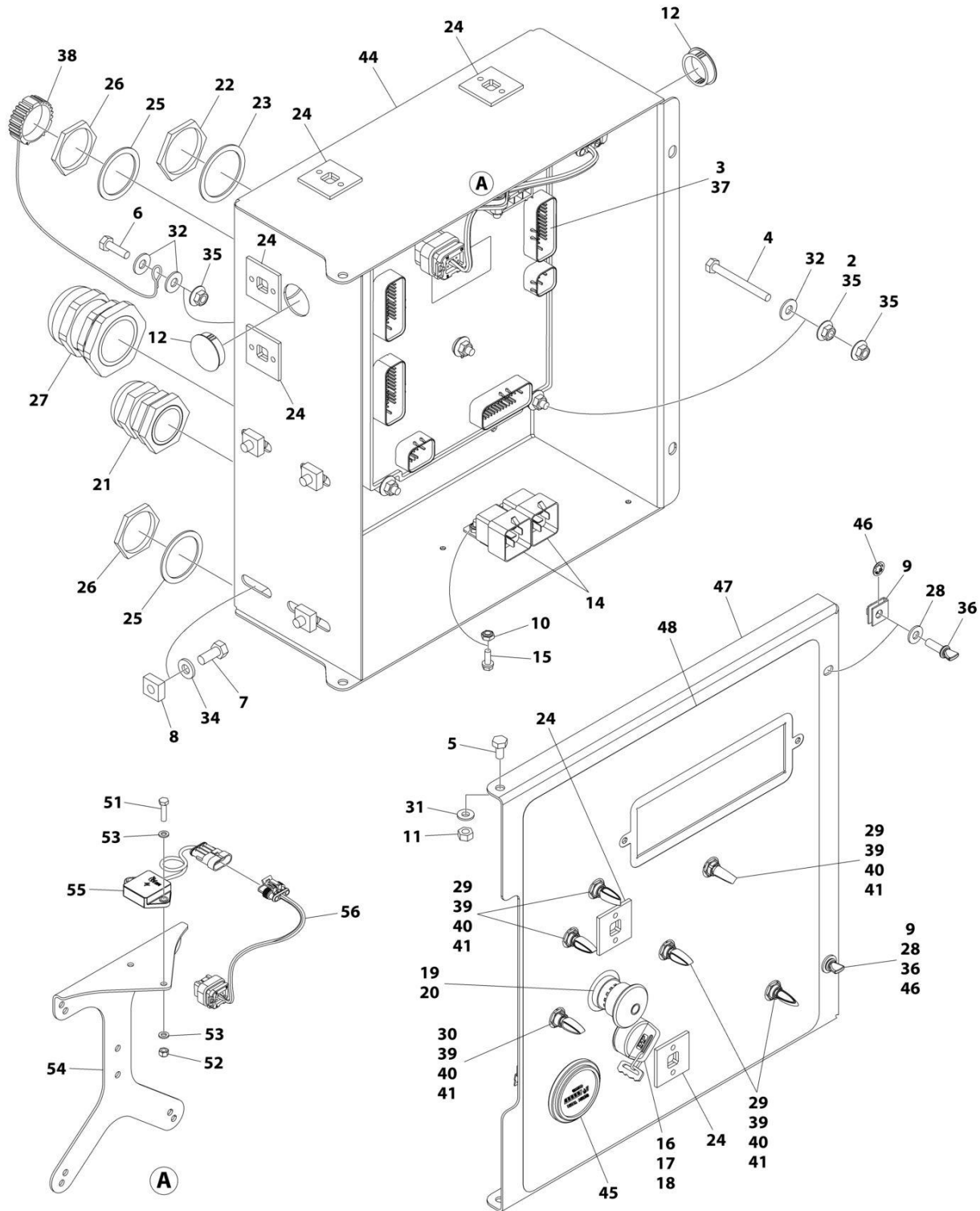
## SECTION 2 - TURNTABLE

ITEM	PART NUMBER	QTY	DESCRIPTION	REV
47	1001266480	1	Decal, MTB	
48	1001285346	1	Harness, MTB (Not Shown - See Separate Breakdown in ELECTRICAL Section)	
49	1001285800	1	Wire, MTB (Not Shown)	
50	1001271794	1	Bracket, Tilt Sensor	
51	1001276143	1	Harness, Tilt Sensor (See Separate Breakdown in ELECTRICAL Section)	
52	1001280600	1	Module, Ground Control (Note: Re-calibration Required When Replaced)	



## SECTION 2 - TURNTABLE

FIGURE 2-33. GROUND CONTROL BOX ASSEMBLY - WITH DEUTZ TD2.9L4 - WITH MECHANICAL HOUR METER (ANSI, ANSI EXPORT (HRC), CSA AND JAPANESE SPECS) (800S)



ART\_1001266473\_E

## SECTION 2 - TURNTABLE

**FIGURE 2-33. GROUND CONTROL BOX ASSEMBLY - WITH DEUTZ TD2.9L4 - WITH MECHANICAL HOUR METER (ANSI, ANSI EXPORT (HRC), CSA AND JAPANESE SPECS) (800S)**

ITEM	PART NUMBER	QTY	DESCRIPTION	REV
	1001266473	Ref	GROUND CONTROL BOX ASSEMBLY	E
2	0100011	AR	Compound, Locking	
3	0100048	AR	Grease, Dielectric	
4	0630548	5	Bolt 2-1/2	
5	0641404	2	Bolt 1/4 x 1/2	
6	0641407	1	Bolt 1/4 x 7/8	
7	0641506	4	Bolt 5/16 x 3/4	
8	3300205	4	Nut, Retainer	
9	3300353	2	Nut, Tinnerman	
10	3300408	2	Nut	
11	3311405	2	Nut 1/4	
12	3520031	2	Plug	
14	3740049	2	Relay	
15	3900268	2	Bolt #10 x 1/2	
16	3910804	6	Screw #8 x 1/4	
17	4070991	1	Shim	
18	4360469	1	Switch, Key	
18	2860030	1 Set	Key Replacement	
19	1001274559	1	Switch, Emergency Stop	
20	4360476	1	Switch, Contact Block	
21	4460426	1	Connector, Strain Relief	
22	4460470	1	Nut, Terminal	
23	4460471	1	Lockwasher, Terminal	
24	4460488	6	Mounting Base, Terminal	
25	4460496	2	Washer, Terminal	
26	4460497	2	Nut, Terminal	
27	4460526	1	Connector, Strain Relief	
28	4711400	2	Washer 1/4	
29	4740397	5	Spacer	
30	4740444	1	Washer	
31	4740518	2	Washer	
32	4751400	7	Washer 1/4	
34	4891500	4	Washer 5/16	
35	77143013	11	Nut 1/4	
36	1001103308	2	Thumbscrew 1/4 x 3/4	
37	1001280600	1	Module, Ground Control (Note: Recalibration Required When Replaced)	
38	1001106736	1	Cap, Dust	
39	1001155043	6	Washer	
40	1001155044	6	Nut 15/32	
41	1001155045	6	Switch, Toggle	
42	1001295732	1	Engine Harness (Not Shown - See Separate Breakdown in ELECTRICAL Section)	
43	1001284973	1	Control Valve Harness (Not Shown - See Separate Breakdown in ELECTRICAL Section)	
44	1001287464	1	Plate	
45	10836804	1	Hour Meter	
46	1001188874	2	Nut	
47	1001280403	1	Plate	

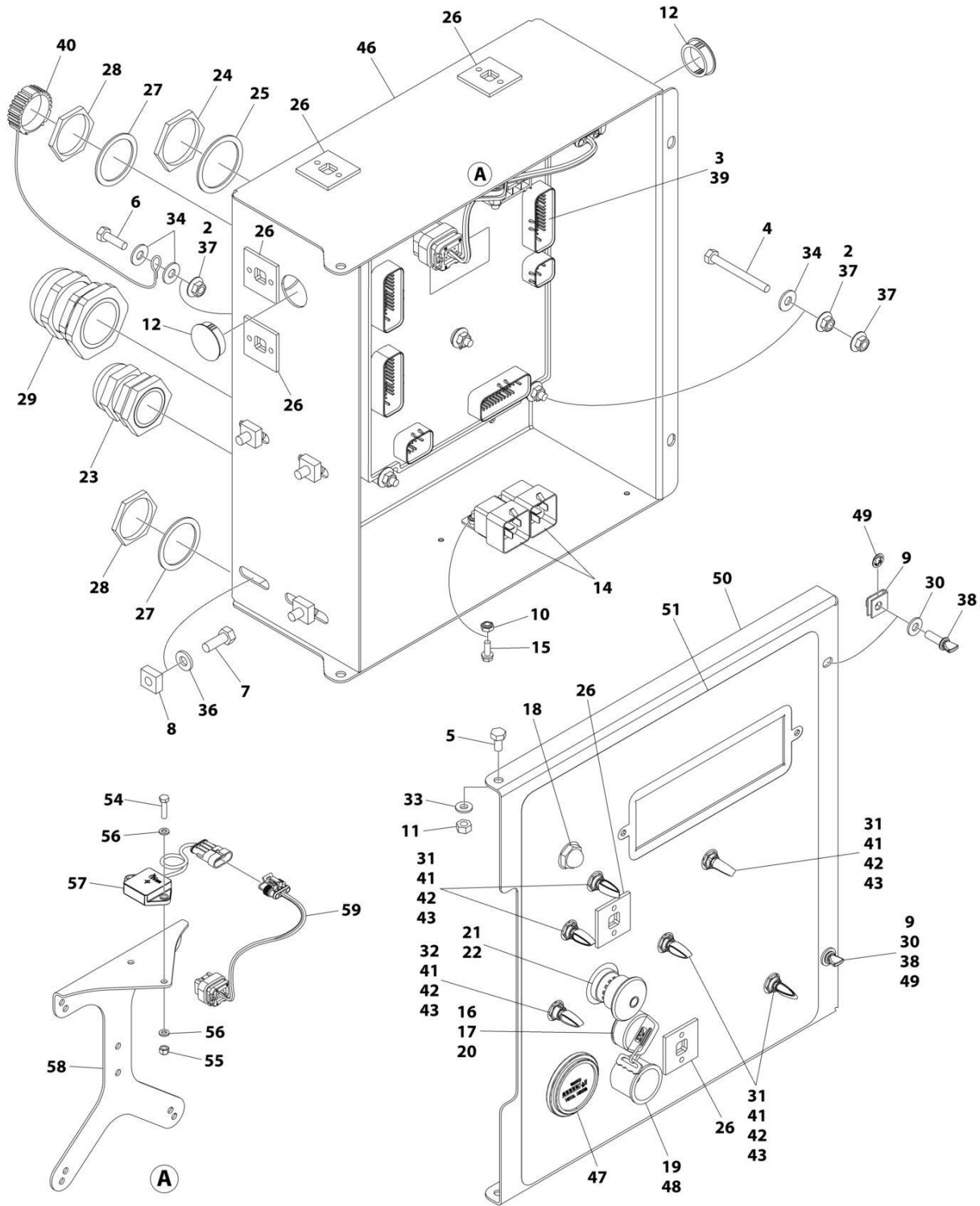
## SECTION 2 - TURNTABLE

ITEM	PART NUMBER	QTY	DESCRIPTION	REV
48	1001266479	1	Decal - Ground Control Box	
49	1001285346	1	Ground Control Box Harness (Not Shown - See Separate Breakdown in ELECTRICAL Section)	
51	0760612	2	Bolt M6 x 25	
52	3290605	2	Nut M6	
53	4811700	4	Washer M6	
54	1001271794	1	Bracket, Tilt Sensor	
55	1001219601	1	Sensor, Tilt	
56	1001276143	1	Harness, Tilt Sensor (See Separate Breakdown in ELECTRICAL Section)	



# SECTION 2 - TURNTABLE

FIGURE 2-34. GROUND CONTROL BOX ASSEMBLY - WITH DEUTZ TD2.9L4 (STAGE V) (CE & UK CA SPECS) (800S)



ART\_1001266477\_E



## SECTION 2 - TURNTABLE

**FIGURE 2-34. GROUND CONTROL BOX ASSEMBLY - WITH DEUTZ TD2.9L4 (STAGE V) (CE & UK CA SPECS) (800S)**

ITEM	PART NUMBER	QTY	DESCRIPTION	REV
	1001266477	Ref	GROUND CONTROL BOX ASSEMBLY	E
2	0100011	AR	Compound, Locking	
3	0100048	AR	Grease, Dielectric	
4	0630548	5	Bolt 2-1/2	
5	0641404	2	Bolt 1/4 x 1/2	
6	0641407	1	Bolt 1/4 x 7/8	
7	0641507	4	Bolt 5/16 x 7/8	
8	3300205	4	Nut, Retainer	
9	3300353	2	Nut, Tinnerman	
10	3300408	2	Nut	
11	3311405	2	Nut 1/4	
12	3520031	2	Plug	
14	3740049	2	Relay	
15	3900268	2	Bolt #10 x 1/2	
16	3910804	6	Screw #8 x 1/4	
17	4070991	1	Shim	
18	4360274	1	Switch, Push Button	
19	4360387	1	Switch, Push Button	
20	4360469	1	Switch, Key	
20	2860030	1 Set	Key Replacement	
21	1001274559	1	Switch, Emergency Stop	
22	4360476	1	Switch, Contact Block	
23	4460426	1	Connector, Strain Relief	
24	4460470	1	Nut, Terminal	
25	4460471	1	Lockwasher, Terminal	
26	4460488	6	Mounting Base, Terminal	
27	4460496	2	Washer, Terminal	
28	4460497	2	Nut, Terminal	
29	4460526	1	Connector, Strain Relief	
30	4711400	2	Washer 1/4	
31	4740397	5	Spacer	
32	4740444	1	Washer	
33	4740518	2	Washer	
34	4751400	7	Washer 1/4	
36	4891500	4	Washer 5/16	
37	77143013	11	Nut 1/4	
38	1001103308	2	Thumbscrew 1/4 x 3/4	
39	1001280600	1	Module, Ground Control (Note: Re-calibration Required When Replaced)	
40	1001106736	1	Cap, Dust	
41	1001155043	6	Washer	
42	1001155044	6	Nut 15/32	
43	1001155045	6	Switch, Toggle	
44	1001295732	1	Engine Harness (Not Shown - See Separate Breakdown in ELECTRICAL Section)	
45	1001284973	1	Control Valve Harness (Not Shown - See Separate Breakdown in ELECTRICAL Section)	
46	1001287464	1	Plate	
47	10836804	1	Gauge, Display	

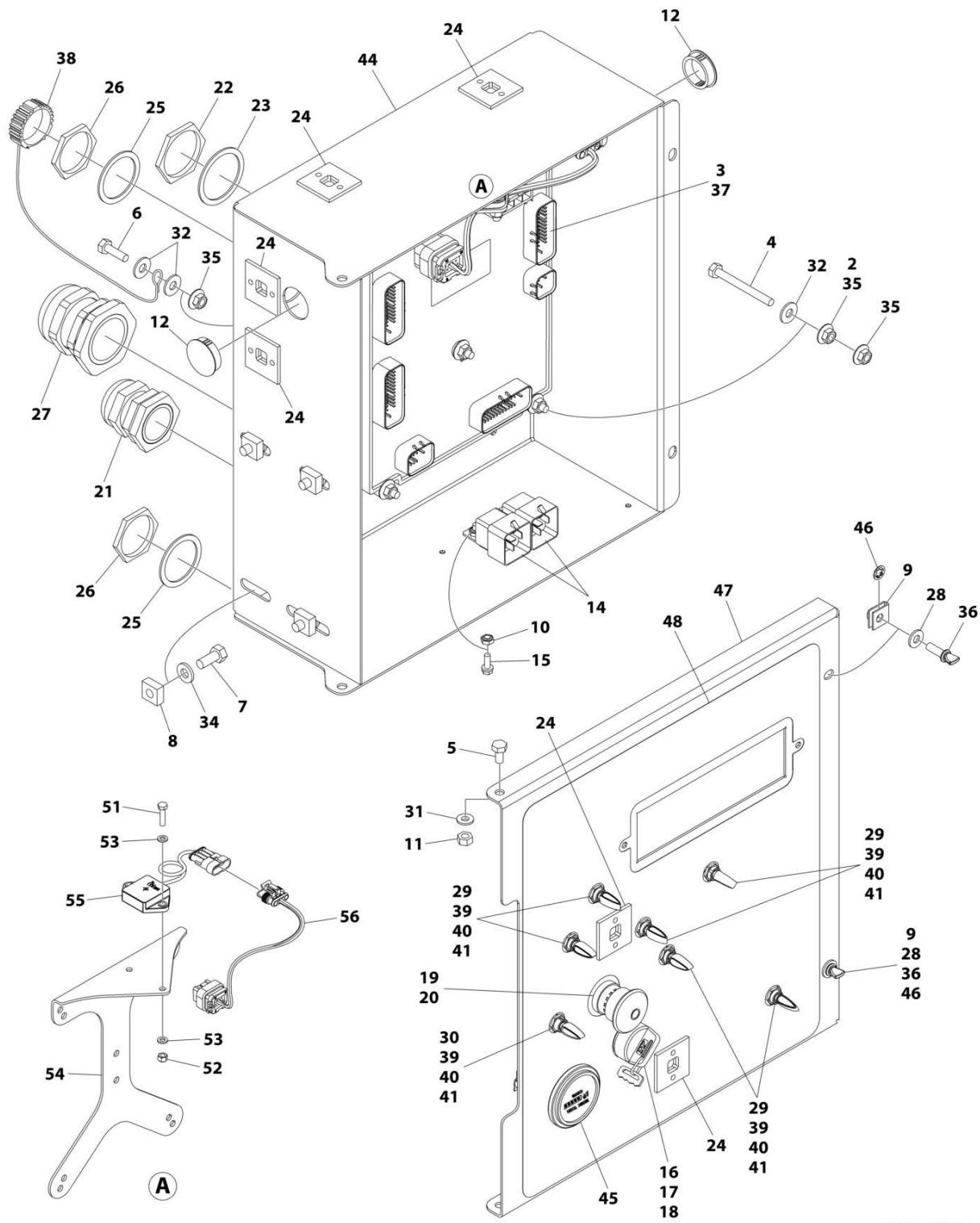
## SECTION 2 - TURNTABLE

ITEM	PART NUMBER	QTY	DESCRIPTION	REV
48	1001176469	1	Shroud	
49	1001188874	2	Nut	
50	1001297391	1	Plate	
51	1001266483	1	Decal - Ground Control Box	
52	1001285346	1	Ground Control Box Harness (Not Shown - See Separate Breakdown in ELECTRICAL Section)	
54	0760612	2	Bolt M6 x 25	
55	3290605	2	Nut, Lock M6	
56	4811700	4	Washer M6	
57	1001219601	1	Sensor, Tilt	
58	1001271794	1	Bracket, Tilt Sensor	
59	1001276143	1	Harness, Tilt Sensor (See Separate Breakdown in ELECTRICAL Section)	



## SECTION 2 - TURNTABLE

**FIGURE 2-35. GROUND CONTROL BOX ASSEMBLY - WITH DEUTZ TD2.9L4 - WITH MECHANICAL HOUR METER (ANSI, ANSI EXPORT (HRC), ANSI EXPORT (LRC WITH SN B3), CSA, JAPANESE, AUSTRALIAN (SN B3), RUSSIAN (SN B3) AND CHINA SPECS) WITH TILT SENSOR (860SJ)**



ART\_1001266474\_E

## SECTION 2 - TURNTABLE

**FIGURE 2-35. GROUND CONTROL BOX ASSEMBLY - WITH DEUTZ TD2.9L4 - WITH MECHANICAL HOUR METER (ANSI, ANSI EXPORT (HRC), ANSI EXPORT (LRC WITH SN B3), CSA, JAPANESE, AUSTRALIAN (SN B3), RUSSIAN (SN B3) AND CHINA SPECS) WITH TILT SENSOR (860SJ)**

ITEM	PART NUMBER	QTY	DESCRIPTION	REV
	1001266474	Ref	GROUND CONTROL BOX ASSEMBLY	E
2	0100011	AR	Compound, Locking	
3	0100048	AR	Grease, Dielectric	
4	0630548	5	Bolt 2-1/2	
5	0641404	2	Bolt 1/4 x 1/2	
6	0641407	1	Bolt 1/4 x 7/8	
7	0641506	4	Bolt 5/16 x 3/4	
8	3300205	4	Nut, Retainer	
9	3300353	2	Nut, Tinnerman	
10	3300408	2	Nut	
11	3311405	2	Nut 1/4	
12	3520031	2	Plug	
14	3740049	2	Relay	
15	3900268	2	Bolt #10 x 1/2	
16	3910804	6	Screw #8 x 1/4	
17	4070991	1	Shim	
18	4360469	1	Switch, Key	
18	2860030	1 Set	Key Replacement	
19	1001274559	1	Switch, Emergency Stop	
20	4360476	1	Switch, Contact Block	
21	4460426	1	Connector, Strain Relief	
22	4460470	1	Nut, Terminal	
23	4460471	1	Lockwasher, Terminal	
24	4460488	6	Mounting Base, Terminal	
25	4460496	2	Washer, Terminal	
26	4460497	2	Nut, Terminal	
27	4460526	1	Connector, Strain Relief	
28	4711400	2	Washer 1/4	
29	4740397	6	Spacer	
30	4740444	1	Washer	
31	4740518	2	Washer	
32	4751400	7	Washer 1/4	
34	4891500	4	Washer 5/16	
35	77143013	11	Nut 1/4	
36	1001103308	2	Thumbscrew 1/4 x 3/4	
37	1001280600	1	Module, Ground Control (Note: Recalibration Required When Replaced)	
38	1001106736	1	Cap, Dust	
39	1001155043	7	Washer	
40	1001155044	7	Nut 15/32	
41	1001155045	7	Switch, Toggle	
42	1001295732	1	Engine Harness (Not Shown - See Separate Breakdown in ELECTRICAL Section)	
43	1001284973	1	Control Valve Harness (Not Shown - See Separate Breakdown in ELECTRICAL Section)	
44	1001287464	1	Plate	
45	10836804	1	Hour Meter	
46	1001188874	2	Nut	

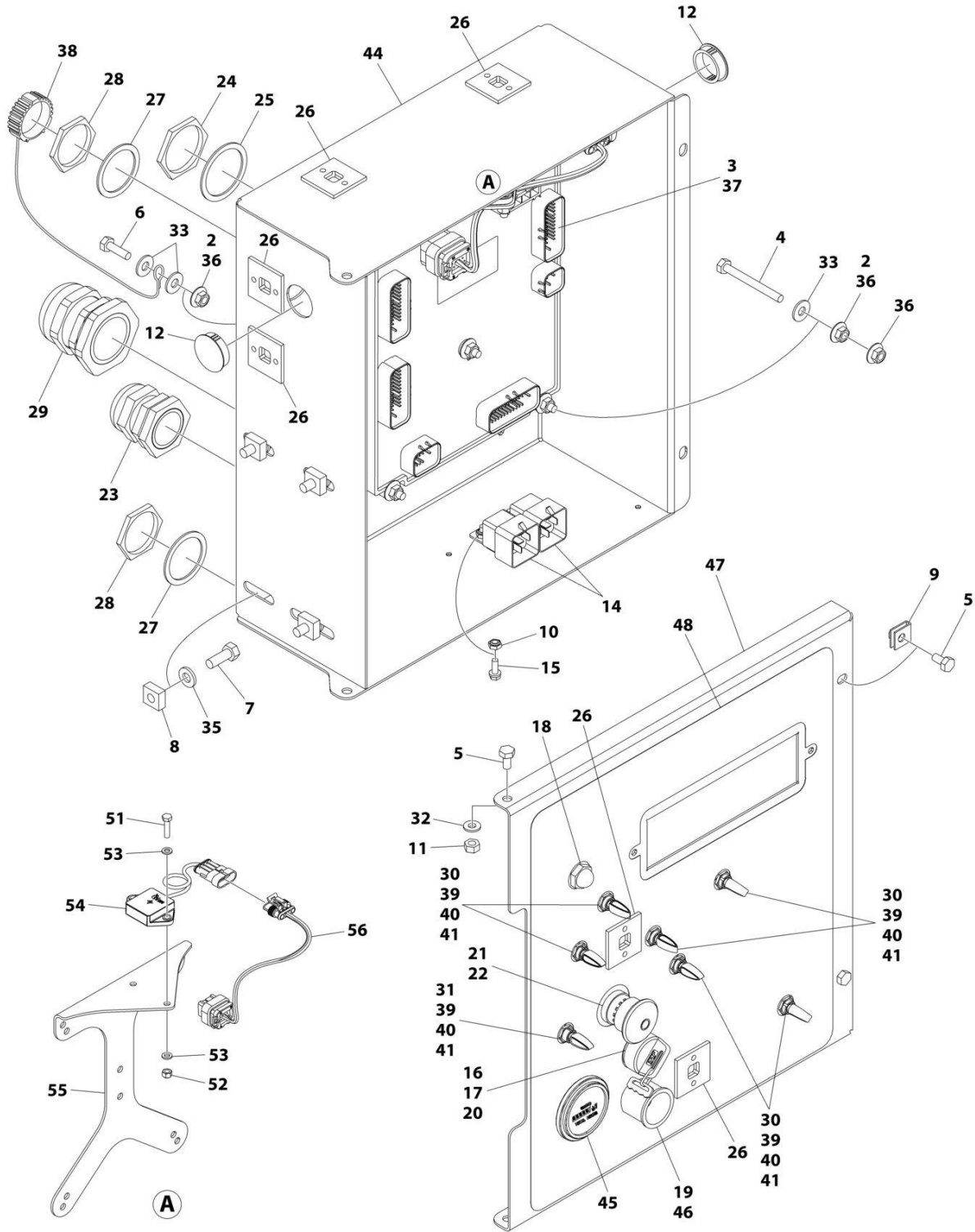
## SECTION 2 - TURNTABLE

ITEM	PART NUMBER	QTY	DESCRIPTION	REV
47	1001280403	1	Plate	
48	1001266480	1	Decal - Ground Control Box	
49	1001285346	1	Ground Control Box Harness (Not Shown - See Separate Breakdown in ELECTRICAL Section)	
51	0760612	2	Bolt M6 x 25	
52	3290605	2	Nut, Lock M6	
53	4811700	4	Washer M6	
54	1001271794	1	Bracket, Tilt Sensor	
55	1001219601	1	Sensor, Tilt	
56	1001276143	1	Harness, Tilt Sensor (See Separate Breakdown in ELECTRICAL Section)	



# SECTION 2 - TURNTABLE

FIGURE 2-36. GROUND CONTROL BOX ASSEMBLY - WITH DEUTZ TD2.9L4 (STAGE V) (CE & UK CA SPECS) WITH TILT SENSOR (860SJ)



ART\_1001266478\_E



## SECTION 2 - TURNTABLE

**FIGURE 2-36. GROUND CONTROL BOX ASSEMBLY - WITH DEUTZ TD2.9L4 (STAGE V) (CE & UK CA SPECS) WITH TILT SENSOR (860SJ)**

ITEM	PART NUMBER	QTY	DESCRIPTION	REV
	1001266478	Ref	GROUND CONTROL BOX ASSEMBLY	E
2	0100011	AR	Compound, Locking	
3	0100048	AR	Grease, Dielectric	
4	0630548	5	Bolt 2-1/2	
5	0641404	4	Bolt 1/4 x 1/2	
6	0641407	1	Bolt 1/4 x 7/8	
7	0641507	4	Bolt 5/16 x 7/8	
8	3300205	4	Nut, Retainer	
9	3300353	2	Nut, Tinnerman	
10	3300408	2	Nut	
11	3311405	2	Nut 1/4	
12	3520031	2	Plug	
14	3740049	2	Relay	
15	3900268	2	Bolt #10 x 1/2	
16	3910804	6	Screw #8 x 1/4	
17	4070991	1	Shim	
18	4360274	1	Switch, Push Button	
19	4360387	1	Switch, Push Button	
20	4360469	1	Switch, Key	
20	2860030	1 Set	Key Replacement	
21	1001274559	1	Switch, Emergency Stop	
22	4360476	1	Switch, Contact Block	
23	4460426	1	Connector, Strain Relief	
24	4460470	1	Nut, Terminal	
25	4460471	1	Lockwasher, Terminal	
26	4460488	6	Mounting Base, Terminal	
27	4460496	2	Washer, Terminal	
28	4460497	2	Nut, Terminal	
29	4460526	1	Connector, Strain Relief	
30	4740397	6	Spacer	
31	4740444	1	Washer	
32	4740518	2	Washer	
33	4751400	7	Washer 1/4	
35	4891500	4	Washer 5/16	
36	77143013	11	Nut 1/4	
37	1001280600	1	Module, Ground Control (Note: Re-calibration Required When Replaced)	
38	1001106736	1	Cap, Dust	
39	1001155043	7	Washer	
40	1001155044	7	Nut 15/32	
41	1001155045	7	Switch, Toggle	
42	1001295732	1	Engine Harness (Not Shown - See Separate Breakdown in ELECTRICAL Section)	
43	1001284973	1	Control Valve Harness (Not Shown - See Separate Breakdown in ELECTRICAL Section)	
44	1001287464	1	Plate	
45	10836804	1	Gauge, Display	
46	1001176469	1	Shroud	
47	1001297391	1	Plate	

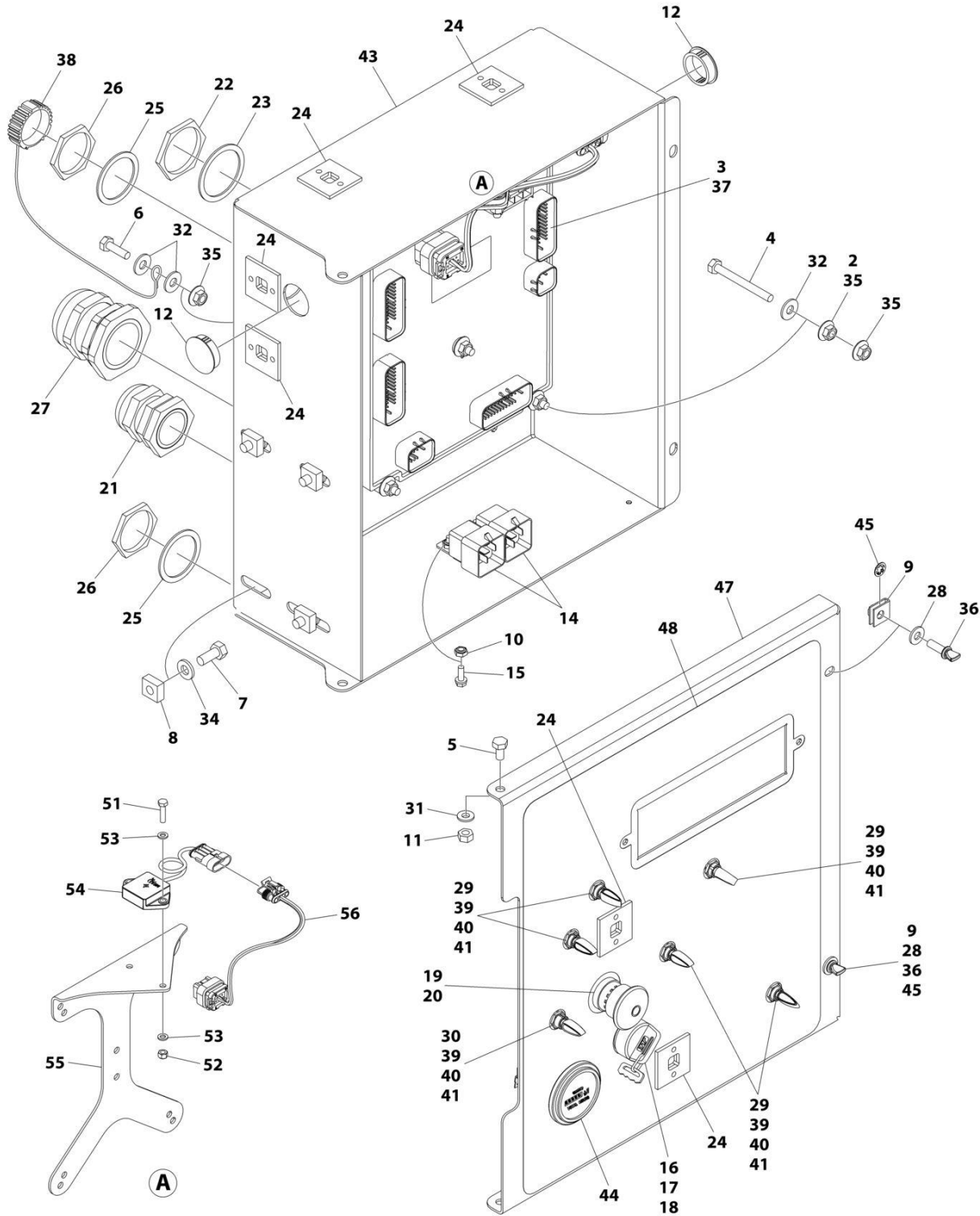
## SECTION 2 - TURNTABLE

ITEM	PART NUMBER	QTY	DESCRIPTION	REV
48	1001266484	1	Decal - Ground Control Box	
49	1001285346	1	Ground Control Box Harness (Not Shown - See Separate Breakdown in ELECTRICAL Section)	
51	0760612	2	Bolt M6 x 25	
52	3290605	2	Nut, Lock M6	
53	4811700	4	Washer M6	
54	1001219601	1	Sensor, Tilt	
55	1001271794	1	Bracket, Tilt Sensor	
56	1001276143	1	Harness, Tilt Sensor (See Separate Breakdown in ELECTRICAL Section)	



# SECTION 2 - TURNTABLE

FIGURE 2-37. GROUND CONTROL BOX ASSEMBLY - WITH FORD DF 2.5L - WITH MECHANICAL HOUR METER (ANSI, ANSI EXPORT (LRC & HRC) AND CSA SPECS) (800S)



ART\_1001266475\_D

## SECTION 2 - TURNTABLE

**FIGURE 2-37. GROUND CONTROL BOX ASSEMBLY - WITH FORD DF 2.5L - WITH MECHANICAL HOUR METER (ANSI, ANSI EXPORT (LRC & HRC) AND CSA SPECS) (800S)**

ITEM	PART NUMBER	QTY	DESCRIPTION	REV
	1001266475	Ref	GROUND CONTROL BOX ASSEMBLY	D
2	0100011	AR	Compound, Locking	
3	0100048	AR	Grease, Dielectric	
4	0630548	5	Bolt 2-1/2	
5	0641404	2	Bolt 1/4 x 1/2	
6	0641407	1	Bolt 1/4 x 7/8	
7	0641506	4	Bolt 5/16 x 3/4	
8	3300205	4	Nut, Retainer	
9	3300353	2	Nut, Tinnerman	
10	3300408	2	Nut	
11	3311405	2	Nut 1/4	
12	3520031	2	Plug	
14	3740049	2	Relay	
15	3900268	2	Bolt #10 x 1/2	
16	3910804	6	Screw #8 x 1/4	
17	4070991	1	Shim	
18	4360469	1	Switch, Key	
18	2860030	1 Set	Key Replacement	
19	4360475	1	Switch, Emergency Stop	
19	7020175	1	Cap, Mushroom	
19	7020176	1	Block, Contact	
20	4360476	1	Switch, Contact Block	
21	4460426	1	Connector, Strain Relief	
22	4460470	1	Nut, Terminal	
23	4460471	1	Lockwasher, Terminal	
24	4460488	6	Mounting Base, Terminal	
25	4460496	2	Washer, Terminal	
26	4460497	2	Nut, Terminal	
27	4460526	1	Connector, Strain Relief	
28	4711400	2	Washer 1/4	
29	4740397	5	Spacer	
30	4740444	1	Washer	
31	4740518	2	Washer	
32	4751400	7	Washer 1/4	
34	4891500	4	Washer 5/16	
35	77143013	11	Nut 1/4	
36	1001103308	2	Thumbscrew 1/4 x 3/4	
37	1001280600	1	Module, Ground Control (Note: Recalibration Required When Replaced)	
38	1001106736	1	Cap, Dust	
39	1001155043	6	Washer	
40	1001155044	6	Nut 15/32	
41	1001155045	6	Switch, Toggle	
42	1001284973	1	Control Valve Harness (Not Shown - See Separate Breakdown in ELECTRICAL Section)	
43	1001287464	1	Plate	
44	10836804	1	Hour Meter	
45	1001188874	2	Nut	

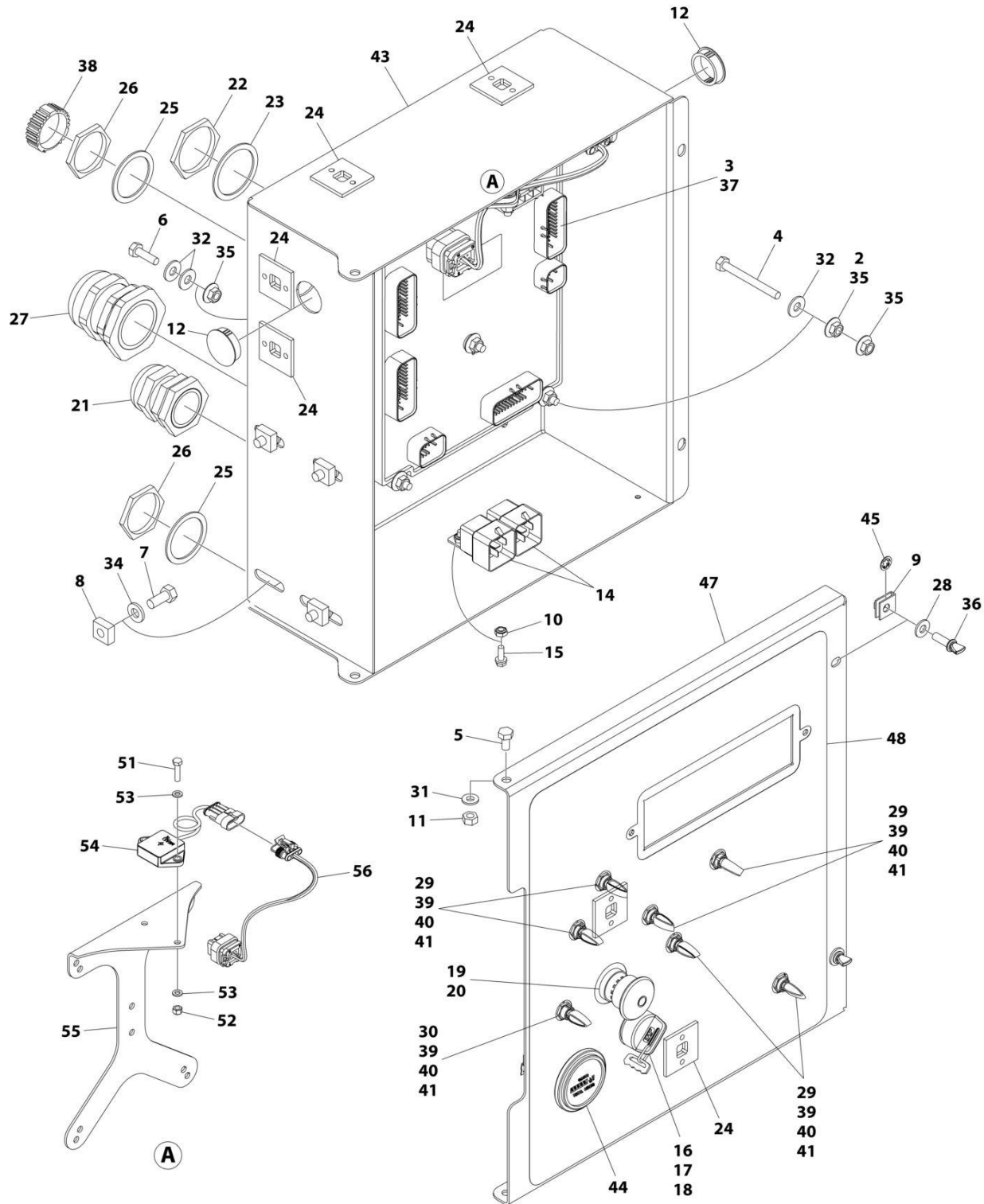
## SECTION 2 - TURNTABLE

ITEM	PART NUMBER	QTY	DESCRIPTION	REV
46	1001286028	1	Engine Harness (Not Shown - See Separate Breakdown in ELECTRICAL Section)	
47	1001280403	1	Plate	
48	1001266479	1	Decal - Ground Control Box	
49	1001285346	1	Ground Control Box Harness (Not Shown - See Separate Breakdown in ELECTRICAL Section)	
51	0760612	2	Bolt M6 x 25	
52	3290605	2	Nut, Lock M6	
53	4811700	4	Washer M6	
54	1001219601	1	Sensor, Tilt	
55	1001271794	1	Bracket, Tilt Sensor	
56	1001276143	1	Harness, Tilt Sensor (See Separate Breakdown in ELECTRICAL Section)	



## SECTION 2 - TURNTABLE

FIGURE 2-38. GROUND CONTROL BOX ASSEMBLY - WITH FORD DF 2.5L - WITH MECHANICAL HOUR METER (ANSI, ANSI EXPORT (LRC & HRC), AUSTRALIAN AND CSA SPECS) (860SJ)



ART\_1001266476\_D



## SECTION 2 - TURNTABLE

**FIGURE 2-38. GROUND CONTROL BOX ASSEMBLY - WITH FORD DF 2.5L - WITH MECHANICAL HOUR METER (ANSI, ANSI EXPORT (LRC & HRC), AUSTRALIAN AND CSA SPECS) (860SJ)**

ITEM	PART NUMBER	QTY	DESCRIPTION	REV
	1001266476	Ref	GROUND CONTROL BOX ASSEMBLY	D
2	0100011	AR	Compound, Locking	
3	0100048	AR	Grease, Dielectric	
4	0630548	5	Screw 2-1/2 Tap	
5	0641404	2	Screw 1/4 x 1/2	
6	0641407	1	Screw 1/4 x 7/8	
7	0641506	4	Screw 5/16 x 3/4	
8	3300205	4	Nut, Retainer	
9	3300353	2	Nut, Tinnerman	
10	3300408	2	Nut, Plastic Insert	
11	3311405	2	Nut 1/4	
12	3520031	2	Plug	
14	3740049	2	Relay	
15	3900268	2	Screw #10 x 1/2	
16	3910804	6	Screw #8 x 1/4	
17	4070991	1	Shim	
18	4360469	1	Switch, Key	
19	4360475	1	Switch, Emergency Stop	
19	7020175	1	Cap, Mushroom	
19	7020176	1	Block, Contact	
20	4360476	1	Switch, Contact Block	
21	4460426	1	Connector, Strain Relief	
22	4460470	1	Nut, Terminal	
23	4460471	1	Washer, Terminal	
24	4460488	6	Mounting Base, Terminal	
25	4460496	2	Washer, Terminal	
26	4460497	2	Nut, Terminal	
27	4460526	1	Connector, Strain Relief	
28	4711400	2	Washer 1/4	
29	4740397	6	Spacer	
30	4740444	1	Washer	
31	4740518	2	Washer	
32	4751400	7	Washer 1/4	
34	4891500	4	Washer 5/16	
35	77143013	11	Nut 1/4	
36	1001103308	2	Screw 1/4	
37	1001280600	1	Module, Ground Control (Note: Re-calibration Required when Replaced)	
38	1001106736	1	Cap, Dust	
39	1001155043	7	Washer	
40	1001155044	7	Nut 15/32	
41	1001155045	7	Switch, Toggle	
42	1001284973	1	Harness, Platform Valve (Not Shown - See Separate Breakdown in ELECTRICAL Section)	
43	1001287464	1	Box Less Lid	
44	10836804	1	Hour Meter	
45	1001188874	2	Nut	
46	1001286028	1	Harness, Ford DF 2.5L Engine (Not Shown - See Separate Breakdown in ELECTRICAL Section)	

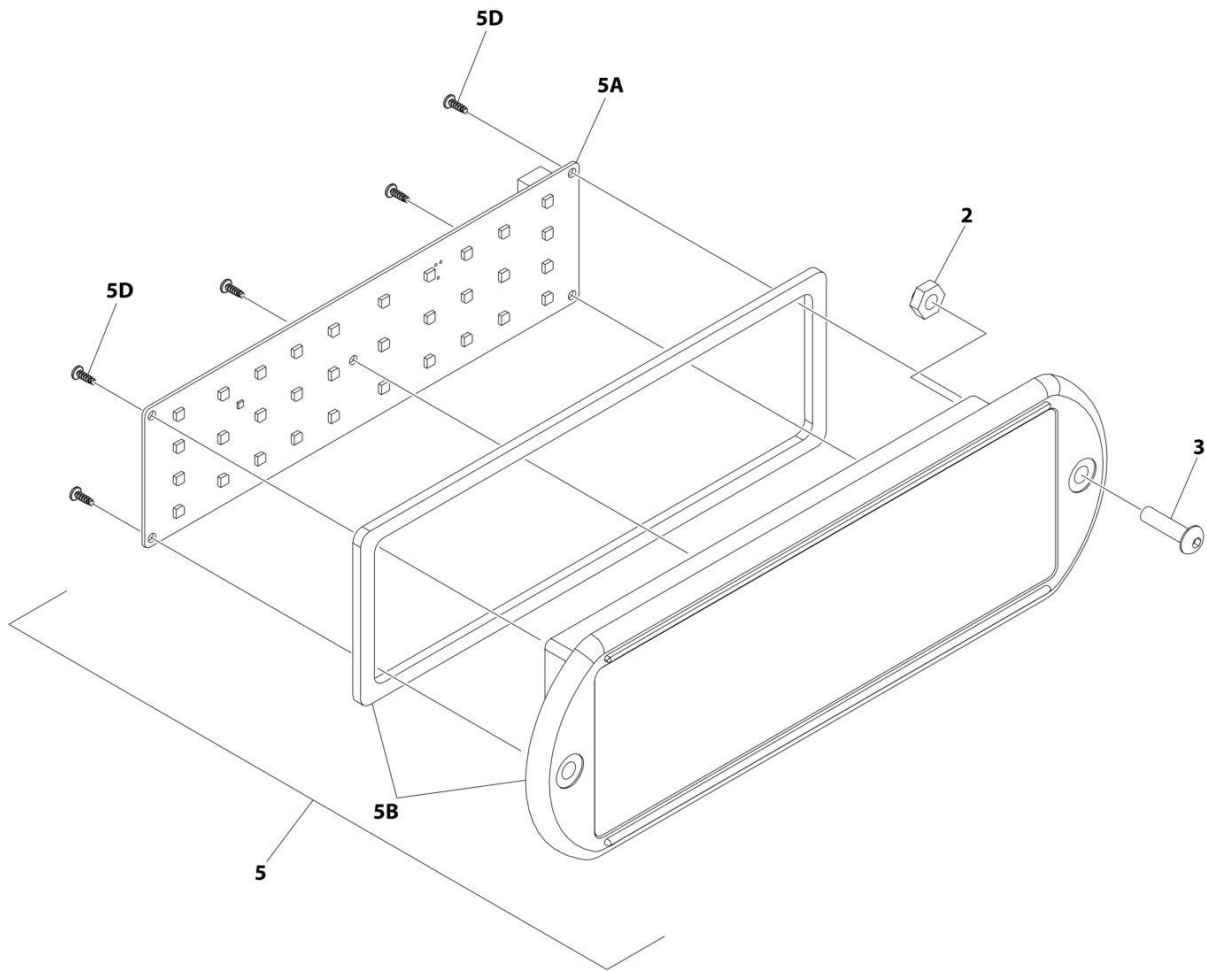
## SECTION 2 - TURNTABLE

ITEM	PART NUMBER	QTY	DESCRIPTION	REV
47	1001280403	1	Plate	
48	1001266480	1	Decal, MTB	
49	1001285346	1	Harness, MTB (Not Shown - See Separate Breakdown in ELECTRICAL Section)	
50	1001285800	1	Wire, MTB (Not Shown)	
51	0760612	2	Bolt M6 x 25	
52	3290605	2	Nut, Lock M6	
53	4811700	4	Washer M6	
54	1001219601	1	Sensor, Tilt	
55	1001271794	1	Bracket, Tilt Sensor	
56	1001276143	1	Harness, Tilt Sensor (See Separate Breakdown in ELECTRICAL Section)	



## SECTION 2 - TURNTABLE

FIGURE 2-39. LIGHT PANEL INSTALLATION (MACHINES WITH SN STARTING WITH 03 OR 13)



ART\_1001233959\_D\_10F2

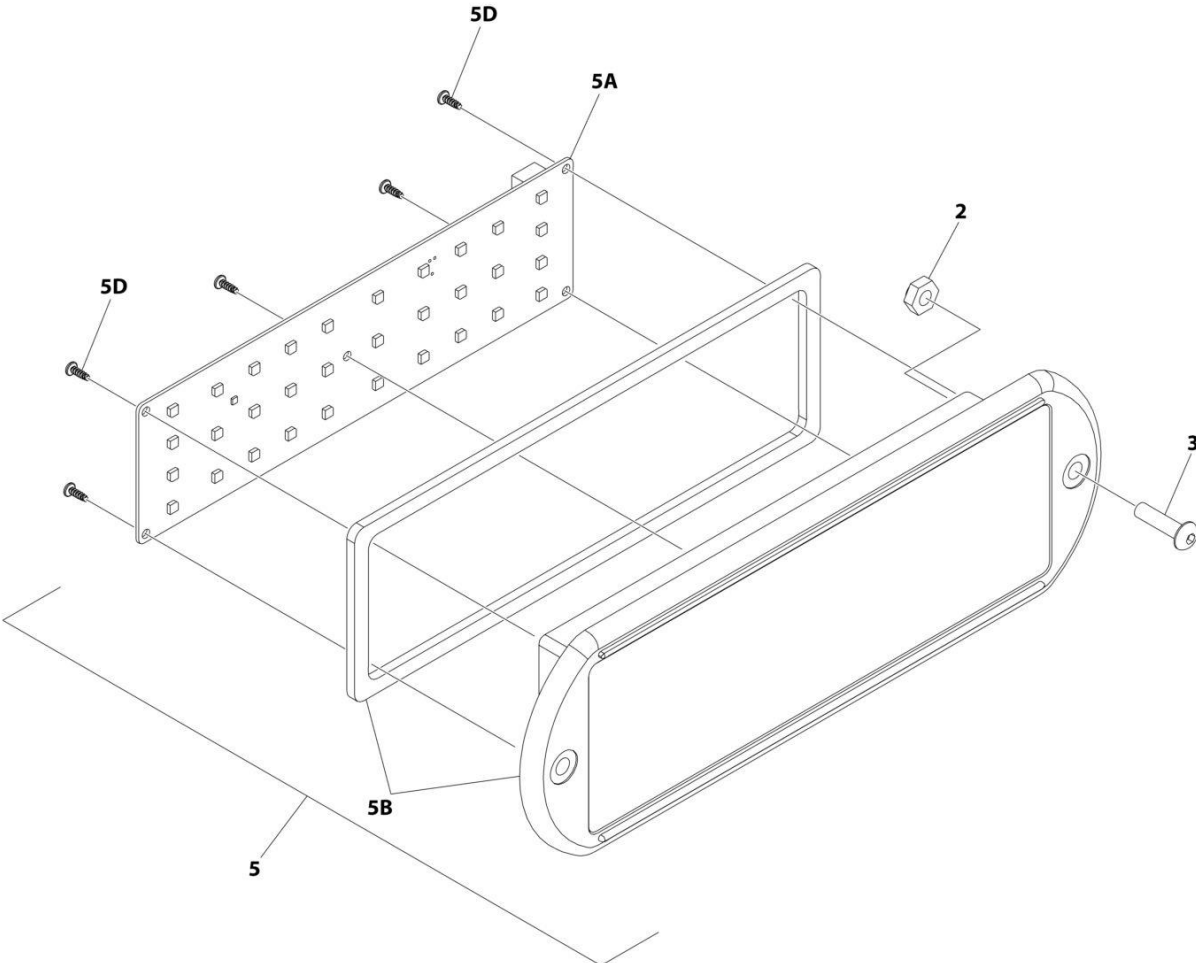
**SECTION 2 - TURNTABLE**

**FIGURE 2-39. LIGHT PANEL INSTALLATION (MACHINES WITH SN STARTING WITH 03 OR 13)**

<b>ITEM</b>	<b>PART NUMBER</b>	<b>QTY</b>	<b>DESCRIPTION</b>	<b>REV</b>
	1001233959	Ref	LIGHT PANEL INSTALLATION	D
2	3300408	2	Nut, Nylon Insert	
3	0630518	2	Screw #10 x 3/4	
5	1001237546	1	Light Panel Assembly	J
5A	1001282106	1	Panel, LED Light	
5B	1001236091	1	Lens, Icon (Includes Gasket)	
5D		Ref	Screw	

# SECTION 2 - TURNTABLE

FIGURE 2-40. LIGHT PANEL INSTALLATION (MACHINES WITH SN STARTING WITH B3)



ART\_1001241398\_D\_10F2

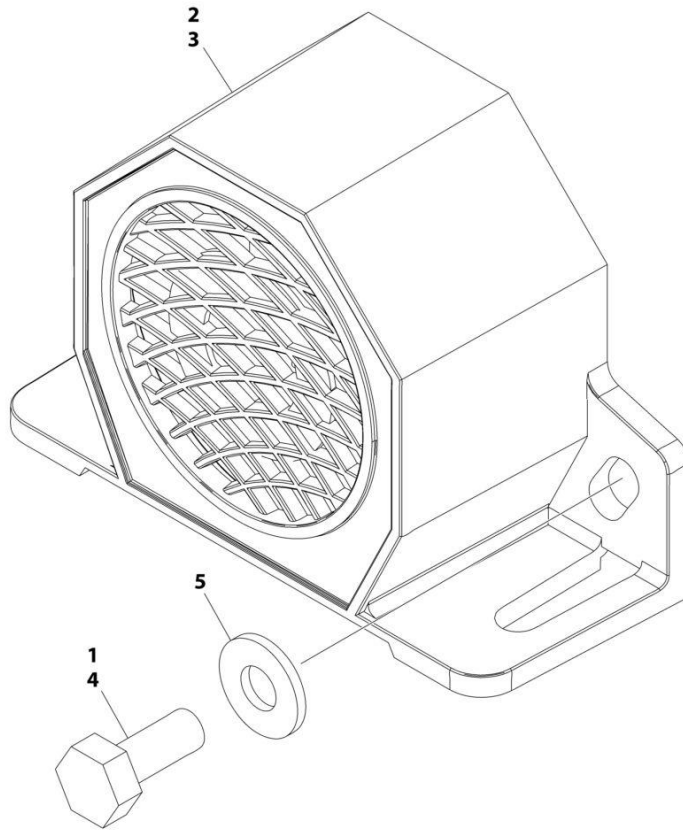
**SECTION 2 - TURNTABLE**

**FIGURE 2-40. LIGHT PANEL INSTALLATION (MACHINES WITH SN STARTING WITH B3)**

<b>ITEM</b>	<b>PART NUMBER</b>	<b>QTY</b>	<b>DESCRIPTION</b>	<b>REV</b>
	1001241398	Ref	LIGHT PANEL INSTALLATION	D
2	3300408	2	Nut, Nylon Insert	
3	0630518	2	Screw #10 x 3/4	
5	1001237546	1	Light Panel Assembly	J
5A	1001282106	1	Panel, LED Light	
5B	1001236091	1	Lens, Icon (Includes Gasket)	
5D		Ref	Screw	

## SECTION 2 - TURNTABLE

FIGURE 2-41. ALARM INSTALLATION



ART\_1001158364



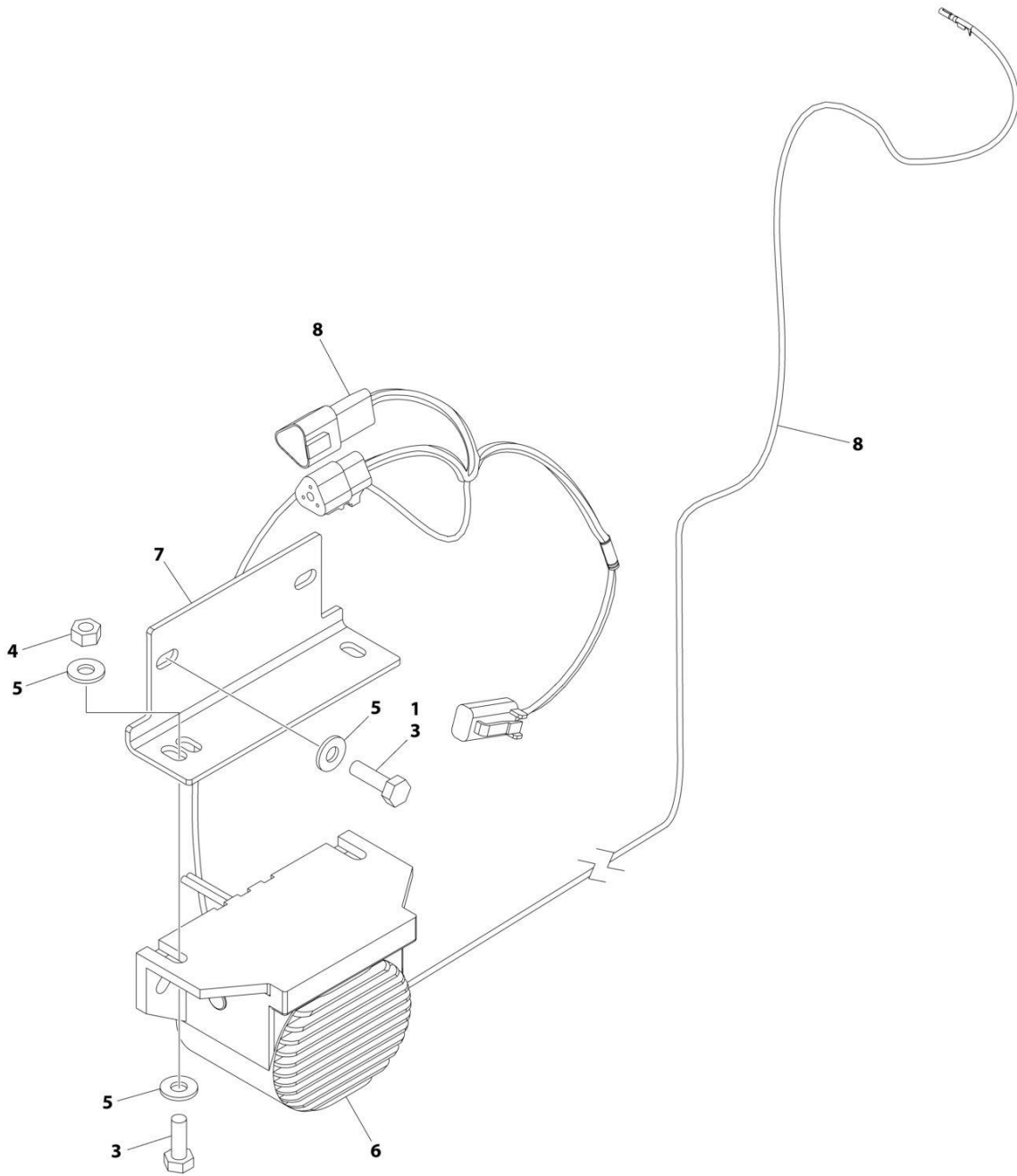
**SECTION 2 - TURNTABLE**

**FIGURE 2-41. ALARM INSTALLATION**

<b>ITEM</b>	<b>PART NUMBER</b>	<b>QTY</b>	<b>DESCRIPTION</b>	<b>REV</b>
	1001158364	Ref	ALARM INSTALLATION	A
1	0100011	AR	Compound, Locking	
2	0100048	AR	Grease, Dielectric	
3	0140044	1	Alarm	
4	0641405	2	Bolt 1/4 x 5/8	
5	4711400	2	Washer 1/4	

## SECTION 2 - TURNTABLE

FIGURE 2-42. WHITE NOISE ALARM INSTALLATION - AMBIENT



ART\_1001247281

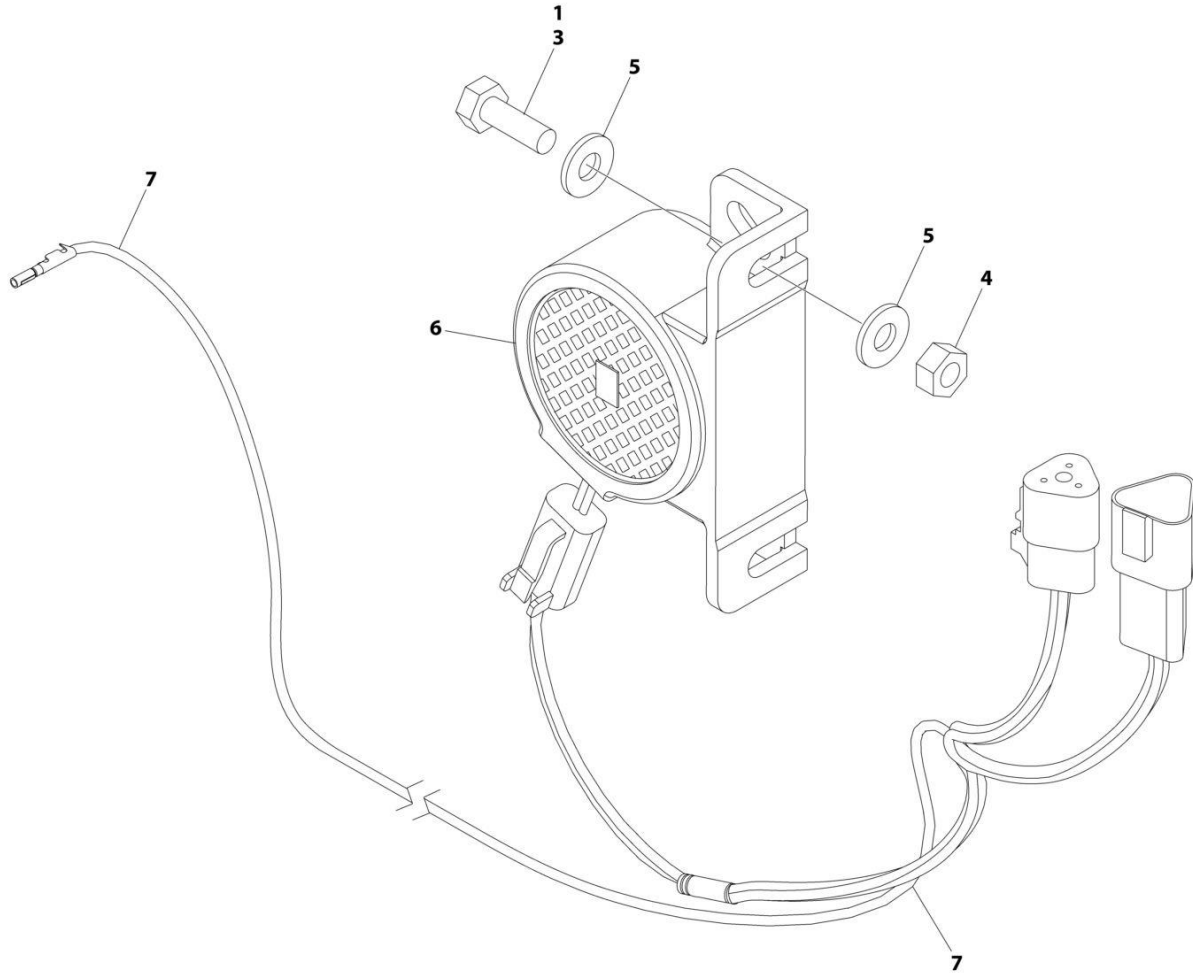
**SECTION 2 - TURNTABLE**

**FIGURE 2-42. WHITE NOISE ALARM INSTALLATION - AMBIENT**

ITEM	PART NUMBER	QTY	DESCRIPTION	REV
	1001247281	Ref	WHITE NOISE ALARM INSTALLATION	B
1	0100011	AR	Compound, Locking	
2	0100048	AR	Compound, Silicone (Not Shown)	
3	0641406	4	Bolt 1/4 x 3/4	
4	3311405	2	Nut 1/4	
5	4711400	6	Washer 1/4	
6	1001182806	1	Alarm	
7	1001231886	1	Plate	
8	1001243682	1	White Noise Motion Alarm Harness (See Separate Breakdown in this Section)	

## SECTION 2 - TURNTABLE

FIGURE 2-43. WHITE NOISE ALARM INSTALLATION - CONSTANT



ART\_1001263179

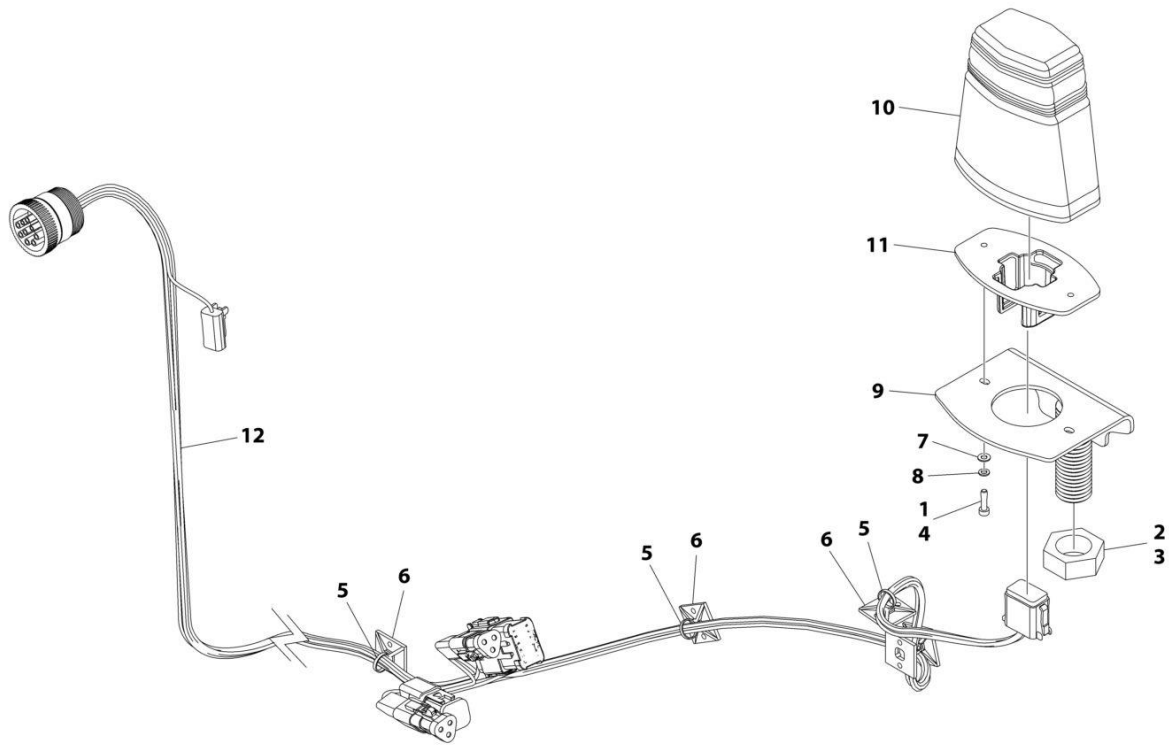
**SECTION 2 - TURNTABLE**

**FIGURE 2-43. WHITE NOISE ALARM INSTALLATION - CONSTANT**

<b>ITEM</b>	<b>PART NUMBER</b>	<b>QTY</b>	<b>DESCRIPTION</b>	<b>REV</b>
	1001263179	Ref	WHITE NOISE ALARM INSTALLATION	B
1	0100011	AR	Compound, Locking	
2	0100048	AR	Compound, Silicone (Not Shown)	
3	0641406	2	Bolt 1/4 x 3/4	
4	3311405	2	Nut 1/4	
5	4711400	4	Washer 1/4	
6	1001184682	1	Alarm	
7	1001243682	1	White Noise Motion Alarm Harness (See Separate Breakdown in this Section)	

# SECTION 2 - TURNTABLE

## FIGURE 2-44. CLEARSKY INSTALLATION



ART\_1001289850

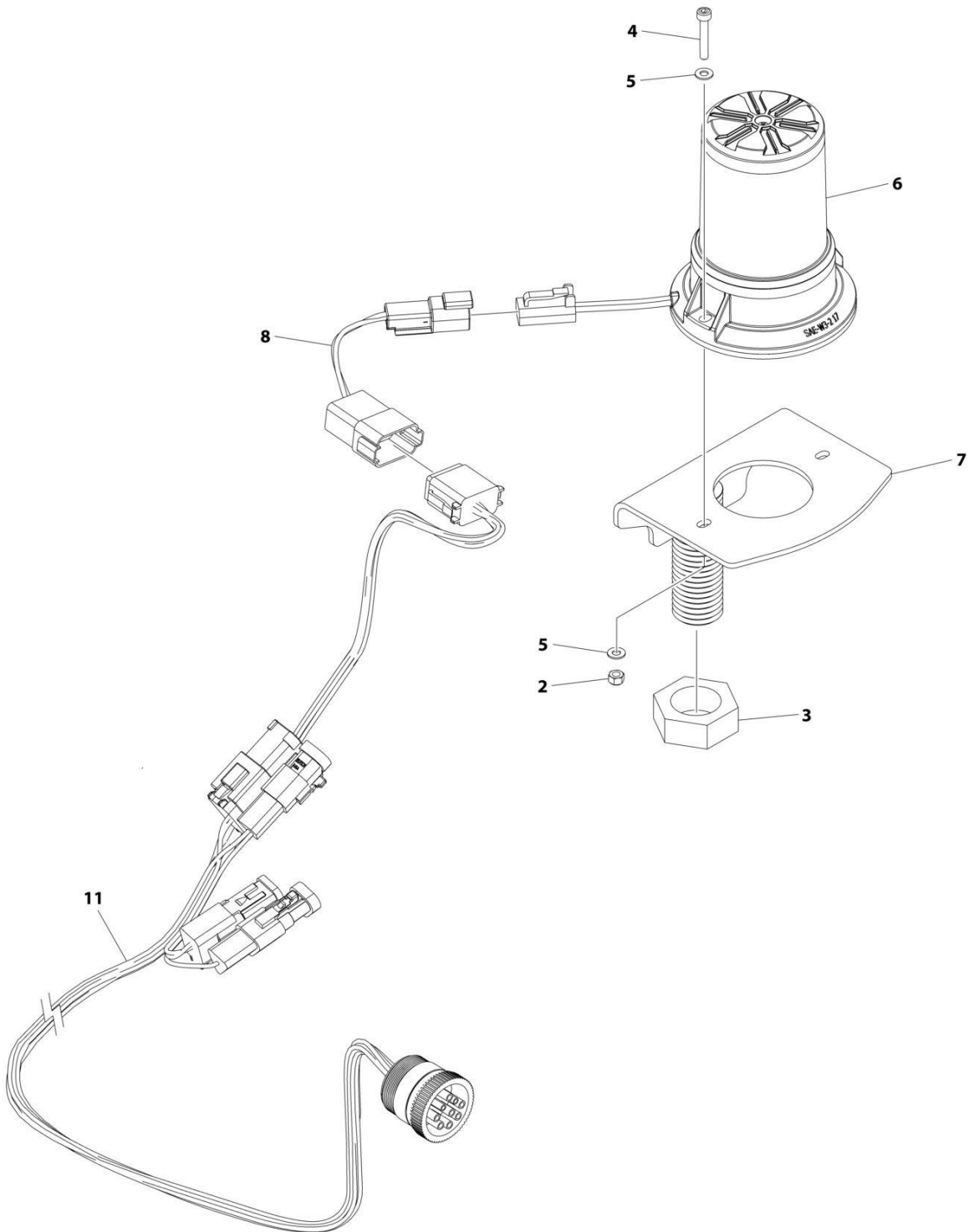
**SECTION 2 - TURNTABLE**

**FIGURE 2-44. CLEARSKY INSTALLATION**

ITEM	PART NUMBER	QTY	DESCRIPTION	REV
	1001289850	Ref	CLEARSKY INSTALLATION	B
1	0100011	AR	Compound, Locking	
2	3020043	AR	Lube, Anti-Seize	
3	3312602	1	Nut	
4	4031507	2	Bolt M4 x 16	
5	4240017	AR	Tie-Strap	
6	4460234	AR	Mount, Tie-Strap	
7	4811400	2	Washer M4	
8	4831400	2	Washer, Lock M4	
9	1001275149	1	Mount	
10	1001280661	1	Control, Clearsky	
11	1001289648	1	Plate	
12	1001286622	1	Harness	
13	3290401	2	Nut M4	
14	1001291056	2	Gasket	

## SECTION 2 - TURNTABLE

FIGURE 2-45. STROBE LIGHT INSTALLATION (AMBER) (ALL SPECS EXCEPT CHINESE SPECS)



ART\_1001160077\_E



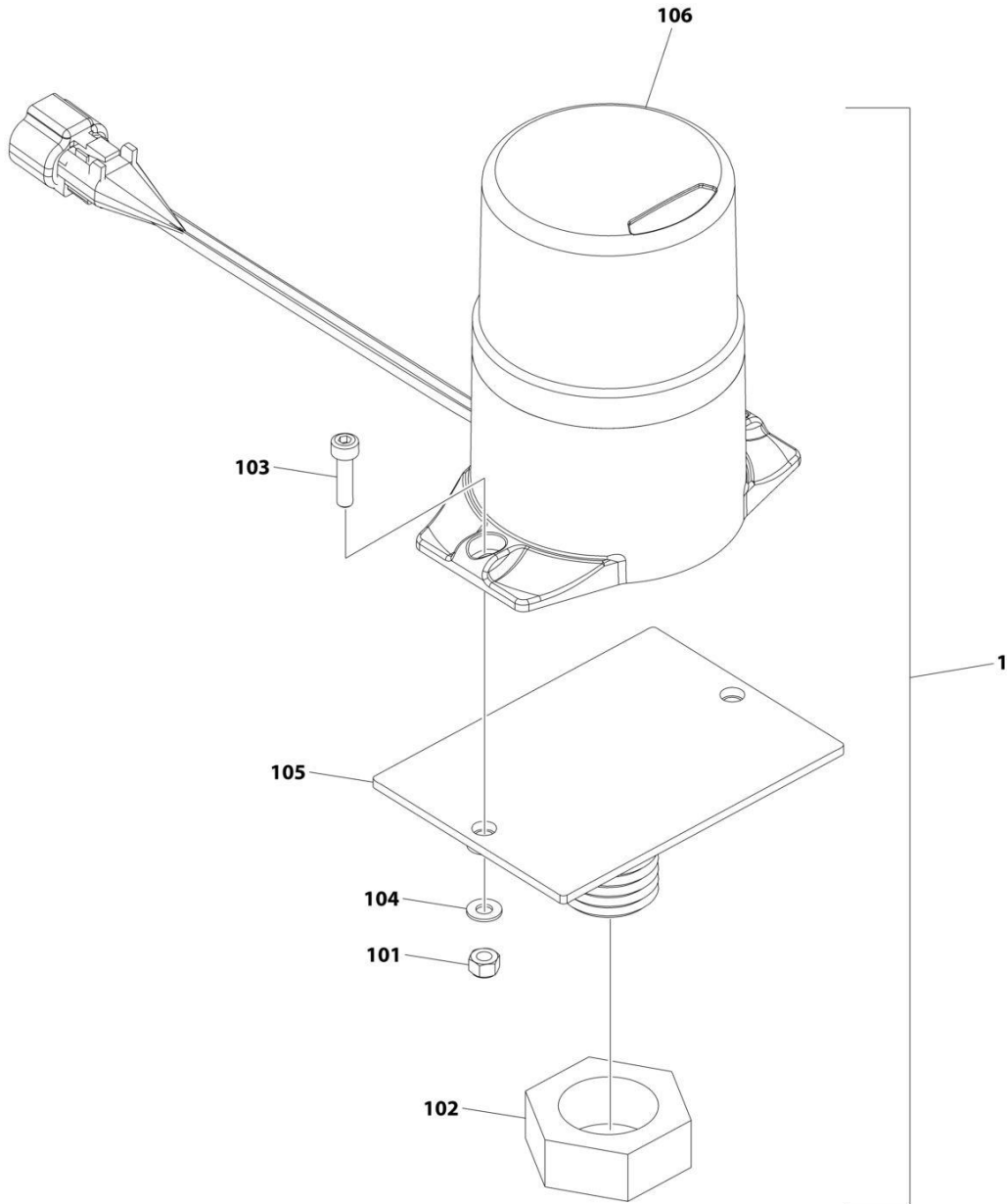
**SECTION 2 - TURNTABLE**

**FIGURE 2-45. STROBE LIGHT INSTALLATION (AMBER) (ALL SPECS EXCEPT CHINEASE SPECS)**

ITEM	PART NUMBER	QTY	DESCRIPTION	REV
	1001160077	Ref	STROBE LIGHT INSTALLATION (AMBER)	E
2	3290405	2	Nut, Lock M4	
3	3312602	1	Nut	
4	4031509	2	Capscrew M4 x 25	
5	4811400	4	Washer M4	
6	1001270594	1	Strobe Light/Harness Assembly	
6	4460891	1	Connector	
6	4460465	2	Socket	
7	1001275149	2	Mount	
8	1001283776	1	Harness, Strobe Jumper (See Separate Breakdown in ELECTRICAL Section)	
9	4240017	AR	Tie-Strap (Not Shown)	
10	4460234	AR	Mount, Tie-Strap (Not Shown)	
11	1001286622	1	CSB Harness (See Separate Breakdown in ELECTRICAL Section)	

## SECTION 2 - TURNTABLE

FIGURE 2-46. STROBE LIGHT INSTALLATION (AMBER) (CHINESE SPECS)



ART\_1001270288

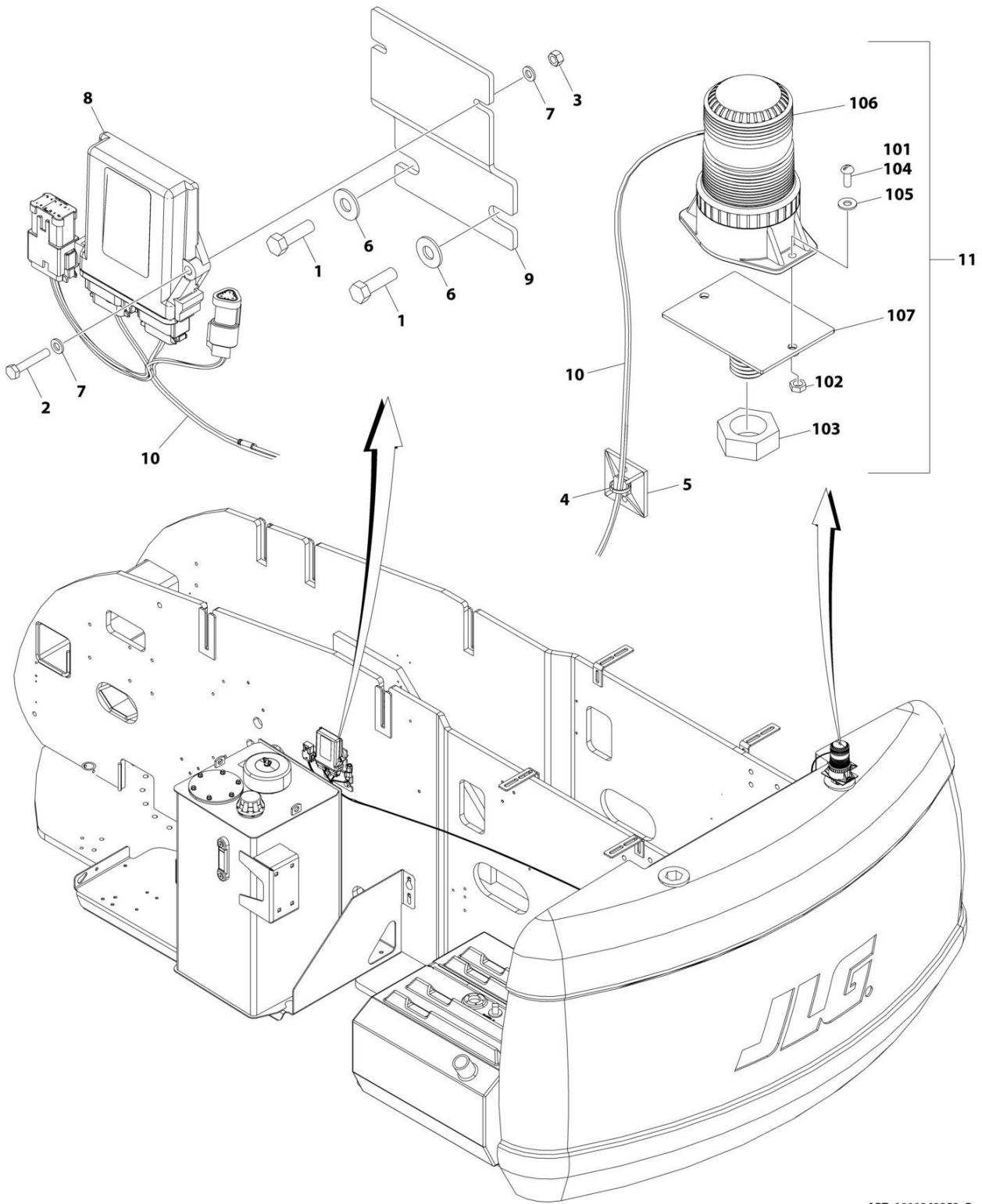
**SECTION 2 - TURNTABLE**

**FIGURE 2-46. STROBE LIGHT INSTALLATION (AMBER) (CHINEASE SPECS)**

<b>ITEM</b>	<b>PART NUMBER</b>	<b>QTY</b>	<b>DESCRIPTION</b>	<b>REV</b>
	1001270288	Ref	STROBE LIGHT INSTALLATION (AMBER)	A
1	1001270287	1	Strobe Light Assembly (Includes Items 101-106)	A
101	3290405	2	Nut M4	
102	3312602	1	Nut	
103	4031507	2	Screw M4	
104	4811400	2	Washer	
105	1001149994	1	Mount, Strobe	
106	1001233479	1	Lamp, Strobe Beacon	

# SECTION 2 - TURNTABLE

## FIGURE 2-47. STROBE LIGHT INSTALLATION (BLUE)



ART\_1001242253\_B

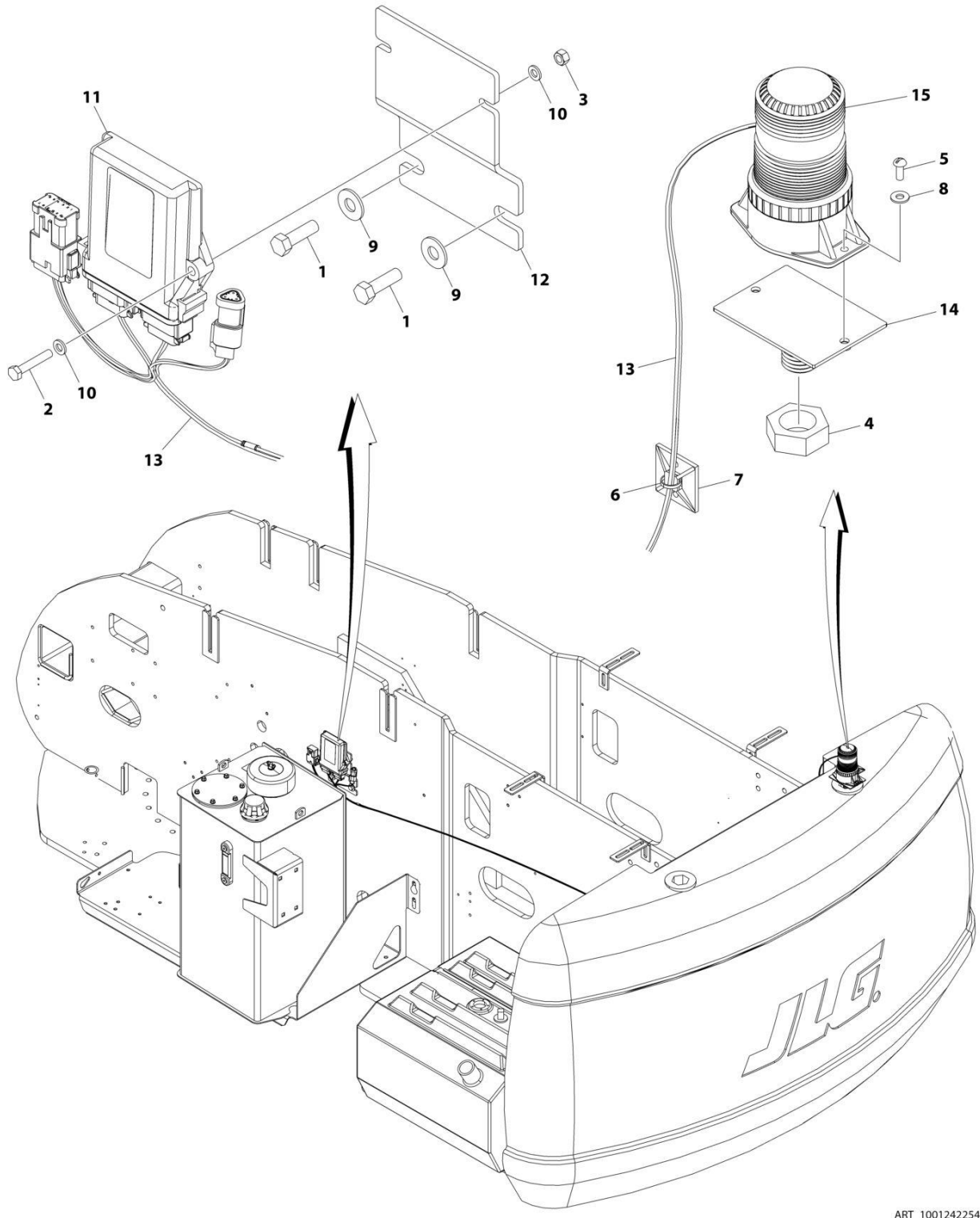
**SECTION 2 - TURNTABLE**

**FIGURE 2-47. STROBE LIGHT INSTALLATION (BLUE)**

ITEM	PART NUMBER	QTY	DESCRIPTION	REV
	1001242253	Ref	STROBE LIGHT INSTALLATION (BLUE)	B
1	0641610	2	Bolt 3/8 x 1-1/4	
2	0700615	2	Bolt 6 x 35	
3	3290607	2	Nut M6	
4	4240032	AR	Tie-Strap	
5	4460488	AR	Base, Terminal, Mounting	
6	4751600	2	Washer 3/8	
7	4811700	4	Washer M6	
8	1001142683	1	Module, Control - Beacon	
9	1001142722	1	Bracket	
10	1001142736	1	Beacon Control Harness (See Separate Breakdown in ELECTRICAL Section)	
11	1001278845	1	Beacon Kit - Blue (Includes Items 102 - 107)	
101	0100035	AR	Compound, Locking	
102	3290405	2	Nut, Lock M4	
103	3312602	1	Nut	
104	4031509	2	Capscrew M4 x 25	
105	4811400	2	Washer M4	
106	1001272681	1	Light, Beacon	
106	4460897	1	Connector	
106	4460464	2	Pin	
107	1001278850	1	Plate, Mounting	

# SECTION 2 - TURNTABLE

## FIGURE 2-48. STROBE LIGHT INSTALLATION (RED)



ART\_1001242254

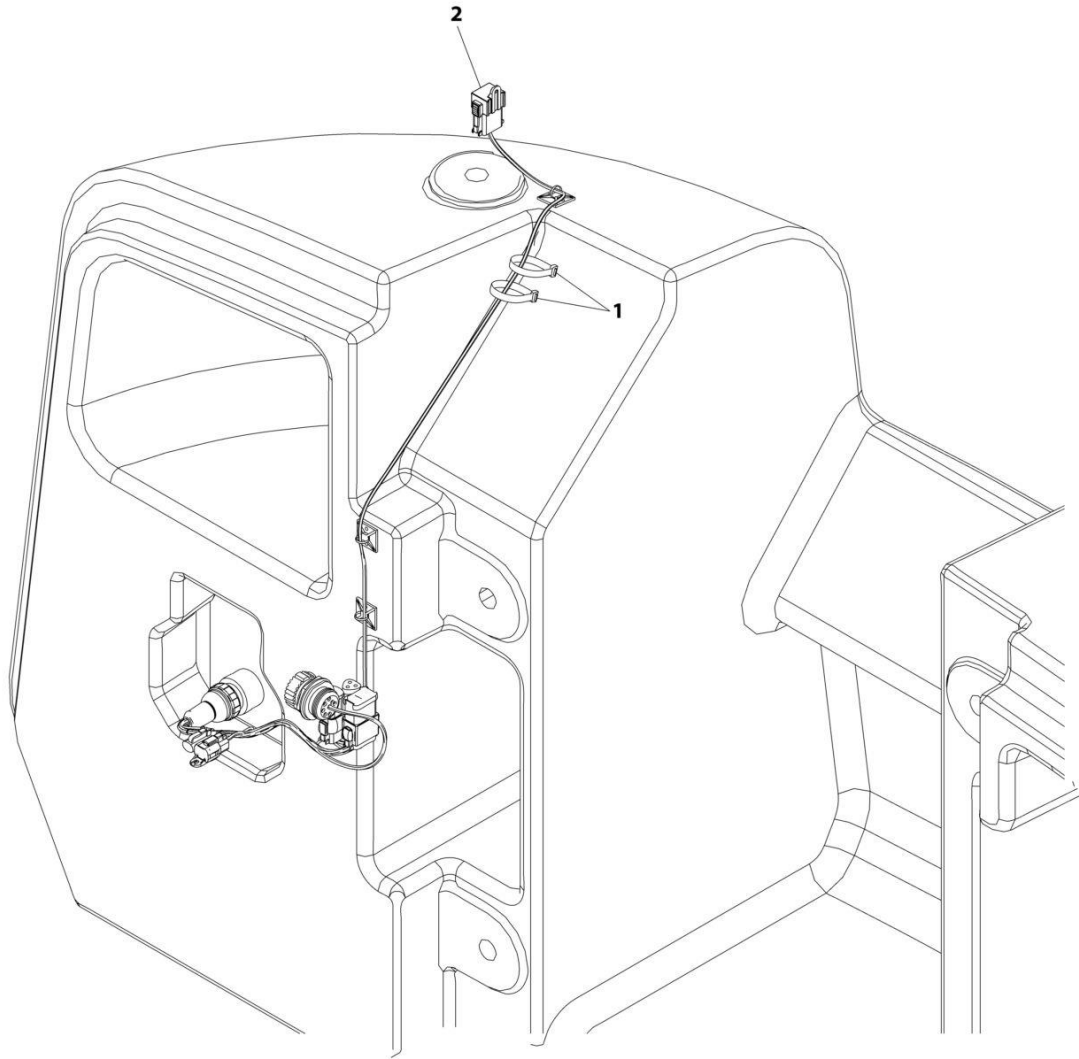
**SECTION 2 - TURNTABLE**

**FIGURE 2-48. STROBE LIGHT INSTALLATION (RED)**

ITEM	PART NUMBER	QTY	DESCRIPTION	REV
	1001242254	Ref	STROBE LIGHT INSTALLATION (RED)	A
1	0641610	2	Bolt 3/8 x 1-1/4	
2	0700615	2	Bolt 6 x 35	
3	3290607	2	Nut M6	
4	3312602	1	Nut	
5	3900085	2	Screw	
6	4240032	AR	Tie Strap	
7	4460488	AR	Base, Terminal, Mounting	
8	4751000	2	Washer	
9	4751600	2	Washer 3/8	
10	4811700	4	Washer M6	
11	1001142683	1	Module, Control - Beacon	
12	1001142722	1	Bracket	
13	1001142736	1	Beacon Control Harness (See Separate Breakdown in ELECTRICAL SECTION)	
14	1001149994	1	Mount, Strobe	
15	1001207004	1	Light, Beacon	

## SECTION 2 - TURNTABLE

FIGURE 2-49. NO BEACON INSTALLATION



ART\_1001293369



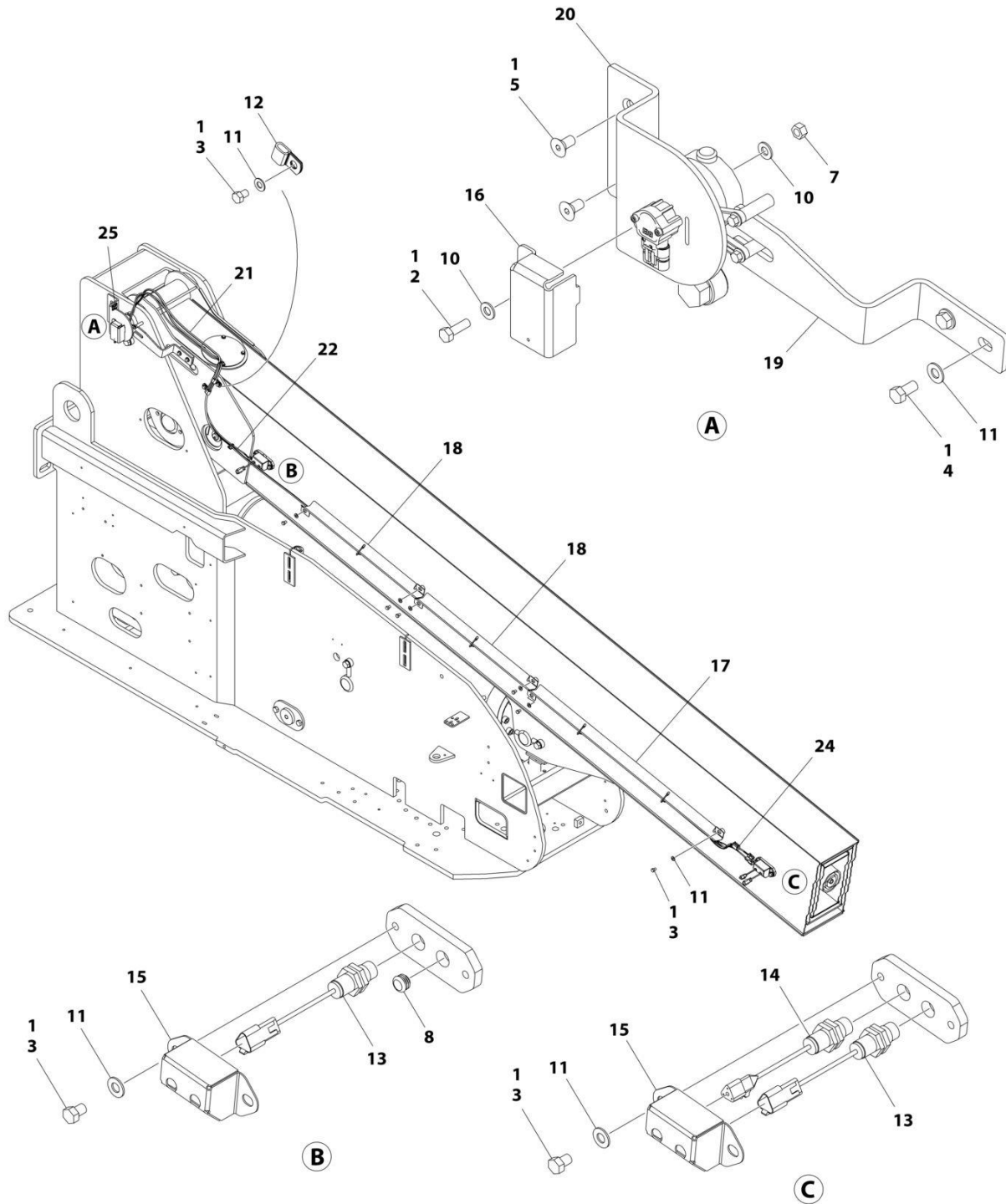
**SECTION 2 - TURNTABLE**

**FIGURE 2-49. NO BEACON INSTALLATION**

<b>ITEM</b>	<b>PART NUMBER</b>	<b>QTY</b>	<b>DESCRIPTION</b>	<b>REV</b>
	1001293369	Ref	NO BECON INSTALLATION	A
1	4240018	2	Strap, Cable Tie	
2	1001244462	1	Connector, Dust Cap	

# SECTION 2 - TURNTABLE

## FIGURE 2-50. DUAL CAPACITY INSTALLATION - ELEVATION AND TRANSPORTATION (800S)



ART\_1001254021

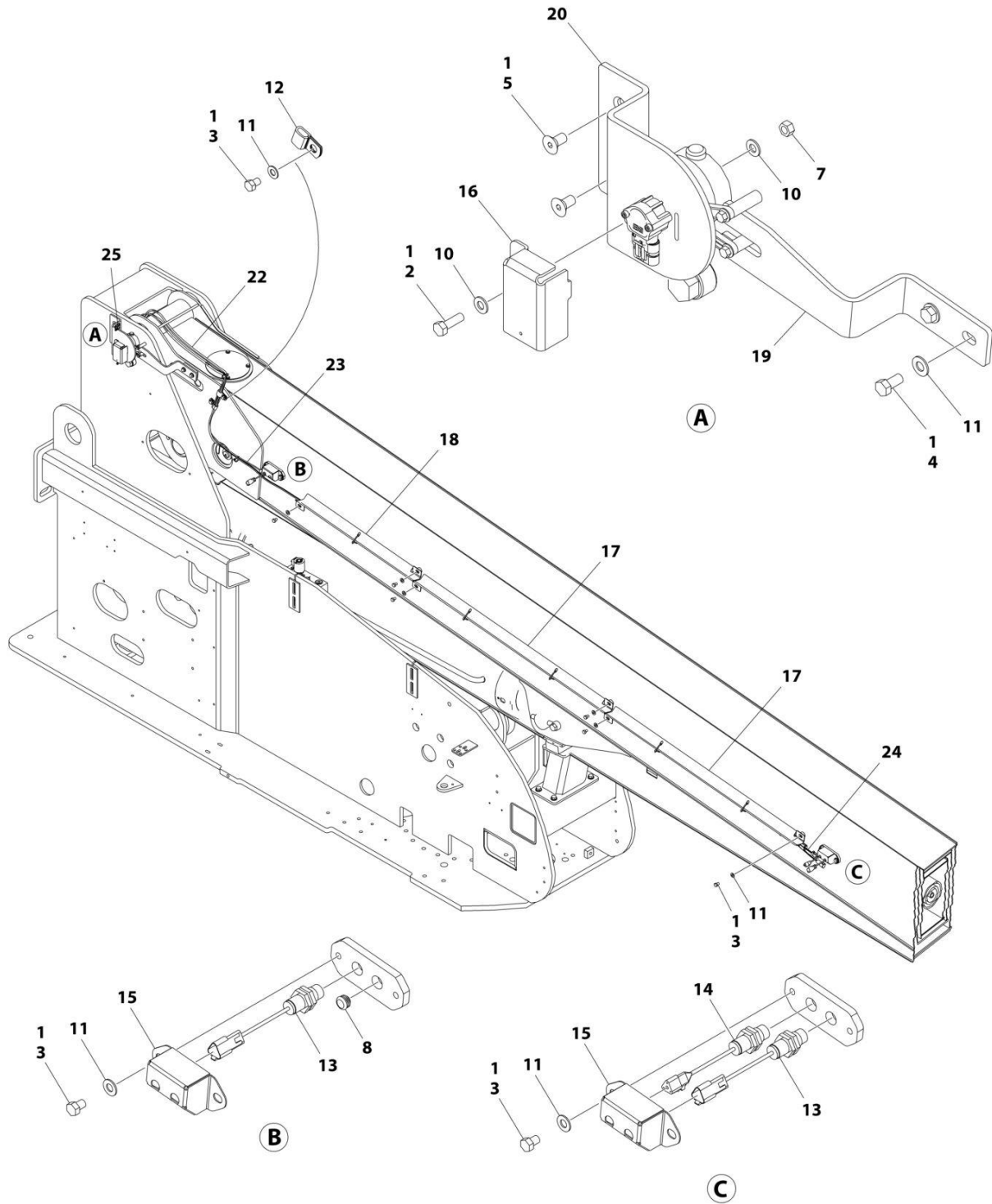
## SECTION 2 - TURNTABLE

**FIGURE 2-50. DUAL CAPACITY INSTALLATION - ELEVATION AND TRANSPORTATION (800S)**

ITEM	PART NUMBER	QTY	DESCRIPTION	REV
	1001254021	Ref	DUAL CAPACITY INSTALLATION	C
1	0100011	AR	Compound, Locking	
2	0641508	1	Bolt 5/16 x 1	
3	0641604	12	Bolt 3/8 x 1/2	
4	0641606	2	Bolt 3/8 x 3/4	
5	0741606	2	Bolt 3/8 x 3/4	
7	3311501	1	Nut 5/16	
8	3520193	1	Plug	
9	4240033	AR	Tie-Strap (Not Shown)	
10	4711500	2	Washer 5/16	
11	4711600	14	Washer 3/8	
12	1001102858	2	Clamp	
13	1001170847	2	Sensor, Proximity (with Female Connector)	
14	1001182570	1	Sensor, Proximity (with Male Connector)	
15	1001204715	2	Bracket	
16	1001211588	1	Shield	
17	1001238138	1	Angle	
18	1001238327	2	Angle	
19	1001254019	1	Plate	
20	1001254020	1	Lower Sensor Assembly (See Separate Breakdown in this Section)	
21	1001255356	1	Cable, Boom Angle	
22	1001255357	1	Cable, Transport	
23	1001255358	1	Cable, Lower Sensor (Not Shown)	
24	1001255359	1	Cable, Upper Sensor	
25	4460234	2	Mount, Tie-Strap	

# SECTION 2 - TURNTABLE

FIGURE 2-51. DUAL CAPACITY INSTALLATION - ELEVATION AND TRANSPORTATION (860SJ)



ART\_1001255117

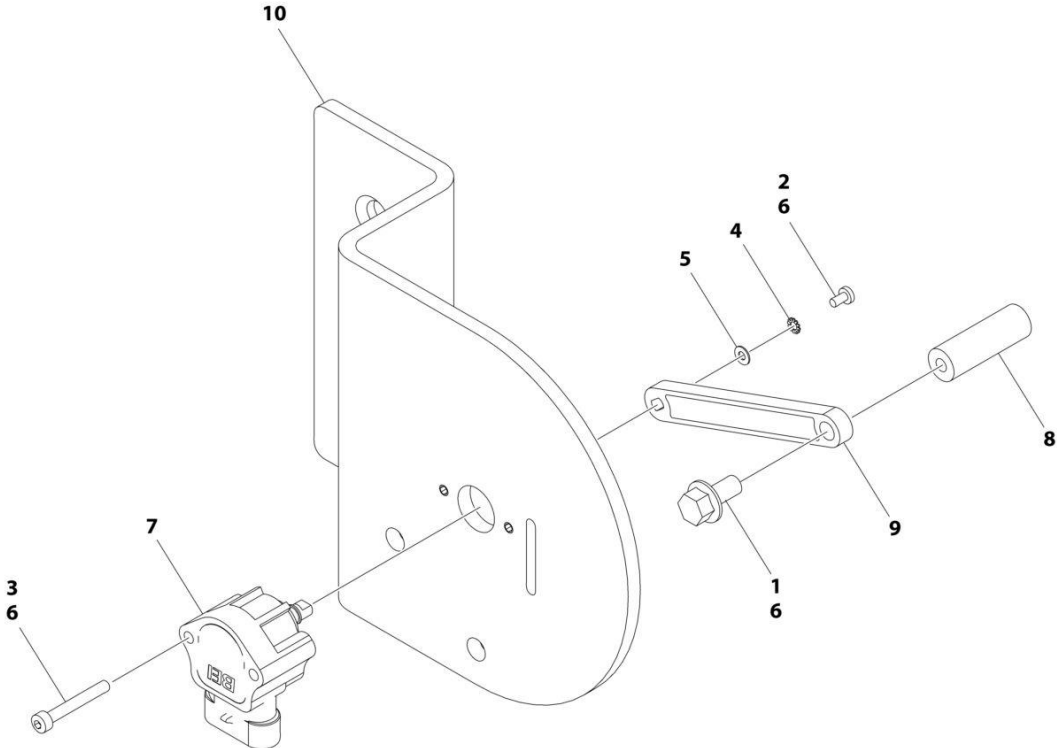
## SECTION 2 - TURNTABLE

**FIGURE 2-51. DUAL CAPACITY INSTALLATION - ELEVATION AND TRANSPORTATION (860SJ)**

ITEM	PART NUMBER	QTY	DESCRIPTION	REV
	1001255117	Ref	DUAL CAPACITY INSTALLATION	C
1	0100011	AR	Compound, Locking	
2	0641508	1	Bolt 5/16 x 1	
3	0641604	12	Bolt 3/8 x 1/2	
4	0641606	2	Bolt 3/8 x 3/4	
5	0741606	2	Bolt 3/8 x 3/4	
7	3311501	1	Nut 5/16	
8	3520193	1	Plug	
9	4240033	AR	Tie-Strap (Not Shown)	
10	4711500	2	Washer 5/16	
11	4711600	14	Washer 3/8	
12	1001102858	2	Clamp	
13	1001170847	2	Sensor, Proximity (with Female Connector)	
14	1001182570	1	Sensor, Proximity (with Male Connector)	
15	1001204715	2	Bracket	
16	1001211588	1	Shield	
17	1001238138	2	Angle	
18	1001238327	1	Angle	
19	1001254019	1	Plate	
20	1001254020	1	Lower Sensor Assembly (See Separate Breakdown in this Section)	
21	1001255358	1	Cable, Lower Sensor (Not Shown)	
22	1001255356	1	Cable, Boom Angle	
23	1001255357	1	Cable, Transport	
24	1001255359	1	Cable, Upper Sensor	
25	4460234	2	Mount, Tie-Strap	

**SECTION 2 - TURNTABLE**

**FIGURE 2-52. LOWER SENSOR ASSEMBLY**



ART\_1001254020

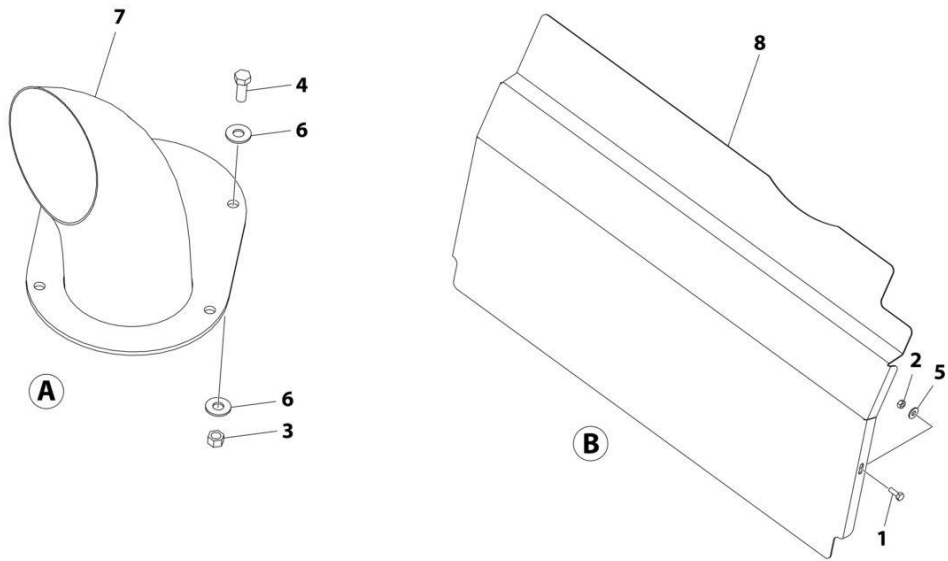
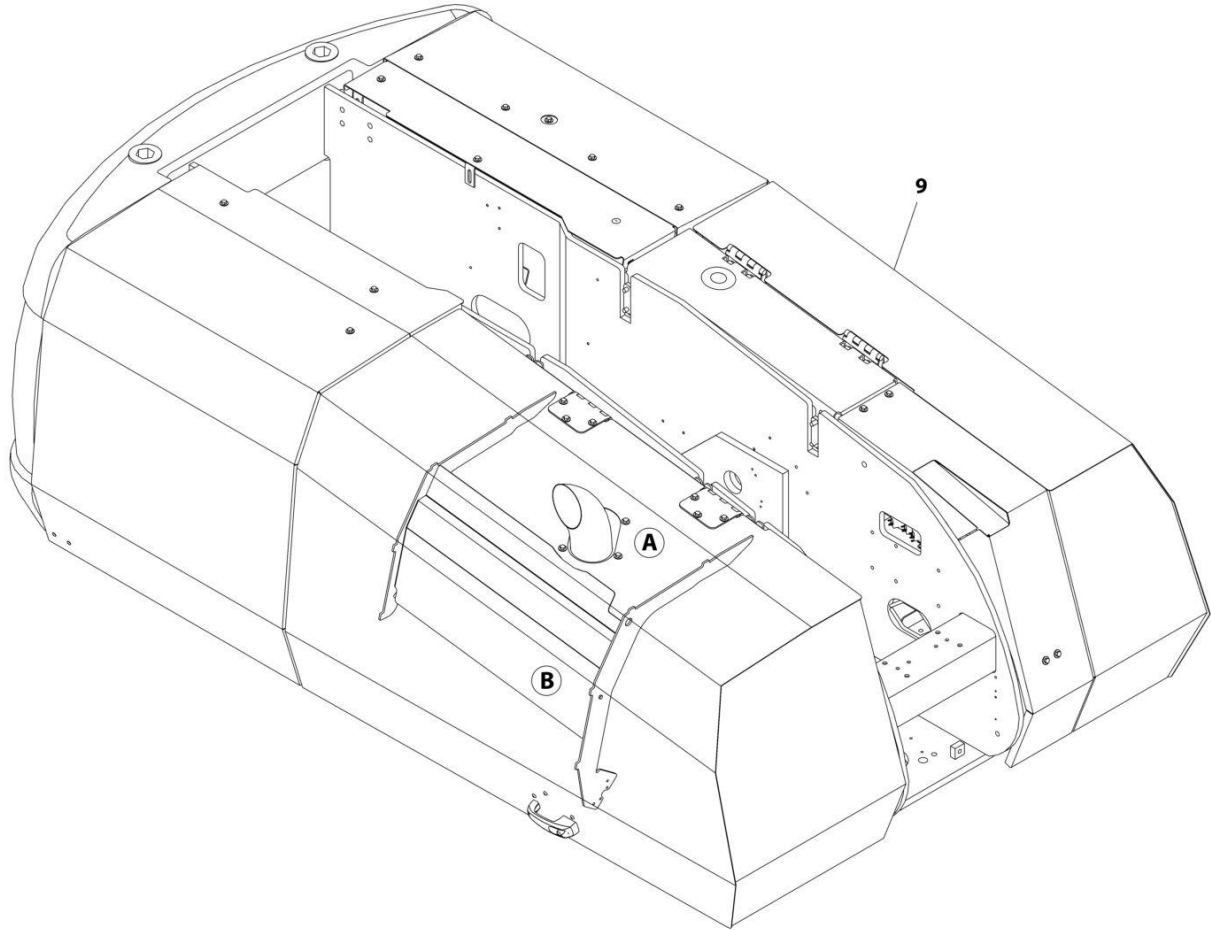
**SECTION 2 - TURNTABLE**

**FIGURE 2-52. LOWER SENSOR ASSEMBLY**

<b>ITEM</b>	<b>PART NUMBER</b>	<b>QTY</b>	<b>DESCRIPTION</b>	<b>REV</b>
	1001254020	Ref	DUAL CAPACITY INSTALLATION	B
1	0791404	1	Screw 1/4 x 1/2	
2	4010303	1	Screw M3 x 6	
3	4031510	2	Bolt M4 x 30	
4	4871200	1	Washer M3	
5	1001110544	1	Washer M3	
6	1001180620	AR	Adhesive	
7	1001191022	1	Sensor	
8	1001254016	1	Stud	
9	1001254017	1	Link, Angle Sensor Arm	
10	1001254018	1	Bracket	

## SECTION 2 - TURNTABLE

FIGURE 2-53. EXHAUST STACK INSTALLATION - STEEL HOOD (DEUTZ D2011 ENGINES)



ART\_1001157752



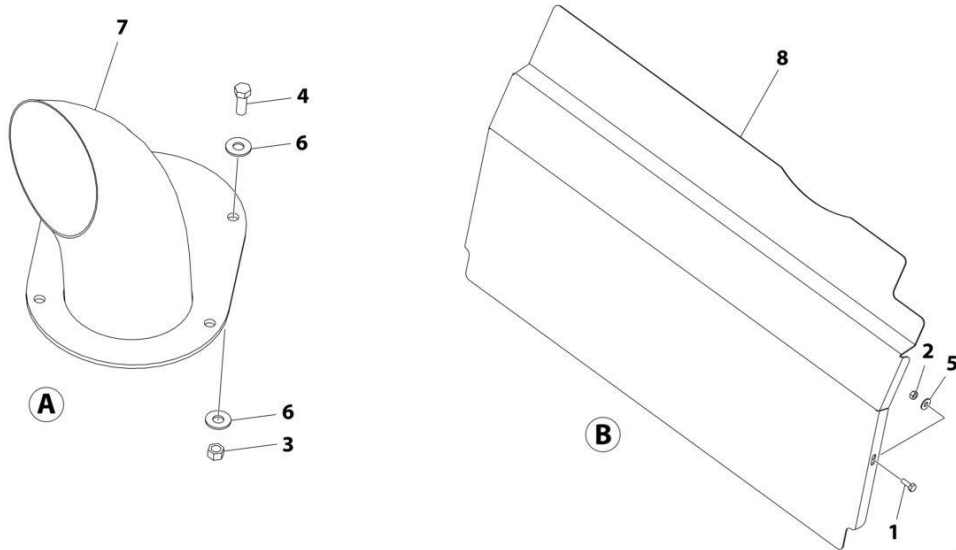
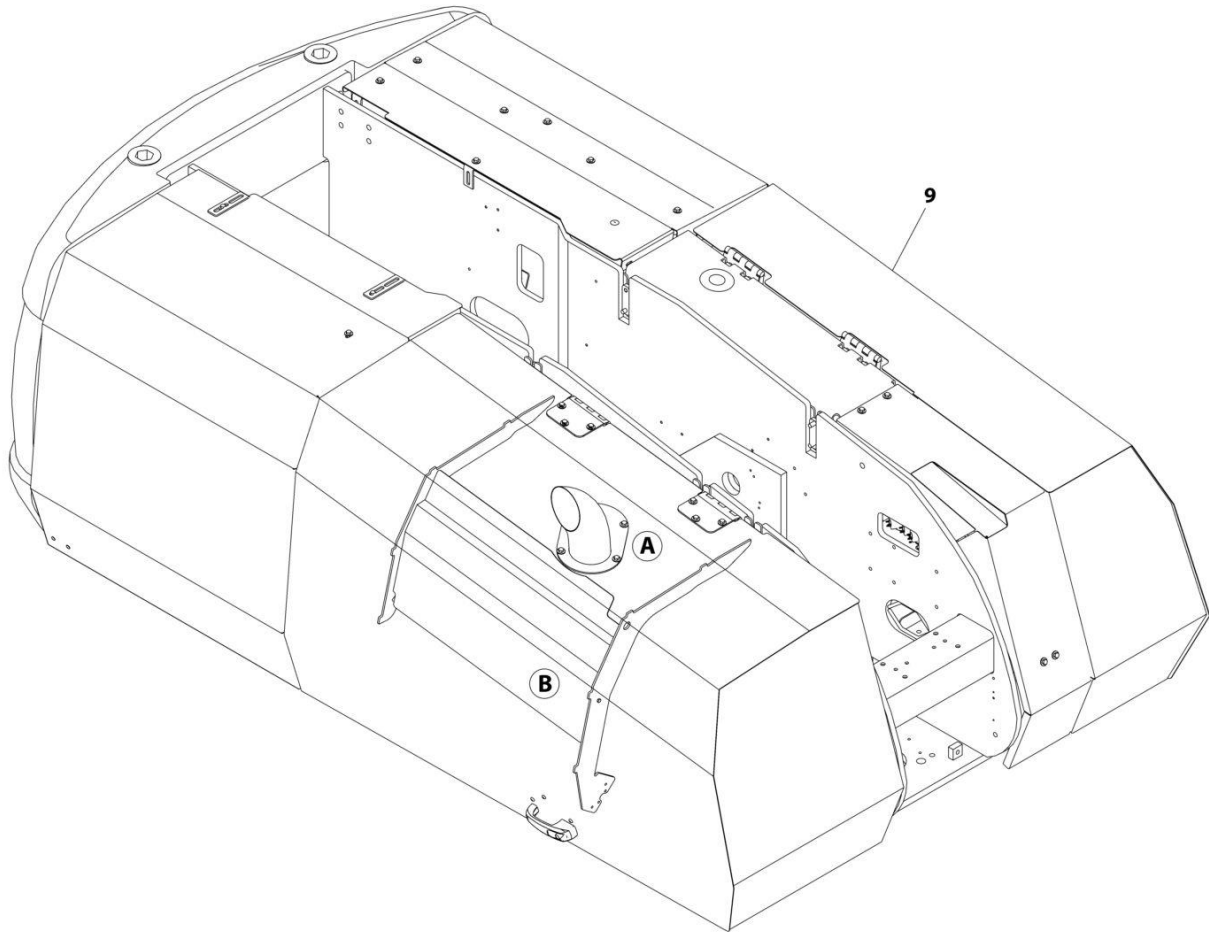
## SECTION 2 - TURNTABLE

**FIGURE 2-53. EXHAUST STACK INSTALLATION - STEEL HOOD (DEUTZ D2011 ENGINES)**

ITEM	PART NUMBER	QTY	DESCRIPTION	REV
		Ref	NOTE: REPLACEMENT DECALS MUST BE PURCHASED SEPARATELY - SEE DECALS SECTION.	
	1001157752	Ref	EXHAUST STACK INSTALLATION - STEEL HOOD	D
1	0641406	3	Bolt 1/4 x 3/4	
2	3311405	3	Nut 1/4	
3	3311605	4	Nut 3/8	
4	0641608	4	Bolt 3/8 x 1	
5	4751400	3	Washer 1/4	
6	4751600	8	Washer 3/8	
7	1001116456	1	Stack, Exhaust	
8	1001150561	1	Shield, Heat	
9	1001157416	1	Steel Hood Installation (See Separate Breakdown in this Section)	

## SECTION 2 - TURNTABLE

FIGURE 2-54. EXHAUST STACK INSTALLATION - STEEL HOOD WITH HOSTILE ENVIRONMENT MACHINES (DEUTZ D2011 ENGINES)



ART\_1001157755

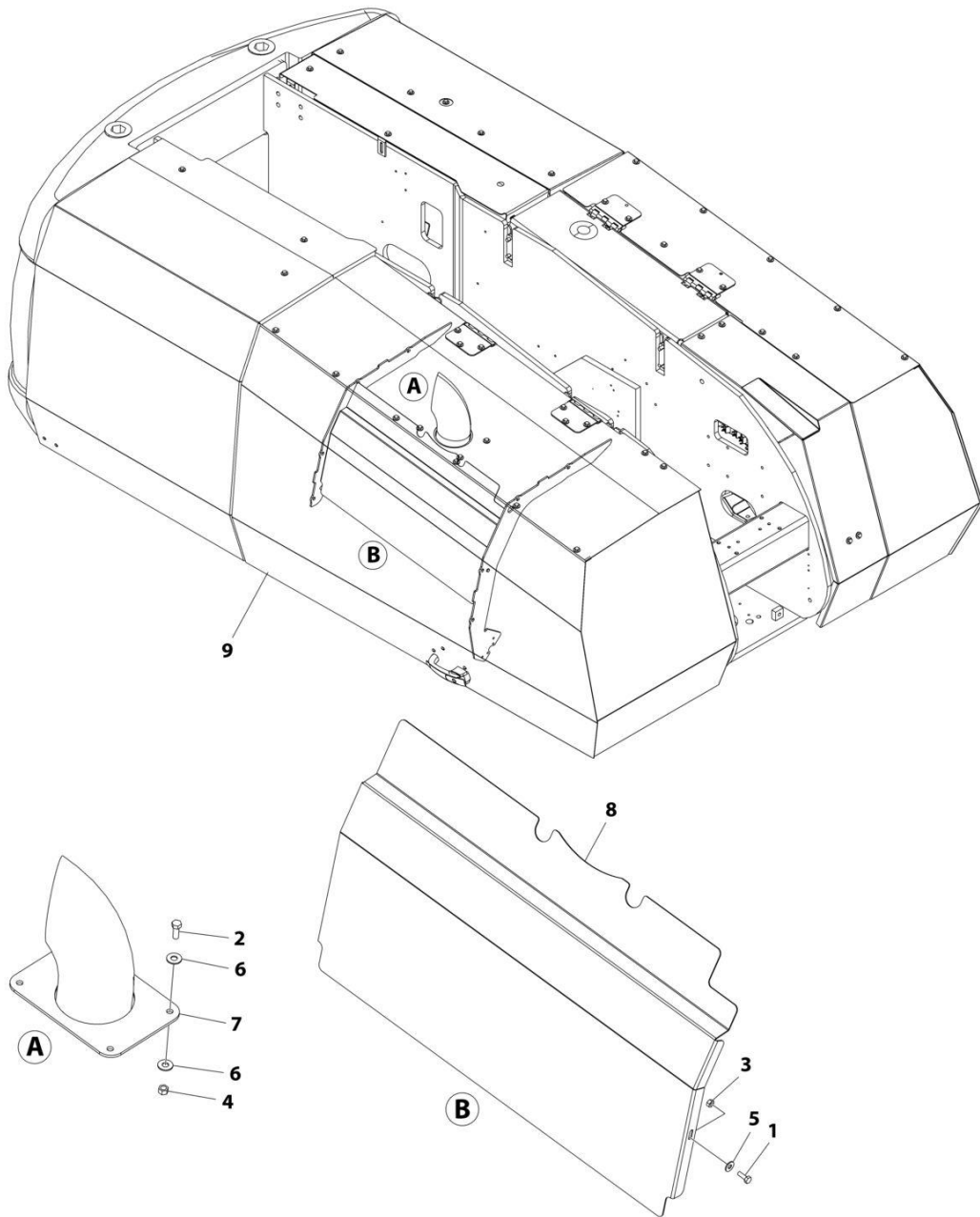
**SECTION 2 - TURNTABLE**

**FIGURE 2-54. EXHAUST STACK INSTALLATION - STEEL HOOD WITH HOSTILE ENVIRONMENT MACHINES (DEUTZ D2011 ENGINES)**

ITEM	PART NUMBER	QTY	DESCRIPTION	REV
		Ref	NOTE: REPLACEMENT DECALS MUST BE PURCHASED SEPARATELY - SEE DECALS SECTION.	
	1001157755	Ref	EXHAUST STACK INSTALLATION - STEEL HOOD	D
1	0641406	3	Bolt 1/4 x 3/4	
2	3311405	3	Nut 1/4	
3	3311605	4	Nut 3/8	
4	0641608	4	Bolt 3/8 x 1	
5	4751400	3	Washer 1/4	
6	4751600	8	Washer 3/8	
7	1001116456	1	Stack, Exhaust	
8	1001150561	1	Shield, Heat	
9	1001157753	1	Steel Hood Installation (See Separate Breakdown in this Section)	

## SECTION 2 - TURNTABLE

FIGURE 2-55. EXHAUST STACK INSTALLATION - STEEL HOOD WITH HOSTILE ENVIRONMENT MACHINES (DEUTZ TD2.9L4 ENGINES) (MACHINES WITH SN STARTING WITH B3)



ART\_1001256260

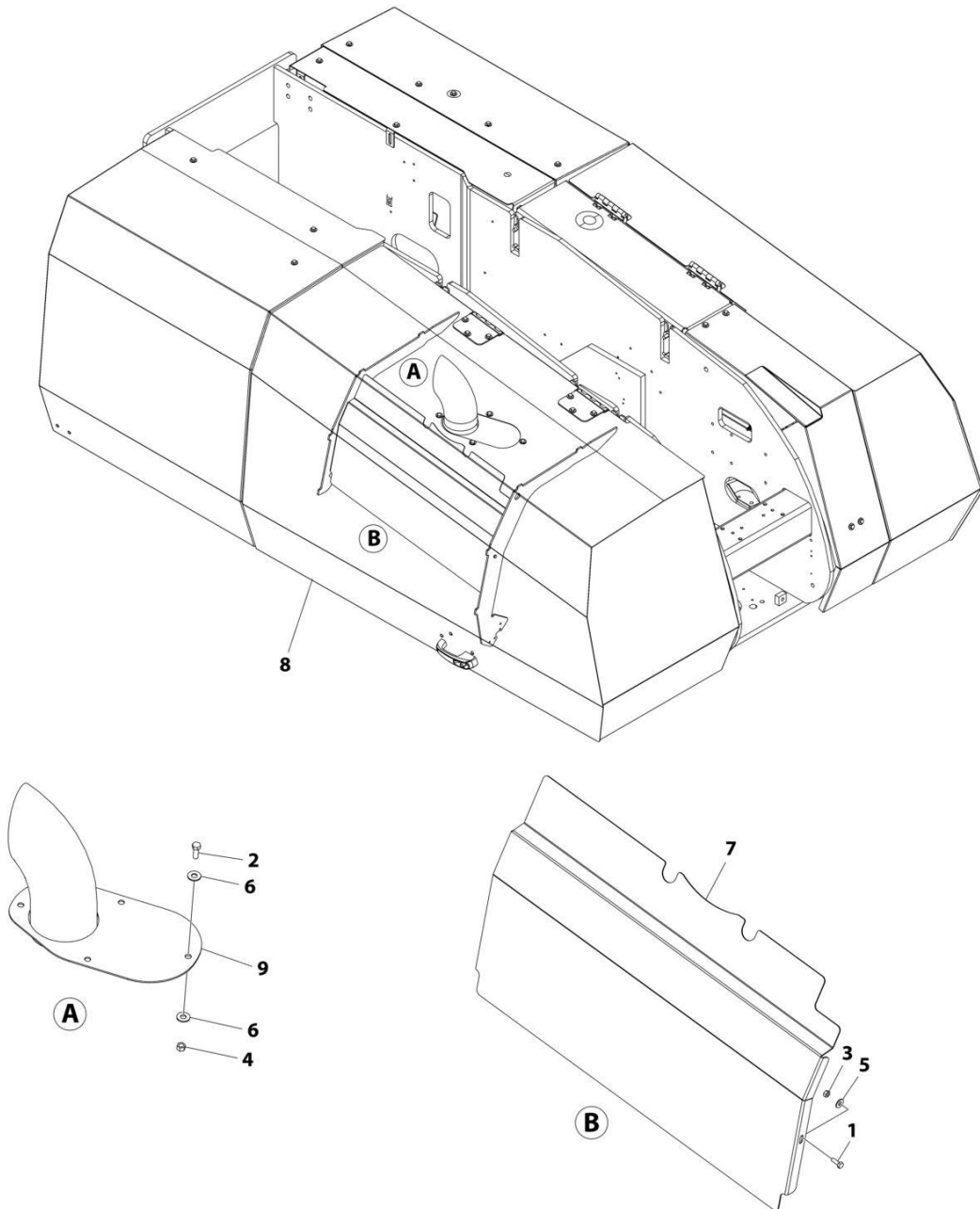
## SECTION 2 - TURNTABLE

**FIGURE 2-55. EXHAUST STACK INSTALLATION - STEEL HOOD WITH HOSTILE ENVIRONMENT MACHINES (DEUTZ TD2.9L4 ENGINES) (MACHINES WITH SN STARTING WITH B3)**

ITEM	PART NUMBER	QTY	DESCRIPTION	REV
		Ref	NOTE: REPLACEMENT DECALS MUST BE PURCHASED SEPARATELY - SEE DECALS SECTION	
	1001256260	Ref	EXHAUST STACK INSTALLATION - STEEL HOOD	A
1	0641406	3	Bolt 1/4 x 3/4	
2	0641608	4	Bolt 3/8 x 1	
3	3311405	3	Nut 1/4	
4	3311605	4	Nut 3/8	
5	4751400	3	Washer 1/4	
6	4751600	8	Washer 3/8	
7	1001144527	1	Stack, Exhaust	
8	1001163101	1	Shield, Heat	
9	1001256259	1	Steel Hood Installation (See Separate Breakdown in this Section)	

## SECTION 2 - TURNTABLE

FIGURE 2-56. EXHAUST STACK INSTALLATION - STEEL HOOD (DEUTZ TD2.9L4 ENGINES)  
(MACHINES WITH SN STARTING WITH 03 OR 13)



ART\_1001238931

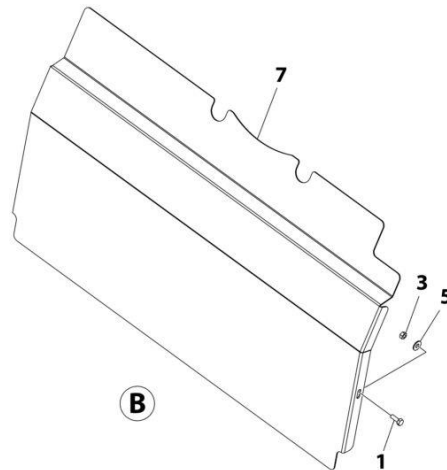
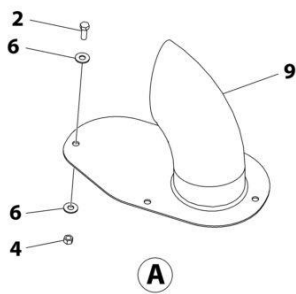
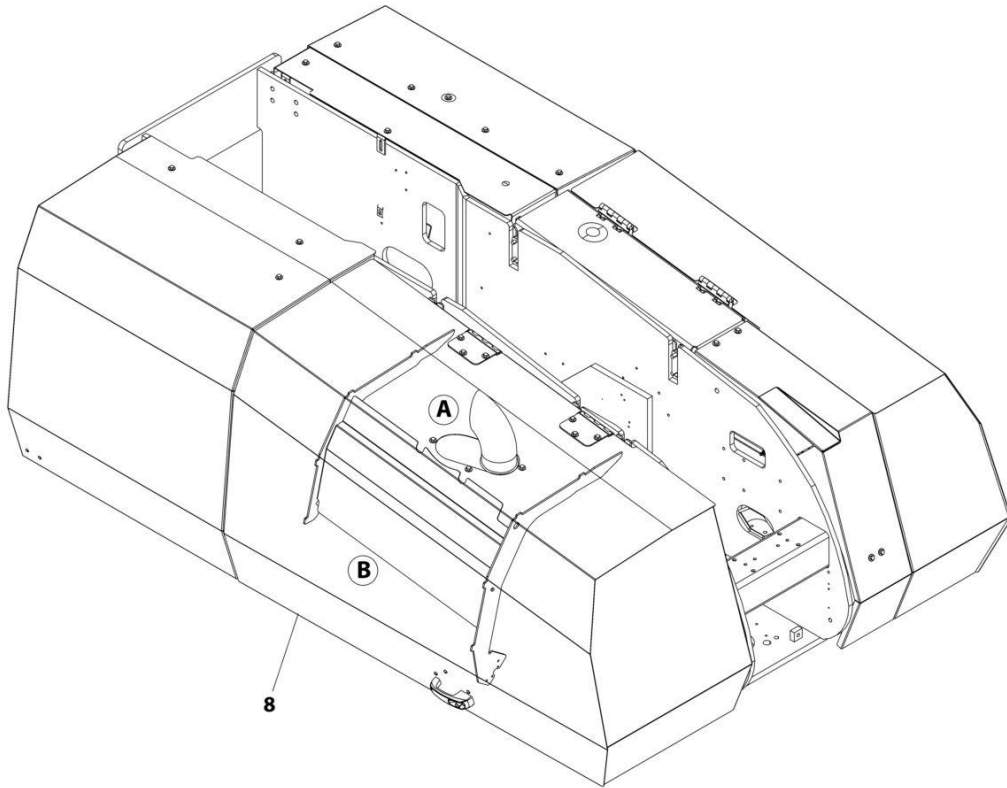
## SECTION 2 - TURNTABLE

**FIGURE 2-56. EXHAUST STACK INSTALLATION - STEEL HOOD (DEUTZ TD2.9L4 ENGINES)  
(MACHINES WITH SN STARTING WITH 03 OR 13)**

ITEM	PART NUMBER	QTY	DESCRIPTION	REV
		Ref	NOTE: REPLACEMENT DECALS MUST BE PURCHASED SEPARATELY - SEE DECALS SECTION.	
	1001238931	Ref	EXHAUST STACK INSTALLATION - STEEL HOOD	B
1	0641406	3	Bolt 1/4 x 3/4	
2	0641608	4	Bolt 3/8 x 1	
3	3311405	3	Nut 1/4	
4	3311605	4	Nut 3/8	
5	4751400	3	Washer 1/4	
6	4751600	8	Washer 3/8	
7	1001163101	1	Shield, Heat	
8	1001237194	1	Steel Hood Installation (See Separate Breakdown in this Section)	
9	1001237259	1	Stack, Exhaust	

## SECTION 2 - TURNTABLE

FIGURE 2-57. EXHAUST STACK INSTALLATION - STEEL HOOD (DEUTZ TD2.9L4 (STAGE V) ENGINES) (MACHINES WITH SN STARTING WITH 03)



ART\_1001237193



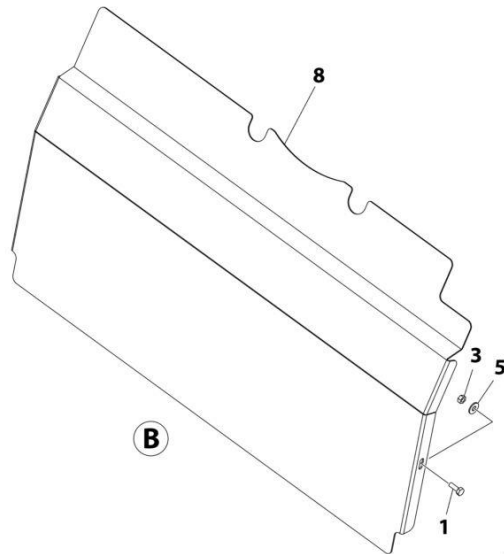
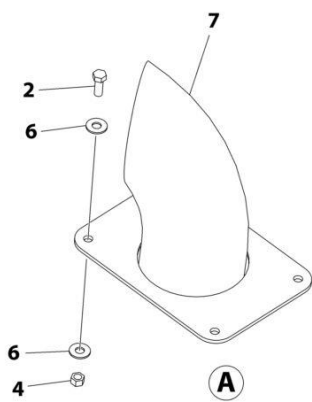
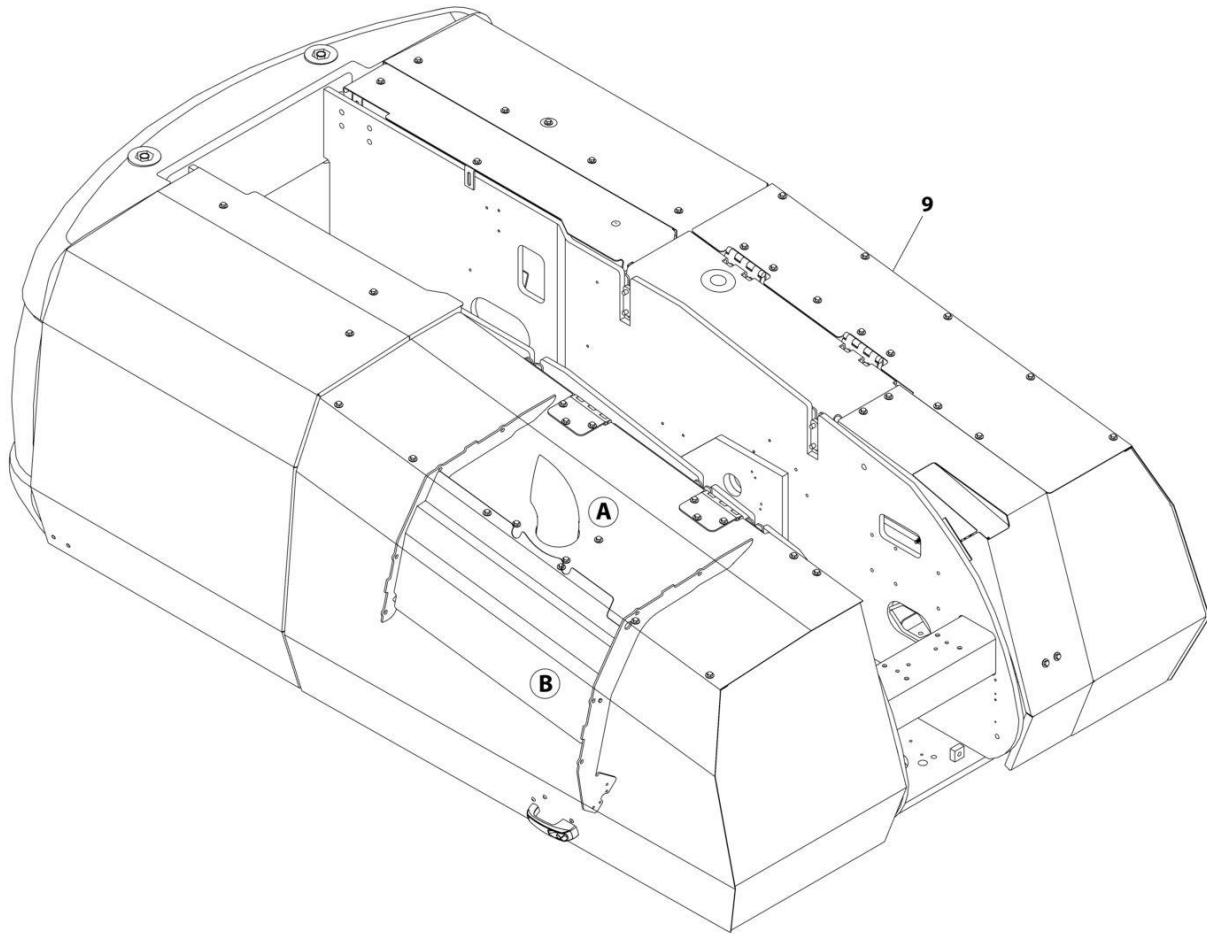
**SECTION 2 - TURNTABLE**

**FIGURE 2-57. EXHAUST STACK INSTALLATION - STEEL HOOD (DEUTZ TD2.9L4 (STAGE V) ENGINES) (MACHINES WITH SN STARTING WITH 03)**

ITEM	PART NUMBER	QTY	DESCRIPTION	REV
		Ref	NOTE: REPLACEMENT DECALS MUST BE PURCHASED SEPARATELY - SEE DECALS SECTION.	
	1001237193	Ref	EXHAUST STACK INSTALLATION - STEEL HOOD	B
1	0641406	3	Bolt 1/4 x 3/4	
2	0641608	4	Bolt 3/8 x 1	
3	3311405	3	Nut 1/4	
4	3311605	4	Nut 3/8	
5	4751400	3	Washer 1/4	
6	4751600	8	Washer 3/8	
7	1001163101	1	Shield, Heat	
8	1001237194	1	Steel Hood Installation (See Separate Breakdown in this Section)	
9	1001237261	1	Stack, Exhaust	

## SECTION 2 - TURNTABLE

FIGURE 2-58. EXHAUST STACK INSTALLATION - STEEL HOOD (DEUTZ TD2.9L4 ENGINES)  
(MACHINES WITH SN STARTING WITH B3)



ART\_1001244467

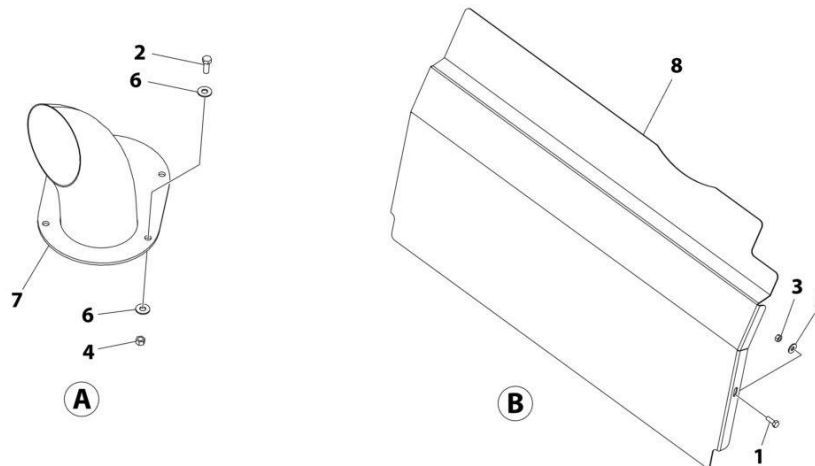
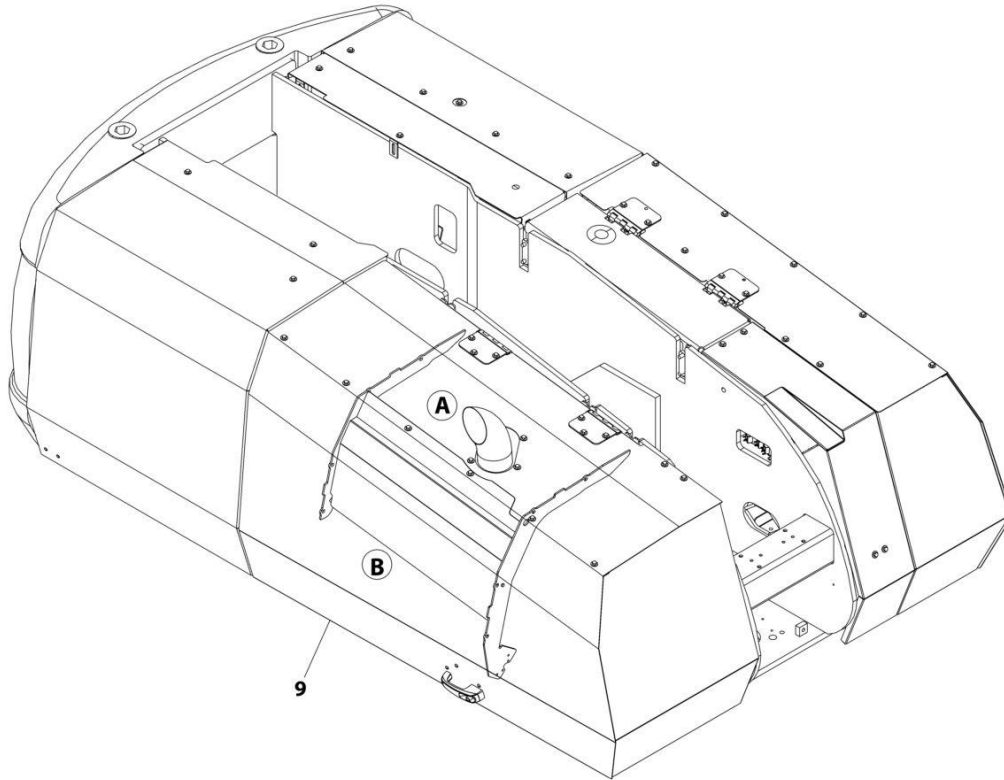
**SECTION 2 - TURNTABLE**

**FIGURE 2-58. EXHAUST STACK INSTALLATION - STEEL HOOD (DEUTZ TD2.9L4 ENGINES)  
(MACHINES WITH SN STARTING WITH B3)**

ITEM	PART NUMBER	QTY	DESCRIPTION	REV
		Ref	NOTE: REPLACEMENT DECALS MUST BE PURCHASED SEPARATELY - SEE DECALS SECTION	
	1001244467	Ref	EXHAUST STACK INSTALLATION - STEEL HOOD	C
1	0641406	3	Bolt 1/4 x 3/4	
2	0641608	4	Bolt 3/8 x 1	
3	3311405	3	Nut 1/4	
4	3311605	4	Nut 3/8	
5	4751400	3	Washer 1/4	
6	4751600	8	Washer 3/8	
7	1001144527	1	Stack, Exhaust	
8	1001163101	1	Shield, Heat	
9	1001244466	1	Steel Hood Installation (See Separate Breakdown in this Section)	

## SECTION 2 - TURNTABLE

FIGURE 2-59. EXHAUST STACK INSTALLATION - STEEL HOOD (DEUTZ TD2.9L4 (STAGE V) ENGINES) (MACHINES WITH SN STARTING WITH B3)



ART\_1001256251

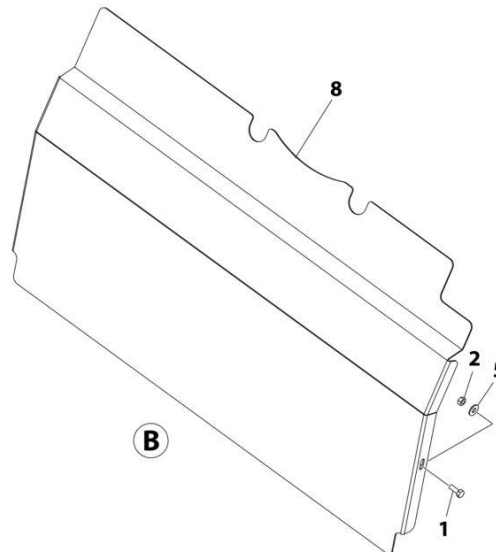
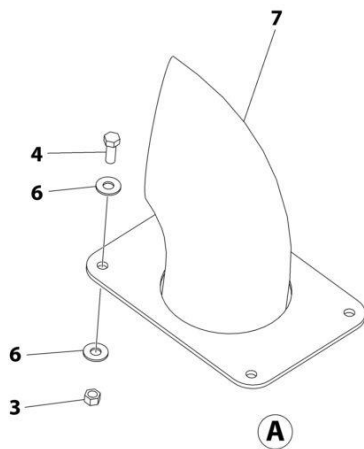
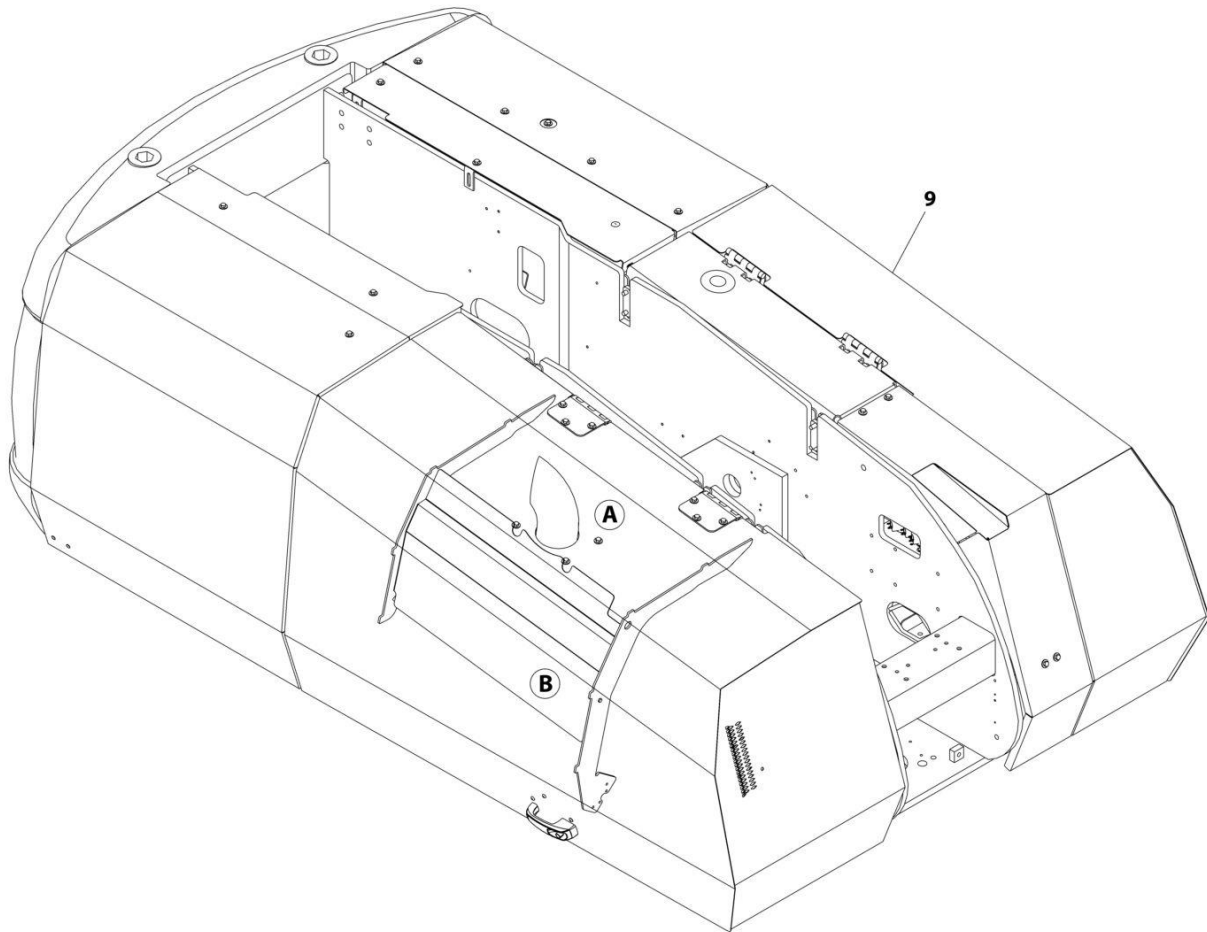
**SECTION 2 - TURNTABLE**

**FIGURE 2-59. EXHAUST STACK INSTALLATION - STEEL HOOD (DEUTZ TD2.9L4 (STAGE V) ENGINES) (MACHINES WITH SN STARTING WITH B3)**

ITEM	PART NUMBER	QTY	DESCRIPTION	REV
		Ref	NOTE: REPLACEMENT DECALS MUST BE PURCHASED SEPARATELY - SEE DECALS SECTION	
	1001256251	Ref	EXHAUST STACK INSTALLATION - STEEL HOOD	A
1	0641406	3	Bolt 1/4 x 3/4	
2	0641608	4	Bolt 3/8 x 1	
3	3311405	3	Nut 1/4	
4	3311605	4	Nut 3/8	
5	4751400	3	Washer 1/4	
6	4751600	8	Washer 3/8	
7	1001116456	1	Stack, Exhaust	
8	1001150561	1	Shield, Heat	
9	1001256248	1	Steel Hood Installation (See Separate Breakdown in this Section)	

## SECTION 2 - TURNTABLE

FIGURE 2-60. EXHAUST STACK INSTALLATION - STEEL HOOD WITH HOSTILE ENVIRONMENT MACHINES (DEUTZ TD2.9L4 ENGINES) (MACHINES WITH SN STARTING WITH 03 OR 13)



ART\_1001173869

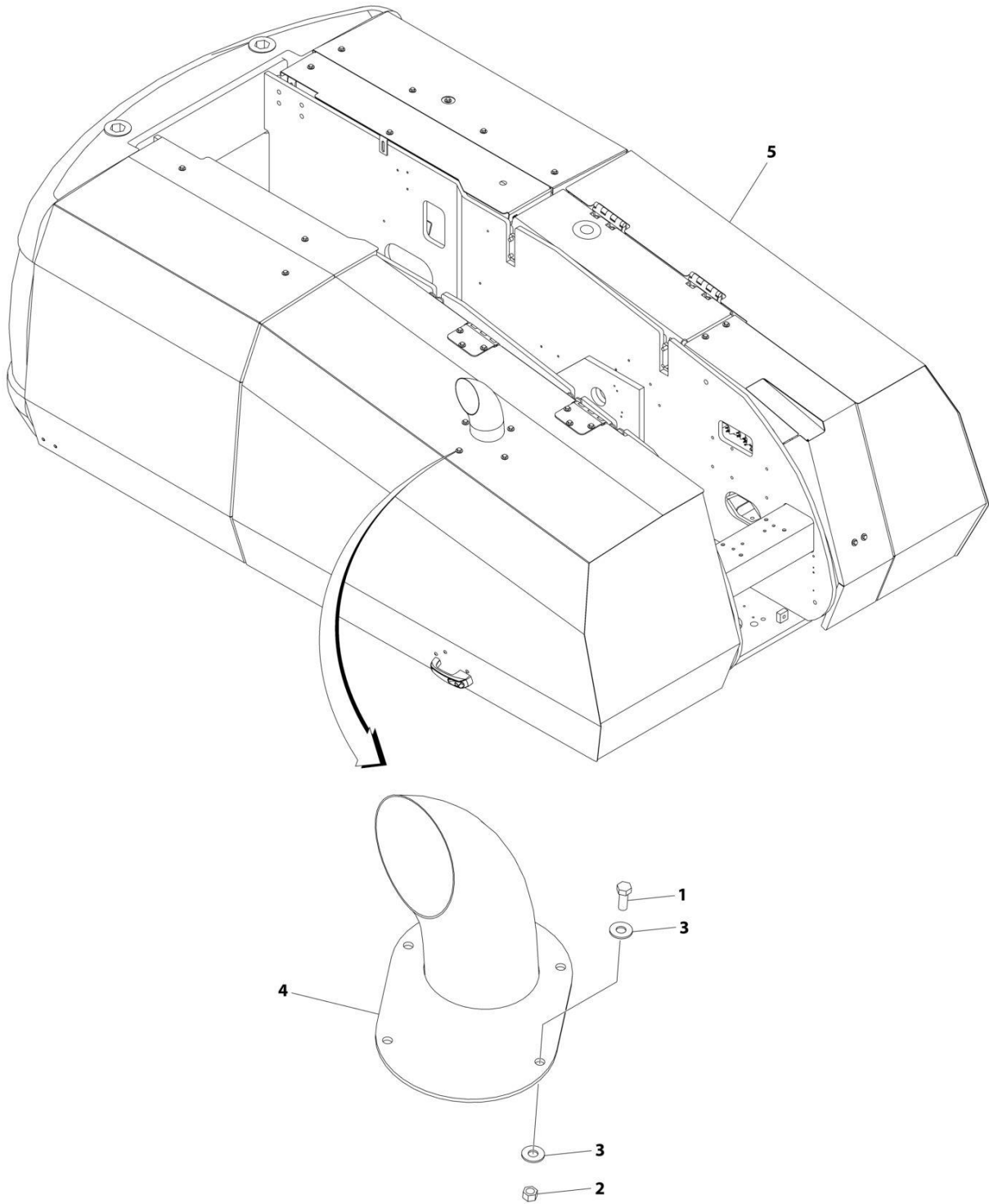
**SECTION 2 - TURNTABLE**

**FIGURE 2-60. EXHAUST STACK INSTALLATION - STEEL HOOD WITH HOSTILE ENVIRONMENT MACHINES (DEUTZ TD2.9L4 ENGINES) (MACHINES WITH SN STARTING WITH 03 OR 13)**

ITEM	PART NUMBER	QTY	DESCRIPTION	REV
		Ref	NOTE: REPLACEMENT DECALS MUST BE PURCHASED SEPARATELY - SEE DECALS SECTION.	
	1001173869	Ref	EXHAUST STACK INSTALLATION - STEEL HOOD	C
1	0641406	3	Bolt 1/4 x 3/4	
2	3311405	3	Nut 1/4	
3	3311605	4	Nut 3/8	
4	0641608	4	Bolt 3/8 x 1	
5	4751400	3	Washer 1/4	
6	4751600	8	Washer 3/8	
7	1001144527	1	Stack, Exhaust	
8	1001163101	1	Shield, Heat	
9	1001173870	1	Steel Hood Installation (See Separate Breakdown in this Section)	

## SECTION 2 - TURNTABLE

FIGURE 2-61. EXHAUST STACK INSTALLATION - STEEL HOOD (FORD DF 2.5L ENGINES)



ART\_1001220392



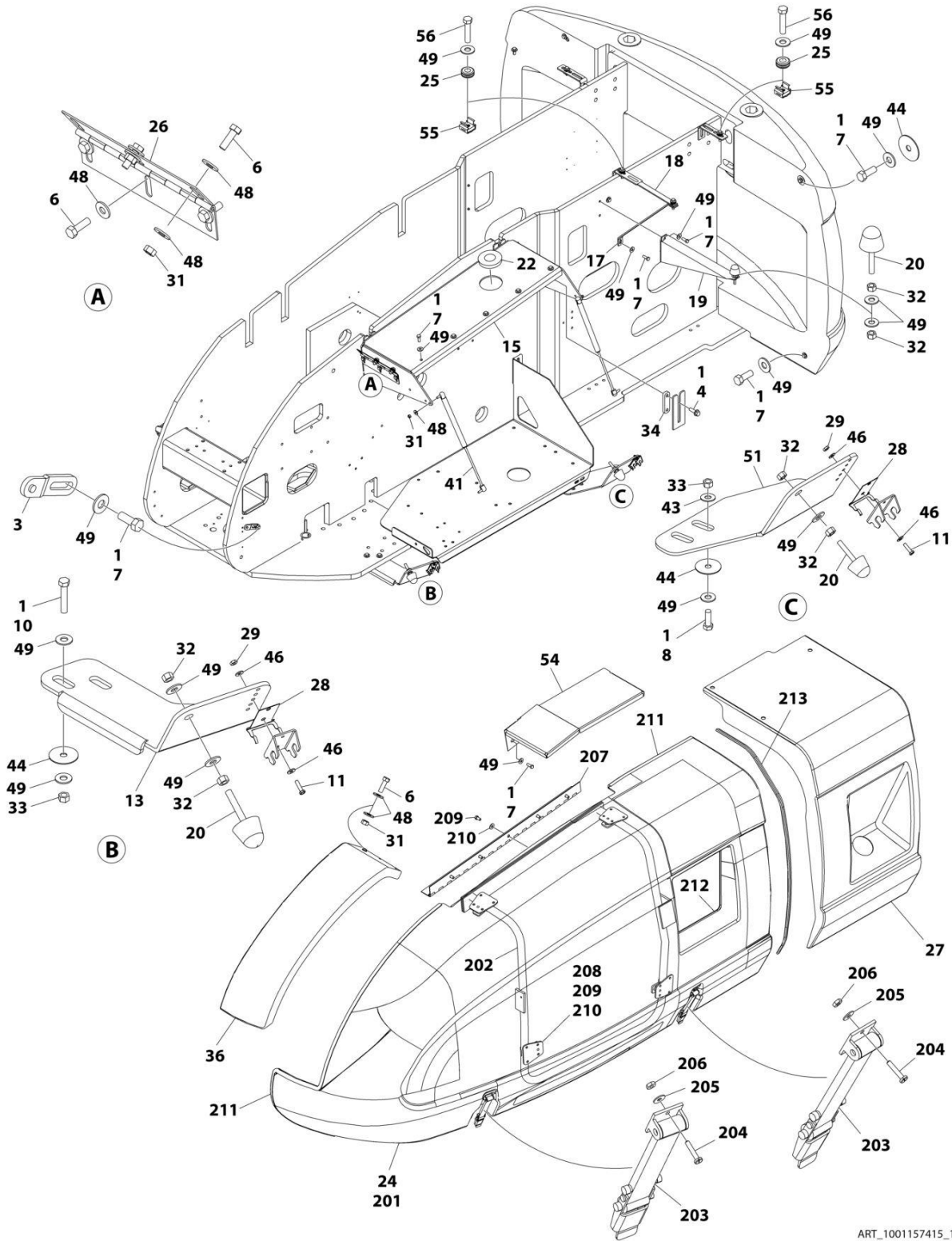
**SECTION 2 - TURNTABLE**

**FIGURE 2-61. EXHAUST STACK INSTALLATION - STEEL HOOD (FORD DF 2.5L ENGINES)**

ITEM	PART NUMBER	QTY	DESCRIPTION	REV
		Ref	NOTE: REPLACEMENT DECALS MUST BE PURCHASED SEPARATELY - SEE DECALS SECTION	
	1001220392	Ref	EXHAUST STACK INSTALLATION - STEEL HOOD	B
1	0641608	4	Bolt 3/8 x 1	
2	3311605	4	Nut 3/8	
3	4751600	8	Washer 3/8	
4	1001116457	1	Stack, Exhaust	
5	1001220393	1	Steel Hood Installation (See Separate Breakdown in this Section)	

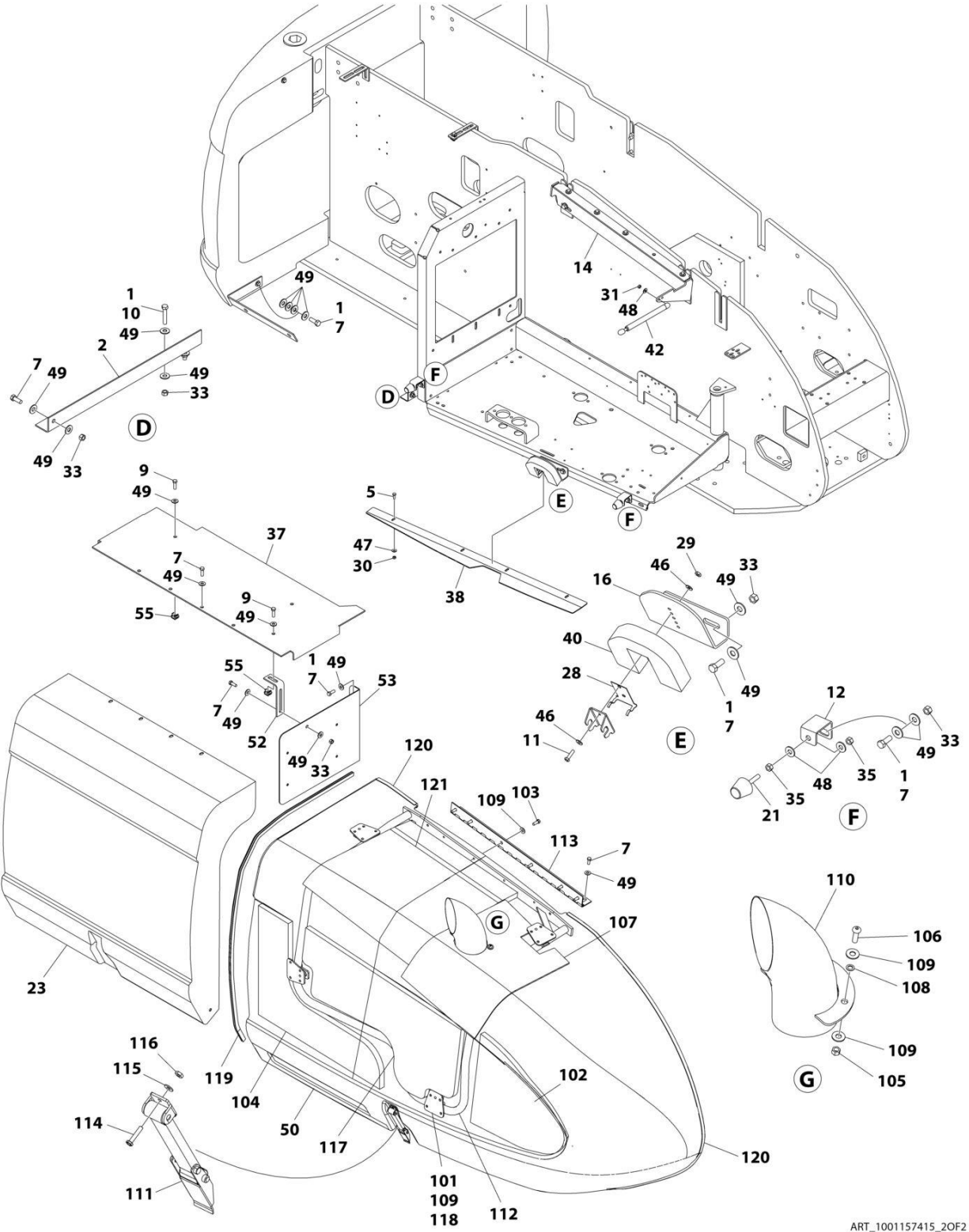
# SECTION 2 - TURNTABLE

## FIGURE 2-62. HOODS INSTALLATION - ABS (DEUTZ D2011 ENGINES)



ART\_1001157415\_10F2

# SECTION 2 - TURNTABLE



ART\_1001157415\_20F2

## SECTION 2 - TURNTABLE

FIGURE 2-62. HOODS INSTALLATION - ABS (DEUTZ D2011 ENGINES)

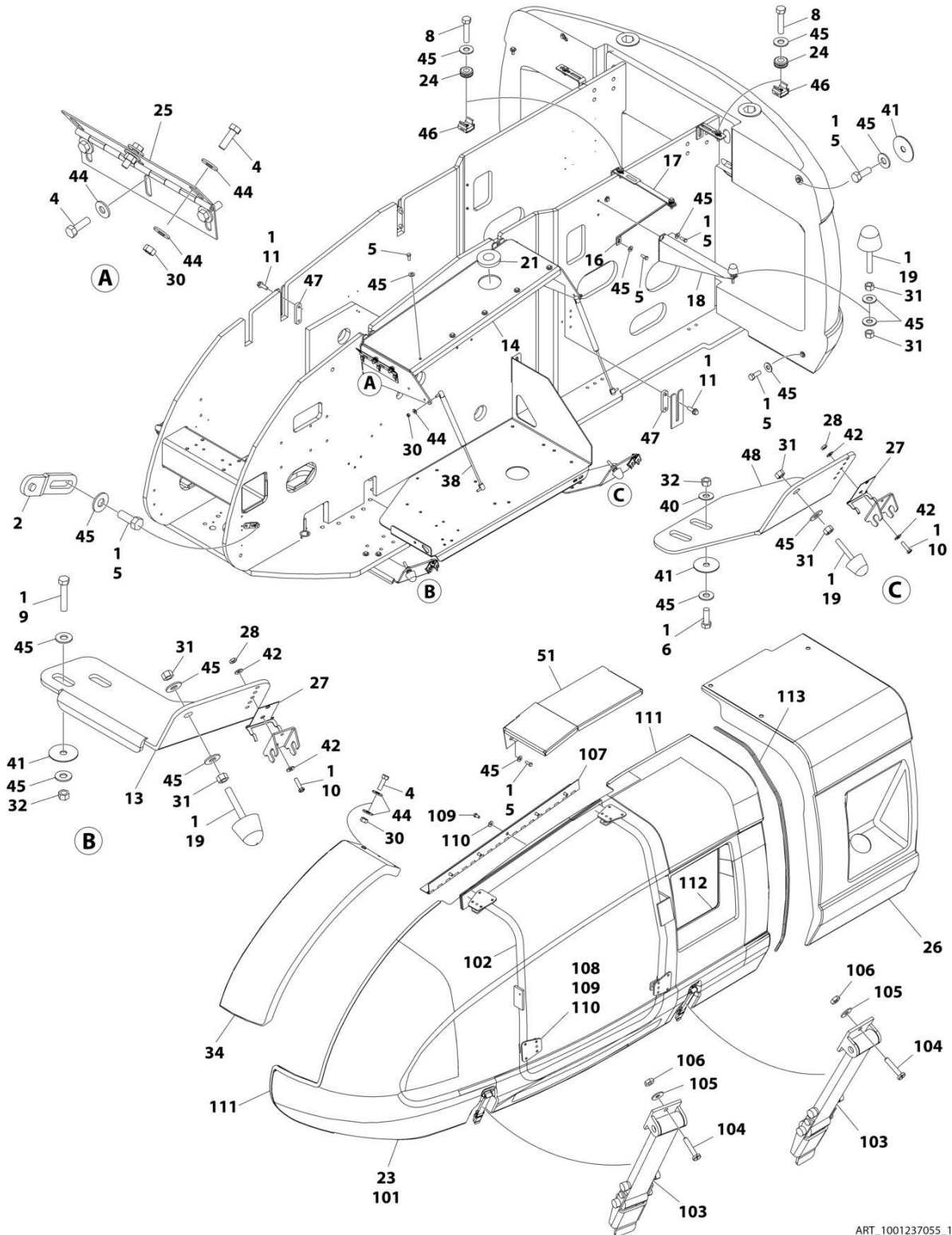
ITEM	PART NUMBER	QTY	DESCRIPTION	REV
		Ref	NOTE: REPLACEMENT DECALS MUST BE PURCHASED SEPARATELY - SEE DECALS SECTION.	
	1001157415	Ref	HOODS INSTALLATION - DEUTZ D2011 & GM ENGINES	G
1	0100011	AR	Compound, Locking	
2	1001161711	1	Angle, Hood Support	
3	0362770	1	Bar, Panel Mounting	
4	0811812	8	Bolt 1/2 x 1-1/2	
5	0641406	4	Bolt 1/4 x 3/4	
6	0641508	6	Bolt 5/16 x 1	
7	0641608	32	Bolt 3/8 x 1	
8	0641609	2	Bolt 3/8 x 1-1/8	
9	0641610	3	Bolt 3/8 x 1-1/4	
10	0641616	4	Bolt 3/8 x 2	
11	0721006	6	Screw #10 x 3/4	
12	0902219	2	Bracket, Bumper	
13	0902223	1	Bracket, Latch	
14	1001207558	1	Bracket, Hood Mounting	
15	0902412	1	Bracket, Hood Mounting	
16	0902491	1	Bracket, Latch	
17	0902673	1	Bracket, Support (Front Cover)	
18	0902674	1	Bracket, Support (Front Cover)	
19	0902769	1	Bracket, Bumper Support	
20	0940071	3	Bumper	
21	0940088	2	Bumper	
22	1120601	1	Plug, Cap	
23	1671201	1	Cover	
24	1671228	1	Hood Assembly - Tank Side (See Items 201-213 for Breakdown)	
25	2540035	3	Grommet	
26	2600244	1	Hinge, Adapter Panel	
27	2680490	1	Hood, Right Cover	
28	2940188	3	Latch, Spring Clip	
29	3311005	6	Nut #10	
30	3311405	4	Nut 1/4	
31	3311505	9	Nut 5/16	
32	3311601	6	Nut 3/8	
33	3311605	12	Nut 3/8	
34	1001150260	4	Plate	
35	3321501	4	Nut 5/16	
36	3380444	1	Panel, Adapter	
37	3380575	1	Panel, Cover	
38	1001208024	1	Plate, Seal	
39	3960389	3.5 ft/ 1.1m	Seal (Not Shown)	
40	3960470	1	Seal, Latch	
41	4160139	2	Spring, Gas (Tank Side)	
42	4160143	1	Spring, Gas (Engine Side)	
43	4711600	2	Washer 3/8	
44	4740076	5	Washer, Fender	
46	4751000	12	Washer #10	
47	4751400	4	Washer 1/4	

## SECTION 2 - TURNTABLE

ITEM	PART NUMBER	QTY	DESCRIPTION	REV
48	4751500	19	Washer 5/16	
49	4751600	62	Washer 3/8	
50	1001099138	1	Hood Assembly - Engine Side (See Items 101-151 for Breakdown)	
51	1001157021	1	Bracket	
52	1001157474	1	Bracket	
53	1001157475	1	Panel	
54	1001157736	1	Panel	
55	1001126828	6	Nut, Tinnerman	
56	0641614	3	Bolt 3/8 x 1-3/4	
	1001099138	Ref	HOOD ASSEMBLY (ENGINE SIDE)	C
101	0641606	4	Bolt 3/8 x 3/4	
102	2820233	1	Insulation, Rear Sound	
103	0641608	6	Bolt 3/8 x 1	
104	2820235	1	Insulation, Rear Sound	
105	3311605	2	Nut 3/8	
106	3900232	2	Screw, Button Head 3/8 x 1-1/4	
107	1001101623	1	Shield, Heat Gasket	
108	4740500	2	Washer (Special)	
109	4751600	14	Washer 3/8	
110	1001099121	1	Tube, Exhaust	
111	2940088	1	Latch	
112	1671230	1	Frame, Tubular	
113	2600209	1	Hinge	
114	0721008	2	Screw, Machine #10 x 1	
115	4751000	2	Washer #10	
116	3311001	2	Nut #10	
117	2820234	1	Insulation, Center Sound	
118	1321384	4	Hold Down	
119	3960462	61 in/ 1.55m	Seal	
120	3960464	65 in/ 1.67m	Seal	
121	1001101673	1	Insulation	
	1671228	Ref	HOOD ASSEMBLY (TANK SIDE)	B
201	1671231	1	Hood	
202	1671232	1	Frame, Tubular	
203	2940088	2	Latch	
204	0721008	4	Screw, Machine #10 x 1	
205	4751000	4	Washer #10	
206	3311001	4	Nut #10	
207	2600233	1	Hinge	
208	1321384	4	Hold Down	
209	0641606	9	Bolt 3/8 x 3/4	
210	4711600	9	Washer 3/8	
211	3960464	65 in/ 2.11m	Seal	
212	3960438	55 in/1.4m	Seal	
213	3960462	53 in/ 1.35m	Seal	
	0272081	Ref	NOISE REDUCTION INSTALLATION (DEUTZ ENGINE MACHINES)	4-D
301	2820078	1	Foam, Acoustical (Not Shown)	

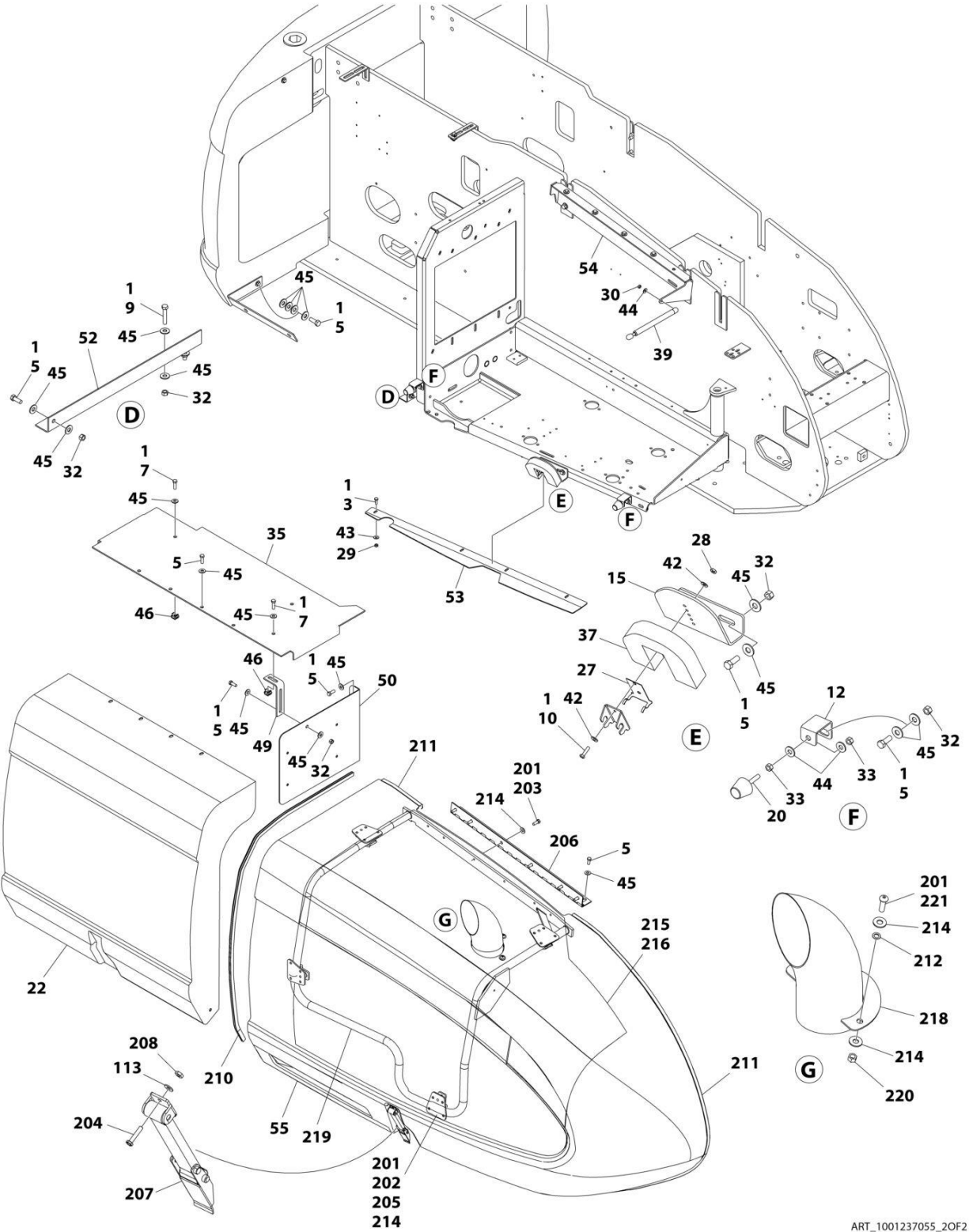
## SECTION 2 - TURNTABLE

FIGURE 2-63. HOODS INSTALLATION - ABS (DEUTZ TD2.9L4 AND DEUTZ TD2.9L4 (STAGE V) ENGINES) (CE & UK CA SPECS ONLY)



ART\_1001237055\_10F2

# SECTION 2 - TURNTABLE



ART\_1001237055\_20F2

## SECTION 2 - TURNTABLE

**FIGURE 2-63. HOODS INSTALLATION - ABS (DEUTZ TD2.9L4 AND DEUTZ TD2.9L4 (STAGE V) ENGINES) (CE & UK CA SPECS ONLY)**

ITEM	PART NUMBER	QTY	DESCRIPTION	REV
		Ref	NOTE: REPLACEMENT DECALS MUST BE PURCHASED SEPARATELY - SEE DECALS SECTION.	
	1001237055	Ref	HOODS INSTALLATION	C
1	0100011	AR	Compound, Locking	
2	0362770	1	Bar, Panel Mounting	
3	0641406	4	Bolt 1/4 x 3/4	
4	0641508	6	Bolt 5/16i x 1	
5	0641608	32	Bolt 3/8 x 1	
6	0641609	2	Bolt 3/8 x 1-1/8	
7	0641610	3	Bolt 3/8 x 1-1/4	
8	0641614	3	Bolt 3/8 x 1-3/4	
9	0641616	4	Bolt 3/8 x 2	
10	0721006	6	Screw #10 x 3/4	
11	0811812	8	Bolt 1/2 x 1-1/2	
12	0902219	2	Bracket, Bumper	
13	0902223	1	Bracket, Latch	
14	0902412	1	Bracket, Hood Mounting	
15	0902491	1	Bracket, Latch	
16	0902673	1	Bracket, Support (Front Cover)	
17	0902674	1	Bracket, Support (Front Cover)	
18	0902769	1	Bracket, Bumper Support	
19	0940071	3	Bumper	
20	0940088	2	Bumper	
21	1120601	1	Plug, Cap	
22	1671201	1	Cover	
23	1671228	1	Hood Assembly - Tank Side (See Items 101-113 for Breakdown)	
24	2540035	3	Grommet	
25	2600244	1	Hinge, Adapter Panel	
26	2680490	1	Hood, Right Cover	
27	2940188	3	Latch, Spring Clip	
28	3311005	6	Nut #10	
29	3311405	4	Nut 1/4	
30	3311505	9	Nut 5/16	
31	3311601	6	Nut 3/8	
32	3311605	12	Nut 3/8	
33	3321501	4	Nut 5/16	
34	3380444	1	Panel, Adapter	
35	3380575	1	Panel, Cover	
36	3960389	3.5 ft/ 1.1m	Seal (Not Shown)	
37	3960470	1	Seal, Latch	
38	4160139	2	Spring, Gas (Tank Side)	
39	4160143	1	Spring, Gas (Engine Side)	
40	4711600	2	Washer 3/8	
41	4740076	5	Washer, Fender	
42	4751000	12	Washer #10	
43	4751400	4	Washer 1/4	
44	4751500	19	Washer 5/16	
45	4751600	63	Washer 5/16	

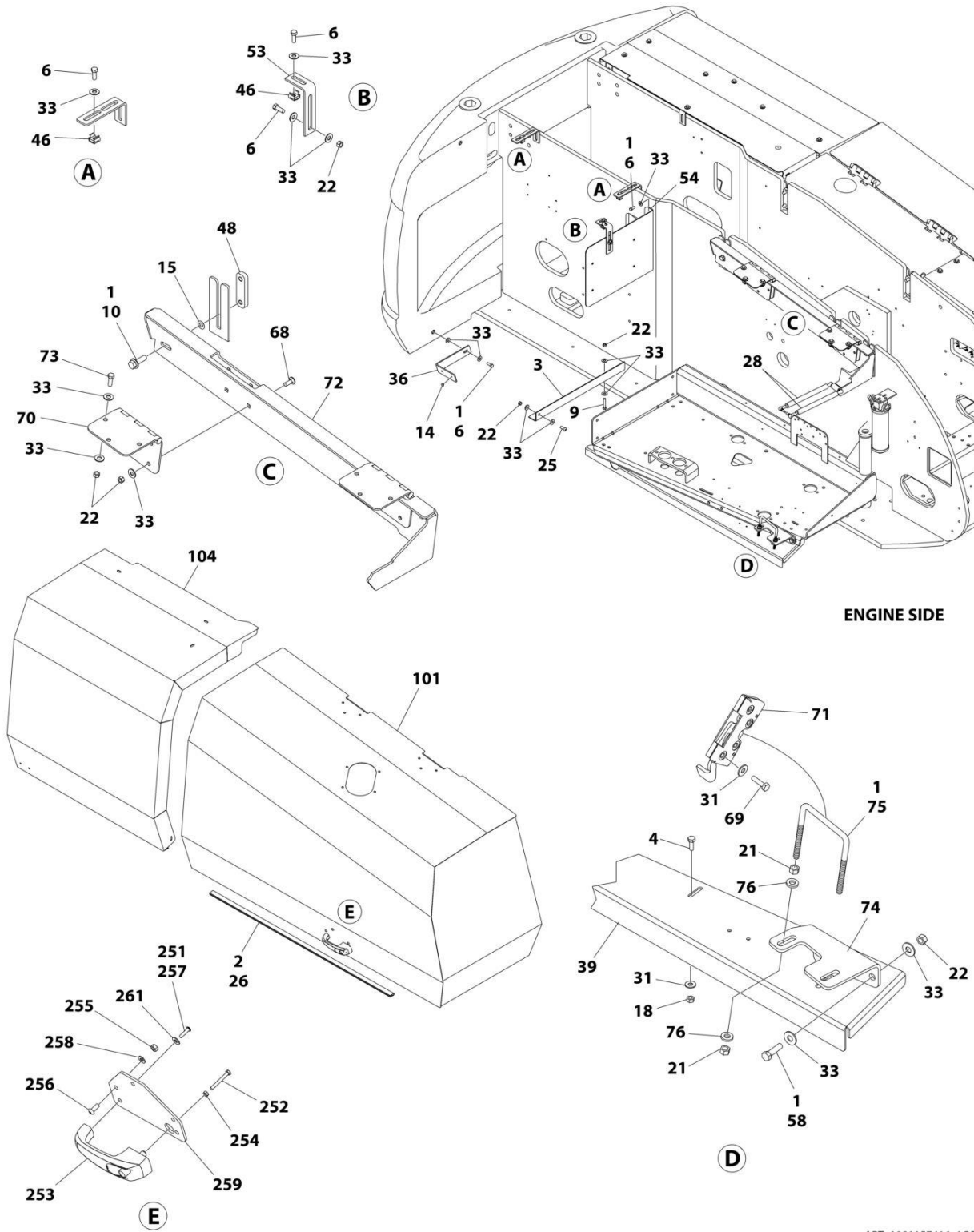


## SECTION 2 - TURNTABLE

ITEM	PART NUMBER	QTY	DESCRIPTION	REV
46	1001126828	6	Nut, Tinnerman	
47	1001150260	4	Plate	
48	1001157021	1	Bracket	
49	1001157474	1	Bracket	
50	1001157475	1	Panel	
51	1001157736	1	Panel	
52	1001161711	1	Angle, Hood Support	
53	1001204648	1	Plate, Seal	
54	1001236392	1	Bracket, Hood Mounting	
55	1001236387	1	Hood Assembly - Engine Side (See Items 201-251 for Breakdown)	
	1671228	Ref	HOOD ASSEMBLY (TANK SIDE)	A
101	1671231	1	Hood	
102	1671232	1	Frame, Tubular	
103	2940088	2	Latch	
104	0721008	4	Screw, Machine #10 x 1	
105	4751000	4	Washer #10	
106	3311001	4	Nut #10	
107	2600233	1	Hinge	
108	1321384	4	Hold Down	
109	0641606	9	Bolt 3/8 x 3/4	
110	4711600	9	Washer 3/8	
111	3960464	83 in/ 2.11m	Seal	
112	3960438	55 in/1.4m	Seal	
113	3960462	53 in/ 1.35m	Seal	
	1001236387	Ref	HOOD ASSEMBLY (ENGINE SIDE)	C
201	0100011	1	Compound, Locking	
202	0641606	4	Bolt 3/8 x 3/4	
203	0641608	6	Bolt 3/8 x 1	
204	0721008	2	Screw, Machine #10 x 1	
205	1321384	4	Hold Down	
206	2600209	1	Hinge	
207	2940088	1	Latch	
208	3311001	2	Nut #10	
210	3960462	61 in/ 1.55m	Seal	
211	3960464	65 in/ 1.67m	Seal	
212	4740500	3	Washer (Special)	
213	4751000	2	Washer #10	
214	4751600	16	Washer 3/8	
215	1001117140	AR	Tape, Aluminum	
216	1001270099	AR	Insulation, Heat	
218	1001236389	1	Tube, Exhaust	
219	1001236871	1	Frame, Tubular	
220	3271601	3	Nut 3/8	
221	3900232	3	Screw, Button Head 3/8 x 1-1/4	

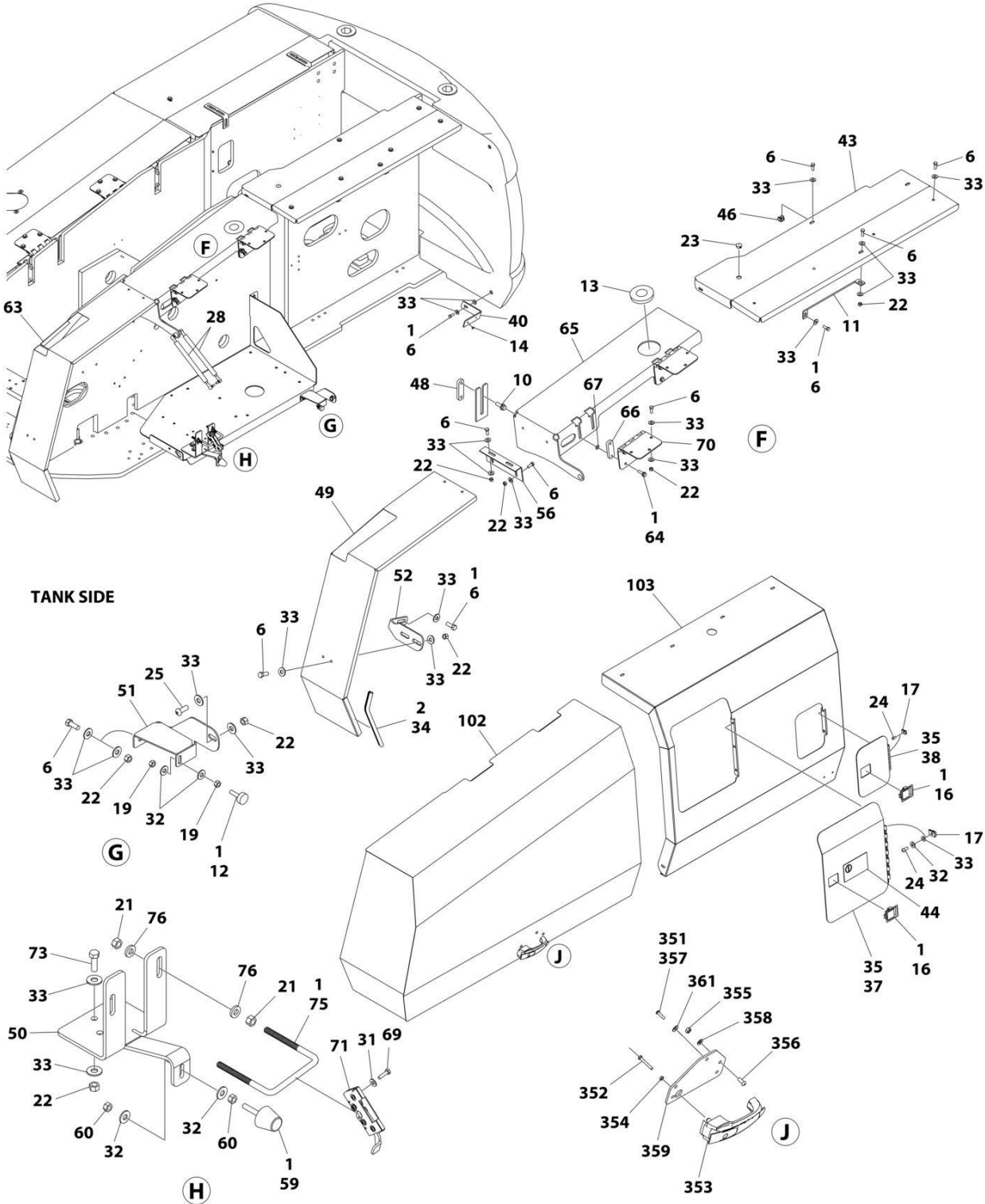
# SECTION 2 - TURNTABLE

## FIGURE 2-64. HOODS INSTALLATION - STEEL (DEUTZ D2011 ENGINES)



ART\_1001157416\_10F2

# SECTION 2 - TURNTABLE



ART\_1001157416\_20F2

## SECTION 2 - TURNTABLE

FIGURE 2-64. HOODS INSTALLATION - STEEL (DEUTZ D2011 ENGINES)

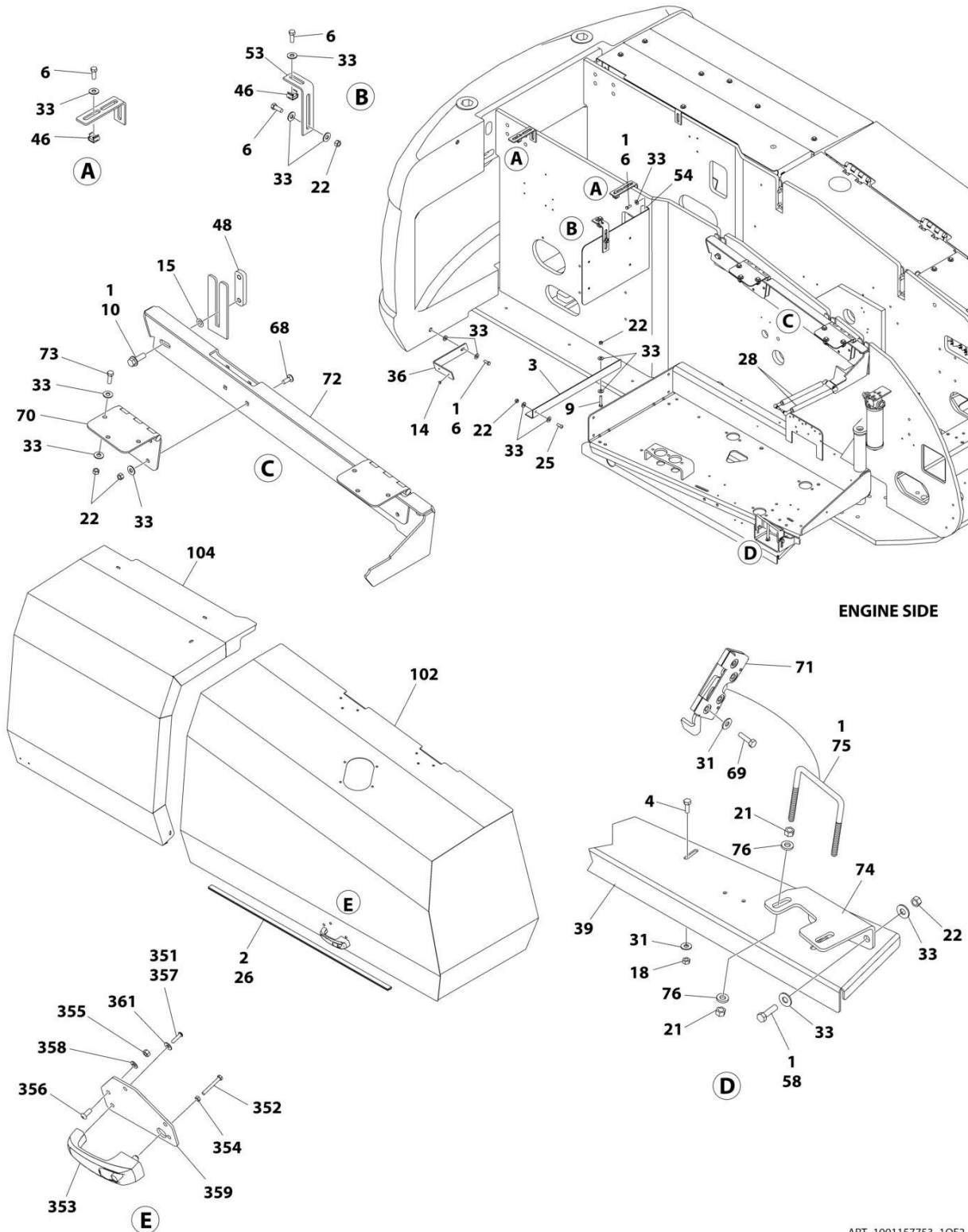
ITEM	PART NUMBER	QTY	DESCRIPTION	REV
		Ref	NOTE: REPLACEMENT DECALS MUST BE PURCHASED SEPARATELY - SEE DECALS SECTION.	
	1001157416	Ref	HOODS INSTALLATION	J
1	0100011	AR	Compound, Locking	
2	0100081	AR	Adhesive	
3	1001161711	1	Mount	
4	0641406	4	Bolt 1/4 x 3/4	
6	0641608	31	Bolt 3/8 x 7/8	
9	0641616	2	Bolt 3/8 x 2	
10	0811812	8	Bolt 1/2 x 1-1/2	
11	0902673	1	Bracket	
12	0940049	1	Stopper, Hood	
13	1120601	1	Plug	
14	2080040	4	Fastener, Huck	
15	2080072	4	Retainer	
16	2940045	2	Latch, Paddle	
17	3300364	5	Nut, Tinnerman	
18	3311405	4	Nut 1/4	
19	3311501	2	Nut 5/16	
21	3311601	8	Nut 3/8	
22	3311605	39	Nut 3/8	
23	3520030	1	Plug, Hole	
24	3900210	5	Screw, Button Head 5/16 x 3/4	
25	3900316	2	Screw, Button Head 3/8 x 1	
26	3960389	54 in/1.4m	Seal	
28	4160194	4	Spring, Gas	
31	4751400	12	Washer 1/4	
32	4751500	7	Washer 5/16	
33	4751600	80	Washer 3/8	
34	1001110166	59 in /1.5mm	Seal	
35	1001113047	84 in /2.14m	Seal	
36	1001116280	1	Bracket, Hood	
37	1001116322	1	Door	
38	1001116344	1	Door	
39	1001117249	1	Plate, Seal	
40	1001116358	1	Bracket	
43	1001117027	1	Bracket	
44	1001117307	1	Decal - Emergency Stop	
46	1001126828	5	Nut, Tinnerman	
48	1001150260	4	Plate	
49	1001173580	1	Plate	
50	1001250295	1	Bracket, Striker	
51	1001157025	1	Bracket	
52	1001157344	1	Bracket	
53	1001157474	1	Bracket	
54	1001157475	1	Panel	
56	1001157612	1	Bracket	
58	0641611	2	Bolt 3/8 x 1-3/8	

## SECTION 2 - TURNTABLE

ITEM	PART NUMBER	QTY	DESCRIPTION	REV
59	0940088	1	Bumper	
60	3321501	2	Nut 5/16	
63	4420038	6 in/16cm	Tape	
64	0811610	8	Screw 3/8 x 1-1/4	
65	1001157284	1	Mount	
66	1001186251	4	Plate	
67	8310070	8	Push-nut 3/8	
68	0630485	8	Bolt, Carriage	
69	0641408	8	Bolt 1/4 x 1	
70	1001186254	4	Hinge	
71	2940173	2	Latch	
72	1001196768	1	Bracket	
73	0641609	9	Bolt 3/8 x 1-1/8	
74	1001250294	1	Bracket	
75	1001243414	2	Bolt 3/8	
76	4891600	8	Washer 3/8	
100	1001174283	1	Hood Kit - Standard Machines (Not Shown - Includes Items 101-104)	C
101	1001157208	1	Hood Assembly - Engine Side Rear (See Items 251-261 for Breakdown)	
102	1001157209	1	Hood Assembly - Tank Side Rear (See Items 351-361 for Breakdown)	
103	1001116558	1	Hood - Tank Side Front	
104	1001116620	1	Hood - Engine Side Front	
	1001157208	Ref	HOOD ASSEMBLY - ENGINE SIDE REAR	D
251	0100011	AR	Compound, Locking	
252	0700618	1	Bolt M6 x 50	
253	2560187	1	Handle, Push Button	
254	3290601	1	Nut M6	
255	3311505	3	Nut 5/16	
256	3900210	3	Screw, Button Head 5/16 x 3/4	
257	3900363	2	Screw, Button Head M6 x 25	
258	4711500	3	Washer 5/16	
259	1001116290	1	Plate, Latch Mounting	
261	4751400	2	Washer 1/4	
	1001157209	Ref	HOOD ASSEMBLY - TANK SIDE REAR	C
351	0100011	AR	Compound, Locking	
352	0700617	1	Bolt M6 x 45	
353	2560187	1	Handle, Push Button	
354	0700615	1	Nut M6	
355	3311505	3	Nut 5/16	
356	3900210	3	Screw, Button Head 5/16 x 3/4	
357	3900363	2	Screw, Button Head M6 x 25	
358	4711500	3	Washer 5/16	
359	1001116290	1	Plate, Latch Mounting	
361	4751400	2	Washer 1/4	
	0272081	Ref	NOISE REDUCTION INSTALLATION (DEUTZ ENGINE MACHINES)	4-D
401	2820078	1	Foam, Acoustical (Not Shown)	

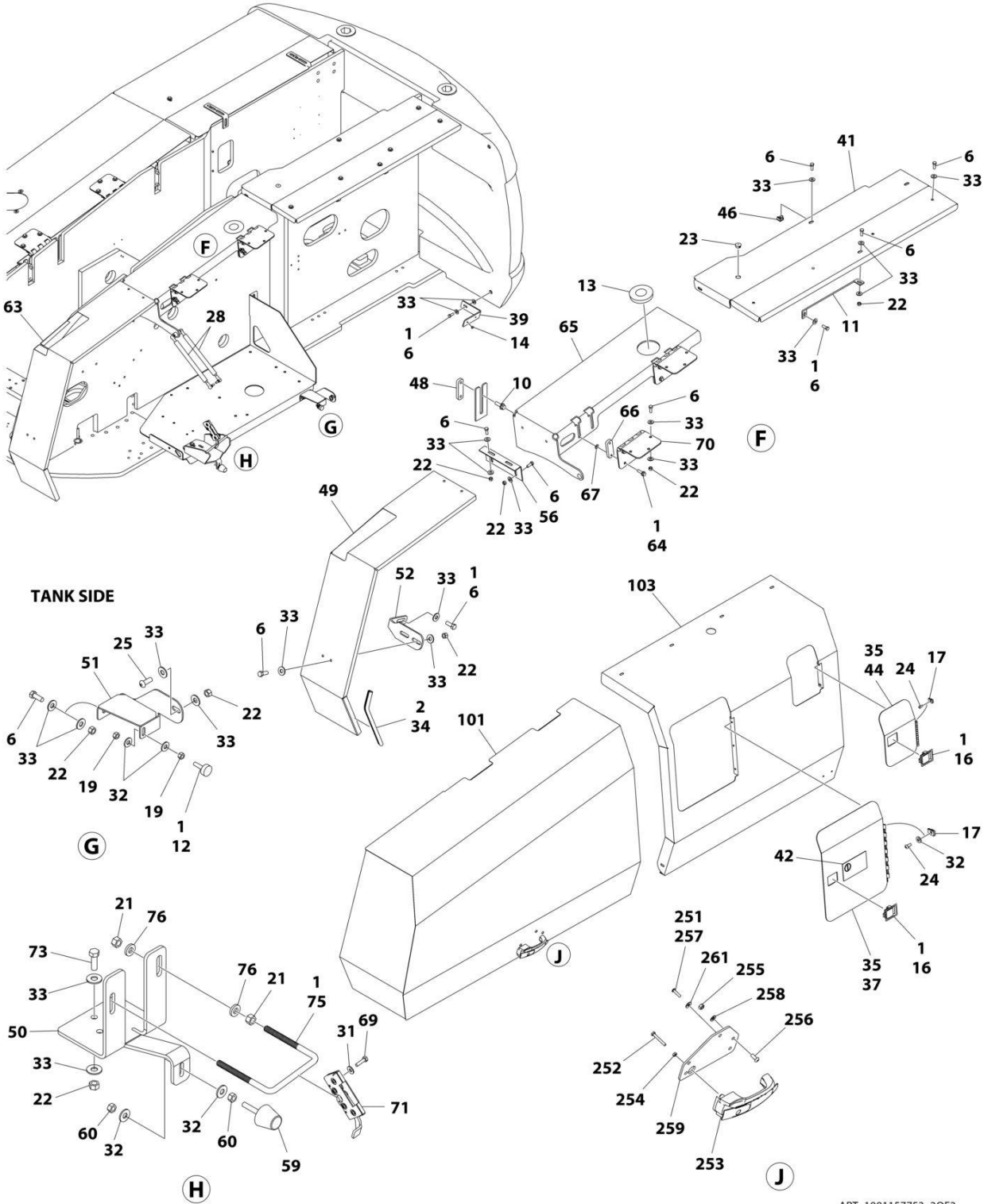
# SECTION 2 - TURNTABLE

FIGURE 2-65. HOODS INSTALLATION - STEEL WITH HOSTILE ENVIRONMENT MACHINES (DEUTZ D2011 ENGINES) (MACHINES WITH SN STARTING WITH 03 OR 13)



ART\_1001157753\_10F2

# SECTION 2 - TURNTABLE



ART\_1001157753\_20F2

## SECTION 2 - TURNTABLE

**FIGURE 2-65. HOODS INSTALLATION - STEEL WITH HOSTILE ENVIRONMENT MACHINES (DEUTZ D2011 ENGINES) (MACHINES WITH SN STARTING WITH 03 OR 13)**

ITEM	PART NUMBER	QTY	DESCRIPTION	REV
		Ref	NOTE: REPLACEMENT DECALS MUST BE PURCHASED SEPARATELY - SEE DECALS SECTION.	
	1001157753	Ref	HOODS INSTALLATIONS	I
1	0100011	AR	Compound, Locking	
2	0100081	AR	Adhesive	
3	1001161711	1	Mount	
4	0641406	4	Bolt 1/4 x 3/4	
6	0641608	31	Bolt 3/8 x 7/8	
9	0641616	2	Bolt 3/8 x 2	
10	0811812	8	Bolt 1/2 x 1-1/2	
11	0902673	1	Bracket	
12	0940049	1	Stopper, Hood	
13	1120601	1	Plug	
14	2080040	4	Fastener, Huck	
15	2080072	4	Retainer	
16	2940045	2	Latch, Paddle	
17	3300364	5	Nut, Tinnerman	
18	3311405	4	Nut 1/4	
19	3311501	2	Nut 5/16	
21	3311601	1	Nut 3/8	
22	3311605	39	Nut 3/8	
23	3520030	1	Plug, Hole	
24	3900210	5	Screw, Button Head 5/16 x 3/4	
25	3900316	2	Screw, Button Head 3/8 x 1	
26	3960389	54 in/1.4m	Seal	
28	4160194	4	Spring, Gas	
31	4751400	12	Washer 1/4	
32	4751500	7	Washer 5/16	
33	4751600	80	Washer 3/8	
34	1001110166	59 in /1.5mm	Seal	
35	1001113047	84 in /2.14m	Seal	
36	1001116280	1	Bracket, Hood	
37	1001116322	1	Door	
38	1001117249	1	Plate, Seal	
39	1001116358	1	Bracket	
41	1001117027	1	Bracket	
42	1001117307	1	Decal - Emergency Stop	
44	1001125501	1	Door	
46	1001126828	5	Nut, Tinnerman	
48	1001150260	4	Plate	
49	1001173580	1	Plate	
50	1001250295	1	Bracket, Striker	
51	1001157025	1	Bracket	
52	1001157344	1	Bracket	
53	1001157474	1	Bracket	
54	1001157475	1	Panel	
56	1001157612	1	Bracket	

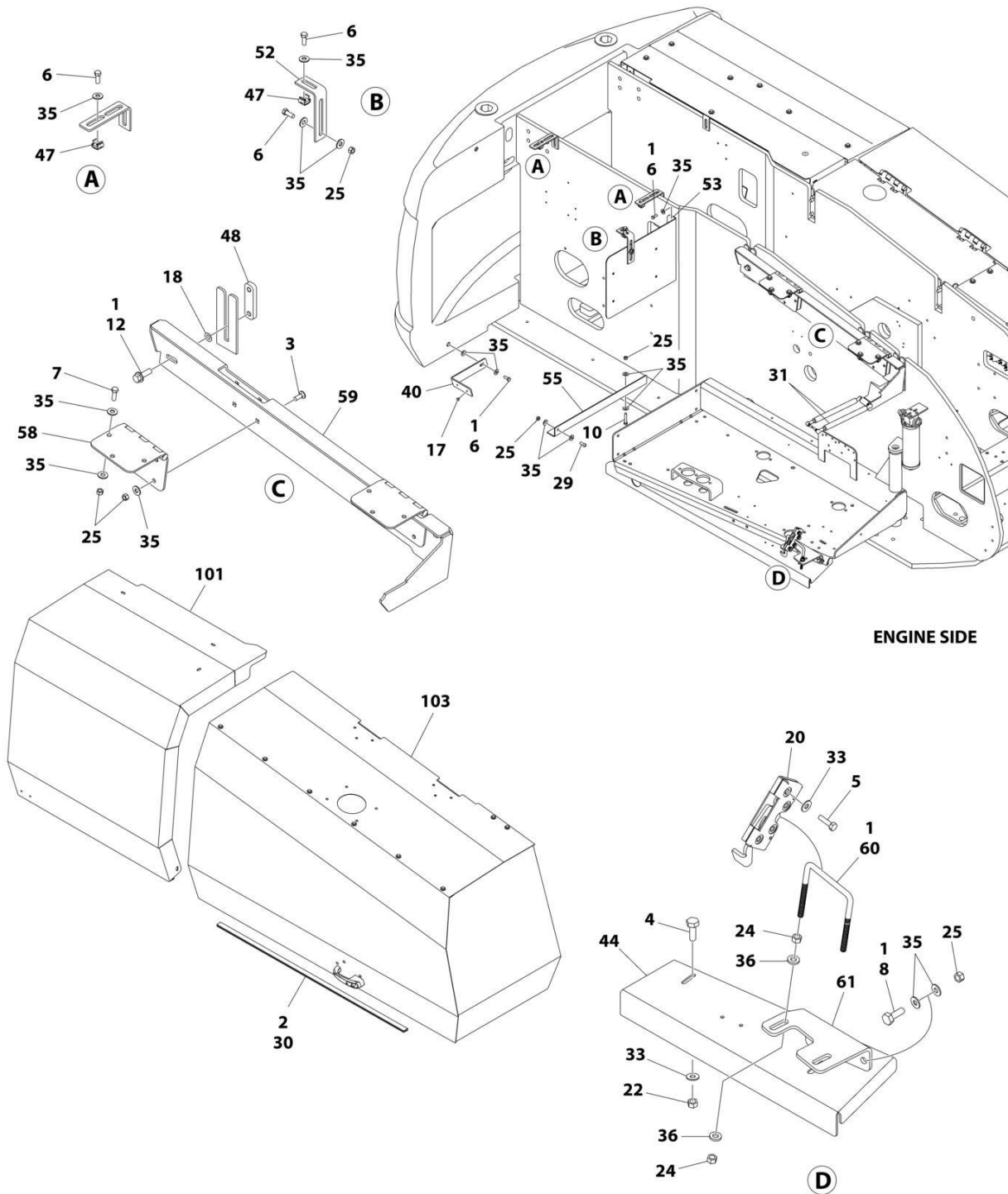


## SECTION 2 - TURNTABLE

ITEM	PART NUMBER	QTY	DESCRIPTION	REV
58	0641611	2	Bolt 3/8 x 1-3/8	
59	0940088	1	Bumper	
60	3321501	2	Nut 5/16	
63	4420038	6 in/16cm	Tape	
64	0811610	8	Screw 3/8 x 1-1/4	
65	1001157284	1	Mount	
66	1001186251	4	Plate	
67	8310070	8	Push-nut 3/8	
68	0630485	8	Bolt, Carriage	
69	0641408	8	Bolt 1/4 x 1	
70	1001186254	4	Hinge	
71	2940173	2	Latch	
72	1001196768	1	Bracket	
73	0641609	9	Bolt 3/8 x 1-1/8	
74	1001250294	1	Bracket	
75	1001243414	2	Bolt 3/8	
76	4891600	8	Washer 3/8	
100	1001174282	1	Hood Kit - Hostile Environment Machines (Not Shown - Includes Items 101-104)	C
101	1001157209	1	Hood Assembly - Tank Side Rear (See Items 251-261 for Breakdown)	
102	1001157208	1	Hood Assembly - Engine Side Rear (See Items 351-361 for Breakdown)	D
103	1001125502	1	Hood - Tank Side Front	
104	1001116620	1	Hood - Engine Side Front	
	1001157209	Ref	HOOD ASSEMBLY - TANK SIDE REAR	B
251	0100011	AR	Compound, Locking	
252	0700617	1	Bolt M6 x 45	
253	2560187	1	Handle, Push Button	
254	3290601	1	Nut M6	
255	3311505	3	Nut 5/16	
256	3900210	3	Screw, Button Head 5/16 x 3/4	
257	3900363	2	Screw, Button Head M6 x 25	
258	4711500	3	Washer 5/16	
259	1001116290	1	Plate, Latch Mounting	
261	4751400	2	Washer 1/4	
	1001157208	Ref	HOOD ASSEMBLY - ENGINE SIDE REAR	
351	0100011	AR	Compound, Locking	
352	0700618	AR	Bolt M6 x 50	
353	2560187	1	Handle, Push Button	
354	3290601	1	Nut M6	
355	3311505	3	Nut 5/16	
356	3900210	3	Screw, Button Head 5/16 x 3/4	
357	3900363	2	Screw, Button Head M6 x 25	
358	4711500	3	Washer 5/16	
359	1001116290	1	Plate, Latch Mounting	
361	4751400	2	Washer 1/4	
	0272081	Ref	NOISE REDUCTION INSTALLATION (DEUTZ ENGINE MACHINES)	4-D
401	2820078	1	Foam, Acoustical (Not Shown)	

# SECTION 2 - TURNTABLE

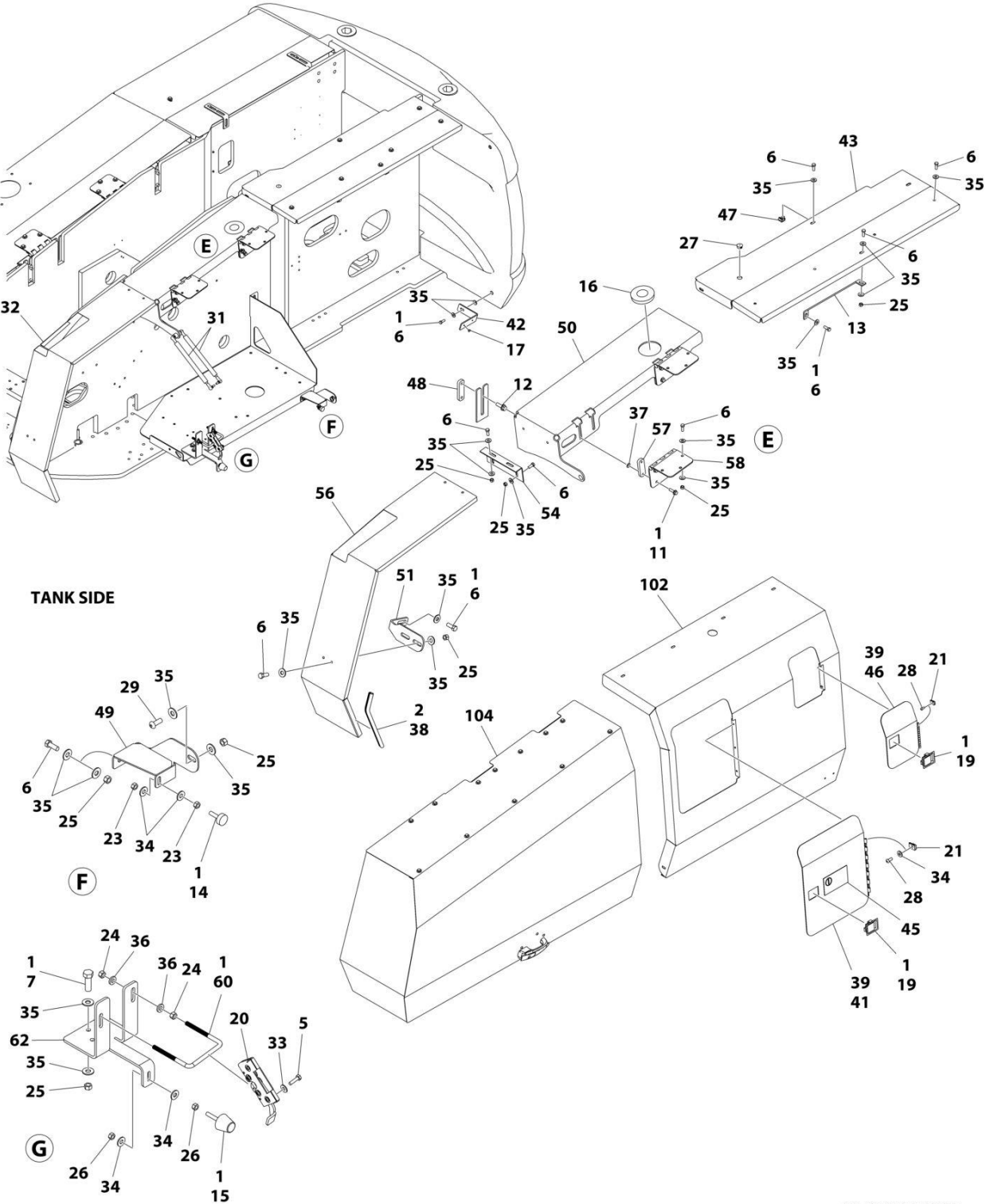
FIGURE 2-66. HOODS INSTALLATION – STEEL WITH HOSTILE ENVIRONMENT MACHINES (DEUTZ TD2.9L4 ENGINES) (MACHINES WITH SN STARTING WITH B3)



ENGINE SIDE

ART\_1001256259\_10F2

# SECTION 2 - TURNTABLE



ART\_1001256259\_20F2

## SECTION 2 - TURNTABLE

**FIGURE 2-66. HOODS INSTALLATION – STEEL WITH HOSTILE ENVIRONMENT MACHINES (DEUTZ TD2.9L4 ENGINES) (MACHINES WITH SN STARTING WITH B3)**

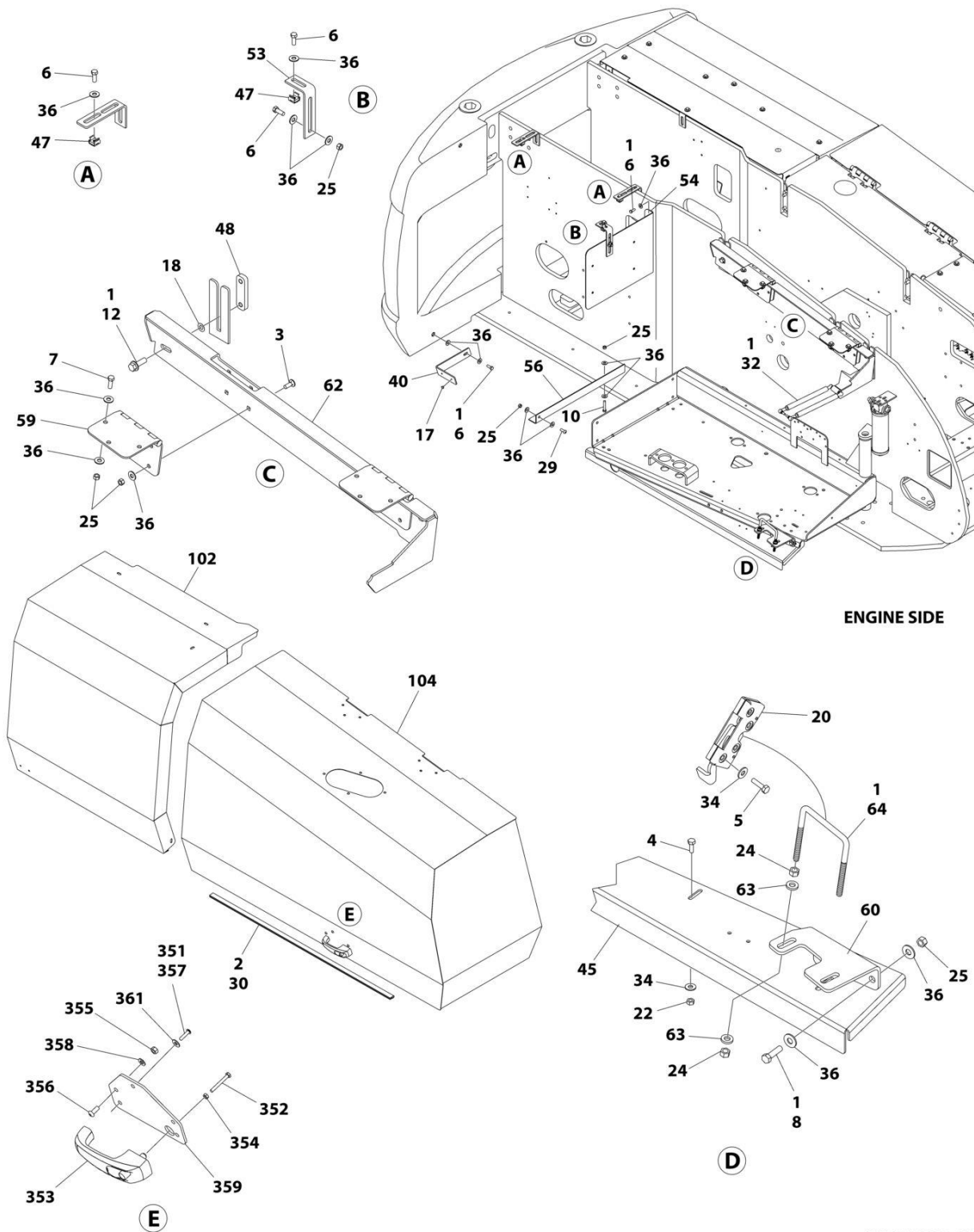
ITEM	PART NUMBER	QTY	DESCRIPTION	REV
		Ref	NOTE: REPLACEMENT DECALS MUST BE PURCHASED SEPARATELY - SEE DECALS SECTION.	
	1001256259	Ref	HOODS INSTALLATIONS	C
1	0100011	AR	Compound, Locking	
2	0100081	AR	Adhesive	
3	0630485	8	Bolt, Carriage	
4	0641406	4	Bolt 1/4 x 3/4	
5	0641408	8	Bolt 1/4 x 1	
6	0641608	31	Bolt 3/8 x 7/8	
7	0641609	9	Bolt 3/8 x 1-1/8	
8	0641611	2	Bolt 3/8 x 1-3/8	
10	0641616	2	Bolt 3/8 x 2	
11	0811610	8	Screw 3/8 x 1-1/4	
12	0811812	8	Bolt 1/2 x 1-1/2	
13	0902673	1	Bracket	
14	0940049	1	Stopper, Hood	
15	0940088	1	Bumper	
16	1120601	1	Plug	
17	2080040	4	Fastener, Huck	
18	2080072	4	Retainer	
19	2940045	2	Latch, Paddle	
20	2940173	2	Latch	
21	3300364	5	Nut, Tinnerman	
22	3311405	4	Nut 1/4	
23	3311501	2	Nut 5/16	
24	3311601	8	Nut 3/8	
25	3311605	39	Nut 3/8	
26	3321501	2	Nut 5/16	
27	3520030	1	Plug, Hole	
28	3900210	5	Screw, Button Head 5/16 x 3/4	
29	3900316	2	Screw, Button Head 3/8 x 1	
30	3960389	54 in/1.4m	Seal	
31	4160194	4	Spring, Gas	
32	4420038	6 in/16cm	Tape	
33	4751400	12	Washer 1/4	
34	4751500	7	Washer 5/16	
35	4751600	80	Washer 3/8	
36	4891600	8	Washer 3/8	
37	8310070	8	Push-nut 3/8	
38	1001110166	59 in /1.5mm	Seal	
39	1001113047	84 in /2.14m	Seal	
40	1001116280	1	Bracket, Hood	
41	1001116322	1	Door	
42	1001116358	1	Bracket	
43	1001117027	1	Bracket	
44	1001117249	1	Plate, Seal	
45	1001117307	1	Decal - Emergency Stop	

## SECTION 2 - TURNTABLE

ITEM	PART NUMBER	QTY	DESCRIPTION	REV
46	1001125501	1	Door	
47	1001126828	5	Nut, Tinnerman	
48	1001150260	4	Plate	
49	1001157025	1	Bracket	
50	1001157284	1	Mount	
51	1001157344	1	Bracket	
52	1001157474	1	Bracket	
53	1001157475	1	Panel	
54	1001157612	1	Bracket	
55	1001161711	1	Mount	
56	1001173580	1	Plate	
57	1001186251	4	Plate	
58	1001186254	4	Hinge	
59	1001196768	1	Bracket	
60	1001243414	2	Bolt 3/8	
61	1001250294	1	Bracket	
62	1001250295	1	Bracket	
100	1001256258	1	Hood Kit - Hostile Environment Machines (Not Shown - Includes Items 101-104)	
101	1001116620	1	Hood - Engine Side Front	
102	1001125502	1	Hood - Tank Side Front	
103	1001244463	1	Hood Assembly - Engine Side Rear (See Separate Breakdown in this Section)	
104	1001244465	1	Hood Assembly - Tank Side Rear (See Separate Breakdown in this Section)	

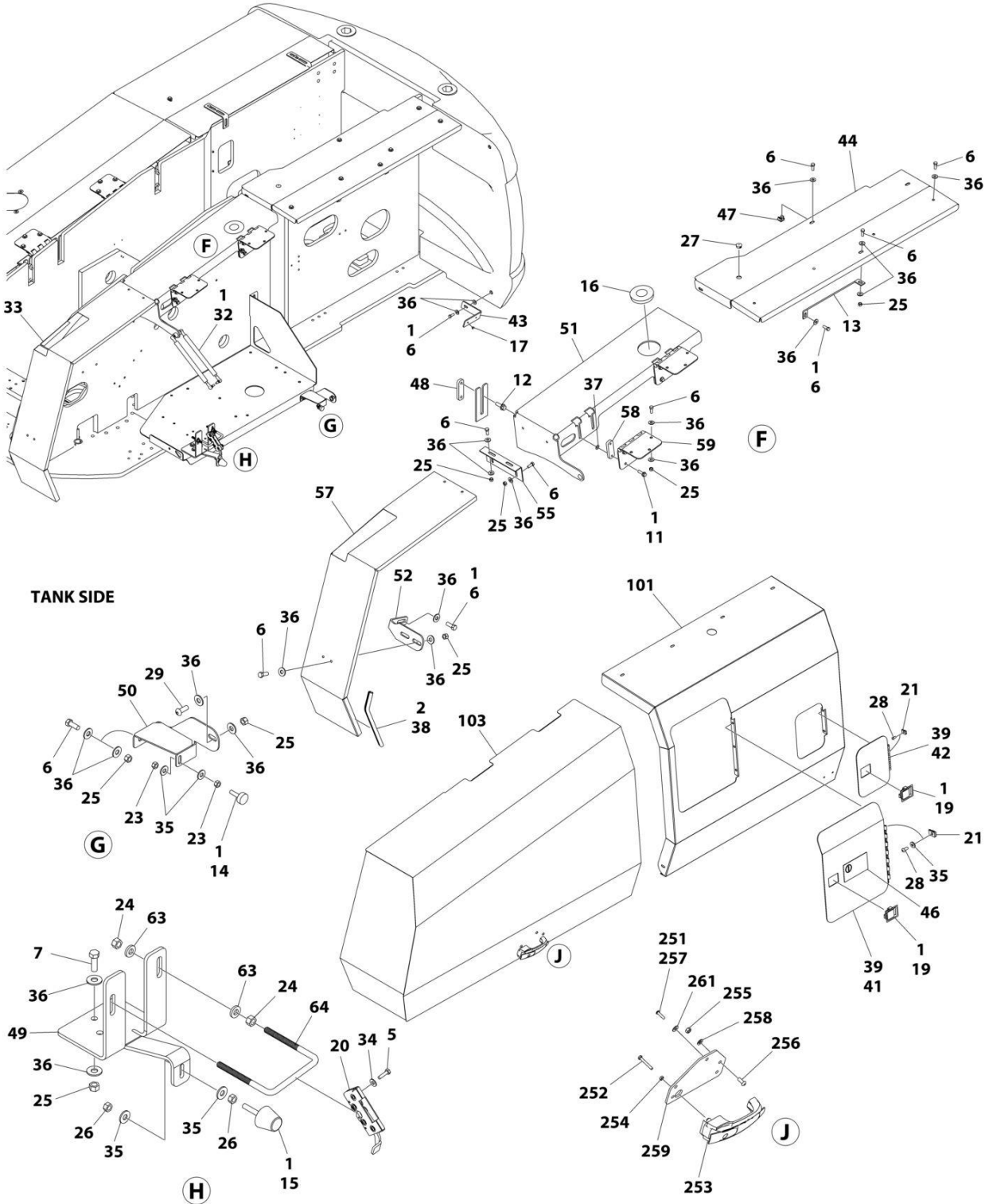
# SECTION 2 - TURNTABLE

FIGURE 2-67. HOODS INSTALLATION – STEEL (DEUTZ TD2.9L4 AND DEUTZ TD2.9L4 (STAGE V) ENGINES) (MACHINES WITH SN STARTING WITH 03 OR 13)



ART\_1001237194\_10F2

# SECTION 2 - TURNTABLE



ART\_1001237194\_20F2

## SECTION 2 - TURNTABLE

**FIGURE 2-67. HOODS INSTALLATION – STEEL (DEUTZ TD2.9L4 AND DEUTZ TD2.9L4 (STAGE V) ENGINES) (MACHINES WITH SN STARTING WITH 03)**

ITEM	PART NUMBER	QTY	DESCRIPTION	REV
		Ref	NOTE: REPLACEMENT DECALS MUST BE PURCHASED SEPARATELY - SEE DECALS SECTION.	
	1001237194	Ref	HOODS INSTALLATION	E
1	0100011	AR	Compound, Locking	
2	0100081	AR	Adhesive	
3	0630485	8	Bolt, Carriage	
4	0641406	4	Bolt 1/4 x 3/4	
5	0641408	8	Bolt 1/4 x 1	
6	0641608	30	Bolt 3/8 x 7/8	
7	0641609	9	Bolt 3/8 x 1-1/8	
8	0641611	2	Bolt 3/8 x 1-3/8	
10	0641616	2	Bolt 3/8 x 2	
11	0811610	8	Screw 3/8 x 1-1/4	
12	0811812	8	Bolt 1/2 x 1-1/2	
13	0902673	1	Bracket	
14	0940049	1	Stopper, Hood	
15	0940088	1	Bumper	
16	1120601	1	Plug	
17	2080040	4	Fastener, Huck	
18	2080072	4	Retainer	
19	2940045	2	Latch, Paddle	
20	2940173	2	Latch	
21	3300364	5	Nut, Tinnerman	
22	3311405	4	Nut 1/4	
23	3311501	2	Nut 5/16	
24	3311601	8	Nut 3/8	
25	3311605	39	Nut 3/8	
26	3321501	2	Nut 5/16	
27	3520030	1	Plug, Hole	
28	3900210	5	Screw, Button Head 5/16 x 3/4	
29	3900316	3	Screw, Button Head 3/8 x 1	
30	3960389	54 in/1.4m	Seal	
32	4160194	4	Spring, Gas	
33	4420038	6 in/16cm	Tape	
34	4751400	12	Washer 1/4	
35	4751500	7	Washer 5/16	
36	4751600	79	Washer 3/8	
37	8310070	8	Push-nut 3/8	
38	1001110166	59 in /1.5mm	Seal	
39	1001113047	84 in /2.14m	Seal	
40	1001116280	1	Bracket, Hood	
41	1001116322	1	Door	
42	1001116344	1	Door	
43	1001116358	1	Bracket	
44	1001117027	1	Bracket	
45	1001117249	1	Plate, Seal	
46	1001117307	1	Decal - Emergency Stop	

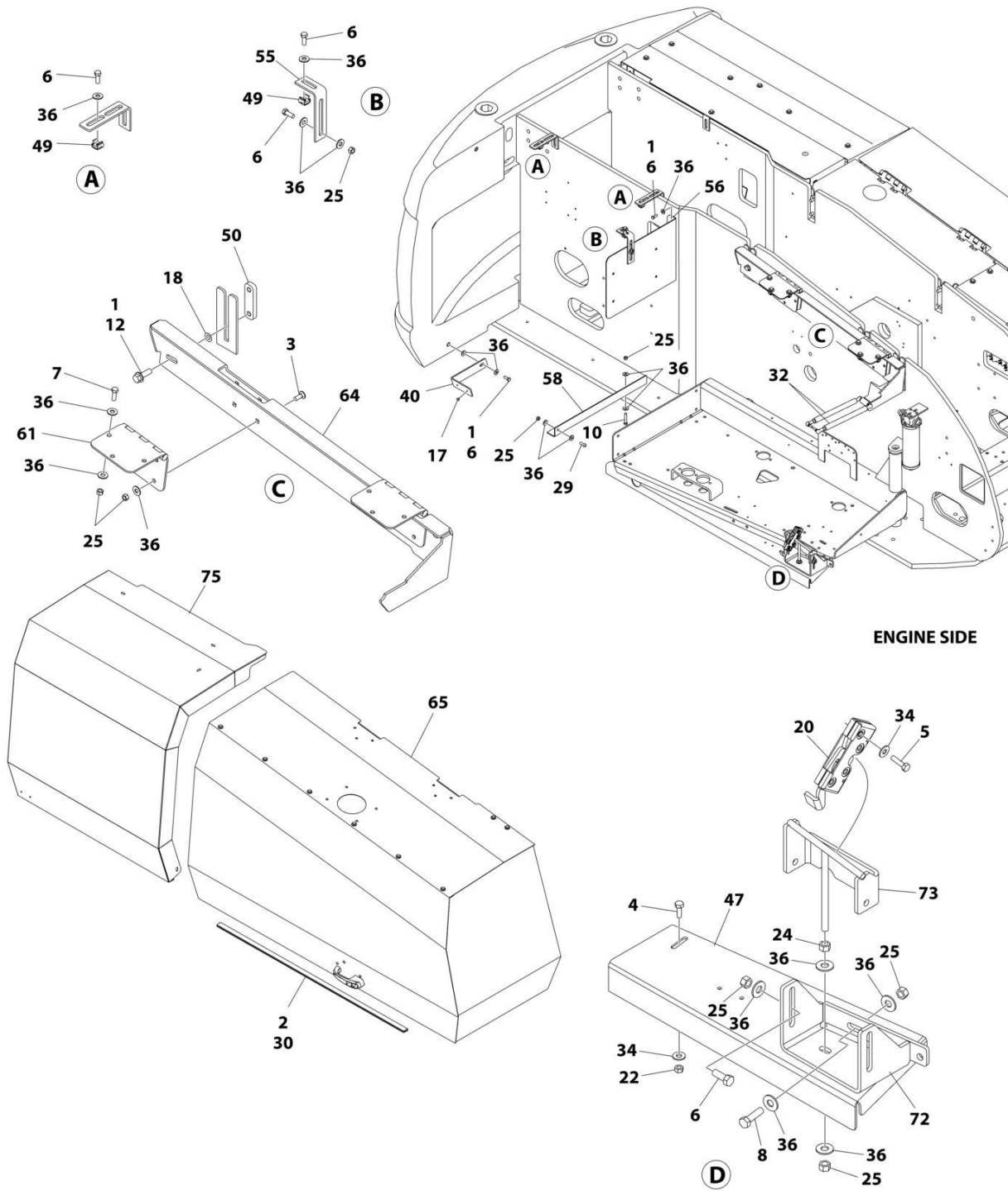


## SECTION 2 - TURNTABLE

ITEM	PART NUMBER	QTY	DESCRIPTION	REV
47	1001126828	5	Nut, Tinnerman	
48	1001150260	4	Plate	
49	1001250295	1	Bracket	
50	1001157025	1	Bracket	
51	1001157284	1	Mount	
52	1001157344	1	Bracket	
53	1001157474	1	Bracket	
54	1001157475	1	Panel	
55	1001157612	1	Bracket	
56	1001161711	1	Mount	
57	1001173580	1	Plate	
58	1001186251	4	Plate	
59	1001186254	4	Hinge	
60	1001250294	1	Bracket	
62	1001196768	1	Bracket	
63	4891600	8	Washer 3/8	
64	1001243414	2	Bolt 3/8	
100	1001237286	1	Hood Kit - Standard Machines (Not Shown - Includes Items 101-104)	
101	1001116558	1	Hood - Tank Side Front	
102	1001116620	1	Hood - Engine Side Front	
103	1001157209	1	Hood Assembly - Tank Side Rear (See Items 351-361 for Breakdown)	
104	1001237205	1	Hood Assembly - Engine Side Rear (See Items 351-361 for Breakdown)	
	1001157209	Ref	HOOD ASSEMBLY - TANK SIDE REAR	C
251	0100011	AR	Compound, Locking	
252	0700615	1	Bolt M6 x 35	
253	2560187	1	Handle, Push Button	
254	3290601	1	Nut M6	
255	3311505	3	Nut 5/16	
256	3900210	3	Screw, Button Head 5/16 x 3/4	
257	3900363	2	Screw, Button Head M6 x 25	
258	4711500	3	Washer 5/16	
259	1001116290	1	Plate, Latch Mounting	
261	4751400	2	Washer 1/4	
	1001237205	Ref	HOOD ASSEMBLY - ENGINE SIDE REAR	B
351	0100011	AR	Compound, Locking	
252	0700618	1	Bolt M6 x 50	
353	2560187	1	Handle, Push Button	
354	3290601	1	Nut M6	
355	3311505	3	Nut 5/16	
356	3900210	3	Screw, Button Head 5/16 x 3/4	
357	3900363	2	Screw, Button Head M6 x 25	
358	4711500	3	Washer 5/16	
359	1001116290	1	Plate, Latch Mounting	
361	4751400	2	Washer 1/4	

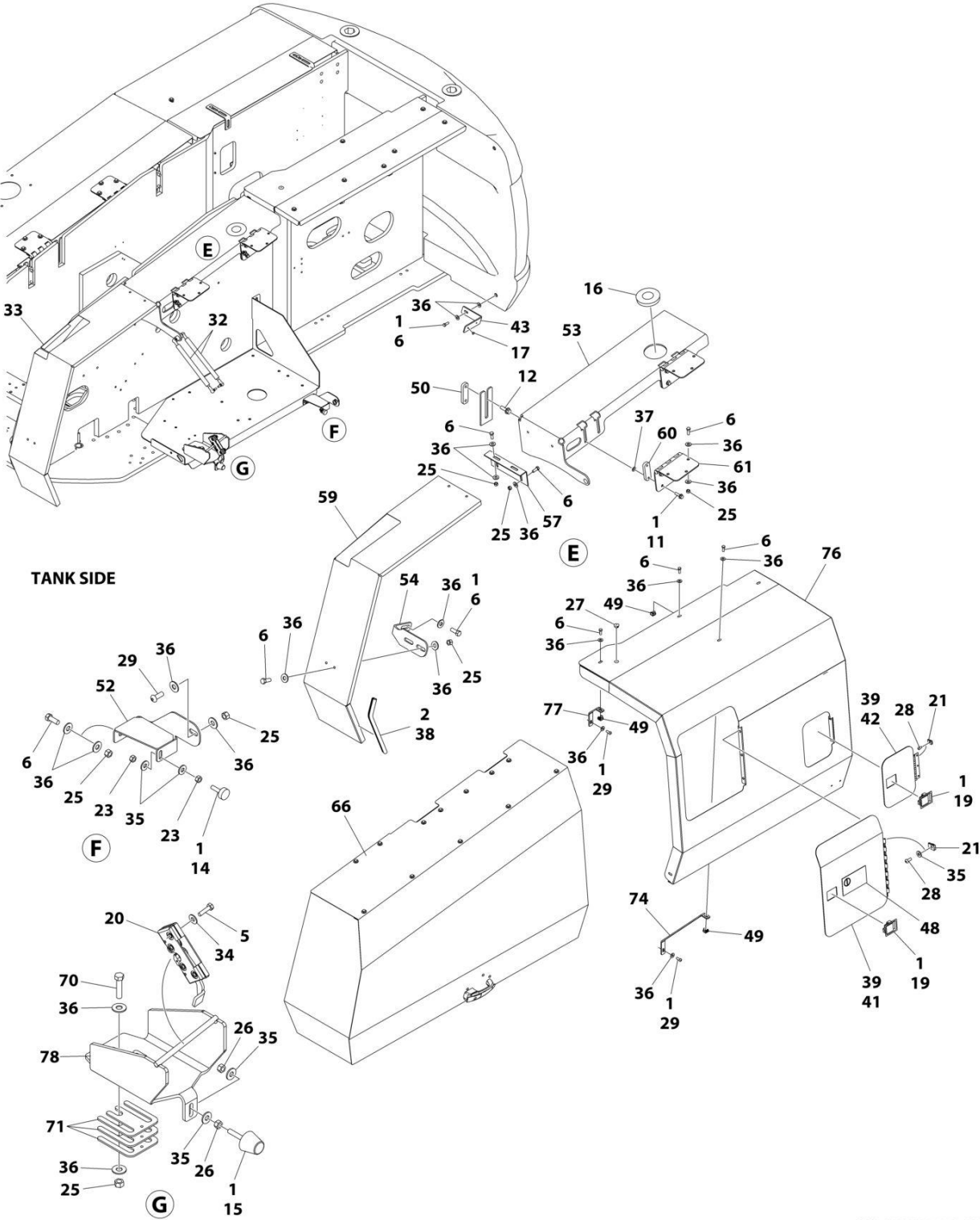
# SECTION 2 - TURNTABLE

FIGURE 2-68. HOODS INSTALLATION - STEEL (DEUTZ TD2.9L4 ENGINES) (MACHINES WITH SN STARTING WITH B3)



ART\_1001244466\_G\_10F2

SECTION 2 - TURNTABLE



ART\_1001244466\_G\_2OF2

## SECTION 2 - TURNTABLE

**FIGURE 2-68. HOODS INSTALLATION - STEEL (DEUTZ TD2.9L4 ENGINES) (MACHINES WITH SN STARTING WITH B3)**

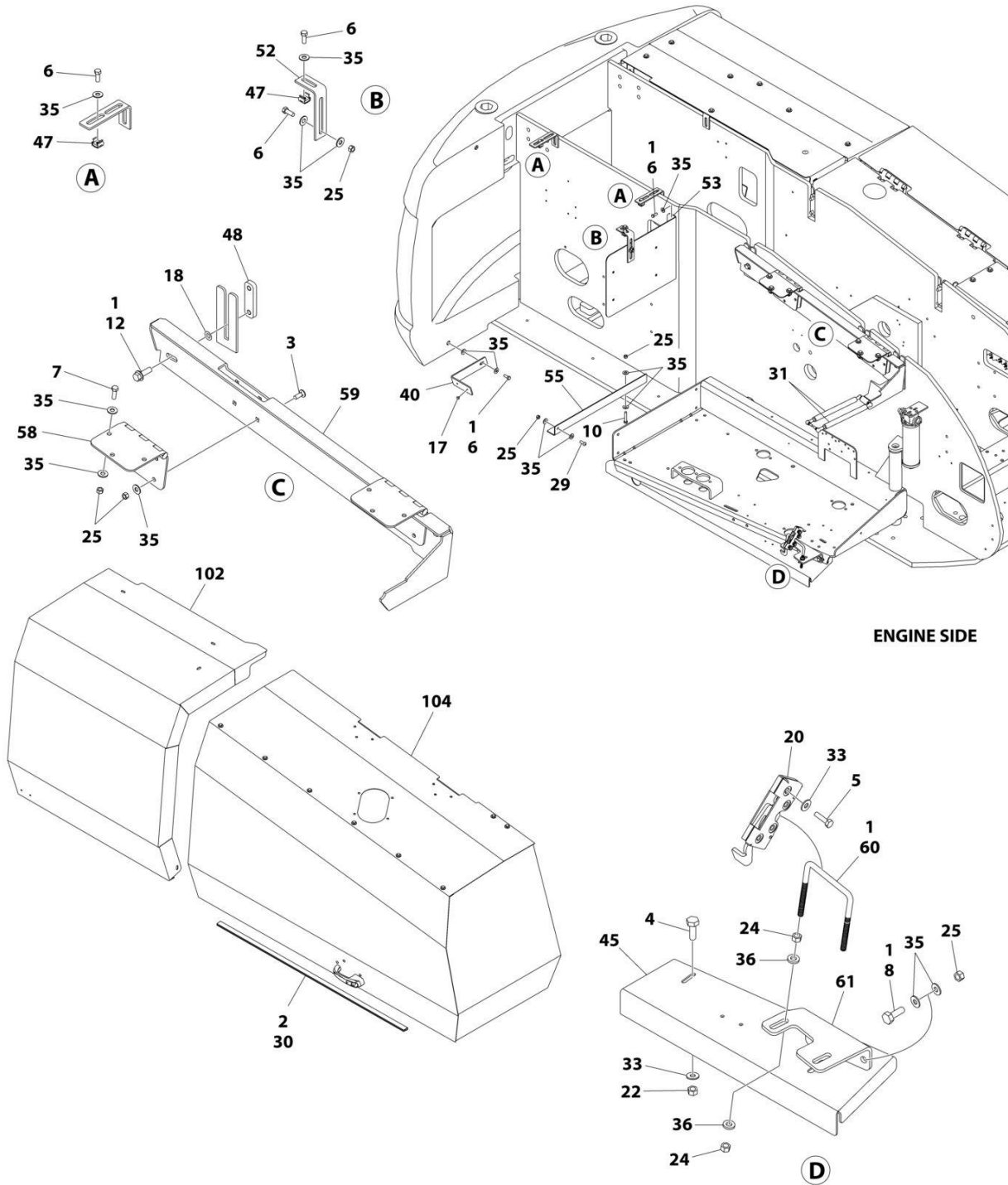
ITEM	PART NUMBER	QTY	DESCRIPTION	REV
		Ref	NOTE: REPLACEMENT DECALS MUST BE PURCHASED SEPARATELY - SEE DECALS SECTION.	
	1001244466	Ref	HOODS INSTALLATION	G
1	0100011	AR	Compound, Locking	
2	0100081	AR	Adhesive	
3	0630485	8	Bolt, Carriage	
4	0641406	4	Bolt 1/4 x 3/4	
5	0641408	8	Bolt 1/4 x 1	
6	0641608	AR	Bolt 3/8 x 7/8	
7	0641609	6	Bolt 3/8 x 1-1/8	
8	0641611	2	Bolt 3/8 x 1-3/8	
10	0641616	2	Bolt 3/8 x 2	
11	0811610	8	Screw 3/8 x 1-1/4	
12	0811812	8	Bolt 1/2 x 1-1/2	
14	0940049	1	Stopper, Hood	
15	0940088	1	Bumper	
16	1120601	1	Plug	
17	2080040	4	Fastener, Huck	
18	2080072	4	Retainer	
19	2940045	2	Latch, Paddle	
20	2940173	2	Latch	
21	3300364	5	Nut, Tinnerman	
22	3311405	4	Nut 1/4	
23	3311501	2	Nut 5/16	
24	3311601	1	Nut 3/8	
25	3311605	41	Nut 3/8	
26	3321501	2	Nut 5/16	
27	3520030	1	Plug, Hole	
28	3900210	5	Screw, Button Head 5/16 x 3/4	
29	3900316	4	Screw, Button Head 3/8 x 1	
30	3960389	54 in/1.4m	Seal	
32	4160194	4	Spring, Gas	
33	4420038	6 in/16cm	Tape	
34	4751400	12	Washer 1/4	
35	4751500	7	Washer 5/16	
36	4751600	AR	Washer 3/8	
37	8310070	8	Push-nut 3/8in	
38	1001110166	59 in /1.5mm	Seal	
39	1001113047	84 in /2.14m	Seal	
40	1001116280	1	Bracket, Hood	
41	1001116322	1	Door	
42	1001116344	1	Door	
43	1001116358	1	Bracket	
47	1001117249	1	Plate, Seal	
48	1001117307	1	Decal - Emergency Stop	
49	1001126828	7	Nut, Tinnerman	
50	1001150260	4	Plate	

## SECTION 2 - TURNTABLE

ITEM	PART NUMBER	QTY	DESCRIPTION	REV
52	1001157025	1	Bracket	
53	1001157284	1	Mount	
54	1001157344	1	Bracket	
55	1001157474	1	Bracket	
56	1001157475	1	Panel	
57	1001157612	1	Bracket	
58	1001161711	1	Mount	
59	1001173580	1	Plate	
60	1001186251	4	Plate	
61	1001186254	4	Hinge	
64	1001196768	1	Bracket	
65	1001244463	1	Hood Assembly - Engine Side Rear (See Separate Breakdown in This Section)	
66	1001244465	1	Hood Assembly - Tank Side Rear (See Separate Breakdown in This Section)	
70	0641613	3	Screw 3/8 x 1-5/8	
71	4071048	3	Shim	
72	1001186501	1	Bracket	
73	1001186502	1	Bracket	
74	1001269959	1	Bracket	
75	1001269988	1	Hood, Engine Side	
76	1001269989	1	Hood, Tank Side	
77	1001271074	1	Bracket	
78	1001272305	1	Bracket	
	0272081	Ref	NOISE REDUCTION INSTALLATION (DEUTZ ENGINE MACHINES)	4-D
401	2820078	1	Foam, Acoustical (Not Shown)	

# SECTION 2 - TURNTABLE

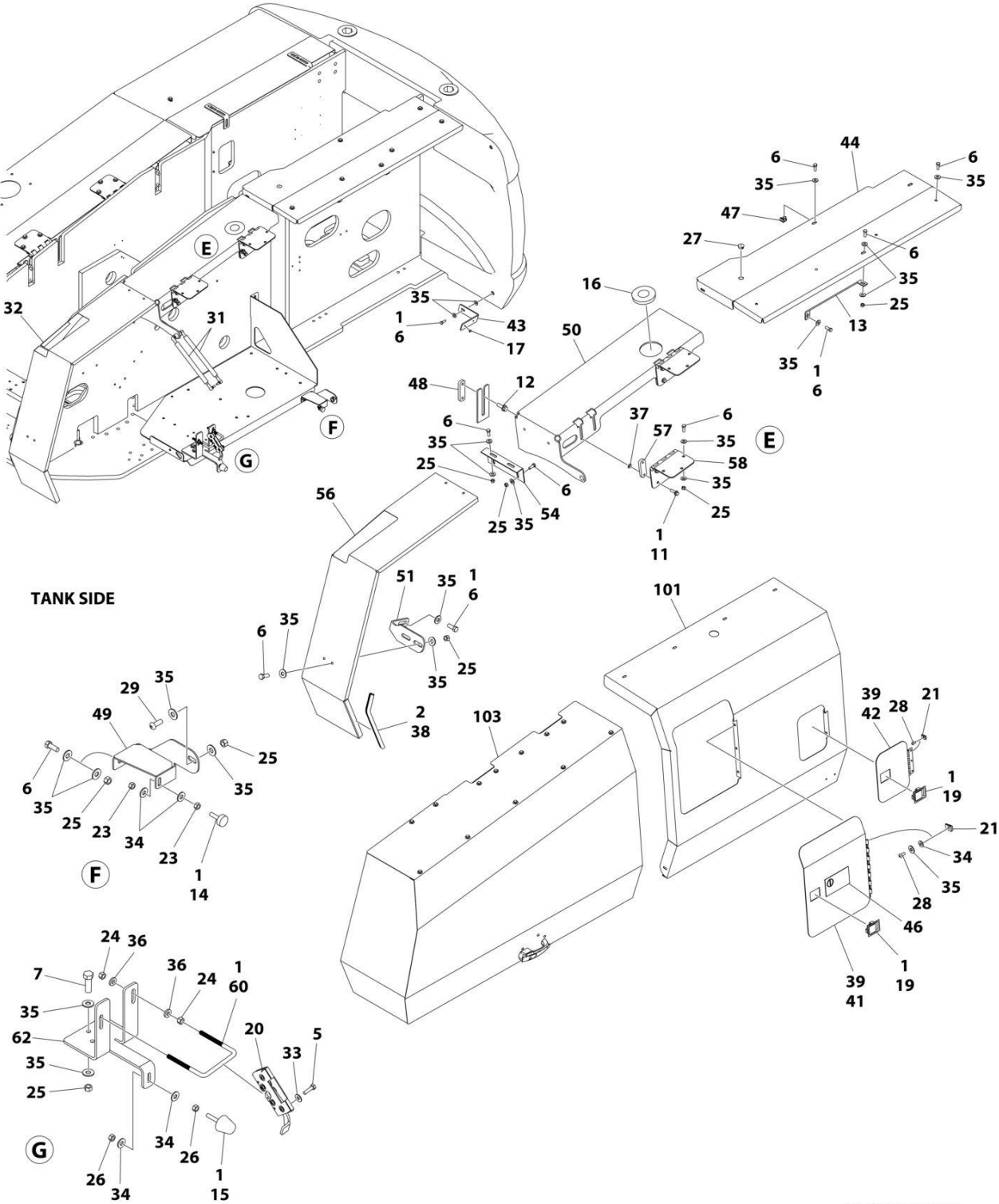
FIGURE 2-69. HOODS INSTALLATION - STEEL (DEUTZ TD2.9L4 (STAGE V) ENGINES) (MACHINES WITH SN STARTING WITH B3)



ENGINE SIDE

ART\_1001256248\_10F2

# SECTION 2 - TURNTABLE



ART\_1001256248\_20F2

## SECTION 2 - TURNTABLE

**FIGURE 2-69. HOODS INSTALLATION - STEEL (DEUTZ TD2.9L4 (STAGE V) ENGINES) (MACHINES WITH SN STARTING WITH B3)**

ITEM	PART NUMBER	QTY	DESCRIPTION	REV
		Ref	NOTE: REPLACEMENT DECALS MUST BE PURCHASED SEPARATELY - SEE DECALS SECTION.	
	1001256248	Ref	HOODS INSTALLATION	C
1	0100011	AR	Compound, Locking	
2	0100081	AR	Adhesive	
3	0630485	8	Bolt, Carriage	
4	0641406	4	Bolt 1/4 x 3/4	
5	0641408	8	Bolt 1/4 x 1	
6	0641608	31	Bolt 3/8 x 7/8	
7	0641609	9	Bolt 3/8 x 1-1/8	
8	0641611	2	Bolt 3/8 x 1-3/8	
10	0641616	2	Bolt 3/8 x 2	
11	0811610	8	Screw 3/8 x 1-1/4	
12	0811812	8	Bolt 1/2 x 1-1/2	
13	0902673	1	Bracket	
14	0940049	1	Stopper, Hood	
15	0940088	1	Bumper	
16	1120601	1	Plug	
17	2080040	4	Fastener, Huck	
18	2080072	4	Retainer	
19	2940045	2	Latch, Paddle	
20	2940173	2	Latch	
21	3300364	5	Nut, Tinnerman	
22	3311405	4	Nut 1/4	
23	3311501	2	Nut 5/16	
24	3311601	8	Nut 3/8	
25	3311605	39	Nut 3/8	
26	3321501	2	Nut 5/16	
27	3520030	1	Plug, Hole	
28	3900210	5	Screw, Button Head 5/16 x 3/4	
29	3900316	2	Screw, Button Head 3/8 x 1	
30	3960389	54 in/1.4m	Seal	
32	4160194	4	Spring, Gas	
33	4420038	6 in/16cm	Tape	
34	4751400	12	Washer 1/4	
35	4751500	7	Washer 5/16	
36	4751600	80	Washer 3/8	
37	8310070	8	Push-nut 3/8in	
38	1001110166	59 in /1.5mm	Seal	
39	1001113047	84 in /2.14m	Seal	
40	1001116280	1	Bracket, Hood	
41	1001116322	1	Door	
42	1001116344	1	Door	
43	1001116358	1	Bracket	
44	1001117027	1	Bracket	
45	1001117249	1	Plate, Seal	
46	1001117307	1	Decal - Emergency Stop	

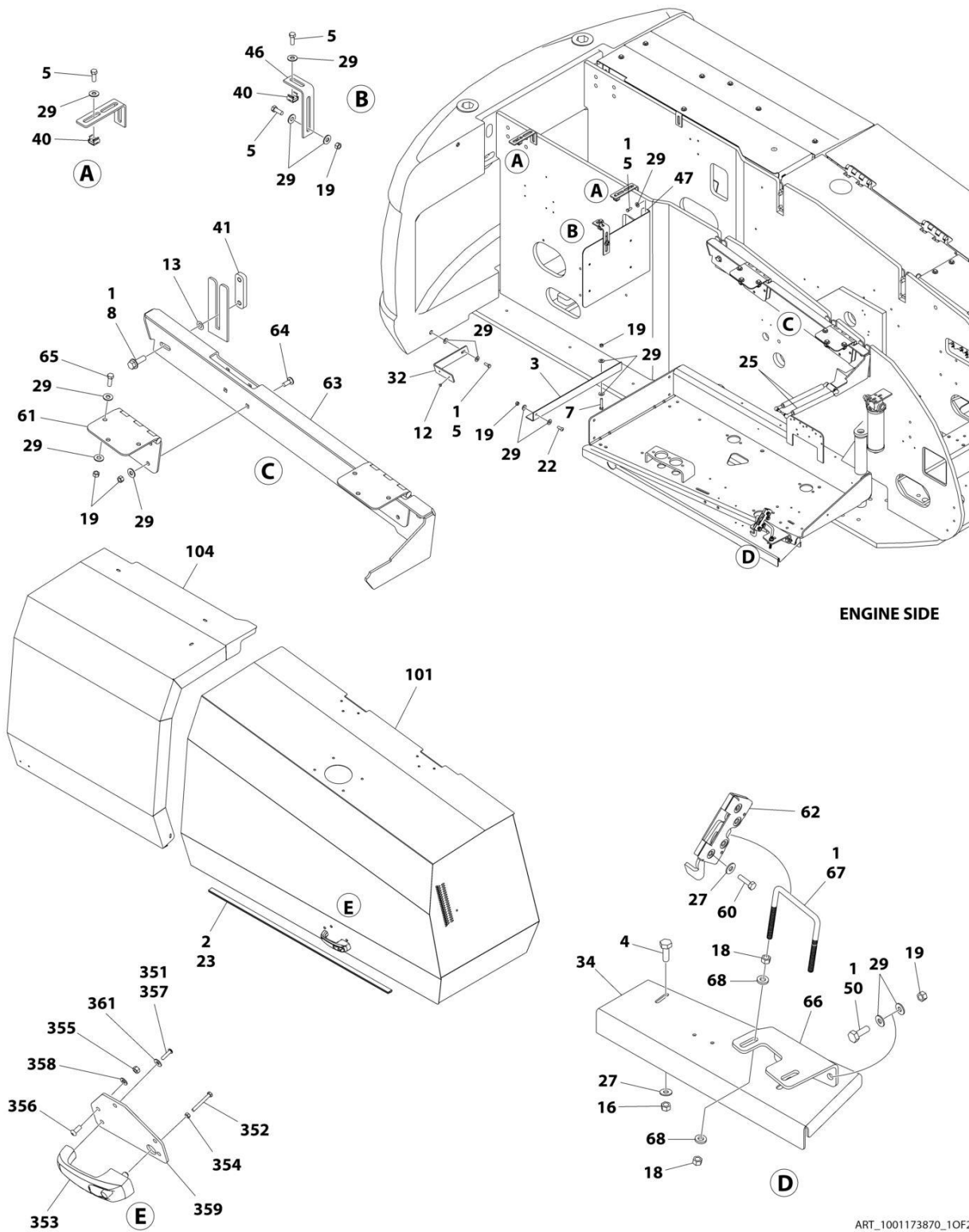


## SECTION 2 - TURNTABLE

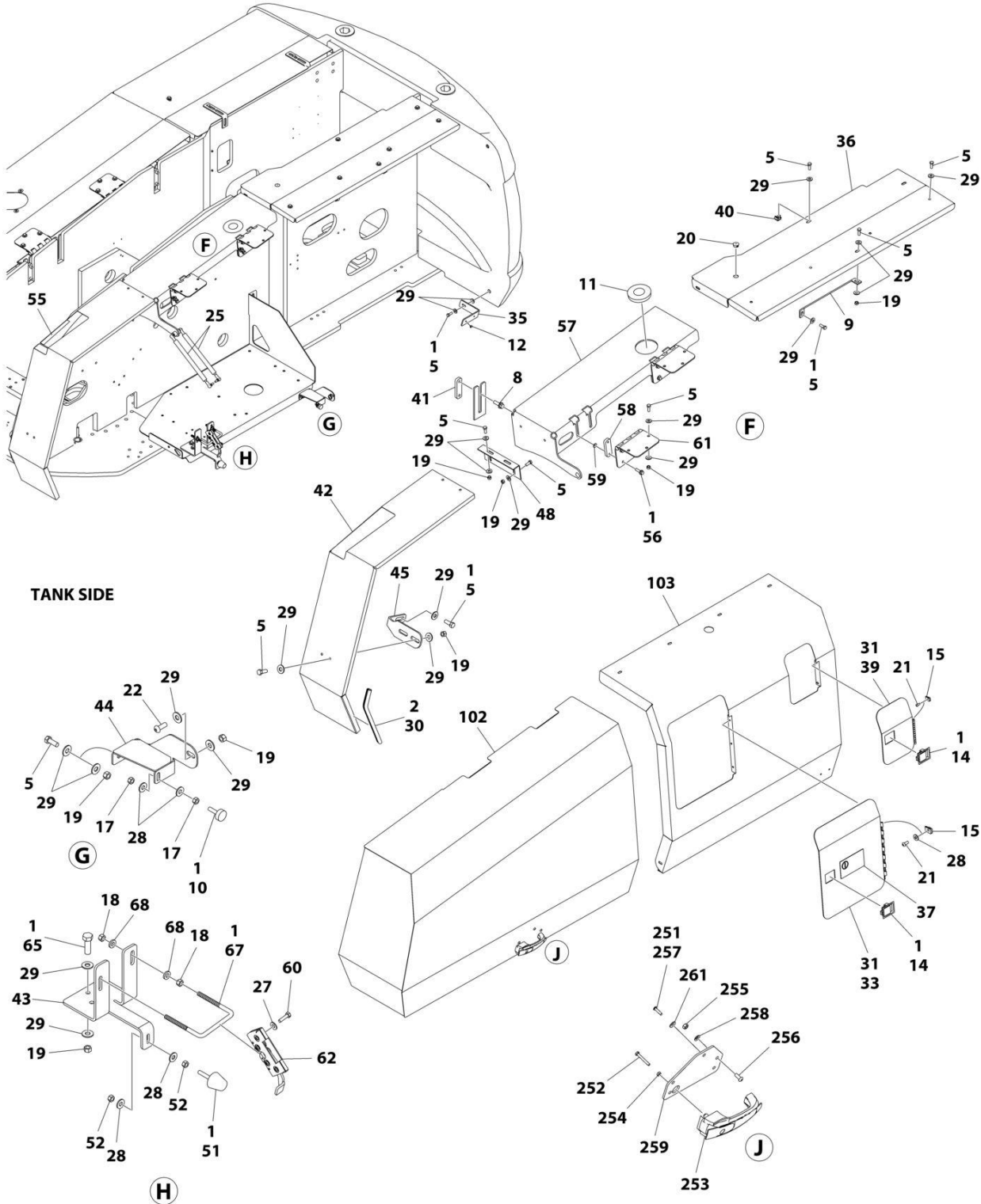
ITEM	PART NUMBER	QTY	DESCRIPTION	REV
47	1001126828	5	Nut, Tinnerman	
48	1001150260	4	Plate	
49	1001157025	1	Bracket	
50	1001157284	1	Mount	
51	1001157344	1	Bracket	
52	1001157474	1	Bracket	
53	1001157475	1	Panel	
54	1001157612	1	Bracket	
55	1001161711	1	Mount	
56	1001173580	1	Plate	
57	1001186251	4	Plate	
58	1001186254	4	Hinge	
59	1001196768	1	Bracket	
60	1001243414	2	Bolt 3/8	
61	1001250294	1	Bracket	
62	1001250295	1	Bracket	
100	1001256247	1	Hood Kit - Standard Machines (Not Shown - Includes Items 101-104)	
101	1001116558	1	Hood - Tank Side Front	
102	1001116620	1	Hood - Engine Side	
103	1001244465	1	Hood Assembly - Tank Side Rear (See Separate Breakdown in This Section)	
104	1001256244	1	Hood Assembly - Engine Side Rear (See Separate Breakdown in This Section)	

# SECTION 2 - TURNTABLE

## FIGURE 2-70. HOODS INSTALLATION – STEEL WITH HOSTILE ENVIRONMENT MACHINES (DEUTZ TD2.9L4 ENGINES)



SECTION 2 - TURNTABLE



ART\_1001173870\_20F2

## SECTION 2 - TURNTABLE

**FIGURE 2-70. HOODS INSTALLATION – STEEL WITH HOSTILE ENVIRONMENT MACHINES (DEUTZ TD2.9L4 ENGINES)**

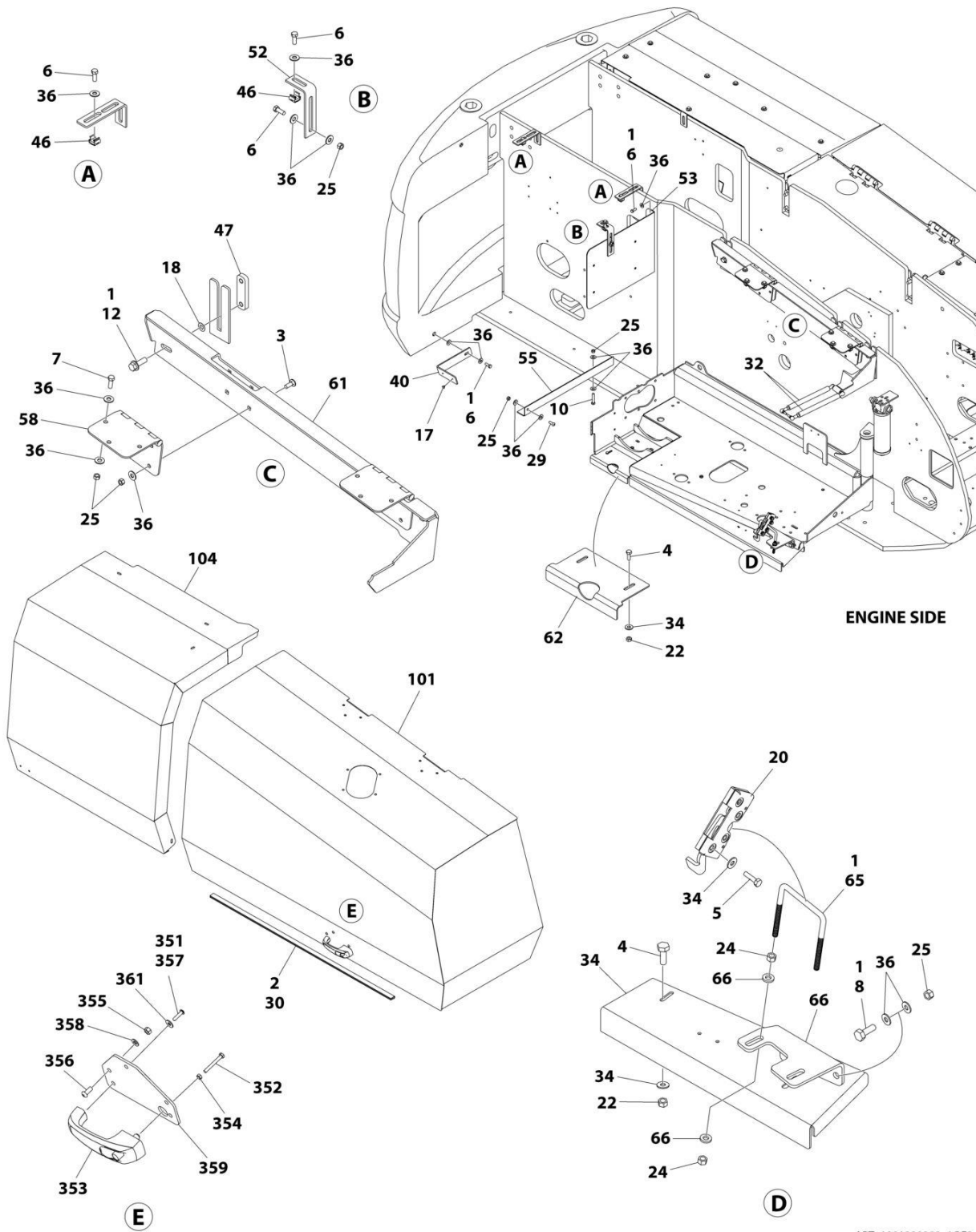
ITEM	PART NUMBER	QTY	DESCRIPTION	REV
		Ref	NOTE: REPLACEMENT DECALS MUST BE PURCHASED SEPARATELY - SEE DECALS SECTION.	
	1001173870	Ref	HOODS INSTALLATION	G
1	0100011	AR	Compound, Locking	
2	0100081	AR	Adhesive	
3	1001161711	1	Mount	
4	0641406	4	Bolt 1/4 x 3/4	
5	0641608	31	Bolt 3/8 x 7/8	
7	0641616	2	Bolt 3/8 x 2	
8	0811812	8	Bolt 1/2 x 1-1/2	
9	0902673	1	Bracket	
10	0940049	1	Stopper, Hood	
11	1120601	1	Plug	
12	2080040	4	Fastener, Huck	
13	2080072	4	Retainer	
14	2940045	2	Latch, Paddle	
15	3300364	5	Nut, Tinnerman	
16	3311405	4	Nut 1/4	
17	3311501	2	Nut 5/16	
18	3311601	8	Nut 3/8	
19	3311605	39	Nut 3/8	
20	3520030	1	Plug, Hole	
21	3900210	5	Screw, Button Head 5/16 x 3/4	
22	3900316	2	Screw, Button Head 3/8 x 1	
23	3960389	54 in/1.4m	Seal	
25	4160194	4	Spring, Gas	
27	4751400	12	Washer 1/4	
28	4751500	7	Washer 5/16	
29	4751600	80	Washer 3/8	
30	1001110166	59 in /1.5mm	Seal	
31	1001113047	84 in /2.14m	Seal	
32	1001116280	1	Bracket, Hood	
33	1001116322	1	Door	
34	1001117249	1	Plate, Seal	
35	1001116358	1	Bracket	
36	1001117027	1	Bracket	
37	1001117307	1	Decal - Emergency Stop	
39	1001125501	1	Door	
40	1001126828	5	Nut, Tinnerman	
41	1001150260	4	Plate	
42	1001173580	1	Plate	
43	1001250295	1	Bracket, Striker	
44	1001157025	1	Bracket	
45	1001157344	1	Bracket	
46	1001157474	1	Bracket	
47	1001157475	1	Panel	
48	1001157612	1	Bracket	

## SECTION 2 - TURNTABLE

ITEM	PART NUMBER	QTY	DESCRIPTION	REV
50	0641611	2	Bolt 3/8 x 1-3/8	
51	0940088	1	Bumper	
52	3321501	2	Nut 5/16	
55	4420038	6 in/16cm	Tape	
56	0811610	8	Screw 3/8 x 1-1/4	
57	1001157284	1	Mount	
58	1001186251	4	Plate	
59	8310070	8	Pushnut 3/8in	
60	0641408	8	Bolt 1/4 x 1	
61	1001186254	4	Hinge	
62	2940173	2	Latch	
63	1001196768	1	Bracket	
64	0630485	8	Bolt, Carriage	
65	0641609	6	Bolt 3/8 x 1-1/8	
66	1001250294	1	Bracket	
67	1001243414	2	Bolt 3/8	
68	4891600	8	Screw 3/8	
100	1001174101	1	Hood Kit - Hostile Environment Machines(Not Shown - Includes Items 101-104)	C
101	1001162915	1	Hood Assembly - Engine Side Rear (See Items 251-261 for Breakdown)	
102	1001157209	1	Hood Assembly - Tank Side Rear (See Items 351-361 for Breakdown)	
103	1001125502	1	Hood - Tank Side Front	
104	1001116620	1	Hood - Engine Side Front	
	1001162915	Ref	HOOD ASSEMBLY - ENGINE SIDE REAR	C
251	0100011	AR	Compound, Locking	
252	0700618	1	Bolt M6 x 50	
253	2560187	1	Handle, Push Button	
254	3290601	1	Nut M6	
255	3311505	3	Nut 5/16	
256	3900210	3	Screw, Button Head 5/16 x 3/4	
257	3900363	2	Screw, Button Head M6 x 25	
258	4711500	3	Washer 5/16	
259	1001116290	1	Plate, Latch Mounting	
261	4751400	2	Washer 1/4	
	1001157209	Ref	HOOD ASSEMBLY - TANK SIDE REAR	B
351	0100011	1	Compound, Locking	
352	0700617	1	Bolt M6 x 45	
353	2560187	1	Handle, Push Button	
354	3290601	1	Nut M6	
355	3311505	3	Nut 5/16	
356	3900210	3	Screw, Button Head 5/16 x 3/4	
357	3900363	2	Screw, Button Head M6 x 25	
358	4711500	3	Washer 5/16	
359	1001116290	1	Plate, Latch Mounting	
361	4751400	2	Washer 1/4	
	0272081	Ref	NOISE REDUCTION INSTALLATION (DEUTZ ENGINE MACHINES)	4-D
401	2820078	1	Foam, Acoustical (Not Shown)	

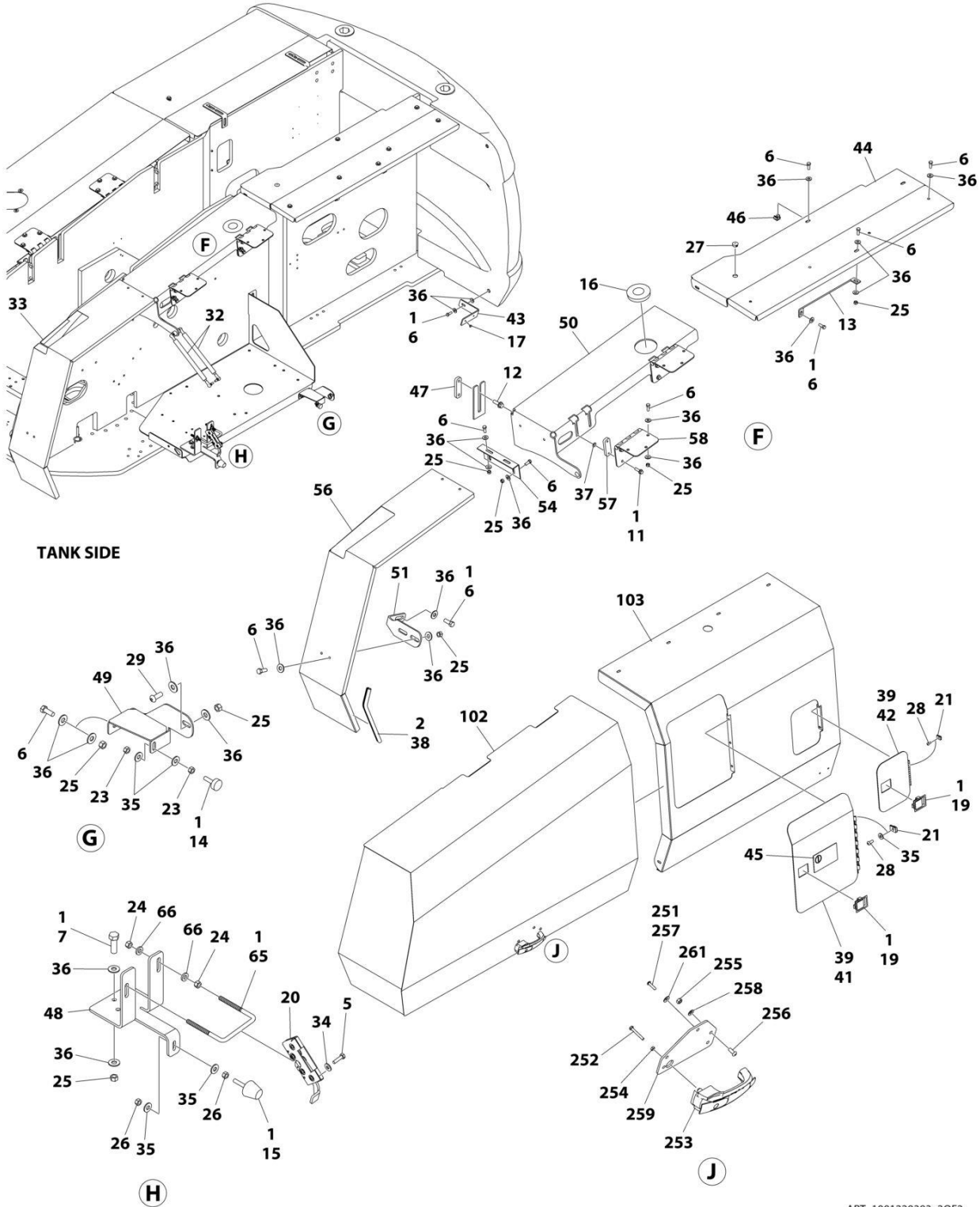
# SECTION 2 - TURNTABLE

## FIGURE 2-71. HOODS INSTALLATION – STEEL (FORD DF 2.5L ENGINES)



ART\_1001220393\_10F2

# SECTION 2 - TURNTABLE



ART\_1001220393\_20F2

## SECTION 2 - TURNTABLE

FIGURE 2-71. HOODS INSTALLATION – STEEL (FORD DF 2.5L ENGINES)

ITEM	PART NUMBER	QTY	DESCRIPTION	REV
		Ref	NOTE: REPLACEMENT DECALS MUST BE PURCHASED SEPARATELY - SEE DECALS SECTION.	
	1001220393	Ref	HOODS INSTALLATION	D
1	0100011	AR	Compound, Locking	
2	0100081	AR	Adhesive	
3	0630485	8	Bolt, Carriage	
4	0641406	5	Bolt 1/4 x 3/4	
5	0641408	8	Bolt 1/4 x 1	
6	0641608	31	Bolt 3/8 x 7/8	
7	0641609	9	Bolt 3/8 x 1-1/8	
8	0641611	2	Bolt 3/8 x 1-3/8	
10	0641616	2	Bolt 3/8 x 2	
11	0811610	8	Screw 3/8 x 1-1/4	
12	0811812	8	Bolt 1/2 x 1-1/2	
13	0902673	1	Bracket	
14	0940049	1	Stopper, Hood	
15	0940088	1	Bumper	
16	1120601	1	Plug	
17	2080040	4	Fastener, Huck	
18	2080072	4	Retainer	
19	2940045	2	Latch, Paddle	
20	2940173	2	Latch	
21	3300364	5	Nut, Tinnerman	
22	3311405	5	Nut 1/4	
23	3311501	2	Nut 5/16	
24	3311601	8	Nut 3/8	
25	3311605	39	Nut 3/8	
26	3321501	2	Nut 5/16	
27	3520030	1	Plug, Hole	
28	3900210	5	Screw, Button Head 5/16 x 3/4	
29	3900316	2	Screw, Button Head 3/8 x 1	
30	3960389	54 in/1.4m	Seal	
32	4160194	4	Spring, Gas	
33	4420038	6 in/16cm	Tape	
34	4751400	13	Washer 1/4	
35	4751500	7	Washer 5/16	
36	4751600	80	Washer 3/8	
37	8310070	8	Push-nut 3/8	
38	1001110166	59 in /1.5mm	Seal	
39	1001113047	84 in /2.14m	Seal	
40	1001116280	1	Bracket, Hood	
41	1001116322	1	Door	
42	1001116344	1	Door	
43	1001116358	1	Bracket	
44	1001117027	1	Bracket	
45	1001117307	1	Decal - Emergency Stop	
46	1001126828	5	Nut, Tinnerman	
47	1001150260	4	Plate	

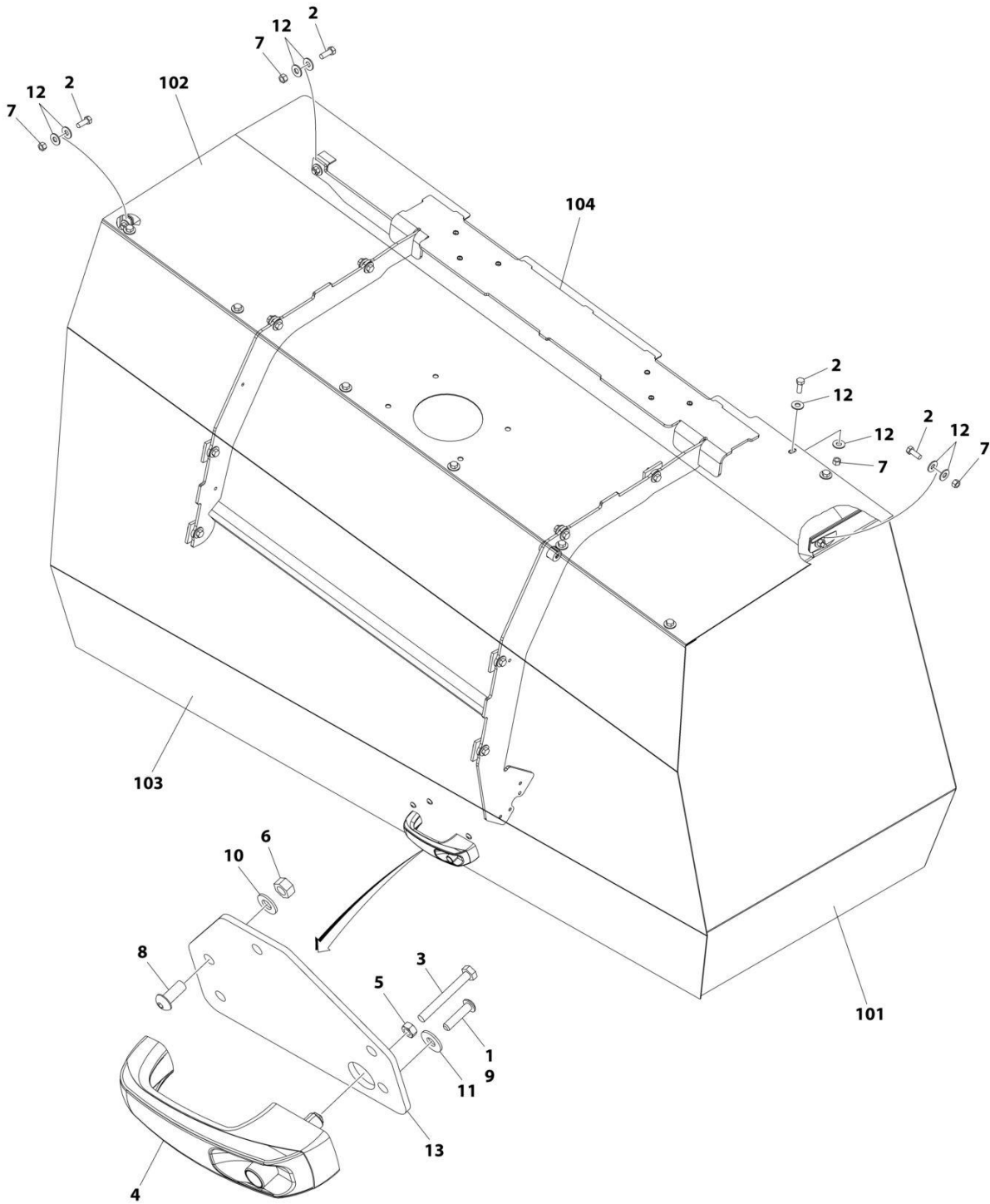


## SECTION 2 - TURNTABLE

ITEM	PART NUMBER	QTY	DESCRIPTION	REV
48	1001250295	1	Bracket, Striker	
49	1001157025	1	Bracket	
50	1001157284	1	Mount	
51	1001157344	1	Bracket	
52	1001157474	1	Bracket	
53	1001157475	1	Panel	
54	1001157612	1	Bracket	
55	1001161711	1	Mount	
56	1001173580	1	Plate	
57	1001186251	4	Plate	
58	1001186254	4	Hinge	
61	1001196768	1	Bracket	
62	1001220002	1	Baffle	
63	1001220067	1	Plate, Seal	
64	1001250294	1	Bracket	
65	1001243414	2	Bolt 3/8	
66	4891600	8	Washer 3/8	
100	1001174283	1	Hood Kit - Standard Machines (Not Shown - Includes Items 101-104)	C
101	1001157208	1	Hood Assembly - Engine Side Rear (See Items 251-261 for Breakdown)	
102	1001157209	1	Hood Assembly - Tank Side Rear (See Items 351-361 for Breakdown)	
103	1001116558	1	Hood - Tank Side Front	
104	1001116620	1	Hood - Engine Side Front	
	1001157208	Ref	HOOD ASSEMBLY - ENGINE SIDE REAR	D
251	0100011	AR	Compound, Locking	
252	0700618	1	Bolt M6 x 50	
253	2560187	1	Handle, Push Button	
254	3290601	1	Nut M6	
255	3311505	3	Nut 5/16	
256	3900210	3	Screw, Button Head 5/16 x 3/4	
257	3900363	2	Screw, Button Head M6 x 25	
258	4711500	3	Washer 5/16	
259	1001116290	1	Plate, Latch Mounting	
261	4751400	2	Washer 1/4	
	1001157209	Ref	HOOD ASSEMBLY - TANK SIDE REAR	B
351	0100011	AR	Compound, Locking	
352	0700617	1	Bolt M6 x 45mm	
353	2560187	1	Handle, Push Button	
354	3290601	1	Nut M6	
355	3311505	3	Locknut 5/16in-18NC	
356	3900210	3	Screw, Button Head 5/16in-18 x 3/4in	
357	3900363	2	Screw, Button Head M6 x 25mm	
358	4711500	3	Flatwasher 5/16in Thin	
359	1001116290	1	Plate, Latch Mounting	
361	4751400	2	Flatwasher 1/4in Regular	

# SECTION 2 - TURNTABLE

FIGURE 2-72. HOOD ASSEMBLY - ENGINE SIDE REAR (DEUTZ TD2.9L4 ENGINES) (MACHINES WITH SN STARTING WITH B3)



ART\_1001244463

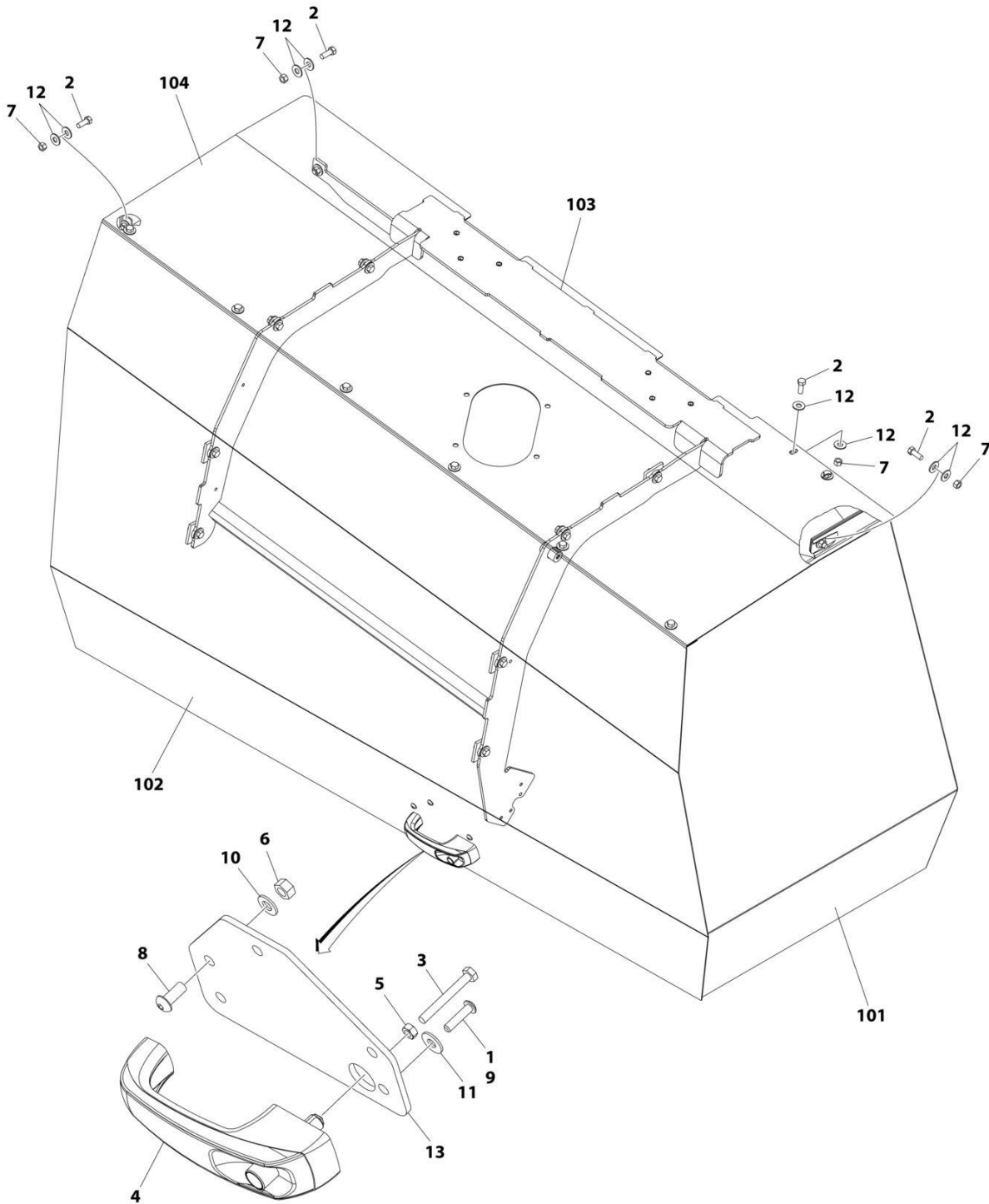
## SECTION 2 - TURNTABLE

**FIGURE 2-72. HOOD ASSEMBLY - ENGINE SIDE REAR (DEUTZ TD2.9L4 ENGINES) (MACHINES WITH SN STARTING WITH B3)**

ITEM	PART NUMBER	QTY	DESCRIPTION	REV
	1001244463	Ref	HOOD ASSEMBLY - ENGINE SIDE REAR	A
1	0100011	AR	Compound, Locking	
2	0641608	28	Bolt 3/8 x 7/8	
3	0700618	1	Bolt M6 x 50	
4	2560187	1	Handle, Push Button	
5	3290601	1	Nut M6	
6	3311505	3	Nut 5/16	
7	3311605	28	Nut 3/8	
8	3900210	3	Screw, Button Head 5/16 x 3/4	
9	3900363	2	Screw, Button Head M6 x 25	
10	4711500	3	Washer 5/16	
11	4751400	2	Washer 1/4	
12	4751600	56	Washer 3/8	
13	1001116290	1	Plate, Latch Mounting	
100	1001243985	1	Hood Engine Side Kit (Not Shown - Includes Items 101-104)	
101	1001239688	1	End Panel	
102	1001239689	1	Top Panel	
103	1001239690	1	Side Panel	
104	1001239691	1	Support	

## SECTION 2 - TURNTABLE

FIGURE 2-73. HOOD ASSEMBLY - ENGINE SIDE REAR (DEUTZ TD2.9L4 (STAGE V) ENGINES)  
(MACHINES WITH SN STARTING WITH B3)



ART\_1001256244

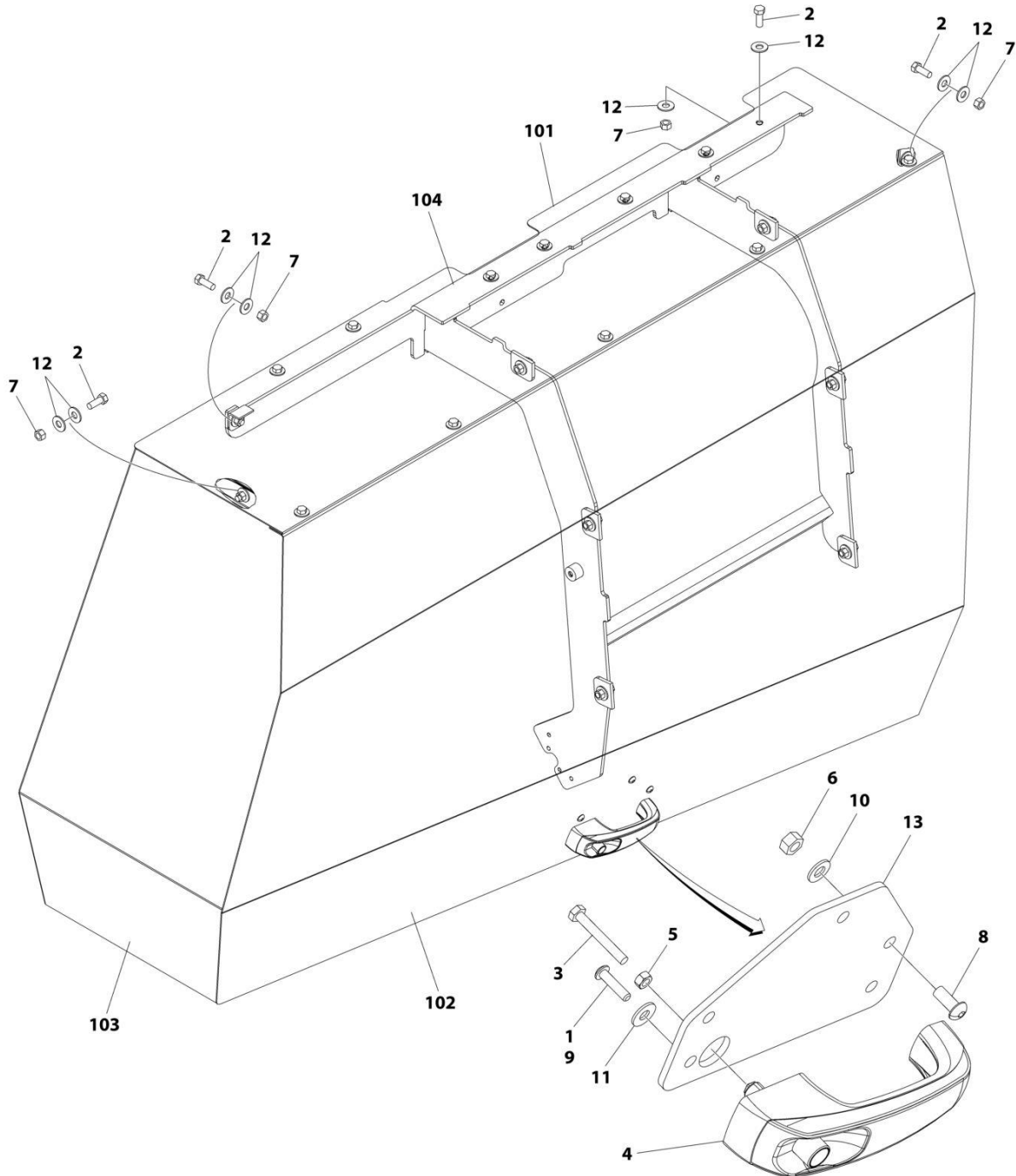
## SECTION 2 - TURNTABLE

**FIGURE 2-73. HOOD ASSEMBLY - ENGINE SIDE REAR (DEUTZ TD2.9L4 (STAGE V) ENGINES)  
(MACHINES WITH SN STARTING WITH B3)**

ITEM	PART NUMBER	QTY	DESCRIPTION	REV
	1001256244	Ref	HOOD ASSEMBLY - ENGINE SIDE REAR	A
1	0100011	AR	Compound, Locking	
2	0641608	28	Bolt 3/8 x 7/8	
3	0700618	1	Bolt M6 x 50	
4	2560187	1	Handle, Push Button	
5	3290601	1	Nut M6	
6	3311505	3	Nut 5/16	
7	3311605	28	Nut 3/8	
8	3900210	3	Screw, Button Head 5/16 x 3/4	
9	3900363	2	Screw, Button Head M6 x 25	
10	4711500	3	Washer 5/16	
11	4751400	2	Washer 1/4	
12	4751600	56	Washer 3/8	
13	1001116290	1	Plate, Latch Mounting	
100	1001256250	1	Hood Engine Side Kit (Not Shown - Includes Items 101-104)	
101	1001239688	1	End Panel	
102	1001239690	1	Side Panel	
103	1001239691	1	Support	
104	1001256203	1	Top Panel	

## SECTION 2 - TURNTABLE

FIGURE 2-74. HOOD ASSEMBLY - TANK SIDE REAR (DEUTZ TD2.9L4 AND DEUTZ TD2.9L4 (STAGE V) ENGINES) (MACHINES WITH SN STARTING WITH B3)



ART\_1001244465

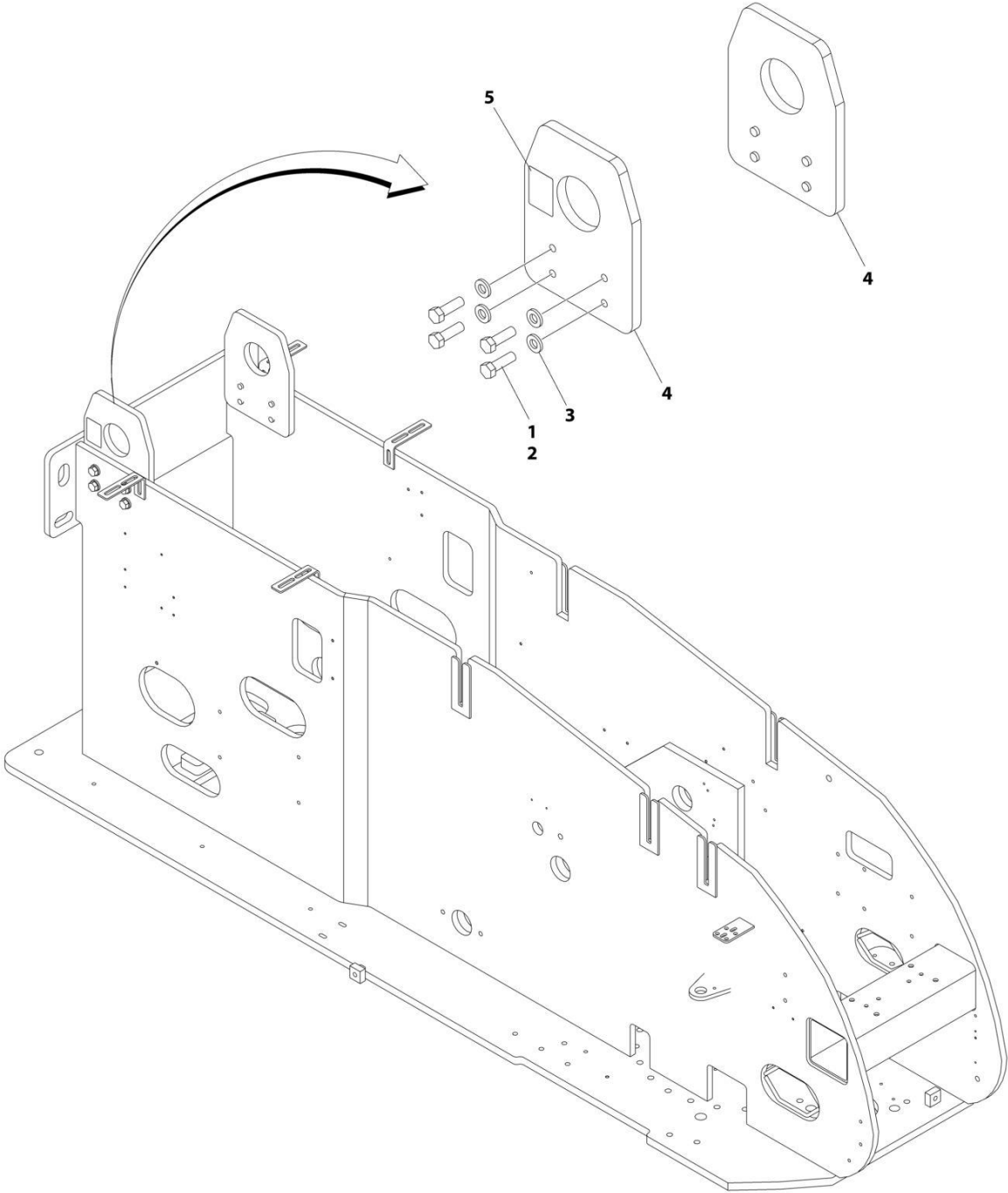
## SECTION 2 - TURNTABLE

**FIGURE 2-74. HOOD ASSEMBLY - TANK SIDE REAR (DEUTZ TD2.9L4 AND DEUTZ TD2.9L4 (STAGE V) ENGINES) (MACHINES WITH SN STARTING WITH B3)**

ITEM	PART NUMBER	QTY	DESCRIPTION	REV
	1001244465	Ref	HOOD ASSEMBLY - TANK SIDE REAR	A
1	0100011	AR	Compound, Locking	
2	0641608	28	Bolt 3/8 x 7/8	
3	0700617	1	Bolt M6 x 45	
4	2560187	1	Handle, Push Button	
5	3290601	1	Nut M6	
6	3311505	3	Nut 5/16	
7	3311605	28	Nut 3/8	
8	3900210	3	Screw, Button Head 5/16 x 3/4	
9	3900363	2	Screw, Button Head M6 x 25	
10	4711500	3	Washer 5/16	
11	4751400	2	Washer 1/4	
12	4751600	56	Washer 3/8	
13	1001116290	1	Plate, Latch Mounting	
100	1001243986	1	Hood Tank Side Kit (Not Shown - Includes Items 101-104)	
101	1001239721	1	Top Panel	
102	1001239722	1	Side Panel	
103	1001239723	1	End Panel	
104	1001239724	1	Support	

# SECTION 2 - TURNTABLE

## FIGURE 2-75. LIFTING PLATE INSTALLATION



ART\_1001158084



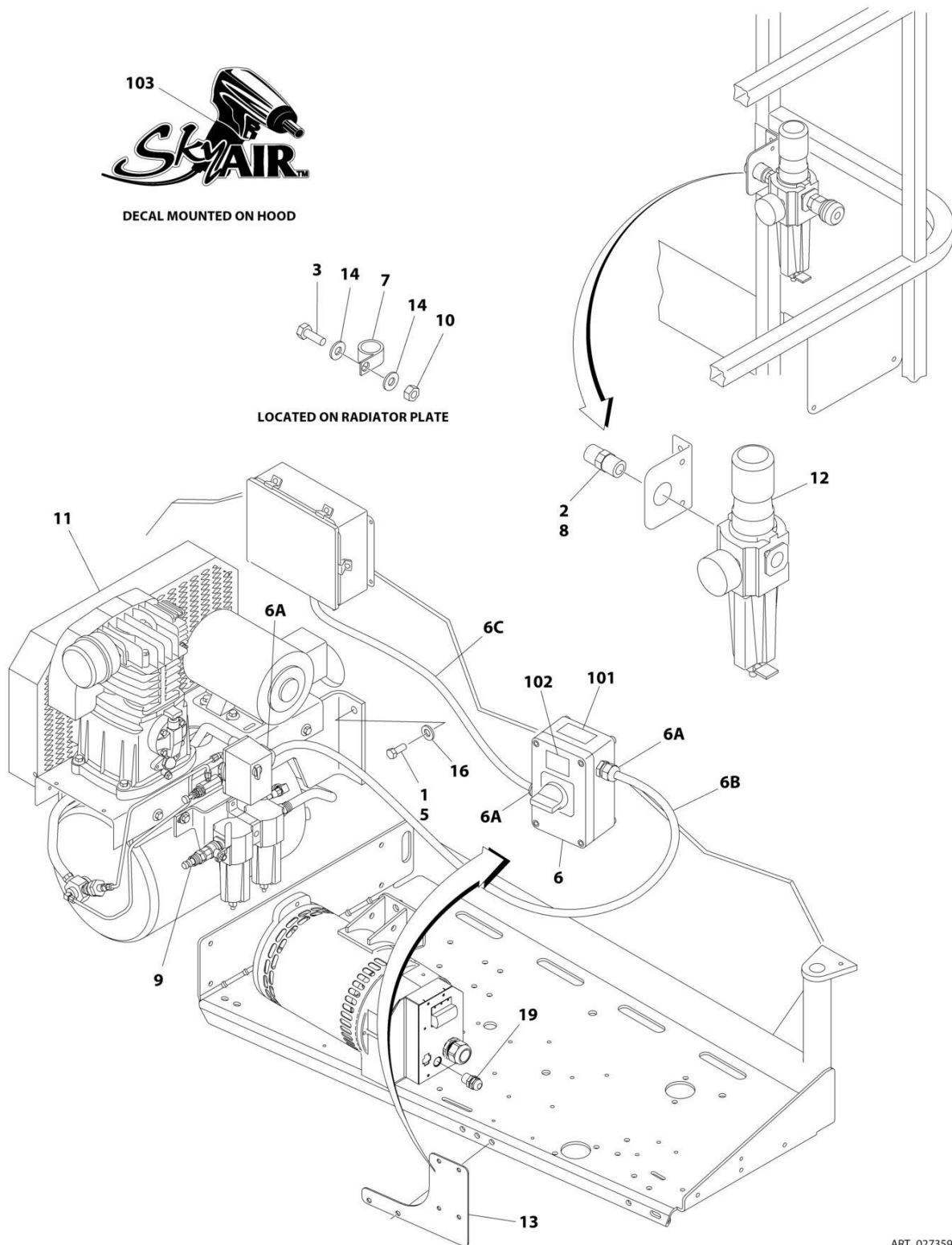
**SECTION 2 - TURNTABLE**

**FIGURE 2-75. LIFTING PLATE INSTALLATION**

<b>ITEM</b>	<b>PART NUMBER</b>	<b>QTY</b>	<b>DESCRIPTION</b>	<b>REV</b>
	1001158084	Ref	LIFTING PLATE INSTALLATION	B
1	0100019	AR	Compound, Locking	
2	0682016	8	Bolt 5/8in-11NC x 2in Grade 8	
3	4892000	8	Flatwasher 5/8in Hardened	
4	1001157870	2	Plate, Lifting	
5	1703811	2	Decal - Lift	

## SECTION 2 - TURNTABLE

FIGURE 2-76. SKYAIR AIR COMPRESSOR INSTALLATION (DEUTZ D2011 AND FORD DF 2.5L ENGINES)



ART\_0273596

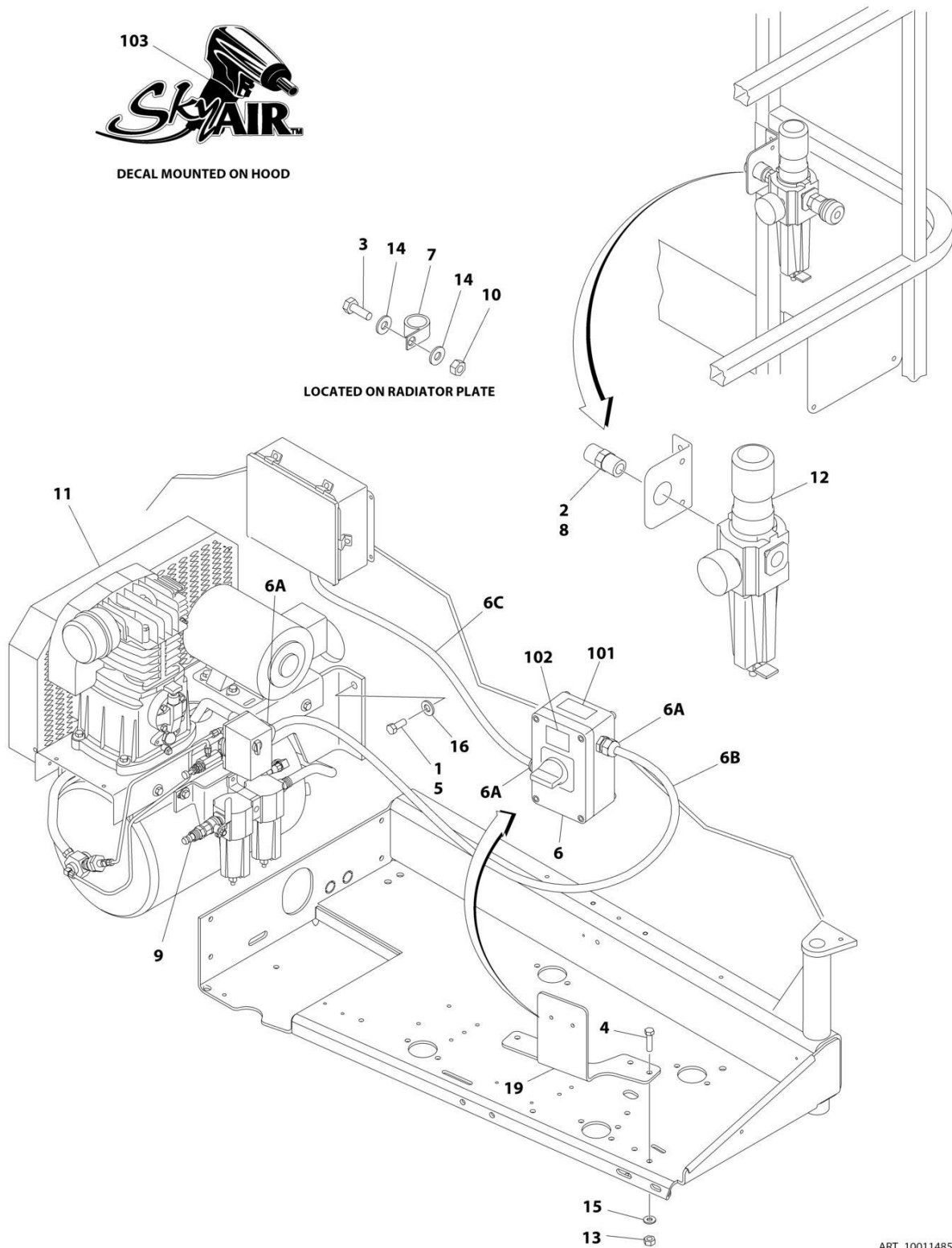
## SECTION 2 - TURNTABLE

**FIGURE 2-76. SKYAIR AIR COMPRESSOR INSTALLATION (DEUTZ D2011 AND FORD DF 2.5L ENGINES)**

ITEM	PART NUMBER	QTY	DESCRIPTION	REV
	0273596	Ref	SKYAIR AIR COMPRESSOR INSTALLATION	B
1	0100019	AR	Compound, Locking	
2	0100020	AR	Sealant #567	
3	0641406	2	Bolt 1/4 x 3/4	
5	0641810	4	Bolt 1/2 x 1-1/4	
6	0861642	1	Control Box Assembly	
6A	4460633	3	Connector, Strain Relief	
6B	70002948	AR	Cable, Electrical - 12/4 (13ft/4m)	
6C	70002948	AR	Cable, Electrical - 12/4 (30in/76cm)	
7	1320224	2	Clamp	
8	2220252	1	Fitting	
9	2220750	1	Fitting	
10	3311405	2	Nut 1/4	
11	3600386	1	Compressor Assembly (See Separate Breakdown in this Section)	
12	3720021	1	Filter/Regulator Assembly	
12	7027781	1	Service Kit (Includes Gaskets and Seals)	
12	7027782	1	Filter	
12	7027784	1	Gauge	
12	7027783	1	Valve, Drain	
13	4340747	1	Bracket, Control Box	
14	4711400	4	Washer 1/4	
16	4751800	4	Washer 1/2	
18	4240033	AR	Tie-Strap (Not Shown)	
19	4460428	1	Connector, Strain Relief	
	0273687	Ref	DECAL INSTALLATION	
101	1705836	1	Decal - Hazard Voltage	
102	1705837	1	Decal - Air Compressor	
103	1705886	2	Decal - SkyAir	

# SECTION 2 - TURNTABLE

## FIGURE 2-77. SKYAIR AIR COMPRESSOR INSTALLATION (DEUTZ TD2.9L4 ENGINES)



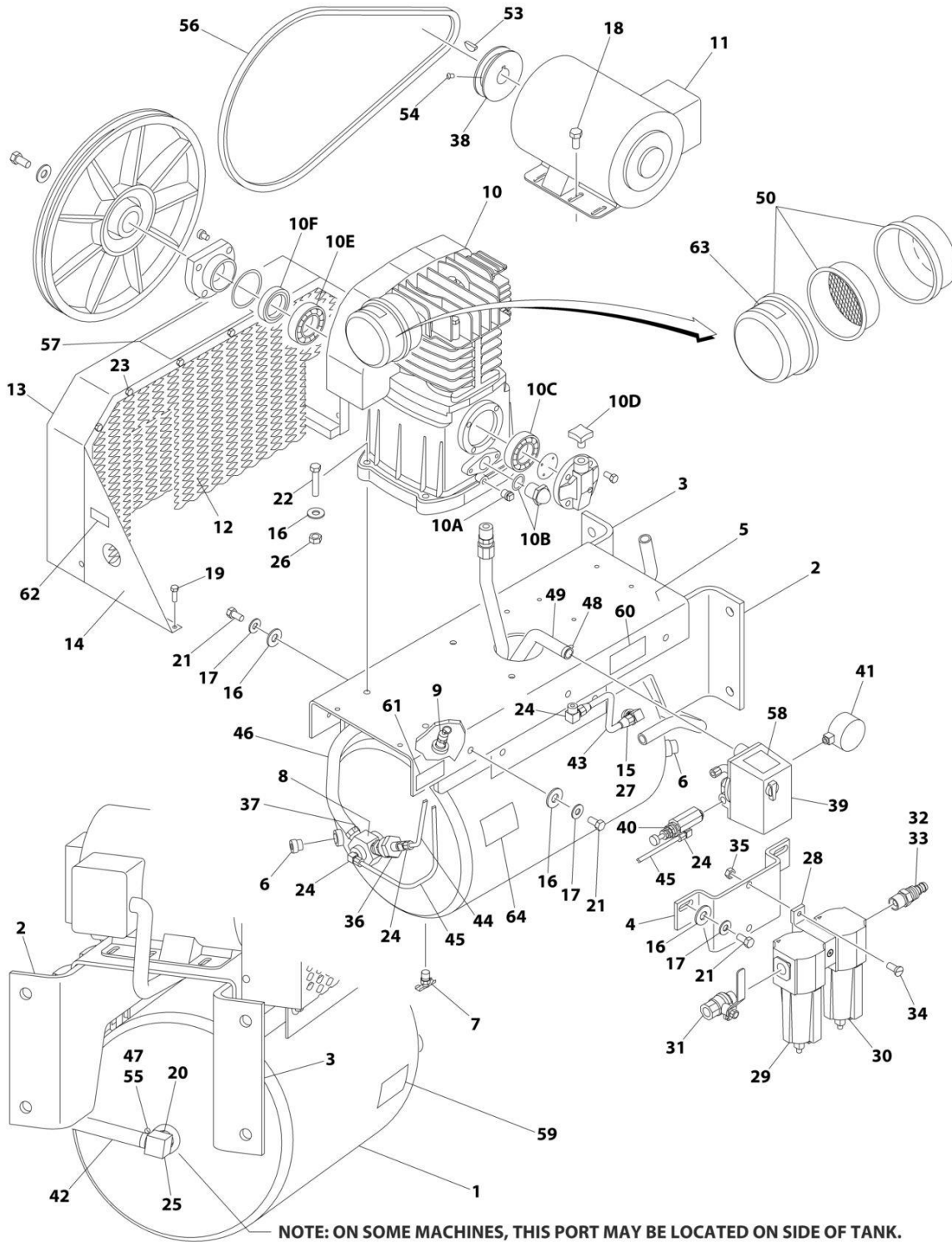
## SECTION 2 - TURNTABLE

**FIGURE 2-77. SKYAIR AIR COMPRESSOR INSTALLATION (DEUTZ TD2.9L4 ENGINES)**

ITEM	PART NUMBER	QTY	DESCRIPTION	REV
	1001148565	Ref	SKYAIR AIR COMPRESSOR INSTALLATION	B
1	0100019	AR	Compound, Locking	
2	0100020	AR	Sealant #567	
3	0641406	2	Bolt 1/4 x 3/4	
4	0641608	3	Bolt 3/8 x 1	
5	0641810	4	Bolt 1/2 x 1-1/4	
6	0861642	1	Control Box Assembly	
6A	4460633	3	Connector, Strain Relief	
6B	70002948	AR	Cable, Electrical - 12/4 (13ft/4m)	
6C	70002948	AR	Cable, Electrical - 12/4 (30in/76cm)	
7	1320224	2	Clamp	
8	2220252	1	Fitting	
9	2220750	1	Fitting	
10	3311405	2	Nut 1/4	
11	3600386	1	Compressor Assembly (See Separate Breakdown in this Section)	
12	3720021	1	Filter/Regulator Assembly	
12	7027781	1	Service Kit (Includes Gaskets and Seals)	
12	7027782	1	Filter	
12	7027784	1	Gauge	
12	7027783	1	Valve, Drain	
13	3311605	3	Nut 3/8	
14	4711400	4	Washer 1/4	
15	4711600	3	Washer 3/8	
16	4751800	4	Washer 1/2	
18	4240033	AR	Tie-Strap (Not Shown)	
19	1001144447	1	Bracket, Control Box	
	0273687	Ref	DECAL INSTALLATION	A
101	1705836	1	Decal - Hazard Voltage	
102	1705837	1	Decal - Air Compressor	
103	1705886	2	Decal - SkyAir	

# SECTION 2 - TURNTABLE

## FIGURE 2-78. AIR COMPRESSOR ASSEMBLY



NOTE: ON SOME MACHINES, THIS PORT MAY BE LOCATED ON SIDE OF TANK.

ART\_3600386

## SECTION 2 - TURNTABLE

### FIGURE 2-78. AIR COMPRESSOR ASSEMBLY

ITEM	PART NUMBER	QTY	DESCRIPTION	REV
	3600386	Ref	AIR COMPRESSOR ASSEMBLY	B
1	7026632	1	Tank	
2	See Note	1	Bracket, Mounting (Note: Not Available for Purchase)	
3	See Note	1	Bracket, Mounting (Note: Not Available for Purchase)	
4	See Note	1	Bracket, Regulator Mounting (Note: Not Available for Purchase)	
5	See Note	1	Deck (Note: Not Available for Purchase)	
6	See Note	2	Plug (Note: Not Available for Purchase)	
7	7026633	1	Valve, Drain	
8	7026634	1	Valve, Check	
9	7026635	1	Valve, Safety	
10	7026636	1	Pump Assembly	
10	7026659	1	Gasket and Seal Kit	
10A	7026651	1	Plug, Oil Drain	
10B	7026652	1	Gauge, Oil Sight	
10C	7026653	1	Bearing	
10D	7026654	1	Cap, Oil Fill	
10E	7026655	1	Bearing	
10F	7026656	1	Seal	
11	7026637	1	Motor Assembly	
11	See Note	1	Brush Kit (Note: Not Available for Purchase)	
12	See Note	1	Screen, Inner (Note: Not Available for Purchase)	
13	See Note	1	Guard, Belt (Note: Not Available for Purchase)	
14	See Note	2	Support (Note: Not Available for Purchase)	
15	See Note	1	Bushing (Note: Not Available for Purchase)	
16	4751600	18	Washer 3/8	
17	4761600	10	Washer 3/8	
18	0641506	4	Bolt 5/16 x 3/4	
19	0641406	8	Bolt 1/4 x 3/4	
20	See Note	1	Bushing (Note: Not Available for Purchase)	
21	0641610	10	Bolt 3/8 x 1-1/4	
22	0641616	4	Bolt 3/8 x 2	
23	See Note	10	Bolt 1/4 x 1/2 (Note: Not Available for Purchase)	
24	See Note	4	Fitting (Note: Not Available for Purchase)	
25	See Note	1	Fitting, Barbed (Note: Not Available for Purchase)	
26	3311605	4	Nut 3/8	
27	See Note	1	Fitting, Compression (Note: Not Available for Purchase)	
28	See Note	1	Bracket, Mounting (Note: Not Available for Purchase)	
29	7026660	1	Filter, Oil Removal	
30	7026661	1	Filter, Water Removal	
31	70001663	1	Valve, Ball Shut-Off	
32	See Note	1	Bushing (Note: Not Available for Purchase)	
33	See Note	1	Fitting, Barbed (Note: Not Available for Purchase)	
34	See Note	2	Screw 1/4 x 1 (Note: Not Available for Purchase)	
35	3311405	2	Nut 1/4	
36	See Note	1	Unloader (Note: Not Available for Purchase)	
37	See Note	1	Fitting (Note: Not Available for Purchase)	
38	See Note	1	Pulley (Note: Not Available for Purchase)	
39	7026638	1	Switch, Pressure	
40	7026639	1	Vale, Pilot	
41	7026640	1	Gauge	

## SECTION 2 - TURNTABLE

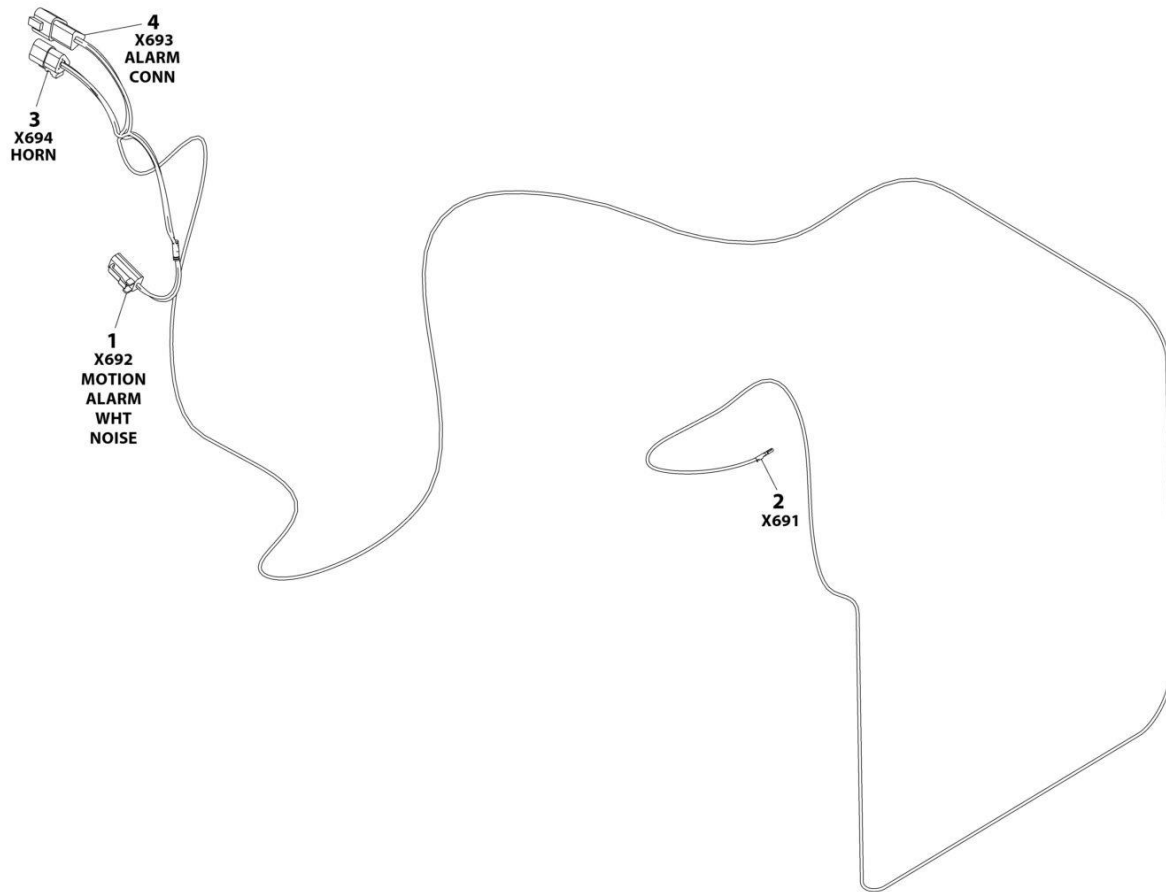
ITEM	PART NUMBER	QTY	DESCRIPTION	REV
42	See Note	1	Hose (Note: Not Available for Purchase)	
43	See Note	1	Tube, Feed (Note: Not Available for Purchase)	
44	See Note	1	Tube (Note: Not Available for Purchase)	
45	See Note	1	Tube (Note: Not Available for Purchase)	
46	See Note	1	Aftercooler (Note: Not Available for Purchase)	
47	See Note	2	Clamp (Note: Not Available for Purchase)	
48	See Note	2	Clamp (Note: Not Available for Purchase)	
49	See Note	1	Harness, Wiring (Note: Not Available for Purchase)	
50	7026658	1	Filter Assembly	
50	7026641	1	Element, Filter	
51	See Note	23 oz	Oil, Compressor (Note: Not Available for Purchase)	
52	0100020	AR	Sealant	
53	See Note	1	Key (Note: Not Available for Purchase)	
54	See Note	2	Setscrew (Note: Not Available for Purchase)	
55	See Note	2	Cover, Clamp End (Note: Not Available for Purchase)	
56	7026642	1	Belt	
57	7026643	1	Decal - Unit Warning	
58	7026644	1	Decal - Pressure Switch Warning	
59	7026645	1	Decal - Drain Tank Warning	
60	7026646	1	Decal - Compressor Maintenance	
61	7026647	1	Decal - Initial Oil Fill	
62	7026648	1	Decal - Hot Surfaces Warning	
63	7026649	1	Decal - Paper Element Cleaning	
64	7026650	1	Decal - Dual Control	





# SECTION 2 - TURNTABLE

## FIGURE 2-79. WHITE NOISE ALARM HARNESS



ART\_1001243682

**SECTION 2 - TURNTABLE**

**FIGURE 2-79. WHITE NOISE ALARM HARNESS**

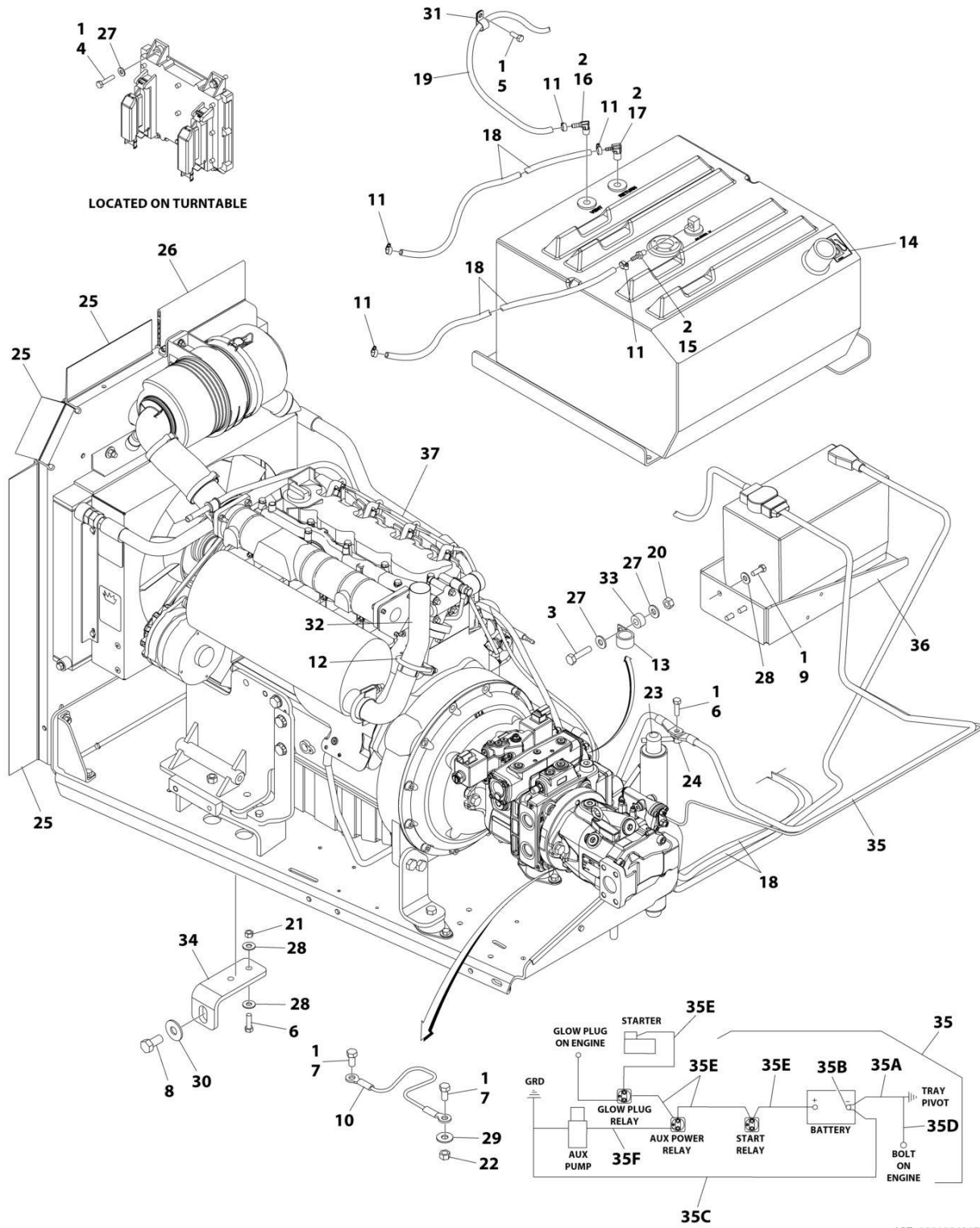
<b>ITEM</b>	<b>PART NUMBER</b>	<b>QTY</b>	<b>DESCRIPTION</b>	<b>REV</b>
	1001243682	Ref	WHITE NOISE ALARM HARNESS	A
1	4460891	1	Plug, Male - 2 Position	
1	4460465	2	Socket, Female	
2	4460871	1	Terminal	
3	4460539	1	Plug, Male- 3 Position	
3	4460465	3	Socket, Female	
4	4460536	1	Receptacle, Female- 3 Position	
4	4460464	3	Pin, Male	



**SECTION 3 - ENGINE**

# SECTION 3 - ENGINE

## FIGURE 3-1. DEUTZ D2011 ENGINE INSTALLATION (WITHOUT ARCTIC PACKAGE)



ART\_1001296317

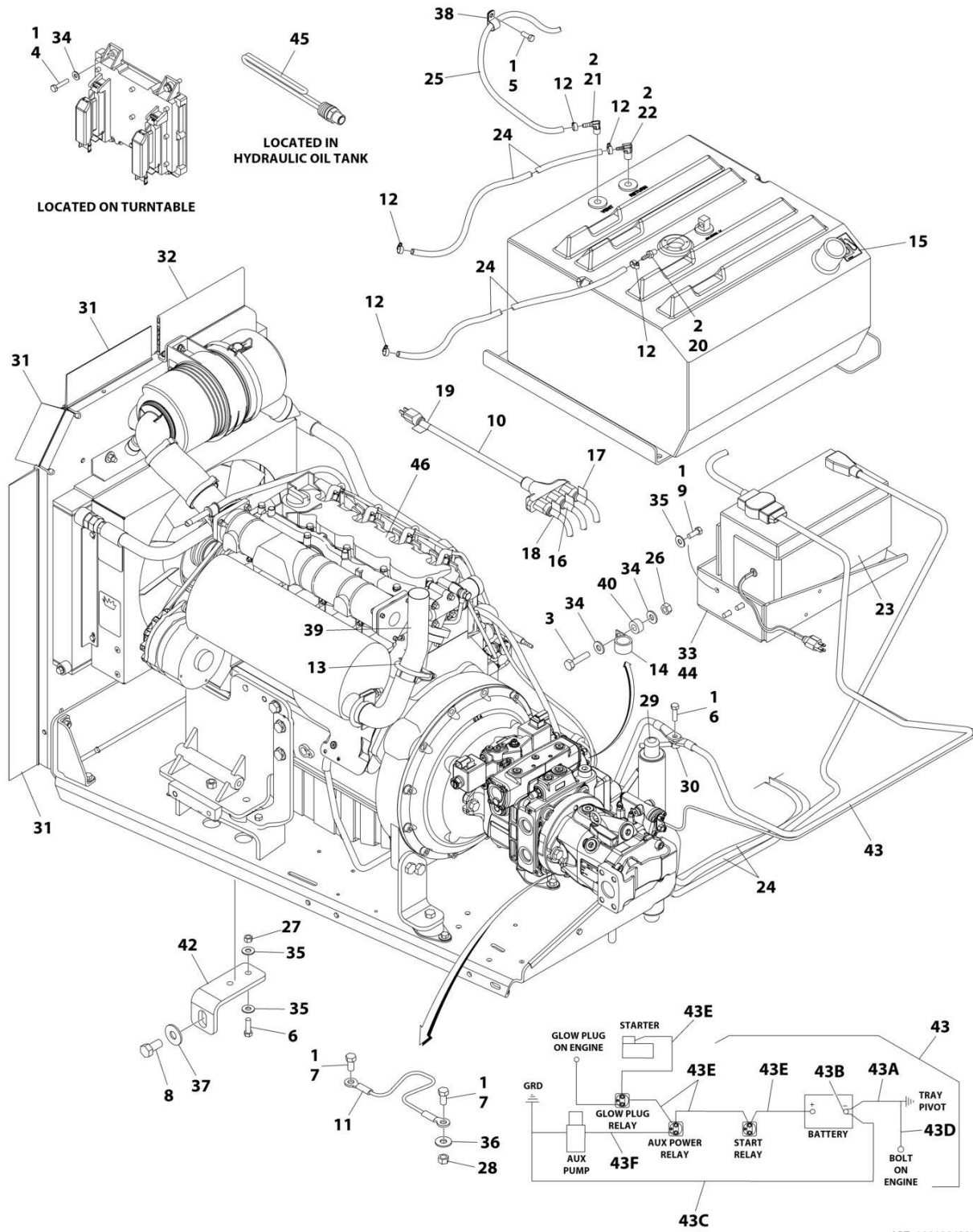
## SECTION 3 - ENGINE

**FIGURE 3-1. DEUTZ D2011 ENGINE INSTALLATION (WITHOUT ARCTIC PACKAGE)**

ITEM	PART NUMBER	QTY	DESCRIPTION	REV
	1001296317	Ref	DEUTZ D2011 ENGINE INSTALLATION	A
1	0100011	AR	Compound, Locking	
2	0100020	AR	Sealant, Pipe	
3	0641409	1	Bolt 1/4 x 1-1/8	
4	0641410	4	Bolt 1/4 x 1-1/4	
5	0641608	1	Bolt 3/8 x 1	
6	0641610	3	Bolt 3/8 x 1-1/4	
7	0641808	2	Bolt 1/2 x 1	
8	0642010	1	Bolt 5/8 x 1-1/4	
9	0681608	3	Bolt 3/8 x 1	
10	1060637	1	Lanyard	
11	1320022	5	Clamp	
12	1320176	1	Clamp	
13	1320224	1	Clamp	
14	1701505	1	Decal - Diesel	
15	2180348	1	Fitting, Straight NPTF/Barbed	
16	2220313	1	Fitting, 90 NPTF/Barbed	
17	2221176	1	Fitting, 90	
18	2720058	30 ft/9 m	Hose	
19	2750532	3.5 ft/1 m	Hose	
20	3311405	1	Nut 1/4	
21	3311605	2	Nut 3/8	
22	3311801	1	Nut 1/2	
23	3422446	1	Pin	
24	3841143	1	Pin, Keeper	
25	3960548	4 ft/1.5 m	Seal	
26	3960549	11 in/28 cm	Seal	
27	4711400	6	Washer 1/4	
28	4751600	7	Washer 3/8	
29	4751800	1	Washer 1/2	
30	4752000	1	Washer 5/8	
31	8406102	1	Clip	
32	1001101600	1	Tube, Exhaust	
33	1001110425	1	Spacer	
34	1001151070	1	Plate	
35	1001155143	1	Battery Cable Kit	D
35A	7027092	1	Cable, Battery (Black) (Battery - to Tray Pivot and Relay Grds)	
35B	8270147	1	Terminal, Battery (With Boot)	
35C	7027093	1	Cable, Battery (Black) (Battery - to Aux Pump and Relay Grds)	
35D	7027053	1	Cable, Battery (Black) (Engine to Tray Pivot Grd)	
35E	7027094	1	Cable (Red) (Battery + to Aux Relay/Power Module/Starter)	
35F	7027095	1	Cable (Red) (Aux Relay to Aux Pump)	
36	1001162497	1	Bracket	
37	1001296316	1	Engine and Pump Assembly without Arctic Package (See Separate Breakdown in this Section)	

# SECTION 3 - ENGINE

## FIGURE 3-2. DEUTZ D2011 ENGINE INSTALLATION (WITH ARCTIC PACKAGE)



ART\_1001296320



## SECTION 3 - ENGINE

**FIGURE 3-2. DEUTZ D2011 ENGINE INSTALLATION (WITH ARCTIC PACKAGE)**

ITEM	PART NUMBER	QTY	DESCRIPTION	REV
	1001296320	Ref	DEUTZ D2011 ENGINE INSTALLATION	A
1	0100011	AR	Compound, Locking	
2	0100020	AR	Sealant, Pipe	
3	0641409	1	Bolt 1/4 x 1-1/8	
4	0641410	4	Bolt 1/4 x 1-1/4	
5	0641608	1	Bolt 3/8 x 1	
6	0641610	3	Bolt 3/8 x 1-1/4	
7	0641808	2	Bolt 1/2 x 1	
8	0642010	1	Bolt 5/8 x 1-1/4	
9	0681608	3	Bolt 3/8 x 1	
10	1060626	1	Cord, 3 Way Extension	
11	1060637	1	Lanyard	
12	1320022	5	Clamp	
13	1320176	1	Clamp	
14	1320224	1	Clamp	
15	1701505	1	Decal - Diesel	
16	1702941	1	Decal - Battery Heater	
17	1702942	1	Decal - Engine Block Heater	
18	1702943	1	Decal - Hydraulic Tank Heater	
19	1702944	1	Decal - Heater Cord	
20	2180348	1	Fitting, Straight NPTF/Barbed	
21	2220313	1	Fitting, 90 NPTF/Barbed	
22	2221176	1	Fitting, 90	
23	2580024	1	Heater, Battery	
24	2720058	30 ft/9 m	Hose	
25	2750532	3.5 ft/1 m	Hose	
26	3311405	1	Nut 1/4	
27	3311605	2	Nut 3/8	
28	3311801	1	Nut 1/2	
29	3422446	1	Pin, Pivot	
30	3841143	1	Pin, Keeper	
31	3960548	4 ft/1.5 m	Seal	
32	3960549	11 in/28 cm	Seal	
33	3980007	1	Seat, Battery	
34	4711400	6	Washer 1/4	
35	4751600	7	Washer 3/8	
36	4751800	1	Washer 1/2	
37	4752000	1	Washer 5/8	
38	8406102	1	Clip	
39	1001101600	1	Tube, Exhaust	
40	1001110425	1	Spacer	
41	1001150918	1	Cable, Immersion Heater (Not Shown)	
42	1001151070	1	Plate	
43	1001155143	1	Battery Cable Kit	
43A	7027092	1	Cable, Battery (Black) (Battery - to Tray Pivot and Relay Grds)	
43B	8270147	1	Terminal, Battery (With Boot)	
43C	7027093	1	Cable, Battery (Black) (Battery - to Aux Pump and Relay Grds)	
43D	7027053	1	Cable, Battery (Black) (Engine to Tray Pivot Grd)	
43E	7027094	1	Cable (Red) (Battery + to Aux Relay/Power Module/Starter)	

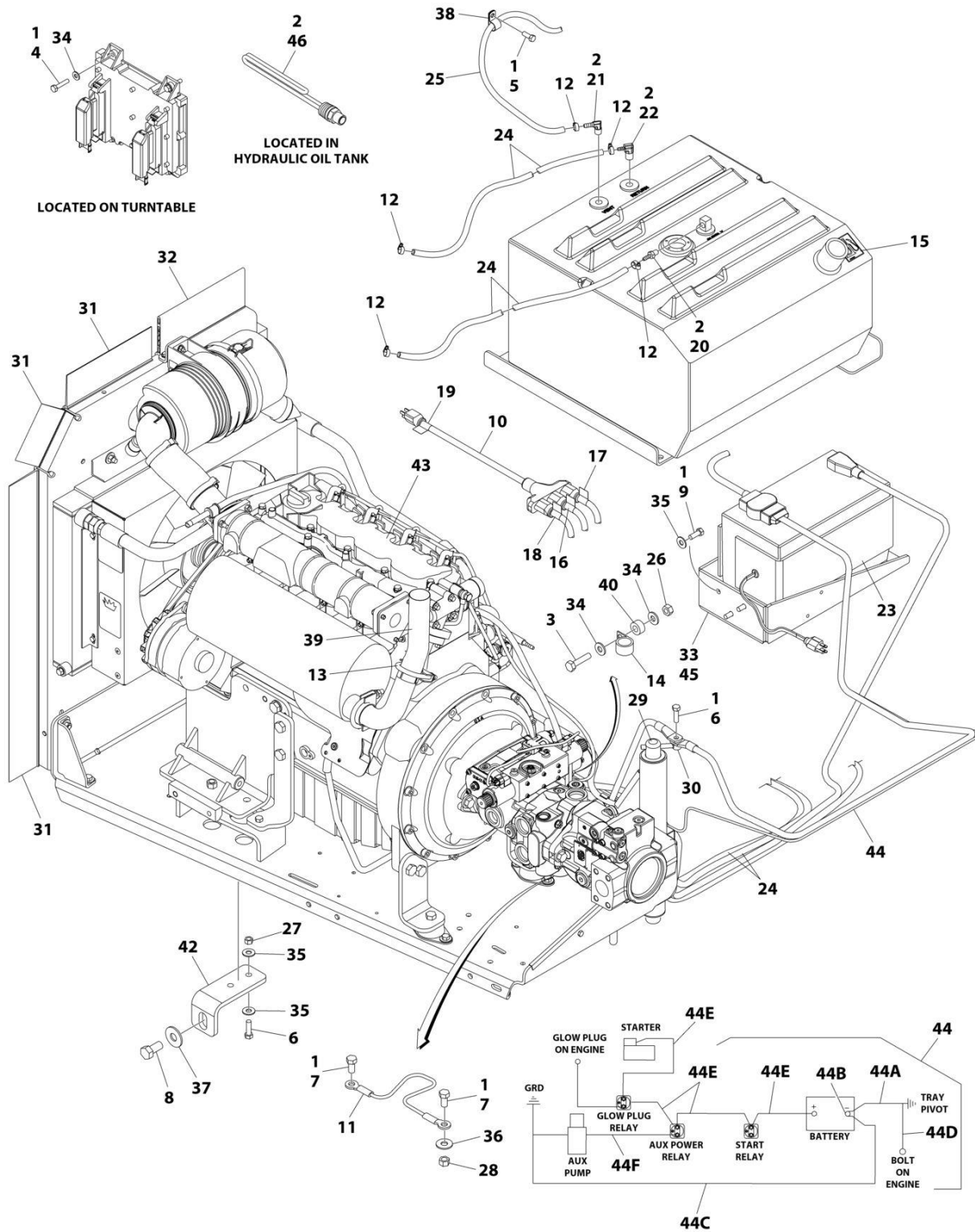
## SECTION 3 - ENGINE

ITEM	PART NUMBER	QTY	DESCRIPTION	REV
43F	7027095	1	Cable (Red) (Aux Relay to Aux Pump)	
44	1001162497	1	Bracket	
45	1001188972	1	Heater, Hydraulic Tank	
46	1001296318	1	Engine and Pump Assembly with Arctic Package (See Separate Breakdown in this Section)	



# SECTION 3 - ENGINE

**FIGURE 3-3. DEUTZ D2011 ENGINE INSTALLATION - (WITH ARCTIC PACKAGE) (WITH 47.8 GAL CAPACITY HYDRAULIC TANK)**



ART\_1001287834

## SECTION 3 - ENGINE

**FIGURE 3-3. DEUTZ D2011 ENGINE INSTALLATION - (WITH ARCTIC PACKAGE) (WITH 47.8 GAL CAPACITY HYDRAULIC TANK)**

ITEM	PART NUMBER	QTY	DESCRIPTION	REV
	1001287834	Ref	DEUTZ D2011 ENGINE INSTALLATION	A
1	0100011	AR	Compound, Locking	
2	0100020	AR	Sealant, Pipe	
3	0641409	1	Bolt 1/4 x 1-1/8	
4	0641410	4	Bolt 1/4 x 1-1/4	
5	0641608	1	Bolt 3/8 x 1	
6	0641610	3	Bolt 3/8 x 1-1/4	
7	0641808	2	Bolt 1/2 x 1	
8	0642010	1	Bolt 5/8 x 1-1/4	
9	0681608	3	Bolt 3/8 x 1 Grade 8	
10	1060626	1	Cord, 3 Way Extension	
11	1060637	1	Cable, Lanyard	
12	1320022	5	Clamp, Hose	
13	1320176	1	Clamp	
14	1320224	1	Clamp	
15	1701505	1	Decal - Diesel	
16	1702941	1	Decal - Battery Heater	
17	1702942	1	Decal - Engine Block Heater	
18	1702943	1	Decal - Hydraulic Tank Heater	
19	1702944	1	Decal - Heater Cord	
20	2180348	1	Fitting, Straight Barbed	
21	2220313	1	Fitting, Elbow	
22	2221176	1	Fitting, Elbow Barbed	
23	2580024	1	Heater, Battery	
24	2720058	30 ft/ 9.2m	Hose	
25	2750532	3.6 ft/ 1m	Hose	
26	3311405	1	Nut 1/4	
27	3311605	2	Nut 3/8	
28	3311801	1	Nut 1/2	
29	3422446	1	Pin, Pivot	
30	3841143	1	Pin, Keeper	
31	3960548	44 in/ 1.1m	Seal	
32	3960549	11 in/ 28cm	Seal	
33	3980007	1	Seat, Battery	
34	4711400	6	Washer 1/4	
35	4751600	7	Washer 3/8	
36	4751800	1	Washer 1/2	
37	4752000	1	Washer 5/8	
38	8406102	1	Clip	
39	1001101600	1	Tube, Exhaust	
40	1001110425	1	Spacer	
41	1001150918	1	Cable, Immersion Heater (Not Shown)	
42	1001151070	1	Plate	
43	1001154237	1	Engine and Pump Assembly with Arctic Package (See Separate Breakdown in this Section)	
44	1001155143	1	Battery Cable Kit	
44A	7027092	1	Cable, Battery (Black) (Battery - to Tray Pivot and Relay Grds)	

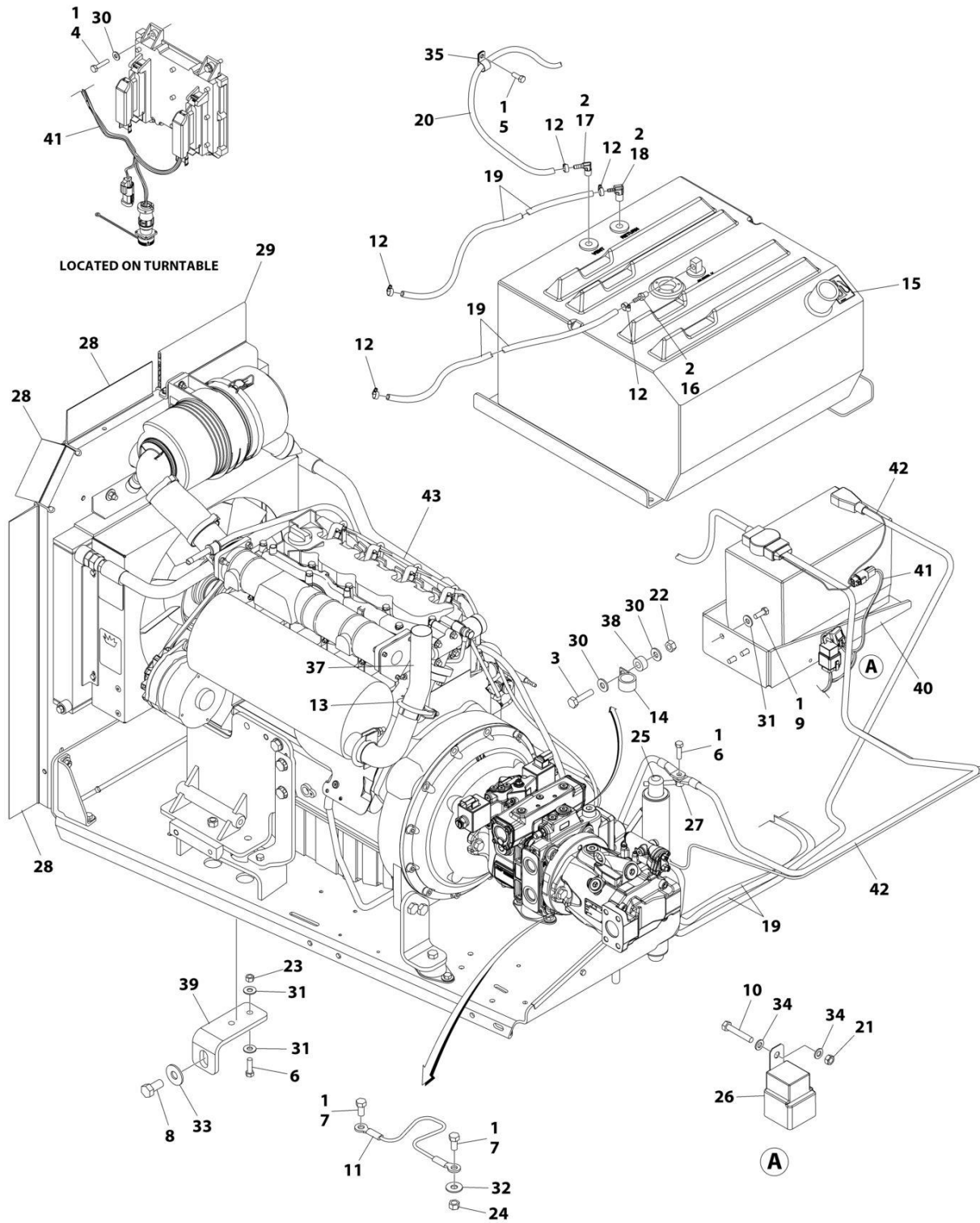
## SECTION 3 - ENGINE

ITEM	PART NUMBER	QTY	DESCRIPTION	REV
44B	8270147	1	Terminal, Battery (With Boot) Cable, Battery (Black)	
44C	7027093	1	Cable, Battery (Black) (Battery - to Aux Pump Ground)	
44D	7027053	1	Cable, Battery (Black) (Engine to Tray Pivot Grd)	
44E	7027094	1	Cable (Red) (Battery + to Relays/Starter)	
44F	7027095	1	Cable (Red) (Aux Relay to Aux Pump)	
45	1001162497	1	Bracket	
46	1001188972	1	Heater, Hydraulic Tank	



# SECTION 3 - ENGINE

FIGURE 3-4. DEUTZ D2011 ENGINE INSTALLATION (HIGH TEMP MARKETS)



ART\_1001296323



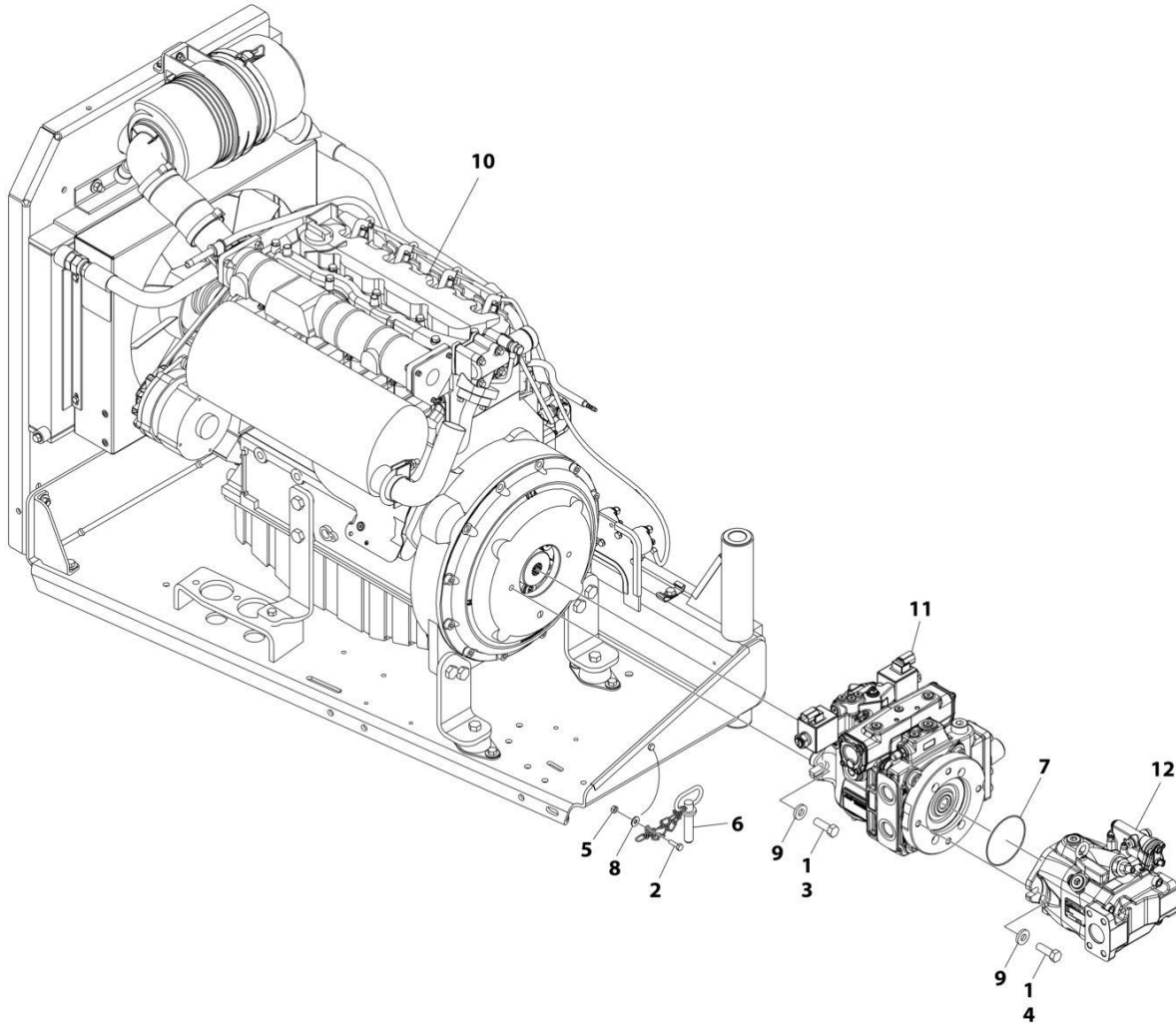
## SECTION 3 - ENGINE

**FIGURE 3-4. DEUTZ D2011 ENGINE INSTALLATION (HIGH TEMP MARKETS)**

ITEM	PART NUMBER	QTY	DESCRIPTION	REV
	1001296323	Ref	DEUTZ D2011 ENGINE INSTALLATION	A
1	0100011	AR	Compound, Locking	
2	0100020	AR	Sealant, Pipe	
3	0641409	1	Bolt 1/4 x 1-1/8	
4	0641410	4	Bolt 1/4 x 1-1/4	
5	0641608	1	Bolt 3/8 x 1	
6	0641610	3	Bolt 3/8 x 1-1/4	
7	0641808	2	Bolt 1/2 x 1	
8	0642010	1	Bolt 5/8 x 1-1/4	
9	0681608	3	Bolt 3/8 x 1	
10	0760514	1	Bolt M5 x 30	
11	1060637	1	Lanyard	
12	1320022	5	Clamp	
13	1320176	1	Clamp	
14	1320224	1	Clamp	
15	1701505	1	Decal - Diesel	
16	2180348	1	Fitting, Straight NPTF/Barbed	
17	2220313	1	Fitting, 90 NPTF/Barbed	
18	2221176	1	Fitting, 90	
19	2720058	30 ft/9 m	Hose	
20	2750532	3.5 ft/1 m	Hose	
21	3290501	1	Nut M5	
22	3311405	1	Nut 1/4	
23	3311605	2	Nut 3/8	
24	3311801	1	Nut 1/2	
25	3422446	1	Pin	
26	3740080	1	Relay	
27	3841143	1	Pin, Keeper	
28	3960548	4 ft/1.5 m	Seal	
29	3960549	11 in/28 cm	Seal	
30	4711400	6	Washer 1/4	
31	4751600	7	Washer 3/8	
32	4751800	1	Washer 1/2	
33	4752000	1	Washer 5/8	
34	4811600	2	Washer M5	
35	8406102	1	Clip	
36	1001004720	AR	Tie-Strap (Not Shown)	
37	1001101600	1	Tube, Exhaust	
38	1001110425	1	Spacer	
39	1001151070	1	Plate	
40	1001162497	1	Bracket	
41	1001243366	1	ECU Jumper Harness	
42	1001243992	1	Battery Cable Kit	
43	1001296316	1	Engine and Pump Assembly without Arctic Package (See Separate Breakdown in this Section)	

# SECTION 3 - ENGINE

## FIGURE 3-5. DEUTZ D2011 ENGINE/PUMP SUB-ASSEMBLY (WITHOUT ARCTIC PACKAGE)



ART\_1001296316

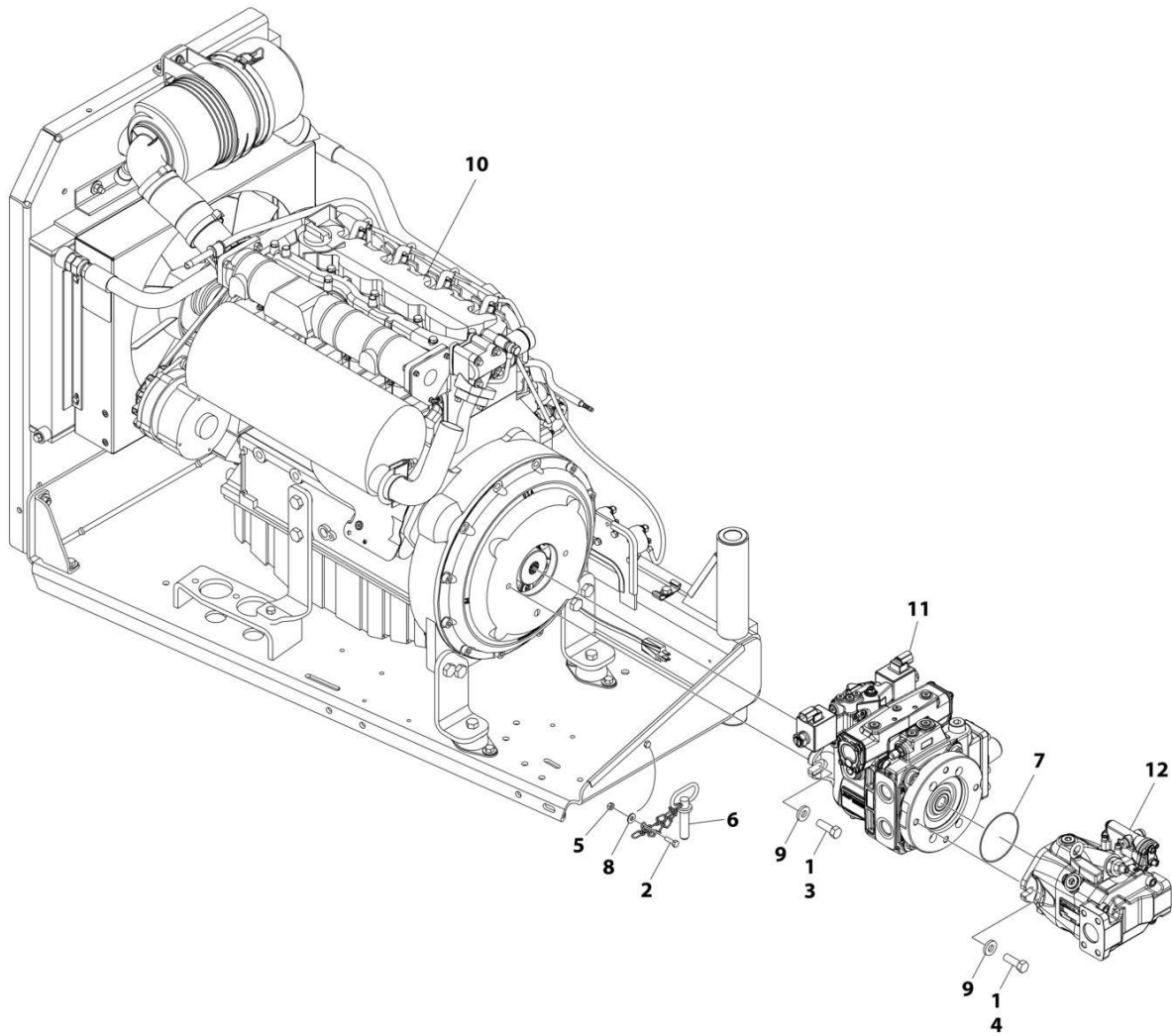
## SECTION 3 - ENGINE

**FIGURE 3-5. DEUTZ D2011 ENGINE/PUMP SUB-ASSEMBLY (WITHOUT ARCTIC PACKAGE)**

ITEM	PART NUMBER	QTY	DESCRIPTION	REV
	1001296316	Ref	DEUTZ D2011 ENGINE/PUMP SUB-ASSEMBLY	A
1	0100011	AR	Compound, Locking	
2	0641407	1	Bolt 1/4 x 7/8	
3	0641812	2	Bolt 1/2 x 1-1/2	
4	0711215	2	Bolt M12 x 35	
5	3311405	1	Nut 1/4	
6	3422532	1	Pin, Hitch	
7	3790044	1	O-Ring	
8	4751400	1	Washer 1/4	
9	4891800	4	Washer 1/2	
10	1001153396	1	Engine Assembly Without Arctic Package (See Separate Breakdown in this Section)	
11	1001276376	1	Hydrostatic Pump Assembly with Fittings (See Separate Breakdown in this Section)	
12	1001276377	1	Variable Pump Assembly with Fittings (See Separate Breakdown in this Section)	

# SECTION 3 - ENGINE

## FIGURE 3-6. DEUTZ D2011 ENGINE/PUMP SUB-ASSEMBLY (WITH ARCTIC PACKAGE)



ART\_1001296318

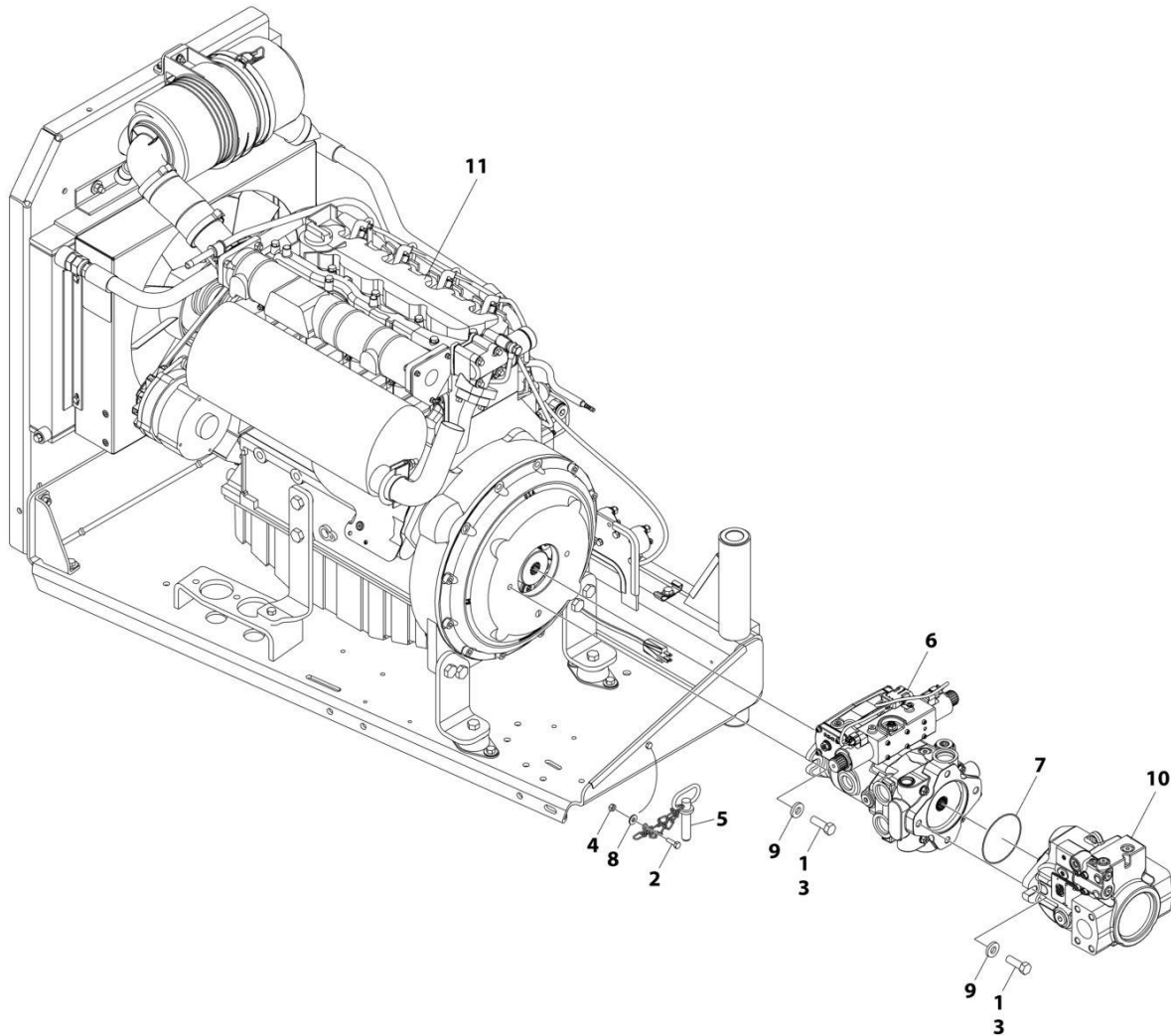
## SECTION 3 - ENGINE

**FIGURE 3-6. DEUTZ D2011 ENGINE/PUMP SUB-ASSEMBLY (WITH ARCTIC PACKAGE)**

ITEM	PART NUMBER	QTY	DESCRIPTION	REV
	1001296318	Ref	DEUTZ D2011 ENGINE/PUMP SUB-ASSEMBLY	A
1	0100011	AR	Compound, Locking	
2	0641407	1	Bolt 1/4 x 7/8	
3	0641812	2	Bolt 1/2 x 1-1/2	
4	0711215	2	Bolt M12 x 35	
5	3311405	1	Nut 1/4	
6	3422532	1	Pin	
7	3790044	1	O-Ring	
8	4751400	1	Washer 1/4	
9	4891800	4	Washer 1/2	
10	1001153779	1	Engine Assembly With Arctic Package (See Separate Breakdown in this Section)	
11	1001276376	1	Hydrostatic Pump Assembly with Fittings (See Separate Breakdown in this Section)	
12	1001276377	1	Variable Pump Assembly with Fittings (See Separate Breakdown in this Section)	

# SECTION 3 - ENGINE

FIGURE 3-7. DEUTZ D2011 ENGINE AND PUMP SUB-ASSEMBLY - (WITH ARCTIC PACKAGE) (WITH 47.8 GAL CAPACITY HYDRAULIC TANK)



ART\_1001154237

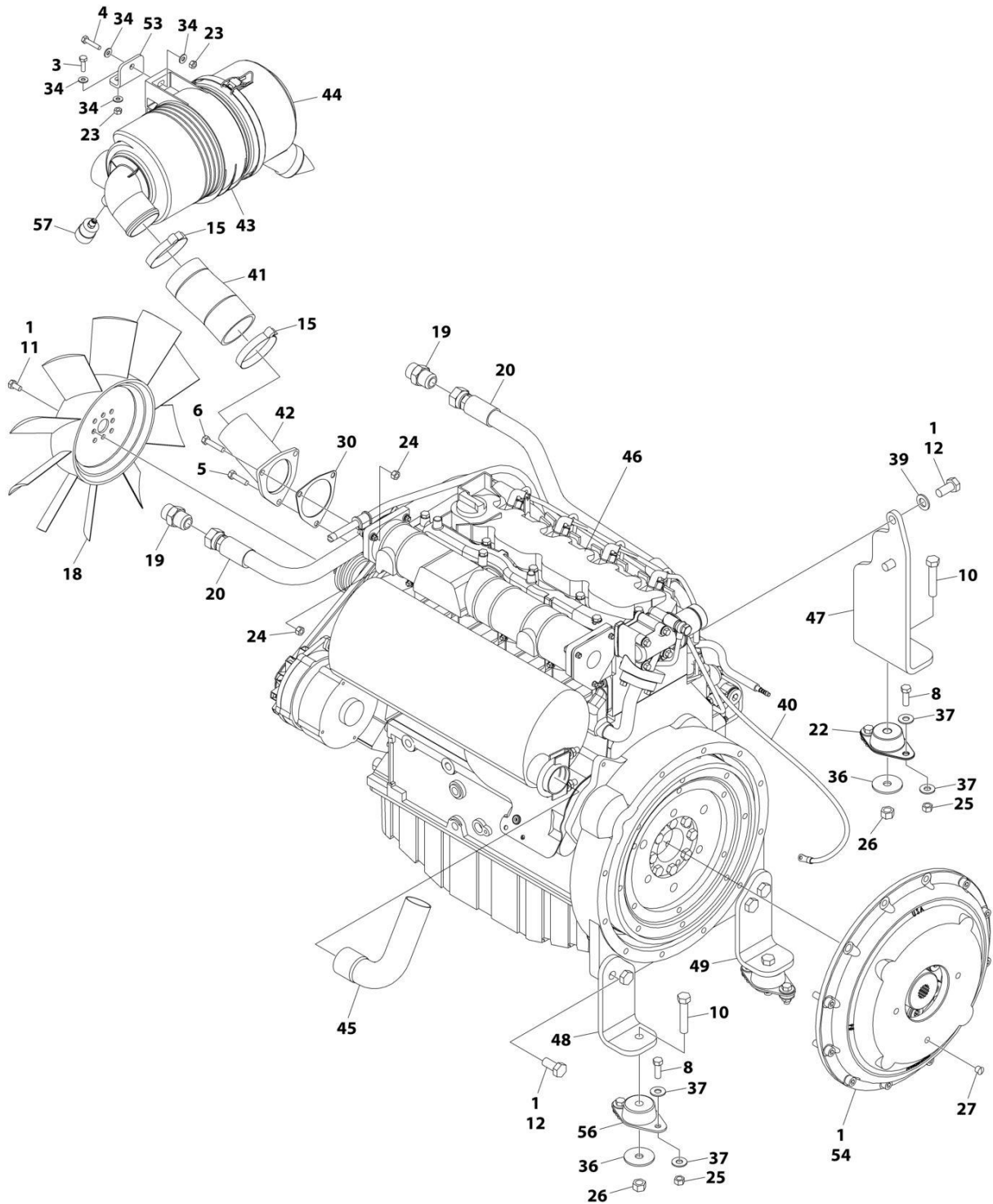
## SECTION 3 - ENGINE

**FIGURE 3-7. DEUTZ D2011 ENGINE AND PUMP SUB-ASSEMBLY - (WITH ARCTIC PACKAGE) (WITH 47.8 GAL CAPACITY HYDRAULIC TANK)**

ITEM	PART NUMBER	QTY	DESCRIPTION	REV
	1001154237	Ref	DEUTZ D2011 ENGINE AND PUMP SUB-ASSEMBLY (WITH ARCTIC PACKAGE)	D
1	0100011	AR	Compound, Locking	
2	0641407	1	Bolt 1/4 x 7/8	
3	0641812	4	Bolt 1/2 x 1-1/2	
4	3311405	1	Nut 1/4	
5	3422532	1	Pin, Hitch	
6	1001225745	1	Hydrostatic Pump Assembly with Fittings (See Separate Breakdown in this Section)	
7	3790044	1	O-Ring	
8	4751400	1	Washer 1/4	
9	4891800	4	Washer 1/2	
10	1001094595	1	Variable Pump Assembly with Fittings (See Separate Breakdown in this Section)	
11	1001153779	1	Engine Assembly With Arctic Package (See Separate Breakdown in this Section)	

# SECTION 3 - ENGINE

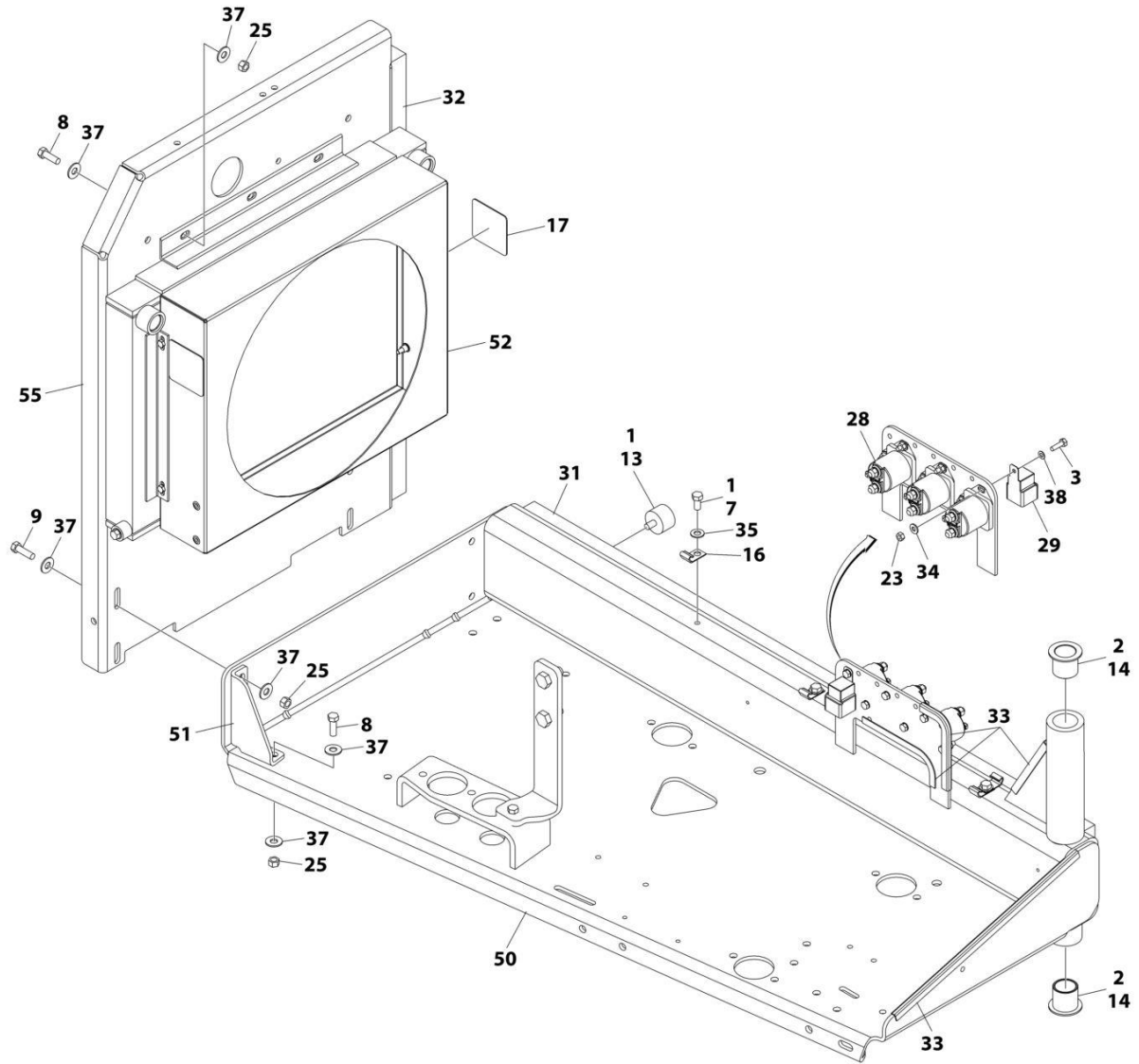
## FIGURE 3-8. DEUTZ D2011 ENGINE ASSEMBLY (WITHOUT ARCTIC PACKAGE)



ART\_1001153396\_10F2



# SECTION 3 - ENGINE



ART\_1001153396\_20F2

## SECTION 3 - ENGINE

FIGURE 3-8. DEUTZ D2011 ENGINE ASSEMBLY (WITHOUT ARCTIC PACKAGE)

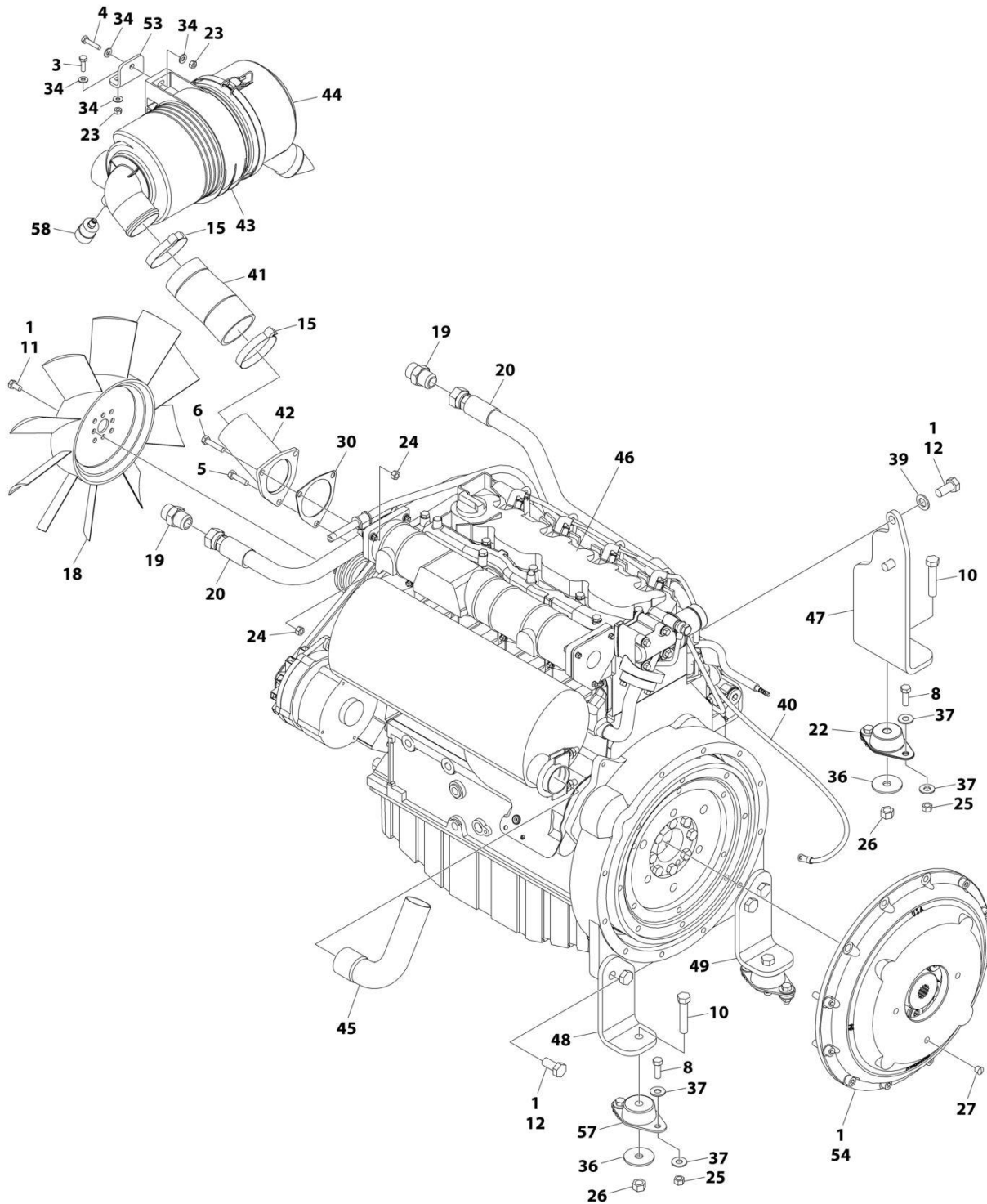
ITEM	PART NUMBER	QTY	DESCRIPTION	REV
	1001153396	Ref	ENGINE ASSEMBLY WITHOUT ARCTIC PACKAGE	H
1	0100011	AR	Compound, Locking	
2	0100062	AR	Compound, Locking	
3	0641407	8	Bolt 1/4 x 7/8	
4	0641410	2	Bolt 1/4 x 1-1/4	
5	0641510	2	Bolt 5/16 x 1-1/4	
6	0641512	1	Bolt 5/16 x 1-1/2	
7	0641606	3	Bolt 3/8 x 3/4	
8	0641609	14	Bolt 3/8 x 1-1/8	
9	0641610	4	Bolt 3/8 x 1-1/4	
10	0641820	3	Bolt 1/2 x 2-1/2	
11	0700808	4	Bolt M8 x 16	
12	0771414	6	Bolt M14 x 30	
13	0940070	1	Bumper	
14	0961986	2	Bushing, Flanged	
15	1320016	2	Clamp	
16	1320223	4	J-Clip	
17	1703162	2	Decal - Caution Fan Blade	
18	2060025	1	Fan	
19	2220451	2	Fitting, Straight	
20	2720398	2	Hose, Oil Cooler	
22	3200406	1	Mount, Motor	
23	3311405	10	Nut 1/4	
24	3311505	3	Nut 5/16	
25	3311605	18	Nut 3/8	
26	3311805	3	Nut 1/2	
27	3520054	2	Plug	
28	3740067	3	Relay	
29	3740080	1	Relay	
30	3960407	1	Gasket, Air Intake	
31	3960468	1	Seal	
32	3960469	1	Seal	
33	4060805	37 in/1m	Flex-Trim	
34	4711400	14	Washer 1/4	
35	4711600	3	Washer 3/8	
36	4740274	3	Washer, Snubbing	
37	4751600	36	Washer 3/8	
38	4791400	6	Washer, Star 1/4	
39	4812200	2	Washer M14	
40	4923379	1	Harness, Glow Plug	
41	1001001939	1	Hose, Flex	
42	1001146273	1	Adapter, Air Intake	
43	1001147812	1	Clamp	
44	1001147813	1	Air Cleaner Assembly Filter Element	
44	70004020	1	Element, Filter (Not Shown)	
45	1001147820	1	Pipe, Exhaust	
46	1001147823	1	Engine, Deutz D2011 (See Separate Breakdown in this section)	
47	1001149704	1	Support, Engine	
48	1001149705	1	Support, Engine	
49	1001149706	1	Support, Engine	

## SECTION 3 - ENGINE

ITEM	PART NUMBER	QTY	DESCRIPTION	REV
50	1001149793	1	Tray, Engine	
51	1001150915	1	Gusset	
52	1001150998	1	Radiator	
53	1001152459	1	Plate, Air Cleaner Mounting	
54	1001153282	1	Pump Coupling Kit (See Separate Breakdown in this section)	
55	1001153414	1	Plate, Radiator Mounting	
56	3200401	2	Mount, Motor	
57	1001143390	1	Indicator	

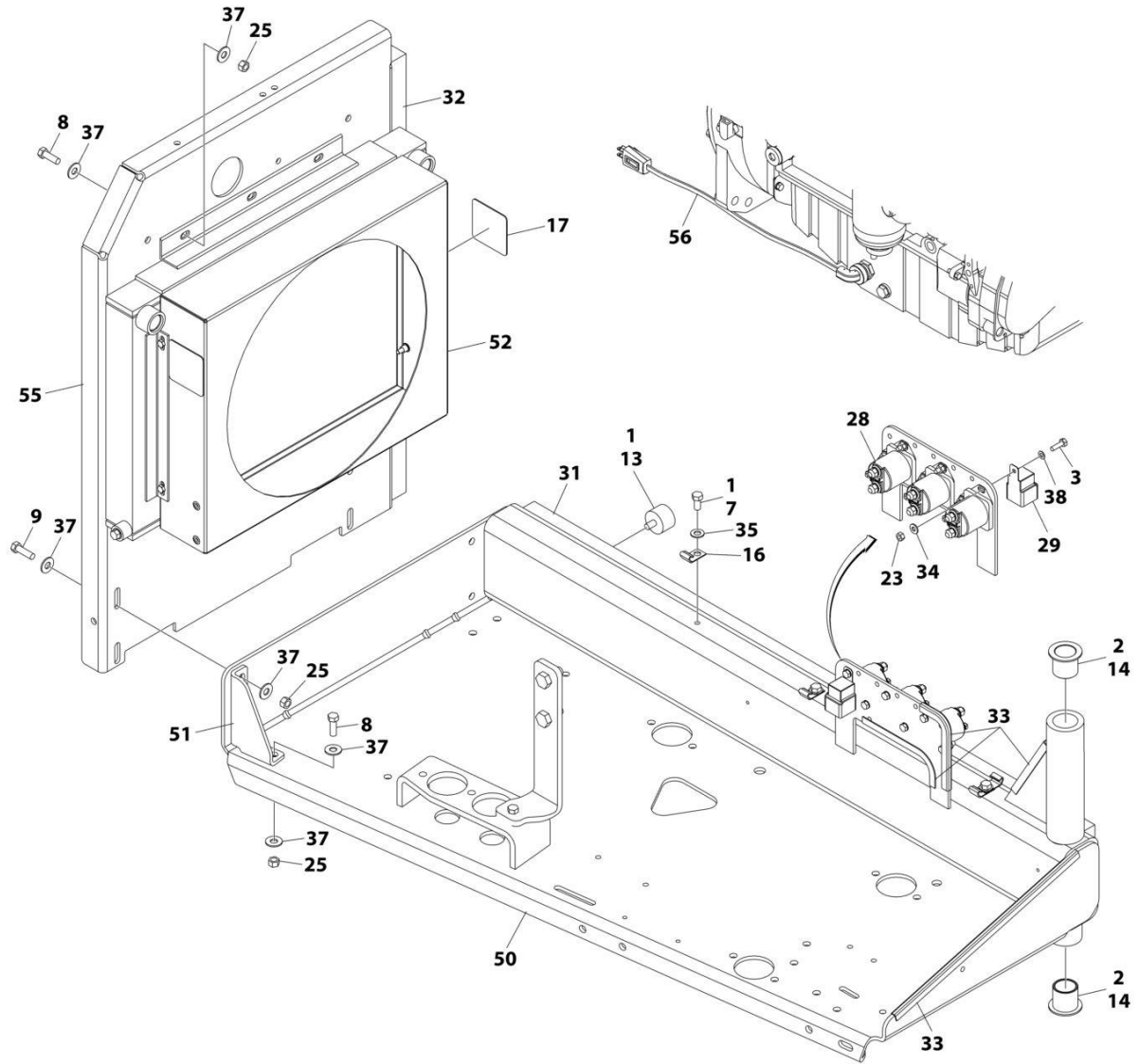
# SECTION 3 - ENGINE

## FIGURE 3-9. DEUTZ D2011 ENGINE ASSEMBLY (WITH ARCTIC PACKAGE)



ART\_1001153779\_10F2

# SECTION 3 - ENGINE



ART\_1001153779\_2OF2

## SECTION 3 - ENGINE

**FIGURE 3-9. DEUTZ D2011 ENGINE ASSEMBLY (WITH ARCTIC PACKAGE)**

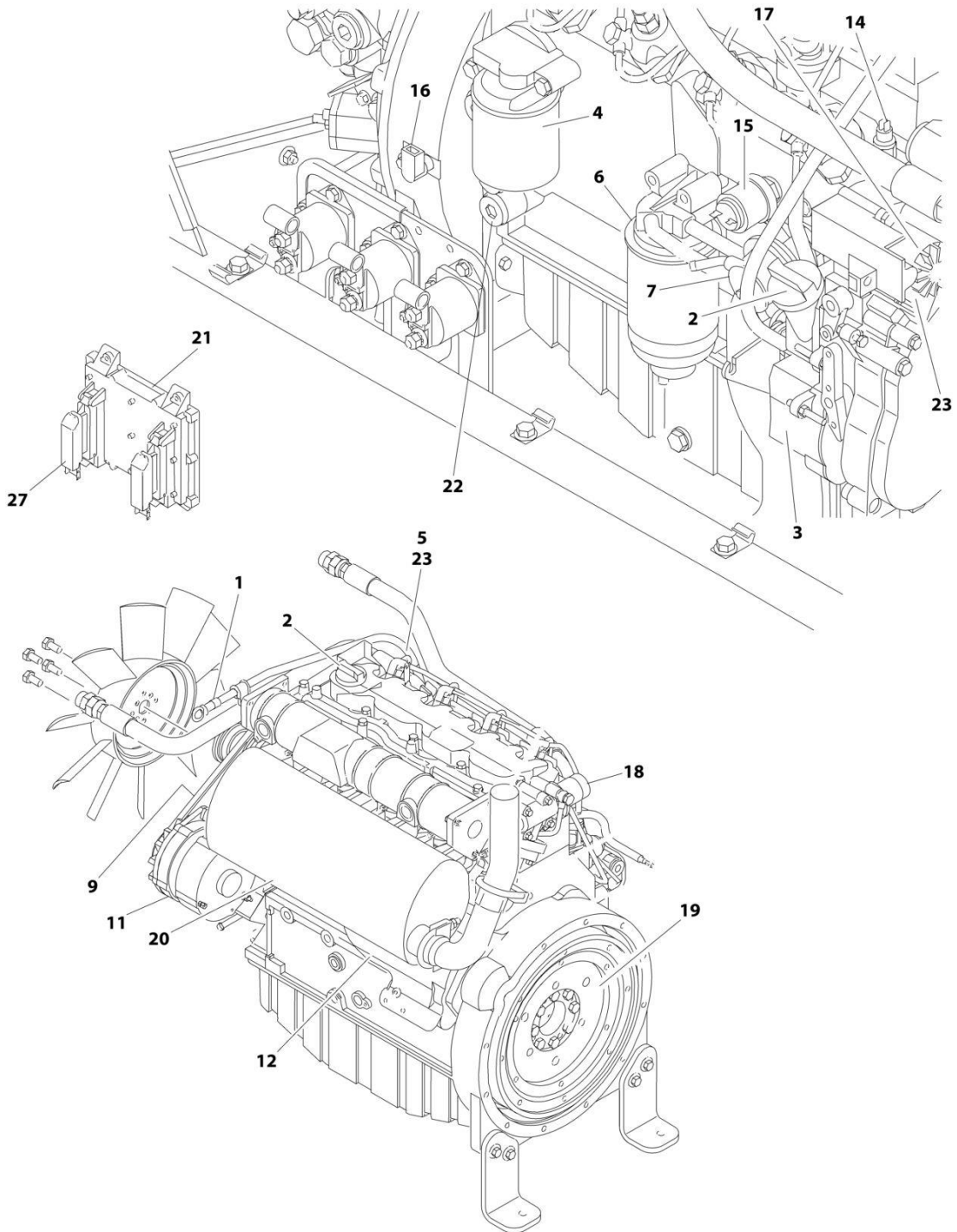
ITEM	PART NUMBER	QTY	DESCRIPTION	REV
	1001153779	Ref	ENGINE ASSEMBLY WITH ARCTIC PACKAGE	H
1	0100011	AR	Compound, Locking	
2	0100062	AR	Compound, Locking	
3	0641407	8	Bolt 1/4 x 7/8	
4	0641410	2	Bolt 1/4 x 1-1/4	
5	0641510	2	Bolt 5/16 x 1-1/4	
6	0641512	1	Bolt 5/16 x 1-1/2	
7	0641606	3	Bolt 3/8 x 3/4	
8	0641609	14	Bolt 3/8 x 1-1/8	
9	0641610	4	Bolt 3/8 x 1-1/4	
10	0641820	3	Bolt 1/2 x 2-1/2	
11	0700808	4	Bolt M8 x 16	
12	0771414	6	Bolt M14 x 30	
13	0940070	1	Bumper	
14	0961986	2	Bushing, Flanged	
15	1320016	2	Clamp	
16	1320223	4	J-Clip	
17	1703162	2	Decal - Caution Fan Blade	
18	2060025	1	Fan	
19	2220451	2	Fitting, Straight	
20	2720398	2	Hose, Oil Cooler	
22	3200406	1	Mount, Motor	
23	3311405	10	Nut 1/4	
24	3311505	3	Nut 5/16	
25	3311605	18	Nut 3/8	
26	3311805	3	Nut 1/2	
27	3520054	2	Plug	
28	3740067	3	Relay	
29	3740080	1	Relay	
30	3960407	1	Gasket, Air Intake	
31	3960468	1	Seal	
32	3960469	1	Seal	
33	4060805	37 in/1m	Flex-Trim	
34	4711400	14	Washer 1/4	
35	4711600	3	Washer 3/8	
36	4740274	3	Washer, Snubbing	
37	4751600	36	Washer 3/8	
38	4791400	6	Washer, Star 1/4	
39	4812200	2	Washer M14	
40	4923379	1	Harness, Glow Plug	
41	1001001939	1	Hose, Flex	
42	1001146273	1	Adapter, Air Intake	
43	1001147812	1	Clamp	
44	1001147813	1	Air Cleaner Assembly Filter Element	
44	70004020	1	Element, Filter (Not Shown)	
45	1001147820	1	Pipe, Exhaust	
46	1001147823	1	Engine, Deutz D2011 (See Separate Breakdown in this Section)	
47	1001149704	1	Support, Engine	
48	1001149705	1	Support, Engine	
49	1001149706	1	Support, Engine	

## SECTION 3 - ENGINE

ITEM	PART NUMBER	QTY	DESCRIPTION	REV
50	1001149793	1	Tray, Engine	
51	1001150915	1	Gusset	
52	1001150998	1	Radiator	
53	1001152459	1	Plate, Air Cleaner Mounting	
54	1001153282	1	Pump Coupling Kit (See Separate Breakdown in this Section)	
55	1001153414	1	Plate, Radiator Mounting	
56	2580062	1	Heater, Block	
57	3200401	2	Mount, Motor	
58	1001143390	1	Indicator	

# SECTION 3 - ENGINE

## FIGURE 3-10. DEUTZ D2011 ENGINE COMPONENTS



ART\_1001147823



## SECTION 3 - ENGINE

**FIGURE 3-10. DEUTZ D2011 ENGINE COMPONENTS**

ITEM	PART NUMBER	QTY	DESCRIPTION	REV
	1001147823	Ref	ENGINE COMPONENTS	C
1	70004287	1	Dipstick	
1	70000044	1	Seal, Dipstick	
1	70001002	1	Tube, Dipstick	
1	7020403	1	Seal, Dipstick Tube	
2	7020465	2	Cap, Filler	
3	70001850	1	Pump, Oil Lube	
3	7020468	1	Seal Between Oil Pump and Engine Block (Not Shown)	
4	7016331	1	Filter, Oil	
4	70003472	1	Bracket, Oil Filter	
4	7027236	1	Sender, Temperature	
4	70025082	1	Ring, Sealing	
5	70000912	4	Series A Injector	
5	70000913	4	Series B Injector	
5	70000914	4	Series C Injector	
5	70000915	4	Series D Injector	
5	70003464	4	Seal/Gasket, Pump (1 Per Injector)	
5	70003478	4	Injector, Fuel	
5	70003136	4	Seal/Gasket, Pump (1 Per Injector)	
6	7016328	1	Filter, Fuel	
6	70003465	1	Sensor	
6	70003466	1	Seal, Sensor	
7	70000916	1	Pump, Fuel Supply	
7	70001435	1	Repair Kit for Fuel Supply Pump	
7	70000919	1	Hand Pump for Fuel Supply Pump	
7	70000917	1	O - Seal Between Fuel Pump and Engine Block	
7	70000918	1	O - Seal Between Fuel Pump and Hand Pump	
8	70001871	4	Gasket, Intake Manifold	
9	7020408	1	V-Belt	
10		Ref	Exhaust Manifold Components (Not Shown)	
10	70001835	1	Gasket, Exhaust Adapter to Exhaust Rail	
10	70001841	1	Valve, Exhaust (Fits into Exhaust Adapter)	
10	70001836	1	Gasket, Exhaust Rail to Cylinder Head	
10	70001837	1	Gasket, Exhaust Manifold to Muffler	
10	70002200	4	Stud, Mounting	
10	See Note	AR	Nut, Exhaust Manifold	
11	70004056	1	Alternator	
11	70001868	1	Regulator, Voltage (Not Shown)	
11	70001866	1	Seal, Gasket for Voltage Regulator (Not Shown)	
11	70002234	1	Bar, Alternator Adjustment	
12	7020479	1	Starter	
12	70004058	1	Relay	
13	70004060	2	Plug-In Connector	
14	7027791	1	Transmitter, Temperature	
15	7027790	1	Sensor, Oil Pressure	
16	70004272	1	Sensor, Speed	
17	7027792	1	Throttle Actuator	
17	7027276	2	Spring	
18	70003475	1	Thermostat (Located at rear of engine block - Not Shown)	
19	70001870	1	Flywheel with Ring Gear	

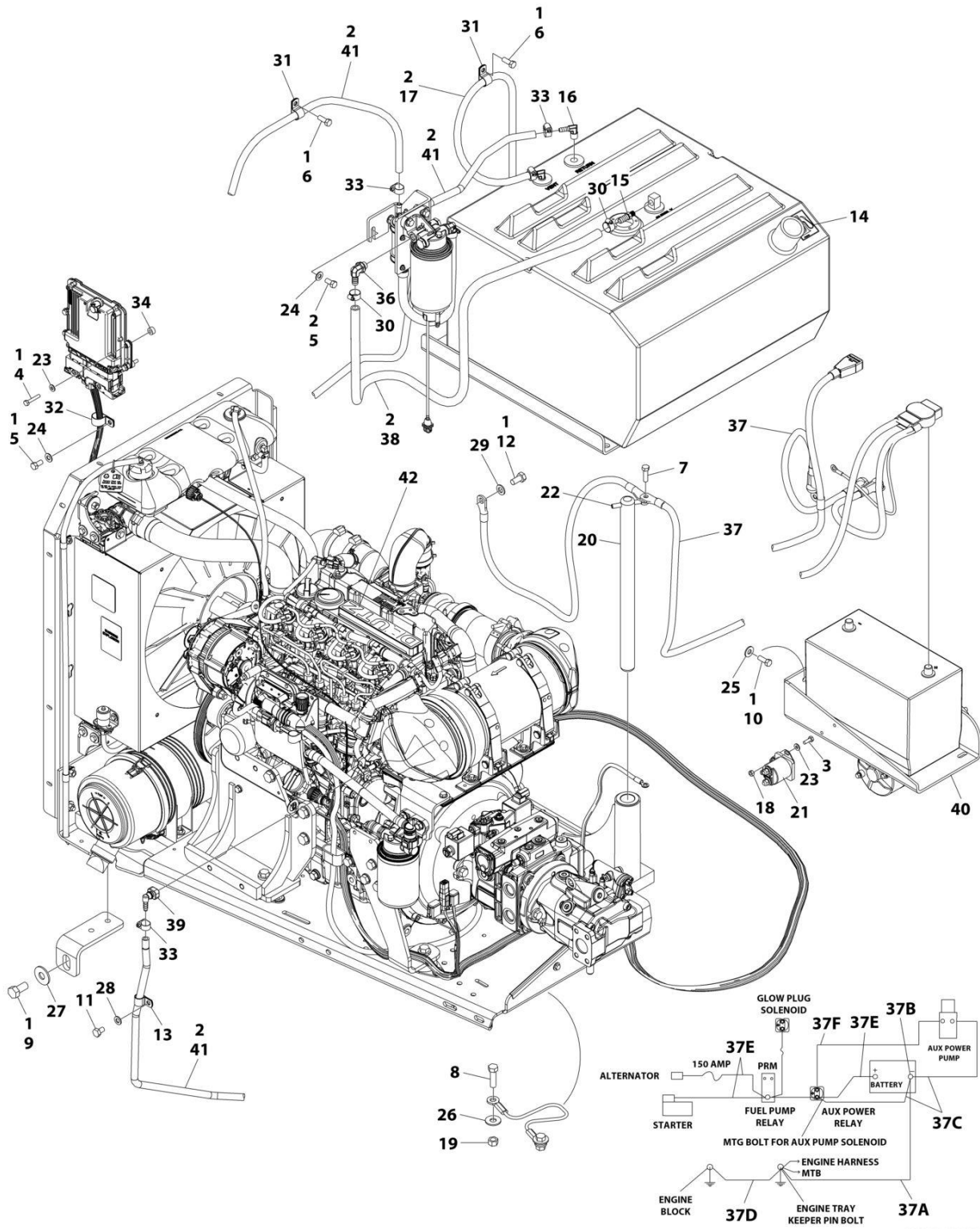
## SECTION 3 - ENGINE

ITEM	PART NUMBER	QTY	DESCRIPTION	REV
19	7024579	1	Gear, Ring 110 Tooth	
20	7000695	1	Muffler	
20	70001844	1	U-Ciamp	
20	7020471	4	Gasket	
21	7027795	1	Module, Control	
22	70001181	1	Valve, Pressure Control	
22	70124410	1	Spring	
22	70025082	1	Seal	
22	70124440	1	Screw, Locking	
23	70000345	4	Plug, Glow	
24	70000800	1	Camshaft Pulley Repair Kit (Not Shown)	
26	70002415	1	Gasket, Head with 1 Notch (Not Shown)	
62	70002416	1	Gasket, Head with 2 Notch (Not Shown)	
26	70002417	1	Gasket, Head with 3 Notch (Not Shown)	
27	7027796	1	Harness, Engine (Connects to Item 421)	
27	70001872	1	Harness, Engine (Connects to p/n 7027796)	
28		Ref	Gaskets and Seals - Miscellaneous (Not Shown)	
28	70004289	1	Gasket Set	
28	70002718	1	Seal, Rear Main	
28	70004280	1	Seal, Front Main	
29	70025752	1	Valve, Pressure Relief (Not Shown - Located at Engine Front Left)	
29	70025753	1	Spring	
29	70005916	1	Seal	
29	70005917	1	Plug, Locking	



# SECTION 3 - ENGINE

FIGURE 3-11. DEUTZ TD2.9L4 (ERM4) ENGINE INSTALLATION (WITHOUT ARCTIC PACKAGE)



ART\_1001296315

## SECTION 3 - ENGINE

**FIGURE 3-11. DEUTZ TD2.9L4 (ERM4) ENGINE INSTALLATION (WITHOUT ARCTIC PACKAGE)**

ITEM	PART NUMBER	QTY	DESCRIPTION	REV
	1001296315	Ref	DEUTZ TD2.9L4 ENGINE INSTALLATION	A
1	0100011	AR	Compound, Locking	
2	0100020	AR	Sealant, Pipe	
3	0641406	2	Bolt 1/4 x 3/4	
4	0641412	4	Bolt 1/4 x 1-1/2	
5	0641606	3	Bolt 3/8 x 3/4	
6	0641608	2	Bolt 3/8 x 1	
7	0641610	1	Bolt 3/8 x 1-1/4	
8	0641814	1	Bolt 1/2 x 1-3/4	
9	0642010	1	Bolt 5/8 x 1-1/4	
10	0681608	3	Bolt 3/8 x 1	
11	0761008	1	Bolt M10 x 16	
12	0771212	1	Bolt M12 x 25	
13	1320061	1	Clamp	
14	1701505	1	Decal - Diesel Fuel (Located on Fuel Tank or Hood)	
15	2180832	1	Fitting, Straight Barbed	
16	2220313	2	Fitting, 90 NPTF/Barbed	
17	2750532	3.5 ft/1 m	Hose	
18	3311405	2	Nut 1/4	
19	3311805	1	Nut 1/2	
20	3422446	1	Pin, Pivot	
21	3740067	1	Relay	
22	3841143	1	Pin, Keeper	
23	4711400	7	Washer 1/4	
24	4711600	3	Washer 3/8	
25	4751600	3	Washer 3/8	
26	4751800	1	Washer 1/2	
27	4752000	1	Washer 5/8	
28	4812000	1	Washer M10	
29	4812100	1	Washer M12	
30	8405006	2	Clamp	
31	8406102	2	Clip	
32	8406201	1	Clip	
33	8410013	5	Clamp	
34	1001110425	4	Spacer	
35	1001138491	1	Fuel Pump Harness (Not Shown - See Separate Breakdown in ELECTRICAL Section)	
36	1001142501	1	Fitting, 90 Barbed	
37	1001143736	1	Battery Cable Kit	F
37A	7027084	1	Cable, Battery (Black) (Battery - to Tray Pivot Grd)	
37B	8270147	1	Terminal, Battery (With Boot)	
37C	7027085	1	Cable, Battery (Black) (Battery - to Aux Pump and Relay Grds)	
37D	7027086	1	Cable, Battery (Black) (Engine to Tray Pivot Grd)	
37E	7027087	1	Cable (Red) (Battery + to Aux Relay/Power Module/Starter)	
37F	7027088	1	Cable (Red) (Aux Relay to Aux Pump)	
38	1001154405	5 ft/1.5 m	Hose	
39	1001155823	1	Fitting, 90 Quick Disconnect	
40	1001162497	1	Bracket, Battery	
41	1001165035	27.5 ft/8.3 m	Hose	

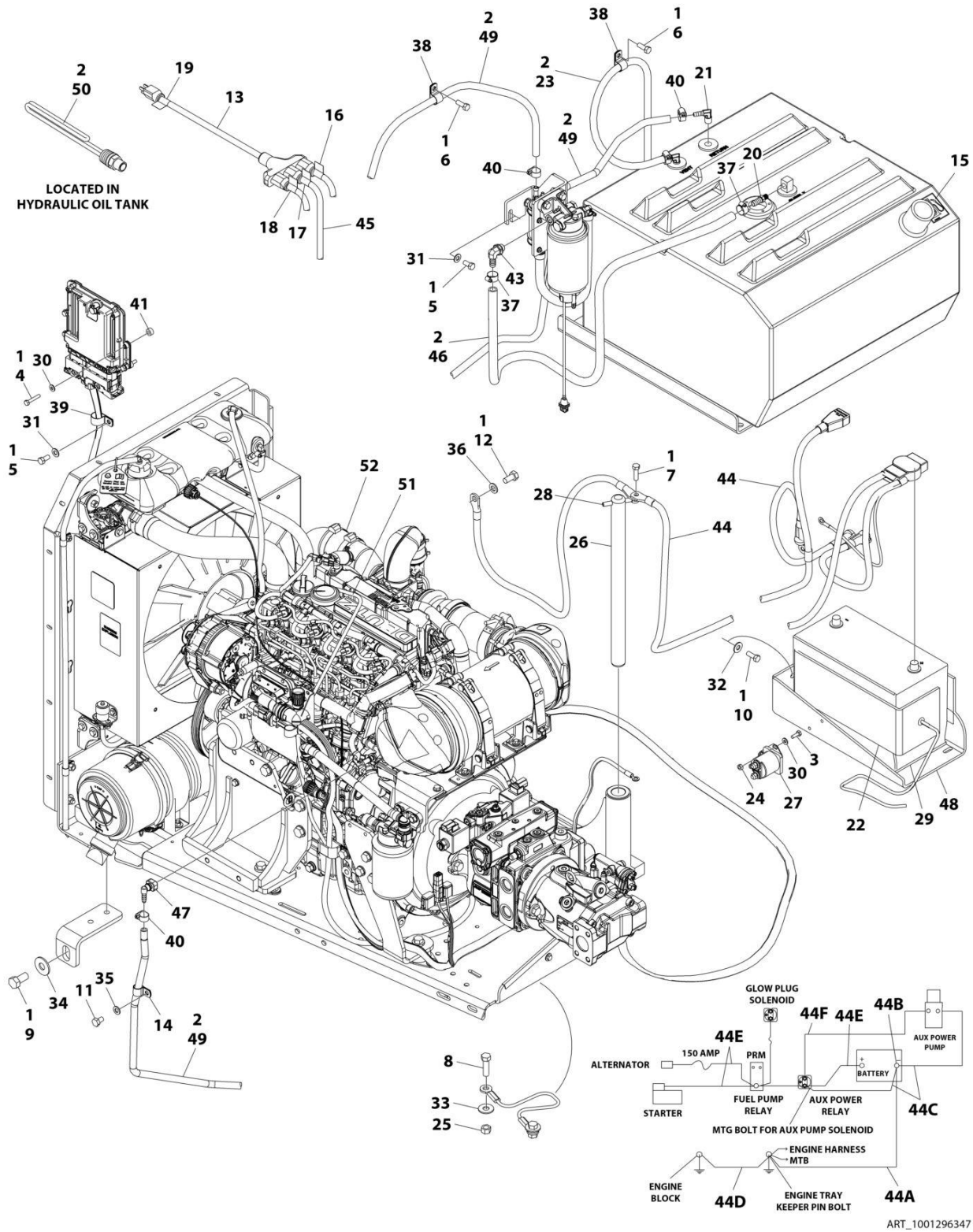
### SECTION 3 - ENGINE

ITEM	PART NUMBER	QTY	DESCRIPTION	REV
42	1001296314	1	Engine and Pump Assembly without Arctic Package (See Separate Breakdown in this Section)	



# SECTION 3 - ENGINE

## FIGURE 3-12. DEUTZ TD2.9L4 ENGINE INSTALLATION (WITH ARCTIC PACKAGE)





## SECTION 3 - ENGINE

**FIGURE 3-12. DEUTZ TD2.9L4 ENGINE INSTALLATION (WITH ARCTIC PACKAGE)**

ITEM	PART NUMBER	QTY	DESCRIPTION	REV
	1001296347	Ref	DEUTZ TD2.9L4 ENGINE INSTALLATION	A
1	0100011	AR	Compound, Locking	
2	0100020	AR	Sealant, Pipe	
3	0641406	2	Bolt 1/4 x 3/4	
4	0641412	4	Bolt 1/4 x 1-1/2	
5	0641606	3	Bolt 3/8 x 3/4	
6	0641608	2	Bolt 3/8 x 1	
7	0641610	1	Bolt 3/8 x 1-1/4	
8	0641814	1	Bolt 1/2 x 1-3/4	
9	0642010	1	Bolt 5/8 x 1-1/4	
10	0681608	3	Bolt 3/8 x 1	
11	0761008	1	Bolt M10 x 16	
12	0771212	1	Bolt M12 x 25 Grade 10.9	
13	1060626	1	Cord, 3 Way Extension	
14	1320061	1	Clamp	
15	1701505	1	Decal - Diesel Fuel	
16	1702941	1	Decal - Battery Heater	
17	1702942	1	Decal - Engine Block Heater	
18	1702943	1	Decal - Hydraulic Tank Heater	
19	1702944	1	Decal - Heater Cord	
20	2180832	1	Fitting, Straight Barbed	
21	2220313	2	Fitting, 90 NPTF/Barbed	
22	2580024	1	Heater, Battery	
23	2750532	3.5 ft/1 m	Hose	
24	3311405	2	Nut 1/4	
25	3311805	1	Nut 1/2	
26	3422446	1	Pin, Pivot	
27	3740067	1	Relay	
28	3841143	1	Pin, Keeper	
29	3980007	1	Seat, Battery	
30	4711400	7	Washer 1/4	
31	4711600	3	Washer 3/8	
32	4751600	3	Washer 3/8	
33	4751800	1	Washer 1/2	
34	4752000	1	Washer 5/8	
35	4812000	1	Washer M10	
36	4812100	1	Washer M12	
37	8405006	2	Clamp	
38	8406102	2	Clip	
39	8406201	1	Clip	
40	8410013	5	Clamp	
41	1001110425	4	Spacer	
42	1001138491	1	Fuel Pump Harness (Not Shown - See Separate Breakdown in ELECTRICAL Section)	
43	1001142501	1	Fitting, 90 Barbed	
44	1001143736	1	Battery Cable Kit	
44A	7027084	1	Cable, Battery (Black) (Battery - to Tray Pivot Grd)	
44B	8270147	1	Terminal, Battery (With Boot)	
44C	7027085	1	Cable, Battery (Black) (Battery - to Aux Pump and Relay Grds)	
44D	7027086	1	Cable, Battery (Black) (Engine to Tray Pivot Grd)	

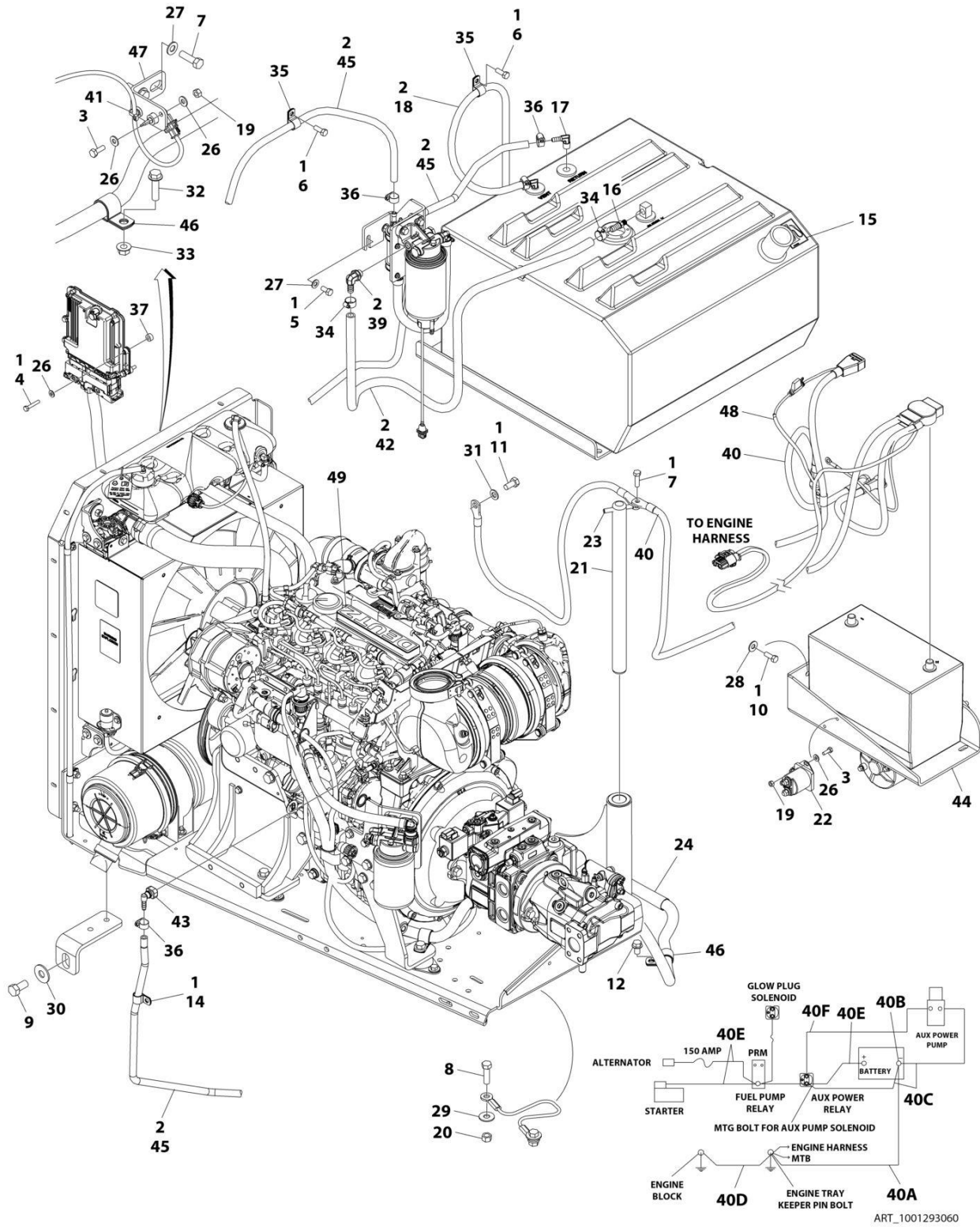
## SECTION 3 - ENGINE

ITEM	PART NUMBER	QTY	DESCRIPTION	REV
44E	7027087	1	Cable (Red) (Battery + to Aux Relay/Power Module/Starter)	
44F	7027088	1	Cable (Red) (Aux Relay to Aux Pump)	
45	1001150918	1	Cable, Immersion Heater	
46	1001154405	5 ft/1.5 m	Hose	
47	1001155823	1	Fitting, 90 Quick Disconnect	
48	1001162497	1	Bracket, Battery	
49	1001165035	28 ft/8.5 m	Hose	
50	1001188972	1	Heater, Hydraulic Tank	
51	1001233763	1	Deutz Breather Heater Installation (with Arctic Package) (See Separate Breakdown in this Section)	
52	1001296346	1	Engine and Pump Assembly with Arctic Package (See Separate Breakdown in this Section)	



# SECTION 3 - ENGINE

## FIGURE 3-13. DEUTZ TD2.9L4 (STAGE V) ENGINE INSTALLATION



## SECTION 3 - ENGINE

**FIGURE 3-13. DEUTZ TD2.9L4 (STAGE V) ENGINE INSTALLATION**

ITEM	PART NUMBER	QTY	DESCRIPTION	REV
	1001293060	Ref	DEUTZ TD2.9L4 (STAGE V) ENGINE INSTALLATION	A
1	0100011	AR	Compound, Locking	
2	0100020	AR	Sealant, Pipe	
3	0641406	3	Bolt 1/4 x 3/4	
4	0641412	4	Bolt 1/4 x 1-1/2	
5	0641606	2	Bolt 3/8 x 3/4	
6	0641608	2	Bolt 3/8 x 1	
7	0641610	3	Bolt 3/8 x 1-1/4	
8	0641814	1	Bolt 1/2 x 1-3/4	
9	0642010	1	Bolt 5/8 x 1-1/4	
10	0681608	3	Bolt 3/8 x 1	
11	0771212	1	Bolt M12 x 25	
12	0811606	1	Screw 3/8 x 3/4	
13	1062255	AR	Tie-Strap (Not Shown)	
14	1320061	1	Clamp	
15	1701505	1	Decal - Diesel Fuel (Located on Fuel Tank or Hood)	
16	2180832	1	Fitting, Straight Barbed	
17	2220313	2	Fitting, 90 NPTF/Barbed	
18	2750532	4 ft/1.5 m	Hose	
19	3311405	3	Nut 1/4	
20	3311805	1	Nut 1/2	
21	3422446	1	Pin	
22	3740067	1	Relay	
23	3841143	1	Pin, Keeper	
24	4100063	1	Sleeve, Hose Wrap	
25	4240099	AR	Tie-Strap (Not Shown)	
26	4711400	9	Washer 1/4	
27	4711600	4	Washer 3/8	
28	4751600	3	Washer 3/8	
29	4751800	1	Washer 1/2	
30	4752000	1	Washer 5/8	
31	4812100	1	Washer M12	
32	5251016	1	Bolt M10 x 40	
33	5261000	1	Nut M10	
34	8405006	2	Clamp	
35	8406102	2	Clip	
36	8410013	5	Clamp	
37	1001110425	4	Spacer	
38	1001138491	1	Fuel Pump Harness (Not Shown - See Separate Breakdown in ELECTRICAL Section)	
39	1001142501	1	Fitting, 90 Barbed	
40	1001143736	1	Battery Cable Kit	F
40A	7027084	1	Cable, Battery (Black) (Battery - to Tray Pivot Grd)	
40B	8270147	1	Terminal, Battery (With Boot)	
40C	7027085	1	Cable, Battery (Black) (Battery - to Aux Pump and Relay Grds)	
40D	7027086	1	Cable, Battery (Black) (Engine to Tray Pivot Grd)	
40E	7027087	1	Cable (Red) (Battery + to Aux Relay/Power Module/Starter)	
40F	7027088	1	Cable (Red) (Aux Relay to Aux Pump)	
41	1001146588	1	Strap	
42	1001154405	5 ft/1.5 m	Hose	

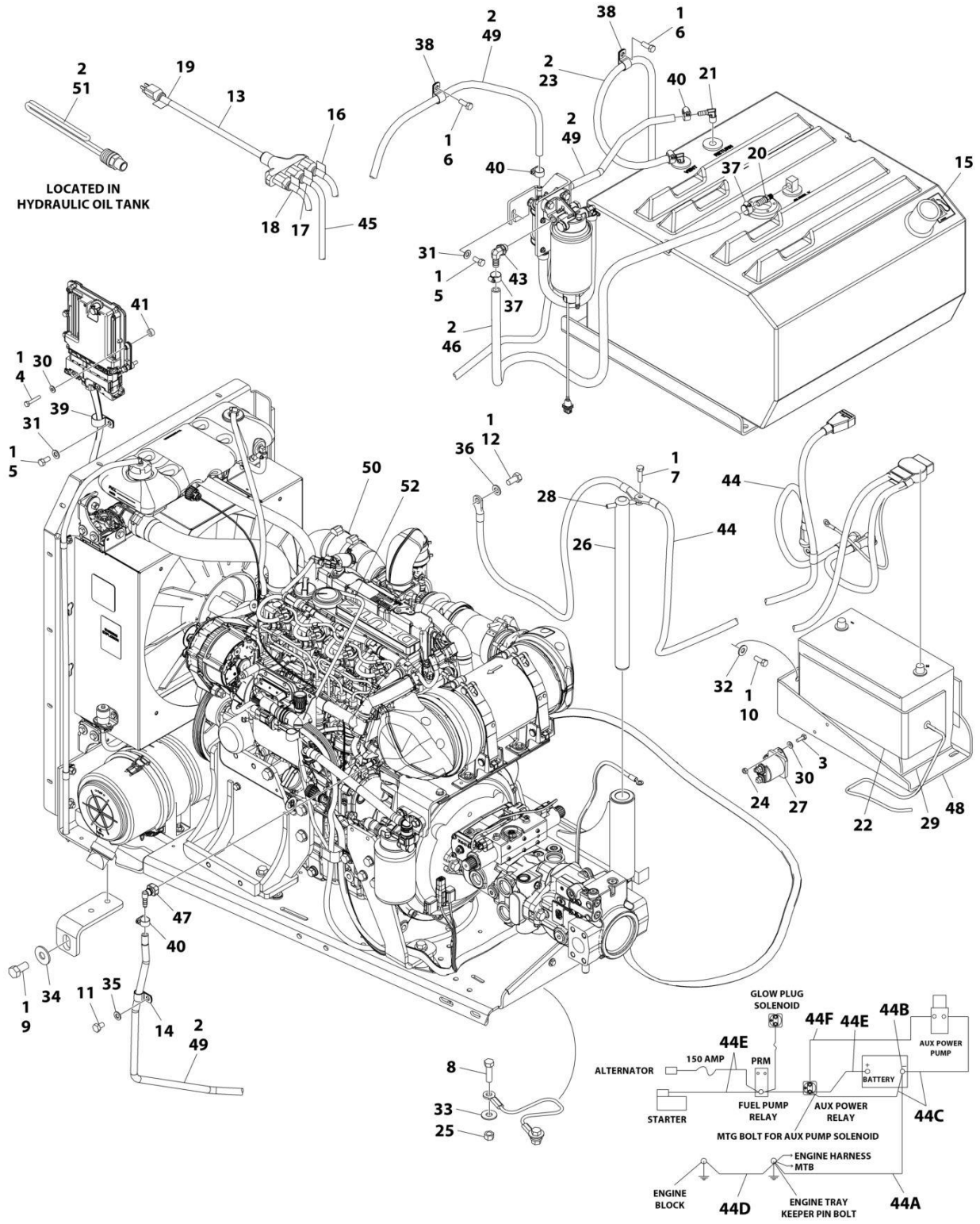
## SECTION 3 - ENGINE

ITEM	PART NUMBER	QTY	DESCRIPTION	REV
43	1001155823	1	Fitting, 90 Quick Disconnect	
44	1001162497	1	Bracket, Battery	
45	1001165035	28 ft/9 m	Hose	
46	1001191620	2	Clamp	
47	1001256879	1	Bracket	
48	1001289593	1	ECU Power Jumper Harness (See Separate Breakdown in ELECTRICAL Section)	
49	1001296655	1	Engine and Pump Assembly without Arctic Package (See Separate Breakdown in this Section)	



# SECTION 3 - ENGINE

FIGURE 3-14. DEUTZ TD2.9L4 ENGINE INSTALLATION - (WITH ARCTIC PACKAGE) (WITH 47.8 GAL CAPACITY HYDRAULIC TANK)



ART\_1001287835



## SECTION 3 - ENGINE

**FIGURE 3-14. DEUTZ TD2.9L4 ENGINE INSTALLATION - (WITH ARCTIC PACKAGE) (WITH 47.8 GAL CAPACITY HYDRAULIC TANK)**

ITEM	PART NUMBER	QTY	DESCRIPTION	REV
	1001287835	Ref	DEUTZ TD2.9L4 ENGINE INSTALLATION	A
1	0100011	AR	Compound, Locking	
2	0100020	AR	Sealant, Pipe	
3	0641406	2	Bolt 1/4 x 3/4	
4	0641412	4	Bolt 1/4 x 1-1/2	
5	0641606	3	Screw 3/8 x 3/4	
6	0641608	2	Screw 3/8 x 1	
7	0641610	1	Screw 3/8 x 1-1/4	
8	0641814	1	Bolt 1/2 x 1-3/4	
9	0642010	1	Bolt 5/8 x 1-1/4	
10	0681608	3	Screw 3/8 x 1 Grade 8	
11	0761008	1	Bolt M10 x 16	
12	0771212	1	Bolt M12 x 25 Grade 10.9	
13	1060626	1	Cord, 3 Way Extension	
14	1320061	1	Clamp	
15	1701505	1	Decal - Diesel Fuel	
16	1702941	1	Decal - Battery Heater	
17	1702942	1	Decal - Engine Block Heater	
18	1702943	1	Decal - Hydraulic Tank Heater	
19	1702944	1	Decal - Heater Cord	
20	2180832	1	Fitting, Elbow Barbed	
21	2220313	2	Fitting, Elbow	
22	2580024	1	Heater, Battery	
23	2750532	AR	Hose	
24	3311405	2	Nut 1/4	
25	3311805	1	Nut 1/2	
26	3422446	1	Pin, Pivot	
27	3740067	1	Relay	
28	3841143	1	Pin, Keeper	
29	3980007	1	Seat, Battery	
30	4711400	7	Washer 1/4	
31	4711600	3	Washer 3/8	
32	4751600	3	Washer 3/8	
33	4751800	1	Washer 1/2	
34	4752000	1	Washer 5/8	
35	4812000	1	Washer M10	
36	4812100	1	Washer M12	
37	8405006	2	Clamp	
38	8406102	2	Clip	
39	8406201	1	Clip	
40	8410013	5	Clamp	
41	1001110425	4	Spacer	
42	1001138491	1	Fuel Pump Harness (Not Shown - See Separate Breakdown in ELECTRICAL Section)	
43	1001142501	1	Fitting, Elbow Barbed	
44	1001143736	1	Battery Cable Kit	
44A	7027084	1	Cable, Battery (Black) (Battery - to Tray Pivot Grd)	
44B	8270147	1	Terminal, Battery (With Boot)	
44C	7027085	1	Cable, Battery (Black) (Battery - to Aux Pump and Relay Grds)	

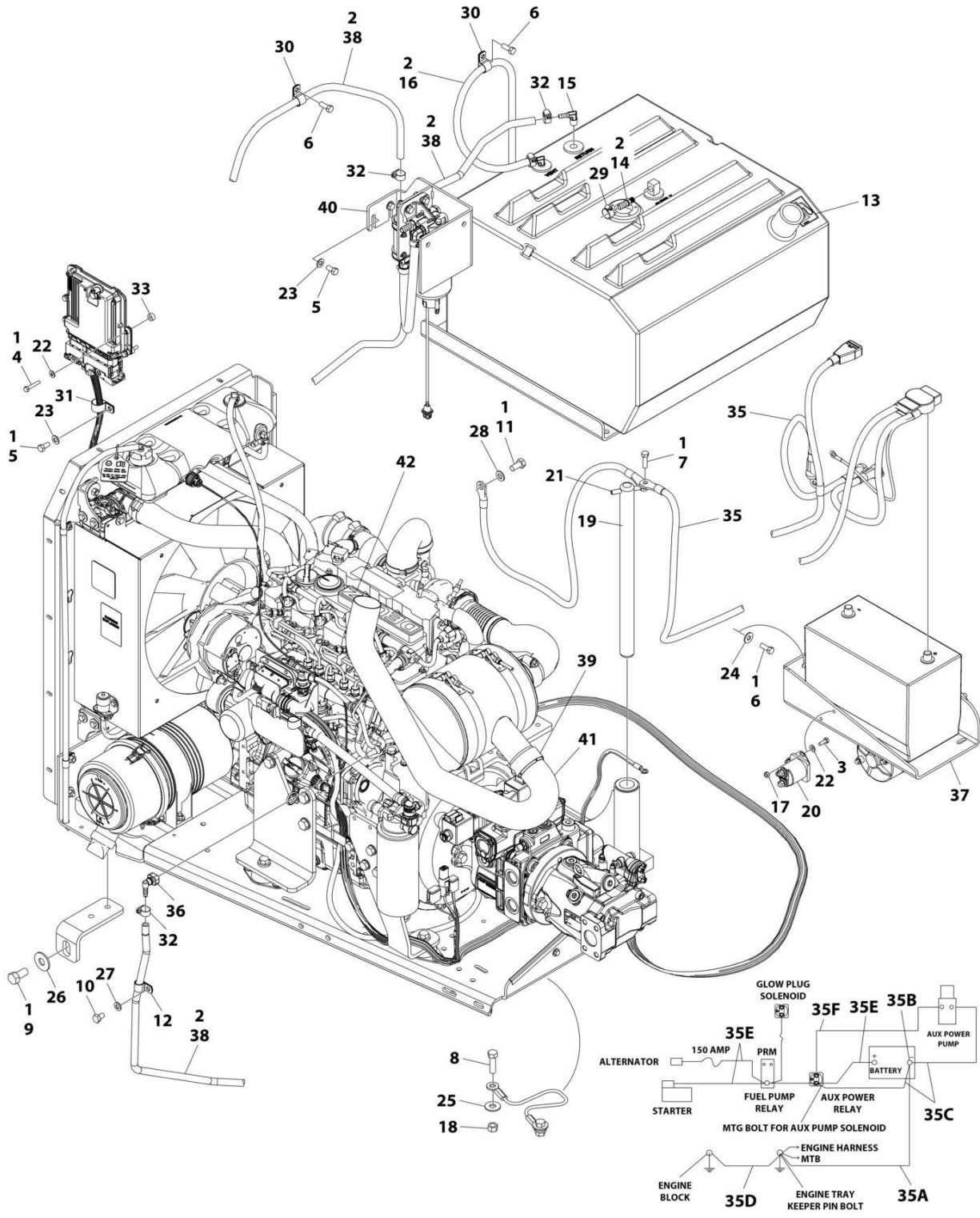
## SECTION 3 - ENGINE

ITEM	PART NUMBER	QTY	DESCRIPTION	REV
44D	7027086	1	Cable, Battery (Black) (Engine to Tray Pivot Grd)	
44E	7027087	1	Cable (Red) (Battery + to Aux Relay/Power Module/Starter)	
44F	7027088	1	Cable (Red) (Aux Relay to Aux Pump)	
45	1001150918	1	Cable, Immersion Heater	
46	1001154405	5 ft/ 1.52m	Hose	
47	1001155823	1	Fitting, Quick Disconnect Elbow	
48	1001162497	1	Bracket, Battery	
49	1001165035	27.5 ft/ 8.38m	Hose	
50	1001185671	1	Engine and Pump Assembly with Arctic Package (See Separate Breakdown in this Section)	
51	1001188972	1	Heater, Hydraulic Tank	
52	1001233763	1	Deutz Breather Heater Installation (with Arctic Package) (See Separate Breakdown in this Section)	



# SECTION 3 - ENGINE

FIGURE 3-15. DEUTZ TD2.9L4 ENGINE INSTALLATION (CHINA III)



ART\_1001296328

## SECTION 3 - ENGINE

**FIGURE 3-15. DEUTZ TD2.9L4 ENGINE INSTALLATION (CHINA III)**

ITEM	PART NUMBER	QTY	DESCRIPTION	REV
	1001296328	Ref	DEUTZ TD2.9L4 ENGINE INSTALLATION (CHINA III)	A
1	0100011	AR	Compound, Locking	
2	0100020	AR	Sealant, Pipe	
3	0641406	2	Bolt 1/4 x 3/4	
4	0641412	4	Bolt 1/4 x 1-1/2	
5	0641606	3	Bolt 3/8 x 3/4	
6	0641608	5	Bolt 3/8 x 1	
7	0641610	1	Bolt 3/8 x 1-1/4	
8	0641814	1	Bolt 1/2 x 1-3/4	
9	0642010	1	Bolt 5/8 x 1-1/4	
10	0761008	1	Bolt M10 x 16	
11	0771212	1	Bolt M12 x 25	
12	1320061	1	Clamp	
13	1701505	1	Decal - Diesel Fuel (Located on Fuel Tank or Hood)	
14	2180832	1	Fitting, Straight Barbed	
15	2220313	2	Fitting, 90 NPTF/Barbed	
16	2750532	3.5 ft/1 m	Hose	
17	3311405	2	Nut 1/4	
18	3311805	1	Nut 1/2	
19	3422446	1	Pin, Pivot	
20	3740067	1	Relay	
21	3841143	1	Pin, Keeper	
22	4711400	7	Washer 1/4	
23	4711600	3	Washer 3/8	
24	4751600	3	Washer 3/8	
25	4751800	1	Washer 1/2	
26	4752000	1	Washer 5/8	
27	4812000	1	Washer M10	
28	4812100	1	Washer M12	
29	8405006	1	Clamp	
30	8406102	2	Clip	
31	8406201	1	Clip	
32	8410013	5	Clamp	
33	1001110425	4	Spacer	
34	1001138491	1	Fuel Pump Harness (Not Shown - See Separate Breakdown in ELECTRICAL Section)	
35	1001143736	1	Battery Cable Kit	
35A	7027084	1	Cable, Battery (Black) (Battery - to Tray Pivot Grd)	
35B	8270147	1	Terminal, Battery (With Boot)	
35C	7027085	1	Cable, Battery (Black) (Battery - to Aux Pump and Relay Grds)	
35D	7027086	1	Cable, Battery (Black) (Engine to Tray Pivot Grd)	
35E	7027087	1	Cable (Red) (Battery + to Aux Relay/Power Module/Starter)	
35F	7027088	1	Cable (Red) (Aux Relay to Aux Pump)	
36	1001155823	1	Fitting, 90 Quick Disconnect	
37	1001162497	1	Bracket, Battery	
38	1001165035	23.5 ft/7 m	Hose	
39	1001221212	1	Clamp	
40	1001227224	1	Bracket Assembly Less Filter/Pump (See Separate Breakdown in this Section)	

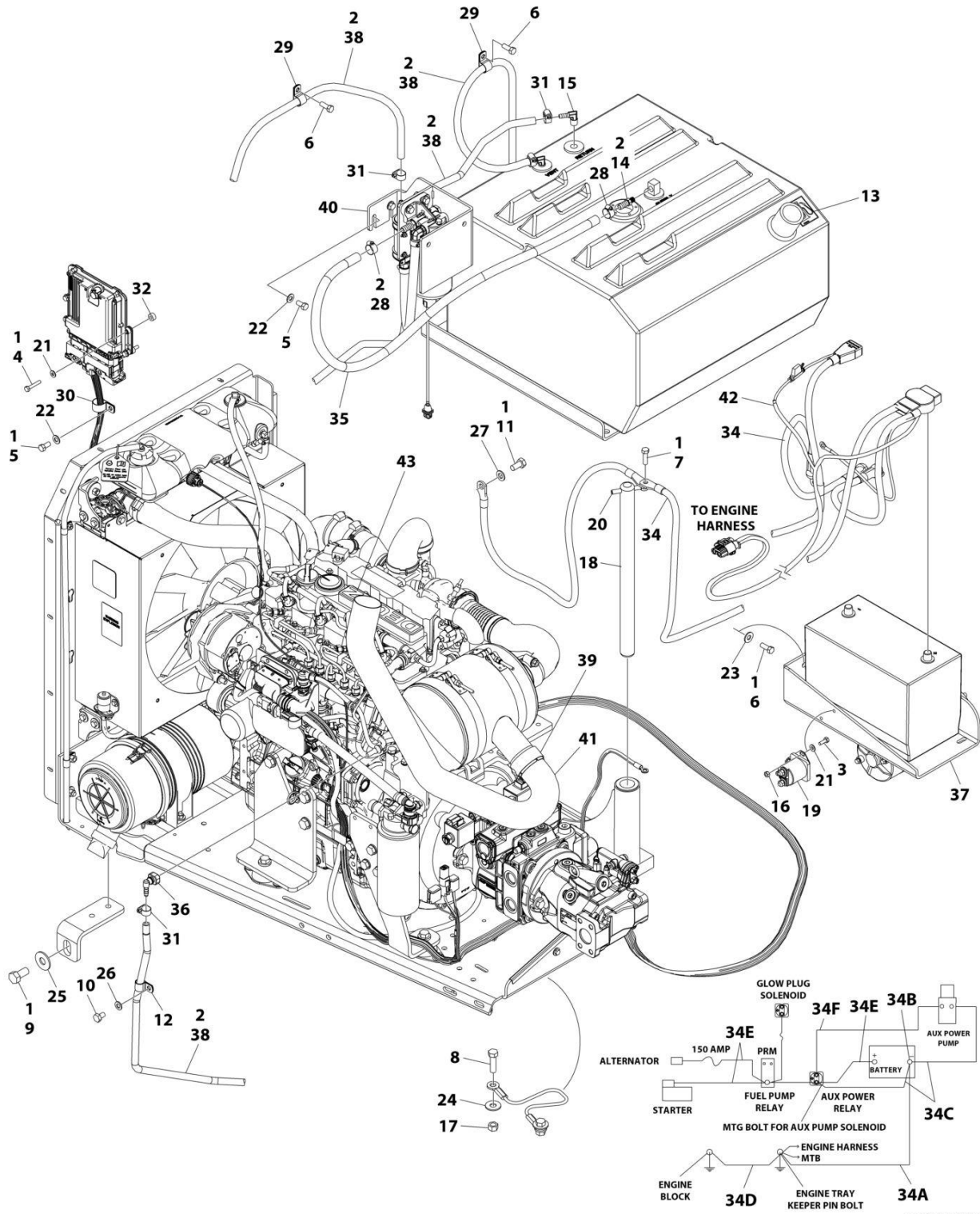
## SECTION 3 - ENGINE

ITEM	PART NUMBER	QTY	DESCRIPTION	REV
41	1001247011	1	Pipe, Exhaust	
42	1001296327	1	Engine and Pump Assembly without Arctic Package (See Separate Breakdown in this Section)	



# SECTION 3 - ENGINE

## FIGURE 3-16. DEUTZ TD2.9L4 ENGINE INSTALLATION (CHINA IV)





## SECTION 3 - ENGINE

**FIGURE 3-16. DEUTZ TD2.9L4 ENGINE INSTALLATION (CHINA IV)**

ITEM	PART NUMBER	QTY	DESCRIPTION	REV
	1001296325	Ref	DEUTZ TD2.9L4 ENGINE INSTALLATION (CHINA IV)	A
1	0100011	AR	Compound, Locking	
2	0100020	AR	Sealant, Pipe	
3	0641406	2	Bolt 1/4 x 3/4	
4	0641412	4	Bolt 1/4 x 1-1/2	
5	0641606	3	Bolt 3/8 x 3/4	
6	0641608	5	Bolt 3/8 x 1	
7	0641610	1	Bolt 3/8 x 1-1/4	
8	0641814	1	Bolt 1/2 x 1-3/4	
9	0642010	1	Bolt 5/8 x 1-1/4	
10	0761008	1	Bolt M10 x 16	
11	0771212	1	Bolt M12 x 25	
12	1320061	1	Clamp	
13	1701505	1	Decal - Diesel Fuel (Located on Fuel Tank or Hood)	
14	2180832	1	Fitting, Straight Barbed	
15	2220313	2	Fitting, 90 NPTF/Barbed	
16	3311405	2	Nut 1/4	
17	3311805	1	Nut 1/2	
18	3422446	1	Pin	
19	3740067	1	Relay	
20	3841143	1	Pin, Keeper	
21	4711400	7	Washer 1/4	
22	4711600	3	Washer 3/8	
23	4751600	3	Washer 3/8	
24	4751800	1	Washer 1/2	
25	4752000	1	Washer 5/8	
26	4812000	1	Washer M10	
27	4812100	1	Washer M12	
28	8405006	2	Clamp	
29	8406102	2	Clip	
30	8406201	1	Clip	
31	8410013	5	Clamp	
32	1001110425	4	Spacer	
33	1001138491	1	Fuel Pump Harness (Not Shown - See Separate Breakdown in ELECTRICAL Section)	
34	1001143736	1	Battery Cable Kit	
34A	7027084	1	Cable, Battery (Black) (Battery - to Tray Pivot Grd)	
34B	8270147	1	Terminal, Battery (With Boot)	
34C	7027085	1	Cable, Battery (Black) (Battery - to Aux Pump and Relay Grds)	
34D	7027086	1	Cable, Battery (Black) (Engine to Tray Pivot Grd)	
34E	7027087	1	Cable (Red) (Battery + to Aux Relay/Power Module/Starter)	
34F	7027088	1	Cable (Red) (Aux Relay to Aux Pump)	
35	1001154405	4 ft/1.2 m	Hose	
36	1001155823	1	Fitting, 90 Quick Disconnect	
37	1001162497	1	Bracket, Battery	
38	1001165035	29 ft/9 m	Hose	
39	1001221212	1	Clamp	
40	1001227224	1	Bracket Assembly Less Filter/Pump (See Separate Breakdown in this Section)	
41	1001247011	1	Pipe, Exhaust	

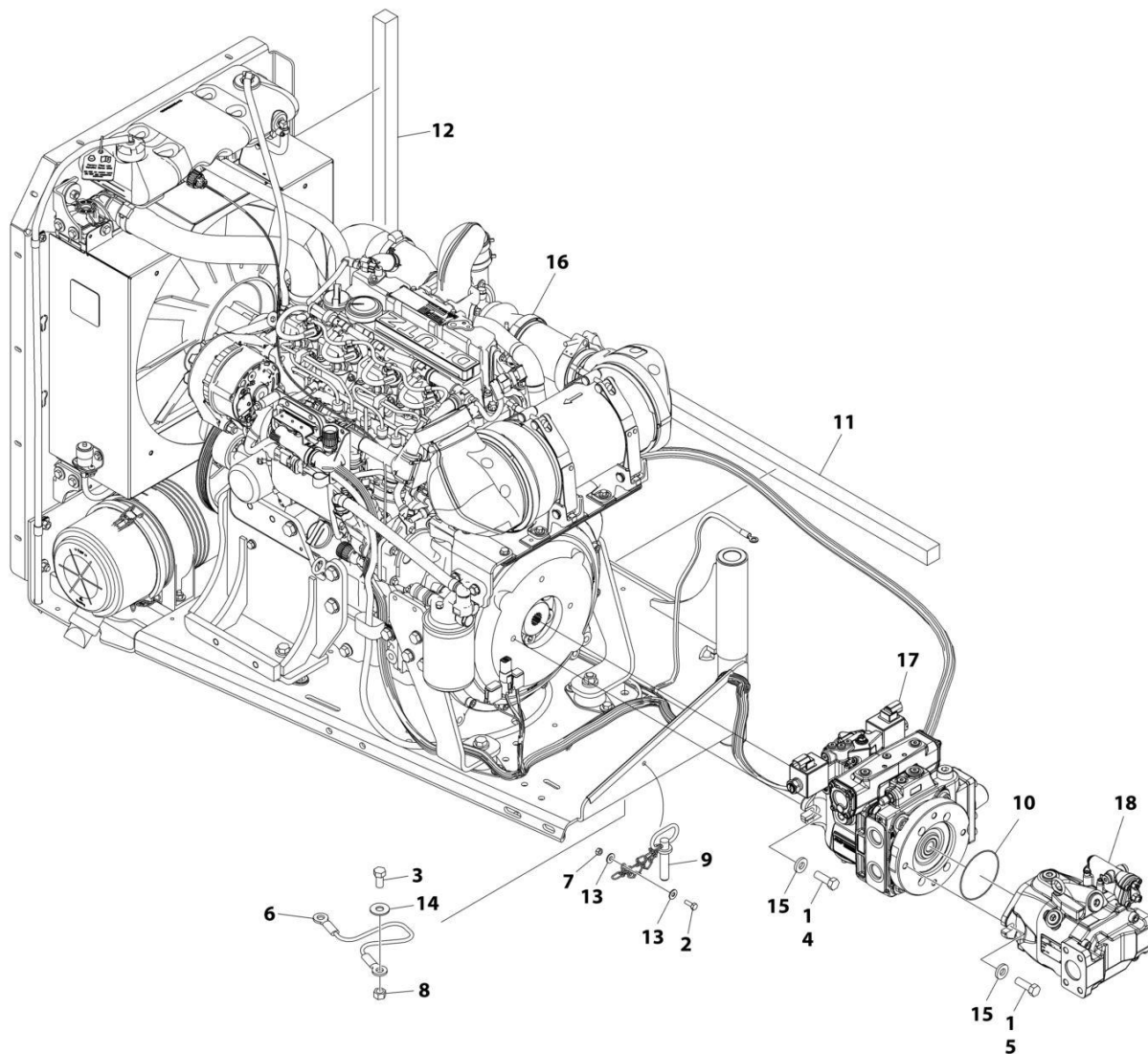
### SECTION 3 - ENGINE

ITEM	PART NUMBER	QTY	DESCRIPTION	REV
42	1001289593	1	ECU Power Jumper Harness (See Separate Breakdown in ELECTRICAL Section)	
43	1001296319	1	Engine and Pump Assembly without Arctic Package (See Separate Breakdown in this Section)	



# SECTION 3 - ENGINE

## FIGURE 3-17. DEUTZ TD2.9L4 (ERM4) ENGINE/PUMP SUB-ASSEMBLY (WITHOUT ARCTIC PACKAGE)



ART\_1001296314

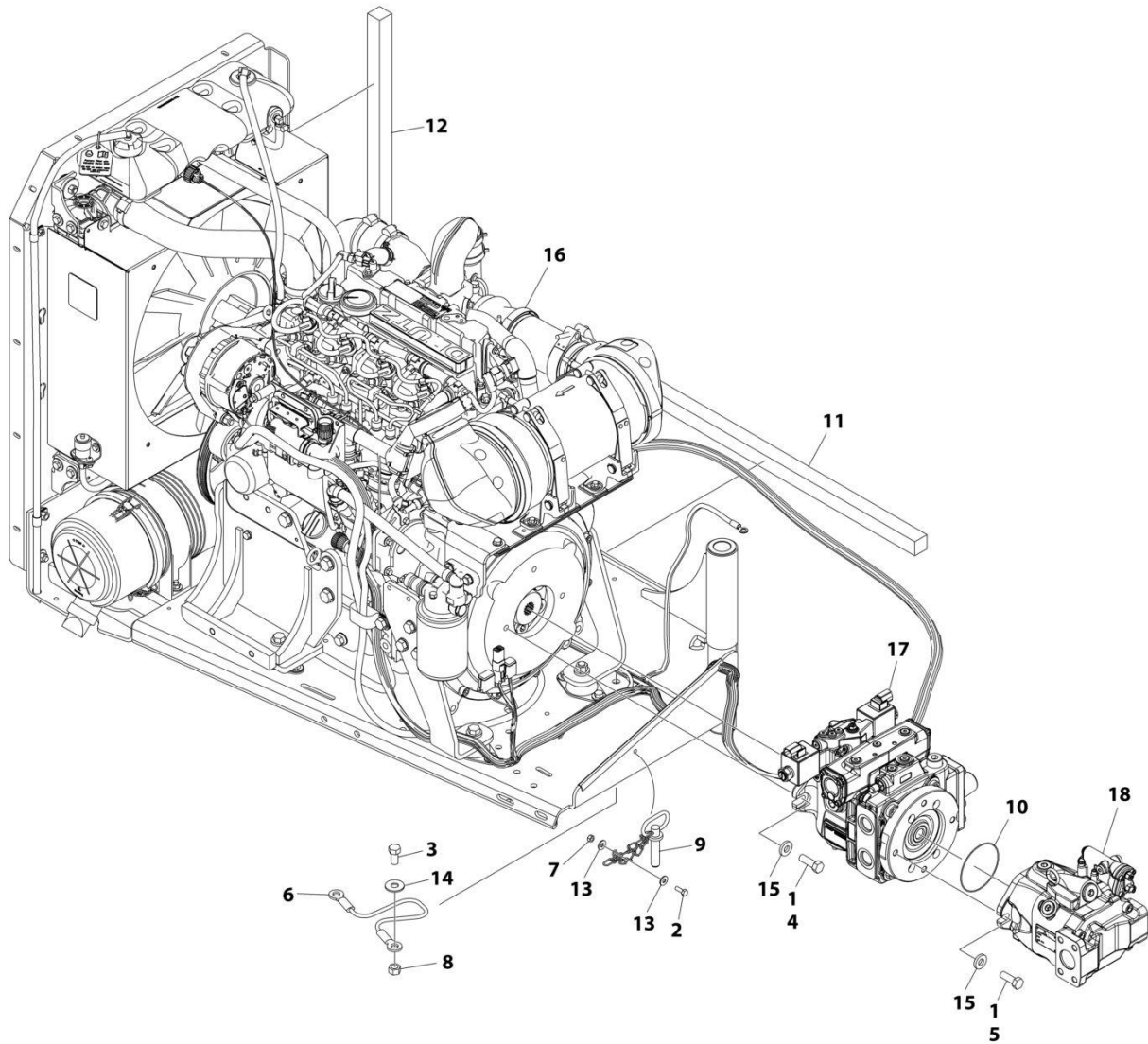
## SECTION 3 - ENGINE

**FIGURE 3-17. DEUTZ TD2.9L4 (ERM4) ENGINE/PUMP SUB-ASSEMBLY (WITHOUT ARCTIC PACKAGE)**

ITEM	PART NUMBER	QTY	DESCRIPTION	REV
	1001296314	Ref	DEUTZ TD2.9L4 ENGINE/PUMP SUB-ASSEMBLY	A
1	0100011	AR	Compound, Locking	
2	0641406	1	Bolt 1/4 x 3/4	
3	0641808	1	Bolt 1/2 x 1	
4	0641812	2	Bolt 1/2 x 1-1/2	
5	0711215	2	Bolt M12 x 35	
6	1060637	1	Lanyard	
7	3311405	1	Nut 1/4	
8	3311801	1	Nut 1/2	
9	3422532	1	Pin	
10	3790044	1	O-Ring	
11	3960468	1	Seal	
12	3960469	1	Seal	
13	4751400	2	Washer 1/4	
14	4751800	1	Washer 1/2	
15	4891800	4	Washer 1/2	
16	1001176027	1	Engine Assembly Without Arctic Package (See Separate Breakdown in this Section)	
17	1001276376	1	Hydrostatic Pump Assembly (See Separate Breakdown in this Section)	
18	1001276377	1	Variable Pump Assembly with Fittings (See Separate Breakdown in this Section)	

# SECTION 3 - ENGINE

FIGURE 3-18. DEUTZ TD2.9L4 ENGINE/PUMP SUB-ASSEMBLY (WITH ARCTIC PACKAGE)



ART\_1001296346

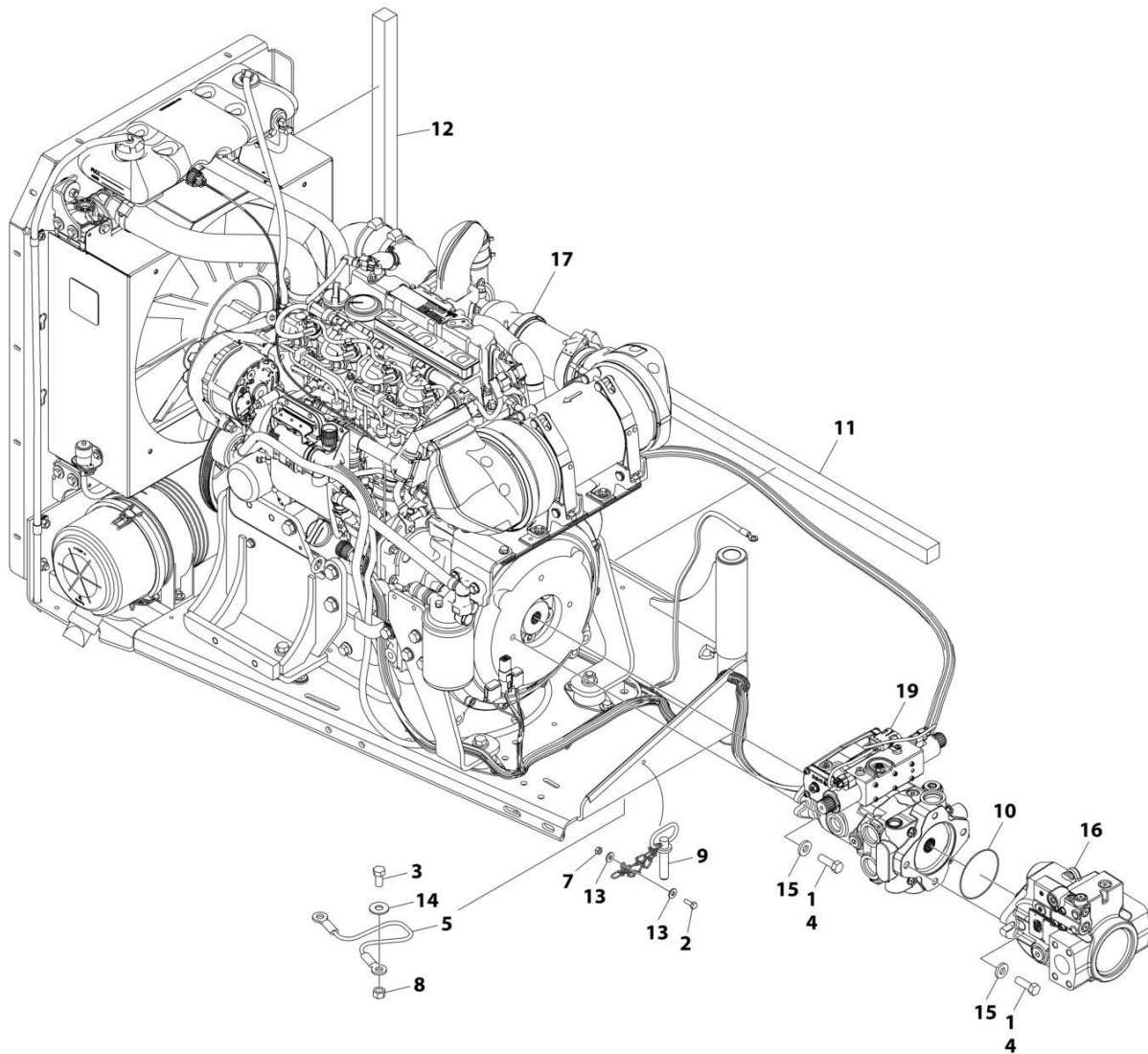
## SECTION 3 - ENGINE

**FIGURE 3-18. DEUTZ TD2.9L4 ENGINE/PUMP SUB-ASSEMBLY (WITH ARCTIC PACKAGE)**

ITEM	PART NUMBER	QTY	DESCRIPTION	REV
	1001296346	Ref	DEUTZ TD2.9L4 ENGINE/PUMP SUB-ASSEMBLY	A
1	0100011	AR	Compound, Locking	
2	0641406	1	Bolt 1/4 x 3/4	
3	0641808	1	Bolt 1/2 x 1	
4	0641812	2	Bolt 1/2 x 1-1/2	
5	0711215	2	Bolt M12 x 35	
6	1060637	1	Lanyard	
7	3311405	1	Nut 1/4	
8	3311801	1	Nut 1/2	
9	3422532	1	Pin	
10	3790044	1	O-Ring	
11	3960468	1	Seal	
12	3960469	1	Seal	
13	4751400	2	Washer 1/4	
14	4751800	1	Washer 1/2	
15	4891800	4	Washer 1/2	
16	1001176035	1	Engine Assembly with Arctic Package (See Separate Breakdown in this Section)	
17	1001276376	1	Hydrostatic Pump Assembly (See Separate Breakdown in this Section)	
18	1001276377	1	Variable Pump Assembly with Fittings (See Separate Breakdown in this Section)	

# SECTION 3 - ENGINE

FIGURE 3-19. DEUTZ TD2.9L4 ENGINE AND PUMP SUB-ASSEMBLY - (WITH ARCTIC PACKAGE)  
(WITH 47.8 GAL CAPACITY HYDRAULIC TANK)



ART\_1001185671



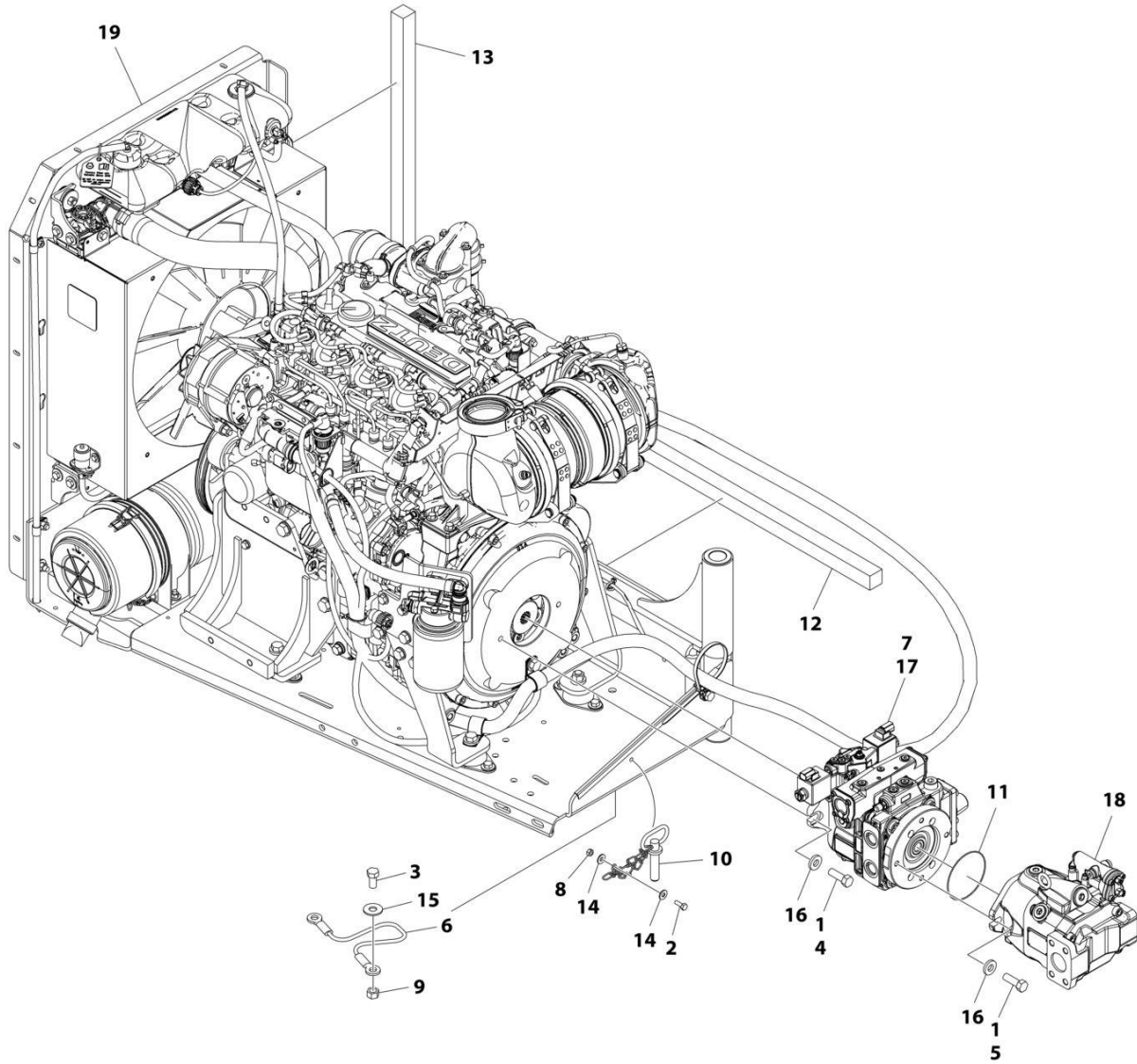
## SECTION 3 - ENGINE

**FIGURE 3-19. DEUTZ TD2.9L4 ENGINE AND PUMP SUB-ASSEMBLY - (WITH ARCTIC PACKAGE)  
(WITH 47.8 GAL CAPACITY HYDRAULIC TANK)**

ITEM	PART NUMBER	QTY	DESCRIPTION	REV
	1001185671	Ref	DEUTZ TD2.9L4 ENGINE AND PUMP SUB-ASSEMBLY (WITH ARCTIC PACKAGE)	H
1	0100011	AR	Compound, Locking	
2	0641406	1	Bolt 1/4 x 3/4	
3	0641808	1	Bolt 1/2 x 1	
4	0641812	4	Bolt 1/2 x 1-1/2	
5	1060637	1	Cable, Lanyard	
7	3311405	1	Nut 1/4	
8	3311801	1	Nut 1/2	
9	3422532	1	Pin, Hitch	
10	3790044	1	O-Ring	
11	3960468	1	Seal	
12	3960469	1	Seal	
13	4751400	2	Washer 1/4	
14	4751800	1	Washer 1/2	
15	4891800	4	Washer 1/2	
16	1001094595	1	Variable Pump Assembly with Fittings (See Separate Breakdown in this Section)	
17	1001176035	1	Engine Assembly With Arctic Package (See Separate Breakdown in this Section)	
19	1001225745	1	Hydrostatic Pump Assembly (See Separate Breakdown in this Section)	

# SECTION 3 - ENGINE

## FIGURE 3-20. DEUTZ TD2.9L4 ENGINE/PUMP SUB-ASSEMBLY (STAGE V)



ART\_1001296655

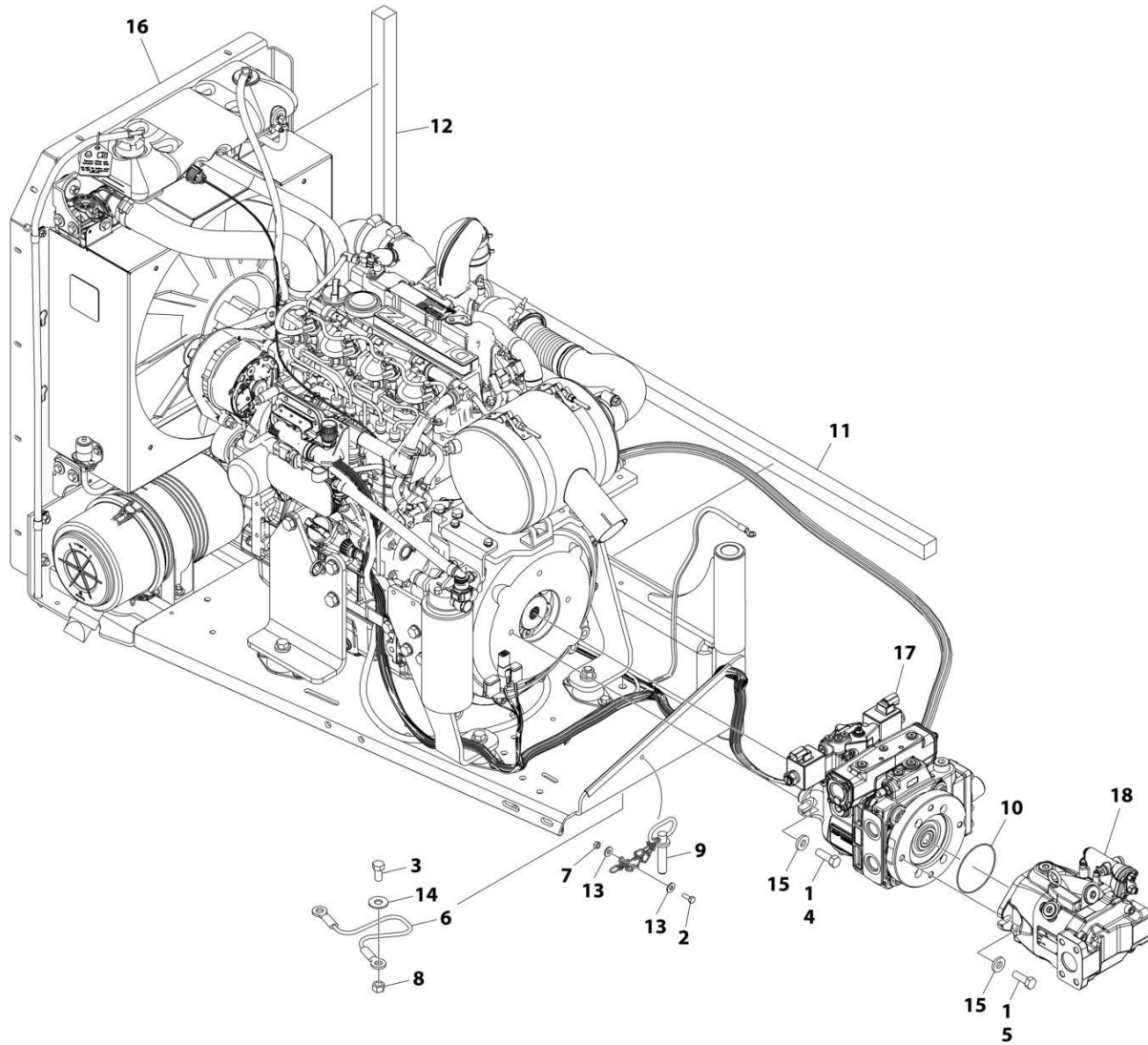
## SECTION 3 - ENGINE

**FIGURE 3-20. DEUTZ TD2.9L4 ENGINE/PUMP SUB-ASSEMBLY (STAGE V)**

ITEM	PART NUMBER	QTY	DESCRIPTION	REV
	1001296655	Ref	DEUTZ D2011 ENGINE/PUMP SUB-ASSEMBLY	A
1	0100011	AR	Compound, Locking	
2	0641406	1	Bolt 1/4 x 3/4	
3	0641808	1	Bolt 1/2 x 1	
4	0641812	2	Bolt 1/2 x 1-1/2	
5	0711215	2	Bolt M12 x 35	
6	1060637	1	Lanyard	
7	3020037	AR	Lubricant	
8	3311405	1	Nut 1/4	
9	3311801	1	Nut 1/2	
10	3422532	1	Pin, Hitch	
11	3790044	1	O-Ring	
12	3960468	1	Seal	
13	3960469	1	Seal	
14	4751400	2	Washer 1/4	
15	4751800	1	Washer 1/2	
16	4891800	4	Washer 1/2	
17	1001276376	1	Hydrostatic Pump Assembly (See Separate Breakdown in this Section)	
18	1001276377	1	Variable Pump Assembly with Fittings (See Separate Breakdown in this Section)	
19	1001277598	1	Engine Assembly - DEUTZ 2.9L4 (Stage V) Engines (See Separate Breakdown in this Section)	

# SECTION 3 - ENGINE

## FIGURE 3-21. DEUTZ TD2.9L4 ENGINE/PUMP SUB-ASSEMBLY (CHINA III)



ART\_1001296327

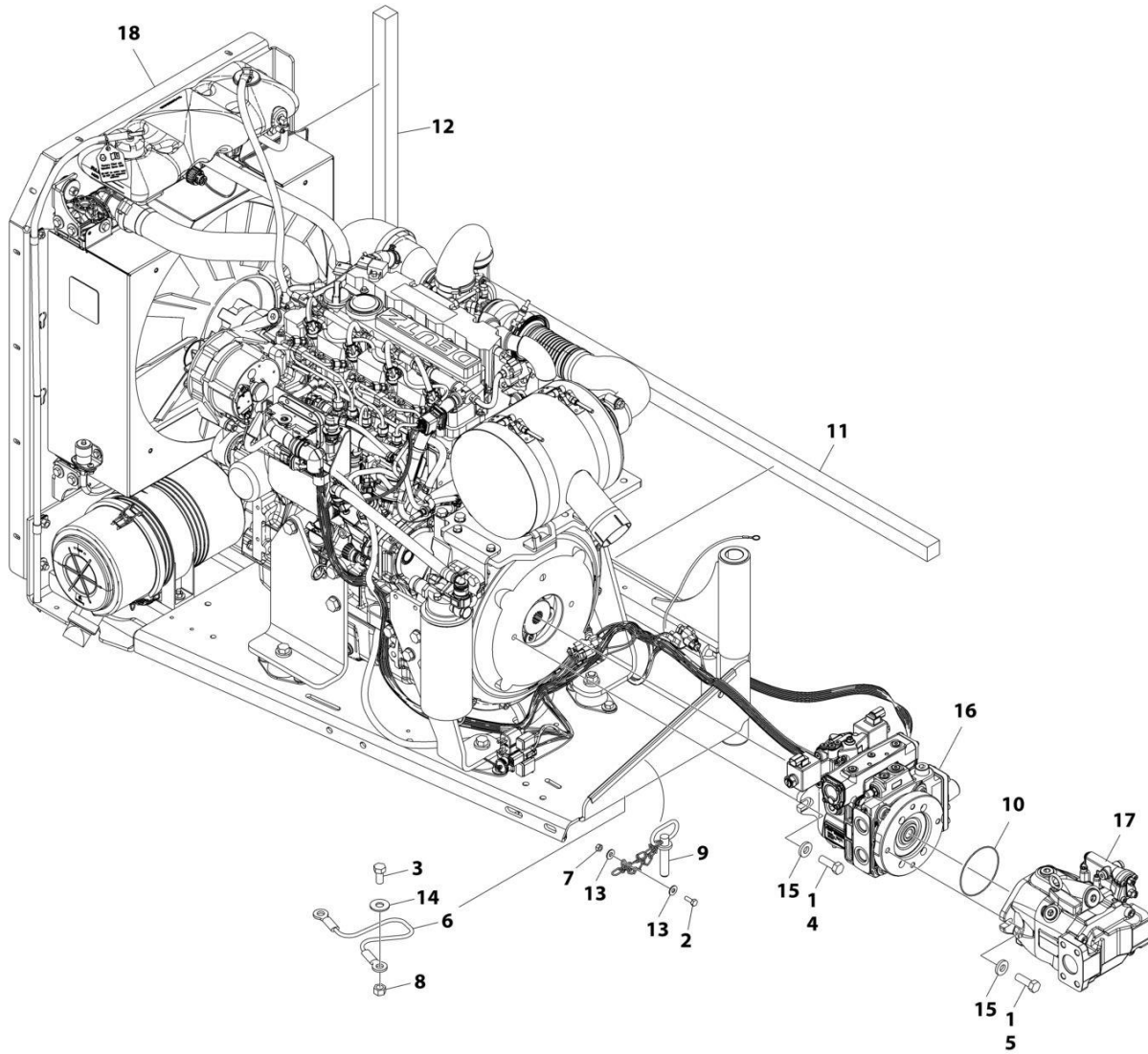
## SECTION 3 - ENGINE

**FIGURE 3-21. DEUTZ TD2.9L4 ENGINE/PUMP SUB-ASSEMBLY (CHINA III)**

ITEM	PART NUMBER	QTY	DESCRIPTION	REV
	1001296327	Ref	DEUTZ TD2.9L4 ENGINE/PUMP SUB-ASSEMBLY (CHINA III)	A
1	0100011	AR	Compound, Locking	
2	0641406	1	Bolt 1/4 x 3/4	
3	0641808	1	Bolt 1/2 x 1	
4	0641812	2	Bolt 1/2 x 1-1/2	
5	0711215	2	Bolt M12 x 35	
6	1060637	1	Lanyard	
7	3311405	1	Nut 1/4	
8	3311801	1	Nut 1/2	
9	3422532	1	Pin	
10	3790044	1	O-Ring	
11	3960468	1	Seal	
12	3960469	1	Seal	
13	4751400	2	Washer 1/4	
14	4751800	1	Washer 1/2	
15	4891800	4	Washer 1/2	
16	1001227614	1	Engine Assembly (See Separate Breakdown in this Section)	
17	1001276376	1	Hydrostatic Pump Assembly (See Separate Breakdown in this Section)	
18	1001276377	1	Variable Pump Assembly with Fittings (See Separate Breakdown Engine Assembly)	

# SECTION 3 - ENGINE

## FIGURE 3-22. DEUTZ TD2.9L4 ENGINE/PUMP SUB-ASSEMBLY (CHINA IV)



ART\_1001296319

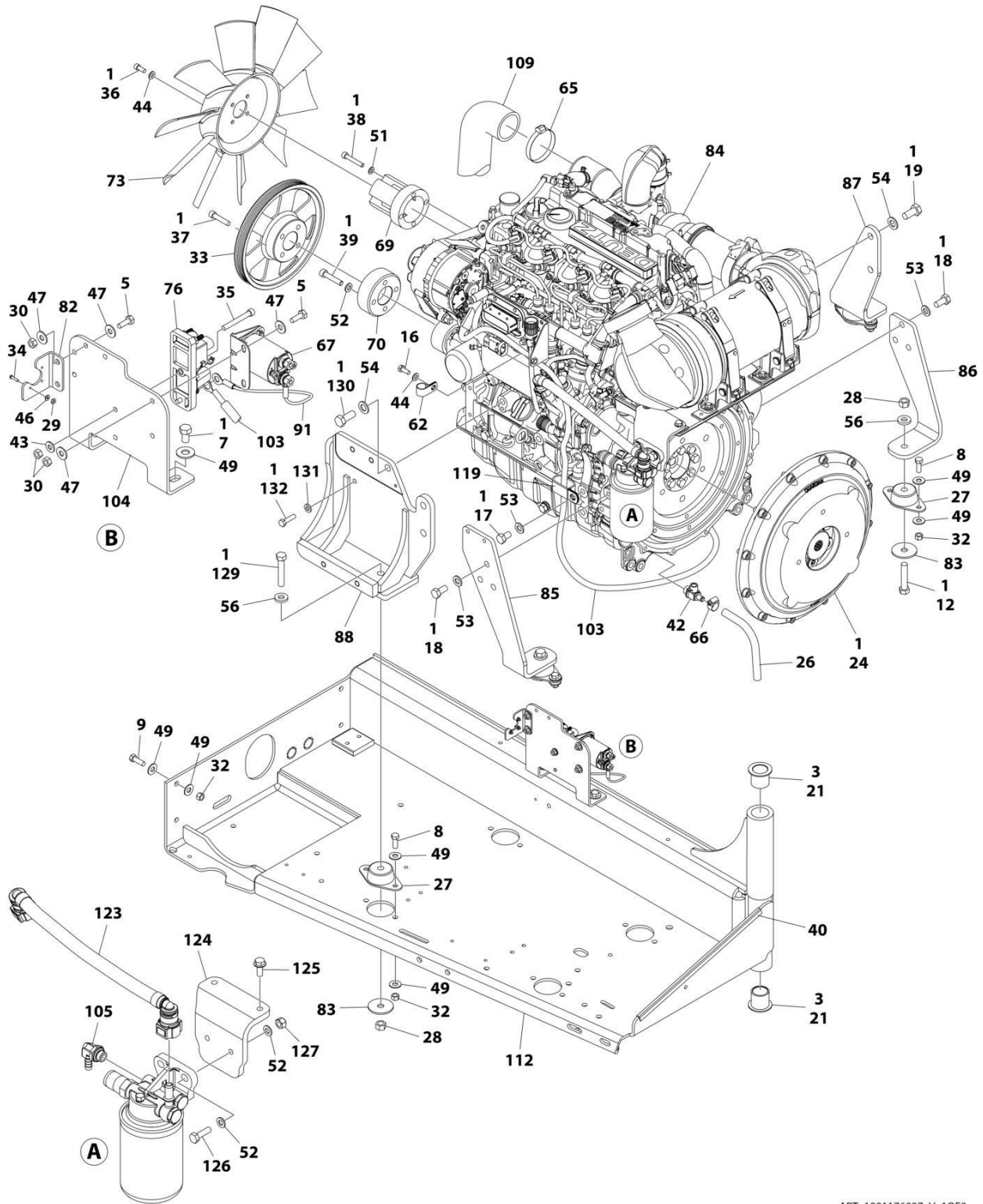
## SECTION 3 - ENGINE

**FIGURE 3-22. DEUTZ TD2.9L4 ENGINE/PUMP SUB-ASSEMBLY (CHINA IV)**

ITEM	PART NUMBER	QTY	DESCRIPTION	REV
	1001296319	Ref	DEUTZ TD2.9L4 ENGINE/PUMP SUB-ASSEMBLY	A
1	0100011	AR	Compound, Locking	
2	0641406	1	Bolt 1/4 x 3/4	
3	0641808	1	Bolt 1/2 x 1	
4	0641812	2	Bolt 1/2 x 1-1/2	
5	0711215	2	Bolt M12 x 35	
6	1060637	1	Lanyard	
6	3311405	1	Nut 1/4	
8	3311801	1	Nut 1/2	
9	3422532	1	Pin, Hitch	
10	3790044	1	O-Ring	
11	3960468	1	Seal	
12	3960469	1	Seal	
13	4751400	2	Washer 1/4	
14	4751800	1	Washer 1/2	
15	4891800	4	Washer 1/2	
16	1001276376	1	Hydrostatic Pump Assembly (See Separate Breakdown in this Section)	
17	1001276377	1	Variable Pump Assembly with Fittings (See Separate Breakdown in this Section)	
18	1001281609	1	Engine Assembly (See Separate Breakdown in this Section)	

# SECTION 3 - ENGINE

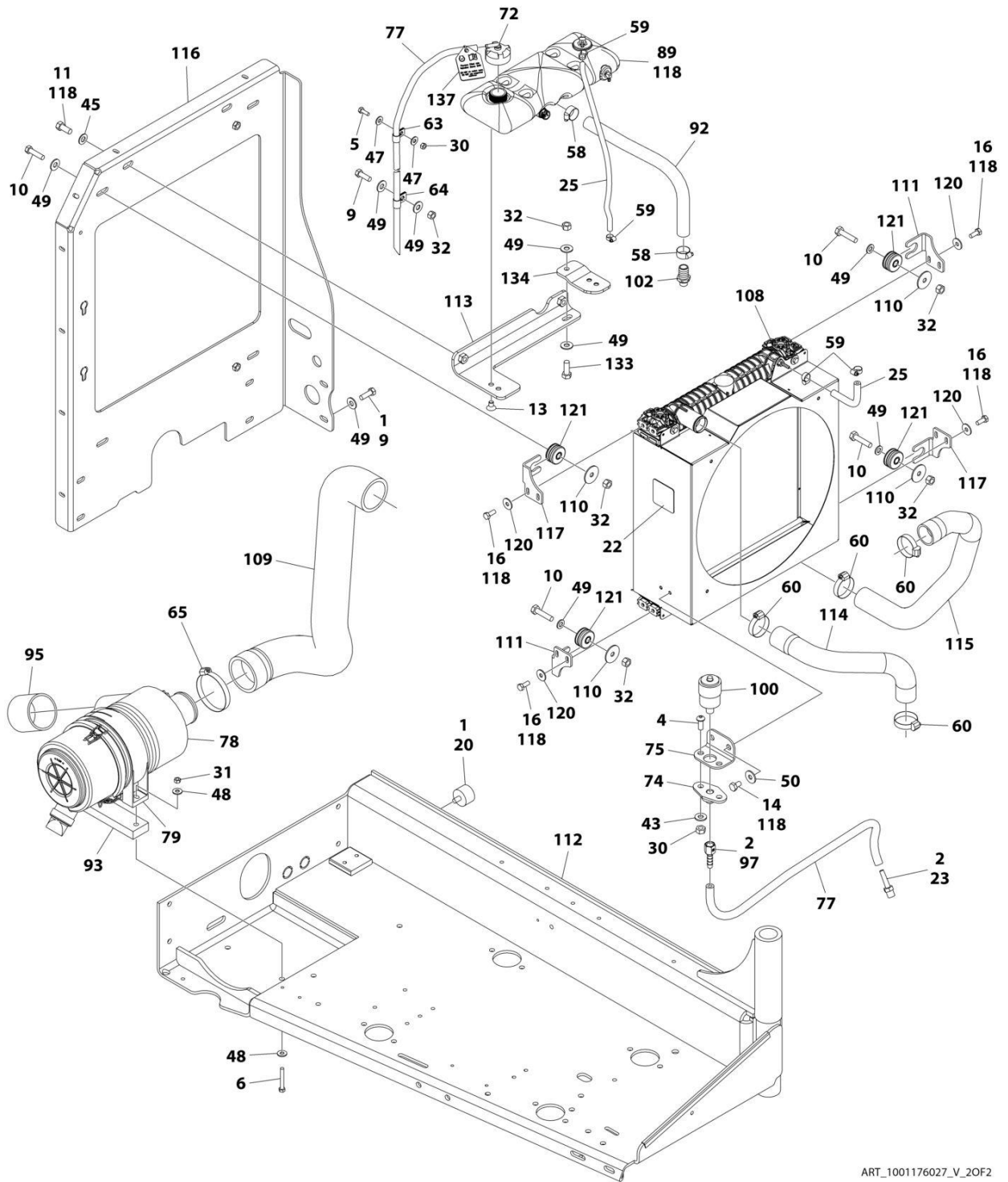
## FIGURE 3-23. DEUTZ TD2.9L4 (ERM4) ENGINE ASSEMBLY (WITHOUT ARCTIC PACKAGE)



ART\_1001176027\_V\_1OF2



# SECTION 3 - ENGINE



ART\_1001176027\_V\_2OF2

## SECTION 3 - ENGINE

**FIGURE 3-23. DEUTZ TD2.9L4 (ERM4) ENGINE ASSEMBLY (WITHOUT ARCTIC PACKAGE)**

ITEM	PART NUMBER	QTY	DESCRIPTION	REV
	1001176027	Ref	ENGINE ASSEMBLY WITHOUT ARCTIC PACKAGE	V
1	0100011	AR	Locking, Compound	
2	0100020	AR	Sealant	
3	0100062	2	Compound, Locking	
4	0630407	5	Screw 1/4 x 5/8	
5	0641406	2	Bolt 1/4 x 3/4	
6	0641518	2	Bolt 5/16 x 2-1/4	
7	0641605	8	Bolt 3/8 x 5/8	
8	0641608	6	Bolt 3/8 x 1	
9	0641609	4	Bolt 3/8 x 1-1/8	
10	0641612	2	Bolt 3/8 x 1-1/2	
11	0641708	3	Bolt 7/16 x 1	
12	0681820	2	Bolt 1/2 x 2-1/2	
13	0741605	2	Screw 3/8 x 5/8	
14	0760605	AR	Bolt M6 x 10	
16	0760810	9	Bolt M8 x 20	
17	0761210	1	Bolt M12 x 20	
18	0771212	6	Bolt M12 x 25	
19	0771414	2	Bolt M14 x 30	
20	0940070	1	Bumper	
21	0961986	2	Bushing, Flanged	
22	1703162	1	Decal - Caution Fan Blade	
23	2220315	1	Fitting, Straight Barbed	
24	1001153282	1	Pump Coupling Kit (See Separate Breakdown in this section)	
25	2720015	3 ft /1 m	Hose	
26	2720340	1 ft /0.3 m	Hose	
27	3200401	4	Mount, Motor	
28	3271801	4	Nut 1/2-13	
29	3310401	3	Nut #4	
30	3311405	8	Nut 1/4	
31	3311505	2	Locknut 5/16	
32	3311605	17	Nut 3/8	
33	3580320	1	Pulley	
34	3910408	3	Screw #4 x 1/2	
35	3931432	1	Capscrew 1/4 x 2	
36	3931512	4	Capscrew 5/16 x 3/4	
37	3931628	4	Capscrew 3/8 x 1-3/4	
38	4031914	4	Capscrew M8 x 50	
39	4032014	4	Capscrew M10 x 50	
40	4060805	2 ft /0.4 m	Flex-Trim	
41	4240099	AR	Tie-Strap (Not Shown)	
42	4640751	1	Valve, Oil Drain	
43	4711400	3	Washer 1/4	
44	4711500	5	Washer 5/16	
45	4711700	2	Washer 7/16	
46	4750400	3	Washer #4	
47	4751400	10	Washer 1/4	
48	4751500	4	Washer 5/16	
49	4751600	34	Washer 3/8	
50	4811702	2	Washer M6	

## SECTION 3 - ENGINE

ITEM	PART NUMBER	QTY	DESCRIPTION	REV
51	4811900	4	Washer M8	
52	4812000	8	Washer M10	
53	4812100	7	Washer M12	
54	4812200	5	Washer M14	
56	4891800	4	Washer 1/2	
58	8405007	2	Clamp	
59	8405009	4	Clamp	
60	8405104	4	Clamp	
62	8406102	1	Clip	
63	8406109	1	Clip	
64	8406110	1	Clip	
65	8410011	2	Clamp	
66	8410013	1	Clamp	
67	1001117308	1	Relay	
69	1001135138	1	Adapter	
70	1001135679	1	Adapter	
72	1001136834	1	Cap, Tank	
73	1001137276	1	Fan	
74	1001138173	1	Support	
75	1001138175	1	Bracket	
76	1001138228	1	Relay, Power Module	
76	70023593	1	Fuse 30Amp (Battery Output)	
76	70023592	1	Fuse 20Amp (Switch Output)	
77	1001138248	6 ft /2 m	Tube	
78	1001138489	1	Air Cleaner Assembly	
78	91403102	1	Element, Filter	
79	1001138557	1	Clamp	
82	1001139240	1	Bracket	
83	1001139409	4	Washer, Special	
84	1001249942	1	Engine, Deutz TD2.9L4 T4F (See Separate Breakdown in this Section)	
85	1001140448	1	Mount, Rear Engine	
86	1001140450	1	Mount, Rear Engine	
87	1001140454	1	Mount, Front Engine	
88	1001202368	1	Mount, Generator/Engine	
89	1001230635	1	Tank	
89	0100020	AR	Sealant, Pipe	
89	1001134488	1	Fitting, 90 NPT/ Barbed	
89	1001138827	1	Sensor, Coolant Level	
89	1001140564	1	Fitting, 90 NPT/ Barbed	
89	1001229542	1	Tank, Surge	
91	1001141304	1	Harness, Glow Plug	
92	1001141370	1	Hose	
93	1001267256	1	Shim	
95	1001141585	1	Hose, Inlet	
97	1001141995	1	Fitting, Straight NPT/Barbed	
100	1001143390	1	Indicator, Service	
101	1001143726	1	Harness, Deutz Engine (Not Shown - See Separate Breakdown in ELECTRICAL Section)	
102	1001143797	1	Fitting, Straight Metric/Barbed	
103	1001143907	1	Cable, Alternator Power	
104	1001145154	1	Plate, Relay Mounting	

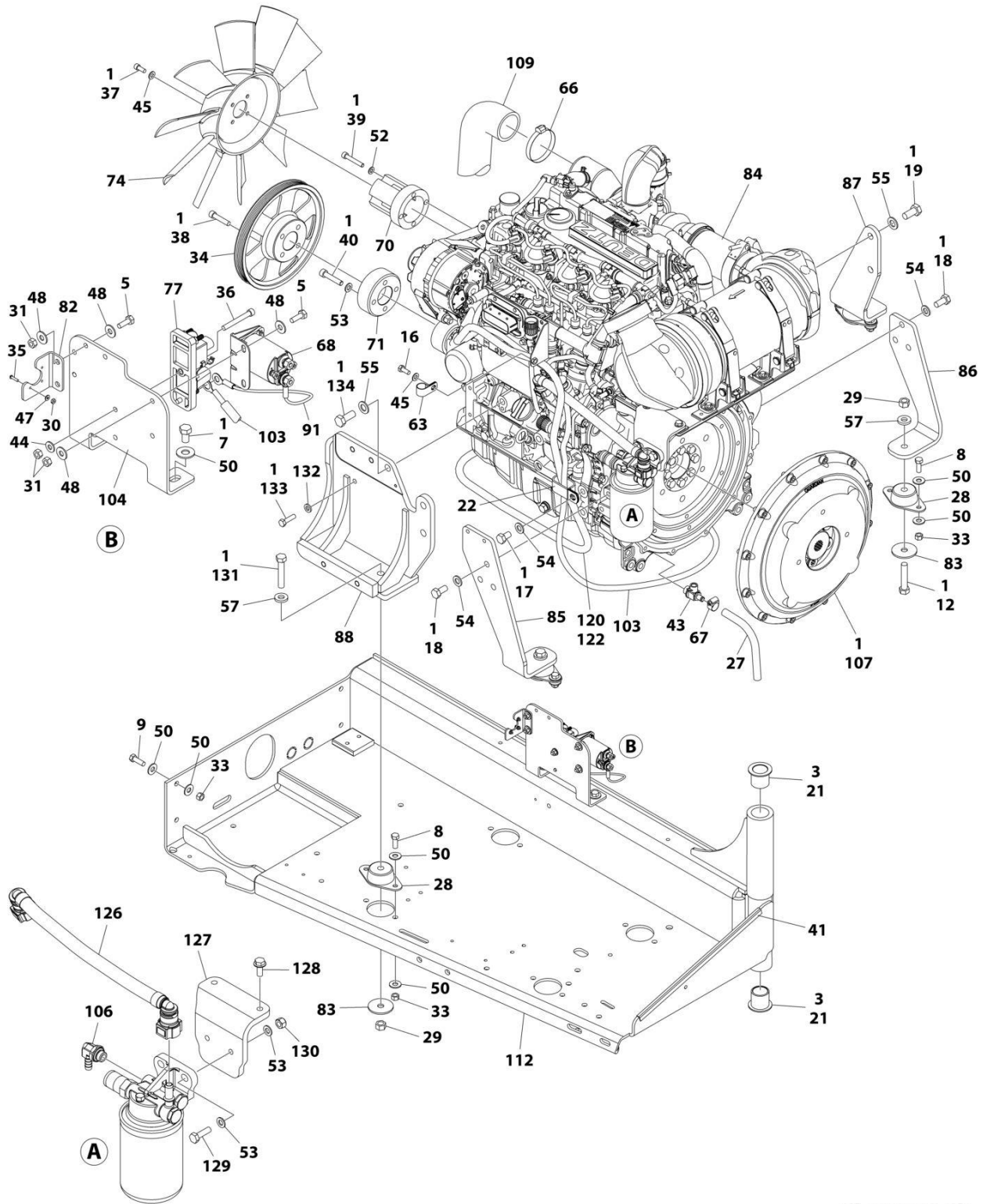
## SECTION 3 - ENGINE

ITEM	PART NUMBER	QTY	DESCRIPTION	REV
105	1001152489	1	Fitting, 90 Metric/ Barbed	
108	1001167042	1	Radiator	
109	1001266525	1	Hose	
110	1001169138	4	Washer	
111	1001204325	2	Bracket, Radiator	
112	1001190610	1	Tray	
113	1001260413	1	Bracket, Tank	
114	1001177844	1	Hose, Radiator - Upper	
115	1001177845	1	Hose, Radiator - Lower	
116	1001186985	1	Plate, Mounting (Modine Radiator)	
117	1001178223	2	Bracket, Radiator	
118	1001180620	1	Adhesive	
119	1001181899	1	P-Clamp	
120	4811902	8	Washer M8	
121	1001169054	4	Pad, Isolator	
123	1001177359	1	Hose	
124	1001178876	1	Mount, Fuel Filter	
125	5250810	2	Bolt M8 x 20	
126	0761015	2	Bolt M10 x 35	
127	3291005	2	Nut M10	
129	0681822	1	Bolt 1/2 x 2-3/4 Grade 8	
130	0771415	3	Bolt M14 x 35 Grade 10.9	
131	5240800	1	Washer M8	
132	0700814	1	Bolt M8 x 30	
133	0681608	1	Bolt 3/8 x 1 Grade 8	
134	1001260412	1	Bracket	
135	1001162335	1	Bracket, Fuel Pump/Filter Assy (Not Shown - See Separate Breakdown in this Section)	
136	4240032	AR	Tie-Strap (Not Shown)	
137	1001291401	1	Tag, Coolant	



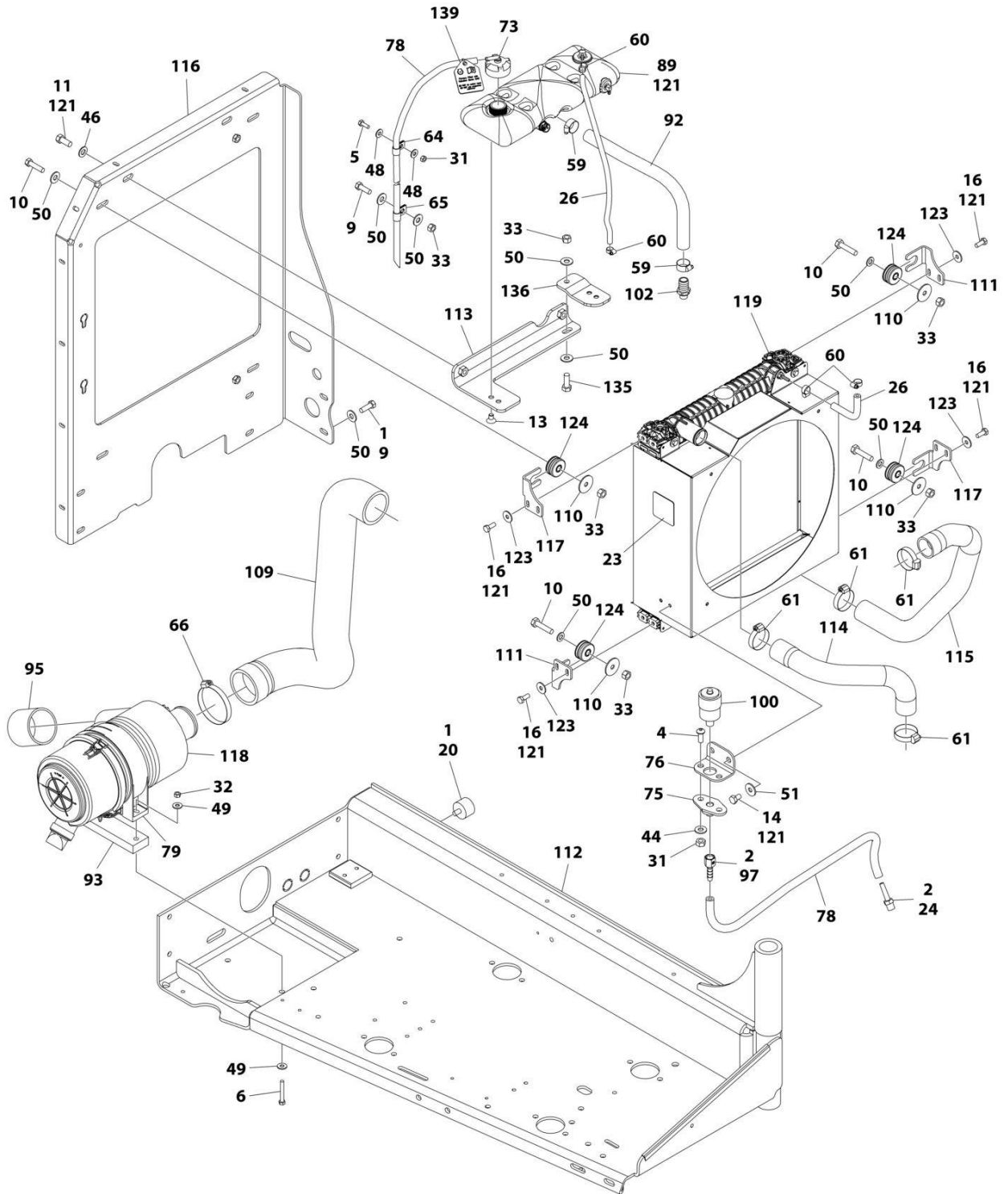
# SECTION 3 - ENGINE

## FIGURE 3-24. DEUTZ TD2.9L4 ENGINE ASSEMBLY (WITH ARCTIC PACKAGE)



ART\_1001176035\_V\_1OF2

# SECTION 3 - ENGINE



ART\_1001176035\_V\_2OF2

## SECTION 3 - ENGINE

**FIGURE 3-24. DEUTZ TD2.9L4 ENGINE ASSEMBLY (WITH ARCTIC PACKAGE)**

ITEM	PART NUMBER	QTY	DESCRIPTION	REV
	1001176035	Ref	DEUTZ TD2.9L4 ENGINE ASSEMBLY (WITH ARCTIC PACKAGE)	V
1	0100011	AR	Locking, Compound	
2	0100020	AR	Sealant	
3	0100062	2	Compound, Locking	
4	0630407	5	Screw 1/4 x 5/8	
5	0641406	2	Bolt 1/4 x 3/4	
6	0641518	2	Bolt 5/16 x 2-1/4	
7	0641605	8	Bolt 3/8 x 5/8	
8	0641608	6	Bolt 3/8 x 1	
9	0641609	4	Bolt 3/8 x 1-1/8	
10	0641612	2	Bolt 3/8 x 1-1/2	
11	0641708	3	Bolt 7/16 x 1	
12	0681820	2	Bolt 1/2 x 2-1/2 Grade 8	
13	0741605	2	Screw 3/8 x 5/8	
14	0760605	2	Bolt M6 x 10	
16	0760810	9	Bolt M8 x 20	
17	0761210	1	Bolt M12 x 20	
18	0771212	6	Bolt M12 x 25 Grade 10.9	
19	0771414	2	Bolt M14 x 30 Grade 10.9	
20	0940070	1	Bumper	
21	0961986	2	Bushing, Flanged	
22	1001181899	1	P-Clamp	
23	1703162	1	Decal - Caution Fan Blade	
24	2220315	1	Fitting, Straight Barbed	
26	2720015	3 ft /1 m	Hose	
27	2720340	1 ft /0.3 m	Hose	
28	3200401	4	Mount, Motor	
29	3271801	4	Nut 1/2	
30	3310401	3	Nut #4	
31	3311405	8	Nut 1/4	
32	3311505	2	Nut 5/16	
33	3311605	17	Nut 3/8	
34	3580320	1	Pulley	
35	3910408	3	Screw #4 x 1/2	
36	3931432	1	Capscrew 1/4 x 2	
37	3931512	4	Capscrew 5/16 x 3/4	
38	3931628	4	Capscrew 3/8 x 1-3/4	
39	4031914	4	Capscrew M8 x 50	
40	4032014	4	Capscrew M10 x 50	
41	4060805	2 ft /0.4 m	Flex-Trim	
42	4240099	AR	Tie-Strap (Not Shown)	
43	4640751	1	Valve, Oil Drain	
44	4711400	3	Washer 1/4	
45	4711500	5	Washer 5/16	
46	4711700	2	Washer 7/16	
47	4750400	3	Washer #4	
48	4751400	10	Washer 1/4	
49	4751500	4	Washer 5/16	
50	4751600	34	Washer 3/8	
51	4811702	2	Washer M6	



## SECTION 3 - ENGINE

ITEM	PART NUMBER	QTY	DESCRIPTION	REV
52	4811900	4	Washer M8	
53	4812000	8	Washer M10	
54	4812100	7	Washer M12	
55	4812200	5	Washer M14	
57	4891800	4	Washer 1/2	
59	8405007	2	Clamp	
60	8405009	4	Clamp	
61	8405104	4	Clamp	
63	8406102	1	Clip	
64	8406109	1	Clip	
65	8406110	1	Clip	
66	8410011	2	Clamp	
67	8410013	1	Clamp	
68	1001117308	1	Relay	
70	1001135138	1	Adapter	
71	1001135679	1	Adapter	
73	1001136834	1	Cap, Tank	
74	1001137276	1	Fan	
75	1001138173	1	Support	
76	1001138175	1	Bracket	
77	1001138228	1	Relay, Power Module	
77	70023592	1	Fuse 20Amp (Switch Output)	
77	70023593	1	Fuse 30Amp (Battery Output)	
78	1001138248	6 ft /2 m	Tube	
79	1001138557	1	Clamp	
82	1001139240	1	Bracket	
83	1001139409	4	Washer, Special	
84	1001249942	1	Engine, Deutz TD2.9L4 T4F (See Separate Breakdown in this Section)	
85	1001140448	1	Mount, Rear Engine	
86	1001140450	1	Mount, Rear Engine	
87	1001140454	1	Mount, Front Engine	
88	1001202368	1	Mount, Generator/Engine	
89	1001230635	1	Tank	
89	0100020	1	Sealant	
89	1001134488	1	Fitting, 90 NPT/ Barbed	
89	1001138827	1	Sensor, Coolant Level	
89	1001140564	1	Fitting, 90 NPT/ Barbed	
89	1001229542	1	Tank, Surge	
91	1001141304	1	Harness, Glow Plug	
92	1001141370	1	Hose	
93	1001267256	1	Shim	
95	1001141585	1	Hose, Inlet	
97	1001141995	1	Fitting, Straight NPT/Barbed	
100	1001143390	1	Indicator, Service	
101	1001143726	1	Harness, Deutz Engine (Not Shown - See Separate Breakdown in ELECTRICAL Section)	
102	1001143797	1	Fitting, Straight Metric/Barbed	
103	1001143907	1	Cable, Alternator Power	
104	1001145154	1	Plate, Relay Mounting	
106	1001152489	1	Fitting, 90 Metric/ Barbed	
107	1001153282	1	Pump Coupling Kit (See Separate Breakdown in this Section)	

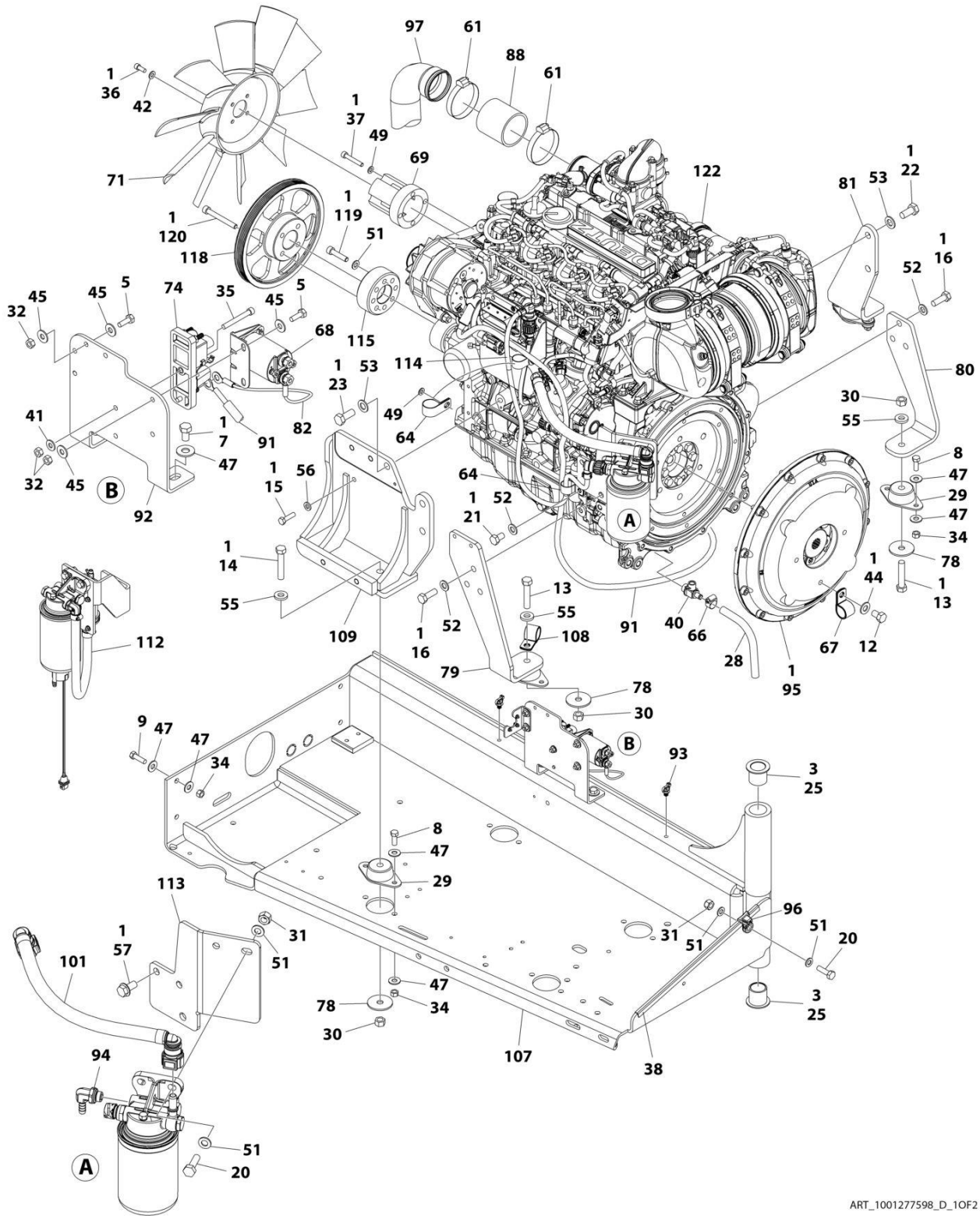
## SECTION 3 - ENGINE

ITEM	PART NUMBER	QTY	DESCRIPTION	REV
109	1001266525	1	Pipe	
110	1001169138	4	Washer	
111	1001204325	2	Bracket, Radiator	
112	1001190610	1	Tray	
113	1001260413	1	Bracket, Tank	
114	1001177844	1	Hose, Radiator - Upper	
115	1001177845	1	Hose, Radiator - Lower	
116	1001186985	1	Plate, Mounting	
117	1001178223	2	Bracket, Radiator	
118	1001138489	1	Air Cleaner Assembly	
118	91403102	1	Element, Filter	
119	1001167042	1	Radiator	
120	1001140312	1	Heater, Engine Block	
121	1001180620	1	Adhesive	
122	1001181895	1	Adhesive	
123	4811902	8	Washer M8	
124	1001169054	4	Pad, Isolator	
126	1001177359	1	Hose	
127	1001178876	1	Mount, Fuel Filter	
128	5250810	2	Bolt M8 x 20	
129	0761015	2	Bolt M10 x 35	
130	3291005	2	Nut M10	
131	0681822	1	Bolt 1/2 x 2-3/4 Grade 8	
132	5240800	1	Washer M8	
133	0700814	1	Bolt M8 x 30	
134	0771415	3	Bolt M14 x 35 Grade 10.9	
135	0681608	1	Bolt 3/8 x 1 Grade 8	
136	1001260412	1	Bracket	
137	1001162335	1	Bracket, Fuel Pump/Filter Assy (Not Shown - See Separate Breakdown in this Section)	
138	4240032	AR	Tie-Strap (Not Shown)	
139	1001291401	1	Tag, Coolant	



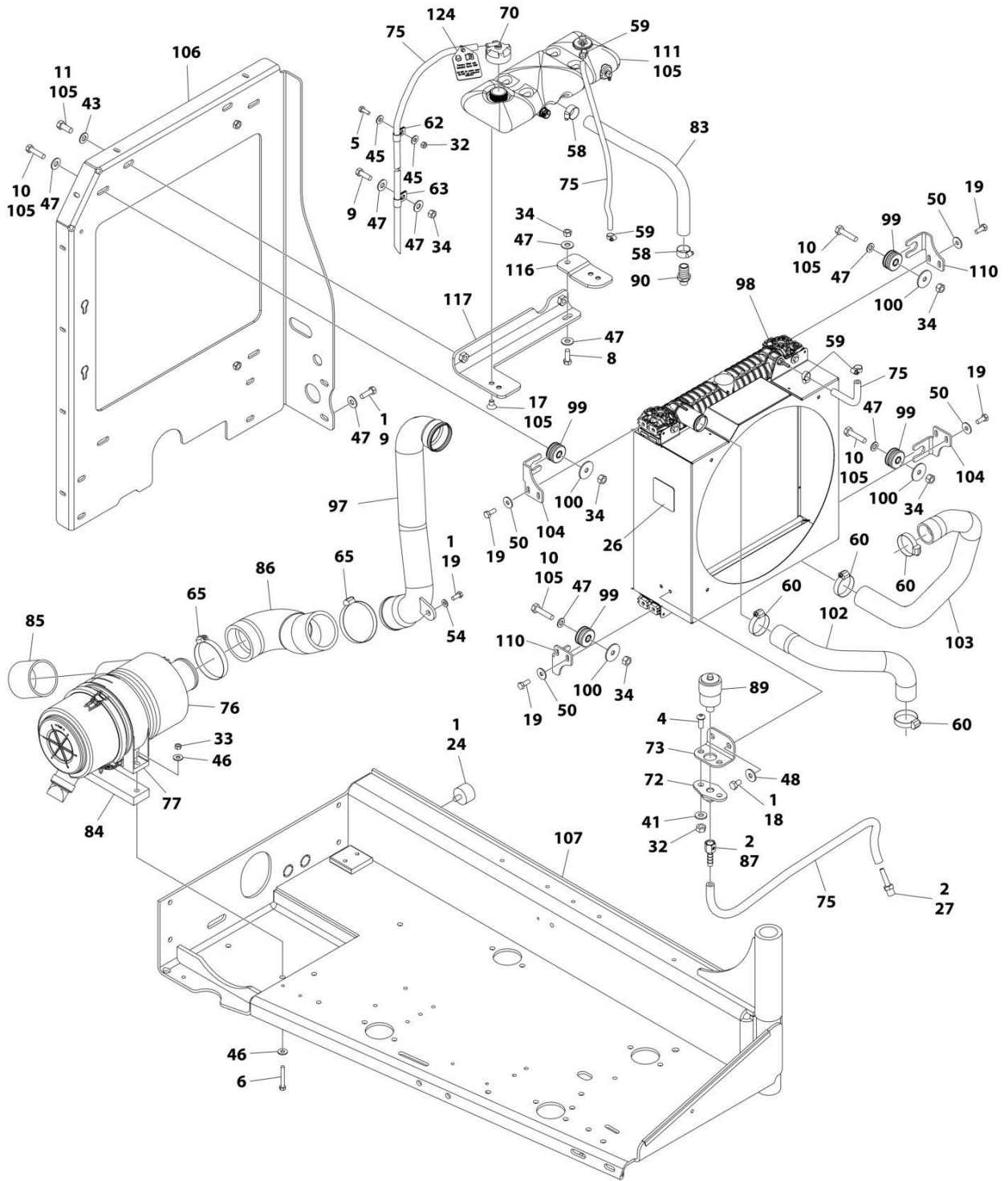
# SECTION 3 - ENGINE

## FIGURE 3-25. DEUTZ TD2.9L4 ENGINE ASSEMBLY (STAGE V)



ART\_1001277598\_D\_10F2

# SECTION 3 - ENGINE



ART\_1001277598\_D\_20F2

## SECTION 3 - ENGINE

FIGURE 3-25. DEUTZ TD2.9L4 ENGINE ASSEMBLY (STAGE V)

ITEM	PART NUMBER	QTY	DESCRIPTION	REV
	1001277598	Ref	DEUTZ TD2.9L4 ENGINE ASSEMBLY (STAGE V)	D
1	0100011	AR	Locking, Compound	
2	0100020	AR	Sealant	
3	0100062	AR	Compound, Locking	
4	0630407	2	Screw 1/4 x 5/8	
5	0641406	3	Bolt 1/4 x 3/4	
6	0641518	2	Bolt 5/16 x 2-1/4	
7	0641605	2	Bolt 3/8 x 5/8	
8	0641608	9	Bolt 3/8 x 1	
9	0641609	6	Bolt 3/8 x 1-1/8	
10	0641612	4	Bolt 3/8 x 1-1/2	
11	0641708	2	Bolt 7/16 x 1	
12	0641806	1	Bolt 1/2 x 3/4	
13	0681820	3	Bolt 1/2 x 2-1/2 Grade 8	
14	0681822	1	Bolt 1/2 x 2-3/4 Grade 8	
15	0700814	1	Bolt M8 x 30	
16	0711215	6	Bolt M12 x 35	
17	0741605	2	Screw 3/8 x 5/8	
18	0760605	2	Bolt M6 x 10	
19	0760810	9	Bolt M8 x 20	
20	0761015	3	Bolt M10 x 35	
21	0761210	1	Bolt M12 x 20	
22	0771414	2	Bolt M14 x 30 Grade 10.9	
23	0771415	3	Bolt M14 x 35 Grade 10.9	
24	0940070	1	Bumper	
25	0961986	2	Bushing, Flanged	
26	1703162	1	Decal - Caution Fan Blade	
27	2220315	1	Fitting, Straight Barbed	
28	2720340	1 ft /0.3 m	Hose	
29	3200401	4	Mount, Motor	
30	3271801	4	Nut 1/2 Grade 8	
31	3291005	3	Nut M10	
32	3311405	6	Nut 1/4	
33	3311505	2	Nut 5/16	
34	3311605	17	Nut 3/8	
35	3931432	1	Capscrew 1/4 x 2	
36	3931512	4	Capscrew 5/16 x 3/4	
37	4031914	4	Capscrew M8 x 50	
38	4060805	2 ft /0.4 m	Flex-Trim	
39	4240099	AR	Tie-Strap (Not Shown)	
40	4640751	1	Valve, Oil Drain	
41	4711400	3	Washer 1/4	
42	4711500	4	Washer 5/16	
43	4711700	2	Washer 7/16	
44	4711800	1	Washer 1/2	
45	4751400	6	Washer 1/4	
46	4751500	4	Washer 5/16	
47	4751600	34	Washer 3/8	
48	4811702	2	Washer M6	
49	4811900	5	Washer M8	

## SECTION 3 - ENGINE

ITEM	PART NUMBER	QTY	DESCRIPTION	REV
50	4811902	8	Washer M8	
51	4812000	10	Washer M10	
52	4812100	7	Washer M12	
53	4812200	5	Washer M14	
54	4891500	1	Washer 5/16	
55	4891800	4	Washer 1/2	
56	5240800	1	Washer M8	
57	5251010	2	Bolt M10 x 20	
58	8405007	2	Clamp	
59	8405009	4	Clamp	
60	8405104	4	Clamp	
61	8405204	2	Clamp	
62	8406109	1	Clip	
63	8406110	1	Clip	
64	8406201	2	Clip	
65	8410011	2	Clamp	
66	8410013	1	Clamp	
67	85031405	1	Clamp	
68	1001117308	1	Relay	
69	1001135138	1	Adapter	
70	1001136834	1	Cap, Tank	
71	1001137276	1	Fan	
72	1001138173	1	Support	
73	1001138175	1	Bracket	
74	1001138228	1	Relay, Power Module	
75	1001138248	8 ft /3 m	Tube	
76	1001138489	1	Air Cleaner Assembly	
77	1001138557	1	Clamp	
78	1001139409	4	Washer, Special	
79	1001140448	1	Mount, Rear Engine	
80	1001140450	1	Mount, Rear Engine	
81	1001140454	1	Mount, Front Engine	
82	1001141304	1	Harness, Glow Plug	
83	1001141370	1	Hose	
84	1001141419	1	Shim	
85	1001141585	1	Hose, Inlet	
86	1001141586	1	Pipe, Intake	
87	1001141995	1	Fitting, Straight NPT/Barbed	
88	1001142623	1	Hose, Inlet	
89	1001143390	1	Indicator, Service	
90	1001143797	1	Fitting, Straight Metric/Barbed	
91	1001143907	1	Cable, Alternator Power	
92	1001145154	1	Plate, Relay Mounting	
93	1001146588	3	Strap	
94	1001152489	1	Fitting, 90 Metric/ Barbed	
95	1001153282	1	Pump Coupling Kit (See Separate Breakdown in this section)	
96	1001156107	1	Holder, Cable	
97	1001165842	1	Pipe	
98	1001167042	1	Radiator (Modine Radiator)	
99	1001169054	4	Pad, Isolator	
100	1001169138	4	Washer	

## SECTION 3 - ENGINE

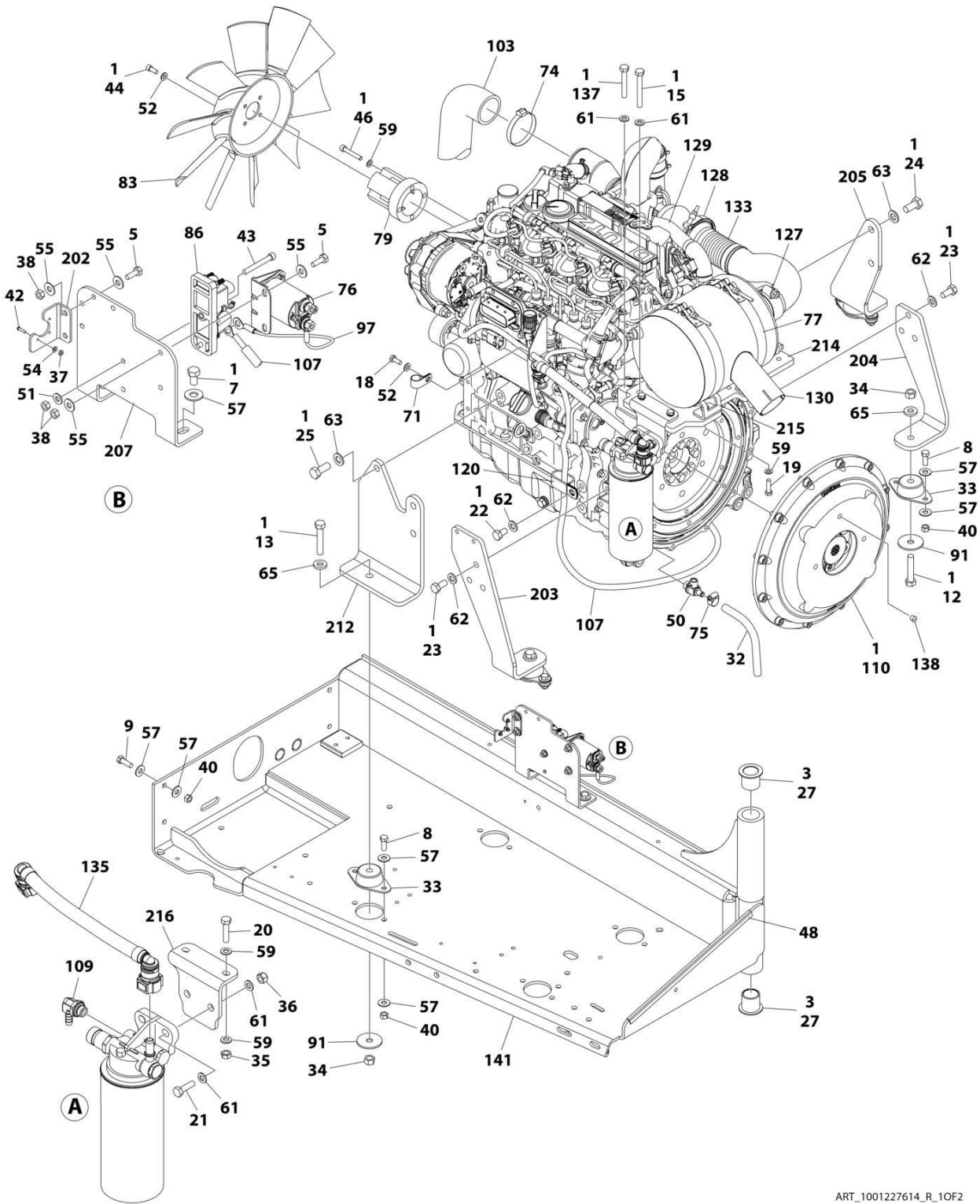
ITEM	PART NUMBER	QTY	DESCRIPTION	REV
101	1001177359	1	Hose	
102	1001177844	1	Hose, Radiator - Upper	
103	1001177845	1	Hose, Radiator - Lower	
104	1001178223	2	Bracket, Radiator	
105	1001180620	AR	Adhesive	
106	1001186985	1	Plate, Mounting	
107	1001190610	1	Tray	
108	1001191620	1	Clamp	
109	1001202368	1	Mount, Generator/Engine	
110	1001204325	2	Bracket, Radiator	
111	1001230635	1	Tank	
112	1001235949	1	Bracket, Fuel Pump/Filter Assy (See Separate Breakdown in this Section)	
113	1001238268	1	Mount, Fuel Filter	
114	1001245913	1	Harness, Deutz TD2.9L4 (Stage V) Engine Fuel Filter (See Separate Breakdown in ELECTRICAL Section)	
115	1001258800	1	Adapter	
116	1001260412	1	Bracket, Surge Tank	
117	1001260413	1	Bracket, Tank	
118	1001281192	1	Pulley	
119	1001261045	4	Capscrew M10 x 45	
120	1001261085	4	Capscrew M10 x 85	
121	1001276644	1	Harness Deutz (Not Shown - See Separate Breakdown in ELECTRICAL Section)	
122	1001277592	1	Engine Deutz (See Separate Breakdown in this section)	
123	4240032	AR	Tie-Strap (Not Shown)	
124	1001291401	1	Tag, Coolant	





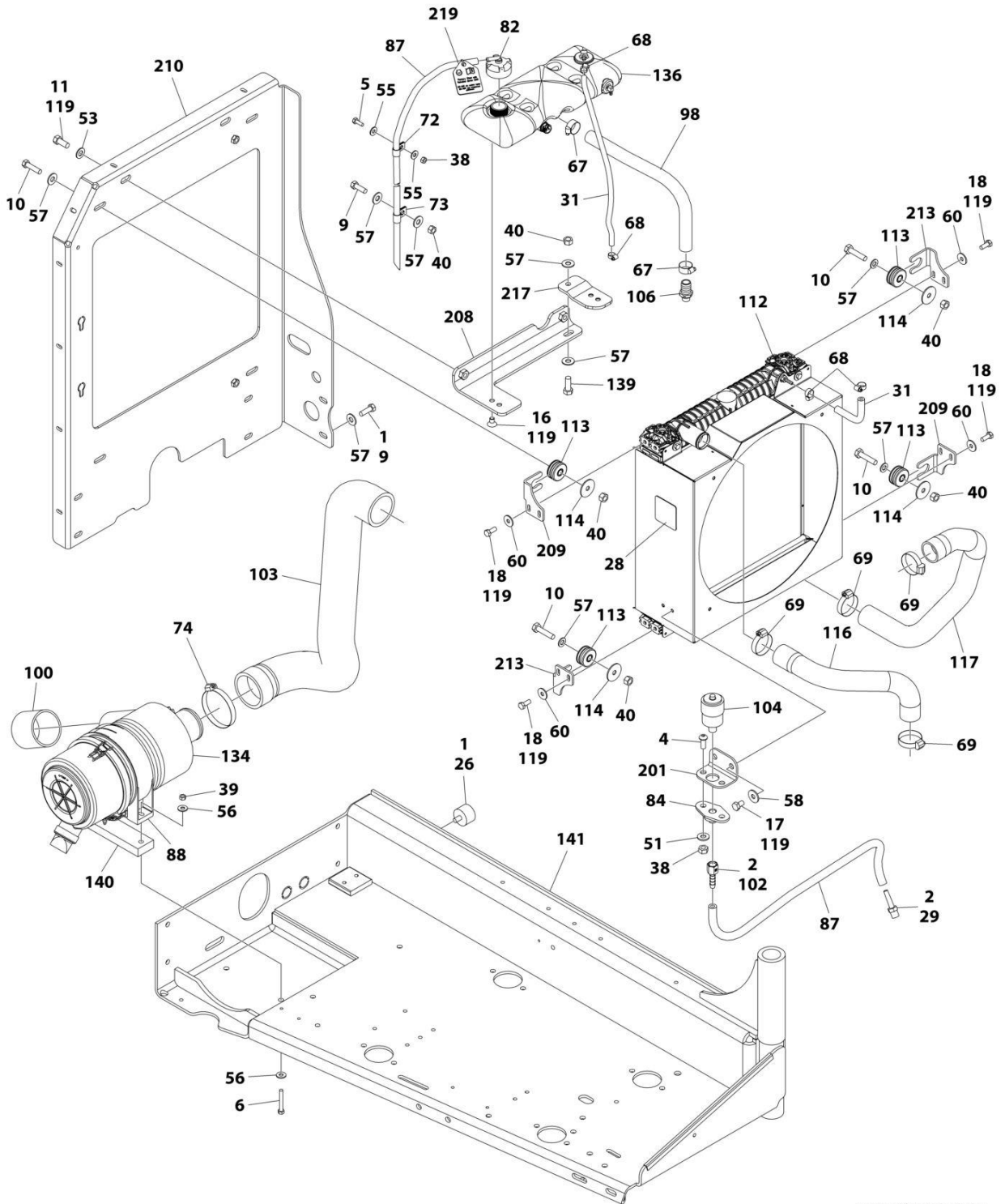
# SECTION 3 - ENGINE

## FIGURE 3-26. DEUTZ TD2.9L4 ENGINE ASSEMBLY (CHINA III ENGINE)



ART\_1001227614\_R\_10F2

# SECTION 3 - ENGINE



ART\_1001227614\_R\_20F2

## SECTION 3 - ENGINE

**FIGURE 3-26. DEUTZ TD2.9L4 ENGINE ASSEMBLY (CHINA III ENGINE)**

ITEM	PART NUMBER	QTY	DESCRIPTION	REV
	1001227614	Ref	DEUTZ TD2.9L4 ENGINE ASSEMBLY	R
1	0100011	AR	Compound, Locking	
2	0100020	AR	Sealant	
3	0100062	AR	Compound, Locking	
4	0630407	2	Screw 1/4 x 5/8	
5	0641406	5	Bolt 1/4 x 3/4	
6	0641518	2	Bolt 5/16 x 2-1/4	
7	0641605	2	Bolt 3/8 x 5/8	
8	0641608	8	Bolt 3/8 x 1	
9	0641609	6	Bolt 3/8 x 1-1/8	
10	0641612	4	Bolt 3/8 x 1-1/2	
11	0641708	2	Bolt 7/16 x 1	
12	0681820	3	Bolt 1/2 x 2-1/2 Grade 8	
13	0681822	1	Bolt 1/2 x 2-3/4 Grade 8	
15	0701025	2	Bolt M10 x 85	
16	0741605	2	Screw 3/8 x 5/8	
17	0760605	2	Bolt M6 x 10	
18	0760810	10	Bolt M8 x 20	
19	0760814	4	Bolt M8 x 30	
20	0760815	2	Bolt M8 x 35	
21	0761015	2	Bolt M10 x 35	
22	0761210	1	Bolt M12 x 20	
23	0771212	6	Bolt M12 x 25 Grade 10.9	
24	0771414	2	Bolt M14 x 30 Grade 10.9	
25	0771415	3	Bolt M14 x 35	
26	0940070	1	Bumper	
27	0961986	2	Bushing, Flanged	
28	1703162	1	Decal - Caution Fan Blade	
29	2220315	1	Fitting, Straight Barbed	
31	2720015	3 ft /1 m	Hose	
32	2720340	1 ft /0.4 m	Hose	
33	3200401	4	Mount, Motor	
34	3271801	4	Nut 1/2	
35	3290801	2	Nut M8	
36	3291005	2	Nut M10	
37	3310401	3	Nut #4	
38	3311405	8	Nut 1/4	
39	3311505	2	Locknut 5/16	
40	3311605	17	Nut 3/8	
42	3910408	3	Screw #4 x 1/2	
43	3931432	1	Capscrew 1/4 x 2	
44	3931512	4	Capscrew 5/16 x 3/4	
46	4031914	4	Capscrew M8 x 50	
48	4060805	2 ft /0.4 m	Flex-Trim	
49	4240099	AR	Tie-Strap (Not Shown)	
50	4640751	1	Valve, Oil Drain	
51	4711400	3	Washer 1/4	
52	4711500	5	Washer 5/16	
53	4711700	2	Washer 7/16	
54	4750400	3	Washer #4	

## SECTION 3 - ENGINE

ITEM	PART NUMBER	QTY	DESCRIPTION	REV
55	4751400	10	Washer 1/4	
56	4751500	4	Washer 5/16	
57	4751600	34	Washer 3/8	
58	4811702	2	Washer M6	
59	4811900	12	Washer M8	
60	4811902	8	Washer M8	
61	4812000	8	Washer M10	
62	4812100	7	Washer M12	
63	4812200	5	Washer M14	
65	4891800	4	Washer 1/2	
67	8405007	2	Clamp	
68	8405009	4	Clamp	
69	8405104	4	Clamp	
71	8406102	1	Clip	
72	8406109	1	Clip	
73	8406110	1	Clip	
74	8410011	2	Clamp	
75	8410013	1	Clamp	
76	1001117308	1	Relay	
77	1001233089	2	Strap	
79	1001135138	1	Adapter	
82	1001136834	1	Cap, Tank	
83	1001137276	1	Fan	
84	1001138173	1	Support	
86	1001138228	1	Relay, Power Module	
87	1001138248	6 ft /2 m	Tube	
88	1001138557	1	Clamp	
91	1001139409	4	Washer, Special	
97	1001141304	1	Harness, Glow Plug	
98	1001141370	1	Hose	
100	1001141585	1	Hose, Inlet	
102	1001141995	1	Fitting, Straight NPT/Barbed	
103	1001266525	1	Hose, Inlet	
104	1001143390	1	Indicator, Service	
105	1001143726	1	Harness, Deutz Engine (Not Shown - See Separate Breakdown in ELECTRICAL SECTION)	
106	1001143797	1	Fitting, Straight Metric/Barbed	
107	1001143907	1	Cable, Alternator Power	
109	1001152489	1	Fitting, 90 Metric/ Barbed	
110	1001153282	1	Pump Coupling Kit (See Separate Breakdown in this Section)	
112	1001167042	1	Radiator	
113	1001169054	4	Isolator	
114	1001169138	4	Washer	
116	1001177844	1	Hose, Radiator - Upper	
117	1001177845	1	Hose, Radiator - Lower	
119	1001180620	AR	Adhesive	
120	1001181899	1	P-Clamp	
127	1001221212	1	Clamp	
128	1001221219	1	Clamp	
129	1001223591	1	Engine, Deutz TD2.9L4 Components (See Separate Breakdown in this Section)	
130	1001257278	1	Muffler	

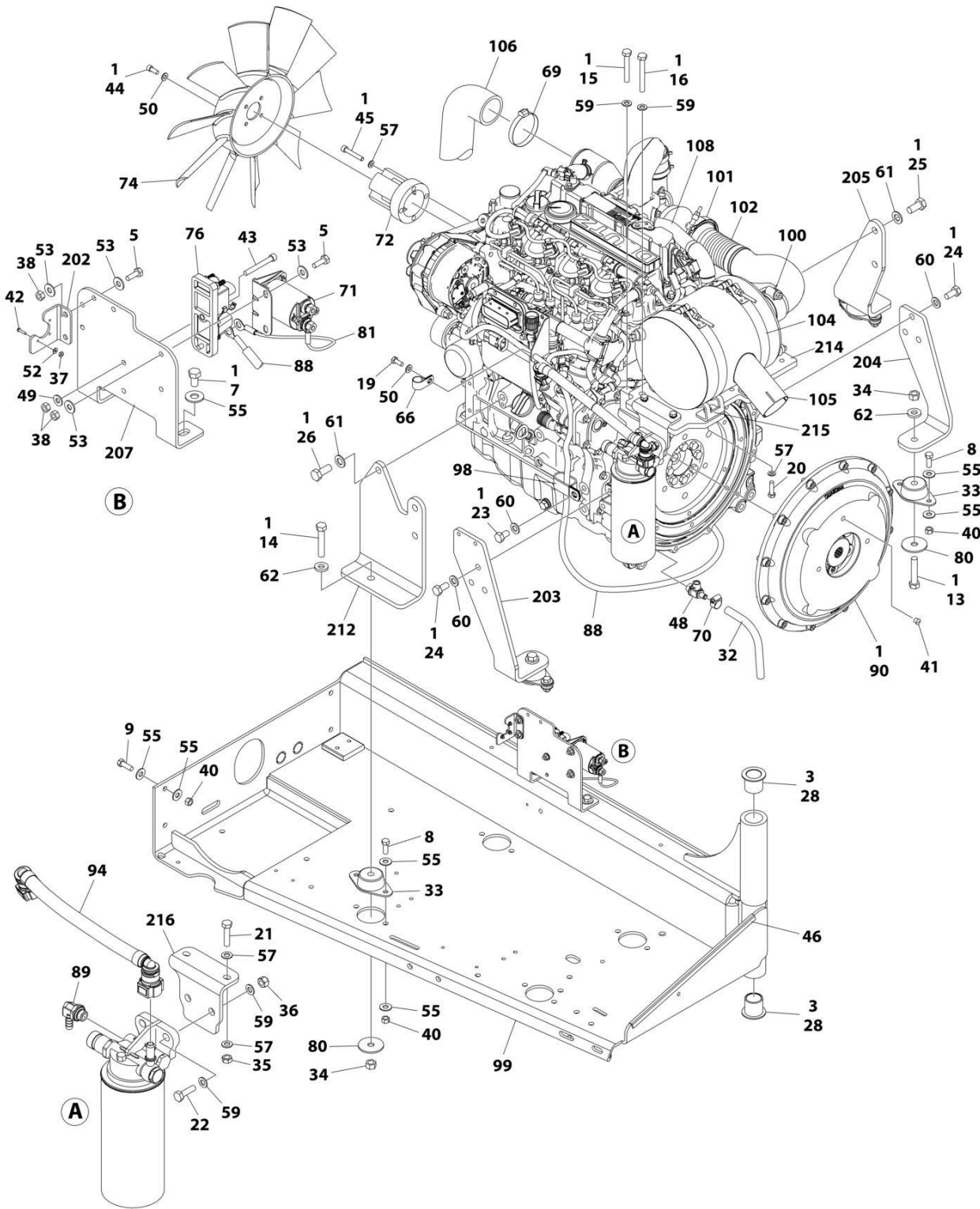
## SECTION 3 - ENGINE

ITEM	PART NUMBER	QTY	DESCRIPTION	REV
133	1001224940	1	Pipe, Exhaust	
134	1001138489	1	Air Cleaner Assembly	
134	91403102	1	Element, Filter	
135	1001177359	1	Hose	
136	1001230635	1	Tank	
137	0701022	2	Bolt M10 x 70	
138	3520054	1	Plug	
139	0681608	1	Bolt 3/8 x 1 Grade 8	
140	1001267256	1	Shim, Air Cleaner	
141	1001190610	1	Support, Engine Try	
200	1001257412	1	Bracket Engine Kit (Includes Items 201-217)	F
201	1001138175	1	Bracket	
203	1001140448	1	Mount, Rear Engine	
204	1001140450	1	Mount, Rear Engine	
205	1001140454	1	Mount, Front Engine	
207	1001145154	1	Plate, Relay Mounting	
208	1001260413	1	Bracket, Tank	
209	1001178223	2	Bracket, Radiator	
210	1001186985	1	Plate, Mounting	
212	1001266499	1	Mount, Generator/Engine	
213	1001204325	2	Bracket, Radiator	
214	1001221203	1	Bracket	
215	1001224936	1	Mount, Doc Weldment	
216	1001224937	2	Mount, Fuel Filter	
217	1001260412	1	Bracket	
218	4240032	AR	Tie-Strap (Not Shown)	
219	1001291401	1	Tag, Coolant	



# SECTION 3 - ENGINE

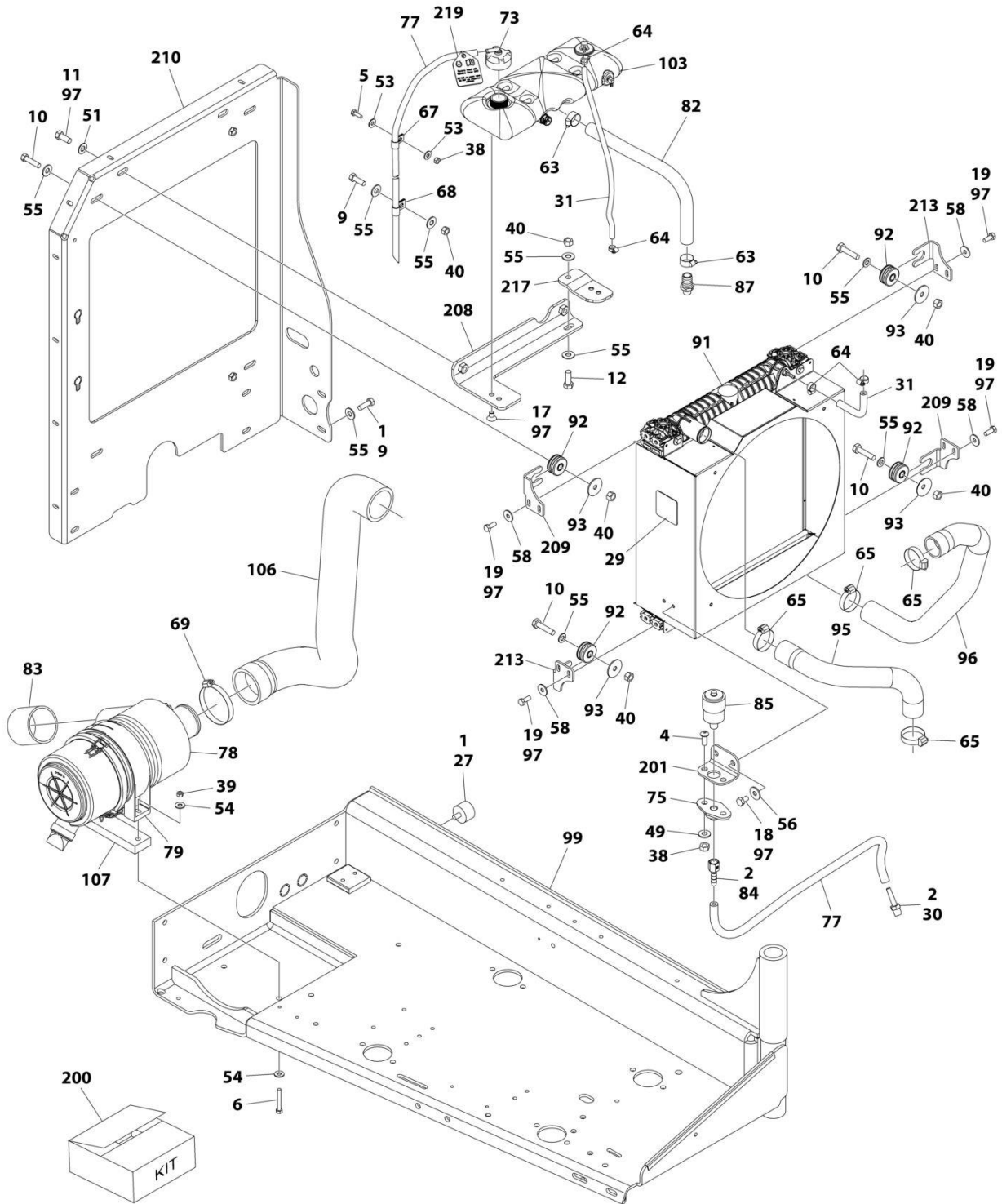
## FIGURE 3-27. DEUTZ TD2.9L4 ENGINE ASSEMBLY (CHINA IV ENGINE)



ART\_1001281609\_F\_10F2



# SECTION 3 - ENGINE



ART\_1001281609\_F\_2OF2

## SECTION 3 - ENGINE

FIGURE 3-27. DEUTZ TD2.9L4 ENGINE ASSEMBLY (CHINA IV ENGINE)

ITEM	PART NUMBER	QTY	DESCRIPTION	REV
	1001281609	Ref	DEUTZ TD2.9L4 ENGINE ASSEMBLY	F
1	0100011	AR	Compound, Locking	
2	0100020	AR	Sealant	
3	0100062	AR	Compound, Locking	
4	0630407	2	Screw 1/4 x 5/8	
5	0641406	5	Bolt 1/4 x 3/4	
6	0641518	2	Bolt 5/16 x 2-1/4	
7	0641605	2	Bolt 3/8 x 5/8	
8	0641608	8	Bolt 3/8 x 1	
9	0641609	6	Bolt 3/8 x 1-1/8	
10	0641612	4	Bolt 3/8 x 1-1/2	
11	0641708	2	Bolt 7/16 x 1	
12	0681608	1	Bolt 3/8 x 1 Grade 8	
13	0681820	3	Bolt 1/2 x 2-1/2 Grade 8	
14	0681822	1	Bolt 1/2 x 2-3/4 Grade 8	
15	0701022	2	Bolt M10 x 70	
16	0701025	2	Bolt M10 x 85	
17	0741605	2	Screw 3/8 x 5/8	
18	0760605	2	Bolt M6 x 10	
19	0760810	9	Bolt M8 x 20	
20	0760814	4	Bolt M8 x 30	
21	0760815	2	Bolt M8 x 35	
22	0761015	2	Bolt M10 x 35	
23	0761210	1	Bolt M12 x 20	
24	0771212	6	Bolt M12 x 25 Grade 10.9	
25	0771414	2	Bolt M14 x 30 Grade 10.9	
26	0771415	3	Bolt M14 x 35	
27	0940070	1	Bumper	
28	0961986	2	Bushing, Flanged	
29	1703162	1	Decal - Caution Fan Blade	
30	2220315	1	Fitting, Straight Barbed	
31	2720015	3 ft /1 m	Hose	
32	2720340	1 ft /0.3 m	Hose	
33	3200401	4	Mount, Motor	
34	3271801	4	Nut 1/2	
35	3290801	2	Nut M8	
36	3291005	2	Nut M10	
37	3310401	3	Nut #4	
38	3311405	8	Nut 1/4	
39	3311505	2	Locknut 5/16	
40	3311605	17	Nut 3/8	
41	3520054	1	Plug	
42	3910408	3	Screw #4 x 1/2	
43	3931432	1	Capscrew 1/4 x 2	
44	3931512	4	Capscrew 5/16 x 3/4	
45	4031912	4	Capscrew M8 x 50	
46	4060805	2 ft /0.4 m	Flex-Trim	
47	4240099	AR	Tie-Strap (Not Shown)	
48	4640751	1	Valve, Oil Drain	
49	4711400	3	Washer 1/4	

## SECTION 3 - ENGINE

ITEM	PART NUMBER	QTY	DESCRIPTION	REV
50	4711500	5	Washer 5/16	
51	4711700	2	Washer 7/16	
52	4750400	3	Washer #4	
53	4751400	10	Washer 1/4	
54	4751500	4	Washer 5/16	
55	4751600	34	Washer 3/8	
56	4811702	2	Washer M6	
57	4811900	12	Washer M8	
58	4811902	8	Washer M8	
59	4812000	8	Washer M10	
60	4812100	7	Washer M12	
61	4812200	5	Washer M14	
62	4891800	4	Washer 1/2	
63	8405007	2	Clamp	
64	8405009	4	Clamp	
65	8405104	4	Clamp	
66	8406102	1	Clip	
67	8406109	1	Clip	
68	8406110	1	Clip	
69	8410011	2	Clamp	
70	8410013	1	Clamp	
71	1001117308	1	Relay	
72	1001289964	1	Adapter	
73	1001136834	1	Cap, Tank	
74	1001137276	1	Fan	
75	1001138173	1	Support	
76	1001138228	1	Relay, Power Module	
77	1001138248	6 ft /2 m	Tube	
78	1001138489	1	Air Cleaner Assembly	
78	91403102	1	Element, Filter	
79	1001138557	1	Clamp	
80	1001139409	4	Washer, Special	
81	1001141304	1	Harness, Glow Plug	
82	1001141370	1	Hose	
83	1001141585	1	Hose, Inlet	
84	1001141995	1	Fitting, Straight NPT/Barbed	
85	1001143390	1	Indicator, Service	
86	1001276644	1	Harness, Deutz Engine (Not Shown - See Separate Breakdown in ELECTRICAL Section)	
87	1001143797	1	Fitting, Straight Metric/Barbed	
88	1001143907	1	Cable, Alternator Power	
89	1001152489	1	Fitting, 90 Metric/ Barbed	
90	1001153282	1	Pump Coupling Kit (See Separate Breakdown in this Section)	
91	1001167042	1	Radiator	
92	1001169054	4	Isolator	
93	1001169138	4	Washer	
94	1001177359	1	Hose	
95	1001177844	1	Hose, Radiator - Upper	
96	1001177845	1	Hose, Radiator - Lower	
97	1001180620	AR	Adhesive	
98	1001181899	1	P-Clamp	
99	1001190610	1	Support, Engine Try	

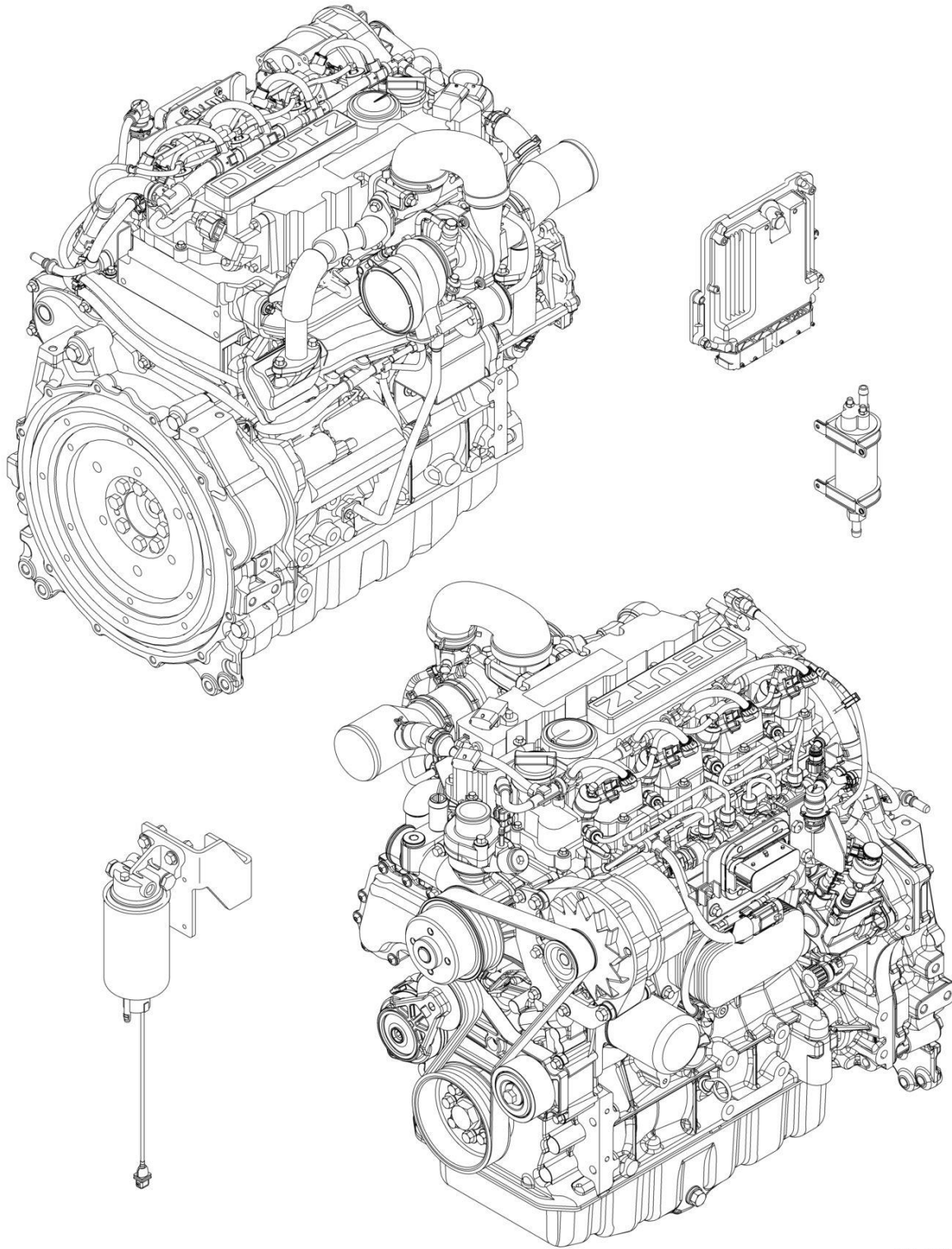
## SECTION 3 - ENGINE

ITEM	PART NUMBER	QTY	DESCRIPTION	REV
100	1001221212	1	Clamp	
101	1001221219	1	Clamp	
102	1001224940	1	Pipe, Exhaust	
103	1001230635	1	Tank	
104	1001233089	2	Strap	
105	1001257278	1	Muffler	
106	1001266525	1	Hose, Inlet	
107	1001267256	1	Shim, Air Cleaner	
108	1001291681	1	Deutz Engine China IV (See Separate Breakdown in this Section)	
109	1001281985	1	Connector (Not Shown - Use With Harness 1001238878)	
110	1001281986	1	Connector (Not Shown - Use With Harness 1001238878)	
200	1001257412	1	Bracket Engine Kit (Includes Items 201-217)	D
201	1001138175	1	Bracket	
202	1001139240	1	Bracket	
203	1001140448	1	Mount, Rear Engine	
204	1001140450	1	Mount, Rear Engine	
205	1001140454	1	Mount, Front Engine	
207	1001145154	1	Plate, Relay Mounting	
208	1001260413	1	Bracket, Tank	
209	1001178223	2	Bracket, Radiator	
210	1001186985	1	Plate, Mounting	
212	1001266499	1	Mount, Generator/Engine	
213	1001204325	2	Bracket, Radiator	
214	1001221203	1	Bracket	
215	1001224936	2	Mount, Doc Weldment	
216	1001224937	1	Mount, Fuel Filter	
217	1001260412	1	Bracket	
218	4240032	AR	Tie-Strap (Not Shown)	
219	1001291401	1	Tag, Coolant	



# SECTION 3 - ENGINE

## FIGURE 3-28. DEUTZ ENGINE CHINA IV



ART\_1001291681

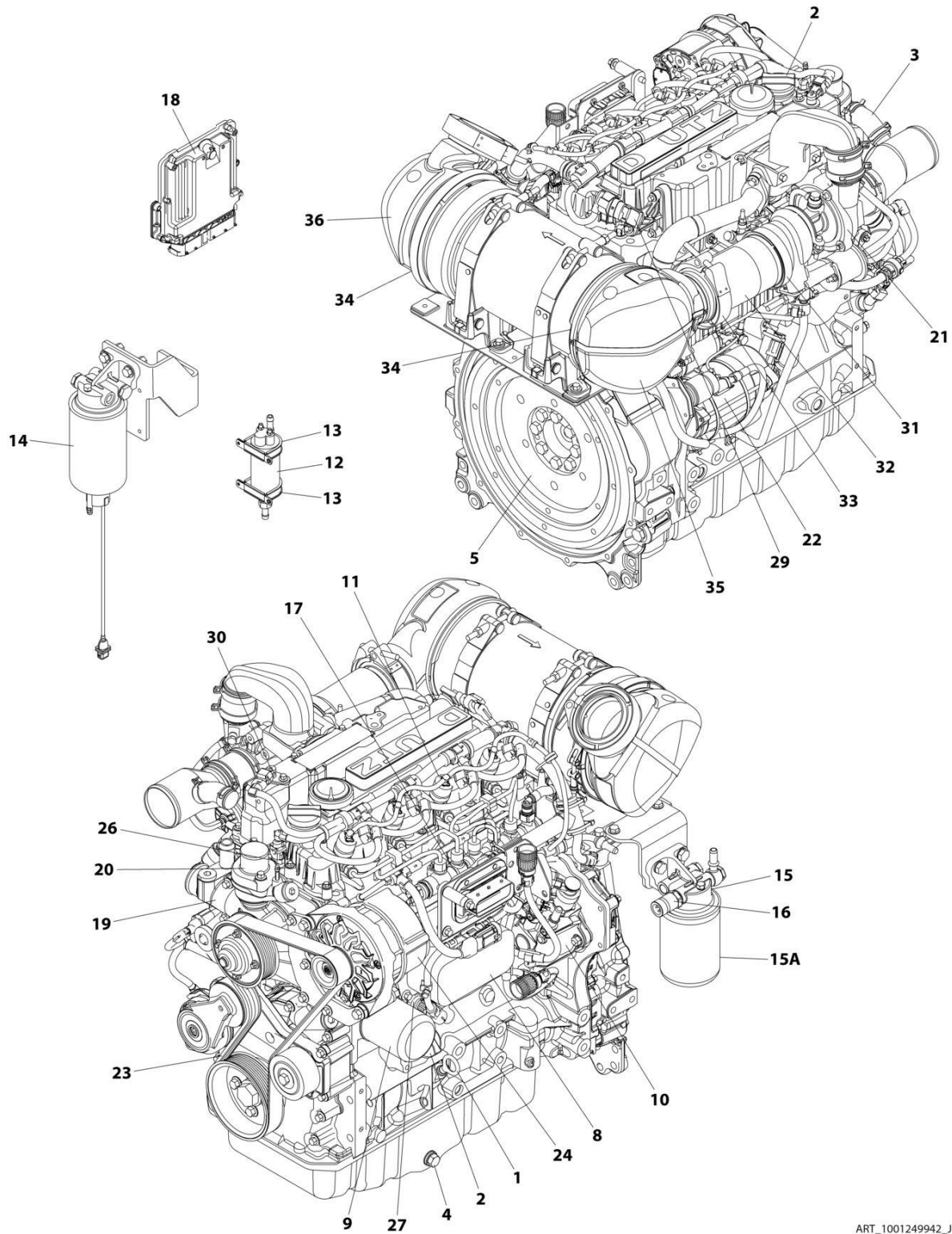
## SECTION 3 - ENGINE

**FIGURE 3-28. DEUTZ ENGINE CHINA IV**

ITEM	PART NUMBER	QTY	DESCRIPTION	REV
	1001291681 See Note	Ref Ref	DEUTZ ENGINE CHINA IV Note: No Service Parts Available at Time of Printing	A

# SECTION 3 - ENGINE

## FIGURE 3-29. DEUTZ TD2.9L4 (ERM4) ENGINE COMPONENTS



ART\_1001249942\_JLG



## SECTION 3 - ENGINE

**FIGURE 3-29. DEUTZ TD2.9L4 (ERM4) ENGINE COMPONENTS**

ITEM	PART NUMBER	QTY	DESCRIPTION	REV
	1001249942	Ref	ENGINE COMPONENTS - DEUTZ TD2.9L4	A
1	70024904	1	Dipstick	
1	70024905	1	Seal	
2	7020465	2	Cap, Oil Fill	
3	70025111	2	Clamp	
3	70005920	1	Hose, Breather	
4	70005941	2	Plug	
4	70005942	2	Seal	
5	70001870	1	Flywheel with Ring Gear	
5	7024579	1	Gear, Ring	
6		Ref	Gasket and Seal Options (Not Shown)	
6	70004279	1	Gasket Kit	
6	70024906	1	Gasket, Head	
6	70025205	1	Gasket, Small Valve Cover	
6	70005171	1	Gasket, Large Valve Cover	
6	70005176	1	O-Seal, Valve Cover to Air Charge Elbow	
6	70005177	1	Gasket, Air Charge Pipe to Head	
6	70031095	3	Gasket, Air Charge Pipe & EGR Pipe	
6	70025164	1	Gasket, Exhaust Manifold to Head	
6	70007354	1	Gasket, EGR Pipe to EGR Valve	
6	70007326	1	Gasket, EGR Valve to Housing	
7	70005172	1	Pump, Oil Lube (Not Shown - Located Front Left Side)	
7	70025135	1	O-Ring	
7	70005173	1	Gasket	
8	70024494	1	Cooler, Oil	
8	70024925	1	Gasket	
9	7016331	1	Filter, Oil	
10	70024924	1	Pump, High Pressure (Not Shown - Located Front Left Side)	
10	70025152	1	O-Ring (Between Pump and Spacer)	
10	70024517	1	O-Ring (Between Spacer and Engine Block)	
10	70004505	1	Valve, Overflow	
10	70004506	1	O-Ring	
10	70004507	1	O-Ring	
10	70004508	1	Valve, Volume Control	
10	70004509	1	O-Ring	
10	70004510	1	O-Ring	
11	70025181	4	Injector Fuel	
11	70025140	4	Washer, Sealing	
11	70025146	4	Clamp (Top of Injector)	
11	70025145	4	O-Seal	
11	70025154	4	Shoe, Clamping	
11	70000345	4	Plug, Glow	
11	70025231	1	Harness, Glow Plug (Not Shown)	
12	70006144	1	Pump, Fuel	
13	70025144	2	Clamp	
14	70024961	1	Filter, Fuel	
14	70025153	1	Element, Filter	
14	70024513	1	Cable, Sensor	
14	70025239	1	Seal	
15	70029451	1	Filter With Head	

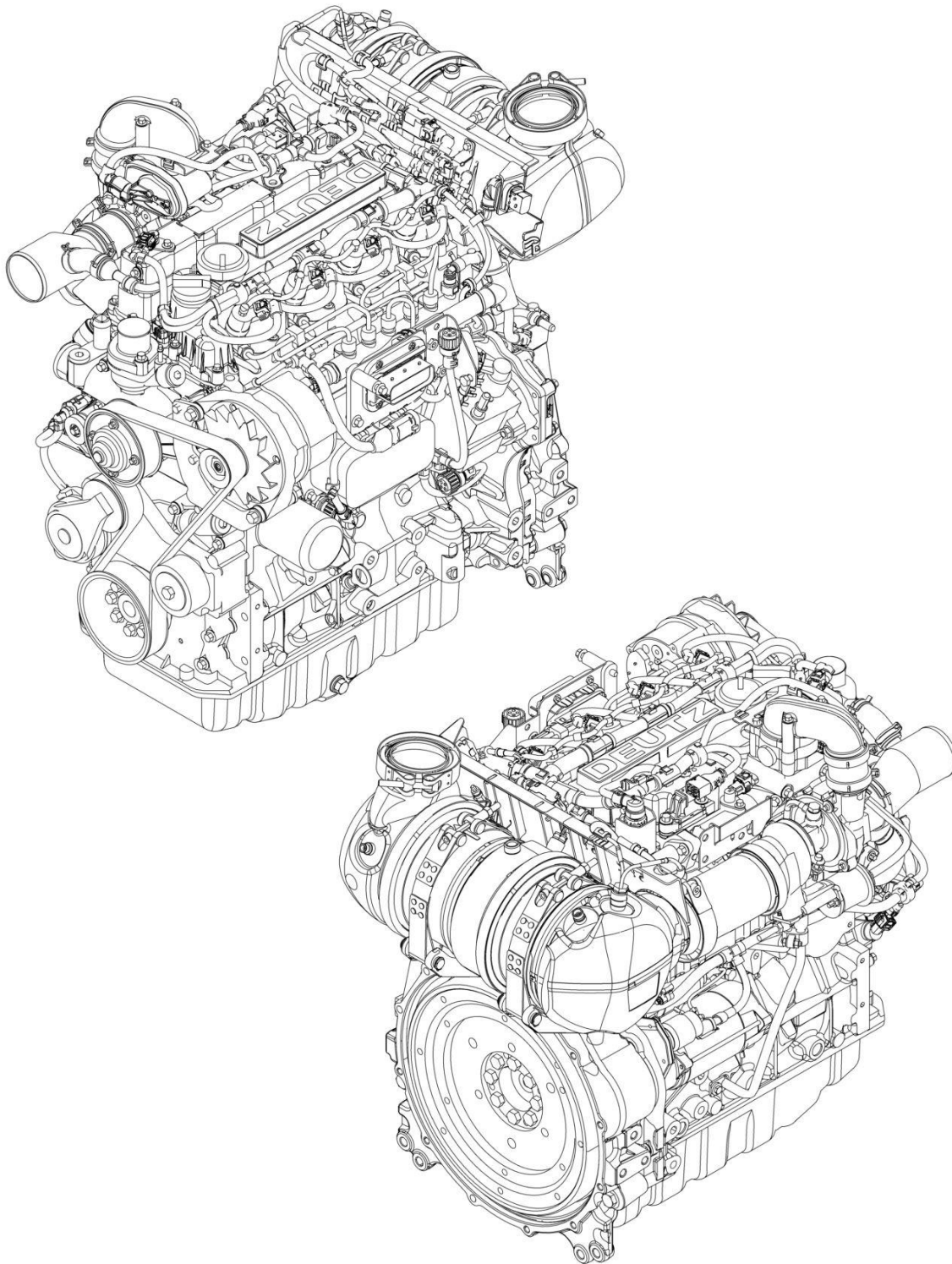
## SECTION 3 - ENGINE

ITEM	PART NUMBER	QTY	DESCRIPTION	REV
15A	70025161	1	Filter, Fuel	
16	70028538	1	Sensor, Pressure	
16	70024920	1	Seal	
17	70025151	1	Rail, Fuel	
17	70025235	1	Repair Kit	
17	70025182	1	Line, Fuel (Cylinders 1 & 2)	
17	70025183	1	Line, Fuel (Cylinders 3 & 4)	
17	70025184	1	Line, Fuel (To Rail)	
18	70025210	1	ECU (Engine Control Unit)	
19	70029797	1	Pump, Water	
19	70025200	1	Seal	
19	70007325	1	Gasket	
20	70005929	1	Thermostat	
20	70005184	1	O-Seal	
20	70025142	1	Cover, Thermostat	
20	70005931	1	Gasket	
21	70004276	1	Turbocharger	
21	70024912	1	Gasket, Square	
21	70024509	1	Gasket, Return Line	
21	70006294	1	O-Seal	
22	70024915	1	Starter	
22	70005648	1	Relay	
22	70005647	1	Solenoid	
23	70004277	1	Belt Drive	
24	70006652	1	Alternator	
24	70006653	1	Regulator, Voltage	
25	70007489	1	Harness, Engine (Not Shown)	
26	70028540	1	Sender, Temperature	
27	70028538	1	Sensor, Pressure	
27	70024920	1	Seal	
28	70026210	2	Sensor, Speed (Not Shown - Located Left Side Front and Flywheel Housing)	
28	70024917	1	Seal (Cam Shaft Speed Sensor)	
28	70005191	1	Seal (Flywheel Shaft Speed Sensor)	
29	70024507	1	Sensor, Pressure	
29	70025120	1	Seal	
30	70024922	1	Sender, Temperature	
30	70025212	1	O-Seal	
31	70005527	1	Clamp	
31	70025788	1	Nut	
32	70004504	1	Compensator	
33	70025242	1	Gasket	
33	70029433	1	Clamp	
34	70029517	2	Clamp	
34	70029520	2	Gasket	
35	70007355	1	Inlet	
36	70007331	1	Outlet	



## SECTION 3 - ENGINE

FIGURE 3-30. DEUTZ TD2.9L4 ENGINE COMPONENTS (STAGE V)



ART\_1001277592

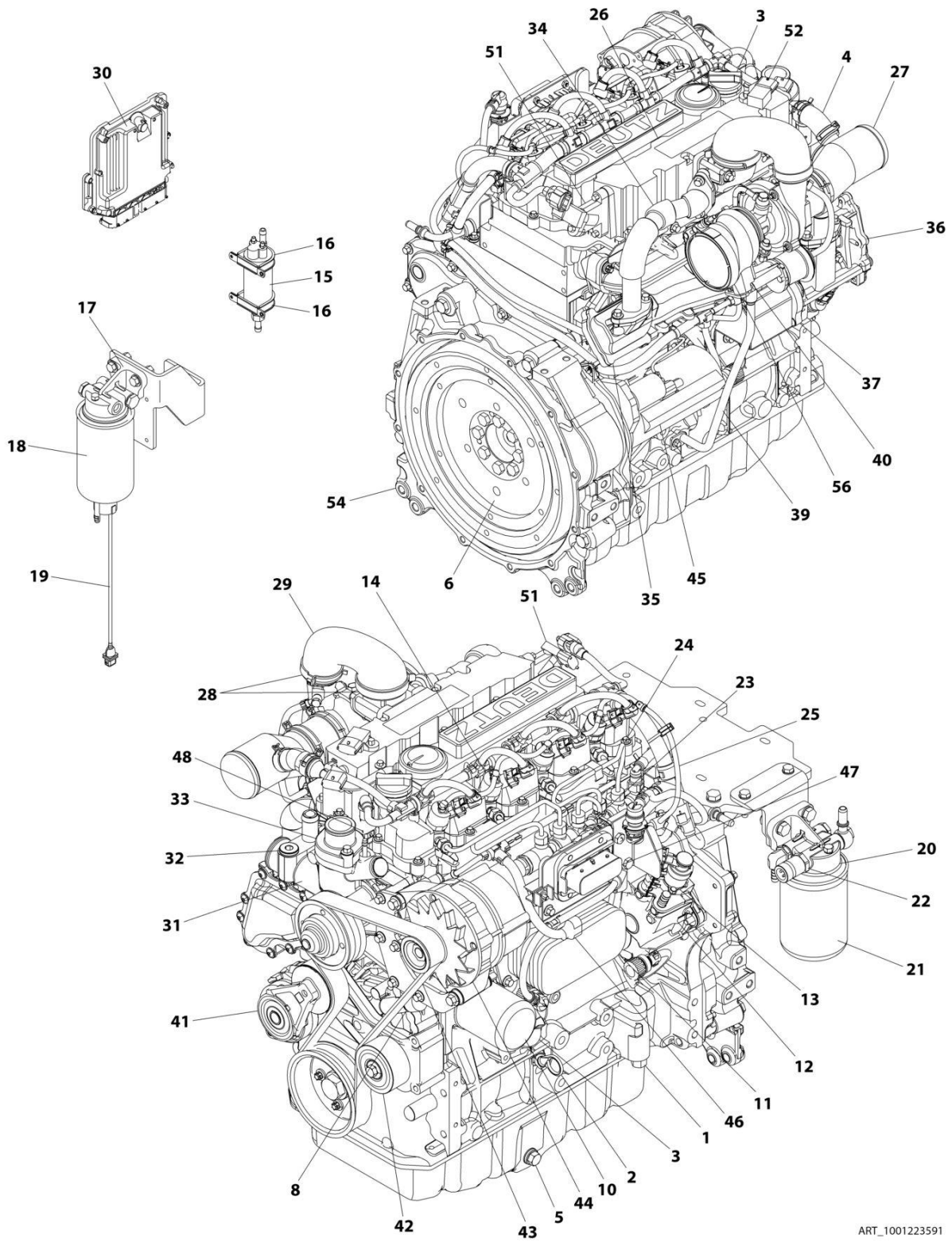
## SECTION 3 - ENGINE

**FIGURE 3-30. DEUTZ TD2.9L4 ENGINE COMPONENTS (STAGE V)**

ITEM	PART NUMBER	QTY	DESCRIPTION	REV
	1001277592	Ref	DEUTZ ENGINE COMPONENTS	A
	See Note	Ref	Note: No Service Parts Available at Time of Printing	

# SECTION 3 - ENGINE

## FIGURE 3-31. DEUTZ TD2.9L4 ENGINE COMPONENTS (CHINA III ENGINE)



ART\_1001223591

## SECTION 3 - ENGINE

**FIGURE 3-31. DEUTZ TD2.9L4 ENGINE COMPONENTS (CHINA III ENGINE)**

ITEM	PART NUMBER	QTY	DESCRIPTION	REV
	1001223591	Ref	DEUTZ TD2.9L4 ENGINE COMPONENTS	C
1	70025660	1	Plug	
1	70006264	1	Valve, Plunger	
1	70006265	1	Spring	
1	70006266	1	Seal	
2	70024904	1	Dipstick	
2	70024905	2	Seal	
3	7020465	2	Cap, Fill	
4	70005920	1	Line, Breather	
4	70025111	2	Clamp	
5	70006941	2	Plug	
5	70005942	2	Seal	
6	70001870	1	Flywheel	
6	7024579	1	Ring Gear	
6	70025139	8	Bolt	
7		Ref	Gasket & Seal Options (Not Shown):	
7	70005938	1	Gasket Kit	
7	70024906	1	Gasket, Head	
7	70005922	1	Gasket, Valve Cover	
7	70028185	1	Gasket, Front Cover	
7	70004280	1	Seal, Front Main	
7	70002718	1	Seal, Rear Main	
8	See Note	NSS	Valve, Slide (Note: Not Available for Purchase)	
8	70025082	1	Seal	
9	70005172	1	Pump, Lube (Not Shown - Located RH Rear)	
9	70025135	1	O-Seal	
9	70005173	1	Gasket	
10	7016331	1	Filter, Oil	
11	70024494	1	Cooler, Oil	
11	70024925	1	Gasket, Oil Filter	
12	70024924	1	Pump, High Pressure	
12	70025152	1	Gasket (Spacer to Pump)	
12	70024488	1	Spacer	
12	70024517	1	Gasket (Spacer to Block)	
12	70004505	1	Valve, Overflow	
12	70004506	1	Gasket, Overflow	
12	70004507	1	Gasket, Overflow	
13	70004508	1	Valve, Volume Control	
13	70004509	1	O-Ring	
13	70004510	1	Gasket	
14	70025181	4	Injector	
14	70025140	4	Washer, Sealing	
14	70025146	4	Clamp	
14	70025145	4	O-Seal	
14	70025154	4	Shoe/Pad, Clamping	
15	70006144	NLA	Pump, Fuel Supply (Use p/n 1001226098)	
16	70025144	2	Clip, Clamp	
17	70024961	1	Fuel Filter Assembly	
18	1001225430	1	Element, Filter	
19	70024513	1	Cable, Sensor	

## SECTION 3 - ENGINE

ITEM	PART NUMBER	QTY	DESCRIPTION	REV
19	70025239	1	Seal, Ring	
20	70004511	1	Fuel Filter Assembly	
20	70004513	2	Seal (at Hollow Bolt)	
21	1001225432	1	Element, Filter	
22	70028538	1	Sensor, Pressure	
22	70024920	1	O-Seal	
23	70025151	1	Rail, Fuel	
23	70025235	1	Repair Kit - Fuel Rail	
23	70025240	1	O-Ring	
24	70025182	1	Tube, Fuel - Cylinders 1 & 2	
24	70025183	1	Tube, Fuel - Cylinders 3 & 4	
24	70025184	1	Tube, Fuel	
25	70024502	1	Pipe, Fuel Leakage	
25	70025185	1	Hose, Fuel	
25	70025158	1	Manifold	
25	70025109	2	Clamp, Spring	
25	70025115	1	Clamp	
25	70025133	1	Hose	
25	70025101	2	Clamp	
25	70025148	1	Connector, Plug-in	
26	70005923	1	Manifold, Charger Air	
26	70005177	1	Gasket, Charger Air Manifold	
26	70005924	1	Seal (Manifold to Elbow)	
26	7000180	1	Line, Breather (Not Shown)	
26	70005181	1	O-Seal (Breather to Manifold)	
27	70005926	1	Elbow	
27	70025112	2	Clamp	
27	70004501	1	Sleeve, Rubber	
28	See Note	NSS	Sleeve (Note: Not Available for Purchase)	
28	70025107	2	Clamp	
29	70005928	1	Elbow, Air Charge	
30	70025210	1	Module, ECU	
31	70028802	1	Pump, Coolant	
31	70025200	1	Ring, Sealing (Pump to Block)	
32	70025084	2	Plug	
32	7020492	2	Ring, Sealing	
33	70005929	1	Thermostat	
33	70005184	1	O-Seal (Thermostat to Housing)	
33	70025142	1	Housing, Thermostat	
33	70005931	1	O-Seal (Thermostat to Pump)	
33	70025124	2	Bolt	
34	See Note	NSS	Tube (Note: Not Available for Purchase)	
34	70025179	2	Gasket (at Either End of Tube)	
35	See Note	NSS	Valve, Shuttle (Note: Not Available for Purchase)	
35	70025180	1	Gasket	
35	See Note	NSS	Housing, Shuttle Valve (Note: Not Available for Purchase)	
35	70025175	1	Cap, Shuttle Valve	
36	70025203	1	Module, EGR	
36	70025155	1	Plug (Not Shown)	
37	70005188	1	Valve, EGR Control	
37	70005189	1	Seal (Valve to Module)	

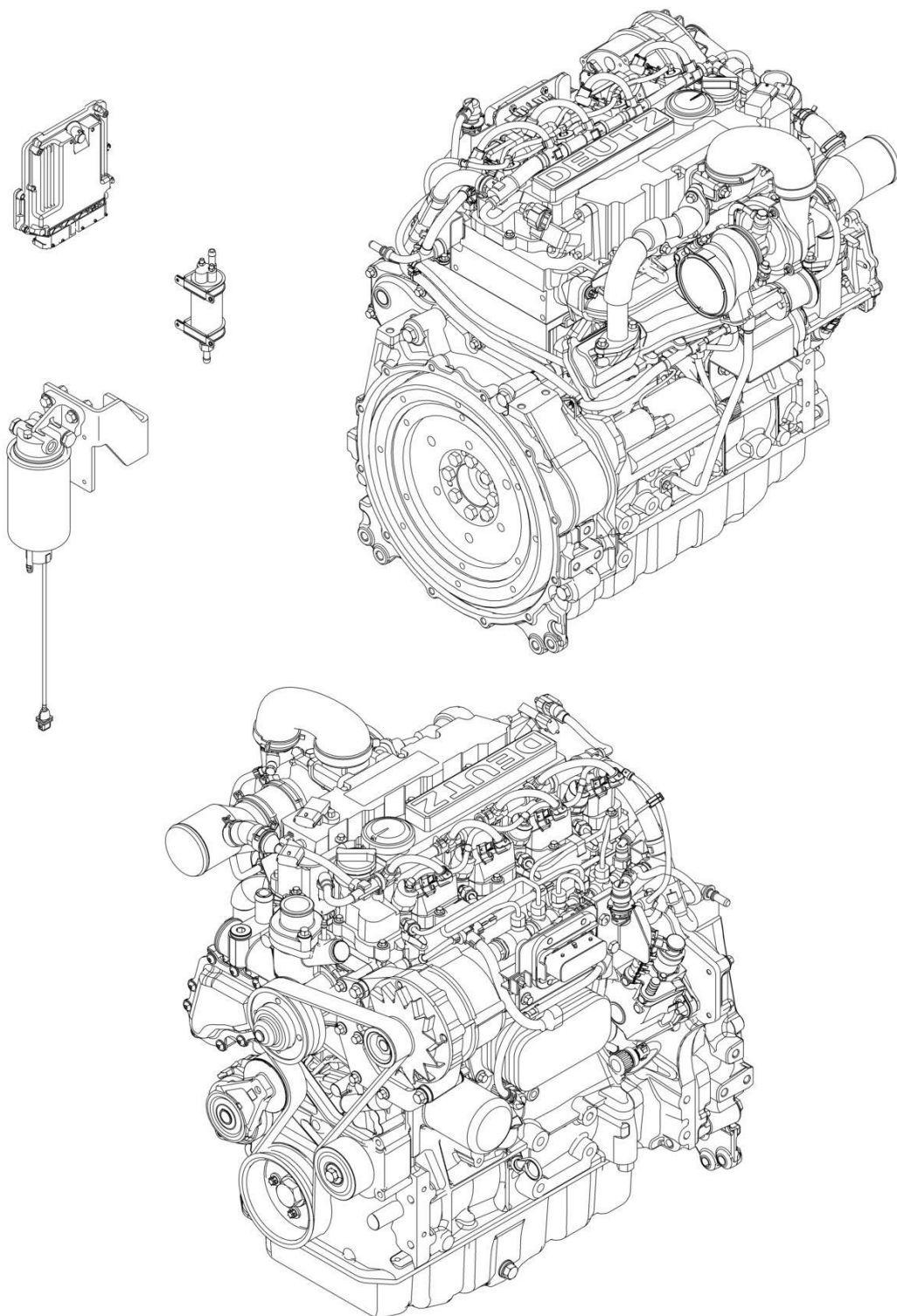


## SECTION 3 - ENGINE

ITEM	PART NUMBER	QTY	DESCRIPTION	REV
38	70004282	1	Manifold, Exhaust (Not Shown)	
38	70025164	1	Gasket, Manifold to Head (Not Shown)	
38	70025130	8	Bolt, Manifold (Not Shown)	
38	70026995	1	Elbow, Exhaust (Not Shown)	
38	70025179	2	Gasket, Manifold to Elbow (Not Shown)	
39	70005932	1	Tube, Oil Return	
39	70025132	1	O-Seal	
40	70004276	1	Turbocharger	
40	70024509	1	Gasket (Turbocharger to Oil Return Tube Housing)	
40	1001191599	1	Gasket (Turbocharger to Exhaust)	
41	70025477	1	Tensioner, Belt	
42	70024484	1	Roller, Idler	
43	70004277	1	Belt	
44	70025733	1	Pulley, Alternator	
44	70006652	1	Alternator	
44	70006653	1	Controller	
44	See Note	NSS	Fan (Note: Not Available for Purchase)	
45	70024915	1	Starter	
45	70005647	1	Switch, Solenoid	
45	70005648	1	Relay	
46	70000345	4	Glow Plug	
46	70025231	1	Harness, Glow Plug	
46	70025233	1	Connector, Plug-in	
47	70025077	1	Harness, Engine	
48	70024918	1	Sender, Temperature	
49	70028538	1	Sensor, Pressure (Not Shown - RH Front)	
49	70024920	1	O-Seal	
50	70026210	1	Sensor, Speed (Not Shown - Front)	
50	70005191	1	Ring, Seal	
51	70024507	1	Sensor, Pressure	
51	70025120	1	O-Seal	
51	70005933	1	Adapter	
51	70005934	1	O-Seal	
52	70024922	1	Sender, Temperature	
52	70025212	1	O-Seal	
53	70026210	1	Sensor, Speed (Not Shown - Front)	
53	70024917	1	O-Seal	
54	70025192	1	Housing	
56	70005527	1	Clip	

## SECTION 3 - ENGINE

FIGURE 3-32. DEUTZ TD2.9L4 ENGINE COMPONENTS (CHINA IV ENGINE)



ART\_1001281610

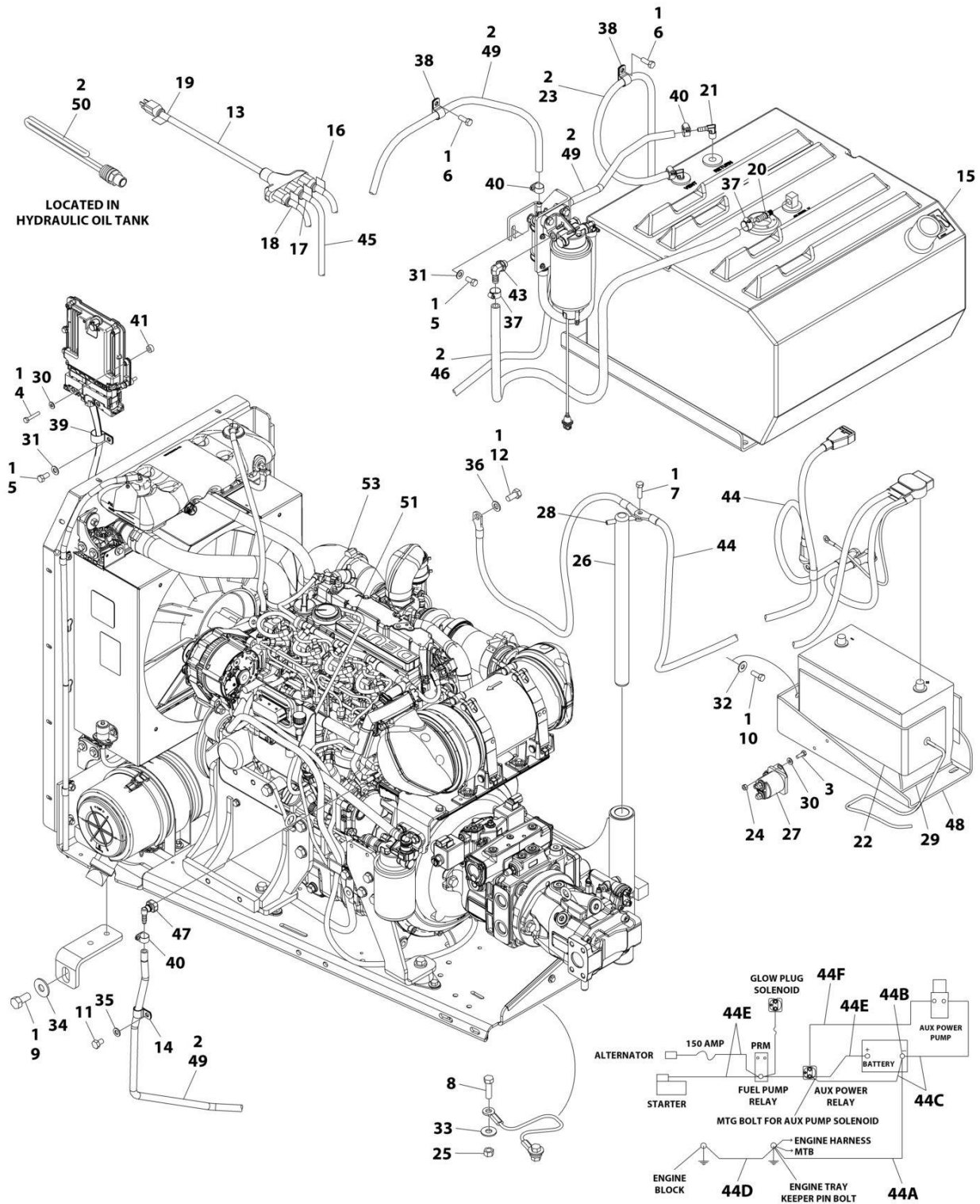
## SECTION 3 - ENGINE

**FIGURE 3-32. DEUTZ TD2.9L4 ENGINE COMPONENTS (CHINA IV ENGINE)**

ITEM	PART NUMBER	QTY	DESCRIPTION	REV
	1001281610	Ref	DEUTZ TD2.9L4 ENGINE COMPONENTS	A
	See Note	Ref	Note: No Service Parts Available at Time of Printing	

# SECTION 3 - ENGINE

## FIGURE 3-33. DEUTZ D2.9L4 - EMR5 ENGINE INSTALLATION WITH ARCTIC PACKAGE



ART\_1001302097

## SECTION 3 - ENGINE

**FIGURE 3-33. DEUTZ D2.9L4 - EMR5 ENGINE INSTALLATION WITH ARCTIC PACKAGE**

ITEM	PART NUMBER	QTY	DESCRIPTION	REV
	1001302097	Ref	ENGINE INSTALLATION EMR5 WITH ARCTIC PACKAGE	A
1	0100011	AR	Compound, Locking	
2	0100020	AR	Sealant, Pipe	
3	0641406	2	Bolt 1/4 x 3/4	
4	0641412	4	Bolt 1/4 x 1-1/2	
5	0641606	3	Bolt 3/8 x 3/4	
6	0641608	2	Bolt 3/8 x 1	
7	0641610	1	Bolt 3/8 x 1-1/4	
8	0641814	1	Bolt 1/2 x 1-3/4	
9	0642010	1	Bolt 5/8 x 1-1/4	
10	0681608	3	Bolt 3/8 x 1	
11	0761008	1	Bolt M10 x 16	
12	0771212	1	Bolt M12 x 25	
13	1060626	1	Cord, 3-Way Extension	
14	1320061	1	Clamp	
15	1701505	1	Decal - Diesel	
16	1702941	1	Decal - Battery Heater	
17	1702942	1	Decal - Engine Heater	
18	1702943	1	Decal - Hydraulic Tank Heater	
19	1702944	1	Decal - Heater Cord	
20	2180832	1	Fitting, Barbed	
21	2220313	2	Fitting, 90	
22	2580024	1	Heater, Battery	
23	2750532	4 ft /1.2 m	Hose	
24	3311405	2	Nut 1/4	
25	3311805	1	Nut 1/2	
26	3422446	1	Pin	
27	3740067	1	Relay	
28	3841143	1	Keeper, Pin	
29	3980007	1	Seat, Battery	
30	4711400	7	Washer 1/4	
31	4711600	3	Washer 3/8	
32	4751600	3	Washer 3/8	
33	4751800	1	Washer 1/2	
34	4752000	1	Washer 5/8	
35	4812000	1	Washer M10	
36	4812100	1	Washer M12	
37	8405006	2	Clamp	
38	8406102	2	Clip	
39	8406201	1	Clip	
40	8410013	5	Clamp	
41	1001110425	4	Spacer	
42	1001138491	1	Fuel Harness (See Separate Breakdown in ELECTRICAL Section)	
43	1001142501	1	Fitting, 90	
44	1001143736	1	Battery Cable Kit	
44A	7027084	1	Cable, Battery (Black) (Battery - to Tray Pivot Grds)	
44B	8270147	1	Terminal, Battery (With Boot)	
44C	7027085	1	Cable, Battery (Black) (Battery - to Aux Pump and Relay Grds)	
44D	7027086	1	Cable, Battery (Black) (Engine to Tray Pivot Grd)	
44E	7027087	1	Cable (Red) (Battery + to Aux Relay/Power Module/Starter)	

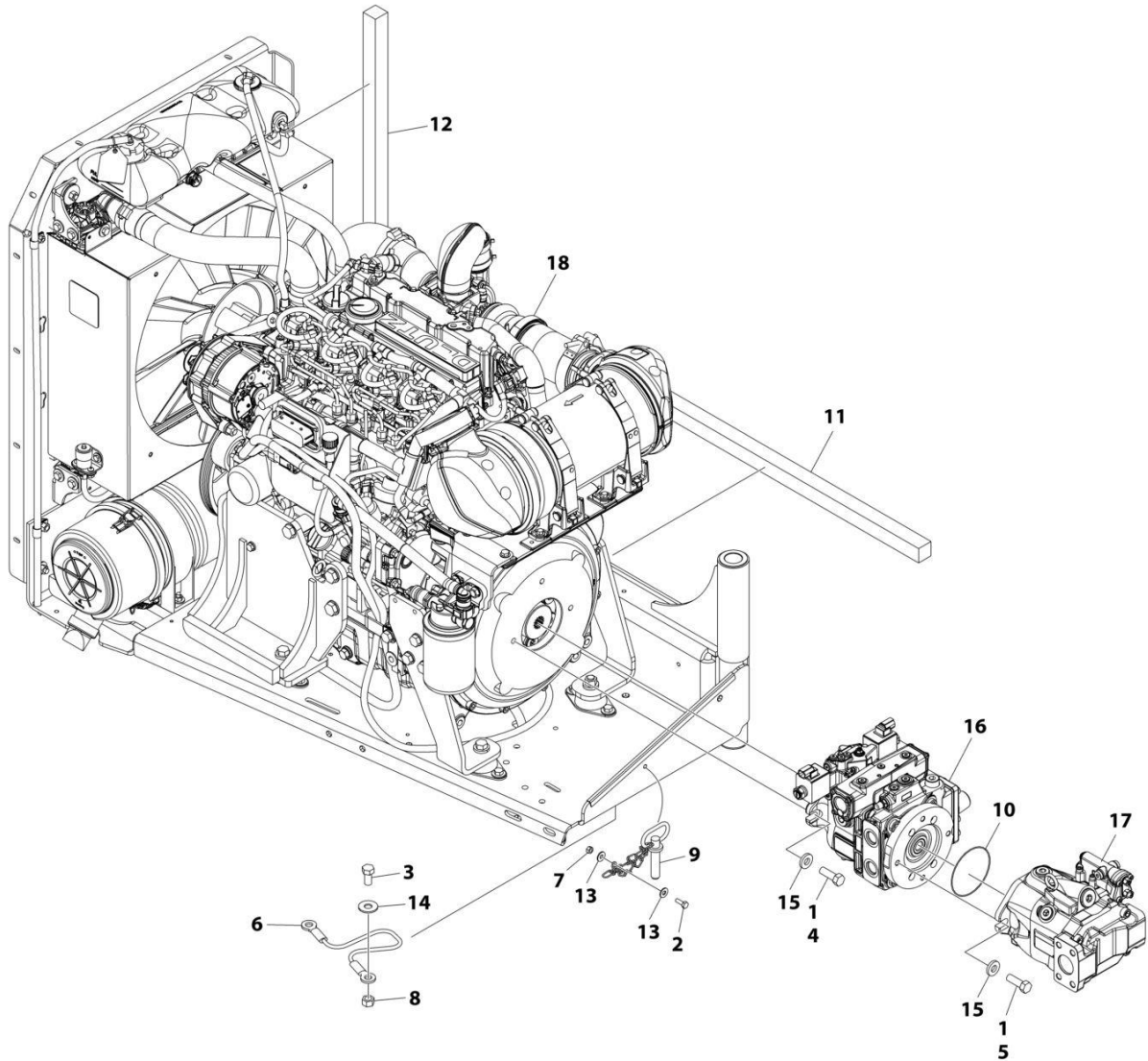
## SECTION 3 - ENGINE

ITEM	PART NUMBER	QTY	DESCRIPTION	REV
44F	7027088	1	Cable (Red) (Aux Relay to Aux Pump)	
44	See Note	1	Cable (Aux Relay to Starter) (Note: Use P/N 7027087)	
45	1001150918	1	Cable, Extension Cord	
46	1001154405	5 ft /1.6 m	Hose	
47	1001155823	1	Fitting, 90 Quick Disconnect	
48	1001162497	1	Bracket	
49	1001165035	28 ft /8.5 m	Hose	
50	1001188972	1	Heater, Immersion	
51	1001233763	1	Breather Heater Installation (See Separate Breakdown in this Section)	
52	1001289593	1	ECU Power Jumper Harness (Not Shown) (See Separate Breakdown in ELECTRICAL Section)	
53	1001302003	1	Engine and Pump Assembly with Arctic Package (See Separate Breakdown in this Section)	



# SECTION 3 - ENGINE

## FIGURE 3-34. DEUTZ D2.9L4 - EMR5 ENGINE AND PUMP SUB-ASSEMBLY WITH ARCTIC PACKAGE



ART\_1001302003



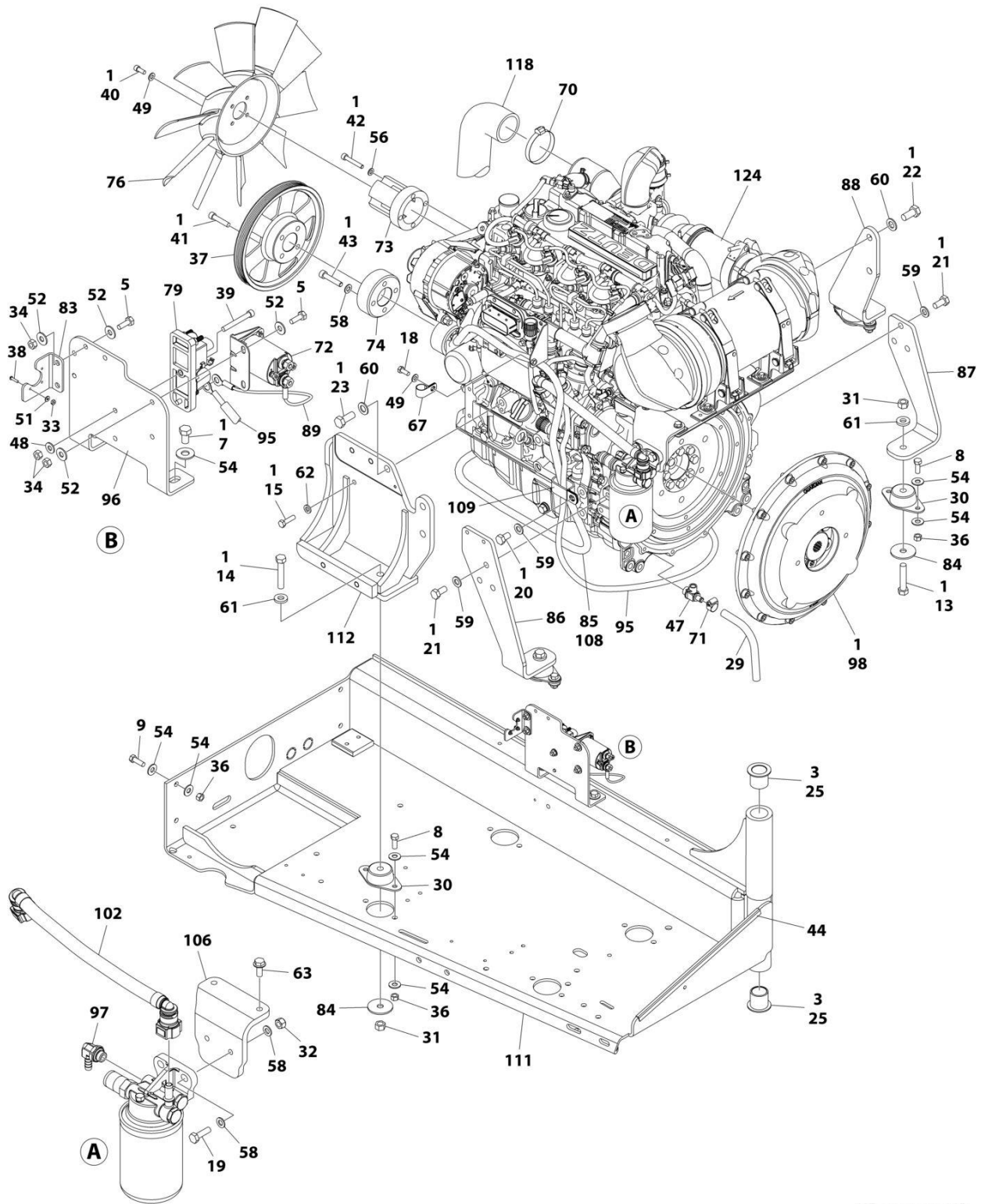
## SECTION 3 - ENGINE

**FIGURE 3-34. DEUTZ D2.9L4 - EMR5 ENGINE AND PUMP SUB-ASSEMBLY WITH ARCTIC PACKAGE**

ITEM	PART NUMBER	QTY	DESCRIPTION	REV
	1001302003	Ref	ENGINE AND PUMP SUB-ASSEMBLY EMR5 WITH ARCTIC PACKAGE	A
1	0100011	AR	Compound, Locking	
2	0641406	1	Bolt 1/4 x 3/4	
3	0641808	1	Bolt 1/2 x 1	
4	0641812	2	Bolt 1/2 x 1-1/2	
5	0711215	2	Bolt M12 x 35	
6	1060637	1	Lanyard	
7	3311405	1	Nut 1/4	
8	3311801	1	Nut 1/2	
9	3422532	1	Pin	
10	3790044	1	O-Ring	
11	3960468	1	Seal	
12	3960469	1	Seal	
13	4751400	2	Washer 1/4	
14	4751800	1	Washer 1/2	
15	4891800	4	Washer 1/2	
16	1001276376	1	Hydrostatic Pump Assembly (See Separate Breakdown in this Section)	
17	1001276377	1	Variable Pump Assembly with Fittings (See Separate Breakdown in this Section)	
18	1001301950	1	Engine Assembly with Arctic Package (See Separate Breakdown in this Section)	

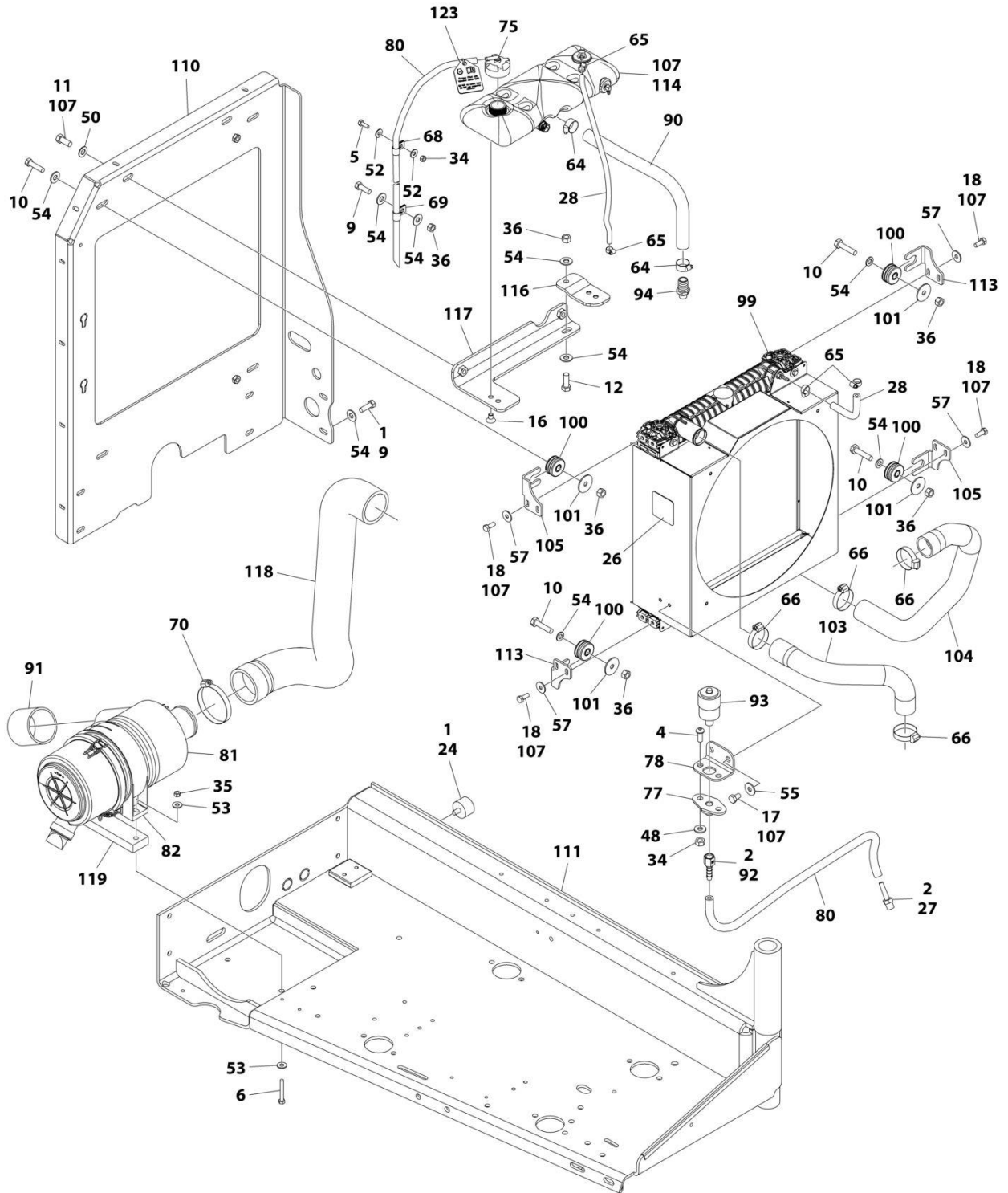
# SECTION 3 - ENGINE

## FIGURE 3-35. ENGINE ASSEMBLY - DEUTZ D2.9L4 EMR5 ENGINE (WITH ARCTIC PACKAGE)



ART\_1001301950\_10F2

# SECTION 3 - ENGINE



ART\_1001301950\_20F2

## SECTION 3 - ENGINE

**FIGURE 3-35. ENGINE ASSEMBLY - DEUTZ D2.9L4 EMR5 ENGINE (WITH ARCTIC PACKAGE)**

ITEM	PART NUMBER	QTY	DESCRIPTION	REV
	1001301950	Ref	ENGINE ASSEMBLY - DEUTZ D2.9L4 EMR5 ENGINE	A
1	0100011	AR	Locking, Compound	
2	0100020	AR	Sealant, Pipe	
3	0100062	AR	Adhesive	
4	0630407	2	Screw 1/4 x 5/8	
5	0641406	5	Bolt 1/4 x 3/4	
6	0641518	2	Bolt 5/16 x 2-1/4	
7	0641605	2	Bolt 3/8 x 5/8	
8	0641608	8	Bolt 3/8 x 1	
9	0641609	6	Bolt 3/8 x 1-1/8	
10	0641612	4	Bolt 3/8 x 1-1/2	
11	0641708	2	Bolt 7/16 x 1	
12	0681608	1	Bolt 3/8 x 1	
13	0681820	3	Bolt 1/2 x 2-1/2	
14	0681822	1	Bolt 1/2 x 2-3/4	
15	0700814	1	Bolt M8 x 30	
16	0741605	2	Screw 3/8 x 5/8	
17	0760605	2	Bolt M6 x 10	
18	0760810	9	Bolt M8 x 20	
19	0761015	2	Bolt M10 x 35	
20	0761210	1	Bolt M12 x 20	
21	0771212	6	Bolt M12 x 25	
22	0771414	2	Bolt M14 x 30	
23	0771415	3	Bolt M14 x 35	
24	0940070	1	Bumper	
25	0961986	2	Bushing	
26	1703162	1	Decal - Fan Blade	
27	2220315	1	Fitting, Straight Barbed	
28	2720015	3 ft /1 m	Hose	
29	2720340	1 ft /0.3 m	Hose	
30	3200401	4	Mount	
31	3271801	4	Nut 1/2	
32	3291005	2	Nut M10	
33	3310401	3	Nut #4	
34	3311405	8	Nut 1/4	
35	3311505	2	Nut 5/16	
36	3311605	17	Nut 3/8	
37	3580320	1	Pulley	
38	3910408	3	Screw #4 x 1/2	
39	3931432	1	Capscrew 1/4 x 2	
40	3931512	4	Capscrew 5/16 x 3/4	
41	3931628	4	Capscrew 3/8 x 1-3/4	
42	4031914	4	Capscrew M8 x 50	
43	4032014	4	Capscrew M10 x 50	
44	4060805	2 ft /0.4 m	Shield	
45	4240032	AR	Tie-Strap (Not Shown)	
46	4240099	AR	Tie-Strap (Not Shown)	
47	4640751	1	Valve, Oil Drain	
48	4711400	3	Washer 1/4	
49	4711500	5	Washer 5/16	

## SECTION 3 - ENGINE

ITEM	PART NUMBER	QTY	DESCRIPTION	REV
50	4711700	2	Washer 7/16	
51	4750400	3	Washer #4	
52	4751400	10	Washer 1/4	
53	4751500	4	Washer 5/16	
54	4751600	34	Washer 3/8	
55	4811702	2	Washer M6	
56	4811900	4	Washer M8	
57	4811902	8	Washer M8	
58	4812000	8	Washer M10	
59	4812100	7	Washer M12	
60	4812200	5	Washer M14	
61	4891800	4	Washer 1/2	
62	5240800	1	Washer M8	
63	5250810	2	Bolt M8 x 20	
64	8405007	2	Clamp	
65	8405009	4	Clamp	
66	8405104	4	Clamp	
67	8406102	1	Clip	
68	8406109	1	Clip	
69	8406110	1	Clip	
70	8410011	2	Clamp	
71	8410013	1	Clamp	
72	1001117308	1	Relay	
73	1001135138	1	Adapter	
74	1001135679	1	Adapter	
75	1001136834	1	Cap	
76	1001137276	1	Fan	
77	1001138173	1	Support	
78	1001138175	1	Bracket	
79	1001138228	1	Relay, Power Module	
79	70023592	1	Fuse 20Amp	
79	70023593	1	Fuse 30Amp	
80	1001138248	6 ft /2 m	Tube	
81	1001138489	1	Filter	
82	1001138557	1	Clamp	
83	1001139240	1	Bracket	
84	1001139409	4	Washer	
85	1001140312	1	Heater, Engine Block	
86	1001140448	1	Plate	
87	1001140450	1	Plate	
88	1001140454	1	Plate	
89	1001141304	1	Wire, Glow Fuse	
90	1001141370	1	Hose	
91	1001141585	1	Hose	
92	1001141995	1	Fitting, Straight NPT/Barbed	
93	1001143390	1	Indicator	
94	1001143797	1	Fitting, Straight Barbed	
95	1001143907	1	Cable, Alternator Power	
96	1001145154	1	Plate	
97	1001152489	1	Fitting, 90 Barbed	
98	1001153282	1	Pump Coupling Kit (See Separate Breakdown in this Section)	

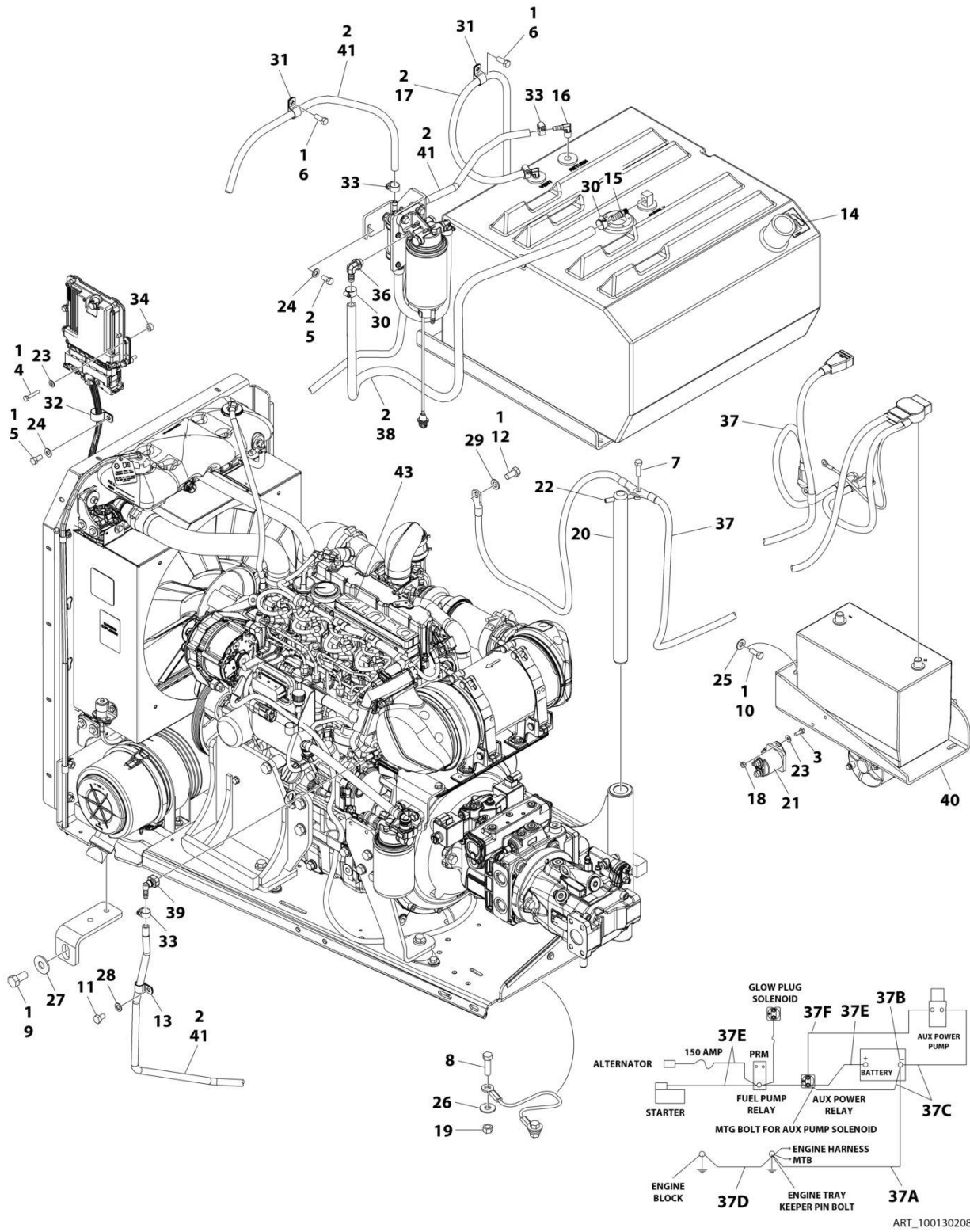
## SECTION 3 - ENGINE

ITEM	PART NUMBER	QTY	DESCRIPTION	REV
99	1001167042	1	Radiator	
100	1001169054	4	Isolator	
101	1001169138	4	Pad	
102	1001177359	1	Hose	
103	1001177844	1	Hose, Radiator (Upper)	
104	1001177845	1	Hose, Radiator (Lower)	
105	1001178223	2	Bracket	
106	1001178876	1	Mount	
107	1001180620	AR	Adhesive	
108	1001181895	AR	Adhesive	
109	1001181899	1	Clamp	
110	1001186985	1	Support	
111	1001190610	1	Support	
112	1001202368	1	Support	
113	1001204325	2	Bracket	
114	1001230635	1	Tank	
114	0100020	AR	Sealant	
114	1001134488	1	Fitting, 90 NPT/Barbed	
114	1001138827	1	Sensor	
114	1001140564	1	Fitting, 90 NPT/Barbed	
114	1001229542	1	Tank	
115	1001235949	1	Bracket, Fuel Pump/Filter Assembly (Not Shown) (See Separate Breakdown in this Section)	
116	1001260412	1	Bracket	
117	1001260413	1	Bracket	
118	1001266525	1	Hose	
119	1001267256	1	Shim	
120	1001276644	1	Deutz Engine Harness (Not Shown) (See Separate Breakdown in ELECTRICAL Section)	
121	1001281985	1	Connector (Not Shown)	
122	1001281986	1	Connector (Not Shown)	
123	1001291401	1	Tag, Coolant	
124	1001301717	1	Deutz TD2.9L4 EMR5 Engine (See Separate Breakdown in this Section)	



# SECTION 3 - ENGINE

FIGURE 3-36. DEUTZ D2.9L4 - EMR5 ENGINE INSTALLATION WITHOUT ARCTIC PACKAGE





## SECTION 3 - ENGINE

**FIGURE 3-36. DEUTZ D2.9L4 - EMR5 ENGINE INSTALLATION WITHOUT ARCTIC PACKAGE**

ITEM	PART NUMBER	QTY	DESCRIPTION	REV
	1001302087	Ref	ENGINE INSTALLATION EMR5 WITHOUT ARCTIC PACKAGE	A
1	0100011	AR	Compound, Locking	
2	0100020	AR	Sealant, Pipe	
3	0641406	2	Bolt 1/4 x 3/4	
4	0641412	4	Bolt 1/4 x 1-1/2	
5	0641606	3	Bolt 3/8 x 3/4	
6	0641608	2	Bolt 3/8 x 1	
7	0641610	1	Bolt 3/8 x 1-1/4	
8	0641814	1	Bolt 1/2 x 1-3/4	
9	0642010	1	Bolt 5/8 x 1-1/4	
10	0681608	3	Bolt 3/8 x 1	
11	0761008	1	Bolt M10 x 16	
12	0771212	1	Bolt M12 x 25	
13	1320061	1	Clamp	
14	1701505	1	Decal - Diesel	
15	2180832	1	Fitting, Barbed	
16	2220313	2	Fitting, 90	
17	2750532	4 ft /1.2 m	Hose	
18	3311405	2	Nut 1/4	
19	3311805	1	Nut 1/2	
20	3422446	1	Pin	
21	3740067	1	Relay	
22	3841143	1	Keeper, Pin	
23	4711400	7	Washer 1/4	
24	4711600	3	Washer 3/8	
25	4751600	3	Washer 3/8	
26	4751800	1	Washer 1/2	
27	4752000	1	Washer 5/8	
28	4812000	1	Washer M10	
29	4812100	1	Washer M12	
30	8405006	2	Clamp	
31	8406102	2	Clip	
32	8406201	1	Clip	
33	8410013	5	Clamp	
34	1001110425	4	Spacer	
35	1001138491	1	Fuel Harness (See Separate Breakdown in ELECTRICAL Section)	
36	1001142501	1	Fitting, 90	
37	1001143736	1	Battery Cable Kit	
37A	7027084	1	Cable, Battery (Black) (Battery - to Tray Pivot Grds)	
37B	8270147	1	Terminal, Battery (With Boot)	
37C	7027085	1	Cable, Battery (Black) (Battery - to Aux Pump and Relay Grds)	
37D	7027086	1	Cable, Battery (Black) (Engine to Tray Pivot Grd)	
37E	7027087	1	Cable (Red) (Battery + to Aux Relay/Power Module/Starter)	
37F	7027088	1	Cable (Red) (Aux Relay to Aux Pump)	
37	See Note	1	Cable (Aux Relay to Starter) (Note: Use P/N 7027087)	
38	1001154405	5 ft /1.6 m	Hose	
39	1001155823	1	Fitting, 90 Quick Disconnect	
40	1001162497	1	Bracket	
41	1001165035	28 ft /8.5 m	Hose	

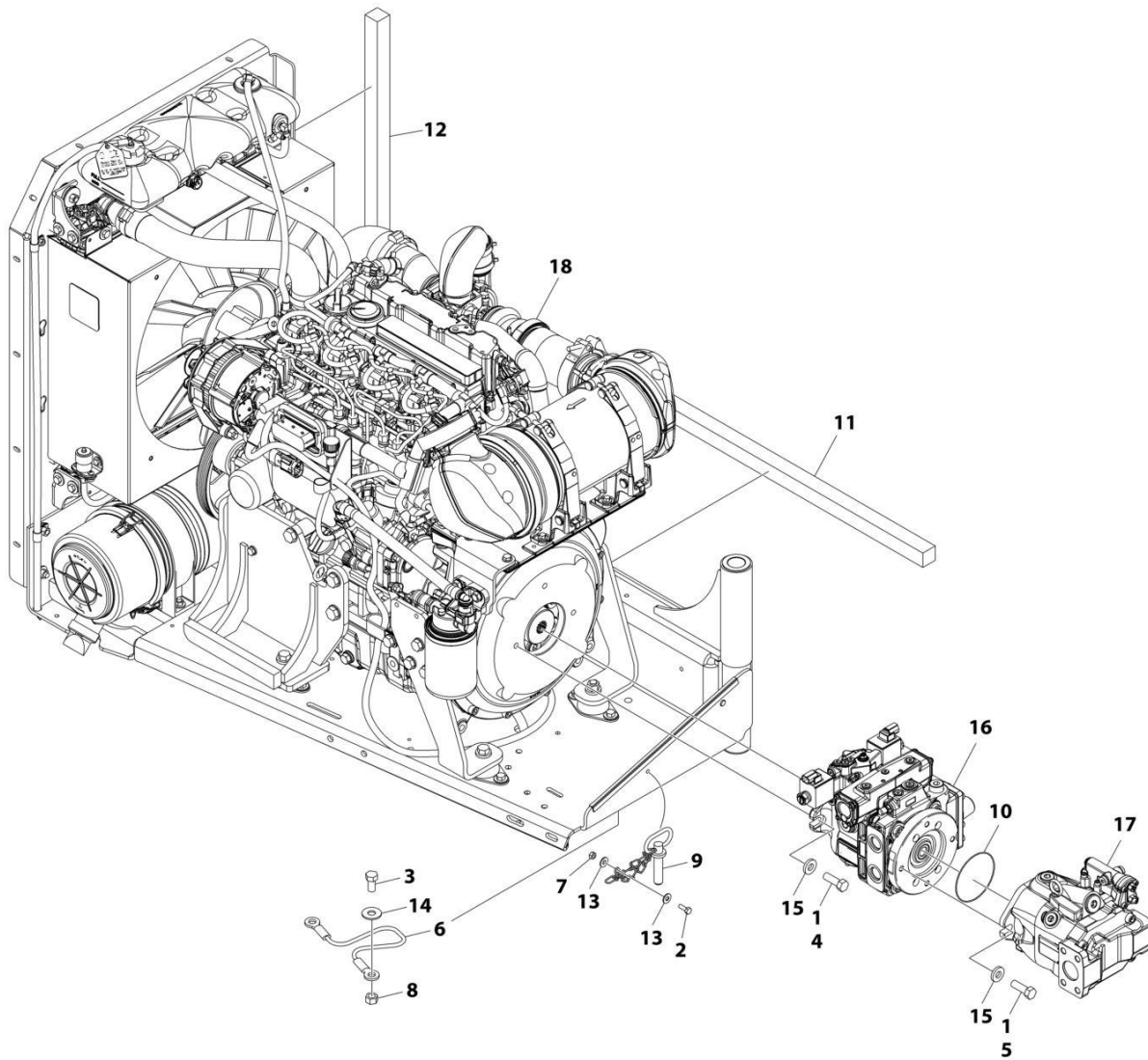
### SECTION 3 - ENGINE

ITEM	PART NUMBER	QTY	DESCRIPTION	REV
42	1001289593	1	ECU Power Jumper Harness (Not Shown) (See Separate Breakdown in ELECTRICAL Section)	
43	1001301946	1	Engine and Pump Assembly without Arctic Package (See Separate Breakdown in this Section)	



# SECTION 3 - ENGINE

## FIGURE 3-37. DEUTZ D2.9L4 - EMR5 ENGINE AND PUMP SUB-ASSEMBLY WITHOUT ARCTIC PACKAGE



ART\_1001301946

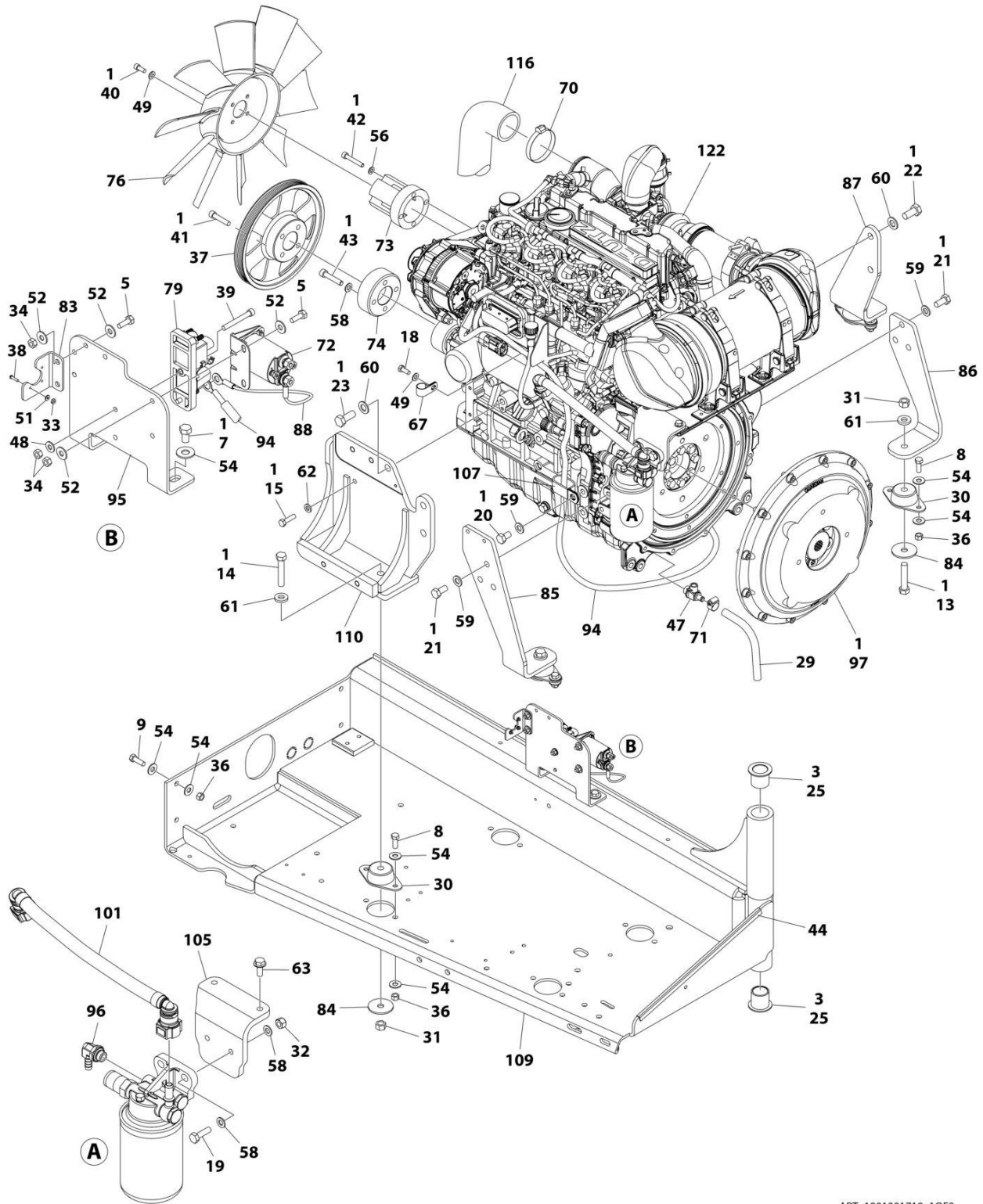
## SECTION 3 - ENGINE

**FIGURE 3-37. DEUTZ D2.9L4 - EMR5 ENGINE AND PUMP SUB-ASSEMBLY WITHOUT ARCTIC PACKAGE**

ITEM	PART NUMBER	QTY	DESCRIPTION	REV
	1001301946	Ref	ENGINE AND PUMP SUB-ASSEMBLY EMR5 WITHOUT ARCTIC PACKAGE	A
1	0100011	AR	Compound, Locking	
2	0641406	1	Bolt 1/4 x 3/4	
3	0641808	1	Bolt 1/2 x 1	
4	0641812	2	Bolt 1/2 x 1-1/2	
5	0711215	2	Bolt M12 x 35	
6	1060637	1	Lanyard	
7	3311405	1	Nut 1/4	
8	3311801	1	Nut 1/2	
9	3422532	1	Pin	
10	3790044	1	O-Ring	
11	3960468	1	Seal	
12	3960469	1	Seal	
13	4751400	2	Washer 1/4	
14	4751800	1	Washer 1/2	
15	4891800	4	Washer 1/2	
16	1001276376	1	Hydrostatic Pump Assembly (See Separate Breakdown in this Section)	
17	1001276377	1	Variable Pump Assembly with Fittings (See Separate Breakdown in this Section)	
18	1001301719	1	Engine Assembly without Arctic Package (See Separate Breakdown in this Section)	

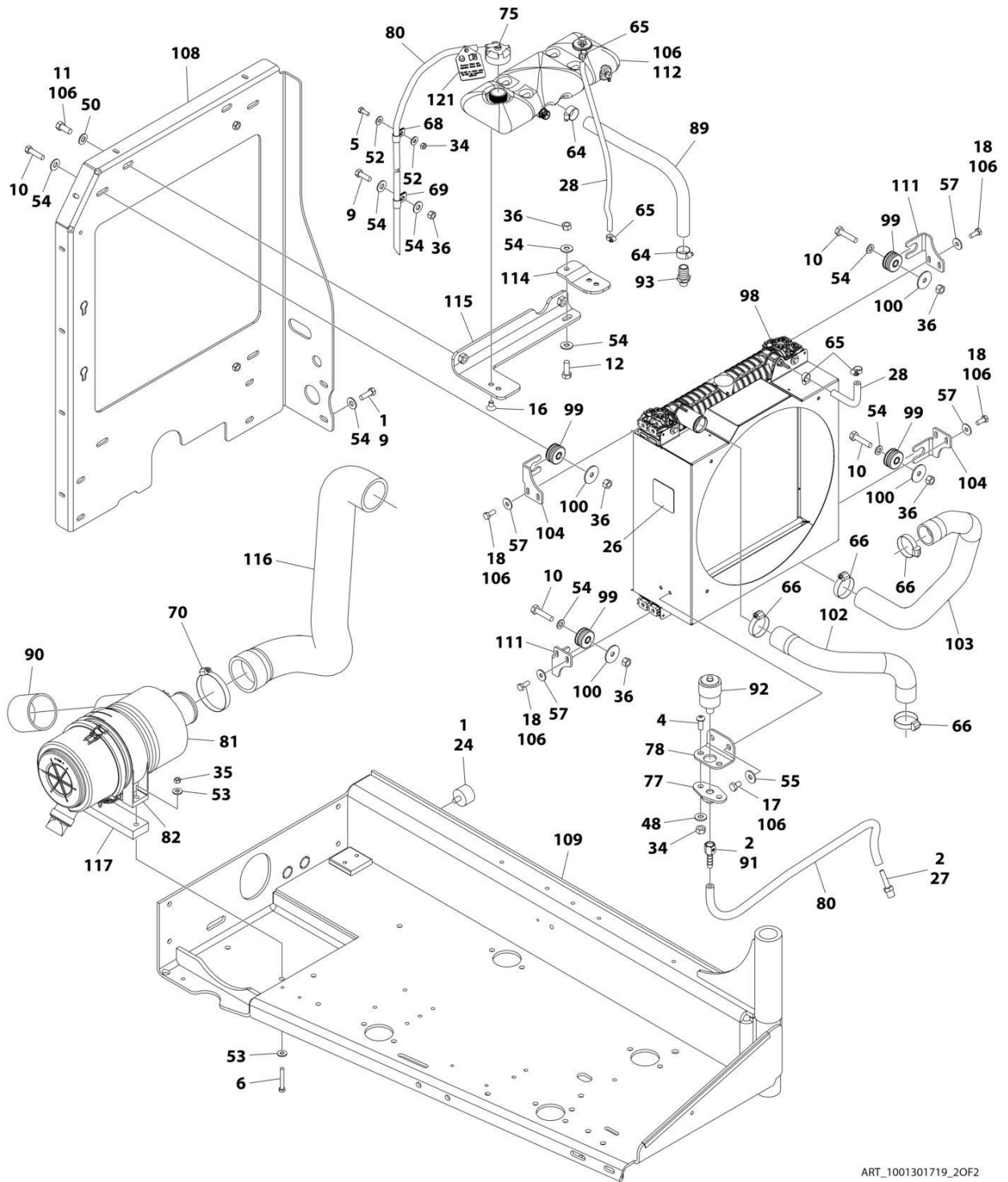
# SECTION 3 - ENGINE

## FIGURE 3-38. ENGINE ASSEMBLY - DEUTZ D2.9L4 EMR5 ENGINE (WITHOUT ARCTIC PACKAGE)



ART\_1001301719\_10F2

# SECTION 3 - ENGINE



## SECTION 3 - ENGINE

**FIGURE 3-38. ENGINE ASSEMBLY - DEUTZ D2.9L4 EMR5 ENGINE (WITHOUT ARCTIC PACKAGE**

ITEM	PART NUMBER	QTY	DESCRIPTION	REV
	1001301719	Ref	ENGINE ASSEMBLY - DEUTZ D2.9L4 EMR5 ENGINE	A
1	0100011	AR	Locking, Compound	
2	0100020	AR	Sealant, Pipe	
3	0100062	AR	Adhesive	
4	0630407	2	Screw 1/4 x 5/8	
5	0641406	5	Bolt 1/4 x 3/4	
6	0641518	2	Bolt 5/16 x 2-1/4	
7	0641605	2	Bolt 3/8 x 5/8	
8	0641608	8	Bolt 3/8 x 1	
9	0641609	6	Bolt 3/8 x 1-1/8	
10	0641612	4	Bolt 3/8 x 1-1/2	
11	0641708	2	Bolt 7/16 x 1	
12	0681608	1	Bolt 3/8 x 1	
13	0681820	3	Bolt 1/2 x 2-1/2	
14	0681822	1	Bolt 1/2 x 2-3/4	
15	0700814	1	Bolt M8 x 30	
16	0741605	2	Screw 3/8 x 5/8	
17	0760605	2	Bolt M6 x 10	
18	0760810	9	Bolt M8 x 20	
19	0761015	2	Bolt M10 x 35	
20	0761210	1	Bolt M12 x 20	
21	0771212	6	Bolt M12 x 25	
22	0771414	2	Bolt M14 x 30	
23	0771415	3	Bolt M14 x 35	
24	0940070	1	Bumper	
25	0961986	2	Bushing	
26	1703162	1	Decal - Fan Blade	
27	2220315	1	Fitting, Straight Barbed	
28	2720015	3 ft /1 m	Hose	
29	2720340	1 ft /0.3 m	Hose	
30	3200401	4	Mount	
31	3271801	4	Nut 1/2	
32	3291005	2	Nut M10	
33	3310401	3	Nut #4	
34	3311405	8	Nut 1/4	
35	3311505	2	Nut 5/16	
36	3311605	17	Nut 3/8	
37	3580320	1	Pulley	
38	3910408	3	Screw #4 x 1/2	
39	3931432	1	Capscrew 1/4 x 2	
40	3931512	4	Capscrew 5/16 x 3/4	
41	3931628	4	Capscrew 3/8 x 1-3/4	
42	4031914	4	Capscrew M8 x 50	
43	4032014	4	Capscrew M10 x 50	
44	4060805	2 ft /0.4 m	Shield	
45	4240032	AR	Tie-Strap (Not Shown)	
46	4240099	AR	Tie-Strap (Not Shown)	
47	4640751	1	Valve, Oil Drain	
48	4711400	3	Washer 1/4	
49	4711500	5	Washer 5/16	



## SECTION 3 - ENGINE

ITEM	PART NUMBER	QTY	DESCRIPTION	REV
50	4711700	2	Washer 7/16	
51	4750400	3	Washer #4	
52	4751400	10	Washer 1/4	
53	4751500	4	Washer 5/16	
54	4751600	34	Washer 3/8	
55	4811702	2	Washer M6	
56	4811900	4	Washer M8	
57	4811902	8	Washer M8	
58	4812000	8	Washer M10	
59	4812100	7	Washer M12	
60	4812200	5	Washer M14	
61	4891800	4	Washer 1/2	
62	5240800	1	Washer M8	
63	5250810	2	Bolt M8 x 20	
64	8405007	2	Clamp	
65	8405009	4	Clamp	
66	8405104	4	Clamp	
67	8406102	1	Clip	
68	8406109	1	Clip	
69	8406110	1	Clip	
70	8410011	2	Clamp	
71	8410013	1	Clamp	
72	1001117308	1	Relay	
73	1001135138	1	Adapter	
74	1001135679	1	Adapter	
75	1001136834	1	Cap	
76	1001137276	1	Fan	
77	1001138173	1	Support	
78	1001138175	1	Bracket	
79	1001138228	1	Relay, Power Module	
79	70023593	1	Fuse 30Amp	
79	70023592	1	Fuse 20Amp	
80	1001138248	6 ft /2 m	Tube	
81	1001138489	1	Filter	
82	1001138557	1	Clamp	
83	1001139240	1	Bracket	
84	1001139409	4	Washer	
85	1001140448	1	Plate	
86	1001140450	1	Plate	
87	1001140454	1	Plate	
88	1001141304	1	Wire, Glow Fuse	
89	1001141370	1	Hose	
90	1001141585	1	Hose	
91	1001141995	1	Fitting, Straight NPT/Barbed	
92	1001143390	1	Indicator	
93	1001143797	1	Fitting, Straight Barbed	
94	1001143907	1	Cable, Alternator Power	
95	1001145154	1	Plate	
96	1001152489	1	Fitting, 90 Barbed	
97	1001153282	1	Pump Coupling Kit (See Separate Breakdown in this Section)	
98	1001167042	1	Radiator	

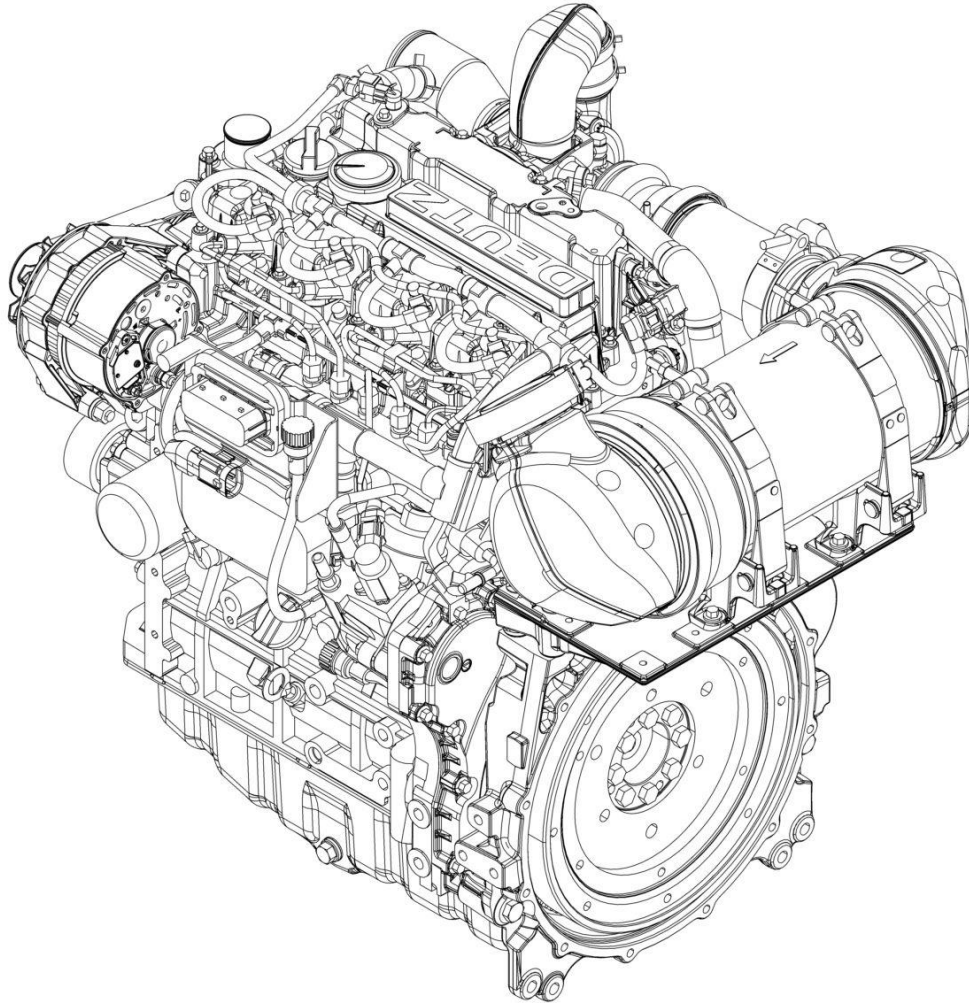
## SECTION 3 - ENGINE

ITEM	PART NUMBER	QTY	DESCRIPTION	REV
99	1001169054	4	Isolator	
100	1001169138	4	Pad	
101	1001177359	1	Hose	
102	1001177844	1	Hose, Radiator (Upper)	
103	1001177845	1	Hose, Radiator (Lower)	
104	1001178223	2	Bracket	
105	1001178876	1	Mount	
106	1001180620	AR	Adhesive	
107	1001181899	1	Clamp	
108	1001186985	1	Support	
109	1001190610	1	Support	
110	1001202368	1	Support	
111	1001204325	2	Bracket	
112	1001230635	1	Tank	
112	0100020	AR	Sealant	
112	1001134488	1	Fitting, 90 NPT/Barbed	
112	1001138827	1	Sensor, Coolant Level	
112	1001140564	1	Fitting, 90 NPT/Barbed	
112	1001229542	1	Tank	
113	1001235949	1	Bracket, Fuel Pump/Filter Assembly (Not Shown) (See Separate Breakdown in this Section)	
114	1001260412	1	Bracket	
115	1001260413	1	Bracket	
116	1001266525	1	Hose	
117	1001267256	1	Shim	
118	1001276644	1	Deutz Engine Harness (Not Shown) (See Separate Breakdown in ELECTRICAL Section)	
119	1001281985	1	Connector (Not Shown)	
120	1001281986	1	Connector (Not Shown)	
121	1001291401	1	Tag, Coolant	
122	1001301717	1	Deutz TD2.9L4 EMR5 Engine (See Separate Breakdown in this Section)	



## SECTION 3 - ENGINE

FIGURE 3-39. ENGINE COMPONENTS - DEUTZ D2.9L4 EMR5 ENGINE



ART\_1001301717

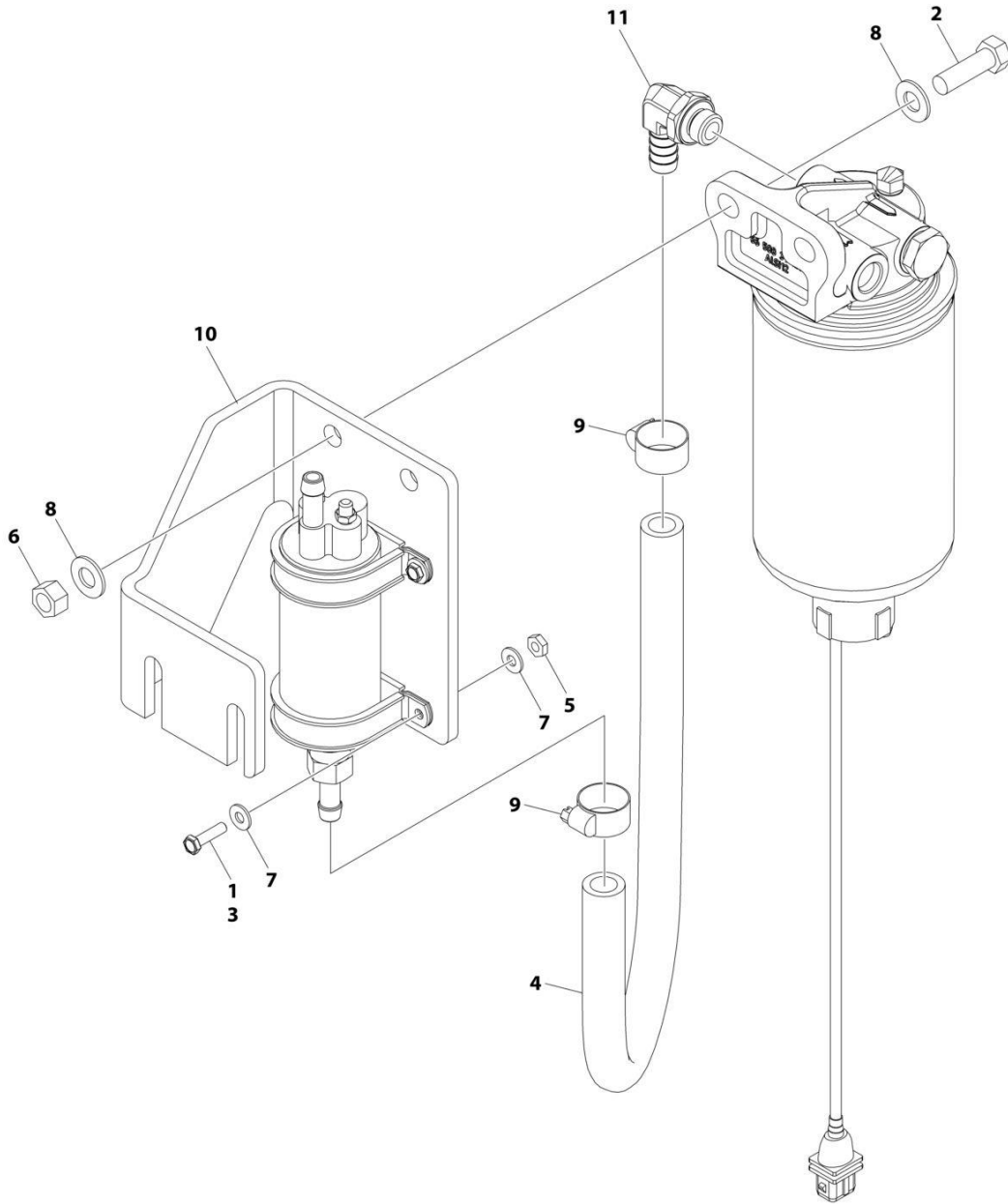
## SECTION 3 - ENGINE

**FIGURE 3-39. ENGINE COMPONENTS - DEUTZ D2.9L4 EMR5 ENGINE**

ITEM	PART NUMBER	QTY	DESCRIPTION	REV
	1001301717	Ref	ENGINE COMPONENTS - DEUTZ D2.9L4 EMR5 ENGINE	A
	See Note	Ref	Note: No Service Parts Available at Time of Printing	

# SECTION 3 - ENGINE

## FIGURE 3-40. FUEL PUMP/FILTER BRACKET ASSEMBLY (DEUTZ TD2.9L4 ENGINES)



ART\_1001162335

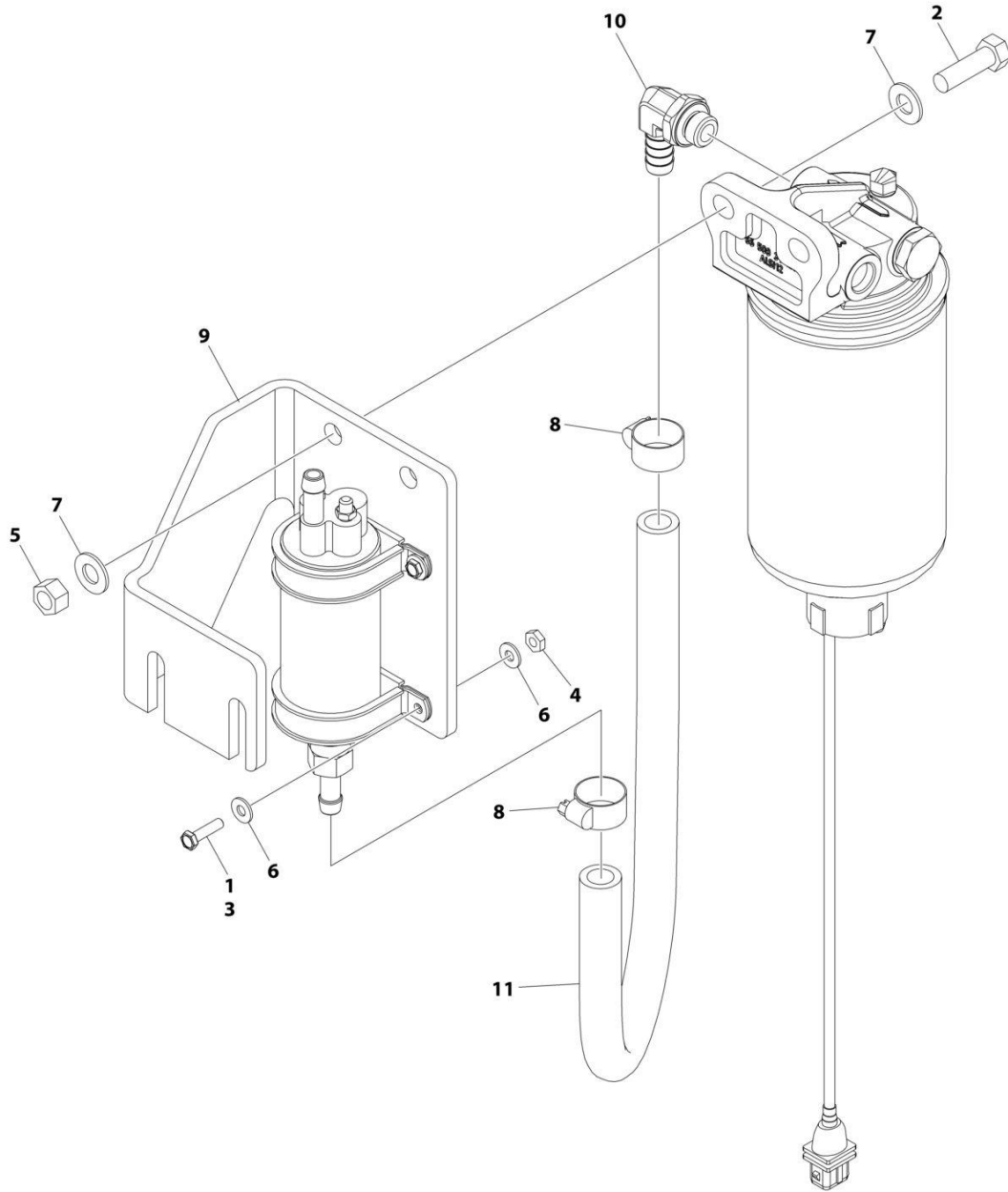
## SECTION 3 - ENGINE

**FIGURE 3-40. FUEL PUMP/FILTER BRACKET ASSEMBLY (DEUTZ TD2.9L4 ENGINES)**

ITEM	PART NUMBER	QTY	DESCRIPTION	REV
	1001162335	Ref	BRACKET ASSEMBLY - FUEL PUMP AND FILTER (DEUTZ D2.9L4 ENGINE)	E
1	0100011	AR	Compound, Locking	
2	0641610	2	Bolt 3/8 x 1-1/4	
3	0721006	4	Bolt #10 x 3/4	
4	1001154405	AR	Hose	
5	3311001	4	Nut #10	
6	3311605	2	Nut 3/8	
7	4711000	8	Washer #10	
8	4711600	4	Washer 3/8	
9	8405006	2	Clamp	
10	1001141870	1	Plate, Fuel Pump Mount	
11	1001142501	1	Fitting, Elbow Barbed	

# SECTION 3 - ENGINE

## FIGURE 3-41. FUEL PUMP/FILTER BRACKET ASSEMBLY (DEUTZ TD2.9L4 (STAGE V) ENGINES)



ART\_1001235949



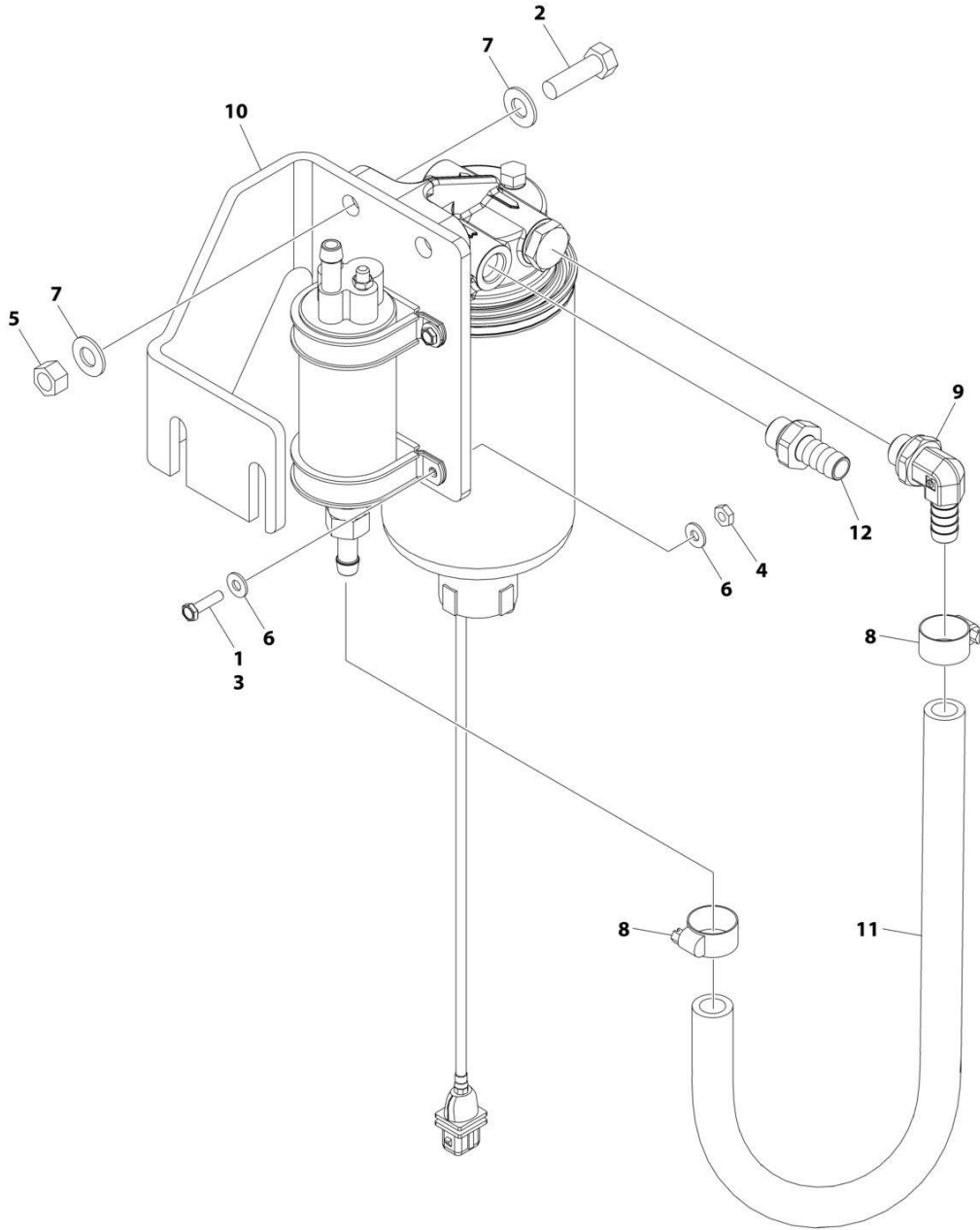
## SECTION 3 - ENGINE

**FIGURE 3-41. FUEL PUMP/FILTER BRACKET ASSEMBLY (DEUTZ TD2.9L4 (STAGE V) ENGINES)**

ITEM	PART NUMBER	QTY	DESCRIPTION	REV
	1001235949	Ref	BRACKET ASSEMBLY - FUEL PUMP AND FILTER (DEUTZ D2.9L4 (STAGE V) ENGINE)	A
1	0100035	AR	Compound, Locking	
2	0641610	2	Bolt 3/8 x 1-1/4	
3	0721006	4	Bolt #10 x 3/4	
4	3311001	4	Nut #10	
5	3311605	2	Nut 3/8	
6	4711000	8	Washer #10	
7	4711600	4	Washer 3/8	
8	8405006	2	Clamp	
9	1001141870	1	Plate, Fuel Pump Mount	
10	1001142501	1	Fitting, Elbow Barbed	
11	1001154405	1.5 ft /0.4m	Hose	

# SECTION 3 - ENGINE

FIGURE 3-42. FUEL PUMP/FILTER BRACKET ASSEMBLY (DEUTZ TD2.9L4 ENGINES) (CHINA III & CHINA IV ENGINE)



ART\_1001227224\_E

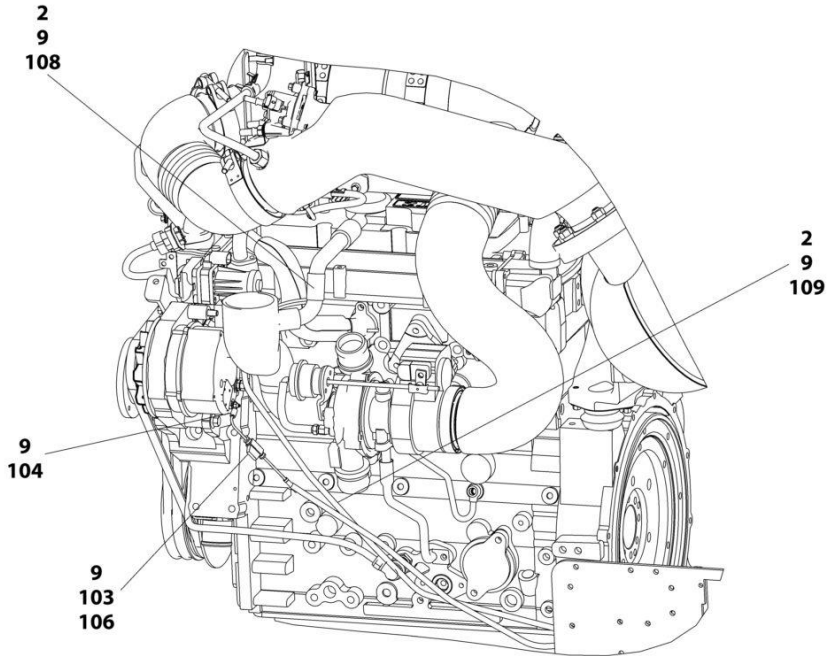
## SECTION 3 - ENGINE

**FIGURE 3-42. FUEL PUMP/FILTER BRACKET ASSEMBLY (DEUTZ TD2.9L4 ENGINES) (CHINA III & CHINA IV ENGINE)**

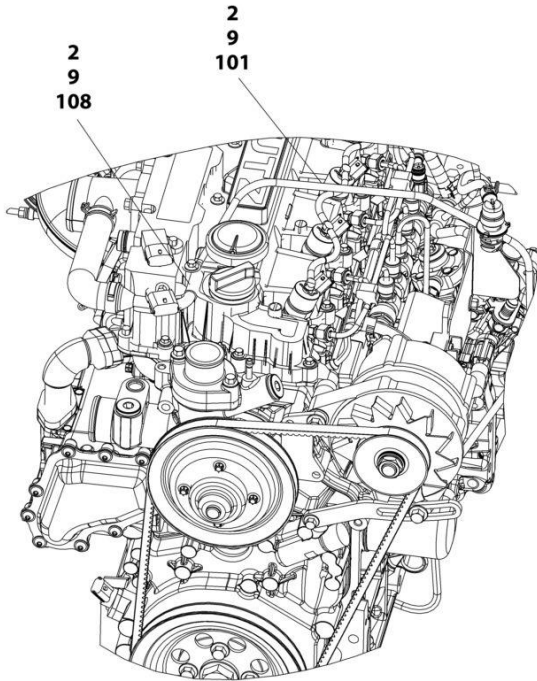
ITEM	PART NUMBER	QTY	DESCRIPTION	REV
	1001227224	Ref	BRACKET ASSEMBLY (LESS FUEL PUMP AND FILTER)	E
1	0100011	AR	Locking, Compound	
2	0641610	2	Bolt 3/8 x 1-1/4	
3	0721006	4	Bolt #10 x 3/4	
4	3311001	4	Nut #10	
5	3311605	2	Nut 3/8	
6	4711000	8	Washer #10	
7	4711600	4	Washer 3/8	
8	8405006	2	Clamp	
9	1001142501	1	Fitting, 90 Metric/Barbed	
10	1001141870	1	Plate, Fuel Pump Mount	
11	1001154405	AR	Hose	
12	1001141718	1	Fitting, Straight (Not Shown)	

# SECTION 3 - ENGINE

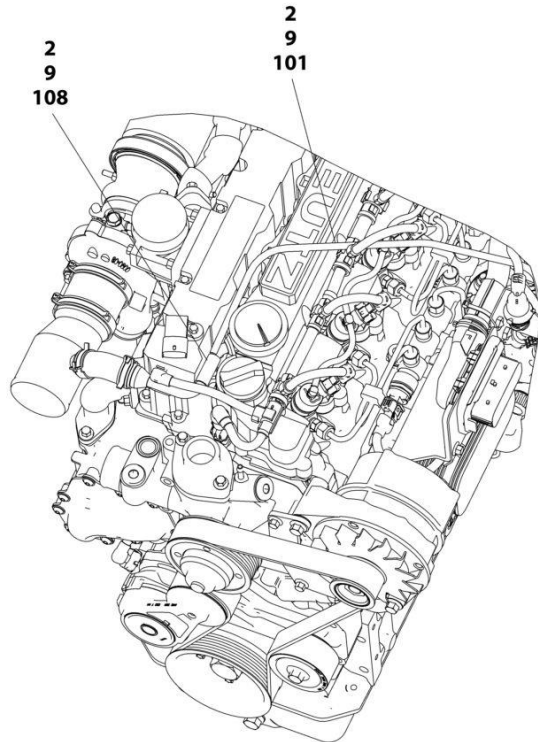
## FIGURE 3-43. BREATHER HEATER INST (DEUTZ TD2.9L4 ENGINES)



TDC3.6 ENGINES



D2.9L4 ENGINES



TCD2.9L4 AND TD2.9L4 ENGINES

ART\_1001233763

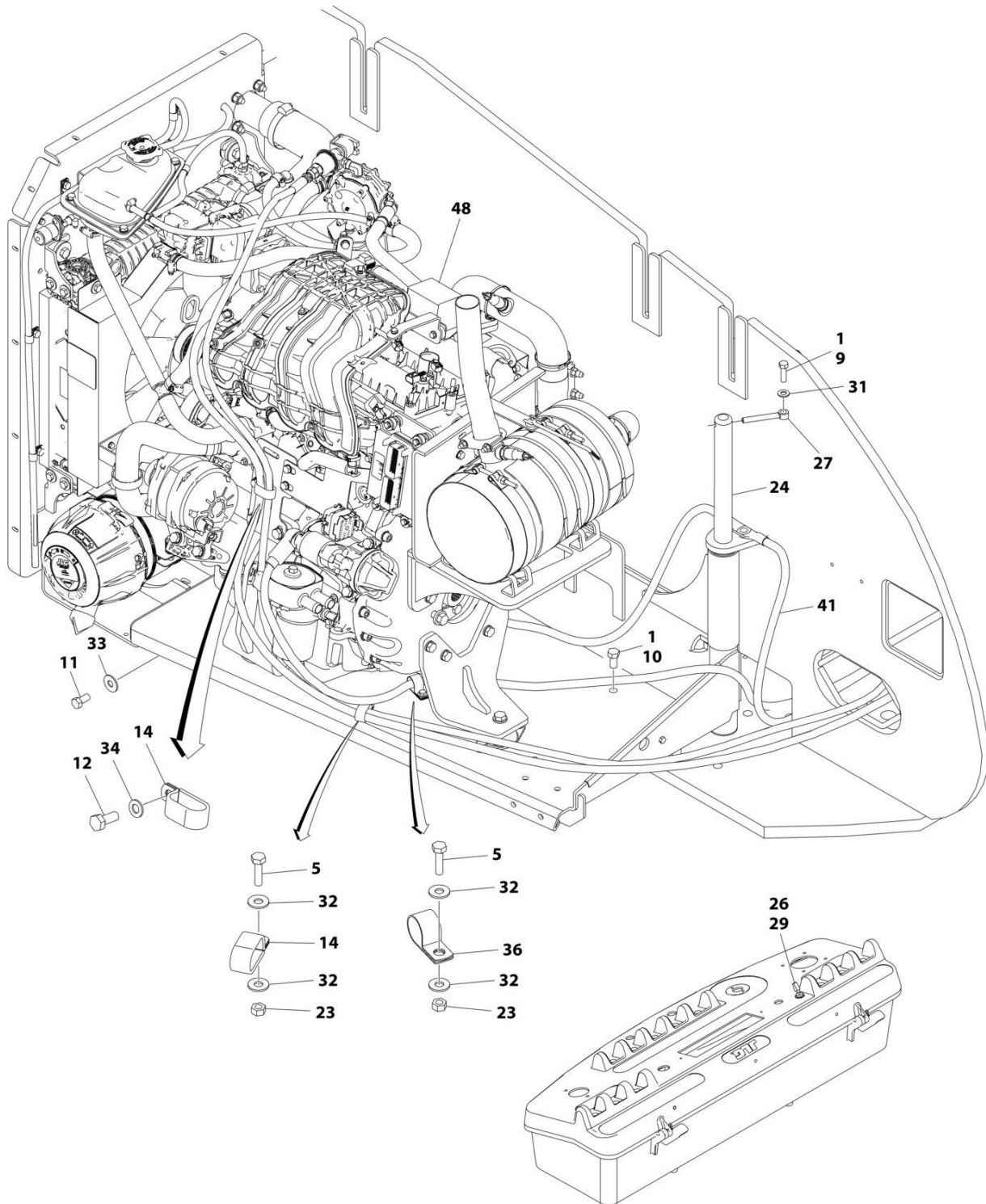
## SECTION 3 - ENGINE

**FIGURE 3-43. BREATHER HEATER INST (DEUTZ TD2.9L4 ENGINES)**

ITEM	PART NUMBER	QTY	DESCRIPTION	REV
	1001233763	Ref	BREATHER HEATER INSTALLATION - DEUTZ ENGINES	D
2	4240099	AR	Tie-Strap	
9	1001243895	1	Breather Heater Harness	C
101	2820035	AR	Insulation	
103	2400060	1	Fuseholder with Cover	
104	4460043	1	Terminal, Ring	
105	4460722	1	Terminal, Ring (Not Shown)	
106	1001196634	1	Fuse - 2 Amp	
108	1001232842	1	Breather Heater Kit	

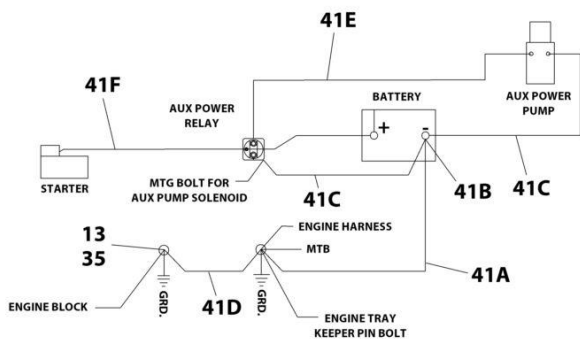
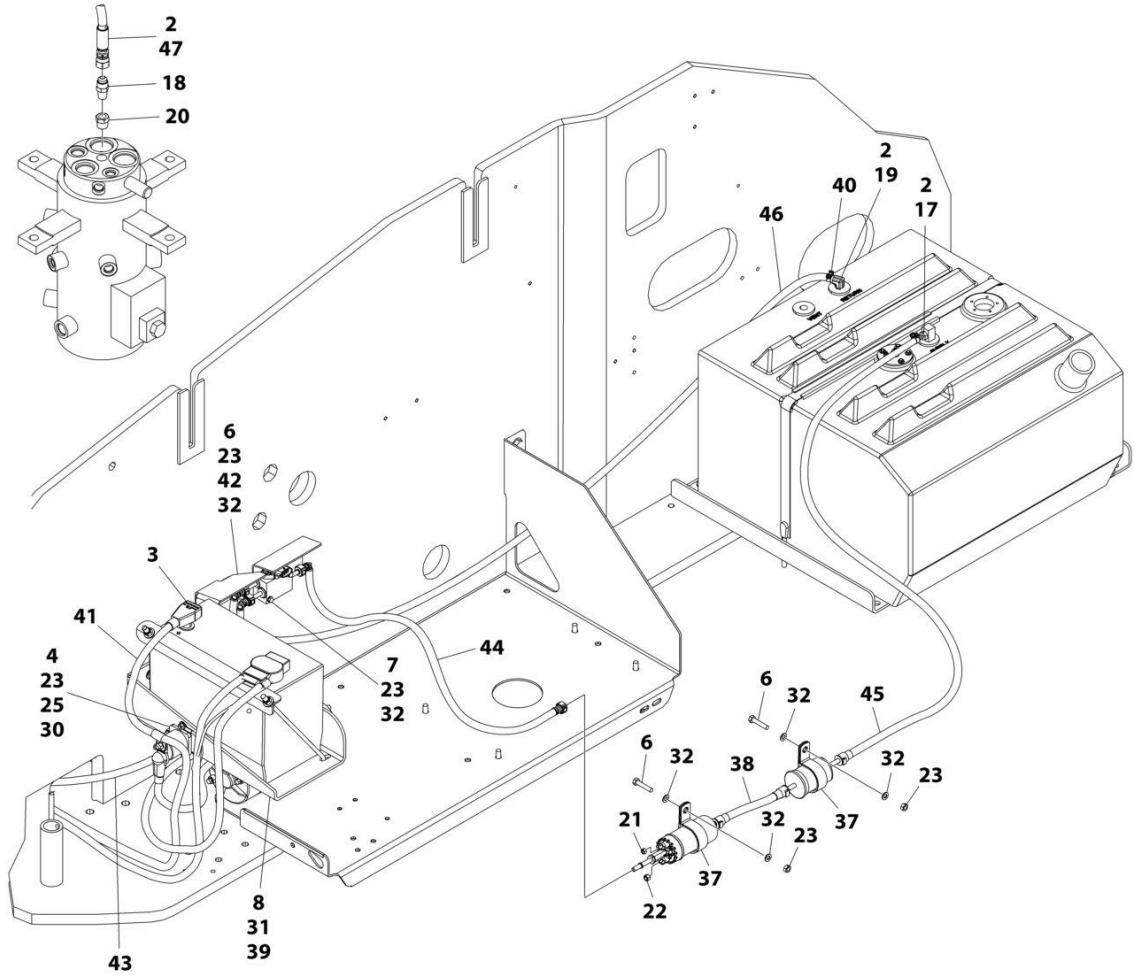
# SECTION 3 - ENGINE

## FIGURE 3-44. FORD ENGINE INSTALLATION - (WITHOUT ARCTIC PACKAGE)



ART\_1001285038\_10F2

# SECTION 3 - ENGINE



BATTERY CABLE KIT - ITEM 41

ART\_1001285038\_2OF2

## SECTION 3 - ENGINE

**FIGURE 3-44. FORD ENGINE INSTALLATION - (WITHOUT ARCTIC PACKAGE)**

ITEM	PART NUMBER	QTY	DESCRIPTION	REV
	1001285038	Ref	FORD ENGINE INSTALLATION	A
1	0100011	AR	Compound, Locking	
2	0100020	AR	Sealant	
3	0100048	AR	Grease, Terminal	
4	0641406	2	Bolt 1/4 x 3/4	
5	0641408	2	Bolt 1/4 x 1	
6	0641412	4	Bolt 1/4 x 1-1/2	
7	0641420	2	Bolt 1/4 x 2-1/2	
8	0641607	3	Bolt 3/8 x 7/8	
9	0641610	1	Bolt 3/8 x 1-1/4	
10	0641808	1	Bolt 1/2 x 1	
11	0642010	1	Bolt 5/8 x 1-1/4	
12	0760810	1	Bolt M8 x 20	
13	0761008	1	Bolt M10 x 16	
14	1321283	2	Clamp	
15	1701542	1	Decal - Gas (Not Shown)	
16	1701543	AR	Decal - LPG (Not Shown)	
17	2180348	1	Fitting, Straight NPT/Barbed	
18	2180418	1	Fitting, Straight	
19	2221176	1	Fitting, 90	
20	2221197	1	Fitting, Straight NPT	
21	3290405	1	Nut M4	
22	3290505	1	Nut M5	
23	3311405	10	Nut 1/4	
24	3422446	1	Pin	
25	3740067	1	Relay	
26	3790012	1	O-Ring (Not Shown - Located on Platform Console Box)	
27	3841143	1	Keeper, Pin	
28	4240099	AR	Tie-Strap (Not Shown)	
29	4360336	1	Switch, Toggle (Not Shown - Located on Platform Console Box)	
30	4711400	4	Washer 1/4	
31	4711600	4	Washer 3/8	
32	4751400	16	Washer 1/4	
33	4752000	1	Washer 5/8	
34	4811900	1	Washer M8	
35	4812000	1	Washer M10	
36	8406201	1	Clip	
37	85941018	2	Clamp	
38	1001156823	1	Hose	
39	1001162497	1	Bracket, Battery	
40	1001174486	2	Clamp	
41	1001216568	1	Battery Cable Kit	
41A	7027084	1	Cable, Battery - Ground to Battery -	
41B	8270147	1	Terminal, Battery with Boot	
41C	7027085	1	Cable, Battery - Auxiliary Pump/Relay to Battery -	
49D	7027086	1	Cable, Battery - Engine to Ground	
41E	7027088	1	Cable, Battery - Auxiliary Relay to Auxiliary Pump	
41F	70009020	1	Cable, Battery - Starter/Auxiliary Relay to Battery +	
42	1001219370	1	Bracket	
43	1001219634	1	Hose	

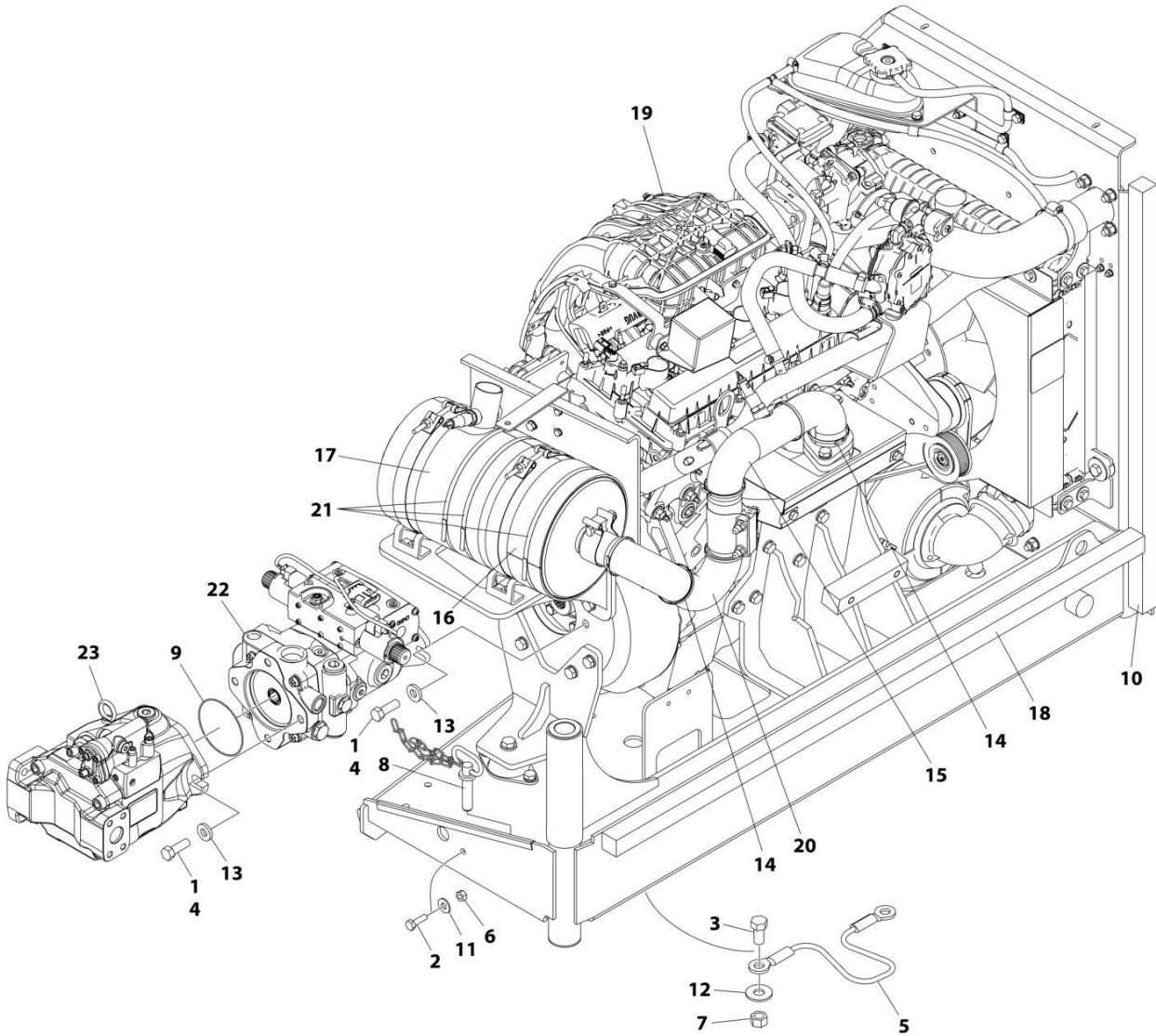


## SECTION 3 - ENGINE

ITEM	PART NUMBER	QTY	DESCRIPTION	REV
44	1001219636	1	Hose	
45	1001219637	1	Hose	
46	1001219638	1	Hose	
47	1001219639	1	Hose	
48	1001285037	Ref	Ford Engine and Pump Sub-Assembly (See Separate Breakdown in this Section)	

# SECTION 3 - ENGINE

## FIGURE 3-45. FORD ENGINE AND PUMP SUB-ASSEMBLY - (WITHOUT ARCTIC PACKAGE)



ART\_1001285037

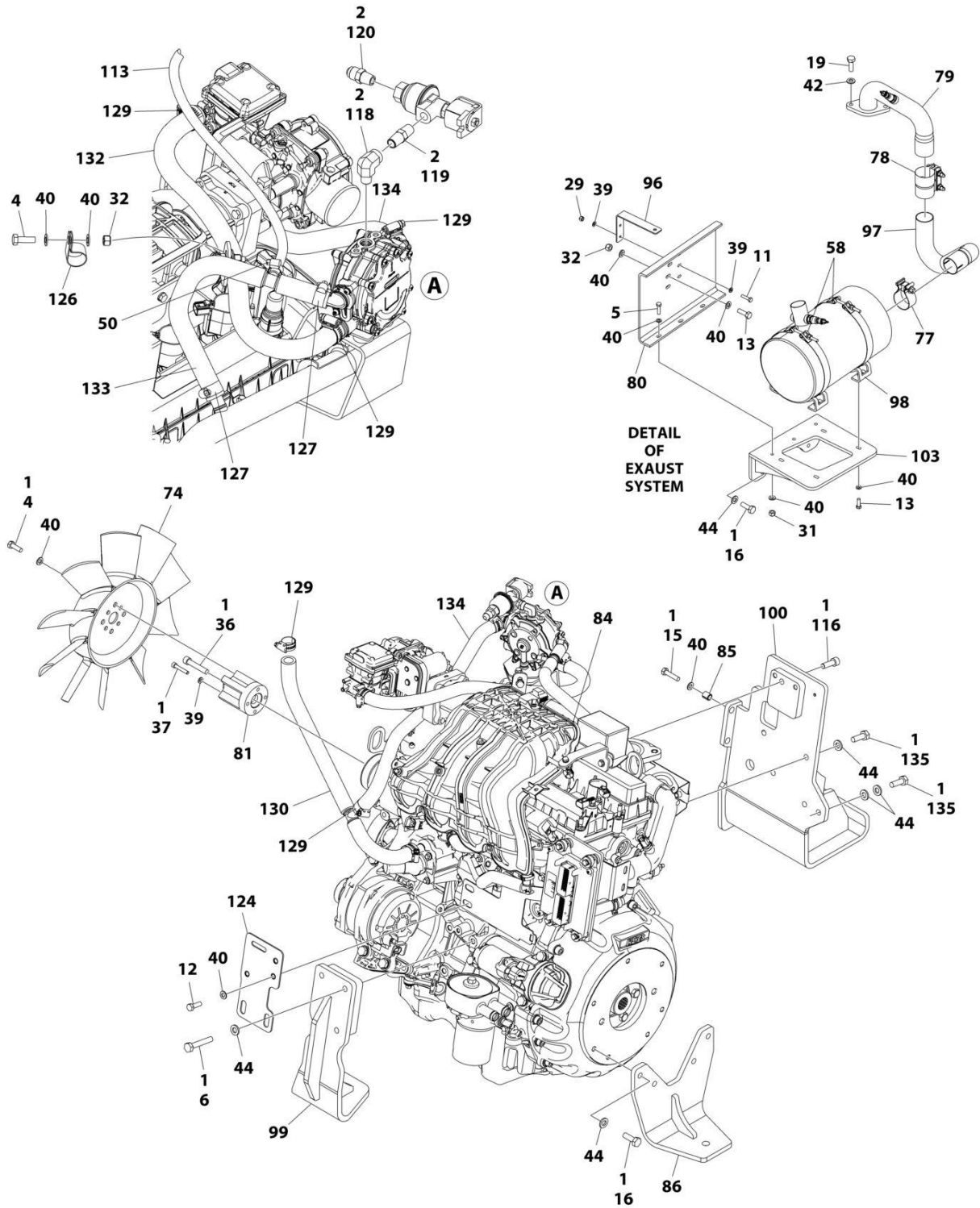
## SECTION 3 - ENGINE

**FIGURE 3-45. FORD ENGINE AND PUMP SUB-ASSEMBLY - (WITHOUT ARCTIC PACKAGE)**

ITEM	PART NUMBER	QTY	DESCRIPTION	REV
	1001285037	Ref	FORD ENGINE AND PUMP SUB-ASSEMBLY (WITHOUT ARCTIC PACKAGE)	A
1	0100011	AR	Compound, Locking	
2	0641407	1	Bolt 1/4 x 7/8	
3	0641808	1	Bolt 1/2 x 1	
4	0641812	4	Bolt 1/2 x 1-1/2	
5	1060637	1	Cable, Lanyard	
6	3311405	1	Nut 1/4	
7	3311805	1	Nut 1/2	
8	3422532	1	Pin	
9	3790044	1	O-Ring	
10	3960469	1	Seal	
11	4751400	1	Washer 1/4	
12	4751800	1	Washer 1/2	
13	4891800	4	Washer 1/2	
14	1001100825	6	Strap	
15	1001216532	1	Insulate, Exhaust Pipe	
16	1001216534	1	Insulate, Muffler	
17	1001216535	1	Insulate, Muffler	
18	1001217170	1	Seal	
19	1001217191	1	Ford Engine Assembly without Arctic Package (See Separate Breakdown in this Section)	
20	1001218085	1	Insulate, Exhaust Pipe	
21	1001221464	3	Strap	
22	1001225745	1	Hydrostatic Pump Assembly (See Separate Breakdown in this Section)	
23	1001276377	1	Variable Pump Assembly (See Separate Breakdown in this Section)	

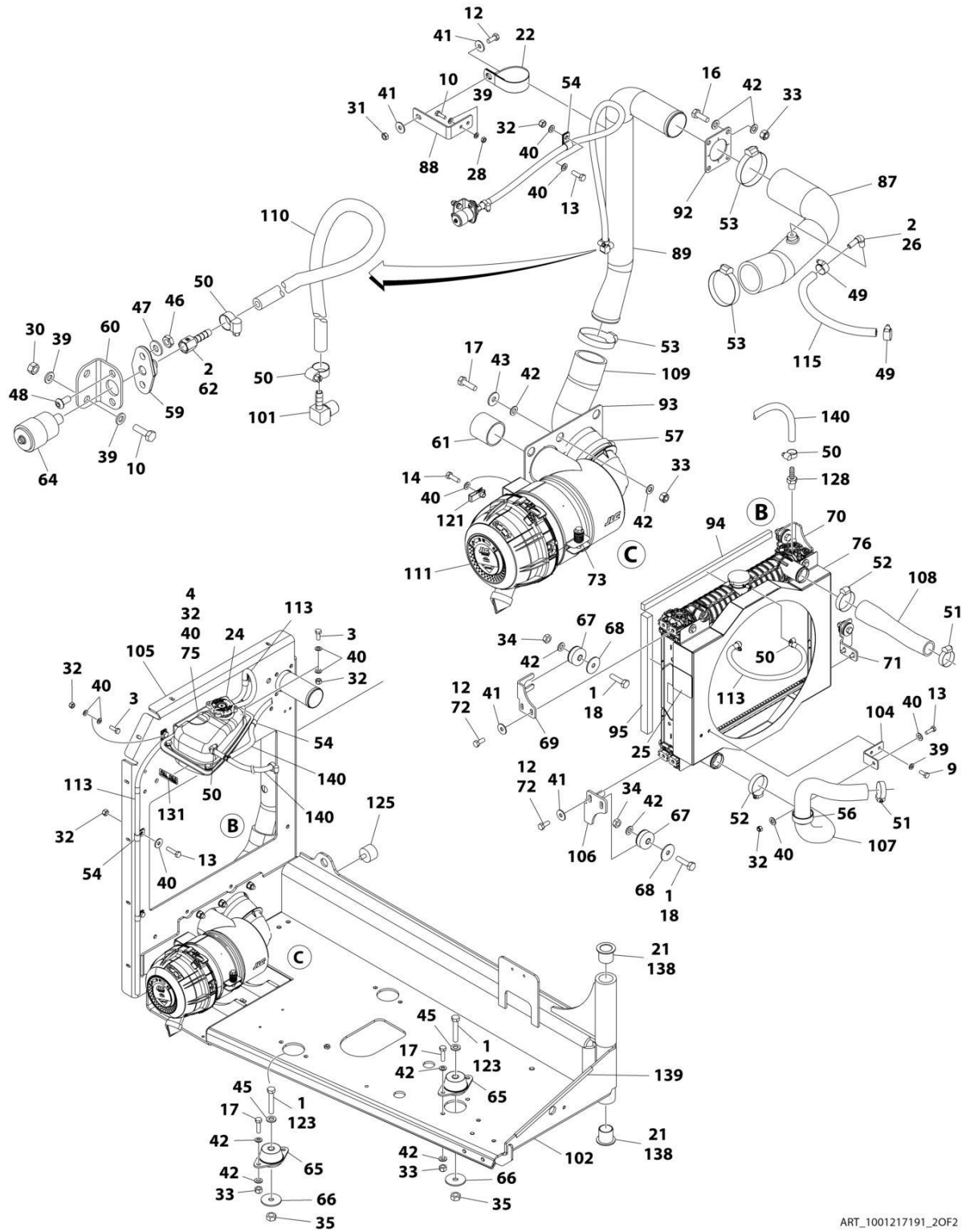
# SECTION 3 - ENGINE

## FIGURE 3-46. FORD ENGINE ASSEMBLY (WITHOUT ARCTIC PACKAGE)



ART\_1001217191\_10F2

# SECTION 3 - ENGINE



ART\_1001217191\_20F2

## SECTION 3 - ENGINE

**FIGURE 3-46. FORD ENGINE ASSEMBLY (WITHOUT ARCTIC PACKAGE)**

ITEM	PART NUMBER	QTY	DESCRIPTION	REV
	1001217191	Ref	FORD ENGINE ASSEMBLY	S
1	0100011	AR	Compound, Locking	
2	0100020	AR	Sealant	
3	0700810	3	Bolt 8 x 20	
4	0700812	7	Bolt 8 x 25	
5	0700814	3	Bolt 8 x 30	
6	0711020	3	Bolt M10 x 60	
9	0760608	2	Bolt 6 x 16	
10	0760610	4	Bolt M6 x 20	
11	0760612	2	Bolt 6 x 25	
12	0760810	11	Bolt M8 x 20	
13	0760812	12	Bolt M8 x 25	
14	0760814	2	Bolt M8 x 30	
15	0760815	2	Bolt M8 x 35	
16	0761014	11	Bolt M10 x 30	
17	0761015	12	Bolt M10 x 35	
18	0761016	4	Bolt M10 x 40	
19	0771014	2	Bolt 10 x 30	
21	0961986	2	Bearing, Flange	
22	1320110	1	Clamp	
23	1001187781	1	Tie-Strap (Not Shown)	
24	1001223584	1	Tank, Surge	
25	1703162	2	Decal - Fan Blade	
26	2180467	1	Fitting, Straight NPT/Barb	
28	3290601	2	Nut M6	
29	3290605	2	Nut M6	
30	3290607	2	Nut M6	
31	3290801	4	Nut M8	
32	3290805	14	Nut M8	
33	3291005	16	Nut M10	
34	3291001	4	Nut M10	
35	3291201	3	Nut M12	
36	3931644	1	Screw 3/8 x 2-3/4	
37	4031711	4	Capscrew M6 x 35	
38	4240099	AR	Tie-Strap (Not Shown)	
39	4811700	18	Washer M6	
40	4811900	48	Washer M8	
41	4811902	10	Washer M8	
42	4812000	38	Washer M10	
43	4812002	6	Washer M10	
44	5241000	15	Washer M10	
45	5241200	3	Washer M12	
46	8305401	2	Nut Jam	
47	8307109	2	Washer	
48	8310548	2	Screw 1/4 x 1/2	
49	8405006	2	Clamp	
50	8405009	5	Gear	
51	8405102	2	Clamp	
52	8405104	2	Clamp	
53	8405203	3	Clamp	

## SECTION 3 - ENGINE

ITEM	PART NUMBER	QTY	DESCRIPTION	REV
54	8406109	6	Clip	
56	8410001	1	Clamp	
57	8410011	1	Clamp	
58	1001128901	2	Strap	
59	1001138173	1	Support	
60	1001138175	1	Bracket	
61	1001141585	1	Hose	
62	1001141995	2	Fitting, Straight NPT/Barbed	
64	1001149639	1	Indicator, Restriction	
65	1001191610	3	Mount, Motor	
66	1001168018	3	Washer	
67	1001169054	4	Isolator	
68	1001169138	4	Pad, Snubbing	
69	1001169967	1	Bracket	
70	1001170035	1	Bracket	
71	1001176329	1	Bracket	
72	1001180620	AR	Adhesive	
73	1001186426	1	Clamp	
74	1001223042	1	Fan	
75	1001225442	1	Bracket	
76	1001223923	1	Radiator	
77	1001215681	1	Clamp	
78	1001215974	1	Clamp	
79	1001216075	1	Pipe, Exhaust	
80	1001216092	1	Shield, Heat	
81	1001216201	1	Adapter	
84	1001216910	1	Ford Engine Prep Assembly (See Separate Breakdown in this Section)	
85	1001216919	2	Sleeve	
86	1001290252	1	Mount, Engine Rear	
87	1001217032	1	Tube	
88	1001217046	1	Bracket	
89	1001217090	1	Tube	
92	1001217174	1	Seal	
93	1001217175	1	Seal	
94	1001217183	2	Seal	
95	1001217185	2	Seal	
96	1001217186	1	Support	
97	1001217317	1	Pipe	
98	1001217543	2	Mount	
99	1001218362	1	Mount	
100	1001218449	1	Bracket	
101	1001134488	1	Fitting	
102	1001219259	1	Support	
103	1001219345	1	Muffler	
104	1001219361	1	Support	
105	1001219363	1	Plate	
106	1001219480	1	Bracket	
107	1001219611	1	Hose	
108	1001219612	1	Hose	
109	1001219613	1	Tube	

## SECTION 3 - ENGINE

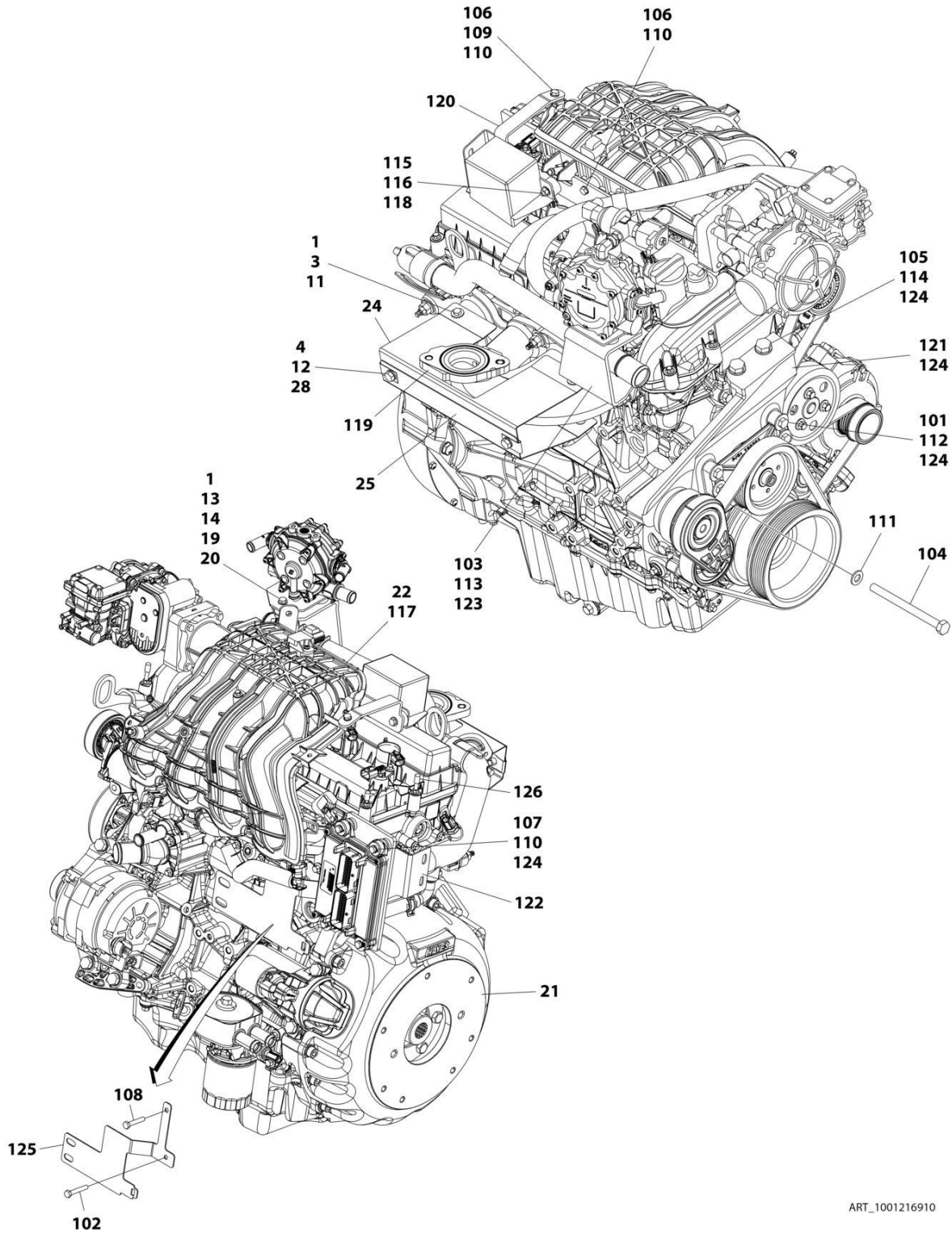
ITEM	PART NUMBER	QTY	DESCRIPTION	REV
110	1001138248	31 in/ 77cm	Tube	
111	1001189979	1	Air Filter Assembly	
111	70005008	1	Element, Filter - Primary	
111	70006460	1	Element, Filter -Secondary	
111	8273291	1	Valve, Dust Evacuator	
111	70006461	1	Cover	
113	2720058	55 in/ 1.5m	Hose	
115	1001165035	10 26cm	Hose	
116	5272010	1	Bolt M10 x 30	
118	1001247359	1	Fitting, 90 FSNPSM/NPTF	
119	2220261	1	Fitting	
120	2180418	1	Fitting	
121	1001221615	2	Nut M8	
123	0711223	3	Bolt 12 x 75	
124	1001222033	1	Plate	
125	0940070	1	Bumper	
126	8406201	1	Clip	
127	8410009	2	Gear Clamp	
128	2180348	1	Fitting	
129	1001173535	6	Clamp	
130	1001224489	1	Hose	
131	1001225510	1	Decal	
132	1001216531	1	Hose	
133	1001227666	1	Hose	
134	1001224486	1	Hose	
135	0711014	5	Bolt 10 x 30	
138	0100062	AR	Compound Locking	
139	4060805	16 in/ 41cm	Shield	
140	1001227667	1	Hose	
141	1001303818	1	Washer M10	





# SECTION 3 - ENGINE

## FIGURE 3-47. FORD ENGINE PREP ASSEMBLY



ART\_1001216910

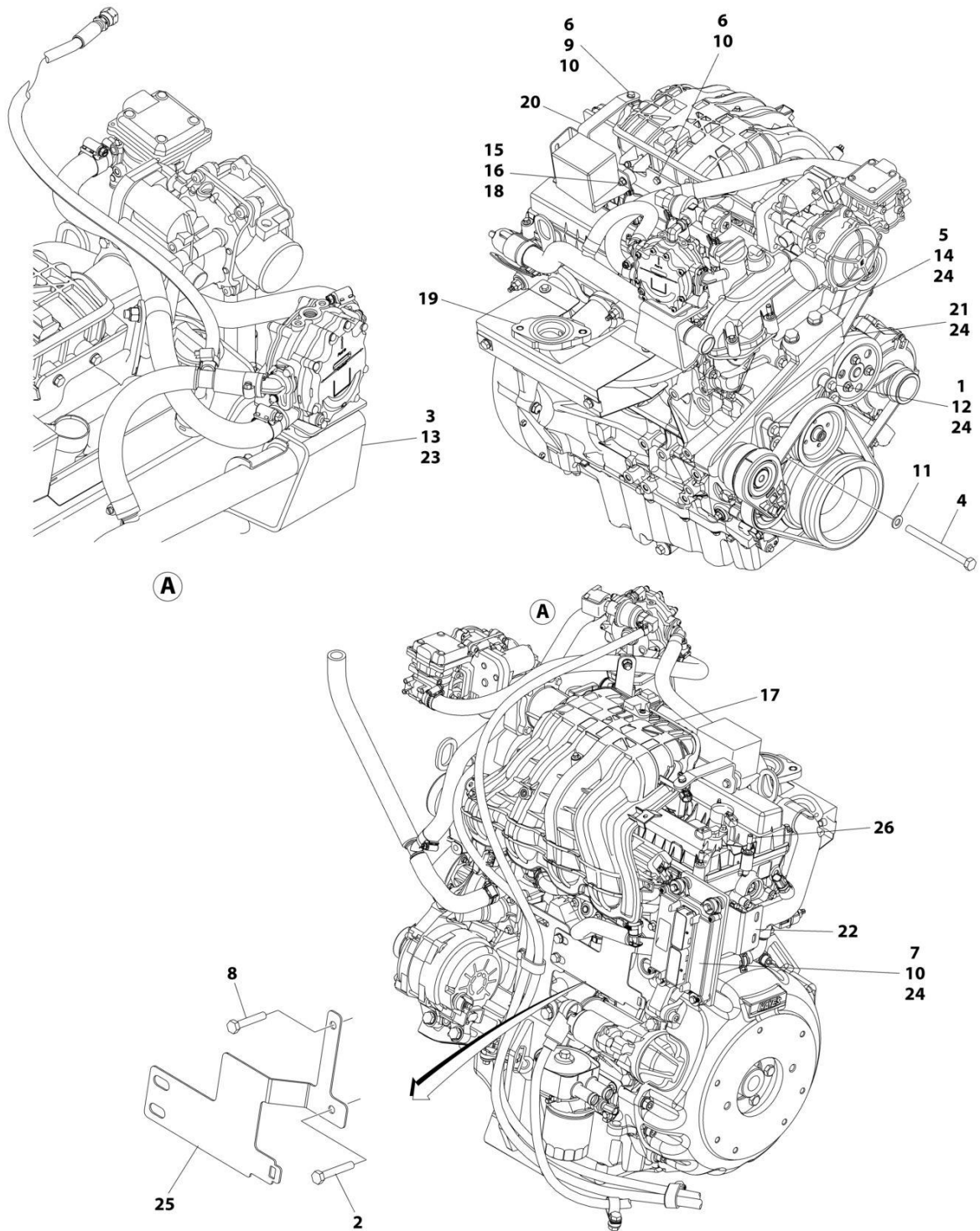
## SECTION 3 - ENGINE

**FIGURE 3-47. FORD ENGINE PREP ASSEMBLY**

ITEM	PART NUMBER	QTY	DESCRIPTION	REV
	1001216910	Ref	FORD ENGINE PREP ASSEMBLY	F
1	0100011	AR	Compound, Locking	
3	0760605	4	Bolt M6 x 10	
4	0760807	2	Bolt M8 x 14	
11	4811702	4	Washer M6	
12	4811900	2	Washer M8	
13	5250605	3	Bolt M6 x 10	
14	5260600	1	Nut M6 Class 10	
19	1001211794	3	Mount, Isolator	
20	1001227769	1	Plate	
21	1001213810	1	Pump Coupling Kit	
21	70006134	1	Coupling	
21	70006135	1	Housing	
21	70006136	1	Hardware Kit	
22	1001216065	1	Ford Engine Assembly (See Items 101-126 for Breakdown)	
24	1001216768	1	Bracket	
25	1001216769	1	Bracket	
28	1001149160	2	Nut, Tinnerman M8	
	1001216065	Ref	FORD ENGINE PREP ASSEMBLY - BRACKETS/EXHAUST MANIFOLD	M
101	0700816	4	Bolt M8 x 40	
102	0700818	1	Bolt M8 x 50	
103	0701014	2	Bolt M10 x 30	
104	0710827	1	Bolt M8 x 100 Grade 10.9	
105	0711216	2	Bolt M12 x 40	
106	0760610	3	Bolt M6 x 20	
107	0760615	4	Bolt M6 x 35	
108	0760817	1	Bolt M8 x 45	
109	3290601	1	Nut M6	
110	4811700	8	Washer M6	
111	4811900	1	Washer M8	
112	4811902	4	Washer M8	
113	4812000	1	Washer M10	
114	4812100	2	Washer M12	
115	5250605	2	Bolt M6 x 10	
116	5260600	2	Nut M6 Class 10	
117	1001210448	1	Engine, Ford 2.5L (See Separate Breakdown in this Section)	
118	1001211794	2	Mount	
119	1001214827	1	Manifold, Exhaust	
120	1001215384	1	Bracket	
121	1001216071	1	Bracket	
122	1001216144	1	Support, Muffler	
123	1001227772	1	Mount, Vaporizer	
124	0100011	AR	Compound, Locking	
125	1001221545	1	Plate	
126	1001222641	6	Cap	

# SECTION 3 - ENGINE

## FIGURE 3-48. FORD ENGINE BRACKETS AND EXHAUST MANIFOLD INSTALLATION



ART\_1001216065

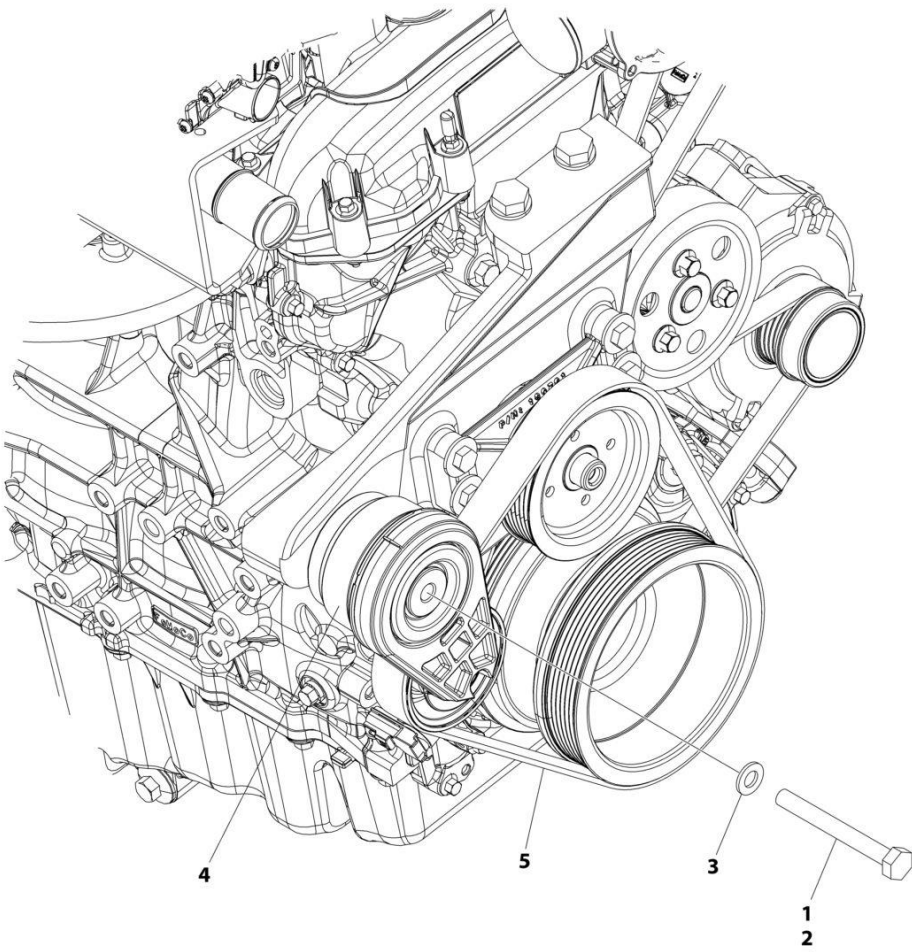
## SECTION 3 - ENGINE

**FIGURE 3-48. FORD ENGINE BRACKETS AND EXHAUST MANIFOLD INSTALLATION**

ITEM	PART NUMBER	QTY	DESCRIPTION	REV
	1001216065	Ref	FORD ENGINE ASSEMBLY - BRACKETS/EXHAUST MANIFOLD	N
1	0700816	4	Bolt M8 x 40	
2	0700818	1	Bolt M8 x 50	
3	0701014	2	Bolt M10 x 30	
4	0710827	1	Bolt M8 x 100 Grade 10.9	
5	0711216	2	Bolt M12 x 40	
6	0760610	3	Bolt M6 x 20	
7	0760615	4	Bolt M6 x 35	
8	0760817	1	Bolt M8 x 45	
9	3290601	1	Nut M6	
10	4811700	8	Washer M6	
11	4811900	1	Washer M8	
12	4811902	4	Washer M8	
13	4812000	1	Washer M10	
14	4812100	2	Washer M12	
15	5250605	2	Bolt M6 x 10	
16	5260600	2	Nut M6 Class 10	
17	1001210448	1	Engine, Ford 2.5L (See Separate Breakdown in this Section)	
18	1001211794	2	Mount	
19	1001214827	1	Manifold, Exhaust	
20	1001215384	1	Bracket	
21	1001216071	1	Bracket	
22	1001216144	1	Support, Muffler	
23	1001227772	1	Mount, Vaporizer	
24	0100011	AR	Compound, Locking	
25	1001221545	1	Plate	
26	1001222641	6	Cap	

**SECTION 3 - ENGINE**

**FIGURE 3-49. FORD ENGINE DRIVE BELT INSTALLATION (MACHINES WITHOUT GENERATOR)**



ART\_1001220404

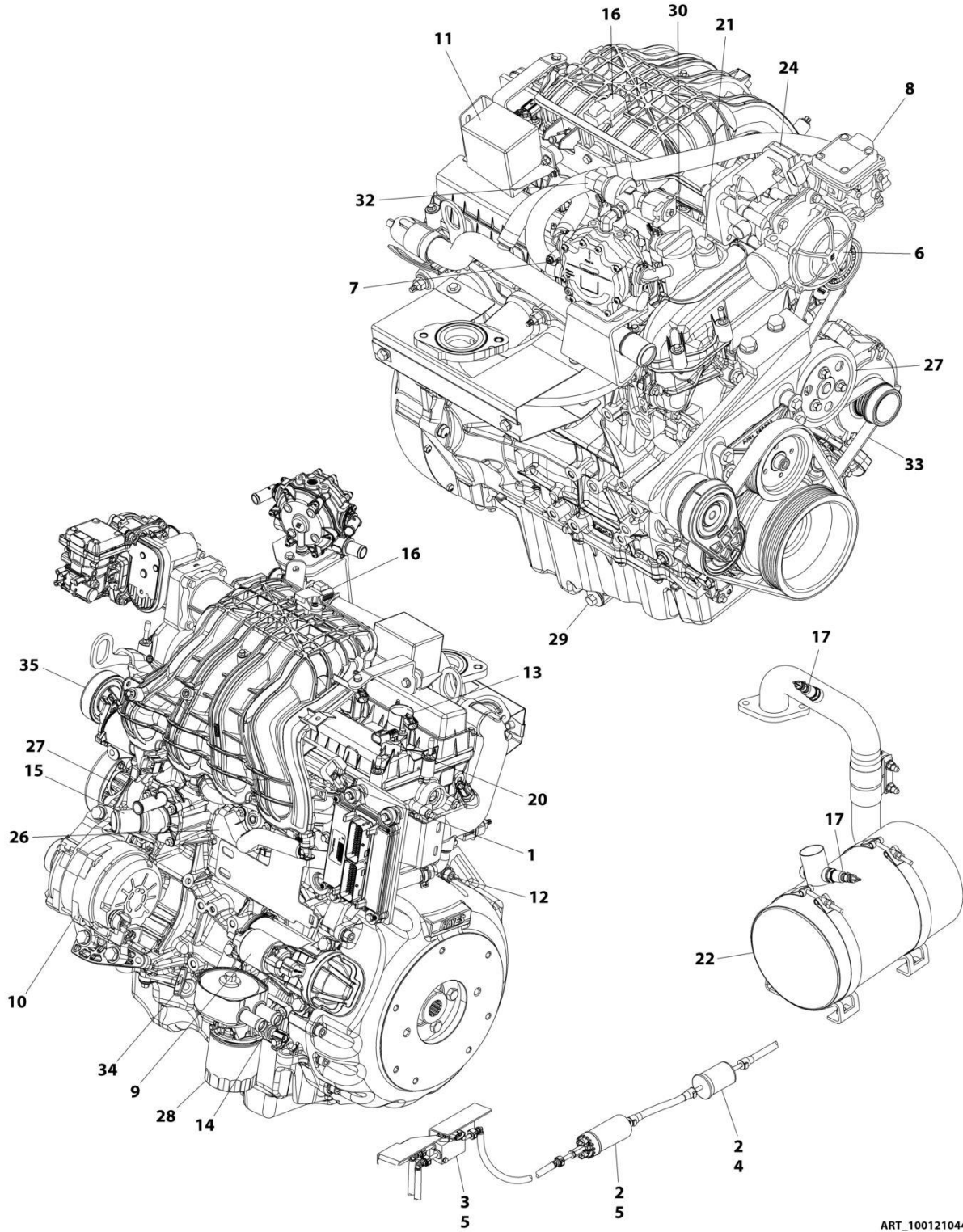
## SECTION 3 - ENGINE

**FIGURE 3-49. FORD ENGINE DRIVE BELT INSTALLATION (MACHINES WITHOUT GENERATOR)**

ITEM	PART NUMBER	QTY	DESCRIPTION	REV
	1001220404	Ref	DRIVE BELT INSTALLATION	C
1	0100011	AR	Compound, Locking	
2	0701026	1	Bolt M10 x 90	
3	4812002	1	Washer M10	
4	1001216300	1	Pulley	
5	1001216619	1	V-Belt	

# SECTION 3 - ENGINE

## FIGURE 3-50. FORD ENGINE COMPONENTS



ART\_1001210448



## SECTION 3 - ENGINE

### FIGURE 3-50. FORD ENGINE COMPONENTS

ITEM	PART NUMBER	QTY	DESCRIPTION	REV
	1001210448	Ref	FORD ENGINE COMPONENTS	H
1	70006145	4	Injector, Fuel	
1	70006147	1	Rail, Fuel	
2	70006150	1	Pump, Fuel	
2	70006154	1	Fitting M10	
3	70006151	1	Block, Fuel	
3	70006152	2	Fitting SAE6	
3	70006153	1	Fitting SAE3	
3	70006189	1	Harness, Fuel Block	
4	70006155	1	Filter, Fuel	
5	7022162	8	Clamp	
5	70006157	8	Clip, Fuel Quick Disconnect	
6	70006158	1	Mixer, LP	
6	70006168	1	Mixer Diaphragm Replacement Kit	
6	70006159	1	Adapter, Mixer to Governor	
6	70006160	1	O-Ring, Mixer to Adapter	
6	70006161	1	Seal, Mixer to Adapter	
7	70006162	1	Regulator, LP Vapor	
7	70006166	2	Fitting	
7	70006167	1	Fitting, Straight	
7	70006165	2	Isolator, Rubber	
8	70006163	1	Regulator, Direct Electronic Pressure	
8	70006164	1	Adapter, Fitting 90	
9	70006169	1	Starter	
9	70006233	1	Harness, Alternator/Starter	
10	70006170	1	Alternator	
11	70006173	1	Cover, Relay Box	
11	70006171	2	Relay (Fuel Pump & Power)	
11	70006172	1	Relay (Starter)	
11	70006175	1	Fuse - 20Amp (Starter)	
11	70006174	1	Decal - Relay Box Cover	
11	70006188	1	Harness, Engine	
11	70006165	2	Isolator, Rubber	
12	70006176	1	Module - Engine Control Unit (ECU/GCP)	
12	70006191	1	Software & Diagnostic Cable	
13	70006177	4	Coil and Boot Assembly	
13	70006178	4	Plug, Spark	
14	70006179	1	Switch, Oil Pressure	
15	70006180	1	Sensor, Knock	
16	70006181	1	Sensor, TMAP	
17	70006182	2	Sensor, O2	
18	70006183	1	Sensor, Coolant Temperature (Not Shown - Located Rear of Engine Block)	
19	70006184	1	Sensor, Crank Position (Not Shown - Located at Front RH Side of Block)	
20	70006185	1	Sensor, Cam Position	
21	70006186	1	Solenoid, Timing	
21	70006187	1	Grommet, Rubber	
22	70006194	1	Muffler	
22	70006195	1	Plug (Located at Muffler Outlet)	

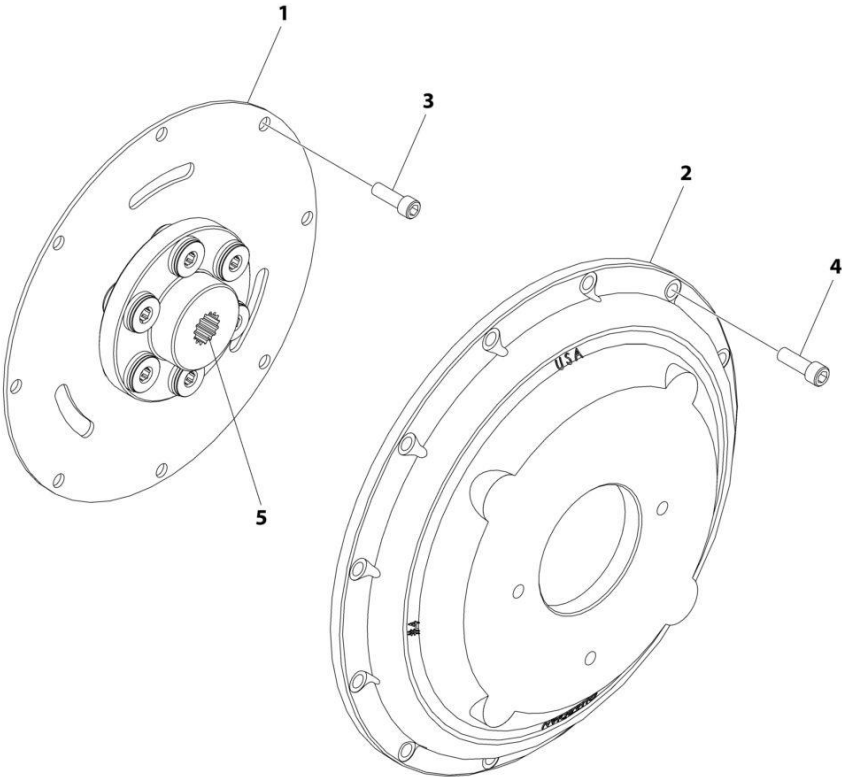
## SECTION 3 - ENGINE

ITEM	PART NUMBER	QTY	DESCRIPTION	REV
23		Ref	Gasket Options (Not Shown)	
23	70006196	1	Gasket, Exhaust Manifold to Head	
23	70006197	1	Gasket, Exhaust Manifold Outlet	
23	70006200	1	Gasket, Intake Manifold to Head	
23	70006219	1	Gasket Set - Camshaft Cover	
23	70006225	1	Gasket, Cylinder Head	
24	70006198	1	Governor	
24	7027404	1	Gasket, Governor Actuator	
24	70006199	1	Gasket, Governor to Intake Manifold Adapter	
25	70006203	1	Flywheel (Not Shown)	
26	70006205	1	Thermostat (Includes Housing)	
26	70006206	1	Gasket, Water Inlet	
27	70006207	1	Pump, Water	
27	70006208	1	O-Ring, Water Pump	
27	See Note	NSS	Pulley, Water Pump (Note: Not Available for Purchase at This Time)	
28	70006213	1	Filter, Oil	
29	70006215	1	Plug, Oil Drain	
29	70006217	1	Gasket, Oil Drain Plug	
30	70006221	1	Cap, Oil Fill	
31	70006232	1	Sensor, Crank (Not Shown)	
32	70006235	1	Valve, Lock-Off (Includes Filter)	
33	70006202	1	Belt	
34	70006236	1	Dipstick	
35	70007108	1	Belt Tensioner	



**SECTION 3 - ENGINE**

**FIGURE 3-51. PUMP COUPLING KIT (DEUTZ ENGINES)**



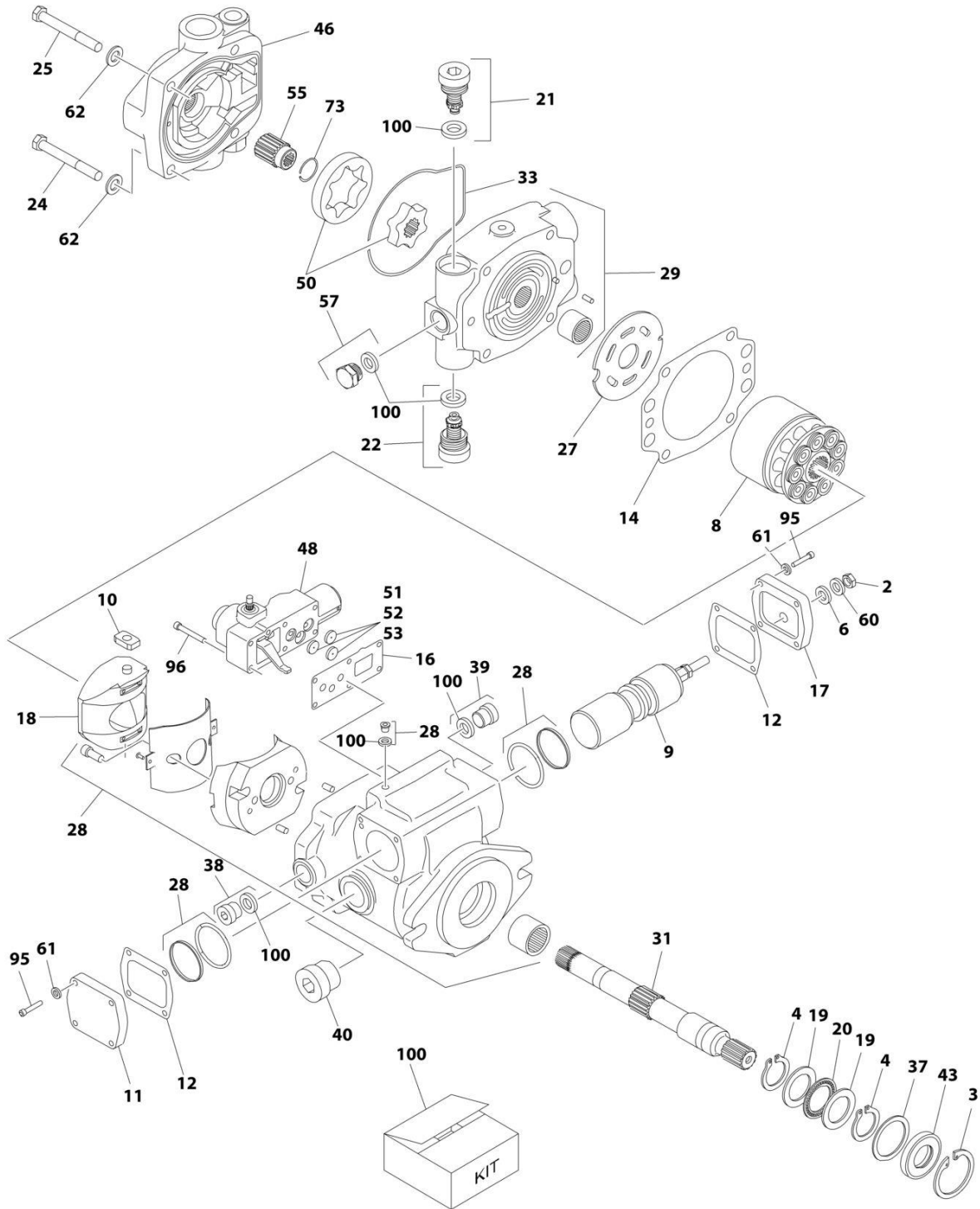
ART\_1001153282

**SECTION 3 - ENGINE****FIGURE 3-51. PUMP COUPLING KIT (DEUTZ ENGINES)**

<b>ITEM</b>	<b>PART NUMBER</b>	<b>QTY</b>	<b>DESCRIPTION</b>	<b>REV</b>
	1001153282	Ref	PUMP COUPLING KIT	E
1	70004183	1	Coupling Guardian	
2	See Note	NSS	Plate, Pump Adapter (Note: Use p/n 1001153282)	
3	See Note	8	Capscrew M10 x 20 Grade 10.9 (Note: Not Available - Purchase Locally or Purchase Kit)	
4	See Note	12	Capscrew M10 x 25 Grade 10.9 (Note: Not Available - Purchase Locally or Purchase Kit)	
5	3020021	AR	Grease, Coupling	

# SECTION 3 - ENGINE

## FIGURE 3-52. HYDROSTATIC PUMP ASSEMBLY



ART\_1001225745

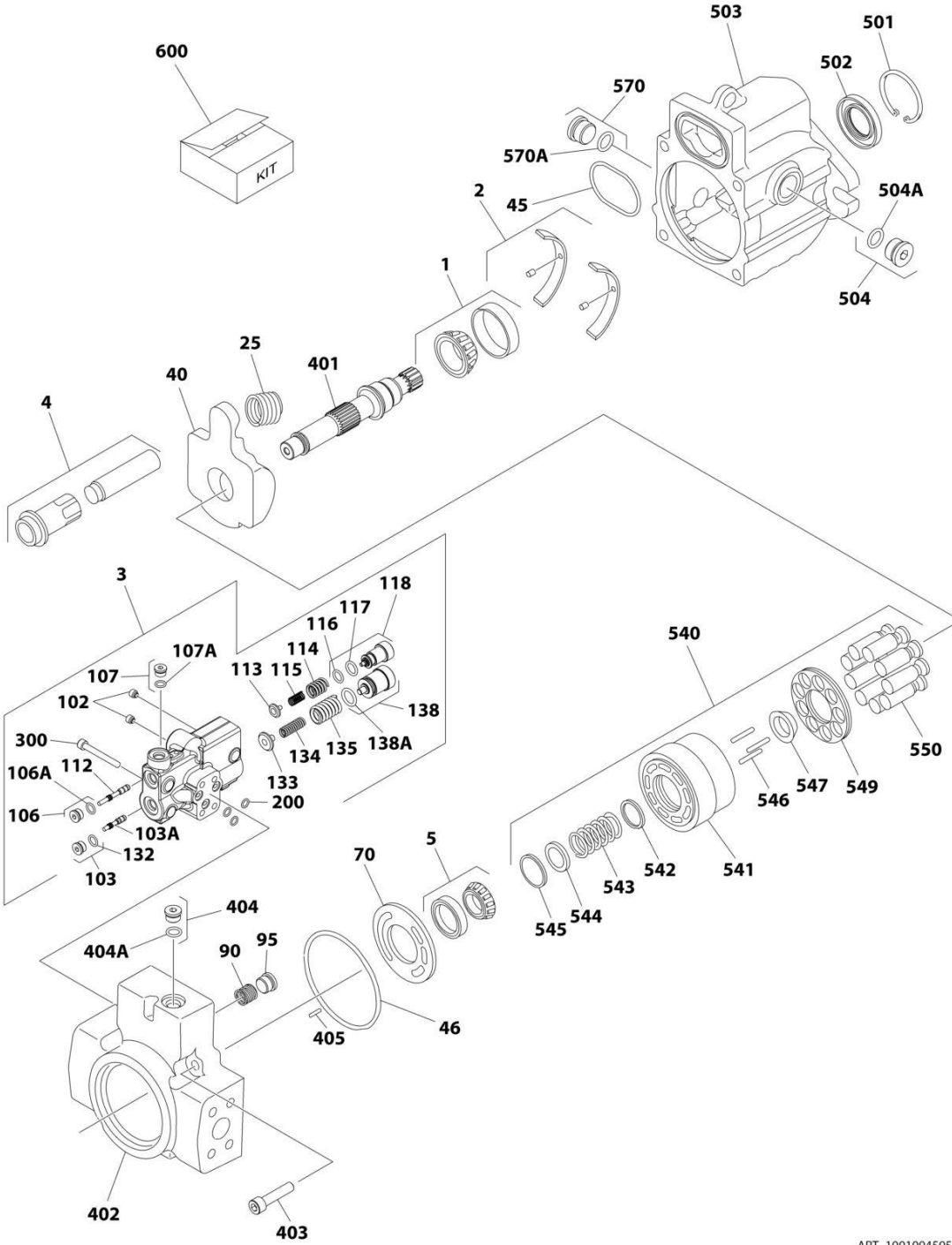
## SECTION 3 - ENGINE

### FIGURE 3-52. HYDROSTATIC PUMP ASSEMBLY

ITEM	PART NUMBER	QTY	DESCRIPTION	REV
	1001225745	Ref	HYDROSTATIC PUMP ASSEMBLY	A
2	70004329	1	Nut	
3	See Note	NSS	Ring, Retaining (Note: Use Item 100)	
4	See Note	NSS	Ring, Retaining (Note: Use Item 100)	
6	See Note	NSS	Washer, Seal (Note: Use Item 100)	
8	70004331	1	Cylinder Block Assembly	
9	70004332	1	Servo Piston Assembly	
10	70004333	1	Follower, Servo Piston	
11	70005458	1	Cover	
12	See Note	NSS	Gasket, Cover (Note: Use Item 100)	
14	See Note	NSS	Gasket, Housing (Note: Use Item 100)	
16	See Note	NSS	Gasket, Control Housing (Note: Use Item 100)	
17	70005459	1	Cover	
18	70004336	1	Camplate Assembly	
19	7004907	2	Race, Thrust	
20	7004908	1	Bearing, Thrust	
21	70004337	1	Relief Valve Assembly	
22	70004337	1	Relief Valve Assembly	
24	70004338	2	Capscrew	
25	70004338	2	Capscrew	
27	70004340	1	Plate, Valve	
28	See Note	NSS	Housing (Note: Not Available - Purchase Assembly)	
29	70005460	1	End Cover Assembly	
31	70004342	1	Shaft, Drive	
33	See Note	NSS	O-Ring (Note: Use Item 100)	
37	7004906	1	Washer	
38	70005461	1	Plug	
39	70005461	1	Plug	
40	70005462	1	Plug	
43	See Note	NSS	Seal, Shaft (Note: Use Item 100)	
46	70004343	1	Adapter, Charge Pump	
48	70004344	1	Servo Control Assembly	
50	70004345	1	Gerotor	
51	70004346	1	Orifice	
52	70004346	1	Orifice	
53	70004346	1	Orifice	
55	70004347	1	Coupler	
57	70005463	1	Plug	
60	70004348	1	Washer	
61	70004349	8	Washer	
62	70004350	4	Washer	
73	70004351	1	Ring, Retaining	
95	70005464	8	Capscrew	
96	70005465	6	Capscrew	
100	70004352	1	Seal Kit - Pump (Includes Items 3, 4, 6, 12, 14, 16, 33 & 43 and Valve and Plug O-Rings and Seals)	

SECTION 3 - ENGINE

FIGURE 3-53. VARIABLE PUMP ASSEMBLY - DEUTZ TD2.9L4 STAGE V ENGINES



ART\_1001094595



## SECTION 3 - ENGINE

**FIGURE 3-53. VARIABLE PUMP ASSEMBLY - DEUTZ TD2.9L4 STAGE V ENGINES**

ITEM	PART NUMBER	QTY	DESCRIPTION	REV
	1001094595	Ref	VARIABLE PUMP ASSEMBLY	A
1	7023947	1	Bearing, Front (Includes Cup and Cone)	
2	7023948	1	Bearings, Swash Plate (Includes Both Sides and Pins)	
3	7023956	1	Control Valve Assembly (Includes Items 102-300)	
4	7023949	1	Servo Piston Assembly	
5	7023950	1	Bearing, Rear (Includes Cup and Cone)	
25	7023951	1	Spring	
40	7023952	1	Swash Plate	
45	See Note	NSS	O-Ring (Note: Use Item 600)	
46	See Note	NSS	O-Ring (Note: Use Item 600)	
70	70001954	1	Plate, Valve	
90	70001955	1	Spring, Check Valve	
95	70001956	1	Poppet, Check Valve	
102	See Note	NSS	Setscrew (Note: Use Item 3)	
103	See Note	NSS	Plug (Note: Use Item 3)	
103A	See Note	NSS	O-Ring (Note: Use Item 600)	
106	See Note	NSS	Plug (Note: Use Item 3)	
106A	See Note	NSS	O-Ring (Note: Use Item 600)	
107	See Note	NSS	Plug (Note: Use Item 3)	
107A	See Note	NSS	O-Ring (Note: Use Item 600)	
112	See Note	NSS	Spool, Control (Note: Use Item 3)	
113	See Note	NSS	Guide, Spring (Note: Use Item 3)	
114	See Note	NSS	Spring (Note: Use Item 3)	
115	See Note	NSS	Spring (Note: Use Item 3)	
116	See Note	NSS	O-Ring (Note: Use Item 600)	
117	See Note	NSS	Ring, Back-up (Note: Use Item 600)	
118	See Note	NSS	Plug, Adjusting (Note: Use Item 3)	
132	See Note	NSS	Spool, Control (Note: Use Item 3)	
133	See Note	NSS	Guide, Spring (Note: Use Item 3)	
134	See Note	NSS	Spring (Note: Use Item 3)	
135	See Note	NSS	Spring (Note: Use Item 3)	
138	See Note	NSS	Plug, PC Adjusting (Note: Use Item 3)	
138A	See Note	NSS	O-Ring (Note: Use Item 600)	
200	See Note	NSS	Ring, Seal (Note: Use Item 600)	
300	7023957	4	Screw	
401	7023958	1	Shaft	
402	70001957	1	Cap, End	
403	7023960	4	Screw	
404	7022318	1	Plug	
404A	See Note	NSS	O-Ring (Note: Use Item 600)	
405	7023961	1	Pin	
501	7023962	1	Ring, Retaining	
502	See Note	NSS	Seal, Lip (Note: Use Item 600)	
503	See Note	NSS	Housing (Note: Not Available - Purchase Assembly)	
504	7023964	1	Plug	
504A	7007415	1	O-Ring	
540	7023965	1	Cylinder Block Assembly	
541	See Note	NSS	Block, Cylinder (Note: Use Item 540)	
542	7024868	1	Washer	
543	7024867	1	Spring	

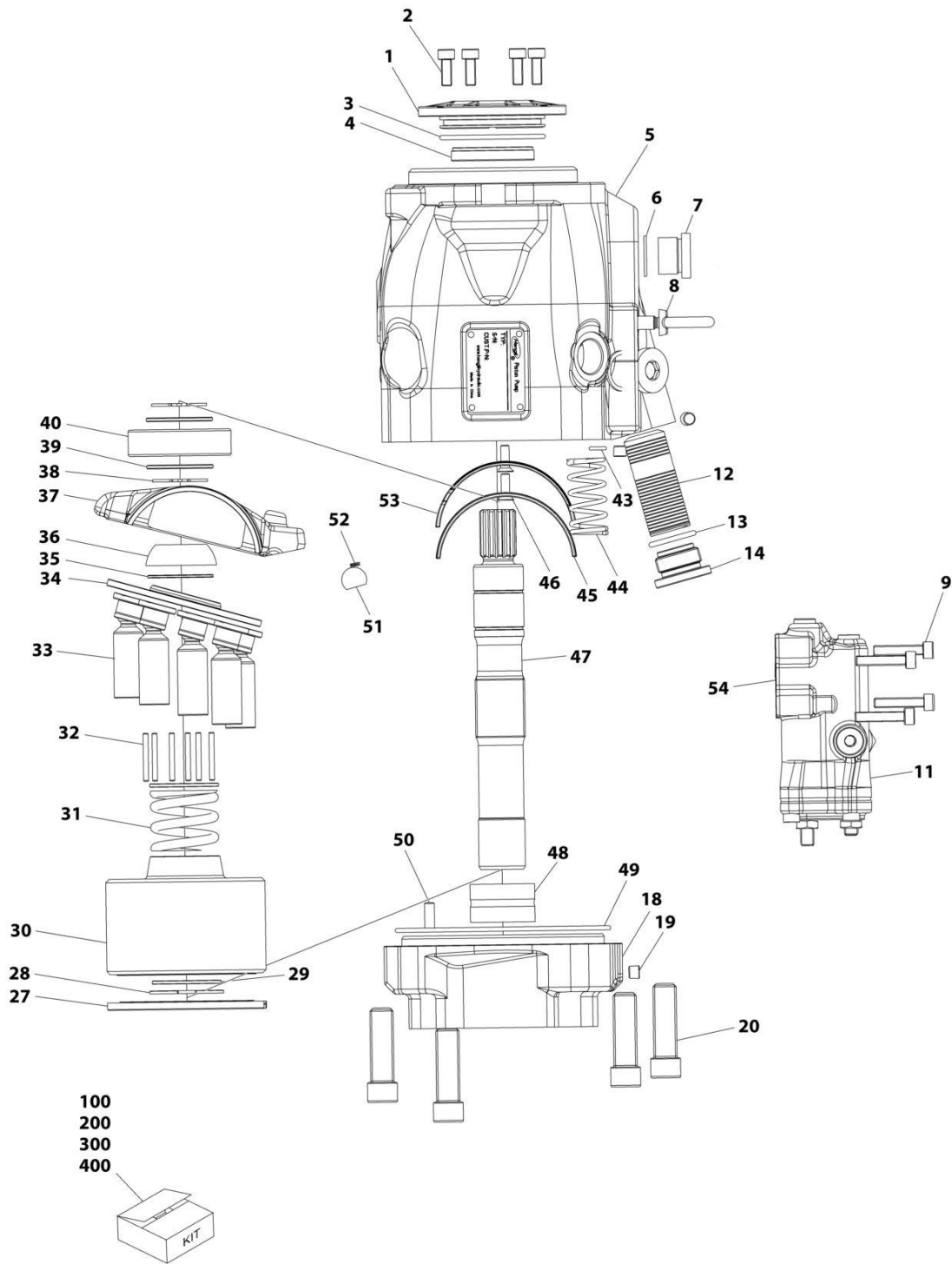
## SECTION 3 - ENGINE

ITEM	PART NUMBER	QTY	DESCRIPTION	REV
544	7022314	1	Retainer, Spring	
545	7022311	1	Ring, Retaining	
546	7021275	3	Pin, Slipper	
547	7024864	1	Guide, Slipper	
549	7024866	1	Retainer, Slipper	
550	7023966	9	Piston Assembly	
570	7023964	1	Plug	
570A	7007415	1	O-Ring	
600	7023967	1	Seal Kit - Complete (Includes Items 45, 46, 103A, 106A, 107A, 118, 138A, 200, 444A & 502)	



# SECTION 3 - ENGINE

## FIGURE 3-54. VARIABLE PUMP ASSEMBLY - ALL ENGINES EXCEPT FOR DEUTZ TD2.9L4 STAGE V ENGINES



ART\_1001276377

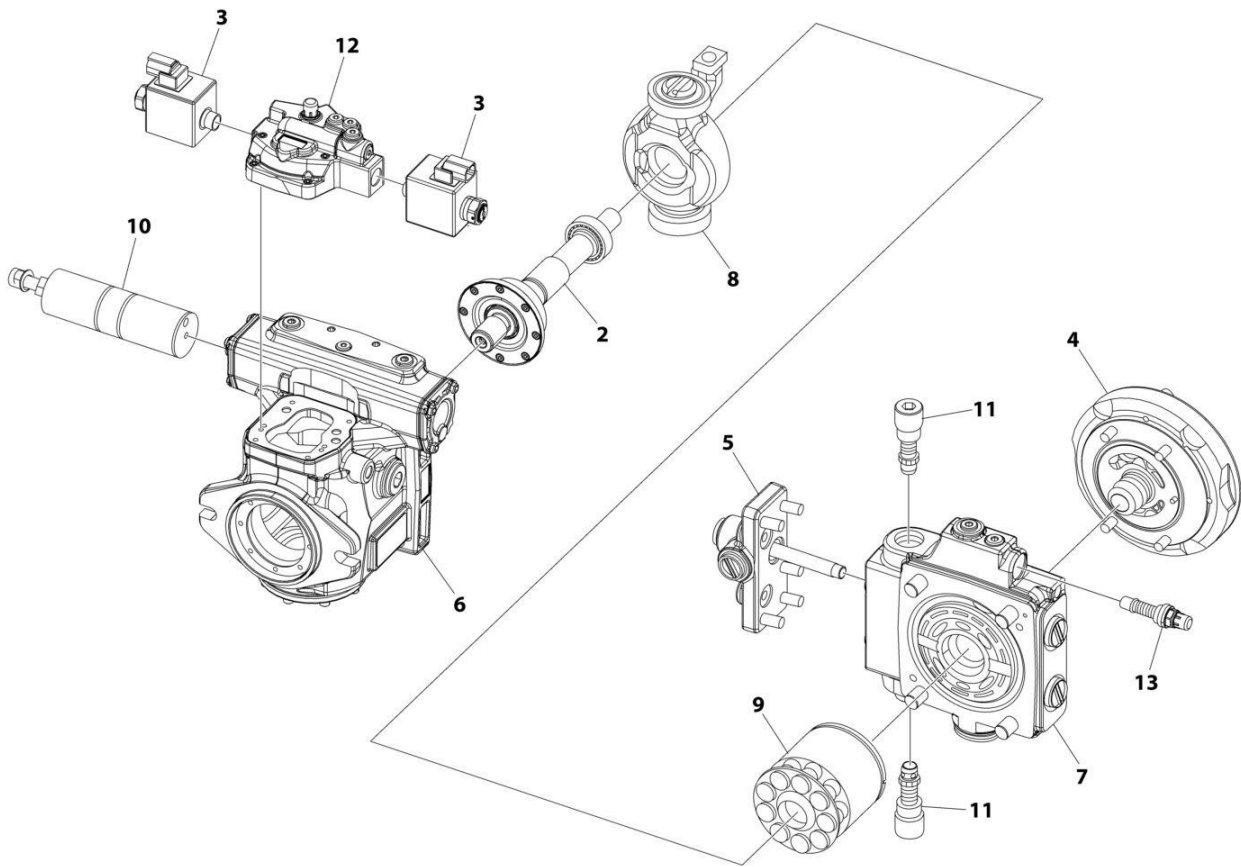
## SECTION 3 - ENGINE

**FIGURE 3-54. VARIABLE PUMP ASSEMBLY - ALL ENGINES EXCEPT FOR DEUTZ TD2.9L4 STAGE V ENGINES**

ITEM	PART NUMBER	QTY	DESCRIPTION	REV
	1001276377	Ref	VARIABLE PUMP ASSEMBLY	B
1	70007789	1	Case, Oil Seal	
2	See Note	NSS	Capscrew M6 x 16 (Note: Purchase Separately)	
3	See Note	NSS	O-Ring (Note: Use Item 100)	
4	70007798	1	Seal, Oil	
5	See Note	NSS	Housing (Note: Not Available - Purchase Assembly)	
6	See Note	NSS	O-Ring (Note: Use Item 100)	
7	70007790	3	Plug	
8	See Note	NSS	Bolt, Eye M8 (Note: Purchase Separately)	
9	See Note	NSS	Capscrew M9 x 30 (Note: Purchase Separately)	
11	70007787	1	Valve, Control	
12	70007800	1	Piston	
13	See Note	NSS	O-Ring (Note: Use Item 100)	
14	70007801	1	Plug	
18	See Note	NSS	Cover (Note: Not Available - Purchase Assembly)	
19	70007791	3	Plug	
20	See Note	NSS	Capscrew M12 x 45 (Note: Purchase Separately)	
27	See Note	NSS	Plate, Valve (Note: Use Item 200)	
28	See Note	NSS	Circlip (Note: Use Item 200)	
29	See Note	NSS	Shim (Note: Use Item 200)	
30	See Note	NSS	Cylinder (Note: Use Item 200)	
31	See Note	NSS	Spring (Note: Use Item 200)	
32	See Note	NSS	Pin (Note: Use Item 200)	
33	See Note	NSS	Piston Assembly (Note: Use Item 200)	
34	See Note	NSS	Retainer (Note: Use Item 200)	
35	See Note	NSS	Shim (Note: Use Item 200)	
36	See Note	NSS	Bushing (Note: Use Item 200)	
37	See Note	NSS	Plate, Swash (Note: Use Item 300)	
38	See Note	NSS	Circlip (Note: Use Item 400)	
39	See Note	NSS	Shim (Note: Use Item 400)	
40	See Note	NSS	Bearing, Cylinder (Note: Use Item 400)	
43	See Note	NSS	O-Ring (Note: Use Item 100)	
44	70007792	1	Spring	
45	70007793	1	Bushing	
46	70007796	2	Capscrew M5 x 16	
47	See Note	NSS	Shaft (Note: Use Item 400)	
48	70007797	1	Bearing	
49	See Note	NSS	O-Ring (Note: Use Item 100)	
50	70007794	1	Spring	
51	See Note	NSS	Ball, Steel (Note: Use Item 300)	
52	See Note	NSS	Spring (Note: Use Item 300)	
53	70007795	1	Bushing	
54	70007799	1	Gasket	
100	70007802	1	Seal Kit (Includes Items 3, 6, 13, 43 & 49)	
200	70007786	1	Cylinder Assembly (Includes Items 27 - 36)	
300	70007788	1	Swash Plate Assembly (Includes Items 37, 51 & 52)	
400	70007785	1	Shaft Assembly (Includes Items 38 - 40 & 47)	

# SECTION 3 - ENGINE

## FIGURE 3-55. HYDROSTATIC PUMP ASSEMBLY



ART\_1001276376

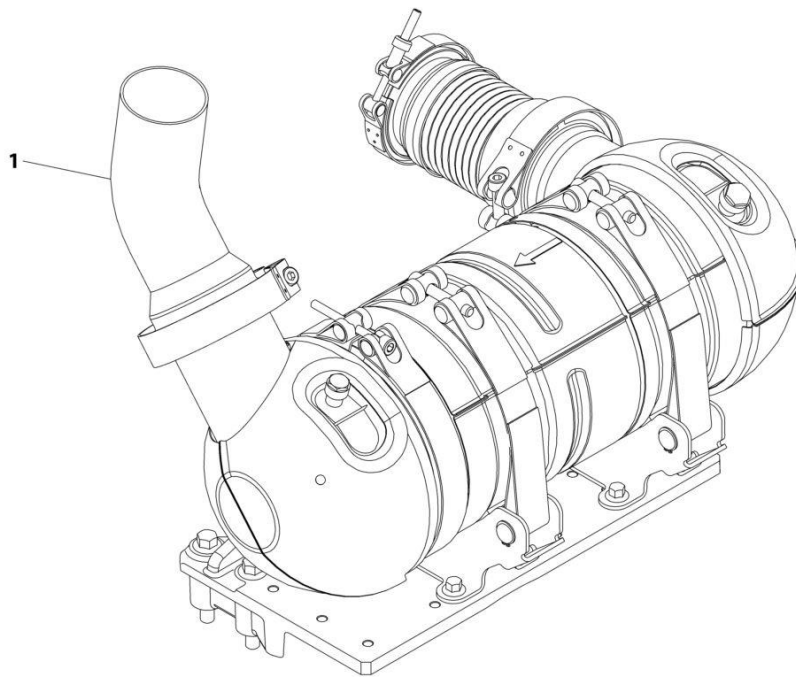
## SECTION 3 - ENGINE

**FIGURE 3-55. HYDROSTATIC PUMP ASSEMBLY**

ITEM	PART NUMBER	QTY	DESCRIPTION	REV
	1001276376	Ref	HYDROSTATIC PUMP ASSEMBLY	B
2	70008497	1	Shaft Assembly	
3	70008498	2	Coil Assembly	
4	70008602	1	Gerotor Body Assembly	
5	70008511	1	Body Assembly	
6	See Note	NSS	Body Assembly (Note: Use PN 1001276376)	
7	70008601	1	Distributor Assembly	
8	70008500	1	Swashplate Assembly	
9	70008501	1	Rotor Assembly	
10	70008502	1	Servo Assembly	
11	70008600	2	Relief Valve	
12	70008504	1	Control Valve Assembly	
13	70008505	1	Relief Valve Assembly	

## SECTION 3 - ENGINE

FIGURE 3-56. EXHAUST PIPE INSTALLATION - DEUTZ TD2.9L4 ENGINES



ART\_1001216221



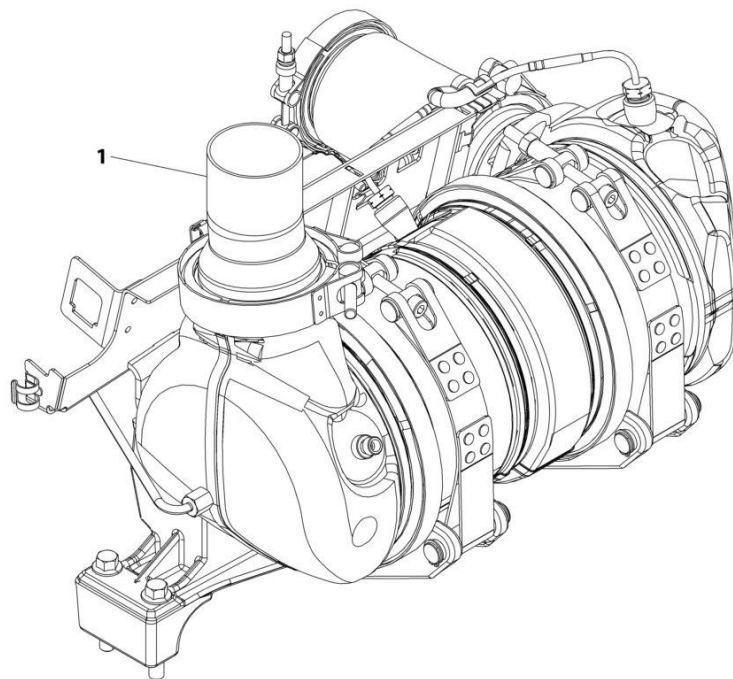
## SECTION 3 - ENGINE

**FIGURE 3-56. EXHAUST PIPE INSTALLATION - DEUTZ TD2.9L4 ENGINES**

ITEM	PART NUMBER	QTY	DESCRIPTION	REV
1	1001216221 1001158145	Ref 1	EXHAUST PIPE INSTALLATION Pipe, Exhaust	A

## SECTION 3 - ENGINE

FIGURE 3-57. EXHAUST PIPE INSTALLATION - DEUTZ TD2.9L4 (STAGE V) ENGINES



ART\_1001236334

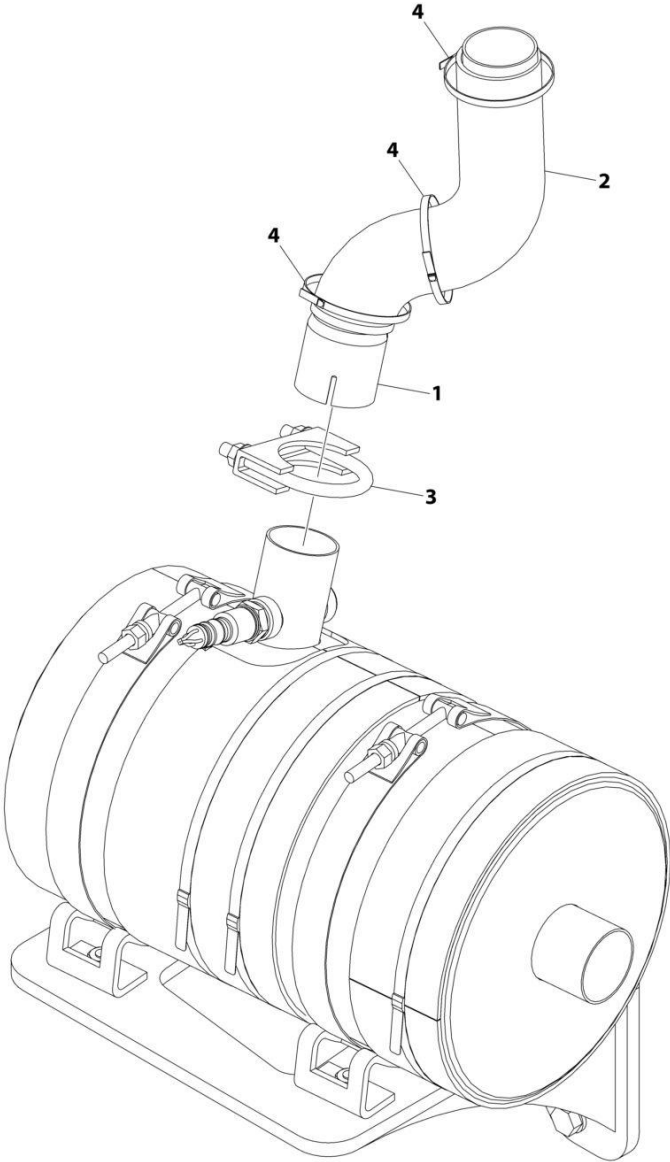
## SECTION 3 - ENGINE

**FIGURE 3-57. EXHAUST PIPE INSTALLATION - DEUTZ TD2.9L4 (STAGE V) ENGINES**

ITEM	PART NUMBER	QTY	DESCRIPTION	REV
1	1001236334	Ref	EXHAUST PIPE INSTALLATION	B
	1001236335	1	Pipe, Exhaust	

**SECTION 3 - ENGINE**

**FIGURE 3-58. EXHAUST PIPE INSTALLATION - FORD DF 2.5L ENGINES**



ART\_1001220142

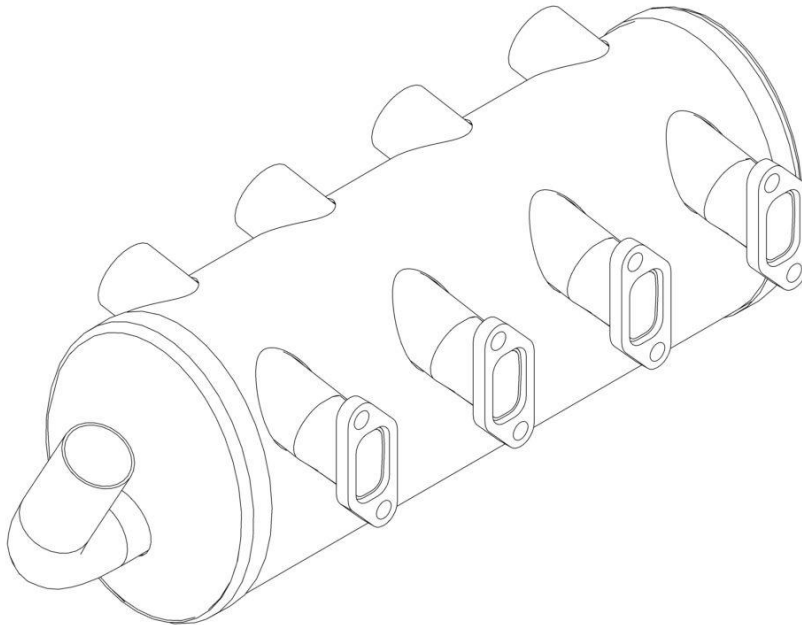
## SECTION 3 - ENGINE

### FIGURE 3-58. EXHAUST PIPE INSTALLATION - FORD DF 2.5L ENGINES

ITEM	PART NUMBER	QTY	DESCRIPTION	REV
	1001220142	Ref	EXHAUST PIPE INSTALIATION	B
1	1001217350	1	Tail Pipe	
2	1001218087	1	Insulate	
3	1001221397	1	Clamp	
4	1001100825	3	Strap	

## SECTION 3 - ENGINE

FIGURE 3-59. SPARK ARRESTOR MUFFLER INSTALLATION - DEUTZ D2011 ENGINES



ART\_1001257283

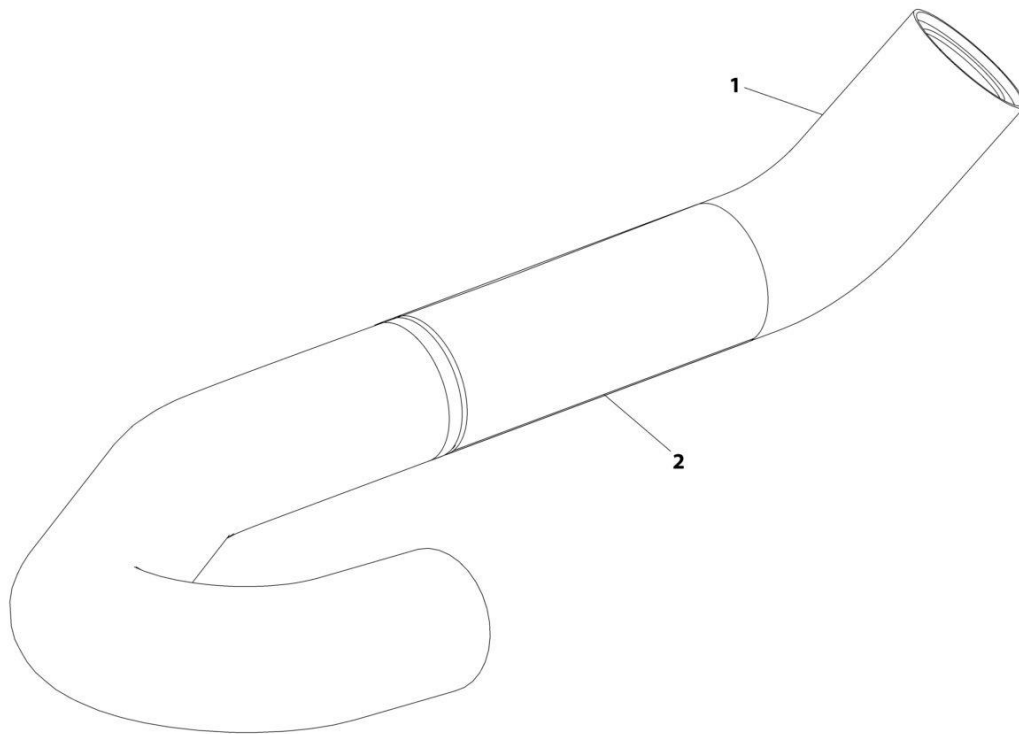
## SECTION 3 - ENGINE

**FIGURE 3-59. SPARK ARRESTOR MUFFLER INSTALLATION - DEUTZ D2011 ENGINES**

ITEM	PART NUMBER	QTY	DESCRIPTION	REV
	1001257283 See Note	Ref 1	MUFFLER INSTALLATION SPARK ARRESTOR Muffler, (Note: Use P/N 1001257283)	A

## SECTION 3 - ENGINE

FIGURE 3-60. SPARK ARRESTING PIPE (MACHINES WITH SN STARTING WITH B3)



ART\_1001296987



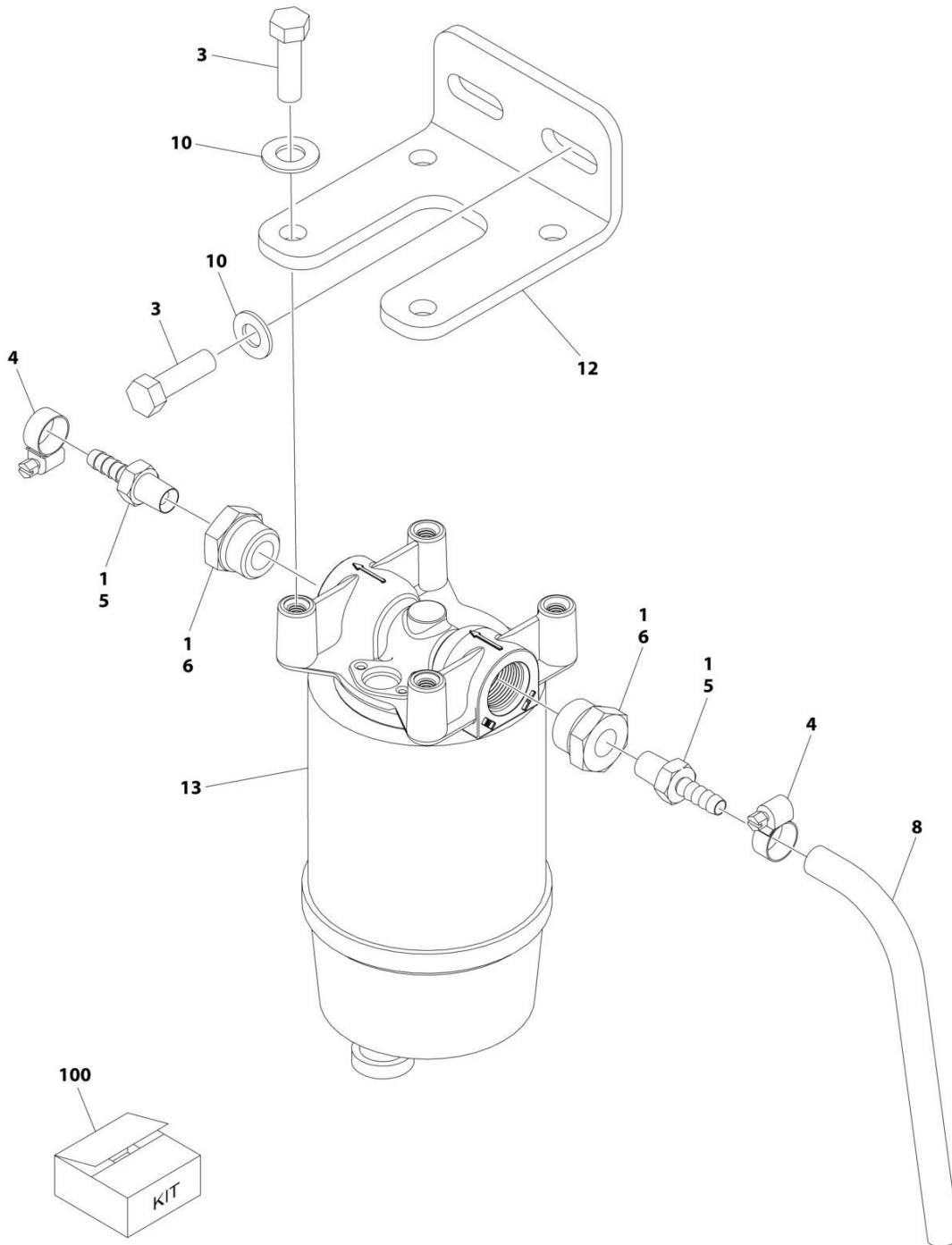
## SECTION 3 - ENGINE

**FIGURE 3-60. SPARK ARRESTING PIPE (MACHINES WITH SN STARTING WITH B3)**

ITEM	PART NUMBER	QTY	DESCRIPTION	REV
	1001296987	Ref	SPARK ARRESTING PIPE	A
1	1001247011	1	Pipe, Exhaust	
2	1001257276	1	Muffler, Spark Arresting	

# SECTION 3 - ENGINE

## FIGURE 3-61. FUEL-WATER SEPARATOR INSTALLATION - DEUTZ D2011



ART\_1001196428

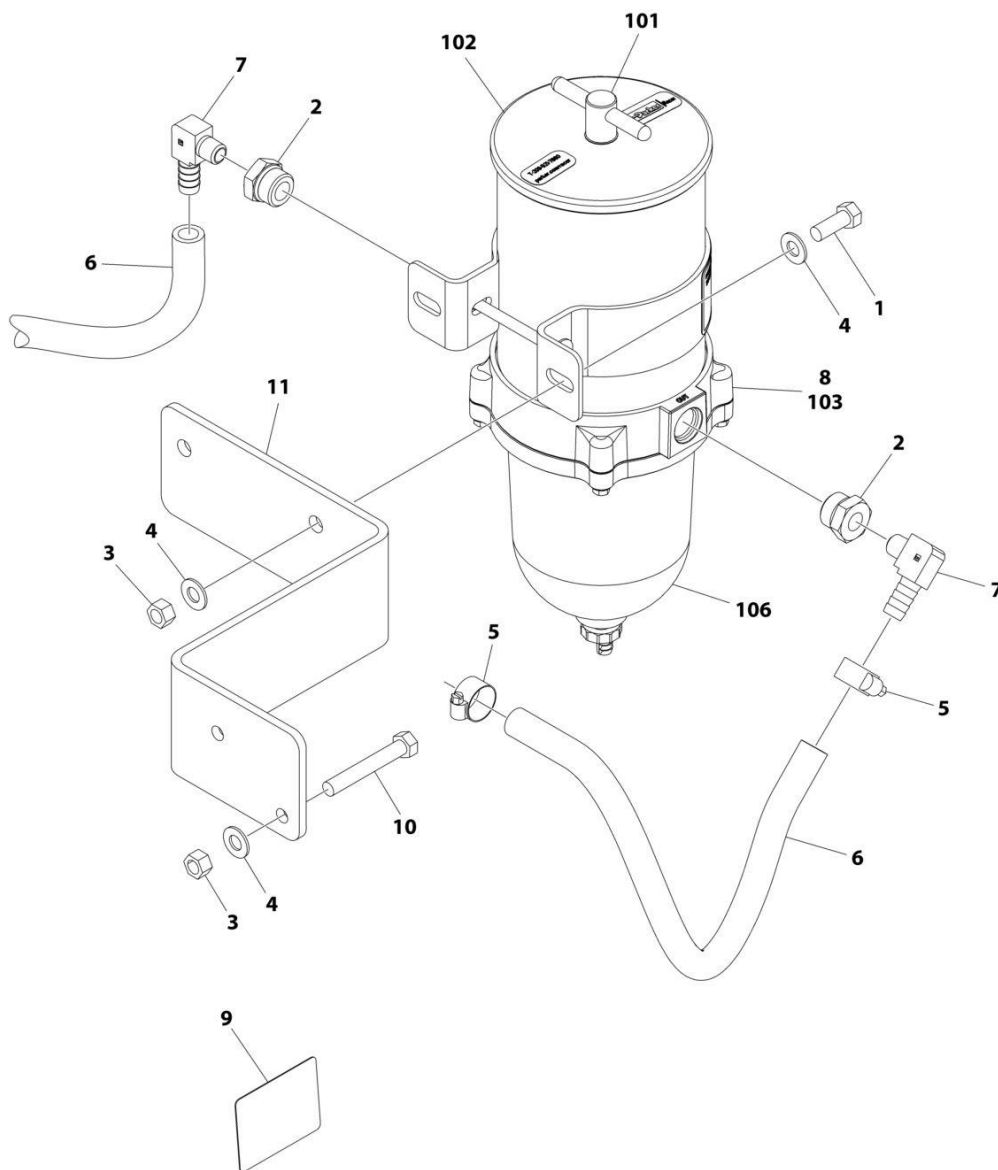
## SECTION 3 - ENGINE

**FIGURE 3-61. FUEL-WATER SEPARATOR INSTALLATION - DEUTZ D2011**

ITEM	PART NUMBER	QTY	DESCRIPTION	REV
	1001196428	Ref	FUEL-WATER SEPARATOR INSTALLATION - DEUTZ D2011 (OPTIONAL)	B
1	0100020	AR	Sealant	
3	0641610	6	Bolt 3/8 x 1-1/4	
4	1320022	2	Clamp	
5	2180348	2	Fitting, Straight	
6	2220816	2	Fitting, Straight	
8	2720058	12 in/ 31cm	Hose	
10	4751600	6	Washer 3/8	
12	1001188884	1	Bracket	
13	1001188887	1	Fuel/Water Separator Assembly	
13	1001202280	1	Head	
13	1001202281	1	Element	
100	1001204667	1	Fuel/Water Separator Add-on Kit	

# SECTION 3 - ENGINE

## FIGURE 3-62. FUEL-WATER SEPARATOR INSTALLATION - DEUTZ TD2.9L4



NOTE : LOCATED ON HOOD

ART\_1001226286\_D

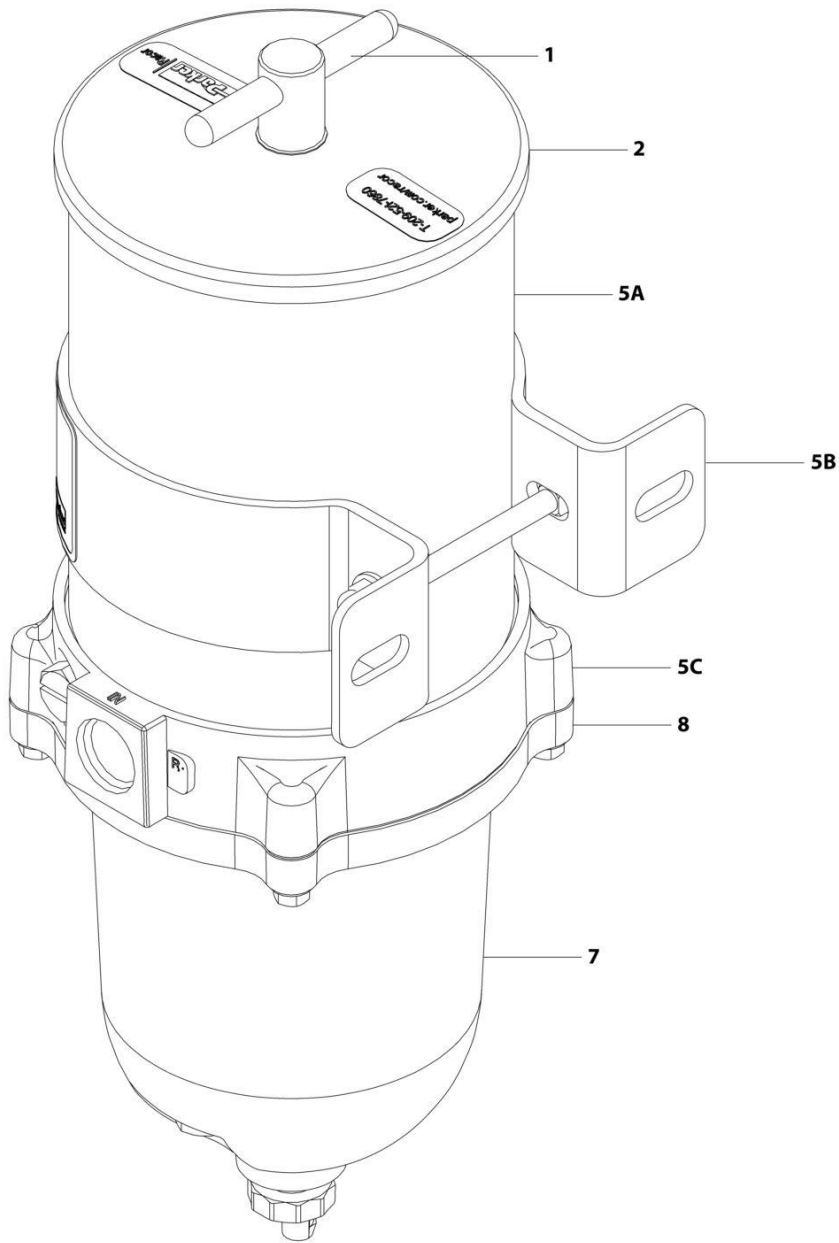
## SECTION 3 - ENGINE

**FIGURE 3-62. FUEL-WATER SEPARATOR INSTALLATION - DEUTZ TD2.9L4**

ITEM	PART NUMBER	QTY	DESCRIPTION	REV
	1001226286	Ref	FUEL FILTER INSTALLATION	D
1	0641608	2	Bolt 3/8 x 1	
2	2220816	2	Fitting, Straight NPT	
3	3311605	4	Nut 3/8	
4	4711600	6	Washer 3/8	
5	8405006	2	Clamp	
6	1001154405	13 ft/ 3.96m	Hose	
7	1001178797	2	Fitting, 90	
8	1001222817	1	Fuel Filter Assembly (See Items 101-107 for Breakdown)	
9	1001226923	1	Decal - Fuel Water Separator	
10	0641620	2	Bolt 3/8 x 2-1/2	
11	1001254657	1	Bracket	
	1001222817	Ref	FUEL FILTER ASSEMBLY	
101	70006403	1	T-Handle Kit (Includes O-Ring)	
102	70006404	1	Lid Kit (Includes Gasket)	
103	70006405	1	Element	
104	70006406	1	Checkball & Gasket Kit (Not Shown)	
105	70006407	1	Centrifuge and Baffle Kit (Not Shown)	
106	70006409	1	Bowl Kit (Includes Gasket, O-Ring and Drain)	
106	70006408	1	Gasket, Bowl	
107	70006410	1	Bowl Ring Kit (Includes Gasket & Hardware) (Not Shown)	

# SECTION 3 - ENGINE

## FIGURE 3-63. FUEL FILTER ASSEMBLY (DEUTZ TD2.9L4 ENGINES)



ART\_1001222817

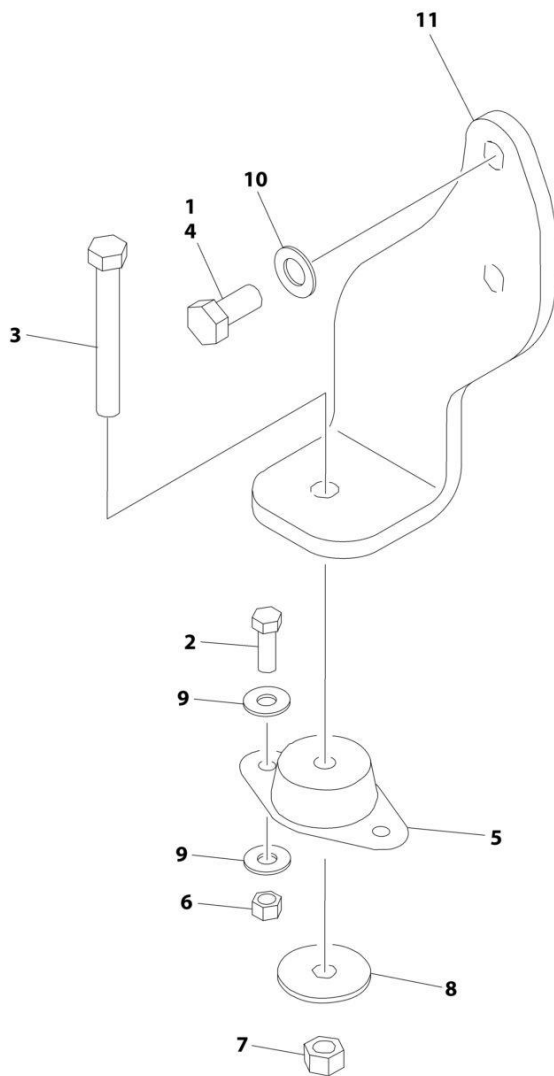
## SECTION 3 - ENGINE

**FIGURE 3-63. FUEL FILTER ASSEMBLY (DEUTZ TD2.9L4 ENGINES)**

ITEM	PART NUMBER	QTY	DESCRIPTION	REV
	1001222817	Ref	FUEL FILTER ASSEMBLY	A
1	70006403	1	Handle Kit (Includes Handle, Handle O-Ring & Lid Gasket)	
2	70006404	1	Lid Kit (Includes Lid, Handle O-Ring & Lid Gasket)	
3	70006405	1	Element, Filter (Not Shown)	
5A	See Note	NSS	Housing (Note: Use p/n 1001222817)	
5B	See Note	NSS	Bracket (Note: Use p/n 1001222817)	
5C	See Note	NSS	Tube, Return (Note: Use p/n 1001222817)	
6	70006407	1	Certrfuge & Baffle Kit (Not Shown - Located at Bottom of 5C) (Also Includes p/n 70006406 & Bowl Gasket)	
6	70006406	1	Checkball & Gasket Kit (Not Shown - Located at Bottom of 5C)	
7	70006409	1	Bowl Kit (Includes Bowl Gasket, Plug with O-Ring & Drain)	
7	70006408	1	Gasket, Bowl	
8	70006410	1	Bowl Ring Kit (Includes Bowl Gasket & Bolts)	

# SECTION 3 - ENGINE

## FIGURE 3-64. RIGHT ENGINE SUPPORT INSTALLATION (DEUTZ D2011 ENGINES MACHINES WITHOUT GENERATORS)



ART\_1001151253



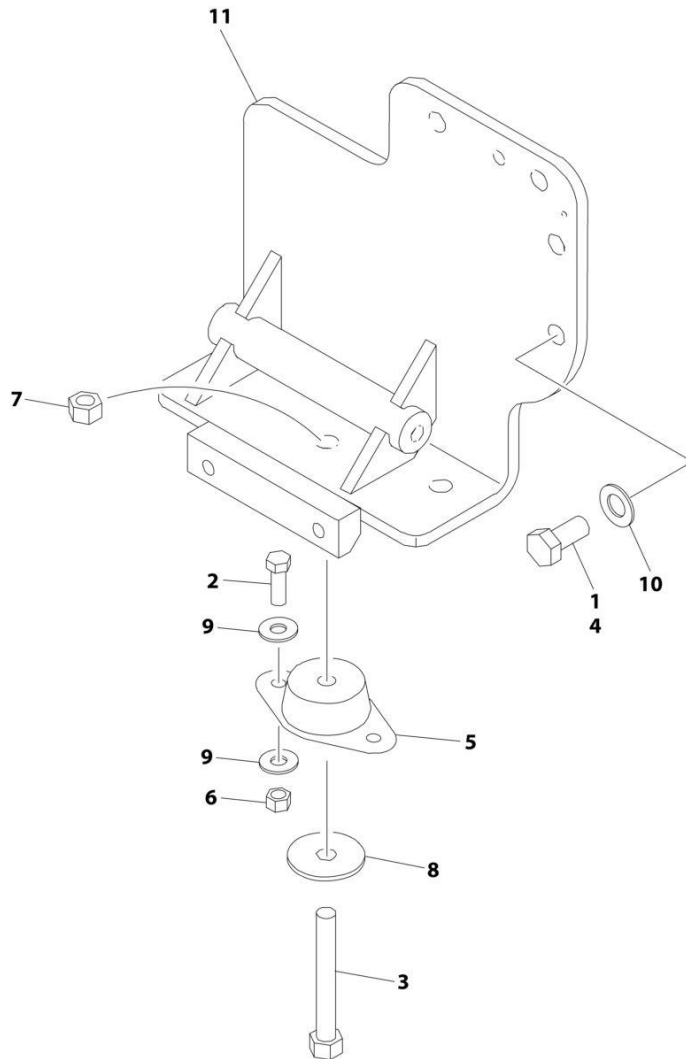
## SECTION 3 - ENGINE

**FIGURE 3-64. RIGHT ENGINE SUPPORT INSTALLATION (DEUTZ D2011 ENGINES MACHINES WITHOUT GENERATORS)**

ITEM	PART NUMBER	QTY	DESCRIPTION	REV
	1001151253	Ref	RIGHT ENGINE SUPPORT INSTALLATION	A
1	0100011	AR	Compound, Locking	
2	0641609	2	Bolt 3/8 x 1-1/8	
3	0641820	1	Bolt 1/2 x 2-1/2	
4	0711414	2	Bolt M14 x 30 Grade 10.9	
5	3200401	1	Mount, Motor	
6	3311605	2	Nut 3/8	
7	3311805	1	Nut 1/2	
8	4740274	1	Washer	
9	4751600	4	Washer 3/8	
10	4812200	2	Washer M14	
11	1001149703	1	Support, Engine (Right Front)	

# SECTION 3 - ENGINE

## FIGURE 3-65. RIGHT ENGINE SUPPORT INSTALLATION (DEUTZ D2011 ENGINES MACHINES WITH GENERATORS)



ART\_1001151252

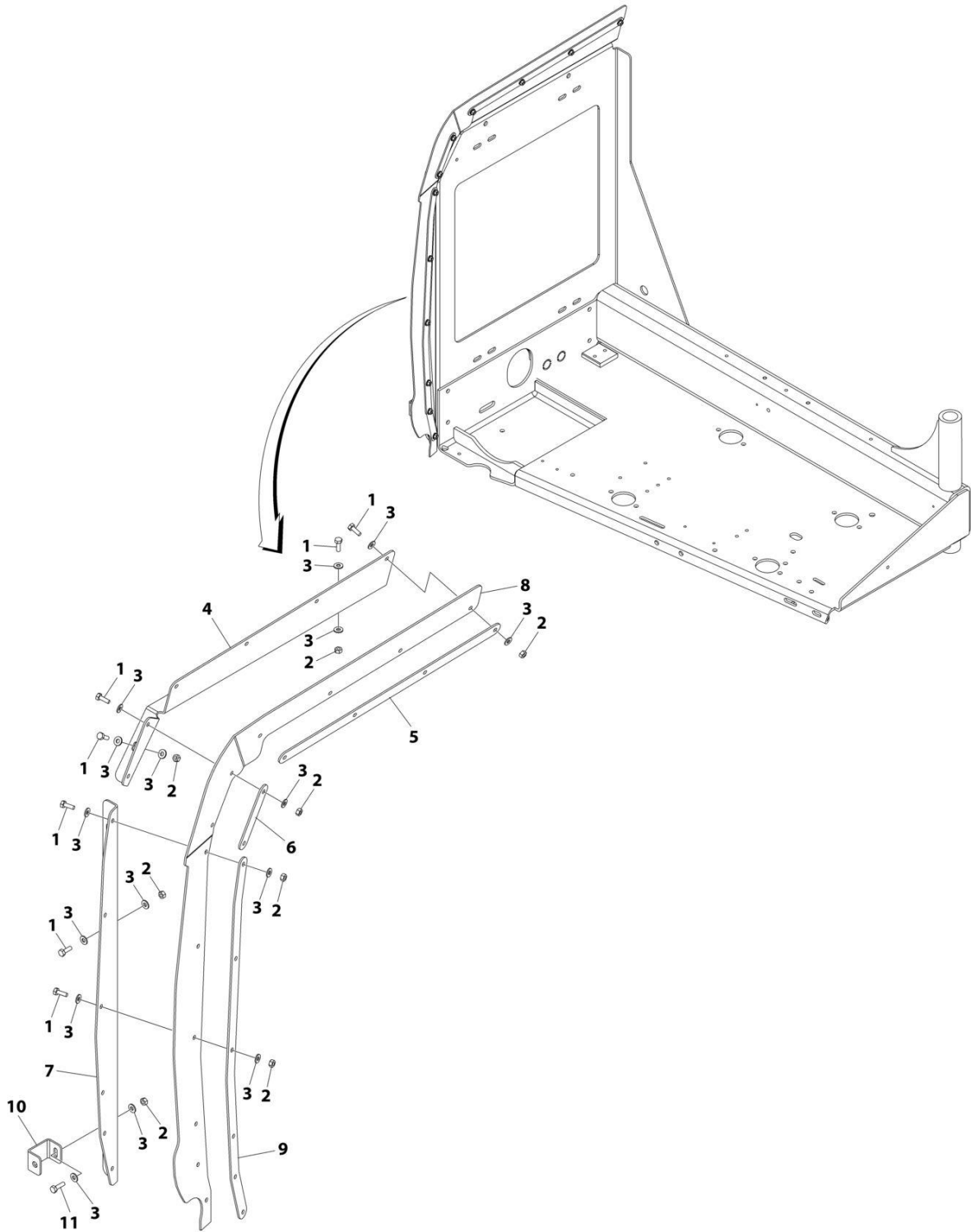
## SECTION 3 - ENGINE

**FIGURE 3-65. RIGHT ENGINE SUPPORT INSTALLATION (DEUTZ D2011 ENGINES MACHINES WITH GENERATORS)**

ITEM	PART NUMBER	QTY	DESCRIPTION	REV
	1001151252	Ref	RIGHT ENGINE SUPPORT INSTALLATION	B
1	0100011	AR	Compound, Locking	
2	0641609	2	Bolt 3/8 x 1-1/8	
3	0641818	1	Bolt 1/2 x 2-1/2	
4	0711414	3	Bolt M14 x 30 Grade 10.9	
5	3200401	1	Mount, Motor	
6	3311605	2	Nut 3/8	
7	3311805	1	Nut 1/2	
8	4740274	1	Washer	
9	4751600	4	Washer 3/8	
10	4812200	3	Washer M14	
11	1001150890	1	Support, Engine (Right Front)	

# SECTION 3 - ENGINE

FIGURE 3-66. ENGINE HOOD Baffle INSTALLATION - DEUTZ TD2.9L4 AND DEUTZ 2.9L4 (STAGE V) ENGINES WITH ABS HOODS



ART\_1001143484

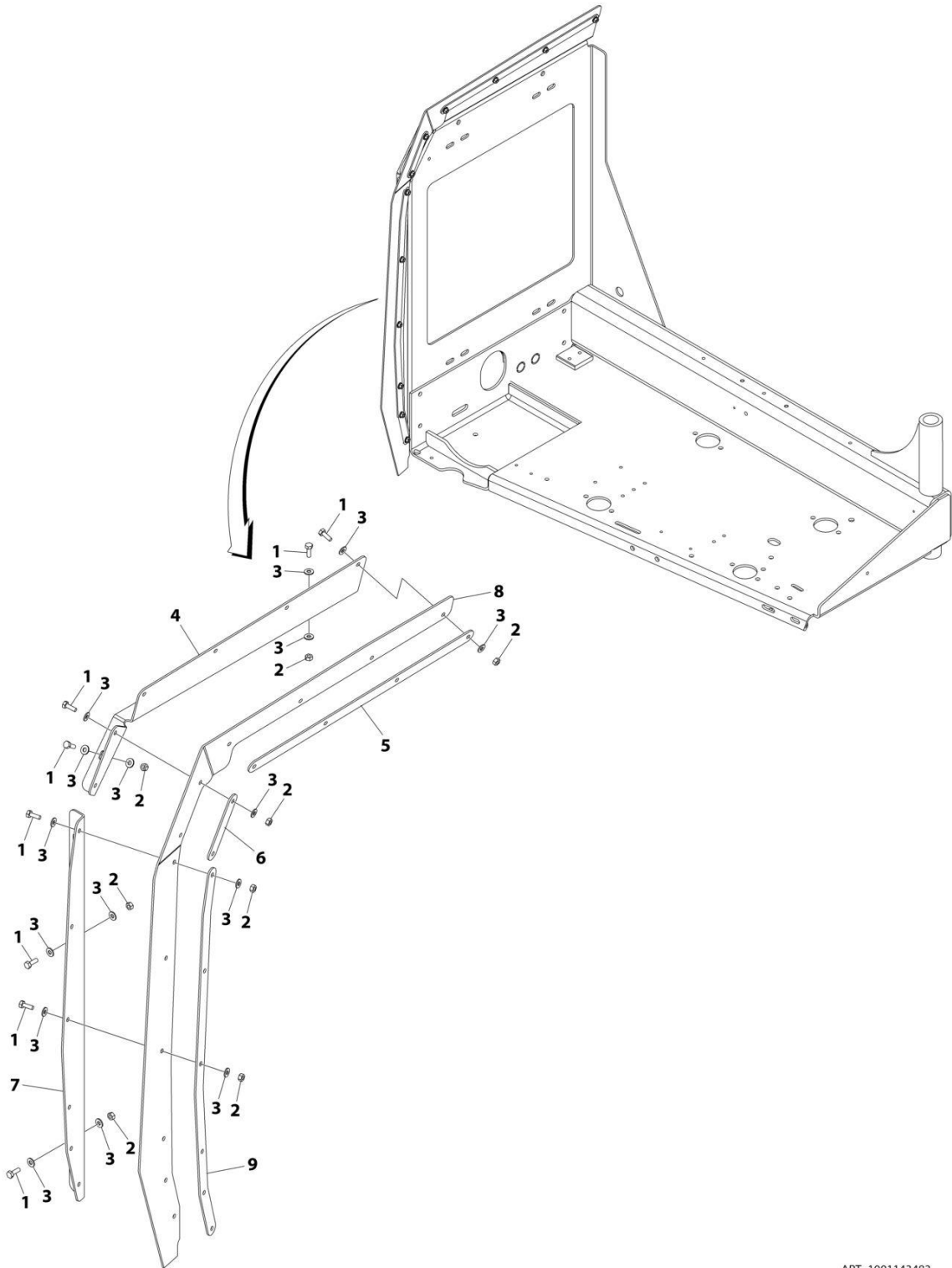
## SECTION 3 - ENGINE

**FIGURE 3-66. ENGINE HOOD BAFFLE INSTALLATION - DEUTZ TD2.9L4 AND DEUTZ 2.9L4 (STAGE V) ENGINES WITH ABS HOODS**

ITEM	PART NUMBER	QTY	DESCRIPTION	REV
	1001143484	Ref	BAFFLES INSTALLATION (ABS HOODS)	C
1	0641406	18	Bolt 1/4 x 3/4	
2	3311405	19	Nut 1/4	
3	4711400	38	Washer 1/4	
4	1001174745	1	Bracket	
5	1001142031	1	Bracket	
6	1001142032	1	Bracket	
7	1001143449	1	Bracket	
8	1001195967	1	Baffle	
9	1001143525	1	Bracket	
10	1001143860	1	Bracket, Bumper	
11	0641407	1	Bolt 1/4 x 78	

# SECTION 3 - ENGINE

FIGURE 3-67. ENGINE HOOD Baffle INSTALLATION - DEUTZ TD2.9L4 AND DEUTZ 2.9L4 (STAGE V) ENGINES WITH STEEL HOODS



ART\_1001143483

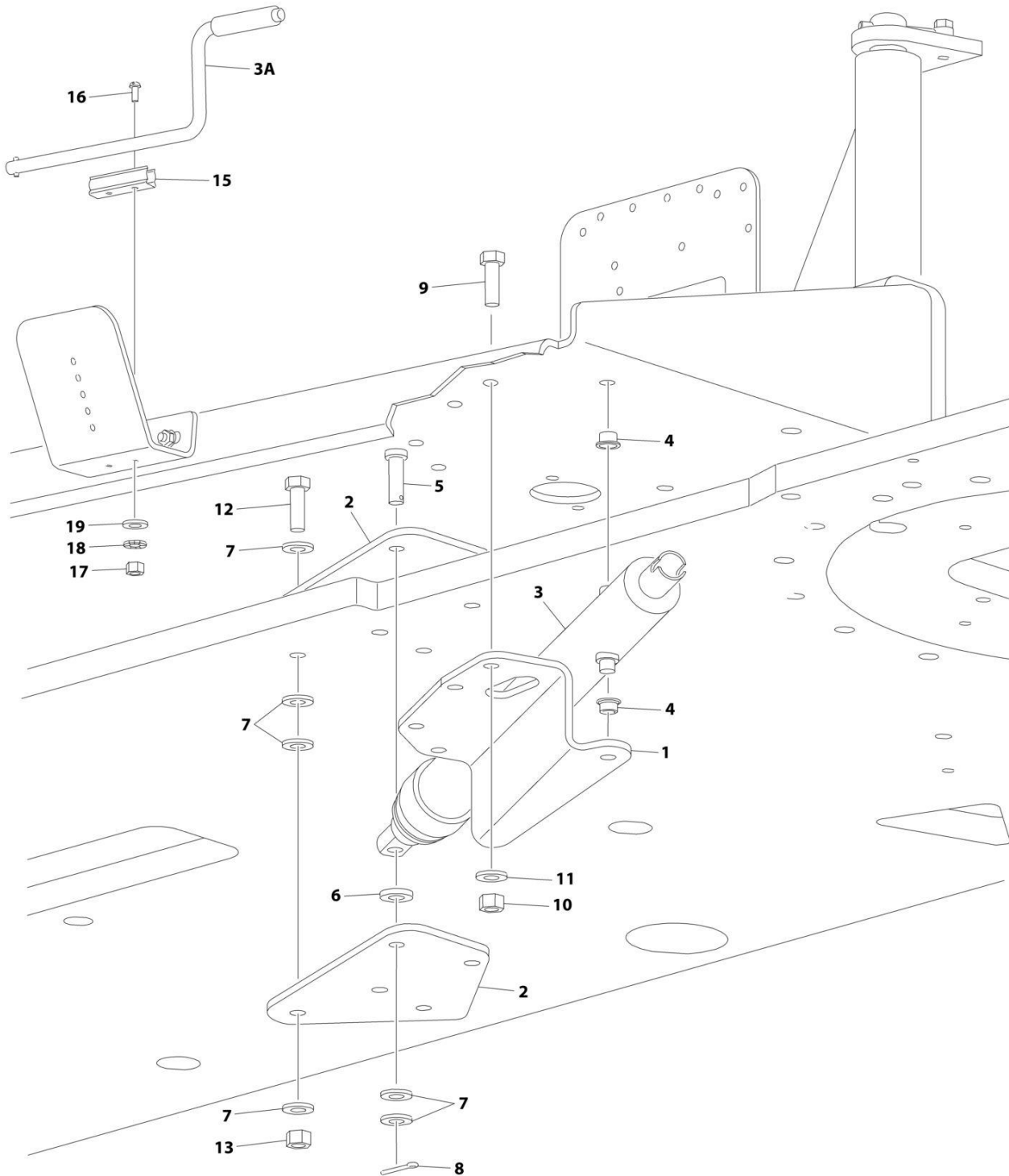
## SECTION 3 - ENGINE

**FIGURE 3-67. ENGINE HOOD BAFFLE INSTALLATION - DEUTZ TD2.9L4 AND DEUTZ 2.9L4 (STAGE V) ENGINES WITH STEEL HOODS**

ITEM	PART NUMBER	QTY	DESCRIPTION	REV
	1001143483	Ref	BAFFLES INSTALLATION (STEEL HOODS)	B
1	0641406	19	Bolt 1/4 x 3/4	
2	3311405	19	Nut 1/4	
3	4711400	38	Washer 1/4	
4	1001174745	1	Bracket	
5	1001142031	1	Bracket	
6	1001142032	1	Bracket	
7	1001143449	1	Bracket	
8	1001174746	1	Baffle	
9	1001143525	1	Bracket	

# SECTION 3 - ENGINE

## FIGURE 3-68. ENGINE TRAY JACK INSTALLATION - DEUTZ ENGINES



ART\_0258728



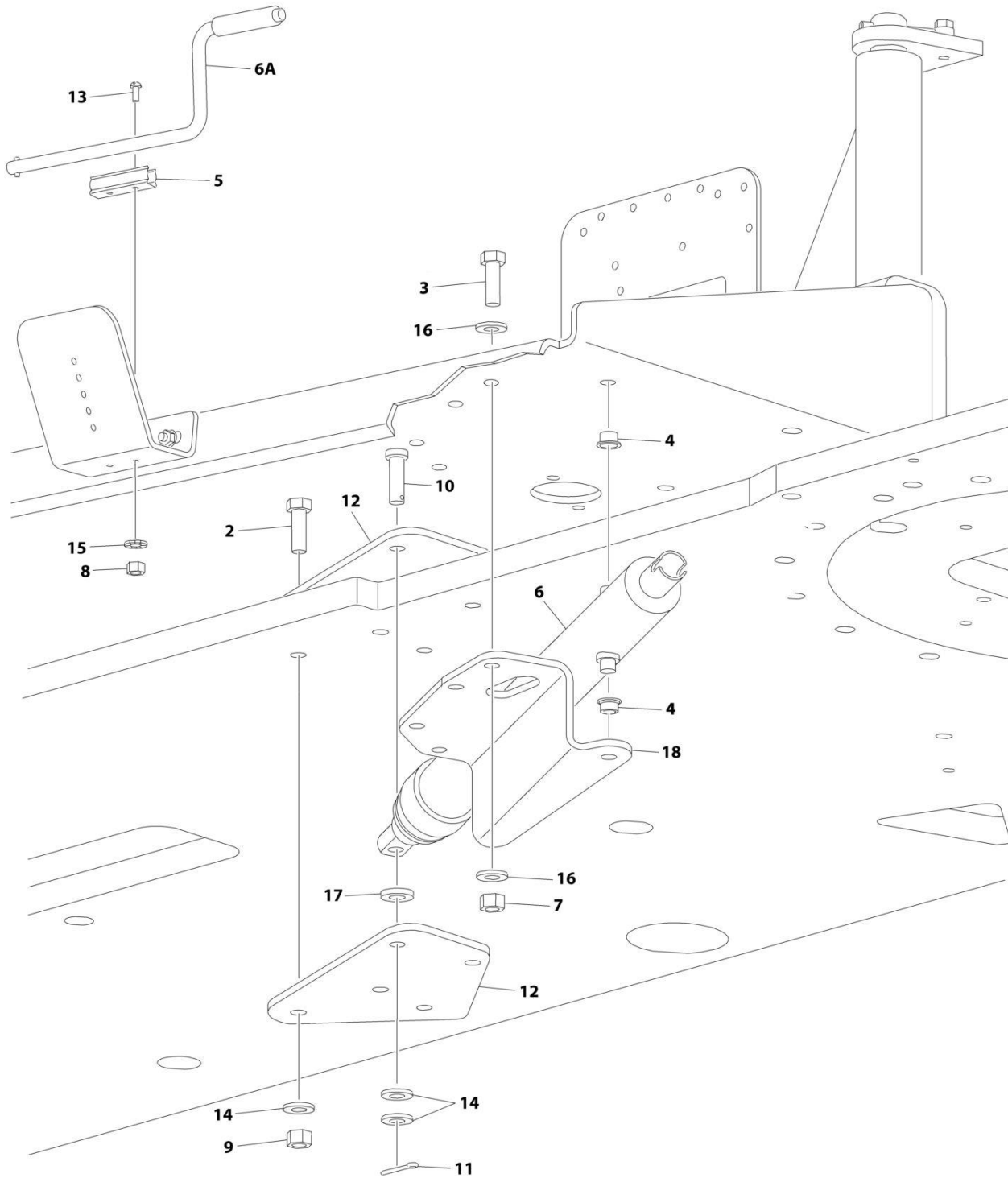
## SECTION 3 - ENGINE

**FIGURE 3-68. ENGINE TRAY JACK INSTALLATION - DEUTZ ENGINES**

ITEM	PART NUMBER	QTY	DESCRIPTION	REV
	0258728	Ref	ENGINE TRAY JACK INSTALLATION	2-C
1	3537445	1	Bracket	
2	3537446	2	Bracket	
3	2840016	1	Jack and Handle Assembly	F
3A	7024598	1	Handle	
4	0962051	2	Bearing, Flange	
5	3430816	1	Pin, Clevis	
6	4891800	1	Washer 1/2	
7	4711800	6	Washer 1/2	
8	3450404	1	Pin, Cotter 1/8 x 1	
9	0641609	4	Bolt 3/8 x 1-1/8	
10	3311605	4	Nut 3/8	
11	4891600	4	Washer 3/8	
12	0641818	4	Bolt 1/2 x 2-1/4	
13	3311805	4	Nut 1/2	
15	1380147	1	Clip, Spring	
16	3910608	2	Screw #6 x 1	
17	3310601	2	Nut #6	
18	4770600	2	Washer #6	
19	4740119	2	Washer	

# SECTION 3 - ENGINE

## FIGURE 3-69. ENGINE TRAY JACK INSTALLATION - FORD ENGINES



ART\_1001219881

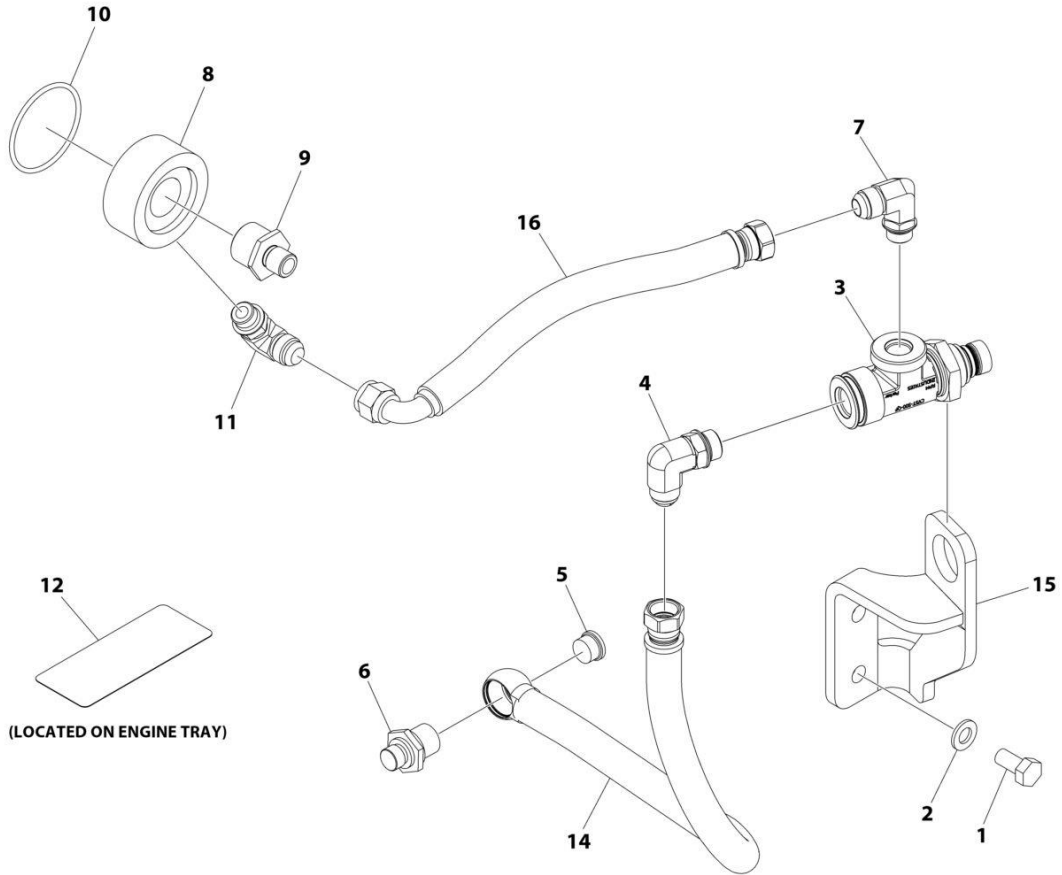
## SECTION 3 - ENGINE

**FIGURE 3-69. ENGINE TRAY JACK INSTALLATION - FORD ENGINES**

ITEM	PART NUMBER	QTY	DESCRIPTION	REV
	1001219881	Ref	ENGINE TRAY JACK INSTALLATION	B
2	0641818	4	Bolt 1/2 x 2-1/4	
3	0761014	3	Bolt M10 x 30	
4	0962051	2	Bearing, Flange	
5	1380147	1	Clip, Spring	
6	2840016	1	Jack and Handle Assembly	F
6A	7024598	1	Handle	
7	3291007	3	Nut M10	
8	3310601	2	Nut #6-32	
9	3311805	4	Nut 1/2-13	
10	3430816	1	Pin, Clevis	
11	3450404	1	Pin, Cotter 1/8 x 1	
12	3537446	2	Bracket	
13	3910608	2	Screw #6-32 x 1	
14	4711800	6	Washer 1/2	
15	4770600	2	Washer #6	
16	4812000	6	Washer M10	
17	4891800	1	Washer 1/2	
18	1001218547	1	Bracket	

# SECTION 3 - ENGINE

## FIGURE 3-70. QUICKFIT OIL DRAIN VALVE (DEUTZ ENGINES)



ART\_1001285349

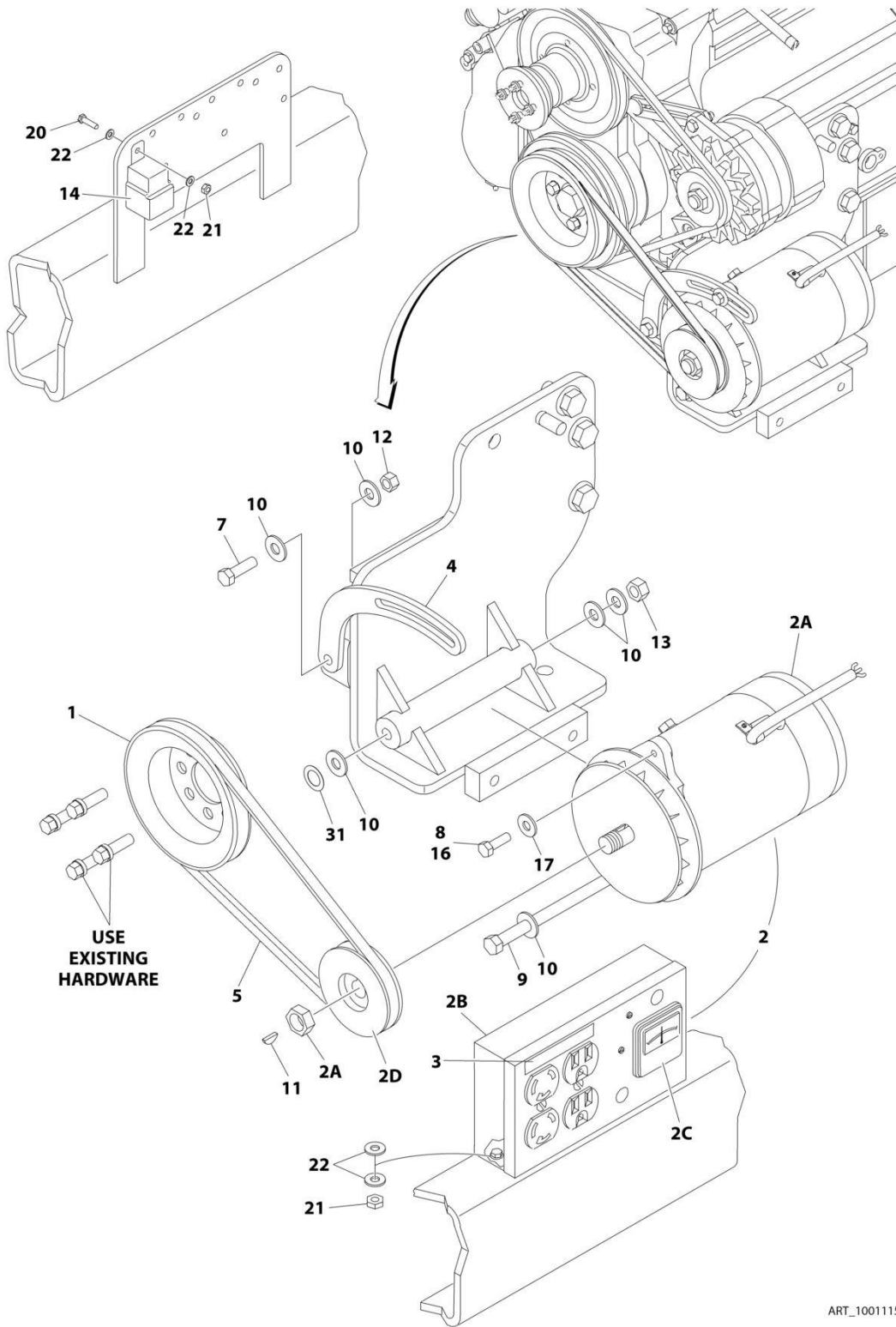
## SECTION 3 - ENGINE

**FIGURE 3-70. QUICKFIT OIL DRAIN VALVE (DEUTZ ENGINES)**

ITEM	PART NUMBER	QTY	DESCRIPTION	REV
	1001285349	Ref	QUICKFIT OIL VALVE	A
1	0761212	2	Bolt M12 x 25	
2	4812100	2	Washer M12	
3	1001281298	1	Valve, Quickfit	
4	1001281301	1	Fitting, 90	
5	1001281304	1	Plug	
6	1001281305	1	Fitting, Banjo	
7	1001281307	1	Fitting, 90	
8	1001281309	1	Filter, Ring	
9	1001281310	1	Fitting, Straight	
10	1001281311	1	O-Ring	
11	1001281359	1	Valve, Check	
12	1001281360	1	Decal - RPM Quickfit	
13	1001281656	1	Tie-Strap (Not Shown)	
14	1001284101	1	Hose	
15	1001287536	1	Bracket	
16	1001288113	1	Hose	

# SECTION 3 - ENGINE

## FIGURE 3-71. 2500W/110V/60HZ GENERATOR INSTALLATION - DEUTZ D2011 ENGINES



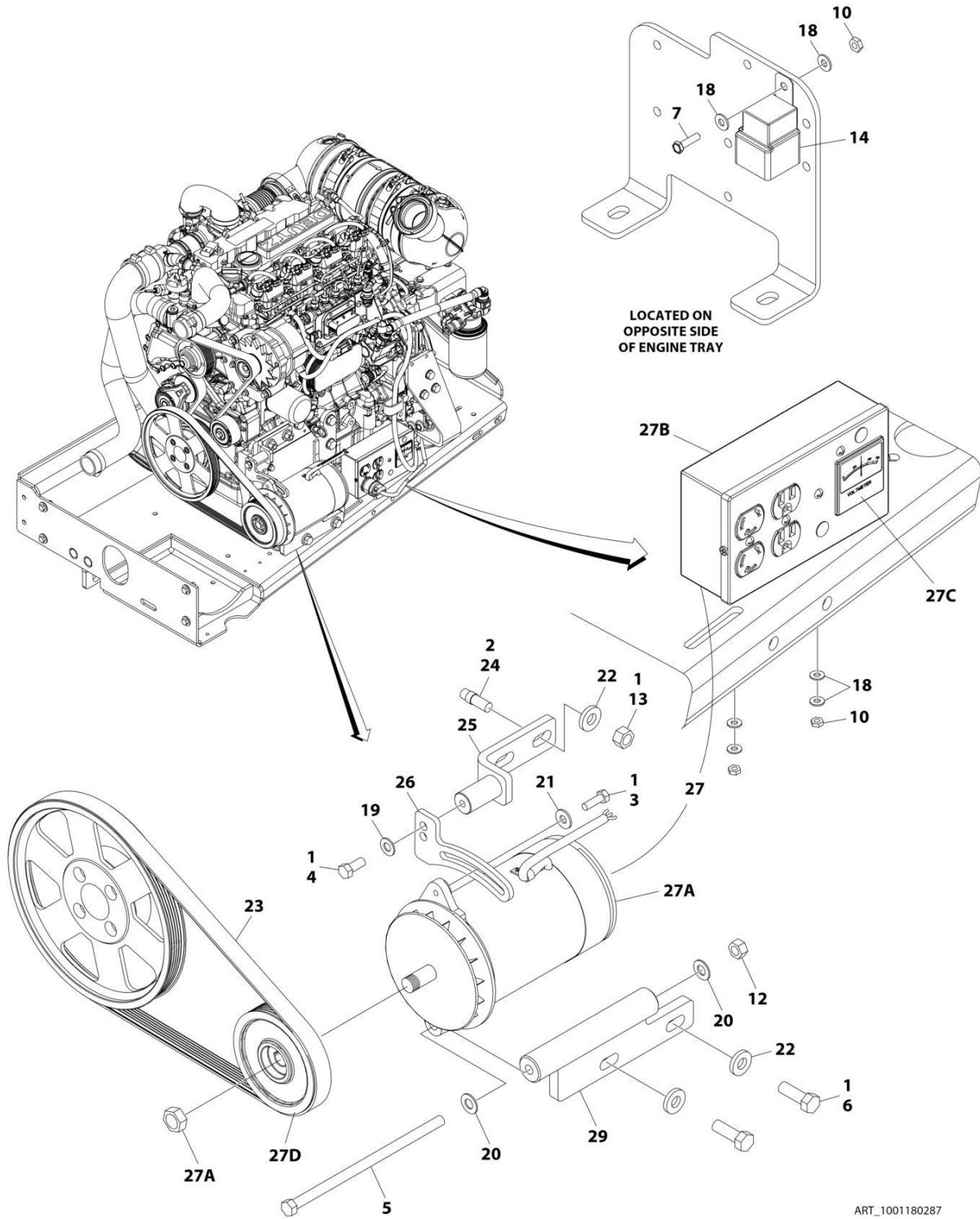
## SECTION 3 - ENGINE

**FIGURE 3-71. 2500W/110V/60HZ GENERATOR INSTALLATION - DEUTZ D2011 ENGINES**

ITEM	PART NUMBER	QTY	DESCRIPTION	REV
	1001115405	Ref	2500W GENERATOR INSTALLATION - 110V/60Hz	B
1	3580158	1	Pulley	
2	2460055	1	Generator and Control Box Assembly:	
2A	7012558	1	Generator Only - 110V/60Hz	
2A		Ref	Note: Replacement Generators come standard with p/n 3580134 pulley. This pulley may not be correct for all applications. Refer to pulley options below.	
2A	7026199	1	Armature with Slip Rings	
2A	7012513	4	Cap, Brush Holder	
2A	7020108	4	Brush	
2A	7020109	4	Holder, Brush	
2A	7012514	1	Fan	
2A	7020110	1	Bell, Front	
2A	7020111	1	Bell, Rear	
2A	7020190	1	Bearing	
2B	7019680	1	Box, Control	
2B		Ref	Receptacle Options:	
2B	4460190	1	Receptacle, Standard	
2B	4460027	1	Receptacle, Twistlock	
2B	4360542	1	Breaker, Circuit	
2B	3520028	1	Plug, Hole	
2C	2420203	1	Voltmeter	
2D	3580276	1	Pulley	
2D	7027887	1	Key, Woodruff	
3	3251243	1	Decal - 110V/60Hz	
4	0200742	1	Arm, Adjusting	
5	0480121	1	V-Belt	
7	0641610	1	Bolt 3/8 x 1-1/4	
8	0100011	AR	Compound, Locking	
9	0641772	1	Bolt 7/16 x 9	
10	4751600	6	Washer 3/8	
11	2860012	1	Key, Woodruff	
12	3311605	1	Nut 3/8	
13	3311705	1	Nut 7/16	
14	3740080	1	Relay	
16	0641508	1	Bolt 5/16 x 1	
17	4751500	AR	Washer 5/16	
18	1001112588	1	Wiring Diagram Components (Not Shown)	
18	1001112589	1	Generator Harness (Not Shown)	
18	4922641	1	Generator ON/OFF Switch Harness (Not Shown - Located at Platform)	
20	0721006	AR	Bolt #10 x 3/4	
21	3311005	3	Nut #10	
22	4751000	AR	Washer #10	
25	4360336	1	Switch, Toggle (Not Shown - Located at Platform)	
26	4740397	1	Bushing (Not Shown - Located at Platform)	
27	4060802	1	Guard, Switch (Not Shown - Located at Platform)	
29	2820031	4 in/ 10cm	Heat Shrink (Not Shown - Located at Platform)	
30	3251102	1	Decal (Not Shown - Located at Platform)	
31	4070585	AR	Shim	

# SECTION 3 - ENGINE

## FIGURE 3-72. 2500W/110V/60HZ GENERATOR INSTALLATION - DEUTZ TD2.9L4 ENGINES



ART\_1001180287



## SECTION 3 - ENGINE

**FIGURE 3-72. 2500W/110V/60HZ GENERATOR INSTALLATION - DEUTZ TD2.9L4 ENGINES**

ITEM	PART NUMBER	QTY	DESCRIPTION	REV
	1001180287	Ref	2500W GENERATOR INSTALLATION - DEUTZ TD2.9L4 (OPTIONAL)	C
1	0100011	AR	Compound, Locking	
2	0100019	AR	Compound, Locking	
3	0641508	1	Bolt 5/16 x 1	
4	0641607	1	Bolt 3/8 x 7/8	
5	0641772	1	Bolt 7/16 x 9	
6	0641812	2	Bolt 1/2 x 1-1/2	
7	0721006	1	Screw #10 x 3/4	
8	2820031	AR	Heat Shrink (Not Shown - Located at Platform)	
9	3251102	1	Name Plate - Generator On (Not Shown - Located at Platform)	
10	3311005	3	Nut #10	
12	3311705	1	Nut 7/16	
13	3311801	2	Nut 1/2	
14	3740080	1	Relay	
15	4060802	1	Guard, Switch (Not Shown - Located at Platform)	
16	4240018	AR	Strap, Cable Tie (Not Shown)	
17	4360336	1	Switch, Toggle (Not Shown - Located at Platform)	
18	4711000	6	Washer #10	
19	4711600	1	Washer 3/8	
20	4711700	2	Washer 7/16	
21	4751500	1	Washer 5/16	
22	4891800	4	Washer 1/2	
23	1001148138	1	V-Belt	
24	1001163599	2	Stud	
25	1001216015	1	Bracket	
26	1001179837	1	Arm, Adjustment	
27	1001180001	1	Generator and Control Box Assembly	
27A	7012558	1	Generator Only - 110V/60Hz	
27A		Ref	Note: Replacement Generators come standard with p/n 3580134 pulley. This pulley may not be correct for all applications. Refer to pulley options below.	
27A	7026199	1	Armature with Slip Rings	
27A	7012513	4	Cap, Brush Holder	
27A	7020108	4	Brush	
27A	7020109	4	Holder, Brush	
27A	7012514	1	Fan	
27A	7020110	1	Bell, Front	
27A	7020111	1	Bell, Rear	
27A	7020190	2	Bearing	
27B	7019680	1	Box, Control - 110V/60Hz	
27B		Ref	Receptacle Options:	
27B	4460190	1	Receptacle, Standard (110V Only)	
27B	4460027	1	Receptacle, Twistlock (110V Only)	
27B	4360542	1	Breaker, Circuit	
27B	3520028	1	Plug, Hole	
27C	2420203	1	Voltmeter	
27D	3580276	1	Pulley	
27D	7027887	1	Key, Woodruff	
28		Ref	Wiring Diagram Components (Not Shown)	

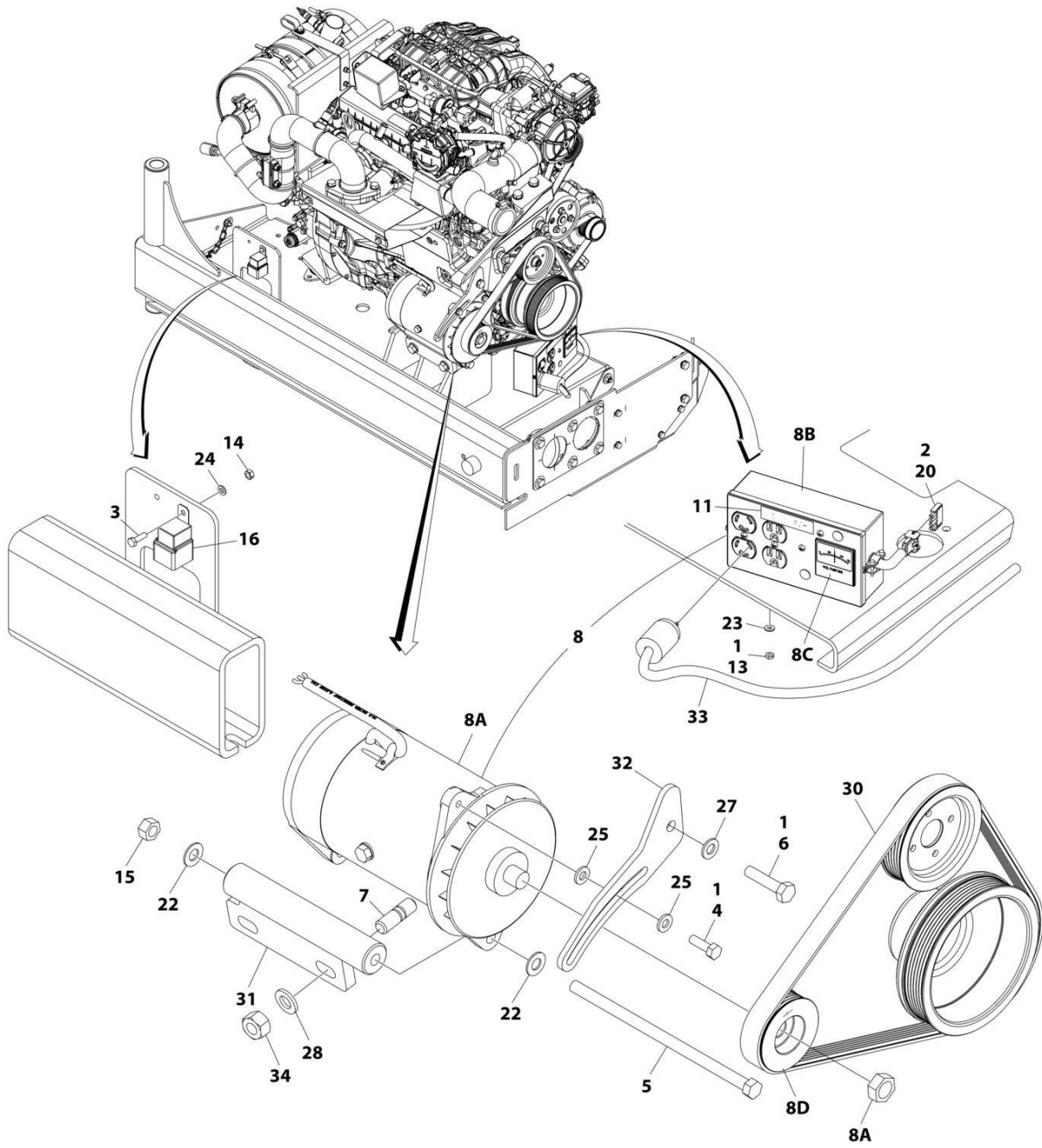
## SECTION 3 - ENGINE

ITEM	PART NUMBER	QTY	DESCRIPTION	REV
28	4922641	1	Generator On/Off Switch Harness (Not Shown - Located at Platform)	
28	1001180052	1	Generator Harness (Not Shown)	
29	1001181243	1	Mount, Generator	



# SECTION 3 - ENGINE

## FIGURE 3-73. 2500W/110V/60HZ GENERATOR INSTALLATION - FORD ENGINES



ART\_1001219619

## SECTION 3 - ENGINE

**FIGURE 3-73. 2500W/110V/60HZ GENERATOR INSTALLATION - FORD ENGINES**

ITEM	PART NUMBER	QTY	DESCRIPTION	REV
	1001219619	Ref	2500W GENERATOR INSTALLATION - FORD MACHINES (OPTIONAL)	E
1	0100011	AR	Compound, Locking	
2	0100048	AR	Grease, Dielectric	
3	0760610	1	Bolt M6 x 20	
4	0641508	1	Bolt 5/16 x 1	
5	0641772	1	Bolt 7/16 x 9	
6	0761016	1	Bolt M10 x 40	
7	1001155041	1	Stud	
8	2460051	1	Generator and Control Box Assembly	
8A	7012558	1	Generator Only - 110V/60Hz	
		Ref	Note: Replacement Generators come standard with pin 3580134 pulley. This pulley may not be correct for all applications. Refer to pulley options below.	
8A	7026199	1	Armature with Slip Rings	
8A	7012513	4	Cap, Brush Holder	
8A	7020108	4	Brush	
8A	7020109	4	Holder, Brush	
8A	7012514	1	Fan	
8A	7020110	1	Bell, Front	
8A	7020111	1	Bell, Rear	
8A	7020190	2	Bearing	
8B	7019680	1	Box, Control - 110V/60Hz	
8B		Ref	Receptacle Options:	
8B	4460190	1	Receptacle, Standard (110V Only)	
8B	4460027	1	Receptacle, Twistlock (110V Only)	
8B	4360542	1	Breaker, Circuit	
8B	3520028	1	Plug, Hole	
8C	2420203	1	Voltmeter	
8D	3580324	1	Pulley	
8D	7027887	1	Key, Woodruff	
9	2820031	1	Heat Shrink (Not Shown - Located at Platform)	
10	3251102	1	Nameplate Generator (Not Shown - Located at Platform)	
11	3251243	1	Decal - 120V-60Hz	
13	3311005	2	Nut #10	
14	3290601	1	Nut M6	
15	3311705	1	Nut 7/16	
16	3740080	1	Relay	
17	4060802	1	Guard Switch (Not Shown - Located at Platform)	
18	4240099	AR	Tie-Strap (Not Shown)	
19	4360336	1	Switch, Toggle (Not Shown - Located at Platform)	
20	4460321	1	Plug, Male - 4 Position	
22	4711700	2	Washer 7/16	
23	4751000	2	Washer #10	
24	4811700	1	Washer M6	
25	4891500	2	Washer 5/16	
27	4812000	1	Washer M10	
28	4812200	2	Washer M14	
29		Ref	Wiring Diagram Components (Not Shown)	

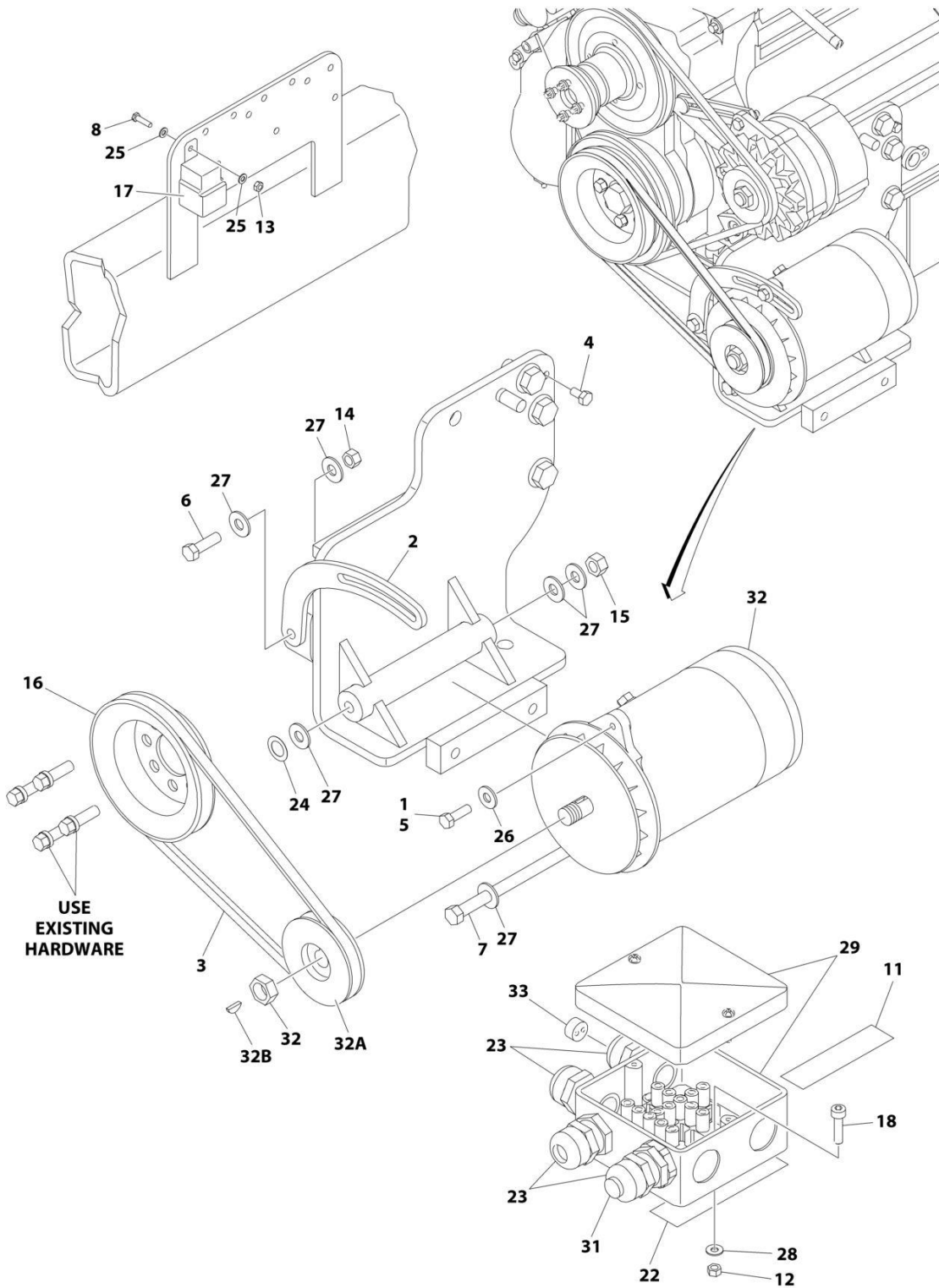
## SECTION 3 - ENGINE

ITEM	PART NUMBER	QTY	DESCRIPTION	REV
29	4922641	1	Generator On/Off Switch Harness (Not Shown - Located at Platform)	
29	4923445	1	Generator Harness (Not Shown - See Separate Breakdown in ELECTRICAL SECTION)	
30	1001216391	1	V-Belt	
31	1001219630	1	Mount, Generator	
32	1001219632	1	Arm, Adjustment	
33	4921829	1	Harness, Inverter	
34	3291201	2	Nut M12	



# SECTION 3 - ENGINE

## FIGURE 3-74. 2500W/220V/50HZ GENERATOR INSTALLATION - DEUTZ D2011 ENGINES



ART\_1001115409



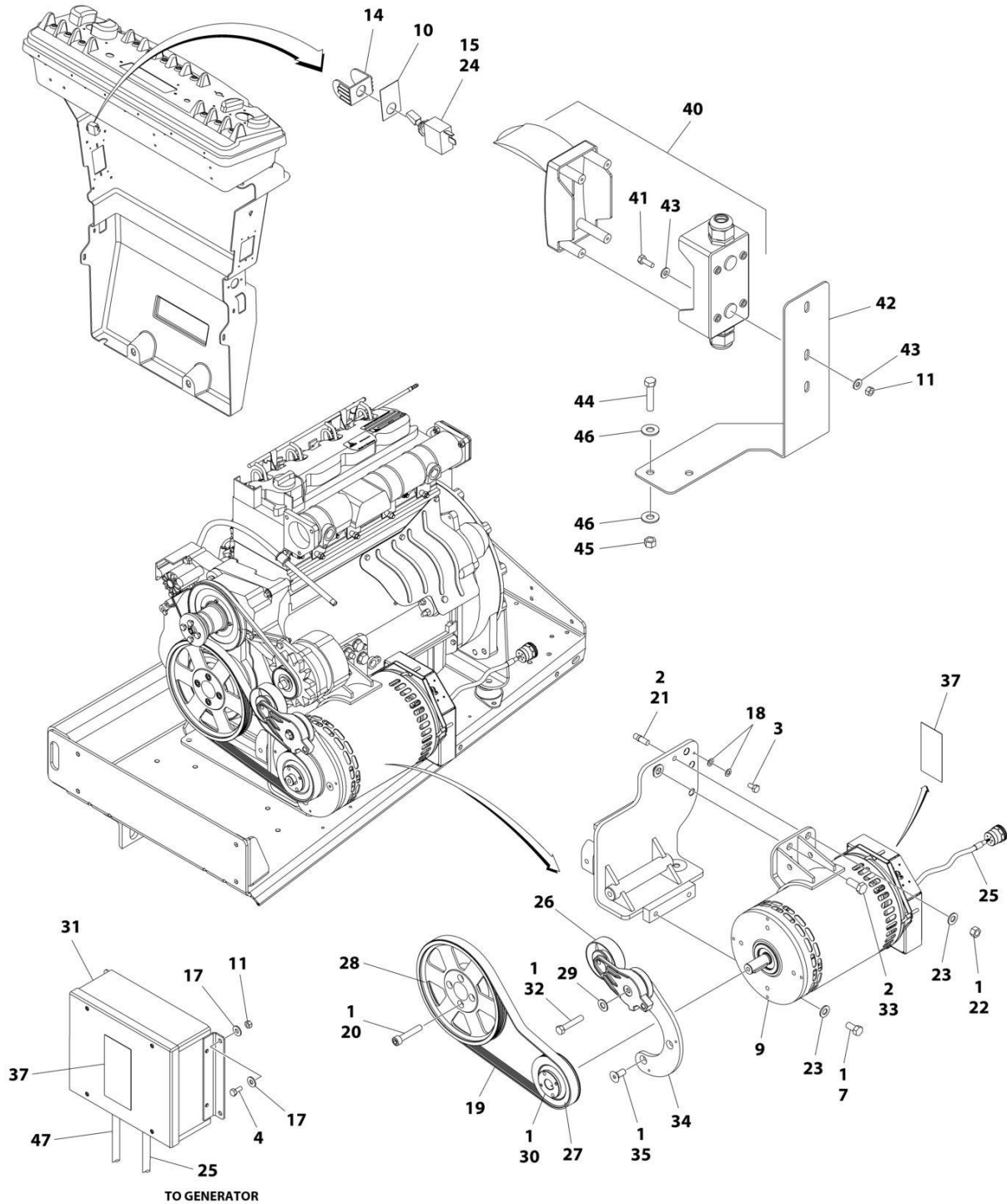
## SECTION 3 - ENGINE

**FIGURE 3-74. 2500W/220V/50HZ GENERATOR INSTALLATION - DEUTZ D2011 ENGINES**

ITEM	PART NUMBER	QTY	DESCRIPTION	REV
	1001115409	Ref	2500W GENERATOR INSTALLATION - 220V/50Hz	B
1	0100011	AR	Compound, Locking	
2	0200742	1	Arm, Adjusting	
3	0480121	1	V-Belt	
4	0641404	1	Bolt 1/4 x 1/2	
5	0641508	1	Bolt 5/16 x 1	
6	0641610	1	Bolt 3/8 x 1-1/4	
7	0641772	1	Bolt 7/16 x 9	
8	0721006	AR	Bolt #10 x 3/4	
9	2820031	4 in/10cm	Heat Shrink (Not Shown - Located at Platform)	
10	3251102	1	Decal (Not Shown - Located at Platform)	
11	3252507	2	Decal - 220V - 50Hz	
		Ref	Note: One Decal Not Shown - Located on the Inside of Platform Rail.	
12	3290505	1	Nut M5	
13	3311005	1	Nut #10	
14	3311605	1	Nut 3/8	
15	3311705	1	Nut 7/16	
16	3580158	1	Pulley	
17	3740080	1	Relay	
18	4031608	1	Bolt M5 x 20	
19	4060802	1	Guard, Switch (Not Shown - Located at Platform)	
20	4240018	1	Tie Strap (Not Shown)	
21	4360336	1	Switch, Toggle (Not Shown - Located at Platform)	
22	4420060	AR	Tape, Double Coated Acrylic Foam	
23	4460968	3	Connector, Strain Relief	
24	4740397	1	Shim	
25	4751000	2	Washer #10	
26	4751500	1	Washer 5/16	
27	4751600	6	Washer 3/8	
28	4811600	1	Washer M5	
29	1001099869	1	Box, Junction	
30		Ref	Wiring Diagram Components (Not Shown)	
30	4922641	1	Generator On/Off Switch Harness (Not Shown - Located at Platform)	
30	1001112589	1	Generator Harness (Not Shown)	
31	1001100234	1	Light, Red	
32	1001100321	1	Generator	
32	70000123	1	Armature with Slip Rings	
32	7012513	4	Cap, Brush Holder	
32	7020108	4	Brush	
32	7020109	4	Holder, Brush	
32	7012514	1	Fan	
32	7020110	1	Bell, Front	
32	7020111	1	Bell, Rear	
32	7020190	1	Bearing	
32A	3580134	1	Pulley - 50Hz	
32B	7027887	1	Key, Woodruff	
33	0962449	1	Bushing	

# SECTION 3 - ENGINE

## FIGURE 3-75. 4000W/50HZ GENERATOR INSTALLATION - DEUTZ D2011 ENGINES



ART\_1001153310

## SECTION 3 - ENGINE

**FIGURE 3-75. 4000W/50HZ GENERATOR INSTALLATION - DEUTZ D2011 ENGINES**

ITEM	PART NUMBER	QTY	DESCRIPTION	REV
	1001153310	Ref	4000W/50HZ GENERATOR INSTALLATION - DEUTZ D2011 ENGINES	F
1	0100011	AR	Compound, Locking	
2	0100019	AR	Compound, Locking	
3	0641404	1	Bolt 1/4 x 1/2	
4	0641405	4	Bolt 1/4 x 5/8	
7	0641808	2	Bolt 1/2 x 1	
9	1001138565	1	Generator Assembly	
9	70003709	1	Ring, Retaining (External)	
9	70003708	1	Ring, Retaining (Internal)	
9	70001966	1	Bearing	
9	70004092	1	Endbell (Shaft End)	
9	70004171	1	Key	
9	70004676	1	Rotor	
9	70004677	1	Stator	
9	70004678	1	Endbell (Rear)	
9	70004679	1	Cover, Endbell (Rear)	
9	70004680	1	Enclosure, Wiring	
9	70004681	1	Cover, Enclosure	
9	70004682	1	Switch, Reset (Located on Enclosure Cover)	
9	70004683	1	Connector, Strain Relief (Located on Enclosure Cover)	
10	3251102	1	Nameplate - Generator	
11	3311405	6	Nut 1/4	
14	4060802	1	Guard, Switch	
15	4360336	1	Switch, Toggle	
17	4751400	8	Washer 1/4	
18	4791400	2	Washer 1/4	
19	0480126	1	Belt, Generator	
20	4032015	4	Capscrew M10 x 55	
21	4300157	1	Stud	
22	3311801	1	Nut 1/2	
23	4711800	3	Washer 1/2	
24	2820031	AR	Heat Shrink	
25	1001152532	1	Harness, Generator (See Separate Breakdown in ELECTRICAL Section)	
26	3580317	1	Pulley, Tensioner	
27	3580319	1	Pulley, Generator	
28	3580320	1	Pulley, Engine	
29	4711600	1	Washer 3/8	
30	0962520	1	Bushing	
31	1001138566	1	Box, Control	
31	70006552	1	Capacitor	
31	70006553	1	Relay	
32	0641616	1	Bolt 3/8 x 2	
33	0771415	1	Bolt M14 x 35	
34	1001139357	1	Mount, Tensioner	
35	0741607	3	Screw 3/8 x 7/8	
37	1705489	2	Decal - Hazardous Voltage	
40	1001165368	1	Breaker Box Kit (See Separate Breakdown in ELECTRICAL SECTION)	

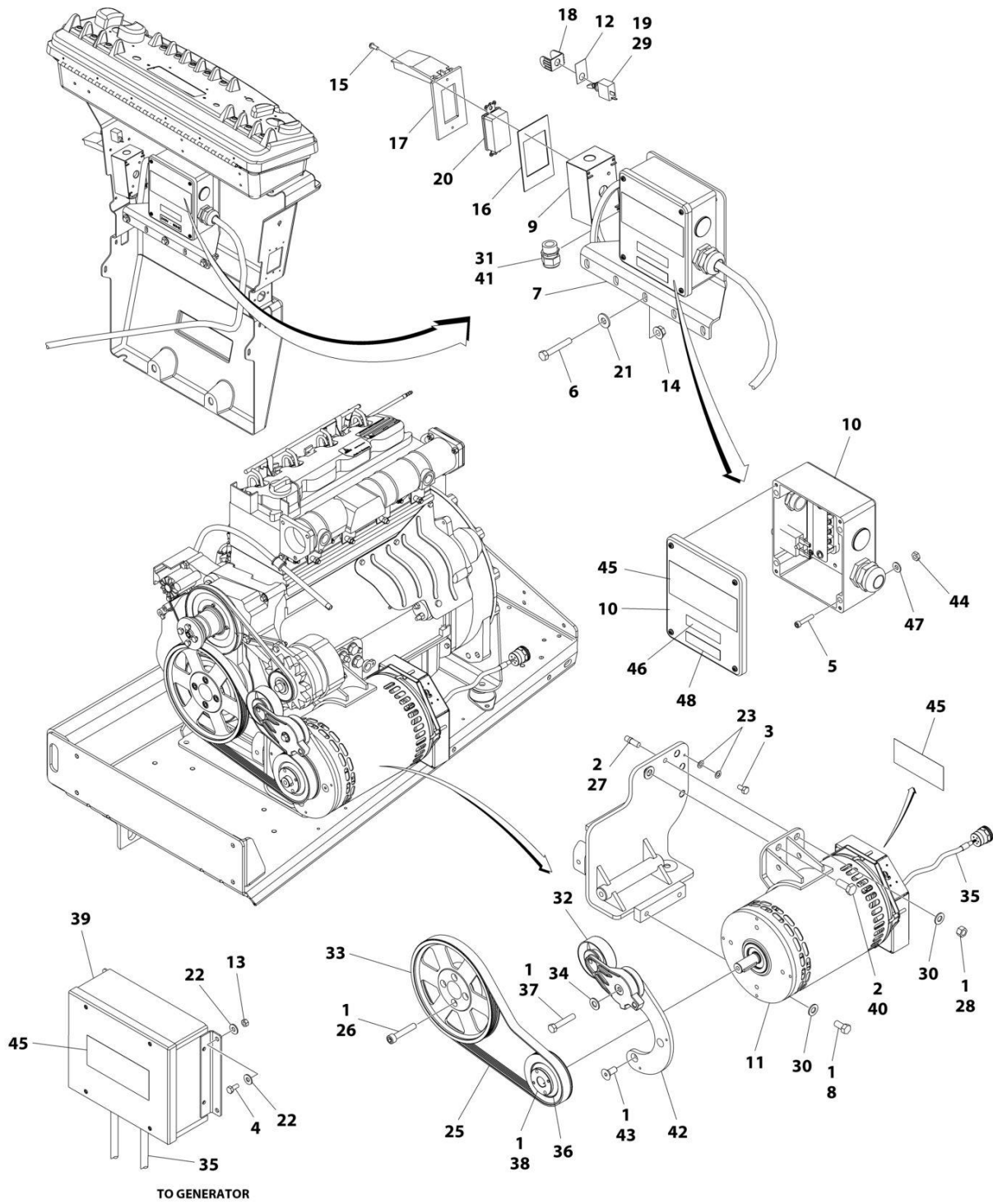
## SECTION 3 - ENGINE

ITEM	PART NUMBER	QTY	DESCRIPTION	REV
41	0641406	2	Bolt 1/4 x 3/4	
42	1001177910	1	Bracket	
43	4711400	4	Washer 1/4	
44	0641614	2	Bolt 3/8 x 1-3/4	
45	3311605	2	Nut 3/8	
46	4751600	4	Washer 3/8	
47	1001153197	1	Generator Harness (See Separate Breakdown in ELECTRICAL SECTION)	



# SECTION 3 - ENGINE

## FIGURE 3-76. 4000W/60HZ GENERATOR INSTALLATION - DEUTZ D2011 ENGINES



ART\_1001153309

## SECTION 3 - ENGINE

**FIGURE 3-76. 4000W/60HZ GENERATOR INSTALLATION - DEUTZ D2011 ENGINES**

ITEM	PART NUMBER	QTY	DESCRIPTION	REV
	1001153309	Ref	4000W/60HZ GENERATOR INSTALLATION - DEUTZ D2011 ENGINES	B
1	0100011	AR	Compound, Locking	
2	0100019	AR	Compound, Locking	
3	0641404	1	Bolt 1/4 x 1/2	
4	0641405	4	Bolt 1/4 x 5/8	
5	3931016	4	Capscrew #10 x 1	
6	0641516	3	Bolt 5/16 x 2	
7	0902888	1	Bracket	
8	0641808	2	Bolt 1/2 x 1	
9	0860038	1	Box, Receptacle	
10	1001152457	1	Junction Box Assembly	
10	3300396	1	Cover, Breaker	
10	4360070	1	Breaker, Circuit - 15Amp	
10	4460425	1	Connector, Strain Relief (LH Side)	
10	4460426	1	Connector, Strain Relief (RH Side)	
10	1001152530	1	Block, Terminal	
10	1001158363	1	Cover, Terminal Block	
10	1001153260	1	Decal - Wiring Diagram	
11	1001129858	1	Generator Assembly	
11	70003709	1	Ring, Retaining (External)	
11	70003708	1	Ring, Retaining (Internal)	
11	70001966	1	Bearing	
11	70004092	1	Endbell (Shaft End)	
11	70004171	1	Key	
11	70004676	1	Rotor	
11	70004684	1	Stator	
11	70004678	1	Endbell (Rear)	
11	70004679	1	Cover, Endbell (Rear)	
11	70004680	1	Enclosure, Wiring	
11	70004685	1	Cover, Enclosure	
11	70004682	1	Switch, Reset (Located on Enclosure Cover)	
11	70004098	1	Connector, Strain Relief (Located on Enclosure Cover)	
12	3251102	1	Nameplate - Generator	
13	3311405	4	Nut 1/4	
14	3311508	3	Nut 5/16	
15	3910606	4	Screw #6 x 3/8	
16	3960422	1	Gasket, Receptacle	
17	1001110873	1	Cover, Receptacle	
18	4060802	1	Guard, Switch	
19	4360336	1	Switch, Toggle	
20	4460346	1	Receptacle	
21	4751500	3	Washer 5/16	
22	4751400	8	Washer 1/4	
23	4791400	2	Washer 1/4	
25	0480129	1	Belt, Generator	
26	4032015	4	Capscrew M10 x 55	
27	4300157	1	Stud	
28	3311801	1	Nut 1/2	
29	2820031	AR	Heat Shrink	

## SECTION 3 - ENGINE

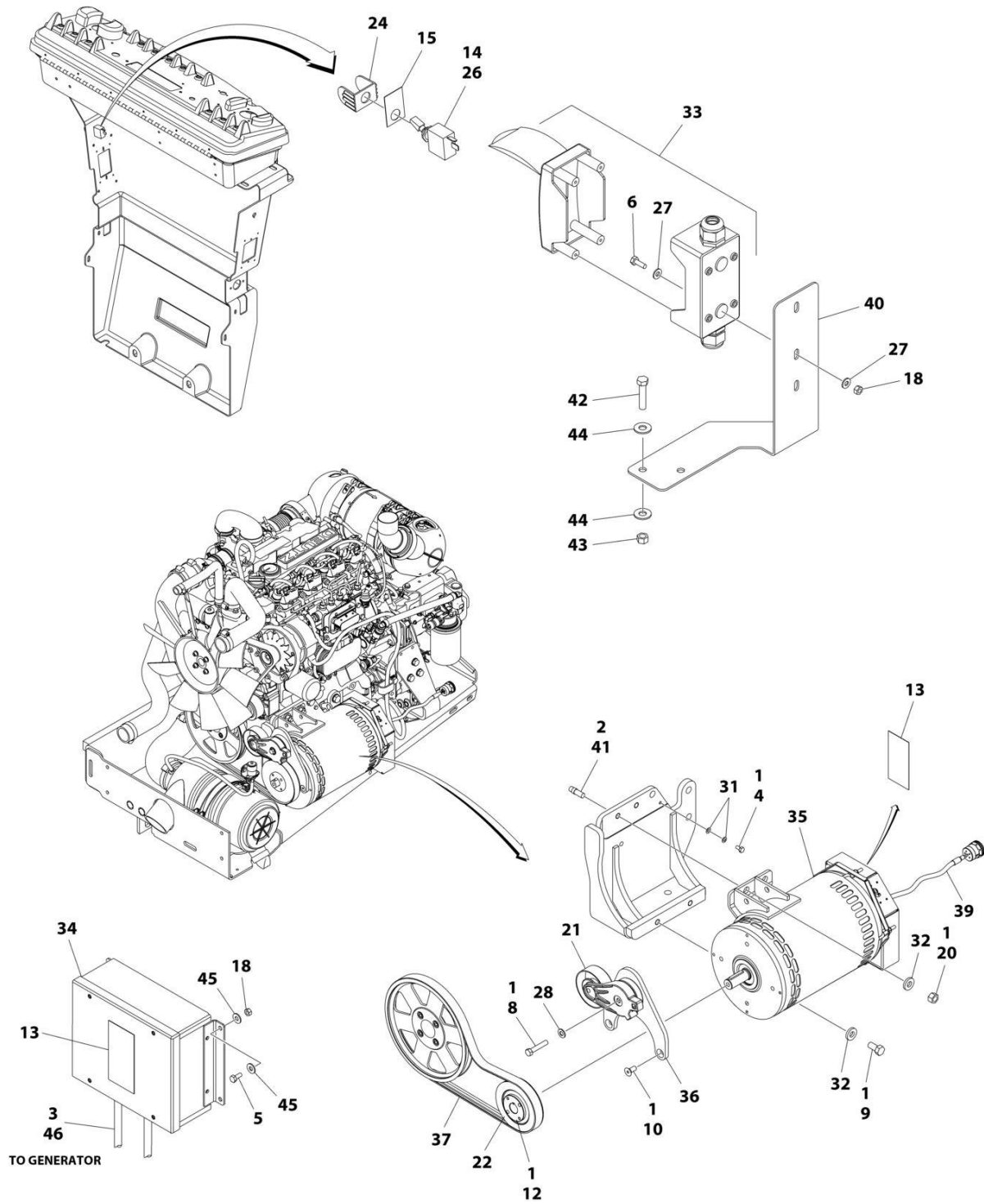
ITEM	PART NUMBER	QTY	DESCRIPTION	REV
30	4711800	3	Washer 1/2	
31	4460071	1	Connector, Strain Relief	
32	3580317	1	Pulley, Tensioner	
33	3580320	1	Pulley, Engine	
34	4711600	1	Washer 3/8	
35	1001152532	1	Harness, Generator (See Separate Breakdown in ELECTRICAL Section)	
36	3580318	1	Pulley, Generator	
37	0641616	1	Bolt 3/8 x 2	
38	0962520	1	Bushing	
39	1001138566	1	Box, Control	
39	70006552	1	Capacitor	
39	70006553	1	Relay	
40	0771415	1	Bolt M14 x 35	
41	0100020	AR	Sealant	
42	1001139357	1	Mount, Tensioner	
43	0741607	3	Screw 3/8 x 7/8	
44	3311005	4	Nut #10	
45	1705387	3	Decal - Hazardous Voltage	
46	3251243	1	Decal - 120V-60Hz	
47	4751000	4	Washer #10	
48	1705374	1	Decal - 240V-60Hz	





# SECTION 3 - ENGINE

## FIGURE 3-77. 4000W/50HZ GENERATOR INSTALLATION - DEUTZ TD2.9L4 AND DEUTZ TD2.9L4 (STAGE V) ENGINES



ART\_1001171269

## SECTION 3 - ENGINE

**FIGURE 3-77. 4000W/50HZ GENERATOR INSTALLATION - DEUTZ TD2.9L4 AND DEUTZ TD2.9L4  
(STAGE V) ENGINES**

ITEM	PART NUMBER	QTY	DESCRIPTION	REV
	1001171269	Ref	4000W/50HZ GENERATOR INSTALLATION	E
1	0100011	AR	Compound, Locking	
2	0100019	AR	Compound, Locking	
3	0100048	AR	Grease, Dielectric	
4	0641404	1	Bolt 1/4 x 1/2	
5	0641405	4	Bolt 1/4 x 5/8	
6	0641406	2	Bolt 1/4 x 3/4	
8	0641618	1	Bolt 3/8 x 2-1/4	
9	0641808	2	Bolt 1/2 x 1	
10	0741607	3	Screw 3/8 x 7/8	
12	0962520	1	Bushing, Split	
13	1705489	2	Decal - Hazardous Voltage	
14	2820031	AR	Heat Shrink	
15	3251102	1	Nameplate - Generator	
18	3311405	6	Nut 1/4	
20	3311801	2	Nut 1/2	
21	3580317	1	Tensioner, Belt with Pulley	
22	3580319	1	Pulley, Generator	
24	4060802	1	Guard, Switch	
25	4240018	AR	Tie-Strap (Not Shown)	
26	4360336	1	Switch, Toggle	
27	4711400	4	Washer 1/4	
28	4711600	1	Washer 3/8	
31	4791400	2	Washer 1/4	
32	4891800	4	Washer 1/2	
33	1001165368	1	Breaker Box Kit (See Separate Breakdown in ELECTRICAL SECTION)	
34	1001138566	1	Box, Control	
34	70006552	1	Capacitor	
34	70006553	1	Relay	
35	1001140347	1	Generator Assembly	
35	70003709	1	Ring, Retaining (External)	
35	70003708	1	Ring, Retaining (Internal)	
35	70001966	1	Bearing	
35	70004092	1	Endbell (Shaft End)	
35	70004099	1	Key	
35	70004676	1	Rotor	
35	70004686	1	Stator	
35	70004678	1	Endbell (Rear)	
35	70004679	1	Cover, Endbell (Rear)	
35	70004680	1	Enclosure, Wiring	
35	70004681	1	Cover, Enclosure (50Hz)	
35	70004682	1	Switch, Reset (Located on Enclosure Cover)	
35	70004683	1	Connector, Strain Relief (50Hz) (Located on Enclosure Cover)	
35	4460224	1	Connector - 6 Position (50Hz) (Located on Enclosure Cover)	
35	4460294	2	Pin, Male (50Hz) (Located on Enclosure Cover)	
36	1001142643	1	Support, Gen Tensioner	
37	1001142645	1	Belt, Generator (50Hz)	

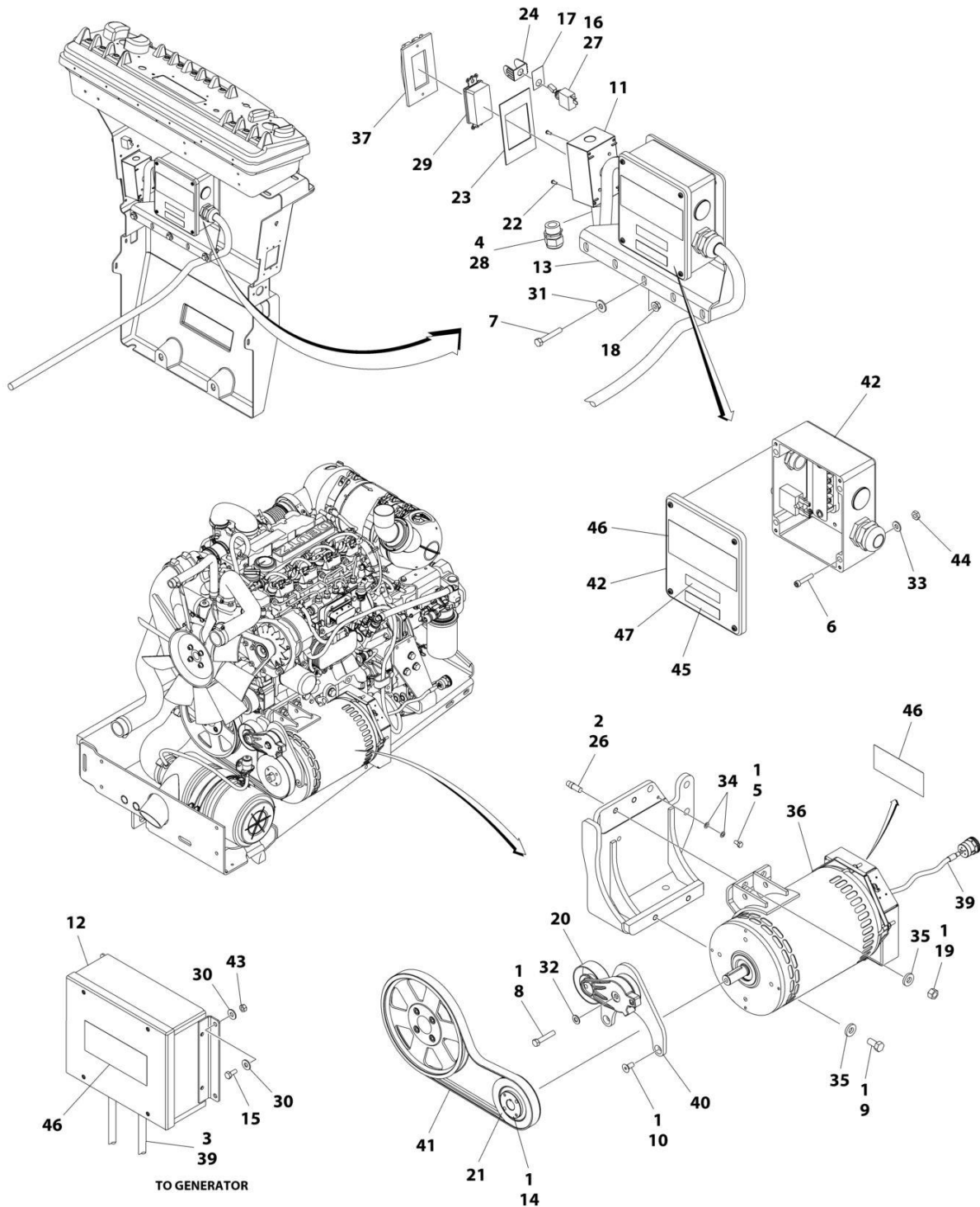
## SECTION 3 - ENGINE

ITEM	PART NUMBER	QTY	DESCRIPTION	REV
39	1001152532	1	Harness, Generator (See Separate Breakdown in ELECTRICAL Section)	
40	1001177910	1	Bracket	
41	1001163599	2	Stud	
42	0641614	2	Bolt 3/8 x 1-3/4	
43	3311605	2	Nut 3/8	
44	4751600	4	Washer 3/8	
45	4751400	8	Washer 1/4	
46	1001153259	1	Generator Harness (See Separate Breakdown in ELECTRICAL SECTION)	



# SECTION 3 - ENGINE

## FIGURE 3-78. 4000W/60HZ GENERATOR INSTALLATION - DEUTZ TD2.9L4 ENGINES



ART\_1001171127

## SECTION 3 - ENGINE

**FIGURE 3-78. 4000W/60HZ GENERATOR INSTALLATION - DEUTZ TD2.9L4 ENGINES**

ITEM	PART NUMBER	QTY	DESCRIPTION	REV
	1001171127	Ref	4000W/60HZ GENERATOR INSTALLATION - DEUTZ TD2.9L4 ENGINES	C
1	0100011	AR	Compound, Locking	
2	0100019	AR	Compound, Locking	
3	0100048	AR	Grease, Dielectric	
4	0100079	AR	Sealant	
5	0641404	1	Bolt 1/4 x 1/2	
6	3931016	4	Capscrew #10 x 1	
7	0641516	3	Bolt 5/16 x 2	
8	0641618	1	Bolt 3/8 x 2-1/4	
9	0641808	2	Bolt 1/2 x 1	
10	0741607	3	Screw 3/8 x 7/8	
11	0860038	1	Box, Switch	
12	1001138566	1	Box, Control	
12	70006552	1	Capacitor	
12	70006553	1	Relay	
13	0902888	1	Bracket, Junction Box	
14	0962520	1	Bushing, Split	
15	0641405	4	Bolt 1/4 x 5/8	
16	2820031	AR	Heat Shrink	
17	3251102	1	Nameplate - Generator	
18	3311508	3	Nut 5/16	
19	3311801	2	Nut 1/2	
20	3580317	1	Tensioner, Belt with Pulley	
21	3580318	1	Pulley, Generator	
22	3910606	4	Screw #6 x 3/8	
23	3960422	1	Gasket, AC Receptacle	
24	4060802	1	Guard, Switch	
25	4240018	AR	Tie-Strap (Not Shown)	
26	1001163599	2	Stud	
27	4360336	1	Switch, Toggle	
28	4460071	1	Connector, Strain Relief	
29	4460346	1	Receptacle	
30	4711400	AR	Washer 1/4	
31	4751500	3	Washer 5/16	
32	4711600	1	Washer 3/8	
33	4751000	4	Washer #10	
34	4791400	2	Washer 1/4	
35	4891800	4	Washer 1/2	
36	1001140346	1	Generator Assembly	
36	70003709	1	Ring, Retaining (External)	
36	70003708	1	Ring, Retaining (Internal)	
36	70001966	1	Bearing	
36	70004092	1	Endbell (Shaft End)	
36	70004099	1	Key	
36	70004676	1	Rotor	
36	70004687	1	Stator	
36	70004678	1	Endbell (Rear)	
36	70004679	1	Cover, Endbell (Rear)	
36	70004680	1	Enclosure, Wiring	

## SECTION 3 - ENGINE

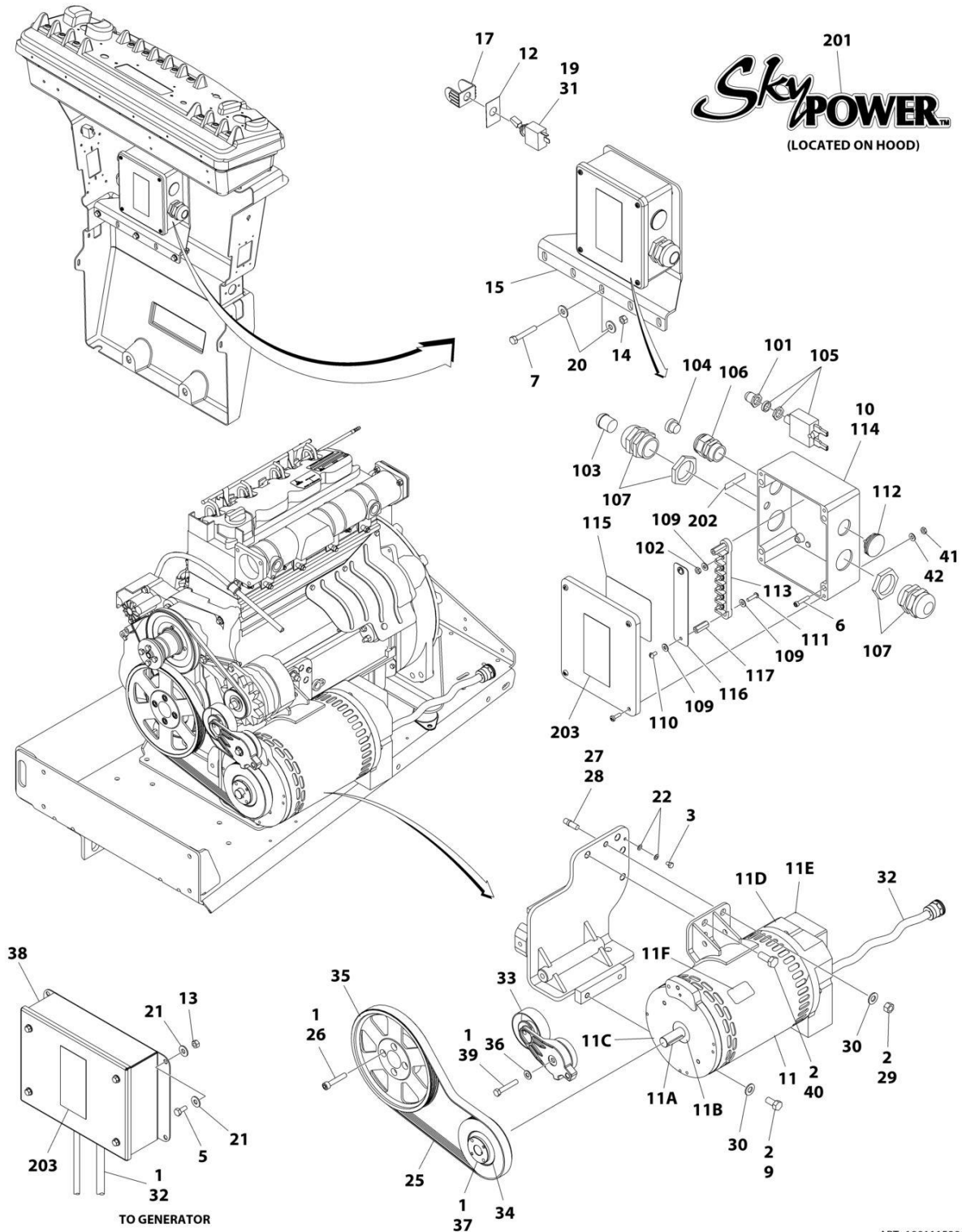
ITEM	PART NUMBER	QTY	DESCRIPTION	REV
36	70004685	1	Cover, Enclosure	
36	70004682	1	Switch, Reset (Located on Enclosure Cover)	
36	70004098	1	Connector, Strain Relief (Located on Enclosure Cover)	
37	1001110873	1	Cover, Receptacle	
39	1001152532	1	Harness, Generator	
40	1001142643	1	Support, Gen Tensioner	
41	1001142646	1	Belt, Generator	
42	1001152457	1	Junction Box Assembly	
42	3300396	1	Cover, Breaker	
42	4360070	1	Breaker, Circuit - 15Amp	
42	4460425	1	Connector, Strain Relief (LH Side)	
42	4460426	1	Connector, Strain Relief (RH Side)	
42	1001152530	1	Block, Terminal	
42	1001158363	1	Cover, Terminal Block	
42	1001153260	1	Decal - Wiring Diagram	
43	3311405	4	Nut 1/4	
44	3311005	4	Nut #10	
45	1705374	1	Decal - 240V (60Hz)	
46	1705387	3	Decal - Hazardous Voltage	
47	3251243	1	Decal - 120V-60Hz	





# SECTION 3 - ENGINE

## FIGURE 3-79. 7500W/50HZ SKYPOWER GENERATOR INSTALLATION - DEUTZ D2011 ENGINES



ART\_1001115394

## SECTION 3 - ENGINE

**FIGURE 3-79. 7500W/50HZ SKYPOWER GENERATOR INSTALLATION - DEUTZ D2011 ENGINES**

ITEM	PART NUMBER	QTY	DESCRIPTION	REV
	100115394	Ref	7500W/50HZ SKYPOWER GENERATOR INSTALLATION	F
1	0100011	AR	Compound, Locking	
2	0100019	AR	Compound, Locking	
3	0641403	1	Bolt 1/4 x 3/8	
5	0641405	4	Bolt 1/4 x 5/8	
6	3931016	4	Capscrew 3/8 x 1	
7	0641516	3	Bolt 5/16 x 2	
9	0641808	2	Bolt 1/2 x 1	
10	1001157525	1	Junction Box Assembly (See Items 101-117 for Breakdown)	
11	2460048	1	Generator Assembly	
11	70001100	1	Rotor (Includes p/n 70001384 & 70000863) (Not Shown)	
11	70001384	1	Bearing, Ball Radial (Not Shown):	
11	70000863	1	Fan (Not Shown)	
11	70002088	1	Stator (Not Shown)	
11	70002297	1	Stud	
11	70003631	1	Brushholder Assembly (Not Shown)	
11A	70004171	1	Key	
11B	70001966	1	Bearing, Ball Radial (Located in Belt Tensioner Endbell)	
11B	70003708	1	Ring, Internal Retaining (Located in Belt Tensioner Endbell)	
11B	70003709	1	Ring, External Retaining (Located in Belt Tensioner Endbell)	
11C	70001953	1	Endbell, Belt Tensioner	
11D	70004169	1	Endbell, Brush Block	
11E	70004169	1	Shroud	
11E	See Note	NSS	Insulator, Endbell (Note: Not Available for Purchase)	
11E	7027799	1	Block, Connector 6 Position (Not Shown)	
11E	70002460	1	Nut, Brass (Attaches p/n 7027799 to Cover) (Not Shown)	
11E	7024485	1	Breaker, Circuit 30Amp (Not Shown)	
11E	70001696	1	Boot, Breaker (Not Shown)	
11E	7026626	1	Connector, 6 Position (Includes Seal) (Not Shown - Plugs into Item 36)	
11E	7026597	1	Connector, with Leads (Not Shown)	
11E	7026188	1	Clamp, Cable (Not Shown)	
11E	70004169	1	Plate, End Panel	
11E	70001974	1	Decal - Terminal Connections	
11F	70001973	1	Decal - Warning Moving Parts	
12	3252764	1	Nameplate	
13	3311405	4	Nut 1/4	
14	3311505	3	Nut 5/16	
15	0902888	1	Bracket, Box Mounting	
17	4060802	1	Guard, Switch	
19	4360336	1	Switch, Toggle	
20	4711500	6	Washer 5/16	
21	4751400	8	Washer 1/4	
22	4791400	2	Washer 1/4	
25	0480126	1	Belt, Drive	
26	4032015	4	Capscrew M10 X 55	
27	4300157	1	Stud	
28	0100062	AR	Adhesive	
29	3311801	1	Nut 1/2	
30	4711800	3	Washer 1/2	

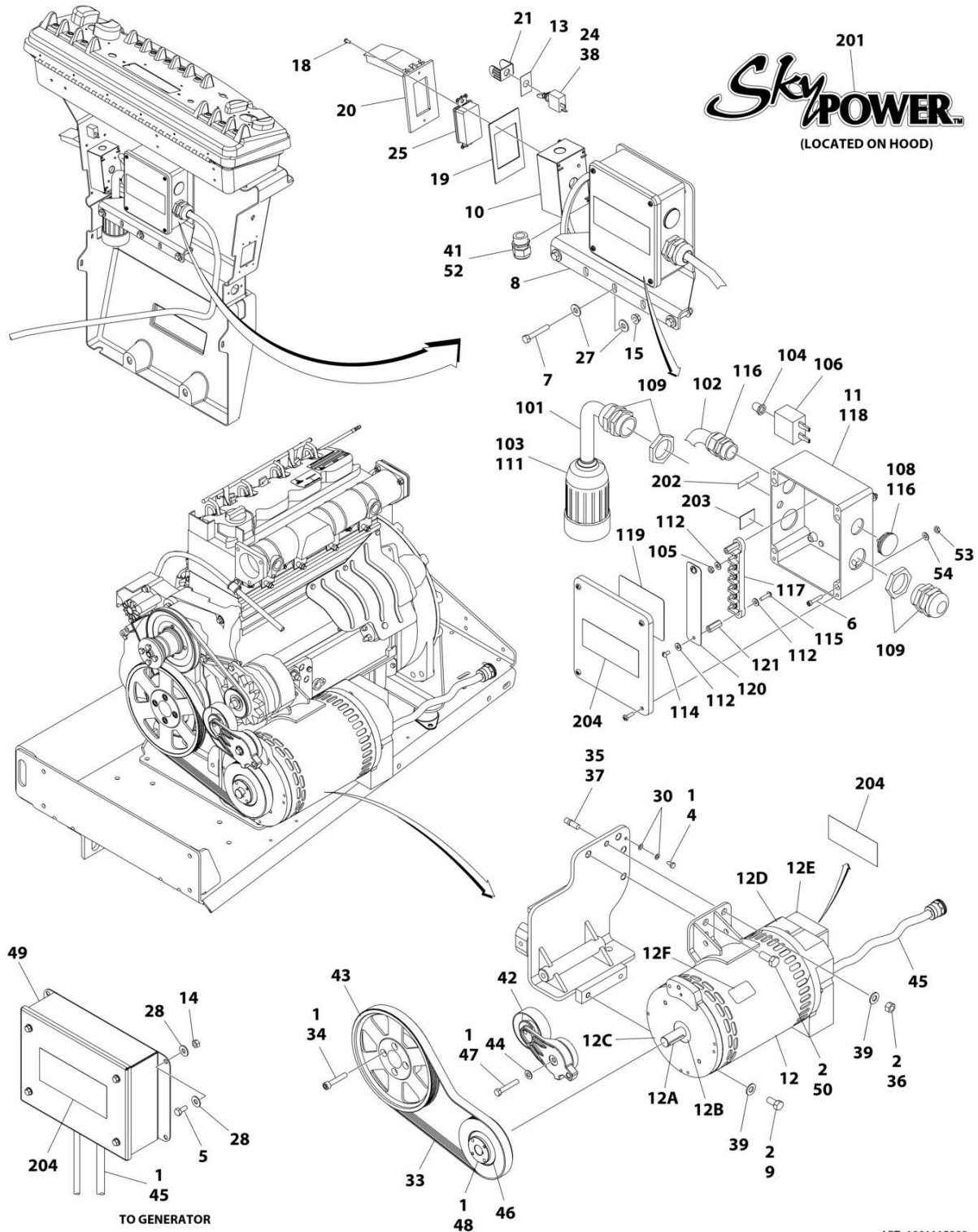
## SECTION 3 - ENGINE

ITEM	PART NUMBER	QTY	DESCRIPTION	REV
31	2820031	1	Heat Shrink	
32	4922925	1	Harness, Generator	
33	3580317	1	Tensioner, Belt with Pulley	
34	3580319	1	Pulley	
35	3580320	1	Pulley	
36	4711600	1	Washer 3/8	
37	0962520	1	Bushing, Split Taper	
38	0861572	1	Control Box Assembly	
38	7024488	1	Card, Circuit - Generator Power	
38	See Note	NSS	Fuse (Note: Not Available - Purchase Locally)	
38	7024489	1	Card, Circuit - Control	
38	70000619	1	Harness, Control Box (Internal)	
38		Ref	Note: Same Circuit Card (P/N 7024489) is used for both 60Hz & 50Hz Specs. When replacing card, rocker switch on card must be set for required application.	
39	0641618	1	Bolt 3/8 x 2-1/4	
40	0771415	1	Bolt M14 x 35 Grade 10.9	
41	3311005	4	Nut #10	
42	4751000	4	Washer #10	
	1001157525	Ref	JUNCTION BOX ASSEMBLY	B
101	3300396	1	Cover, Fuse	
102	3311001	6	Nut #10	
103	3520189	1	Plug	
104	3520192	1	Plug	
105	4360070	1	Circuit Breaker - 15Amp	
106	4460425	1	Connector, Strain Relief	
107	4460426	2	Connector, Strain Relief	
109	4711000	10	Washer, #10	
110	10702077	2	Screw #10 x 3/8	
111	10702082	2	Screw #10 x 3/4	
112	1001152525	1	Plug	
113	1001157520	1	Block, Terminal	
114	1001157521	1	Box, Junction	
115	1001157528	1	Decal - Wiring Schematic	
116	1001158007	1	Cover, PVC	
117	1001158008	2	Stand-Off	
	0272589	Ref	DECAL INSTALLATION	A
201	1705460	2	Decal - SkyPower	
202	1705461	1	Decal - 240V - 3 Phase	
203	1705489	2	Decal, Hazardous Voltage	
	1001157769	Ref	ELECTRICAL DIAGRAM COMPONENTS	B
301	1001152429	1	Generator Harness (Not Shown - See Separate Breakdown in ELECTRICAL SECTION)	
304	4922641	1	Switch Harness (Not Shown)	



# SECTION 3 - ENGINE

## FIGURE 3-80. 7500W/60HZ SKYPOWER GENERATOR INSTALLATION - DEUTZ D2011 ENGINES



ART\_1001115388

## SECTION 3 - ENGINE

**FIGURE 3-80. 7500W/60HZ SKYPOWER GENERATOR INSTALLATION - DEUTZ D2011 ENGINES**

ITEM	PART NUMBER	QTY	DESCRIPTION	REV
	1001115388	Ref	7500W SKYPOWER GENERATOR INSTALLATION	F
1	0100011	AR	Compound, Locking	
2	0100019	AR	Compound, Locking	
4	0641404	1	Bolt 1/4 x 1/2	
5	0641405	4	Bolt 1/4 x 5/8	
6	3931016	4	Capscrew 3/8 x 1	
7	0641516	3	Bolt 5/16 x 2	
8	0902888	1	Bracket, Box Mounting	
9	0641808	2	Bolt 1/2 x 1	
10	0860038	1	Box, Switch	
11	1001157592	1	Junction Box Assembly (See Items 101-121 for Breakdown)	
12	2460048	1	Generator Assembly	
12	70001100	1	Rotor (Includes p/n 70001384 & 70000863) (Not Shown)	
12	70001384	1	Bearing, Ball Radial (Not Shown):	
12	70000863	1	Fan (Not Shown)	
12	70002088	1	Stator (Not Shown)	
12	70002297	1	Stud	
12	70003631	1	Brushholder Assembly (Not Shown)	
12A	70004171	1	Key	
12B	70001966	1	Bearing, Ball Radial (Located in Belt Tensioner Endbell)	
12B	70003708	1	Ring, Internal Retaining (Located in Belt Tensioner Endbell)	
12B	70003709	1	Ring, External Retaining (Located in Belt Tensioner Endbell)	
12C	70001953	1	Endbell, Belt Tensioner	
12D	70004169	1	Endbell, Brush Block	
12E	70004169	1	Shroud	
12E	See Note	NSS	Insulator, Endbell (Note: Not Available for Purchase)	
12E	7027799	1	Block, Connector 6 Position (Not Shown)	
12E	70002460	1	Nut, Brass (Attaches p/n 7027799 to Cover) (Not Shown)	
12E	7024485	1	Breaker, Circuit 30Amp (Not Shown)	
12E	70001696	1	Boot, Breaker (Not Shown)	
12E	7026626	1	Connector, 6 Position (Includes Seal) (Not Shown - Plugs into Item 36)	
12E	7026597	1	Connector, with Leads (Not Shown)	
12E	7026188	1	Clamp, Cable (Not Shown)	
12E	70004169	1	Plate, End Panel	
12E	70001974	1	Decal - Terminal Connections	
12F	70001973	1	Decal - Warning Moving Parts	
13	3252764	1	Nameplate	
14	3311405	4	Nut 1/4	
15	3311508	3	Nut, Flange 5/16	
18	3910606	4	Screw #6 x 3/8	
19	3960422	1	Gasket	
20	1001110873	1	Cover, Receptacle	
21	4060802	1	Guard, Switch	
24	4360336	1	Switch, Toggle	
25	4460346	1	Receptacle, Female (110-120V)	
27	4751500	3	Washer 5/16	
28	4751400	8	Washer 1/4	
30	4791400	2	Washer 1/4	
33	0480129	1	Belt, Drive	

## SECTION 3 - ENGINE

ITEM	PART NUMBER	QTY	DESCRIPTION	REV
34	4032015	4	Capscrew M10 x 55	
35	4300157	1	Stud	
36	3311801	1	Nut 1/2	
37	0100062	AR	Adhesive	
38	2820031	1	Heat Shrink	
39	4711800	3	Washer 1/2	
41	4460071	1	Connector, Strain Relief	
42	3580317	1	Tensioner, Belt with Pulley	
43	3580320	1	Pulley	
44	4711600	1	Washer 3/8	
45	4922925	1	Harness, Generator	
46	3580318	1	Pulley	
47	0641618	1	Bolt 3/8 x 2-1/4	
48	0962520	1	Bushing, Split Taper	
49	0861538	1	Control Box Assembly	
49	7024488	1	Card, Circuit - Generator Power	
49	See Note	1	Fuse (Note: Not Available - Purchase Locally)	
49	70000619	1	Harness, Control Box (Internal)	
49	7024489	1	Card, Circuit - Control	
49		Ref	Note: Same Circuit Card (P/N 7024489) is used for both 60Hz & 50Hz Specs. When replacing card, rocker switch on card must be set for required application.	
50	0771415	1	Bolt M14 x 35 Grade 10.9	
52	0100020	AR	Sealant	
53	3311005	4	Nut #10	
54	4751000	4	Washer #10	
	1001157592	Ref	JUNCTION BOX ASSEMBLY	
101	1060343	1.5 ft /.46m	Cable, Electrical 10/4	
102	1001179154	2.5 ft /76cm	Cable, Electrical 12/3	
103	1671092	1	Cover	
104	3300396	1	Cover, Fuse	
105	3311001	6	Nut #10	
106	4360070	1	Circuit Breaker - 15Amp	
108	4460425	1	Connector, Strain Relief	
109	4460426	2	Connector, Strain Relief	
111	4460963	1	Connector	
112	4711000	10	Washer, #10	
114	10702077	2	Screw #10 x 3/8	
115	10702082	2	Screw #10 x 3/4	
116	1001152525	1	Plug	
117	1001157520	1	Block, Terminal	
118	1001157521	1	Box, Junction	
119	1001157528	1	Decal - Wiring Schematic	
120	1001158007	1	Cover, PVC	
121	1001158008	2	Stand-Off	
	0272435	Ref	DECAL INSTALLATION	D
201	1705460	2	Decal - SkyPower	
202	3251243	1	Decal - 120V - 60Hz (60Hz Spec Only) (Not Shown - Located at Platform Receptacle)	
203	1705375	1	Decal - 240V - 3 Phase	

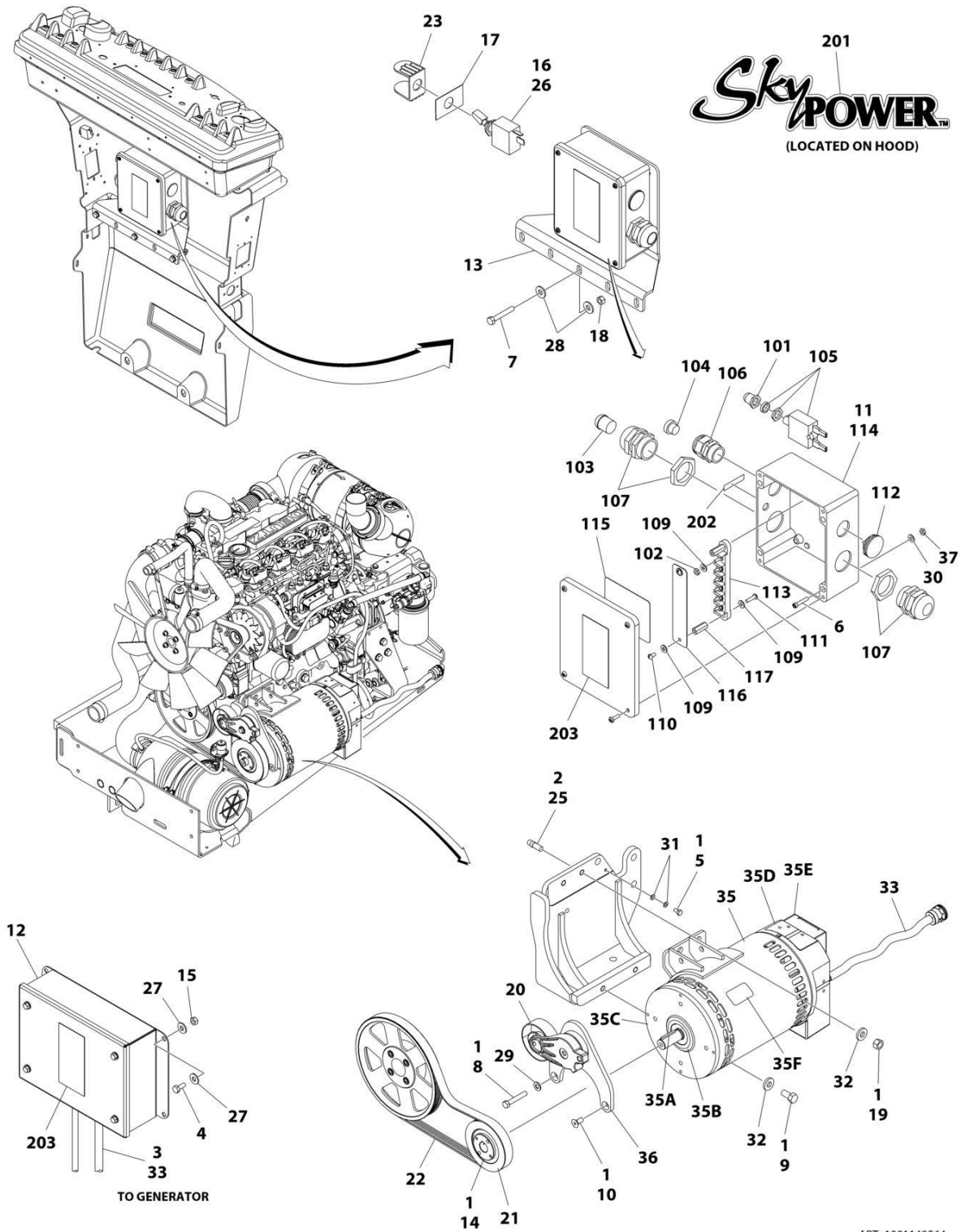


## SECTION 3 - ENGINE

ITEM	PART NUMBER	QTY	DESCRIPTION	REV
204	1705387	3	Decal, Hazardous Voltage	B
	1001157769	Ref	ELECTRICAL DIAGRAM COMPONENTS	
301	1001152429	1	Generator Harness (Not Shown - See Separate Breakdown in ELECTRICAL SECTION)	
304	4922641	1	Switch Harness (Not Shown)	

# SECTION 3 - ENGINE

FIGURE 3-81. 7500W/50HZ SKYPOWER GENERATOR INSTALLATION - DEUTZ TD2.9L4 AND DEUTZ TD2.9L4 (STAGE V) ENGINES



ART\_1001148564

## SECTION 3 - ENGINE

**FIGURE 3-81. 7500W/50HZ SKYPOWER GENERATOR INSTALLATION - DEUTZ TD2.9L4 AND DEUTZ TD2.9L4 (STAGE V) ENGINES**

ITEM	PART NUMBER	QTY	DESCRIPTION	REV
	1001148564	Ref	7500W SKYPOWER GENERATOR INSTALLATION	F
1	0100011	AR	Compound, Locking	
2	0100019	AR	Compound, Locking	
3	0100048	AR	Compound, Silicone	
4	0641405	4	Bolt 1/4 x 5/8	
5	0641404	1	Bolt 1/4 x 1/2	
6	3931016	4	Capscrew 3/8 x 1	
7	0641516	3	Bolt 5/16 x 2	
8	0641618	1	Bolt 3/8 x 2-1/4	
9	0641808	2	Bolt 1/2 x 1	
10	0741607	3	Screw 3/8 x 7/8	
11	1001157525	1	Junction Box Assembly (See Items 101-117 for Breakdown)	
12	0861572	1	Control Box Assembly	
12	7024488	1	Card, Circuit - Generator Power	
12	See Note	NSS	Fuse (Note: Not Available - Purchase Locally)	
12	7024489	1	Card, Circuit - Control	
12	70000619	1	Harness, Control Box (Internal)	
		Ref	Note: Same Circuit Card (P/N 7024489) is used for both 60Hz and 50Hz. When replacing card, rocker switch on card must be set for required application.	
13	0902888	1	Bracket, Box Mounting	
14	0962520	1	Bushing, Split Taper	
15	3311405	4	Nut 1/4	
16	2820031	1	Heat Shrink	
17	3252764	1	Nameplate	
18	3311505	3	Nut 5/16	
19	3311801	2	Nut 1/2	
20	3580317	1	Tensioner, Belt with Pulley	
21	3580319	1	Pulley	
22	1001142645	1	Belt, Drive	
23	4060802	1	Guard, Switch	
24	4240018	AR	Tie-Strap (Not Shown)	
25	1001163599	2	Stud	
26	4360336	1	Switch, Toggle	
27	4751400	8	Washer 1/4	
28	4711500	6	Washer 5/16	
29	4711600	1	Washer 3/8	
30	4751000	4	Washer #10	
31	4791400	2	Washer 1/4	
32	4891800	4	Washer 1/2 Hardened	
33	4922925	1	Harness, Generator	
35	1001212223	Ref	Generator Assembly	
35	70001100	1	Rotor (Includes p/n 70001384 & 70000863) (Not Shown)	
35	70001384	1	Bearing, Ball Radial (Not Shown):	
35	70000863	1	Fan (Not Shown)	
35	70006093	1	Stator (Not Shown)	
35	70002297	1	Stud	
35	70003631	1	Brushholder Assembly (Not Shown)	
35A	70004099	1	Key	

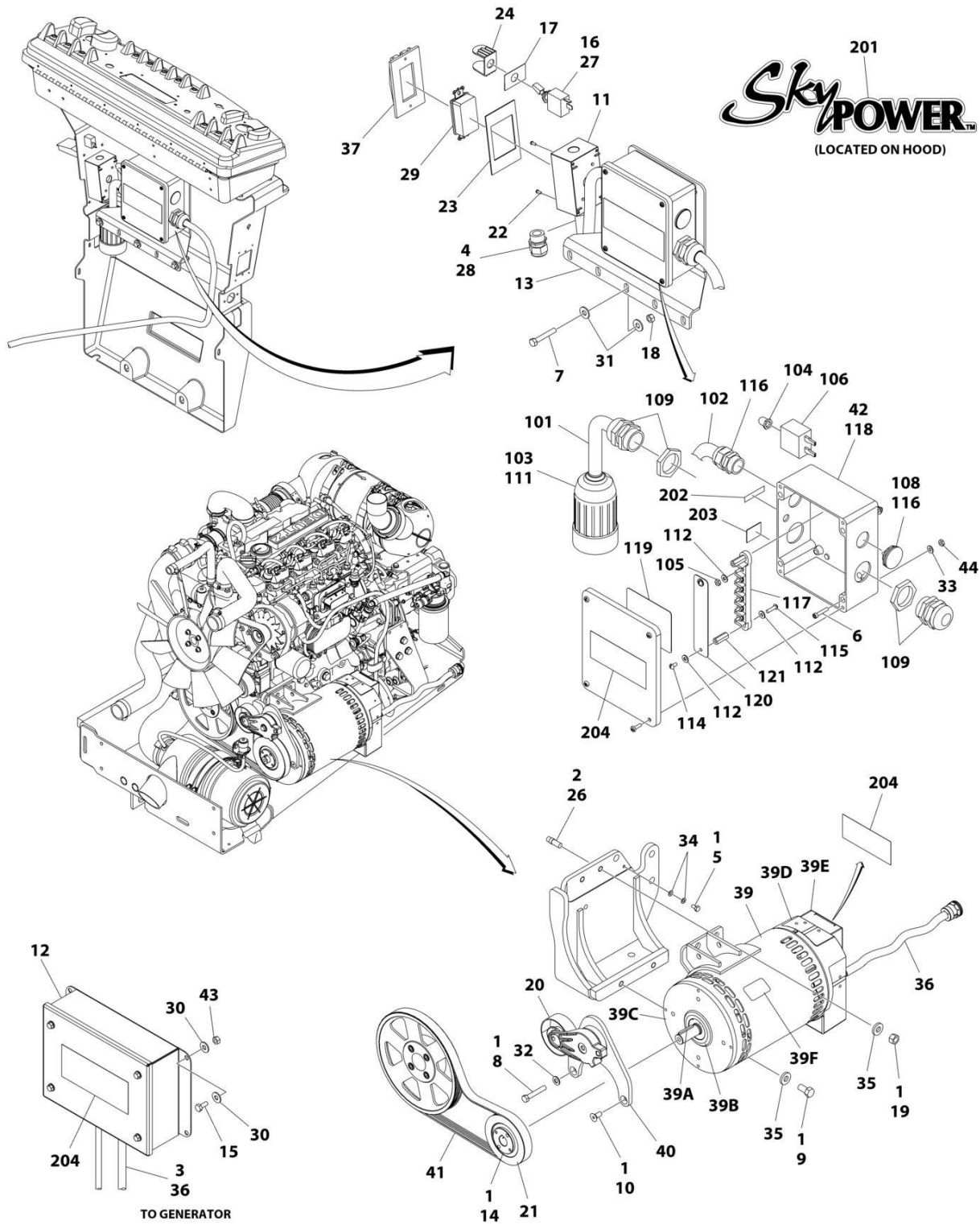
## SECTION 3 - ENGINE

ITEM	PART NUMBER	QTY	DESCRIPTION	REV
35B	70001966	1	Bearing, Ball Radial (Located in Belt Tensioner Endbell)	
35B	70003708	1	Ring, Internal Retaining (Located in Belt Tensioner Endbell)	
35B	70003709	1	Ring, External Retaining (Located in Belt Tensioner Endbell)	
35C	70004092	1	Endbell, Belt Tensioner	
35D	70004094	1	Endbell, Brush Block	
35E	70006094	1	Shroud	
35E	70002291	1	Insulator, Endbell	
35E	7027799	1	Block, Connector 6 Position (Not Shown)	
35E	70002460	1	Nut, Brass (Attaches p/n 7027799 to Cover) (Not Shown)	
35E	70006095	1	Breaker, Circuit 30Amp (Not Shown)	
35E	70006096	1	Boot, Breaker Options (Not Shown):	
35E	7026626	1	Connector, 6 Position (Includes Seal) (Not Shown - Plugs into Item 36)	
35E	7026597	1	Connector, with Leads (Not Shown)	
35E	70004098	1	Clamp, Cable (Not Shown)	
35E	70006097	1	Plate, End Panel	
35E	70001974	1	Decal - Terminal Connections	
35F	70001973	1	Decal - Warning Moving Parts	
36	1001142643	1	Support	
37	3311005	4	Nut #10	
	1001157525	Ref	JUNCTION BOX ASSEMBLY	B
101	3300396	1	Cover, Fuse	
102	3311001	6	Nut #10	
103	3520189	1	Plug	
104	3520192	1	Plug	
105	4360070	1	Circuit Breaker - 15Amp	
106	4460425	1	Connector, Strain Relief	
107	4460426	2	Connector, Strain Relief	
109	4711000	10	Washer, #10	
110	10702077	2	Screw #10 x 3/8	
111	10702082	2	Screw #10 x 3/4	
112	1001152525	1	Plug	
113	1001157520	1	Block, Terminal	
114	1001157521	1	Box, Junction	
115	1001157528	1	Decal - Wiring Schematic	
116	1001158007	1	Cover, PVC	
117	1001158008	2	Stand-Off	
	0272589	Ref	DECAL INSTALLATION	A
201	1705460	2	Decal - SkyPower	
203	1705461	1	Decal - 240V - 3 Phase	
204	1705489	2	Decal, Hazardous Voltage	
	1001157770	Ref	ELECTRICAL DIAGRAM COMPONENTS	A
301	1001119968	1	Generator Harness (Not Shown - See Separate Breakdown in ELECTRICAL SECTION)	
304	4922641	1	Switch Harness (Not Shown)	



# SECTION 3 - ENGINE

FIGURE 3-82. 7500W/60HZ SKYPOWER GENERATOR INSTALLATION - DEUTZ TD2.9L4 AND DEUTZ TD2.9L4 (STAGE V) ENGINES



ART\_1001148563

## SECTION 3 - ENGINE

**FIGURE 3-82. 7500W/60HZ SKYPOWER GENERATOR INSTALLATION - DEUTZ TD2.9L4 AND DEUTZ TD2.9L4 (STAGE V) ENGINES**

ITEM	PART NUMBER	QTY	DESCRIPTION	REV
	1001148563	Ref	7500W SKYPOWER GENERATOR INSTALLATION	F
1	0100011	AR	Compound, Locking	
2	0100019	AR	Compound, Locking	
3	0100048	AR	Compound, Silicone	
4	0100079	AR	Sealant	
5	0641404	1	Bolt 1/4 x 1/2	
6	3931016	4	Capscrew 3/8 x 1	
7	0641516	3	Bolt 5/16 x 2	
8	0641618	1	Bolt 3/8 x 2-1/4	
9	0641808	2	Bolt 1/2 x 1	
10	0741607	3	Screw 3/8 x 7/8	
11	0860038	1	Box, Switch	
12	0861538	1	Control Box Assembly	
12	7024488	1	Card, Circuit - Generator Power	
12	See Note	1	Fuse (Note: Not Available - Purchase Locally)	
12	70000619	1	Harness, Control Box (Internal)	
12	7024489	1	Card, Circuit - Control	
12		Ref	Note: Same Circuit Card (P/N 7024489) is used for both 60Hz & 50Hz Specs. When replacing card, rocker switch on card must be set for required application.	
13	0902888	1	Bracket, Box Mounting	
14	0962520	1	Bushing, Split Taper	
15	0641405	4	Bolt 1/4 x 5/8	
16	2820031	1	Heat Shrink	
17	3252764	1	Nameplate	
18	3311505	3	Nut 5/16	
19	3311801	2	Nut 1/2	
20	3580317	1	Tensioner, Belt with Pulley	
21	3580318	1	Pulley	
22	3910606	4	Screw #6 x 3/8	
23	3960422	1	Gasket	
24	4060802	1	Guard, Switch	
25	4240018	AR	Tie-Strap (Not Shown)	
26	1001163599	2	Stud	
27	4360336	1	Switch, Toggle	
28	4460071	1	Connector, Strain Relief	
29	4460346	1	Receptacle, Female (110-120V)	
30	4711400	8	Washer 1/4	
31	4711500	6	Washer 5/16	
32	4711600	1	Washer 3/8	
33	4751000	4	Washer #10	
34	4791400	2	Washer 1/4	
35	4891800	4	Washer 1/2 Hardened	
36	4922925	1	Harness, Generator	
37	1001110873	1	Cover, Receptacle	
39	1001212223	Ref	Generator Assembly	
39	70001100	1	Rotor (Includes p/n 70001384 & 70000863) (Not Shown)	
39	70001384	1	Bearing, Ball Radial (Not Shown):	
39	70000863	1	Fan (Not Shown)	

## SECTION 3 - ENGINE

ITEM	PART NUMBER	QTY	DESCRIPTION	REV
39	70006093	1	Stator (Not Shown)	
39	70002297	1	Stud	
39	70003631	1	Brush holder Assembly (Not Shown)	
39A	70004099	1	Key	
39B	70001966	1	Bearing, Ball Radial (Located in Belt Tensioner Endbell)	
39B	70003708	1	Ring, Internal Retaining (Located in Belt Tensioner Endbell)	
39B	70003709	1	Ring, External Retaining (Located in Belt Tensioner Endbell)	
39C	70004092	1	Endbell, Belt Tensioner	
39D	70004094	1	Endbell, Brush Block	
39E	70006094	1	Shroud	
39E	70002291	1	Insulator, Endbell	
39E	7027799	1	Block, Connector 6 Position (Not Shown)	
39E	70002460	1	Nut, Brass (Attaches p/n 7027799 to Cover) (Not Shown)	
39E	70006095	1	Breaker, Circuit 30Amp (Not Shown)	
39E	70006096	1	Boot, Breaker Options (Not Shown):	
39E	7026626	1	Connector, 6 Position (Includes Seal) (Not Shown - Plugs into Item 36)	
39E	7026597	1	Connector, with Leads (Not Shown)	
39E	70004098	1	Clamp, Cable (Not Shown)	
39E	70006097	1	Plate, End Panel	
39E	70001974	1	Decal - Terminal Connections	
39F	70001973	1	Decal - Warning Moving Parts	
40	1001142643	1	Support	
41	1001142646	1	Belt, Drive	
42	1001157592	1	Junction Box Assembly (See Items 101-121 for Breakdown)	
43	3311405	4	Nut 1/4	
44	3311005	4	Nut #10	
	1001157592	Ref	JUNCTION BOX ASSEMBLY	D
101	1060343	1.5 ft /.46m	Cable, Electrical 10/4	
102	1001179154	2.5 ft /76cm	Cable, Electrical 12/3	
103	1671092	1	Cover	
104	3300396	1	Cover, Fuse	
105	3311001	6	Nut #10	
106	4360070	1	Circuit Breaker - 15Amp	
108	4460425	1	Connector, Strain Relief	
109	4460426	2	Connector, Strain Relief	
111	4460963	1	Connector	
112	4711000	10	Washer, #10	
114	10702077	2	Screw #10 x 3/8	
115	10702082	2	Screw #10 x 3/4	
116	1001152525	1	Plug	
117	1001157520	1	Block, Terminal	
118	1001157521	1	Box, Junction	
119	1001157528	1	Decal - Wiring Schematic	
120	1001158007	1	Cover, PVC	
121	1001158008	2	Stand-Off	
	0272435	Ref	DECAL INSTALLATION	D
201	1705460	2	Decal - SkyPower	
202	3251243	1	Decal - 120V - 60Hz (60Hz Spec Only) (Not Shown - Located at Platform Receptacle)	

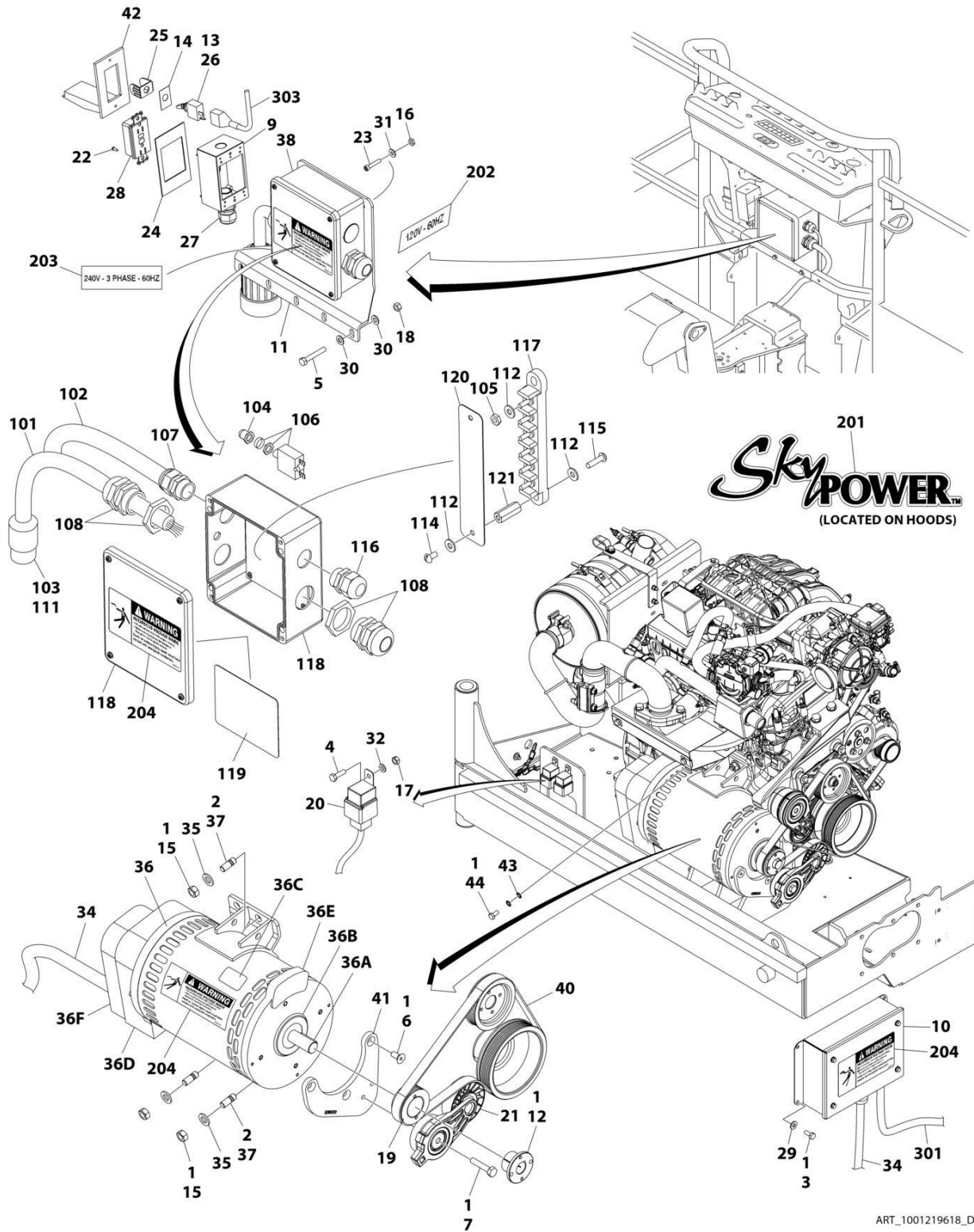


## SECTION 3 - ENGINE

ITEM	PART NUMBER	QTY	DESCRIPTION	REV
203	1705375	1	Decal - 240V - 3 Phase	A
204	1705387	3	Decal, Hazardous Voltage	
	1001157770	Ref	ELECTRICAL DIAGRAM COMPONENTS	
301	1001119968	1	Generator Harness (Not Shown - See Separate Breakdown in ELECTRICAL SECTION)	
303	4922641	1	Switch Harness (Not Shown)	

# SECTION 3 - ENGINE

## FIGURE 3-83. 7500W/60HZ SKYPOWER GENERATOR INSTALLATION - FORD DF 2.5L ENGINES



ART\_1001219618\_D

## SECTION 3 - ENGINE

**FIGURE 3-83. 7500W/60HZ SKYPOWER GENERATOR INSTALLATION - FORD DF 2.5L ENGINES**

ITEM	PART NUMBER	QTY	DESCRIPTION	REV
	1001219618	Ref	7500W SKYPOWER GENERATOR INSTALLATION - FORD ENGINES	D
		Ref	Note: See ELECTRICAL SECTION for Boom Cable Components.	
1	0100011	AR	Compound, Locking	
2	0100019	AR	Compound, Locking	
3	0641405	4	Bolt 1/4 x 5/8	
4	0760610	2	Bolt M6 x 20	
5	0641516	3	Bolt 5/16 x 2	
6	0741607	3	Screw 3/8 x 7/8	
7	0761018	1	Bolt M10 x 50	
9	0860038	1	Box, Switch	
10	0861538	1	Control Box Assembly	
10	7024488	1	Card, Circuit - Generator Power	
10	See Note	1	Fuse (Note: Not Available - Purchase Locally)	
10	7024489	1	Card, Circuit - Control	
10	70000619	1	Harness, Circuit Card	
11	0902888	1	Bracket, Box Mounting	
12	0962520	1	Bushing, Split Taper	
13	2820031	1	Heat Shrink	
14	3252764	1	Nameplate - AC & Weld	
15	3291201	4	Nut M12	
16	3311005	4	Nut #10	
17	3290601	2	Nut M6	
18	3311505	3	Nut 5/16	
19	3580314	1	Pulley	
20	3740080	2	Relay	
21	3580317	1	Tensioner, Belt	
22	3910606	2	Screw #6 x 3/8	
23	3931016	4	Capscrew #10 x 1	
24	3960422	1	Gasket	
25	4060802	1	Guard, Switch	
26	4360336	1	Switch, Toggle	
27	4460071	1	Connector, Strain Relief	
28	4460346	1	Receptacle	
29	4711400	4	Washer 1/4	
30	4711500	6	Washer 5/16	
31	4751000	4	Washer #10	
32	4811700	2	Washer M6	
34	4922925	1	Harness, Generator	
35	5241200	4	Washer M12	
36	1001136104	1	Generator Assembly	
36	70003631	1	Brushholder Assembly (Not Shown) (was p/n 7024484)	
36	7024485	1	Breaker, Circuit 30Amp (Not Shown)	
36	70001696	1	Boot, Breaker (was p/n 7024486 - Not Shown)	
36	70001966	1	Bearing, Ball Radial (Located In Belt Tensioner Endbell - Not Shown)	
36	7027799	1	Block, Connector 6 Position (Not Shown)	
36	70002460	6	Nut, Brass (Attaches p/n 7027799 to Cover) (Not Shown)	
36	7026188	1	Clamp, Cable (Not Shown)	
36	7026597	1	Connector, W/Leads (Not Shown)	

## SECTION 3 - ENGINE

ITEM	PART NUMBER	QTY	DESCRIPTION	REV
36	7026626	1	Connector - 6 Position with Seal (Not Shown)	
36	70002088	1	Stator (Not Shown)	
36	70004169	1	Panel, End (Not Shown) (was p/n 70002255)	
36	70001974	1	Decal - Terminal Connections (Not Shown)	
36	70000863	1	Fan (Not Shown)	
36	70002297	4	Stud (Not Shown)	
36A	70004171	1	Key (was p/n 7024561)	
36A	70001100	1	Armature, Generator (Includes Radial Ball Bearing on End with Brushes and Fan)	
36A	70001384	1	Bearing, Ball Radial	
36B	70001966	1	Bearing, Radial Ball	
36B	70003708	1	Ring, Internal Retaining (Located in Belt Tensioner Endbell)	
36B	70003709	1	Ring, External Retaining (Located in Belt Tensioner Endbell)	
36C	70001973	1	Decal - Warning Moving Parts	
36D	70004169	1	Endbell, Brush Block (was p/n 70001385)	
36E	70001953	1	Endbell, Belt Tensioner	
36F	70004169	1	Endbell, Shroud Assembly (was p/n 70002290)	
37	1001196382	4	Stud	
38	1001157592	1	Junction Box Assembly (See Items 101-121 for Breakdown)	
40	1001216390	1	V-Belt	
41	1001218930	1	Mount, Tensioner	
42	1001110873	1	Cover, Receptacle	
43	4871700	2	Washer M6	
44	0760606	1	Bolt M6 x 12	
	1001157592	Ref	JUNCTION BOX ASSEMBLY	C
101	1060343	1.5 ft /0.46m	Cable, Electrical - 10/4 (60Hz Only)	
102	1001179154	2.5 ft /0.76m	Cable Electrical - 12/3	
103	1671092	1	Cover, Connector	
104	3300396	1	Cover, Fuse	
105	3311001	6	Nut #10	
106	4360070	1	Breaker, Circuit 15Amp	
107	4460425	1	Connector, Strain Relief	
108	4460426	2	Connector, Strain Relief	
111	4460963	1	Receptacle	
112	4711000	10	Washer #10	
114	10702077	2	Screw #10 x 3/8	
115	10702082	2	Screw #10 x 3/4	
116	1001152525	1	Plug, Hole	
117	1001157520	1	Block, Terminal Pole	
118	1001157521	1	Box, Junction	
119	1001157528	1	Decal - Box Junction	
120	1001158007	1	Cover	
121	1001158008	2	Standoff	
	0272435	Ref	DECAL INSTALLATION	D
201	1705460	2	Decal - SkyPower	
202	3251243	1	Decal - 120V - 60Hz (60Hz Spec Only) (Located on Opposite Side)	
203	1705375	1	Decal - 240V - 3 Phase	
204	1705387	3	Decal, Hazardous Voltage	
	1001221498	Ref	ELECTRICAL DIAGRAM COMPONENTS	B

## SECTION 3 - ENGINE

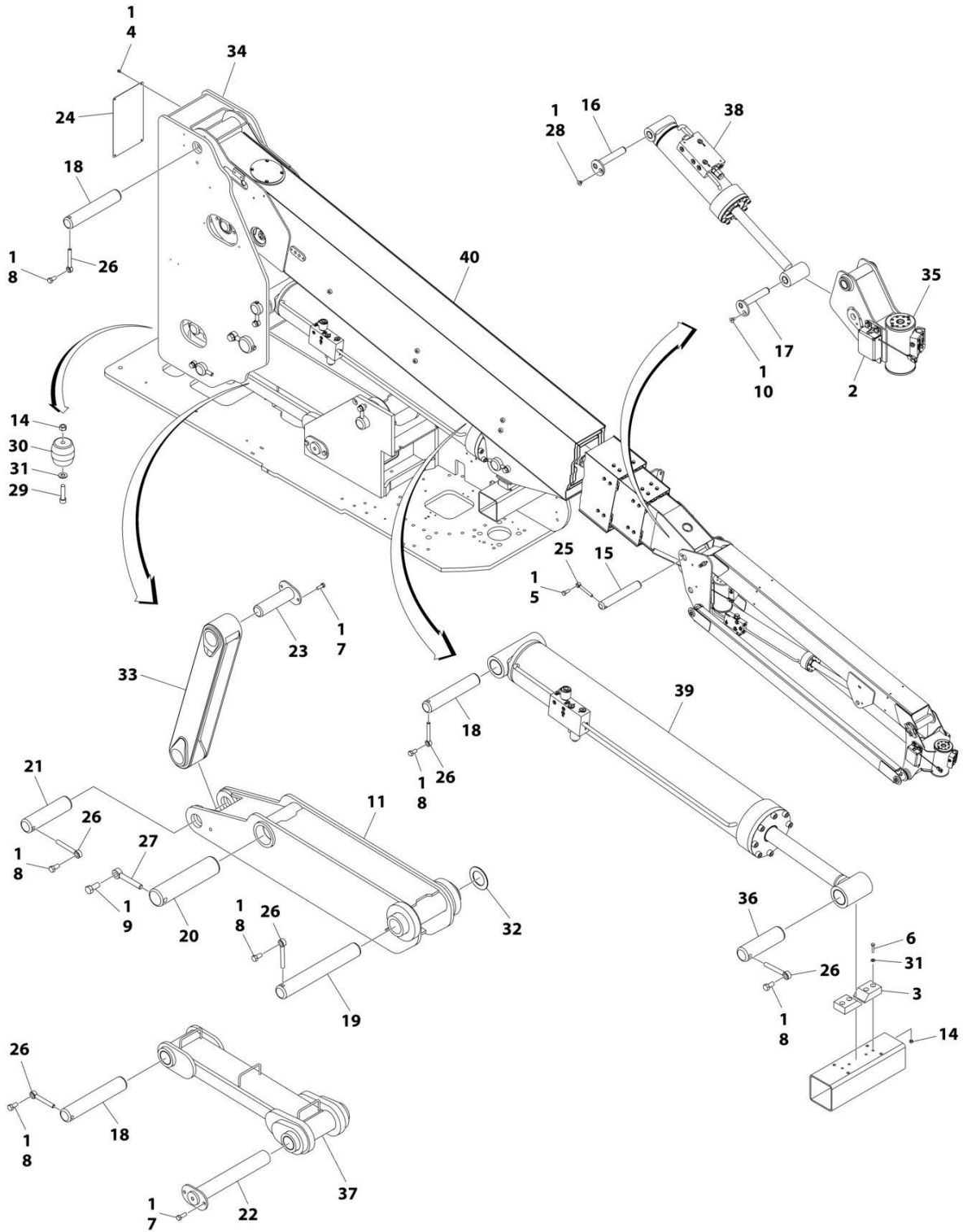
ITEM	PART NUMBER	QTY	DESCRIPTION	REV
301	1001257972	1	Generator to Engine Harness (See Separate Breakdown in ELECTRICAL SECTION)	
303	4922641	1	Generator On/Off Switch Harness	



**SECTION 4 - BOOM**

# SECTION 4 - BOOM

## FIGURE 4-1. BOOMS AND CYLINDERS INSTALLATION (800S)



ART\_1001254011\_C



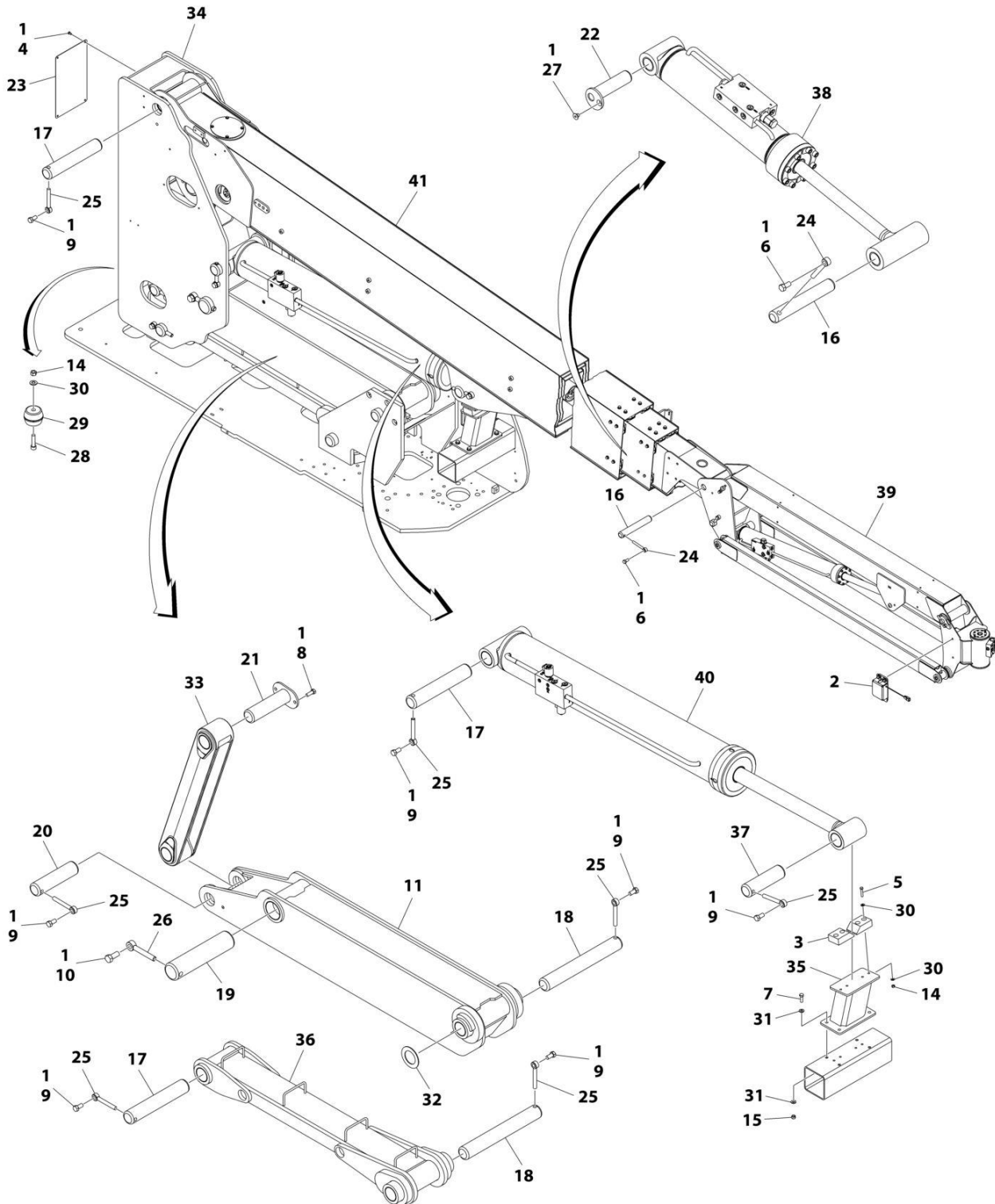
## SECTION 4 - BOOM

**FIGURE 4-1. BOOMS AND CYLINDERS INSTALLATION (800S)**

ITEM	PART NUMBER	QTY	DESCRIPTION	REV
	1001254011	Ref	BOOMS AND CYLINDERS INSTALLATION	C
1	0100011	AR	Compound, Locking	
2	0273695	1	Platform Level Sensor Switch Assembly (See Separate Breakdown in this Section)	
3	0561380	2	Block, Boom Rest	
4	0641504	4	Bolt 5/16 x 5/8	
5	0641608	1	Bolt 3/8 x 1	
6	0641613	4	Bolt 3/8 x 1-5/8	
7	0642014	4	Bolt 5/8 x 1-3/4	
8	0642212	6	Bolt 3/4 x 1-1/2	
9	0642618	1	Bolt 1 x 2-1/4	
10	0741605	1	Bolt 3/8 x 5/8	
11	0801279	1	Tower Weldment	
14	3311605	6	Nut 3/8	
15	3422562	1	Pin	
16	3422569	1	Pin	
17	3422580	1	Pin	
18	3422908	3	Pin	
19	3422909	1	Pin	
20	3422910	1	Pin	
21	3422920	1	Pin	
22	3422930	1	Pin	
23	3422931	1	Pin	
24	3573050	1	Cover, Upright Rear	
25	3841143	1	Keeper, Pin	
26	3841287	6	Keeper, Pin	
27	3841356	1	Keeper, Pin	
28	3900192	1	Screw 3/8 x 1/2	
29	3931624	2	Capscrew, Socket Head 3/8 x 1-1/2	
30	4160187	2	Spring, Rubber	
31	4711600	6	Washer 3/8	
32	4740492	1	Thrustwasher	
33	1001117804	1	Power Link Weldment	
34	1001258003	1	Upright	
35	1001181060	1	Rotator (See Separate Breakdown in this Section)	
36	1001196221	1	Pin	
37	1001201602	1	Link (Tower) Weldment	
38	1001251027	1	Level Cylinder Assembly - Platform Slave (See Separate Breakdown in CYLINDER Section)	
39	1001251028	1	Lift Cylinder Assembly - Main Boom (See Separate Breakdown in CYLINDER Section)	
40	1001254010	1	Boom Assembly - Main (See Separate Breakdown in this Section)	

# SECTION 4 - BOOM

FIGURE 4-2. BOOMS AND CYLINDERS INSTALLATION (MACHINES WITH SN STARTING WITH 03 OR 13) (860SJ)



ART\_1001255110\_D

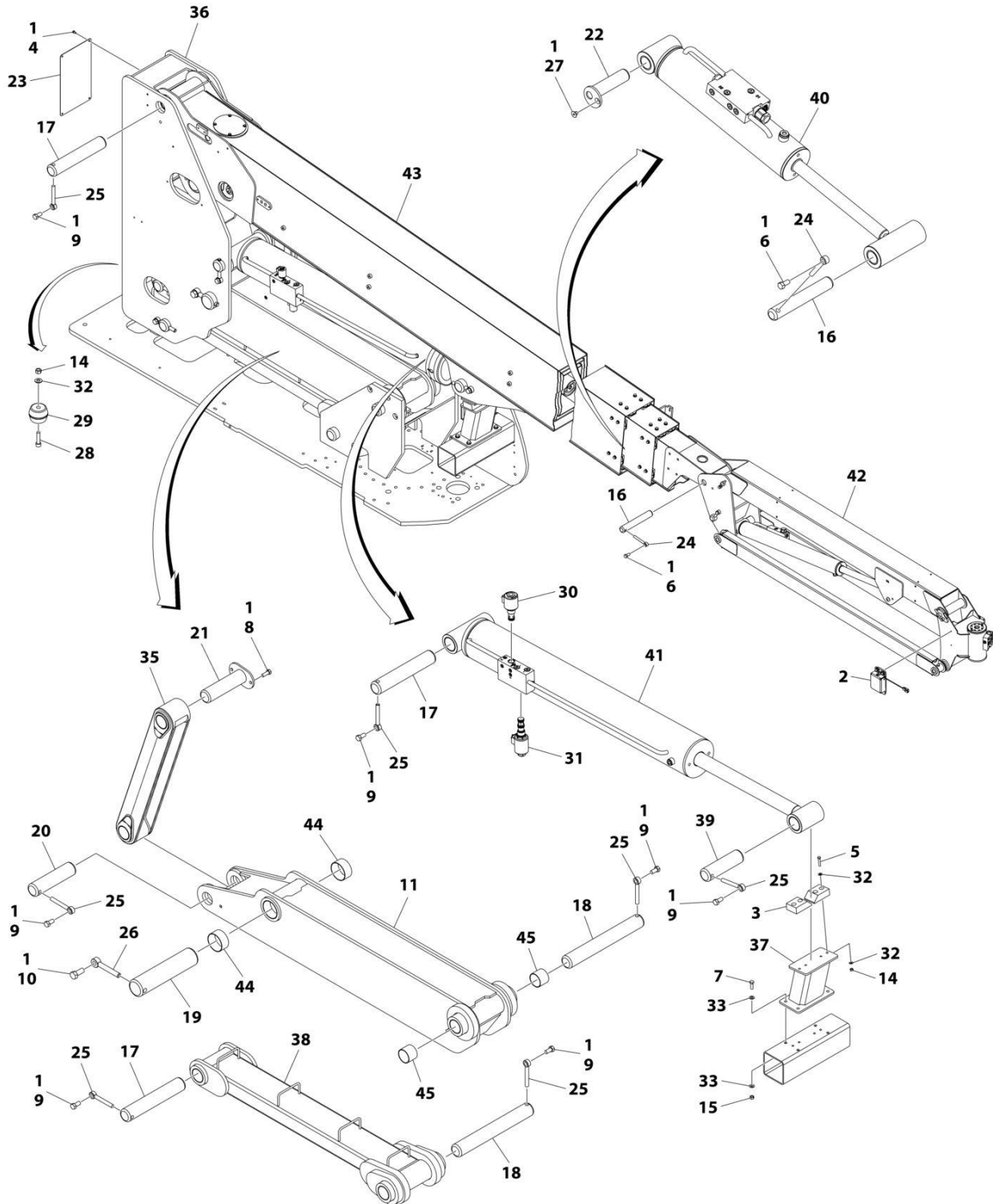
## SECTION 4 - BOOM

**FIGURE 4-2. BOOMS AND CYLINDERS INSTALLATION (MACHINES WITH SN STARTING WITH 03 OR 13) (860SJ)**

ITEM	PART NUMBER	QTY	DESCRIPTION	REV
	1001255110	Ref	BOOMS AND CYLINDERS INSTALLATION	D
1	0100011	AR	Compound, Locking	
2	0273695	1	Platform Level Sensor Switch Assembly (See Separate Breakdown in this Section)	
3	0561380	2	Block, Boom Rest	
4	0641504	4	Bolt 5/16 x 5/8	
5	0641615	4	Bolt 3/8 x 1-7/8	
6	0641808	2	Bolt 1/2 x 1	
7	0641812	4	Bolt 1/2 x 1-1/2	
8	0642014	2	Bolt 5/8 x 1-3/4	
9	0642212	7	Bolt 3/4 x 1-1/2	
10	0642618	1	Bolt 1 x 2-1/4	
11	1001258007	1	Tower Weldment	
14	3311605	6	Nut 3/8	
15	3311805	4	Nut 1/2	
16	3422793	2	Pin	
17	3422908	3	Pin	
18	3422909	2	Pin	
19	3422910	1	Pin	
20	3422920	1	Pin	
21	3422931	1	Pin	
22	3422932	1	Pin	
23	3573050	1	Cover, Upright Rear	
24	3841203	2	Keeper, Pin	
25	3841287	7	Keeper, Pin	
26	3841356	1	Keeper, Pin	
27	3900192	1	Screw 3/8 x 1/2	
28	3931624	2	Capscrew, Socket Head 3/8 x 1-1/2	
29	4160187	2	Spring, Rubber	
30	4711600	10	Washer 3/8	
31	4711800	8	Washer 1/2	
32	4740492	1	Thrustwasher	
33	1001117805	1	Power Link Weldment	
34	1001258003	1	Upright	
35	1001157837	1	Rest, Boom	
36	1001257776	1	Link (Tower) Weldment	
37	1001196221	1	Pin	
38	1001251022	1	Platform Level Cylinder Assembly (See Separate Breakdown in CYLINDER Section)	
39	1001247055	1	Jib Assembly (See Separate Breakdown in this Section)	
40	1001251029	1	Lift Cylinder Assembly - Main Boom (See Separate Breakdown in CYLINDER Section)	
41	1001255111	1	Boom Assembly - Main (See Separate Breakdown in this Section)	

# SECTION 4 - BOOM

FIGURE 4-3. BOOMS AND CYLINDERS INSTALLATION (MACHINES WITH SN STARTING WITH B3) (860SJ) (Prior to SN B300022542, Except SN B300022465 through B300022467)



ART\_1001255116\_F

## SECTION 4 - BOOM

**FIGURE 4-3. BOOMS AND CYLINDERS INSTALLATION (MACHINES WITH SN STARTING WITH B3)  
(860SJ) (Prior to SN B300022542, Except SN B300022465 through B300022467)**

ITEM	PART NUMBER	QTY	DESCRIPTION	REV
	1001255116	Ref	BOOMS AND CYLINDERS INSTALLATION	F
1	0100011	AR	Compound, Locking	
2	0273695	1	Platform Level Sensor Switch Assembly (See Separate Breakdown in this Section)	
3	0561380	2	Block, Boom Rest	
4	0641504	4	Bolt 5/16 x 5/8	
5	0641615	4	Bolt 3/8 x 1-7/8	
6	0641808	2	Bolt 1/2 x 1	
7	0641812	4	Bolt 1/2 x 1-1/2	
8	0642014	2	Bolt 5/8 x 1-3/4	
9	0642212	7	Bolt 3/4 x 1-1/2	
10	0642618	1	Bolt 1 x 2-1/4	
11	0801306	1	Tower Weldment	
14	3311605	6	Nut 3/8	
15	3311805	4	Nut 1/2	
16	3422793	2	Pin	
17	3422908	3	Pin	
18	3422909	2	Pin	
19	3422910	1	Pin	
20	3422920	1	Pin	
21	3422931	1	Pin	
22	3422932	1	Pin	
23	3573050	1	Cover, Upright Rear	
24	3841203	2	Keeper, Pin	
25	3841287	7	Keeper, Pin	
26	3841356	1	Keeper, Pin	
27	3900192	1	Screw 3/8 x 1/2	
28	3931624	2	Capscrew, Socket Head 3/8 x 1-1/2	
29	4160187	2	Spring, Rubber	
30	4641188	1	Cartridge, Lift Holding Solenoid	
30	7023923	1	Cartridge - 4641188 Valve	
30	7023919	1	Seal Kit - 4641188 Valve	
30	7012943	1	Coil - 4641188 Valve	
31	4641234	1	Cartridge, Lift Relief Proportional Solenoid	
31	7023982	1	Cartridge - 4641234 Valve	
31	7012925	1	Seal Kit - 4641234 Valve	
31	7017451	1	Coil - 4641234 Valve	
32	4711600	10	Washer 3/8	
33	4711800	8	Washer 1/2	
35	1001117805	1	Power Link Weldment	
36	1001157180	1	Upright	
37	1001157837	1	Rest, Boom	
38	1001194573	1	Link (Tower) Weldment	
39	1001196221	1	Pin	
40	1001230372	1	Platform Level Cylinder Assembly (See Separate Breakdown in CYLINDER Section)	
41	1001230373	1	Lift Cylinder Assembly - Main Boom (See Separate Breakdown in CYLINDER Section)	
42	1001247049	1	Jib Assembly (See Separate Breakdown in this Section)	

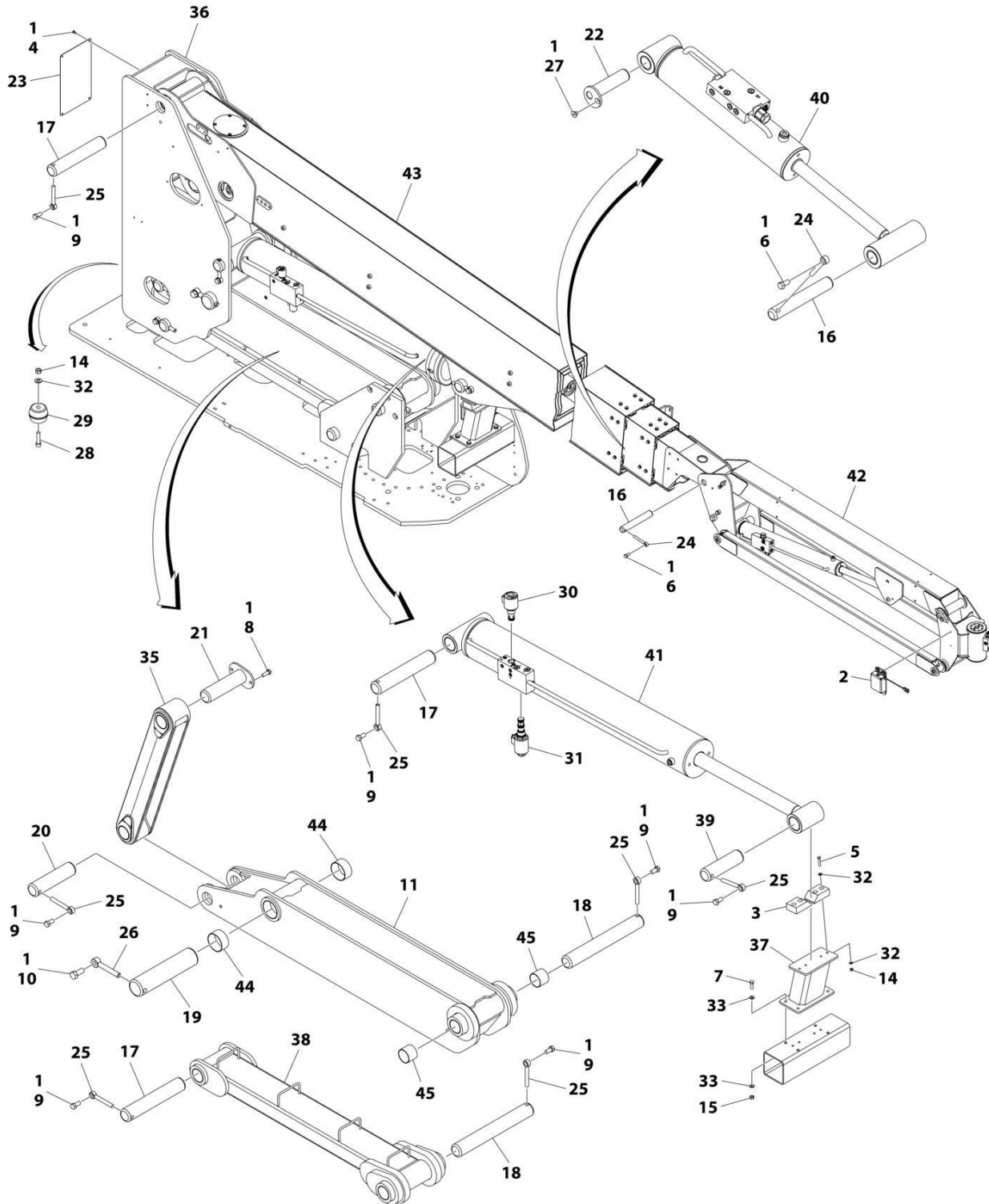
## SECTION 4 - BOOM

ITEM	PART NUMBER	QTY	DESCRIPTION	REV
43	1001268530	1	Boom Assembly - Main (See Separate Breakdown in this Section)	
44	0962122	2	Bearing	
45	0962297	2	Bearing	



# SECTION 4 - BOOM

FIGURE 4-4. BOOMS AND CYLINDERS INSTALLATION (MACHINES WITH SN STARTING WITH B3)  
(860SJ) (SN B300022542 to Present, SN B300022465 through B300022467)



ART\_1001255116\_G



## SECTION 4 - BOOM

**FIGURE 4-4. BOOMS AND CYLINDERS INSTALLATION (MACHINES WITH SN STARTING WITH B3)  
(860SJ) (SN B300022542 to Present, SN B300022465 through B300022467)**

ITEM	PART NUMBER	QTY	DESCRIPTION	REV
	1001255116	Ref	BOOMS AND CYLINDERS INSTALLATION	G
1	0100011	AR	Compound, Locking	
2	0273695	1	Platform Level Sensor Switch Assembly (See Separate Breakdown in this Section)	
3	0561380	2	Block, Boom Rest	
4	0641504	4	Bolt 5/16 x 5/8	
5	0641615	4	Bolt 3/8 x 1-7/8	
6	0641808	2	Bolt 1/2 x 1	
7	0641812	4	Bolt 1/2 x 1-1/2	
8	0642014	2	Bolt 5/8 x 1-3/4	
9	0642212	7	Bolt 3/4 x 1-1/2	
10	0642618	1	Bolt 1 x 2-1/4	
11	0801306	1	Tower Weldment	
14	3311605	6	Nut 3/8	
15	3311805	4	Nut 1/2	
16	3422793	2	Pin	
17	3422908	3	Pin	
18	3422909	2	Pin	
19	3422910	1	Pin	
20	3422920	1	Pin	
21	3422931	1	Pin	
22	3422932	1	Pin	
23	3573050	1	Cover, Upright Rear	
24	3841203	2	Keeper, Pin	
25	3841287	7	Keeper, Pin	
26	3841356	1	Keeper, Pin	
27	3900192	1	Screw 3/8 x 1/2	
28	3931624	2	Capscrew, Socket Head 3/8 x 1-1/2	
29	4160187	2	Spring, Rubber	
30	4641188	1	Cartridge, Lift Holding Solenoid	
30	7023923	1	Cartridge - 4641188 Valve	
30	7023919	1	Seal Kit - 4641188 Valve	
30	7012943	1	Coil - 4641188 Valve	
31	4641234	1	Cartridge, Lift Relief Proportional Solenoid	
31	7023982	1	Cartridge - 4641234 Valve	
31	7012925	1	Seal Kit - 4641234 Valve	
31	7017451	1	Coil - 4641234 Valve	
32	4711600	10	Washer 3/8	
33	4711800	8	Washer 1/2	
35	1001117805	1	Power Link Weldment	
36	1001157180	1	Upright	
37	1001157837	1	Rest, Boom	
38	1001194573	1	Link (Tower) Weldment	
39	1001196221	1	Pin	
40	1001230372	1	Platform Level Cylinder Assembly (See Separate Breakdown in CYLINDER Section)	
41	1001230373	1	Lift Cylinder Assembly - Main Boom (See Separate Breakdown in CYLINDER Section)	
42	1001289163	1	Jib Assembly (See Separate Breakdown in this Section)	

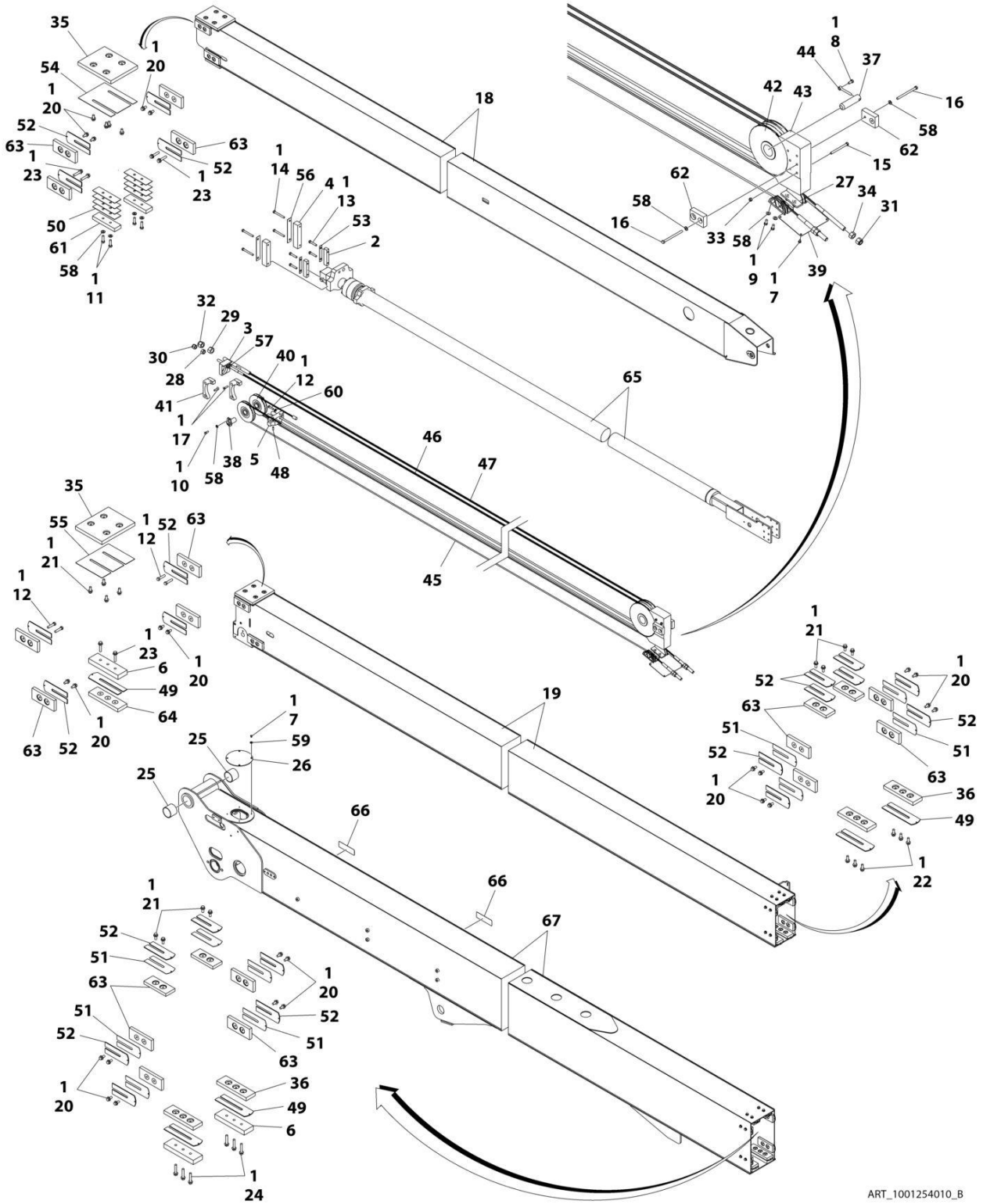
## SECTION 4 - BOOM

ITEM	PART NUMBER	QTY	DESCRIPTION	REV
43	1001268530	1	Boom Assembly - Main (See Separate Breakdown in this Section)	
44	0962122	2	Bearing	
45	0962297	2	Bearing	



# SECTION 4 - BOOM

## FIGURE 4-5. MAIN BOOM ASSEMBLY (800S)



ART\_1001254010\_B

**SECTION 4 - BOOM**

**FIGURE 4-5. MAIN BOOM ASSEMBLY (800S)**

ITEM	PART NUMBER	QTY	DESCRIPTION	REV
	1001254010	Ref	MAIN BOOM ASSEMBLY	B
1	0100011	AR	Compound, Locking	
2	0561185	2	Block, Telescope Attach	
3	0561445	1	Block, Spring Mounting	
4	0561446	2	Block, Tele Mount	
5	0561447	1	Block, Cable Mount	
6	0561449	3	Block, Spacer	
7	0641403	8	Bolt 1/4 x 3/8	
8	0641606	1	Bolt 3/8 x 3/4	
9	0641607	4	Bolt 3/8 x 7/8	
10	0641608	2	Bolt 3/8 x 1	
11	0641610	4	Bolt 3/8 x 1-1/4	
12	0641613	6	Bolt 3/8 x 1-5/8	
13	0641616	4	Bolt 3/8 x 2	
14	0641626	4	Bolt 3/8 x 3-1/4	
15	0641634	4	Bolt 3/8 x 4 1/4	
16	0641640	2	Bolt 3/8 x 5	
17	0741612	6	Screw, Flathead 3/8 x 1-1/2	
18	0801275	1	Fly Weldment	
19	0801649	1	Mid Weldment	
20	0811606	28	Screw 3/8 x 3/4	
21	0811607	12	Screw 3/8 x 7/8	
22	0811608	6	Screw 3/8 x 1	
23	0811614	6	Screw 3/8 x 1-3/4	
24	0811616	6	Screw 3/8 x 2	
25	0962297	2	Bearing	
26	1120510	1	Cover, Pin	
27	1220078	2	Sheave, Block	
28	3272001	1	Nut 5/8	
29	3272401	1	Nut 7/8	
30	3300240	1	Nut 5/8	
31	3300241	2	Nut 3/4	
32	3300242	1	Nut 7/8	
33	3311605	4	Nut 3/8	
34	3312201	2	Nut 3/4	
35	3340757	2	Pad, Wear	
36	3340871	4	Pad, Wear	
37	3422417	1	Pin, Extend Sheave	
38	3422424	2	Pin	
39	3539622	1	Plate, Cover	
40	3580243	2	Sheave, Retract	
40	0961951	1	Bushing	
41	3580249	2	Guard, Sheave	
42	3580288	1	Sheave, Extend	
42	0961951	2	Bushing	
43	3580289	1	Guard, Sheave	
44	3841143	1	Keeper, Pin	
45	3890013	2	Cable, Wire Rope	
46	3890014	1	Cable, Wire Rope	
47	3890015	1	Cable, Wire Rope	

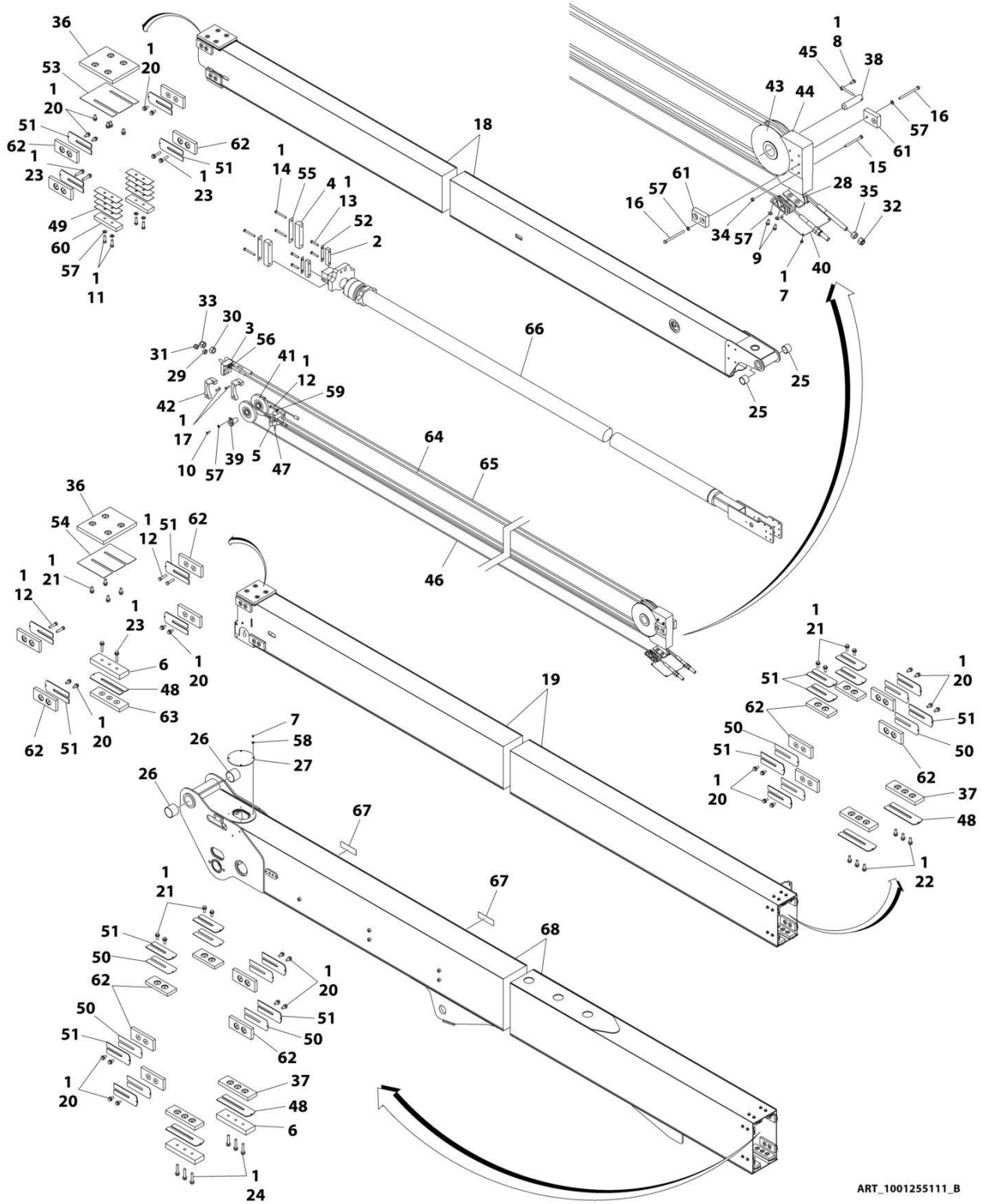
## SECTION 4 - BOOM

ITEM	PART NUMBER	QTY	DESCRIPTION	REV
48	3951608	2	Setscrew 3/8 x 1	
49	4070863	5	Shim (#11 Gauge)	
50	4070895	8	Shim (#16 Gauge)	
51	4070897	10	Shim (#18 Gauge)	
52	4070898	22	Shim (#11 Gauge)	
53	4070929	2	Shim (#16 Gauge)	
54	4070939	1	Shim (#16 Gauge)	
55	4070940	1	Shim (#16 Gauge)	
56	4071020	2	Shim (#16 Gauge)	
57	4160149	1	Spring, Torsion	
58	4711600	12	Washer 3/8	
59	4751400	4	Washer 1/4	
60	4891600	2	Washer 3/8 Hardened	
61	1001148650	2	Pad, Wear	
62	1001148651	2	Pad, Wear	
63	1001148652	20	Pad, Wear	
64	1001148653	1	Pad, Wear	
65	1001251081	1	Telescope Cylinder Assembly Options (See Separate Breakdown in CYLINDER Section)	
66	1001250737	2	Cover	
67	1001254009	1	Base Weldment	



# SECTION 4 - BOOM

FIGURE 4-6. MAIN BOOM ASSEMBLY (MACHINES WITH SN STARTING WITH 03 OR 13) (860SJ)



ART\_1001255111\_B



## SECTION 4 - BOOM

**FIGURE 4-6. MAIN BOOM ASSEMBLY (MACHINES WITH SN STARTING WITH 03 OR 13) (860SJ)**

ITEM	PART NUMBER	QTY	DESCRIPTION	REV
	1001255111	Ref	MAIN BOOM ASSEMBLY	B
1	0100011	AR	Compound, Locking	
2	0561185	2	Block, Telescope Attach	
3	0561445	1	Block, Spring Mounting	
4	0561446	2	Block, Tele Mount	
5	0561447	1	Block, Cable Mount	
6	0561449	3	Block, Spacer	
7	0641403	8	Bolt 1/4 x 3/8	
8	0641606	1	Bolt 3/8 x 3/4	
9	0641607	4	Bolt 3/8 x 7/8	
10	0641608	2	Bolt 3/8 x 1	
11	0641610	4	Bolt 3/8 x 1-1/4	
12	0641613	6	Bolt 3/8 x 1-5/8	
13	0641616	4	Bolt 3/8 x 2	
14	0641626	4	Bolt 3/8 x 3-1/4	
15	0641634	4	Bolt 3/8 x 4 1/4	
16	0641640	2	Bolt 3/8 x 5	
17	0741612	6	Screw, Flathead 3/8 x 1-1/2	
18	0801282	1	Fly Weldment	
19	0801647	1	Mid Weldment	
20	0811606	28	Screw 3/8 x 3/4	
21	0811607	12	Screw 3/8 x 7/8	
22	0811608	6	Screw 3/8 x 1	
23	0811614	6	Screw 3/8 x 1-3/4	
24	0811616	6	Screw 3/8 x 2	
25	0961948	2	Bearing	
26	0962297	2	Bearing	
27	1120510	1	Cover, Pin	
28	1220078	2	Sheave, Block	
29	3272001	1	Nut 5/8	
30	3272401	1	Nut 7/8	
31	3300240	1	Nut 5/8	
32	3300241	2	Nut 3/4	
33	3300242	1	Nut 7/8	
34	3311605	4	Nut 3/8	
35	3312201	2	Nut 3/4	
36	3340757	2	Pad, Wear	
37	3340871	4	Pad, Wear	
38	3422417	1	Pin, Extend Sheave	
39	3422424	2	Pin	
40	3539622	1	Plate, Cover	
41	3580243	2	Sheave, Retract	
41	0961951	1	Bushing	
42	3580249	2	Guard, Sheave	
43	3580288	1	Sheave, Extend	
43	0961951	2	Bushing	
44	3580289	1	Guard, Sheave	
45	3841143	1	Keeper, Pin	
46	3890016	2	Cable, Wire Rope	
47	3951608	2	Setscrew 3/8 x 1	

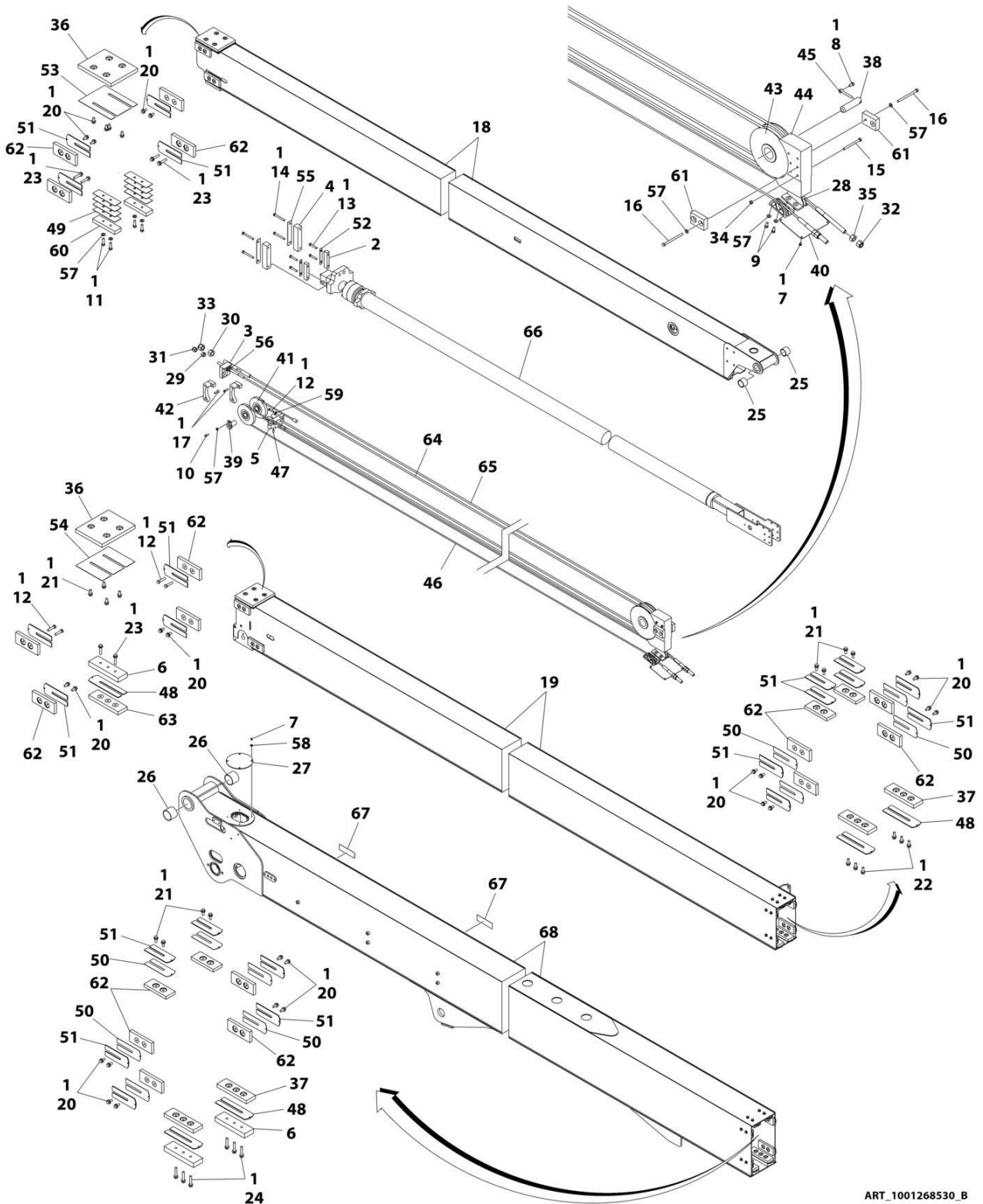
## SECTION 4 - BOOM

ITEM	PART NUMBER	QTY	DESCRIPTION	REV
48	4070863	5	Shim (#11 Gauge)	
49	4070895	8	Shim (#16 Gauge)	
50	4070897	10	Shim (#18 Gauge)	
51	4070898	22	Shim (#11 Gauge)	
52	4070929	2	Shim (#16 Gauge)	
53	4070939	1	Shim (#16 Gauge)	
54	4070940	1	Shim (#16 Gauge)	
55	4071020	2	Shim (#16 Gauge)	
56	4160149	1	Spring, Torsion	
57	4711600	12	Washer 3/8	
58	4751400	4	Washer 1/4	
59	4891600	2	Washer 3/8 Hardened	
60	1001148650	2	Pad, Wear	
61	1001148651	2	Pad, Wear	
62	1001148652	20	Pad, Wear	
63	1001148653	1	Pad, Wear	
64	1001181235	1	Cable, Wire Rope	
65	1001181236	1	Cable, Wire Rope	
66	1001251083	1	Telescope Cylinder Assembly Options (See Separate Breakdown in CYLINDER SECTION)	
67	1001250737	2	Cover	
68	1001255112	1	Base Weldment	



# SECTION 4 - BOOM

FIGURE 4-7. MAIN BOOM ASSEMBLY (MACHINES WITH SN STARTING WITH B3) (860SJ)



ART\_1001268530\_B

## SECTION 4 - BOOM

**FIGURE 4-7. MAIN BOOM ASSEMBLY (MACHINES WITH SN STARTING WITH B3) (860SJ)**

ITEM	PART NUMBER	QTY	DESCRIPTION	REV
	1001268530	Ref	MAIN BOOM ASSEMBLY	B
1	0100011	AR	Compound, Locking	
2	0561185	2	Block, Telescope Attach	
3	0561445	1	Block, Spring Mounting	
4	0561446	2	Block, Tele Mount	
5	0561447	1	Block, Cable Mount	
6	0561449	3	Block, Spacer	
7	0641403	8	Bolt 1/4 x 3/8	
8	0641606	1	Bolt 3/8 x 3/4	
9	0641607	4	Bolt 3/8 x 7/8	
10	0641608	2	Bolt 3/8 x 1	
11	0641610	4	Bolt 3/8 x 1-1/4	
12	0641613	6	Bolt 3/8 x 1-5/8	
13	0641616	4	Bolt 3/8 x 2	
14	0641626	4	Bolt 3/8 x 3-1/4	
15	0641634	4	Bolt 3/8 x 4 1/4	
16	0641640	2	Bolt 3/8 x 5	
17	0741612	6	Screw, Flathead 3/8 x 1-1/2	
18	1001267550	1	Fly Weldment	
19	1001267551	1	Mid Weldment	
20	0811606	28	Screw 3/8 x 3/4	
21	0811607	12	Screw 3/8 x 7/8	
22	0811608	6	Screw 3/8 x 1	
23	0811614	6	Screw 3/8 x 1-3/4	
24	0811616	6	Screw 3/8 x 2	
25	0961948	2	Bearing	
26	0962297	2	Bearing	
27	1120510	1	Cover, Pin	
28	1220078	2	Sheave, Block	
29	3272001	1	Nut 5/8	
30	3272401	1	Nut 7/8	
31	3300240	1	Nut 5/8	
32	3300241	2	Nut 3/4	
33	3300242	1	Nut 7/8	
34	3311605	4	Nut 3/8	
35	3312201	2	Nut 3/4	
36	3340757	2	Pad, Wear	
37	3340871	4	Pad, Wear	
38	3422417	1	Pin, Extend Sheave	
39	3422424	2	Pin	
40	3539622	1	Plate, Cover	
41	3580243	2	Sheave, Retract	
41	0961951	1	Bushing	
42	3580249	2	Guard, Sheave	
43	3580288	1	Sheave, Extend	
43	0961951	2	Bushing	
44	3580289	1	Guard, Sheave	
45	3841143	1	Keeper, Pin	
46	3890016	2	Cable, Wire Rope	
47	3951608	2	Setscrew 3/8 x 1	

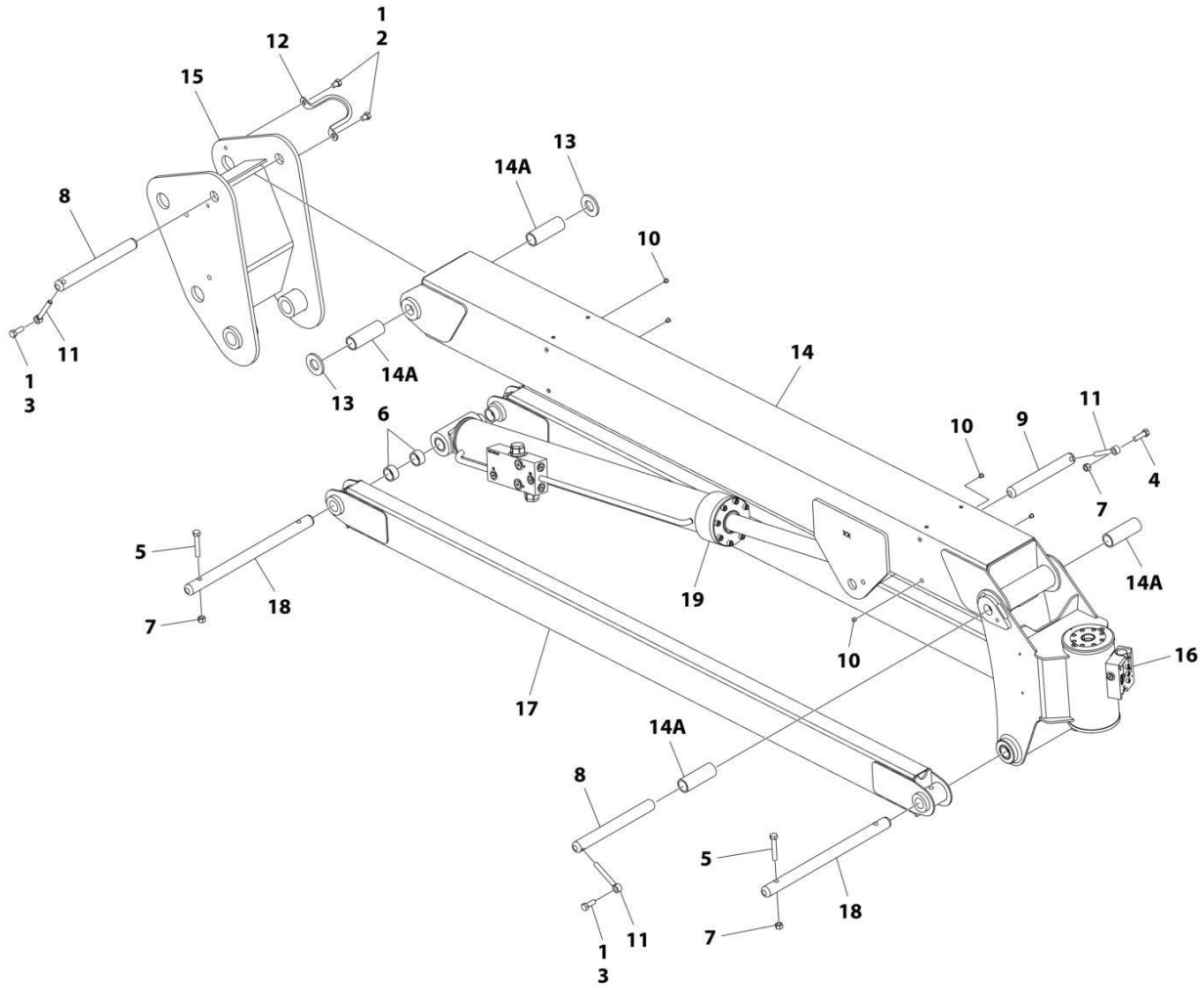
## SECTION 4 - BOOM

ITEM	PART NUMBER	QTY	DESCRIPTION	REV
48	4070863	5	Shim (#11 Gauge)	
49	4070895	8	Shim (#16 Gauge)	
50	4070897	10	Shim (#18 Gauge)	
51	4070898	22	Shim (#11 Gauge)	
52	4070929	2	Shim (#16 Gauge)	
53	4070939	1	Shim (#16 Gauge)	
54	4070940	1	Shim (#16 Gauge)	
55	4071020	2	Shim (#16 Gauge)	
56	4160149	1	Spring, Torsion	
57	4711600	12	Washer 3/8	
58	4751400	4	Washer 1/4	
59	4891600	2	Washer 3/8 Hardened	
60	1001148650	2	Pad, Wear	
61	1001148651	2	Pad, Wear	
62	1001148652	20	Pad, Wear	
63	1001148653	1	Pad, Wear	
64	1001181235	1	Cable, Wire Rope	
65	1001181236	1	Cable, Wire Rope	
66	1001251083	1	Telescope Cylinder Assembly Options (See Separate Breakdown in CYLINDER Section)	
67	1001250737	2	Cover	
68	1001267552	1	Base Weldment	



# SECTION 4 - BOOM

FIGURE 4-8. JIB ASSEMBLY (MACHINES WITH SN STARTING WITH 03 OR 13)



ART\_1001247055



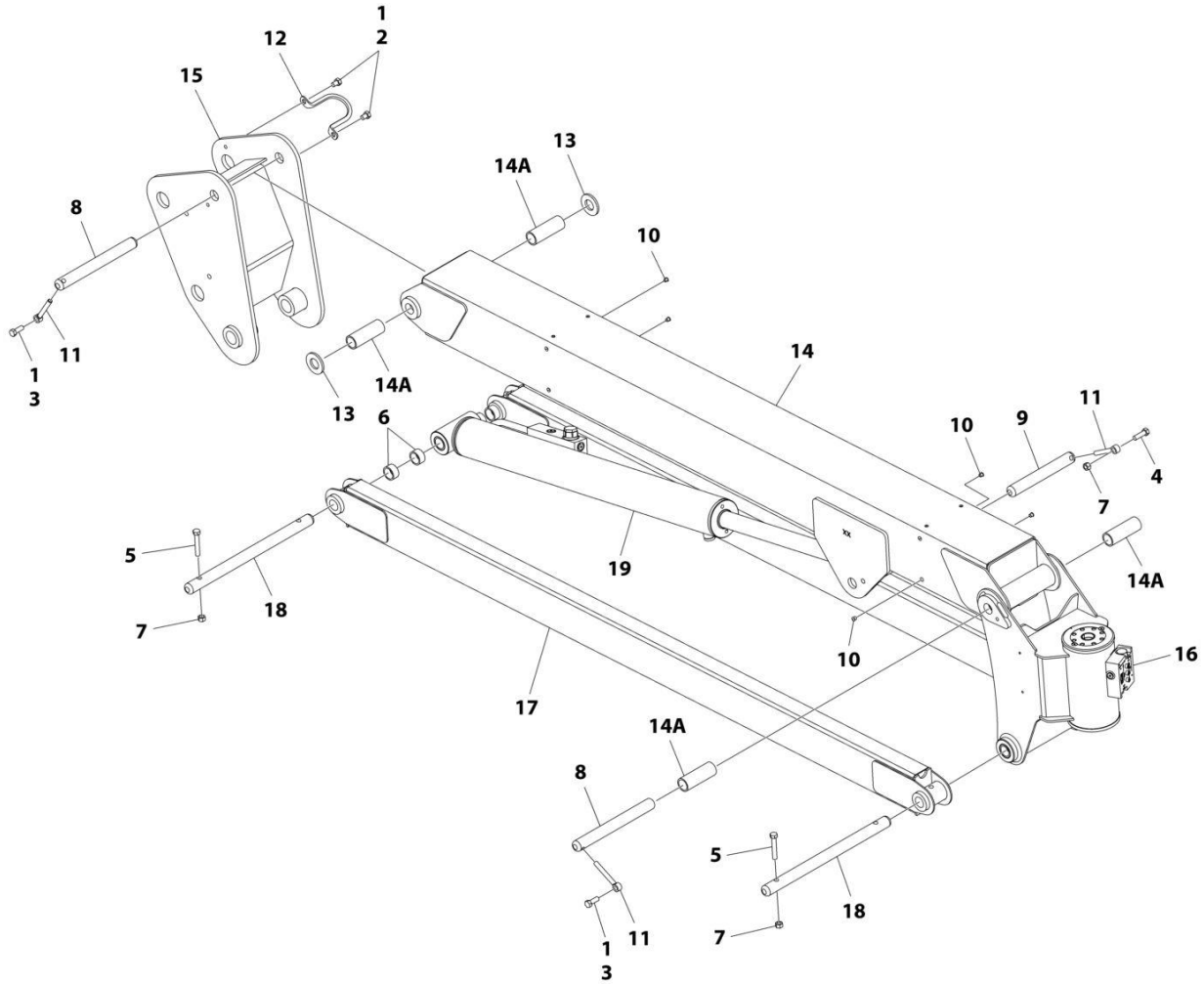
## SECTION 4 - BOOM

**FIGURE 4-8. JIB ASSEMBLY (MACHINES WITH SN STARTING WITH 03 OR 13)**

ITEM	PART NUMBER	QTY	DESCRIPTION	REV
	1001247055	Ref	JIB ASSEMBLY	B
1	0100011	AR	Compound, Locking	
2	0641604	2	Bolt 3/8 x 1/2	
3	0641608	2	Bolt 3/8 x 1	
4	0641610	1	Bolt 3/8 x 1-1/4	
5	0641618	4	Bolt 3/8 x 2-1/4	
6	0961947	4	Bushing	
7	3311605	5	Nut 3/8	
8	3422860	2	Pin	
9	3422867	1	Pin	
10	3520034	8	Plug, Hole	
11	3841143	3	Keeper, Pin	
12	3841340	1	Loop, Hose	
13	4740439	2	Thrustwasher	
14	4844816	1	Link, Jib (Upper)	
14A	0962335	4	Bushing	
15	4846435	1	Pivot, Jib	
16	1001181051	1	Rotator Options (See Separate Breakdown in this Section)	
17	4844817	2	Link, Jib (Lower)	
18	3422861	2	Pin	
19	1001248012	1	Jib Lift Cylinder Assembly (See Separate Breakdown in CYLINDER SECTION)	

# SECTION 4 - BOOM

FIGURE 4-9. JIB ASSEMBLY (MACHINES WITH SN STARTING WITH B3) (Prior to SN B300022542, Except SN B300022465 through B300022467)



ART\_1001247049

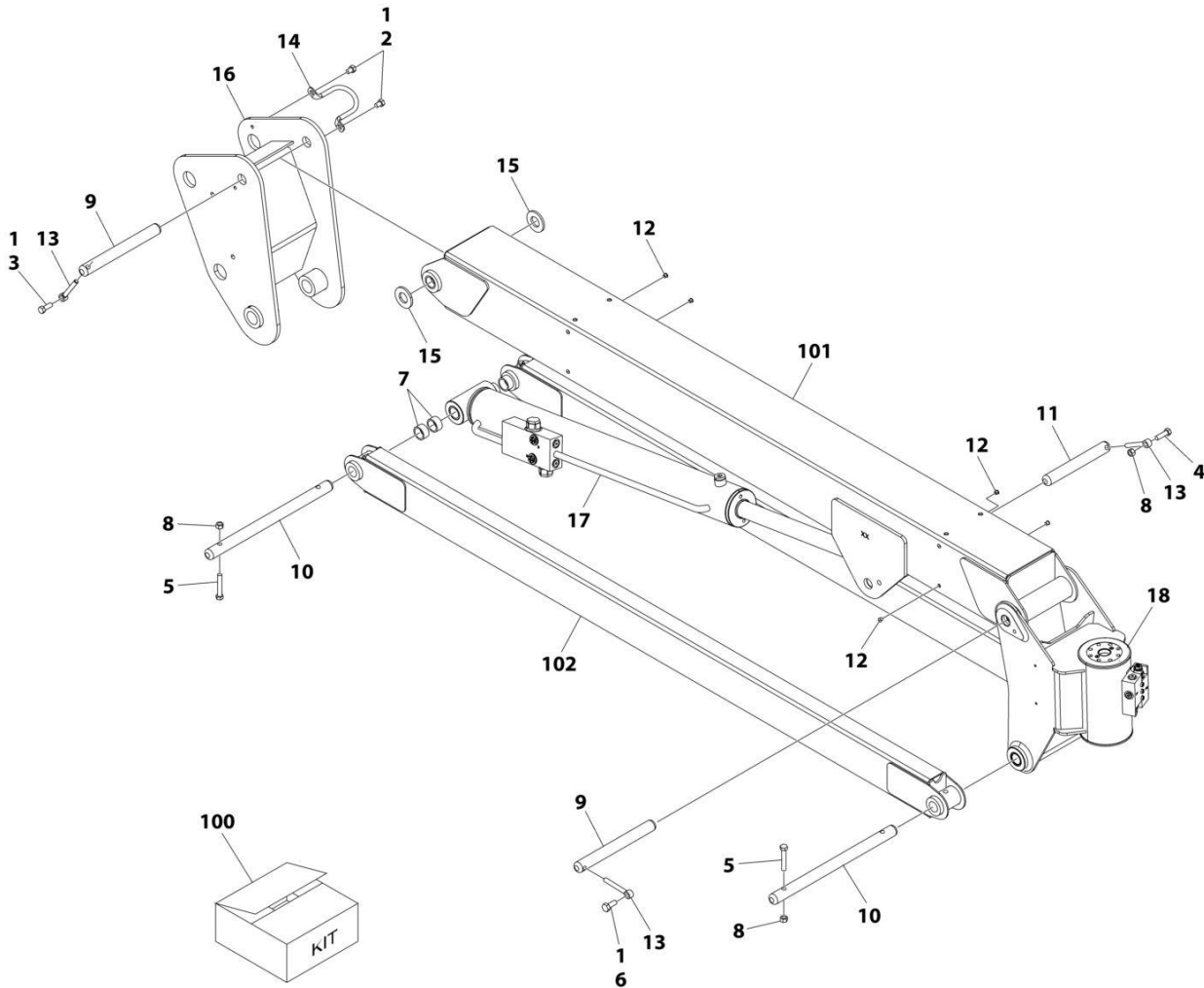
## SECTION 4 - BOOM

**FIGURE 4-9. JIB ASSEMBLY (MACHINES WITH SN STARTING WITH B3) (Prior to SN B300022542,  
Except SN B300022465 through B300022467)**

ITEM	PART NUMBER	QTY	DESCRIPTION	REV
	1001247049	Ref	JIB ASSEMBLY	B
1	0100011	AR	Compound, Locking	
2	0641604	2	Bolt 3/8 x 1/2	
3	0641608	2	Bolt 3/8 x 1	
4	0641610	1	Bolt 3/8 x 1-1/4	
5	0641618	4	Bolt 3/8 x 2-1/4	
6	0961947	4	Bushing	
7	3311605	5	Nut 3/8	
8	3422860	2	Pin	
9	3422867	1	Pin	
10	3520034	8	Plug, Hole	
11	3841143	3	Keeper, Pin	
12	3841340	1	Loop, Hose	
13	4740439	2	Thrustwasher	
14	4844816	1	Link, Jib (Upper)	
14A	0962335	4	Bushing	
15	4846435	1	Pivot, Jib	
16	1001181051	1	Rotator Options (See Separate Breakdown in this Section)	
17	4844817	2	Link, Jib (Lower)	
18	3422861	2	Pin	
19	1001230371	1	Jib Lift Cylinder Assembly (See Separate Breakdown in CYLINDER SECTION)	

# SECTION 4 - BOOM

FIGURE 4-10. JIB ASSEMBLY (MACHINES WITH SN STARTING WITH B3) (860SJ) (SN B300022542 to Present, SN B300022465 through B300022467)



ART\_1001289163

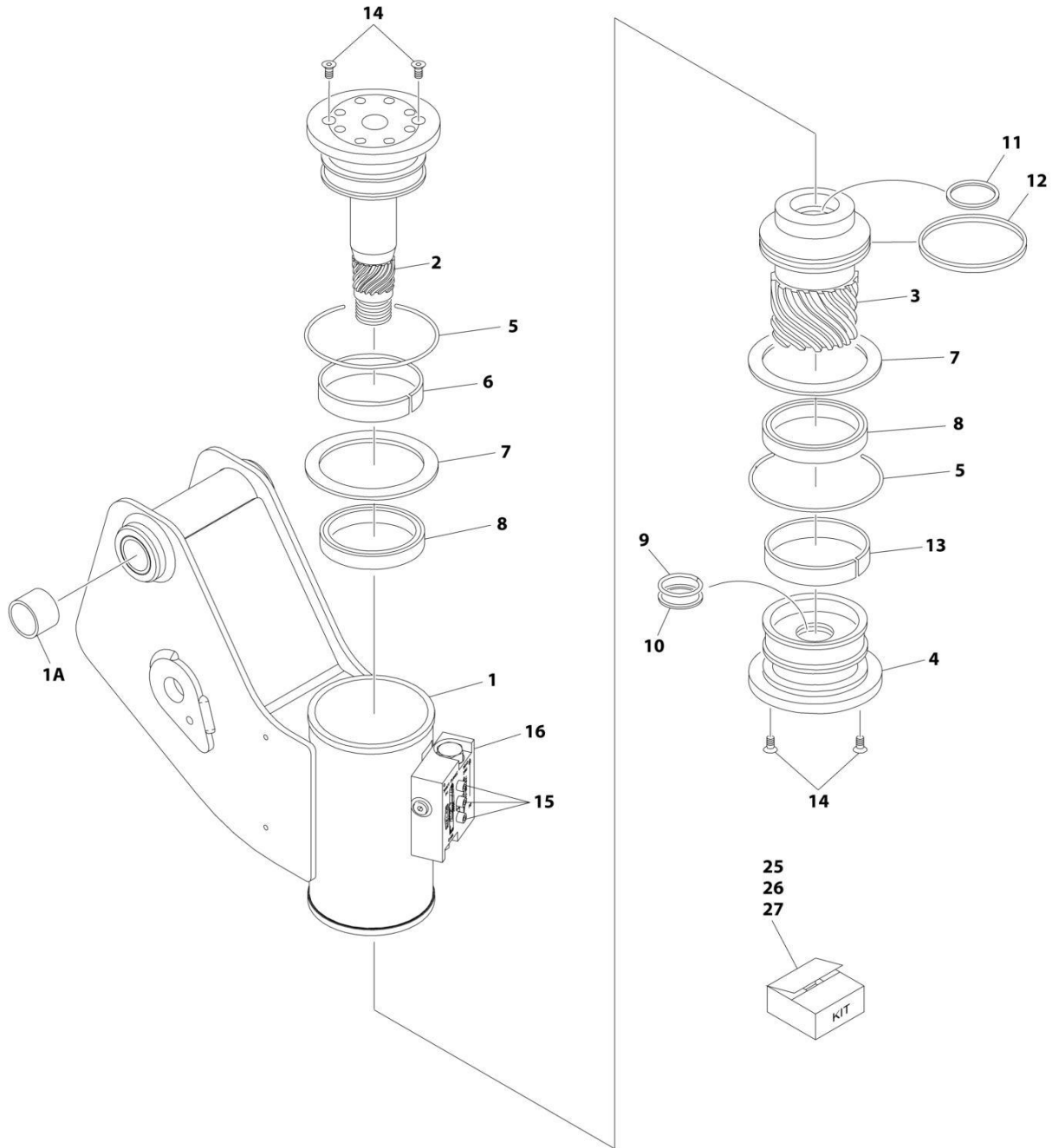
## SECTION 4 - BOOM

**FIGURE 4-10. JIB ASSEMBLY (MACHINES WITH SN STARTING WITH B3) (860SJ) (SN B300022542 to Present, SN B300022465 through B300022467)**

ITEM	PART NUMBER	QTY	DESCRIPTION	REV
	1001289163	Ref	JIB ASSEMBLY	A
1	0100011	AR	Compound, Locking	
2	0641604	2	Bolt 3/8 x 1/2	
3	0641608	1	Bolt 3/8 x 1	
4	0641610	1	Bolt 3/8 x 1-1/4	
5	0641618	4	Bolt 3/8 x 2-1/4	
6	0761012	1	Bolt M10 x 25	
7	0961947	4	Bearing	
8	3311605	5	Nut 3/8	
9	3422860	2	Pin	
10	3422861	2	Pin	
11	3422867	1	Pin	
12	3520034	8	Plug	
13	3841143	3	Keeper, Pin	
14	3841340	1	Rod	
15	4740439	2	Thrustwasher	
16	4846435	1	Pivot, Jib	
17	1001230371	1	Jib Lift Cylinder Assembly (See Separate Breakdown in CYLINDER Section)	
18	1001276878	1	Rotator Options (See Separate Breakdown in this Section)	
100	1001295242	1	Jib Link Kit	
101	4844816	1	Link, Jib (Top)	
101	0962335	4	Bushing	
102	4844817	2	Link, Jib (Bottom)	

# SECTION 4 - BOOM

## FIGURE 4-11. ROTATOR ASSEMBLY (800S)



ART\_1001181060

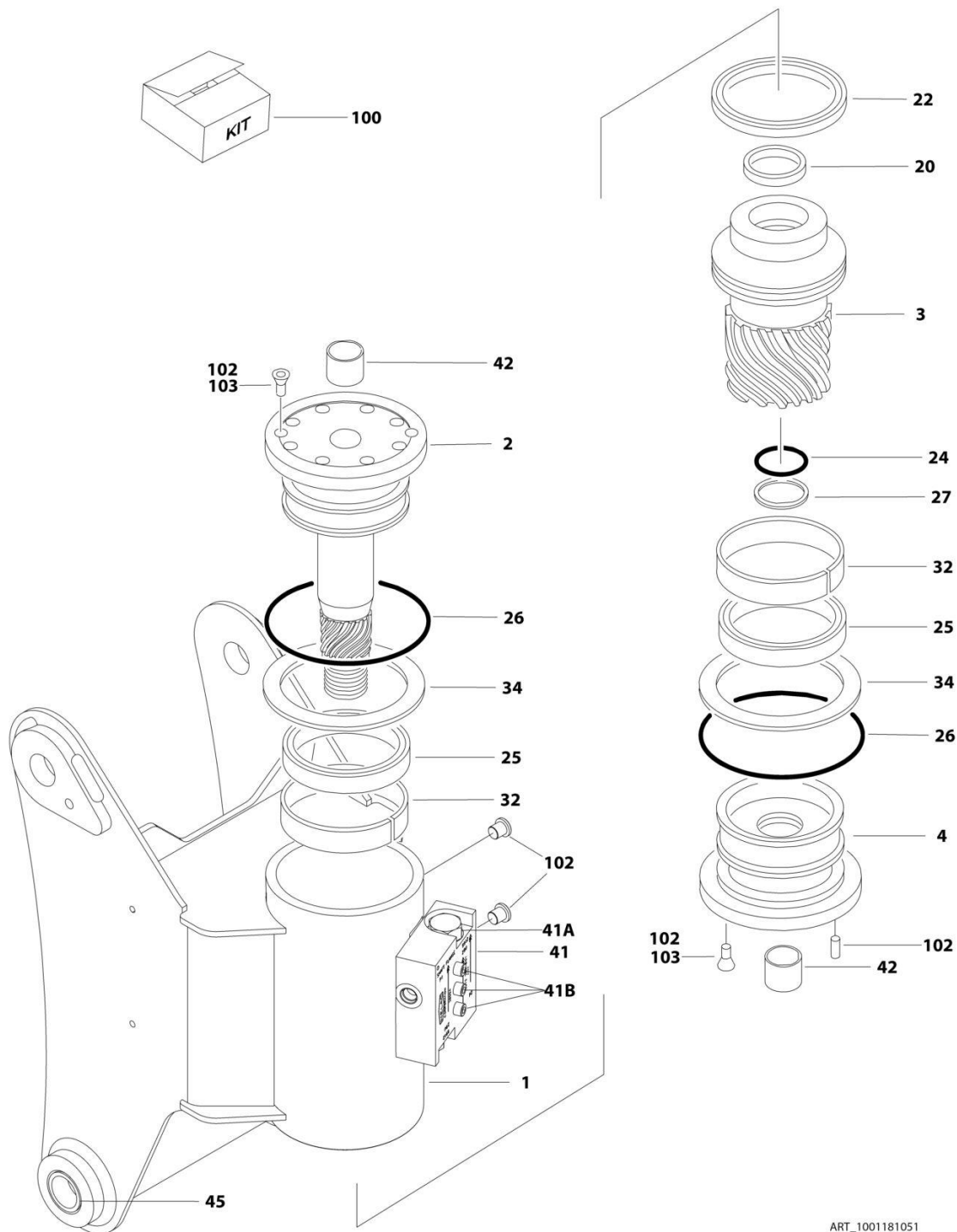
## SECTION 4 - BOOM

**FIGURE 4-11. ROTATOR ASSEMBLY (800S)**

ITEM	PART NUMBER	QTY	DESCRIPTION	REV
	1001181060	Ref	ROTATOR ASSEMBLY	A
1	See Note	NSS	Housing/Ring Gear Assembly (Note: Not Available - Purchase Complete Assembly)	
1A	0961951	2	Bushing	
2	7017162	1	Shaft	
2	7017195	2	Bushing, Shaft	
3	7017163	1	Piston/Sleeve Assembly	
4	7017164	1	Cap, End	
5	See Note	NSS	O-Ring (Note: Use Item 25)	
6	See Note	NSS	Bearing, Shaft (Note: Use Item 26)	
7	See Note	NSS	Washer, Thrust (Note: Use Item 26)	
8	See Note	NSS	Packing, Bearing (Note: Use Item 25)	
9	See Note	NSS	Seal, Cap (Note: Use Item 25)	
10	See Note	NSS	Ring, Back-up Cap (Note: Use Item 25)	
11	See Note	NSS	Seal, Rod (Note: Use Item 25)	
12	See Note	NSS	Seal, Piston (Note: Use Item 25)	
13	See Note	NSS	Bearing, Cap (Note: Use Item 26)	
14	70001697	6	Capscrew 1/4 x 3/8 Grade 8	
15	See Note	NSS	Bolt 1/4 x 1-1/2 Grade 8 (Note: Not Available - Purchase Locally)	
16	7017172	1	Valve Assembly	
16	7017192	2	Cartridge, Valve	
16	See Note	NSS	Seal Kit - 7017192 Valve (Note: Not Available - Purchase Cartridge)	
16	See Note	NSS	Cartridge, Valve (Not Shown - Located on Side of Block) (Note: Not Available - Purchase Complete Valve)	
16	See Note	NSS	Seal Kit - Valve Located on Side of Block (Note: Not Available - Purchase Cartridge)	
25	70000342	1	Seal Kit (Includes Items 5, 8-12 & 27)	
26	7017159	1	Bearing Kit (Includes Items 6, 7 & 13)	
27	7017142	1	Hardware Kit (Includes Dowel Pins, Plugs and Item 14)	

# SECTION 4 - BOOM

## FIGURE 4-12. ROTATOR ASSEMBLY (860SJ)



ART\_1001181051



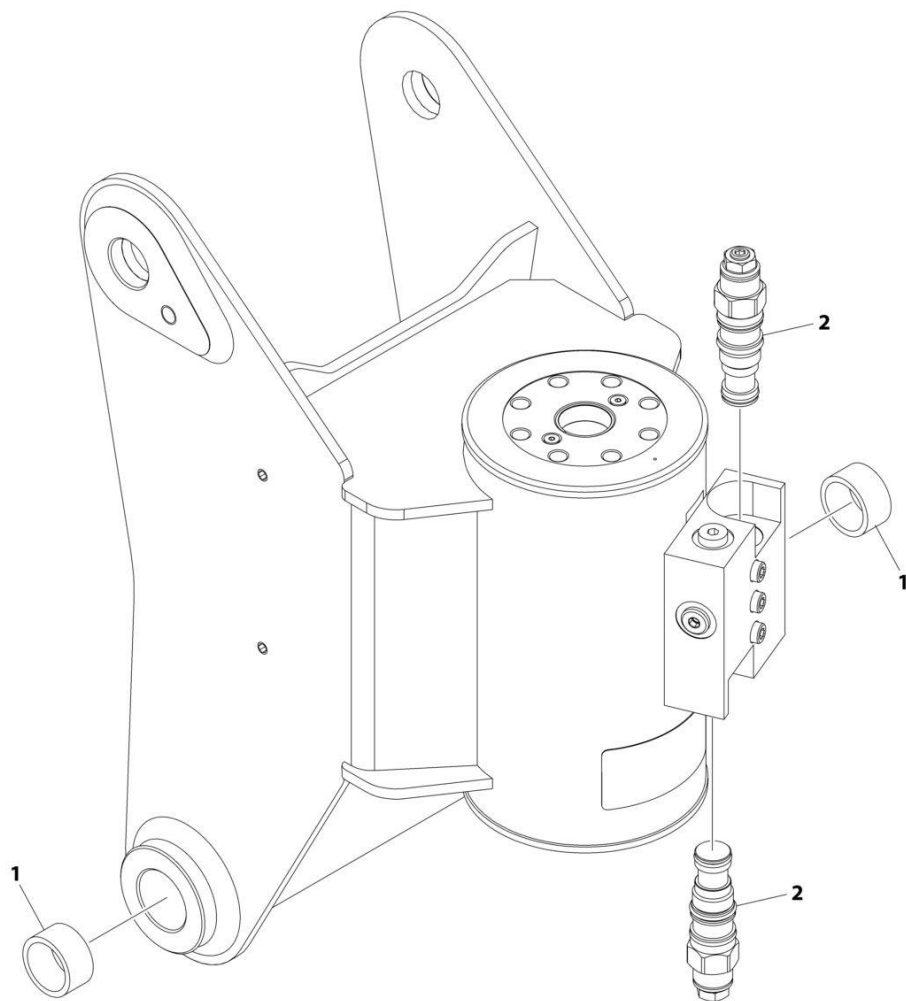
## SECTION 4 - BOOM

**FIGURE 4-12. ROTATOR ASSEMBLY (860SJ)**

ITEM	PART NUMBER	QTY	DESCRIPTION	REV
	1001181051	Ref	ROTATOR ASSEMBLY	A
1	See Note	NSS	Housing/Ring Gear Assembly (Note: Not Available - Purchase Complete Rotator Assembly)	
2	7017162	1	Shaft Weldment	
3	7017163	1	Piston/Sleeve Assembly	
4	7017164	1	Cap, End	
20	See Note	NSS	T-Seal (Note: Use Item 100)	
22	See Note	NSS	T-Seal (Note: Use Item 100)	
24	See Note	NSS	O-Ring (Note: Use Item 100)	
25	See Note	NSS	Seal (Note: Use Item 100)	
26	See Note	NSS	O-Ring (Note: Use Item 100)	
27	See Note	NSS	Ring, Back-up (Note: Use Item 100)	
32	See Note	NSS	Ring, Wear (Note: Use Item 101)	
34	See Note	NSS	Washer, Thrust (Note: Use Item 101)	
41	7017172	AR	Valve Assembly	
41A	7017192	2	Cartridge, Valve	
41A	See Note	NSS	Seal Kit - 7017192 Valve (Note: Not Available for Purchase)	
41B	See Note	3	Bolt 1/4-20NC x 1-1/2 Grade 8 (Note: Not Available - Purchase Locally)	
42	7017195	2	Bushing	
45	7017150	2	Bushing	
100	70000342	1	Seal Kit (Includes Items 20, 22, 24, 25, 27 & 33)	
101	7017159	1	Bearing Kit (Includes Items 32 & 34)	
102	7017142	1	Hardware Kit	
103	70001697	4	Screw, Countersunk 1/4 x 3/8 Grade 8	

## SECTION 4 - BOOM

FIGURE 4-13. PLATFORM ROTATOR ASSEMBLY (MACHINES WITH SN STARTING WITH B3) (SN B300022542 to Present, SN B300022465 through B300022467)



ART\_1001276878

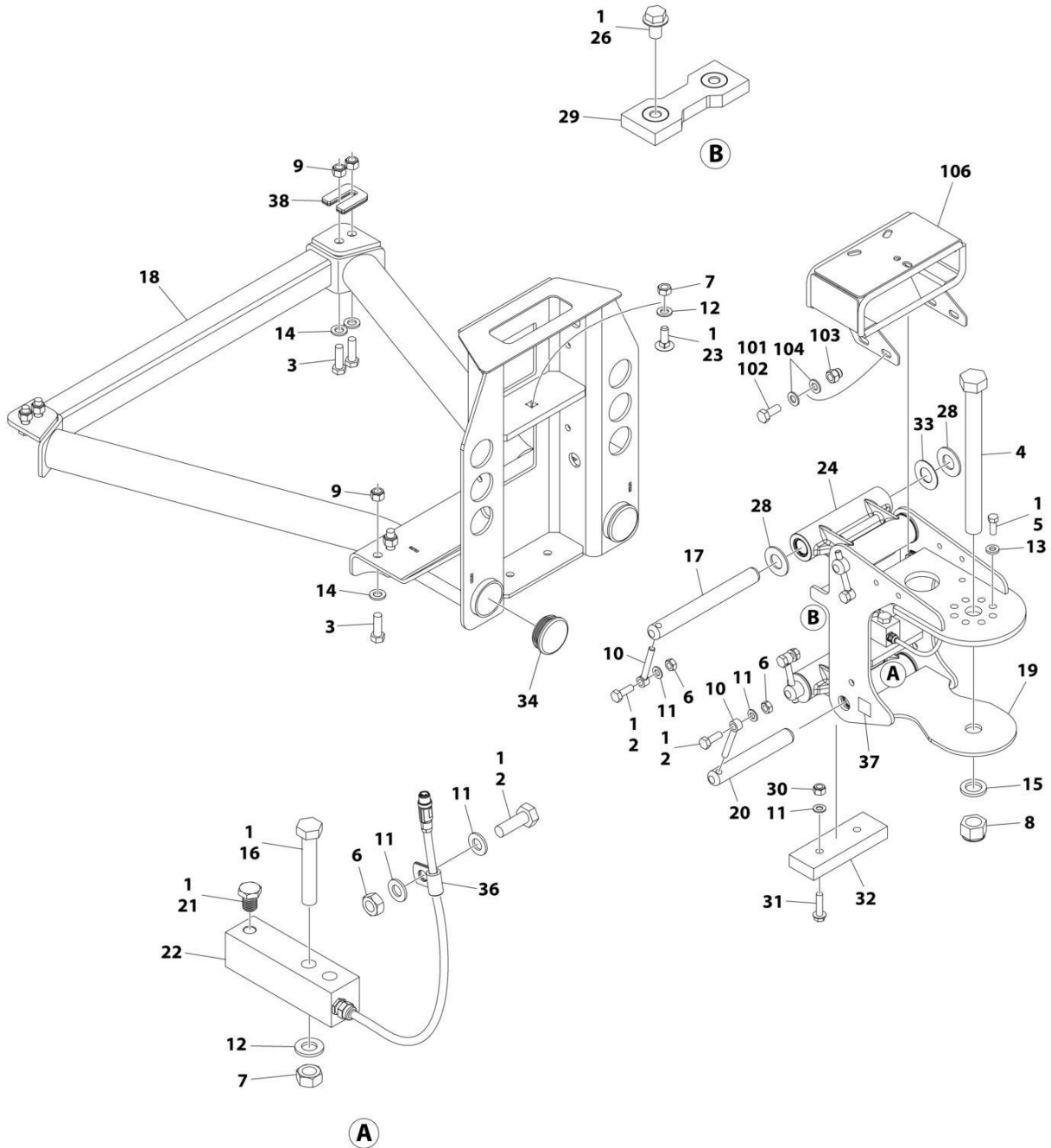
## SECTION 4 - BOOM

**FIGURE 4-13. PLATFORM ROTATOR ASSEMBLY (MACHINES WITH SN STARTING WITH B3) (SN B300022542 to Present, SN B300022465 through B300022467)**

ITEM	PART NUMBER	QTY	DESCRIPTION	REV
	1001276878	Ref	PLATFORM ROTATOR ASSEMBLY	A
	See Note	Ref	Note: No Other Service Parts Available at Time of Printing	
1	0961947	2	Bushing	
2	1001297748	2	Valve, Counterbalance	

# SECTION 4 - BOOM

FIGURE 4-14. PLATFORM SUPPORT INSTALLATION (Prior to SN B300022542, Except SN B300022465 through B300022467)



ART\_1001167596\_N

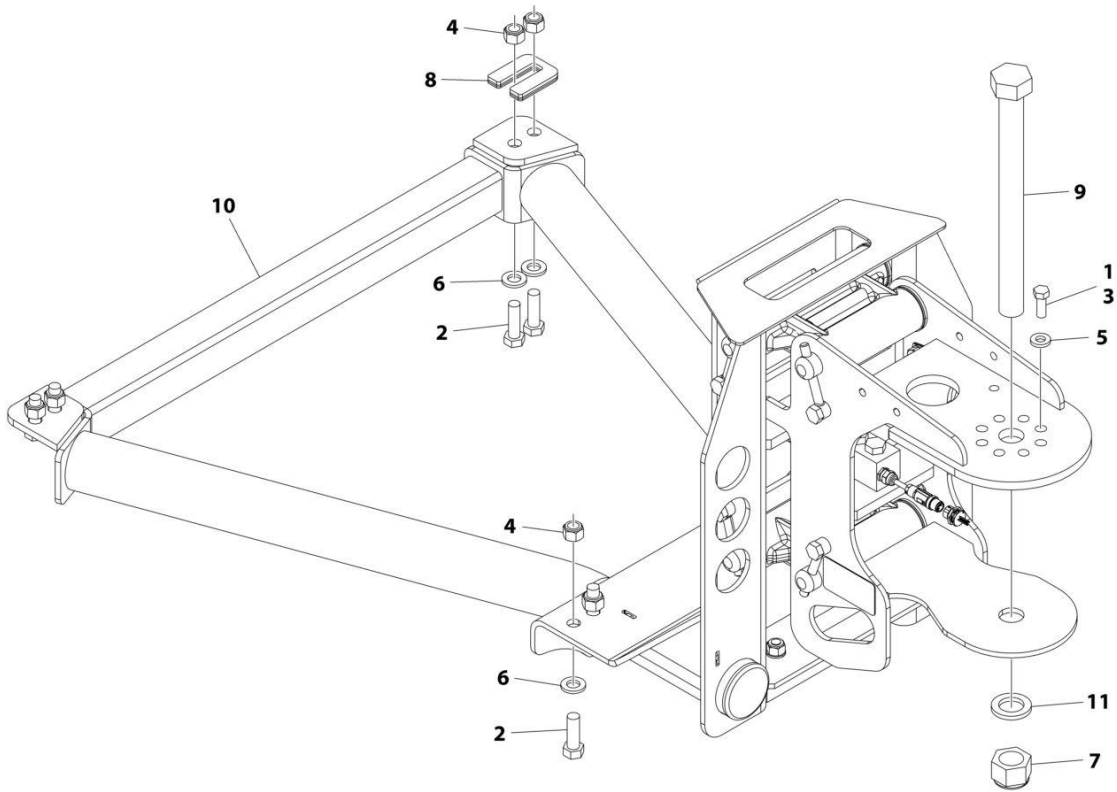
## SECTION 4 - BOOM

**FIGURE 4-14. PLATFORM SUPPORT INSTALLATION (Prior to SN B300022542, Except SN B300022465 through B300022467)**

ITEM	PART NUMBER	QTY	DESCRIPTION	REV
	1001167596	Ref	PLATFORM SUPPORT INSTALLATION	N
1	0100011	AR	Compound, Locking	
2	0761014	5	Bolt M10 x 30	
3	0761216	8	Bolt M12 x 40	
4	1001255133	1	Bolt 1 x 11 GRD8	
5	0681608	8	Bolt 3/8 x 1 GRD8	
6	3291001	5	Nut M10	
7	3291201	3	Nut M12	
8	1001174040	1	Nut 1	
9	3291205	8	Nut M12	
10	3841143	4	Keeper, Pin	
11	4812000	8	Washer M10	
12	4812100	3	Washer M12	
13	4891600	8	Washer 3/8	
14	5241200	8	Washer M12	
15	4892600001	1	Washer 1	
16	1001098828	2	Bolt M12 x 70 CL10.9	
17	1001167565	2	Pin	
18	1001200494	1	Support, Platform	
19	1001167567	1	Support, Rotator	
20	1001168402	2	Pin	
21	1001188622	1	Screw	
22	1001247468	1	Loadcell	
23	1001188844	1	Bolt M12 x 35	
24	1001201351	2	Link	
24	1001187382	4	Bearing	
24	1001187383	4	Seal	
26	5251008	2	Bolt M10 x 16 CL10.9	
28	1001189002	8	Bearing	
29	1001190985	1	Pad, Wear	
30	3291005	2	Nut M10	
31	5251016	2	Bolt M10 x 40 CL10.9	
32	1001200491	1	Pad, Wear	
33	1001189001	4	Bearing	
34	1001204725	2	Plug	
36	91203039	1	Clamp	
37	1001216630	2	Decal - Tie Down/No Lift	
38	1001238421	Ref	Kit, Platform Leveling (Not Shown)	
	1001202687	Ref	VALVE MOUNT INSTALLATION	B
101	0100011	AR	Compound, Locking	
102	0760810	4	Bolt M8 x 20	
103	3290806	4	Nut M8	
104	4811900	8	Washer M8	
106	1001208994	1	Mount, Valve	

# SECTION 4 - BOOM

FIGURE 4-15. PLATFORM SUPPORT INSTALLATION - (MACHINES WITH SN STARTING WITH B3)  
(SN B300022542 to Present, SN B300022465 through B300022467)



ART\_1001299793

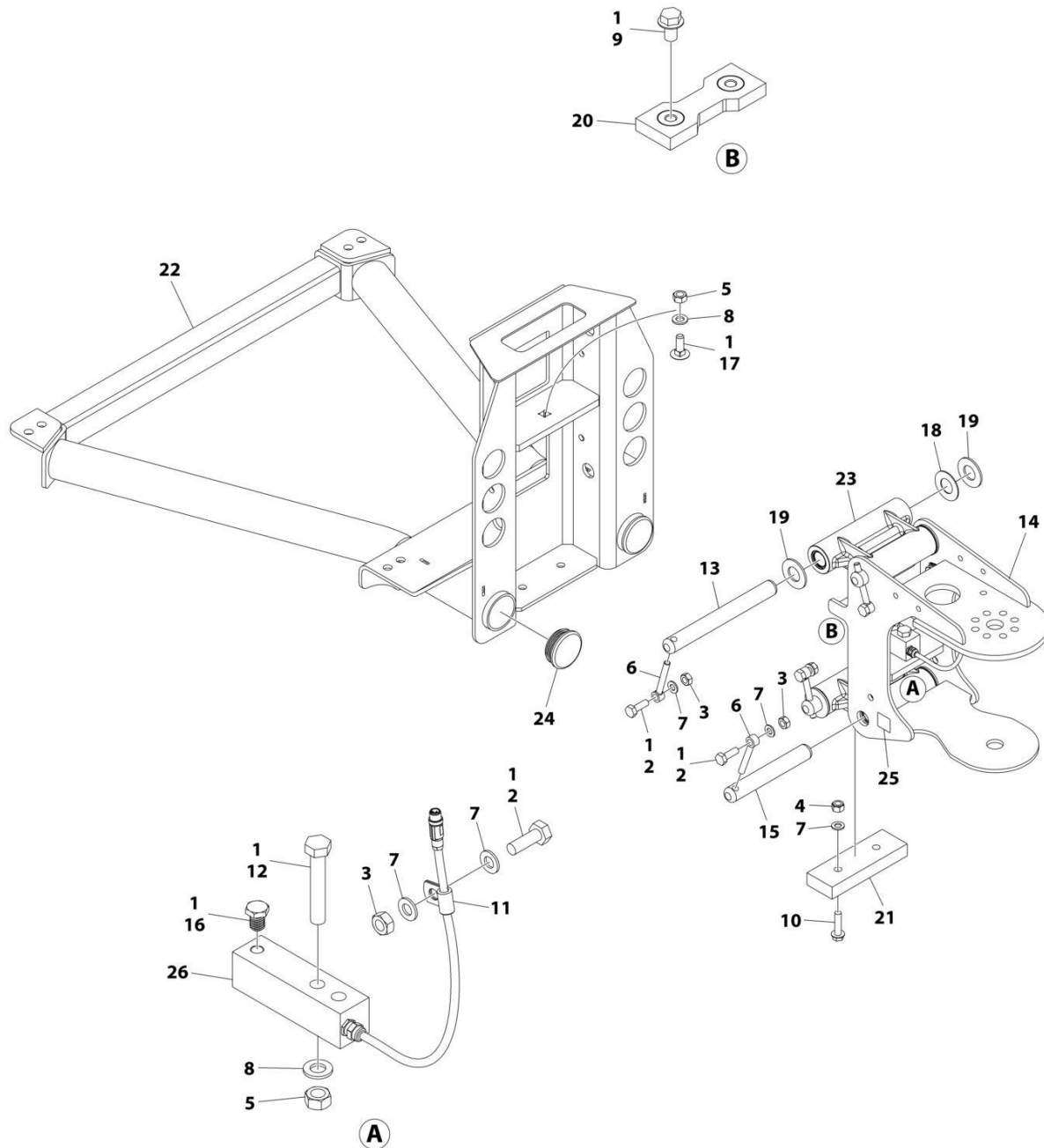
## SECTION 4 - BOOM

**FIGURE 4-15. PLATFORM SUPPORT INSTALLATION - (MACHINES WITH SN STARTING WITH B3)  
(SN B300022542 to Present, SN B300022465 through B300022467)**

ITEM	PART NUMBER	QTY	DESCRIPTION	REV
	1001299793	Ref	PLATFORM SUPPORT INSTALLATION	A
1	0100011	AR	Compound, Locking	
2	0761216	8	Bolt M12 x 40	
3	0771012	8	Bolt M10 x 25	
4	3291205	8	Nut M12 x 1-3/4	
5	4891600	8	Washer 3/8	
6	5241200	8	Washer M12	
7	1001174040	1	Nut	
8	1001238421	AR	Platform Leveling Kit	
8	1001238399	2	Shim M2	
8	1001238400	1	Shim M4	
9	1001255133	1	Bolt 1 x 11	
10	1001289607	1	Platform Support with LSS (See Separate Breakdown in this Section)	
11	4892600001	1	Washer 1	

# SECTION 4 - BOOM

FIGURE 4-16. PLATFORM SUPPORT ASSEMBLY - (MACHINES WITH SN STARTING WITH B3) (SN B300022542 to Present, SN B300022465 through B300022467)



ART\_1001289607



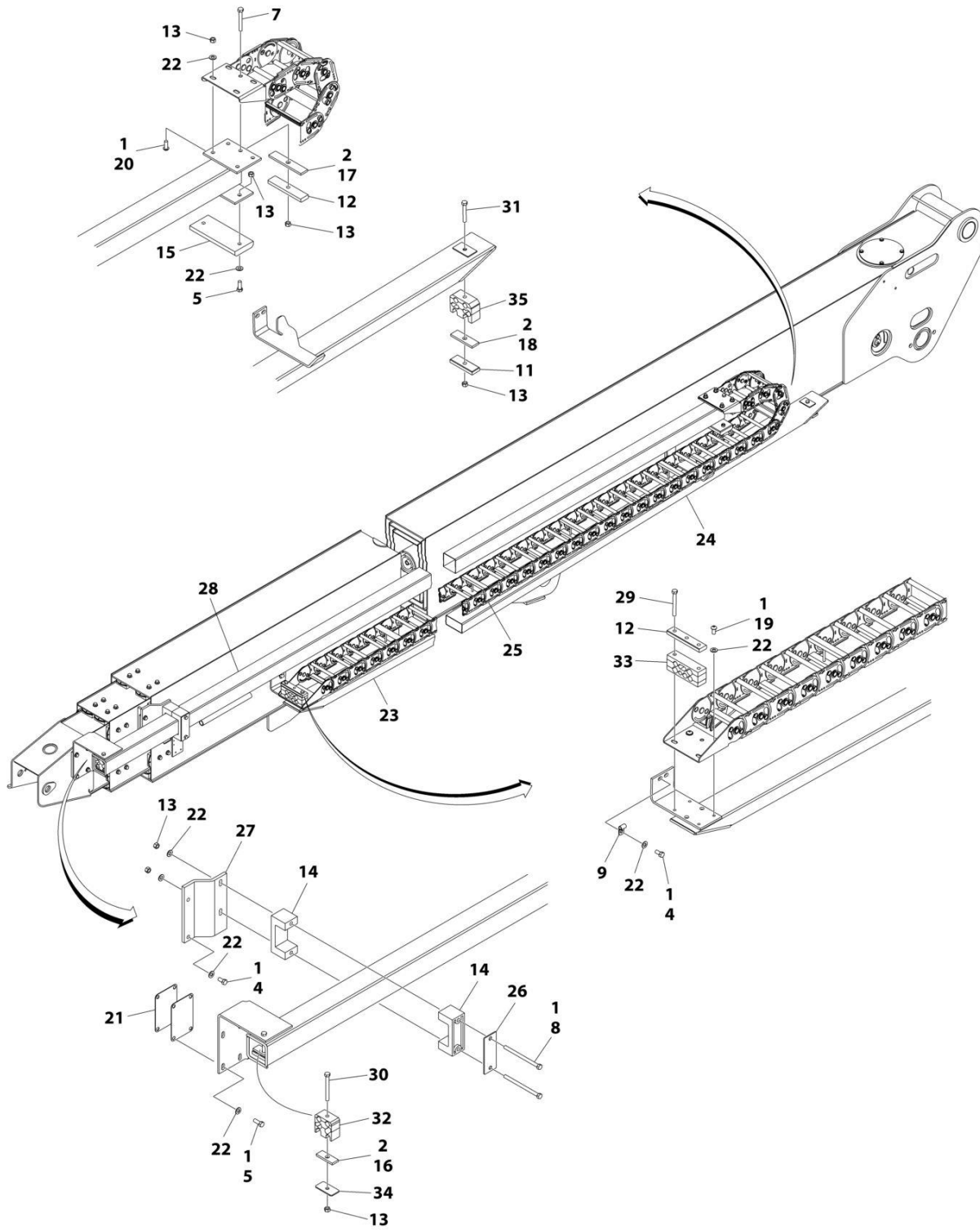
## SECTION 4 - BOOM

**FIGURE 4-16. PLATFORM SUPPORT ASSEMBLY - (MACHINES WITH SN STARTING WITH B3) (SN B300022542 to Present, SN B300022465 through B300022467)**

ITEM	PART NUMBER	QTY	DESCRIPTION	REV
	1001289607	Ref	PLATFORM SUPPORT ROTATOR INSTALLATION	A
1	0100011	AR	Compound, Locking	
2	0761014	5	Bolt M10 x 30	
3	3291001	5	Nut M10	
4	3291005	2	Nut M10	
5	3291201	3	Nut M12	
6	3841143	4	Keeper, Pin	
7	4812000	8	Washer M10	
8	4812100	3	Washer M12	
9	5251008	2	Bolt M10 x 16	
10	5251016	2	Bolt M10 x 40	
11	91203039	1	Clamp	
12	1001098828	2	Bolt M12 x 70 Grade 10.9	
13	1001167565	2	Pin	
14	1001167567	1	Support, Rotator	
15	1001168402	2	Pin	
16	1001188622	1	Screw	
17	1001188844	1	Bolt M12 x 35	
18	1001189001	4	Bearing	
19	1001189002	8	Bearing	
20	1001190985	1	Pad, Wear	
21	1001200491	1	Pad, Wear	
22	1001200494	1	Support, Platform	
23	1001201351	2	Link	
23	1001187382	4	Bearing	
23	1001187383	4	Seal	
24	1001204725	2	Plug	
25	1001216630	2	Decal - Tie Down/No Lift	
26	1001247468	1	Loadcell	

# SECTION 4 - BOOM

## FIGURE 4-17. POWER TRACK INSTALLATION - MAIN BOOM (800S)



ART\_1001156965\_C

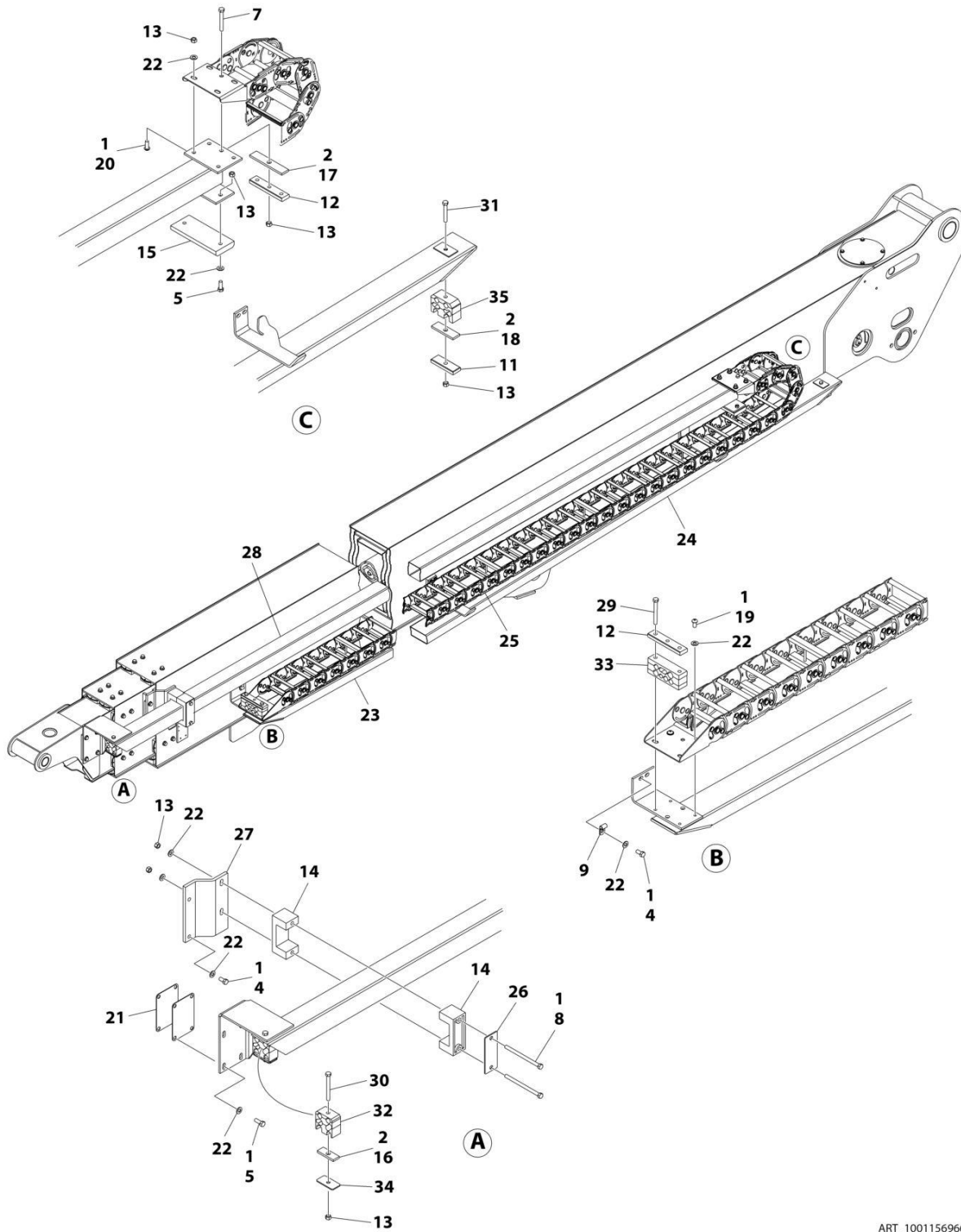
## SECTION 4 - BOOM

**FIGURE 4-17. POWER TRACK INSTALLATION - MAIN BOOM (800S)**

ITEM	PART NUMBER	QTY	DESCRIPTION	REV
	1001156965	Ref	POWER TRACK INSTALLATION	C
1	0100011	AR	Compound, Locking	
2	0100081	AR	Adhesive	
4	0641606	12	Bolt 3/8 x 3/4	
5	0641608	6	Bolt 3/8 x 1	
7	0641622	1	Bolt 3/8 x 2-3/4	
8	0641644	2	Bolt 3/8 x 5-1/2	
9	1320263	2	Clamp, Cable	
11	1320289	1	Clamp, Hose	
12	1320294	2	Bar, Clamping	
13	3311605	11	Nut 3/8	
14	3340764	2	Pad, Wear	
15	3340787	1	Pad, Wear	
16	3340941	1	Pad, Push Tube	
17	3340942	1	Pad, Rubber	
18	3340943	1	Pad, Rubber	
19	3900283	2	Screw, Button Head 3/8 x 3/4	
20	3900316	4	Screw, Button Head 3/8 x 1	
21	4070969	2	Shim	
22	4711600	26	Washer 3/8	
23	4846553	1	Support, Push Tube	
24	4846558	1	Tube, Push	
25	1001131731	1	Power Track	
25	70003921	AR	Repair Section (Includes 1 Pin Assembly for each end)	
25	70003922	1	Mounting Feet (Includes Both Pair of Feet)	
26	1001136400	1	Plate	
27	1001156439	1	Plate	
28	1001156443	1	Tube, Push	
29	0641626	2	Bolt 3/8 x 3-1/4	
30	0641630	1	Bolt 3/8 x 3-3/4	
31	0641632	1	Bolt 3/8 x 4	
32	1001281077	1	Clamp, Block	
33	1001281168	1	Clamp, Block	
34	1001281170	1	Bar	
35	1001281171	1	Clamp, Block	

# SECTION 4 - BOOM

## FIGURE 4-18. POWER TRACK INSTALLATION - MAIN BOOM (860SJ)



ART\_1001156966\_D

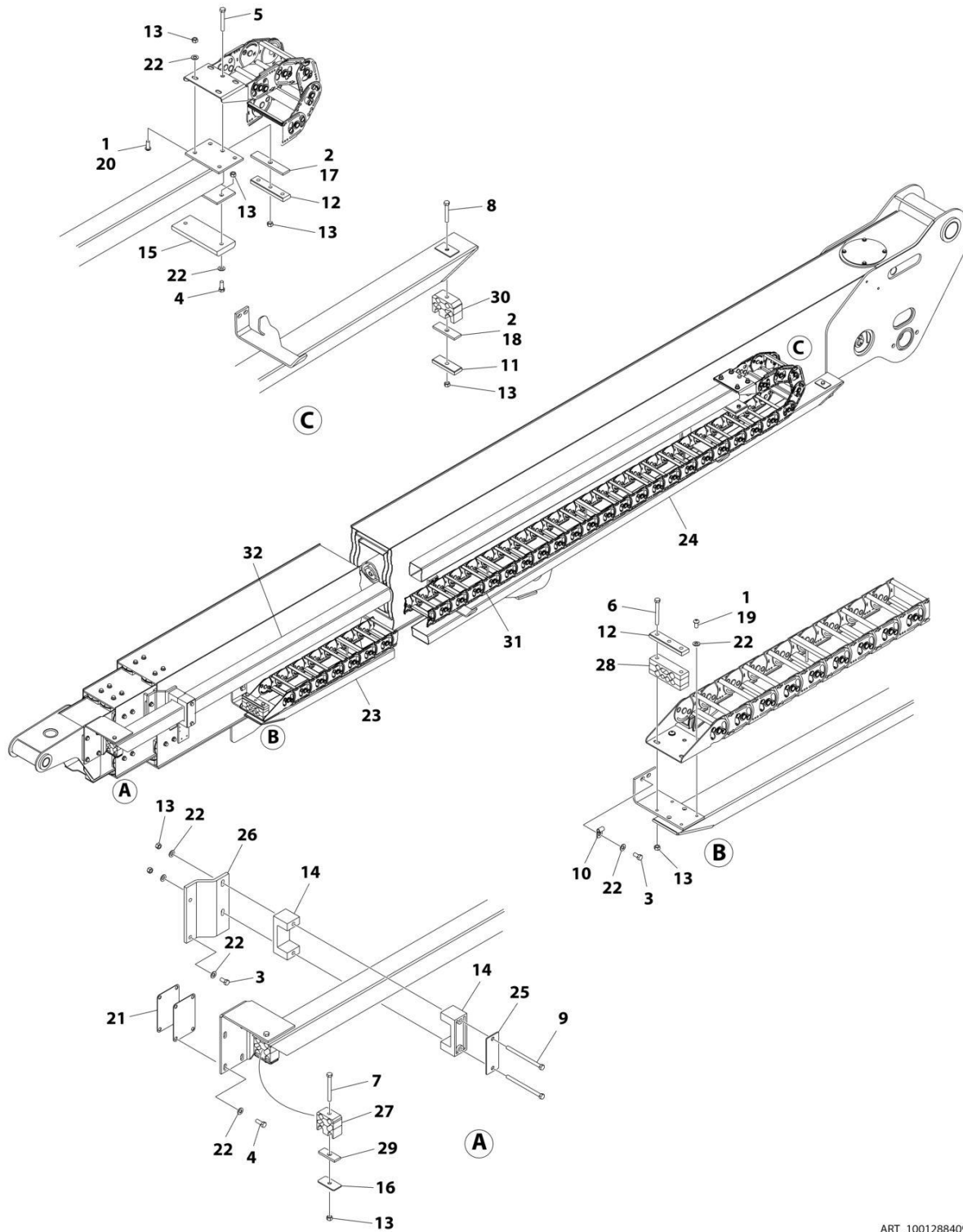
## SECTION 4 - BOOM

**FIGURE 4-18. POWER TRACK INSTALLATION - MAIN BOOM (860SJ)**

ITEM	PART NUMBER	QTY	DESCRIPTION	REV
	1001156966	Ref	POWER TRACK INSTALLATION	D
1	0100011	AR	Compound, Locking	
2	0100081	AR	Adhesive	
4	0641606	12	Bolt 3/8 x 3/4	
5	0641608	6	Bolt 3/8 x 1	
7	0641622	1	Bolt 3/8 x 2-3/4	
8	0641644	2	Bolt 3/8 x 5-1/2	
9	1320263	2	Clamp, Cable	
11	1320289	1	Clamp, Hose	
12	1320294	2	Bar, Clamping	
13	3311605	11	Nut 3/8	
14	3340764	2	Pad, Wear	
15	3340787	1	Pad, Wear	
16	3340941	1	Pad, Push Tube	
17	3340942	1	Pad, Rubber	
18	3340943	1	Pad, Rubber	
19	3900283	2	Screw, Button Head 3/8 x 3/4	
20	3900316	4	Screw, Button Head 3/8 x 1	
21	4070969	2	Shim	
22	4711600	26	Washer 3/8	
23	4846553	1	Support, Push Tube	
24	4846558	1	Tube, Push	
25	1001131731	1	Power Track	
25	70003921	AR	Repair Section (Includes 1 Pin Assembly for each end)	
25	70003922	1	Mounting Feet (Includes Both Pair of Feet)	
26	1001136400	1	Plate	
27	1001156439	1	Plate	
28	1001291944	1	Tube, Push	
29	0641626	2	Bolt 3/8 x 3-1/4	
30	0641630	1	Bolt 3/8 x 3-3/4	
31	0641632	1	Bolt 3/8 x 4	
32	1001281077	1	Clamp, Block	
33	1001281168	1	Clamp, Block	
34	1001281170	1	Bar	
35	1001281171	1	Clamp, Block	

# SECTION 4 - BOOM

FIGURE 4-19. POWERTRACK WITH PLASTIC CLAMP INSTALLATION (MACHINES WITH SN STARTING WITH B3) (EXCEPT CHINESE SPECS)



ART\_1001288409

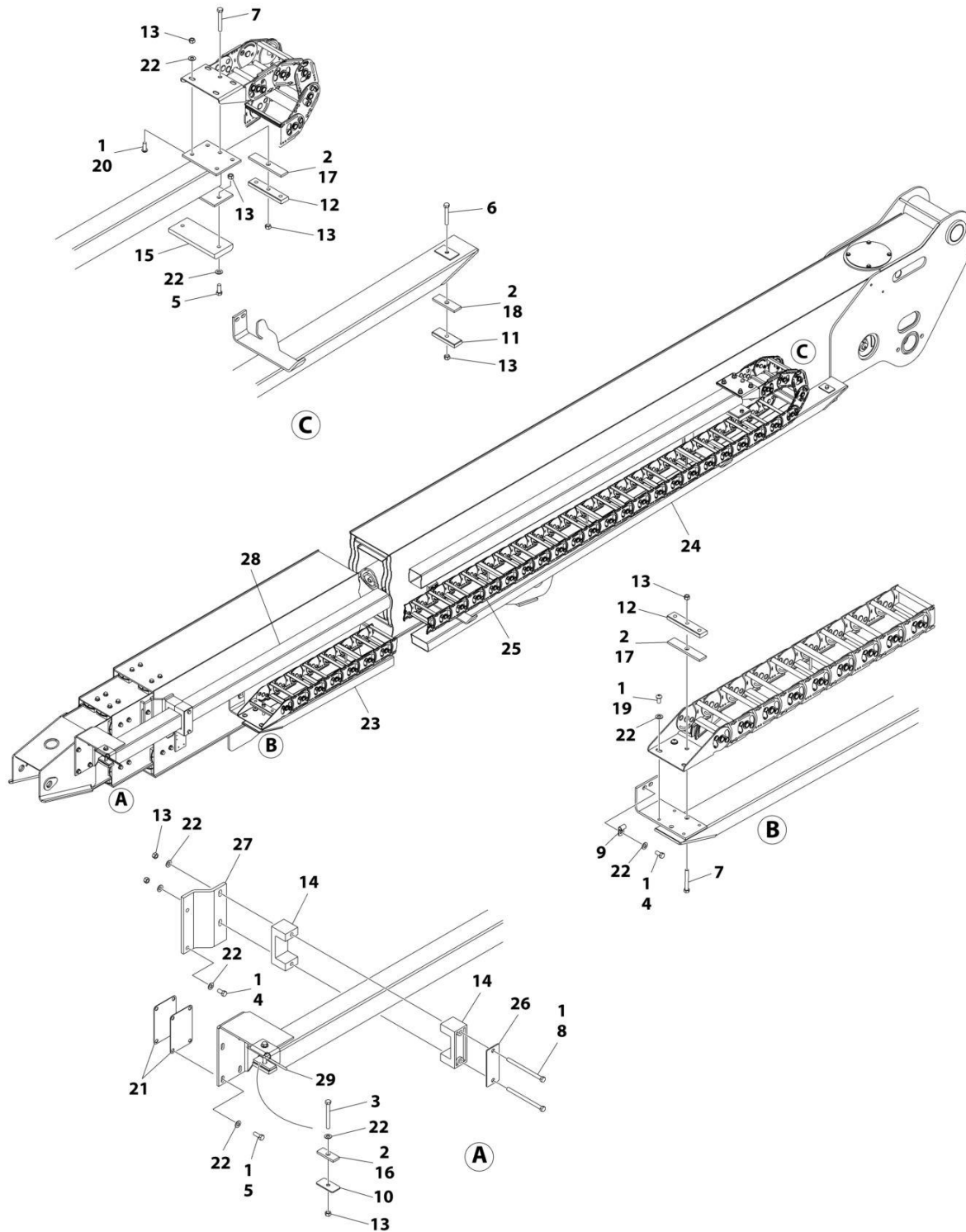
## SECTION 4 - BOOM

**FIGURE 4-19. POWERTRACK WITH PLASTIC CLAMP INSTALLATION (MACHINES WITH SN STARTING WITH B3) (EXCEPT CHINESE SPECS)**

ITEM	PART NUMBER	QTY	DESCRIPTION	REV
	1001288409	Ref	POWERTRACK WITH STEEL CLAMP	A
1	0100011	AR	Compound, Locking	
2	0100081	AR	Adhesive	
3	0641606	12	Bolt 3/8 x 3/4	
4	0641608	6	Bolt 3/8 x 1	
5	0641622	1	Bolt 3/8 x 2-3/4	
6	0641626	2	Bolt 3/8 x 3-1/4	
7	0641630	1	Bolt 3/8 x 3-3/4	
8	0641632	1	Bolt 3/8 x 4	
9	0641644	2	Bolt 3/8 x 5-1/2	
10	1320263	2	Clamp	
11	1320289	1	Clamp	
12	1320294	2	Clamp	
13	3311605	11	Nut 3/8	
14	3340764	2	Pad	
15	3340787	1	Pad, Wear	
16	3340941	1	Pad, Rubber	
17	3340942	1	Pad, Rubber	
18	3340943	1	Pad, Rubber	
19	3900283	2	Screw 3/8 x 3/4	
20	3900316	4	Screw 3/8 x 1	
21	4070969	2	Shim	
22	4711600	26	Washer 3/8	
23	4846553	1	Support, Power Track	
24	4846558	1	Support, Power Track	
25	1001136400	1	Plate	
26	1001156439	1	Plate	
27	1001281077	1	Clamp	
28	1001281168	1	Clamp	
29	1001281170	1	Bar, Clamp	
30	1001281171	1	Clamp	
31	1001288407	1	Power Track	
32	1001291944	1	PushTube	

# SECTION 4 - BOOM

## FIGURE 4-20. POWERTRACK WITH STEEL CLAMP INSTALLATION (MACHINES WITH SN STARTING WITH 03) (ALL SPECS) (800S)



ART\_1001292031



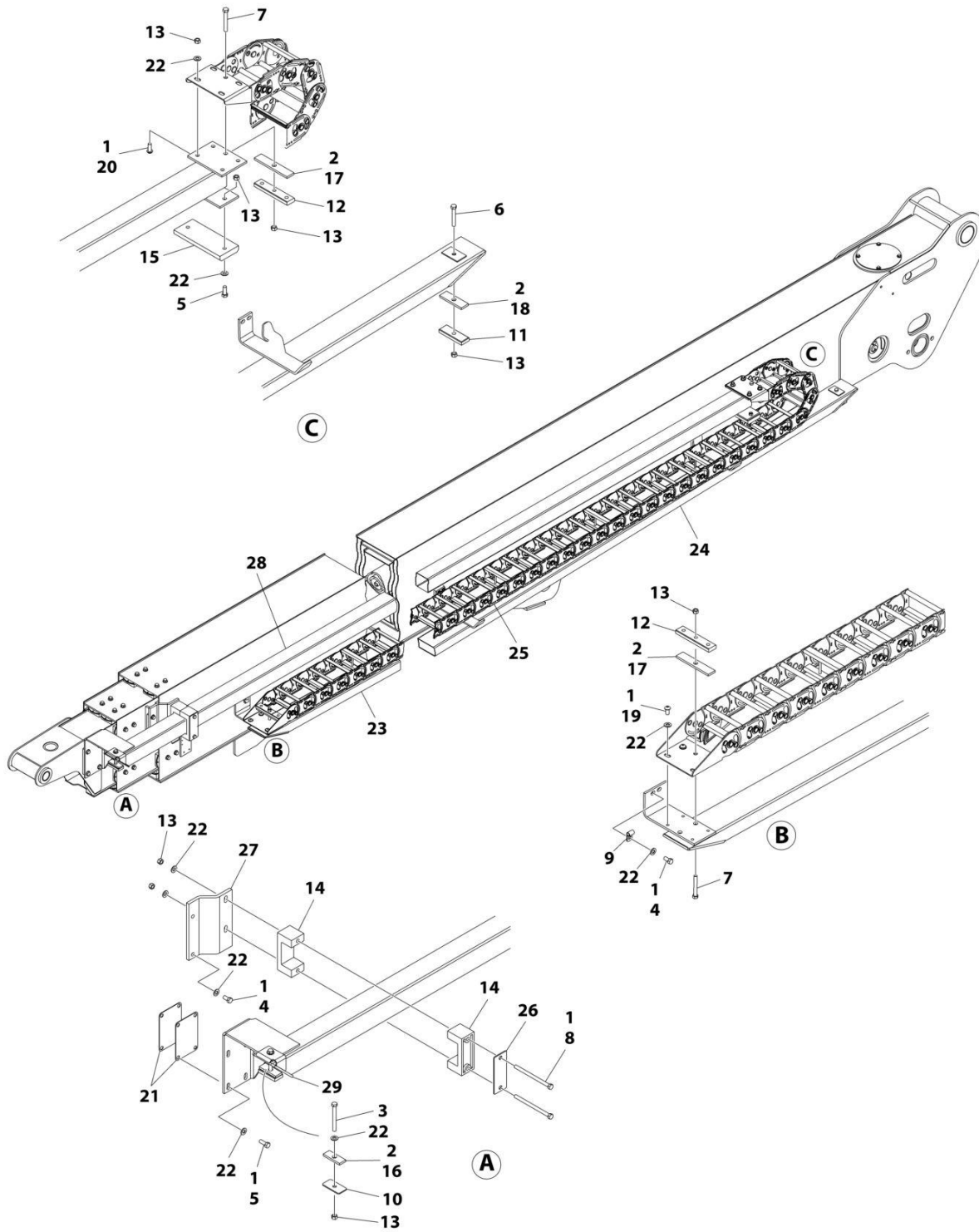
## SECTION 4 - BOOM

**FIGURE 4-20. POWERTRACK WITH STEEL CLAMP INSTALLATION (MACHINES WITH SN STARTING WITH 03) (ALL SPECS) (800S)**

ITEM	PART NUMBER	QTY	DESCRIPTION	REV
	1001292031	Ref	POWERTRACK WITH STEEL CLAMP INSTALLATION	C
1	0100011	AR	Compound, Locking	
2	0100081	AR	Adhesive	
3	0630539	1	Screw 3/8 x 3/4	
4	0641606	12	Bolt 3/8 x 3/4	
5	0641608	6	Bolt 3/8 x 1	
6	0641620	1	Bolt 3/8 x 2-1/2	
7	0641622	2	Bolt 3/8 x 2-3/4	
8	0641644	2	Bolt 3/8 x 5-1/2	
9	1320263	2	Clamp	
10	1320288	1	Clamp	
11	1320289	1	Clamp	
12	1320294	2	Clamp	
13	3311605	12	Nut 3/8	
14	3340764	2	Pad	
15	3340787	1	Pad, Wear	
16	3340941	2	Pad, Rubber	
17	3340942	2	Pad, Rubber	
18	3340943	2	Pad, Rubber	
19	3900283	4	Screw 3/8 x 3/4	
20	3900316	4	Screw 3/8 x 1	
21	4070969	2	Shim	
22	4711600	29	Washer 3/8	
23	4846553	1	Support, Power Track	
24	4846558	1	Support, Power Track	
25	1001131731	1	Power Track	
26	3538758	1	Plate	
27	1001156439	1	Plate	
28	1001291566	1	Push Tube	
29	1001293261	1	Bracket	

# SECTION 4 - BOOM

FIGURE 4-21. POWERTRACK WITH STEEL CLAMP INSTALLATION (MACHINES WITH SN STARTING WITH 03) (ALL SPECS) (860SJ)



ART\_1001292032

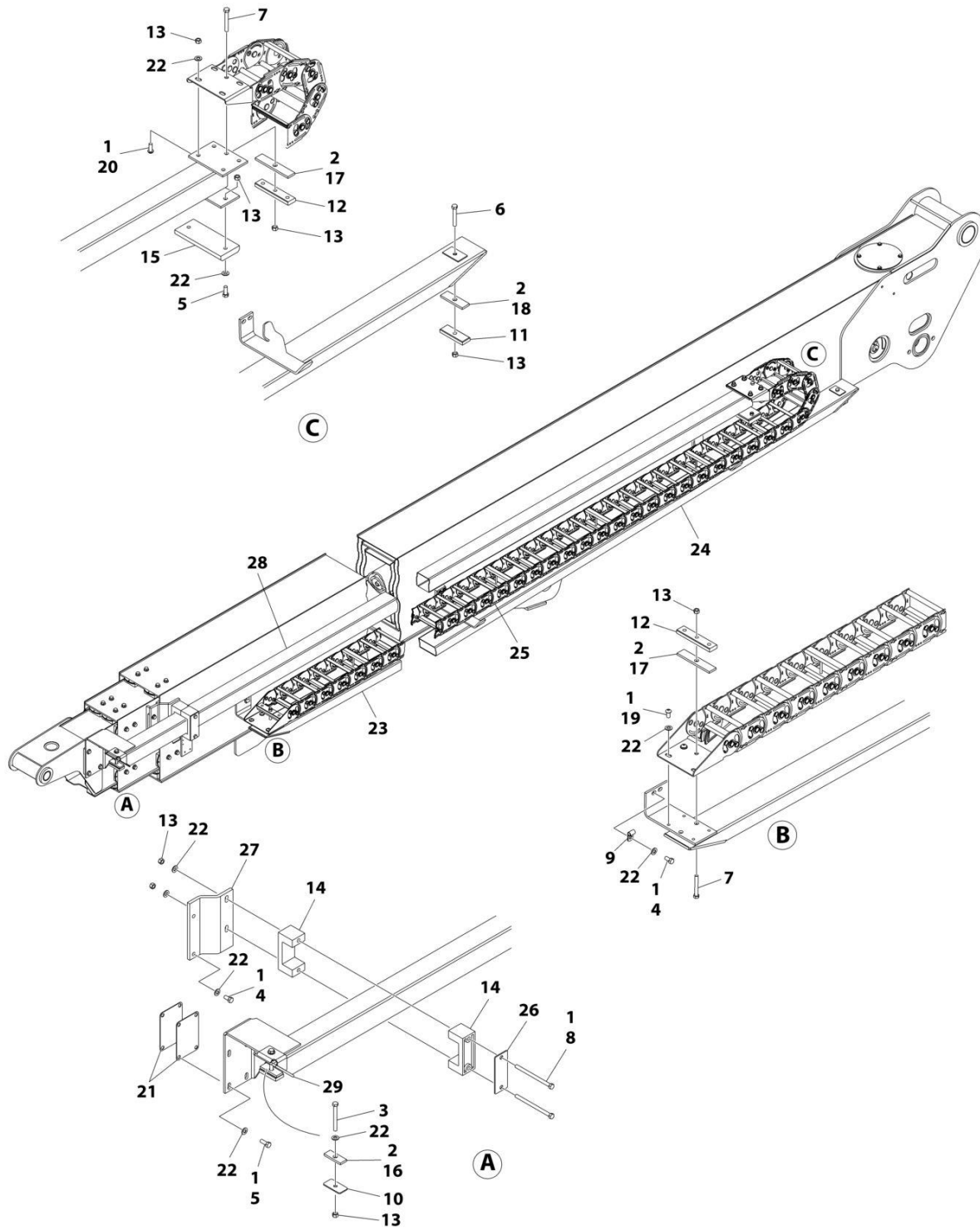
## SECTION 4 - BOOM

**FIGURE 4-21. POWERTRACK WITH STEEL CLAMP INSTALLATION (MACHINES WITH SN STARTING WITH 03) (ALL SPECS) (860SJ)**

ITEM	PART NUMBER	QTY	DESCRIPTION	REV
	1001292032	Ref	POWERTRACK WITH STEEL CLAMP INSTALLATION	C
1	0100011	AR	Compound, Locking	
2	0100081	AR	Adhesive	
3	0630539	1	Screw 3/8 x 3/4	
4	0641606	12	Bolt 3/8 x 3/4	
5	0641608	6	Bolt 3/8 x 1	
6	0641620	1	Bolt 3/8 x 2-1/2	
7	0641622	2	Bolt 3/8 x 2-3/4	
8	0641644	2	Bolt 3/8 x 5-1/2	
9	1320263	2	Clamp	
10	1320288	1	Clamp	
11	1320289	1	Clamp	
12	1320294	2	Clamp	
13	3311605	12	Nut 3/8	
14	3340764	2	Pad	
15	3340787	1	Pad, Wear	
16	3340941	2	Pad, Rubber	
17	3340942	2	Pad, Rubber	
18	3340943	2	Pad, Rubber	
19	3900283	4	Screw 3/8 x 3/4	
20	3900316	4	Screw 3/8 x 1	
21	4070969	2	Shim	
22	4711600	29	Washer 3/8	
23	4846553	1	Support, Power Track	
24	4846558	1	Support, Power Track	
25	1001131731	1	Power Track	
26	3538758	1	Plate	
27	1001156439	1	Plate	
28	1001291944	1	Push Tube	
29	1001293261	1	Bracket	

# SECTION 4 - BOOM

FIGURE 4-22. POWERTRACK WITH STEEL CLAMP INSTALLATION (MACHINES WITH SN STARTING WITH B3) (CHINESE SPECS)



ART\_1001294100

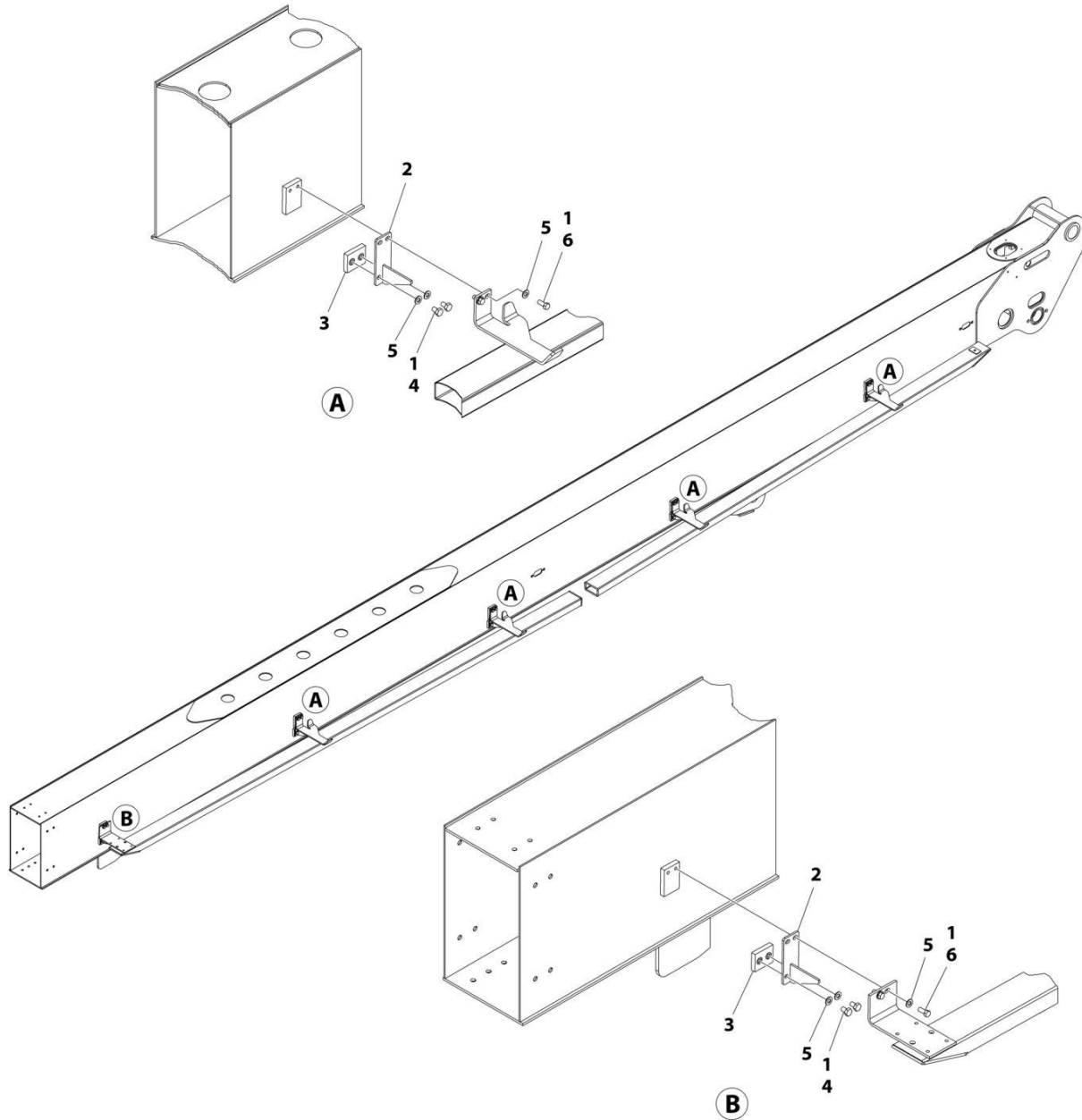
## SECTION 4 - BOOM

**FIGURE 4-22. POWERTRACK WITH STEEL CLAMP INSTALLATION (MACHINES WITH SN STARTING WITH B3) (CHINESE SPECS)**

ITEM	PART NUMBER	QTY	DESCRIPTION	REV
	1001294100	Ref	POWERTRACK WITH STEEL CLAMP	A
1	0100011	AR	Compound, Locking	
2	0100081	AR	Adhesive	
3	0630539	1	Screw 3/8 x 3/4	
4	0641606	12	Bolt 3/8 x 3/4	
5	0641608	6	Bolt 3/8 x 1	
6	0641620	1	Bolt 3/8 x 2-1/2	
7	0641622	2	Bolt 3/8 x 2-3/4	
8	0641644	2	Bolt 3/8 x 5-1/2	
9	1320263	2	Clamp	
10	1320288	1	Clamp	
11	1320289	1	Clamp	
12	1320294	2	Clamp	
13	3311605	12	Nut 3/8	
14	3340764	2	Pad	
15	3340787	1	Pad, Wear	
16	3340941	2	Pad, Rubber	
17	3340942	2	Pad, Rubber	
18	3340943	2	Pad, Rubber	
19	3900283	4	Screw 3/8 x 3/4	
20	3900316	4	Screw 3/8 x 1	
21	4070969	2	Shim	
22	4711600	29	Washer 3/8	
23	4846553	1	Support, Power Track	
24	4846558	1	Support, Power Track	
25	1001288407	1	Power Track	
26	1001136400	1	Plate	
27	1001156439	1	Plate	
28	1001291944	1	Push Tube	
29	1001293261	1	Bracket	

# SECTION 4 - BOOM

FIGURE 4-23. POWER TRACK SUPPORT BRACKET INSTALLATION - MAIN BOOM (860SJ)



ART\_1001241698

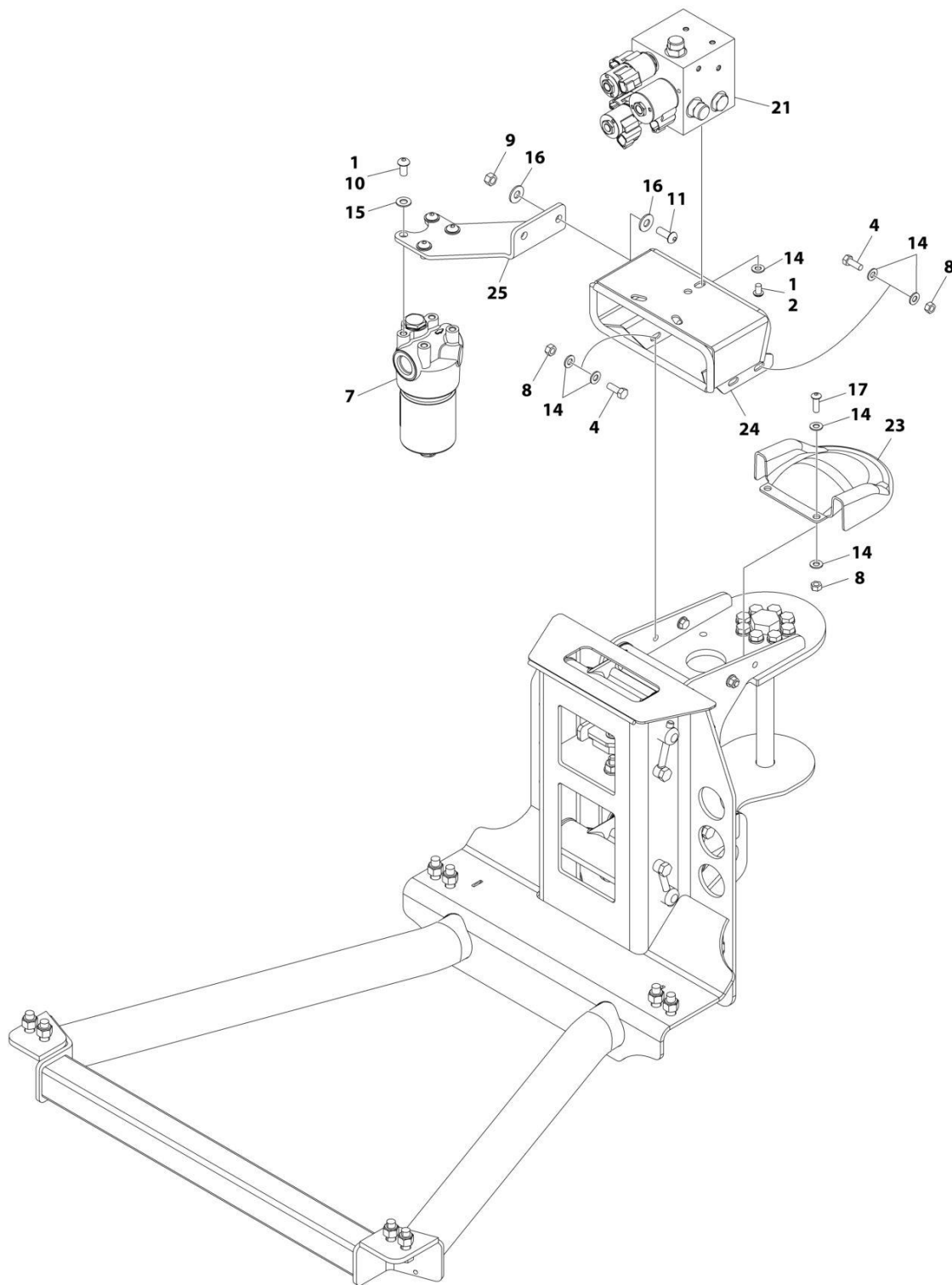
## SECTION 4 - BOOM

**FIGURE 4-23. POWER TRACK SUPPORT BRACKET INSTALLATION - MAIN BOOM (860SJ)**

ITEM	PART NUMBER	QTY	DESCRIPTION	REV
	1001241698	Ref	POWER TRACK SUPPORT BRACKET INSTALLATION	A
1	0100011	AR	Compound, Locking	
2	1001241694	5	Bracket	
3	1001241697	5	Pad, Wear	
4	0761008	10	Bolt M10 x 16	
5	4711600	20	Washer 3/8	
6	0641607	10	Bolt 3/8 x 7/8	

# SECTION 4 - BOOM

## FIGURE 4-24. CONTROL VALVE INSTALLATION (800S)



ART\_1001219979\_20F2



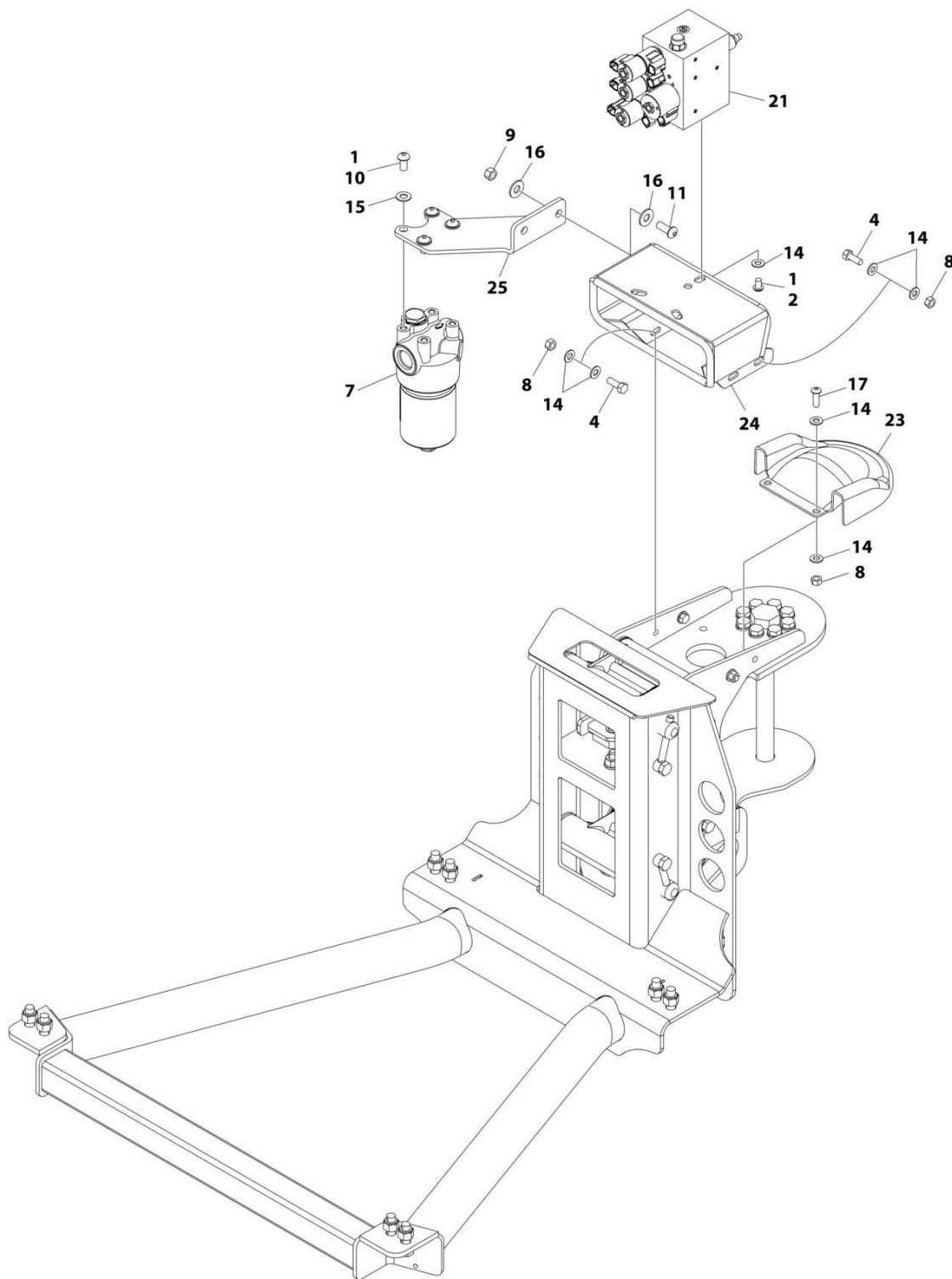
## SECTION 4 - BOOM

**FIGURE 4-24. CONTROL VALVE INSTALLATION (800S)**

ITEM	PART NUMBER	QTY	DESCRIPTION	REV
	1001219979	Ref	CONTROL VALVE INSTALLATION	B
1	0100011	AR	Compound, Locking	
2	0630467	3	Screw, Button Head	
4	0641507	4	Bolt 5/16 x 7/8	
7	2120217	1	Filter, High Pressure	
7	70002097	1	Element, Filter	
7	70001499	1	Kit, Seal	
7	70004328	1	Plug, Indicator	
8	3311505	6	Nut 5/16	
9	3311605	2	Nut 3/8	
10	3900283	4	Screw 3/8 x 3/4	
11	3900316	2	Screw 3/8 x 1	
14	4711500	15	Washer 5/16	
15	4711600	4	Washer 3/8	
16	4751600	4	Washer 3/8	
17	88261024	2	Screw 5/16 x 1	
21	1001244114	1	Valve, Platform (See Separate Breakdown in this Section)	
22	1001168025	1	Upper Valve Harness (not shown)	
22	4460926	1	Connector - 21 Position	
22	1001126008	8	Terminal	
22	1001126009	6	Terminal (Gold)	
22	4460911	2	Connector 3 Position	
22	1001126009	6	Terminal (Gold)	
22	4460891	7	Connector 2 Position	
22	4460465	14	Terminal	
23	1001207969	1	Cover	
24	1001208994	1	Plate, Valve Mounting	
25	1001222314	1	Bracket, Filter Mounting	

# SECTION 4 - BOOM

## FIGURE 4-25. CONTROL VALVE INSTALLATION (860SJ)



ART\_1001219980\_20F2

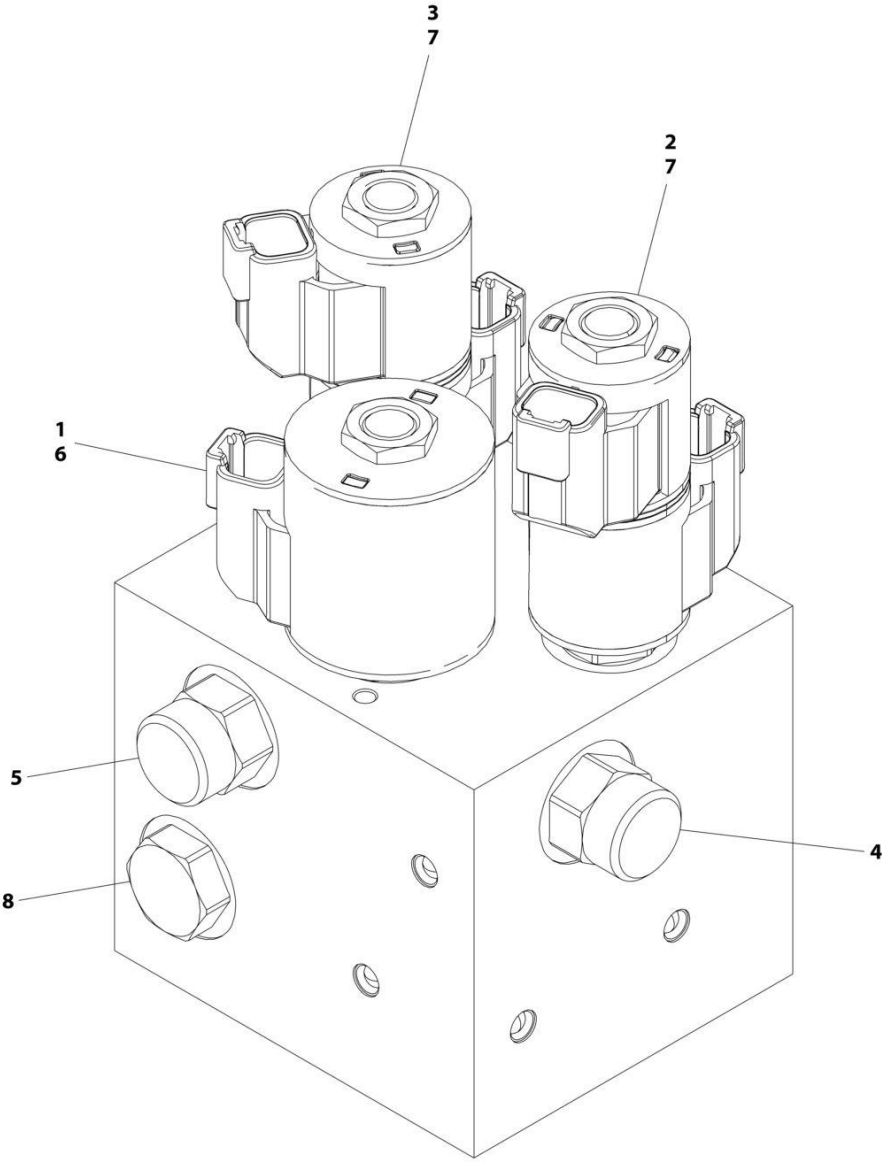
## SECTION 4 - BOOM

**FIGURE 4-25. CONTROL VALVE INSTALLATION (860SJ)**

ITEM	PART NUMBER	QTY	DESCRIPTION	REV
	1001219980	Ref	CONTROL VALVE INSTALLATION	B
1	0100011	AR	Compound, Locking	
2	0630467	3	Screw, Button Head	
4	0641507	4	Bolt 5/16 x 7/8	
7	2120217	1	Filter, High Pressure	
7	70002097	1	Element, Filter	
7	70001499	1	Kit, Seal	
7	70004328	1	Plug, Indicator	
8	3311505	6	Nut 5/16	
9	3311605	2	Nut 3/8	
10	3900283	4	Screw 3/8 x 3/4	
11	3900316	2	Screw 3/8 x 1	
14	4711500	15	Washer 5/16	
15	4711600	4	Washer 3/8	
16	4751600	4	Washer 3/8	
17	88261024	2	Screw 5/16 x 1	
21	1001235901	1	Valve, Platform (See Separate Breakdown in this Section)	
22	1001168025	1	Upper Valve Harness (not shown)	
22	4460926	1	Connector - 21 Position	
22	1001126008	8	Terminal	
22	1001126009	6	Terminal (Gold)	
22	4460911	2	Connector 3 Position	
22	1001126009	6	Terminal (Gold)	
22	4460891	7	Connector 2 Position	
22	4460465	14	Terminal	
23	1001207969	1	Cover	
24	1001208994	1	Plate, Valve Mounting	
25	1001222314	1	Bracket, Filter Mounting	

**SECTION 4 - BOOM**

**FIGURE 4-26. PLATFORM VALVE ASSEMBLY (800S)**



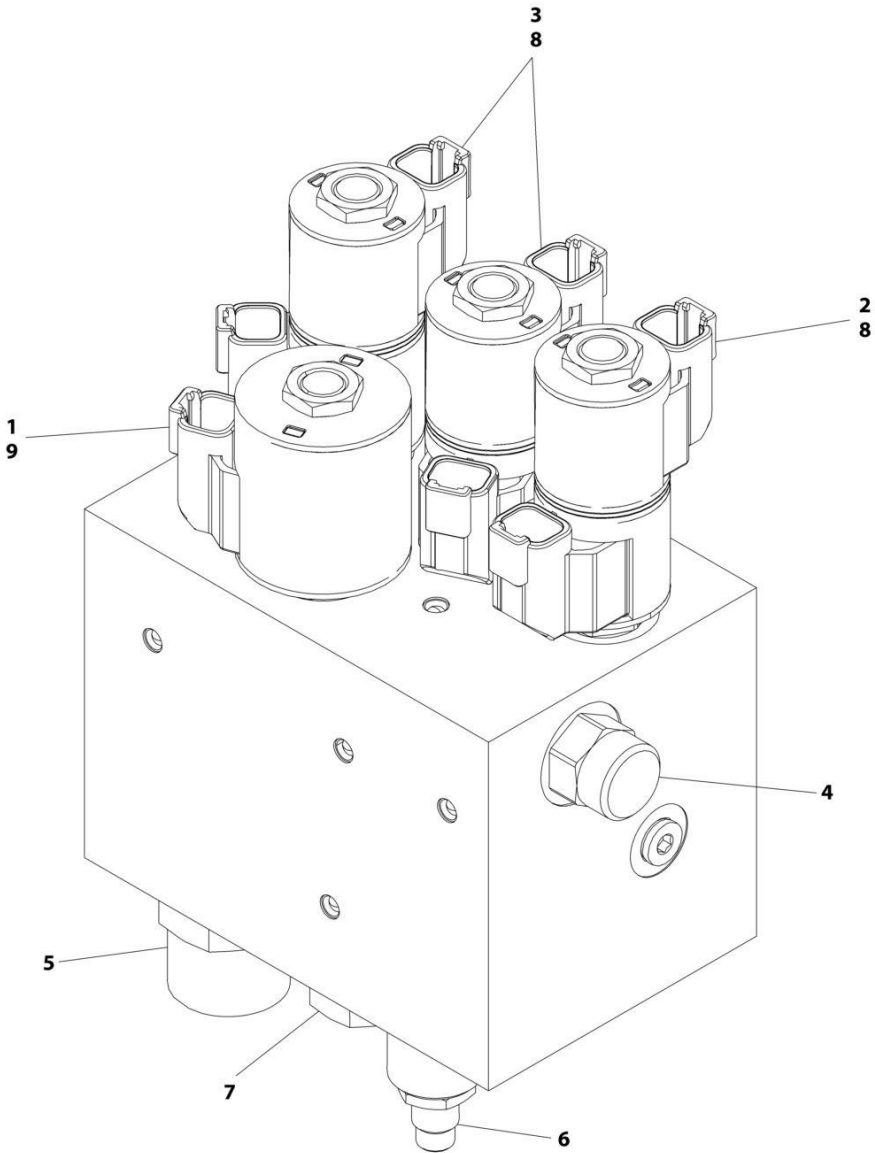
ART\_1001244114

FIGURE 4-26. PLATFORM VALVE ASSEMBLY (800S)

ITEM	PART NUMBER	QTY	DESCRIPTION	REV
	1001244114	Ref	PLATFORM VALVE ASSEMBLY	B
1	7012995	1	Cartridge, Solenoid Valve (Pressure)	
1	7012518	1	Seal Kit - 7012995 Valve	
2	7017452	1	Cartridge, Solenoid Valve (Platform Rotator)	
2	7017402	1	Seal Kit - 7017452 Valve	
3	7023922	1	Cartridge, Solenoid Valve (Platform Level)	
3	7017402	1	Seal Kit - 7023922 Valve	
4	7012989	1	Cartridge, Valve (Flow Regulator)	
4	7012953	1	Seal Kit - 7012989 Valve	
5	7017446	1	Cartridge, Valve (Flow Regulator)	
5	7012953	1	Seal Kit - 7023984 & 7017446 Valves	
6	70003788	1	Coil	
7	70002386	4	Coil	
8	7012955	1	Cartridge, Valve (Check Valve)	
8	7012967	1	Seal Kit - 7012955 Valve	
9	70004582	1	Orifice (Not Shown - Located on Back at Port T)	

**SECTION 4 - BOOM**

**FIGURE 4-27. PLATFORM VALVE ASSEMBLY (860SJ)**



ART\_1001235901

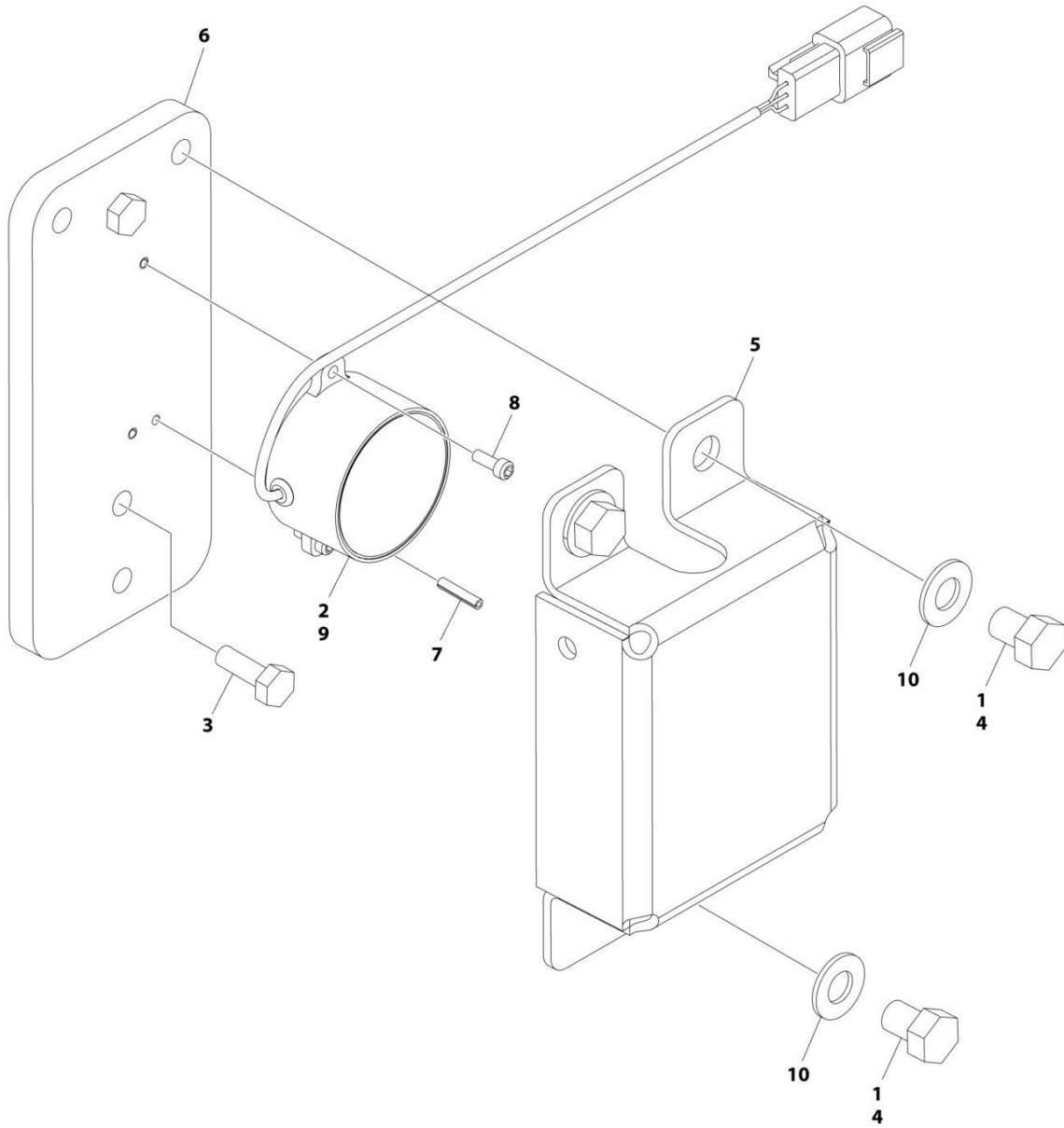
## SECTION 4 - BOOM

**FIGURE 4-27. PLATFORM VALVE ASSEMBLY (860SJ)**

ITEM	PART NUMBER	QTY	DESCRIPTION	REV
	1001235901	Ref	PLATFORM VALVE ASSEMBLY	A
1	7012995	1	Cartridge, Solenoid Valve (Pressure)	
1	7012518	1	Seal Kit - 7012955 Valve	
2	7017452	1	Cartridge, Solenoid Valve (Platform Rotator)	
2	7017402	1	Seal Kit - 7017452 Valve	
3	7023922	2	Cartridge, Solenoid Valve (Platform Jib & Platform Level)	
3	7017402	2	Seal Kit - 7023922 Valve	
4	7012989	1	Cartridge, Valve (Flow Regulator)	
4	7012953	1	Seal Kit - 7012989 Valve	
5	7023984	NLA	Cartridge, Valve (use p/n 7017446)	
5	7017446	1	Cartridge, Valve (Flow Regulator)	
5	7012953	1	Seal Kit - 7023984 Valve	
6	70004578	1	Cartridge, Valve	
6	7021653	1	Seal Kit - 70004578 Valve	
7	7012955	1	Cartridge, Valve (Check Valve)	
7	7012967	1	Seal Kit - 7012955 Valve	
8	70002386	6	Coil	
9	70003788	1	Coil	
10	70004582	1	Orifice (Not Shown - Located on Back at Port T)	

# SECTION 4 - BOOM

## FIGURE 4-28. LEVEL SENSOR SWITCH INSTALLATION



ART\_0273695



FIGURE 4-28. LEVEL SENSOR SWITCH INSTALLATION

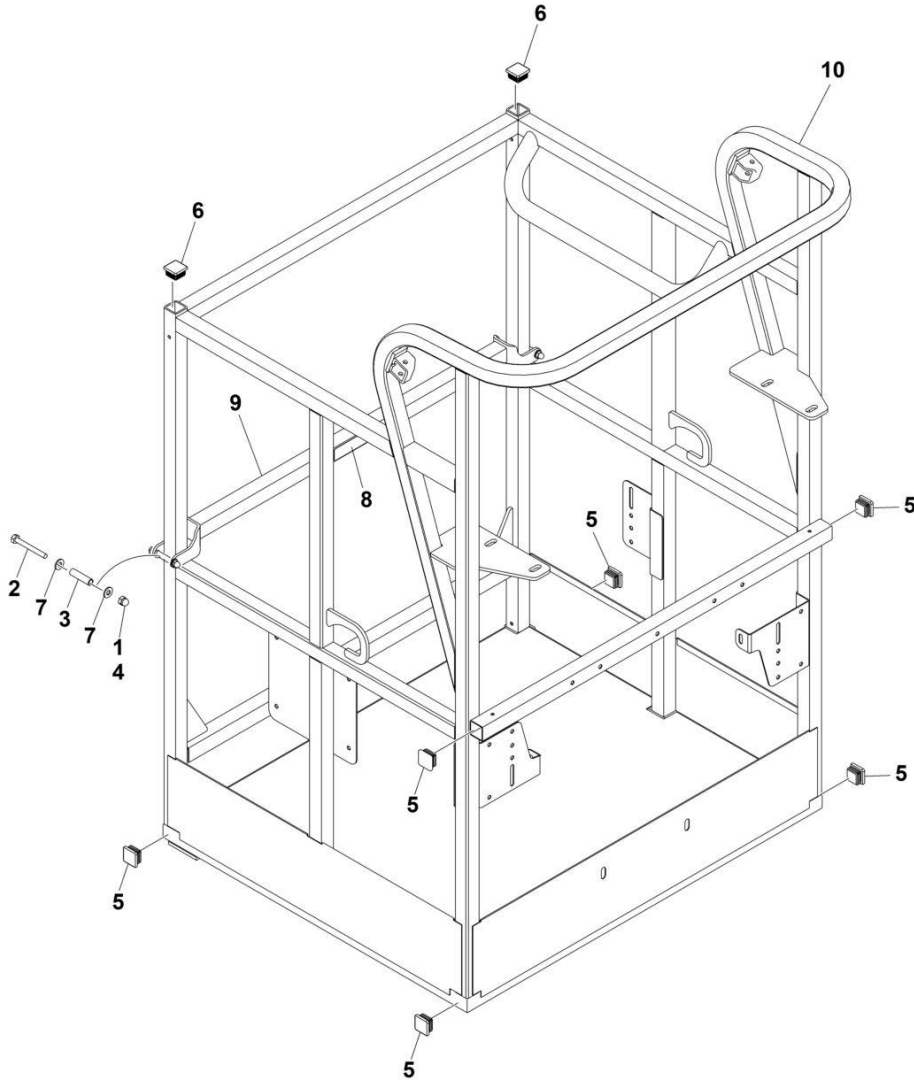
ITEM	PART NUMBER	QTY	DESCRIPTION	REV
	0273695	Ref	LEVEL SENSOR SWITCH INSTALLATION	D
1	0100011	AR	Compound, Locking	
2	0100035	AR	Compound, Locking	
3	0641406	4	Bolt 1/4 x 3/4	
4	0641604	6	Bolt 3/8 x 1/2	
5	1671044	2	Cover, Sensor	
6	3200449	2	Mount, Sensor	
7	3440410	2	Rollpin	
8	3930606	4	Capscrew #6 x 3/8	
9	1001147479	2	Sensor	
10	4711600	6	Washer 3/8	



**SECTION 5 - PLATFORM**

# SECTION 5 - PLATFORM

FIGURE 5-1. PLATFORM ASSEMBLY WITH DROP-BAR - 30IN X 3FT (76CM X 1M)



ART\_1001228215

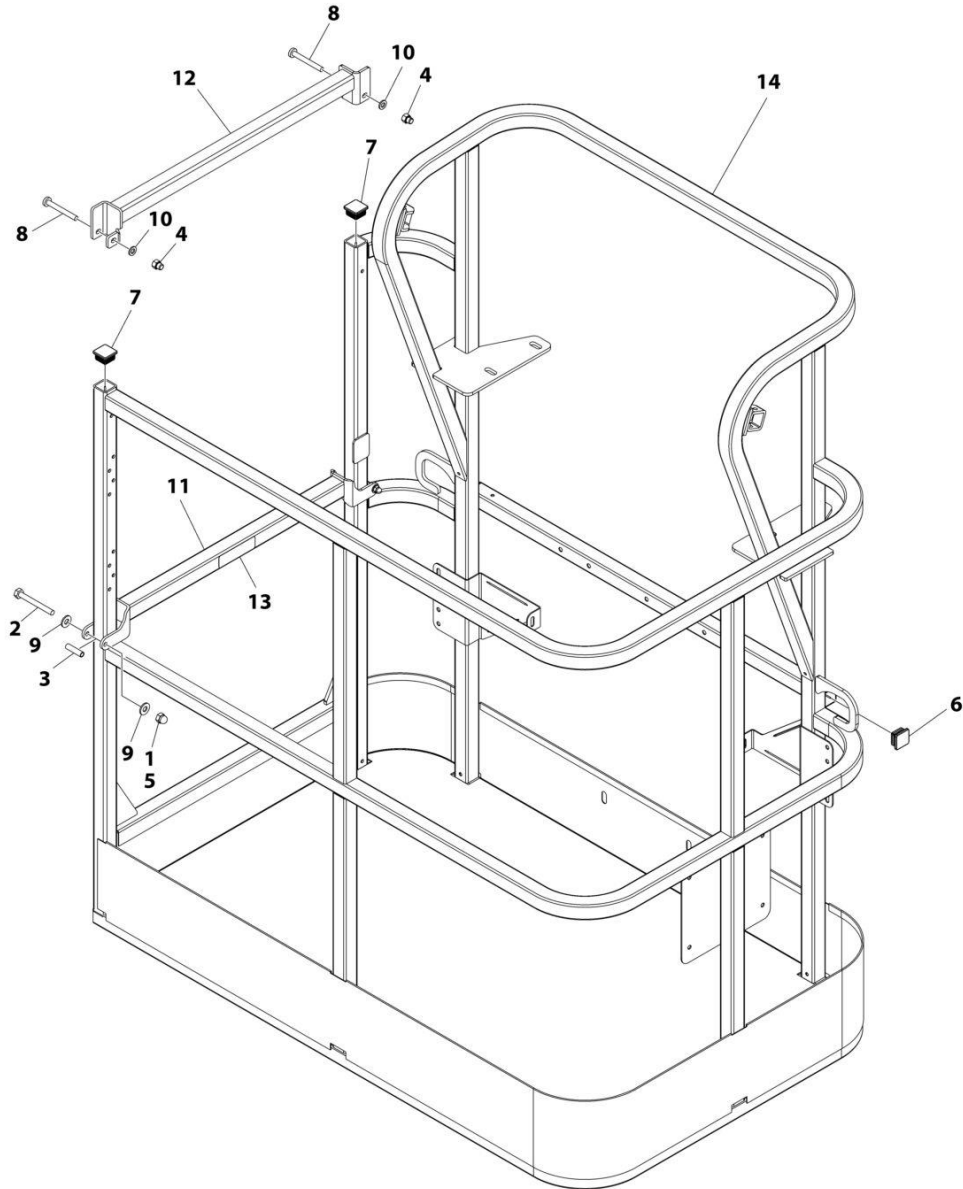
## SECTION 5 - PLATFORM

**FIGURE 5-1. PLATFORM ASSEMBLY WITH DROP-BAR - 30IN X 3FT (76CM X 1M)**

ITEM	PART NUMBER	QTY	DESCRIPTION	REV
	1001228215	Ref	PLATFORM ASSEMBLY	A
	See Note	Ref	Note: Platform and Mesh must be ordered separately for Platforms with Mesh. See SPECIAL OPTIONS SECTION for Mesh Installations.	
	See Note	Ref	Note: Replacement Decals Must be Ordered Separately - See DECAL SECTION.	
1	0100011	AR	Compound, Locking	
2	0641418	2	Bolt 1/4 x 2-1/4	
3	0961845	2	Bushing	
4	3300151	2	Nut 1/4	
5	3520072	6	Cap, Plug	
6	3520198	2	Cap, Plug	
7	4711400	4	Washer 1/4	
8	1001140429	1	Decal - Drop Bar	
9	1001226872	1	Bar, Drop	
10	See Note	NSS	Platform (Note: Not Available - Purchase Platform Assembly)	

# SECTION 5 - PLATFORM

FIGURE 5-2. PLATFORM ASSEMBLY WITH DROP-BAR - 30IN X 4FT (76CM X 1.22M)



ART\_1001186375

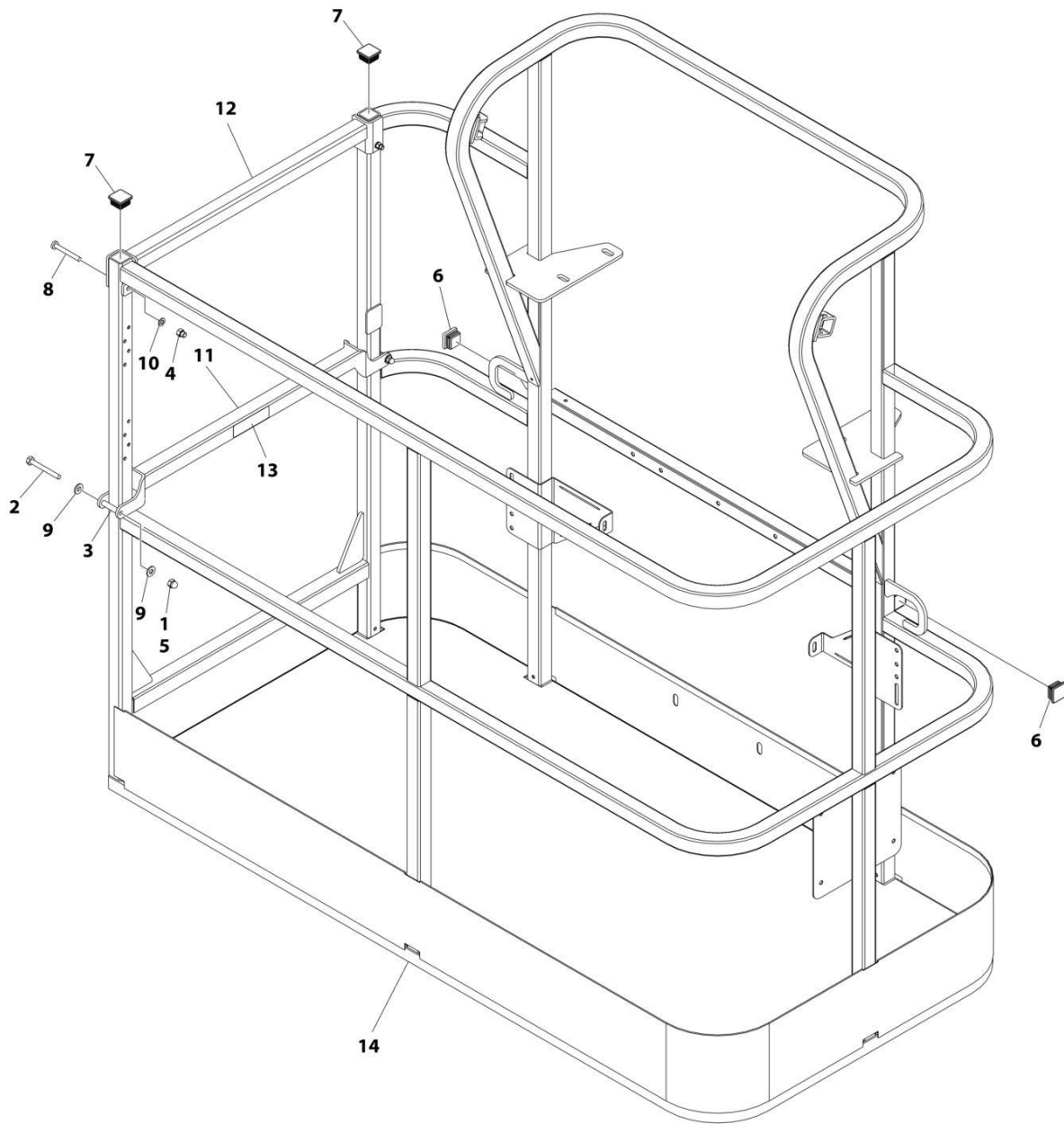
## SECTION 5 - PLATFORM

**FIGURE 5-2. PLATFORM ASSEMBLY WITH DROP-BAR - 30IN X 4FT (76CM X 1.22M)**

ITEM	PART NUMBER	QTY	DESCRIPTION	REV
	1001186375	Ref	PLATFORM ASSEMBLY	B
		Ref	Note: Platform and Mesh must be ordered separately for Platforms with Mesh. See SPECIAL OPTIONS SECTION for Mesh Installations.	
		Ref	Note: Replacement Decals Must be Ordered Separately - See DECALS SECTION.	
1	0100011	AR	Compound, Locking	
2	0641418	2	Bolt 1/4 x 2-1/4	
3	0961845	2	Bushing	
4	3290606	2	Nut M6	
5	3300151	2	Nut 1/4	
6	3520072	2	Plug	
7	3520198	2	Plug	
8	4010618	2	Screw M6 x 50	
9	4711400	4	Washer 1/4	
10	4811700	2	Washer M6	
11	1001138494	1	Bar, Drop	
12	1001138514	1	Rail - Top	
13	1001140429	1	Decal - Drop Bar	
14	See Note	1	Platform (Note: Not Available - Purchase Platform Assembly)	

# SECTION 5 - PLATFORM

FIGURE 5-3. PLATFORM ASSEMBLY WITH DROP-BAR - 30IN X 5FT (76CM X 1.52M)



ART\_1001186377



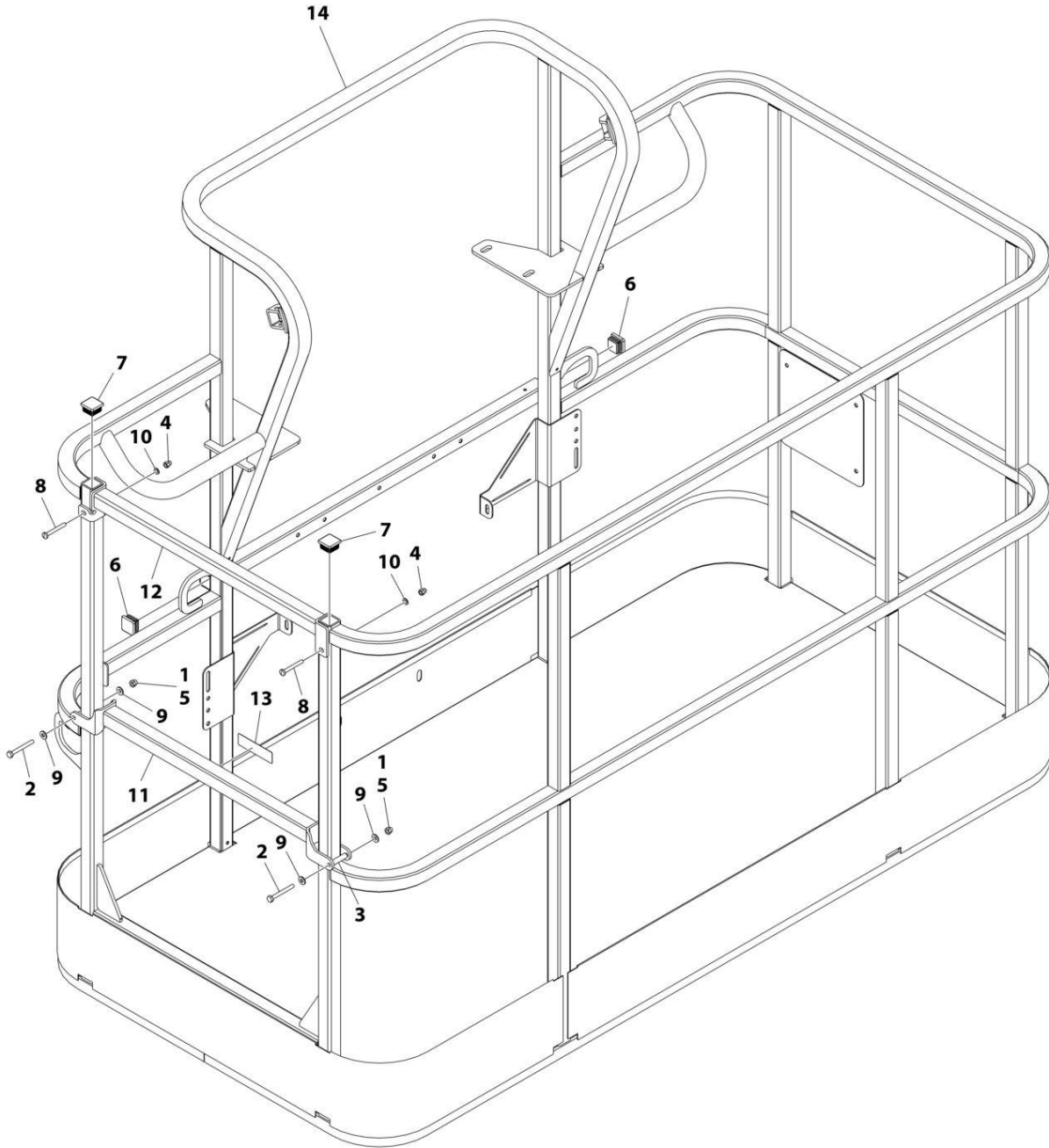
## SECTION 5 - PLATFORM

**FIGURE 5-3. PLATFORM ASSEMBLY WITH DROP-BAR - 30IN X 5FT (76CM X 1.52M)**

ITEM	PART NUMBER	QTY	DESCRIPTION	REV
	1001186377	Ref	PLATFORM ASSEMBLY	C
		Ref	Note: Platform and Mesh must be ordered separately for Platforms with Mesh. See SPECIAL OPTIONS SECTION for Mesh Installations.	
		Ref	Note: Replacement Decals Must be Ordered Separately - See DECALS SECTION.	
1	0100011	AR	Compound, Locking	
2	0641420	2	Bolt 1/4 x 2-1/2	
3	0961845	2	Bushing	
4	3290606	2	Nut M6	
5	3300151	2	Nut 1/4	
6	3520072	2	Plug	
7	3520198	2	Plug	
8	4010618	2	Screw M6 x 50	
9	4711400	4	Washer 1/4	
10	4811700	2	Washer M6	
11	1001138494	1	Bar, Drop	
12	1001138514	1	Rail (Top)	
13	1001140429	1	Decal - Drop Bar	
14	See Note	NSS	Platform (Note: Not Available - Purchase Platform Assembly)	

# SECTION 5 - PLATFORM

FIGURE 5-4. PLATFORM ASSEMBLY WITH DROP-BAR - 36IN X 6FT (91.5CM X 1.83M)



ART\_1001186379

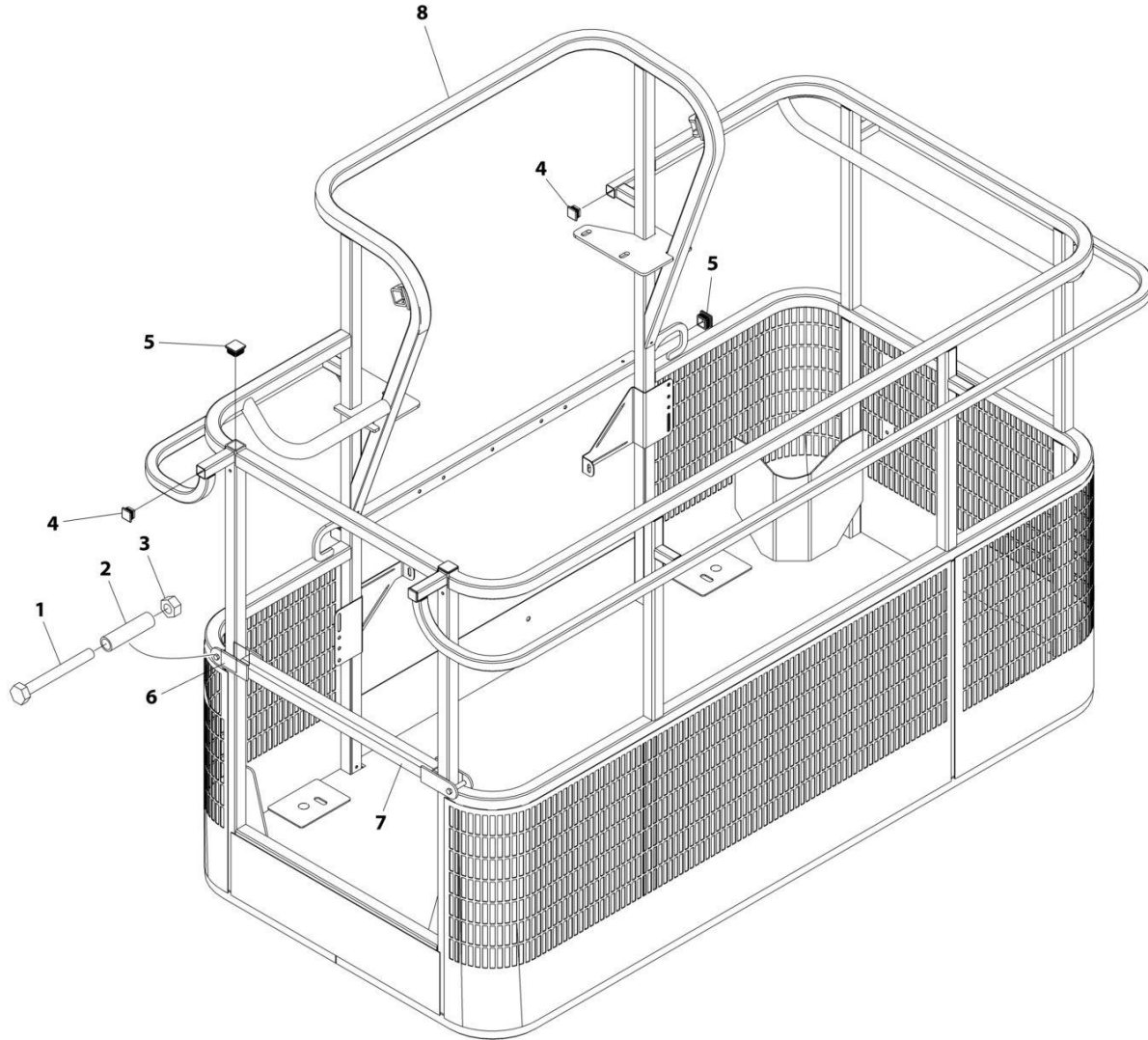
## SECTION 5 - PLATFORM

**FIGURE 5-4. PLATFORM ASSEMBLY WITH DROP-BAR - 36IN X 6FT (91.5CM X 1.83M)**

ITEM	PART NUMBER	QTY	DESCRIPTION	REV
	1001186379	Ref	PLATFORM ASSEMBLY - 36IN X 6FT (91.5CM X 1.83M) WITH DROP BAR	B
		Ref	Note: Platform and Mesh must be ordered separately for Platforms with Mesh. See SPECIAL OPTIONS SECTION for Mesh Installations.	
		Ref	Note: Replacement Decals Must be Ordered Separately - See DECALS SECTION.	
1	0100011	AR	Compound, Locking	
2	0641418	2	Bolt 1/4 x 2-1/4	
3	0961845	2	Bushing	
4	3290606	2	Nut M6	
5	3300151	2	Nut 1/4	
6	3520072	2	Plug	
7	3520198	2	Plug	
8	4010618	2	Screw M6 x 50	
9	4711400	4	Washer 1/4	
10	4811700	2	Washer M6	
11	1001138494	1	Bar, Drop	
12	1001138514	1	Rail (Top)	
13	1001140429	1	Decal - Drop Bar	
14	See Note	NSS	Platform (Note: Not Available - Purchase Platform Assembly)	

# SECTION 5 - PLATFORM

FIGURE 5-5. PLATFORM ASSEMBLY WITH DROP BAR - 36IN X 6FT (91.5CM X 1.83M) (SHIPYARD MACHINES)



ART\_1001186374

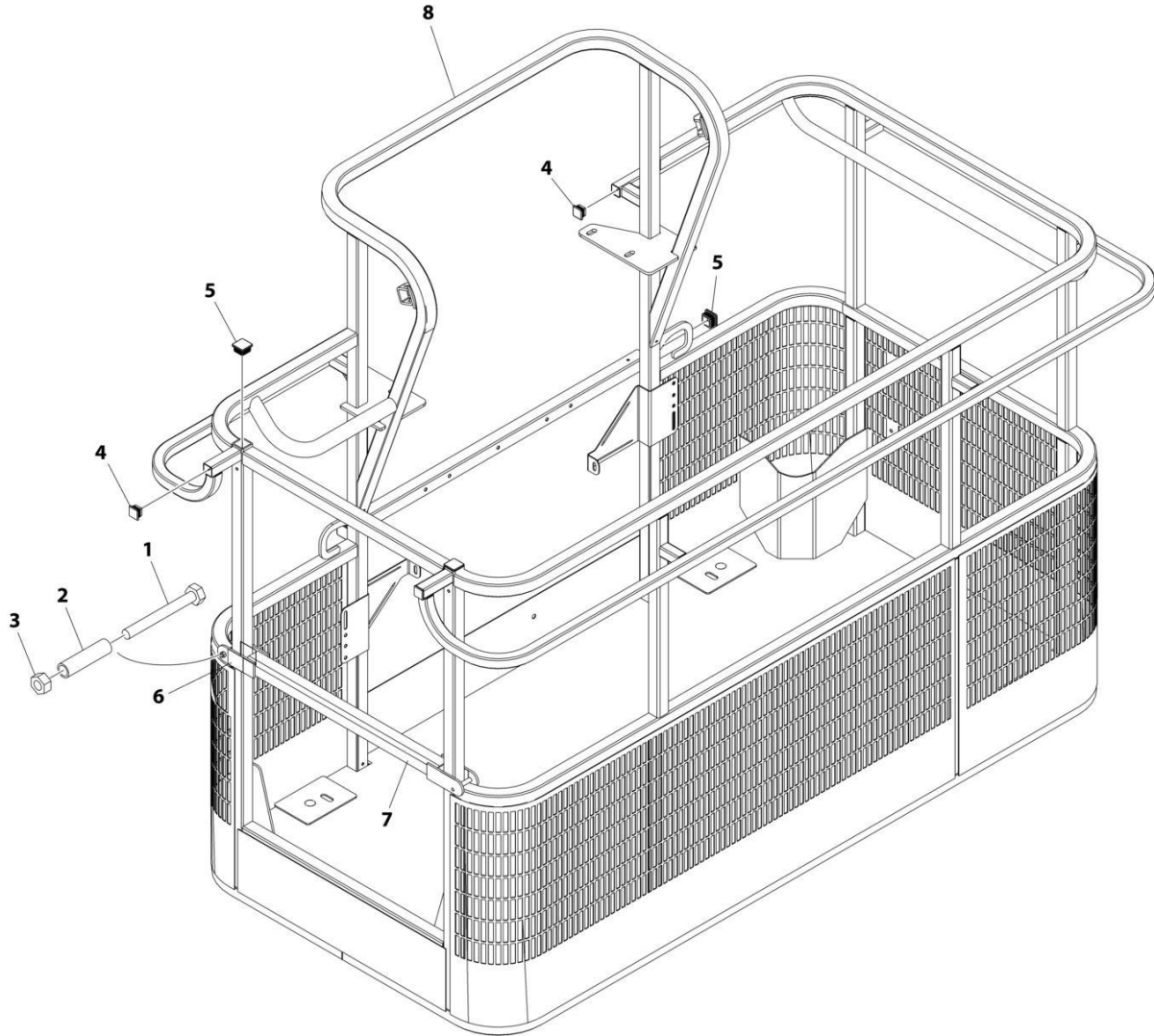
## SECTION 5 - PLATFORM

**FIGURE 5-5. PLATFORM ASSEMBLY WITH DROP BAR - 36IN X 6FT (91.5CM X 1.83M) (SHIPYARD MACHINES)**

ITEM	PART NUMBER	QTY	DESCRIPTION	REV
	1001186374	Ref	PLATFORM ASSEMBLY	B
1	0641418	2	Bolt 1/4 x 2 - 1/4	
2	0961845	2	Bushing	
3	3311405	2	Nut 1/4	
4	3520182	4	Plug	
5	3520198	4	Plug	
6	4420055	4	Tape	
7	1001111346	1	Drop - Bar	
8	See Note	1	Platform (Note: Purchase Complete Assembly)	

# SECTION 5 - PLATFORM

FIGURE 5-6. PLATFORM ASSEMBLY WITH DROP BAR - 36IN X 6FT (91.5CM X 1.83M) (SHIPYARD MACHINES WITH PLATFORM BUMPERS REQUIRED)



ART\_1001186371

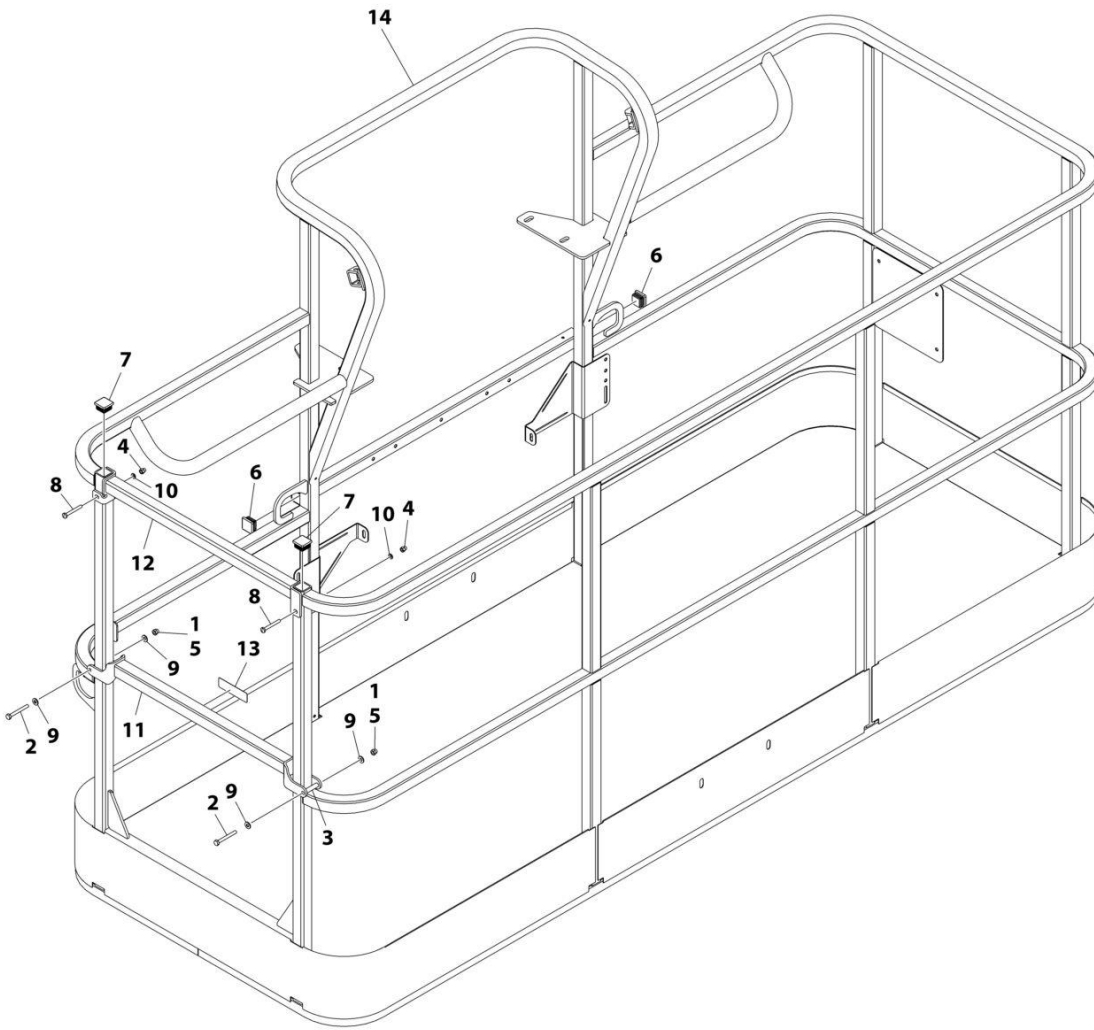
## SECTION 5 - PLATFORM

**FIGURE 5-6. PLATFORM ASSEMBLY WITH DROP BAR - 36IN X 6FT (91.5CM X 1.83M) (SHIPYARD MACHINES WITH PLATFORM BUMPERS REQUIRED)**

ITEM	PART NUMBER	QTY	DESCRIPTION	REV
	1001186371	Ref	PLATFORM ASSEMBLY	B
1	0641418	2	Bolt 1/4 x 2 - 1/4	
2	0961845	2	Bushing	
3	3311405	2	Nut 1/4	
4	3520182	4	Plug	
5	3520198	4	Plug	
6	4420055	4	Tape	
7	1001111346	1	Drop - Bar	
8	See Note	1	Platform (Note: Purchase Complete Assembly)	

# SECTION 5 - PLATFORM

FIGURE 5-7. PLATFORM ASSEMBLY WITH DROP-BAR - 36IN X 8FT (91.5CM X 2.44M)



ART\_1001186382



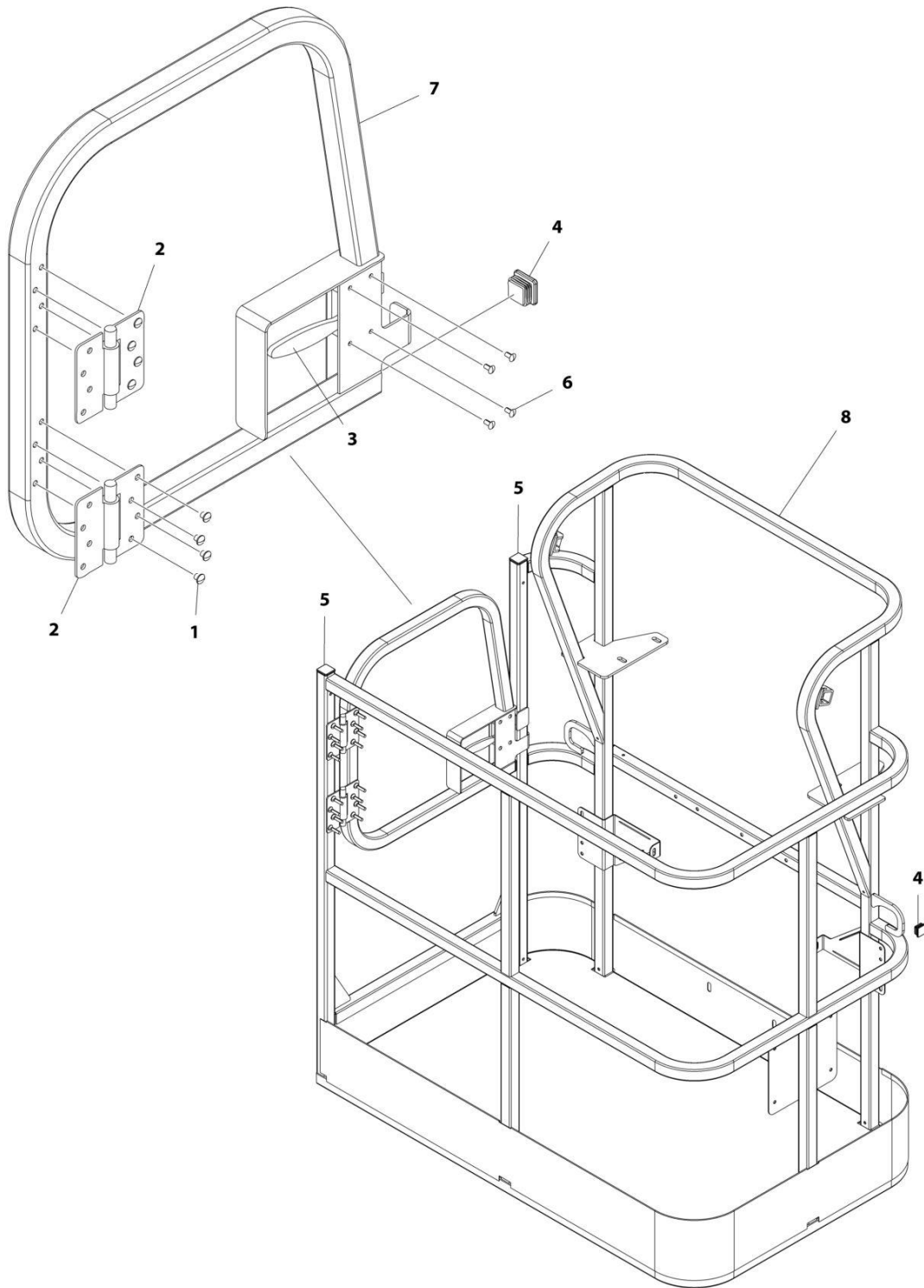
## SECTION 5 - PLATFORM

**FIGURE 5-7. PLATFORM ASSEMBLY WITH DROP-BAR - 36IN X 8FT (91.5CM X 2.44M)**

ITEM	PART NUMBER	QTY	DESCRIPTION	REV
	1001186382	Ref	PLATFORM ASSEMBLY - 36IN X 8FT (91.5CM X 2.44M) WITH DROP BAR	C
		Ref	Note: Platform and Mesh must be ordered separately for Platforms with Mesh. See SPECIAL OPTIONS SECTION for Mesh Installations.	
		Ref	Note: Replacement Decals Must be Ordered Separately - See DECALS SECTION.	
1	0100011	AR	Compound, Locking	
2	0641418	2	Bolt 1/4 x 2-1/4	
3	0961845	2	Bushing	
4	3290606	2	Nut M6	
5	3300151	2	Nut 1/4	
6	3520072	2	Plug	
7	3520198	2	Plug	
8	4010618	2	Screw M6 x 50	
9	4711400	4	Washer 1/4	
10	4811700	2	Washer M6	
11	1001138494	1	Bar, Drop	
12	1001138514	1	Rail (Top)	
13	1001140429	1	Decal - Drop Bar	
14	See Note	NSS	Platform (Note: Not Available - Purchase Platform Assembly)	

# SECTION 5 - PLATFORM

FIGURE 5-8. PLATFORM ASSEMBLY WITH GATE - 30IN X 4FT (76CM X 1.22M)



ART\_1001186387

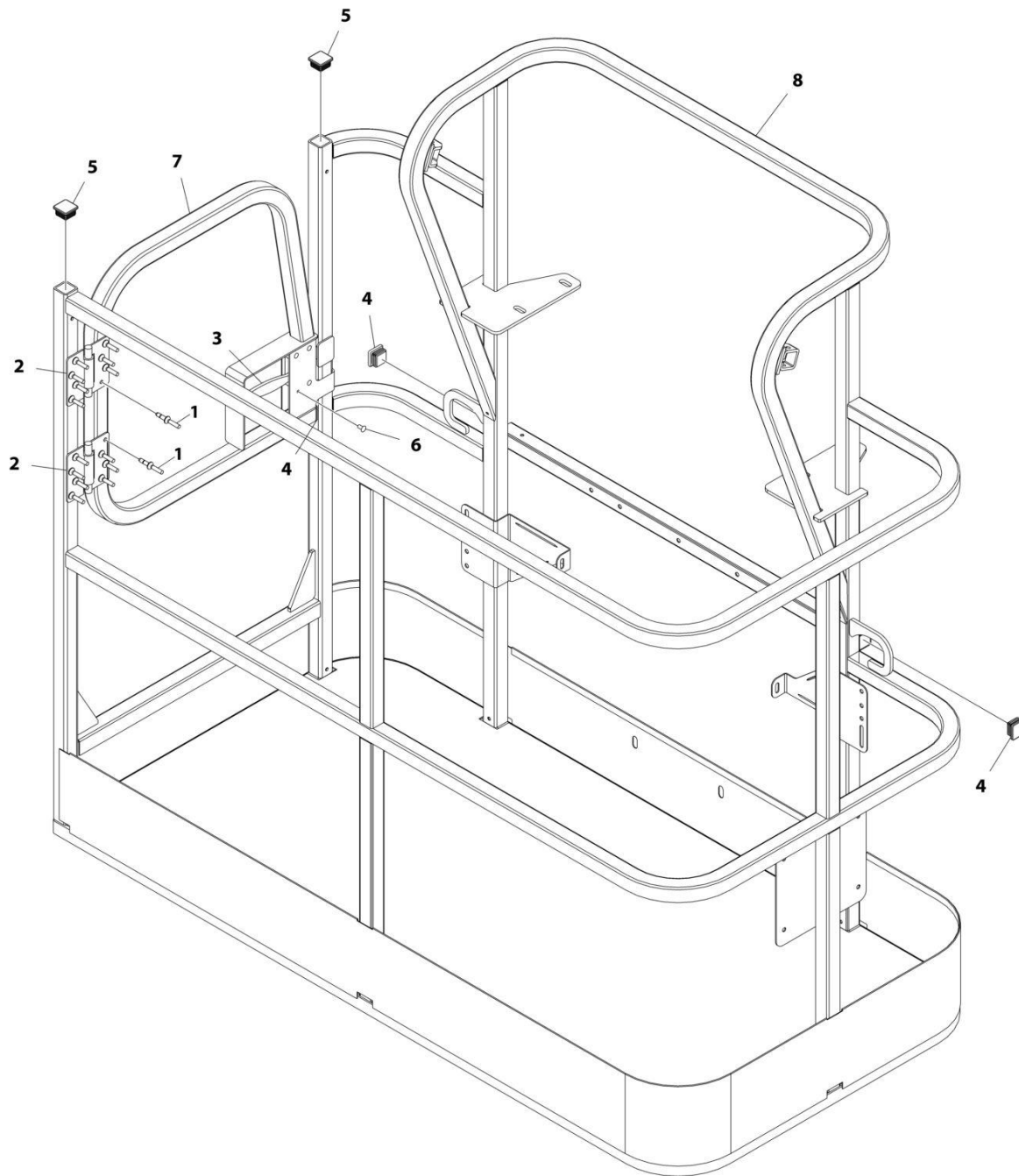
## SECTION 5 - PLATFORM

**FIGURE 5-8. PLATFORM ASSEMBLY WITH GATE - 30IN X 4FT (76CM X 1.22M)**

ITEM	PART NUMBER	QTY	DESCRIPTION	REV
	1001186387	Ref	PLATFORM ASSEMBLY	C
		Ref	Note: Platform and Mesh must be ordered separately for Platforms with Mesh. See SPECIAL OPTIONS SECTION for Mesh Installations.	
		Ref	Note: Replacement Decals Must be Ordered Separately - See DECALS SECTION.	
1	2080040	16	Fastener, Huck	
2	2600281	2	Hinge, Self-Closing	
3	2940074	1	Latch	
4	3520072	3	Plug	
5	3520198	2	Plug	
6	3820020	4	Rivet	
7	1001144629	1	Gate	
8	See Note	1	Platform (Note: Not Available - Purchase Platform Assembly)	

# SECTION 5 - PLATFORM

FIGURE 5-9. PLATFORM ASSEMBLY WITH GATE - 30IN X 5FT (76CM X 1.52M)



ART\_1001186386

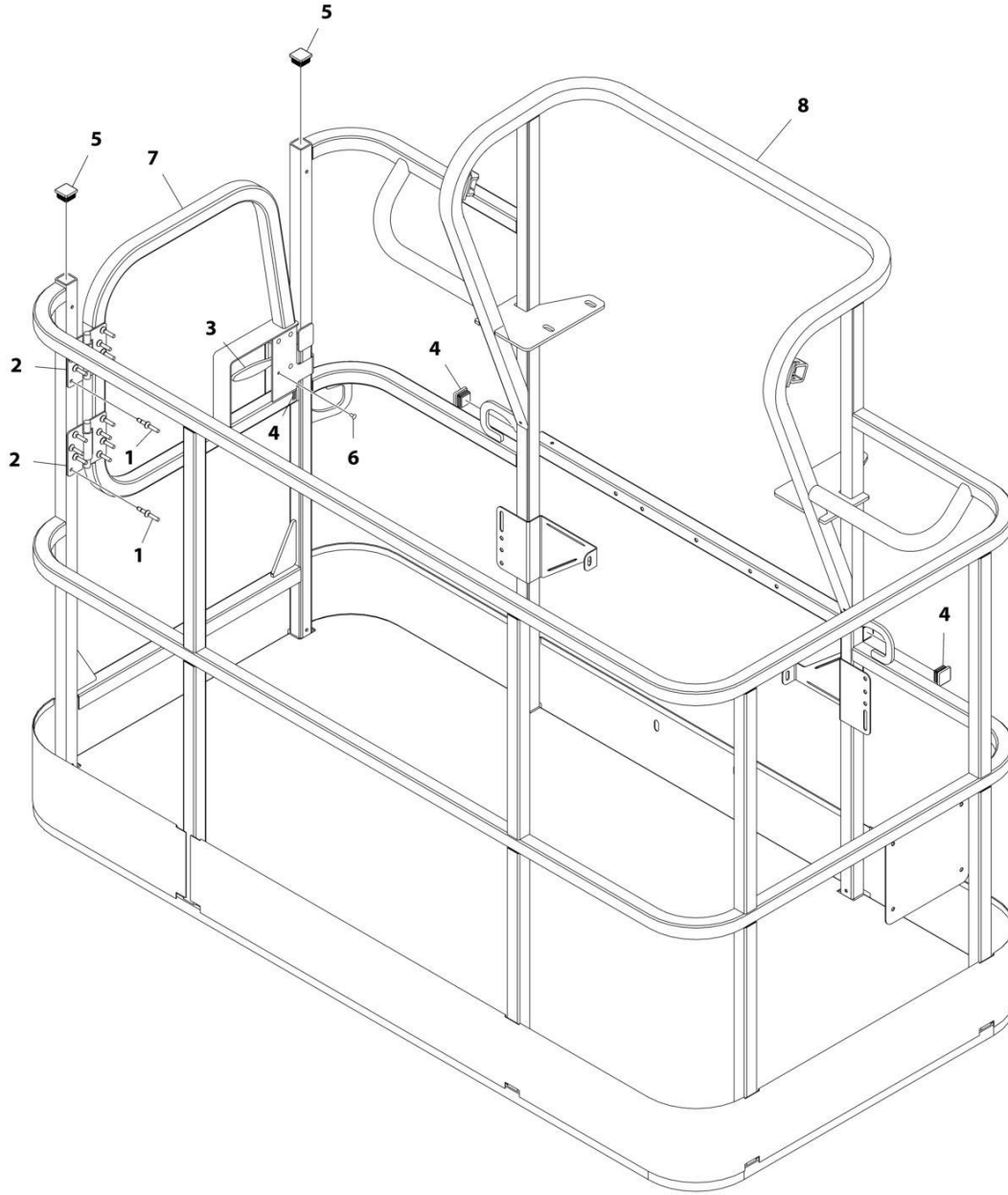
## SECTION 5 - PLATFORM

**FIGURE 5-9. PLATFORM ASSEMBLY WITH GATE - 30IN X 5FT (76CM X 1.52M)**

ITEM	PART NUMBER	QTY	DESCRIPTION	REV
	1001186386	Ref	PLATFORM ASSEMBLY	C
		Ref	Note: Platform and Mesh must be ordered separately for Platforms with Mesh. See SPECIAL OPTIONS SECTION for Mesh Installations.	
		Ref	Note: Replacement Decals Must be Ordered Separately - See DECALS SECTION.	
1	2080040	16	Fastener, Huck	
2	2600281	2	Hinge, Self-Closing	
3	2940074	1	Latch	
4	3520072	3	Plug	
5	3520198	2	Plug	
6	3820020	4	Rivet	
7	1001144629	1	Gate	
8	See Note	NSS	Platform (Note: Not Available - Purchase Platform Assembly)	

# SECTION 5 - PLATFORM

FIGURE 5-10. PLATFORM ASSEMBLY WITH GATE- 36IN X 6FT (91.5CM X 1.83M)



ART\_1001186384

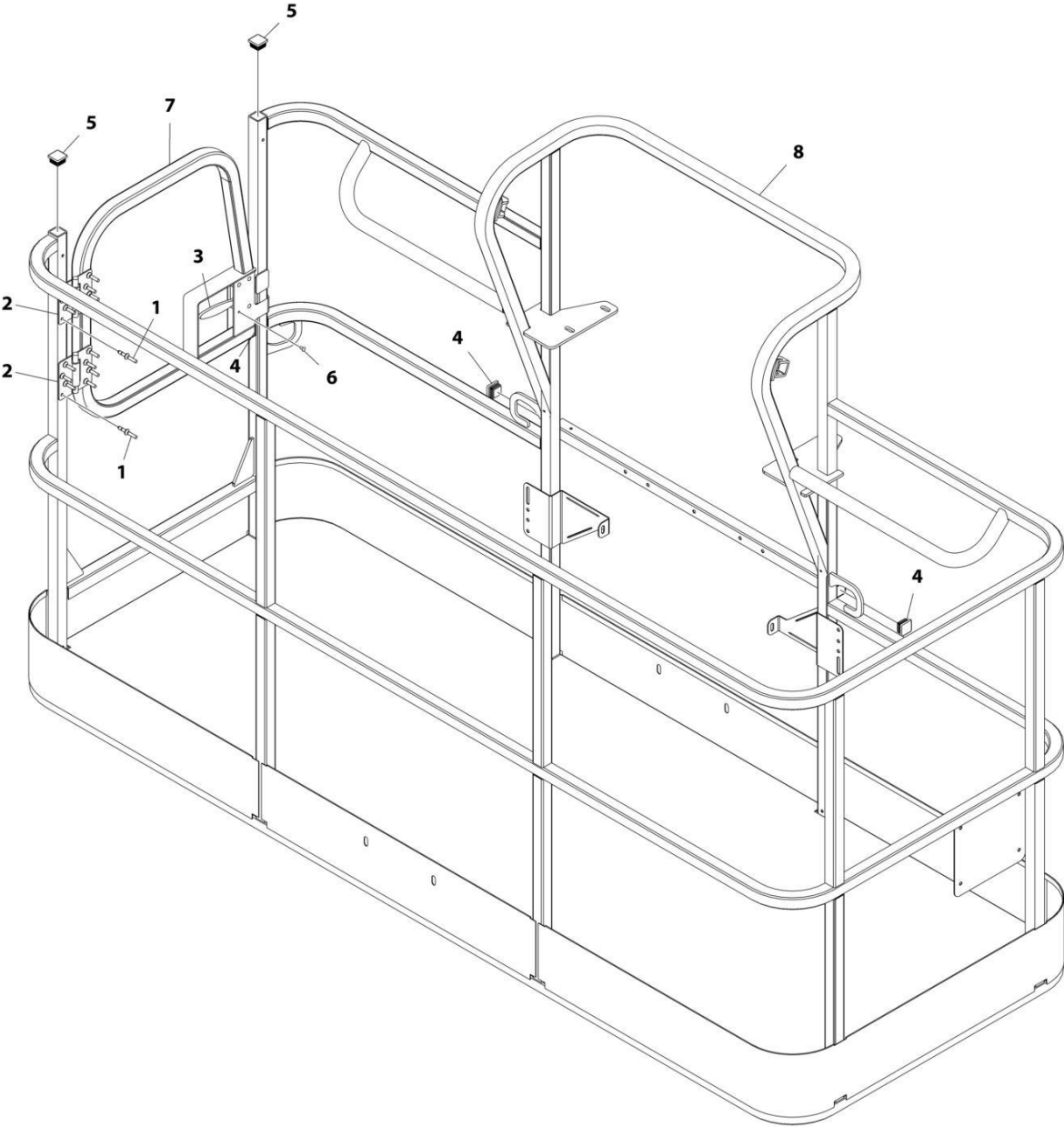
## SECTION 5 - PLATFORM

**FIGURE 5-10. PLATFORM ASSEMBLY WITH GATE- 36IN X 6FT (91.5CM X 1.83M)**

ITEM	PART NUMBER	QTY	DESCRIPTION	REV
	1001186384	Ref	PLATFORM ASSEMBLY - 36IN X 6FT (91.5CM X 1.83M) WITH SWING GATE	C
	See Note	Ref	Note: Platform and Mesh must be ordered separately for Platforms with Mesh. See SPECIAL OPTIONS SECTION for Mesh Installations.	
	See Note	Ref	Note: Replacement Decals Must be Ordered Separately - See DECALS SECTION.	
1	2080040	16	Fastener, Huck	
2	2600281	2	Hinge	
3	2940074	1	Latch	
4	3520072	3	Plug	
5	3520198	2	Plug	
6	3820020	4	Rivet	
7	1001144629	1	Gate	
8	See Note	NSS	Platform (Note: Not Available - Purchase Platform Assembly)	

**SECTION 5 - PLATFORM**

**FIGURE 5-11. PLATFORM ASSEMBLY WITH GATE - 36IN X 8FT (91.5CM X 2.44M)**



ART\_1001186383



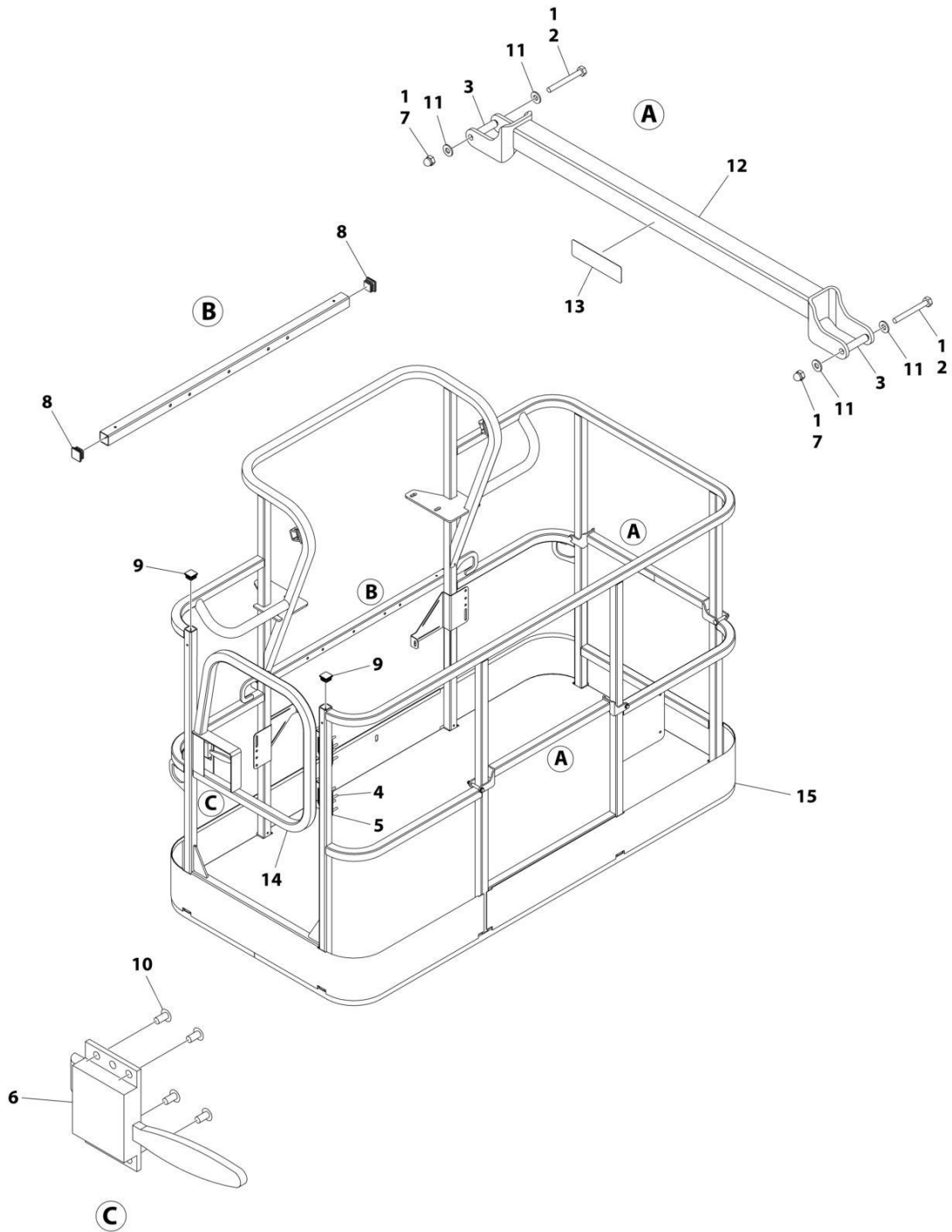
## SECTION 5 - PLATFORM

**FIGURE 5-11. PLATFORM ASSEMBLY WITH GATE - 36IN X 8FT (91.5CM X 2.44M)**

ITEM	PART NUMBER	QTY	DESCRIPTION	REV
	1001186383	Ref	PLATFORM ASSEMBLY - 36IN X 8FT (91.5CM X 2.44M) WITH SWING GATE	D
		Ref	Note: Platform and Mesh must be ordered separately for Platforms with Mesh. See SPECIAL OPTIONS SECTION for Mesh Installations.	
		Ref	Note: Replacement Decals Must be Ordered Separately - See DECALS SECTION.	
1	2080040	16	Fastener, Huck	
2	2600281	2	Hinge	
3	2940074	1	Latch	
4	3520072	3	Plug	
5	3520198	2	Plug	
6	3820020	4	Rivet	
7	1001144629	1	Gate	
8	See Note	NSS	Platform (Note: Not Available - Purchase Platform Assembly)	

# SECTION 5 - PLATFORM

FIGURE 5-12. PLATFORM ASSEMBLY WITH 1 GATE / 2 DROP BARS (TRI-ENTRY) - 36IN X 6FT (91.5CM X 1.83M)



ART\_1001228376

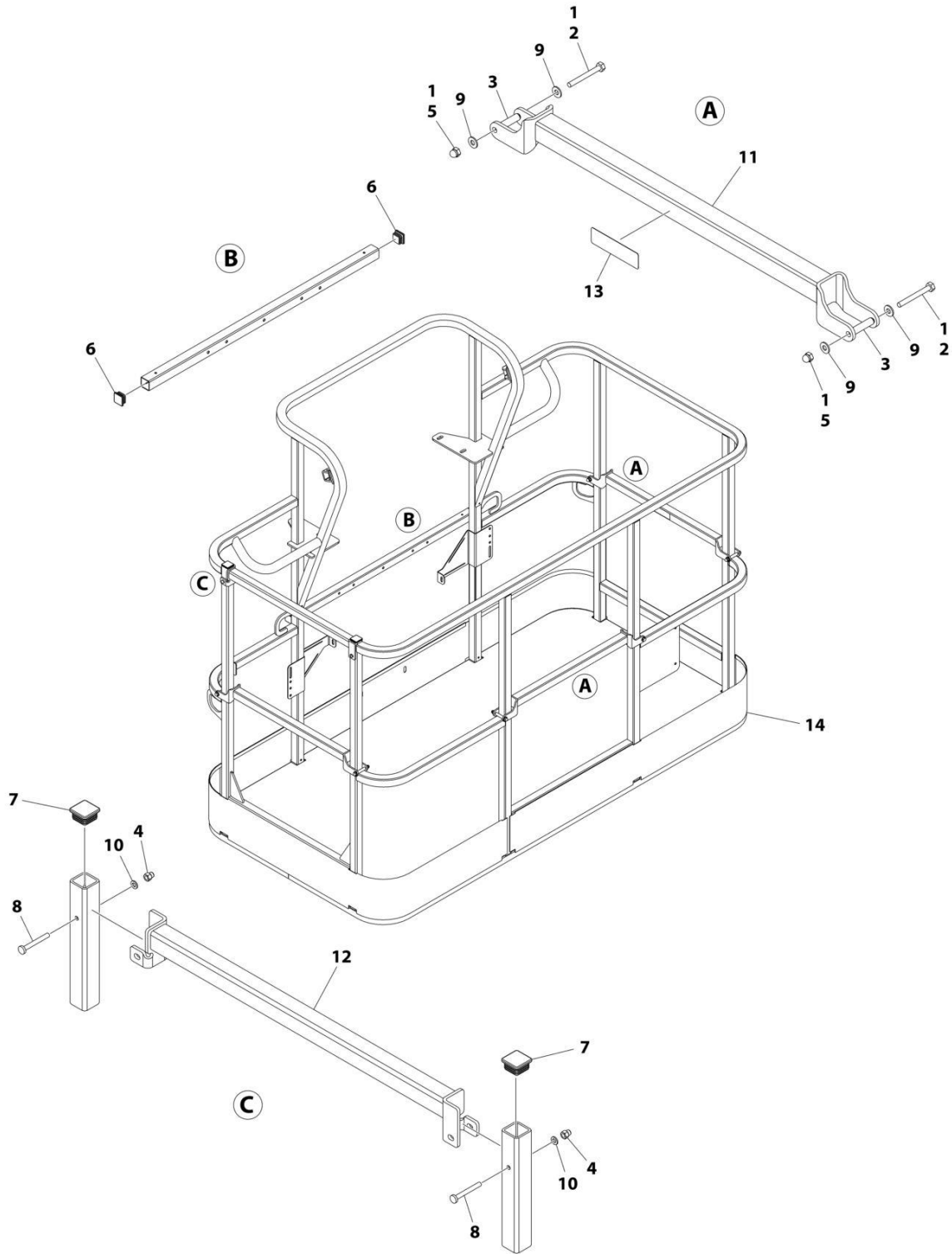
## SECTION 5 - PLATFORM

**FIGURE 5-12. PLATFORM ASSEMBLY WITH 1 GATE / 2 DROP BARS (TRI-ENTRY) - 36IN X 6FT  
(91.5CM X 1.83M)**

ITEM	PART NUMBER	QTY	DESCRIPTION	REV
	1001228376	Ref	PLATFORM ASSEMBLY - 36IN x 6FT (91.5CM x 1.83M)	B
		Ref	Note: Platform and Mesh must be ordered separately for Platforms with Mesh. See SPECIAL OPTIONS SECTION for Mesh Installations.	
		Ref	Note: Replacement Decals Must be Ordered Separately - See DECAL SECTION.	
1	0100011	AR	Compound, Locking	
2	0641418	4	Bolt 1/4 x 2-1/4	
3	0961845	4	Bushing	
4	2080040	16	Fastener	
5	2600281	2	Hinge	
6	2940074	1	Latch	
7	3300151	4	Nut 1/4	
8	3520072	3	Plug	
9	3520198	2	Plug	
10	3820020	4	Rivet	
11	4711400	8	Washer 1/4	
12	1001138494	2	Bar, Drop	
13	1001140429	2	Decal - Drop Bar	
14	1001144629	1	Gate	
15	See Note	NSS	Platform (Note: Not Available - Purchase Platform Assembly)	

# SECTION 5 - PLATFORM

FIGURE 5-13. PLATFORM ASSEMBLY WITH 3 DROP BARS (TRI-ENTRY) - 36IN X 6FT (91.5CM X 1.83M)



ART\_1001228377

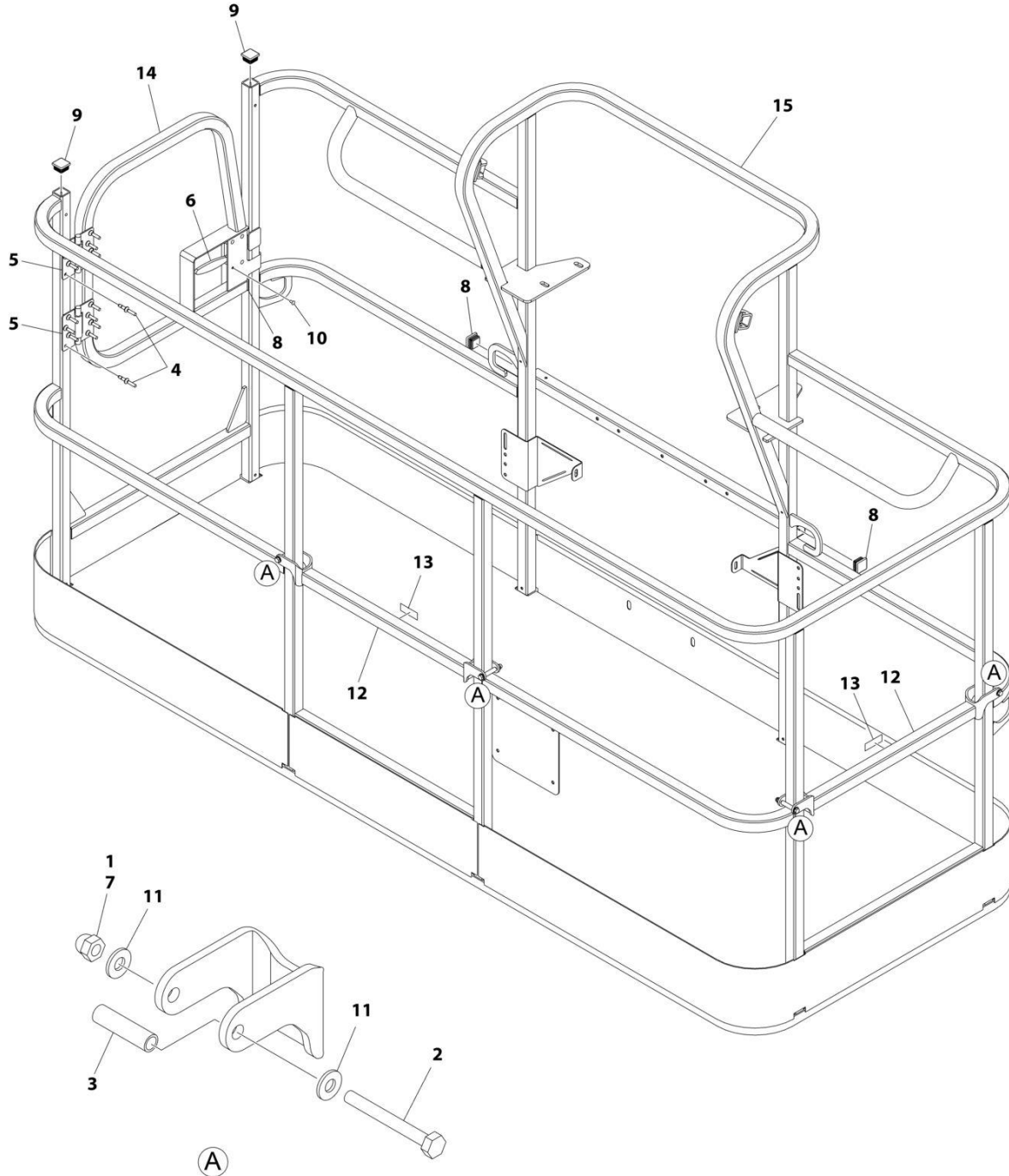
## SECTION 5 - PLATFORM

**FIGURE 5-13. PLATFORM ASSEMBLY WITH 3 DROP BARS (TRI-ENTRY) - 36IN X 6FT (91.5CM X 1.83M)**

ITEM	PART NUMBER	QTY	DESCRIPTION	REV
	1001228377	Ref	PLATFORM ASSEMBLY - 36IN x 6FT (91.5CM x 1.83M)	B
		Ref	Note: Platform and Mesh must be ordered separately for Platforms with Mesh. See SPECIAL OPTIONS SECTION for Mesh Installations.	
		Ref	Note: Replacement Decals Must be Ordered Separately - See DECAL SECTION.	
1	0100011	1	Compound, Locking	
2	0641418	6	Bolt 1/4 x 2-1/4	
3	0961845	6	Bushing	
4	3290606	2	Nut M6	
5	3300151	6	Nut 1/4	
6	3520072	2	Plug	
7	3520198	2	Plug	
8	4010618	2	Screw M6 x 50	
9	4711400	12	Washer 1/4	
10	4811700	2	Washer M6	
11	1001138494	3	Bar, Drop	
12	1001138514	1	Rail (Top)	
13	1001140429	3	Decal - Drop Bar	
14	See Note	NSS	Platform, Weldment (Note: Not Available - Purchase Platform Assembly)	

# SECTION 5 - PLATFORM

FIGURE 5-14. PLATFORM ASSEMBLY WITH 1 GATE / 2 DROP BARS (TRI-ENTRY) - 36IN X 8FT  
(91.5CM X 2.44M)



ART\_1001228243

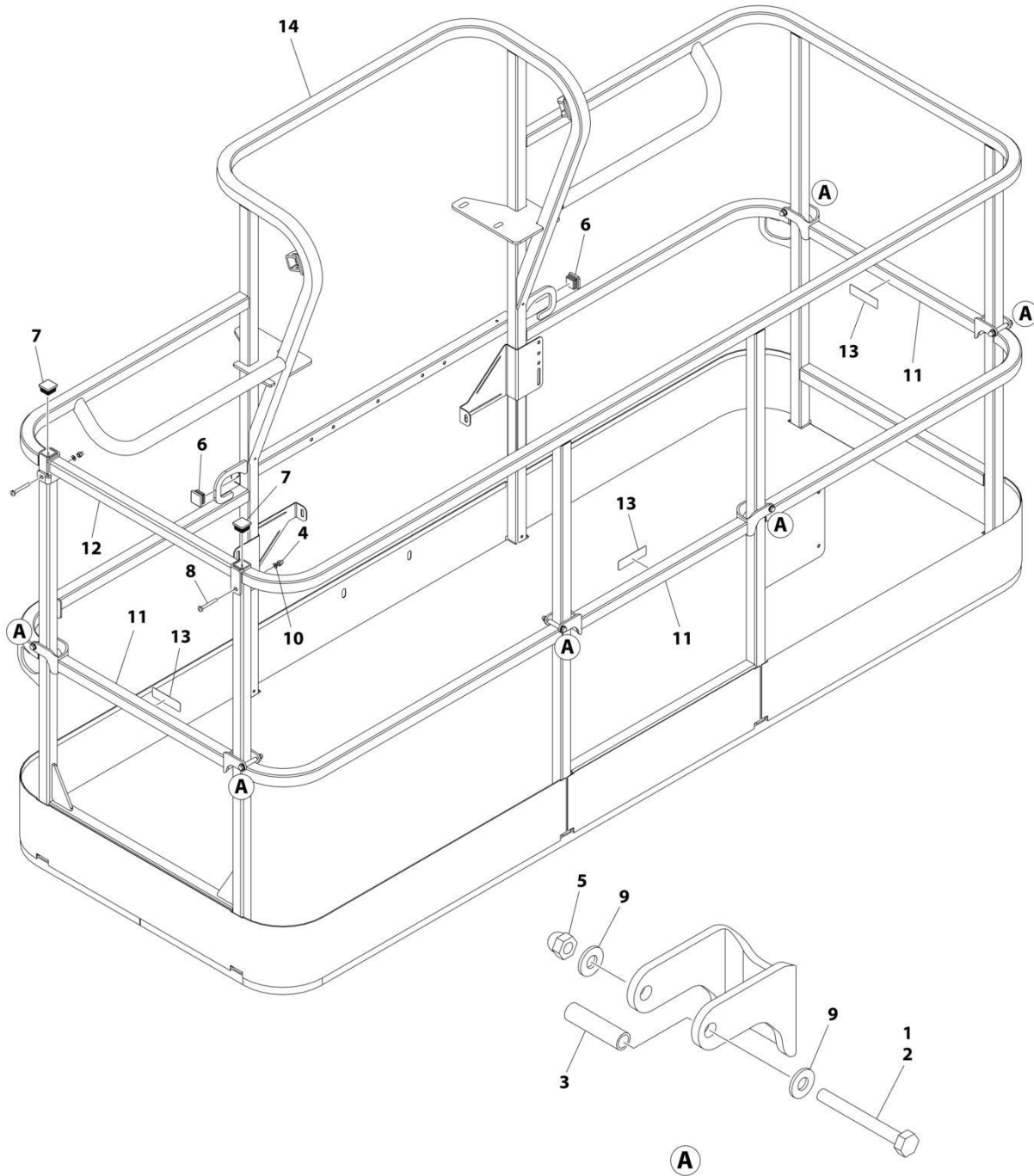
## SECTION 5 - PLATFORM

**FIGURE 5-14. PLATFORM ASSEMBLY WITH 1 GATE / 2 DROP BARS (TRI-ENTRY) - 36IN X 8FT  
(91.5CM X 2.44M)**

ITEM	PART NUMBER	QTY	DESCRIPTION	REV
	1001228243	Ref	PLATFORM ASSEMBLY - 36IN X 8FT (91.5CM X 2.44M) WITH TRI-ENTRY	A
		Ref	Note: Platform and Mesh must be ordered separately for Platforms with Mesh. See SPECIAL OPTIONS SECTION for Mesh Installations.	
1	0100011	AR	Compound, Locking	
2	0641418	4	Bolt 1/4 x 2-1/4	
3	0961845	4	Bushing	
4	2080040	16	Fastener, Huck	
5	2600281	2	Hinge, Self-Closing	
6	2940074	1	Latch	
7	3300151	4	Nut 1/4	
8	3520072	3	Cap, Plug	
9	3520198	2	Cap, Plug	
10	3820020	4	Rivet	
11	4711400	8	Washer 1/4	
12	1001138494	2	Bar, Drop	
13	1001140429	2	Decal - Drop Bar	
14	1001144629	1	Gate, Weldment	
15	See Note	1	Platform (Note: Not Available - Purchase Platform Assembly)	

# SECTION 5 - PLATFORM

FIGURE 5-15. PLATFORM ASSEMBLY WITH 3 DROP BARS (TRI-ENTRY) - 36IN X 8FT (91.5CM X 2.44M)



ART\_1001228375



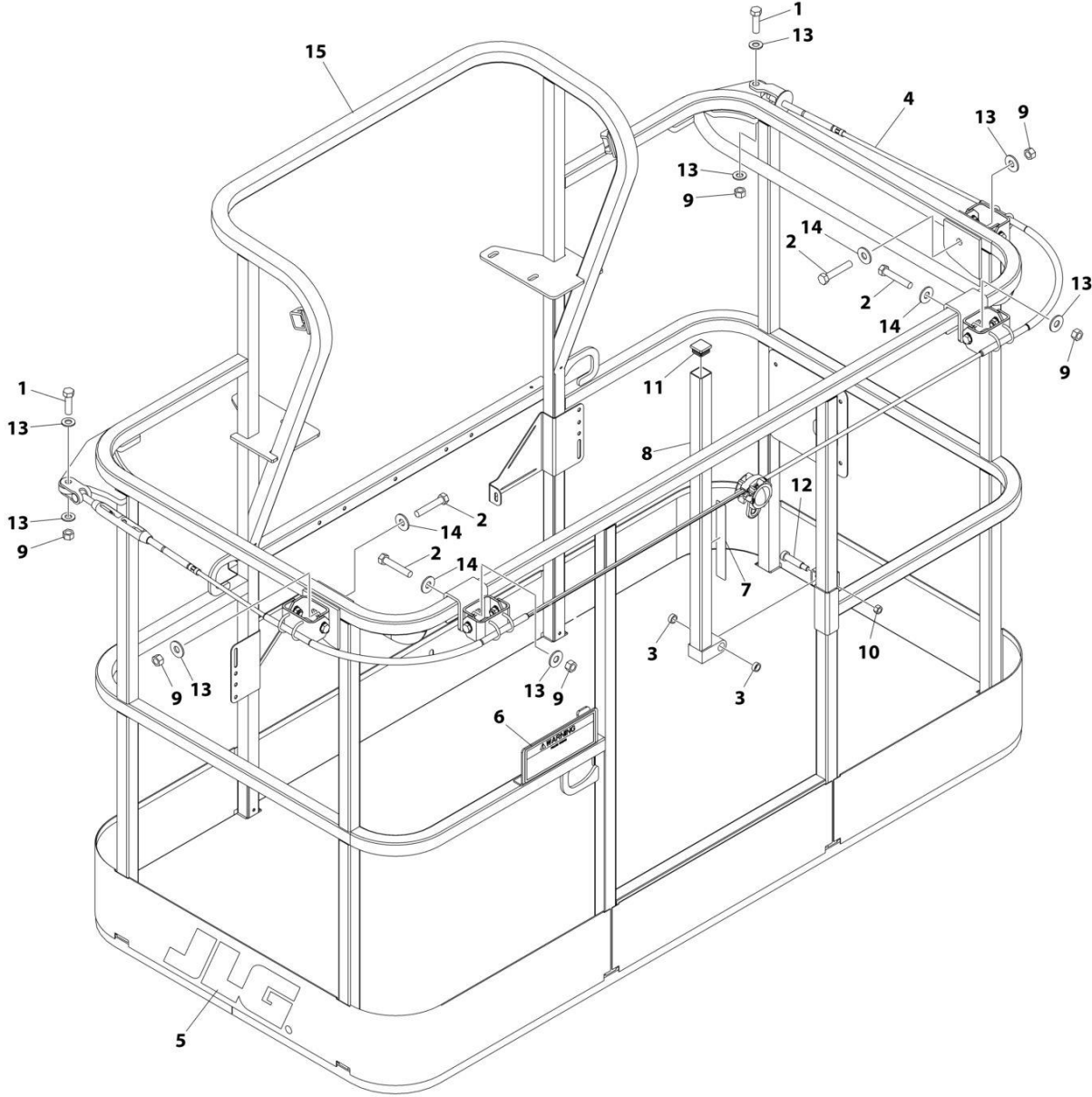
## SECTION 5 - PLATFORM

**FIGURE 5-15. PLATFORM ASSEMBLY WITH 3 DROP BARS (TRI-ENTRY) - 36IN X 8FT (91.5CM X 2.44M)**

ITEM	PART NUMBER	QTY	DESCRIPTION	REV
	1001228375	Ref	PLATFORM ASSEMBLY - 36IN X 8FT (91.5CM X 2.44M) WITH TRI-ENTRY	A
		Ref	Note: Platform and Mesh must be ordered separately for Platforms with Mesh. See SPECIAL OPTIONS SECTION for Mesh Installations.	
		Ref	Note: Replacement Decals Must be Ordered Separately - See DECAL SECTION.	
1	0100011	AR	Compound, Locking	
2	0641418	6	Bolt 1/4 x 2-1/4	
3	0961845	6	Bushing	
4	3290606	2	Nut M6 x 1	
5	3300151	6	Nut 1/4	
6	3520072	2	Cap, Plug	
7	3520198	2	Cap, Plug	
8	4010618	2	Screw M6 x 50	
9	4711400	12	Washer 1/4	
10	4811700	2	Washer M6	
11	1001138494	3	Bar, Drop	
12	1001138514	1	Rail (Top)	
13	1001140429	3	Decal - Drop Bar	
14	See Note	1	Platform (Note: Not Available - Purchase Platform Assembly)	

# SECTION 5 - PLATFORM

FIGURE 5-16. PLATFORM ASSEMBLY WITH FALL ARREST (6FT)



ART\_1001186333

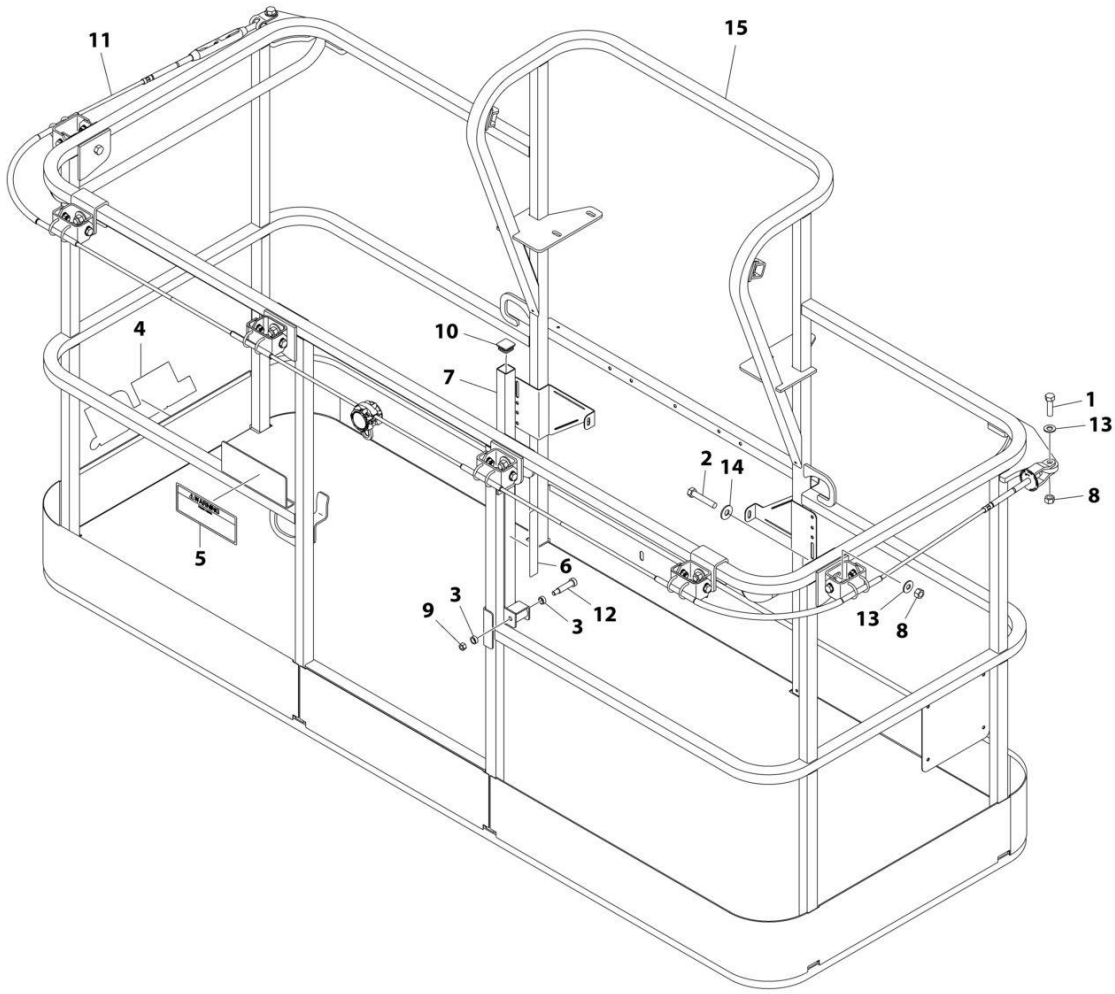
## SECTION 5 - PLATFORM

**FIGURE 5-16. PLATFORM ASSEMBLY WITH FALL ARREST (6FT)**

ITEM	PART NUMBER	QTY	DESCRIPTION	REV
	1001186333	Ref	PLATFORM ASSEMBLY	C
		Ref	Note: Replacement Decals Must be Ordered Separately - See DECALS SECTION.	
1	0681814	2	Bolt 1/2 x 1-3/4 Grade 8	
2	0681822	4	Bolt 1/2 x 2-3/4 Grade 8	
3	0962270	2	Bearing	
4	1001203655	1	Cable	
5	1702773	1	Decal - JLG	
6	1705014	1	Decal - Safety	
7	1706385	1	Decal - Drop Bar	
8	2410014	1	Bar, Drop	
9	3271805	6	Nut 1/2 Grade 8	
10	3311605	1	Nut 3/8	
11	3520072	1	Plug	
12	3900054	1	Bolt 1/2 x 1-3/4	
13	4711800	8	Washer 1/2	
14	4751800	4	Washer 1/2	
15	See Note	NSS	Platform (Note: Not Available - Purchase Platform Assembly)	

# SECTION 5 - PLATFORM

FIGURE 5-17. PLATFORM ASSEMBLY WITH FALL ARREST (8FT)



ART\_1001186334

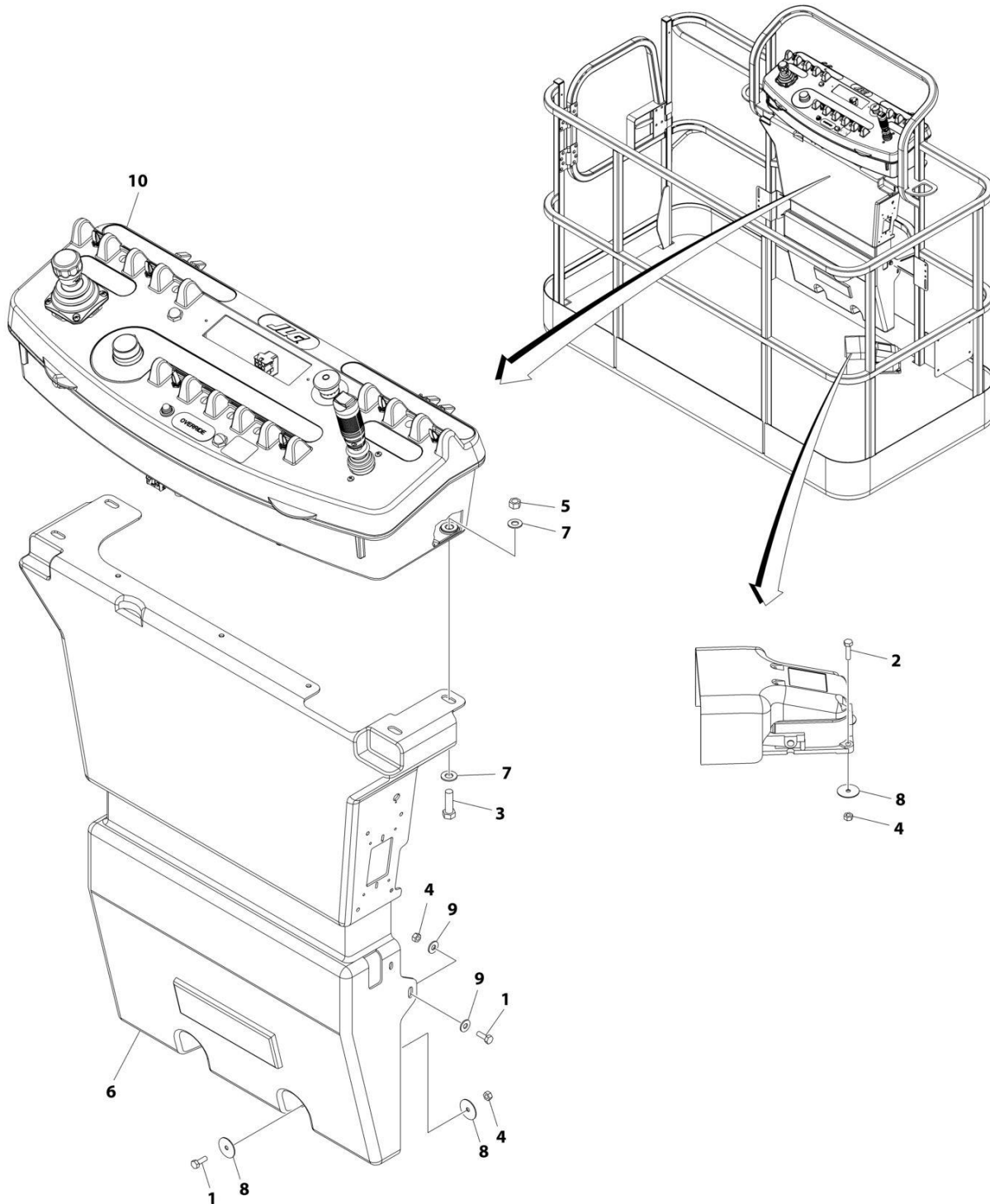
## SECTION 5 - PLATFORM

**FIGURE 5-17. PLATFORM ASSEMBLY WITH FALL ARREST (8FT)**

ITEM	PART NUMBER	QTY	DESCRIPTION	REV
	1001186334	Ref	PLATFORM ASSEMBLY	D
		Ref	Note: Replacement Decals Must be Ordered Separately - See DECALS SECTION.	
1	0681814	2	Bolt 1/2 x 1-3/4 Grade 8	
2	0681822	6	Bolt 1/2 x 2-3/4 Grade 8	
3	0962270	2	Bearing	
4	1702773	1	Decal - JLG	
5	1705014	1	Decal - Safety	
6	1706385	1	Decal - Drop Bar	
7	2410014	1	Bar, Drop	
8	3271805	8	Nut 1/2 Grade 8	
9	3311605	1	Nut 3/8	
10	3520072	1	Plug	
11	1001203656	1	Cable	
12	3900054	1	Bolt 1/2 x 1-3/4	
13	4711800	2	Washer 1/2	
14	4751800	6	Washer 1/2	
15	See Note	NSS	Platform (Note: Purchase Platform Assembly)	

# SECTION 5 - PLATFORM

## FIGURE 5-18. PLATFORM CONSOLE AND FOOTSWITCH INSTALLATION



ART\_1001241703

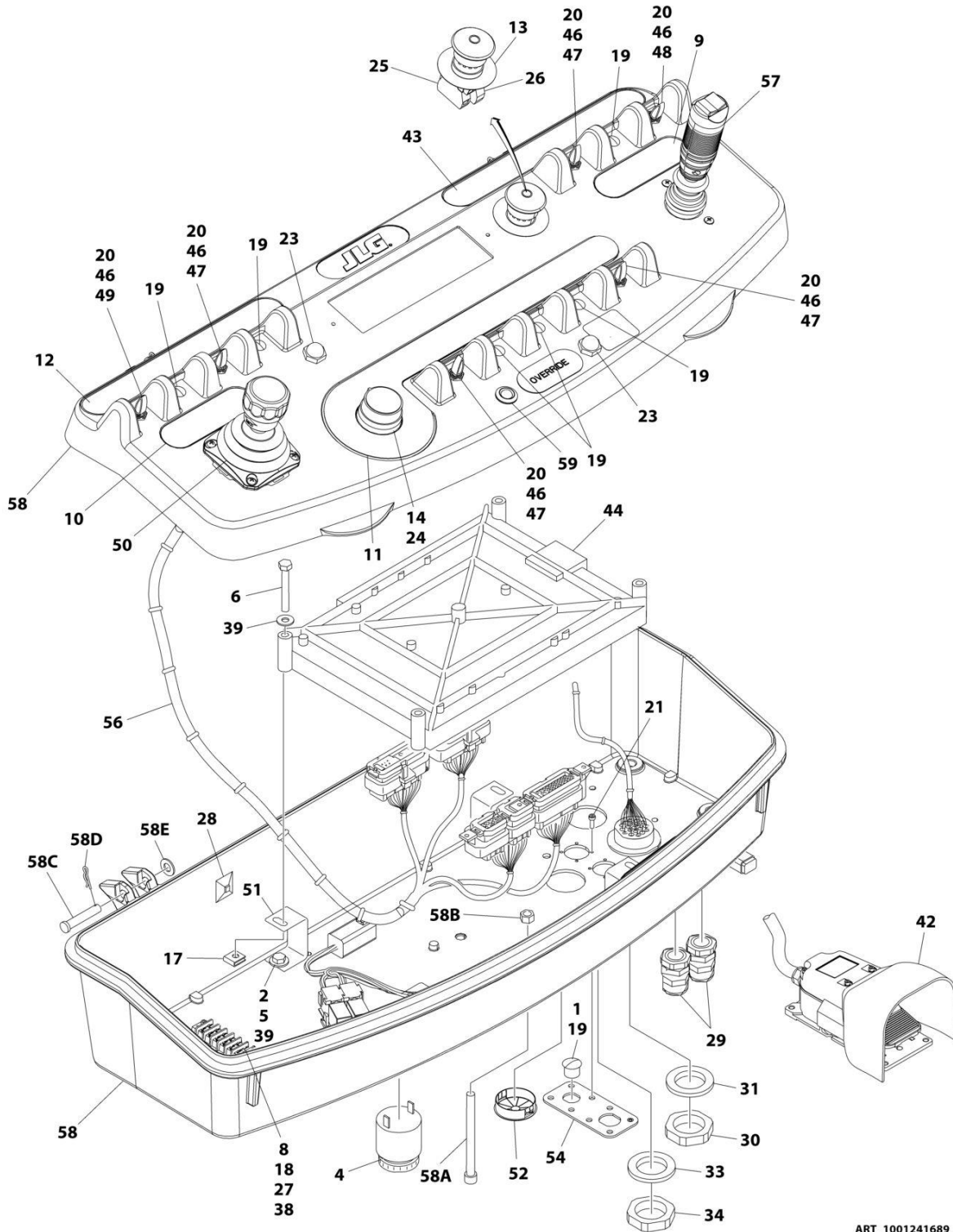
## SECTION 5 - PLATFORM

**FIGURE 5-18. PLATFORM CONSOLE AND FOOTSWITCH INSTALLATION**

ITEM	PART NUMBER	QTY	DESCRIPTION	REV
	1001241703	Ref	PLATFORM CONSOLE AND FOOTSWITCH INSTALLATION	B
1	0641406	4	Bolt 1/4 x 3/4	
2	0641408	3	Bolt 1/4 x 1	
3	0641610	4	Bolt 3/8 x 1-1/4	
4	3311405	7	Nut 1/4	
5	3311605	4	Nut 3/8	
6	3380434	1	Panel	
7	4751600	8	Washer 3/8	
8	4740362	7	Washer	
9	4751400	4	Washer 1/4	
10	1001241689	1	Platform Console Assembly (See Separate Breakdown in this Section)	

# SECTION 5 - PLATFORM

## FIGURE 5-19. PLATFORM CONSOLE ASSEMBLY



ART\_1001241689\_D



## SECTION 5 - PLATFORM

**FIGURE 5-19. PLATFORM CONSOLE ASSEMBLY**

ITEM	PART NUMBER	QTY	DESCRIPTION	REV
	1001241689	Ref	CONSOLE BOX ASSEMBLY	D
1	0100009	AR	Sealant	
2	0100035	AR	Compound, Locking	
4	0140011	1	Alarm	
5	0641405	4	Bolt 1/4 x 5/8	
6	0641414	4	Bolt 1/4 x 1-3/4	
8	0721006	2	Screw #10 x 3/4	
9	1702565	1	Decal - Drive and Steer	
10	1702566	1	Decal - Lift and Swing	
11	1702567	1	Decal - Function Speed	
12	1001184626	1	Decal - Horn	
13	1704260	1	Decal - Emergency Stop	
14	2560136	1	Knob	
17	3300353	4	Nut, Tinnerman	
18	3311005	2	Nut #10	
19	3520054	7	Plug, Hole	
20	3790012	6	O-Ring	
21	3900349	8	Capscrew M2.5	
22	4240099	AR	Tie-Strap (Not Shown)	
23	4360387	2	Switch, Push Button	
24	4360407	1	Switch, Flow Control	
24	See Note	1	Gasket "Top Hat" (Included with Switch) (Note: Not Available for Purchase)	
24	70003784	1	Seal	
25	1001274559	1	Switch, Emergency Stop	
26	4360476	1	Switch, Contact	
27	4460007	1	Bussbar	
28	4460234	6	Mount, Tie-Strap	
29	4460428	2	Connector, Strain Relief	
30	4460470	1	Nut	
31	4460471	1	Washer	
33	4460496	1	Washer	
34	4460497	1	Nut	
38	4751000	2	Washer #10	
39	4751400	8	Washer 1/4	
41	4922666	1	Harness, Analyzer Cable (Not Shown - See Separate Breakdown in ELECTRICAL Section)	
42	1001117174	1	Footswitch Assembly (See Separate Breakdown in this Section)	
43	1001184618	1	Decal - Stop	
44	1001141138	1	Module, Platform (Note: Re-calibration Required when Replaced)	
46	1001155044	6	Nut 15/32	
47	1001155045	4	Switch, Toggle	
48	1001159256	1	Switch, Toggle	
49	1001161709	1	Switch, Toggle	
50	1001275629	1	Controller Lift/Swing	
51	1001172760	4	Bracket	
52	1001185281	1	Plug	
54	1001213882	1	Mount	
56	1001244181	1	Harness, Console Box (See Separate Breakdown in ELECTRICAL Section)	

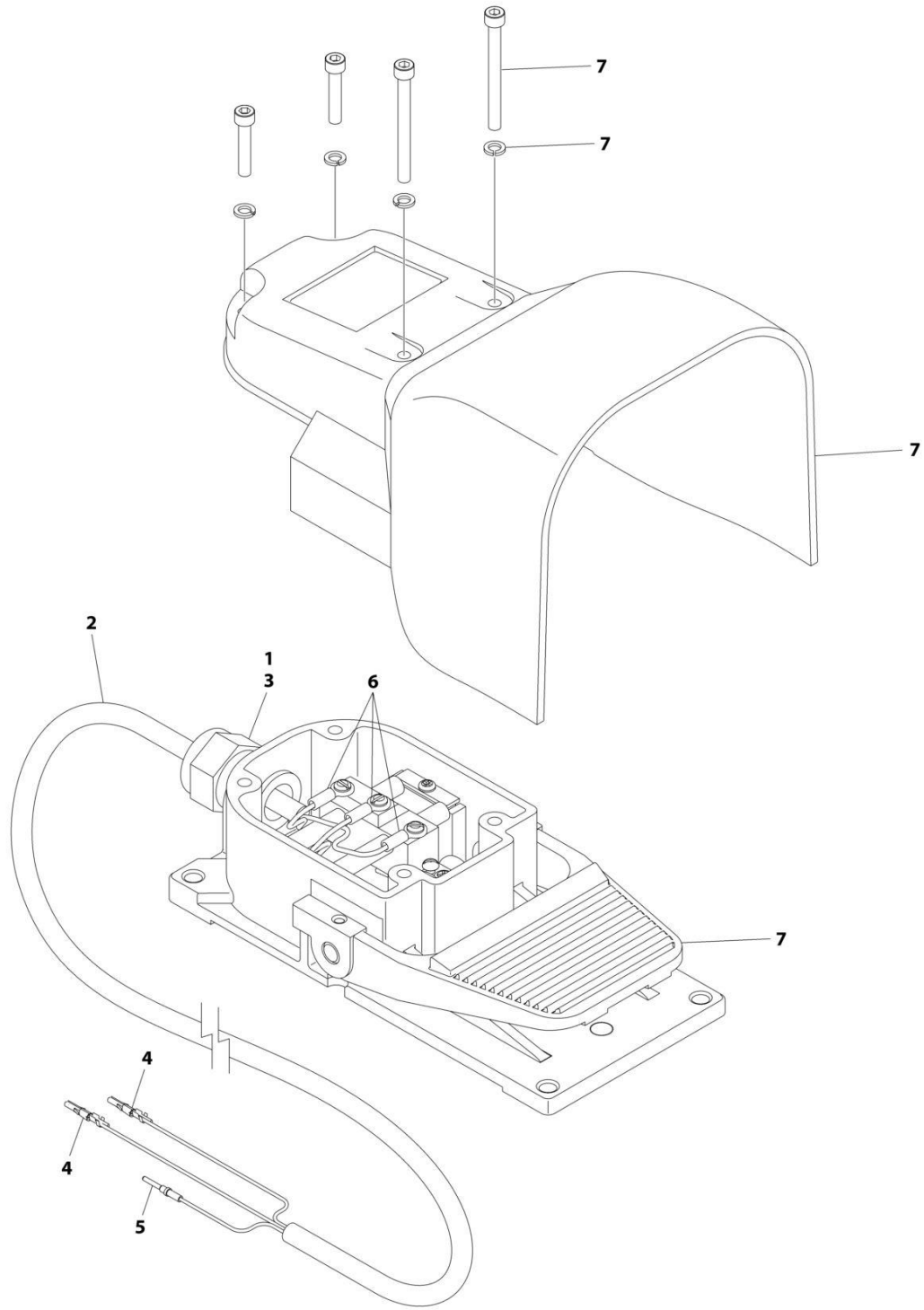
## SECTION 5 - PLATFORM

ITEM	PART NUMBER	QTY	DESCRIPTION	REV
57	1001275628	1	Controller Drive/Steer	
58	1001215228	1	Console Box Assembly	
58A	0630568	1	Capscrew 3/8 x 4-1/2	
58B	3311601	1	Nut 3/8	
58C	3430616	2	Pin	
58D	3470003	2	Hairpin	
58E	4711600	2	Washer 3/8	
59	1001206532	1	Lamp, LED Indicator Yellow	



# SECTION 5 - PLATFORM

## FIGURE 5-20. FOOTSWITCH ASSEMBLY



ART\_100117174

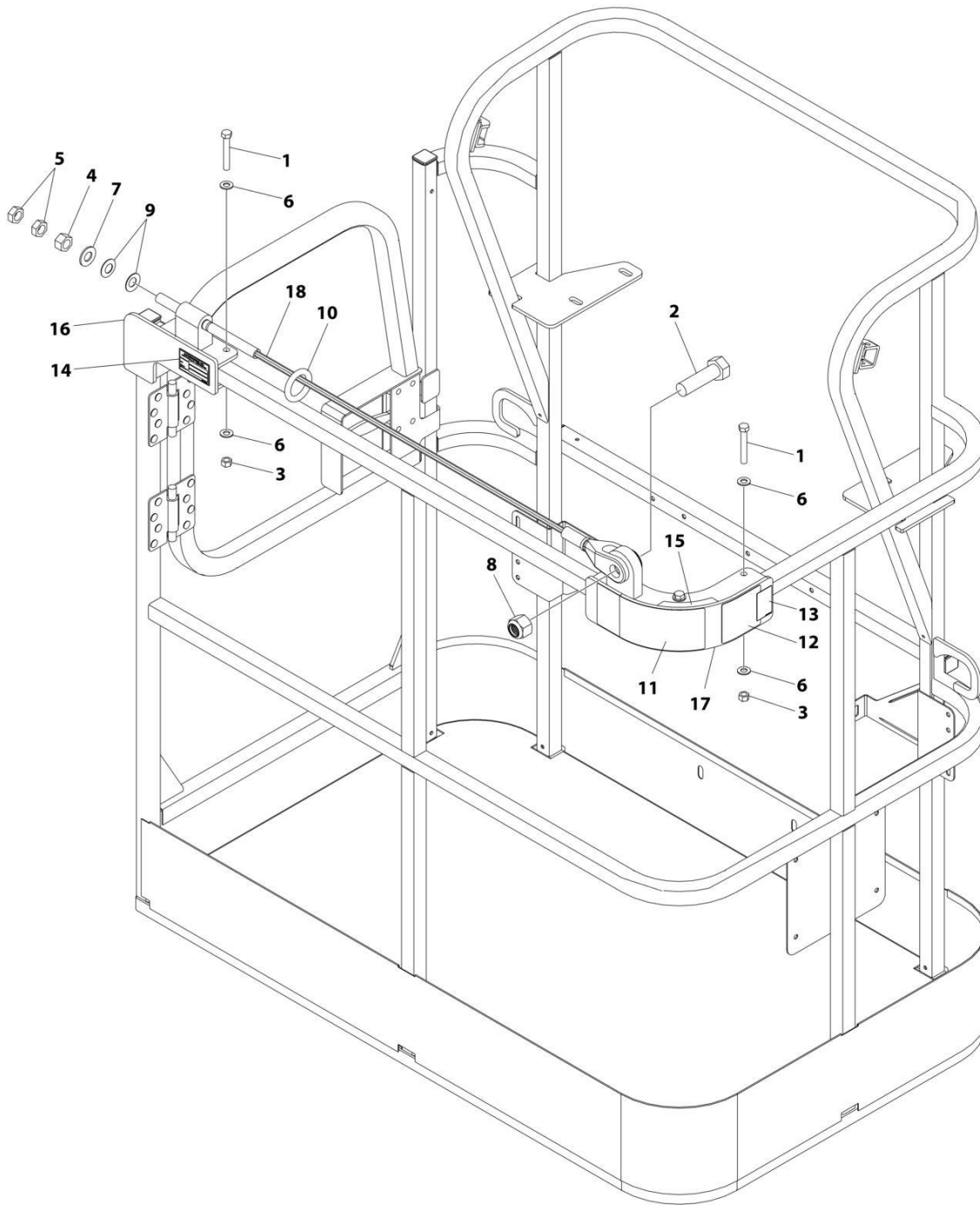
## SECTION 5 - PLATFORM

### FIGURE 5-20. FOOTSWITCH ASSEMBLY

ITEM	PART NUMBER	QTY	DESCRIPTION	REV
	1001117174	Ref	FOOTSWITCH ASSEMBLY	C
1	0100020	AR	Sealant	
2	1060918	7.5 ft/ 2.3m	Cable, Electrical - 18/3	
3	4460071	1	Connector, Strain Relief	
4	4460226	2	Socket, Female	
5	4460464	1	Pin, Male	
6	1001098122	3	Terminal	
7	1001117172	1	Footswitch	
7	70002902	1	Switch, 20Amp	
7	70002903	1	Gasket	
7	70002905	1	Cover	
7	70002904	1	Kit, Replacement Bolt	

# SECTION 5 - PLATFORM

## FIGURE 5-21. FALL ARREST INSTALLATION (BOLT-ON) (4FT/1.22M PLATFORM)



ART\_1001261338

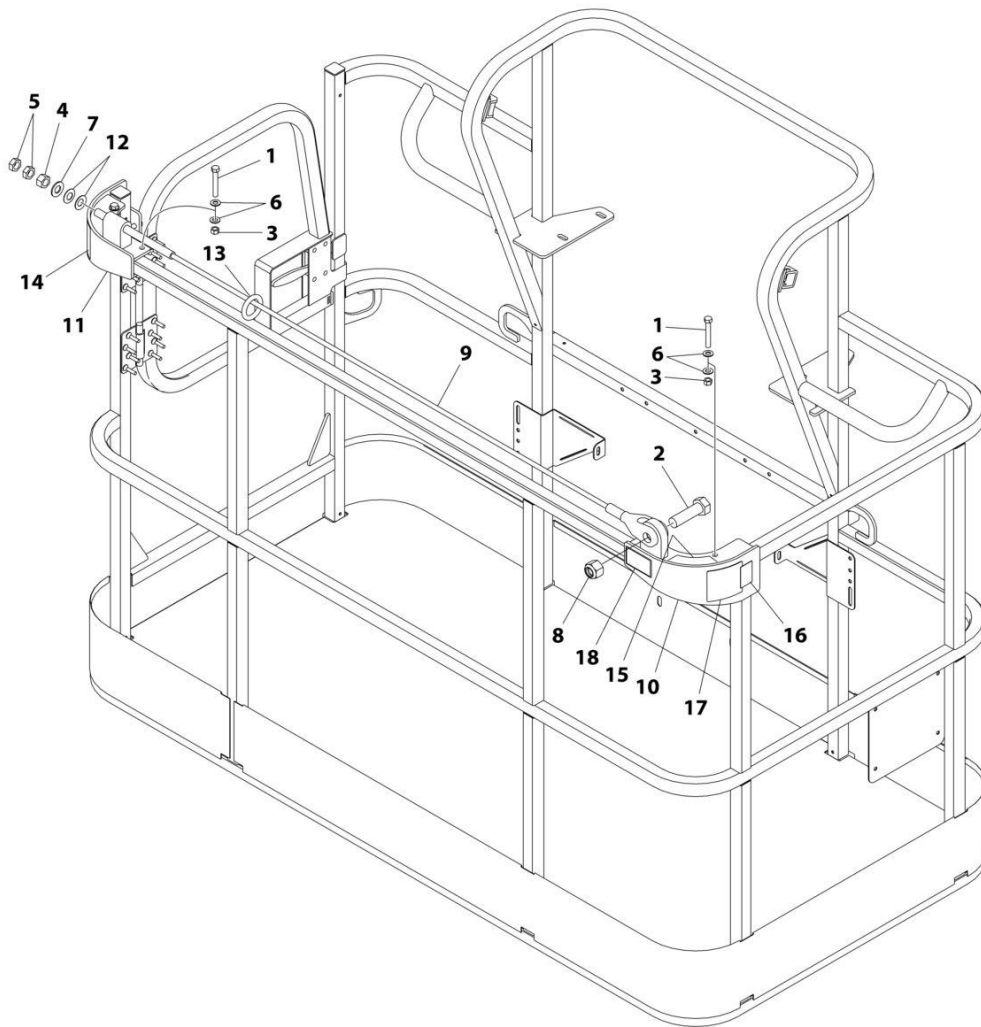
## SECTION 5 - PLATFORM

**FIGURE 5-21. FALL ARREST INSTALLATION (BOLT-ON) (4FT/1.22M PLATFORM)**

ITEM	PART NUMBER	QTY	DESCRIPTION	REV
	1001261338	Ref	FALL ARREST INSTALLATION	A
1	0681620	6	Bolt 3/8 x 2-1/2	
2	0682424	1	Bolt 7/8 x 3	
3	3271605	6	Nut 3/8	
4	3272001	1	Nut 5/8	
5	3312002	2	Nut 5/8	
6	4711600	12	Washer 3/8	
7	4712000	1	Washer 5/8	
8	88521214	1	Nut 7/8	
9	1001236891	2	Washer	
10	1001236895	1	Ring	
11	1001238263	1	Decal - Warning Falling Hazard	
12	1001248140	1	Decal - Bolt Fall Arrest Re-Cert	
13	1001248141	1	Decal - Incription	
14	See Note	NSS	Nameplate - Manufacturers Serial Number (Note: Not Available for Purchase)	
15	1001252629	1	Decal - Weight	
16	1001257271	1	Bracket (RH)	
17	1001257274	1	Bracket (LH)	
18	1001261335	1	Rope	

# SECTION 5 - PLATFORM

## FIGURE 5-22. FALL ARREST INSTALLATION (BOLT-ON) (6FT/1.82M PLATFORM)



ART\_1001236747



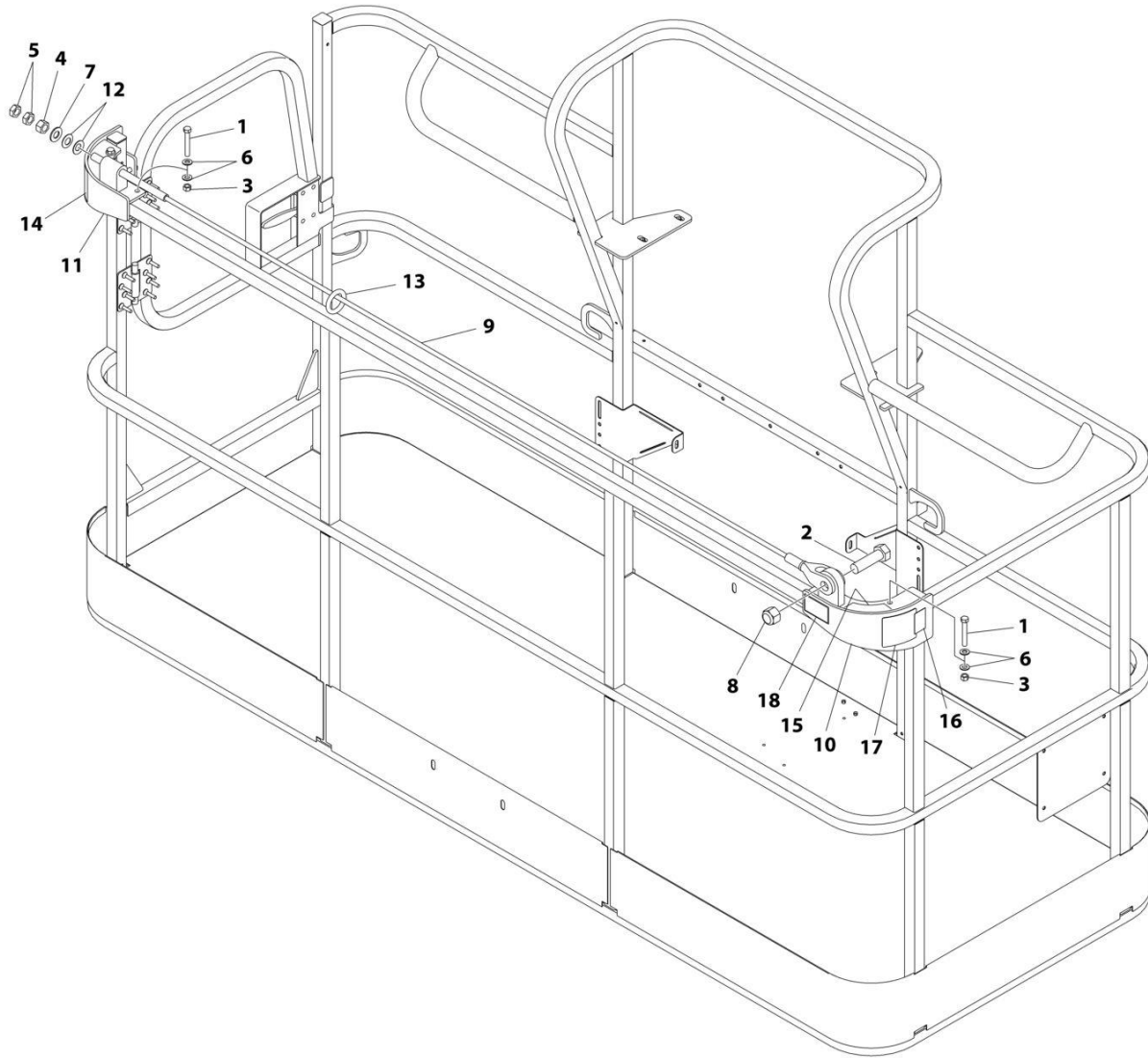
## SECTION 5 - PLATFORM

**FIGURE 5-22. FALL ARREST INSTALLATION (BOLT-ON) (6FT/1.82M PLATFORM)**

ITEM	PART NUMBER	QTY	DESCRIPTION	REV
	1001236747	Ref	FALL ARREST INSTALLATION (BOLT - ON) 6FT/1.82M PLATFORM	C
1	0681620	6	Bolt 3/8 x 2-1/2	
2	0682424	1	Bolt 7/8 x 3	
3	3271605	6	Nut 3/8	
4	3272001	1	Nut 5/8	
5	3312002	2	Nut 5/8	
6	4711600	12	Washer 3/8	
7	4712000	1	Washer 5/8	
8	88521214	1	Nut 7/8	
9	1001231950	1	Rope	
10	1001232010	1	Bracket (RH)	
11	1001232011	1	Bracket (LH)	
12	1001236891	2	Washer	
13	1001236895	1	Ring	
14	1001238263	1	Decal - Warning Falling Hazard	
15	1001252629	1	Decal - Weight	
16	1001248140	1	Decal - Bolt Fall Arrest Re-Cert	
17	1001248141	1	Decal - Inscription	

# SECTION 5 - PLATFORM

FIGURE 5-23. FALL ARREST INSTALLATION (BOLT-ON) (8FT/2.4M PLATFORM)



ART\_1001236746

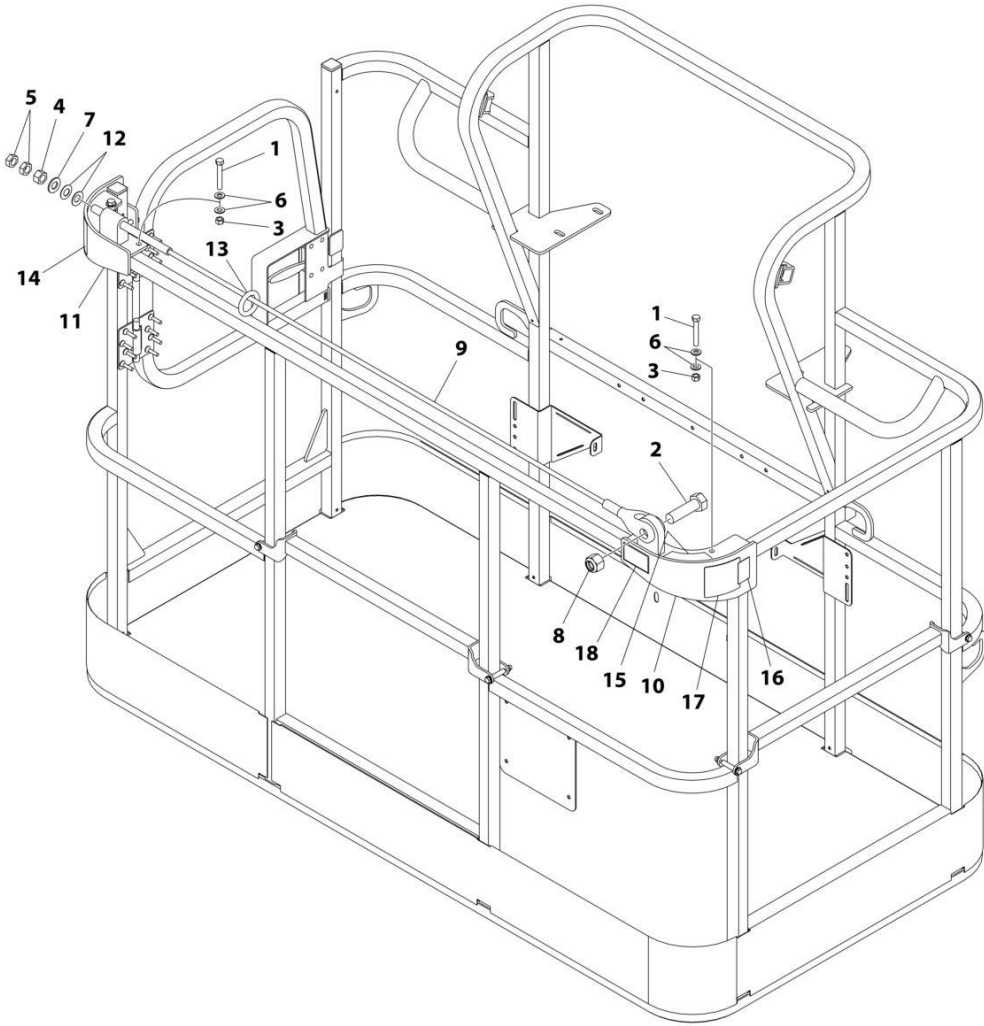
## SECTION 5 - PLATFORM

**FIGURE 5-23. FALL ARREST INSTALLATION (BOLT-ON) (8FT/2.4M PLATFORM)**

ITEM	PART NUMBER	QTY	DESCRIPTION	REV
	1001236746	Ref	FALL ARREST INSTALLATION (BOLT - ON) 8FT/2.4M PLATFORM	C
1	0681620	6	Bolt 3/8 x 2-1/2	
2	0682424	1	Bolt 7/8 x 3	
3	3271605	6	Nut 3/8	
4	3272001	1	Nut 5/8	
5	3312002	2	Nut 5/8	
6	4711600	12	Washer 3/8	
7	4712000	1	Washer 5/8	
8	88521214	1	Nut 7/8	
9	1001231949	1	Rope	
10	1001232010	1	Bracket (RH)	
11	1001232011	1	Bracket (LH)	
12	1001236891	2	Washer	
13	1001236895	1	Ring	
14	1001238263	1	Decal - Warning Falling Hazard	
15	1001252629	1	Decal - Weight 23LBS/10.4KG	
16	1001248140	1	Decal - Bolt Fall Arrest Re-Cert	
17	1001248141	1	Decal - Inscription	

**SECTION 5 - PLATFORM**

**FIGURE 5-24. FALL ARREST INSTALLATION (BOLT-ON) (6FT/1.82M TRI-ENTRY PLATFORM)**



ART\_1001238463

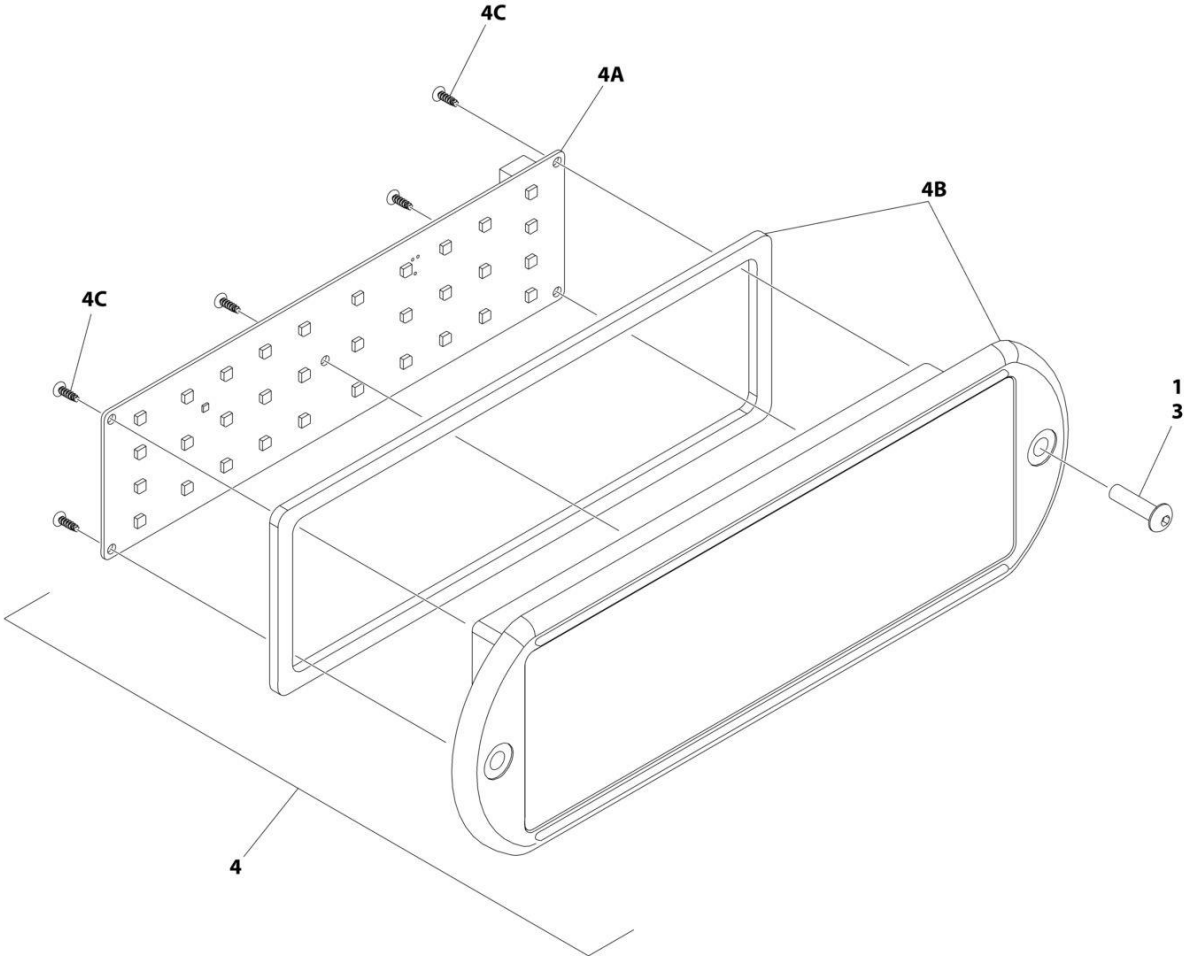
## SECTION 5 - PLATFORM

**FIGURE 5-24. FALL ARREST INSTALLATION (BOLT-ON) (6FT/1.82M TRI-ENTRY PLATFORM)**

ITEM	PART NUMBER	QTY	DESCRIPTION	REV
	1001238463	Ref	FALL ARREST INSTALLATION (BOLT - ON) 6FT/1.82M PLATFORM	C
1	0681620	6	Bolt 3/8 x 2-1/2	
2	0682424	1	Bolt 7/8 x 3	
3	3271605	6	Nut 3/8	
4	3272001	1	Nut 5/8	
5	3312002	2	Nut 5/8	
6	4711600	12	Washer 3/8	
7	4712000	1	Washer 5/8	
8	88521214	1	Nut 7/8	
9	1001231950	1	Rope	
10	1001232010	1	Bracket (RH)	
11	1001232011	1	Bracket (LH)	
12	1001236891	2	Washer	
13	1001236895	1	Ring	
14	1001238263	1	Decal - Warning Falling Hazard	
15	1001252629	1	Decal - Weight	
16	1001248140	1	Decal - Bolt Fall Arrest Re-Cert	
17	1001248141	1	Decal - Inscription	

**SECTION 5 - PLATFORM**

**FIGURE 5-25. LIGHT PANEL INSTALLATION (MACHINES WITH SN STARTING WITH 03 OR 13)**



ART\_1001233959\_D\_20F2

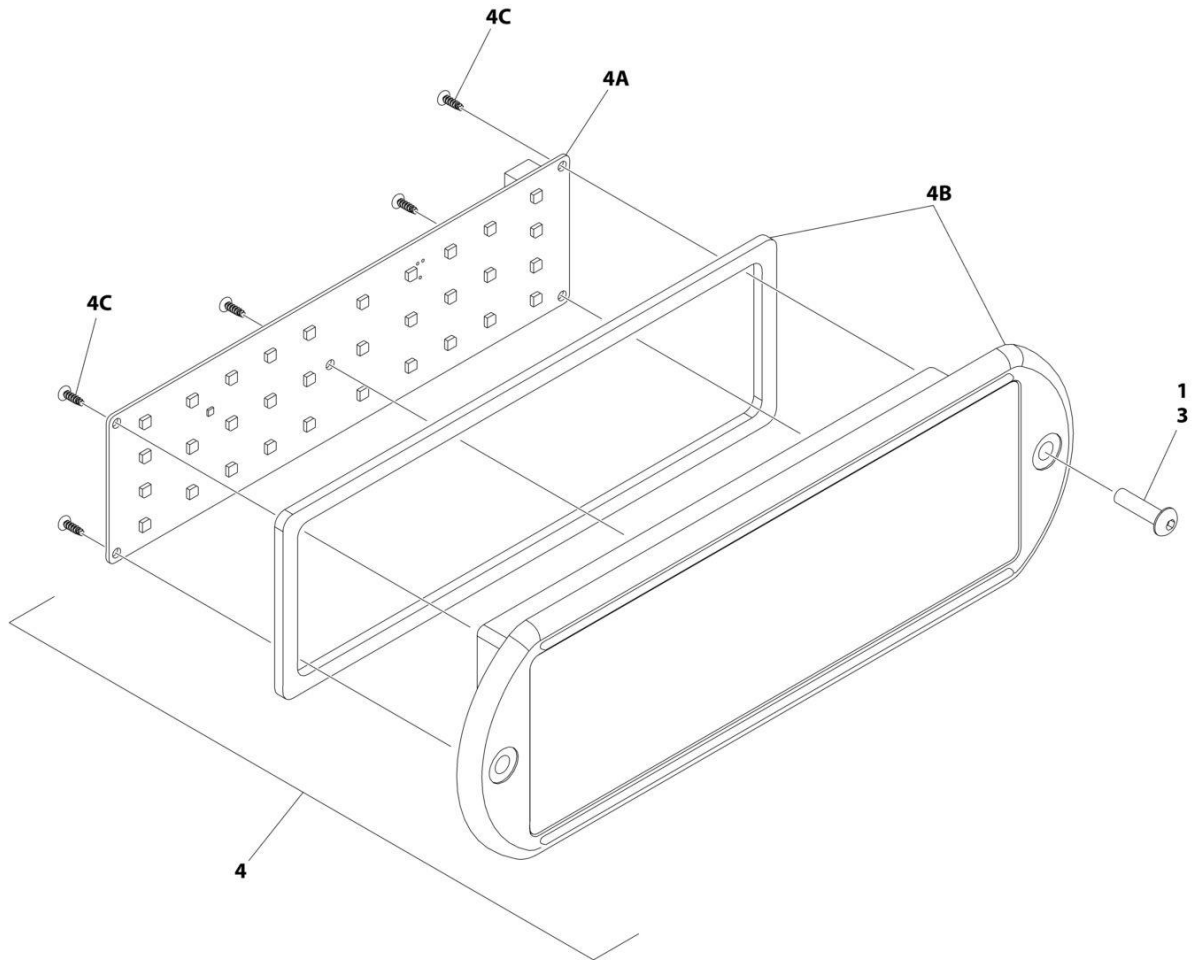
## SECTION 5 - PLATFORM

**FIGURE 5-25. LIGHT PANEL INSTALLATION (MACHINES WITH SN STARTING WITH 03 OR 13)**

ITEM	PART NUMBER	QTY	DESCRIPTION	REV
	1001233959	Ref	LIGHT PANEL INSTALLATION - PLATFORM CONSOLE	D
1	0100035	AR	Compound, Locking	
3	0630518	2	Screw #10 x 3/4	
4	1001284583	1	Light Panel Assembly	A
4A	1001282106	1	Panel, LED Light	
4B	1001284582	1	Lens, Icon (Includes Gasket)	
4C		Ref	Screw	

# SECTION 5 - PLATFORM

FIGURE 5-26. LIGHT PANEL INSTALLATION (MACHINES WITH SN STARTING WITH B3)



ART\_1001241398\_D\_2OF2



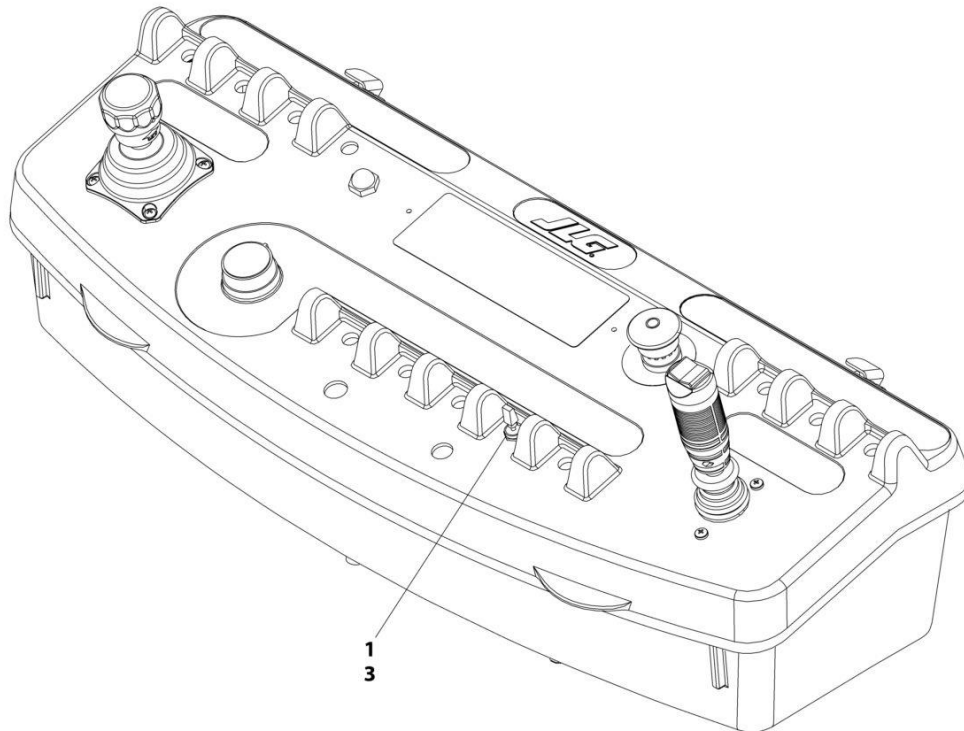
## SECTION 5 - PLATFORM

**FIGURE 5-26. LIGHT PANEL INSTALLATION (MACHINES WITH SN STARTING WITH B3)**

ITEM	PART NUMBER	QTY	DESCRIPTION	REV
	1001241398	Ref	LIGHT PANEL INSTALLATION - PLATFORM CONSOLE	D
1	0100035	AR	Compound, Locking	
3	0630518	2	Screw #10 x 3/4	
4	1001284583	1	Light Panel Assembly	A
4A	1001282106	1	Panel, LED Light	
4B	1001284582	1	Lens, Icon (Includes Gasket)	
4C		Ref	Screw	

# SECTION 5 - PLATFORM

## FIGURE 5-27. JIB SWITCH INSTALLATION (860SJ)



ART\_0258608

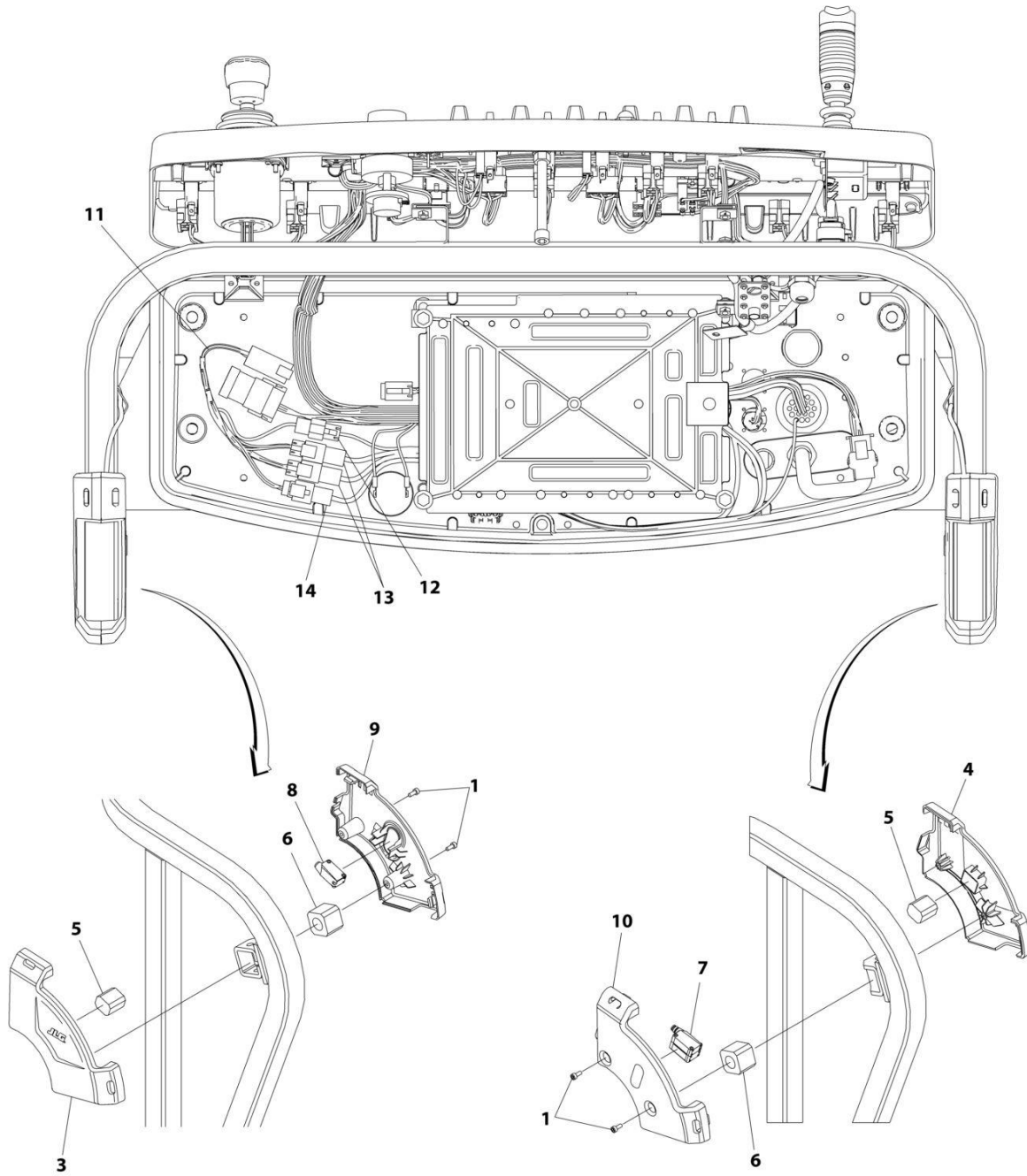
## SECTION 5 - PLATFORM

**FIGURE 5-27. JIB SWITCH INSTALLATION (860SJ)**

ITEM	PART NUMBER	QTY	DESCRIPTION	REV
	0258608	Ref	JIB SWITCH INSTALLATION	C
1	4360328	1	Switch, Toggle	
3	3790012	1	O-Ring	

# SECTION 5 - PLATFORM

## FIGURE 5-28. SKYEYE INSTALLATION



ART\_1001229341

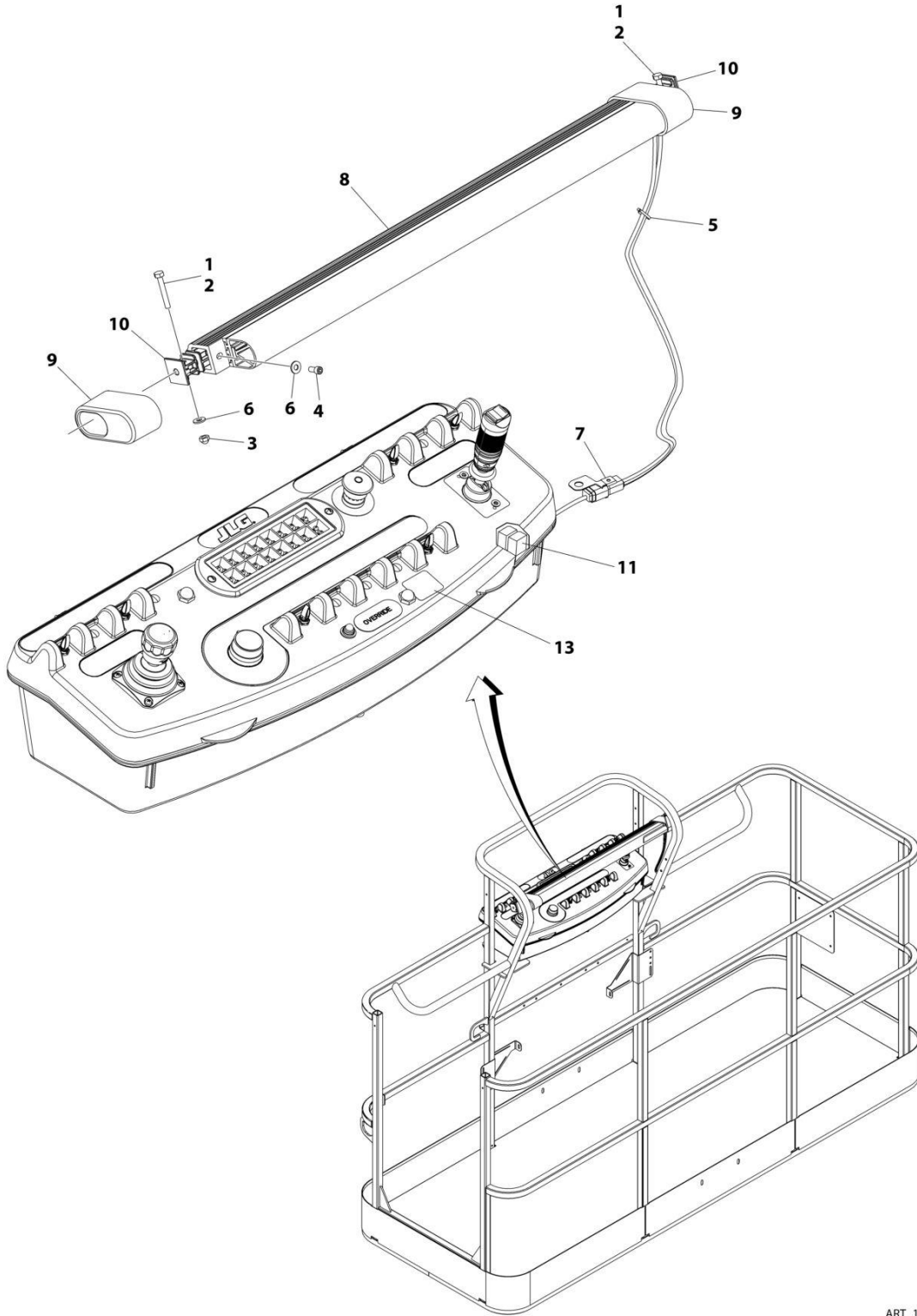
## SECTION 5 - PLATFORM

### FIGURE 5-28. SKYEYE INSTALLATION

ITEM	PART NUMBER	QTY	DESCRIPTION	REV
	1001229341	Ref	SKYEYE INSTALLATION	B
1	4031505	4	Bolt M4 x 10	
2	4240033	AR	Tie-Strap (Not Shown)	
3	1001227633	1	Housing, LH Outer	
4	1001227634	1	Housing, RH Outer	
5	1001227985	2	Shim	
6	1001227987	2	Shim	
7	1001228224	2	Sensor, Receiver	
8	1001228225	1	Sensor, Emitter	
9	1001232164	1	Housing, LH Inner	
10	1001232165	1	Housing, RH Inner	
11	1001237865	1	Harness, Skyeeye Intermediate (See Separate Breakdown in ELECTRICAL Section)	
12	1001238319	NLA	Harness, Skyeeye Drain Jumper	
12	1001187674	1	Plug, Male - 2 Position	
12	4460942	1	Terminal	
12	4460466	1	Plug, Terminal	
12	4460508	1	Pin, Male	
13	1001237863	2	Harness, Skyeeye Receiver (See Separate Breakdown in ELECTRICAL Section)	
14	1001237864	1	Harness, Skyeeye Emitter (See Separate Breakdown in ELECTRICAL Section)	

# SECTION 5 - PLATFORM

## FIGURE 5-29. SKYGUARD BAR INSTALLATION



ART\_1001238495

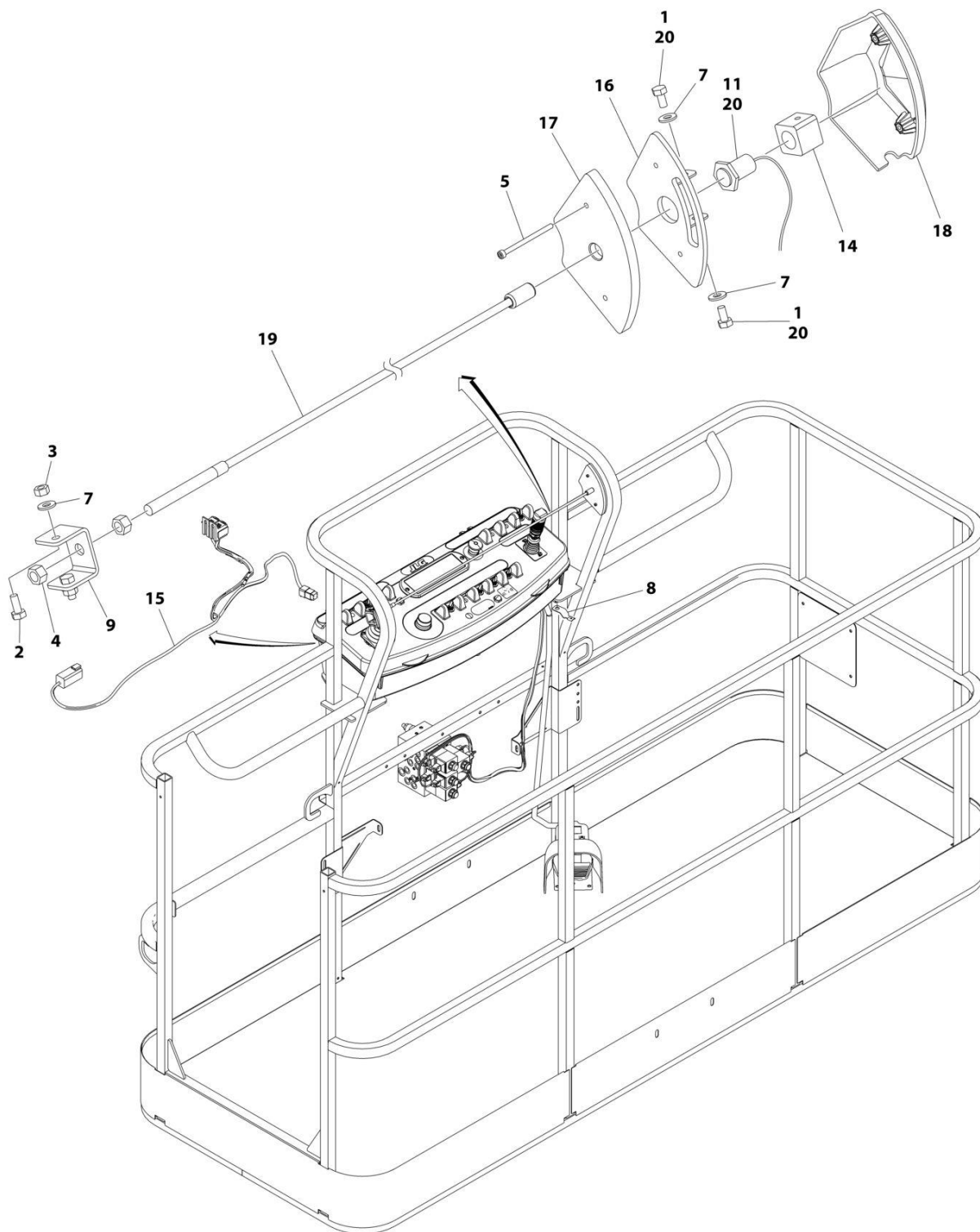
## SECTION 5 - PLATFORM

**FIGURE 5-29. SKYGUARD BAR INSTALLATION**

ITEM	PART NUMBER	QTY	DESCRIPTION	REV
	1001238495	Ref	SKYGUARD BAR INSTALLATION	A
1	0100011	AR	Compound, Locking	
2	0641414	2	Bolt 1/4 x 1-3/4	
3	3300430	2	Nut 1/4	
4	3931408	2	Capscrew 1/4 x 1/2	
5	4240033	8	Tie-Strap	
6	4711400	6	Washer 1/4	
7	1001120328	1	Mount	
8	1001137673	1	SkyGuard Switch Assembly	
9	1001186517	2	Cover, Platform Sensor	
10	1001209664	2	Support, Block	
11	1001186431	2	Relay	
12	1001225580	1	Interface Harness Assembly (Not Shown - Located Inside Console Box) (See Separate Breakdown in ELECTRICAL Section)	
13	1001144433	1	Decal - No Weight SkyGuard	

# SECTION 5 - PLATFORM

## FIGURE 5-30. SKYLINE INSTALLATION



ART\_1001238559\_D



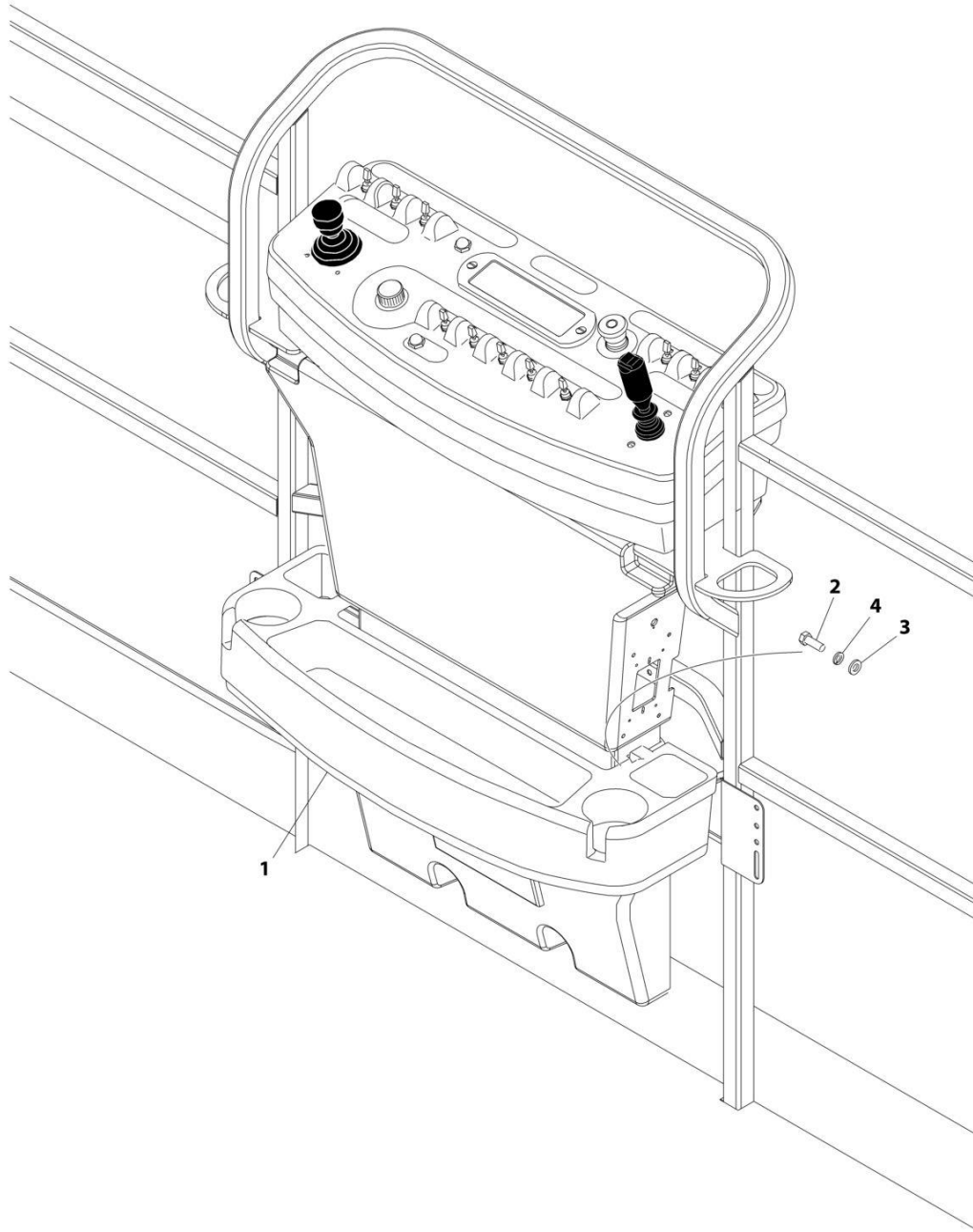
## SECTION 5 - PLATFORM

**FIGURE 5-30. SKYLINE INSTALLATION**

ITEM	PART NUMBER	QTY	DESCRIPTION	REV
	1001238559	Ref	SKYLINE INSTALLATION	D
1	0641404	2	Bolt 1/4 x 1/2	
2	0641405	2	Bolt 1/4 x 5/8	
3	3311405	2	Nut 1/4	
4	3311601	2	Nut 3/8	
5	4031516	2	Capscrew M4 x 60	
6	4240033	AR	Tie-Strap (Not Shown)	
7	4711400	4	Washer 1/4	
8	1001120328	1	Mount	
9	1001232642	1	Bracket	
11	1001232667	1	Sensor, Proximity	
11	1001311034	1	Sensor, Proximity	
14	1001236552	1	Block	
15	1001238418	1	Harness, Skyline (See Separate Breakdown in ELECTRICAL Section)	
16	1001238472	1	Mount	
17	1001254473	1	Housing, LH	
18	1001241965	1	Housing, RH	
19	1001254472	1	Rod	
20	0100011	AR	Compound, Locking	

# SECTION 5 - PLATFORM

## FIGURE 5-31. STORAGE TRAY INSTALLATION - CENTER



ART\_1580012

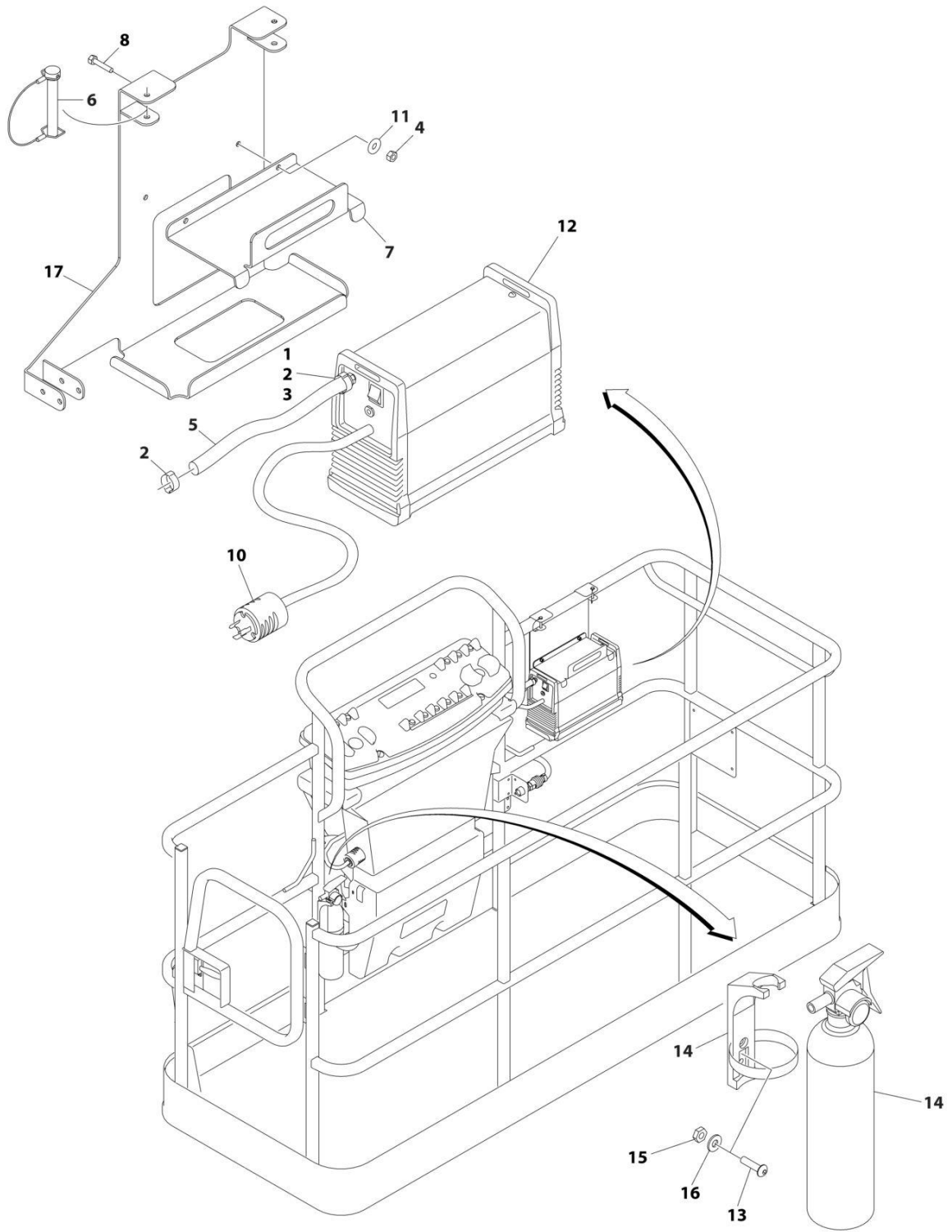
## SECTION 5 - PLATFORM

### FIGURE 5-31. STORAGE TRAY INSTALLATION - CENTER

ITEM	PART NUMBER	QTY	DESCRIPTION	REV
	1580012	Ref	TRAY ASSEMBLY	C
1	See Note	NSS	Tray, Storage (Center) (Note: Purchase p/n 1580012)	
2	0641406	2	Bolt 1/4 x 3/4	
3	4751400	2	Washer 1/4	
4	4761400	2	Washer 1/4	

# SECTION 5 - PLATFORM

## FIGURE 5-32. SKYCUTTER INSTALLATION



ART\_1001098149\_D

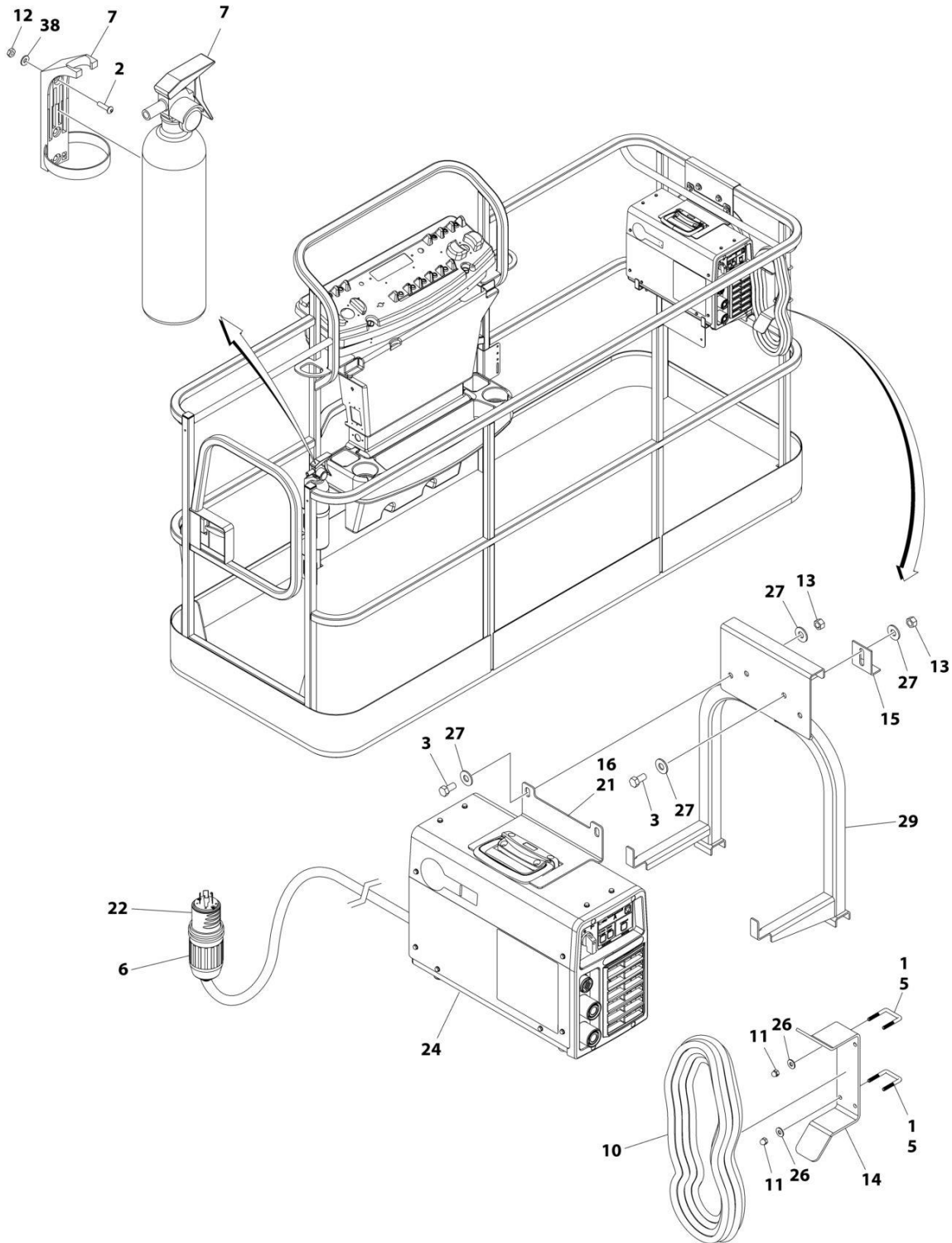
## SECTION 5 - PLATFORM

**FIGURE 5-32. SKYCUTTER INSTALLATION**

ITEM	PART NUMBER	QTY	DESCRIPTION	REV
	1001098149	Ref	SKYCUTTER INSTALLATION	D
		Ref	Note: When replacing platform on machines with SkyCutter option, new bracket p/n 1001145405 must be purchased to accommodate SkyCutter components.	
1	0100020	AR	Sealant	
2	1320177	2	Clamp, Hose	
3	2180832	1	Fitting, NPT/Barbed	
4	3290605	2	Nut M6	
5	2720160	3 ft /.9m	Hose	
6	3421453	3	Pin	
7	3576799	1	Plate, Hold-Down	
8	4010608	2	Screw M6 x 16	
10	4460971	1	Plug, Twistlock	
11	4811700	2	Washer M6	
12	1001098012	1	Plasma Cutter Assembly (See Separate Breakdown in this Section)	
13	0630518	2	Screw #10 x 3/4	
14	2030010	1	Extinguisher, Fire	
15	3311005	2	Nut #10	
16	4751000	2	Washer #10	
17	1001145405	1	Support	

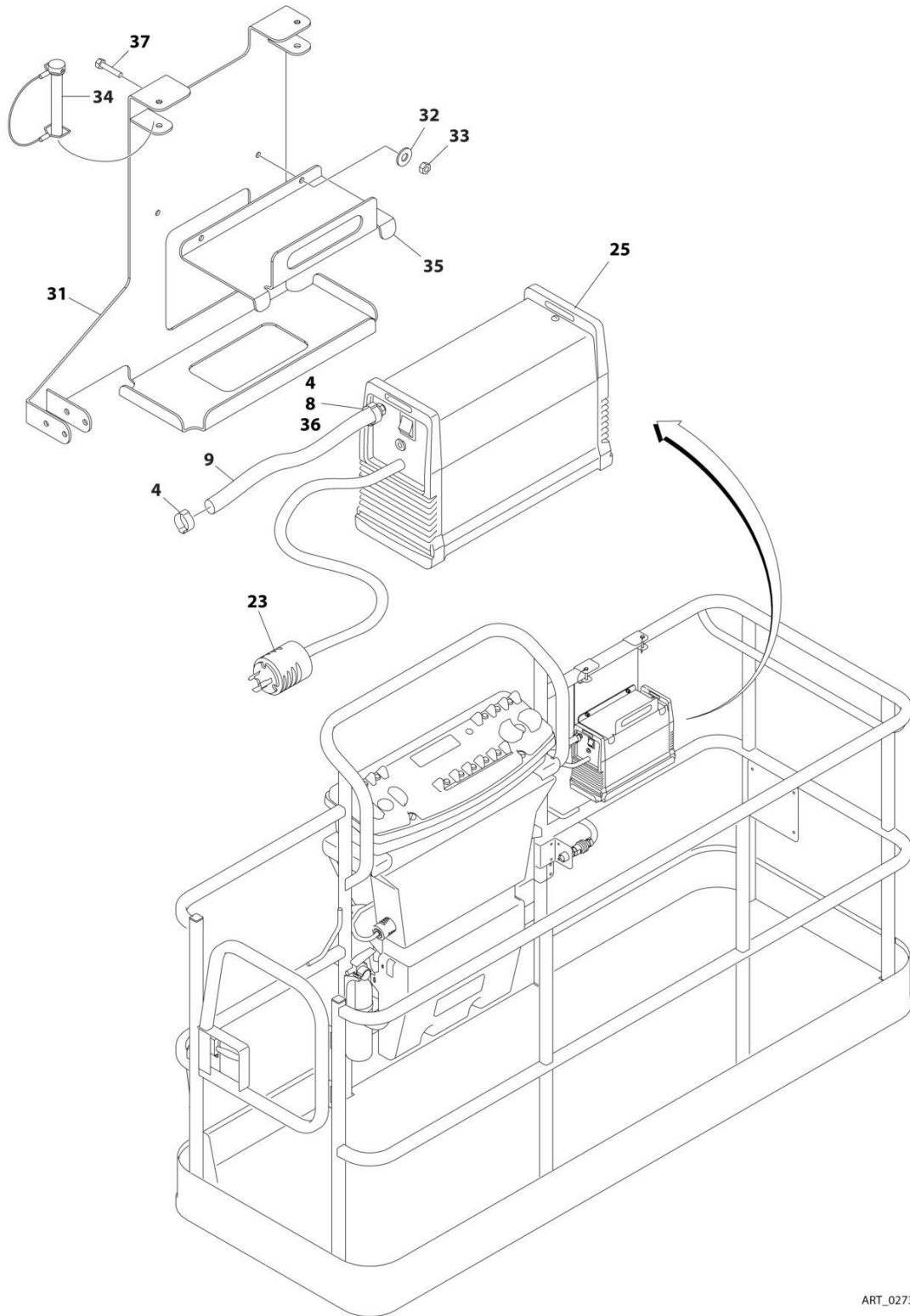
# SECTION 5 - PLATFORM

## FIGURE 5-33. SKYWELDER/SKYCUTTER COMBO INSTALLATION (60HZ)



ART\_0273353\_H\_10F2

# SECTION 5 - PLATFORM



ART\_0273353\_H\_20F2

## SECTION 5 - PLATFORM

**FIGURE 5-33. SKYWELDER/SKYCUTTER COMBO INSTALLATION (60HZ)**

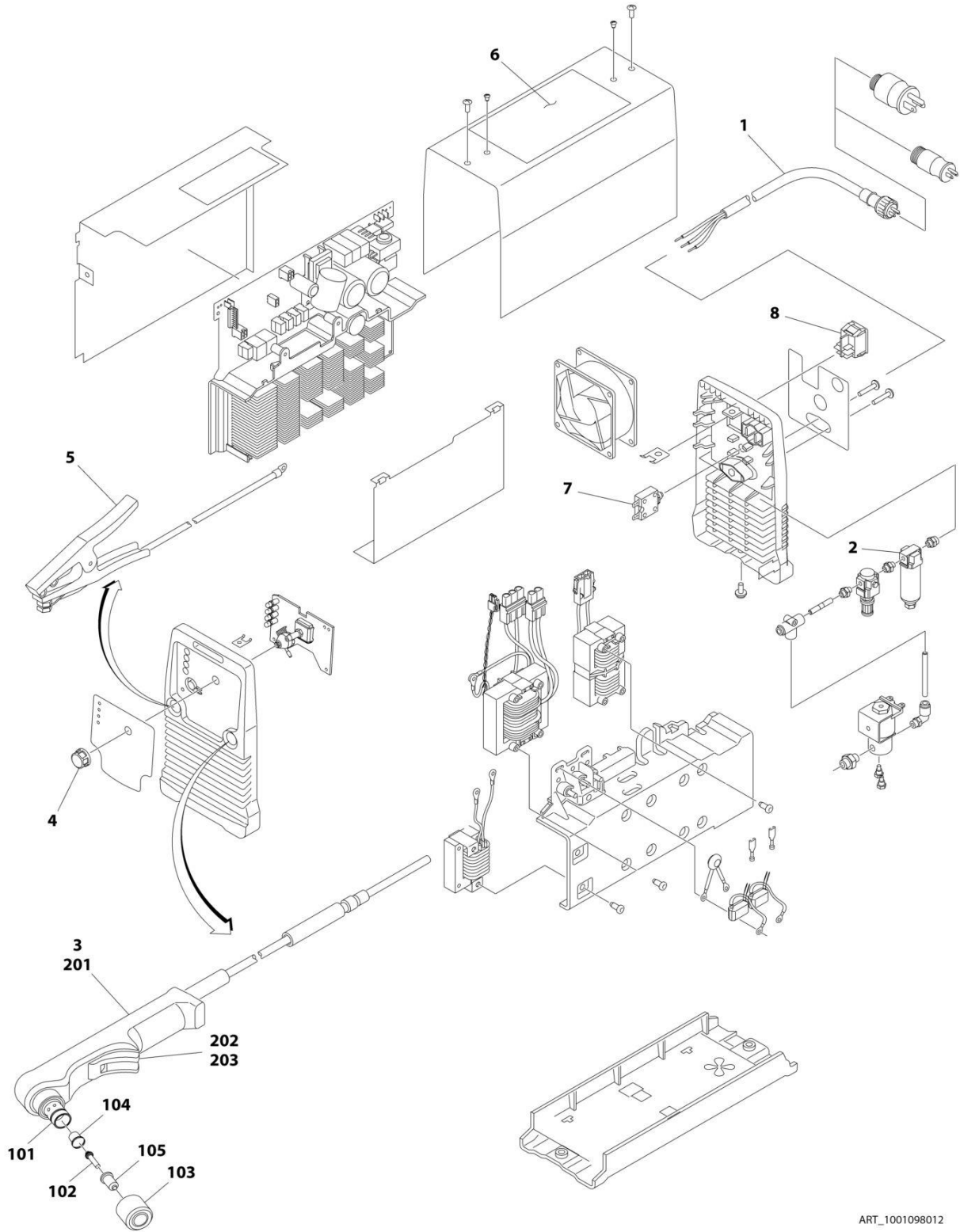
ITEM	PART NUMBER	QTY	DESCRIPTION	REV
	0273353	Ref	SKYWELDER/SKYCUTTER COMBO INSTALLATION (60HZ)	H
1	0100011	AR	Compound, Locking	
2	0630518	2	Screw #10 x 3/4	
3	0641606	4	Bolt 3/8 x 3/4	
4	1320177	2	Clamp	
5	1320302	2	Clamp	
6	1671093	1	Cover, Plug	
7	2030010	1	Extinguisher, Fire	
8	2180832	1	Fitting, Barbed/NPT	
9	2720160	4.5 ft /1.37m	Hose	
10	2902217	1	Weld Leads Kit	
11	3300151	4	Nut 1/4	
12	3311005	2	Nut #10	
13	3311605	4	Nut 3/8	
14	3573400	1	Bracket	
15	3577121	2	Angle	
16	1001269573	1	Plate	
20	4240099	AR	Tie-Strap (Not Shown)	
21	4420037	2.36 ft /.71m	Tape	
22	4460962	1	Plug, Twist Lock	
23	4460971	1	Plug, Twist Lock	
24	1001268820	1	Welder Assembly (See Separate Breakdown in this section)	
25	1001098012	1	Plasma Cutter Assembly (See Separate Breakdown in this Section)	
26	4751400	4	Washer 1/4	
27	4751600	8	Washer 3/8	
29	1001269322	1	Support	
31	1001145405	1	Bracket	
32	4811700	2	Washer M6	
33	3290605	2	Nut M6	
34	3421453	3	Pin	
35	3576799	1	Plate, Hold-Down	
36	0100020	1	Sealant	
37	4010608	2	Screw M6 x 16	
38	4751000	2	Washer #10	





# SECTION 5 - PLATFORM

## FIGURE 5-34. PLASMA CUTTER ASSEMBLY



ART\_1001098012

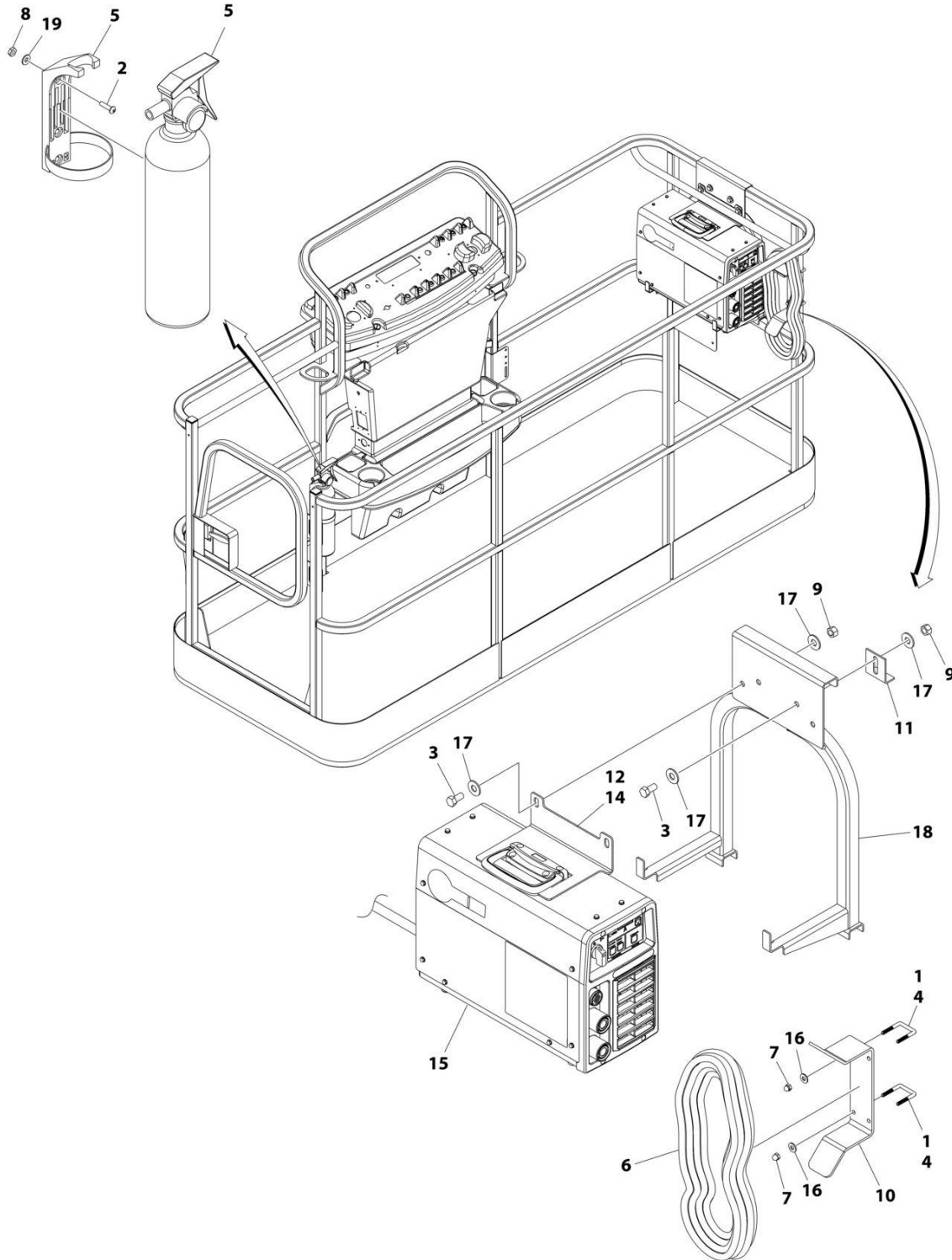
## SECTION 5 - PLATFORM

### FIGURE 5-34. PLASMA CUTTER ASSEMBLY

ITEM	PART NUMBER	QTY	DESCRIPTION	REV
	1001098012	Ref	PLASMA CUTTER ASSEMBLY	A
		Ref	Note: For Other Components, contact your Miller Welder Dealer.	
1	70001424	1	Cable, Power	
1	70001425	1	Decal - Voltage Warning	
2	70001427	1	Filter, Regulator	
3	70001428	1	Torch Assembly (See Items 101-203 for Breakdown)	
4	7024471	1	Knob	
5	70001429	1	Clamp with Cable	
6	70001430	1	Decal - Caution	
7	70001431	1	Breaker, Circuit	
8	70001432	1	Switch, Rocker	
	70001428	Ref	TORCH ASSEMBLY	
101	7024530	1	O-Ring	
102	7024531	1	Electrode	
103	7024532	1	Cup, Retaining	
104	7024533	1	Swirl Ring	
105	7024534	1	Tip	
201	7024535	1	Handle, Torch	
202	7024536	1	Switch	
203	7024537	1	Trigger	

# SECTION 5 - PLATFORM

## FIGURE 5-35. SKYWELDER INSTALLATION (50HZ)



ART\_0272521\_G

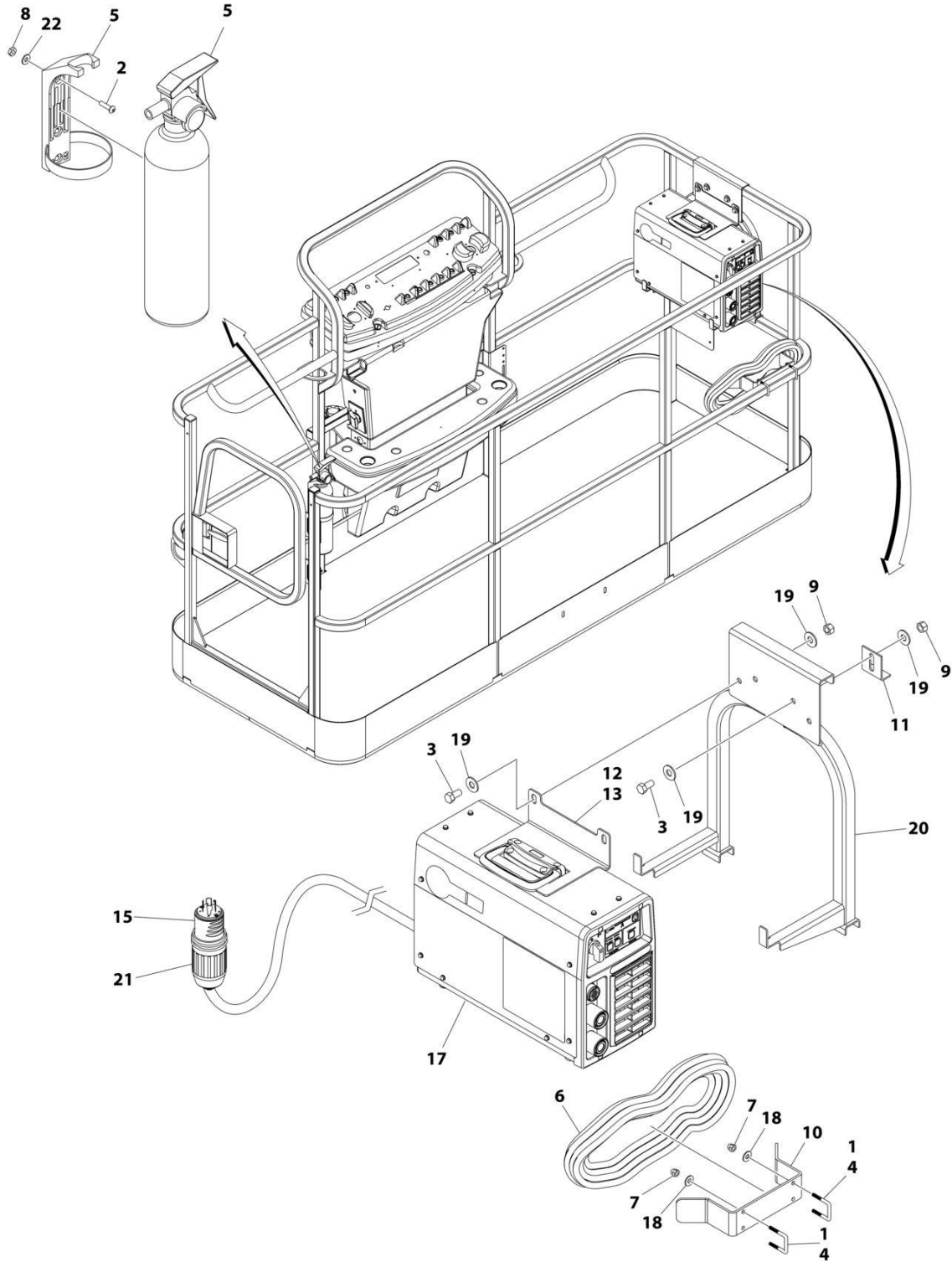
## SECTION 5 - PLATFORM

**FIGURE 5-35. SKYWELDER INSTALLATION (50HZ)**

ITEM	PART NUMBER	QTY	DESCRIPTION	REV
	0272521	Ref	SKYWELDER INSTALLATION	G
1	0100011	AR	Compound, Locking	
2	0630518	2	Screw #10 x 3/4	
3	0641606	4	Bolt 3/8 x 3/4	
4	1320302	2	U-Clamp	
5	2030010	1	Extinguisher, Fire	
6	2902217	1	Weld Leads Kit	
7	3300151	4	Nut 1/4	
8	3311005	2	Nut #10	
9	3311605	4	Nut 3/8	
10	3573400	1	Bracket	
11	3577121	2	Angle	
12	1001269573	1	Plate	
13	4240099	AR	Tie-Strap (Not Shown)	
14	4420037	AR	Tape	
15	1001268820	1	Welder Assembly (See Separate Breakdown in this Section)	
16	4751400	4	Washer 1/4	
17	4751600	8	Washer 3/8	
18	1001269322	1	Support	
19	4751000	2	Washer #10	

# SECTION 5 - PLATFORM

## FIGURE 5-36. SKYWELDER INSTALLATION (60HZ)



ART\_0272254\_J

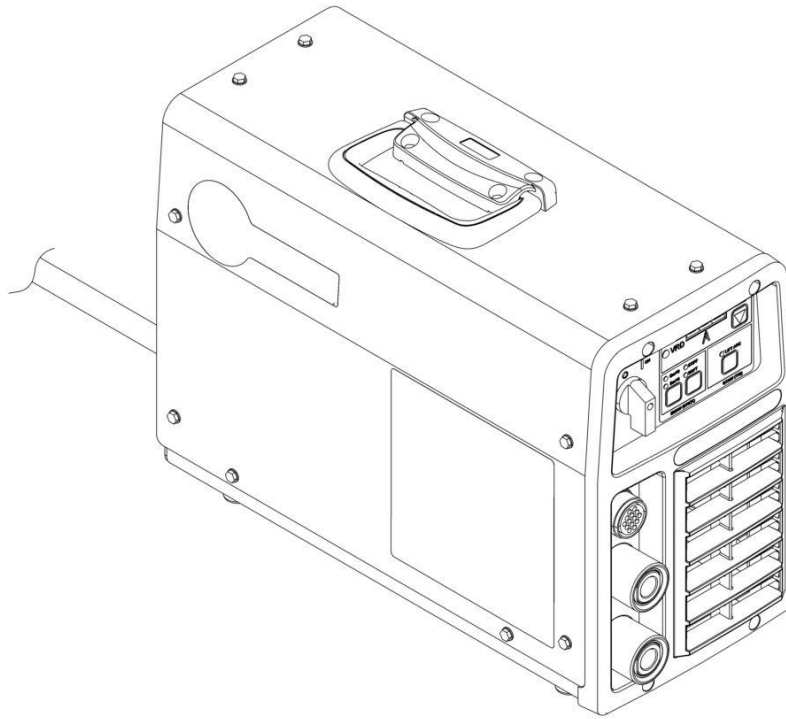
## SECTION 5 - PLATFORM

**FIGURE 5-36. SKYWELDER INSTALLATION (60HZ)**

ITEM	PART NUMBER	QTY	DESCRIPTION	REV
	0272254	Ref	SKYWELDER INSTALLATION	J
1	0100011	AR	Compound, Locking	
2	0630518	2	Screw #10 x 3/4	
3	0641606	4	Bolt 3/8 x 3/4	
4	1320302	2	U-Clamp	
5	2030010	1	Extinguisher, Fire	
6	2902217	1	Weld Leads Kit	
7	3300151	4	Nut 1/4	
8	3311005	2	Nut #10	
9	3311605	4	Nut 3/8	
10	3573400	1	Bracket	
11	3577121	2	Angle	
12	1001269573	1	Plate	
13	4420037	AR	Tape	
14	4240099	AR	Tie-Strap (Not Shown)	
15	4460962	1	Plug, Male Twistlock	
17	1001268820	1	Welder Assembly (See Separate Breakdown in this Section)	
18	4751400	4	Washer 1/4	
19	4751600	8	Washer 3/8	
20	1001269322	1	Support	
21	1671093	1	Cover, Plug	
22	4751000	2	Washer #10	

# SECTION 5 - PLATFORM

## FIGURE 5-37. WELDER ASSEMBLY



ART\_1001268820



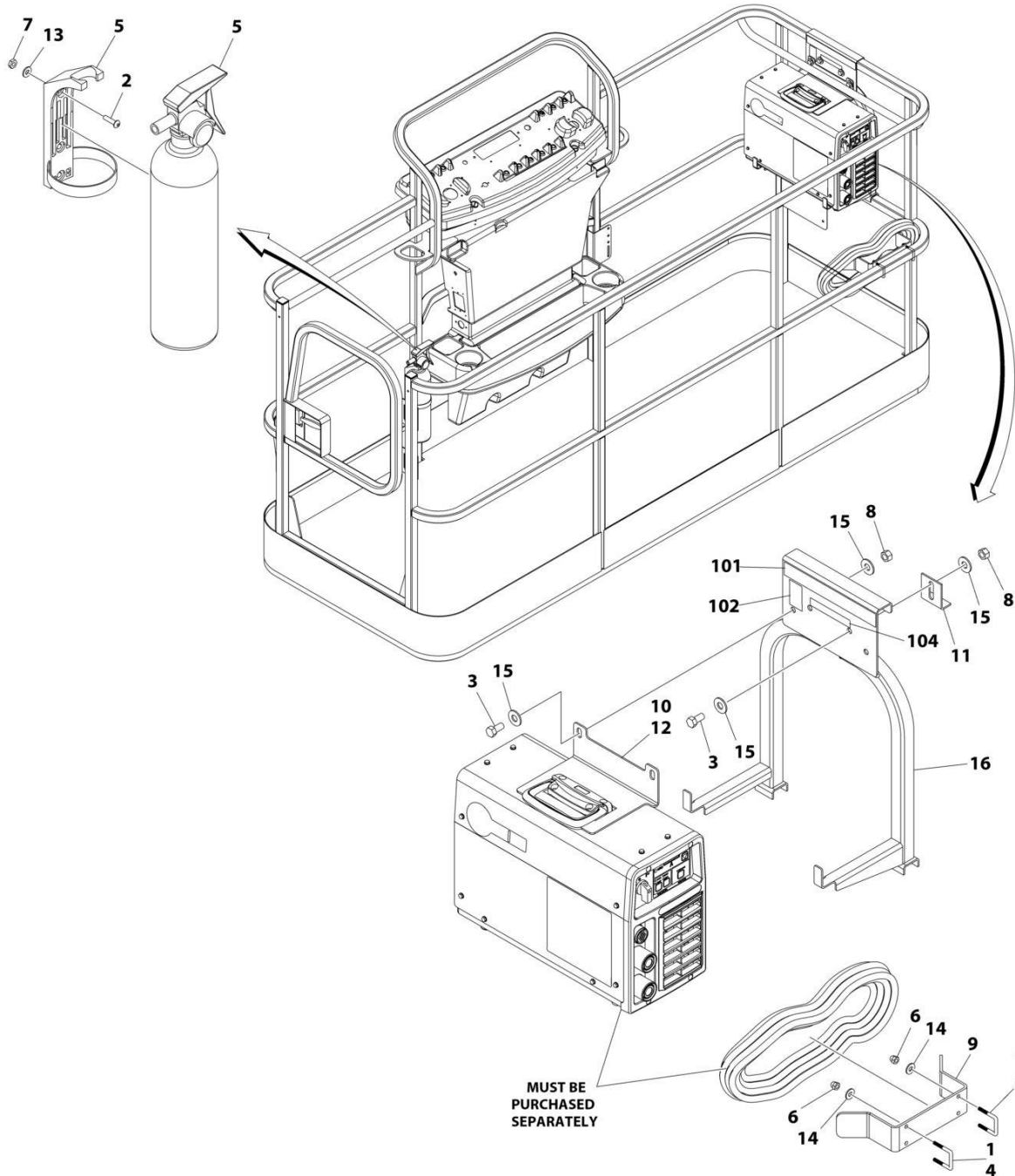
## SECTION 5 - PLATFORM

### FIGURE 5-37. WELDER ASSEMBLY

ITEM	PART NUMBER	QTY	DESCRIPTION	REV
	1001268820	1 Ref	WELDER ASSEMBLY Note: No Service Parts available at time of Printing.	B

# SECTION 5 - PLATFORM

## FIGURE 5-38. SKYWELDER PREP PACKAGE (60HZ)



ART\_1001128527\_C

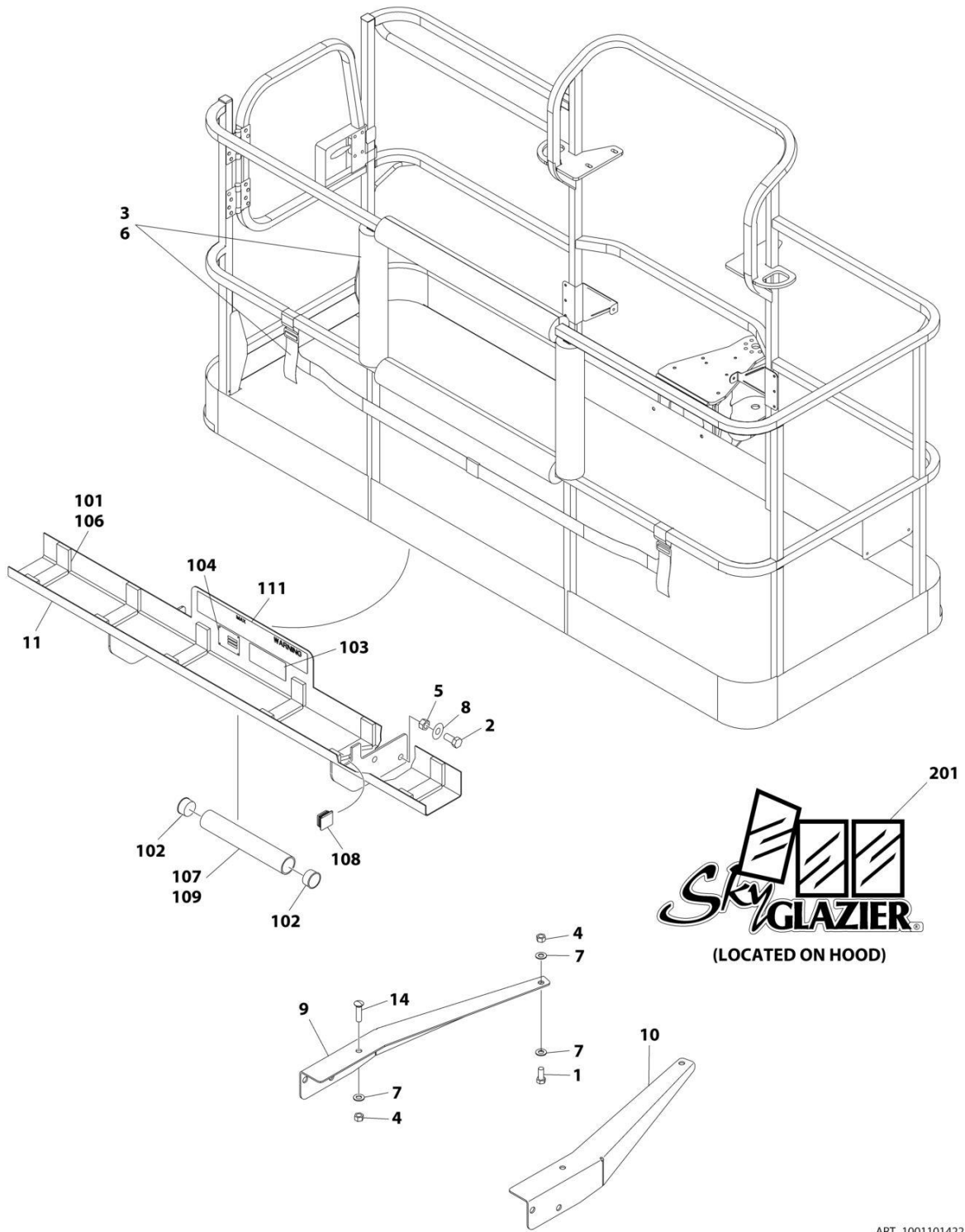
## SECTION 5 - PLATFORM

**FIGURE 5-38. SKYWELDER PREP PACKAGE (60HZ)**

ITEM	PART NUMBER	QTY	DESCRIPTION	REV
	1001128527	Ref	SKYWELDER PREP PACKAGE	C
1	0100011	AR	Compound, Locking	
2	0630518	2	Screw #10 x 3/4	
3	0641606	4	Bolt 3/8 x 3/4	
4	1320302	2	U-Clamp	
5	2030010	1	Extinguisher, Fire	
6	3300151	4	Nut 1/4	
7	3311005	2	Nut #10	
8	3311605	4	Nut 3/8	
9	3573400	1	Bracket	
10	1001269573	1	Plate	
11	3577121	2	Angle	
12	4420037	AR	Tape	
13	4751000	2	Washer #10	
14	4751400	4	Washer 1/4	
15	4751600	8	Washer 3/8	
16	1001269322	1	Support	
	1001128556	Ref	SKYWELDER DECAL INSTALLATION	D
101	1702868	1	Decal - No Hands	
102	1705305	1	Decal - Weld Lead	
104	1001228988	1	Decal - Weight	

# SECTION 5 - PLATFORM

## FIGURE 5-39. SKYGLAZIER INSTALLATION (ENGLISH LANGUAGE DECALS)



ART\_1001101422

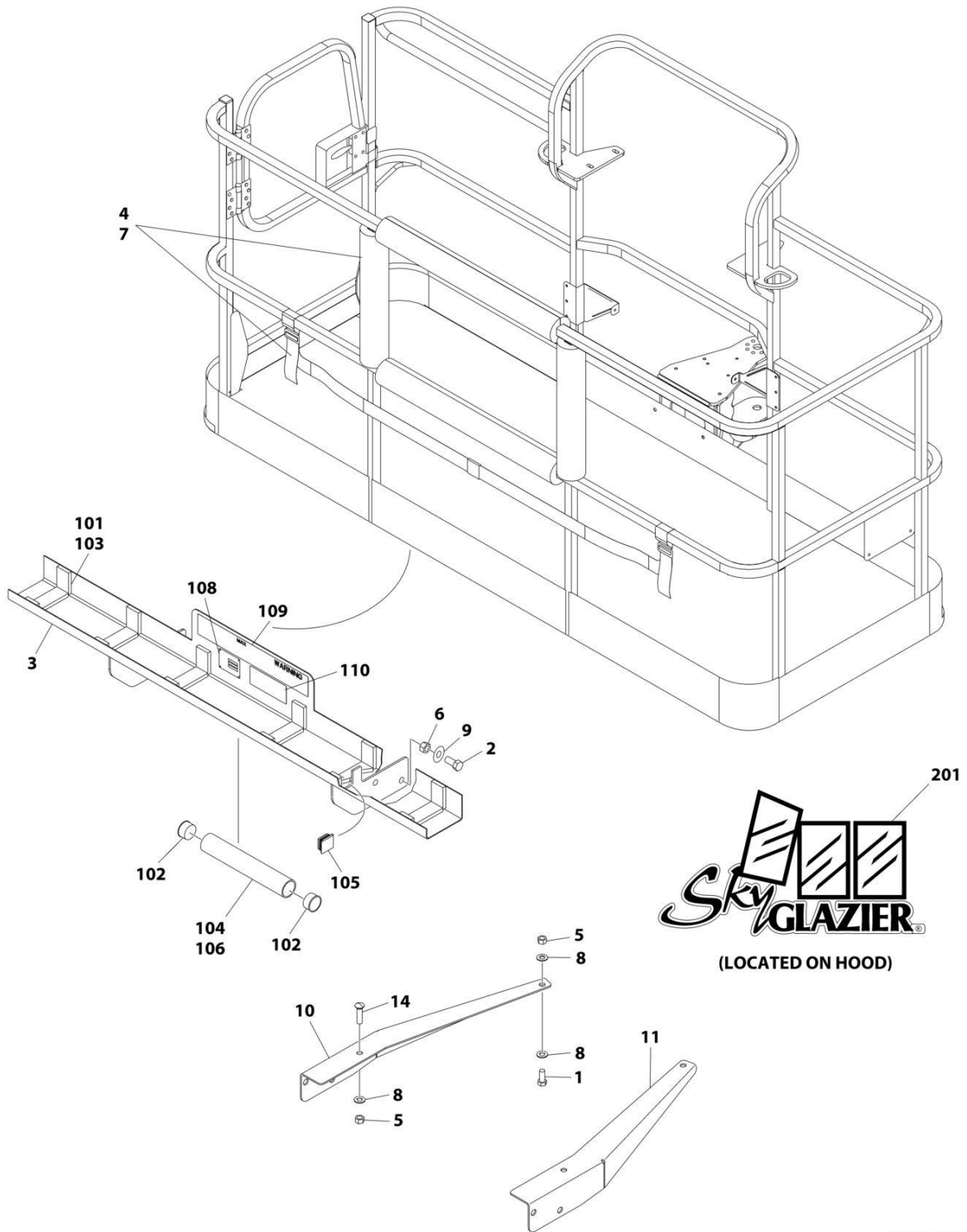
## SECTION 5 - PLATFORM

**FIGURE 5-39. SKYGLAZIER INSTALLATION (ENGLISH LANGUAGE DECALS)**

ITEM	PART NUMBER	QTY	DESCRIPTION	REV
	1001101422	Ref	SKYGLAZIER INSTALLATION	C
1	0642012	2	Bolt 5/8 x 1-1/2	
2	0642212	4	Bolt 3/4 x 1-1/2	
3	2902212	1	Bumpers and Strap Kit	
3	0940102	1	Bumper Only	
3	4240149	1	Strap Only	
4	3312005	4	Nut 5/8	
5	3312205	4	Nut 3/4	
6	4420014	AR	Tape	
7	4712000	6	Washer 5/8	
8	4712200	8	Washer 3/4	
9	1001099366	1	Support	
10	1001099367	1	Support	
11	1001101421	1	Tray Assembly (See Items 101-111 for Breakdown)	
14	8310129	2	Bolt 3/4 x 2-1/2	
	1001101421	Ref	TRAY ASSEMBLY	F
101	0100081	AR	Adhesive	
102	1120555	2	Cap, Tube	
103	1701509	1	Decal - Manual	
104	See Note	NSS	Nameplate - Serial Number (Note: Not Available for Purchase)	
106	3340956	1	Pad Kit	
107	3460334	1	Tube	
108	3520071	2	Plug	
109	4420066	AR	Tape, Double Sided	
111	1001163131	2	Decal - Glazier Capacity	
	0272418	Ref	SKYGLAZIER DECAL INSTALLATION	4
201	1705358	2	Decal - SkyGlazier	

# SECTION 5 - PLATFORM

## FIGURE 5-40. SKYGLAZIER INSTALLATION (SPANISH LANGUAGE DECALS)



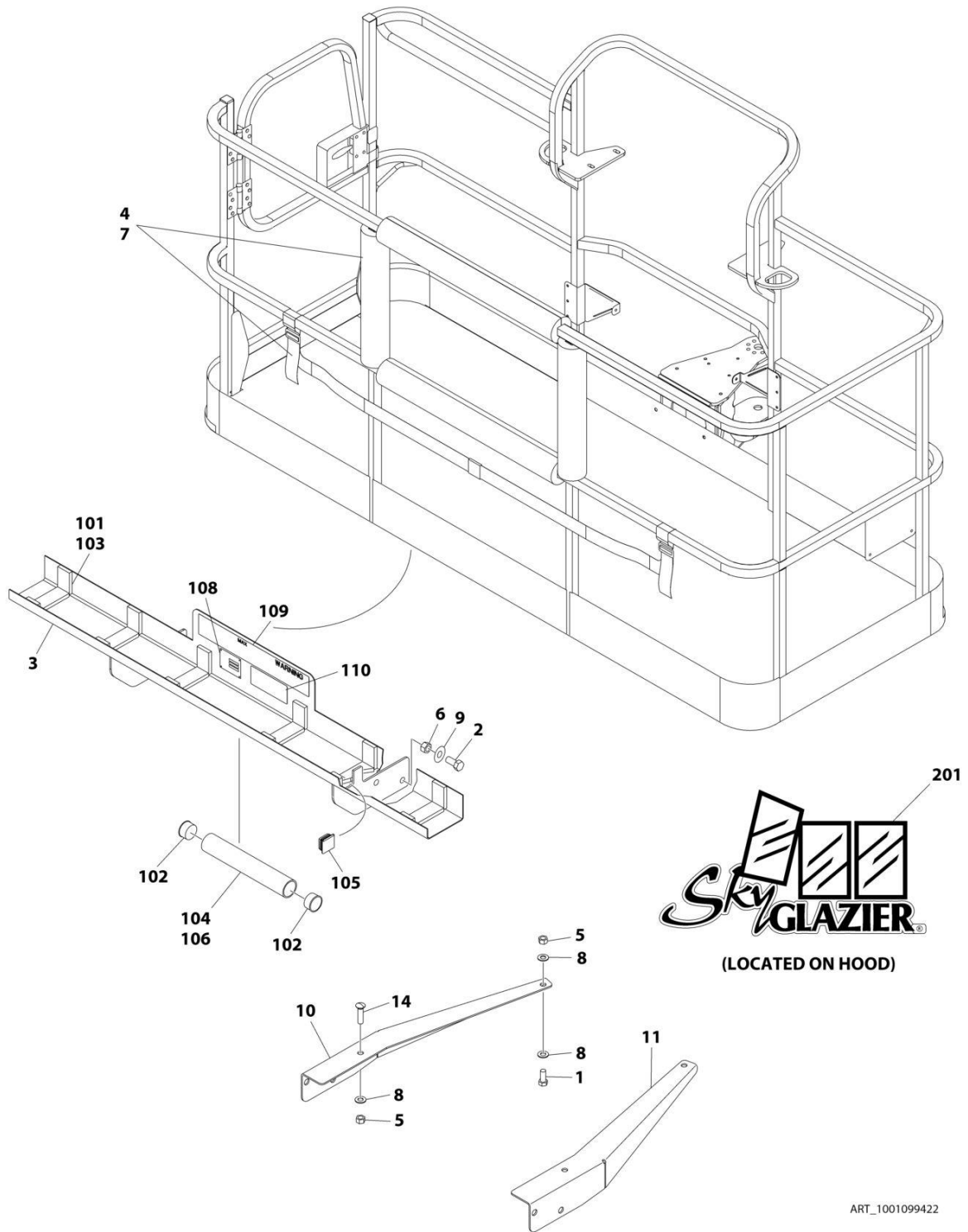
## SECTION 5 - PLATFORM

**FIGURE 5-40. SKYGLAZIER INSTALLATION (SPANISH LANGUAGE DECALS)**

ITEM	PART NUMBER	QTY	DESCRIPTION	REV
	1001099421	Ref	SKYGLAZIER INSTALLATION	C
1	0642012	2	Bolt 5/8 x 1-1/2	
2	0642212	4	Bolt 3/4 x 1-1/2	
3	0272948	1	Tray Assembly (See Items 101-110 for Breakdown)	
4	2902212	1	Bumpers and Strap Kit	
4	0940102	1	Bumper Only	
4	4240149	1	Strap Only	
5	3312005	4	Nut 5/8	
6	3312205	4	Nut 3/4	
7	4420014	AR	Tape	
8	4712000	6	Washer 5/8	
9	4712200	8	Washer 3/4	
10	1001099366	1	Support	
11	1001099367	1	Support	
14	8310129	2	Bolt 3/4 x 2-1/2	
	0272948	Ref	TRAY ASSEMBLY	F
101	0100081	AR	Adhesive	
102	1120555	2	Cap, Tube	
103	3340956	1	Pad Kit	
104	3460334	1	Tube	
105	3520071	2	Plug	
106	4420066	AR	Tape, Double Sided	
108	See Note	NSS	Nameplate - Serial Number (Note: Not Available for Purchase)	
109	1001163296	2	Decal - Glazier Capacity	
110	1701509	1	Decal - Manual	
	0272418	Ref	SKYGLAZIER DECAL INSTALLATION	4
201	1705358	2	Decal - SkyGlazier	

# SECTION 5 - PLATFORM

## FIGURE 5-41. SKYGLAZIER INSTALLATION (PORTUGUESE LANGUAGE DECALS)





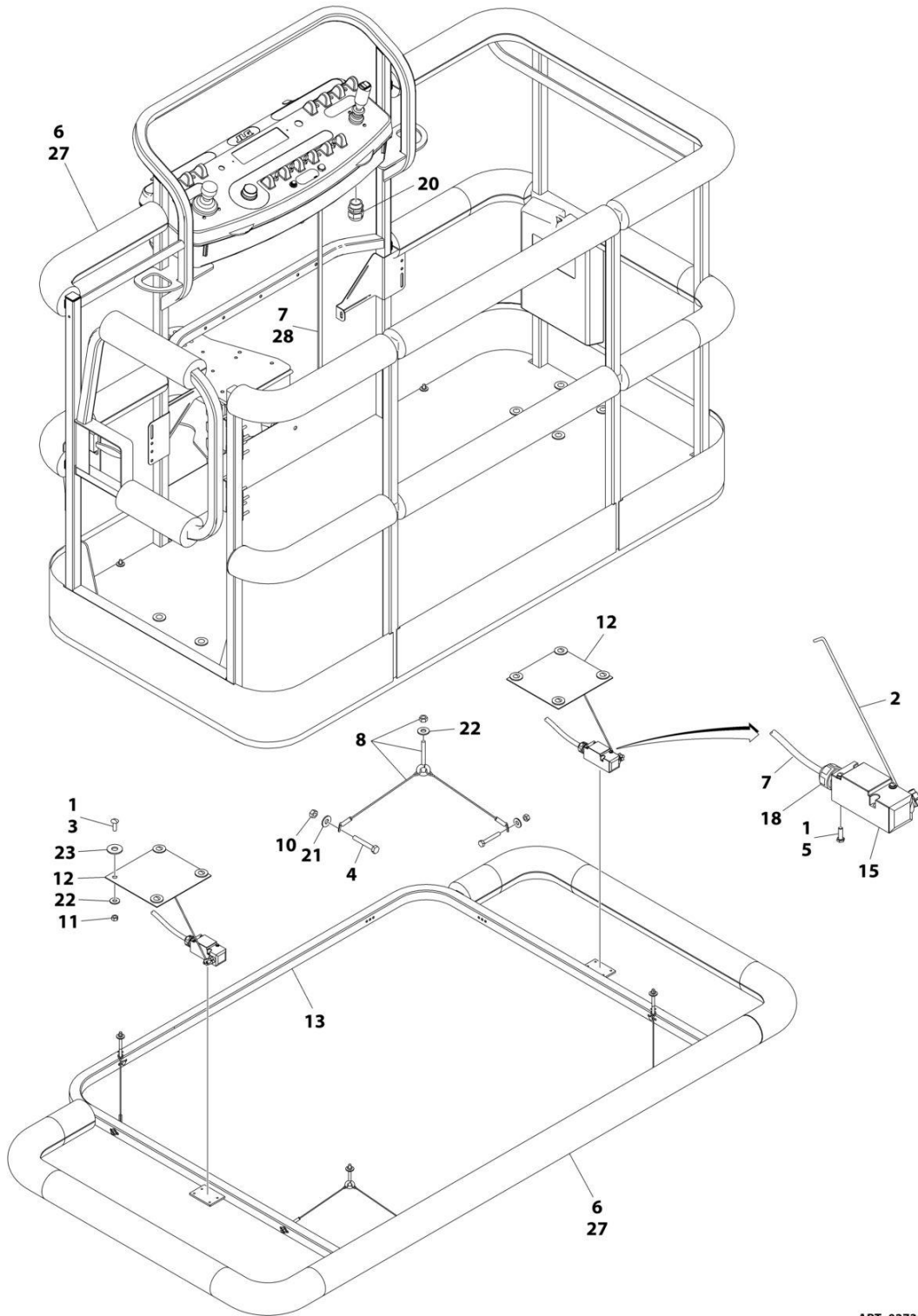
## SECTION 5 - PLATFORM

**FIGURE 5-41. SKYGLAZIER INSTALLATION (PORTUGUESE LANGUAGE DECALS)**

ITEM	PART NUMBER	QTY	DESCRIPTION	REV
	1001099422	Ref	SKYGLAZIER INSTALLATION	C
1	0642012	2	Bolt 5/8 x 1-1/2	
2	0642212	4	Bolt 3/4 x 1-1/2	
3	0272951	1	Tray Assembly (See Items 101-110 for Breakdown)	
4	2902212	1	Bumpers and Strap Kit	
4	0940102	1	Bumper Only	
4	4240149	1	Strap Only	
5	3312005	4	Nut 5/8	
6	3312205	4	Nut 3/4	
7	4420014	AR	Tape	
8	4712000	6	Washer 5/8	
9	4712200	8	Washer 3/4	
10	1001099366	1	Support	
11	1001099367	1	Support	
14	8310129	2	Bolt 3/4 x 2-1/2	
	0272951	Ref	TRAY ASSEMBLY	F
101	0100081	AR	Adhesive	
102	1120555	2	Cap, Tube	
103	3340956	1	Pad Kit	
104	3460334	1	Tube	
105	3520071	2	Plug	
106	4420066	AR	Tape, Double Sided	
108	See Note	NSS	Nameplate - Serial Number (Note: Not Available for Purchase)	
109	1001163297	2	Decal - Glazier Capacity	
110	1701509	1	Decal - Manual	
	0272418	Ref	SKYGLAZIER DECAL INSTALLATION	4
201	1705358	2	Decal - SkyGlazier	

# SECTION 5 - PLATFORM

## FIGURE 5-42. SOFT TOUCH SYSTEM INSTALLATION - 6FT/1.83M PLATFORM



ART\_0273824\_E

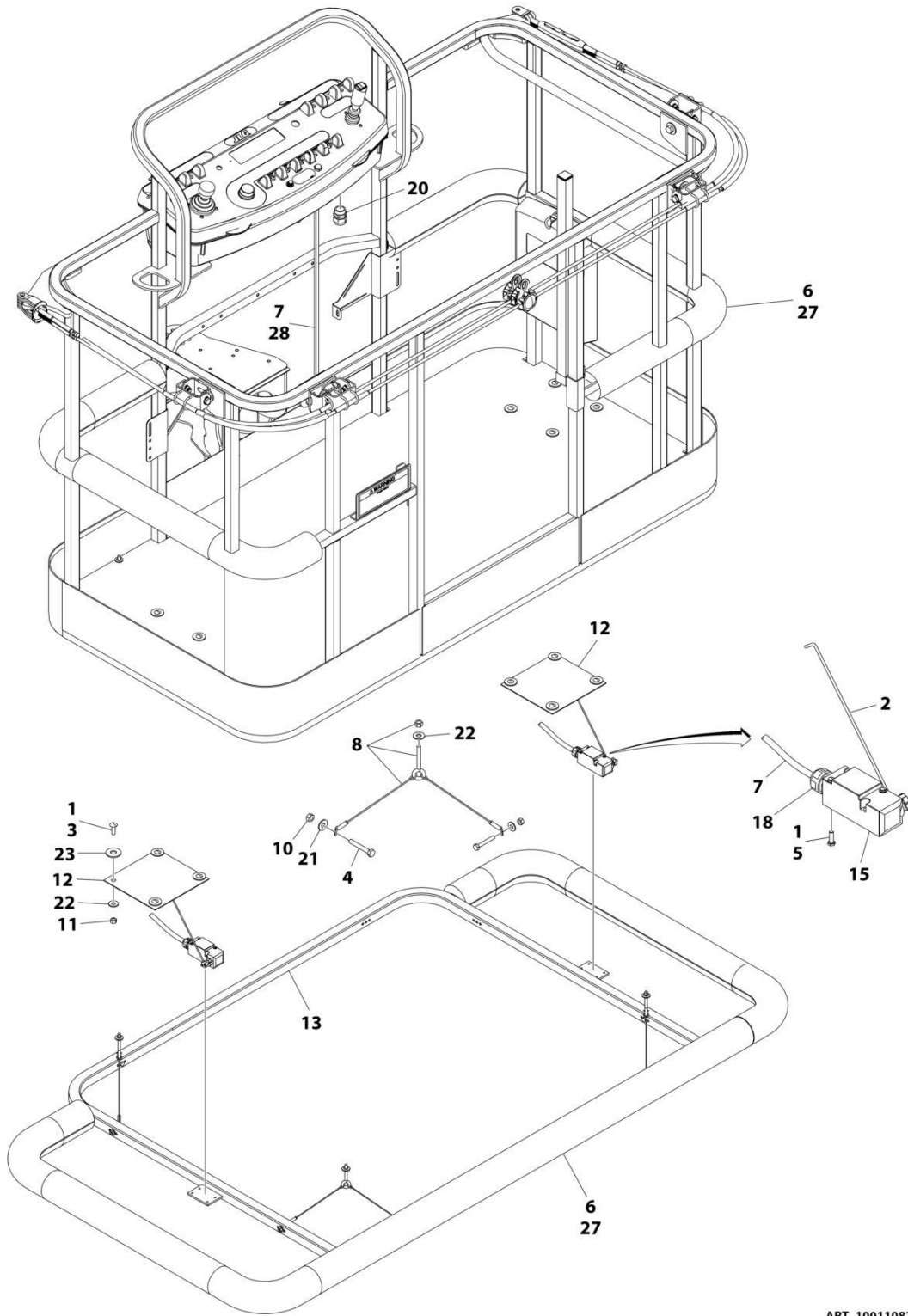
## SECTION 5 - PLATFORM

**FIGURE 5-42. SOFT TOUCH SYSTEM INSTALLATION - 6FT/1.83M PLATFORM**

ITEM	PART NUMBER	QTY	DESCRIPTION	REV
	0273824	Ref	SOFT TOUCH SYSTEM INSTALLATION	E
1	0100011	AR	Compound, Locking	
2	0200048	2	Arm, Switch	
3	0630462	8	Bolt	
4	0641414	8	Bolt 1/4 x 1-3/4	
5	0731005	4	Bolt #10 x 5/8	
6	0940134	1	Bumper Kit (Includes Corners and Enough Straight Material for One Platform)	
6	0940092	AR	Bumper (Corner)	
6	0940094	AR	Bumper (12ft Length)	
7	1060341	23 ft/7m	Cable, Soft Touch - 16/2	
8	1060903	4	Wire Rope and Eyebolt Assembly	
10	3311401	8	Nut 1/4	
11	3311501	8	Nut 5/16	
12	3575359	2	Plate, Switch Strike	
13	3641569	1	Rail, Soft Touch	
14	4240099	7	Tie-Strap (Not Shown)	
15	4360057	2	Switch, Limit	
18	4460049	2	Connector, Strain Relief	
19	4460234	7	Tie-Strap (Not Shown)	
20	4460425	1	Connector, Strain Relief	
21	4751400	8	Washer 1/4	
22	4751500	12	Washer 5/16	
23	4751800	8	Washer 1/2	
27	1001197017	AR	Tie-Strap	
28	4460226	4	Socket	

# SECTION 5 - PLATFORM

## FIGURE 5-43. SOFT TOUCH SYSTEM INSTALLATION - 6FT/1.83M FALL ARREST PLATFORM



ART\_1001108256\_D

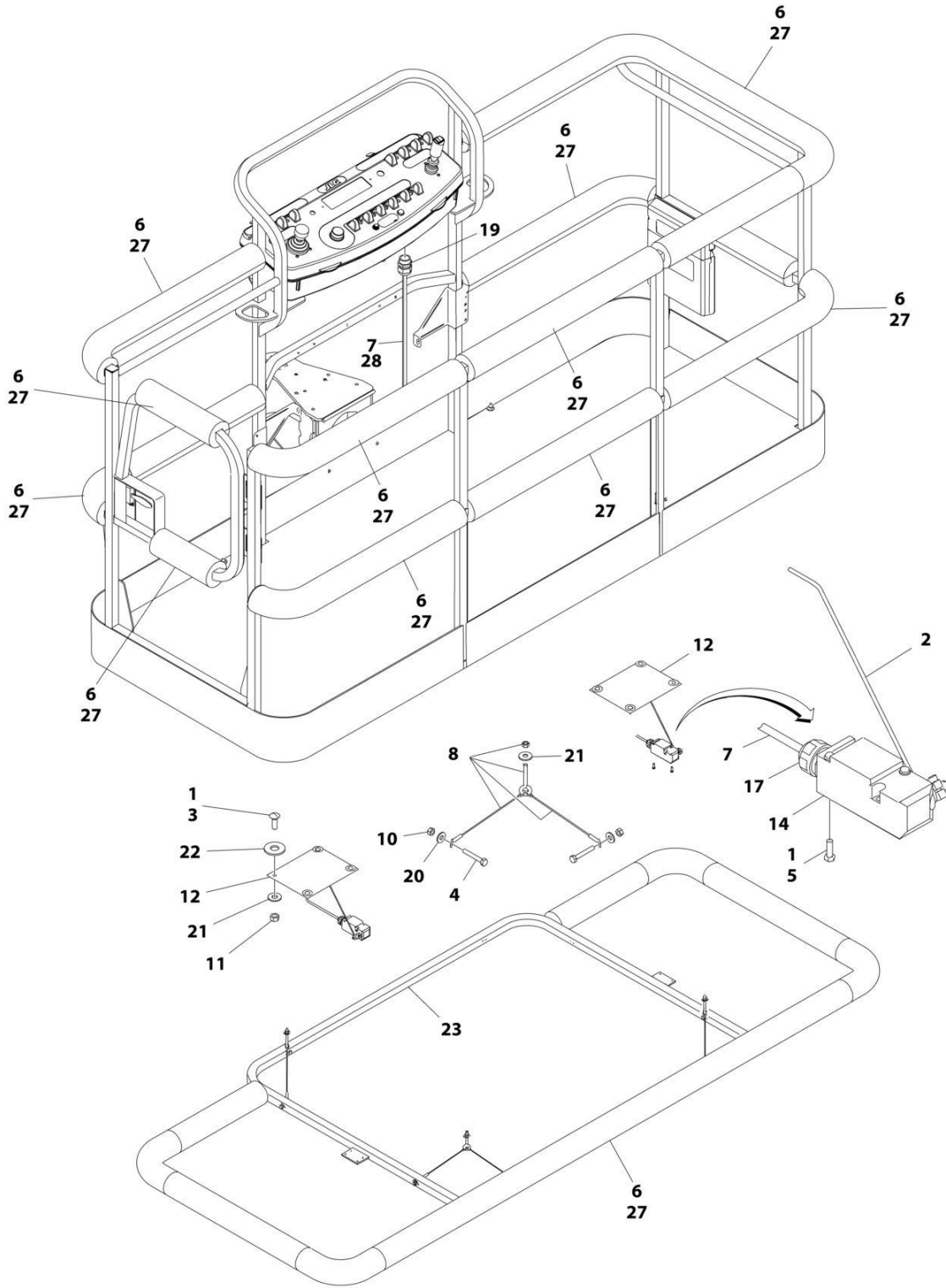
## SECTION 5 - PLATFORM

**FIGURE 5-43. SOFT TOUCH SYSTEM INSTALLATION - 6FT/1.83M FALL ARREST PLATFORM**

ITEM	PART NUMBER	QTY	DESCRIPTION	REV
	1001108256	Ref	SOFT TOUCH INSTALLATION	D
1	0100011	AR	Compound, Locking	
2	0200048	2	Arm, Switch	
3	0630462	8	Bolt	
4	0641414	8	Bolt 1/4 x 1-3/4	
5	0731005	4	Bolt #10 x 5/8	
6	0940177	1	Bumper Kit (Includes Corners and Enough Straight Material for One Platform)	
6	0940092	8	Bumper (Corner)	
6	0940094	AR	Bumper (12ft Length)	
7	1060341	23 ft/7m	Cable, Soft Touch - 16/2	
8	1060903	4	Wire Rope and Eyebolt Assembly	
10	3311401	8	Nut 1/4	
11	3311501	8	Nut 5/16	
12	3575359	2	Plate, Switch Strike	
13	3641569	1	Rail, Soft Touch	
14	4240099	7	Tie-Strap (Not Shown)	
15	4360057	2	Switch, Limit	
18	4460049	2	Connector, Strain Relief	
19	4460234	7	Tie-Strap (Not Shown)	
20	4460425	1	Connector, Strain Relief	
21	4751400	8	Washer 1/4	
22	4751500	9	Washer 5/16	
23	4751800	8	Washer 1/2	
27	1001197017	AR	Strap, Cable Tie (Yellow)	
28	4460226	4	Socket	

# SECTION 5 - PLATFORM

## FIGURE 5-44. SOFT TOUCH SYSTEM INSTALLATION - 8FT/2.44M PLATFORM



ART\_0272427\_H

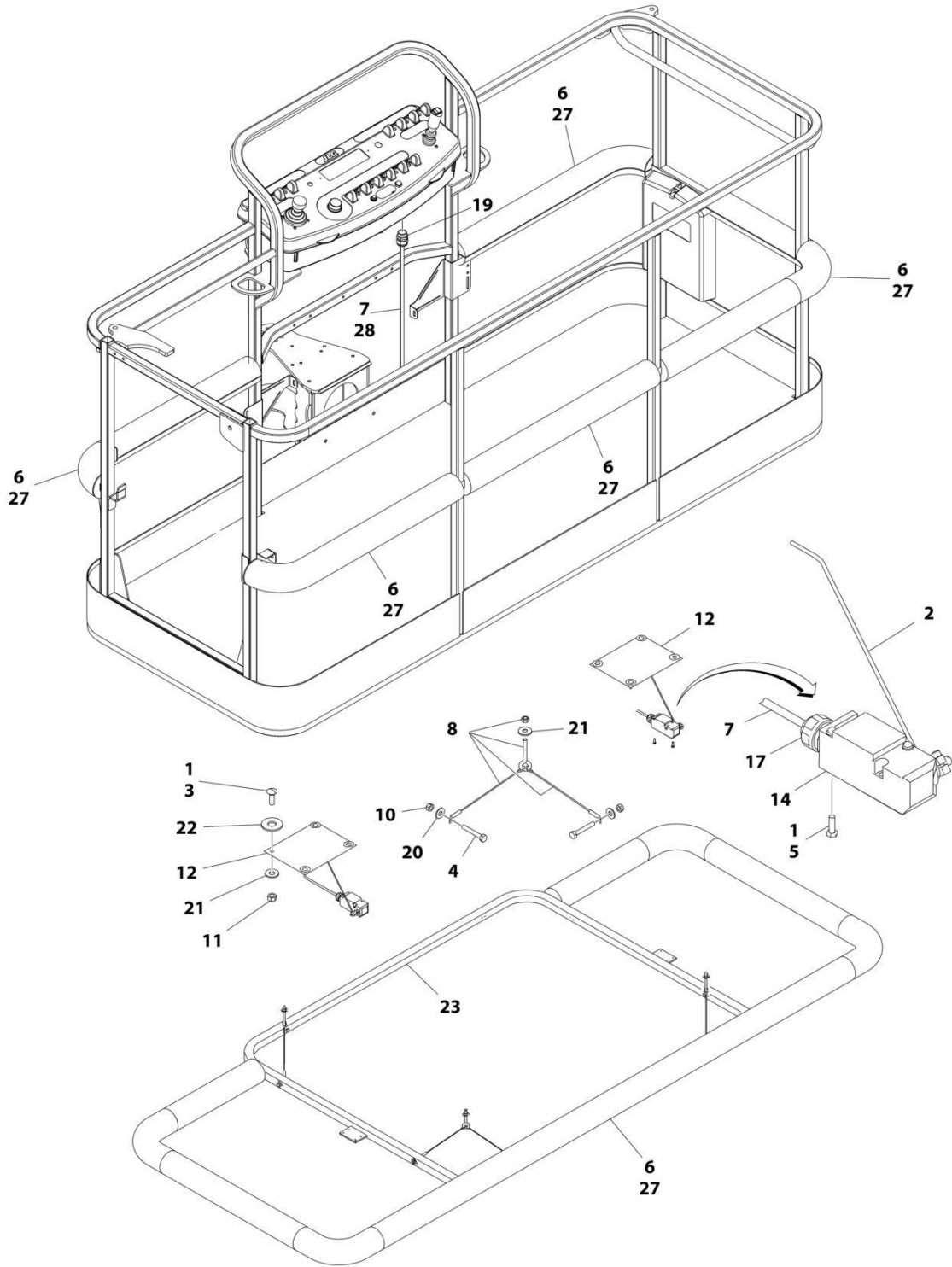
## SECTION 5 - PLATFORM

**FIGURE 5-44. SOFT TOUCH SYSTEM INSTALLATION - 8FT/2.44M PLATFORM**

ITEM	PART NUMBER	QTY	DESCRIPTION	REV
	0272427	Ref	SOFT TOUCH INSTALLATION - 36IN X 8FT (91.5CM X 2.44M) PLATFORM	H
1	0100011	AR	Compound, Locking	
2	0200048	2	Arm, Switch	
3	0630462	8	Bolt	
4	0641414	8	Bolt 1/4 x 1-3/4	
5	0721005	4	Bolt #10 x 5/8	
6	0940103	1	Bumper Kit (Includes Corners and Enough Straight Material for One Platform)	
6	0940092	12	Bumper (Corner)	
6	0940094	AR	Bumper (12ft Length)	
7	1060341	23 ft/7m	Cable, Soft Touch - 16/2	
8	1060903	4	Wire Rope and Eyebolt Assembly	
10	3311401	8	Nut 1/4	
11	3311501	8	Nut 5/16	
12	3574091	2	Plate, Switch Strike	
13	4240099	7	Tie-Strap (Not Shown)	
14	4360057	2	Switch, Limit	
17	4460049	2	Connector, Strain Relief	
18	4460234	7	Tie-Strap (Not Shown)	
19	4460425	1	Connector, Strain Relief	
20	4751400	8	Washer 1/4	
21	4751500	12	Washer 5/16	
22	4751800	8	Washer 1/2	
23	4846673	1	Rail, Soft Touch	
27	1001197017	AR	Tie-Strap	
28	4460226	1	Socket	

# SECTION 5 - PLATFORM

## FIGURE 5-45. SOFT TOUCH SYSTEM INSTALLATION - 8FT/2.44M FALL ARREST PLATFORM



ART\_0273706\_E



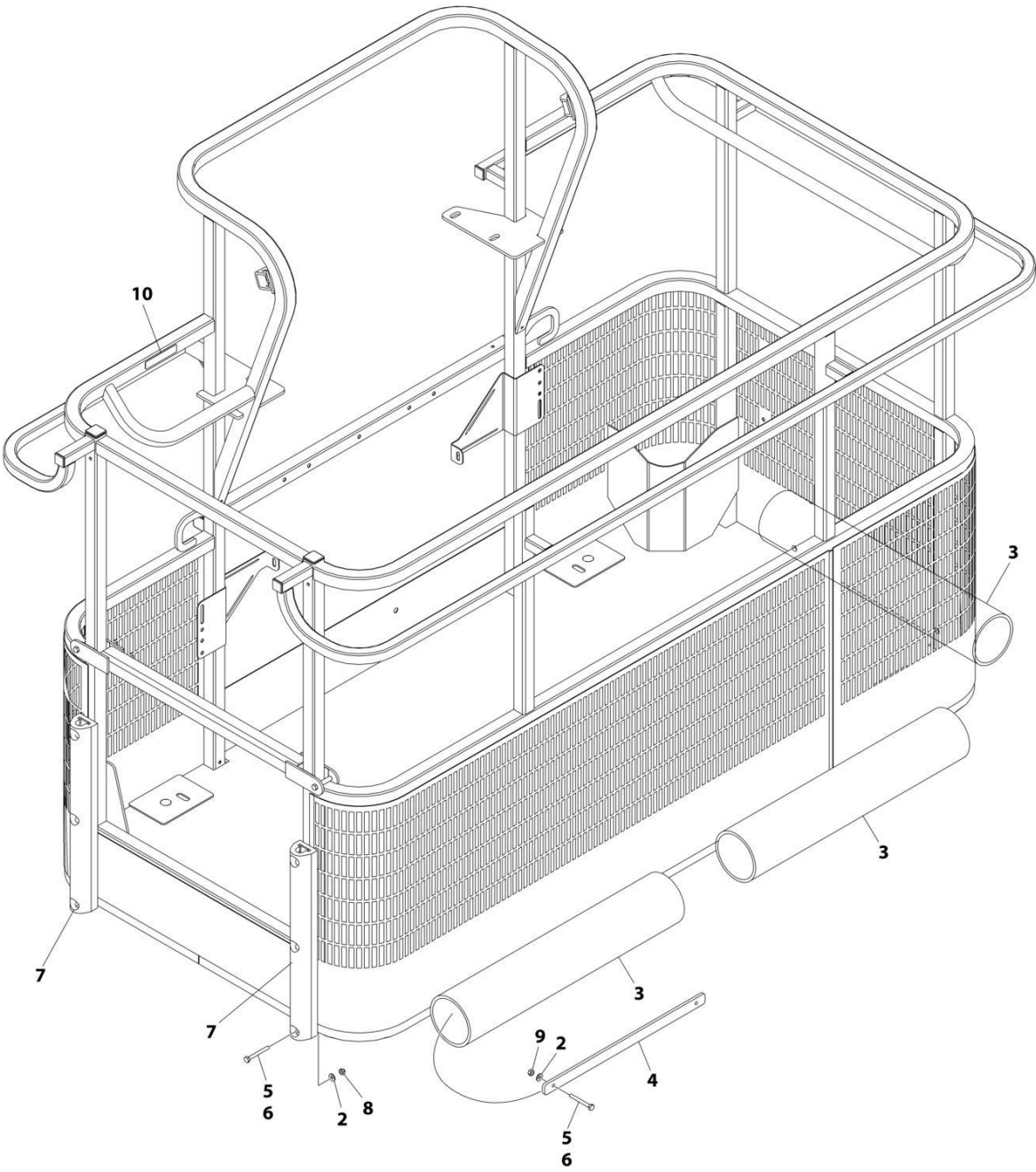
## SECTION 5 - PLATFORM

**FIGURE 5-45. SOFT TOUCH SYSTEM INSTALLATION - 8FT/2.44M FALL ARREST PLATFORM**

ITEM	PART NUMBER	QTY	DESCRIPTION	REV
	0273706	Ref	SOFT TOUCH INSTALLATION	E
1	0100011	AR	Compound, Locking	
2	0200048	2	Arm, Switch	
3	0630462	8	Bolt	
4	0641414	8	Bolt 1/4 x 1-3/4	
5	0721005	4	Bolt #10 x 5/8	
6	0940133	1	Bumper Kit (Includes Corners and Enough Straight Material for One Platform)	
6	0940092	8	Bumper (Corner)	
6	0940094	AR	Bumper (12ft Length)	
7	1060341	23 ft/7m	Cable, Soft Touch - 16/2	
8	1060903	4	Wire Rope and Eyebolt Assembly	
10	3311401	8	Nut 1/4	
11	3311501	8	Nut 5/16	
12	3574091	2	Plate, Switch Strike	
13	4240099	7	Tie-Strap (Not Shown)	
14	4360057	2	Switch, Limit	
17	4460049	2	Connector, Strain Relief	
18	4460234	7	Tie-Strap (Not Shown)	
19	4460425	1	Connector, Strain Relief	
20	4751400	8	Washer 1/4	
21	4751500	12	Washer 5/16	
22	4751800	8	Washer 1/2	
23	4846673	1	Rail, Soft Touch	
27	1001197017	AR	Tie-Strap	
28	4460226	4	Socket	

# SECTION 5 - PLATFORM

## FIGURE 5-46. PLATFORM BUMPER PADDING INSTALLATION (OPTIONAL)



ART\_1001110982

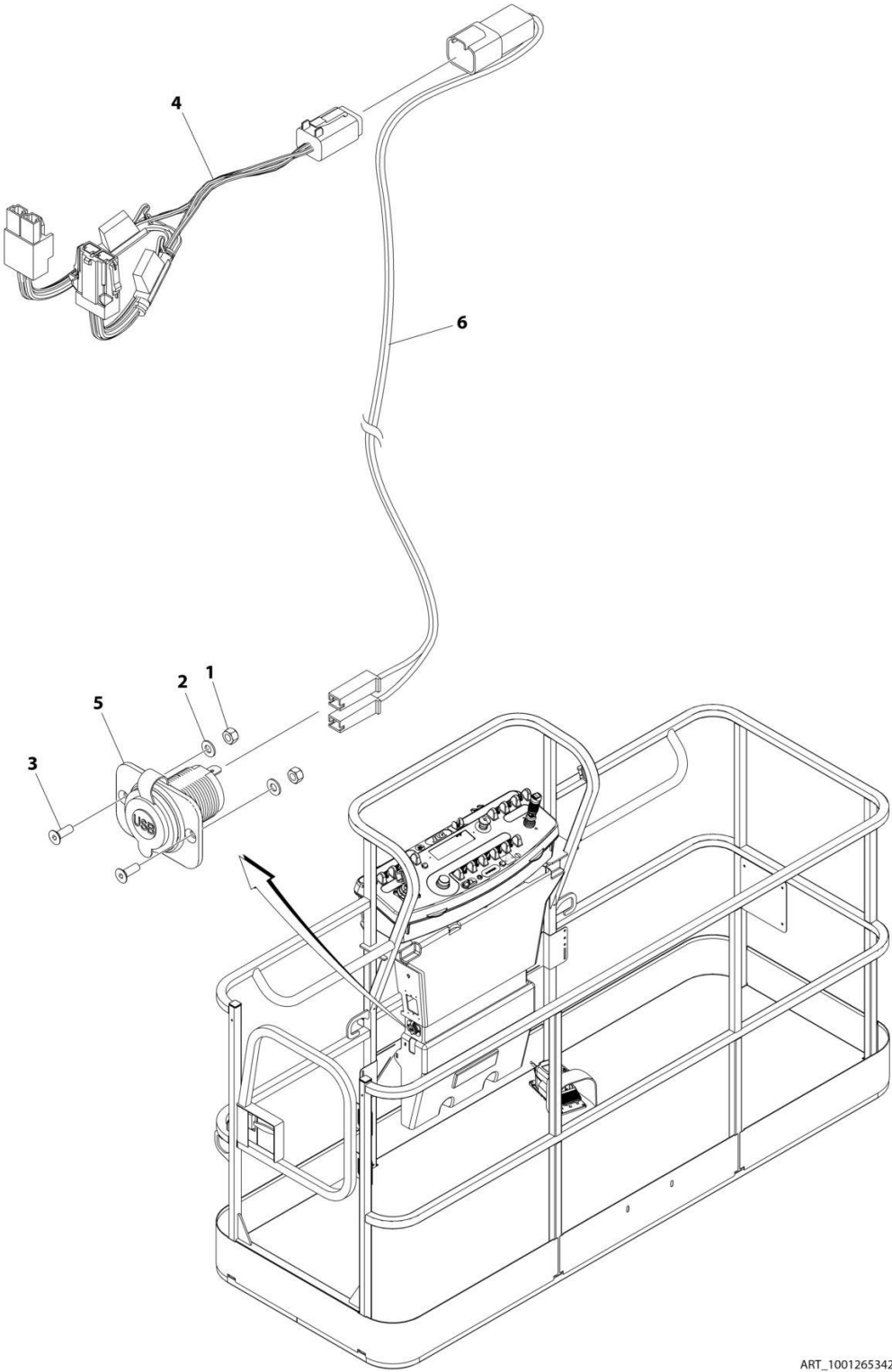
## SECTION 5 - PLATFORM

**FIGURE 5-46. PLATFORM BUMPER PADDING INSTALLATION (OPTIONAL)**

ITEM	PART NUMBER	QTY	DESCRIPTION	REV
	1001110982	Ref	BUMPER INSTALLATION	E
2	4711400	10	Washer 1/4	
3	1001110979	3	Bumper	
4	1001110980	3	Clamp, Bumper	
5	0100011	AR	Compound, Locking	
6	0641418	10	Bolt 1/4 x 2-1/4	
7	0940159	2	Bumper	
8	3300430	4	Nut, Acorn 1/4	
9	3311405	6	Nut 1/4	
10	1001251863	1	Decal - Bumpers Accessory Weight	

**SECTION 5 - PLATFORM**

**FIGURE 5-47. USB CHARGER INSTALLATION**



ART\_1001265342

## SECTION 5 - PLATFORM

**FIGURE 5-47. USB CHARGER INSTALLATION**

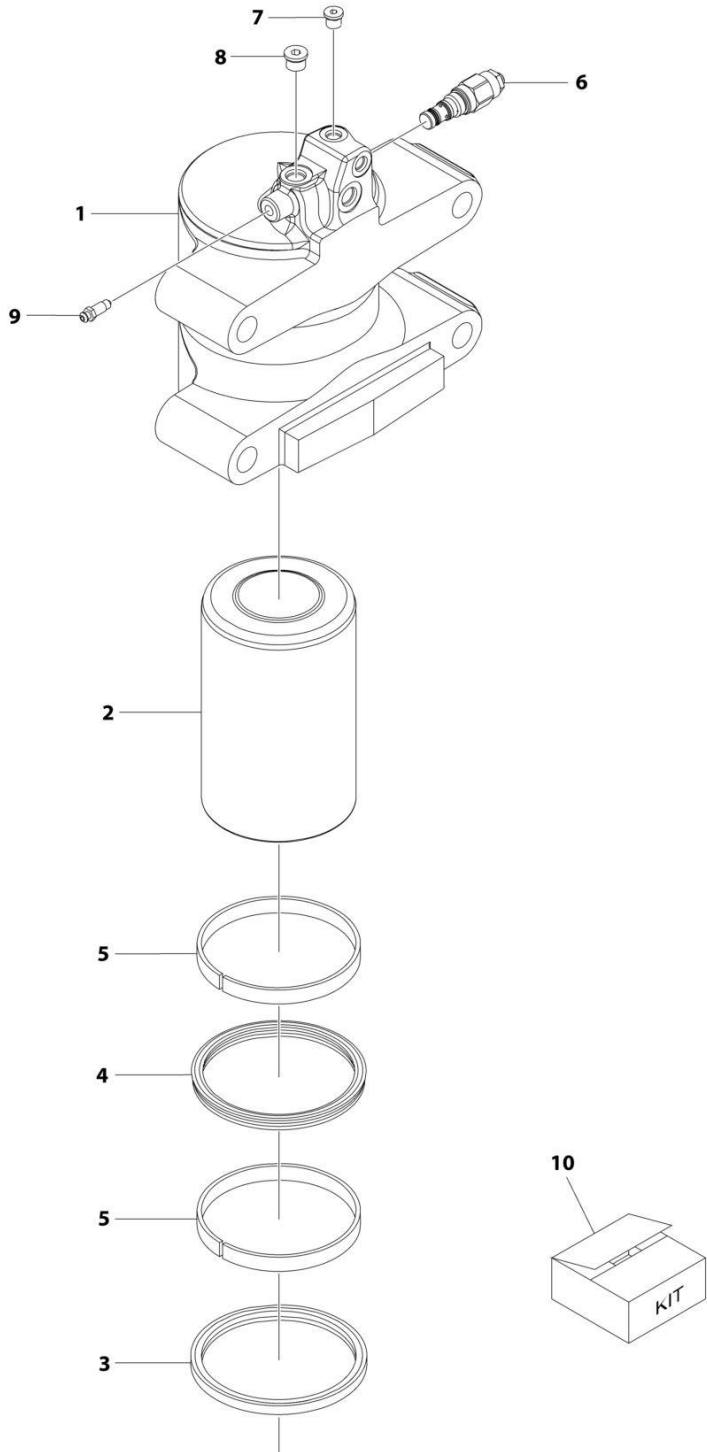
ITEM	PART NUMBER	QTY	DESCRIPTION	REV
	1001265342	Ref	USB CHARGER INSTALLATION	A
1	3290405	2	Nut M4	
2	4811400	2	Washer M4	
3	1001097244	2	Screw M4 x 12	
4	1001120484	1	Harness, Work Lights	
4	4460879	1	Plug, Male - 2 Position	
4	4460887	2	Terminal	
4	2400060	2	Fuseholder Includes Cover	
4	8229249	2	Fuse, 3 Amp	
4	4460884	1	Connector - 4 Position	
4	4460465	4	Socket, Female	
4	1001120471	1	Connector - 2 Position	
4	1001120477	2	Terminal	
5	1001210636	1	Receptacle, USB	
6	1001265163	1	Harness, USB	A
6	4460260	2	Cover, Terminal	
6	4460259	2	Terminal	
6	4460932	1	Receptacle, Bussbar - 4 Position	
6	4460464	2	Pin, Male	
6	4460466	2	Plug, Terminal	



**SECTION 6 - CYLINDER**

**SECTION 6 - CYLINDER**

**FIGURE 6-1. AXLE LOCKOUT CYLINDER ASSEMBLY**



ART\_1001204560



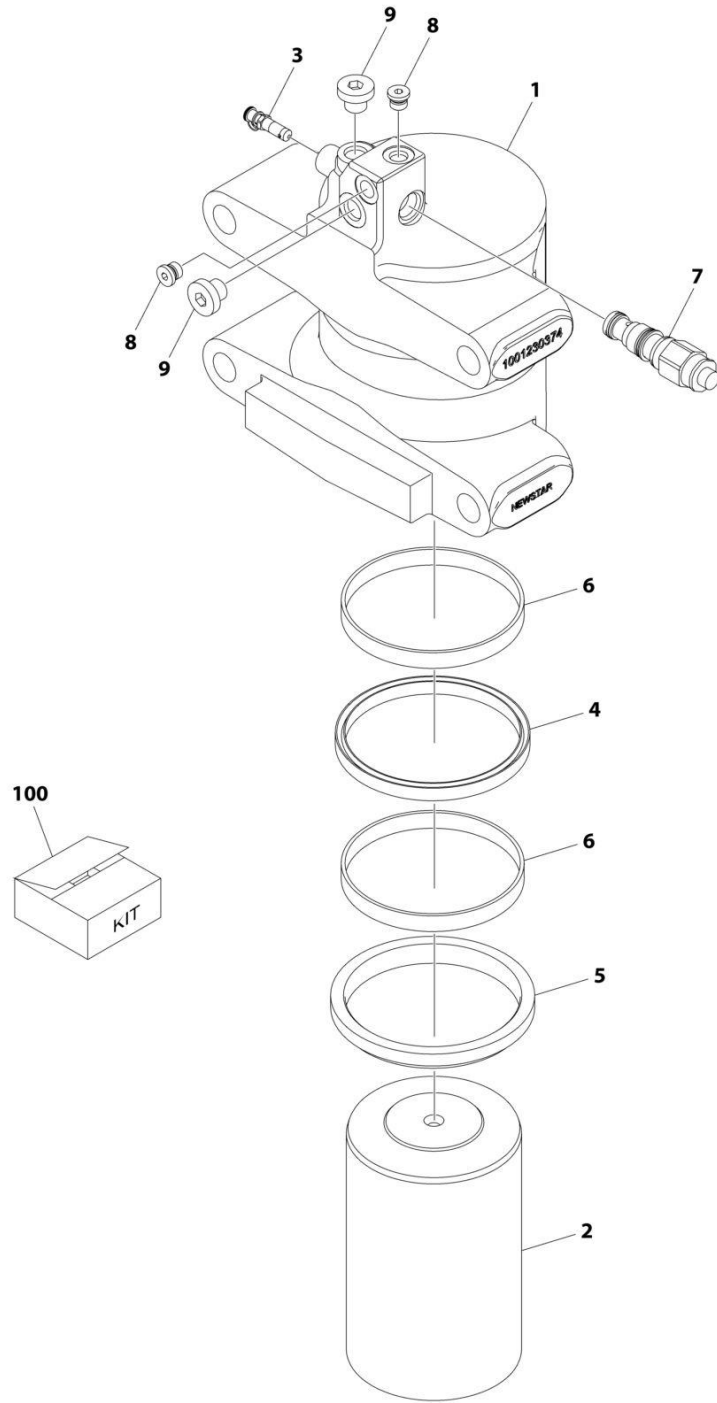
## SECTION 6 - CYLINDER

**FIGURE 6-1. AXLE LOCKOUT CYLINDER ASSEMBLY**

ITEM	PART NUMBER	QTY	DESCRIPTION	REV
	1001204560	Ref	AXLE LOCKOUT CYLINDER ASSEMBLY	D
1	1001154126	1	Barrel	
2	1001154687	1	Rod	
3	See Note	NSS	Wiper (Note: Use Item 10)	
4	See Note	NSS	Seal, Rod (Note: Use Item 10)	
5	See Note	NSS	Ring, Wear (Note: Use Item 10)	
6	1001117372	1	Cartridge, Valve (Counterbalance)	
6	70002842	1	Seal Kit - 1001117372 Valve (1 Per Assembly)	
7	2220883	1	Plug, O-Ring	
8	2220885	1	Plug, O-Ring	
9	4640858	1	Valve, Bleeder	
10	1001098167	1	Seal Kit (Includes Items 3-5)	

# SECTION 6 - CYLINDER

## FIGURE 6-2. AXLE LOCKOUT CYLINDER ASSEMBLY



ART\_1001230374

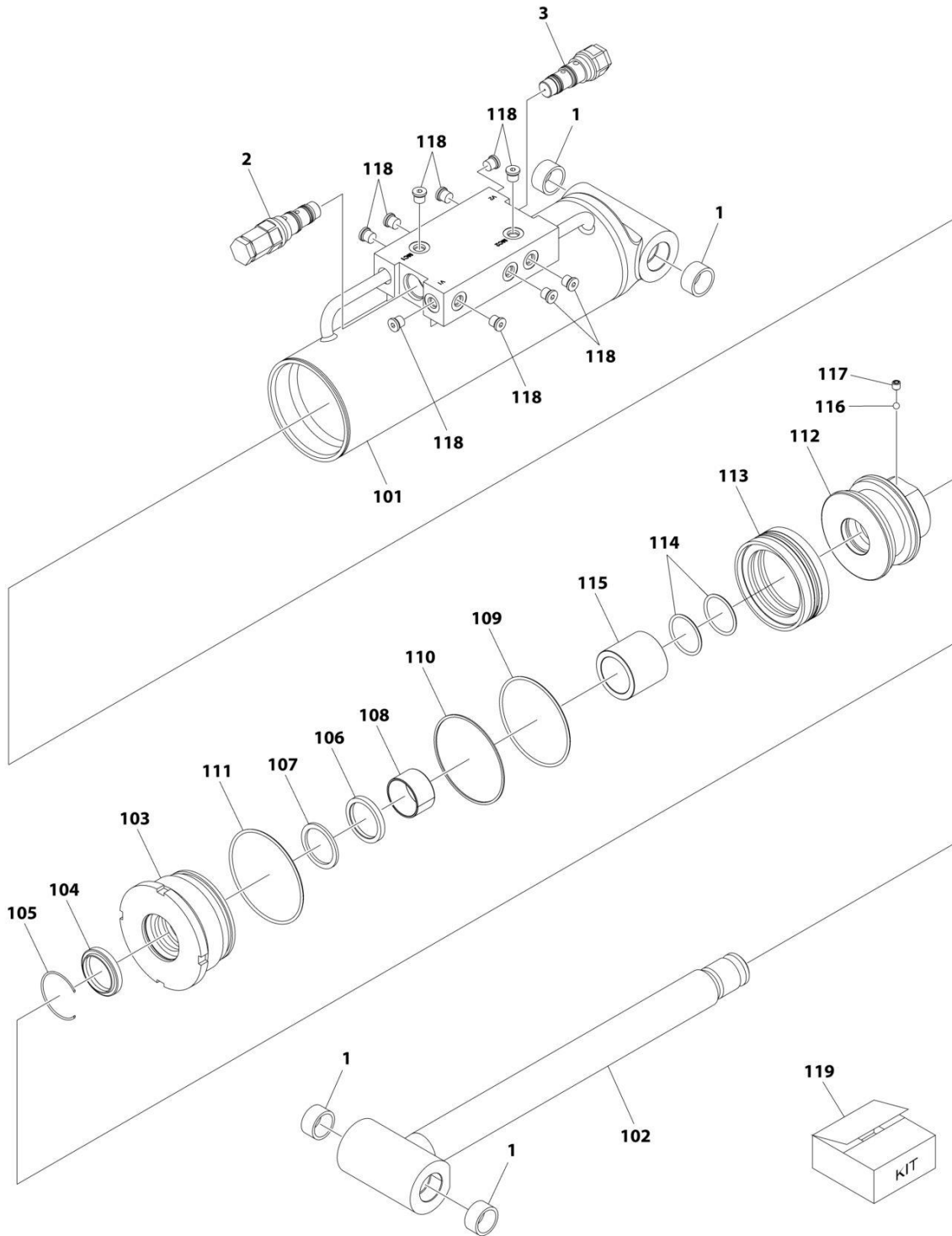
## SECTION 6 - CYLINDER

**FIGURE 6-2. AXLE LOCKOUT CYLINDER ASSEMBLY**

ITEM	PART NUMBER	QTY	DESCRIPTION	REV
	1001230374	Ref	AXLE LOCKOUT CYLINDER ASSEMBLY	A
		Ref	Note: Original Cylinder may have been replaced with Service Replacement. Identify PN Stamped on Cylinder Before Ordering Parts.	
1	See Note	NSS	Barrel (Note: Not Available for Purchase)	
2	70006948	1	Rod	
3	4640858	1	Bleeder Valve	
4	See Note	NSS	Seal, Rod (Note: Use Item 100)	
5	See Note	NSS	Wiper (Note: Use Item 100)	
6	See Note	NSS	Ring, Wear (Note: Use Item 100)	
7	1001117372	1	Counterbalance Valve	
7	70002842	1	Seal Kit - 1001117372 Valve	
8	2220883	2	Plug	
9	2220885	2	Plug	
100	70006949	1	Seal kit - 1001230374 Cylinder (Includes 4-6)	

# SECTION 6 - CYLINDER

## FIGURE 6-3. LEVEL CYLINDER ASSEMBLY - PLATFORM SLAVE (800S)



ART\_1001251027

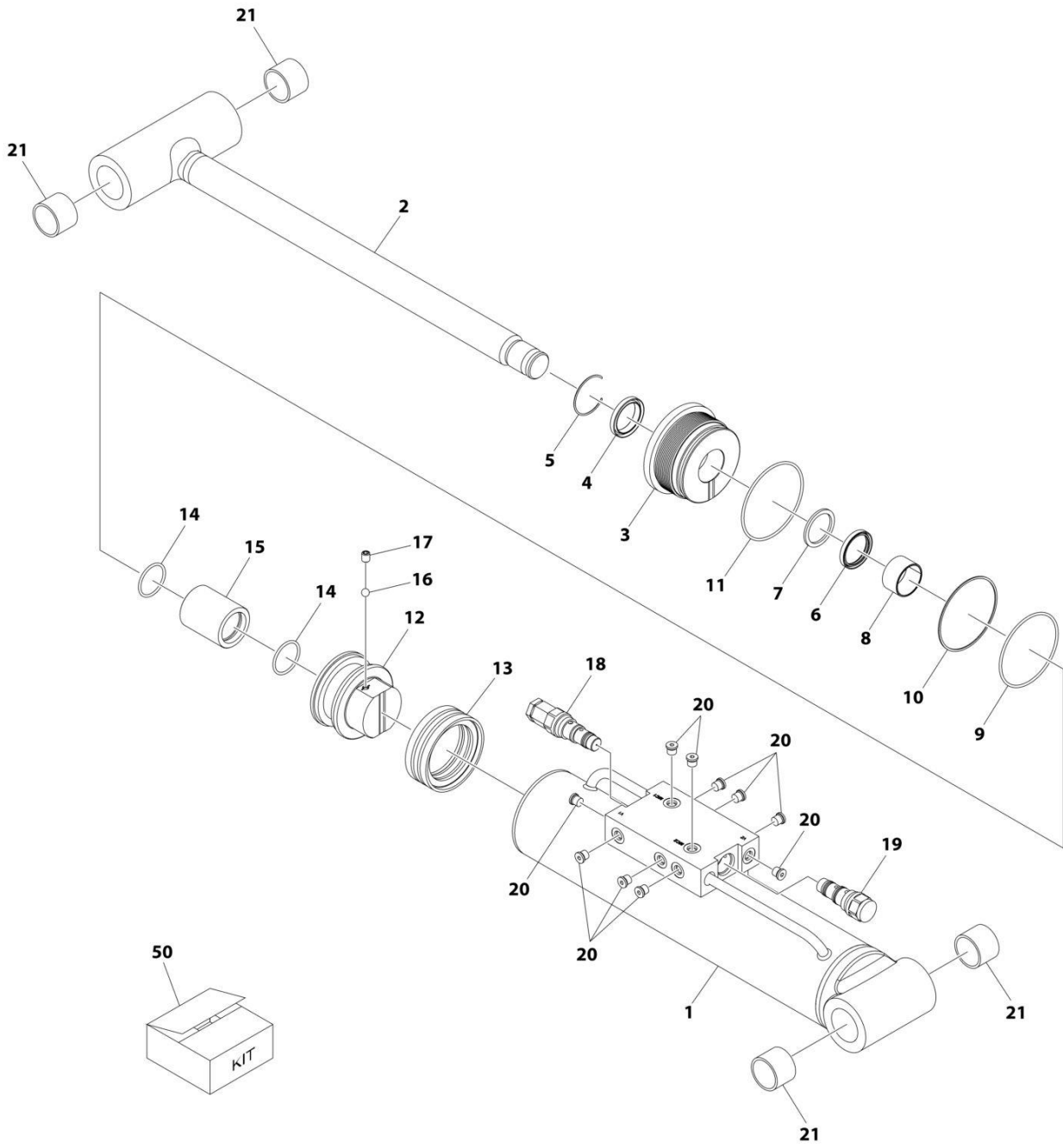
## SECTION 6 - CYLINDER

**FIGURE 6-3. LEVEL CYLINDER ASSEMBLY - PLATFORM SLAVE (800S)**

ITEM	PART NUMBER	QTY	DESCRIPTION	REV
	1001251027	Ref	LEVEL CYLINDER ASSEMBLY - PLATFORM SLAVE	A
		Ref	Note: Original Cylinder May Have Been Replaced with Service Replacement. Identify PN Stamped on Cylinder Before Ordering Parts.	
1	0961947	4	Bushing	
2	4640932	1	Valve, Cartridge	
2	7011112	1	Seal Kit - 4640932 Valve	
3	4641232	1	Valve, Cartridge	
3	7011112	1	Seal Kit - 4641232 Valve	
101	See Note	NSS	Tube (Note: Not Available for Purchase)	
102	70008186	1	Rod	
103	70007971	1	Head	
104	See Note	NSS	Wiper, Dust (Note: Use Item 119)	
105	70002373	1	Ring, Retaining	
106	See Note	NSS	Rod, Seal (Note: Use Item 119)	
107	See Note	NSS	Ring, Backup (Note: Use Item 119)	
108	70005871	1	Bushing	
109	See Note	NSS	O-Ring (Note: Use Item 119)	
110	See Note	NSS	Ring, Backup (Note: Use Item 119)	
111	See Note	NSS	O-Ring (Note: Use Item 119)	
112	70007972	1	Piston	
113	See Note	NSS	Seal, Piston (Note: Use Item 119)	
114	See Note	NSS	O-Ring (Note: Use Item 119)	
115	70008187	1	Spacer	
116	70022564	1	Ball, Steel	
117	70022563	1	Setscrew	
118	2220883	10	Plug	
119	7007974	1	Seal Kit (Includes Items 104, 106-107, 109-111 & 113-114)	

# SECTION 6 - CYLINDER

FIGURE 6-4. LEVEL CYLINDER ASSEMBLY - PLATFORM SLAVE (MACHINES WITH SN STARTING WITH 03 OR 13) (860SJ)



ART\_1001251022

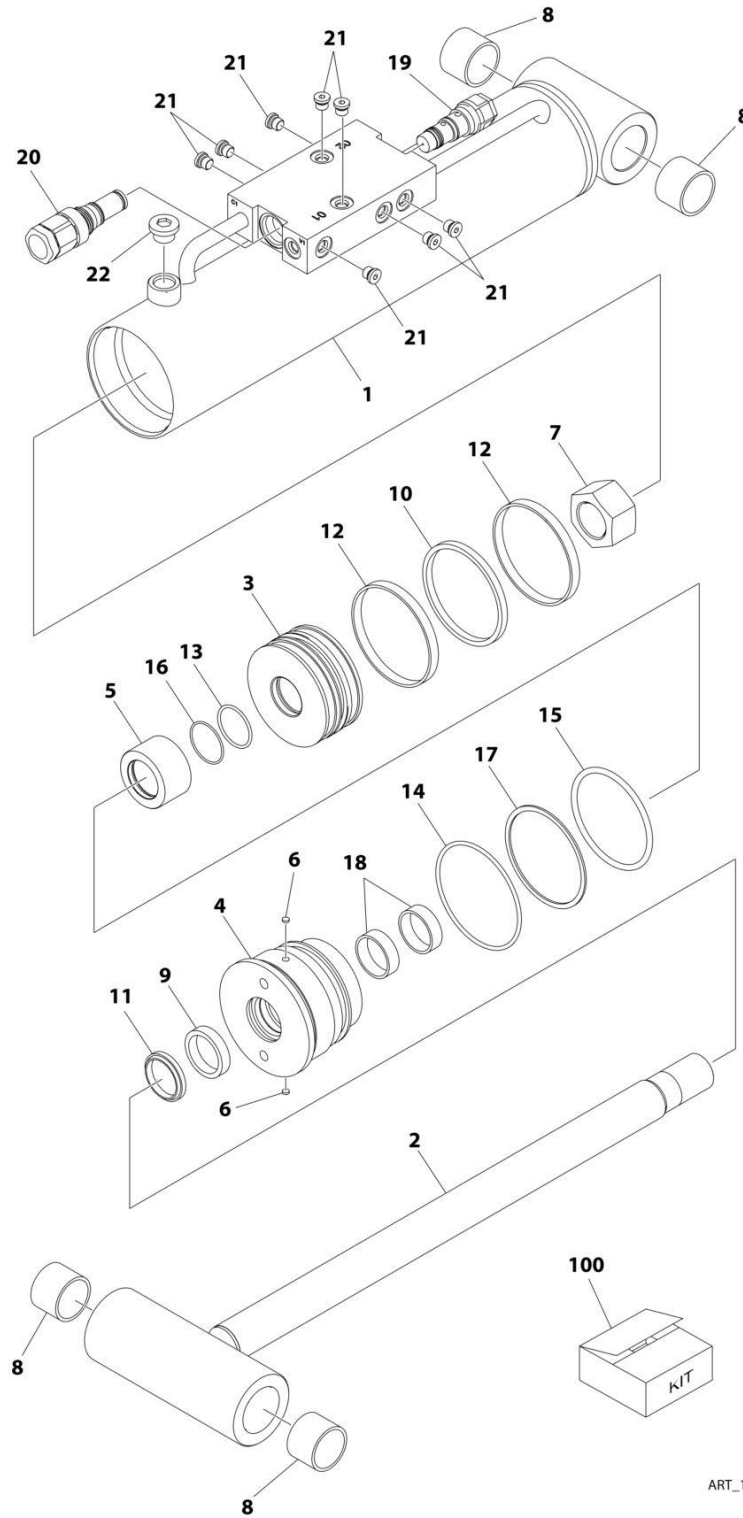
## SECTION 6 - CYLINDER

**FIGURE 6-4. LEVEL CYLINDER ASSEMBLY - PLATFORM SLAVE (MACHINES WITH SN STARTING WITH 03 OR 13) (860SJ)**

ITEM	PART NUMBER	QTY	DESCRIPTION	REV
	1001251022	Ref	TELESCOPE CYLINDER ASSEMBLY	A
		Ref	Note: Original Cylinder may have been replaced with Service Replacement. Identify PN Stamped on Cylinder Before Ordering Parts.	
1	See Note	NSS	Barrel (Note: Use PN 1001251022)	
2	70007970	1	Rod	
3	70007971	1	Head	
4	See Note	NSS	Wiper (Note: Use Item 50)	
5	70002373	1	Ring, Retaining	
6	See Note	NSS	Seal, Rod (Note: Use Item 50)	
7	See Note	NSS	Ring, Back-up (Note: Use Item 50)	
8	70005871	1	Bearing	
9	See Note	NSS	O-Ring (Note: Use Item 50)	
10	See Note	NSS	Ring, Back-up (Note: Use Item 50)	
11	See Note	NSS	O-Ring (Note: Use Item 50)	
12	70007972	1	Piston	
13	See Note	NSS	Seal, Piston (Note: Use Item 50)	
14	See Note	NSS	O-Ring (Note: Use Item 50)	
15	70007973	1	Spacer	
16	70022564	1	Ball	
17	70022563	1	Setscrew	
18	4640932	1	Cartridge, Valve - Counterbalance	
18	7011112	1	Seal Kit - 4640932 Valve	
19	4641232	1	Cartridge, Valve - Counterbalance	
19	7011112	1	Seal Kit - 4641232 Valve	
20	2220883	10	Plug 7/16	
21	0961948	4	Bearing	
50	70007974	1	Seal Kit - 1001251022 Cylinder (Includes Items 4, 6, 7, 9-11, 13 & 14)	

# SECTION 6 - CYLINDER

FIGURE 6-5. LEVEL CYLINDER ASSEMBLY - PLATFORM SLAVE (MACHINES WITH SN STARTING WITH B3) (860SJ)



ART\_1001230372



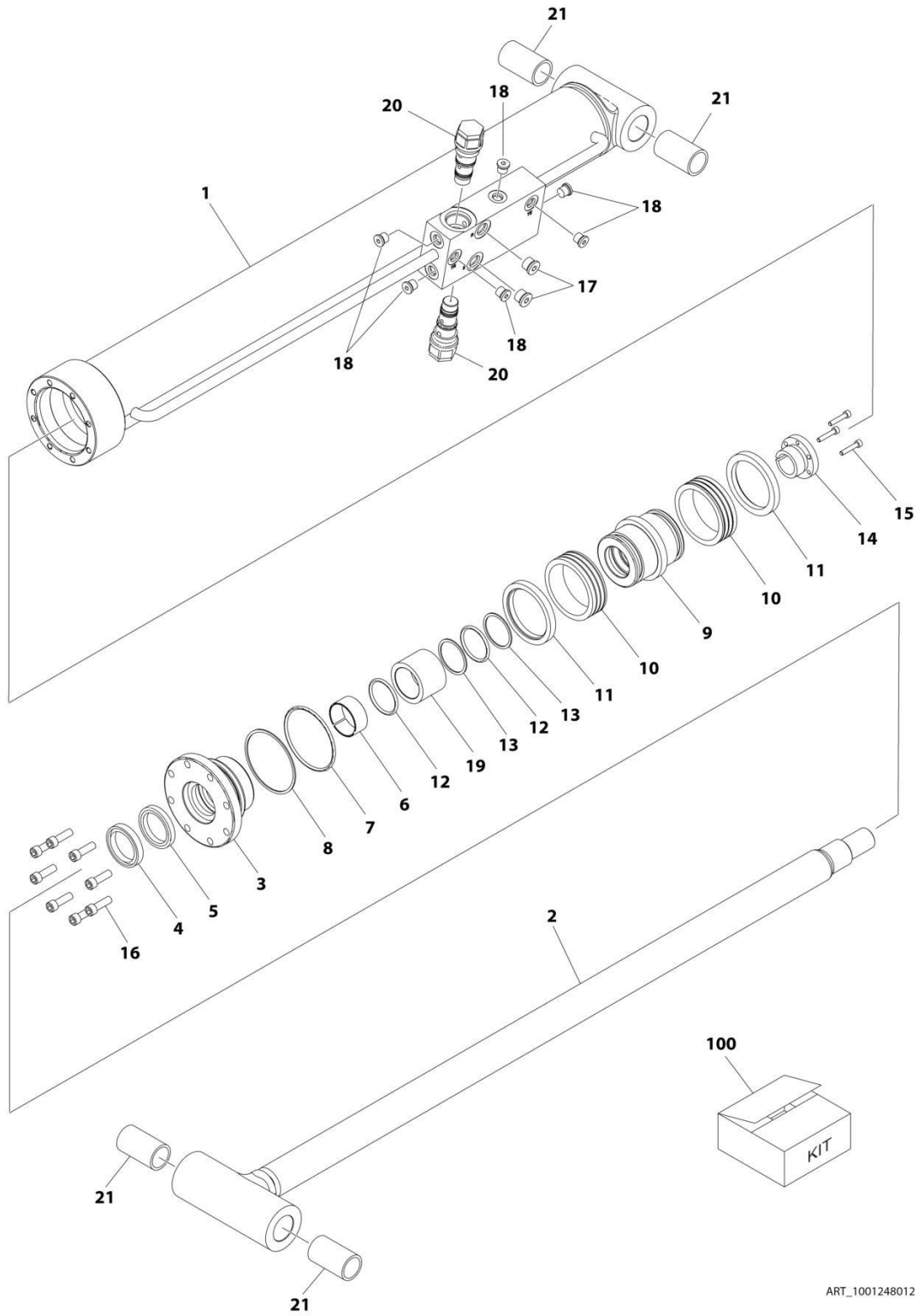
## SECTION 6 - CYLINDER

**FIGURE 6-5. LEVEL CYLINDER ASSEMBLY - PLATFORM SLAVE (MACHINES WITH SN STARTING WITH B3) (860SJ)**

ITEM	PART NUMBER	QTY	DESCRIPTION	REV
	1001230372	Ref	LEVEL CYLINDER ASSEMBLY - PLATFORM SLAVE	A
		Ref	Note: Original Cylinder may have been replaced with Service Replacement. Identify PN Stamped on Cylinder Before Ordering Parts.	
1	See Note	NSS	Barrel (Note: Not Available for Purchase)	
2	70006935	1	Rod	
3	70006936	1	Piston	
4	70006937	1	Head	
5	70006938	1	Spacer	
6	70003636	2	Insert	
7	70006893	1	Nut	
8	0961948	4	Bushing	
9	See Note	NSS	Seal, Rod (Note: Use Item 100)	
10	See Note	NSS	Seal, Piston (Note: Use Item 100)	
11	See Note	NSS	Wiper (Note: Use Item 100)	
12	See Note	NSS	Ring, Wear (Note: Use Item 100)	
13	See Note	NSS	O-Ring (Note: Use Item 100)	
14	See Note	NSS	O-Ring (Note: Use Item 100)	
15	See Note	NSS	O-Ring (Note: Use Item 100)	
16	See Note	NSS	O-Ring (Note: Use Item 100)	
17	See Note	NSS	Ring, Back-up (Note: Use Item 100)	
18	See Note	NSS	Ring, Wear (Note: Use Item 100)	
19	4641232	1	Valve, Cartridge	
19	7011112	1	Seal Kit - 4640932 Valve	
20	4640932	1	Valve, Cartridge	
20	7011112	1	Seal Kit - 4641232 Valve	
21	2220883	10	Plug	
22	2220886	1	Plug	
100	70006939	1	Seal Kit (Includes Items 9-18)	

# SECTION 6 - CYLINDER

## FIGURE 6-6. LIFT CYLINDER ASSEMBLY - JIB (860SJ)



ART\_1001248012

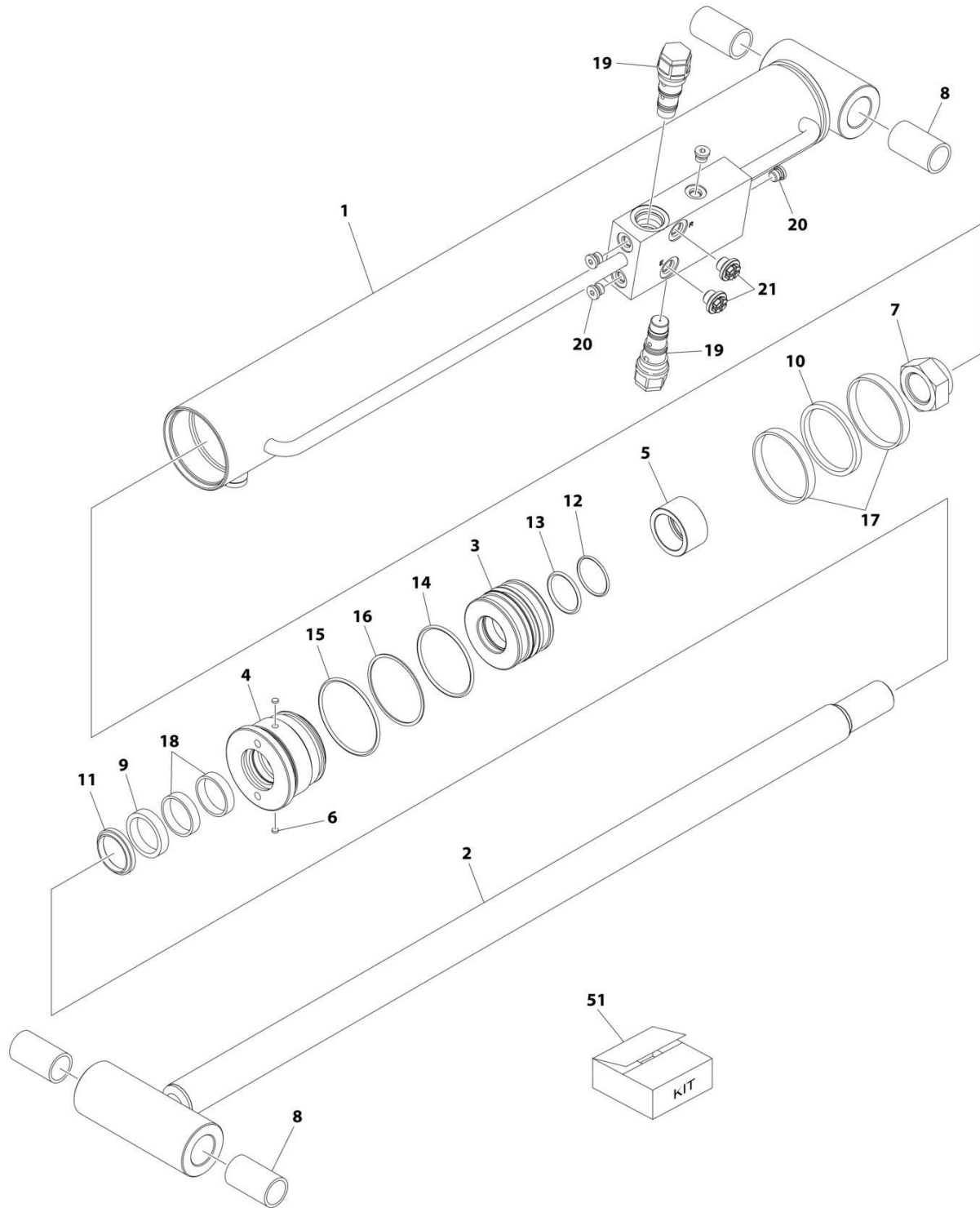
## SECTION 6 - CYLINDER

**FIGURE 6-6. LIFT CYLINDER ASSEMBLY - JIB (860SJ)**

ITEM	PART NUMBER	QTY	DESCRIPTION	REV
	1001248012	Ref	LIFT CYLINDER ASSEMBLY - JIB	C
		Ref	Note: Original Cylinder May Have Been Replaced with Service Replacement. Identify PN Stamped on Cylinder Before Ordering Parts.	
1	See Note	NSS	Barrel (Note: Not Available for Purchase)	
2	70006734	1	Rod	
3	70006649	1	Head	
4	See Note	NSS	Wiper (Note: Use Item 100)	
5	See Note	NSS	Seal, Rod (Note: Use Item 100)	
6	See Note	NSS	Ring, Wear (Note: Use Item 100)	
7	See Note	NSS	O-Ring (Note: Use Item 100)	
8	See Note	NSS	Ring, Back-up (Note: Use Item 100)	
9	70006650	1	Piston	
10	See Note	NSS	Seal (Note: Use Item 100)	
11	See Note	NSS	Ring, Lock (Note: Use Item 100)	
12	See Note	NSS	O-Ring (Note: Use Item 100)	
13	See Note	NSS	Ring, Back-up (Note: Use Item 100)	
14	0961893	1	Bushing, Tapered	
15	0630534	3	Capscrew, Socket Head #10 x 1	
16	70006735	8	Capscrew 5/16	
17	2220885	2	Plug, O-Ring	
18	2220883	6	Plug, O-Ring	
19	70006736	1	Spacer	
20	4640509	2	Cartridge, Valve	
20	2900792	2	Seal Kit - 4640509 Valve	
21	0962336	4	Bushing	
100	1001138795	1	Seal Kit (Includes Items 4-8 & 10-13)	

# SECTION 6 - CYLINDER

## FIGURE 6-7. LIFT CYLINDER ASSEMBLY - JIB (860SJ)



ART\_1001230371

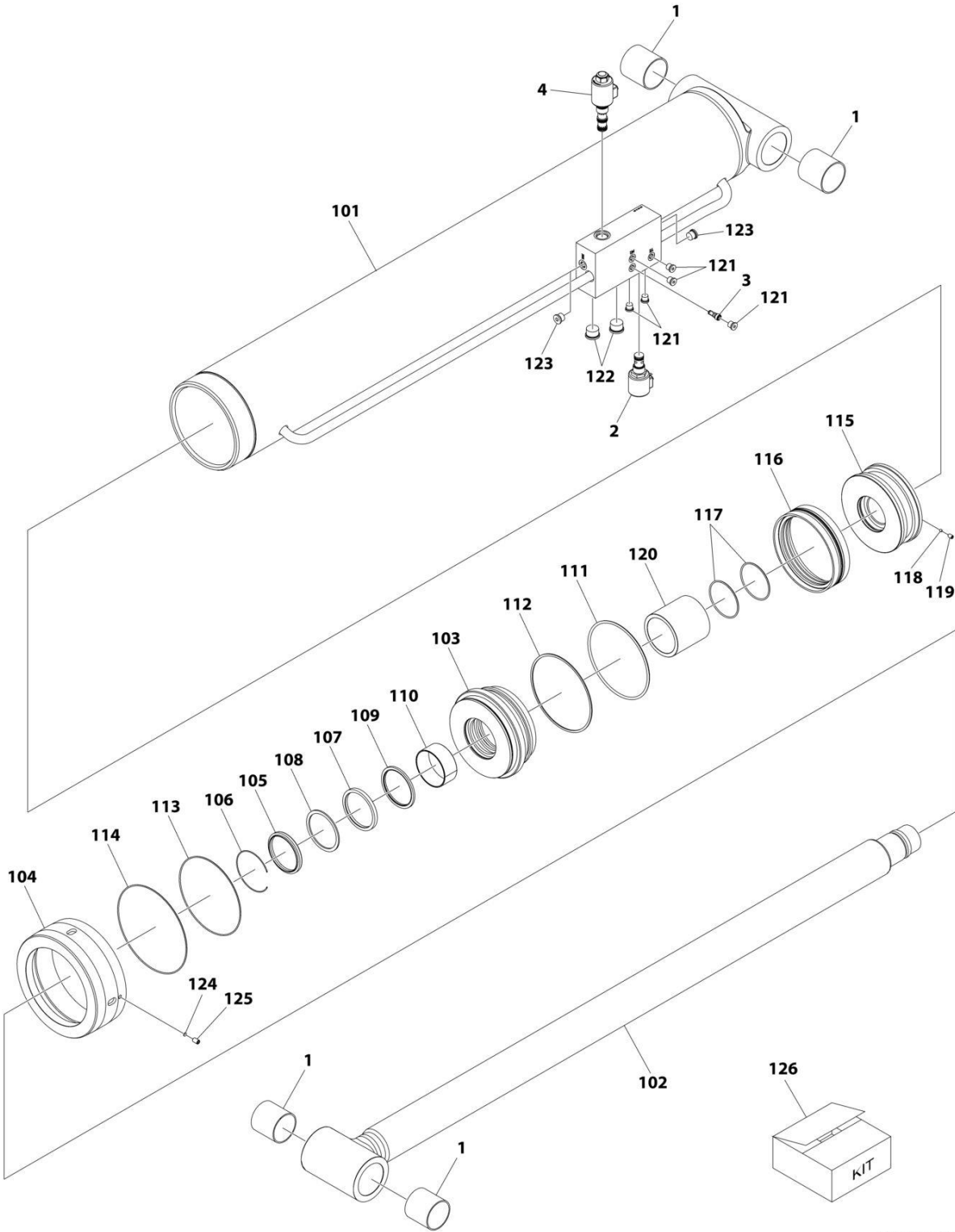
## SECTION 6 - CYLINDER

**FIGURE 6-7. LIFT CYLINDER ASSEMBLY - JIB (860SJ)**

ITEM	PART NUMBER	QTY	DESCRIPTION	REV
	1001230371	Ref	LIFT CYLINDER ASSEMBLY - JIB	A
		Ref	Note: Original Cylinder may have been replaced with Service Replacement. Identify PN Stamped on Cylinder Before Ordering Parts.	
1	See Note	NSS	Barrel (Note: Purchase Complete Assembly)	
2	70006930	1	Rod	
3	70006931	1	Piston	
4	70006932	1	Head	
5	70006933	1	Spacer, Tube	
6	70003636	1	Lock, Insert	
7	70006900	1	Nut	
8	0962336	4	Bushing	
9	See Note	NSS	Seal, Rod (Note: Use Item 51)	
10	See Note	NSS	Seal, Piston (Note: Use Item 51)	
11	See Note	NSS	Wiper (Note: Use Item 51)	
12	See Note	NSS	O-Ring (Note: Use Item 51)	
13	See Note	NSS	O-Ring (Note: Use Item 51)	
14	See Note	NSS	O-Ring (Note: Use Item 51)	
15	See Note	NSS	O-Ring (Note: Use Item 51)	
16	See Note	NSS	Ring, Back-up (Note: Use Item 51)	
17	See Note	NSS	Ring, Wear (Note: Use Item 51)	
18	See Note	NSS	Ring, Wear (Note: Use Item 51)	
19	4640509	2	Catridge, Valve	
19	2900792	2	Seal Kit - 4640509 Valve	
20	2220883	4	Plug	
21	2220885	2	Plug	
51	70006934	1	Seal Kit (Includes Item 9-18)	

# SECTION 6 - CYLINDER

## FIGURE 6-8. LIFT CYLINDER ASSEMBLY - MAIN BOOM (800S)



ART\_1001251028

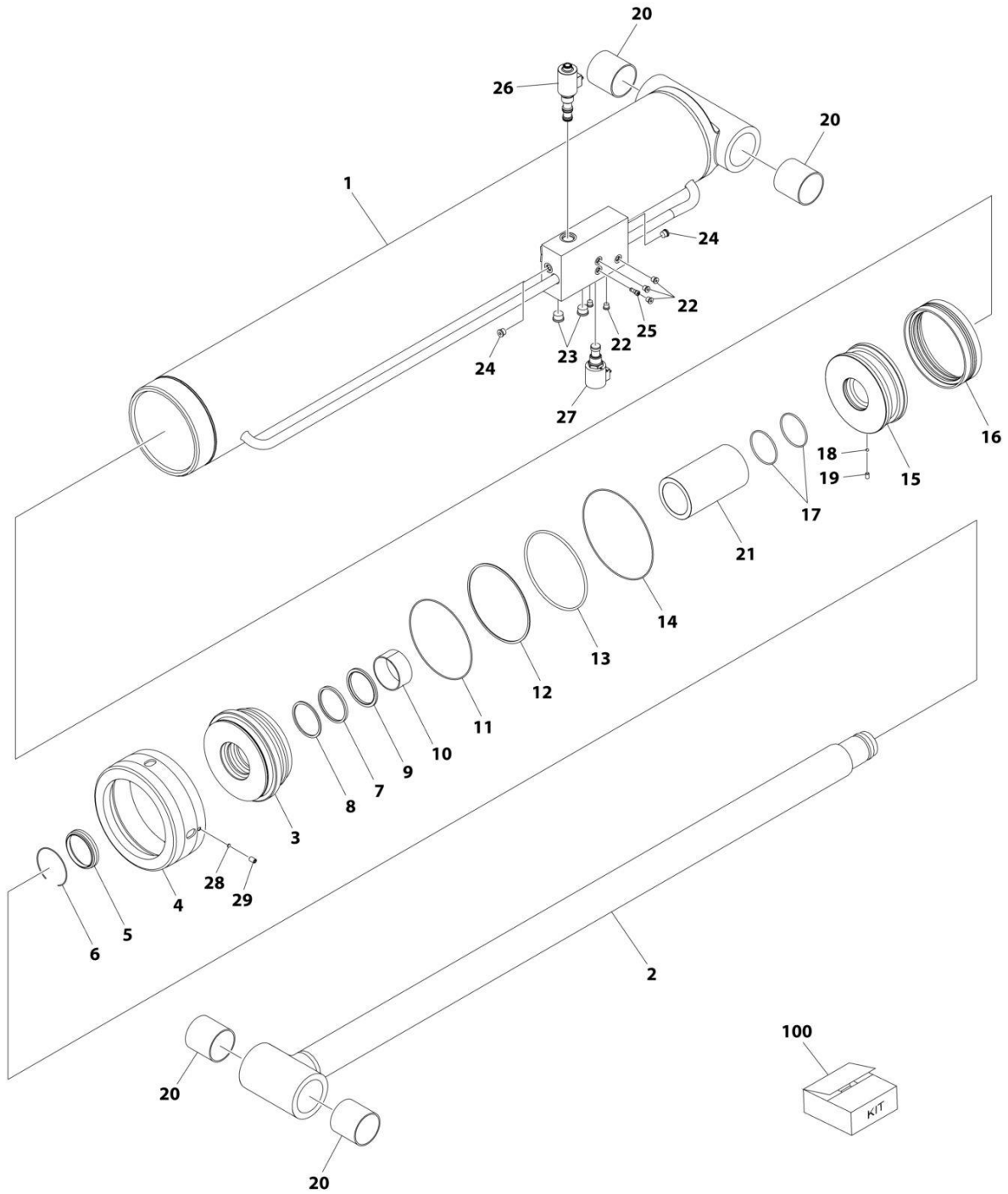
## SECTION 6 - CYLINDER

**FIGURE 6-8. LIFT CYLINDER ASSEMBLY - MAIN BOOM (800S)**

ITEM	PART NUMBER	QTY	DESCRIPTION	REV
	1001251028	Ref	LIFT CYLINDER ASSEMBLY - MAIN BOOM	A
		Ref	Note: Original Cylinder May Have Been Replaced with Service Replacement. Identify PN Stamped on Cylinder Before Ordering Parts.	
1	0962033	4	Bushing	
2	4641188	1	Cartridge, Lift Holding Solenoid (800S,860SJ)	
2	7023923	1	Cartridge - 4641188 Valve	
2	7023919	1	Seal Kit - 4641188 Valve	
2	7012943	1	Coil - 4641188 Valve	
3	4641194	1	Cartridge, Relief Valve	
3	7023927	1	Seal Kit - 4641194 Valve	
4	4641234	1	Cartridge, Lift Relief Proportional Solenoid (800S,860SJ)	
4	7023982	1	Cartridge - 4641234 Valve	
4	7012925	1	Seal Kit - 4641234 Valve	
4	7017451	1	Coil - 4641234 Valve	
101	See Note	NSS	Tube (Note: Not Available for Purchase)	
102	70008188	1	Rod	
103	70008189	1	Head	
104	70007278	1	Cap, Tube	
105	See Note	NSS	Wiper, Dust (Note: Use Item 126)	
106	70023380	1	Ring, Retaining	
107	See Note	NSS	Seal, Rod (Note: Use Item 126)	
108	See Note	NSS	Ring, Backup (Note: Use Item 126)	
109	See Note	NSS	Ring, Buffer (Note: Use Item 126)	
110	70007423	1	Bushing	
111	See Note	NSS	O-Ring (Note: Use Item 126)	
112	See Note	NSS	Ring, Backup (Note: Use Item 126)	
113	See Note	NSS	O-Ring (Note: Use Item 126)	
114	See Note	NSS	O-Ring (Note: Use Item 126)	
115	70008190	1	Piston	
116	See Note	NSS	Seal, Piston (Note: Use Item 126)	
117	See Note	NSS	O-Ring (Note: Use Item 126)	
118	70022564	1	Ball, Steel	
119	70006596	1	Setscrew	
120	70008191	1	Spacer	
121	2220883	5	Plug 7/16	
122	70005433	2	Plug 7/8	
123	2220885	2	Plug 9/16	
124	70007282	1	Insert, Locking	
125	70026287	1	Setscrew	
126	70008192	1	(Includes Items 105, 107-109, 111-114 & 116-117)	

# SECTION 6 - CYLINDER

## FIGURE 6-9. LIFT CYLINDER ASSEMBLY - MAIN BOOM (860SJ)



ART\_1001251029



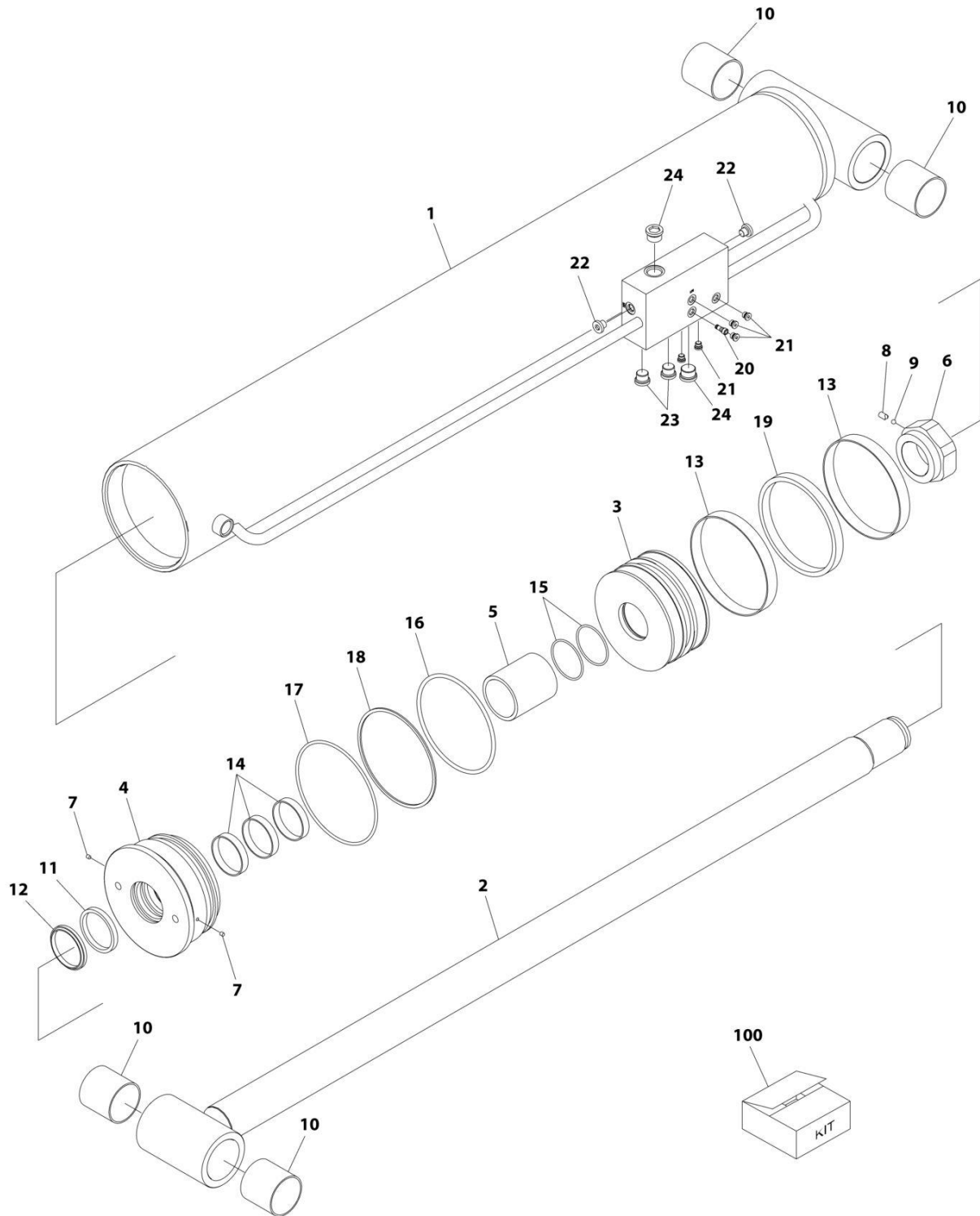
## SECTION 6 - CYLINDER

**FIGURE 6-9. LIFT CYLINDER ASSEMBLY - MAIN BOOM (860SJ)**

ITEM	PART NUMBER	QTY	DESCRIPTION	REV
	1001251029	Ref	LIFT CYLINDER ASSEMBLY - MAIN BOOM	A
		Ref	Note: Original Cylinder may have been replaced with Service Replacement. Identify PN Stamped on Cylinder Before Ordering Parts.	
1	See Note	NSS	Barrel (Note: Not Available for Purchase)	
2	70007276	1	Rod	
3	70007277	1	Head	
4	70007278	1	Cap, Tube	
5	See Note	NSS	Wiper (Note: Use Item 100)	
6	70027750	1	Ring, Retainer	
7	See Note	NSS	Seal, Rod (Note: Use Item 100)	
8	See Note	NSS	Ring, Back-up (Note: Use Item 100)	
9	See Note	NSS	Ring, Buffer (Note: Use Item 100)	
10	70007279	1	Bearing	
11	See Note	NSS	O-Ring (Note: Use Item 100)	
12	See Note	NSS	Ring, Back-up (Note: Use Item 100)	
13	See Note	NSS	O-Ring (Note: Use Item 100)	
14	See Note	NSS	O-Ring (Note: Use Item 100)	
15	70007280	1	Piston	
16	See Note	NSS	Seal, Piston (Note: Use Item 100)	
17	See Note	NSS	O-Ring (Note: Use Item 100)	
18	70022564	1	Steel Ball	
19	70029468	1	Setscrew	
20	0962033	4	Bushing	
21	70007281	1	Spacer	
22	2220883	5	Plug	
23	70005433	2	Plug	
24	2220885	2	Plug	
25	4641194	1	Cartridge, Relief Valve	
25	7023927	1	Seal Kit - 4641194 Valve	
26	4641234	1	Cartridge, Lift Relief Proportional Solenoid	
26	7023982	1	Cartridge - 4641234 Valve	
26	7012925	1	Seal Kit - 4641234 Valve	
26	7017451	1	Coil - 4641234 Valve	
27	4641188	1	Cartridge, Lift Holding Solenoid	
27	7023923	1	Cartridge - 4641188 Valve	
27	7023919	1	Seal Kit - 4641188 Valve	
27	7012943	1	Coil - 4641188 Valve	
28	70007282	1	Insert, Locking	
29	70026287	1	Setscrew	
100	70007283	1	Seal Kit (Includes Items 5, 7-9, 11-14, 16 & 17)	

# SECTION 6 - CYLINDER

## FIGURE 6-10. LIFT CYLINDER ASSEMBLY - MAIN BOOM (860SJ)



ART\_1001230373

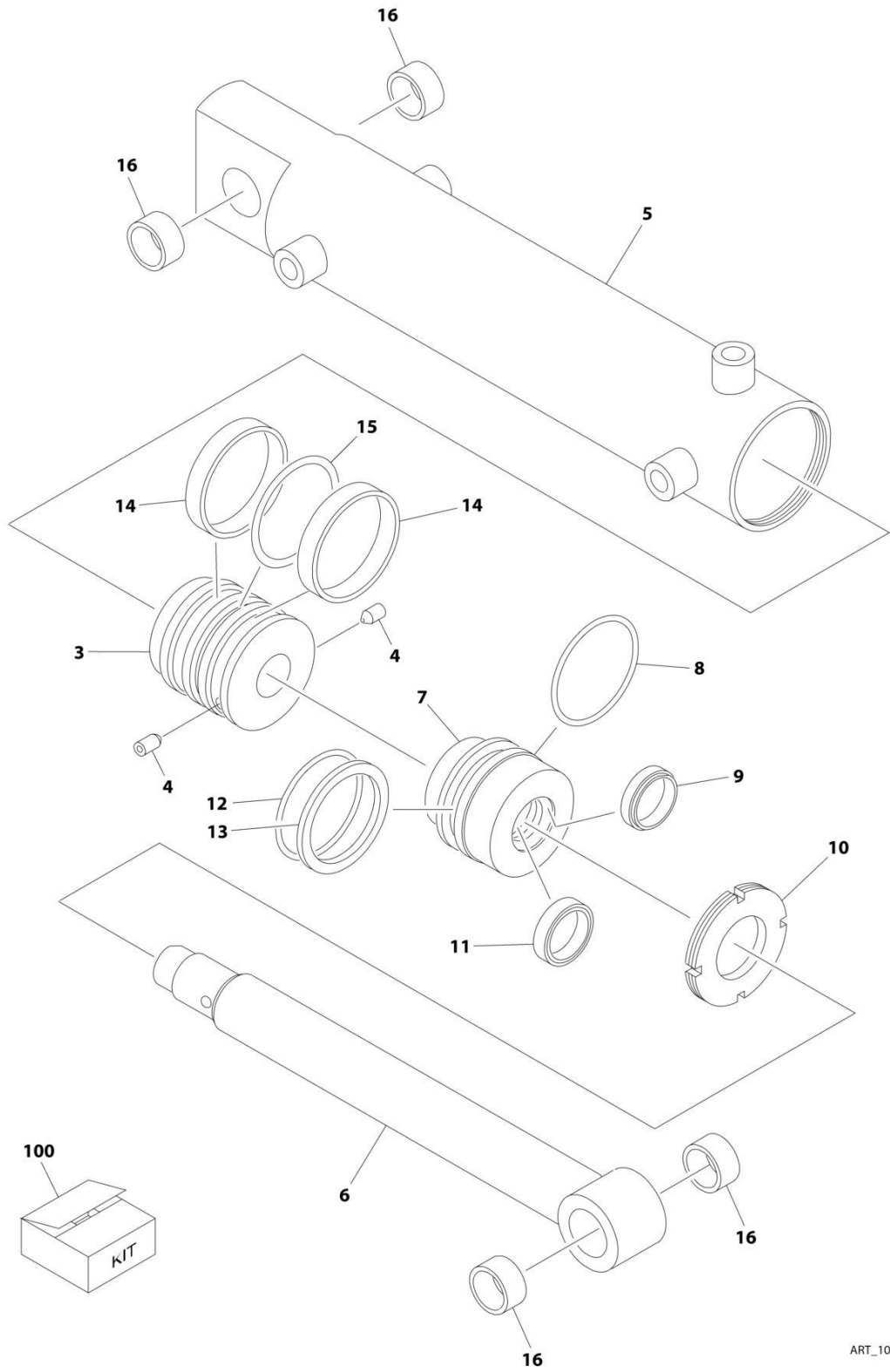
## SECTION 6 - CYLINDER

**FIGURE 6-10. LIFT CYLINDER ASSEMBLY - MAIN BOOM (860SJ)**

ITEM	PART NUMBER	QTY	DESCRIPTION	REV
	1001230373	Ref	LIFT CYLINDER ASSEMBLY	A
		Ref	Note: Original Cylinder may have been replaced with Service Replacement. Identify PN Stamped on Cylinder Before Ordering Parts.	
1	See Note	NSS	Barrel (Note: Not Available for Purchase)	
2	70006940	1	Rod	
3	70006941	1	Piston	
4	70006942	1	Head	
5	70006943	1	Spacer	
6	70006944	1	Nut	
7	70006899	2	Insert	
8	70006945	1	Setscrew	
9	70004120	1	Ball	
10	0962033	4	Bushing	
11	See Note	NSS	Seal, Rod (Note: Use Item 100)	
12	See Note	NSS	Wiper (Note: Use Item 100)	
13	See Note	NSS	Ring, Wear (Note: Use Item 100)	
14	See Note	NSS	Ring, Wear (Note: Use Item 100)	
15	See Note	NSS	O-Ring (Note: Use Item 100)	
16	See Note	NSS	O-Ring (Note: Use Item 100)	
17	See Note	NSS	O-Ring (Note: Use Item 100)	
18	See Note	NSS	Ring, Back-up (Note: Use Item 100)	
19	See Note	NSS	Seal, Piston (Note: Use Item 100)	
20	4641194	1	Valve, Cartridge	
20	7023927	1	Seal Kit - 4640509 Valve	
21	2220883	5	Plug	
22	2220885	2	Plug	
23	2220888	2	Plug	
24	2220887	3	Plug	
100	70006947	1	Seal Kit (Includes Items 9-18)	

# SECTION 6 - CYLINDER

## FIGURE 6-11. STEER CYLINDER ASSEMBLY



ART\_1001150539

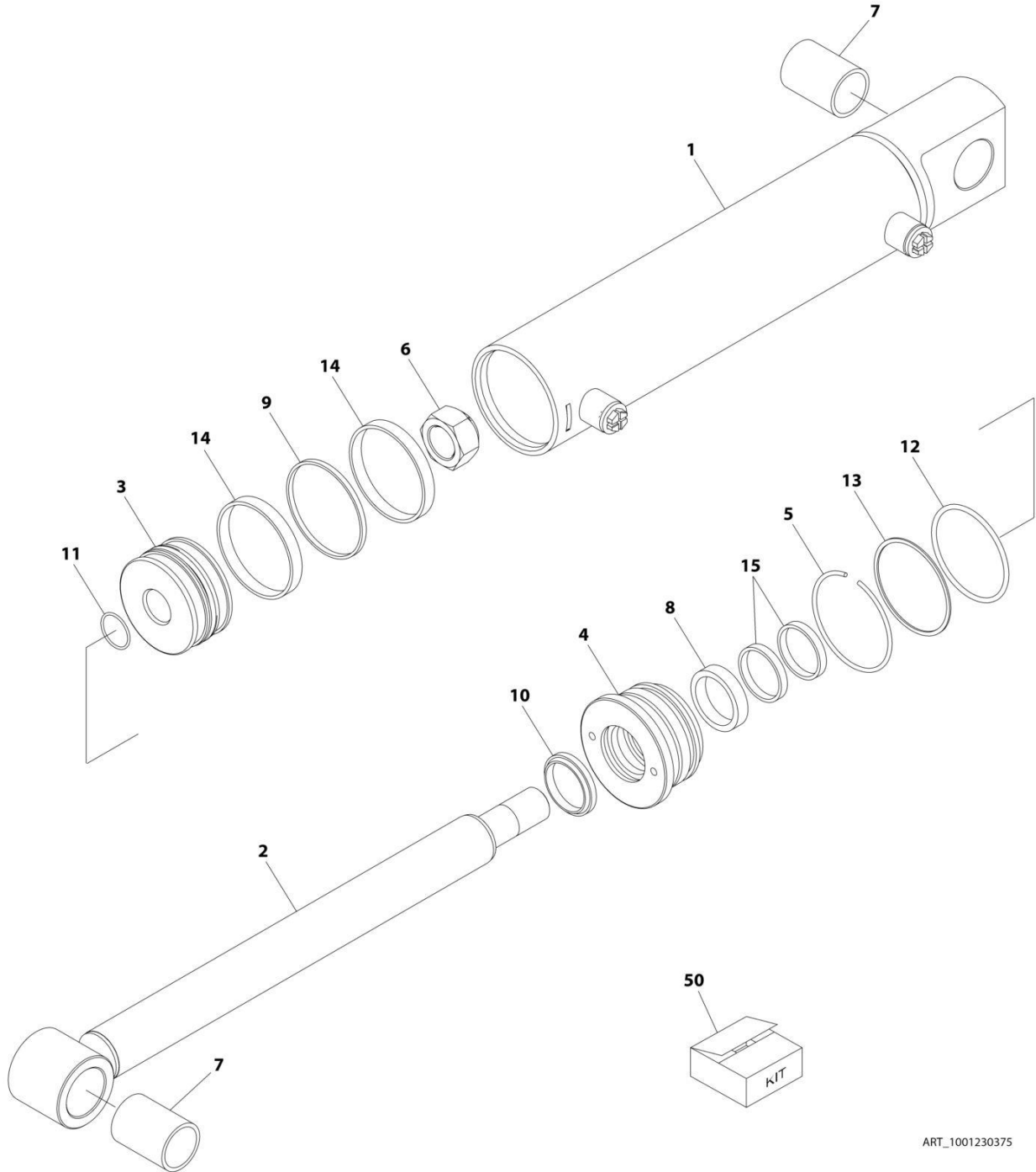
## SECTION 6 - CYLINDER

### FIGURE 6-11. STEER CYLINDER ASSEMBLY

ITEM	PART NUMBER	QTY	DESCRIPTION	REV
	1001150539	Ref	STEER CYLINDER ASSEMBLY	F
		Ref	Note: Original Cylinder may have been replaced with Service Replacement. Identify PN Stamped on Cylinder Before Ordering Parts.	
3	70002744	1	Piston	
4	70002745	2	Setscrew M6 x 10	
5	70004381	1	Barrel	
6	70004382	1	Rod	
7	70002748	1	Head	
8	See Note	NSS	Ring (Note: Use Item 100)	
9	See Note	NSS	Wiper (Note: Use Item 100)	
10	70002749	1	Nut, Spanner	
11	See Note	NSS	Seal (Note: Use Item 100)	
12	See Note	NSS	O-Ring (Note: Use Item 100)	
13	See Note	NSS	Ring, Back-up (Note: Use Item 100)	
14	See Note	NSS	Ring, Wear (Note: Use Item 100)	
15	See Note	NSS	Seal (Note: Use Item 100)	
16	0962152	4	Bushings	
100	70002751	1	Seal Kit (Includes Items 8, 9 & 11-15)	

# SECTION 6 - CYLINDER

## FIGURE 6-12. STEER CYLINDER ASSEMBLY



ART\_1001230375

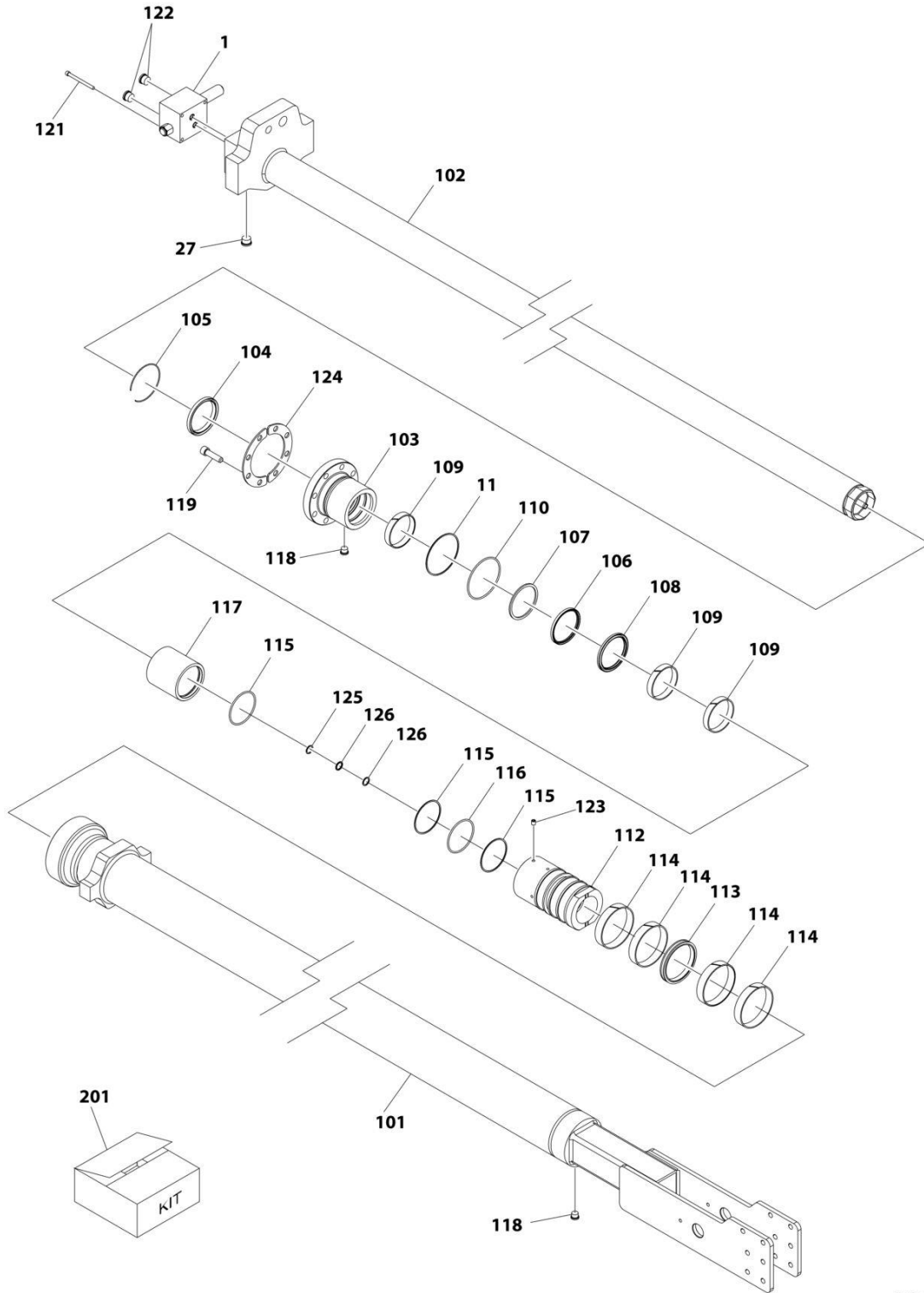
## SECTION 6 - CYLINDER

**FIGURE 6-12. STEER CYLINDER ASSEMBLY**

ITEM	PART NUMBER	QTY	DESCRIPTION	REV
	1001230375	Ref	STEER CYLINDER ASSEMBLY	A
		Ref	Note: Original Cylinder may have been replaced with Service Replacement. Identify PN Stamped on Cylinder Before Ordering Parts.	
1	See Note	NSS	Barrel (Note: Not Available for Purchase)	
2	70006964	1	Rod	
3	70006965	1	Piston	
4	70006966	1	Head	
5	70006967	1	Nut	
6	70006968	1	Ring, Baffle	
7	0962152	2	Bushing	
8	See Note	NSS	Seal, Rod (Note: Use Item 50)	
9	See Note	NSS	Seal (Note: Use Item 50)	
10	See Note	NSS	Wiper (Note: Use Item 50)	
11	See Note	NSS	O-Ring (Note: Use Item 50)	
12	See Note	NSS	O-Ring (Note: Use Item 50)	
13	See Note	NSS	Ring, Back-up (Note: Use Item 50)	
14	See Note	NSS	Ring, Wear (Note: Use Item 50)	
15	See Note	NSS	Ring, Wear (Note: Use Item 50)	
50	70006969	1	Seal Kit - 1001230375 Cyliner (Includes Items 8-15)	

# SECTION 6 - CYLINDER

## FIGURE 6-13. TELESCOPE CYLINDER ASSEMBLY (800S)



ART\_1001251081



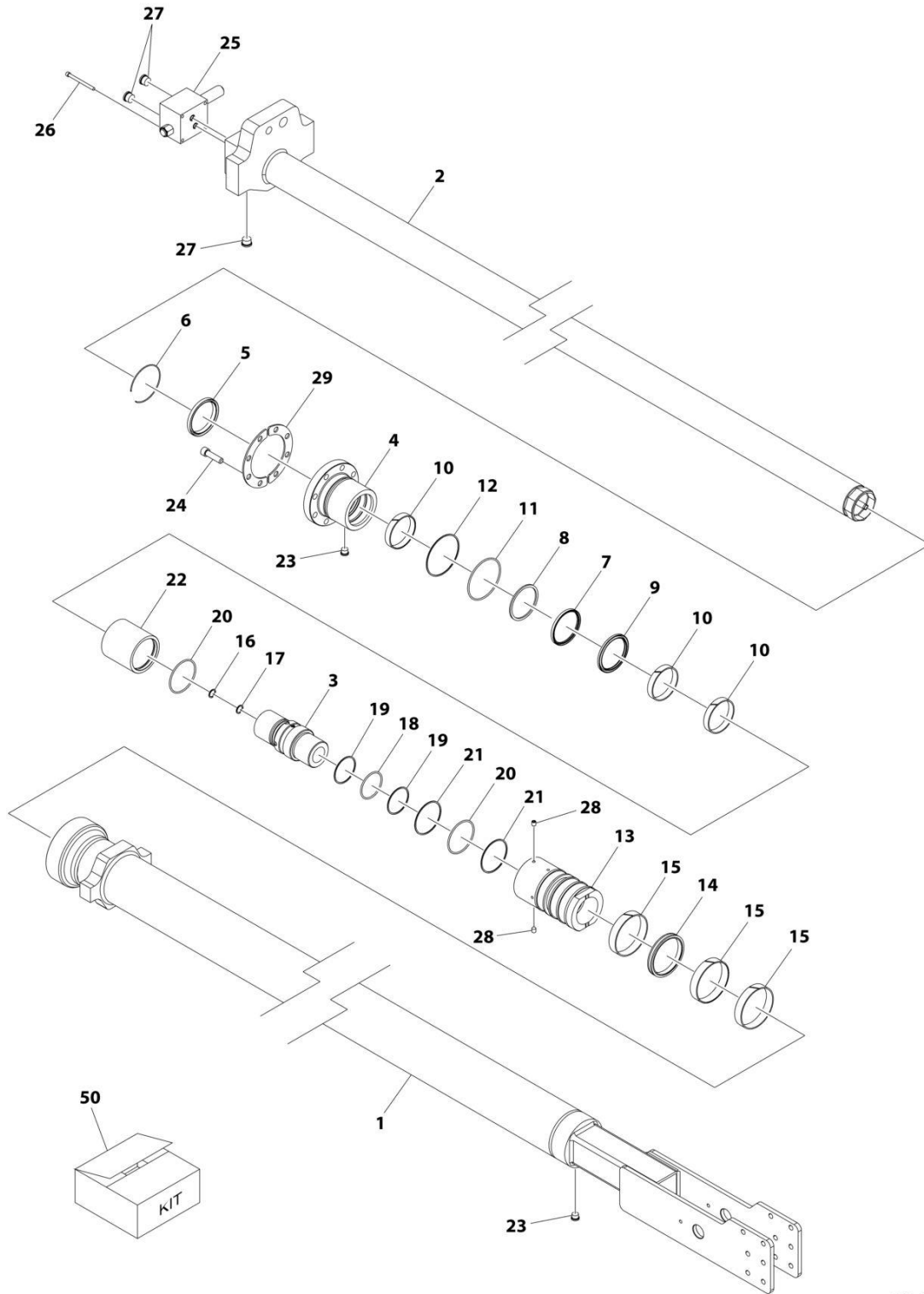
## SECTION 6 - CYLINDER

**FIGURE 6-13. TELESCOPE CYLINDER ASSEMBLY (800S)**

ITEM	PART NUMBER	QTY	DESCRIPTION	REV
	1001251081	Ref	TELESCOPE CYLINDER ASSEMBLY	A
		Ref	Note: Original Cylinder May Have Been Replaced with Service Replacement. Identify PN Stamped on Cylinder Before Ordering Parts.	
1	4641033	1	Valve Assembly (No Serviceable Parts - Sold as Assembly Only)	
101	SEE NOTE	NSS	Barrel (Note: Not Available for Purchase)	
102	70008080	1	Rod	
103	70007977	1	Head	
104	SEE NOTE	NSS	Wiper, Dust (Note: Use Item 201)	
105	70023379	1	Ring, Retaining	
106	SEE NOTE	NSS	Seal, Rod (Note: Use Item 201)	
107	SEE NOTE	NSS	Ring, Backup (Note: Use Item 201)	
108	SEE NOTE	NSS	Ring, Buffer (Note: Use Item 201)	
109	SEE NOTE	NSS	Ring, Wear (Note: Use Item 201)	
110	SEE NOTE	NSS	O-Ring (Note: Use Item 201)	
111	SEE NOTE	NSS	Ring, Backup (Note: Use Item 201)	
112	70008081	1	Piston	
113	SEE NOTE	NSS	Seal, Piston (Note: Use Item 201)	
114	SEE NOTE	NSS	Ring, Wear (Note: Use Item 201)	
115	SEE NOTE	NSS	O-Ring (Note: Use Item 201)	
116	SEE NOTE	NSS	Ring, Backup (Note: Use Item 201)	
117	70008082	1	Spacer	
118	2220885	2	Plug 9/16	
119	70007980	8	Bolt M12 X 45	
121	70007981	4	Bolt M6 X 75	
122	2220886	3	Plug 3/4	
123	70005839	1	Screw, Set	
124	70007982	2	Ring, Washer	
125	SEE NOTE	NSS	O-Ring (Note: Use Item 201)	
126	SEE NOTE	NSS	Ring, Backup (Note: Use Item 201)	
201	70007983	1	Seal, Kit (Includes 104, 106-111, 113-116, 125, 126)	

# SECTION 6 - CYLINDER

## FIGURE 6-14. TELESCOPE CYLINDER ASSEMBLY (860SJ)



ART\_1001251083

## SECTION 6 - CYLINDER

**FIGURE 6-14. TELESCOPE CYLINDER ASSEMBLY (860SJ)**

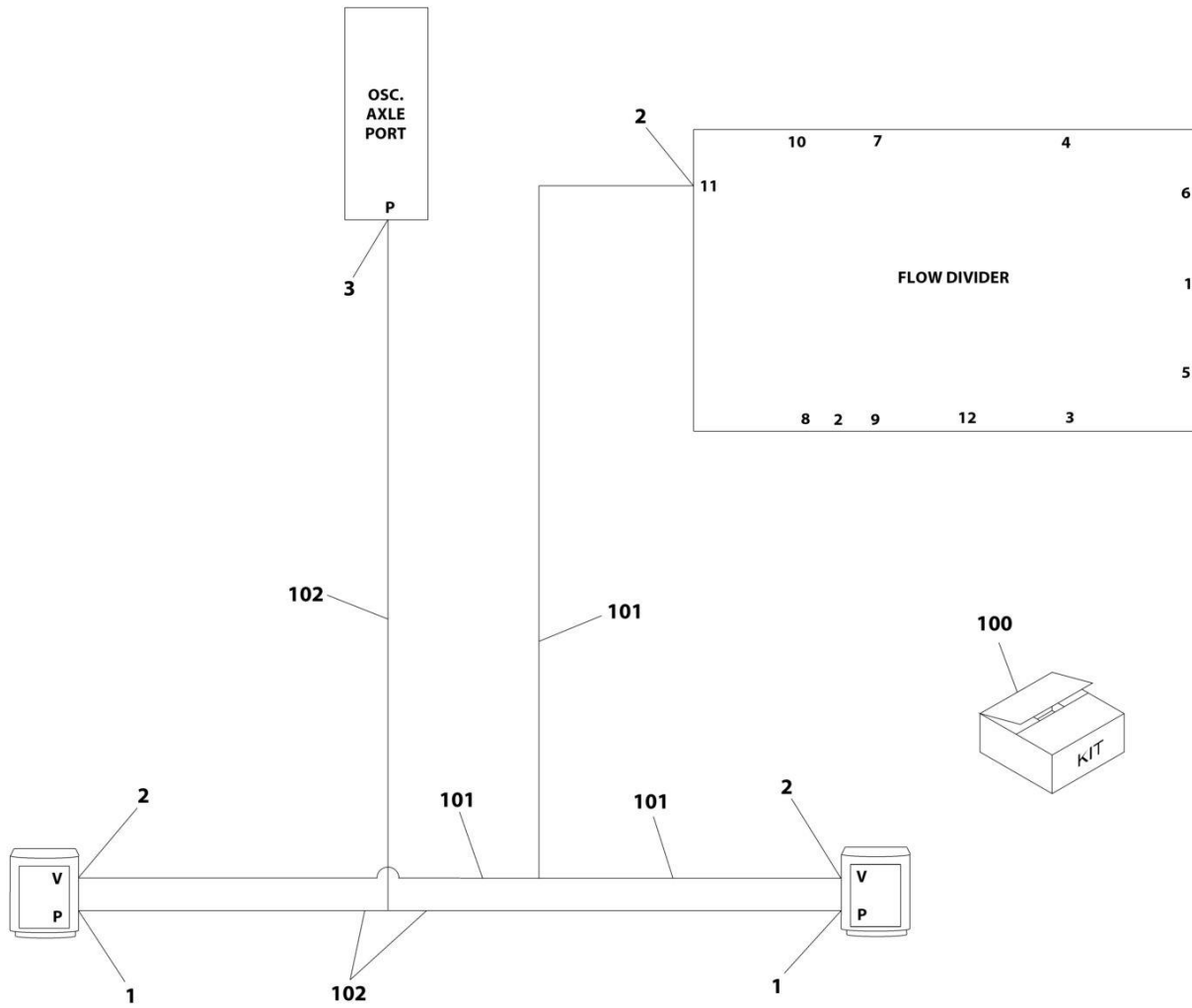
ITEM	PART NUMBER	QTY	DESCRIPTION	REV
	1001251083	Ref	TELESCOPE CYLINDER ASSEMBLY	A
		Ref	Note: Original Cylinder may have been replaced with Service Replacement. Identify PN Stamped on Cylinder Before Ordering Parts.	
1	See Note	NSS	Barrel (Note: Use PN 1001251083)	
2	70007975	1	Rod	
3	70007976	1	End, Rod	
4	70007977	1	Head	
5	See Note	NSS	Wiper (Note: Use Item 50)	
6	70023379	1	Ring, Retaining	
7	See Note	NSS	Seal, Rod (Note: Use Item 50)	
8	See Note	NSS	Ring, Back-up (Note: Use Item 50)	
9	See Note	NSS	Ring (Note: Use Item 50)	
10	See Note	NSS	Ring, Wear (Note: Use Item 50)	
11	See Note	NSS	O-Ring (Note: Use Item 50)	
12	See Note	NSS	Ring, Back-up (Note: Use Item 50)	
13	70007978	1	Piston	
14	See Note	NSS	Seal, Piston (Note: Use Item 50)	
15	See Note	NSS	Ring, Wear (Note: Use Item 50)	
16	See Note	NSS	O-Ring (Note: Use Item 50)	
17	See Note	NSS	Ring, Back-up (Note: Use Item 50)	
18	See Note	NSS	Ring (Note: Use Item 50)	
19	See Note	NSS	Ring, Back-up (Note: Use Item 50)	
20	See Note	NSS	O-Ring (Note: Use Item 50)	
21	See Note	NSS	Ring, Back-up (Note: Use Item 50)	
22	70007979	1	Spacer	
23	2220885	2	Plug 9/16	
24	70007980	8	Bolt M12 x 45	
25	4641033	1	Cartridge, Valve - Counterbalance	
25	7024508	1	Seal Kit - 4641033 Valve	
26	70007981	4	Bolt M6 x 75	
27	2220886	3	Plug 3/4	
28	70005839	2	Setscrew M8 x 1-1/4	
29	70007982	2	Ring, Washer	
50	70007983	1	Seal Kit - 1001251083 Cylinder (Includes Items 5, 7-12 & 14-21)	



**SECTION 7 - HYDRAULIC**

# SECTION 7 - HYDRAULIC

## FIGURE 7-1. HYDRAULIC DIAGRAM - AXLE (OSCILLATING)



ART\_1001157400

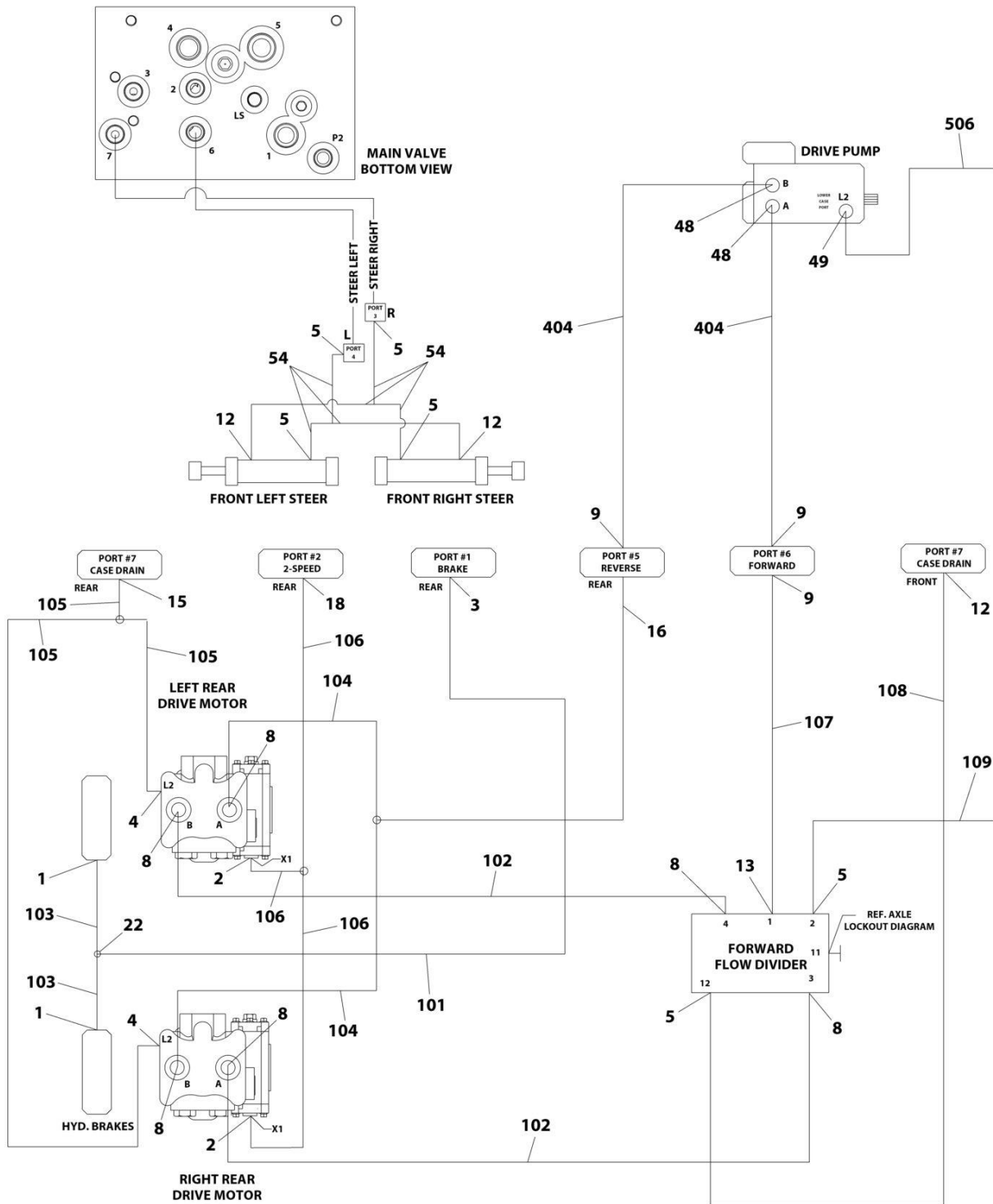
## SECTION 7 - HYDRAULIC

### FIGURE 7-1. HYDRAULIC DIAGRAM - AXLE (OSCILLATING)

ITEM	PART NUMBER	QTY	DESCRIPTION	REV
	1001157400	Ref	AXLE LOCKOUT HYDRAULIC DIAGRAM	G
1	2110404	2	Fitting, Straight ORFS/ORB	
2	2110606	3	Fitting, Straight ORFS/ORB	
3	2110408	1	Fitting, Straight ORFS/ORB	
100	1001270068	1	Hose Lockout Kit	
101	1001198336	1	Hose with Crimped Tee	
102	1001198339	1	Hose with Crimped Tee	

# SECTION 7 - HYDRAULIC

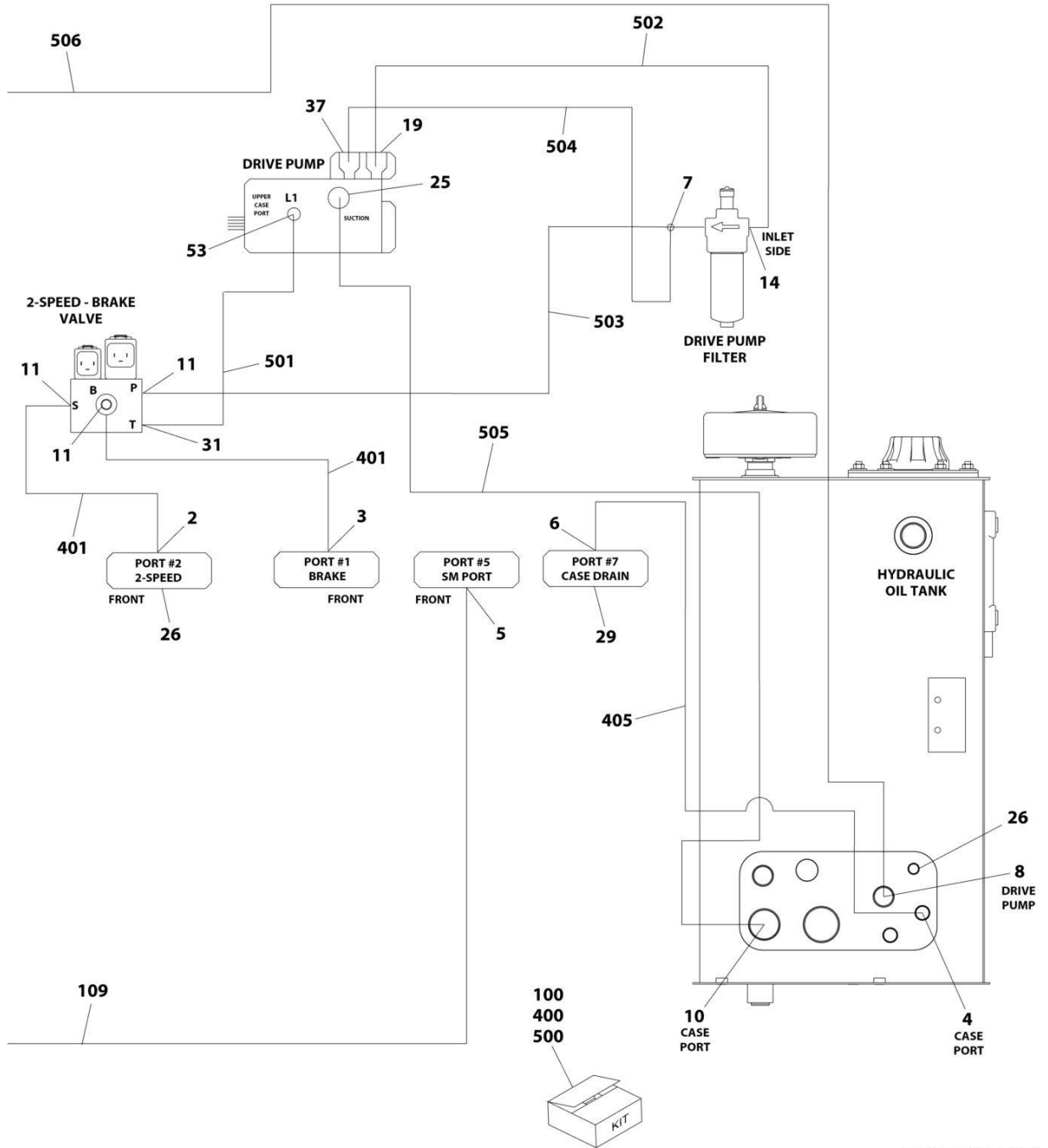
## FIGURE 7-2. HYDRAULIC DIAGRAM - DRIVE (2WD)



ART\_1001178218\_G\_10F2



# SECTION 7 - HYDRAULIC



ART\_1001178218\_G\_20F2

# SECTION 7 - HYDRAULIC

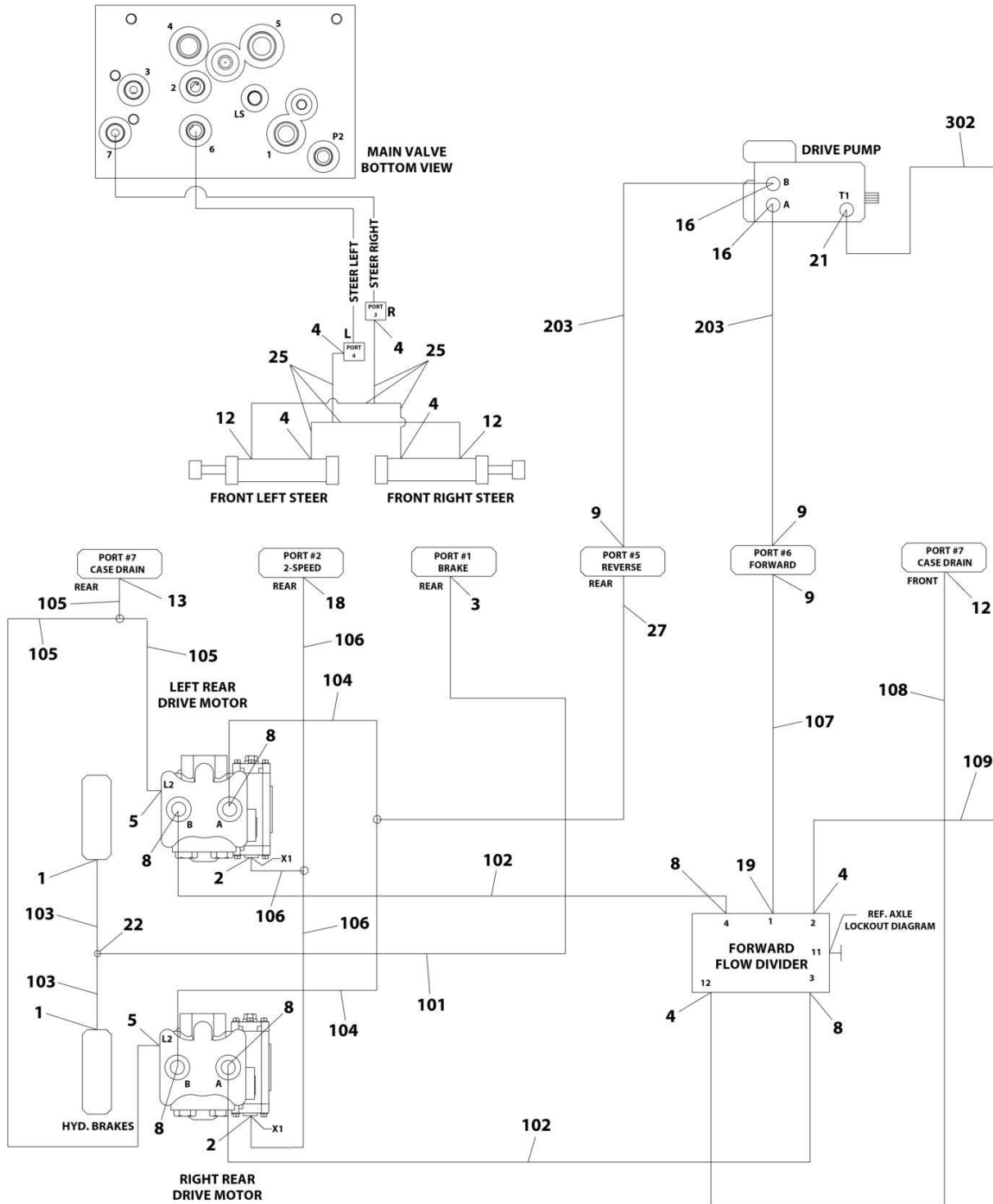
## FIGURE 7-2. HYDRAULIC DIAGRAM - DRIVE (2WD)

ITEM	PART NUMBER	QTY	DESCRIPTION	REV
	1001178218	Ref	DRIVE HYDRAULIC DIAGRAM - 2WD	G
1	2110404	2	Fitting, Straight ORFS/ORB	
2	2110406	3	Fitting, Straight ORFS/ORB	
3	2110408	2	Fitting, Straight ORFS/ORB	
4	2110808	3	Fitting, Straight ORFS/ORB	
5	2110606	7	Fitting, Straight ORFS/ORB	
6	2110812	1	Fitting, Straight ORFS/ORB	
7	1001198337	1	Fitting, Tee ORFS/ORB-RUN	
8	2111212	7	Fitting, Straight ORFS/ORB	
9	2111616	3	Fitting, Straight ORFS/ORB	
10	2112020	1	Fitting, Straight ORFS/ORB	
11	2130404	3	Fitting, 90 ORFS/ORB	
12	2130606	3	Fitting, 90 ORFS/ORB	
13	2151616	1	Fitting, 45 ORFS/ORB	
14	2131012	1	Fitting, 90 ORFS/ORB	
15	2130808	1	Fitting, 90 ORFS/ORB	
16	1001199395	1	Fitting, Tee ORFS/ORFS/ORB	
18	2150406	1	Fitting, 45 ORFS/ORB	
19	2111016	1	Fitting, Straight ORFS/ORB	
22	2170504	1	Fitting, Tee ORFS/ORFS/ORFS	
25	2132016	1	Fitting, 90 ORFS/ORB	
26	2220237	2	Fitting, Plug ORB	
29	2220238	1	Plug	
31	2170204	1	Fitting, 90 ORFS/ORB	
37	2110810	1	Fitting, Straight ORFS/ORB	
48	2131616	2	Fitting, 90 ORFS/ORB	
49	2131212	1	Fitting, 90 ORFS/ORB	
53	1001199396	1	Fitting, 90 ORFS/SORB	
54	1001198333	2	Hose with Crimped Tee	
100	1001270084	1	Towbar Rear Hose Kit	
101	2753622	1	Hose	
102	2753688	2	Hose	
103	2754337	2	Hose	
104	1001159854	2	Hose	
105	1001198334	1	Hose with Crimped Tee	
106	1001198340	1	Hose with Crimped Tee	
400	1001270071	1	Arctic Turntable Hose Kit	
401	2753540	2	Hose	
404	2753667	2	Hose	
405	2753685	1	Hose	
500	1001270072	1	Arctic Turntable Hose Kit	
501	2753555	1	Hose	
502	2753768	1	Hose	
503	1001095307	1	Hose	
504	1001095308	1	Hose	
505	1001157866	1	Hose	
506	2753699	1	Hose	



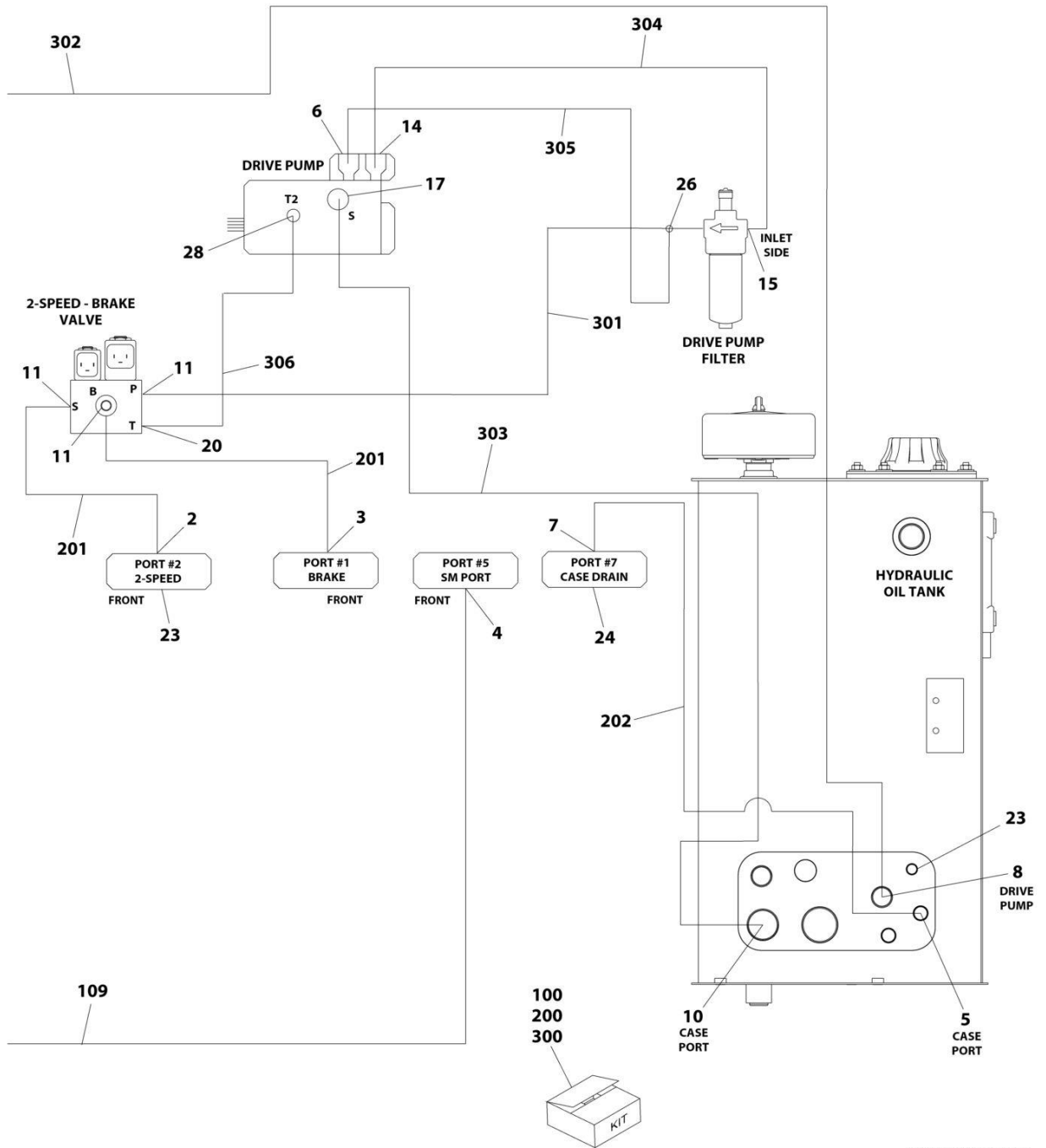
# SECTION 7 - HYDRAULIC

**FIGURE 7-3. HYDRAULIC DIAGRAM - DRIVE (2WD WITHOUT TOWBAR AND ARCTIC PACKAGE)  
(ALL SPECS)**



ART\_1001296862\_10F2

# SECTION 7 - HYDRAULIC



ART\_1001296862\_20F2

## SECTION 7 - HYDRAULIC

**FIGURE 7-3. HYDRAULIC DIAGRAM - DRIVE (2WD WITHOUT TOWBAR AND ARCTIC PACKAGE)  
(ALL SPECS)**

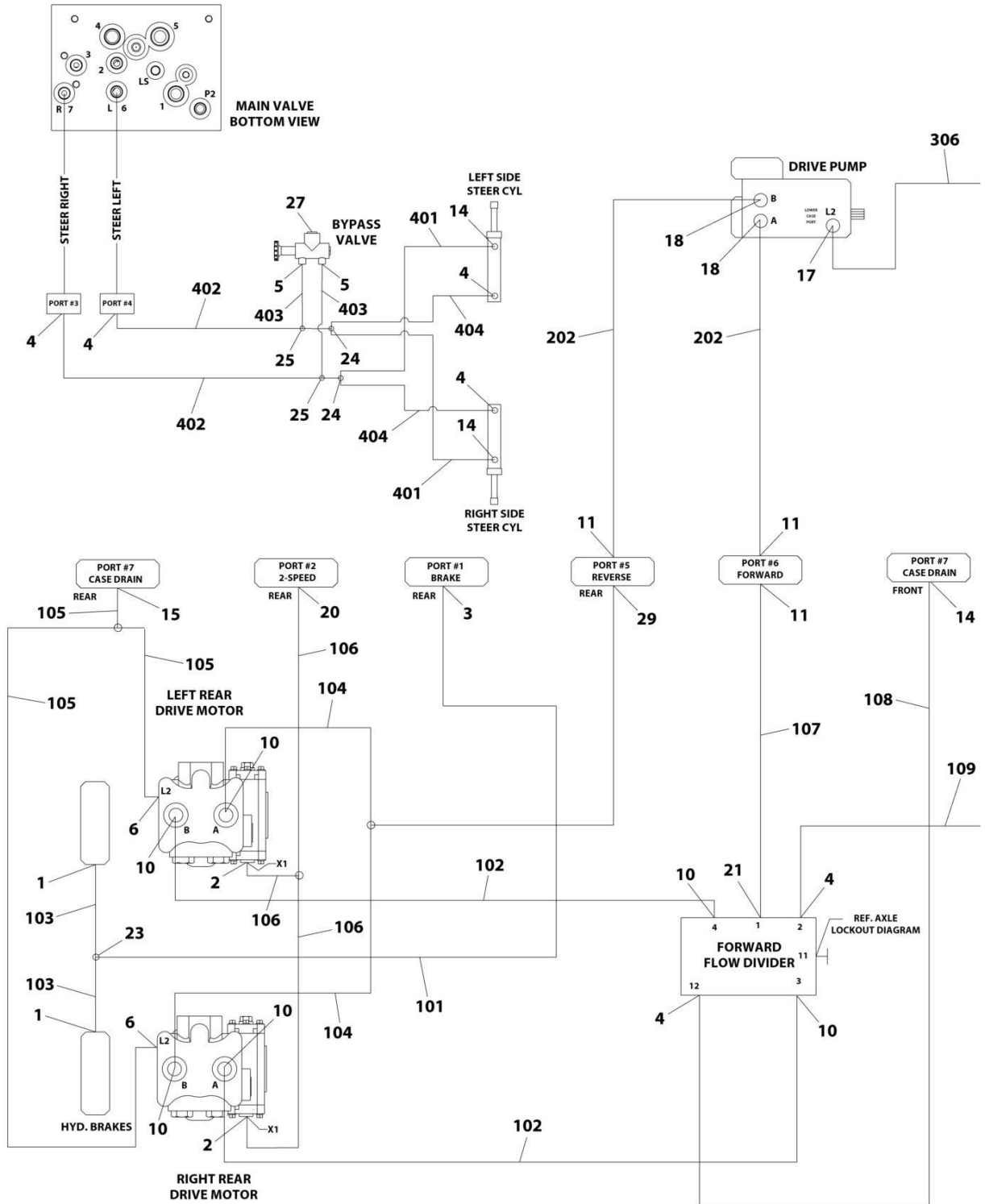
ITEM	PART NUMBER	QTY	DESCRIPTION	REV
	1001296862	Ref	HYDRAULIC DIAGRAM - DRIVE (2WD)	A
1	2110404	2	Fitting, Straight ORFS/ORB	
2	2110406	3	Fitting, Straight ORFS/ORB	
3	2110408	2	Fitting, Straight ORFS/ORB	
4	2110606	7	Fitting, Straight ORFS/ORB	
5	2110808	3	Fitting, Straight ORFS/ORB	
6	2110810	1	Fitting, Straight ORFS/ORB	
7	2110812	1	Fitting, Straight ORFS/ORB	
8	2111212	7	Fitting, Straight ORFS/ORB	
9	2111616	3	Fitting, Straight ORFS/ORB	
10	2112020	1	Fitting, Straight ORFS/ORB	
11	2130404	3	Fitting, 90 ORFS/ORB	
12	2130606	3	Fitting, 90 ORFS/ORB	
13	2130808	1	Fitting, 90 ORFS/ORB	
14	2131010	1	Fitting, 90 ORFS/ORB	
15	2131012	1	Fitting, 90 ORFS/ORB	
16	2131612	2	Fitting, 90 ORFS/ORB	
17	2132016	1	Fitting, 90 ORFS/ORB	
18	2150406	1	Fitting, 45 ORFS/ORB	
19	2151616	1	Fitting, 45 ORFS/ORB	
20	2170204	1	Fitting, 90 ORFS/ORB	
21	2170212	1	Fitting, 90 ORFS/ORB	
22	2170504	1	Fitting, Tee ORFS	
23	2220237	2	Plug 3/8	
24	2220238	1	Plug 1/2	
25	1001198333	2	Hose with Crimped Tee	
26	1001198337	1	Fitting, Tee ORFS/ORB-RUN	
27	1001199395	1	Fitting, Tee ORFS/ORFS/ORB	
28	1001199396	1	Fitting, 90 ORFS/SORB	
100	1001270084	1	Hose Kit - Towbar Rear	
101	2753622	1	Hose	
102	2753688	2	Hose	
103	2754337	2	Hose	
104	1001159854	2	Hose	
105	1001198334	1	Hose with Crimped Tee	
106	1001198340	1	Hose with Crimped Tee	
107	2753635	1	Hose	
108	2754242	1	Hose	
109	2754243	1	Hose	
200	1001296856	1	Hose Kit - Turntable	
201	2753540	2	Hose	
202	2753685	1	Hose	
203	1001296833	2	Hose	
300	1001296857	1	Hose Kit - Turntable	
301	1001095307	1	Hose	
302	1001296834	1	Hose	
303	1001296835	1	Hose	
304	1001296836	1	Hose	
305	1001296837	1	Hose	

## SECTION 7 - HYDRAULIC

ITEM	PART NUMBER	QTY	DESCRIPTION	REV
306	1001296838	1	Hose	

# SECTION 7 - HYDRAULIC

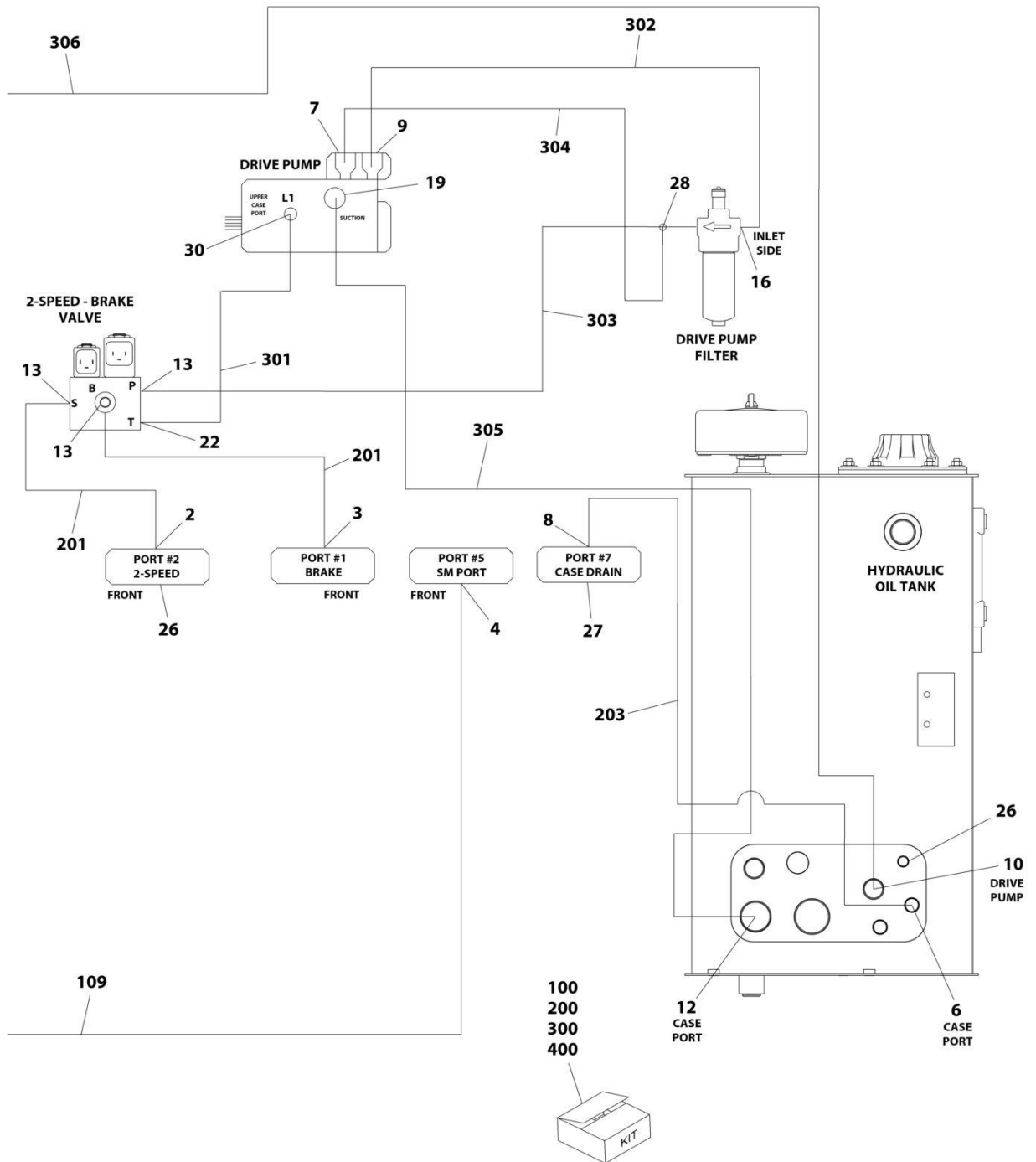
## FIGURE 7-4. HYDRAULIC DIAGRAM - DRIVE (2WD WITH TOW BAR PACKAGE)



ART\_1001287748\_10F2



# SECTION 7 - HYDRAULIC



ART\_1001287748\_20F2

# SECTION 7 - HYDRAULIC

## FIGURE 7-4. HYDRAULIC DIAGRAM - DRIVE (2WD WITH TOW BAR PACKAGE)

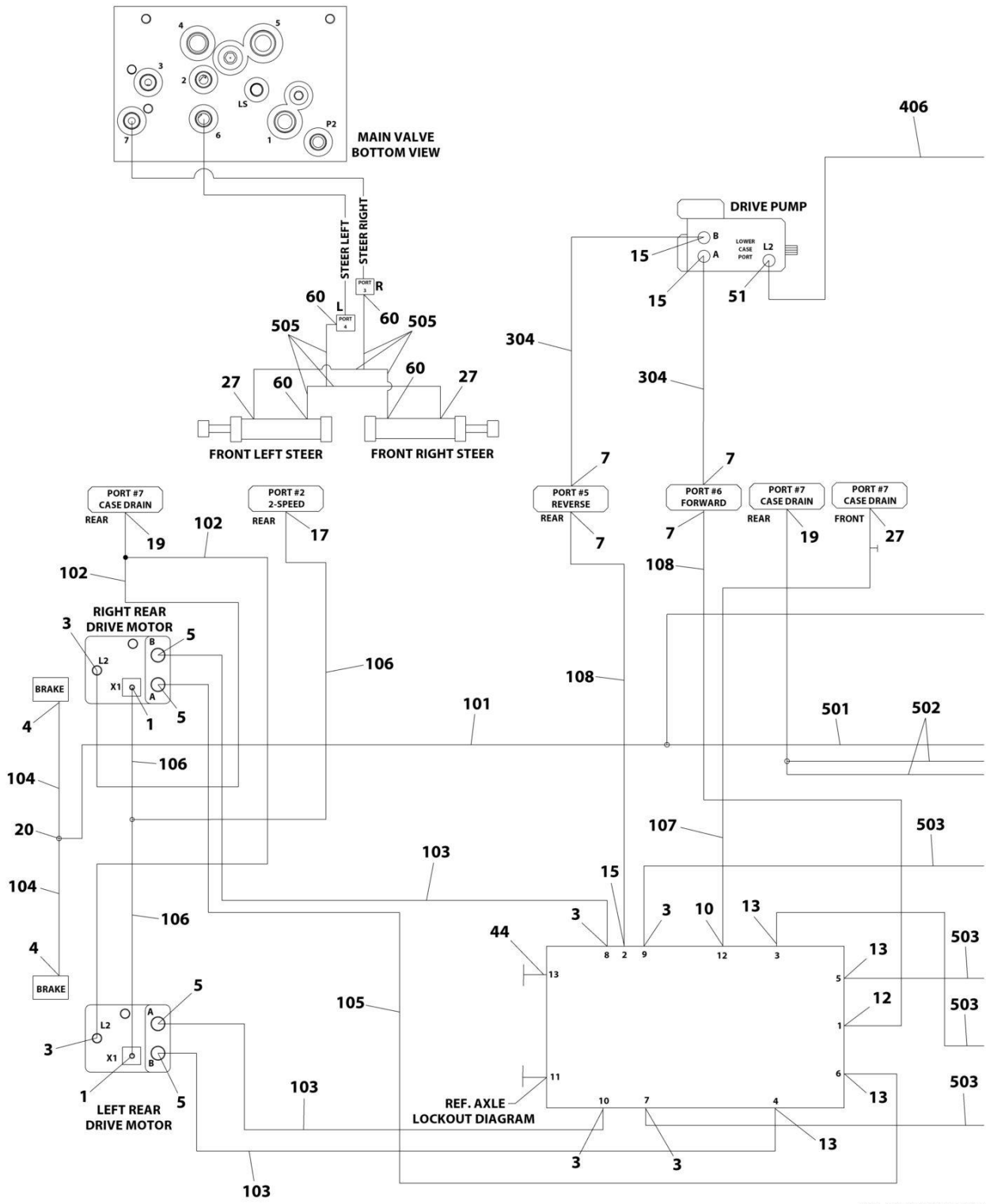
ITEM	PART NUMBER	QTY	DESCRIPTION	REV
	1001287748	Ref	DRIVE HYDRAULIC DIAGRAM - 2WD	A
1	2110404	2	Fitting, Straight ORFS/ORB	
2	2110406	3	Fitting, Straight ORFS/ORB	
3	2110408	2	Fitting, Straight ORFS/ORB	
4	2110606	7	Fitting, Straight ORFS/ORB	
5	2110608	2	Fitting, Straight ORFS/ORB	
6	2110808	3	Fitting, Straight ORFS/ORB	
7	2110810	1	Fitting, Straight ORFS/ORB	
8	2110812	1	Fitting, Straight ORFS/ORB	
9	2111016	1	Fitting, Straight ORFS/ORB	
10	2111212	7	Fitting, Straight ORFS/ORB	
11	2111616	3	Fitting, Straight ORFS/ORB	
12	2112020	1	Fitting, Straight ORFS/ORB	
13	2130404	3	Fitting, 90 ORFS/ORB	
14	2130606	3	Fitting, 90 ORFS/ORB	
15	2130808	1	Fitting, 90 ORFS/ORB	
16	2131012	1	Fitting, 90 ORFS/ORB	
17	2131212	1	Fitting, 90 ORFS/ORB	
18	2131616	2	Fitting, 90 ORFS/ORB	
19	2132016	1	Fitting, 90 ORFS/ORB	
20	2150406	1	Fitting, 45 ORFS/ORB	
21	2151616	1	Fitting, 45 ORFS/ORB	
22	2170204	1	Fitting, 90 ORFS/ORB	
23	2170504	1	Fitting, Tee ORFS/ORFS/ORFS	
24	2170506	2	Fitting, Tee ORFS/ORFS/ORFS	
25	2170706	2	Fitting, Tee ORFS/FSORFS/ORFS	
26	2220237	2	Fitting, Plug ORB	
27	2220238	2	Plug	
28	1001198337	1	Fitting, Tee ORFS/ORB-RUN	
29	1001199395	1	Fitting, Tee ORFS/ORFS/ORB	
30	1001199396	1	Fitting, 90 ORFS/SORB	
100	1001270084	1	Towbar Rear Hose Kit	
101	2753622	1	Hose	
102	2753688	2	Hose	
103	2754337	2	Hose	
104	1001159854	2	Hose	
105	1001198334	1	Hose with Crimped Tee	
106	1001198340	1	Hose with Crimped Tee	
107	2753635	1	Hose	
108	2754242	1	Hose	
109	2754243	1	Hose	
200	1001270071	1	Arctic Turntable Hose Kit	
201	2753540	2	Hose	
202	2753667	2	Hose	
203	2753685	1	Hose	
300	1001270072	1	Arctic Turntable Hose Kit	
301	2753555	1	Hose	
302	2753768	1	Hose	
303	1001095307	1	Hose	
304	1001095308	1	Hose	

## SECTION 7 - HYDRAULIC

ITEM	PART NUMBER	QTY	DESCRIPTION	REV
305	1001157866	1	Hose	
306	2753699	1	Hose	
400	1001270077	1	Towbar Front Hose Kit	
401	2753656	2	Hose	
402	2753732	2	Hose	
403	2753879	2	Hose	
404	1001159340	2	Hose	

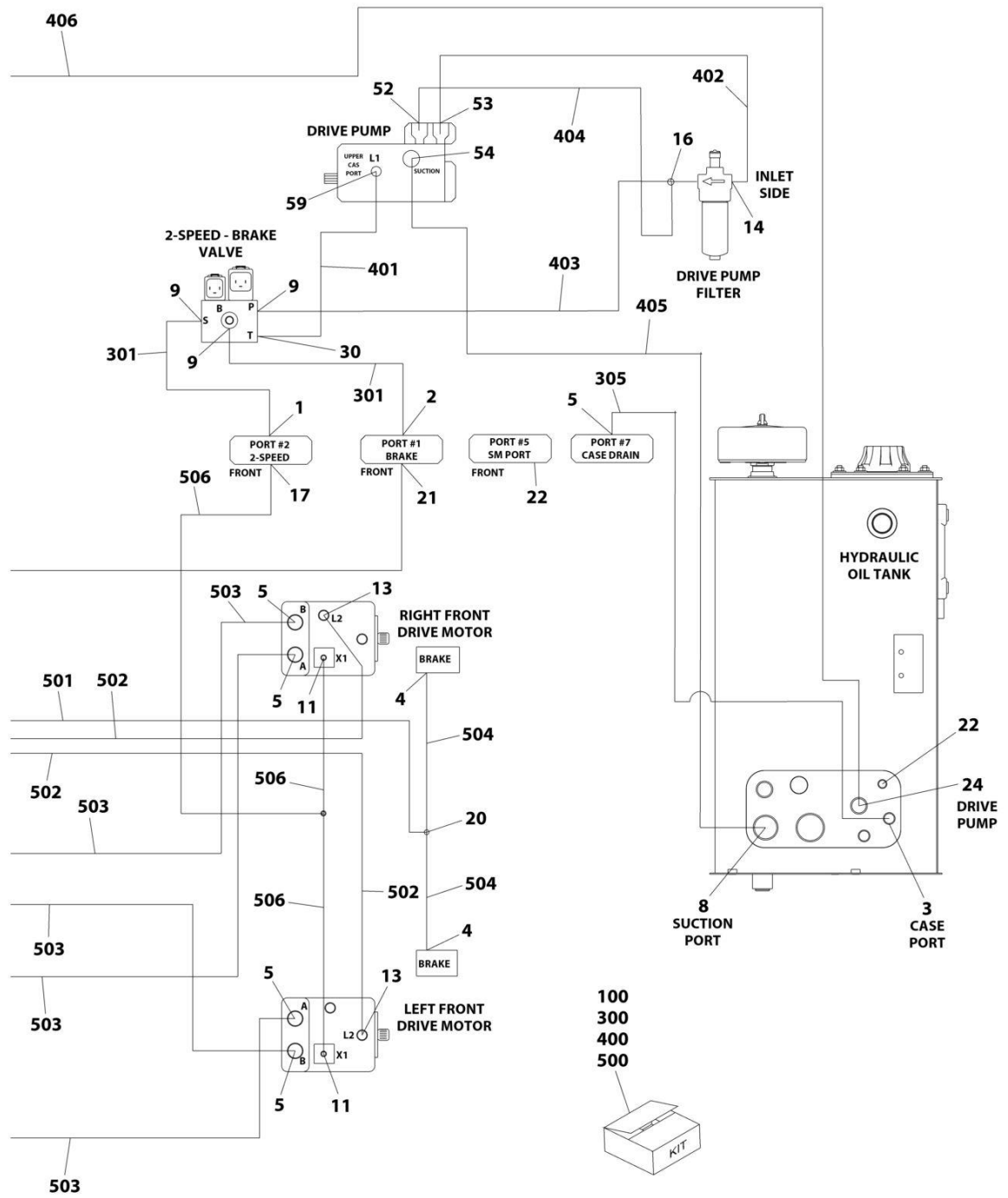
# SECTION 7 - HYDRAULIC

## FIGURE 7-5. HYDRAULIC DIAGRAM - DRIVE (4WD WITHOUT ARCTIC PACKAGE)



ART\_1001178219\_F\_10F2

# SECTION 7 - HYDRAULIC



ART\_1001178219\_F\_20F2

# SECTION 7 - HYDRAULIC

## FIGURE 7-5. HYDRAULIC DIAGRAM - DRIVE (4WD WITHOUT ARCTIC PACKAGE)

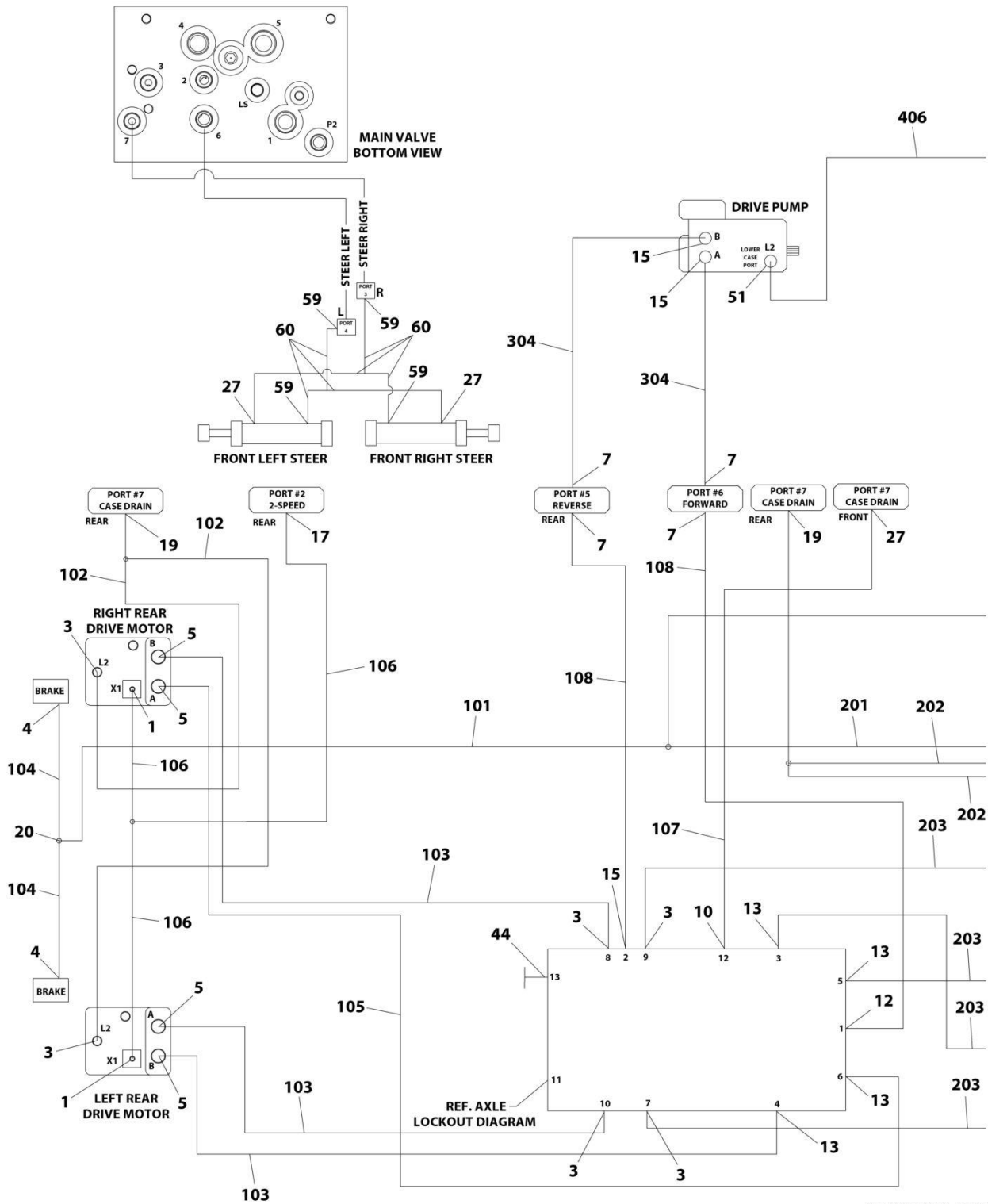
ITEM	PART NUMBER	QTY	DESCRIPTION	REV
	1001178219	Ref	HYDRAULIC DIAGRAM - DRIVE (4WD)	F
1	2110406	3	Fitting, Straight ORFS/ORB	
2	2110408	1	Fitting, Straight ORFS/ORB	
3	2110808	7	Fitting, Straight ORFS/ORB	
4	2110404	4	Fitting, Straight ORFS/ORB	
5	2110812	9	Fitting, Straight ORFS/ORB	
7	2111616	4	Fitting, Straight ORFS/ORB	
8	2112020	1	Fitting, Straight ORFS/ORB	
9	2130404	3	Fitting, 90 ORFS/ORB	
10	2130604	1	Fitting, 90 ORFS/ORB	
11	2130406	2	Fitting, 90 ORFS/ORB	
12	2151616	1	Fitting, 90 ORFS/ORB	
13	2130808	6	Fitting, 90 ORFS/ORB	
14	2131012	1	Fitting, 90 ORFS/ORB	
15	2131616	3	Fitting, 90 ORFS/ORB	
16	1001198337	1	Fitting, Tee ORFS/ORB-RUN	
17	2150406	2	Fitting, 45 ORFS/ORB	
19	2170408	2	Fitting, Tee ORFS/ORB/ORFS	
20	2170504	2	Fitting, Tee ORFS/ORFS/ORFS	
21	1001198338	1	Fitting, Tee ORFS/SORB/ORFS	
22	2220237	2	Fitting, Plug ORB	
24	2111212	1	Fitting, Straight ORFS/ORB	
27	2130606	3	Fitting, 90 ORFS/ORB	
30	2170204	1	Fitting, 90 ORFS/ORB	
44	2220238	1	Plug	
51	2131212	1	Fitting, 90 ORFS/ORB	
52	2110810	1	Fitting, Straight ORFS/ORB	
53	2111016	1	Fitting, Straight ORFS/ORB	
54	2132016	1	Fitting, 90 ORFS/ORB	
59	1001199396	1	Fitting, 90 ORFS/SORB	
60	2110606	4	Fitting, Straight ORFS/ORB	
100	1001270069	1	Arctic Towbar Hose Kit	
101	2753622	1	Hose	
102	2753686	2	Hose	
103	2753971	3	Hose	
104	2754337	2	Hose	
105	2754338	1	Hose	
106	1001198340	1	Hose with Crimped Tee	
107	2753626	1	Hose	
108	2753634	2	Hose	
300	1001270071	1	Arctic Turntable Hose Kit	
301	2753540	2	Hose	
304	2753667	2	Hose	
305	2753685	1	Hose	
400	1001270072	1	Arctic Turntable Hose Kit	
401	2753555	1	Hose	
402	2753768	1	Hose	
403	1001095307	1	Hose	
404	1001095308	1	Hose	
405	1001157866	1	Hose	

## SECTION 7 - HYDRAULIC

ITEM	PART NUMBER	QTY	DESCRIPTION	REV
406	2753699	1	Hose	
500	1001270630	1	Front Hose Kit	
501	2753542	1	Hose	
502	2753628	2	Hose	
503	2753970	4	Hose	
504	2754512	2	Hose	
505	1001198333	2	Hose	
506	1001198341	1	Hose	

# SECTION 7 - HYDRAULIC

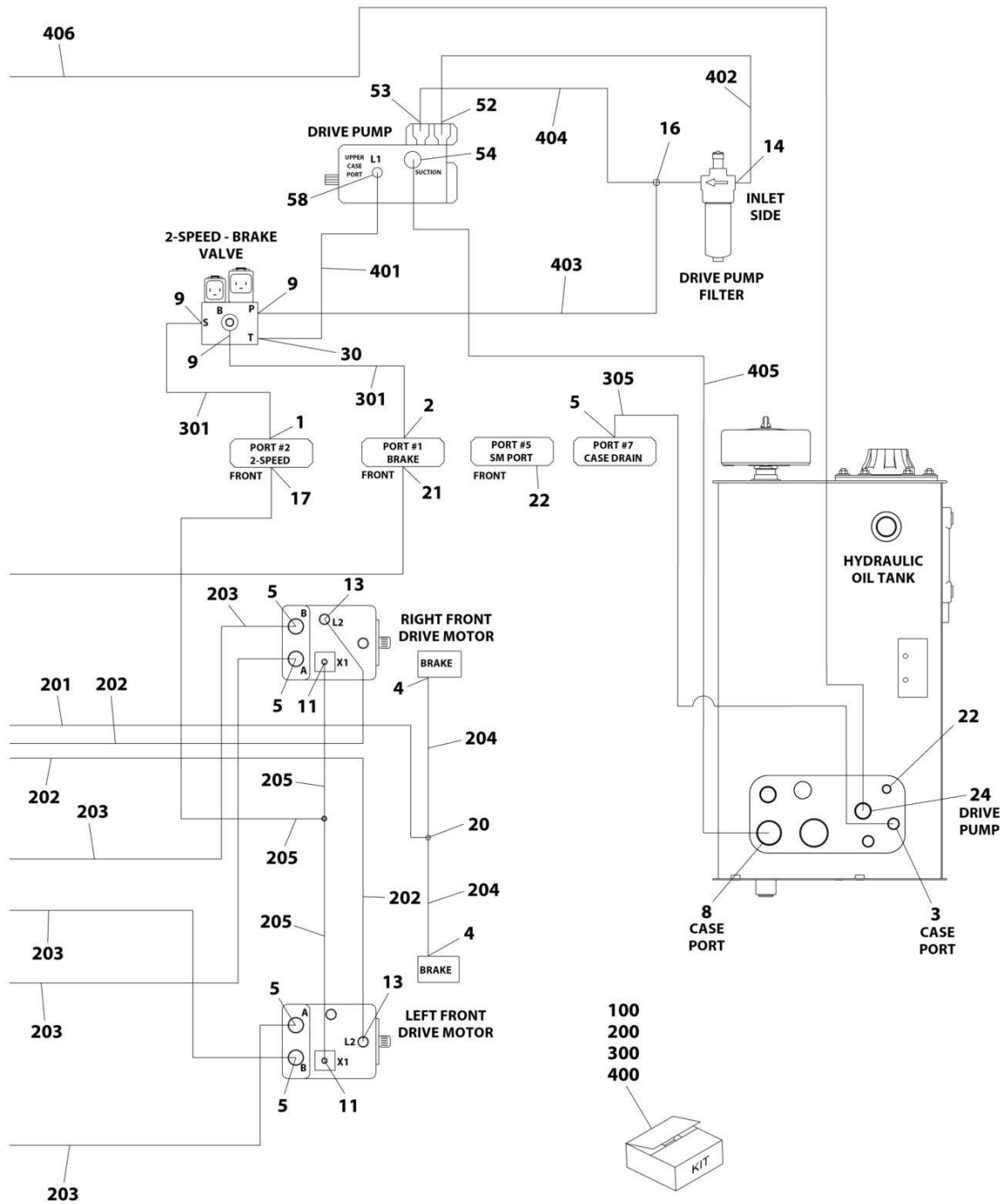
## FIGURE 7-6. HYDRAULIC DIAGRAM - DRIVE (4WD WITH ARCTIC PACKAGE)



ART\_1001178220\_G\_10F2



# SECTION 7 - HYDRAULIC



ART\_1001178220\_G\_20F2

# SECTION 7 - HYDRAULIC

## FIGURE 7-6. HYDRAULIC DIAGRAM - DRIVE (4WD WITH ARCTIC PACKAGE)

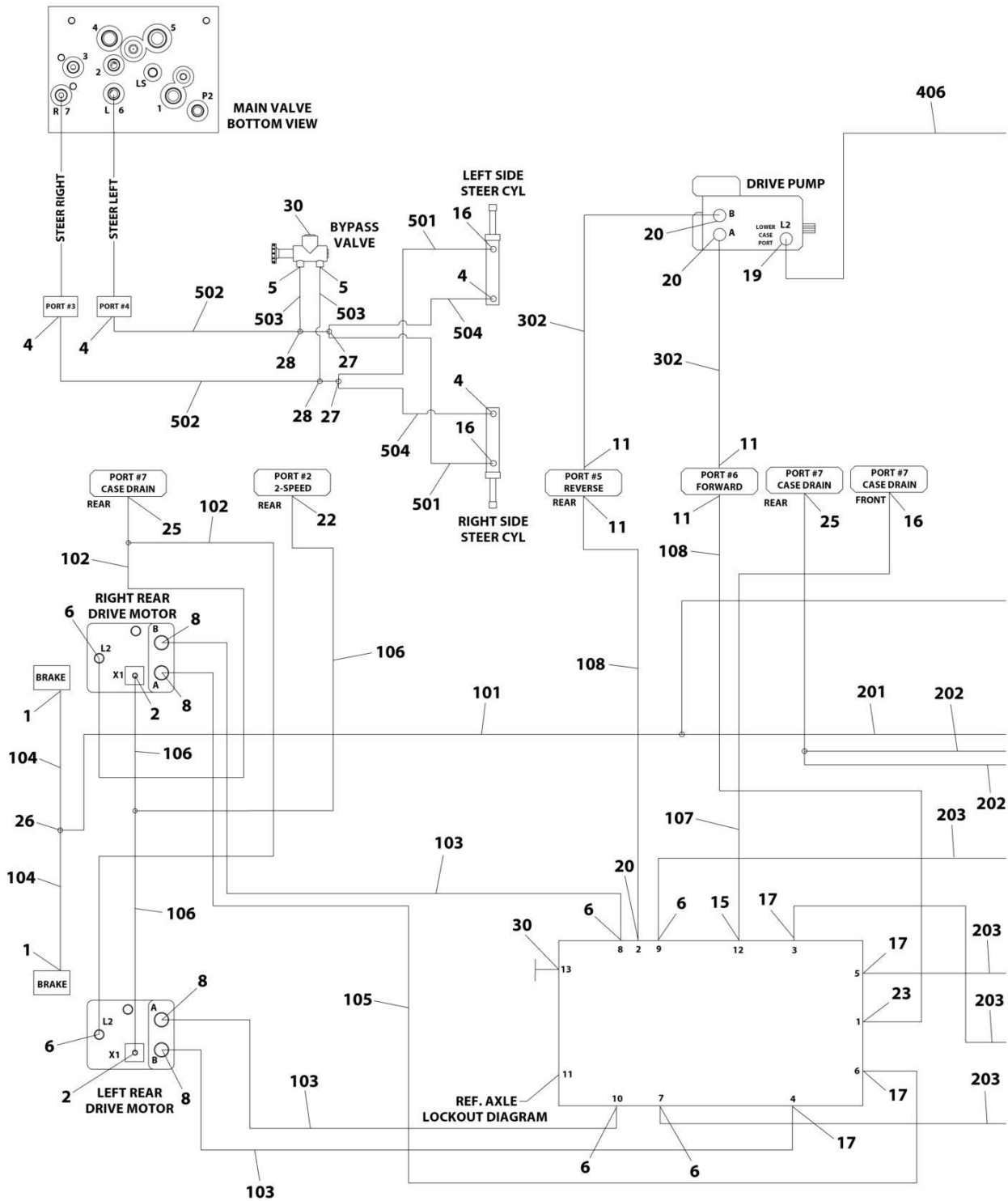
ITEM	PART NUMBER	QTY	DESCRIPTION	REV
	1001178220	Ref	HYDRAULIC DIAGRAM - DRIVE (4WD)	G
1	2110406	3	Fitting, Straight ORFS/ORB	
2	2110408	1	Fitting, Straight ORFS/ORB	
3	2110808	7	Fitting, Straight ORFS/ORB	
4	2110404	4	Fitting, Straight ORFS/ORB	
5	2110812	9	Fitting, Straight ORFS/ORB	
7	2111616	4	Fitting, Straight ORFS/ORB	
8	2112020	1	Fitting, Straight ORFS/ORB	
9	2130404	3	Fitting, 90 ORFS/ORB	
10	2130604	1	Fitting, 90 ORFS/ORB	
11	2130406	2	Fitting, 90 ORFS/ORB	
12	2151616	1	Fitting, 90 ORFS/ORB	
13	2130808	6	Fitting, 90 ORFS/ORB	
14	2131012	1	Fitting, 90 ORFS/ORB	
15	2131616	3	Fitting, 90 ORFS/ORB	
16	1001198337	1	Fitting, Tee ORFS/ORB-RUN	
17	2150406	2	Fitting, 45 ORFS/ORB	
19	2170408	2	Fitting, Tee ORFS/ORB/ORFS	
20	2170504	2	Fitting, Tee ORFS/ORFS/ORFS	
21	1001198338	1	Fitting, Tee ORFS/SORB/ORFS	
22	2220237	2	Fitting, Plug ORB	
24	2111212	1	Fitting, Straight ORFS/ORB	
27	2130606	3	Fitting, 90 ORFS/ORB	
30	2170204	1	Fitting, 90 ORFS/ORB	
44	2220238	1	Hose	
51	2131212	1	Fitting, 90 ORFS/ORB	
52	2111016	1	Fitting, Straight ORFS/ORB	
53	2110810	1	Fitting, Straight ORFS/ORB	
54	2132016	1	Fitting, 90 ORFS/ORB	
58	1001199396	1	Fitting, 90 ORFS/SORB	
59	2110606	4	Fitting, Straight ORFS/ORB	
60	1001198333	2	Hose	
100	1001270069	1	Arctic Towbar Hose Kit	
101	2753622	1	Hose	
102	2753686	2	Hose	
103	2753971	3	Hose	
104	2754337	2	Hose	
105	2754338	1	Hose	
106	1001198340	1	Hose with Crimped Tee	
107	2753626	1	Hose	
108	2753634	2	Hose	
200	1001270073	1	Arctic Towbar Hose Kit	
201	2753542	1	Hose	
202	2754720	2	Hose	
203	2754743	4	Hose	
204	1001106957	2	Hose	
205	1001204269	1	Hose with Crimped Tee	
300	1001270071	1	Arctic Turntable Hose Kit	
301	2753540	2	Hose	
304	2753667	2	Hose	

## SECTION 7 - HYDRAULIC

ITEM	PART NUMBER	QTY	DESCRIPTION	REV
305	2753685	1	Hose	
400	1001270072	1	Arctic Turntable Hose Kit	
401	2753555	1	Hose	
402	2753768	1	Hose	
403	1001095307	1	Hose	
404	1001095308	1	Hose	
405	1001157866	1	Hose	
406	2753699	1	Hose	

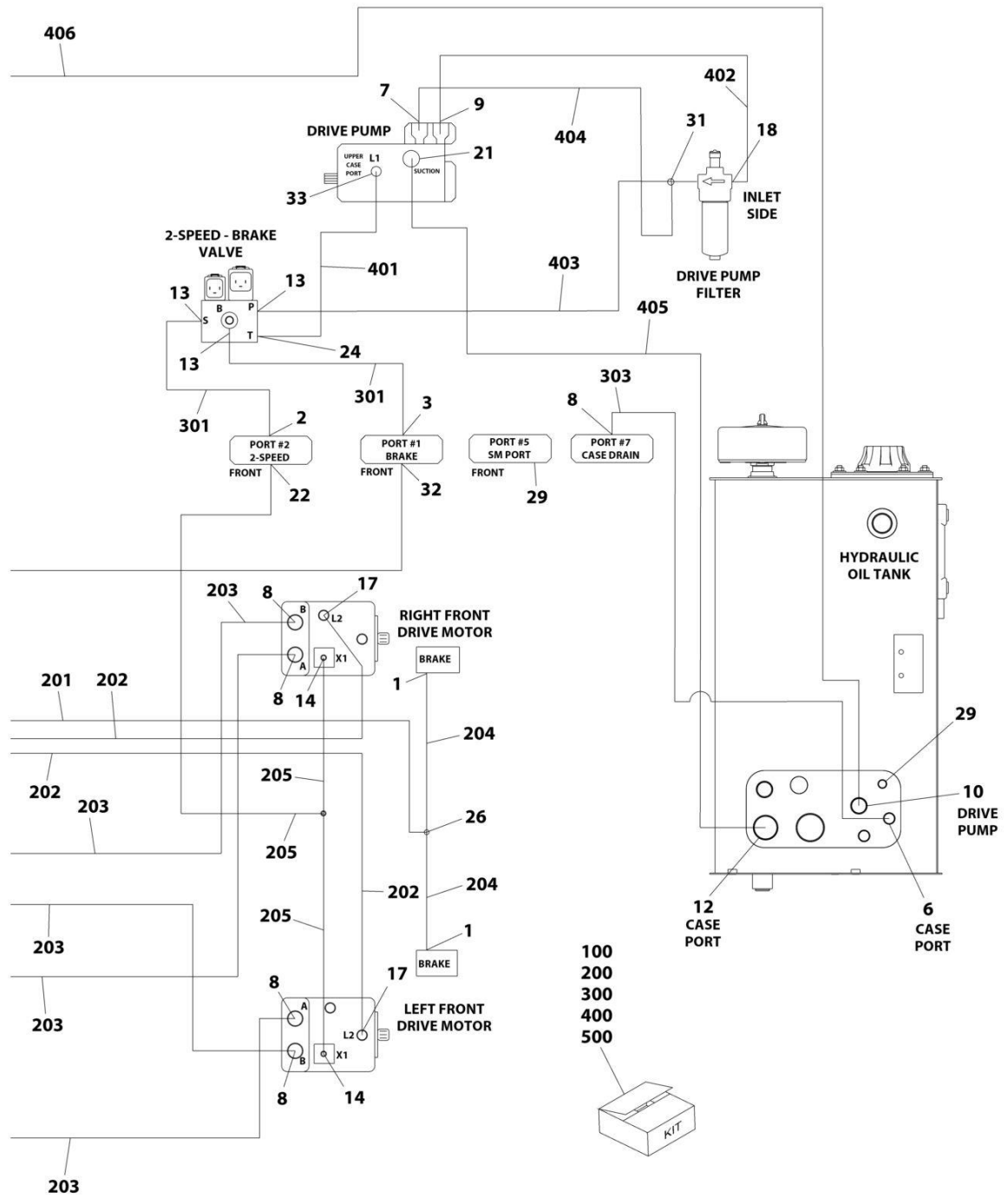
# SECTION 7 - HYDRAULIC

## FIGURE 7-7. HYDRAULIC DIAGRAM - DRIVE (4WD WITH TOW BAR PACKAGE)



ART\_1001287749\_10F2

# SECTION 7 - HYDRAULIC



ART\_1001287749\_20F2

# SECTION 7 - HYDRAULIC

## FIGURE 7-7. HYDRAULIC DIAGRAM - DRIVE (4WD WITH TOW BAR PACKAGE)

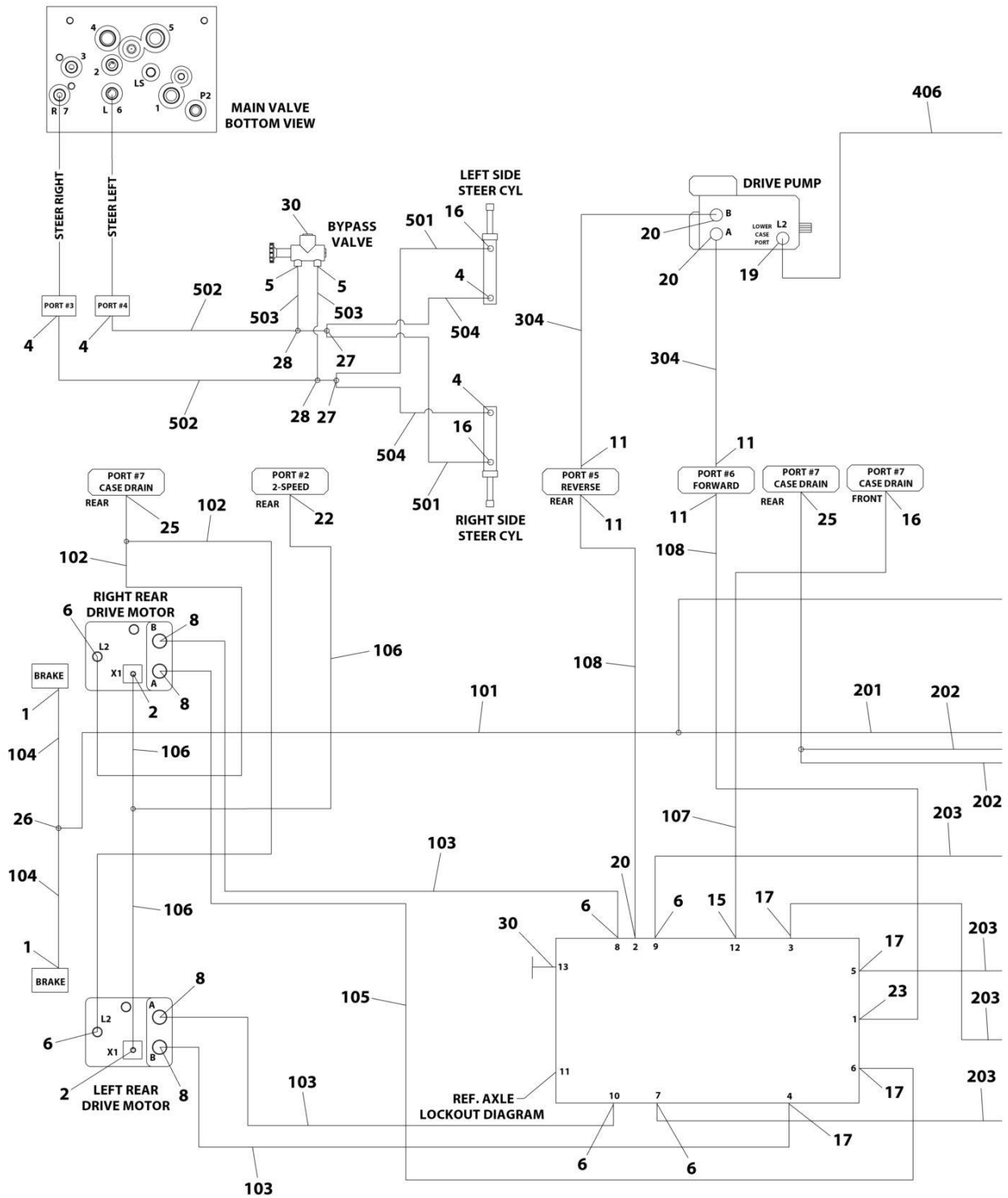
ITEM	PART NUMBER	QTY	DESCRIPTION	REV
	1001287749	Ref	HYDRAULIC DIAGRAM - DRIVE (4WD)	A
1	2110404	4	Fitting, Straight ORFS/ORB	
2	2110406	3	Fitting, Straight ORFS/ORB	
3	2110408	1	Fitting, Straight ORFS/ORB	
4	2110606	4	Fitting, Straight ORFS/ORB	
5	2110608	2	Fitting, Straight ORFS/ORB	
6	2110808	7	Fitting, Straight ORFS/ORB	
7	2110810	1	Fitting, Straight ORFS/ORB	
8	2110812	9	Fitting, Straight ORFS/ORB	
9	2111016	1	Fitting, Straight ORFS/ORB	
10	2111212	1	Fitting, Straight ORFS/ORB	
11	2111616	4	Fitting, Straight ORFS/ORB	
12	2112020	1	Fitting, Straight ORFS/ORB	
13	2130404	3	Fitting, 90 ORFS/ORB	
14	2130406	2	Fitting, 90 ORFS/ORB	
15	2130604	1	Fitting, 90 ORFS/ORB	
16	2130606	3	Fitting, 90 ORFS/ORB	
17	2130808	6	Fitting, 90 ORFS/ORB	
18	2131012	1	Fitting, 90 ORFS/ORB	
19	2131212	1	Fitting, 90 ORFS/ORB	
20	2131616	3	Fitting, 90 ORFS/ORB	
21	2132016	1	Fitting, 90 ORFS/ORB	
22	2150406	2	Fitting, 45 ORFS/ORB	
23	2151616	1	Fitting, 90 ORFS/ORB	
24	2170204	1	Fitting, 90 ORFS/ORB	
25	2170408	2	Fitting, Tee ORFS/ORB/ORFS	
26	2170504	2	Fitting, Tee ORFS/ORFS/ORFS	
27	2170506	2	Fitting, Tee ORFS/ORFS/ORFS	
28	2170706	2	Fitting, Tee ORFS/FSORFS/ORFS	
29	2220237	2	Fitting, Plug ORB	
30	2220238	2	Hose	
31	1001198337	1	Fitting, Tee ORFS/ORB-RUN	
32	1001198338	1	Fitting, Tee ORFS/SORB/ORFS	
33	1001199396	1	Fitting, 90 ORFS/SORB	
100	1001270069	1	Arctic Towbar Hose Kit	
101	2753622	1	Hose	
102	2753686	2	Hose	
103	2753971	3	Hose	
104	2754337	2	Hose	
105	2754338	1	Hose	
106	1001198340	1	Hose with Crimped Tee	
107	2753626	1	Hose	
108	2753634	2	Hose	
200	1001270070	1	Front Hose Kit	
201	2753542	1	Hose	
202	2753628	2	Hose	
203	2753970	4	Hose	
204	2754512	2	Hose	
205	1001198341	1	Hose	
300	1001270071	1	Arctic Turntable Hose Kit	

## SECTION 7 - HYDRAULIC

ITEM	PART NUMBER	QTY	DESCRIPTION	REV
301	2753540	2	Hose	
302	2753667	2	Hose	
303	2753685	1	Hose	
400	1001270072	1	Arctic Turntable Hose Kit	
401	2753555	1	Hose	
402	2753768	1	Hose	
403	1001095307	1	Hose	
404	1001095308	1	Hose	
405	1001157866	1	Hose	
406	2753699	1	Hose	
500	1001270077	1	Towbar Front Hose Kit	
501	2753656	2	Hose	
502	2753732	2	Hose	
503	2753879	2	Hose	
504	1001159340	2	Hose	

# SECTION 7 - HYDRAULIC

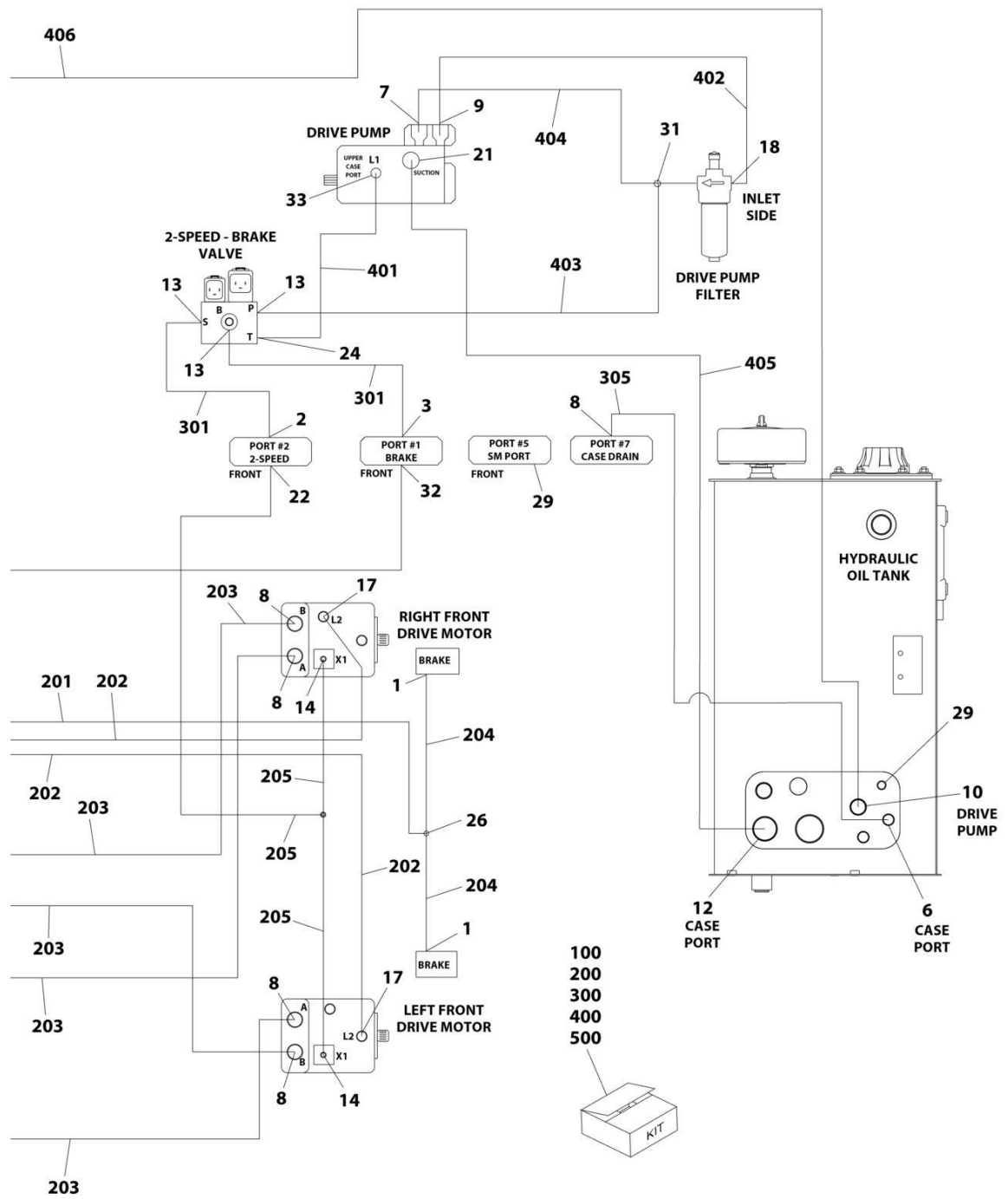
FIGURE 7-8. HYDRAULIC DIAGRAM - DRIVE (4WD WITH ARCTIC & TOW BAR PACKAGE)



ART\_1001287750\_10F2



# SECTION 7 - HYDRAULIC



ART\_100128750\_20F2

## SECTION 7 - HYDRAULIC

FIGURE 7-8. HYDRAULIC DIAGRAM - DRIVE (4WD WITH ARCTIC & TOW BAR PACKAGE)

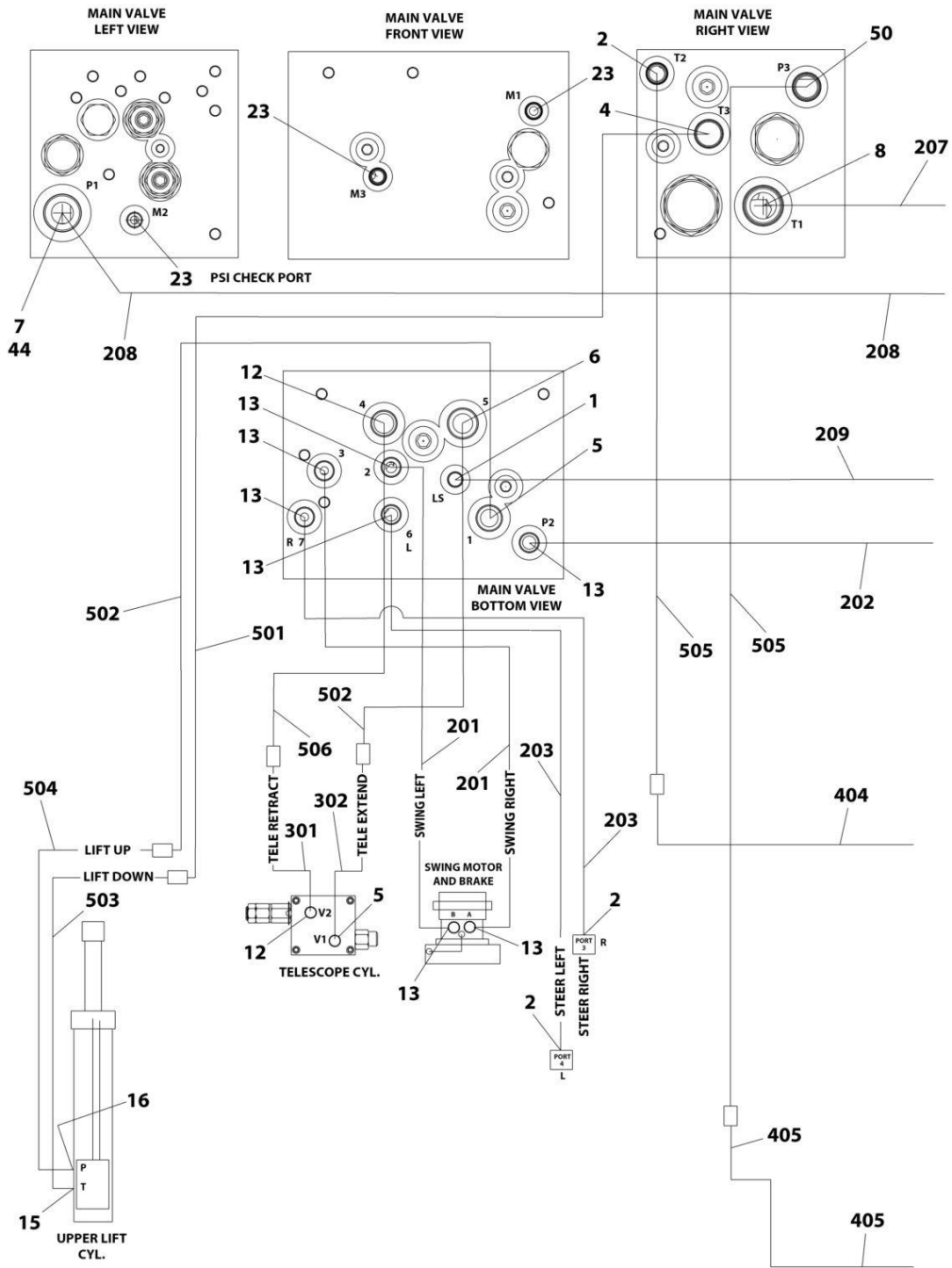
ITEM	PART NUMBER	QTY	DESCRIPTION	REV
	1001287750	Ref	HYDRAULIC DIAGRAM - DRIVE (4WD)	A
1	2110404	4	Fitting, Straight ORFS/ORB	
2	2110406	3	Fitting, Straight ORFS/ORB	
3	2110408	1	Fitting, Straight ORFS/ORB	
4	2110606	4	Fitting, Straight ORFS/ORB	
5	2110608	2	Fitting, Straight ORFS/ORB	
6	2110808	7	Fitting, Straight ORFS/ORB	
7	2110810	1	Fitting, Straight ORFS/ORB	
8	2110812	9	Fitting, Straight ORFS/ORB	
9	2111016	1	Fitting, Straight ORFS/ORB	
10	2111212	1	Fitting, Straight ORFS/ORB	
11	2111616	4	Fitting, Straight ORFS/ORB	
12	2112020	1	Fitting, Straight ORFS/ORB	
13	2130404	3	Fitting, 90 ORFS/ORB	
14	2130406	2	Fitting, 90 ORFS/ORB	
15	2130604	1	Fitting, 90 ORFS/ORB	
16	2130606	3	Fitting, 90 ORFS/ORB	
17	2130808	6	Fitting, 90 ORFS/ORB	
18	2131012	1	Fitting, 90 ORFS/ORB	
19	2131212	1	Fitting, 90 ORFS/ORB	
20	2131616	3	Fitting, 90 ORFS/ORB	
21	2132016	1	Fitting, 90 ORFS/ORB	
22	2150406	2	Fitting, 45 ORFS/ORB	
23	2151616	1	Fitting, 90 ORFS/ORB	
24	2170204	1	Fitting, 90 ORFS/ORB	
25	2170408	2	Fitting, Tee ORFS/ORB/ORFS	
26	2170504	2	Fitting, Tee ORFS/ORFS/ORFS	
27	2170506	2	Fitting, Tee ORFS/ORFS/ORFS	
28	2170706	2	Fitting, Tee ORFS/FSORFS/ORFS	
29	2220237	2	Fitting, Plug ORB	
30	2220238	1	Hose	
31	1001198337	1	Fitting, Tee ORFS/ORB-RUN	
32	1001198338	1	Fitting, Tee ORFS/SORB/ORFS	
33	1001199396	1	Fitting, 90 ORFS/SORB	
100	1001270069	1	Arctic Towbar Hose Kit	
101	2753622	1	Hose	
102	2753686	2	Hose	
103	2753971	3	Hose	
104	2754337	2	Hose	
105	2754338	1	Hose	
106	1001198340	1	Hose with Crimped Tee	
107	2753626	1	Hose	
108	2753634	2	Hose	
200	1001270073	1	Arctic Towbar Hose Kit	
201	2753542	1	Hose	
202	2754720	2	Hose	
203	2754743	4	Hose	
204	1001106957	2	Hose	
205	1001204269	1	Hose with Crimped Tee	
300	1001270071	1	Arctic Turntable Hose Kit	

## SECTION 7 - HYDRAULIC

ITEM	PART NUMBER	QTY	DESCRIPTION	REV
301	2753540	2	Hose	
304	2753667	2	Hose	
305	2753685	1	Hose	
400	1001270072	1	Arctic Turntable Hose Kit	
401	2753555	1	Hose	
402	2753768	1	Hose	
403	1001095307	1	Hose	
404	1001095308	1	Hose	
405	1001157866	1	Hose	
406	2753699	1	Hose	
500	1001270077	1	Towbar Front Hose Kit	
501	2753656	2	Hose	
502	2753732	2	Hose	
503	2753879	2	Hose	
504	1001159340	2	Hose	

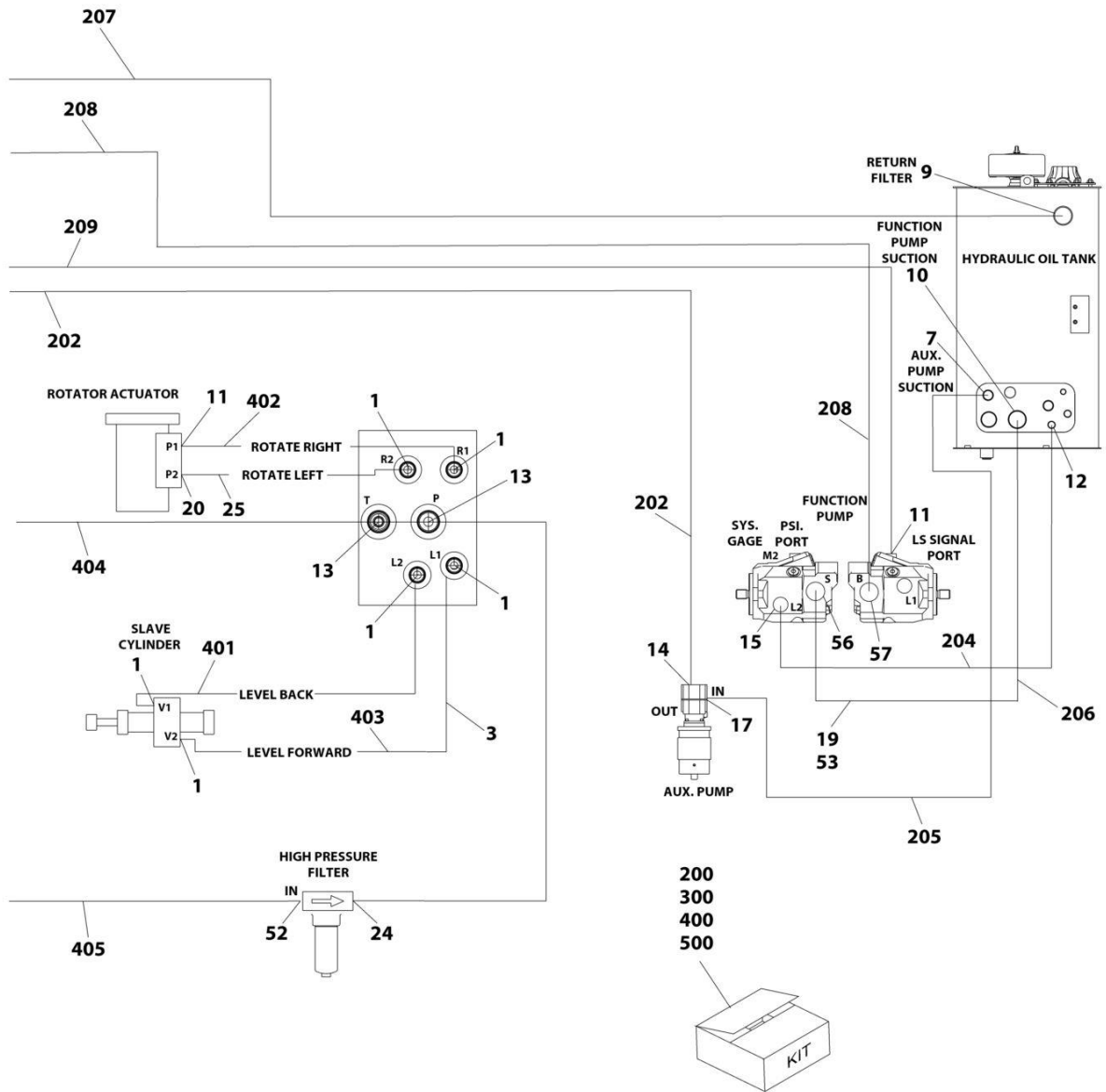
# SECTION 7 - HYDRAULIC

## FIGURE 7-9. HYDRAULIC DIAGRAM - DRIVE (4WD WITH ARCTIC PACKAGE)



ART\_1001178215\_M\_10F2

# SECTION 7 - HYDRAULIC



ART\_1001178215\_M\_2OF2

# SECTION 7 - HYDRAULIC

## FIGURE 7-9. HYDRAULIC DIAGRAM - DRIVE (4WD WITH ARCTIC PACKAGE)

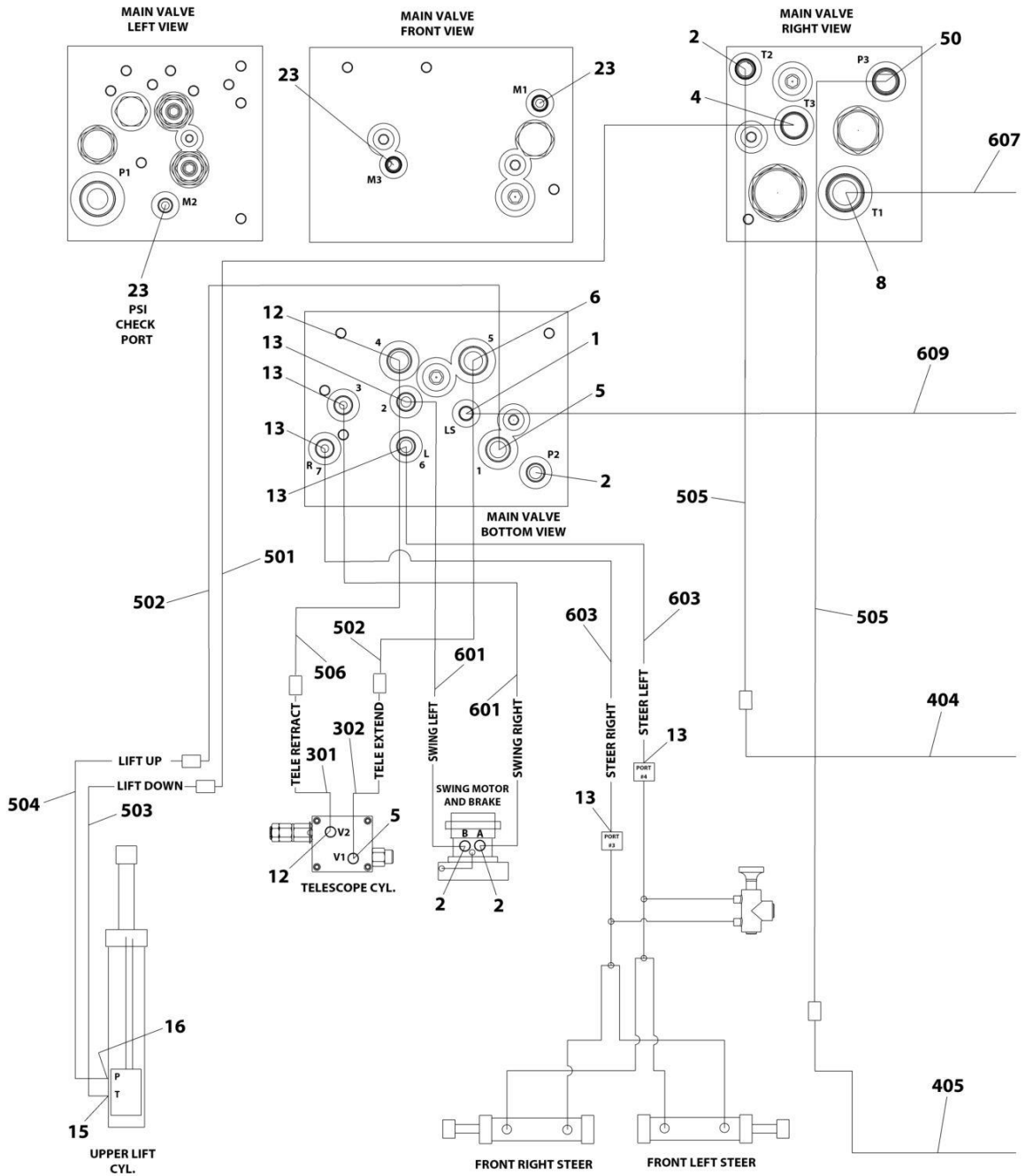
ITEM	PART NUMBER	QTY	DESCRIPTION	REV
	1001178215	Ref	STANDARD HYDRAULIC DIAGRAM	M
1	2110404	7	Fitting, Straight ORFS/ORB	
2	2110606	3	Fitting, Straight ORFS/ORB	
3	2717059	1	Hose	
4	2170208	1	Fitting, 90 ORFS/ORB	
5	2111008	2	Fitting, Straight ORFS/ORB	
6	2111010	1	Fitting, Straight ORFS/ORB	
7	2111212	2	Fitting, Straight ORFS/ORB	
8	88662327	1	Fitting, Straight ORFS/ORB	
9	2151616	1	Fitting, 45 ORFS/ORB	
10	2112424	1	Fitting, Straight ORFS/ORB	
11	2130404	2	Fitting, 90 ORFS/ORB	
12	2110808	3	Fitting, Straight ORFS/ORB	
13	2130606	9	Fitting, 90 ORFS/ORB	
14	2130608	1	Fitting, 90 ORFS/ORB	
15	2130810	2	Fitting, 90 ORFS/ORB	
16	2131010	1	Fitting, 90 ORFS/ORB	
17	2111208	1	Fitting, Straight ORFS/ORB	
19	4240018	3	Tie-Strap	
20	2150404	1	Fitting, 45 ORFS/ORB	
23	2221086	3	Fitting, Pressure Check	
24	2110612	1	Fitting, Straight ORFS/ORB	
25	2753545	1	Hose	
44	2172112	1	Fitting, 90 ORFS/FSORFS	
50	2110608	1	Fitting, Straight ORFS/ORB	
52	2130612	1	Fitting, 90 ORFS/ORB	
53	4061032	1	Hose, Guard	
56	2220737	1	Split Flange Kit	
57	2220478	1	Split Flange Kit	
200	1001270075	1	Turntable Hose Kit	
201	2753653	2	Hose	
202	2753654	1	Hose	
203	2753656	2	Hose	
204	2753686	1	Hose	
205	1001111968	1	Hose	
206	1001157851	1	Hose	
207	1001177226	1	Hose	
208	1001181894	1	Hose	
209	2753622	1	Hose	
300	1001270076	1	Boom Hose Kit	
301	2753681	1	Hose	
302	2753683	1	Hose	
400	1001271618	1	Hose Kit	
401	2753622	1	Hose	
402	2753674	1	Hose	
403	2753675	1	Hose	
404	2753679	1	Hose	
405	2753693	1	Hose	
500	1001271619	1	Hose Kit	
501	2753670	1	Hose	

## SECTION 7 - HYDRAULIC

ITEM	PART NUMBER	QTY	DESCRIPTION	REV
502	2753671	2	Hose	
503	2753682	1	Hose	
504	2753684	1	Hose	
505	1001167194	2	Hose	
506	1001167196	1	Hose	

# SECTION 7 - HYDRAULIC

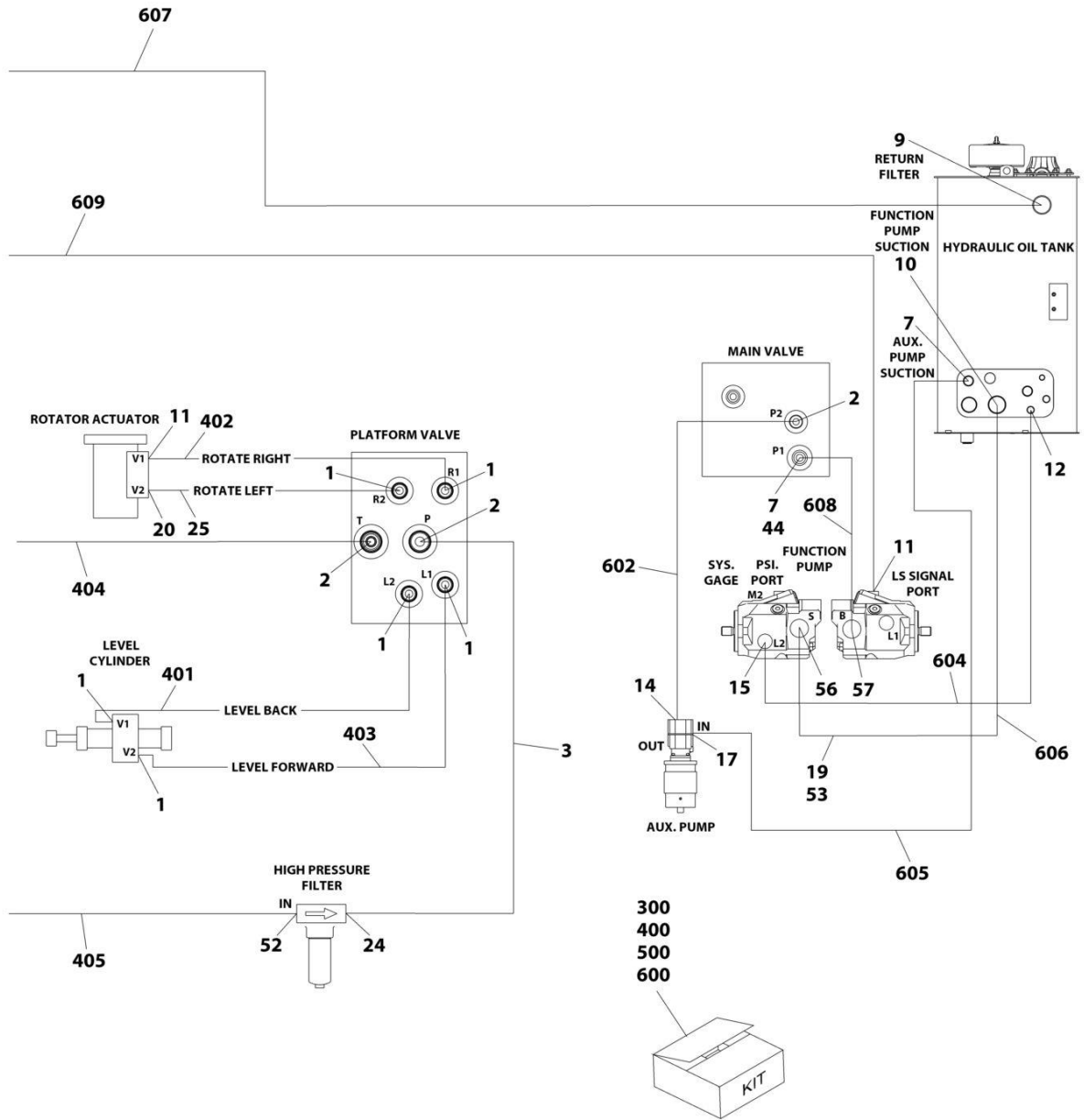
## FIGURE 7-10. HYDRAULIC DIAGRAM - STANDARD (WITH TOW BAR PACKAGE) (800S)



ART\_1001217940\_F\_10F2



# SECTION 7 - HYDRAULIC



ART\_1001217940\_F\_2OF2

# SECTION 7 - HYDRAULIC

**FIGURE 7-10. HYDRAULIC DIAGRAM - STANDARD (WITH TOW BAR PACKAGE) (800S)**

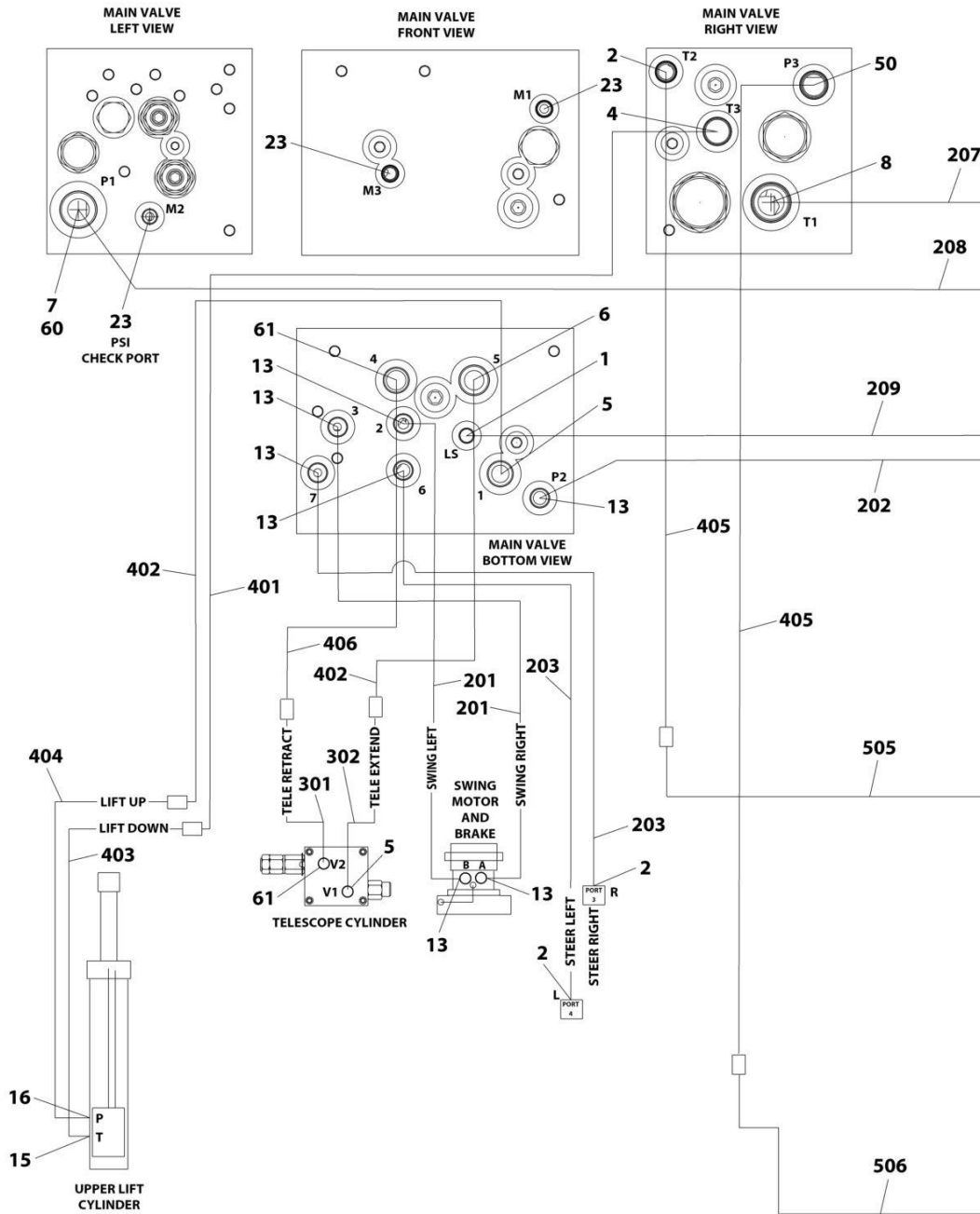
ITEM	PART NUMBER	QTY	DESCRIPTION	REV
	1001217940	Rev	STANDARD HYDRAULIC DIAGRAM	F
1	2110404	7	Fitting, Straight ORFS/ORB	
2	2130606	6	Fitting, 90 ORFS/ORB	
3	2717059	1	Hose	
4	2170208	1	Fitting, 90 ORFS/ORB	
5	2111008	2	Fitting, Straight ORFS/ORB	
6	2111010	1	Fitting, Straight ORFS/ORB	
7	2111212	2	Fitting, Straight ORFS/ORB	
8	88662327	1	Fitting, Straight ORFS/ORB	
9	2151616	1	Fitting, 45 ORFS/ORB	
10	2112424	1	Fitting, Straight ORFS/ORB	
11	2130404	2	Fitting, 90 ORFS/ORB	
12	2110808	3	Fitting, Straight ORFS/ORB	
13	2110606	6	Fitting, Straight ORFS/ORB	
14	2130608	1	Fitting, 90 ORFS/ORB	
15	2130810	2	Fitting, 90 ORFS/ORB	
16	2131010	1	Fitting, 90 ORFS/ORB	
17	2111208	1	Fitting, Straight ORFS/ORB	
19	4240018	3	Tie-Strap	
20	2150404	1	Fitting, 45 ORFS/ORB	
23	2221086	3	Fitting, Pressure Check	
24	2110612	1	Fitting, Straight ORFS/ORB	
25	2753545	1	Hose	
44	2172112	1	Fitting, 90 ORFS/FSORFS	
50	2110608	1	Fitting, Straight ORFS/ORB	
52	2130612	1	Fitting, 90 ORFS/ORB	
53	4061032	1	Hose, Guard	
56	2220737	1	Split Flange Kit	
57	2220478	1	Split Flange Kit	
300	1001270076	1	Boom Hose Kit	
301	2753681	1	Hose	
302	2753683	1	Hose	
400	1001271618	1	Hose Kit	
401	2753622	1	Hose	
402	2753674	1	Hose	
403	2753675	1	Hose	
404	2753679	1	Hose	
405	2753693	1	Hose	
500	1001271619	1	Hose Kit	
501	2753670	1	Hose	
502	2753671	2	Hose	
503	2753682	1	Hose	
504	2753684	1	Hose	
505	1001167194	2	Hose	
506	1001167196	1	Hose	
600	1001270075	1	Turntable Hose Kit	
601	2753653	2	Hose	
602	2753654	1	Hose	
603	2753656	2	Hose	
604	2753686	1	Hose	

## SECTION 7 - HYDRAULIC

ITEM	PART NUMBER	QTY	DESCRIPTION	REV
605	1001111968	1	Hose	
606	1001157851	1	Hose	
607	1001177226	1	Hose	
608	1001181894	1	Hose	
609	2753622	1	Hose	

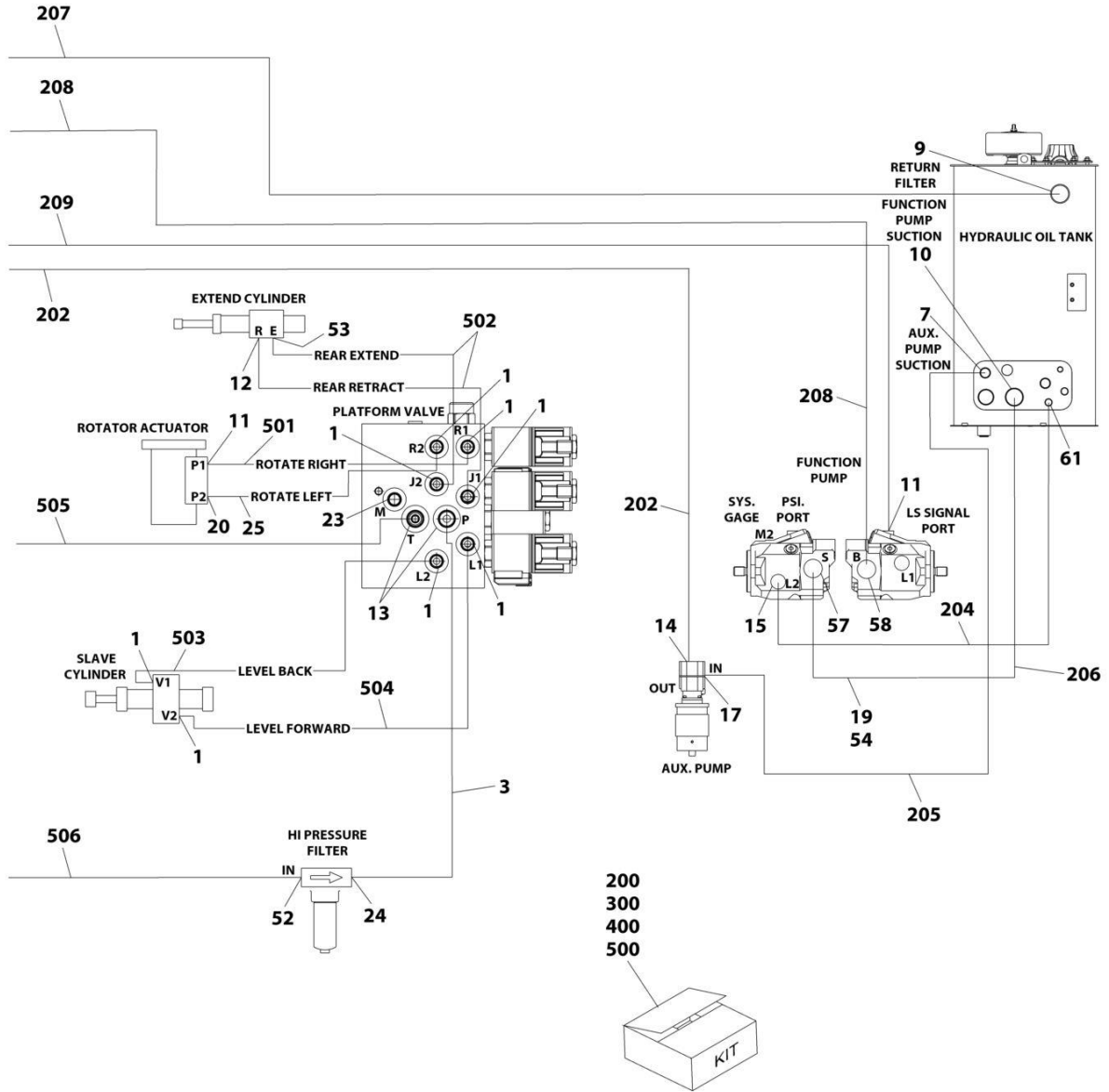
# SECTION 7 - HYDRAULIC

FIGURE 7-11. HYDRAULIC DIAGRAM - STANDARD (WITHOUT TOW BAR PACKAGE) (860SJ)



ART\_1001178217\_M\_10F2

# SECTION 7 - HYDRAULIC



ART\_1001178217\_M\_20F2

# SECTION 7 - HYDRAULIC

**FIGURE 7-11. HYDRAULIC DIAGRAM - STANDARD (WITHOUT TOW BAR PACKAGE) (860SJ)**

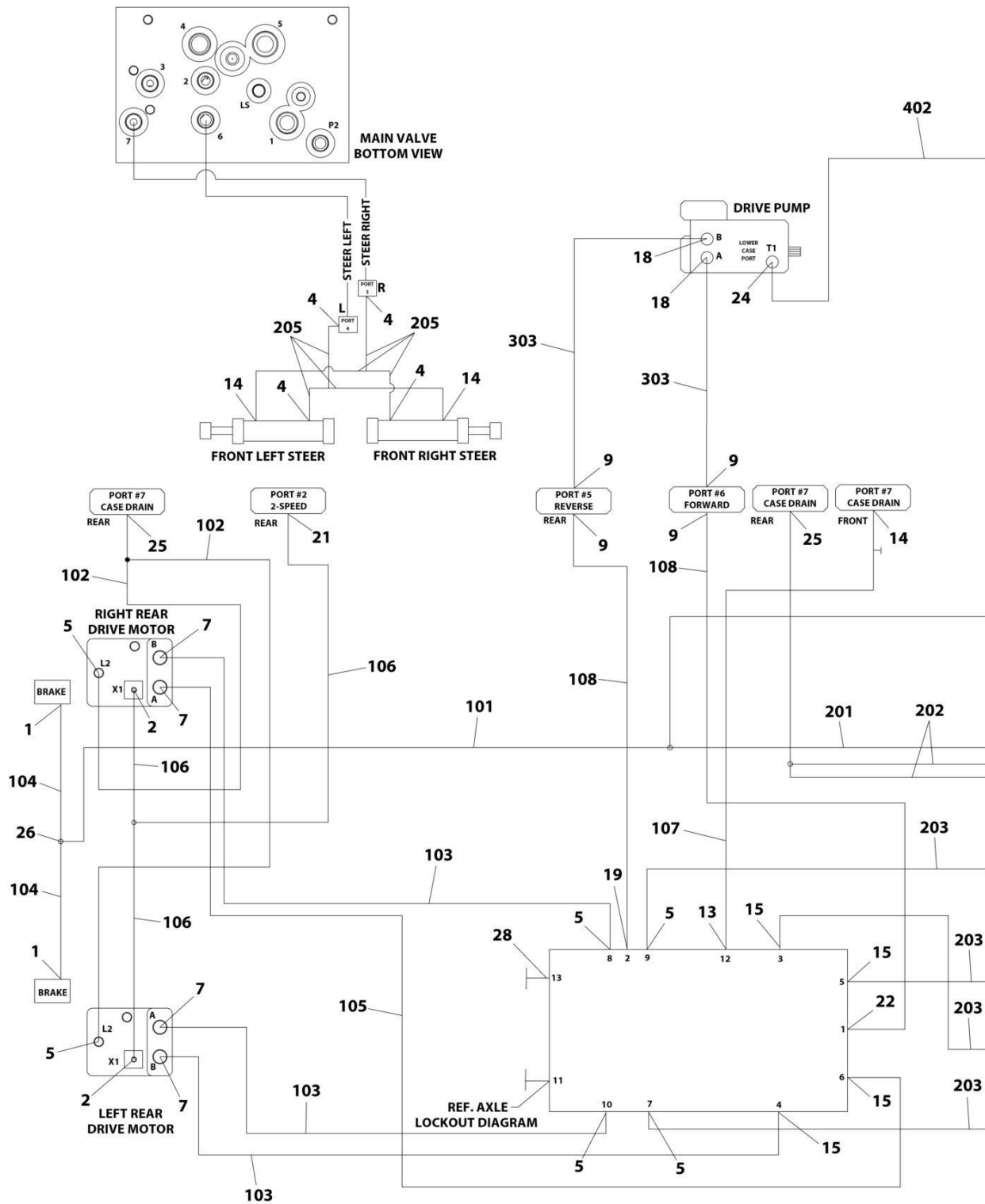
ITEM	PART NUMBER	QTY	DESCRIPTION	REV
	1001178217	Ref	STANDARD HYDRAULIC DIAGRAM	M
1	2110404	9	Fitting, Straight ORFS/ORB	
2	2110606	3	Fitting, Straight ORFS/ORB	
3	2717059	1	Hose	
4	2170208	1	Fitting, 90 ORFS/ORB	
5	2111008	2	Fitting, Straight ORFS/ORB	
6	2111010	1	Fitting, Straight ORFS/ORB	
7	2111212	2	Fitting, Straight ORFS/ORB	
8	88662327	1	Fitting, Straight ORFS/ORB	
9	2151616	1	Fitting, 45 ORFS/ORB	
10	2112424	1	Fitting, Straight ORFS/ORB	
11	2130404	2	Fitting, 90 ORFS/ORB	
12	2130406	1	Fitting, 90 ORFS/ORB	
13	2130606	9	Fitting, 90 ORFS/ORB	
14	2130608	1	Fitting, 90 ORFS/ORB	
15	2130810	2	Fitting, 90 ORFS/ORB	
16	2131010	1	Fitting, 90 ORFS/ORB	
17	2111208	1	Fitting, Straight ORFS/ORB	
19	4240018	3	Tie-Strap	
20	2150404	1	Fitting, 45 ORFS/ORB	
23	2221086	4	Fitting, Pressure Check	
24	2110612	1	Fitting, Straight ORFS/ORB	
25	2753545	1	Hose	
50	2110608	1	Fitting, Straight ORFS/ORB	
52	2130612	1	Fitting, 90 ORFS/ORB	
53	2180829	1	Fitting, 90 ORFS/ORB	
54	4061032	1	Hose, Guard	
57	2220737	1	Split Flange Kit	
58	2220478	1	Split Flange Kit	
60	2172112	1	Fitting, 90 ORFS/FSORFS	
61	2110808	3	Fitting, Straight ORFS/ORB	
200	1001270075	1	Turntable Hose Kit	
201	2753653	2	Hose	
202	2753654	1	Hose	
203	2753656	2	Hose	
204	2753686	1	Hose	
205	1001111968	1	Hose	
206	1001157851	1	Hose	
207	1001177226	1	Hose	
208	1001181894	1	Hose	
209	2753622	1	Hose	
300	1001270076	1	Boom Hose Kit	
301	2753681	1	Hose	
302	2753683	1	Hose	
400	1001271619	1	Hose Kit	
401	2753670	1	Hose	
402	2753671	2	Hose	
403	2753682	1	Hose	
404	2753684	1	Hose	
405	1001167194	2	Hose	

## SECTION 7 - HYDRAULIC

ITEM	PART NUMBER	QTY	DESCRIPTION	REV
406	1001167196	1	Hose	
500	1001271620	1	Hose Kit	
501	2753674	1	Hose	
502	2753676	2	Hose	
503	2753677	1	Hose	
504	2753678	1	Hose	
505	2753680	1	Hose	
506	2753692	1	Hose	

# SECTION 7 - HYDRAULIC

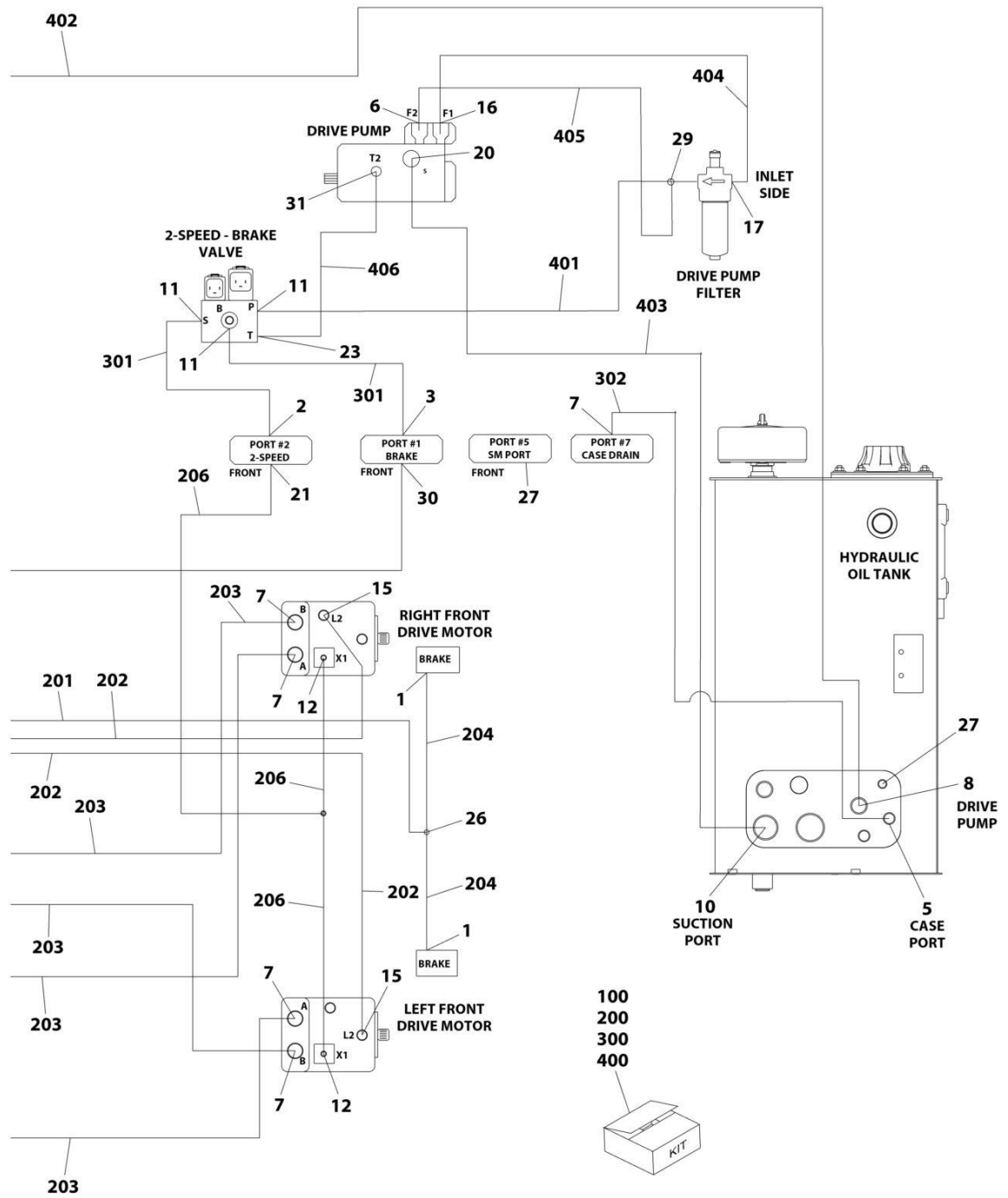
FIGURE 7-12. HYDRAULIC DIAGRAM - DRIVE (4WD WITHOUT ARCTIC PACKAGE) (ANSI, CSA AND JAPANESE SPECS ONLY)



ART\_1001296846\_10F2



# SECTION 7 - HYDRAULIC



ART\_1001296846\_20F2

## SECTION 7 - HYDRAULIC

**FIGURE 7-12. HYDRAULIC DIAGRAM - DRIVE (4WD WITHOUT ARCTIC PACKAGE) (ANSI, CSA AND JAPANESE SPECS ONLY)**

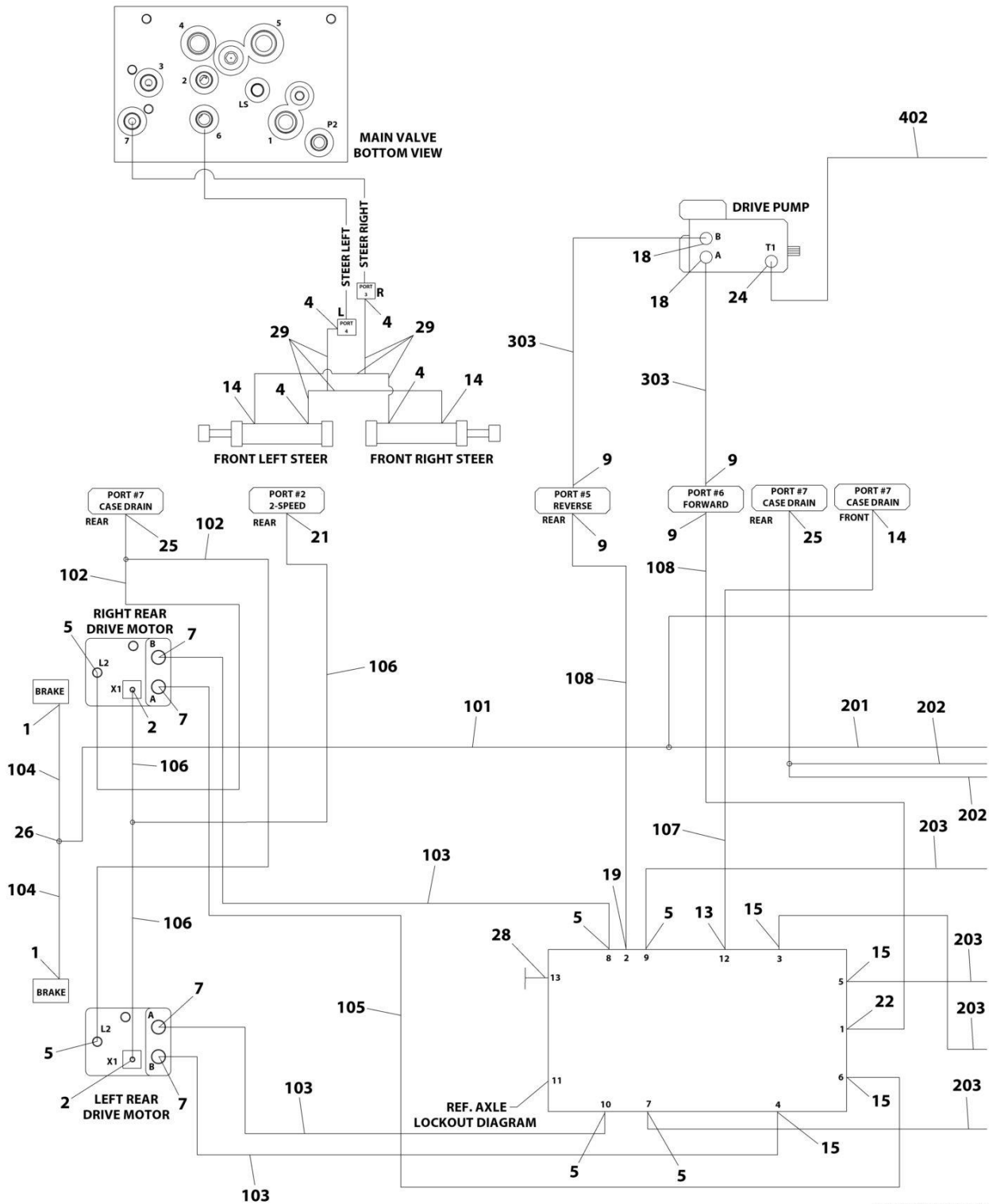
ITEM	PART NUMBER	QTY	DESCRIPTION	REV
	1001296846	Ref	HYDRAULIC DIAGRAM - DRIVE (4WD)	A
1	2110404	4	Fitting, Straight ORFS/ORB	
2	2110406	3	Fitting, Straight ORFS/ORB	
3	2110408	1	Fitting, Straight ORFS/ORB	
4	2110606	4	Fitting, Straight ORFS/ORB	
5	2110808	7	Fitting, Straight ORFS/ORB	
6	2110810	1	Fitting, Straight ORFS/ORB	
7	2110812	9	Fitting, Straight ORFS/ORB	
8	2111212	1	Fitting, Straight ORFS/ORB	
9	2111616	4	Fitting, Straight ORFS/ORB	
10	2112020	1	Fitting, Straight ORFS/ORB	
11	2130404	3	Fitting, 90 ORFS/ORB	
12	2130406	2	Fitting, 90 ORFS/ORB	
13	2130604	1	Fitting, 90 ORFS/ORB	
14	2130606	3	Fitting, 90 ORFS/ORB	
15	2130808	6	Fitting, 90 ORFS/ORB	
16	2131010	1	Fitting, 90 ORFS/ORB	
17	2131012	1	Fitting, 90 ORFS/ORB	
18	2131612	2	Fitting, 90 ORFS/ORB	
19	2131616	1	Fitting, 90 ORFS/ORB	
20	2132016	1	Fitting, 90 ORFS/ORB	
21	2150406	2	Fitting, 45 ORFS/ORB	
22	2151616	1	Fitting, 45 ORFS/ORB	
23	2170204	1	Fitting, 90 ORFS/ORB	
24	2170212	1	Fitting, 90 ORFS/ORB	
25	2170408	2	Fitting, Tee ORFS/ORB/ORFS	
26	2170504	2	Fitting, Tee ORFS/ORFS/ORFS	
27	2220237	2	Plug 3/8	
28	2220238	1	Plug 1/2	
29	1001198337	1	Fitting, Tee ORFS/ORB-RUN	
30	1001198338	1	Fitting, Tee ORFS/SORB/ORFS	
31	1001199396	1	Fitting, 90 ORFS/SORB	
100	1001270069	1	Hose Kit - Arctic Towbar	
101	2753622	1	Hose	
102	2753686	2	Hose	
103	2753971	3	Hose	
104	2754337	2	Hose	
105	2754338	1	Hose	
106	1001198340	1	Hose with Crimped Tee	
107	2753626	1	Hose	
108	2753634	2	Hose	
200	1001270630	1	Hose Kit - Front	
201	2753542	1	Hose	
202	2753628	2	Hose	
203	2753970	4	Hose	
204	2754512	2	Hose	
205	1001198333	2	Hose	
206	1001198341	1	Hose	
300	1001296856	1	Hose Kit - Turntable	

## SECTION 7 - HYDRAULIC

ITEM	PART NUMBER	QTY	DESCRIPTION	REV
301	2753540	2	Hose	
302	2753685	1	Hose	
303	1001296833	2	Hose	
400	1001296857	1	Hose Kit - Turntable	
401	1001095307	1	Hose	
402	1001296834	1	Hose	
403	1001296835	1	Hose	
404	1001296836	1	Hose	
405	1001296837	1	Hose	
406	1001296838	1	Hose	

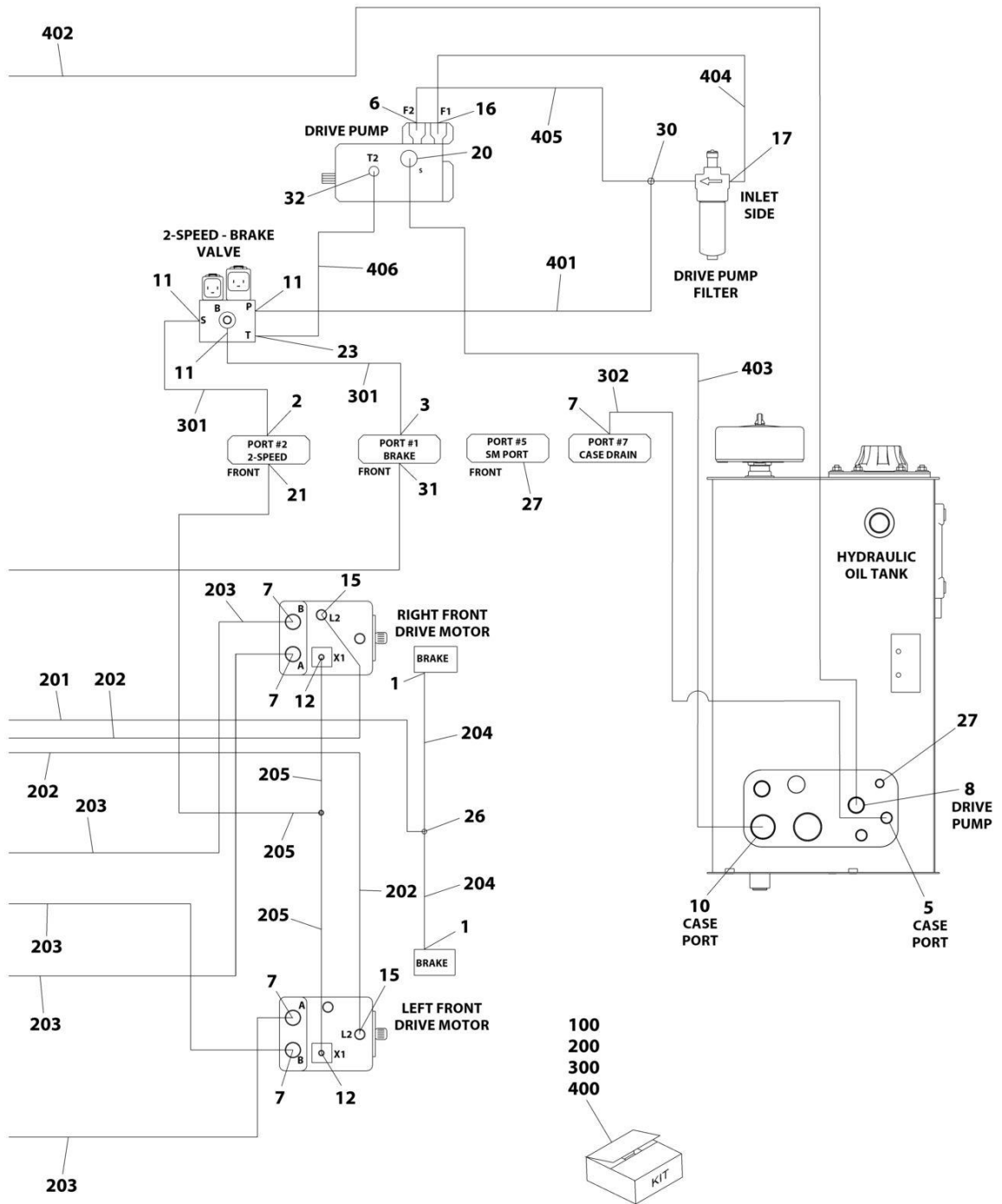
# SECTION 7 - HYDRAULIC

FIGURE 7-13. HYDRAULIC DIAGRAM - DRIVE (4WD WITH ARCTIC PACKAGE) (ANSI, CSA AND RUSSIAN SPECS ONLY)



ART\_1001296847\_10F2

# SECTION 7 - HYDRAULIC



ART\_1001296847\_2OF2

## SECTION 7 - HYDRAULIC

**FIGURE 7-13. HYDRAULIC DIAGRAM - DRIVE (4WD WITH ARCTIC PACKAGE) (ANSI, CSA AND RUSSIAN SPECS ONLY)**

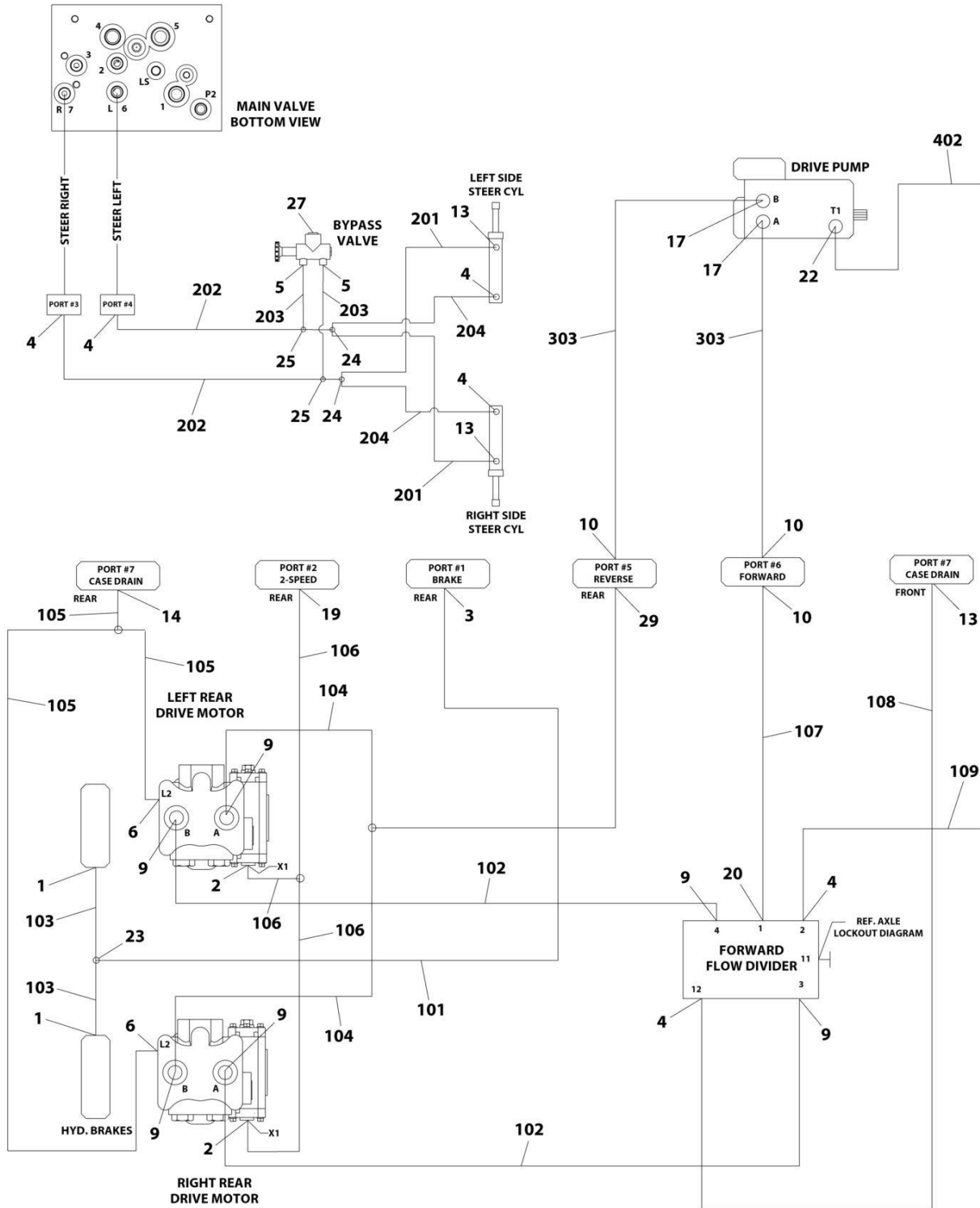
ITEM	PART NUMBER	QTY	DESCRIPTION	REV
	1001296847	Ref	HYDRAULIC DIAGRAM - DRIVE (4WD)	A
1	2110404	4	Fitting, Straight ORFS/ORB	
2	2110406	3	Fitting, Straight ORFS/ORB	
3	2110408	1	Fitting, Straight ORFS/ORB	
4	2110606	4	Fitting, Straight ORFS/ORB	
5	2110808	7	Fitting, Straight ORFS/ORB	
6	2110810	1	Fitting, Straight ORFS/ORB	
7	2110812	9	Fitting, Straight ORFS/ORB	
8	2111212	1	Fitting, Straight ORFS/ORB	
9	2111616	4	Fitting, Straight ORFS/ORB	
10	2112020	1	Fitting, Straight ORFS/ORB	
11	2130404	3	Fitting, 90 ORFS/ORB	
12	2130406	2	Fitting, 90 ORFS/ORB	
13	2130604	1	Fitting, 90 ORFS/ORB	
14	2130606	3	Fitting, 90 ORFS/ORB	
15	2130808	6	Fitting, 90 ORFS/ORB	
16	2131010	1	Fitting, 90 ORFS/ORB	
17	2131012	1	Fitting, 90 ORFS/ORB	
18	2131612	2	Fitting, 90 ORFS/ORB	
19	2131616	1	Fitting, 90 ORFS/ORB	
20	2132016	1	Fitting, 90 ORFS/ORB	
21	2150406	2	Fitting, 45 ORFS/ORB	
22	2151616	1	Fitting, 45 ORFS/ORB	
23	2170204	1	Fitting, 90 ORFS/ORB	
24	2170212	1	Fitting, 90 ORFS/ORB	
25	2170408	2	Fitting, Tee ORFS/ORB/ORFS	
26	2170504	2	Fitting, Tee ORFS/ORFS/ORFS	
27	2220237	2	Plug 3/8	
28	2220238	1	Plug 1/2	
29	1001198333	2	Hose	
30	1001198337	1	Fitting, Tee ORFS/ORB-RUN	
31	1001198338	1	Fitting, Tee ORFS/SORB/ORFS	
32	1001199396	1	Fitting, 90 ORFS/SORB	
100	1001270069	1	Hose Kit - Arctic Towbar	
101	2753622	1	Hose	
102	2753686	2	Hose	
103	2753971	3	Hose	
104	2754337	2	Hose	
105	2754338	1	Hose	
106	1001198340	1	Hose with Crimped Tee	
107	2753626	1	Hose	
108	2753634	2	Hose	
200	1001270073	1	Hose Kit - Arctic Towbar	
201	2753542	1	Hose	
202	2754720	2	Hose	
203	2754743	4	Hose	
204	1001106957	2	Hose	
205	1001204269	1	Hose with Crimped Tee	
300	1001296856	1	Hose Kit - Arctic Turntable	

## SECTION 7 - HYDRAULIC

ITEM	PART NUMBER	QTY	DESCRIPTION	REV
301	2753540	2	Hose	
302	2753685	1	Hose	
303	1001296833	2	Hose	
400	1001296857	1	Hose Kit - Arctic Turntable	
401	1001095307	1	Hose	
402	1001296834	1	Hose	
403	1001296835	1	Hose	
404	1001296836	1	Hose	
405	1001296837	1	Hose	
406	1001296838	1	Hose	

# SECTION 7 - HYDRAULIC

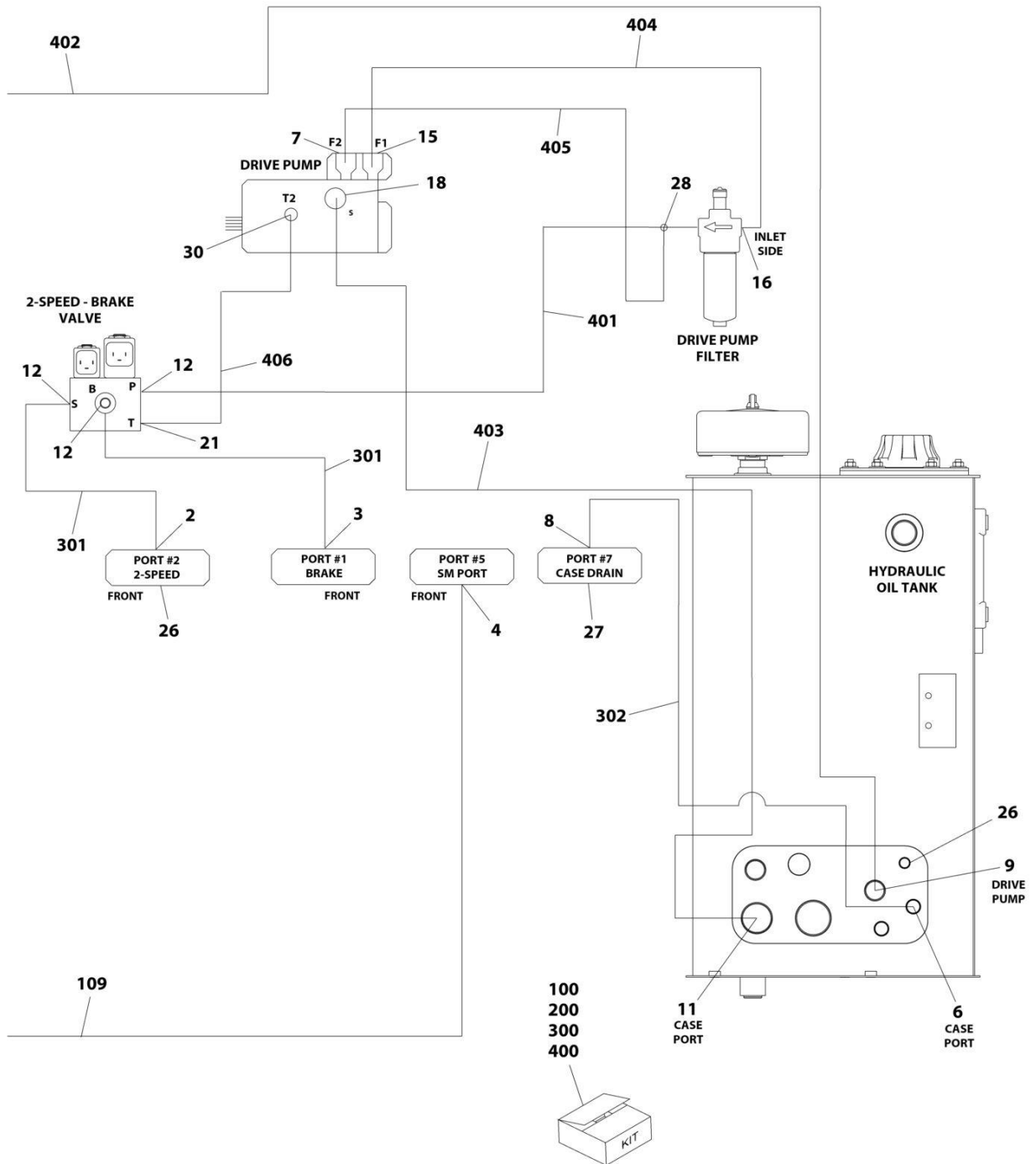
FIGURE 7-14. HYDRAULIC DIAGRAM - DRIVE (2WD WITH TOWBAR PACKAGE) (ANSI AND CSA SPECS ONLY)



ART\_1001296848\_10F2



# SECTION 7 - HYDRAULIC



ART\_1001296848\_20F2

## SECTION 7 - HYDRAULIC

**FIGURE 7-14. HYDRAULIC DIAGRAM - DRIVE (2WD WITH TOWBAR PACKAGE) (ANSI AND CSA SPECS ONLY)**

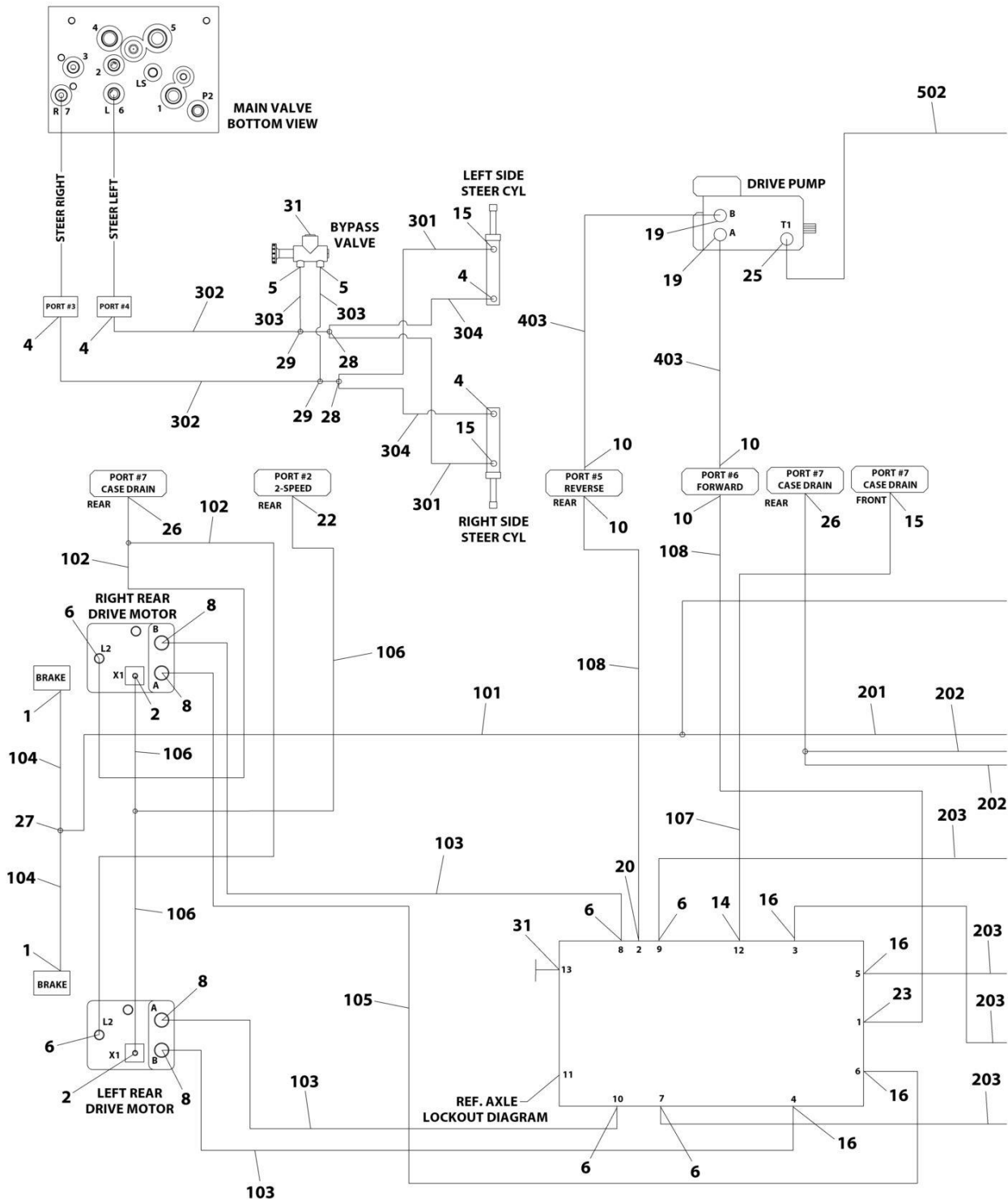
ITEM	PART NUMBER	QTY	DESCRIPTION	REV
	1001296848	Ref	HYDRAULIC DIAGRAM - DRIVE (2WD)	A
1	2110404	2	Fitting, Straight ORFS/ORB	
2	2110406	3	Fitting, Straight ORFS/ORB	
3	2110408	2	Fitting, Straight ORFS/ORB	
4	2110606	7	Fitting, Straight ORFS/ORB	
5	2110608	2	Fitting, Straight ORFS/ORB	
6	2110808	3	Fitting, Straight ORFS/ORB	
7	2110810	1	Fitting, Straight ORFS/ORB	
8	2110812	1	Fitting, Straight ORFS/ORB	
9	2111212	7	Fitting, Straight ORFS/ORB	
10	2111616	3	Fitting, Straight ORFS/ORB	
11	2112020	1	Fitting, Straight ORFS/ORB	
12	2130404	3	Fitting, 90 ORFS/ORB	
13	2130606	3	Fitting, 90 ORFS/ORB	
14	2130808	1	Fitting, 90 ORFS/ORB	
15	2131010	1	Fitting, 90 ORFS/ORB	
16	2131012	1	Fitting, 90 ORFS/ORB	
17	2131612	2	Fitting, 90 ORFS/ORB	
18	2132016	1	Fitting, 90 ORFS/ORB	
19	2150406	1	Fitting, 45 ORFS/ORB	
20	2151616	1	Fitting, 45 ORFS/ORB	
21	2170204	1	Fitting, 90 ORFS/ORB	
22	2170212	1	Fitting, 90 ORFS/ORB	
23	2170504	1	Fitting, Tee ORFS/ORFS/ORFS	
24	2170506	2	Fitting, Tee ORFS/ORFS/ORFS	
25	2170706	2	Fitting, Tee ORFS/FSORFS/ORFS	
26	2220237	2	Plug 3/8	
27	2220238	2	Plug 1/2	
28	1001198337	1	Fitting, Tee ORFS/ORB-RUN	
29	1001199395	1	Fitting, Tee ORFS/ORFS/ORB	
30	1001199396	1	Fitting, 90 ORFS/SORB	
100	1001270084	1	Hose Kit - Arctic Towbar	
101	2753622	1	Hose	
102	2753688	2	Hose	
103	2754337	2	Hose	
104	1001159854	2	Hose	
105	1001198334	1	Hose with Crimped Tee	
106	1001198340	1	Hose with Crimped Tee	
107	2753635	1	Hose	
108	2754242	1	Hose	
109	2754243	1	Hose	
200	1001270077	1	Hose Kit - Arctic Towbar	
201	2753656	2	Hose	
202	2753732	2	Hose	
203	2753879	2	Hose	
204	1001159340	2	Hose	
300	1001296856	1	Hose Kit - Arctic Turntable	
301	2753540	2	Hose	
302	2753685	1	Hose	

## SECTION 7 - HYDRAULIC

ITEM	PART NUMBER	QTY	DESCRIPTION	REV
303	1001296833	2	Hose	
400	1001296857	1	Hose Kit - Arctic Turntable	
401	1001095307	1	Hose	
402	1001296834	1	Hose	
403	1001296835	1	Hose	
404	1001296836	1	Hose	
405	1001296837	1	Hose	
406	1001296838	1	Hose	

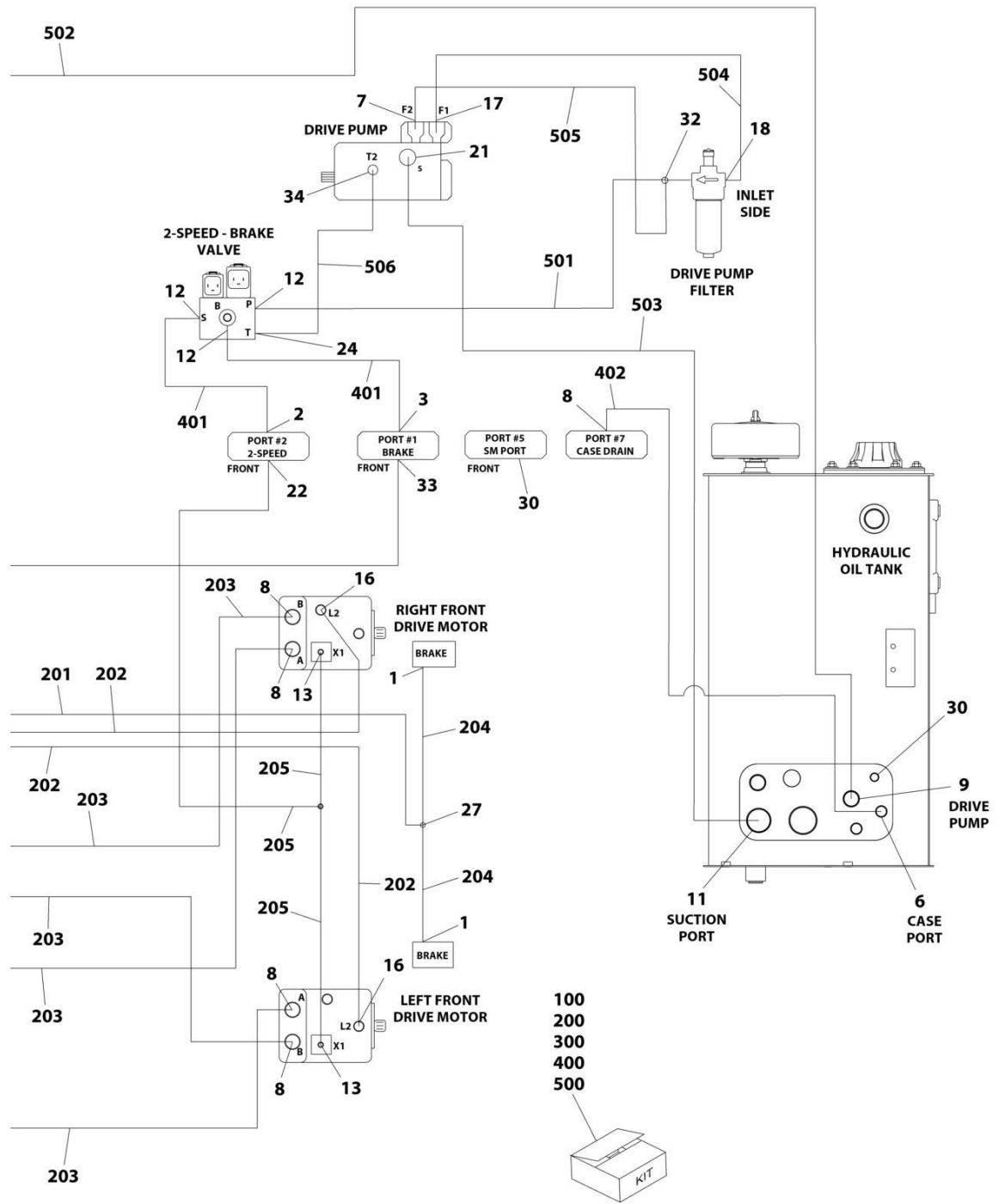
# SECTION 7 - HYDRAULIC

FIGURE 7-15. HYDRAULIC DIAGRAM - DRIVE (4WD WITH TOWBAR PACKAGE) (ANSI, CSA AND RUSSIAN SPECS ONLY)



ART\_1001296849\_10F2

# SECTION 7 - HYDRAULIC



ART\_1001296849\_20F2

## SECTION 7 - HYDRAULIC

**FIGURE 7-15. HYDRAULIC DIAGRAM - DRIVE (4WD WITH TOWBAR PACKAGE) (ANSI, CSA AND RUSSIAN SPECS ONLY)**

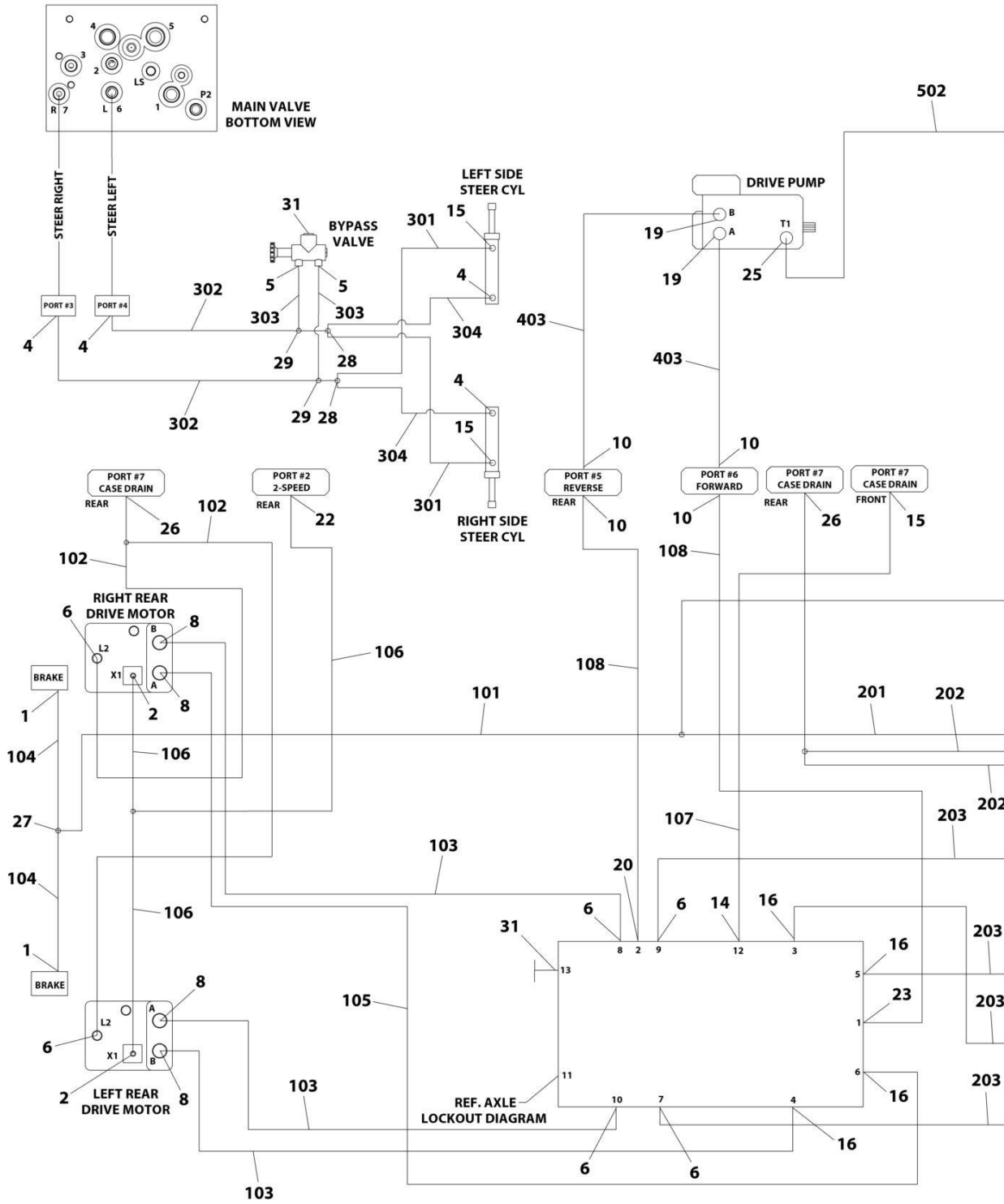
ITEM	PART NUMBER	QTY	DESCRIPTION	REV
	1001296849	Ref	HYDRAULIC DIAGRAM - DRIVE (4WD)	A
1	2110404	4	Fitting, Straight ORFS/ORB	
2	2110406	3	Fitting, Straight ORFS/ORB	
3	2110408	1	Fitting, Straight ORFS/ORB	
4	2110606	4	Fitting, Straight ORFS/ORB	
5	2110608	2	Fitting, Straight ORFS/ORB	
6	2110808	7	Fitting, Straight ORFS/ORB	
7	2110810	1	Fitting, Straight ORFS/ORB	
8	2110812	9	Fitting, Straight ORFS/ORB	
9	2111212	1	Fitting, Straight ORFS/ORB	
10	2111616	4	Fitting, Straight ORFS/ORB	
11	2112020	1	Fitting, Straight ORFS/ORB	
12	2130404	3	Fitting, 90 ORFS/ORB	
13	2130406	2	Fitting, 90 ORFS/ORB	
14	2130604	1	Fitting, 90 ORFS/ORB	
15	2130606	3	Fitting, 90 ORFS/ORB	
16	2130808	6	Fitting, 90 ORFS/ORB	
17	2131010	1	Fitting, 90 ORFS/ORB	
18	2131012	1	Fitting, 90 ORFS/ORB	
19	2131612	2	Fitting, 90 ORFS/ORB	
20	2131616	1	Fitting, 90 ORFS/ORB	
21	2132016	1	Fitting, 90 ORFS/ORB	
22	2150406	2	Fitting, 45 ORFS/ORB	
23	2151616	1	Fitting, 45 ORFS/ORB	
24	2170204	1	Fitting, 90 ORFS/ORB	
25	2170212	1	Fitting, 90 ORFS/ORB	
26	2170408	2	Fitting, Tee ORFS/ORB/ORFS	
27	2170504	2	Fitting, Tee ORFS/ORFS/ORFS	
28	2170506	2	Fitting, Tee ORFS/ORFS/ORFS	
29	2170706	2	Fitting, Tee ORFS/FSORFS/ORFS	
30	2220237	2	Plug 3/8	
31	2220238	2	Plug 1/2	
32	1001198337	1	Fitting, Tee ORFS/ORB-RUN	
33	1001198338	1	Fitting, Tee ORFS/SORB/ORFS	
34	1001199396	1	Fitting, 90 ORFS/SORB	
100	1001270069	1	Hose Kit - Arctic Towbar	
101	2753622	1	Hose	
102	2753686	2	Hose	
103	2753971	3	Hose	
104	2754337	2	Hose	
105	2754338	1	Hose	
106	1001198340	1	Hose with Crimped Tee	
107	2753626	1	Hose	
108	2753634	2	Hose	
200	1001270070	1	Hose Kit - Front	
201	2753542	1	Hose	
202	2753628	2	Hose	
203	2753970	4	Hose	
204	2754512	2	Hose	

## SECTION 7 - HYDRAULIC

ITEM	PART NUMBER	QTY	DESCRIPTION	REV
205	1001198341	1	Hose	
300	1001270077	1	Hose Kit - Towbar Front	
301	2753656	2	Hose	
302	2753732	2	Hose	
303	2753879	2	Hose	
304	1001159340	2	Hose	
400	1001296856	1	Hose Kit - Turntable	
401	2753540	2	Hose	
402	2753685	1	Hose	
403	1001296833	2	Hose	
500	1001296857	1	Hose Kit - Turntable	
501	1001095307	1	Hose	
502	1001296834	1	Hose	
503	1001296835	1	Hose	
504	1001296836	1	Hose	
505	1001296837	1	Hose	
506	1001296838	1	Hose	

# SECTION 7 - HYDRAULIC

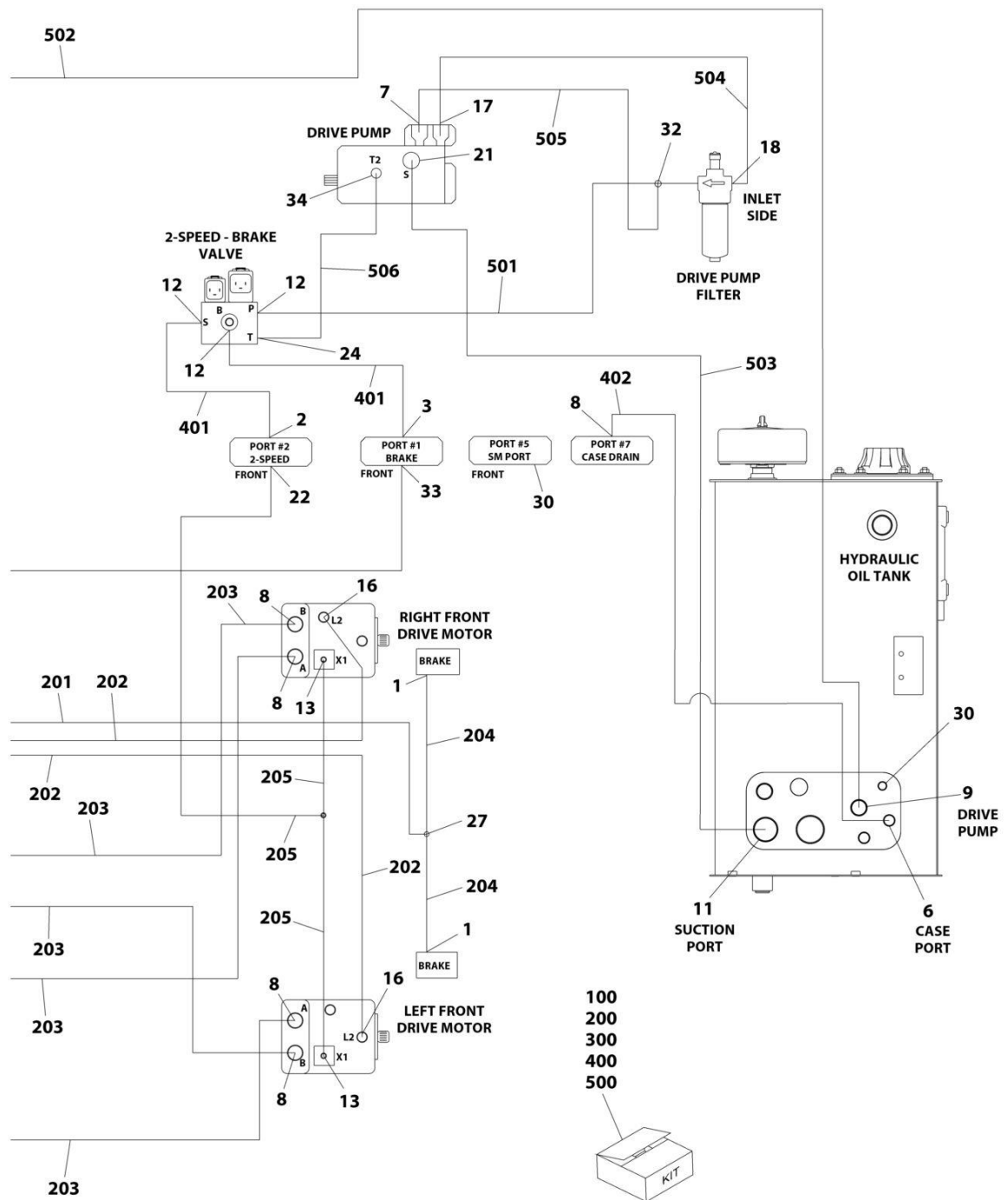
FIGURE 7-16. HYDRAULIC DIAGRAM - DRIVE (4WD WITH TOWBAR AND ARCTIC PACKAGE) (ANSI AND CSA SPECS ONLY)



ART\_1001296850\_10F2



# SECTION 7 - HYDRAULIC



ART\_1001296850\_2OF2

## SECTION 7 - HYDRAULIC

**FIGURE 7-16. HYDRAULIC DIAGRAM - DRIVE (4WD WITH TOWBAR AND ARCTIC PACKAGE) (ANSI AND CSA SPECS ONLY)**

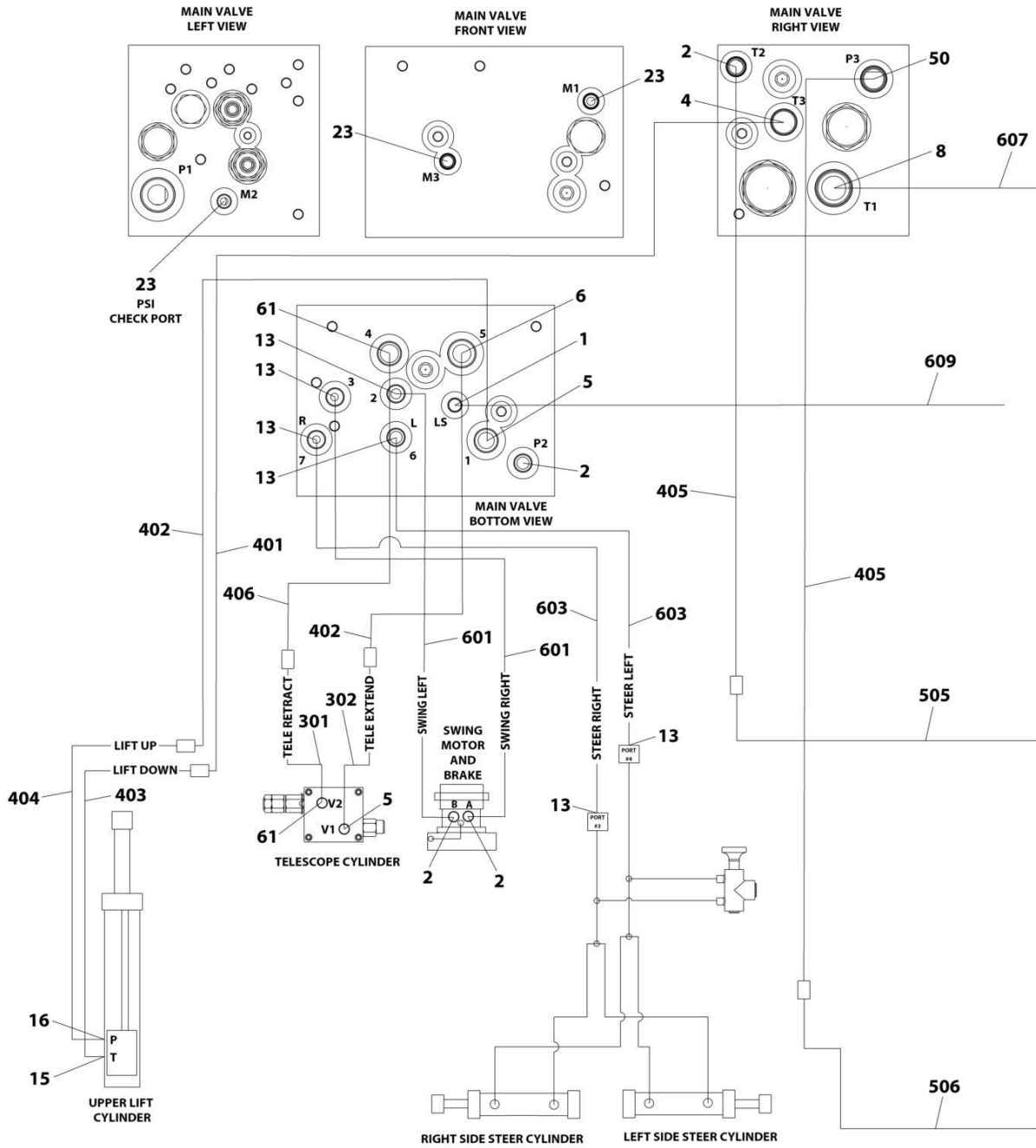
ITEM	PART NUMBER	QTY	DESCRIPTION	REV
	1001296850	Ref	HYDRAULIC DIAGRAM - DRIVE (4WD)	A
1	2110404	4	Fitting, Straight ORFS/ORB	
2	2110406	3	Fitting, Straight ORFS/ORB	
3	2110408	1	Fitting, Straight ORFS/ORB	
4	2110606	4	Fitting, Straight ORFS/ORB	
5	2110608	2	Fitting, Straight ORFS/ORB	
6	2110808	7	Fitting, Straight ORFS/ORB	
7	2110810	1	Fitting, Straight ORFS/ORB	
8	2110812	9	Fitting, Straight ORFS/ORB	
9	2111212	1	Fitting, Straight ORFS/ORB	
10	2111616	4	Fitting, Straight ORFS/ORB	
11	2112020	1	Fitting, Straight ORFS/ORB	
12	2130404	3	Fitting, 90 ORFS/ORB	
13	2130406	2	Fitting, 90 ORFS/ORB	
14	2130604	1	Fitting, 90 ORFS/ORB	
15	2130606	3	Fitting, 90 ORFS/ORB	
16	2130808	6	Fitting, 90 ORFS/ORB	
17	2131010	1	Fitting, 90 ORFS/ORB	
18	2131012	1	Fitting, 90 ORFS/ORB	
19	2131612	2	Fitting, 90 ORFS/ORB	
20	2131616	1	Fitting, 90 ORFS/ORB	
21	2132016	1	Fitting, 90 ORFS/ORB	
22	2150406	2	Fitting, 45 ORFS/ORB	
23	2151616	1	Fitting, 45 ORFS/ORB	
24	2170204	1	Fitting, 90 ORFS/ORB	
25	2170212	1	Fitting, 90 ORFS/ORB	
26	2170408	2	Fitting, Tee ORFS/ORB/ORFS	
27	2170504	2	Fitting, Tee ORFS/ORFS/ORFS	
28	2170506	2	Fitting, Tee ORFS/ORFS/ORFS	
29	2170706	2	Fitting, Tee ORFS/FSORFS/ORFS	
30	2220237	2	Plug 3/8	
31	2220238	2	Plug 1/2	
32	1001198337	1	Fitting, Tee ORFS/ORB-RUN	
33	1001198338	1	Fitting, Tee ORFS/SORB/ORFS	
34	1001199396	1	Fitting, 90 ORFS/SORB	
100	1001270069	1	Hose Kit - Arctic Towbar	
101	2753622	1	Hose	
102	2753686	2	Hose	
103	2753971	3	Hose	
104	2754337	2	Hose	
105	2754338	1	Hose	
106	1001198340	1	Hose with Crimped Tee	
107	2753626	1	Hose	
108	2753634	2	Hose	
200	1001270073	1	Hose Kit - Arctic Towbar	
201	2753542	1	Hose	
202	2754720	2	Hose	
203	2754743	4	Hose	
204	1001106957	2	Hose	

## SECTION 7 - HYDRAULIC

ITEM	PART NUMBER	QTY	DESCRIPTION	REV
205	1001204269	1	Hose with Crimped Tee	
300	1001270077	1	Hose Kit - Towbar Front	
301	2753656	2	Hose	
302	2753732	2	Hose	
303	2753879	2	Hose	
304	1001159340	2	Hose	
400	1001296856	1	Hose Kit - Turntable	
401	2753540	2	Hose	
402	2753685	1	Hose	
403	1001296833	2	Hose	
500	1001296857	1	Hose Kit - Turntable	
501	1001095307	1	Hose	
502	1001296834	1	Hose	
503	1001296835	1	Hose	
504	1001296836	1	Hose	
505	1001296837	1	Hose	
506	1001296838	1	Hose	

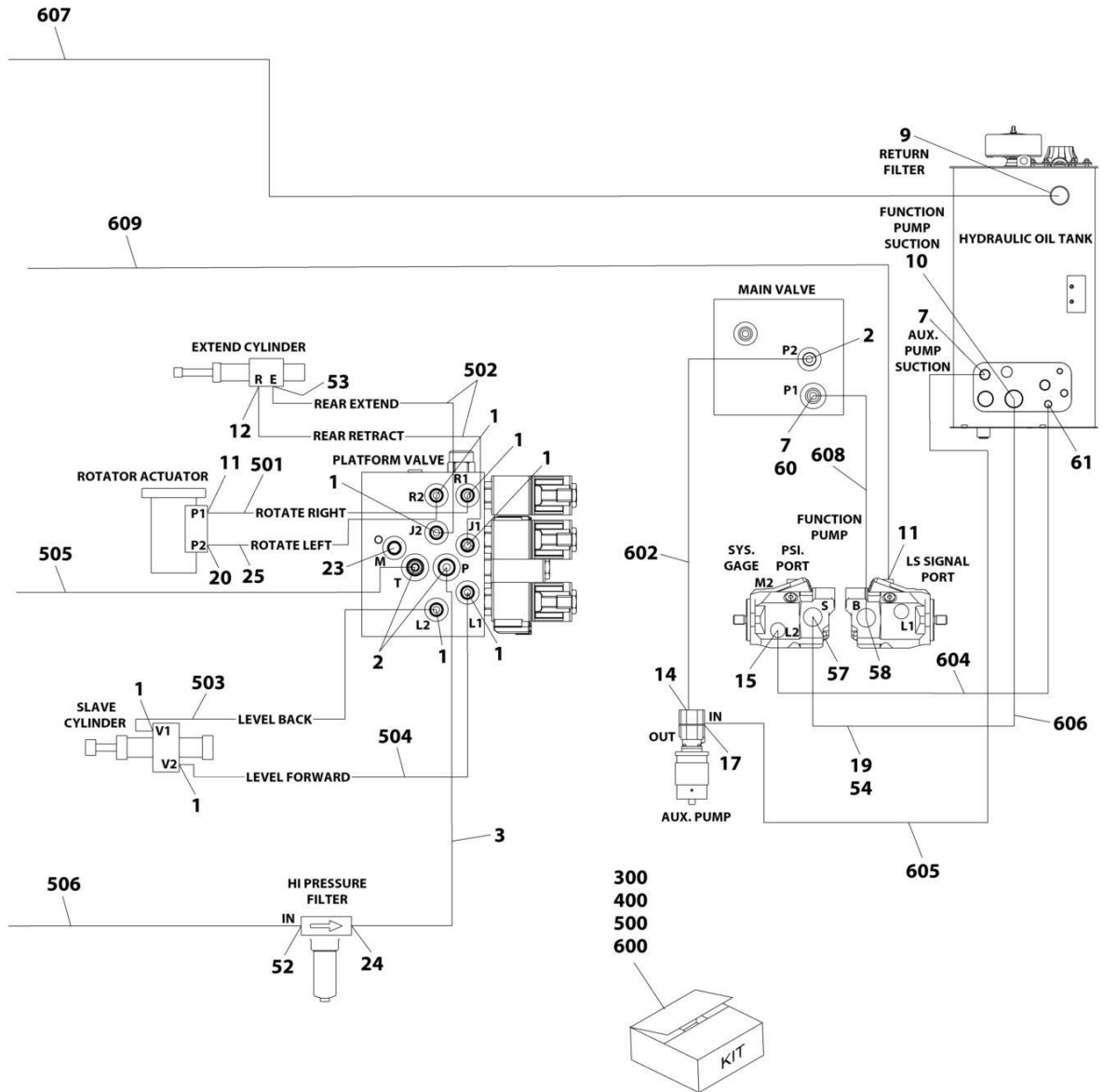
# SECTION 7 - HYDRAULIC

FIGURE 7-17. HYDRAULIC DIAGRAM - STANDARD (WITH TOW BAR PACKAGE) (860SJ)



ART\_1001217941\_F\_10F2

# SECTION 7 - HYDRAULIC



ART\_1001217941\_F\_20F2

# SECTION 7 - HYDRAULIC

**FIGURE 7-17. HYDRAULIC DIAGRAM - STANDARD (WITH TOW BAR PACKAGE) (860SJ)**

ITEM	PART NUMBER	QTY	DESCRIPTION	REV
	1001217941	Ref	STANDARD HYDRAULIC DIAGRAM	F
1	2110404	9	Fitting, Straight ORFS/ORB	
2	2130606	6	Fitting, 90 ORFS/ORB	
3	2717059	1	Hose	
4	2170208	1	Fitting, 90 ORFS/ORB	
5	2111008	2	Fitting, Straight ORFS/ORB	
6	2111010	1	Fitting, Straight ORFS/ORB	
7	2111212	2	Fitting, Straight ORFS/ORB	
8	88662327	1	Fitting, Straight ORFS/ORB	
9	2151616	1	Fitting, 45 ORFS/ORB	
10	2112424	1	Fitting, Straight ORFS/ORB	
11	2130404	2	Fitting, 90 ORFS/ORB	
12	2130406	1	Fitting, 90 ORFS/ORB	
13	2110606	6	Fitting, Straight ORFS/ORB	
14	2130608	1	Fitting, 90 ORFS/ORB	
15	2130810	2	Fitting, 90 ORFS/ORB	
16	2131010	1	Fitting, 90 ORFS/ORB	
17	2111208	1	Fitting, Straight ORFS/ORB	
19	4240018	3	Tie-Strap	
20	2150404	1	Fitting, 45 ORFS/ORB	
23	2221086	4	Fitting, Pressure Check	
24	2110612	1	Fitting, Straight ORFS/ORB	
25	2753545	1	Hose	
50	2110608	1	Fitting, Straight ORFS/ORB	
52	2130612	1	Fitting, 90 ORFS/ORB	
53	2180829	1	Fitting, 90 ORFS/ORB	
54	4061032	1	Hose, Guard	
57	2220737	1	Split Flange Kit	
58	2220478	1	Split Flange Kit	
60	2172112	1	Fitting, 90 ORFS/FSORFS	
61	2110808	3	Fitting, Straight ORFS/ORB	
300	1001270076	1	Boom Hose Kit	
301	2753681	1	Hose	
302	2753683	1	Hose	
400	1001271619	1	Hose Kit	
401	2753670	1	Hose	
402	2753671	2	Hose	
403	2753682	1	Hose	
404	2753684	1	Hose	
405	1001167194	2	Hose	
406	1001167196	1	Hose	
500	1001271620	1	Hose Kit	
501	2753674	1	Hose	
502	2753676	2	Hose	
503	2753677	1	Hose	
504	2753678	1	Hose	
505	2753680	1	Hose	
506	2753692	1	Hose	
600	1001270075	1	Turntable Hose Kit	
601	2753653	2	Hose	

## SECTION 7 - HYDRAULIC

ITEM	PART NUMBER	QTY	DESCRIPTION	REV
602	2753654	1	Hose	
603	2753656	2	Hose	
604	2753686	1	Hose	
605	1001111968	1	Hose	
606	1001157851	1	Hose	
607	1001177226	1	Hose	
608	1001181894	1	Hose	
609	2753622	1	Hose	

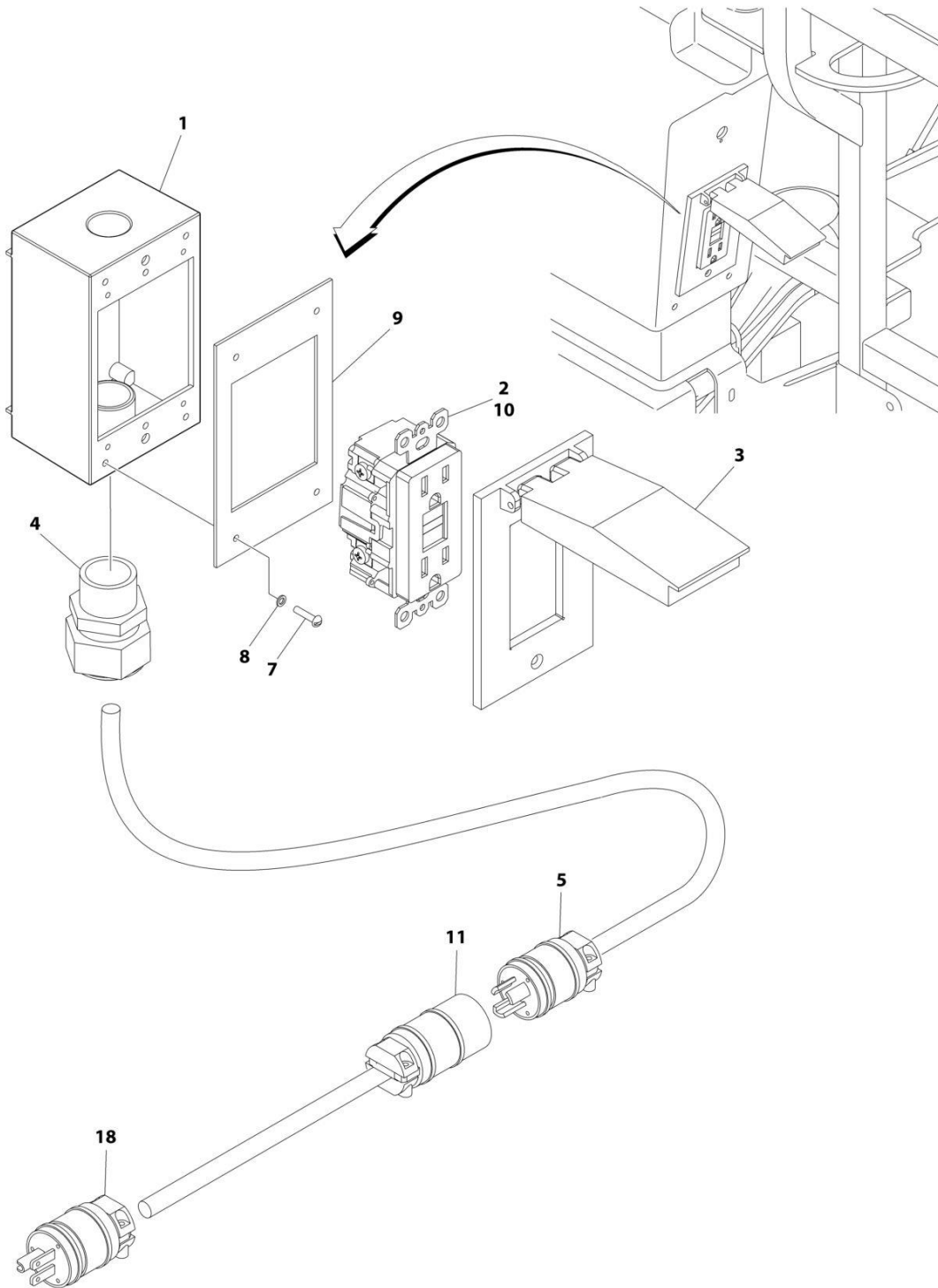




**SECTION 8 - ELECTRICAL**

# SECTION 8 - ELECTRICAL

FIGURE 8-1. AC BOX AT PLATFORM INSTALLATION - 110V GFI RECEPTACLE (ALL SPECS EXCEPT AUSTRALIAN, CE & UK CA SPECS)



ART\_0272259

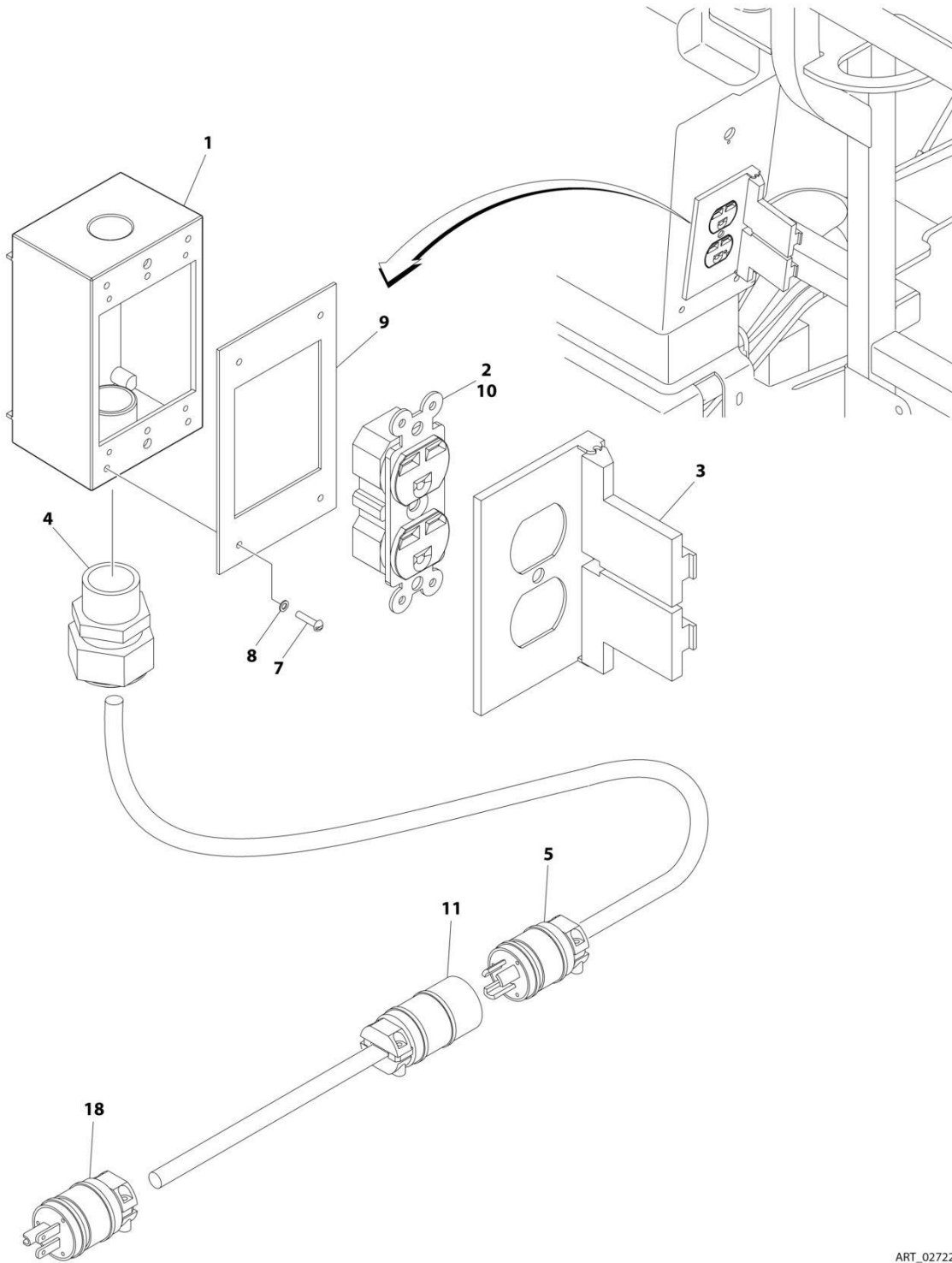
## SECTION 8 - ELECTRICAL

**FIGURE 8-1. AC BOX AT PLATFORM INSTALLATION - 110V GFI RECEPTACLE (ALL SPECS EXCEPT AUSTRALIAN, CE & UK CA SPECS)**

ITEM	PART NUMBER	QTY	DESCRIPTION	REV
	0272259	Ref	AC BOX AT PLATFORM INSTALLATION - 110V GFI RECEPTACLE	C
1	0860038	1	Box, Switch	
2	4460346	1	Receptacle	
3	1001110873	1	Shield, Cover	
4	4460051	1	Connector, Strain Relief	
5	1001213584	1	Plug, Male	
7	3910610	4	Screw #6 x 5/8	
8	4760600	4	Washer #6	
9	3960422	1	Gasket	
10	4460315	3	Terminal, Spade	
11	1001213585	1	Receptacle, Female	
18	4460205	1	Plug, Male	

# SECTION 8 - ELECTRICAL

FIGURE 8-2. AC BOX AT PLATFORM INSTALLATION - 220V (ANSI, CSA & JAPANESE SPECS)



ART\_0272260

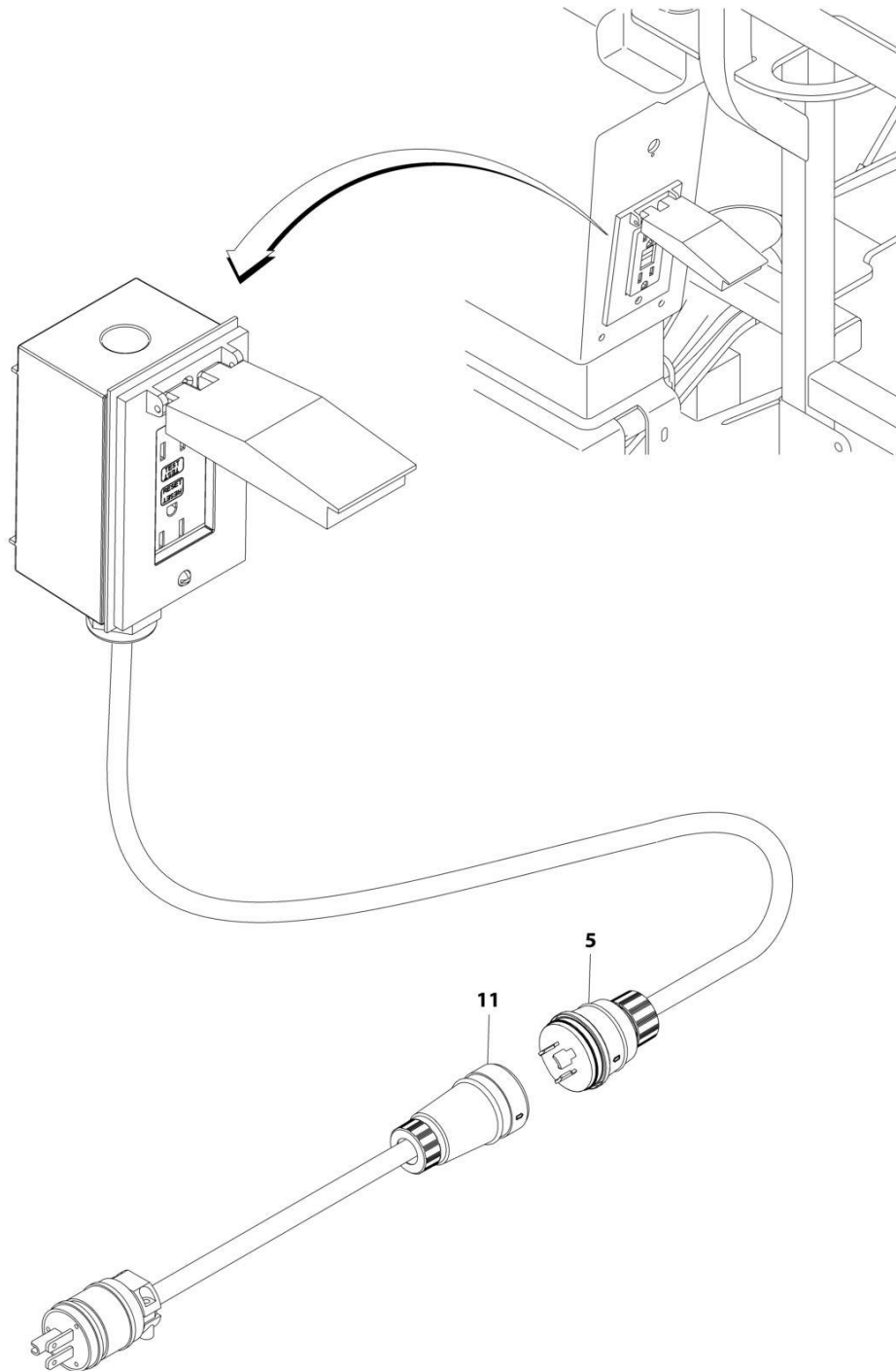
## SECTION 8 - ELECTRICAL

**FIGURE 8-2. AC BOX AT PLATFORM INSTALLATION - 220V (ANSI, CSA & JAPANESE SPECS)**

ITEM	PART NUMBER	QTY	DESCRIPTION	REV
	0272260	Ref	AC BOX AT PLATFORM INSTALLATION - 220V	C
1	0860038	1	Box, Switch	
2	4460125	1	Receptacle	
3	4060092	1	Shield	
4	4460051	1	Connector, Strain Relief	
5	1001213584	2	Plug, Male	
7	3910610	4	Screw #6 x 5/8	
8	4760600	4	Washer #6	
9	3960422	1	Gasket	
10	4460315	1	Terminal, Spade	
11	1001213585	1	Receptacle, Female	
18	4460233	1	Plug, Male	

## SECTION 8 - ELECTRICAL

**FIGURE 8-3. AC BOX AT PLATFORM MID-BOOM PLUG INSTALLATION (WITHOUT 7500W SKYPOWER GENERATOR) (ANSI EXPORT, AUSTRALIAN, CE & UK CA SPECS)**



ART\_0256202

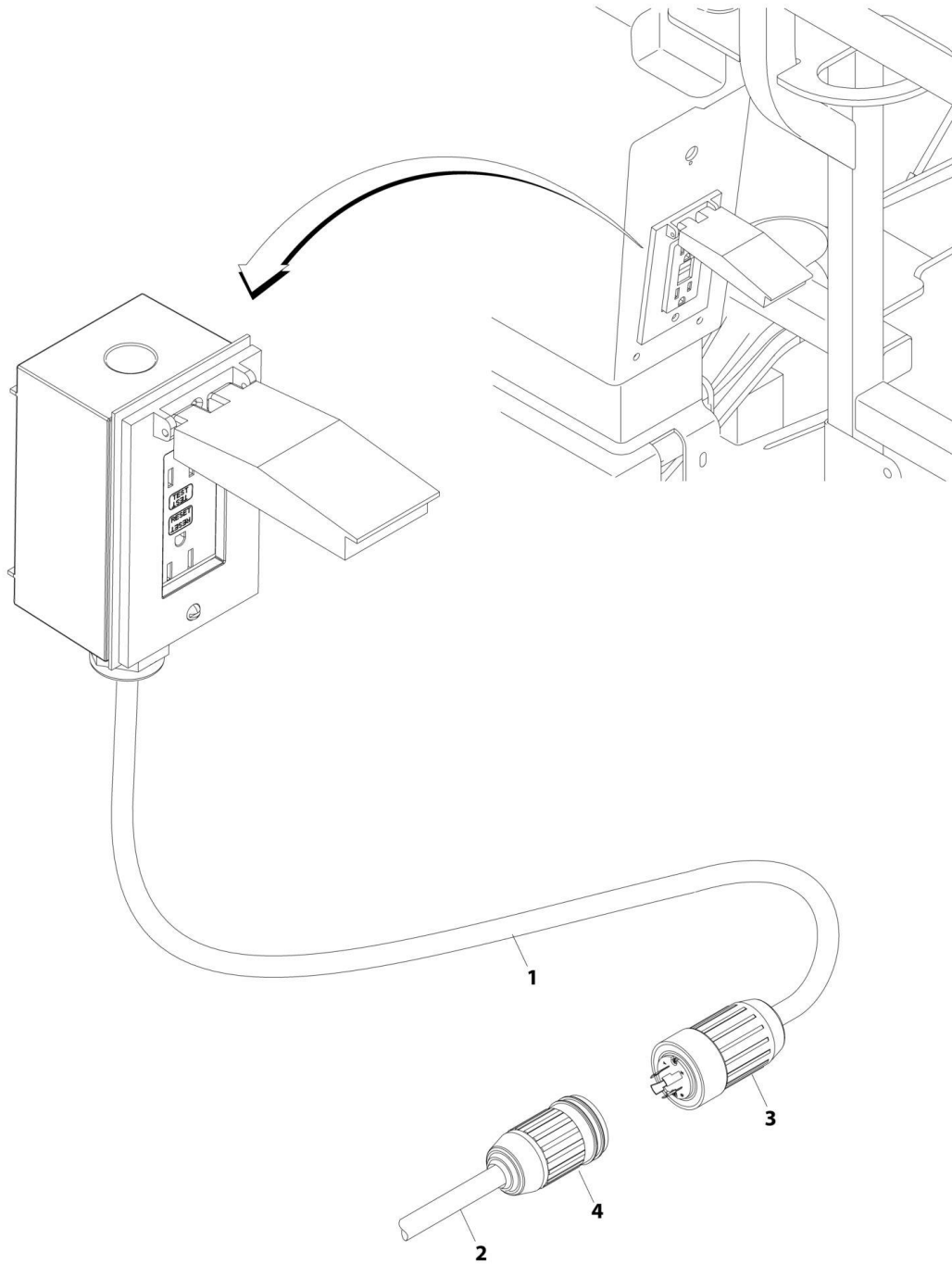
## SECTION 8 - ELECTRICAL

**FIGURE 8-3. AC BOX AT PLATFORM MID-BOOM PLUG INSTALLATION (WITHOUT 7500W SKYPOWER GENERATOR) (ANSI EXPORT, AUSTRALIAN, CE & UK CA SPECS)**

ITEM	PART NUMBER	QTY	DESCRIPTION	REV
	0256202	Ref	AC BOX AT PLATFORM MID-BOOM PLUG INSTALLATION	D
5	1001213584	1	Plug	
11	1001213585	1	Receptacle	

# SECTION 8 - ELECTRICAL

FIGURE 8-4. AC BOX AT PLATFORM MID-BOOM PLUG INSTALLATION (WITHOUT GENERATOR)  
(CHINA SPECS)



ART\_1001243561



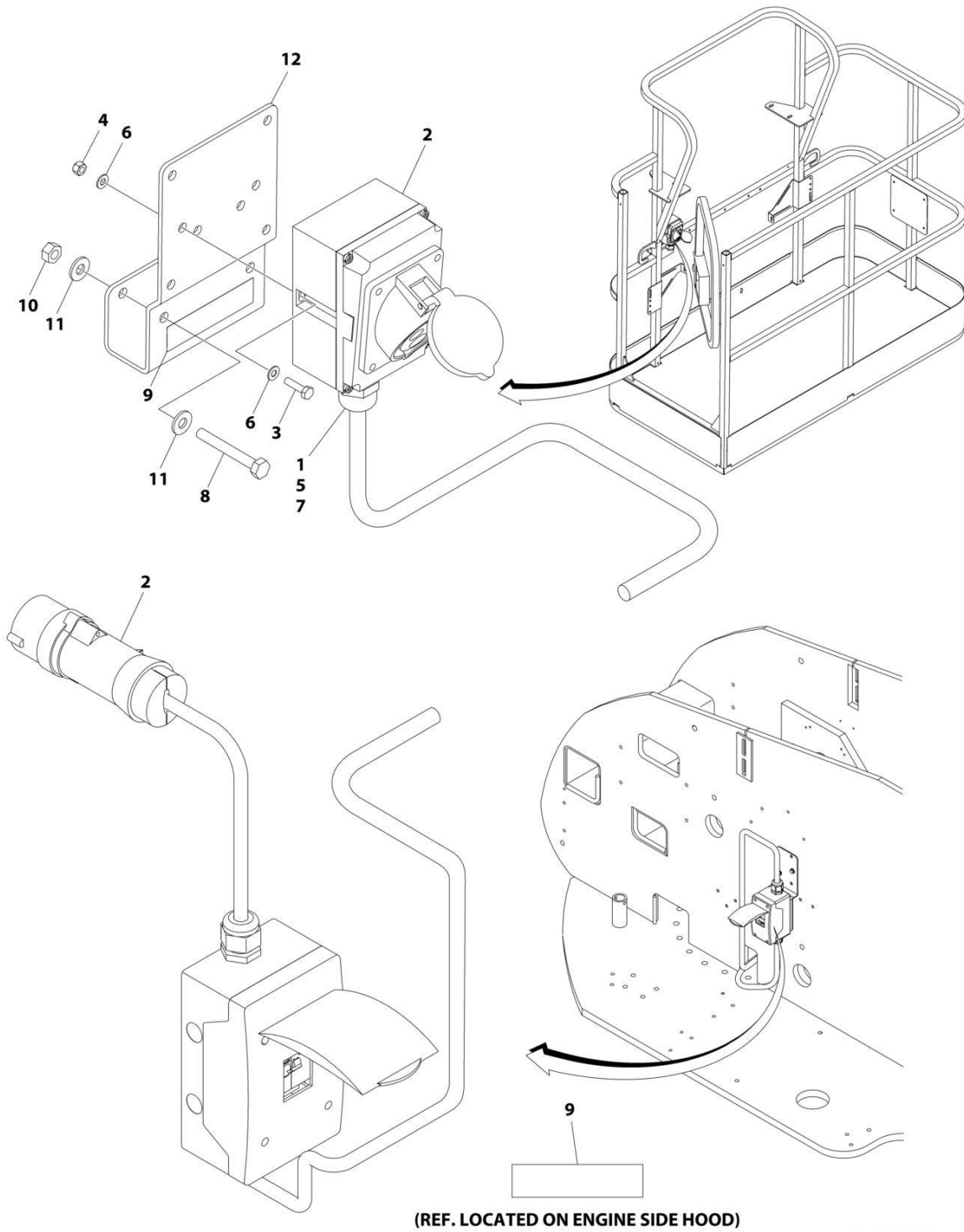
## SECTION 8 - ELECTRICAL

**FIGURE 8-4. AC BOX AT PLATFORM MID-BOOM PLUG INSTALLATION (WITHOUT GENERATOR)  
(CHINA SPECS)**

ITEM	PART NUMBER	QTY	DESCRIPTION	REV
	1001243561	Ref	AC BOX AT PLATFORM MID-BOOM PLUG INSTALLATION	A
1	4922874	1	Cable, Electrical 10/3	
2	4922877	1	Cable, Electrical 10/3	
3	1001213584	1	Plug	
4	1001213585	1	Receptacle	

# SECTION 8 - ELECTRICAL

FIGURE 8-5. AC BOX AT PLATFORM INSTALLATION - 110V IEC 60309 YELLOW WITHOUT 2500W GENERATOR (CE & UK CA SPECS)



ART\_1001091969

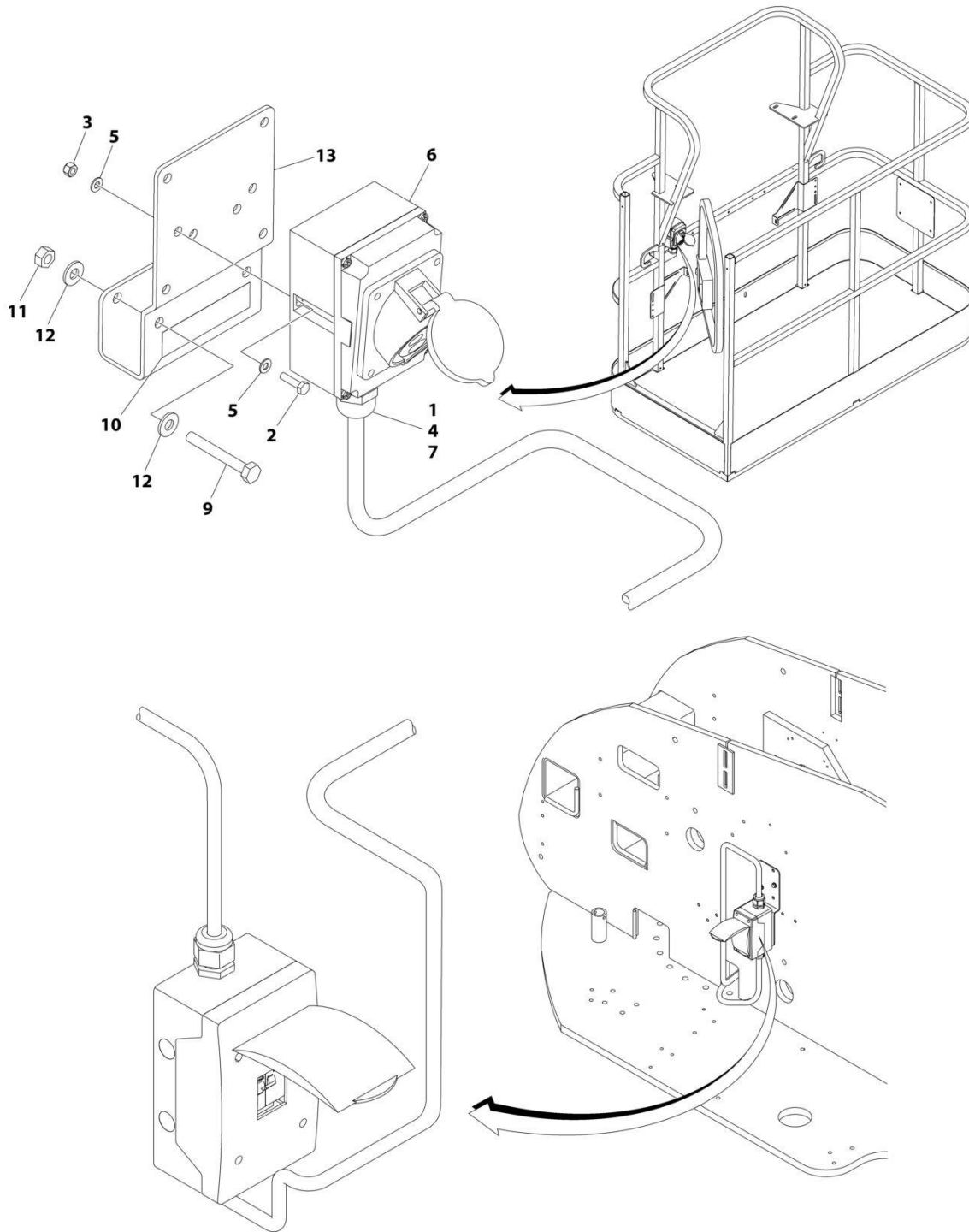
## SECTION 8 - ELECTRICAL

**FIGURE 8-5. AC BOX AT PLATFORM INSTALLATION - 110V IEC 60309 YELLOW WITHOUT 2500W GENERATOR (CE & UK CA SPECS)**

ITEM	PART NUMBER	QTY	DESCRIPTION	REV
	1001091969	Ref	AC BOX AT PLATFORM INSTALLATION - 110V IEC YELLOW	D
1	0100020	AR	Sealant, Pipe	
2	0275216	1	Receptacle Box Kit (See Separate Breakdown in this Section)	
3	0700408	2	Bolt M4 x 16	
4	3290405	2	Nut M4	
5	1001101196	1	Adapter	
6	4811400	4	Washer M4	
7	1001101191	1	Connector, Strain Relief	
8	0641416	2	Bolt 1/4 x 2	
9	1705325	2	Decal - 110V	
10	3311405	2	Nut 1/4	
11	4711400	4	Washer 1/4	
12	1001193018	1	Bracket	

# SECTION 8 - ELECTRICAL

FIGURE 8-6. AC BOX AT PLATFORM INSTALLATION - 110V IEC 60309 YELLOW WITH 2500W GENERATOR (CE & UK CA SPECS)



ART\_1001100326

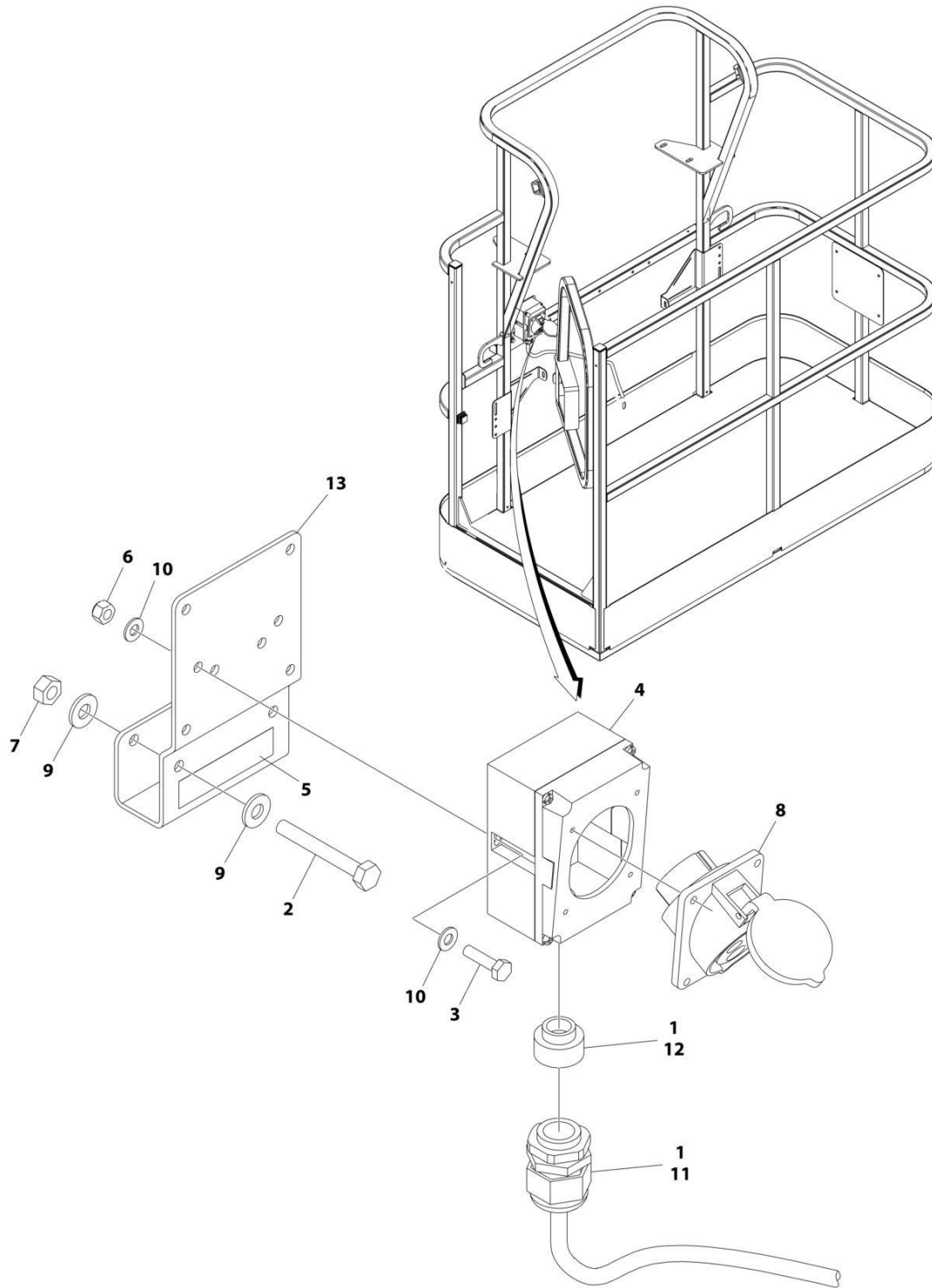
## SECTION 8 - ELECTRICAL

**FIGURE 8-6. AC BOX AT PLATFORM INSTALLATION - 110V IEC 60309 YELLOW WITH 2500W GENERATOR (CE & UK CA SPECS)**

ITEM	PART NUMBER	QTY	DESCRIPTION	REV
	1001100326	Ref	AC BOX AT PLATFORM INSTALLATION - 110V IEC 60309 YELLOW	D
1	0100020	AR	Sealant, Pipe	
2	0700408	2	Bolt M4 x 16	
3	3290405	2	Nut M4	
4	1001101196	1	Adapter	
5	4811400	4	Washer M4	
6	1001100341	1	Receptacle Box Kit (See Separate Breakdown in this Section)	
7	1001101191	1	Connector, Strain Relief	
8	1060908	10 ft /3.05m	Cable, Electrical 12/3 (Not Shown)	
9	0641416	2	Bolt 1/4 x 2	
10	1705325	1	Decal - 110V	
11	3311405	2	Nut 1/4	
12	4711400	4	Washer 1/4	
13	1001193018	1	Bracket	

# SECTION 8 - ELECTRICAL

**FIGURE 8-7. AC BOX AT PLATFORM INSTALLATION - 110V IEC YELLOW (CE & UK CA SPECS)  
(MACHINES WITH 4000W GENERATOR)**



ART\_1001206253

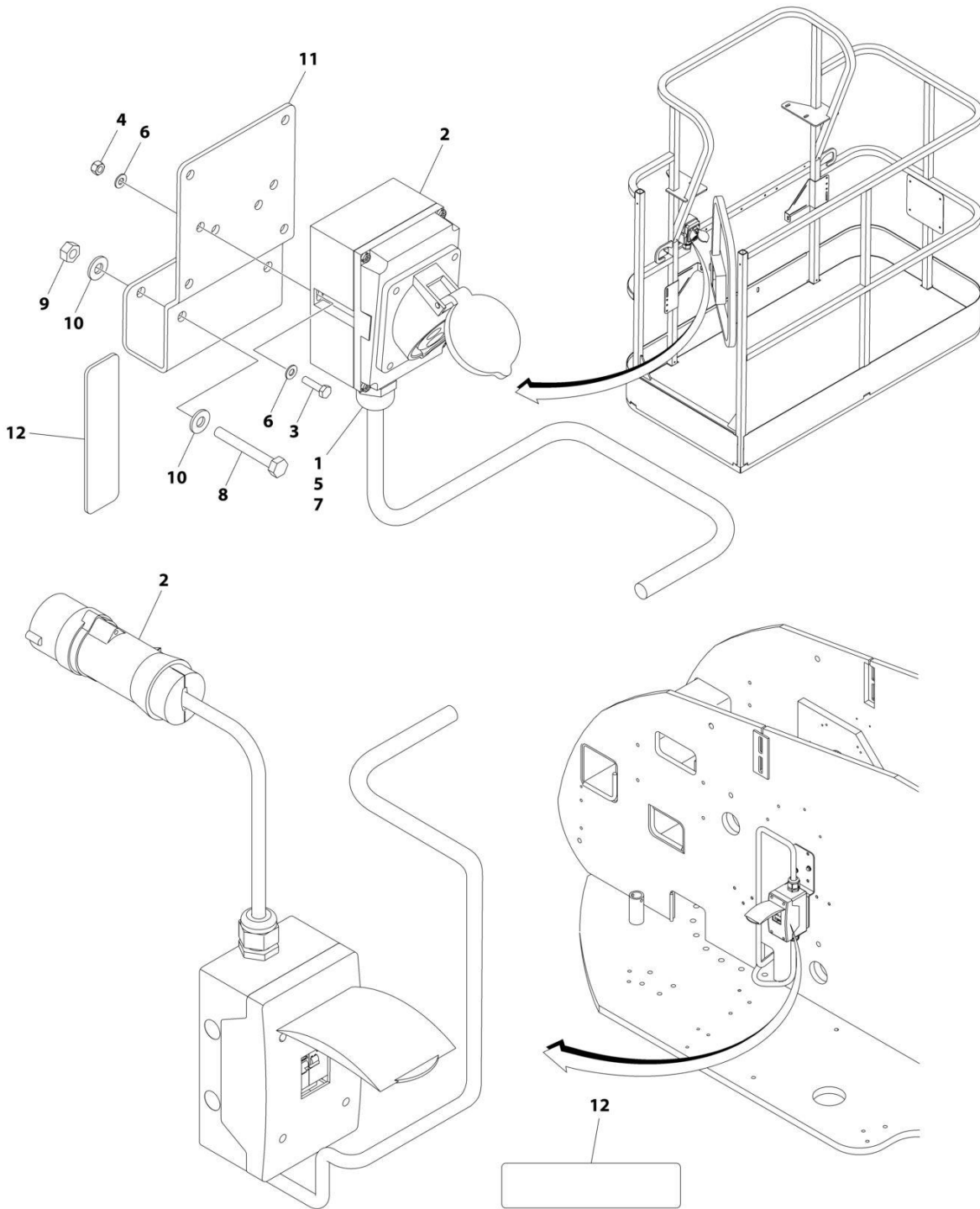
## SECTION 8 - ELECTRICAL

**FIGURE 8-7. AC BOX AT PLATFORM INSTALLATION - 110V IEC YELLOW (CE & UK CA SPECS)  
(MACHINES WITH 4000W GENERATOR)**

ITEM	PART NUMBER	QTY	DESCRIPTION	REV
	1001206253	Ref	AC BOX AT PLATFORM INSTALLATION - 110V IEC 60309 YELLOW WITHOUT 4000W GENERATOR	A
1	0100020	AR	Sealant, Pipe	
2	0641416	2	Bolt 1/4 x 2	
3	0700408	2	Bolt M4 x 16	
4	0861781	1	Box, Switch	
5	1705325	1	Decal - 110V	
6	3290405	2	Nut M4	
7	3311405	2	Nut 1/4	
8	4461198	1	Receptacle	
9	4711400	4	Washer 1/4	
10	4811400	4	Washer M4	
11	1001101191	1	Connector, Strain Relief	
12	1001101196	1	Adapter	
13	1001193018	1	Bracket, AC Receptacle	

# SECTION 8 - ELECTRICAL

**FIGURE 8-8. AC BOX AT PLATFORM INSTALLATION - 220V IEC BLUE (CE & UK CA SPECS)  
(MACHINES WITH 2500W GENERATOR OR NO GENERATOR OPTION)**



(REF. LOCATED ON ENGINE SIDE HOOD)

ART\_1001091970



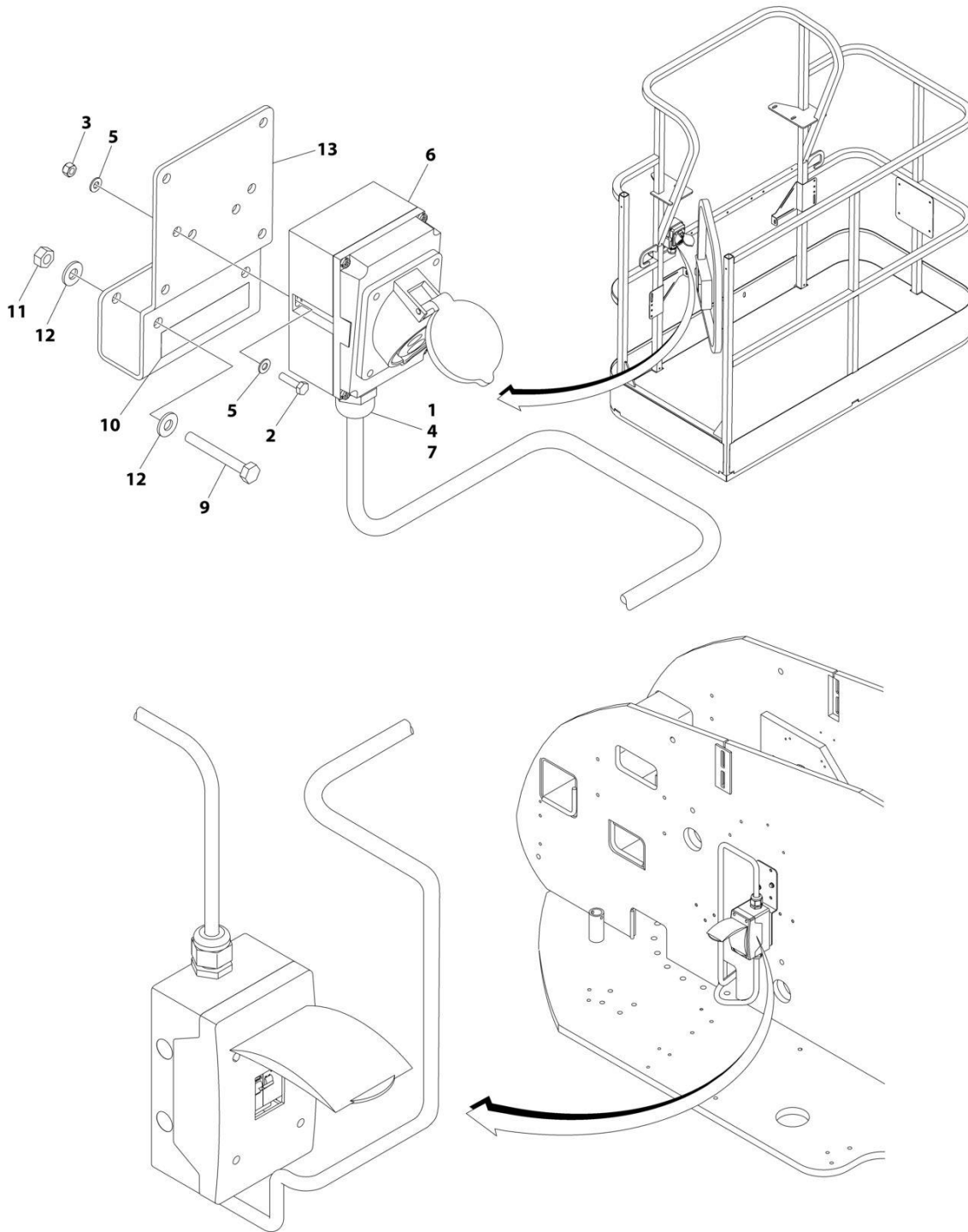
## SECTION 8 - ELECTRICAL

**FIGURE 8-8. AC BOX AT PLATFORM INSTALLATION - 220V IEC BLUE (CE & UK CA SPECS)  
(MACHINES WITH 2500W GENERATOR OR NO GENERATOR OPTION)**

ITEM	PART NUMBER	QTY	DESCRIPTION	REV
	1001091970	Ref	AC BOX AT PLATFORM INSTALLATION - 220V IEC BLUE	D
1	0100020	AR	Sealant, Pipe	
2	0275217	1	Receptacle Box Kit (See Separate Breakdown in this Section)	
3	0700408	2	Bolt M4 x 16	
4	3290405	2	Nut M4	
5	1001101196	1	Adapter	
6	4811400	4	Washer M4	
7	1001101191	1	Connector, Strain Relief	
8	0641416	2	Bolt 1/4 x 2	
9	3311405	2	Nut 1/4	
10	4711400	4	Washer 1/4	
11	1001193018	1	Bracket	
12	3251242	2	Decal - 240V/50Hz	

# SECTION 8 - ELECTRICAL

FIGURE 8-9. AC BOX AT PLATFORM INSTALLATION - 220V IEC 60309 BLUE WITH 2500W GENERATOR (CE & UK CA SPECS)



ART\_1001100327

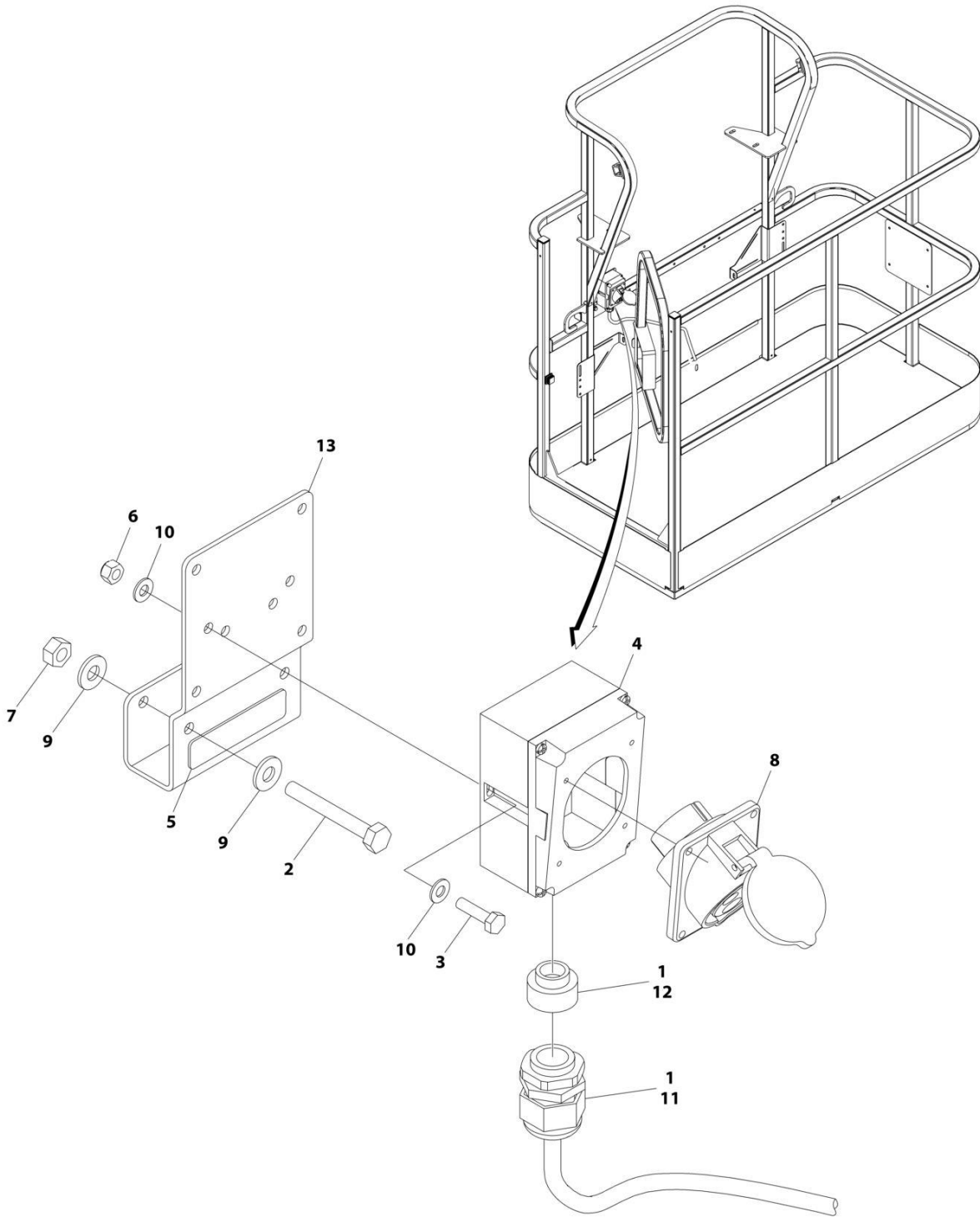
## SECTION 8 - ELECTRICAL

**FIGURE 8-9. AC BOX AT PLATFORM INSTALLATION - 220V IEC 60309 BLUE WITH 2500W GENERATOR (CE & UK CA SPECS)**

ITEM	PART NUMBER	QTY	DESCRIPTION	REV
	1001100327	Ref	AC BOX AT PLATFORM INSTALLATION - 220V IEC 60309 BLUE	D
1	0100020	AR	Sealant, Pipe	
2	0700408	2	Bolt M4 x 16	
3	3290405	2	Nut M4	
4	1001101196	1	Adapter	
5	4811400	4	Washer M4	
6	1001100342	1	Receptacle Box Kit (See Separate Breakdown in this Section)	
7	1001101191	1	Connector, Strain Relief	
8	1060908	10 ft /3.05m	Cable, Electrical 12/3 (Not Shown)	
9	0641416	2	Bolt 1/4 x 2	
10	3252507	1	Decal - 220V	
11	3311405	2	Nut 1/4	
12	4711400	4	Washer 1/4	
13	1001193018	1	Bracket	

# SECTION 8 - ELECTRICAL

FIGURE 8-10. AC BOX AT PLATFORM INSTALLATION - 220V IEC BLUE (CE & UK CA SPECS)  
(MACHINES WITH 4000W GENERATOR)



ART\_1001206254

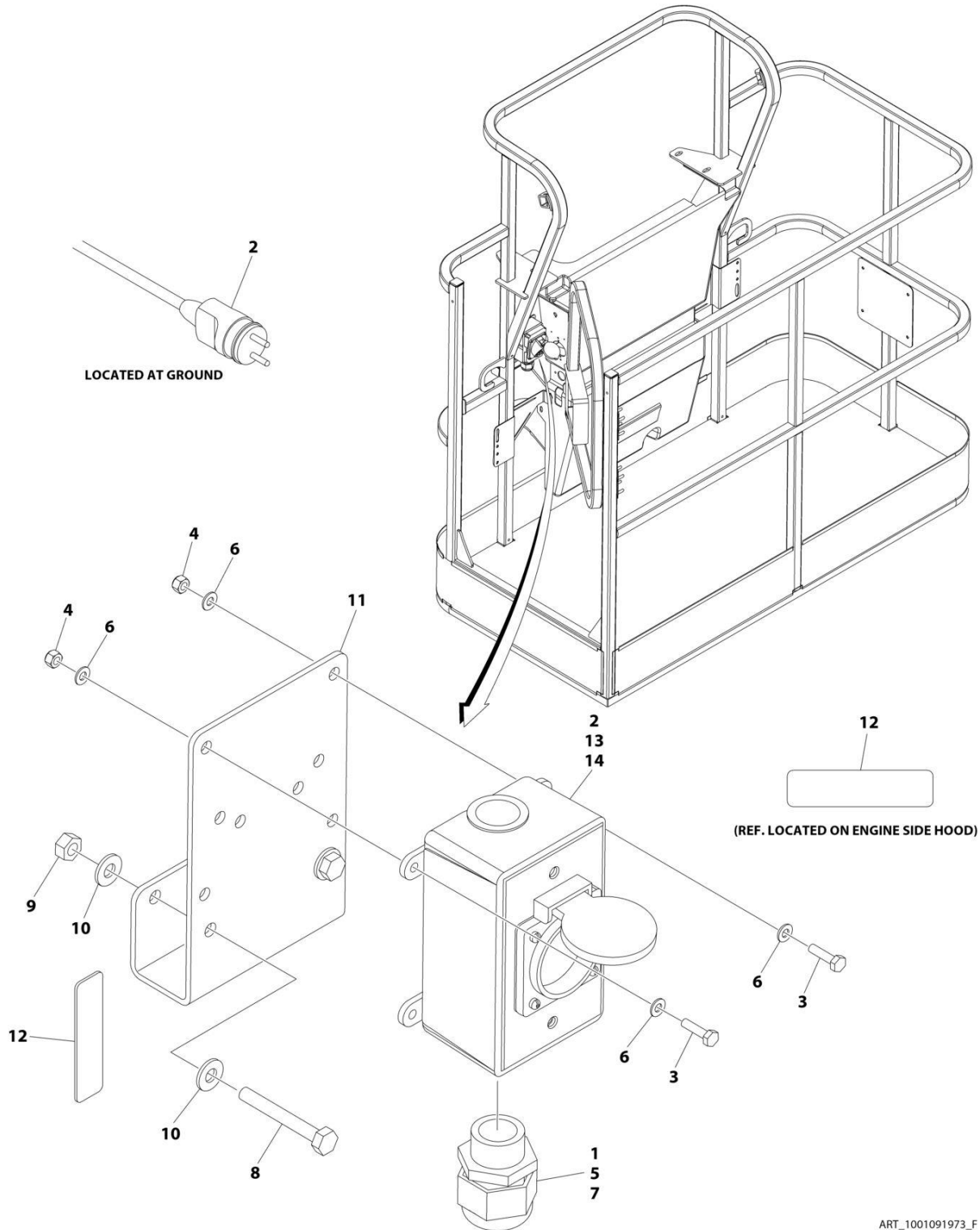
## SECTION 8 - ELECTRICAL

**FIGURE 8-10. AC BOX AT PLATFORM INSTALLATION - 220V IEC BLUE (CE & UK CA SPECS)  
(MACHINES WITH 4000W GENERATOR)**

ITEM	PART NUMBER	QTY	DESCRIPTION	REV
	1001206254	Ref	AC BOX AT PLATFORM INSTALLATION - 220V IEC BLUE	A
1	0100020	AR	Sealant, Pipe	
2	0641416	2	Bolt 1/4 x 2	
3	0700408	2	Bolt M4 x 16	
4	0861781	1	Box, Switch	
5	3251242	1	Decal - 240V/50Hz	
6	3290405	2	Nut M4	
7	3311405	2	Nut 1/4	
8	4461201	1	Receptacle	
9	4711400	4	Washer 1/4	
10	4811400	4	Washer M4	
11	1001101191	1	Connector, Strain Relief	
12	1001101196	1	Adapter	
13	1001193018	1	Bracket, AC Receptacle	

# SECTION 8 - ELECTRICAL

**FIGURE 8-11. AC BOX AT PLATFORM INSTALLATION - 220V CEE7 POST GROUND (CE & UK CA SPECS) (MACHINES WITH 2500W GENERATOR OR NO GENERATOR OPTION)**



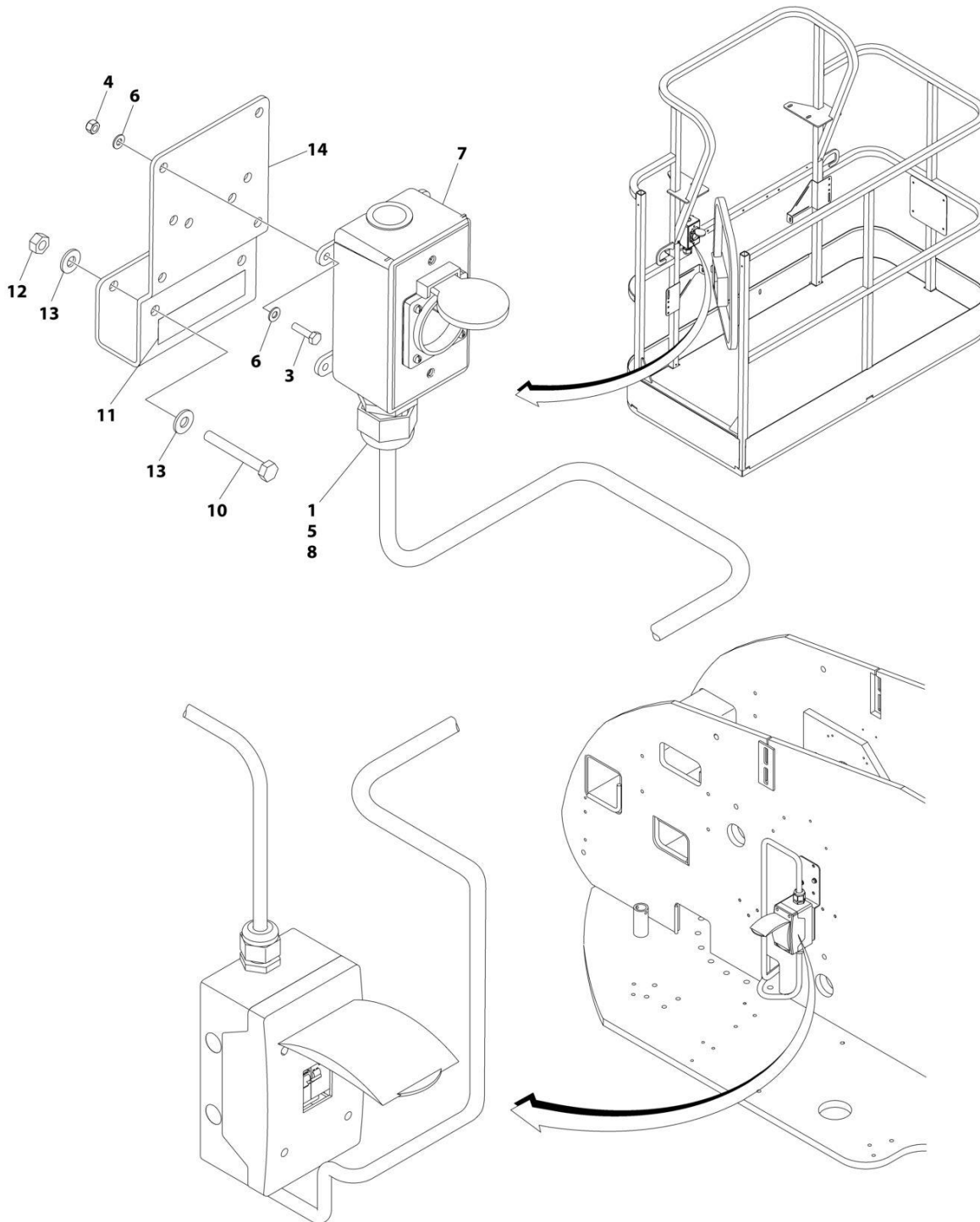
## SECTION 8 - ELECTRICAL

**FIGURE 8-11. AC BOX AT PLATFORM INSTALLATION - 220V CEE7 POST GROUND (CE & UK CA SPECS) (MACHINES WITH 2500W GENERATOR OR NO GENERATOR OPTION)**

ITEM	PART NUMBER	QTY	DESCRIPTION	REV
	1001091973	Ref	AC BOX AT PLATFORM INSTALLATION - 220V CEE7 2X4 BOX POST GROUND	F
1	0100020	AR	Sealant, Pipe	
2	0275452	1	Receptacle Box Kit (See Separate Breakdown in this Section)	
3	0700408	4	Bolt M4 x 16	
4	3290405	4	Nut M4	
5	1001101197	1	Adapter	
6	4811400	8	Washer M4	
7	1001101191	1	Connector, Strain Relief	
8	0641416	2	Bolt 1/4 x 2	
9	3311405	2	Nut 1/4	
10	4711400	4	Washer 1/4	
11	1001193018	1	Bracket	
12	3251242	2	Decal - 240V/50Hz	
13	4460806	2	Terminal, Fork (Not Shown)	
14	1001205958	1	Terminal (Not Shown)	

# SECTION 8 - ELECTRICAL

FIGURE 8-12. AC BOX AT PLATFORM INSTALLATION - 220V CEE7 POST GROUND (2X4 BOX) WITH 2500W GENERATOR (CE & UK CA SPECS)



ART\_1001100331



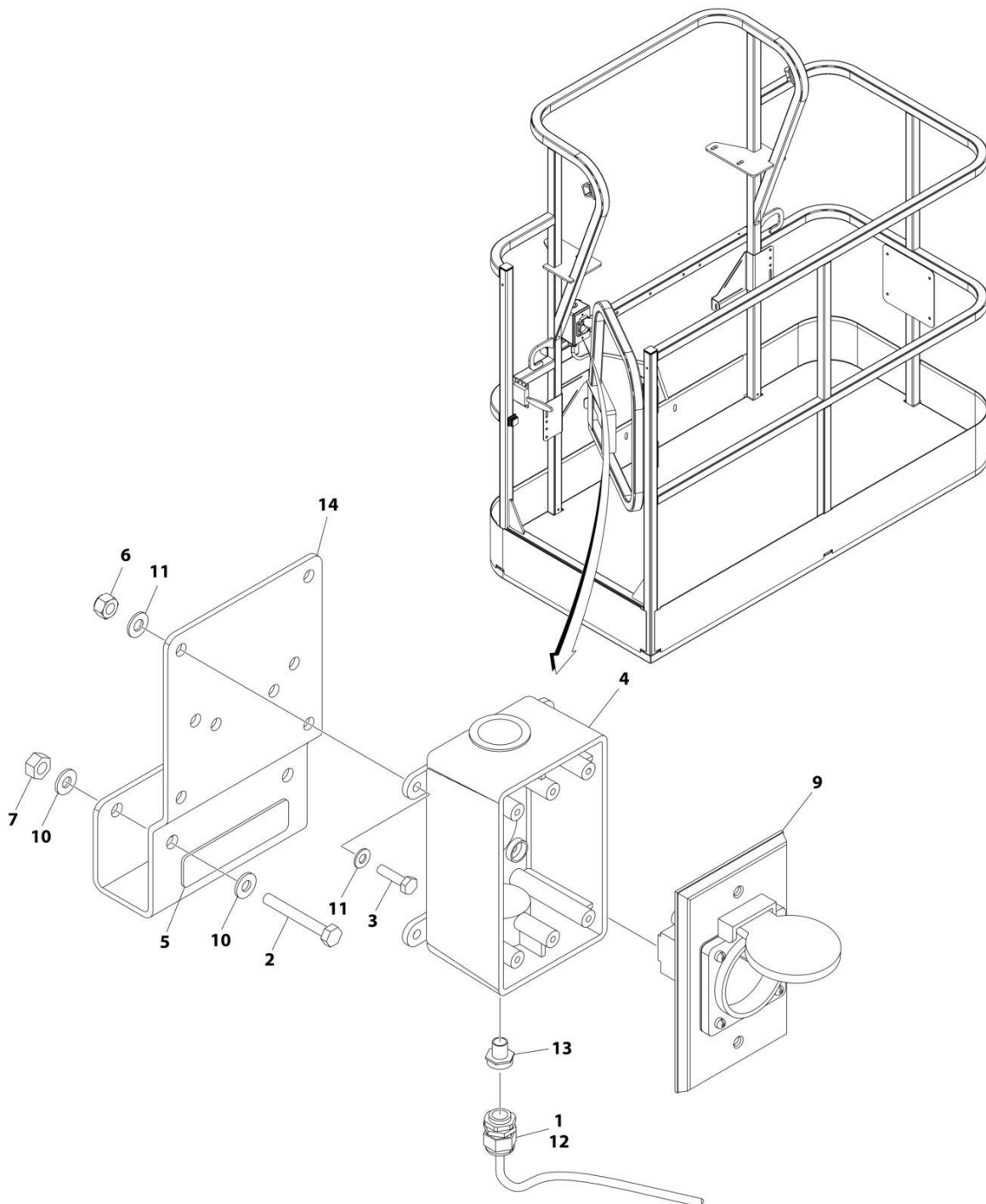
## SECTION 8 - ELECTRICAL

**FIGURE 8-12. AC BOX AT PLATFORM INSTALLATION - 220V CEE7 POST GROUND (2X4 BOX) WITH 2500W GENERATOR (CE & UK CA SPECS)**

ITEM	PART NUMBER	QTY	DESCRIPTION	REV
	1001100331	Ref	AC BOX AT PLATFORM INSTALLATION - 220V CEE7 POST GROUND (2X4 BOX)	E
1	0100020	AR	Sealant, Pipe	
3	0700408	4	Bolt M4 x 16	
4	3290405	4	Nut M4	
5	1001101197	1	Adapter	
6	4811400	8	Washer M4	
7	1001100345	1	Receptacle Box Kit (See Separate Breakdown in this Section)	
8	1001101191	1	Connector, Strain Relief	
9	1060908	10 ft /3.05m	Cable, Electrical 12/3 (Not Shown)	
10	0641416	2	Bolt 1/4 x 2	
11	3252507	1	Decal - 220V	
12	3311405	2	Nut 1/4	
13	4711400	4	Washer 1/4	
14	1001193018	1	Bracket	
15	4460806	2	Terminal, Fork (Not Shown)	
16	1001205958	1	Terminal (Not Shown)	

## SECTION 8 - ELECTRICAL

FIGURE 8-13. AC BOX AT PLATFORM INSTALLATION - 220V CEE7 POST GROUND (CE & UK CA SPECS) (MACHINES WITH 4000W GENERATOR)



ART\_1001206250

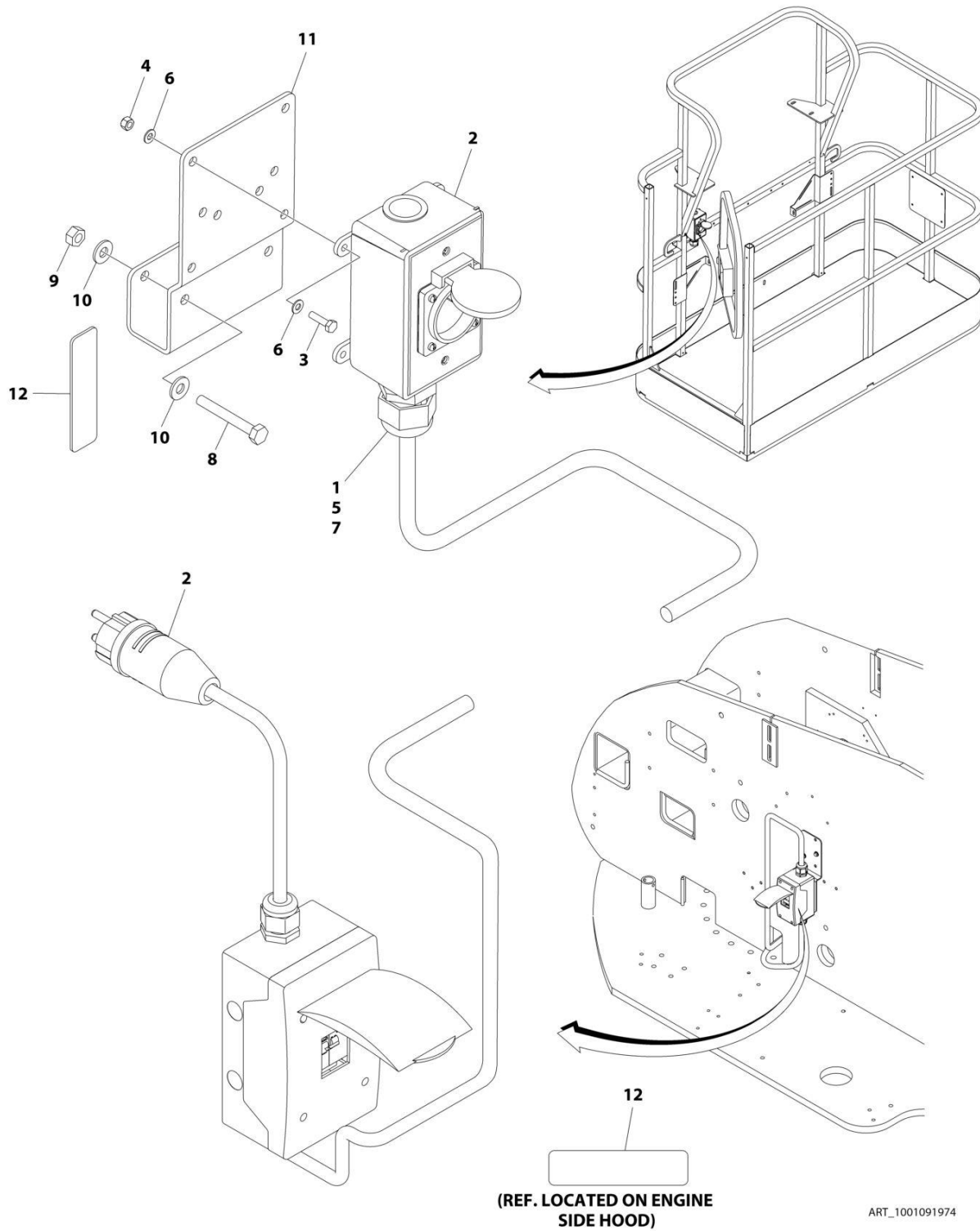
## SECTION 8 - ELECTRICAL

**FIGURE 8-13. AC BOX AT PLATFORM INSTALLATION - 220V CEE7 POST GROUND (CE & UK CA SPECS) (MACHINES WITH 4000W GENERATOR)**

ITEM	PART NUMBER	QTY	DESCRIPTION	REV
	1001206250	Ref	AC BOX AT PLATFORM INSTALLATION - 220V CEE7 2X4 BOX POST GROUND	A
1	0100020	AR	Sealant, Pipe	
2	0641416	2	Bolt 1/4 x 2	
3	0700408	4	Bolt M4 x 16	
4	0861731	1	Box, Switch	
5	3251242	1	Decal - 240V/50Hz	
6	3290405	4	Nut M4	
7	3311405	2	Nut 1/4	
8	4460806	2	Terminal, Fork (Not Shown)	
9	4461244	1	Receptacle	
10	4711400	4	Washer 1/4	
11	4811400	8	Washer M4	
12	1001101191	1	Connector, Strain Relief	
13	1001101197	1	Adapter	
14	1001193018	1	Bracket, AC Receptacle	
15	1001205958	1	Terminal (Not Shown)	

# SECTION 8 - ELECTRICAL

**FIGURE 8-14. AC BOX AT PLATFORM INSTALLATION - 220V CEE7 SIDE GROUND (CE & UK CA SPECS) (MACHINES WITH 2500W GENERATOR OR NO GENERATOR OPTION)**



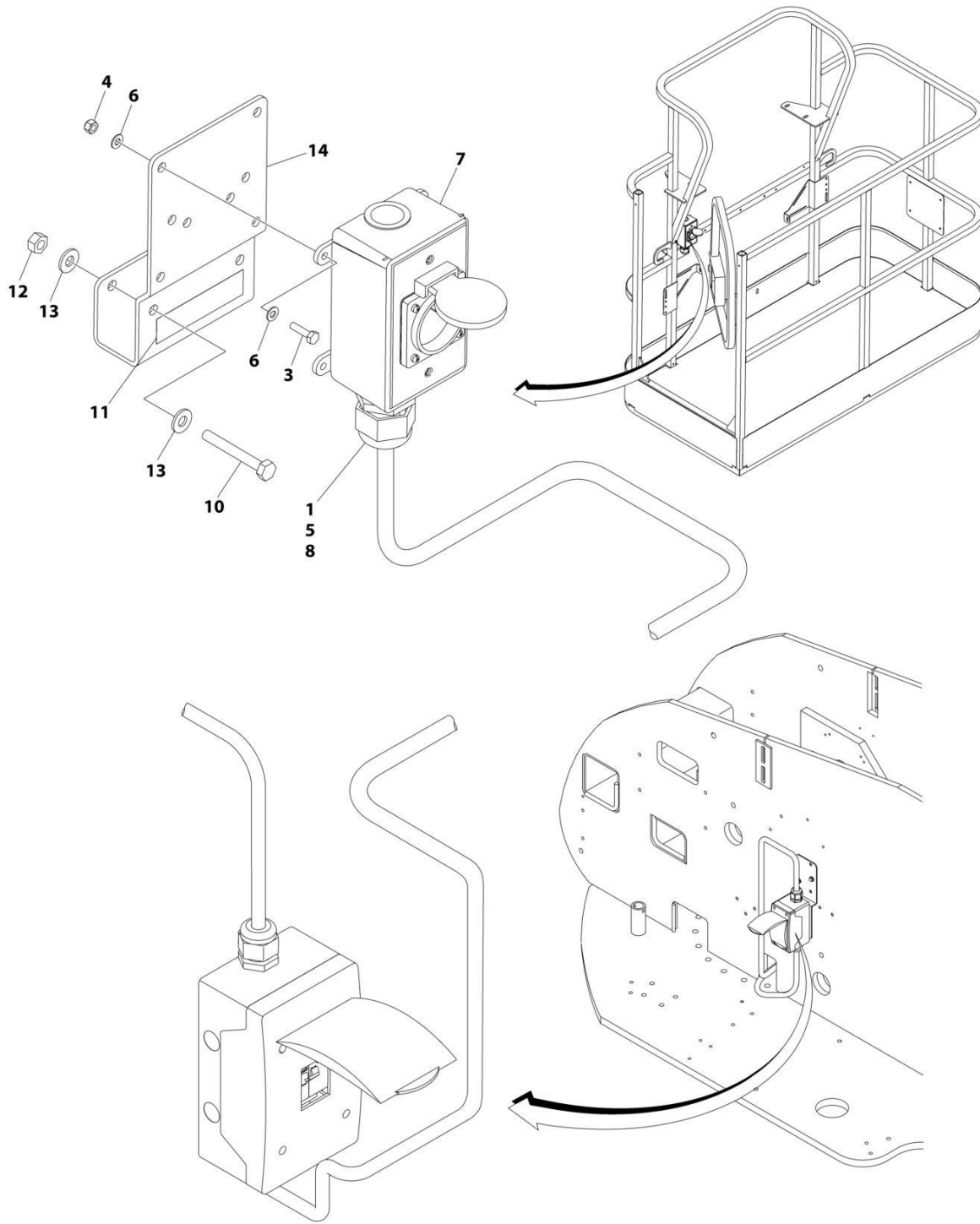
## SECTION 8 - ELECTRICAL

**FIGURE 8-14. AC BOX AT PLATFORM INSTALLATION - 220V CEE7 SIDE GROUND (CE & UK CA SPECS) (MACHINES WITH 2500W GENERATOR OR NO GENERATOR OPTION)**

ITEM	PART NUMBER	QTY	DESCRIPTION	REV
	1001091974	Ref	AC BOX AT PLATFORM INSTALLATION - 220V CEE7 2X4 BOX SIDE GROUND	F
1	0100020	AR	Sealant, Pipe	
2	0275453	1	Receptacle Box Kit (See Separate Breakdown in this Section)	
3	0700408	4	Bolt M4 x 16	
4	3290405	4	Nut M4	
5	1001101197	1	Adapter	
6	4811400	8	Washer M4	
7	1001101191	1	Connector, Strain Relief	
8	0641416	2	Bolt 1/4 x 2	
9	3311405	2	Nut 1/4	
10	4711400	4	Washer 1/4	
11	1001193018	1	Bracket	
12	3251242	2	Decal - 240V/50Hz	
13	4460806	2	Terminal, Fork (Not Shown)	
14	1001205958	1	Terminal (Not Shown)	

# SECTION 8 - ELECTRICAL

FIGURE 8-15. AC BOX AT PLATFORM INSTALLATION - 220V CEE7 SIDE GROUND (2X4 BOX) WITH 2500W GENERATOR (CE & UK CA SPECS)



ART\_1001100333

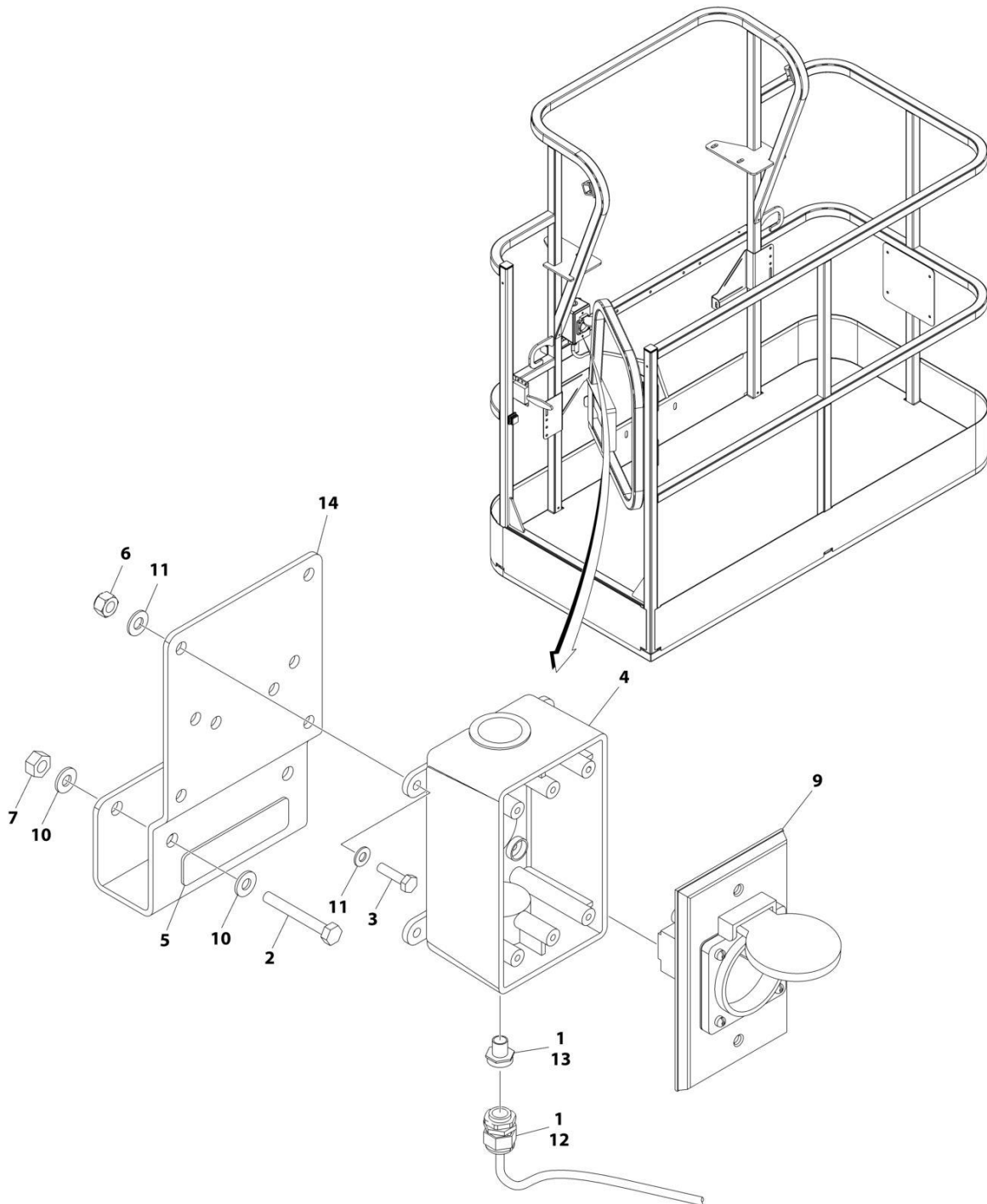
## SECTION 8 - ELECTRICAL

**FIGURE 8-15. AC BOX AT PLATFORM INSTALLATION - 220V CEE7 SIDE GROUND (2X4 BOX) WITH 2500W GENERATOR (CE & UK CA SPECS)**

ITEM	PART NUMBER	QTY	DESCRIPTION	REV
	1001100333	Ref	AC BOX AT PLATFORM INSTALLATION - 220V CEE7 SIDE GROUND (2X4 BOX)	E
1	0100020	AR	Sealant, Pipe	
3	0700408	4	Bolt M4 x 16	
4	3290405	4	Nut M4	
5	1001101197	1	Adapter	
6	4811400	8	Washer M4	
7	1001100347	1	Receptacle Box Kit (See Separate Breakdown in this Section)	
8	1001101191	1	Connector, Strain Relief	
9	1060908	10 ft /3.05m	Cable, Electrical 12/3 (Not Shown)	
10	0641416	2	Bolt 1/4 x 2	
11	3252507	1	Decal - 220V	
12	3311405	2	Nut 1/4	
13	4711400	4	Washer 1/4	
14	1001193018	1	Bracket	
15	4460806	2	Terminal, Fork (Not Shown)	
16	1001205958	1	Terminal (Not Shown)	

# SECTION 8 - ELECTRICAL

FIGURE 8-16. AC BOX AT PLATFORM INSTALLATION - 220V CEE7 SIDE GROUND (CE & UK CA SPECS) (MACHINES WITH 4000W GENERATOR)



ART\_1001206251



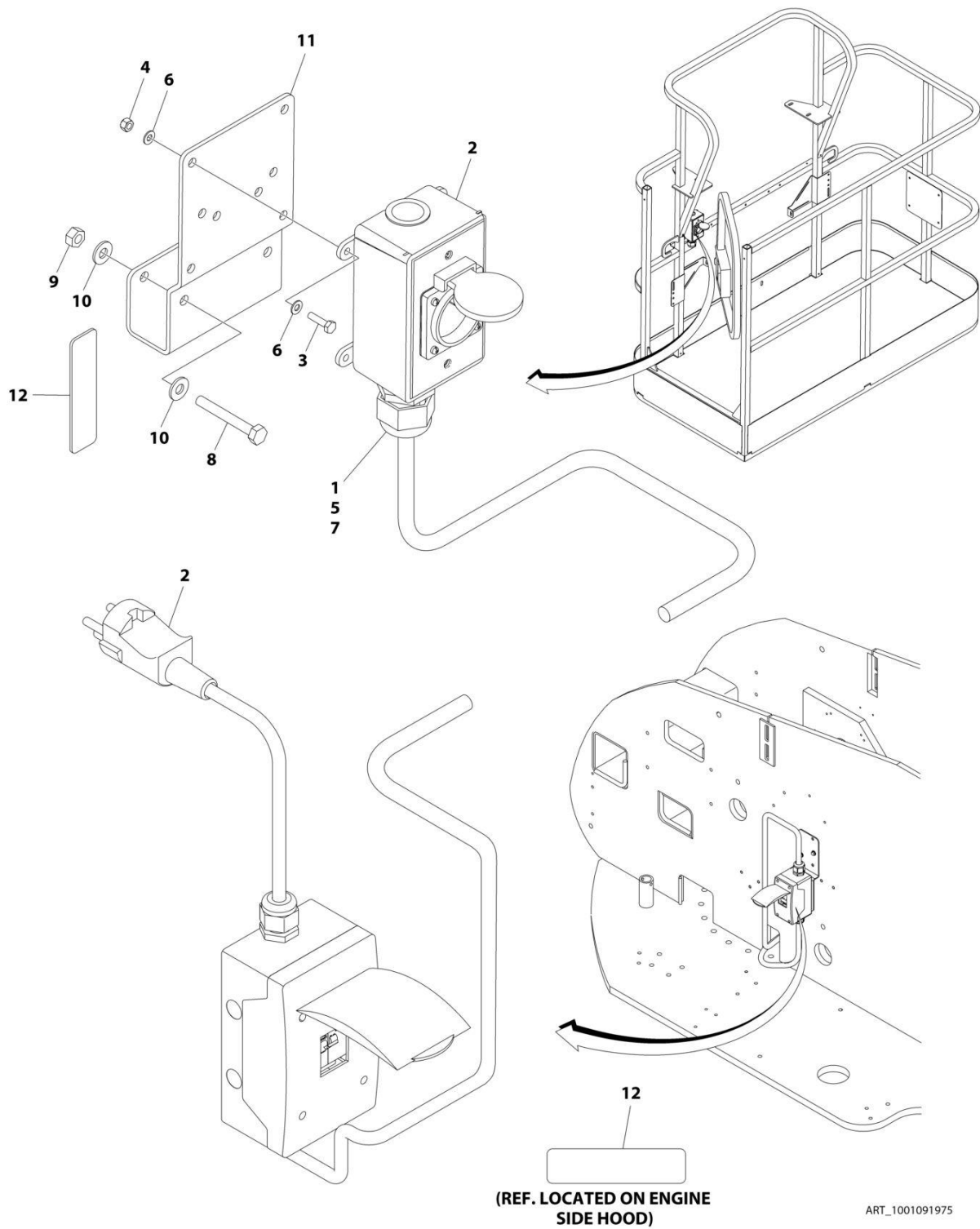
## SECTION 8 - ELECTRICAL

**FIGURE 8-16. AC BOX AT PLATFORM INSTALLATION - 220V CEE7 SIDE GROUND (CE & UK CA SPECS) (MACHINES WITH 4000W GENERATOR)**

ITEM	PART NUMBER	QTY	DESCRIPTION	REV
	1001206251	Ref	AC BOX AT PLATFORM INSTALLATION - 220V CEE7 2X4 BOX SIDE GROUND	A
1	0100020	AR	Sealant, Pipe	
2	0641416	2	Bolt 1/4 x 2	
3	0700408	4	Bolt M4 x 16	
4	0861731	1	Box, Switch	
5	3251242	1	Decal - 240V/50Hz	
6	3290405	4	Nut M4	
7	3311405	2	Nut 1/4	
8	4460806	2	Terminal, Fork (Not Shown)	
9	4461245	1	Receptacle	
10	4711400	4	Washer 1/4	
11	4811400	8	Washer M4	
12	1001101191	1	Connector, Strain Relief	
13	1001101197	1	Adapter	
14	1001193018	1	Bracket, AC Receptacle	
15	1001205958	1	Terminal (Not Shown)	

# SECTION 8 - ELECTRICAL

**FIGURE 8-17. AC BOX AT PLATFORM INSTALLATION - 220V AFSINT 107 KEYED GROUND (CE & UK CA SPECS) (MACHINES WITH 2500W GENERATOR OR NO GENERATOR OPTION)**



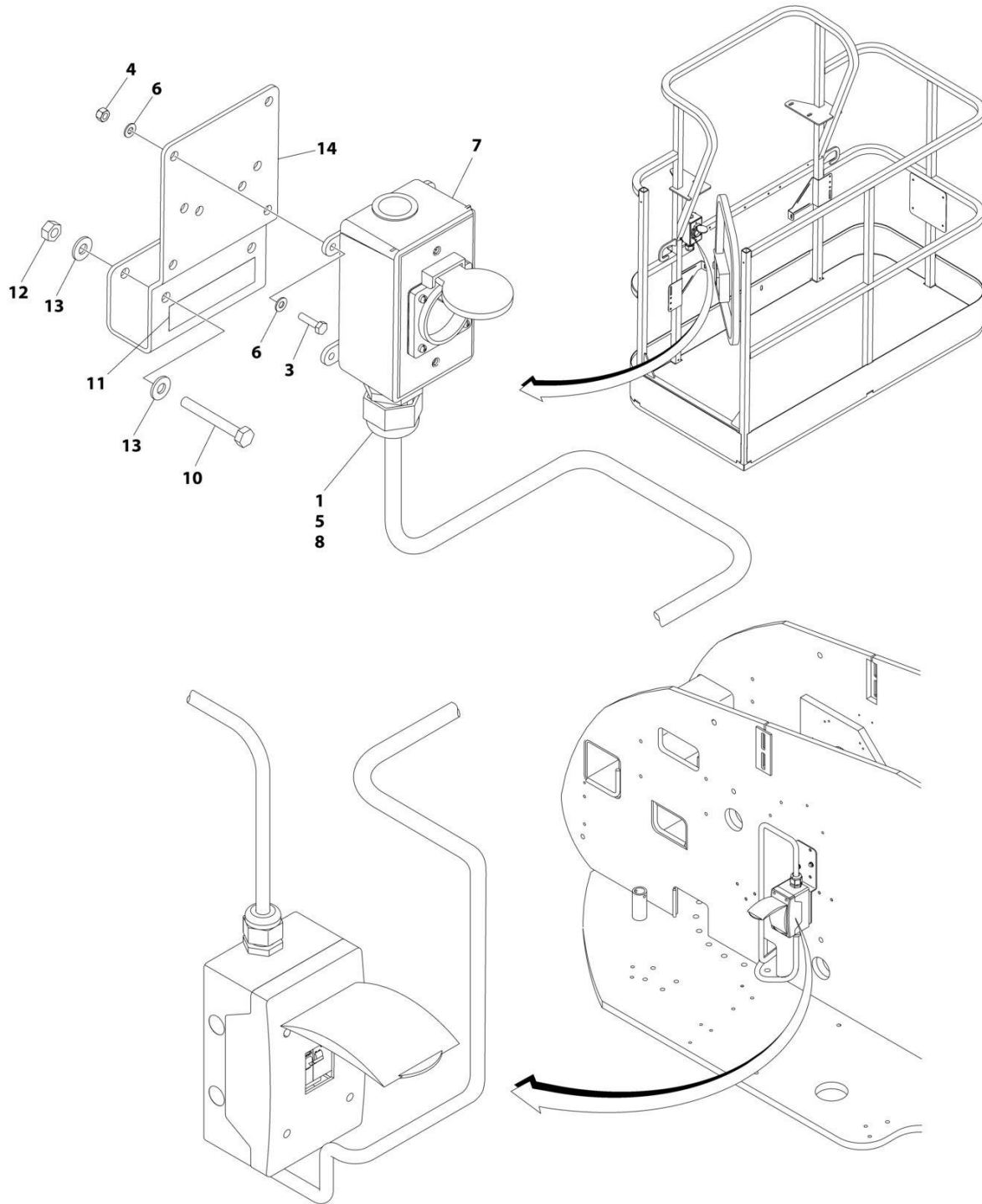
## SECTION 8 - ELECTRICAL

**FIGURE 8-17. AC BOX AT PLATFORM INSTALLATION - 220V AFSINT 107 KEYED GROUND (CE & UK CA SPECS) (MACHINES WITH 2500W GENERATOR OR NO GENERATOR OPTION)**

ITEM	PART NUMBER	QTY	DESCRIPTION	REV
	1001091975	Ref	AC BOX AT PLATFORM INSTALLATION - 220V AFSINT 107 2X4 BOX KEYED GROUND	F
1	0100020	AR	Sealant, Pipe	
2	0275454	1	Receptacle Box Kit (See Separate Breakdown in this Section)	
3	0700408	4	Bolt M4 x 16	
4	3290405	4	Nut M4	
5	1001101197	1	Adapter	
6	4811400	8	Washer M4	
7	1001101191	1	Connector, Strain Relief	
8	0641416	2	Bolt 1/4 x 2	
9	3311405	2	Nut 1/4	
10	4711400	4	Washer 1/4	
11	1001193018	1	Bracket	
12	3251242	2	Decal - 240V/50Hz	
13	1001205958	3	Terminal (Not Shown)	

# SECTION 8 - ELECTRICAL

**FIGURE 8-18. AC BOX AT PLATFORM INSTALLATION - 220V AFSINT 107 KEYED GROUND (2X4 BOX) WITH 2500W GENERATOR (CE & UK CA SPECS)**



ART\_1001100337

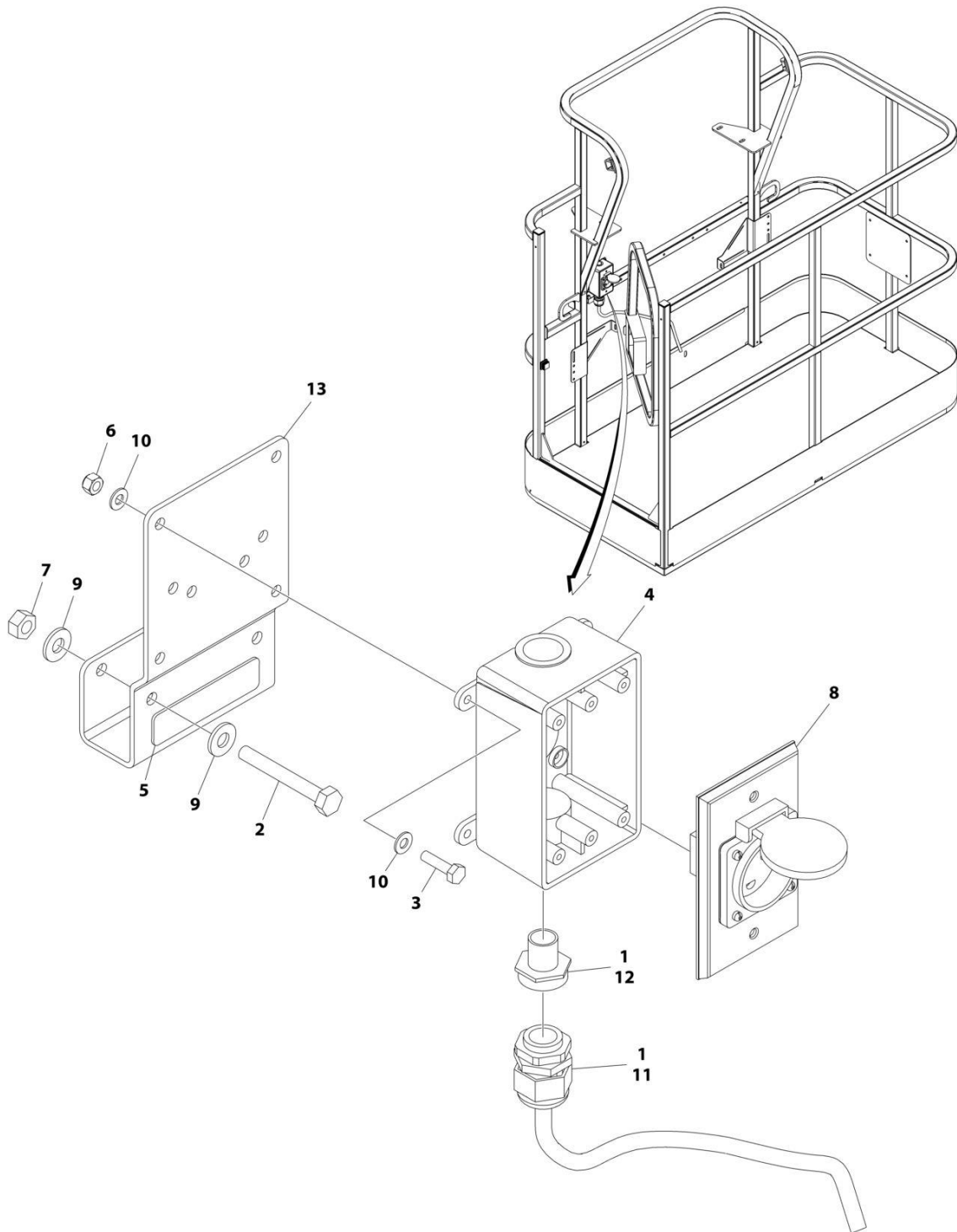
## SECTION 8 - ELECTRICAL

**FIGURE 8-18. AC BOX AT PLATFORM INSTALLATION - 220V AFSINT 107 KEYED GROUND (2X4 BOX) WITH 2500W GENERATOR (CE & UK CA SPECS)**

ITEM	PART NUMBER	QTY	DESCRIPTION	REV
	1001100337	Ref	AC BOX AT PLATFORM INSTALLATION - 220V AFSINT 107 2X4 BOX KEYED GROUND (2X4 BOX)	E
1	0100020	AR	Sealant, Pipe	
3	0700408	4	Bolt M4 x 16	
4	3290405	4	Nut M4	
5	1001101197	1	Adapter	
6	4811400	8	Washer M4	
7	1001100346	1	Receptacle Box Kit (See Separate Breakdown in this Section)	
8	1001101191	1	Connector, Strain Relief	
9	1060908	10 ft /3.05m	Cable, Electrical 12/3 (Not Shown)	
10	0641416	2	Bolt 1/4 x 2	
11	3252507	1	Decal - 220V	
12	3311405	2	Nut 1/4	
13	4711400	4	Washer 1/4	
14	1001193018	1	Bracket	
15	1001205958	3	Terminal (Not Shown)	

# SECTION 8 - ELECTRICAL

FIGURE 8-19. AC BOX AT PLATFORM INSTALLATION - 220V AFSINT 107 KEYED GROUND (CE & UK CA SPECS) (MACHINES WITH 4000W GENERATOR)



ART\_1001206252

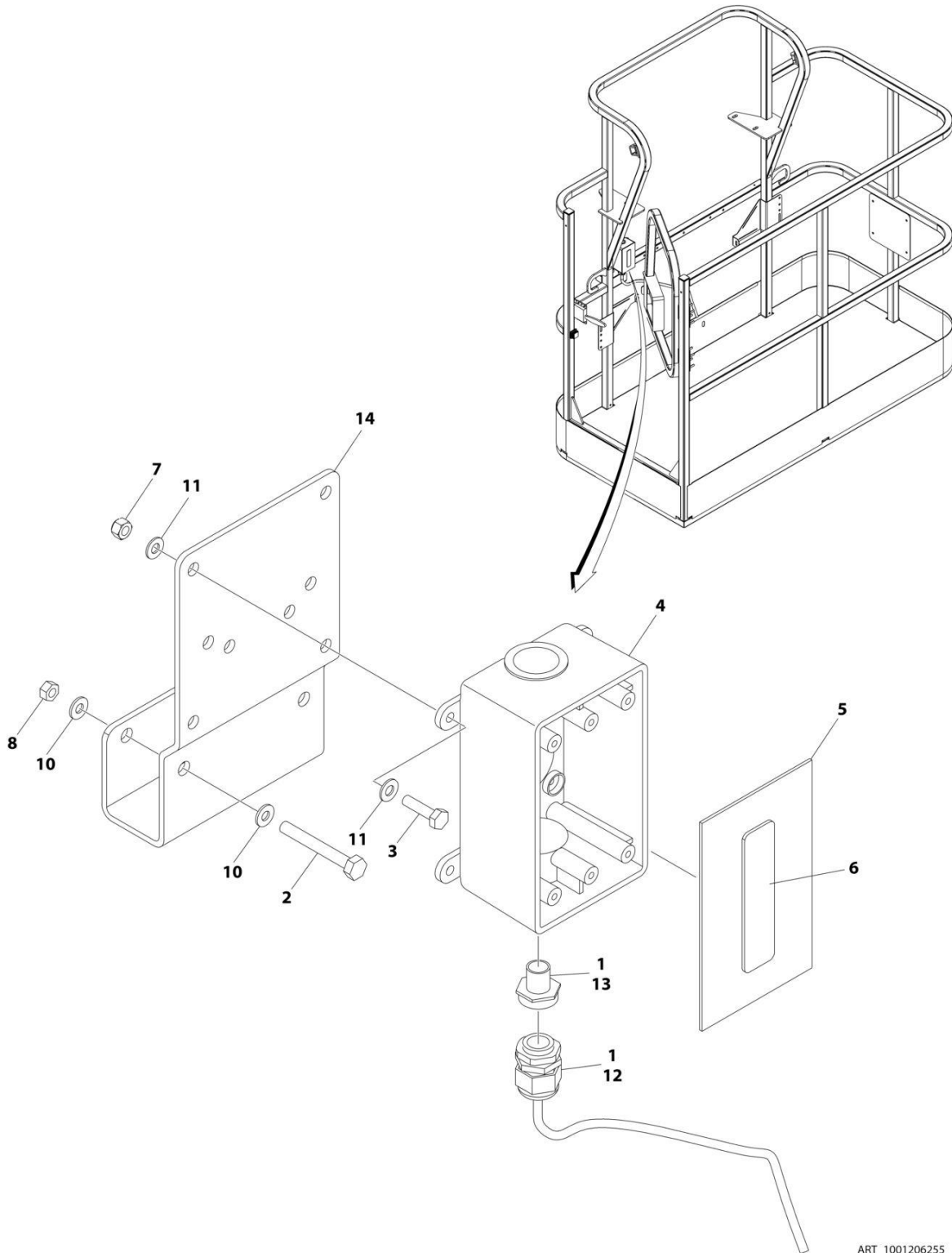
## SECTION 8 - ELECTRICAL

**FIGURE 8-19. AC BOX AT PLATFORM INSTALLATION - 220V AFSINT 107 KEYED GROUND (CE & UK CA SPECS) (MACHINES WITH 4000W GENERATOR)**

ITEM	PART NUMBER	QTY	DESCRIPTION	REV
	1001206252	Ref	AC BOX AT PLATFORM INSTALLATION - 220V AFSINT 107 2x4 BOX KEYED GROUND	A
1	0100020	AR	Sealant, Pipe	
2	0641416	2	Bolt 1/4 x 2	
3	0700408	4	Bolt M4 x 16	
4	0861731	1	Box, Switch	
5	3251242	1	Decal - 240V/50Hz	
6	3290405	4	Nut M4	
7	3311405	2	Nut 1/4	
8	4461246	1	Receptacle	
9	4711400	4	Washer 1/4	
10	4811400	8	Washer M4	
11	1001101191	1	Connector, Strain Relief	
12	1001101197	1	Adapter	
13	1001193018	1	Bracket, AC Receptacle	
14	1001205958	3	Terminal (Not Shown)	

# SECTION 8 - ELECTRICAL

FIGURE 8-20. AC BOX AT PLATFORM INSTALLATION - 220V (2X4 BOX & COVER ONLY - LOCALLY SUPPLIED RECEPTACLE) (4000W GENERATOR)



ART\_1001206255



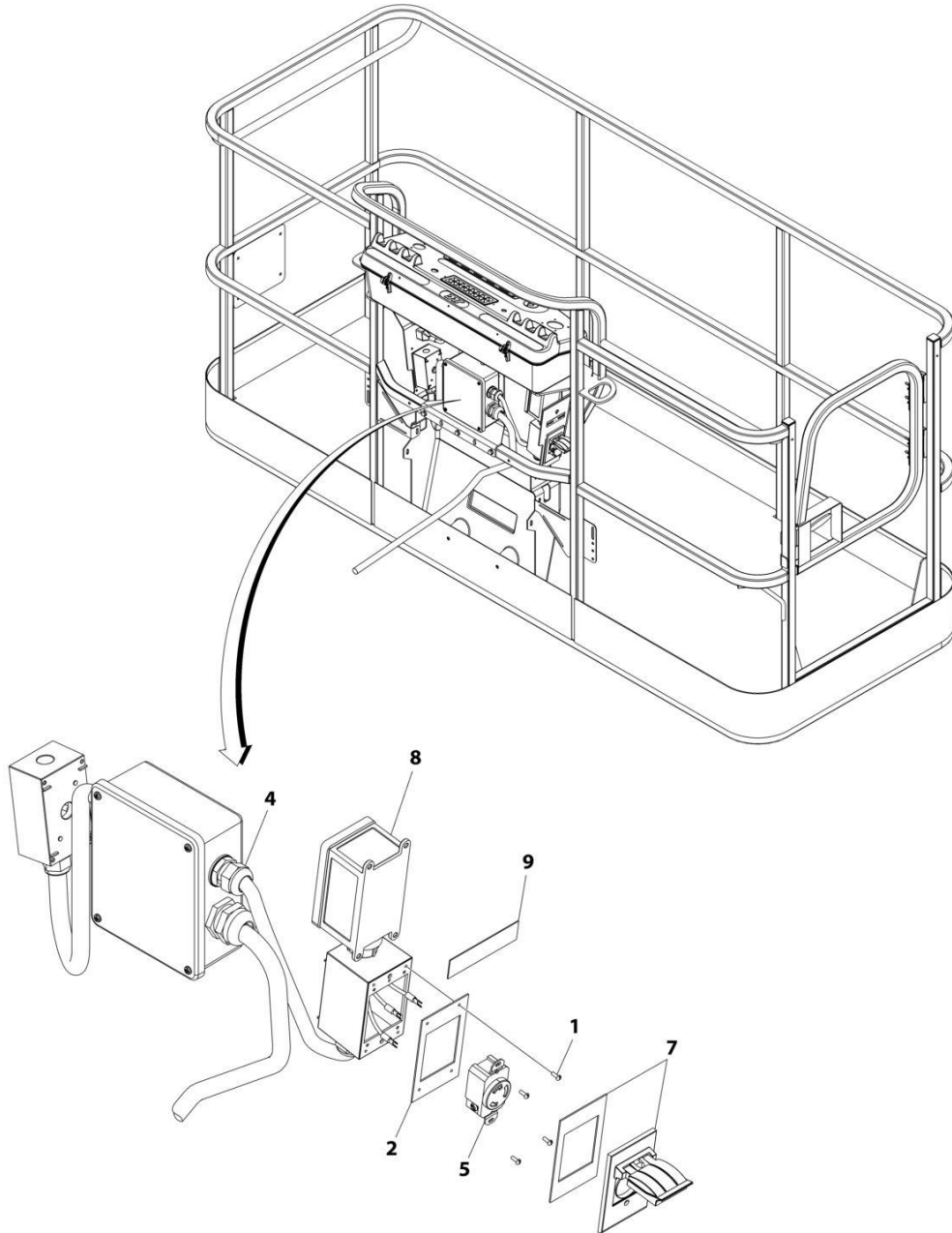
## SECTION 8 - ELECTRICAL

**FIGURE 8-20. AC BOX AT PLATFORM INSTALLATION - 220V (2X4 BOX & COVER ONLY - LOCALLY SUPPLIED RECEPTACLE) (4000W GENERATOR)**

ITEM	PART NUMBER	QTY	DESCRIPTION	REV
	1001206255	Ref	AC BOX AT PLATFORM INSTALLATION - BOX WITH COVER (2X4 BOX) WITH 4000W GENERATOR	A
1	0100020	AR	Sealant, Pipe	
2	0641416	2	Bolt 1/4 x 2	
3	0700408	4	Bolt M4 x 16	
4	0861731	1	Box, Switch	
5	1670603	1	Cover	
6	3251242	1	Decal - 240V-50Hz	
7	3290405	4	Nut M4	
8	3311405	2	Nut 1/4	
10	4711400	4	Washer 1/4	
11	4811400	8	Washer M4	
12	1001101191	1	Connector, Strain Relief	
13	1001101197	1	Adapter	
14	1001193018	1	Bracket, AC Receptacle	

## SECTION 8 - ELECTRICAL

FIGURE 8-21. AC BOX AT PLATFORM INSTALLATION - 240V GFCI RECEPTACLE (ANSI, ANSI EXPORT AND CSA SPECS WITH 4000W SKYPOWER GENERATOR)



ART\_1001171131

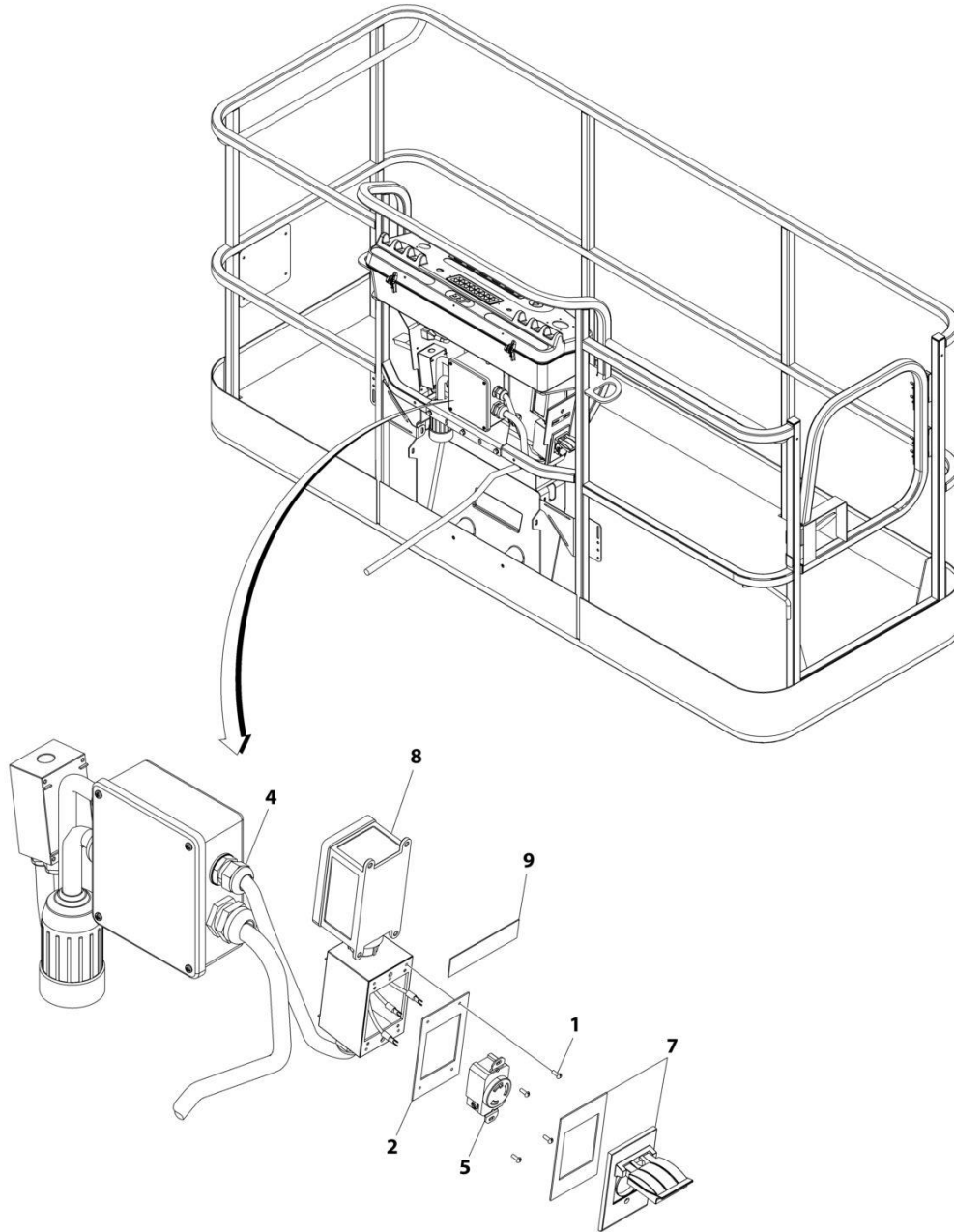
## SECTION 8 - ELECTRICAL

**FIGURE 8-21. AC BOX AT PLATFORM INSTALLATION - 240V GFCI RECEPTACLE (ANSI, ANSI EXPORT AND CSA SPECS WITH 4000W SKYPOWER GENERATOR)**

ITEM	PART NUMBER	QTY	DESCRIPTION	REV
	1001171131	Ref	AC BOX AT PLATFORM INSTALLATION - 240V RECEPTACLE	B
1	3910606	4	Screw 6 x 3/8	
2	3960422	1	Gasket	
3	4240018	AR	Tie-Strap (Not Shown)	
4	4460425	1	Connector, Strain Relief	
5	1001176862	1	Receptacle	
7	1001110872	1	Cover, Receptacle	
8	1001159120	1	Receptacle/Breaker Box Assembly	
8	1001148675	1	Box, Receptacle	
8	1001159118	1	Breaker GFCI 30Amp 240VAC	
8	4460612	1	Connector, Strain Relief	
8	1001159119	1	Connector (Between Boxes)	
9	1705374	1	Decal - 240V/60Hz	

## SECTION 8 - ELECTRICAL

FIGURE 8-22. AC BOX AT PLATFORM INSTALLATION - 240V GFCI RECEPTACLE (ANSI AND CSA SPECS WITH 7500W SKYPOWER GENERATOR)



ART\_1001159121

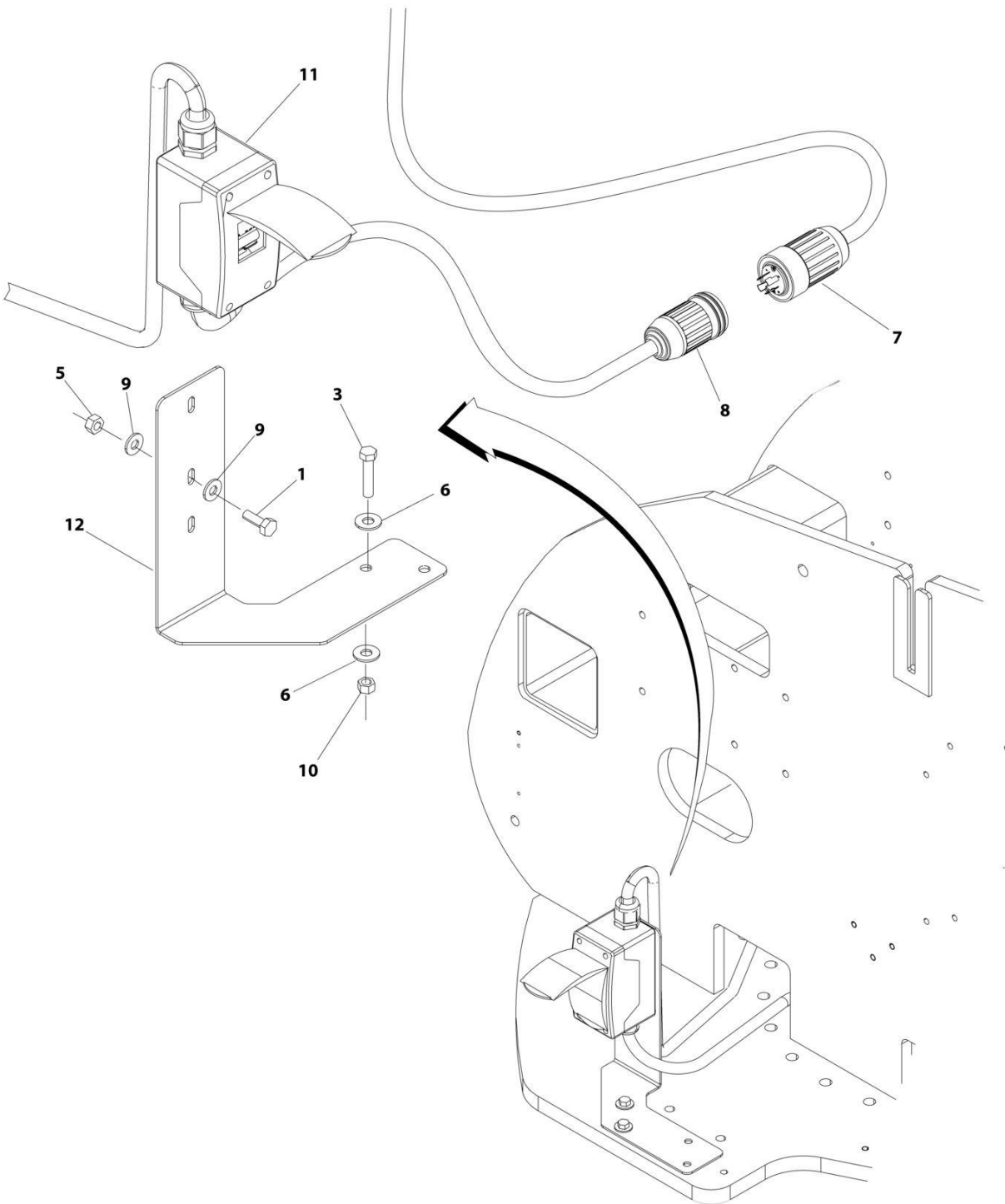
## SECTION 8 - ELECTRICAL

**FIGURE 8-22. AC BOX AT PLATFORM INSTALLATION - 240V GFCI RECEPTACLE (ANSI AND CSA SPECS WITH 7500W SKYPOWER GENERATOR)**

ITEM	PART NUMBER	QTY	DESCRIPTION	REV
	1001159121	Ref	AC BOX AT PLATFORM INSTALLATION - 240V RECEPTACLE	B
1	3910606	4	Screw 6 x 3/8	
2	3960422	1	Gasket	
3	4240018	AR	Tie-Strap (Not Shown)	
4	4460425	1	Connector, Strain Relief	
5	4460958	1	Receptacle	
7	1001110872	1	Cover, Receptacle	
8	1001159120	1	Receptacle/Breaker Box Assembly	
8	1001148675	1	Box, Receptacle	
8	1001159118	1	Breaker Box Assembly	
8	4460612	1	Connector, Strain Relief	
8	1001159119	1	Connector (Between Boxes)	
9	1705374	1	Decal - 240V/60Hz	

# SECTION 8 - ELECTRICAL

FIGURE 8-23. AC CABLE WITH 16 AMP BREAKER INSTALLATION (WITHOUT 7500W SKYPOWER GENERATOR) (CE & UK CA SPECS)



ART\_1001177711

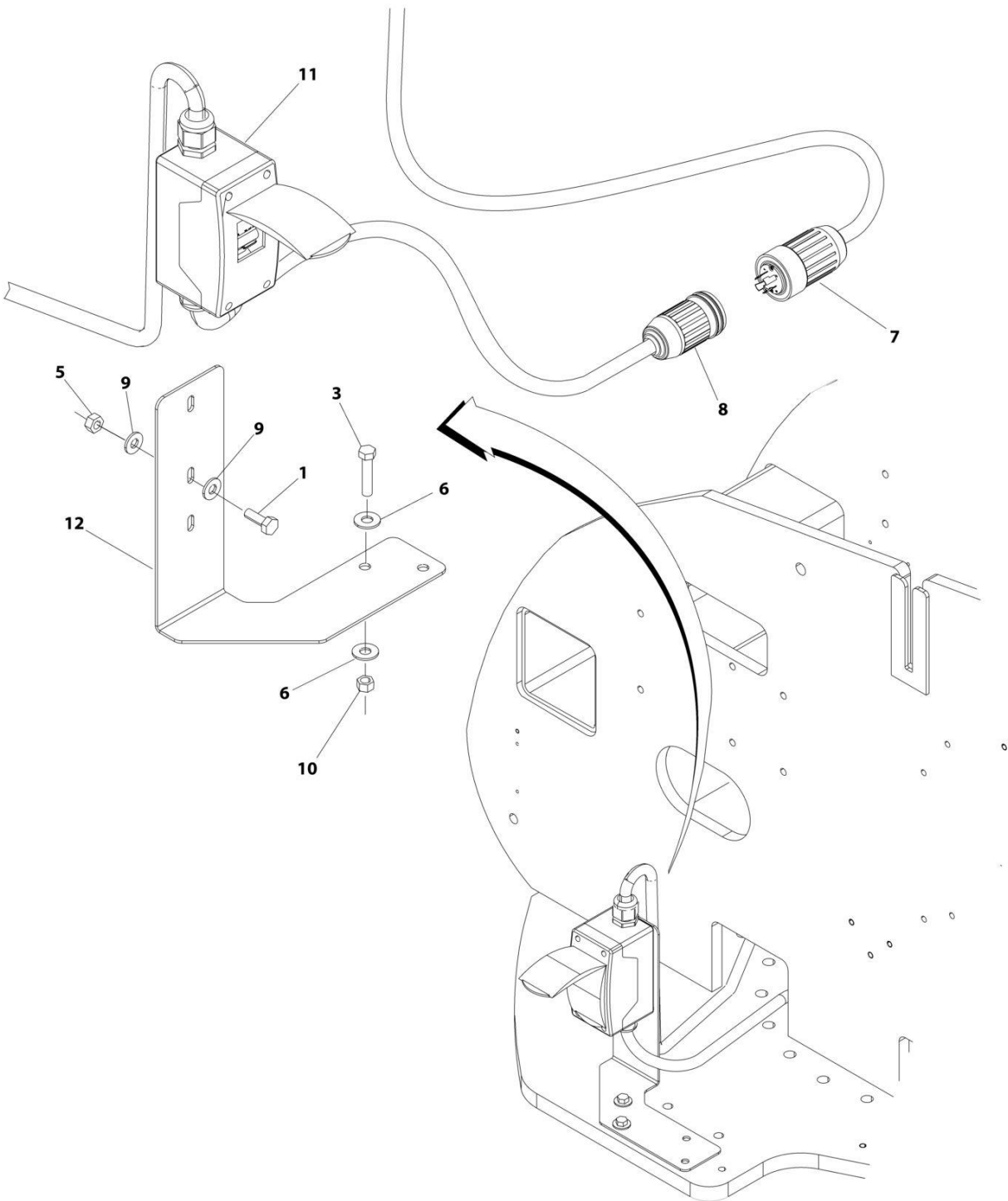
## SECTION 8 - ELECTRICAL

**FIGURE 8-23. AC CABLE WITH 16 AMP BREAKER INSTALLATION (WITHOUT 7500W SKYPOWER GENERATOR) (CE & UK CA SPECS)**

ITEM	PART NUMBER	QTY	DESCRIPTION	REV
	1001177711	Ref	AC CABLE WITH 16 AMP BREAKER INSTALLATION	D
1	0641406	2	Bolt 1/4 x 3/4	
3	0641614	2	Bolt 3/8 x 1-3/4	
5	3311405	2	Nut 1/4	
6	3311605	2	Nut 3/8	
7	1001213584	1	Plug, Male	
8	1001213585	1	Receptacle, Female	
9	4711400	2	Washer 1/4	
10	4751600	2	Washer 3/8	
11	1001109654	1	Breaker Box Kit - With 2 Breakers (See Separate Breakdown in this Section)	
12	1001177910	1	Bracket	

## SECTION 8 - ELECTRICAL

FIGURE 8-24. AC CABLE WITH 10 AMP BREAKER INSTALLATION (WITHOUT 7500W SKYPOWER GENERATOR) (CE & UK CA SPECS)



ART\_1001177712



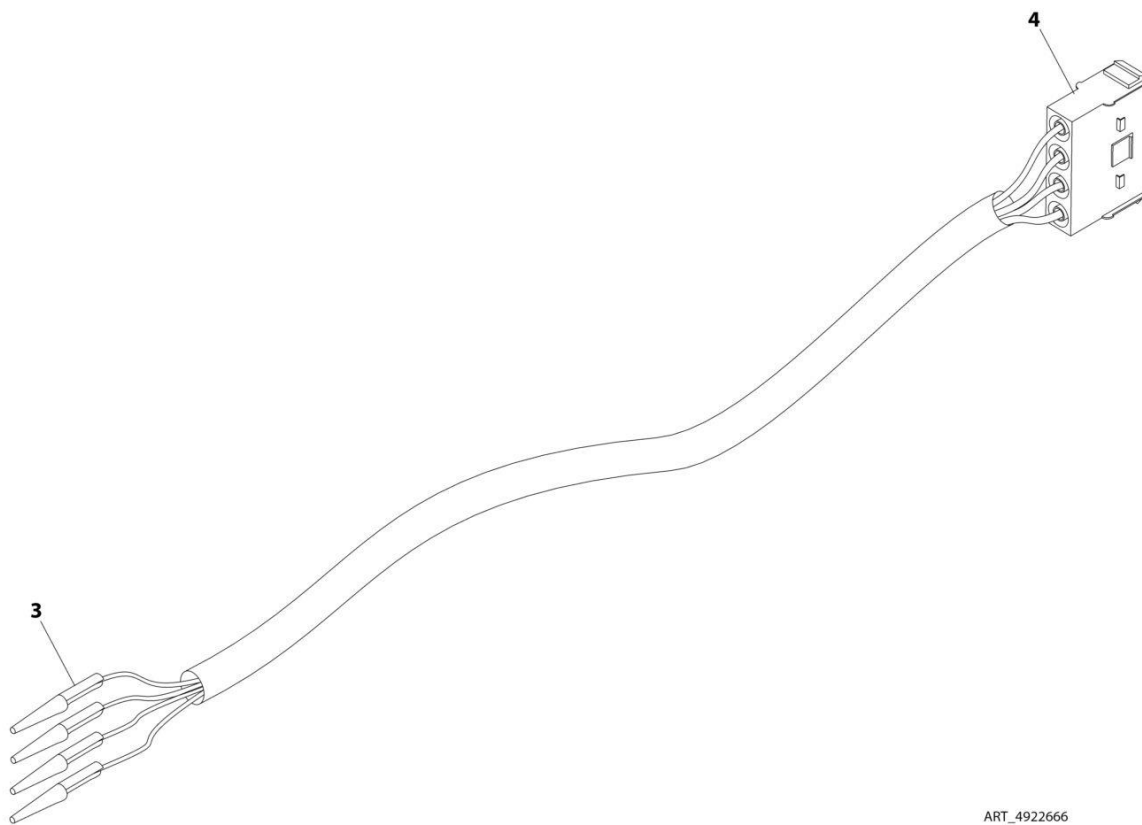
## SECTION 8 - ELECTRICAL

**FIGURE 8-24. AC CABLE WITH 10 AMP BREAKER INSTALLATION (WITHOUT 7500W SKYPOWER GENERATOR) (CE & UK CA SPECS)**

ITEM	PART NUMBER	QTY	DESCRIPTION	REV
	1001177712	Ref	AC CABLE WITH 10 AMP BREAKER INSTALLATION	C
1	0641406	2	Bolt 1/4 x 3/4	
3	0641614	2	Bolt 3/8 x 1-3/4	
5	3311405	2	Nut 1/4	
6	3311605	2	Nut 3/8	
7	1001213584	1	Plug, Male	
8	1001213585	1	Receptacle, Female	
9	4711400	4	Washer 1/4	
10	4751600	4	Washer 3/8	
11	1001109648	1	Breaker Box Kit - With 2 Breakers (See Separate Breakdown in this Section)	
12	1001177910	1	Bracket	

# SECTION 8 - ELECTRICAL

## FIGURE 8-25. ANALYZER CABLE HARNESS



ART\_4922666

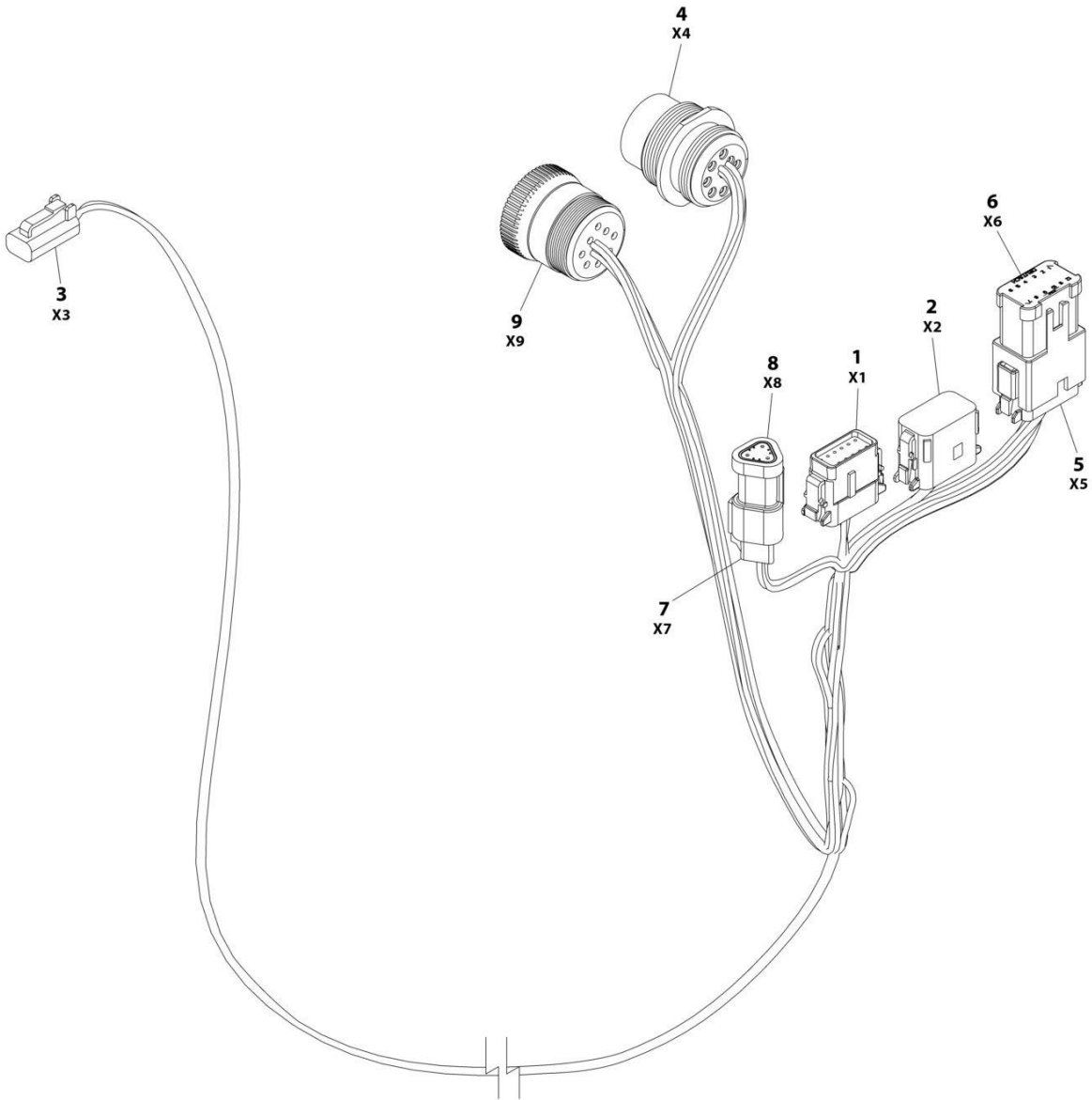
## SECTION 8 - ELECTRICAL

### FIGURE 8-25. ANALYZER CABLE HARNESS

ITEM	PART NUMBER	QTY	DESCRIPTION	REV
	4922666	Ref	ANALYZER CABLE HARNESS	C
3	4460226	4	Socket, Female	
4	4460761	1	Connector - 4 Position	
4	4460227	4	Pin, Male	

# SECTION 8 - ELECTRICAL

## FIGURE 8-26. BEACON CONTROL HARNESS (BLUE AND RED STROBE LIGHTS)



ART\_1001142736

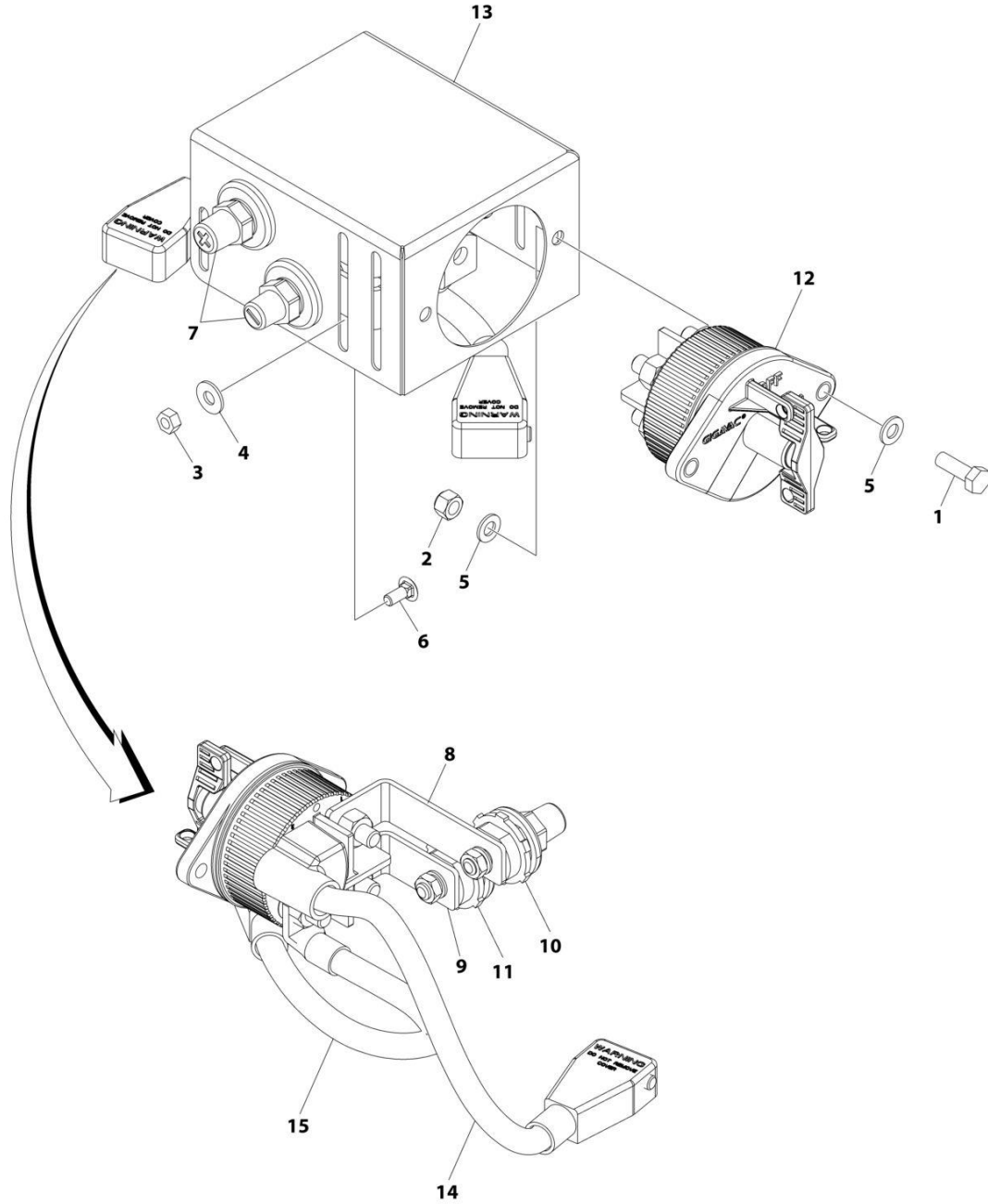
## SECTION 8 - ELECTRICAL

**FIGURE 8-26. BEACON CONTROL HARNESS (BLUE AND RED STROBE LIGHTS)**

ITEM	PART NUMBER	QTY	DESCRIPTION	REV
	1001142736	Ref	STROBE LIGHT HARNESS	F
1	1001116808	1	Plug, Male - 12 Position	
1	4460928	3	Socket, Female	
1	4460518	9	Plug, Terminal	
2	1001116774	1	Plug, Male - 12 Position	
2	4460928	3	Socket, Female	
2	4460518	9	Plug, Terminal	
3	4460891	1	Plug, Male - 2 Position	
3	4460465	2	Socket, Female	
4	1001112612	1	Connector - 9 Position	
4	4460464	6	Pin, Male	
4	4460466	3	Plug, Terminal	
5	4460933	1	Plug, Male - 12 Position	
5	4460465	12	Socket, Female	
6	1001119020	1	Bussbar - 12 Position	
7	4461095	1	Plug, Male - 3 Position	
7	4460465	3	Socket, Female	
8	4461070	1	Bussbar - 3 Position	
9	1001112796	1	Connector - 9 Position	
9	4460465	6	Socket, Female	
9	4460466	3	Plug, Terminal	

# SECTION 8 - ELECTRICAL

## FIGURE 8-27. BATTERY DISCONNECT SWITCH INSTALLATION



ART\_1001236304

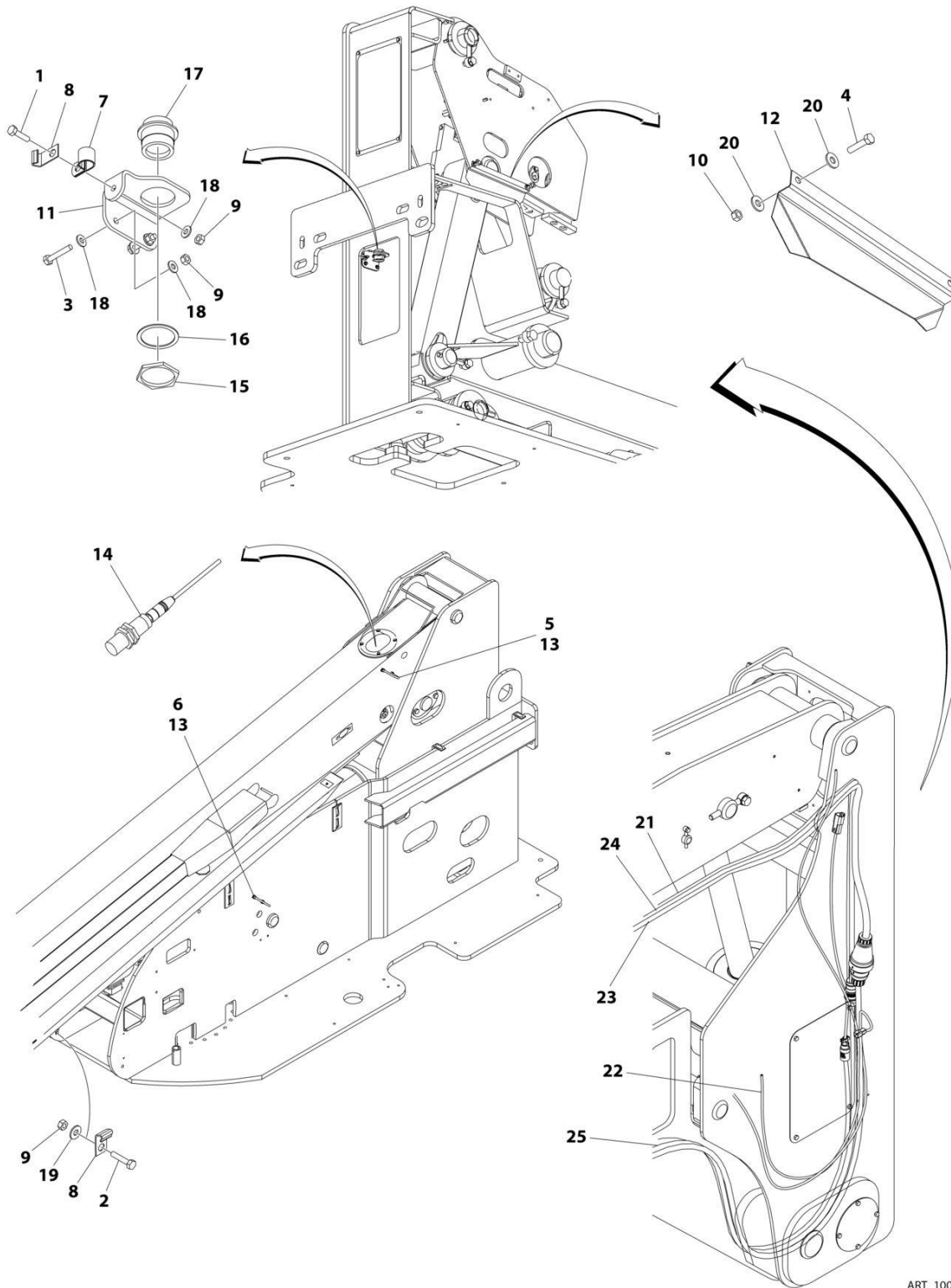
## SECTION 8 - ELECTRICAL

**FIGURE 8-27. BATTERY DISCONNECT SWITCH INSTALLATION**

ITEM	PART NUMBER	QTY	DESCRIPTION	REV
	1001236304	Ref	BATTERY DISCONNECT SWITCH INSTALLATION	A
1	0760812	2	Bolt M8 x 25	
2	3290805	2	Nut M8	
3	3311405	3	Nut 1/4	
4	4751400	3	Washer 1/4	
5	4811900	4	Washer M8	
6	88411013	3	Bolt 1/4 x 3/4	
7	1001206476	1	Connectors, Post	
8	1001209432	1	Bussbar	
9	1001209474	1	Bussbar	
10	1001214570	1	Connector (Red)	
11	1001214571	1	Connector (Black)	
12	1001225346	1	Switch, Battery	
13	1001226531	1	Mount	
14	1001236504	1	Cable, Battery (+)	
15	1001236505	1	Cable, Battery (-)	

# SECTION 8 - ELECTRICAL

FIGURE 8-28. BOOM CABLES INSTALLATION - WITHOUT ARCTIC PACKAGE (ALL SPECS) (800S)



ART\_1001256190



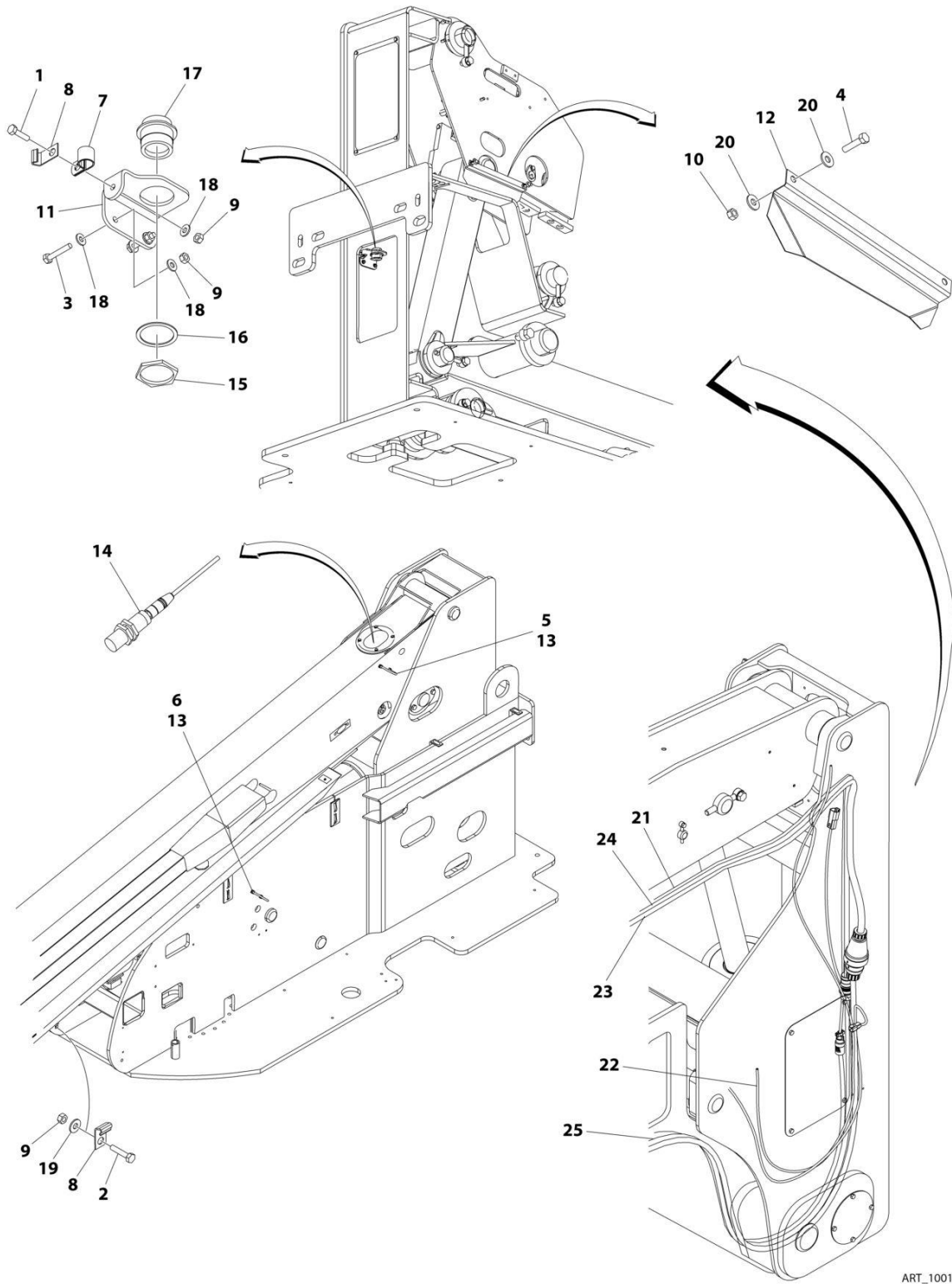
## SECTION 8 - ELECTRICAL

**FIGURE 8-28. BOOM CABLES INSTALLATION - WITHOUT ARCTIC PACKAGE (ALL SPECS) (800S)**

ITEM	PART NUMBER	QTY	DESCRIPTION	REV
	1001256190	Ref	BOOM CABLES INSTALLATION	B
1	0641408	1	Bolt 1/4 x 1	
2	0641410	1	Bolt 1/4 x 1-1/4	
3	0641412	2	Bolt 1/4 x 1-1/2	
4	0641511	2	Bolt 5/16 x 1-3/8	
5	0641604	2	Bolt 3/8 x 1/2	
6	0641607	2	Bolt 3/8 x 7/8	
7	1320061	1	Clamp	
8	1320223	2	Clamp	
9	3311405	4	Nut 1/4	
10	3311505	2	Nut 5/16	
11	3573047	1	Plate	
12	3573296	1	Plate	
13	3841340	2	Rod	
14	4360506	1	Switch, Proximity	
15	4460470	1	Nut, Terminal	
16	4460471	1	Washer, Terminal	
17	4460866	1	Connector - 19 Pin	
18	4711400	5	Washer 1/4	
19	4751400	1	Washer 1/4	
20	4751500	4	Washer 5/16	
21	4922566	1	Harness Assembly - Main Boom (See Separate Breakdown in this Section)	
22	4922569	1	Harness Assembly - Tower Boom (See Separate Breakdown in this Section)	
23	4922660	1	Holding Valve/Lift Dump Harness Assembly (See Separate Breakdown in this Section)	
24	4922875	1	AC Cable, 10/3 (Main Boom)	
25	4922876	1	AC Cable, 10/3 (Tower Boom)	

# SECTION 8 - ELECTRICAL

FIGURE 8-29. BOOM CABLES INSTALLATION - WITH ARCTIC PACKAGE (ANSI, ANSI EXPORT AND CSA SPECS) (800S)



ART\_1001256192

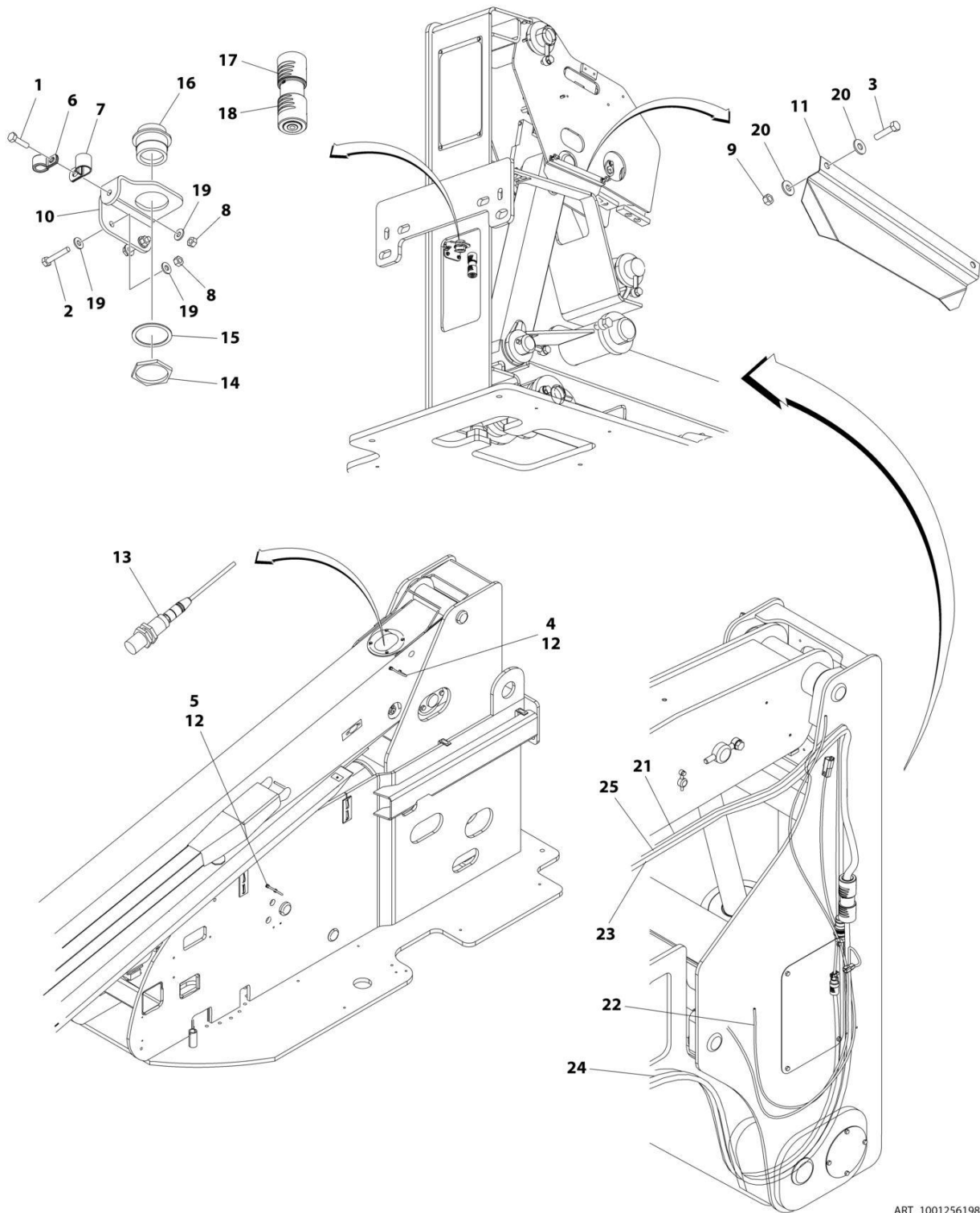
## SECTION 8 - ELECTRICAL

**FIGURE 8-29. BOOM CABLES INSTALLATION - WITH ARCTIC PACKAGE (ANSI, ANSI EXPORT AND CSA SPECS) (800S)**

ITEM	PART NUMBER	QTY	DESCRIPTION	REV
	1001256192	Ref	BOOM CABLES INSTALLATION	A
1	0641408	1	Bolt 1/4 x 1	
2	0641410	1	Bolt 1/4 x 1-1/4	
3	0641412	2	Bolt 1/4 x 1-1/2	
4	0641511	2	Bolt 5/16 x 1-3/8	
5	0641604	2	Bolt 3/8 x 1/2	
6	0641607	2	Bolt 3/8 x 7/8	
7	1320061	1	Clamp	
8	1320223	2	Clamp	
9	3311405	4	Nut 1/4	
10	3311505	2	Nut 5/16	
11	3573047	1	Plate	
12	3573296	1	Plate	
13	3841340	2	Rod	
14	4360506	1	Switch, Proximity	
15	4460470	1	Nut, Terminal	
16	4460471	1	Washer, Terminal	
17	4460866	1	Connector - 19 Pin	
18	4711400	5	Washer 1/4	
19	4751400	1	Washer 1/4	
20	4751500	4	Washer 5/16	
21	4923596	1	Harness Assembly - Tower Boom (See Separate Breakdown in this Section)	
22	4923597	1	Holding Valve/Lift Dump Harness Assembly (See Separate Breakdown in this Section)	
23	4923601	1	AC Cable, 8/5 (Main Boom)	
24	1001091618	1	Harness Assembly - Main Boom (See Separate Breakdown in this Section)	
25	1001091620	1	AC Cable, 10/3 (Tower Boom)	

# SECTION 8 - ELECTRICAL

FIGURE 8-30. BOOM CABLES INSTALLATION - WITH 4000W GENERATOR AND WITHOUT ARCTIC PACKAGE (ANSI, ANSI EXPORT, CSA AND JAPANESE SPECS) (800S)



ART\_1001256198

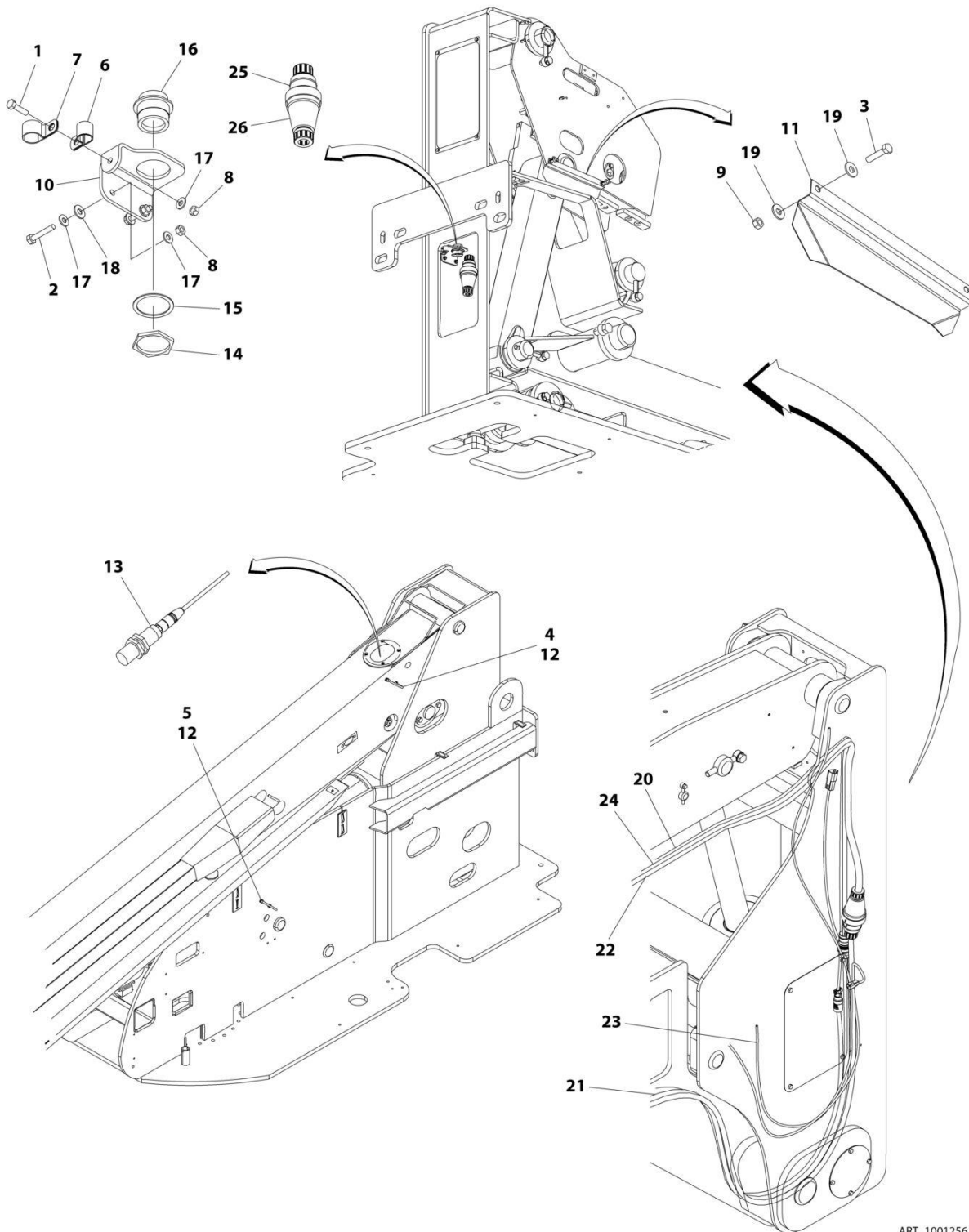
## SECTION 8 - ELECTRICAL

**FIGURE 8-30. BOOM CABLES INSTALLATION - WITH 4000W GENERATOR AND WITHOUT ARCTIC PACKAGE (ANSI, ANSI EXPORT, CSA AND JAPANESE SPECS) (800S)**

ITEM	PART NUMBER	QTY	DESCRIPTION	REV
	1001256198	Ref	BOOM CABLES INSTALLATION	A
1	0641408	1	Bolt 1/4 x 1	
2	0641412	2	Bolt 1/4 x 1-1/2	
3	0641511	2	Bolt 5/16 x 1-3/8	
4	0641604	2	Bolt 3/8 x 1/2	
5	0641607	2	Bolt 3/8 x 7/8	
6	1320041	1	Clamp	
7	1320061	1	Clamp	
8	3311405	3	Nut 1/4	
9	3311505	2	Nut 5/16	
10	3573047	1	Plate	
11	3573296	1	Plate	
12	3841340	2	Rod	
13	4360506	1	Switch, Proximity	
14	4460470	1	Nut, Terminal	
15	4460471	1	Washer, Terminal	
16	4460866	1	Connector - 19 Pin	
17	4460959	1	Terminal, Turnlock Plug	
18	4460960	1	Terminal, Turnlock Connector	
19	4711400	5	Washer 1/4	
20	4751500	4	Washer 5/16	
21	4922566	1	Harness Assembly - Main Boom (See Separate Breakdown in this Section)	
22	4922569	1	Harness Assembly - Tower Boom (See Separate Breakdown in this Section)	
23	4922660	1	Holding Valve/Lift Dump Harness Assembly (See Separate Breakdown in this Section)	
24	1001156425	1	AC Cable, 10/4 (Tower Boom)	
25	1001156426	1	AC Cable, 10/4 (Main Boom)	

# SECTION 8 - ELECTRICAL

## FIGURE 8-31. BOOM CABLES INSTALLATION - WITH 7500W GENERATOR AND WITHOUT ARCTIC PACKAGE (ALL SPECS) (800S)



ART\_1001256196

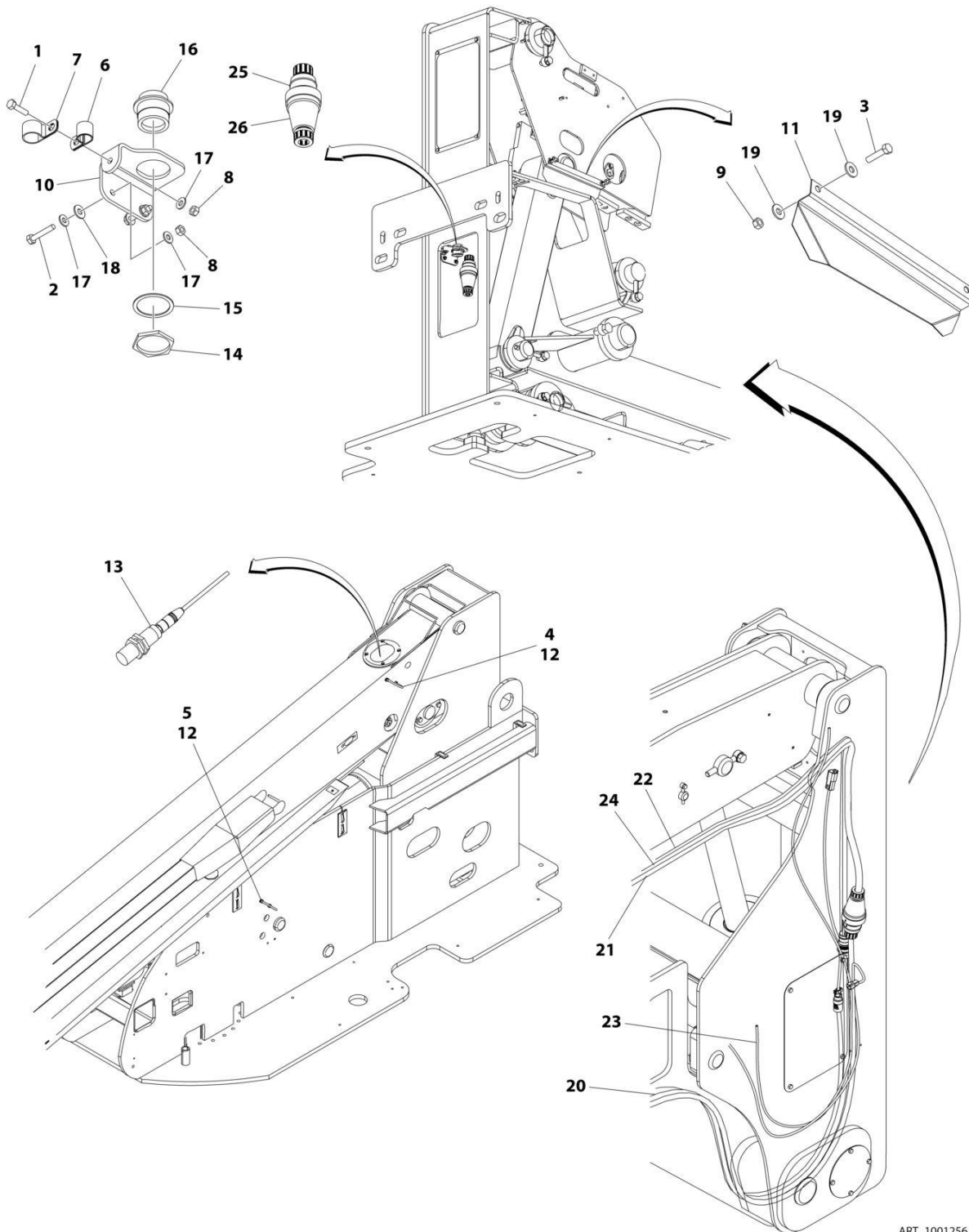
## SECTION 8 - ELECTRICAL

**FIGURE 8-31. BOOM CABLES INSTALLATION - WITH 7500W GENERATOR AND WITHOUT ARCTIC PACKAGE (ALL SPECS) (800S)**

ITEM	PART NUMBER	QTY	DESCRIPTION	REV
	1001256196	Ref	BOOM CABLES INSTALLATION	A
1	0641408	1	Bolt 1/4 x 1	
2	0641412	2	Bolt 1/4 x 1-1/2	
3	0641511	2	Bolt 5/16 x 1-3/8	
4	0641604	2	Bolt 3/8 x 1/2	
5	0641607	2	Bolt 3/8 x 7/8	
6	1320061	1	Clamp	
7	1320202	1	Clamp	
8	3311405	3	Nut 1/4	
9	3311505	2	Nut 5/16	
10	3573047	1	Plate	
11	3573296	1	Plate	
12	3841340	2	Rod	
13	4360506	1	Switch, Proximity	
14	4460470	1	Nut, Terminal	
15	4460471	1	Washer, Terminal	
16	4460866	1	Connector - 19 Pin	
17	4711400	5	Washer 1/4	
18	4751400	1	Washer 1/4	
19	4751500	4	Washer 5/16	
20	4922566	1	Harness Assembly - Main Boom (See Separate Breakdown in this Section)	
21	4922569	1	Harness Assembly - Tower Boom (See Separate Breakdown in this Section)	
22	4922660	1	Holding Valve/Lift Dump Harness Assembly (See Separate Breakdown in this Section)	
23	1001121669	1	AC Cable, 8/5 (Tower Boom)	
24	1001121670	1	AC Cable, 8/5 (Main Boom)	
25	1001218622	1	Terminal, Turnlock Plug	
26	1001218623	1	Terminal, Turnlock Connector	

# SECTION 8 - ELECTRICAL

FIGURE 8-32. BOOM CABLES INSTALLATION - WITH 7500W GENERATOR AND WITH ARCTIC PACKAGE (ANSI, ANSI EXPORT AND CSA SPECS) (800S)



ART\_1001256194



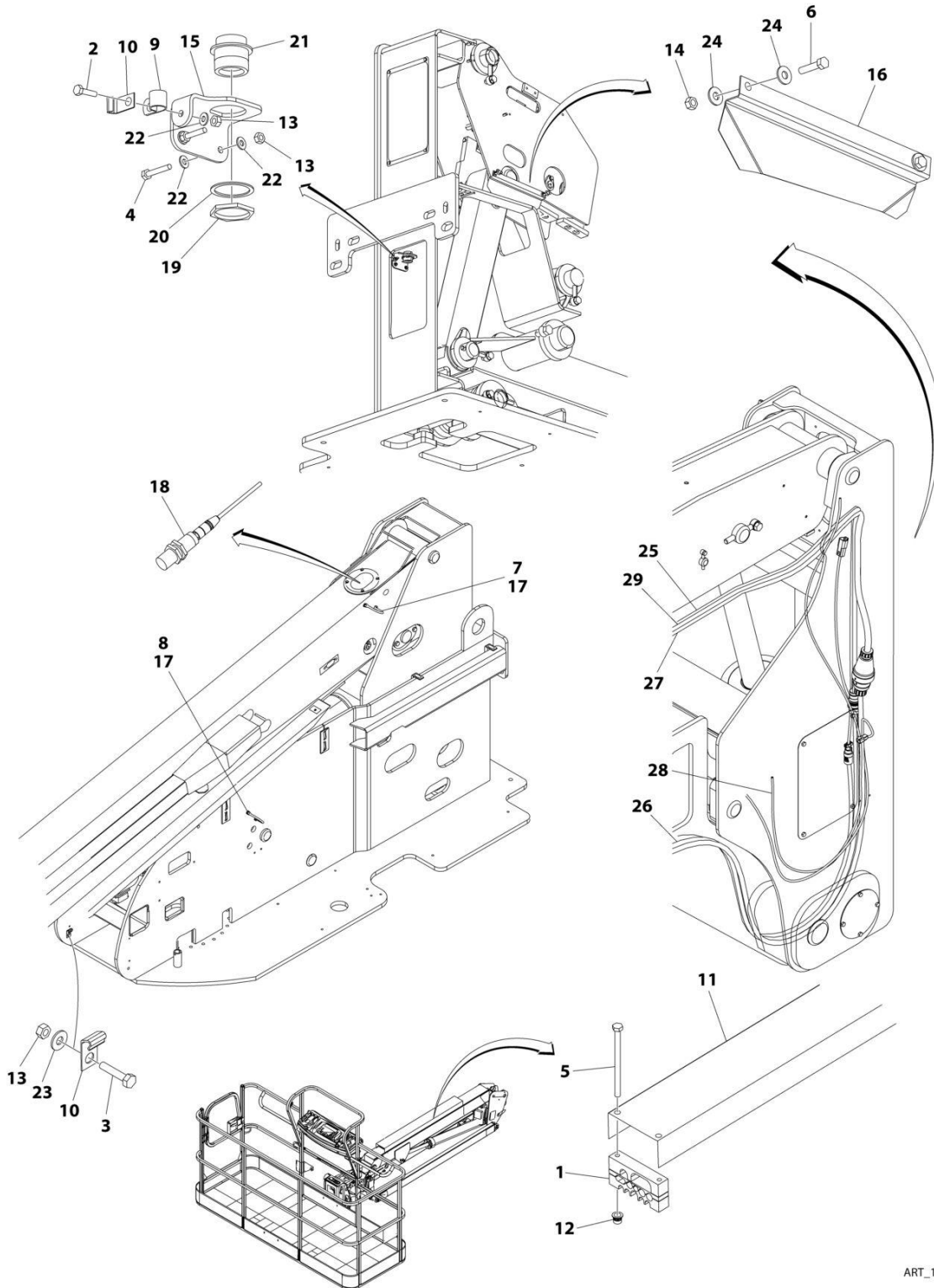
## SECTION 8 - ELECTRICAL

**FIGURE 8-32. BOOM CABLES INSTALLATION - WITH 7500W GENERATOR AND WITH ARCTIC PACKAGE (ANSI, ANSI EXPORT AND CSA SPECS) (800S)**

ITEM	PART NUMBER	QTY	DESCRIPTION	REV
	1001256194	Ref	BOOM CABLES INSTALLATION	A
1	0641408	1	Bolt 1/4 x 1	
2	0641412	2	Bolt 1/4 x 1-1/2	
3	0641511	2	Bolt 5/16 x 1-3/8	
4	0641604	2	Bolt 3/8 x 1/2	
5	0641607	2	Bolt 3/8 x 7/8	
6	1320061	1	Clamp	
7	1320202	1	Clamp	
8	3311405	3	Nut 1/4	
9	3311505	2	Nut 5/16	
10	3573047	1	Plate	
11	3573296	1	Plate	
12	3841340	2	Rod	
13	4360506	1	Switch, Proximity	
14	4460470	1	Nut, Terminal	
15	4460471	1	Washer, Terminal	
16	4460866	1	Connector - 19 Pin	
17	4711400	5	Washer 1/4	
18	4751400	1	Washer 1/4	
19	4751500	4	Washer 5/16	
20	4923596	1	Harness Assembly - Tower Boom (See Separate Breakdown in this Section)	
21	4923597	1	Holding Valve/Lift Dump Harness Assembly (See Separate Breakdown in this Section)	
22	1001091618	1	Harness Assembly - Main Boom (See Separate Breakdown in this Section)	
23	1001121669	1	AC Cable, 8/5 (Tower Boom)	
24	1001121670	1	AC Cable, 8/5 (Main Boom)	
25	1001218622	1	Terminal, Turnlock Plug	
26	1001218623	1	Terminal, Turnlock Connector	

# SECTION 8 - ELECTRICAL

## FIGURE 8-33. BOOM CABLES INSTALLATION - WITHOUT ARCTIC PACKAGE (ALL SPECS) (860SJ)



ART\_1001256191

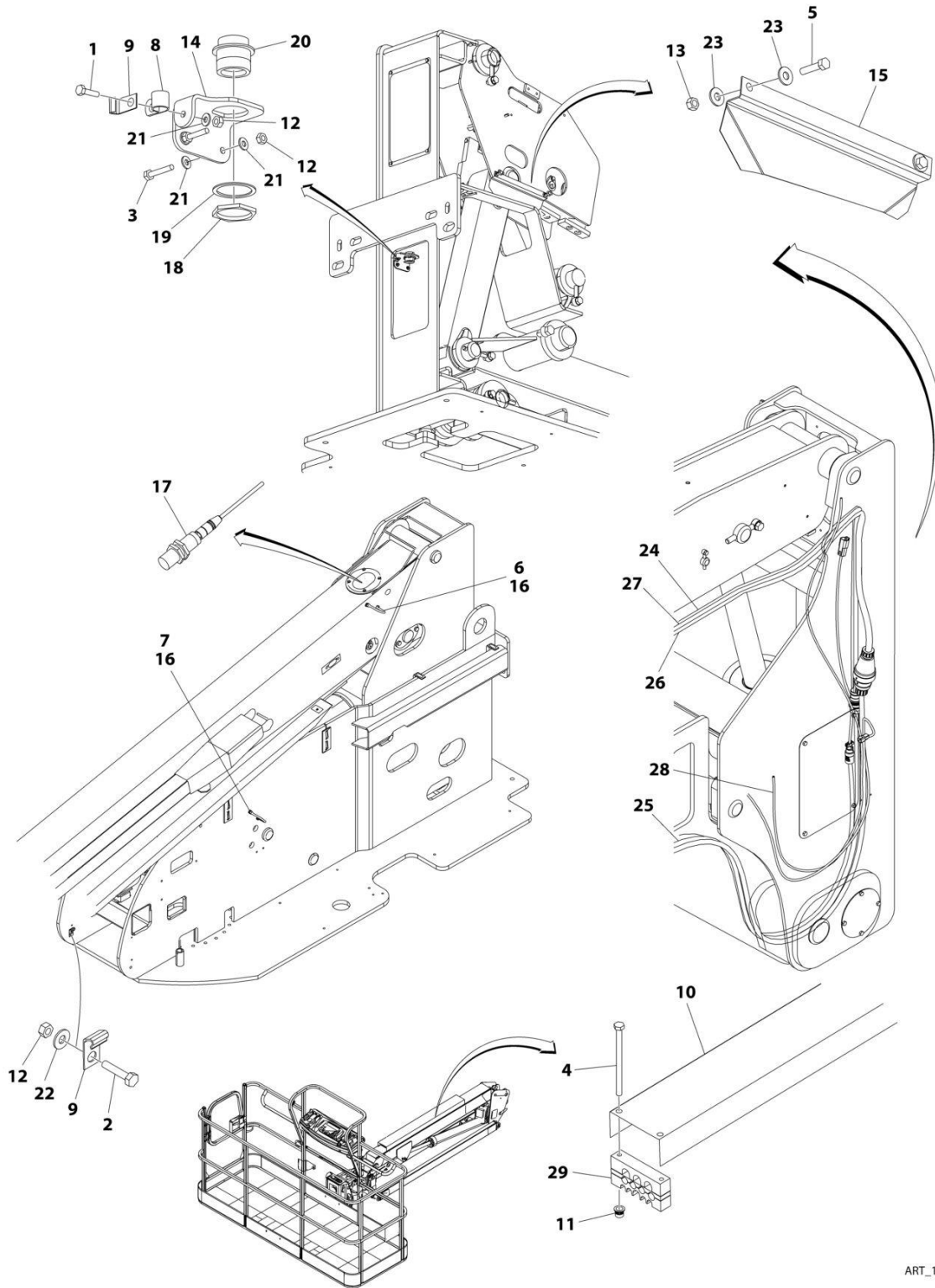
## SECTION 8 - ELECTRICAL

**FIGURE 8-33. BOOM CABLES INSTALLATION - WITHOUT ARCTIC PACKAGE (ALL SPECS) (860SJ)**

ITEM	PART NUMBER	QTY	DESCRIPTION	REV
	1001256191	Ref	BOOM CABLES INSTALLATION	D
1	0561484	2	Block, Clamp	
2	0641408	1	Bolt 1/4 x 1	
3	0641410	1	Bolt 1/4 x 1-1/4	
4	0641412	2	Bolt 1/4 x 1-1/2	
5	0700626	4	Bolt M6 x 90	
6	0641511	2	Bolt 5/16 x 1-3/8	
7	0641604	2	Bolt 3/8 x 1/2	
8	0641607	2	Bolt 3/8 x 7/8	
9	1320061	1	Clamp	
10	1320223	2	Clamp	
11	1671034	1	Cover	
12	1001260680	4	Rivnut M6	
13	3311405	4	Nut 1/4	
14	3311505	2	Nut 5/16	
15	3573047	1	Plate	
16	3573296	1	Plate	
17	3841340	2	Rod	
18	4360506	1	Switch, Proximity	
19	4460470	1	Nut, Terminal	
20	4460471	1	Washer, Terminal	
21	4460866	1	Connector - 19 Pin	
22	4711400	5	Washer 1/4	
23	4751400	1	Washer 1/4	
24	4751500	4	Washer 5/16	
25	4922567	1	Harness Assembly - Main Boom (See Separate Breakdown in this Section)	
26	4922569	1	Harness Assembly - Tower Boom (See Separate Breakdown in this Section)	
27	4922660	1	Holding Valve/Lift Dump Harness Assembly (See Separate Breakdown in this Section)	
28	4922876	1	AC Cable, 10/3 (Tower Boom)	
29	4922878	1	AC Cable, 10/3 (Main Boom)	

# SECTION 8 - ELECTRICAL

## FIGURE 8-34. BOOM CABLES INSTALLATION - WITH ARCTIC PACKAGE (ANSI, ANSI EXPORT AND CSA SPECS) (860SJ)



ART\_1001256193

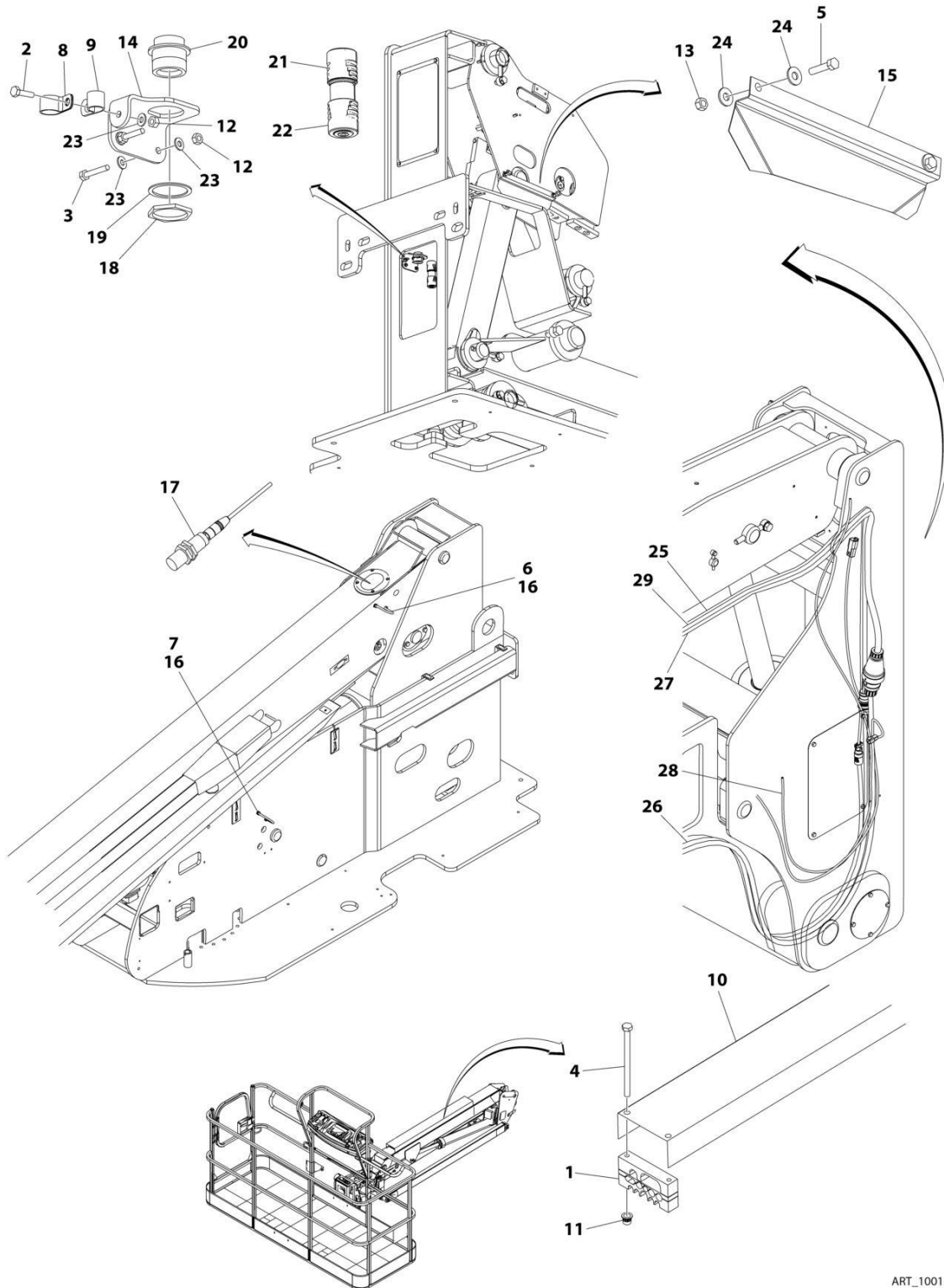
## SECTION 8 - ELECTRICAL

**FIGURE 8-34. BOOM CABLES INSTALLATION - WITH ARCTIC PACKAGE (ANSI, ANSI EXPORT AND CSA SPECS) (860SJ)**

ITEM	PART NUMBER	QTY	DESCRIPTION	REV
	1001256193	Ref	BOOM CABLES INSTALLATION	C
1	0641408	1	Bolt 1/4 x 1	
2	0641410	1	Bolt 1/4 x 1-1/4	
3	0641412	2	Bolt 1/4 x 1-1/2	
4	0700626	1	Bolt M6 x 90	
5	0641511	2	Bolt 5/16 x 1-3/8	
6	0641604	2	Bolt 3/8 x 1/2	
7	0641607	2	Bolt 3/8 x 7/8	
8	1320061	1	Clamp	
9	1320223	2	Clamp	
10	1671034	1	Cover	
11	1001260680	4	Rivnut M6	
12	3311405	4	Nut 1/4	
13	3311505	2	Nut 5/16	
14	3573047	1	Plate	
15	3573296	1	Plate	
16	3841340	2	Rod	
17	4360506	1	Switch, Proximity	
18	4460470	1	Nut, Terminal	
19	4460471	1	Washer, Terminal	
20	4460866	1	Connector - 19 Pin	
21	4711400	5	Washer 1/4	
22	4751400	1	Washer 1/4	
23	4751500	4	Washer 5/16	
24	4923595	1	Harness Assembly - Main Boom (See Separate Breakdown in this Section)	
25	4923596	1	Harness Assembly - Tower Boom (See Separate Breakdown in this Section)	
26	4923597	1	Holding Valve/Lift Dump Harness Assembly (See Separate Breakdown in this Section)	
27	4923600	1	AC Cable, 10/3 (Main Boom)	
28	4923601	1	AC Cable, 10/3 (Tower Boom)	
29	1001091472	2	Block, Clamp	

# SECTION 8 - ELECTRICAL

FIGURE 8-35. BOOM CABLES INSTALLATION - WITH 4000W GENERATOR AND WITHOUT ARCTIC PACKAGE (ANSI, ANSI EXPORT, CSA AND JAPANESE SPECS) (860SJ)



ART\_1001256199

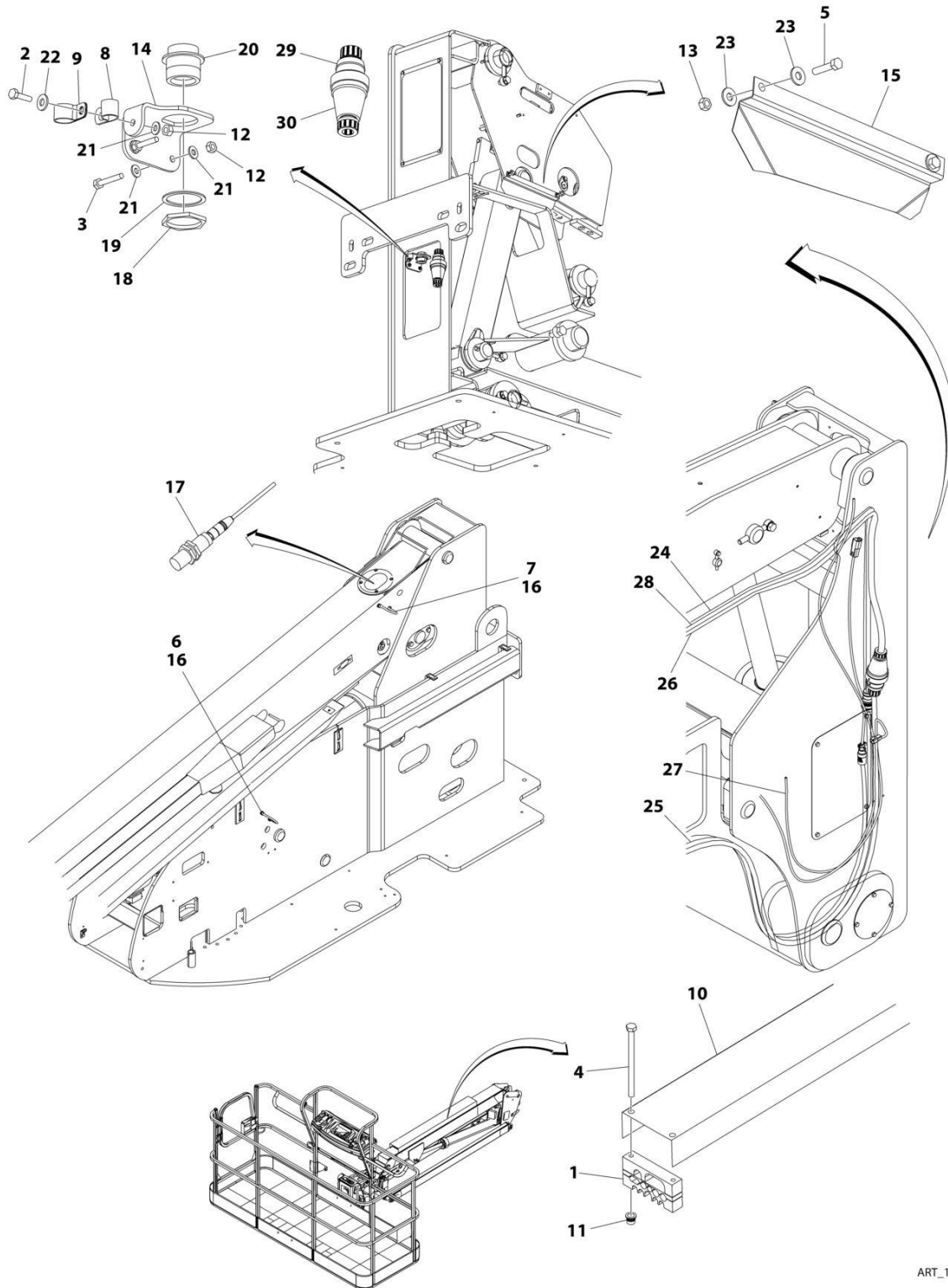
## SECTION 8 - ELECTRICAL

**FIGURE 8-35. BOOM CABLES INSTALLATION - WITH 4000W GENERATOR AND WITHOUT ARCTIC PACKAGE (ANSI, ANSI EXPORT, CSA AND JAPANESE SPECS) (860SJ)**

ITEM	PART NUMBER	QTY	DESCRIPTION	REV
	1001256199	Ref	BOOM CABLES INSTALLATION	C
1	0561484	2	Block, Clamp	
2	0641408	1	Bolt 1/4 x 1	
3	0641412	2	Bolt 1/4 x 1-1/2	
4	0700626	4	Bolt M6 x 90	
5	0641511	2	Bolt 5/16 x 1-3/8	
6	0641604	2	Bolt 3/8 x 1/2	
7	0641607	2	Bolt 3/8 x 7/8	
8	1320041	1	Clamp	
9	1320061	1	Clamp	
10	1671034	1	Cover	
11	1001260680	4	Rivnut M6	
12	3311405	3	Nut 1/4	
13	3311505	2	Nut 5/16	
14	3573047	1	Plate	
15	3573296	1	Plate	
16	3841340	2	Rod	
17	4360506	1	Switch, Proximity	
18	4460470	1	Nut, Terminal	
19	4460471	1	Washer, Terminal	
20	4460866	1	Connector - 19 Pin	
21	4460959	1	Terminal, Turnlock Plug	
22	4460960	1	Terminal, Turnlock Connector	
23	4711400	5	Washer 1/4	
24	4751500	4	Washer 5/16	
25	4922567	1	Harness Assembly - Main Boom (See Separate Breakdown in this Section)	
26	4922569	1	Harness Assembly - Tower Boom (See Separate Breakdown in this Section)	
27	4922660	1	Holding Valve/Lift Dump Harness Assembly (See Separate Breakdown in this Section)	
28	1001156425	1	AC Cable, 10/4 (Tower Boom)	
29	1001156427	1	AC Cable, 10/4 (Main Boom)	

# SECTION 8 - ELECTRICAL

FIGURE 8-36. BOOM CABLES INSTALLATION - WITH 7500W GENERATOR AND WITHOUT ARCTIC PACKAGE (ALL SPECS) (860SJ)



ART\_1001256197



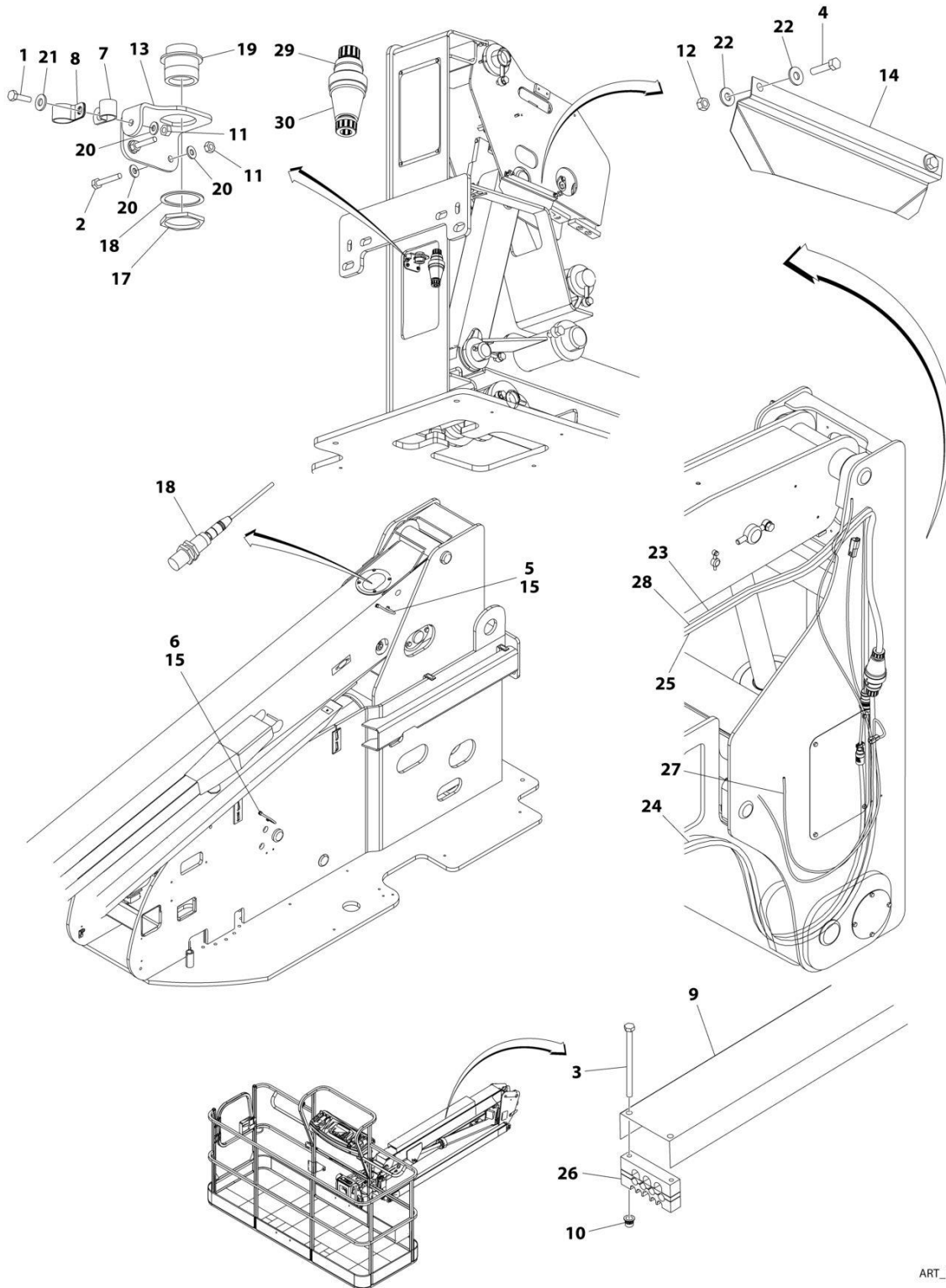
## SECTION 8 - ELECTRICAL

**FIGURE 8-36. BOOM CABLES INSTALLATION - WITH 7500W GENERATOR AND WITHOUT ARCTIC PACKAGE (ALL SPECS) (860SJ)**

ITEM	PART NUMBER	QTY	DESCRIPTION	REV
	1001256197	Ref	BOOM CABLES INSTALLATION	C
1	0561484	2	Block, Clamp	
2	0641408	1	Bolt 1/4 x 1	
3	0641412	2	Bolt 1/4 x 1-1/2	
4	0700626	4	Bolt M6 x 90	
5	0641511	2	Bolt 5/16 x 1-3/8	
6	0641604	2	Bolt 3/8 x 1/2	
7	0641607	2	Bolt 3/8 x 7/8	
8	1320061	1	Clamp	
9	1320202	1	Clamp	
10	1671034	1	Cover	
11	1001176636	4	Rivnut M6	
11	1001260680	4	Rivnut M6	
12	3311405	3	Nut 1/4	
13	3311505	2	Nut 5/16	
14	3573047	1	Plate	
15	3573296	1	Plate	
16	3841340	2	Rod	
17	4360506	1	Switch, Proximity	
18	4460470	1	Nut, Terminal	
19	4460471	1	Washer, Terminal	
20	4460866	1	Connector - 19 Pin	
21	4711400	5	Washer 1/4	
22	4751400	1	Washer 1/4	
23	4751500	4	Washer 5/16	
24	4922567	1	Harness Assembly - Main Boom (See Separate Breakdown in this Section)	
25	4922569	1	Harness Assembly - Tower Boom (See Separate Breakdown in this Section)	
26	4922660	1	Holding Valve/Lift Dump Harness Assembly (See Separate Breakdown in this Section)	
27	1001121669	1	AC Cable, 8/5 (Tower Boom)	
28	1001121671	1	AC Cable, 8/5 (Main Boom)	
29	1001218622	1	Terminal, Turnlock Plug	
30	1001218623	1	Terminal, Turnlock Connector	

# SECTION 8 - ELECTRICAL

FIGURE 8-37. BOOM CABLES INSTALLATION - WITH 7500W GENERATOR AND WITH ARCTIC PACKAGE (ANSI, ANSI EXPOERT AND CSA SPECS) (860SJ)



ART\_1001256195

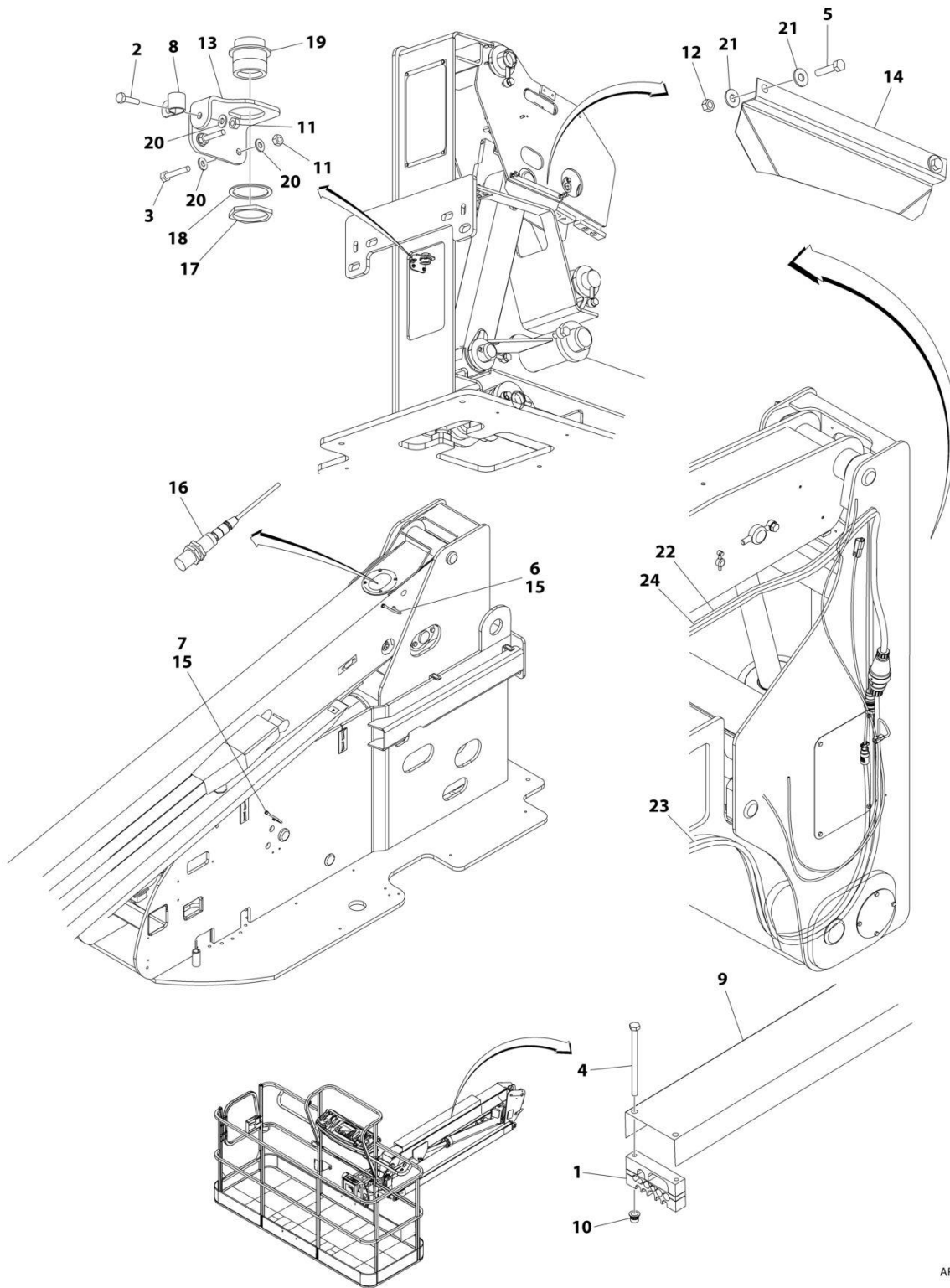
## SECTION 8 - ELECTRICAL

**FIGURE 8-37. BOOM CABLES INSTALLATION - WITH 7500W GENERATOR AND WITH ARCTIC PACKAGE (ANSI, ANSI EXPOERT AND CSA SPECS) (860SJ)**

ITEM	PART NUMBER	QTY	DESCRIPTION	REV
	1001256195	Ref	BOOM CABLES INSTALLATION	C
1	0641408	1	Bolt 1/4 x 1	
2	0641412	2	Bolt 1/4 x 1-1/2	
3	0700626	4	Bolt M6 x 90	
4	0641511	2	Bolt 5/16 x 1-3/8	
5	0641604	2	Bolt 3/8 x 1/2	
6	0641607	2	Bolt 3/8 x 7/8	
7	1320061	1	Clamp	
8	1320202	1	Clamp	
9	1671034	1	Cover	
10	1001260680	4	Rivnut M6	
11	3311405	3	Nut 1/4	
12	3311505	2	Nut 5/16	
13	3573047	1	Plate	
14	3573296	1	Plate	
15	3841340	2	Rod	
16	4360506	1	Switch, Proximity	
17	4460470	1	Nut, Terminal	
18	4460471	1	Washer, Terminal	
19	4460866	1	Connector - 19 Pin	
20	4711400	5	Washer 1/4	
21	4751400	1	Washer 1/4	
22	4751500	4	Washer 5/16	
23	4923595	1	Harness Assembly - Main Boom (See Separate Breakdown in this Section)	
24	4923596	1	Harness Assembly - Tower Boom (See Separate Breakdown in this Section)	
25	4923597	1	Holding Valve/Lift Dump Harness Assembly (See Separate Breakdown in this Section)	
26	1001091472	2	Block, Clamp	
27	1001121669	1	AC Cable, 8/5 (Tower Boom)	
28	1001121671	1	AC Cable, 8/5 (Main Boom)	
29	1001218622	1	Terminal, Turnlock Plug	
30	1001218623	1	Terminal, Turnlock Connector	

# SECTION 8 - ELECTRICAL

FIGURE 8-38. BOOM CABLES INSTALLATION - WITHOUT AC CABLES (CHINA SPECS) (860SJ)



ART\_1001256201

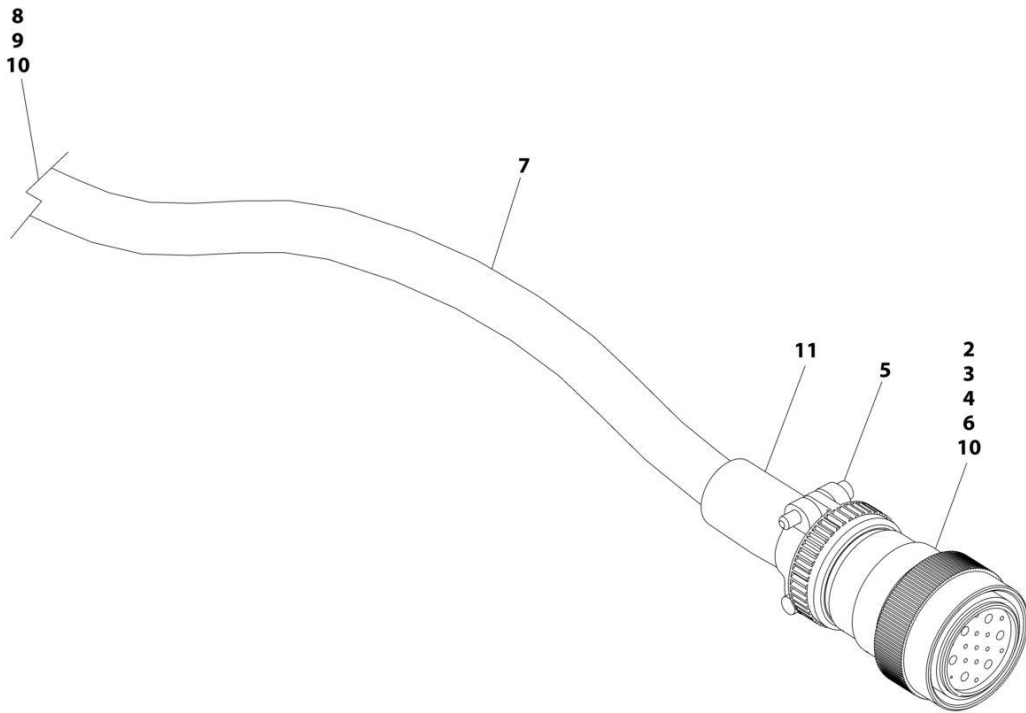
## SECTION 8 - ELECTRICAL

**FIGURE 8-38. BOOM CABLES INSTALLATION - WITHOUT AC CABLES (CHINA SPECS) (860SJ)**

ITEM	PART NUMBER	QTY	DESCRIPTION	REV
	1001256201	Ref	BOOM CABLES INSTALLATION	C
1	0561484	2	Block, Clamp	
2	0641408	1	Bolt 1/4 x 1	
3	0641412	2	Bolt 1/4 x 1-1/2	
4	0700626	4	Bolt M6 x 90	
5	0641511	2	Bolt 5/16 x 1-3/8	
6	0641604	2	Bolt 3/8 x 1/2	
7	0641607	2	Bolt 3/8 x 7/8	
8	1320061	1	Clamp	
9	1671034	1	Cover	
10	1001260680	4	Rivnut M6	
11	3311405	3	Nut 1/4	
12	3311505	2	Nut 5/16	
13	3573047	1	Plate	
14	3573296	1	Plate	
15	3841340	2	Rod	
16	4360506	1	Switch, Proximity	
17	4460470	1	Nut, Terminal	
18	4460471	1	Washer, Terminal	
19	4460866	1	Connector - 19 Pin	
20	4711400	5	Washer 1/4	
21	4751500	4	Washer 5/16	
22	4922567	1	Harness Assembly - Main Boom (See Separate Breakdown in this Section)	
23	4922569	1	Harness Assembly - Tower Boom (See Separate Breakdown in this Section)	
24	4922660	1	Holding Valve/Lift Dump Harness Assembly (See Separate Breakdown in this Section)	

# SECTION 8 - ELECTRICAL

FIGURE 8-39. BOOM HARNESS (MAIN BOOM) (WITHOUT ARCTIC PACKAGE) (800S)



ART\_4922566

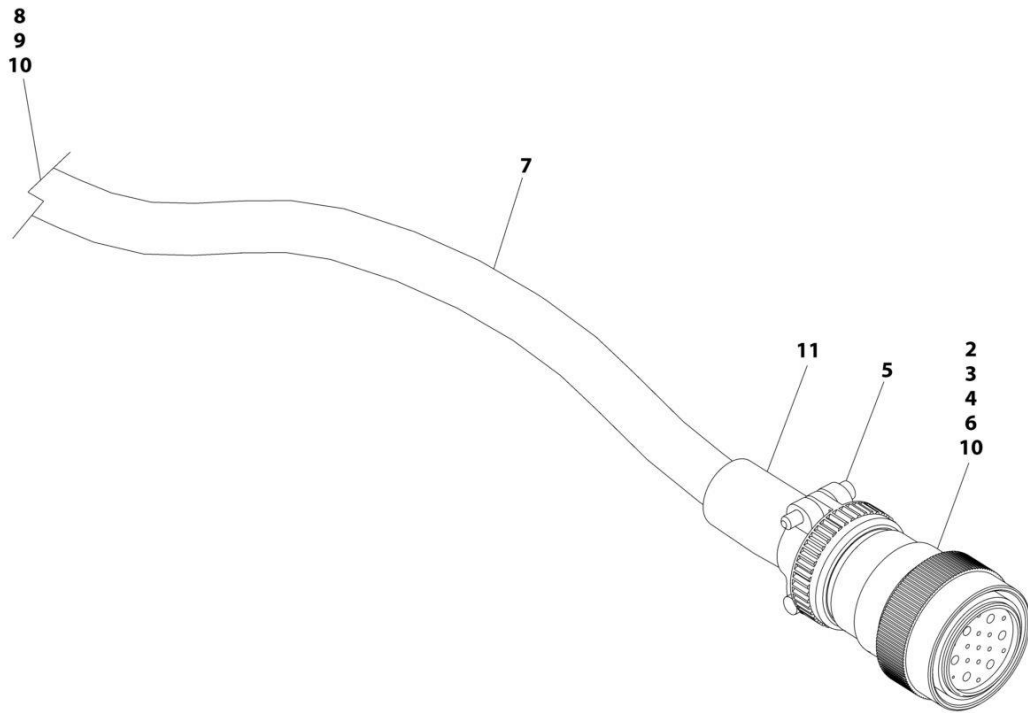
## SECTION 8 - ELECTRICAL

**FIGURE 8-39. BOOM HARNESS (MAIN BOOM) (WITHOUT ARCTIC PACKAGE) (800S)**

ITEM	PART NUMBER	QTY	DESCRIPTION	REV
	4922566	Ref	BOOM HARNESS	C
2	4460465	11	Socket, Female	
3	4460865	1	Connector - 19 Position	
4	4460509	4	Socket, Female	
5	4460473	1	Clamp	
6	4460466	8	Plug, Terminal	
7	2820031	AR	Heatshrink	
8	4460464	11	Pin, Male	
9	4460508	4	Pin, Male	
10	2820118	AR	Heatshrink, Clear	
11	1001226400	1	Insulate, Heatshrink	

# SECTION 8 - ELECTRICAL

FIGURE 8-40. BOOM HARNESS (MAIN BOOM) (WITH ARCTIC PACKAGE) (800S)



ART\_1001091618



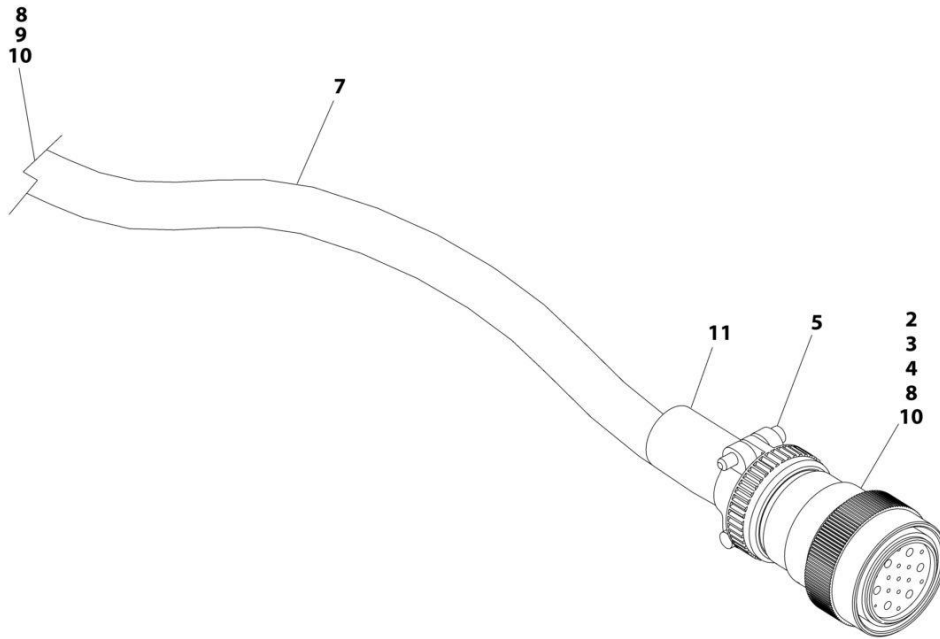
## SECTION 8 - ELECTRICAL

**FIGURE 8-40. BOOM HARNESS (MAIN BOOM) (WITH ARCTIC PACKAGE) (800S)**

ITEM	PART NUMBER	QTY	DESCRIPTION	REV
	1001091618	Ref	BOOM HARNESS	C
2	4460465	11	Socket, Female	
3	4460865	1	Connector - 19 Position	
4	4460509	4	Socket, Female	
5	4460473	1	Clamp	
6	4460466	8	Plug, Terminal	
7	2820031	AR	Heatshrink	
8	4460464	11	Pin, Male	
9	4460508	4	Pin, Male	
10	2820118	AR	Heatshrink, Clear	
11	1001226400	1	Insulate, Heatshrink	

# SECTION 8 - ELECTRICAL

FIGURE 8-41. BOOM HARNESS (MAIN BOOM) (WITHOUT ARCTIC PACKAGE) (860SJ)



ART\_4922567

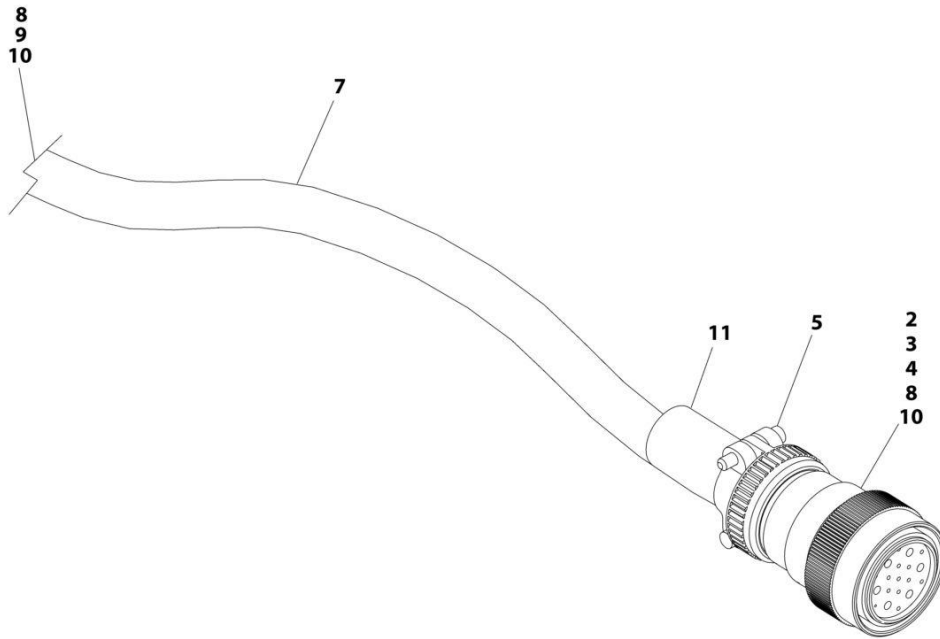
## SECTION 8 - ELECTRICAL

**FIGURE 8-41. BOOM HARNESS (MAIN BOOM) (WITHOUT ARCTIC PACKAGE) (860SJ)**

ITEM	PART NUMBER	QTY	DESCRIPTION	REV
	4922567	Ref	BOOM HARNESS	D
2	4460465	11	Socket, Female	
3	4460865	1	Connector - 19 Position	
4	4460509	4	Socket, Female	
5	4460473	1	Clamp	
6	4460466	8	Plug, Terminal	
7	2820031	AR	Heatshrink	
8	4460464	11	Pin, Male	
9	4460508	4	Pin, Male	
10	2820118	AR	Heatshrink, Clear	
11	1001226400	1	Insulate, Heatshrink	

# SECTION 8 - ELECTRICAL

FIGURE 8-42. BOOM HARNESS (MAIN BOOM) (WITH ARCTIC PACKAGE) (860SJ)



ART\_4923595

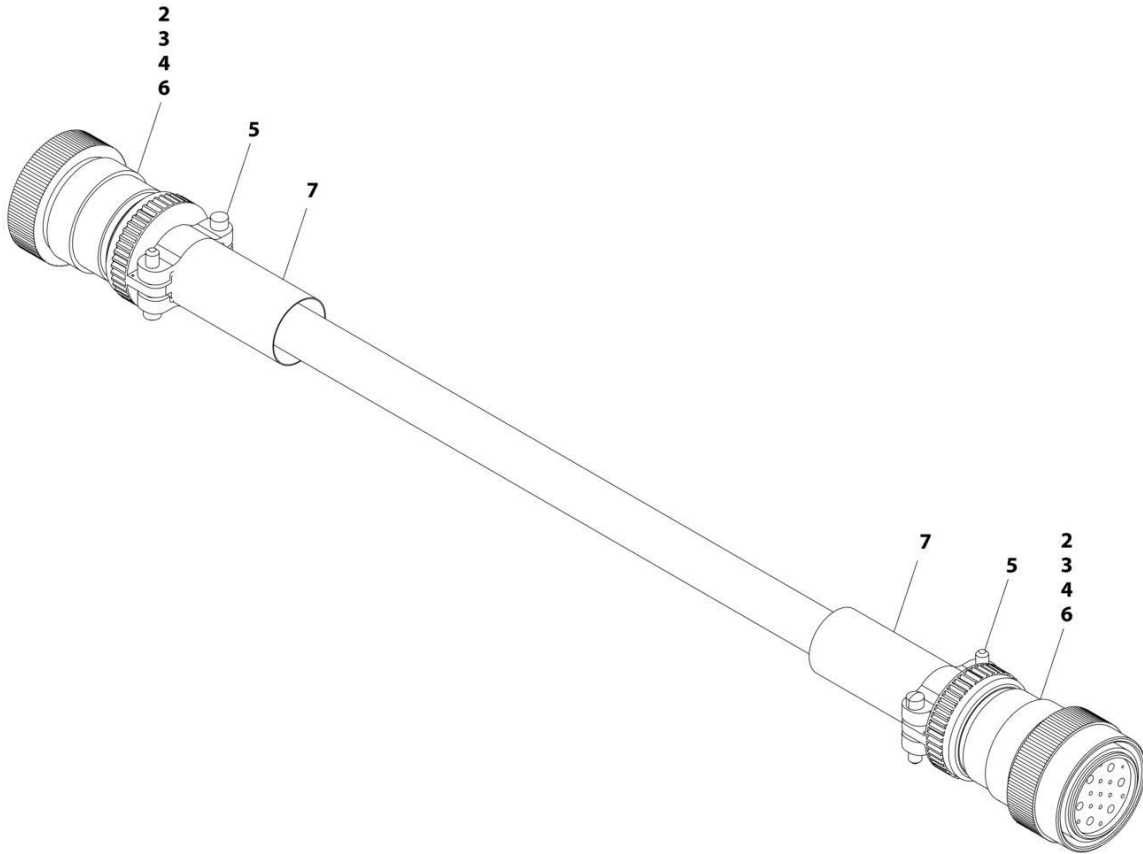
## SECTION 8 - ELECTRICAL

**FIGURE 8-42. BOOM HARNESS (MAIN BOOM) (WITH ARCTIC PACKAGE) (860SJ)**

ITEM	PART NUMBER	QTY	DESCRIPTION	REV
	4923595	Ref	BOOM HARNESS	D
2	4460465	11	Socket, Female	
3	4460865	1	Connector - 19 Position	
4	4460509	4	Socket, Female	
5	4460473	1	Clamp	
6	4460466	8	Plug, Terminal	
7	2820031	AR	Heatshrink	
8	4460464	11	Pin, Male	
9	4460508	4	Pin, Male	
10	2820118	AR	Heatshrink, Clear	
11	1001226400	1	Insulate, Heatshrink	

# SECTION 8 - ELECTRICAL

## FIGURE 8-43. BOOM CABLE (TOWER BOOM) (WITHOUT ARCTIC PACKAGE)



ART\_4922569

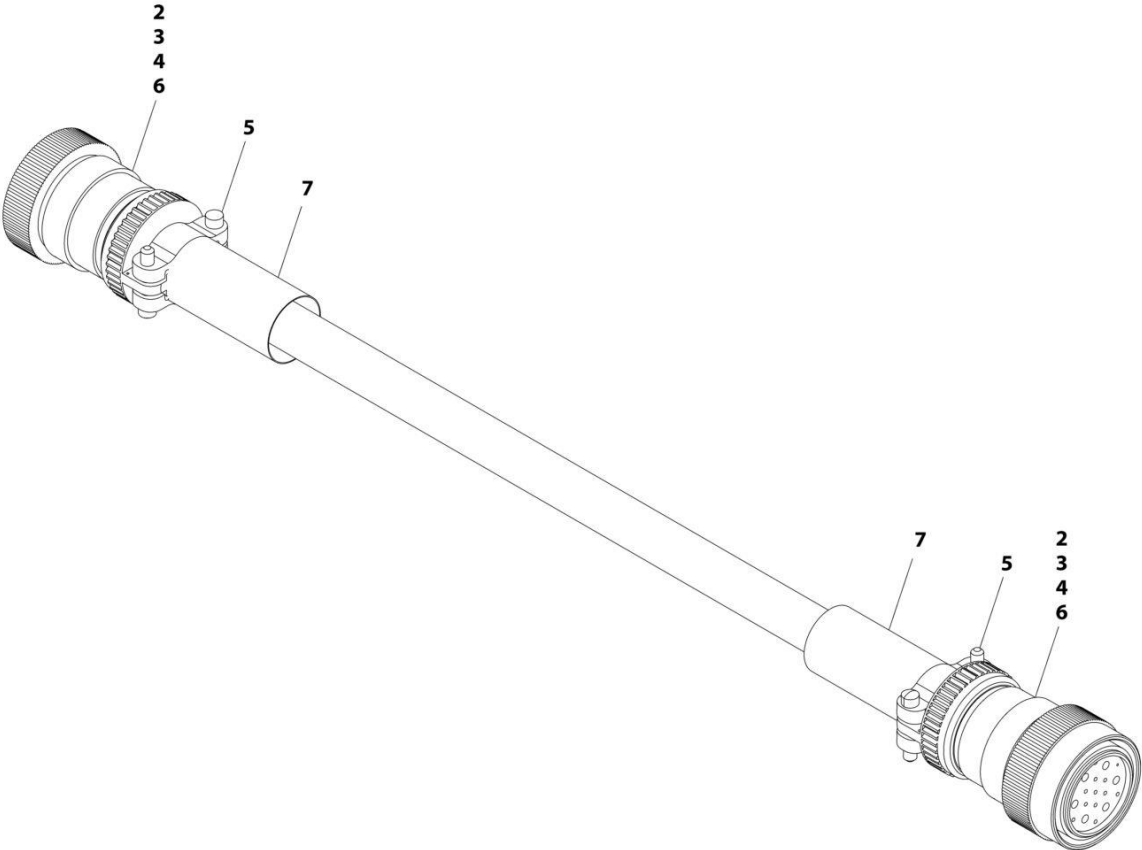
## SECTION 8 - ELECTRICAL

**FIGURE 8-43. BOOM CABLE (TOWER BOOM) (WITHOUT ARCTIC PACKAGE)**

ITEM	PART NUMBER	QTY	DESCRIPTION	REV
	4922569	Ref	BOOM CABLE - TOWER BOOM	B
2	4460465	22	Socket, Female	
3	4460865	2	Connector - 19 Position	
4	4460509	8	Socket, Female	
5	4460473	2	Clamp	
6	4460466	8	Plug, Terminal	
7	1001226400	2	Insulate, Heatshrink	

**SECTION 8 - ELECTRICAL**

**FIGURE 8-44. BOOM CABLE (TOWER BOOM) (WITHOUT ARCTIC PACKAGE)**



ART\_4923596



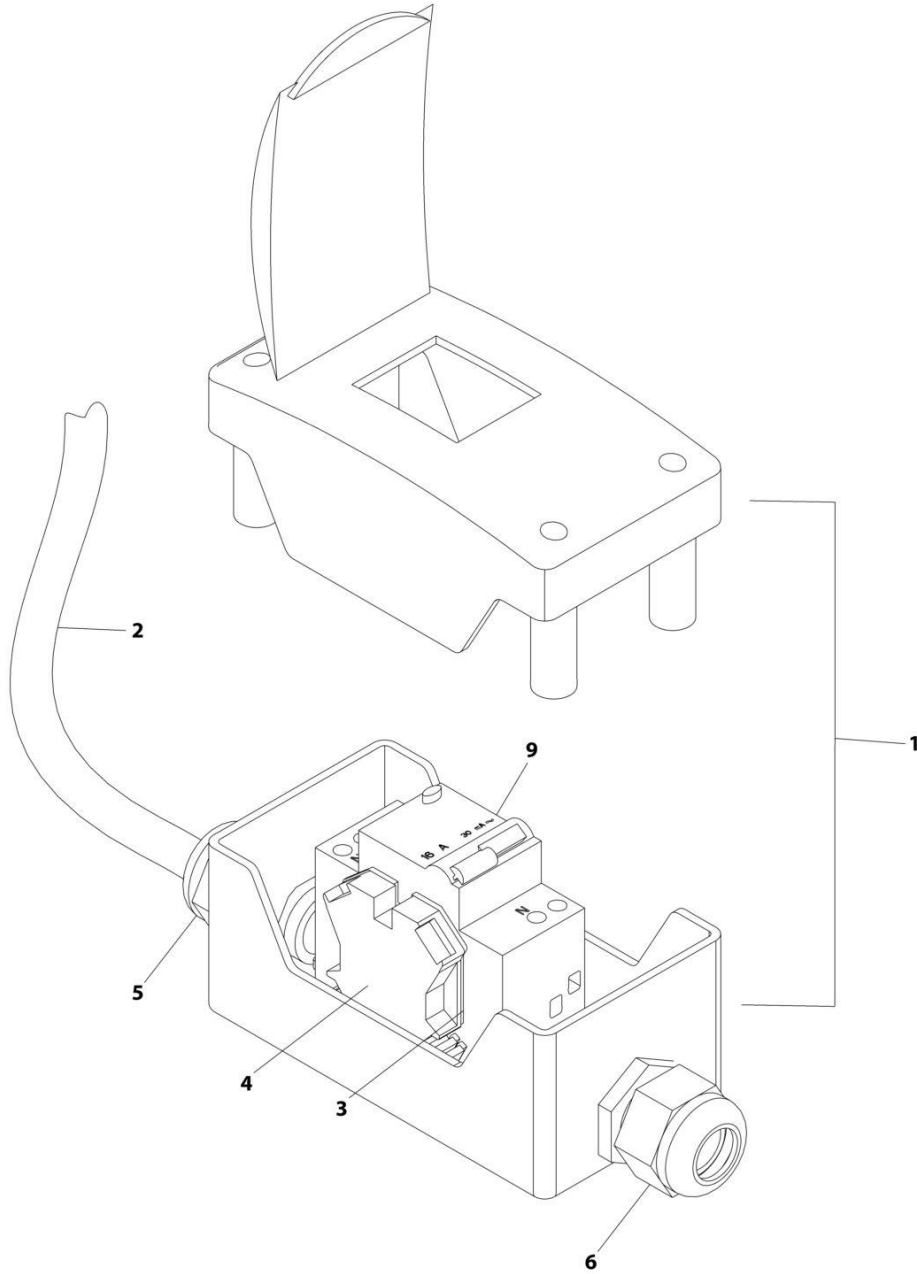
## SECTION 8 - ELECTRICAL

**FIGURE 8-44. BOOM CABLE (TOWER BOOM) (WITHOUT ARCTIC PACKAGE)**

ITEM	PART NUMBER	QTY	DESCRIPTION	REV
	4923596	Ref	BOOM CABLE - TOWER BOOM	C
2	4460465	22	Socket, Female	
3	4460865	2	Connector - 19 Position	
4	4460509	8	Socket, Female	
5	4460473	2	Clamp	
6	4460466	8	Plug, Terminal	
7	1001226400	2	Insulate, Heatshrink	

# SECTION 8 - ELECTRICAL

FIGURE 8-45. BREAKER BOX KIT - ONE DOUBLE 16AMP BREAKER (CE & UK CA SPECS WITHOUT 7500W GENERATOR)



ART\_1001109654

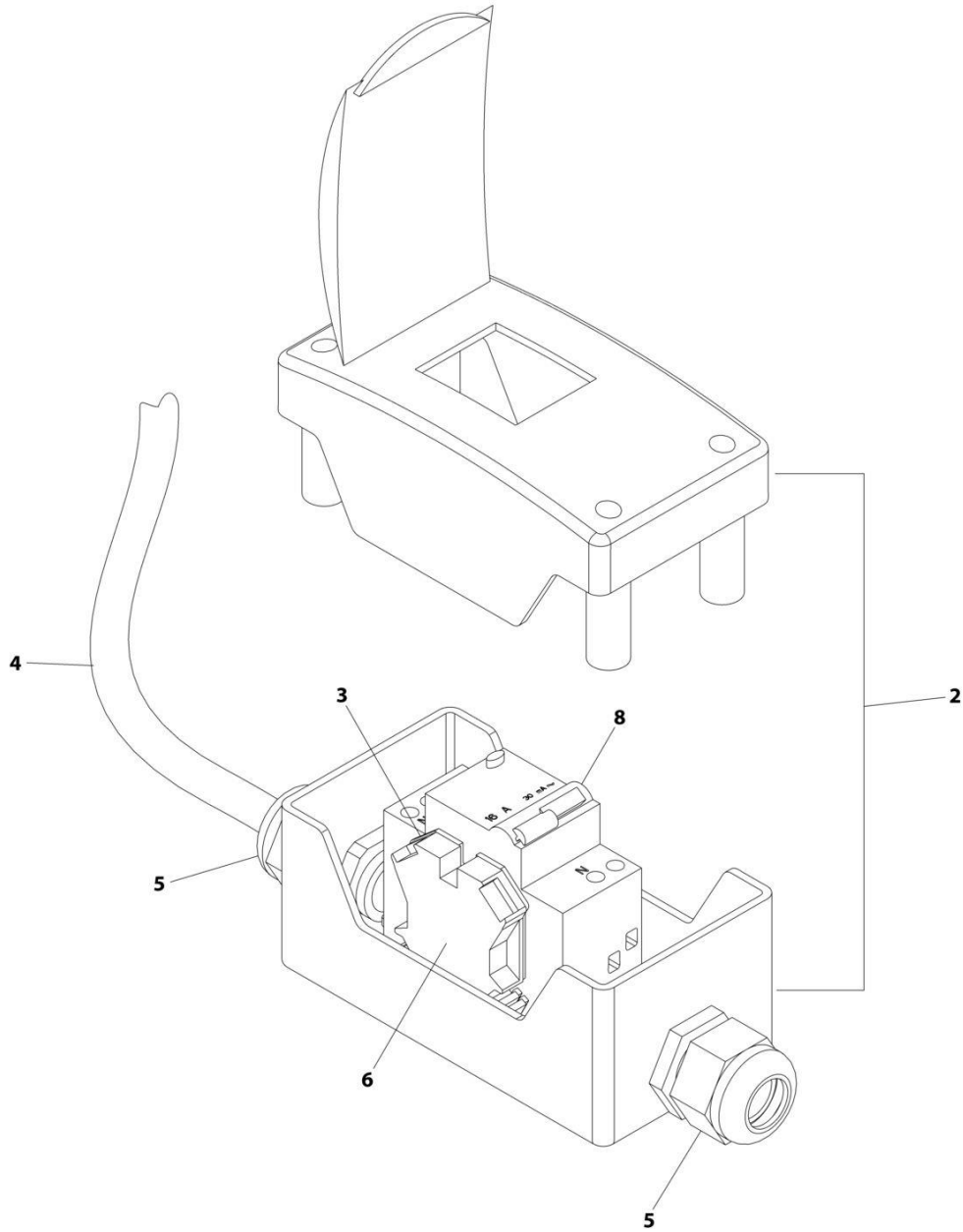
## SECTION 8 - ELECTRICAL

**FIGURE 8-45. BREAKER BOX KIT - ONE DOUBLE 16AMP BREAKER (CE & UK CA SPECS WITHOUT 7500W GENERATOR)**

ITEM	PART NUMBER	QTY	DESCRIPTION	REV
	1001109654	Ref	BREAKER BOX KIT	C
1	0861880	1	Box, Breaker	
2	1060908	12 ft/ 3.6m	Cable 12/3	
3	4460956	1	Barrier, Terminal Block End	
4	4460957	1	Block, Terminal	
5	1001097150	1	Connector, Strain Relief	
6	1001101191	1	Connector, Strain Relief	
9	1001181045	1	Breaker - 30mA/16Amp	
10	1001100231	3	Terminal (Not Shown)	

# SECTION 8 - ELECTRICAL

FIGURE 8-46. BREAKER BOX KIT - ONE DOUBLE 16AMP BREAKER (WITH 4000W/50HZ GENERATOR)



ART\_1001165368\_B

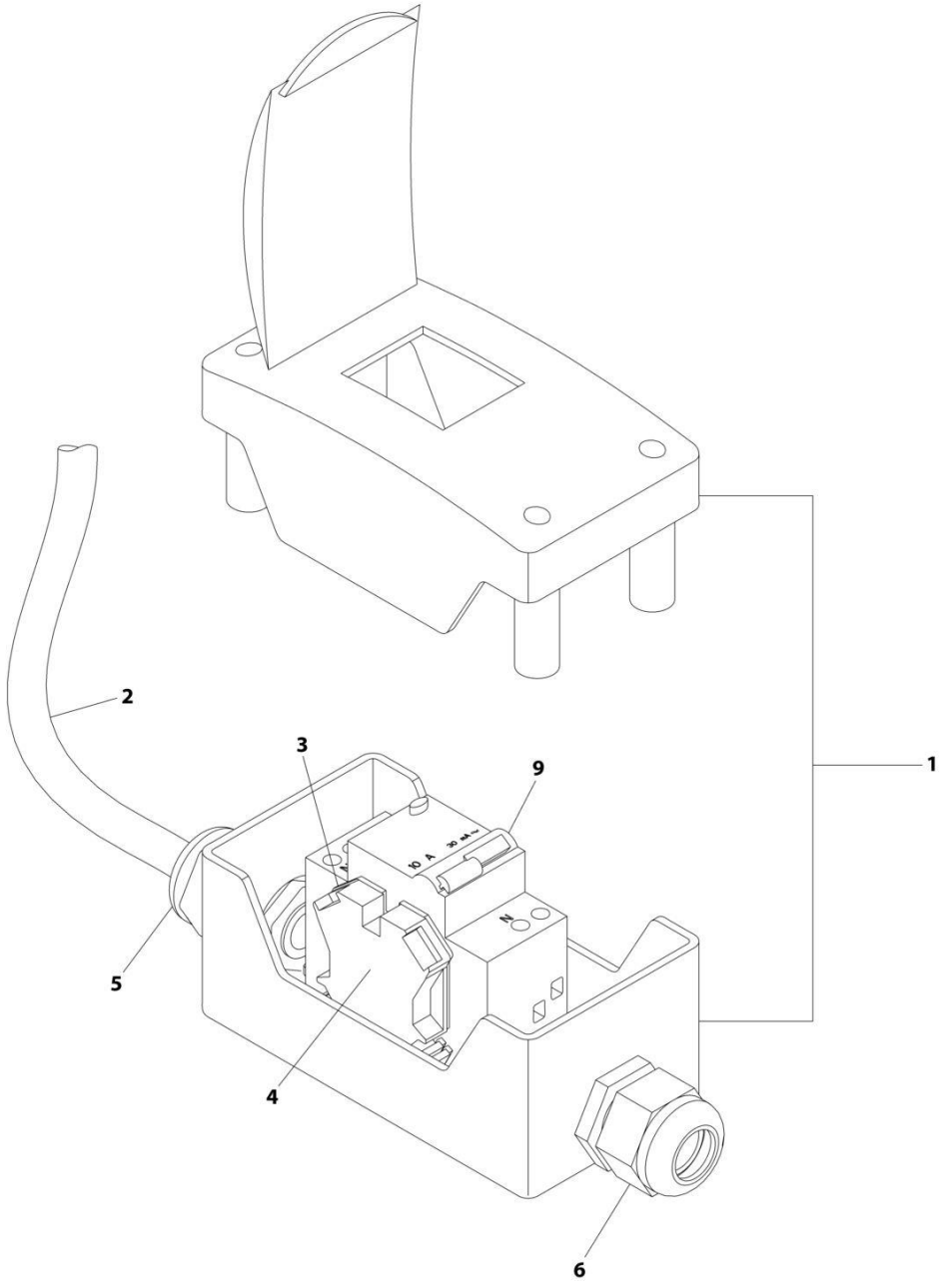
## SECTION 8 - ELECTRICAL

**FIGURE 8-46. BREAKER BOX KIT - ONE DOUBLE 16AMP BREAKER (WITH 4000W/50HZ GENERATOR)**

ITEM	PART NUMBER	QTY	DESCRIPTION	REV
	1001165368	Ref	BREAKER BOX KIT	B
2	0861880	1	Box, Circuit Breaker	
3	4460956	1	Barrier, Terminal Block End	
4	1060545	12 ft/ 3.6m	Cable, Electrical 10/3	
5	1001101191	2	Connector, Strain Relief	
6	4460957	1	Block, Terminal	
8	1001181045	1	Breaker 30mA/16Amp	

**SECTION 8 - ELECTRICAL**

**FIGURE 8-47. BREAKER BOX KIT - 10 AMP (CE & UK CA SPECS WITHOUT 7500W GENERATOR)**



ART\_1001109648

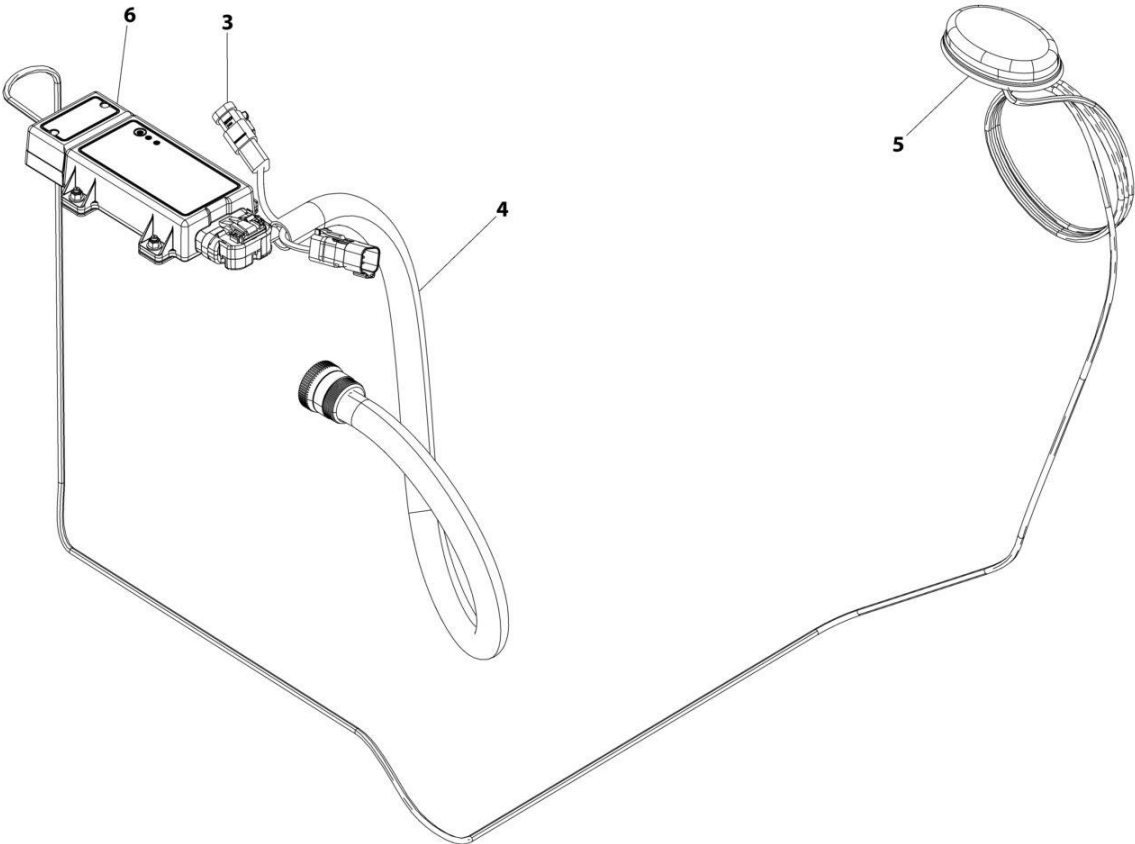
## SECTION 8 - ELECTRICAL

**FIGURE 8-47. BREAKER BOX KIT - 10 AMP (CE & UK CA SPECS WITHOUT 7500W GENERATOR)**

ITEM	PART NUMBER	QTY	DESCRIPTION	REV
	1001109648	Ref	BREAKER BOX KIT - 10 AMP (2500W GENERATOR)	B
1	0861880	1	Box, Breaker	
2	1060908	12 ft /3.6m	Cable, Electrical 12/3	
3	4460956	1	Barrier, Terminal Block End	
4	4460957	1	Block, Terminal	
5	1001097150	1	Connector, Strain Relief	
6	1001101191	1	Connector, Strain Relief	
9	1001181046	1	Breaker 30mA/16Amp	

**SECTION 8 - ELECTRICAL**

**FIGURE 8-48. CLEARSKY INSTALLATION - 3G CANBUS CONNECTION (ANSI EXPORT, CE & UK CA SPECS)**



ART\_1001228950



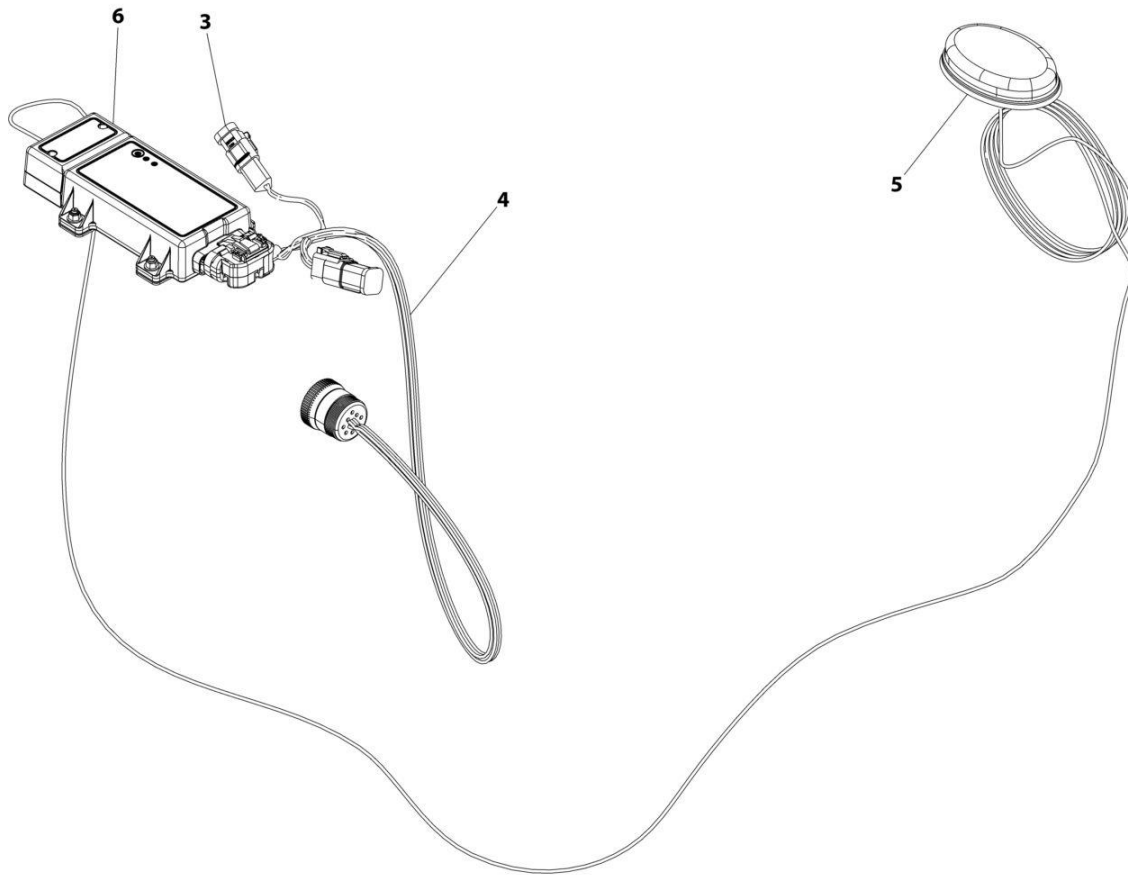
## SECTION 8 - ELECTRICAL

**FIGURE 8-48. CLEARSKY INSTALLATION - 3G CANBUS CONNECTION (ANSI EXPORT, CE & UK CA SPECS)**

ITEM	PART NUMBER	QTY	DESCRIPTION	REV
	1001228950	REF	CLEARSKY INSTALLATION CANBUS CONNECTION	A
1	4240032	AR	Tie-Strap (Not Shown)	
2	4460234	AR	Strap, Cable Tie (Not Shown)	
3	1001116815	1	Connector	
4	1001226739	1	ClearSky Harness (See Separate Breakdown in this Section)	
5	1001226799	1	Antenna	
6	1001228954	1	Telematics Control Module (Note: Re-calibration Required when Replaced)	

## SECTION 8 - ELECTRICAL

FIGURE 8-49. CLEARSKY INSTALLATION - 3G CANBUS CONNECTION (AUSTRALIAN SPECS)



ART\_1001246475

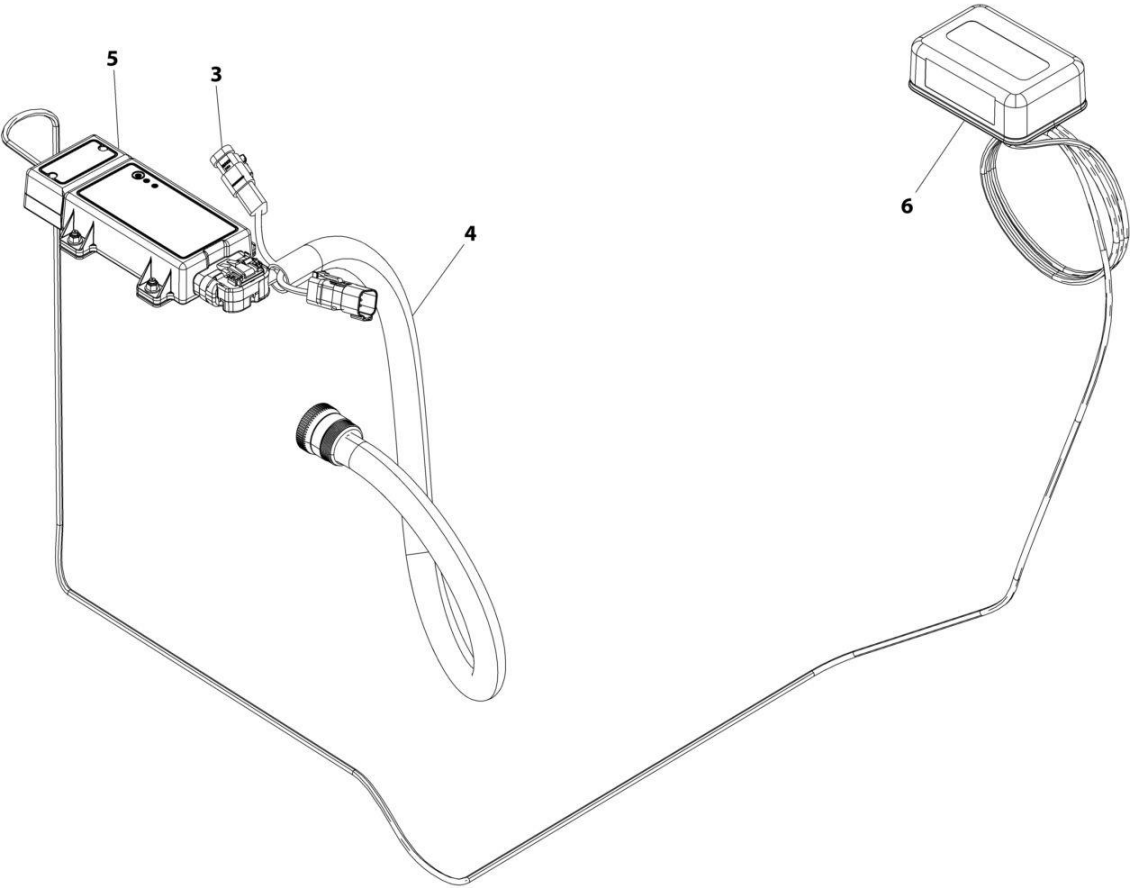
## SECTION 8 - ELECTRICAL

**FIGURE 8-49. CLEARSKY INSTALLATION - 3G CANBUS CONNECTION (AUSTRALIAN SPECS)**

ITEM	PART NUMBER	QTY	DESCRIPTION	REV
	1001246475	REF	CLEARSKY INSTALLATION CANBUS CONNECTION	A
1	4240032	AR	Tie-Strap (Not Shown)	
2	4460234	AR	Strap, Cable Tie (Not Shown)	
3	1001116815	1	Connector	
4	1001226739	1	ClearSky Harness (See Separate Breakdown in this Section)	
5	1001226799	1	Antenna	
6	1001246144	1	Telematics Control Module (Note: Re-calibration Required when Replaced)	

**SECTION 8 - ELECTRICAL**

**FIGURE 8-50. CLEARSKY INSTALLATION - 4G CANBUS CONNECTION (ANSI & CSA SPECS)**



ART\_1001227494

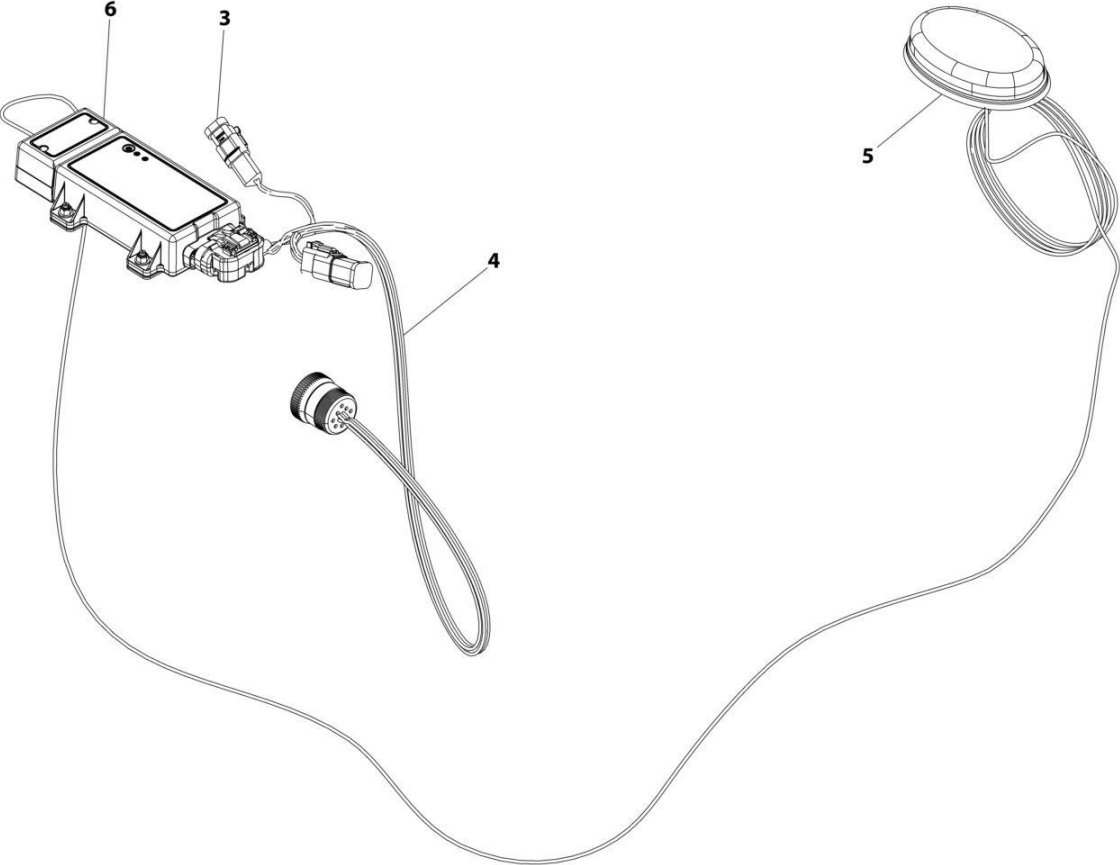
## SECTION 8 - ELECTRICAL

**FIGURE 8-50. CLEARSKY INSTALLATION - 4G CANBUS CONNECTION (ANSI & CSA SPECS)**

ITEM	PART NUMBER	QTY	DESCRIPTION	REV
	1001227494	Ref	CLEARSKY INSTALLATION CANBUS CONNECTION	B
1	4240032	AR	Tie-Strap (Not Shown)	
2	4460234	AR	Strap, Cable Tie (Not Shown)	
3	1001116815	1	Connector	
4	1001226739	1	ClearSky Harness (See Separate Breakdown in this Section)	
5	1001262322	1	Telematics Control Module (Note: Re-calibration Required when Replaced)	
6	1001262326	1	Antenna	

**SECTION 8 - ELECTRICAL**

**FIGURE 8-51. CLEARSKY INSTALLATION - 4G CANBUS CONNECTION (CHINA SPECS)**



ART\_1001246476

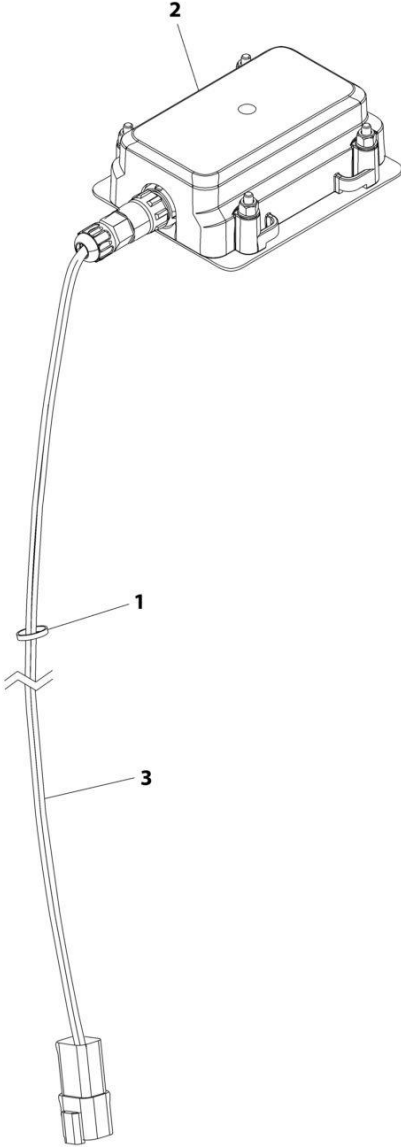
## SECTION 8 - ELECTRICAL

**FIGURE 8-51. CLEARSKY INSTALLATION - 4G CANBUS CONNECTION (CHINA SPECS)**

ITEM	PART NUMBER	QTY	DESCRIPTION	REV
	1001246476	Ref	CLEARSKY INSTALLATION CANBUS CONNECTION	A
1	4240032	AR	Tie-Strap (Not Shown)	
2	4460234	AR	Strap, Cable Tie (Not Shown)	
3	1001116815	1	Connector	
4	1001226739	1	ClearSky Harness (See Separate Breakdown in this Section)	
5	1001226799	1	Antenna	
6	1001246145	1	Telematics Control Module (Note: Re-calibration Required when Replaced)	

**SECTION 8 - ELECTRICAL**

**FIGURE 8-52. CLEARSKY INSTALLATION 3-WIRE CONNECTION (ALL SPECS EXCEPT UL & CHINA SPECS)**



ART\_1001276610



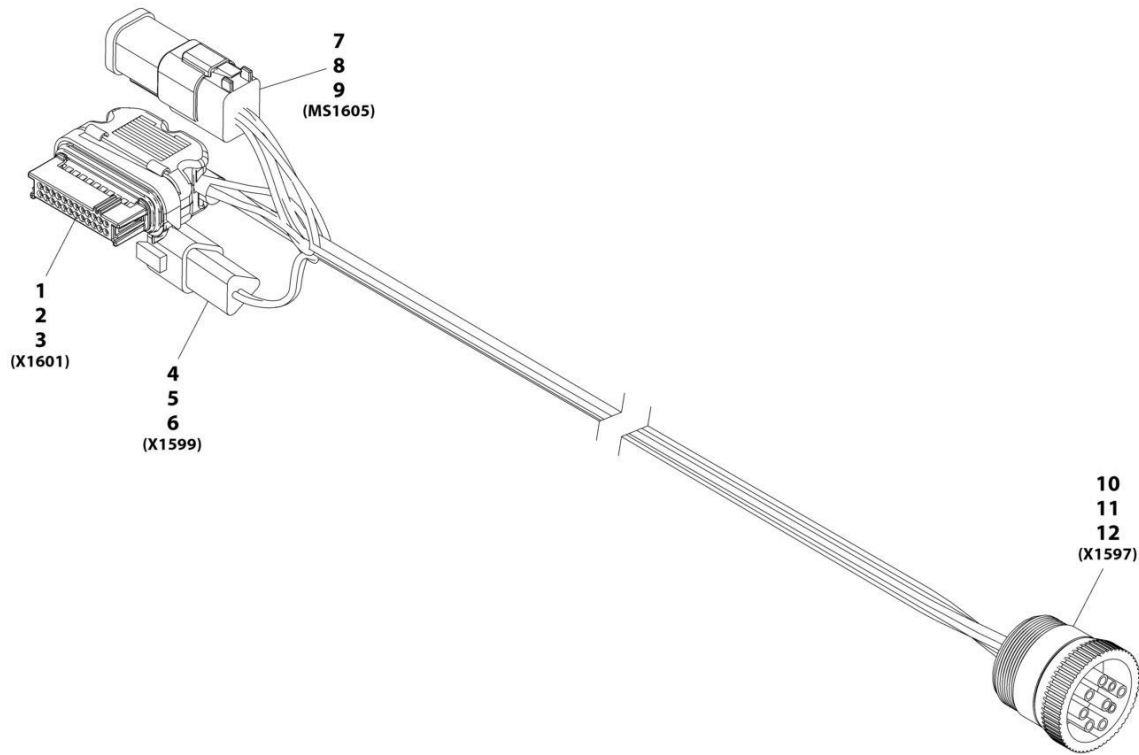
## SECTION 8 - ELECTRICAL

**FIGURE 8-52. CLEARSKY INSTALLATION 3-WIRE CONNECTION (ALL SPECS EXCEPT UL & CHINA SPECS)**

ITEM	PART NUMBER	QTY	DESCRIPTION	REV
	1001276610	Ref	CLEARSKY INSTALLATION 3-WIRE CONNECTION	A
1	4240032	AR	Tie-Strap	
2	1001272659	1	Telematics Control Module Assembly (Note: Re-calibration Required when Replaced)	
3	1001273012	1	ClearSky Harness (See Separate Breakdown in this Section)	

# SECTION 8 - ELECTRICAL

## FIGURE 8-53. CLEARSKY HARNESS - 3G & 4G CANBUS CONNECTIONS



ART\_1001226739-A

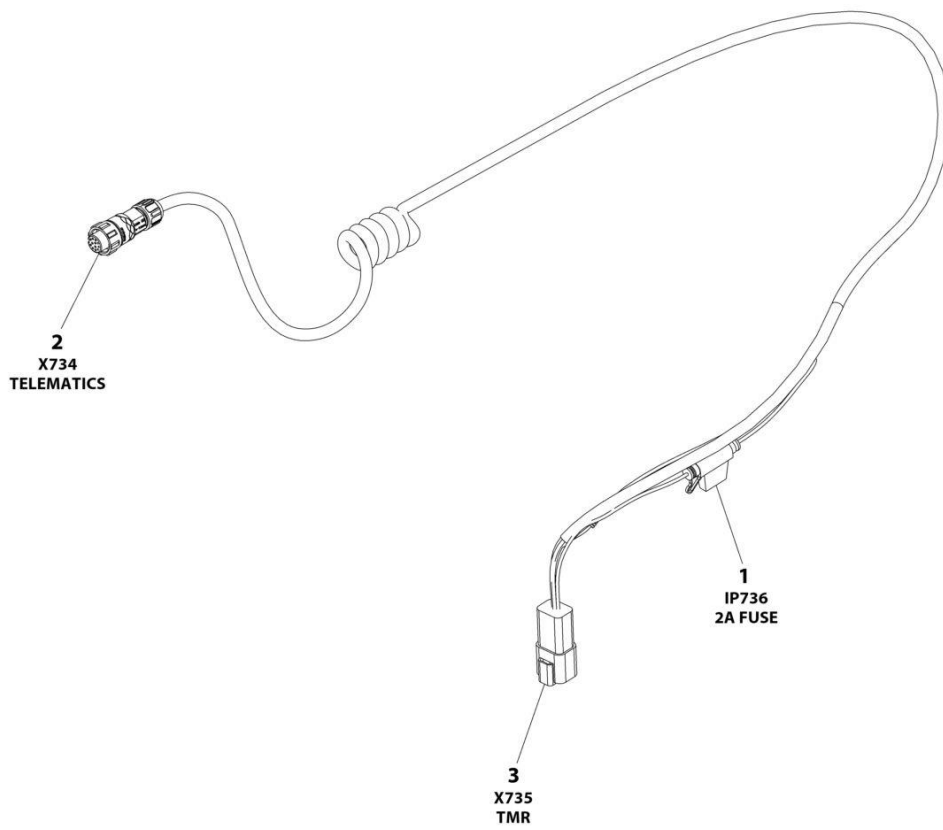
## SECTION 8 - ELECTRICAL

**FIGURE 8-53. CLEARSKY HARNESS - 3G & 4G CANBUS CONNECTIONS**

ITEM	PART NUMBER	QTY	DESCRIPTION	REV
	1001226739	Ref	Clearsky Harness	A
1	1001226636	1	Connector	
2	1001116731	16	Plug, Terminal	
3	1001226637	8	Terminal	
4	1001144147	1	Connector	
5	4460464	2	Terminal	
6	4460466	1	Plug, Terminal	
7	4460894	1	Connector	
8	4460465	6	Terminal	
9	1001226541	1	Connector- 6 Pin Bussbar	
10	1001112796	1	Connector	
11	4460465	8	Terminal	
12	4460466	1	Plug, Terminal	

# SECTION 8 - ELECTRICAL

## FIGURE 8-54. CLEARSKY HARNESS - 3 WIRE CONNECTION



ART\_1001273012

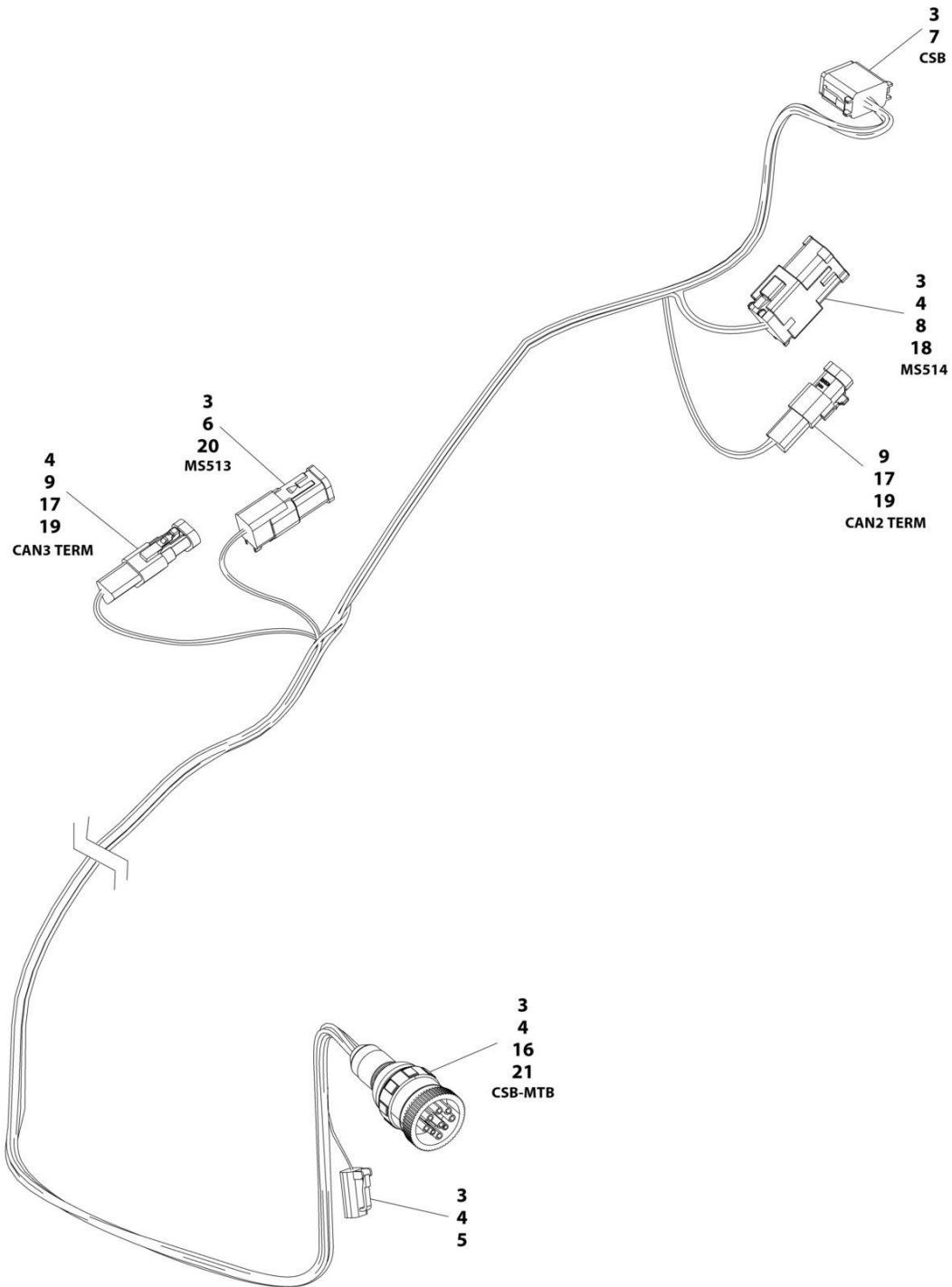
## SECTION 8 - ELECTRICAL

### FIGURE 8-54. CLEARSKY HARNESS - 3 WIRE CONNECTION

ITEM	PART NUMBER	QTY	DESCRIPTION	REV
	1001273012	Ref	CLEARSKY TELEMATICS HARNESS - GT1030	D
1	1001255901	1	Fuseholder	
1	1001196634	1	Fuse - 2Amp	
2	1001272997	1	Connector - 12 Position	
2		Ref	Terminal	
3	4460932	1	Receptacle, Female - 4 Position	
3	4460464	4	Pin, Male	

# SECTION 8 - ELECTRICAL

## FIGURE 8-55. CSB HARNESS



ART\_1001286622

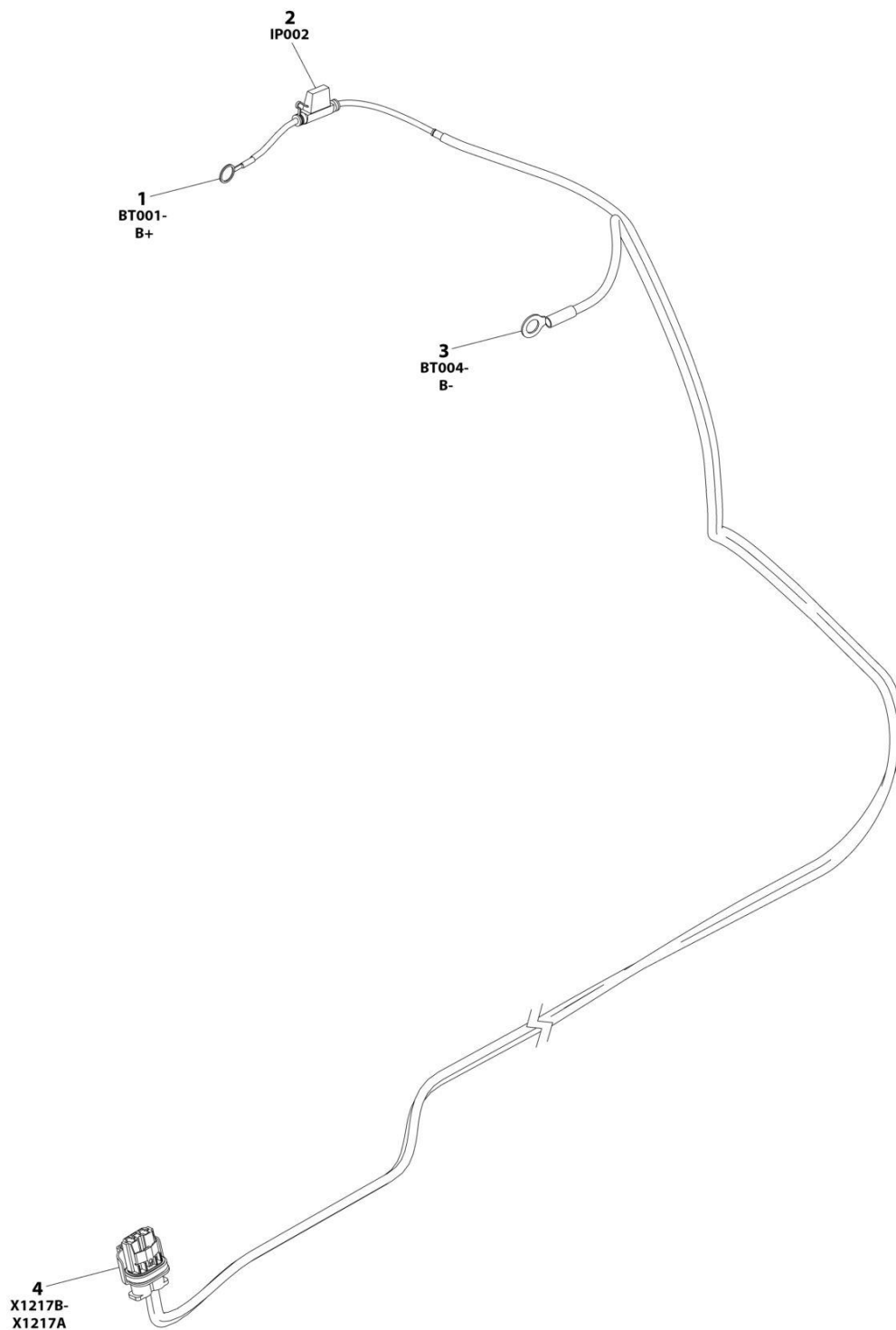
## SECTION 8 - ELECTRICAL

### FIGURE 8-55. CSB HARNESS

ITEM	PART NUMBER	QTY	DESCRIPTION	REV
	1001286622	Ref	CSB HARNESS	C
3	4460465	32	Socket	
4	4460466	6	Plug, Terminal	
5	4460891	1	Connector	
6	4460894	1	Connector	
7	4460930	1	Connector	
8	4460933	1	Connector	
9	4460943	6	Pin	
16	1001112796	1	Connector	
17	1001116815	2	Connector	
18	1001119020	1	Connector	
19	1001144147	2	Pin	
20	1001226541	1	Connector	
21	4461042	1	Connector	

# SECTION 8 - ELECTRICAL

## FIGURE 8-56. ECU POWER JUMPER HARNESS



ART\_1001289593



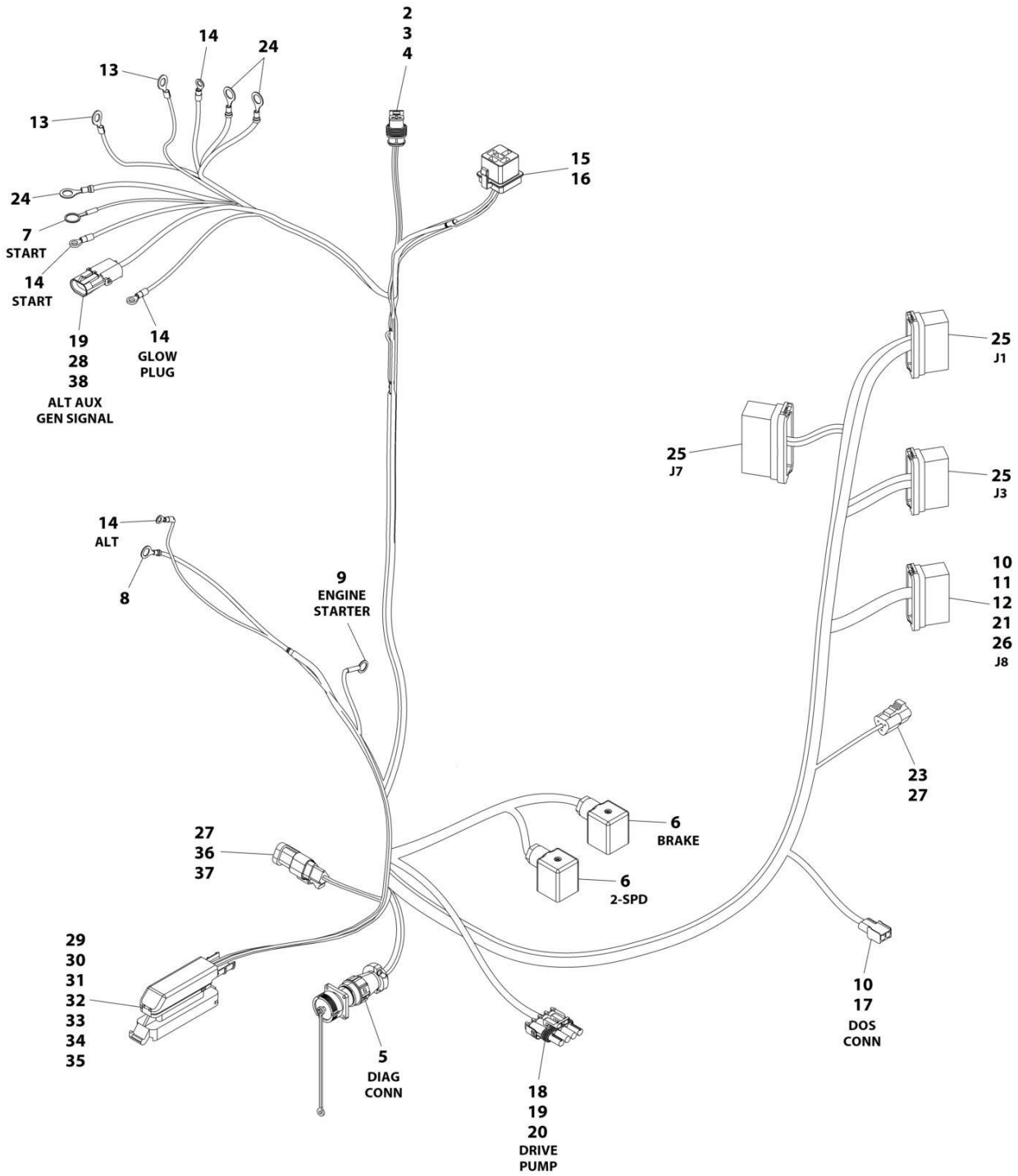
## SECTION 8 - ELECTRICAL

### FIGURE 8-56. ECU POWER JUMPER HARNESS

ITEM	PART NUMBER	QTY	DESCRIPTION	REV
	1001289593	Ref	ECU POWER JUMPER HARNESS	A
1	4460019	1	Terminal Ring	
2	1001172064	1	Fuse Holder	
2	1001172065	1	Fuse 30Amp	
3	8220164	1	Terminal Ring	
4	1001142938	1	Connector	
4	1001142940	2	Terminal	
4	1001142941	2	Seal	

# SECTION 8 - ELECTRICAL

FIGURE 8-57. ENGINE HARNESS - DEUTZ D2011 ENGINES (ANSI EXPORT (LRC) AND AUSTRALIAN SPECS)



ART\_1001285515

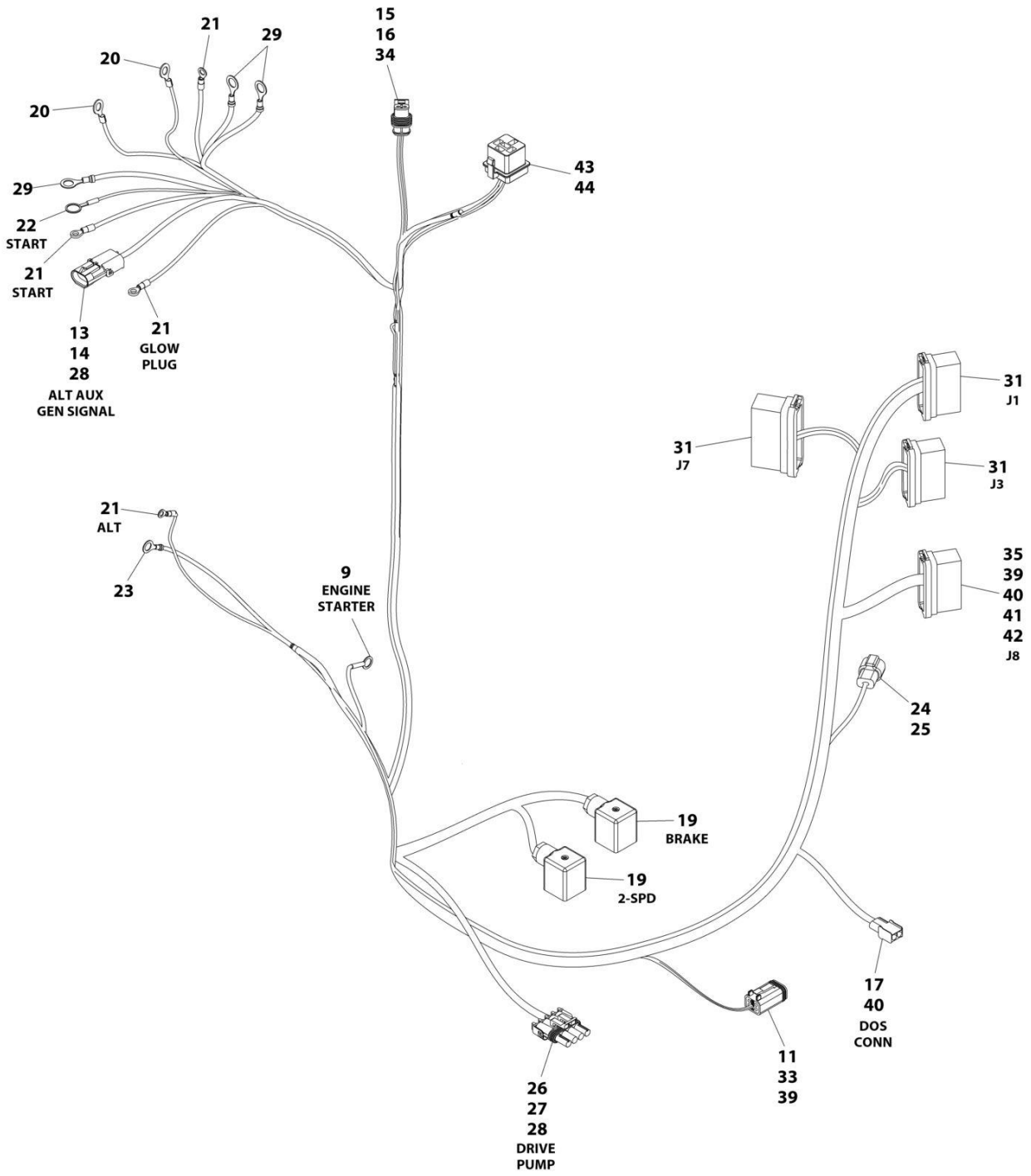
## SECTION 8 - ELECTRICAL

**FIGURE 8-57. ENGINE HARNESS - DEUTZ D2011 ENGINES (ANSI EXPORT (LRC) AND AUSTRALIAN SPECS)**

ITEM	PART NUMBER	QTY	DESCRIPTION	REV
	1001285515	Ref	ENGINE HARNESS - DEUTZ D2011 ENGINES	A
2	1001102290	1	Connector	
3	1001102291	2	Terminal	
4	1001102304	2	Seal	
5	2902443	1	Kit, Receptacle	
5	4461073	1	Cap, Dust	
6	1001263923	2	Connector	
7	4460019	1	Terminal, Ring	
8	4460043	1	Terminal, Ring	
9	4460142	1	Terminal - Ring	
10	4460226	4	Socket	
11	4460259	1	Terminal	
12	4460260	1	Cover, Terminal	
13	4460312	2	Terminal, Ring	
14	4460313	4	Terminal, Ring	
15	4460374	1	Plug	
16	4460375	4	Terminal	
17	4460424	1	Connector	
18	4460457	4	Socket	
19	4460458	6	Seal	
20	4460460	1	Connector	
21	4460465	2	Socket	
23	4460539	1	Connector	
24	4460670	3	Terminal, Ring	
25	4460871	10	Socket	
26	4460887	1	Terminal	
27	4460944	6	Socket	
28	4460979	2	Terminal	
29	4461005	5	Terminal	
30	4461006	5	Seal	
31	4461008	18	Plug, Terminal	
32	4461052	1	Connector	
33	4461053	1	Cover, Plug	
34	4461054	2	Seal	
35	4461060	2	Terminal	
36	4461070	1	Connector	
37	4461095	1	Plug	
38	4461157	1	Connector	

# SECTION 8 - ELECTRICAL

## FIGURE 8-58. ENGINE HARNESS - DEUTZ D2011 ENGINES (CE & UK CA SPECS)



ART\_1001286027

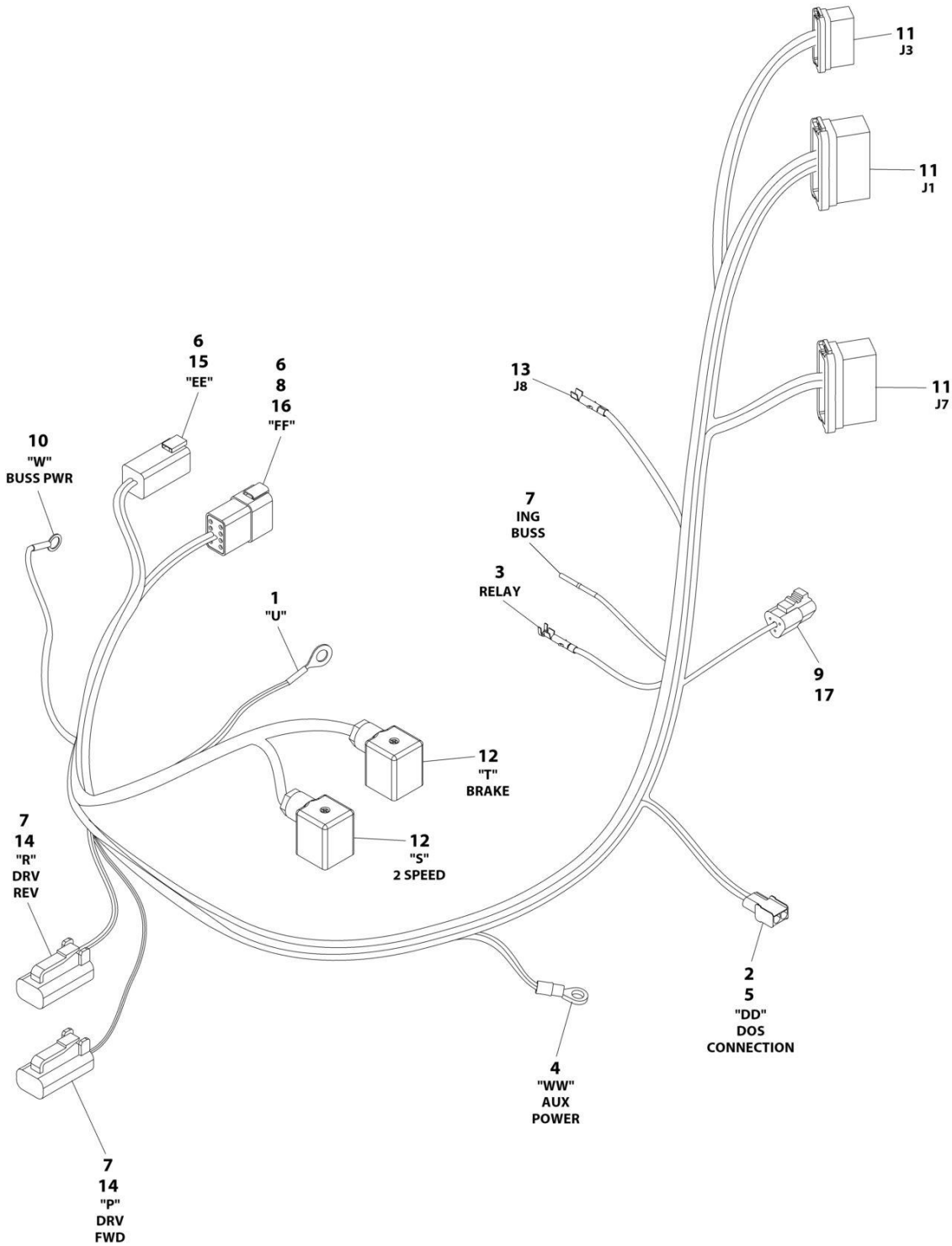
## SECTION 8 - ELECTRICAL

**FIGURE 8-58. ENGINE HARNESS - DEUTZ D2011 ENGINES (CE & UK CA SPECS)**

ITEM	PART NUMBER	QTY	DESCRIPTION	REV
	1001286027	Ref	ENGINE HARNESS - DEUTZ D2011 ENGINES	A
9	4460142	1	Terminal - Ring	
11	4460884	1	Connector	
13	4460979	2	Pin	
14	4461157	1	Connector	
15	1001102291	2	Terminal	
16	1001102304	2	Seal	
17	4460424	1	Connector	
19	4460880	2	Connector	
20	4460312	2	Terminal, Ring	
21	4460313	4	Terminal, Ring	
22	4460019	1	Terminal, Ring	
23	4460043	1	Terminal, Ring	
24	4460539	1	Plug	
25	4460944	3	Socket	
26	4460460	1	Connector	
27	4460457	4	Sleeve	
28	4460458	6	Seal	
29	4460670	3	Terminal, Ring	
31	4460871	9	Socket	
33	4460466	1	Plug, Terminal	
34	1001102290	1	Connector	
35	4460887	1	Terminal	
39	4460465	5	Socket	
40	4460226	4	Socket	
41	4460259	1	Terminal	
42	4460260	1	Cover, Terminal	
43	4460374	1	Plug	
44	4460375	4	Terminal	

# SECTION 8 - ELECTRICAL

## FIGURE 8-59. GROUND CONTROL ENGINE HARNESS - DEUTZ TD2.9L4 (STAGE V) ENGINE



ART\_1001295732

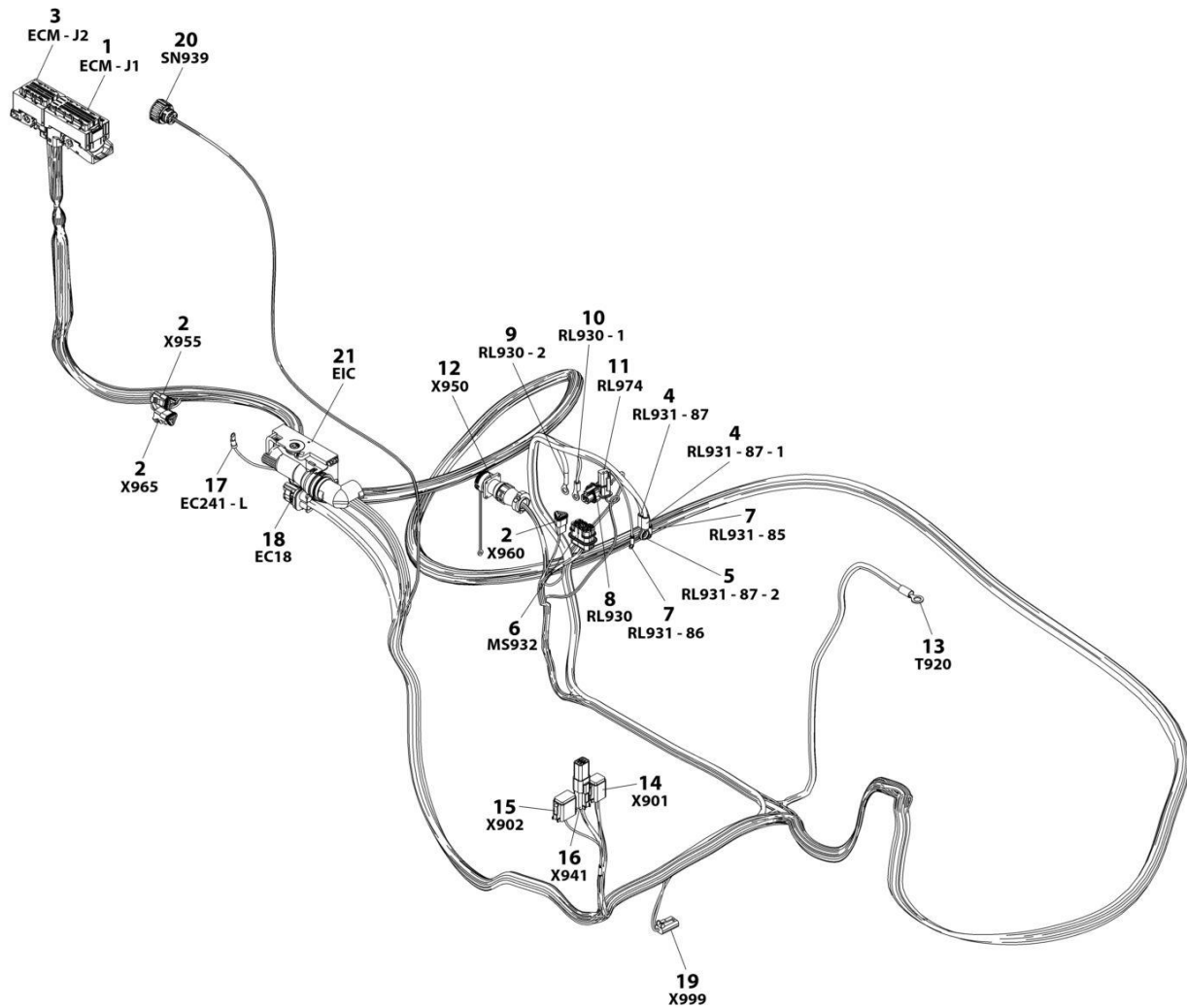
## SECTION 8 - ELECTRICAL

**FIGURE 8-59. GROUND CONTROL ENGINE HARNESS - DEUTZ TD2.9L4 (STAGE V) ENGINE**

ITEM	PART NUMBER	QTY	DESCRIPTION	REV
	1001295732	Ref	GROUND CONTROL ENGINE HARNESS	A
1	4460019	1	Ring, Terminal	
2	4460226	2	Socket	
3	4460268	1	Socket	
4	4460313	1	Ring, Terminal	
5	4460424	1	Connector	
6	4460464	10	Pin	
7	4460465	7	Pin	
8	4460466	4	Plug	
9	4460539	1	Connector	
10	4460738	1	Ring, Terminal	
11	4460871	11	Socket	
12	4460880	2	Connector	
13	4460887	1	Socket	
14	4460891	2	Connector	
15	4460899	1	Connector	
16	4460931	1	Connector	
17	4460944	3	Pin	

# SECTION 8 - ELECTRICAL

## FIGURE 8-60. ENGINE HARNESS - DEUTZ TD2.9L4 ENGINES & CHINA IV ENGINES WITHOUT DIESEL PARTICULATE FILTER



ART\_1001143726



## SECTION 8 - ELECTRICAL

**FIGURE 8-60. ENGINE HARNESS - DEUTZ TD2.9L4 ENGINES & CHINA IV ENGINES WITHOUT DIESEL PARTICULATE FILTER**

ITEM	PART NUMBER	QTY	DESCRIPTION	REV
	1001143726	Ref	ENGINE HARNESS	L
1	1001133956	1	Connector - 94 Position	
1	1001126351	2	Terminal	
1	1001126352	6	Terminal	
1	1001126384	21	Terminal	
1	1001126357	2	Plug, Terminal	
1	1001126356	63	Plug, Terminal	
2	4461095	3	Plug, Male - 3 Position	
2	4460944	6	Socket, Female	
2	4460466	3	Plug, Terminal	
3	1001133957	1	Connector - 60 Position	
3	1001126351	13	Terminal	
3	1001126384	17	Terminal	
3	1001126357	11	Plug, Terminal	
3	1001126356	19	Plug, Terminal	
4	1001117107	2	Terminal, Ring	
5	4460703	1	Terminal, Ring	
6	80484084	1	Plug, Male - 8 Position	
6	8229242	1	Fuse - 5Amp	
6	80983191	1	Fuse - 10Amp	
6	1001116728	4	Socket, Female	
6	1001116727	4	Plug, Terminal	
6	4460458	4	Seal, Terminal	
6	1001147264	1	Cap	
7	4460247	2	Terminal, Ring	
8	1001116952	1	Plug, Male - 2 Position	
8	4460465	2	Socket, Female	
9	1001117106	1	Terminal, Ring	
10	4460043	1	Terminal, Ring	
11	1001138110	1	Connector - 2 Position	
11	1001138111	2	Terminal	
11	1001138113	2	Seal	
12	2902443	1	Receptacle Kit	
12	4461073	1	Cap, Dust	
12	4461071	6	Terminal	
13	8220115	1	Terminal, Ring	
14	4460894	1	Plug, Male - 6 Position	
14	4460465	3	Socket, Female	
14	4460944	2	Socket, Female	
14	4460466	1	Plug, Terminal	
15	4460930	1	Plug, Male - 8 Position	
15	4460465	1	Socket, Female	
15	4460466	7	Plug, Terminal	
16	1001220379	1	Plug, Male - 4 Position	
16	4460465	2	Socket, Female	
16	4460942	2	Socket, Female	
16	4460932	1	Receptacle, Bussbar - 4 Position	
17	4460042	1	Terminal, Ring	
18	1001142938	1	Plug, Male - 2 Position	

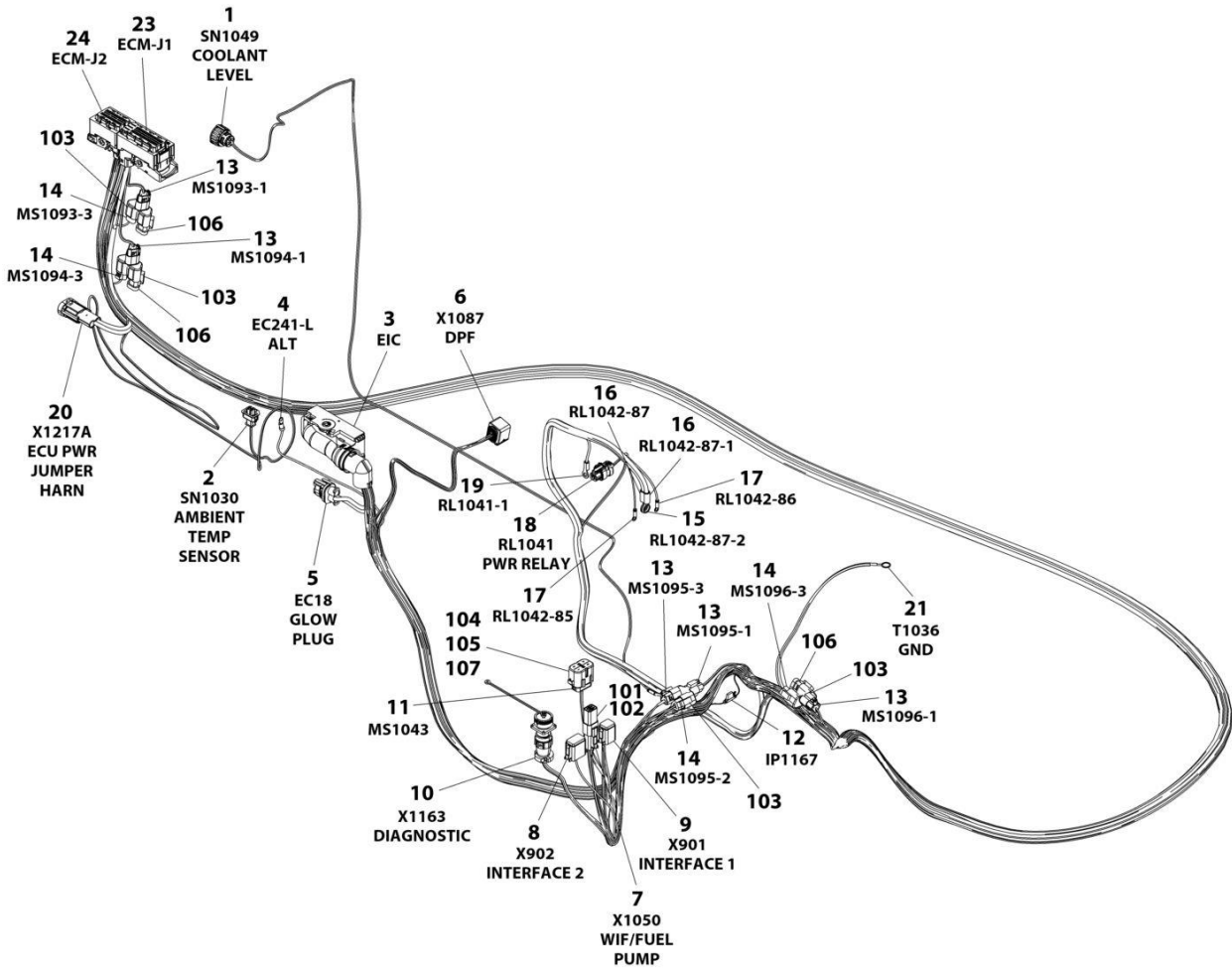
## SECTION 8 - ELECTRICAL

ITEM	PART NUMBER	QTY	DESCRIPTION	REV
18	1001142940	2	Terminal	
18	1001142941	2	Seal	
19	4460891	1	Plug, Male - 4 Position	
19	4460465	2	Socket, Female	
19	1001171403	1	Resistor Assembly	
19	4460897	1	Receptacle, Female - 4 Position	
20	1001133714	1	Connector - 4 Position	
20	1001133715	3	Terminal	
20	1001135650	3	Seal, Terminal	
20	1001135651	1	Plug, Terminal	
21	1001126362	1	Connector - 62 Position	
21	1001126363	23	Terminal	
21	1001126392	10	Terminal	
21	1001126365	2	Terminal	
21	1001126391	23	Plug, Terminal	
21	4461008	4	Plug, Terminal	
21	1001256506	2	Seal, Terminal	
21	1001126364	21	Seal, Terminal	
21	1001223459	10	Seal, Terminal	
21	4461008	4	Plug, Terminal	
21	1001151856	1	Elbow	



# SECTION 8 - ELECTRICAL

FIGURE 8-61. ENGINE HARNESS - DEUTZ TD2.9L4 (STAGE V & CHINA IV) ENGINES WITH DIESEL PARTICULATE FILTER



ART\_1001276644

## SECTION 8 - ELECTRICAL

**FIGURE 8-61. ENGINE HARNESS - DEUTZ TD2.9L4 (STAGE V & CHINA IV) ENGINES WITH DIESEL PARTICULATE FILTER**

ITEM	PART NUMBER	QTY	DESCRIPTION	REV
	1001276644	Ref	Engine Harness - Deutz Engines	B
1	1001133714	1	Connector	
1	1001133715	3	Terminal	
1	1001135650	3	Seal, Terminal	
1	1001135651	1	Plug, Terminal	
2	1001126487	1	Connector	
2	1001167635	2	Terminal	
2	1001126485	2	Seal, Terminal	
3	1001126362	1	Connector	
3	1001126363	37	Terminal	
3	1001126392	12	Terminal	
3	1001126391	7	Plug, Terminal	
3	4461008	4	Plug, Terminal	
3	1001167632	2	Terminal	
3	1001126364	37	Seal, Terminal	
3	1001223459	12	Seal, Terminal	
3	4461054	2	Seal, Terminal	
4	4460042	1	Terminal, Ring	
5	1001142938	1	Plug	
5	1001142940	2	Terminal	
5	1001142941	2	Seal	
6	1001239202	1	Connector	
6	1001126363	7	Terminal	
6	1001126391	1	Plug, Terminal	
6	1001126364	7	Seal, Terminal	
7	4460884	1	Connector	
7	4460465	2	Socket	
7	4460942	2	Socket	
8	4460930	1	Plug	
8	4460465	1	Socket	
8	4460466	7	Plug, Terminal	
9	4460894	1	Plug	
9	4460465	2	Socket	
9	4460944	2	Socket	
9	4460466	2	Plug, Terminal	
10	2902443	1	Receptacle Kit	
10	4461073	1	Cap, Dust	
10	4461071	6	Terminal	
11	80484084	1	Plug	
11	4460748	4	Seal, Terminal	
11	4460746	3	Terminal	
11	1001234800	1	Terminal	
11	4460458	4	Seal, Terminal	
12	1001170764	1	Fuse Holder, Includes Resistor	
12	1001197719	1	Resistor 0.5W	
13	1001116812	5	Plug	
13	4460944	10	Socket	
13	4460466	5	Plug, Terminal	
14	4460539	4	Connector	

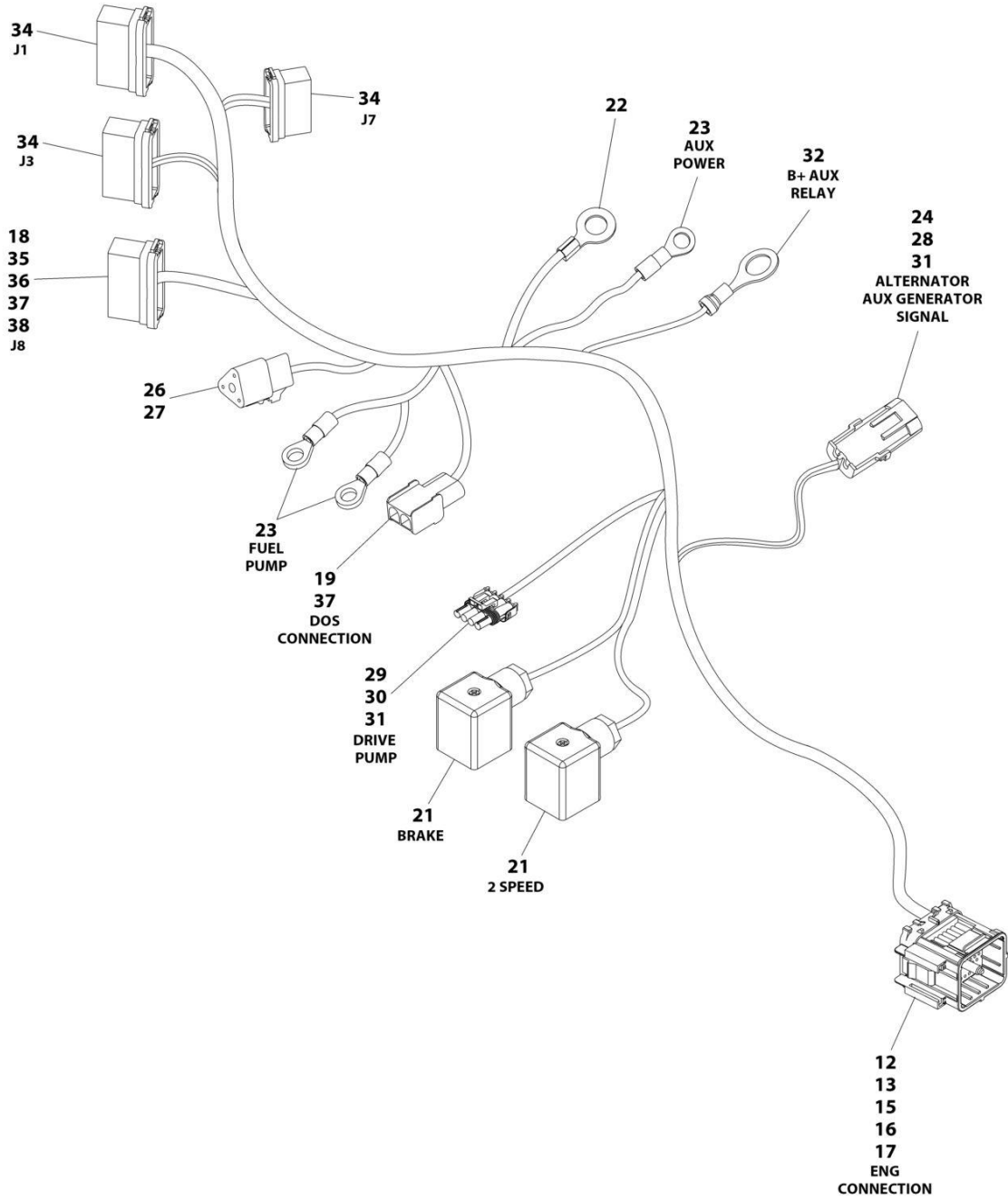
## SECTION 8 - ELECTRICAL

ITEM	PART NUMBER	QTY	DESCRIPTION	REV
14	4460944	8	Socket	
14	4460466	4	Plug, Terminal	
15	4460703	1	Terminal, Ring	
16	1001117107	2	Terminal, Ring	
17	4460247	2	Terminal, Ring	
18	1001116952	1	Plug	
18	4460465	2	Socket	
19	4460043	1	Terminal, Ring	
20	1001289552	1	Connector	
20	1001289553	2	Socket	
20	1001142941	2	Seal	
21	4460019	1	Terminal, Ring	
23	1001133956	1	Connector	
23	1001126351	3	Terminal	
23	1001182361	6	Terminal	
23	1001230934	25	Terminal	
23	1001230935	55	Plug, Terminal	
23	1001252527	4	Terminal	
23	1001230936	1	Plug, Terminal	
23	1001182365	6	Seal, Terminal	
24	1001133957	1	Connector	
24	1001126351	13	Terminal	
24	1001230935	10	Plug, Terminal	
24	1001230934	26	Terminal	
24	1001230936	11	Plug, Terminal	
101	4460466	4	Seal, Terminal	
102	4460932	1	Connector	
103	4460945	4	Receptacle	
104	8229242	1	Fuse - 5Amp	
105	80983191	1	Fuse - 10Amp	
106	1001116815	3	Connector	
107	1001147264	1	Cap	



# SECTION 8 - ELECTRICAL

## FIGURE 8-62. ENGINE HARNESS - FORD DF 2.5L ENGINES



ART\_1001286028



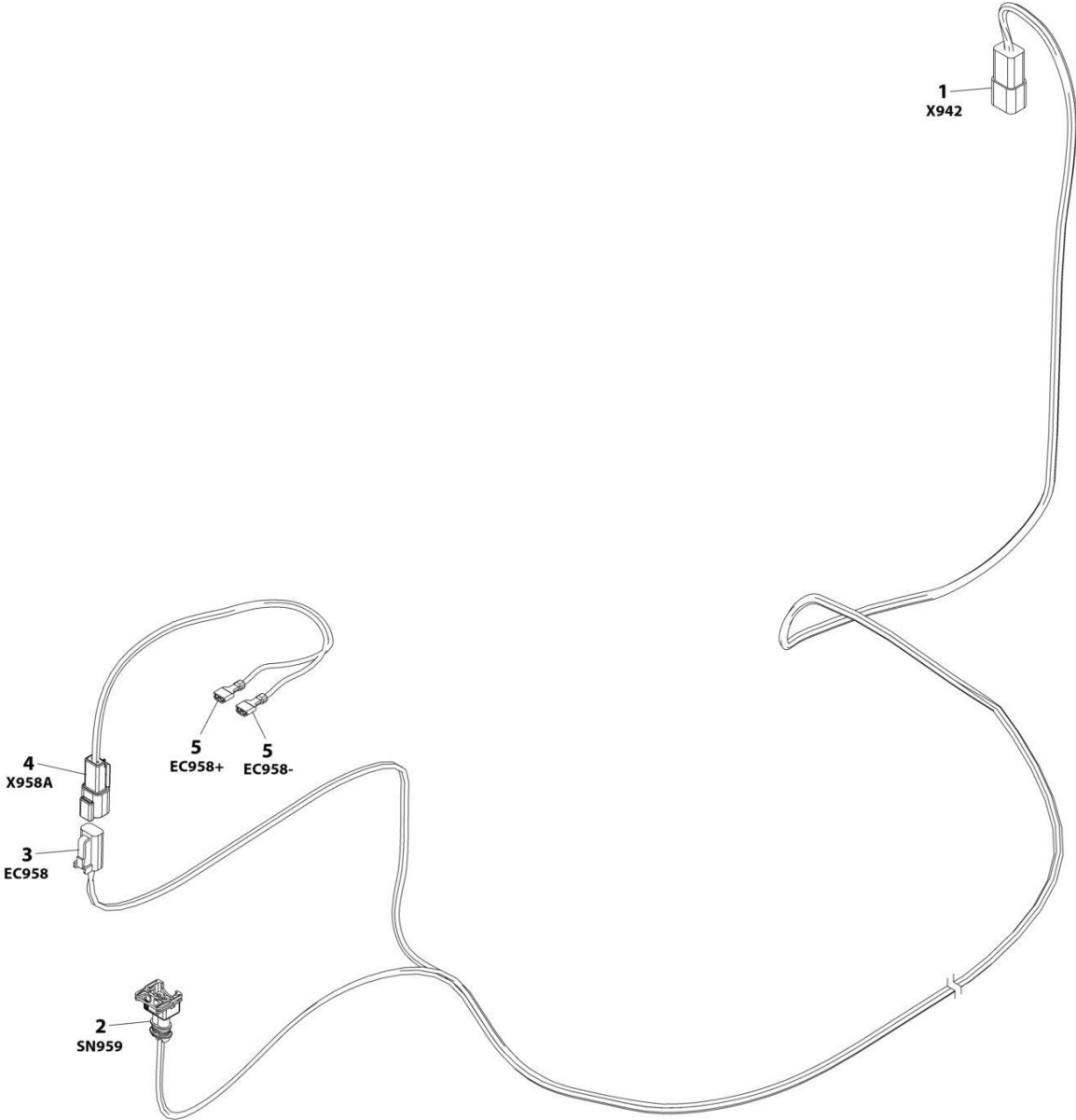
## SECTION 8 - ELECTRICAL

**FIGURE 8-62. ENGINE HARNESS - FORD DF 2.5L ENGINES**

ITEM	PART NUMBER	QTY	DESCRIPTION	REV
	1001286028	Ref	ENGINE HARNESS - FORD DF 2.5L ENGINES	B
12	1001216213	3	Plug, Terminal	
13	1001216212	1	Terminal	
15	1001215534	33	Plug, Terminal	
16	1001215091	5	Terminal	
17	1001215016	1	Connector	
18	4460260	1	Cover, Terminal	
19	4460424	1	Connector	
21	4460880	2	Connector	
22	4460312	1	Terminal, Ring	
23	4460313	3	Terminal, Ring	
24	4460979	2	Pin	
26	4460539	1	Connector	
27	4460944	3	Socket	
28	4461157	1	Connector	
29	4460460	1	Connector	
30	4460457	4	Terminal	
31	4460458	6	Seal	
32	4460738	1	Terminal, Ring	
34	4460871	9	Socket	
35	4460259	1	Terminal	
36	4460887	1	Terminal	
37	4460226	3	Socket	
38	4460465	2	Socket	

**SECTION 8 - ELECTRICAL**

**FIGURE 8-63. FUEL PUMP HARNESS - DEUTZ TD2.9L4 ENGINES**



ART\_1001138491

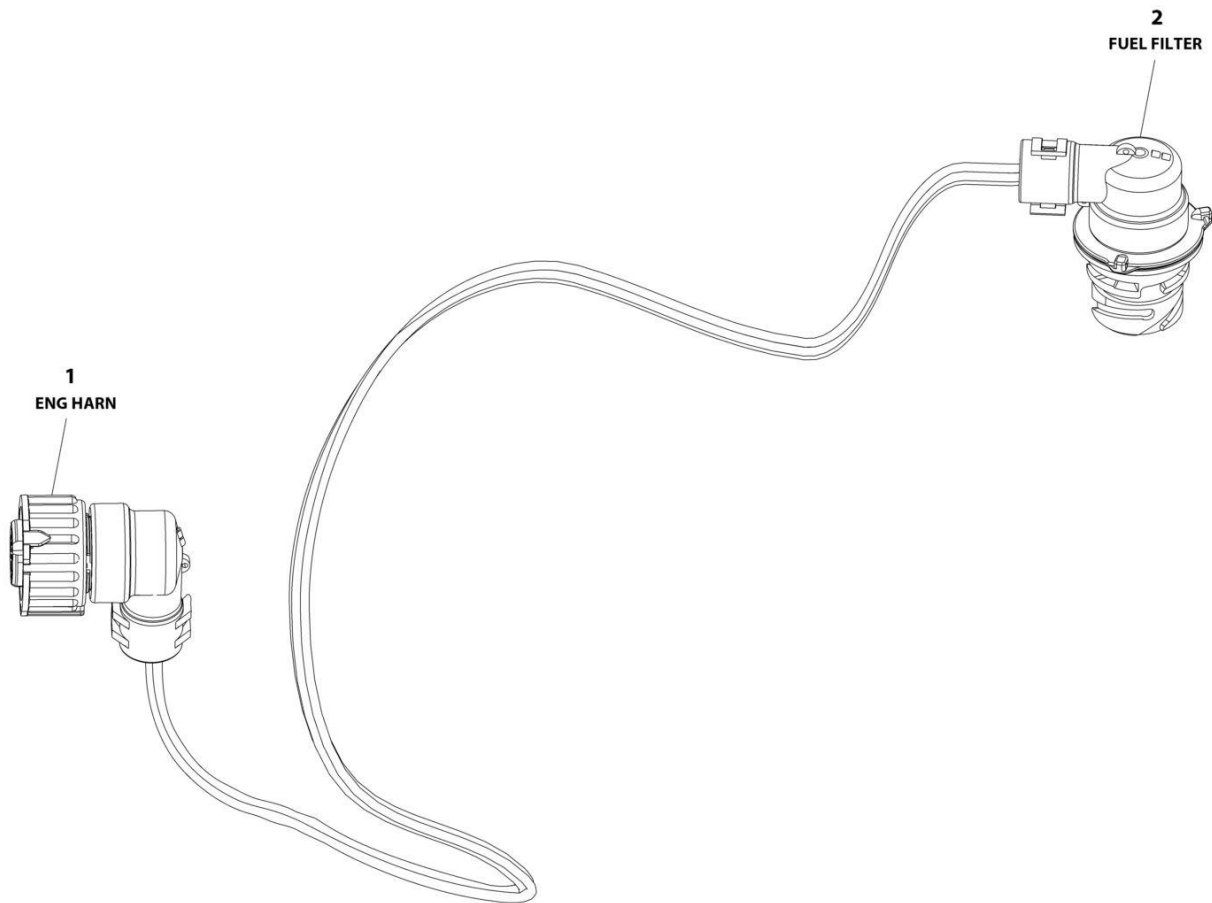
## SECTION 8 - ELECTRICAL

### FIGURE 8-63. FUEL PUMP HARNESS - DEUTZ TD2.9L4 ENGINES

ITEM	PART NUMBER	QTY	DESCRIPTION	REV
	1001138491	Ref	FUEL PUMP HARNESS	D
1	4460932	1	Receptacle, Female - 4 Position	
1	4460941	2	Pin, Male	
1	4460464	2	Pin, Male	
2	1001116983	1	Plug, Male - 2 Position	
2	1001116710	2	Socket, Female	
2	4461054	2	Seal	
3	4460891	1	Plug, Male - 2 Position	
3	4460942	2	Socket, Female	
4	4460897	1	Connector - 2 Position	
4	4460941	2	Pin, Male	
5	8220051	2	Terminal, Ring	

# SECTION 8 - ELECTRICAL

## FIGURE 8-64. FUEL HARNESS - DEUTZ TD2.9L4 (STAGE V) ENGINE



ART\_1001245913

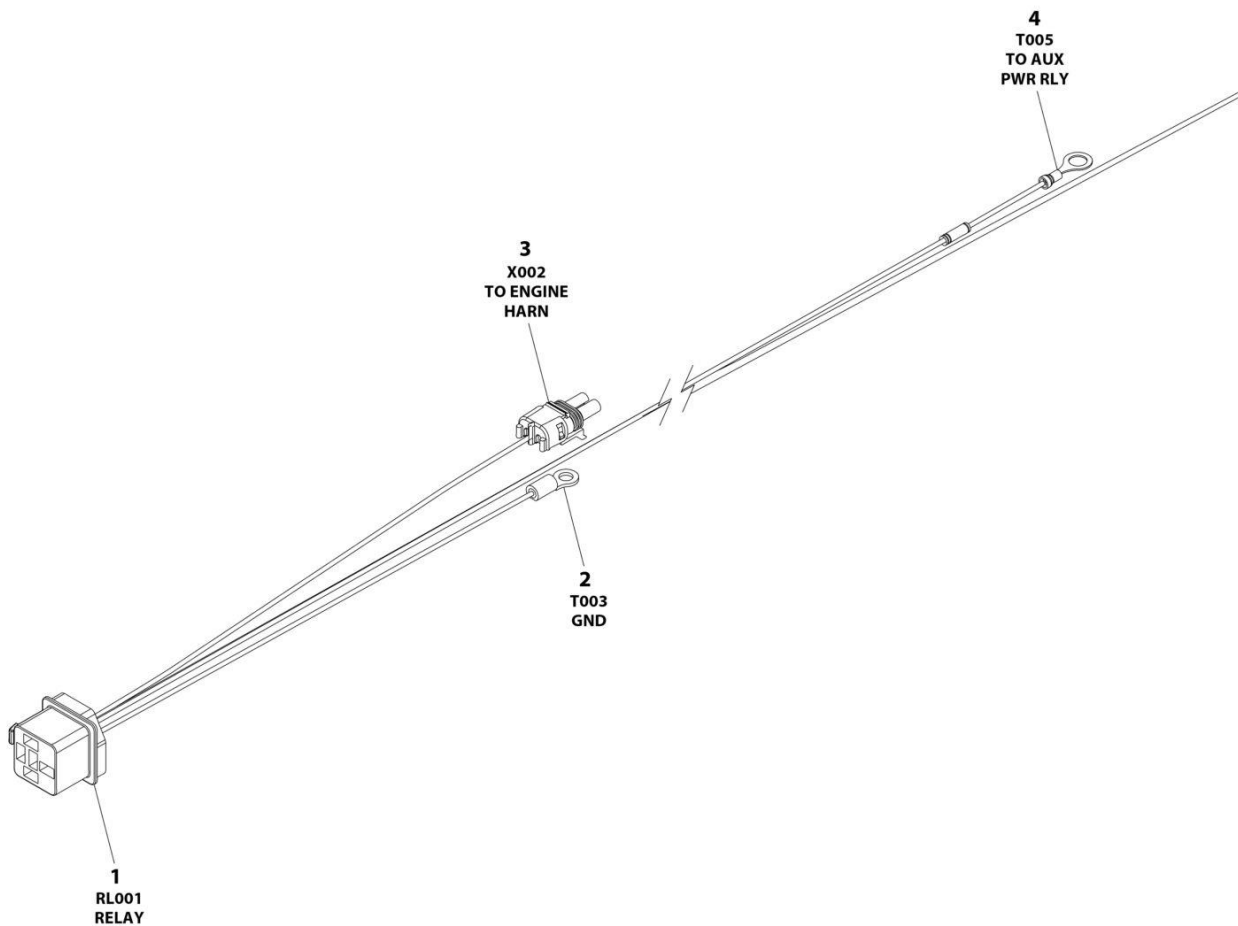
## SECTION 8 - ELECTRICAL

### FIGURE 8-64. FUEL HARNESS - DEUTZ TD2.9L4 (STAGE V) ENGINE

ITEM	PART NUMBER	QTY	DESCRIPTION	REV
	1001245913	Ref	FUEL HARNESS - DEUTZ (STAGE V) ENGINE	D
1	1001148842	1	Connector - 4 Position	
1	1001148841	4	Pin, Male	
1	1001135650	4	Seal	
2	1001133714	1	Plug, Male - 4 Position	
2	1001133715	4	Socket, Female	
2	1001135650	4	Seal	

# SECTION 8 - ELECTRICAL

## FIGURE 8-65. GENERATOR TO ENGINE HARNESS - 2500W (FORD ENGINES)



ART\_4923445

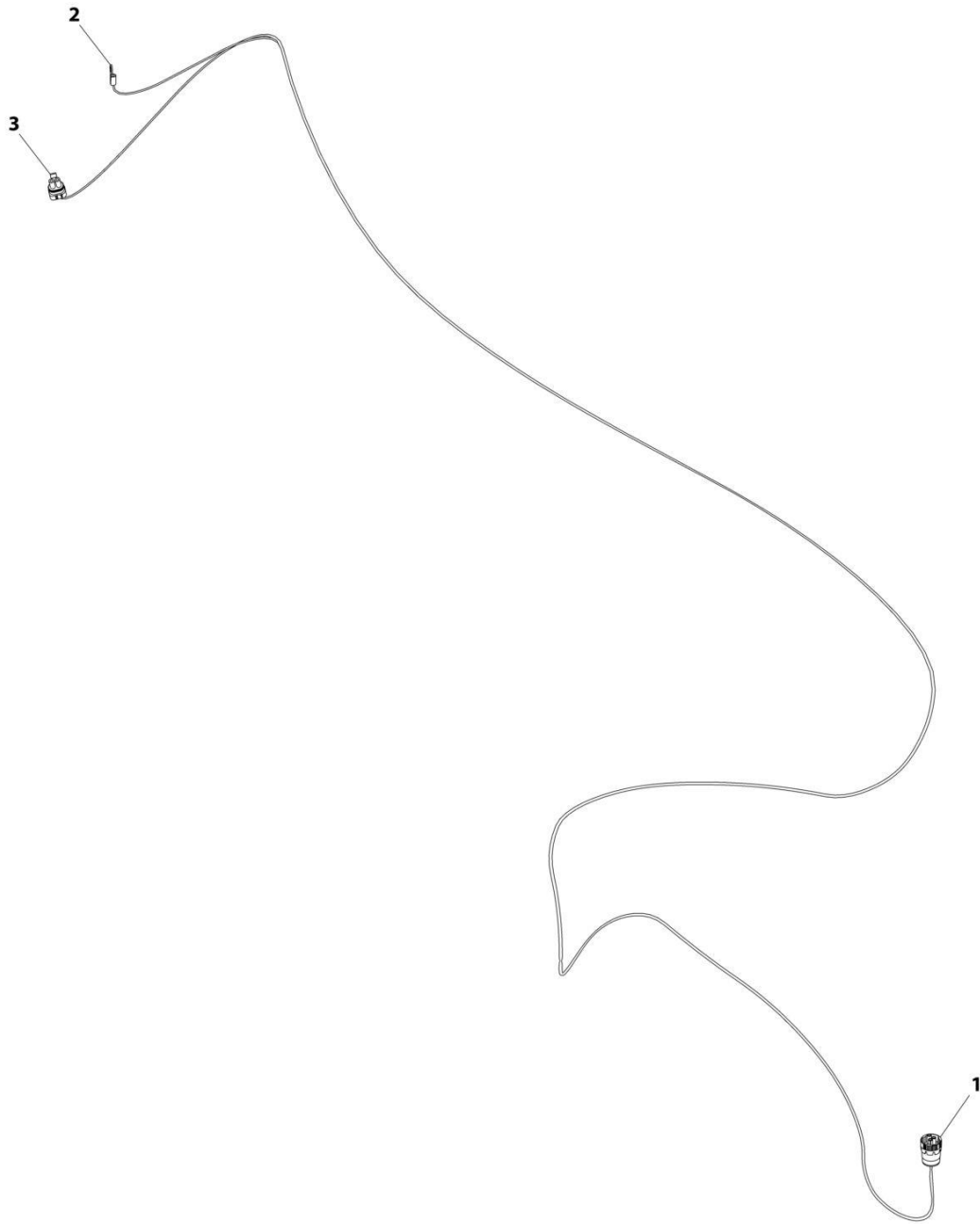
## SECTION 8 - ELECTRICAL

**FIGURE 8-65. GENERATOR TO ENGINE HARNESS - 2500W (FORD ENGINES)**

ITEM	PART NUMBER	QTY	DESCRIPTION	REV
	4923445	Ref	GENERATOR TO ENGINE HARNESS	B
1	4460374	1	Plug, Sealed Relay	
1	1001116734	2	Socket, Female	
1	1001116733	2	Socket, Female	
2	4460043	1	Terminal, Ring	
3	4460742	1	Plug, Male - 2 Position	
3	4460457	1	Socket, Female	
3	4460458	1	Seal, Terminal	
3	1001116727	1	Plug, Terminal	
4	4460670	1	Terminal, Ring	

# SECTION 8 - ELECTRICAL

FIGURE 8-66. GENERATOR TO ENGINE HARNESS - 4000W/50HZ (DEUTZ D2011 ENGINES)



ART\_1001153197



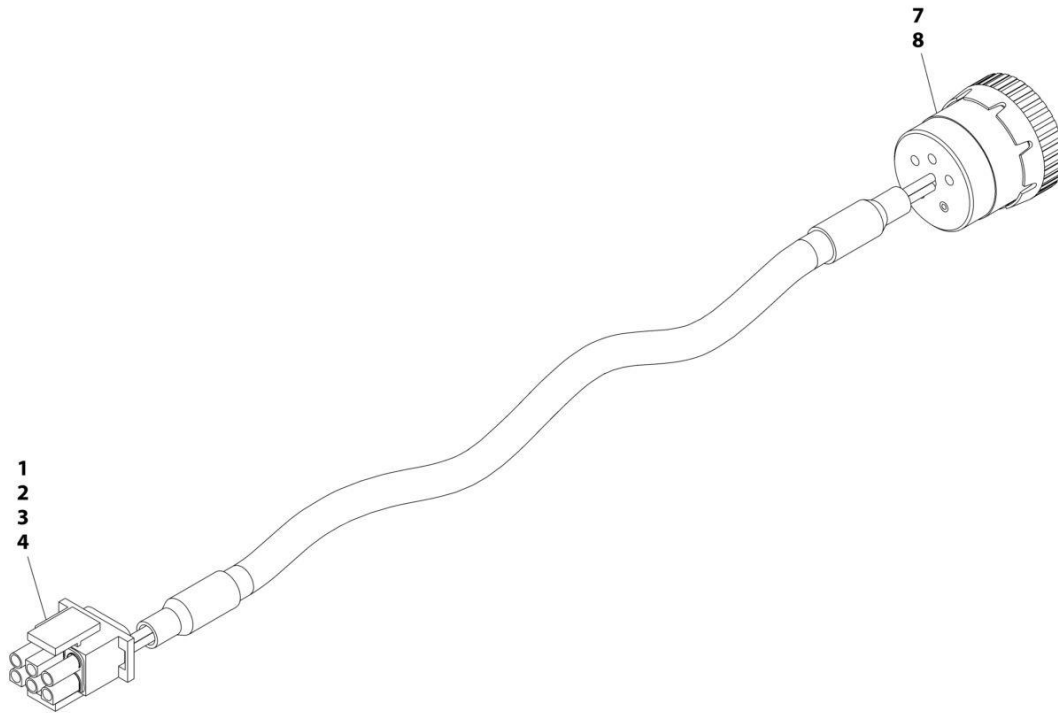
## SECTION 8 - ELECTRICAL

**FIGURE 8-66. GENERATOR TO ENGINE HARNESS - 4000W/50HZ (DEUTZ D2011 ENGINES)**

ITEM	PART NUMBER	QTY	DESCRIPTION	REV
	1001153197	Ref	GENERATOR TO ENGINE HARNESS	B
1	4460967	1	Plug, Male - 3 Position	
1	4460465	2	Socket, Female	
2	4460043	1	Terminal, Ring	
3	4460742	1	Plug, Male - 2 Position	
3	4460743	1	Socket, Female	
3	4460458	1	Seal, Terminal	
3	1001116727	1	Plug, Terminal	

## SECTION 8 - ELECTRICAL

FIGURE 8-67. GENERATOR TO ENGINE HARNESS - 4000W/60HZ (DEUTZ ENGINES)



ART\_1001152532

## SECTION 8 - ELECTRICAL

**FIGURE 8-67. GENERATOR TO ENGINE HARNESS - 4000W/60HZ (DEUTZ ENGINES)**

ITEM	PART NUMBER	QTY	DESCRIPTION	REV
	1001152532	Ref	GENERATOR HARNESS	A
1	4460225	1	Connector - 6 Position	
2	4460268	2	Socket, Female	
3	4460807	1	Seal	
4	4460808	1	Seal	
7	4460465	2	Socket, Female	
8	77363233	1	Connector - 6 Position	

# SECTION 8 - ELECTRICAL

FIGURE 8-68. GENERATOR TO ENGINE HARNESS - 4000W/50HZ (DEUTZ TD2.9L4 ENGINES)



ART\_1001153259

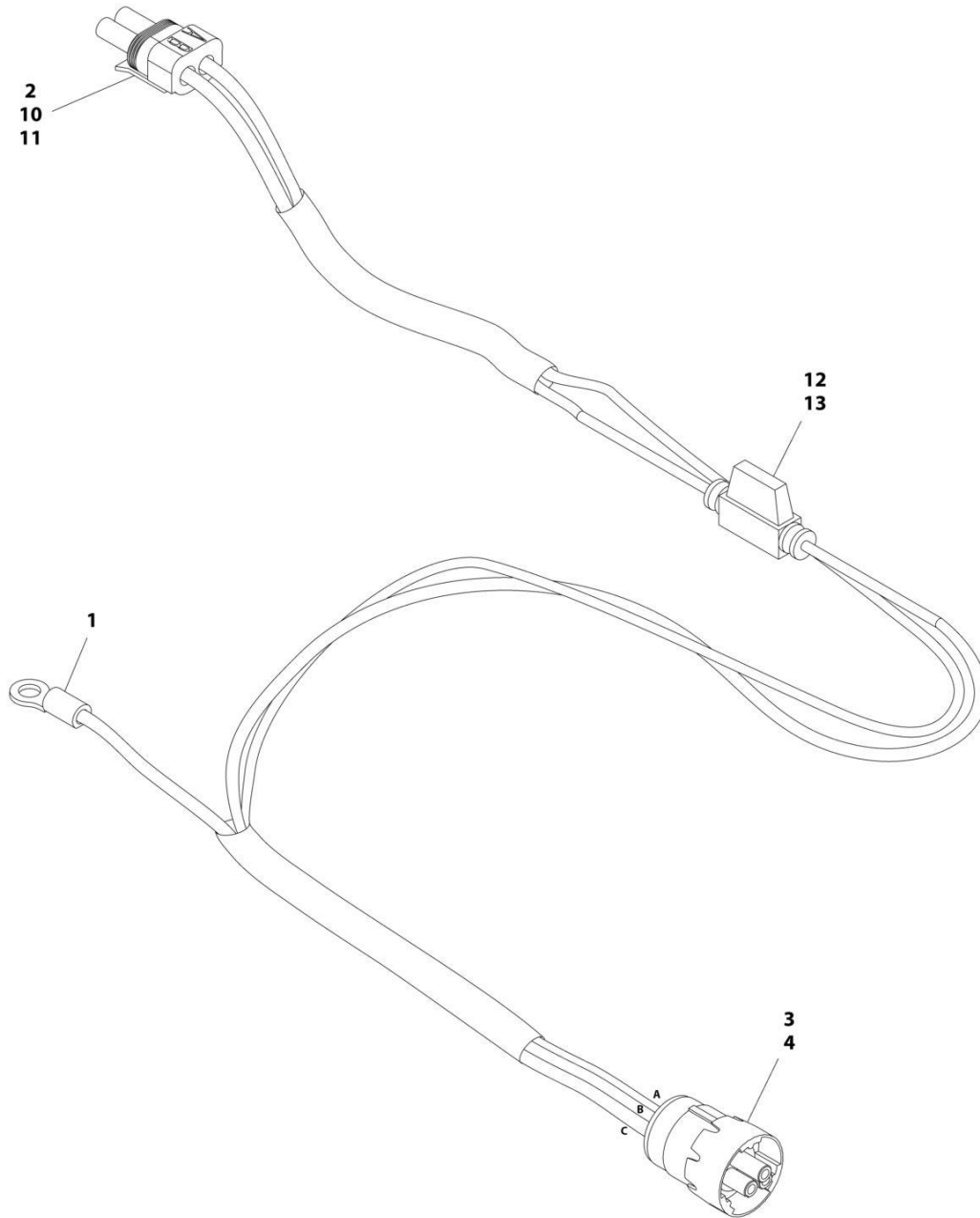
## SECTION 8 - ELECTRICAL

**FIGURE 8-68. GENERATOR TO ENGINE HARNESS - 4000W/50HZ (DEUTZ TD2.9L4 ENGINES)**

ITEM	PART NUMBER	QTY	DESCRIPTION	REV
	1001153259	Ref	GENERATOR TO PLATFORM HARNESS (4000W-60HZ GENERATOR)	B
1	4460967	1	Connector - 3 Position	
1	4460465	2	Socket, Female	
2	4460465	2	Socket, Female	

# SECTION 8 - ELECTRICAL

FIGURE 8-69. GENERATOR TO ENGINE HARNESS - 7500W SKYPOWER GENERATOR (DEUTZ D2011 ENGINES)



ART\_1001152429

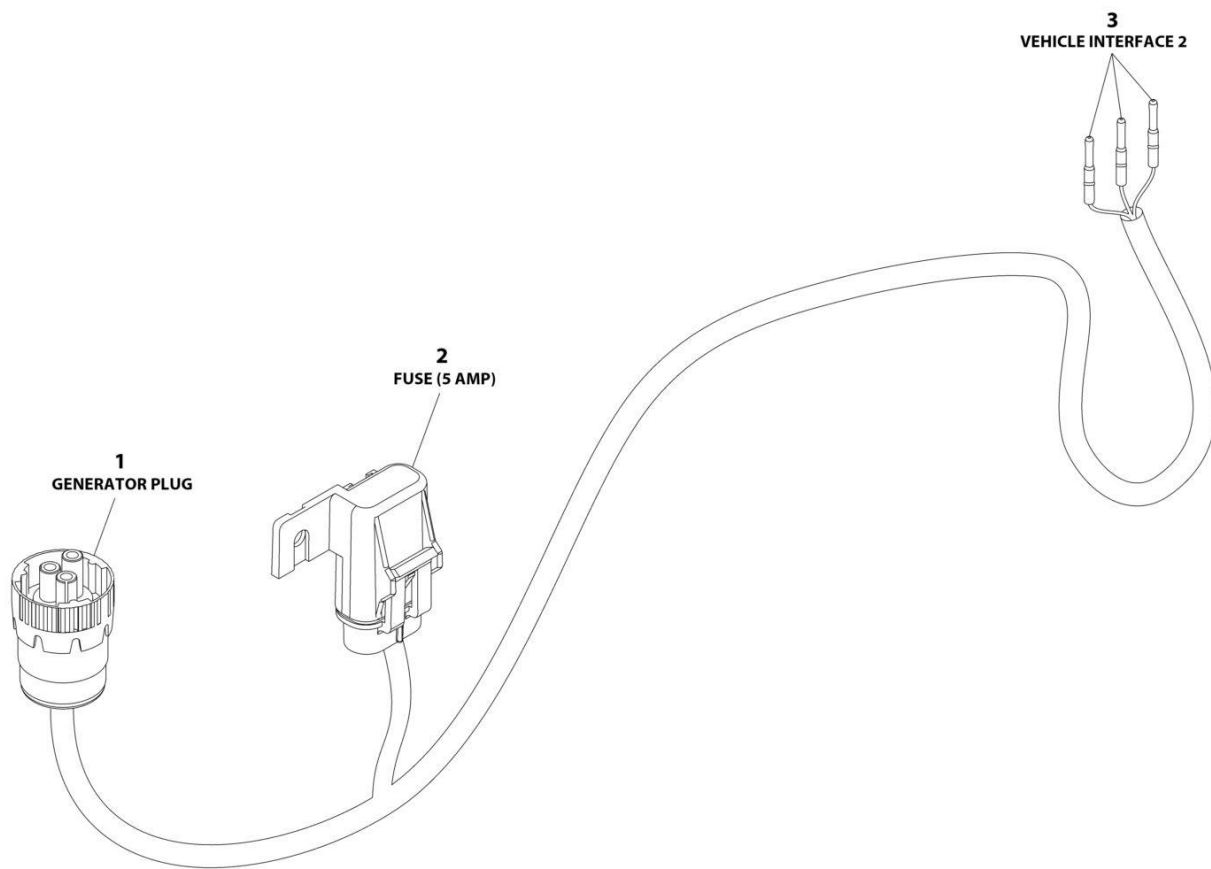
## SECTION 8 - ELECTRICAL

**FIGURE 8-69. GENERATOR TO ENGINE HARNESS - 7500W SKYPOWER GENERATOR (DEUTZ D2011 ENGINES)**

ITEM	PART NUMBER	QTY	DESCRIPTION	REV
	1001152429	Ref	GENERATOR TO ENGINE HARNESS	C
1	4460043	1	Terminal, Ring	
2	4460742	1	Plug, Male - 2 Position	
3	4460967	1	Connector - 3 Position	
4	4460465	3	Socket, Female	
10	4460743	2	Terminal, Female	
11	4460458	2	Seal	
12	2400060	1	Fuseholder (Includes Cover)	
13	2400064	1	Fuse - 5Amp	

# SECTION 8 - ELECTRICAL

FIGURE 8-70. GENERATOR HARNESS - 7500W SKYPOWER (DEUTZ TD2.9L4 T4F ENGINES)



ART\_1001119968



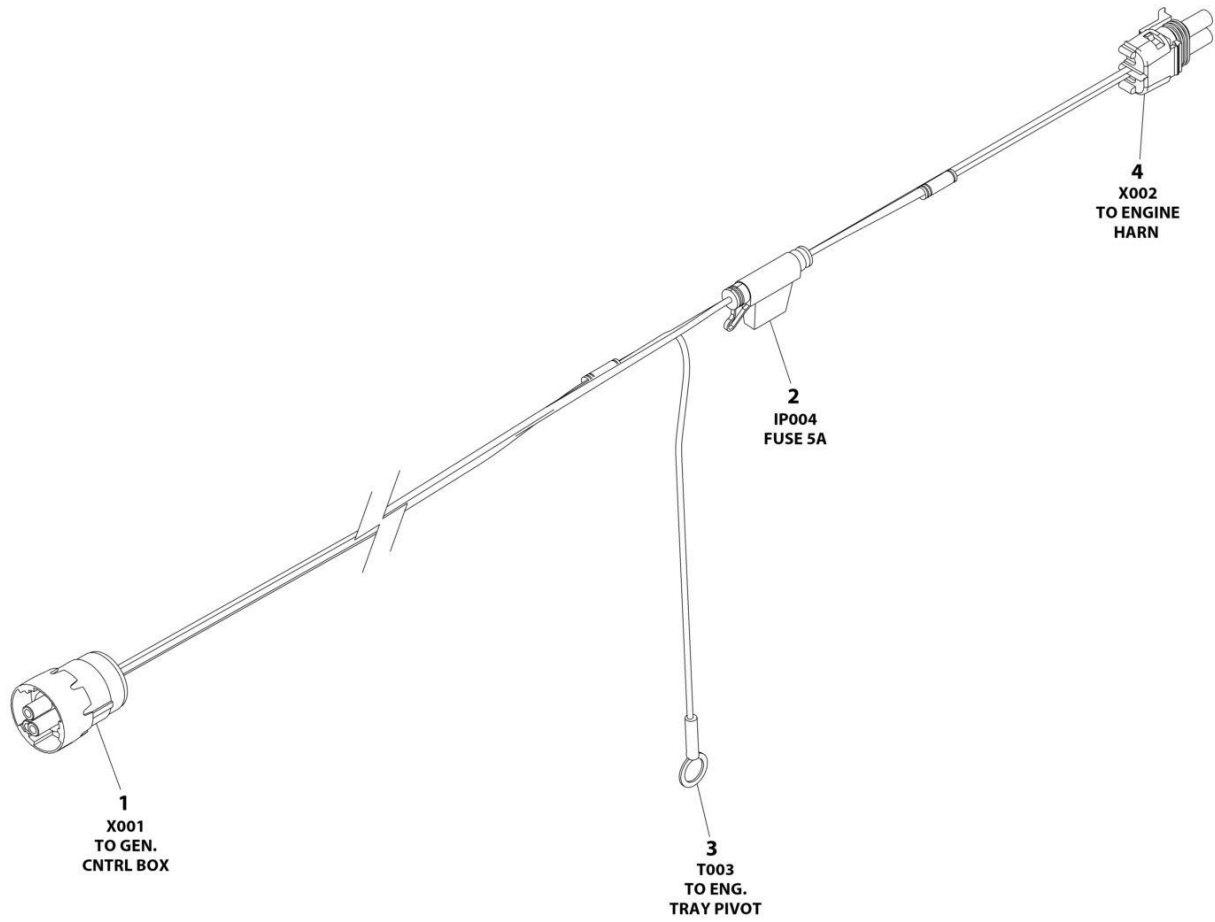
## SECTION 8 - ELECTRICAL

**FIGURE 8-70. GENERATOR HARNESS - 7500W SKYPOWER (DEUTZ TD2.9L4 T4F ENGINES)**

ITEM	PART NUMBER	QTY	DESCRIPTION	REV
	1001119968	Ref	GENERATOR HARNESS - 7500W GENERATOR	C
1	4460967	1	Connector - 3 Position	
1	4460465	3	Socket, Female	
2	1001117078	1	Connector, Metri-Pack with 5Amp Fuse	
3	4460465	3	Socket, Female	

# SECTION 8 - ELECTRICAL

FIGURE 8-71. GENERATOR TO ENGINE HARNESS - 7500W SKYPOWER (FORD DF 2.5L ENGINES)



ART\_1001257972

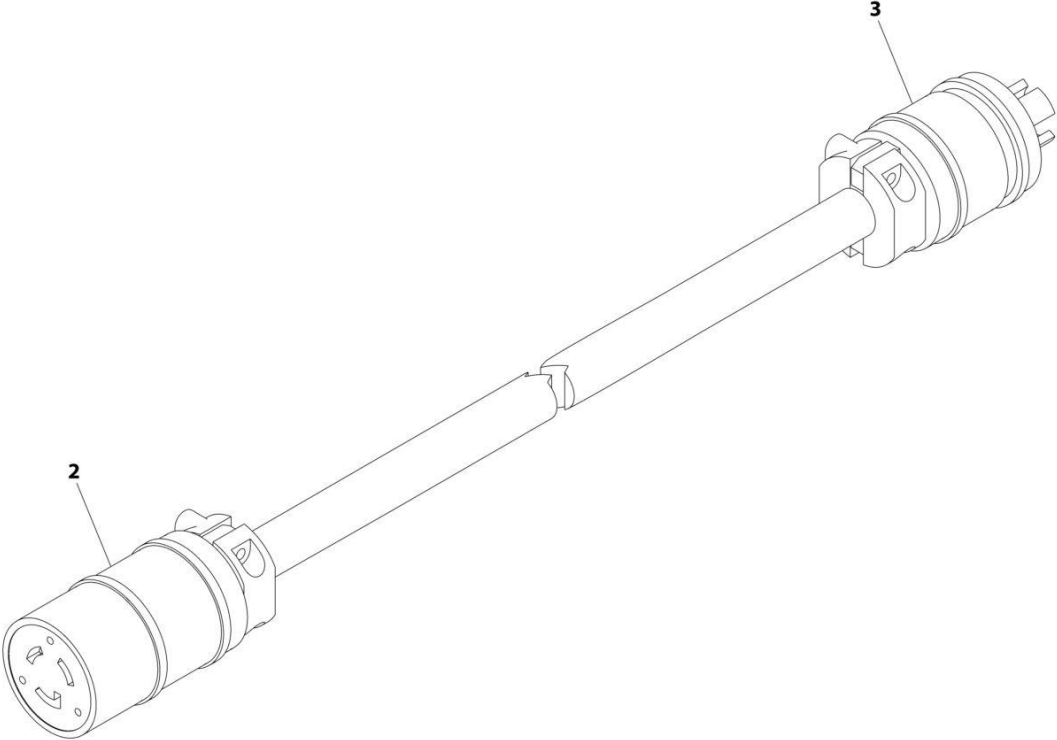
## SECTION 8 - ELECTRICAL

**FIGURE 8-71. GENERATOR TO ENGINE HARNESS - 7500W SKYPOWER (FORD DF 2.5L ENGINES)**

ITEM	PART NUMBER	QTY	DESCRIPTION	REV
	1001257972	Ref	GENERATOR TO ENGINE HARNESS	A
1	4460967	1	Plug, Male - 3 Position	
1	4460465	3	Socket, Female	
2	2400060	1	Fuse-holder (Includes Cover)	
2	2400064	1	Fuse - 5Amp	
3	4460256	1	Terminal, Ring	
4	4460742	1	Plug, Male - 2 Position	
4	4460457	2	Socket, Female	
4	4460458	2	Seal, Terminal	

**SECTION 8 - ELECTRICAL**

**FIGURE 8-72. GENERATOR TO REAR OF BOOM HARNESS - 110V**



ART\_4922741

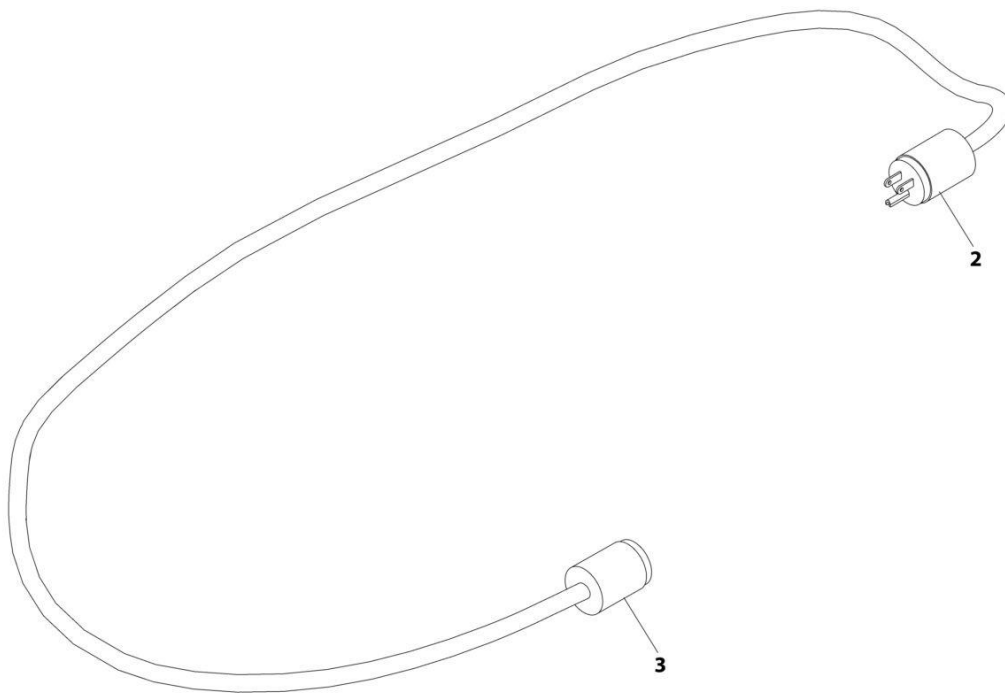
## SECTION 8 - ELECTRICAL

**FIGURE 8-72. GENERATOR TO REAR OF BOOM HARNESS - 110V**

ITEM	PART NUMBER	QTY	DESCRIPTION	REV
	4922741	Ref	GENERATOR TO REAR OF BOOM HARNESS - 110V	A
2	4460134	1	Connector, Female	
3	4460205	1	Plug, Male	

## SECTION 8 - ELECTRICAL

FIGURE 8-73. GENERATOR TO REAR OF BOOM HARNESS - 220V



ART\_4921955

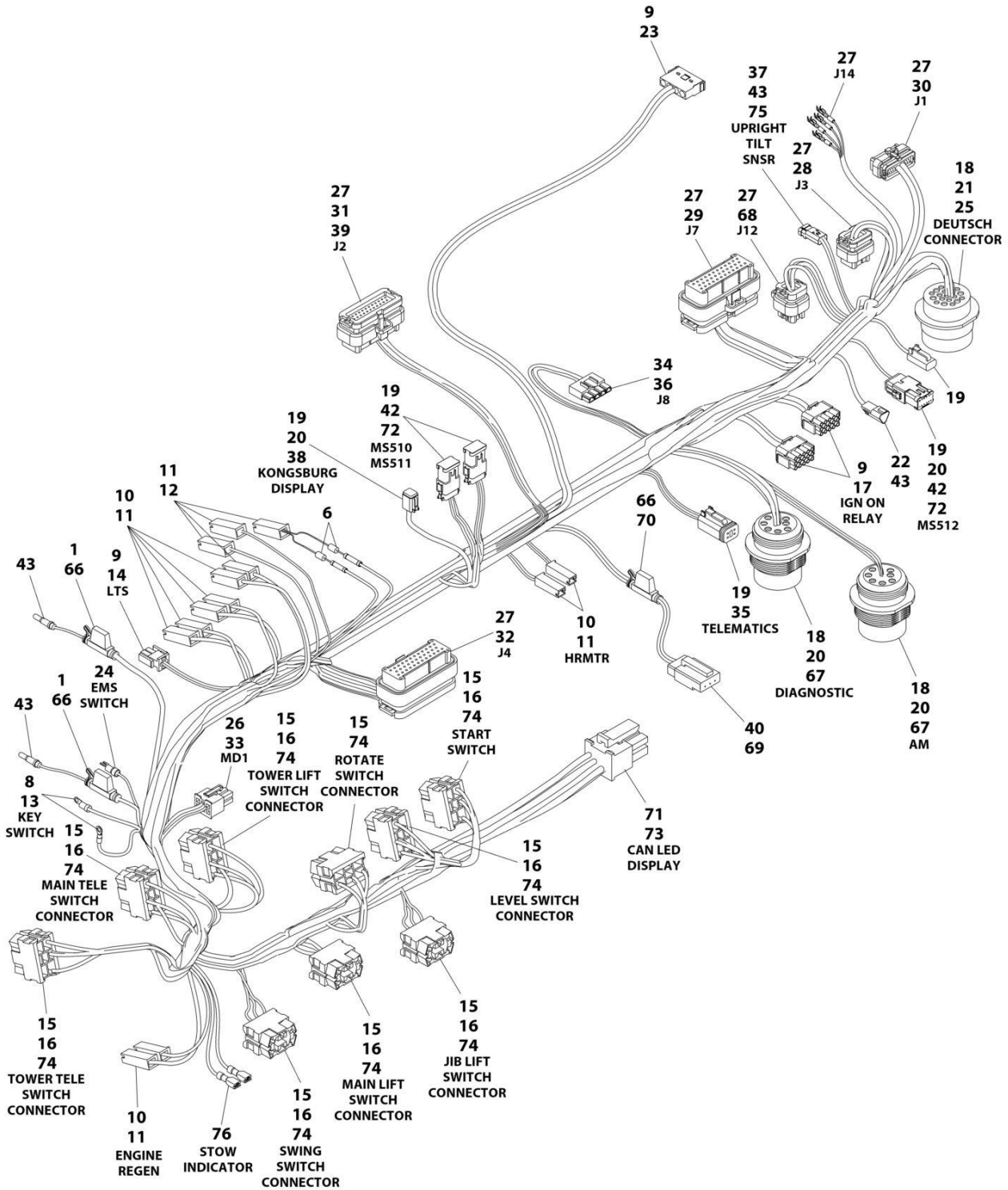
## SECTION 8 - ELECTRICAL

**FIGURE 8-73. GENERATOR TO REAR OF BOOM HARNESS - 220V**

ITEM	PART NUMBER	QTY	DESCRIPTION	REV
	4921955	Ref	GENERATOR TO REAR OF BOOM HARNESS - 220V	A
2	4460233	1	Terminal, Plug	
3	4460701	1	Terminal, Connector	

# SECTION 8 - ELECTRICAL

## FIGURE 8-74. GROUND CONTROL BOX HARNESS



ART\_1001285346



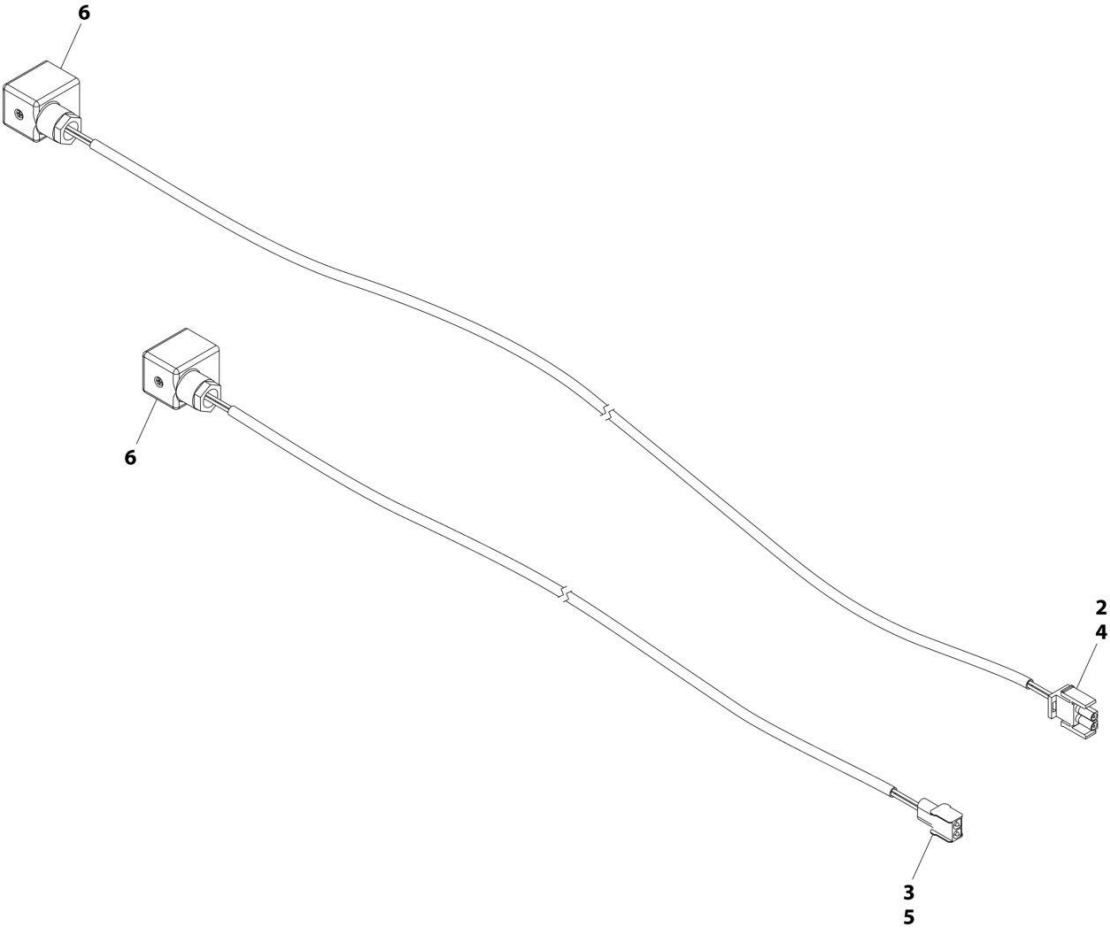
## SECTION 8 - ELECTRICAL

### FIGURE 8-74. GROUND CONTROL BOX HARNESS

ITEM	PART NUMBER	QTY	DESCRIPTION	REV
	1001285346	Ref	GROUND CONTROL BOX HARNESS	C
1	2400060	2	Fuse Holder	
6	3990010	2	Diode, 6 Amp	
8	4460142	4	Terminal, Ring	
9	4460227	36	Pin	
10	4460259	11	Socket	
11	4460260	15	Housing, Terminal	
12	4460297	4	Socket	
13	4460313	3	Terminal, Ring	
14	4460320	1	Connector	
15	4460418	9	Connector, Switch	
16	4460419	8	Socket	
17	4460434	2	Connector	
18	4460464	27	Terminal	
19	4460465	45	Terminal	
20	4460466	9	Plug, Terminal	
21	4460508	4	Pin	
22	4460536	1	Connector	
23	4460761	1	Connector	
24	4460806	5	Terminal, Fork	
25	4460866	1	Terminal	
26	4460868	1	Connector	
27	4460871	88	Socket	
28	4460872	1	Connector	
29	4460873	1	Connector	
30	4460874	1	Connector	
31	4460875	1	Connector	
32	4460876	1	Connector	
33	4460877	4	Socket	
34	4460878	1	Housing, Terminal	
35	4460884	1	Connector	
36	4460887	3	Socket	
37	1001229530	1	Connector	
38	4460894	1	Plug	
39	4460905	2	Seal	
40	4460911	1	Plug, Terminal	
42	4460933	3	Connector	
43	4460943	8	Terminal	
66	8229242	3	Fuse 5 Amp	
67	1001112612	2	Connector	
67	1001249095	2	Connector	
68	1001113961	1	Plug	
69	1001116694	3	Terminal	
70	1001255901	1	Fuse Holder	
71	1001237668	5	Socket	
72	1001119020	3	Connector	
73	1001237667	1	Connector	
74	1001159186	18	Socket	
75	1001200497	1	Connector	
76	1001201885	2	Terminal	

# SECTION 8 - ELECTRICAL

FIGURE 8-75. HOLDING VALVE/LIFT DUMP HARNESS ASSEMBLY (WITHOUT ARCTIC PACKAGE)



ART\_4922660

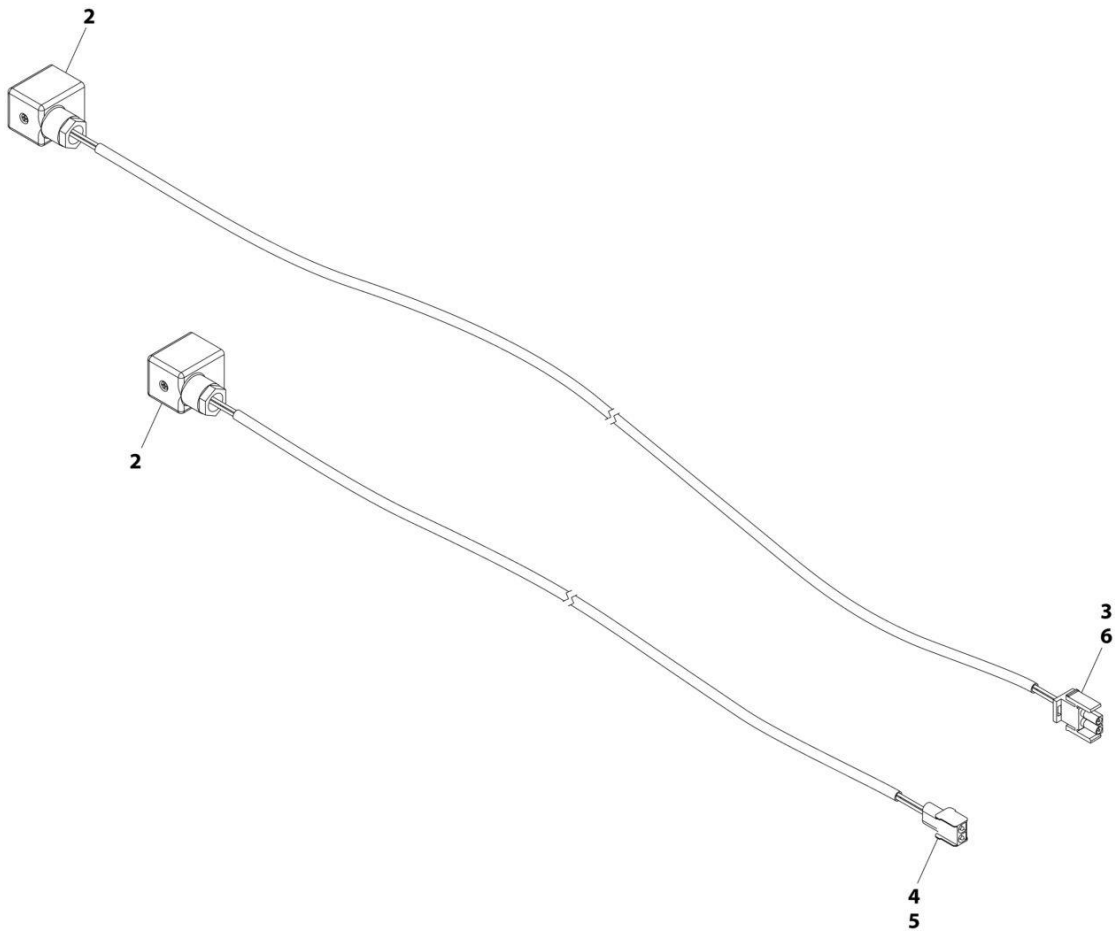
## SECTION 8 - ELECTRICAL

**FIGURE 8-75. HOLDING VALVE/LIFT DUMP HARNESS ASSEMBLY (WITHOUT ARCTIC PACKAGE)**

ITEM	PART NUMBER	QTY	DESCRIPTION	REV
	4922660	Ref	HOLDING VALVE/LIFT DUMP HARNESS ASSEMBLY	E
2	4460226	2	Socket, Female	
3	4460267	2	Pin, Male	
4	4460320	1	Connector - 2 Position	
5	4460424	1	Connector - 2 Position	
6	4460880	2	Connector, Din	

# SECTION 8 - ELECTRICAL

FIGURE 8-76. HOLDING VALVE/LIFT DUMP HARNESS ASSEMBLY (WITH ARCTIC PACKAGE)



ART\_4923597

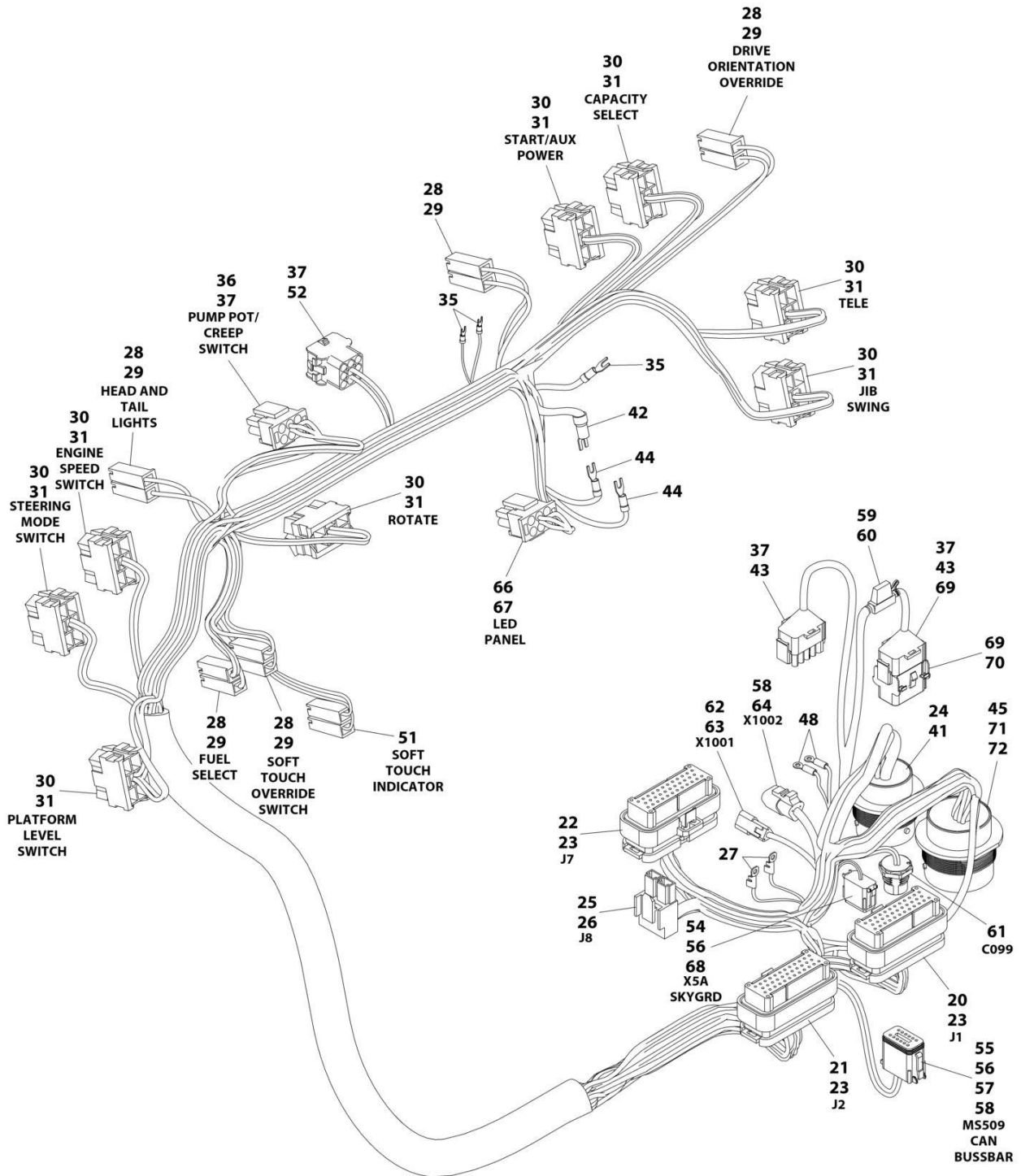
## SECTION 8 - ELECTRICAL

**FIGURE 8-76. HOLDING VALVE/LIFT DUMP HARNESS ASSEMBLY (WITH ARCTIC PACKAGE)**

ITEM	PART NUMBER	QTY	DESCRIPTION	REV
	4923597	Ref	HOLDING VALVE/LIFT DUMP HARNESS ASSEMBLY	1
2	4460880	2	Connector, Din	
3	4460320	1	Connector - 2 Position	
4	4460424	1	Connector - 2 Position	
5	4460267	2	Pin, Male	
6	4460226	2	Socket, Female	

# SECTION 8 - ELECTRICAL

## FIGURE 8-77. PLATFORM CONSOLE BOX HARNESS



ART\_1001244181

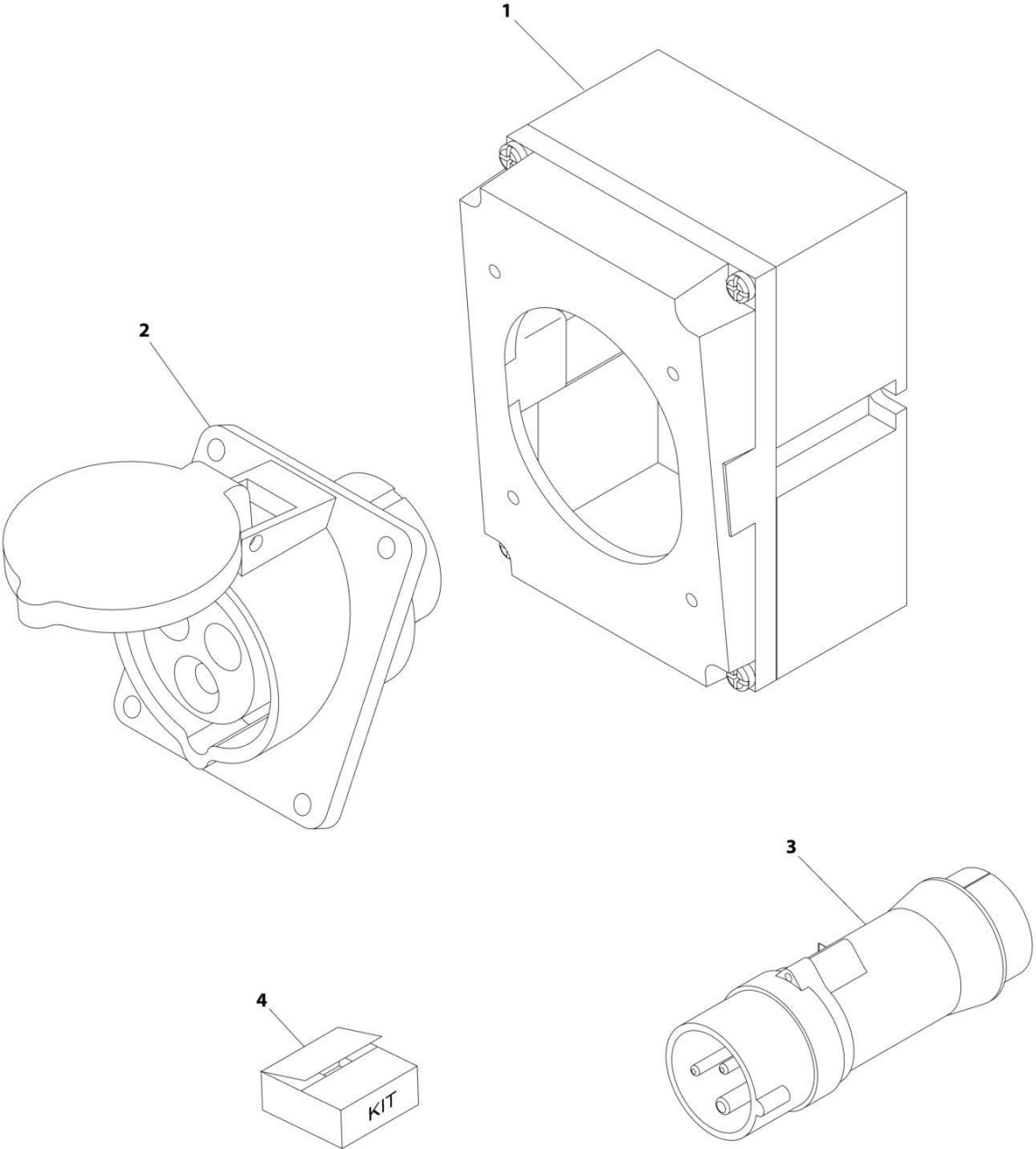
## SECTION 8 - ELECTRICAL

### FIGURE 8-77. PLATFORM CONSOLE BOX HARNESS

ITEM	PART NUMBER	QTY	DESCRIPTION	REV
	1001244181	1	PLATFORM CONSOLE BOX HARNESS	I
20	4460874	1	Connector - 35 Position (Natural)	
21	4460876	1	Connector - 35 Position (Blue)	
22	4460873	1	Connector - 35 Position (Black)	
23	4460871	70	Socket, Female	
24	4460464	7	Pin, Male Deutsch 16 Ga	
25	4460879	1	Connector - 2 Position	
26	4460887	2	Terminal	
27	1001098122	2	Terminal Eyelet	
28	4460260	10	Terminal, Housing	
29	4460259	10	Terminal	
30	4460418	8	Connector, Female - 6 Position	
31	4460419	24	Socket, Female	
32	4460905	AR	Plug (Not Shown)	
35	4460888	3	Terminal, Fork	
36	4460225	1	Connector - 6 Position	
37	4460227	26	Pin, Male	
41	4460508	5	Pin, Male Deutsch 12 Ga	
42	4460806	1	Terminal, Fork	
43	4460434	2	Connector - 15 Position	
44	4460183	10	Terminal, Fork	
45	4460925	1	Connector - 21 Pin	
48	4460142	2	Terminal, Eyelet	
51	4460016	2	Terminal	
51	1001293138	2	Terminal	
52	4460266	1	Connector - 9 Position	
54	4460894	1	Connector - 6 Position	
55	4460933	1	Connector, Gray - 12 Position	
56	4460466	AR	Plug	
57	1001119020	1	Bussbar - 12 Position	
58	4460944	13	Socket, Female (Gold)	
59	2400060	1	Fuse, Holder	
60	8229249	1	Fuse, 3 Amp	
61	1001213447	1	Connector - 5 Position	
62	4460536	1	Connector - 3 Position	
63	4460943	6	Pin, Male (Gold)	
64	4460539	1	Plug, Male - 3 Position	
66	1001237667	1	Plug, Male - 6 Position	
67	1001237668	4	Socket, Female	
68	4460465	5	Socket, Female	
69	4460708	2	Connector - 15 Position	
70	4460226	2	Socket, Female	
71	1001126011	14	Pin, Male Deutsch 16 Ga	
72	4460518	7	Plug, Terminal	

**SECTION 8 - ELECTRICAL**

**FIGURE 8-78. RECEPTACLE BOX KIT - 110V IEC YELLOW WITHOUT 2500W GENERATOR (CE & UK CA SPECS)**



ART\_0275216



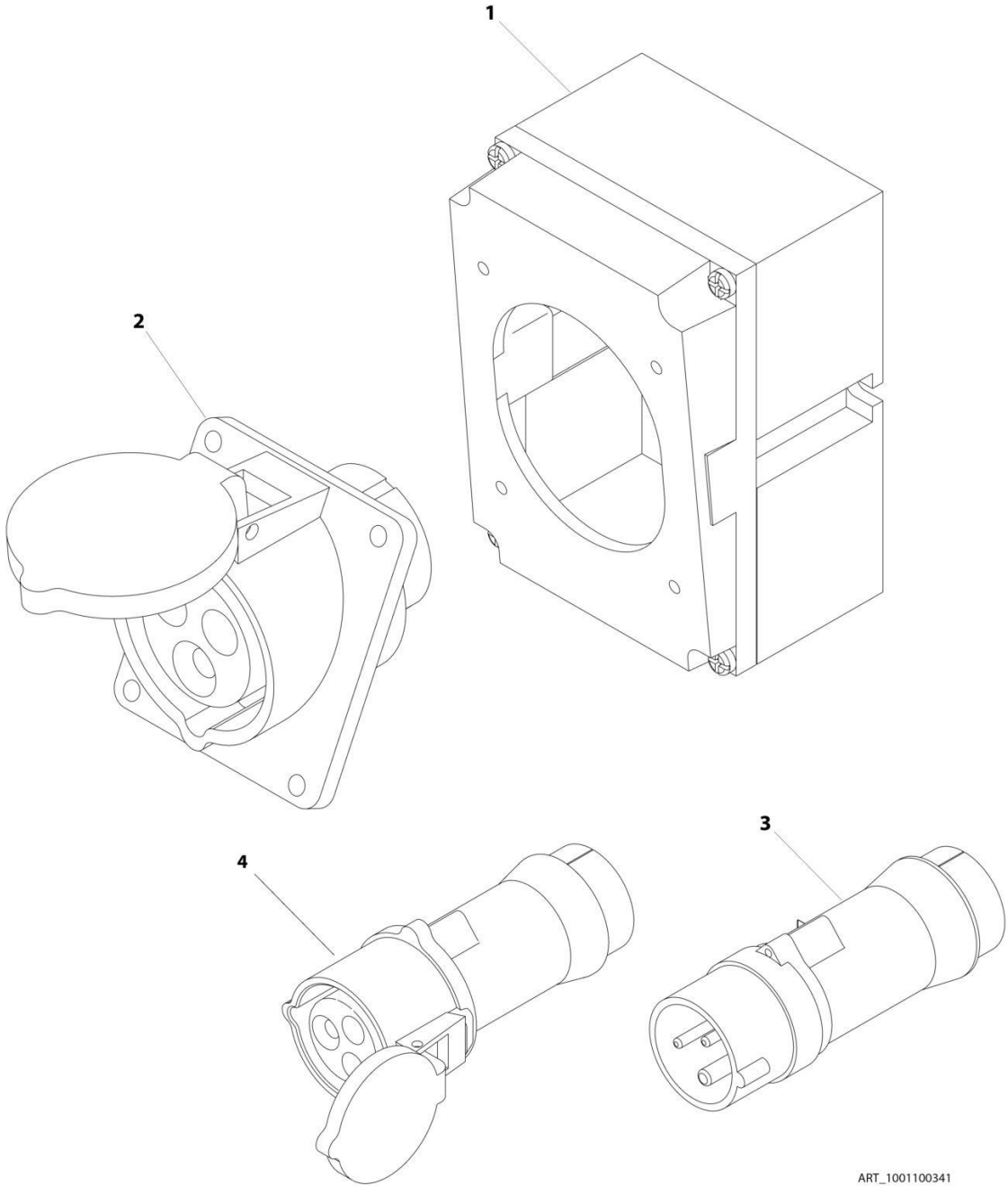
## SECTION 8 - ELECTRICAL

**FIGURE 8-78. RECEPTACLE BOX KIT - 110V IEC YELLOW WITHOUT 2500W GENERATOR (CE & UK CA SPECS)**

ITEM	PART NUMBER	QTY	DESCRIPTION	REV
	0275216	Ref	RECEPTACLE BOX KIT - 110V IEC YELLOW	B
1	0861781	1	Box, Switch	
2	4461198	1	Receptacle	
3	4461196	1	Plug, Male	
4	1001100341	1	Plug and Socket Kit (Includes Items 1-3 and Female Plug p/n 4461197)	

**SECTION 8 - ELECTRICAL**

**FIGURE 8-79. RECEPTACLE BOX KIT - 110V IEC YELLOW WITH 2500W GENERATOR (CE & UK CA SPECS)**



ART\_1001100341

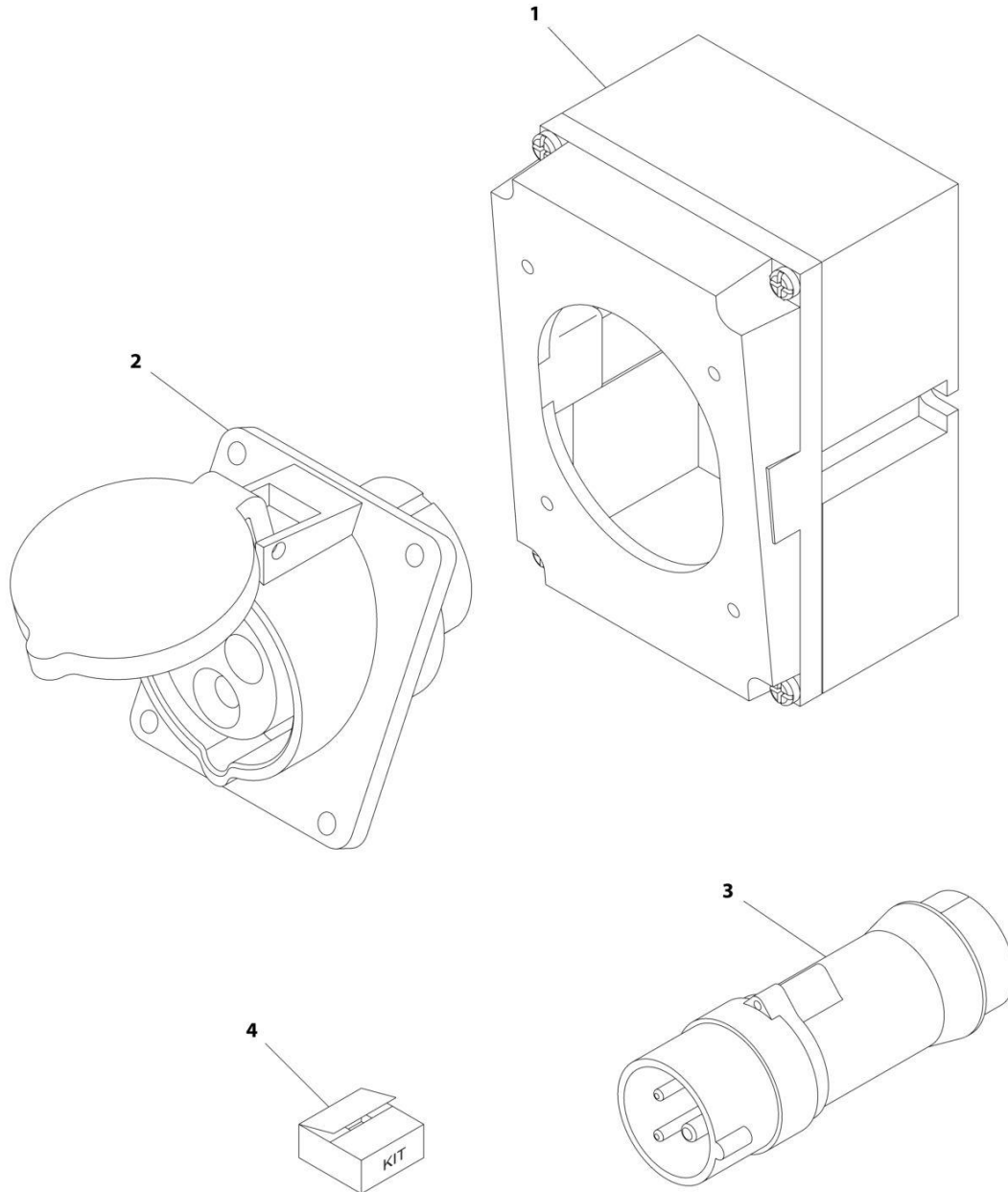
## SECTION 8 - ELECTRICAL

**FIGURE 8-79. RECEPTACLE BOX KIT - 110V IEC YELLOW WITH 2500W GENERATOR (CE & UK CA SPECS)**

ITEM	PART NUMBER	QTY	DESCRIPTION	REV
	1001100341	Ref	RECEPTACLE BOX KIT - 110V IEC YELLOW	2
1	0861781	1	Box, Switch	
2	4461198	1	Receptacle	
3	4461196	1	Plug, Male	
4	4461197	1	Plug, Female	

# SECTION 8 - ELECTRICAL

FIGURE 8-80. RECEPTACLE BOX KIT - 220V IEC BLUE WITHOUT 2500W GENERATOR (CE & UK CA SPECS)



ART\_0275217

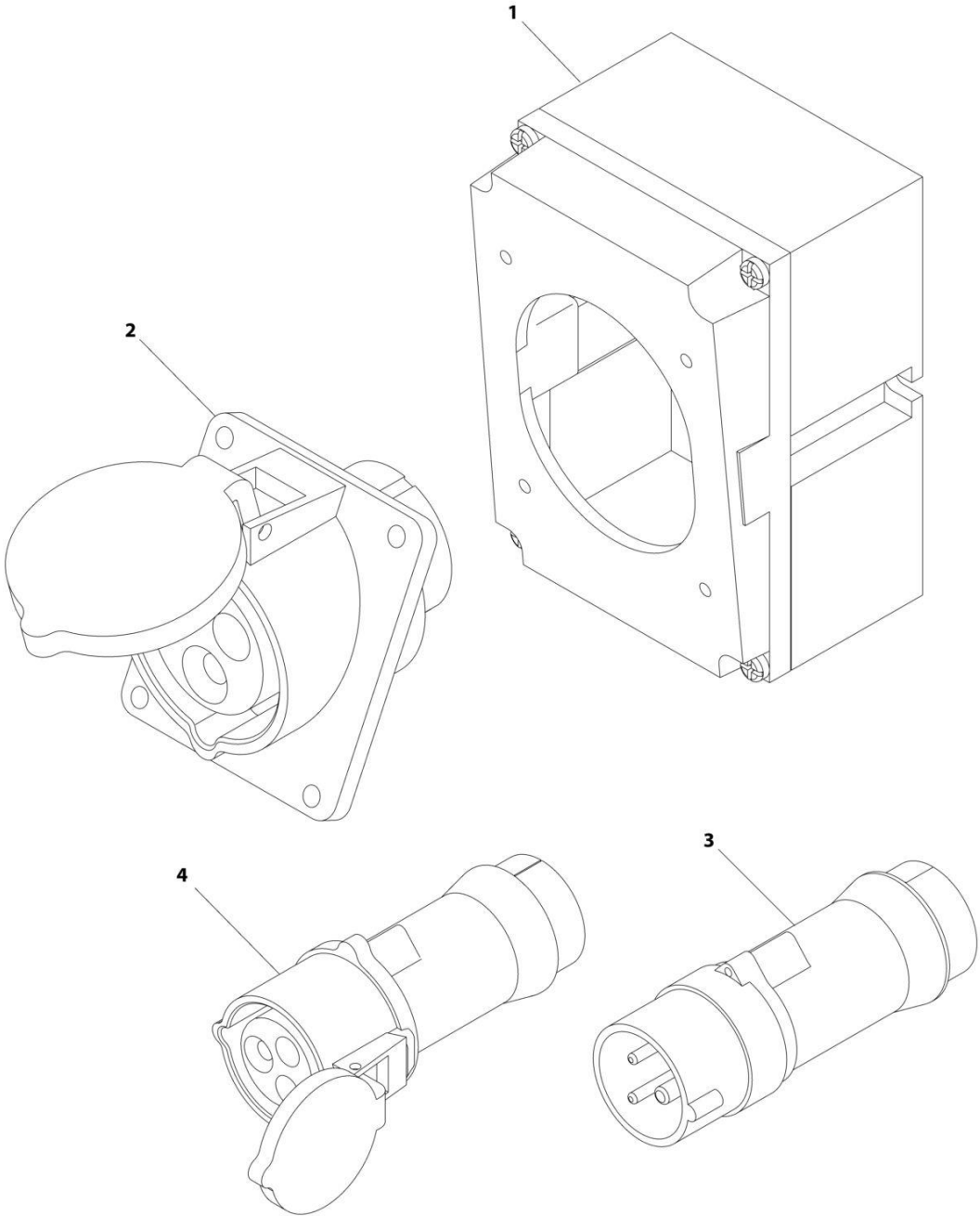
## SECTION 8 - ELECTRICAL

**FIGURE 8-80. RECEPTACLE BOX KIT - 220V IEC BLUE WITHOUT 2500W GENERATOR (CE & UK CA SPECS)**

ITEM	PART NUMBER	QTY	DESCRIPTION	REV
	0275217	Ref	RECEPTACLE BOX KIT - 220V IEC BLUE	B
1	0861781	1	Box, Switch	
2	4461201	1	Receptacle	
3	4461199	1	Plug, Male	
4	1001100342	1	Plug and Socket Kit (Includes Items 1-3 and Female Plug p/n 4461200)	

**SECTION 8 - ELECTRICAL**

**FIGURE 8-81. RECEPTACLE BOX KIT - 220V IEC BLUE WITH 2500W GENERATOR (CE & UK CA SPECS)**



ART\_1001100342

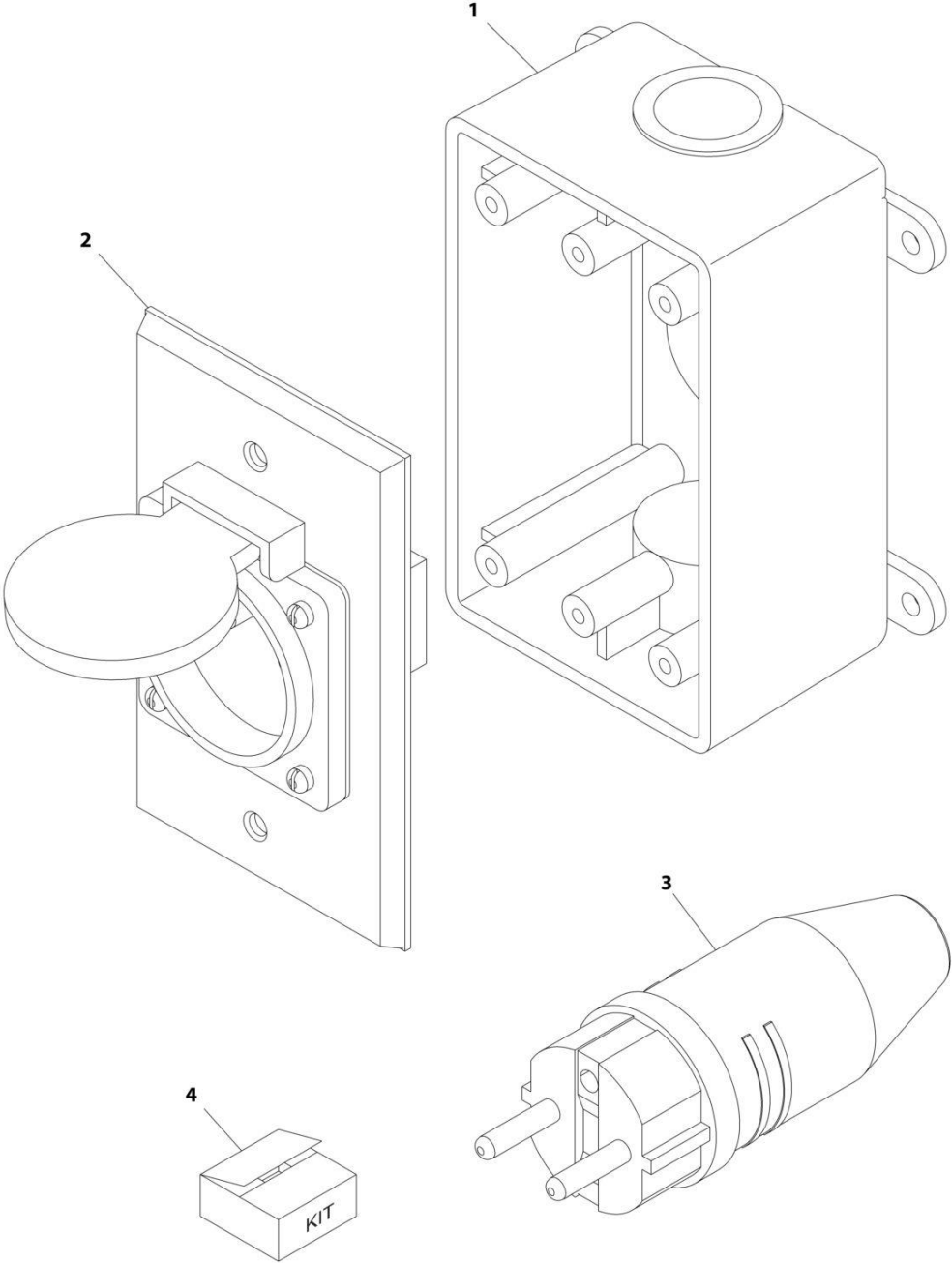
## SECTION 8 - ELECTRICAL

**FIGURE 8-81. RECEPTACLE BOX KIT - 220V IEC BLUE WITH 2500W GENERATOR (CE & UK CA SPECS)**

ITEM	PART NUMBER	QTY	DESCRIPTION	REV
	1001100342	Ref	RECEPTACLE BOX KIT - 220V IEC BLUE WITH 2500W GENERATOR (CE & UK CA SPECS)	2
1	0861781	1	Box, Switch	
2	4461201	1	Receptacle	
3	4461199	1	Plug, Male	
4	4461200	1	Plug, Female	

**SECTION 8 - ELECTRICAL**

**FIGURE 8-82. RECEPTACLE BOX KIT - 220V CEE7 POST GROUND 2X4 BOX (CE & UK CA SPEC)**



ART\_0275452-C



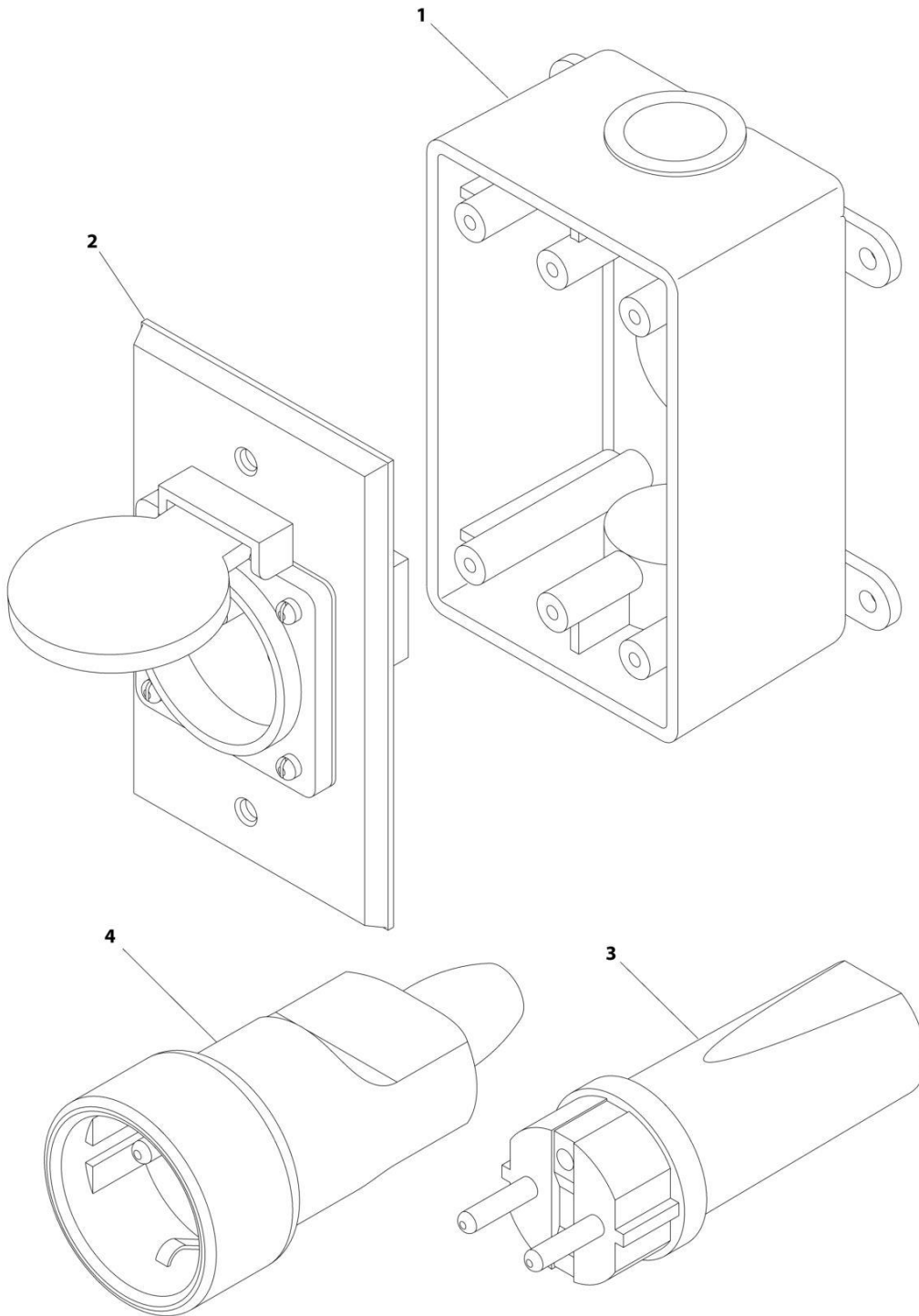
## SECTION 8 - ELECTRICAL

**FIGURE 8-82. RECEPTACLE BOX KIT - 220V CEE7 POST GROUND 2X4 BOX (CE & UK CA SPEC)**

ITEM	PART NUMBER	QTY	DESCRIPTION	REV
	0275452	Ref	RECEPTACLE BOX KIT - 220V CEE7 POST GROUND 2IN X 4IN BOX	C
1	0861731	1	Box, Switch	
2	4461244	1	Receptacle	
3	4461205	1	Plug, Male	
4	1001100345	1	Plug and Socket Kit (Includes Items 1-3 and Female Plug p/n 4461203)	

# SECTION 8 - ELECTRICAL

**FIGURE 8-83. RECEPTACLE BOX KIT - 220V CEE7 POST GROUND 2X4 BOX WITH 2500W GENERATOR (CE & UK CA SPEC)**



ART\_1001100345

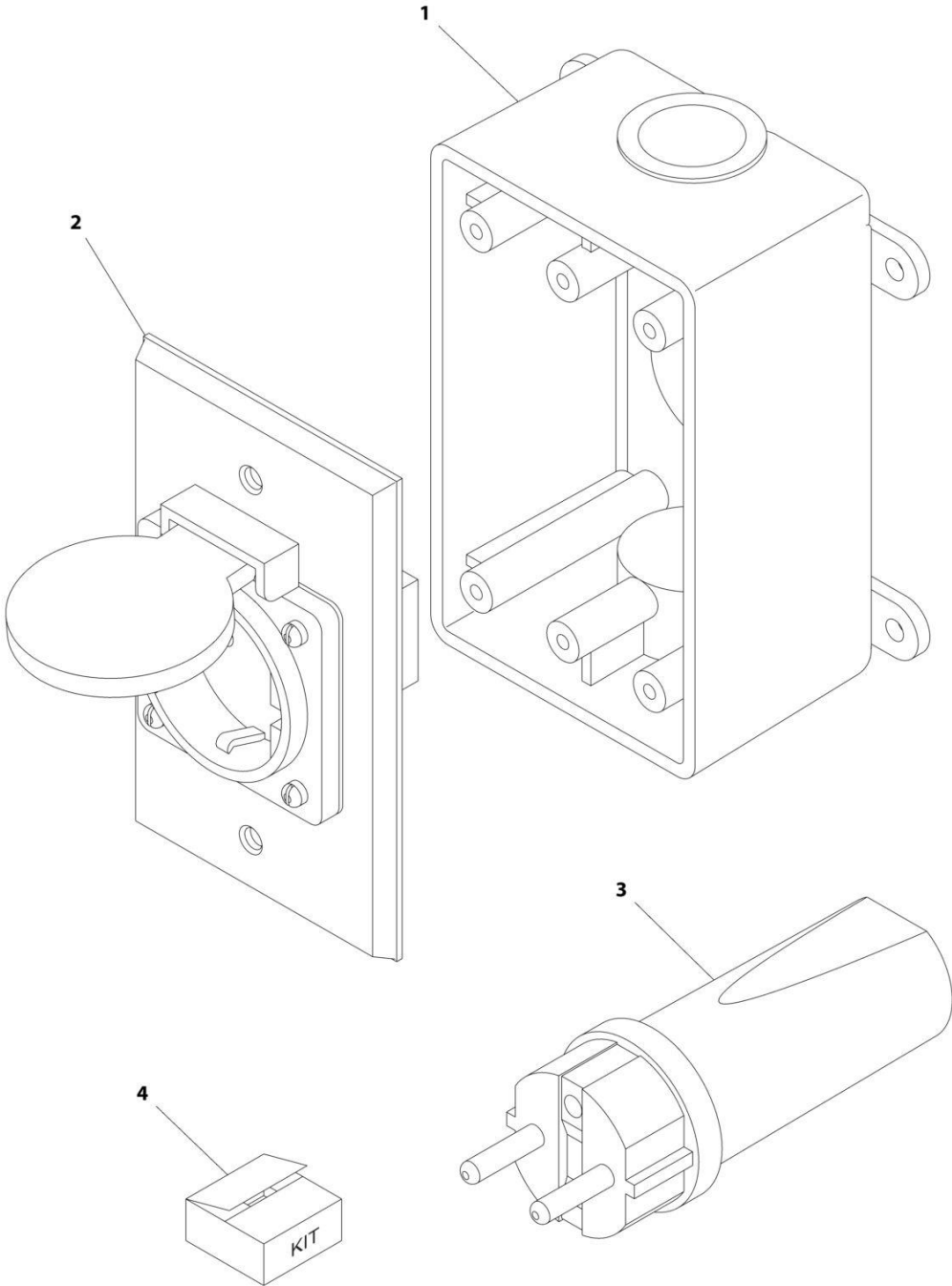
## SECTION 8 - ELECTRICAL

**FIGURE 8-83. RECEPTACLE BOX KIT - 220V CEE7 POST GROUND 2X4 BOX WITH 2500W GENERATOR (CE & UK CA SPEC)**

ITEM	PART NUMBER	QTY	DESCRIPTION	REV
	1001100345	Ref	RECEPTACLE BOX KIT - 220V CEE7 POST GROUND	C
1	0861731	1	Box, Switch	
2	4461244	1	Receptacle	
3	4461205	1	Plug, Male	
4	4461203	1	Plug, Female	

**SECTION 8 - ELECTRICAL**

**FIGURE 8-84. RECEPTACLE BOX KIT - 220V CEE7 SIDE GROUND 2X4 BOX (CE & UK CA SPEC)**



ART\_0275453

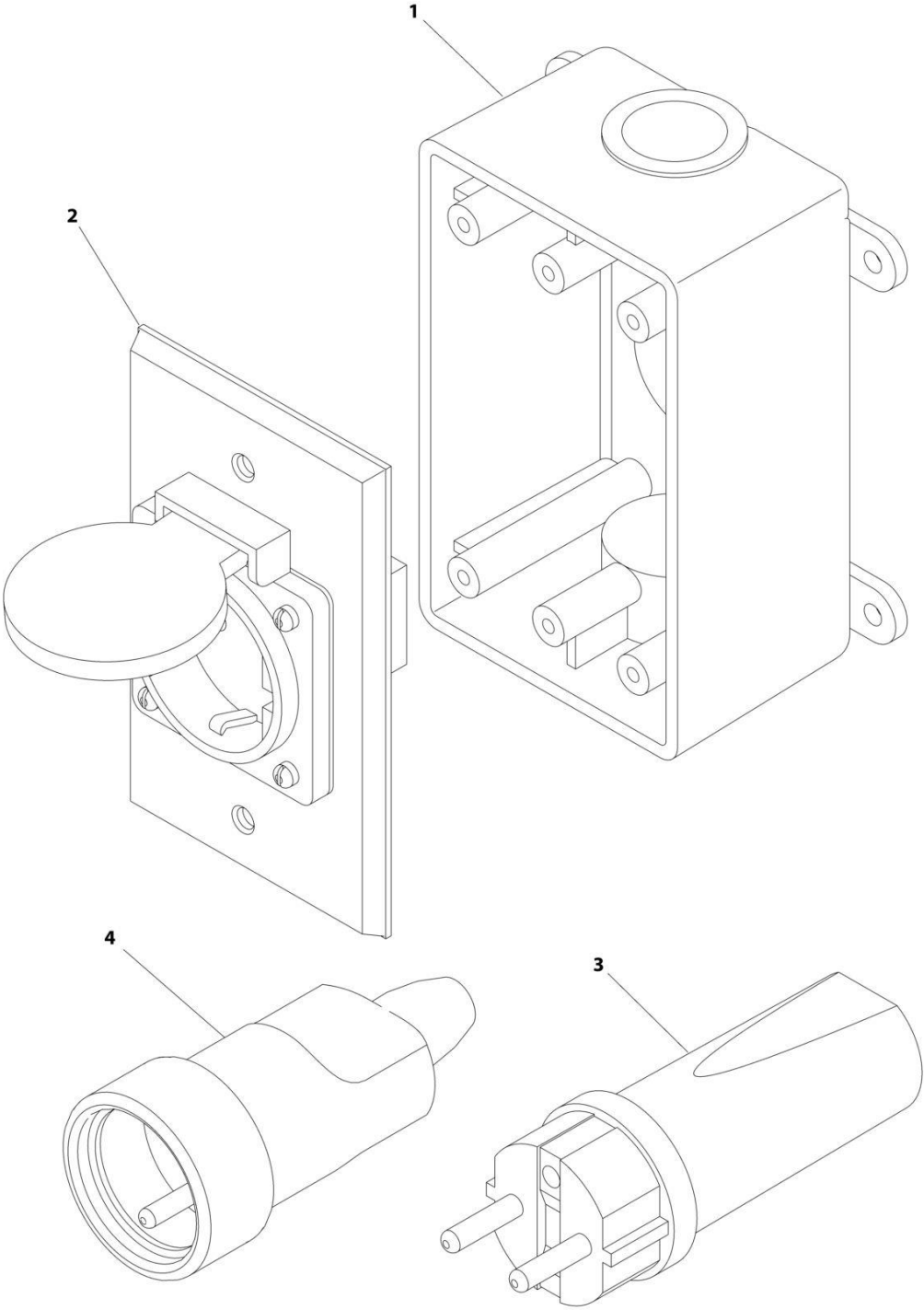
## SECTION 8 - ELECTRICAL

**FIGURE 8-84. RECEPTACLE BOX KIT - 220V CEE7 SIDE GROUND 2X4 BOX (CE & UK CA SPEC)**

ITEM	PART NUMBER	QTY	DESCRIPTION	REV
	0275453	Ref	RECEPTACLE BOX KIT - 220V CEE7 SIDE GROUND	B
1	0861731	1	Box, Switch	
2	4461245	1	Receptacle	
3	4461205	1	Plug, Male	
4	1001100347	1	Plug and Socket Kit (Includes Items 1-3 and Female Plug p/n 4461206)	

**SECTION 8 - ELECTRICAL**

**FIGURE 8-85. RECEPTACLE BOX KIT - 220V CEE7 SIDE GROUND 2X4 BOX WITH 2500W GENERATOR (CE & UK CA SPEC)**



ART\_1001100347

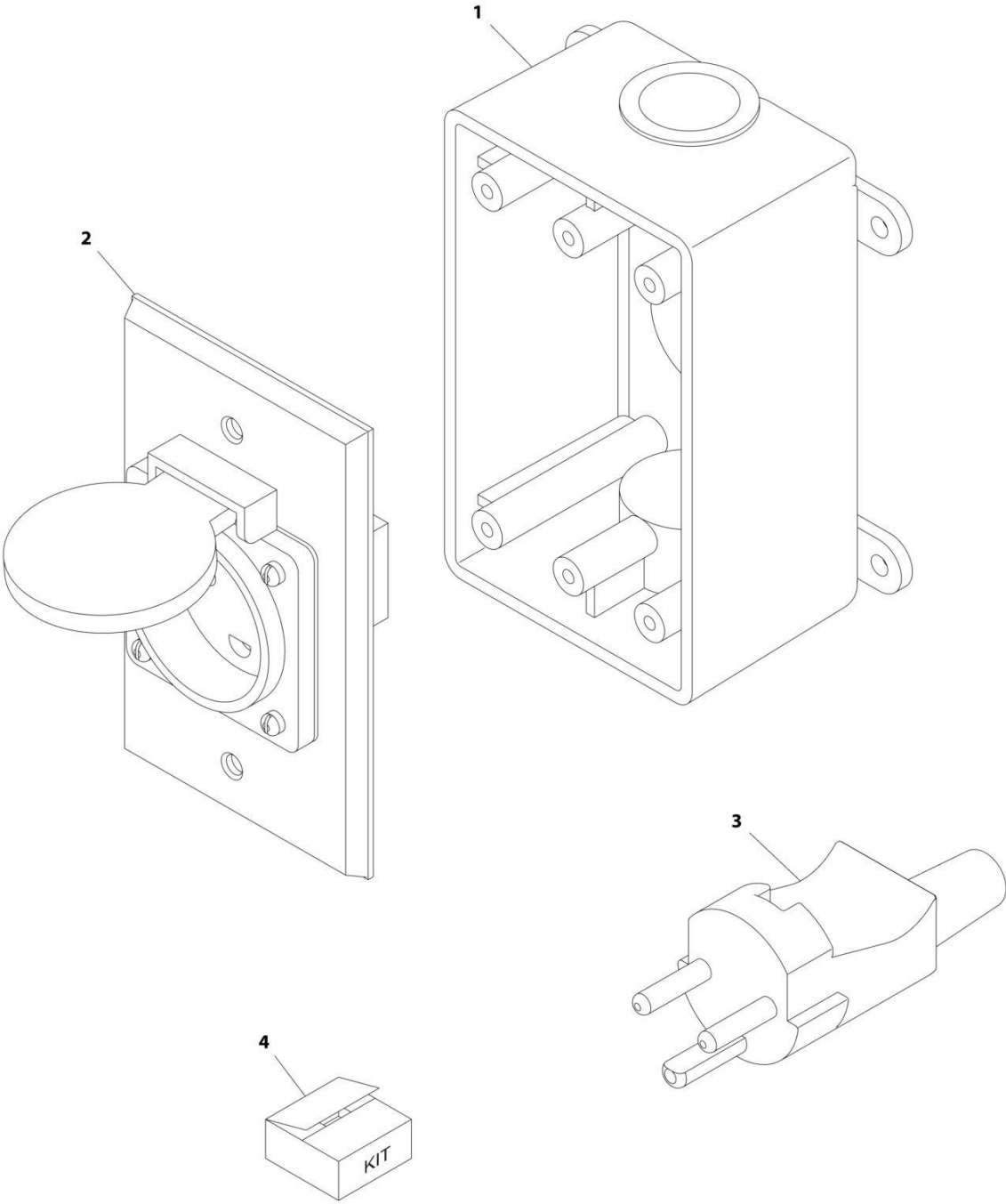
## SECTION 8 - ELECTRICAL

**FIGURE 8-85. RECEPTACLE BOX KIT - 220V CEE7 SIDE GROUND 2X4 BOX WITH 2500W GENERATOR (CE & UK CA SPEC)**

ITEM	PART NUMBER	QTY	DESCRIPTION	REV
	1001100347	Ref	RECEPTACLE BOX KIT - 220V CEE7 SIDE GROUND	3
1	0861731	1	Box, Switch	
2	4461245	1	Receptacle	
3	4461205	1	Plug, Male	
4	4461206	1	Plug, Female	

**SECTION 8 - ELECTRICAL**

**FIGURE 8-86. RECEPTACLE BOX KIT - 220V AFSINT107 KEYED GROUND (CE & UK CA SPECS)**



ART\_0275454



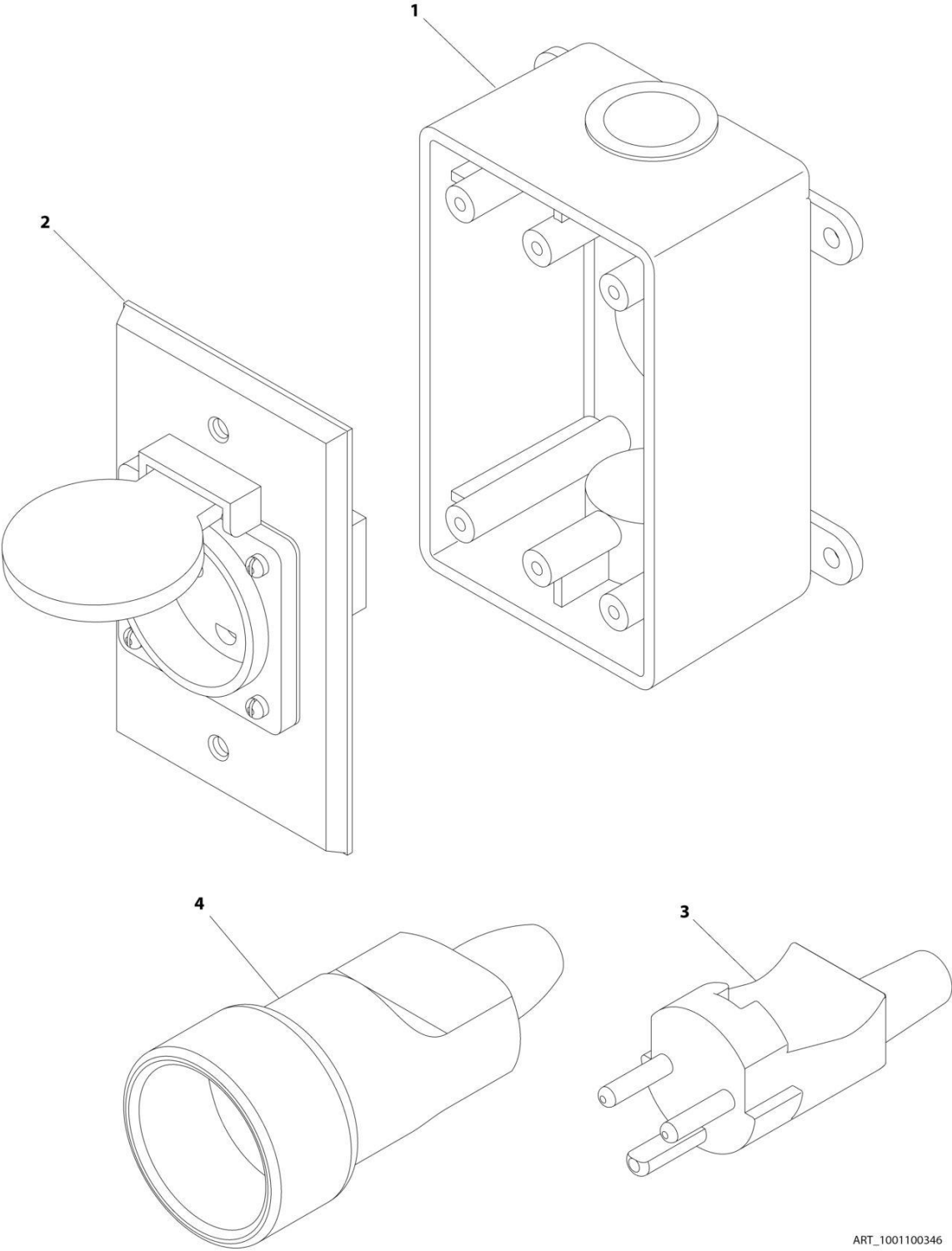
## SECTION 8 - ELECTRICAL

**FIGURE 8-86. RECEPTACLE BOX KIT - 220V AFSINT107 KEYED GROUND (CE & UK CA SPECS)**

ITEM	PART NUMBER	QTY	DESCRIPTION	REV
	0275454	Ref	RECEPTACLE BOX KIT - 220V AFSINT 107	B
1	0861731	1	Box, Switch	
2	4461246	1	Receptacle	
3	4461249	1	Plug, Male	
4	1001100346	1	Plug and Socket Kit (Includes Items 1-3 and Female Plug p/n 4461250)	

**SECTION 8 - ELECTRICAL**

**FIGURE 8-87. RECEPTACLE BOX KIT - 220V AFSINT107 KEYED GROUND 2X4 BOX WITH 2500W GENERATOR (CE & UK CA SPECS)**



ART\_1001100346

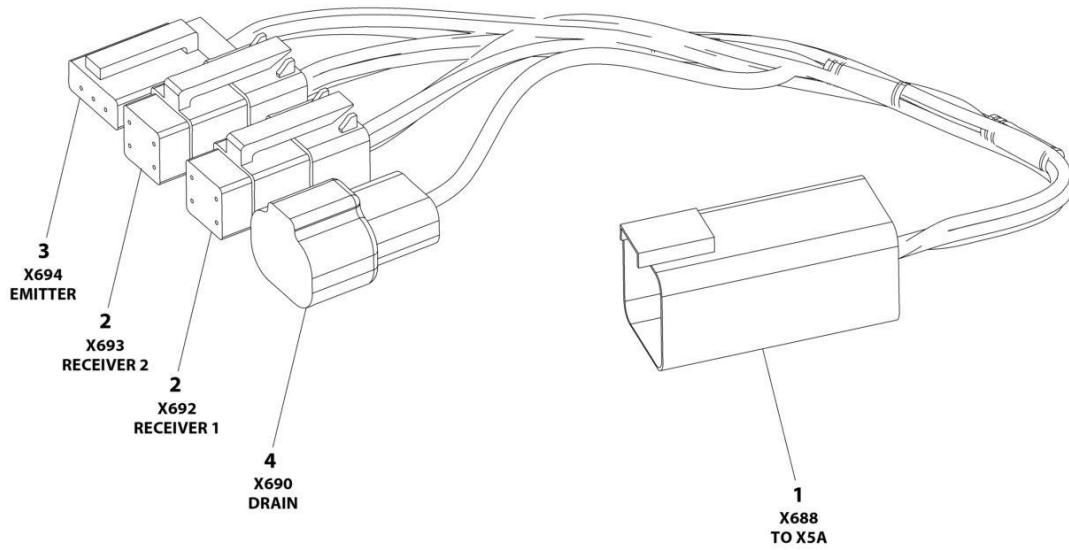
## SECTION 8 - ELECTRICAL

**FIGURE 8-87. RECEPTACLE BOX KIT - 220V AFSINT107 KEYED GROUND 2X4 BOX WITH 2500W GENERATOR (CE & UK CA SPECS)**

ITEM	PART NUMBER	QTY	DESCRIPTION	REV
	1001100346	Ref	RECEPTACLE BOX KIT - 220V AFSINT 107 KEYED GROUND WITH 2500W GENERATOR (2X4 BOX) (CE & UK CA SPECS)	2
1	0861731	1	Box, Switch	
2	4461246	1	Receptacle	
3	4461249	1	Plug, Male	
4	4461250	1	Plug, Female	

# SECTION 8 - ELECTRICAL

## FIGURE 8-88. SKYEYE INTERMEDIATE HARNESS



ART\_1001237865

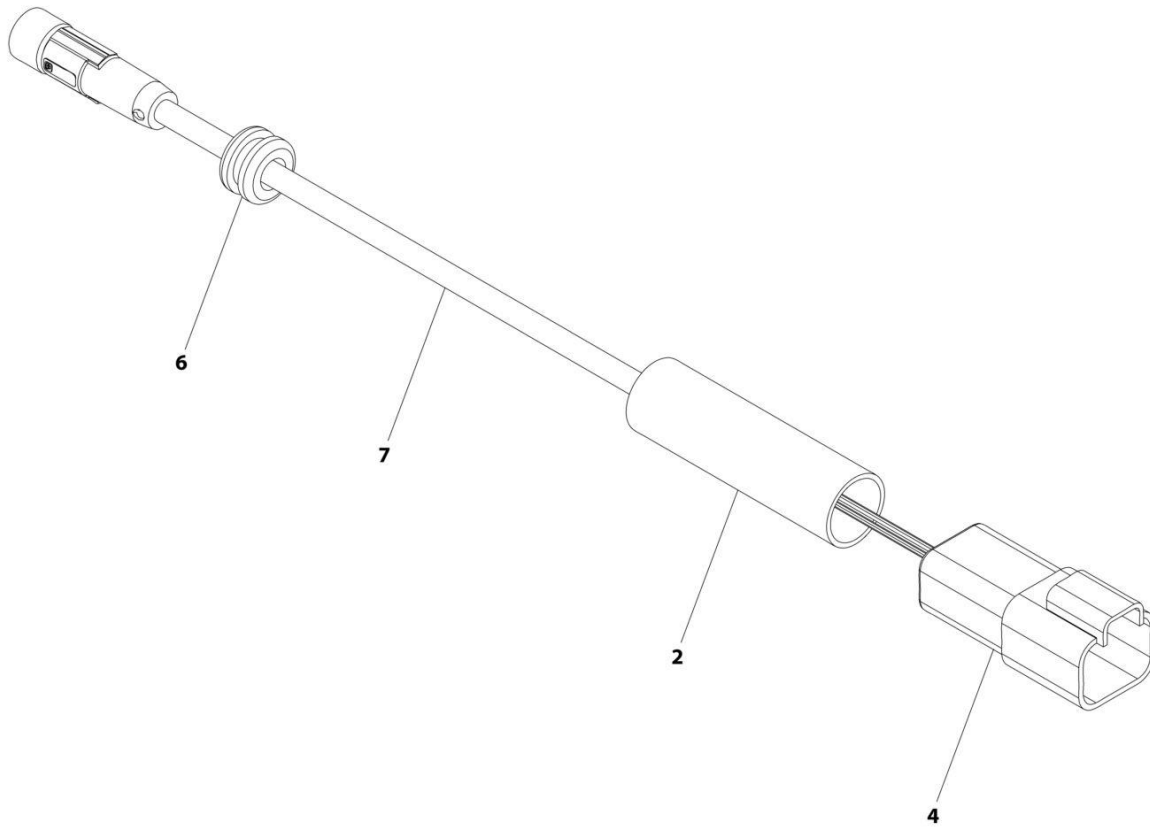
## SECTION 8 - ELECTRICAL

### FIGURE 8-88. SKYEYE INTERMEDIATE HARNESS

ITEM	PART NUMBER	QTY	DESCRIPTION	REV
	1001237865	Ref	SKYEYE INTERMEDIATE HARNESS	A
1	4460899	1	Connector - 6 Position	
1	4460943	4	Pin, Male	
1	4460466	2	Plug, Terminal	
2	4461077	2	Connector - 4 Position	
2	1001119619	8	Socket, Female	
3	4460911	1	Connector - 3 Position	
3	1001119619	3	Socket, Female	
4	1001187681	1	Connector - 2 Position	
4	4460941	1	Pin, Male	
4	4460466	1	Plug, Terminal	

# SECTION 8 - ELECTRICAL

## FIGURE 8-89. SKYEYE RECEIVER HARNESS



ART\_1001237863

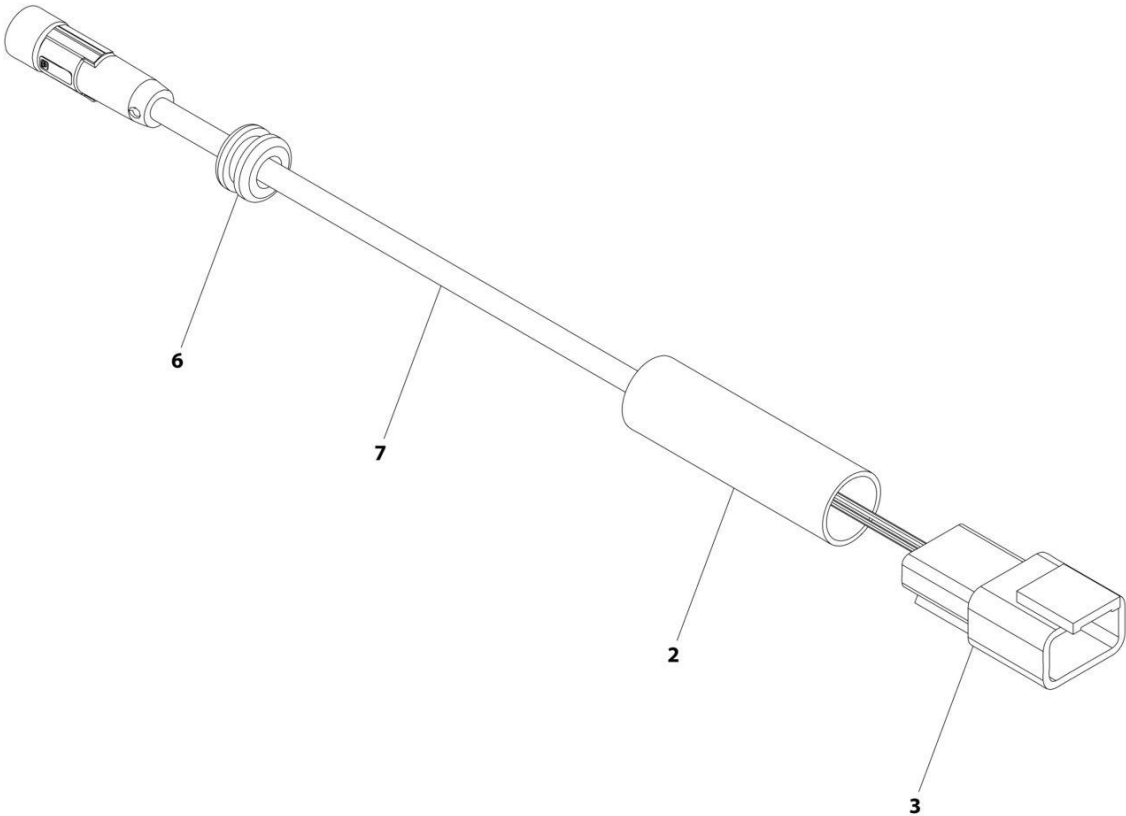
## SECTION 8 - ELECTRICAL

### FIGURE 8-89. SKYEYE RECEIVER HARNESS

ITEM	PART NUMBER	QTY	DESCRIPTION	REV
	1001237863	Ref	SKYEYE RECEIVER HARNESS	A
2	2820247	AR	Tubing, Heat Shrink	
4	1001097051	1	Connector - 4 Position	
4	1001119620	4	Pin, Male	
6	1001227996	1	Grommet	
7	1001237862	1	Cable, M8 Female Cordset	

**SECTION 8 - ELECTRICAL**

**FIGURE 8-90. SKYEYE EMITTER HARNESS**



ART\_1001237864



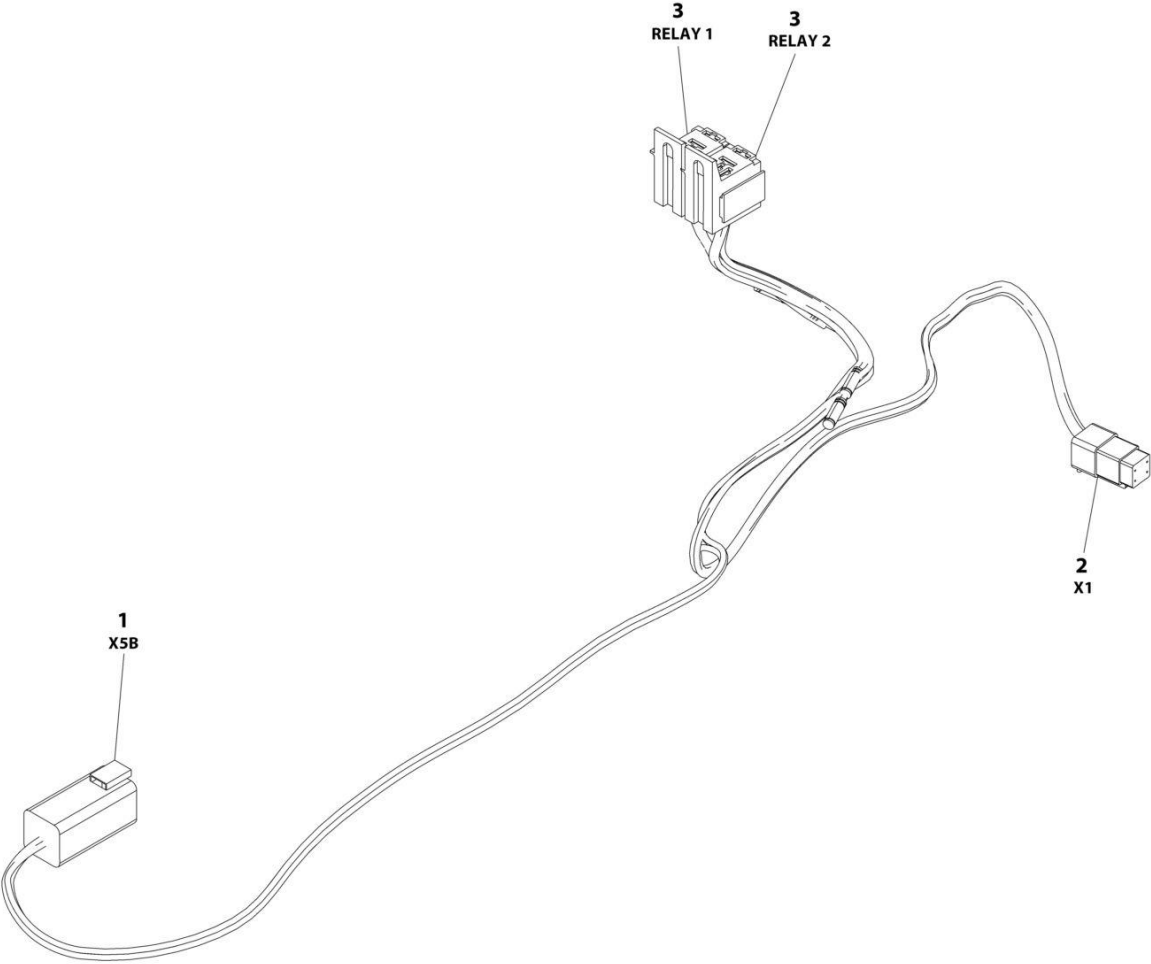
## SECTION 8 - ELECTRICAL

### FIGURE 8-90. SKYEYE EMITTER HARNESS

ITEM	PART NUMBER	QTY	DESCRIPTION	REV
	1001237864	Ref	SKYEYE EMITTER HARNESS	A
2	2820247	AR	Tubing, Heat Shrink	
3	4460910	1	Connector - 3 Position	
3	1001119620	3	Pin, Male	
6	1001227996	1	Grommet	
7	1001237862	1	Cable, M8 Female Cordset	

**SECTION 8 - ELECTRICAL**

**FIGURE 8-91. SKYLINE HARNESS**



ART\_1001238418

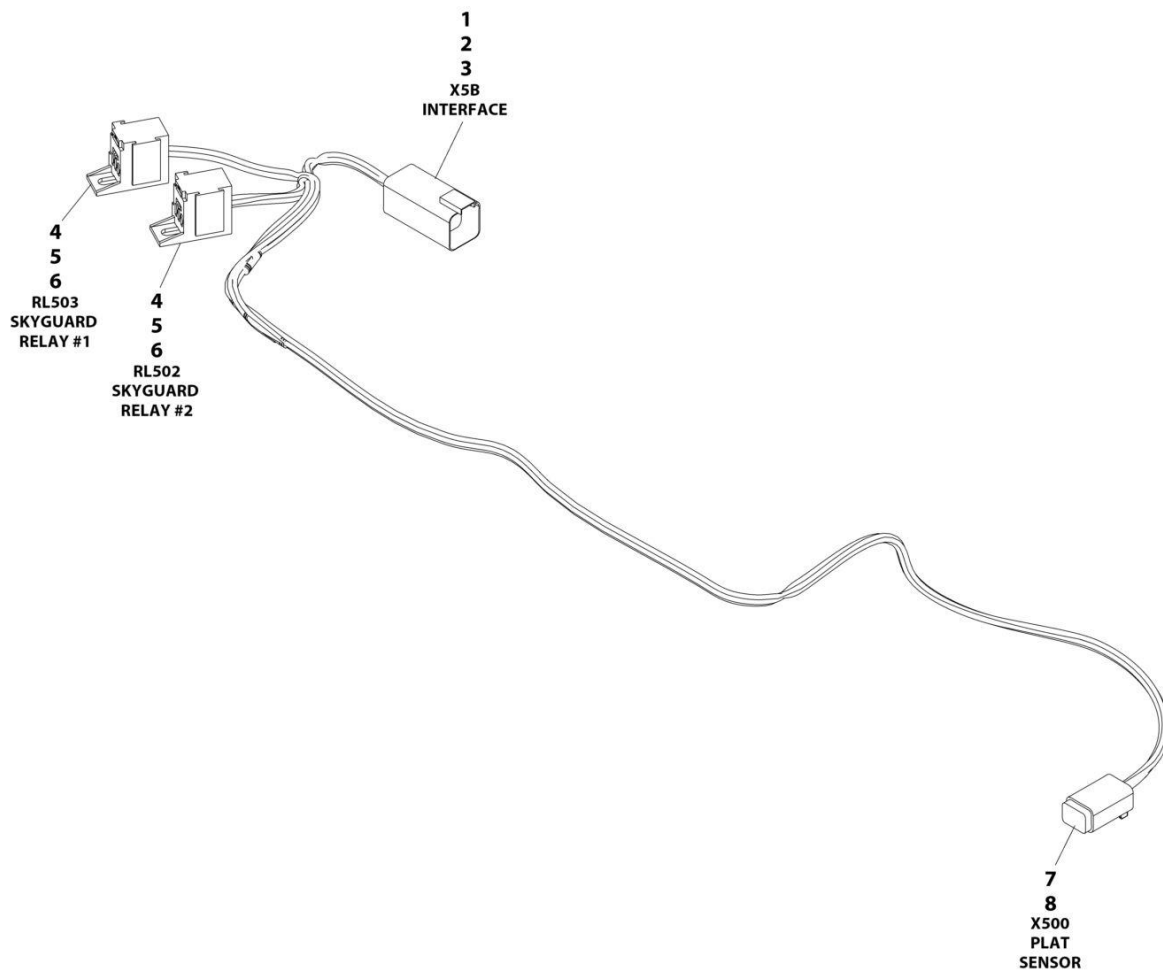
## SECTION 8 - ELECTRICAL

### FIGURE 8-91. SKYLINE HARNESS

ITEM	PART NUMBER	QTY	DESCRIPTION	REV
	1001238418	Ref	SKYLINE HARNESS	B
1	4460899	1	Connector - 6 Position	
1	4460464	4	Pin, Male	
1	4460466	2	Plug, Terminal	
2	4461077	1	Connector - 4 Position	
2	1001126009	4	Socket, Female	
3	1001186432	2	Plug, Relay	
3	1001118388	5	Terminal	
3	1001118384	3	Terminal	
3	3740086	2	Relay	

# SECTION 8 - ELECTRICAL

## FIGURE 8-92. SKYGUARD INTERFACE HARNESS



ART\_1001225580

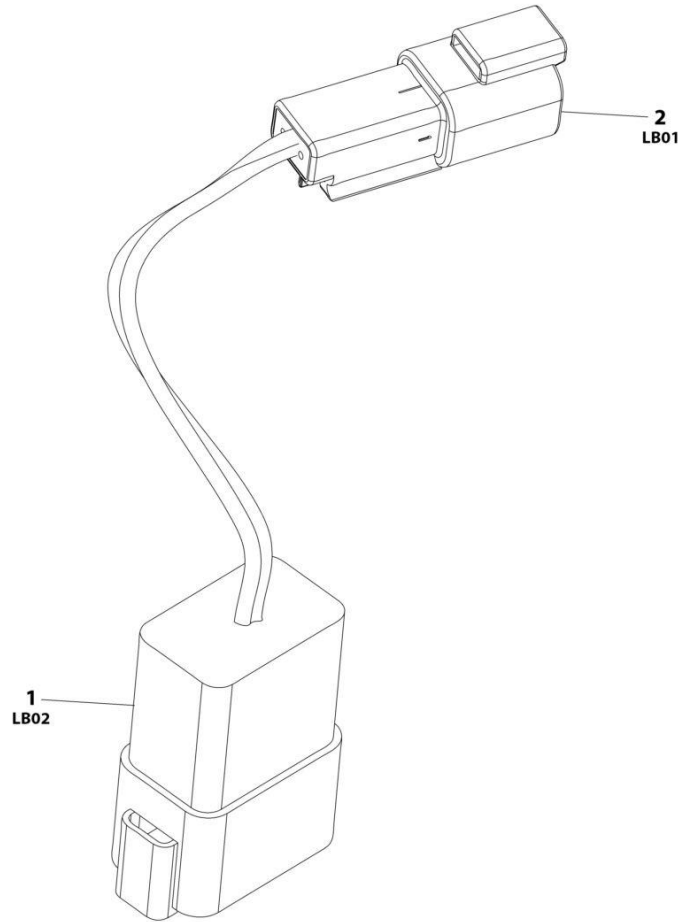
## SECTION 8 - ELECTRICAL

### FIGURE 8-92. SKYGUARD INTERFACE HARNESS

ITEM	PART NUMBER	QTY	DESCRIPTION	REV
	1001225580	Ref	INTERFACE HARNESS - WITH 1 CELL LSS	D
1	4460899	1	Connector	
2	4460464	4	Terminal	
3	4460466	2	Plug	
4	1001186432	2	Connector	
5	1001116720	4	Terminal	
6	1001118388	4	Terminal	
7	4460884	1	Connector	
8	4460465	4	Terminal	

# SECTION 8 - ELECTRICAL

## FIGURE 8-93. STROBE LIGHT JUMPER HARNESS



ART\_1001283776

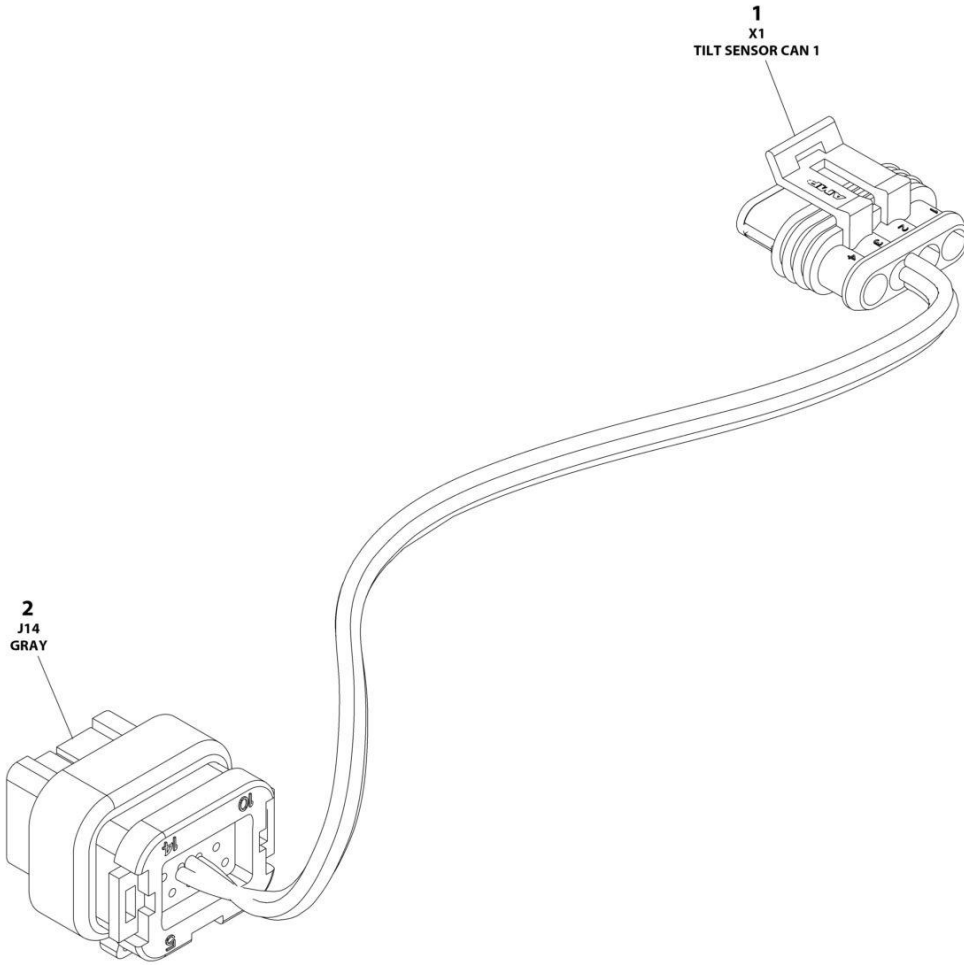
## SECTION 8 - ELECTRICAL

### FIGURE 8-93. STROBE LIGHT JUMPER HARNESS

ITEM	PART NUMBER	QTY	DESCRIPTION	REV
	1001283776	Ref	STROBE LIGHT HARNESS (AMBER)	A
1	4460931	1	Connector	
1	4460464	2	Pin	
1	4460466	6	Plug	
2	4460897	1	Connector	
2	4460464	2	Pin	

# SECTION 8 - ELECTRICAL

## FIGURE 8-94. TILT SENSOR HARNESS



ART\_1001276143



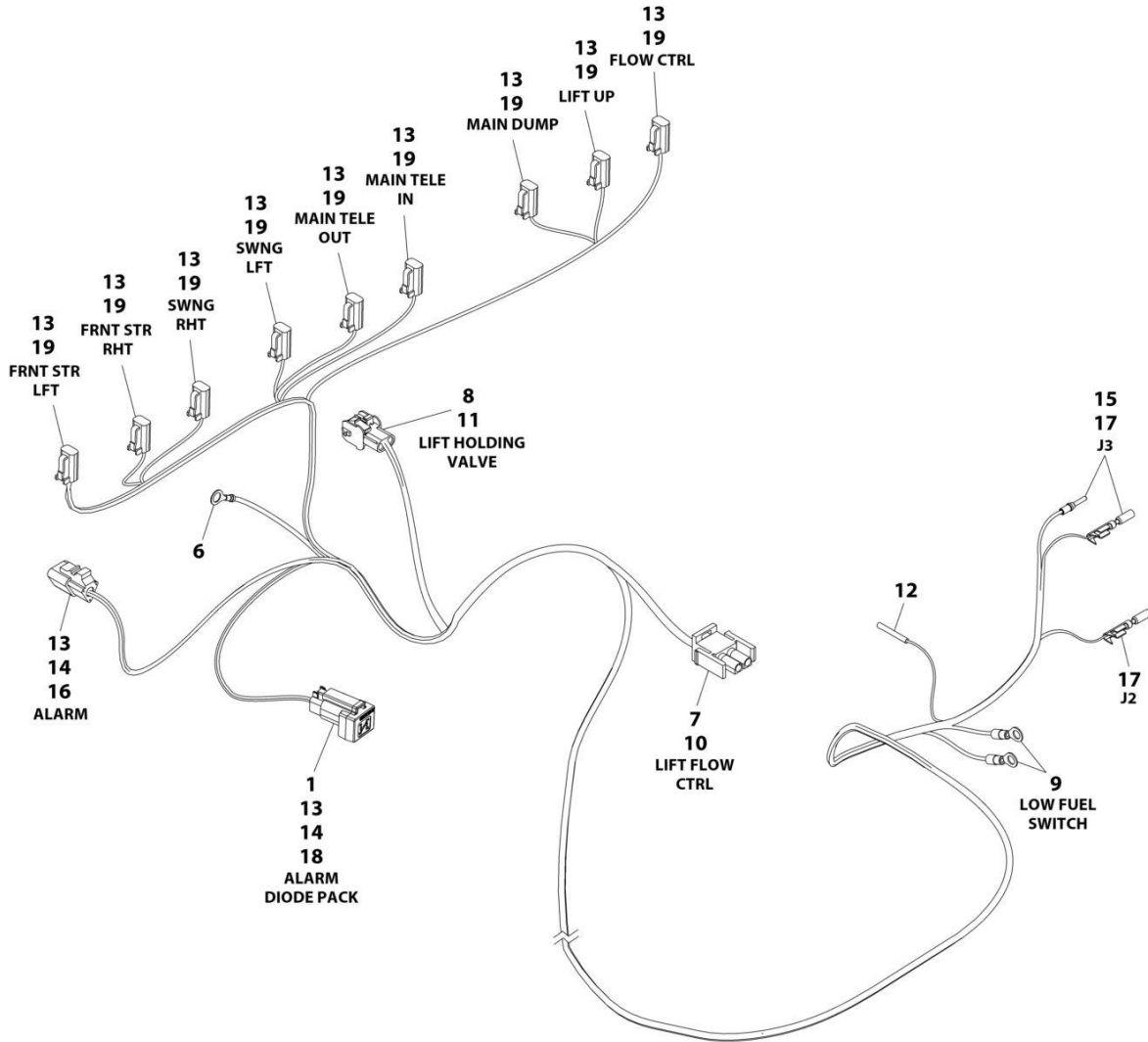
## SECTION 8 - ELECTRICAL

### FIGURE 8-94. TILT SENSOR HARNESS

ITEM	PART NUMBER	QTY	DESCRIPTION	REV
	1001276143	Ref	TILT SENSOR HARNESS	B
1	1001103012	1	Connector - 4 Position	
1	1001107854	4	Terminal, Male	
1	1001104498	4	Terminal, Seal	
2	1001246859	1	Connector - 14 Position	
2	4460871	4	Socekt, Female	
2	4460905	10	Plug, Terminal	

# SECTION 8 - ELECTRICAL

## FIGURE 8-95. VALVE HARNESS



ART\_1001284973

## SECTION 8 - ELECTRICAL

### FIGURE 8-95. VALVE HARNESS

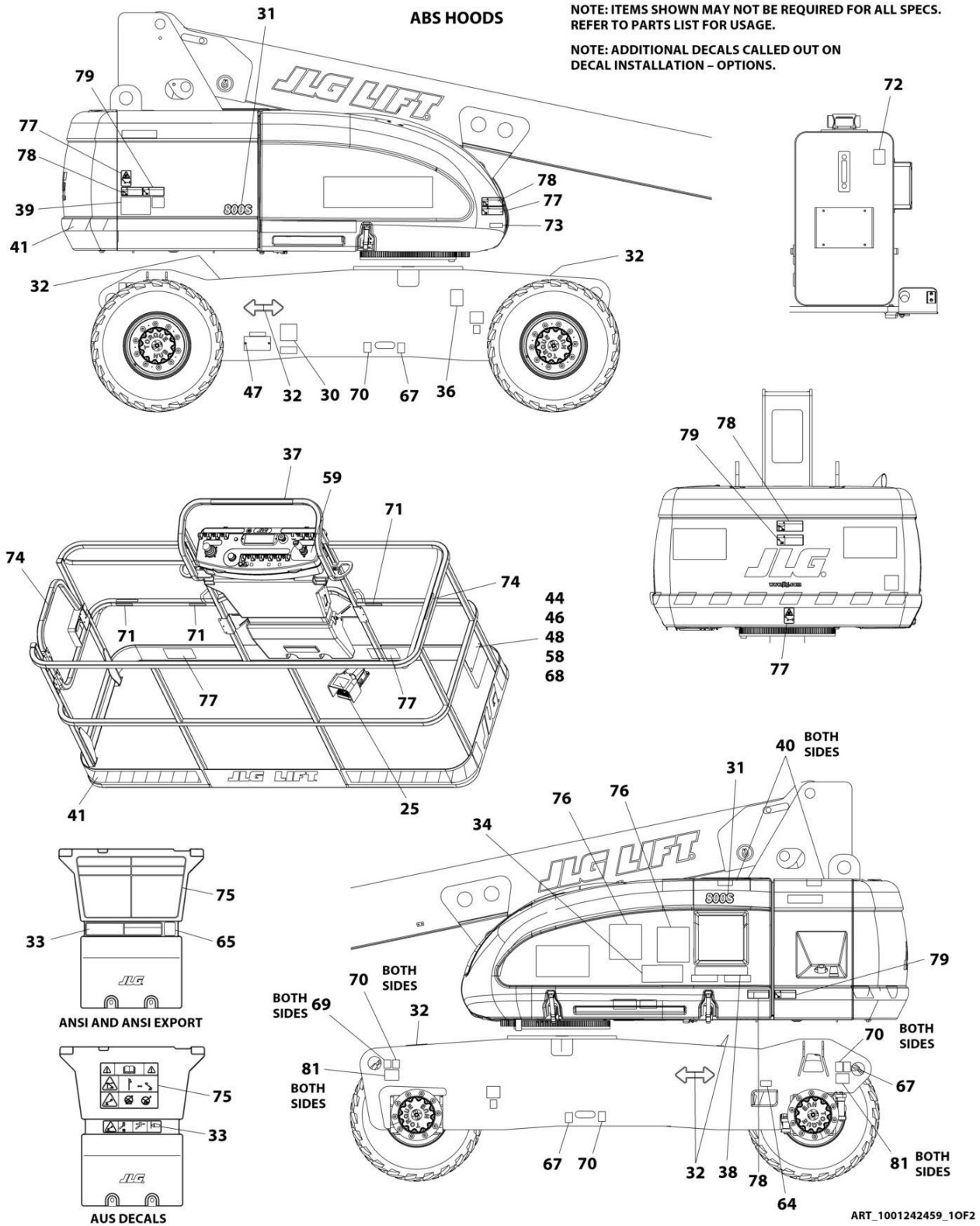
ITEM	PART NUMBER	QTY	DESCRIPTION	REV
	1001284973	Ref	VALVE HARNESS	C
1	1001152266	1	Connector	
6	4460019	1	Terminal, Ring	
7	4460226	2	Socket	
8	4460267	2	Pin	
9	4460313	2	Terminal, Ring	
10	4460320	1	Terminal, Plug	
11	4460424	1	Terminal, Plug	
12	4460464	1	Pin	
13	4460465	23	Socket	
14	4460466	3	Plug, Seal	
15	4460508	1	Terminal	
16	4460539	1	Terminal, Plug	
17	4460871	20	Socket	
18	4460884	1	Connector	
19	4460891	9	Connector	
26	4460897	1	Connector (Not Shown)	



**SECTION 9 - DECALS**

# SECTION 9 - DECALS

## FIGURE 9-1. DECAL INSTALLATION (ANSI SPECS) (800S)

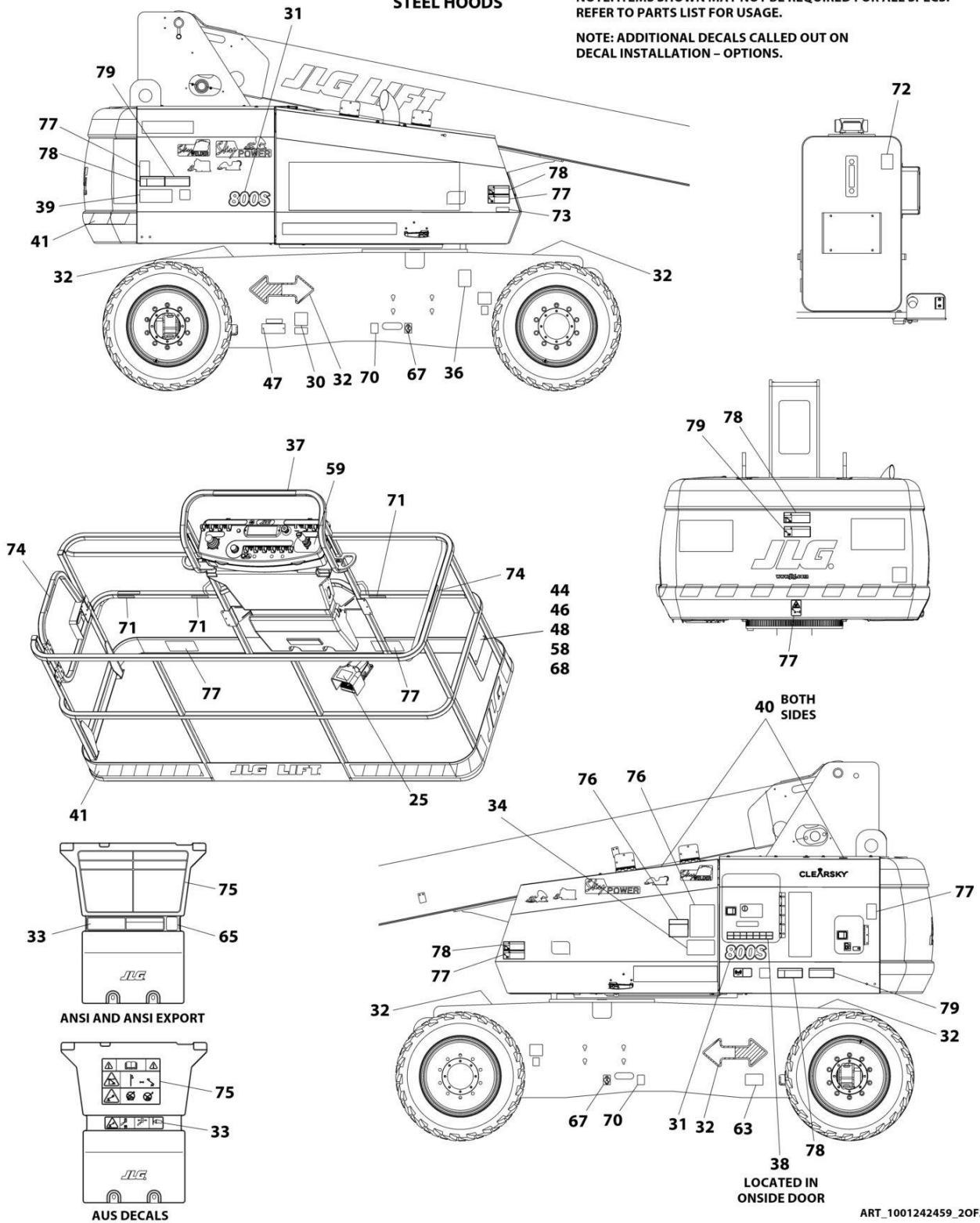


# SECTION 9 - DECALS

## STEEL HOODS

NOTE: ITEMS SHOWN MAY NOT BE REQUIRED FOR ALL SPECS. REFER TO PARTS LIST FOR USAGE.

NOTE: ADDITIONAL DECALS CALLED OUT ON DECAL INSTALLATION - OPTIONS.



## SECTION 9 - DECALS

FIGURE 9-1. DECAL INSTALLATION (ANSI SPECS) (800S)

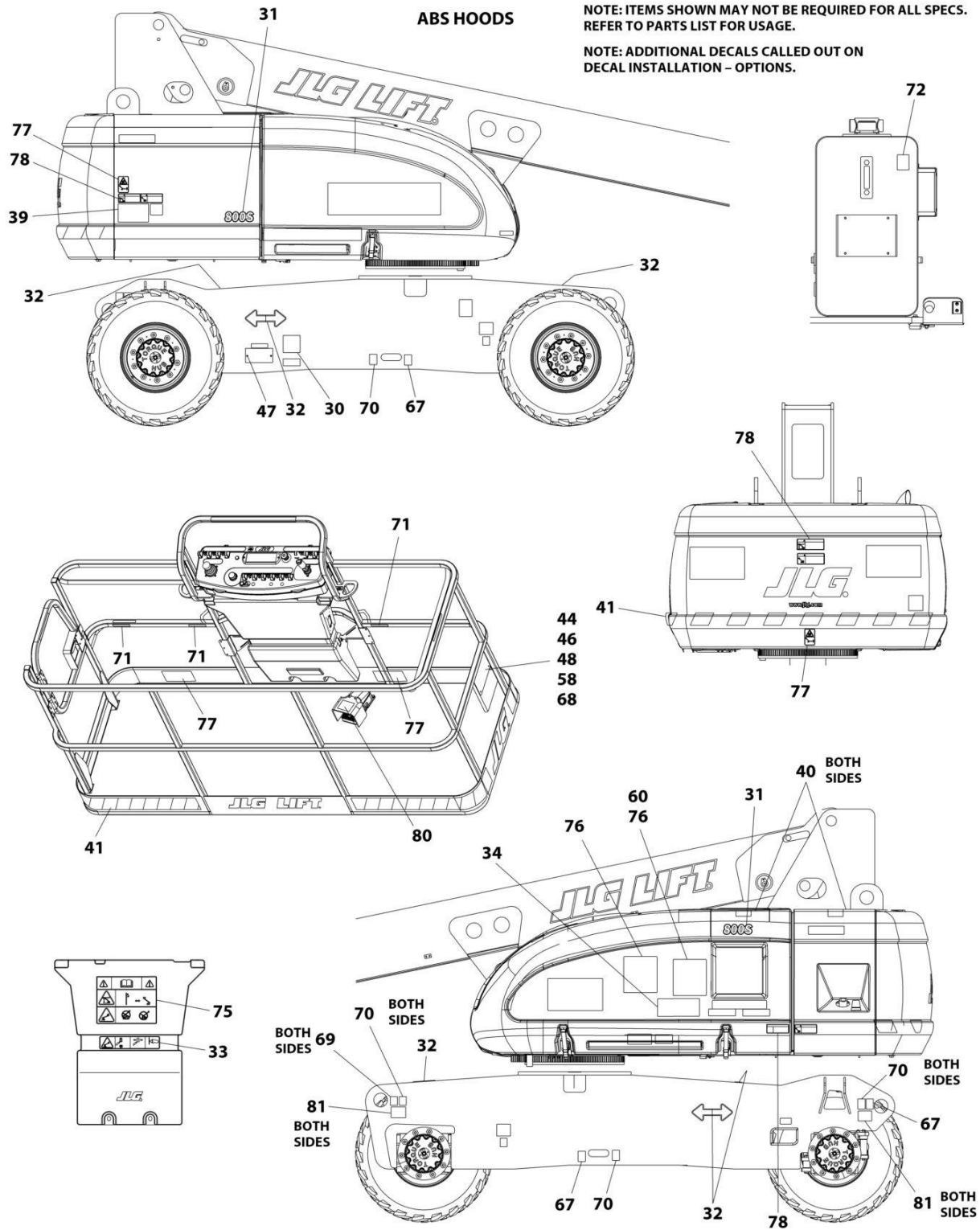
ITEM	PART NUMBER	QTY	DESCRIPTION	REV
	1001242459	Ref	STANDARD DECAL INSTALLATION	E
25	3252347	1	Decal - Footswitch	
30	See Note	NSS	Decal - Bar Code (Note: Not Available for Purchase)	
31	1001267308	2	Decal - Model	
32	1701501	4	Decal - Arrow	
33	1001257229	1	Decal Capacity - 500LBS Unrestricted Capacity	
34	1001257230	1	Decal Capacity - 500LBS Unrestricted Capacity	
36	1001131269	1	Decal - Patent	
39	1001284687	1	Decal - Lift Diagram	
40	1701691	4	Decal - No Step	
41	4420051	23.1 ft /7m	Stripes, Warning	
44	0860520	1	Box, Manual Storage	
46	3311405	4	Nut 1/4	
47	3820001	2	Rivet	
48	4751400	8	Washer 1/4	
58	0641406	4	Bolt 1/4 x 3/4	
59	1705351	1	Decal - Drive/Steer Instructions	
63	1001223055	1	Decal - Yearly Inspection	
64	1001223453	1	Decal - ICES	
67	1701499	4	Decal - No Lift	
68	1701509	1	Decal - Manual	
69	1703811	4	Decal - Tie Down/Lift	
70	1703814	6	Decal - Tie Down	
71	1704277	4	Decal - Attach Lanyard Here	
72	1704412	1	Decal - Hydraulic Oil Chart	
73	3251243	1	Nameplate - 120V-60HZ	
74	1702868	2	Decal - No Hands	
75	1703797	1	Decal - Warning/Danger	
76	1705336	1	Decal - Warning Inspection (MTB)	
77	1703804	5	Decal - Warning Crushing	
78	1703805	5	Decal - Danger Electrocution	
79	1703953	7	Decal - Warning Crushing	
81	1703475	4	Decal - Max Tire Load	





# SECTION 9 - DECALS

## FIGURE 9-2. DECAL INSTALLATION (AUSTRALIAN SPECS) (800S)



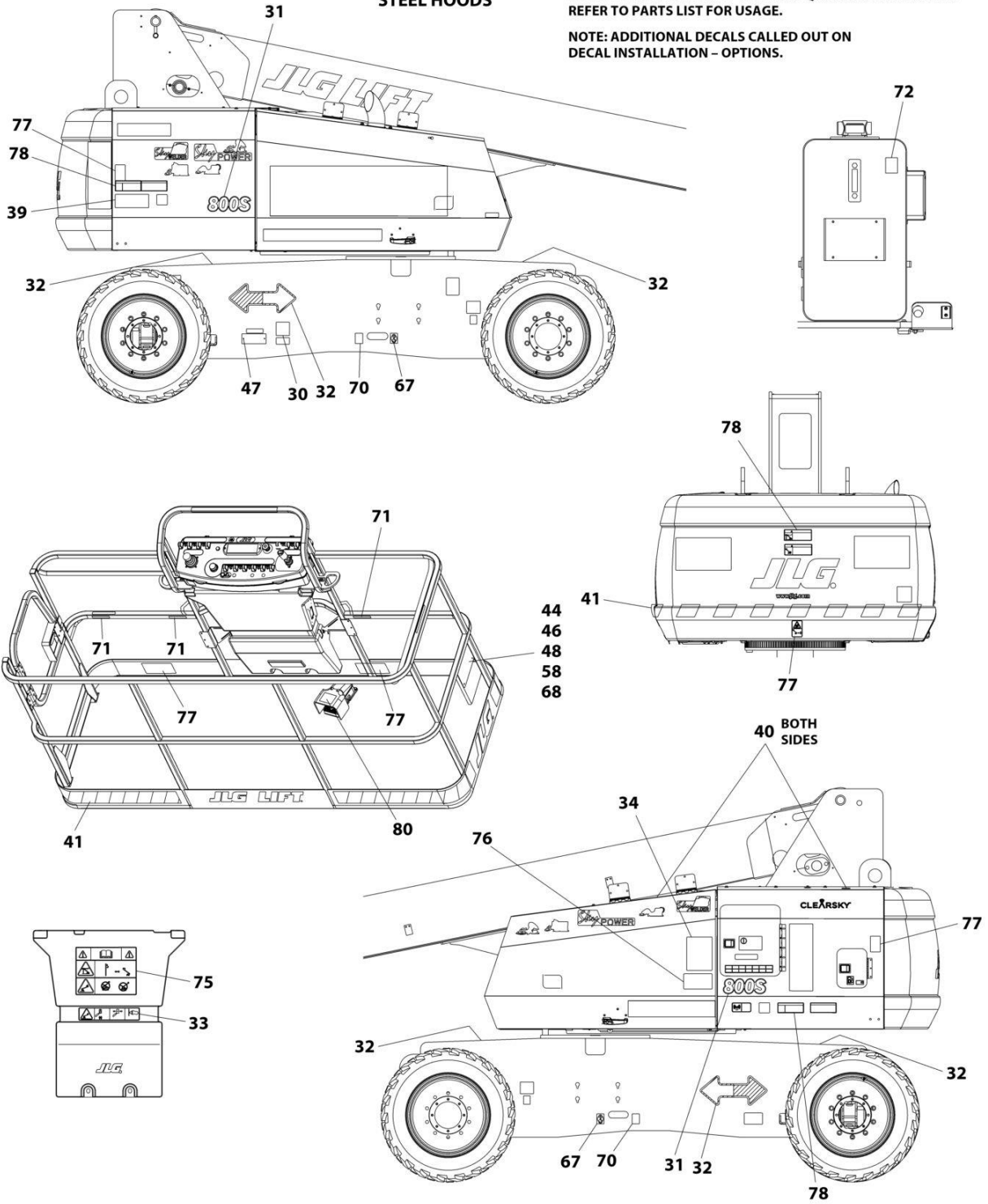
ART\_1001257322\_10F2

# SECTION 9 - DECALS

## STEEL HOODS

NOTE: ITEMS SHOWN MAY NOT BE REQUIRED FOR ALL SPECS. REFER TO PARTS LIST FOR USAGE.

NOTE: ADDITIONAL DECALS CALLED OUT ON DECAL INSTALLATION - OPTIONS.



ART\_1001257322\_20F2

## SECTION 9 - DECALS

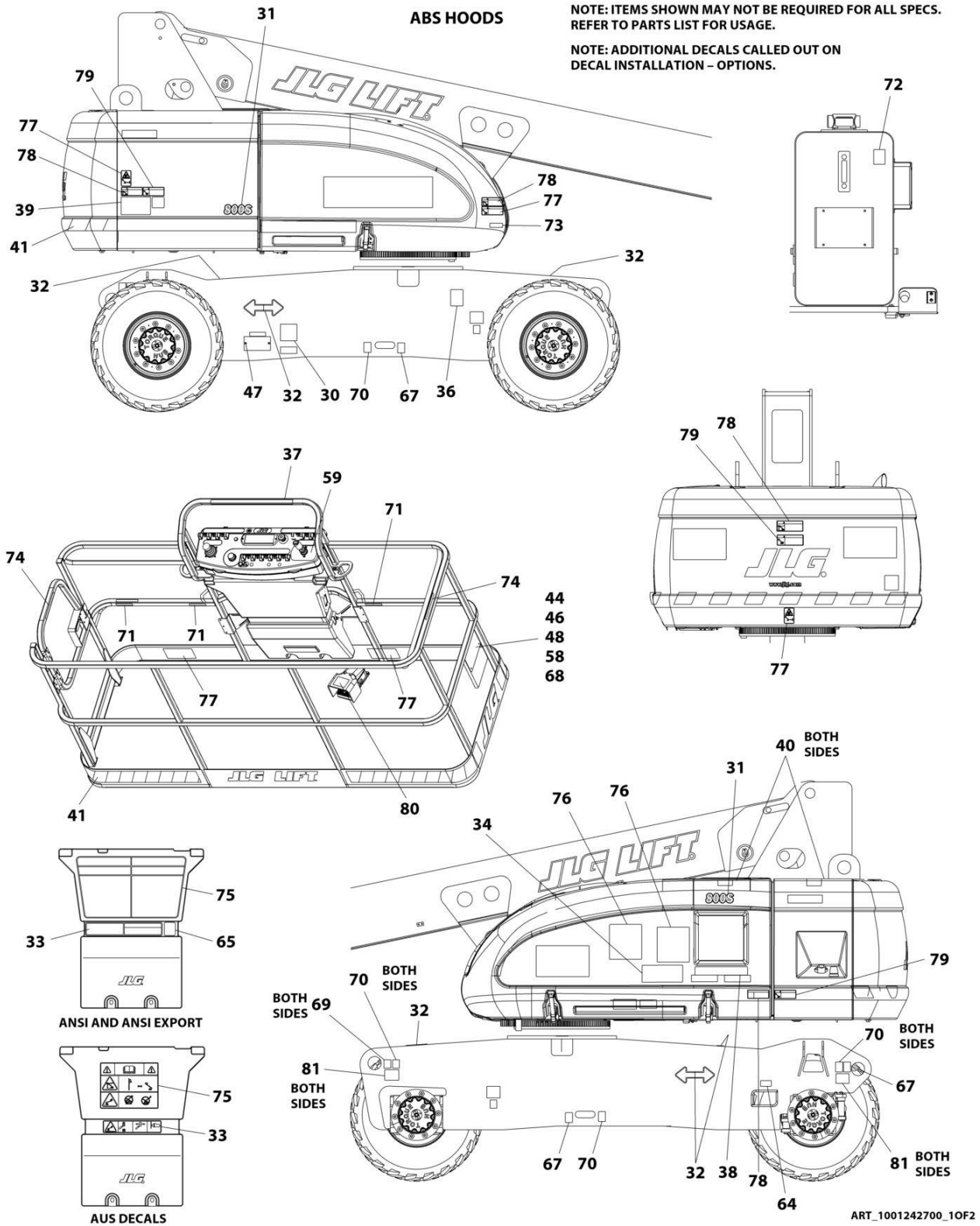
**FIGURE 9-2. DECAL INSTALLATION (AUSTRALIAN SPECS) (800S)**

ITEM	PART NUMBER	QTY	DESCRIPTION	REV
	1001257322	Ref	STANDARD DECAL INSTALLATION	C
30	See Note	NSS	Decal - Bar Code (Note: Not Available for Purchase)	
31	1001267308	2	Decal - Model	
32	1701501	4	Decal - Arrow	
33	1001257257	1	Decal Dual Capacity - 500LBS/230kg & 992LBS/450kg	
34	1001257258	1	Decal Dual Capacity - 507LBS/230kg & 992LBS/450kg	
39	1001284687	1	Decal - Lift Diagram	
40	1701691	4	Decal - No Step	
41	4420051	23.1 ft /7m	Stripes, Warning	
44	0860520	1	Box, Manual Storage	
46	3311405	4	Nut 1/4	
47	3820001	2	Rivet	
48	4751400	8	Washer 1/4	
58	0641406	4	Bolt 1/4 x 3/4	
60	1001112551	1	Decal - Emergency Control	
67	1701499	4	Decal - No Lift	
68	1701509	1	Decal - Manual	
69	1703811	4	Decal - Tie Down/Lift	
70	1703814	6	Decal - Tie Down	
71	1704277	4	Decal - Attach Lanyard Here	
72	1704412	1	Decal - Hydraulic Oil Chart	
75	1705921	1	Decal - Tipping/Electric (PLF)	
76	1705822	1	Decal - Electric/Safety Manual	
77	1701518	10	Decal - Warning Crushing	
78	1705961	5	Decal - Danger Electrocution	
80	1705828	1	Decal - Footswitch	
81	1703475	4	Decal - Max Tire Load	



# SECTION 9 - DECALS

## FIGURE 9-3. DECAL INSTALLATION (BRAZILIAN SPECS) (800S)

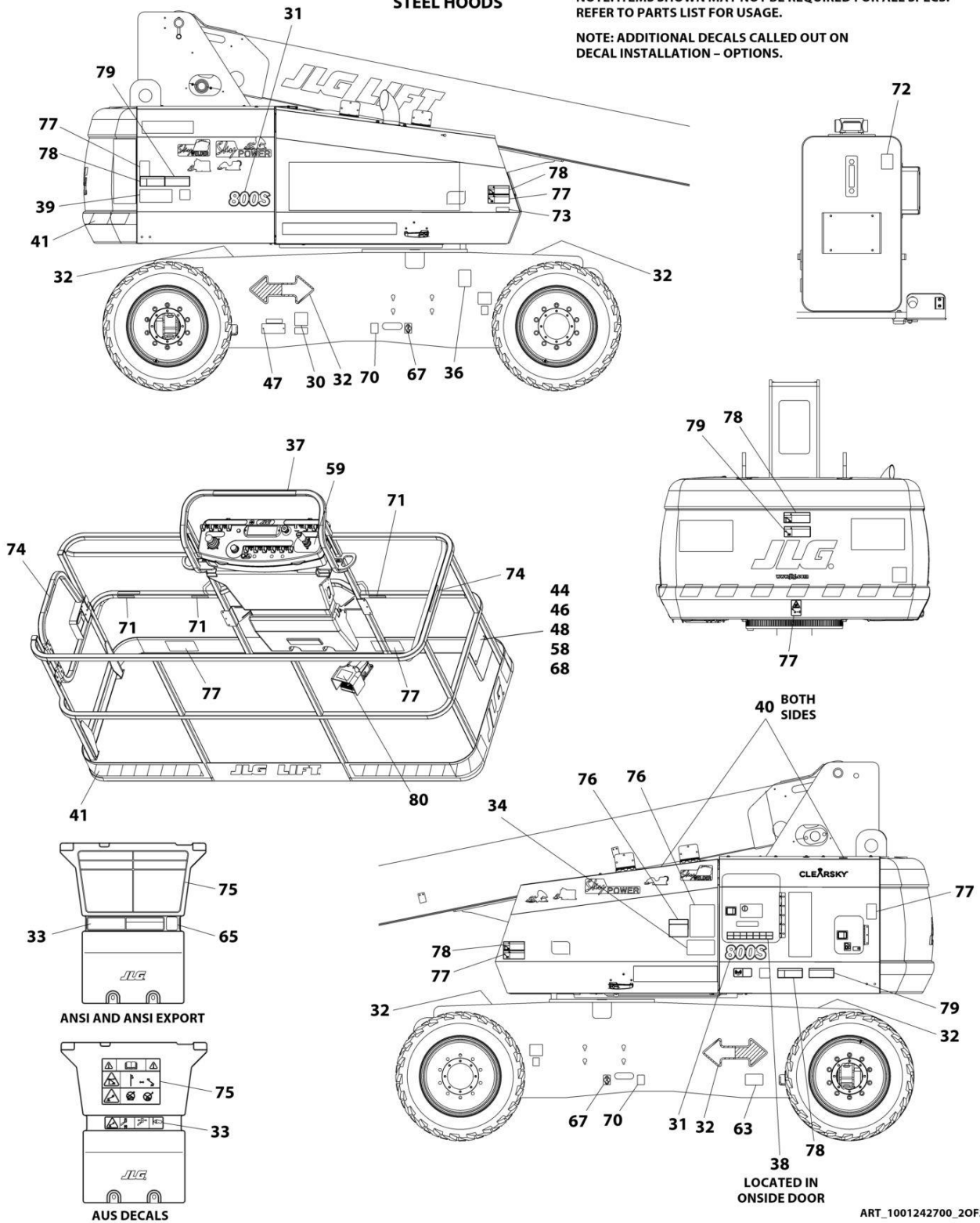


# SECTION 9 - DECALS

## STEEL HOODS

NOTE: ITEMS SHOWN MAY NOT BE REQUIRED FOR ALL SPECS. REFER TO PARTS LIST FOR USAGE.

NOTE: ADDITIONAL DECALS CALLED OUT ON DECAL INSTALLATION - OPTIONS.



## SECTION 9 - DECALS

**FIGURE 9-3. DECAL INSTALLATION (BRAZILIAN SPECS) (800S)**

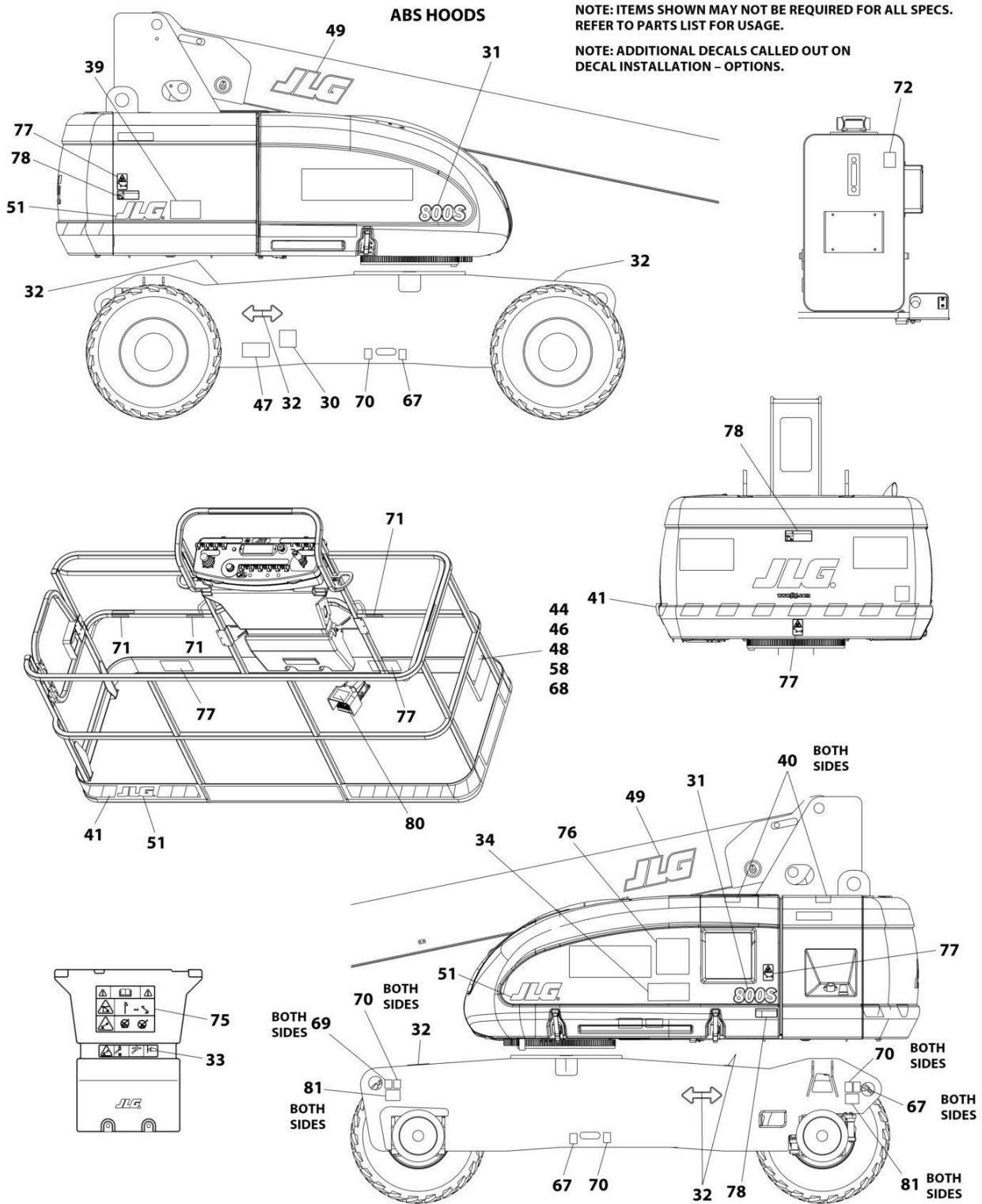
ITEM	PART NUMBER	QTY	DESCRIPTION	REV
	1001242700	Ref	STANDARD DECAL INSTALLATION	E
30	See Note	NSS	Decal - Bar Code (Note: Not Available for Purchase)	
31	1001267308	2	Decal - Model	
32	1701501	4	Decal - Arrow	
33	1001257241	1	Decal Capacity - 500LBS Unrestricted Capacity	
34	1001257242	1	Decal Capacity - 500LBS Unrestricted Capacity	
39	1001284687	1	Decal - Lift Diagram	
40	1701691	4	Decal - No Step	
41	4420051	23.1 ft /7m	Stripes, Warning	
44	0860520	1	Box, Manual Storage	
46	3311405	4	Nut 1/4	
47	3820001	2	Rivet	
48	4751400	8	Washer 1/4	
58	0641406	4	Bolt 1/4 x 3/4	
59	1705905	1	Decal - Drive/Steer Instructions	
63	1001224052	1	Decal - Yearly Inspection	
67	1701499	4	Decal - No Lift	
68	1701509	1	Decal - Manual	
69	1703811	4	Decal - Tie Down/Lift	
70	1703814	6	Decal - Tie Down	
71	1704277	4	Decal - Attach Lanyard Here	
72	1704412	1	Decal - Hydraulic Oil Chart	
74	1705967	2	Decal - No Hands	
75	1705895	1	Decal - Warning/Danger	
76	1705896	1	Decal - Warning Inspection (MTB)	
77	1705898	5	Decal - Warning Crushing	
78	1705897	5	Decal - Danger Electrocuton	
79	1705903	7	Decal - Warning Crushing	
80	1705902	1	Decal - Foot Switch	
81	1703475	4	Decal - Max Tire Load	





# SECTION 9 - DECALS

## FIGURE 9-4. DECAL INSTALLATION (CE & UK CA SPECS) (800S)



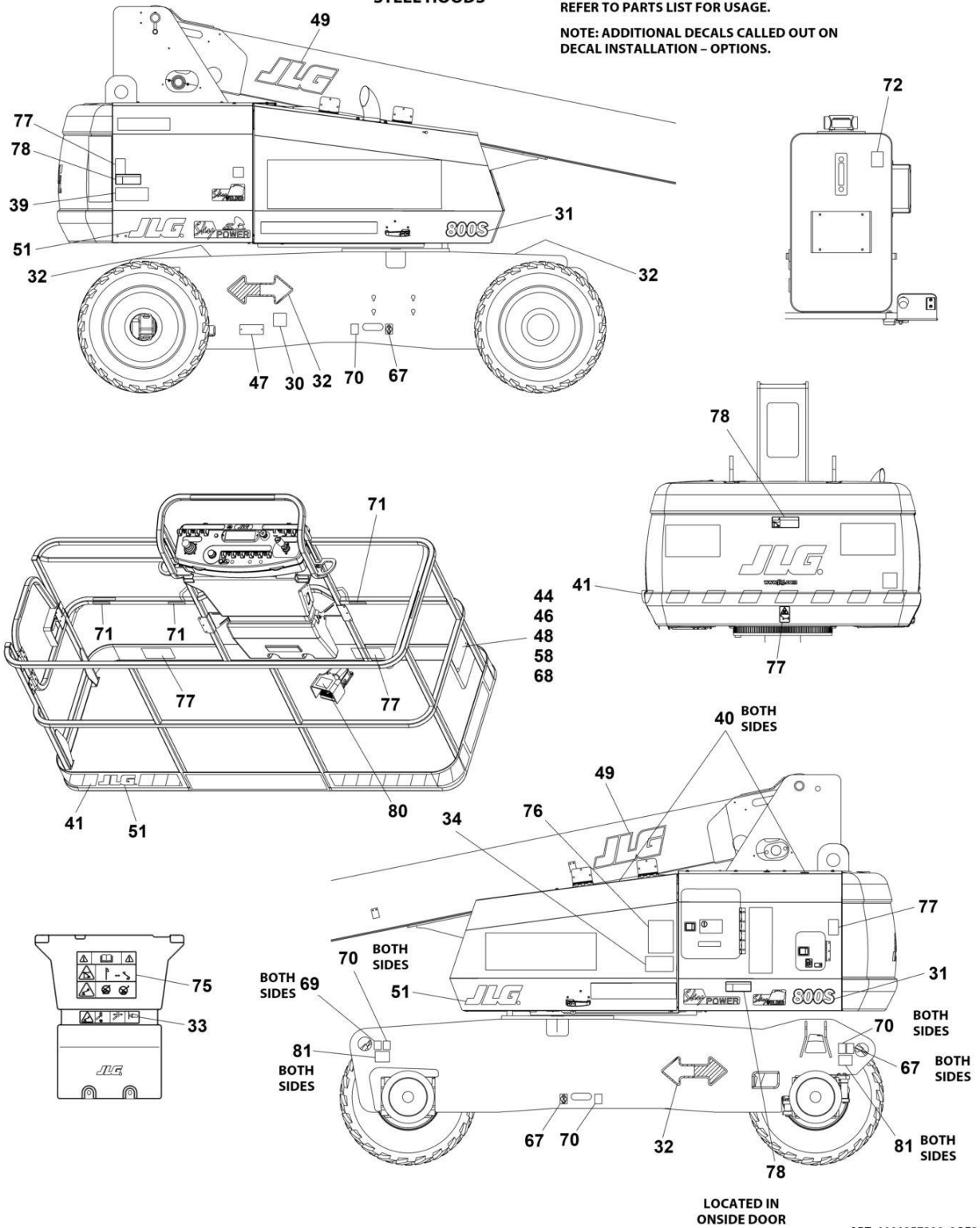
ART\_1001257320\_10F2

# SECTION 9 - DECALS

## STEEL HOODS

NOTE: ITEMS SHOWN MAY NOT BE REQUIRED FOR ALL SPECS. REFER TO PARTS LIST FOR USAGE.

NOTE: ADDITIONAL DECALS CALLED OUT ON DECAL INSTALLATION - OPTIONS.



ART\_1001257320\_20F2

## SECTION 9 - DECALS

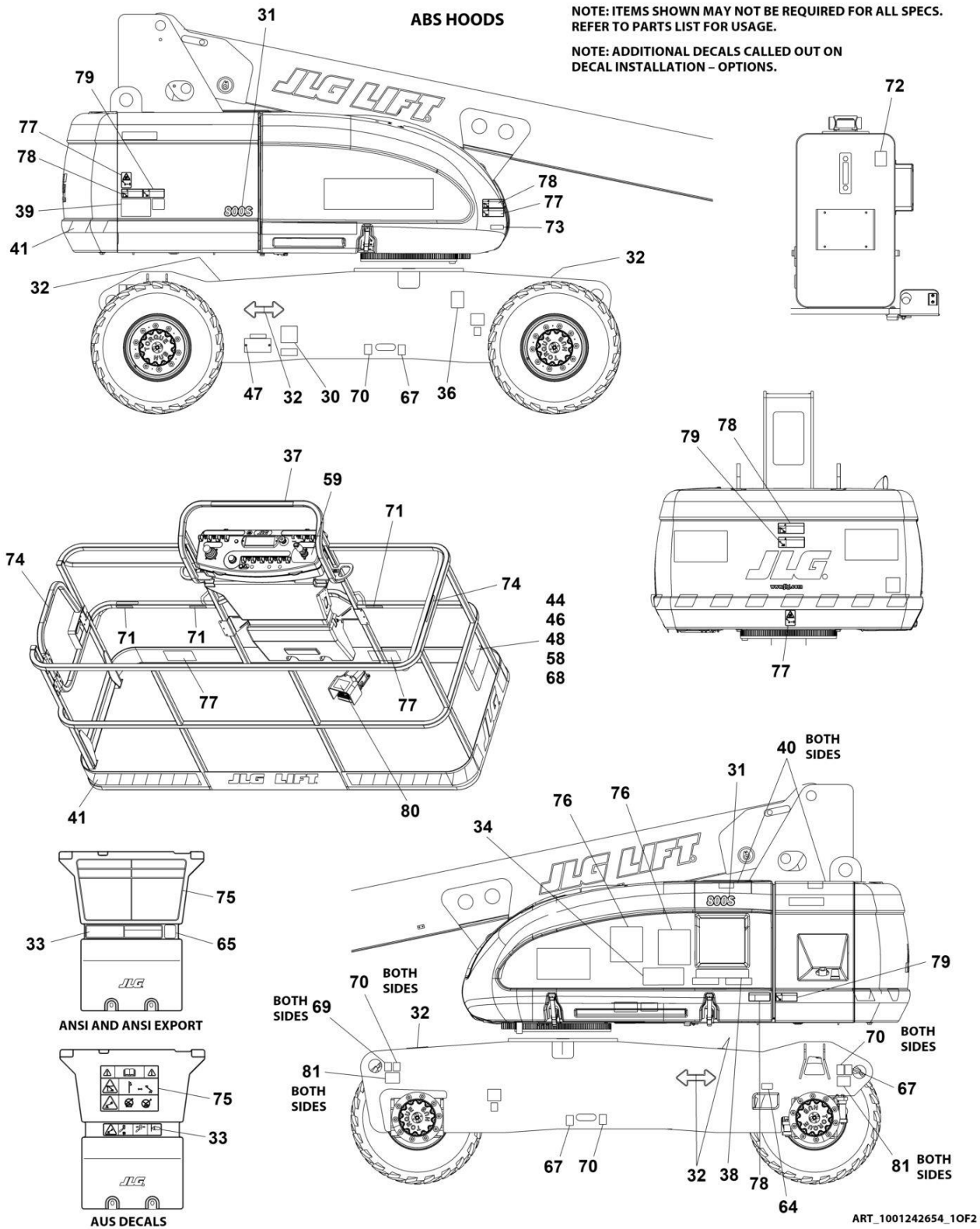
**FIGURE 9-4. DECAL INSTALLATION (CE & UK CA SPECS) (800S)**

ITEM	PART NUMBER	QTY	DESCRIPTION	REV
	1001257320	Ref	STANDARD DECAL INSTALLATION	C
30	See Note	NSS	Decal - Bar Code (Note: Not Available for Purchase)	
31	1001267308	2	Decal - Model	
32	1701501	4	Decal - Arrow	
33	1001257257	1	Decal Dual Capacity - 507LBS/230kg & 992LBS/450kg	
34	1001257258	1	Decal Dual Capacity - 507LBS/230kg & 992LBS/450kg	
39	1001284687	1	Decal - Lift Diagram	
40	1701691	4	Decal - No Step	
41	4420051	23.1 ft /7m	Stripes, Warning	
44	0860520	1	Box, Manual Storage	
46	3311405	4	Nut 1/4	
47	3820001	2	Rivet	
48	4751400	8	Washer 1/4	
49	1001159323	2	Decal - JLG (8in Height)	
51	1702773	3	Decal - JLG (5in Height)	
58	0641406	4	Bolt 1/4 x 3/4	
67	1701499	4	Decal - No Lift	
68	1701509	1	Decal - Manual	
69	1703811	4	Decal - Tie Down/Lift	
70	1703814	6	Decal - Tie Down	
71	1704277	4	Decal - Attach Lanyard Here	
72	1704412	1	Decal - Hydraulic Oil Chart	
75	1705921	1	Decal - Tipping/Electric (PLF)	
76	1705822	1	Decal - Electric/Safety Manual	
77	1701518	10	Decal - Warning Crushing	
78	1705961	5	Decal - Danger Electrocution	
80	1705828	1	Decal - Footswitch	
81	1703475	4	Decal - Max Tire Load	



# SECTION 9 - DECALS

## FIGURE 9-5. DECAL INSTALLATION (CHINESE SPECS) (800S)

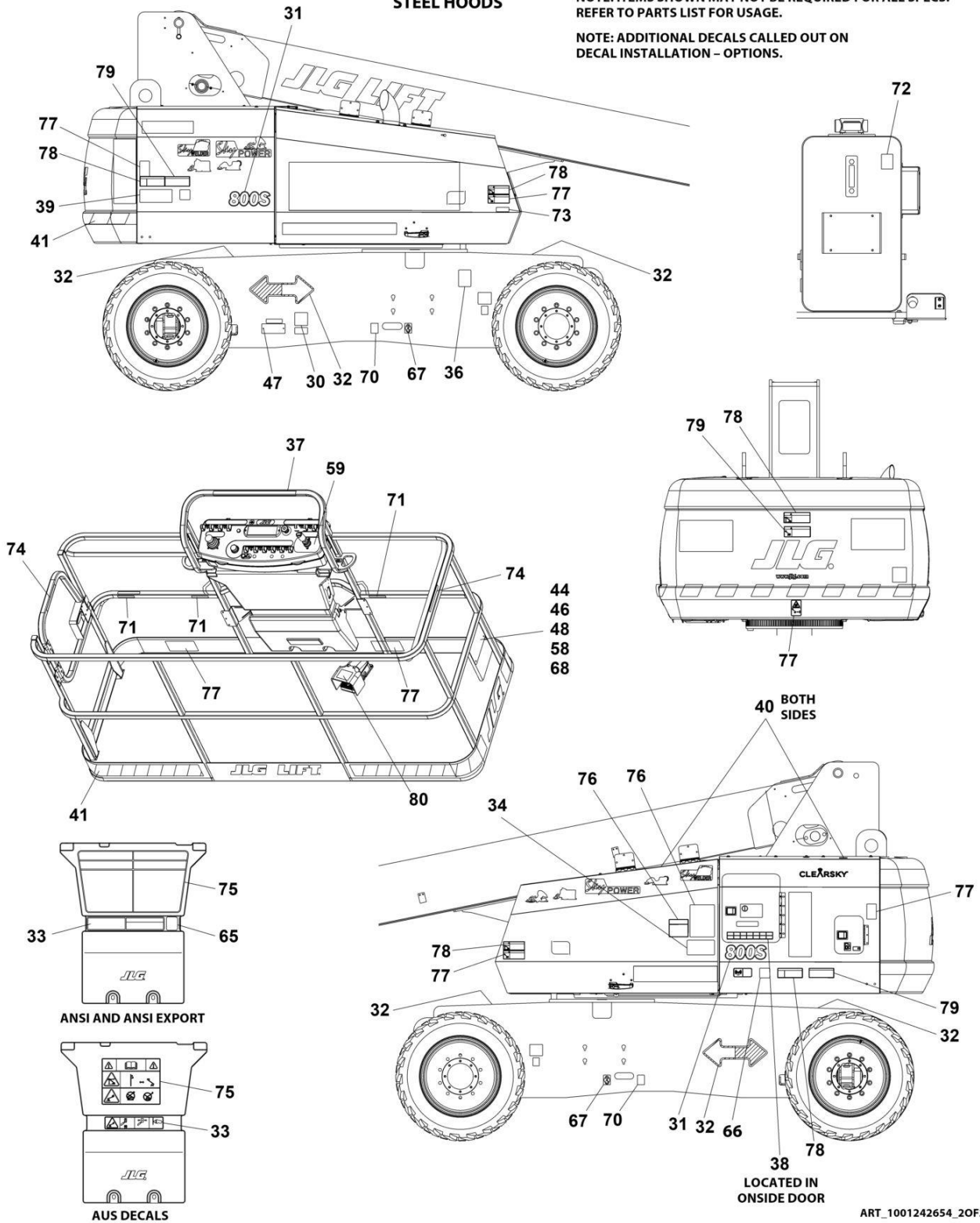


# SECTION 9 - DECALS

## STEEL HOODS

NOTE: ITEMS SHOWN MAY NOT BE REQUIRED FOR ALL SPECS. REFER TO PARTS LIST FOR USAGE.

NOTE: ADDITIONAL DECALS CALLED OUT ON DECAL INSTALLATION - OPTIONS.



## SECTION 9 - DECALS

FIGURE 9-5. DECAL INSTALLATION (CHINESE SPECS) (800S)

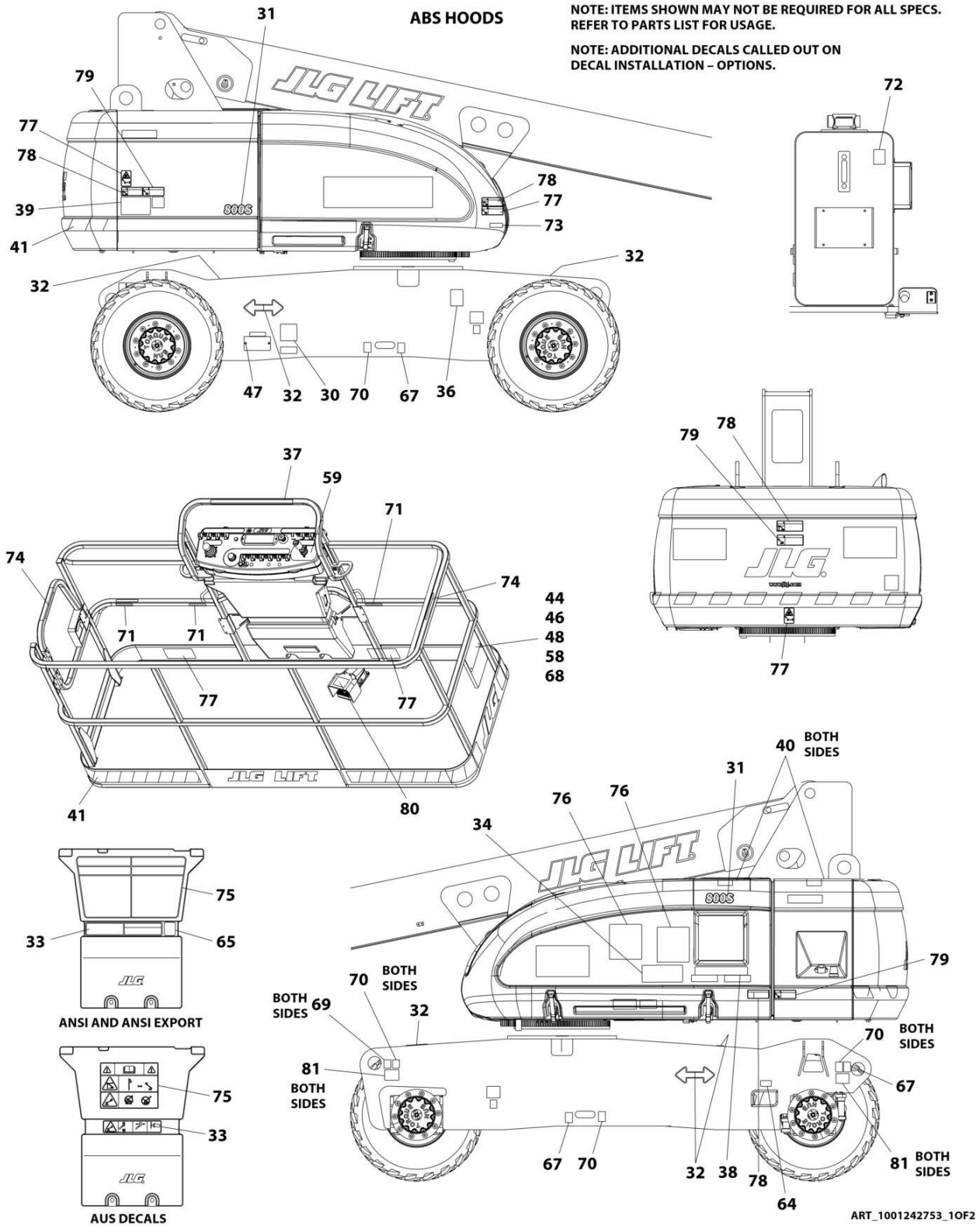
ITEM	PART NUMBER	QTY	DESCRIPTION	REV
	1001242654	Ref	STANDARD DECAL INSTALLATION	E
30	See Note	NSS	Decal - Bar Code (Note: Not Available for Purchase)	
31	1001267308	2	Decal - Model	
32	1701501	4	Decal - Arrow	
33	1001257235	1	Decal Capacity - 500LBS Unrestricted Capacity	
34	1001257236	1	Decal Capacity - 500LBS Unrestricted Capacity	
39	1001284687	1	Decal - Lift Diagram	
40	1701691	4	Decal - No Step	
41	4420051	23.1 ft /7m	Stripes, Warning	
44	0860520	1	Box, Manual Storage	
46	3311405	4	Nut 1/4	
47	3820001	2	Rivet	
48	4751400	8	Washer 1/4	
58	0641406	4	Bolt 1/4 x 3/4	
59	1705430	1	Decal - Drive/Steer Instructions	
63	1001224050	1	Decal - Yearly Inspection	
65	1001244301	1	Decal - No Platform to Ground Attachments	
66	1001244298	1	Decal - Wechat	
67	1701499	4	Decal - No Lift	
68	1701509	1	Decal - Manual	
69	1703811	4	Decal - Tie Down/Lift	
70	1703814	6	Decal - Tie Down	
71	1704277	4	Decal - Attach Lanyard Here	
72	1704412	1	Decal - Hydraulic Oil Chart	
73	3251243	1	Nameplate - 120V-60HZ	
74	1001116846	2	Decal - No Hands	
75	1703925	1	Decal - Warning/Danger	
76	1001116849	2	Decal - Warning Inspection (MTB)	
77	1703949	5	Decal - Warning Crushing	
78	1001116851	5	Decal - Danger Electrocution	
79	1703943	7	Decal - Warning Crushing	
80	1703982	1	Decal - Footswitch	
81	1703475	4	Decal - Max Tire Load	





# SECTION 9 - DECALS

## FIGURE 9-6. DECAL INSTALLATION (CSA SPECS) (800S)

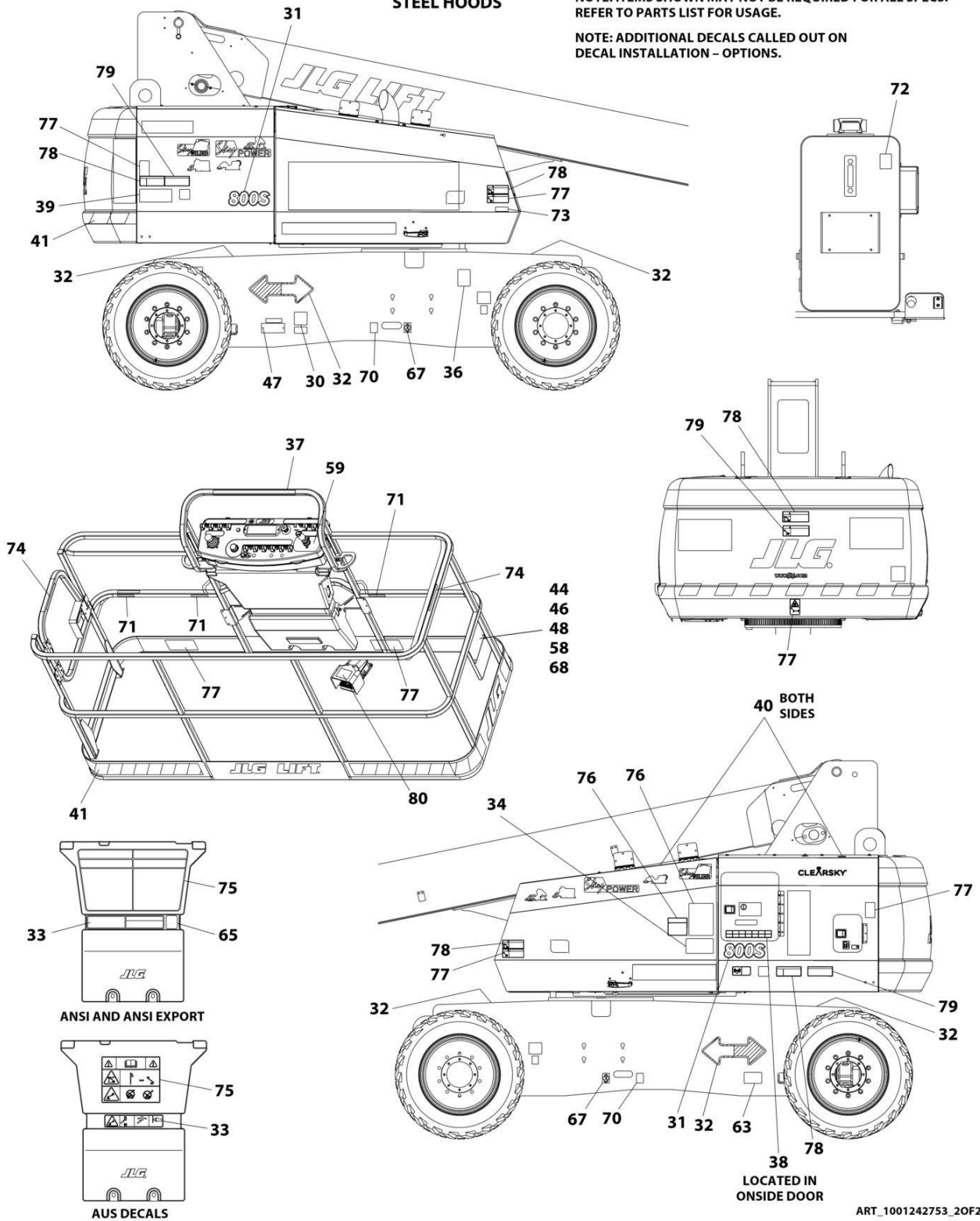


# SECTION 9 - DECALS

## STEEL HOODS

NOTE: ITEMS SHOWN MAY NOT BE REQUIRED FOR ALL SPECS. REFER TO PARTS LIST FOR USAGE.

NOTE: ADDITIONAL DECALS CALLED OUT ON DECAL INSTALLATION - OPTIONS.



ART\_1001242753\_20F2

## SECTION 9 - DECALS

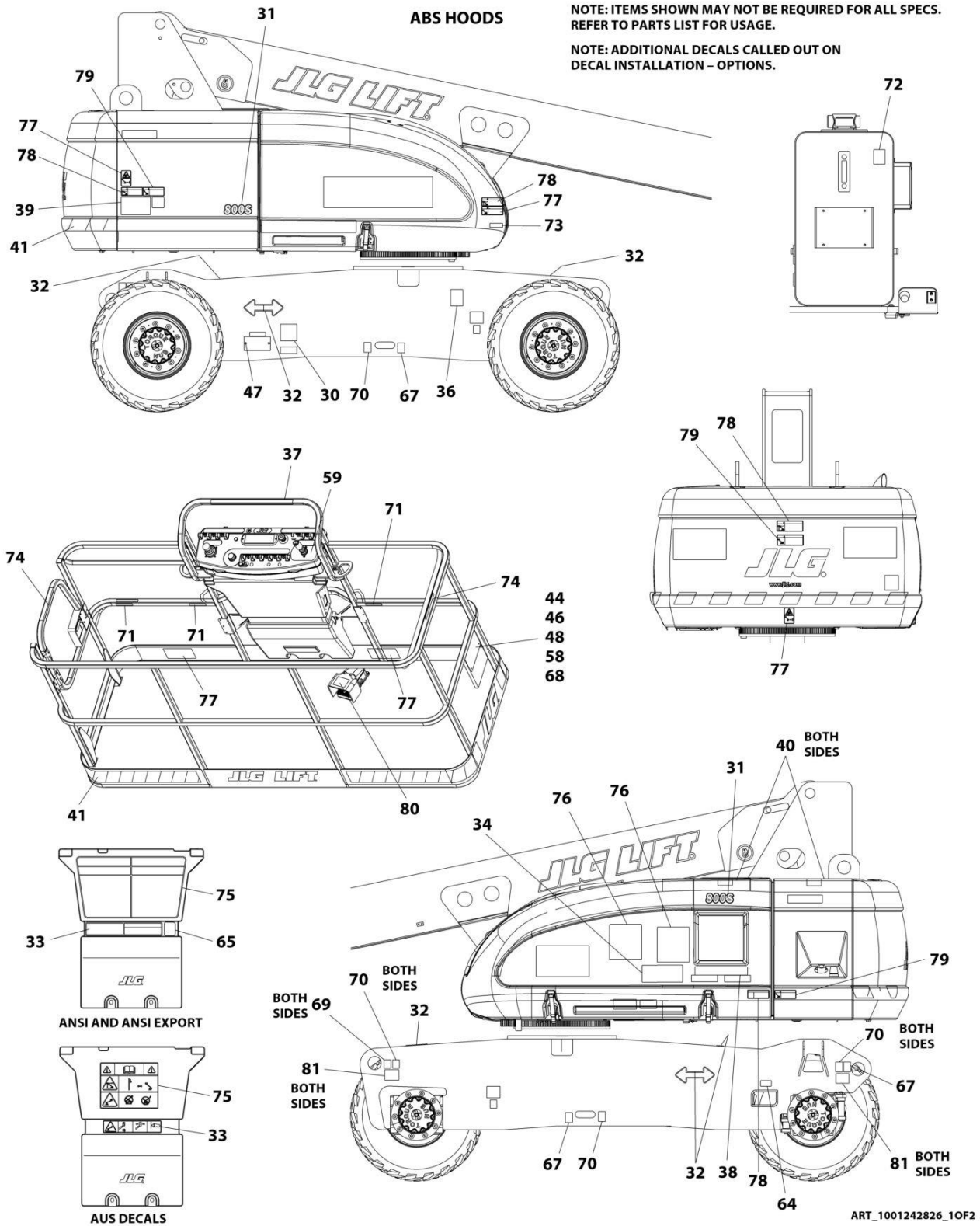
FIGURE 9-6. DECAL INSTALLATION (CSA SPECS) (800S)

ITEM	PART NUMBER	QTY	DESCRIPTION	REV
	1001242753	Ref	STANDARD DECAL INSTALLATION	E
30	See Note	NSS	Decal - Bar Code (Note: Not Available for Purchase)	
31	1001267308	2	Decal - Model	
32	1701501	4	Decal - Arrow	
33	1001257231	1	Decal Capacity - 500LBS Unrestricted Capacity	
34	1001257232	1	Decal Capacity - 500LBS Unrestricted Capacity	
36	1001131269	1	Decal - Patent	
39	1001284687	1	Decal - Lift Diagram	
40	1701691	4	Decal - No Step	
41	4420051	23.1 ft /7m	Stripes, Warning	
44	0860520	1	Box, Manual Storage	
46	3311405	4	Nut 1/4	
47	3820001	2	Rivet	
48	4751400	8	Washer 1/4	
58	0641406	4	Bolt 1/4 x 3/4	
59	1705429	1	Decal - Drive/Steer Instructions	
63	1001223971	1	Decal - Yearly Inspection	
64	1001223453	1	Decal - ICES	
67	1701499	4	Decal - No Lift	
68	1701509	1	Decal - Manual	
69	1703811	4	Decal - Tie Down/Lift	
70	1703814	6	Decal - Tie Down	
71	1704277	4	Decal - Attach Lanyard Here	
72	1704412	1	Decal - Hydraulic Oil Chart	
74	1704000	2	Decal - No Hands	
75	1703924	1	Decal - Warning/Danger	
76	1705347	1	Decal - Warning Inspection (MTB)	
77	1703848	5	Decal - Warning Crushing	
78	1703936	5	Decal - Danger Electrocution	
79	1703942	7	Decal - Warning Crushing	
80	1703984	1	Decal - Footswitch	
81	1703475	4	Decal - Max Tire Load	



# SECTION 9 - DECALS

## FIGURE 9-7. DECAL INSTALLATION (JAPANESE SPECS) (800S)

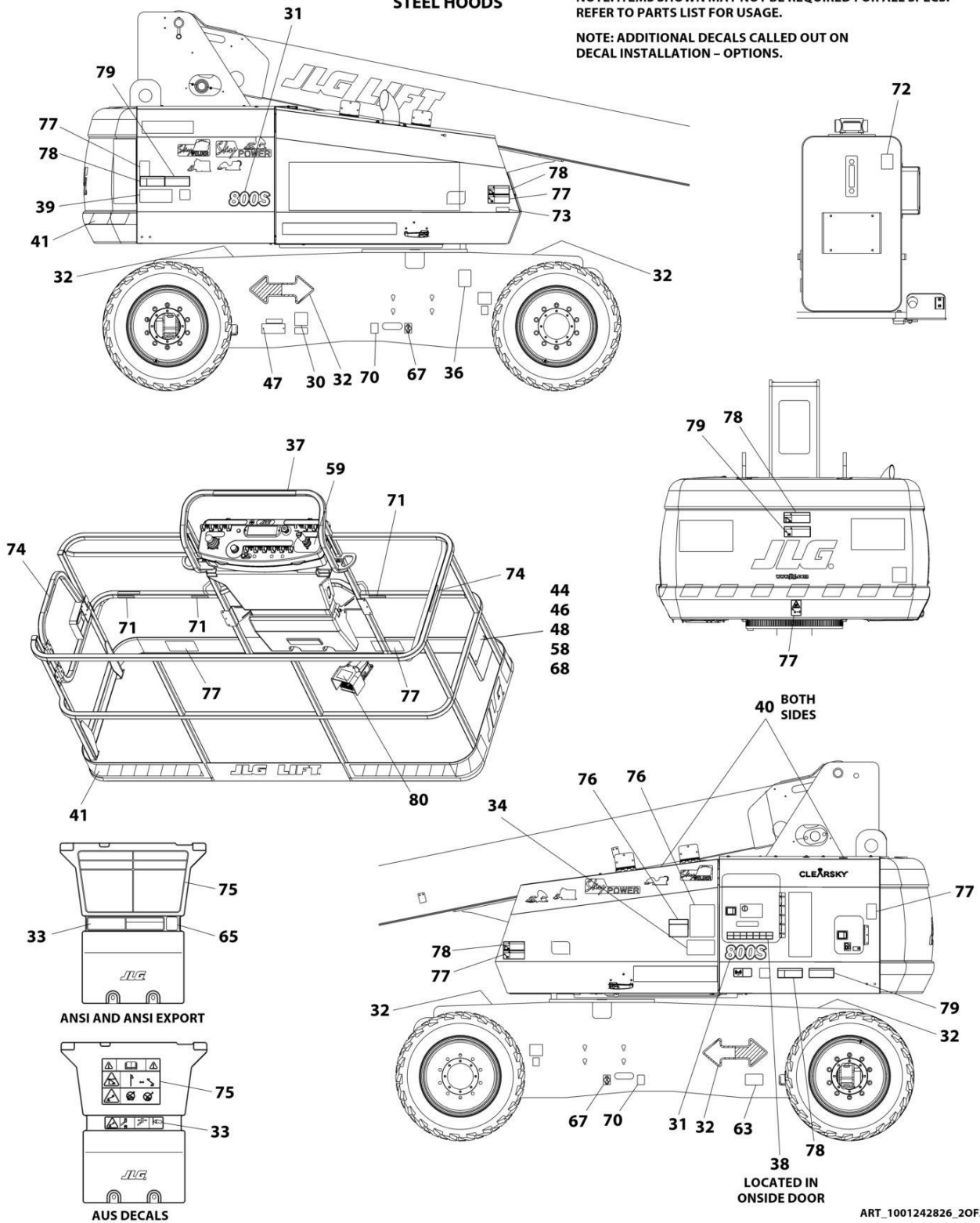


# SECTION 9 - DECALS

## STEEL HOODS

NOTE: ITEMS SHOWN MAY NOT BE REQUIRED FOR ALL SPECS. REFER TO PARTS LIST FOR USAGE.

NOTE: ADDITIONAL DECALS CALLED OUT ON DECAL INSTALLATION - OPTIONS.



ART\_1001242826\_20F2

## SECTION 9 - DECALS

**FIGURE 9-7. DECAL INSTALLATION (JAPANESE SPECS) (800S)**

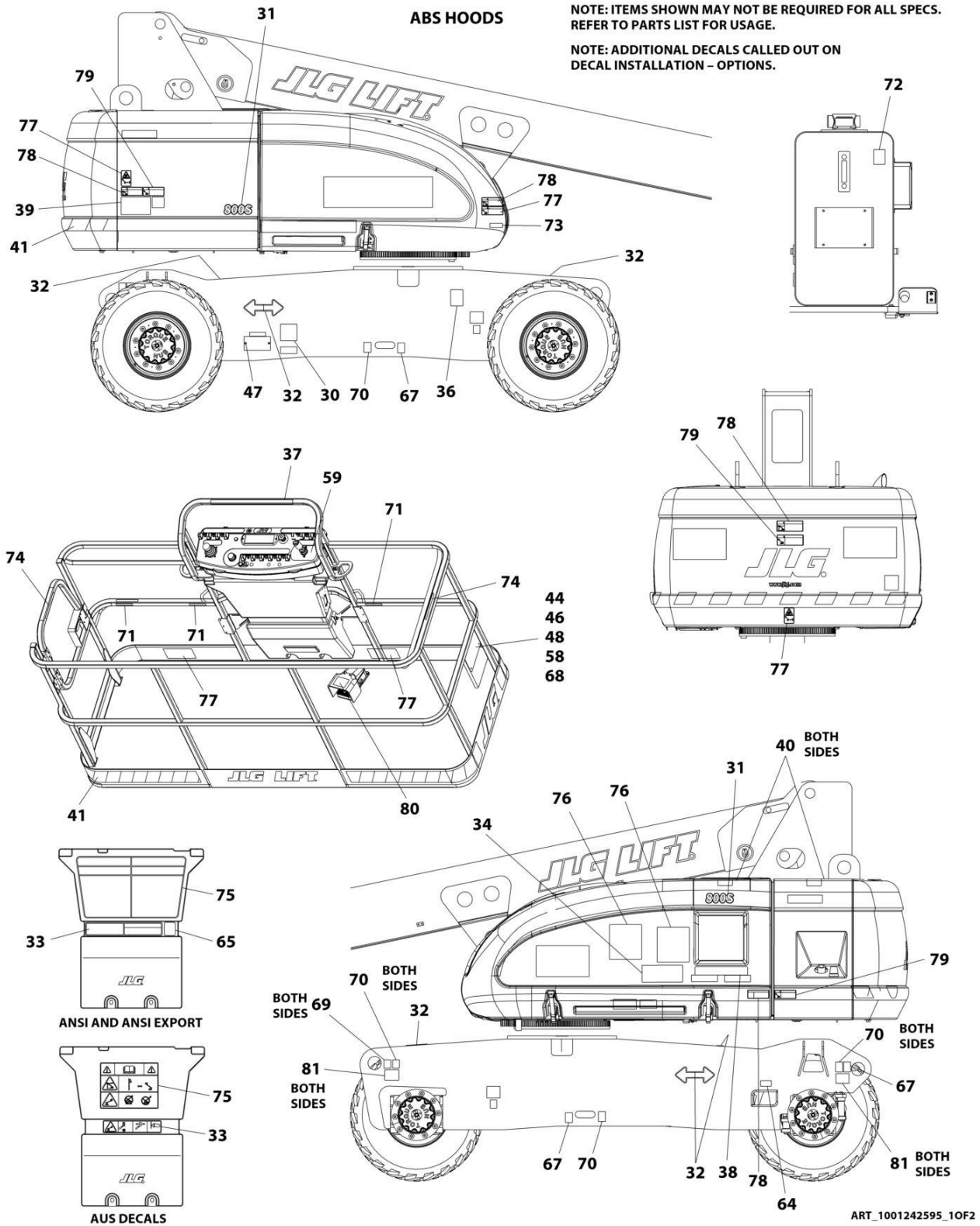
ITEM	PART NUMBER	QTY	DESCRIPTION	REV
	1001242826	Ref	STANDARD DECAL INSTALLATION	E
30	See Note	NSS	Decal - Bar Code (Note: Not Available for Purchase)	
31	1001267308	2	Decal - Model	
32	1701501	4	Decal - Arrow	
33	1001257239	1	Decal Capacity - 500LBS Unrestricted Capacity	
34	1001257240	1	Decal Capacity - 500LBS Unrestricted Capacity	
39	1001284687	1	Decal - Lift Diagram	
40	1701691	4	Decal - No Step	
41	4420051	23.1 ft /7m	Stripes, Warning	
44	0860520	1	Box, Manual Storage	
46	3311405	4	Nut 1/4	
47	3820001	2	Rivet	
48	4751400	8	Washer 1/4	
58	0641406	4	Bolt 1/4 x 3/4	
59	1705426	1	Decal - Drive/Steer Instructions	
63	1001224053	1	Decal - Yearly Inspection	
67	1701499	4	Decal - No Lift	
68	1701509	1	Decal - Manual	
69	1703811	4	Decal - Tie Down/Lift	
70	1703814	6	Decal - Tie Down	
71	1704277	4	Decal - Attach Lanyard Here	
72	1704412	1	Decal - Hydraulic Oil Chart	
73	3251243	1	Nameplate - 120V-60HZ	
75	1703926	1	Decal - Warning/Danger	
76	1705344	1	Decal - Warning Inspection (MTB)	
77	1703950	5	Decal - Warning Crushing	
78	1703938	5	Decal - Danger Electrocuton	
79	1703944	7	Decal - Warning Crushing	
80	1703980	1	Decal - Footswitch	
81	1703475	4	Decal - Max Tire Load	





# SECTION 9 - DECALS

## FIGURE 9-8. DECAL INSTALLATION (KOREAN SPECS) (800S)

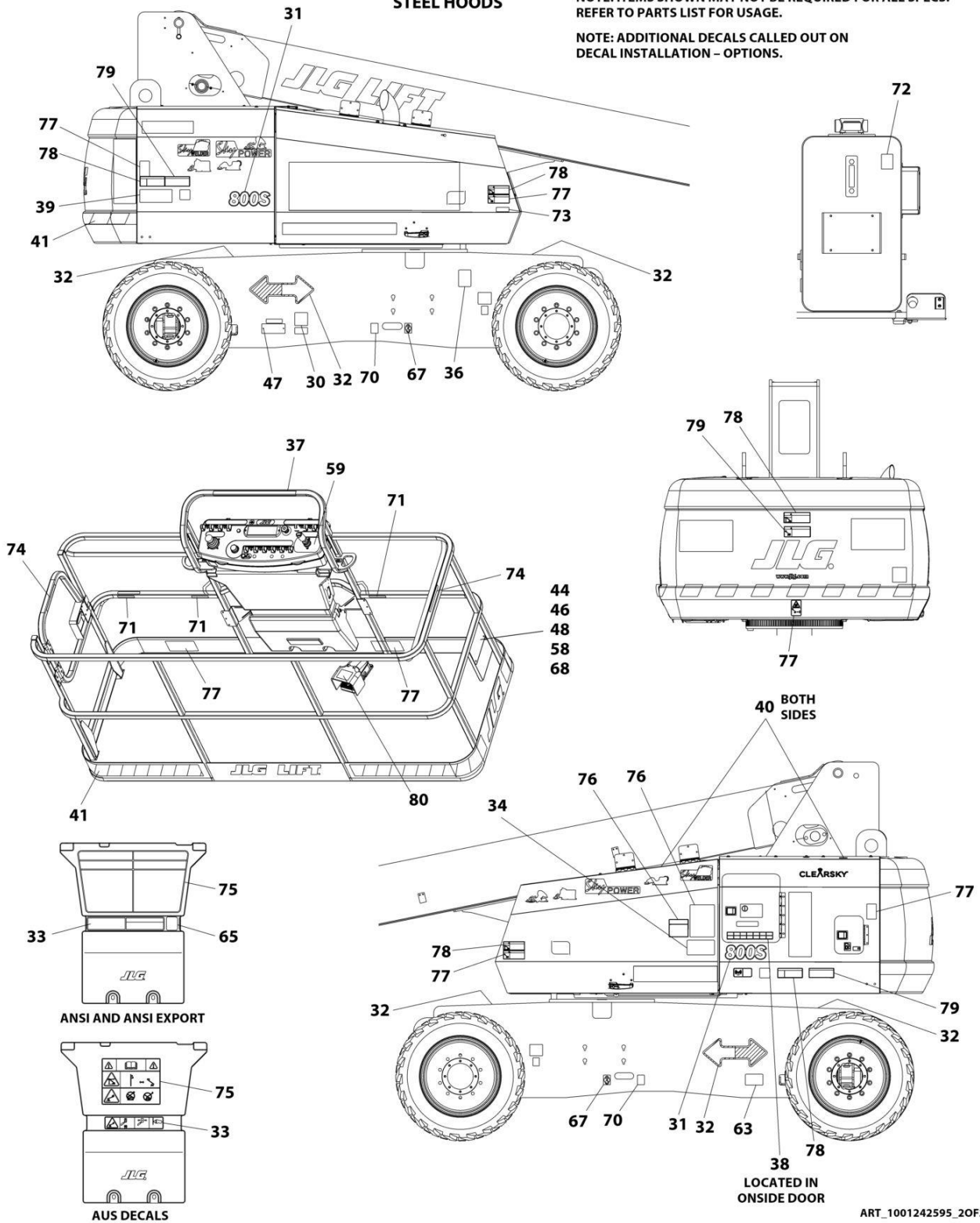


# SECTION 9 - DECALS

## STEEL HOODS

NOTE: ITEMS SHOWN MAY NOT BE REQUIRED FOR ALL SPECS. REFER TO PARTS LIST FOR USAGE.

NOTE: ADDITIONAL DECALS CALLED OUT ON DECAL INSTALLATION - OPTIONS.



## SECTION 9 - DECALS

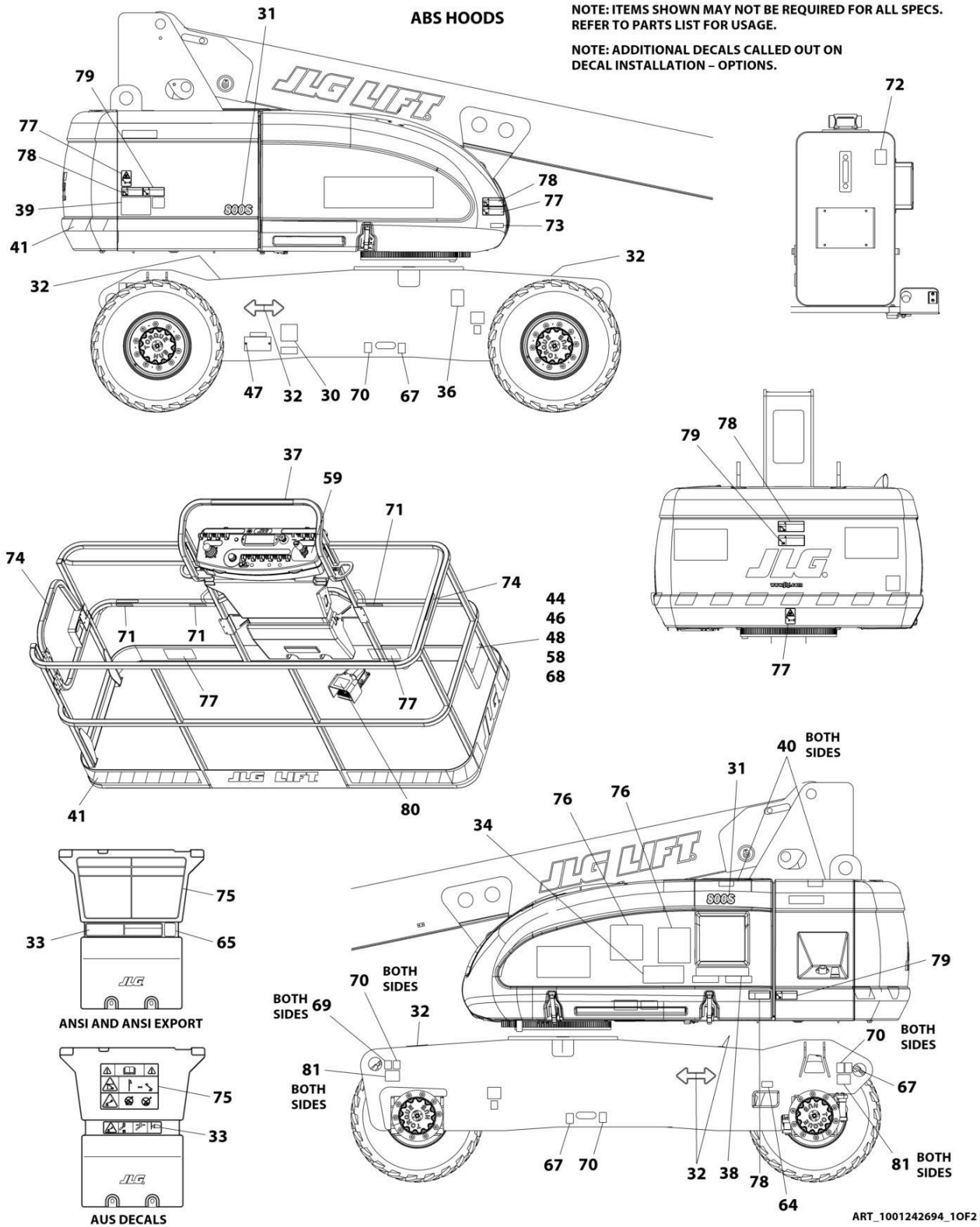
FIGURE 9-8. DECAL INSTALLATION (KOREAN SPECS) (800S)

ITEM	PART NUMBER	QTY	DESCRIPTION	REV
	1001242595	Ref	STANDARD DECAL INSTALLATION	E
30	See Note	NSS	Decal - Bar Code (Note: Not Available for Purchase)	
31	1001267308	2	Decal - Model	
32	1701501	4	Decal - Arrow	
33	1001257233	1	Decal Capacity - 500LBS Unrestricted Capacity	
34	1001257234	1	Decal Capacity - 500LBS Unrestricted Capacity	
39	1001284687	1	Decal - Lift Diagram	
40	1701691	4	Decal - No Step	
41	4420051	23.1 ft /7m	Stripes, Warning	
44	0860520	1	Box, Manual Storage	
46	3311405	4	Nut 1/4	
47	3820001	2	Rivet	
48	4751400	8	Washer 1/4	
58	0641406	4	Bolt 1/4 x 3/4	
59	1705427	1	Decal - Drive/Steer Instructions	
63	1001224048	1	Decal - Yearly Inspection	
67	1701499	4	Decal - No Lift	
68	1701509	1	Decal - Manual	
69	1703811	4	Decal - Tie Down/Lift	
70	1703814	6	Decal - Tie Down	
71	1704277	4	Decal - Attach Lanyard Here	
72	1704412	1	Decal - Hydraulic Oil Chart	
73	3251243	1	Nameplate - 120V-60HZ	
74	1705969	2	Decal - No Hands	
75	1703927	1	Decal - Warning/Danger	
76	1705345	1	Decal - Warning Inspection (MTB)	
77	1703951	5	Decal - Warning Crushing	
78	1703939	5	Decal - Danger Electrocution	
79	1703945	7	Decal - Warning Crushing	
80	1703981	1	Decal - Footswitch	
81	1703475	4	Decal - Max Tire Load	



# SECTION 9 - DECALS

## FIGURE 9-9. DECAL INSTALLATION (LATIN AMERICAN SPECS) (800S)

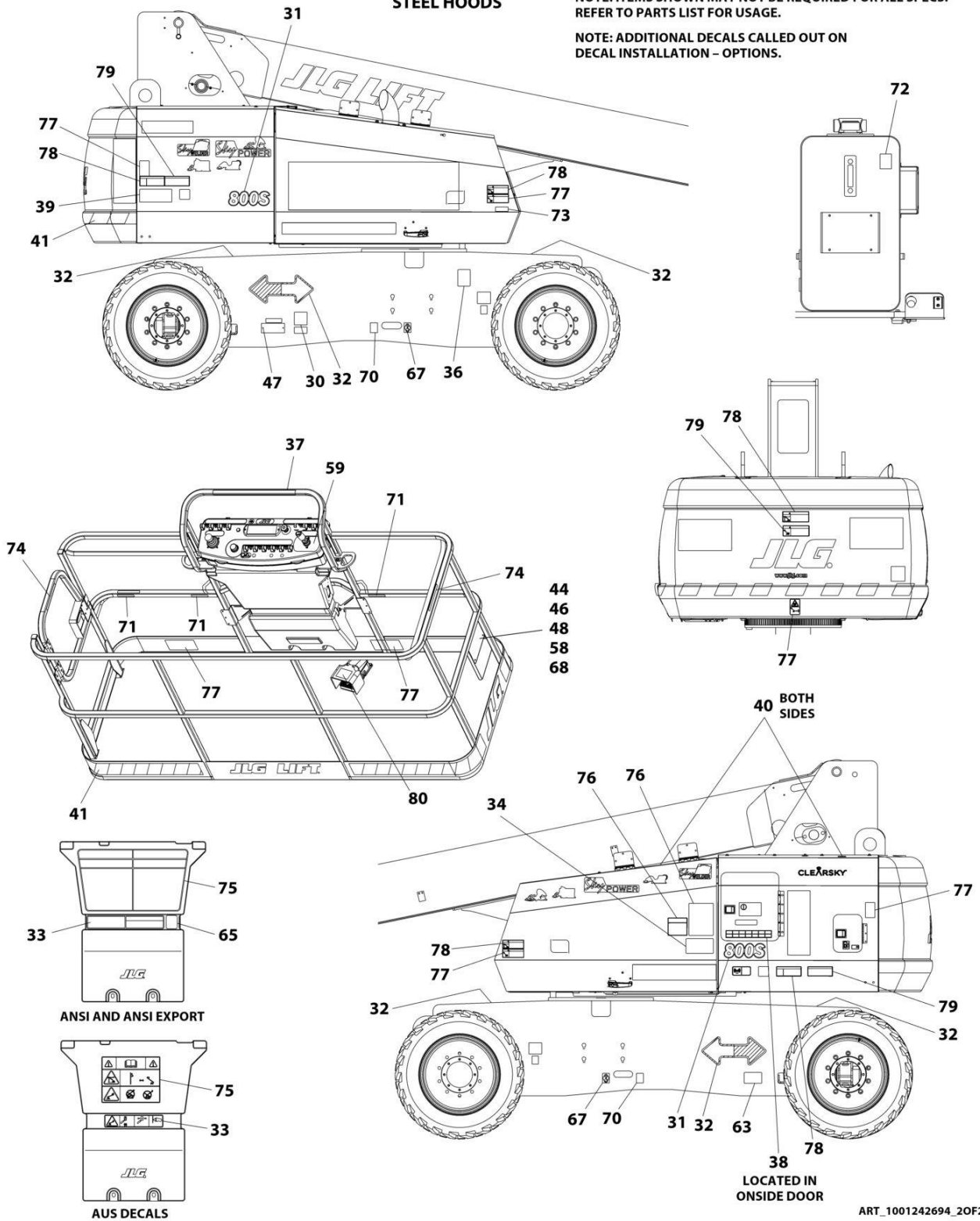


# SECTION 9 - DECALS

## STEEL HOODS

NOTE: ITEMS SHOWN MAY NOT BE REQUIRED FOR ALL SPECS. REFER TO PARTS LIST FOR USAGE.

NOTE: ADDITIONAL DECALS CALLED OUT ON DECAL INSTALLATION - OPTIONS.



## SECTION 9 - DECALS

**FIGURE 9-9. DECAL INSTALLATION (LATIN AMERICAN SPECS) (800S)**

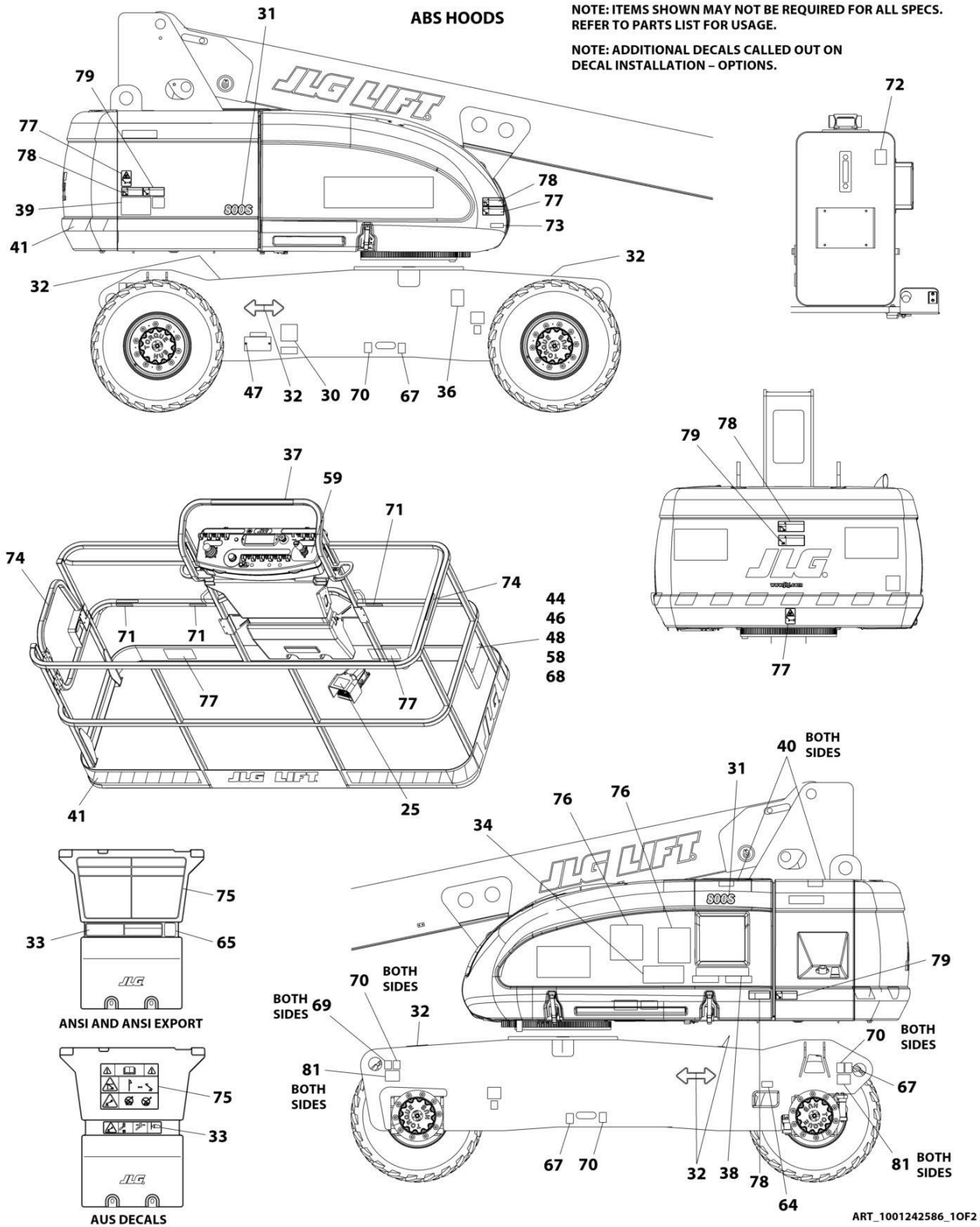
ITEM	PART NUMBER	QTY	DESCRIPTION	REV
	1001242694	Ref	STANDARD DECAL INSTALLATION	E
30	See Note	NSS	Decal - Bar Code (Note: Not Available for Purchase)	
31	1001267308	2	Decal - Model	
32	1701501	4	Decal - Arrow	
33	1001257237	1	Decal Capacity - 500LBS Unrestricted Capacity	
34	1001257238	1	Decal Capacity - 500LBS Unrestricted Capacity	
39	1001284687	1	Decal - Lift Diagram	
40	1701691	4	Decal - No Step	
41	4420051	23.1 ft /7m	Stripes, Warning	
44	0860520	1	Box, Manual Storage	
46	3311405	4	Nut 1/4	
47	3820001	2	Rivet	
48	4751400	8	Washer 1/4	
58	0641406	4	Bolt 1/4 x 3/4	
59	1705910	1	Decal - Drive/Steer Instructions	
63	1001224049	1	Decal - Yearly Inspection	
67	1701499	4	Decal - No Lift	
68	1701509	1	Decal - Manual	
69	1703811	4	Decal - Tie Down/Lift	
70	1703814	6	Decal - Tie Down	
71	1704277	4	Decal - Attach Lanyard Here	
72	1704412	1	Decal - Hydraulic Oil Chart	
73	3251243	1	Nameplate - 120V-60HZ	
74	1704001	2	Decal - No Hands	
75	1703923	1	Decal - Warning/Danger	
76	1705917	1	Decal - Warning Inspection (MTB)	
77	1703947	5	Decal - Warning Crushing	
78	1703935	5	Decal - Danger Electrocution	
79	1703941	7	Decal - Warning Crushing	
80	1703983	1	Decal - Footswitch	
81	1703475	4	Decal - Max Tire Load	





# SECTION 9 - DECALS

## FIGURE 9-10. DECAL INSTALLATION (ANSI SPECS) (860SJ)

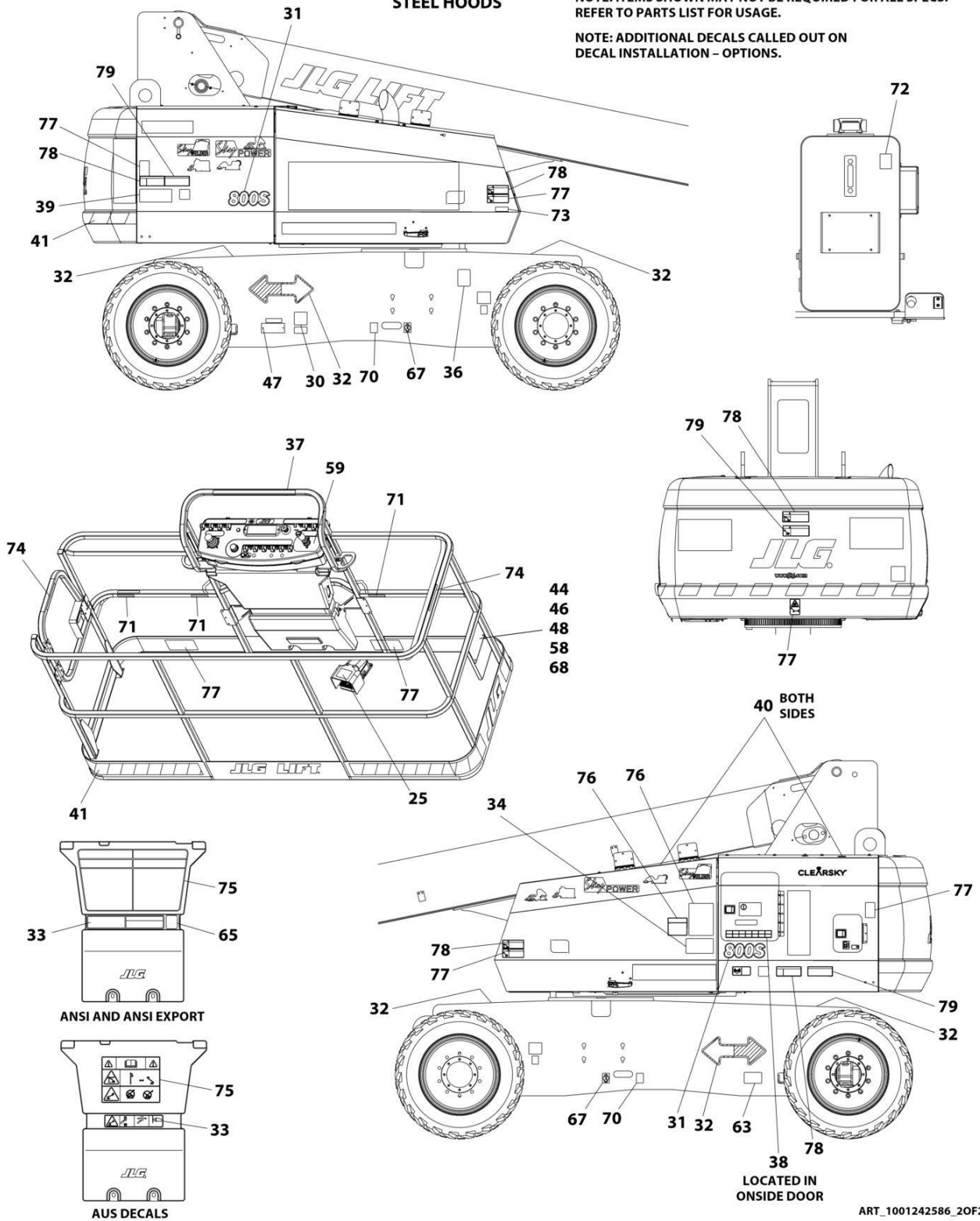


# SECTION 9 - DECALS

## STEEL HOODS

NOTE: ITEMS SHOWN MAY NOT BE REQUIRED FOR ALL SPECS. REFER TO PARTS LIST FOR USAGE.

NOTE: ADDITIONAL DECALS CALLED OUT ON DECAL INSTALLATION - OPTIONS.



## SECTION 9 - DECALS

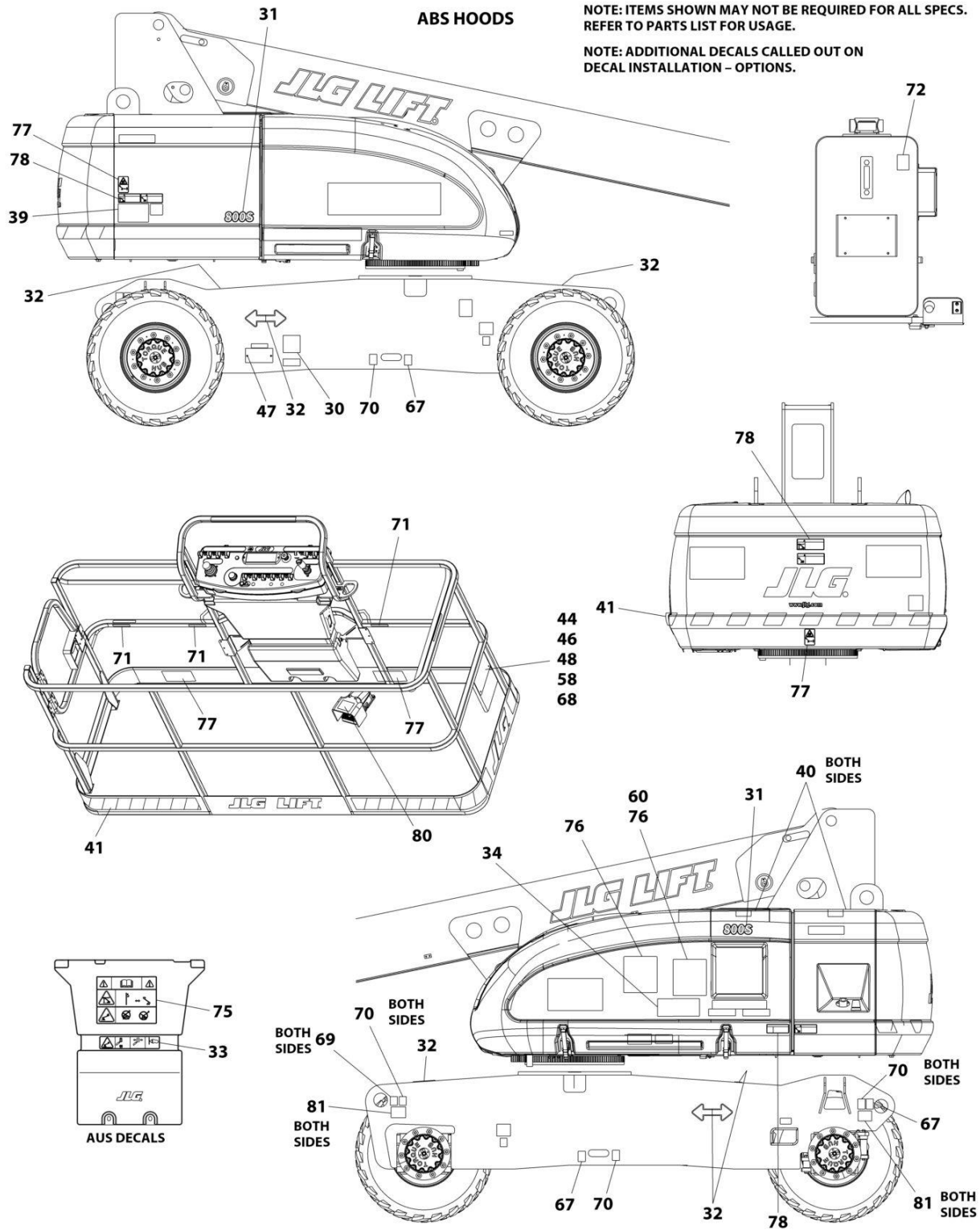
**FIGURE 9-10. DECAL INSTALLATION (ANSI SPECS) (860SJ)**

ITEM	PART NUMBER	QTY	DESCRIPTION	REV
	1001242586	Ref	STANDARD DECAL INSTALLATION	E
25	3252347	1	Decal - Footswitch	
30	See Note	NSS	Decal - Bar Code (Note: Not Available for Purchase)	
31	1001267309	2	Decal - Model	
32	1701501	4	Decal - Arrow	
33	1001257243	1	Decal Capacity - 500LBS Unrestricted Capacity	
34	1001257244	1	Decal Capacity - 500LBS Unrestricted Capacity	
36	1001131269	1	Decal - Patent	
39	1001284687	1	Decal - Lift Diagram	
40	1701691	4	Decal - No Step	
41	4420051	23.1 ft /7m	Stripes, Warning	
44	0860520	1	Box, Manual Storage	
46	3311405	4	Nut 1/4	
47	3820001	2	Rivet	
48	4751400	8	Washer 1/4	
58	0641406	4	Bolt 1/4 x 3/4	
59	1705351	1	Decal - Drive/Steer Instructions	
63	1001223055	1	Decal - Yearly Inspection	
64	1001223453	1	Decal - ICES	
67	1701499	4	Decal - No Lift	
68	1701509	1	Decal - Manual	
69	1703811	4	Decal - Tie Down/Lift	
70	1703814	6	Decal - Tie Down	
71	1704277	4	Decal - Attach Lanyard Here	
72	1704412	1	Decal - Hydraulic Oil Chart	
73	3251243	1	Nameplate - 120V-60HZ	
74	1702868	2	Decal - No Hands	
75	1703797	1	Decal - Warning/Danger	
76	1705336	1	Decal - Warning Inspection (MTB)	
77	1703804	5	Decal - Warning Crushing	
78	1703805	5	Decal - Danger Electrocution	
79	1703953	7	Decal - Warning Crushing	
81	1703482	4	Decal - Max Tire Load	



# SECTION 9 - DECALS

## FIGURE 9-11. DECAL INSTALLATION (AUSTRALIAN SPECS) (860SJ)



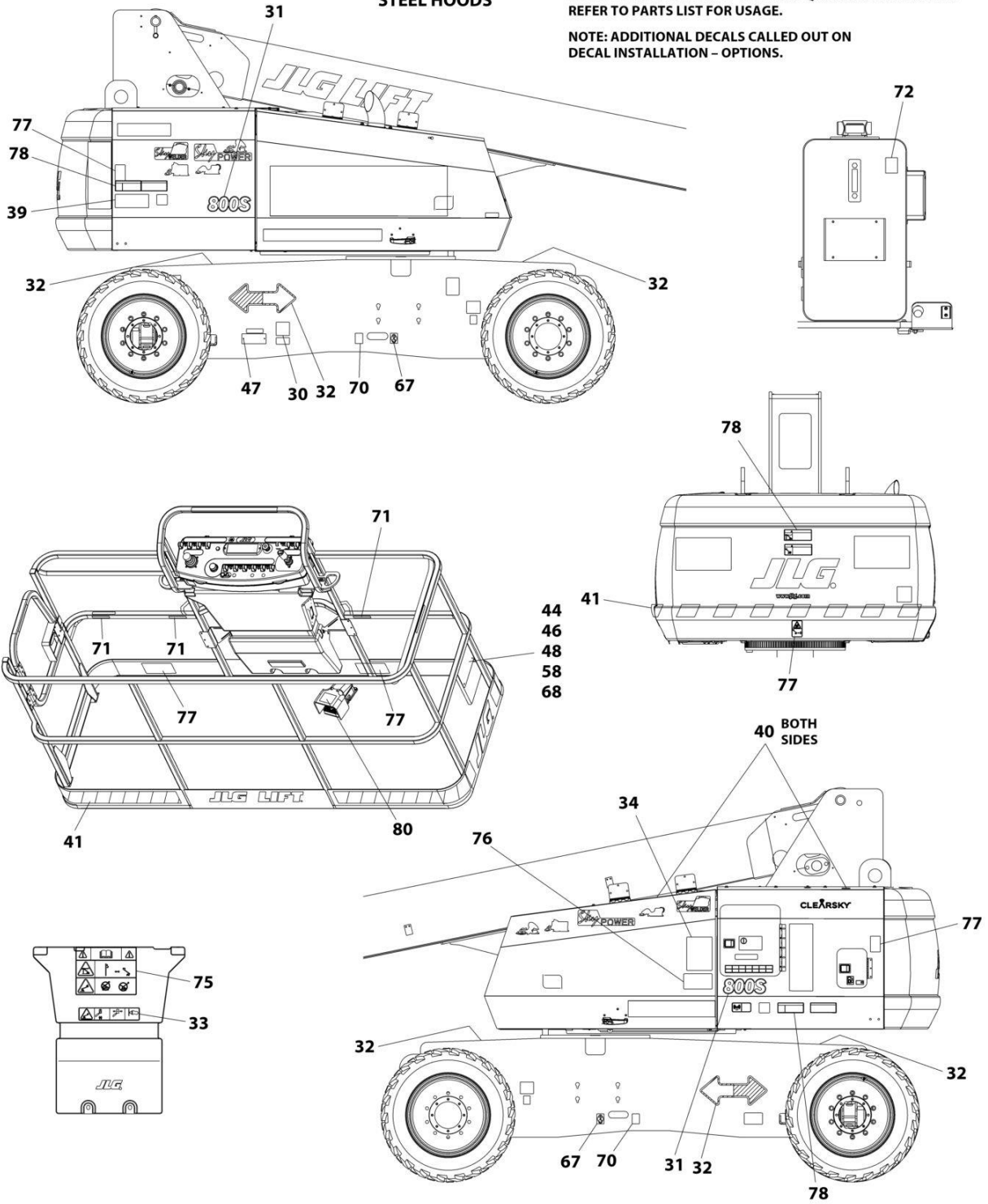
ART\_1001257323\_10F2

# SECTION 9 - DECALS

## STEEL HOODS

NOTE: ITEMS SHOWN MAY NOT BE REQUIRED FOR ALL SPECS. REFER TO PARTS LIST FOR USAGE.

NOTE: ADDITIONAL DECALS CALLED OUT ON DECAL INSTALLATION - OPTIONS.



ART\_1001257323\_20F2

## SECTION 9 - DECALS

FIGURE 9-11. DECAL INSTALLATION (AUSTRALIAN SPECS) (860SJ)

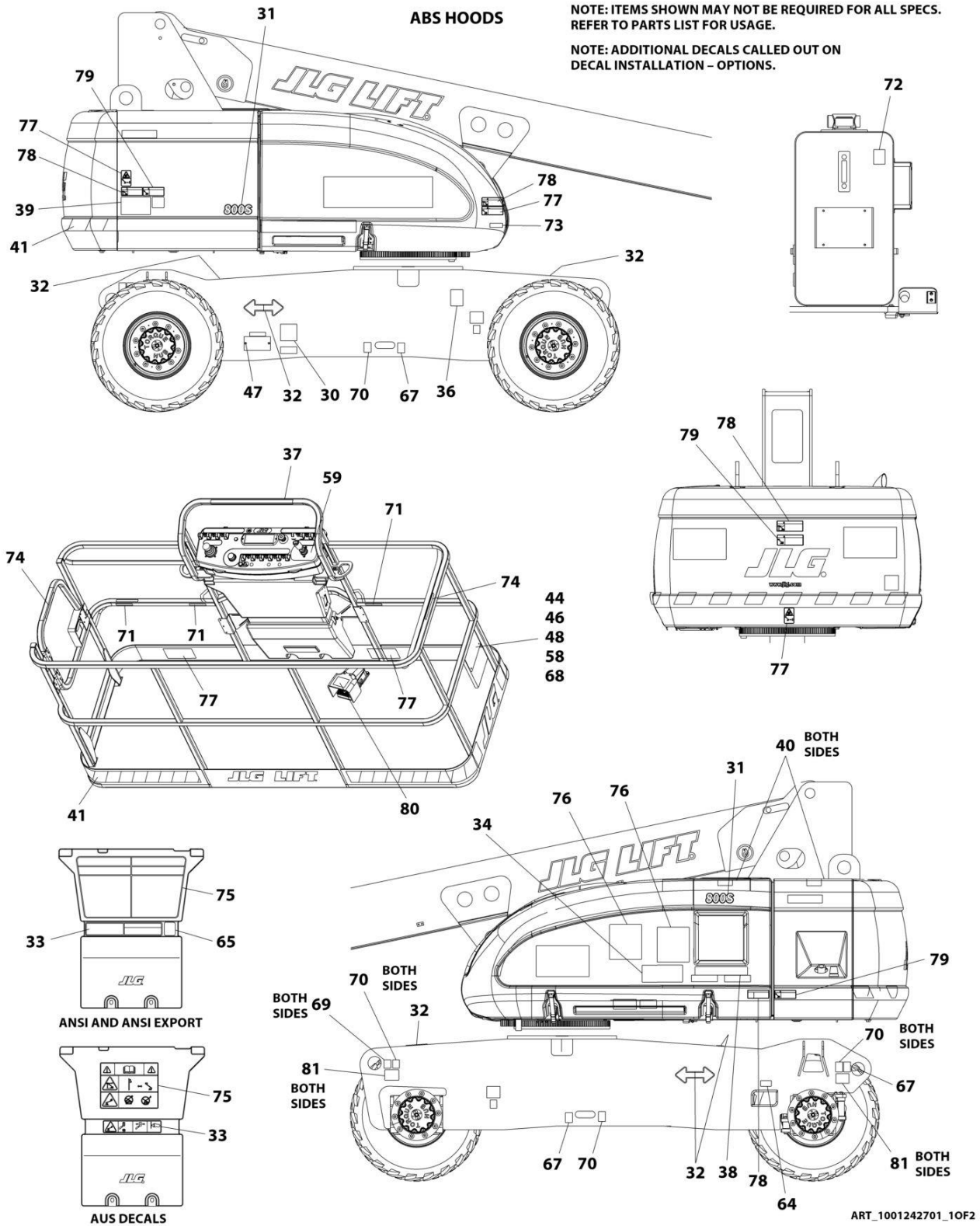
ITEM	PART NUMBER	QTY	DESCRIPTION	REV
	1001257323	Ref	STANDARD DECAL INSTALLATION	C
30	See Note	NSS	Decal - Bar Code (Note: Not Available for Purchase)	
31	1001267309	2	Decal - Model	
32	1701501	4	Decal - Arrow	
33	1001257259	1	Decal Dual Capacity - 507LBS/230kg & 750LBS/340kg	
34	1001257260	1	Decal Dual Capacity - 507LBS/230kg & 750LBS/340kg	
39	1001284687	1	Decal - Lift Diagram	
40	1701691	4	Decal - No Step	
41	4420051	23.1 ft /7m	Stripes, Warning	
44	0860520	1	Box, Manual Storage	
46	3311405	4	Nut 1/4	
47	3820001	2	Rivet	
48	4751400	8	Washer 1/4	
58	0641406	4	Bolt 1/4 x 3/4	
60	1001112551	1	Decal - Emergency Control	
67	1701499	4	Decal - No Lift	
68	1701509	1	Decal - Manual	
69	1703811	4	Decal - Tie Down/Lift	
70	1703814	6	Decal - Tie Down	
71	1704277	4	Decal - Attach Lanyard Here	
72	1704412	1	Decal - Hydraulic Oil Chart	
75	1705921	1	Decal - Tipping/Electric (PLF)	
76	1705822	1	Decal - Electric/Safety Manual	
77	1701518	10	Decal - Warning Crushing	
78	1705961	5	Decal - Danger Electrocution	
80	1705828	1	Decal - Footswitch	
81	1703482	4	Decal - Max Tire Load	





# SECTION 9 - DECALS

## FIGURE 9-12. DECAL INSTALLATION (BRAZILIAN SPECS) (860SJ)

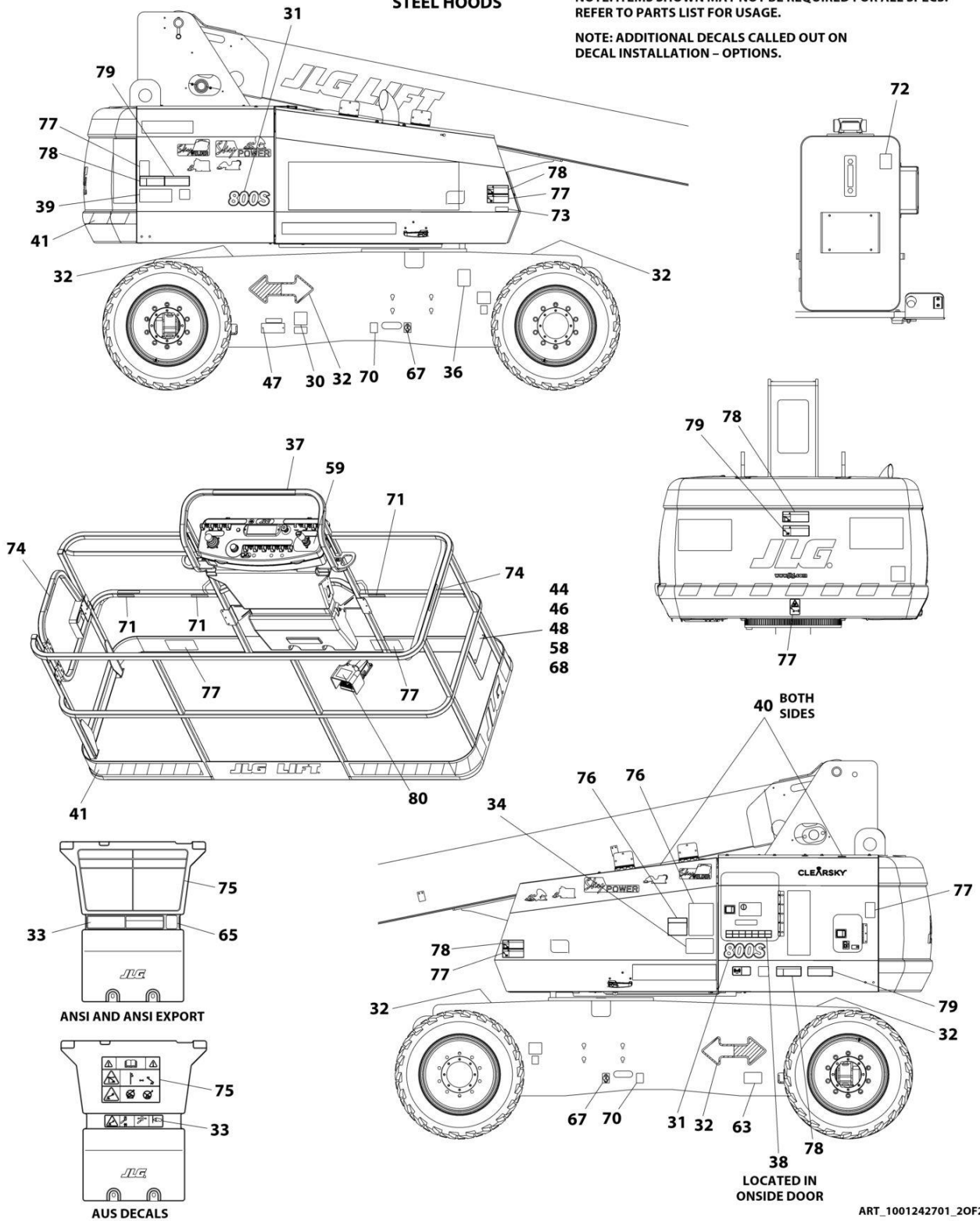


# SECTION 9 - DECALS

## STEEL HOODS

NOTE: ITEMS SHOWN MAY NOT BE REQUIRED FOR ALL SPECS. REFER TO PARTS LIST FOR USAGE.

NOTE: ADDITIONAL DECALS CALLED OUT ON DECAL INSTALLATION - OPTIONS.



## SECTION 9 - DECALS

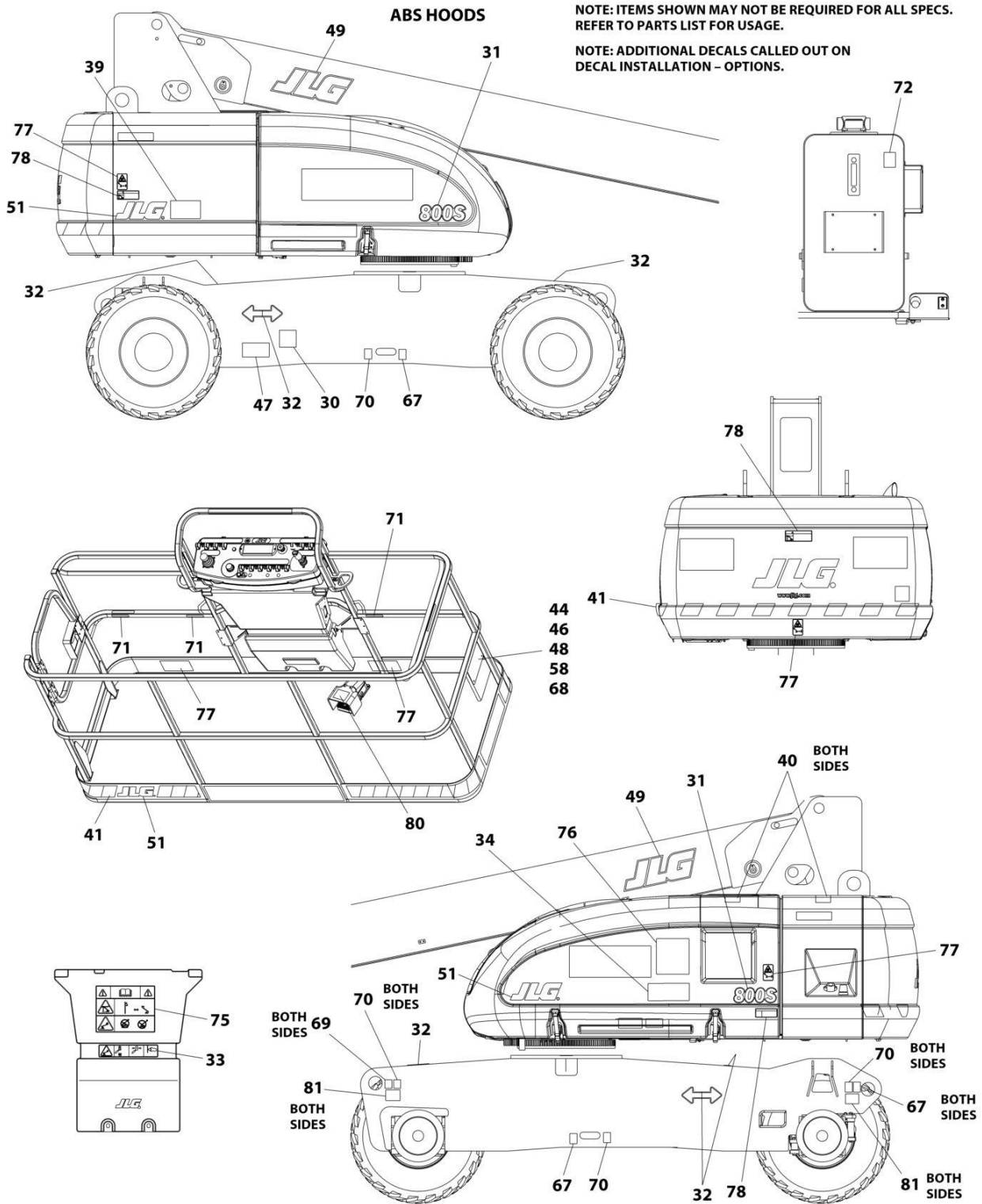
**FIGURE 9-12. DECAL INSTALLATION(BRAZILIAN SPECS) (860SJ)**

ITEM	PART NUMBER	QTY	DESCRIPTION	REV
	1001242701	Ref	STANDARD DECAL INSTALLATION	E
30	See Note	NSS	Decal - Bar Code (Note: Not Available for Purchase)	
31	1001267309	2	Decal - Model	
32	1701501	4	Decal - Arrow	
33	1001257255	1	Decal Capacity - 500LBS Unrestricted Capacity	
34	1001257256	1	Decal Capacity - 500LBS Unrestricted Capacity	
39	1001284687	1	Decal - Lift Diagram	
40	1701691	4	Decal - No Step	
41	4420051	23.1 ft /7m	Stripes, Warning	
44	0860520	1	Box, Manual Storage	
46	3311405	4	Nut 1/4	
47	3820001	2	Rivet	
48	4751400	8	Washer 1/4	
58	0641406	4	Bolt 1/4 x 3/4	
59	1705905	1	Decal - Drive/Steer Instructions	
63	1001224052	1	Decal - Yearly Inspection	
67	1701499	4	Decal - No Lift	
68	1701509	1	Decal - Manual	
69	1703811	4	Decal - Tie Down/Lift	
70	1703814	6	Decal - Tie Down	
71	1704277	4	Decal - Attach Lanyard Here	
72	1704412	1	Decal - Hydraulic Oil Chart	
74	1705967	2	Decal - No Hands	
75	1705895	1	Decal - Warning/Danger	
76	1705896	1	Decal - Warning Inspection (MTB)	
77	1705898	5	Decal - Warning Crushing	
78	1705897	5	Decal - Danger Electrocuton	
79	1705903	7	Decal - Warning Crushing	
80	1705902	1	Decal - Foot Switch	
81	1703482	4	Decal - Max Tire Load	



# SECTION 9 - DECALS

## FIGURE 9-13. DECAL INSTALLATION(CE & UK CA SPECS) (860SJ)



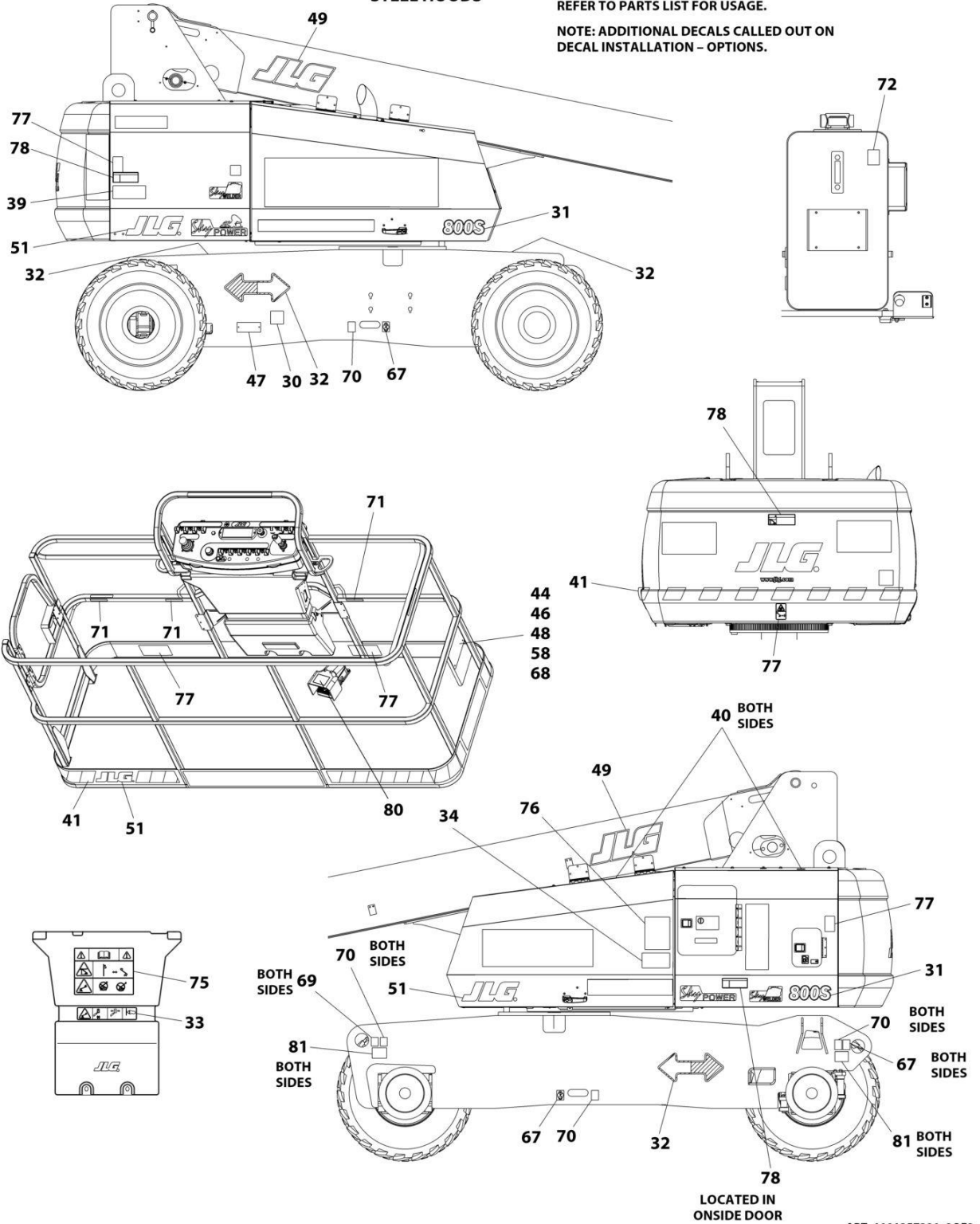
ART\_1001257321\_10F2

# SECTION 9 - DECALS

## STEEL HOODS

NOTE: ITEMS SHOWN MAY NOT BE REQUIRED FOR ALL SPECS. REFER TO PARTS LIST FOR USAGE.

NOTE: ADDITIONAL DECALS CALLED OUT ON DECAL INSTALLATION - OPTIONS.



## SECTION 9 - DECALS

FIGURE 9-13. DECAL INSTALLATION (CE & UK CA SPECS) (860SJ)

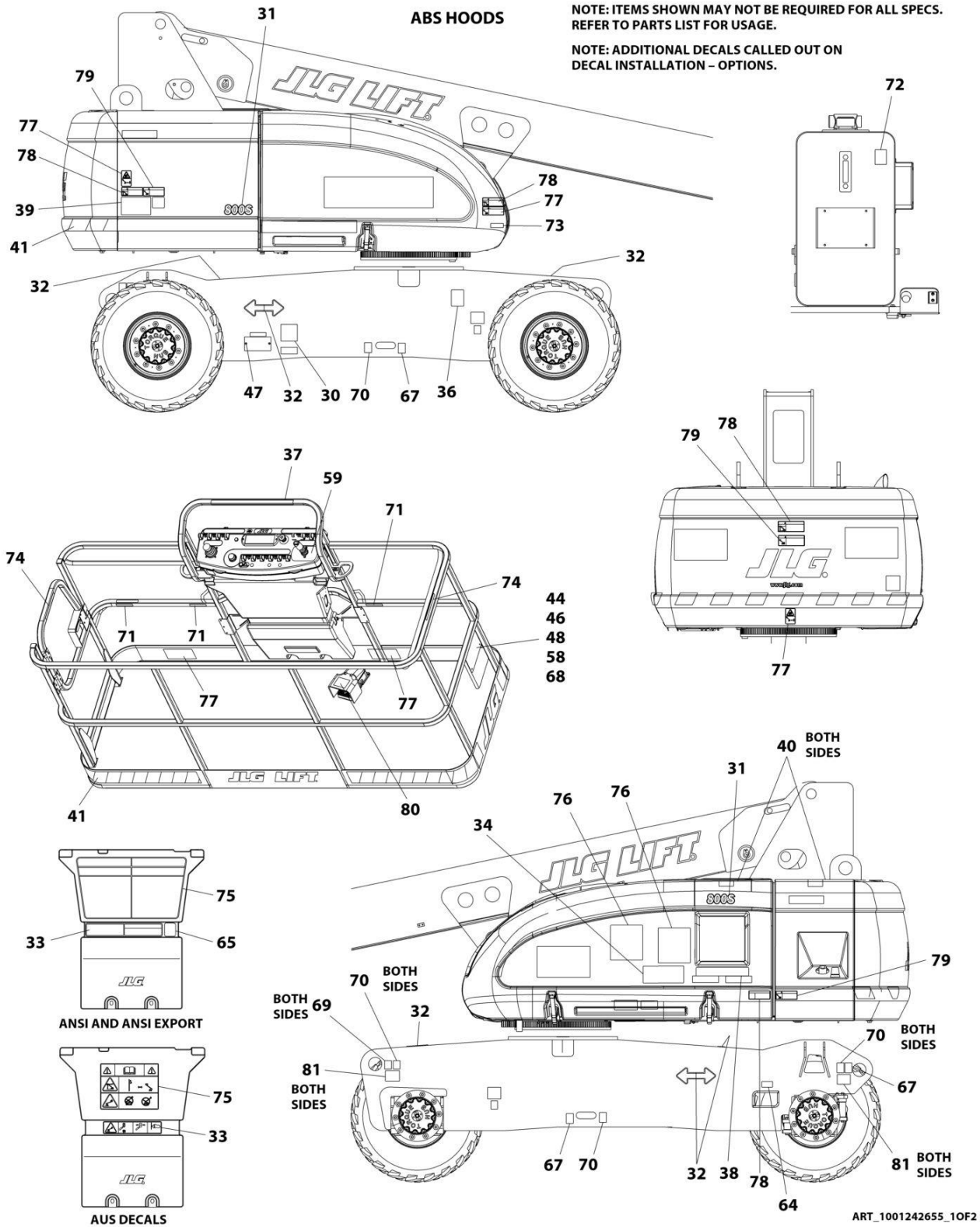
ITEM	PART NUMBER	QTY	DESCRIPTION	REV
	1001257321	Ref	STANDARD DECAL INSTALLATION	C
30	See Note	NSS	Decal - Bar Code (Note: Not Available for Purchase)	
31	1001267309	2	Decal - Model	
32	1701501	4	Decal - Arrow	
33	1001257259	1	Decal Dual Capacity - 507LBS/230kg & 750LBS/340kg	
34	1001257260	1	Decal Dual Capacity - 507LBS/230kg & 750LBS/340kg	
39	1001284687	1	Decal - Lift Diagram	
40	1701691	4	Decal - No Step	
41	4420051	23.1 ft /7m	Stripes, Warning	
44	0860520	1	Box, Manual Storage	
46	3311405	4	Nut 1/4	
47	3820001	2	Rivet	
48	4751400	8	Washer 1/4	
49	1001159323	2	Decal - JLG (8in Height)	
51	1702773	3	Decal - JLG (5in Height)	
58	0641406	4	Bolt 1/4 x 3/4	
67	1701499	4	Decal - No Lift	
68	1701509	1	Decal - Manual	
69	1703811	4	Decal - Tie Down/Lift	
70	1703814	6	Decal - Tie Down	
71	1704277	4	Decal - Attach Lanyard Here	
72	1704412	1	Decal - Hydraulic Oil Chart	
75	1705921	1	Decal - Tipping/Electric (PLF)	
76	1705822	1	Decal - Electric/Safety Manual	
77	1701518	10	Decal - Warning Crushing	
78	1705961	5	Decal - Danger Electrocutation	
80	1705828	1	Decal - Footswitch	
81	1703482	4	Decal - Max Tire Load	





# SECTION 9 - DECALS

## FIGURE 9-14. DECAL INSTALLATION (CHINESE SPECS) (860SJ)

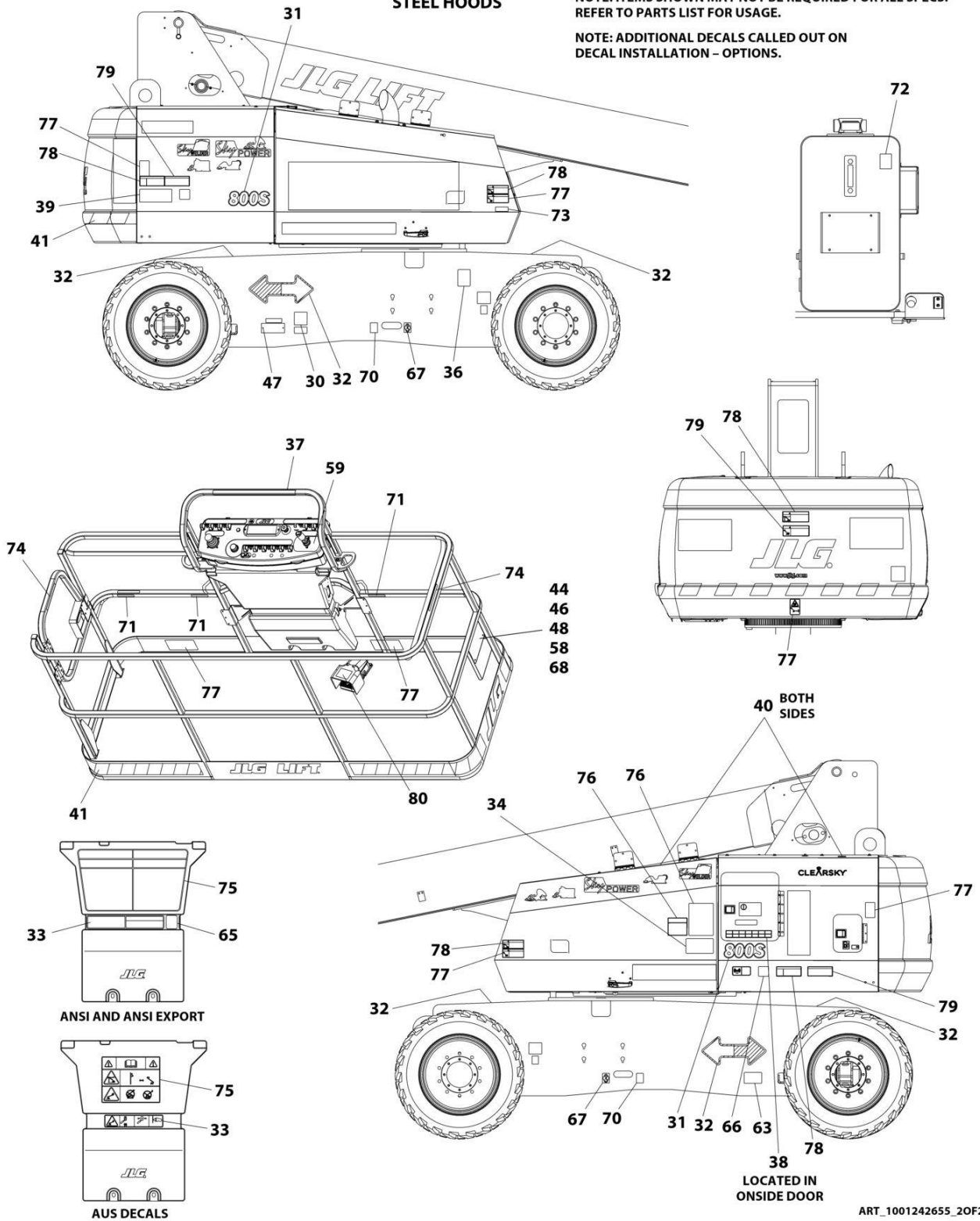


# SECTION 9 - DECALS

## STEEL HOODS

NOTE: ITEMS SHOWN MAY NOT BE REQUIRED FOR ALL SPECS. REFER TO PARTS LIST FOR USAGE.

NOTE: ADDITIONAL DECALS CALLED OUT ON DECAL INSTALLATION - OPTIONS.



ART\_1001242655\_20F2

## SECTION 9 - DECALS

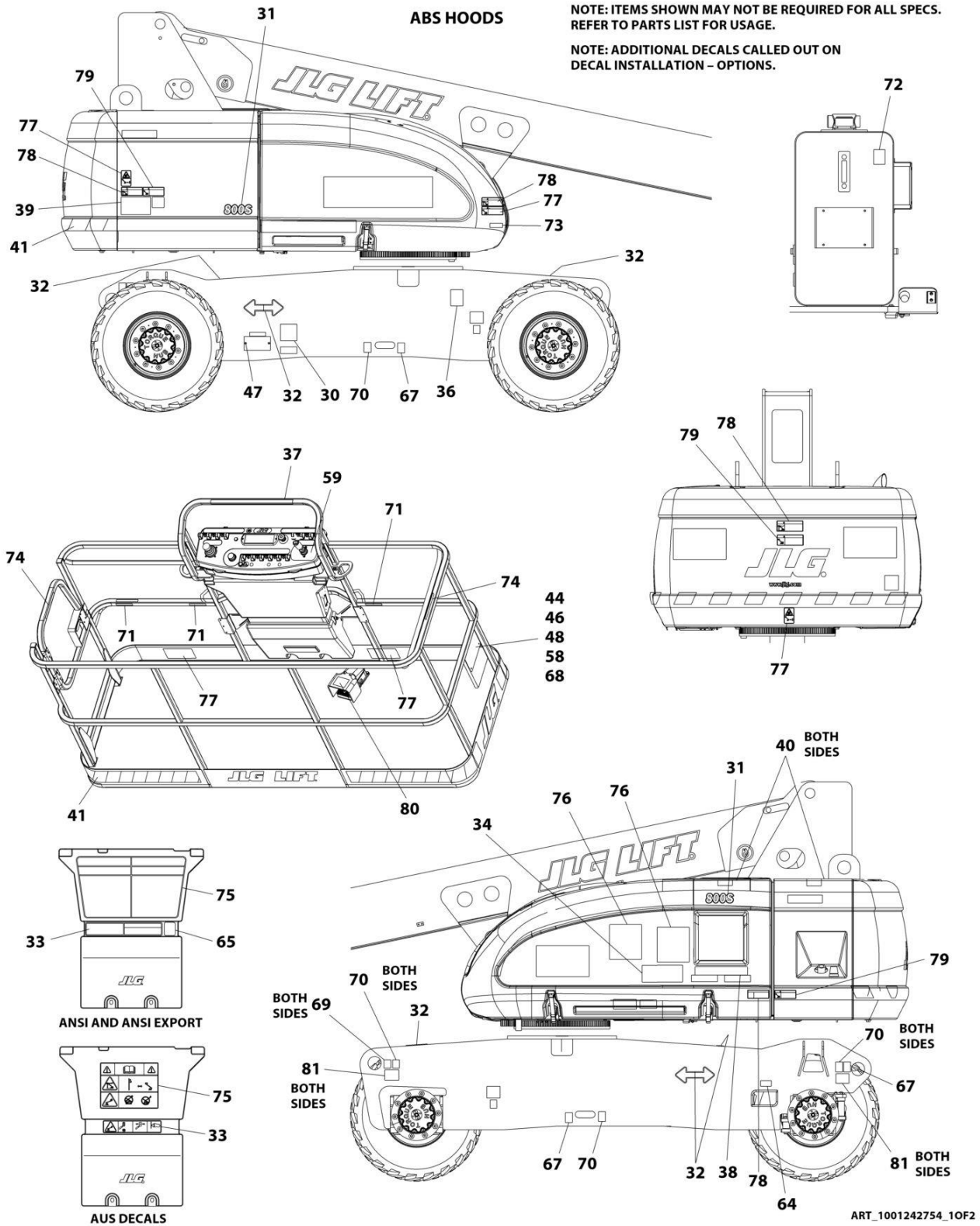
FIGURE 9-14. DECAL INSTALLATION (CHINESE SPECS) (860SJ)

ITEM	PART NUMBER	QTY	DESCRIPTION	REV
	1001242655	Ref	STANDARD DECAL INSTALLATION	E
30	See Note	NSS	Decal - Bar Code (Note: Not Available for Purchase)	
31	1001267309	2	Decal - Model	
32	1701501	4	Decal - Arrow	
33	1001257249	1	Decal Capacity - 500LBS Unrestricted Capacity	
34	1001257250	1	Decal Capacity - 500LBS Unrestricted Capacity	
39	1001284687	1	Decal - Lift Diagram	
40	1701691	4	Decal - No Step	
41	4420051	23.1 ft /7m	Stripes, Warning	
44	0860520	1	Box, Manual Storage	
46	3311405	4	Nut 1/4	
47	3820001	2	Rivet	
48	4751400	8	Washer 1/4	
58	0641406	4	Bolt 1/4 x 3/4	
59	1705430	1	Decal - Drive/Steer Instructions	
63	1001224050	1	Decal - Yearly Inspection	
65	1001244301	1	Decal - No Platform to Ground Attachments	
66	1001244298	1	Decal - WeChat	
67	1701499	4	Decal - No Lift	
68	1701509	1	Decal - Manual	
69	1703811	4	Decal - Tie Down/Lift	
70	1703814	6	Decal - Tie Down	
71	1704277	4	Decal - Attach Lanyard Here	
72	1704412	1	Decal - Hydraulic Oil Chart	
73	3251243	1	Nameplate - 120V-60HZ	
74	1001116846	2	Decal - No Hands	
75	1703925	1	Decal - Warning/Danger	
76	1001116849	2	Decal - Warning Inspection (MTB)	
77	1703949	5	Decal - Warning Crushing	
78	1001116851	5	Decal - Danger Electrocution	
79	1703943	7	Decal - Warning Crushing	
80	1703982	1	Decal - Footswitch	
81	1703482	4	Decal - Max Tire Load	



# SECTION 9 - DECALS

## FIGURE 9-15. DECAL INSTALLATION (CSA SPECS) (860SJ)

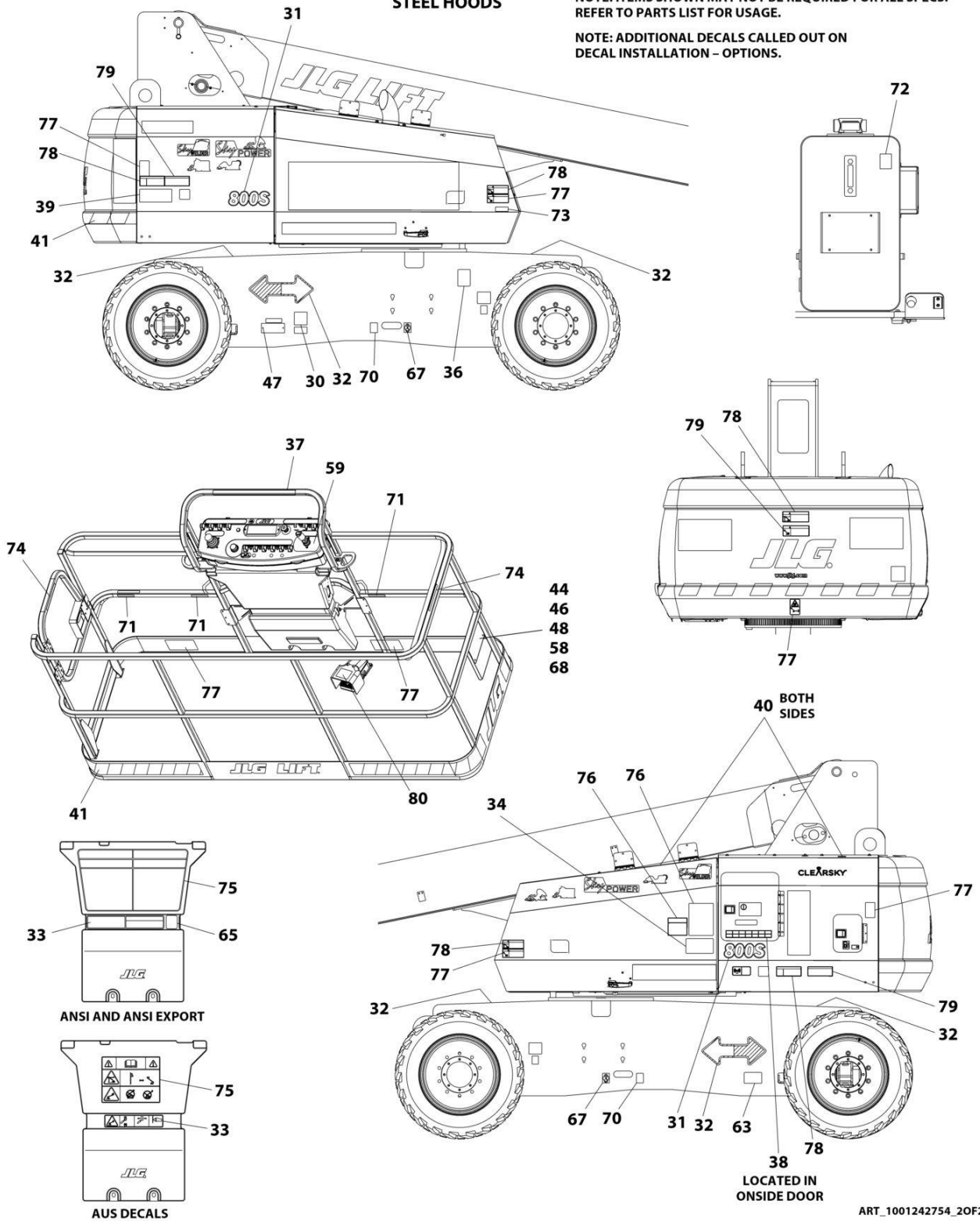


# SECTION 9 - DECALS

## STEEL HOODS

NOTE: ITEMS SHOWN MAY NOT BE REQUIRED FOR ALL SPECS. REFER TO PARTS LIST FOR USAGE.

NOTE: ADDITIONAL DECALS CALLED OUT ON DECAL INSTALLATION - OPTIONS.



## SECTION 9 - DECALS

FIGURE 9-15. DECAL INSTALLATION (CSA SPECS) (860SJ)

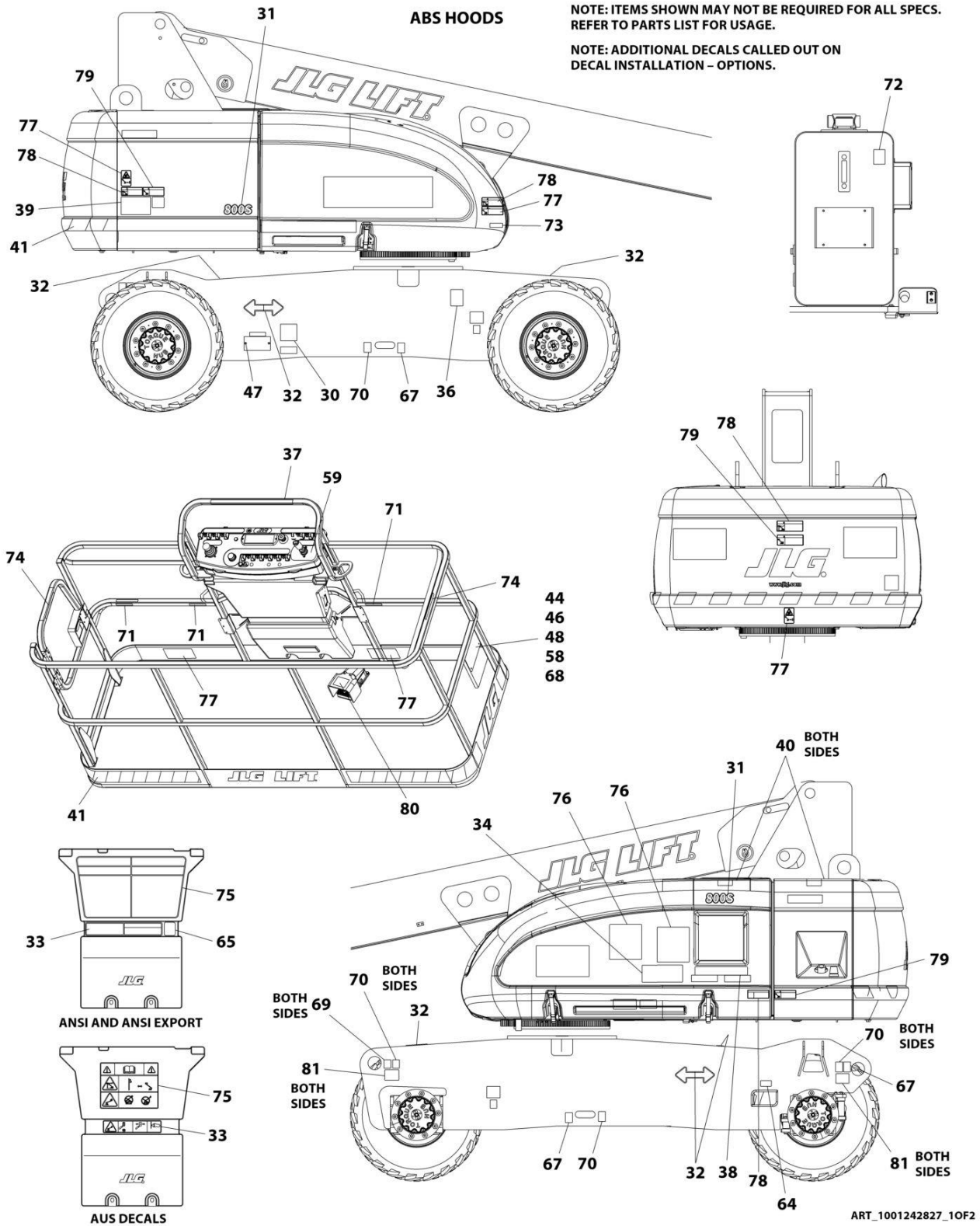
ITEM	PART NUMBER	QTY	DESCRIPTION	REV
	1001242754	Ref	STANDARD DECAL INSTALLATION	E
30	See Note	NSS	Decal - Bar Code (Note: Not Available for Purchase)	
31	1001267309	2	Decal - Model	
32	1701501	4	Decal - Arrow	
33	1001257245	1	Decal Capacity - 500LBS Unrestricted Capacity	
34	1001257246	1	Decal Capacity - 500LBS Unrestricted Capacity	
36	1001131269	1	Decal - Patent	
39	1001284687	1	Decal - Lift Diagram	
40	1701691	4	Decal - No Step	
41	4420051	23.1 ft /7m	Stripes, Warning	
44	0860520	1	Box, Manual Storage	
46	3311405	4	Nut 1/4	
47	3820001	2	Rivet	
48	4751400	8	Washer 1/4	
58	0641406	4	Bolt 1/4 x 3/4	
59	1705429	1	Decal - Drive/Steer Instructions	
63	1001223971	1	Decal - Yearly Inspection	
64	1001223453	1	Decal - ICES	
67	1701499	4	Decal - No Lift	
68	1701509	1	Decal - Manual	
69	1703811	4	Decal - Tie Down/Lift	
70	1703814	6	Decal - Tie Down	
71	1704277	4	Decal - Attach Lanyard Here	
72	1704412	1	Decal - Hydraulic Oil Chart	
74	1704000	2	Decal - No Hands	
75	1703924	1	Decal - Warning/Danger	
76	1705347	1	Decal - Warning Inspection (MTB)	
77	1703848	5	Decal - Warning Crushing	
78	1703936	5	Decal - Danger Electrocution	
79	1703942	7	Decal - Warning Crushing	
80	1703984	1	Decal - Footswitch	
81	1703482	4	Decal - Max Tire Load	





# SECTION 9 - DECALS

## FIGURE 9-16. DECAL INSTALLATION (JAPANESE SPECS) (860SJ)

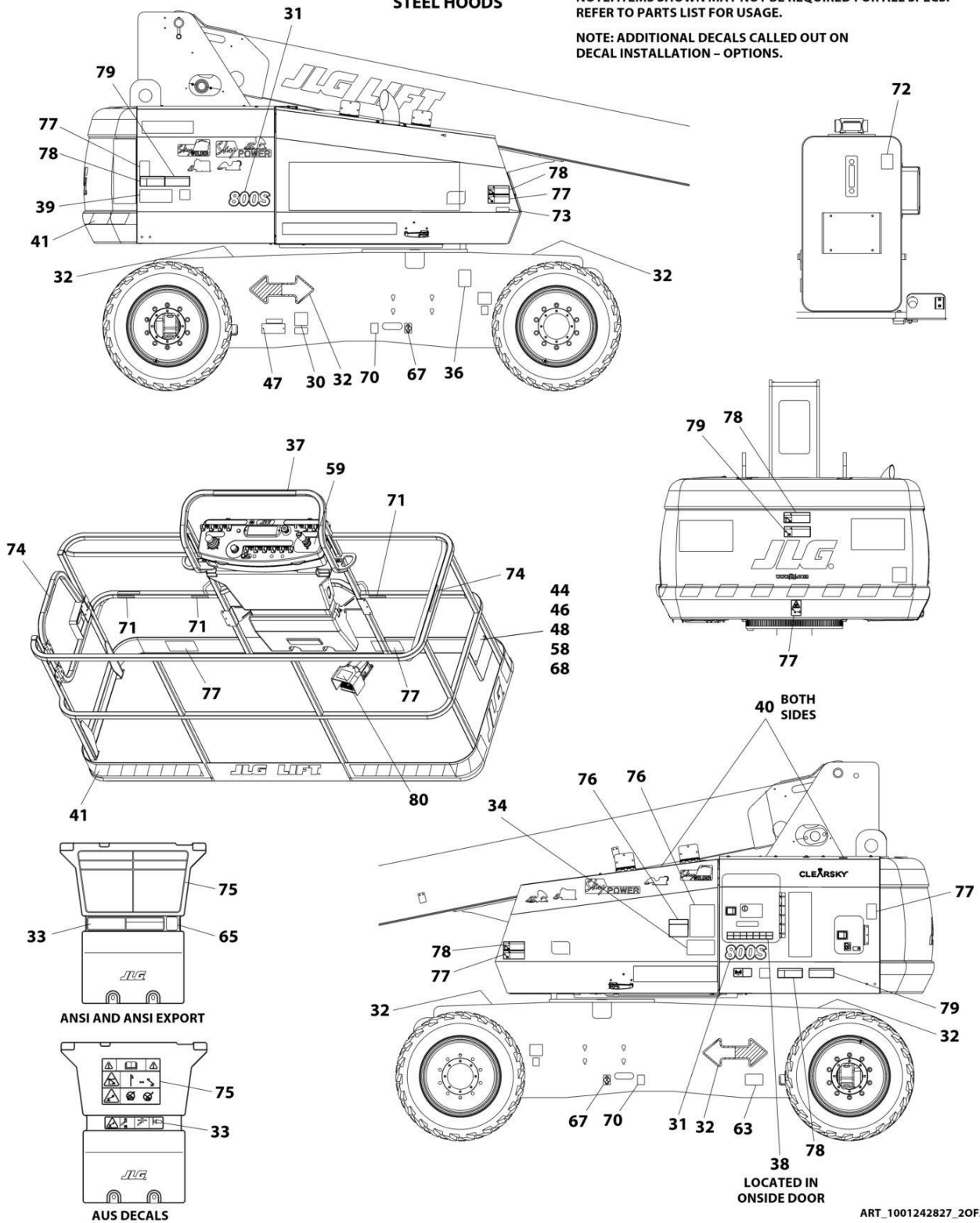


# SECTION 9 - DECALS

## STEEL HOODS

NOTE: ITEMS SHOWN MAY NOT BE REQUIRED FOR ALL SPECS. REFER TO PARTS LIST FOR USAGE.

NOTE: ADDITIONAL DECALS CALLED OUT ON DECAL INSTALLATION - OPTIONS.



## SECTION 9 - DECALS

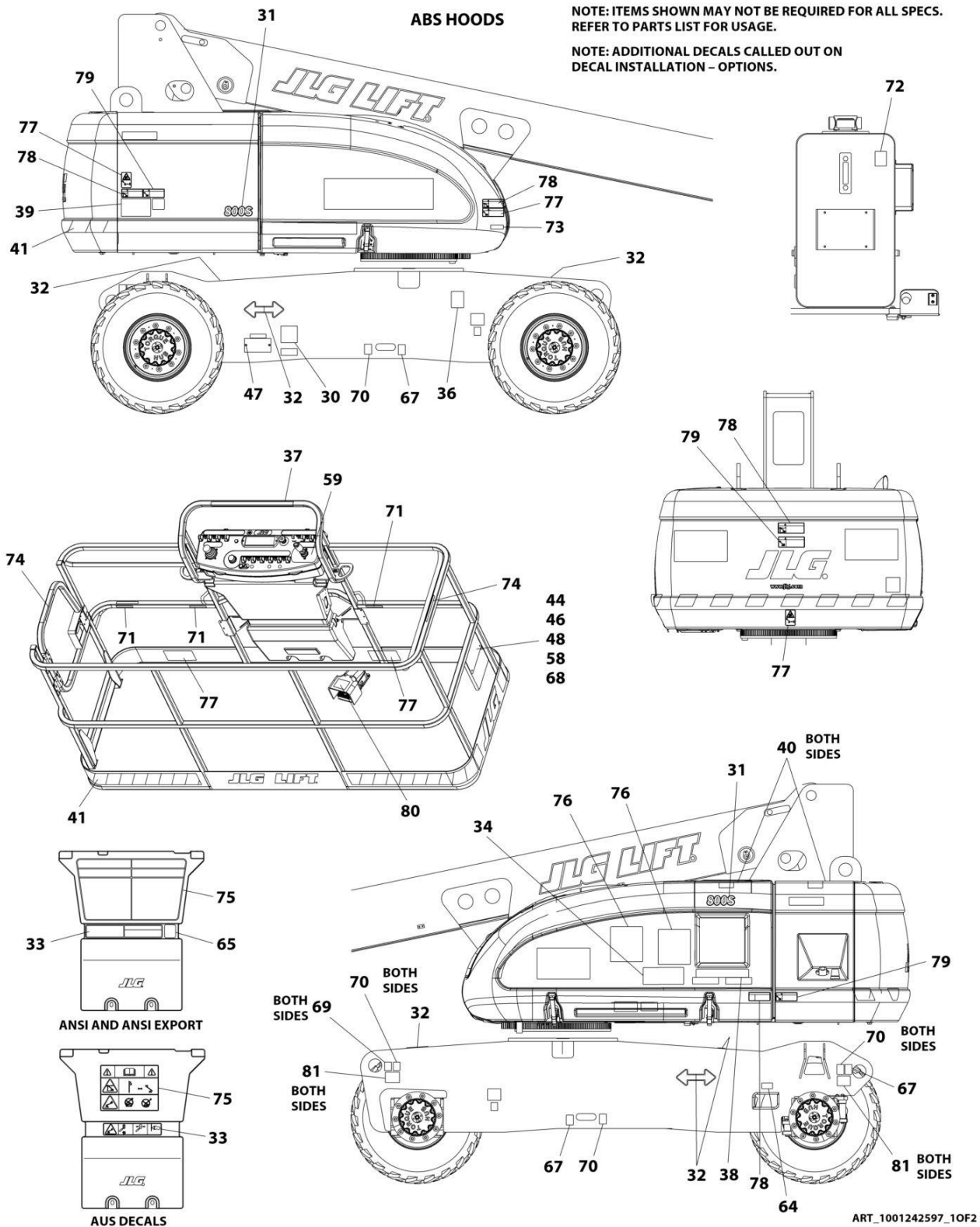
**FIGURE 9-16. DECAL INSTALLATION (JAPANESE SPECS) (860SJ)**

ITEM	PART NUMBER	QTY	DESCRIPTION	REV
	1001242827	Ref	STANDARD DECAL INSTALLATION	E
30	See Note	NSS	Decal - Bar Code (Note: Not Available for Purchase)	
31	1001267309	2	Decal - Model	
32	1701501	4	Decal - Arrow	
33	1001257253	1	Decal Capacity - 500LBS Unrestricted Capacity	
34	1001257254	1	Decal Capacity - 500LBS Unrestricted Capacity	
39	1001284687	1	Decal - Lift Diagram	
40	1701691	4	Decal - No Step	
41	4420051	23.1 ft /7m	Stripes, Warning	
44	0860520	1	Box, Manual Storage	
46	3311405	4	Nut 1/4	
47	3820001	2	Rivet	
48	4751400	8	Washer 1/4	
58	0641406	4	Bolt 1/4 x 3/4	
59	1705426	1	Decal - Drive/Steer Instructions	
63	1001224053	1	Decal - Yearly Inspection	
67	1701499	4	Decal - No Lift	
68	1701509	1	Decal - Manual	
69	1703811	4	Decal - Tie Down/Lift	
70	1703814	6	Decal - Tie Down	
71	1704277	4	Decal - Attach Lanyard Here	
72	1704412	1	Decal - Hydraulic Oil Chart	
73	3251243	1	Nameplate - 120V-60HZ	
75	1703926	1	Decal - Warning/Danger	
76	1705344	1	Decal - Warning Inspection (MTB)	
77	1703950	5	Decal - Warning Crushing	
78	1703938	5	Decal - Danger Electrocuton	
79	1703944	7	Decal - Warning Crushing	
80	1703980	1	Decal - Footswitch	
81	1703482	4	Decal - Max Tire Load	



# SECTION 9 - DECALS

## FIGURE 9-17. DECAL INSTALLATION (KOREAN SPECS) (860SJ)

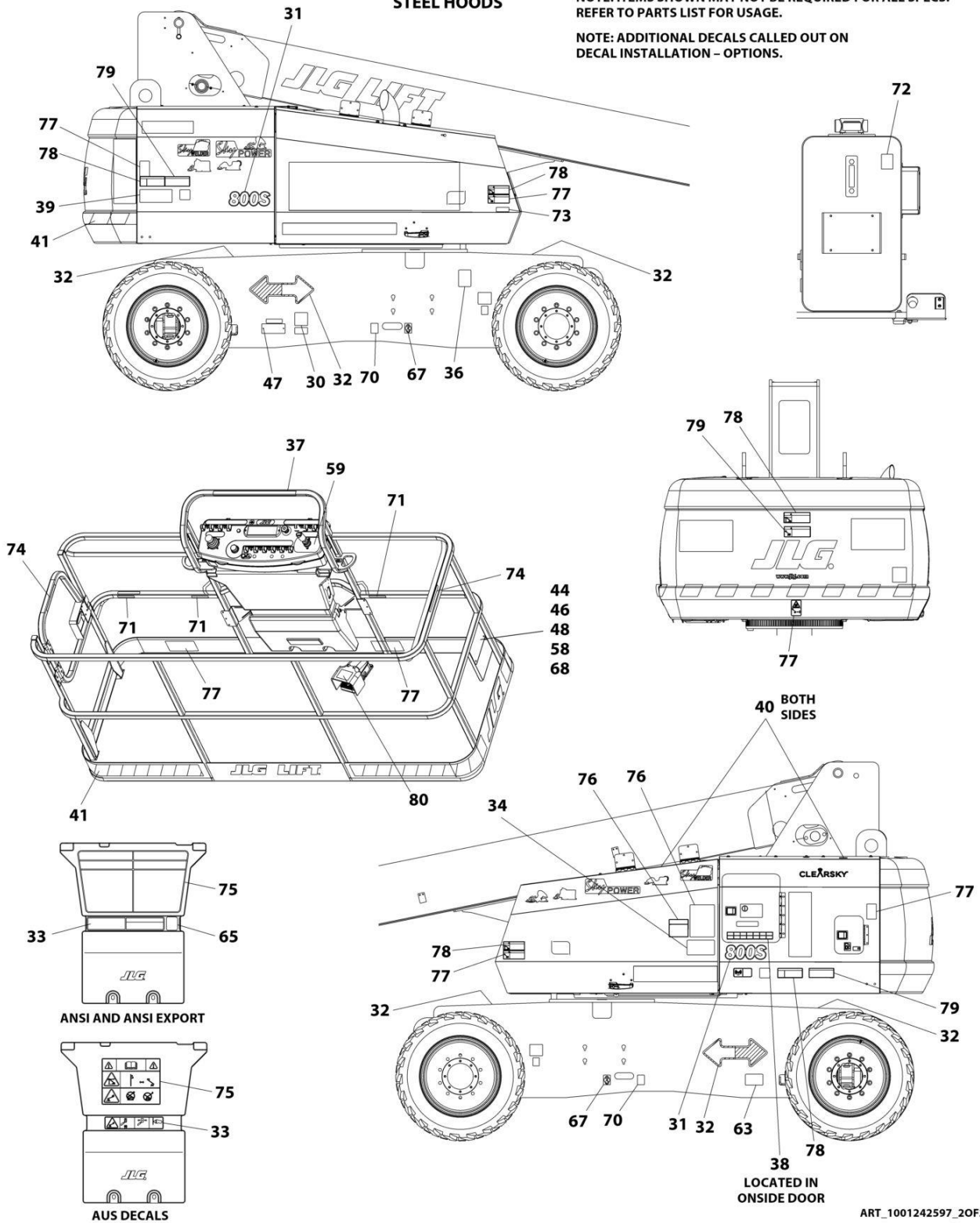


# SECTION 9 - DECALS

## STEEL HOODS

NOTE: ITEMS SHOWN MAY NOT BE REQUIRED FOR ALL SPECS. REFER TO PARTS LIST FOR USAGE.

NOTE: ADDITIONAL DECALS CALLED OUT ON DECAL INSTALLATION - OPTIONS.



ART\_1001242597\_20F2

## SECTION 9 - DECALS

FIGURE 9-17. DECAL INSTALLATION (KOREAN SPECS) (860SJ)

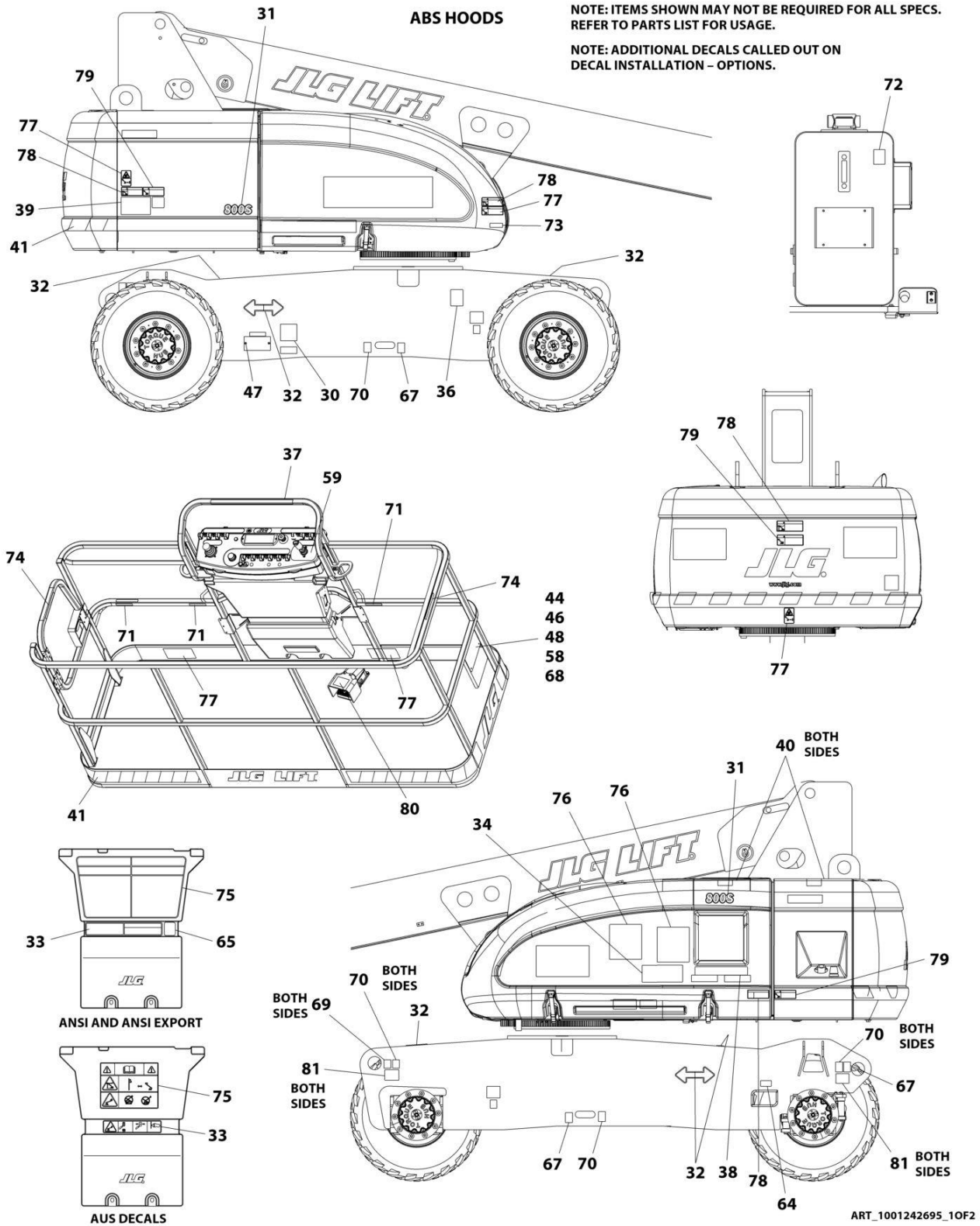
ITEM	PART NUMBER	QTY	DESCRIPTION	REV
	1001242597	Ref	STANDARD DECAL INSTALLATION	E
30	See Note	NSS	Decal - Bar Code (Note: Not Available for Purchase)	
31	1001267309	2	Decal - Model	
32	1701501	4	Decal - Arrow	
33	1001257247	1	Decal Capacity - 500LBS Unrestricted Capacity	
34	1001257248	1	Decal Capacity - 500LBS Unrestricted Capacity	
39	1001284687	1	Decal - Lift Diagram	
40	1701691	4	Decal - No Step	
41	4420051	23.1 ft /7m	Stripes, Warning	
44	0860520	1	Box, Manual Storage	
46	3311405	4	Nut 1/4	
47	3820001	2	Rivet	
48	4751400	8	Washer 1/4	
58	0641406	4	Bolt 1/4 x 3/4	
59	1705427	1	Decal - Drive/Steer Instructions	
63	1001224048	1	Decal - Yearly Inspection	
67	1701499	4	Decal - No Lift	
68	1701509	1	Decal - Manual	
69	1703811	4	Decal - Tie Down/Lift	
70	1703814	6	Decal - Tie Down	
71	1704277	4	Decal - Attach Lanyard Here	
72	1704412	1	Decal - Hydraulic Oil Chart	
73	3251243	1	Nameplate - 120V-60HZ	
74	1705969	2	Decal - No Hands	
75	1703927	1	Decal - Warning/Danger	
76	1705345	1	Decal - Warning Inspection (MTB)	
77	1703951	5	Decal - Warning Crushing	
78	1703939	5	Decal - Danger Electrocution	
79	1703945	7	Decal - Warning Crushing	
80	1703981	1	Decal - Footswitch	
81	1703482	4	Decal - Max Tire Load	





# SECTION 9 - DECALS

## FIGURE 9-18. DECAL INSTALLATION (LATIN AMERICAN SPECS) (860SJ)

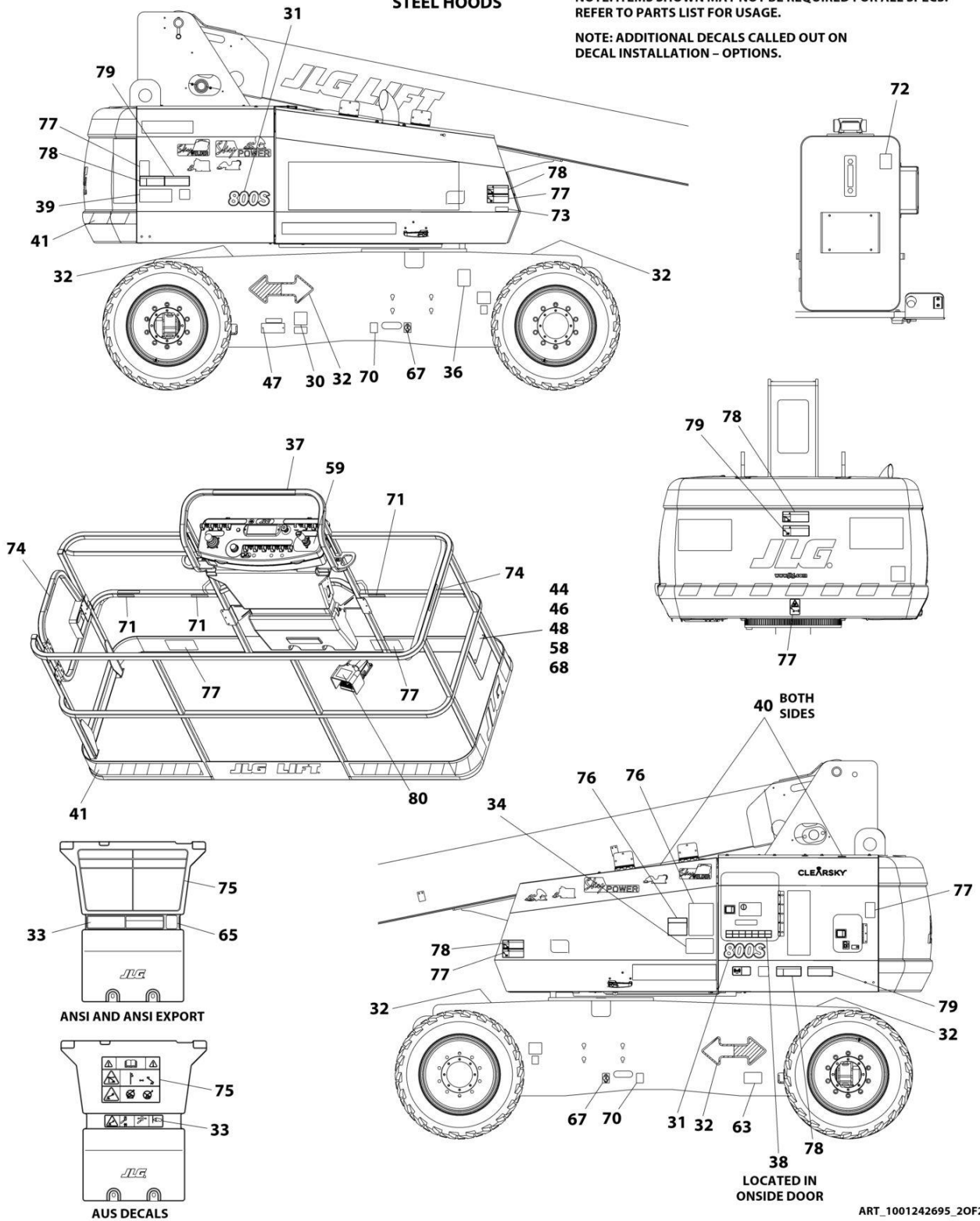


# SECTION 9 - DECALS

## STEEL HOODS

NOTE: ITEMS SHOWN MAY NOT BE REQUIRED FOR ALL SPECS. REFER TO PARTS LIST FOR USAGE.

NOTE: ADDITIONAL DECALS CALLED OUT ON DECAL INSTALLATION - OPTIONS.



## SECTION 9 - DECALS

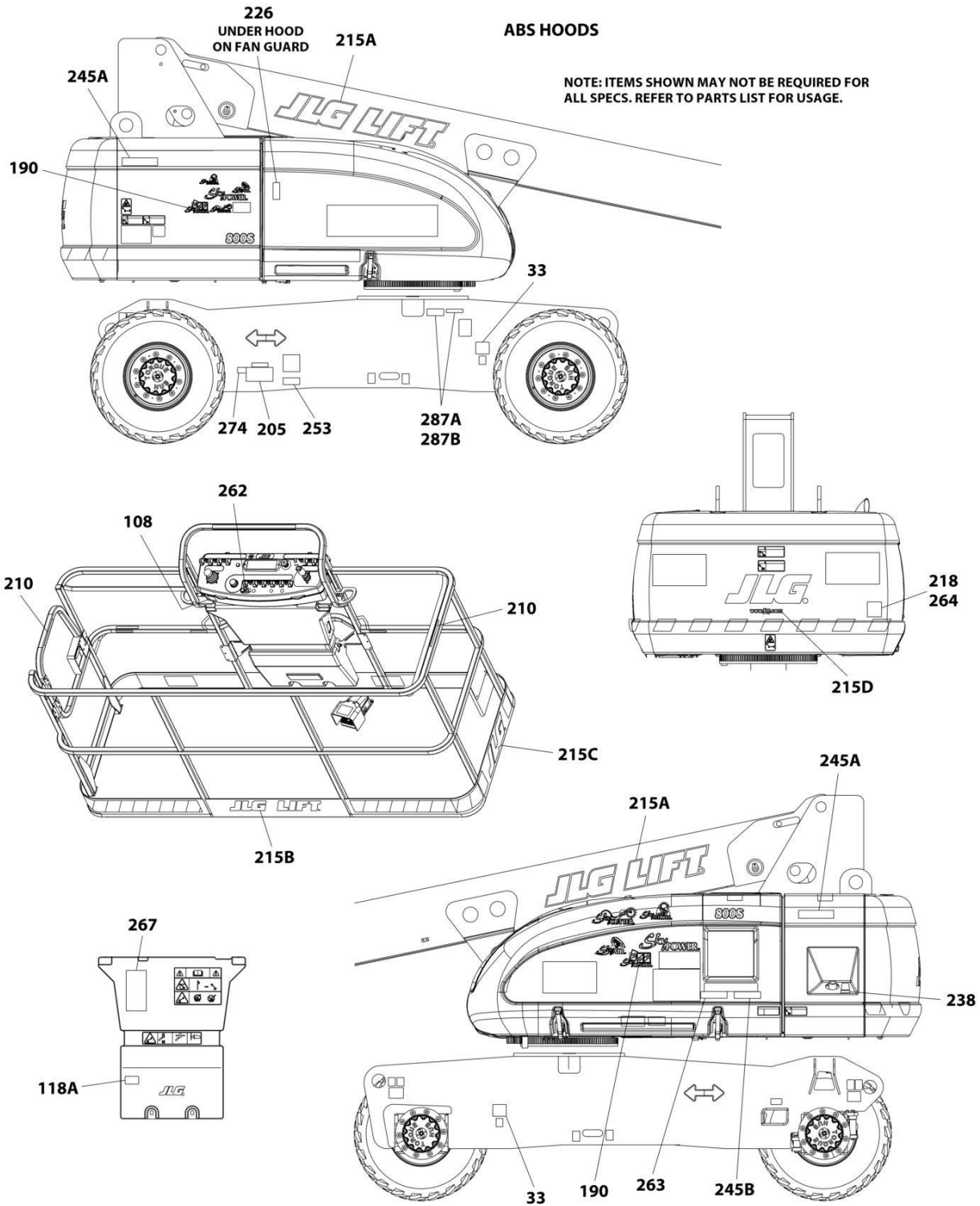
FIGURE 9-18. DECAL INSTALLATION (LATIN AMERICAN SPECS) (860SJ)

ITEM	PART NUMBER	QTY	DESCRIPTION	REV
	1001242695	Ref	STANDARD DECAL INSTALLATION	E
30	See Note	NSS	Decal - Bar Code (Note: Not Available for Purchase)	
31	1001267309	2	Decal - Model	
32	1701501	4	Decal - Arrow	
33	1001257251	1	Decal Capacity - 500LBS Unrestricted Capacity	
34	1001257252	1	Decal Capacity - 500LBS Unrestricted Capacity	
39	1001284687	1	Decal - Lift Diagram	
40	1701691	4	Decal - No Step	
41	4420051	23.1 ft /7m	Stripes, Warning	
44	0860520	1	Box, Manual Storage	
46	3311405	4	Nut 1/4	
47	3820001	2	Rivet	
48	4751400	8	Washer 1/4	
58	0641406	4	Bolt 1/4 x 3/4	
59	1705910	1	Decal - Drive/Steer Instructions	
63	1001224049	1	Decal - Yearly Inspection	
67	1701499	4	Decal - No Lift	
68	1701509	1	Decal - Manual	
69	1703811	4	Decal - Tie Down/Lift	
70	1703814	6	Decal - Tie Down	
71	1704277	4	Decal - Attach Lanyard Here	
72	1704412	1	Decal - Hydraulic Oil Chart	
73	3251243	1	Nameplate - 120V-60HZ	
74	1704001	2	Decal - No Hands	
75	1703923	1	Decal - Warning/Danger	
76	1705917	1	Decal - Warning Inspection (MTB)	
77	1703947	5	Decal - Warning Crushing	
78	1703935	5	Decal - Danger Electrocution	
79	1703941	7	Decal - Warning Crushing	
80	1703983	1	Decal - Footswitch	
81	1703482	4	Decal - Max Tire Load	



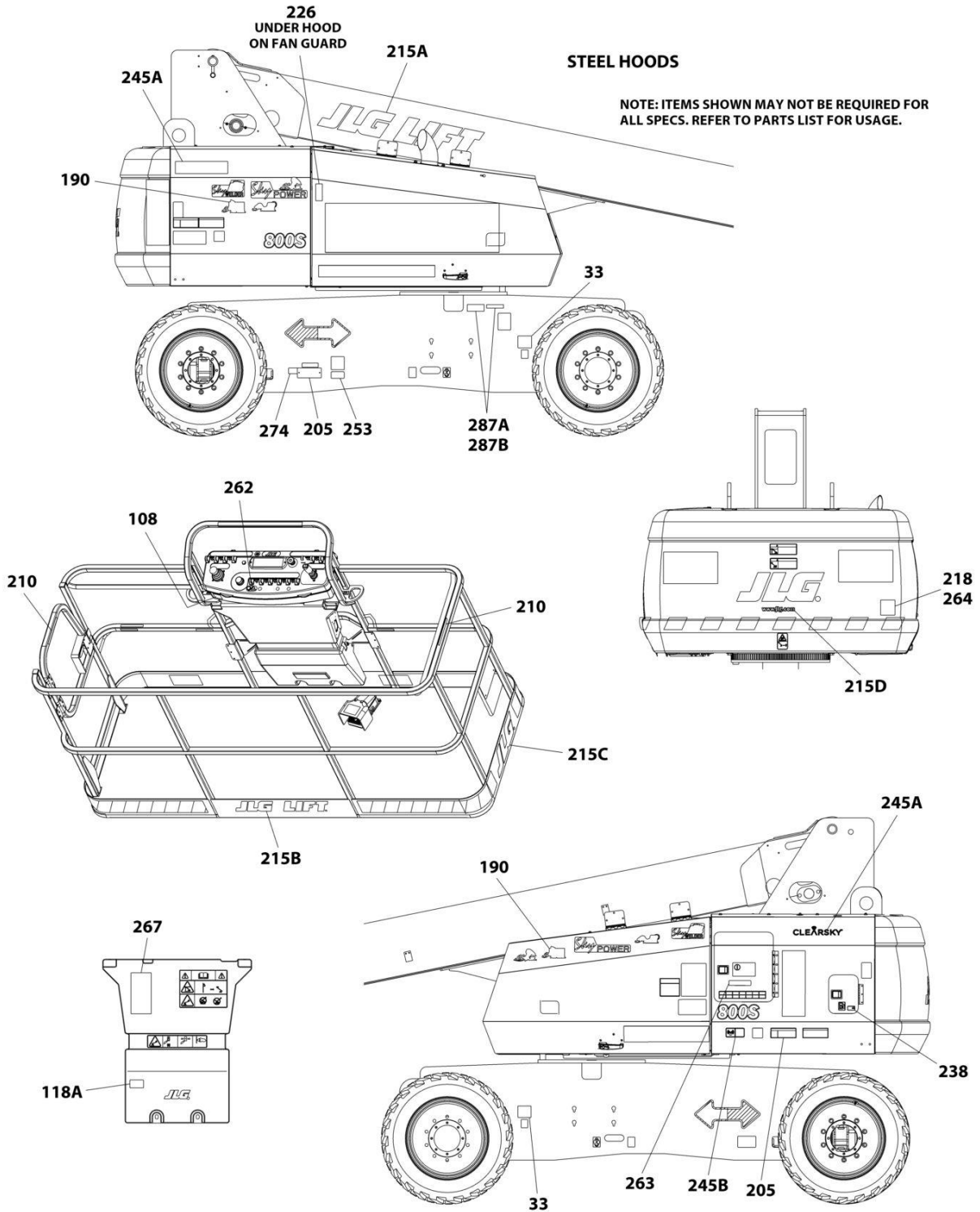
# SECTION 9 - DECALS

## FIGURE 9-19. DECAL INSTALLATION - OPTIONS



ART\_DECAL\_OPTIONS\_10F2

# SECTION 9 - DECALS



ART\_DECAL\_OPTIONS\_20F2

# SECTION 9 - DECALS

## FIGURE 9-19. DECAL INSTALLATION - OPTIONS

ITEM	PART NUMBER	QTY	DESCRIPTION	REV
		Ref	DECAL INSTALLATION - OPTIONS	
33	1700818	2	Decal - Fuel (LP Gas Machines) (English Language) (ANSI and Australian Specs)	
33	1704271	2	Decal - Fuel (LP Gas Machines) (English/French Languages) (CSA Specs)	
33	1702720	2	Decal - Fuel (LP Gas Machines) (English/Spanish Languages) (ANSI Export Specs)	
108	1001231801	1	Decal - Warning Proposition 65 (ANSI Specs)	
118	0257195	Ref	Decal - Government Warranty Installation (ANSI Spec)	
118A	1703179	1	Decal - Government Warranty	
190	0272418	Ref	Decal - SkyGlazier (Machines with SkyGlazier Option)	
190	1705358	2	Decal - SkyGlazier	
205	See Note	1	Nameplate - Manufacturers Serial Number (Note: Not Available for Purchase)	
210	1702868	2	Decal - No Hands (English Language)	
210	1001218850	2	Decal - No Hands (CE)	
210	1704000	2	Decal - No Hands (English/French Language)	
210	1705969	2	Decal - No Hands (English/Korean Language)	
210	1705967	2	Decal - No Hands (English/Portuguese Language)	
210	1704001	2	Decal - No Hands (English/Spanish Language)	
215	0274518	Ref	Decal - Logo Installation (All Specs Except CE & UK CA Specs)	
215A	1702861	2	Decal - JLG Lift	
215B	1702774	1	Decal - JLG Lift	
215C	1702773	1	Decal - JLG	
215D	1704885	1	Decal - Website	
215	1001291456	Ref	Decal - Logo Installation (CHINESE SPECS ONLY)(MAHINCES WITH SN STARTING WITH B3)	
215A	1001288704	1	Decal - JLG Lift (Chinese)	
215B	1001288705	1	Decal - JLG Lift (Chinese)	
215C	1001290348	1	Decal - JLG (Chinese)	
215D	1704885	1	Decal - Website (Chinese)	
218	3251813	1	Decal - USA	
226	1704972	1	Decal - Warning Explosion/ Fire (English Language) (Diesel Machines) (ANSI Specs)	
226	1706098	1	Decal - Warning Explosion/Fire (English Language) (Diesel Machines) (Australian, CE & UK CA Specs)	
226	1706059	1	Decal - Warning Explosion/Fire (English/Portuguese Language) (Diesel Machines) (Brazil Specs)	
226	1706060	1	Decal - Warning Explosion/Fire (English/Chinese Language) (Diesel Machines) (Chinese Specs)	
226	1706064	1	Decal - Warning Explosion/Fire (English Language) (Diesel Machines) (CSA Specs)	
226	1706062	1	Decal - Warning Explosion/Fire (English/Japanes Language) (Diesel Machines) (Japanese Specs)	
226	1706061	1	Decal - Warning Explosion/Fire (English/Korean Language) (Diesel Machines) (Korean Specs)	
226	1706063	1	Decal - Warning Explosion/Fire - (English/Spanish Language) (Diesel Machines) (Latin American Specs)	
238	1001125387	1	Decal - Ultra Low Sulfur Fuel (Diesel Machines) (ANSI & CSA Specs)	
238	1001139654	1	Decal - Ultra Low Sulfur Fuel (Diesel Machines) (ANSI EXPORT (HRC), Japanese, CE & UK CA Specs)	
245	1001120993	Ref	Decal Installation - ClearSky (Machines with ClearSky Option)	

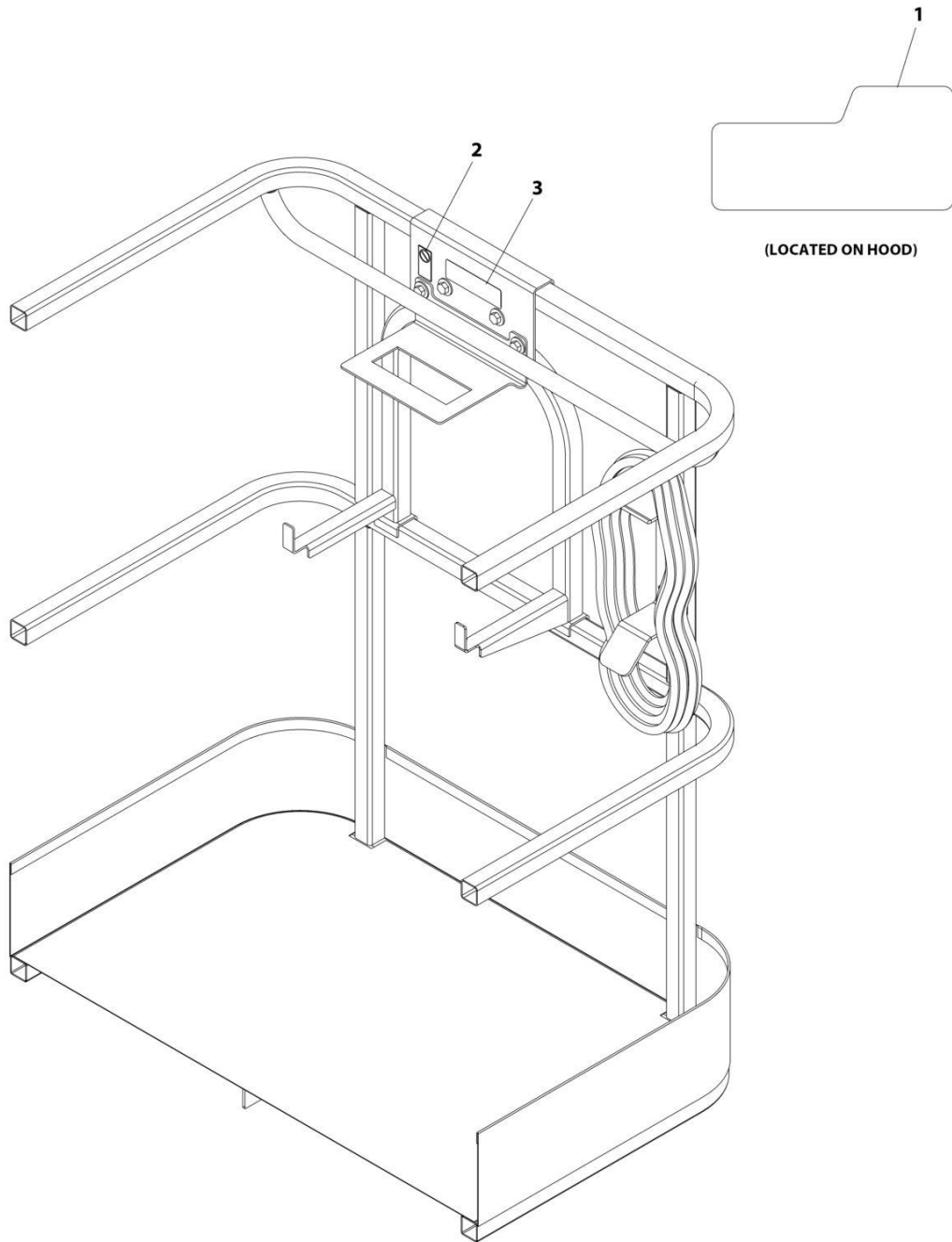


## SECTION 9 - DECALS

ITEM	PART NUMBER	QTY	DESCRIPTION	REV
245A	1001116208	2	Decal - ClearSky	
245B	1001120989	1	Decal - Radio Frequency	
245	1001294861	Ref	Smart Fleet ClearSky Decal Installation	
245A	1001120989	1	Decal - Radio Frequency	
245B	1001294815	1	Decal - ClearSky	
253	1001143852	1	Decal - Emission Compliance (Diesel Machines) (ANSI Export (LRC), Australian, Chinese, CE & UK CA Specs)	
262	1001141300	1	Decal - SkyGuard Override (Machines without Soft Touch Option)	
262	1001141302	1	Decal - SkyGuard Override (Machines with Soft Touch Option)	
263	1001197408	1	Decal - MSSO (CE & UK CA Specs)	
264	1705980	1	Decal - Sound Power (Machines with Deutz D2011 Engines) (Australian, CE & UK CA Specs)	
264	1705368	1	Decal - Sound Power (Machines with Deutz TD2.9L4 and Deutz 2.9L4 (Stage V) Engines with ABS Hoods) (CE & UK CA Specs)	
264	1001200072	1	Decal - Sound Power (Machines with Deutz TD2.9L4 and Deutz 2.9L4 (Stage V) Engines with Steel Hoods) (CE & UK CA Specs)	
264	1001191525	1	Decal - Sound Power (108dB) (Stage V) (CE & UK CA)	
267	1001200131	1	Decal - Quick Start Guide (Danish Language)	
267	1001200129	1	Decal - Quick Start Guide (Dutch Language)	
267	1001181145	1	Decal - Quick Start Guide (English Language)	
267	1001200128	1	Decal - Quick Start Guide (French Language)	
267	1001200130	1	Decal - Quick Start Guide (German Language)	
267	1001200134	1	Decal - Quick Start Guide (Norwegian Language)	
267	1001200132	1	Decal - Quick Start Guide (Swedish Language)	
267	1001200133	1	Decal - Quick Start Guide (Spanish Language)	
274	1001214030	1	Decal Installation - EAC (Russian/CIS Specs)	
287A	1001236400	Ref	Decal - ECO Installation (CHINA IV ENGINES)	
287A	See Note	NSS	Decal - ECO Label	
287A	3820001	8	Rivet	
287A	See Note	NSS	Nameplate - Mein Code (Note: Not Available for Purchase)	
287B	1001292423	Ref	Decal - ECO Installation (CHINA III ENGINES)	
287B	See Note	NSS	Decal - ECO Label (Note: Not Available for Purchase)	
287B	3820001	8	Rivet	
287B	See Note	NSS	Nameplate - Mein Code (Note: Not Available for Purchase)	

# SECTION 9 - DECALS

## FIGURE 9-20. SKYWELDER DECAL INSTALLATION - 50HZ



ART\_0272588

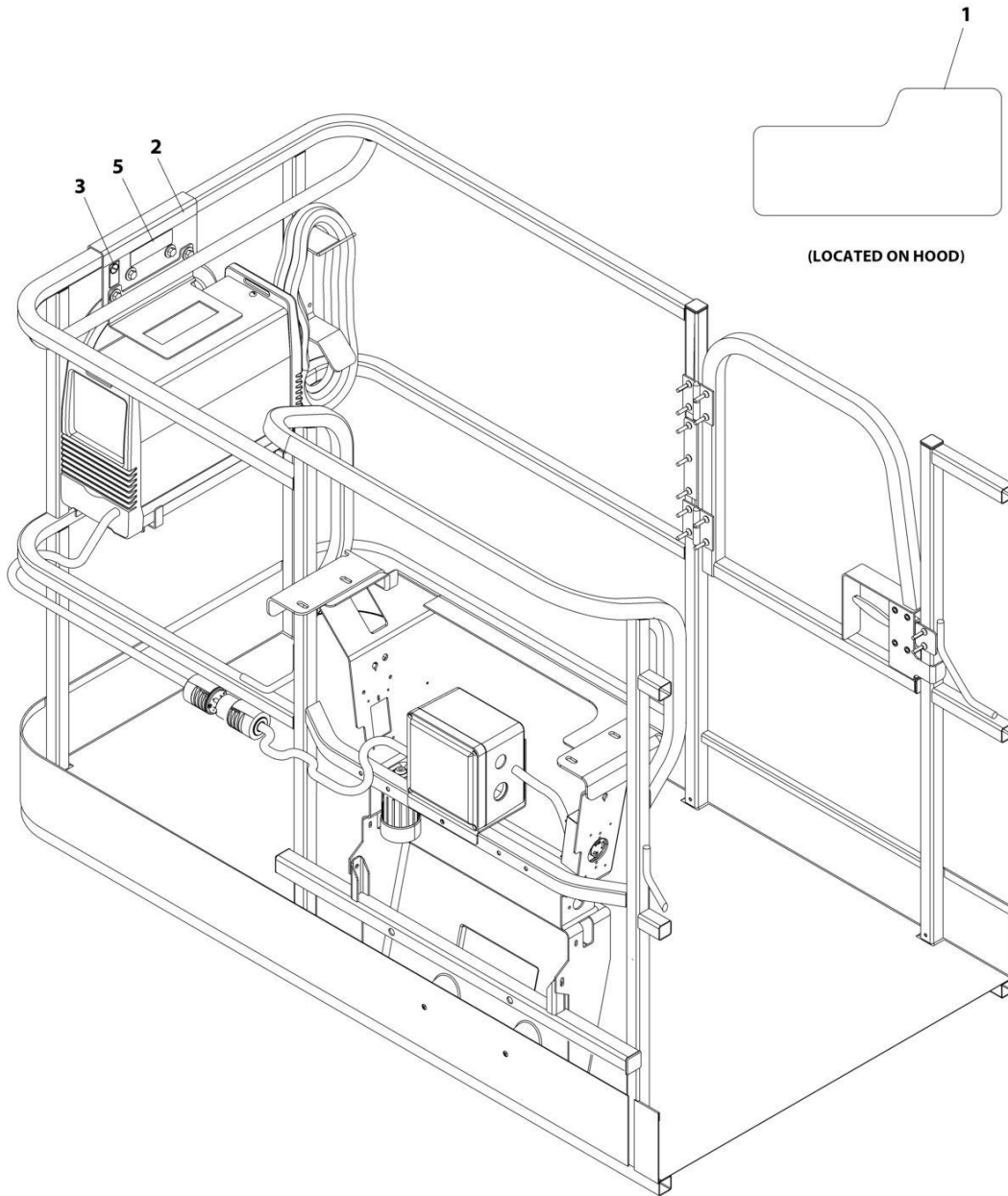
## SECTION 9 - DECALS

**FIGURE 9-20. SKYWELDER DECAL INSTALLATION - 50HZ**

ITEM	PART NUMBER	QTY	DESCRIPTION	REV
	0272588	Ref	SKYWELDER DECAL INSTALLATION - 50Hz	B
1	1705355	2	Decal - SkyWelder	
2	1705305	1	Decal - Weld Lead	
3	1001228988	1	Decal - Weight	

# SECTION 9 - DECALS

## FIGURE 9-21. SKYWELDER DECAL INSTALLATION - 60HZ



ART\_0272448\_D

## SECTION 9 - DECALS

**FIGURE 9-21. SKYWELDER DECAL INSTALLATION - 60HZ**

ITEM	PART NUMBER	QTY	DESCRIPTION	REV
	0272448	Ref	SKYWELDER DECAL INSTALLATION - 60Hz	D
1	1705355	2	Decal - SkyWelder	
2	1702868	1	Decal - No Hands	
3	1705305	1	Decal - Weld Lead	
5	1001228988	1	Decal - Weight	



## **SECTION 10 - RECOMMENDED SERVICE PARTS STOCK**

## **SECTION 10 - RECOMMENDED SERVICE PARTS STOCK**

# SECTION 10 - RECOMMENDED SERVICE PARTS STOCK

## FIGURE 10-1. RECOMMENDED SERVICE PARTS STOCK

ITEM	PART NUMBER	QTY	DESCRIPTION	REV
		Ref	Note: The following list will service one machine (built to current production per date on the front cover) with emergency repair parts which can be installed in the field. Parts from the list should be replaced when inventory is depleted to keep service parts stock supplied. For further information, contact your JLG dealer or the JLG Industries Parts Department.	
	1001181046	1	Breaker, 30mA/10Amp (10Amp Breaker Box)	
	1001181045	1	Breaker, 30mA/16Amp (16Amp Breaker Box)	
	4360542	1	Breaker, Circuit (2500W/110V Generators)	
	70001431	1	Breaker, Circuit (Plasma Cutter)	
	4360070	1	Breaker, Circuit 15Amp (4000W/60HZ & 7500W Generators)	
	7024485	1	Breaker, Circuit 30Amp (7500W Generators with Deutz D2011 and Ford Engines)	
	70006095	1	Breaker, Circuit 30Amp (7500W Generators with Deutz TD2.9L4)	
	1001159118	1	Breaker, GFCI 30Amp 240VAC (240V AC Box At Platform)	
	70005708	1	Breather Assembly (Machines With SN Starting With 03)	
	70007726	1	Breather Kit (Machines With SN Starting With B3)	
	7012944	1	Coil (Control Valves Installation)	
	7012943	1	Coil (Lift Cylinder Assembly)	
	7017451	1	Coil (Lift Cylinder Assembly)	
	70003789	1	Coil (Main Control Valve)	
	70002386	1	Coil (Main Control Valve and Platform Valve)	
	70003788	1	Coil (Main Control Valve and Platform Valve)	
	4360476	1	Contactactor (Ground Control Boxes and Platform Console Boxes)	
	7020176	1	Contactactor (Ground Control Boxes and Platform Console Boxes)	
	1001275628	1	Controller, Drive/Steer (Platform Console Box Assembly)	
	1001117174	1	Controller, Footswitch Assembly	
	1001275629	1	Controller, Lift/Swing (Platform Console Box Assembly)	
	4360407	1	Controller, Speed (Platform Console Box)	
	3990010	2	Diode, 6 Amp (Ground Control Box Harness)	
		Ref	Engine - Deutz D2011	
	70004020	12	Filter, Air	
	7016328	12	Filter, Fuel	
	7016331	12	Filter, Oil	
	7027795	1	Module, Control	
	3740067	1	Relay	
	3740080	1	Relay	
	70004058	1	Relay	
		Ref	Engine - Deutz TD2.9L4	
	91403102	12	Filter, Air	
	70025161	12	Filter, Fuel (Engine Mounted)	
	70025153	12	Filter, Fuel (Frame Mounted)	
	7016331	12	Filter, Oil	
	1001196634	2	Fuse, 2Amp (Breather Heater Harness)	
	8229242	2	Fuse, 5Amp	
	80983191	2	Fuse, 10Amp	
	70023592	2	Fuse, 20Amp	
	70023593	2	Fuse, 30Amp	
	70025210	1	Module, ECU	
	3740067	1	Relay	



## SECTION 10 - RECOMMENDED SERVICE PARTS STOCK

ITEM	PART NUMBER	QTY	DESCRIPTION	REV
	70005648	1	Relay	
	1001117308	1	Relay	
		Ref	Engine - Deutz TD2.9L4 (Stage V)	
	91403102	12	Filter, Air	
	70025161	12	Filter, Fuel (Engine Mounted)	
	70025153	12	Filter, Fuel (Frame Mounted)	
	7016331	12	Filter, Oil	
	1001196634	2	Fuse, 2Amp (Breather Heater Harness)	
	8229242	2	Fuse, 5Amp	
	80983191	2	Fuse, 10Amp	
	70023592	2	Fuse, 20Amp	
	70023593	2	Fuse, 30Amp	
	70025210	1	Module, ECU	
	3740067	1	Relay	
	70005648	1	Relay	
	1001117308	1	Relay	
		Ref	Engine - Deutz TD2.9L4 (China III)	
	91403102	12	Filter, Air	
	1001225432	12	Filter, Fuel (Engine Mounted)	
	1001225430	12	Filter, Fuel (Frame Mounted)	
	7016331	12	Filter, Oil	
	8229242	2	Fuse, 5Amp	
	80983191	2	Fuse, 10Amp	
	70025210	1	Module, ECU	
	3740067	1	Relay	
	70005648	1	Relay	
	1001117308	1	Relay	
		Ref	Engine - Ford	
	70005008	12	Filter, Air - Primary	
	70006460	12	Filter, Air -Secondary	
	70006155	12	Filter, Fuel	
	70006213	12	Filter, Oil	
	70006175	2	Fuse, 20Amp	
	70006176	1	Module, Engine Control Unit	
	3740067	1	Relay	
	70006171	1	Relay	
	70006172	1	Relay	
	70002097	12	Element, Filter (Control Valves Installation)	
	70002231	12	Element, Filter (Control Valves Installation)	
	8229249	2	Fuse, 3 Amp (USB Charger and Platform Console Box Harness)	
	2400064	2	Fuse, 5Amp (7500W Generator to Engine Harness with Deutz D2011 and Ford Engines)	
	8229242	2	Fuse, 5Amp (Ground Control Box Harness)	
	2860030	1	Key Replacement (Ground Control Box Assembly)	
	2940074	1	Latch (Platforms with Gate)	
	1001142683	1	Module, Control (Strobe Light Installations)	
	1001103667	1	Module, Ground Control (All Machines Except High Temp Markets)	
	1001280600	1	Module, Ground Control (High Temp Markets)	
	1001141138	1	Module, Platform	
	3740080	1	Relay (2500W Generators and 7500W Generator with Ford Engine)	
	70006553	1	Relay (4000W Generators)	

## SECTION 10 - RECOMMENDED SERVICE PARTS STOCK

ITEM	PART NUMBER	QTY	DESCRIPTION	REV
	3740049	1	Relay (Ground Control Box Assembly)	
	1001186431	1	Relay (SkyGuard)	
	3740086	1	Relay (SkyLine Harness)	
	1001147479	1	Sensor (Level Sensor Installation)	
	1001191022	1	Sensor (Lower Sensor Assembly)	
	1001137673	1	Sensor (SkyGuard)	
	1001228225	1	Sensor, Emitter (SkyEye)	
	1001148607	1	Sensor, Fuel (Gas/Diesel Engines on Machines With SN Starting With B3)	
	1001247468	1	Sensor, Loadcell (Platform Support Installation)	
	4360057	1	Sensor, Limit (Soft Touch Installation)	
	7026638	1	Sensor, Pressure (Air Compressor)	
	4360506	1	Sensor, Proximity (Boom Cables Installation)	
	1001170847	1	Sensor, Proximity (Dual Capacity Installation)	
	1001182570	1	Sensor, Proximity (Dual Capacity Installation)	
	4360517	1	Sensor, Proximity (Rotary Coupling)	
	1001232667	1	Sensor, Proximity (SkyLine)	
	1001228224	1	Sensor, Receiver (SkyEye)	
	1001219601	1	Sensor, Tilt (Ground Control Box)	
	1001225346	1	Switch, Battery (Battery Disconnect Installation)	
	4360475	1	Switch, Emergency Stop (Ground Control and Platform Conosole Boxes)	
	4360469	1	Switch, Key (Ground Control Box Assembly)	
	4360387	1	Switch, Push Button (CE & UK CA Ground Control Boxes, Platform Console Boxes, and Soft Touch)	
	4360274	1	Switch, Push Button (Ground Control Boxes with Deutz Stage V Engine)	
	70001432	1	Switch, Rocker (Plasma Cutter)	
	4360336	1	Switch, Toggle (Generator Installations)	
	1001155045	1	Switch, Toggle (Ground Control Box Assembly)	
	4360328	1	Switch, Toggle (Jib Switch Installation)	
	1001159256	1	Switch, Toggle (Platform Console Boxes)	
	1001161709	1	Switch, Toggle (Platform Console Boxes)	
	7024469	1	Switch with Lead (Welder Assembly)	

**SECTION 11 - SPECIAL OPTIONS**

# SECTION 11 - SPECIAL OPTIONS

**FIGURE 11-1. SPECIAL OPTIONS/ACCESSORIES/KITS**

ITEM	PART NUMBER	QTY	DESCRIPTION	REV
		Ref	Note: This list is to accommodate machines ordered with special equipment. Options may not be applicable to all models. For more specific parts information contact JLG Parts Department.	
		Ref	MISCELLANEOUS SPECIAL OPTIONS/ACCESSORIES/KITS	
	1001116163	Ref	7500W/60Hz Generator Add-on Kit (800S)	
	1001229762	Ref	Air Intake Shut-off Valve (Deutz TD2.9L4 Engines)	
	1340061	Ref	Air Cleaner Precleaner	
		Ref	Air Line at Platform Installations:	
	0271472	Ref	Air Line at Platform Installations (800S)	
	1001091712	Ref	Air Line at Platform Installations (With Arctic Package) (800S)	
	0271473	Ref	Air Line at Platform Installations (860SJ)	
	1001091713	Ref	Air Line at Platform Installations (With Arctic Package) (860SJ)	
	1001249695	Ref	Analyzer and Cable Kit	
	1001249941	Ref	Battery Powered Analyzer Installation Kit	
		Ref	Bellows Installations:	
	0271476	Ref	Bellows Installations (800S)	
	0271477	Ref	Bellows Installations (860SJ)	
	1001158259	Ref	Frame Bellows	
		Ref	Boom Rope Service Kits:	
	1001111231	Ref	Boom Rope Service Kit (800S)	
	1001197240	Ref	Boom Rope Service Kit (860SJ)	
	2910888	Ref	Boom Wear Pad Kit	
		Ref	Boom Wiper Installations:	
	0271448	Ref	Standard Machines	
	1001122305	Ref	Hostile Environment Machines	
	1001267262	Ref	Machines With SN Starting With B3	
	1001233047	Ref	Breather Heater Kit (Deutz TD2.9L4 Engines)	
	1001172045	Ref	Cable/Ladder Rack Installation	
		Ref	ClearSky (Telematics) Installations (Dealer Installed):	
	1001242409	Ref	ClearSky (Telematics) Access Control Installation Kit (ANSI, ANSI Export and CSA Specs)	
	1001243183	Ref	ClearSky (Telematics) Add-on Kit (ANSI, ANSI Export and CSA Specs)	
	1001243184	Ref	ClearSky (Telematics) Add-on Kit (CE & UK CA Specs)	
	1001246142	Ref	ClearSky (Telematics) Add-on Kit (Australian Specs)	
	1001276923	Ref	ClearSky (Telematics) Add-on Kit (Contact JLG for Approved Countries)	
		Ref	ClearSky (Telematics) Kits (Dealer Installed):	
	1001119939	Ref	ClearSky (Telematics) Kit (Aftermarket - ANSI)	
	1001119947	Ref	ClearSky (Telematics) Kit (Aftermarket - CSA)	
	1001291870	Ref	Coolant Pump Assembly Service Kit	
		Ref	Cold Weather Start Kits:	
	1001178208	Ref	Deutz D2011 Engine (With 25 GAL Capacity Hydraulic Tank)	
	1001178207	Ref	Deutz TD2.9L4 Engine (With 25 GAL Capacity Hydraulic Tank)	
	1001255807	Ref	Deutz TD2.9L4 (Stage V) (With 25 GAL Capacity Hydraulic Tank)	
	1001282099	Ref	Deutz D2.9L4 (China IV)	
	1001219840	Ref	Ford DF 2.5L Engine Machines (With 25 GAL Capacity Hydraulic Tank)	
	1001287837	Ref	Deutz D2011 Engine (With 47.8 GAL Capacity Hydraulic Tank)	
	1001287836	Ref	Deutz TD2.9L4 Engine (With 47.8 GAL Capacity Hydraulic Tank)	

## SECTION 11 - SPECIAL OPTIONS

ITEM	PART NUMBER	QTY	DESCRIPTION	REV
	1001287814	Ref	Deutz TD2.9L4 (Stage V) (With 47.8 GAL Capacity Hydraulic Tank)	
	1001287839	Ref	Ford DF 2.5L Engine Machines (With 47.8 GAL Capacity Hydraulic Tank)	
	1001245137	Ref	Control Valve Lockdown Kit (Used on Valves p/n 1001235900, 1001235901 & 1001244114)	
	1001115918	Ref	Cribbing Switch Installation	
		Ref	Decal Kits Options:	
	1001270518	Ref	Machine (ANSI 9220 Spec)	
	1001108722	Ref	Platform (800S)	
	1001108723	Ref	Platform (860SJ)	
	1001272201	Ref	Platform (ANSI 9220 Spec)	
	1001241345	Ref	Platform Console Box (ANSI Spec)	
	1001272089	Ref	Platform Console Box (ANSI 9220 Spec)	
	1001109257	Ref	Drive Orientation Kit (860SJ)	
	2902394	Ref	Drive/Steer Cutout Kit	
		Ref	Electrical Connector Kits:	
	1001148902	Ref	Amp/Tyco Electrical Connector Kit	
	1001148903	Ref	Deutsch DT Electrical Connector Kit	
	1001148904	Ref	Deutsch HD Electrical Connector Kit	
	1001148905	Ref	Packard Electrical Connector Kit	
	1001148906	Ref	Various Electrical Connectors Kit	
	1001218022	Ref	Engine Block Heater Installation (Ford DF 2.5L Engines)	
	1001237883	Ref	Fall Arrest (Bolt-on) Add-on Kit (6ft/1.82m Platform) (ANSI, ANSI Export, China, CSA & Japanese Specs Only) (Fits Platform p/ns 1001186384, 1001144024 & 1001228376)	
	1001237882	Ref	Fall Arrest (Bolt-on) Add-on Kit (8ft/2.4m Platform) (ANSI, ANSI Export, China, CSA & Japanese Specs Only) (Fits Platform p/ns 1001186383 & 1001144023)	
	1001269630	Ref	Fall Arrest (Bolt-on) Add-on Kit (4ft/1.22m Platform) (All Specs)	
	1001269629	Ref	Fall Arrest (Bolt-on) Add-on Kit (5ft/1.52m Platform) (All Specs)	
	1001269631	Ref	Fall Arrest (Bolt-on) Add-on Kit (6ft/1.82m Platform) (All Specs)	
		Ref	Fan Cover/Grille Options:	
	1001182599	Ref	Fan Cover Installation (Deutz D2011 Engines)	
	1001177694	Ref	Fan Grille Installation (Deutz TD2.9L4 Engines and Deutz TD2.9L4 (Stage V) Engines) (Modine Radiator Only)	
	1001093389	Ref	Fan Cover Installation (Ford DF 2.5L Engines)	
	1001139099	Ref	Fire Extinguisher Installation (20lb) (Platform Mounted)	
	1001227951	Ref	Fire Protection for Platform Valves and Filter (800S)	
	1001239235	Ref	Fire Protection for Platform Valves and Filter (860SJ)	
	1001272888	Ref	Fire Protection for Platform Valves and Filter (Machines With SN Starting With B3)	
		Ref	Filter Kits:	
		Ref	Combined Filter Kit (Hydraulic/Air and Fuel/Engine Oil)	
	1001225623	1	Deutz D2011 Engine Machines	
	1001195537	1	Deutz DT2.9L4 Engine (All Specs)	
	1001286519	1	Deutz DT2.9L4 Engine - Without HYD Filters (China Spec)	
	1001286521	1	Deutz DT2.9L4 Engine - With HYD Filters (China Spec)	
	1001293078	1	Engine Muffler Kit (China III Engine)	
	1001114052	1	Ford DF 2.5L Engine Machines	
	1001265676	Ref	Ford 42 Way Connector Kit	
	1001117294	Ref	Footswitch Shield (With Arctic Package)	
	1001202749	Ref	Fuel Cap Cover Installation (Black) (Note: Lock p/n 1001102157 Must be Purchased Separately)	

## SECTION 11 - SPECIAL OPTIONS

ITEM	PART NUMBER	QTY	DESCRIPTION	REV
	1001191395	Ref	Fuel Cap Cover Installation (Green) (Diesel Machines) (Note: Lock p/n 1001102157 Must be Purchased Separately)	
	1001191394	Ref	Fuel Cap Cover Installation (Red) (Gas Machines) (Note: Lock p/n 1001102157 Must be Purchased Separately)	
		Ref	Hose Kit Options:	
	1001187509	Ref	Hose Kit - Boom (800S)	
	1001187500	Ref	Hose Kit - Boom (860SJ)	
	1001209634	Ref	Hose Kit - Platform Valve (800S)	
	1001209635	Ref	Hose Kit - Platform Valve (860SJ)	
	1001204929	Ref	Hostile Environment Add-on Kit (Dealer Installed) (800S)	
	1001241416	Ref	Hostile Environment Add-on Kit (Dealer Installed) (860SJ)	
	1001121412	Ref	Hostile (Extreme) Environment Installation (Factory Installed) (800S)	
	1001210977	Ref	Hostile (Extreme) Environment Installation (Factory Installed) (860SJ)	
	1001094475	Ref	Hourmeter for Generator	
	1001229935	Ref	Hydraulic Tank Lock Installation	
	1001268736	Ref	Jib Link Kit	
	1001281466	Ref	Latch Kit - Steel Hood (860SJ)	
		Ref	Light Options:	
	0272057	Ref	Chassis Illumination Lights (ABS Hoods)	
	1001184259	Ref	Chassis Illumination Lights (Steel Hoods)	
	0271552	Ref	Headlights & Taillights Installation (ABS Hoods)	
	1001164786	Ref	Headlights & Taillights Installation (Steel Hoods)	
	0272058	Ref	Platform Flood Lights Installation	
	0273472	Ref	Platform Worklights Installation (800S)	
	0273483	Ref	Platform Worklights Installation (860SJ)	
	1001128153	Ref	Platform Worklights Installation (Worklight 4 Corner)	
	1001152965	Ref	Strobe Light Installation - Platform Mounted (Amber)	
	1001236951	Ref	Low Temperature Cutout Installation (Russian Specs)	
	1001290375	Ref	Oil Drain Kit (Ford Engines)	
		Ref	Oil Cooler Options:	
	1001297083	Ref	Oil Cooler Installations (Deutz D2011 Engines)	
	1001186631	Ref	Oil Cooler Installations (Deutz TD2.9L4 Engines and Deutz TD2.9L4 (Stage V) Engines) (YMER Cooler)	
	1001219633	Ref	Oil Cooler Installations (Ford DF 2.5L Engines)	
	1001200725	Ref	Oil Cooler Replacement Kit (RCP to YMER)	
	1001272166	Ref	Pipe Rack Kit	
	1580013	Ref	Platform Corner Storage Tray	
	1001214984	Ref	Platform Box Decal Protection Installation (GB China Specs)	
		Ref	Platform Box Cover Installations:	
	1001195304	Ref	Plastic Cover	
	1001266290	Ref	Steel Cover	
	1001125229	Ref	Steel Cover (Korean Spec)	
	1001125230	Ref	Steel Cover (Chinese Specs - Simplified Language)	
	1001270482	Ref	Steel Cover (Dealer Installed)	
	1001110982	Ref	Platform Bumpers	
		Ref	Platform Entry Kits	
	1001142504	Ref	Drop Bar (Replacing Swing Gate with Drop Bar)	
	1001142505	Ref	Swing Gate (Replacing Drop Bar with Swing Gate)	
		Ref	Platform Mesh To Mid Rail Installations (Side Entry Platform):	
	1001272274	Ref	2.5ft x 4ft Platforms (Steel) (ANSI, ANSI Export and Australian Specs)	

## SECTION 11 - SPECIAL OPTIONS

ITEM	PART NUMBER	QTY	DESCRIPTION	REV
	1001266969	Ref	2.5ft x 4ft Platforms (Plastic) (ANSI, ANSI Export and Australian Specs)	
	1001272178	Ref	2.5ft x 5ft Platforms (Steel) (ANSI, ANSI Export and Australian Specs)	
	1001266799	Ref	2.5ft x 5ft Platforms (Plastic) (ANSI, ANSI Export and Australian Specs)	
	1001271760	Ref	3ft x 6ft Platforms (Steel) (ANSI, ANSI Export and Australian Specs)	
	1001266284	Ref	3ft x 6ft Platforms (Plastic) (ANSI, ANSI Export and Australian Specs)	
	1001269389	Ref	3ft x 8ft Platforms (Steel) (ANSI, ANSI Export, Australian and Russia Specs)	
	1001266098	Ref	3ft x 8ft Platforms (Plastic) (ANSI, ANSI Export, Australian and Russia Specs)	
		Ref	Platform Mesh to Mid Rail Add-on Kits:	
	1001281461	Ref	30in x 4ft (76cm x 1.22m) with Gate	
	1001281460	Ref	30in x 5ft (76cm x 1.52m) with Gate	
	1001281458	Ref	36in x 6ft (91.5cm x 1.83m) with Gate	
	1001281457	Ref	36in x 8ft (91.5cm x 2.44m) with Gate	
		Ref	Platform Mesh To Top Rail Installations (Side Entry Platform):	
	1001272182	Ref	2.5ft x 4ft Platforms (Steel) (ANSI, ANSI Export and CSA Specs)	
	1001266807	Ref	2.5ft x 4ft Platforms (Plastic) (ANSI, ANSI Export and CSA Specs)	
	1001271888	Ref	2.5ft x 5ft Platforms (Steel) (ANSI, ANSI Export and CSA Specs)	
	1001266801	Ref	2.5ft x 5ft Platforms (Plastic) (ANSI, ANSI Export and CSA Specs)	
	1001271642	Ref	3ft x 6ft Platforms (Steel) (ANSI, ANSI Export and CSA Specs)	
	1001266489	Ref	3ft x 6ft Platforms (Plastic) (ANSI, ANSI Export and CSA Specs)	
	1001269187	Ref	3ft x 8ft Platforms (Steel) (ANSI, ANSI Export and CSA Specs)	
	1001266056	Ref	3ft x 8ft Platforms (Plastic) (ANSI, ANSI Export and CSA Specs)	
		Ref	Platform Mesh to Top Rail Add-on Kits:	
	1001281456	Ref	30in x 4ft (76cm x 1.22m) with Gate	
	1001281455	Ref	30in x 5ft (76cm x 1.52m) with Gate	
	1001281453	Ref	36in x 6ft (91.5cm x 1.83m) with Gate	
	1001281452	Ref	36in x 8ft (91.5cm x 2.44m) with Gate	
	1001149730	Ref	Platform Mid Rail Repair Kit	
		Ref	Platform Top Rail Extension Installations:	
	0272733	Ref	Platform 6ft (1.83m)	
	0272725	Ref	Platform 8ft (2.44m)	
	1001209059	Ref	Platform Work Surface Installation	
	1001100121	Ref	Programmable Security Lock Installation (China, CE & UK CA Specs Only)	
	1001162546	Ref	Pump Coupling Service Kit (Sauer Danfoss)	
	1001199487	Ref	Radiator Replacement Kit (RCP to Modine)	
	1001190889	Ref	Service Tools & Kits	Z
	1001241547	Ref	SkyEye Housing Kit (Left Side)	
	1001241548	Ref	SkyEye Housing Kit (Right Side)	
	1001247073	Ref	SkyEye Retrofit Kit	
	1001282215	1	Platform Worklights	
		Ref	SkyGuard Component Options:	
	1001206477	Ref	SkyGuard Complete Add-On Kit (Blue Beacon)	
	1001210026	Ref	SkyGuard Complete Add-On Kit (Red Beacon)	
	1001137672	Ref	SkyGuard Platform Sensor Kit	
	1001137440	1	SkyGuard Sensor Harness	

## SECTION 11 - SPECIAL OPTIONS

ITEM	PART NUMBER	QTY	DESCRIPTION	REV
	1001186431	2	Relay	
	1001206311	Ref	SkyGuard Strobe Light Kit (Blue Beacon)	
	1001210025	Ref	SkyGuard Strobe Light Kit (Red Beacon)	
	1001250595	Ref	SkyGuard 6-Pin Retrofit Installation Kit	
	1001249052	Ref	SkyGuard Retrofit Kit (Dealer Installed)	
	1001262016	Ref	SkyLine Kit (Dealer Installed)	
	1001289831	Ref	SkySense/Enhanced Detection System (EDS) Level 1 (2-Bar) Installation Kit (Factory Installed)	
	1001289832	Ref	SkySense/Enhanced Detection System (EDS) Level 2 (3-Bar) Installation Kit (Factory Installed)	
	1001289905	Ref	SkySense/Enhanced Detection System (EDS) Level 1 (2-Bar) Installation Kit (Dealer Installed)	
	1001289906	Ref	SkySense/Enhanced Detection System (EDS) Level 2 (3-Bar) Installation Kit (Dealer Installed)	
	1001282461	Ref	SkySense Padding Installation - For 30 x 48 Platforms equipped with SkySense	
	1001275644	Ref	SkySense Padding Installation - For 30 x 60 Platforms equipped with SkySense	
	1001275642	Ref	SkySense Padding Installation - For 36 x 72 Platforms equipped with SkySense	
	1001269655	Ref	SkySense Padding Installation - For 36 x 96 Platforms equipped with SkySense	
	1001263395	Ref	SkyWelder Kit (Dealer Installed)	
	1001231235	Ref	SkyWelder Locking Bracket Installation	
	1001110926	Ref	Soft Touch (Overhead) Installation (Chinese/Korean Specs Only)	
	1001281070	Ref	Strobe Beacon Replacement Kit	
	1001228583	Ref	Telematics Gateway (Dealer Installed)	
	1001284511	Ref	Telematics Gateway + (Dealer Installed)	
	1001228355	Ref	Turntable Bearing Cover Installation	
		Ref	Tools for Service:	
	2901443	1	Analyzer Kit	
	4460467	1	Extractor - 16-18 Gauge (For Removal of Pin/Sockets from Deutsch Connectors)	
	4460510	1	Extractor - 12-14 Gauge (For Removal of Pin/Sockets from Deutsch Connectors)	
	7002823	1	Pin/Socket Extractor - Universal (To Remove Pins/Sockets from Connectors)	
	7002822	1	Screwdriver, Potentiometer (To Adjust Drive Controllers)	
	7016654	1	Screwdriver, Magnetic	
	7004275	1	Seal Installation Tool - 1in	
	7004276	1	Seal Installation Tool - 1-1/2in	
	7002826	1	Seal Installation Tool - 2in	
	1001137005	1	Software Cable Kit	
	70005663	1	Tool, Port Plate for Pump p/n 1001142522	
	7002821	1	Wire Crimper (To install wire ends to wires)	
	7016655	1	Wire Rope Sheave Gauge	
	8896941	1	Wire Stripper	
	2915094	Ref	Turntable Bearing Replacement Kit	
	1001277840	Ref	UGM1 to UGM2 Retrofit ADE1 Kit	
	1001277848	Ref	GM to UGM2 Retrofit ADE1 Kit	
	1001274249	Ref	USB Charger Add-on Kit (Dealer Installed)	
	1001262959	Ref	Voltage Regulator Relocation Kit	
		Ref	Weld Leads at Platform Installations	
	0271487	Ref	Weld Leads at Platform Installations (800S)	



**SECTION 11 - SPECIAL OPTIONS**

ITEM	PART NUMBER	QTY	DESCRIPTION	REV
	0271488	Ref	Weld Leads at Platform Installations (860SJ)	
	1001228544	Ref	Wheel Drive Kit (Replaces Hub 2780272)	



**PART NUMBER INDEX**

## SECTION 11 - SPECIAL OPTIONS

0100009.....643	179, 181, 183, 426,	0275216 ..... 813, 963	1050, 1054, 1058,
0100011....21, 23, 25, 27,	495, 509, 513, 525, 529	0275217 ..... 819, 967	1062, 1066, 1070
29, 31, 33, 35, 37, 39,	0100062... 300, 304, 348,	0275452 ..... 825, 971	0641407.... 131, 135, 139,
41, 43, 65, 67, 69, 71,	354, 360, 366, 372,	0275453 ..... 831, 975	143, 147, 151, 155,
75, 77, 91, 95, 97, 99,	398, 410, 434, 517, 522	0275454 ..... 837, 979	159, 163, 167, 171,
101, 103, 105, 107,	0100079 ..... 513, 529	0362770 ..... 222, 226	293, 295, 297, 300,
109, 111, 113, 121,	0100081 ... 230, 234, 238,	0362910 ..... 71	304, 429, 479
123, 125, 127, 129,	242, 246, 250, 254,	0400075 ... 121, 123, 125,	0641408....231, 235, 238,
131, 135, 139, 143,	258, 581, 583, 585,	127, 129	242, 246, 250, 255,
147, 151, 155, 159,	587, 589, 591, 687,	0440244 ..... 87	258, 426, 641, 859,
163, 167, 171, 179,	689, 691	0480121 ..... 489, 499	861, 863, 865, 867,
181, 183, 185, 197,	0140011 ..... 643	0480126 ..... 501, 517	869, 871, 873, 875,
199, 222, 226, 227,	0140044 ..... 179	0480129 ..... 505, 521	877, 879
230, 231, 234, 235,	0181949 ..... 63	0561185 .... 551, 555, 559	0641409....281, 283, 287,
238, 242, 243, 246,	0200048 ... 693, 695, 697,	0561380 ... 539, 541, 543,	291
250, 254, 255, 258,	699	547	0641410.....65, 281, 283,
259, 261, 263, 265,	0200742 ..... 489, 499	0561445 .... 551, 555, 559	287, 291, 300, 304,
281, 283, 287, 291,	0256202 ..... 809	0561446 .... 551, 555, 559	859, 861, 869, 871
293, 295, 297, 300,	0257195 ..... 1074	0561447 .... 551, 555, 559	0641412....311, 315, 319,
304, 311, 315, 319,	0258608 ..... 661	0561449 .... 551, 555, 559	323, 327, 331, 391,
323, 327, 331, 335,	0258728 ..... 483	0561484 ... 869, 873, 875,	403, 426, 859, 861,
337, 339, 341, 343,	0259147 ..... 93	879	863, 865, 867, 869,
345, 348, 354, 360,	0270528 ..... 67, 69, 71	0630407 ... 348, 354, 360,	871, 873, 875, 877, 879
366, 372, 391, 395,	0270886 ..... 55	366, 372, 398, 410	0641414....643, 665, 693,
398, 403, 407, 410,	0270888 ..... 57	0630462 ... 693, 695, 697,	695, 697, 699
417, 421, 426, 429,	0271002 ..... 87	699	0641416....813, 815, 817,
432, 437, 439, 441,	0271085 ..... 55	0630467 ..... 595, 597	819, 821, 823, 825,
475, 477, 489, 491,	0271086 ..... 55	0630485 ... 231, 235, 238,	827, 829, 831, 833,
495, 499, 501, 505,	0271090 ..... 57	242, 246, 250, 255, 258	835, 837, 839, 841, 843
509, 513, 517, 521,	0271091 ..... 57	0630518 ... 175, 177, 657,	0641418 75, 77, 607, 609,
525, 529, 533, 539,	0271448 ..... 1086	659, 671, 674, 679,	613, 615, 617, 619,
541, 543, 547, 551,	0271472 ..... 1086	681, 685	629, 631, 633, 635, 701
555, 559, 563, 565,	0271473 ..... 1086	0630534 ..... 717	0641420.....426, 611
567, 575, 577, 579,	0271476 ..... 1086	0630539 .... 587, 589, 591	0641504....539, 541, 543,
581, 583, 585, 587,	0271477 ..... 1086	0630548 ... 131, 135, 139,	547
589, 591, 593, 595,	0271487 ..... 1090	143, 147, 151, 155,	0641506.... 131, 135, 139,
597, 603, 607, 609,	0271488 ..... 1091	159, 163, 167, 171	143, 147, 151, 159,
611, 613, 619, 629,	0271552 ..... 1088	0630568 ..... 644	167, 171, 273
631, 633, 635, 665,	0272057 ..... 1088	0641403 ... 517, 551, 555,	0641507.... 155, 163, 595,
667, 674, 679, 681,	0272058 ..... 1088	559	597
685, 693, 695, 697,	0272081 ... 223, 231, 235,	0641404 ... 131, 135, 139,	0641508 67, 69, 197, 199,
699, 701	247, 255	143, 147, 151, 155,	222, 226, 489, 491,
0100019..81, 87, 89, 267,	0272254 ..... 681	159, 163, 167, 171,	495, 499
269, 271, 491, 501,	0272259 ..... 805	499, 501, 505, 509,	0641510..... 300, 304
505, 509, 513, 517,	0272260 ..... 807	513, 521, 525, 529, 667	0641511.... 859, 861, 863,
521, 525, 529, 533	0272418 ... 687, 689, 691,	0641405 ... 179, 501, 505,	865, 867, 869, 871,
0100020..63, 97, 99, 101,	1074	509, 513, 517, 521,	873, 875, 877, 879
103, 105, 107, 109,	0272427 ..... 697	525, 529, 533, 643, 667	0641512..... 300, 304
111, 113, 269, 271,	0272435 .... 522, 530, 534	0641406 ... 181, 183, 203,	0641516....505, 513, 517,
274, 281, 283, 287,	0272448 ..... 1079	205, 207, 209, 211,	521, 525, 529, 533
291, 311, 315, 319,	0272521 ..... 679	213, 215, 217, 222,	0641518....348, 354, 360,
323, 327, 331, 348,	0272588 ..... 1077	226, 230, 234, 238,	366, 372, 398, 410
349, 354, 355, 360,	0272589 ..... 518, 526	242, 246, 250, 254,	0641542..... 39
366, 372, 391, 398,	0272725 ..... 1089	258, 269, 271, 273,	0641560..... 41, 43
400, 403, 410, 412,	0272733 ..... 1089	311, 315, 319, 323,	0641604.... 197, 199, 563,
426, 432, 469, 506,	0272948 ..... 689	327, 331, 335, 337,	565, 567, 603, 859,
522, 647, 671, 674,	0272951 ..... 691	339, 341, 343, 345,	861, 863, 865, 867,
813, 815, 817, 819,	0273353 ..... 674	348, 354, 360, 366,	869, 871, 873, 875,
821, 823, 825, 827,	0273472 ..... 1088	372, 391, 395, 398,	877, 879
829, 831, 833, 835,	0273483 ..... 1088	403, 407, 410, 426,	0641605....348, 354, 360,
837, 839, 841, 843	0273596 ..... 269	479, 481, 502, 509,	366, 372, 398, 410
0100035.... 191, 419, 603,	0273687 ..... 269, 271	603, 641, 669, 849,	0641606..65, 75, 77, 121,
643, 657, 659	0273695 ... 539, 541, 543,	851, 1002, 1006, 1010,	125, 197, 199, 223,
0100048.... 131, 135, 139,	547, 603	1014, 1018, 1022,	227, 300, 304, 311,
143, 147, 151, 155,	0273706 ..... 699	1026, 1030, 1034,	315, 319, 323, 327,
159, 163, 167, 171,	0273824 ..... 693	1038, 1042, 1046,	331, 391, 403, 551,
	0274518 ..... 1074		555, 559, 581, 583,

## SECTION 11 - SPECIAL OPTIONS

585, 587, 589, 591, 674, 679, 681, 685	0641634 .... 551, 555, 559	827, 829, 831, 833, 835, 837, 839, 841, 843	0761008... 311, 315, 323, 327, 331, 391, 403, 426, 593
0641607 ... 31, 33, 35, 37, 97, 99, 101, 103, 105, 107, 109, 111, 113, 426, 491, 551, 555, 559, 593, 859, 861, 863, 865, 867, 869, 871, 873, 875, 877, 879	0641640 .... 551, 555, 559	0700615..... 191, 193, 231, 243	0761010.... 123, 127, 129
0641608 ... 203, 205, 207, 209, 211, 213, 215, 217, 219, 222, 223, 226, 227, 230, 234, 238, 242, 246, 250, 254, 258, 261, 263, 265, 271, 281, 283, 287, 291, 311, 315, 319, 323, 327, 331, 348, 354, 360, 366, 372, 391, 398, 403, 410, 471, 539, 551, 555, 559, 563, 565, 567, 581, 583, 585, 587, 589, 591	0641644 ... 581, 583, 585, 587, 589, 591	0700617.... 231, 235, 255, 259, 265	0761012 ..... 567
0641609 ... 222, 226, 231, 235, 238, 242, 246, 250, 255, 258, 300, 304, 348, 354, 360, 366, 372, 398, 410, 475, 477, 483	0641708 ... 348, 354, 360, 366, 372, 398, 410	0700618.... 231, 235, 243, 255, 259, 261, 263	0761014... 432, 485, 575, 579
0641610 ... 191, 193, 222, 226, 273, 281, 283, 287, 291, 300, 304, 311, 315, 319, 323, 327, 331, 391, 403, 417, 419, 421, 426, 469, 489, 499, 551, 555, 559, 563, 565, 567, 641	0641772 ... 489, 491, 495, 499	0700626.... 869, 871, 873, 875, 877, 879	0761015... 350, 356, 360, 366, 372, 398, 410, 432
0641611 ..... 95, 230, 235, 238, 242, 246, 250, 255, 258	0641806 ..... 360	0700808..... 300, 304	0761016 ..... 432, 495
0641612 ... 348, 354, 360, 366, 372, 398, 410	0641808 97, 99, 101, 103, 105, 107, 109, 111, 113, 281, 283, 287, 291, 335, 337, 339, 341, 343, 345, 395, 407, 426, 429, 501, 505, 509, 513, 517, 521, 525, 529, 541, 543, 547	0700810..... 432	0761018 ..... 533
0641613 75, 77, 247, 539, 551, 555, 559	0641810 ... 31, 33, 35, 37, 269, 271	0700812..... 432	0761210 ... 348, 354, 360, 366, 372, 398, 410
0641614 97, 99, 101, 103, 105, 107, 109, 111, 113, 223, 226, 502, 510, 849, 851	0641812 ..... 95, 293, 295, 297, 335, 337, 339, 341, 343, 345, 395, 407, 429, 491, 541, 543, 547	0700814.... 350, 356, 360, 398, 410, 432	0761212 ..... 487
0641615 .... 541, 543, 547	0641814 ... 311, 315, 319, 323, 327, 331, 391, 403	0700816..... 437, 439	0761216 ..... 575, 577
0641616 ... 222, 226, 230, 234, 238, 242, 246, 250, 254, 258, 273, 501, 506, 551, 555, 559	0641816 97, 99, 101, 103, 105, 107, 109, 111, 113	0700818..... 437, 439	0771014 ..... 432
0641617 ..... 63	0641818 ..... 21, 477, 483, 485	0701014..... 437, 439	0771212... 311, 315, 319, 323, 327, 331, 348, 354, 366, 372, 391, 398, 403, 410
0641618 ... 509, 513, 518, 522, 525, 529, 563, 565, 567	0641820 ..... 95, 300, 304, 475	0701022..... 368, 372	0771414... 300, 304, 348, 354, 360, 366, 372, 398, 410
0641620 ... 471, 587, 589, 591	0642010 ..... 71, 281, 283, 287, 291, 311, 315, 319, 323, 327, 331, 391, 403, 426	0701025..... 366, 372	0771415... 350, 356, 360, 366, 372, 398, 410, 501, 506, 518, 522
0641622 ... 581, 583, 585, 587, 589, 591	0642012 .... 687, 689, 691	0701026..... 441	0791404 ..... 201
0641626 ... 551, 555, 559, 581, 583, 585	0642014 ... 539, 541, 543, 547	0710827 ..... 437, 439	0801275 ..... 551
0641630 .... 581, 583, 585	0642212 ... 21, 23, 25, 27, 29, 539, 541, 543, 547, 687, 689, 691	0711014 ..... 434	0801279 ..... 539
0641632 .... 581, 583, 585	0642218 ... 539, 541, 543, 547	0711014 ..... 434	0801282 ..... 555
	0681608 ... 21, 23, 25, 27, 29, 281, 283, 287, 291, 311, 315, 319, 323, 350, 356, 368, 372, 391, 398, 403, 410, 575	0711020..... 432	0801306 ..... 543, 547
	0681814 ..... 637, 639	0711215.... 293, 295, 335, 337, 341, 343, 345, 360, 395, 407	0801647 ..... 555
	0681820 ... 348, 354, 360, 366, 372, 398, 410	0711216..... 437, 439	0801649 ..... 551
	0681822 . 39, 41, 43, 350, 356, 360, 366, 372, 398, 410, 637, 639	0711223..... 434	0811606 ... 319, 551, 555, 559
	0682016 .. 39, 41, 43, 267	0711414 ..... 475, 477	0811607 .... 551, 555, 559
	0682023 ..... 87, 89	0720804 ..... 63	0811608 .... 551, 555, 559
	0682032 ..... 87, 89	0721004 ..... 71	0811610 ... 231, 235, 238, 242, 246, 250, 255, 258
	0682216 ..... 81	0721005 ..... 697, 699	0811614 .... 551, 555, 559
	0682236 .... 23, 25, 27, 29	0721006.... 222, 226, 417, 419, 421, 489, 491, 499, 643	0811616 .... 551, 555, 559
	0682424 ... 649, 651, 653, 655	0721008..... 223, 227	0811812 ... 222, 226, 230, 234, 238, 242, 246, 250, 254, 258
	0700408 ... 813, 815, 817, 819, 821, 823, 825,	0731005 97, 99, 101, 103, 105, 107, 109, 111, 113, 693, 695	0860038 ... 505, 513, 521, 529, 533, 805, 807
		0741605.... 348, 354, 360, 366, 372, 398, 410, 539	0860520 ..... 1002, 1006, 1010, 1014, 1018, 1022, 1026, 1030, 1034, 1038, 1042, 1046, 1050, 1054, 1058, 1062, 1066, 1070
		0741606 ..... 197, 199	0861538 .... 522, 529, 533
		0741607 ..... 71, 501, 506, 509, 513, 525, 529, 533	0861572 ..... 518, 525
		0741609 ..... 35, 37	0861642 ..... 269, 271
		0741612 ..... 551, 555, 559	0861731 ... 829, 835, 841, 843, 971, 973, 975, 977, 979, 981
		0760514 ..... 291	0861781 ... 817, 823, 963, 965, 967, 969
		0760605.... 348, 354, 360, 366, 372, 398, 410, 437	0861880 .... 893, 895, 897
		0760606 ..... 534	0902219 ..... 222, 226
		0760608 ..... 432	0902223 ..... 222, 226
		0760610.... 432, 437, 439, 495, 533	0902412 ..... 222, 226
		0760612.... 132, 136, 140, 144, 147, 152, 156, 160, 164, 168, 172, 432	0902491 ..... 222, 226
		0760615 ..... 437, 439	
		0760807 ..... 437	
		0760810.... 348, 354, 360, 366, 372, 398, 410, 426, 432, 575	
		0760812 ..... 432, 857	
		0760814 .... 366, 372, 432	
		0760815 .... 366, 372, 432	
		0760817 ..... 437, 439	

## SECTION 11 - SPECIAL OPTIONS

0902673.....222, 226, 230, 234, 238, 242, 250, 254, 258	1001091969 ..... 813	1001101421 ..... 687	1001113103..... 109, 111, 113
0902674.....222, 226	1001091970 ..... 819	1001101422 ..... 687	1001113961..... 955
0902769.....222, 226	1001091973 ..... 825	1001101600 ..... 281, 283, 287, 291	1001114052..... 1087
0902888.....505, 513, 517, 521, 525, 529, 533	1001091974 ..... 831	1001101623 ..... 223	1001115388..... 521
0903242.....95	1001091975 ..... 837	1001101673 ..... 223	1001115394..... 517
0940049.....230, 234, 238, 242, 246, 250, 254, 258	1001093382 ..... 121, 123, 125, 127, 129	1001102290 ..... 917, 919	1001115405..... 489
0940070.....300, 304, 348, 354, 360, 366, 372, 398, 410, 434	1001093389 ..... 1087	1001102291 ..... 917, 919	1001115409..... 499
0940071.....222, 226	1001094475 ..... 1088	1001102304 ..... 917, 919	1001115918..... 1087
0940088.....222, 226, 231, 235, 238, 242, 246, 250, 255, 258	1001094595 ..... 297, 339, 451	1001102858 ..... 197, 199	1001116163..... 1086
0940092.....693, 695, 697, 699	1001094899 ..... 81	1001103012 ..... 995	1001116208..... 1075
0940094.....693, 695, 697, 699	1001095307 ..... 740, 744, 748, 752, 757, 761, 765, 781, 785, 789, 793, 797	1001103308 ..... 131, 139, 151, 155, 159, 167, 171	1001116280..... 230, 234, 238, 242, 246, 250, 254, 258
0940102.....687, 689, 691	1001095308 ..... 740, 748, 752, 757, 761, 765	1001103667 ..... 1083	1001116290..... 231, 235, 243, 255, 259, 261, 263, 265
0940103.....697	1001097051 ..... 985	1001104498 ..... 995	1001116322..... 230, 234, 238, 242, 246, 250, 254, 258
0940133.....699	1001097150 ..... 893, 897	1001106736 ..... 131, 135, 139, 143, 147, 151, 155, 159, 163, 167, 171	1001116344..... 230, 242, 246, 250, 258
0940134.....693	1001097244 ..... 703	1001106957 ..... 756, 764, 784, 796	1001116358..... 230, 234, 238, 242, 246, 250, 254, 258
0940159.....701	1001098012 ..... 671, 674, 677	1001106974 ..... 95	1001116456..... 203, 205, 215
0940177.....695	1001098122 ..... 647, 961	1001107531 ..... 95	1001116457..... 219
0961845.....607, 609, 611, 613, 615, 617, 619, 629, 631, 633, 635	1001098149 ..... 671	1001107854 ..... 995	1001116558..... 231, 243, 251, 259
0961893.....717	1001098167 ..... 707	1001108256 ..... 695	1001116620..... 231, 235, 239, 243, 251, 255, 259
0961947.....563, 565, 567, 573, 711	1001098828 ..... 575, 579	1001108579 ..... 109, 111, 113	1001116694..... 955
0961948.....555, 559, 713, 715	1001099121 ..... 223	1001108617 ..... 75, 77	1001116710..... 933
0961951.....551, 555, 559, 569	1001099138 ..... 223	1001108722 ..... 1087	1001116720..... 991
0961986.....300, 304, 348, 354, 360, 366, 372, 398, 410, 432	1001099366 ..... 687, 689, 691	1001108723 ..... 1087	1001116727..... 923, 937, 939
0962033.....721, 723, 725	1001099367 ..... 687, 689, 691	1001109048 ..... 109, 111, 113	1001116728..... 923
0962051.....483, 485	1001099421 ..... 689	1001109257 ..... 1087	1001116731..... 909
0962102.....21, 23, 25, 27, 29	1001099422 ..... 691	1001109648 ..... 851, 897	1001116733..... 937
0962122.....544, 548	1001099869 ..... 499	1001109654 ..... 849, 893	1001116734..... 937
0962152.35, 37, 727, 729	1001099870 ..... 39	1001110059 ..... 109, 111, 113	1001116774..... 855
0962181.....35, 37	1001100121 ..... 1089	1001110166 ..... 230, 234, 238, 242, 246, 250, 254, 258	1001116808..... 855
0962270.....637, 639	1001100231 ..... 893	1001110425 . 75, 77, 281, 283, 287, 291, 311, 315, 319, 323, 327, 331, 391, 403	1001116812..... 927
0962297.....544, 548, 551, 555, 559	1001100234 ..... 499	1001110544 ..... 201	1001116815..... 899, 901, 903, 905, 913, 928
0962335.....563, 565, 567	1001100321 ..... 499	1001110872 ..... 845, 847	1001116846... 1018, 1054
0962336.....717, 719	1001100326 ..... 815	1001110873 ..... 505, 514, 521, 529, 534, 805	1001116849... 1018, 1054
0962348.....35, 37	1001100327 ..... 821	1001110926 ..... 1090	1001116851... 1018, 1054
0962449.....499	1001100331 ..... 827	1001110979 ..... 701	1001116952..... 923, 928
0962520.....501, 506, 509, 513, 518, 522, 525, 529, 533	1001100333 ..... 833	1001110980 ..... 701	1001116983..... 933
1001001939.....300, 304	1001100337 ..... 839	1001110982 ..... 701, 1088	1001117027..... 230, 234, 238, 242, 250, 254, 258
1001004720.....291	1001100341 ..... 815, 963, 965	1001111231 ..... 1086	1001117078..... 947
1001091460.....47	1001100342 ..... 821, 967, 969	1001111346 ..... 615, 617	1001117106..... 923
1001091461.....47	1001100345 ..... 827, 971, 973	1001111968 ..... 768, 773, 776, 801	1001117107..... 923, 928
1001091472.....871, 877	1001100346 ..... 839, 979, 981	1001112551 .. 1006, 1042	1001117140..... 227
1001091618.....861, 867, 883	1001100347 ..... 833, 975, 977	1001112588 ..... 489	1001117172..... 647
1001091620.....861	1001100825 ..... 429, 463	1001112612 ..... 855, 955	1001117174..... 643, 647, 1082
1001091712.....1086	1001101191 ..... 813, 815, 817, 819, 821, 823, 825, 827, 829, 831, 833, 835, 837, 839, 841, 843, 893, 895, 897	1001112796 ..... 855, 909, 913	1001117249..... 230, 234, 238, 242, 246, 250, 254
1001091713.....1086	1001101196 ..... 813, 815, 817, 819, 821, 823	1001113047 ..... 230, 234, 238, 242, 246, 250, 254, 258	1001117294..... 1087
	1001101197 ..... 825, 827, 829, 831, 833, 835, 837, 839, 841, 843		1001117307..... 230, 234, 238, 242, 246, 250, 254, 258

## SECTION 11 - SPECIAL OPTIONS

1001117308 ..... 349, 355, 361, 367, 373, 399, 411, 1083	1001133714..... 924, 927, 935	1001140346.....513	1001143797 ..... 349, 355, 361, 367, 373, 399, 411
1001117372 ..... 707, 709	1001133715..... 924, 927, 935	1001140347 .....509	1001143852 ..... 1075
1001117804 ..... 539	1001133956..... 923, 928	1001140429.....607, 609, 611, 613, 619, 629, 631, 633, 635	1001143860 ..... 479
1001117805 ..... 541, 543, 547	1001133957..... 923, 928	1001140448.....349, 355, 361, 368, 374, 399, 411	1001143907 ..... 349, 355, 361, 367, 373, 399, 411
1001118384 ..... 989	1001134488..... 349, 355, 400, 412, 433	1001140450.....349, 355, 361, 368, 374, 399, 411	1001144147 ..... 909, 913
1001118388 ..... 989, 991	1001135138..... 349, 355, 361, 367, 399, 411	1001140454.....349, 355, 361, 368, 374, 399, 411	1001144433 ..... 665
1001119020 ..... 855, 913, 955, 961	1001135650..... 924, 927, 935	1001140564.....349, 355, 400, 412	1001144447 ..... 271
1001119619 ..... 983	1001135651..... 924, 927	1001141138.....643, 1083	1001144527 ..... 207, 213, 217
1001119620 ..... 985, 987	1001135679..... 349, 355, 399, 411	1001141300..... 1075	1001144629 ..... 621, 623, 625, 627, 629, 633
1001119939 ..... 1086	1001136104.....533	1001141302..... 1075	1001145154 ..... 349, 355, 361, 368, 374, 399, 411
1001119947 ..... 1086	1001136400..... 581, 583, 585, 591	1001141304.....349, 355, 361, 367, 373, 399, 411	1001145405 ..... 671, 674
1001119968 ..... 526, 531, 947	1001136834..... 349, 355, 361, 367, 373, 399, 411	1001141370.....349, 355, 361, 367, 373, 399, 411	1001146273 ..... 300, 304
1001120328 ..... 665, 667	1001137005..... 1090	1001141419.....361	1001146588 ..... 319, 361
1001120471 ..... 703	1001137276..... 349, 355, 361, 367, 373, 399, 411	1001141585.....349, 355, 361, 367, 373, 399, 411, 433	1001147264 ..... 923, 928
1001120477 ..... 703	1001137440..... 1089	1001141586.....361	1001147479 ..... 603, 1084
1001120484 ..... 703	1001137459..... 121, 125	1001141718.....421	1001147812 ..... 300, 304
1001120989 ..... 1075	1001137672..... 1089	1001141870..... 417, 419, 421	1001147813 ..... 300, 304
1001120993 ..... 1074	1001137673..... 665, 1084	1001141995.....349, 355, 361, 367, 373, 399, 411, 433	1001147820 ..... 300, 304
1001121412 ..... 1088	1001138110..... 923	1001142031..... 479, 481	1001147823 ..... 300, 304, 307
1001121669 ..... 865, 867, 875, 877	1001138111..... 923	1001142032..... 479, 481	1001148138 ..... 491
1001121670 ..... 865, 867	1001138113..... 923	1001142501..... 311, 315, 319, 323, 391, 403, 417, 419, 421	1001148563 ..... 529
1001121671 ..... 875, 877	1001138173..... 349, 355, 361, 367, 373, 399, 411, 433	1001142504..... 1088	1001148564 ..... 525
1001122305 ..... 1086	1001138175..... 349, 355, 361, 368, 374, 399, 411, 433	1001142505..... 1088	1001148565 ..... 271
1001125229 ..... 1088	1001138228..... 349, 355, 361, 367, 373, 399, 411	1001142623..... 361	1001148607 . 97, 99, 101, 103, 105, 107, 1084
1001125230 ..... 1088	1001138248..... 349, 355, 361, 367, 373, 399, 411, 434	1001142643..... 509, 514, 526, 530	1001148650 ..... 552, 556, 560
1001125387 ..... 1074	1001138489..... 349, 356, 361, 368, 373, 399, 411	1001142645..... 509, 525	1001148651 ..... 552, 556, 560
1001125492 ..... 81	1001138491..... 311, 315, 319, 323, 327, 331, 391, 403, 933	1001142646..... 514, 530	1001148652 ..... 552, 556, 560
1001125501 ..... 234, 239, 254	1001138494..... 609, 611, 613, 619, 629, 631, 633, 635	1001142683..... 191, 193, 1083	1001148653 ..... 552, 556, 560
1001125502 ..... 235, 239, 255	1001138514..... 609, 611, 613, 619, 631, 635	1001142722..... 191, 193	1001148675 ..... 845, 847
1001126008 ..... 595, 597	1001138557..... 349, 355, 361, 367, 373, 399, 411	1001142736..... 191, 193, 855	1001148841 ..... 935
1001126009 ..... 595, 597, 989	1001138565..... 501	1001142938..... 915, 923, 927	1001148842 ..... 935
1001126011 ..... 961	1001138566..... 501, 506, 509, 513	1001142940..... 915, 924, 927	1001148890 ..... 1087
1001126351 ..... 923, 928	1001138795..... 717	1001142941 ..... 915, 924, 927, 928	1001148902 ..... 1087
1001126352 ..... 923	1001138827..... 349, 355, 400, 412	1001143390..... 301, 305, 349, 355, 361, 367, 373, 399, 411	1001148903 ..... 1087
1001126356 ..... 923	1001139099..... 1087	1001143449..... 479, 481	1001148904 ..... 1087
1001126357 ..... 924, 927	1001139240..... 349, 355, 374, 399, 411	1001143483..... 481	1001148905 ..... 1087
1001126362 ..... 924, 927	1001139357..... 501, 506	1001143484..... 479	1001148906 ..... 1087
1001126363 ..... 924, 927	1001139409..... 349, 355, 361, 367, 373, 399, 411	1001143525..... 479, 481	1001149160 ..... 437
1001126364 ..... 924, 927	1001139654..... 1074	1001143726..... 349, 355, 367, 923	1001149639 ..... 433
1001126365 ..... 924	1001140312..... 356, 399	1001143736..... 311, 315, 319, 323, 327, 331, 391, 403	1001149703 ..... 475
1001126384 ..... 923			1001149704 ..... 300, 304
1001126391 ..... 924, 927			1001149705 ..... 300, 304
1001126392 ..... 924, 927			1001149706 ..... 300, 304
1001126485 ..... 927			1001149730 ..... 1089
1001126487 ..... 927			1001149793 ..... 301, 305
1001126828 ..... 223, 227, 230, 234, 239, 243, 246, 251, 254, 258			1001149994 ..... 189, 193
1001128153 ..... 1088			1001150260 ..... 222, 227, 230, 234, 239, 243, 246, 251, 254, 258
1001128527 ..... 685			1001150372 ... 31, 33, 35, 37
1001128556 ..... 685			1001150539 .. 31, 35, 727
1001128901 ..... 433			1001150561 ..... 203, 205, 215
1001129858 ..... 505			1001150890 ..... 477
1001131269 . 1002, 1022, 1038, 1058			1001150915 ..... 301, 305
1001131731 ..... 581, 583, 587, 589			

## SECTION 11 - SPECIAL OPTIONS

1001150918.....283, 287, 316, 324, 392	1001155823 ..... 311, 316, 320, 324, 327, 331, 392, 403	1001157837 ..... 541, 543, 547	1001165657.....31, 33, 35, 37
1001150937.....31, 33, 35, 37	1001156107 ..... 361	1001157851 ..... 768, 773, 776, 801	1001165842.....361
1001150998.....301, 305	1001156425 ..... 863, 873	1001157866 ..... 740, 749, 752, 757, 761, 765	1001167042.....350, 356, 361, 367, 373, 400, 411
1001151010.....63	1001156426 ..... 863	1001157870 ..... 267	1001167194.....769, 772, 776, 800
1001151034.....31	1001156427 ..... 873	1001158007 ..... 518, 522, 526, 530, 534	1001167196.....769, 772, 777, 800
1001151037.....21	1001156439 ..... 581, 583, 585, 587, 589, 591	1001158008 ..... 518, 522, 526, 530, 534	1001167565.....575, 579
1001151070.....281, 283, 287, 291	1001156443 ..... 581	1001158084 ..... 267	1001167567.....575, 579
1001151252.....477	1001156710... 21, 23, 25, 27, 29	1001158145 ..... 459	1001167596.....575
1001151253.....475	1001156805 . 97, 99, 101, 103, 105, 107, 109, 111, 113	1001158187 ..... 65	1001167632.....927
1001151856.....924	1001156823 ..... 426	1001158188 ..... 65	1001167635.....927
1001151980.....31, 33	1001156965 ..... 581	1001158203 ..... 65	1001168018.....433
1001152266.....997	1001156966 ..... 583	1001158259 ..... 1086	1001168025.....595, 597
1001152429.....518, 523, 945	1001157015 ..... 39	1001158363 ..... 505, 514	1001168402.....575, 579
1001152457.....505, 514	1001157016 ..... 41	1001158364 ..... 179	1001169054.....350, 356, 361, 367, 373, 400, 412, 433
1001152459.....301, 305	1001157021 ..... 223, 227	1001158436 ..... 67	1001169138.....350, 356, 361, 367, 373, 400, 412, 433
1001152489.....350, 355, 361, 367, 373, 399, 411	1001157025 ..... 230, 234, 239, 243, 247, 251, 254, 259	1001159118 ..... 845, 847, 1082	1001169754.....59
1001152525.....518, 522, 526, 530, 534	1001157056 . 97, 99, 101, 103, 105, 107, 109, 111, 113	1001159119 ..... 845, 847	1001169755.....59
1001152530.....505, 514	1001157180 ..... 543, 547	1001159120 ..... 845, 847	1001169756.....59
1001152532.....501, 506, 510, 514, 941	1001157208 ..... 231, 235, 259	1001159121 ..... 847	1001169757.....59
1001152719.....21, 23, 25	1001157209 ..... 231, 235, 243, 255, 259	1001159186 ..... 955	1001169967.....433
1001152965.....1088	1001157284 ..... 231, 235, 239, 243, 247, 251, 255, 259	1001159256 ..... 643, 1084	1001170035.....433
1001153197.....502, 939	1001157344 ..... 230, 234, 239, 243, 247, 251, 254, 259	1001159323 .. 1014, 1050	1001170764.....927
1001153259.....510, 943	1001157400 ..... 737	1001159340 ..... 749, 761, 765, 788, 793, 797	1001170847.....197, 199, 1084
1001153260.....505, 514	1001157415 ..... 222	1001159854 ..... 740, 744, 748, 788	1001171127.....513
1001153282.....301, 305, 348, 355, 361, 367, 373, 399, 411, 447	1001157416 ..... 203, 230	1001160077 ..... 187	1001171131.....845
1001153309.....505	1001157474 ..... 223, 227, 230, 234, 239, 243, 247, 251, 254, 259	1001160559 .. 97, 99, 101	1001171269.....509
1001153310.....501	1001157475 ..... 223, 227, 230, 234, 239, 243, 247, 251, 254, 259	1001160567 ..... 103, 105, 107	1001171403.....924
1001153396.....293, 300	1001157520 ..... 518, 522, 526, 530, 534	1001160780 ..... 67, 69	1001172045.....1086
1001153414.....301, 305	1001157521 ..... 518, 522, 526, 530, 534	1001161076 ..... 91	1001172064.....915
1001153779.....295, 297, 304	1001157525 ..... 517, 518, 525, 526	1001161355 ... 31, 33, 35, 37	1001172065.....915
1001154126.....707	1001157528 ..... 518, 522, 526, 530, 534	1001161399 ... 31, 33, 35, 37	1001172760.....643
1001154237.....287, 297	1001157592 ..... 521, 522, 530, 534	1001161709 .... 643, 1084	1001173535.....434
1001154405.....311, 316, 319, 324, 331, 392, 403, 417, 419, 421, 471	1001157612 ..... 230, 234, 239, 243, 247, 251, 254, 259	1001161711 ..... 222, 227, 230, 234, 239, 243, 247, 251, 254, 259	1001173580.....230, 234, 239, 243, 247, 251, 254, 259
1001154584.....23	1001157736 ..... 223, 227	1001162335 ..... 350, 356, 417	1001173869.....217
1001154687.....707	1001157752 ..... 203	1001162497 ..... 281, 284, 288, 291, 311, 316, 320, 324, 327, 331, 392, 403, 426	1001173870.....217, 254
1001154875 .....27, 29	1001157753 ..... 205, 234	1001162546 ..... 1089	1001174040.....575, 577
1001154931.....35, 37	1001157755 ..... 205	1001162915 ..... 255	1001174101.....255
1001155035.....35, 37	1001157769 ..... 518, 523	1001163101 ..... 207, 209, 211, 213, 217	1001174282.....235
1001155041.....495	1001157770 ..... 526, 531	1001163131 ..... 687	1001174283.....231, 259
1001155043.....131, 135, 139, 143, 147, 151, 155, 159, 163, 167, 171		1001163296 ..... 689	1001174486.....426
1001155044.....131, 135, 139, 143, 147, 151, 155, 159, 163, 167, 171, 643		1001163297 ..... 691	1001174745.....479, 481
1001155045.....131, 135, 139, 143, 147, 151, 155, 159, 163, 167, 171, 643, 1084		1001163599 ..... 491, 510, 513, 525, 529	1001174746.....481
1001155143.....281, 283, 287		1001164786 ..... 1088	1001176027.....335, 348
1001155192.....35		1001165035 ..... 311, 316, 320, 324, 327, 331, 392, 403, 434	1001176035.....337, 339, 354
1001155194.....27		1001165368 ..... 501, 509, 895	1001176329.....433
			1001176469.....135, 143, 156, 163
			1001176636.....875
			1001176862.....845
			1001177226.....768, 773, 776, 801
			1001177359.....350, 356, 362, 368, 373, 400, 412
			1001177694.....1087
			1001177711.....849



## SECTION 11 - SPECIAL OPTIONS

1001177712..... 851	1001186334..... 639	1001196768..... 231, 235,	1001205958..... 825, 827,
1001177844..... 350, 356,	1001186371..... 617	239, 243, 247, 251,	829, 831, 833, 835,
362, 367, 373, 400, 412	1001186374..... 615	255, 259	837, 839, 841
1001177845..... 350, 356,	1001186375..... 609	1001197017..... 693, 695,	1001206250..... 829
362, 367, 373, 400, 412	1001186377..... 611	697, 699	1001206251..... 835
1001177910..... 502, 510,	1001186379..... 613	1001197240..... 1086	1001206252..... 841
849, 851	1001186382..... 619	1001197408..... 1075	1001206253..... 817
1001178057 97, 103, 109,	1001186383..... 627	1001197719..... 927	1001206254..... 823
115	1001186384..... 625	1001198333..... 740, 744,	1001206255..... 843
1001178207..... 1086	1001186386..... 623	753, 756, 780, 784	1001206311..... 1090
1001178208..... 1086	1001186387..... 621	1001198334..... 740, 744,	1001206476..... 857
1001178209..... 103	1001186426..... 433	748, 788	1001206477..... 1089
1001178210..... 97	1001186431..... 665, 1084,	1001198336..... 737	1001206532..... 644
1001178211..... 109	1090	1001198337..... 740, 744,	1001207004..... 193
1001178215..... 768	1001186432..... 989, 991	748, 752, 756, 760,	1001207558..... 222
1001178217..... 776	1001186501..... 247	764, 780, 784, 788,	1001207969..... 595, 597
1001178218..... 740	1001186502..... 247	792, 796	1001208024..... 222
1001178219..... 752	1001186517..... 665	1001198338..... 752, 756,	1001208994..... 575, 595,
1001178220..... 756	1001186631..... 1088	760, 764, 780, 784,	597
1001178223..... 350, 356,	1001186985..... 350, 356,	792, 796	1001209059..... 1089
362, 368, 374, 400, 412	362, 368, 374, 400, 412	1001198339..... 737	1001209432..... 857
1001178797..... 471	1001187382..... 575, 579	1001198340..... 740, 744,	1001209474..... 857
1001178876..... 350, 356,	1001187383..... 575, 579	748, 752, 756, 760,	1001209634..... 1088
400, 412	1001187500..... 1088	764, 780, 784, 788,	1001209635..... 1088
1001179154..... 522, 530,	1001187509..... 1088	792, 796	1001209664..... 665
534	1001187674..... 663	1001198341..... 753, 760,	1001209982..... 61
1001179837..... 491	1001187681..... 983	780, 793	1001210025..... 1090
1001180001..... 491	1001187781..... 432	1001199395..... 740, 744,	1001210026..... 1089
1001180052..... 492	1001188125..... 91	748, 788	1001210448..... 437, 439,
1001180287..... 491	1001188622..... 575, 579	1001199396..... 740, 744,	443
1001180620..... 201, 350,	1001188844..... 575, 579	748, 752, 756, 760,	1001210636..... 703
356, 362, 367, 373,	1001188874..... 132, 140,	764, 780, 784, 788,	1001210977..... 1088
400, 412, 433	151, 156, 159, 167, 171	792, 796	1001211336..... 97, 99, 101,
1001181045..... 893, 895,	1001188884..... 469	1001199487..... 1089	111, 113
1082	1001188887..... 469	1001200072..... 1075	1001211588..... 197, 199
1001181046..... 897, 1082	1001188972..... 284, 288,	1001200128..... 1075	1001211794..... 437, 439
1001181051..... 563, 565,	316, 324, 392	1001200129..... 1075	1001212223..... 525, 529
571	1001189001..... 575, 579	1001200130..... 1075	1001213447..... 961
1001181060..... 539, 569	1001189002..... 575, 579	1001200131..... 1075	1001213584..... 805, 807,
1001181145..... 1075	1001189979..... 434	1001200132..... 1075	809, 811, 849, 851
1001181235..... 556, 560	1001190610..... 350, 356,	1001200133..... 1075	1001213585..... 805, 807,
1001181236..... 556, 560	362, 368, 373, 400, 412	1001200134..... 1075	809, 811, 849, 851
1001181243..... 492	1001190889..... 1089	1001200491..... 575, 579	1001213810..... 437
1001181894..... 768, 773,	1001190985..... 575, 579	1001200494..... 575, 579	1001213882..... 643
776, 801	1001191022..... 201, 1084	1001200497..... 955	1001214030..... 1075
1001181895..... 356, 400	1001191394..... 1088	1001200725..... 1088	1001214570..... 857
1001181899..... 350, 354,	1001191395..... 1088	1001201351..... 575, 579	1001214571..... 857
367, 373, 400, 412	1001191525..... 1075	1001201602..... 539	1001214827..... 437, 439
1001182361..... 928	1001191599..... 387	1001201885..... 955	1001214984..... 1088
1001182365..... 928	1001191610..... 433	1001202280..... 469	1001215016..... 931
1001182570..... 197, 199,	1001191620..... 320, 362	1001202281..... 469	1001215091..... 931
1084	1001193018..... 813, 815,	1001202368..... 349, 355,	1001215228..... 644
1001182599..... 1087	817, 819, 821, 823,	362, 400, 412	1001215384..... 437, 439
1001182806..... 181	825, 827, 829, 831,	1001202687..... 575	1001215534..... 931
1001184259..... 1088	833, 835, 837, 839,	1001202749..... 1087	1001215681..... 433
1001184618..... 643	841, 843	1001203655..... 637	1001215974..... 433
1001184626..... 643	1001194573..... 543, 547	1001203656..... 639	1001216015..... 491
1001184682..... 183	1001195304..... 1088	1001204269..... 756, 764,	1001216065..... 437, 439
1001185281..... 643	1001195537..... 1087	784, 797	1001216071..... 437, 439
1001185671..... 324, 339	1001195967..... 479	1001204325..... 350, 356,	1001216075..... 433
1001186251..... 231, 235,	1001196221..... 539, 541,	362, 368, 374, 400, 412	1001216092..... 433
239, 243, 247, 251,	543, 547	1001204560..... 23, 27, 707	1001216144..... 437, 439
255, 259	1001196382..... 534	1001204648..... 227	1001216201..... 433
1001186254..... 231, 235,	1001196428..... 469	1001204667..... 469	1001216212..... 931
239, 243, 247, 251,	1001196634..... 423, 911,	1001204715..... 197, 199	1001216213..... 931
255, 259	1082, 1083	1001204725..... 575, 579	1001216221..... 459
1001186333..... 637		1001204929..... 1088	1001216300..... 441

## SECTION 11 - SPECIAL OPTIONS

1001216390.....534	1001219840 ..... 1086	1001227224 ..... 327, 331, 421	1001233089.....367, 374
1001216391.....496	1001219881 ..... 485	1001227494 ..... 903	1001233479.....189
1001216531.....434	1001219979 ..... 75, 595	1001227614 ..... 343, 366	1001233763.....316, 324, 392, 423
1001216532.....429	1001219980 ..... 77, 597	1001227633 ..... 663	1001233959.....175, 657
1001216534.....429	1001220002 ..... 259	1001227634 ..... 663	1001234800.....927
1001216535.....429	1001220067 ..... 259	1001227666 ..... 434	1001235900.....75, 77, 79
1001216568.....426	1001220142 ..... 463	1001227667 ..... 434	1001235901.....597, 601
1001216619.....441	1001220283 ..... 69	1001227769 ..... 437	1001235949.....362, 400, 412, 419
1001216630.....575, 579	1001220379 ..... 923	1001227772 ..... 437, 439	1001236091.....175, 177
1001216768.....437	1001220392 ..... 219	1001227951 ..... 1087	1001236303.....125, 127, 129
1001216769.....437	1001220393 ..... 219, 258	1001227985 ..... 663	1001236304.....857
1001216910.....433, 437	1001220404 ..... 441	1001227987 ..... 663	1001236334.....461
1001216919.....433	1001221203 ..... 368, 374	1001227996 ..... 985, 987	1001236335.....461
1001217032.....433	1001221212 ..... 327, 331, 367, 374	1001228215 ..... 607	1001236387.....227
1001217046.....433	1001221219 ..... 367, 374	1001228224 ..... 663, 1084	1001236389.....227
1001217090.....433	1001221397 ..... 463	1001228225 ..... 663, 1084	1001236392.....227
1001217170.....429	1001221464 ..... 429	1001228243 ..... 633	1001236400.....1075
1001217174.....433	1001221498 ..... 534	1001228355 ..... 1090	1001236504.....857
1001217175.....433	1001221545 ..... 437, 439	1001228375 ..... 635	1001236505.....857
1001217183.....433	1001221615 ..... 434	1001228376 ..... 629	1001236552.....667
1001217185.....433	1001222033 ..... 434	1001228377 ..... 631	1001236746.....653
1001217186.....433	1001222314 ..... 595, 597	1001228544 ..... 1091	1001236747.....651
1001217191.....429, 432	1001222641 ..... 437, 439	1001228583 ..... 1090	1001236871.....227
1001217317.....433	1001222817 ..... 471, 473	1001228950 ..... 899	1001236891.....649, 651, 653, 655
1001217350.....463	1001223042 ..... 433	1001228954 ..... 899	1001236895.....649, 651, 653, 655
1001217543.....433	1001223055 .. 1002, 1038	1001228988 .. 685, 1077, 1079	1001236951.....1088
1001217940.....772	1001223453 . 1002, 1022, 1038, 1058	1001229341 ..... 663	1001237055.....226
1001217941.....800	1001223459 ..... 924, 927	1001229530 ..... 955	1001237193.....211
1001218022.....1087	1001223584 ..... 432	1001229542 ..... 349, 355, 400, 412	1001237194.....209, 211, 242
1001218085.....429	1001223591 ..... 367, 385	1001229762 ..... 1086	1001237205.....243
1001218087.....463	1001223923 ..... 433	1001229810 ..... 81, 84	1001237259.....209
1001218362.....433	1001223971 .. 1022, 1058	1001229935 ..... 1088	1001237261.....211
1001218449.....433	1001224048 .. 1030, 1066	1001230371 ..... 565, 567, 719	1001237286.....243
1001218547.....485	1001224049 .. 1034, 1070	1001230372 ..... 543, 547, 715	1001237546.....175, 177
1001218572.....121, 123, 125, 127, 129	1001224050 .. 1018, 1054	1001230373 ..... 543, 547, 725	1001237667.....955, 961
1001218622.....865, 867, 875, 877	1001224052 .. 1010, 1046	1001230374 .. 25, 29, 709	1001237668.....955, 961
1001218623.....865, 867, 875, 877	1001224053 .. 1026, 1062	1001230375 .. 33, 37, 729	1001237862.....985, 987
1001218850.....1074	1001224486 ..... 434	1001230635 ..... 349, 355, 362, 368, 374, 400, 412	1001237863.....663, 985
1001218930.....534	1001224489 ..... 434	1001230783 ..... 33	1001237864.....663, 987
1001219219.....39, 41, 43, 47	1001224936 ..... 368, 374	1001230934 ..... 928	1001237865.....663, 983
1001219259.....433	1001224937 ..... 368, 374	1001230935 ..... 928	1001237882.....1087
1001219345.....433	1001224940 ..... 368, 374	1001230936 ..... 928	1001237883.....1087
1001219361.....433	1001225346 .... 857, 1084	1001231147 ..... 25	1001238138.....197, 199
1001219363.....433	1001225430 .... 385, 1083	1001231235 ..... 1090	1001238263.....649, 651, 653, 655
1001219370.....426	1001225432 .... 386, 1083	1001231801 ..... 1074	1001238268.....362
1001219480.....433	1001225442 ..... 433	1001231886 ..... 181	1001238319.....663
1001219601.....132, 136, 140, 144, 147, 152, 156, 160, 164, 168, 172, 1084	1001225510 ..... 434	1001231949 ..... 653	1001238327.....197, 199
1001219611.....433	1001225580 ..... 665, 991	1001231950 ..... 651, 655	1001238399.....577
1001219612.....433	1001225623 ..... 1087	1001232010 ..... 651, 653, 655	1001238400.....577
1001219613.....433	1001225745 ..... 297, 339, 429, 449	1001232011 ..... 651, 653, 655	1001238418.....667, 989
1001219618.....533	1001226286 ..... 471	1001232164 ..... 663	1001238421.....575, 577
1001219619.....495	1001226400 ..... 881, 883, 885, 887, 889, 891	1001232165 ..... 663	1001238463.....655
1001219630.....496	1001226531 ..... 857	1001232539 ..... 37	1001238472.....667
1001219632.....496	1001226541 ..... 909, 913	1001232540 ..... 29	1001238495.....665
1001219633.....1088	1001226636 ..... 909	1001232642 ..... 667	1001238559.....667
1001219634.....426	1001226637 ..... 909	1001232667 .... 667, 1084	1001238931.....209
1001219636.....427	1001226739 ..... 899, 901, 903, 905, 909	1001232842 ..... 423	1001239202.....927
1001219637.....427	1001226799 ..... 899, 901, 905	1001233047 ..... 1086	1001239235.....1087
1001219638.....427	1001226872 ..... 607		1001239471.....125
1001219639.....427	1001226923 ..... 471		1001239472.....121

## SECTION 11 - SPECIAL OPTIONS

1001239688 ..... 261, 263	1001247011..... 328, 331, 467	1001256193..... 871	1001260412 ..... 350, 356, 362, 368, 374, 400, 412
1001239689 ..... 261	1001247049..... 543, 565	1001256194..... 867	1001260413 ..... 350, 356, 362, 368, 374, 400, 412
1001239690 ..... 261, 263	1001247055..... 541, 563	1001256195..... 877	
1001239691 ..... 261, 263	1001247073..... 1089	1001256196..... 865	1001260680 ..... 869, 871, 873, 875, 877, 879
1001239721 ..... 265	1001247281..... 181	1001256197 ..... 875	
1001239722 ..... 265	1001247358..... 63	1001256198..... 863	1001261045 ..... 362
1001239723 ..... 265	1001247359..... 434	1001256199..... 873	1001261085 ..... 362
1001239724 ..... 265	1001247468..... 575, 579, 1084	1001256201..... 879	1001261335 ..... 649
1001241345 ..... 1087	1001248012..... 563, 717	1001256203..... 263	1001261338 ..... 649
1001241398 ..... 177, 659	1001248140..... 649, 651, 653, 655	1001256244..... 251, 263	1001262016 ..... 1090
1001241416 ..... 1088	1001248141..... 649, 651, 653, 655	1001256247..... 251	1001262322 ..... 903
1001241547 ..... 1089	1001249052..... 1090	1001256248..... 215, 250	1001262326 ..... 903
1001241548 ..... 1089	1001249095..... 955	1001256250..... 263	1001262959 ..... 1090
1001241689 ..... 641, 643	1001249695..... 1086	1001256251..... 215	1001263179 ..... 183
1001241694 ..... 593	1001249941..... 1086	1001256258..... 239	1001263395 ..... 1090
1001241697 ..... 593	1001249942..... 349, 355, 379	1001256259..... 207, 238	1001263923 ..... 917
1001241698 ..... 593	1001250294..... 231, 235, 239, 243, 251, 255, 259	1001256260..... 207	1001265163 ..... 703
1001241703 ..... 641	1001250295..... 230, 234, 239, 243, 251, 254, 259	1001256506..... 924	1001265342 ..... 703
1001241965 ..... 667	1001250595..... 1090	1001256879..... 320	1001265676 ..... 1087
1001242253 ..... 191	1001250737..... 552, 556, 560	1001257229..... 1002	1001266056 ..... 1089
1001242254 ..... 193	1001251022..... 541, 713	1001257230..... 1002	1001266098 ..... 1089
1001242409 ..... 1086	1001251027..... 539, 711	1001257231..... 1022	1001266284 ..... 1089
1001242459 ..... 1002	1001251028..... 539, 721	1001257232..... 1022	1001266290 ..... 1088
1001242586 ..... 1038	1001251029..... 541, 723	1001257233..... 1030	1001266469 ..... 131
1001242595 ..... 1030	1001251081..... 552, 731	1001257234..... 1030	1001266470 ..... 139
1001242597 ..... 1066	1001251083..... 556, 560, 733	1001257235..... 1018	1001266471 ..... 135
1001242597 ..... 1066	1001251863..... 701	1001257236..... 1018	1001266472 ..... 143
1001242654 ..... 1018	1001252527..... 928	1001257237..... 1034	1001266473 ..... 151
1001242655 ..... 1054	1001252629..... 649, 651, 653, 655	1001257238..... 1034	1001266474 ..... 159
1001242694 ..... 1034	1001254009..... 552	1001257239..... 1026	1001266475 ..... 167
1001242695 ..... 1070	1001254010..... 539, 551	1001257240..... 1026	1001266476 ..... 171
1001242700 ..... 1010	1001254011..... 539	1001257241..... 1010	1001266477 ..... 155
1001242701 ..... 1046	1001254016..... 201	1001257242..... 1010	1001266478 ..... 163
1001242753 ..... 1022	1001254017..... 201	1001257243..... 1038	1001266479 ..... 132, 152, 168
1001242754 ..... 1058	1001254018..... 201	1001257244..... 1038	1001266480 ..... 140, 148, 160, 172
1001242826 ..... 1026	1001254019..... 197, 199	1001257245..... 1058	1001266481 ..... 136
1001242827 ..... 1062	1001254020..... 197, 199, 201	1001257246..... 1058	1001266482 ..... 144
1001243183 ..... 1086	1001254021..... 197	1001257247..... 1066	1001266483 ..... 156
1001243184 ..... 1086	1001254472..... 667	1001257248..... 1066	1001266484 ..... 164
1001243366 ..... 291	1001254473..... 667	1001257249..... 1054	1001266489 ..... 1089
1001243414 ..... 231, 235, 239, 243, 251, 255, 259	1001254657..... 471	1001257250..... 1054	1001266499 ..... 368, 374
1001243561 ..... 811	1001255110..... 541	1001257251..... 1070	1001266525 ..... 350, 356, 367, 374, 400, 412
1001243682 ..... 181, 183, 277	1001255111..... 541, 555	1001257252..... 1070	1001266799 ..... 1089
1001243895 ..... 423	1001255112..... 556	1001257253..... 1062	1001266801 ..... 1089
1001243985 ..... 261	1001255116..... 543, 547	1001257254..... 1062	1001266807 ..... 1089
1001243986 ..... 265	1001255117..... 199	1001257255..... 1046	1001266969 ..... 1089
1001243992 ..... 291	1001255133..... 575, 577	1001257256..... 1046	1001267256 ..... 349, 355, 368, 374, 400, 412
1001244114 ..... 595, 599	1001255356..... 197, 199	1001257257... 1006, 1014	1001267262 ..... 1086
1001244181 ..... 643, 961	1001255357..... 197, 199	1001257258... 1006, 1014	1001267287 ..... 105
1001244298 .. 1018, 1054	1001255358..... 197, 199	1001257259... 1042, 1050	1001267288 ..... 99
1001244301 .. 1018, 1054	1001255359..... 197, 199	1001257260... 1042, 1050	1001267289 ..... 111
1001244462 ..... 195	1001255807..... 1086	1001257271 ..... 649	1001267308 .. 1002, 1006, 1010, 1014, 1018, 1022, 1026, 1030, 1034
1001244463 ..... 239, 247, 261	1001255901..... 911, 955	1001257272 ..... 649	1001267309 .. 1038, 1042, 1046, 1050, 1054, 1058, 1062, 1066, 1070
1001244465 ..... 239, 247, 251, 265	1001256190..... 859	1001257276..... 467	1001267550 ..... 559
1001244466 ..... 213, 246	1001256191..... 869	1001257277 ..... 649	1001267551 ..... 559
1001244467 ..... 213	1001256192..... 861	1001257278..... 367, 374	1001267552 ..... 560
1001245137 ..... 1087		1001257278..... 367, 374	1001267678 99, 105, 111, 117
1001245913 ..... 362, 935		1001257283..... 465	
1001246142 ..... 1086		1001257320..... 1014	
1001246144 ..... 901		1001257321..... 1050	
1001246145 ..... 905		1001257322..... 1006	
1001246475 ..... 901		1001257323..... 1042	
1001246476 ..... 905		1001257412..... 368, 374	
1001246859 ..... 995		1001257776..... 541	
		1001257972..... 535, 949	
		1001258003..... 539, 541	
		1001258007..... 541	
		1001258800..... 362	

## SECTION 11 - SPECIAL OPTIONS

1001268530.....544, 548, 559	1001272997 ..... 911	1001281461 ..... 1089	1001287835.....323
1001268736.....1088	1001273012 ..... 907, 911	1001281466 ..... 1088	1001287836.....1086
1001268820.....674, 679, 681, 683	1001274249 ..... 1090	1001281609 ..... 345, 372	1001287837.....1086
1001268883.....61	1001274559 ..... 151, 155, 159, 163, 643	1001281610 ..... 389	1001287839.....1087
1001268884.....61	1001275149 ..... 185, 187	1001281656 ..... 487	1001287884.....127, 129
1001269187 .....1089	1001275628 .... 644, 1082	1001281985 ..... 374, 400, 412	1001288113.....487
1001269322.....674, 679, 681, 685	1001275629 .... 643, 1082	1001281986 ..... 374, 400, 412	1001288407.....585, 591
1001269389.....1089	1001275642 ..... 1090	1001282099 ..... 1086	1001288409.....1074
1001269573.....674, 679, 681, 685	1001275644 ..... 1090	1001282106 ..... 175, 177, 657, 659	1001288705.....1074
1001269629.....1087	1001276143 .... 132, 136, 140, 144, 148, 152, 156, 160, 164, 168, 172, 995	1001282215 ..... 1089	1001289163.....547, 567
1001269630.....1087	1001276376 .... 293, 295, 335, 337, 341, 343, 345, 395, 407, 457	1001282461 ..... 1090	1001289552.....928
1001269631.....1087	1001276377 .... 293, 295, 335, 337, 341, 343, 345, 395, 407, 429, 455	1001283776 ..... 187, 993	1001289553.....928
1001269655.....1090	1001276610 ..... 907	1001284101 ..... 487	1001289593.....320, 332, 392, 404, 915
1001269959.....247	1001276644 .... 362, 373, 400, 412, 927	1001284156 ..... 123, 127, 129	1001289607.....577, 579
1001269988.....247	1001276878 ..... 567, 573	1001284157 ..... 123	1001289648.....185
1001269989.....247	1001276923 ..... 1086	1001284511 ..... 1090	1001289831.....1090
1001270068 .....737	1001277592 ..... 362, 383	1001284582 ..... 657, 659	1001289832.....1090
1001270069.....752, 756, 760, 764, 780, 784, 792, 796	1001277598 ..... 341, 360	1001284583 ..... 657, 659	1001289850.....185
1001270070.....760, 792	1001277840 ..... 1090	1001284687 . 1002, 1006, 1010, 1014, 1018, 1022, 1026, 1030, 1034, 1038, 1042, 1046, 1050, 1054, 1058, 1062, 1066, 1070	1001289905.....1090
1001270071.....740, 748, 752, 756, 760, 764	1001277848 ..... 1090	1001284973 .... 131, 135, 139, 143, 147, 151, 155, 159, 163, 167, 171, 997	1001289906.....1090
1001270072.....740, 748, 752, 757, 761, 765	1001278022 ..... 43, 53	1001285009 ..... 43	1001289964.....373
1001270073.....756, 764, 784, 796	1001278612 ..... 147	1001285037 ..... 427, 429	1001290252.....433
1001270075.....768, 772, 776, 800	1001278845 ..... 191	1001285038 ..... 426	1001290348.....1074
1001270076.....768, 772, 776, 800	1001278850 ..... 191	1001285346 .... 132, 136, 140, 144, 148, 152, 156, 160, 164, 168, 172, 955	1001290375.....1088
1001270077.....749, 761, 765, 788, 793, 797	1001280403 .... 132, 140, 147, 151, 160, 168, 172	1001285349 ..... 487	1001291056.....185
1001270084.....740, 744, 748, 788	1001280600 .... 131, 135, 139, 143, 148, 151, 155, 159, 163, 167, 171, 1083	1001285379 .... 101, 107, 113, 119	1001291401.....350, 356, 362, 368, 374, 400, 412
1001270099.....227	1001280661 ..... 185	1001285515 .... 131, 139, 917	1001291456.....1074
1001270287 .....189	1001281070 ..... 1090	1001285786 ..... 107	1001291566.....587
1001270288 .....189	1001281077 .... 581, 583, 585	1001285800 ..... 148, 172	1001291681.....374, 377
1001270482 .....1088	1001281168 .... 581, 583, 585	1001285830 ..... 101	1001291870.....1086
1001270518 .....1087	1001281170 .... 581, 583, 585	1001285831 ..... 113	1001291944.....583, 585, 589, 591
1001270594 .....187	1001281171 .... 581, 583, 585	1001286027 .... 135, 143, 147, 919	1001292031.....587
1001270630.....753, 780	1001281192 ..... 362	1001286028 .... 168, 171, 931	1001292032.....589
1001271074 .....247	1001281298 ..... 487	1001286519 ..... 1087	1001292423.....1075
1001271618 .....768, 772	1001281301 ..... 487	1001286521 ..... 1087	1001293060.....319
1001271619.....768, 772, 776, 800	1001281304 ..... 487	1001286622 .... 185, 187, 913	1001293078.....1087
1001271620.....777, 800	1001281305 ..... 487	1001287464 .... 131, 135, 139, 143, 147, 151, 155, 159, 163, 167, 171	1001293138.....961
1001271642 .....1089	1001281307 ..... 487	1001287536 ..... 487	1001293261.....587, 589, 591
1001271760 .....1089	1001281309 ..... 487	1001287729 ..... 89	1001293369.....195
1001271794.....132, 136, 140, 144, 148, 152, 156, 160, 164, 168, 172	1001281310 ..... 487	1001287730 ..... 89	1001294100.....591
1001271888 .....1089	1001281311 ..... 487	1001287748 ..... 748	1001294815.....1075
1001272089 .....1087	1001281359 ..... 487	1001287749 ..... 760	1001294861.....1075
1001272166 .....1088	1001281360 ..... 487	1001287750 ..... 764	1001295242.....567
1001272178 .....1089	1001281452 ..... 1089	1001287814 ..... 1087	1001295732.....151, 155, 159, 163, 921
1001272182 .....1089	1001281453 ..... 1089	1001287834 ..... 287	1001296314.....312, 335
1001272201 .....1087	1001281455 ..... 1089		1001296315.....311
1001272274 .....1088	1001281456 ..... 1089		1001296316.....281, 291, 293
1001272305 .....247	1001281457 ..... 1089		1001296317.....281
1001272659 .....907	1001281458 ..... 1089		1001296318.....284, 295
1001272681 .....191	1001281460 ..... 1089		1001296319.....332, 345
1001272888 .....1087			1001296320.....283

## SECTION 11 - SPECIAL OPTIONS

1001296834 ..... 744, 781, 785, 789, 793, 797	1260017 ..... 93	1701509.....687, 689, 691, 1002, 1006, 1010, 1014, 1018, 1022, 1026, 1030, 1034, 1038, 1042, 1046, 1050, 1054, 1058, 1062, 1066, 1070	1703936 ..... 1022, 1058
1001296835 ..... 744, 781, 785, 789, 793, 797	1320016 ..... 300, 304	1701518.....1006, 1014, 1042, 1050	1703938 ..... 1026, 1062
1001296836 ..... 744, 781, 785, 789, 793, 797	1320022 ... 281, 283, 287, 291, 469	1701542.....426	1703939 ..... 1030, 1066
1001296837 ..... 744, 781, 785, 789, 793, 797	1320041 ..... 863, 873	1701543.....426	1703941 ..... 1034, 1070
1001296838 ..... 745, 781, 785, 789, 793, 797	1320061 ... 311, 315, 319, 323, 327, 331, 391, 403, 859, 861, 863, 865, 867, 869, 871, 873, 875, 877, 879	1701691.....1002, 1006, 1010, 1014, 1018, 1022, 1026, 1030, 1034, 1038, 1042, 1046, 1050, 1054, 1058, 1062, 1066, 1070	1703942 ..... 1022, 1058
1001296846 ..... 780	1320110 ..... 432	1702565.....643	1703943 ..... 1018, 1054
1001296847 ..... 784	1320127 ..... 63	1702566.....643	1703944 ..... 1026, 1062
1001296848 ..... 788	1320176 ... 281, 283, 287, 291	1702567.....643	1703945 ..... 1030, 1066
1001296849 ..... 792	1320177 ..... 671, 674	1702720.....1074	1703947 ..... 1034, 1070
1001296850 ..... 796	1320202 ... 865, 867, 875, 877	1702773..637, 639, 1014, 1050, 1074	1703949 ..... 1018, 1054
1001296856 ..... 744, 780, 784, 788, 793, 797	1320218 ..... 63	1702861.....1074	1703950 ..... 1026, 1062
1001296857 ..... 744, 781, 785, 789, 793, 797	1320220 ..... 63	1702868685, 1002, 1038, 1074, 1079	1703951 ..... 1030, 1066
1001296862 ..... 744	1320223 ... 300, 304, 859, 861, 869, 871	1702941....283, 287, 315, 323, 391	1703953 ..... 1002, 1038
1001296987 ..... 467	1320224 ... 269, 271, 281, 283, 287, 291	1702942....283, 287, 315, 323, 391	1703980 ..... 1026, 1062
1001297083 ..... 1088	1320263 ... 581, 583, 585, 587, 589, 591	1702943....283, 287, 315, 323, 391	1703981 ..... 1030, 1066
1001297391 ..... 136, 144, 156, 163	1320288 .... 587, 589, 591	1702944....283, 287, 315, 323, 391	1703982 ..... 1018, 1054
1001297748 ..... 573	1320289 ... 581, 583, 585, 587, 589, 591	1703162....300, 304, 348, 354, 360, 366, 372, 398, 410, 432	1703983 ..... 1034, 1070
1001299793 ..... 577	1320294 ... 581, 583, 585, 587, 589, 591	1703179.....1074	1703984 ..... 1022, 1058
1001301717 ..... 400, 412, 415	1320302 ... 674, 679, 681, 685	1703475.....1002, 1006, 1010, 1014, 1018, 1022, 1026, 1030, 1034	1704000 ..... 1022, 1058, 1074
1001301719 ..... 407, 410	1321283 ..... 426	1703482.....1038, 1042, 1046, 1050, 1054, 1058, 1062, 1066, 1070	1704001 ..... 1034, 1070, 1074
1001301946 ..... 404, 407	1321384 ..... 223, 227	1703797.....1002, 1038	1704260 ..... 643
1001301950 ..... 395, 398	1340061 ..... 1086	1703804.....1002, 1038	1704271 ..... 1074
1001302003 ..... 392, 395	1380147 ..... 483, 485	1703805.....1002, 1038	1704272 ..... 69
1001302087 ..... 403	1580012 ..... 669	1703811267, 1002, 1006, 1010, 1014, 1018, 1022, 1026, 1030, 1034, 1038, 1042, 1046, 1050, 1054, 1058, 1062, 1066, 1070	1704277 ..... 1002, 1006, 1010, 1014, 1018, 1022, 1026, 1030, 1034, 1038, 1042, 1046, 1050, 1054, 1058, 1062, 1066, 1070
1001302097 ..... 391	1580013 ..... 1088	1703814.....1002, 1006, 1010, 1014, 1018, 1022, 1026, 1030, 1034, 1038, 1042, 1046, 1050, 1054, 1058, 1062, 1066, 1070	1704412 ..... 1002, 1006, 1010, 1014, 1018, 1022, 1026, 1030, 1034, 1038, 1042, 1046, 1050, 1054, 1058, 1062, 1066, 1070
1001303818 ..... 434	1670603 ..... 843	1703848.....1038, 1042, 1046, 1050, 1054, 1058, 1062, 1066, 1070	1704578 ..... 67
1001311034 ..... 667	1671034 ... 869, 871, 873, 875, 877, 879	1703923.....1034, 1070	1704885 ..... 1074
1060341 ... 693, 695, 697, 699	1671044 ..... 603	1703924.....1022, 1058	1704972 ..... 1074
1060343 .... 522, 530, 534	1671092 .... 522, 530, 534	1703925.....1018, 1054	1705014 ..... 637, 639
1060545 ..... 895	1671093 ..... 674, 681	1703926.....1026, 1062	1705090 ..... 67
1060584 ..... 71	1671201 ..... 222, 226	1703927.....1030, 1066	1705305.685, 1077, 1079
1060626 ... 283, 287, 315, 323, 391	1671228 ... 222, 223, 226, 227	1703935.....1034, 1070	1705325 .... 813, 815, 817
1060637 ... 281, 283, 287, 291, 335, 337, 339, 341, 343, 345, 395, 407, 429	1671230 ..... 223		1705336 ..... 1002, 1038
1060903 ... 693, 695, 697, 699	1671231 ..... 223, 227		1705344 ..... 1026, 1062
1060908 ... 815, 821, 827, 833, 839, 893, 897	1671232 ..... 223, 227		1705345 ..... 1030, 1066
1060918 ..... 647	1700818 ..... 1074		1705347 ..... 1022, 1058
1062255 ..... 319	1701499 ..... 1002, 1006, 1010, 1014, 1018, 1022, 1026, 1030, 1034, 1038, 1042, 1046, 1050, 1054, 1058, 1062, 1066, 1070		1705351 ..... 1002, 1038
10702077 . 518, 522, 526, 530, 534			1705355 ..... 1077, 1079
10702082 . 518, 522, 526, 530, 534			1705358... 687, 689, 691, 1074
10836804 . 131, 135, 139, 143, 147, 151, 155, 159, 163, 167, 171	1701501 ..... 1002, 1006, 1010, 1014, 1018, 1022, 1026, 1030, 1034, 1038, 1042, 1046, 1050, 1054, 1058, 1062, 1066, 1070		1705368 ..... 1075
10837580 ..... 79			1705374... 506, 514, 845, 847
1120510 .... 551, 555, 559			1705375 .... 522, 531, 534
1120555 .... 687, 689, 691			1705387 ... 506, 514, 523, 531, 534
1120601 ... 222, 226, 230, 234, 238, 242, 246, 250, 254, 258	1701505 ... 281, 283, 287, 291, 311, 315, 319, 323, 327, 331, 391, 403		1705426 ..... 1026, 1062
1220078 .... 551, 555, 559			1705427 ..... 1030, 1066

## SECTION 11 - SPECIAL OPTIONS

1705820.....69	2110808 ... 740, 744, 748, 752, 756, 760, 764, 768, 772, 776, 780, 784, 788, 792, 796, 800	2132016 ... 740, 744, 748, 752, 756, 760, 764, 780, 784, 788, 792, 796	2220883 49, 51, 707, 709, 711, 713, 715, 717, 719, 721, 723, 725
1705822..... 1006, 1014, 1042, 1050	2110810 ... 740, 744, 748, 752, 756, 760, 764, 780, 784, 788, 792, 796	2150404 ... 768, 772, 776, 800	2220885.... 707, 709, 717, 719, 721, 723, 725, 731, 733
1705828..... 1006, 1014, 1042, 1050	2110812 ... 740, 744, 748, 752, 756, 760, 764, 780, 784, 788, 792, 796	2150406 ... 740, 744, 748, 752, 756, 760, 764, 780, 784, 788, 792, 796	2220886 49, 51, 715, 731, 733
1705836.....269, 271	2111008 ... 768, 772, 776, 800	2151616 ... 740, 744, 748, 752, 756, 760, 764, 768, 772, 776, 780, 784, 788, 792, 796, 800	2220887..... 725
1705837.....269, 271	2111010 ... 768, 772, 776, 800	2170204 ... 740, 744, 748, 752, 756, 760, 764, 780, 784, 788, 792, 796	2220888..... 49, 51, 725
1705886.....269, 271	2111016 ... 740, 748, 752, 756, 760, 764	2170208 ... 768, 772, 776, 800	2221024..... 63
1705895..... 1010, 1046	2111208 ... 768, 772, 776, 800	2170212 ... 744, 780, 784, 788, 792, 796	2221086.... 768, 772, 776, 800
1705896..... 1010, 1046	2111212 ... 740, 744, 748, 752, 756, 760, 764, 768, 772, 776, 780, 784, 788, 792, 796, 800	2170408 ... 752, 756, 760, 764, 780, 784, 792, 796	2221176.... 281, 283, 287, 291, 426
1705897..... 1010, 1046	2111616 ... 740, 744, 748, 752, 756, 760, 764, 780, 784, 788, 792, 796	2170504 ... 740, 744, 748, 752, 756, 760, 764, 780, 784, 788, 792, 796	2221197..... 63, 426
1705898..... 1010, 1046	2112020 ... 740, 744, 748, 752, 756, 760, 764, 780, 784, 788, 792, 796	2170506 ... 748, 760, 764, 788, 792, 796	2300016..... 41
1705902..... 1010, 1046	2112020 ... 740, 744, 748, 752, 756, 760, 764, 780, 784, 788, 792, 796	2170706 ... 748, 760, 764, 788, 792, 796	2400060.... 423, 703, 945, 949, 955, 961
1705903..... 1010, 1046	2112424 ... 768, 772, 776, 800	2172112 ... 768, 772, 776, 800	2400064... 945, 949, 1083
1705905..... 1010, 1046	2120217 ..... 595, 597	2180348 ... 281, 283, 287, 291, 426, 434, 469	2410014..... 637, 639
1705910..... 1034, 1070	2130404 ... 740, 744, 748, 752, 756, 760, 764, 768, 772, 776, 780, 784, 788, 792, 796, 800	2180387 ..... 63	2420203.... 489, 491, 495
1705917..... 1034, 1070	2130406 ... 752, 756, 760, 764, 776, 780, 784, 792, 796, 800	2180388 ..... 63	2460048..... 517, 521
1705921..... 1006, 1014, 1042, 1050	2130604 ... 752, 756, 760, 764, 780, 784, 792, 796	2180389 ..... 63	2460051..... 495
1705961..... 1006, 1014, 1042, 1050	2130606 ... 740, 744, 748, 752, 756, 760, 764, 768, 772, 776, 780, 784, 788, 792, 796, 800	2180418 ..... 63, 426, 434	2460055..... 489
1705967..... 1010, 1046, 1074	2130608 ... 768, 772, 776, 800	2180467 ... 109, 111, 113, 432	2540035..... 222, 226
1705969..... 1030, 1066, 1074	2130808 ... 740, 744, 748, 752, 756, 760, 764, 780, 784, 788, 792, 796	2180829 ..... 776, 800	2560136..... 643
1705980..... 1075	2130810 ... 768, 772, 776, 800	2180832 ... 311, 315, 319, 323, 327, 331, 391, 403, 671, 674	2560187.... 231, 235, 243, 255, 259, 261, 263, 265
1706059..... 1074	2131010 ... 744, 768, 772, 776, 780, 784, 788, 792, 796, 800	2200222 97, 99, 101, 103, 105, 107, 109, 111, 113	2580024.... 283, 287, 315, 323, 391
1706060..... 1074	2131012 ... 740, 744, 748, 752, 756, 760, 764, 780, 784, 788, 792, 796	2202237 ... 740, 744, 748, 752, 756, 760, 764, 780, 784, 788, 792, 796	2580062..... 305
1706061..... 1074	2131212 ... 740, 748, 752, 756, 760, 764	2220238 ... 740, 744, 748, 752, 756, 760, 764, 780, 784, 788, 792, 796	2600209..... 223, 227
1706062..... 1074	2131612 ... 744, 780, 784, 788, 792, 796	2220252 ..... 269, 271	2600233..... 223, 227
1706063..... 1074	2131616 ... 740, 748, 752, 756, 760, 764, 780, 784, 788, 792, 796	2220261 ..... 63, 434	2600244..... 222, 226
1706064..... 1074	2131612 ... 744, 780, 784, 788, 792, 796	2220313 ... 281, 283, 287, 291, 311, 315, 319, 323, 327, 331, 391, 403	2600281.... 621, 623, 625, 627, 629, 633
1706098..... 1074	2131612 ... 744, 780, 784, 788, 792, 796	2220315 ... 348, 354, 360, 366, 372, 398, 410	2600490..... 222, 226
1706385..... 637, 639	2131616 ... 740, 748, 752, 756, 760, 764, 780, 784, 788, 792, 796	2220418 ..... 63	2717059.... 768, 772, 776, 800
1706593..... 69	2131616 ... 740, 748, 752, 756, 760, 764, 780, 784, 788, 792, 796	2220451 ..... 300, 304	2720015.... 348, 354, 366, 372, 398, 410
2030010.... 671, 674, 679, 681, 685	2131612 ... 740, 748, 752, 756, 760, 764, 780, 784, 788, 792, 796	2220478 ... 768, 772, 776, 800	2720058.... 281, 283, 287, 291, 434, 469
2060025..... 300, 304	2131612 ... 744, 780, 784, 788, 792, 796	2220737 ... 768, 772, 776, 800	2720144..... 63
2080040.... 230, 234, 238, 242, 246, 250, 254, 258, 621, 623, 625, 627, 629, 633	2131616 ... 740, 748, 752, 756, 760, 764, 780, 784, 788, 792, 796	2220750 ..... 269, 271	2720160..... 671, 674
2080072.... 230, 234, 238, 242, 246, 250, 254, 258	2131612 ... 740, 748, 752, 756, 760, 764, 780, 784, 788, 792, 796	2220816 ..... 469, 471	2720340.... 348, 354, 360, 366, 372, 398, 410
2110404.... 737, 740, 744, 748, 752, 756, 760, 764, 768, 772, 776, 780, 784, 788, 792, 796, 800	2131612 ... 740, 748, 752, 756, 760, 764, 780, 784, 788, 792, 796		2720398..... 300, 304
2110406.... 740, 744, 748, 752, 756, 760, 764, 780, 784, 788, 792, 796	2131612 ... 740, 748, 752, 756, 760, 764, 780, 784, 788, 792, 796		2750532.... 281, 283, 287, 291, 311, 315, 319, 323, 327, 391, 403
2110408.... 737, 740, 744, 748, 752, 756, 760, 764, 780, 784, 788, 792, 796	2131612 ... 740, 748, 752, 756, 760, 764, 780, 784, 788, 792, 796		2753540.... 740, 744, 748, 752, 756, 761, 765, 781, 785, 788, 793, 797
2110606.... 737, 740, 744, 748, 752, 756, 760, 764, 768, 772, 776, 780, 784, 788, 792, 796, 800	2131612 ... 744, 780, 784, 788, 792, 796		2753542.... 753, 756, 760, 764, 780, 784, 792, 796
2110608.... 748, 760, 764, 768, 772, 776, 788, 792, 796, 800	2131612 ... 740, 748, 752, 756, 760, 764, 780, 784, 788, 792, 796		2753545.... 768, 772, 776, 800
2110612.... 768, 772, 776, 800	2131612 ... 744, 780, 784, 788, 792, 796		2753555.... 740, 748, 752, 757, 761, 765

## SECTION 11 - SPECIAL OPTIONS

2753626 ... 752, 756, 760, 764, 780, 784, 792, 796	2754720 ... 756, 764, 784, 796	3252507....499, 821, 827, 833, 839	3310401 ... 348, 354, 366, 372, 398, 410
2753628 ... 753, 760, 780, 792	2754743 ... 756, 764, 784, 796	3252764....517, 521, 525, 529, 533	3310601 ..... 483, 485
2753634 ... 752, 756, 760, 764, 780, 784, 792, 796	2780229 ..... 39, 45	3271601.....227	3310805 ..... 63
2753635 .... 744, 748, 788	2820031 ... 489, 491, 495, 499, 501, 505, 509, 513, 518, 522, 525, 529, 533, 881, 883, 885, 887	3271605....649, 651, 653, 655	3311001 ... 223, 227, 417, 419, 421, 518, 522, 526, 530, 534
2753653 ... 768, 772, 776, 800	2820035 ..... 423	3271801....348, 354, 360, 366, 372, 398, 410	3311005 ... 222, 226, 489, 491, 495, 499, 506, 514, 518, 522, 526, 530, 533, 643, 671, 674, 679, 681, 685
2753654 ... 768, 772, 776, 801	2820078 ... 223, 231, 235, 247, 255	3271805.....95, 637, 639	3311401 ... 693, 695, 697, 699
2753656 ... 749, 761, 765, 768, 772, 776, 788, 793, 797, 801	2820118 ... 881, 883, 885, 887	3272001....551, 555, 559, 649, 651, 653, 655	3311405 ... 131, 135, 139, 143, 147, 151, 155, 159, 163, 167, 171, 181, 183, 203, 205, 207, 209, 211, 213, 215, 217, 222, 226, 230, 234, 238, 242, 246, 250, 254, 258, 269, 271, 273, 281, 283, 287, 291, 293, 295, 297, 300, 304, 311, 315, 319, 323, 327, 331, 335, 337, 339, 341, 343, 345, 348, 354, 360, 366, 372, 391, 395, 398, 403, 407, 410, 426, 429, 479, 481, 501, 505, 509, 514, 517, 521, 525, 530, 615, 617, 641, 667, 701, 813, 815, 817, 819, 821, 823, 825, 827, 829, 831, 833, 835, 837, 839, 841, 843, 849, 851, 857, 859, 861, 863, 865, 867, 869, 871, 873, 875, 877, 879, 1002, 1006, 1010, 1014, 1018, 1022, 1026, 1030, 1034, 1038, 1042, 1046, 1050, 1054, 1058, 1062, 1066, 1070
2753667 ... 740, 748, 752, 756, 761, 765	2820233 ..... 223	3272401.....551, 555, 559	3311501 ... 197, 199, 230, 234, 238, 242, 246, 250, 254, 258, 693, 695, 697, 699
2753670 ... 768, 772, 776, 800	2820234 ..... 223	3290401 ..... 185	3311505 . 39, 41, 43, 222, 226, 231, 235, 243, 255, 259, 261, 263, 265, 300, 304, 348, 354, 360, 366, 372, 398, 410, 517, 525, 529, 533, 595, 597, 859, 861, 863, 865, 867, 869, 871, 873, 875, 877, 879
2753671 ... 769, 772, 776, 800	2820235 ..... 223	3290405....187, 189, 191, 426, 703, 813, 815, 817, 819, 821, 823, 825, 827, 829, 831, 833, 835, 837, 839, 841, 843	3311508 .... 505, 513, 521
2753674 ... 768, 772, 777, 800	2820247 ..... 985, 987	3290501 ..... 291	3311601 97, 99, 101, 103, 105, 107, 109, 111, 113, 222, 226, 230,
2753675 ..... 768, 772	2840016 ..... 483, 485	3290505 ..... 426, 499	
2753676 ..... 777, 800	2860012 ..... 489	3290601....231, 235, 243, 255, 259, 261, 263, 265, 432, 437, 439, 495, 533	
2753677 ..... 777, 800	2860030 ... 131, 135, 139, 143, 151, 155, 159, 163, 167, 1083	3290605....132, 136, 140, 144, 147, 152, 156, 160, 164, 168, 172, 432, 671, 674	
2753678 ..... 777, 800	2900756 ..... 41, 43	3290606....609, 611, 613, 619, 631, 635	
2753679 ..... 768, 772	2900792 ..... 717, 719	3290607....191, 193, 432	
2753680 ..... 777, 800	2901443 ..... 1090	3290801.....366, 372, 432	
2753681 ... 768, 772, 776, 800	2902212 .... 687, 689, 691	3290805.....432, 857	
2753682 ... 769, 772, 776, 800	2902217 .... 674, 679, 681	3290806.....575	
2753683 ... 768, 772, 776, 800	2902394 ..... 1087	3291001....432, 575, 579	
2753684 ... 769, 772, 776, 800	2902443 .... 917, 923, 927	3291005....350, 356, 360, 366, 372, 398, 410, 432, 575, 579	
2753685 ... 740, 744, 748, 752, 757, 761, 765, 781, 785, 788, 793, 797	2910888 ..... 1086	3291007.....485	
2753686 ... 752, 756, 760, 764, 768, 772, 776, 780, 784, 792, 796, 801	2915094 ..... 1090	3291201....432, 496, 533, 575, 579	
2753688 ... 740, 744, 748, 788	2940045 ... 230, 234, 238, 242, 246, 250, 254, 258	3291205.....575, 577	
2753692 ..... 777, 800	2940074 ... 621, 623, 625, 627, 629, 633, 1083	3300007.....39, 41, 43	
2753693 ..... 768, 772	2940088 ..... 223, 227	3300151....607, 609, 611, 613, 619, 629, 631, 633, 635, 674, 679, 681, 685	
2753699 ... 740, 749, 753, 757, 761, 765	2940173 ... 231, 235, 238, 242, 246, 250, 255, 258	3300205....131, 135, 139, 143, 147, 151, 155, 159, 163, 167, 171	
2753732 ... 749, 761, 765, 788, 793, 797	2940188 ..... 222, 226	3300240....551, 555, 559	
2753768 ... 740, 748, 752, 757, 761, 765	3020021 ..... 447	3300241....551, 555, 559	
2753879 ... 749, 761, 765, 788, 793, 797	3020029 ..... 33, 37	3300242....551, 555, 559	
2753970 ... 753, 760, 780, 792	3020037 ..... 341	3300353....131, 135, 139, 143, 147, 151, 155, 159, 163, 167, 171, 643	
2753971 ... 752, 756, 760, 764, 780, 784, 792, 796	3020039 ... 21, 23, 25, 27, 29	3300364....230, 234, 238, 242, 246, 250, 254, 258	
2754242 .... 744, 748, 788	3020043 ..... 185	3300396....505, 514, 518, 522, 526, 530, 534	
2754243 .... 744, 748, 788	3160347 ..... 39, 49	3300408....131, 135, 139, 143, 147, 151, 155, 159, 163, 167, 171, 175, 177	
2754337 ... 740, 744, 748, 752, 756, 760, 764, 780, 784, 788, 792, 796	3160348 ..... 41, 51	3300430.....665, 701	
2754338 ... 752, 756, 760, 764, 780, 784, 792, 796	3200401 ... 301, 305, 348, 354, 360, 366, 372, 398, 410, 475, 477		
2754512 ... 753, 760, 780, 792	3200406 ..... 300, 304		
	3200449 ..... 603		
	3250872 ..... 67		
	3251102 ... 489, 491, 495, 499, 501, 505, 509, 513		
	3251242 ... 819, 823, 825, 829, 831, 835, 837, 841, 843		
	3251243 ... 489, 495, 506, 514, 522, 530, 534, 1002, 1018, 1026, 1030, 1034, 1038, 1054, 1062, 1066, 1070		
	3251813 ..... 1074		
	3252347 ..... 1002, 1038		

## SECTION 11 - SPECIAL OPTIONS

234, 238, 242, 246, 250, 254, 258, 644, 667	3420372 ..... 71	3538047 ... 21, 23, 25, 27, 29	1046, 1050, 1054, 1058, 1062, 1066, 1070, 1075
3311605...63, 97, 99, 101, 103, 105, 107, 109, 111, 113, 203, 205, 207, 209, 211, 213, 215, 217, 219, 222, 223, 226, 230, 234, 238, 242, 246, 250, 254, 258, 261, 263, 265, 271, 273, 281, 283, 287, 291, 300, 304, 348, 354, 360, 366, 372, 398, 410, 417, 419, 421, 471, 475, 477, 483, 489, 499, 502, 510, 539, 541, 543, 547, 551, 555, 559, 563, 565, 567, 581, 583, 585, 587, 589, 591, 595, 597, 637, 639, 641, 674, 679, 681, 685, 849, 851	3420447 ..... 71	3538758 ..... 587, 589	3820020.... 621, 623, 625, 627, 629, 633
3311705....489, 491, 495, 499	3421453 ..... 671, 674	3539219 .... 135, 143, 147	3841143....281, 283, 287, 291, 311, 315, 319, 323, 327, 331, 391, 403, 426, 539, 551, 555, 559, 563, 565, 567, 575, 579
3311801.....41, 281, 283, 287, 291, 335, 337, 339, 341, 343, 345, 395, 407, 491, 501, 505, 509, 513, 517, 522, 525, 529	3421565 ..... 71, 93	3539622 .... 551, 555, 559	3841203.....541, 543, 547
331180597, 99, 101, 103, 105, 107, 109, 111, 113, 300, 304, 311, 315, 319, 323, 327, 331, 391, 403, 429, 475, 477, 483, 485, 541, 543, 547	3422417 ... 31, 33, 35, 37, 551, 555, 559	3572009 ..... 71	3841287....21, 23, 25, 27, 29, 539, 541, 543, 547
3312002.....81, 649, 651, 653, 655	3422424 .... 551, 555, 559	3572010 ..... 71	3841340....563, 565, 567, 859, 861, 863, 865, 867, 869, 871, 873, 875, 877, 879
3312005.....687, 689, 691	3422446 ... 281, 283, 287, 291, 311, 315, 319, 323, 327, 331, 391, 403, 426	3572012 ..... 71	3841356....539, 541, 543, 547
3312201.....551, 555, 559	3422532 ... 293, 295, 297, 335, 337, 339, 341, 343, 345, 395, 407, 429	3573047 ... 859, 861, 863, 865, 867, 869, 871, 873, 875, 877, 879	3841520.....31, 33, 35, 37
3312205.....687, 689, 691	3422562 ..... 539	3573296 ... 859, 861, 863, 865, 867, 869, 871, 873, 875, 877, 879	3890013.....551
3312602....185, 187, 189, 191, 193	3422569 ..... 539	3573400 ... 674, 679, 681, 685	3890014.....551
3321501....222, 226, 231, 235, 238, 242, 246, 250, 255, 258	3422580 ..... 539	3574091 ..... 697, 699	3890015.....551
3322201 .....95	3422790 .... 31, 33, 35, 37	3575359 ..... 693, 695	3890016.....555, 559
3340757.....551, 555, 559	3422793 .... 541, 543, 547	3576799 ..... 671, 674	3900054.....637, 639
3340764....581, 583, 585, 587, 589, 591	3422841 ..... 71	3577121 ... 674, 679, 681, 685	3900085.....193
3340787....581, 583, 585, 587, 589, 591	3422847 ..... 71	3580134 ..... 499	3900192....539, 541, 543, 547
3340871.....551, 555, 559	3422848 ..... 35, 37	3580158 ..... 489, 499	3900210....230, 231, 234, 235, 238, 242, 243, 246, 250, 254, 255, 258, 259, 261, 263, 265
3340941....581, 583, 585, 587, 589, 591	3422860 .... 563, 565, 567	3580243 .... 551, 555, 559	3900232.....223, 227
3340942....581, 583, 585, 587, 589, 591	3422861 .... 563, 565, 567	3580249 .... 551, 555, 559	3900268....131, 135, 139, 143, 147, 151, 155, 159, 163, 167, 171
3340943....581, 583, 585, 587, 589, 591	3422867 .... 563, 565, 567	3580276 ..... 489, 491	3900283....581, 583, 585, 587, 589, 591, 595, 597
3340956.....687, 689, 691	3422908 ... 539, 541, 543, 547	3580288 .... 551, 555, 559	3900293.....81
3340966.....35, 37	3422909 ... 539, 541, 543, 547	3580289 .... 551, 555, 559	3900316....230, 234, 238, 242, 246, 250, 254, 258, 581, 583, 585, 587, 589, 591, 595, 597
3380434.....641	3422920 ... 539, 541, 543, 547	3580314 ..... 533	3900349.....643
3380444.....222, 226	3422930 ..... 539	3580317 ... 501, 506, 509, 513, 518, 522, 525, 529, 533	3900363....231, 235, 243, 255, 259, 261, 263, 265
3380575.....222, 226	3422932 .... 541, 543, 547	3580318 ... 506, 513, 522, 529	3910408....348, 354, 366, 372, 398, 410
	3430616 ..... 644	3580319 ... 501, 509, 518, 525	3910606....505, 513, 521, 529, 533, 845, 847
	3430816 ..... 483, 485	3580320 ... 348, 354, 398, 410, 501, 506, 518, 522	3910608.....483, 485
	3440410 ..... 603	3580324 ..... 495	3910610.....805, 807
	3450404 ..... 483, 485	3600386 .... 269, 271, 273	3910804....131, 135, 139, 143, 147, 151, 155, 159, 163, 167, 171
	3460334 .... 687, 689, 691	3641569 ..... 693, 695	3930606.....603
	3470003 ..... 644	3720021 ..... 269, 271	3931016....505, 513, 517, 521, 525, 529, 533
	3520028 .... 489, 491, 495	3740049 ... 131, 135, 139, 143, 147, 151, 155, 159, 163, 167, 171, 1084	3931408.....665
	3520030 .... 230, 234, 238, 242, 246, 250, 254, 258	3740067 ... 300, 304, 311, 315, 319, 323, 327, 331, 391, 403, 426, 1082, 1083	3931432....348, 354, 360, 366, 372, 398, 410
	3520031 ... 131, 135, 139, 143, 147, 151, 155, 159, 163, 167, 171	3740080 ... 291, 300, 304, 489, 491, 495, 499, 533, 1082, 1083	3931512....348, 354, 360, 366, 372, 398, 410
	3520034 .... 563, 565, 567	3740086 ..... 989, 1084	3931624....539, 541, 543, 547
	3520054 ... 300, 304, 368, 372, 643	3760170 ..... 71, 93	
	3520071 ... 687, 689, 691	3790012 .... 426, 643, 661	
	3520072 ... 607, 609, 611, 613, 619, 621, 623, 625, 627, 629, 631, 633, 635, 637, 639	3790044 ... 293, 295, 297, 335, 337, 339, 341, 343, 345, 395, 407, 429	
	3520182 ..... 615, 617	3820001 . 67, 1002, 1006, 1010, 1014, 1018, 1022, 1026, 1030, 1034, 1038, 1042,	
	3520189 ..... 518, 526		
	3520192 ..... 518, 526		
	3520193 ..... 197, 199		
	3520198 ... 607, 609, 611, 613, 615, 617, 619, 621, 623, 625, 627, 629, 631, 633, 635		
	3537445 ..... 483		
	3537446 ..... 483, 485		



## SECTION 11 - SPECIAL OPTIONS

3931628 ... 348, 354, 398, 410	4070897 .... 552, 556, 560	4360476.... 131, 135, 139, 143, 147, 151, 155, 159, 163, 167, 171, 643, 1082	4460266 ..... 961
3931644 ..... 432	4070898 .... 552, 556, 560		4460267 .... 957, 959, 997
3951608 .... 552, 555, 559	4070929 .... 552, 556, 560		4460268 ..... 921, 941
3952020 ..... 81	4070939 .... 552, 556, 560		4460294 ..... 509
3960389 ... 222, 226, 230, 234, 238, 242, 246, 250, 254, 258	4070940 .... 552, 556, 560	4360506.... 859, 861, 863, 865, 867, 869, 871, 873, 875, 877, 879, 1084	4460297 ..... 955
3960407 ..... 300, 304	4070944 ..... 21		4460312 .... 917, 919, 931
3960422 ... 505, 513, 521, 529, 533, 805, 807, 845, 847	4070945 ..... 21		4460313... 917, 919, 921, 931, 955, 997
3960438 ..... 223, 227	4070969 ... 581, 583, 585, 587, 589, 591	4360517 ..... 95, 1084	4460315 ..... 805, 807
3960462 ..... 223, 227	4070991 ... 131, 135, 139, 143, 147, 151, 155, 159, 163, 167, 171	4360542.... 489, 491, 495, 1082	4460320 ... 955, 957, 959, 997
3960464 ..... 223, 227	4071020 .... 552, 556, 560	4400275 ..... 63	4460321 ..... 495
3960468 ... 300, 304, 335, 337, 339, 341, 343, 345, 395, 407	4071048 ..... 247	4420014 ..... 687, 689, 691	4460346 ... 505, 513, 521, 529, 533, 805
3960469 ... 300, 304, 335, 337, 339, 341, 343, 345, 395, 407, 429	4071059 ..... 35, 37	4420037 .... 674, 679, 681, 685	4460374 .... 917, 919, 937
3960470 ..... 222, 226	4100063 ..... 319	4420038 97, 99, 101, 103, 105, 107, 109, 111, 113, 231, 235, 238, 242, 246, 250, 255, 258	4460375 ..... 917, 919
3960526 ..... 39, 41, 43	4160139 ..... 222, 226	4420051 ..... 67, 69, 1002, 1006, 1010, 1014, 1018, 1022, 1026, 1030, 1034, 1038, 1042, 1046, 1050, 1054, 1058, 1062, 1066, 1070	4460418 ..... 955, 961
3960548 ... 281, 283, 287, 291	4160143 ..... 222, 226		4460419 ..... 955, 961
3960549 ... 281, 283, 287, 291	4160149 .... 552, 556, 560		4460424 ... 917, 919, 921, 931, 957, 959, 997
3980007 ... 283, 287, 315, 323, 391	4160187 ... 539, 541, 543, 547		4460425 ... 505, 514, 518, 522, 526, 530, 534, 693, 695, 697, 699, 845, 847
3990010 ..... 955, 1082	4160194 ... 230, 234, 238, 242, 246, 250, 254, 258	4420055 ..... 615, 617	4460426 ... 131, 135, 139, 143, 147, 151, 155, 159, 163, 167, 171, 505, 514, 518, 522, 526, 530, 534
4010303 ..... 201	4240017 ..... 185, 187	4420060 ..... 499	4460428 ..... 269, 643
4010608 ..... 671, 674	4240018 ... 195, 491, 499, 509, 513, 525, 529, 768, 772, 776, 800, 845, 847	4420066 ..... 687, 689, 691	4460434 ..... 955, 961
4010618 ... 609, 611, 613, 619, 631, 635	4240032 ... 191, 193, 350, 356, 362, 368, 374, 398, 410, 899, 901, 903, 905, 907	4420067 ..... 643	4460457 ... 917, 919, 931, 937, 949
4031505 ..... 663	4240033 ... 197, 199, 269, 271, 663, 665, 667	4460007 ..... 643	4460458 ... 917, 919, 923, 927, 931, 937, 939, 945, 949
4031507 ..... 185, 189	4240099 ... 319, 348, 354, 360, 366, 372, 398, 410, 423, 426, 432, 495, 643, 674, 679, 681, 693, 695, 697, 699	4460016 ..... 961	4460460 .... 917, 919, 931
4031509 ..... 187, 191	4240139 97, 99, 101, 103, 105, 107	4460019 .... 915, 917, 919, 921, 928, 997	4460464 ... 191, 277, 647, 703, 855, 881, 883, 885, 887, 909, 911, 921, 933, 955, 961, 989, 991, 993, 997
4031510 ..... 201	4240149 .... 687, 689, 691	4460027 .... 489, 491, 495	4460465 ... 187, 277, 595, 597, 703, 855, 881, 883, 885, 887, 889, 891, 909, 913, 917, 919, 921, 923, 924, 927, 928, 931, 939, 941, 943, 945, 947, 949, 955, 961, 991, 997
4031516 ..... 667	4280296 ..... 65	4460042 ..... 923, 927	4460466 ... 663, 703, 855, 881, 883, 885, 887, 889, 891, 909, 913, 919, 921, 923, 927, 928, 955, 961, 983, 989, 991, 993, 997
4031608 ..... 499	4300157 ... 501, 505, 517, 522	4460043 .... 423, 917, 919, 923, 928, 937, 939, 945	4460467 ..... 1090
4031711 ..... 432	4340747 ..... 269	4460049 .... 693, 695, 697, 699	4460470 ... 131, 135, 139, 143, 147, 151, 155, 159, 163, 167, 171, 643, 859, 861, 863, 865, 867, 869, 871, 873, 875, 877, 879
4031912 ..... 372	4360057 ... 693, 695, 697, 699, 1084	4460051 ..... 805, 807	4460471 ... 131, 135, 139, 143, 147, 151, 155, 159, 163, 167, 171, 643, 859, 861, 863,
4031914 ... 348, 354, 360, 366, 398, 410	4360070 ... 505, 514, 518, 522, 526, 530, 534, 1082	4460071 .... 506, 513, 522, 529, 533, 647	4460476 ..... 961
4032014 ... 348, 354, 398, 410	4360274 .. 155, 163, 1084	4460125 ..... 807	4460477 ..... 961
4032015 ... 501, 505, 517, 522	4360328 ..... 661, 1084	4460134 ..... 951	4460478 ... 131, 135, 139, 143, 147, 151, 155, 159, 163, 167, 171, 1084
4060092 ..... 807	4360336 ... 426, 489, 491, 495, 499, 501, 505, 509, 513, 517, 521, 525, 529, 533, 1084	4460142 .... 917, 919, 955, 961	4460479 ... 131, 135, 139, 143, 147, 151, 155, 159, 163, 167, 171, 1084
4060802 ... 489, 491, 495, 499, 501, 505, 509, 513, 517, 521, 525, 529, 533	4360387 ... 135, 143, 155, 163, 643, 1084	4460183 ..... 961	4460480 ... 131, 135, 139, 143, 147, 151, 155, 159, 163, 167, 171, 643, 859, 861, 863, 865, 867, 869, 871, 873, 875, 877, 879
4060804 97, 99, 101, 103, 105, 107, 109, 111, 113	4360407 ..... 643, 1082	4460190 .... 489, 491, 495	4460481 ... 131, 135, 139, 143, 147, 151, 155, 159, 163, 167, 171, 643, 859, 861, 863, 865, 867, 869, 871, 873, 875, 877, 879
4060805 ... 300, 304, 348, 354, 360, 366, 372, 398, 410, 434	4360469 ... 131, 135, 139, 143, 147, 151, 155, 159, 163, 167, 171, 1084	4460205 ..... 805, 951	4460482 ... 131, 135, 139, 143, 147, 151, 155, 159, 163, 167, 171, 643, 859, 861, 863, 865, 867, 869, 871, 873, 875, 877, 879
4061032 ... 768, 772, 776, 800	4360475 ... 131, 135, 139, 143, 147, 167, 171, 1084	4460224 ..... 509	4460483 ... 131, 135, 139, 143, 147, 151, 155, 159, 163, 167, 171, 643, 859, 861, 863, 865, 867, 869, 871, 873, 875, 877, 879
4070585 ..... 489		4460225 ..... 941, 961	4460484 ... 131, 135, 139, 143, 147, 151, 155, 159, 163, 167, 171, 643, 859, 861, 863, 865, 867, 869, 871, 873, 875, 877, 879
4070863 .... 552, 556, 560		4460226 .... 647, 693, 695, 697, 699, 853, 917, 919, 921, 931, 957, 959, 961, 997	4460485 ... 131, 135, 139, 143, 147, 151, 155, 159, 163, 167, 171, 643, 859, 861, 863, 865, 867, 869, 871, 873, 875, 877, 879
4070878 ... 21, 23, 25, 27, 29		4460227 .... 853, 955, 961	4460486 ... 131, 135, 139, 143, 147, 151, 155, 159, 163, 167, 171, 643, 859, 861, 863, 865, 867, 869, 871, 873, 875, 877, 879
4070879 ... 21, 23, 25, 27, 29		4460233 ..... 807, 953	4460487 ..... 1090
4070895 .... 552, 556, 560		4460234 .... 185, 187, 197, 199, 643, 693, 695, 697, 699, 899, 901, 903, 905	4460488 ... 131, 135, 139, 143, 147, 151, 155, 159, 163, 167, 171, 643, 859, 861, 863, 865, 867, 869, 871, 873, 875, 877, 879

## SECTION 11 - SPECIAL OPTIONS

865, 867, 869, 871, 873, 875, 877, 879	4460887 ... 703, 917, 919, 921, 931, 955, 961	4461205 ... 971, 973, 975, 977	419, 421, 426, 471, 491, 501, 506, 509,
4460473....881, 883, 885, 887, 889, 891	4460888 ..... 961	4461206 ..... 977	513, 518, 522, 525, 529, 539, 541, 543,
4460488....131, 135, 139, 143, 147, 151, 155, 159, 163, 167, 171, 191, 193	4460891 ... 187, 277, 595, 597, 855, 913, 921, 924, 933, 997	4461244 .... 829, 971, 973	547, 552, 556,560, 581, 583, 585, 587, 589, 591, 593, 595, 597, 603, 644, 649, 651, 653, 655
4460496....131, 135, 139, 143, 147, 151, 155, 159, 163, 167, 171, 643	4460894... 909, 913, 923, 927, 955, 961	4461245 .... 835, 975, 977	4711700....348, 354, 360, 366, 373, 399, 411, 491, 495
4460497 ....131, 135, 139, 143, 147, 151, 155, 159, 163, 167, 171, 643	4460897 ... 191, 924, 933, 993, 997	4461246 .... 841, 979, 981	471180097, 99, 101, 103, 105, 107, 109, 111, 113, 360, 483, 485, 501, 506, 517, 522, 541, 543, 547, 637, 639
4460508....663, 881, 883, 885, 887, 955, 961, 997	4460899 ... 921, 983, 989, 991	4461249 ..... 979, 981	4712000....649, 651, 653, 655, 687, 689, 691
4460509....881, 883, 885, 887, 889, 891	4460905 .... 955, 961, 995	4461250 ..... 981	4712200....687, 689, 691
4460510.....1090	4460910 ..... 987	4520252 ..... 55	4740036.....71
4460518.....855, 961	4460911 ... 595, 597, 955, 983	4520253 ..... 57	4740057.....81
4460526....131, 135, 139, 143, 147, 151, 155, 159, 163, 167, 171	4460925 ..... 961	4520256 ..... 61	4740076.....222, 226
4460536....277, 955, 961	4460926 ..... 595, 597	4568133 ..... 71	4740119.....483
4460539....277, 917, 919, 921, 927, 931, 961, 997	4460928 ..... 855	4640261 ..... 67, 69	4740155.....35, 37
4460612.....845, 847	4460930 .... 913, 923, 927	4640509 ..... 717, 719	4740256.....31, 33, 35, 37
4460633.....269, 271	4460931 ..... 921, 993	4640751 ... 348, 354, 360, 366, 372, 398, 410	4740274....300, 304, 475, 477
4460670....917, 919, 937	4460932 ... 703, 911, 923, 928, 933	4640858 ..... 707, 709	4740362.....641
4460701.....953	4460933 ... 855, 913, 955, 961	4640932 .... 711, 713, 715	4740397....131, 135, 139, 143, 147, 151, 155, 159, 163, 167, 171, 489, 499
4460703.....923, 928	4460941 ..... 933, 983	4641033 ..... 731, 733	4740439....563, 565, 567
4460708.....961	4460942 ... 663, 923, 927, 933	4641122 .... 55, 57, 59, 61	4740444....131, 135, 139, 143, 147, 151, 155, 159, 163, 167, 171
4460722.....423	4460943 ... 913, 955, 961, 983	4641188 ... 543, 547, 721, 723	4740463.....31, 33, 35, 37
4460738.....921, 931	4460944 ... 917, 919, 921, 923, 927, 928, 931, 961	4641194 .... 721, 723, 725	4740472....21, 23, 25, 27, 29
4460742....937, 939, 945, 949	4460945 ..... 928	4641232 .... 711, 713, 715	4740473.....31, 33, 35, 37
4460743.....939, 945	4460956 .... 893, 895, 897	4641234 ... 543, 547, 721, 723	4740492.....539, 541
4460746.....927	4460957 .... 893, 895, 897	4641303 ..... 41, 43	4740500.....223, 227
4460748.....927	4460958 ..... 847	4641317 ..... 75, 77	4740518....131, 135, 139, 143, 147, 151, 155, 159, 163, 167, 171
4460761.....853, 955	4460959 ..... 863, 873	4711000 ..... 95, 417, 419, 421, 491, 518, 522, 526, 530, 534	4750400....348, 354, 366, 373, 399, 411
4460806....825, 827, 829, 831, 833, 835, 955, 961	4460960 ..... 863, 873	471140075, 77, 131, 139, 151, 155, 159, 167, 171, 179, 181, 183, 269, 271, 281, 283, 287, 291, 300, 304, 311, 315, 319, 323, 327, 331, 348, 354, 360, 366, 372, 391, 398, 403, 410, 426, 479, 481, 502, 509, 513, 529, 533, 607, 609, 611, 613, 619, 629, 631, 633, 635, 665, 667, 701, 813, 815, 817, 819, 821, 823, 825, 827, 829, 831, 833, 835, 837, 839, 841, 843, 849, 851, 859, 861, 863, 865, 867, 869, 871, 873, 875, 877, 879	4750800.....63
4460807.....941	4460962 ..... 674, 681	4711500 .39, 41, 43, 197, 199, 231, 235, 243, 255, 259, 261, 263, 265, 348, 354, 360, 366, 373, 398, 410, 517, 525, 529, 533, 595, 597	4751000..71, 97, 99, 101, 103, 105, 107, 109, 111, 113, 193, 222, 223, 226, 227, 489, 495, 499, 506, 513, 518, 522, 525, 529, 533, 643, 671, 674, 679, 681, 685
4460808.....941	4460963 .... 522, 530, 534	4711600 ... 21, 23, 25, 27, 29, 75, 77, 97, 99, 101, 103, 105, 107, 109, 111, 113, 197, 199, 222, 223, 226, 227, 271, 300, 304, 311, 315, 319, 323, 327, 331, 391, 403, 417,	4751400.....65, 131, 135, 139, 143, 147, 151, 155, 159, 163, 167, 171, 203, 205, 207, 209, 211, 213, 215, 217, 222, 226, 230, 231, 234, 235, 238, 242, 243, 246, 250, 254, 255, 258, 259, 261, 263, 265, 293,
4460834....109, 111, 113	4460967 ... 939, 943, 945, 947, 949		
4460842....109, 111, 113	4460968 ..... 499		
4460865....881, 883, 885, 887, 889, 891	4460971 ..... 671, 674		
4460866....859, 861, 863, 865, 867, 869, 871, 873, 875, 877, 879, 955	4460979 .... 917, 919, 931		
4460868.....955	4461005 ..... 917		
4460871....277, 917, 919, 921, 931, 955, 961, 995, 997	4461006 ..... 917		
4460872.....955	4461008 .... 917, 924, 927		
4460873.....955, 961	4461042 ..... 913		
4460874.....955, 961	4461052 ..... 917		
4460875.....955	4461053 ..... 917		
4460876.....955, 961	4461054 .... 917, 927, 933		
4460877.....955	4461060 ..... 917		
4460878.....955	4461070 ..... 855, 917		
4460879.....703, 961	4461071 ..... 923, 927		
4460880....919, 921, 931, 957, 959	4461073 .... 917, 923, 927		
4460884....703, 919, 927, 955, 991, 997	4461077 ..... 983, 989		
	4461095 .... 855, 917, 923		
	4461157 ... 917, 919, 931		
	4461196 ..... 963, 965		
	4461197 ..... 965		
	4461198 .... 817, 963, 965		
	4461199 ..... 967, 969		
	4461200 ..... 969		
	4461201 .... 823, 967, 969		
	4461203 ..... 973		

## SECTION 11 - SPECIAL OPTIONS

<p>295, 297, 335, 337, 339, 341, 343, 345, 348, 354, 360, 367, 373, 395, 399, 407, 411, 426, 429, 501, 505, 510, 517, 521, 525, 552, 556, 560, 641, 643, 669, 674, 679, 681, 685, 693, 695, 697, 699, 857, 859, 861, 865, 867, 869, 871, 875, 877, 1002, 1006, 1010, 1014, 1018, 1022, 1026, 1030, 1034, 1038, 1042, 1046, 1050, 1054, 1058, 1062, 1066, 1070 475150067, 69, 121, 123, 125, 127, 129, 223, 226, 230, 234, 238, 242, 246, 250, 254, 258, 348, 354, 360, 367, 373, 399, 411, 489, 491, 499, 505, 513, 521, 693, 695, 697, 699, 859, 861, 863, 865, 867, 869, 871, 873, 875, 877, 879 4751600 ... 63, 65, 75, 77, 109, 111, 113, 121, 125, 191, 193, 203, 205, 207, 209, 211, 213, 215, 217, 219, 223, 226, 227, 230, 234, 238, 242, 246, 250, 254, 258, 261, 263, 265, 273, 281, 283, 287, 291, 300, 304, 311, 315, 319, 323, 327, 331, 348, 354, 360, 367, 373, 391, 399, 403, 411, 469, 475, 477, 489, 499, 502, 510, 595, 597, 641, 674, 679, 681, 685, 849, 851 4751800 ..... 95, 269, 271, 281, 283, 287, 291, 311, 315, 319, 323, 327, 331, 335, 337, 339, 341, 343, 345, 391, 395, 403, 407, 429, 637, 639, 693, 695, 697, 699 4752000 ... 281, 283, 287, 291, 311, 315, 319, 323, 327, 331, 391, 403, 426 4760600 ..... 805, 807 4761400 ..... 669 4761600 ..... 273 4770600 ..... 483, 485 4791400 ... 300, 304, 501, 505, 509, 513, 517, 521, 525, 529</p>	<p>4811400 ... 185, 187, 189, 191, 703, 813, 815, 817, 819, 821, 823, 825, 827, 829, 831, 833, 835, 837, 839, 841, 843 4811600 ..... 291, 499 4811700 ... 132, 136, 140, 144, 147, 152, 156, 160, 164, 168, 172, 191, 193, 432, 437, 439, 495, 533, 609, 611, 613, 619, 631, 635, 671, 674 4811702 ... 348, 354, 360, 367, 373, 399, 411, 437 4811900 ... 349, 355, 360, 367, 373, 399, 411, 426, 432, 437, 439, 575, 857 4811902 ... 350, 356, 361, 367, 373, 399, 411, 432, 437, 439 4812000 ... 311, 315, 323, 327, 331, 349, 355, 361, 367, 373, 391, 399, 403, 411, 426, 432, 437, 439, 485, 495, 575, 579 4812002 ... 123, 127, 129, 432, 441 4812100 ... 311, 315, 319, 323, 327, 331, 349, 355, 361, 367, 373, 391, 399, 403, 411, 437, 439, 487, 575, 579 4812200 ... 300, 304, 349, 355, 361, 367, 373, 399, 411, 475, 477, 495 4831400 ..... 185 4844816 .... 563, 565, 567 4844817 .... 563, 565, 567 4844958 ..... 93 4846295 ..... 71 4846296 ..... 71 4846435 .... 563, 565, 567 4846553 ... 581, 583, 585, 587, 589, 591 4846558 ... 581, 583, 585, 587, 589, 591 4846673 ..... 697, 699 4860224 ..... 55 4860225 ..... 57, 59 4871200 ..... 201 4871700 ..... 534 4891500 ... 131, 139, 151, 155, 159, 163, 167, 171, 361, 495 4891600 ..... 95, 231, 235, 238, 243, 255, 259, 483, 552, 556, 560, 575, 577 4891800 . 39, 41, 43, 293, 295, 297, 335, 337, 339, 341, 343, 345, 349, 355, 361, 367, 373, 395, 399, 407,</p>	<p>411, 429, 483, 485, 491, 509, 513, 525, 529 4892000.... 39, 41, 43, 87, 89, 267 4892200..... 23, 25, 27, 29 4892600001 ..... 575, 577 4921829 ..... 496 4921955 ..... 953 4922566.... 859, 863, 865, 881 4922567.... 869, 873, 875, 879, 885 4922569... 859, 863, 865, 869, 873, 875, 879, 889 4922641.... 489, 492, 496, 499, 518, 523, 526, 531, 535 4922660.... 859, 863, 865, 869, 873, 875, 879, 957 4922666..... 643, 853 4922741 ..... 951 4922874..... 811 4922875..... 859 4922876..... 859, 869 4922877 ..... 811 4922878..... 869 4922925.... 518, 522, 525, 529, 533 4923379..... 300, 304 4923445..... 496, 937 4923595..... 871, 877, 887 4923596.... 861, 867, 871, 877, 891 4923597.... 861, 867, 871, 877, 959 4923600..... 871 4923601..... 861, 871 5240800.... 350, 356, 361, 399, 411 5241000..... 432 5241200.... 432, 533, 575, 577 5250605..... 437, 439 5250810.... 350, 356, 399, 411 5251008..... 575, 579 5251010..... 361 5251016.... 319, 575, 579 5260600..... 437, 439 5261000..... 319 5272010..... 434 70000044..... 307 70000123..... 499 70000342..... 569, 571 70000345... 308, 379, 387 70000619.. 518, 522, 525, 529, 533 70000781..... 39 70000795..... 49 70000797..... 51 70000800..... 308 70000863.. 517, 521, 525, 529, 534 70000912..... 307 70000913..... 307 70000914..... 307 70000915..... 307</p>	<p>70000916..... 307 70000917 ..... 307 70000918 ..... 307 70000919 ..... 307 70001002 ..... 307 70001020 ..... 121, 125 70001100 . 517, 521, 525, 529, 534 70001181 ..... 308 70001248 ..... 95 70001384 . 517, 521, 525, 529, 534 70001424 ..... 677 70001425 ..... 677 70001427 ..... 677 70001428 ..... 677 70001429 ..... 677 70001430 ..... 677 70001431 ..... 677, 1082 70001432 ..... 677, 1084 70001435 ..... 307 70001499 ..... 595, 597 70001663 ..... 273 70001696 .. 517, 521, 533 70001697 ..... 569, 571 7000180 ..... 386 70001835 ..... 307 70001836 ..... 307 70001837 ..... 307 70001841 ..... 307 70001844 ..... 308 70001850 ..... 307 70001866 ..... 307 70001868 ..... 307 70001870 .. 307, 379, 385 70001871 ..... 307 70001872 ..... 308 70001953 .. 517, 521, 534 70001954 ..... 451 70001955 ..... 451 70001956 ..... 451 70001957 ..... 451 70001966 . 501, 505, 509, 513, 517, 521, 526, 530, 533, 534 70001973 . 517, 521, 526, 530, 534 70001974 . 517, 521, 526, 530, 534 70002066 ..... 84 70002085 ..... 84 70002088 .. 517, 521, 534 70002097 595, 597, 1083 70002112 ..... 115, 117 7000213 ..... 84 7000217 ..... 84 70002200 ..... 307 70002231 .... 75, 77, 1083 70002234 ..... 307 7000224 ..... 47 7000228 ..... 84 7000229 ..... 84 70002291 ..... 526, 530 70002297 . 517, 521, 525, 530, 534 7000230 ..... 84 70002373 ..... 711, 713</p>
--	---	---	---

## SECTION 11 - SPECIAL OPTIONS

70002386.....79, 599, 601, 1082	70004042..... 84	70004572..... 79	70005931.....380, 386
7000239.....47	70004043..... 84	70004573..... 79	70005932.....387
70002390.....39	70004044..... 84	70004574..... 79	70005933.....387
7000240.....47	70004045..... 84	70004575..... 79	70005934.....387
70002415.....308	70004047..... 84	70004576..... 79	70005938.....385
70002416.....308	70004056..... 307	70004577..... 79	70005941.....379
70002417.....308	70004058..... 307, 1082	70004578..... 79, 601	70005942.....379, 385
7000246.....84	70004060..... 307	70004579..... 79	70006093.....525, 530
70002460..517, 521, 526, 530, 533	70004092 . 501, 505, 509, 513, 526, 530	70004580..... 79	70006094.....526, 530
7000247.....84	70004094..... 526, 530	70004581..... 79	70006095.526, 530, 1082
7000248.....84	70004098 . 505, 514, 526, 530	70004582..... 599, 601	70006096.....526, 530
7000253.....84	70004099 . 509, 513, 525, 530	70004676 . 501, 505, 509, 513	70006097.....526, 530
7000255.....84	70004120..... 725	70004677..... 501	70006134.....437
7000257.....84	70004169.. 517, 521, 534	70004678 . 501, 505, 509, 513	70006135.....437
7000265.....45	70004171 . 501, 505, 517, 521, 534	70004679 . 501, 505, 509, 513	70006136.....437
70002718.....308, 385	70004183..... 447	70004680 . 501, 505, 509, 513	70006144.....379, 385
70002744.....727	70004199..... 115, 117	70004681..... 501, 509	70006145.....443
70002745.....727	70004266..... 121, 125	70004682 . 501, 505, 509, 514	70006147.....443
70002748.....727	70004267..... 121, 125	70004683..... 501, 509	70006150.....443
70002749.....727	70004272..... 307	70004684..... 505	70006151.....443
70002751.....727	70004276..... 380, 387	70004685..... 505, 514	70006152.....443
70002814.....115	70004277..... 380, 387	70004686..... 509	70006153.....443
7000283.....47	70004279..... 379	70004687..... 513	70006154.....443
70002838..... 115, 117	70004280..... 308, 385	70004795..... 115, 117	70006155.....443, 1083
70002839..... 115, 117	70004282..... 387	70005008..... 434, 1083	70006157.....443
7000284.....47	70004287..... 307	70005171..... 379	70006158.....443
70002842..... 707, 709	70004289..... 308	70005172..... 379, 385	70006159.....443
7000289.....47	70004328..... 595, 597	70005173..... 379, 385	70006160.....443
70002902.....647	70004329..... 449	70005176..... 379	70006161.....443
70002903.....647	70004331..... 449	70005177..... 379, 386	70006162.....443
70002904.....647	70004332..... 449	70005181..... 386	70006163.....443
70002905.....647	70004333..... 449	70005184..... 380, 386	70006164.....443
70002948.....269, 271	70004336..... 449	70005188..... 386	70006165.....443
70003022..... 79	70004337..... 449	70005189..... 386	70006166.....443
70003136.....307	70004338..... 449	70005191..... 380, 387	70006167.....443
70003454.....95	70004340..... 449	70005203..... 84	70006168.....443
70003464.....307	70004342..... 449	70005433..... 721, 723	70006169.....443
70003465.....307	70004343..... 449	70005458..... 449	70006170.....443
70003466.....307	70004344..... 449	70005459..... 449	70006171.....443, 1083
70003472.....307	70004345..... 449	70005460..... 449	70006172.....443, 1083
70003475.....307	70004346..... 449	70005461..... 449	70006173.....443
70003478.....307	70004347..... 449	70005462..... 449	70006174.....443
70003612..... 121, 125	70004348..... 449	70005463..... 449	70006175.....443, 1083
70003631..517, 521, 525, 530, 533	70004349..... 449	70005464..... 449	70006176.....443, 1083
70003636.....715, 719	70004350..... 449	70005465..... 449	70006177.....443
70003708..501, 505, 509, 513, 517, 521, 526, 530, 534	70004351..... 449	70005527..... 380, 387	70006178.....443
70003709..501, 505, 509, 513, 517, 521, 526, 530, 534	70004352..... 449	70005647..... 380, 387	70006179.....443
70003784.....643	70004381..... 727	70005648 380, 387, 1083	70006180.....443
70003788.....79, 599, 601, 1082	70004382..... 727	70005663..... 1090	70006181.....443
70003789.....79, 1082	70004413..... 109	70005708..... 115, 1082	70006182.....443
70003921.....581, 583	70004414.. 103, 105, 107	70005725..... 79	70006183.....443
70003922.....581, 583	70004501..... 386	70005839..... 731, 733	70006184.....443
70003935.....41, 43	70004504..... 380	70005871..... 711, 713	70006185.....443
70003936.....41, 43	70004505..... 379, 385	70005916..... 308	70006186.....443
70003998..... 121, 125	70004507..... 379, 385	70005917..... 308	70006187.....443
70004020.300, 304, 1082	70004508..... 379, 385	70005920..... 379, 385	70006188.....443
70004037.....84	70004509..... 379, 385	70005922..... 385	70006189.....443
70004040.....84	70004510..... 379, 385	70005923..... 386	70006191.....443
70004041.....84	70004511..... 386	70005924..... 386	70006194.....443
	70004513..... 386	70005926..... 386	70006195.....443
	70004570..... 79	70005928..... 386	70006196.....444
	70004571..... 79	70005929..... 380, 386	70006197.....444
			70006198.....444
			70006199.....444
			70006200.....444
			70006202.....444
			70006203.....444

## SECTION 11 - SPECIAL OPTIONS

70006205	444	70006939	715	70007860	53	70024488	385
70006206	444	70006940	725	70007861	53	70024494	379, 385
70006207	444	70006941	385, 725	70007862	53	70024502	386
70006208	444	70006942	725	70007863	53	70024507	380, 387
70006213	444, 1083	70006943	725	70007864	53	70024509	380, 387
70006215	444	70006944	725	70007865	53	70024513	379, 385
70006217	444	70006945	725	70007866	53	70024517	379, 385
70006219	444	70006947	725	70007867	53	70024904	379, 385
70006221	444	70006948	709	70007868	53	70024905	379, 385
70006225	444	70006949	709	70007869	53	70024906	379, 385
70006232	444	7000695	308	70007870	53	70024912	380
70006233	443	70006964	729	70007871	53	70024915	380, 387
70006235	444	70006965	729	70007872	53	70024917	380, 387
70006236	444	70006966	729	70007873	53	70024918	387
70006264	385	70006967	729	70007874	53	70024920	380, 386, 387
70006265	385	70006968	729	70007875	53	70024922	380, 387
70006266	385	70006969	729	70007876	53	70024924	379, 385
70006294	380	70007108	444	70007877	53	70024925	379, 385
70006304	84	70007276	723	70007878	53	70024961	379, 385
70006403	471, 473	70007277	723	70007970	713	70025077	387
70006404	471, 473	70007278	721, 723	70007971	711, 713	70025082	307, 308, 385
70006405	471, 473	70007279	723	70007972	711, 713	70025084	386
70006406	471, 473	70007280	723	70007973	713	70025101	386
70006407	471, 473	70007281	723	70007974	713	70025107	386
70006408	471, 473	70007282	721, 723	70007975	733	70025109	386
70006409	471, 473	70007283	723	70007976	733	70025111	379, 385
70006410	471, 473	70007325	380	70007977	731, 733	70025112	386
70006460	434, 1083	70007326	379	70007978	733	70025115	386
70006461	434	70007331	380	70007979	733	70025120	380, 387
70006552	501, 506, 509, 513	70007354	379	70007980	731, 733	70025124	386
70006553	501, 506, 509, 513, 1083	70007355	380	70007981	731, 733	70025130	387
70006596	721	70007423	721	70007982	731, 733	70025132	387
70006649	717	70007489	380	70007983	731, 733	70025133	386
70006650	717	70007725	117	70008080	731	70025135	379, 385
70006652	380, 387	70007726	117, 1082	70008081	731	70025139	385
70006653	380, 387	70007727	117	70008082	731	70025140	379, 385
70006673	47	70007785	455	70008186	711	70025142	380, 386
70006674	47	70007786	455	70008187	711	70025144	379, 385
70006675	47	70007787	455	70008188	721	70025145	379, 385
70006676	47	70007788	455	70008189	721	70025146	379, 385
70006677	47	70007789	455	70008190	721	70025148	386
70006678	47	70007790	455	70008191	721	70025151	380, 386
70006680	47	70007791	455	70008192	721	70025152	379, 385
70006684	47	70007792	455	70008497	457	70025153	379, 1082, 1083
70006685	47	70007793	455	70008498	457		
70006690	47	70007794	455	70008500	457	70025154	379, 385
70006691	47	70007795	455	70008501	457	70025155	386
70006692	47	70007796	455	70008502	457	70025158	386
70006734	717	70007797	455	70008504	457	70025161	380, 1082, 1083
70006735	717	70007798	455	70008505	457		
70006736	717	70007799	455	70008511	457	70025164	379, 387
70006832	47	70007800	455	70008600	457	70025175	386
70006833	47	70007801	455	70008601	457	70025179	386, 387
70006893	715	70007802	455	70008602	457	70025180	386
70006899	725	70007847	53	70009020	426	70025181	379, 385
70006900	719	70007848	53	7001928	47	70025182	380, 386
70006930	719	70007849	53	70022563	711, 713	70025183	380, 386
70006931	719	70007850	53	70022564	711, 713, 721, 723	70025184	380, 386
70006932	719	70007851	53			70025185	386
70006933	719	70007852	53	70023379	731, 733	70025192	387
70006934	719	70007853	53	70023380	721	70025200	380, 386
70006935	715	70007854	53	70023592	349, 355, 399, 411, 1082, 1083	70025203	386
70006936	715	70007855	53			70025205	379
70006937	715	70007856	53	70023593	349, 355, 399, 411, 1082, 1083	70025210	380, 386, 1082, 1083
70006938	715	70007857	53				
		70007858	53	70024441	117	70025212	380, 387
		70007859	53	70024484	387	70025231	379, 387

## SECTION 11 - SPECIAL OPTIONS

70025233.....387	7012989 ..... 599, 601	7020492 ..... 386	7024485.... 517, 521, 533, 1082
70025235.....380, 386	7012995 ..... 599, 601	7021249 ..... 49, 51	7024488.... 518, 522, 525, 529, 533
70025239.....379, 386	7012998 ..... 79	7021275 ..... 49, 51, 452	7024489.... 518, 522, 525, 529, 533
70025240.....386	7016314 ..... 109	7021276 ..... 51	7024508.....733
70025242.....380	7016328 ..... 307, 1082	7021277 ..... 49, 51	7024530.....677
70025477.....387	7016331 ... 307, 379, 385, 1082, 1083	7021612 ..... 79	7024531.....677
70025660.....385	7016654 ..... 1090	7021625 ..... 39, 41, 43	7024532.....677
70025733.....387	7016655 ..... 1090	7021639 ..... 41, 43	7024533.....677
70025752.....308	7017023 ..... 84	7021653 ..... 79, 601	7024534.....677
70025753.....308	7017028 ..... 47, 84	7022162 ..... 443	7024535.....677
70025788.....380	7017047 ..... 47	7022302 ..... 49, 51	7024536.....677
70026210.....380, 387	7017051 ..... 45	7022305 ..... 49, 51	7024537.....677
70026287.....721, 723	7017052 ..... 45	7022310 ..... 51	7024579.... 308, 379, 385
70026995.....387	7017053 ..... 45	7022311 ..... 49, 51, 452	7024598.....483, 485
70027750.....723	7017054 ..... 45	7022312 ..... 51	7024704.....84
70028185.....385	7017055 ..... 45	7022313 ..... 49	7024762.....84
7002821 .....1090	7017056 ..... 45	7022314 ..... 49, 51, 452	7024763.....84
7002822.....1090	7017057 ..... 45	7022318 ..... 451	7024782.....47
7002823.....1090	7017058 ..... 45	7022326 ..... 49, 51	7024784.....84
7002826.....1090	7017058 ..... 45	7022328 ..... 49, 51	7024844.....39
70028538... 380, 386, 387	7017070 ..... 84	7022368 ..... 49, 51	7024854.....51
70028540.....380	7017072 ..... 84	7022371 ..... 49, 51	7024862.....49
70028802.....386	7017080 ..... 84	7022372 ..... 51	7024864.....452
70029433.....380	7017082 ..... 47	7022397 ..... 39, 41, 43	7024866.....452
70029451.....379	7017085 ..... 84	7022399 ..... 39, 41, 43	7024867.....49, 451
70029468.....723	7017142 ..... 569, 571	7023907 ..... 51	7024871.....49
70029517.....380	7017150 ..... 571	7023908 ..... 51	7024881.....39, 41, 43
70029520.....380	7017159 ..... 569, 571	7023910 ..... 49, 51	7026188.... 517, 521, 533
70029797.....380	7017162 ..... 569, 571	7023911 ..... 41, 43	7026197.....95
70031095.....379	7017163 ..... 569, 571	7023919 ... 543, 547, 721, 723	7026199.... 489, 491, 495
7004275 .....1090	7017164 ..... 569, 571	7023922 ..... 599, 601	7026503.....95
7004276.....1090	7017172 ..... 569, 571	7023923 ... 543, 547, 721, 723	7026504.....95
7004906.....449	7017192 ..... 569, 571	7023925 ..... 79	7026505.....95
7004907.....449	7017195 ..... 569, 571	7023927 .... 721, 723, 725	7026506.....95
7004908.....449	7017402 ..... 79, 599, 601	7023933 ..... 39, 41, 43	7026507.....95
7007415.....451, 452	7017406 ..... 39	7023947 ..... 451	7026509.....95
7007437 .....49, 51	7017422 ..... 79	7023948 ..... 451	7026597.... 517, 521, 526, 530, 533
7007438 .....49, 51	7017446 ..... 599, 601	7023949 ..... 451	7026626.... 517, 521, 526, 530, 534
7007439 .....49, 51	7017451 ... 543, 547, 721, 723, 1082	7023950 ..... 451	7026632.....273
7007446 .....49, 51	7017452 ..... 79, 599, 601	7023951 ..... 451	7026633.....273
7007633.....84	7017492 ..... 39	7023952 ..... 451	7026634.....273
7007974 .....711	7017496 ..... 79	7023955 ..... 451	7026635.....273
7010404.....45	7019680 ... 489, 491, 495	7023956 ..... 451	7026636.....273
7010405.....45	702004397, 99, 101, 103, 105, 107, 111, 113	7023957 ..... 451	7026637.....273
7010406.....45	7020108 ... 489, 491, 495, 499	7023958 ..... 451	7026638.....273, 1084
7010492.....84	7020109 ... 489, 491, 495, 499	7023960 ..... 451	7026639.....273
7010543.....75, 77, 79	7020110 ... 489, 491, 495, 499	7023961 ..... 451	7026640.....273
7011112.... 711, 713, 715	7020111 ... 489, 491, 495, 499	7023962 ..... 451	7026641.....274
70124410.....308	7020175 ... 131, 135, 139, 143, 147, 167, 171	7023964 ..... 451, 452	7026642.....274
70124440.....308	7020176 ... 131, 135, 139, 143, 147, 167, 171, 1082	7023965 ..... 451	7026643.....274
7012513.... 489, 491, 495, 499	7020190 ... 489, 491, 495, 499	7023966 ..... 452	7026644.....274
7012514.... 489, 491, 495, 499	7020403 ..... 307	7023967 ..... 452	7026645.....274
7012518.....599, 601	7020408 ..... 307	7023982 ... 543, 547, 721, 723	7026646.....274
7012558.... 489, 491, 495	7020465 .... 307, 379, 385	7023984 ..... 601	7026647.....274
7012903.....79	7020468 ..... 307	7023985 ..... 79	7026648.....274
7012907.....79	7020471 ..... 308	7024100 ..... 84	7026649.....274
7012925.... 543, 547, 721, 723	7020479 ..... 307	7024149 ..... 47	7026650.....274
7012941 .....75, 77		7024151 ..... 47	7026651.....273
7012943.... 543, 547, 721, 723, 1082		7024154 ..... 47	7026652.....273
7012944 .....75, 77, 1082		7024190 ..... 47	7026653.....273
7012953.....599, 601		7024191 ..... 47	7026654.....273
7012955.....599, 601		7024404 ..... 95	
7012967.....599, 601		7024441 ..... 115	
		7024469 ..... 1084	
		7024471 ..... 677	

## SECTION 11 - SPECIAL OPTIONS

7026655 ..... 273	7027782 ..... 269, 271	8305401 ..... 432	8406201 ... 311, 315, 323,
7026656 ..... 273	7027783 ..... 269, 271	8307109 ..... 432	327, 331, 361, 391,
7026658 ..... 274	7027784 ..... 269, 271	8310070 .... 231, 235, 238,	403, 426, 434
7026659 ..... 273	7027790 ..... 307	242, 246, 250, 255, 258	8410001 ..... 433
7026660 ..... 273	7027791 ..... 307	8310129 .... 687, 689, 691	8410009 ..... 434
7026661 ..... 273	7027792 ..... 307	8310548 ..... 432	8410011 ... 349, 355, 361,
7027053 .... 281, 283, 288	7027795 ..... 308, 1082	83304173 ..... 115, 117	367, 373, 399, 411, 433
7027084 ... 311, 315, 319,	7027796 ..... 308	8405006 .... 311, 315, 319,	8410013 ... 311, 315, 319,
323, 327, 331, 391,	7027799 ... 517, 521, 526,	323, 327, 331, 391,	323, 327, 331, 349,
403, 426	530, 533	403, 417, 419, 421,	355, 361, 367, 373,
7027085 ... 311, 315, 319,	7027887 ... 489, 491, 495,	432, 471	391, 399, 403, 411
323, 327, 331, 391,	499	8405007 .... 349, 355, 361,	85031405 ..... 361
403, 426	77143013 . 131, 135, 139,	367, 373, 399, 411	8580420 ..... 65
7027086 ... 311, 315, 319,	143, 147, 151, 155,	8405009 .... 109, 111, 113,	85941018 ..... 426
324, 327, 331, 391,	159, 163, 167, 171	349, 355, 361, 367,	88261024 ..... 595, 597
403, 426	77363233 ..... 941	373, 399, 411, 432	88411013 ..... 857
7027087 ... 311, 316, 319,	80344004 ..... 47	8405102 ..... 432	88521205 . 121, 123, 125,
324, 327, 331, 391, 403	80484084 ..... 923, 927	8405104 .... 349, 355, 361,	127, 129
7027088 ... 311, 316, 319,	80934561 ..... 95	367, 373, 399, 411, 432	88521214 . 649, 651, 653,
324, 327, 331, 392,	80983191 923, 928, 1082,	8405203 ..... 432	655
403, 426	1083	8405204 ..... 361	88662327 . 768, 772, 776,
7027092 .... 281, 283, 287	8220051 ..... 933	8406102 .... 281, 283, 287,	800
7027093 .... 281, 283, 288	8220115 ..... 923	291, 311, 315, 319,	8896941 ..... 1090
7027094 .... 281, 283, 288	8220164 ..... 915	323, 327, 331, 349,	91164057 ..... 79
7027095 .... 281, 284, 288	8229242 ... 923, 928, 955,	355, 367, 373, 391,	91164059 ..... 79
7027236 ..... 307	1082, 1083	399, 403, 411	91164079 ..... 79
7027276 ..... 307	8229249 .. 703, 961, 1083	8406109 .... 349, 355, 361,	91203039 ..... 575, 579
7027404 ..... 444	8270147 ... 281, 283, 288,	367, 373, 399, 411, 433	91401281 ..... 121, 123
7027740 ..... 49	311, 315, 319, 323,	8406110 .... 349, 355, 361,	91403102 . 349, 356, 368,
7027741 ..... 49	327, 331, 391, 403, 426	367, 373, 399, 411	373, 1082, 1083
7027781 ..... 269, 271	8273291 ..... 434		SEE NOTE ..... 731



**Corporate Office  
JLG Industries, Inc.  
1 JLG Drive  
McConnellsburg, PA 17233-9533 USA**  
☎ (717) 485-5161 (Corporate)  
☎ (877) 554-5438 (Customer Support)  
📠 (717) 485-6417

**Visit our website for JLG Worldwide Locations.  
[www.jlg.com](http://www.jlg.com)**



**OSHKOSH™**