



Illustrated Parts Manual

***Model
1500SJ***

**PVC
2307**

**P/N
31222389**

January 8, 2024 - Rev C

ANSI

CE



**UK
CA**

AS/NZS



An Oshkosh Corporation Company

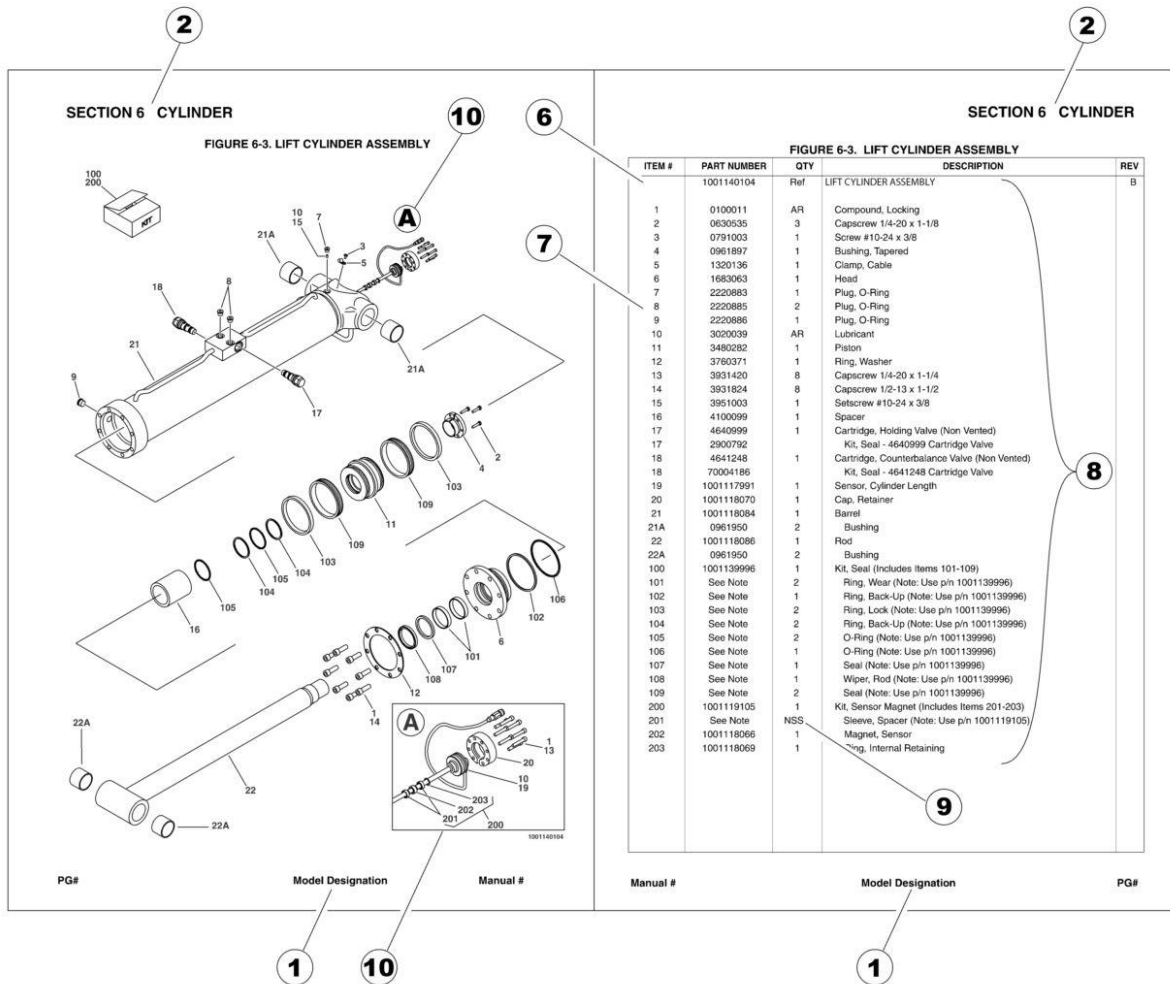
REVISION LOG

July 1, 2023 - A - Original Issue Of Manual (Edited to B/M 1001261500 Revision U)

August 25, 2023 - B - Revised Manual (Edited to B/M 1001261500 Revision U)

January 8, 2024 - C - Revised Manual (Edited to B/M 1001261500 Revision U)

GENERAL INFORMATION



1) MACHINE IDENTIFICATION

Machines are identified by model and in some cases a combination of models, serial number (SN) or regional standard (i.e ANSI, CE, CSA). Components may also be identified by SN or manufacturer. Common components that may be identified by these characteristics are engines and hydraulic components.

2) PARTS MANUAL ORGANIZATION

Product information in this manual is organized under section titles. Frame, Cylinder, Hydraulic and Electrical are a few examples. Each section is organized by figure and page number. The information within the Figure is then organized by item number, part number, description and corresponding illustration (s).

3) TABLE OF CONTENTS (NOT SHOWN)

A table of contents is found toward the beginning of the manual. Figure number, description and page number are provided for quick reference to the page containing the related information.

4) RECOMMENDED SPARE PARTS (NOT SHOWN)

The Recommended Spare Parts List, located near the end of the manual, reference most frequently used maintenance parts.

5) PART NUMBER INDEX (NOT SHOWN)

A numerical index listing all part numbers and the corresponding page number(s) appears at the back of the manual.

GENERAL INFORMATION

6) NON-SERVICED PARTS

In some instances, it is necessary to display non-serviced parts, assemblies or installations. In the case of assemblies and installations there will be a Ref in the Qty. column. In case of parts that are not available for service within assemblies or components, there will be a NSS (Not Sold Separately) or NLA (No Longer Available) listed in the Qty. column of the manual.

7) PARTS LIST ITEM NUMBERS

Numbers shown in the item# column correspond to numbers used in the associated illustration (s). Item numbers which are missing from the sequence in the parts list are not used on that page.

8) INDENTED PARTS DESCRIPTION

An indented part description is included in the item under which it is indented.

9) ABBREVIATION AND SYMBOLS

AC.....	Alternating Current	L.....	Liter
ADE.....	Advanced Design Electronics	LB(LBS).....	Pounds
AG.....	Agricultural	LCD.....	Liquid Crystal Display
ANSI.....	American National Standards Institute	LED.....	Light Emitting Diodes
AR.....	As Required	LH.....	Left Hand
ASSY.....	Assembly	LRC.....	Low Rated Countries
AUS.....	Australia	LSS.....	Load Sensing System
AUX.....	Auxiliary	M(m).....	Metric/Meter
AWG.....	American Wire Gauge	MM(mm).....	Milimeter
B/M.....	Bill of Material	mA.....	Miliamps
CAC.....	Charge Air Cooler	NLA.....	No Longer Available
CE.....	European Conformity	NPT.....	National Pipe Threads
CCW.....	Counter Clockwise	NSS.....	Not Sold Separately
CM.....	Centimeter	OD.....	Outside Diameter
CW.....	Clockwise	ORB.....	O-Ring Boss
CSA.....	Canadian Standards Association	ORFS.....	O-Ring Face Seal
CYL.....	Cylinder	OZ (oz).....	Ounces
DIA.....	Diameter	PG.....	Page
DC.....	Direct Current	PN.....	Part Number
DEF.....	Diesel Exhaust Fluid	QT(qt.).....	Quarts
EMS.....	Emergency Stop	QTY.....	Quantity
ENG.....	Engine	REF.....	Reference
FT(ft).....	Feet	REV.....	Revision Level
GA(Ga).....	Gauge	RH.....	Right Hand
HRC.....	High Rated Countries	SAE.....	Society of Automotive Engineers
HVAC.....	Heating, Ventilating, and Air Conditioning	SN.....	Serial Number
HYD.....	Hydraulic	SPEC(S).....	Specifications
Hz.....	Hertz	T/T.....	Turntable
ID.....	Inside Diameter	UGM.....	Universal Ground Module
IN.....	inches	V.....	Volts
ISO.....	International Organization for Standards	W.....	Watts
JIC.....	Joint Industry Council	#.....	Number
KG.....	Kilogram		

10) ILLUSTRATION REFERENCE LETTERS

When necessary, illustrations may contain reference letters that are intended to track information (i. e. hoses, harnesses) from one point to another or to track visual enlargement of components to show details that may be located in another area on the illustration.

Note: Due to continuous product improvements, JLG Industries, Inc. reserves the right to make specification changes without prior notification. Contact JLG Industries, Inc. for updated information.

TABLE OF CONTENTS

SECTION 1 - FRAME.....	17
FIGURE 1-1. AXLE INSTALLATION - FIXED.....	18
FIGURE 1-2. AXLE INSTALLATION - OSCILLATING.....	22
FIGURE 1-3. STEER INSTALLATION.....	26
FIGURE 1-4. WHEEL DRIVE INSTALLATION - REGGIANA RIDUTTORI	28
FIGURE 1-5. DRIVE HUB AND MOTOR ASSEMBLY - REGGIANA RIDUTTORI.....	30
FIGURE 1-6. DRIVE HUB ASSEMBLY - REGGIANA RIDUTTORI.....	32
FIGURE 1-7. DRIVE MOTOR ASSEMBLY	36
FIGURE 1-8. TIRE AND WHEEL INSTALLATION - FOAM FILLED.....	38
FIGURE 1-9. TIRE AND WHEEL INSTALLATION - SOLID	40
FIGURE 1-10. TIRE AND WHEEL INSTALLATION - SOLID NON MARKING	42
FIGURE 1-11. VALVES AND MODULES INSTALLATION - FRAME MOUNTED.....	44
FIGURE 1-12. STEER VALVE ASSEMBLY	46
FIGURE 1-13. TRACTION VALVE ASSEMBLY	48
FIGURE 1-14. FRAME COVERS INSTALLATION - PLASTIC.....	50
FIGURE 1-15. FRAME COVERS INSTALLATION - STEEL	52
SECTION 2 - TURNTABLE.....	55
FIGURE 2-1. VALVE, MODULE AND FILTER INSTALLATION - TURNTABLE MOUNTED	56
FIGURE 2-2. BATTERY, HORN AND AUXILIARY PUMP INSTALLATION.....	58
FIGURE 2-3. MAIN VALVE ASSEMBLY	60
FIGURE 2-4. AUXILIARY PUMP ASSEMBLY.....	64
FIGURE 2-5. SWING DRIVE INSTALLATION	66
FIGURE 2-6. TURNTABLE BEARING AND LUBE INSTALLATION	68
FIGURE 2-7. TURNTABLE LOCK INSTALLATION.....	70
FIGURE 2-8. SWING MOTOR/HUB ASSEMBLY.....	72
FIGURE 2-9. ROTARY COUPLING AND COLLECTOR RING INSTALLATION.....	76
FIGURE 2-10. ROTARY COUPLING AND COLLECTOR RING ASSEMBLY	78
FIGURE 2-11. TANK INSTALLATION - WITH 31 GAL/117.31 L FUEL TANK.....	80
FIGURE 2-12. TANK INSTALLATION - WITH 58.2 GAL/200 L FUEL TANK.....	82
FIGURE 2-13. HYDRAULIC OIL TANK ASSEMBLY.....	84
FIGURE 2-14. HYDRAULIC OIL COOLER INSTALLATION - DEUTZ TD2011 ENGINES WITH REXROTH PUMPS (OPTIONAL)	86
FIGURE 2-15. HYDRAULIC OIL COOLER INSTALLATION - DEUTZ TD2011 ENGINES WITH SAUER PUMPS (OPTIONAL)..	88
FIGURE 2-16. HYDRAULIC OIL COOLER INSTALLATION - DEUTZ TCD2.9L4 ENGINES AND DEUTZ TCD2.9L4 (STAGE V) ENGINES WITH REXROTH PUMPS (OPTIONAL).....	90
FIGURE 2-17. HYDRAULIC OIL COOLER INSTALLATION - DEUTZ TCD2.9L4 ENGINES WITH REXROTH PUMPS (OPTIONAL) (CHINA SPEC ONLY)	92
FIGURE 2-18. HYDRAULIC OIL COOLER INSTALLATION - DEUTZ TCD2.9L4 ENGINES AND DEUTZ TCD2.9L4 (STAGE V) (CHINA IV) ENGINES WITH SAUER PUMPS (OPTIONAL).....	94
FIGURE 2-19. HYDRAULIC OIL COOLER INSTALLATION - DEUTZ TCD2.9L4 ENGINES WITH SAUER PUMPS (OPTIONAL) (CHINA SPEC ONLY).....	96
FIGURE 2-20. GROUND CONTROL BOX INSTALLATION - TD2011 ENGINES WITH REXROTH PUMPS (ANSI EXPORT (LRC) AND AUSTRALIAN SPECS)	98
FIGURE 2-21. GROUND CONTROL BOX INSTALLATION - TD2011 ENGINES WITH REXROTH PUMPS (CE & UK CA (LRC) SPECS)	100

TABLE OF CONTENTS

FIGURE 2-22. GROUND CONTROL BOX INSTALLATION - TD2011 ENGINES WITH SAUER PUMPS (ANSI EXPORT (LRC) AND AUSTRALIAN SPECS).....	102
FIGURE 2-23. GROUND CONTROL BOX INSTALLATION - TD2011 ENGINES WITH SAUER PUMPS (CE & UK CA (LRC) SPECS).....	104
FIGURE 2-24. GROUND CONTROL BOX INSTALLATION - TCD2.9L4 ENGINES WITH REXROTH PUMPS (ANSI, ANSI EXPORT (HRC), CHINA, CSA AND JAPANESE SPECS)	106
FIGURE 2-25. GROUND CONTROL BOX INSTALLATION - DEUTZ TCD2.9L4 (STAGE V) ENGINES (CE & UK CA SPECS)	108
FIGURE 2-26. GROUND CONTROL BOX INSTALLATION - DEUTZ TCD2.9L4 ENGINE (CHINA IV)	110
FIGURE 2-27. GROUND CONTROL BOX ASSEMBLY - DEUTZ TD2011 ENGINES AND DEUTZ TCD2.9L4 ENGINES (ALL SPECS EXCEPT CE & UK CA SPECS)	112
FIGURE 2-28. GROUND CONTROL BOX ASSEMBLY - DEUTZ TD2011 ENGINES (CE & UK CA SPECS).....	116
FIGURE 2-29. GROUND CONTROL BOX ASSEMBLY - DEUTZ TCD2.9L4 (STAGE V) ENGINES (CE & UK CA SPECS)	120
FIGURE 2-30. GROUND CONTROL BOX ASSEMBLY - DEUTZ TCD2.9L4 ENGINES (CHINA IV)	124
FIGURE 2-31. KEYSWITCH INSTALLATION.....	128
FIGURE 2-32. LIGHT PANEL INSTALLATION.....	130
FIGURE 2-33. ALARMS INSTALLATION	132
FIGURE 2-34. BACKUP ALARM (WHITE NOISE) INSTALLATION	134
FIGURE 2-35. BACKUP ALARM AMBIENT (WHITE NOISE) INSTALLATION	136
FIGURE 2-36. STROBE LIGHT INSTALLATION (AMBER).....	138
FIGURE 2-37. STROBE LIGHT INSTALLATION (BLUE)	140
FIGURE 2-38. STROBE LIGHT INSTALLATION (RED).....	142
FIGURE 2-39. PINION SHIELD INSTALLATION.....	144
FIGURE 2-40. ENGINE TRAY JACK INSTALLATION - DEUTZ TD2011 ENGINES.....	146
FIGURE 2-41. ENGINE TRAY JACK INSTALLATION - DEUTZ TCD2.9L4 ENGINES AND DEUTZ TCD2.9L4 (STAGE V) ENGINES	148
FIGURE 2-42. HOOD INSTALLATION - DEUTZ TD2011 ENGINES.....	150
FIGURE 2-43. HOOD INSTALLATION - DEUTZ TCD2.9L4 ENGINES	154
FIGURE 2-44. HOOD INSTALLATION - DEUTZ TCD2.9L4 (STAGE V / CHINA IV) ENGINES.....	158
SECTION 3 - ENGINE.....	163
FIGURE 3-1. DEUTZ TD2011 ENGINE INSTALLATION - WITH REXROTH PUMPS (WITHOUT SKYPOWER AND WITHOUT COLD WEATHER PLUS PACKAGE).....	164
FIGURE 3-2. DEUTZ TD2011 ENGINE ASSEMBLY - WITH REXROTH PUMPS (WITHOUT SKYPOWER AND WITHOUT COLD WEATHER PLUS PACKAGE)	168
FIGURE 3-3. DEUTZ TD2011 ENGINE INSTALLATION - WITH REXROTH PUMPS (WITH SKYPOWER AND WITHOUT COLD WEATHER PLUS PACKAGE)	172
FIGURE 3-4. DEUTZ TD2011 ENGINE ASSEMBLY - WITH REXROTH PUMPS (WITH SKYPOWER AND WITHOUT COLD WEATHER PLUS PACKAGE)	176
FIGURE 3-5. DEUTZ TD2011 ENGINE INSTALLATION - WITH REXROTH PUMPS (WITH SKYPOWER AND WITH COLD WEATHER PLUS PACKAGE)	180
FIGURE 3-6. DEUTZ TD2011 ENGINE ASSEMBLY - WITH REXROTH PUMPS (WITH SKYPOWER AND WITH COLD WEATHER PLUS PACKAGE)	184
FIGURE 3-7. DEUTZ TD2011 ENGINE INSTALLATION - WITH SAUER PUMPS (WITHOUT SKYPOWER AND WITHOUT COLD WEATHER PLUS PACKAGE).....	188
FIGURE 3-8. DEUTZ TD2011 ENGINE ASSEMBLY - WITH SAUER PUMPS (WITHOUT SKYPOWER AND WITHOUT COLD WEATHER PLUS PACKAGE)	192
FIGURE 3-9. DEUTZ TD2011 ENGINE INSTALLATION - WITH SAUER PUMPS (WITH SKYPOWER AND WITHOUT COLD WEATHER PLUS PACKAGE)	196
FIGURE 3-10. DEUTZ TD2011 ENGINE ASSEMBLY - WITH SAUER PUMPS (WITH SKYPOWER AND WITHOUT COLD WEATHER PLUS PACKAGE)	200

TABLE OF CONTENTS

FIGURE 3-11. DEUTZ TD2011 ENGINE INSTALLATION - WITH SAUER PUMPS (WITH SKYPOWER AND WITH COLD WEATHER PLUS PACKAGE).....	204
FIGURE 3-12. DEUTZ TD2011 ENGINE ASSEMBLY - WITH SAUER PUMPS (WITH SKYPOWER AND WITH COLD WEATHER PLUS PACKAGE).....	208
FIGURE 3-13. DEUTZ TD2011 ENGINE COMPONENTS.....	212
FIGURE 3-14. DEUTZ TCD2.9L4 EMR4 ENGINE INSTALLATION - WITH REXROTH PUMPS (WITHOUT COLD WEATHER PLUS PACKAGE).....	216
FIGURE 3-15. DEUTZ TCD2.9L4 EMR4 ENGINE SUB-ASSEMBLY - WITH REXROTH PUMPS (WITHOUT COLD WEATHER PLUS PACKAGE).....	220
FIGURE 3-16. DEUTZ TCD2.9L4 EMR4 ENGINE INSTALLATION - WITH REXROTH PUMPS (WITHOUT COLD WEATHER PLUS PACKAGE) (CHINA SPEC ONLY).....	222
FIGURE 3-17. DEUTZ TCD2.9L4 EMR4 ENGINE SUB-ASSEMBLY - WITH REXROTH PUMPS (WITHOUT COLD WEATHER PLUS PACKAGE) (CHINA SPEC ONLY).....	226
FIGURE 3-18. DEUTZ TCD2.9L4 EMR4 ENGINE INSTALLATION - WITH REXROTH PUMPS (WITH COLD WEATHER PLUS PACKAGE).....	228
FIGURE 3-19. DEUTZ TCD2.9L4 EMR4 ENGINE SUB-ASSEMBLY - WITH REXROTH PUMPS (WITH COLD WEATHER PLUS PACKAGE).....	232
FIGURE 3-20. DEUTZ TCD2.9L4 EMR4 ENGINE INSTALLATION - WITH SAUER PUMPS (WITHOUT COLD WEATHER PLUS PACKAGE).....	234
FIGURE 3-21. DEUTZ TCD2.9L4 EMR4 ENGINE SUB-ASSEMBLY - WITH SAUER PUMPS (WITHOUT COLD WEATHER PLUS PACKAGE).....	238
FIGURE 3-22. DEUTZ TCD2.9L4 EMR4 ENGINE INSTALLATION - WITH SAUER PUMPS (WITHOUT COLD WEATHER PLUS PACKAGE) (CHINA SPEC ONLY).....	240
FIGURE 3-23. DEUTZ TCD2.9L4 EMR4 ENGINE SUB-ASSEMBLY - WITH SAUER PUMPS (WITHOUT COLD WEATHER PLUS PACKAGE) (CHINA SPEC ONLY).....	244
FIGURE 3-24. DEUTZ TCD2.9L4 EMR4 ENGINE INSTALLATION - WITH SAUER PUMPS (WITH COLD WEATHER PLUS PACKAGE).....	246
FIGURE 3-25. DEUTZ TCD2.9L4 EMR4 ENGINE SUB-ASSEMBLY - WITH SAUER PUMPS (WITH COLD WEATHER PLUS PACKAGE).....	250
FIGURE 3-26. DEUTZ D2.9L4 EMR4 ENGINE INSTALLATION WITH PMP PUMP AND STEEL HOODS (WITHOUT COLD WEATHER PLUS PACKAGE).....	252
FIGURE 3-27. DEUTZ D2.9L4 EMR4 ENGINE SUB-ASSEMBLY WITH PMP PUMP AND ABS HOODS (WITHOUT COLD WEATHER PLUS PACKAGE).....	256
FIGURE 3-28. DEUTZ D2.9L4 EMR4 ENGINE SUB ASSEMBLY WITH PMP PUMPS AND STEEL HOODS (WITH COLD WEATHER PLUS PACKAGE).....	258
FIGURE 3-29. DEUTZ TCD2.9L4 EMR4 ENGINE ASSEMBLY - WITHOUT COLD WEATHER PLUS PACKAGE.....	260
FIGURE 3-30. DEUTZ TCD2.9L4 EMR4 ENGINE ASSEMBLY - WITHOUT COLD WEATHER PLUS PACKAGE.....	262
FIGURE 3-31. DEUTZ TCD2.9L4 EMR4 ENGINE ASSEMBLY - WITHOUT COLD WEATHER PLUS PACKAGE (CHINA SPEC ONLY).....	266
FIGURE 3-32. DEUTZ TCD2.9L4 EMR4 ENGINE ASSEMBLY - WITHOUT COLD WEATHER PLUS PACKAGE (CHINA SPEC ONLY) (PVC 2007).....	268
FIGURE 3-33. DEUTZ TCD2.9L4 EMR4 ENGINE ASSEMBLY - WITH COLD WEATHER PLUS PACKAGE.....	274
FIGURE 3-34. DEUTZ TCD2.9L4 EMR4 ENGINE ASSEMBLY - WITH COLD WEATHER PLUS PACKAGE.....	276
FIGURE 3-35. DEUTZ TCD2.9L4 (EMR4) ENGINE COMPONENTS.....	280
FIGURE 3-36. DEUTZ D2.9L4 EMR5 ENGINE INSTALLATION WITH PMP PUMP AND STEEL HOODS (WITH COLD WEATHER PLUS PACKAGE).....	284
FIGURE 3-37. DEUTZ D2.9L4 EMR5 ENGINE INSTALLATION WITH PMP PUMP AND STEEL HOODS (WITHOUT COLD WEATHER PLUS PACKAGE).....	288
FIGURE 3-38. DEUTZ D2.9L4 EMR5 ENGINE INSTALLATION WITH REXROTH PUMPS AND STEEL HOODS (WITHOUT COLD WEATHER PLUS PACKAGE).....	292
FIGURE 3-39. DEUTZ D2.9L4 EMR5 ENGINE INSTALLATION WITH SAUER PUMPS AND STEEL HOODS (WITH COLD WEATHER PLUS PACKAGE).....	296

TABLE OF CONTENTS

FIGURE 3-40. DEUTZ D2.9L4 EMR5 ENGINE INSTALLATION WITH SAUER PUMPS AND STEEL HOODS (WITHOUT COLD WEATHER PLUS PACKAGE)	300
FIGURE 3-41. DEUTZ D2.9L4 EMR5 ENGINE SUB-ASSEMBLY WITH PMP PUMPS (WITH COLD WEATHER PLUS PACKAGE).....	304
FIGURE 3-42. DEUTZ D2.9L4 EMR5 ENGINE SUB-ASSEMBLY WITH PMP PUMPS (WITHOUT COLD WEATHER PLUS PACKAGE).....	306
FIGURE 3-43. DEUTZ D2.9L4 EMR5 ENGINE SUB-ASSEMBLY WITH REXROTH PUMPS (WITH COLD WEATHER PLUS PACKAGE).....	308
FIGURE 3-44. DEUTZ D2.9L4 EMR5 ENGINE SUB-ASSEMBLY WITH REXROTH PUMPS (WITHOUT COLD WEATHER PLUS PACKAGE).....	310
FIGURE 3-45. DEUTZ D2.9L4 EMR5 ENGINE SUB-ASSEMBLY WITH SAUER PUMPS (WITH COLD WEATHER PLUS PACKAGE).....	312
FIGURE 3-46. DEUTZ D2.9L4 EMR5 ENGINE SUB-ASSEMBLY WITH SAUER PUMPS (WITHOUT COLD WEATHER PLUS PACKAGE).....	314
FIGURE 3-47. DEUTZ D2.9L4 EMR ENGINE ASSEMBLY (WITH COLD WEATHER PLUS PACKAGE)	316
FIGURE 3-48. DEUTZ D2.9L4 EMR ENGINE ASSEMBLY (WITH COLD WEATHER PLUS PACKAGE)	318
FIGURE 3-49. DEUTZ D2.9L4 EMR ENGINE ASSEMBLY (WITHOUT COLD WEATHER PLUS PACKAGE).....	322
FIGURE 3-50. DEUTZ D2.9L4 EMR ENGINE ASSEMBLY (WITHOUT COLD WEATHER PLUS PACKAGE).....	324
FIGURE 3-51. DEUTZ TCD2.9L4 (EMR5) ENGINE COMPONENTS.....	328
FIGURE 3-52. DEUTZ TCD2.9L4 ENGINE COMPONENTS (CHINA SPEC ONLY)	332
FIGURE 3-53. DEUTZ TCD2.9L4 (CHINA IV) ENGINE INSTALLATON	336
FIGURE 3-54. DEUTZ TCD2.9L4 (CHINA IV) ENGINE INSTALLATION WITH PMP PUMPS.....	340
FIGURE 3-55. DEUTZ TCD2.9L4 (CHINA IV) ENGINE AND PUMP SUB - ASSEMBLY	344
FIGURE 3-56. DEUTZ TCD2.9L4 (CHINA IV) ENGINE AND PUMP SUB-ASSEMBLY (WITH PMP PUMPS)	346
FIGURE 3-57. DEUTZ TCD2.9L4 (CHINA IV) ENGINE ASSEMBLY.....	348
FIGURE 3-58. DEUTZ TCD2.9L4 (CHINA IV) ENGINE ASSEMBLY.....	350
FIGURE 3-59. DEUTZ TCD2.9L4 (CHINA IV) ENGINE COMPONENTS	354
FIGURE 3-60. DEUTZ TCD2.9L4 (STAGE V) DIESEL ENGINE INSTALLATION - WITH SAUER PUMPS (WITHOUT COLD WEATHER PLUS PACKAGE)	358
FIGURE 3-61. DEUTZ TCD2.9L4 (STAGE V) DIESEL ENGINE INSTALLATION - WITH REXROTH PUMPS (WITHOUT COLD WEATHER PLUS PACKAGE)	362
FIGURE 3-62. DEUTZ TCD2.9L4 (STAGE V) ENGINE INSTALLATION WITH PMP PUMPS.....	366
FIGURE 3-63. DEUTZ TCD2.9L4 (STAGE V) ENGINE SUB-ASSEMBLY - WITH SAUER PUMP (WITHOUT COLD WEATHER PLUS PACKAGE)	370
FIGURE 3-64. DEUTZ D2.9L4 (STAGE V) ENGINE SUB ASSEMBLY WITH PMP PUMPS AND ABS HOODS (WITHOUT COLD WEATHER PLUS PACKAGE)	372
FIGURE 3-65. DEUTZ TCD2.9L4 (STAGE V) ENGINE SUB-ASSEMBLY - WITH REXROTH PUMP AND ABS HOODS (WITHOUT COLD WEATHER PLUS PACKAGE).....	374
FIGURE 3-66. DEUTZ TCD2.9L4 (STAGE V) ENGINE ASSEMBLY (WITHOUT COLD WEATHER PLUS PACKAGE)	376
FIGURE 3-67. DEUTZ TCD2.9L4 (STAGE V) ENGINE ASSEMBLY (WITHOUT COLD WEATHER PLUS PACKAGE)	382
FIGURE 3-68. DEUTZ TCD2.9L4 (STAGE V) ENGINE ASSEMBLY (WITHOUT COLD WEATHER PLUS PACKAGE)	386
FIGURE 3-69. DEUTZ TCD2.9L4 (STAGE V) ENGINE COMPONENTS	388
FIGURE 3-70. PUMP ASSEMBLY (REXROTH) (DEUTZ TD2011 ENGINES).....	392
FIGURE 3-71. PUMP ASSEMBLY (REXROTH) (DEUTZ TCD2.9L4 ENGINES).....	398
FIGURE 3-72. PUMP ASSEMBLY (SAUER TANDEM)	404
FIGURE 3-73. PUMP ASSEMBLY (SAUER PISTON).....	408
FIGURE 3-74. PUMP ASSEMBLY (SAUER GEAR)	412
FIGURE 3-75. PUMP ASSEMBLY (PMP TANDEM).....	414
FIGURE 3-76. PUMP ASSEMBLY (PMP PISTON).....	416

TABLE OF CONTENTS

FIGURE 3-77. PUMP COUPLING KIT	418
FIGURE 3-78. BREATHER HEATER INSTALLATION - DEUTZ TCD2.9L4 ENGINES, DEUTZ TCD2.9L4 (STAGE V PRE-BUY) ENGINES AND DEUTZ TCD2.9L4 (STAGE V) ENGINES WITH ARCTIC PACKAGE	420
FIGURE 3-79. FUEL-WATER SEPARATOR INSTALLATION - DEUTZ TD2011 (OPTIONAL)	422
FIGURE 3-80. FUEL PUMP/FILTER BRACKET ASSEMBLY (DEUTZ TCD2.9L4 ENGINE AND DEUTZ TCD2.9L4 (STAGE V PRE-BUY) ENGINE).....	424
FIGURE 3-81. FUEL PUMP/FILTER BRACKET ASSEMBLY - DEUTZ TCD2.9L4 ENGINE	426
FIGURE 3-82. FUEL FILTER/WATER SEPARATOR INSTALLATION - DEUTZ TCD2.9L4 ENGINE	428
FIGURE 3-83. QUICKFIT OIL VALVE ASSEMBLY.....	430
FIGURE 3-84. 4000W GENERATOR INSTALLATION - 60HZ SPECS (DEUTZ TD2011 ENGINES).....	432
FIGURE 3-85. 4000W GENERATOR INSTALLATION - 50HZ SPECS (DEUTZ TD2011 ENGINES).....	436
FIGURE 3-86. 4000W GENERATOR INSTALLATION - 60HZ SPEC (DEUTZ TCD2.9L4 ENGINES)	440
FIGURE 3-87. 4000W GENERATOR INSTALLATION - 50HZ SPEC (DEUTZ TCD2.9L4 ENGINES AND DEUTZ TCD2.9L4 (STAGE V) ENGINES)	444
FIGURE 3-88. 7500W SKYPOWER GENERATOR INSTALLATION - 60HZ SPEC (DEUTZ TD2011 ENGINES) (OPTIONAL).	448
FIGURE 3-89. 7500W SKYPOWER GENERATOR INSTALLATION - 50HZ SPEC (DEUTZ TD2011 ENGINES) (OPTIONAL).	452
FIGURE 3-90. 7500W SKYPOWER GENERATOR INSTALLATION - 60HZ SPEC (DEUTZ TCD2.9L4 ENGINES) (OPTIONAL)	456
FIGURE 3-91. 7500W SKYPOWER GENERATOR INSTALLATION - 50HZ SPEC (DEUTZ TCD2.9L4 ENGINES AND DEUTZ TCD2.9L4 (STAGE V ENGINES) (OPTIONAL).....	460
SECTION 4 - BOOM	463
FIGURE 4-1. BOOM INSTALLATION - WITHOUT COLD WEATHER PLUS PACKAGE	464
FIGURE 4-2. BOOM INSTALLATION - WITH COLD WEATHER PLUS PACKAGE	466
FIGURE 4-3. BOOM ASSEMBLY - WITHOUT COLD WEATHER PLUS PACKAGE.....	468
FIGURE 4-4. BOOM ASSEMBLY - WITH COLD WEATHER PLUS PACKAGE	474
FIGURE 4-5. WIRE ROPE TOOLS INSTALLATION (OPTIONAL)	480
FIGURE 4-6. JIB INSTALLATION	482
FIGURE 4-7. JIB BOOM ASSEMBLY.....	484
FIGURE 4-8. PLATFORM ROTATE ACTUATOR ASSEMBLY	486
FIGURE 4-9. JIB ROTATE ACTUATOR ASSEMBLY	488
FIGURE 4-10. POWER TRACK INSTALLATION.....	490
FIGURE 4-11. BOOM SENSORS AND SWITCHES INSTALLATION.....	494
FIGURE 4-12. VALVES INSTALLATION - BOOM MOUNTED	498
FIGURE 4-13. PLATFORM VALVE ASSEMBLY.....	500
FIGURE 4-14. JIB VALVE ASSEMBLY	502
FIGURE 4-15. ENCLOSURE BOX ASSEMBLY.....	506
FIGURE 4-16. PLATFORM SUPPORT INSTALLATION.....	508
SECTION 5 - PLATFORM.....	511
FIGURE 5-1. PLATFORM ASSEMBLY - 30IN X 3FT (76CM X .91M) - DROP BAR ENTRY.....	512
FIGURE 5-2. PLATFORM ASSEMBLY - 30IN X 4FT (76CM X 1.22M) - SIDE GATE ENTRY	514
FIGURE 5-3. PLATFORM ASSEMBLY - 36IN X 6FT (91.5CM X 1.83M) WITH SWING GATE.....	516
FIGURE 5-4. PLATFORM ASSEMBLY - 36IN X 6FT (91.5CM X 1.83M) TRI-ENTRY WITH SWING GATE.....	518
FIGURE 5-5. PLATFORM ASSEMBLY - 36IN X 8FT (91.5CM X 2.44M) WITH SWING GATE.....	520
FIGURE 5-6. PLATFORM ASSEMBLY - 36IN X 8FT (91.5CM X 2.44M) WITH TRI-ENTRY (1 GATE/2 DROP BARS)	522
FIGURE 5-7. PLATFORM ASSEMBLY - 30IN X 4FT (76CM X 1.22M) WITH DROP BAR.....	524
FIGURE 5-8. PLATFORM ASSEMBLY - 36IN X 6FT (91.5CM X 1.83M) WITH DROP BAR.....	526

TABLE OF CONTENTS

FIGURE 5-9. PLATFORM ASSEMBLY - 36IN X 6FT (91.5CM X 1.83M) TRI-ENTRY WITH DROPBAR	528
FIGURE 5-10. PLATFORM ASSEMBLY - 36IN X 8FT (91.5CM X 2.44M) WITH DROP BAR	530
FIGURE 5-11. PLATFORM ASSEMBLY - 36IN X 8FT (91.5CM X 2.44M) WITH TRI-ENTRY (3 DROP BARS).....	532
FIGURE 5-12. PLATFORM ASSEMBLY - 36IN X 8FT (91.5CM X 2.44M) WITH FALL ARREST (ANSI SPECS)	534
FIGURE 5-13. PLATFORM ASSEMBLY - 36IN X 8FT (91.5CM X 2.44M) WITH FALL ARREST (AUSTRALIAN SPECS)	536
FIGURE 5-14. PLATFORM CONSOLE BOX INSTALLATION.....	538
FIGURE 5-15. PLATFORM CONSOLE ASSEMBLY	540
FIGURE 5-16. FALL ARREST INSTALLATION (BOLT - ON EXTERNAL) 4FFT/1.22M PLATFORM).....	544
FIGURE 5-17. FALL ARREST INSTALLTION (BOLT-ON EXTERNAL) (6FT/1.82M PLATFORM)	546
FIGURE 5-18. FALL ARREST INSTALLTION (BOLT-ON EXTERNAL) (6FT/1.82M TRI-ENTRY PLATFORM)	548
FIGURE 5-19. FALL ARREST INSTALLTION (BOLT-ON EXTERNAL) (8FT/2.4M PLATFORM)	550
FIGURE 5-20. FOOTSWITCH ASSEMBLY	552
FIGURE 5-21. LCD DISPLAY INSTALLATION.....	554
FIGURE 5-22. LIGHT PANEL INSTALLATION - PLATFORM CONSOLE.....	556
FIGURE 5-23. PLASMA CUTTER ASSEMBLY	558
FIGURE 5-24. SKYCUTTER INSTALLATION	560
FIGURE 5-25. SKYEYE INSTALLATION.....	562
FIGURE 5-26. SKYGLAZIER INSTALLATIONS (ANSI, AUSTRALIAN AND CSA SPECS)	564
FIGURE 5-27. SKYGUARD BAR INSTALLATION.....	566
FIGURE 5-28. SKYLINE INSTALLATION	568
FIGURE 5-29. SKYWELDER INSTALLATION (50HZ).....	570
FIGURE 5-30. SKYWELDER INSTALLATION (60HZ).....	572
FIGURE 5-31. SKYWELDER PREP PACKAGE (60HZ).....	574
FIGURE 5-32. SKYWELDER/SKYCUTTER COMBO INSTALLATION (60HZ)	576
FIGURE 5-33. SKYWELDER/SKYCUTTER COMBO INSTALLATION (60HZ)	578
FIGURE 5-34. USB CHARGER INSTALLATION.....	582
FIGURE 5-35. WELDER ASSEMBLY	584
SECTION 6 - CYLINDER.....	587
FIGURE 6-1. AXLE EXTENSION CYLINDER ASSEMBLY	588
FIGURE 6-2. AXLE LOCKOUT CYLINDER ASSEMBLY.....	590
FIGURE 6-3. LEVEL (JIB) CYLINDER ASSEMBLY - WITH OR WITHOUT COLD WEATHER PLUS PACKAGE	592
FIGURE 6-4. LEVEL (PLATFORM) CYLINDER ASSEMBLY	594
FIGURE 6-5. LIFT (BOOM) CYLINDER ASSEMBLY.....	596
FIGURE 6-6. LIFT (JIB) CYLINDER ASSEMBLY	598
FIGURE 6-7. LOCK (JIB) CYLINDER ASSEMBLY	600
FIGURE 6-8. STEER CYLINDER ASSEMBLY	602
FIGURE 6-9. TELESCOPE (JIB) CYLINDER ASSEMBLY	604
FIGURE 6-10. TELESCOPE (MAIN BOOM) CYLINDER ASSEMBLY.....	606
SECTION 7 - HYDRAULIC	609
FIGURE 7-1. HYDRAULIC DIAGRAM - BOOM.....	610
FIGURE 7-2. HYDRAULIC DIAGRAM - DRIVE	614
FIGURE 7-3. HYDRAULIC DIAGRAM - OSCILLATING AXLE	618
FIGURE 7-4. HYDRAULIC DIAGRAM - STEER	620
FIGURE 7-5. HYDRAULIC DIAGRAM - TURNTABLE (DEUTZ TD2011 ENGINE MACHINES WITH REXROTH PUMPS).....	622

TABLE OF CONTENTS

FIGURE 7-6. HYDRAULIC DIAGRAM - TURNTABLE (DEUTZ TCD2.9L4 ENGINE MACHINES WITH REXROTH PUMPS)....	624
FIGURE 7-7. HYDRAULIC DIAGRAM - TURNTABLE (DEUTZ TD2011 AND DEUTZ TCD2.9L4 ENGINE MACHINES WITH SAUER PUMPS)	626
FIGURE 7-8. HYDRAULIC DIAGRAM - TURNTABLE (WITH PMP PUMPS) (SN 0300311785 to Present).....	628
SECTION 8 - ELECTRICAL	631
FIGURE 8-1. AC BOX AT PLATFORM - 110V (ANSI SPECS)	632
FIGURE 8-2. AC BOX AT PLATFORM - 110V GFI RECEPTACLE (ANSI SPECS)	634
FIGURE 8-3. AC BOX AT PLATFORM - 220V GFI RECEPTACLE (ANSI SPECS)	636
FIGURE 8-4. AC BOX AT PLATFORM INSTALLATION - BOX WITH COVER (2X4 BOX) WITH 4000W GENERATOR (ANSI EXPORT, AUSTRALIAN, CHINA AND JAPANESE SPECS).....	638
FIGURE 8-5. AC BOX AT PLATFORM INSTALLATION - 110V IEC 60309 YELLOW WITHOUT 2500W GENERATOR (CE & UK CA SPECS)	640
FIGURE 8-6. AC BOX AT PLATFORM INSTALLATION - 110V IEC 60309 YELLOW WITH 4000W GENERATOR (CE & UK CA SPECS)	642
FIGURE 8-7. AC BOX AT PLATFORM INSTALLATION - 220V IEC 60309 BLUE WITHOUT 2500W GENERATOR (CE & UK CA SPECS)	644
FIGURE 8-8. AC BOX AT PLATFORM INSTALLATION - 220V IEC 60309 BLUE WITH 4000W GENERATOR (CE & UK CA SPECS)	646
FIGURE 8-9. AC BOX AT PLATFORM INSTALLATION - 220V CEE7 POST GROUND (2X4 BOX) WITHOUT 2500W GENERATOR (CE & UK CA SPECS)	648
FIGURE 8-10. AC BOX AT PLATFORM INSTALLATION - 220V CEE7 POST GROUND (2X4 BOX) WITH 4000W GENERATOR (CE & UK CA SPECS).....	650
FIGURE 8-11. AC BOX AT PLATFORM INSTALLATION - 220V CEE7 SIDE GROUND (2X4 BOX) WITHOUT 2500W GENERATOR (CE & UK CA SPECS)	652
FIGURE 8-12. AC BOX AT PLATFORM INSTALLATION - 220V CEE7 SIDE GROUND (2X4 BOX) WITH 4000W GENERATOR (CE & UK CA SPECS).....	654
FIGURE 8-13. AC BOX AT PLATFORM INSTALLATION - 220V AFSINT 107 KEYED GROUND (2X4 BOX) WITHOUT 2500W GENERATOR (CE & UK CA SPECS)	656
FIGURE 8-14. AC BOX AT PLATFORM INSTALLATION - 220V AFSINT 107 KEYED GROUND (2X4 BOX) WITH 4000W GENERATOR (CE & UK CA SPECS)	658
FIGURE 8-15. AC BOX AT PLATFORM INSTALLATION - 240V (WITH 7500W SKYPOWER GENERATOR) (ALL SPECS EXCEPT AUSTRALIAN, CHINA, CE & UK CA SPECS)	660
FIGURE 8-16. AC BOX AT PLATFORM INSTALLATION - 240V (WITH 4000W GENERATOR) (ALL SPECS EXCEPT AUSTRALIAN, CHINA, CE & UK CA SPECS)	662
FIGURE 8-17. AC 16 AMP BREAKER BOX INSTALLATION (CE & UK CA SPECS).....	664
FIGURE 8-18. BATTERY DISCONNECT INSTALLATION	666
FIGURE 8-19. BEACON LIGHT HARNESS	668
FIGURE 8-20. B.L.A.M. HARNESS	670
FIGURE 8-21. B.L.A.M. TO BOOM LENGTH SENSOR HARNESS.....	672
FIGURE 8-22. B.L.A.M. TO BOOM ANGLE SENSOR HARNESS (LEFT SIDE).....	674
FIGURE 8-23. B.L.A.M. TO BOOM ANGLE SENSOR HARNESS (RIGHT SIDE)	676
FIGURE 8-24. BOOM CABLES INSTALLATION (ANSI, CSA AND JAPANESE SPECS)	678
FIGURE 8-25. BOOM CABLES INSTALLATION - WITH 4000W 60HZ GENERATOR (ALL SPECS EXCEPT AUSTRALIAN, CE & UK CA SPECS)	680
FIGURE 8-26. BOOM CABLES INSTALLATION - WITH 4000W 50HZ GENERATOR (ANSI EXPORT, AUSTRALIAN, CHINA, CE & UK CA SPECS).....	682
FIGURE 8-27. BOOM CABLES INSTALLATION - WITH 7500W GENERATOR	684
FIGURE 8-28. BOOM CYLINDER ANGLE HARNESS.....	686
FIGURE 8-29. BREAKER BOX KIT - 16 AMP.....	688
FIGURE 8-30. BREAKER BOX KIT - 16 AMP (4000W GENERATOR).....	690

TABLE OF CONTENTS

FIGURE 8-31. BREAKER BOX KIT - 16 AMP/30MA	692
FIGURE 8-32. CLEARSKY INSTALLATION - 3G CANBUS CONNECTION (ANSI EXPORT, CE & UK CA SPECS)	694
FIGURE 8-33. CLEARSKY INSTALLATION - 3G CANBUS CONNECTION (AUSTRALIAN SPECS)	696
FIGURE 8-34. CLEARSKY INSTALLATION - 4G CANBUS CONNECTION (ALL SPECS EXCEPT CHINA SPECS)	698
FIGURE 8-35. CLEARSKY INSTALLATION - 4G CANBUS CONNECTION (CHINA SPECS).....	700
FIGURE 8-36. CLEARSKY INSTALLATION 3-WIRE CONNECTION (ALL SPECS EXCEPT CHINA SPECS)	702
FIGURE 8-37. CLEARSKY HARNESS - 3G & 4G CANBUS CONNECTIONS.....	704
FIGURE 8-38. CLEARSKY HARNESS - 3 WIRE GT1030.....	706
FIGURE 8-39. CLEARSKY CONTROL MODULE ASSEMBLY (SN 0300302628 to Present)	708
FIGURE 8-40. CHASSIS HARNESS.....	710
FIGURE 8-41. DIAGNOSTIC HARNESS.....	712
FIGURE 8-42. ENGINE HARNESS - DEUTZ TD2011 ENGINES.....	714
FIGURE 8-43. ENGINE HARNESS - DEUTZ TCD2.9L4 ENGINES	716
FIGURE 8-44. ENGINE HARNESS - DEUTZ TCD2.9L4 (CHINA IV) ENGINES	720
FIGURE 8-45. ENGINE HARNESS - DEUTZ TCD2.9L4 & DEUTZ TCD2.9L4 (STAGE V) ENGINES.....	724
FIGURE 8-46. FUEL FILTER HARNESS - DEUTZ TCD2.9L4 ENGINES	728
FIGURE 8-47. FUEL HARNESS - DEUTZ TCD2.9L4 & DEUTZ TCD2.9L4 (STAGE V PRE-BUY) ENGINES	730
FIGURE 8-48. GENERATOR HARNESS - 4000W GENERATOR	732
FIGURE 8-49. GENERATOR HARNESS - 7500W GENERATOR	734
FIGURE 8-50. GROUND CONTROL BOX HARNESS	736
FIGURE 8-51. INTERFACE HARNESS	740
FIGURE 8-52. JIB BOOM CONTROL HARNESS.....	742
FIGURE 8-53. JIB ENABLE HARNESS	744
FIGURE 8-54. JIB VALVE HARNESS.....	746
FIGURE 8-55. LCD DISPLAY HARNESS	748
FIGURE 8-56. LOAD SENSING PIN HARNESS	750
FIGURE 8-57. MAIN BOOM CONTROL HARNESS.....	752
FIGURE 8-58. PLATFORM CONSOLE BOX HARNESS.....	754
FIGURE 8-59. PLATFORM VALVE HARNESS	756
FIGURE 8-60. PUMP HARNESS.....	758
FIGURE 8-61. PUMP ADAPTER HARNESS - SAUER PUMP TO REXROTH PUMP.....	760
FIGURE 8-62. RECEPTACLE BOX KIT - 110V IEC YELLOW WITHOUT 2500W GENERATOR (CE & UK CA SPECS)	762
FIGURE 8-63. RECEPTACLE BOX KIT - 220V IEC BLUE WITHOUT 2500W GENERATOR (CE & UK CA SPECS)	764
FIGURE 8-64. RECEPTACLE BOX KIT - 220V CEE7 POST GROUND WITHOUT 2500W GENERATOR (2X4 BOX) (CE & UK CA SPECS).....	766
FIGURE 8-65. RECEPTACLE BOX KIT - 220V CEE7 SIDE GROUND WITHOUT 2500W GENERATOR (2X4 BOX) (CE & UK CA SPECS).....	768
FIGURE 8-66. RECEPTACLE BOX KIT - 220V AFSINT 107 KEYED GROUND WITHOUT 2500W GENERATOR (2X4 BOX) (CE & UK CA SPECS).....	770
FIGURE 8-67. SKYEYE INTERMEDIATE HARNESS	772
FIGURE 8-68. SKYEYE RECEIVER HARNESS.....	774
FIGURE 8-69. SKYEYE EMITTER HARNESS	776
FIGURE 8-70. SKYLINE HARNESS	778
FIGURE 8-71. STROBE LIGHT HARNESS (AMBER).....	780
FIGURE 8-72. TURNTABLE HARNESS.....	782
FIGURE 8-73. TELEMATICS JUMPER HARNESS (SN 0300302628 to Present).....	784

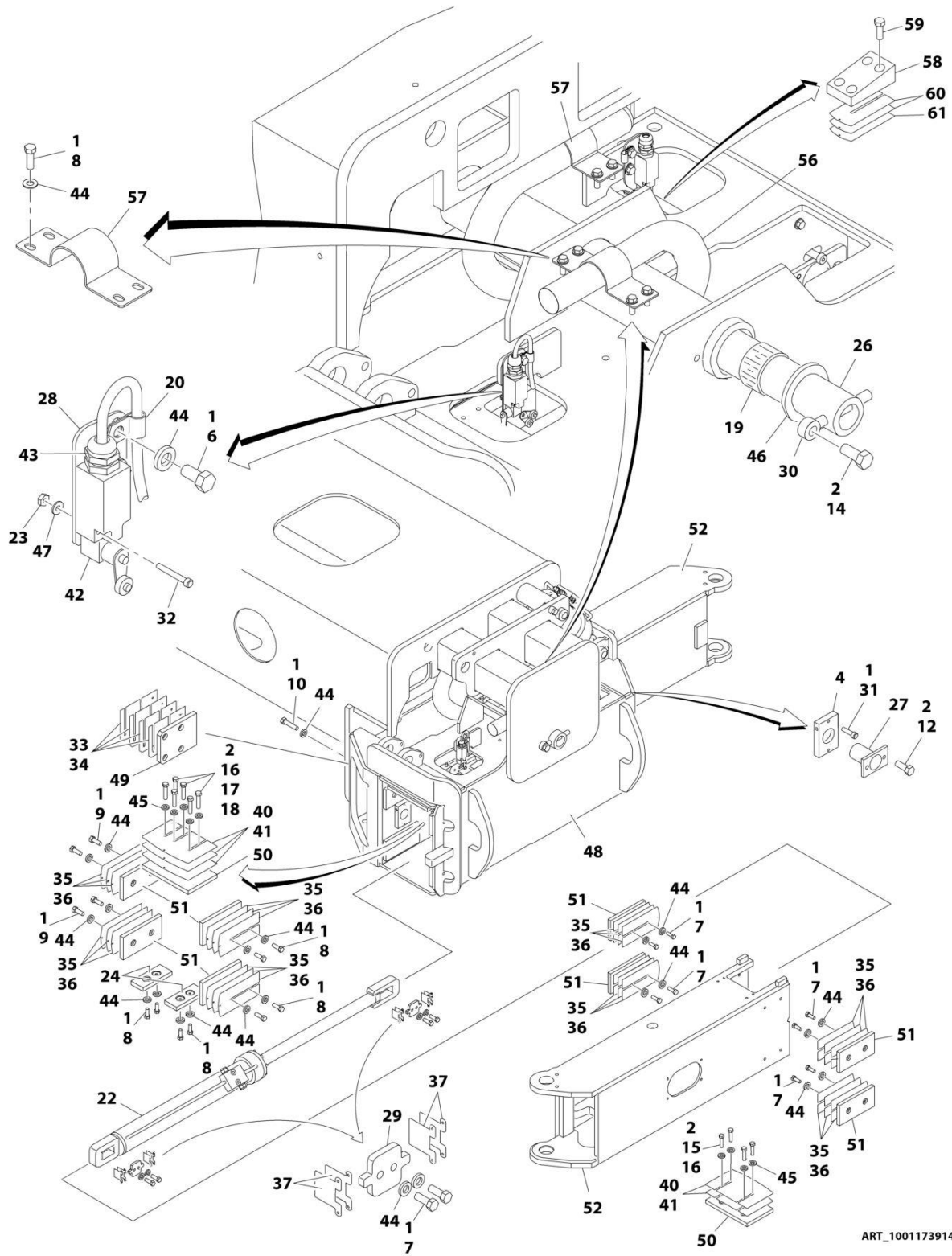
TABLE OF CONTENTS

SECTION 9 - DECALS.....	787
FIGURE 9-1. DECAL INSTALLATION - ANSI SPEC	788
FIGURE 9-2. DECAL INSTALLATION - AUSTRALIAN SPEC	790
FIGURE 9-3. DECAL INSTALLATION - BRAZIL SPEC (PORTUGUESE/ENGLISH)	792
FIGURE 9-4. DECAL INSTALLATION - CE & UK CA SPEC	794
FIGURE 9-5. DECAL INSTALLATION - CSA SPEC (FRENCH/ENGLISH)	796
FIGURE 9-6. DECAL INSTALLATION - CHINESE SPEC (ENGLISH).....	798
FIGURE 9-7. DECAL INSTALLATION - JAPANESE SPEC (JAPANESE/ENGLISH)	800
FIGURE 9-8. DECAL INSTALLATION - KOREAN SPEC (KOREAN/ENGLISH)	802
FIGURE 9-9. DECAL INSTALLATION - LATIN AMERICAN SPEC (SPANISH/ENGLISH)	804
FIGURE 9-10. DECAL INSTALLATION - OPTIONS	806
FIGURE 9-11. SKYCUTTER DECAL INSTALLATION (ANSI, ANSI EXPORT AND CSA SPECS)	810
FIGURE 9-12. SKYCUTTER DECAL INSTALLATION (JAPANESE SPECS).....	812
SECTION 10 - RECOMMENDED SERVICE PARTS STOCK	815
FIGURE 10-1. RECOMMENDED SERVICE PARTS STOCK	816
SECTION 11 - SPECIAL OPTIONS.....	819
FIGURE 11-1. SPECIAL OPTIONS/ACCESSORIES/KITS	820
PART NUMBER INDEX.....	825

SECTION 1 - FRAME

SECTION 1 - FRAME

FIGURE 1-1. AXLE INSTALLATION - FIXED



ART_1001173914_J

SECTION 1 - FRAME

FIGURE 1-1. AXLE INSTALLATION - FIXED

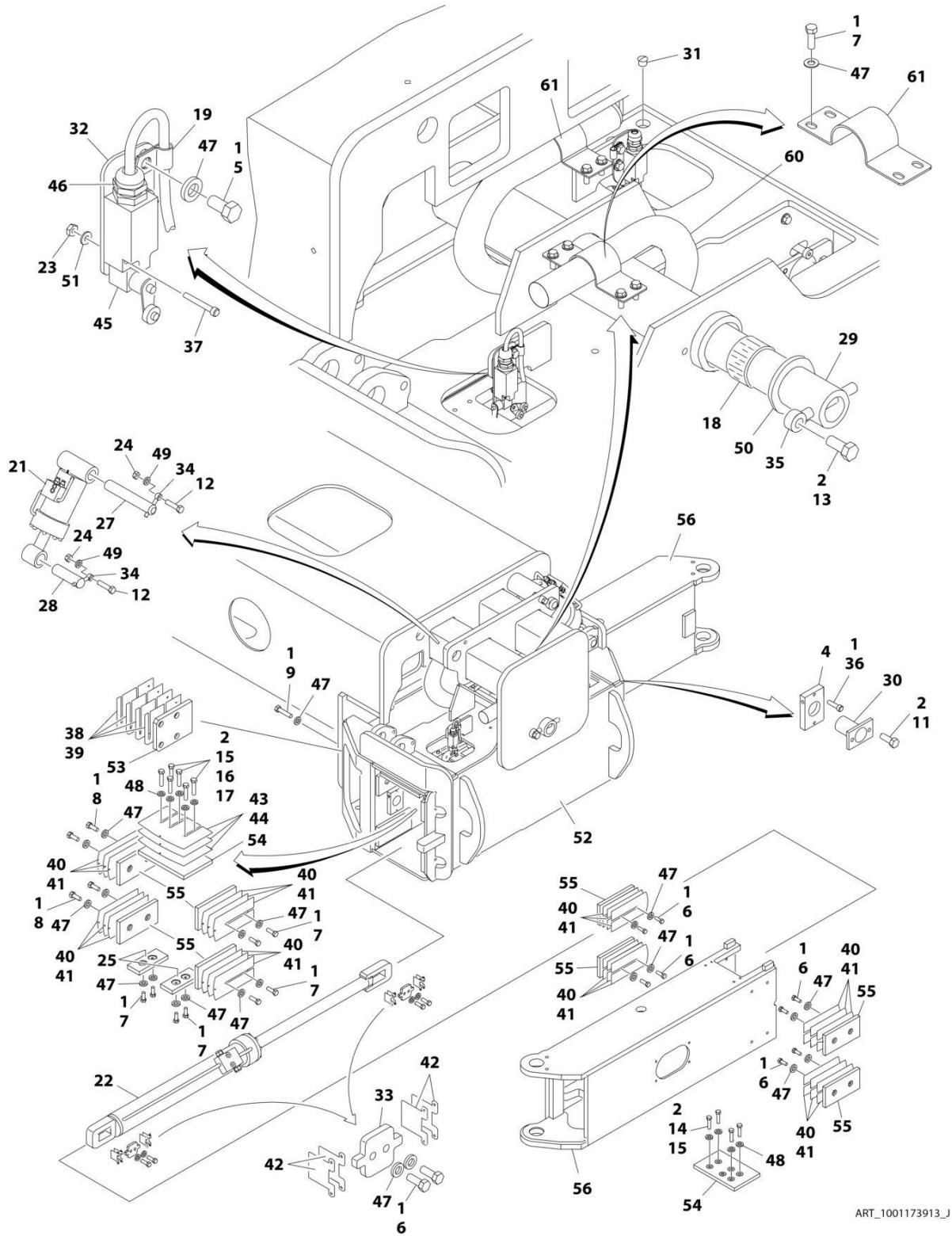
ITEM	PART NUMBER	QTY	DESCRIPTION	REV
	1001173914	Ref	AXLE INSTALLATION - FIXED	J
1	0100011	AR	Compound, Locking	
2	0100019	AR	Compound, Locking	
4	0363037	4	Bar, Stop	
6	0641606	8	Bolt 3/8 x 3/4	
7	0641608	48	Bolt 3/8 x 1	
8	0641609	64	Bolt 3/8 x 1-1/8	
9	0641611	16	Bolt 3/8 x 1-3/8	
10	0641613	8	Bolt 3/8 x 1-5/8	
12	0641808	8	Bolt 1/2 x 1	
14	0642214	1	Bolt 3/4 x 1-3/4	
15	0681813	12	Bolt 1/2 x 1-5/8 Grade 8	
16	0681814	18	Bolt 1/2 x 1-3/4 Grade 8	
17	0681815	12	Bolt 1/2 x 1-7/8 Grade 8	
18	0681816	6	Bolt 1/2 x 2 Grade 8	
19	0962033	2	Bushing	
20	1320263	4	Clamp, Cable	
22	1001251020	4	Axle Extension Cylinder Assembly (See Separate Breakdown in CYLINDER SECTION)	
23	3310805	8	Nut #8	
24	3340881	8	Pad, Wear	
26	3422918	1	Pin	
27	3422960	4	Pin	
28	3573294	4	Plate	
29	3573335	8	Plate	
30	3841287	1	Keeper, Pin	
31	3900270	4	Bolt 1/2 x 1-1/2	
32	3930820	8	Capscrew #8 x 1-1/4	
33	4071035	2	Shim #18 Gauge	
34	4071036	4	Shim #11 Gauge	
35	4071039	10	Shim #18 Gauge	
36	4071040	36	Shim #11 Gauge	
37	4071042	24	Shim #16 Gauge	
40	4071054	8	Shim #18 Gauge	
41	4071055	12	Shim #11 Gauge	
42	4360578	4	Switch, Limit	
43	4460968	4	Connector, Strain Relief	
44	4711600	144	Washer 3/8	
45	4711800	48	Washer 1/2	
46	4740461	1	Thrustwasher	
47	4750800	8	Washer #8	
48	4846383	1	Box, Axle Pivot	
49	1001161401	2	Pad, Axle	
50	1001161402	8	Pad, Wear	
51	1001161403	32	Pad, Wear	
52	4846637	4	Extension, Axle	
55	4240155	6	Strap (Not Shown)	
56	1001193674	4	Sleeve, Nylon	
57	1001191541	8	Bracket, Hose Mount	
58	0363076	2	Bar	

SECTION 1 - FRAME

ITEM	PART NUMBER	QTY	DESCRIPTION	REV
59	0641814	4	Bolt 1/2 x 1-3/4	
60	4071049	4	Shim #11 Gauge	
61	4071050	2	Shim #16 Gauge	
62	2220235	1	Plug (Not Shown - Located on Junction Manifold)	

SECTION 1 - FRAME

FIGURE 1-2. AXLE INSTALLATION - OSCILLATING



ART_1001173913_J

SECTION 1 - FRAME

FIGURE 1-2. AXLE INSTALLATION - OSCILLATING

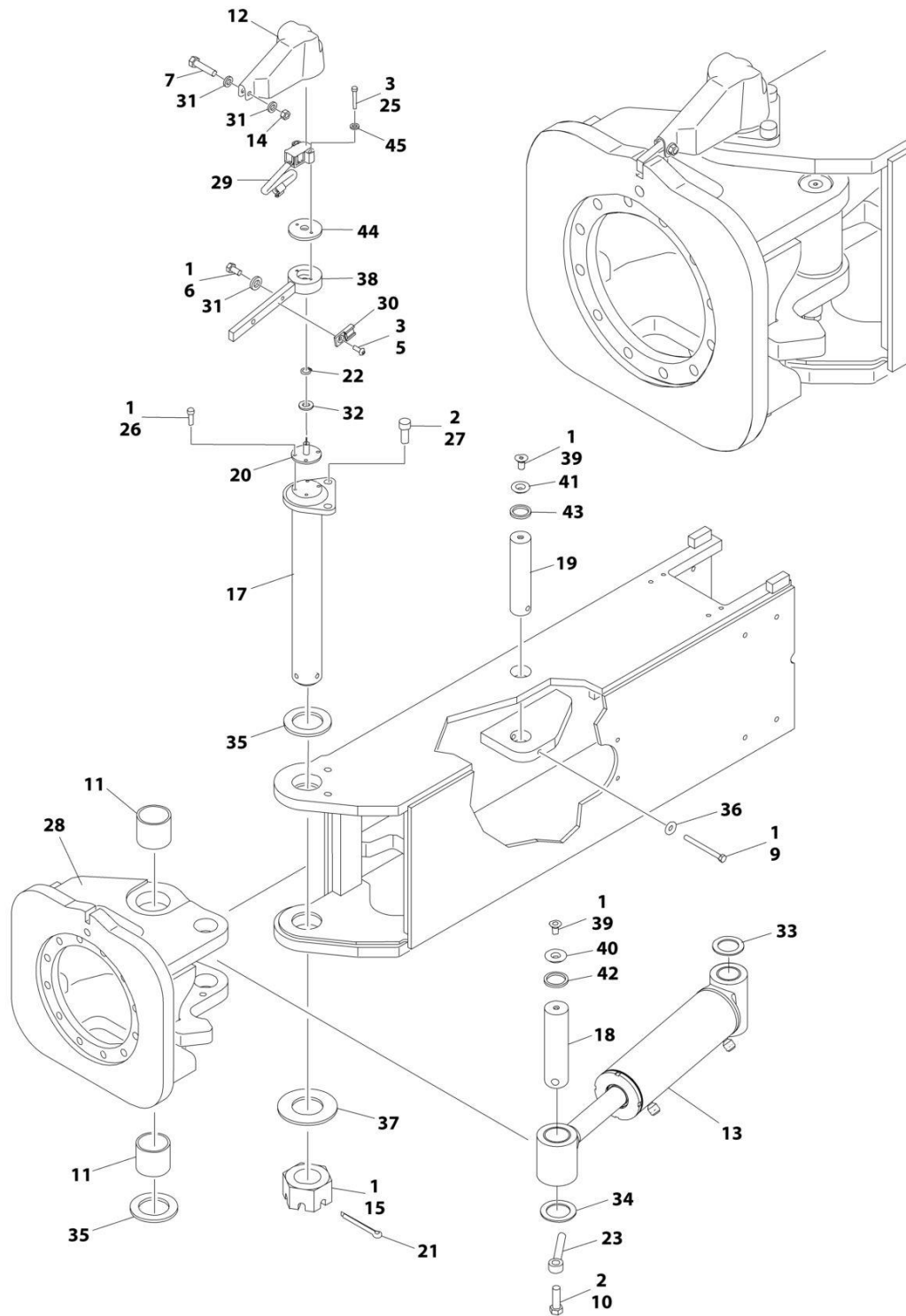
ITEM	PART NUMBER	QTY	DESCRIPTION	REV
	1001173913	Ref	AXLE INSTALLATION - OSCILLATING	J
1	0100011	AR	Compound, Locking	
2	0100019	AR	Compound, Locking	
4	0363037	4	Bar, Stop	
5	0641606	8	Bolt 3/8 x 3/4	
6	0641608	48	Bolt 3/8 x 1	
7	0641609	64	Bolt 3/6 x 1-1/8	
8	0641611	16	Bolt 3/8 x 1-3/8	
9	0641613	8	Bolt 3/8 x 1-5/8	
11	0641808	8	Bolt 1/2 x 1	
12	0642020	4	Bolt 5/8 x 2-1/2	
13	0642214	1	Bolt 3/4 x 1-3/4	
14	0681813	12	Bolt 1/2 x 1-5/8 Grade 8	
15	0681814	18	Bolt 1/2 x 1-3/4 Grade 8	
16	0681815	12	Bolt 1/2 x 1-7/8 Grade 8	
17	0681816	6	Bolt 1/2 x 2 Grade 8	
18	0962033	2	Bushing	
19	1320263	4	Clamp, Cable	
21	1001251019	2	Oscillating Axle Cylinder Assembly (See Separate Breakdown in CYLINDER Section)	
22	1001251020	4	Axle Extension Cylinder Assembly (See Separate Breakdown in CYLINDER Section)	
23	3310805	8	Nut #8	
24	3312005	4	Nut 5/8	
25	3340881	8	Pad, Wear	
27	3422833	2	Pin	
28	3422915	2	Pin	
29	3422918	1	Pin	
30	3422960	4	Pin	
31	3520054	4	Plug	
32	3573294	4	Plate	
33	3573335	8	Plate	
34	3841258	4	Keeper, Pin	
35	3841287	1	Keeper, Pin	
36	3900270	4	Bolt 1/2 x 1-1/2	
37	3930820	8	Capscrew #8 x 1-1/4	
38	4071035	2	Shim #18 Gauge	
39	4071036	4	Shim #11 Gauge	
40	4071039	10	Shim #18 Gauge	
41	4071040	36	Shim #11 Gauge	
42	4071042	24	Shim #16 Gauge	
43	4071054	8	Shim #18 Gauge	
44	4071055	12	Shim #11 Gauge	
45	4360578	4	Switch, Limit	
46	4460968	4	Connector, Strain Relief	
47	4711600	144	Washer 3/8	
48	4711800	48	Washer 1/2	
49	4712000	4	Washer 5/8	
50	4740461	1	Thrustwasher	
51	4750800	8	Washer #8	

SECTION 1 - FRAME

ITEM	PART NUMBER	QTY	DESCRIPTION	REV
52	4846383	1	Box, Axle Pivot	
53	1001161401	2	Pad, Axle	
54	1001161402	8	Pad, Wear	
55	1001161403	32	Pad, Wear	
56	4846637	4	Extension, Axle	
59	4240155	6	Strap (Not Shown)	
60	1001193674	4	Sleeve, Nylon	
61	1001191541	8	Bracket, Hose Mount	

SECTION 1 - FRAME

FIGURE 1-3. STEER INSTALLATION



ART_0271520_M

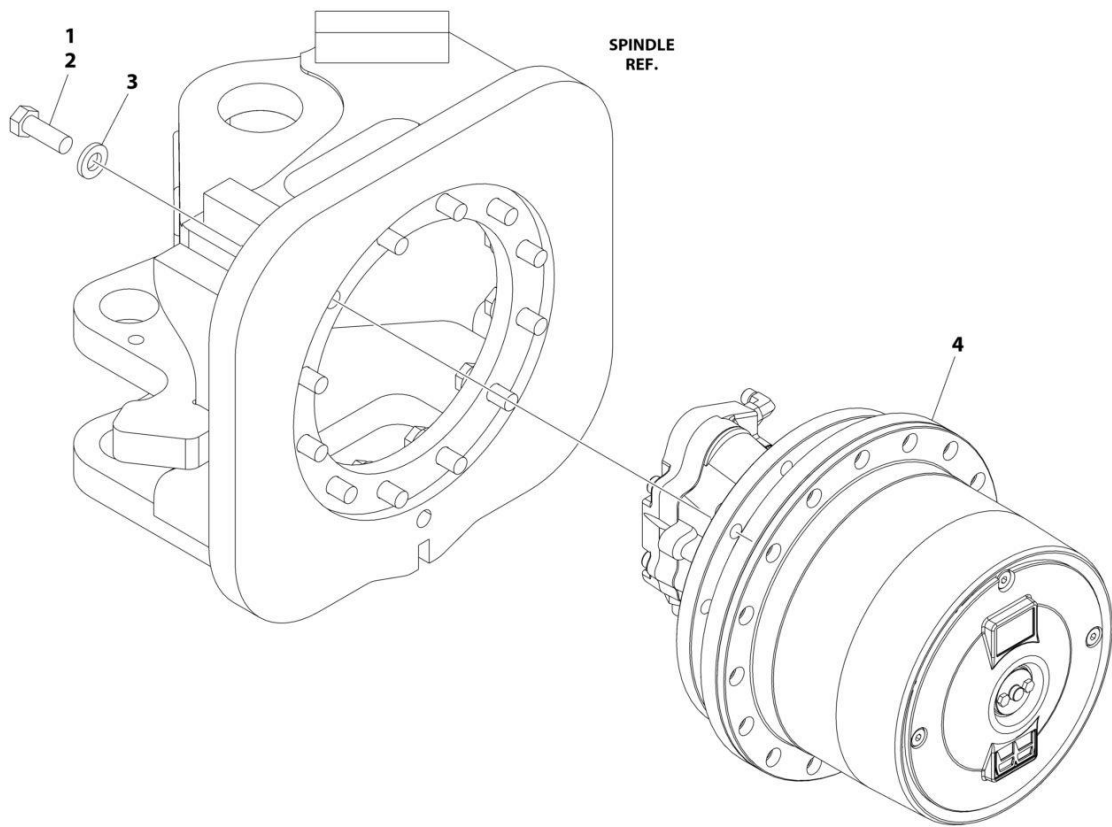
SECTION 1 - FRAME

FIGURE 1-3. STEER INSTALLATION

ITEM	PART NUMBER	QTY	DESCRIPTION	REV
	0271520	Ref	STEER INSTALLATION	M
1	0100011	AR	Compound, Locking	
2	0100019	AR	Compound, Locking	
3	0100035	AR	Compound, Locking	
5	0630464	4	Screw #10 x 1/2	
6	0641505	4	Bolt 5/16 x 5/8	
7	0641511	4	Bolt 5/16 x 1-3/8	
9	0641634	4	Bolt 3/8 x 4-1/4	
10	0642016	4	Bolt 5/8 x 2	
11	0962423	8	Bushing	
12	1671040	4	Cover, Sensor	
13	1001251031	4	Steer Cylinder Assembly (See Separate Breakdown in CYLINDER Section)	
14	3311505	4	Nut 5/16	
15	3300464	4	Nut, Slotted	
17	3422917	4	Kingpin	
18	3422940	4	Pin, Steer Cylinder (Outer)	
19	3422941	4	Pin, Steer Cylinder (Inner)	
20	3423256	4	Pin, Sensor	
21	3451214	4	Pin, Cotter 3/8 x 3-1/2	
22	3760383	4	Ring, Retaining	
23	3841258	4	Keeper, Pin	
25	3931020	8	Capscrew #10 x 1-1/4	
26	3931412	16	Capscrew 1/4 x 3/4	
27	3932024	8	Capscrew 5/8 x 1-1/2	
28	1001099632	4	Spindle	
29	4360505	4	Switch, Rotary Angle Sensor (Steer)	
30	4460914	4	Terminal	
31	4711500	12	Washer 5/16	
32	4711800	4	Washer 1/2	
33	4740181	4	Thrustwasher	
34	4740229	4	Thrustwasher	
35	4740505	8	Thrustwasher	
36	4751600	4	Washer 3/8	
37	4755000	4	Washer 2-1/2	
38	0200833	4	Arm, Steer	
39	0741606	8	Screw 3/8 x 3/4	
40	1120549	4	Cap, Seal (Outer)	
41	1120550	4	Cap, Seal (Inner)	
42	3960551	4	Seal (Outer)	
43	3960552	4	Seal (Inner)	
44	0080277	4	Adapter, Angle Sensor Pilot	
45	4811600	8	Washer M5	

SECTION 1 - FRAME

FIGURE 1-4. WHEEL DRIVE INSTALLATION - REGGIANA RIDUTTORI



ART_1001104324

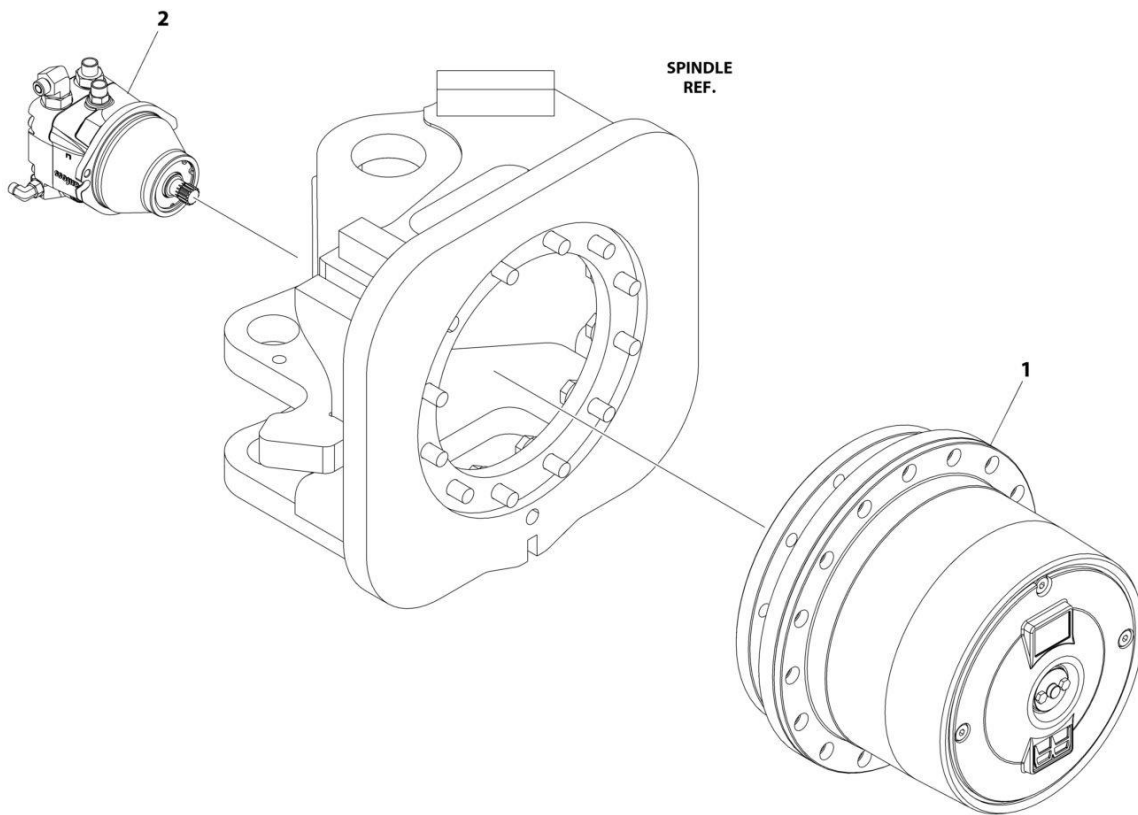
SECTION 1 - FRAME

FIGURE 1-4. WHEEL DRIVE INSTALLATION - REGGIANA RIDUTTORI

ITEM	PART NUMBER	QTY	DESCRIPTION	REV
	1001104324	Ref	WHEEL DRIVE INSTALLATION - REGGIANA RIDUTTORI	B
1	0100019	AR	Compound, Locking	
2	0701617	48	Bolt M16 x 45 (12 Per Wheel)	
3	4892000	48	Washer 5/8 (12 Per Wheel)	
4	1001104315	4	Drive Hub and Motor Assembly - Reggiana Riduttori (See Separate Breakdown in this Section)	

SECTION 1 - FRAME

FIGURE 1-5. DRIVE HUB AND MOTOR ASSEMBLY - REGGIANA RIDUTTORI



ART_1001104315

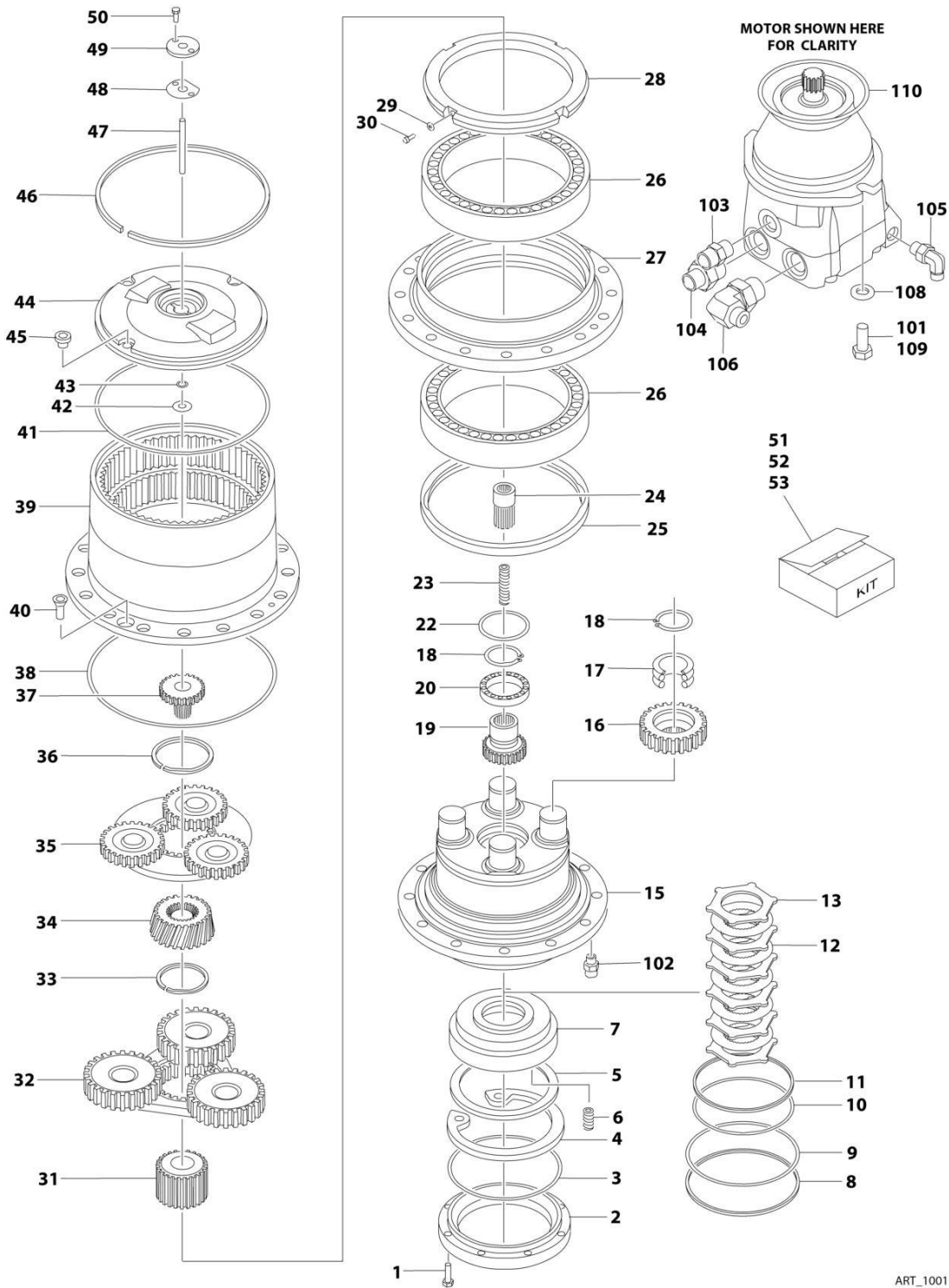
SECTION 1 - FRAME

FIGURE 1-5. DRIVE HUB AND MOTOR ASSEMBLY - REGGIANA RIDUTTORI

ITEM	PART NUMBER	QTY	DESCRIPTION	REV
	1001104315	Ref	DRIVE HUB AND MOTOR ASSEMBLY - REGGIANA RIDUTTORI	B
		Ref	Note: Various brands used on Machines. When replacing complete hub, note that all 4 hubs must be the same brand.	
		Ref	Note: Various brands used on Machines. Identify brand before ordering replacement parts.	
1	1001104325	4	Drive Hub Assembly - Reggiana Riduttori (See Separate Breakdown in this Section)	
2	3160339	4	Drive Motor Assembly (See Separate Breakdown in this Section)	

SECTION 1 - FRAME

FIGURE 1-6. DRIVE HUB ASSEMBLY - REGGIANA RIDUTTORI



ART_1001104325

SECTION 1 - FRAME

FIGURE 1-6. DRIVE HUB ASSEMBLY - REGGIANA RIDUTTORI

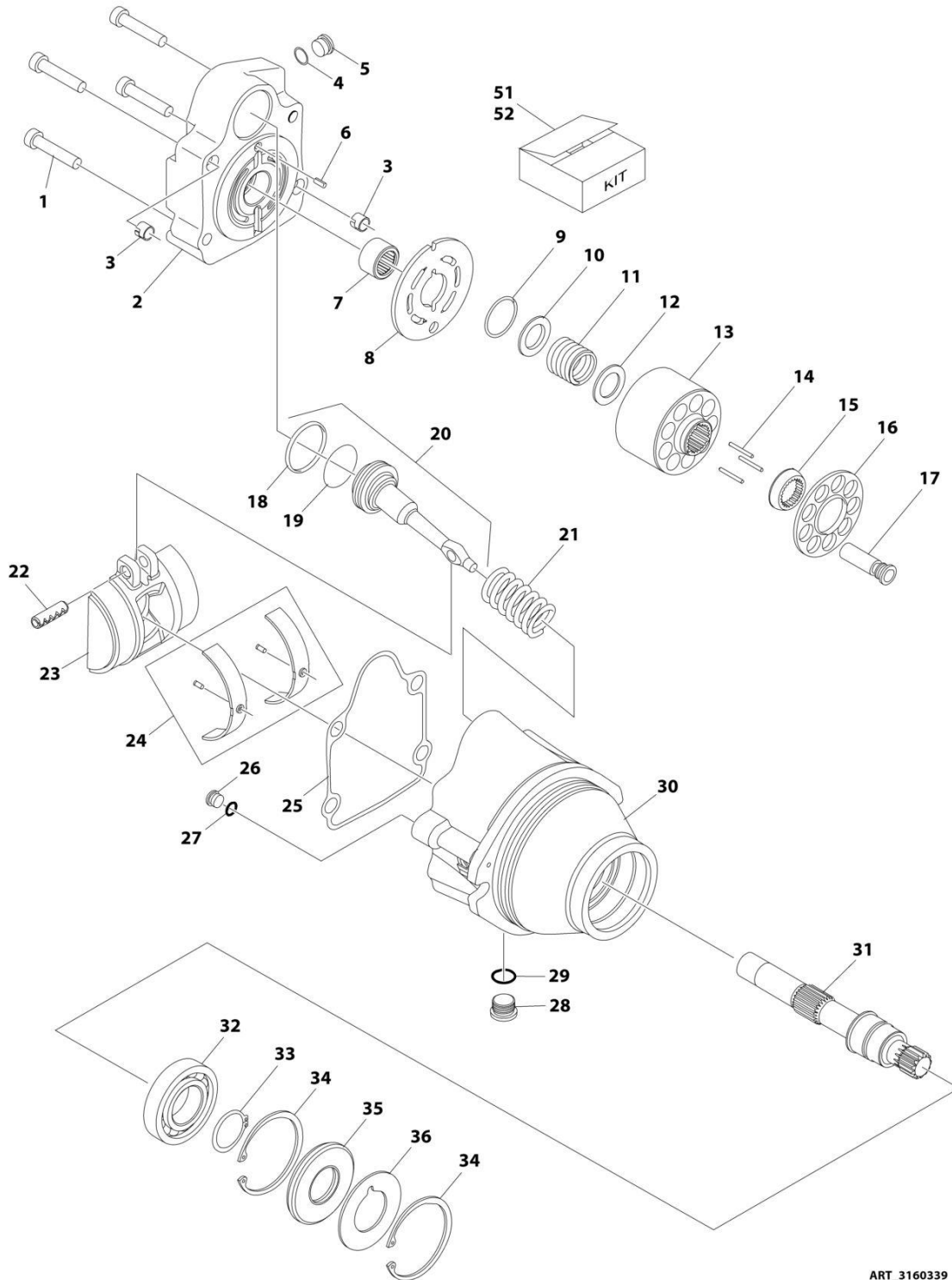
ITEM	PART NUMBER	QTY	DESCRIPTION	REV
	1001104325	Ref	DRIVE HUB ASSEMBLY - REGGIANA RIDUTTORI	G
		Ref	Note: Various brands used on Machines. Identify brand before ordering replacement parts.	
	1001101550	1	Hub, Torque	C
1	70002015	8	Bolt M8 x 25	
2	70002016	1	Ring, Motor Support	
3	See Note	NSS	O-Ring (Note: Use Item 51)	
4	70002018	1	Snap Ring	
5	70002019	1	Retainer, Spring	
6	70002020	9	Spring	
7	70002021	1	Piston	
8	See Note	NSS	Ring, Back-up (Note: Use Item 51 or 53)	
9	See Note	NSS	O-Ring (Note: Use Item 51 or 53)	
10	See Note	NSS	O-Ring (Note: Use Item 51 or 53)	
11	See Note	NSS	Ring, Back-up (Note: Use Item 51 or 53)	
12	70002026	5	Disc, Friction	
13	70002027	6	Disc, Steel	
15	70002029	1	Spindle	
16	70002030	4	Gear, Planetary	
17	70002031	4	Bearing	
18	70002032	5	Snap Ring	
19	70002033	1	Gear, Brake/Input	
20	70002034	1	Bearing	
22	70002035	1	Ring, Wear	
23	70002036	1	Spring	
24	70002037	1	Shaft, Engagement	
25	See Note	NSS	Seal (Note: Use Item 51)	
26	70002039	2	Bearing Assembly	
27	70002040	1	Support, Hub	
28	70002041	1	Nut, Retaining	
29	70002674	4	Washer	
30	70002674	4	Screw	
31	70002044	1	Gear, Planetary Sun	
32	70002045	1	Reduction Assembly, Secondary	
33	70002046	1	Snap Ring	
34	70002047	1	Gear, Secondary Input Sun	
35	70002048	1	Reduction Assembly, Primary	
36	70002049	1	Snap Ring	
37	70002050	1	Gear, Primary Input Sun	
38	See Note	NSS	O-Ring (Note: Use Item 51)	
39	See Note	NSS	Housing, Hub (Note: Not Available - Purchase Complete Assembly)	
40	70002052	2	Screw, Countersunk	
41	See Note	NSS	O-Ring (Note: Use Item 51 or 52)	
42	See Note	NSS	Thrustwasher (Note: Use Item 52)	
43	See Note	NSS	O-Ring (Note: Use Item 51 or 52)	
44	See Note	NSS	Cover, Hub (Note: Use Item 52)	
45	70002057	3	Plug	
46	See Note	NSS	Snap Ring (Note: Use Item 52)	
47	See Note	NSS	Pin, Engagement (Note: Use Item 52)	

SECTION 1 - FRAME

ITEM	PART NUMBER	QTY	DESCRIPTION	REV
48	See Note	NSS	Gasket (Note: Use Item 51 or 52)	
49	See Note	NSS	Cover, Engagement (Note: Use Item 52)	
50	See Note	NSS	Screw (Note: Use Item 52)	
51	70002248	1	Seal Kit (Includes Items 3, 8-11, 25, 38, 41, 43 & 48)	
52	70002247	1	Cover Kit (Includes Items 41-50)	
53	70002249	1	Brake Kit (Includes Items 4-13)	
101	0761214	2	Bolt M12 x 30	
102	2110404	1	Fitting, Adapter	
103	2110808	1	Fitting, Adapter	
104	2110812	1	Fitting, Adapter	
105	2130406	1	Fitting, 90 Adapter	
106	2130812	1	Fitting, 90 Adapter	
108	5241200	2	Washer M12	
109	0100011	AR	Compound, Locking	
110	3790158	1	O-Ring	

SECTION 1 - FRAME

FIGURE 1-7. DRIVE MOTOR ASSEMBLY



ART_3160339

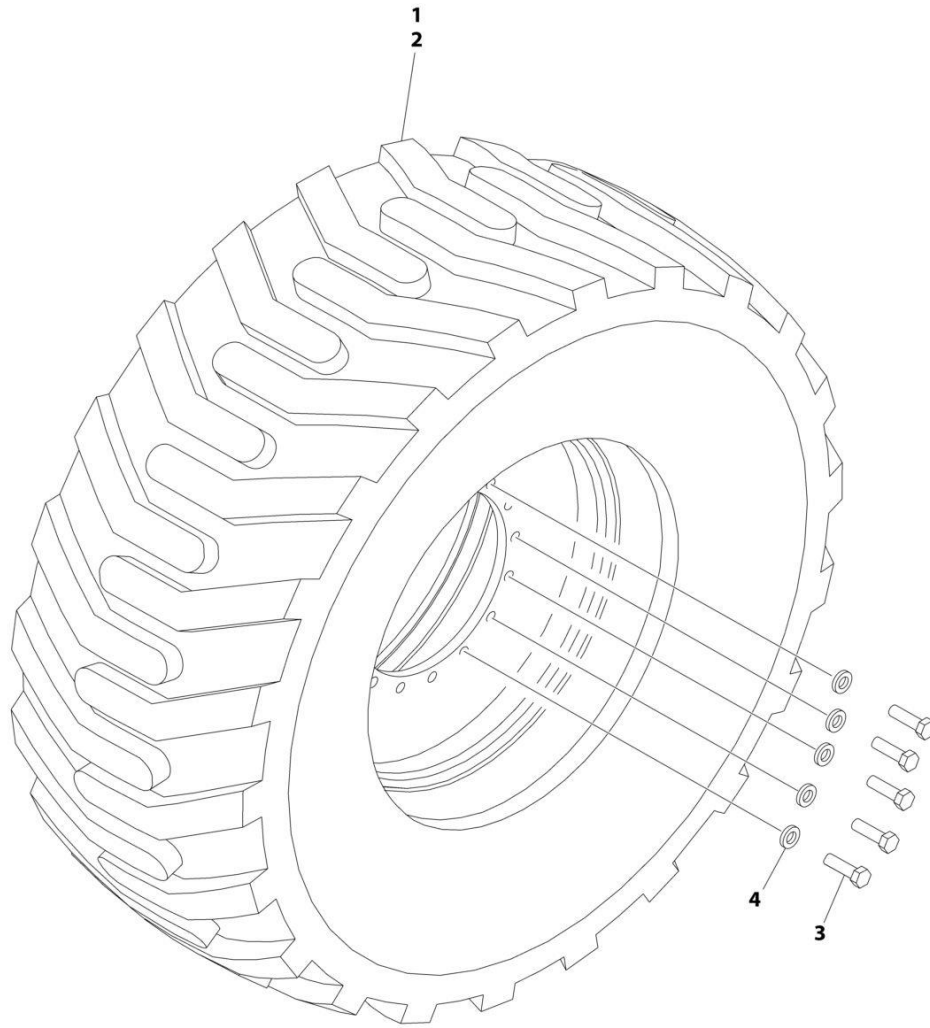
SECTION 1 - FRAME

FIGURE 1-7. DRIVE MOTOR ASSEMBLY

ITEM	PART NUMBER	QTY	DESCRIPTION	REV
	3160339	Ref	DRIVE MOTOR ASSEMBLY	D
1	7022368	4	Bolt	
2	70000859	1	End Cap, Motor	
3	70003628	2	Locating Pin	
4	See Note	NSS	O-Ring (Note: Use Item 51)	
5	7007420	1	Plug (Includes Item 4)	
6	7007446	1	Pin, Dowel	
7	7021249	1	Bearing, Needle	
8	70000854	1	Plate, Valve	
9	7022311	1	Snap Ring	
10	7022314	1	Retainer, Spring	
11	7024867	1	Spring	
12	7024868	1	Washer	
13	70000855	1	Block, Cylinder	
14	7021275	3	Pin, Slipper	
15	70000856	1	Guide	
16	70000857	1	Retainer, Slipper	
17	7024865	9	Piston, Cylinder	
18	See Note	NSS	Ring, Piston (Note: Use Item 51)	
19	See Note	NSS	O-Ring (Note: Use Item 51)	
20	70000860	1	Piston, Servo (Includes Items 18 & 19)	
21	70000861	1	Spring	
22	See Note	NSS	Pin (Note: Not Available for Purchase)	
23	70000853	1	Swash Plate	
24	70000852	1	Bearing Kit	
25	See Note	NSS	Gasket (Note: Use Item 51)	
26	See Note	NSS	Plug (Note: Not Available for Purchase)	
27	See Note	NSS	O-Ring (Note: Use Item 51)	
28	7022321	1	Plug (Includes Item 29)	
29	See Note	NSS	O-Ring (Note: Use Item 51)	
30	See Note	NSS	Housing (Note: Not Available - Purchase Complete Motor)	
31	70000858	1	Shaft	
32	7007437	1	Bearing	
33	7007439	1	Snap Ring	
34	7007438	2	Snap Ring	
35	See Note	NSS	Seal (Note: Use Item 51)	
36	7022371	1	Washer, Seal Support	
51	70000862	1	Kit 1 - Motor Seal Kit (Includes Items 4, 18, 19, 25, 27, 29 & 35)	
52	7027740	1	Kit 2 - Cylinder Block Kit (Includes Items 9-17)	

SECTION 1 - FRAME

FIGURE 1-8. TIRE AND WHEEL INSTALLATION - FOAM FILLED



ART_0271852

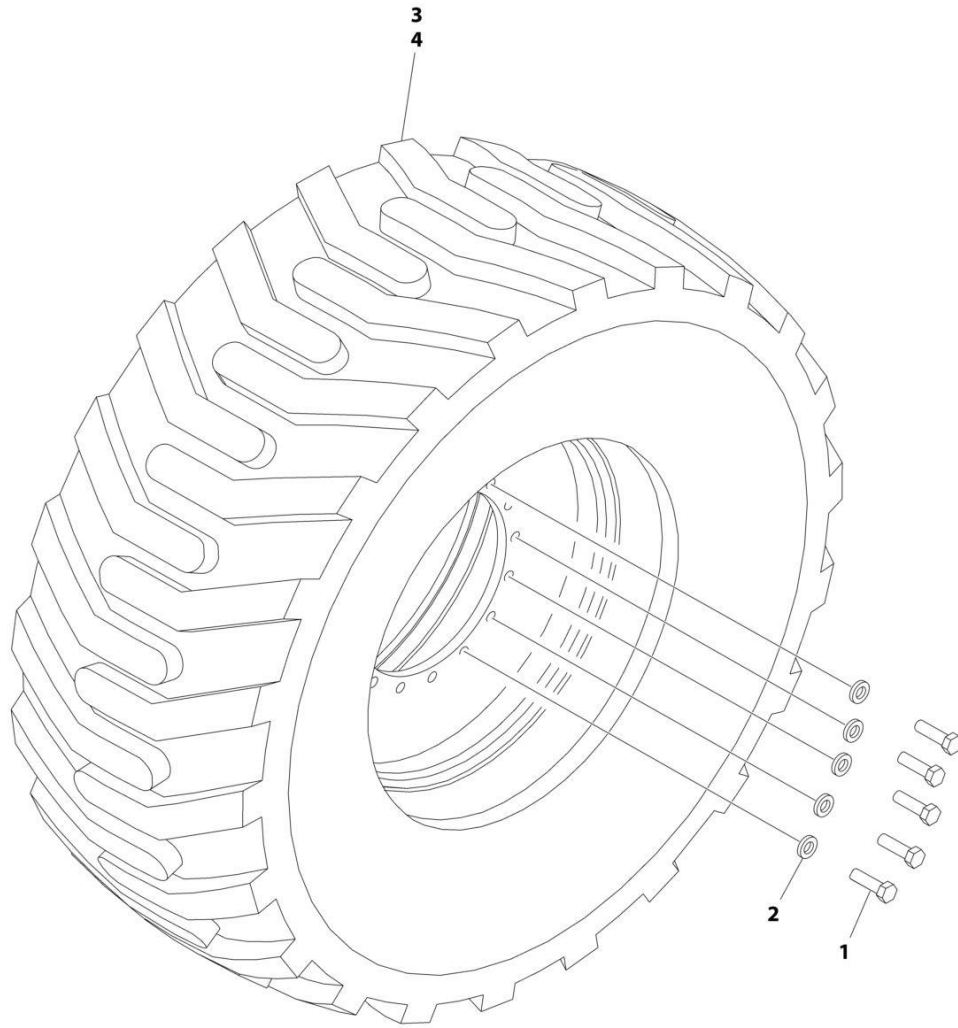
SECTION 1 - FRAME

FIGURE 1-8. TIRE AND WHEEL INSTALLATION - FOAM FILLED

ITEM	PART NUMBER	QTY	DESCRIPTION	REV
	0271852	Ref	TIRE AND WHEEL INSTALLATION - FOAM - FILLED	B
		Ref	Note: Assemblies may require ballast/foam filling to manufacturer's specifications prior to installing on a machine. Refer to Operation and Safety or Service and Maintenance Manuals. Purchase individual tire and/or rim only if able to foam fill tire and wheel assembly, otherwise, purchase complete assembly.	
1	0272055	2	Right Side Tire and Wheel Assembly - Foam - Filled	
2	0272056	2	Left Side Tire and Wheel Assembly - Foam - Filled	
3	0701619	64	Bolt M16 x 55 (16 Per Wheel)	
4	4892000	64	Washer 5/8 (16 Per Wheel)	

SECTION 1 - FRAME

FIGURE 1-9. TIRE AND WHEEL INSTALLATION - SOLID



ART_1001115961

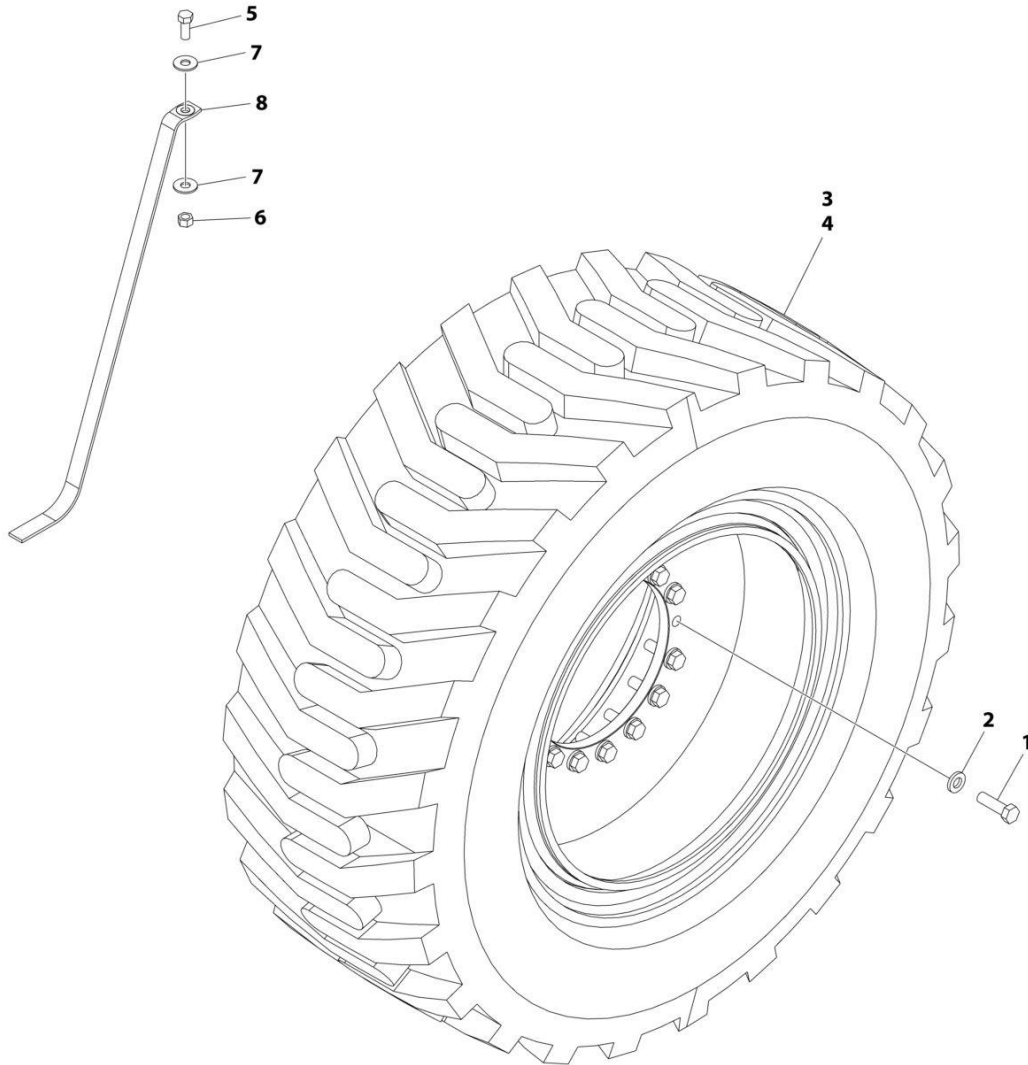
SECTION 1 - FRAME

FIGURE 1-9. TIRE AND WHEEL INSTALLATION - SOLID

ITEM	PART NUMBER	QTY	DESCRIPTION	REV
	1001115961	Ref	TIRE AND WHEEL INSTALLATION - SOLID	A
1	0701619	64	Bolt M16 x 55 (16 Per Wheel)	
2	4892000	64	Washer 5/8 (16 Per Wheel)	
3	1001112716	2	Right Side Tire and Wheel Assembly - Solid	
4	1001112669	2	Left Side Tire and Wheel Assembly - Solid	

SECTION 1 - FRAME

FIGURE 1-10. TIRE AND WHEEL INSTALLATION - SOLID NON MARKING



ART_1001223883

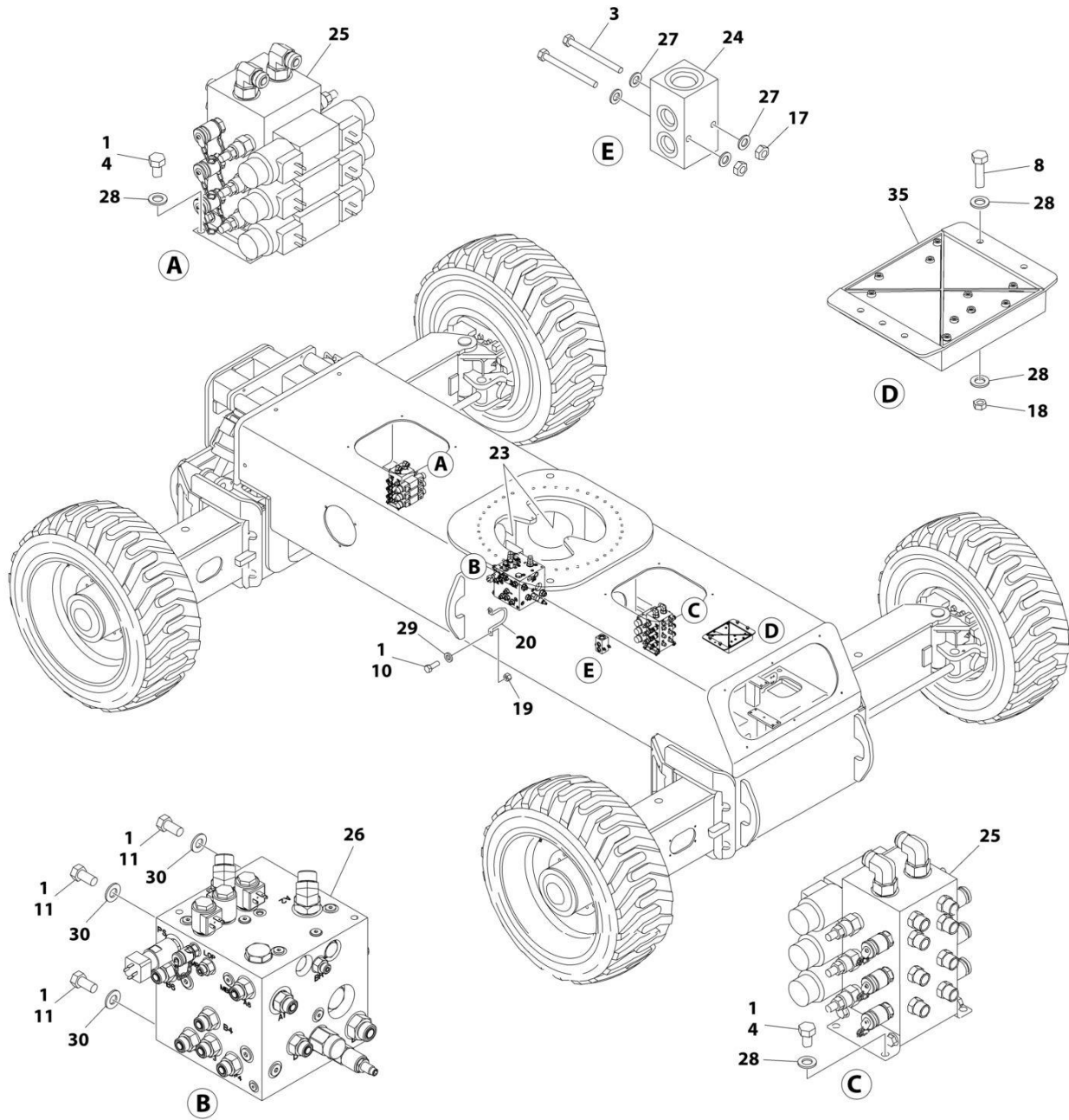
SECTION 1 - FRAME

FIGURE 1-10. TIRE AND WHEEL INSTALLATION - SOLID NON MARKING

ITEM	PART NUMBER	QTY	DESCRIPTION	REV
	1001223883	Ref	TIRE AND WHEEL INSTALLATION - SOLID NON MARKING	B
1	0701619	64	Bolt M16 x 55 (16 Per Wheel)	
2	4892000	64	Washer 5/8 (16 Per Wheel)	
3	1001216876	2	Left Side Tire and Wheel Assembly - Solid	
4	1001216877	2	Right Side Tire and Wheel Assembly - Solid	
5	0641810	1	Bolt 1/2 x 1-1/4	
6	3311805	1	Nut 1/2	
7	4751800	2	Washer 1/2	
8	1001275637	1	Strap, Anti-static	

SECTION 1 - FRAME

FIGURE 1-11. VALVES AND MODULES INSTALLATION - FRAME MOUNTED



ART_1001219992_G_10F3

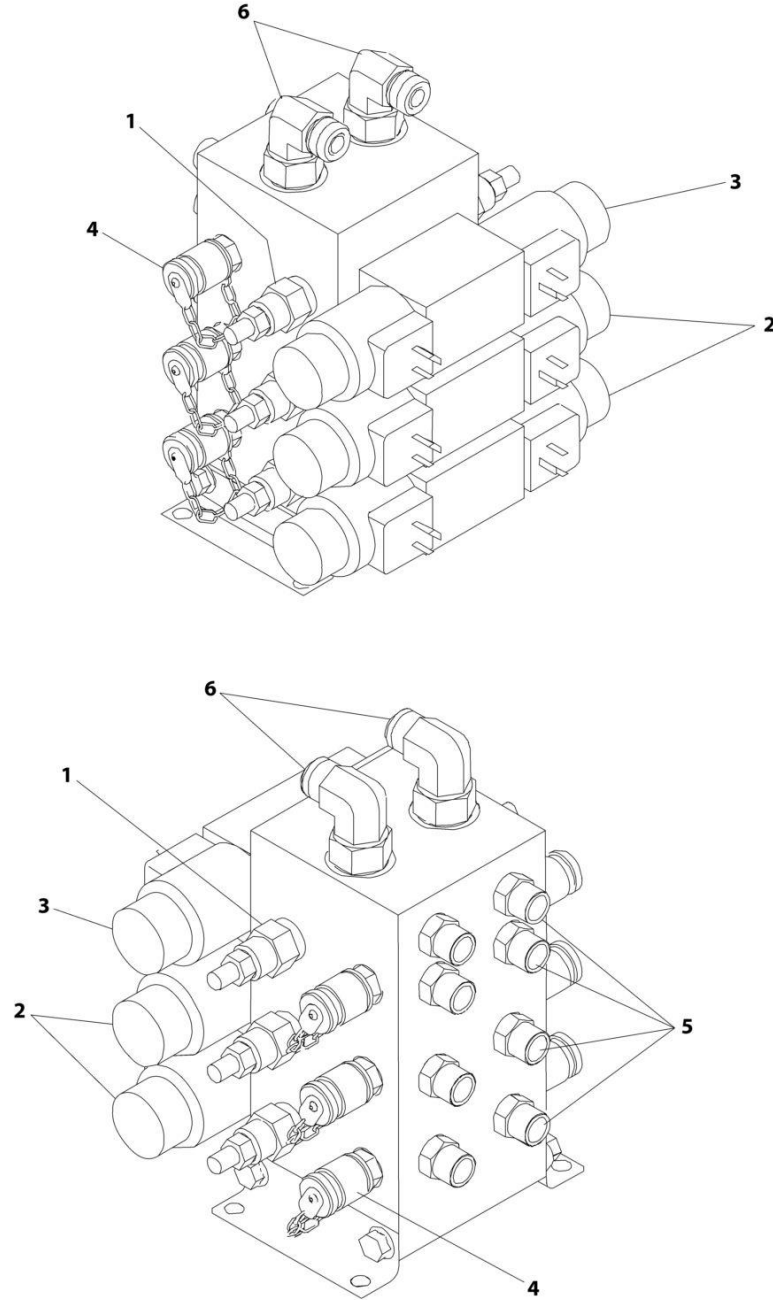
SECTION 1 - FRAME

FIGURE 1-11. VALVES AND MODULES INSTALLATION - FRAME MOUNTED

ITEM	PART NUMBER	QTY	DESCRIPTION	REV
	1001219992	Ref	VALVES AND MODULES INSTALLATION - FRAME MOUNTED	G
1	0100011	AR	Compound, Locking	
3	0641424	2	Bolt 1/4 x 3	
4	0641504	8	Bolt 5/16 x 1/2	
8	0641509	4	Bolt 5/16 x 1-1/8	
10	0641608	20	Bolt 3/8 x 1	
11	0641808	4	Bolt 1/2 x 1	
17	3311405	2	Nut 1/4	
18	3311505	9	Nut 5/16	
19	3311605	4	Nut 3/8	
20	3841340	2	Loop, Hose	
23	4060808	124 in/ 3.2m	Flex-Trim	
24	4641155	1	Manifold, Junction	
25	4641268	2	Steer Valve Assembly (See Separate Breakdown in this Section)	
26	4641454	1	Traction Valve Assembly (See Separate Breakdown in this Section)	
27	4711400	8	Washer 1/4	
28	4711500	43	Washer 5/16	
29	4711600	24	Washer 3/8	
30	4711800	4	Washer 1/2	
35	100112758	1	Module, Chassis (Note: Re-calibration Required when Replaced)	

SECTION 1 - FRAME

FIGURE 1-12. STEER VALVE ASSEMBLY



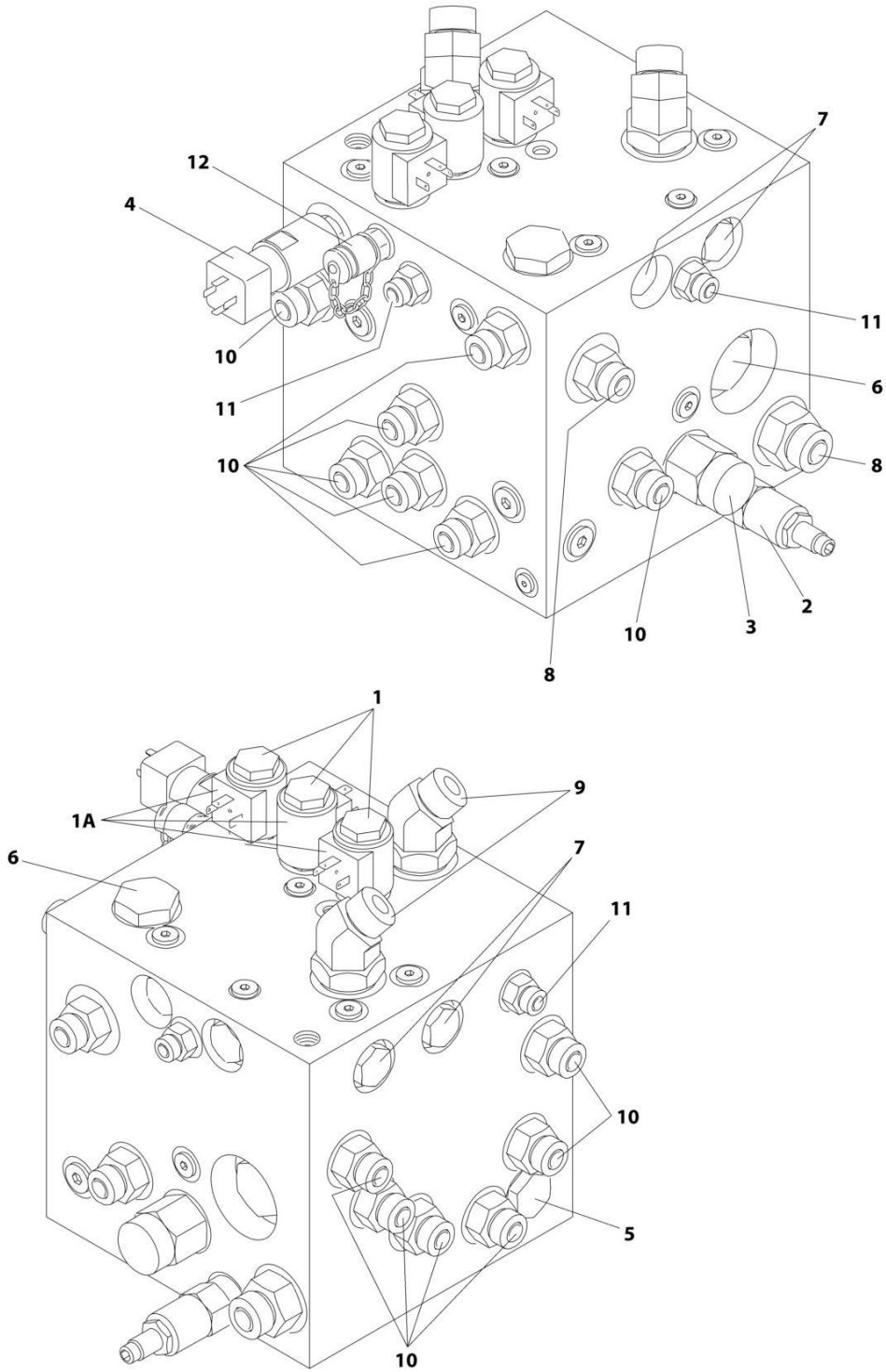
ART_4641268

FIGURE 1-12. STEER VALVE ASSEMBLY

ITEM	PART NUMBER	QTY	DESCRIPTION	REV
	4641268	Ref	STEER VALVE ASSEMBLY	C
1	7026028	12	Cartridge (6 Per Valve)	
1	7011346	12	Seal Kit - Cartridge (1 Per Cartridge)	
2	7024927	4	Valve (2 Per Valve)	
2	7012773	4	Seal Kit - Cartridge (1 Per Cartridge)	
2	7018991	8	Coil (2 Per Valve)	
3	70001976	2	Valve (1 Per Valve)	
3	7012773	2	Seal Kit - Cartridge (1 Per Cartridge)	
3	7018991	4	Coil (2 Per Valve)	
3	70001939	2	Orifice	
4	2221086	6	Check, Pressure	
5	2110606	8	Fitting, Straight	
6	2130810	2	Fitting, 90	

SECTION 1 - FRAME

FIGURE 1-13. TRACTION VALVE ASSEMBLY



ART_4641454

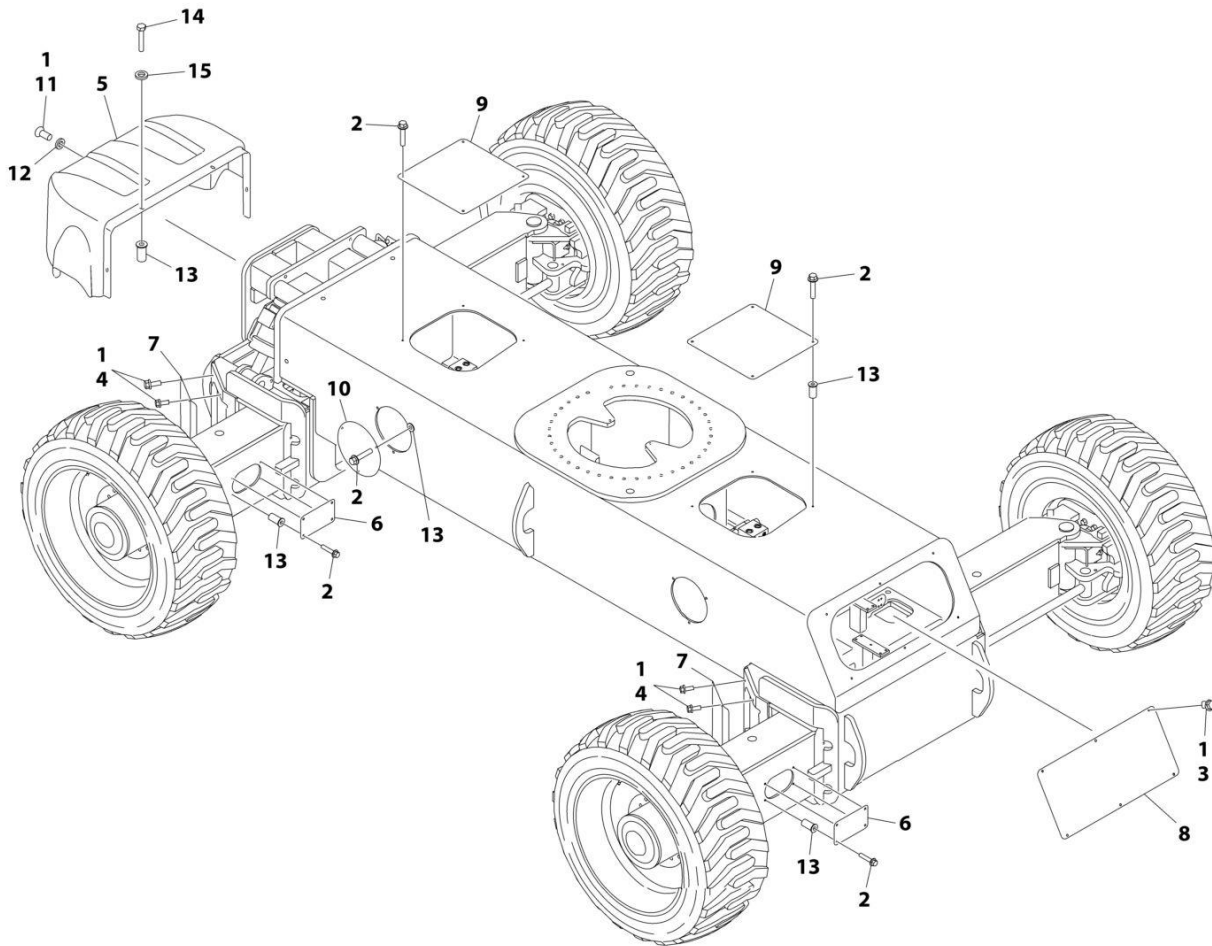
SECTION 1 - FRAME

FIGURE 1-13. TRACTION VALVE ASSEMBLY

ITEM	PART NUMBER	QTY	DESCRIPTION	REV
	4641454	Ref	TRACTION VALVE ASSEMBLY	E
1	7012941	3	Cartridge, Valve (Steer, Brake and Axle Lockout)	
1	7010543	3	Seal Kit - 7012941 Cartridge	
1A	7012944	2	Coil	
2	70000801	1	Cartridge, Valve (Relief)	
2	7012998	1	Seal Kit - 70000801 Cartridge	
3	70000802	1	Cartridge, Valve (Pilot)	
3	7012942	1	Seal Kit - 70000802 Cartridge	
4	70000803	1	Pressure Switch	
5	70000804	1	Cartridge, Valve (Shuttle)	
5	70000805	1	Seal Kit - 70000804 Cartridge	
6	70000806	2	Cartridge, Valve (Flow Divider)	
6	7017405	2	Seal Kit - 70000806 Cartridge	
7	7012955	4	Cartridge, Valve (Check)	
7	7012967	4	Seal Kit - 7012955 Cartridge	
8	2111012	2	Fitting, Straight	
9	2151012	2	Fitting, 45	
10	2110810	13	Fitting, Straight	
11	2110406	3	Fitting, Straight	
12	2221086	1	Check, Pressure	
13	2220883	1	Plug, #4 (Not Shown)	

SECTION 1 - FRAME

FIGURE 1-14. FRAME COVERS INSTALLATION - PLASTIC



ART_1001176346

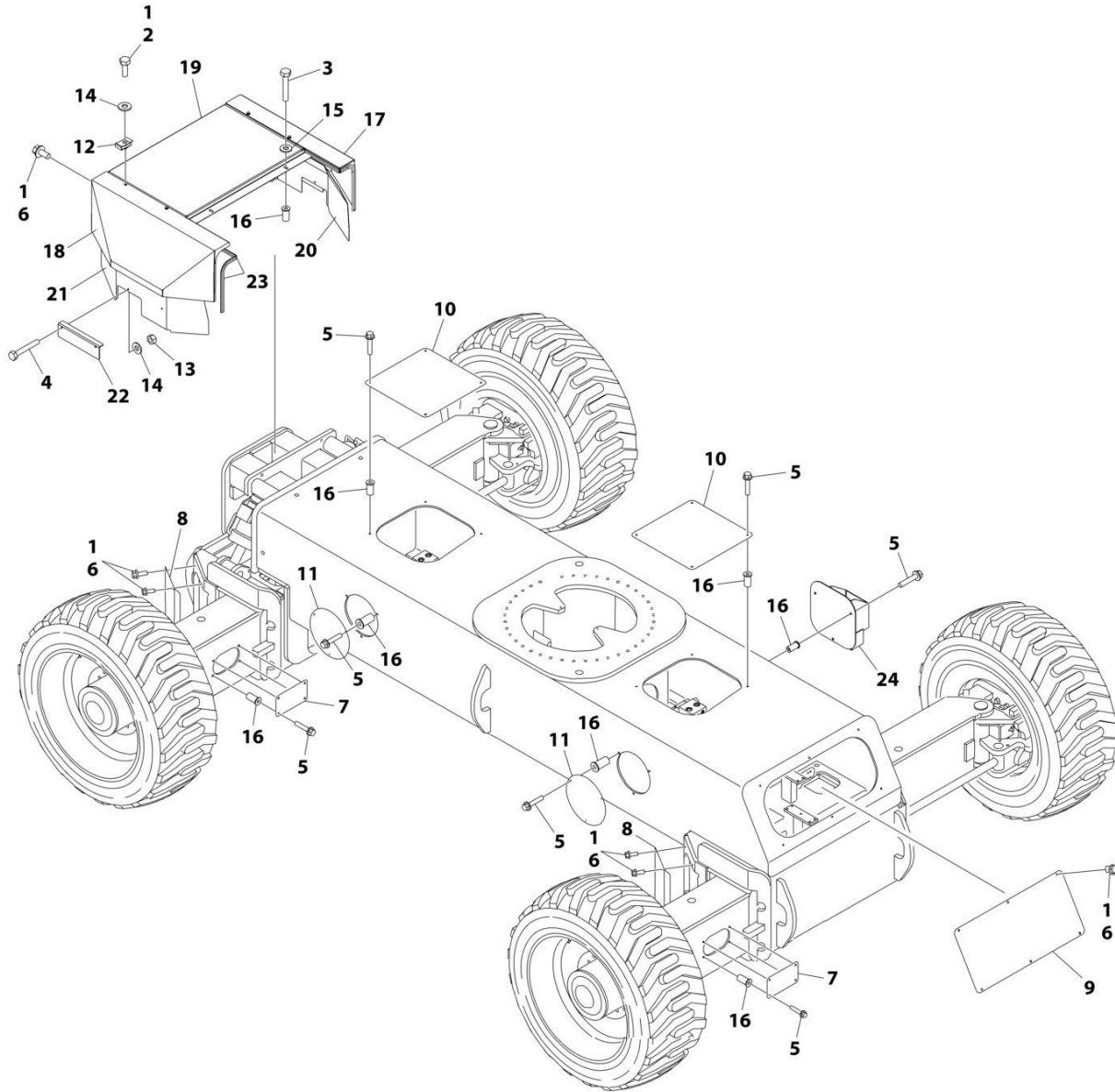
SECTION 1 - FRAME

FIGURE 1-14. FRAME COVERS INSTALLATION - PLASTIC

ITEM	PART NUMBER	QTY	DESCRIPTION	REV
	1001176346	Ref	FRAME COVERS INSTALLATION - ABS	C
1	0100011	AR	Compound, Locking	
2	0791410	36	Screw 1/4 x 1-1/4	
3	0791604	6	Screw 3/8 x 1/2	
4	0791607	16	Screw 3/8 x 7/8	
5	1670996	1	Cover, Front	
6	1671045	4	Plate, Cover (Axle Side)	
7	1671046	4	Plate, Cover (Axle Corner)	
8	1671047	1	Plate, Cover (Rear)	
9	1671048	2	Plate, Cover (Frame Top)	
10	1671049	4	Plate, Cover (Frame Side)	
11	3900283	3	Screw 3/8 x 3/4	
12	4751600	3	Washer 3/8	
13	8580420	40	Nut, Well	
14	0641412	4	Bolt 1/4 x 1-1/2	
15	4740430	4	Washer, Fender	

SECTION 1 - FRAME

FIGURE 1-15. FRAME COVERS INSTALLATION - STEEL



ART_1001176347

SECTION 1 - FRAME

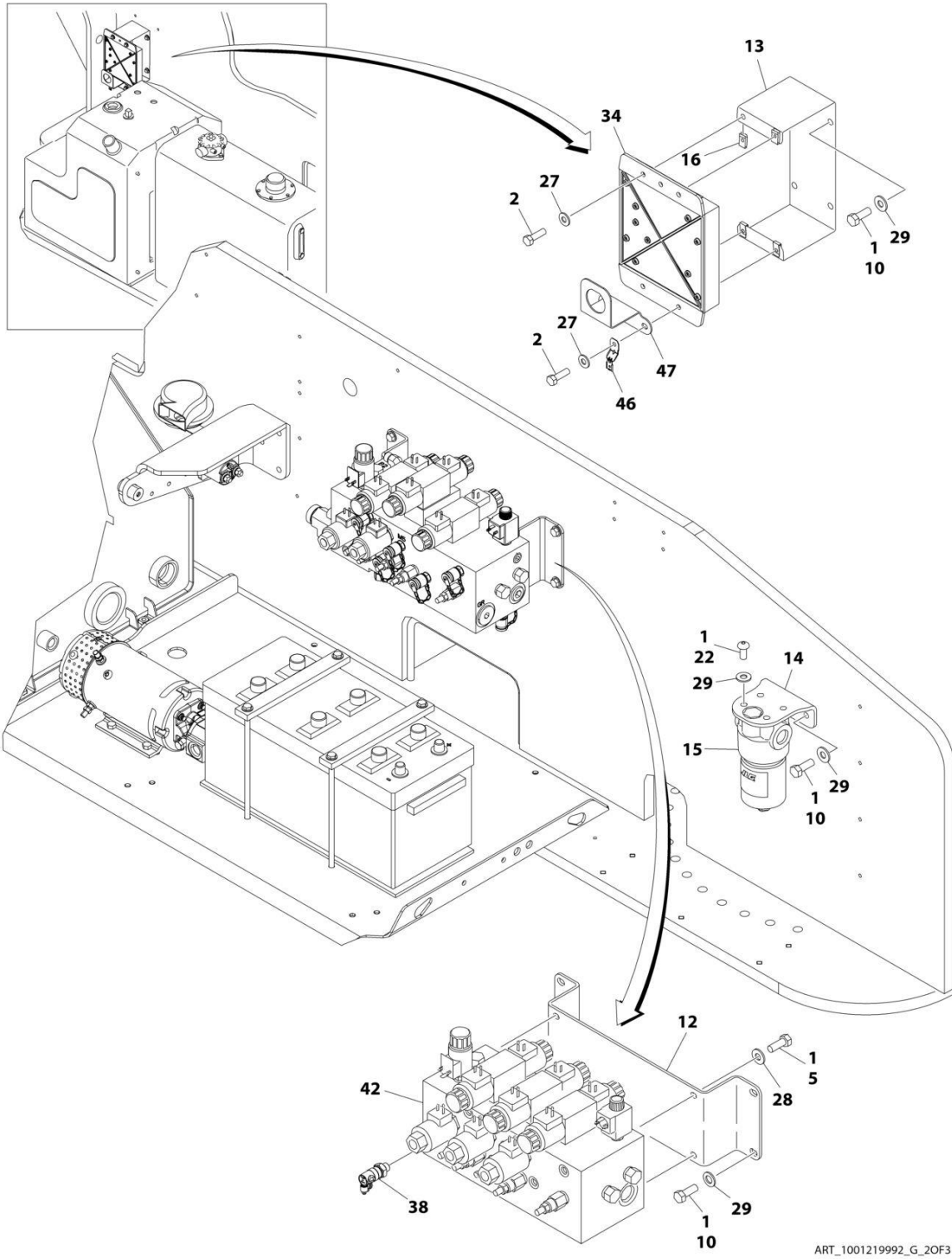
FIGURE 1-15. FRAME COVERS INSTALLATION - STEEL

ITEM	PART NUMBER	QTY	DESCRIPTION	REV
	1001176347	Ref	FRAME COVERS INSTALLATION (STEEL)	C
		Ref	Note: Only Available on ANSI, ANSI Export and Japanese Specs.	
1	0100011	AR	Compound, Locking	
2	0641406	8	Screw 1/4 x 3/4	
3	0641412	2	Bolt 1/4 x 1-1/2	
4	0641414	4	Screw 1/4 x 1-3/4	
5	0791410	36	Screw 1/4 x 1-1/4	
6	0791604	25	Screw 3/8 x 1/2	
7	1671045	4	Plate, Cover (Axle Side)	
8	1671046	4	Plate, Cover (Axle Corner)	
9	1671047	1	Plate, Cover (Rear)	
10	1671048	2	Plate, Cover (Frame Top)	
11	1671049	3	Plate, Cover (Frame Side)	
12	3300454	8	Nut 1/4	
13	3311405	4	Nut 1/4	
14	4711400	12	Washer 1/4	
15	4740430	2	Washer, Fender	
16	8580420	38	Nut, Well	
17	1001110108	1	Cover - RH Side	
18	1001110109	1	Cover - LH Side	
19	1001110110	1	Cover - Center Side	
20	1001110111	1	Shift - RH Side	
21	1001110112	1	Shift - LH Side	
22	1001110113	2	Plate	
23	1001110513	51 in /5.5m	Seal	
24	1001110877	1	Mount, Fire Extinguisher	

SECTION 2 - TURNTABLE

SECTION 2 - TURNTABLE

FIGURE 2-1. VALVE, MODULE AND FILTER INSTALLATION - TURNTABLE MOUNTED



ART_1001219992_G_20F3

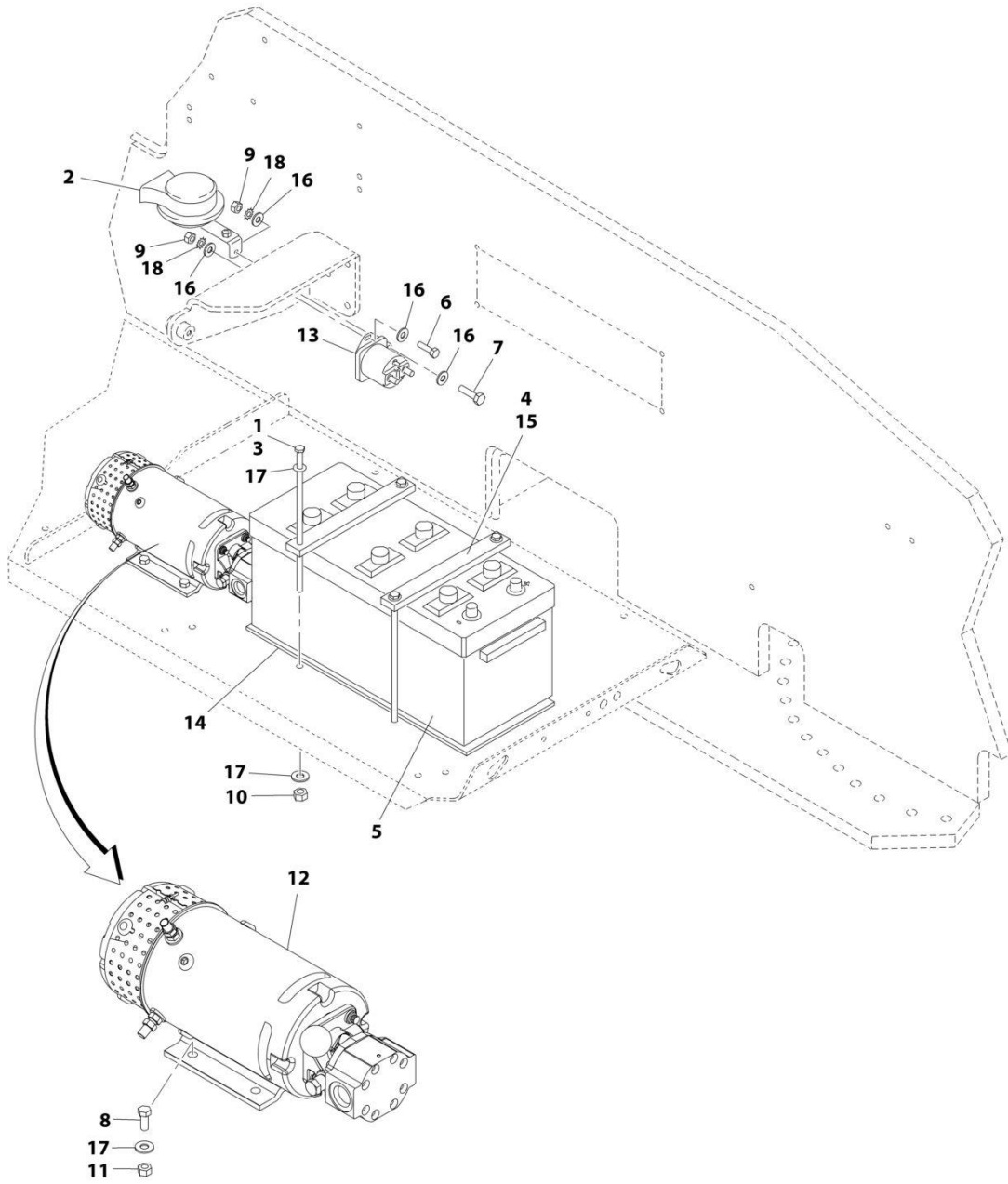
SECTION 2 - TURNTABLE

FIGURE 2-1. VALVE, MODULE AND FILTER INSTALLATION - TURNTABLE MOUNTED

ITEM	PART NUMBER	QTY	DESCRIPTION	REV
	1001219992	Ref	VALVE, MODULE AND FILTER INSTALLATION - TURNTABLE MOUNTED	G
1	0100011	AR	Compound, Locking	
2	0641406	4	Bolt 1/4 x 3/4	
2	0641407	4	Bolt 1/4 x 7/8	
5	0641506	4	Bolt 5/16 x 3/4	
10	0641608	20	Bolt 3/8 x 1	
12	0902755	1	Bracket, Valve Mounting	
13	0902800	1	Bracket, Module Mounting	
14	0903530	1	Bracket, Filter Mounting	
15	2120217	1	Filter, Pressure	
15	70002097	1	Element	
15	70004328	1	Plug, Indicator	
16	3300454	4	Nut, Retainer	
22	3900283	4	Screw 3/8 x 3/4	
27	4711400	8	Washer 1/4	
28	4711500	43	Washer 5/16	
29	4711600	24	Washer 3/8	
34	1001227960	1	Module, B.L.A.M. (Note: Control System must be recalibrated when Module is replaced)	
38	1001119455	1	Valve, Oil Sampling	
42	1001270106	1	Main Valve Assembly (See Separate Breakdown in this Section)	
46	1001155743	2	Mount, Connector	
47	1001288370	1	Bracket	

SECTION 2 - TURNTABLE

FIGURE 2-2. BATTERY, HORN AND AUXILIARY PUMP INSTALLATION



ART_100119952

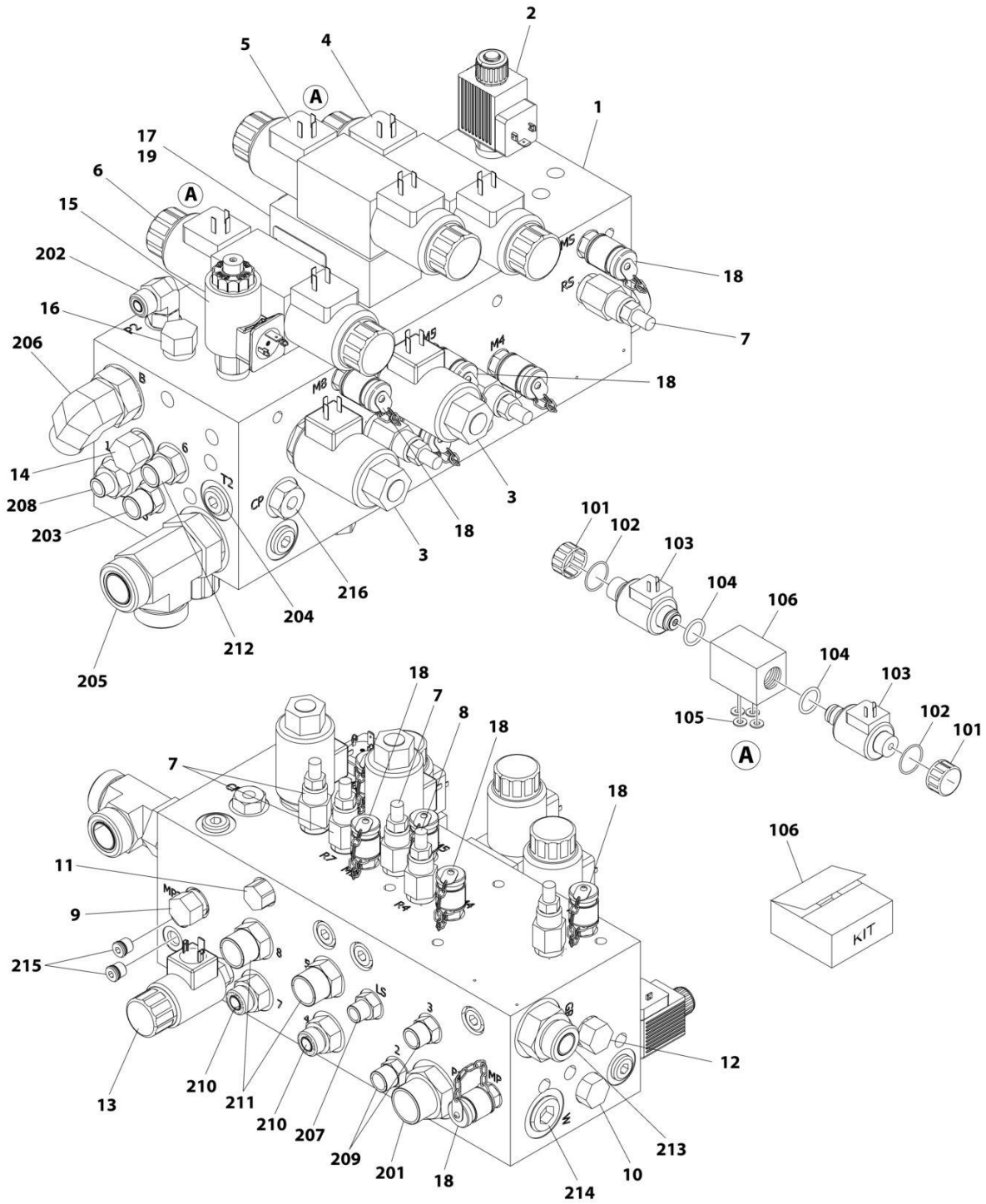
SECTION 2 - TURNTABLE

FIGURE 2-2. BATTERY, HORN AND AUXILIARY PUMP INSTALLATION

ITEM	PART NUMBER	QTY	DESCRIPTION	REV
	1001119952	Ref	BATTERY, HORN AND AUXILIARY PUMP INSTALLATION	B
1	0100011	AR	Compound, Locking	
2	0140001	1	Horn	
3	0236768	4	Bolt, Hold-down	
4	0363062	2	Bar, Battery	
5	0400020	1	Battery	
6	0641408	1	Bolt 1/4 x 1	
7	0641412	1	Bolt 1/4 x 1-1/2	
8	0641607	4	Bolt 3/8 x 7/8	
9	3311405	3	Nut 1/4	
10	3311601	4	Nut 3/8	
11	3311605	4	Nut 3/8	
12	1001224066	1	Auxiliary Pump Assembly (See Separate Breakdown in this Section)	
13	3740067	1	Relay	
14	3980006	1	Seat, Battery	
15	4420037	17 in/ 43cm	Tape, Insulation	
16	4711400	4	Washer 1/4	
17	4711600	12	Washer 3/8	
18	4791400	2	Washer 1/4	

SECTION 2 - TURNTABLE

FIGURE 2-3. MAIN VALVE ASSEMBLY



ART_1001270106

SECTION 2 - TURNTABLE

FIGURE 2-3. MAIN VALVE ASSEMBLY

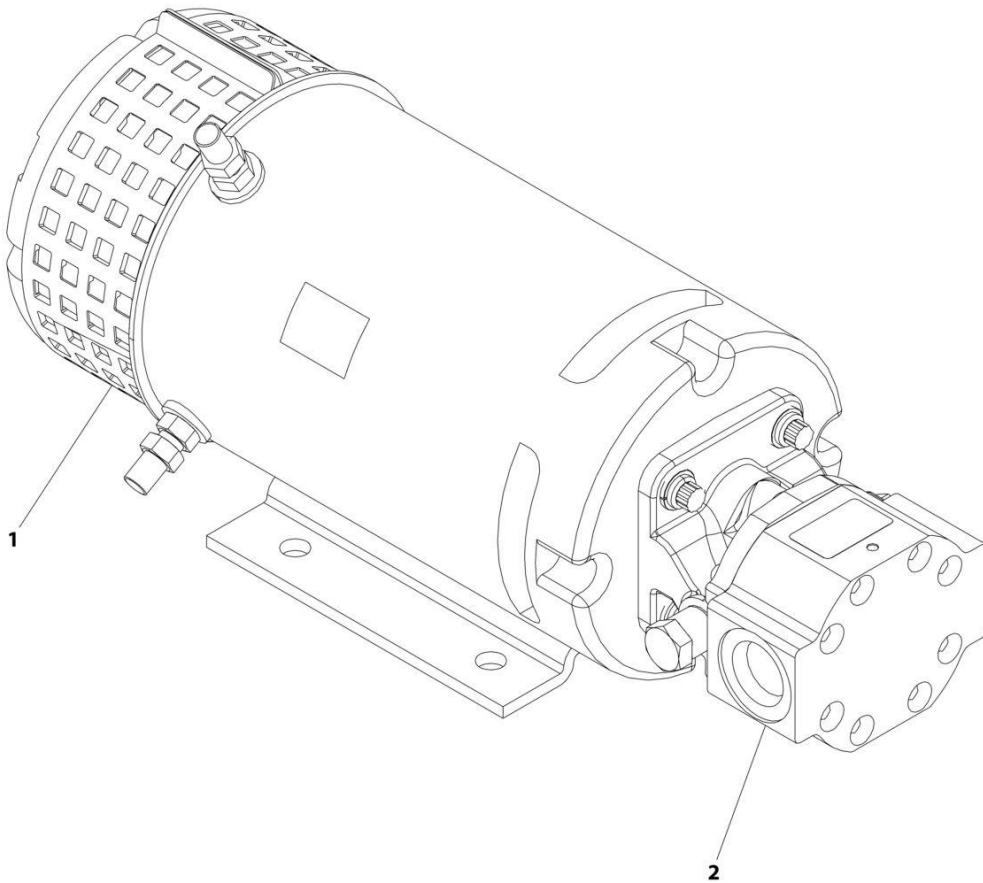
ITEM	PART NUMBER	QTY	DESCRIPTION	REV
	1001270106	Ref	MAIN VALVE ASSEMBLY	B
1	SEE NOTE	NSS	Body, Valve (Note: Not Sold Separately)	
2	7021636	1	Cartridge, Valve (Inlet Valve)	
2	7024574	1	Seal Kit, Valve 7021636	
2	7011354	1	Coil	
3	7021636	2	Cartridge, Valve (Proportional Control)	
3	7017495	2	Seal Kit, Valve 7021636	
3	7017451	2	Coil	
4	7024924	1	Cartridge, Valve (Swing Right & Swing Left) (Includes Items 101-106)	
5	7024925	1	Cartridge, Valve (Lift Up & Lift Down) (Includes Items 101-106)	
6	70001976	1	Cartridge, Valve (Telescope In & Telescope Out) (Includes Items 101-106)	
7	7026007	4	Cartridge, Valve	
7	7024574	4	Seal Kit, Valve 7026007	
8	7011321	1	Cartridge, Valve	
8	7024574	1	Seal Kit, Valve 7011321	
9	7026000	1	Cartridge, Valve	
9	7011311	1	Seal Kit, Valve 7026000	
10	7026001	1	Cartridge, Valve	
10	7011311	1	Seal Kit, Valve 7026001	
11	7026016	1	Cartridge, Valve	
11	7011346	1	Seal Kit, Valve 7026016	
12	7026002	1	Cartridge, Valve	
12	2900770	1	Seal Kit, Valve 7026002	
13	7024570	1	Cartridge, Valve (Emergency Lower)	
13	70001930	1	Seal Kit, Valve 7024570	
13	7024571	1	Coil	
14	7026003	1	Cartridge, Valve	
14	7026004	1	Seal Kit, Valve 7026003	
15	70007605	1	Cartridge, Valve (Emergency Lower)	
15	70029997	1	Seal Kit, Valve 70007605	
15	70001606	1	Coil	
16	7026008	1	Cartridge, Valve	
16	7011346	1	Seal Kit, Valve 7026008	
17	SEE NOTE	NSS	Manifold (Note: Not Sold Separately)	
18	2221086	6	Coupling	
19	70003021	1	Cartridge, Valve	
19	70004052	1	Seal Kit, Valve 70003021	
101	7021375	2	Nut, Cartridge	
102	7018943	2	O-Ring (21.82mm)	
103	7018991	2	Coil	
104	7018944	2	O-Ring (17.17mm)	
105	7018945	4	R-Ring	
106	7012773	1	Seal Kit, Valve 7024924, 7024925 & 70001976	
201	2111216	1	Fitting, SAE 12-16 Straight ORFS/ORB	
202	2130606	1	Fitting, SAE 6 Elbow ORFS/ORB	
203	2110806	1	Fitting, SAE 8-6 Straight ORFS/ORB	
204	2220886	1	Plug, SAE 8	
205	2170316	1	Fitting, SAE 16 Tee ORFS/ORB/ORFS	

SECTION 2 - TURNTABLE

ITEM	PART NUMBER	QTY	DESCRIPTION	REV
206	2131012	1	Fitting, SAE 10-12 Elbow ORFS/ORB	
207	2110406	1	Fitting, SAE 4-6 Straight ORFS/ORB	
208	2110408	1	Fitting, SAE 4-8 Straight ORFS/ORB	
209	2110606	2	Fitting, SAE 6 Straight ORFS/ORB	
210	2110810	2	Fitting, SAE 8-10 Straight ORFS/ORB	
211	2111010	2	Fitting, SAE 10 Straight ORFS/ORB	
212	2110608	1	Fitting, SAE 6-8 Straight ORFS/ORB	
213	2111016	1	Fitting, SAE 10-16 Straight ORFS/ORB	
214	SEE NOTE	NSS	Plug (Note: Purchase Locally)	
215	SEE NOTE	NSS	Plug (Note: Purchase Locally)	
216	1001137354	1	Fitting, Straight FORB/ORB	

SECTION 2 - TURNTABLE

FIGURE 2-4. AUXILIARY PUMP ASSEMBLY



ART_1001224066

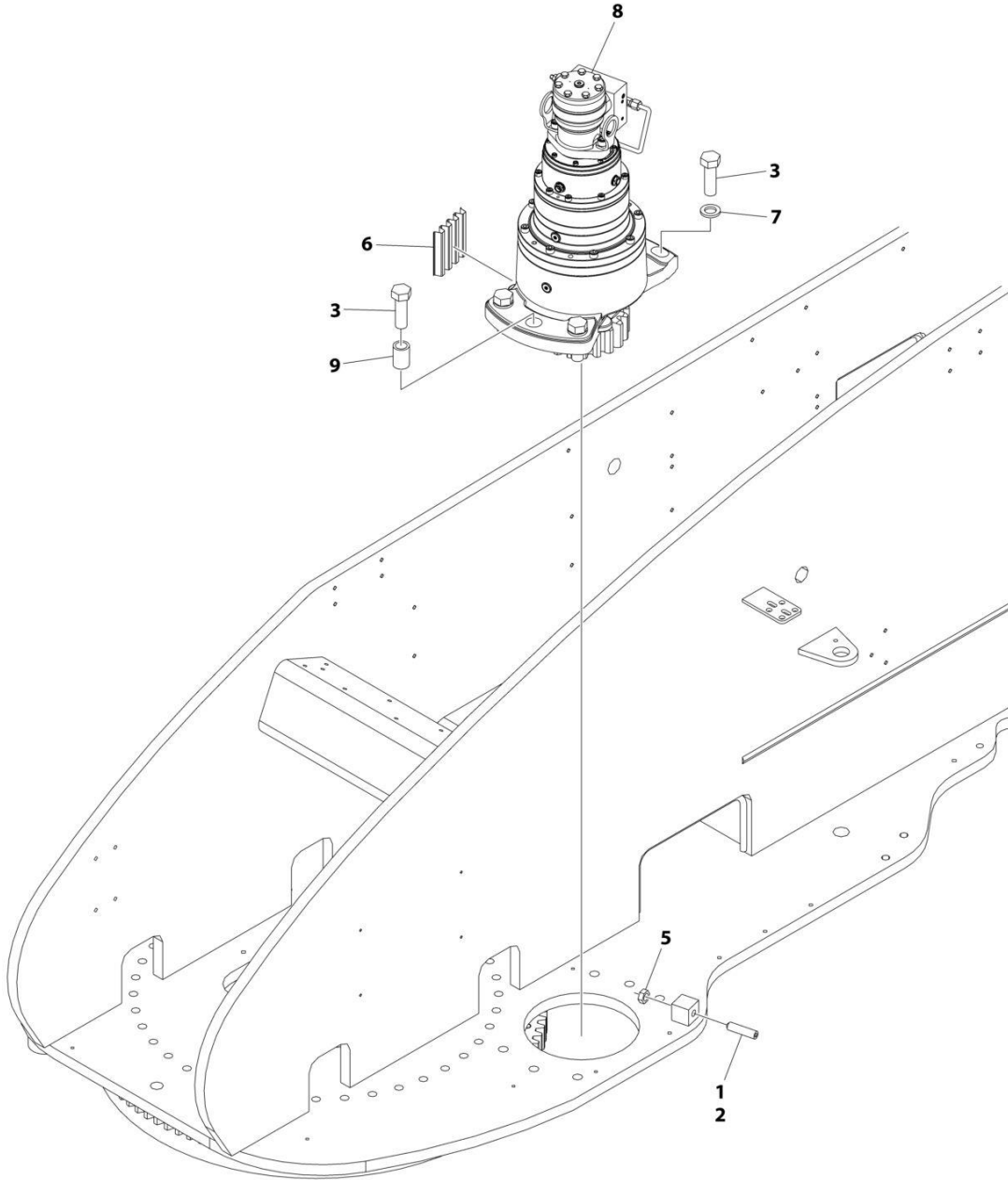
SECTION 2 - TURNTABLE

FIGURE 2-4. AUXILIARY PUMP ASSEMBLY

ITEM	PART NUMBER	QTY	DESCRIPTION	REV
	1001224066	Ref	AUXILIARY PUMP ASSEMBLY	B
1	7010924	1	Motor	
1	7010639	2	Brush	
1	7010640	8	Spring, Brush	
1	7011044	1	Gasket, Adapter to Motor	
2	70001001	1	Pump Kit (Includes Pump, Adapter to Motor Gasket p/n 7011044 and Mounting Hardware)	
2	70001000	1	Seal Kit (Includes Adapter to Motor Gasket p/n 7011044, Pump to Adapter Gasket, Shaft Seal and O-Rings for Hex Caps on Adapter)	

SECTION 2 - TURNTABLE

FIGURE 2-5. SWING DRIVE INSTALLATION



ART_1001228617

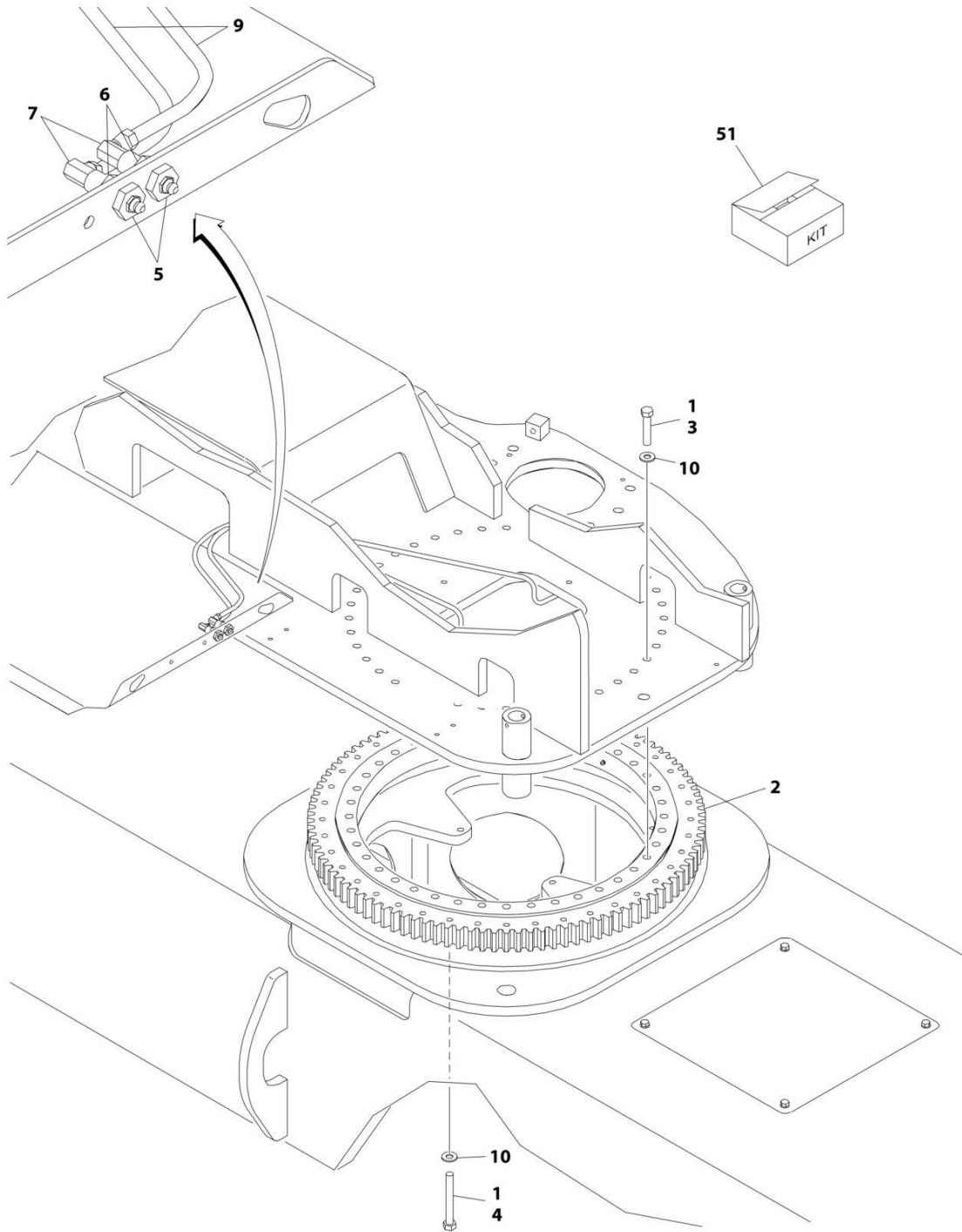
SECTION 2 - TURNTABLE

FIGURE 2-5. SWING DRIVE INSTALLATION

ITEM	PART NUMBER	QTY	DESCRIPTION	REV
	1001228617	Ref	SWING DRIVE INSTALLATION	E
1	0100019	AR	Compound, Locking	
2	3952020	1	Setscrew 5/8 x 2-1/2	
3	0682422	6	Bolt 7/8 x 2-3/4 Grade 8	
5	3312002	1	Nut 5/8	
6	4071041	1	Shim	
7	4892400	5	Washer 7/8	
8	1001228488	1	Swing Motor/Hub Assembly (See Separate Breakdown in this Section)	
9	1001229058	1	Sleeve	

SECTION 2 - TURNTABLE

FIGURE 2-6. TURNTABLE BEARING AND LUBE INSTALLATION



ART_0271512

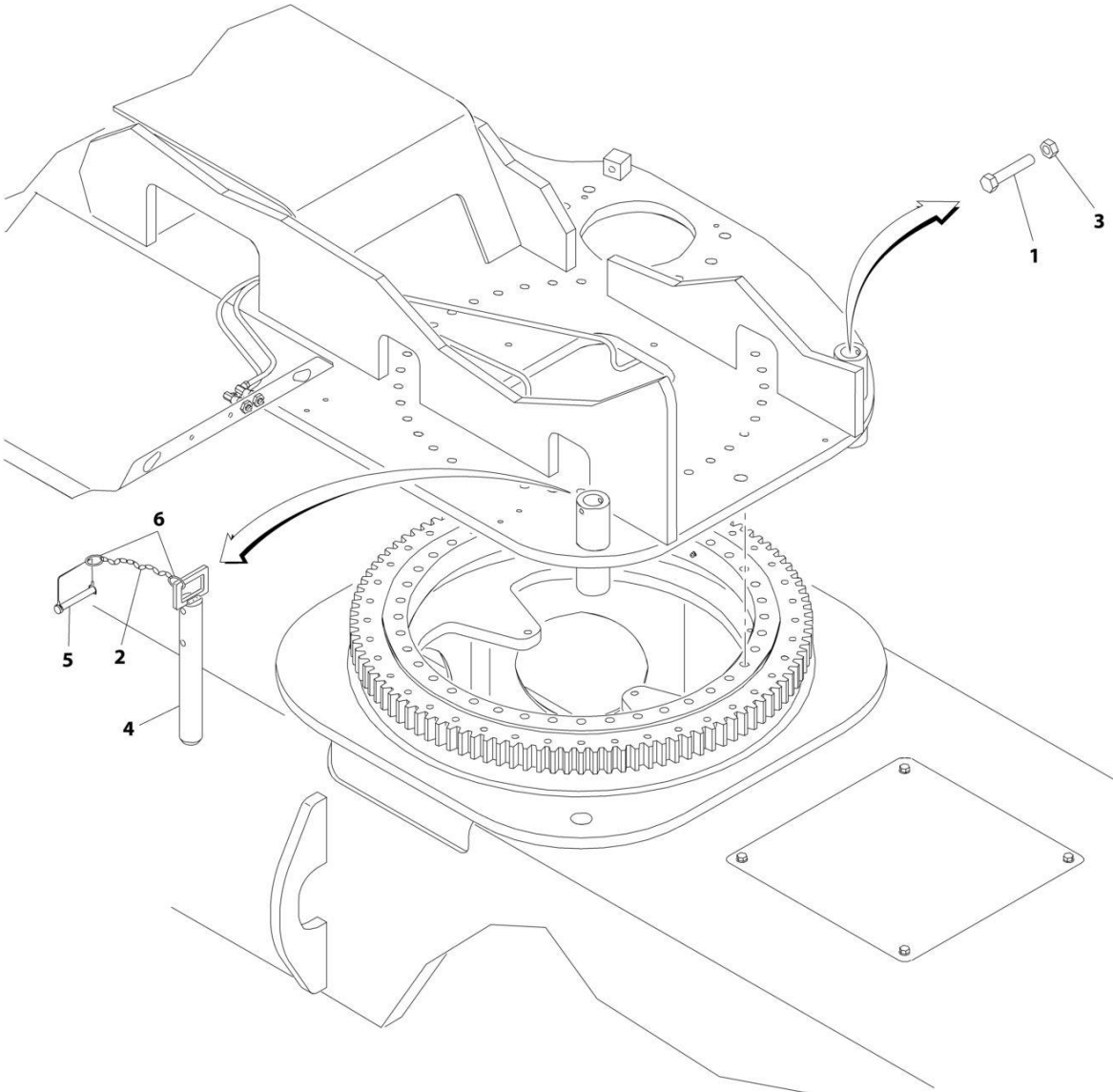
SECTION 2 - TURNTABLE

FIGURE 2-6. TURNTABLE BEARING AND LUBE INSTALLATION

ITEM	PART NUMBER	QTY	DESCRIPTION	REV
	0271512	Ref	TURNTABLE BEARING AND LUBE INSTALLATION	B
1	0100019	AR	Compound, Locking	
2	0440251	1	Bearing, Turntable	
3	0682026	40	Bolt 5/8 x 3-1/4 Grade 8	
4	0682040	40	Bolt 5/8 x 5 Grade 8	
5	2160002	2	Fitting, Grease	
6	2180344	2	Fitting, Bulkhead	
7	2220063	2	Fitting, Adapter	
9	2750528	2	Hose	
10	4892000	80	Washer 5/8	
51	2915072	1	Bearing Kit (Includes Items 2, 3, 4 & 10)	

SECTION 2 - TURNTABLE

FIGURE 2-7. TURNTABLE LOCK INSTALLATION



ART_1001110186

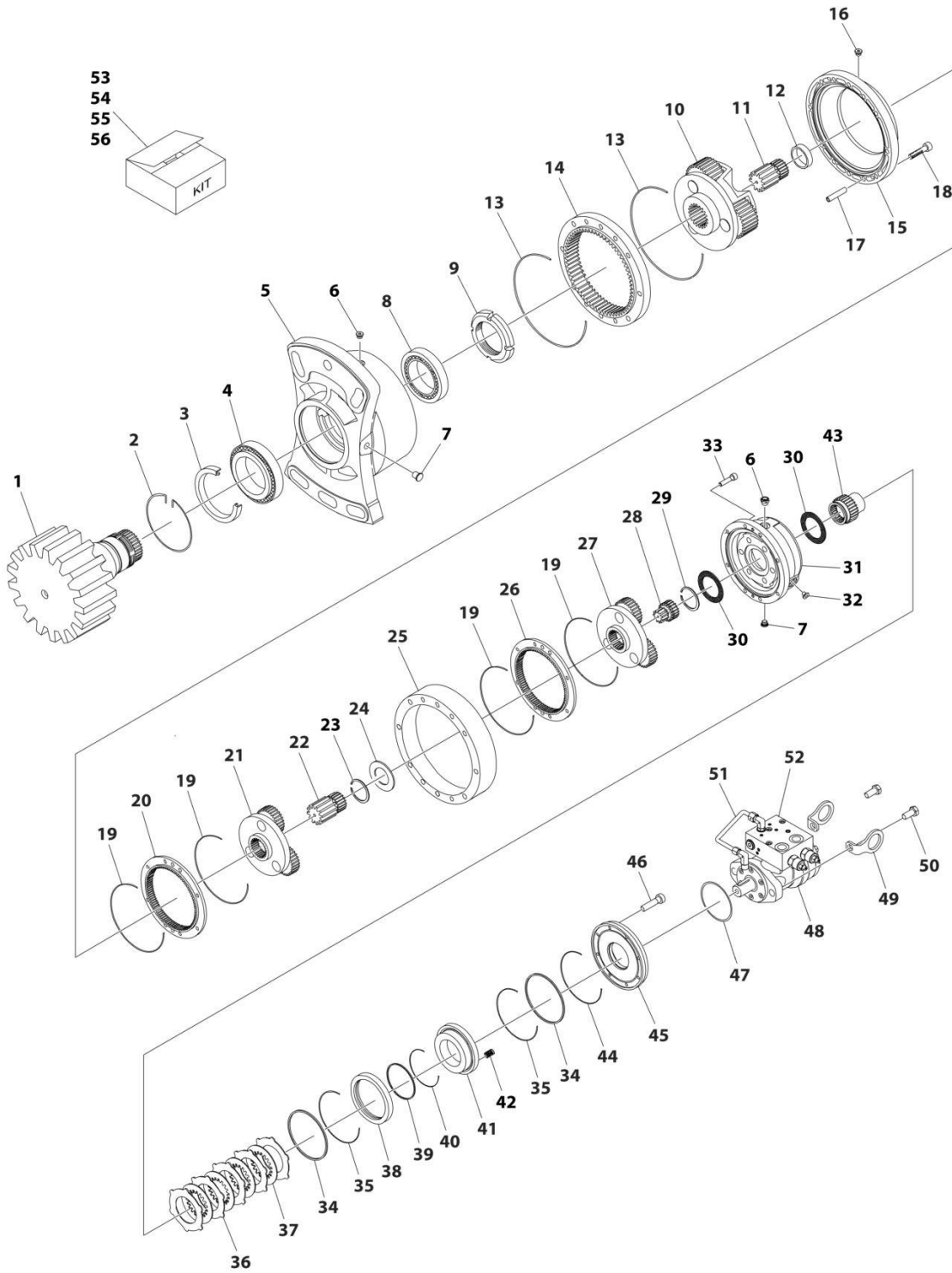
SECTION 2 - TURNTABLE

FIGURE 2-7. TURNTABLE LOCK INSTALLATION

ITEM	PART NUMBER	QTY	DESCRIPTION	REV
	1001110186	Ref	TURNTABLE LOCK INSTALLATION	C
1	0641524	1	Bolt 5/16 x 3	
2	1260017	9 in/23cm	Chain - #3	
3	3311505	1	Nut 5/16	
4	3421563	1	Pin, Turntable Lock	
5	3421565	1	Pin, Snap	
6	3760170	2	Ring, Quick Release	

SECTION 2 - TURNTABLE

FIGURE 2-8. SWING MOTOR/HUB ASSEMBLY



ART_1001228488

SECTION 2 - TURNTABLE

FIGURE 2-8. SWING MOTOR/HUB ASSEMBLY

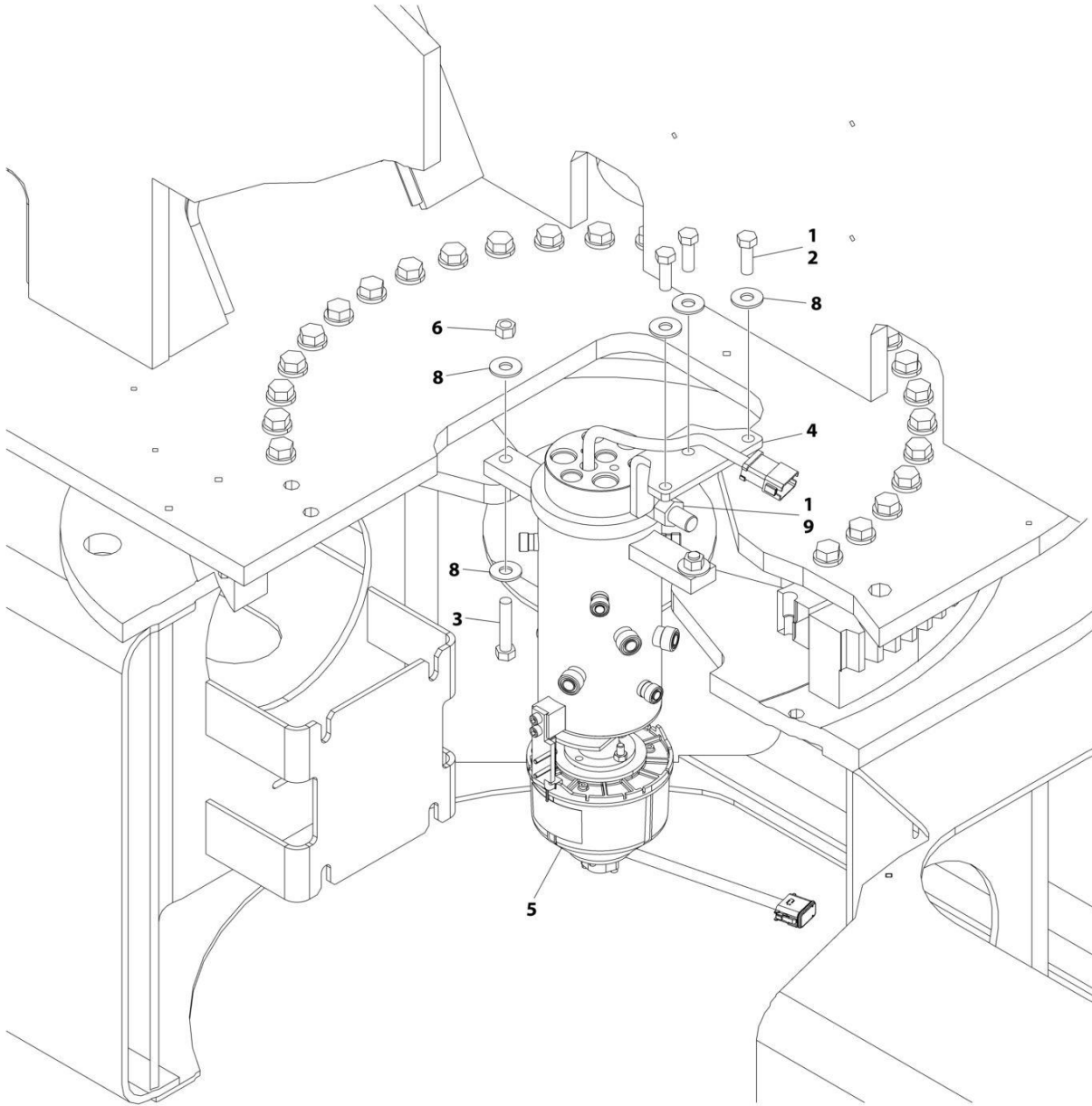
ITEM	PART NUMBER	QTY	DESCRIPTION	REV
	1001228488	Ref	SWING MOTOR/HUB ASSEMBLY	B
1	See Note	NSS	Shaft (Note: Use Item 56)	
2	70004467	1	Ring	
3	See Note	NSS	Seal, Oil (Note: Use Item 53)	
4	See Note	NSS	Bearing (Note: Use Item 55)	
5	See Note	NSS	Support, Output (Note: Not Available for Purchase)	
6	70002057	5	Plug with O-Ring	
7	70004469	2	Plug with O-Ring	
8	See Note	NSS	Bearing (Note: Use Item 55)	
9	See Note	NSS	Nut, Ring (Note: Use Item 56)	
10	70006986	1	Reduction, Gear - Complete	
11	70006987	1	Pinion	
12	70004477	1	Spacer	
13	See Note	NSS	O-Ring (Note: Use Item 53)	
14	70004474	1	Ring, Planetary	
15	70006988	1	Spacer	
16	70002057	2	Plug with O-Ring	
17	70006989	4	Pin, Spring	
18	70004480	8	Capscrew M10 x 55	
19	See Note	NSS	O-Ring (Note: Use Item 53)	
20	70006990	1	Ring, Planetary	
21	70006991	1	Reduction, Gear - Complete	
22	70006992	1	Pinion	
23	70002032	1	Ring	
24	70006993	1	Spacer	
25	70006994	1	Spacer	
26	70004481	1	Ring, Planetary	
27	70006995	1	Reduction, Gear - Complete	
28	70006996	1	Pinion	
29	70006997	1	Ring	
30	70006998	2	Washer	
31	See Note	NSS	Housing, Brake (Note: Not Available for Purchase)	
32	70006999	1	Plug	
33	70007000	8	Capscrew M8 x 90	
34	See Note	NSS	Seal (Note: Use Item 53 or 54)	
35	See Note	NSS	O-Ring (Note: Use Item 53 or 54)	
36	See Note	NSS	Disc, Steel (Note: Use Item 54)	
37	See Note	NSS	Disc (Note: Use Item 54)	
38	70005317	1	Spacer	
39	See Note	NSS	Seal (Note: Use Item 53 or 54)	
40	See Note	NSS	O-Ring (Note: Use Item 53 or 54)	
41	70005318	1	Piston, Brake	
42	See Note	NSS	Spring, Brake (Note: Use Item 54)	
43	70007001	1	Shaft, Input	
44	See Note	NSS	O-Ring (Note: Use Item 53 or 54)	
45	70007002	1	Cover	
46	70007003	8	Screw M6 x 25	
47	See Note	NSS	O-Ring (Note: Use Item 53)	
48	70007009	1	Motor	
48	70007011	1	Seal Kit	

SECTION 2 - TURNTABLE

ITEM	PART NUMBER	QTY	DESCRIPTION	REV
49	See Note	NSS	Lug, Lifting (Note: Not Available for Purchase)	
50	70004494	2	Capscrew M12 x 35	
51	70007004	1	Brake, Valve Adapter	
52	70007010	1	Valve	
52	70007012	1	Seal Kit	
52	70007013	1	Hardware Kit	
53	70007005	1	Seal Kit – Brake and Hub (Includes Items 3, 13, 19, 34, 35, 39, 40, 44 & 47)	
54	70007006	1	Seal Kit – Brake (Includes Items 34-37, 39, 40, 42 & 44)	
55	70007007	1	Bearing Kit (Includes Items 4 & 8)	
56	70007008	1	Output Shaft Kit (Includes Items 1 & 9)	

SECTION 2 - TURNTABLE

FIGURE 2-9. ROTARY COUPLING AND COLLECTOR RING INSTALLATION



ART_100119273_C

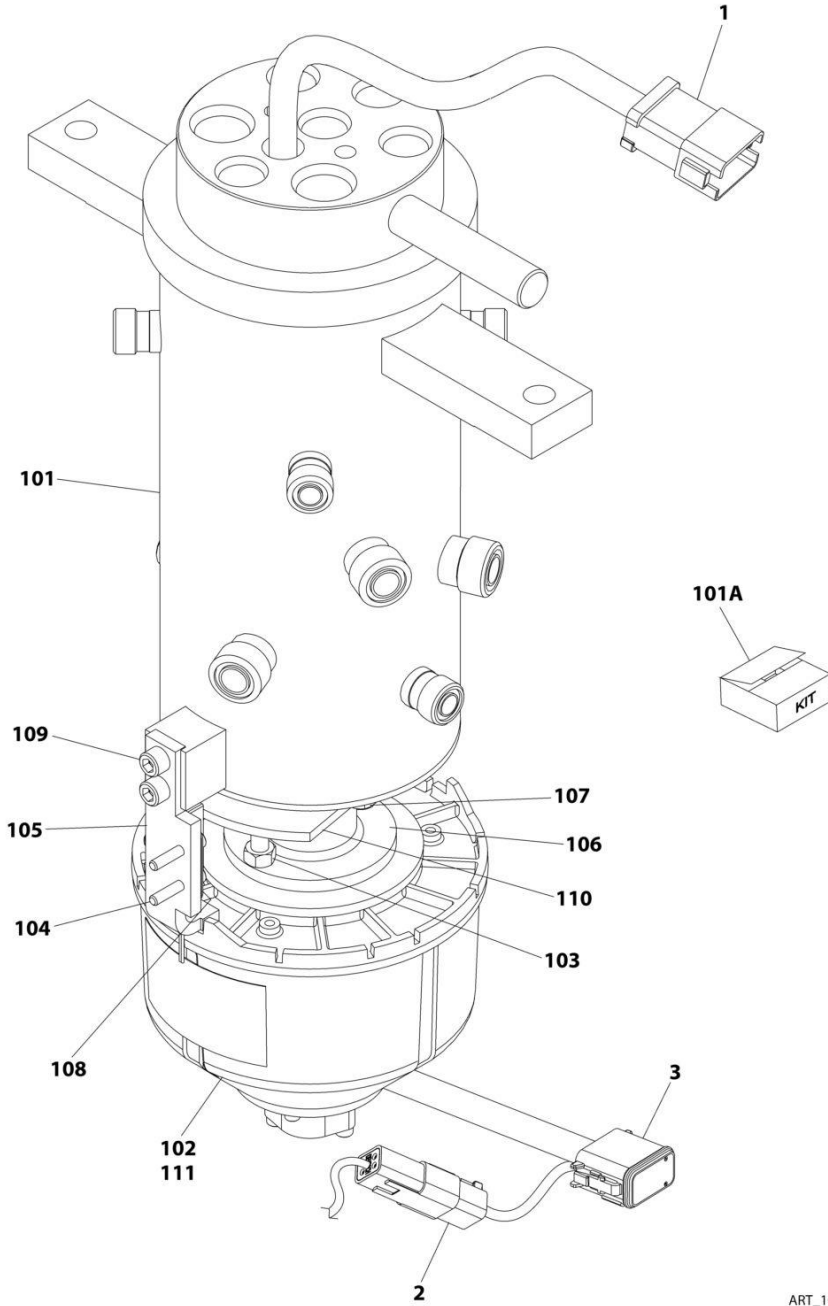
SECTION 2 - TURNTABLE

FIGURE 2-9. ROTARY COUPLING AND COLLECTOR RING INSTALLATION

ITEM	PART NUMBER	QTY	DESCRIPTION	REV
	1001119273	Ref	ROTARY COUPLING AND COLLECTOR RING INSTALLATION	C
1	0100011	AR	Compound, Locking	
2	0641812	3	Bolt 1/2 x 1-1/2	
3	0641820	2	Bolt 1/2 x 2-1/2	
4	0902915	1	Bracket, Swivel	
5	1001278608	1	Rotary Coupling and Collector Ring Assembly (See Separate Breakdown in this Section)	
6	3311805	2	Nut 1/2	
8	4751800	7	Washer 1/2	
9	3322201	2	Nut 3/4	

SECTION 2 - TURNTABLE

FIGURE 2-10. ROTARY COUPLING AND COLLECTOR RING ASSEMBLY



ART_1001278608

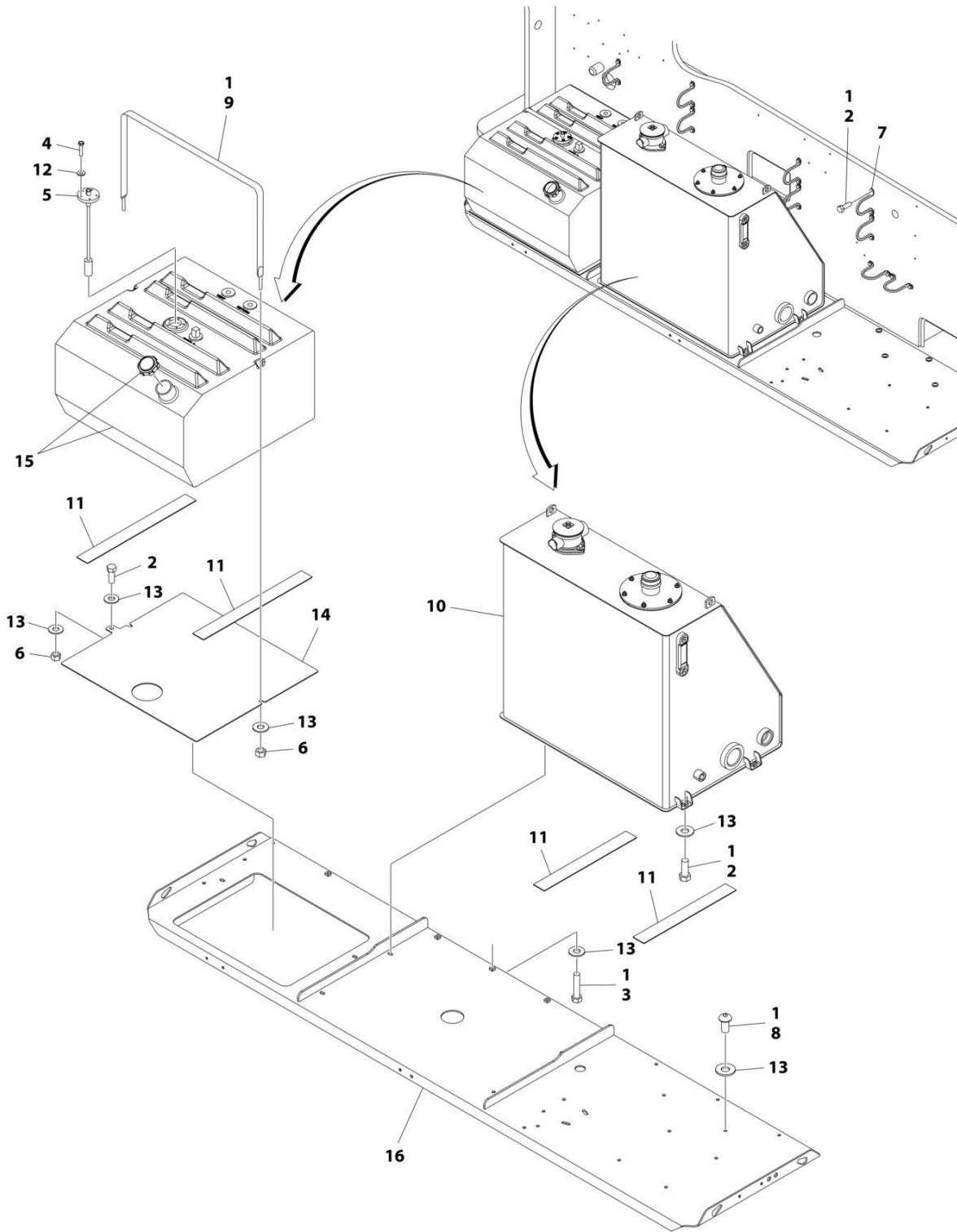
SECTION 2 - TURNTABLE

FIGURE 2-10. ROTARY COUPLING AND COLLECTOR RING ASSEMBLY

ITEM	PART NUMBER	QTY	DESCRIPTION	REV
	1001278608	Ref	ROTARY COUPLING AND COLLECTOR RING ASSEMBLY	B
1	4460950	1	Connector	
1	80363179	1	Wedge Lock	
2	4460884	1	Connector	
2	80604021	1	Wedge Lock	
3	4460836	1	Connector	
3	80604016	1	Wedge Lock	
3	4460944	3	Socket, Female (Gold)	
3	4640465	7	Socket, Female	
3	4460466	2	Seal, Plug	
101	70001102	1	Rotary Coupling Assembly	
101A	70001101	1	Seal Kit - 70001102 Coupling	
102	70008366	1	Collector Ring Assembly	
103	70008360	2	Nut 5/16	
104	70007510	2	Capscrew #10 x 1/2	
105	70008361	1	Arm	
106	70008362	1	Adaptor, Spool	
107	70008363	2	Bolt 5/16 x 1	
108	70008364	1	Sensor	
109	3931512	2	Capscrew 5/16 x 3/4	
110	70008365	1	Plate, Cam	
111	0100048	AR	Silicone	

SECTION 2 - TURNTABLE

FIGURE 2-11. TANK INSTALLATION - WITH 31 GAL/117.31 L FUEL TANK



ART_1001173915

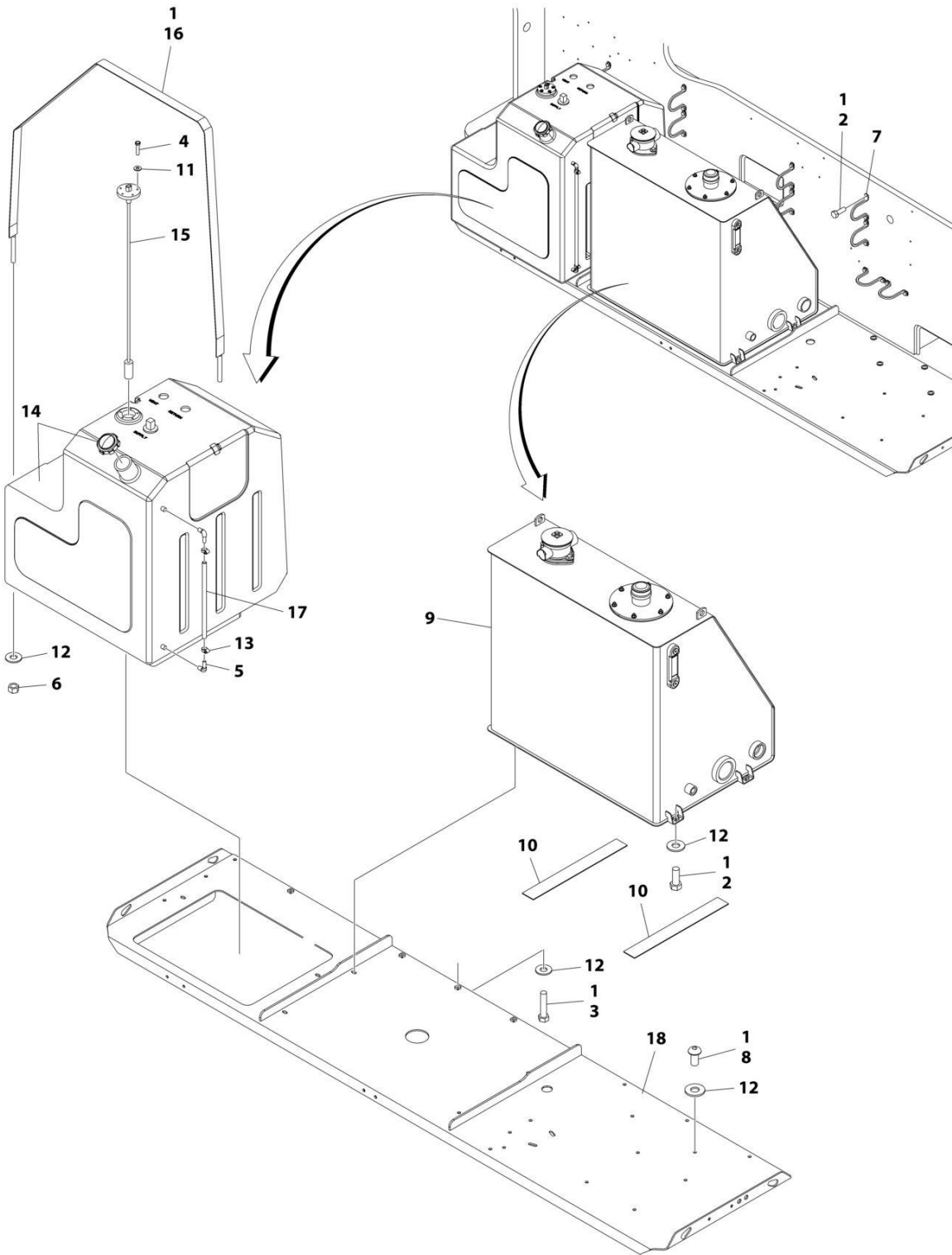
SECTION 2 - TURNTABLE

FIGURE 2-11. TANK INSTALLATION - WITH 31 GAL/117.31 L FUEL TANK

ITEM	PART NUMBER	QTY	DESCRIPTION	REV
	1001173915	Ref	TANKS INSTALLATION - WITH STEEL HOODS	C
1	0100011	AR	Compound, Locking	
2	0641608	23	Bolt 3/8 x 1	
3	0641614	10	Bolt 3/8 x 1-3/4	
4	0731007	5	Screw, Machine #10 x 7/8	
5	2420191	1	Gauge, Fuel	
6	3311601	3	Nut 3/8	
7	3841340	9	Loop, Hose	
8	3900283	6	Screw 3/8 x 3/4	
9	4240139	1	Strap, Tank	
10	4400457	1	Tank, Hydraulic Oil (See Separate Breakdown in this Section)	
11	4420038	74 in /1.9m	Tape	
12	4751000	5	Washer #10	
13	4751600	24	Washer 3/8	
14	1001107359	1	Plate, Support	
15	1001160567	1	Tank, Fuel	
15	70004414	1	Cap	
15	7020043	1	Tube, Pick up	
16	1001173171	1	Tray	

SECTION 2 - TURNTABLE

FIGURE 2-12. TANK INSTALLATION - WITH 58.2 GAL/200 L FUEL TANK



ART_1001173918

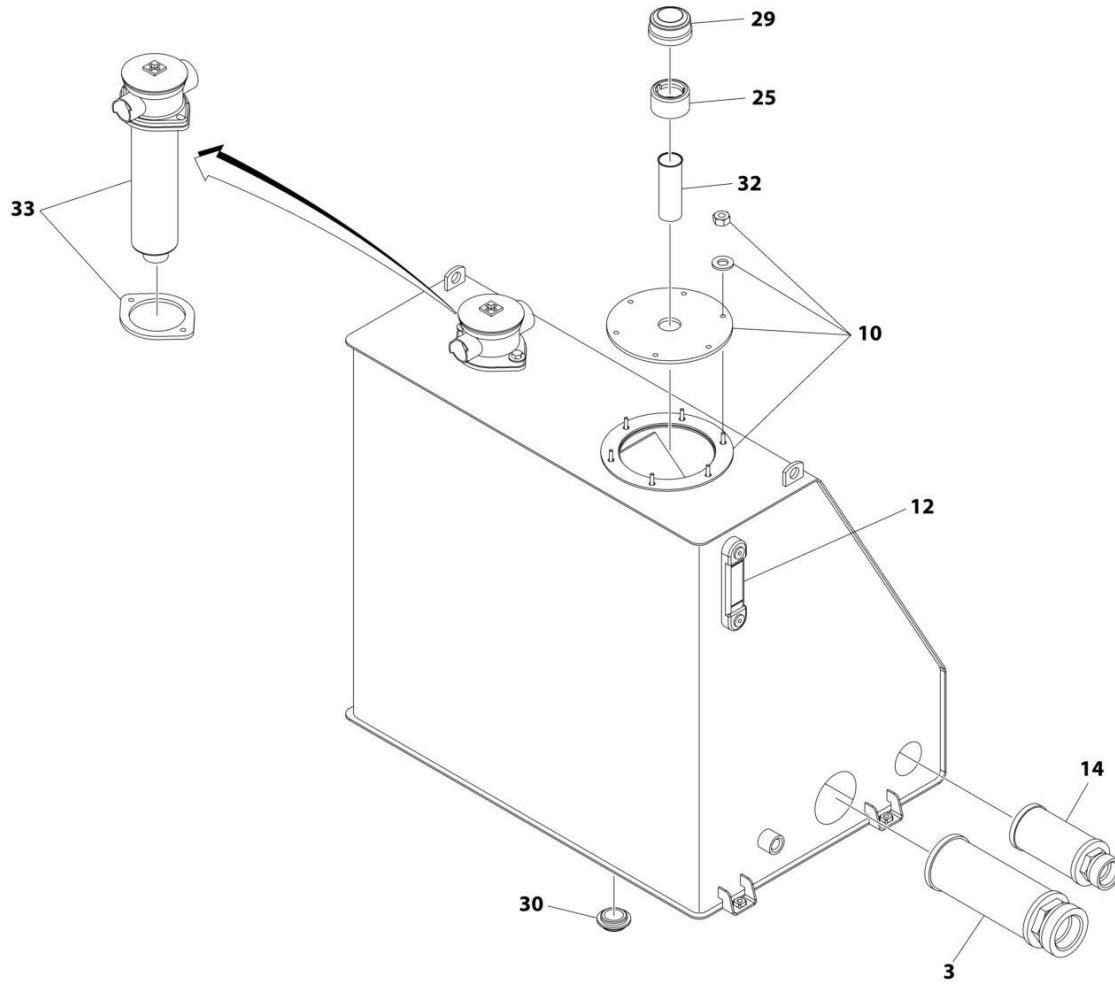
SECTION 2 - TURNTABLE

FIGURE 2-12. TANK INSTALLATION - WITH 58.2 GAL/200 L FUEL TANK

ITEM	PART NUMBER	QTY	DESCRIPTION	REV
	1001173918	Ref	TANKS INSTALLATION - WITH STEEL HOODS AND 52.8 GAL/200 L FUEL TANK	C
1	0100011	AR	Compound, Locking	
2	0641608	22	Bolt 3/8 x 1	
3	0641614	10	Bolt 3/8 x 1-3/4	
4	0731007	5	Screw, Machine #10 x 7/8	
5	2180467	2	Fitting, Barb	
6	3311601	2	Nut 3/8	
7	3841340	9	Loop, Hose	
8	3900283	6	Screw 3/8 x 3/4	
9	4400457	1	Tank, Hydraulic Oil (See Separate Breakdown in this Section)	
10	4420038	74 in/1.9m	Tape	
11	4751000	5	Washer #10	
12	4751600	22	Washer 3/8	
13	8405009	2	Clamp	
14	1001108579	1	Tank, Fuel	
14	7016314	1	Cap	
14	70004413	1	Tube, Pick up	
15	1001109048	1	Gauge, Fuel	
16	1001110059	1	Strap, Tank Mounting	
17	1001113103	19.5 in /0.5m	Tube, Sight	
18	1001173171	1	Tray	

SECTION 2 - TURNTABLE

FIGURE 2-13. HYDRAULIC OIL TANK ASSEMBLY



ART_4400457

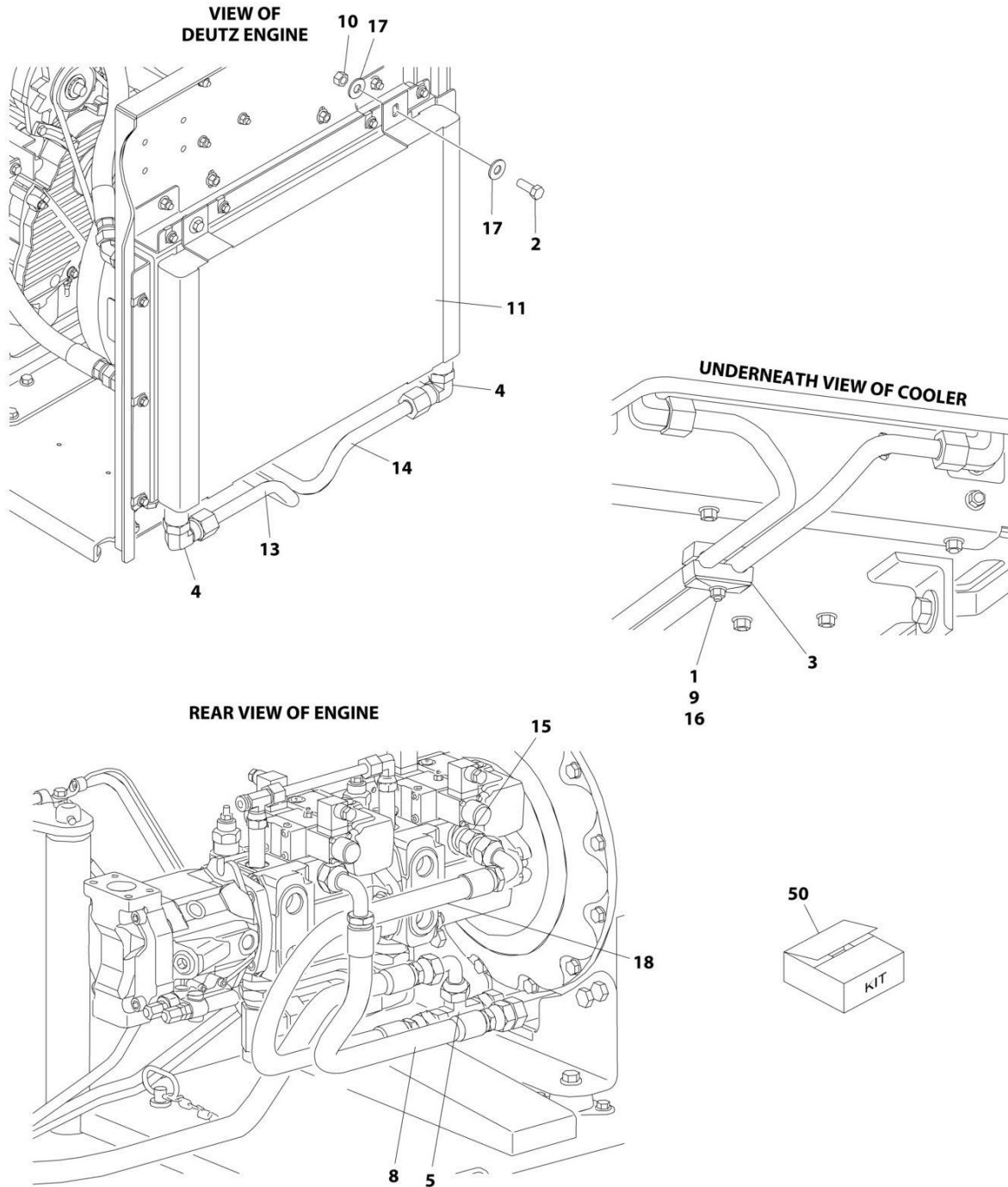
SECTION 2 - TURNTABLE

FIGURE 2-13. HYDRAULIC OIL TANK ASSEMBLY

ITEM	PART NUMBER	QTY	DESCRIPTION	REV
	4400457	Ref	HYDRAULIC OIL TANK ASSEMBLY	E
3	7026571	1	Strainer, Suction	
10	7024439	1	Cover	
10	7023306	1	Seal, Cover Plate	
10	7024440	1	Gasket	
12	7024441	1	Gauge, Sight	
14	7024442	1	Strainer	
25	7024445	1	Strainer (Filler Neck)	
29	7024444	1	Cap, Fill	
30	7024446	1	Plug, Magnetic	
32	7024443	1	Neck, Filler	
33	7024374	1	Filter, Hydraulic Oil	
33	7024375	1	Element, Filter	
33	7023347	1	Gasket, Filter Mounting Flange	

SECTION 2 - TURNTABLE

FIGURE 2-14. HYDRAULIC OIL COOLER INSTALLATION - DEUTZ TD2011 ENGINES WITH REXROTH PUMPS (OPTIONAL)



ART_0272080

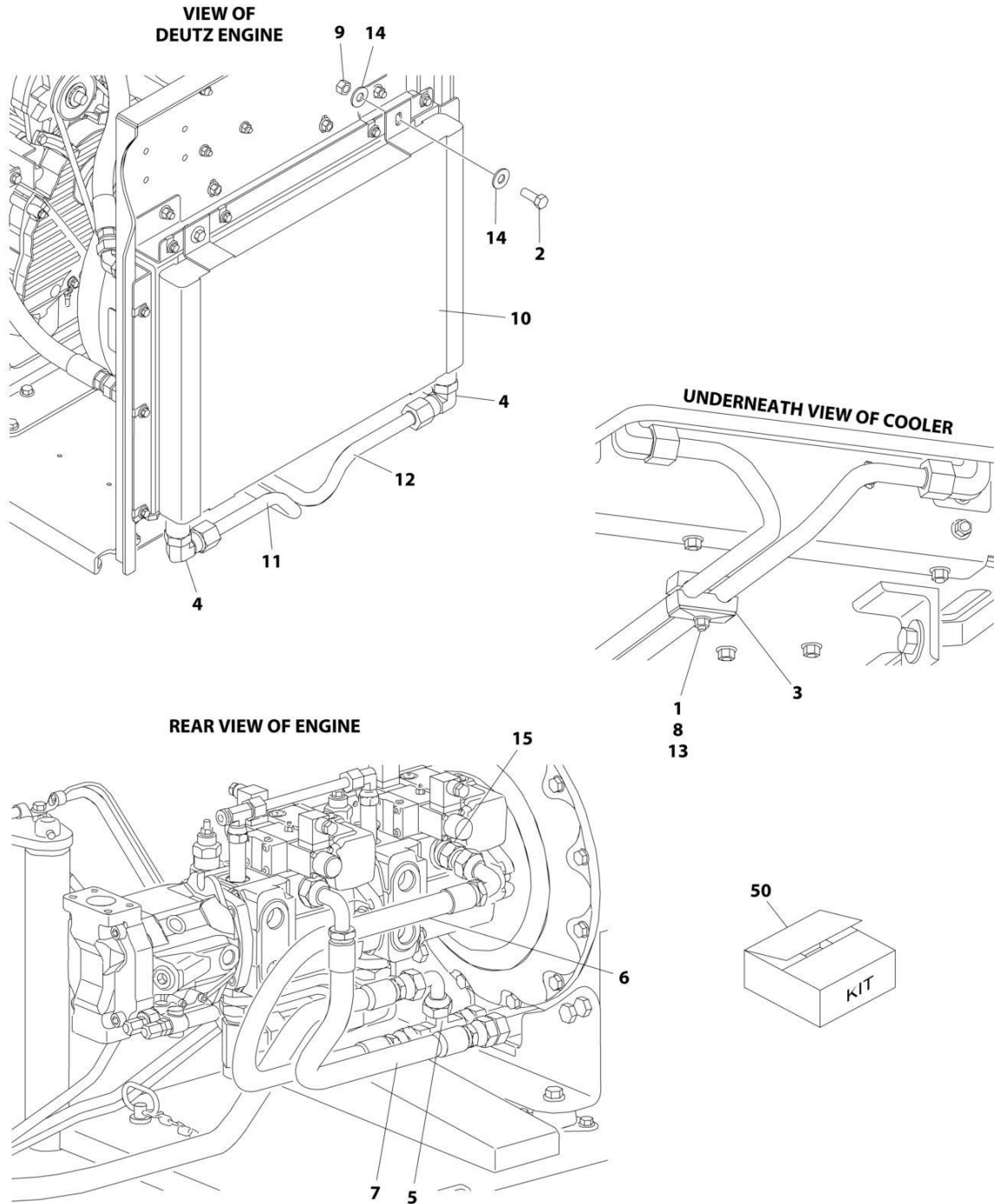
SECTION 2 - TURNTABLE

FIGURE 2-14. HYDRAULIC OIL COOLER INSTALLATION - DEUTZ TD2011 ENGINES WITH REXROTH PUMPS (OPTIONAL)

ITEM	PART NUMBER	QTY	DESCRIPTION	REV
	0272080	Ref	HYDRAULIC OIL COOLER INSTALLATION - DEUTZ TD2011 ENGINES WITH REXROTH PUMPS (OPTIONAL)	B
		Ref	Note: See Engine Installation for Engine Oil Cooler.	
1	0641520	2	Bolt 5/16 x 2-1/2	
2	0641608	4	Bolt 3/8 x 1	
3	1320162	2	Clamp, Hose	
4	2131212	2	Fitting, Elbow	
5	2170712	1	Fitting, Tee	
8	2753778	1	Hose	
9	3311505	2	Nut 5/16	
10	3311605	4	Nut 3/8	
11	3620034	1	Cooler, Hydraulic Oil	
13	4568426	1	Tube	
14	4568427	1	Tube	
15	4641247	1	Valve, Check	
16	4711500	4	Washer 5/16	
17	4751600	8	Washer 3/8	
18	2753843	1	Hose	
50	1001120564	1	Oil Cooler Add-on Kit (Includes Items 1-18)	

SECTION 2 - TURNTABLE

FIGURE 2-15. HYDRAULIC OIL COOLER INSTALLATION - DEUTZ TD2011 ENGINES WITH SAUER PUMPS (OPTIONAL)



ART_1001118957

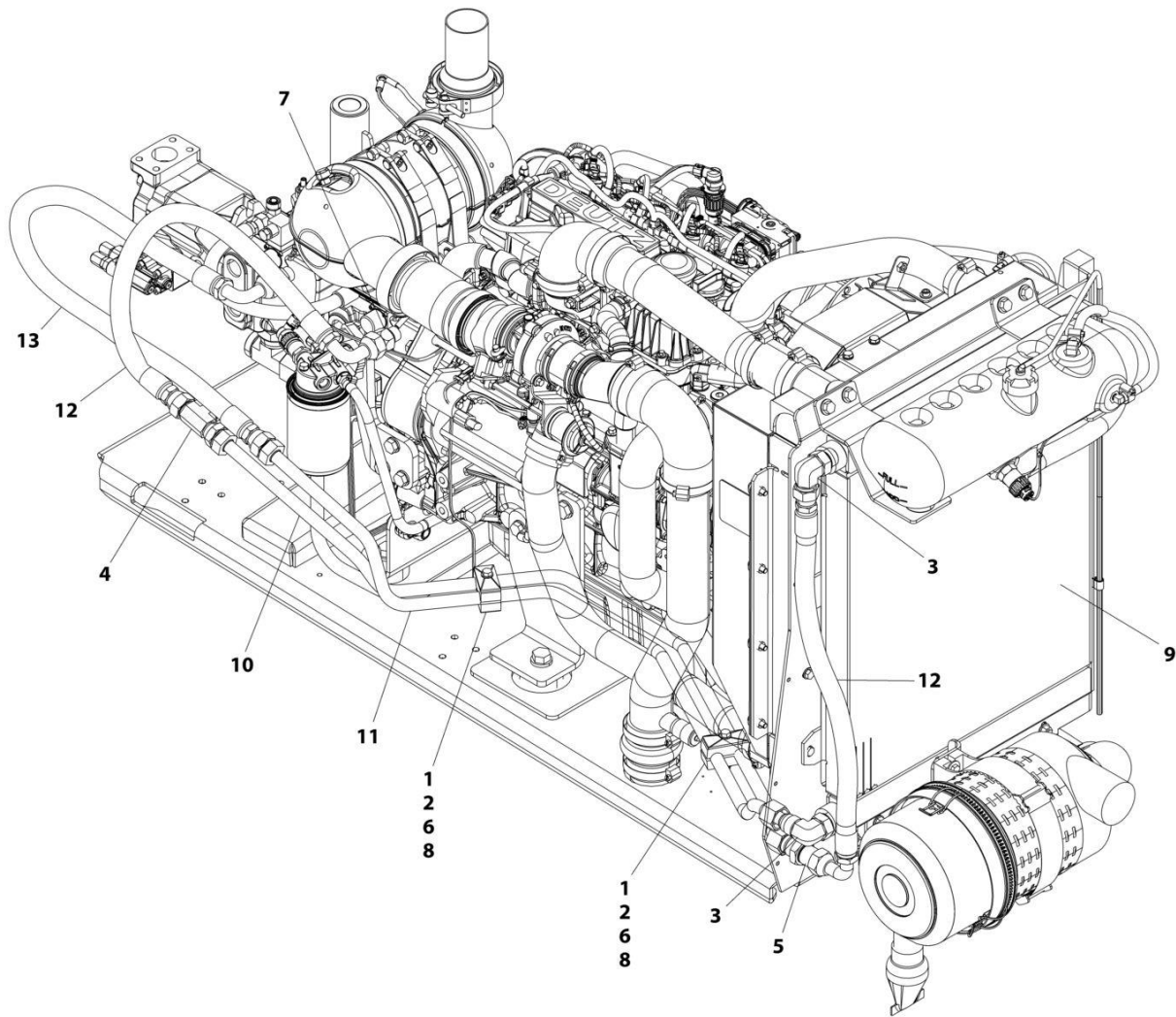
SECTION 2 - TURNTABLE

FIGURE 2-15. HYDRAULIC OIL COOLER INSTALLATION - DEUTZ TD2011 ENGINES WITH SAUER PUMPS (OPTIONAL)

ITEM	PART NUMBER	QTY	DESCRIPTION	REV
	1001118957	Ref	HYDRAULIC OIL COOLER INSTALLATION - DEUTZ TD2011 ENGINES WITH SAUER PUMPS (OPTIONAL)	B
		Ref	Note: See Engine Installation for Engine Oil Cooler.	
1	0641520	2	Bolt 5/16 x 2-1/2	
2	0641608	4	Bolt 3/8 x 1	
3	1320162	2	Clamp, Hose	
4	2131212	2	Fitting, Elbow	
5	2170712	1	Fitting, Tee	
6	2753778	1	Hose	
7	2753999	1	Hose	
8	3311505	2	Nut 5/16	
9	3311605	4	Nut 3/8	
10	3620034	1	Cooler, Hydraulic Oil	
11	4568426	1	Tube	
12	4568427	1	Tube	
13	4711500	4	Washer 5/16	
14	4751600	8	Washer 3/8	
15	1001109677	1	Valve, Check	
50	1001120564	1	Oil Cooler Add-on Kit Options (Includes Items 1-15):	

SECTION 2 - TURNTABLE

FIGURE 2-16. HYDRAULIC OIL COOLER INSTALLATION - DEUTZ TCD2.9L4 ENGINES AND DEUTZ TCD2.9L4 (STAGE V) ENGINES WITH REXROTH PUMPS (OPTIONAL)



ART_1001139494

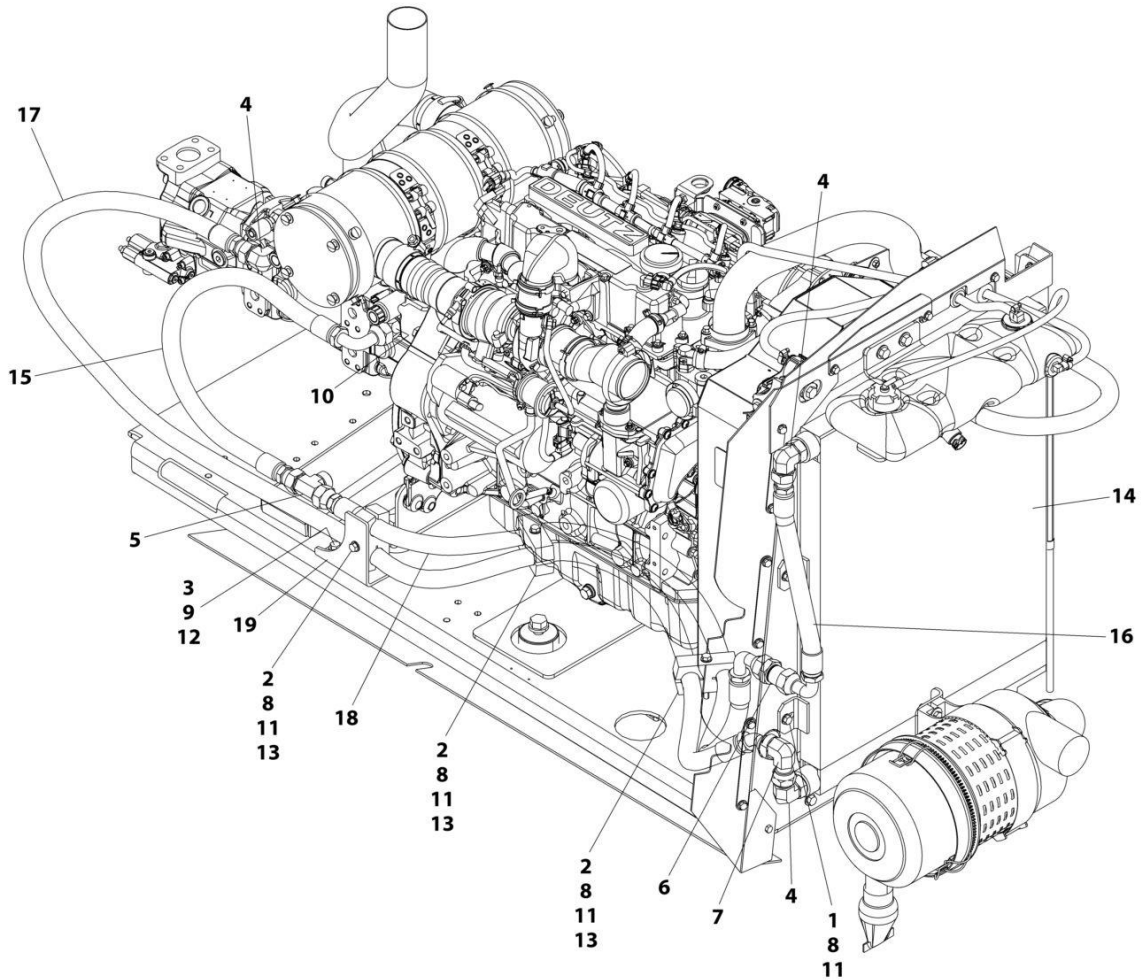
SECTION 2 - TURNTABLE

FIGURE 2-16. HYDRAULIC OIL COOLER INSTALLATION - DEUTZ TCD2.9L4 ENGINES AND DEUTZ TCD2.9L4 (STAGE V) ENGINES WITH REXROTH PUMPS (OPTIONAL)

ITEM	PART NUMBER	QTY	DESCRIPTION	REV
	1001139494	Ref	HYDRAULIC OIL COOLER INSTALLATION - DEUTZ TCD2.9L4 ENGINES WITH REXROTH PUMPS (OPTIONAL)	E
		Ref	Note: See Engine Installation for Engine Oil Cooler.	
1	0641520	2	Bolt 5/16 x 2-1/2	
2	1320162	2	Clamp, Hose	
3	2131212	2	Fitting, 90	
4	2170712	1	Fitting, Tee	
5	2171112	1	Fitting, Straight	
6	3311505	2	Nut 5/16	
7	4641247	1	Valve	
8	4711500	4	Washer 5/16	
9	1001135124	1	Cooler, Hydraulic Oil	
10	1001139665	1	Tube	
11	1001139666	1	Tube	
12	1001143087	2	Hose	
13	1001143123	1	Hose	

SECTION 2 - TURNTABLE

FIGURE 2-17. HYDRAULIC OIL COOLER INSTALLATION - DEUTZ TCD2.9L4 ENGINES WITH REXROTH PUMPS (OPTIONAL) (CHINA SPEC ONLY)



ART_1001221802_B

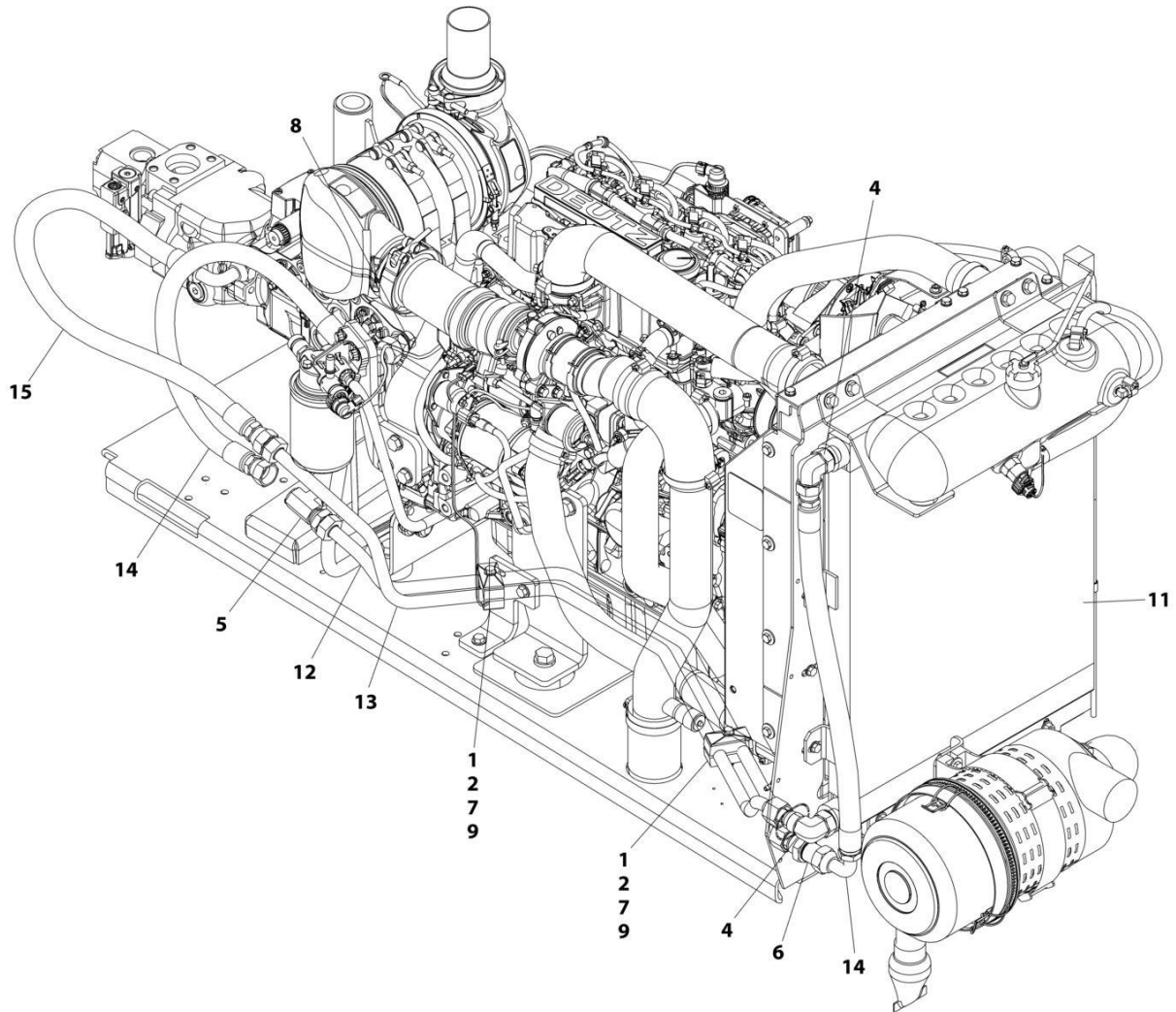
SECTION 2 - TURNTABLE

FIGURE 2-17. HYDRAULIC OIL COOLER INSTALLATION - DEUTZ TCD2.9L4 ENGINES WITH REXROTH PUMPS (OPTIONAL) (CHINA SPEC ONLY)

ITEM	PART NUMBER	QTY	DESCRIPTION	REV
	1001221802	Ref	HYDRAULIC OIL COOLER INSTALLATION - DEUTZ TCD2.9L4 ENGINES WITH REXROTH PUMPS (OPTIONAL)	B
1	0641508	4	Bolt 5/16 x 1	
2	0641524	3	Bolt 5/16 x 3	
3	0641609	2	Bolt 3/8 x 1-1/8	
4	2131212	3	Fitting, 90 ORFS/ORB	
5	2170512	1	Fitting, Tee ORFS/ORFS/ORFS	
6	2171112	1	Fitting, Straight ORFS/ORFS	
7	2172112	1	Fitting, 90 ORFS/FSORFS	
8	3311505	7	Nut 5/16	
9	3311605	2	Nut 3/8	
10	4641247	1	Valve	
11	4711500	14	Washer 5/16	
12	4711600	4	Washer 3/8	
13	8750024	3	Clamp	
14	1001256859	1	Cooler, Hydraulic Oil	
15	1001143087	1	Hose	
16	1001181129	1	Hose	
17	1001188376	1	Hose	
18	1001188382	1	Hose	
19	1001220560	1	Bracket	

SECTION 2 - TURNTABLE

FIGURE 2-18. HYDRAULIC OIL COOLER INSTALLATION - DEUTZ TCD2.9L4 ENGINES AND DEUTZ TCD2.9L4 (STAGE V) (CHINA IV) ENGINES WITH SAUER PUMPS (OPTIONAL)



ART_1001139492_F

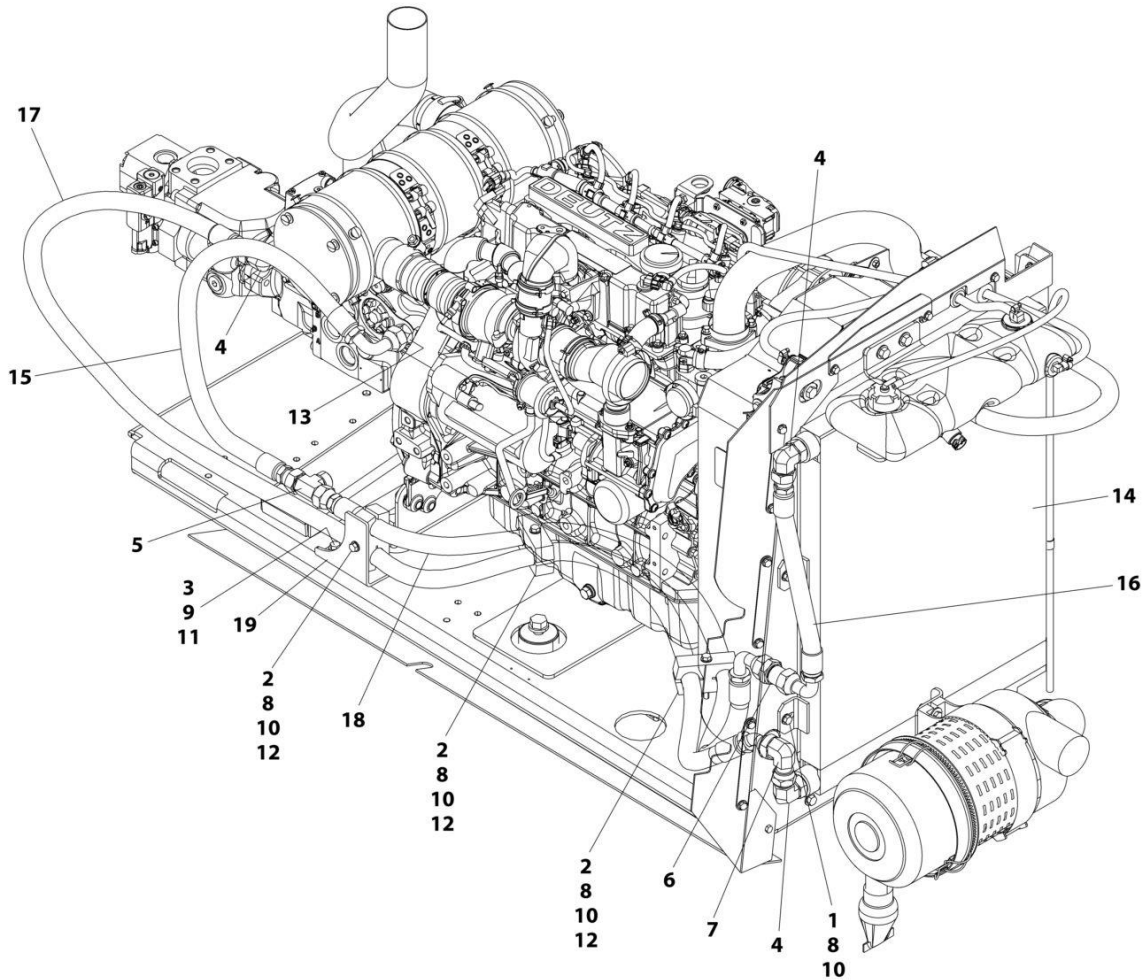
SECTION 2 - TURNTABLE

FIGURE 2-18. HYDRAULIC OIL COOLER INSTALLATION - DEUTZ TCD2.9L4 ENGINES AND DEUTZ TCD2.9L4 (STAGE V) (CHINA IV) ENGINES WITH SAUER PUMPS (OPTIONAL)

ITEM	PART NUMBER	QTY	DESCRIPTION	REV
	1001139492	Ref	HYDRAULIC OIL COOLER INSTALLATION - DEUTZ TCD2.9L4 ENGINES WITH SAUER PUMPS (OPTIONAL)	F
		Ref	Note: See Engine Installation for Engine Oil Cooler	
1	0641520	2	Bolt 5/16 x 2-1/2	
2	1320162	2	Clamp, Hose	
4	2131212	2	Fitting, 90	
5	2170712	1	Fitting, Tee	
6	2171112	1	Fitting, Straight	
7	3311505	2	Nut 5/16	
8	1001109677	1	Valve	
9	4711500	4	Washer 5/16	
11	1001256859	1	Cooler, Hydraulic Oil	
12	1001139665	1	Tube	
13	1001139666	1	Tube	
14	1001143087	2	Hose	
15	1001143123	1	Hose	

SECTION 2 - TURNTABLE

FIGURE 2-19. HYDRAULIC OIL COOLER INSTALLATION - DEUTZ TCD2.9L4 ENGINES WITH SAUER PUMPS (OPTIONAL) (CHINA SPEC ONLY)



ART_1001221666_B

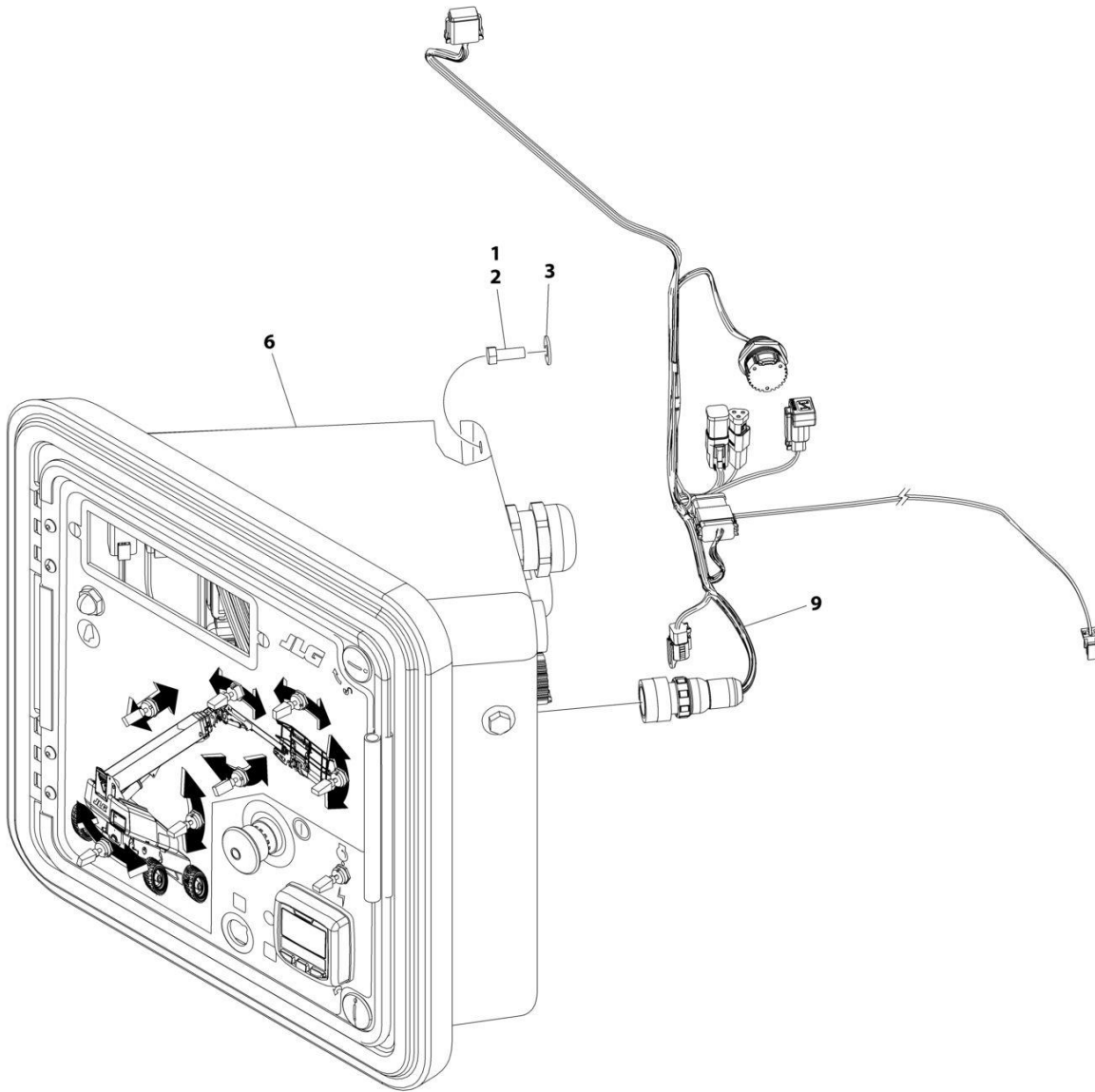
SECTION 2 - TURNTABLE

FIGURE 2-19. HYDRAULIC OIL COOLER INSTALLATION - DEUTZ TCD2.9L4 ENGINES WITH SAUER PUMPS (OPTIONAL) (CHINA SPEC ONLY)

ITEM	PART NUMBER	QTY	DESCRIPTION	REV
	1001221666	Ref	HYDRAULIC OIL COOLER INSTALLATION - DEUTZ TCD2.9L4 ENGINES WITH SAUER PUMPS (OPTIONAL)	B
1	0641508	4	Bolt 5/16 x 1	
2	0641524	3	Bolt 5/16 x 3	
3	0641609	2	Bolt 3/8 x 1-1/8	
4	2131212	3	Fitting, 90 ORFS/ORB	
5	2170512	1	Fitting, Tee ORFS/ORFS/ORFS	
6	2171112	1	Fitting, Straight ORFS/ORFS	
7	2172112	1	Fitting, 90 ORFS/FSORFS	
8	3311505	7	Nut 5/16	
9	3311605	2	Nut 3/8	
10	4711500	14	Washer 5/16	
11	4711600	4	Washer 3/8	
12	8750024	3	Clamp	
13	1001109677	1	Valve	
14	1001256859	1	Cooler, Hydraulic Oil	
15	1001143087	1	Hose	
16	1001181129	1	Hose	
17	1001188376	1	Hose	
18	1001188382	1	Hose	
19	1001220560	1	Bracket	

SECTION 2 - TURNTABLE

FIGURE 2-20. GROUND CONTROL BOX INSTALLATION - TD2011 ENGINES WITH REXROTH PUMPS
(ANSI EXPORT (LRC) AND AUSTRALIAN SPECS)



ART_1001245359_D

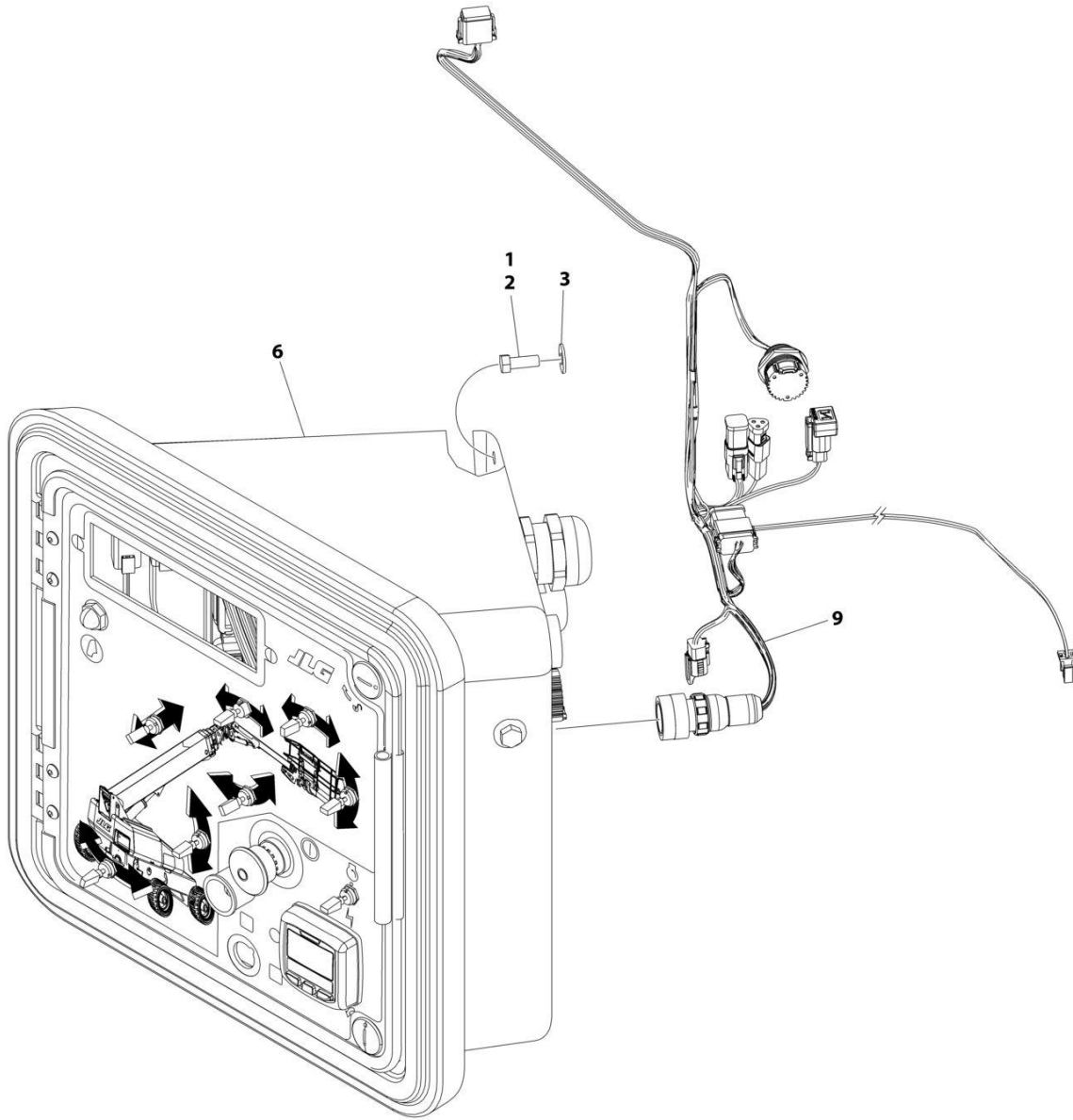
SECTION 2 - TURNTABLE

**FIGURE 2-20. GROUND CONTROL BOX INSTALLATION - TD2011 ENGINES WITH REXROTH PUMPS
(ANSI EXPORT (LRC) AND AUSTRALIAN SPECS)**

ITEM	PART NUMBER	QTY	DESCRIPTION	REV
	1001245359	Ref	GROUND CONTROL BOX INSTALLATION	D
1	0100011	AR	Compound, Locking	
2	3931616	2	Bolt 3/8 x 3/4	
3	4751600	2	Washer 3/8	
4	1001119456	2	Harness, Pump - Sauer to Rexroth Jumper Harness (Not Shown - See Separate Breakdown in ELECTRICAL Section)	
5	1001119470	1	Harness, Engine - Deutz TD2011 Engines (Not Shown - See Separate Breakdown in ELECTRICAL Section)	
6	1001266051	1	Ground Control Box Assembly (See Separate Breakdown in this Section)	
7	4240032	AR	Tie-Strap (Not Shown)	
8	4460234	AR	Mount, Tie-Strap (Not Shown)	
9	1001287523	1	Harness, Diagnostic (See Separate Breakdown in ELECTRICAL Section)	

SECTION 2 - TURNTABLE

FIGURE 2-21. GROUND CONTROL BOX INSTALLATION - TD2011 ENGINES WITH REXROTH PUMPS
(CE & UK CA (LRC) SPECS)



ART_1001245363_D

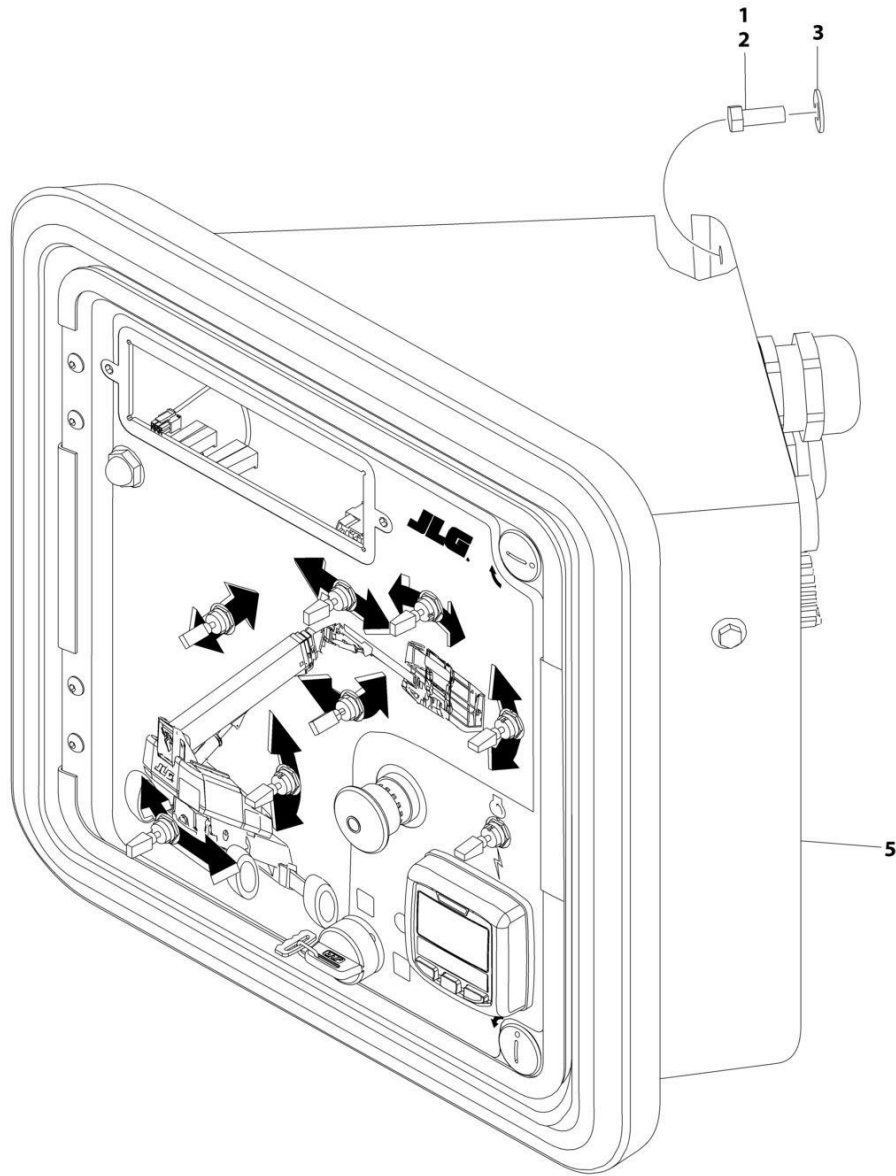
SECTION 2 - TURNTABLE

**FIGURE 2-21. GROUND CONTROL BOX INSTALLATION - TD2011 ENGINES WITH REXROTH PUMPS
(CE & UK CA (LRC) SPECS)**

ITEM	PART NUMBER	QTY	DESCRIPTION	REV
	1001245363	Ref	GROUND CONTROL BOX INSTALLATION	D
1	0100011	AR	Compound, Locking	
2	3931616	2	Bolt 3/8 x 3/4	
3	4751600	2	Washer 3/8	
4	1001119456	2	Harness, Pump - Sauer to Rexroth Jumper Harness (Not Shown - See Separate Breakdown in ELECTRICAL Section)	
5	1001119470	1	Harness, Engine - Deutz TD2011 Engines (Not Shown - See Separate Breakdown in ELECTRICAL Section)	
6	1001266052	1	Ground Control Box Assembly (See Separate Breakdown in this Section)	
7	4240032	AR	Tie-Strap (Not Shown)	
8	4460234	AR	Mount, Tie-Strap (Not Shown)	
9	1001287523	1	Harness, Diagnostic (See Separate Breakdown in ELECTRICAL Section)	

SECTION 2 - TURNTABLE

FIGURE 2-22. GROUND CONTROL BOX INSTALLATION - TD2011 ENGINES WITH SAUER PUMPS
(ANSI EXPORT (LRC) AND AUSTRALIAN SPECS)



ART_1001245360_C

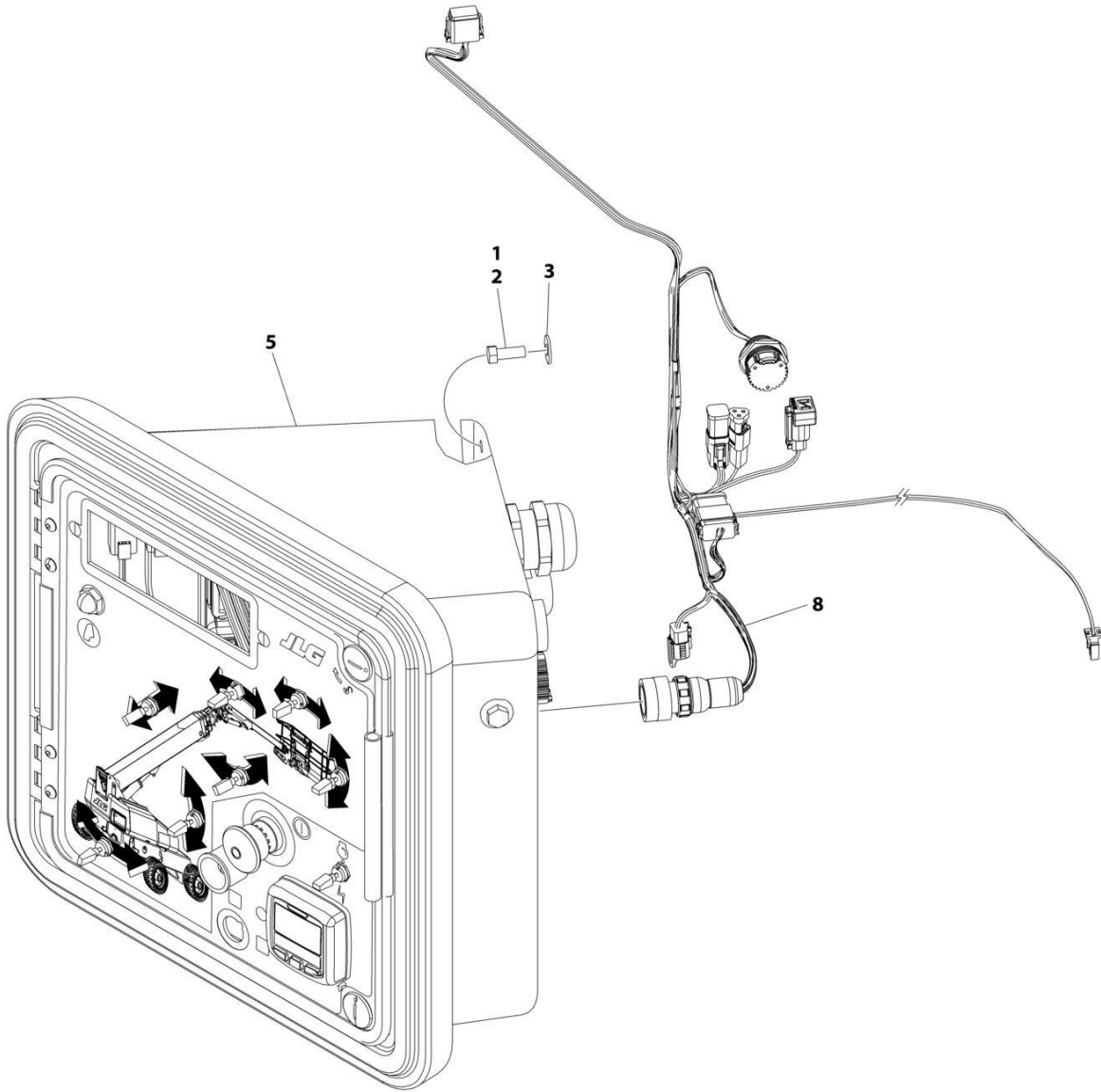
SECTION 2 - TURNTABLE

**FIGURE 2-22. GROUND CONTROL BOX INSTALLATION - TD2011 ENGINES WITH SAUER PUMPS
(ANSI EXPORT (LRC) AND AUSTRALIAN SPECS)**

ITEM	PART NUMBER	QTY	DESCRIPTION	REV
	1001245360	Ref	GROUND CONTROL BOX INSTALLATION - TD2011 ENGINES WITH SAUER PUMPS	C
1	0100011	AR	Compound, Locking	
2	3931616	2	Bolt 3/8 x 3/4	
3	4751600	2	Washer 3/8	
4	1001119470	1	Harness, Engine - Deutz TD2011 Engines (Not Shown - See Separate Breakdown in ELECTRICAL Section)	
5	1001266051	1	Ground Control Box Assembly (See Separate Breakdown in this Section)	

SECTION 2 - TURNTABLE

FIGURE 2-23. GROUND CONTROL BOX INSTALLATION - TD2011 ENGINES WITH SAUER PUMPS
(CE & UK CA (LRC) SPECS)



ART_1001245364_D

SECTION 2 - TURNTABLE

**FIGURE 2-23. GROUND CONTROL BOX INSTALLATION - TD2011 ENGINES WITH SAUER PUMPS
(CE & UK CA (LRC) SPECS)**

ITEM	PART NUMBER	QTY	DESCRIPTION	REV
	1001245364	Ref	GROUND CONTROL BOX INSTALLATION	D
1	0100011	AR	Compound, Locking	
2	3931616	2	Bolt 3/8 x 3/4	
3	4751600	2	Washer 3/8	
4	1001119470	1	Harness, Engine - Deutz TD2011 Engines (Not Shown - See Separate Breakdown in ELECTRICAL Section)	
5	1001266052	1	Ground Control Box Assembly (See Separate Breakdown in this Section)	
6	4240032	AR	Tie-Strap (Not Shown)	
7	4460234	AR	Mount, Tie-Strap (Not Shown)	
8	1001287523	1	Harness, Diagnostic (See Separate Breakdown in ELECTRICAL Section)	

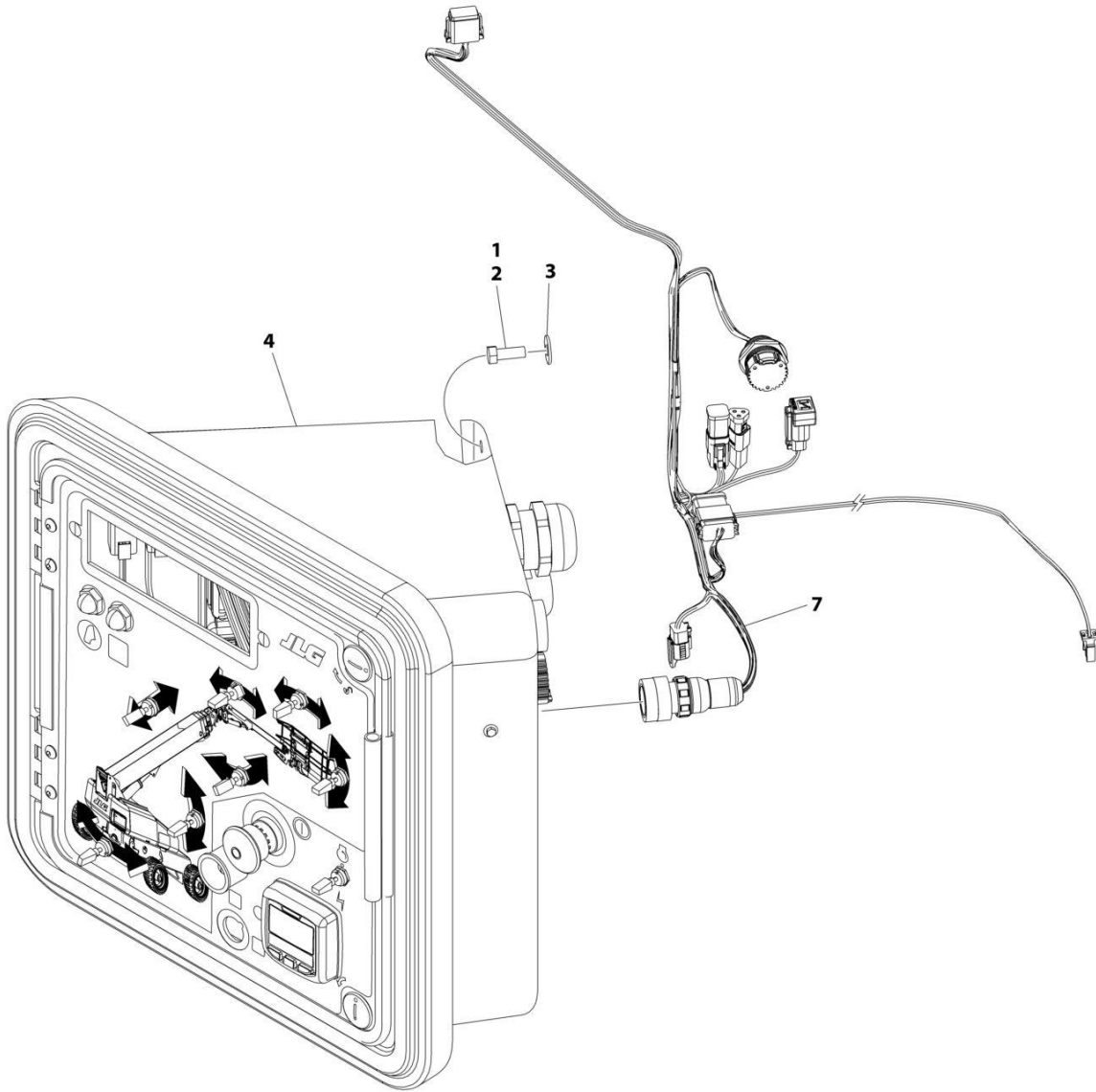
SECTION 2 - TURNTABLE

FIGURE 2-24. GROUND CONTROL BOX INSTALLATION - TCD2.9L4 ENGINES WITH REXROTH PUMPS (ANSI, ANSI EXPORT (HRC), CHINA, CSA AND JAPANESE SPECS)

ITEM	PART NUMBER	QTY	DESCRIPTION	REV
	1001245358	Ref	GROUND CONTROL BOX INSTALLATION	D
1	0100011	AR	Compound, Locking	
2	3931616	2	Bolt 3/8 x 3/4	
3	4751600	2	Washer 3/8	
4	1001266051	1	Ground Control Box Assembly (See Separate Breakdown in this Section)	
5	4240032	AR	Tie-Strap (Not Shown)	
6	4460234	AR	Mount, Tie-Strap (Not Shown)	
7	1001287523	1	Harness, Diagnostic (See Separate Breakdown in ELECTRICAL Section)	

SECTION 2 - TURNTABLE

FIGURE 2-25. GROUND CONTROL BOX INSTALLATION - DEUTZ TCD2.9L4 (STAGE V) ENGINES (CE & UK CA SPECS)



ART_1001236755_E

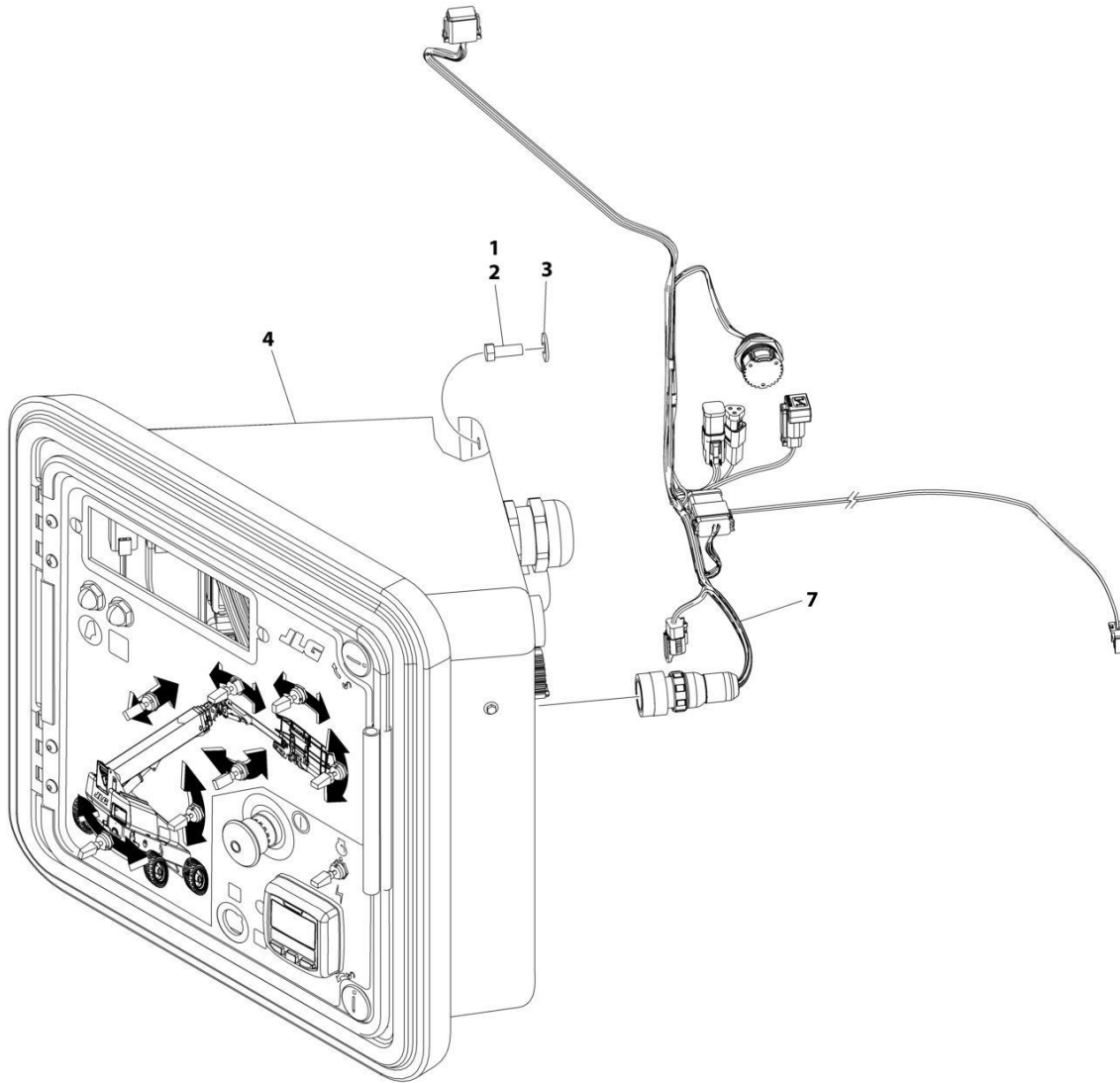
SECTION 2 - TURNTABLE

FIGURE 2-25. GROUND CONTROL BOX INSTALLATION - DEUTZ TCD2.9L4 (STAGE V) ENGINES (CE & UK CA SPECS)

ITEM	PART NUMBER	QTY	DESCRIPTION	REV
	1001236755	Ref	GROUND CONTROL BOX INSTALLATION	E
1	0100011	AR	Compound, Locking	
2	3931616	2	Bolt 3/8 x 3/4	
3	4751600	2	Washer 3/8	
4	1001266068	1	Ground Control Box Assembly (See Separate Breakdown in this Section)	
5	4240032	AR	Tie-Strap (Not Shown)	
6	4460234	AR	Mount, Tie-Strap (Not Shown)	
7	1001287523	1	Harness, Diagnostic (See Separate Breakdown in ELECTRICAL Section)	

SECTION 2 - TURNTABLE

FIGURE 2-26. GROUND CONTROL BOX INSTALLATION - DEUTZ TCD2.9L4 ENGINE (CHINA IV)



ART_1001282252

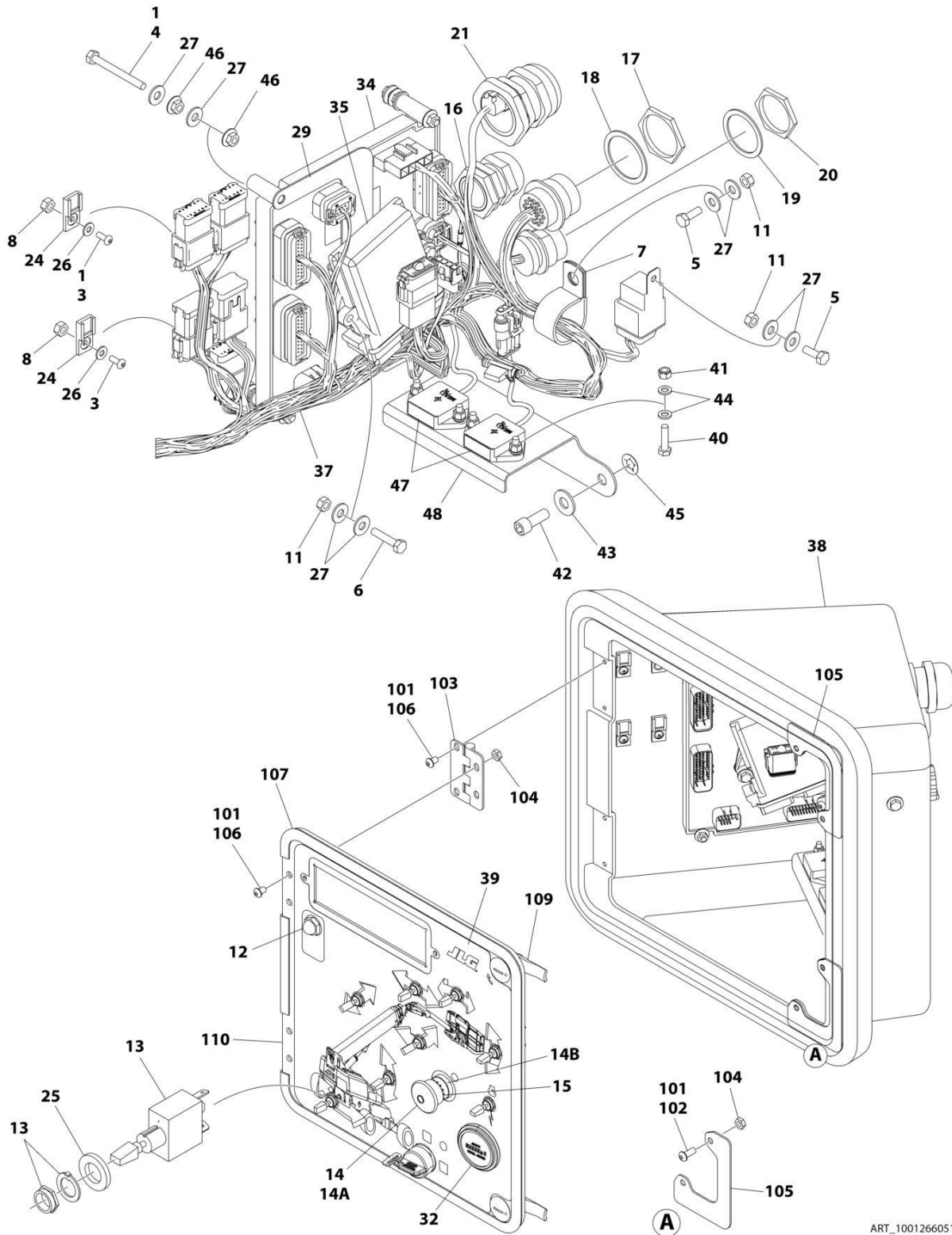
SECTION 2 - TURNTABLE

FIGURE 2-26. GROUND CONTROL BOX INSTALLATION - DEUTZ TCD2.9L4 ENGINE (CHINA IV)

ITEM	PART NUMBER	QTY	DESCRIPTION	REV
	1001282252	Ref	GROUND CONTROL BOX INSTALLATION	B
1	0100011	AR	Compound, Locking	
2	3931616	2	Bolt 3/8 x 3/4	
3	4751600	2	Washer 3/8	
4	1001282251	1	Ground Control Box Assembly (See Separate Breakdown in this Section)	
5	4240032	AR	Tie-Strap (Not Shown)	
6	4460234	AR	Mount, Tie-Strap (Not Shown)	
7	1001287523	1	Harness, Diagnostic (See Separate Breakdown in ELECTRICAL Section)	

SECTION 2 - TURNTABLE

FIGURE 2-27. GROUND CONTROL BOX ASSEMBLY - DEUTZ TD2011 ENGINES AND DEUTZ TCD2.9L4 ENGINES (ALL SPECS EXCEPT CE & UK CA SPECS)



ART_1001266051_D

SECTION 2 - TURNTABLE

FIGURE 2-27. GROUND CONTROL BOX ASSEMBLY - DEUTZ TD2011 ENGINES AND DEUTZ TCD2.9L4 ENGINES (ALL SPECS EXCEPT CE & UK CA SPECS)

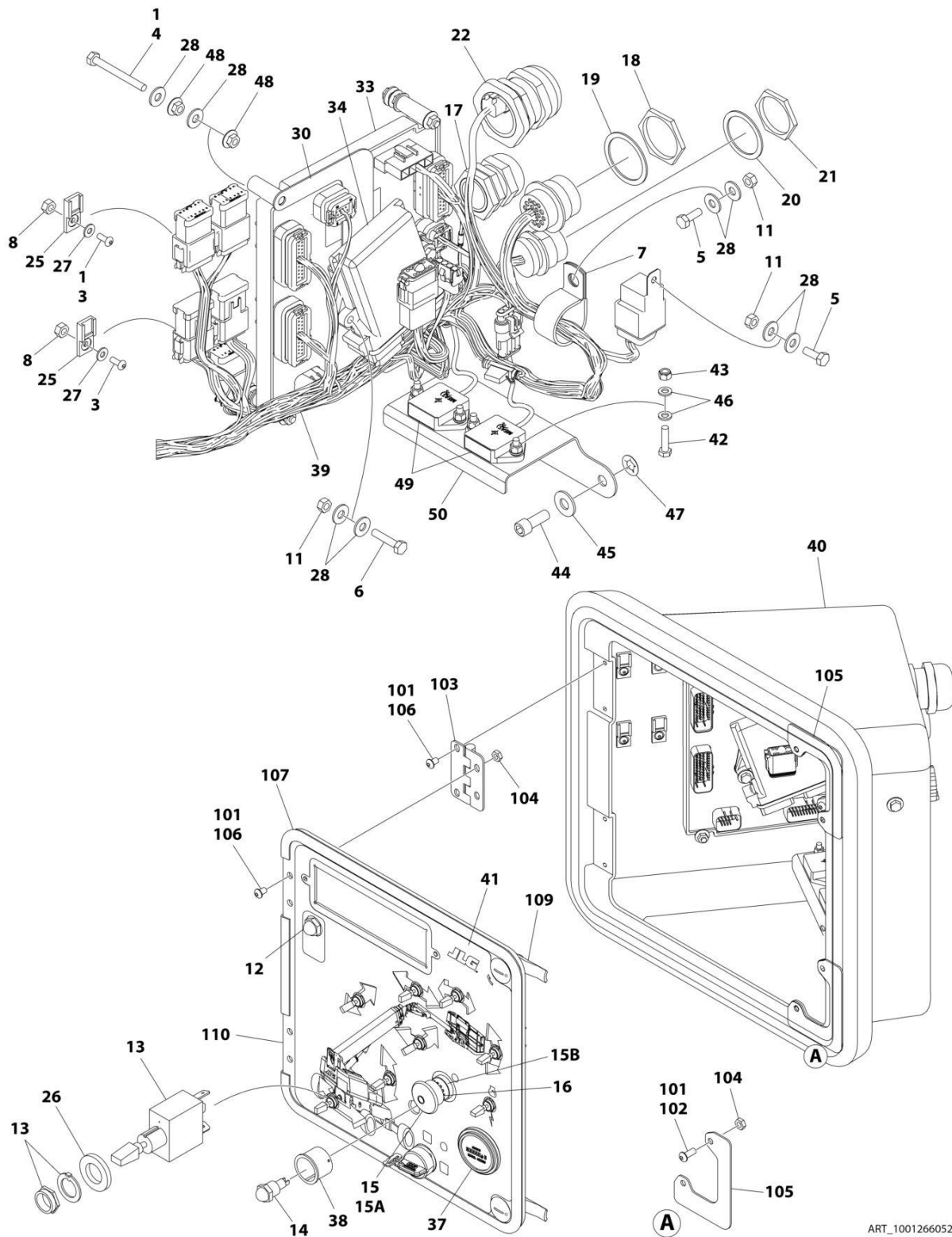
ITEM	PART NUMBER	QTY	DESCRIPTION	REV
	1001266051	Ref	GROUND CONTROL BOX ASSEMBLY	D
1	0100011	AR	Compound, Locking	
3	0630464	4	Bolt #10 x 1/2	
4	0630548	5	Screw, Self Tapping	
5	0641406	2	Bolt 1/4 x 3/4	
6	0641410	2	Bolt 1/4 x 1-1/4	
7	1320095	1	Clamp	
8	3311001	4	Nut #10	
11	3311405	4	Nut 1/4	
12	4360274	1	Switch, Pushbutton	
13	4360328	8	Switch, Toggle	
14	4360475	1	Switch, Push-Pull Emergency	
14A	7020175	1	Cap	
14B	7020176	1	Block, Contact	
15	4360476	1	Block, Contact	
16	4460426	1	Connector, Strain Relief	
17	4460470	1	Nut, Terminal	
18	4460471	1	Washer, Terminal	
19	4460496	1	Washer, Terminal	
20	4460497	1	Nut, Terminal	
21	4460526	1	Connector, Strain Relief	
24	4460914	4	Mount, Base	
25	4740397	8	Washer, Special	
26	4751000	4	Washer #10	
27	4751400	18	Washer 1/4	
29	1001276626	1	Mount, Module	
31	1001286114	NLA	Wiring Diagram (Not Shown)	
32	10836804	1	Gauge, Display	
34	1001281100	1	Module, Ground Control (Note: Re-calibration Required when Replaced)	
35	1001119512	1	Module, Repeater	
36	1001285524	1	Harness, Turntable (Not Shown - See Separate Breakdown in ELECTRICAL Section)	
37	1001285576	1	Harness, Ground Control Box (See Separate Breakdown in ELECTRICAL Section)	
38	1001266048	1	Box Assembly (See Items 101-110 for Breakdown)	
39	1001266053	1	Decal - Lid	
40	0760612	4	Bolt M6 x 25	
41	3290605	4	Nut M6	
42	3931616	2	Bolt 3/8 x 1	
43	4751600	2	Washer 3/8	
44	4811700	8	Washer M6	
45	8310070	2	Pushnut 3/8 x 13/16	
46	77143013	10	Nut 1/4	
47	1001219601	2	Sensor, Tilt Dual Axis CAN	
48	1001278483	1	Bracket, Tilt Sensor	
49	1001296427	1	Hourmeter Jumper Harness (Not Shown)	
	1001266048	Ref	BOX ASSEMBLY	B
101	0100011	AR	Compound, Locking	

SECTION 2 - TURNTABLE

ITEM	PART NUMBER	QTY	DESCRIPTION	REV
102	0630407	4	Screw 1/4 x 5/8	
103	2600279	2	Hinge	
104	3311402	8	Nut 1/4	
105	3573144	2	Plate, Latch	
106	3900251	8	Screw 1/4 x 3/8	
107	3960418	53 in/1.4 m	Seal	
109	1001242373	1	Latch	
110	1001297395	1	Panel, Front	

SECTION 2 - TURNTABLE

FIGURE 2-28. GROUND CONTROL BOX ASSEMBLY - DEUTZ TD2011 ENGINES (CE & UK CA SPECS)



ART_1001266052_D

SECTION 2 - TURNTABLE

FIGURE 2-28. GROUND CONTROL BOX ASSEMBLY - DEUTZ TD2011 ENGINES (CE & UK CA SPECS)

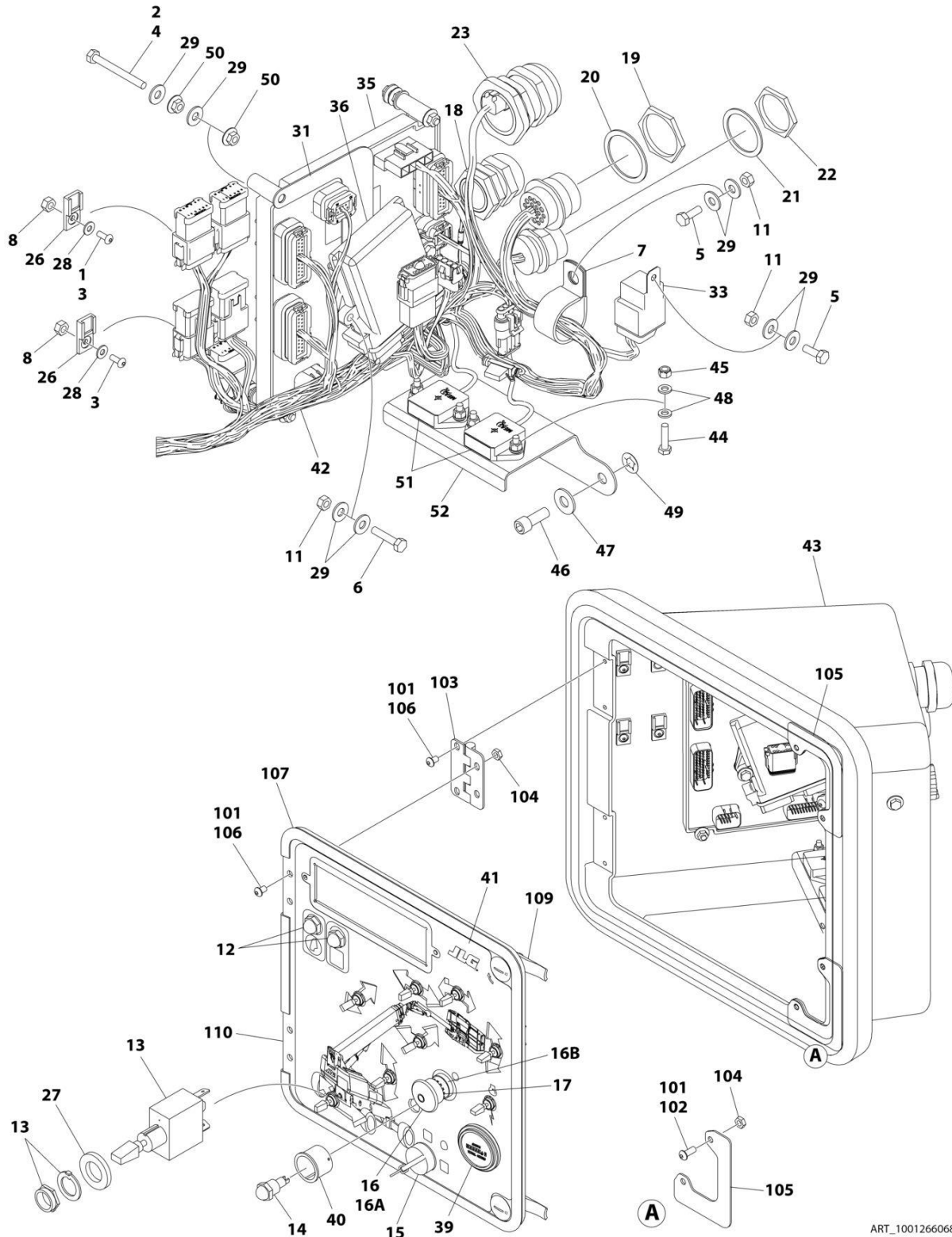
ITEM	PART NUMBER	QTY	DESCRIPTION	REV
	1001266052	Ref	GROUND CONTROL BOX ASSEMBLY	D
1	0100011	AR	Compound, Locking	
3	0630464	4	Bolt #10 x 1/2	
4	0630548	5	Screw, Self Tapping	
5	0641406	2	Bolt 1/4 x 3/4	
6	0641410	2	Bolt 1/4 x 1-1/4	
7	1320095	1	Clamp	
8	3311001	4	Nut #10	
11	3311405	4	Nut 1/4	
12	4360274	1	Switch, Pushbutton	
13	4360328	8	Switch, Toggle	
14	4360387	1	Switch, Pushbutton	
15	4360475	1	Switch, Push-Pull Emergency	
15A	7020175	1	Cap	
15B	7020176	1	Block, Contact	
16	4360476	1	Block, Contact	
17	4460426	1	Connector, Strain Relief	
18	4460470	1	Nut, Terminal	
19	4460471	1	Washer, Terminal	
20	4460496	1	Washer, Terminal	
21	4460497	1	Nut, Terminal	
22	4460526	1	Connector, Strain Relief	
25	4460914	4	Mount, Base	
26	4740397	8	Washer, Special	
27	4751000	4	Washer #10	
28	4751400	18	Washer 1/4	
30	1001276626	1	Mount, Module	
33	1001281100	1	Module, Ground Control (Note: Re-calibration Required when Replaced)	
34	1001119512	1	Module, Repeater	
35	1001285524	1	Harness, Turntable (Not Shown - See Separate Breakdown in ELECTRICAL Section)	
36	1001286114	NLA	Wire Diagram (Not Shown)	
37	10836804	1	Gauge, Indicator	
38	1001176469	1	Shroud	
39	1001285576	1	Harness, Ground Control Box (See Separate Breakdown in ELECTRICAL Section)	
40	1001266049	1	Box Assembly (See Items 101-110 for Breakdown)	
41	1001266054	1	Decal - Lid	
42	0760612	4	Bolt M6 x 25	
43	3290605	4	Nut M6	
44	3931616	2	Bolt 3/8 x 1	
45	4751600	2	Washer 3/8	
46	4811700	8	Washer M6	
47	8310070	2	Pushnut 3/8 x 13/16	
48	77143013	10	Nut 1/4	
49	1001219601	2	Sensor, Tilt Dual Axis CAN	
51	1001296427	1	Hourmeter Jumper Harness (Not Shown)	
	1001266049	Ref	BOX ASSEMBLY	B

SECTION 2 - TURNTABLE

ITEM	PART NUMBER	QTY	DESCRIPTION	REV
50	1001278483	1	Bracket, Tilt Sensor	
101	0100011	AR	Compound, Locking	
102	0630407	4	Screw 1/4 x 5/8	
103	2600279	2	Hinge	
104	3311402	8	Nut 1/4	
105	3573144	2	Plate, Latch	
106	3900251	8	Screw 1/4 x 3/8	
107	3960418	53 in/1.5 m	Seal	
109	1001242373	2	Latch	
110	1001297395	1	Lid	

SECTION 2 - TURNTABLE

FIGURE 2-29. GROUND CONTROL BOX ASSEMBLY - DEUTZ TCD2.9L4 (STAGE V) ENGINES (CE & UK CA SPECS)



ART_1001266068_D

SECTION 2 - TURNTABLE

FIGURE 2-29. GROUND CONTROL BOX ASSEMBLY - DEUTZ TCD2.9L4 (STAGE V) ENGINES (CE & UK CA SPECS)

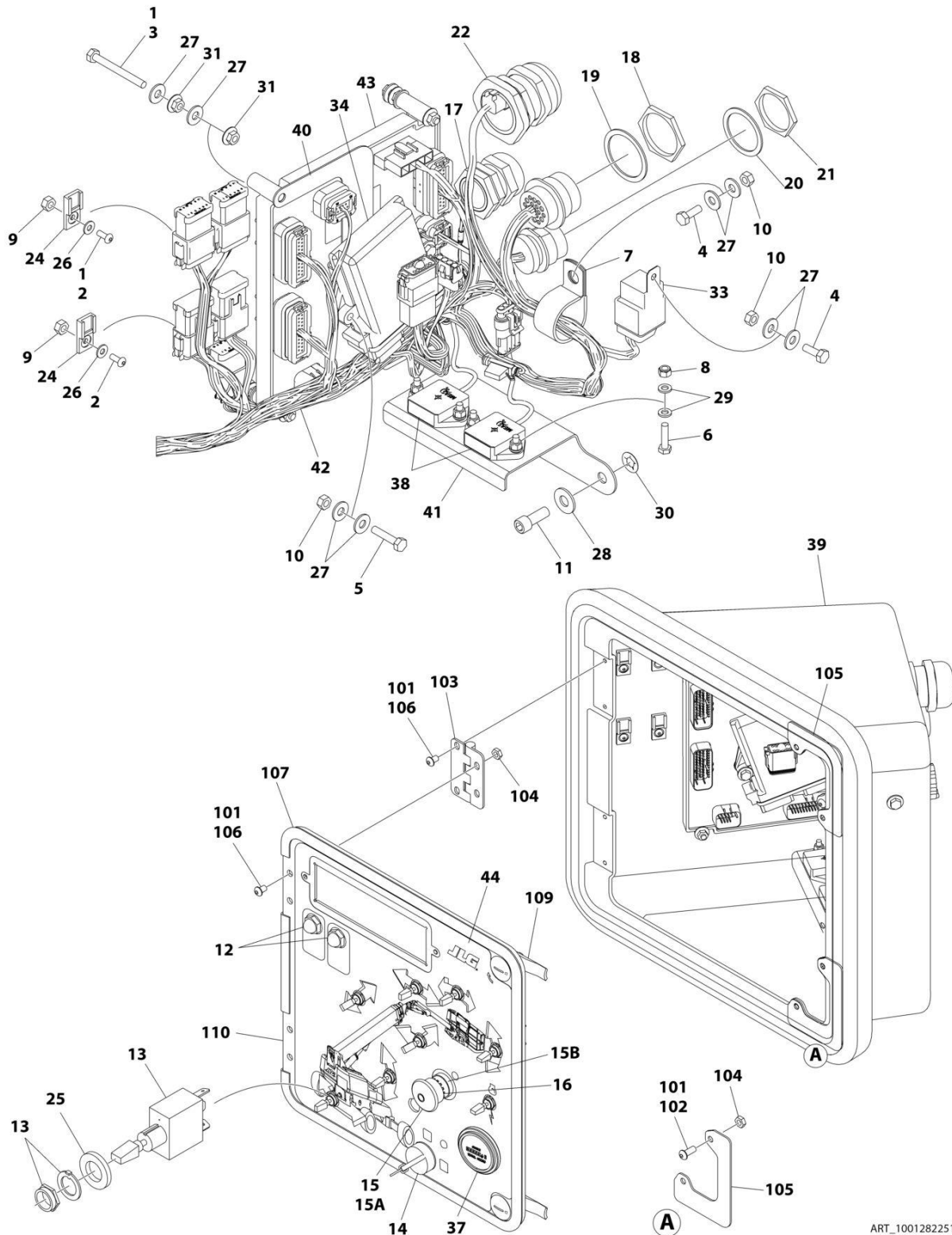
ITEM	PART NUMBER	QTY	DESCRIPTION	REV
	1001266068	Ref	GROUND CONTROL BOX ASSEMBLY	D
2	0100011	AR	Compound, Locking	
3	0630464	4	Bolt #10 x 1/2	
4	0630548	5	Screw, Self Tapping	
5	0641406	2	Bolt 1/4 x 3/4	
6	0641410	2	Bolt 1/4 x 1-1/4	
7	1320095	1	Clamp	
8	3311001	4	Nut #10	
11	3311405	4	Nut 1/4	
12	4360274	2	Switch, Pushbutton	
13	4360328	8	Switch, Toggle	
14	4360387	1	Switch, Pushbutton	
15	4360469	1	Keyswitch	
15	2860030	1	Key, Replacement	
16	4360475	1	Switch, Push-Pull Emergency	
16A	7020175	1	Cap	
16B	7020176	1	Block, Contact	
17	4360476	1	Block, Contact	
18	4460426	1	Connector, Strain Relief	
19	4460470	1	Nut, Terminal	
20	4460471	1	Washer, Terminal	
21	4460496	1	Washer, Terminal	
22	4460497	1	Nut, Terminal	
23	4460526	1	Connector, Strain Relief	
26	4460914	4	Mount, Base	
27	4740397	8	Washer	
28	4751000	4	Washer #10	
29	4751400	18	Washer 1/4	
31	1001276626	1	Mount, Module	
33	1001117025	1	Relay with Connector	
33	3740080	1	Relay, Sealed	
33	4460374	1	Plug, Sealed	
33	4460375	4	Terminal, Female	
35	1001281100	1	Module, Ground Control (Note: Re-calibration Required when Replaced)	
36	1001119512	1	Module, Repeater	
37	1001285524	1	Harness, Turntable (Not Shown - See Separate Breakdown in ELECTRICAL Section)	
38	1001286114	NLA	Wiring Diagram (Not Shown)	
39	10836804	1	Gauge, Indicator	
40	1001176469	1	Shroud	
41	1001236686	1	Decal - Lid	
42	1001285576	1	Harness, Ground Control Box (See Separate Breakdown in ELECTRICAL Section)	
43	1001266049	1	Box Assembly (See Items 101-110 for Breakdown)	
44	0760612	4	Bolt M6 x 25	
45	3290605	4	Nut M6	
46	3931616	2	Bolt 3/8 x 1	
47	4751600	2	Washer 3/8	

SECTION 2 - TURNTABLE

ITEM	PART NUMBER	QTY	DESCRIPTION	REV
48	4811700	8	Washer M6	B
49	8310070	2	Pushnut 3/8 x 13/16	
50	77143013	10	Nut 1/4	
51	1001219601	2	Sensor, Tilt Dual Axis CAN	
52	1001278483	1	Bracket, Tilt Sensor	
53	1001296427	1	Hourmeter Jumper Harness (Not Shown)	
	1001266049	Ref	BOX ASSEMBLY	
101	0100011	AR	Compound, Locking	
102	0630407	4	Screw 1/4 x 5/8	
103	2600279	2	Hinge	
104	3311402	8	Nut 1/4	
105	3573144	2	Plate	
106	3900251	8	Screw 1/4 x 3/8	
107	3960418	53 in/1.4 m	Seal	
109	1001242373	2	Latch	
110	1001297394	1	Lid	

SECTION 2 - TURNTABLE

FIGURE 2-30. GROUND CONTROL BOX ASSEMBLY - DEUTZ TCD2.9L4 ENGINES (CHINA IV)



ART_1001282251_C

SECTION 2 - TURNTABLE

FIGURE 2-30. GROUND CONTROL BOX ASSEMBLY - DEUTZ TCD2.9L4 ENGINES (CHINA IV)

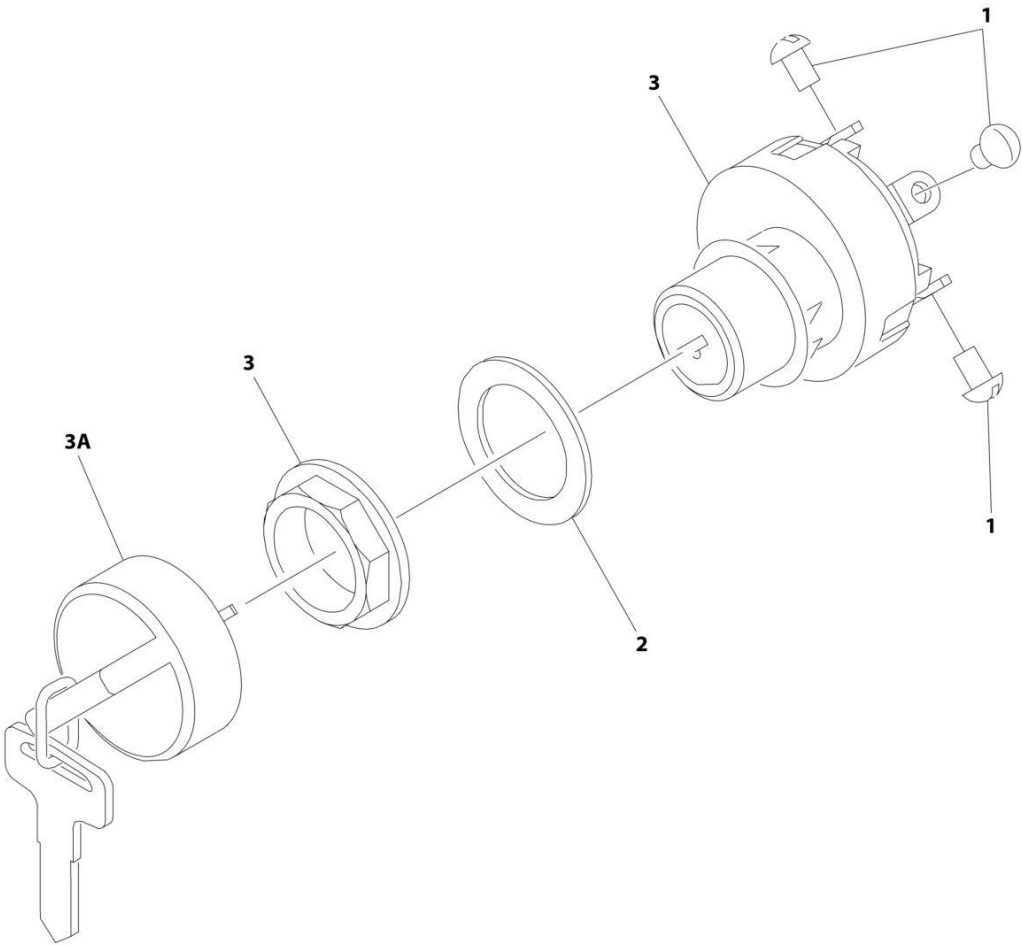
ITEM	PART NUMBER	QTY	DESCRIPTION	REV
	1001282251	Ref	GROUND CONTROL BOX ASSEMBLY	C
1	0100011	AR	Compound, Locking	
2	0630464	4	Bolt #10 x 1/2	
3	0630548	5	Screw, Self Tapping	
4	0641406	2	Bolt 1/4 x 3/4	
5	0641410	2	Bolt 1/4 x 1-1/4	
6	0760612	4	Bolt M6 x 25	
7	1320095	1	Clamp	
8	3290605	4	Nut M6	
9	3311001	4	Nut #10	
10	3311405	4	Nut 1/4	
11	3931616	2	Bolt 3/8 x 1	
12	4360274	2	Switch, Pushbutton	
13	4360328	8	Switch, Toggle	
14	4360469	1	Switch, Key On/Off/On	
15	4360475	1	Switch, Push-Pull Emergency	
15A	7020175	1	Cap	
15B	7020176	1	Block, Contact	
16	4360476	1	Block, Contact	
17	4460426	1	Connector, Strain Relief	
18	4460470	1	Nut, Terminal	
19	4460471	1	Washer, Terminal	
20	4460496	1	Washer, Terminal	
21	4460497	1	Nut, Terminal	
22	4460526	1	Connector, Strain Relief	
24	4460914	4	Mount, Base	
25	4740397	8	Washer, Special	
26	4751000	4	Washer #10	
27	4751400	18	Washer 1/4	
28	4751600	2	Washer 3/8	
29	4811700	8	Washer M6	
30	8310070	2	Pushnut 3/8 x 13/16	
31	77143013	10	Nut 1/4	
33	1001117025	1	Relay with Connector	
34	1001119512	1	Module, Repeater	
35	1001285524	1	Harness, Turntable (Not Shown) (See Separate Breakdown in ELECTRICAL Section)	
36	1001286114	NLA	Wiring Diagram (Not Shown)	
37	10836804	1	Gauge, Display	
38	1001219601	2	Sensor, Tilt Dual Axis CAN	
39	1001266049	1	Box Assembly (See Items 101-110 for Breakdown)	
40	1001276626	1	Mount, Module	
41	1001278483	1	Bracket, Tilt Sensor	
42	1001285576	1	Harness, Ground Control Box (See Separate Breakdown in ELECTRICAL Section)	
43	1001281100	1	Module, Ground Control (Note: Re-calibration Required when Replaced)	
44	1001282253	1	Decal - Terminal Box	
45	1001296427	1	Hourmeter Jumper Harness (Not Shown)	
	1001266049	Ref	BOX ASSEMBLY	A

SECTION 2 - TURNTABLE

ITEM	PART NUMBER	QTY	DESCRIPTION	REV
101	0100011	AR	Compound, Locking	
102	0630407	4	Screw 1/4 x 5/8	
103	2600279	2	Hinge	
104	3311402	8	Nut 1/4	
105	3573144	2	Plate, Latch	
106	3900251	8	Screw 1/4 x 3/8	
107	3960418	53 in/1.5 m	Seal	
109	1001242373	2	Latch	
110	1001265880	1	Lid	

SECTION 2 - TURNTABLE

FIGURE 2-31. KEYSWITCH INSTALLATION



ART_0259666

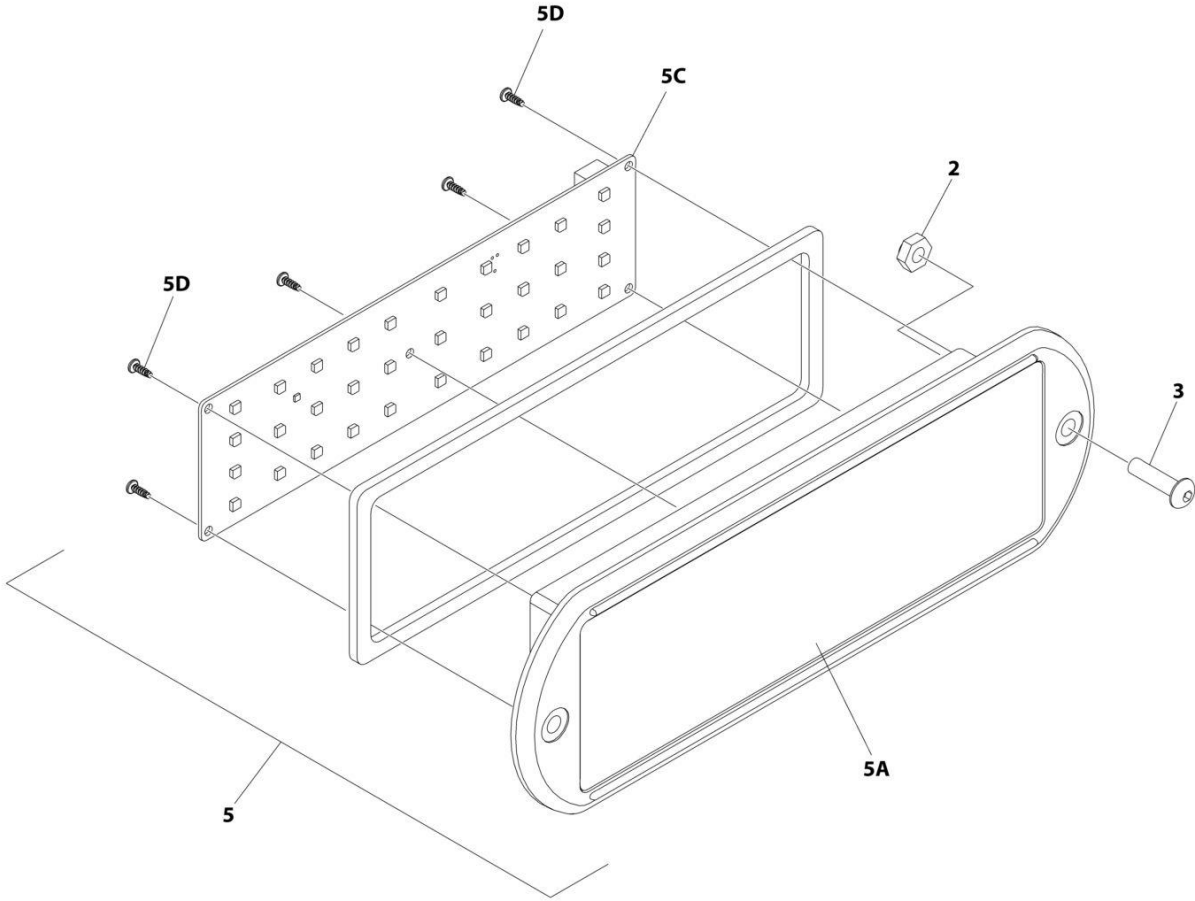
SECTION 2 - TURNTABLE

FIGURE 2-31. KEYSWITCH INSTALLATION

ITEM	PART NUMBER	QTY	DESCRIPTION	REV
	0259666	Ref	KEYSWITCH INSTALLATION	B
1	3910804	6	Screw #8 x 1/8	
2	1001151393	1	Shim .063	
3	4360469	1	Keyswitch	
3A	2860030	1	Key, Replacement	

SECTION 2 - TURNTABLE

FIGURE 2-32. LIGHT PANEL INSTALLATION



ART_1001233959_C_10F2

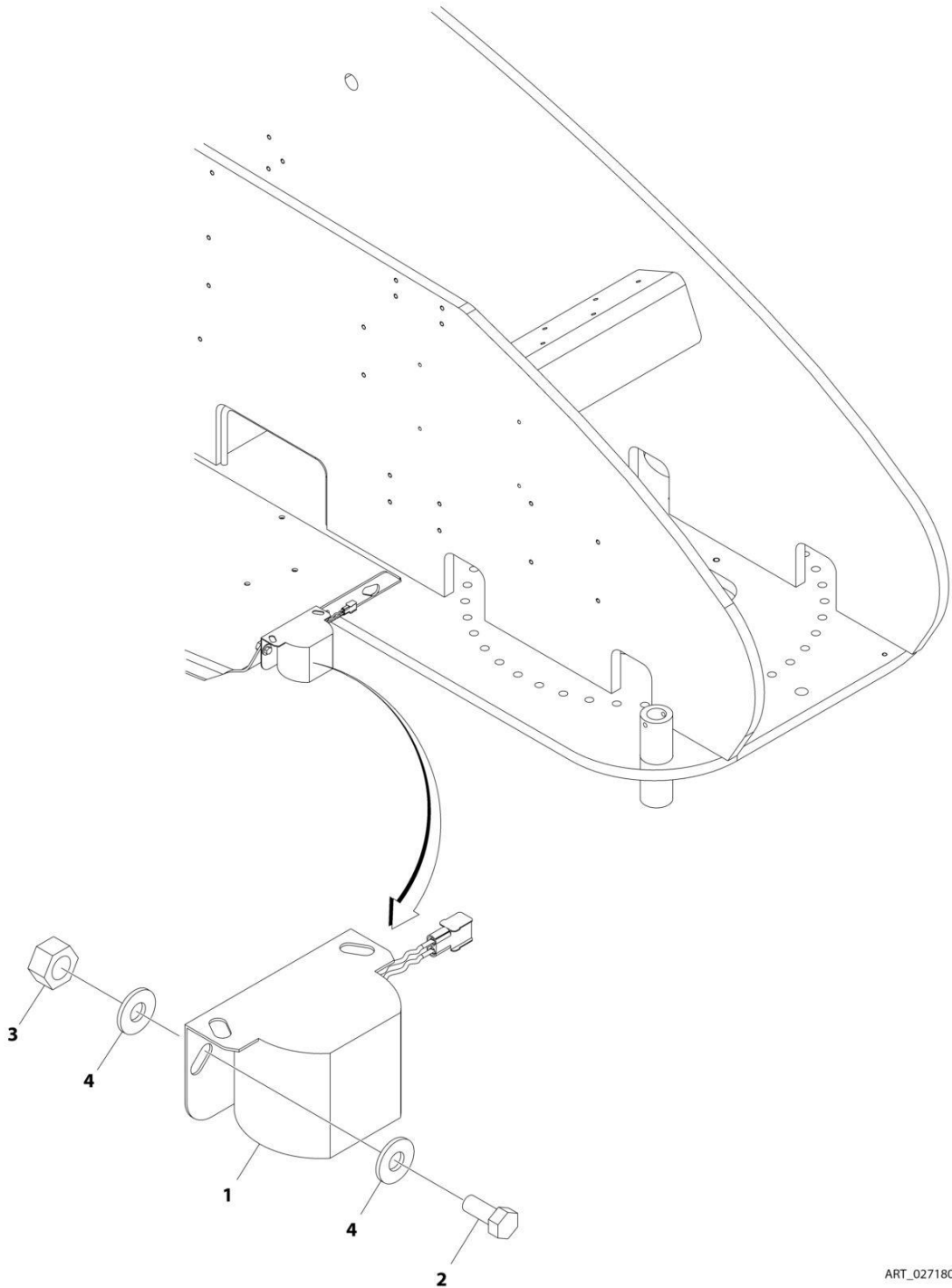
SECTION 2 - TURNTABLE

FIGURE 2-32. LIGHT PANEL INSTALLATION

ITEM	PART NUMBER	QTY	DESCRIPTION	REV
	1001233959	Ref	LIGHT PANEL INSTALLATION	C
2	3300408	2	Nut, Nylon Insert	
3	0630518	2	Screw #10 x 3/4	
5	1001237546	1	Light Panel Assembly	H
5A	1001236091	1	Lens, I-Con	
5C	1001187807	1	Panel, LED Light	
5D		Ref	Screw	

SECTION 2 - TURNTABLE

FIGURE 2-33. ALARMS INSTALLATION



ART_0271806

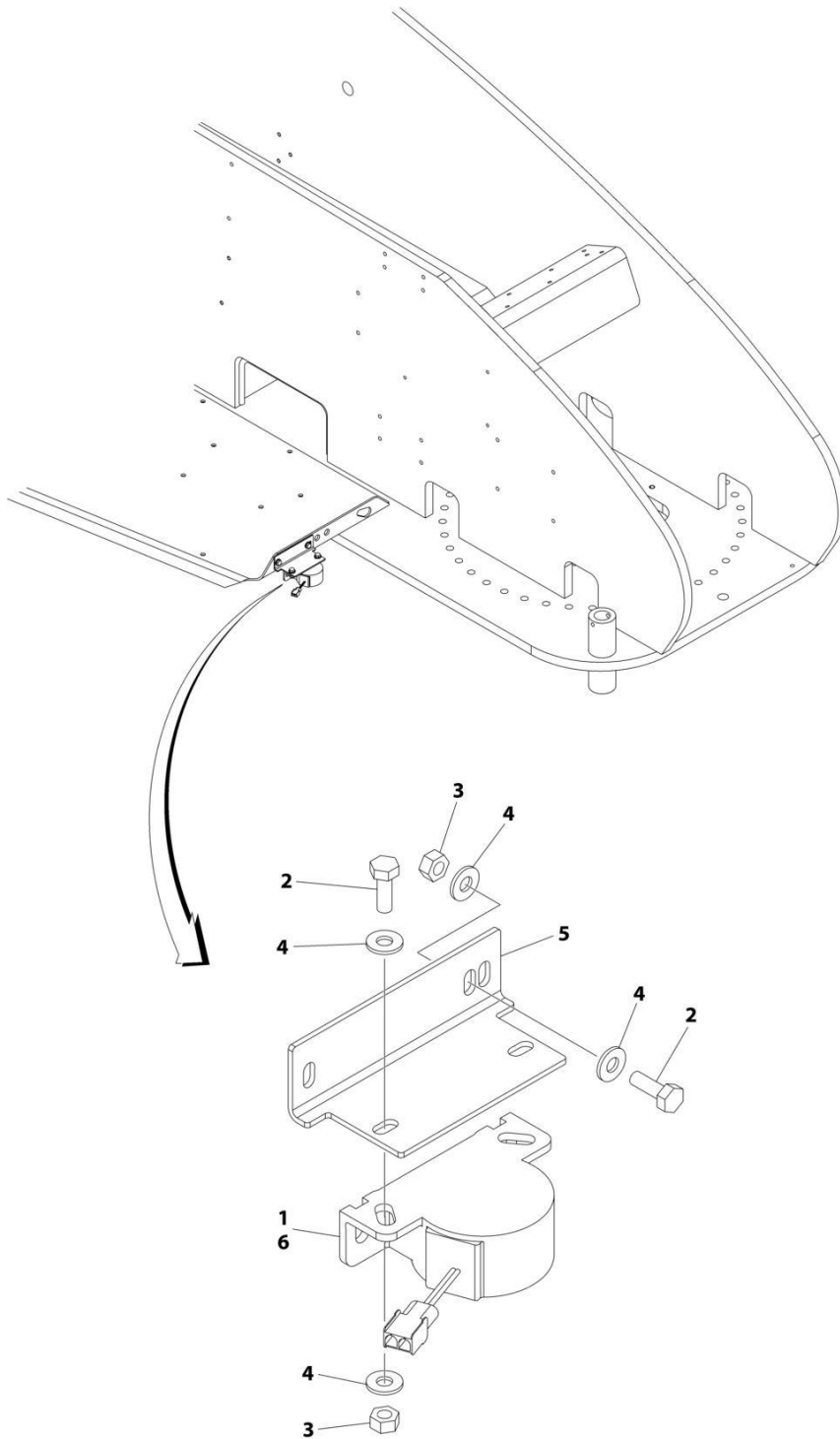
SECTION 2 - TURNTABLE

FIGURE 2-33. ALARMS INSTALLATION

ITEM	PART NUMBER	QTY	DESCRIPTION	REV
	0271806	Ref	ALARMS INSTALLATION	A
1	0257887	1	Alarm	
1	0140032	1	Alarm	
1	2820035	6 in/15cm	Loom	
1	4460424	1	Plug	
1	4460268	2	Socket, Female	
2	0641506	2	Bolt 5/16 x 3/4	
3	3311505	2	Nut 5/16	
4	4751500	4	Washer 5/16	

SECTION 2 - TURNTABLE

FIGURE 2-34. BACKUP ALARM (WHITE NOISE) INSTALLATION



ART_1001239281

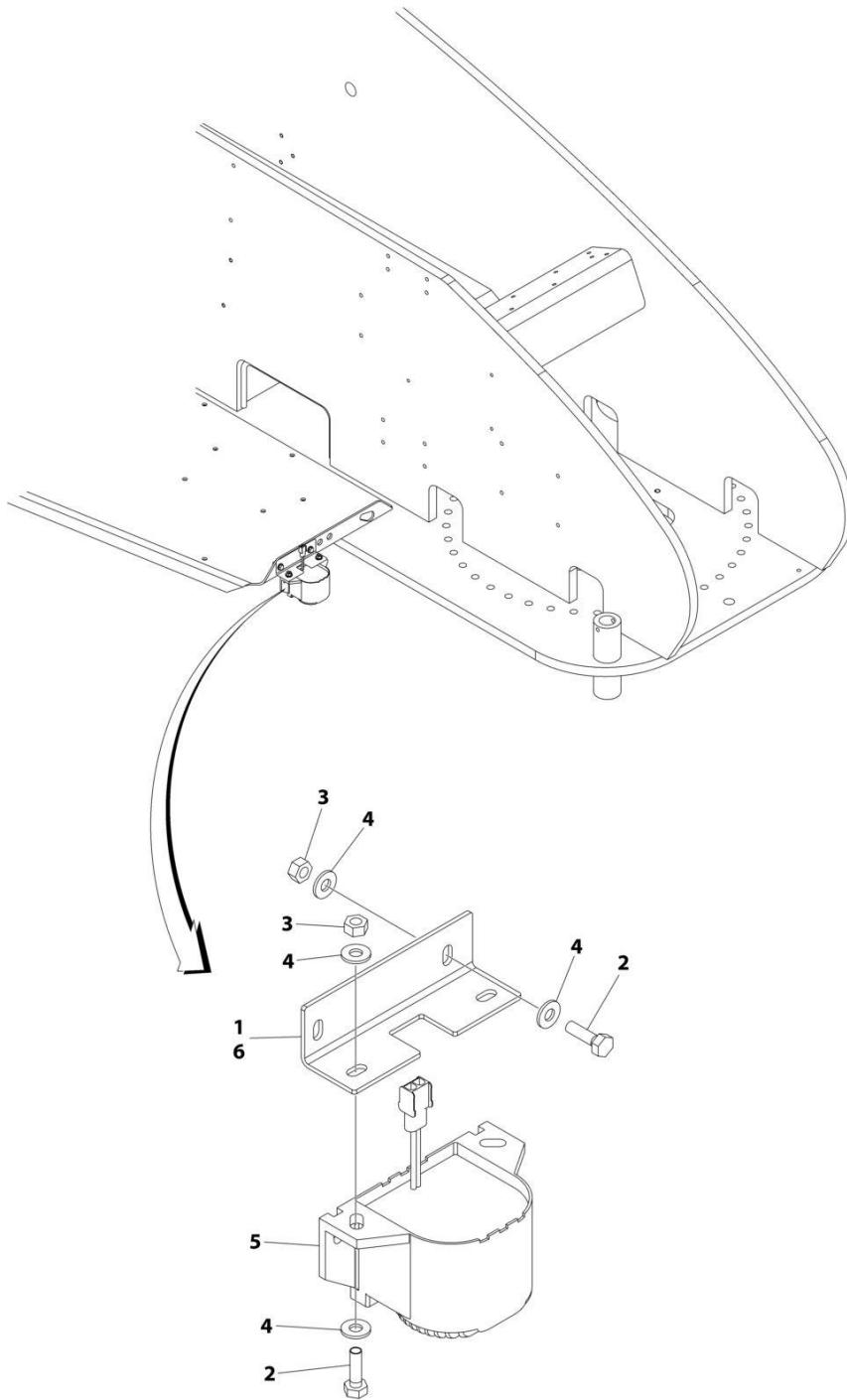
SECTION 2 - TURNTABLE

FIGURE 2-34. BACKUP ALARM (WHITE NOISE) INSTALLATION

ITEM	PART NUMBER	QTY	DESCRIPTION	REV
	1001239281	Ref	BACKUP ALARM (WHITE NOISE) INSTALLATION	A
1	0100048	AR	Grease, Dielectric	
2	0641406	4	Bolt 1/4 x 3/4	
3	3311405	4	Nut 1/4	
4	4711400	8	Washer 1/4	
5	1001231886	1	Plate	
6	1001243734	1	Alarm	
6	1001184682	1	Alarm	
6	4460424	1	Plug	
6	4460268	2	Socket, Female	

SECTION 2 - TURNTABLE

FIGURE 2-35. BACKUP ALARM AMBIENT (WHITE NOISE) INSTALLATION



ART_1001241383

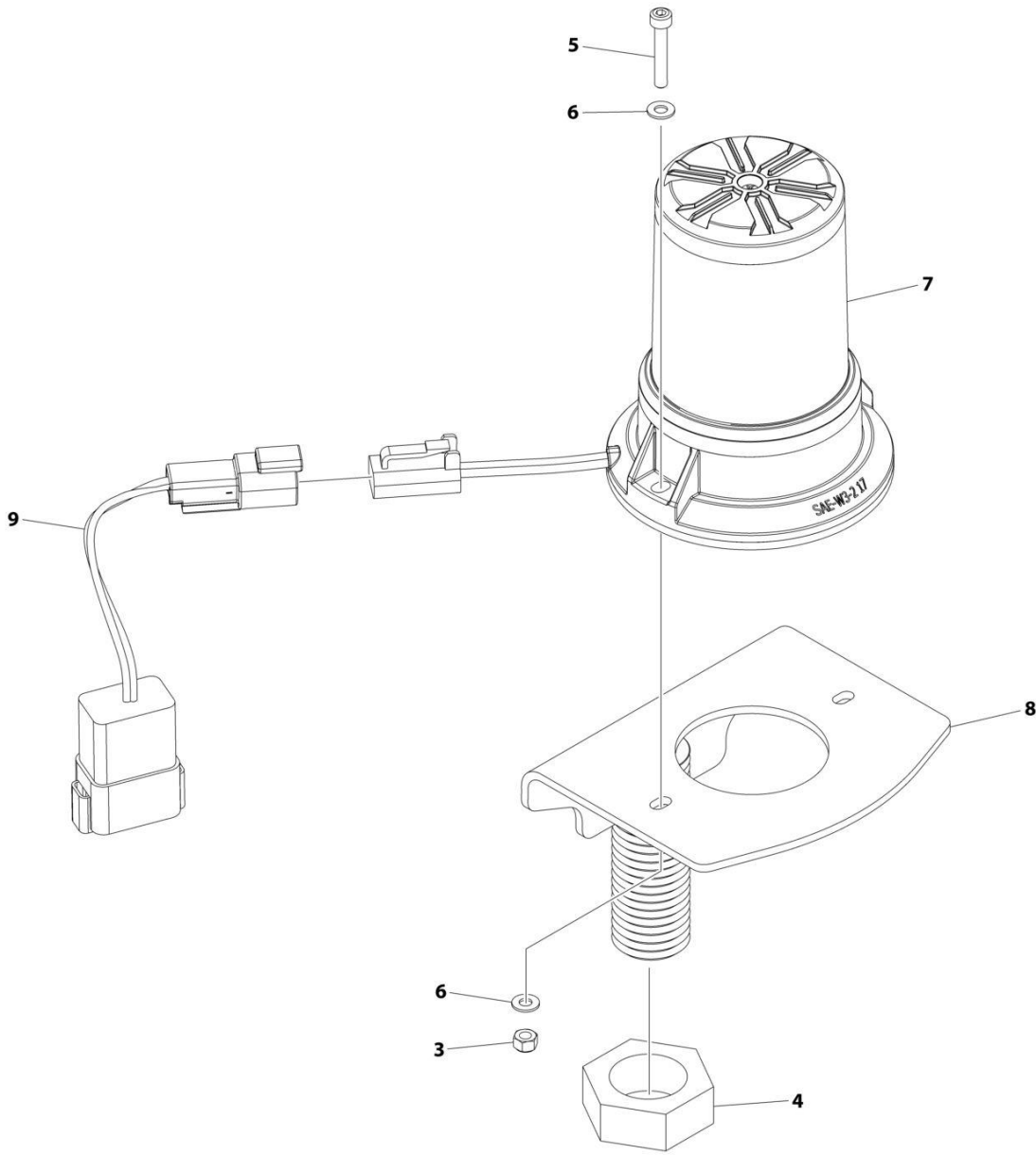
SECTION 2 - TURNTABLE

FIGURE 2-35. BACKUP ALARM AMBIENT (WHITE NOISE) INSTALLATION

ITEM	PART NUMBER	QTY	DESCRIPTION	REV
	1001241383	Ref	ALARM AMBIENT (WHITE NOISE) INSTALLATION	A
1	0100048	AR	Grease, Dielectric	
2	0641407	4	Bolt 1/4 x 7/8	
3	3311405	4	Nut 1/4	
4	4711400	8	Washer 1/4	
5	1001243731	1	Alarm	
5	1001182806	1	Alarm	
5	4460424	1	Plug	
5	4460268	2	Socket, Female	
6	1001243849	1	Plate	

SECTION 2 - TURNTABLE

FIGURE 2-36. STROBE LIGHT INSTALLATION (AMBER)



ART_1001149955_E

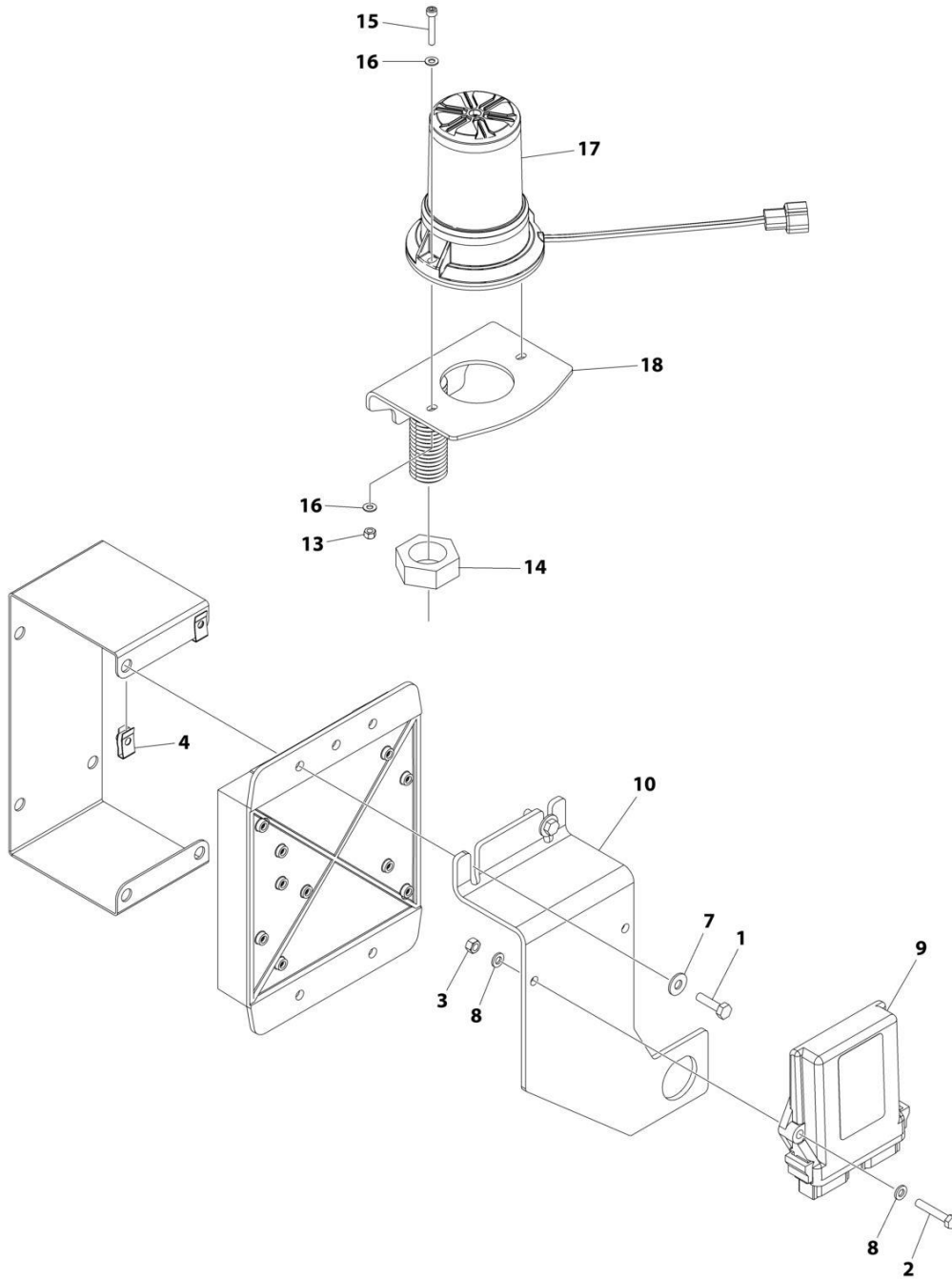
SECTION 2 - TURNTABLE

FIGURE 2-36. STROBE LIGHT INSTALLATION (AMBER)

ITEM	PART NUMBER	QTY	DESCRIPTION	REV
	1001149955	Ref	STROBE LIGHT INSTALLATION - AMBER	E
3	3290405	2	Nut, Lock M4	
4	3312602	1	Nut	
5	4031509	2	Capscrew M4 x 25	
6	4811400	4	Washer M4	
7	1001270594	1	Light, Strobe (Amber)	
7	4460891	1	Connector	
7	4460465	2	Pin	
8	1001275149	1	Bracket	
9	1001283776	1	Harness, Strobe Light (See Separate Breakdown in ELECTRICAL Section)	

SECTION 2 - TURNTABLE

FIGURE 2-37. STROBE LIGHT INSTALLATION (BLUE)



ART_1001244026_C

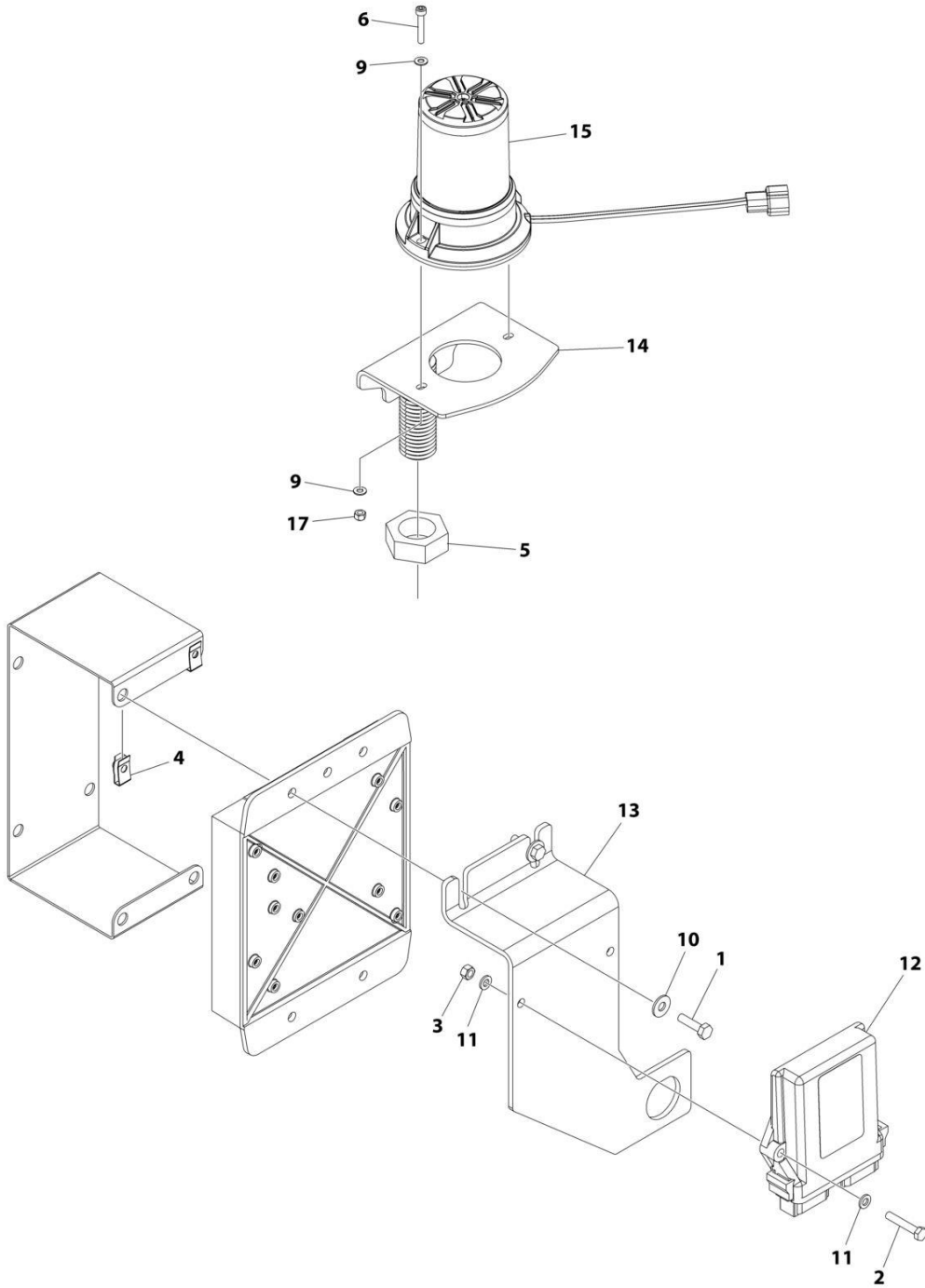
SECTION 2 - TURNTABLE

FIGURE 2-37. STROBE LIGHT INSTALLATION (BLUE)

ITEM	PART NUMBER	QTY	DESCRIPTION	REV
	1001244026	Ref	STROBE LIGHT INSTALLATION (BLUE)	C
1	0641408	2	Bolt 1/4 x 1	
2	0700615	2	Bolt M6 x 35	
3	3290607	2	Nut M6 x 1	
4	3300454	2	Nut 1/4	
5	4240032	AR	Tie-Strap (Not Shown)	
6	4460488	AR	Mounting Base (Not Shown)	
7	4751400	2	Washer 1/4	
8	4811700	4	Washer M6	
9	1001142683	1	Module, Control Beacon	
10	1001142719	1	Bracket	
12	1001142736	1	Harness, Beacon Control (Not Shown - See Separate Breakdown in ELECTRICAL Section)	
13	3290405	2	Nut, Lock M4	
14	3312602	1	Nut	
15	4031509	2	Capscrew M4 x 25	
16	4811400	4	Washer M4	
17	1001272681	1	Light, Beacon	
17	4460897	1	Connector	
17	4460464	2	Pin	
18	1001278850	1	Bracket (Centered Stud)	
18	1001275149	1	Bracket (Offset Stud)	

SECTION 2 - TURNTABLE

FIGURE 2-38. STROBE LIGHT INSTALLATION (RED)



ART_1001244027_C

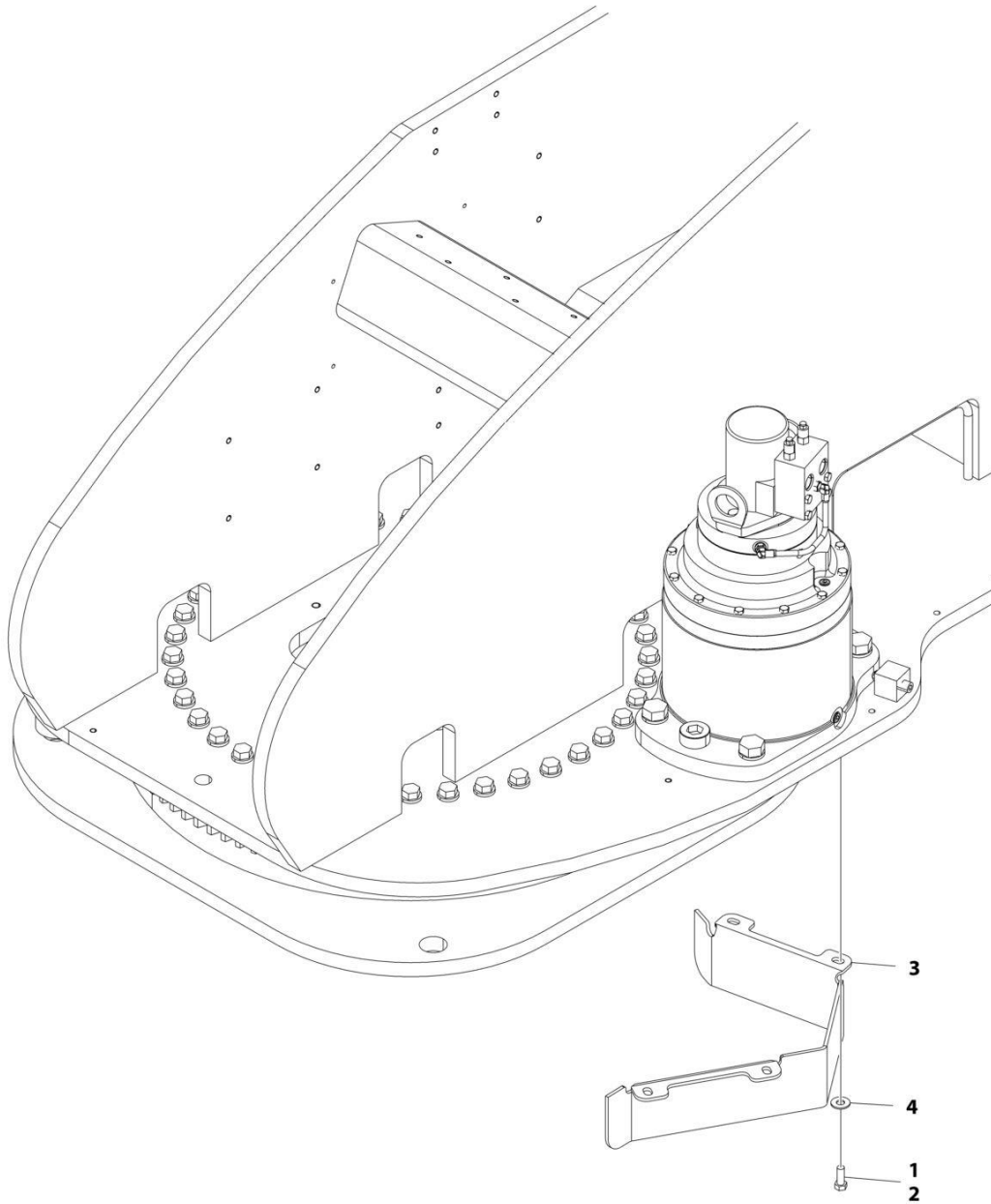
SECTION 2 - TURNTABLE

FIGURE 2-38. STROBE LIGHT INSTALLATION (RED)

ITEM	PART NUMBER	QTY	DESCRIPTION	REV
	1001244027	Ref	STROBE LIGHT INSTALLATION (RED)	C
1	0641408	2	Bolt 1/4 x 1	
2	0700615	2	Bolt M6 x 35	
3	3290607	2	Nut M6 x 1	
4	3300454	2	Nut	
5	3312602	1	Nut	
6	4031509	2	Capscrew M4 x 25	
7	4240032	AR	Tie-Strap (Not Shown)	
8	4460488	AR	Mounting Base (Not Shown)	
9	4811400	4	Washer M4	
10	4751400	2	Washer 1/4	
11	4811700	4	Washer M6	
12	1001142683	1	Module, Control Beacon	
13	1001142719	1	Bracket	
14	1001278850	1	Bracket (Centered Stud)	
14	1001275149	1	Bracket (Offset Stud)	
15	1001272682	1	Light, Strobe	
15	4460897	1	Connector	
15	4460464	2	Pin	
16	1001142736	1	Harness, Beacon Control (Not Shown - See Separate Breakdown in ELECTRICAL Section)	
17	3290405	2	Nut, Lock M4	

SECTION 2 - TURNTABLE

FIGURE 2-39. PINION SHIELD INSTALLATION



ART_0271874

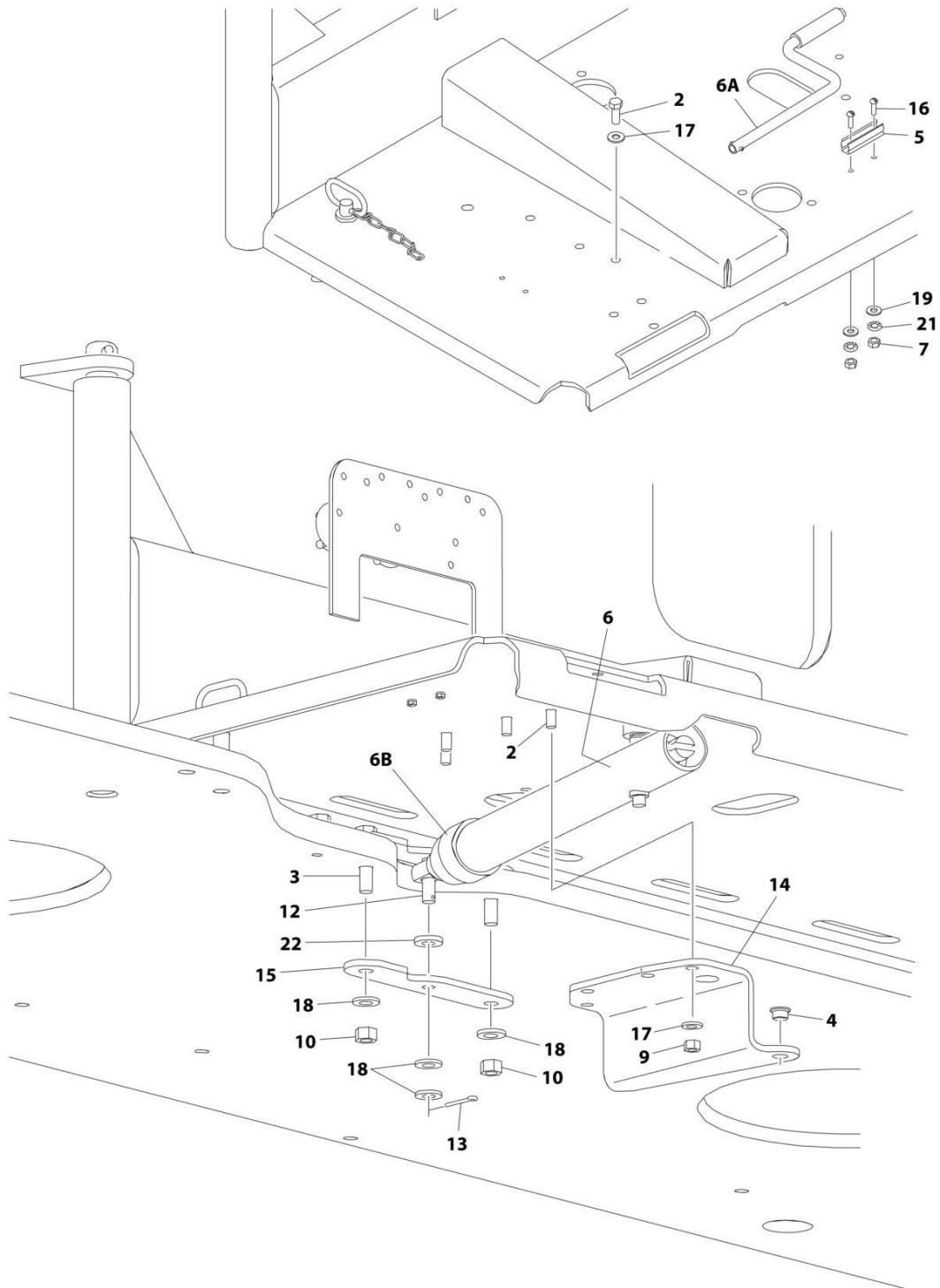
SECTION 2 - TURNTABLE

FIGURE 2-39. PINION SHIELD INSTALLATION

ITEM	PART NUMBER	QTY	DESCRIPTION	REV
	0271874	Ref	PINION SHIELD INSTALLATION	A
1	0100011	AR	Compound, Locking	
2	0641608	4	Bolt 3/8 x 1	
3	3573355	1	Plate, Pinion	
4	4751600	4	Washer 3/8	

SECTION 2 - TURNTABLE

FIGURE 2-40. ENGINE TRAY JACK INSTALLATION - DEUTZ TD2011 ENGINES



ART_0272064

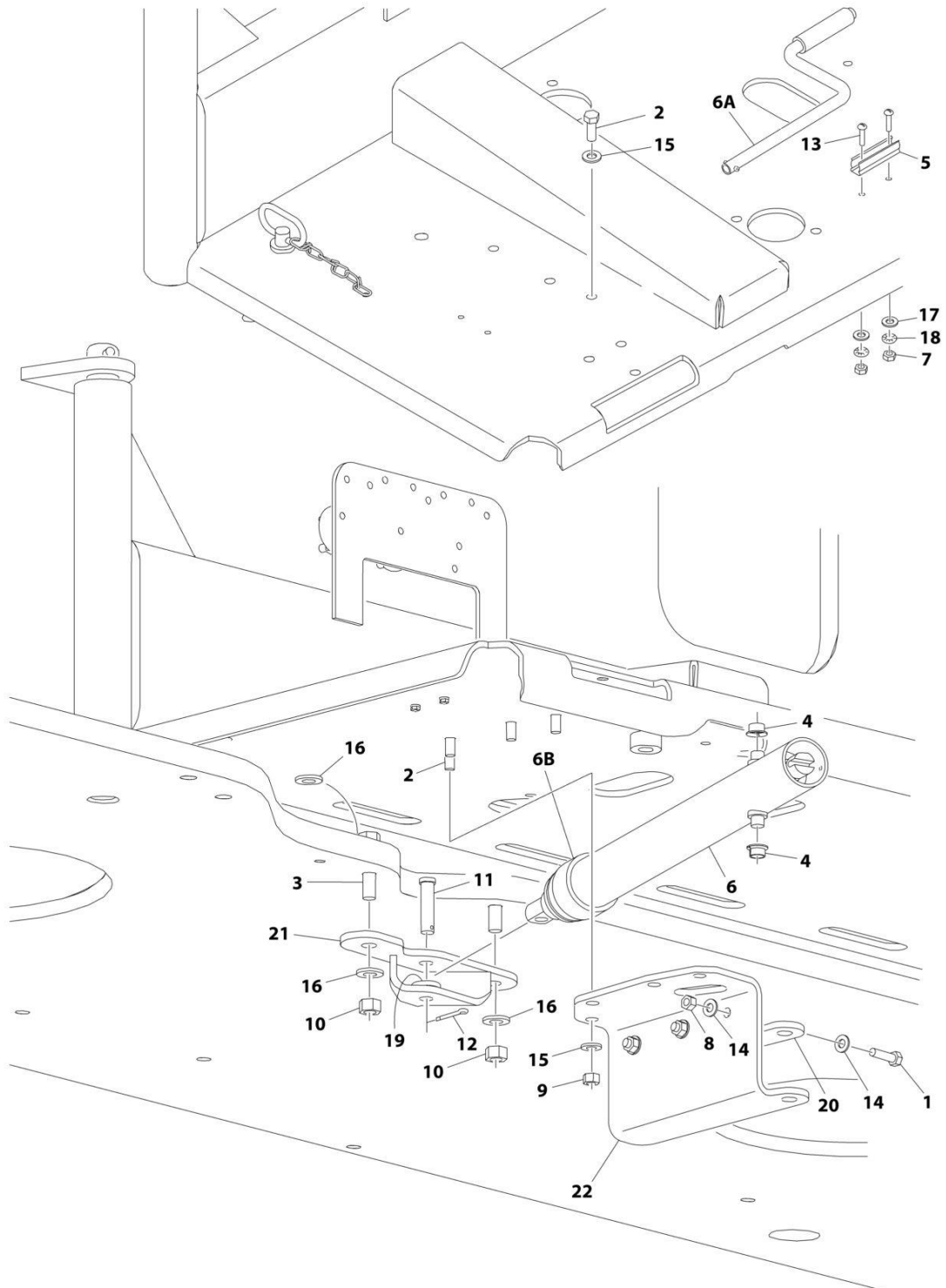
SECTION 2 - TURNTABLE

FIGURE 2-40. ENGINE TRAY JACK INSTALLATION - DEUTZ TD2011 ENGINES

ITEM	PART NUMBER	QTY	DESCRIPTION	REV
	0272064	Ref	ENGINE TRAY JACK INSTALLATION	C
2	0641608	4	Bolt 3/8 x 1	
3	0641818	2	Bolt 1/2 x 2-1/4	
4	0962051	2	Bearing, Flanged	
5	1380147	1	Clip, Spring	
6	2840016	1	Jack and Handle Assembly	
6A		Ref	Handle Options:	
6A	7016374	1	Burr Manufacturing Brand	
6A	7024598	1	Hammerblow Corp Brand	
6B	7016322	1	Wiper (Burr Manufacturing Brand Only)	
7	3310601	2	Nut #6	
9	3311605	4	Nut 3/8	
10	3311805	2	Nut 1/2	
12	3430816	1	Pin, Clevis	
13	3450404	1	Pin, Cotter 1/8 x 1	
14	3537445	1	Bracket	
15	3573454	2	Plate	
16	3910608	2	Screw #6 x 1/2	
17	4711600	8	Washer 3/8	
18	4711800	4	Washer 1/2	
19	4750600	2	Washer #6	
21	4770600	2	Starwasher #6	
22	4891800	1	Washer 1/2	

SECTION 2 - TURNTABLE

FIGURE 2-41. ENGINE TRAY JACK INSTALLATION - DEUTZ TCD2.9L4 ENGINES AND DEUTZ TCD2.9L4 (STAGE V) ENGINES



ART_1001143294

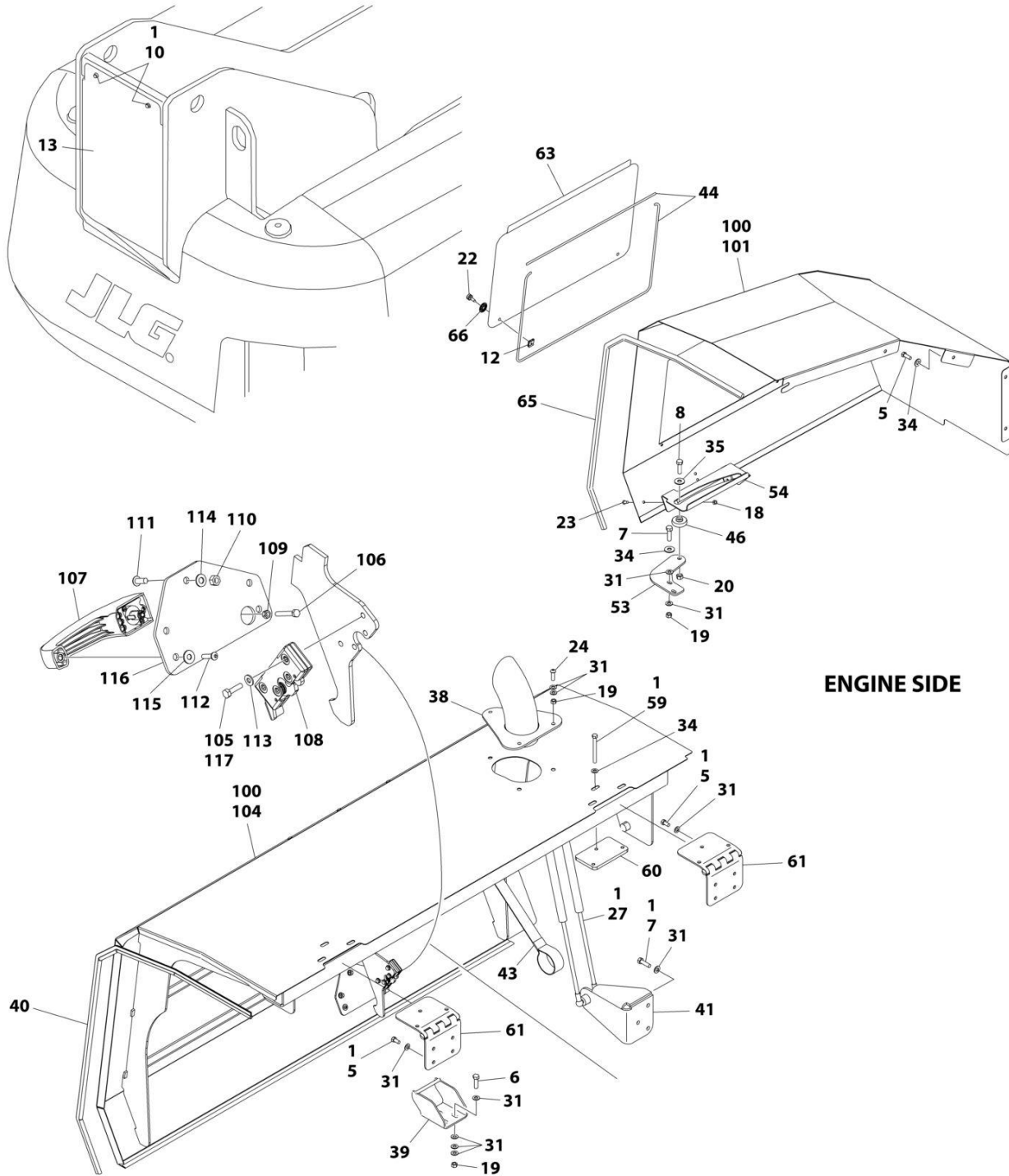
SECTION 2 - TURNTABLE

FIGURE 2-41. ENGINE TRAY JACK INSTALLATION - DEUTZ TCD2.9L4 ENGINES AND DEUTZ TCD2.9L4 (STAGE V) ENGINES

ITEM	PART NUMBER	QTY	DESCRIPTION	REV
	1001143294	Ref	ENGINE TRAY JACK INSTALLATION	A
1	0641509	3	Bolt 5/16 x 1-1/8	
2	0641608	4	Bolt 3/8 x 1	
3	0641816	2	Bolt 1/2 x 2	
4	0962051	2	Bearing, Flanged	
5	1380147	1	Clip, Spring	
6	2840016	1	Jack and Handle Assembly	
6A		Ref	Handle Options:	
6A	7016374	1	Burr Manufacturing Brand (Identified by 4in handle offset)	
6A	7024598	1	Hammerblow Corp Brand (Identified by 4-1/2in handle offset)	
6B	7016322	1	Wiper (Burr Manufacturing Brand Only)	
7	3310601	2	Nut #6	
8	3311505	3	Nut 5/16	
9	3311605	4	Nut 3/8	
10	3311805	2	Nut 1/2	
11	3430816	1	Pin, Clevis	
12	3450404	1	Pin, Cotter 1/8 x 1	
13	3910608	2	Screw #6 x 1/2	
14	4711500	6	Washer 5/16	
15	4711600	8	Washer 3/8	
16	4711800	4	Washer 1/2	
17	4750600	2	Washer #6	
18	4770600	2	Starwasher #6	
19	4891800	1	Washer 1/2	
20	1001131482	1	Plate, Jack Bracket	
21	1001135663	1	Support, Engine Tray Jack	
22	1001143298	1	Plate, Jack Bracket	

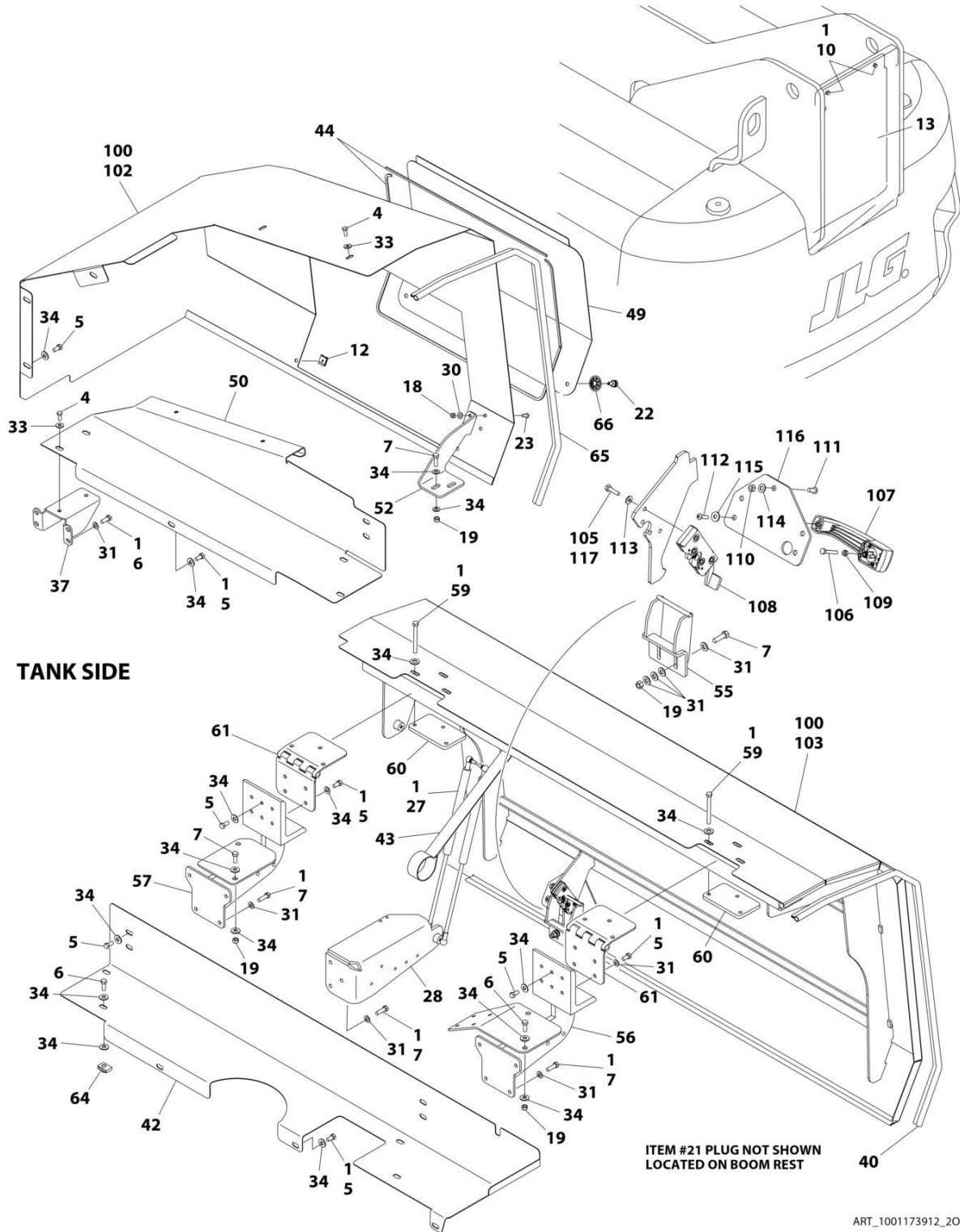
SECTION 2 - TURNTABLE

FIGURE 2-42. HOOD INSTALLATION - DEUTZ TD2011 ENGINES



ART_1001173912_1OF2

SECTION 2 - TURNTABLE



TANK SIDE

ITEM #21 PLUG NOT SHOWN
LOCATED ON BOOM REST

ART_1001173912_20F2

SECTION 2 - TURNTABLE

FIGURE 2-42. HOOD INSTALLATION - DEUTZ TD2011 ENGINES

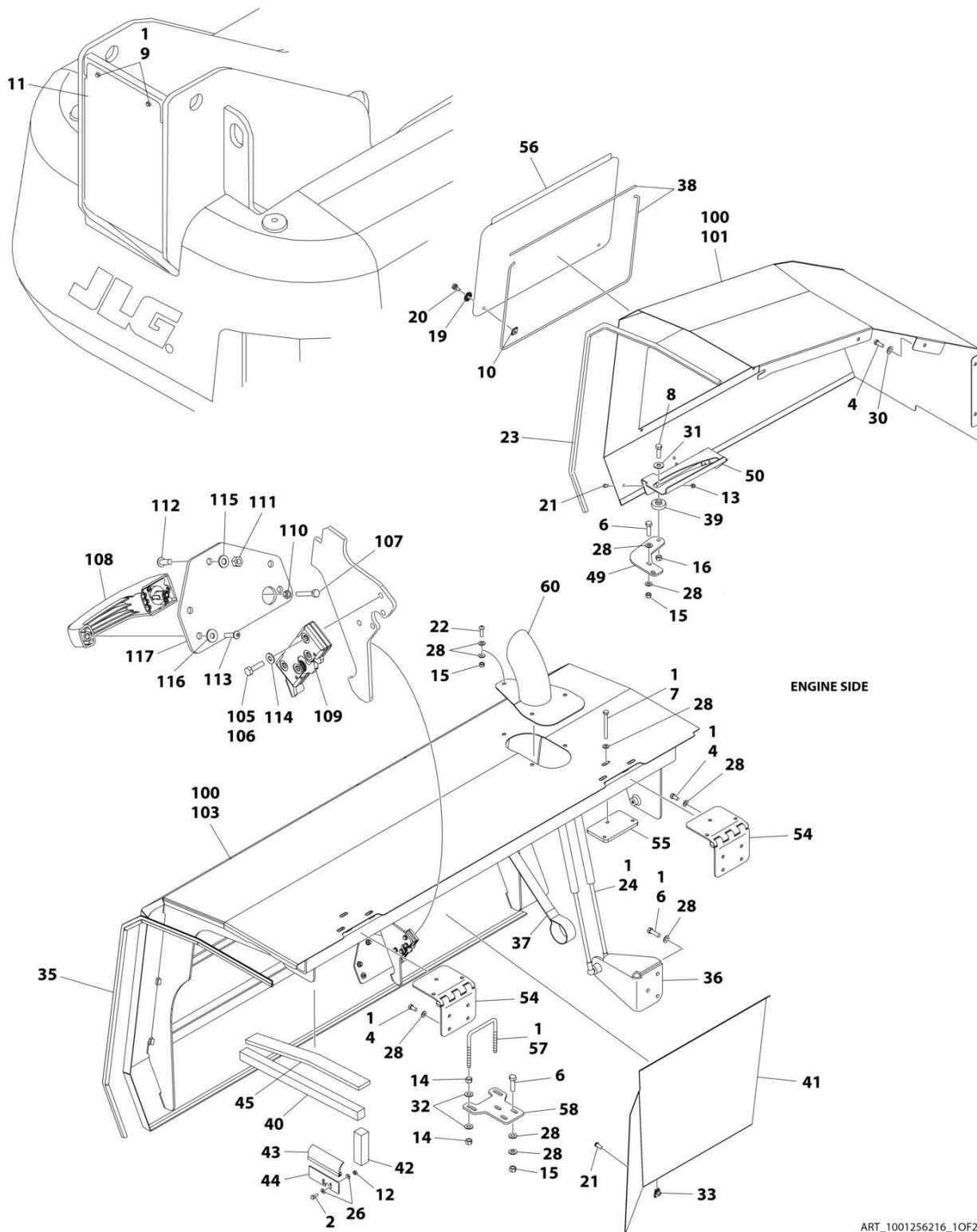
ITEM	PART NUMBER	QTY	DESCRIPTION	REV
	1001173912	Ref	HOOD INSTALLATION - DEUTZ TD2011/TD2.9L4 ENGINES (STEEL)	H
		Ref	Note: Replacement Decals Must be Ordered Separately - See DECAL SECTION.	
1	0100011	AR	Compound, Locking	
4	0641506	AR	Bolt 5/16 x 3/4	
5	0641606	32	Bolt 3/8 x 3/4	
6	0641608	8	Bolt 3/8 x 1	
7	0641610	AR	Bolt 3/8 x 1-1/4	
8	0641813	1	Bolt 1/2 x 1-5/8	
10	0791604	2	Screw 3/8 x 1/2	
12	1380169	4	Clip	
13	1671038	1	Cover	
18	3311505	5	Nut 5/16	
19	3311605	AR	Nut 3/8	
20	3311805	1	Nut 1/2	
21	3520034	2	Plug, Hole	
22	3900174	4	Screw, Thumb	
23	3900210	5	Screw 5/16 x 3/4	
24	3900232	3	Screw 3/8 x 1-1/4	
27	4160194	4	Spring, Gas	
28	4340999	1	Mount, Gas Spring	
30	4711500	2	Washer 5/16	
31	4711600	64	Washer 3/8	
33	4751500	4	Washer 5/16	
34	4751600	AR	Washer 3/8	
35	4751800	1	Washer 1/2	
37	3573232	1	Support, Power Track Trough	
38	1001110027	1	Stack, Exhaust	
39	1001110194	1	Bracket, Striker	
40	1001110433	AR	Seal	
41	1001110486	1	Mount, Gas Spring	
42	1001175859	1	Plate, Power Track Trough	
43	1001112691	2	Strap, Hand Pull	
44	1001113047	14.5 ft/ 4.4m	Seal	
46	1001131462	1	Pad, Hood Slide	
49	1001173166	1	Cover, Access (Tank Side)	
50	1001173170	1	Plate, Power Track Trough	
52	1001173185	1	Plate, Mounting	
53	1001173186	1	Bracket, Engine Tray	
54	1001173187	1	Bracket, Engine Tray	
55	1001173188	1	Bracket, Hood Latch	
56	1001173647	1	Support, Front Hood	
57	1001173651	1	Support, Front Hood	
59	0641630	12	Bolt 3/8 x 3-3/4	
60	1001175880	4	Plate	
61	1001175879	4	Hinge, Offset Hood	
63	1001180051	1	Cover, Access (Engine Side)	
64	88662523	4	Nut, Tinnerman	

SECTION 2 - TURNTABLE

ITEM	PART NUMBER	QTY	DESCRIPTION	REV
65	3960447	10 ft/ 3.1m	Seal, Self-Gripping	
66	3760308	4	Retainer	
100	1001175250	1	Kit, Hood	E
101	1001173163	1	Hood, Engine Side - Rear	
102	1001173164	1	Hood, Tank Side - Rear	
103	1001173183	1	Hood, Tank Side - Front	
104	1001174331	1	Hood, Engine Side - Front	
105	0641408	8	Bolt 1/4 x 1	
106	0700616	2	Bolt M6 x 40	
107	2560187	2	Handle, Push Button	
108	2940173	2	Latch, Rotary	
109	3290601	2	Nut M6	
110	3311505	6	Nut 5/16	
111	3900210	6	Screw 5/16 x 3/4	
112	3900363	4	Screw M6 x 25	
113	4711400	8	Washer 1/4	
114	4711500	6	Washer 5/16	
115	4751400	4	Washer 1/4	
116	1001116290	2	Plate, Latch Mounting	
117	0100011	AR	Compound, Locking	

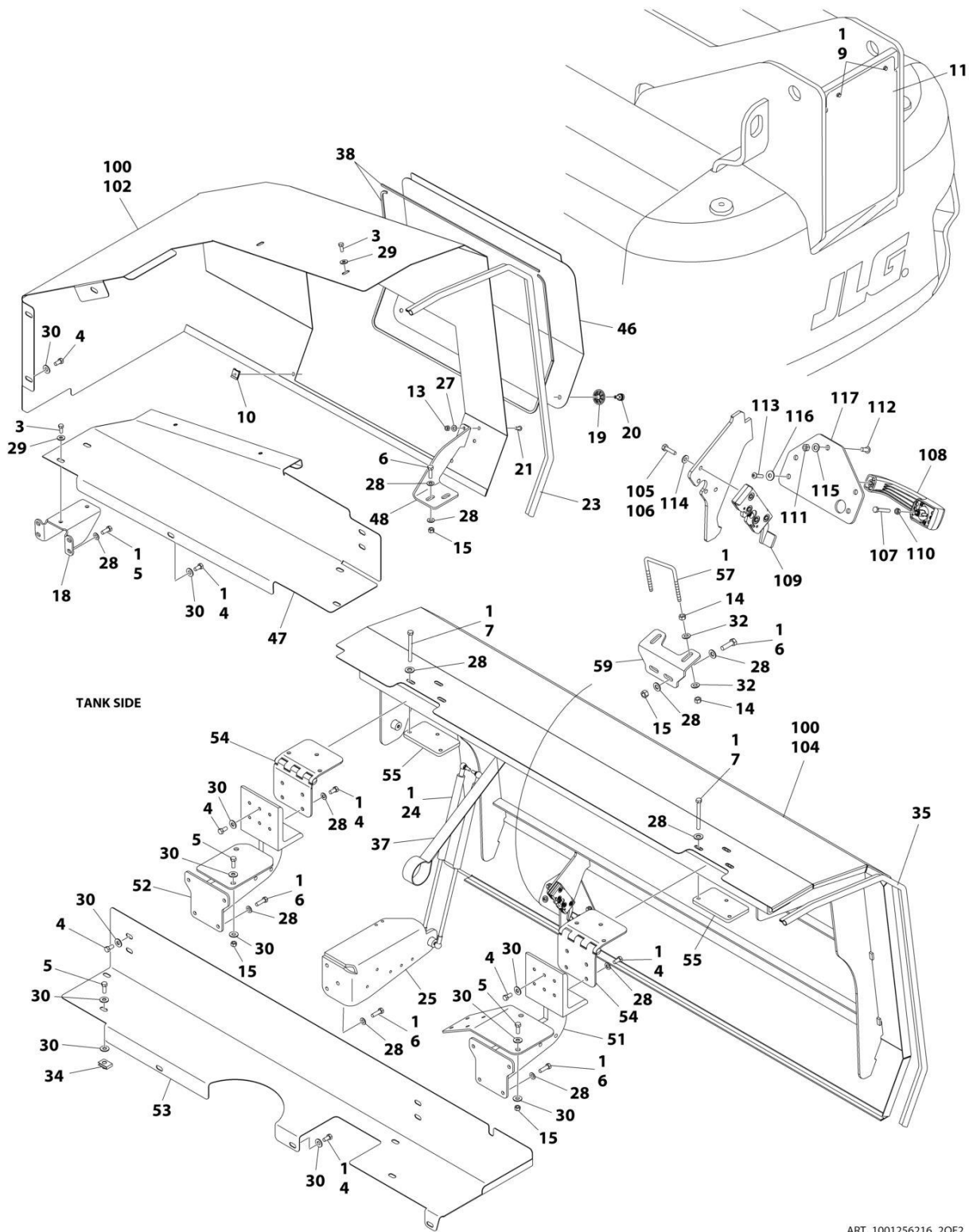
SECTION 2 - TURNTABLE

FIGURE 2-43. HOOD INSTALLATION - DEUTZ TCD2.9L4 ENGINES



ART_1001256216_10F2

SECTION 2 - TURNTABLE



ART_1001256216_20F2

SECTION 2 - TURNTABLE

FIGURE 2-43. HOOD INSTALLATION - DEUTZ TCD2.9L4 ENGINES

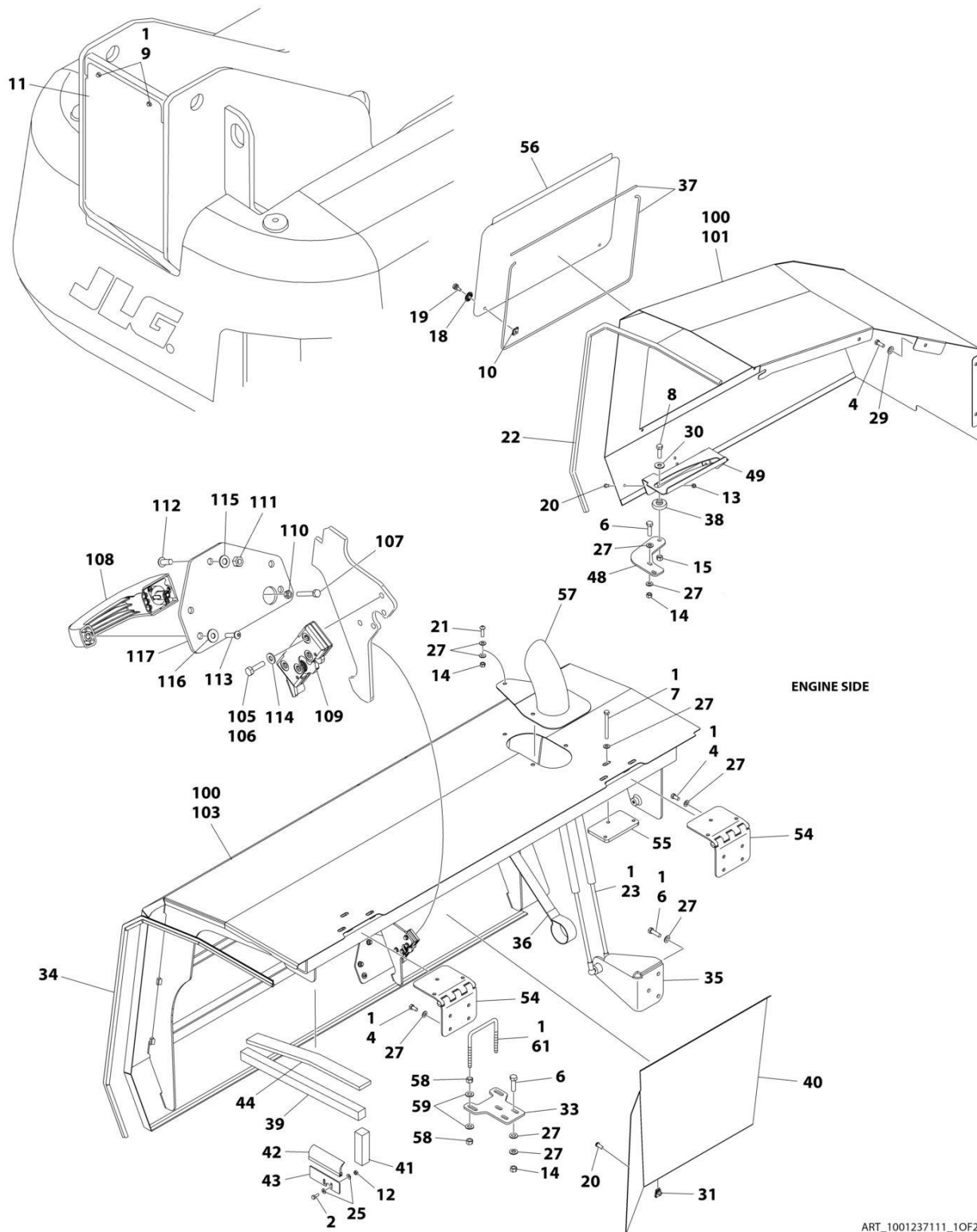
ITEM	PART NUMBER	QTY	DESCRIPTION	REV
	1001256216	Ref	HOOD INSTALLATION - DEUTZ TCD2.9L4 ENGINES (STEEL)	A
		Ref	Note: Replacement Decals Must be Ordered Separately - See DECAL Section.	
1	0100011	AR	Compound, Locking	
2	0641406	2	Bolt 1/4 x 3/4	
3	0641506	2	Bolt 5/16 x 3/4	
4	0641606	32	Bolt 3/8 x 3/4	
5	0641608	8	Bolt 3/8 x 1	
6	0641610	25	Bolt 3/8 x 1-1/4	
7	0641630	12	Bolt 3/8 x 3-3/4	
8	0641813	1	Bolt 1/2 x 1-5/8	
9	0791604	2	Screw 3/8 x 1/2	
10	1380169	4	Clip	
11	1671038	1	Cover	
12	3311405	2	Nut 1/4	
13	3311505	5	Nut 5/16	
14	3311601	8	Nut 3/8	
15	3311605	14	Nut 3/8	
16	3311805	1	Nut 1/2	
17	3520034	2	Plug, Hole (Not Shown)	
18	3573232	1	Support, Power Track Trough	
19	3760308	4	Retainer	
20	3900174	4	Screw, Thumb	
21	3900210	10	Screw 5/16 x 3/4	
22	3900232	3	Screw 3/8 x 1-1/4	
23	3960447	10 ft/ 3.1m	Seal, Self-Gripping	
24	4160194	4	Spring, Gas	
25	4340999	1	Mount, Gas Spring	
26	4711400	4	Washer 1/4	
27	4711500	2	Washer 5/16	
28	4711600	72	Washer 3/8	
29	4751500	2	Washer 5/16	
30	4751600	24	Washer 3/8	
31	4751800	1	Washer 1/2	
32	4891600	8	Washer 3/8	
33	8310658	5	Nut .312 x 1	
34	88662523	1	Nut, Tinnerman	
35	1001110433	9 ft/2.89m	Seal	
36	1001110486	1	Mount, Gas Spring	
37	1001112691	2	Strap, Hand Pull	
38	1001113047	14.5 ft/ 4.4m	Seal	
39	1001131462	1	Pad, Hood Slide	
40	1001140485	1	Seal	
41	1001145162	1	Panel, Heat Deflector	
42	1001146132	1	Seal	
43	1001146178	1	Seal	
44	1001146183	1	Plate	
45	1001146244	1	Seal	

SECTION 2 - TURNTABLE

ITEM	PART NUMBER	QTY	DESCRIPTION	REV
46	1001173166	1	Cover, Access (Tank Side)	
47	1001173170	1	Plate, Power Track Trough	
48	1001173185	1	Plate, Mounting	
49	1001173186	1	Bracket, Engine Tray	
50	1001173187	1	Bracket, Engine Tray	
51	1001173647	1	Support, Front Hood	
52	1001173651	1	Support, Front Hood	
53	1001175859	1	Plate, Power Track Trough	
54	1001175879	4	Hinge, Offset Hood	
55	1001175880	4	Plate	
56	1001180051	1	Cover, Access (Engine Side)	
57	1001243414	2	U - Bolt	
58	1001250296	1	Bracket	
59	1001250297	1	Bracket	
60	1001256212	1	Stack, Exhaust	
100	1001237113	1	Kit, Hood	D
101	1001173163	1	Hood, Engine Side - Rear	
102	1001173164	1	Hood, Tank Side - Rear	
103	1001246618	1	Hood, Engine Side - Front	
104	1001246619	1	Hood, Tank Side - Front	
105	0100011	1	Compound, Locking	
106	0641408	8	Bolt 1/4 x 1	
107	0700616	2	Bolt M6 x 40	
108	2560187	2	Handle, Push Button	
109	2940173	2	Latch, Rotary	
110	3290601	2	Nut M6	
111	3311505	6	Nut 5/16	
112	3900210	6	Screw 5/16 x 3/4	
113	3900363	4	Screw M6 x 25	
114	4711400	8	Washer 1/4	
115	4711500	6	Washer 5/16	
116	4751400	4	Washer 1/4	
117	1001116290	2	Plate, Latch Mounting	

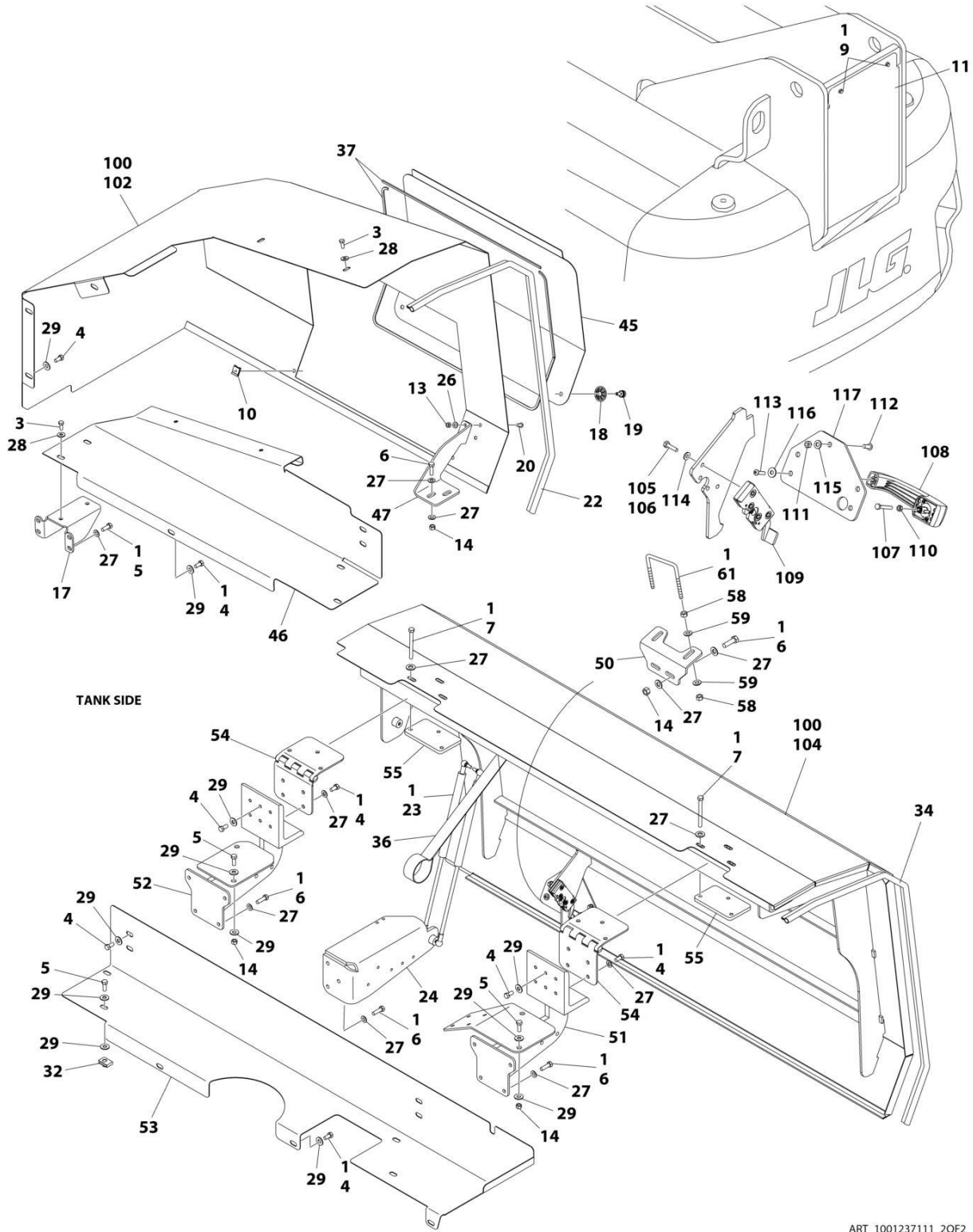
SECTION 2 - TURNTABLE

FIGURE 2-44. HOOD INSTALLATION - DEUTZ TCD2.9L4 (STAGE V / CHINA IV) ENGINES



ART_1001237111_1OF2

SECTION 2 - TURNTABLE



ART_1001237111_20F2

SECTION 2 - TURNTABLE

FIGURE 2-44. HOOD INSTALLATION - DEUTZ TCD2.9L4 (STAGE V / CHINA IV) ENGINES

ITEM	PART NUMBER	QTY	DESCRIPTION	REV
	1001237111	Ref	HOOD INSTALLATION - DEUTZ TCD2.9L4 ENGINES (STEEL)	C
		Ref	Note: Replacement Decals Must be Ordered Separately - See DECAL Section.	
1	0100011	AR	Compound, Locking	
2	0641406	2	Bolt 1/4 x 3/4	
3	0641506	2	Bolt 5/16 x 3/4	
4	0641606	32	Bolt 3/8 x 3/4	
5	0641608	8	Bolt 3/8 x 1	
6	0641610	25	Bolt 3/8 x 1-1/4	
7	0641630	12	Bolt 3/8 x 3-3/4	
8	0641813	1	Bolt 1/2 x 1-5/8	
9	0791604	2	Screw 3/8 x 1/2	
10	1380169	4	Clip	
11	1671038	1	Cover	
12	3311405	2	Nut 1/4	
13	3311505	5	Nut 5/16	
14	3311605	14	Nut 3/8	
15	3311805	1	Nut 1/2	
16	3520034	2	Plug, Hole (Not Shown)	
17	3573232	1	Support, Power Track Trough	
18	3760308	4	Retainer	
19	3900174	4	Screw, Thumb	
20	3900210	10	Screw 5/16 x 3/4	
21	3900232	3	Screw 3/8 x 1-1/4	
22	3960447	10 ft/ 3.1m	Seal, Self-Gripping	
23	4160194	4	Spring, Gas	
24	4340999	1	Mount, Gas Spring	
25	4711400	4	Washer 1/4	
26	4711500	2	Washer 5/16	
27	4711600	72	Washer 3/8	
28	4751500	2	Washer 5/16	
29	4751600	24	Washer 3/8	
30	4751800	1	Washer 1/2	
31	8310658	5	Nut .312 x 1	
32	88662523	4	Nut, Tinnerman	
33	1001250296	1	Bracket	
34	1001110433	9 ft/2.89m	Seal	
35	1001110486	1	Mount, Gas Spring	
36	1001112691	2	Strap, Hand Pull	
37	1001113047	14.5 ft/ 4.4m	Seal	
38	1001131462	1	Pad, Hood Slide	
39	1001140485	1	Seal	
40	1001145162	1	Panel, Heat Deflector	
41	1001146132	1	Seal	
42	1001146178	1	Seal	
43	1001146183	1	Plate	
44	1001146244	1	Seal	
45	1001173166	1	Cover, Access (Tank Side)	

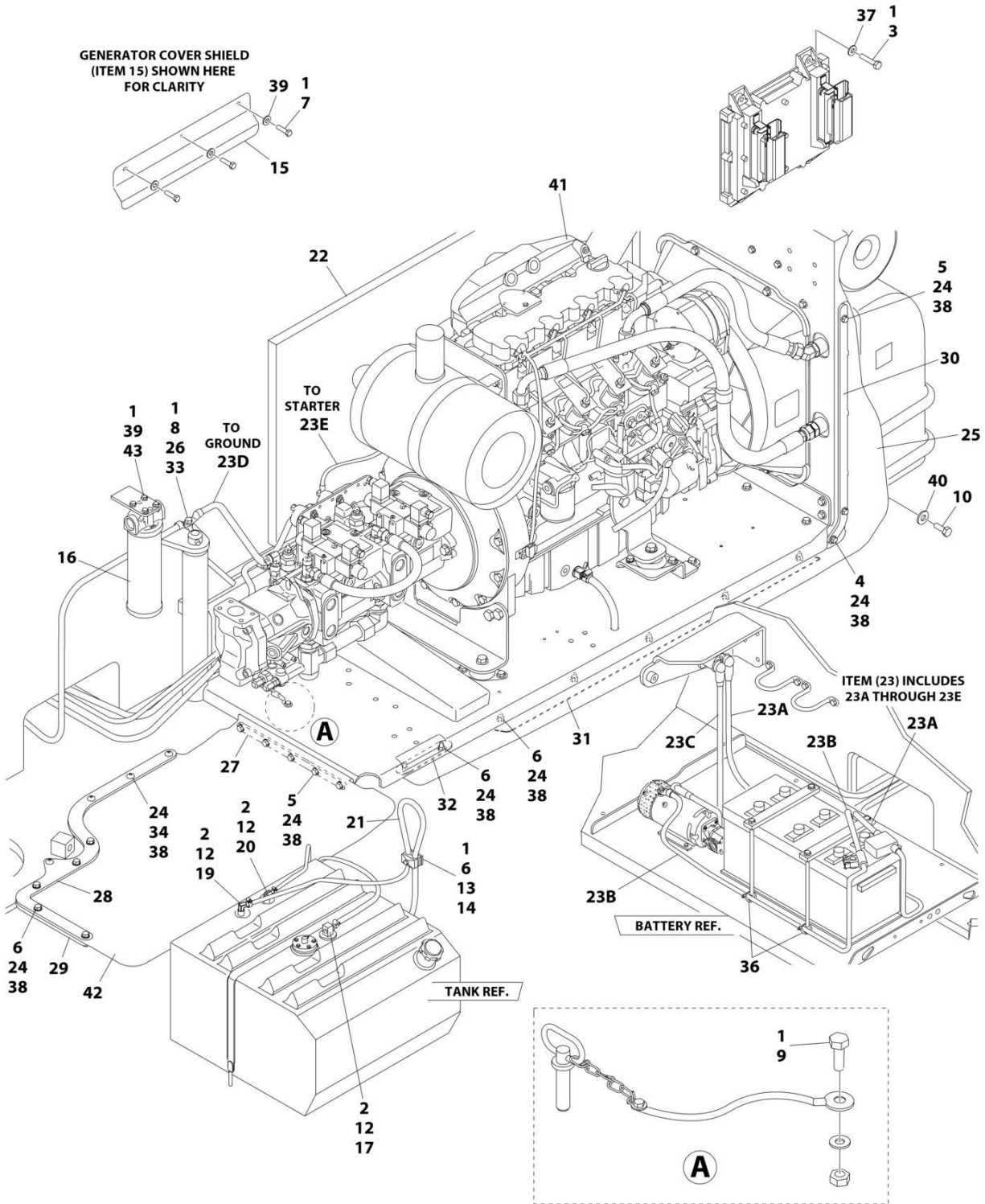
SECTION 2 - TURNTABLE

ITEM	PART NUMBER	QTY	DESCRIPTION	REV
46	1001173170	1	Plate, Power Track Trough	
47	1001173185	1	Plate, Mounting	
48	1001173186	1	Bracket, Engine Tray	
49	1001173187	1	Bracket, Engine Tray	
50	1001250297	1	Bracket	
51	1001173647	1	Support, Front Hood	
52	1001173651	1	Support, Front Hood	
53	1001175859	1	Plate, Power Track Trough	
54	1001175879	4	Hinge, Offset Hood	
55	1001175880	4	Plate	
56	1001180051	1	Cover, Access (Engine Side)	
57	1001236411	1	Stack, Exhaust	
58	3311601	8	Nut 3/8	
59	4891600	8	Washer 3/8	
61	1001243414	2	U - Bolt	
100	1001237113	1	Kit, Hood	D
101	1001173163	1	Hood, Engine Side - Rear	
102	1001173164	1	Hood, Tank Side - Rear	
103	1001246618	1	Hood, Engine Side - Front	
104	1001246619	1	Hood, Tank Side - Front	
105	0100011	1	Compound, Locking	
106	0641408	8	Bolt 1/4 x 1	
107	0700616	2	Bolt M6 x 40	
108	2560187	2	Handle, Push Button	
109	2940173	2	Latch, Rotary	
110	3290601	2	Nut M6	
111	3311505	6	Nut 5/16	
112	3900210	6	Screw 5/16 x 3/4	
113	3900363	4	Screw M6 x 25	
114	4711400	8	Washer 1/4	
115	4711500	6	Washer 5/16	
116	4751400	4	Washer 1/4	
117	1001116290	2	Plate, Latch Mounting	

SECTION 3 - ENGINE

SECTION 3 - ENGINE

FIGURE 3-1. DEUTZ TD2011 ENGINE INSTALLATION - WITH REXROTH PUMPS (WITHOUT SKYPOWER AND WITHOUT COLD WEATHER PLUS PACKAGE)



ART_1001117370

SECTION 3 - ENGINE

FIGURE 3-1. DEUTZ TD2011 ENGINE INSTALLATION - WITH REXROTH PUMPS (WITHOUT SKYPOWER AND WITHOUT COLD WEATHER PLUS PACKAGE)

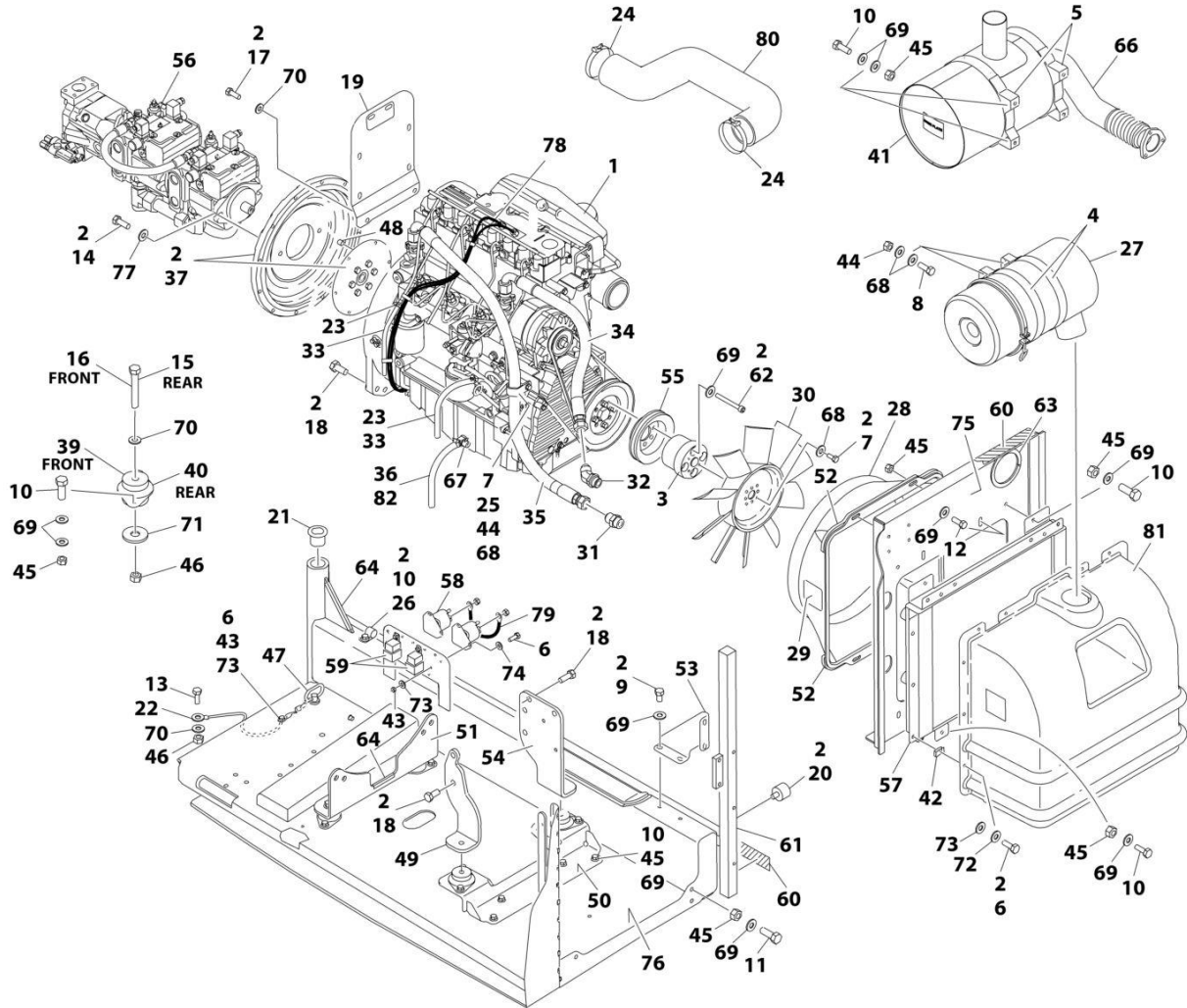
ITEM	PART NUMBER	QTY	DESCRIPTION	REV
	1001117370	Ref	DEUTZ TD2011 DIESEL ENGINE INSTALLATION - WITH REXROTH PUMPS AND STEEL HOOD (WITHOUT SKYPOWER AND WITHOUT COLD WEATHER PLUS PACKAGE)	D
1	0100011	AR	Compound, Locking	
2	0100079	AR	Sealant, Pipe	
3	0641410	4	Bolt 1/4 x 1-1/4	
4	0641506	1	Bolt 5/16 x 3/4	
5	0641509	7	Bolt 5/16 x 1-1/8	
6	0641511	13	Bolt 5/16 x 1-3/8	
7	0641605	3	Bolt 3/8 x 5/8	
8	0641610	1	Bolt 3/8 x 1-1/4	
9	0641808	1	Bolt 1/2 x 1	
10	0642010	1	Bolt 5/8 x 1-1/4	
12	1320022	3	Clamp	
13	1320187	1	Clamp, Twin	
14	1320190	1	Cover, Clamp	
15	1671121	1	Cover, Generator	
16	1001108617	1	Pressure Filter	
16	70002231	1	Element, Filter	
17	2180348	1	Fitting, Barbed	
19	2220313	1	Fitting, Elbow Barbed	
20	2221176	1	Fitting, Elbow	
21	2750532	5 ft/ 1.5m	Hose	
22	2820170	1	Insulation, Sound Absorbing	
23	2902099	1	Battery Cable Kit	
23A	7024580	1	Cable, Red (To Aux Pump Relay, Battery Positive Terminal and Start Relay)	
23B	7024581	1	Cable, Black (To Aux Pump, Battery Negative Terminal and Ground at Tray Pivot)	
23C	7024582	1	Cable, Red (Aux Pump Relay to Aux Pump)	
23D	7024583	1	Cable, Black (Tray Pivot to Engine Mount)	
23E	7024584	1	Cable, Red (Start Relay to Starter)	
24	3311505	24	Nut 5/16	
25	3380473	1	Panel, Rubber	
26	3422446	1	Pin	
27	3573644	1	Plate, Tray Clamp	
28	1001112878	1	Plate, Top Clamp	
29	1001112879	1	Plate, Bottom Clamp	
30	3573669	1	Plate, Clamp	
31	1001112880	1	Plate, Tray Clamp	
32	3573728	1	Plate, Tray Clamp	
33	3841143	1	Keeper, Pin	
34	3900272	4	Screw 5/16 x 1-3/4	
35	4240018	2	Strap, Tie (Not Shown)	
36	4240099	AR	Strap, Tie	
37	4711400	4	Washer 1/4	
38	4711500	44	Washer 5/16	
39	4711600	7	Washer 3/8	
40	4752000	1	Washer 5/8	

SECTION 3 - ENGINE

ITEM	PART NUMBER	QTY	DESCRIPTION	REV
41	1001098513	1	Engine Assembly with Pumps (See Separate Breakdown in this Section)	
42	1001111132	1	Panel, Rubber	
43	0641606	4	Bolt 3/8 x 3/4	

SECTION 3 - ENGINE

FIGURE 3-2. DEUTZ TD2011 ENGINE ASSEMBLY - WITH REXROTH PUMPS (WITHOUT SKYPOWER AND WITHOUT COLD WEATHER PLUS PACKAGE)



ART_1001098513_M

SECTION 3 - ENGINE

FIGURE 3-2. DEUTZ TD2011 ENGINE ASSEMBLY - WITH REXROTH PUMPS (WITHOUT SKYPOWER AND WITHOUT COLD WEATHER PLUS PACKAGE)

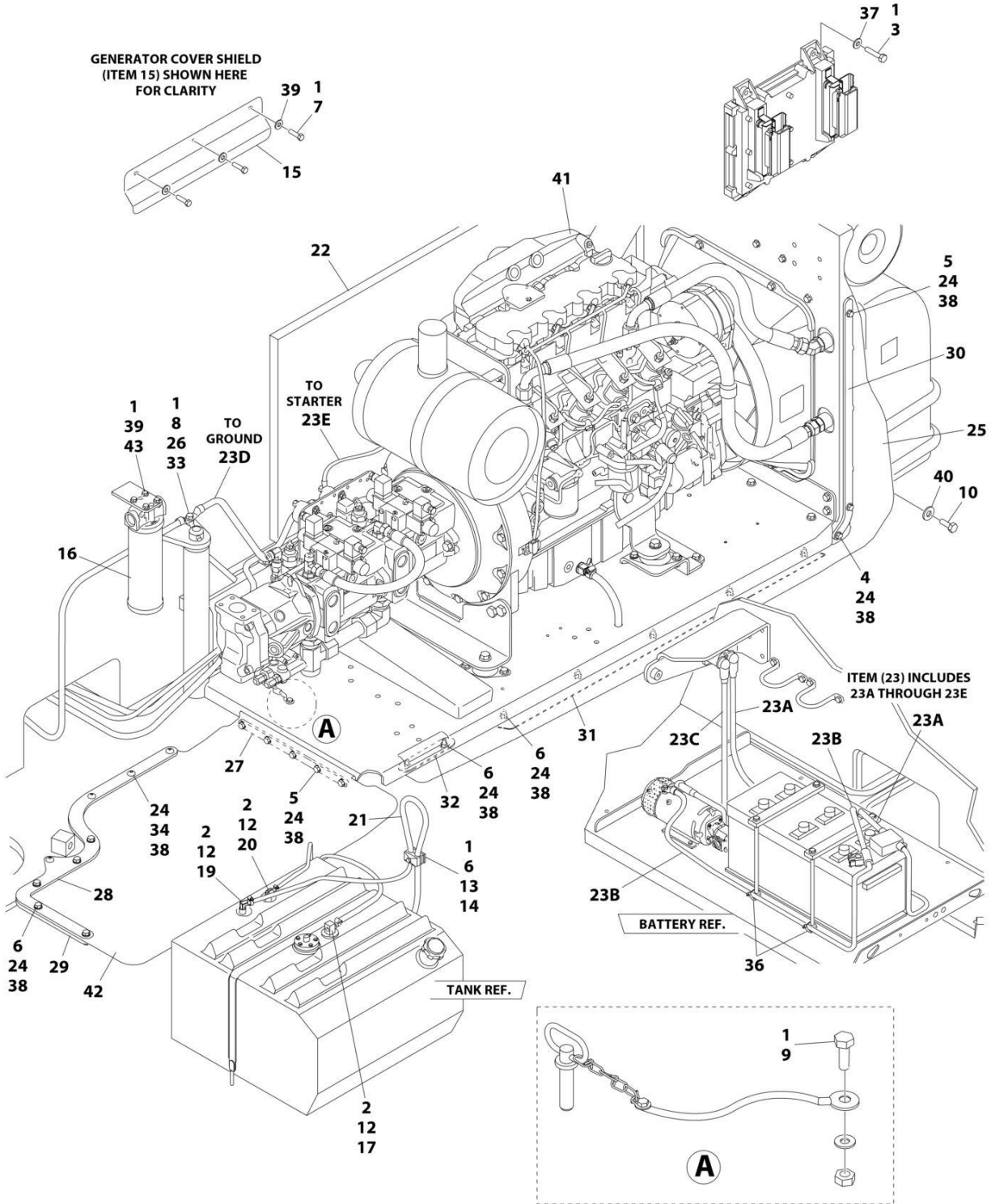
ITEM	PART NUMBER	QTY	DESCRIPTION	REV
	1001098513	Ref	DEUTZ TD2011 ENGINE ASSEMBLY - WITH REXROTH PUMPS	M
1	1001098601	1	Engine, Deutz TD2011 Components (See Separate Breakdown in this Section)	
2	0100011	AR	Compound, Locking	
3	0080237	1	Spacer, Fan	
4	0340003	2	Band, Air Cleaner	
5	0340051	2	Band, Muffler	
6	0641406	15	Bolt 1/4 x 3/4	
7	0641506	5	Bolt 5/16 x 3/4	
8	0641507	4	Bolt 5/16 x 7/8	
9	0641605	4	Bolt 3/8 x 5/8	
10	0641608	25	Bolt 3/8 x 1	
11	0641609	2	Bolt 3/8 x 1-1/8	
12	0641610	4	Bolt 3/8 x 1-1/4	
13	0641808	1	Bolt 1/2 x 1	
14	0641812	2	Bolt 1/2 x 1-1/2	
15	0641818	2	Bolt 1/2 x 2-1/4	
16	0641826	2	Bolt 1/2 x 3-1/4	
17	0711214	2	Bolt M12 x 30	
18	0771414	10	Bolt M14 x 30	
19	1001112766	1	Bracket, Muffler	
20	0940070	1	Bumper	
21	0961986	2	Bushing, Flanged	
22	1001131542	1	Lanyard	
23	1320022	3	Clamp	
24	1320058	2	Clamp	
25	1320060	1	Clamp	
26	1320223	1	J-Clip	
27	1340065	1	Air Cleaner Assembly	
27	7003655	1	Element, Air Cleaner	
27	7015013	1	Baffle, Rubber	
27	7015014	1	Clamp, Cap	
27	7015015	1	Cup	
27	7015003	1	Wingnut	
28	1671023	1	Shroud, Fan	
29	1703162	2	Decal - Fan Blade	
30	2060025	1	Fan	
31	2220451	1	Fitting, Straight	
32	2220498	1	Fitting, Elbow	
33	2720058	34 ft/ 10.3m	Hose	
34	2720500	1	Hose, Oil Cooler (Top)	
35	2720501	1	Hose, Oil Cooler (Bottom)	
36	2750532	0.75 ft /0.2m	Hose	
37	2902065	1	Pump Coupling Kit (See Separate Breakdown in this Section)	
39	3200362	2	Mount, Motor (Front)	
40	3200401	2	Mount, Motor (Rear)	
41	1001257277	1	Muffler, Spark Arresting	

SECTION 3 - ENGINE

ITEM	PART NUMBER	QTY	DESCRIPTION	REV
42	3300454	10	Nut 1/4	
43	3311405	5	Nut 1/4	
44	3311505	5	Nut 5/16	
45	3311605	30	Nut 3/8	
46	3311805	5	Nut 1/2	
47	3422532	1	Pin, Hitch	
48	3520054	2	Plug	
49	3537416	1	Plate, Mounting (Front Right)	
50	3539971	1	Bracket, Engine Mounting (Front)	
51	3573142	1	Bracket, Engine Mounting (Rear)	
52	3573411	2	Plate, Clamp	
53	3573412	1	Gusset	
54	3573529	1	Plate, Mounting (Front Left)	
55	3580158	1	Pulley	
56	3600339	1	Pump Assembly - Rexroth (See Separate Breakdown in this Section)	
57	1001145382	1	Cooler, Engine Oil	
58	3740067	2	Relay, Start	
59	3740080	2	Relay	
60	3960543	1	Seal	
61	3960544	1	Seal	
62	4032022	4	Capscrew M10 x 90	
63	4060804	0.98 ft /0.3m	Flex-Trim	
64	4060805	0.67 ft /0.2m	Flex-Trim	
65	4240099	AR	Tie, Wire (Not Shown)	
66	4568293	1	Pipe, Exhaust	
67	4640751	1	Valve, Oil Drain	
68	4711500	13	Washer 5/16	
69	4711600	68	Washer 3/8	
70	4711800	7	Washer 1/2	
71	4740274	4	Washer, Snubbing	
72	4740518	10	Washer, Nylon	
73	4751400	20	Washer 1/4	
74	4791400	4	Washer 1/4	
75	4846552	1	Plate, Oil Cooler Mounting	
76	4846946	1	Tray	
77	4891800	2	Washer 1/2 Hardened	
78	4923468	1	Harness, Glow Plugs	
79	4923592	1	Cable, Jumper	
80	1001225118	1	Hose, Air Intake	
81	0272060	1	Box, Air Intake	
82	8410013	1	Clamp, Gear	

SECTION 3 - ENGINE

FIGURE 3-3. DEUTZ TD2011 ENGINE INSTALLATION - WITH REXROTH PUMPS (WITH SKYPOWER AND WITHOUT COLD WEATHER PLUS PACKAGE)



ART_1001117371

SECTION 3 - ENGINE

FIGURE 3-3. DEUTZ TD2011 ENGINE INSTALLATION - WITH REXROTH PUMPS (WITH SKYPOWER AND WITHOUT COLD WEATHER PLUS PACKAGE)

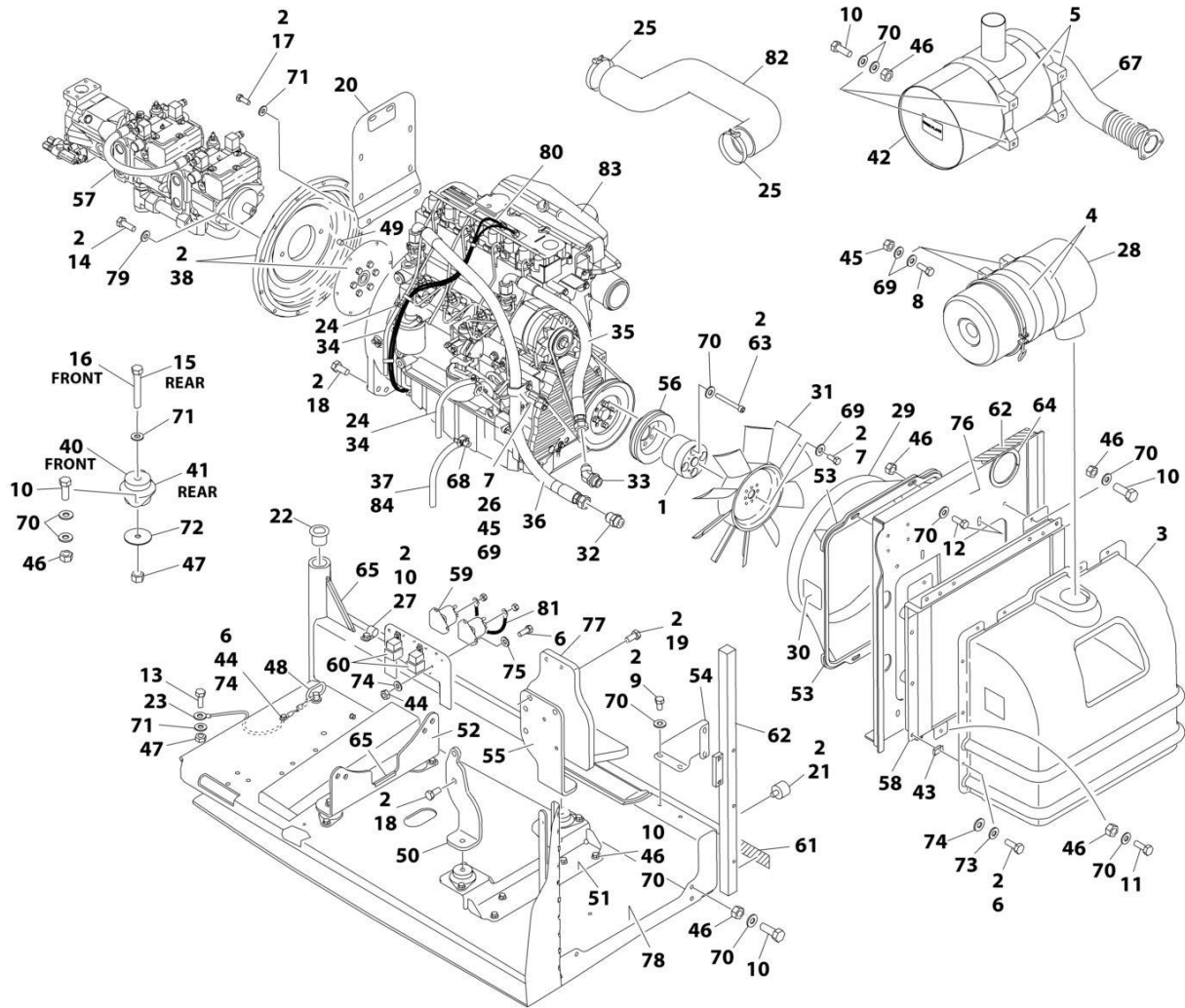
ITEM	PART NUMBER	QTY	DESCRIPTION	REV
	1001117371	Ref	DEUTZ TD2011 DIESEL ENGINE INSTALLATION - WITH REXROTH PUMPS AND STEEL HOODS (WITH SKYPOWER AND WITHOUT COLD WEATHER PLUS PACKAGE)	D
1	0100011	AR	Compound, Locking	
2	0100079	AR	Sealant, Pipe	
3	0641410	4	Bolt 1/4 x 1-1/4	
4	0641506	1	Bolt 5/16 x 3/4	
5	0641509	7	Bolt 5/16 x 1-1/8	
6	0641511	13	Bolt 5/16 x 1-3/8	
7	0641605	3	Bolt 3/8 x 5/8	
8	0641610	1	Bolt 3/8 x 1-1/4	
9	0641808	1	Bolt 1/2 x 1	
10	0642010	1	Bolt 5/8 x 1-1/4	
12	1320022	3	Clamp	
13	1320187	1	Clamp, Twin	
14	1320190	1	Cover, Clamp	
15	1671121	1	Cover, Generator	
16	1001108617	1	Pressure Filter	
16	70002231	1	Element, Filter	
17	2180348	1	Fitting, Barbed	
19	2220313	1	Fitting, Elbow Barbed	
20	2221176	1	Fitting, Elbow	
21	2750532	5 ft/ 1.5m	Hose	
22	2820170	1	Insulation, Sound Absorbing	
23	2902099	1	Battery Cable Kit	
23A	7024580	1	Cable, Red (To Aux Pump Relay, Battery Positive Terminal and Start Relay)	
23B	7024581	1	Cable, Black (To Aux Pump, Battery Negative Terminal and Ground at Tray Pivot)	
23C	7024582	1	Cable, Red (Aux Pump Relay to Aux Pump)	
23D	7024583	1	Cable, Black (Tray Pivot to Engine Mount)	
23E	7024584	1	Cable, Red (Start Relay to Starter)	
24	3311505	24	Nut 5/16	
25	3380473	1	Panel, Rubber	
26	3422446	1	Pin	
27	3573644	1	Plate, Tray Clamp	
28	1001112878	1	Plate, Top Clamp	
29	1001112879	1	Plate, Bottom Clamp	
30	3573669	1	Plate, Clamp	
31	1001112880	1	Plate, Tray Clamp	
32	3573728	1	Plate, Tray Clamp	
33	3841143	1	Keeper, Pin	
34	3900272	4	Screw 5/16 x 1-3/4	
35	4240018	2	Strap, Tie (Not Shown)	
36	4240099	AR	Strap, Tie	
37	4711400	4	Washer 1/4	
38	4711500	44	Washer 5/16	
39	4711600	7	Washer 3/8	
40	4752000	1	Washer 5/8	

SECTION 3 - ENGINE

ITEM	PART NUMBER	QTY	DESCRIPTION	REV
41	1001098530	1	Engine Assembly with Pumps (See Separate Breakdown in this Section)	
42	1001111132	1	Panel, Rubber	
43	0641606	4	Bolt 3/8 x 3/4	

SECTION 3 - ENGINE

FIGURE 3-4. DEUTZ TD2011 ENGINE ASSEMBLY - WITH REXROTH PUMPS (WITH SKYPOWER AND WITHOUT COLD WEATHER PLUS PACKAGE)



ART_1001098530_N

SECTION 3 - ENGINE

FIGURE 3-4. DEUTZ TD2011 ENGINE ASSEMBLY - WITH REXROTH PUMPS (WITH SKYPOWER AND WITHOUT COLD WEATHER PLUS PACKAGE)

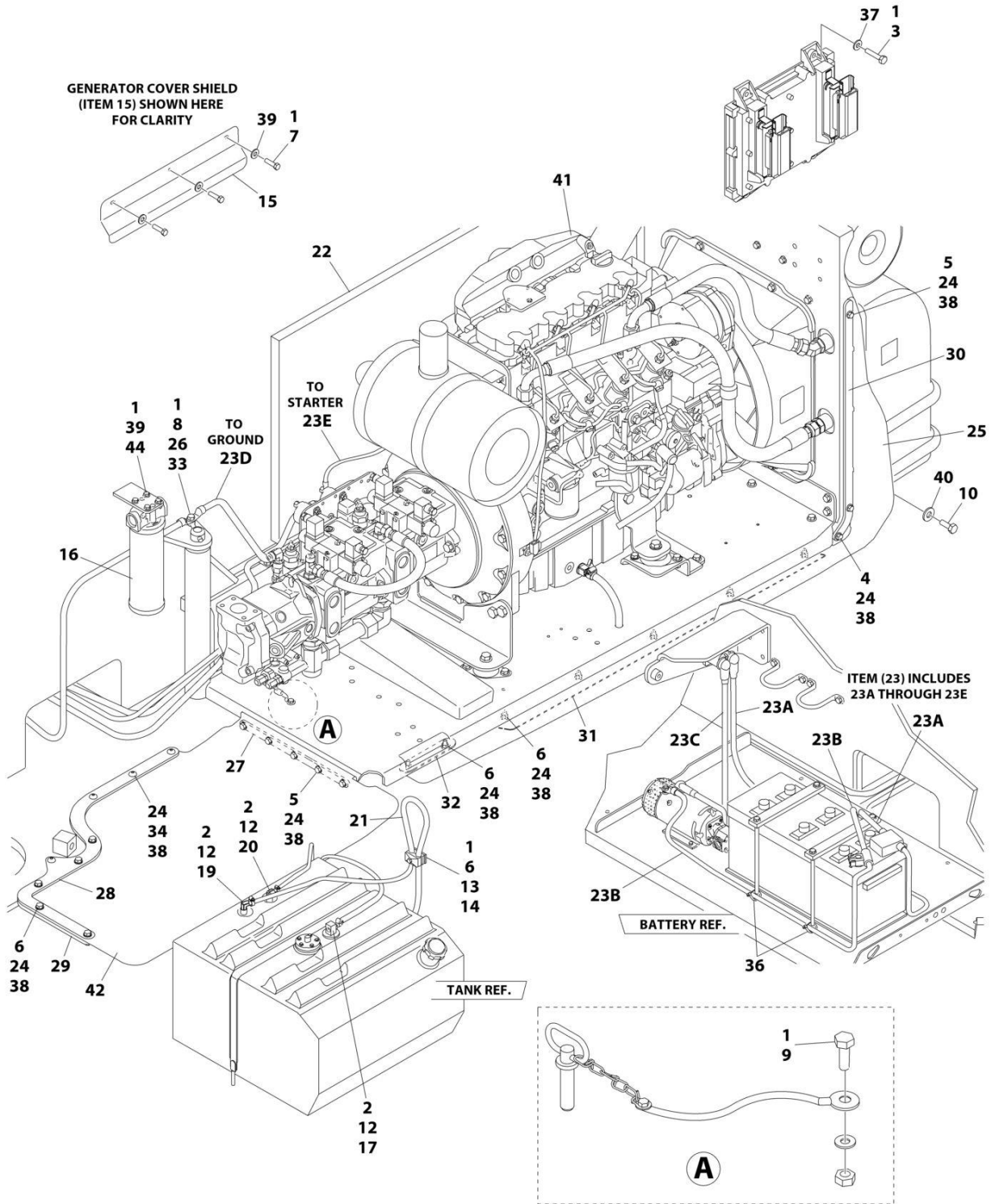
ITEM	PART NUMBER	QTY	DESCRIPTION	REV
	1001098530	Ref	DEUTZ TD2011 ENGINE ASSEMBLY - WITH REXROTH PUMPS (WITH SKYPOWER AND WITHOUT COLD WEATHER PLUS PACKAGE)	N
1	0080244	1	Spacer, Fan	
2	0100011	AR	Compound, Locking	
3	0272060	1	Box, Air Intake	
4	0340003	2	Band, Air Cleaner	
5	0340051	2	Band, Muffler	
6	0641406	15	Bolt 1/4 x 3/4	
7	0641506	5	Bolt 5/16 x 3/4	
8	0641507	4	Bolt 5/16 x 7/8	
9	0641605	4	Bolt 3/8 x 5/8	
10	0641608	25	Bolt 3/8 x 1	
11	0641609	2	Bolt 3/8 x 1-1/8	
12	0641610	4	Bolt 3/8 x 1-1/4	
13	0641808	1	Bolt 1/2 x 1	
14	0641812	2	Bolt 1/2 x 1-1/2	
15	0641818	2	Bolt 1/2 x 2-1/4	
16	0641826	2	Bolt 1/2 x 3-1/4	
17	0711214	2	Bolt M12 x 30	
18	0771414	6	Bolt M14 x 30	
19	0711417	4	Bolt M14 x 45	
20	1001112766	1	Bracket, Muffler	
21	0940070	1	Bumper	
22	0961986	2	Bushing, Flanged	
23	1001131542	1	Lanyard	
24	1320022	2	Clamp	
25	1320058	2	Clamp	
26	1320060	1	Clamp	
27	1320223	1	J-Clip	
28	1340065	1	Air Cleaner Assembly	
28	7003655	1	Element, Air Cleaner	
28	7015013	1	Baffle, Rubber	
28	7015014	1	Clamp, Cap	
28	7015015	1	Cup	
28	7015003	1	Wingnut	
29	1671023	1	Shroud, Fan	
30	1703162	2	Decal - Fan Blade	
31	2060025	1	Fan	
32	2220451	1	Fitting, Straight	
33	2220498	1	Fitting, Elbow	
34	2720058	34 ft/ 10.3m	Hose	
35	2720500	1	Hose, Oil Cooler (Top)	
36	2720501	1	Hose, Oil Cooler (Bottom)	
37	2750532	0.75 ft /0.2m	Hose	
38	2902065	1	Pump Coupling Kit (See Separate Breakdown in this Section)	
40	3200362	2	Mount, Motor (Front)	
41	3200401	2	Mount, Motor (Rear)	

SECTION 3 - ENGINE

ITEM	PART NUMBER	QTY	DESCRIPTION	REV
42	1001257277	1	Muffler	
43	3300454	10	Nut	
44	3311405	5	Nut 1/4	
45	3311505	5	Nut 5/16	
46	3311605	30	Nut 3/8	
47	3311805	5	Nut 1/2	
48	3422532	1	Pin, Hitch	
49	3520054	2	Plug	
50	3537416	1	Plate, Mounting (Front Right)	
51	3539971	1	Bracket, Engine Mounting (Front)	
52	3573142	1	Bracket, Engine Mounting (Rear)	
53	3573411	2	Plate, Clamp	
54	3573412	1	Gusset	
55	3573529	1	Plate, Mounting (Front Left)	
56	3580320	1	Pulley	
57	3600339	1	Pump Assembly - Rexroth (See Separate Breakdown in this Section)	
58	1001145382	1	Cooler, Engine Oil	
59	3740067	2	Relay, Start	
60	3740080	2	Relay	
61	3960543	1	Seal	
62	3960544	1	Seal	
63	4032022	4	Capscrew M10 x 90	
64	4060804	0.98 ft /0.3m	Flex-Trim	
65	4060805	0.67 ft /0.2m	Flex-Trim	
66	4240099	AR	Tie, Wire (Not Shown)	
67	4568293	1	Pipe, Exhaust	
68	4640751	1	Valve, Oil Drain	
69	4711500	13	Washer 5/16	
70	4711600	68	Washer 3/8	
71	4711800	7	Washer 1/2	
72	4740274	4	Washer, Snubbing	
73	4740518	10	Washer, Nylon	
74	4751400	20	Washer 1/4	
75	4791400	4	Washer 1/4	
76	4846552	1	Plate, Oil Cooler Mounting	
77	4846945	1	Mount, Generator	
78	4846946	1	Tray	
79	4891800	2	Washer 1/2	
80	4923468	1	Harness, Glow Plugs	
81	4923592	1	Cable, Jumper	
82	1001225118	1	Hose, Air Intake	
83	1001098601	1	Engine, Deutz TD2011 Components (See Separate Breakdown in this Section)	
84	8410013	1	Clamp, Gear	

SECTION 3 - ENGINE

FIGURE 3-5. DEUTZ TD2011 ENGINE INSTALLATION - WITH REXROTH PUMPS (WITH SKYPOWER AND WITH COLD WEATHER PLUS PACKAGE)



ART_1001116015

SECTION 3 - ENGINE

FIGURE 3-5. DEUTZ TD2011 ENGINE INSTALLATION - WITH REXROTH PUMPS (WITH SKYPOWER AND WITH COLD WEATHER PLUS PACKAGE)

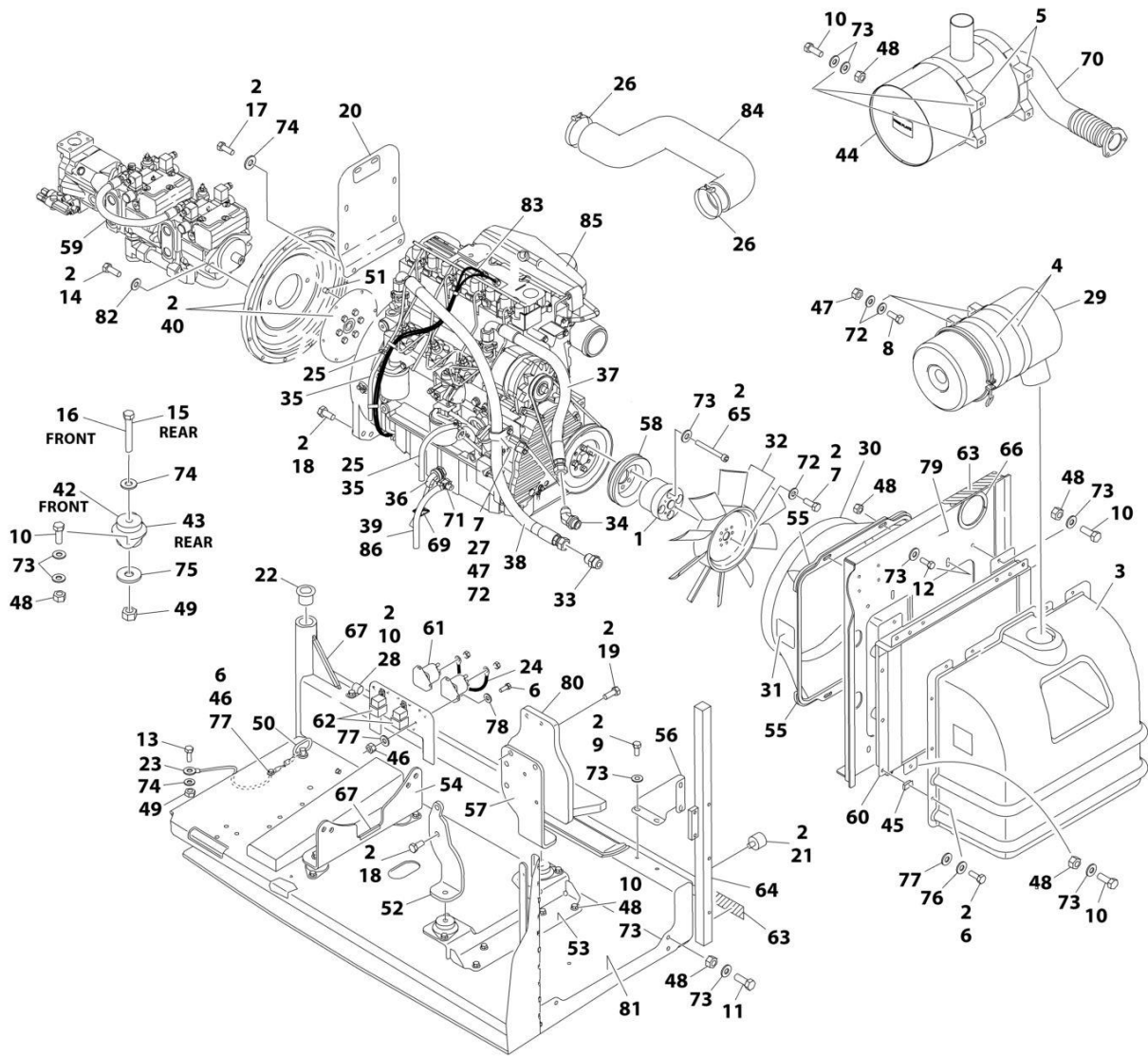
ITEM	PART NUMBER	QTY	DESCRIPTION	REV
	1001116015	Ref	DEUTZ TD2011 DIESEL ENGINE INSTALLATION - WITH REXROTH PUMPS AND STEEL HOODS (WITH SKYPOWER AND WITH COLD WEATHER PLUS PACKAGE)	D
1	0100011	AR	Compound, Locking	
2	0100079	AR	Sealant, Pipe	
3	0641410	4	Bolt 1/4 x 1-1/4	
4	0641506	1	Bolt 5/16 x 3/4	
5	0641509	7	Bolt 5/16 x 1-1/8	
6	0641511	13	Bolt 5/16 x 1-3/8	
7	0641605	3	Bolt 3/8 x 5/8	
8	0641610	1	Bolt 3/8 x 1-1/4	
9	0641808	1	Bolt 1/2 x 1	
10	0642010	1	Bolt 5/8 x 1-1/4	
12	1320022	3	Clamp	
13	1320187	1	Clamp, Twin	
14	1320190	1	Cover, Clamp	
15	1671121	1	Cover, Generator	
16	1001108617	1	Pressure Filter	
16	70002231	1	Element, Filter	
17	2180348	1	Fitting, Barbed	
19	2220313	1	Fitting, Elbow Barbed	
20	2221176	1	Fitting, Elbow	
21	2750532	5 ft/ 1.5m	Hose	
22	2820170	1	Insulation, Sound Absorbing	
23	2902099	1	Battery Cable Kit	
23A	7024580	1	Cable, Red (To Aux Pump Relay, Battery Positive Terminal and Start Relay)	
23B	7024581	1	Cable, Black (To Aux Pump, Battery Negative Terminal and Ground at Tray Pivot)	
23C	7024582	1	Cable, Red (Aux Pump Relay to Aux Pump)	
23D	7024583	1	Cable, Black (Tray Pivot to Engine Mount)	
23E	7024584	1	Cable, Red (Start Relay to Starter)	
24	3311505	24	Nut 5/16	
25	3380473	1	Panel, Rubber	
26	3422446	1	Pin	
27	3573644	1	Plate, Tray Clamp	
28	1001112878	1	Plate, Top Clamp	
29	1001112879	1	Plate, Bottom Clamp	
30	3573669	1	Plate, Clamp	
31	1001112880	1	Plate, Tray Clamp	
32	3573728	1	Plate, Tray Clamp	
33	3841143	1	Keeper, Pin	
34	3900272	4	Screw, Button 5/16 x 1-3/4	
35	4240018	2	Strap, Tie (Not Shown)	
36	4240099	AR	Strap, Tie	
37	4711400	4	Washer 1/4	
38	4711500	44	Washer 5/16	
39	4711600	7	Washer 3/8	
40	4752000	1	Washer 5/8	

SECTION 3 - ENGINE

ITEM	PART NUMBER	QTY	DESCRIPTION	REV
41	1001098531	1	Engine Assembly with Pumps (See Separate Breakdown in this Section)	
42	1001111132	1	Panel, Rubber	
43	1702942	1	Decal - Block Heater (Not Shown)	
44	0641606	4	Bolt 3/8 x 3/4	

SECTION 3 - ENGINE

FIGURE 3-6. DEUTZ TD2011 ENGINE ASSEMBLY - WITH REXROTH PUMPS (WITH SKYPOWER AND WITH COLD WEATHER PLUS PACKAGE)



ART_1001098531_N

SECTION 3 - ENGINE

FIGURE 3-6. DEUTZ TD2011 ENGINE ASSEMBLY - WITH REXROTH PUMPS (WITH SKYPOWER AND WITH COLD WEATHER PLUS PACKAGE)

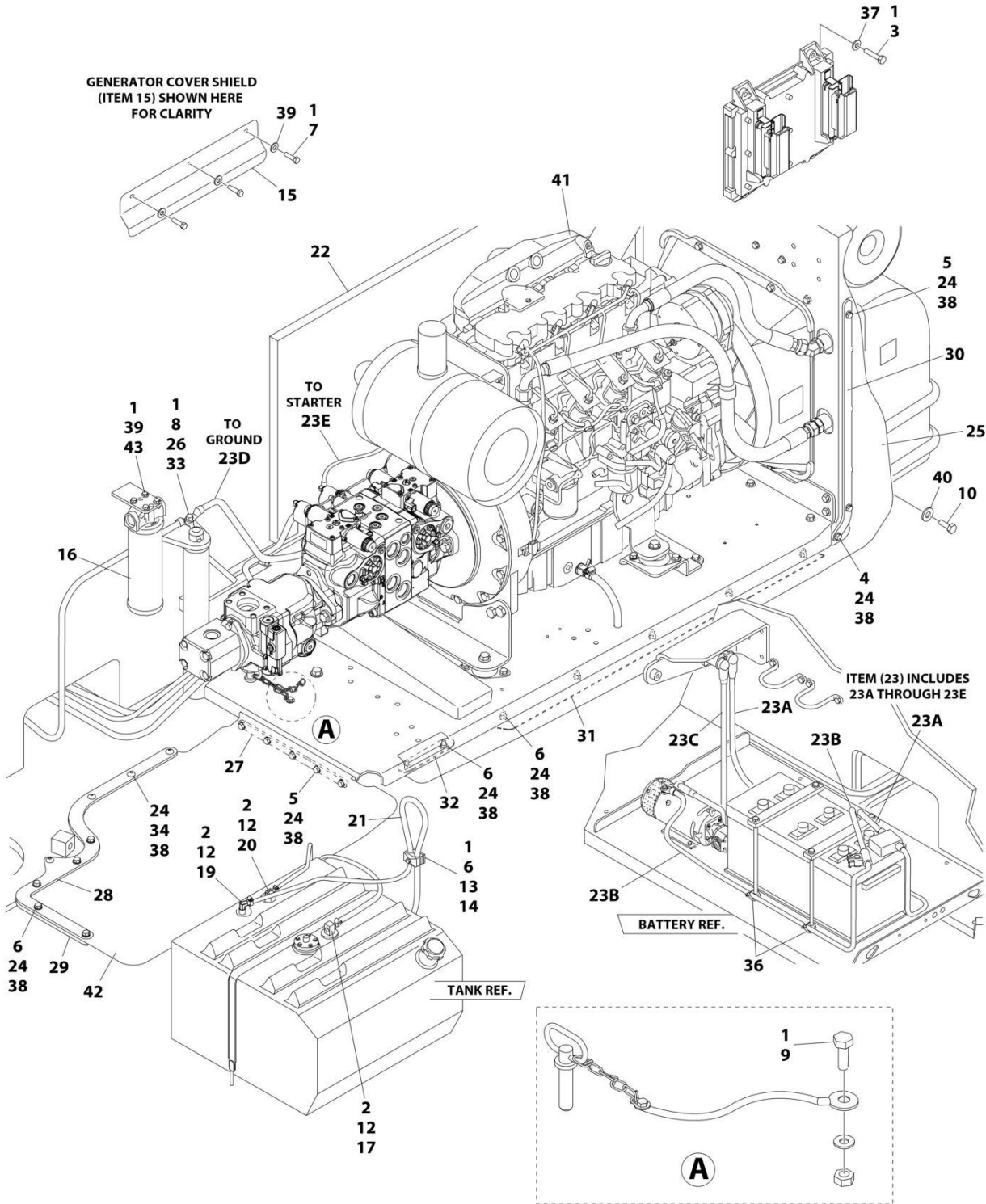
ITEM	PART NUMBER	QTY	DESCRIPTION	REV
	1001098531	Ref	DEUTZ TD2011 ENGINE ASSEMBLY - WITH REXROTH PUMPS (WITH SKYPOWER AND WITH COLD WEATHER PLUS PACKAGE)	N
1	0080244	1	Spacer, Fan	
2	0100011	AR	Compound, Locking	
3	0272060	1	Box, Air Intake	
4	0340003	2	Band, Air Cleaner	
5	0340051	2	Band, Muffler	
6	0641406	15	Bolt 1/4 x 3/4	
7	0641506	5	Bolt 5/16 x 3/4	
8	0641507	4	Bolt 5/16 x 7/8	
9	0641605	4	Bolt 3/8 x 5/8	
10	0641608	25	Bolt 3/8 x 1	
11	0641609	2	Bolt 3/8 x 1-1/8	
12	0641610	4	Bolt 3/8 x 1-1/4	
13	0641808	1	Bolt 1/2 x 1	
14	0641812	2	Bolt 1/2 x 1-1/2	
15	0641818	2	Bolt 1/2 x 2-1/4	
16	0641826	2	Bolt 1/2 x 3-1/4	
17	0711214	2	Bolt M12 x 30	
18	0771414	6	Bolt M14 x 30	
19	0711417	4	Bolt M14 x 45	
20	1001112766	1	Bracket, Muffler	
21	0940070	1	Bumper	
22	0961986	2	Bushing, Flanged	
23	1001131542	1	Lanyard	
24	1060904	1	Cable, Jumper	
25	1320022	2	Clamp	
26	1320058	2	Clamp	
27	1320060	1	Clamp	
28	1320223	1	J-Clip	
29	1340065	1	Air Cleaner Assembly	
29	7003655	1	Element, Air Cleaner	
29	7015013	1	Baffle, Rubber	
29	7015014	1	Clamp, Cap	
29	7015015	1	Cup	
29	7015003	1	Wingnut	
30	1671023	1	Shroud, Fan	
31	1703162	2	Decal - Fan Blade	
32	2060025	1	Fan	
33	2220451	1	Fitting, Straight	
34	2220498	1	Fitting, Elbow	
35	2720058	34 ft/ 10.3m	Hose	
36	2580062	1	Heater, Engine Block	
37	2720500	1	Hose, Oil Cooler (Top)	
38	2720501	1	Hose, Oil Cooler (Bottom)	
39	2750532	0.75 ft /0.2m	Hose	
40	2902065	1	Pump Coupling Kit (See Separate Breakdown in this Section)	

SECTION 3 - ENGINE

ITEM	PART NUMBER	QTY	DESCRIPTION	REV
42	3200362	2	Mount, Motor (Front)	
43	3200401	2	Mount, Motor (Rear)	
44	1001257277	1	Muffler	
45	3300454	10	Nut 1/4	
46	3311405	5	Nut 1/4	
47	3311505	5	Nut 5/16	
48	3311605	30	Nut 3/8	
49	3311805	5	Nut 1/2	
50	3422532	1	Pin, Hitch	
51	3520054	2	Plug	
52	3537416	1	Plate, Mounting (Front Right)	
53	3539971	1	Bracket, Engine Mounting (Front)	
54	3573142	1	Bracket, Engine Mounting (Rear)	
55	3573411	2	Plate, Clamp	
56	3573412	1	Gusset	
57	3573529	1	Plate, Mounting (Front Left)	
58	3580320	1	Pulley	
59	3600339	1	Pump Assembly - Rexroth (See Separate Breakdown in this Section)	
60	1001145382	1	Cooler, Engine Oil	
61	3740067	2	Relay, Start	
62	3740080	2	Relay	
63	3960543	1	Seal	
64	3960544	1	Seal	
65	4032022	4	Capscrew M10 x 90	
66	4060804	0.98 ft /0.3m	Flex-Trim	
67	4060805	0.67 ft /0.2m	Flex-Trim	
68	4240099	AR	Tie, Wire (Not Shown)	
69	4460234	3	Mount, Wire Tie	
70	4568293	1	Pipe, Exhaust	
71	4640751	1	Valve, Oil Drain	
72	4711500	13	Washer 5/16	
73	4711600	68	Washer 3/8	
74	4711800	7	Washer 1/2	
75	4740274	4	Washer, Snubbing	
76	4740518	10	Washer, Nylon	
77	4751400	20	Washer 1/4	
78	4791400	4	Washer 1/4	
79	4846552	1	Plate, Oil Cooler Mounting	
80	4846945	1	Mount, Generator	
81	4846946	1	Tray	
82	4891800	2	Washer 1/2 Hardened	
83	4923468	1	Harness, Glow Plugs	
84	1001225118	1	Hose, Air Intake	
85	1001098601	1	Engine, Deutz TD2011 Components (See Separate Breakdown in this Section)	
86	8410013	1	Clamp, Gear	

SECTION 3 - ENGINE

FIGURE 3-7. DEUTZ TD2011 ENGINE INSTALLATION - WITH SAUER PUMPS (WITHOUT SKYPOWER AND WITHOUT COLD WEATHER PLUS PACKAGE)



ART_1001119052

SECTION 3 - ENGINE

FIGURE 3-7. DEUTZ TD2011 ENGINE INSTALLATION - WITH SAUER PUMPS (WITHOUT SKYPOWER AND WITHOUT COLD WEATHER PLUS PACKAGE)

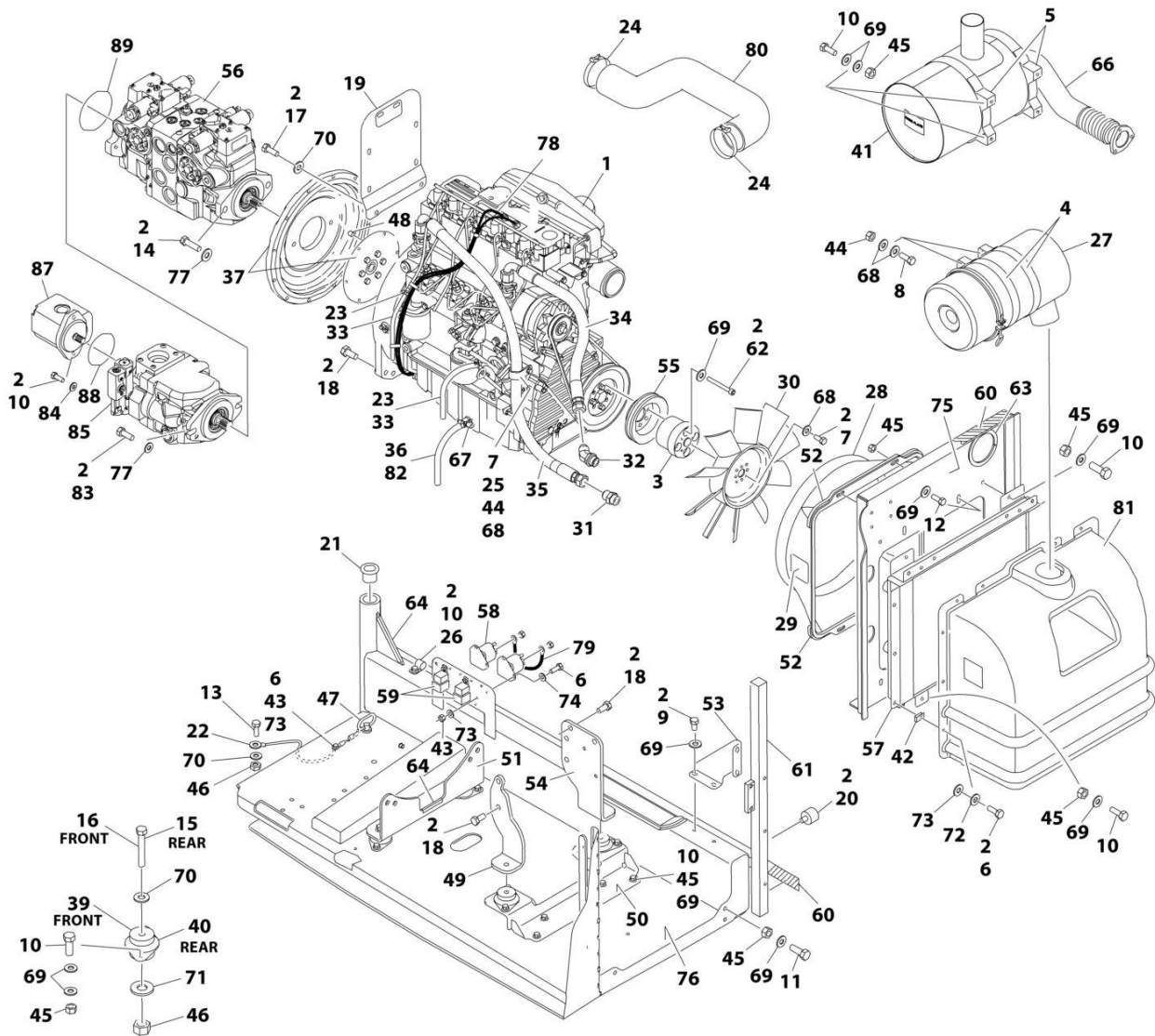
ITEM	PART NUMBER	QTY	DESCRIPTION	REV
	1001119052	Ref	DEUTZ TD2011 DIESEL ENGINE INSTALLATION - WITH SAUER PUMPS AND STEEL HOODS (WITHOUT SKYPOWER AND WITHOUT COLD WEATHER PLUS PACKAGE)	D
1	0100011	AR	Compound, Locking	
2	0100079	AR	Sealant, Pipe	
3	0641410	4	Bolt 1/4 x 1-1/4	
4	0641506	1	Bolt 5/16 x 3/4	
5	0641509	7	Bolt 5/16 x 1-1/8	
6	0641511	13	Bolt 5/16 x 1-3/8	
7	0641605	3	Bolt 3/8 x 5/8	
8	0641610	1	Bolt 3/8 x 1-1/4	
9	0641808	1	Bolt 1/2 x 1	
10	0642010	1	Bolt 5/8 x 1-1/4	
12	1320022	3	Clamp	
13	1320187	1	Clamp, Twin	
14	1320190	1	Cover, Clamp	
15	1671121	1	Cover, Generator	
16	1001108617	1	Pressure Filter	
16	70002231	1	Element, Filter	
17	2180348	1	Fitting, Barbed	
19	2220313	1	Fitting, Elbow Barbed	
20	2221176	1	Fitting, Elbow	
21	2750532	5 ft/ 1.5m	Hose	
22	2820170	1	Insulation, Sound Absorbing	
23	2902099	1	Battery Cable Kit	
23A	7024580	1	Cable, Red (To Aux Pump Relay, Battery Positive Terminal and Start Relay)	
23B	7024581	1	Cable, Black (To Aux Pump, Battery Negative Terminal and Ground at Tray Pivot)	
23C	7024582	1	Cable, Red (Aux Pump Relay to Aux Pump)	
23D	7024583	1	Cable, Black (Tray Pivot to Engine Mount)	
23E	7024584	1	Cable, Red (Start Relay to Starter)	
24	3311505	24	Nut 5/16	
25	3380473	1	Panel, Rubber	
26	3422446	1	Pin	
27	3573644	1	Plate, Tray Clamp	
28	1001112878	1	Plate, Top Clamp	
29	1001112879	1	Plate, Bottom Clamp	
30	3573669	1	Plate, Clamp	
31	1001112880	1	Plate, Tray Clamp	
32	3573728	1	Plate, Tray Clamp	
33	3841143	1	Keeper, Pin	
34	3900272	4	Screw 5/16 x 1-3/4	
35	4240018	2	Strap, Tie (Not Shown)	
36	4240099	AR	Strap, Tie	
37	4711400	4	Washer 1/4	
38	4711500	44	Washer 5/16	
39	4711600	7	Washer 3/8	
40	4752000	1	Washer 5/8	

SECTION 3 - ENGINE

ITEM	PART NUMBER	QTY	DESCRIPTION	REV
41	1001107971	1	Engine Assembly with Pumps (See Separate Breakdown in this Section)	
42	1001111132	1	Panel, Rubber	
43	0641606	4	Bolt 3/8 x 3/4	

SECTION 3 - ENGINE

FIGURE 3-8. DEUTZ TD2011 ENGINE ASSEMBLY - WITH SAUER PUMPS (WITHOUT SKYPOWER AND WITHOUT COLD WEATHER PLUS PACKAGE)



ART_1001107971_M

SECTION 3 - ENGINE

FIGURE 3-8. DEUTZ TD2011 ENGINE ASSEMBLY - WITH SAUER PUMPS (WITHOUT SKYPOWER AND WITHOUT COLD WEATHER PLUS PACKAGE)

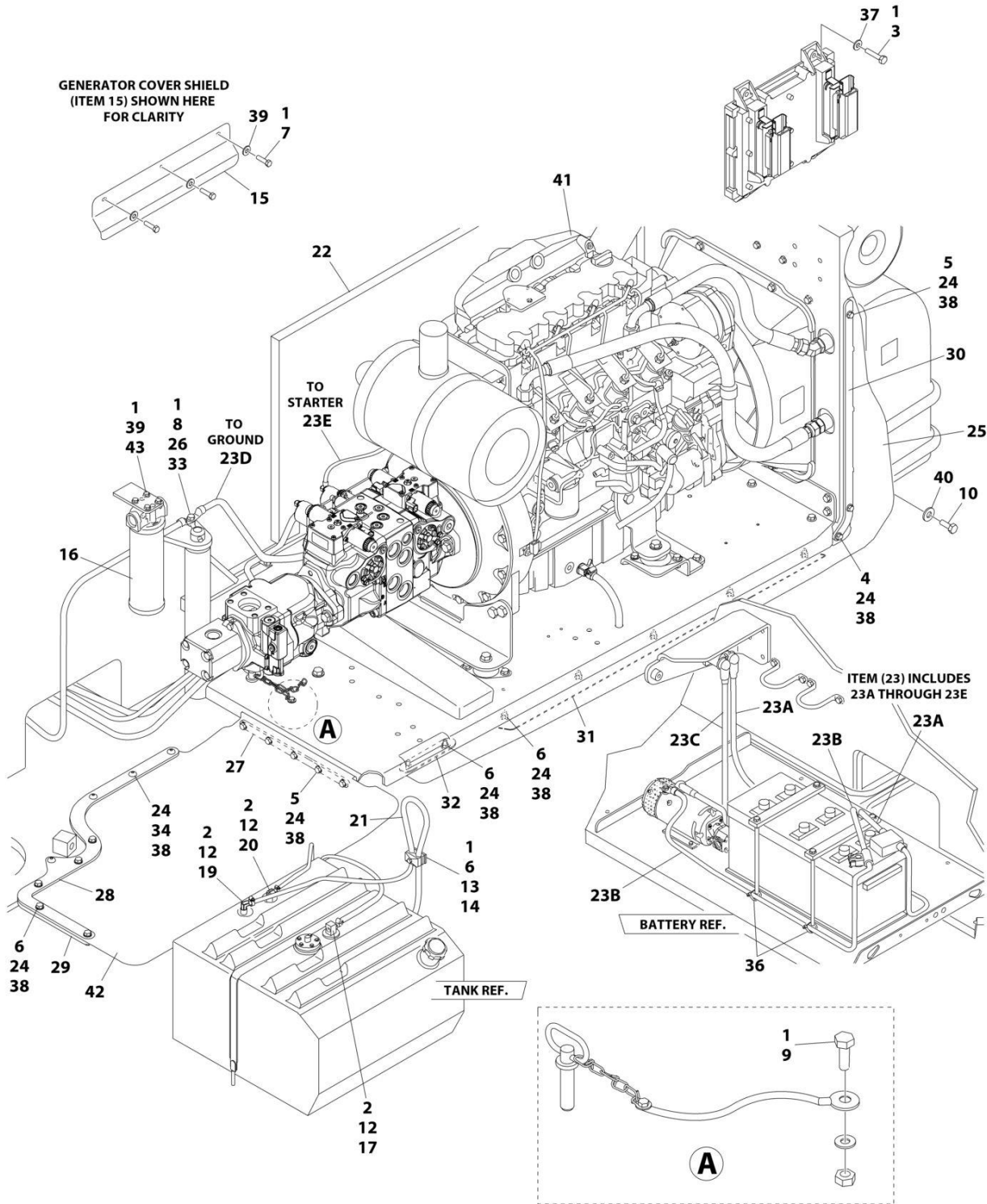
ITEM	PART NUMBER	QTY	DESCRIPTION	REV
	1001107971	Ref	DEUTZ TD2011 ENGINE ASSEMBLY - WITH SAUER PUMPS (WITHOUT SKYPOWER AND WITHOUT COLD WEATHER PLUS PACKAGE)	M
1	1001098601	1	Engine, Deutz TD2011 Components (See Separate Breakdown in this Section)	
2	0100011	AR	Compound, Locking	
3	0080237	1	Spacer, Fan	
4	0340003	2	Band, Air Cleaner	
5	0340051	2	Band, Muffler	
6	0641406	15	Bolt 1/4 x 3/4	
7	0641506	5	Bolt 5/16 x 3/4	
8	0641507	4	Bolt 5/16 x 7/8	
9	0641605	4	Bolt 3/8 x 5/8	
10	0641608	27	Bolt 3/8 x 1	
11	0641609	2	Bolt 3/8 x 1-1/8	
12	0641610	4	Bolt 3/8 x 1-1/4	
13	0641808	1	Bolt 1/2 x 1	
14	0641814	2	Bolt 1/2 x 1-3/4	
15	0641818	2	Bolt 1/2 x 2-1/4	
16	0641826	2	Bolt 1/2 x 3-1/4	
17	0711214	2	Bolt M12 x 30	
18	0771414	10	Bolt M14 x 30	
19	1001112766	1	Bracket, Muffler	
20	0940070	1	Bumper	
21	0961986	2	Bushing, Flanged	
22	1001131542	1	Lanyard	
23	1320022	3	Clamp	
24	1320058	2	Clamp	
25	1320060	1	Clamp	
26	1320223	1	J-Clip	
27	1340065	1	Air Cleaner Assembly	
27	7003655	1	Element, Air Cleaner	
27	7015013	1	Baffle, Rubber	
27	7015014	1	Clamp, Cap	
27	7015015	1	Cup	
27	7015003	1	Wingnut	
28	1671023	1	Shroud, Fan	
29	1703162	2	Decal - Fan Blade	
30	2060025	1	Fan	
31	2220451	1	Fitting, Straight	
32	2220498	1	Fitting, Elbow	
33	2720058	34 ft /10.3m	Hose	
34	2720500	1	Hose, Oil Cooler (Top)	
35	2720501	1	Hose, Oil Cooler (Bottom)	
36	2750532	0.75 ft /0.2m	Hose	
37	2902065	1	Pump Coupling Kit (See Separate Breakdown in this Section)	
39	3200362	2	Mount, Motor (Front)	
40	3200401	2	Mount, Motor (Rear)	

SECTION 3 - ENGINE

ITEM	PART NUMBER	QTY	DESCRIPTION	REV
41	1001257277	1	Muffler	
42	3300454	10	Nut 1/4	
43	3311405	5	Nut 1/4	
44	3311505	5	Nut 5/16	
45	3311605	30	Nut 3/8	
46	3311805	5	Nut 1/2	
47	3422532	1	Pin, Hitch	
48	3520054	2	Plug	
49	3537416	1	Plate, Mounting (Front Right)	
50	3539971	1	Bracket, Engine Mounting (Front)	
51	3573142	1	Bracket, Engine Mounting (Rear)	
52	3573411	2	Plate, Clamp	
53	3573412	1	Gusset	
54	3573529	1	Plate, Mounting (Front Left)	
55	3580158	1	Pulley	
56	1001108616	1	Pump Assembly - Sauer (See Separate Breakdown in this Section)	
57	1001145382	1	Cooler, Engine Oil	
58	3740067	2	Relay, Start	
59	3740080	2	Relay	
60	3960543	1	Seal	
61	3960544	1	Seal	
62	4032022	4	Capscrew M10 x 90	
63	4060804	0.98 ft /0.3m	Flex-Trim	
64	4060805	0.67 ft /0.2m	Flex-Trim	
65	4240099	AR	Tie, Wire (Not Shown)	
66	4568293	1	Pipe, Exhaust	
67	4640751	1	Valve, Oil Drain	
68	4711500	13	Washer 5/16	
69	4711600	68	Washer 3/8	
70	4711800	7	Washer 1/2	
71	4740274	4	Washer, Snubbing	
72	4740518	10	Washer, Nylon	
73	4751400	20	Washer 1/4	
74	4791400	4	Washer 1/4	
75	4846552	1	Plate, Oil Cooler Mounting	
76	4846946	1	Tray	
77	4891800	4	Washer 1/2	
78	4923468	1	Harness, Glow Plugs	
79	4923592	1	Cable, Jumper	
80	1001225118	1	Hose, Air Intake	
81	0272060	1	Box, Air Intake	
82	8410013	1	Clamp, Gear	
83	0761215	2	Bolt M12 x 35mm	
84	4891600	2	Washer 3/8	
85	1001171095	1	Pump Assembly - Sauer Piston (See Separate Breakdown in this Section)	
87	1001112927	1	Pump Assembly - Sauer Gear (See Separate Breakdown in this Section)	
88	3790152	1	O-Ring	
89	3790155	1	O-Ring	

SECTION 3 - ENGINE

FIGURE 3-9. DEUTZ TD2011 ENGINE INSTALLATION - WITH SAUER PUMPS (WITH SKYPOWER AND WITHOUT COLD WEATHER PLUS PACKAGE)



ART_1001119053

SECTION 3 - ENGINE

FIGURE 3-9. DEUTZ TD2011 ENGINE INSTALLATION - WITH SAUER PUMPS (WITH SKYPOWER AND WITHOUT COLD WEATHER PLUS PACKAGE)

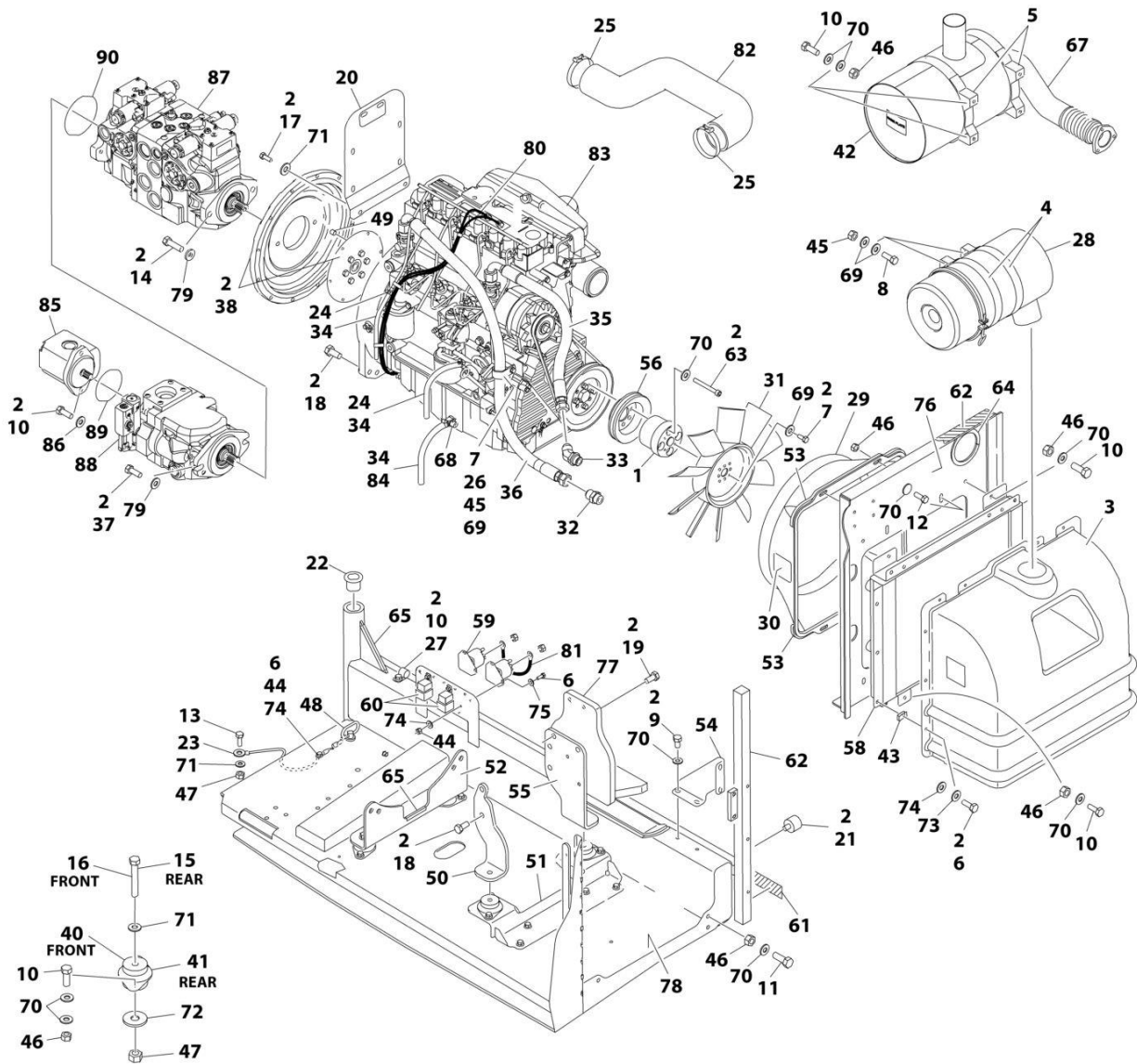
ITEM	PART NUMBER	QTY	DESCRIPTION	REV
	1001119053	Ref	DEUTZ TD2011 DIESEL ENGINE INSTALLATION - WITH SAUER PUMPS AND STEEL HOODS (WITH SKYPOWER AND WITHOUT COLD WEATHER PLUS PACKAGE)	D
1	0100011	AR	Compound, Locking	
2	0100079	AR	Sealant, Pipe	
3	0641410	4	Bolt 1/4 x 1-1/4	
4	0641506	1	Bolt 5/16 x 3/4	
5	0641509	7	Bolt 5/16 x 1-1/8	
6	0641511	13	Bolt 5/16 x 1-3/8	
7	0641605	3	Bolt 3/8 x 5/8	
8	0641610	1	Bolt 3/8 x 1-1/4	
9	0641808	1	Bolt 1/2 x 1	
10	0642010	1	Bolt 5/8 x 1-1/4	
12	1320022	3	Clamp	
13	1320187	1	Clamp, Twin	
14	1320190	1	Cover, Clamp	
15	1671121	1	Cover, Generator	
16	1001108617	1	Pressure Filter	
16	70002231	1	Element, Filter	
17	2180348	1	Fitting, Barbed	
19	2220313	1	Fitting, Elbow Barbed	
20	2221176	1	Fitting, Elbow	
21	2750532	5 ft/ 1.5m	Hose	
22	2820170	1	Insulation, Sound Absorbing	
23	2902099	1	Battery Cable Kit	
23A	7024580	1	Cable, Red (To Aux Pump Relay, Battery Positive Terminal and Start Relay)	
23B	7024581	1	Cable, Black (To Aux Pump, Battery Negative Terminal and Ground at Tray Pivot)	
23C	7024582	1	Cable, Red (Aux Pump Relay to Aux Pump)	
23D	7024583	1	Cable, Black (Tray Pivot to Engine Mount)	
23E	7024584	1	Cable, Red (Start Relay to Starter)	
24	3311505	24	Nut 5/16	
25	3380473	1	Panel, Rubber	
26	3422446	1	Pin	
27	3573644	1	Plate, Tray Clamp	
28	1001112878	1	Plate, Top Clamp	
29	1001112879	1	Plate, Bottom Clamp	
30	3573669	1	Plate, Clamp	
31	1001112880	1	Plate, Tray Clamp	
32	3573728	1	Plate, Tray Clamp	
33	3841143	1	Keeper, Pin	
34	3900272	4	Screw 5/16 x 1-3/4	
35	4240018	2	Strap, Tie (Not Shown)	
36	4240099	AR	Strap, Tie	
37	4711400	4	Washer 1/4	
38	4711500	44	Washer 5/16	
39	4711600	7	Washer 3/8	
40	4752000	1	Washer 5/8	

SECTION 3 - ENGINE

ITEM	PART NUMBER	QTY	DESCRIPTION	REV
41	1001107973	1	Engine Assembly with Pumps (See Separate Breakdown in this Section)	
42	1001111132	1	Panel, Rubber	
43	0641606	4	Bolt 3/8 x 3/4	

SECTION 3 - ENGINE

FIGURE 3-10. DEUTZ TD2011 ENGINE ASSEMBLY - WITH SAUER PUMPS (WITH SKYPOWER AND WITHOUT COLD WEATHER PLUS PACKAGE)



ART_1001107973_M

SECTION 3 - ENGINE

FIGURE 3-10. DEUTZ TD2011 ENGINE ASSEMBLY - WITH SAUER PUMPS (WITH SKYPOWER AND WITHOUT COLD WEATHER PLUS PACKAGE)

ITEM	PART NUMBER	QTY	DESCRIPTION	REV
	1001107973	Ref	DEUTZ TD2011 ENGINE ASSEMBLY - WITH SAUER PUMPS (WITH SKYPOWER AND WITHOUT COLD WEATHER PLUS PACKAGE)	N
1	0080244	1	Spacer, Fan	
2	0100011	AR	Compound, Locking	
3	0272060	1	Box, Air Intake	
4	0340003	2	Band, Air Cleaner	
5	0340051	2	Band, Muffler	
6	0641406	15	Bolt 1/4 x 3/4	
7	0641506	5	Bolt 5/16 x 3/4	
8	0641507	4	Bolt 5/16 x 7/8	
9	0641605	4	Bolt 3/8 x 5/8	
10	0641608	27	Bolt 3/8 x 1	
11	0641609	2	Bolt 3/8 x 1-1/8	
12	0641610	4	Bolt 3/8 x 1-1/4	
13	0641808	1	Bolt 1/2 x 1	
14	0641814	2	Bolt 1/2 x 1-3/4	
15	0641818	2	Bolt 1/2 x 2-1/4	
16	0641826	2	Bolt 1/2 x 3-1/4	
17	0711214	2	Bolt M12 x 30	
18	0771414	6	Bolt M14 x 30	
19	0711417	4	Bolt M14 x 45	
20	1001112766	1	Bracket, Muffler	
21	0940070	1	Bumper	
22	0961986	2	Bushing, Flanged	
23	1001131542	1	Lanyard	
24	1320022	2	Clamp	
25	1320058	2	Clamp	
26	1320060	1	Clamp	
27	1320223	1	J-Clip	
28	1340065	1	Air Cleaner Assembly	
28	7003655	1	Element, Air Cleaner	
28	7015013	1	Baffle, Rubber	
28	7015014	1	Clamp, Cap	
28	7015015	1	Cup	
28	7015003	1	Wingnut	
29	1671023	1	Shroud, Fan	
30	1703162	2	Decal - Fan Blade	
31	2060025	1	Fan	
32	2220451	1	Fitting, Straight	
33	2220498	1	Fitting, Elbow	
34	2720058	34 ft/ 10.3m	Hose	
35	2720500	1	Hose, Oil Cooler (Top)	
36	2720501	1	Hose, Oil Cooler (Bottom)	
37	0761215	2	Bolt M12 x 35mm	
38	2902065	1	Pump Coupling Kit (See Separate Breakdown in this Section)	
40	3200362	2	Mount, Motor (Front)	
41	3200401	2	Mount, Motor (Rear)	

SECTION 3 - ENGINE

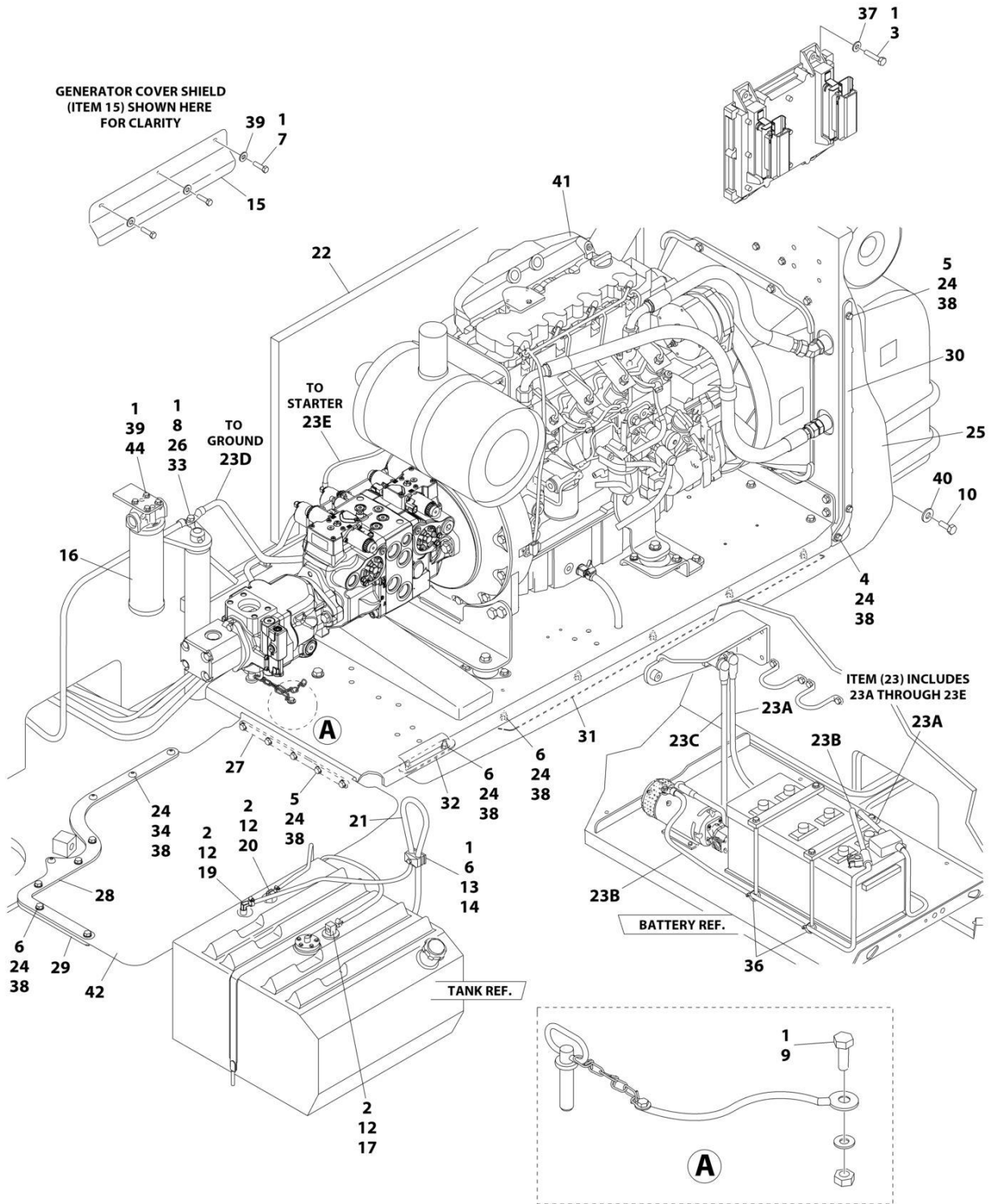
ITEM	PART NUMBER	QTY	DESCRIPTION	REV
42	1001257277	1	Muffler	
43	3300454	10	Nut	
44	3311405	5	Nut 1/4	
45	3311505	5	Nut 5/16	
46	3311605	30	Nut 3/8	
47	3311805	5	Nut 1/2	
48	3422532	1	Pin, Hitch	
49	3520054	2	Plug	
50	3537416	1	Plate, Mounting (Front Right)	
51	3539971	1	Bracket, Engine Mounting (Front)	
52	3573142	1	Bracket, Engine Mounting (Rear)	
53	3573411	2	Plate, Clamp	
54	3573412	1	Gusset	
55	3573529	1	Plate, Mounting (Front Left)	
56	3580320	1	Pulley	
58	1001145382	1	Cooler, Engine Oil	
59	3740067	2	Relay, Start	
60	3740080	2	Relay	
61	3960543	1	Seal	
62	3960544	1	Seal	
63	4032022	4	Capscrew M10 x 90	
64	4060804	0.98 ft /0.3m	Flex-Trim	
65	4060805	0.67 ft /0.2m	Flex-Trim	
66	4240099	AR	Tie, Wire (Not Shown)	
67	4568293	1	Pipe, Exhaust	
68	4640751	1	Valve, Oil Drain	
69	4711500	13	Washer 5/16	
70	4711600	68	Washer 3/8	
71	4711800	7	Washer 1/2	
72	4740274	4	Washer, Snubbing	
73	4740518	10	Washer, Nylon	
74	4751400	20	Washer 1/4	
75	4791400	4	Washer 1/4	
76	4846552	1	Plate, Oil Cooler Mounting	
77	4846945	1	Mount, Generator	
78	4846946	1	Tray	
79	4891800	4	Washer 1/2	
80	4923468	1	Harness, Glow Plugs	
81	4923592	1	Cable, Jumper	
82	1001225118	1	Hose, Air Intake	
83	1001098601	1	Engine, Deutz TD2011 Components (See Separate Breakdown in this Section)	
84	8410013	1	Clamp, Gear	
85	1001112927	1	Pump Assembly - Sauer Gear (See Separate Breakdown in this Section)	
86	4891600	2	Washer 3/8	
87	1001108616	1	Pump Assembly - Sauer (See Separate Breakdown in this Section)	
88	1001171095	1	Pump Assembly - Sauer Piston (See Separate Breakdown in this Section)	
89	3790152	1	O-Ring	

SECTION 3 - ENGINE

ITEM	PART NUMBER	QTY	DESCRIPTION	REV
90	3790155	1	O-Ring	
91	2750532	0.8 ft/ 0.2m	Hose	

SECTION 3 - ENGINE

FIGURE 3-11. DEUTZ TD2011 ENGINE INSTALLATION - WITH SAUER PUMPS (WITH SKYPOWER AND WITH COLD WEATHER PLUS PACKAGE)



ART_1001119054

SECTION 3 - ENGINE

FIGURE 3-11. DEUTZ TD2011 ENGINE INSTALLATION - WITH SAUER PUMPS (WITH SKYPOWER AND WITH COLD WEATHER PLUS PACKAGE)

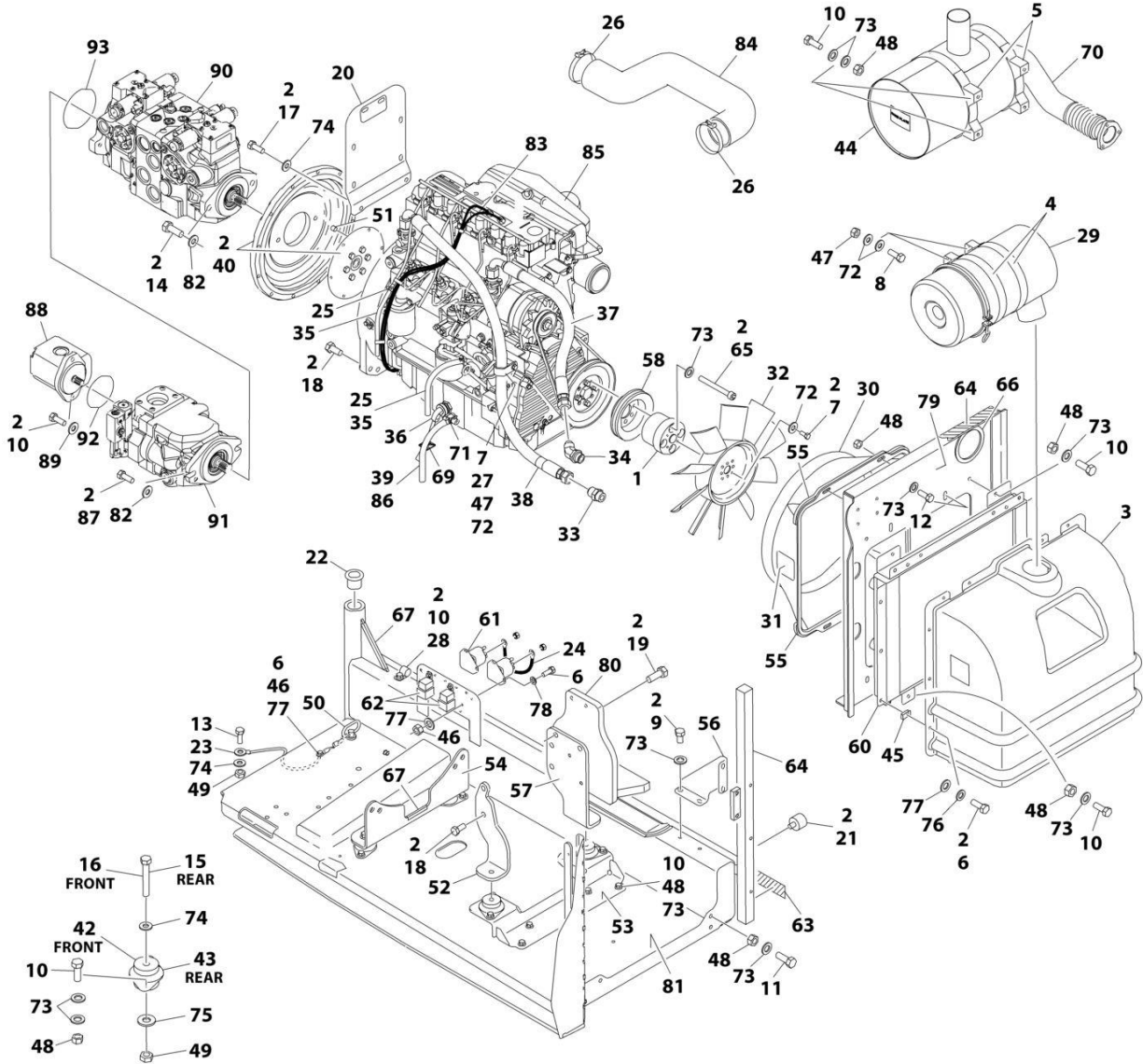
ITEM	PART NUMBER	QTY	DESCRIPTION	REV
	1001119054	Ref	DEUTZ TD2011 DIESEL ENGINE INSTALLATION - WITH SAUER PUMPS AND STEEL HOODS (WITH SKYPOWER AND WITH COLD WEATHER PLUS PACKAGE)	D
1	0100011	AR	Compound, Locking	
2	0100079	AR	Sealant, Pipe	
3	0641410	4	Bolt 1/4 x 1-1/4	
4	0641506	1	Bolt 5/16 x 3/4	
5	0641509	7	Bolt 5/16 x 1-1/8	
6	0641511	13	Bolt 5/16 x 1-3/8	
7	0641605	3	Bolt 3/8 x 5/8	
8	0641610	1	Bolt 3/8 x 1-1/4	
9	0641808	1	Bolt 1/2 x 1	
10	0642010	1	Bolt 5/8 x 1-1/4	
12	1320022	3	Clamp	
13	1320187	1	Clamp, Twin	
14	1320190	1	Cover, Clamp	
15	1671121	1	Cover, Generator	
16	1001108617	1	Pressure Filter	
16	70002231	1	Element, Filter	
17	2180348	1	Fitting, Barbed	
19	2220313	1	Fitting, Elbow Barbed	
20	2221176	1	Fitting, Elbow	
21	2750532	5 ft/ 1.5m	Hose	
22	2820170	1	Insulation, Sound Absorbing	
23	2902099	1	Battery Cable Kit	
23A	7024580	1	Cable, Red (To Aux Pump Relay, Battery Positive Terminal and Start Relay)	
23B	7024581	1	Cable, Black (To Aux Pump, Battery Negative Terminal and Ground at Tray Pivot)	
23C	7024582	1	Cable, Red (Aux Pump Relay to Aux Pump)	
23D	7024583	1	Cable, Black (Tray Pivot to Engine Mount)	
23E	7024584	1	Cable, Red (Start Relay to Starter)	
24	3311505	24	Nut 5/16	
25	3380473	1	Panel, Rubber	
26	3422446	1	Pin	
27	3573644	1	Plate, Tray Clamp	
28	1001112878	1	Plate, Top Clamp	
29	1001112879	1	Plate, Bottom Clamp	
30	3573669	1	Plate, Clamp	
31	1001112880	1	Plate, Tray Clamp	
32	3573728	1	Plate, Tray Clamp	
33	3841143	1	Keeper, Pin	
34	3900272	4	Screw 5/16 x 1-3/4	
35	4240018	2	Strap, Tie (Not Shown)	
36	4240099	AR	Strap, Tie	
37	4711400	4	Washer 1/4	
38	4711500	44	Washer 5/16	
39	4711600	7	Washer 3/8	
40	4752000	1	Washer 5/8	

SECTION 3 - ENGINE

ITEM	PART NUMBER	QTY	DESCRIPTION	REV
41	1001107975	1	Engine Assembly with Pumps (See Separate Breakdown in this Section)	
42	1001111132	1	Panel, Rubber	
43	1702942	1	Decal - Block Heater (Not Shown)	
44	0641606	4	Bolt 3/8 x 3/4	

SECTION 3 - ENGINE

FIGURE 3-12. DEUTZ TD2011 ENGINE ASSEMBLY - WITH SAUER PUMPS (WITH SKYPOWER AND WITH COLD WEATHER PLUS PACKAGE)



ART_1001107975_M

SECTION 3 - ENGINE

FIGURE 3-12. DEUTZ TD2011 ENGINE ASSEMBLY - WITH SAUER PUMPS (WITH SKYPOWER AND WITH COLD WEATHER PLUS PACKAGE)

ITEM	PART NUMBER	QTY	DESCRIPTION	REV
	1001107975	Ref	DEUTZ TD2011 ENGINE ASSEMBLY - WITH SAUER PUMPS (WITH SKYPOWER AND WITH COLD WEATHER PLUS PACKAGE)	M
1	0080244	1	Spacer, Fan	
2	0100011	AR	Compound, Locking	
3	0272060	1	Box, Air Intake	
4	0340003	2	Band, Air Cleaner	
5	0340051	2	Band, Muffler	
6	0641406	15	Bolt 1/4 x 3/4	
7	0641506	5	Bolt 5/16 x 3/4	
8	0641507	4	Bolt 5/16 x 7/8	
9	0641605	4	Bolt 3/8 x 5/8	
10	0641608	27	Bolt 3/8 x 1	
11	0641609	2	Bolt 3/8 x 1-1/8	
12	0641610	4	Bolt 3/8 x 1-1/4	
13	0641808	1	Bolt 1/2 x 1	
14	0641814	2	Bolt 1/2 x 1-3/4	
15	0641818	2	Bolt 1/2 x 2-1/4	
16	0641826	2	Bolt 1/2 x 3-1/4	
17	0711214	2	Bolt M12 x 30	
18	0771414	6	Bolt M14 x 30	
19	0711417	4	Bolt M14 x 45	
20	1001112766	1	Bracket, Muffler	
21	0940070	1	Bumper	
22	0961986	2	Bushing, Flanged	
23	1001131542	1	Lanyard	
24	1060904	1	Cable, Jumper	
25	1320022	2	Clamp	
26	1320058	2	Clamp	
27	1320060	1	Clamp	
28	1320223	1	J-Clip	
29	1340065	1	Air Cleaner Assembly	
29	7003655	1	Element, Air Cleaner	
29	7015013	1	Baffle, Rubber	
29	7015014	1	Clamp, Cap	
29	7015015	1	Cup	
29	7015003	1	Wingnut	
30	1671023	1	Shroud, Fan	
31	1703162	2	Decal - Fan Blade	
32	2060025	1	Fan	
33	2220451	1	Fitting, Straight	
34	2220498	1	Fitting, Elbow	
35	2720058	34 ft/ 10.3m	Hose	
36	2580062	1	Heater, Engine Block	
37	2720500	1	Hose, Oil Cooler (Top)	
38	2720501	1	Hose, Oil Cooler (Bottom)	
39	2750532	0.75 ft /0.2m	Hose	
40	2902065	1	Pump Coupling Kit (See Separate Breakdown in this Section))	

SECTION 3 - ENGINE

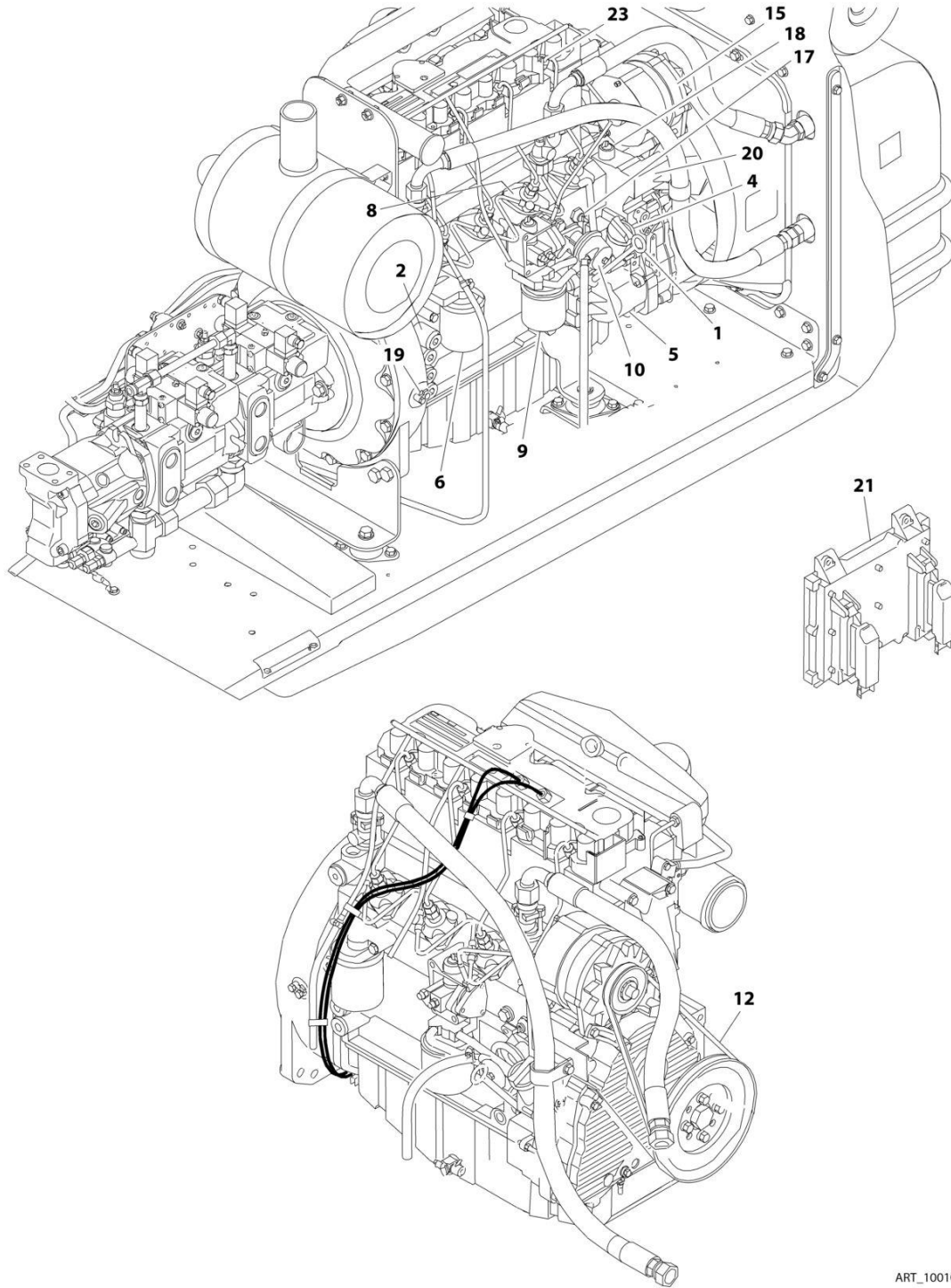
ITEM	PART NUMBER	QTY	DESCRIPTION	REV
42	3200362	2	Mount, Motor (Front)	
43	3200401	2	Mount, Motor (Rear)	
44	1001257277	1	Muffler	
45	3300454	10	Nut	
46	3311405	5	Nut 1/4	
47	3311505	5	Nut 5/16	
48	3311605	30	Nut 3/8	
49	3311805	5	Nut 1/2	
50	3422532	1	Pin, Hitch	
51	3520054	2	Plug	
52	3537416	1	Plate, Mounting (Front Right)	
53	3539971	1	Bracket, Engine Mounting (Front)	
54	3573142	1	Bracket, Engine Mounting (Rear)	
55	3573411	2	Plate, Clamp	
56	3573412	1	Gusset	
57	3573529	1	Plate, Mounting (Front Left)	
58	3580320	1	Pulley	
60	1001145382	1	Cooler, Engine Oil	
61	3740067	2	Relay, Start	
62	3740080	2	Relay	
63	3960543	1	Seal	
64	3960544	1	Seal	
65	4032022	4	Capscrew M10 x 90	
66	4060804	0.98 ft /0.3m	Flex-Trim	
67	4060805	0.67 ft /0.2m	Flex-Trim	
68	4240099	AR	Tie, Wire (Not Shown)	
69	4460234	3	Mount, Wire Tie	
70	4568293	1	Pipe, Exhaust	
71	4640751	1	Valve, Oil Drain	
72	4711500	13	Washer 5/16	
73	4711600	68	Washer 3/8	
74	4711800	7	Washer 1/2	
75	4740274	4	Washer, Snubbing	
76	4740518	10	Washer, Nylon	
77	4751400	20	Washer 1/4	
78	4791400	4	Washer 1/4	
79	4846552	1	Plate, Oil Cooler Mounting	
80	4846945	1	Mount, Generator	
81	4846946	1	Tray	
82	4891800	4	Washer 1/2	
83	4923468	1	Harness, Glow Plugs	
84	1001225118	1	Hose, Air Intake	
85	1001098601	1	Engine, Deutz TD2011 Components (See Separate Breakdown in this Section)	
86	8410013	1	Clamp, Gear	
87	0761215	2	Bolt M12 x 35	
88	1001112927	1	Pump Assembly - Sauer Gear (See Separate Breakdown in this Section)	
89	4891600	2	Washer 3/8	

SECTION 3 - ENGINE

ITEM	PART NUMBER	QTY	DESCRIPTION	REV
90	1001108616	1	Pump Assembly - Sauer Tandem (See Separate Breakdown in this Section)	
91	1001171095	1	Pump Assembly - Sauer Piston (See Separate Breakdown in this Section)	
92	3790152	1	O-Ring	
93	3790155	1	O-Ring	

SECTION 3 - ENGINE

FIGURE 3-13. DEUTZ TD2011 ENGINE COMPONENTS



ART_1001098601

SECTION 3 - ENGINE

FIGURE 3-13. DEUTZ TD2011 ENGINE COMPONENTS

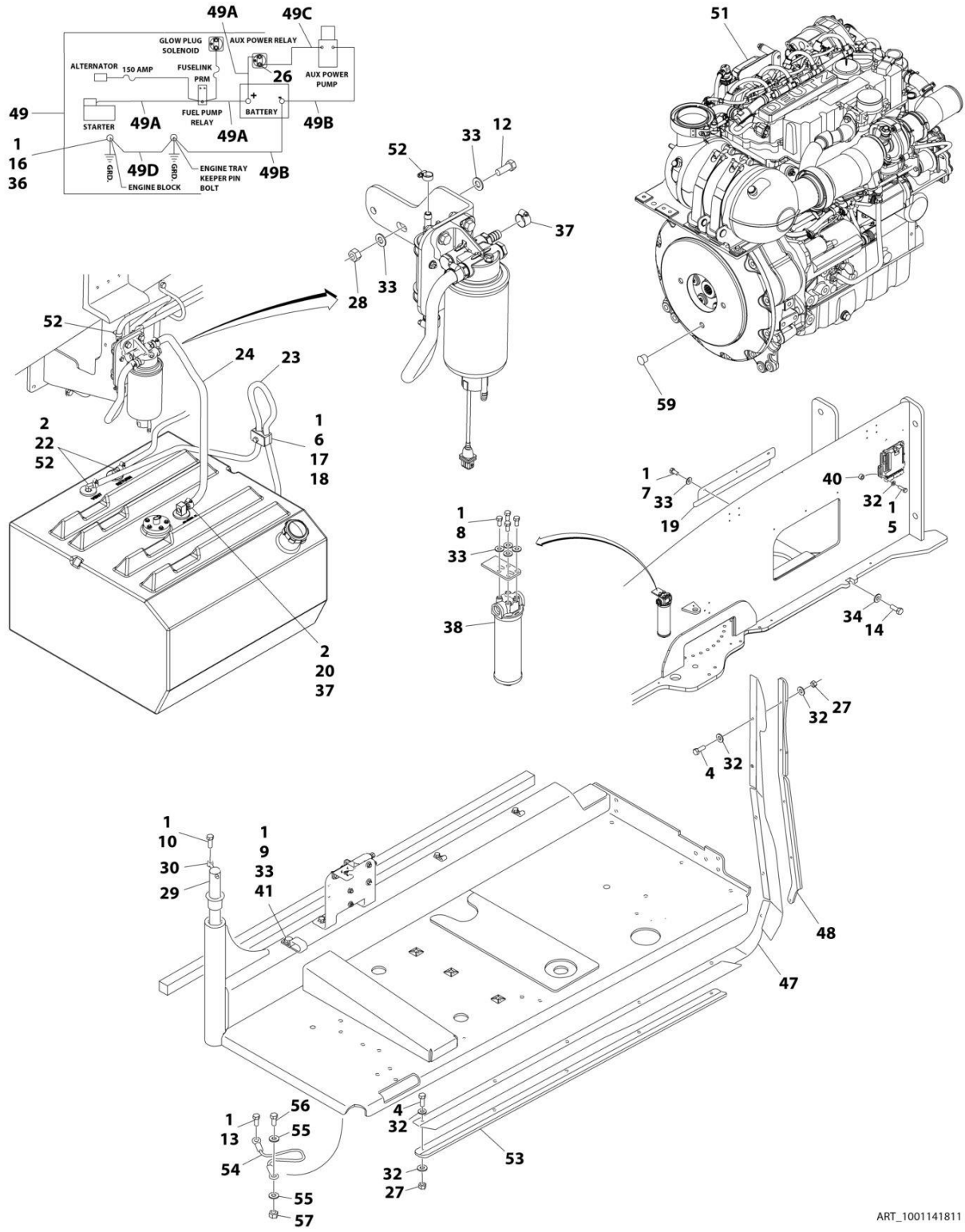
ITEM	PART NUMBER	QTY	DESCRIPTION	REV
	1001098601	Ref	DEUTZ TD2011 ENGINE COMPONENTS	C
1	7027235	1	Dipstick	
1	70000044	1	O-Ring	
2	70003475	1	Thermostat	
2	7020460	1	Compression Spring	
3	70001870	1	Flywheel (Not Shown)	
3	7024579	1	Gear, Ring (Not Shown)	
4	7020465	1	Cap, Filler	
5	70001850	1	Pump, Oil	
5	7020468	1	Seal Between Oil Pump and Engine Block (Not Shown)	
6	7016331	1	Filter, Oil	
6	7027236	1	Sender, Temperature (Located near Oil Filter)	
8		Ref	Injector Pump	
8	70001128	AR	"A" Series	
8	70001129	AR	"B" Series	
8	70001130	AR	"C" Series	
8	70001131	AR	"D" Series	
8	7020447	AR	Gasket (1 per Injector)	
9	7016328	1	Filter, Fuel	
10	70000916	1	Pump Fuel Supply	
10	70001435	1	Repair Kit	
10	70000917	1	O-Seal Between Fuel Pump and Engine Block (Not Shown)	
10	70000918	1	Sealing Ring (Not Shown)	
10	70000919	1	Pump, Hand (Not Shown)	
11	7027239	1	Solenoid, Start (Not Shown - Located near Throttle)	
12	7020414	1	V-Belt	
13	7020471	4	Gasket, Exhaust Manifold to Engine Block (Not Shown)	
13	7020486	1	Gasket, Exhaust Manifold to Exhaust Pipe (Not Shown)	
14	7027240	1	Turbocharger (Not Shown)	
14	70001857	1	Flange, Turbocharger (Not Shown)	
14	70001135	1	Gasket (Not Shown)	
15	70001867	1	Alternator	
15	70001868	1	Regulator, Voltage (Not Shown)	
16	7020479	1	Starter (Not Shown - Located on Right Side of Engine)	
16	7026608	1	Relay, Start (Not Shown)	
17	7027790	1	Sensor, Oil Pressure	
18	7027791	1	Sensor, Temperature (Not Shown)	
19	7024565	1	Sensor, Speed	
20	7027792	1	Actuator Throttle	
20	7027276	2	Spring	
21	1600443	1	Module, EMR2 Controller	
22	70002718	1	Seal, Rear Main (Not Shown)	
23	70003135	4	Injector, Fuel	
23	70003136	1	Ring, Sealing	
24	70001847	1	Valve, Breather (Located - Front Cover) (Not Shown)	
24	70001126	1	O-Ring (Not Shown)	
25	70001125	1	Cap, Breather (Located In Cylinder Head Cover) (Not Shown)	
25	70001126	1	O-Ring (Not Shown)	
26	70001871	4	Gasket, Air Intake Manifold (Not Shown)	
27	70000345	4	Plug, Glow (Not Shown)	

SECTION 3 - ENGINE

ITEM	PART NUMBER	QTY	DESCRIPTION	REV
28	70007353	1	Gasket Kit (Not Shown)	

SECTION 3 - ENGINE

FIGURE 3-14. DEUTZ TCD2.9L4 EMR4 ENGINE INSTALLATION - WITH REXROTH PUMPS (WITHOUT COLD WEATHER PLUS PACKAGE)



ART_1001141811

SECTION 3 - ENGINE

FIGURE 3-14. DEUTZ TCD2.9L4 EMR4 ENGINE INSTALLATION - WITH REXROTH PUMPS (WITHOUT COLD WEATHER PLUS PACKAGE)

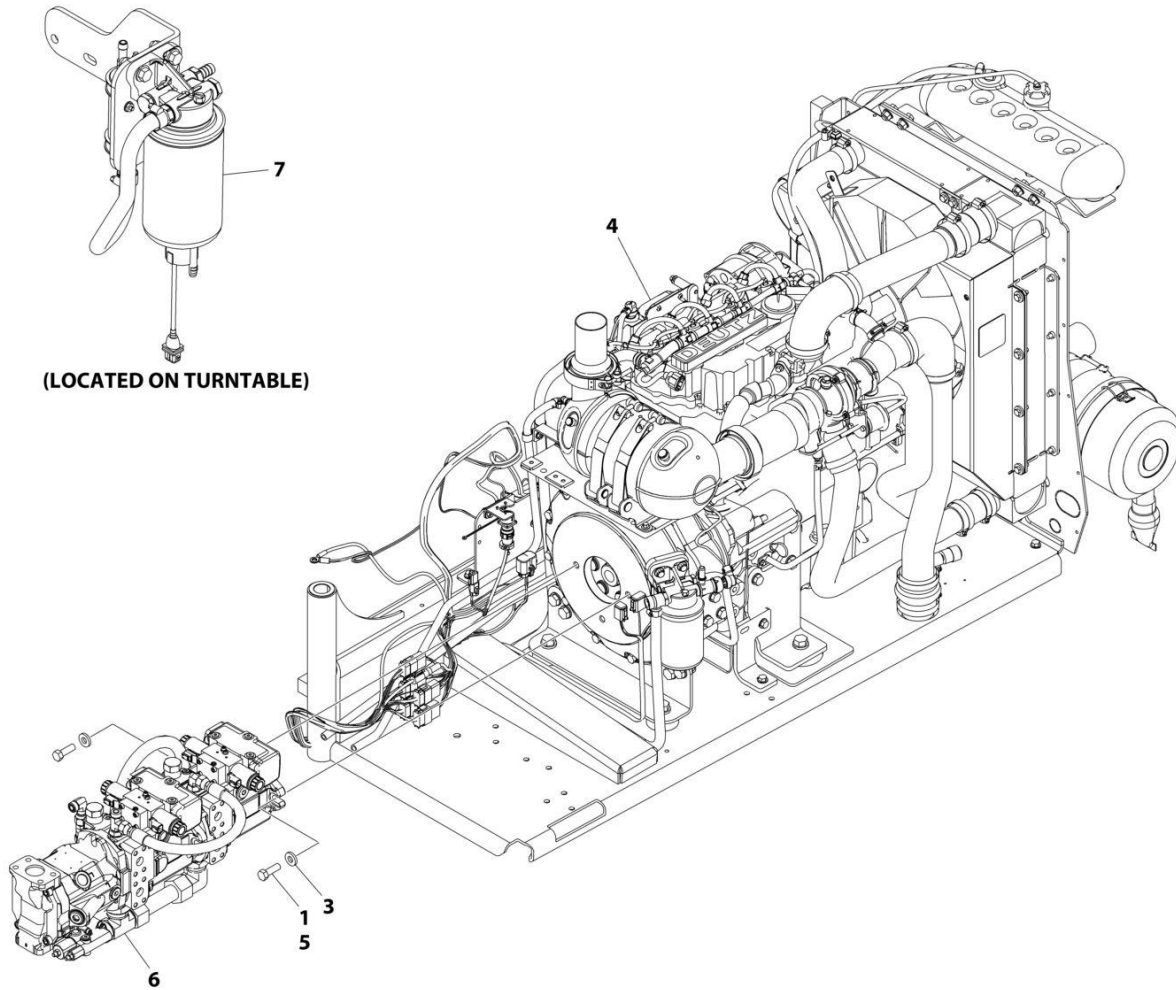
ITEM	PART NUMBER	QTY	DESCRIPTION	REV
	1001141811	Ref	DEUTZ TCD2.9L4 DIESEL ENGINE INSTALLATION - WITH REXROTH PUMPS AND STEEL HOODS (WITHOUT COLD WEATHER PLUS PACKAGE)	K
1	0100011	AR	Compound, Locking	
2	0100079	AR	Sealant, Pipe	
4	0641408	10	Bolt 1/4 x 1	
5	0641410	4	Bolt 1/4 x 1-1/4	
6	0641511	1	Bolt 5/16 x 1-3/8	
7	0641605	3	Bolt 3/8 x 5/8	
8	0641606	4	Bolt 3/8 x 3/4	
9	0641608	1	Bolt 3/8 x 1	
10	0641610	1	Bolt 3/8 x 1-1/4	
12	0641612	2	Bolt 3/8 x 1-1/2	
13	0641808	1	Bolt 1/2 x 1	
14	0642010	1	Bolt 5/8 x 1-1/4	
16	0761210	1	Bolt M12 x 20	
17	1320187	1	Clamp	
18	1320190	1	Cover, Clamp	
19	1671121	1	Cover	
20	2180832	1	Fitting, Barbed	
22	2220313	2	Fitting, Elbow Barbed	
23	2750532	5 ft/ 1.5m	Hose	
24	1001154405	2 ft/ 0.6m	Hose	
26	3300220	2	Nut 5/16	
27	3311405	10	Nut 1/4	
28	3311605	2	Nut 3/8	
29	3422446	1	Pin, Pivot	
30	3841143	1	Pin, Keeper	
31	4240018	2	Strap, Tie (Not Shown)	
32	4711400	24	Washer 1/4	
33	4711600	12	Washer 3/8	
34	4752000	1	Washer 5/8	
36	4812100	1	Washer M12	
37	8405006	2	Clamp	
38	1001108617	1	Filter	
38	70002231	1	Element, Filter	
40	1001110425	4	Spacer	
41	1001116792	1	Clamp	
43	1001138491	NLA	Harness, Fuel (Use p/n 1001222665) (Not Shown - See Separate Breakdown in ELECTRICAL SECTION)	
47	1001140604	1	Panel, Rubber	
48	1001145089	1	Clamp	
49	1001141225	1	Battery Cable Kit	E
49A	7027042	1	Cable, Battery (Red) (Battery + to Relays and Starter)	
49B	7027043	1	Cable, Battery (Black) (Battery - to Tray Pivot Grd and Aux Pump)	
49C	7027044	1	Cable (Red) (Aux Relay to Aux Pump)	
49D	7027045	1	Cable, Battery (Black) (Engine to Tray Pivot Grd)	
51	1001141812	1	Engine Sub-Assembly (See Separate Breakdown in this Section)	
52	1320022	3	Clamp	

SECTION 3 - ENGINE

ITEM	PART NUMBER	QTY	DESCRIPTION	REV
53	1001145842	1	Plate, Clamping	
54	1001131542	1	Lanyard	
55	4711700	2	Washer 7/16	
56	0641708	1	Bolt 7/16 x 1	
57	3311705	1	Nut 7/16	
59	3520054	1	Plug	

SECTION 3 - ENGINE

FIGURE 3-15. DEUTZ TCD2.9L4 EMR4 ENGINE SUB-ASSEMBLY - WITH REXROTH PUMPS
(WITHOUT COLD WEATHER PLUS PACKAGE)



ART_1001141812

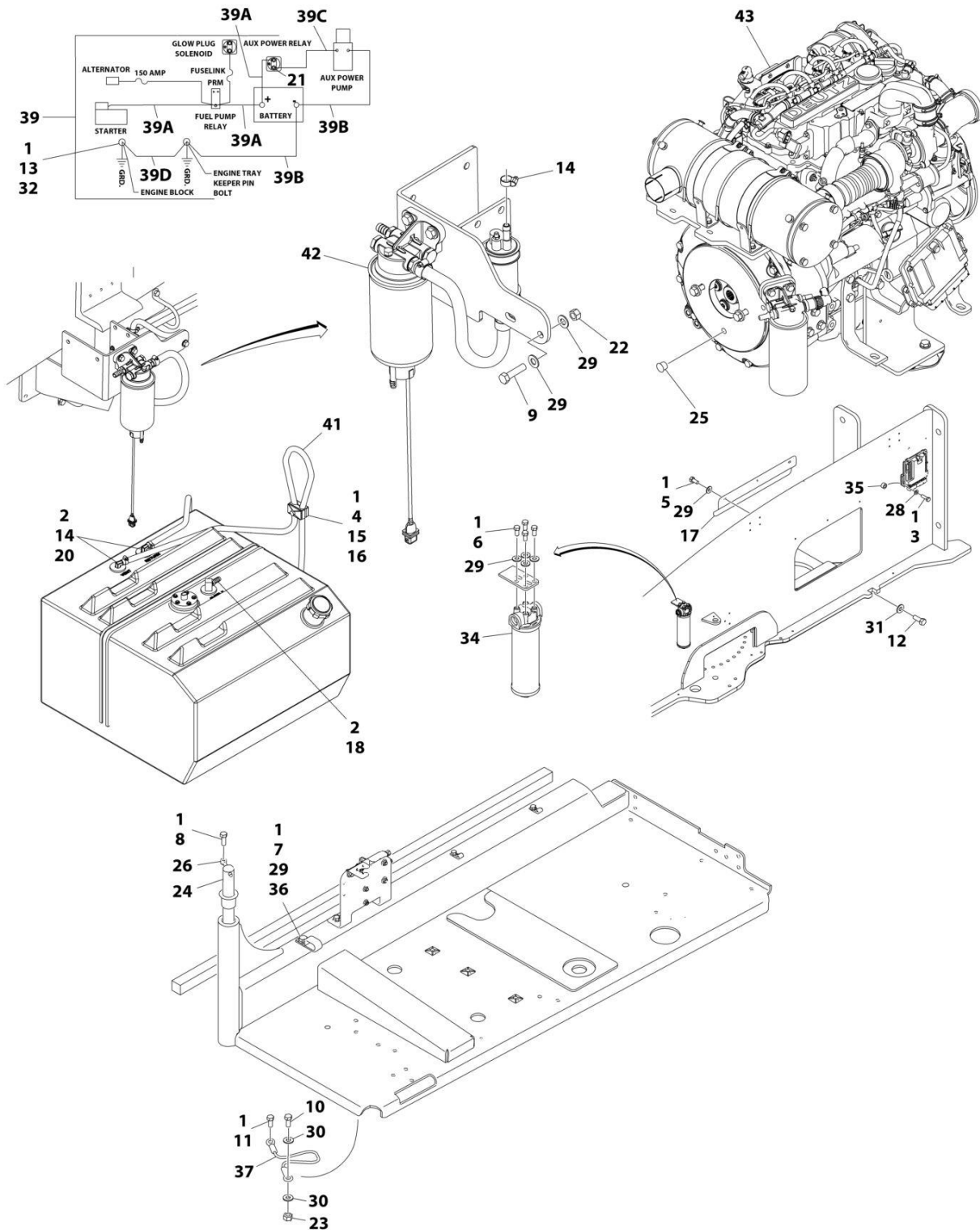
SECTION 3 - ENGINE

**FIGURE 3-15. DEUTZ TCD2.9L4 EMR4 ENGINE SUB-ASSEMBLY - WITH REXROTH PUMPS
(WITHOUT COLD WEATHER PLUS PACKAGE)**

ITEM	PART NUMBER	QTY	DESCRIPTION	REV
	1001141812	Ref	DEUTZ TCD2.9L4 ENGINE SUB-ASSEMBLY	AO
1	0641812	2	Bolt 1/2 x 1-1/2	
1	0641814	2	Bolt 1/2 x 1-3/4	
3	4891800	2	Washer 1/2	
4	1001134392	1	Engine Assembly (See Separate Breakdown in this Section)	
5	0100011	AR	Compound, Locking	
6	1001152963	1	Pump Assembly - Rexroth (See Separate Breakdown in this Section)	
7	1001165101	1	Bracket, Fuel Pump Filter Assembly (See Separate Breakdown in this Section)	

SECTION 3 - ENGINE

FIGURE 3-16. DEUTZ TCD2.9L4 EMR4 ENGINE INSTALLATION - WITH REXROTH PUMPS (WITHOUT COLD WEATHER PLUS PACKAGE) (CHINA SPEC ONLY)



ART_1001221259

SECTION 3 - ENGINE

FIGURE 3-16. DEUTZ TCD2.9L4 EMR4 ENGINE INSTALLATION - WITH REXROTH PUMPS (WITHOUT COLD WEATHER PLUS PACKAGE) (CHINA SPEC ONLY)

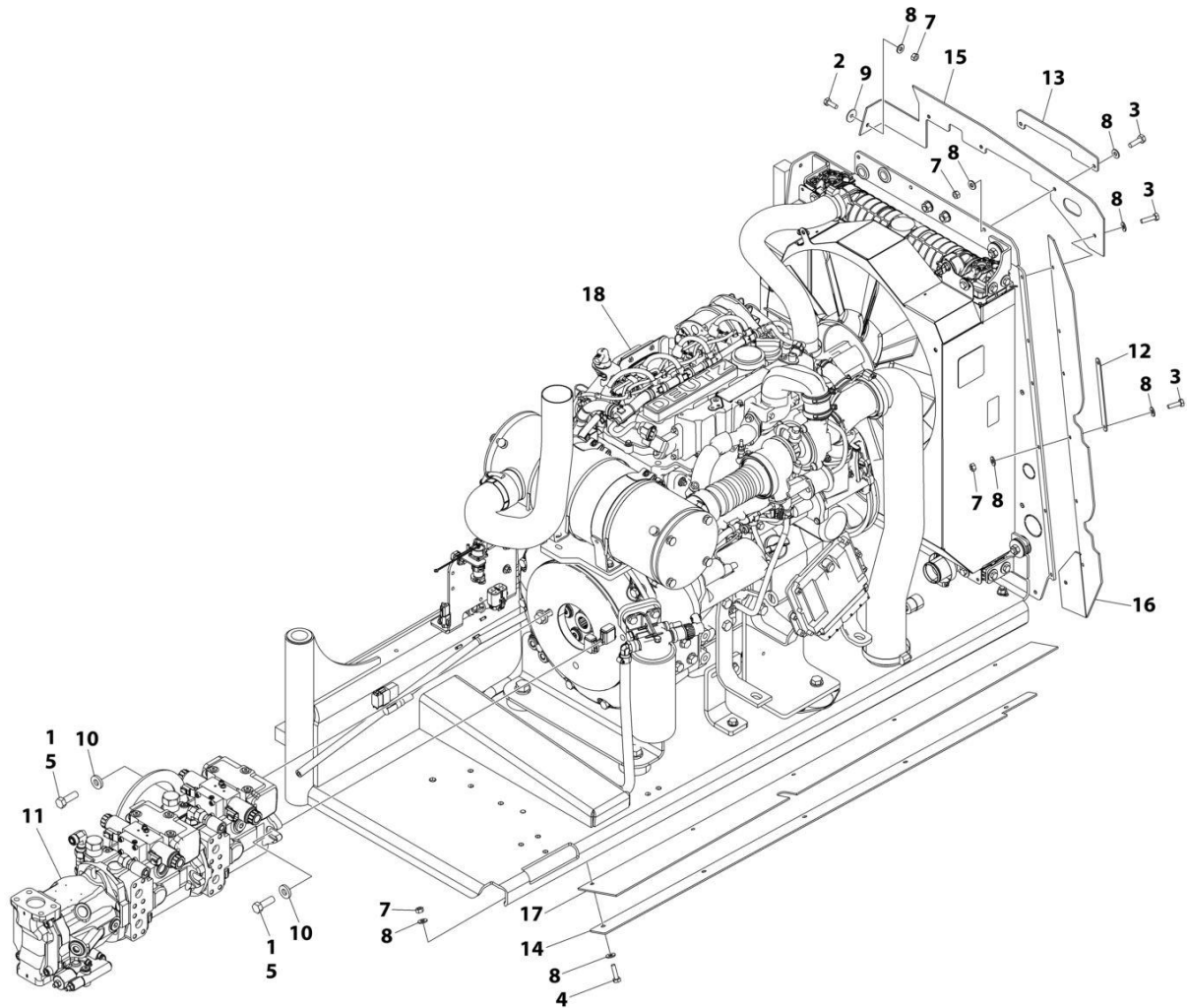
ITEM	PART NUMBER	QTY	DESCRIPTION	REV
	1001221259	Ref	DEUTZ TD2.9L4 DIESEL ENGINE INSTALLATION - WITH REXROTH PUMPS AND STEEL HOODS	C
1	0100011	AR	Compound, Locking	
2	0100079	AR	Sealant, Pipe	
3	0641410	4	Bolt 1/4 x 1-1/4	
4	0641511	1	Bolt 5/16 x 1-3/8	
5	0641605	3	Bolt 3/8 x 5/8	
6	0641606	4	Bolt 3/8 x 3/4	
7	0641608	1	Bolt 3/8 x 1	
8	0641610	1	Bolt 3/8 x 1-1/4	
9	0641612	2	Bolt 3/8 x 1-1/2	
10	0641708	1	Bolt 7/16 x 1	
11	0641808	1	Bolt 1/2 x 1	
12	0642010	1	Bolt 5/8 x 1-1/4	
13	0761210	1	Bolt M12 x 20	
14	1320022	3	Clamp	
15	1320187	1	Clamp	
16	1320190	1	Cover, Clamp	
17	1671121	1	Cover	
18	2180832	1	Fitting, Barbed	
20	2220313	2	Fitting, Elbow Barbed	
21	3300220	2	Nut 5/16	
22	3311605	2	Nut 3/8	
23	3311705	1	Nut 7/16	
24	3422446	1	Pin, Pivot	
25	3520054	1	Plug	
26	3841143	1	Pin, Keeper	
27	4240018	2	Strap, Tie (Not Shown)	
28	4711400	4	Washer 1/4	
29	4711600	12	Washer 3/8	
30	4711700	2	Washer 7/16	
31	4752000	1	Washer 5/8	
32	4812100	1	Washer M12	
34	1001108617	1	Filter	
34	70002231	1	Element, Filter	
35	1001110425	4	Spacer	
36	1001116792	1	Clamp	
37	1001131542	1	Lanyard	
38	1001138491	NLA	Harness, Fuel (Use p/n 1001222665) (Not Shown - See Separate Breakdown in ELECTRICAL SECTION)	
39	1001141225	1	Battery Cable Kit	E
39A	7027042	1	Cable, Battery (Red) (Battery + to Relays and Starter)	
39B	7027043	1	Cable, Battery (Black) (Battery - to Tray Pivot Grd and Aux Pump)	
39C	7027044	1	Cable (Red) (Aux Relay to Aux Pump)	
39D	7027045	1	Cable, Battery (Black) (Engine to Tray Pivot Grd)	
41	2750532	5 ft/ 1.5m	Hose	
42	1001227606	1	Bracket, Fuel Pump Filter Assembly (See Separate Breakdown in this Section)	

SECTION 3 - ENGINE

ITEM	PART NUMBER	QTY	DESCRIPTION	REV
43	1001221263	1	Engine Sub-Assembly (See Separate Breakdown in this Section)	

SECTION 3 - ENGINE

FIGURE 3-17. DEUTZ TCD2.9L4 EMR4 ENGINE SUB-ASSEMBLY - WITH REXROTH PUMPS
(WITHOUT COLD WEATHER PLUS PACKAGE) (CHINA SPEC ONLY)



ART_1001221263

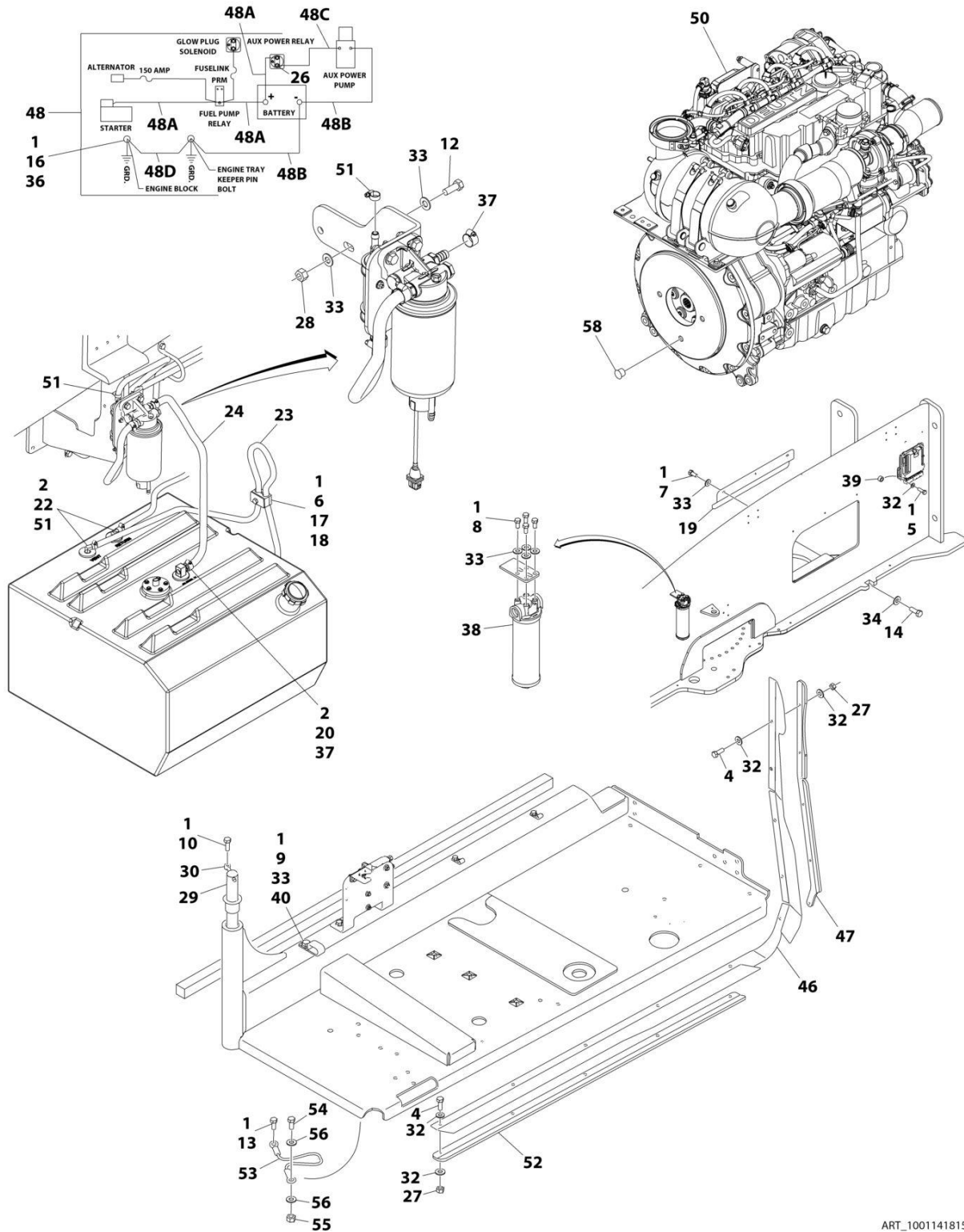
SECTION 3 - ENGINE

**FIGURE 3-17. DEUTZ TCD2.9L4 EMR4 ENGINE SUB-ASSEMBLY - WITH REXROTH PUMPS
(WITHOUT COLD WEATHER PLUS PACKAGE) (CHINA SPEC ONLY)**

ITEM	PART NUMBER	QTY	DESCRIPTION	REV
	1001221263	Ref	DEUTZ TD2.9L4 ENGINE SUB-ASSEMBLY	Q
1	0100011	AR	Compound, Locking	
2	0641406	AR	Bolt 1/4 x 3/4	
3	0641407	8	Bolt 1/4 x 7/8	
4	0641408	AR	Bolt 1/4 x 1	
5	0641812	2	Bolt 1/2 x 1-1/2	
7	3311405	16	Nut 1/4	
8	4711400	AR	Washer 1/4	
9	4740430	AR	Washer, Fender	
10	4891800	2	Washer 1/2	
11	1001152963	1	Pump Assembly - Rexroth (See Separate Breakdown in this Section)	
12	1001167164	3	Plate, Support	
13	1001177945	1	Bracket	
14	1001177946	1	Bracket	
15	1001177957	1	Seal, Rubber Baffle	
16	1001177958	1	Seal, Rubber Baffle	
17	1001177959	1	Seal, Rubber Baffle	
18	1001220735	1	Deutz TD2.9L4 Engine Assembly (See Separate Breakdown in this Section)	

SECTION 3 - ENGINE

FIGURE 3-18. DEUTZ TCD2.9L4 EMR4 ENGINE INSTALLATION - WITH REXROTH PUMPS (WITH COLD WEATHER PLUS PACKAGE)



ART_1001141815

SECTION 3 - ENGINE

FIGURE 3-18. DEUTZ TCD2.9L4 EMR4 ENGINE INSTALLATION - WITH REXROTH PUMPS (WITH COLD WEATHER PLUS PACKAGE)

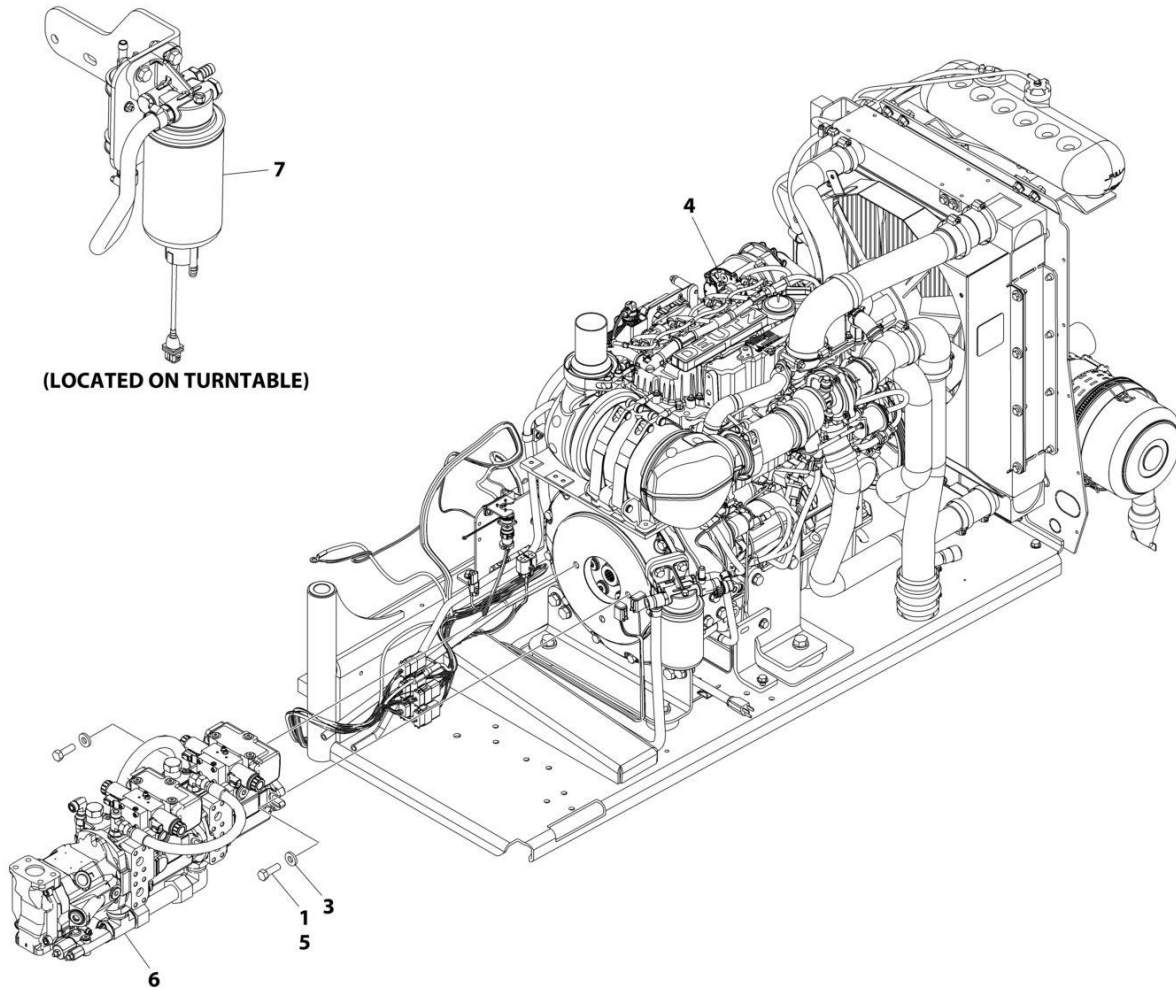
ITEM	PART NUMBER	QTY	DESCRIPTION	REV
	1001141815	Ref	DEUTZ TCD2.9L4 DIESEL ENGINE INSTALLATION - WITH REXROTH PUMPS AND STEEL HOODS (WITH COLD WEATHER PLUS PACKAGE)	M
1	0100011	AR	Compound, Locking	
2	0100079	AR	Sealant, Pipe	
4	0641408	10	Bolt 1/4 x 1	
5	0641410	4	Bolt 1/4 x 1-1/4	
6	0641511	1	Bolt 5/16 x 1-3/8	
7	0641605	3	Bolt 3/8 x 5/8	
8	0641606	4	Bolt 3/8 x 3/4	
9	0641608	1	Bolt 3/8 x 1	
10	0641610	1	Bolt 3/8 x 1-1/4	
12	0641612	2	Bolt 3/8 x 1-1/2	
13	0641808	1	Bolt 1/2 x 1	
14	0642010	1	Bolt 5/8 x 1-1/4	
16	0761210	1	Bolt M12 x 20	
17	1320187	1	Clamp	
18	1320190	1	Cover, Clamp	
19	1671121	1	Cover	
20	2180832	1	Fitting, Barbed	
22	2220313	2	Fitting, Elbow Barbed	
23	2750532	5 ft/ 1.5m	Hose	
24	1001154405	2 ft/ 0.6m	Hose	
26	3300220	2	Nut 5/16	
27	3311405	10	Nut 1/4	
28	3311605	2	Nut 3/8	
29	3422446	1	Pin, Pivot	
30	3841143	1	Pin, Keeper	
31	4240018	2	Strap, Tie (Not Shown)	
32	4711400	24	Washer 1/4	
33	4711600	12	Washer 3/8	
34	4752000	1	Washer 5/8	
36	4812100	1	Washer M12	
37	8405006	2	Clamp	
38	1001108617	1	Filter	
38	70002231	1	Element, Filter	
39	1001110425	4	Spacer	
40	1001116792	1	Clamp	
42	1001138491	NLA	Harness, Fuel (Use p/n 1001222665) (Not Shown - See Separate Breakdown in ELECTRICAL SECTION)	
46	1001140604	1	Panel, Rubber	
47	1001145089	1	Clamp	
48	1001141225	1	Battery Cable Kit	E
48A	7027042	1	Cable, Battery (Red) (Battery + to Relays and Starter)	
48B	7027043	1	Cable, Battery (Black) (Battery - to Tray Pivot Grd and Aux Pump)	
48C	7027044	1	Cable (Red) (Aux Relay to Aux Pump)	
48D	7027045	1	Cable, Battery (Black) (Engine to Tray Pivot Grd)	
50	1001141813	1	Engine Sub-Assembly (See Separate Breakdown in this Section)	
51	1320022	3	Clamp	

SECTION 3 - ENGINE

ITEM	PART NUMBER	QTY	DESCRIPTION	REV
52	1001145842	1	Plate, Clamping	
53	1001131542	1	Lanyard	
54	0641708	1	Bolt 7/16 x 1	
55	3311705	1	Nut 7/16	
56	4711700	2	Washer 7/16	
58	3520054	1	Plug	

SECTION 3 - ENGINE

FIGURE 3-19. DEUTZ TCD2.9L4 EMR4 ENGINE SUB-ASSEMBLY - WITH REXROTH PUMPS (WITH COLD WEATHER PLUS PACKAGE)



ART_1001141813

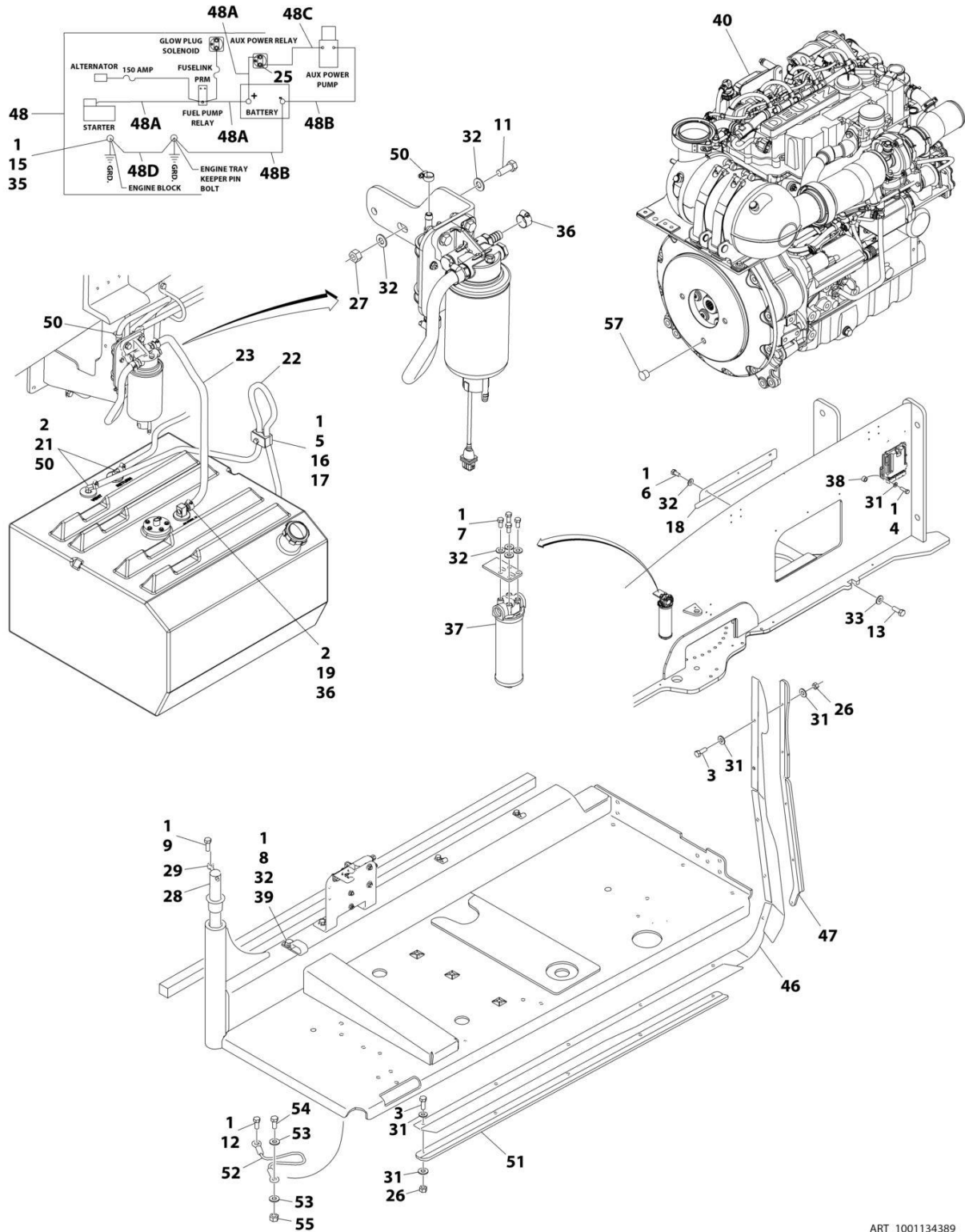
SECTION 3 - ENGINE

FIGURE 3-19. DEUTZ TCD2.9L4 EMR4 ENGINE SUB-ASSEMBLY - WITH REXROTH PUMPS (WITH COLD WEATHER PLUS PACKAGE)

ITEM	PART NUMBER	QTY	DESCRIPTION	REV
	1001141813	Ref	DEUTZ TCD2.9L4 ENGINE SUB-ASSEMBLY	AP
1	0641812	2	Bolt 1/2 x 1-1/2	
1	0641814	2	Bolt 1/2 x 1-1/2	
3	4740171	2	Washer 1/2	
4	1001141746	1	Engine Assembly (See Separate Breakdown in this Section)	
5	0100011	AR	Compound, Locking	
6	1001152963	1	Pump Assembly - Rexroth (See Separate Breakdown in this Section)	
7	1001165101	1	Bracket, Fuel Pump Filter Assembly (See Separate Breakdown in this Section)	

SECTION 3 - ENGINE

FIGURE 3-20. DEUTZ TCD2.9L4 EMR4 ENGINE INSTALLATION - WITH SAUER PUMPS (WITHOUT COLD WEATHER PLUS PACKAGE)



ART_1001134389

SECTION 3 - ENGINE

FIGURE 3-20. DEUTZ TCD2.9L4 EMR4 ENGINE INSTALLATION - WITH SAUER PUMPS (WITHOUT COLD WEATHER PLUS PACKAGE)

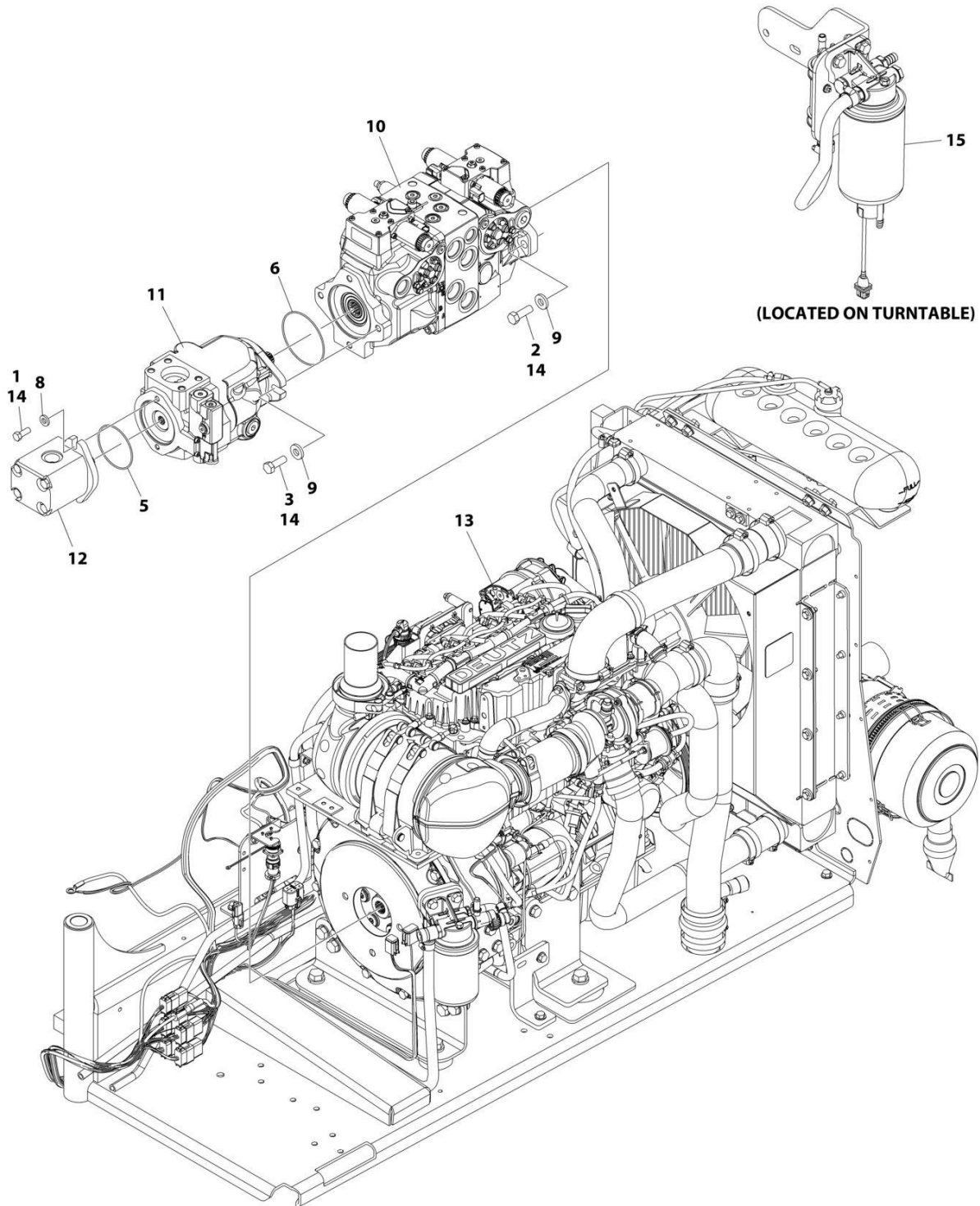
ITEM	PART NUMBER	QTY	DESCRIPTION	REV
	1001134389	Ref	DEUTZ TCD2.9L4 DIESEL ENGINE INSTALLATION - WITH SAUER PUMPS AND STEEL HOODS (WITHOUT COLD WEATHER PLUS PACKAGE)	K
1	0100011	AR	Compound, Locking	
2	0100079	AR	Sealant, Pipe	
3	0641408	10	Bolt 1/4 x 1	
4	0641410	4	Bolt 1/4 x 1-1/4	
5	0641511	1	Bolt 5/16 x 1-3/8	
6	0641605	3	Bolt 3/8 x 5/8	
7	0641606	4	Bolt 3/8 x 3/4	
8	0641608	1	Bolt 3/8 x 1	
9	0641610	1	Bolt 3/8 x 1-1/4	
11	0641612	2	Bolt 3/8 x 1-1/2	
12	0641808	1	Bolt 1/2 x 1	
13	0642010	1	Bolt 5/8 x 1-1/4	
15	0761210	1	Bolt M12 x 20	
16	1320187	1	Clamp	
17	1320190	1	Cover, Clamp	
18	1671121	1	Cover	
19	2180832	1	Fitting, Barbed	
21	2220313	2	Fitting, Elbow Barbed	
22	2750532	5 ft/ 1.5m	Hose	
23	1001154405	2 ft/ 0.6m	Hose	
25	3300220	2	Nut 5/16	
26	3311405	10	Nut 1/4	
27	3311605	2	Nut 3/8	
28	3422446	1	Pin, Pivot	
29	3841143	1	Pin, Keeper	
30	4240018	2	Strap, Tie (Not Shown)	
31	4711400	24	Washer 1/4	
32	4711600	12	Washer 3/8	
33	4752000	1	Washer 5/8	
35	4812100	1	Washer M12	
36	8405006	2	Clamp	
37	1001108617	1	Filter	
37	70002231	1	Element, Filter	
38	1001110425	4	Spacer	
39	1001116792	1	Clamp	
40	1001134390	1	Engine Sub-Assembly (See Separate Breakdown in this Section)	
42	1001138491	NLA	Harness, Fuel (Use p/n 1001222665) (Not Shown - See Separate Breakdown in ELECTRICAL SECTION)	
46	1001140604	1	Panel, Rubber	
47	1001145089	1	Clamp	
48	1001141225	1	Battery Cable Kit	E
48A	7027042	1	Cable, Battery (Red) (Battery + to Relays and Starter)	
48B	7027043	1	Cable, Battery (Black) (Battery - to Tray Pivot Grd and Aux Pump)	
48C	7027044	1	Cable (Red) (Aux Relay to Aux Pump)	
48D	7027045	1	Cable, Battery (Black) (Engine to Tray Pivot Grd)	
50	1320022	3	Clamp	

SECTION 3 - ENGINE

ITEM	PART NUMBER	QTY	DESCRIPTION	REV
51	1001145842	1	Plate, Clamping	
52	1001131542	1	Lanyard	
53	4711700	2	Washer 7/16	
54	0641708	1	Bolt 7/16 x 1	
55	3311705	1	Nut 7/16	
57	3520054	1	Plug	

SECTION 3 - ENGINE

FIGURE 3-21. DEUTZ TCD2.9L4 EMR4 ENGINE SUB-ASSEMBLY - WITH SAUER PUMPS (WITHOUT COLD WEATHER PLUS PACKAGE)



ART_1001134390

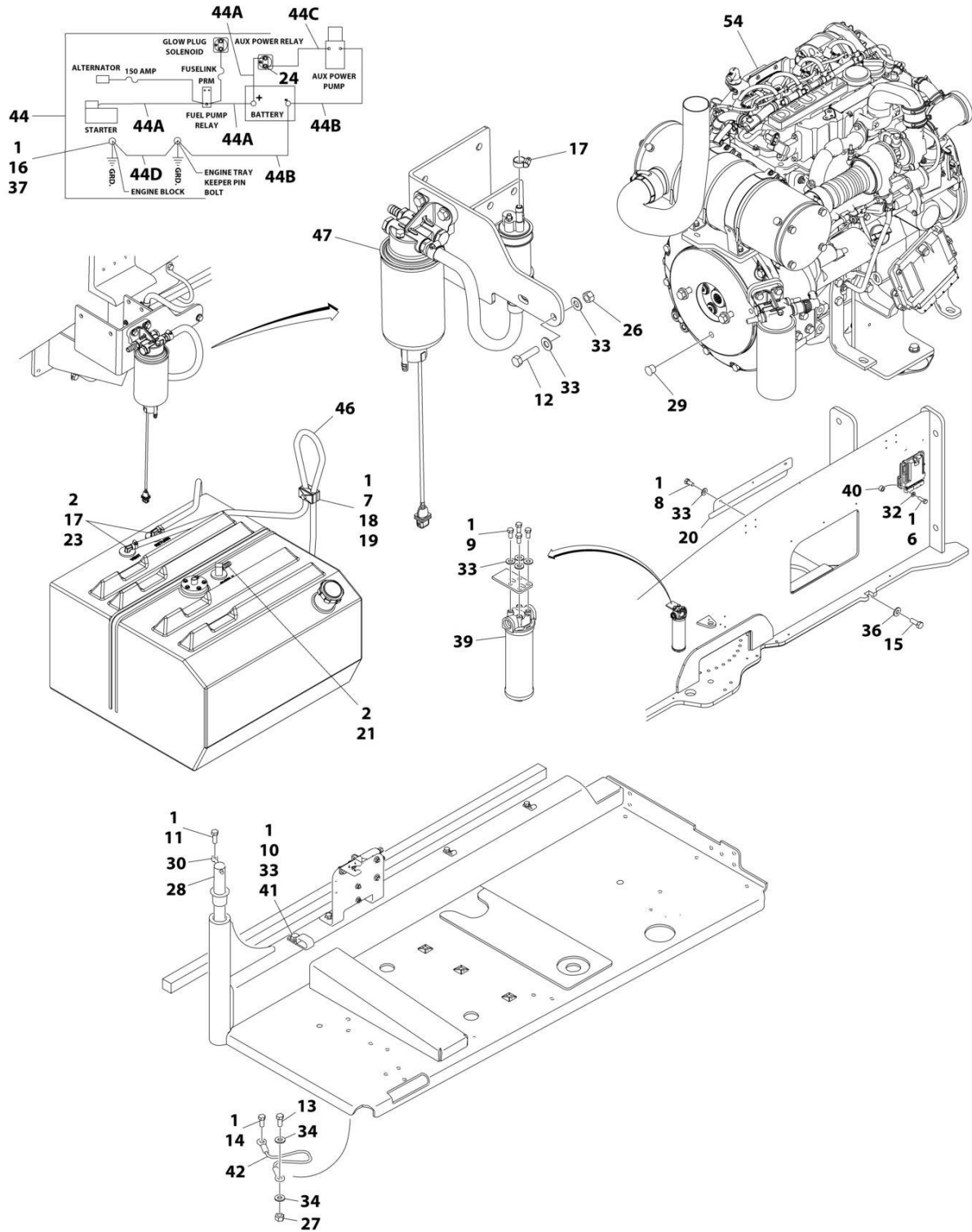
SECTION 3 - ENGINE

FIGURE 3-21. DEUTZ TCD2.9L4 EMR4 ENGINE SUB-ASSEMBLY - WITH SAUER PUMPS (WITHOUT COLD WEATHER PLUS PACKAGE)

ITEM	PART NUMBER	QTY	DESCRIPTION	REV
	1001134390	Ref	DEUTZ TCD2.9L4 ENGINE SUB-ASSEMBLY	AM
1	0641608	2	Bolt 3/8 x 1	
2	0641812	2	Bolt 1/2 x 1-1/2	
2	0641814	2	Bolt 1/2 x 1-3/4	
3	0761215	2	Bolt M12 x 35	
5	3790152	1	O-Ring	
6	3790155	1	O-Ring	
8	4891600	2	Washer 3/8	
9	4891800	4	Washer 1/2	
10	1001108616	1	Pump Assembly - Sauer Tandem (See Separate Breakdown in this Section)	
11	1001171095	1	Pump Assembly - Sauer Piston (See Separate Breakdown in this Section)	
12	1001112927	1	Pump Assembly - Sauer Gear (See Separate Breakdown in this Section)	
13	1001134392	1	Engine Assembly (See Separate Breakdown in this Section)	
14	0100011	AR	Compound, Locking	
15	1001165101	1	Bracket, Fuel Pump Filter Assembly (See Separate Breakdown in this Section)	

SECTION 3 - ENGINE

FIGURE 3-22. DEUTZ TCD2.9L4 EMR4 ENGINE INSTALLATION - WITH SAUER PUMPS (WITHOUT COLD WEATHER PLUS PACKAGE) (CHINA SPEC ONLY)



ART_1001221261

SECTION 3 - ENGINE

FIGURE 3-22. DEUTZ TCD2.9L4 EMR4 ENGINE INSTALLATION - WITH SAUER PUMPS (WITHOUT COLD WEATHER PLUS PACKAGE) (CHINA SPEC ONLY)

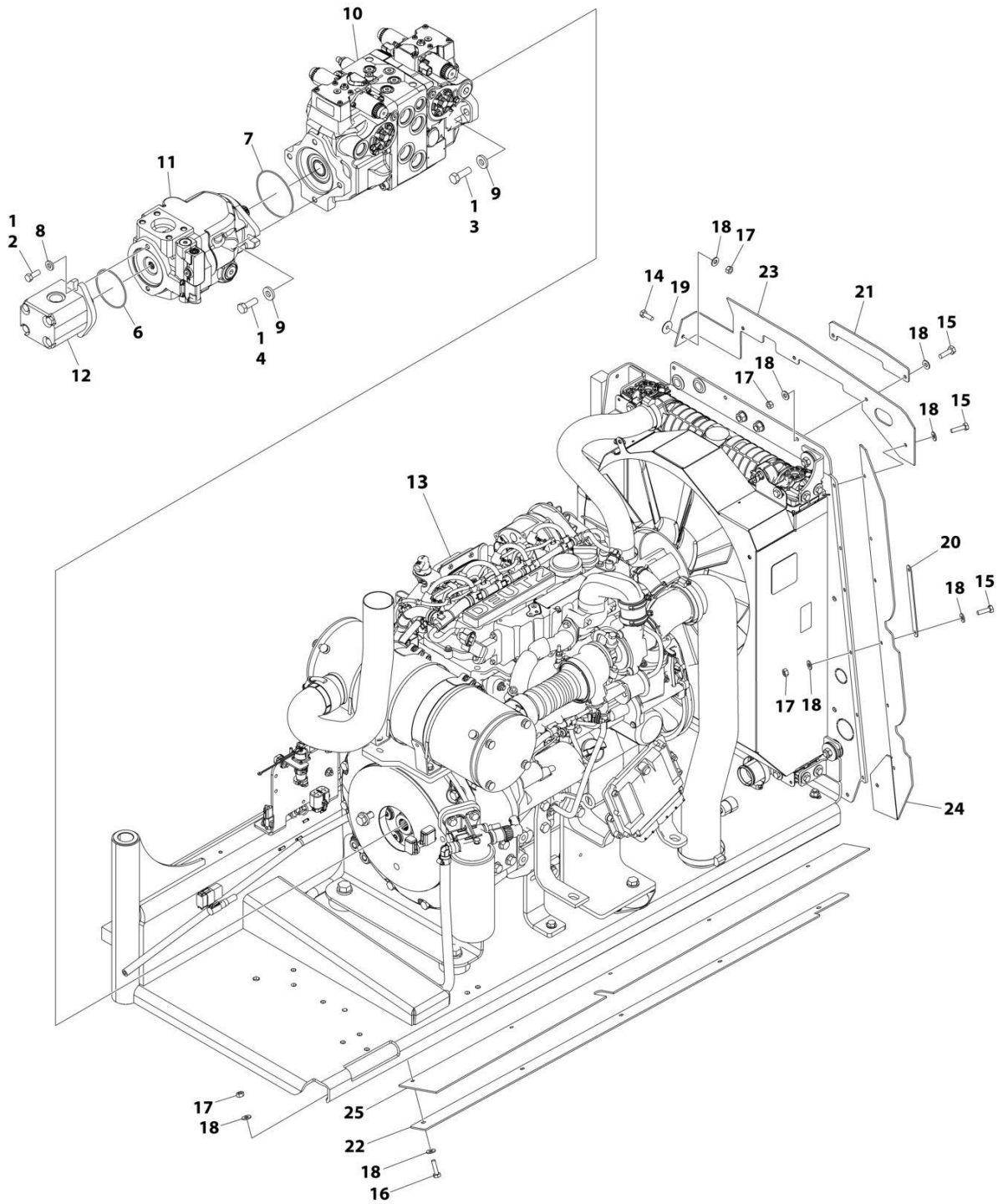
ITEM	PART NUMBER	QTY	DESCRIPTION	REV
	1001221261	Ref	DEUTZ TD2.9L4 DIESEL ENGINE INSTALLATION - WITH SAUER PUMPS AND STEEL HOODS	D
1	0100011	AR	Compound, Locking	
2	0100079	AR	Sealant, Pipe	
6	0641410	4	Bolt 1/4 x 1-1/4	
7	0641511	1	Bolt 5/16 x 1-3/8	
8	0641605	3	Bolt 3/8 x 5/8	
9	0641606	4	Bolt 3/8 x 3/4	
10	0641608	1	Bolt 3/8 x 1	
11	0641610	1	Bolt 3/8 x 1-1/4	
12	0641612	2	Bolt 3/8 x 1-1/2	
13	0641708	1	Bolt 7/16 x 1	
14	0641808	1	Bolt 1/2 x 1	
15	0642010	1	Bolt 5/8 x 1-1/4	
16	0761210	1	Bolt M12 x 20	
17	1320022	3	Clamp	
18	1320187	1	Clamp	
19	1320190	1	Cover, Clamp	
20	1671121	1	Cover	
21	2180832	1	Fitting, Barbed	
23	2220313	2	Fitting, Elbow Barbed	
24	3300220	2	Nut 5/16	
26	3311605	2	Nut 3/8	
27	3311705	1	Nut 7/16	
28	3422446	1	Pin, Pivot	
29	3520054	1	Plug	
30	3841143	1	Pin, Keeper	
31	4240018	2	Strap, Tie (Not Shown)	
32	4711400	4	Washer 1/4	
33	4711600	12	Washer 3/8	
34	4711700	2	Washer 7/16	
36	4752000	1	Washer 5/8	
37	4812100	1	Washer M12	
39	1001108617	1	Filter	
39	70002231	1	Element, Filter	
40	1001110425	4	Spacer	
41	1001116792	1	Clamp	
42	1001131542	1	Lanyard	
43	1001138491	NLA	Harness, Fuel (Use p/n 1001222665) (Not Shown - See Separate Breakdown in ELECTRICAL SECTION)	
44	1001141225	1	Battery Cable Kit	E
44A	7027042	1	Cable, Battery (Red) (Battery + to Relays and Starter)	
44B	7027043	1	Cable, Battery (Black) (Battery - to Tray Pivot Grd and Aux Pump)	
44C	7027044	1	Cable (Red) (Aux Relay to Aux Pump)	
44D	7027045	1	Cable, Battery (Black) (Engine to Tray Pivot Grd)	
46	2750532	5 ft/ 1.5m	Hose	
47	1001227606	1	Bracket, Fuel Pump Filter Assembly (See Separate Breakdown in this Section)	

SECTION 3 - ENGINE

ITEM	PART NUMBER	QTY	DESCRIPTION	REV
54	1001221265	1	Engine Sub-Assembly (See Separate Breakdown in this Section)	

SECTION 3 - ENGINE

FIGURE 3-23. DEUTZ TCD2.9L4 EMR4 ENGINE SUB-ASSEMBLY - WITH SAUER PUMPS (WITHOUT COLD WEATHER PLUS PACKAGE) (CHINA SPEC ONLY)



ART_1001221265

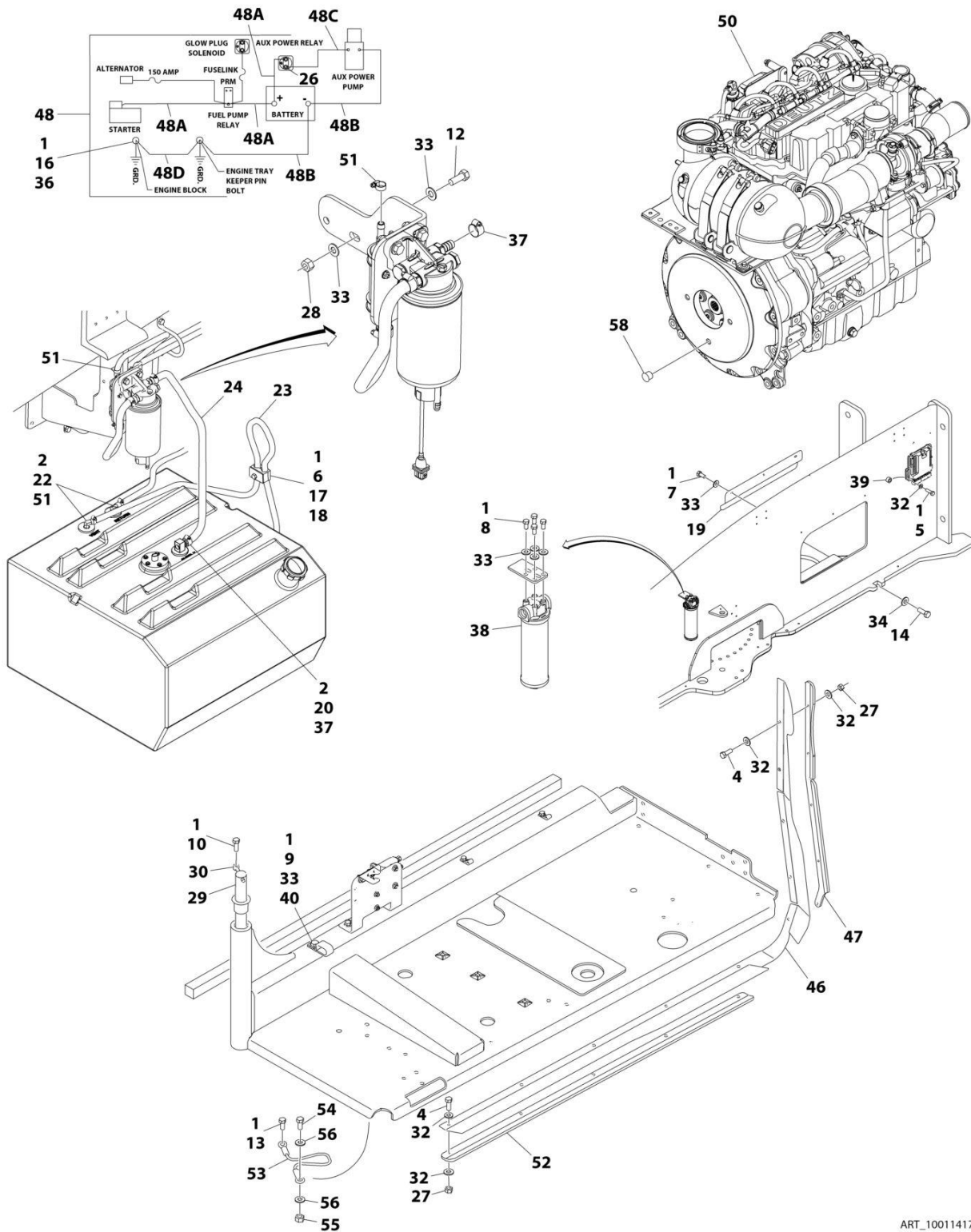
SECTION 3 - ENGINE

FIGURE 3-23. DEUTZ TCD2.9L4 EMR4 ENGINE SUB-ASSEMBLY - WITH SAUER PUMPS (WITHOUT COLD WEATHER PLUS PACKAGE) (CHINA SPEC ONLY)

ITEM	PART NUMBER	QTY	DESCRIPTION	REV
	1001221265	Ref	DEUTZ TD2.9L4 ENGINE SUB-ASSEMBLY	R
1	0100011	AR	Compound, Locking	
2	0641608	2	Bolt 3/8 x 1	
3	0641812	2	Bolt 1/2 x 1-1/2	
4	0761215	2	Bolt M12 x 35	
6	3790152	1	O-Ring	
7	3790155	1	O-Ring	
8	4891600	2	Washer 3/8	
9	4891800	4	Washer 1/2	
10	1001108616	1	Pump Assembly (Sauer Tandem) (See Separate Breakdown in this Section)	
11	1001171095	1	Pump Assembly (Sauer Piston) (See Separate Breakdown in this Section)	
12	1001112927	1	Pump Assembly (Sauer Gear) (See Separate Breakdown in this Section)	
13	1001220735	1	Deutz TD2.9L4 Engine Assembly (See Separate Breakdown in this Section)	
14	0641406	AR	Bolt 1/4 x 3/4	
15	0641407	8	Bolt 1/4 x 7/8	
16	0641408	AR	Bolt 1/4 x 1	
16	0641407	AR	Bolt 1/4 x 7/8	
17	3311405	16	Nut 1/4	
18	4711400	AR	Washer 1/4	
19	4740430	AR	Washer, Fender	
20	1001167164	3	Plate, Support	
21	1001177945	1	Bracket	
22	1001177946	1	Bracket	
23	1001177957	1	Seal, Rubber Baffle	
24	1001177958	1	Seal, Rubber Baffle	
25	1001177959	1	Seal, Rubber Baffle	

SECTION 3 - ENGINE

FIGURE 3-24. DEUTZ TCD2.9L4 EMR4 ENGINE INSTALLATION - WITH SAUER PUMPS (WITH COLD WEATHER PLUS PACKAGE)



ART_1001141744

SECTION 3 - ENGINE

FIGURE 3-24. DEUTZ TCD2.9L4 EMR4 ENGINE INSTALLATION - WITH SAUER PUMPS (WITH COLD WEATHER PLUS PACKAGE)

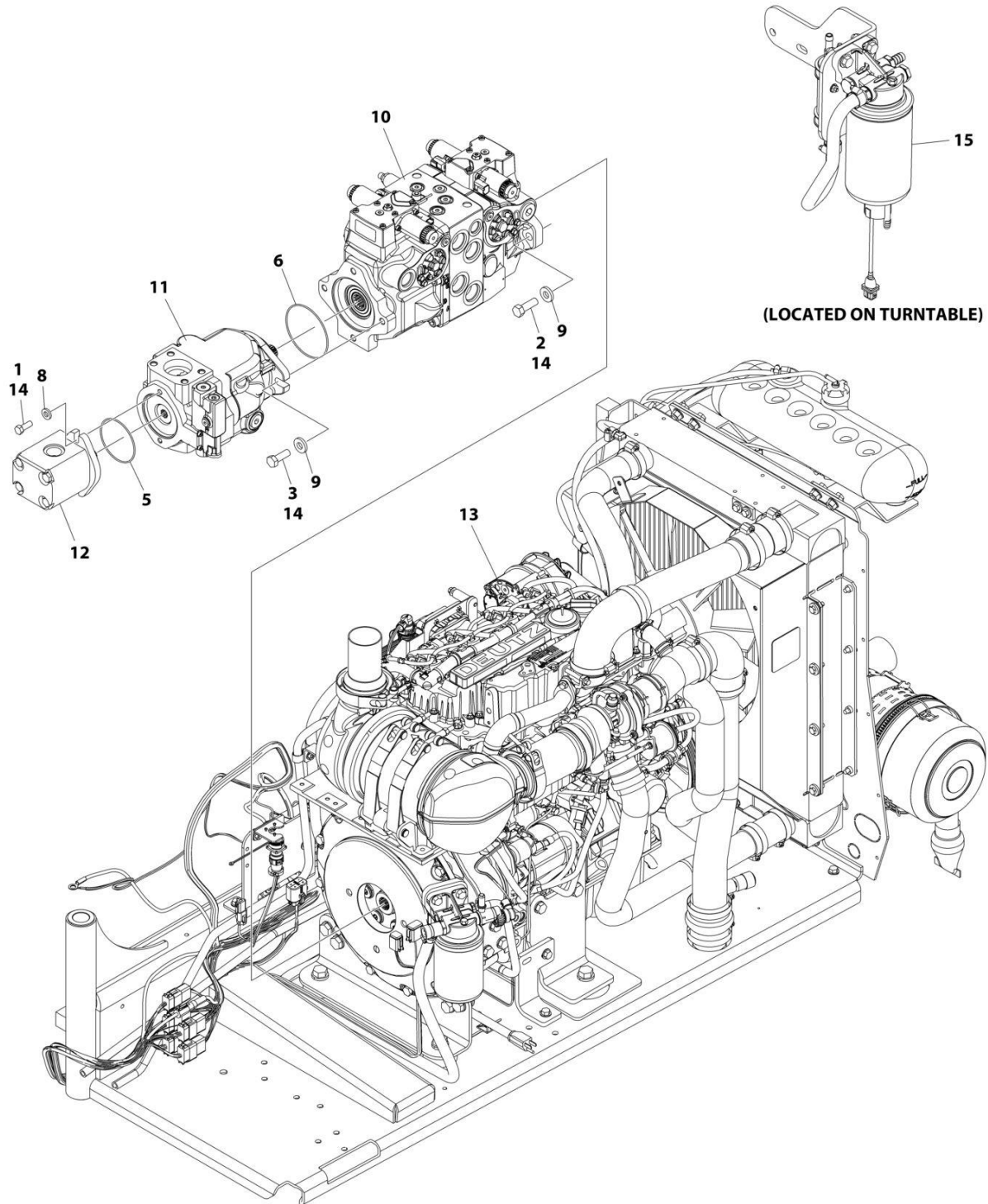
ITEM	PART NUMBER	QTY	DESCRIPTION	REV
	1001141744	Ref	DEUTZ TCD2.9L4 DIESEL ENGINE INSTALLATION - WITH SAUER PUMPS AND STEEL HOODS (WITH COLD WEATHER PLUS PACKAGE)	M
1	0100011	AR	Compound, Locking	
2	0100079	AR	Sealant, Pipe	
4	0641408	10	Bolt 1/4 x 1	
5	0641410	4	Bolt 1/4 x 1-1/4	
6	0641511	1	Bolt 5/16 x 1-3/8	
7	0641605	3	Bolt 3/8 x 5/8	
8	0641606	4	Bolt 3/8 x 3/4	
9	0641608	1	Bolt 3/8 x 1	
10	0641610	1	Bolt 3/8 x 1-1/4	
12	0641612	2	Bolt 3/8 x 1-1/2	
13	0641808	1	Bolt 1/2 x 1	
14	0642010	1	Bolt 5/8 x 1-1/4	
16	0761210	1	Bolt M12 x 20	
17	1320187	1	Clamp	
18	1320190	1	Cover, Clamp	
19	1671121	1	Cover	
20	2180832	1	Fitting, Barbed	
22	2220313	2	Fitting, Elbow Barbed	
23	2750532	5 ft/ 1.5m	Hose	
24	1001154405	2 ft/ 0.6m	Hose	
26	3300220	2	Nut 5/16	
27	3311405	10	Nut 1/4	
28	3311605	2	Nut 3/8	
29	3422446	1	Pin, Pivot	
30	3841143	1	Pin, Keeper	
31	4240018	2	Strap, Tie (Not Shown)	
32	4711400	24	Washer 1/4	
33	4711600	12	Washer 3/8	
34	4752000	1	Washer 5/8	
36	4812100	1	Washer M12	
37	8405006	2	Clamp	
38	1001108617	1	Filter	
38	70002231	1	Element, Filter	
39	1001110425	4	Spacer	
40	1001116792	1	Clamp	
42	1001138491	NLA	Harness, Fuel (Use p/n 1001222665) (Not Shown - See Separate Breakdown in ELECTRICAL SECTION)	
46	1001140604	1	Panel, Rubber	
47	1001145089	1	Clamp	
48	1001141225	1	Battery Cable Kit	E
48A	7027042	1	Cable, Battery (Red) (Battery + to Relays and Starter)	
48B	7027043	1	Cable, Battery (Black) (Battery - to Tray Pivot Grd and Aux Pump)	
48C	7027044	1	Cable (Red) (Aux Relay to Aux Pump)	
48D	7027045	1	Cable, Battery (Black) (Engine to Tray Pivot Grd)	
50	1001141745	1	Engine Sub-Assembly (See Separate Breakdown in this Section)	
51	1320022	3	Clamp	

SECTION 3 - ENGINE

ITEM	PART NUMBER	QTY	DESCRIPTION	REV
52	1001145842	1	Plate, Clamping	
53	1001131542	1	Lanyard	
54	0641708	1	Bolt 7/16 x 1	
55	3311705	1	Nut 7/16	
56	4711700	2	Washer 7/16	
58	3520054	1	Plug	

SECTION 3 - ENGINE

FIGURE 3-25. DEUTZ TCD2.9L4 EMR4 ENGINE SUB-ASSEMBLY - WITH SAUER PUMPS (WITH COLD WEATHER PLUS PACKAGE)



ART_1001141745

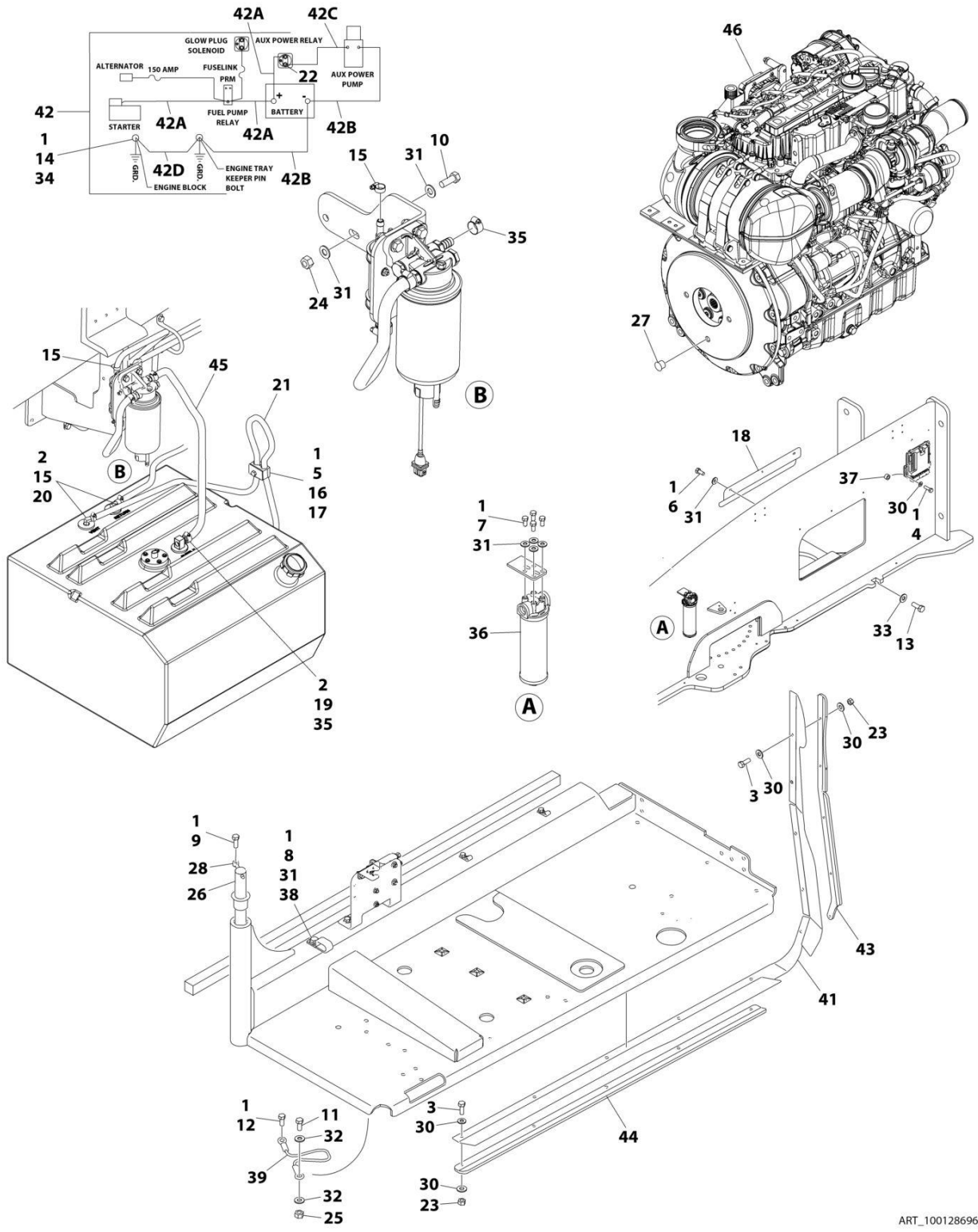
SECTION 3 - ENGINE

FIGURE 3-25. DEUTZ TCD2.9L4 EMR4 ENGINE SUB-ASSEMBLY - WITH SAUER PUMPS (WITH COLD WEATHER PLUS PACKAGE)

ITEM	PART NUMBER	QTY	DESCRIPTION	REV
	1001141745	Ref	DEUTZ TCD2.9L4 ENGINE SUB-ASSEMBLY	AL
1	0641608	2	Bolt 3/8 x 1	
2	0641812	2	Bolt 1/2 x 1-1/2	
2	0641814	2	Bolt 1/2 x 1-3/4	
3	0761215	2	Bolt M12 x 35	
5	3790152	1	O-Ring	
6	3790155	1	O-Ring	
8	4891600	2	Washer 3/8	
9	4891800	4	Washer 1/2	
10	1001108616	1	Pump Assembly - Sauer Tandem (See Separate Breakdown in this Section)	
11	1001171095	1	Pump Assembly - Sauer Piston (See Separate Breakdown in this Section)	
12	1001112927	1	Pump Assembly - Sauer Gear (See Separate Breakdown in this Section)	
13	1001141746	1	Engine Assembly (See Separate Breakdown in this Section)	
14	0100011	AR	Compound, Locking	
15	1001165101	1	Bracket, Fuel Pump Filter Assembly (See Separate Breakdown in this Section)	

SECTION 3 - ENGINE

FIGURE 3-26. DEUTZ D2.9L4 EMR4 ENGINE INSTALLATION WITH PMP PUMP AND STEEL HOODS (WITHOUT COLD WEATHER PLUS PACKAGE)



ART_1001286966

SECTION 3 - ENGINE

**FIGURE 3-26. DEUTZ D2.9L4 EMR4 ENGINE INSTALLATION WITH PMP PUMP AND STEEL HOODS
(WITHOUT COLD WEATHER PLUS PACKAGE)**

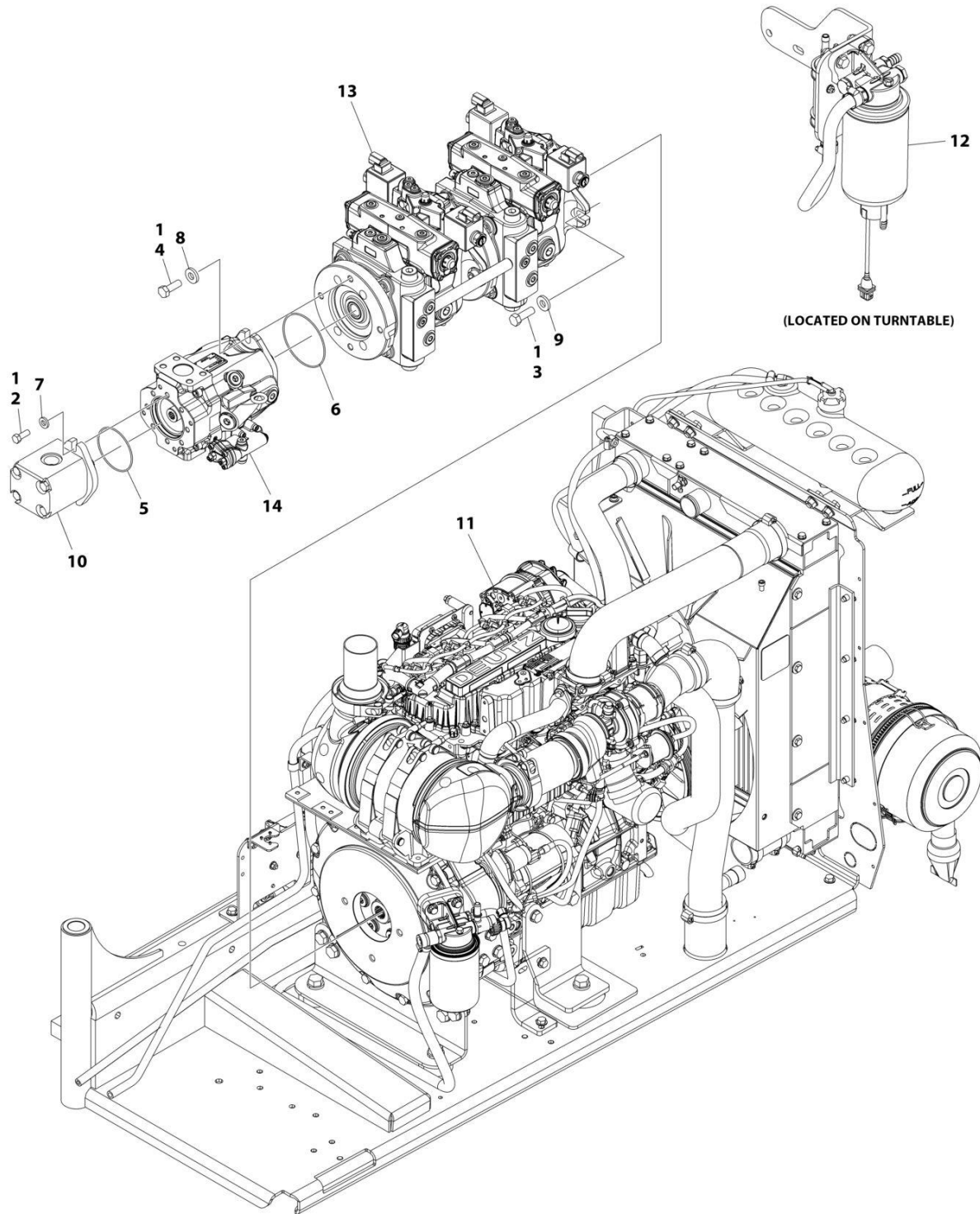
ITEM	PART NUMBER	QTY	DESCRIPTION	REV
	1001286966	Ref	ENGINE INSTALLATION WITH PMP PUMPS AND STEEL HOODS WITHOUT COLD WEATHER PLUS PACKAGE	A
1	0100011	AR	Compound, Locking	
2	0100079	AR	Sealant, Pipe	
3	0641408	10	Bolt 1/4 x 1	
4	0641410	4	Bolt 1/4 x 1-1/4	
5	0641511	1	Bolt 5/16 x 1-3/8	
6	0641605	3	Bolt 3/8 x 5/8	
7	0641606	4	Bolt 3/8 x 3/4	
8	0641608	1	Bolt 3/8 x 1	
9	0641610	1	Bolt 3/8 x 1-1/4	
10	0641612	2	Bolt 3/8 x 1-1/2	
11	0641708	1	Bolt 7/16 x 1	
12	0641808	1	Bolt 1/2 x 1	
13	0642010	1	Bolt 5/8 x 1-1/4	
14	0761210	1	Bolt M12 x 20	
15	1320022	3	Clamp	
16	1320187	1	Clamp	
17	1320190	1	Clamp	
18	1671121	1	Cover	
19	2180832	1	Fitting, Barbed	
20	2220313	2	Fitting, 90 NPTF/Barbed	
21	2750532	5 ft /1.6 m	Hose	
22	3300220	2	Nut	
23	3311405	10	Nut 1/4	
24	3311605	2	Nut 3/8	
25	3311705	1	Nut 7/16	
26	3422446	1	Pin	
27	3520054	1	Plug	
28	3841143	1	Keeper, Pin	
29	4240018	AR	Tie-Strap (Not Shown)	
30	4711400	24	Washer 1/4	
31	4711600	12	Washer 3/8	
32	4711700	2	Washer 7/16	
33	4752000	1	Washer 5/8	
34	4812100	1	Washer M12	
35	8405006	2	Clamp	
36	1001108617	1	Filter	
36	70002231	1	Element, Filter	
37	1001110425	4	Spacer	
38	1001116792	1	Clamp	
39	1001131542	1	Lanyard	
40	1001138491	1	Harness, Fuel (Not Shown) (See Separate Breakdown in ELECTRICAL SECTION)	
41	1001140604	1	Panel	
42	1001141225	1	Battery Cable Kit	
42A	7027042	1	Cable, Battery (Red) (Battery + to Relays and Starter)	
42B	7027043	1	Cable, Battery (Black) (Battery - to Tray Pivot Grd and Aux Pump)	

SECTION 3 - ENGINE

ITEM	PART NUMBER	QTY	DESCRIPTION	REV
42C	7027044	1	Cable (Red) (Aux Relay to Aux Pump)	
42D	7027045	1	Cable, Battery (Black) (Engine to Tray Pivot Grd)	
43	1001145089	1	Clamp	
44	1001145842	1	Plate	
45	1001154405	2 ft /0.6 m	Hose	
46	1001286967	1	Engine Sub-Assembly (See Separate Breakdown in this Section)	

SECTION 3 - ENGINE

**FIGURE 3-27. DEUTZ D2.9L4 EMR4 ENGINE SUB-ASSEMBLY WITH PMP PUMP AND ABS HOODS
(WITHOUT COLD WEATHER PLUS PACKAGE)**



ART_1001286967

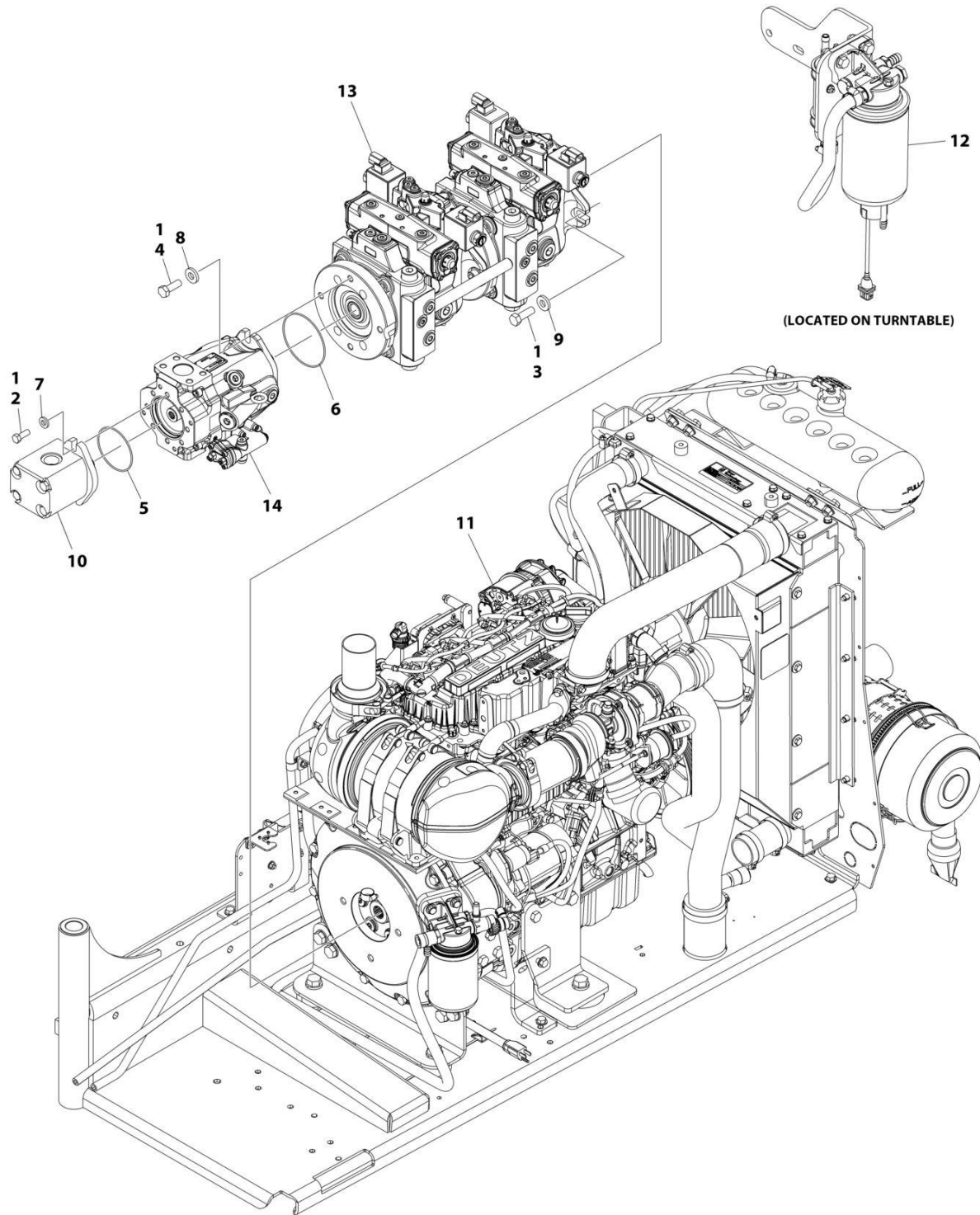
SECTION 3 - ENGINE

**FIGURE 3-27. DEUTZ D2.9L4 EMR4 ENGINE SUB-ASSEMBLY WITH PMP PUMP AND ABS HOODS
(WITHOUT COLD WEATHER PLUS PACKAGE)**

ITEM	PART NUMBER	QTY	DESCRIPTION	REV
	1001286967	Ref	ENGINE SUB-ASSEMBLY WITH PMP PUMPS AND ABS HOODS (WITHOUT COLD WEATHER PLUS PACKAGE)	B
1	0100011	AR	Compound, Locking	
2	0641608	2	Bolt 3/8 x 1	
3	0641812	2	Bolt 1/2 x 1-1/2	
4	0761215	2	Bolt M12 x 35	
5	3790152	1	O-Ring	
6	3790155	1	O-Ring	
7	4891600	2	Washer 3/8	
8	4891800	2	Washer 1/2	
9	8310056	2	Washer	
10	1001112927	1	Pump Assembly - Sauer Gear (See Separate Breakdown in this Section)	
11	1001134392	1	Engine Assembly (See Separate Breakdown in this Section)	
12	1001165101	1	Bracket, Fuel Pump Filter Assembly (See Separate Breakdown in this Section)	
13	1001286957	1	Pump Assembly - Hydraulic Tandem (See Separate Breakdown in this Section)	
14	1001286958	1	Pump Assembly - Hydraulic Piston (See Separate Breakdown in this Section)	

SECTION 3 - ENGINE

FIGURE 3-28. DEUTZ D2.9L4 EMR4 ENGINE SUB ASSEMBLY WITH PMP PUMPS AND STEEL HOODS (WITH COLD WEATHER PLUS PACKAGE)



ART_1001286969

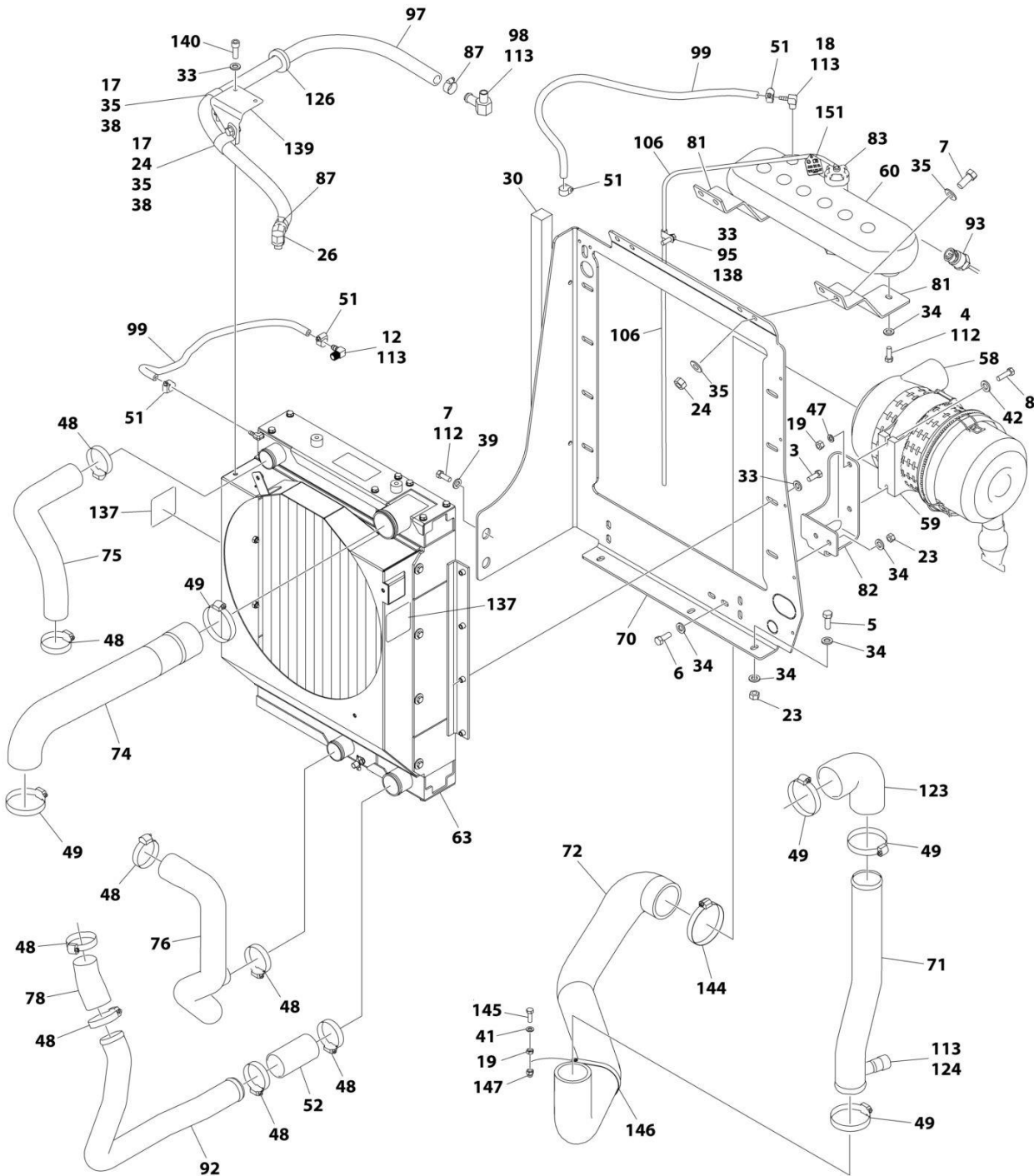
SECTION 3 - ENGINE

FIGURE 3-28. DEUTZ D2.9L4 EMR4 ENGINE SUB ASSEMBLY WITH PMP PUMPS AND STEEL HOODS (WITH COLD WEATHER PLUS PACKAGE)

ITEM	PART NUMBER	QTY	DESCRIPTION	REV
	1001286969	Ref	ENGINE SUB-ASSEMBLY WITH PMP PUMPS AND STEEL HOODS (WITH COLD WEATHER PLUS PACKAGE)	B
1	0100011	AR	Compound, Locking	
2	0641608	2	Bolt 3/8 x 1	
3	0641812	2	Bolt 1/2 x 1-1/2	
4	0761215	2	Bolt M12 x 35	
5	3790152	1	O-Ring	
6	3790155	1	O-Ring	
7	4891600	2	Washer 3/8	
8	4891800	2	Washer 1/2	
9	8310056	2	Washer	
10	1001112927	1	Pump Assembly - Sauer Gear (See Separate Breakdown in this Section)	
11	1001141746	1	Engine Assembly (See Separate Breakdown in this Section)	
12	1001165101	1	Bracket, Fuel Pump Filter Assembly (See Separate Breakdown in this Section)	
13	1001286957	1	Pump Assembly - Hydraulic Tandem (See Separate Breakdown in this Section)	
14	1001286958	1	Pump Assembly - Hydraulic Piston (See Separate Breakdown in this Section)	

SECTION 3 - ENGINE

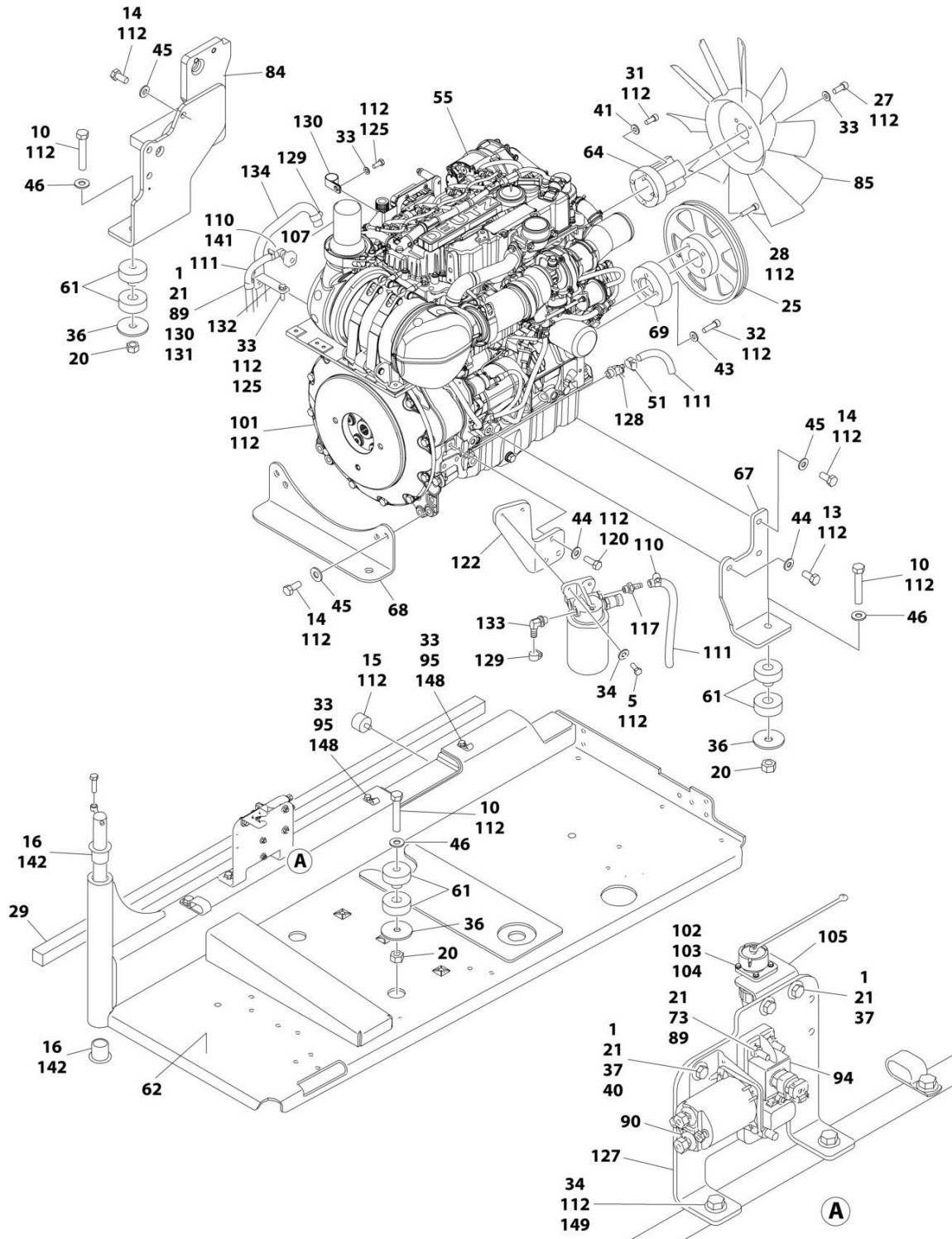
FIGURE 3-29. DEUTZ TCD2.9L4 EMR4 ENGINE ASSEMBLY - WITHOUT COLD WEATHER PLUS PACKAGE



ART_1001134392_AV_10F2

SECTION 3 - ENGINE

FIGURE 3-30. DEUTZ TCD2.9L4 EMR4 ENGINE ASSEMBLY - WITHOUT COLD WEATHER PLUS PACKAGE



ART_1001134392_AV_20F2

SECTION 3 - ENGINE

FIGURE 3-30. DEUTZ TCD2.9L4 EMR4 ENGINE ASSEMBLY - WITHOUT COLD WEATHER PLUS PACKAGE

ITEM	PART NUMBER	QTY	DESCRIPTION	REV
	1001134392	Ref	DEUTZ TCD2.9L4 ENGINE ASSEMBLY	AV
1	0641406	5	Bolt 1/4 x 3/4	
3	0641508	8	Bolt 5/16 x 1	
4	0641606	2	Bolt 3/8 x 3/4	
5	0641608	9	Bolt 3/8 x 1	
6	0641610	2	Bolt 3/8 x 1-1/4	
7	0641708	6	Bolt 7/16 x 1	
8	0700815	2	Bolt M8 x 35	
10	0682028	4	Bolt 5/8 x 3-1/2 Grade 8	
12	1001140564	1	Fitting, 90 Barbed	
13	0771212	1	Bolt M12 x 25 Grade 10.9	
14	0771414	9	Bolt M14 x 30 Grade 10.9	
15	0940070	1	Bumper	
16	0961986	2	Bushing, Flanged	
17	0641706	2	Bolt 7/16 x 3/4	
18	1001134488	1	Fitting, 90 Barbed	
19	3290801	3	Nut M8	
20	3272001	4	Nut 5/8 Grade 8	
21	3311405	6	Nut 1/4	
23	3311605	9	Nut 3/8	
24	3311705	5	Nut 7/16	
25	3580320	1	Pulley	
26	1001141719	1	Fitting, 90 Barbed	
27	3931512	4	Capscrew 5/16 x 3/4	
28	3931628	4	Capscrew 3/8 x 1-3/4	
29	3960543	1	Seal	
30	3960544	1	Seal	
31	4031914	4	Bolt M8 x 50	
32	4032014	4	Bolt M10 x 50	
33	4711500	19	Washer 5/16	
34	4711600	24	Washer 3/8	
35	4711700	10	Washer 7/16	
36	1001146219	4	Washer Special	
37	4751400	8	Washer 1/4	
38	8406302	2	Clamp	
39	4751700	2	Washer 7/16	
40	4791400	2	Starwasher 1/4	
41	4811900	5	Washer M8	
42	4811902	2	Washer M8	
43	4812000	4	Washer M10	
44	4812100	4	Washer M12	
45	4812200	9	Washer M14	
46	4892000	4	Washer 5/8	
47	4831900	2	Washer M8	
48	8405201	8	Clamp	
49	8405204	5	Clamp	
51	8410013	5	Clamp	
52	91563070	1	Coupling, Rubber	

SECTION 3 - ENGINE

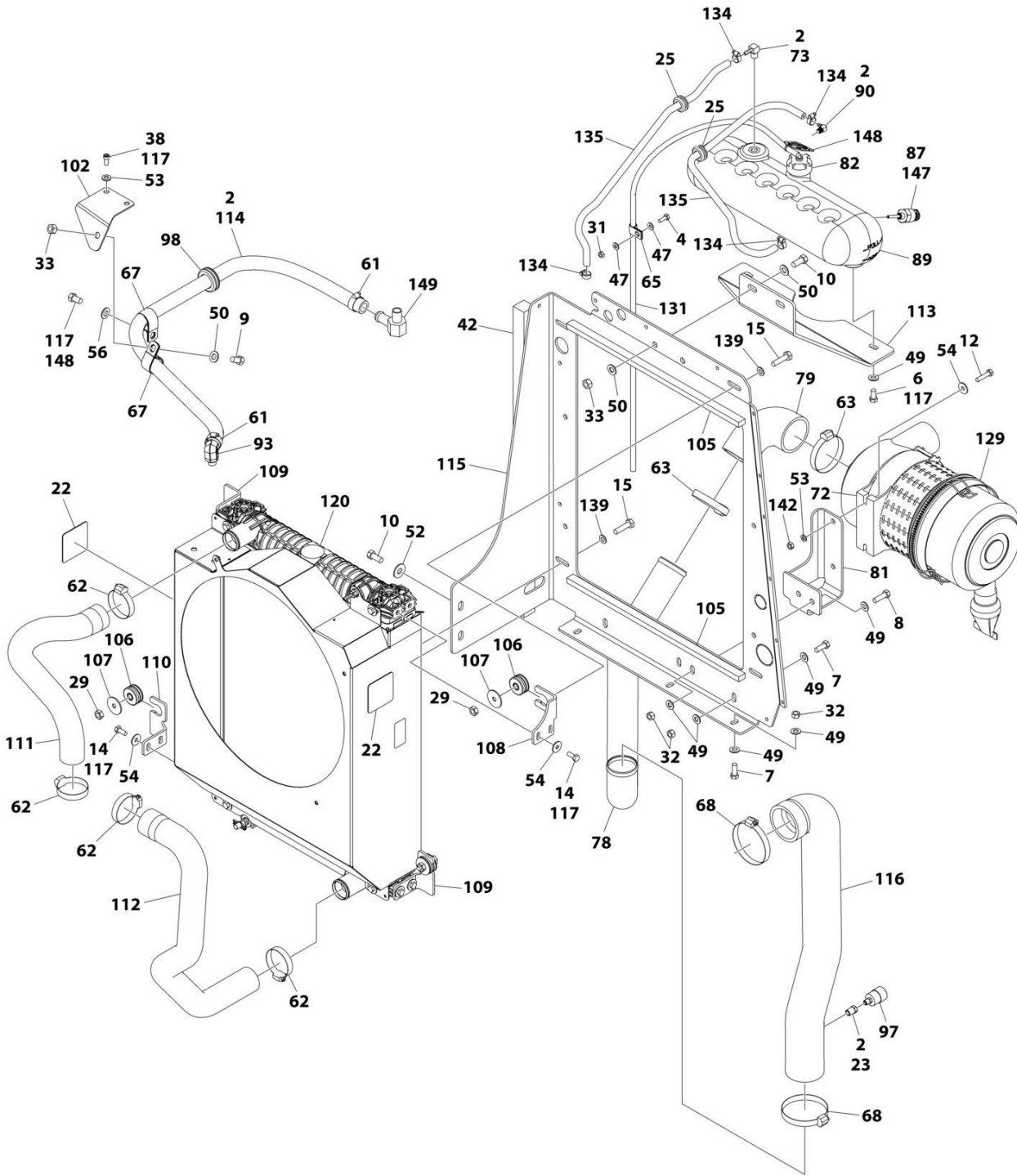
ITEM	PART NUMBER	QTY	DESCRIPTION	REV
55	1001249964	1	Engine, Deutz TCD2.9L4 (See Separate Breakdown in this Section)	
58	1001133633	1	Air Cleaner Assembly	
58	70024190	1	Element, Air Filter	
59	1001133634	1	Clamp	
60	1001166393	1	Tank, Surge	
61	1001155575	4	Mount, Motor	
62	1001191272	1	Tray	
63	1001256864	1	Radiator	
64	1001135138	1	Spacer, Fan	
67	1001135560	1	Support, Engine	
68	1001135562	1	Support, Engine - Rear	
69	1001135679	1	Spacer, Pulley	
70	1001135680	1	Support, Radiator	
71	1001135901	1	Pipe, Air Intake	
72	1001264917	1	Pipe, Air Intake	
73	3931432	1	Capscrew 1/4 x 2	
74	1001264982	1	Pipe, Air Cleaner to Intake	
75	1001135924	1	Hose, Radiator (Upper)	
76	1001135926	1	Hose, Radiator (Lower)	
78	1001135943	1	Coupling, Rubber	
81	1001136626	2	Bracket	
82	1001136665	1	Bracket	
83	1001136834	1	Cap, Tank	
84	1001283008	1	Support, Engine	
85	1001137276	1	Fan	
87	8405007	2	Clamp	
89	4711400	3	Washer 1/4	
90	1001117308	1	Relay	
92	1001135913	1	Pipe, Turbo to Air Cleaner	
93	1001138827	1	Sensor, Coolant Level	
94	1001138228	1	Module, Power	
94	70023592	1	Fuse 20Amp (Switched Output)	
94	70023593	1	Fuse 30Amp (Battery Output)	
95	1001138253	5	Clamp	
96	1001138346	1	Harness, Engine (Not Shown - See Separate Breakdown in ELECTRICAL Section)	
97	1001138524	1	Hose	
98	1001138559	1	Fitting, 90	
99	2720015	5 ft /2 m	Hose	
101	2902065	1	Pump Coupling Kit (See Separate Breakdown in this Section)	
102	3310401	3	Nut #4	
103	3910408	3	Screw #4 x 1/2	
104	4710400	3	Washer #4	
105	1001139240	1	Bracket	
106	1001138248	4 ft /1.2 m	Tubing	
107	1001153024	1	Pipe, Exhaust	
110	1320022	2	Clamp	
111	1001165035	31 ft /10 m	Hose	
112	0100011	AR	Compound, Locking	
113	0100020	AR	Sealant	

SECTION 3 - ENGINE

ITEM	PART NUMBER	QTY	DESCRIPTION	REV
114	1001141304	1	Wire, Glow Plug (Not Shown)	
115	1001135779	1	Cable, Alternator Positive (Not Shown)	
117	1001141717	1	Fitting, Straight	
120	0761214	3	Bolt M12 x 30	
122	1001142685	1	Bracket	
123	1001165820	1	Pipe, Elbow	
124	1001143390	1	Indicator, Air Filter Service	
125	0760810	2	Bolt M8 x 20	
126	1001144089	1	Grommet	
127	1001145154	1	Plate, Mounting	
128	4640751	1	Valve, Oil Drain	
129	8405006	2	Clamp	
130	8406102	AR	Clip	
131	8406112	1	Clip	
132	1001138717	1	Bracket	
133	1001142501	1	Fitting, 90 Barbed	
134	1001154405	5 ft /2 m	Hose	
135	1001148843	1	Harness, Fuel Filter (Not Shown - See Separate Breakdown in ELECTRICAL Section)	
137	1703162	2	Decal - Fan	
138	0641503	1	Bolt 5/16 x 3/8	
139	1001153387	1	Plate	
140	3931508	2	Capscrew 5/16 x 1/2	
141	1001155823	1	Coupling	
142	0100062	AR	Adhesive, Loctite #680	
143	4240099	AR	Tie-Strap (Not Shown)	
144	8410011	1	Clamp	
145	0700812	1	Bolt M8 x 25	
146	1321289	1	Clamp	
147	3290806	1	Nut M8	
148	0641510	2	Bolt 5/16 x 1-1/4	
149	0641612	2	Bolt 3/8 x 1-1/2	
150	4240032	AR	Tie-Strap (Not Shown)	
151	1001291401	1	Tag, Coolant	

SECTION 3 - ENGINE

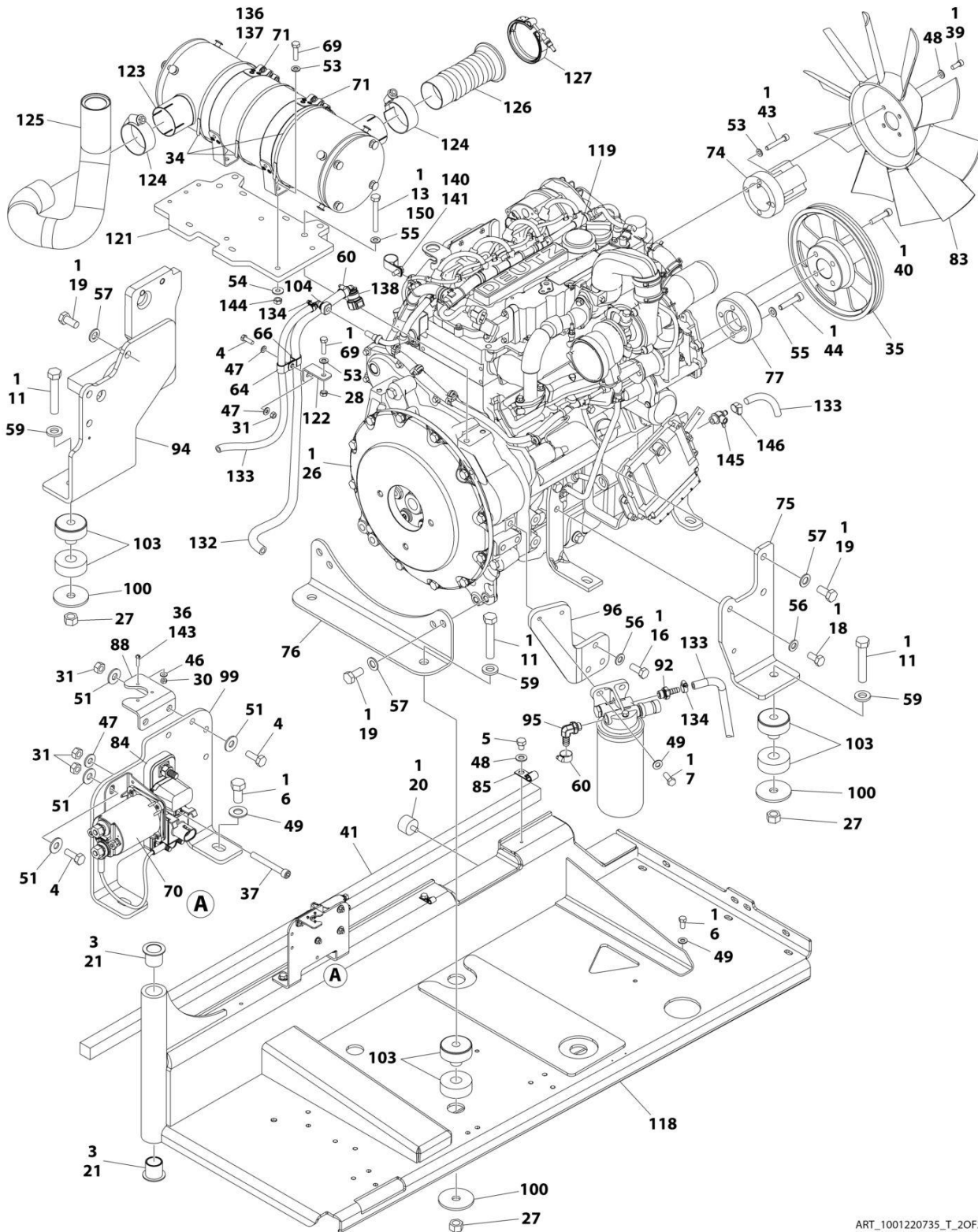
FIGURE 3-31. DEUTZ TCD2.9L4 EMR4 ENGINE ASSEMBLY - WITHOUT COLD WEATHER PLUS PACKAGE (CHINA SPEC ONLY)



ART_1001220735_T_10F2

SECTION 3 - ENGINE

FIGURE 3-32. DEUTZ TCD2.9L4 EMR4 ENGINE ASSEMBLY - WITHOUT COLD WEATHER PLUS PACKAGE (CHINA SPEC ONLY) (PVC 2007)



ART_1001220735_T_20F2

SECTION 3 - ENGINE

FIGURE 3-32. DEUTZ TCD2.9L4 EMR4 ENGINE ASSEMBLY - WITHOUT COLD WEATHER PLUS PACKAGE (CHINA SPEC ONLY) (PVC 2007)

ITEM	PART NUMBER	QTY	DESCRIPTION	REV
	1001220735	Ref	DEUTZ TD2.9L4 ENGINE ASSEMBLY	T
1	0100011	AR	Compound, Locking	
2	0100020	AR	Sealant	
3	0100062	AR	Adhesive, Loctite #680	
4	0641406	7	Bolt 1/4 x 3/4	
5	0641503	2	Bolt 5/16 x 3/8	
6	0641606	5	Bolt 3/8 x 3/4	
7	0641608	7	Bolt 3/8 x 1	
8	0641610	2	Bolt 3/8 x 1-1/4	
9	0641706	AR	Bolt 7/16 x 3/4	
10	0641708	4	Bolt 7/16 x 1	
11	0682028	4	Bolt 5/8 x 3-1/2 Grade 8	
12	0700815	2	Bolt M8 x 35	
13	0701024	AR	Bolt M10 x 80	
13	0701025	AR	Bolt M10 x 85	
14	0760810	8	Bolt M8 x 20	
15	0761016	4	Bolt M10 x 40	
16	0761214	3	Bolt M12 x 30	
18	0771212	1	Bolt M12 x 25 Grade 10.9	
19	0771414	9	Bolt M14 x 30 Grade 10.9	
20	0940070	1	Bumper	
21	0961986	2	Bushing, Flanged	
22	1703162	2	Decal - Fan	
23	2220273	1	Fitting, Straight NPTF/FNPTF	
25	2540038	2	Grommet	
26	2902065	1	Pump Coupling Kit (See Separate Breakdown in this Section)	
27	3272001	4	Nut 5/8 Grade 8	
28	3290801	AR	Nut M8	
29	3291001	4	Nut M10	
29	3291007	4	Nut M10	
30	3310401	3	Nut #4	
31	3311405	8	Nut 1/4	
32	3311605	7	Nut 3/8	
33	3311705	3	Nut 7/16	
34	1001137336	AR	Strap	
35	3580320	1	Pulley	
36	3910408	3	Screw #4 x 1/2	
37	3931432	1	Capscrew 1/4 x 2	
38	3931508	2	Capscrew 5/16 x 1/2	
38	4031907	2	Capscrew M8 x 16	
39	3931512	4	Capscrew 5/16 x 3/4	
40	3931628	4	Capscrew 3/8 x 1-3/4	
41	3960543	1	Seal	
42	3960544	1	Seal	
43	4031914	4	Bolt M8 x 50	
44	4032014	4	Bolt M10 x 50	
45	4240099	AR	Tie-Strap (Not Shown)	
46	4710400	3	Washer #4	
47	4711400	7	Washer 1/4	

SECTION 3 - ENGINE

ITEM	PART NUMBER	QTY	DESCRIPTION	REV
48	4711500	AR	Washer 5/16	
49	4711600	21	Washer 3/8	
50	4711700	6	Washer 7/16	
51	4751400	8	Washer 1/4	
52	4751700	2	Washer 7/16	
53	4811900	13	Washer M8	
54	4811902	14	Washer M8	
55	4812000	AR	Washer M10	
56	4812100	AR	Washer M12	
57	4812200	9	Washer M14	
59	4892000	4	Washer 5/8	
60	8405006	2	Clamp	
61	8405007	2	Clamp	
62	8405201	4	Clamp	
63	8405204	2	Clamp	
64	8406102	1	Clip	
65	8406109	2	Clip	
66	8406112	1	Clip	
67	8406302	2	Clamp	
68	8410011	2	Clamp	
69	0760814001	1	Bolt M8 x 30	
69	0760814	5	Bolt M8 x 30	
70	1001117308	1	Relay	
71	1001119727	2	Clamp	
72	1001133634	1	Clamp	
73	1001134488	1	Fitting, 90 Barbed	
74	1001135138	1	Spacer, Fan	
75	1001135560	1	Support, Engine	
76	1001135562	1	Support, Engine - Rear	
77	1001135679	1	Spacer, Pulley	
78	1001135903	1	Pipe, Air Intake	
79	1001135946	1	Elbow, Rubber	
81	1001136665	1	Bracket	
82	1001136834	1	Cap, Tank	
83	1001137276	1	Fan	
84	1001138228	1	Module, Power	
84	70023592	1	Fuse 20Amp (Switched Output)	
84	70023593	1	Fuse 30Amp (Battery Output)	
85	1001138253	2	Clamp	
86	1001138346	1	Harness, Engine (Not Shown - See Separate Breakdown in ELECTRICAL Section)	
87	1001138827	1	Sensor, Coolant Level	
88	1001139240	1	Bracket	
89	1001166393	1	Tank, Surge	
90	1001140564	1	Fitting, 90 Barbed	
91	1001141304	1	Wire, Glow Plug (Not Shown)	
92	1001141717	1	Fitting, Straight	
93	1001141719	1	Fitting, 90 Barbed	
94	1001283008	1	Support, Engine	
95	1001142501	1	Fitting, 90 Barbed	
96	1001142685	1	Bracket	
97	1001143390	1	Indicator, Air Filter Service	

SECTION 3 - ENGINE

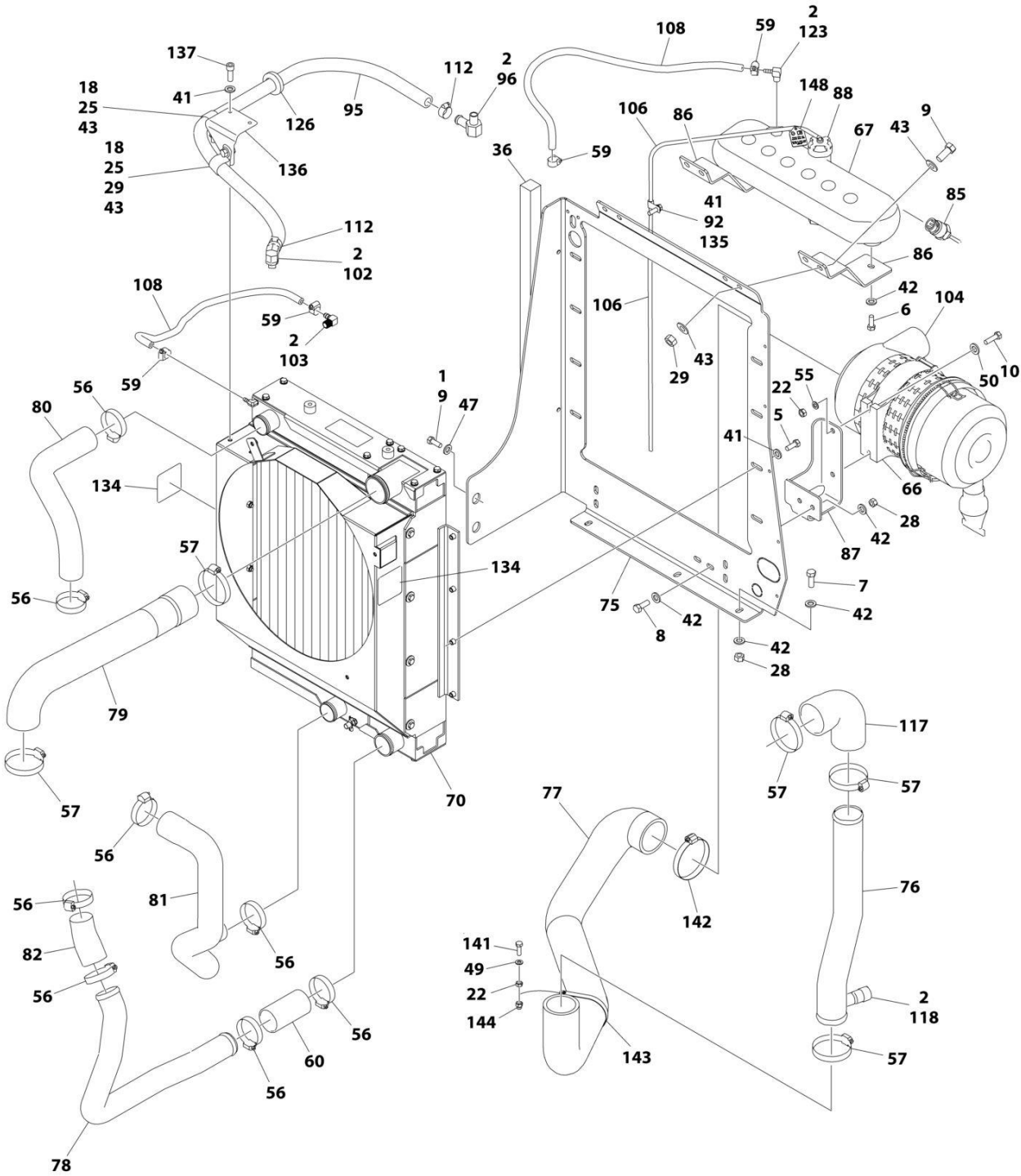
ITEM	PART NUMBER	QTY	DESCRIPTION	REV
98	1001144089	1	Grommet	
99	1001145154	1	Plate, Mounting	
100	1001146219	4	Washer Special	
101	1001148843	1	Harness, Fuel Filter (Not Shown - See Separate Breakdown in ELECTRICAL Section)	
102	1001229600	1	Plate	
103	1001155575	4	Mount, Motor	
104	1001155823	1	Coupling	
105	1001168166	2	Seal	
106	1001169054	4	Isolator	
107	1001169138	4	Pad	
108	1001170035	1	Bracket	
109	1001176329	2	Bracket	
110	1001176330	1	Bracket	
111	1001176415	1	Hose, Radiator (Upper)	
112	1001176416	1	Hose, Radiator (Lower)	
113	1001229599	1	Bracket	
114	1001138524	1	Hose	
115	1001178236	1	Support, Radiator	
116	1001178894	1	Hose, Air Intake	
117	1001180620	AR	Adhesive	
118	1001187011	1	Tray	
119	1001219642	1	Engine, Deutz TD2.9L4 (See Separate Breakdown in this Section)	
120	1001220770	1	Radiator	
121	1001221203	1	Muffler Bracket Assembly	
122	1001221205	1	Bracket	
123	1001151432	1	Muffler	
124	1001221212	2	Clamp	
125	1001257155	1	Pipe, Exhaust	
126	1001221217	1	Pipe, Flex Assembly	
127	1001221219	1	Clamp	
129	1001133633	1	Air Cleaner Assembly	
129	70024190	1	Element, Air Filter	
130	1001135779	1	Cable, Alternator Positive (Not Shown)	
131	1001138248	4 ft /1.2 m	Tubing	
132	1001154405	5 ft /2 m	Hose	
133	1001165035	31 ft /10 m	Hose	
134	1320022	6	Clamp	
135	2720015	5 ft /2 m	Hose	
136	1001221427	1	Muffler-Wrap Assembly	
137	4920385	AR	Wire, Safety	
138	1001170982	1	Adapter	
139	4812002	4	Washer M10	
140	1320130	1	Clamp	
141	5250808	1	Bolt M8 x 16	
142	3290805	2	Nut, M10 (Not Shown)	
143	0100035	AR	Compound, Locking	
144	3290807	4	Nut M8	
145	4640751	1	Valve, Oil Drain	
146	8410013	1	Clamp, Gear	
147	1001182997	AR	Adhesive	

SECTION 3 - ENGINE

ITEM	PART NUMBER	QTY	DESCRIPTION	REV
148	0761210	1	Bolt M12 x 20	
149	1001138559	1	Fitting, 90	
150	0701022	AR	Bolt M10 x 70	
151	4240032	AR	Tie-Strap (Not Shown)	
152	1001291401	1	Tag, Coolant	

SECTION 3 - ENGINE

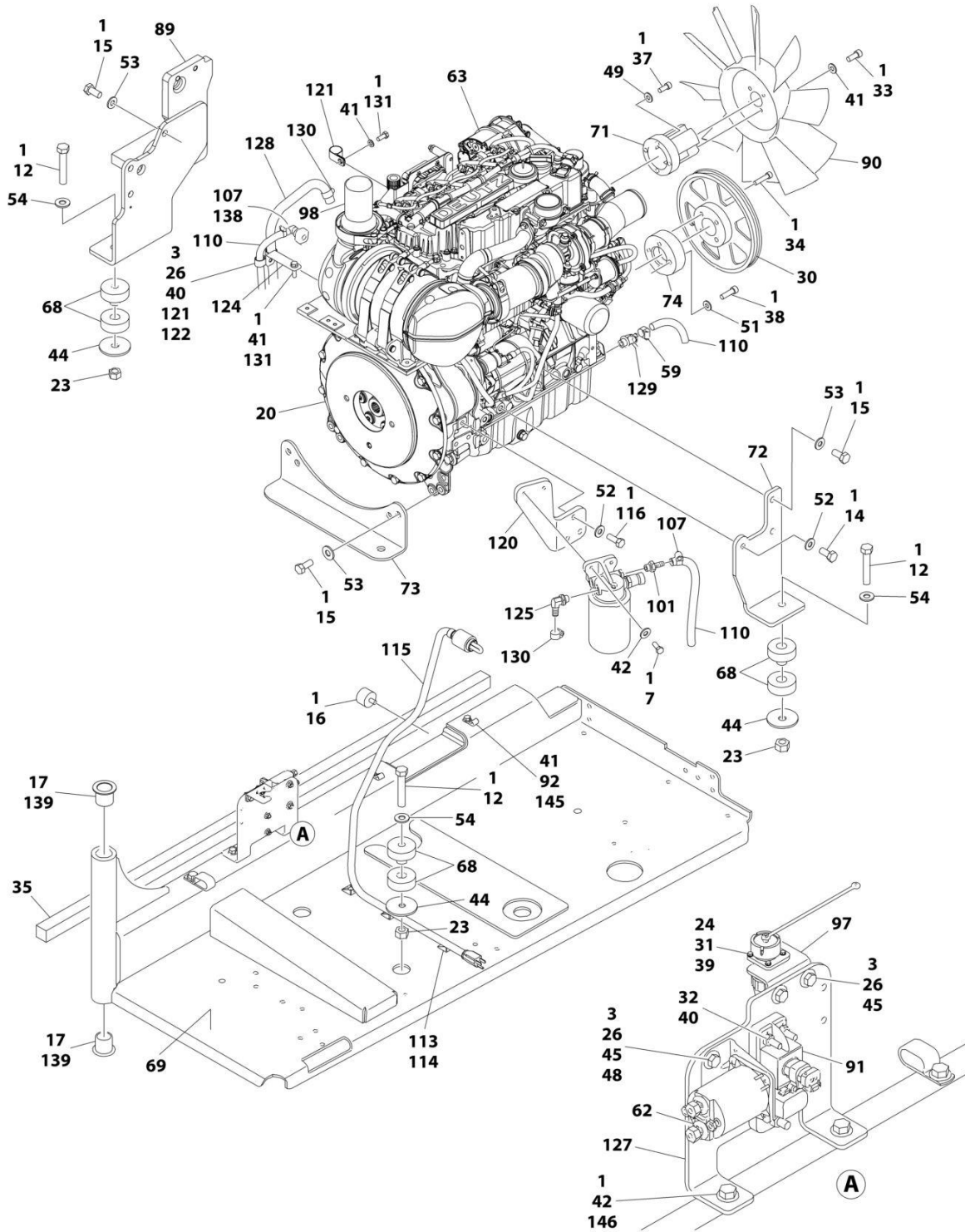
FIGURE 3-33. DEUTZ TCD2.9L4 EMR4 ENGINE ASSEMBLY - WITH COLD WEATHER PLUS PACKAGE



ART_1001141746_AT_10F2

SECTION 3 - ENGINE

FIGURE 3-34. DEUTZ TCD2.9L4 EMR4 ENGINE ASSEMBLY - WITH COLD WEATHER PLUS PACKAGE



ART_1001141746_AT_20F2

SECTION 3 - ENGINE

FIGURE 3-34. DEUTZ TCD2.9L4 EMR4 ENGINE ASSEMBLY - WITH COLD WEATHER PLUS PACKAGE

ITEM	PART NUMBER	QTY	DESCRIPTION	REV
	1001141746	Ref	DEUTZ TCD2.9L4 ENGINE ASSEMBLY	AT
1	0100011	AR	Compound, Locking	
2	0100020	AR	Sealant	
3	0641406	5	Bolt 1/4 x 3/4	
5	0641508	8	Bolt 5/16 x 1	
6	0641606	2	Bolt 3/8 x 3/4	
7	0641608	9	Bolt 3/8 x 1	
8	0641610	2	Bolt 3/8 x 1-1/4	
9	0641708	6	Bolt 7/16 x 1	
10	0700815	2	Bolt M8 x 35	
12	0682028	4	Bolt 5/8 x 3-1/2 Grade 8	
14	0771212	1	Bolt M12 x 25 Grade 10.9	
15	0771414	9	Bolt M14 x 30 Grade 10.9	
16	0940070	1	Bumper	
17	0961986	2	Bushing, Flanged	
18	0641706	2	Bolt 7/16 x 3/4	
20	2902065	1	Pump Coupling Kit (See Separate Breakdown in this Section)	
22	3290801	3	Nut M8	
23	3272001	4	Nut 5/8 Grade 8	
24	3310401	3	Nut #4	
25	8406302	2	Clamp	
26	3311405	6	Nut 1/4	
28	3311605	9	Nut 3/8	
29	3311705	5	Nut 7/16	
30	3580320	1	Pulley	
31	3910408	3	Screw #4 x 1/2	
32	3931432	1	Capscrew 1/4 x 2	
33	3931512	4	Capscrew 5/16 x 3/4	
34	3931628	4	Capscrew 3/8 x 1-3/4	
35	3960543	1	Seal	
36	3960544	1	Seal	
37	4031914	4	Bolt M8 x 50	
38	4032014	4	Bolt M10 x 50	
39	4710400	3	Washer #4	
40	4711400	3	Washer 1/4	
41	4711500	19	Washer 5/16	
42	4711600	24	Washer 3/8	
43	4711700	10	Washer 7/16	
44	1001146219	4	Washer Special	
45	4751400	8	Washer 1/4	
47	4751700	2	Washer 7/16	
48	4791400	2	Starwasher 1/4	
49	4811900	5	Washer M8	
50	4811902	2	Washer M8	
51	4812000	4	Washer M10	
52	4812100	4	Washer M12	
53	4812200	9	Washer M14	
54	4892000	4	Washer 5/8	
55	4831900	2	Washer M8	

SECTION 3 - ENGINE

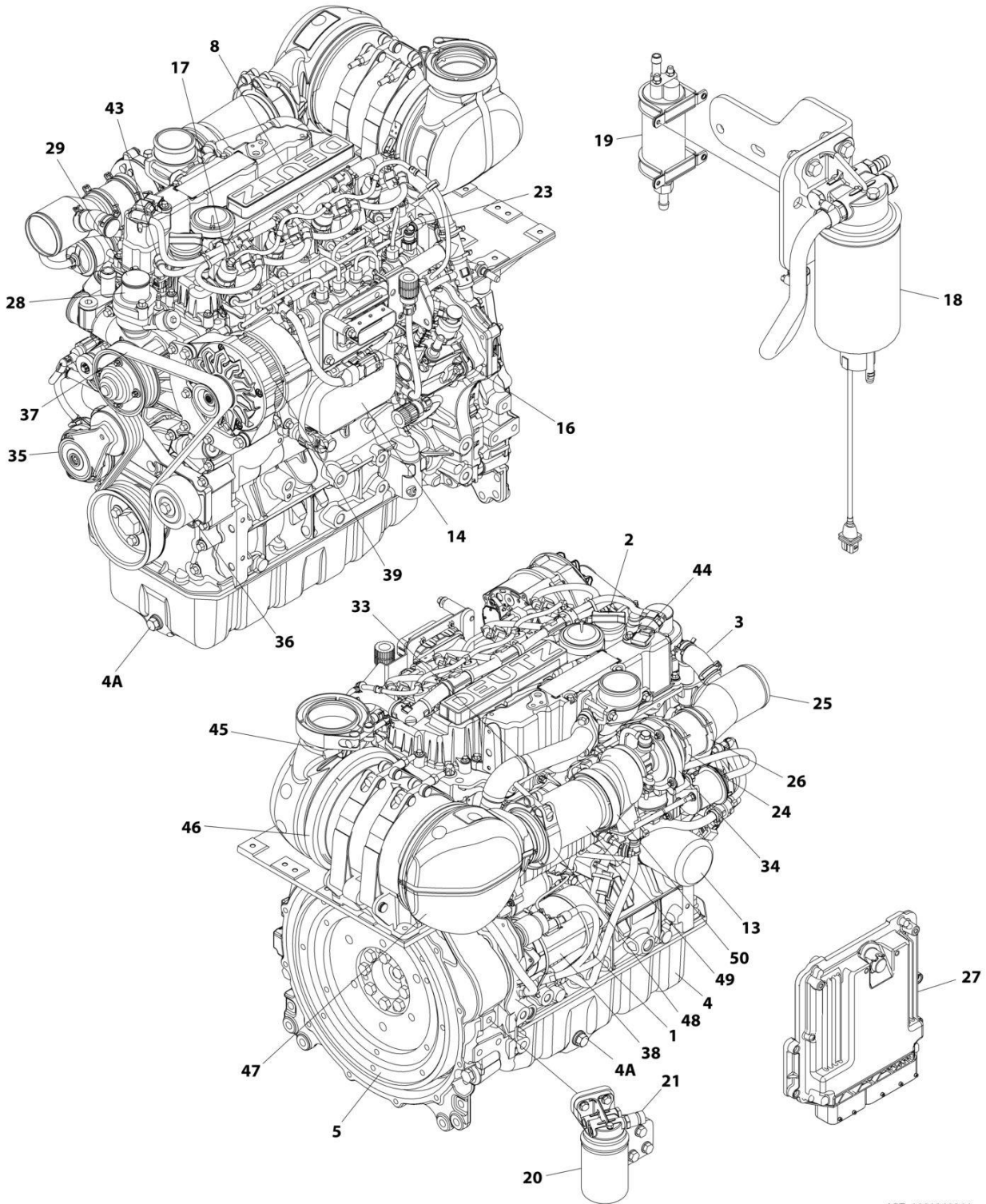
ITEM	PART NUMBER	QTY	DESCRIPTION	REV
56	8405201	8	Clamp	
57	8405204	5	Clamp	
59	8410013	5	Clamp	
60	91563070	1	Coupling, Rubber	
62	1001117308	1	Relay	
63	1001249964	1	Engine, Deutz TCD2.9L4 (See Separate Breakdown in this Section)	
66	1001133634	1	Clamp	
67	1001166393	1	Tank, Surge	
68	1001155575	4	Mount, Motor	
69	1001191272	1	Tray	
70	1001256864	1	Radiator	
71	1001135138	1	Spacer, Fan	
72	1001135560	1	Support, Engine	
73	1001135562	1	Support, Engine - Rear	
74	1001135679	1	Spacer, Pulley	
75	1001135680	1	Support, Radiator	
76	1001135901	1	Pipe, Air Intake	
77	1001264917	1	Hose, Air Intake	
78	1001135913	1	Pipe, Turbo to Air Cleaner	
79	1001264982	1	Hose, Air Cleaner to Intake	
80	1001135924	1	Hose, Radiator (Upper)	
81	1001135926	1	Hose, Radiator (Lower)	
82	1001135943	1	Coupling, Rubber	
85	1001138827	1	Sensor, Coolant Level	
86	1001136626	2	Bracket	
87	1001136665	1	Bracket	
88	1001136834	1	Cap, Tank	
89	1001283008	1	Support, Engine	
90	1001137276	1	Fan	
91	1001138228	1	Module, Power	
91	70023592	1	Fuse 20Amp (Switched Output)	
91	70023593	1	Fuse 30Amp (Battery Output)	
92	1001138253	5	Clamp	
94	1001138346	1	Harness, Engine (Not Shown - See Separate Breakdown in ELECTRICAL Section)	
95	1001138524	1	Hose	
96	1001138559	1	Fitting, 90	
97	1001139240	1	Bracket	
98	1001153024	1	Pipe, Exhaust	
100	1001141304	1	Wire, Glow Plug (Not Shown)	
101	1001141717	1	Fitting, Straight	
102	1001141719	1	Fitting, 90 Barbed	
103	1001140564	1	Fitting, 90 Barbed	
104	1001133633	1	Air Cleaner Assembly	
104	70024190	1	Element, Air Filter	
105	1001135779	1	Cable, Alternator Positive (Not Shown)	
106	1001138248	4 ft /1.2 m	Tubing	
107	1320022	2	Clamp	
108	2720015	5 ft /2 m	Hose	
110	1001165035	31 ft /10 m	Hose	

SECTION 3 - ENGINE

ITEM	PART NUMBER	QTY	DESCRIPTION	REV
112	8405007	2	Clamp	
113	4240099	AR	Tie-Strap (Used to Secure Block Heater Cord)	
114	4460234	3	Mount, Wire Tie (Used to Secure Block Heater Cord)	
115	1001140312	1	Heater, Block	
116	0761214	3	Bolt M12 x 30	
117	1001165820	1	Pipe, Elbow	
118	1001143390	1	Indicator, Air Filter Service	
120	1001142685	1	Bracket	
121	8406102	AR	Clip	
122	8406112	1	Clip	
123	1001134488	1	Fitting, 90 Barbed	
124	1001138717	1	Bracket	
125	1001142501	1	Fitting, 90 Barbed	
126	1001144089	1	Grommet	
127	1001145154	1	Plate, Mounting	
128	1001154405	5 ft /2 m	Hose	
129	4640751	1	Valve, Oil Drain	
130	8405006	2	Clamp	
131	0760810	AR	Bolt M8 x 20	
132	1001148843	1	Harness, Fuel Filter (Not Shown - See Separate Breakdown in ELECTRICAL Section)	
134	1703162	2	Decal - Fan	
135	0641503	1	Bolt 5/16 x 3/8	
136	1001153387	1	Plate	
137	3931508	2	Capscrew 5/16 x 1/2	
138	1001155823	1	Coupling	
139	0100062	AR	Adhesive, Loctite #680	
140	1001181895	AR	Adhesive, Loctite #640 (Not Shown - Apply to Block Heater)	
141	0700812	1	Bolt M8 x 25	
142	8410011	1	Clamp	
143	1321289	1	Clamp	
144	3290806	1	Nut M8	
145	0641510	2	Bolt 5/16 x 1-1/4	
146	0641612	2	Bolt 3/8 x 1-1/2	
147	4240032	AR	Tie-Strap (Not Shown)	
148	1001291401	1	Tag, Coolant	

SECTION 3 - ENGINE

FIGURE 3-35. DEUTZ TCD2.9L4 (EMR4) ENGINE COMPONENTS



ART_1001249964

SECTION 3 - ENGINE

FIGURE 3-35. DEUTZ TCD2.9L4 (EMR4) ENGINE COMPONENTS

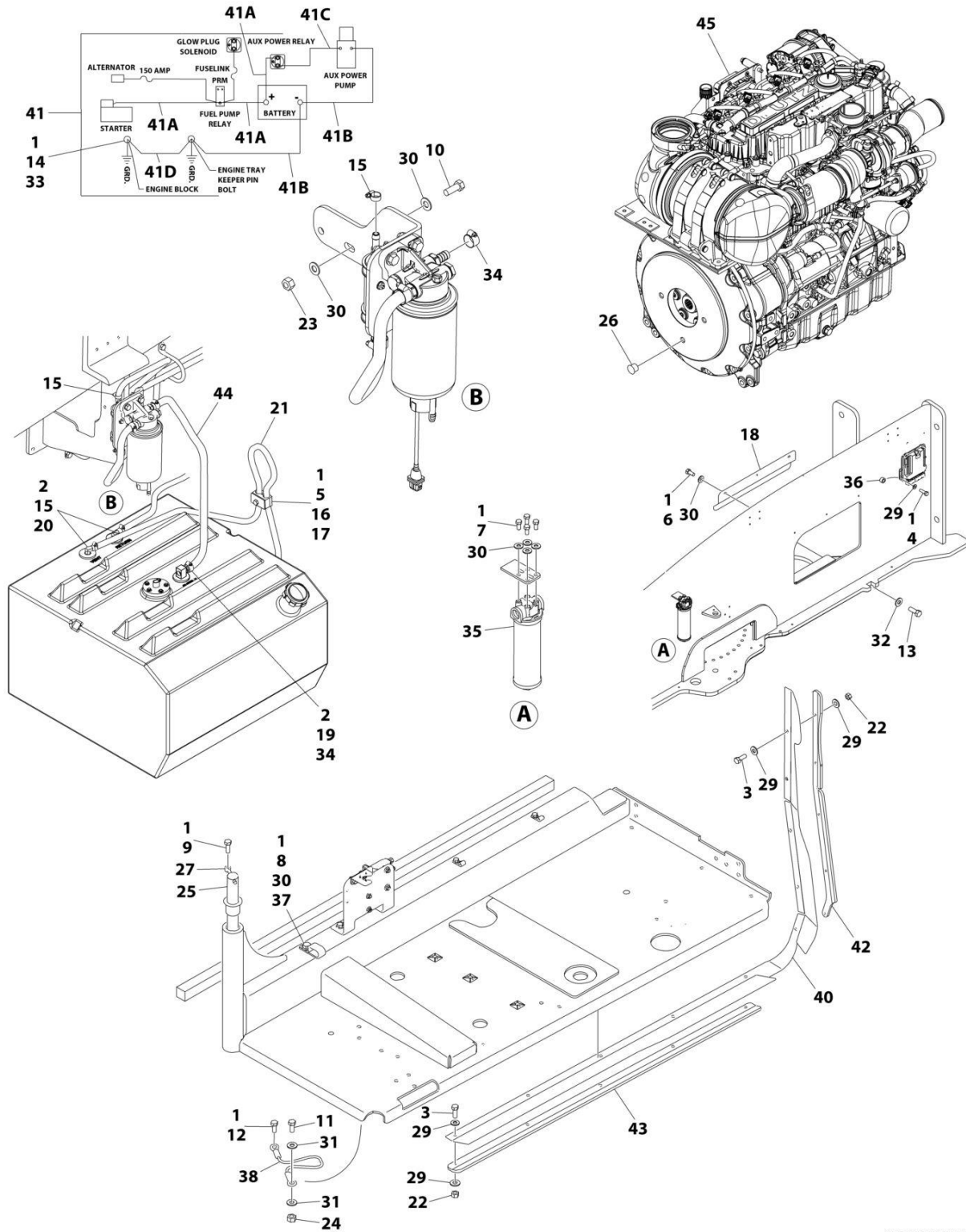
ITEM	PART NUMBER	QTY	DESCRIPTION	REV
	1001249964	Ref	DEUTZ TCD2.9L4 ENGINE COMPONENTS	A
1	70024904	1	Dipstick	
1	70024905	1	O-Ring	
2	7020465	2	Cap, Filler	
3	7002511	2	Clamp	
4		Ref	Pan, Oil	
4A	70005941	2	Plug	
4A	70005942	2	Washer, Sealing	
5	70001870	1	Flywheel	
5	7024579	1	Gear, Ring	
6	70024906	1	Gasket, Head (Not Shown)	
8	70005921	1	Cover, Valve	
8	70005171	1	Gasket	
8	70025205	1	Gasket, Small Valve Cover	
10	70004280	1	Seal, Shaft - Front (Not Shown)	
11	70002718	1	Seal, Shaft - Rear (Not Shown)	
12	70005172	1	Pump, Oil Lube (Not Shown)	
12	70025135	1	O-Ring	
12	70025136	1	Gasket	
13	7016331	1	Filter, Oil	
13	70025137	1	Bushing	
14	70024494	1	Cooler, Engine Oil	
14	70024925	1	Gasket	
16	70024924	1	Pump, Fuel	
16	70025152	1	O-Ring	
16	70004505	1	Valve, Overflow	
16	70004506	1	O-Ring	
16	70004507	1	O-Ring	
16	70004508	1	Valve Volume Control	
16	70004509	1	O-Ring	
16	70004510	1	Gasket	
17	70025181	4	Injector, Fuel	
17	70025140	4	Washer, Sealing	
17	70025146	4	Clamp (Top of Injector)	
17	70025145	4	O-Ring	
17	70025154	4	Shoe, Clamping	
17	70000345	1	Plug, Glow (Not Shown)	
18	70024961	1	Fuel Filter Assembly	
18	1001225430	1	Filter, Fuel	
18	70024513	1	Cable, Sensor	
18	70025239	1	Ring, Sealing	
19	70006144	1	Pump, Fuel	
19	70025144	2	Clamp	
20	70029451	1	Filter with Head	
20	1001225431	1	Filter, Fuel	
21	70024919	1	Sensor, Pressure	
21	70024920	1	O-Ring	
22	70025151	1	Rail, Fuel (Not Shown)	
22	70025235	1	Repair Kit (Not Shown)	
23	70025182	1	Fuel Line - High Pressure (Cylinder 1 & 2)	

SECTION 3 - ENGINE

ITEM	PART NUMBER	QTY	DESCRIPTION	REV
23	70025183	1	Fuel Line - High Pressure (Cylinder 3 & 4)	
23	70025184	1	Fuel Line - High Pressure (Supply)	
24	70004501	1	Sleeve, Rubber	
25	70004502	1	Pipe, Intake	
25	70005926	1	Pipe, Elbow	
26	70025112	2	Clamp	
27	70025210	1	ECU (Engine Control Unit)	
28	70029797	1	Pump, Water	
28	70025200	1	Ring, Sealing	
28	70007325	1	Gasket	
28	7020492	2	Ring, Sealing (Plug)	
29	70005929	1	Thermostat	
29	70025184	1	O-Ring (Thermostat to Cover)	
29	70005931	1	Gasket (Thermostat to Pump)	
29	70025142	1	Cover, Thermostat	
31	70007326	1	Valve, Shuttle (EGR) (Not Shown)	
31	70007327	1	Gasket	
33	70004282	1	Manifold, Exhaust	
33	70025164	1	Gasket, Exhaust Manifold to Head	
33	70029557	1	Gasket, Exhaust Manifold to Pipe	
34	70007328	1	Turbocharger	
34	70024912	1	Gasket, Exhaust Manifold	
35	70028699	1	Tensioner, Belt	
36		Ref	Idler Roller	
37	70004277	1	Belt, Drive	
38	70024915	1	Starter	
38	70005647	1	Switch, Solenoid	
38	70005648	1	Relay	
39	70029401	1	Generator	
39	70006653	1	Regulator, Voltage	
40	70007329	1	Harness, Engine (Not Shown)	
41	70024504	1	Sensor, Pressure (Not Shown - Located Top Rear)	
41	70024920	1	O-Ring	
42	70026210	2	Sensor, Speed (Not Shown - Located Left Side Front and Flywheel Housing)	
42	70024917	2	O-Ring	
43	70028540	1	Sender, Temperature	
44	70024507	1	Sensor, Pressure	
44	70025120	1	O-Ring	
45	70007331	1	Outlet, Muffler	
46	70029517	1	Clip	
46	70029520	1	Gasket	
47	70007330	1	Inlet	
48	70025877	1	Clip	
48	70025788	1	Nut	
48	70025242	1	Gasket	
49	70004504	1	Compensator	
50	70005527	1	Clip	
50	70029433	1	Clip	
50	70025242	1	Gasket	

SECTION 3 - ENGINE

FIGURE 3-36. DEUTZ D2.9L4 EMR5 ENGINE INSTALLATION WITH PMP PUMP AND STEEL HOODS (WITH COLD WEATHER PLUS PACKAGE)



ART_1001301725

SECTION 3 - ENGINE

**FIGURE 3-36. DEUTZ D2.9L4 EMR5 ENGINE INSTALLATION WITH PMP PUMP AND STEEL HOODS
(WITH COLD WEATHER PLUS PACKAGE)**

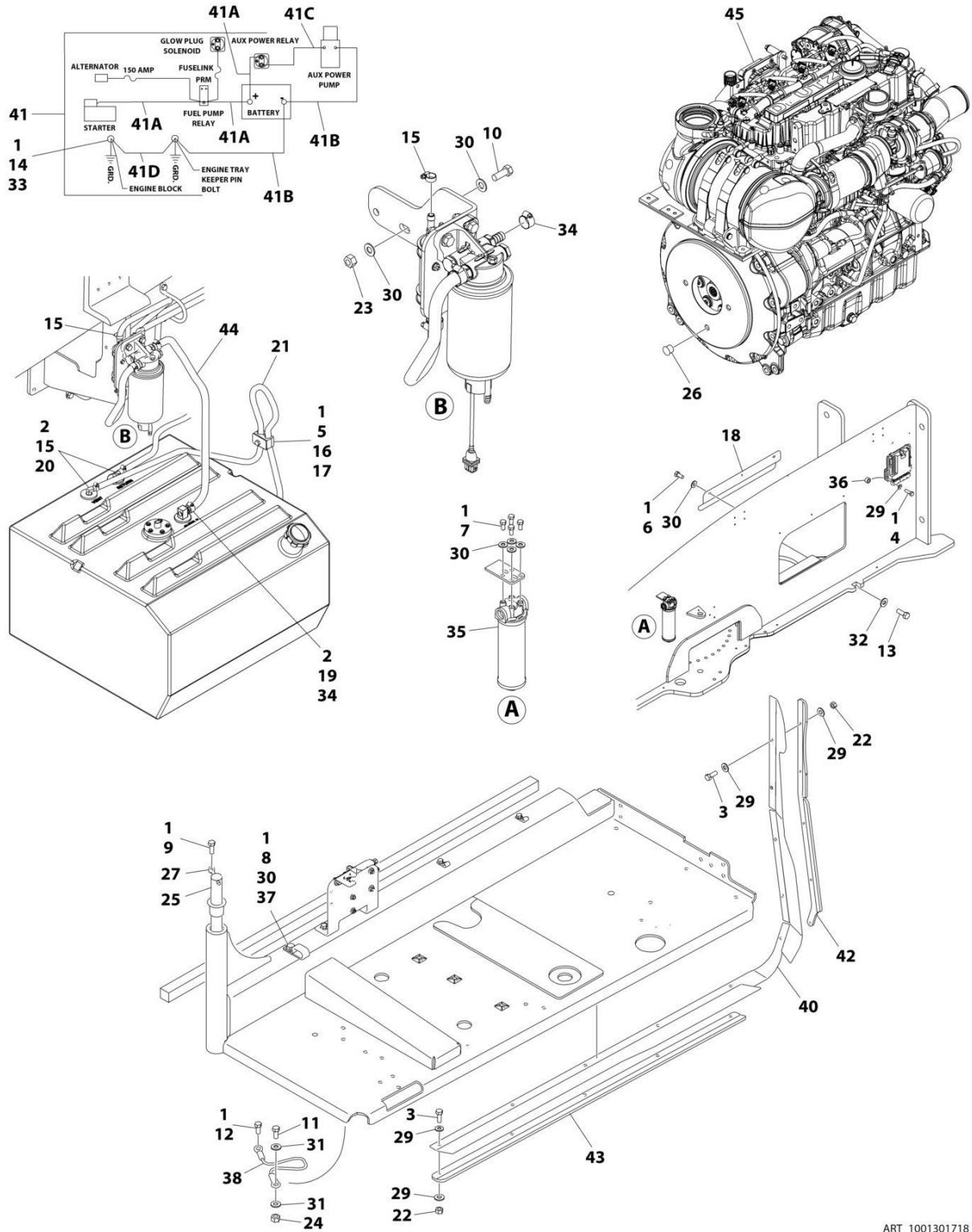
ITEM	PART NUMBER	QTY	DESCRIPTION	REV
	1001301725	Ref	ENGINE INSTALLATION EMR5 WITH PMP PUMPS AND STEEL HOODS WITH COLD WEATHER PLUS PACKAGE	B
1	0100011	AR	Compound, Locking	
2	0100079	AR	Sealant, Pipe	
3	0641408	10	Bolt 1/4 x 1	
4	0641410	4	Bolt 1/4 x 1-1/4	
5	0641511	1	Bolt 5/16 x 1-3/8	
6	0641605	3	Bolt 3/8 x 5/8	
7	0641606	4	Bolt 3/8 x 3/4	
8	0641608	5	Bolt 3/8 x 1	
9	0641610	1	Bolt 3/8 x 1-1/4	
10	0641612	2	Bolt 3/8 x 1-1/2	
11	0641708	1	Bolt 7/16 x 1	
12	0641808	1	Bolt 1/2 x 1	
13	0642010	1	Bolt 5/8 x 1-1/4	
14	0761210	1	Bolt M12 x 20	
15	1320022	3	Clamp	
16	1320187	1	Clamp	
17	1320190	1	Clamp	
18	1671121	1	Cover	
19	2180832	1	Fitting, Barbed	
20	2220313	2	Fitting, 90 NPTF/Barbed	
21	2750532	5 ft /1.6 m	Hose	
22	3311405	10	Nut 1/4	
23	3311605	2	Nut 3/8	
24	3311705	1	Nut 7/16	
25	3422446	1	Pin	
26	3520054	1	Plug	
27	3841143	1	Keeper, Pin	
28	4240018	AR	Tie-Strap (Not Shown)	
29	4711400	24	Washer 1/4	
30	4711600	16	Washer 3/8	
31	4711700	2	Washer 7/16	
32	4752000	1	Washer 5/8	
33	4812100	1	Washer M12	
34	8405006	2	Clamp	
35	1001108617	1	Filter	
35	70002231	1	Element, Filter	
36	1001110425	4	Spacer	
37	1001116792	1	Clamp	
37	1321716	5	Clamp	
38	1001131542	1	Lanyard	
39	1001138491	1	Harness, Fuel (Not Shown) (See Separate Breakdown in ELECTRICAL Section)	
40	1001140604	1	Panel	
41	1001141225	1	Battery Cable Kit	
41A	7027042	1	Cable, Battery (Red) (Battery + to Relays and Starter)	
41B	7027043	1	Cable, Battery (Black) (Battery - to Tray Pivot Grd and Aux Pump)	

SECTION 3 - ENGINE

ITEM	PART NUMBER	QTY	DESCRIPTION	REV
41C	7027044	1	Cable (Red) (Aux Relay to Aux Pump)	
41D	7027045	1	Cable, Battery (Black) (Engine to Tray Pivot Grd)	
42	1001145089	1	Clamp	
43	1001145842	1	Plate	
44	1001154405	2 ft /0.6 m	Hose	
45	1001301654	1	Engine Sub-Assembly (See Separate Breakdown in this Section)	
46	4460234	AR	Mount, Terminal (Not Shown)	

SECTION 3 - ENGINE

FIGURE 3-37. DEUTZ D2.9L4 EMR5 ENGINE INSTALLATION WITH PMP PUMP AND STEEL HOODS (WITHOUT COLD WEATHER PLUS PACKAGE)



ART_1001301718

SECTION 3 - ENGINE

**FIGURE 3-37. DEUTZ D2.9L4 EMR5 ENGINE INSTALLATION WITH PMP PUMP AND STEEL HOODS
(WITHOUT COLD WEATHER PLUS PACKAGE)**

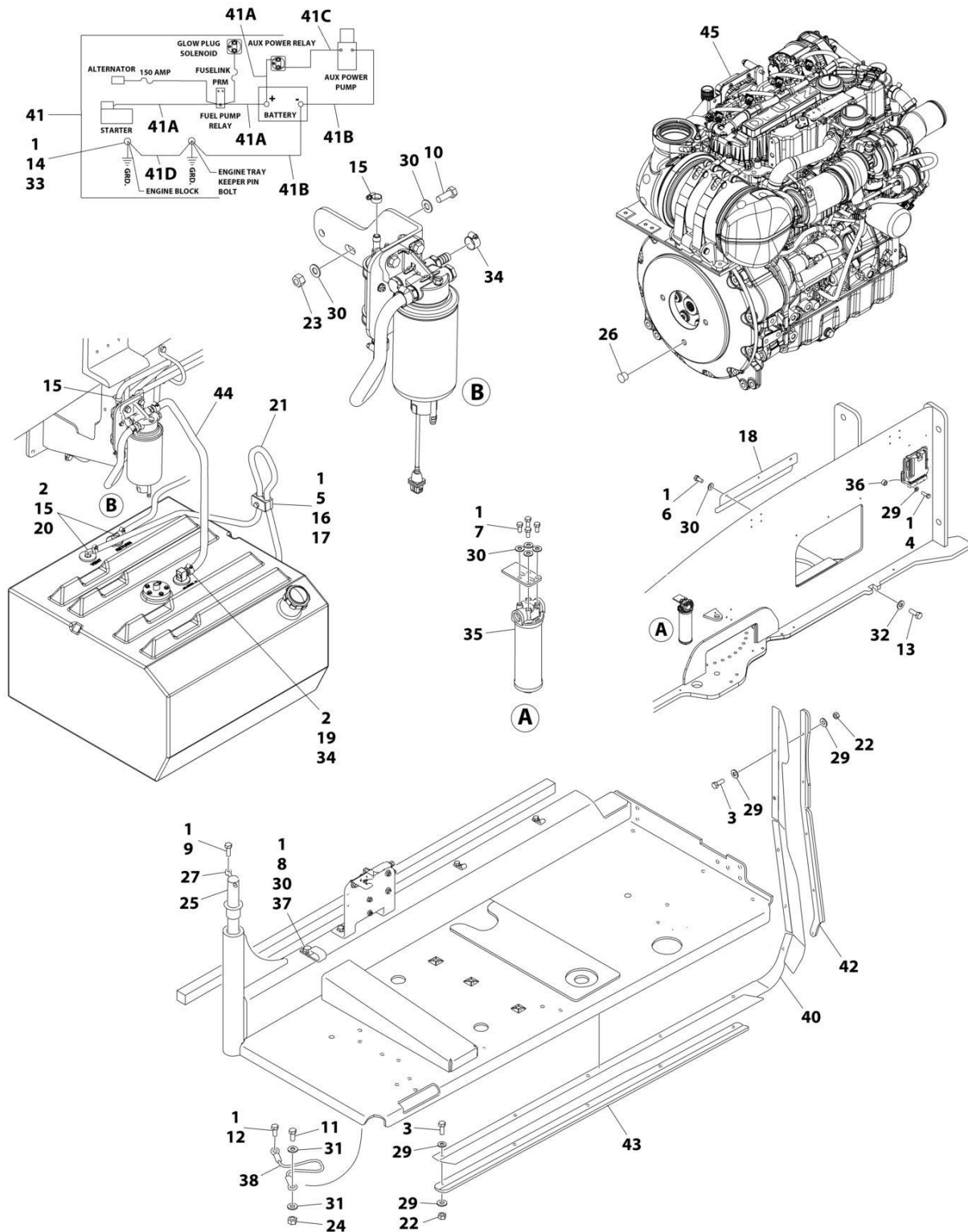
ITEM	PART NUMBER	QTY	DESCRIPTION	REV
	1001301718	Ref	ENGINE INSTALLATION EMR5 WITH PMP PUMPS AND STEEL HOODS WITHOUT COLD WEATHER PLUS PACKAGE	B
1	0100011	AR	Compound, Locking	
2	0100079	AR	Sealant, Pipe	
3	0641408	10	Bolt 1/4 x 1	
4	0641410	4	Bolt 1/4 x 1-1/4	
5	0641511	1	Bolt 5/16 x 1-3/8	
6	0641605	3	Bolt 3/8 x 5/8	
7	0641606	4	Bolt 3/8 x 3/4	
8	0641608	5	Bolt 3/8 x 1	
9	0641610	1	Bolt 3/8 x 1-1/4	
10	0641612	2	Bolt 3/8 x 1-1/2	
11	0641708	1	Bolt 7/16 x 1	
12	0641808	1	Bolt 1/2 x 1	
13	0642010	1	Bolt 5/8 x 1-1/4	
14	0761210	1	Bolt M12 x 20	
15	1320022	3	Clamp	
16	1320187	1	Clamp	
17	1320190	1	Clamp	
18	1671121	1	Cover	
19	2180832	1	Fitting, Barbed	
20	2220313	2	Fitting, 90 NPTF/Barbed	
21	2750532	5 ft /1.6 m	Hose	
22	3311405	10	Nut 1/4	
23	3311605	2	Nut 3/8	
24	3311705	1	Nut 7/16	
25	3422446	1	Pin	
26	3520054	1	Plug	
27	3841143	1	Keeper, Pin	
28	4240018	AR	Tie-Strap (Not Shown)	
29	4711400	24	Washer 1/4	
30	4711600	16	Washer 3/8	
31	4711700	2	Washer 7/16	
32	4752000	1	Washer 5/8	
33	4812100	1	Washer M12	
34	8405006	2	Clamp	
35	1001108617	1	Filter	
35	70002231	1	Element, Filter	
36	1001110425	4	Spacer	
37	1001116792	1	Clamp	
37	1321716	5	Clamp	
38	1001131542	1	Lanyard	
39	1001138491	1	Harness, Fuel (Not Shown) (See Separate Breakdown in ELECTRICAL Section)	
40	1001140604	1	Panel	
41	1001141225	1	Battery Cable Kit	
41A	7027042	1	Cable, Battery (Red) (Battery + to Relays and Starter)	
41B	7027043	1	Cable, Battery (Black) (Battery - to Tray Pivot Grd and Aux Pump)	

SECTION 3 - ENGINE

ITEM	PART NUMBER	QTY	DESCRIPTION	REV
41C	7027044	1	Cable (Red) (Aux Relay to Aux Pump)	
41D	7027045	1	Cable, Battery (Black) (Engine to Tray Pivot Grd)	
42	1001145089	1	Clamp	
43	1001145842	1	Plate	
44	1001154405	2 ft /0.6 m	Hose	
45	1001301710	1	Engine Sub-Assembly (See Separate Breakdown in this Section)	
46	4460234	AR	Mount, Terminal (Not Shown)	

SECTION 3 - ENGINE

FIGURE 3-38. DEUTZ D2.9L4 EMR5 ENGINE INSTALLATION WITH REXROTH PUMPS AND STEEL HOODS (WITHOUT COLD WEATHER PLUS PACKAGE)



ART_1001301722

SECTION 3 - ENGINE

FIGURE 3-38. DEUTZ D2.9L4 EMR5 ENGINE INSTALLATION WITH REXROTH PUMPS AND STEEL HOODS (WITHOUT COLD WEATHER PLUS PACKAGE)

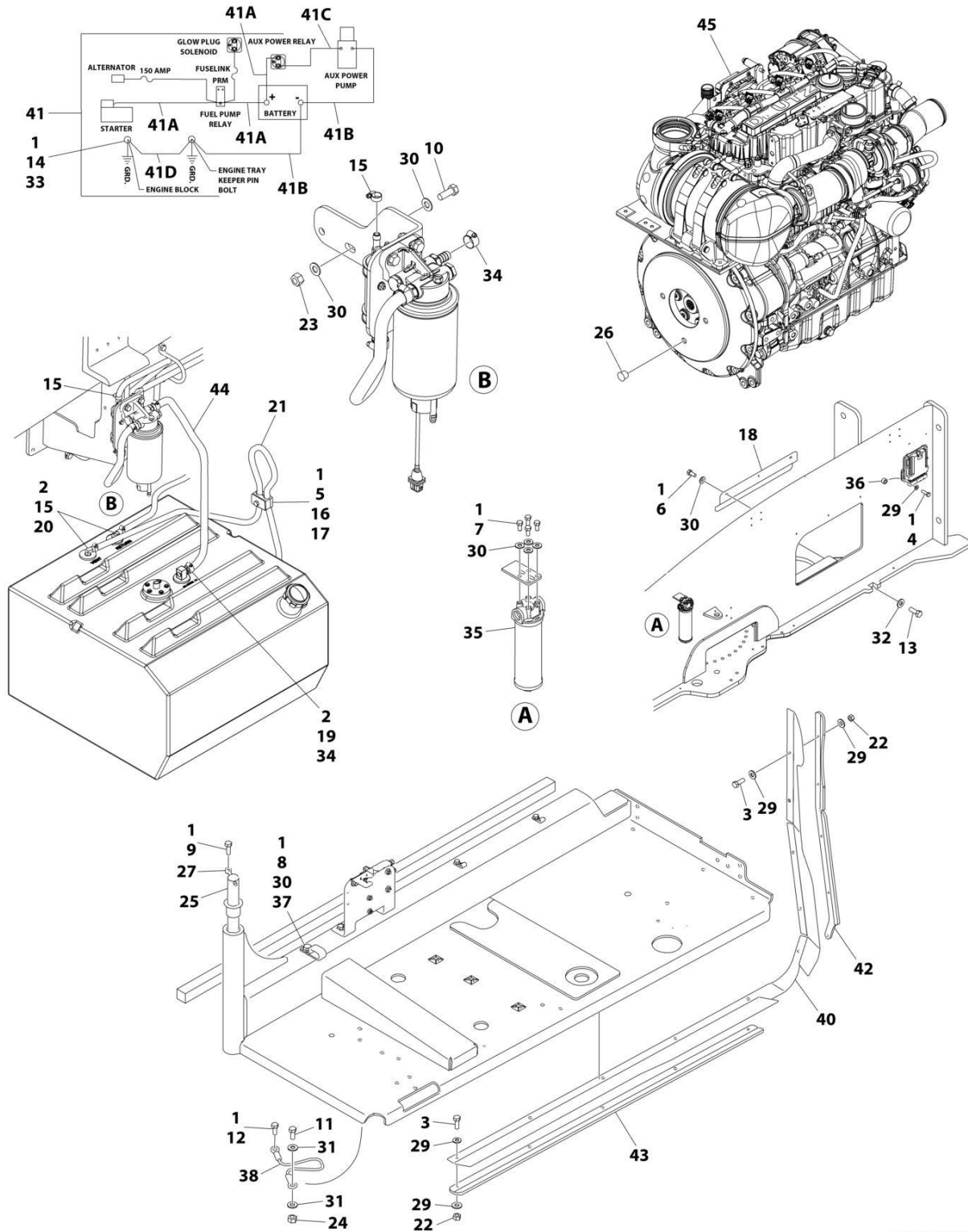
ITEM	PART NUMBER	QTY	DESCRIPTION	REV
	1001301722	Ref	ENGINE INSTALLATION EMR5 WITH REXROTH PUMPS AND STEEL HOODS WITHOUT COLD WEATHER PLUS PACKAGE	B
1	0100011	AR	Compound, Locking	
2	0100079	AR	Sealant, Pipe	
3	0641408	10	Bolt 1/4 x 1	
4	0641410	4	Bolt 1/4 x 1-1/4	
5	0641511	1	Bolt 5/16 x 1-3/8	
6	0641605	3	Bolt 3/8 x 5/8	
7	0641606	4	Bolt 3/8 x 3/4	
8	0641608	5	Bolt 3/8 x 1	
9	0641610	1	Bolt 3/8 x 1-1/4	
10	0641612	2	Bolt 3/8 x 1-1/2	
11	0641708	1	Bolt 7/16 x 1	
12	0641808	1	Bolt 1/2 x 1	
13	0642010	1	Bolt 5/8 x 1-1/4	
14	0761210	1	Bolt M12 x 20	
15	1320022	3	Clamp	
16	1320187	1	Clamp	
17	1320190	1	Clamp	
18	1671121	1	Cover	
19	2180832	1	Fitting, Barbed	
20	2220313	2	Fitting, 90 NPTF/Barbed	
21	2750532	5 ft /1.6 m	Hose	
22	3311405	10	Nut 1/4	
23	3311605	2	Nut 3/8	
24	3311705	1	Nut 7/16	
25	3422446	1	Pin	
26	3520054	1	Plug	
27	3841143	1	Keeper, Pin	
28	4240018	AR	Tie-Strap (Not Shown)	
29	4711400	24	Washer 1/4	
30	4711600	16	Washer 3/8	
31	4711700	2	Washer 7/16	
32	4752000	1	Washer 5/8	
33	4812100	1	Washer M12	
34	8405006	2	Clamp	
35	1001108617	1	Filter	
35	70002231	1	Element, Filter	
36	1001110425	4	Spacer	
37	1001116792	1	Clamp	
37	1321716	5	Clamp	
38	1001131542	1	Lanyard	
39	1001138491	1	Harness, Fuel (Not Shown) (See Separate Breakdown in ELECTRICAL Section)	
40	1001140604	1	Panel	
41	1001141225	1	Battery Cable Kit	
41A	7027042	1	Cable, Battery (Red) (Battery + to Relays and Starter)	
41B	7027043	1	Cable, Battery (Black) (Battery - to Tray Pivot Grd and Aux Pump)	

SECTION 3 - ENGINE

ITEM	PART NUMBER	QTY	DESCRIPTION	REV
41C	7027044	1	Cable (Red) (Aux Relay to Aux Pump)	
41D	7027045	1	Cable, Battery (Black) (Engine to Tray Pivot Grd)	
42	1001145089	1	Clamp	
43	1001145842	1	Plate	
44	1001154405	2 ft /0.6 m	Hose	
45	1001301713	1	Engine Sub-Assembly (See Separate Breakdown in this Section)	
46	4460234	AR	Mount, Terminal (Not Shown)	

SECTION 3 - ENGINE

FIGURE 3-39. DEUTZ D2.9L4 EMR5 ENGINE INSTALLATION WITH SAUER PUMPS AND STEEL HOODS (WITH COLD WEATHER PLUS PACKAGE)



ART_1001302761

SECTION 3 - ENGINE

FIGURE 3-39. DEUTZ D2.9L4 EMR5 ENGINE INSTALLATION WITH SAUER PUMPS AND STEEL HOODS (WITH COLD WEATHER PLUS PACKAGE)

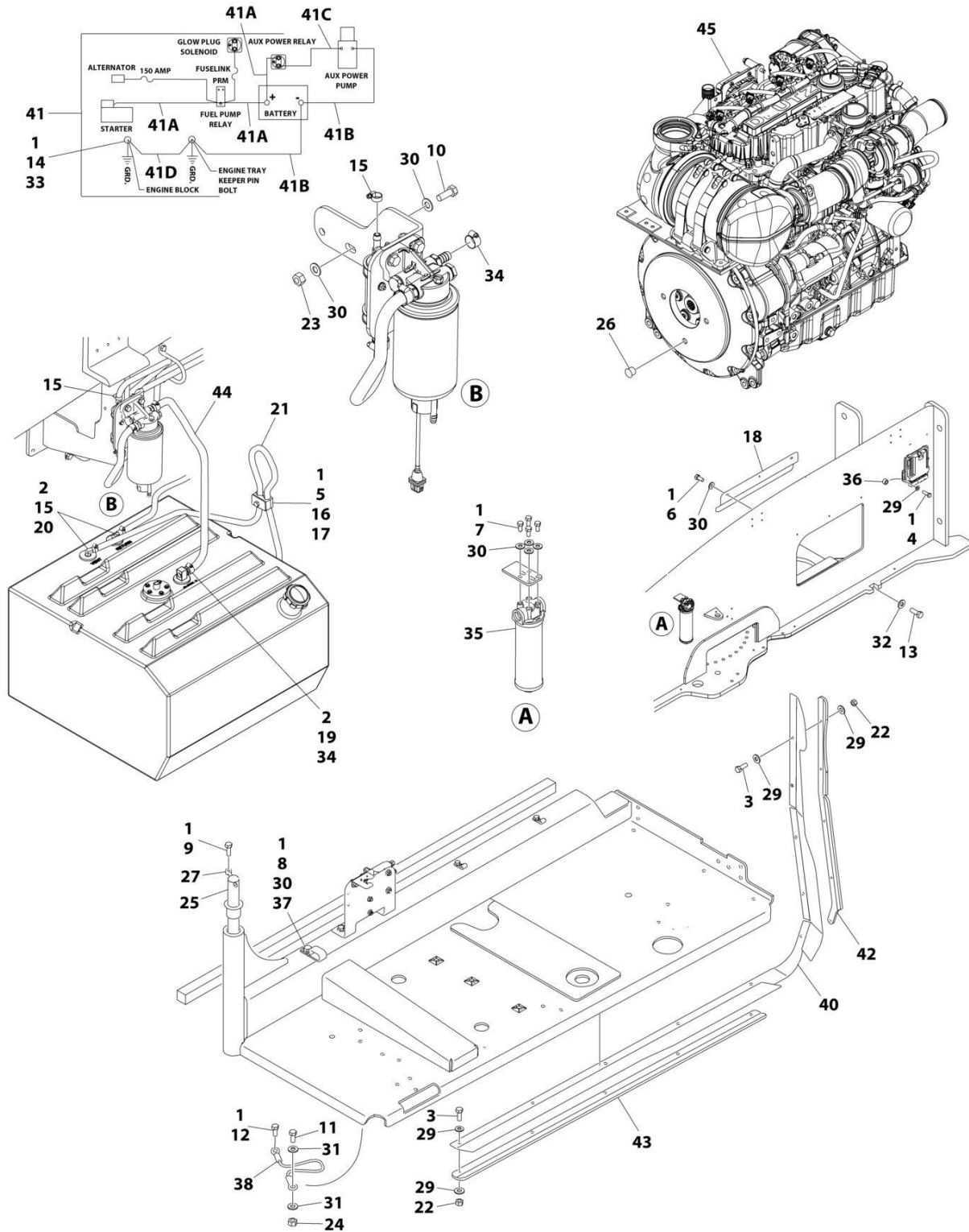
ITEM	PART NUMBER	QTY	DESCRIPTION	REV
	1001302761	Ref	ENGINE INSTALLATION EMR5 WITH SAUER PUMPS AND STEEL HOODS WITH COLD WEATHER PLUS PACKAGE	B
1	0100011	AR	Compound, Locking	
2	0100079	AR	Sealant, Pipe	
3	0641408	10	Bolt 1/4 x 1	
4	0641410	4	Bolt 1/4 x 1-1/4	
5	0641511	1	Bolt 5/16 x 1-3/8	
6	0641605	3	Bolt 3/8 x 5/8	
7	0641606	4	Bolt 3/8 x 3/4	
8	0641608	5	Bolt 3/8 x 1	
9	0641610	1	Bolt 3/8 x 1-1/4	
10	0641612	2	Bolt 3/8 x 1-1/2	
11	0641708	1	Bolt 7/16 x 1	
12	0641808	1	Bolt 1/2 x 1	
13	0642010	1	Bolt 5/8 x 1-1/4	
14	0761210	1	Bolt M12 x 20	
15	1320022	3	Clamp	
16	1320187	1	Clamp	
17	1320190	1	Clamp	
18	1671121	1	Cover	
19	2180832	1	Fitting, Barbed	
20	2220313	2	Fitting, 90 NPTF/Barbed	
21	2750532	5 ft /1.6 m	Hose	
22	3311405	10	Nut 1/4	
23	3311605	2	Nut 3/8	
24	3311705	1	Nut 7/16	
25	3422446	1	Pin	
26	3520054	1	Plug	
27	3841143	1	Keeper, Pin	
28	4240018	AR	Tie-Strap (Not Shown)	
29	4711400	24	Washer 1/4	
30	4711600	16	Washer 3/8	
31	4711700	2	Washer 7/16	
32	4752000	1	Washer 5/8	
33	4812100	1	Washer M12	
34	8405006	2	Clamp	
35	1001108617	1	Filter	
35	70002231	1	Element, Filter	
36	1001110425	4	Spacer	
37	1001116792	1	Clamp	
37	1321716	5	Clamp	
38	1001131542	1	Lanyard	
39	1001138491	1	Harness, Fuel (Not Shown) (See Separate Breakdown in ELECTRICAL Section)	
40	1001140604	1	Panel	
41	1001141225	1	Battery Cable Kit	
41A	7027042	1	Cable, Battery (Red) (Battery + to Relays and Starter)	
41B	7027043	1	Cable, Battery (Black) (Battery - to Tray Pivot Grd and Aux Pump)	

SECTION 3 - ENGINE

ITEM	PART NUMBER	QTY	DESCRIPTION	REV
41C	7027044	1	Cable (Red) (Aux Relay to Aux Pump)	
41D	7027045	1	Cable, Battery (Black) (Engine to Tray Pivot Grd)	
42	1001145089	1	Clamp	
43	1001145842	1	Plate	
44	1001154405	2 ft /0.6 m	Hose	
45	1001302757	1	Engine Sub-Assembly (See Separate Breakdown in this Section)	
46	4460234	AR	Mount, Terminal (Not Shown)	

SECTION 3 - ENGINE

FIGURE 3-40. DEUTZ D2.9L4 EMR5 ENGINE INSTALLATION WITH SAUER PUMPS AND STEEL HOODS (WITHOUT COLD WEATHER PLUS PACKAGE)



ART_1001302758

SECTION 3 - ENGINE

FIGURE 3-40. DEUTZ D2.9L4 EMR5 ENGINE INSTALLATION WITH SAUER PUMPS AND STEEL HOODS (WITHOUT COLD WEATHER PLUS PACKAGE)

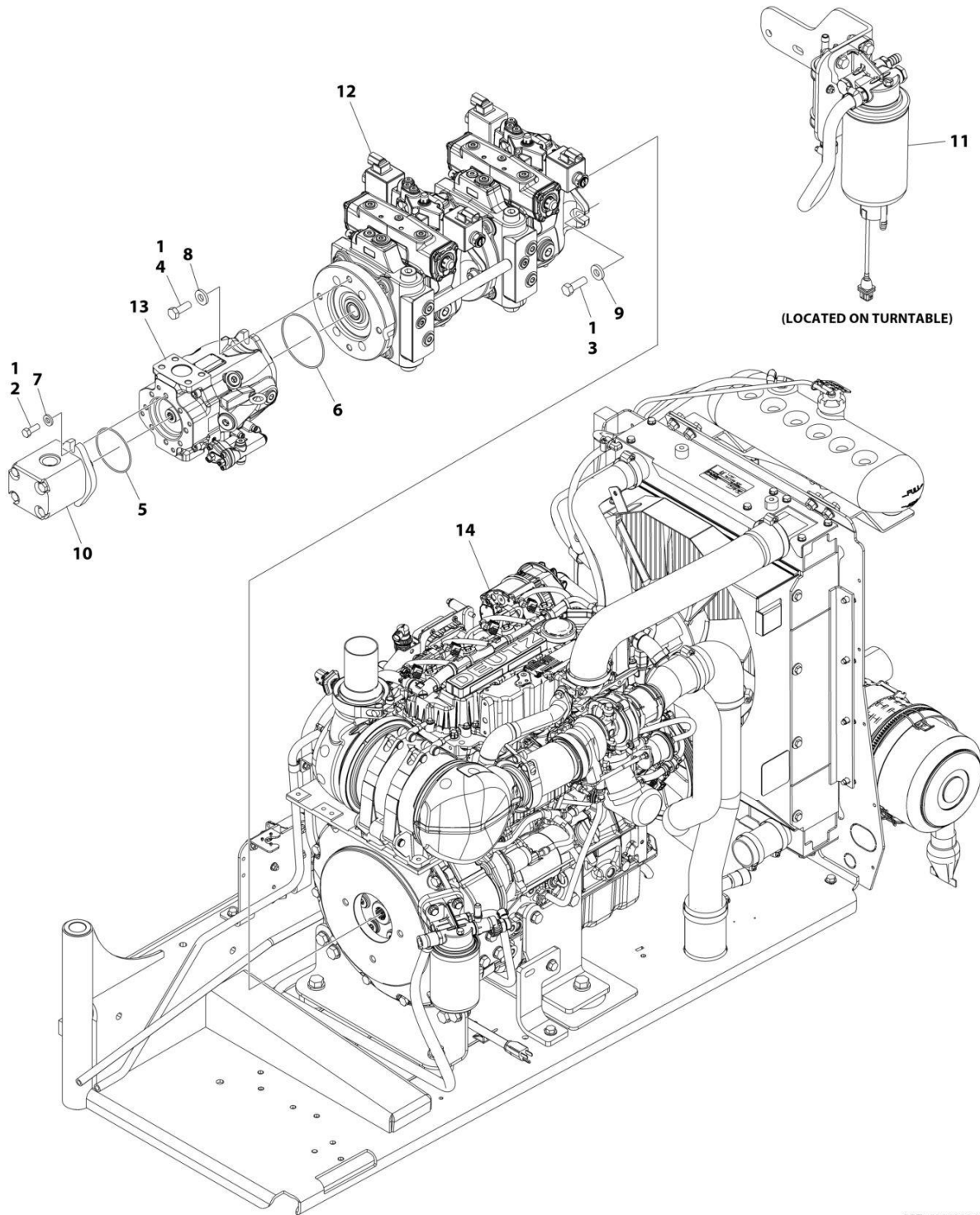
ITEM	PART NUMBER	QTY	DESCRIPTION	REV
	1001302758	Ref	ENGINE INSTALLATION EMR5 WITH SAUER PUMPS AND STEEL HOODS WITHOUT COLD WEATHER PLUS PACKAGE	B
1	0100011	AR	Compound, Locking	
2	0100079	AR	Sealant, Pipe	
3	0641408	10	Bolt 1/4 x 1	
4	0641410	4	Bolt 1/4 x 1-1/4	
5	0641511	1	Bolt 5/16 x 1-3/8	
6	0641605	3	Bolt 3/8 x 5/8	
7	0641606	4	Bolt 3/8 x 3/4	
8	0641608	5	Bolt 3/8 x 1	
9	0641610	1	Bolt 3/8 x 1-1/4	
10	0641612	2	Bolt 3/8 x 1-1/2	
11	0641708	1	Bolt 7/16 x 1	
12	0641808	1	Bolt 1/2 x 1	
13	0642010	1	Bolt 5/8 x 1-1/4	
14	0761210	1	Bolt M12 x 20	
15	1320022	3	Clamp	
16	1320187	1	Clamp	
17	1320190	1	Clamp	
18	1671121	1	Cover	
19	2180832	1	Fitting, Barbed	
20	2220313	2	Fitting, 90 NPTF/Barbed	
21	2750532	5 ft /1.6 m	Hose	
22	3311405	10	Nut 1/4	
23	3311605	2	Nut 3/8	
24	3311705	1	Nut 7/16	
25	3422446	1	Pin	
26	3520054	1	Plug	
27	3841143	1	Keeper, Pin	
28	4240018	AR	Tie-Strap (Not Shown)	
29	4711400	24	Washer 1/4	
30	4711600	16	Washer 3/8	
31	4711700	2	Washer 7/16	
32	4752000	1	Washer 5/8	
33	4812100	1	Washer M12	
34	8405006	2	Clamp	
35	1001108617	1	Filter	
35	70002231	1	Element, Filter	
36	1001110425	4	Spacer	
37	1001116792	1	Clamp	
37	1321716	5	Clamp	
38	1001131542	1	Lanyard	
39	1001138491	1	Harness, Fuel (Not Shown) (See Separate Breakdown in ELECTRICAL Section)	
40	1001140604	1	Panel	
41	1001141225	1	Battery Cable Kit	
41A	7027042	1	Cable, Battery (Red) (Battery + to Relays and Starter)	
41B	7027043	1	Cable, Battery (Black) (Battery - to Tray Pivot Grd and Aux Pump)	

SECTION 3 - ENGINE

ITEM	PART NUMBER	QTY	DESCRIPTION	REV
41C	7027044	1	Cable (Red) (Aux Relay to Aux Pump)	
41D	7027045	1	Cable, Battery (Black) (Engine to Tray Pivot Grd)	
42	1001145089	1	Clamp	
43	1001145842	1	Plate	
44	1001154405	2 ft /0.6 m	Hose	
45	1001302756	1	Engine Sub-Assembly (See Separate Breakdown in this Section)	
46	4460234	AR	TERMINAL	

SECTION 3 - ENGINE

FIGURE 3-41. DEUTZ D2.9L4 EMR5 ENGINE SUB-ASSEMBLY WITH PMP PUMPS (WITH COLD WEATHER PLUS PACKAGE)



ART_1001301654

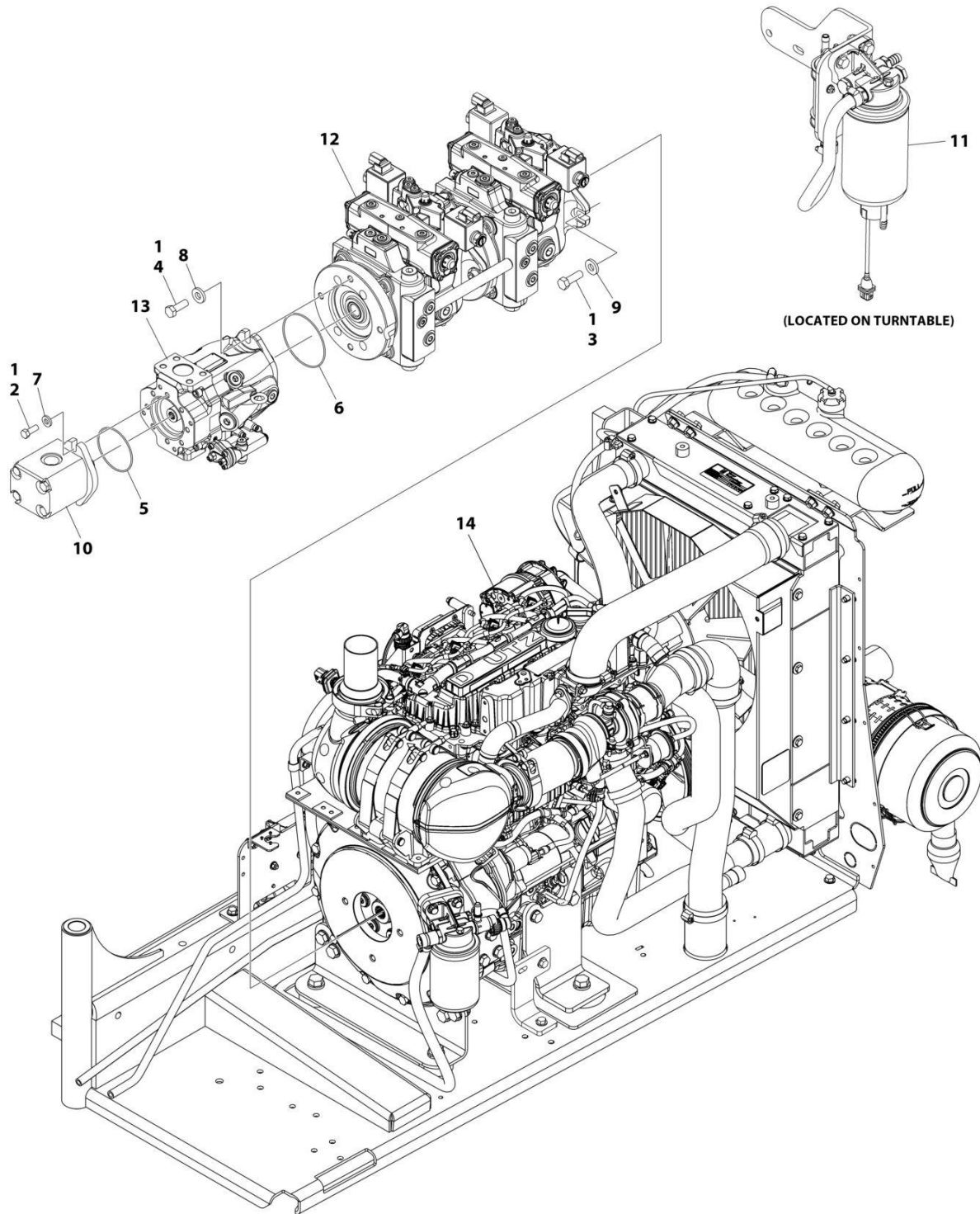
SECTION 3 - ENGINE

FIGURE 3-41. DEUTZ D2.9L4 EMR5 ENGINE SUB-ASSEMBLY WITH PMP PUMPS (WITH COLD WEATHER PLUS PACKAGE)

ITEM	PART NUMBER	QTY	DESCRIPTION	REV
	1001301654	Ref	ENGINE SUB-ASSEMBLY EMR5 WITH PMP PUMPS (WITH COLD WEATHER PLUS PACKAGE)	B
1	0100011	AR	Compound, Locking	
2	0641608	2	Bolt 3/8 x 1	
3	0641812	2	Bolt 1/2 x 1-1/2	
4	0761215	2	Bolt M12 x 35	
5	3790152	1	O-Ring	
6	3790155	1	O-Ring	
7	4891600	2	Washer 3/8	
8	4891800	2	Washer 1/2	
9	8310056	2	Washer	
10	1001112927	1	Pump Assembly - Sauer Gear (See Separate Breakdown in this Section)	
11	1001165101	1	Bracket, Fuel Pump Filter Assembly (See Separate Breakdown in this Section)	
12	1001286957	1	Pump Assembly - Hydraulic Tandem (See Separate Breakdown in this Section)	
13	1001286958	1	Pump Assembly - Hydraulic Piston (See Separate Breakdown in this Section)	
14	1001301590	1	Engine Assembly (See Separate Breakdown in this Section)	

SECTION 3 - ENGINE

FIGURE 3-42. DEUTZ D2.9L4 EMR5 ENGINE SUB-ASSEMBLY WITH PMP PUMPS (WITHOUT COLD WEATHER PLUS PACKAGE)



ART_1001301710

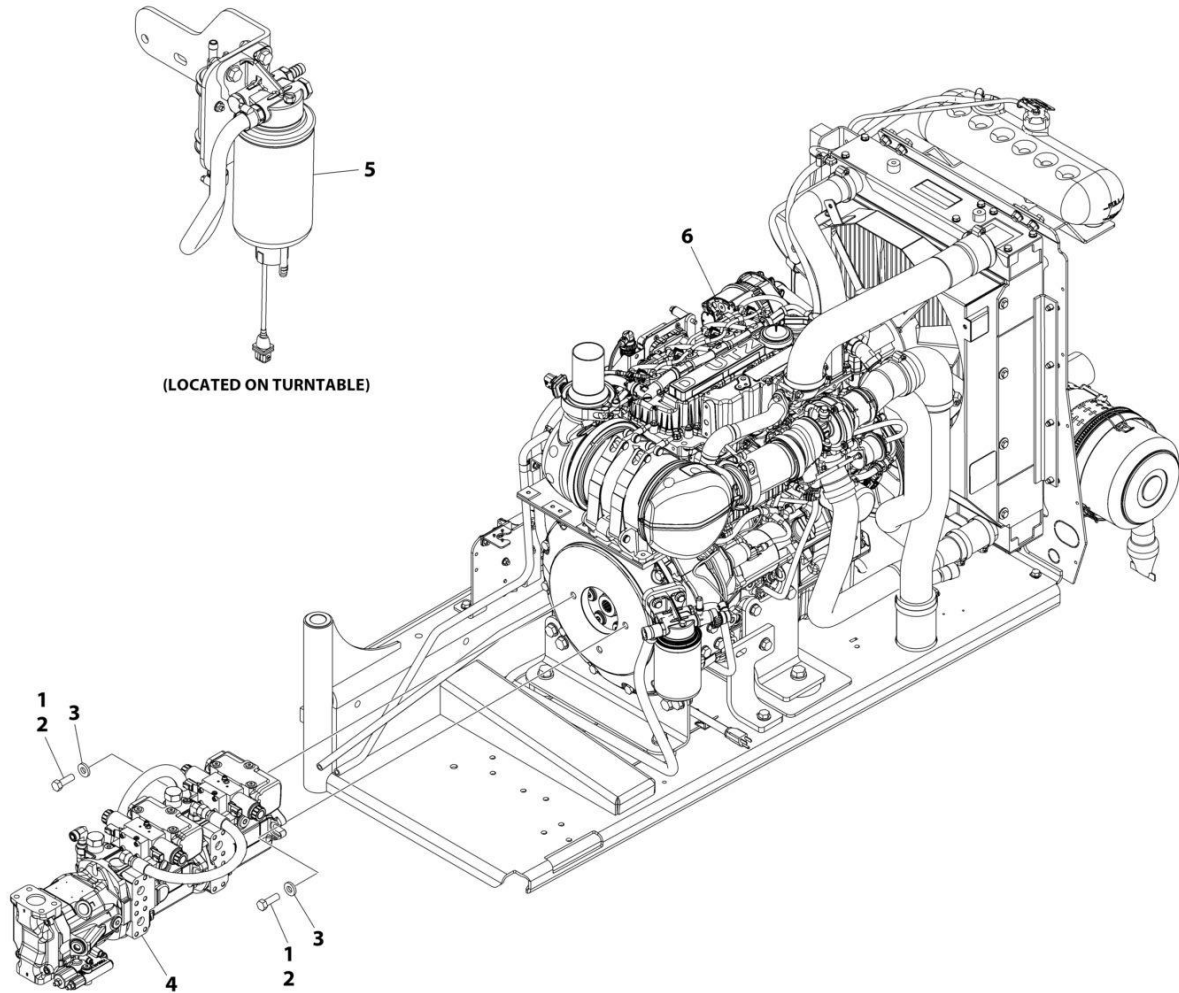
SECTION 3 - ENGINE

FIGURE 3-42. DEUTZ D2.9L4 EMR5 ENGINE SUB-ASSEMBLY WITH PMP PUMPS (WITHOUT COLD WEATHER PLUS PACKAGE)

ITEM	PART NUMBER	QTY	DESCRIPTION	REV
	1001301710	Ref	ENGINE SUB-ASSEMBLY EMR5 WITH PMP PUMPS (WITHOUT COLD WEATHER PLUS PACKAGE)	B
1	0100011	AR	Compound, Locking	
2	0641608	2	Bolt 3/8 x 1	
3	0641812	2	Bolt 1/2 x 1-1/2	
4	0761215	2	Bolt M12 x 35	
5	3790152	1	O-Ring	
6	3790155	1	O-Ring	
7	4891600	2	Washer 3/8	
8	4891800	2	Washer 1/2	
9	8310056	2	Washer	
10	1001112927	1	Pump Assembly - Sauer Gear (See Separate Breakdown in this Section)	
11	1001165101	1	Bracket, Fuel Pump Filter Assembly (See Separate Breakdown in this Section)	
12	1001286957	1	Pump Assembly - Hydraulic Tandem (See Separate Breakdown in this Section)	
13	1001286958	1	Pump Assembly - Hydraulic Piston (See Separate Breakdown in this Section)	
14	1001301546	1	Engine Assembly (See Separate Breakdown in this Section)	

SECTION 3 - ENGINE

FIGURE 3-43. DEUTZ D2.9L4 EMR5 ENGINE SUB-ASSEMBLY WITH REXROTH PUMPS (WITH COLD WEATHER PLUS PACKAGE)



ART_1001301672

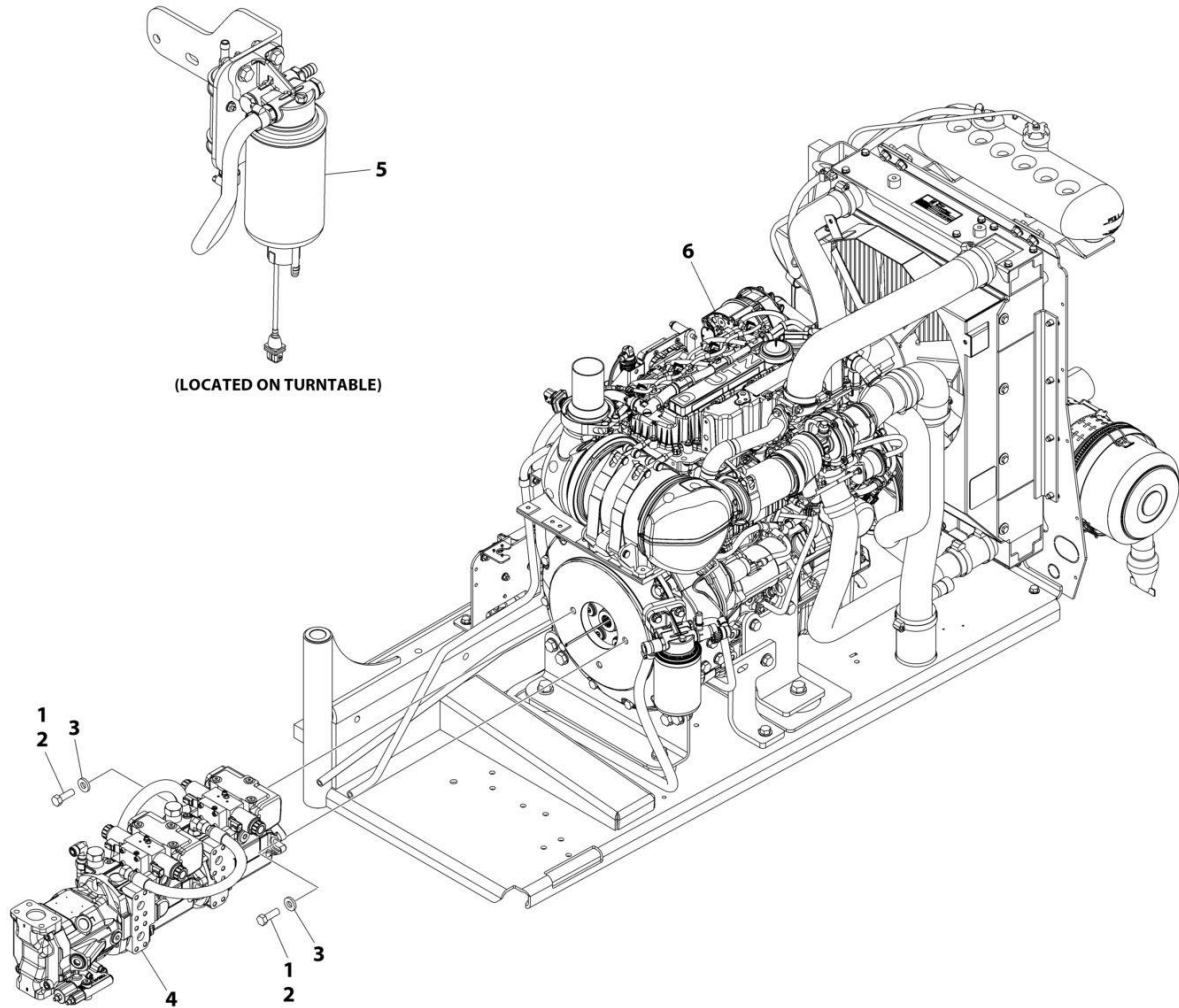
SECTION 3 - ENGINE

FIGURE 3-43. DEUTZ D2.9L4 EMR5 ENGINE SUB-ASSEMBLY WITH REXROTH PUMPS (WITH COLD WEATHER PLUS PACKAGE)

ITEM	PART NUMBER	QTY	DESCRIPTION	REV
	1001301672	Ref	ENGINE SUB-ASSEMBLY EMR5 WITH REXROTH PUMPS (WITH COLD WEATHER PLUS PACKAGE)	B
1	0100011	AR	Compound, Locking	
2	0641814	2	Bolt 1/2 x 1-3/4	
3	4740171	2	Washer	
4	1001152963	1	Pump Assembly - Rexroth (See Separate Breakdown in this Section)	
5	1001165101	1	Bracket, Fuel Pump Filter Assembly (See Separate Breakdown in this Section)	
6	1001301590	1	Engine Assembly (See Separate Breakdown in this Section)	

SECTION 3 - ENGINE

FIGURE 3-44. DEUTZ D2.9L4 EMR5 ENGINE SUB-ASSEMBLY WITH REXROTH PUMPS (WITHOUT COLD WEATHER PLUS PACKAGE)



ART_1001301713

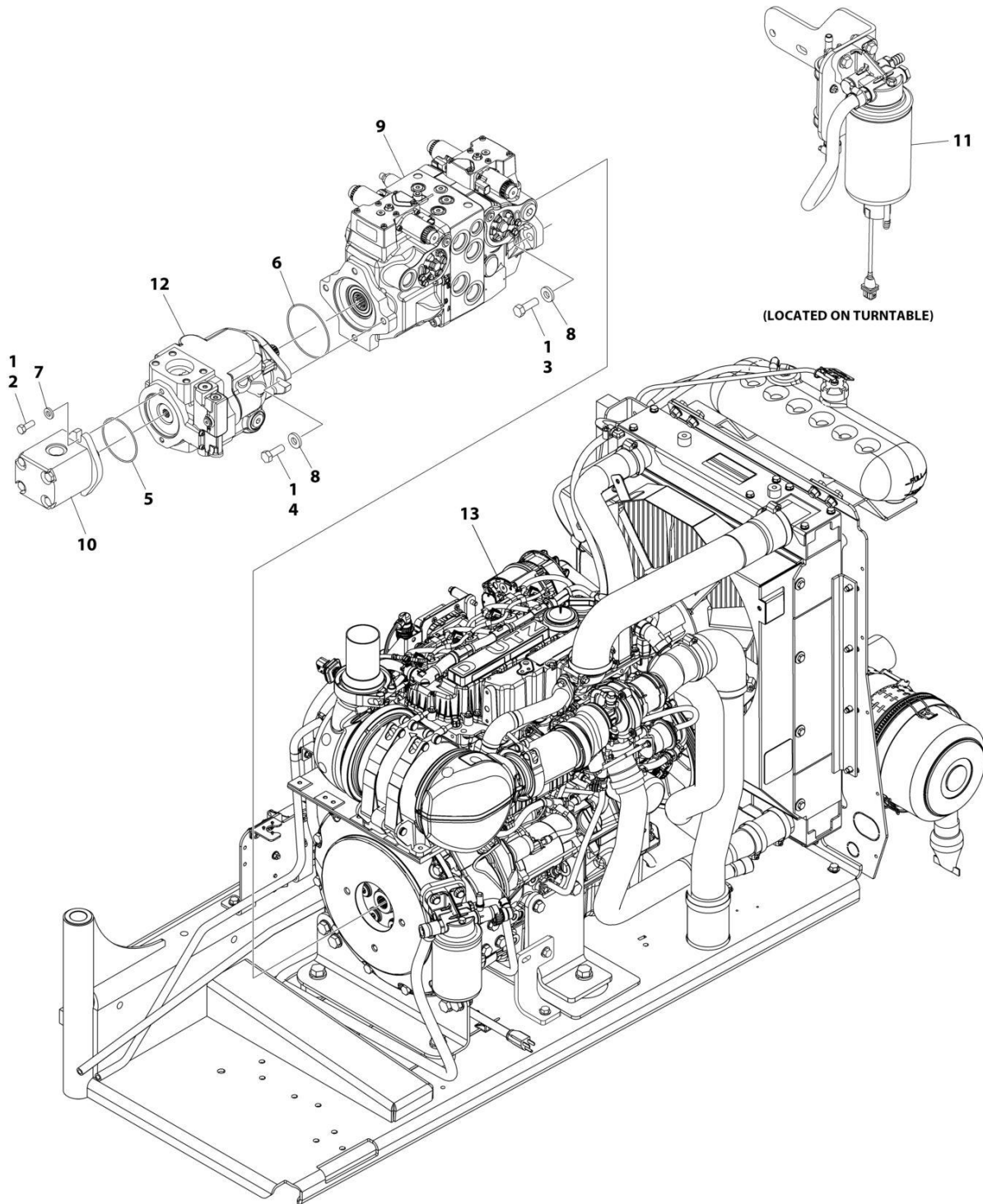
SECTION 3 - ENGINE

FIGURE 3-44. DEUTZ D2.9L4 EMR5 ENGINE SUB-ASSEMBLY WITH REXROTH PUMPS (WITHOUT COLD WEATHER PLUS PACKAGE)

ITEM	PART NUMBER	QTY	DESCRIPTION	REV
	1001301713	Ref	ENGINE SUB-ASSEMBLY EMR5 WITH REXROTH PUMPS (WITHOUT COLD WEATHER PLUS PACKAGE)	B
1	0100011	AR	Compound, Locking	
2	0641814	2	Bolt 1/2 x 1-3/4	
3	4891800	2	Washer 1/2	
4	1001152963	1	Pump Assembly - Rexroth (See Separate Breakdown in this Section)	
5	1001165101	1	Bracket, Fuel Pump Filter Assembly (See Separate Breakdown in this Section)	
6	1001301546	1	Engine Assembly (See Separate Breakdown in this Section)	

SECTION 3 - ENGINE

FIGURE 3-45. DEUTZ D2.9L4 EMR5 ENGINE SUB-ASSEMBLY WITH SAUER PUMPS (WITH COLD WEATHER PLUS PACKAGE)



ART_1001302757

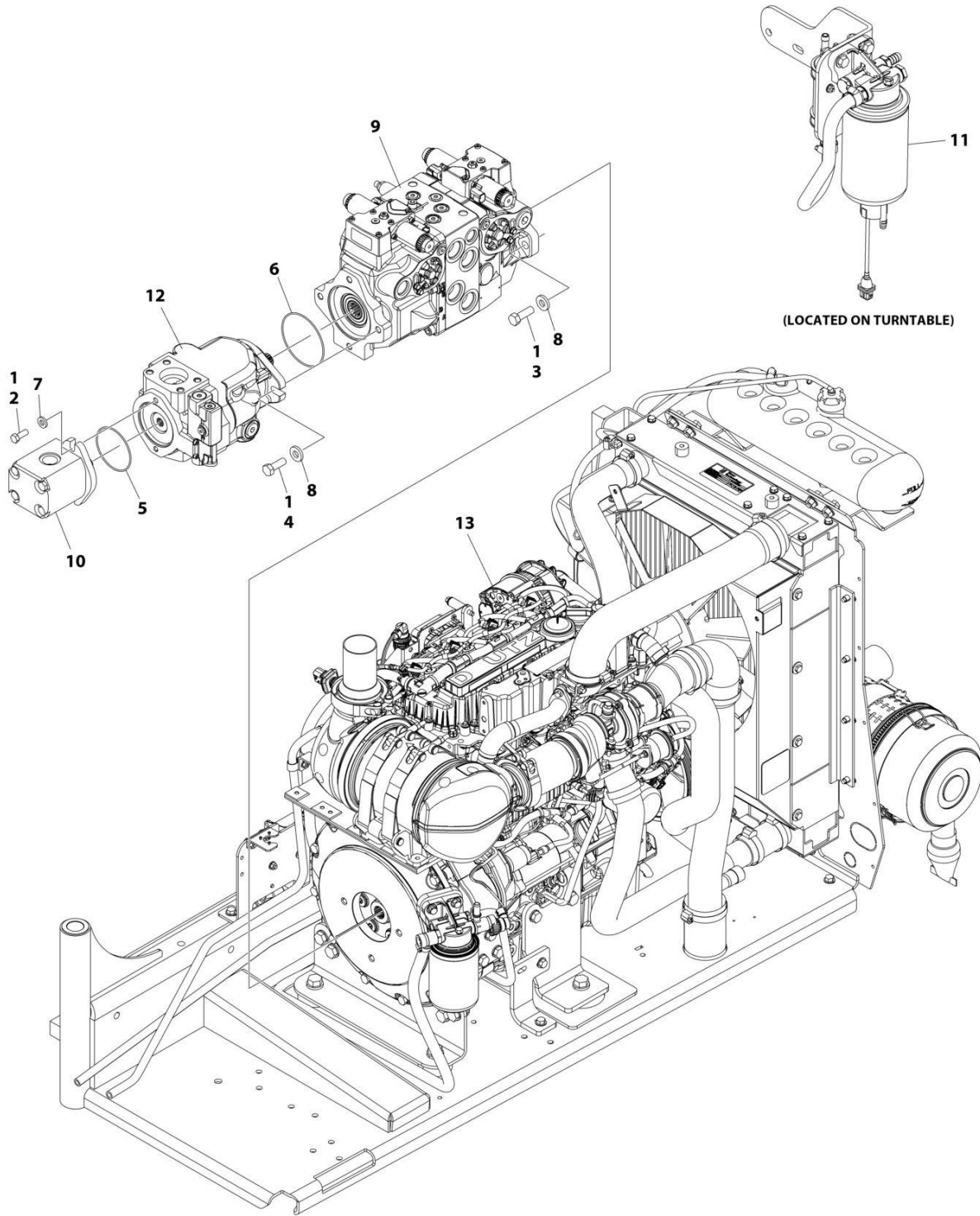
SECTION 3 - ENGINE

FIGURE 3-45. DEUTZ D2.9L4 EMR5 ENGINE SUB-ASSEMBLY WITH SAUER PUMPS (WITH COLD WEATHER PLUS PACKAGE)

ITEM	PART NUMBER	QTY	DESCRIPTION	REV
	1001302757	Ref	ENGINE SUB-ASSEMBLY EMR5 WITH SAUER PUMPS (WITH COLD WEATHER PLUS PACKAGE)	B
1	0100011	AR	Compound, Locking	
2	0641608	2	Bolt 3/8 x 1	
3	0641812	2	Bolt 1/2 x 1-1/2	
4	0761215	2	Bolt M12 x 35	
5	3790152	1	O-Ring	
6	3790155	1	O-Ring	
7	4891600	2	Washer 3/8	
8	4891800	4	Washer 1/2	
9	1001108616	1	Pump Assembly - Sauer Tandem (See Separate Breakdown in this Section)	
10	1001112927	1	Pump Assembly - Sauer Gear (See Separate Breakdown in this Section)	
11	1001165101	1	Bracket, Fuel Pump Filter Assembly (See Separate Breakdown in this Section)	
12	1001171095	1	Pump Assembly - Sauer Piston (See Separate Breakdown in this Section)	
13	1001301590	1	Engine Assembly (See Separate Breakdown in this Section)	

SECTION 3 - ENGINE

FIGURE 3-46. DEUTZ D2.9L4 EMR5 ENGINE SUB-ASSEMBLY WITH SAUER PUMPS (WITHOUT COLD WEATHER PLUS PACKAGE)



ART_1001302756

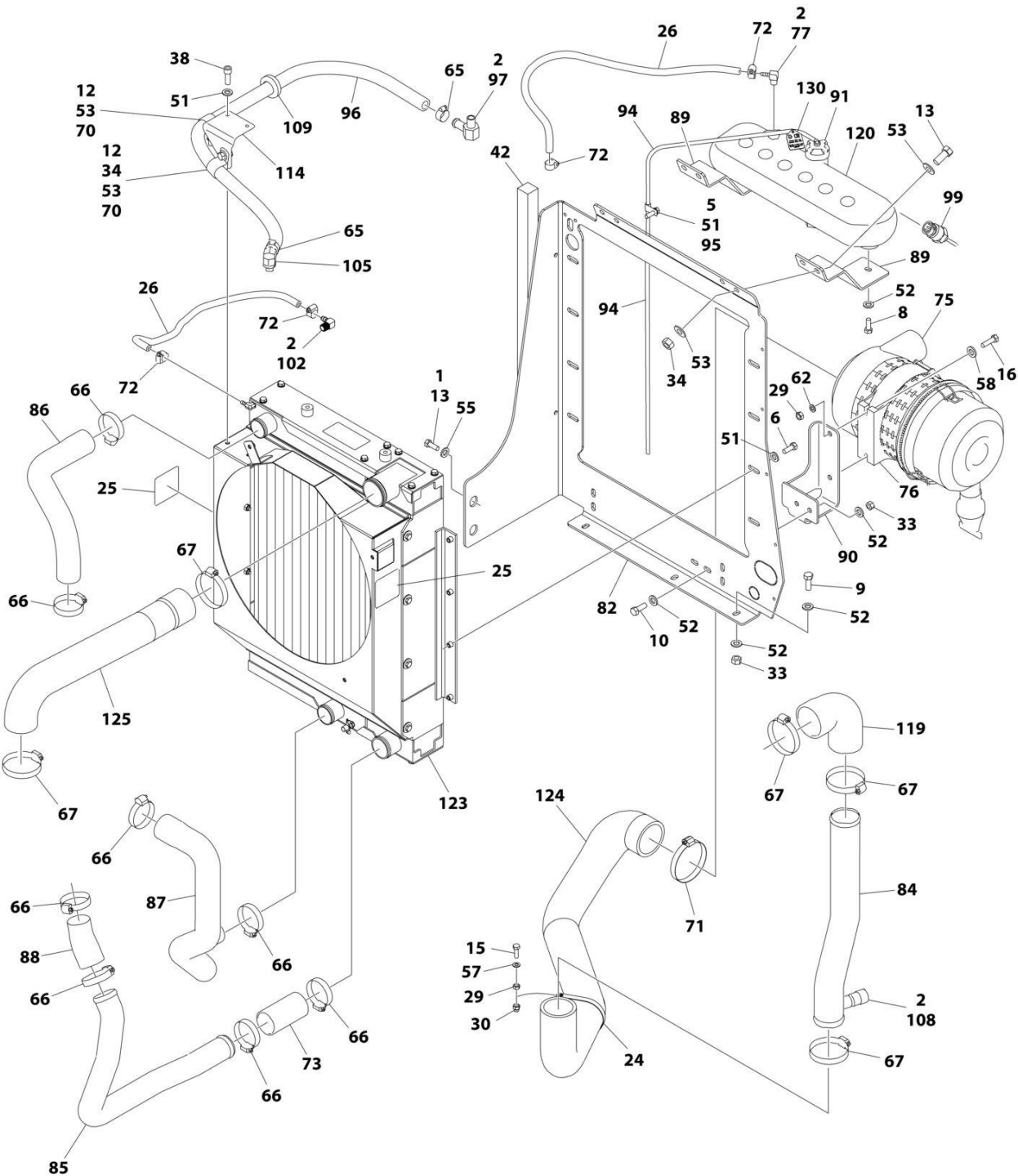
SECTION 3 - ENGINE

FIGURE 3-46. DEUTZ D2.9L4 EMR5 ENGINE SUB-ASSEMBLY WITH SAUER PUMPS (WITHOUT COLD WEATHER PLUS PACKAGE)

ITEM	PART NUMBER	QTY	DESCRIPTION	REV
	1001302756	Ref	ENGINE SUB-ASSEMBLY EMR5 WITH SAUER PUMPS (WITHOUT COLD WEATHER PLUS PACKAGE)	B
1	0100011	AR	Compound, Locking	
2	0641608	2	Bolt 3/8 x 1	
3	0641812	2	Bolt 1/2 x 1-1/2	
4	0761215	2	Bolt M12 x 35	
5	3790152	1	O-Ring	
6	3790155	1	O-Ring	
7	4891600	2	Washer 3/8	
8	4891800	4	Washer 1/2	
9	1001108616	1	Pump Assembly - Sauer Tandem (See Separate Breakdown in this Section)	
10	1001112927	1	Pump Assembly - Sauer Gear (See Separate Breakdown in this Section)	
11	1001165101	1	Bracket, Fuel Pump Filter Assembly (See Separate Breakdown in this Section)	
12	1001171095	1	Pump Assembly - Sauer Piston (See Separate Breakdown in this Section)	
13	1001301546	1	Engine Assembly (See Separate Breakdown in this Section)	

SECTION 3 - ENGINE

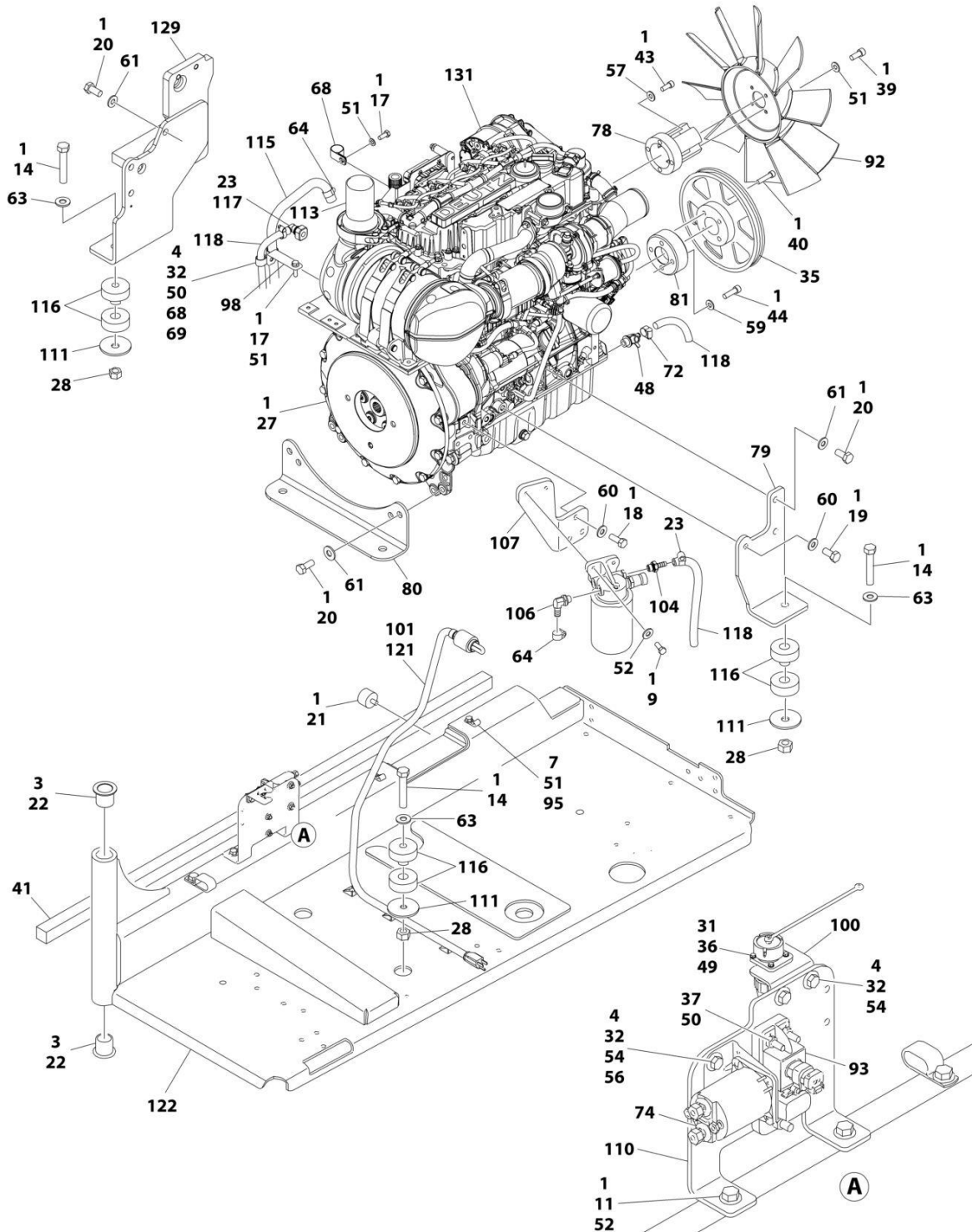
FIGURE 3-47. DEUTZ D2.9L4 EMR ENGINE ASSEMBLY (WITH COLD WEATHER PLUS PACKAGE)



ART_1001301590_10F2

SECTION 3 - ENGINE

FIGURE 3-48. DEUTZ D2.9L4 EMR ENGINE ASSEMBLY (WITH COLD WEATHER PLUS PACKAGE)



ART_1001301590_20F2

SECTION 3 - ENGINE

FIGURE 3-48. DEUTZ D2.9L4 EMR ENGINE ASSEMBLY (WITH COLD WEATHER PLUS PACKAGE)

ITEM	PART NUMBER	QTY	DESCRIPTION	REV
	1001301590	Ref	TCD2.9L4 EMR5 ENGINE ASSEMBLY (WITH COLD WEATHER PLUS PACKAGE)	B
1	0100011	AR	Compound, Locking	
2	0100020	AR	Sealant, Pipe	
3	0100062	AR	Adhesive	
4	0641406	5	Bolt 1/4 x 3/4	
5	0641503	1	Bolt 5/16 x 3/8	
6	0641508	8	Bolt 5/16 x 1	
7	0641510	2	Bolt 5/16 x 1-1/4	
8	0641606	2	Bolt 3/8 x 3/4	
9	0641608	9	Bolt 3/8 x 1	
10	0641610	2	Bolt 3/8 x 1-1/4	
11	0641612	2	Bolt 3/8 x 1-1/2	
12	0641706	2	Bolt 7/16 x 3/4	
13	0641708	6	Bolt 7/16 x 1	
14	0682028	4	Bolt 5/8 x 3-1/2	
15	0700812	1	Bolt M8 x 25	
16	0700815	2	Bolt M8 x 35	
17	0760810	2	Bolt M8 x 20	
18	0761214	3	Bolt M12 x 30	
19	0771212	1	Bolt M12 x 25	
20	0771414	9	Bolt M14 x 30	
21	0940070	1	Bumper	
22	0961986	2	Bearing	
23	1320022	2	Clamp	
24	1321289	1	Clamp	
25	1703162	2	Decal - Fan Blade	
26	2720015	5 ft /1.5 m	Hose	
27	2902065	1	Pump Coupling Kit (See Separate Breakdown in this Section)	
28	3272001	4	Nut 5/8	
29	3290801	3	Nut M8	
30	3290806	1	Nut M8	
31	3310401	3	Nut #4	
32	3311405	6	Nut 1/4	
33	3311605	9	Nut 3/8	
34	3311705	5	Nut 7/16	
35	3580320	1	Pulley	
36	3910408	3	Screw #4 x 1/2	
37	3931432	1	Capscrew 1/4 x 2	
38	3931508	2	Capscrew 5/16 x 1/2	
39	3931512	4	Capscrew 5/16 x 3/4	
40	3931628	4	Capscrew 3/8 x 1-3/4	
41	3960543	1	Seal	
42	3960544	1	Seal	
43	4031914	4	Bolt M8 x 50	
44	4032014	4	Bolt M10 x 50	
45	4240032	AR	Tie-Strap (Not Shown)	
46	4240099	AR	Tie-Strap (Not Shown)	
47	4460234	3	Mount, Tie-Strap (Not Shown)	
48	4640751	1	Valve, Oil Drain	

SECTION 3 - ENGINE

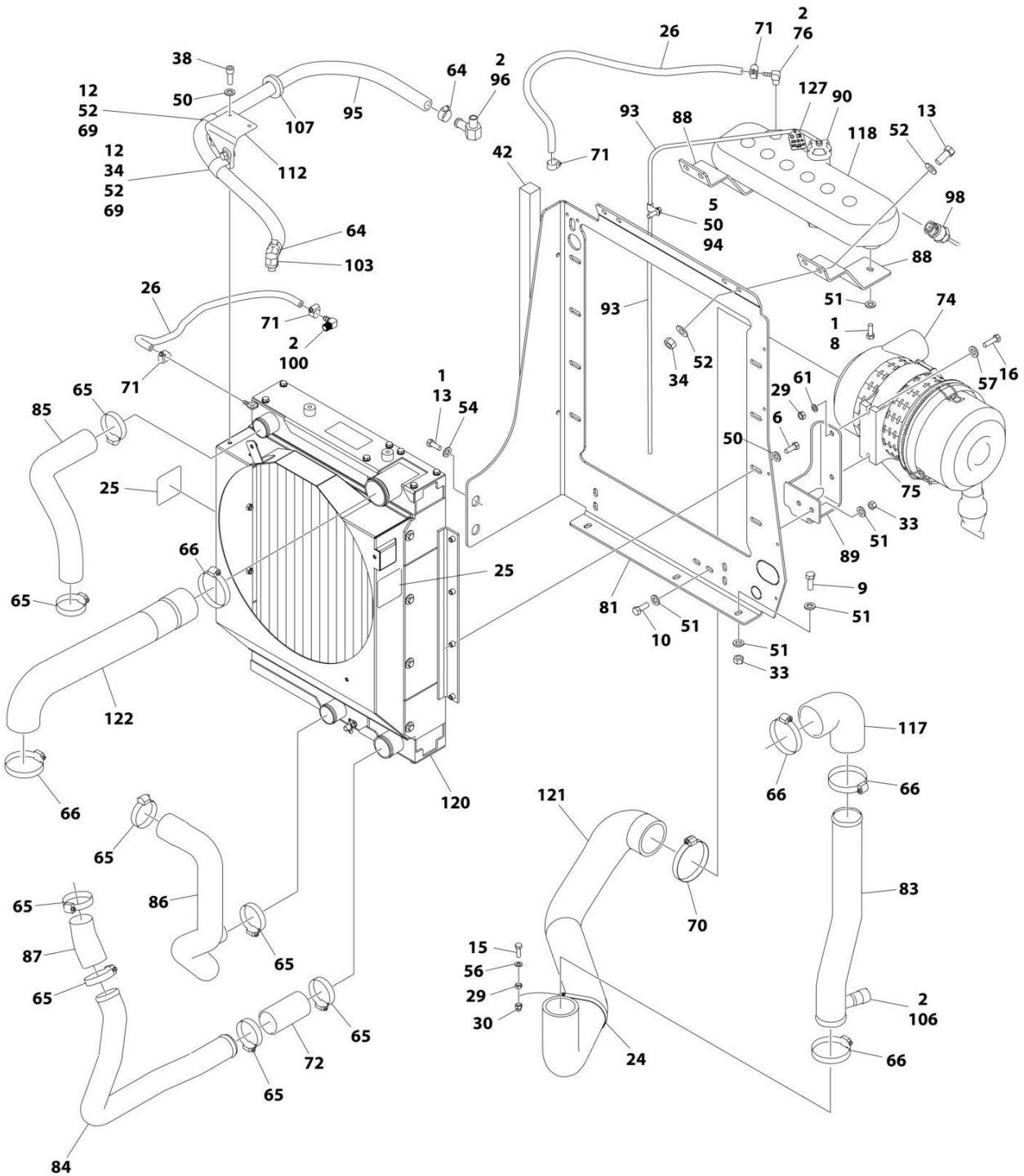
ITEM	PART NUMBER	QTY	DESCRIPTION	REV
49	4710400	3	Washer #4	
50	4711400	3	Washer 1/4	
51	4711500	19	Washer 5/16	
52	4711600	24	Washer 3/8	
53	4711700	10	Washer 7/16	
54	4751400	8	Washer 1/4	
55	4751700	2	Washer 7/16	
56	4791400	2	Washer, Star 1/4	
57	4811900	5	Washer M8	
58	4811902	2	Washer M8	
59	4812000	4	Washer M10	
60	4812100	4	Washer M12	
61	4812200	9	Washer M14	
62	4831900	2	Washer M8	
63	4892000	4	Washer 5/8	
64	8405006	2	Clamp	
65	8405007	2	Clamp	
66	8405201	8	Clamp	
67	8405204	5	Clamp	
68	8406102	2	Clip	
69	8406112	1	Clip	
70	8406302	2	Clamp	
71	8410011	1	Clamp	
72	8410013	5	Clamp	
73	91563070	1	Coupling, Rubber	
74	1001117308	1	Relay	
75	1001133633	1	Filter, Air	
75	70024190	1	Element, Filter	
76	1001133634	1	Clamp	
77	1001134488	1	Fitting, 90 Barbed	
78	1001135138	1	Spacer, Fan	
79	1001135560	1	Support	
80	1001135562	1	Support	
81	1001135679	1	Spacer, Pulley	
82	1001135680	1	Support	
83	1001135779	1	Cable, Alternator (Not Shown)	
84	1001135901	1	Pipe	
85	1001135913	1	Pipe	
86	1001135924	1	Hose (Upper)	
87	1001135926	1	Hose (Lower)	
88	1001135943	1	Coupling, Rubber	
89	1001136626	2	Bracket	
90	1001136665	1	Bracket	
91	1001136834	1	Cap	
92	1001137276	1	Fan	
93	1001138228	1	Module, Power	
93	70023592	1	Fuse 20Amp	
93	70023593	1	Fuse 30Amp	
94	1001138248	4 ft /1.2 m	Tube	
95	1001138253	5	Clamp	
96	1001138524	1	Hose	

SECTION 3 - ENGINE

ITEM	PART NUMBER	QTY	DESCRIPTION	REV
97	1001138559	1	Fitting, 90	
98	1001138717	1	Bracket	
99	1001138827	1	Sensor	
100	1001139240	1	Bracket	
101	1001140312	1	Heater, Engine Block	
102	1001140564	1	Fitting, 90 Barbed	
103	1001141304	1	Wire, Glow Plug (Not Shown)	
104	1001141717	1	Fitting, Straight	
105	1001141719	1	Fitting, 90 Barbed	
106	1001142501	1	Fitting, 90 Barbed	
107	1001142685	1	Bracket	
108	1001143390	1	Indicator	
109	1001144089	1	Grommet	
110	1001145154	1	Plate	
111	1001146219	4	Washer	
112	1001148843	1	Harness, Fuel Filter (Not Shown) (See Separate Breakdown in ELECTRICAL Section)	
113	1001153024	1	Pipe, Exhaust	
114	1001153387	1	Plate	
115	1001154405	5 ft /1.6 m	Hose	
116	1001155575	4	Mount	
117	1001155823	1	Coupling, 90 Quick Connect	
118	1001165035	31 ft /10 m	Hose	
119	1001165820	1	Hose	
120	1001166393	1	Tank	
121	1001181895	AR	Adhesive	
122	1001191272	1	Support	
123	1001256864	1	Radiator	
124	1001264917	1	Hose	
125	1001264982	1	Hose	
126	1001276646	1	Harness, Engine (Not Shown) (See Separate Breakdown in ELECTRICAL Section)	
127	1001281985	1	Connector (Not Shown)	
128	1001281986	1	Connector (Not Shown)	
129	1001283008	1	Mount	
130	1001291401	1	Tag, Coolant	
131	1001301545	1	Engine Deutz TCD2.9L4 (EMR5) (See Separate Breakdown in this Section)	

SECTION 3 - ENGINE

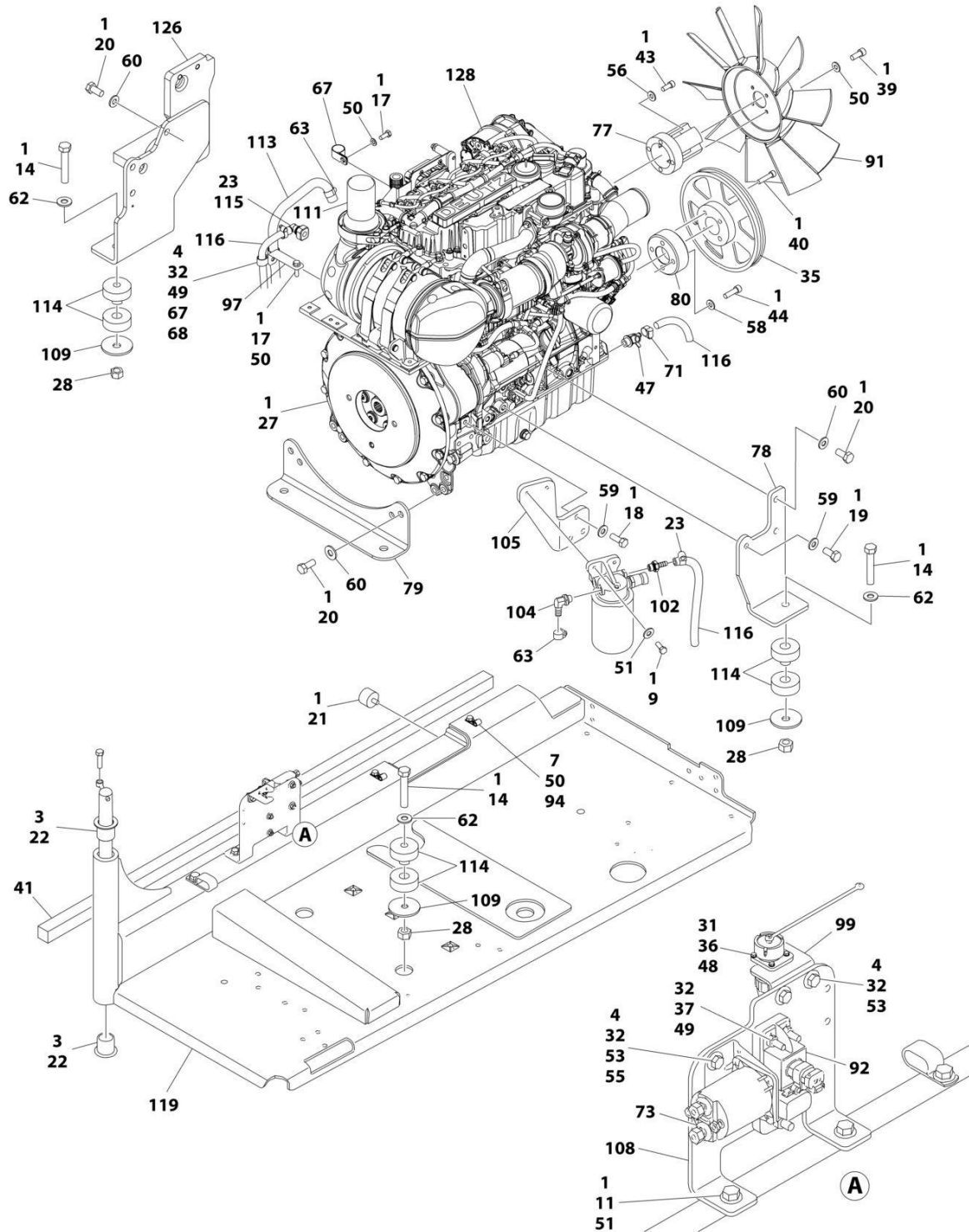
FIGURE 3-49. DEUTZ D2.9L4 EMR ENGINE ASSEMBLY (WITHOUT COLD WEATHER PLUS PACKAGE)



ART_1001301546_10F2

SECTION 3 - ENGINE

FIGURE 3-50. DEUTZ D2.9L4 EMR ENGINE ASSEMBLY (WITHOUT COLD WEATHER PLUS PACKAGE)



ART_1001301546_20F2

SECTION 3 - ENGINE

FIGURE 3-50. DEUTZ D2.9L4 EMR ENGINE ASSEMBLY (WITHOUT COLD WEATHER PLUS PACKAGE)

ITEM	PART NUMBER	QTY	DESCRIPTION	REV
	1001301546	Ref	TCD2.9L4 EMR5 ENGINE ASSEMBLY (WITHOUT COLD WEATHER PLUS PACKAGE)	B
1	0100011	AR	Compound, Locking	
2	0100020	AR	Sealant, Pipe	
3	0100062	AR	Adhesive	
4	0641406	5	Bolt 1/4 x 3/4	
5	0641503	1	Bolt 5/16 x 3/8	
6	0641508	8	Bolt 5/16 x 1	
7	0641510	2	Bolt 5/16 x 1-1/4	
8	0641606	2	Bolt 3/8 x 3/4	
9	0641608	9	Bolt 3/8 x 1	
10	0641610	2	Bolt 3/8 x 1-1/4	
11	0641612	2	Bolt 3/8 x 1-1/2	
12	0641706	2	Bolt 7/16 x 3/4	
13	0641708	6	Bolt 7/16 x 1	
14	0682028	4	Bolt 5/8 x 3-1/2	
15	0700812	1	Bolt M8 x 25	
16	0700815	2	Bolt M8 x 35	
17	0760810	2	Bolt M8 x 20	
18	0761214	3	Bolt M12 x 30	
19	0771212	1	Bolt M12 x 25	
20	0771414	9	Bolt M14 x 30	
21	0940070	1	Bumper	
22	0961986	2	Bearing	
23	1320022	2	Clamp	
24	1321289	1	Clamp	
25	1703162	2	Decal - Fan Blade	
26	2720015	5 ft / 1.5 m	Hose	
27	2902065	1	Pump Coupling Kit (See Separate Breakdown in this Section)	
28	3272001	4	Nut 5/8	
29	3290801	3	Nut M8	
30	3290806	1	Nut M8	
31	3310401	3	Nut #4	
32	3311405	6	Nut 1/4	
33	3311605	9	Nut 3/8	
34	3311705	5	Nut 7/16	
35	3580320	1	Pulley	
36	3910408	3	Screw #4 x 1/2	
37	3931432	1	Capscrew 1/4 x 2	
38	3931508	2	Capscrew 5/16 x 1/2	
39	3931512	4	Capscrew 5/16 x 3/4	
40	3931628	4	Capscrew 3/8 x 1-3/4	
41	3960543	1	Seal	
42	3960544	1	Seal	
43	4031914	4	Bolt M8 x 50	
44	4032014	4	Bolt M10 x 50	
45	4240032	AR	Tie-Strap (Not Shown)	
46	4240099	AR	Tie-Strap (Not Shown)	
47	4640751	1	Valve, Oil Drain	

SECTION 3 - ENGINE

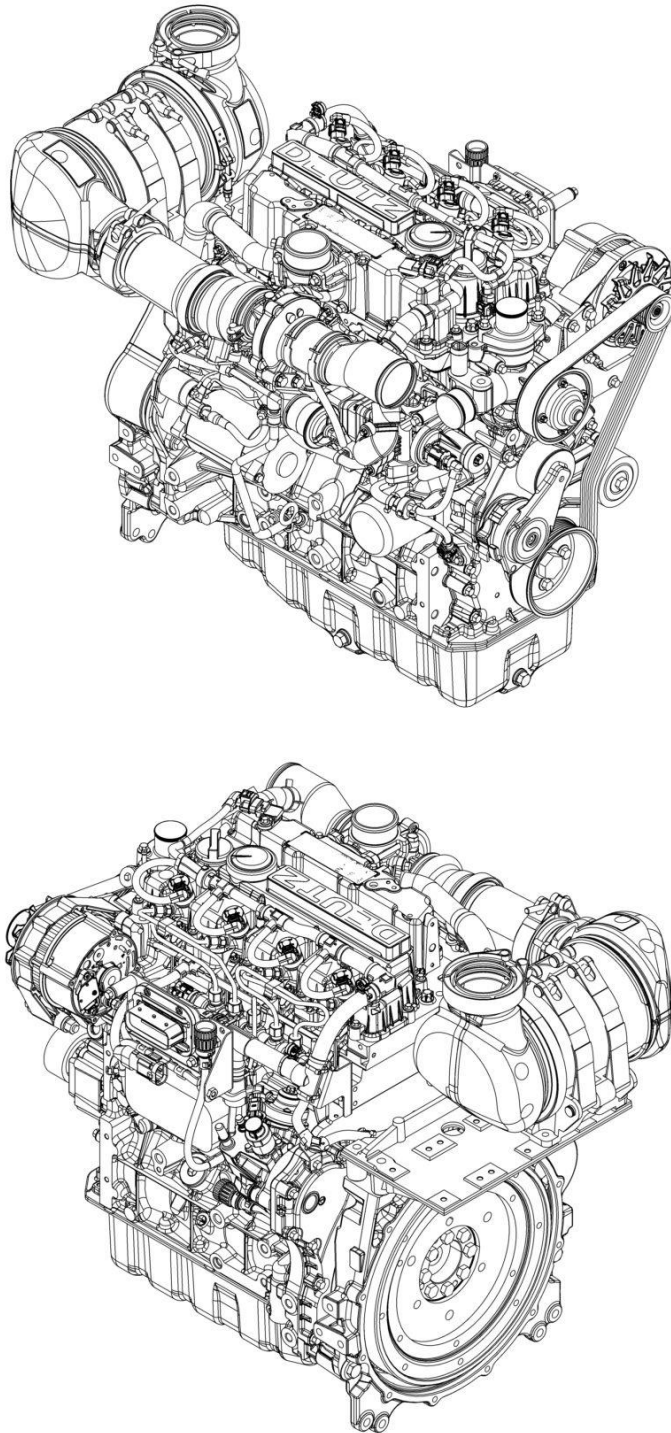
ITEM	PART NUMBER	QTY	DESCRIPTION	REV
48	4710400	3	Washer #4	
49	4711400	3	Washer 1/4	
50	4711500	19	Washer 5/16	
51	4711600	24	Washer 3/8	
52	4711700	10	Washer 7/16	
53	4751400	8	Washer 1/4	
54	4751700	2	Washer 7/16	
55	4791400	2	Washer, Star 1/4	
56	4811900	5	Washer M8	
57	4811902	2	Washer M8	
58	4812000	4	Washer M10	
59	4812100	4	Washer M12	
60	4812200	9	Washer M14	
61	4831900	2	Washer M8	
62	4892000	4	Washer 5/8	
63	8405006	2	Clamp	
64	8405007	2	Clamp	
65	8405201	8	Clamp	
66	8405204	5	Clamp	
67	8406102	2	Clip	
68	8406112	1	Clip	
69	8406302	2	Clamp	
70	8410011	1	Clamp	
71	8410013	5	Clamp	
72	91563070	1	Coupling, Rubber	
73	1001117308	1	Relay	
74	1001133633	1	Filter, Air	
74	70024190	1	Element, Filter	
75	1001133634	1	Clamp	
76	1001134488	1	Fitting, 90 Barbed	
77	1001135138	1	Spacer, Fan	
78	1001135560	1	Support	
79	1001135562	1	Support	
80	1001135679	1	Spacer, Pulley	
81	1001135680	1	Support	
82	1001135779	1	Cable, Alternator (Not Shown)	
83	1001135901	1	Pipe	
84	1001135913	1	Pipe	
85	1001135924	1	Hose (Upper)	
86	1001135926	1	Hose (Lower)	
87	1001135943	1	Coupling, Rubber	
88	1001136626	2	Bracket	
89	1001136665	1	Bracket	
90	1001136834	1	Cap	
91	1001137276	1	Fan	
92	1001138228	1	Module, Power	
92	70023592	1	Fuse 20Amp	
92	70023593	1	Fuse 30Amp	
93	1001138248	4 ft /1.2 m	Tube	
94	1001138253	5	Clamp	
95	1001138524	1	Hose	

SECTION 3 - ENGINE

ITEM	PART NUMBER	QTY	DESCRIPTION	REV
96	1001138559	1	Fitting, 90	
97	1001138717	1	Bracket	
98	1001138827	1	Sensor	
99	1001139240	1	Bracket	
100	1001140564	1	Fitting, 90 Barbed	
101	1001141304	1	Wire, Glow Plug (Not Shown)	
102	1001141717	1	Fitting, Straight	
103	1001141719	1	Fitting, 90 Barbed	
104	1001142501	1	Fitting, 90 Barbed	
105	1001142685	1	Bracket	
106	1001143390	1	Indicator	
107	1001144089	1	Grommet	
108	1001145154	1	Plate	
109	1001146219	4	Washer	
110	1001148843	1	Harness, Fuel Filter (Not Shown) (See Separate Breakdown in ELECTRICAL Section)	
111	1001153024	1	Pipe, Exhaust	
112	1001153387	1	Plate	
113	1001154405	5 ft /1.6 m	Hose	
114	1001155575	4	Mount	
115	1001155823	1	Coupling, 90 Quick Connect	
116	1001165035	31 ft /10 m	Hose	
117	1001165820	1	Hose	
118	1001166393	1	Tank	
119	1001191272	1	Support	
120	1001256864	1	Radiator	
121	1001264917	1	Hose	
122	1001264982	1	Hose	
123	1001276646	1	Harness, Engine (Not Shown) (See Separate Breakdown in ELECTRICAL Section)	
124	1001281985	1	Connector (Not Shown)	
125	1001281986	1	Connector (Not Shown)	
126	1001283008	1	Mount	
127	1001291401	1	Tag, Coolant	
128	1001301545	1	Engine Deutz TCD2.9L4 (EMR5) (See Separate Breakdown in this Section)	

SECTION 3 - ENGINE

FIGURE 3-51. DEUTZ TCD2.9L4 (EMR5) ENGINE COMPONENTS



ART_1001301545

SECTION 3 - ENGINE

FIGURE 3-51. DEUTZ TCD2.9L4 (EMR5) ENGINE COMPONENTS

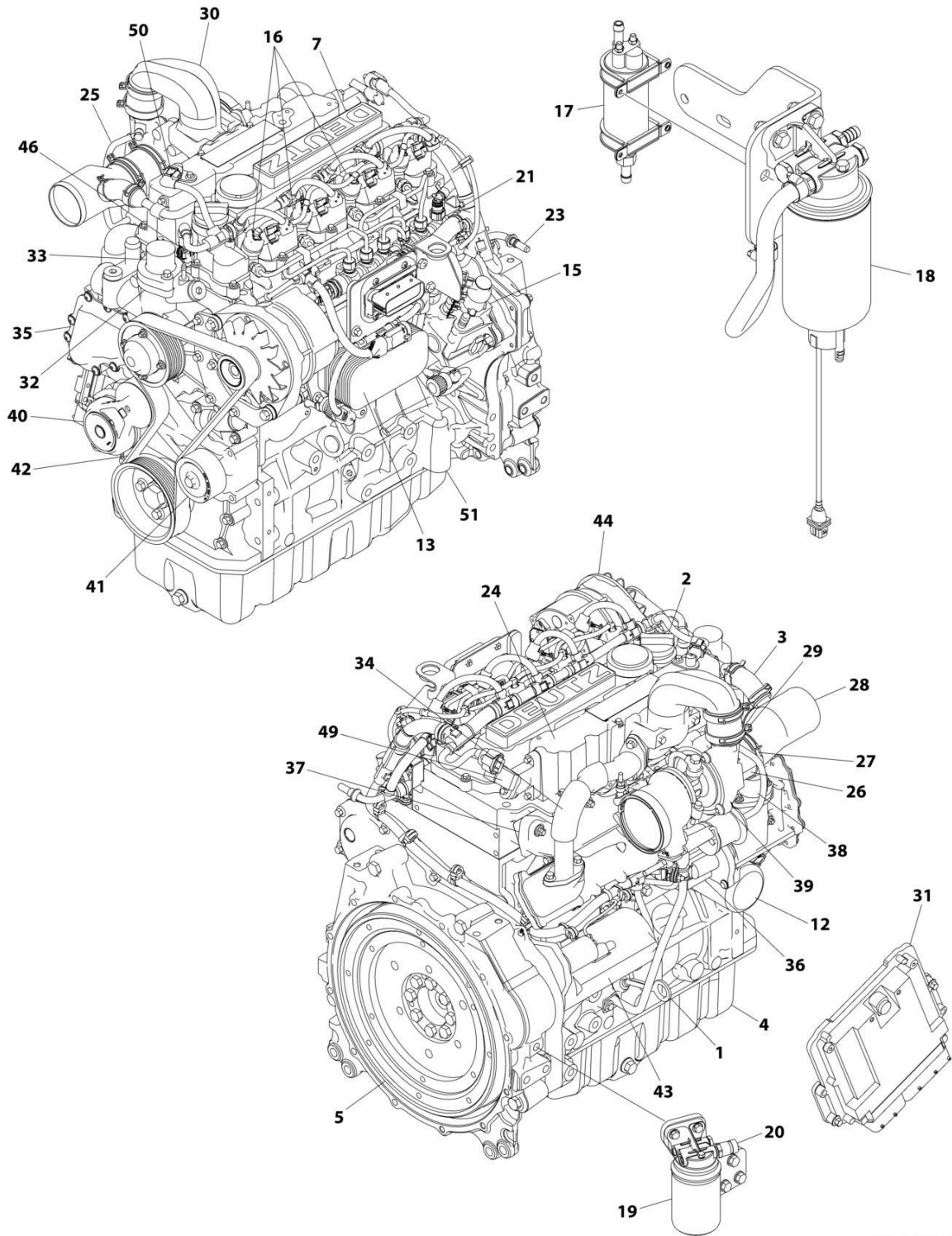
ITEM	PART NUMBER	QTY	DESCRIPTION	REV
	1001301545	Ref	ENGINE COMPONENTS - DEUTZ TCD2.9L4 EMR5 ENGINE	A
	See Note	Ref	Note: Additional components may be available. Contact JLG Customer Service for more details.	
		Ref	COOLING SYSTEM COMPONENTS	
	70030360	1	Pump, Coolant (Includes Plug, Rings & Gaskets)	
	70031055	1	O-Ring, Coolant Pump	
	7020492	1	Seal, Plug	
	70007325	1	Gasket	
	70007603	1	Thermostat	
	70005184	1	O-Ring, Thermostat	
	70005931	1	Gasket, Thermostat	
	70025142	1	Cover, Thermostat	
		Ref	ELECTRICAL SYSTEM COMPONENTS	
	70024513	1	Cable, Pre-Filter Sensor	
	70024504	1	Sensor, Secondary Fuel Filter	
	70029512	1	Module, ECU/ECM	
	70031144	1	Starter	
	70031142	1	Alternator (includes Regulator)	
	70031143	1	Regulator	
	70000345	4	Plug, Glow	
	70025231	1	Harness, Glow Plug (Not Shown)	
	70008436	1	Harness, Engine	
	70028540	1	Sender, Temperature	
	70024504	1	Sensor, Pressure (includes O-Ring)	
	70026210	2	Sensor, Speed (Includes O-Ring)	
	70024507	1	Sensor, Pressure (includes O-Ring) (Air Charge Manifold)	
		Ref	EXHAUST SYSTEM COMPONENTS	
	70025164	1	Gasket, Exhaust Manifold to Head	
	70029557	1	Gasket, Exhaust Manifold to 1st Exhaust Pipe	
	70007354	1	Gasket, 1st Exhaust Pipe to beyond	
	70031095	2	Gasket, EGR Module to Air Charge Manifold	
	70025130	8	Bolt, Exhaust Manifold	
	70031137	1	Module, EGR	
	70007328	1	Turbocharger	
	70004504	1	Compensator	
	70007330	1	Inlet, Catalyst (Includes Clamp & Gasket)	
	70029517	1	Clamp	
	70029520	1	Gasket	
	70007331	1	Outlet, Catalyst	
		Ref	FUEL SYSTEM COMPONENTS	
	1001225431	1	Filter, Secondary Spin-on	
	1001225430	1	Filter, Pre-Filter Fuel	
	70030381	1	Pump, High Pressure (Includes O-Rings, Gaskets, Overflow valve & Volume Control Valve)	
	70004505	1	Valve, Overflow	
	70004508	1	Valve, Volume Control	
	70025181	4	Injector, Fuel (Includes O-Ring & Sealing Washer)	
	70008422	1	Pump, Fuel Supply (Includes Clamps)	
	70025144	2	Clamp	

SECTION 3 - ENGINE

ITEM	PART NUMBER	QTY	DESCRIPTION	REV
		Ref	GASKETS & SEAL & KITS (Note: Some components listed with main component)	
	70005938	1	Gasket Kit	
	70024906	1	Gasket, Head	
	70025205	1	Gasket, Valve Cover	
	70002718	1	Seal, Rear Gear Case	
	70028185	1	Gasket, Front Cover	
	70008296	1	Seal, Front Cover	
	70005176	1	O-Ring, Air Charge Manifold	
	70005177	1	Gasket, Air Charge Manifold	
		Ref	LUBRICATION SYSTEM COMPONENTS	
	7016331	1	Filter, Oil	
	70024904	1	Dipstick (Includes Seal)	
	70024905	1	Seal	
	7020465	2	Cap, Filler	
	70005941	2	Plug, Oil Pan	
	70005942	2	Seal, Oil Pan Plug	
	70005172	1	Pump, Oil Lube (Includes O-Ring & Gasket)	
	70025135	1	O-Ring	
	70005173	1	Gasket	
	70031474	1	Cooler, Oil	
	70031388	1	Seal, Oil Cooler	
		Ref	MECHANICAL COMPONENTS	
	70001870	1	Flywheel (Includes Ring Gear)	
	7024579	1	Gear, Ring	
	70028699	1	Belt Tensioner	
	70027432	1	Idler	
	70025733	1	Pulley, Ribbed Belt	
	70004277	1	Belt, Drive	

SECTION 3 - ENGINE

FIGURE 3-52. DEUTZ TCD2.9L4 ENGINE COMPONENTS (CHINA SPEC ONLY)



ART_1001219642

SECTION 3 - ENGINE

FIGURE 3-52. DEUTZ TCD2.9L4 ENGINE COMPONENTS (CHINA SPEC ONLY)

ITEM	PART NUMBER	QTY	DESCRIPTION	REV
	1001219642	Ref	DEUTZ TD2.9L4 ENGINE COMPONENTS	D
1	70006127	1	Dipstick	
1	70024905	1	O-Ring	
2	7020465	2	Cap, Filler	
3	70005920	1	Hose	
3	70025111	2	Clamp	
4	70025162	1	Pan, Oil	
4	70005941	2	Plug	
4	70005942	2	Washer, Sealing	
5	70001870	1	Flywheel	
5	7024579	1	Gear, Ring	
6	70024906	1	Gasket, Head (Not Shown)	
7	70005921	1	Cover, Valve	
7	70025205	1	Gasket	
7	70005171	1	Gasket	
8	70025076	1	Valve (Not Shown - Located on Right Side of Front Engine Cover)	
8	70025176	1	Spring	
8	70025082	1	Ring, Sealing	
8	70025091	1	Plug	
9	70004280	1	Seal, Shaft - Front (Not Shown)	
10	70002718	1	Seal, Shaft - Rear (Not Shown)	
11	70005172	1	Pump, Oil Lube (Not Shown)	
11	70025135	1	O-Ring	
11	70005173	1	Gasket	
12	7016331	1	Filter, Oil	
12	70025137	1	Bushing	
13	70024494	1	Cooler, Engine Oil (Not Shown - Located on Right Side)	
13	70024925	1	Gasket	
14	70025171	1	Oil Suction Pump (Not Shown - Located Inside of Engine Oil Pan)	
15	70024924	1	Pump, Fuel	
15	70025152	1	O-Ring	
15	70025080	1	Washer	
15	70024488	1	Spacer	
15	70024517	1	O-Ring	
16	70025181	4	Injector, Fuel (Not Shown - Located on Right Side)	
16	70025140	4	Washer, Sealing	
16	70025146	4	Clamp (Top of Injector)	
16	70025145	4	O-Ring	
16	70025154	4	Shoe, Clamping	
16	70000345	1	Plug, Glow (Not Shown)	
16	70025231	1	Harness, Glow Plug (Not Shown)	
17	70005174	NLA	Pump, Fuel (Use p/n 1001226098)	
17	70025144	2	Clamp	
18	70024961	1	Fuel Filter Assembly	
18	70025153	NLA	Filter, Fuel (Use p/n 1001225430)	
18	70024513	1	Cable, Sensor	
18	70025239	1	Ring, Sealing	
19	70004511	1	Filter with Head	
19	70004512	NLA	Filter, Fuel (Use p/n 1001225432)	
20	70024504	1	Sensor, Pressure	

SECTION 3 - ENGINE

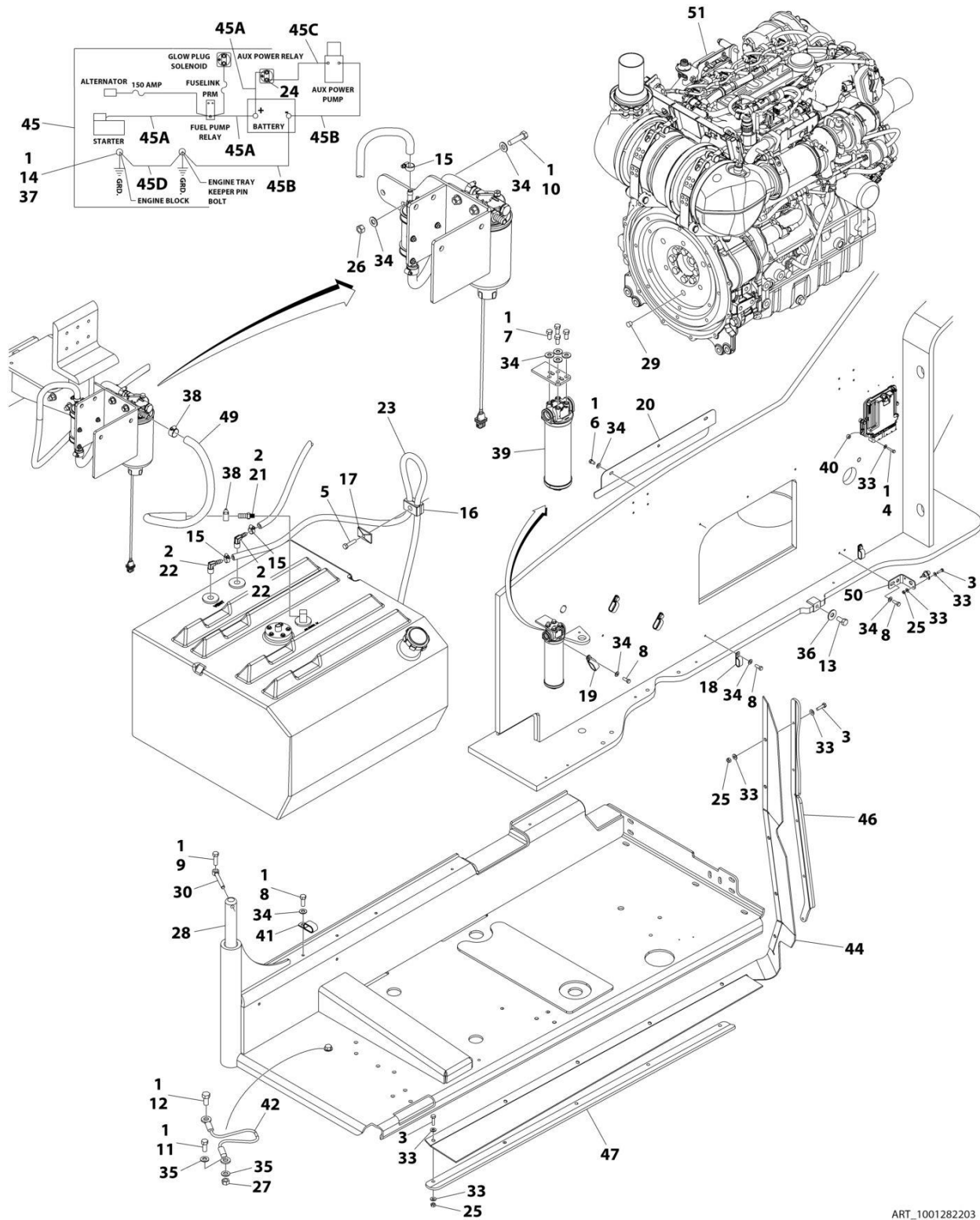
ITEM	PART NUMBER	QTY	DESCRIPTION	REV
20	70024920	1	O-Ring	
21	70025151	1	Rail, Fuel	
21	70025235	1	Repair Kit	
21	70025240	1	O-Ring	
22	70025182	1	Fuel Line - High Pressure (Cylinder 1 & 2) (Not Shown)	
22	70025183	1	Fuel Line - High Pressure (Cylinder 3 & 4) (Not Shown)	
22	70025184	1	Fuel Line - High Pressure (Supply) (Not Shown)	
23	70025158	1	Manifold, Fuel	
23	70025109	2	Clamp	
23	70025115	1	Clamp	
23	70025133	1	Hose	
23	70024502	1	Pipe	
23	70025185	1	Hose	
23	70025101	2	Clamp	
24	70005923	1	Charge Air Pipe	
24	70005924	1	O-Ring	
24	70005177	1	Gasket	
25	70005925	1	Breather Line	
25	70005181	1	O-Ring	
26	70004501	1	Sleeve, Rubber	
27	70025112	2	Clamp	
28	70005926	1	Elbow Connector	
29	70005927	1	Sleeve, Rubber	
29	70025107	2	Clamp	
30	70005928	1	Charge Air Elbow	
31	70025210	1	ECU (Engine Control Unit)	
32	70024910	1	Pump, Water	
32	70025200	1	Ring, Sealing	
32	70025084	2	Plug	
32	7020492	2	Ring, Sealing	
33	70005929	1	Thermostat	
33	70005184	1	O-Ring	
33	70025142	1	Cover, Thermostat	
33	70025931	1	Gasket	
34	70025178	1	Pipe	
34	70025768	1	Valve, Shuttle	
34	70025179	2	Gasket	
34	70025180	1	Gasket	
35	70025203	1	Module, EGR (Includes Item 36)	
35	70025155	1	Plug	
36	70005188	1	Control Valve	
36	70005189	1	Seal	
37	70004282	1	Manifold, Exhaust	
37	70025164	1	Gasket, Exhaust Manifold to Head	
38	70026995	1	Pipe (Not Shown - Located on Left Side)	
38	70021895	2	Gasket	
39	70004276	1	Turbocharger	
39	70024912	1	Gasket, Exhaust Manifold	
39	70024509	1	Gasket, Return Line	
40	70025477	1	Tensioner, Belt	
41	70024484	1	Idler Roller	

SECTION 3 - ENGINE

ITEM	PART NUMBER	QTY	DESCRIPTION	REV
42	70004277	1	Belt, Drive	
43	70024915	1	Starter	
43	70005647	1	Switch, Solenoid	
43	70005648	1	Relay	
44	70025533	1	Generator	
44	70025149	1	Regulator, Voltage	
45	70025077	1	Harness, Engine (Not Shown)	
46	70024918	1	Sender, Temperature	
47	70024504	1	Sensor, Pressure (Not Shown - Located on Right Side)	
47	70024920	1	O-Ring	
48	70026210	2	Sensor, Speed (Not Shown - Located Left Side Front and Flywheel Housing)	
48	70005191	2	O-Ring	
49	70024507	1	Sensor, Pressure (Not Shown - Located Top Rear)	
49	70025120	1	O-Ring	
50	70024922	1	Temperature, Transmitter	
50	70035212	1	O-Ring	
51	70025660	1	Screw	

SECTION 3 - ENGINE

FIGURE 3-53. DEUTZ TCD2.9L4 (CHINA IV) ENGINE INSTALLATION



ART_1001282203

SECTION 3 - ENGINE

FIGURE 3-53. DEUTZ TCD2.9L4 (CHINA IV) ENGINE INSTALLATON

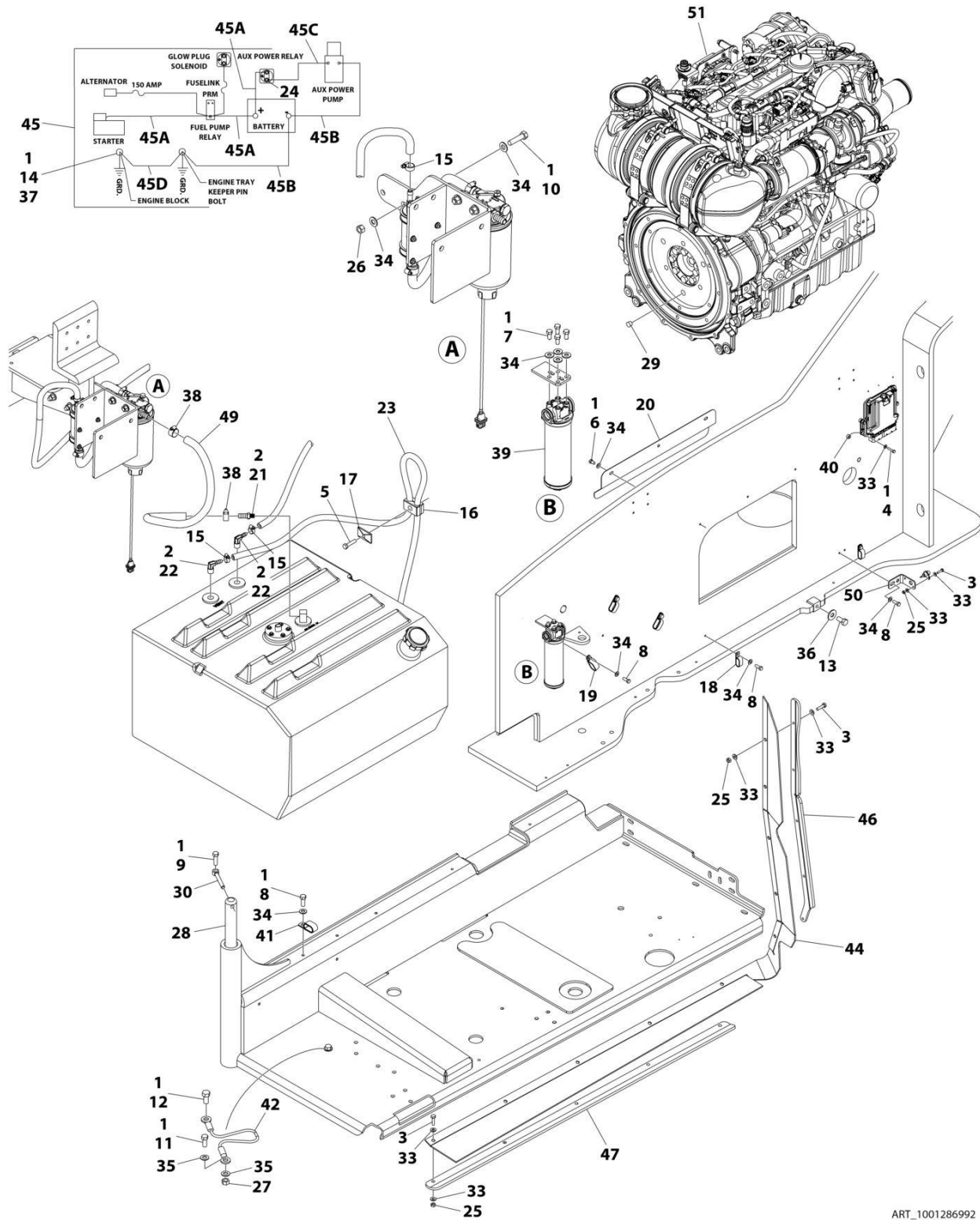
ITEM	PART NUMBER	QTY	DESCRIPTION	REV
	1001282203	Ref	ENGINE INSTALLATION - DEUTZ TCD2.9L4 (CHINA IV)	A
1	0100011	AR	Compound, Locking	
2	0100079	AR	Sealant, Pipe	
3	0641408	11	Bolt 1/4 x 1	
4	0641410	4	Bolt 1/4 x 1-1/4	
5	0641511	1	Bolt 5/16 x 1-3/8	
6	0641605	3	Bolt 3/8 x 5/8	
7	0641606	4	Bolt 3/8 x 3/4	
8	0641608	8	Bolt 3/8 x 1	
9	0641610	1	Bolt 3/8 x 1-1/4	
10	0641612	2	Bolt 3/8 x 1-1/2	
11	0641708	1	Bolt 7/16 x 1	
12	0641808	1	Bolt 1/2 x 1	
13	0642010	1	Bolt 5/8 x 1-1/4	
14	0761210	1	Bolt M12 x 20	
15	1320022	3	Clamp	
16	1320187	1	Clamp	
17	1320190	1	Cover, Clamp	
18	1321283	2	Clamp	
19	1321716	3	Clamp	
20	1671121	1	Cover	
21	2180832	1	Fitting, Barbed	
22	2220313	2	Fitting, Elbow Barbed	
23	2750532	5 ft/ 1.5m	Hose	
24	3300220	2	Nut 5/16	
25	3311405	11	Nut 1/4	
26	3311605	2	Nut 3/8	
27	3311705	1	Nut 7/16	
28	3422446	1	Pin, Pivot	
29	3520054	1	Plug	
30	3841143	1	Pin, Keeper	
31	4240018	2	Strap, Tie (Not Shown)	
32	4240099	AR	Tie-Strap (Not Shown)	
33	4711400	26	Washer 1/4	
34	4711600	19	Washer 3/8	
35	4711700	2	Washer 7/16	
36	4752000	1	Washer 5/8	
37	4812100	1	Washer M12	
38	8405006	2	Clamp	
39	1001108617	1	Filter	
40	1001110425	4	Spacer	
41	1001116792	1	Clamp	
42	1001131542	1	Lanyard	
43	1001138491	1	Harness, (Not Shown - See Separate Breakdown in ELECTRICAL Section)	
44	1001140604	1	Panel, Rubber	
45	1001141225	1	Battery Cable Kit	E
45A	7027042	1	Cable, Battery (Red) (Battery + to Relays and Starter)	
45B	7027043	1	Cable, Battery (Black) (Battery - to Tray Pivot Grd and Aux Pump)	

SECTION 3 - ENGINE

ITEM	PART NUMBER	QTY	DESCRIPTION	REV
45C	7027044	1	Cable (Red) (Aux Relay to Aux Pump)	
45D	7027045	1	Cable, (Black) (Engine to Tray Pivot Grd)	
46	1001145089	1	Clamp	
47	1001145842	1	Plate, Clamping	
48	1001146588	1	Strap (Not Shown)	
49	1001154405	2 ft/ 0.7m	Hose	
50	1001256879	1	Bracket	
51	1001282199	1	Engine Sub-Assembly (See Separate Breakdown in this Section)	

SECTION 3 - ENGINE

FIGURE 3-54. DEUTZ TCD2.9L4 (CHINA IV) ENGINE INSTALLATION WITH PMP PUMPS



ART_1001286992

SECTION 3 - ENGINE

FIGURE 3-54. DEUTZ TCD2.9L4 (CHINA IV) ENGINE INSTALLATION WITH PMP PUMPS

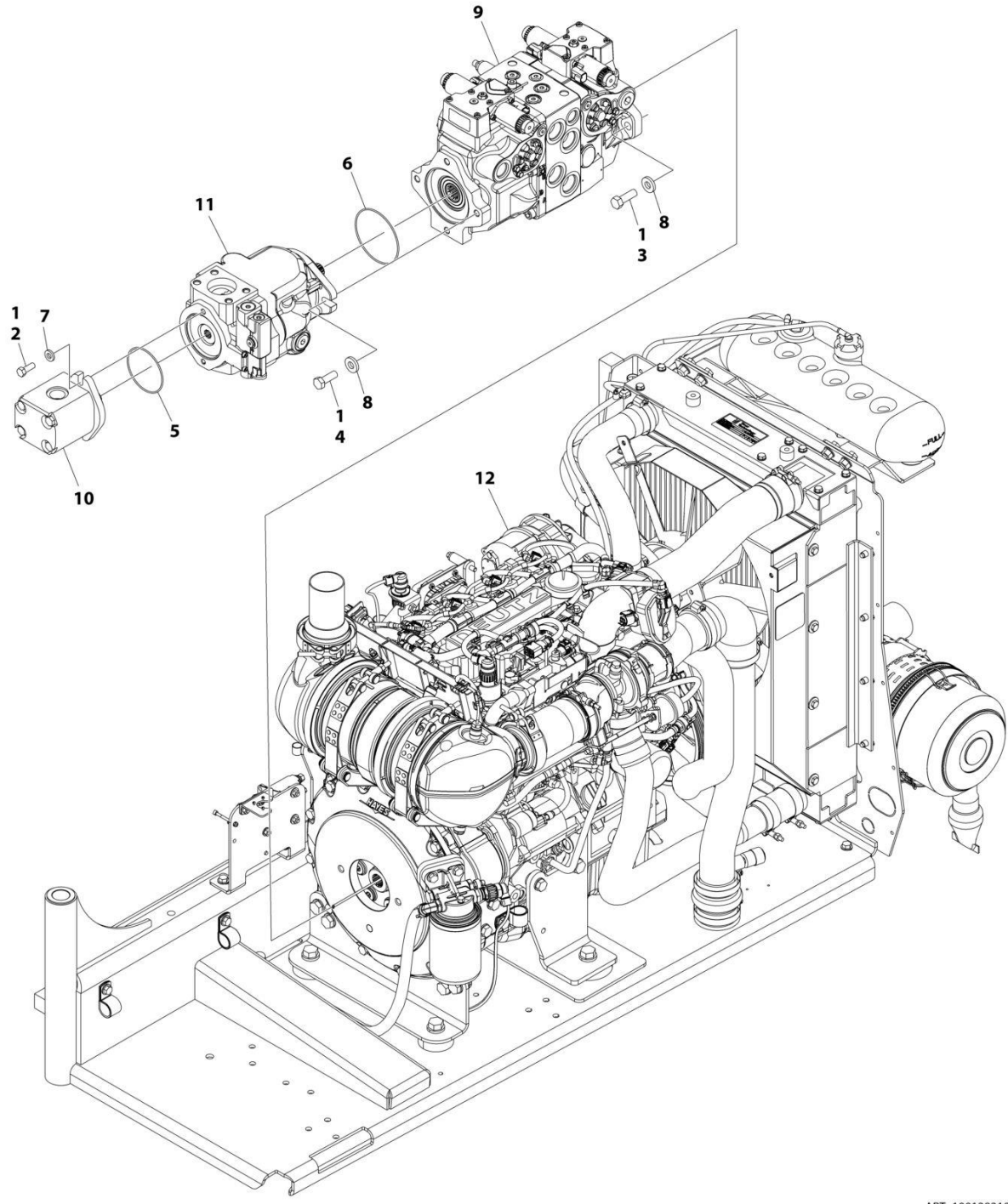
ITEM	PART NUMBER	QTY	DESCRIPTION	REV
	1001286992	Ref	DEUTZ TCD2.9L4 (CHINA IV) ENGINE INSTALLATION WITH PMP PUMPS	A
1	0100011	AR	Compound, Locking	
2	0100079	AR	Sealant, Pipe	
3	0641408	11	Bolt 1/4 x 1	
4	0641410	4	Bolt 1/4 x 1-1/4	
5	0641511	1	Bolt 5/16 x 1-3/8	
6	0641605	3	Bolt 3/8 x 5/8	
7	0641606	4	Bolt 3/8 x 3/4	
8	0641608	8	Bolt 3/8 x 1	
9	0641610	1	Bolt 3/8 x 1-1/4	
10	0641612	2	Bolt 3/8 x 1-1/2	
11	0641708	1	Bolt 7/16 x 1	
12	0641808	1	Bolt 1/2 x 1	
13	0642010	1	Bolt 5/8 x 1-1/4	
14	0761210	1	Bolt M12 x 20	
15	1320022	3	Clamp	
16	1320187	1	Clamp	
17	1320190	1	Cover, Clamp	
18	1321283	2	Clamp	
19	1321716	3	Clamp	
20	1671121	1	Cover	
21	2180832	1	Fitting, Straight Barbed	
22	2220313	2	Fitting, 90 NPTF/Barbed	
23	2750532	5 ft/ 1.5m	Hose	
24	3300220	2	Nut	
25	3311405	11	Nut 1/4	
26	3311605	2	Nut 3/8	
27	3311705	1	Nut 7/16	
28	3422446	1	Pin	
29	3520054	1	Plug	
30	3841143	1	Pin, Keeper	
31	4240018	2	Tie-Strap (Not Shown)	
32	4240099	AR	Tie-Strap (Not Shown)	
33	4711400	26	Washer 1/4	
34	4711600	19	Washer 3/8	
35	4711700	2	Washer 7/16	
36	4752000	1	Washer 5/8	
37	4812100	1	Washer M12	
38	8405006	2	Clamp	
39	1001108617	1	Filter	
40	1001110425	4	Spacer	
41	1001116792	1	Clamp	
42	1001131542	1	Lanyard	
43	1001138491	1	Harness, (Not Shown - See Separate Breakdown in ELECTRICAL Section)	
44	1001140604	1	Panel	
45	1001141225	1	Battery Cable Kit	E
45A	7027042	1	Cable, Battery (Red) (Battery + to Relays and Starter)	

SECTION 3 - ENGINE

ITEM	PART NUMBER	QTY	DESCRIPTION	REV
45B	7027043	1	Cable, Battery (Black) (Battery - to Tray Pivot Grd and Aux Pump)	
45C	7027044	1	Cable (Red) (Aux Relay to Aux Pump)	
45D	7027045	1	Cable, (Black) (Engine to Tray Pivot Grd)	
46	1001145089	1	Clamp	
47	1001145842	1	Plate	
48	1001146588	1	Tie-Strap Tree (Not Shown)	
49	1001154405	2 ft/ 0.7m	Hose	
50	1001256879	1	Bracket	
51	1001286984	1	Engine Sub-Assembly (See Separate Breakdown in this Section)	

SECTION 3 - ENGINE

FIGURE 3-55. DEUTZ TCD2.9L4 (CHINA IV) ENGINE AND PUMP SUB - ASSEMBLY



ART_1001282199

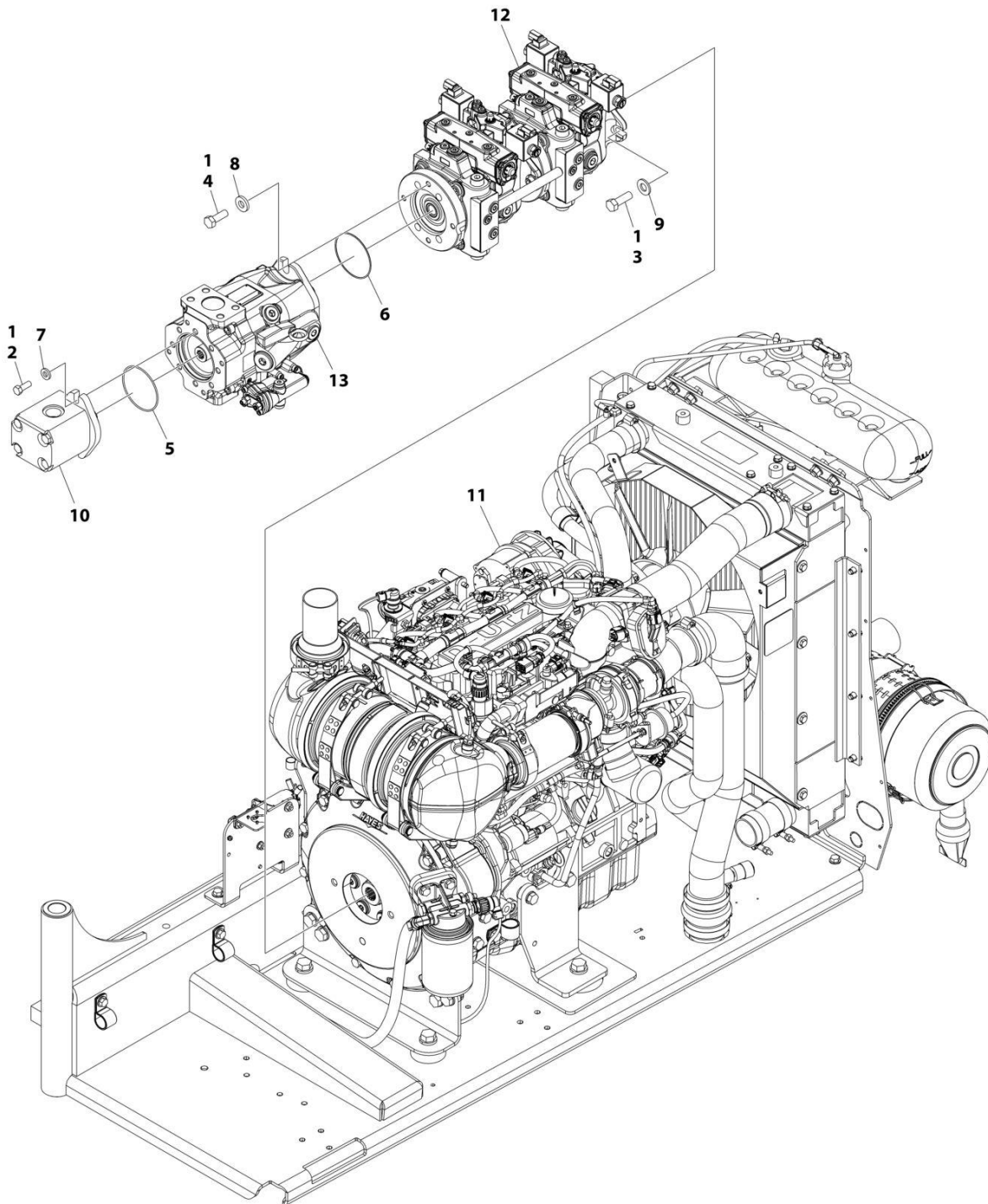
SECTION 3 - ENGINE

FIGURE 3-55. DEUTZ TCD2.9L4 (CHINA IV) ENGINE AND PUMP SUB - ASSEMBLY

ITEM	PART NUMBER	QTY	DESCRIPTION	REV
	1001282199	Ref	SUB-ASSEMBLY - DEUTZ TCD2.9L4 (CHINA IV)	G
1	0100011	AR	Compound, Locking	
2	0641608	2	Bolt 3/8 x 1	
3	0641814	2	Bolt 1/2 x 1-3/4	
4	0761215	2	Bolt M12 x 35	
5	3790152	1	O-Ring	
6	3790155	1	O-Ring	
7	4891600	2	Washer 3/8	
8	4891800	4	Washer 1/2	
9	1001108616	1	Pump Assembly - Tandem (See Separate Breakdown in this Section)	
10	1001112927	1	Pump Assembly - Gear (See Separate Breakdown in this Section)	
11	1001171095	1	Pump Assembly - Piston (See Separate Breakdown in this Section)	
12	1001282200	1	Engine Assembly (See Separate Breakdown in this Section)	

SECTION 3 - ENGINE

FIGURE 3-56. DEUTZ TCD2.9L4 (CHINA IV) ENGINE AND PUMP SUB-ASSEMBLY (WITH PMP PUMPS)



ART_1001286984

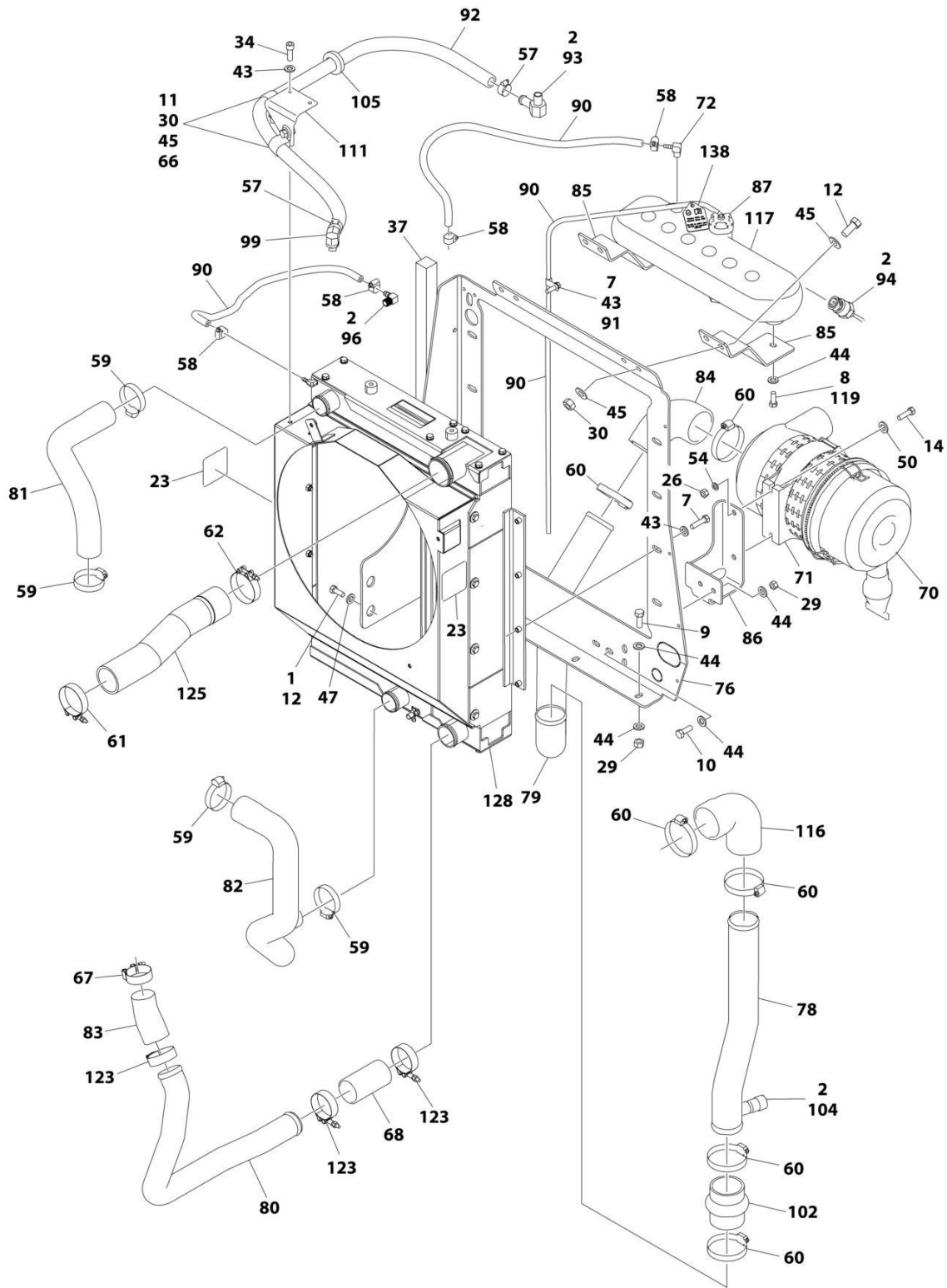
SECTION 3 - ENGINE

FIGURE 3-56. DEUTZ TCD2.9L4 (CHINA IV) ENGINE AND PUMP SUB-ASSEMBLY (WITH PMP PUMPS)

ITEM	PART NUMBER	QTY	DESCRIPTION	REV
	1001286984	Ref	DEUTZ TCD2.9L4 (CHINA IV) ENGINE AND PUMP SUB-ASSEMBLY (WITH PMP PUMPS)	A
1	0100011	AR	Compound, Locking	
2	0641608	2	Bolt 3/8 x 1	
3	0641812	2	Bolt 1/2 x 1-1/2	
4	0761215	2	Bolt M12 x 35	
5	3790152	1	O-Ring	
6	3790155	1	O-Ring	
7	4891600	2	Washer 3/8	
8	4891800	2	Washer 1/2	
9	8310056	2	Washer	
10	1001112927	1	Pump Assembly - Gear (See Separate Breakdown in this Section)	
11	1001282200	1	Engine Assembly (See Separate Breakdown in this Section)	
12	1001286957	1	Pump Assembly - Tandem (See Separate Breakdown in this Section)	
13	1001286958	1	Pump Assembly - Piston (See Separate Breakdown in this Section)	

SECTION 3 - ENGINE

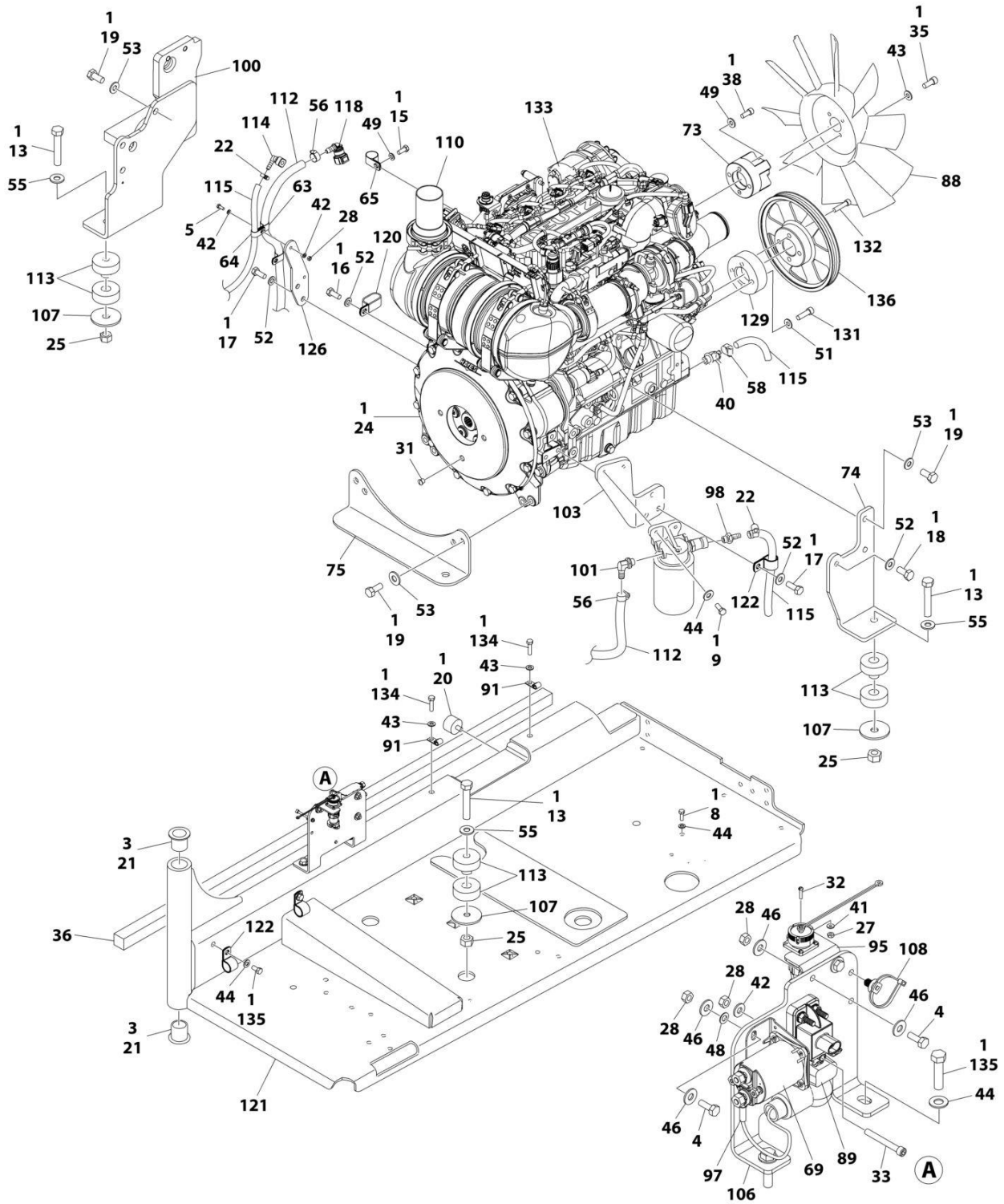
FIGURE 3-57. DEUTZ TCD2.9L4 (CHINA IV) ENGINE ASSEMBLY



ART_1001282200_E_10F2

SECTION 3 - ENGINE

FIGURE 3-58. DEUTZ TCD2.9L4 (CHINA IV) ENGINE ASSEMBLY



ART_1001282200_E_2OF2

SECTION 3 - ENGINE

FIGURE 3-58. DEUTZ TCD2.9L4 (CHINA IV) ENGINE ASSEMBLY

ITEM	PART NUMBER	QTY	DESCRIPTION	REV
	1001282200	Ref	ENGINE ASSEMBLY - DEUTZ TCD2.9L4 (CHINA IV)	E
1	0100011	AR	Compound, Locking	
2	0100020	AR	Compound, Locking	
3	0100062	AR	Compound, Locking	
4	0641406	4	Bolt 1/4 x 3/4	
5	0641407	2	Bolt 1/4 x 7/8	
6	0641503	1	Bolt 5/16 x 3/8	
7	0641508	8	Bolt 5/16 x 1-1/4	
8	0641606	3	Bolt 3/8 x 3/4	
9	0641608	9	Bolt 3/8 x 1	
10	0641610	2	Bolt 3/8 x 1-1/4	
11	0641706	2	Bolt 7/16 x 3/4	
12	0641708	6	Bolt 7/16 x 1	
13	0682028	4	Bolt 5/8 x 3-1/2 Grade 8	
14	0700815	2	Bolt M8 x 35	
15	0760808	1	Bolt M8 x 16	
16	0761212	1	Bolt M12 x 25	
17	0761214	5	Bolt M12 x 30	
18	0771212	1	Bolt M12 x 25 Class 10.9	
19	0771414	9	Bolt M14 x 30 Class 10.9	
20	0940070	1	Bumper	
21	0961986	2	Bushing, Flanged	
22	1320022	2	Clamp	
23	1703162	2	Decal - Fan	
24	2902065	1	Pump Coupling Kit (See Separate Breakdown in this Section)	
25	3272001	4	Nut 5/8 Grade 8	
26	3290801	2	Nut M8	
27	3310401	3	Nut #4	
28	3311405	7	Nut 1/4	
29	3311605	9	Nut 3/8	
30	3311705	5	Nut 7/16	
31	3520054	1	Plug, Hole	
32	3910408	3	Screw #4 x 1/2	
33	3931432	1	Capscrew 1/4 x 2	
34	3931508	2	Capscrew 5/16 x 1/2	
35	3931512	4	Capscrew 5/16 x 3/4	
36	3960543	1	Seal	
37	3960544	1	Seal	
38	4031912	4	Bolt M8 x 40	
39	4240099	AR	Tie-Strap (Not Shown)	
40	4640751	1	Valve, Oil Drain	
41	4710400	3	Washer #4	
42	4711400	5	Washer 1/4	
43	4711500	17	Washer 5/16	
44	4711600	27	Washer 3/8	
45	4711700	10	Washer 7/16	
46	4751400	8	Washer 1/4	
47	4751700	2	Washer 7/16	
48	4791400	2	Starwasher 1/4	
49	4811900	5	Washer M8	

SECTION 3 - ENGINE

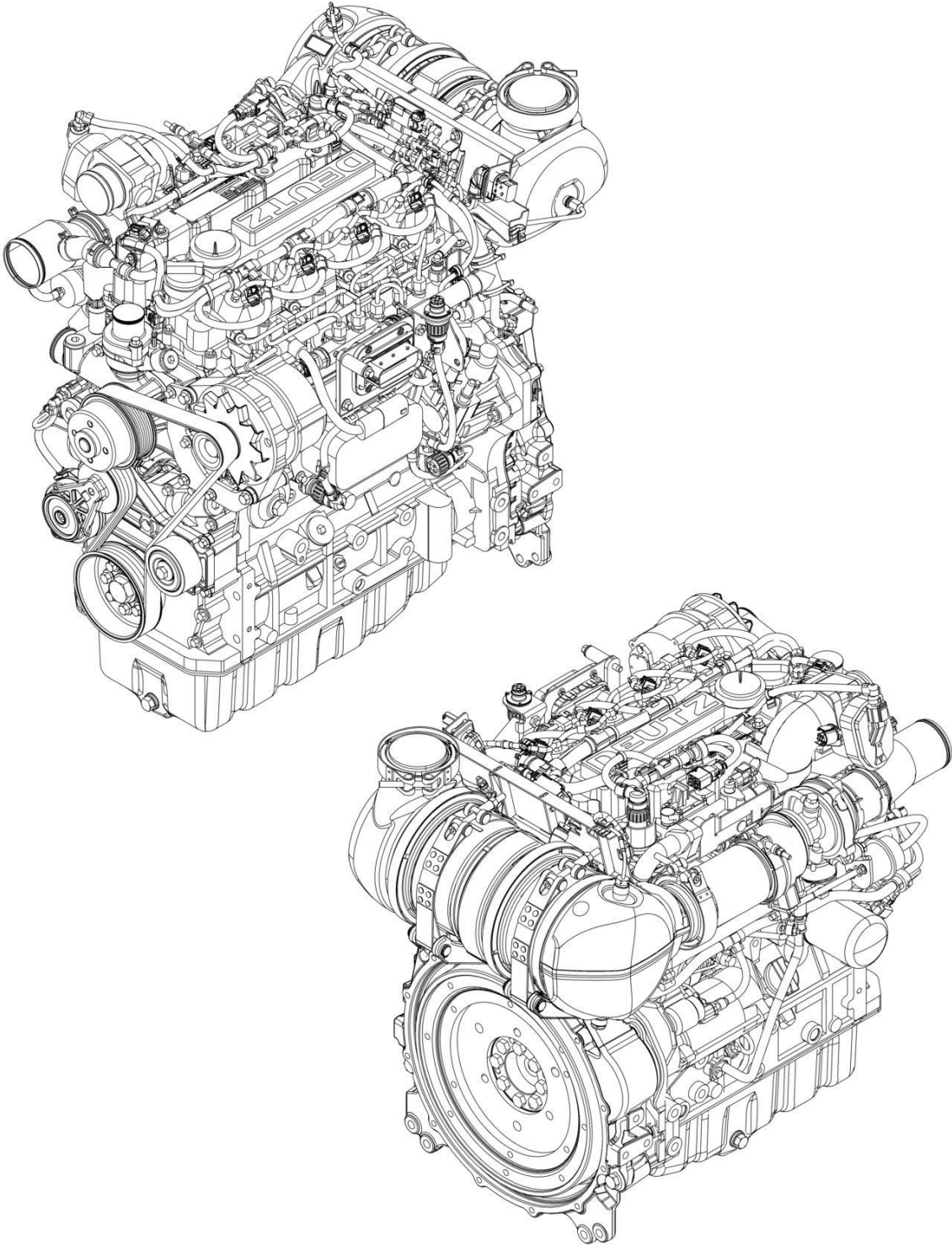
ITEM	PART NUMBER	QTY	DESCRIPTION	REV
50	4811902	2	Washer M8	
51	4812000	4	Washer M10	
52	4812100	7	Washer M12	
53	4812200	9	Washer M14	
54	4831900	2	Washer M8	
55	4892000	4	Washer 5/8	
56	8405006	2	Clamp	
57	8405007	2	Clamp	
58	8405009	5	Clamp	
59	8405201	4	Clamp	
60	8405204	6	Clamp	
61	8405212	1	Clamp	
62	8405213	1	Clamp	
63	8406102	2	Clip	
64	8406112	1	Clip	
65	8406201	1	Clip	
66	8406302	2	Clamp	
67	8410014	1	Clamp	
68	91563070	1	Coupling, Rubber	
69	1001117308	1	Relay	
70	1001133633	1	Air Cleaner Assembly	
70	70024190	1	Element, Air Filter	
71	1001133634	1	Clamp	
72	1001134488	1	Fitting, 90 Barbed	
73	1001289964	1	Spacer, Fan	
74	1001135560	1	Support, Engine	
75	1001135562	1	Support, Engine - Rear	
76	1001135680	1	Support, Radiator	
77	1001135779	1	Cable, Alternator Positive (Not Shown)	
78	1001135901	1	Pipe, Air Intake	
79	1001135903	1	Pipe, Air Intake	
80	1001135913	1	Pipe, Turbo to Air Cleaner	
81	1001135924	1	Hose, Radiator (Upper)	
82	1001135926	1	Pipe, Radiator (Lower)	
83	1001135943	1	Coupling, Rubber	
84	1001135946	1	Elbow, Rubber	
85	1001136626	2	Bracket	
86	1001136665	1	Bracket	
87	1001136834	1	Cap, Tank	
88	1001137276	1	Fan	
89	1001138228	1	Module, Power	
89	70023592	1	Fuse 20Amp (Switched Output)	
89	70023593	1	Fuse 30Amp (Battery Output)	
90	1001138248	9 ft /3 m	Tubing	
91	1001138253	5	Clamp	
92	1001138524	1	Hose	
93	1001138559	1	Fitting, 90	
94	1001138827	1	Sensor, Coolant Level	
95	1001139240	1	Bracket	
96	1001140564	1	Fitting, 90 Barbed	
97	1001141304	1	Wire, Glow Plug	

SECTION 3 - ENGINE

ITEM	PART NUMBER	QTY	DESCRIPTION	REV
98	1001141717	1	Fitting, Straight	
99	1001141719	1	Fitting, 90 Barbed	
100	1001283008	1	Support, Engine	
101	1001142501	1	Fitting, 90 Barbed	
102	1001142637	1	Hose, Hump	
103	1001142685	1	Bracket	
104	1001143390	1	Indicator, Air Filter Service	
105	1001144089	1	Grommet	
106	1001145154	1	Plate, Mounting	
107	1001146219	4	Washer Special	
108	1001146588	1	Strap	
109	1001148843	1	Harness, Fuel Filter (Not Shown - See Separate Breakdown in ELECTRICAL Section)	
110	1001153024	1	Pipe, Exhaust	
111	1001153387	1	Plate	
112	1001154405	5 ft /2 m	Hose	
113	1001155575	4	Mount, Motor	
114	1001155823	1	Coupling	
115	1001165035	31 ft /10 m	Hose	
116	1001165820	1	Pipe, Elbow	
117	1001166393	1	Tank, Surge	
118	1001170982	1	Adapter	
119	1001180620	AR	Adhesive	
120	1001181899	1	Clamp	
121	1001191272	1	Tray	
122	1001191620	3	Clamp	
123	1001208299	3	Clamp	
124	1001227606	1	Bracket	
125	1001233492	1	Hose	
126	1001235952	1	Bracket	
127	1001276646	1	Harness, Engine (Not Shown - See Separate Breakdown in ELECTRICAL Section)	
128	1001256864	1	Radiator	
129	1001258800	1	Spacer, Pulley	
131	1001261045	4	Capscrew M10	
132	1001261085	4	Capscrew M10	
133	1001292604	1	Deutz TCD2.9L4 (CHINA IV) Engine Components (See Separate Breakdown in this Section)	
134	0641510	2	Bolt 5/16 x 1-1/4	
135	0641612	4	Bolt 3/8 x 1-1/2	
136	1001281192	1	Pulley	
137	4240032	AR	Tie-Strap (Not Shown)	
138	1001291401	1	Tag, Coolant	

SECTION 3 - ENGINE

FIGURE 3-59. DEUTZ TCD2.9L4 (CHINA IV) ENGINE COMPONENTS



ART_1001292604

SECTION 3 - ENGINE

FIGURE 3-59. DEUTZ TCD2.9L4 (CHINA IV) ENGINE COMPONENTS

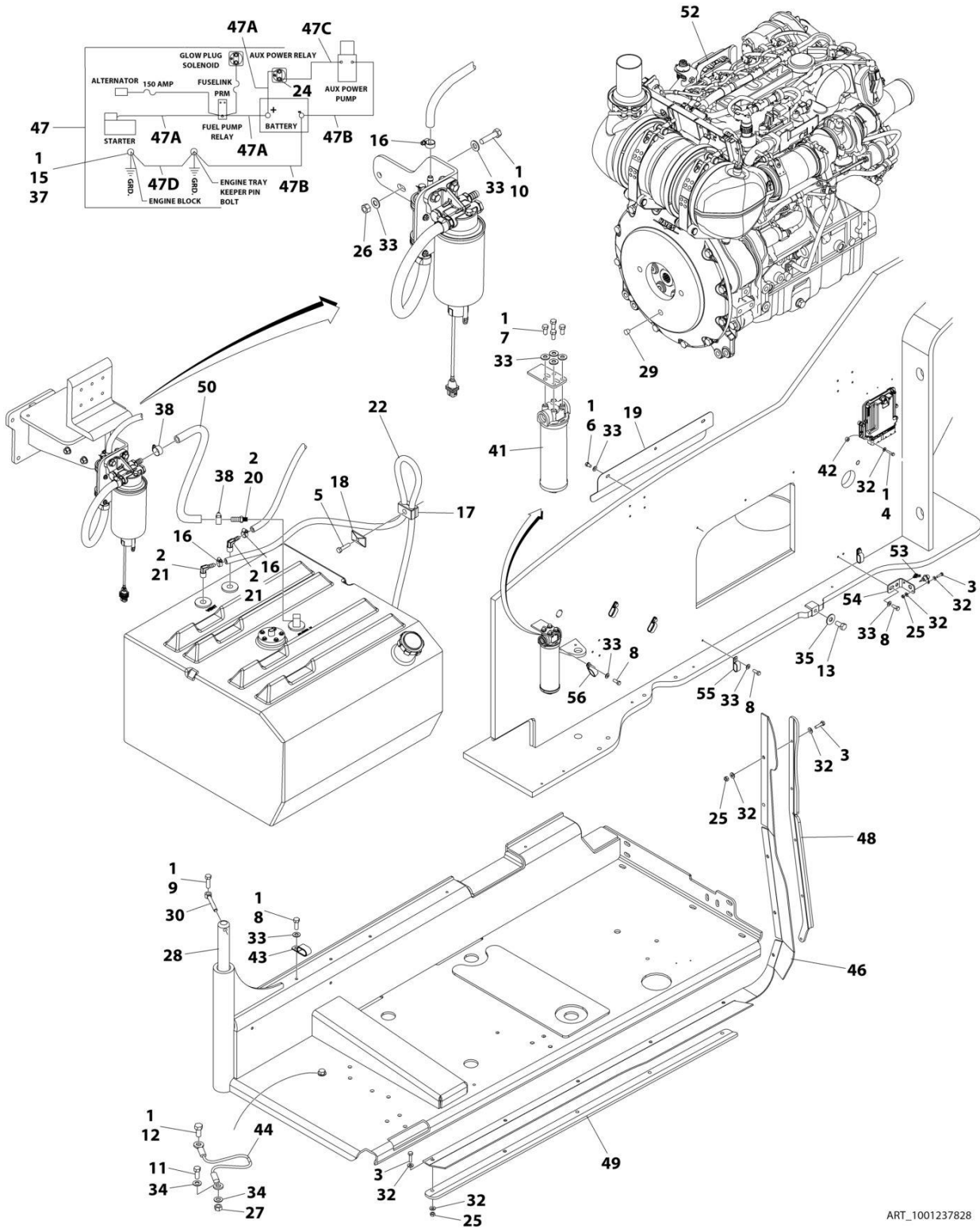
ITEM	PART NUMBER	QTY	DESCRIPTION	REV
	1001292604	Ref	DEUTZ TCD2.9L4 (CHINA IV) ENGINE	A
	See Note	Ref	Note: Additional components may be available. Contact JLG Customer Service for more details.	
		Ref	AIR INTAKE COMPONENTS	
	70008604	1	Pipe, Air Intake (Includes Clips)	
	70008608	1	Adapter, Air Intake Pipe	
	70008537	1	Valve, Throttle (Includes Gasket)	
	70008432	1	Manifold, Air Charge	
		Ref	COOLING SYSTEM COMPONENTS	
	1001291868	1	Pump, Coolant (Includes Gasket & Seal)	
	70031055	1	O-Ring, Coolant Pump	
	70007325	1	Gasket	
	70007603	1	Thermostat	
	70005184	1	O-Ring (Between Thermostat & Cover)	
	70005931	1	Gasket (Between Thermostat Cover & Pump)	
	70025142	1	Cover, Thermostat	
		Ref	ELECTRICAL SYSTEM COMPONENTS	
	70024513	1	Sensor, Primary Fuel Filter	
	70031144	1	Starter	
	70031142	1	Generator/Alternator (Includes Regulator)	
	70031143	1	Regulator, Voltage	
	70008558	1	Harness, Engine	
	1001211556	1	SENSOR,AIR AMBIENT	
	70028540	1	Sender, Temperature (Cylinder Head)	
	70024504	1	Sensor, Pressure (at Secondary Fuel Filter & Engine Block)	
	70026210	2	Sensor, Speed (End of Block & Front Cover)	
	70029407	1	Sensor, Pressure (Air Intake Manifold) (Round)	
	70024507	1	Sensor, Pressure (Air Intake Manifold) (Rectangular)	
	70000345	4	Plug, Glow	
		Ref	EXHAUST SYSTEM COMPONENTS	
	70025164	1	Gasket, Exhaust Manifold to Head	
	70025130	8	Bolt (Holds Exhaust Manifold to Head)	
	70029557	1	Gasket, Exhaust (Between Exhaust Manifold & First Exhaust Pipe)	
	70007354	1	Gasket, Exhaust (Between First Exhaust Pipe and beyond)	
	70031138	1	Valve, EGR	
	70007326	1	Gasket (Between EGR Valve & EGR Module)	
	70007328	1	Turbocharger	
	70004504	1	Compensator	
	70030097	1	Clamp, Exhaust (Compensator Front)	
	70030099	2	Clamp, Exhaust (Compensator to Muffler)	
	70025242	1	Gasket (Compensator)	
	70008564	1	Catalyst	
	70029517	2	Clamp (Catalyst)	
	70029520	2	Gasket (Catalyst)	
	70024505	1	Sender, Temperature (Catalyst Inlet)	
	70029409	1	Sender, Temperature (Catalyst Outlet)	
	70008431	1	Sensor, Pressure (Catalyst)	
		Ref	FUEL SYSTEM COMPONENTS	
	1001225430	1	Element, Fuel Filter (Primary)	

SECTION 3 - ENGINE

ITEM	PART NUMBER	QTY	DESCRIPTION	REV
	1001225432	1	Element, Fuel Filter (Secondary)	
	70030381	1	Pump, High Pressure (Includes Mounitng O-Ring, Overflow Valve & Volume Control Valve)	
	70025152	1	O-Ring (Between Pump AND Spacer)	
	70004505	1	Valve, Overflow	
	70004508	1	Valve, Volume Control	
	70008607	4	Injector, Fuel (Includes O-Ring, Clamp & Sealing Washer)	
	70008422	1	Pump, Fuel Supply (Includes Clamps)	
	70025144	2	Clamp	
		Ref	GASKETS & SEAL & KITS (Note: Some components listed with main component)	
	70005938	1	Gasket Kit	
	70024906	1	Gasket, Head	
	70005171	1	Gasket, Valve Cover	
	70002718	1	Seal, Rear Case	
	70004280	1	Seal, Front Case	
	70028185	1	Gasket, Front Cover	
	70005176	1	O-Ring (Between Air Intake Manifold & Mixing Tube)	
	70005177	1	Gasket (Between Air Intake Manifold & Head)	
		Ref	LUBRICATION SYSTEM COMPONENTS	
	7016331	1	Filter, Oil	
	70024904	1	Dipstick (Includes O-Ring	
	70024905	1	O-Rng	
	7020465	1	Cap, Filler	
	70005941	2	Plug, Oil Pan	
	70005942	2	Seal, Oil Pan Plug	
	70005172	1	Pump, Oil Lube (Includes O-Ring & Gasket)	
	70025135	1	O-Ring	
	70005173	1	Gasket	
	70031474	1	Cooler, Oil	
	70031388	1	Seal, Oil Cooler	
		Ref	MECHANICAL COMPONENTS	
	70001870	1	Flywheel (Includes Ring Gear)	
	7024579	1	Gear, Ring	
	70030359	1	Belt Tensioner	
	70004277	1	Belt, Drive	
	70027432	1	Idler, Drive Belt	

SECTION 3 - ENGINE

FIGURE 3-60. DEUTZ TCD2.9L4 (STAGE V) DIESEL ENGINE INSTALLATION - WITH SAUER PUMPS (WITHOUT COLD WEATHER PLUS PACKAGE)



ART_1001237828

SECTION 3 - ENGINE

**FIGURE 3-60. DEUTZ TCD2.9L4 (STAGE V) DIESEL ENGINE INSTALLATION - WITH SAUER PUMPS
(WITHOUT COLD WEATHER PLUS PACKAGE)**

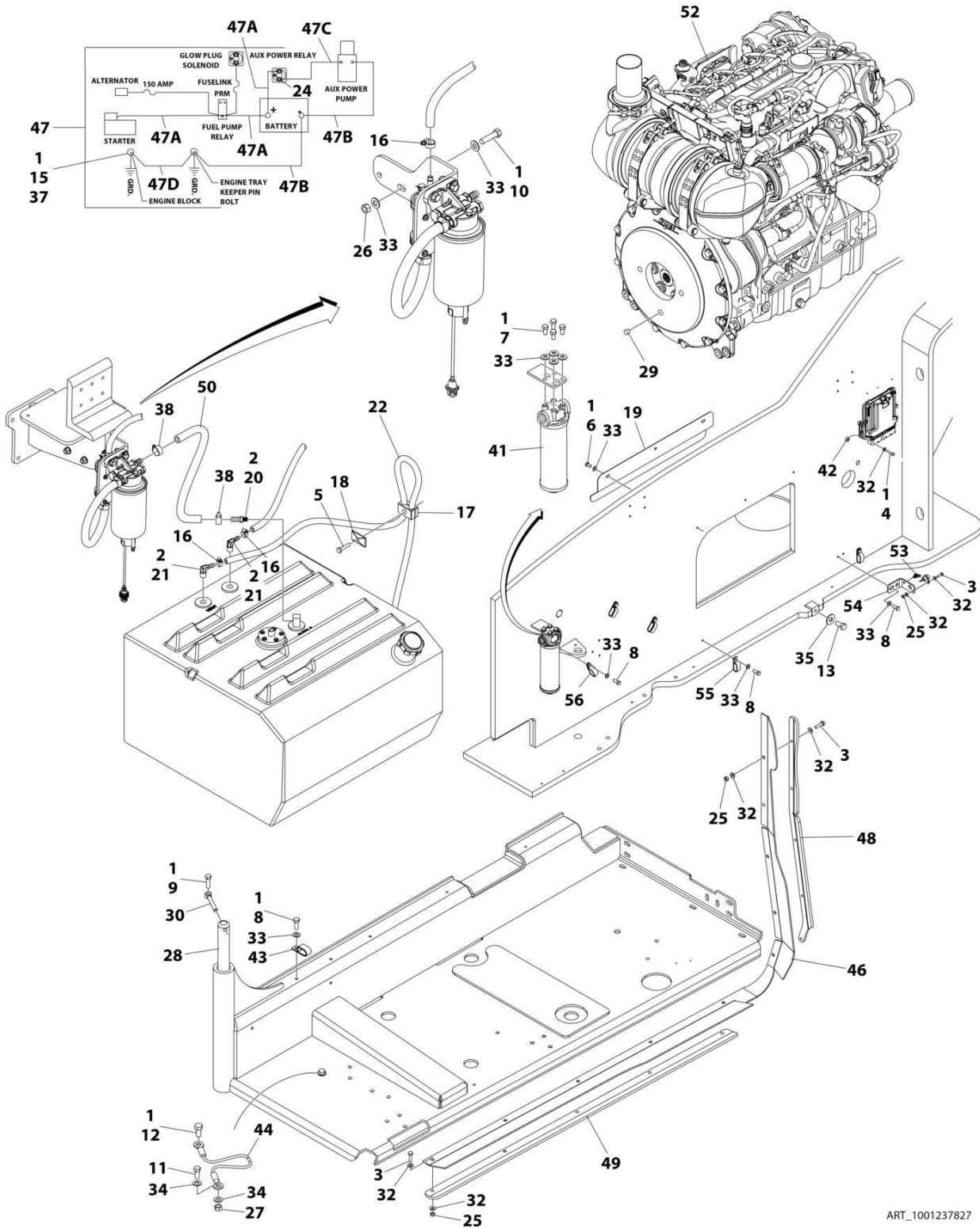
ITEM	PART NUMBER	QTY	DESCRIPTION	REV
	1001237828	Ref	DEUTZ TCD2.9L4 (STAGE V) DIESEL ENGINE INSTALLATION - WITH SAUER PUMPS (WITHOUT COLD WEATHER PLUS PACKAGE)	F
1	0100011	AR	Compound, Locking	
2	0100079	AR	Sealant, Pipe	
3	0641408	11	Bolt 1/4 x 1	
4	0641410	4	Bolt 1/4 x 1-1/4	
5	0641511	1	Bolt 5/16 x 1-3/8	
6	0641605	3	Bolt 3/8 x 5/8	
7	0641606	4	Bolt 3/8 x 3/4	
8	0641608	8	Bolt 3/8 x 1	
9	0641610	1	Bolt 3/8 x 1-1/4	
10	0641612	2	Bolt 3/8 x 1-1/2	
11	0641708	1	Bolt 7/16 x 1	
12	0641808	1	Bolt 1/2 x 1	
13	0642010	1	Bolt 5/8 x 1-1/4	
15	0761210	1	Bolt M12 x 20	
16	1320022	3	Clamp	
17	1320187	1	Clamp	
18	1320190	1	Cover, Clamp	
19	1671121	1	Cover	
20	2180832	1	Fitting, Barbed	
21	2220313	2	Fitting, 90 Barbed	
22	2750532	5 ft/ 1.5m	Hose	
24	3300220	2	Nut 5/16	
25	3311405	11	Nut 1/4	
26	3311605	2	Nut 3/8	
27	3311705	1	Nut 7/16	
28	3422446	1	Pin, Pivot	
29	3520054	1	Plug	
30	3841143	1	Pin, Keeper	
31	4240018	2	Strap, Tie (Not Shown)	
32	4711400	26	Washer 1/4	
33	4711600	19	Washer 3/8	
34	4711700	2	Washer 7/16	
35	4752000	1	Washer 5/8	
37	4812100	1	Washer M12	
38	8405006	2	Clamp	
41	1001108617	1	Filter	
41	70002231	1	Element, Filter	
42	1001110425	4	Spacer	
43	1001116792	1	Clamp	
44	1001131542	1	Lanyard	
45	1001138491	NLA	Harness, Fuel (Use p/n 1001222665) (Not Shown - See Separate Breakdown in ELECTRICAL Section)	
46	1001140604	1	Panel, Rubber	
47	1001141225	1	Battery Cable Kit	E
47A	7027042	1	Cable, Battery (Red) (Battery + to Relays and Starter)	
47B	7027043	1	Cable, Battery (Black) (Battery - to Tray Pivot Grd and Aux Pump)	

SECTION 3 - ENGINE

ITEM	PART NUMBER	QTY	DESCRIPTION	REV
47C	7027044	1	Cable (Red) (Aux Relay to Aux Pump)	
47D	7027045	1	Cable, Battery (Black) (Engine to Tray Pivot Grd)	
48	1001145089	1	Clamp	
49	1001145842	1	Plate, Clamping	
50	1001154405	1.6 ft/ 0.5m	Hose	
52	1001235150	1	Engine Sub-Assembly (See Separate Breakdown in this Section)	
53	1001146588	1	Strap	
54	1001256879	1	Bracket	
55	1321283	2	Clamp	
56	1321716	3	Clamp	
57	4240099	AR	Tie-Strap (Not Shown)	

SECTION 3 - ENGINE

FIGURE 3-61. DEUTZ TCD2.9L4 (STAGE V) DIESEL ENGINE INSTALLATION - WITH REXROTH PUMPS (WITHOUT COLD WEATHER PLUS PACKAGE)



ART_1001237827

SECTION 3 - ENGINE

FIGURE 3-61. DEUTZ TCD2.9L4 (STAGE V) DIESEL ENGINE INSTALLATION - WITH REXROTH PUMPS (WITHOUT COLD WEATHER PLUS PACKAGE)

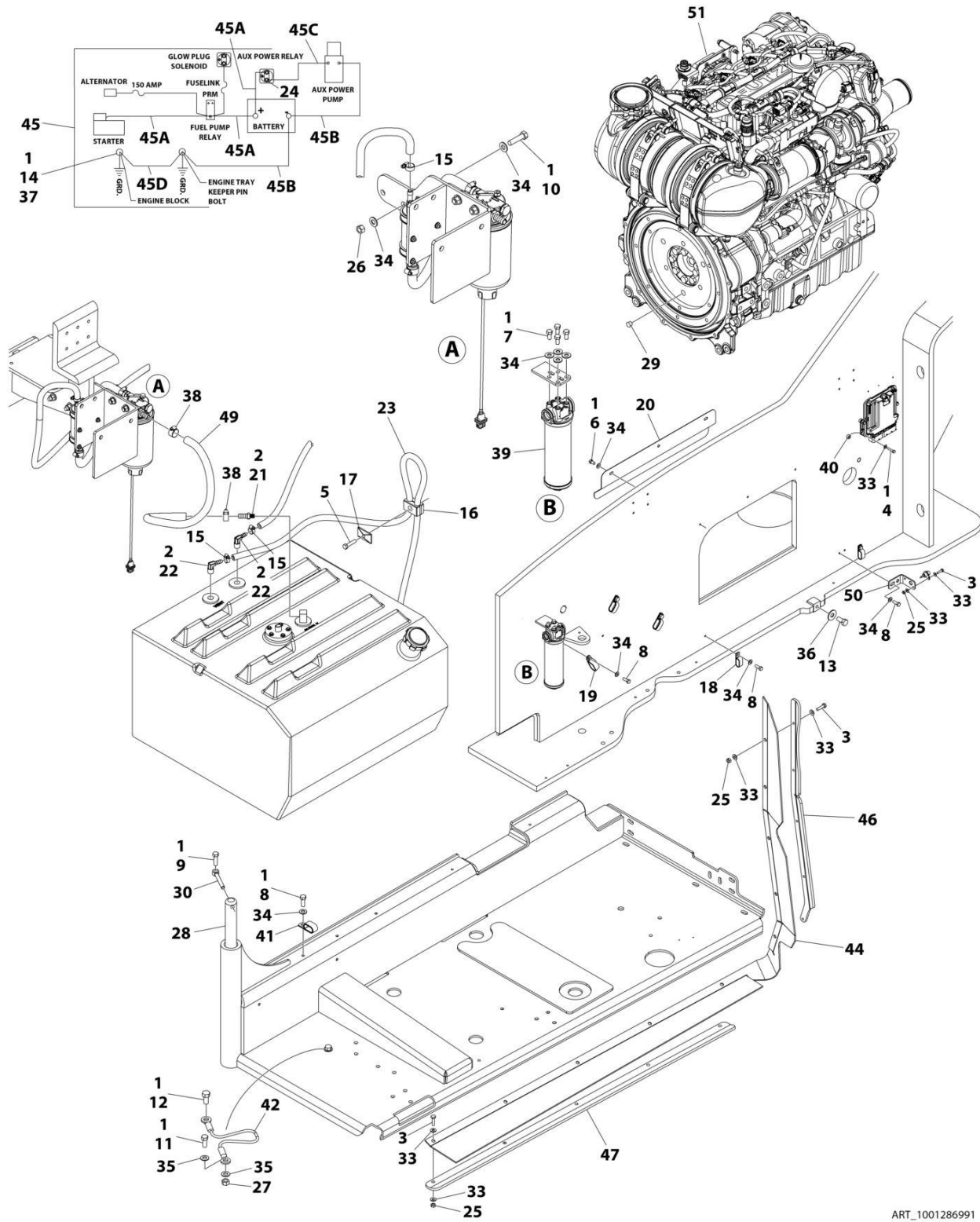
ITEM	PART NUMBER	QTY	DESCRIPTION	REV
	1001237827	Ref	DEUTZ TCD2.9L4 (STAGE V) DIESEL ENGINE INSTALLATION - WITH REXROTH PUMPS (WITHOUT COLD WEATHER PLUS PACKAGE)	F
1	0100011	AR	Compound, Locking	
2	0100079	AR	Sealant, Pipe	
3	0641408	11	Bolt 1/4 x 1	
4	0641410	4	Bolt 1/4 x 1-1/4	
5	0641511	1	Bolt 5/16 x 1-3/8	
6	0641605	3	Bolt 3/8 x 5/8	
7	0641606	4	Bolt 3/8 x 3/4	
8	0641608	8	Bolt 3/8 x 1	
9	0641610	1	Bolt 3/8 x 1-1/4	
10	0641612	2	Bolt 3/8 x 1-1/2	
11	0641708	1	Bolt 7/16 x 1	
12	0641808	1	Bolt 1/2 x 1	
13	0642010	1	Bolt 5/8 x 1-1/4	
15	0761210	1	Bolt M12 x 20	
16	1320022	3	Clamp	
17	1320187	1	Clamp	
18	1320190	1	Cover, Clamp	
19	1671121	1	Cover	
20	2180832	1	Fitting, Barbed	
21	2220313	2	Fitting, 90 Barbed	
22	2750532	5 ft/ 1.5m	Hose	
24	3300220	2	Nut 5/16	
25	3311405	11	Nut 1/4	
26	3311605	2	Nut 3/8	
27	3311705	1	Nut 7/16	
28	3422446	1	Pin, Pivot	
29	3520054	1	Plug	
30	3841143	1	Pin, Keeper	
31	4240018	2	Strap, Tie (Not Shown)	
32	4711400	26	Washer 1/4	
33	4711600	19	Washer 3/8	
34	4711700	2	Washer 7/16	
35	4752000	1	Washer 5/8	
37	4812100	1	Washer M12	
38	8405006	2	Clamp	
41	1001108617	1	Filter	
41	70002231	1	Element, Filter	
42	1001110425	4	Spacer	
43	1001116792	1	Clamp	
44	1001131542	1	Lanyard	
45	1001138491	NLA	Harness, Fuel (Use p/n 1001222665) (Not Shown - See Separate Breakdown in ELECTRICAL Section)	
46	1001140604	1	Panel, Rubber	
47	1001141225	1	Battery Cable Kit	E
47A	7027042	1	Cable, Battery (Red) (Battery + to Relays and Starter)	
47B	7027043	1	Cable, Battery (Black) (Battery - to Tray Pivot Grd and Aux Pump)	

SECTION 3 - ENGINE

ITEM	PART NUMBER	QTY	DESCRIPTION	REV
47C	7027044	1	Cable (Red) (Aux Relay to Aux Pump)	
47D	7027045	1	Cable, Battery (Black) (Engine to Tray Pivot Grd)	
48	1001145089	1	Clamp	
49	1001145842	1	Plate, Clamping	
50	1001154405	1.6 ft/ 0.5m	Hose	
52	1001235150	1	Engine Sub-Assembly (See Separate Breakdown in this Section)	
53	1001146588	1	Strap	
54	1001256879	1	Bracket	
55	1321283	2	Clamp	
56	1321716	3	Clamp	
57	4240099	AR	Tie-Strap (Not Shown)	

SECTION 3 - ENGINE

FIGURE 3-62. DEUTZ TCD2.9L4 (STAGE V) ENGINE INSTALLATION WITH PMP PUMPS



ART_1001286991

SECTION 3 - ENGINE

FIGURE 3-62. DEUTZ TCD2.9L4 (STAGE V) ENGINE INSTALLATION WITH PMP PUMPS

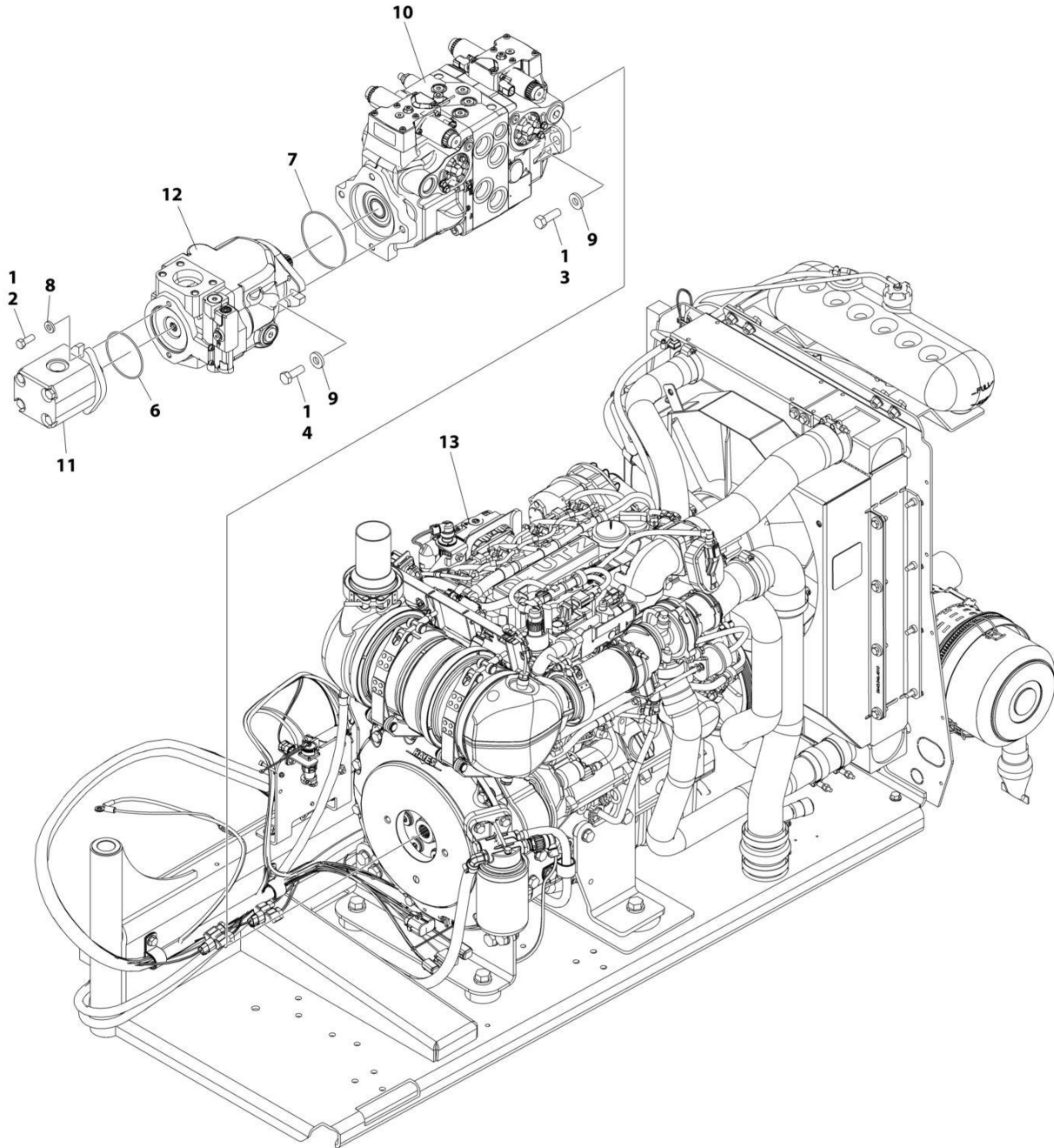
ITEM	PART NUMBER	QTY	DESCRIPTION	REV
	1001286991	Ref	DEUTZ TCD2.9L4 (STAGE V) ENGINE INSTALLATION WITH PMP PUMPS	A
1	0100011	AR	Compound, Locking	
2	0100079	AR	Sealant, Pipe	
3	0641408	11	Bolt 1/4 x 1	
4	0641410	4	Bolt 1/4 x 1-1/4	
5	0641511	1	Bolt 5/16 x 1-3/8	
6	0641605	3	Bolt 3/8 x 5/8	
7	0641606	4	Bolt 3/8 x 3/4	
8	0641608	8	Bolt 3/8 x 1	
9	0641610	1	Bolt 3/8 x 1-1/4	
10	0641612	2	Bolt 3/8 x 1-1/2	
11	0641708	1	Bolt 7/16 x 1	
12	0641808	1	Bolt 1/2 x 1	
13	0642010	1	Bolt 5/8 x 1-1/4	
14	0761210	1	Bolt M12 x 20	
15	1320022	3	Clamp	
16	1320187	1	Clamp	
17	1320190	1	Cover, Clamp	
18	1321283	2	Clamp	
19	1321716	3	Clamp	
20	1671121	1	Cover	
21	2180832	1	Fitting, Straight Barbed	
22	2220313	2	Fitting, 90 NPTF/Barbed	
23	2750532	5 ft/ 1.5m	Hose	
24	3300220	2	Nut	
25	3311405	11	Nut 1/4	
26	3311605	2	Nut 3/8	
27	3311705	1	Nut 7/16	
28	3422446	1	Pin	
29	3520054	1	Plug	
30	3841143	1	Pin, Keeper	
31	4240018	2	Tie-Strap (Not Shown)	
32	4240099	AR	Tie-Strap (Not Shown)	
33	4711400	26	Washer 1/4	
34	4711600	19	Washer 3/8	
35	4711700	2	Washer 7/16	
36	4752000	1	Washer 5/8	
37	4812100	1	Washer M12	
38	8405006	2	Clamp	
39	1001108617	1	Filter	
40	1001110425	4	Spacer	
41	1001116792	1	Clamp	
42	1001131542	1	Lanyard	
43	1001138491	1	Harness, (Not Shown - See Separate Breakdown in ELECTRICAL Section)	
44	1001140604	1	Panel	
45	1001141225	1	Battery Cable Kit	E
45A	7027042	1	Cable, Battery (Red) (Battery + to Relays and Starter)	

SECTION 3 - ENGINE

ITEM	PART NUMBER	QTY	DESCRIPTION	REV
45B	7027043	1	Cable, Battery (Black) (Battery - to Tray Pivot Grd and Aux Pump)	
45C	7027044	1	Cable (Red) (Aux Relay to Aux Pump)	
45D	7027045	1	Cable, (Black) (Engine to Tray Pivot Grd)	
46	1001145089	1	Clamp	
47	1001145842	1	Plate	
48	1001146588	1	Tie-Strap Tree (Not Shown)	
49	1001154405	2 ft/ 0.7m	Hose	
50	1001256879	1	Bracket	
51	1001286982	1	Engine Sub-Assembly (See Separate Breakdown in this Section)	

SECTION 3 - ENGINE

**FIGURE 3-63. DEUTZ TCD2.9L4 (STAGE V) ENGINE SUB-ASSEMBLY - WITH SAUER PUMP
(WITHOUT COLD WEATHER PLUS PACKAGE)**



ART_1001235150

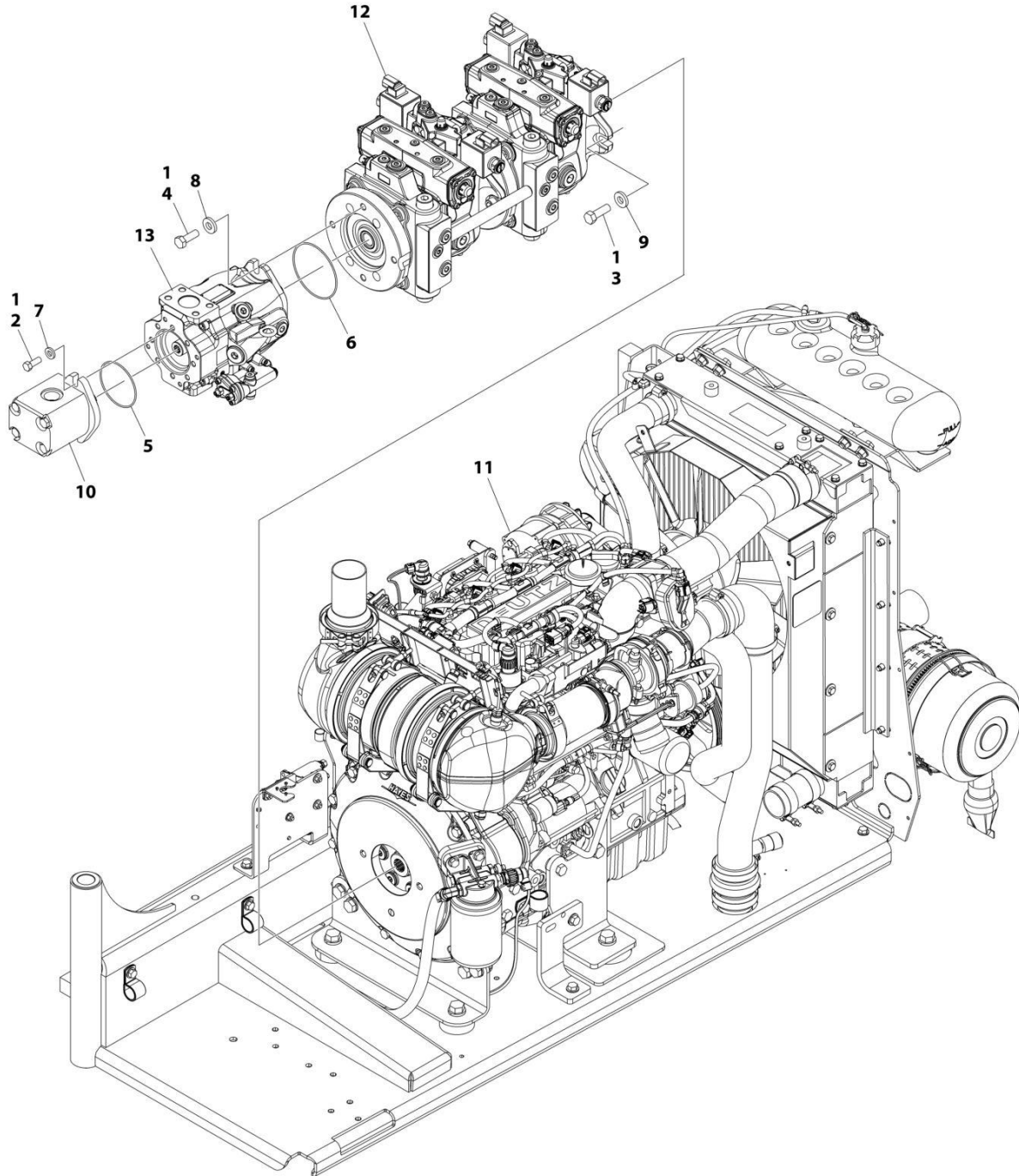
SECTION 3 - ENGINE

**FIGURE 3-63. DEUTZ TCD2.9L4 (STAGE V) ENGINE SUB-ASSEMBLY - WITH SAUER PUMP
(WITHOUT COLD WEATHER PLUS PACKAGE)**

ITEM	PART NUMBER	QTY	DESCRIPTION	REV
	1001235150	Ref	DEUTZ TCD2.9L4 (STAGE V) ENGINE SUB-ASSEMBLY	Q
1	0100011	AR	Compound, Locking	
2	0641608	2	Bolt 3/8 x 1	
3	0641812	2	Bolt 1/2 x 1-1/2	
3	0641814	2	Bolt 1/2 x 1-3/4	
4	0761215	2	Bolt M12 x 35	
6	3790152	1	O-Ring	
7	3790155	1	O-Ring	
8	4891600	2	Washer 3/8	
9	4891800	4	Washer 1/2	
10	1001108616	1	Pump Assembly - Sauer Tandem (See Separate Breakdown in this Section)	
11	1001112927	1	Pump Assembly - Sauer Gear (See Separate Breakdown in this Section)	
12	1001171095	1	Pump Assembly - Sauer Piston (See Separate Breakdown in this Section)	
13	1001235151	1	Engine Assembly (See Separate Breakdown in this Section)	

SECTION 3 - ENGINE

FIGURE 3-64. DEUTZ D2.9L4 (STAGE V) ENGINE SUB ASSEMBLY WITH PMP PUMPS AND ABS HOODS (WITHOUT COLD WEATHER PLUS PACKAGE)



ART_1001286982

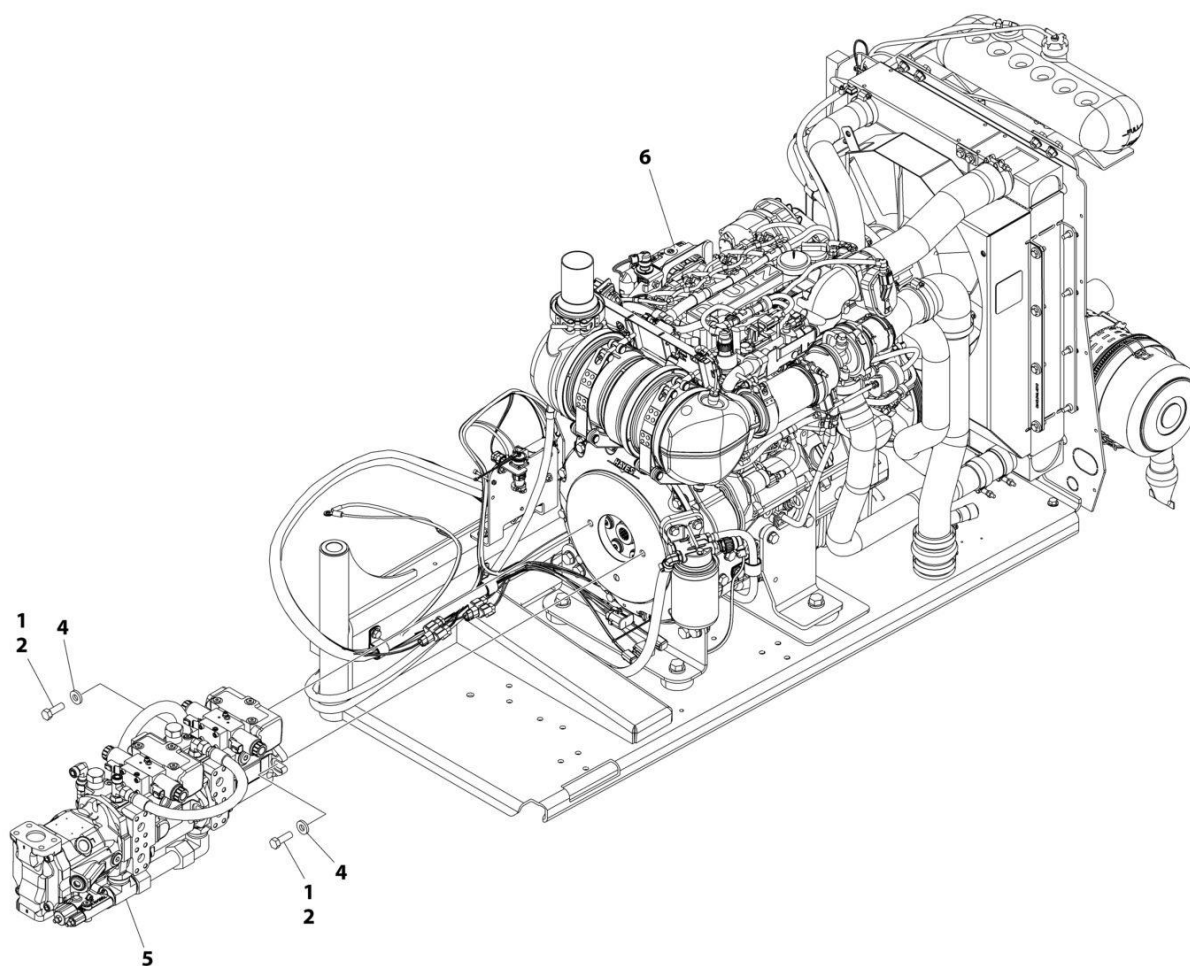
SECTION 3 - ENGINE

FIGURE 3-64. DEUTZ D2.9L4 (STAGE V) ENGINE SUB ASSEMBLY WITH PMP PUMPS AND ABS HOODS (WITHOUT COLD WEATHER PLUS PACKAGE)

ITEM	PART NUMBER	QTY	DESCRIPTION	REV
	1001286982	Ref	ENGINE SUB-ASSEMBLY (STAGE V) WITH PMP PUMPS AND ABS HOODS (WITHOUT COLD WEATHER PLUS PACKAGE)	B
1	0100011	AR	Compound, Locking	
2	0641608	2	Bolt 3/8 x 1	
3	0641812	2	Bolt 1/2 x 1-1/2	
4	0761215	2	Bolt M12 x 35	
5	3790152	1	O-Ring	
6	3790155	1	O-Ring	
7	4891600	2	Washer 3/8	
8	4891800	2	Washer 1/2	
9	8310056	2	Washer	
10	1001112927	1	Pump Assembly - Sauer Gear (See Separate Breakdown in this Section)	
11	1001277599	1	Engine Assembly (See Separate Breakdown in this Section)	
12	1001286957	1	Pump Assembly - Hydraulic Tandem (See Separate Breakdown in this Section)	
13	1001286958	1	Pump Assembly - Hydraulic Piston (See Separate Breakdown in this Section)	

SECTION 3 - ENGINE

FIGURE 3-65. DEUTZ TCD2.9L4 (STAGE V) ENGINE SUB-ASSEMBLY - WITH REXROTH PUMP AND ABS HOODS (WITHOUT COLD WEATHER PLUS PACKAGE)



ART_1001235149

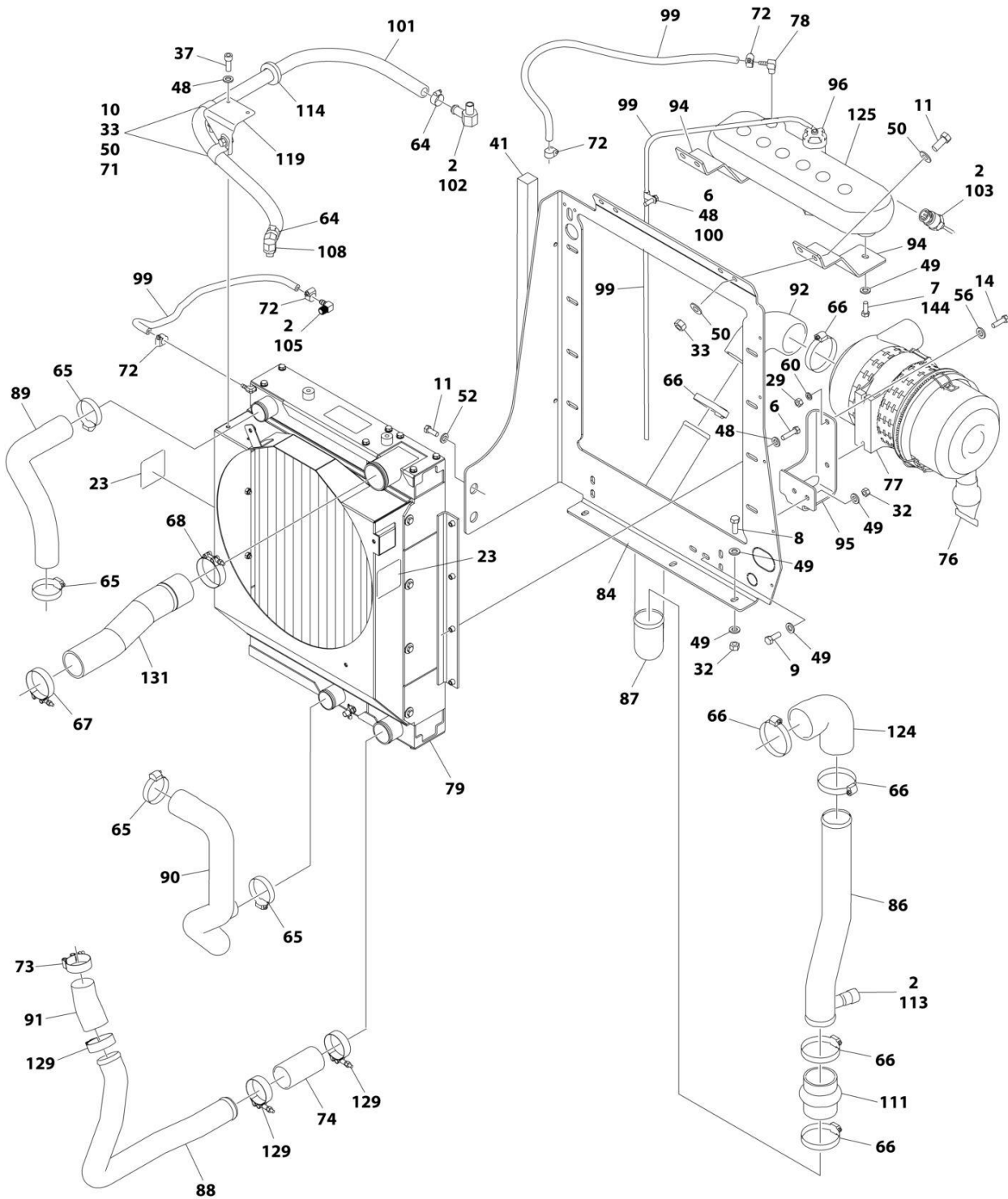
SECTION 3 - ENGINE

FIGURE 3-65. DEUTZ TCD2.9L4 (STAGE V) ENGINE SUB-ASSEMBLY - WITH REXROTH PUMP AND ABS HOODS (WITHOUT COLD WEATHER PLUS PACKAGE)

ITEM	PART NUMBER	QTY	DESCRIPTION	REV
	1001235149	Ref	DEUTZ TCD2.9L4 (STAGE V) ENGINE SUB-ASSEMBLY	Q
1	0100011	AR	Compound, Locking	
2	0641812	2	Bolt 1/2 x 1-1/2	
2	0641814	2	Bolt 1/2 x 1-3/4	
4	4891800	2	Washer 1/2	
5	1001152963	1	Pump Assembly - Rexroth (See Separate Breakdown in this Section)	
6	1001235151	1	Engine Assembly (See Separate Breakdown in this Section)	

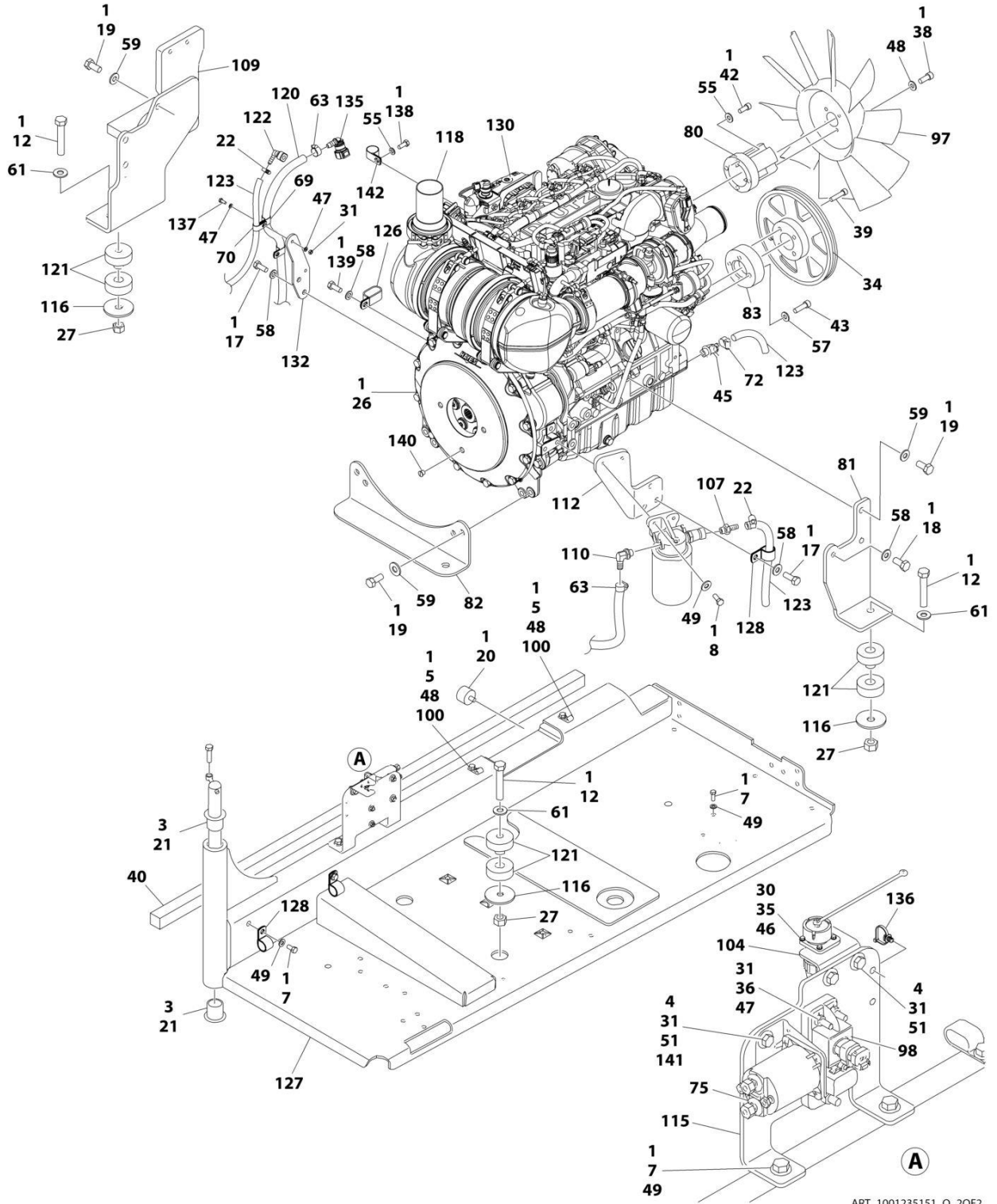
SECTION 3 - ENGINE

FIGURE 3-66. DEUTZ TCD2.9L4 (STAGE V) ENGINE ASSEMBLY (WITHOUT COLD WEATHER PLUS PACKAGE)



ART_1001235151_O_10F2

SECTION 3 - ENGINE



ART_1001235151_O_20F2

SECTION 3 - ENGINE

FIGURE 3-66. DEUTZ TCD2.9L4 (STAGE V) ENGINE ASSEMBLY (WITHOUT COLD WEATHER PLUS PACKAGE)

ITEM	PART NUMBER	QTY	DESCRIPTION	REV
	1001235151	Ref	DEUTZ TCD2.9L4 (STAGE V) ENGINE ASSEMBLY	O
1	0100011	AR	Compound, Locking	
2	0100020	AR	Sealant	
3	0100062	AR	Adhesive, Loctite #680	
4	0641406	4	Bolt 1/4 x 3/4	
5	0641503	3	Bolt 5/16 x 3/8	
6	0641508	8	Bolt 5/16 x 1-1/4	
7	0641606	7	Bolt 3/8 x 3/4	
8	0641608	9	Bolt 3/8 x 1	
9	0641610	2	Bolt 3/8 x 1-1/4	
10	0641706	2	Bolt 7/16 x 3/4	
11	0641708	6	Bolt 7/16 x 1	
12	0682028	4	Bolt 5/8 x 3-1/2 Grade 8	
14	0700815	2	Bolt M8 x 35	
17	0761214	5	Bolt M12 x 30	
18	0771212	1	Bolt M12 x 25 Grade 10.9	
19	0771414	9	Bolt M14 x 30 Grade 10.9	
20	0940070	1	Bumper	
21	0961986	2	Bushing, Flanged	
22	1320022	2	Clamp	
23	1703162	2	Decal - Fan	
26	2902065	1	Pump Coupling Kit (See Separate Breakdown in this Section)	
27	3272001	4	Nut 5/8 Grade 8	
29	3290801	2	Nut M8	
30	3310401	3	Nut #4	
31	3311405	7	Nut 1/4	
32	3311605	9	Nut 3/8	
33	3311705	5	Nut 7/16	
34	1001260432	1	Pulley	
35	3910408	3	Screw #4 x 1/2	
36	3931432	1	Capscrew 1/4 x 2	
37	3931508	2	Capscrew 5/16 x 1/2	
38	3931512	4	Capscrew 5/16 x 3/4	
39	1001261085	4	Screw M10	
40	3960543	1	Seal	
41	3960544	1	Seal	
42	4031914	4	Bolt M8 x 50	
43	1001261045	4	Screw M10	
44	4240099	AR	Tie-Strap (Not Shown)	
45	4640751	1	Valve, Oil Drain	
46	4710400	3	Washer #4	
47	4711400	5	Washer 1/4	
48	4711500	17	Washer 5/16	
49	4711600	27	Washer 3/8	
50	4711700	10	Washer 7/16	
51	4751400	8	Washer 1/4	
52	4751700	2	Washer 7/16	
54	4811700	4	Washer M6	
55	4811900	5	Washer M8	

SECTION 3 - ENGINE

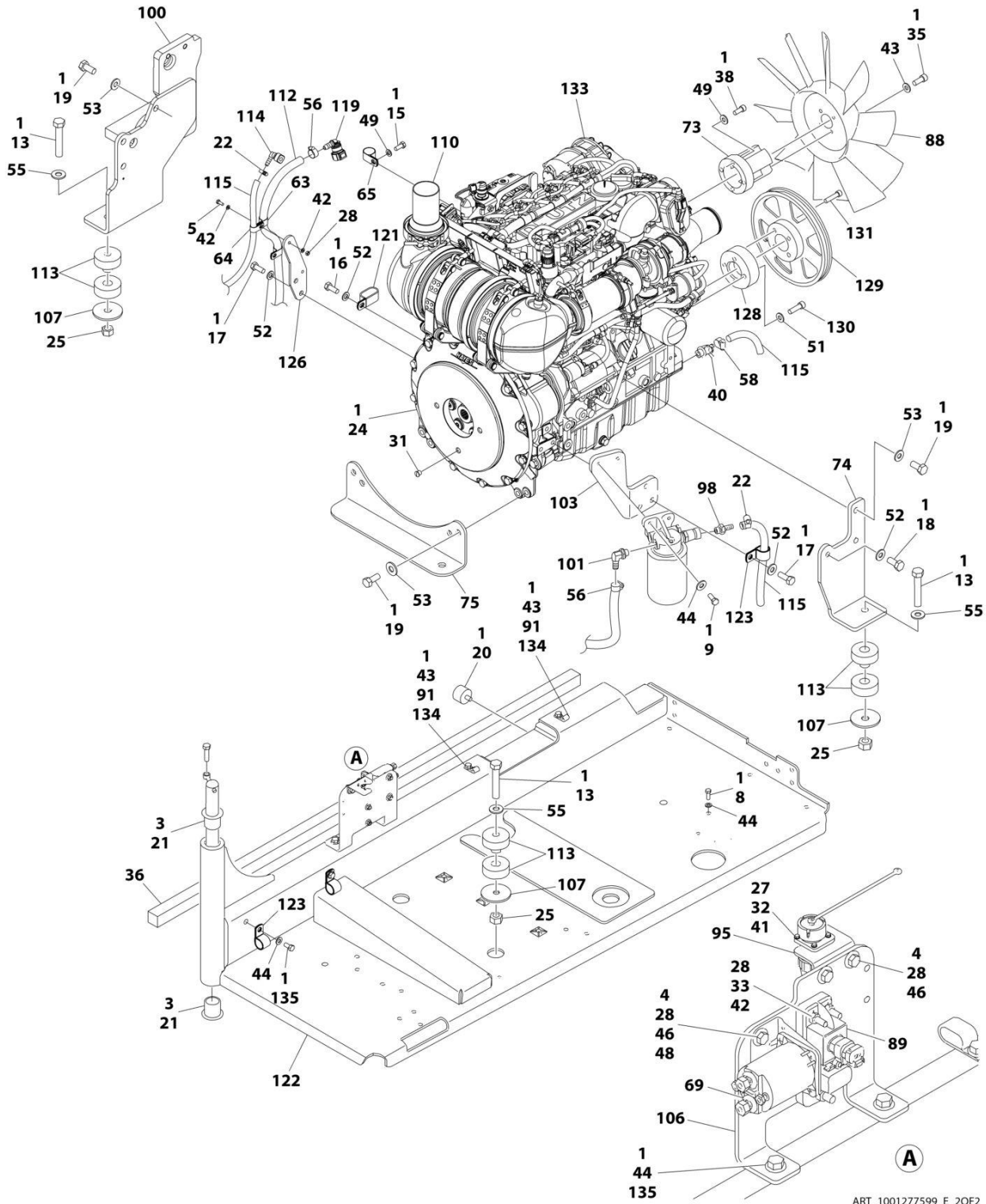
ITEM	PART NUMBER	QTY	DESCRIPTION	REV
56	4811902	2	Washer M8	
57	4812000	4	Washer M10	
58	4812100	7	Washer M12	
59	4812200	9	Washer M14	
60	4831900	2	Washer M8	
61	4892000	4	Washer 5/8	
63	8405006	2	Clamp	
64	8405007	2	Clamp	
65	8405201	4	Clamp	
66	8405204	6	Clamp	
67	8405212	1	Clamp	
68	8405213	1	Clamp	
69	8406102	2	Clip	
70	8406112	1	Clip	
71	8406302	2	Clamp	
72	8405009	5	Clamp	
73	8410014	1	Clamp	
74	91563070	1	Coupling, Rubber	
75	1001117308	1	Relay	
76	1001133633	1	Air Cleaner Assembly	
76	70024190	1	Element, Air Filter	
77	1001133634	1	Clamp	
78	1001134488	1	Fitting, 90 Barbed	
79	1001256864	1	Radiator	
80	1001135138	1	Spacer, Fan	
81	1001135560	1	Support, Engine	
82	1001135562	1	Support, Engine - Rear	
83	1001258800	1	Spacer, Pulley	
84	1001135680	1	Support, Radiator	
85	1001135779	1	Cable, Alternator Positive (Not Shown)	
86	1001135901	1	Pipe, Air Intake	
87	1001135903	1	Pipe, Air Intake	
88	1001135913	1	Pipe, Turbo to Air Cleaner	
89	1001135924	1	Hose, Radiator (Upper)	
90	1001135926	1	Pipe, Radiator (Lower)	
91	1001135943	1	Coupling, Rubber	
92	1001135946	1	Elbow, Rubber	
94	1001136626	2	Bracket	
95	1001136665	1	Bracket	
96	1001136834	1	Cap, Tank	
97	1001137276	1	Fan	
98	1001138228	1	Module, Power	
98	70023592	1	Fuse 20Amp (Switched Output)	
98	70023593	1	Fuse 30Amp (Battery Output)	
99	1001138248	8.6 ft/ 2.59m	Tubing	
100	1001138253	5	Clamp	
101	1001138524	1	Hose	
102	1001138559	1	Fitting, 90	
103	1001138827	1	Sensor, Coolant Level	
104	1001139240	1	Bracket	
105	1001140564	1	Fitting, 90 Barbed	

SECTION 3 - ENGINE

ITEM	PART NUMBER	QTY	DESCRIPTION	REV
106	1001141304	1	Wire, Glow Plug (Not Shown)	
107	1001141717	1	Fitting, Straight	
108	1001141719	1	Fitting, 90 Barbed	
109	1001142398	1	Support, Engine	
110	1001142501	1	Fitting, 90 Barbed	
111	1001142637	1	Hose, Hump	
112	1001142685	1	Bracket	
113	1001143390	1	Indicator, Air Filter Service	
114	1001144089	1	Grommet	
115	1001145154	1	Plate, Mounting	
116	1001146219	4	Washer Special	
117	1001148843	1	Harness, Fuel Filter (Not Shown - See Separate Breakdown in ELECTRICAL Section)	
118	1001153024	1	Pipe, Exhaust	
119	1001153387	1	Plate	
120	1001154405	4.7 ft/ 1.44m	Hose	
121	1001155575	4	Mount, Motor	
122	1001155823	1	Coupling	
123	1001165035	30.5 ft/ 9.3m	Hose	
124	1001165820	1	Pipe, Elbow	
125	1001166393	1	Tank, Surge	
126	1001181899	1	Clamp	
127	1001191272	1	Tray	
128	1001191620	3	Clamp	
129	1001208299	3	Clamp	
130	1001232546	1	Engine, Deutz TCD2.9L4 (Stage V) Engine Components (See Separate Breakdown in this Section)	
131	1001233492	1	Hose	
132	1001235952	1	Bracket	
133	1001237285	1	Harness, Engine (Not Shown - See Separate Breakdown in ELECTRICAL Section)	
135	1001170982	1	Adapter	
136	1001146588	1	Strap	
137	0641407	2	Bolt 1/4 x 7/8	
138	0760808	1	Bolt M8 x 16	
139	0761212	1	Bolt M12 x 25	
140	3520054	1	Plug, Hole	
141	4791400	2	Starwasher 1/4	
142	8406201	1	Clip	
143	1001165101	1	Fuel Pump/Bracket Assembly (Not Shown - See Separate breakdown in this Section)	
144	1001180620	AR	Adhesive	

SECTION 3 - ENGINE

FIGURE 3-67. DEUTZ TCD2.9L4 (STAGE V) ENGINE ASSEMBLY (WITHOUT COLD WEATHER PLUS PACKAGE)



ART_1001277599_E_20F2

SECTION 3 - ENGINE

FIGURE 3-67. DEUTZ TCD2.9L4 (STAGE V) ENGINE ASSEMBLY (WITHOUT COLD WEATHER PLUS PACKAGE)

ITEM	PART NUMBER	QTY	DESCRIPTION	REV
	1001277599	Ref	DEUTZ TCD2.9L4 (STAGE V) ENGINE ASSEMBLY	E
1	0100011	AR	Compound, Locking	
2	0100020	AR	Sealant	
3	0100062	AR	Adhesive	
4	0641406	4	Bolt 1/4 x 3/4	
5	0641407	2	Bolt 1/4 x 7/8	
6	0641503	1	Bolt 5/16 x 3/8	
7	0641508	8	Bolt 5/16 x 1-1/4	
8	0641606	3	Bolt 3/8 x 3/4	
9	0641608	9	Bolt 3/8 x 1	
10	0641610	2	Bolt 3/8 x 1-1/4	
11	0641706	2	Bolt 7/16 x 3/4	
12	0641708	6	Bolt 7/16 x 1	
13	0682028	4	Bolt 5/8 x 3-1/2 Grade 8	
14	0700815	2	Bolt M8 x 35	
15	0760808	1	Bolt M8 x 16	
16	0761212	1	Bolt M12 x 25	
17	0761214	5	Bolt M12 x 30	
18	0771212	1	Bolt M12 x 25 Grade 10.9	
19	0771414	9	Bolt M14 x 30 Grade 10.9	
20	0940070	1	Bumper	
21	0961986	2	Bushing, Flanged	
22	1320022	2	Clamp	
23	1703162	2	Decal - Fan	
24	2902065	1	Pump Coupling Kit (See Separate Breakdown in this Section)	
25	3272001	4	Nut 5/8 Grade 8	
26	3290801	2	Nut M8	
27	3310401	3	Nut #4	
28	3311405	7	Nut, Lock 1/4	
29	3311605	9	Nut, Lock 3/8	
30	3311705	5	Nut, Lock 7/16	
31	3520054	1	Plug, Hole	
32	3910408	3	Screw #4 x 1/2	
33	3931432	1	Capscrew 1/4 x 2	
34	3931508	2	Capscrew 5/16 x 1/2	
35	3931512	4	Capscrew 5/16 x 3/4	
36	3960543	1	Seal	
37	3960544	1	Seal	
38	4031914	4	Bolt M8 x 50	
39	4240099	AR	Tie-Strap (Not Shown)	
40	4640751	1	Valve, Oil Drain	
41	4710400	3	Washer #4	
42	4711400	5	Washer 1/4	
43	4711500	17	Washer 5/16	
44	4711600	27	Washer 3/8	
45	4711700	10	Washer 7/16	
46	4751400	8	Washer 1/4	
47	4751700	2	Washer 7/16	
48	4791400	2	Starwasher 1/4	

SECTION 3 - ENGINE

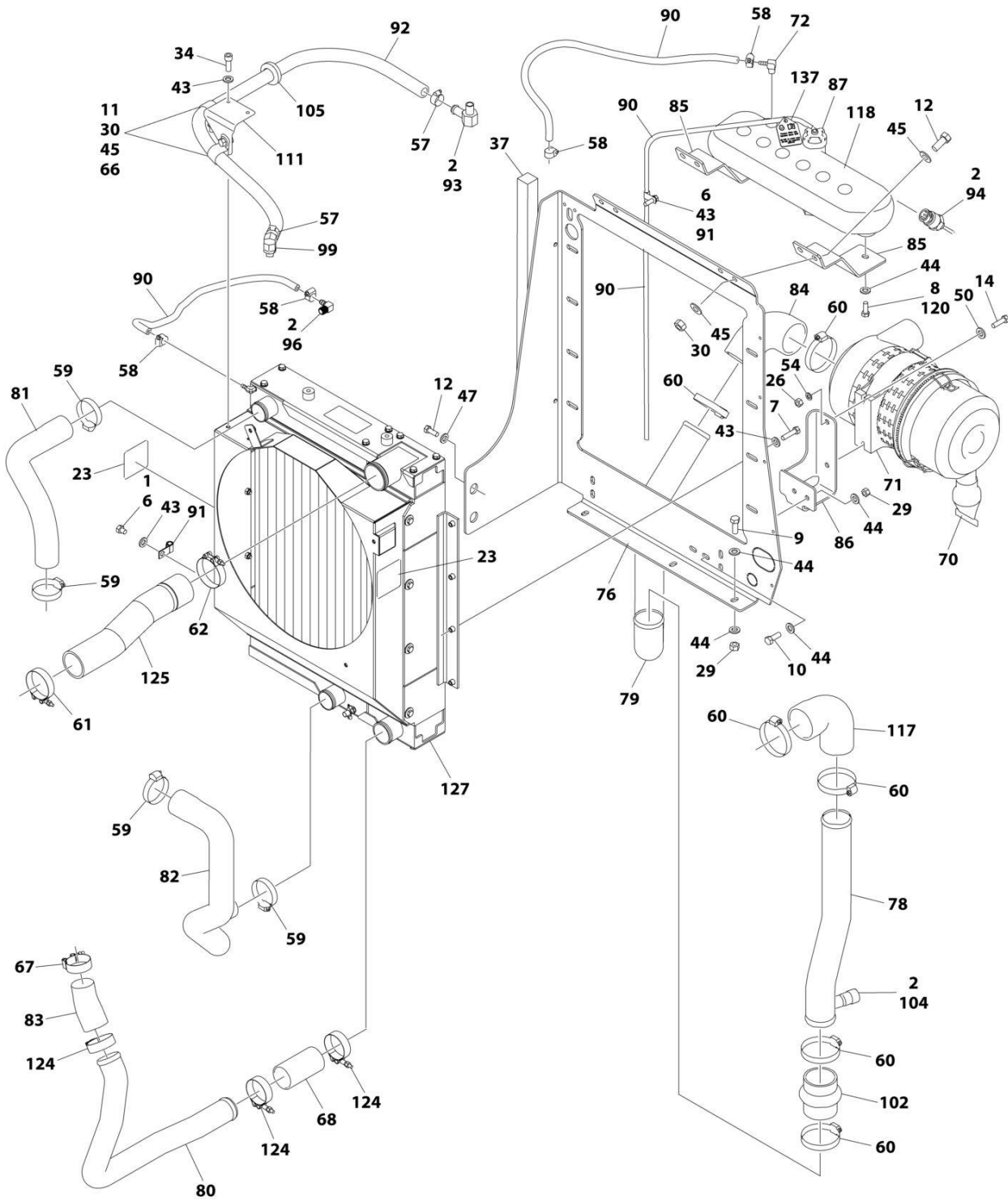
ITEM	PART NUMBER	QTY	DESCRIPTION	REV
49	4811900	5	Washer M8	
50	4811902	2	Washer M8	
51	4812000	4	Washer M10	
52	4812100	7	Washer M12	
53	4812200	9	Washer M14	
54	4831900	2	Washer, Lock M8	
55	4892000	4	Washer 5/8	
56	8405006	2	Clamp	
57	8405007	2	Clamp	
58	8405009	5	Clamp	
59	8405201	4	Clamp	
60	8405204	6	Clamp	
61	8405212	1	Clamp	
62	8405213	1	Clamp	
63	8406102	2	Clip	
64	8406112	1	Clip	
65	8406201	1	Clip	
66	8406302	2	Clamp	
67	8410014	1	Clamp	
68	91563070	1	Coupling, Rubber	
69	1001117308	1	Relay	
70	1001133633	1	Air Cleaner Assembly	
70	70024190	1	Element, Air Filter	
71	1001133634	1	Clamp	
72	1001134488	1	Fitting, 90 Barbed	
73	1001135138	1	Spacer, Fan	
74	1001135560	1	Support, Engine	
75	1001135562	1	Support, Engine - Rear	
76	1001135680	1	Support, Radiator	
77	1001135779	1	Cable, Alternator Positive (Not Shown)	
78	1001135901	1	Pipe, Air Intake	
79	1001135903	1	Pipe, Air Intake	
80	1001135913	1	Pipe, Turbo to Air Cleaner	
81	1001135924	1	Hose, Radiator (Upper)	
82	1001135926	1	Pipe, Radiator (Lower)	
83	1001135943	1	Coupling, Rubber	
84	1001135946	1	Elbow, Rubber	
85	1001136626	2	Bracket	
86	1001136665	1	Bracket	
87	1001136834	1	Cap, Tank	
88	1001137276	1	Fan	
89	1001138228	1	Module, Power	
89	70023592	1	Fuse 20Amp (Switched Output)	
89	70023593	1	Fuse 30Amp (Battery Output)	
90	1001138248	9 ft /3 m	Tubing	
91	1001138253	5	Clamp	
92	1001138524	1	Hose	
93	1001138559	1	Fitting, 90	
94	1001138827	1	Sensor, Coolant Level	
95	1001139240	1	Bracket	
96	1001140564	1	Fitting, 90 Barbed	

SECTION 3 - ENGINE

ITEM	PART NUMBER	QTY	DESCRIPTION	REV
97	1001141304	1	Wire, Glow Plug (Not Shown)	
98	1001141717	1	Fitting, Straight	
99	1001141719	1	Fitting, 90 Barbed	
100	1001283008	1	Support, Engine	
101	1001142501	1	Fitting, 90 Barbed	
102	1001142637	1	Hose, Hump	
103	1001142685	1	Bracket	
104	1001143390	1	Indicator, Air Filter Service	
105	1001144089	1	Grommet	
106	1001145154	1	Plate, Mounting	
107	1001146219	4	Washer Special	
108	1001146588	AR	Tie-Strap (Not Shown)	
109	1001148843	1	Harness, Fuel Filter (Not Shown - See Separate Breakdown in ELECTRICAL Section)	
110	1001153024	1	Pipe, Exhaust	
111	1001153387	1	Plate	
112	1001154405	5 ft /2 m	Hose	
113	1001155575	4	Mount, Motor	
114	1001155823	1	Coupling	
115	1001165035	31 ft /10 m	Hose	
116	1001165101	1	Fuel Pump/Bracket Assembly (Not Shown - See Separate breakdown in this Section)	
117	1001165820	1	Pipe, Elbow	
118	1001166393	1	Tank, Surge	
119	1001170982	1	Adapter	
120	1001180620	AR	Adhesive	
121	1001181899	1	Clamp	
122	1001191272	1	Tray	
123	1001191620	3	Clamp	
124	1001208299	3	Clamp	
125	1001233492	1	Hose	
126	1001235952	1	Bracket	
127	1001256864	1	Radiator	
128	1001258800	1	Spacer, Pulley	
129	1001260432	1	Pulley	
130	1001261045	4	Capscrew M10 x 45 Class 10.9	
131	1001261085	4	Capscrew M10 x 85 Class 10.9	
132	1001276646	1	Harness, Engine (Not Shown - See Separate Breakdown in ELECTRICAL Section)	
133	1001277593	1	Engine, Deutz TCD2.9L4 (Stage V) (See Separate Breakdown in ELECTRICAL Section)	
134	0641510	2	Bolt 5/16 x 1-1/4	
135	0641612	4	Bolt 3/8 x 1-1/2	
136	4240032	AR	Tie-Strap (Not Shown)	
137	1001291401	1	Tag, Coolant	

SECTION 3 - ENGINE

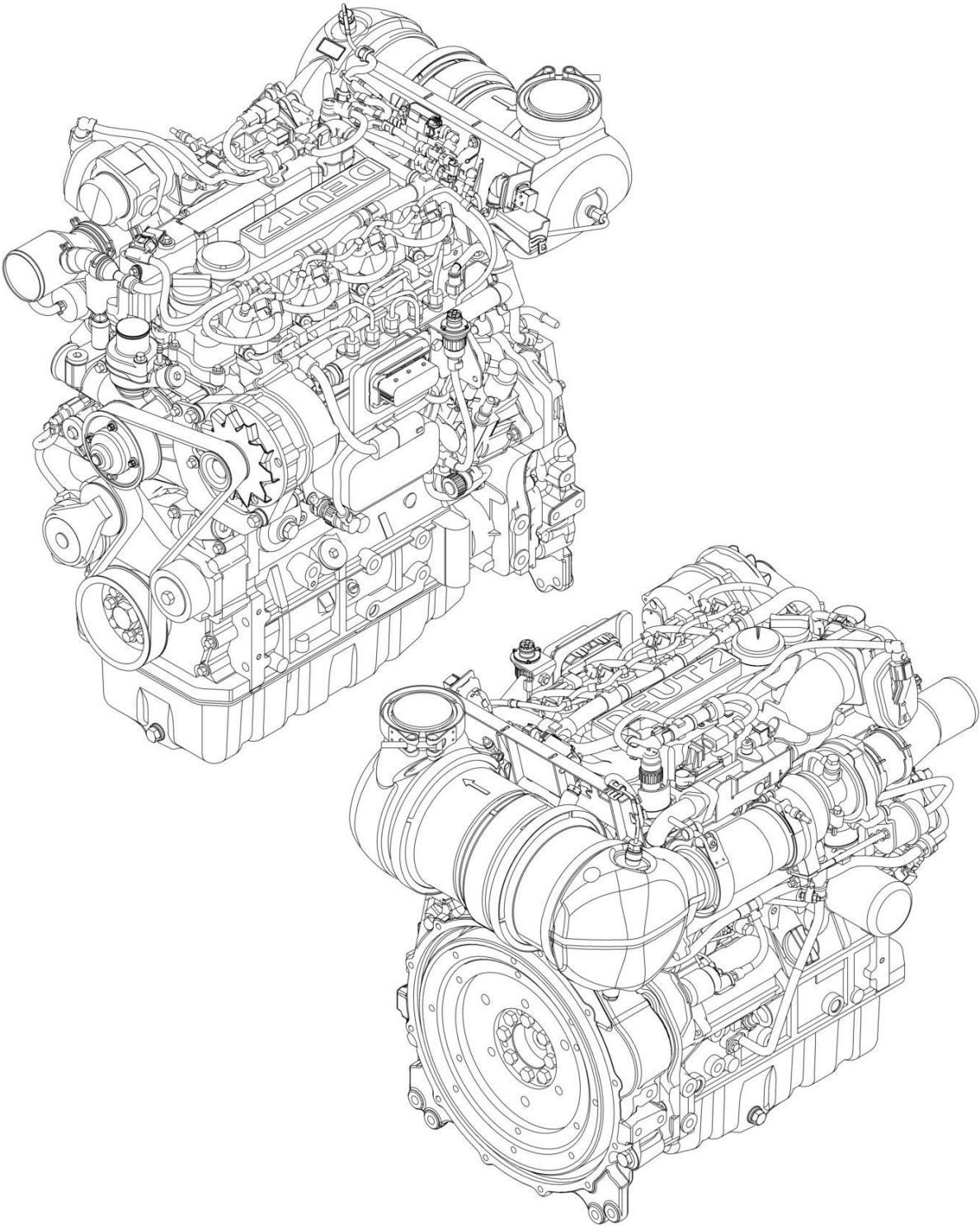
FIGURE 3-68. DEUTZ TCD2.9L4 (STAGE V) ENGINE ASSEMBLY (WITHOUT COLD WEATHER PLUS PACKAGE)



ART_1001277599_E_10F2

SECTION 3 - ENGINE

FIGURE 3-69. DEUTZ TCD2.9L4 (STAGE V) ENGINE COMPONENTS



ART_1001232546

SECTION 3 - ENGINE

FIGURE 3-69. DEUTZ TCD2.9L4 (STAGE V) ENGINE COMPONENTS

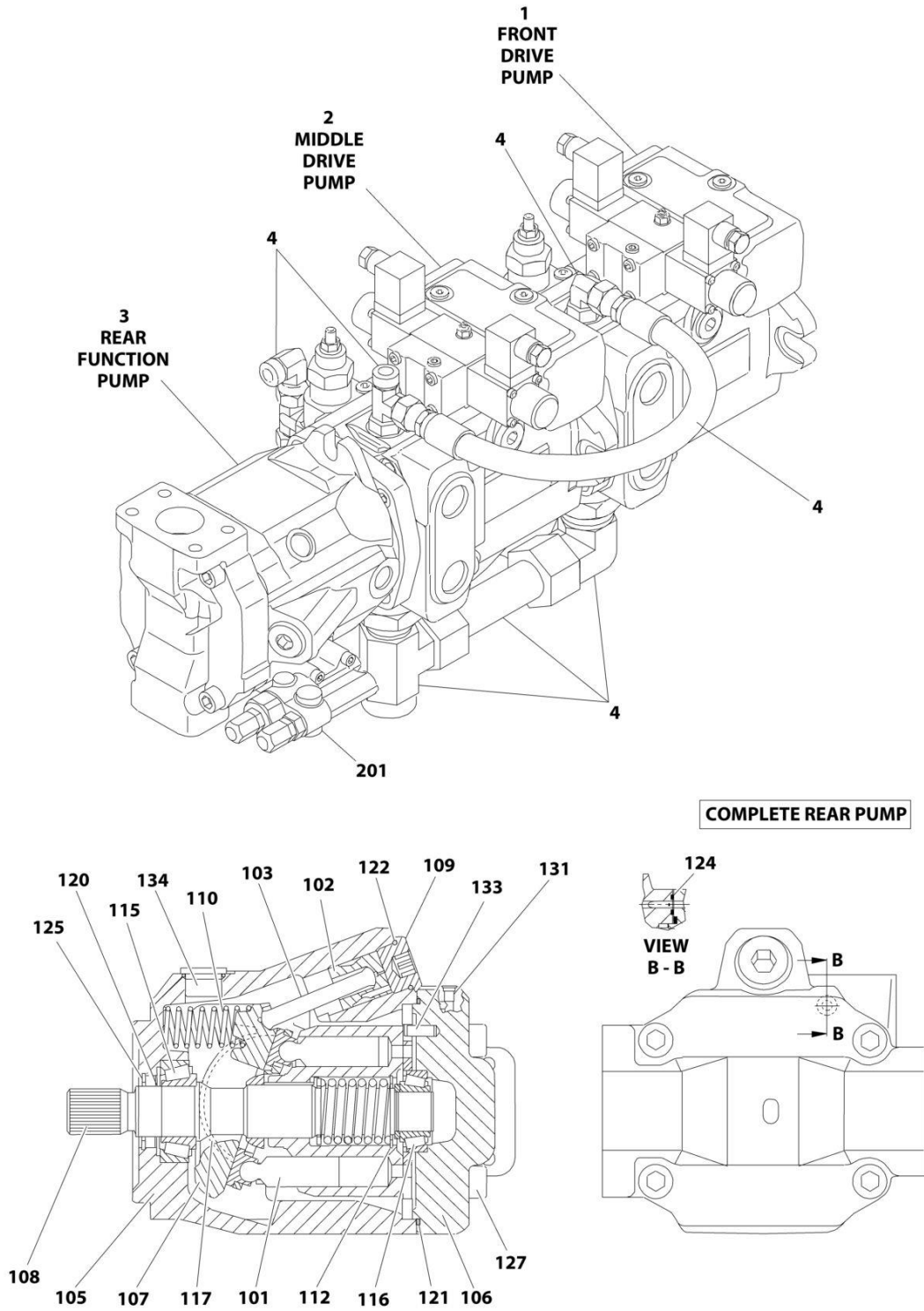
ITEM	PART NUMBER	QTY	DESCRIPTION	REV
	1001232546	Ref	DEUTZ ENGINE COMPONENTS	H
		Ref	Note: For complete list of parts, contact JLG Parts Department	
		Ref	Air Intake System Components	
	70004503	1	Turbocharger	
		Ref	Cooling System Components	
	70029581	1	Pump, Coolant (Includes Gasket & Seals)	
	70007603	1	Thermostat	
	70005184	1	O-Ring	
	70005931	1	Gasket	
	70025142	1	Cover	
		Ref	Electrical System Components	
		Ref	Module, ECU/ECM	
	70029401	1	Generator (Includes Controller, Fan & Hardware)	
	70024915	1	Starter (Includes Solenoid & Relay)	
	70026210	1	Sender, Tacho-Generator (Speed) (On Rear of Block) (Includes Seal)	
	70024916	1	Sender, Tacho-Generator (Speed) (On Cover) (Includes Seal)	
	70024918	1	Sender, Temperature (Includes Seal) (On Air Intake Manifold)	
	70024507	1	Sensor, Pressure (Includes Seal) (On Air Intake Manifold)	
	70024504	1	Sensor, Pressure (Includes Seal) (On Fuel Filter & Side of Block)	
		Ref	Sensor, Pressure (Includes Seal) (On Exhaust Manifold)	
		Ref	Sensor, Temperature (Includes Seal) (On Exhaust Manifold)	
	70000345	4	Plug, Glow	
		Ref	Exhaust System Components	
		Ref	Valve, EGR	
	70025130	8	Bolt, Exhaust Manifold	
	70025164	1	Gasket, Exhaust Manifold	
		Ref	Outlet, Muffler	
		Ref	Muffler	
		Ref	Bracket, Muffler Mounting	
	70004504	1	Compensator, Exhaust	
		Ref	Fuel System Components	
	70024924	1	Pump, High Pressure	
		Ref	Injector (Includes Sealing washer, Clamp & O-Ring)	
	70006144	1	Pump, Fuel Supply (Includes Clamps)	
	70024961	1	Filter, Fuel (Pre-Filter Assembly) (Includes Head, Spin on filter, Sensor Cable & Seal)	
	70025153	1	Filter, Fuel Spin On	
	70024513	1	Sensor Cable (Includes Seal)	
	70025160	1	Filter, Fuel (Assembly) (Includes Head & Spin on Filter)	
		Ref	Filter, Fuel Spin On	
	70004508	1	Vol. Control Valve (Includes O-Ring & Gasket)	
		Ref	Lubricating System Components	
	7020465	2	Cap, Oil Fill	
	70005941	2	Plug, Oil Drain	
	70005942	2	Seal, Oil Drain Plug	
	70005172	1	Pump, Oil (Includes Seal & Gasket)	
	7016331	1	Filter, Oil	
	70024494	1	Cooler, Oil	
	70024925	1	Gasket, Oil Cooler	

SECTION 3 - ENGINE

ITEM	PART NUMBER	QTY	DESCRIPTION	REV
	70024904	1	Dipstick (Includes Seal)	
		Ref	Mechanical Components	
	70001870	1	Flywheel (includes Gear)	
	70004277	1	V-Belt	
	70005938	1	Gasket Set - Complete	

SECTION 3 - ENGINE

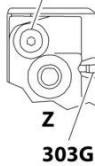
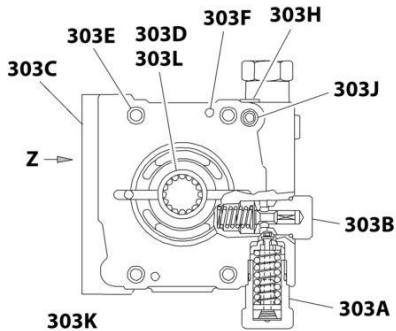
FIGURE 3-70. PUMP ASSEMBLY (REXROTH) (DEUTZ TD2011 ENGINES)



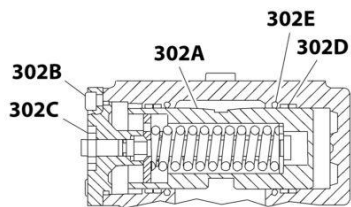
ART_3600339_10F2

SECTION 3 - ENGINE

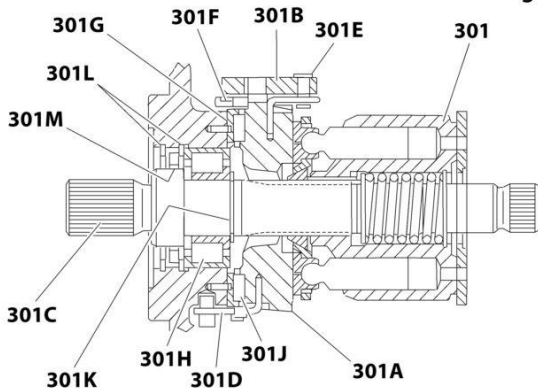
COMPLETE FRONT AND PUMPS



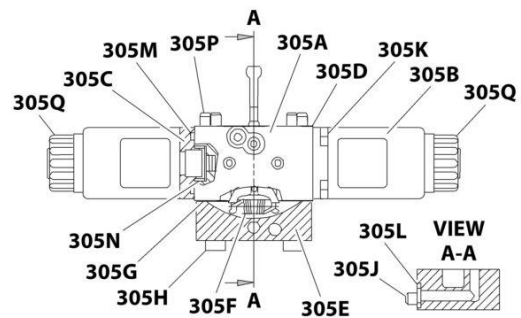
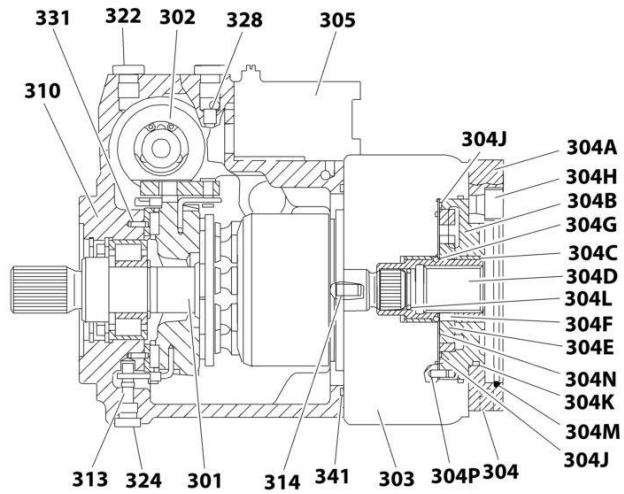
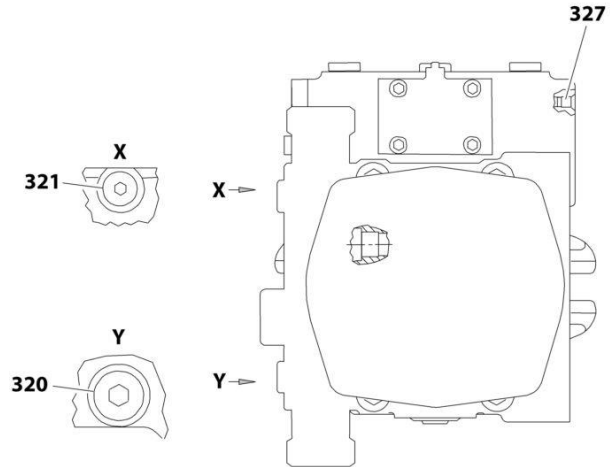
PORT PLATE SECTION FRONT AND MID PUMPS (DETAIL OF ITEM 303)



HYD. CONTROL FRONT AND MID PUMPS (DETAIL OF ITEM 302)



ROTARY GROUP FRONT AND MID PUMPS (DETAIL OF ITEM 301)



CONTROL MODULE FRONT AND MID PUMPS (DETAIL OF ITEM 305)

ART_3600339_20F2

SECTION 3 - ENGINE

FIGURE 3-70. PUMP ASSEMBLY (REXROTH) (DEUTZ TD2011 ENGINES)

ITEM	PART NUMBER	QTY	DESCRIPTION	REV
	3600339	Ref	PUMP ASSEMBLY (REXROTH) (DEUTZ TD2011 ENGINES)	D
1	7024042	1	Front Drive Pump Assembly (Includes Items 301-341)	
2	7024043	1	Middle Drive Pump Assembly (Includes Items 301-341)	
3	7024044	1	Rear Function Pump Assembly (Includes Items 101-201)	
4	70001952	1	Hydraulic Kit (Includes all Rexroth Supplied Hydraulic Fittings, Hoses and Tubes)	
	7024044	Ref	REAR FUNCTION PUMP ASSEMBLY	
101	7024914	1	Rotary Section	
102	See Note	1	Piston, Control (Note: Not Available - Purchase Complete Assembly)	
103	See Note	1	Rod, Piston (Note: Not Available - Purchase Complete Assembly)	
105	See Note	1	Housing, Pump (Note: Not Available - Purchase Complete Assembly)	
106	See Note	1	Plate, Port (Note: Not Available - Purchase Complete Assembly)	
107	7024915	1	Plate, Swash	
108	7024916	1	Driveshaft	
109	See Note	1	Plug (Note: Not Available for Purchase)	
110	See Note	1	Spring (Note: Not Available for Purchase)	
112	7012709	1	Shim	
115	7024038	1	Bearing, Roller	
116	7012706	1	Bearing, Roller	
117	7024917	2	Shell, Cradle	
120	7024918	1	Seal, Shaft	
121	7024919	1	O-Ring	
122	7024920	1	O-Ring	
124	7024921	1	Seal	
125	7012715	1	V-Ring	
127	See Note	4	Capscrew M12 x 45 Grade 10.9 (Note: Not Available for Purchase)	
131	See Note	1	Plug (Note: Not Available for Purchase)	
133	See Note	1	Pin, Dowel (Note: Not Available for Purchase)	
134	See Note	1	Plug (Note: Not Available for Purchase)	
201	7024913	Ref	Pilot Valve Assembly	
		Ref	Note: Two mounting designs of p/n 7024913 pilot valve exist. Early design uses qty. 3 O-rings. Late design uses qty 1 sealing plate. Seal designs cannot be interchanged. Verify seal design before ordering.	
201	7024922	3	O-Ring (Seals between Pilot Valve and Rear Pump)	
201	70021867	1	Plate, Sealing (Seals between Pilot Valve and Rear Pump)	
		Ref	FRONT DRIVE PUMP ASSEMBLIES	
	7024042	Ref	Front Drive Pump Assembly	
	7024043	Ref	Middle Drive Pump Assembly	
301	7024064	1	Rotary Group	
301A	See Note	NSS	Cradle (Note: Use Item 301)	
301B	See Note	NSS	Ring, Slide (Note: Use Item 301)	
301C	See Note	NSS	Driveshaft (Note: Use Item 301)	
301D	See Note	NSS	Wire (Note: Use Item 301)	
301E	See Note	NSS	Pin, Joint (Note: Use Item 301)	
301F	See Note	NSS	Wire (Note: Use Item 301)	
301G	See Note	NSS	Liner, Bearing (Note: Use Item 301)	
301H	See Note	NSS	Bearing, Roller (Note: Use Item 301)	
301J	See Note	NSS	Cradle Bearing Assembly (Note: Use Item 301)	

SECTION 3 - ENGINE

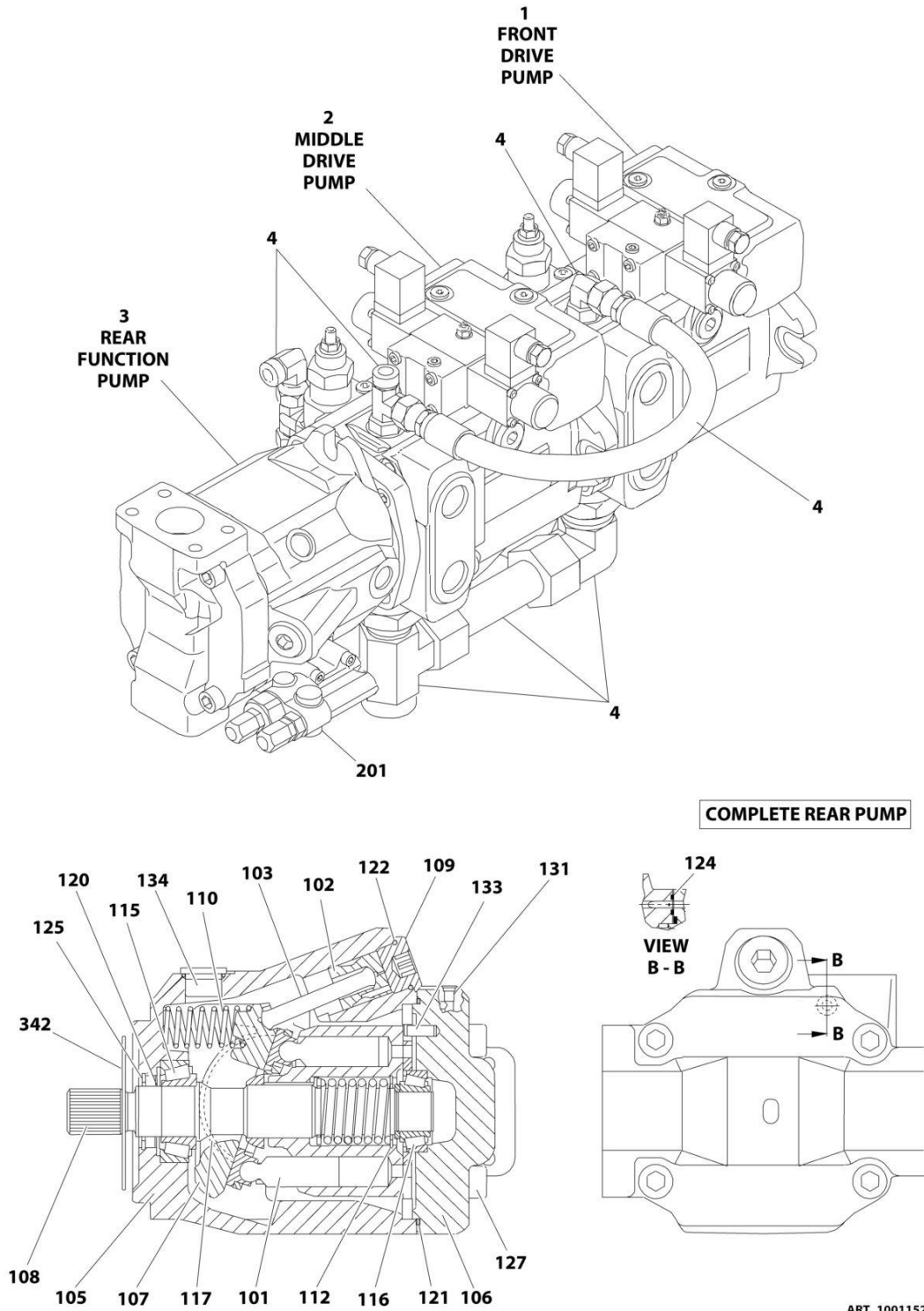
ITEM	PART NUMBER	QTY	DESCRIPTION	REV
301K	See Note	NSS	Ring, Retaining (Note: Use Item 301)	
301L	70001968	2	Ring, Retaining	
301M	7024070	1	Seal, Shaft Ring	
302	7024065	1	Control Group - Hydraulic	
302A	See Note	NSS	Piston, Positioning - Complete (Note: Use Item 302)	
302A	7024071	1	O-Ring, Outer Seal	
302A	7024072	1	O-Ring, Stem	
302B	See Note	4	Capscrew M6 x 12 (Note: Not Available - Purchase Locally)	
302C	See Note	NSS	Nut (Note: Use Item 302)	
302D	See Note	NSS	Ring, Guide (Note: Use Item 302)	
302E	See Note	NSS	Seal, O-Ring (Note: Use Item 302)	
303	7024911	1	Port Plate Group	
303A	7024073	2	Cartridge, Relief Valve (High Pressure)	
303A	7024075	1	O-Ring	
303A	7024076	1	Ring, Back-up	
303B		Ref	Cartridge Options:	
303B	7024097	1	Front Pump Cartridge (Lock Valve with Orifice) Note: Sold as an Assembly except Outer Seal.	
303B	7024075	1	O-Ring	
303B	7023881	1	Middle Pump Cartridge (Pressure Relief Valve) Note: Sold as an Assembly except Outer Seal.	
303B	7024077	1	O-Ring	
303C	See Note	NSS	Plate, Port (Note: Use Item 303)	
303D	See Note	NSS	Bushing, Bearing (Note: Use Item 303)	
303E	See Note	4	Capscrew M12 x 70 Grade10.9 (Note: Not Available - Purchase Locally)	
303F	See Note	NSS	Pin, Dowel (Note: Use Item 303)	
303G	See Note	NSS	Pin, Break-Off (Note: Use Item 303)	
303H	See Note	1	Screw, Locking M10 x 1 (Note: Not Available - Purchase Locally)	
303J	7024908	2	O-Ring	
303K	See Note	2	Screw, Locking 7/16 (Note: Not Available - Purchase Locally)	
303L	See Note	NSS	Bearing, Roller (Note: Use Item 303)	
304	7024906	1	Internal Gear Pump	
304A	See Note	NSS	Flange, Intermediate (Note: Use Item 304)	
304B	See Note	NSS	IZP-Housing (Note: Use Item 304)	
304C	See Note	NSS	Bushing, Bearing (Note: Use Item 304)	
304D	See Note	NSS	Coupling, Driveshaft Through (Note: Use Item 304)	
304E	See Note	NSS	Gear Set (Note: Use Item 304)	
304F	See Note	NSS	Key, Driveshaft (Note: Use Item 304)	
304G	See Note	NSS	Ring, Retaining (Note: Use Item 304)	
304H	See Note	4	Capscrew M10 x 20 (Note: Not Available - Purchase Locally)	
304J	7024080	2	Seal	
304K	7024081	1	O-Ring	
304L	See Note	NSS	Ring, Retaining (Note: Use Item 304)	
304M	See Note	NSS	O-Ring (Note: Use Item 304)	
304N	7024005	1	Plate, Wear	
304P	See Note	NSS	Pin, Cylinder (Note: Use Item 304)	
305	7024068	1	Control Module	
305A	7024084	1	Valve Body, Lever and Internal Components	
305B	7024083	2	Coil, Solenoid	
305C	See Note	NSS	Spacer, Coil (Note: Use Item 305)	

SECTION 3 - ENGINE

ITEM	PART NUMBER	QTY	DESCRIPTION	REV
305D	7024085	1	Gasket	
305E	See Note	NSS	Cover (Note: Use Item 305)	
305F	See Note	NSS	Spring, Draw (Note: Use Item 305)	
305G	See Note	NSS	Gasket (Note: Use Item 305)	
305H	See Note	4	Capscrew M6 x 65 (Note: Not Available - Purchase Locally)	
305J	See Note	1	Capscrew M6 x 45 (Note: Not Available - Purchase Locally)	
305K	See Note	8	Capscrew M5 x 10 (Note: Not Available - Purchase Locally)	
305L	7024087	1	O-Ring	
305M	7024088	2	O-Ring	
305N	7024089	2	Cup, Spring	
305P	See Note	NSS	Pin, Cylinder (Note: Use Item 305)	
305Q	70002569	2	Nut, Coil	
310	See Note	1	Housing (Note: Not Available for Purchase)	
313	See Note	2	Pin, Dowel (Note: Not Available for Purchase)	
314	See Note	1	Pin, Cylinder (Note: Not Available for Purchase)	
320	See Note	1	Screw 7/8 (Front Drive Pump Only) (Note: Not Available - Purchase Locally)	
321	See Note	1	Screw 9/16 (Note: Not Available - Purchase Locally)	
322	See Note	1	Screw 7/16 (Note: Not Available - Purchase Locally)	
324	See Note	1	Screw M10 x 1 (Note: Not Available - Purchase Locally)	
327	See Note	1	Pin, Double Break-Off (Note: Not Available for Purchase)	
328	7018936	2	Orifice	
331	See Note	2	Pin, Clamping (Note: Not Available for Purchase)	
341	7024069	1	O-Ring	

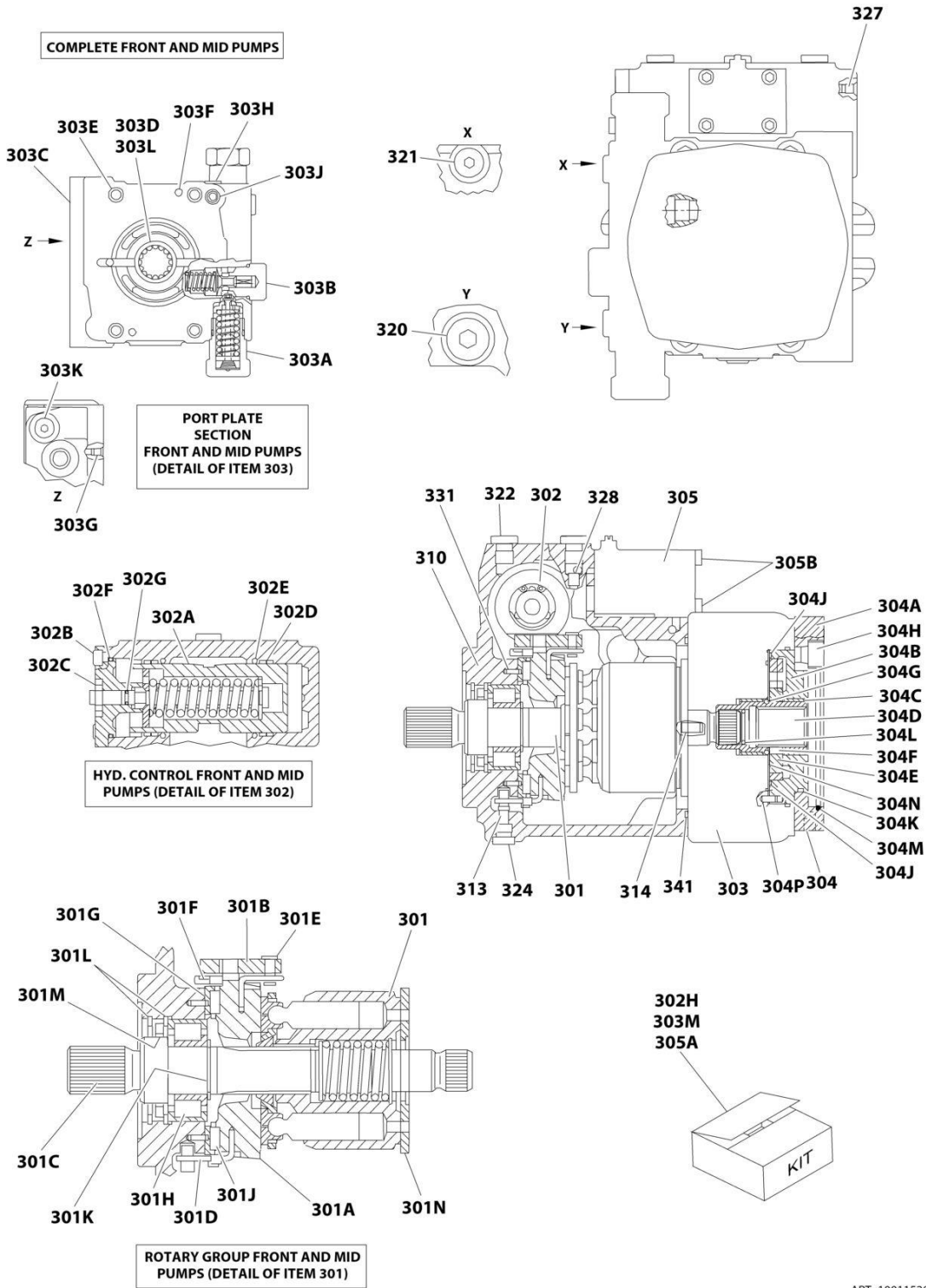
SECTION 3 - ENGINE

FIGURE 3-71. PUMP ASSEMBLY (REXROTH) (DEUTZ TCD2.9L4 ENGINES)



ART_1001152963_10F2

SECTION 3 - ENGINE



ART_1001152963_20F2

SECTION 3 - ENGINE

FIGURE 3-71. PUMP ASSEMBLY (REXROTH) (DEUTZ TCD2.9L4 ENGINES AND DEUTZ TCD2.9L4 (STAGE V PRE-BUY) ENGINES)

ITEM	PART NUMBER	QTY	DESCRIPTION	REV
	1001152963	Ref	PUMP ASSEMBLY (REXROTH) (DEUTZ TCD2.9L4 ENGINES)	C
1	70005480	1	Front Drive Pump Assembly Options (Includes Items 301-341)	
2	70005481	1	Middle Drive Pump Assembly (Includes Items 301-341)	
3	7024044	1	Rear Function Pump Assembly (Includes Items 101-201)	
4	See Note	NSS	Hydraulic Kit (Includes all Rexroth Supplied Hydraulic Fittings, Hoses and Tubes) (Note: Not Available for Purchase)	
	7024044	Ref	REAR FUNCTION PUMP ASSEMBLY	
101	70003173	1	Rotary Section	
102	See Note	1	Piston Control (Note: Not Available - Purchase Complete Assembly)	
103	See Note	1	Rod, Piston (Note: Not Available - Purchase Complete Assembly)	
105	See Note	1	Housing, Pump (Note: Not Available - Purchase Complete Assembly)	
106	See Note	1	Plate, Port (Note: Not Available - Purchase Complete Assembly)	
107	70003174	1	Plate, Swash	
108	70003175	1	Driveshaft	
109	See Note	1	Plug (Note: Not Available for Purchase)	
110	See Note	1	Spring (Note: Not Available for Purchase)	
112		Ref	Shim	
115	7024038	1	Bearing, Roller	
116	7012706	1	Bearing, Roller	
117	7024917	2	Shell, Cradle	
120	7024918	1	Seal, Shaft	
121	7024919	1	O-Ring	
122	7024920	1	O-Ring	
124	7024921	1	Seal	
125	70003177	1	V-Ring	
127	See Note	4	Capscrew M12 x 45 Grade 10.9 (Note: Not Available for Purchase)	
131	See Note	1	Plug (Note: Not Available for Purchase)	
133	See Note	1	Pin, Dowel (Note: Not Available for Purchase)	
134	See Note	1	Plug (Note: Not Available for Purchase)	
201	7024913	Ref	Pilot Valve Assembly	
		Ref	Note: Two mounting designs of p/n 7024913 pilot valve exist. Early design uses qty. 3 o-rings. Late design uses qty. 1 sealing plate. Seal designs cannot be interchanged. Verify seal design before ordering.	
201	7024922	3	O-Ring (Seals between Pilot Valve and Rear Pump)	
201	70021867	1	Plate, Sealing (Seals between Pilot Valve and Rear Pump)	
		Ref	FRONT DRIVE PUMP ASSEMBLIES	
	70005480	Ref	Front Drive Pump Assembly	
	70005481	Ref	Middle Drive Pump Assembly	
		Ref	Note: Service Parts not available at time of printing, call-out number on illustration for ref only.	
301	7024064	1	Rotary Group	
301A	See Note	NSS	Cradle (Note: Use Item 301)	
301B	See Note	NSS	Ring, Slide (Note: Use Item 301)	
301C	7023887	1	Driveshaft	
301D	See Note	NSS	Wire (Note: Use Item 301)	
301E	See Note	NSS	Pin, Joint (Note: Use Item 301)	
301F	See Note	NSS	Wire (Note: Use Item 301)	

SECTION 3 - ENGINE

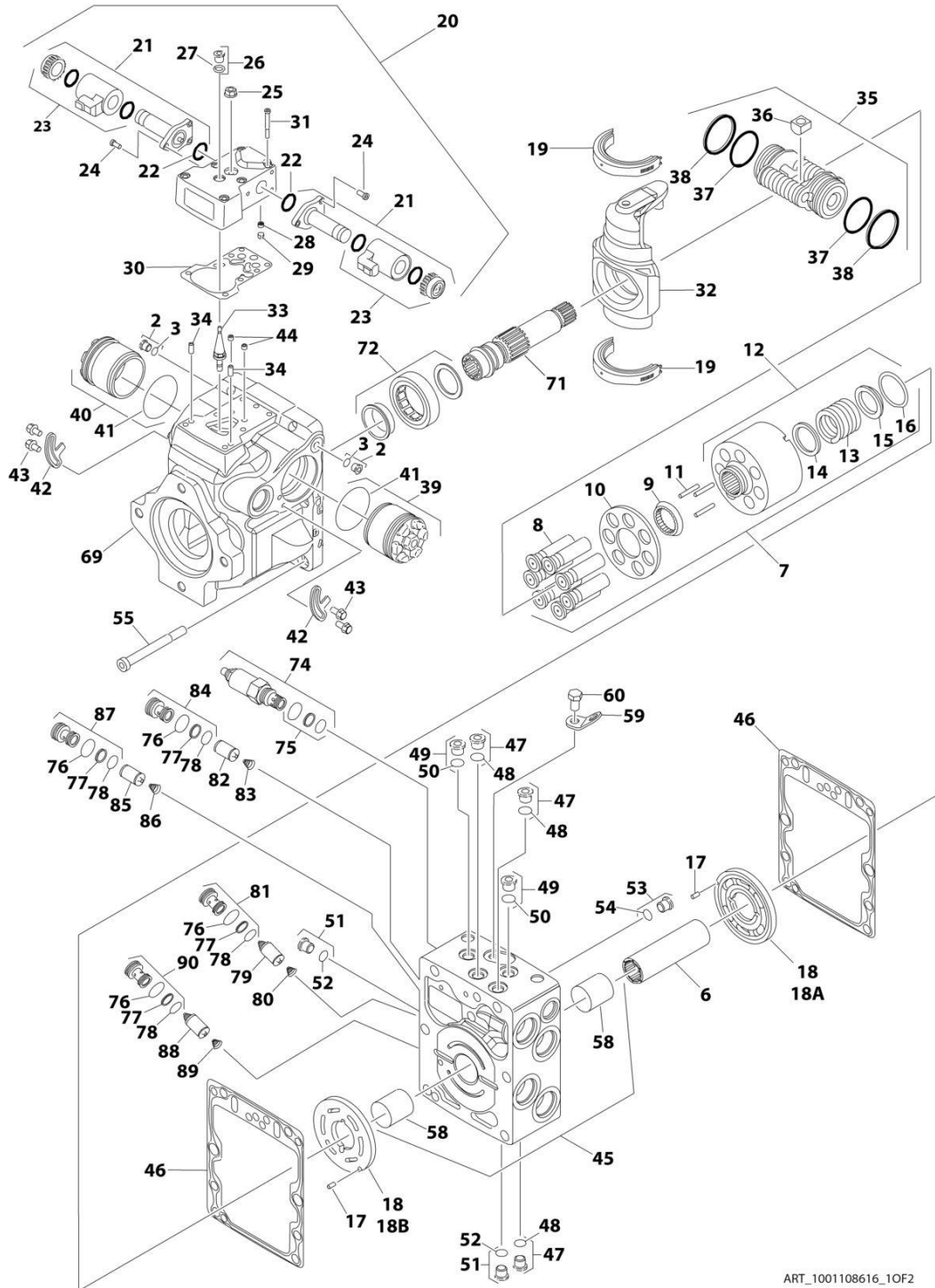
ITEM	PART NUMBER	QTY	DESCRIPTION	REV
301G	See Note	NSS	Liner, Bearing (Note: Use Item 301)	
301H	See Note	NSS	Bearing, Roller (Note: Use Item 301)	
301J	See Note	NSS	Cradle Bearing Assembly (Note: Use Item 301)	
301K	70001968	1	Ring, Retaining	
301L	See Note	NSS	Ring, Retaining (Note: Not Available for Purchase)	
301M	70003167	1	Seal, Shaft Ring	
301N	70000950	1	Plate	
302	7024065	1	Control Group - Hydraulic	
302A	See Note	NSS	Piston, Positioning - Complete (Note: Use Item 302)	
302A	See Note	NSS	O-Ring, Outer Seal (Note: Not Available for Purchase)	
302A	See Note	NSS	O-Ring, Stem (Note: Not Available for Purchase)	
302B	See Note	4	Capscrew M6 x 12 (Note: Not Available - Purchase Locally)	
302C	See Note	NSS	Nut (Note: Use Item 302)	
302D	See Note	NSS	Ring, Guide (Note: Use Item 302)	
302E	See Note	NSS	Seal, O-Ring (Note: Use Item 302)	
302F	7024071	1	O-Ring	
302G	7024072	1	O-Ring	
302H	7024006	1	Seal Kit - Control Section	
303	7024905	1	Port Plate Group (Front)	
303	7024911	1	Port Plate Group (Mid)	
303A	7024073	1	Cartridge, Relief Valve (High Pressure)	
303A	7024075	1	O-Ring	
303A	7024076	1	Ring, Back-up	
303B		Ref	Cartridge Options:	
303B	7024907	1	Front Pump Cartridge (Lock Valve With Orifice)	
303B	7024909	1	Screw, Locking	
303B	7024075	1	O-Ring	
303B	70020329	1	Middle Pump Cartridge (Pressure Relief Valve)	
303B	7024909	1	Screw, Locking	
303B	7024077	1	O-Ring	
303C	See Note	NSS	Plate, Port (Note: Use Item 303)	
303D	See Note	NSS	Bushing, Bearing (Note: Use Item 303)	
303E	See Note	4	Capscrew M12 x 70 Grade 10.9 (Note: Not Available - Purchase Locally)	
303F	See Note	NSS	Pin, Dowel (Note: Use Item 303)	
303G	70003340	1	Pin, Break-Off	
303H	See Note	1	Screw, Locking M10 x 1 (Note: Not Available - Purchase Locally)	
303J	7024908	1	O-Ring	
303K	See Note	2	Screw, Locking 7/16 (Note: Not Available - Purchase Locally)	
303L	See Note	NSS	Bearing, Roller (Note: Use Item 303)	
303M	7024006	1	Seal Kit - Port Plate Group	
304	7024906	1	Internal Gear Pump	
304A	See Note	NSS	Flange, Intermediate (Note: Use Item 304)	
304B	See Note	NSS	IZP-Housing (Note: Use Item 304)	
304C	See Note	NSS	Bushing, Bearing (Note: Use Item 304)	
304D	See Note	NSS	Coupling, Driveshaft Through (Note: Use Item 304)	
304E	7024078	1	Gear Set	
304F	7024079	1	Key, Driveshaft	
304G	80934174	1	Ring, Retaining	
304H	See Note	4	Capscrew M10 x 20 (Note: Not Available - Purchase Locally)	
304J	See Note	NSS	Seal (Note: Not Available for Purchase)	

SECTION 3 - ENGINE

ITEM	PART NUMBER	QTY	DESCRIPTION	REV
304K	7024081	1	O-Ring	
304L	See Note	NSS	Ring, Retaining (Note: Use Item 304)	
304M	See Note	NSS	O-Ring (Note: Use Item 304)	
304N	See Note	NSS	Plate, Wear (Note: Not Available for Purchase)	
304P	See Note	NSS	Pin, Cylinder (Note: Use Item 304)	
305	70003165	1	Control Module	
305	70003170	1	Coil, Solenoid	
305A	70020336	1	Seal Kit - Control Module	
305B	80934644	4	Capscrew	
310	See Note	1	Housing (Note: Not Available for Purchase)	
313	See Note	2	Pin, Dowel (Note: Not Available for Purchase)	
314	See Note	1	Pin, Cylinder (Note: Not Available for Purchase)	
320	7026980	1	Screw 7/8 (Front Drive Pump Only)	
321	80334079	1	Screw 9/16	
322	See Note	1	Screw 7/16 (Note: Not Available - Purchase Locally)	
324	See Note	1	Screw M10 x 1 (Note: Not Available - Purchase Locally)	
327	70003340	1	Pin, Double Break-Off	
328	7018936	1	Orifice	
331	7024096	2	Pin, Clamping	
341	7024069	1	O-Ring	
342	70007178	1	O-Ring	

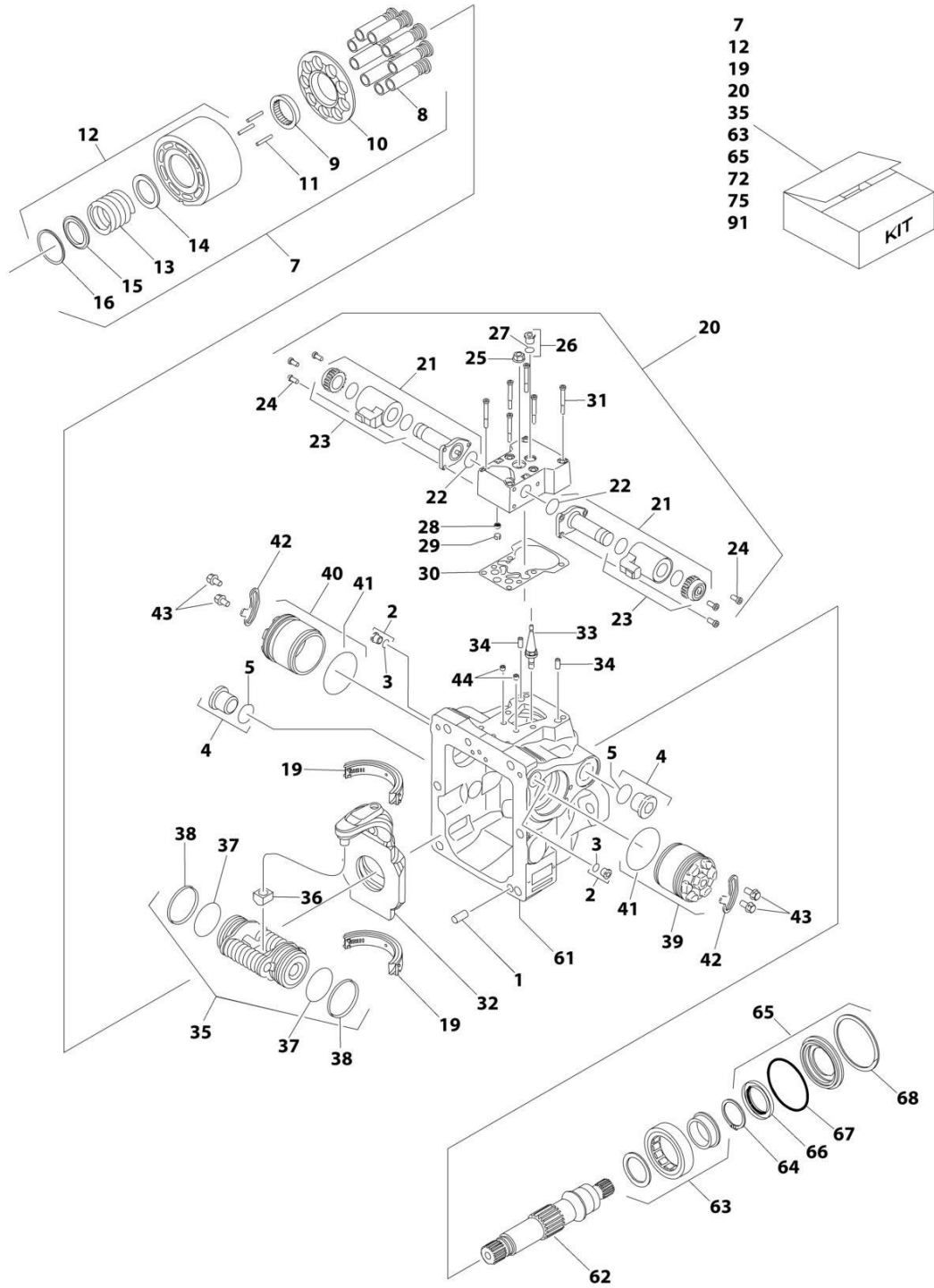
SECTION 3 - ENGINE

FIGURE 3-72. PUMP ASSEMBLY (SAUER TANDEM)



ART_1001108616_10F2

SECTION 3 - ENGINE



ART_1001108616_20F2

SECTION 3 - ENGINE

FIGURE 3-72. PUMP ASSEMBLY (SAUER TANDEM)

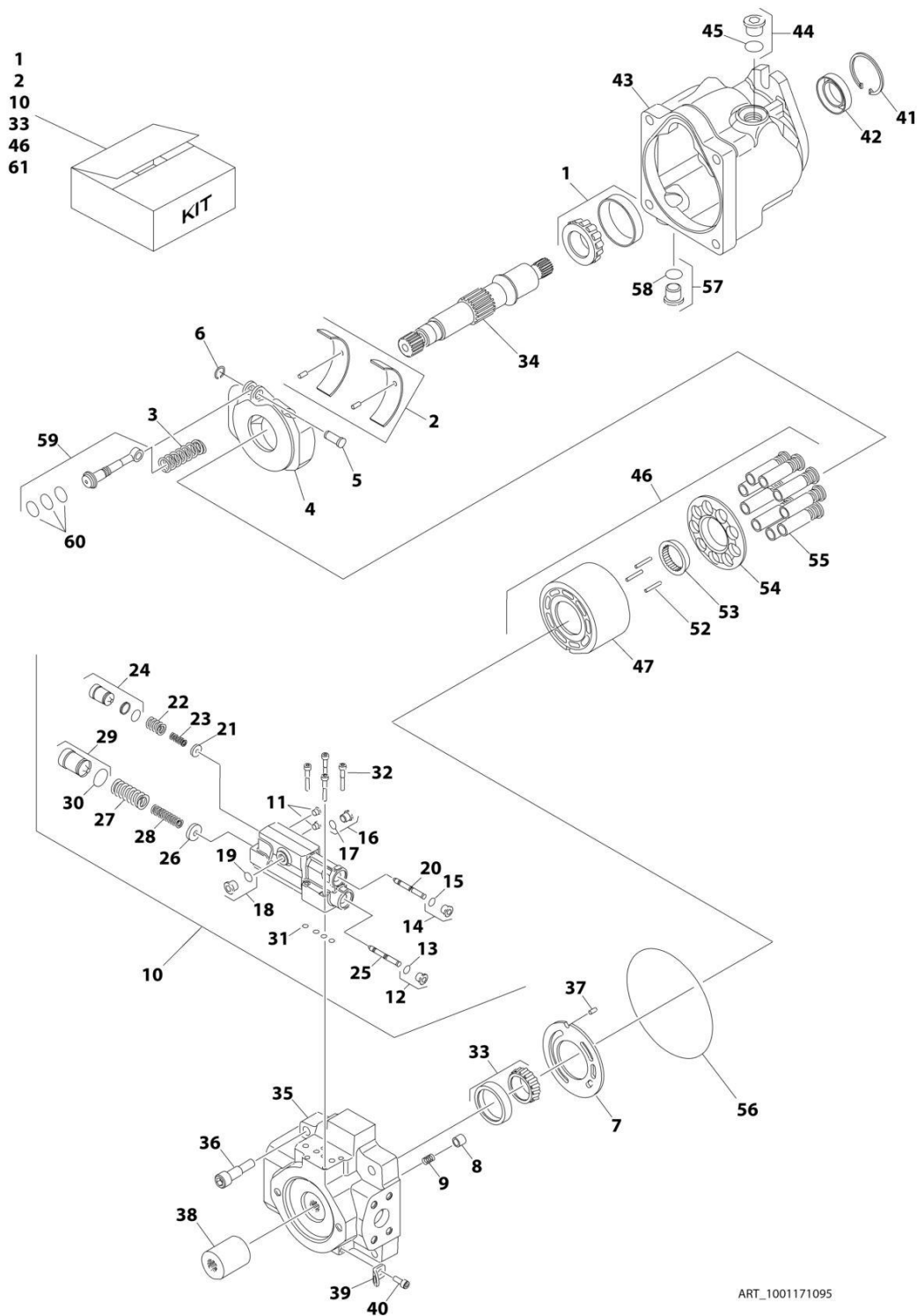
ITEM	PART NUMBER	QTY	DESCRIPTION	REV
	1001108616	Ref	PUMP ASSEMBLY (SAUER TANDEM)	D
1	70002132	4	Pin	
2	70002133	4	Plug Assembly (Includes Item 3)	
3	7007207	4	O-Ring (Part of Item 2)	
4	7007419	2	Plug Assembly (Includes Item 5)	
5	7007418	2	O-Ring (Part of Item 4)	
6	70002600	1	Coupling	
7	70002135	2	Cylinder Block Kit (Each Kit Includes Qty 1 of Items 8-10 & 12-16 & Qty 3 of Item 11)	
8	70002136	2	Piston Assembly Kit (Includes Qty 9 Piston Assemblies) (Part of Item 7)	
9	70002137	2	Guide, Slipper Retainer (Part of Item 7)	
10	70002138	2	Retainer, Slipper (Part of Item 7)	
11	7021275	6	Pin, Slipper Retainer Holddown (Part of Item 7)	
12	70002135	2	Cylinder Block Assembly (Includes Qty 1 of Item 13-16) (Part of Item 7)	
13	70002139	2	Spring (Part of Item 12)	
14	70002140	2	Washer (Part of Item 12)	
15	70002141	2	Washer (Part of Item 12)	
16	70002142	2	Ring, Retaining (Part of Item 12)	
17	7007446	2	Pin	
18		Ref	Plate, Valve Options:	
18A	70002601	1	Plate, CW Valve	
18B	70002602	1	Plate, CCW Valve	
19	70002145	2	Swash Plate Bearing Kit (Includes Qty 2 Bearings)	
20	70002618	2	EDC Kit (Includes Items 21-31)	
21	70002619	4	Solenoid Valve Assembly (Includes Items 22 & 23) (Part of Item 20)	
22	70002148	4	O-Ring (2 Per EDC Assembly) (Part of Item 21)	
23	70002620	4	Coil, Nut and Seals Kit (2 Per EDC Assembly) (Part of Item 21)	
24	70002150	12	Screw (Part of Item 20)	
25	7022301	2	Nut, Seal (Part of Item 20)	
26	70002151	2	Plug Assembly (Part of Item 20) (Includes Item 27)	
27	7007207	2	O-Ring (Part of Item 26)	
28	70002134	2	Screen (Part of Item 20)	
29	70002153	2	Ring, Locking (Part of Item 20)	
30	70002154	2	Gasket, Control (Part of Item 20)	
31	70002156	12	Capscrew (Part of Item 20)	
32	70002152	2	Swash Plate	
33	70002155	2	Link, Swash Plate	
34	70002157	4	Pin, Dowel	
35	70002158	2	Servo Piston Assembly (Includes Items 36-38)	
36	70002159	2	Block, Slider (Part of Item 35)	
37	70002160	2	O-Ring (Part of Item 35)	
38	70002161	2	Ring, Piston (Part of Item 35)	
39	70002162	2	Cylinder, Servo	
40	70002162	2	Cylinder, Servo	
41	70002163	4	O-Ring	
42	70002164	4	Plate, Locking	
43	70002165	8	Screw	

SECTION 3 - ENGINE

ITEM	PART NUMBER	QTY	DESCRIPTION	REV
44	70002604	4	Orifice	
45	70002605	1	Center Section Assembly (Includes Item 58)	
46	70002168	2	Gasket, End Cap	
47	70001958	2	Plug Assembly (Includes Item 48)	
48	7021256	2	O-Ring (Part of Item 47)	
49	70001958	2	Plug Assembly (Includes Item 50)	
50	7021256	2	O-Ring (Part of Item 49)	
51	70001958	2	Plug Assembly (Includes Item 52)	
52	7021256	2	O-Ring (Part of Item 51)	
53	70001958	2	Plug Assembly (Includes Item 54)	
54	7021256	2	O-Ring (Part of Item 53)	
55	70002606	4	Capscrew	
58	70002607	2	Bearing, Journal (Part of Item 45)	
59	70002608	1	Bracket, Lifting	
60	70002609	1	Screw	
61	See Note	1	Housing (Note: Not Available for Purchase)	
62	70002175	1	Shaft	
63	70002610	1	Ball Bearing Kit	
	7007439	1	Ring, Retaining	
65	70002174	1	Shaft Seal Kit (Includes Items 66-68) (Note: This is a universal kit and will contain extra pieces that are not used on this pump assembly)	
66	70002177	1	Seal, Lip	
67	70002178	1	O-Ring	
68	70002179	1	Ring, Retaining	
69	See Note	1	Housing (Note: Not Available for Purchase)	
71	70002612	1	Shaft	
72	70002610	1	Ball Bearing Kit	
74	70002621	1	High Pressure Relief Valve Cartridge Assembly (Includes Item 75)	
75	70002622	1	Seal Kit - 70002621 Valve (Part of Item 74)	
76	7007415	1	O-Ring (Part of Items 81, 84, 87 & 90)	
77	7021293	1	Ring, Back-up (Part of Items 81, 84, 87 & 90)	
78	7022300	1	O-Ring (Part of Items 81, 84, 87 & 90)	
79	70002616	1	SCR Valve Assembly	
80	7024800	1	Spring	
81	7021265	1	Plug Assembly (Includes Qty 1 of Items 76-78)	
82	70002616	1	SCR Valve Assembly	
83	7024800	1	Spring	
84	7021265	1	Plug Assembly (Includes Qty 1 of Item 76-78)	
85	70002616	1	SCR Valve Assembly	
86	7024800	1	Spring	
87	70002617	1	Plug Assembly (Includes Qty 1 of Item 76-78)	
88	70002616	1	SCR Valve Assembly	
89	7024800	1	Spring	
90	7021265	1	Plug Assembly (Includes Qty 1 of Items 76-78)	
91	70002623	1	Overhaul Seal Kit (Includes Items 3, 5, 22, 27, 30, 37, 38, 41, 46, 48, 50, 52, 54, 66, 67, 75, 76, 77 & 78)	

SECTION 3 - ENGINE

FIGURE 3-73. PUMP ASSEMBLY (SAUER PISTON)



ART_1001171095

SECTION 3 - ENGINE

FIGURE 3-73. PUMP ASSEMBLY (SAUER PISTON)

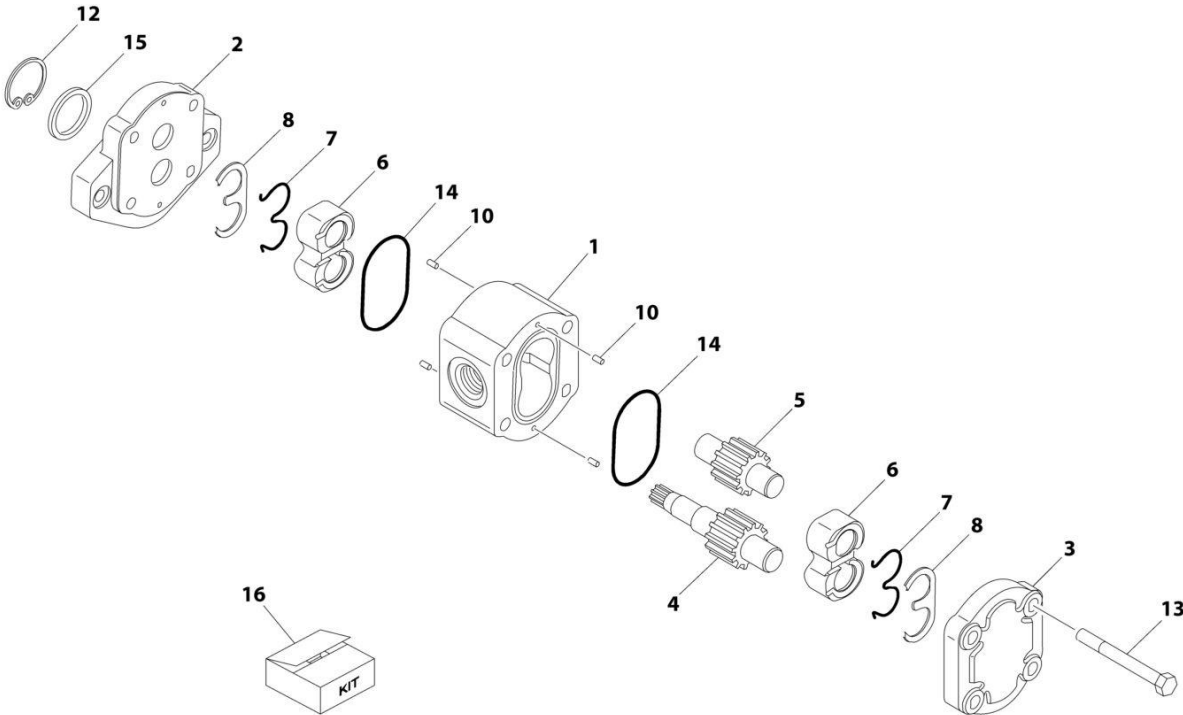
ITEM	PART NUMBER	QTY	DESCRIPTION	REV
	1001171095	Ref	PUMP ASSEMBLY (SAUER PISTON)	B
1	70002578	1	Bearing Kit - Front (Includes Cup and Cone)	
2	70004426	1	Swash Plate Bearing Kit (Includes Qty 2 Bearings and Retainer Pins)	
3	70002580	1	Spring, Bias	
4	70004416	1	Swash Plate Assembly	
5	70002582	1	Shaft	
6	70002583	1	Ring, Retaining	
7	70004417	1	Plate, Valve	
8	70001956	1	Poppet, Check Valve	
9	70001955	1	Spring	
10	70022286	1	Control Kit (Includes Items 11-32)	
11	See Note	NSS	Setscrew (Note: Use Item 10)	
12	70002133	1	Plug Assembly (Includes Item 13)	
13	7007207	1	O-Ring (Part of Item 12)	
14	70002133	1	Plug Assembly (Part of Item 15)	
15	7007207	1	O-Ring (Part of Item 14)	
16	70002133	1	Plug Assembly (Includes Item 17)	
17	7007207	1	O-Ring (Part of Item 16)	
18	70002133	1	Plug Assembly (Includes Item 19)	
19	7007207	1	O-Ring (Part of Item 18)	
20	See Note	NSS	Spool (Note: Use Item 10)	
21	See Note	NSS	Guide, Spring LS (Note: Use Item 10)	
22	See Note	NSS	Spring, Outer LS (Note: Use Item 10)	
23	See Note	NSS	Spring, Inner LS (Note: Use Item 10)	
24	See Note	NSS	Plug, Adjusting LS (Note: Use Item 10 or 61)	
25	See Note	NSS	Spool, Control (Note: Use Item 10)	
26	See Note	NSS	Guide, Spring PC (Note: Use Item 10)	
27	See Note	NSS	Spring, Outer PC (Note: Use Item 10)	
28	See Note	NSS	Spring, Inner PC (Note: Use Item 10)	
29	See Note	NSS	Plug, Adjusting PC (Note: Use Item 10)	
30	See Note	NSS	O-Ring (Note: Use Item 10 or 61)	
31	See Note	NSS	Ring, Seal (Note: Use Item 10 or 61)	
32	See Note	NSS	Capscrew (Note: Use Item 10)	
33	70002585	1	Bearing Kit - Rear (Includes Cup and Cone)	
34	70002586	1	Shaft	
35	70004420	1	Cap, End	
36	70002588	4	Capscrew	
37	7007446	1	Pin, Slotted	
38	70002589	1	Coupling	
39	7022340	1	Bracket, Lifting	
40	70002590	1	Capscrew	
41	7023962	1	Ring, Retaining	
42	See Note	NSS	Seal, Lip (Note: Use Item 61)	
43	See Note	NSS	Housing (Note: Not Available for Purchase)	
44	7023964	1	Plug Assembly (Includes Item 45)	
45	7007415	1	O-Ring (Part of Item 44)	
46	70004423	1	Cylinder Block Kit (Includes Items 47-55)	
47	70004421	1	Cylinder	
52	7021275	3	Pin, Hold-down	

SECTION 3 - ENGINE

ITEM	PART NUMBER	QTY	DESCRIPTION	REV
53	70002592	1	Guide, Slipper Retainer	
54	70002593	1	Retainer, Slipper	
55	70004422	1	Piston Assembly	
56	See Note	NSS	Seal, End Cap (Note: Use Item 61)	
57	7023964	1	Plug, O-Ring (Includes Item 58)	
58	7007415	1	O-Ring (Part of Item 57)	
59	70005418	1	Servo Piston Assembly (Includes Item 60)	
60	See Note	NSS	Ring, Piston (Part of Item 59) (Note: Use Item 61)	
61	70002599	1	Complete Seal Kit (Includes Items 13, 15, 17, 19, 24, 30, 31, 42, 45, 56, 58 & 60)	

SECTION 3 - ENGINE

FIGURE 3-74. PUMP ASSEMBLY (SAUER GEAR)



ART_1001112927

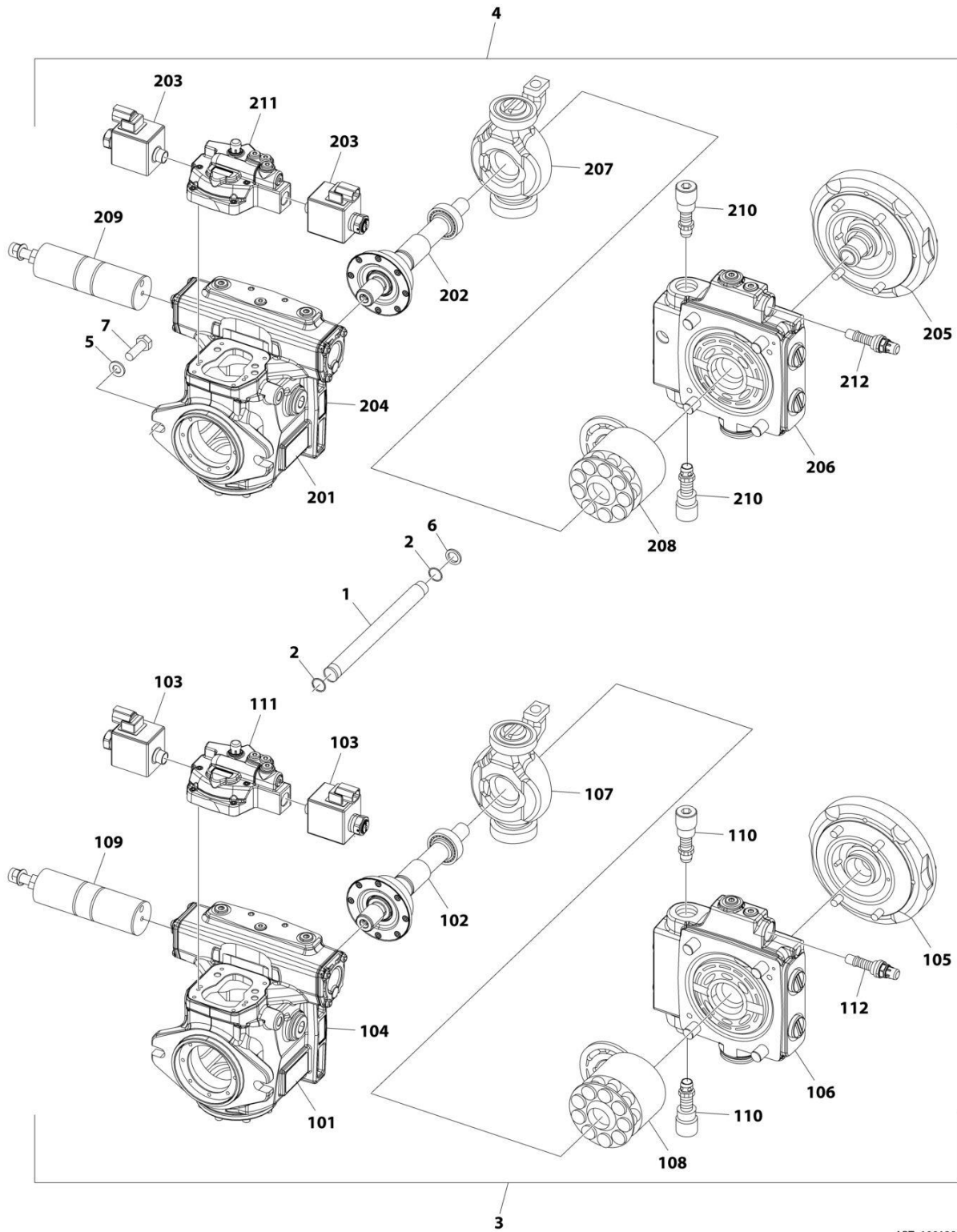
SECTION 3 - ENGINE

FIGURE 3-74. PUMP ASSEMBLY (SAUER GEAR)

ITEM	PART NUMBER	QTY	DESCRIPTION	REV
	1001112927	Ref	PUMP ASSEMBLY (SAUER GEAR)	A
1	See Note	NSS	Body (Note: Use p/n 1001112927)	
2	See Note	NSS	Cover, Front (Note: Use p/n 1001112927)	
3	See Note	NSS	Cover, Rear (Note: Use p/n 1001112927)	
4	See Note	NSS	Shaft, Gear (Note: Use p/n 1001112927)	
5	See Note	NSS	Gear, Idler (Note: Use p/n 1001112927)	
6	See Note	NSS	Block, Bearing (Note: Use p/n 1001112927)	
7	7007489	2	Ring, Anti-Extrusion	
8	7007489	2	Ring, Seal	
10	See Note	NSS	Pin, Dowel (Note: Use p/n 1001112927)	
12	70002576	1	Ring, Retaining	
13	See Note	NSS	Capscrew (Note: Use p/n 1001112927)	
14	7007489	2	O-Ring	
15	7007489	1	Seal, Lip	
16	7007489	1	Seal Kit - 1001112927 Pump (Includes Items 7, 8, 14 & 15)	

SECTION 3 - ENGINE

FIGURE 3-75. PUMP ASSEMBLY (PMP TANDEM)



ART_1001286957

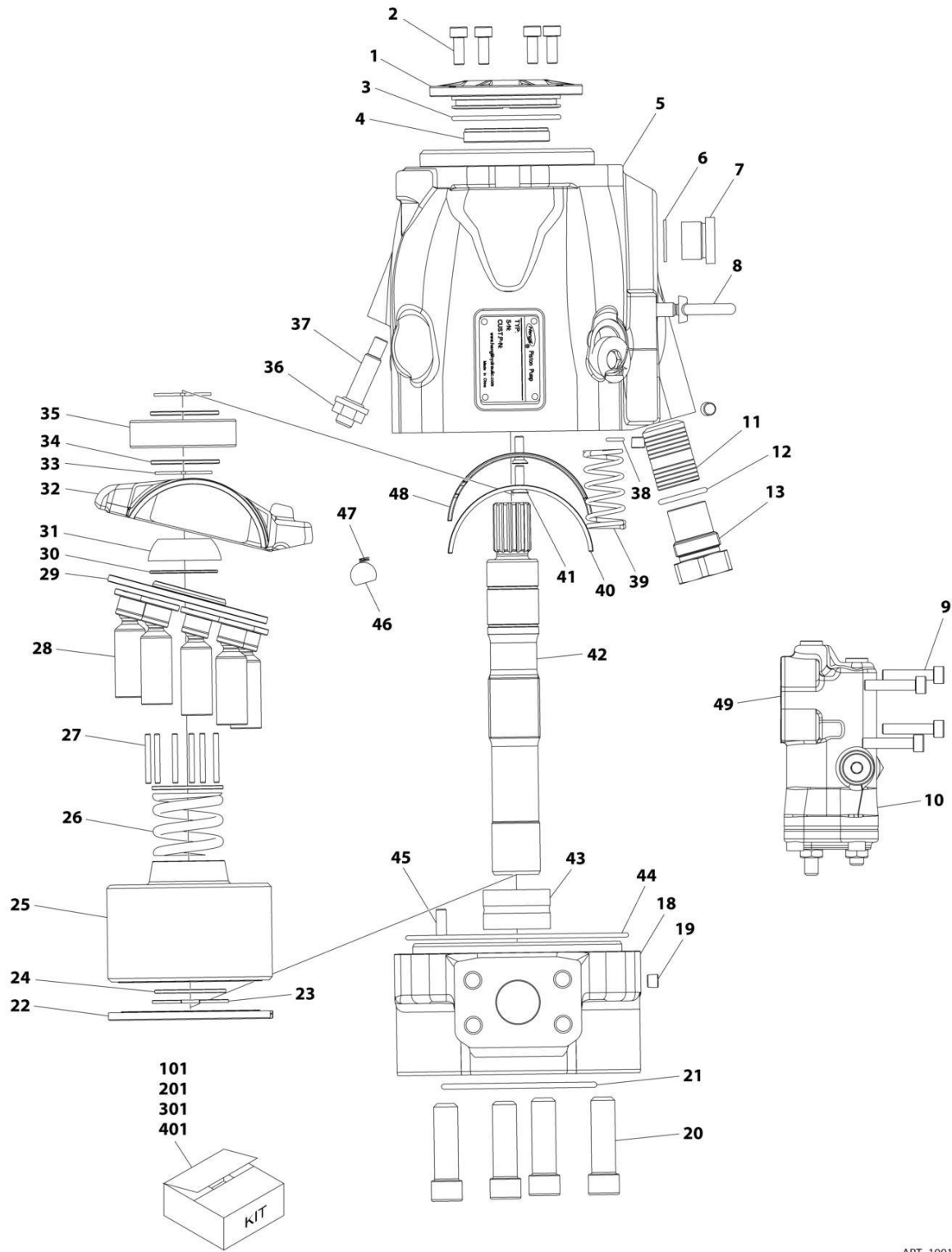
SECTION 3 - ENGINE

FIGURE 3-75. PUMP ASSEMBLY (PMP TANDEM)

ITEM	PART NUMBER	QTY	DESCRIPTION	REV
	1001286957	Ref	PUMP ASSEMBLY - HYDRAULIC TANDEM	A
	See Note	Ref	(Note: No Other Service Parts Available)	
1	70008490	1	Shaft	
2	70008491	2	O-Ring	
3	70008492	1	Front Pump Assembly (Includes Items 101-112)	
4	70008493	1	Rear Pump Assembly (Includes Items 201-212)	
5	70008494	2	Washer M12	
6	70008495	1	Washer M12	
7	70008496	2	Bolt M12 x 35 CL10.9	
101	See Note	NSS	Plate, Serial Number (Note: Not Available for Purchase)	
102	70008497	1	Shaft	
103	70008498	2	Coil	
104	See Note	1	Housing Assembly (Note: Purchase PN 70008492)	
104	70008506	1	Gasket (Between Housing & Distributor Valve)	
104	70005023	2	Rivet	
105	70008511	1	Body	
106	70008499	1	Valve, Distributor	
107	70008500	1	Swash Plate	
108	70008501	1	Rotor	
109	70008502	1	Servo	
110	70008503	2	Cartridge, Relief Valve	
111	70008504	1	Valve, Control	
111	70008507	1	Gasket (Between Control Valve & Housing)	
111	70008508	3	O-Ring	
112	70008505	1	Cartridge, Relief Valve	
201	See Note	NSS	Plate, Serial Number (Note: Not Available for Purchase)	
202	70008509	1	Shaft	
202	70005041	1	Ring, Retaining	
203	70008498	2	Coil	
204	NPN	1	Assembly, Housing	
204	See Note	1	Housing Assembly (Note: Purchase PN 70008493)	
204	70008506	1	Gasket (Between Housing & Distributor Valve)	
204	70005023	2	Rivet	
205	70008512	1	Body	
206	70008510	1	Valve, Distributor	
207	70008500	1	Swash Plate	
208	70008501	1	Rotor	
209	70008502	1	Servo	
210	70008503	2	Cartridge, Relief Valve	
211	70008504	1	Valve, Control	
211	70008507	1	Gasket (Between Control Valve & Housing)	
211	70008508	3	O-Ring	
212	70008505	1	Cartridge, Relief Valve	

SECTION 3 - ENGINE

FIGURE 3-76. PUMP ASSEMBLY (PMP PISTON)



ART_1001286958

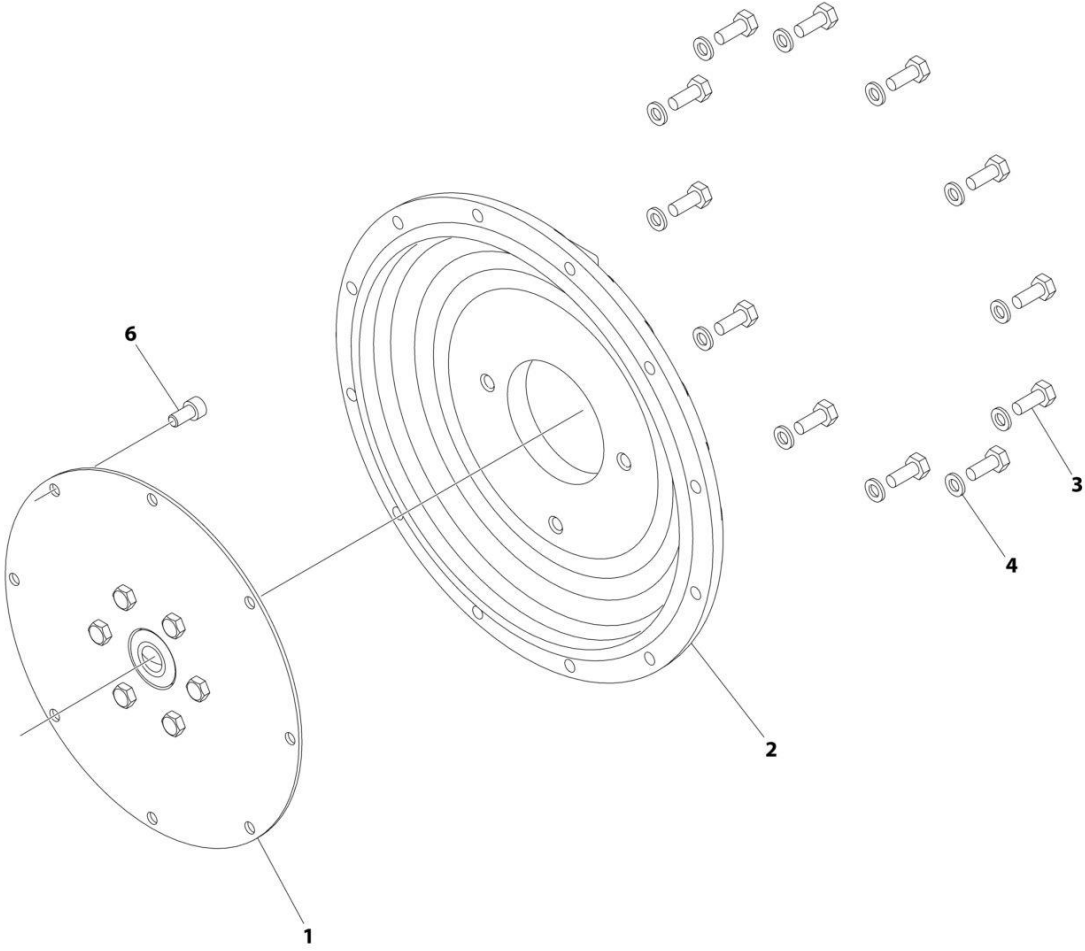
SECTION 3 - ENGINE

FIGURE 3-76. PUMP ASSEMBLY (PMP PISTON)

ITEM	PART NUMBER	QTY	DESCRIPTION	REV
	1001286958	Ref	PUMP ASSEMBLY - HYDRAULIC PISTON	A
1	70007789	1	Cap	
2	NPN	4	Bolt M6 x 16	
3	See Note	1	O-Ring (Note: Not Sold Separately, Purchase Item 401)	
4	70007798	1	Seal	
5	NPN	1	Housing	
6	See Note	3	O-Ring (Note: Not Sold Separately, Purchase Item 401)	
7	70007790	3	Plug	
8	NPN	1	Bolt M8	
9	NPN	2	Bolt M6 x 30	
10	70007787	1	Valve, Control	
11	70007800	1	Piston	
12	See Note	1	O-Ring (Note: Not Sold Separately, Purchase Item 401)	
13	70007801	1	Plug	
18	NPN	1	Cover	
19	70007791	3	Plug	
20	NPN	4	Bolt M12 x 45	
21	See Note	1	O-Ring (Note: Not Sold Separately, Purchase Item 401)	
22	See Note	1	Plate (Note: Not Sold Separately, Purchase Item 201)	
23	See Note	1	Ring, Retaining (Note: Not Sold Separately, Purchase Item 201)	
24	See Note	2	Shim (Note: Not Sold Separately, Purchase Item 201)	
25	See Note	1	Cylinder (Note: Not Sold Separately, Purchase Item 201)	
26	See Note	1	Spring (Note: Not Sold Separately, Purchase Item 201)	
27	See Note	6	Pin (Note: Not Sold Separately, Purchase Item 201)	
28	See Note	9	Piston (Note: Not Sold Separately, Purchase Item 201)	
29	See Note	1	Retainer (Note: Not Sold Separately, Purchase Item 201)	
30	See Note	1	Shim (Note: Not Sold Separately, Purchase Item 201)	
31	See Note	1	Bushing (Note: Not Sold Separately, Purchase Item 201)	
32	See Note	1	Plate, Swash (Note: Not Sold Separately, Purchase Item 301)	
33	See Note	2	Ring, Retaining (Note: Not Sold Separately, Purchase Item 101)	
34	See Note	2	Shim (Note: Not Sold Separately, Purchase Item 101)	
35	See Note	1	Bearing (Note: Not Sold Separately, Purchase Item 101)	
36	70008526	1	Nut M10	
37	70008525	1	Screw	
38	See Note	1	O-Ring (Note: Not Sold Separately, Purchase Item 401)	
39	70007792	1	Spring	
40	70007793	1	Bushing	
41	70007796	2	Bolt M5 x 16	
42	See Note	1	Shaft (Note: Not Sold Separately, Purchase Item 101)	
43	70007797	1	Bearing	
44	70007799	1	Gasket	
45	70007794	1	Pin	
46	See Note	1	Ball (Note: Not Sold Separately, Purchase Item 301)	
47	See Note	1	Spring (Note: Not Sold Separately, Purchase Item 301)	
48	70007795	1	Bushing	
49	See Note	1	O-Ring (Note: Not Sold Separately, Purchase Item 401)	
101	70008527	1	Assembly, Shaft (Includes Items 33-35 & 42)	
201	70007786	1	Assembly, Cylinder (Includes Items 22-31)	
301	70007788	1	Assembly, Swash Plate (Includes Items 32, 46, 47)	
401	70008528	1	Kit, Seal (Includes Items 3, 6, 12, 21, 38 & 49)	

SECTION 3 - ENGINE

FIGURE 3-77. PUMP COUPLING KIT



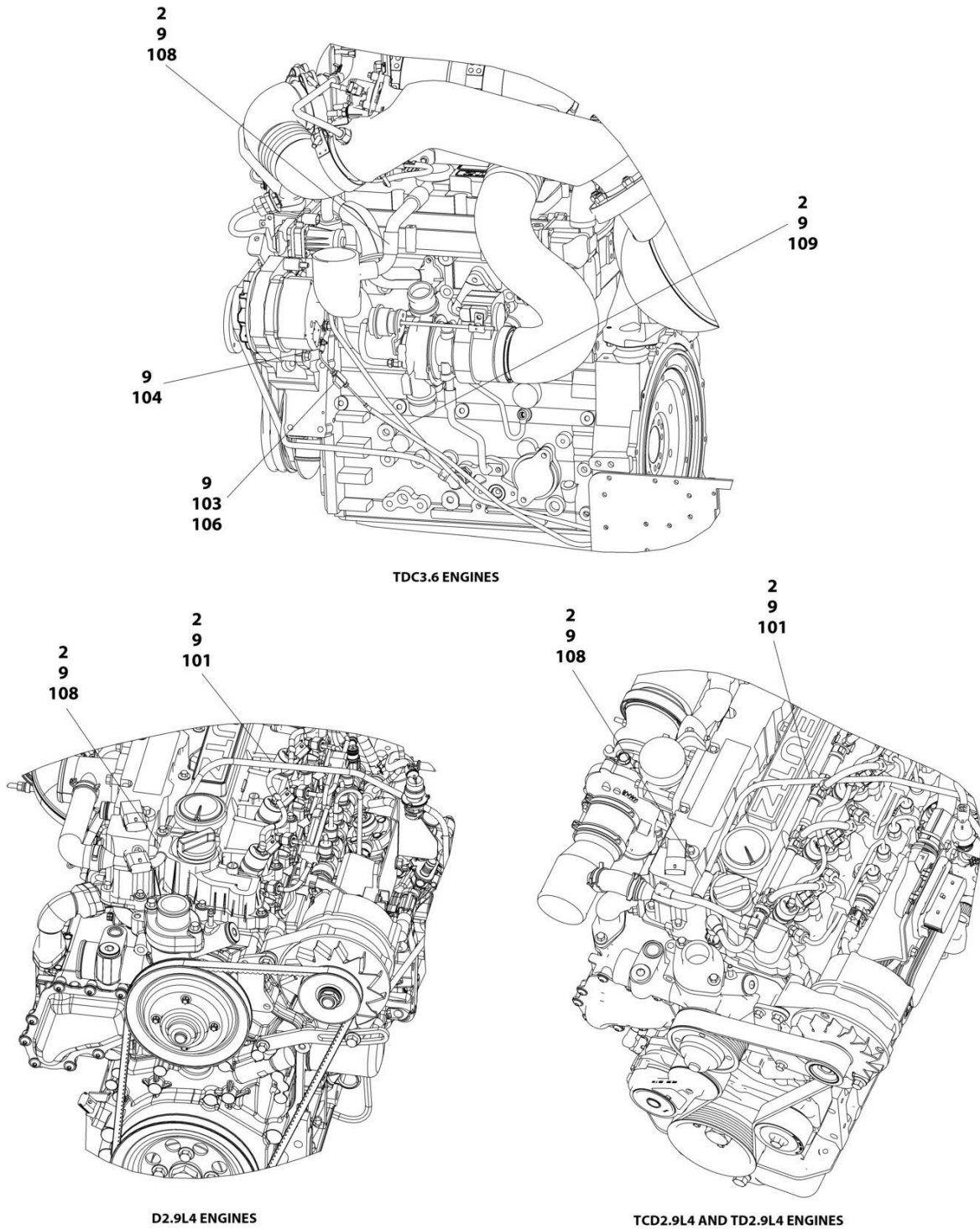
ART_2902065

FIGURE 3-77. PUMP COUPLING KIT

ITEM	PART NUMBER	QTY	DESCRIPTION	REV
	2902065	Ref	PUMP COUPLING KIT	L
1	70000793	1	Coupling, Hayes	
2	See Note	NSS	Plate, Pump Adapter (Note: Use p/n 2902065)	
3	See Note	NSS	Bolt M10 x 30 Grade 10.9 (Note: Use p/n 2902065)	
4	See Note	NSS	Washer M10 (Note: Use p/n 2902065)	
6	See Note	NSS	Bolt M10 x 20 Grade 10.9 (Note: Use p/n 2902065)	

SECTION 3 - ENGINE

FIGURE 3-78. BREATHER HEATER INSTALLATION - DEUTZ TCD2.9L4 ENGINES, DEUTZ TCD2.9L4 (STAGE V PRE-BUY) ENGINES AND DEUTZ TCD2.9L4 (STAGE V) ENGINES WITH ARCTIC PACKAGE



ART_1001233763

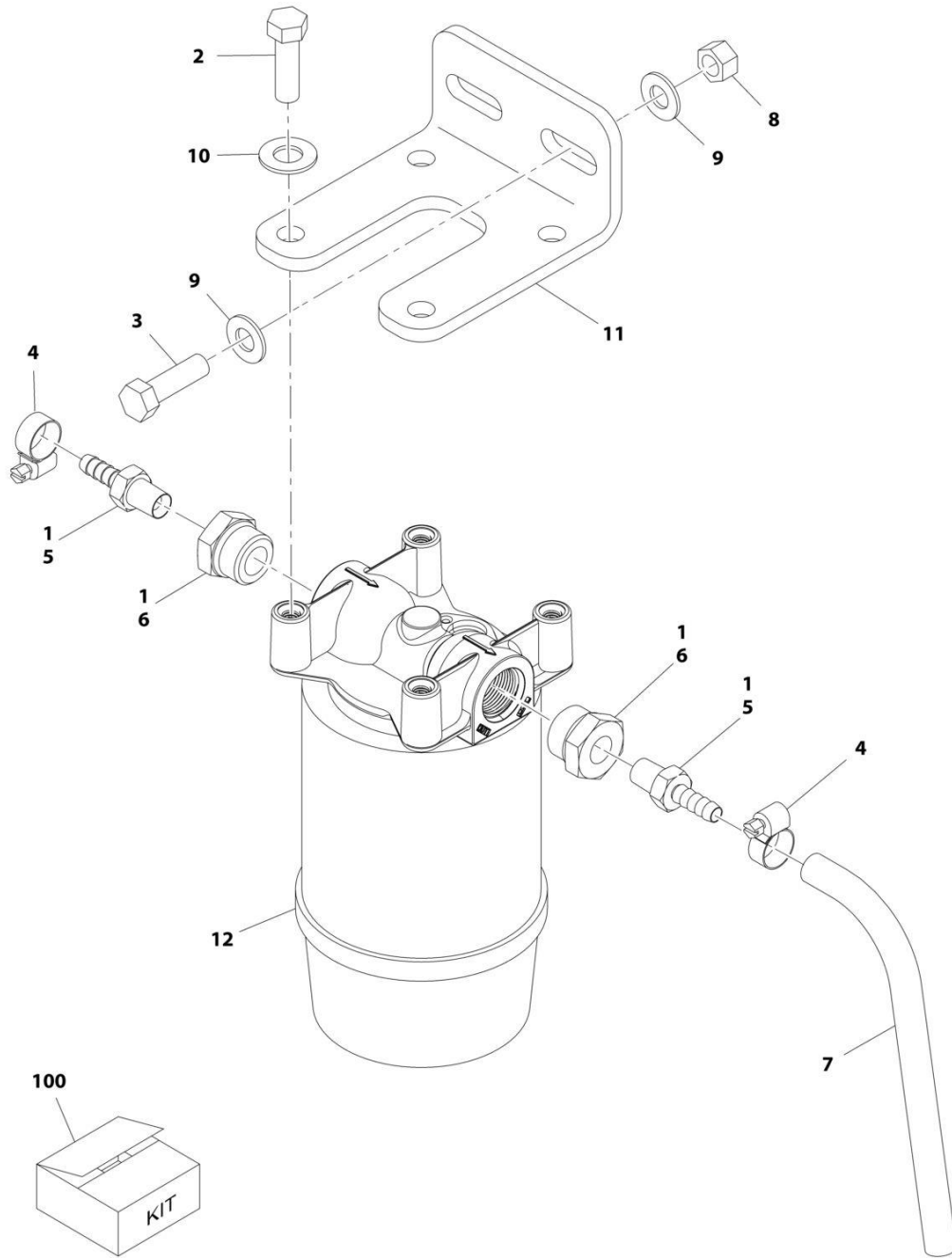
SECTION 3 - ENGINE

FIGURE 3-78. BREATHER HEATER INSTALLATION - DEUTZ TCD2.9L4 ENGINES, DEUTZ TCD2.9L4 (STAGE V PRE-BUY) ENGINES AND DEUTZ TCD2.9L4 (STAGE V) ENGINES WITH ARCTIC PACKAGE

ITEM	PART NUMBER	QTY	DESCRIPTION	REV
	1001233763	Ref	BREATHER HEATER INSTALLATION - DEUTZ ENGINES	D
2	4240099	AR	Tie-Strap	
9	1001243895	1	Breather Heater Harness	C
101	2820035	AR	Insulation	
103	2400060	1	Fuseholder with Cover	
104	4460043	1	Terminal, Ring	
105	4460722	1	Terminal, Ring (Not Shown)	
106	1001196634	1	Fuse - 2 Amp	
108	1001232842	1	Breather Heater Kit	

SECTION 3 - ENGINE

FIGURE 3-79. FUEL-WATER SEPARATOR INSTALLATION - DEUTZ TD2011 (OPTIONAL)



ART_1001198751

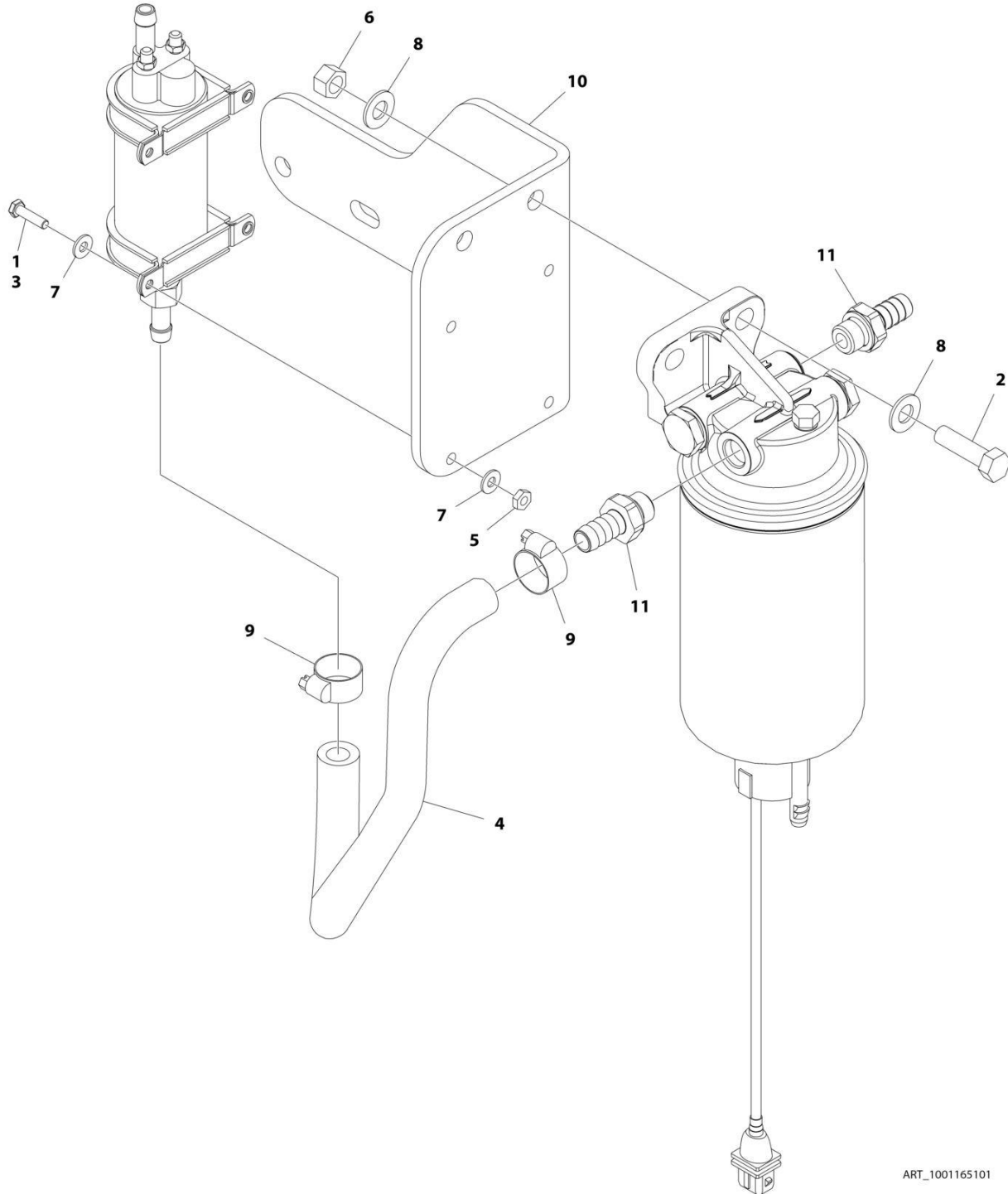
SECTION 3 - ENGINE

FIGURE 3-79. FUEL-WATER SEPARATOR INSTALLATION - DEUTZ TD2011 (OPTIONAL)

ITEM	PART NUMBER	QTY	DESCRIPTION	REV
	1001198751	Ref	FUEL-WATER SEPARATOR INSTALLATION - DEUTZ TD2011 (OPTIONAL)	A
1	0100079	AR	Sealant	
2	0641610	4	Bolt 3/8 x 1-1/4	
3	0641612	2	Bolt 3/8 x 1-1/2	
4	1320022	2	Clamp	
5	2180348	2	Fitting, Barbed Straight	
6	2220816	2	Fitting, Straight FNPTF/ORB	
7	2720058	4.5 ft /1.4m	Hose	
8	3271601	2	Nut 3/8	
9	4711600	4	Washer 3/8	
10	4711700	4	Washer 7/16	
11	1001188884	1	Bracket	
12	1001188887	1	Fuel/Water Separator Assembly	
12	1001202280	1	Head	
12	1001202281	1	Element	
100	1001203866	1	Water/Separator Add-on Kit	

SECTION 3 - ENGINE

FIGURE 3-80. FUEL PUMP/FILTER BRACKET ASSEMBLY (DEUTZ TCD2.9L4 ENGINE AND DEUTZ TCD2.9L4 (STAGE V PRE-BUY) ENGINE)



ART_1001165101

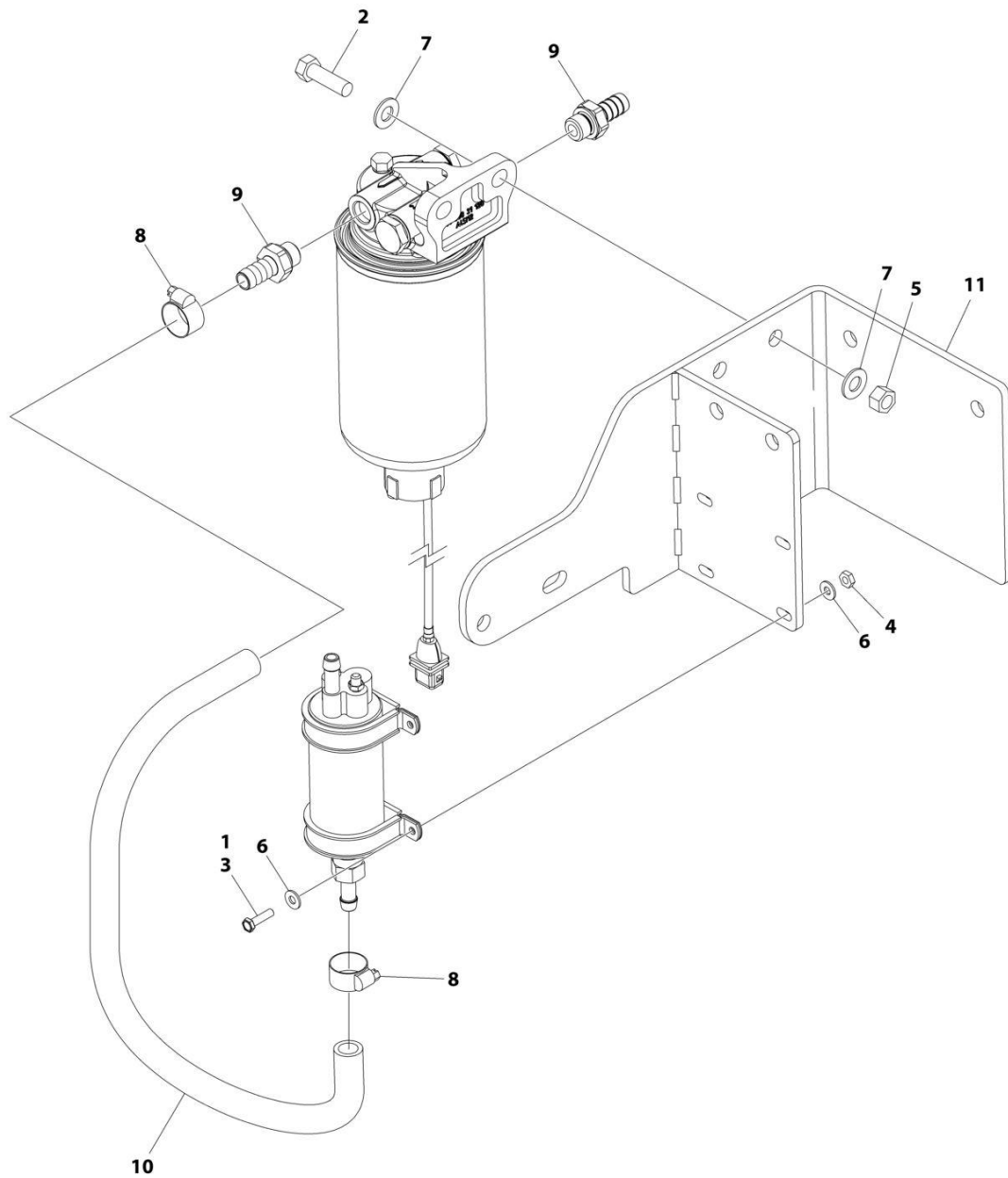
SECTION 3 - ENGINE

FIGURE 3-80. FUEL PUMP/FILTER BRACKET ASSEMBLY (DEUTZ TCD2.9L4 ENGINE AND DEUTZ TCD2.9L4 (STAGE V PRE-BUY) ENGINE)

ITEM	PART NUMBER	QTY	DESCRIPTION	REV
	1001165101	Ref	FUEL PUMP/FILTER BRACKET ASSEMBLY - DEUTZ TCD2.9L4 ENGINE AND DEUTZ TCD2.9L4 (STAGE V PRE-BUY) ENGINE	C
1	0100011	AR	Compound, Locking	
2	0641611	2	Bolt 3/8 x 1-3/8	
3	0721006	4	Bolt #10 x 3/4	
4	1001154405	1.5 ft /0.4m	Hose	
5	3311001	4	Nut #10	
6	3311605	2	Nut 3/8	
7	4711000	8	Washer #10	
8	4711600	4	Washer 3/8	
9	8405006	2	Clamp	
10	1001140222	1	Bracket, Fuel Pump Mounting	
11	1001141718	1	Fitting, Barbed	

SECTION 3 - ENGINE

FIGURE 3-81. FUEL PUMP/FILTER BRACKET ASSEMBLY - DEUTZ TCD2.9L4 ENGINE



ART_1001227606

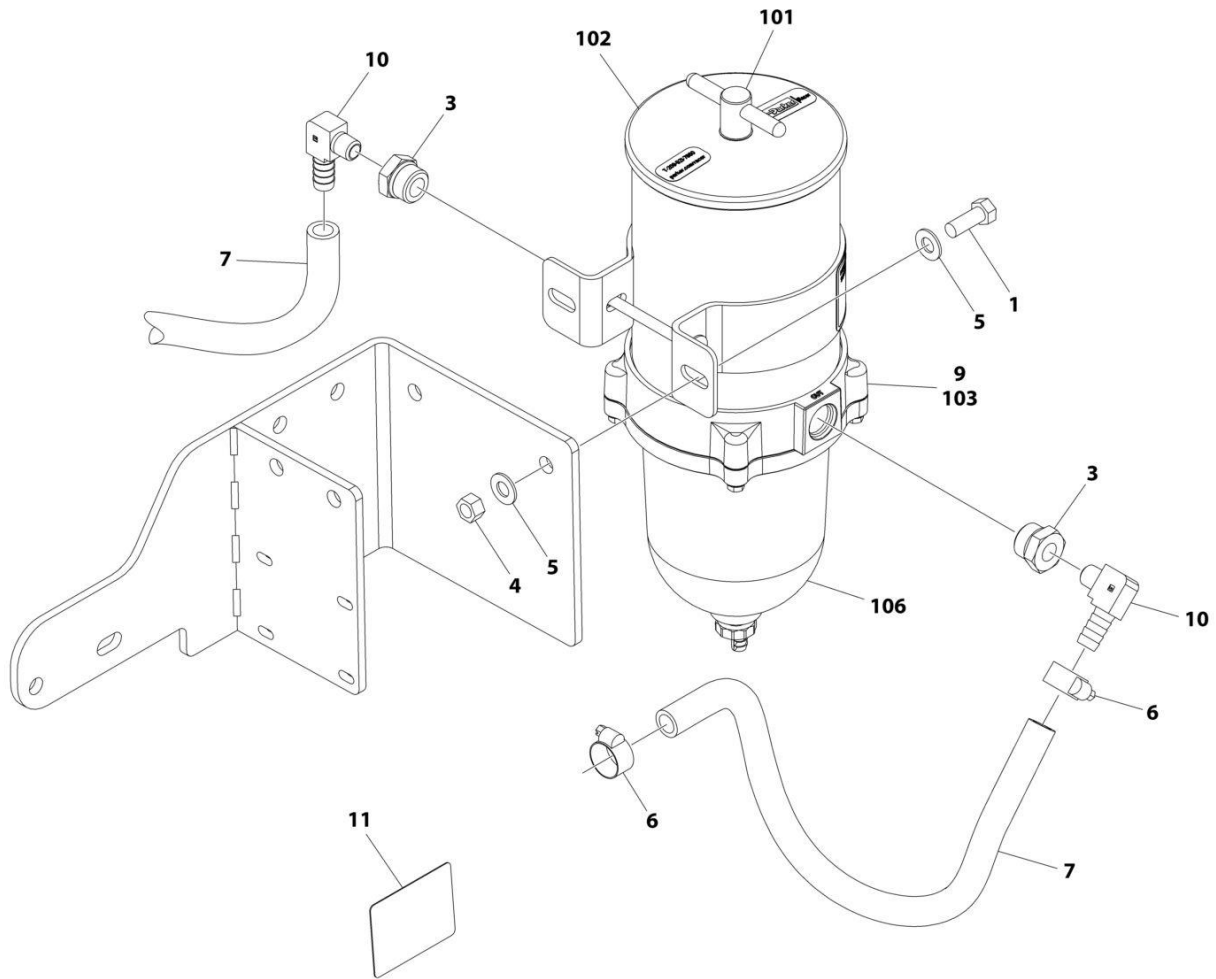
SECTION 3 - ENGINE

FIGURE 3-81. FUEL PUMP/FILTER BRACKET ASSEMBLY - DEUTZ TCD2.9L4 ENGINE

ITEM	PART NUMBER	QTY	DESCRIPTION	REV
	1001227606	Ref	FUEL PUMP/FILTER BRACKET ASSEMBLY - DEUTZ TD2.9L4 ENGINE	A
1	0100011	AR	Compound, Locking	
2	0641610	2	Bolt 3/8 x 1-1/4	
3	0721006	4	Bolt #10 x 3/4	
4	3311001	4	Nut #10	
5	3311605	2	Nut 3/8	
6	4711000	8	Washer #10	
7	4711600	4	Washer 3/8	
8	8405006	2	Clamp	
9	1001141718	2	Fitting, Barbed	
10	1001154405	1.5 ft/ 0.4m	Hose	
11	1001222773	1	Bracket, Fuel Pump Mounting	

SECTION 3 - ENGINE

FIGURE 3-82. FUEL FILTER/WATER SEPARATOR INSTALLATION - DEUTZ TCD2.9L4 ENGINE



NOTE: LOCATED ON HOOD

ART_1001223068

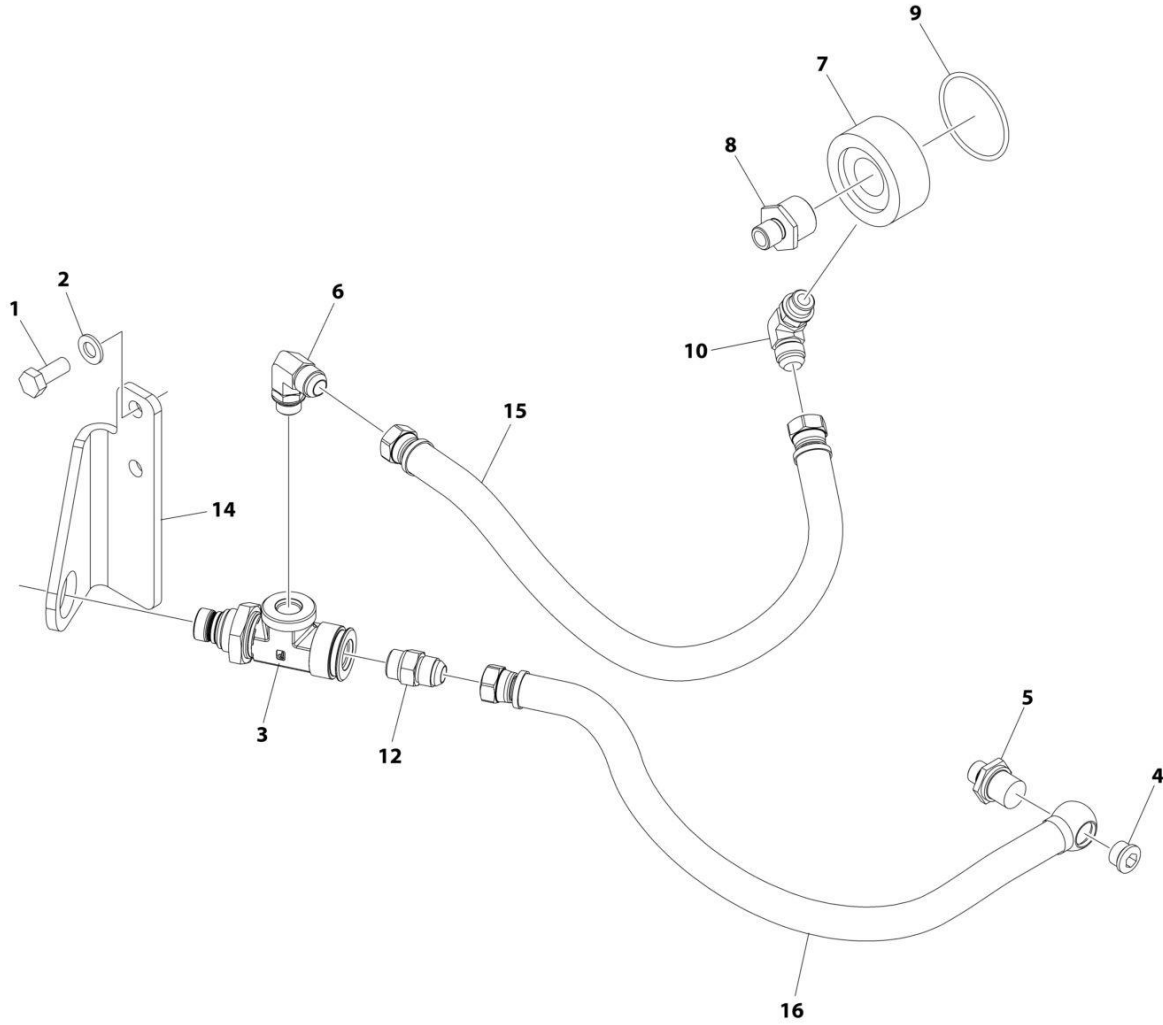
SECTION 3 - ENGINE

FIGURE 3-82. FUEL FILTER/WATER SEPARATOR INSTALLATION - DEUTZ TCD2.9L4 ENGINE

ITEM	PART NUMBER	QTY	DESCRIPTION	REV
	1001223068	Ref	FUEL FILTER/WATER SEPARATOR INSTALLATION - DEUTZ TD2.9L4 ENGINE	C
1	0641608	2	Bolt 3/8 x 1	
3	2220816	2	Fitting, Adapter FNPTF/ORB	
4	3311605	2	Nut 3/8	
5	4711600	4	Washer 3/8	
6	8405006	4	Clamp	
7	1001154405	4 ft/ 1.22m	Hose	
9	1001222817	1	Fuel Filter Assembly (See Items 101-107 for Breakdown)	
10	1001178797	2	Fitting, 90	
11	1001226923	1	Decal - Fuel Water Separator	
	1001222817	Ref	FUEL FILTER ASSEMBLY	
101	70006403	1	T-Handle Kit (Includes O-Ring)	
102	70006404	1	Lid Kit (Includes Gasket)	
103	70006405	1	Element	
104	70006406	1	Checkball & Gasket Kit (Not Shown)	
105	70006407	1	Centrifuge and Baffle Kit (Not Shown)	
106	70006409	1	Bowl Kit (Includes Gasket, O-Ring and Drain)	
106	70006408	1	Gasket, Bowl	
107	70006410	1	Bowl Ring Kit (Includes Gasket & Hardware) (Not Shown)	

SECTION 3 - ENGINE

FIGURE 3-83. QUICKFIT OIL VALVE ASSEMBLY



ART_1001284070

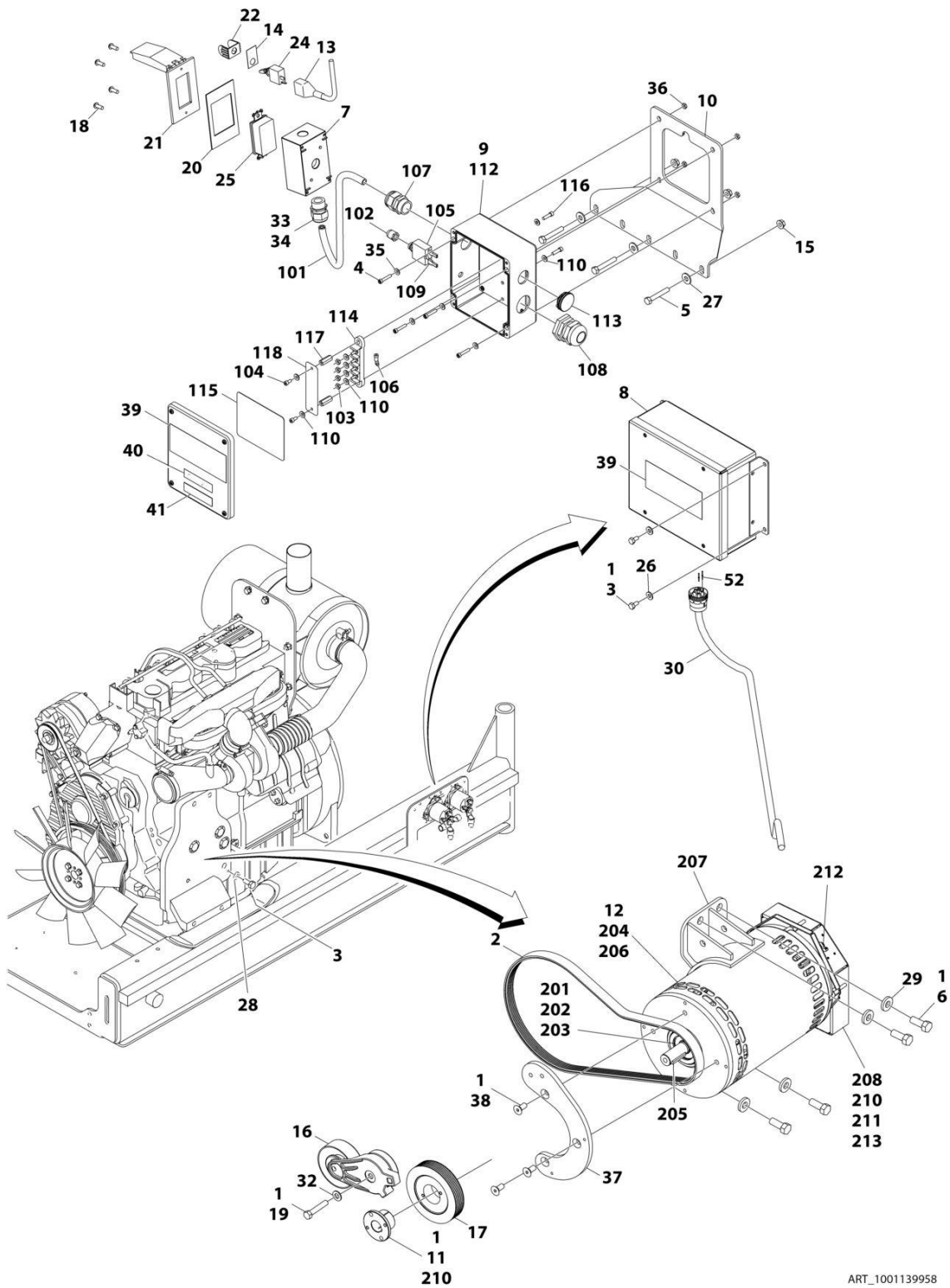
SECTION 3 - ENGINE

FIGURE 3-83. QUICKFIT OIL VALVE ASSEMBLY

ITEM	PART NUMBER	QTY	DESCRIPTION	REV
	1001284070	Ref	QUICKFIT OIL VALVE	A
1	0761214	2	Bolt M12 x 30	
2	4812100	2	Washer M12	
3	1001281298	1	Valve	
4	1001281304	1	Plug	
5	1001281305	1	Fitting, Banjo	
6	1001281307	1	Fitting, 90	
7	1001281309	1	Filter	
8	1001281310	1	Fitting	
9	1001281311	1	O-Ring	
10	1001281359	1	Valve, Check	
11	1001281360	1	Decal (Not Shown - Located On Frame)	
12	1001281404	1	Fitting, Adapter	
13	1001281656	AR	Tie-strap (Not Shown)	
14	1001282333	1	Bracket	
15	1001284100	1	Hose	
16	1001284101	1	Hose	

SECTION 3 - ENGINE

FIGURE 3-84. 4000W GENERATOR INSTALLATION - 60HZ SPECS (DEUTZ TD2011 ENGINES)



ART_1001139958

SECTION 3 - ENGINE

FIGURE 3-84. 4000W GENERATOR INSTALLATION - 60HZ SPECS (DEUTZ TD2011 ENGINES)

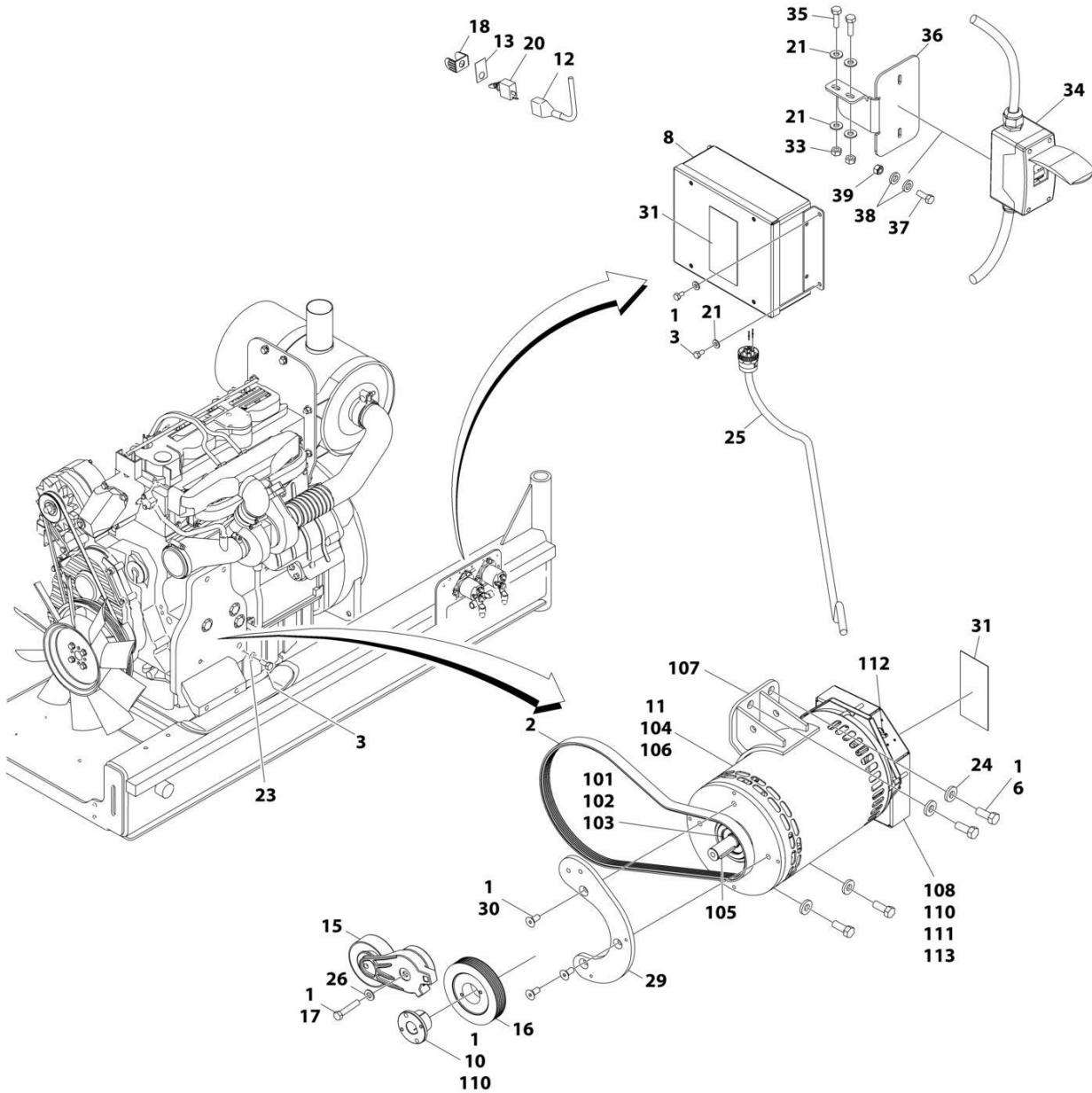
ITEM	PART NUMBER	QTY	DESCRIPTION	REV
	1001139958	Ref	4000W GENERATOR INSTALLATION - 60HZ SPEC (DEUTZ TD2011 ENGINES)	B
		Ref	Note: See ELECTRICAL SECTION for Boom Cable Installation.	
1	0100011	AR	Compound, Locking	
2	0480128	1	Belt, Generator	
3	0641404	5	Bolt 1/4 x 1/2	
4	3931016	4	Screw 1/4 x 1	
5	0641516	3	Bolt 5/16 x 2	
6	0641810	4	Bolt 1/2 x 1-1/4	
7	0860038	1	Box, Switch-Weatherhead	
8	1001138566	1	Box, Generator Control	
8	70006552	1	Capacitor	
8	70006553	1	Relay	
9	1001152457	1	Box, Junction Assembly (See Items 101-118 for Breakdown)	
10	0902888	1	Bracket, Generator Junction Box	
11	0962520	1	Bushing, Taper	
12	1001129858	1	Generator, 4000W Assembly (See Items 200-213 for Breakdown)	
13	2820031	AR	Insulator, Heat Shrink	
14	3251102	1	Nameplate, Generator	
15	3311508	3	Nut 5/16	
16	3580317	1	Pulley, Belt Tensioner	
17	3580318	1	Pulley, Generator	
18	3910606	4	Screw 6 x 3/8	
19	0641616	AR	Bolt 3/8 x 2	
20	3960422	1	Gasket, AC Receptacle	
21	1001110873	1	Cover, Gang Vertical Receptacle GFCI	
22	4060802	1	Guard, Switch	
23	4240018	AR	Strap, Tie (Not Shown)	
24	4360336	1	Switch, Toggle	
25	4460346	1	Terminal, Receptacle	
26	4711400	4	Washer 1/4	
27	4751500	3	Washer 5/16	
28	4791400	2	Starwasher 1/4	
29	4891800	4	Washer 1/2	
30	1001152533	1	Harness, Generator Cable (See Separate Breakdown in ELECTRICAL SECTION)	
31	1001153257	1	Diagram, Generator Wiring (Not Shown)	
32	4711600	1	Washer 3/8	
33	0100020	AR	Sealant, Pipe	
34	4460071	1	Connector, Strain Relief	
35	4751000	4	Washer #10	
36	3311005	4	Nut #10	
37	1001139357	1	Mount, Generator Tensioner	
38	0741607	3	Screw 3/8 x 0.88	
39	1705387	3	Decal - Hazardous Voltage	
40	3251243	1	Decal - 120V-60Hz	
41	1705374	1	Decal - 240V-60Hz	
52	0100048	AR	Grease, Dielectric	
	1001152457	Ref	JUNCTION BOX ASSEMBLY	B

SECTION 3 - ENGINE

ITEM	PART NUMBER	QTY	DESCRIPTION	REV
101	1001179154	2.5 ft/ 0.8m	Cable, 12/3	
102	3300396	1	Cover, Fuse	
103	3311001	4	Nut #10 Grade 2	
104	3900300	2	Screw, Spec, Cap	
105	4360070	1	Circuit Breaker, 15Amp	
106	4460068	3	Terminal, Ring	
107	4460425	1	Terminal, Strain Relief	
108	4460426	1	Connector, Strain Relief	
109	4460483	2	Terminal	
110	4711000	8	Washer #10	
112	1001152456	1	Box, Junction	
113	1001152525	1	Plug, Hole Pluggit	
114	1001152530	1	Terminal, Block, 4 Pole	
115	1001153260	1	Decal - Wiring 4000W Generator	
116	3900267	2	Screw, Spec, Cap	
117	1001158008	2	Stand-Off, Female, Threaded	
118	1001158363	1	Plate, Cover, PVC	
	1001129858	Ref	4000W GENERATOR ASSEMBLY	
201	70003709	1	Ring, Retaining	
202	70003708	1	Ring, Retaining	
203	70001966	1	Bearing, Ball	
204	70004092	1	Endbell	
205	70004171	1	Key	
206	70004676	1	Rotor Assembly	
207	70004684	1	Stator, Generator 4000W	
208	70004678	1	Endbell	
210	70004680	1	Enclosure	
211	70004685	1	Cover, Enclosure	
212	70004682	1	Protector, Supplementary, Manual Reset	
213	70004098	1	Bushing, Strain Relief	

SECTION 3 - ENGINE

FIGURE 3-85. 4000W GENERATOR INSTALLATION - 50HZ SPECS (DEUTZ TD2011 ENGINES)



ART_1001139959

SECTION 3 - ENGINE

FIGURE 3-85. 4000W GENERATOR INSTALLATION - 50HZ SPECS (DEUTZ TD2011 ENGINES)

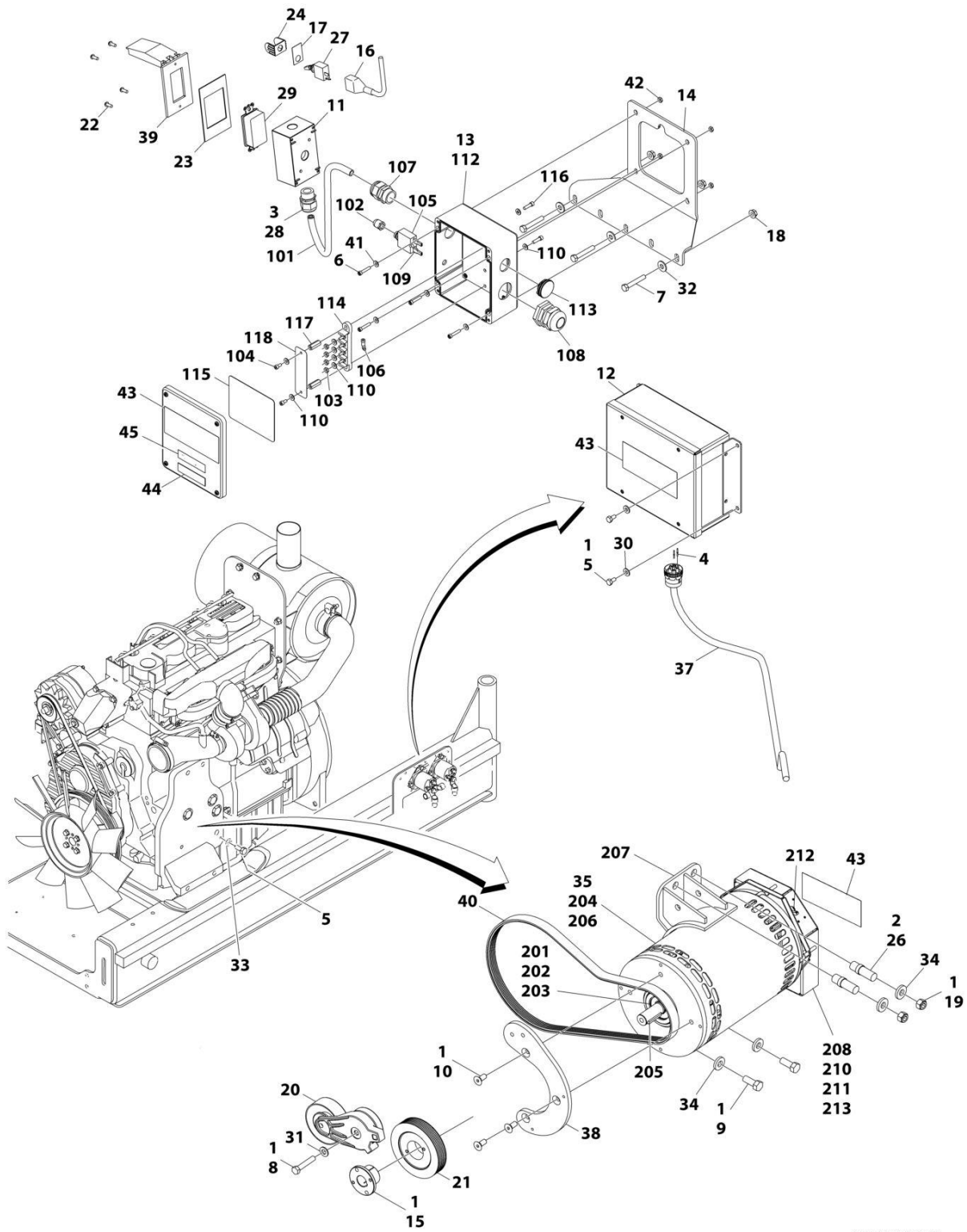
ITEM	PART NUMBER	QTY	DESCRIPTION	REV
	1001139959	Ref	4000W GENERATOR INSTALLATION - 50HZ SPEC (DEUTZ TD2011 ENGINES)	D
		Ref	Note: See ELECTRICAL SECTION for Boom Cable Installation.	
1	0100011	AR	Compound, Locking	
2	1001136356	1	Belt, Generator	
3	0641404	5	Bolt 1/4 x 1/2	
6	0641810	4	Bolt 1/2 x 1-1/4	
8	1001138566	1	Box, Generator Control	
8	70006552	1	Capacitor	
8	70006553	1	Relay	
10	0962520	1	Bushing, Taper	
11	1001138565	1	Generator, 4000W Assembly Options: (See items 101-113 for Breakdown)	
12	2820031	AR	Insulator, Heat Shrink	
13	3251102	1	Nameplate, Generator	
15	3580317	1	Pulley, Belt Tensioner	
16	3580319	1	Pulley, Generator	
17	0641616	1	Bolt 3/8 x 2	
18	4060802	1	Guard, Switch	
19	4240018	AR	Strap, Tie (Not Shown)	
20	4360336	1	Switch, Toggle	
21	4711400	8	Washer 1/4	
23	4791400	2	Washer 1/4	
24	4891800	4	Washer 1/2	
25	1001152533	1	Harness, Generator Cable (See Separate Breakdown in ELECTRICAL SECTION)	
26	4711600	1	Washer 3/8	
29	1001139357	1	Mount, Generator Tensioner	
30	0741607	3	Screw, Flat head, 3/8 x .88	
31	1705489	AR	Decal - Hazardous Voltage	
33	3311405	2	Nut 1/4	
34	1001165368	1	Kit, Box and Breaker (See Separate Breakdown in ELECTRICAL SECTION)	
35	0641407	2	Bolt 1/4 x 7/8	
36	1001094915	1	Bracket, AC Breaker Box	
37	4010408	2	Screw M4 x 16	
38	1001091102	4	Washer M4	
39	3290405	2	Nut M4	
	1001138565	Ref	4000W GENERATOR ASSEMBLY	
101	70003709	1	Ring, Retaining	
102	70003708	1	Ring, Retaining	
103	70001966	1	Bearing, Ball	
104	70004092	1	Endbell	
105	70004171	1	Key	
106	70004676	1	Rotor Assembly	
107	70004677	1	Stator, Generator 4000W	
108	70004678	1	Endbell	
110	70004680	1	Enclosure	
111	70004681	1	Cover, Enclosure	
112	70004682	1	Protector, Supplementary, Manual Reset	

SECTION 3 - ENGINE

ITEM	PART NUMBER	QTY	DESCRIPTION	REV
113	70004683	1	Bushing, Strain Relief	

SECTION 3 - ENGINE

FIGURE 3-86. 4000W GENERATOR INSTALLATION - 60HZ SPEC (DEUTZ TCD2.9L4 ENGINES)



ART_1001171130

SECTION 3 - ENGINE

FIGURE 3-86. 4000W GENERATOR INSTALLATION - 60HZ SPEC (DEUTZ TCD2.9L4 ENGINES)

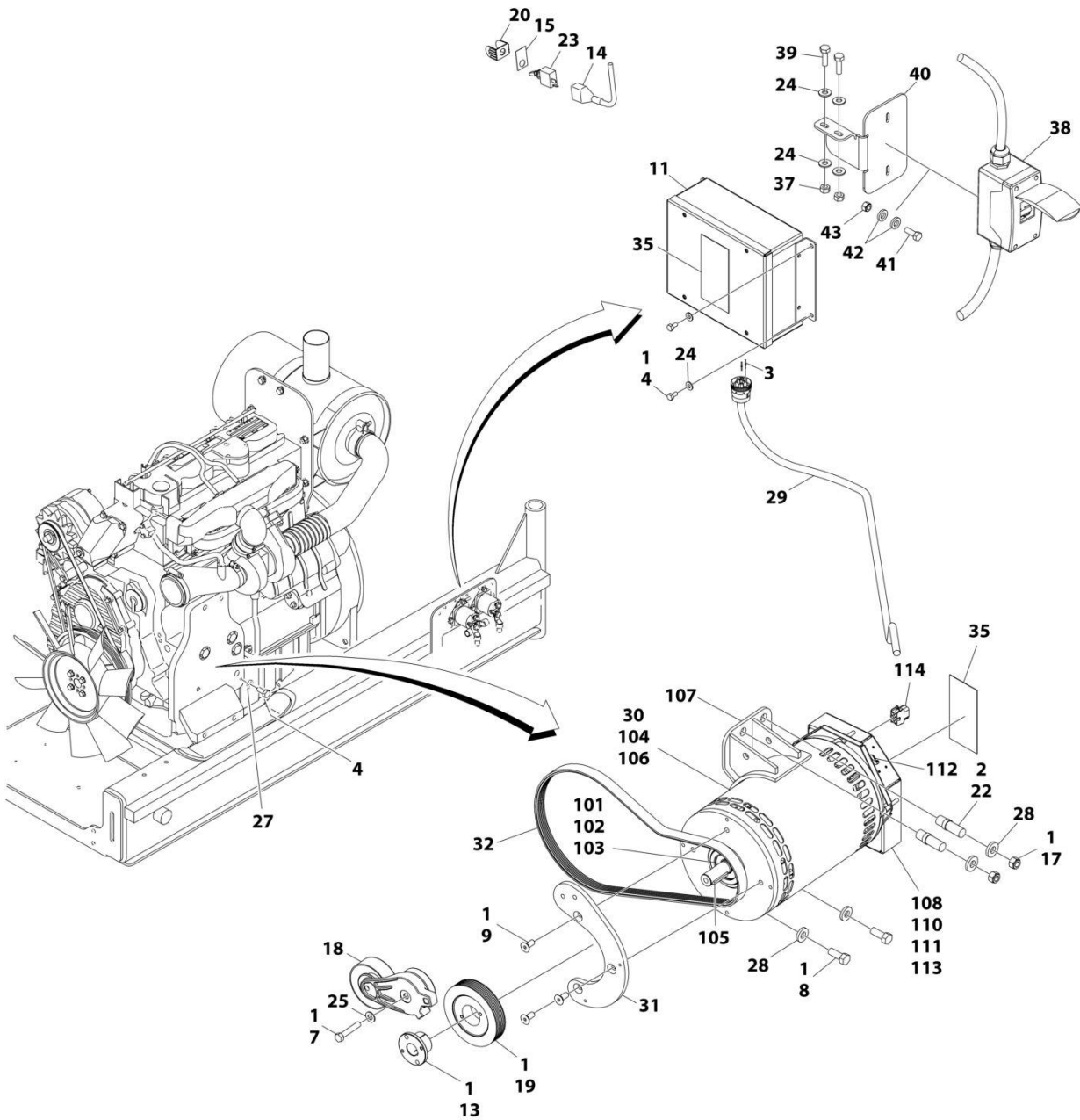
ITEM	PART NUMBER	QTY	DESCRIPTION	REV
	1001171130	Ref	4000W GENERATOR INSTALLATION - 60HZ SPEC (DEUTZ TCD2.9L4 ENGINES)	B
		Ref	Note: See ELECTRICAL SECTION for Boom Cable Installation.	
1	0100011	AR	Compound, Locking	
2	0100019	AR	Compound, Locking	
3	0100020	AR	Sealant, Pipe	
4	0100048	AR	Grease, Dielectric	
5	0641404	5	Bolt 1/4 x 1/2	
6	3931016	4	Screw 1/4 x 1	
7	0641516	3	Bolt 5/16 x 2	
8	0641618	1	Bolt 3/8 x 2-1/4	
9	0641810	2	Bolt 1/2 x 1-1/4	
10	0741607	3	Screw 3/8 x 0.88	
11	0860038	1	Box, Switch-Weatherhead	
12	1001138566	1	Box, Generator Control	
12	70006552	1	Capacitor	
12	70006553	1	Relay	
13	1001152457	1	Box, Junction Assembly (See Items 101-118 for Breakdown)	
14	0902888	1	Bracket, Generator Junction Box	
15	0962520	1	Bushing, Taper	
16	2820031	AR	Insulator, Heat Shrink	
17	3251102	1	Nameplate, Generator	
18	3311508	3	Nut 5/16	
19	3311801	2	Nut 1/2	
20	3580317	1	Pulley, Belt Tensioner	
21	3580318	1	Pulley, Generator	
22	3910606	4	Screw 6 x 3/8	
23	3960422	1	Gasket, AC Receptacle	
24	4060802	1	Guard, Switch	
25	4240018	AR	Strap, Tie (Not Shown)	
26	4300157	2	Stud	
27	4360336	1	Switch, Toggle	
28	4460071	1	Connector, Strain Relief	
29	4460346	1	Terminal, Receptacle	
30	4711400	4	Washer 1/4	
31	4711600	1	Washer 3/8	
32	4751500	3	Washer 5/16	
33	4791400	2	Starwasher 1/4	
34	4891800	4	Washer 1/2	
35	1001140344	1	Generator, 4000W Assembly (See Items 200-213 for Breakdown)	
36	1001153257	1	Diagram, Generator Wiring (Not Shown)	
37	1001152533	1	Harness, Generator Cable (See Separate Breakdown in ELECTRICAL SECTION)	
38	1001138011	1	Mount, Generator Tensioner	
39	1001110873	1	Cover, Gang Vertical Receptacle GFCI	
40	1001142645	1	Belt, Generator	
41	4751000	4	Washer #10	
42	3311005	4	Nut 10	
43	1705387	3	Decal - Hazardous Voltage	
44	1705374	1	Decal - 240V-60Hz	

SECTION 3 - ENGINE

ITEM	PART NUMBER	QTY	DESCRIPTION	REV
45	3251243	1	Decal - 120V-60Hz	B
	1001152457	Ref	JUNCTION BOX ASSEMBLY	
101	1001179154	2.5 ft/ 0.8m	Cable, Electrical 12/3	
102	3300396	1	Cover, Fuse	
103	3311001	4	Nut 10 Grade 2	
104	3900300	2	Screw, Spec, Cap	
105	4360070	1	Circuit Breaker, 15Amp	
106	4460068	3	Terminal, Ring	
107	4460425	1	Terminal, Strain Relief	
108	4460426	1	Connector, Strain Relief	
109	4460483	2	Terminal	
110	4711000	AR	Washer #10	
112	1001152456	1	Box, Junction	
113	1001152525	1	Plug, Hole Pluggit	
114	1001152530	1	Terminal, Block, 4 Pole	
115	1001153260	1	Decal - Wiring 4000W Generator	
116	3900267	2	Screw, Spec, Cap	
117	1001158008	2	Stand-Off, Female, Threaded	
118	1001158363	1	Plate, Cover, PVC	
	1001140346	Ref	4000W GENERATOR ASSEMBLY	
201	70003709	1	Ring, Retaining	
202	70003708	1	Ring, Retaining	
203	70001966	1	Bearing, Ball	
204	70004092	1	Endbell	
205	70004099	1	Key	
206	70004676	1	Rotor Assembly	
207	70004687	1	Stator, Generator 4000W	
208	70004678	1	Endbell	
210	70004680	1	Enclosure	
211	70004685	1	Cover, Enclosure	
212	70004682	1	Protector, Supplementary, Manual Reset	
213	70004098	1	Bushing, Strain Relief	

SECTION 3 - ENGINE

FIGURE 3-87. 4000W GENERATOR INSTALLATION - 50HZ SPEC (DEUTZ TCD2.9L4 ENGINES AND DEUTZ TCD2.9L4 (STAGE V) ENGINES)



ART_1001171273

SECTION 3 - ENGINE

FIGURE 3-87. 4000W GENERATOR INSTALLATION - 50HZ SPEC (DEUTZ TCD2.9L4 ENGINES AND DEUTZ TCD2.9L4 (STAGE V) ENGINES)

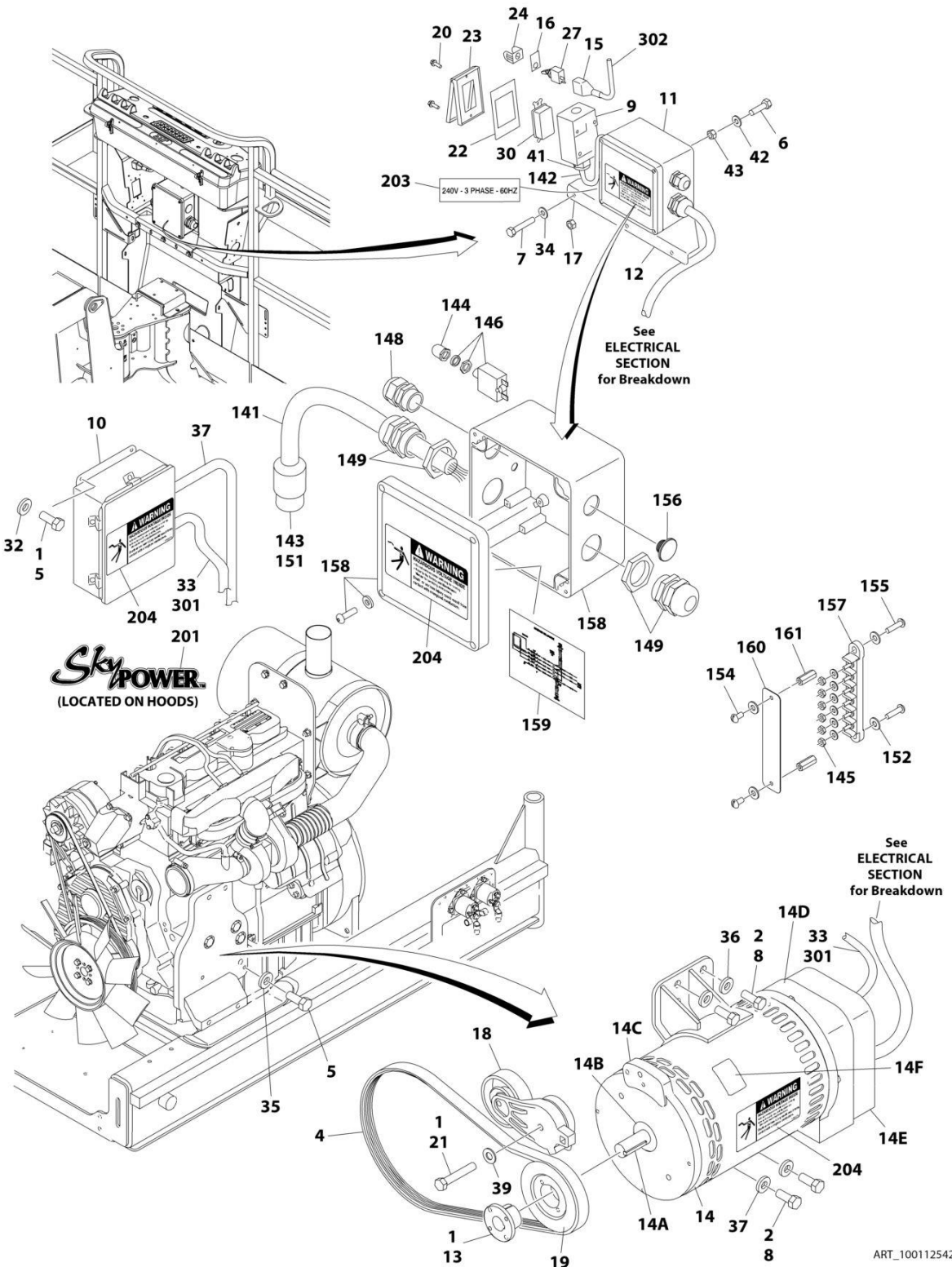
ITEM	PART NUMBER	QTY	DESCRIPTION	REV
	1001171273	Ref	4000W GENERATOR INSTALLATION - 50HZ SPEC (DEUTZ TCD2.9L4 ENGINES	C
		Ref	Note: See ELECTRICAL SECTION for Boom Cable Installation.	
1	0100011	AR	Compound, Locking	
2	0100019	AR	Compound, Locking	
3	0100048	AR	Grease, Dielectric	
4	0641404	5	Bolt 1/4 x 1/2	
7	0641618	1	Bolt 3/8 x 2-1/4	
8	0641810	2	Bolt 1/2 x 1-1/4	
9	0741607	3	Screw 3/8 x 0.88	
11	1001138566	1	Box, Generator Control	
11	70006552	1	Capacitor	
11	70006553	1	Relay	
13	0962520	1	Bushing, Taper	
14	2820031	AR	Insulator, Heat Shrink	
15	3251102	1	Nameplate, Generator	
17	3311801	2	Nut 1/2	
18	3580317	1	Pulley, Belt Tensioner	
19	3580319	1	Pulley, Generator	
20	4060802	1	Guard, Switch	
21	4240018	AR	Strap, Tie (Not Shown)	
22	4300157	2	Stud	
23	4360336	1	Switch, Toggle	
24	4711400	8	Washer 1/4	
25	4711600	1	Washer 3/8	
27	4791400	2	Starwasher 1/4	
28	4891800	4	Washer 1/2	
29	1001152533	1	Harness, Generator Cable (See Separate Breakdown in ELECTRICAL Section)	
30	1001140347	1	Generator, 4000W Assembly (See Items 101-114 for Breakdown)	
31	1001138011	1	Mount, Generator Tensioner	
32	1001136357	1	Belt, Generator	
35	1705489	AR	Decal - Hazardous Voltage	
37	3311405	2	Nut 1/4	
38	1001165368	1	Kit, Box and Breaker (See Separate Breakdown in ELECTRICAL Section)	
39	0641407	2	Bolt 1/4 x 7/8	
40	1001094915	1	Bracket	
41	4010408	2	Screw M4 x 16	
42	1001091102	4	Washer M4	
43	3290405	2	Nut M4	
	1001140347	Ref	4000W GENERATOR ASSEMBLY	
101	70003709	1	Ring, Retaining	
102	70003708	1	Ring, Retaining	
103	70001966	1	Bearing, Ball	
104	70004092	1	Endbell	
105	70004099	1	Key	
106	70004676	1	Rotor Assembly	
107	70004686	1	Stator, Generator 4000W	

SECTION 3 - ENGINE

ITEM	PART NUMBER	QTY	DESCRIPTION	REV
108	70004678	1	Endbell	
110	70004680	1	Enclosure	
111	70004681	1	Cover, Enclosure	
112	70004682	1	Protector, Supplementary, Manual Reset	
113	70004683	1	Bushing, Strain Relief	
114	4460224	1	Connector - 6 Position (50Hz) (Located on Enclosure Cover)	
114	4460294	2	Pin, Male (50Hz) (Located on Enclosure Cover)	

SECTION 3 - ENGINE

FIGURE 3-88. 7500W SKYPOWER GENERATOR INSTALLATION - 60HZ SPEC (DEUTZ TD2011 ENGINES) (OPTIONAL)



SECTION 3 - ENGINE

FIGURE 3-88. 7500W SKYPOWER GENERATOR INSTALLATION - 60HZ SPEC (DEUTZ TD2011 ENGINES) (OPTIONAL)

ITEM	PART NUMBER	QTY	DESCRIPTION	REV
	1001125427	Ref	7500W SKYPOWER GENERATOR INSTALLATION - 60HZ SPEC (DEUTZ TD2011 ENGINES)	D
		Ref	Note: See ELECTRICAL SECTION for Boom Cable Installation.	
1	0100011	AR	Compound, Locking	
2	0100019	AR	Compound, Locking	
4	0480128	1	Belt, Generator	
5	0641404	6	Bolt 1/4 x 1/2	
6	3931016	AR	Bolt 10 x 1	
7	0641516	3	Bolt 5/16 x 2	
8	0641810	4	Bolt 1/2 x 1-1/4	
9	0860038	1	Box, Switch	
10	0861538	1	Box, Generator Control	
10	7024488	1	Card, Circuit - Generator Power (Not Shown)	
10	See Note	1	Fuse (Note: Not Available - Purchase Locally)	
10	7024489	1	Card, Circuit - Control (Not Shown)	
		Ref	Note: When replacing card, rocker switch on card must be set for required application.	
10	70000619	1	Harness, Circuit Card	
11	1001157592	1	Junction Box Assembly Options (See Items 141-161 for Breakdown)	
12	0902888	1	Bracket, Generator Junction Box	
13	0962520	1	Bushing, Taper	
14	2460048	1	Generator, 7500W	
14	70001100	1	Rotor (Includes p/n 70001384 & 70000863) (Not Shown)	
14	70001384	1	Bearing, Shaft (Rear) (Not Shown)	
14	70000863	1	Fan, Generator (Not Shown)	
14	70002088	1	Stator (Not Shown)	
14	70002297	2	Stud 1/4 x 12-7/8 (Not Shown)	
14	70003631	1	Brushholder Assembly (Not Shown) (was p/n 7024484)	
14A	70004171	1	Key	
14B	70001966	1	Bearing, Ball Radial (Located in Belt Tensioner Endbell)	
14B	70003709	1	Ring, Retaining (Small)	
14B	70003708	1	Ring, Retaining (Large)	
14C	70001953	1	Endbell, Belt Tensioner	
14D	70004169	1	Kit, Endbell (Includes Endbell, Brush Block and Shroud Assembly)	
14E	7027799	1	Block, Connector 6 Position (Not Shown)	
14E	70002460	6	Nut, Brass (Attaches p/n 7027799 to Cover) (Not Shown)	
14E	7024485	1	Breaker, Circuit 30Amp (Not Shown)	
14E	70001696	1	Boot, Breaker (Not Shown)	
14E	7026597	1	Connector with Leads (Not Shown)	
14E	7026626	1	Connector with Pins (Not Shown)	
14E	7026188	1	Clamp, Cable (Not Shown)	
14E	70002255	1	Plate, End Panel (Not Shown)	
14E	See Note	NSS	Insulator, End Panel (Note: Not Available for Purchase)	
14E	70001974	1	Decal - Terminal Connections (Not Shown)	
14F	70001973	1	Decal - Warning Moving Parts	
15	2820031	AR	Insulator, Heat Shrink	
16	3251102	1	Nameplate, Generator	
17	3311508	3	Nut 5/16	

SECTION 3 - ENGINE

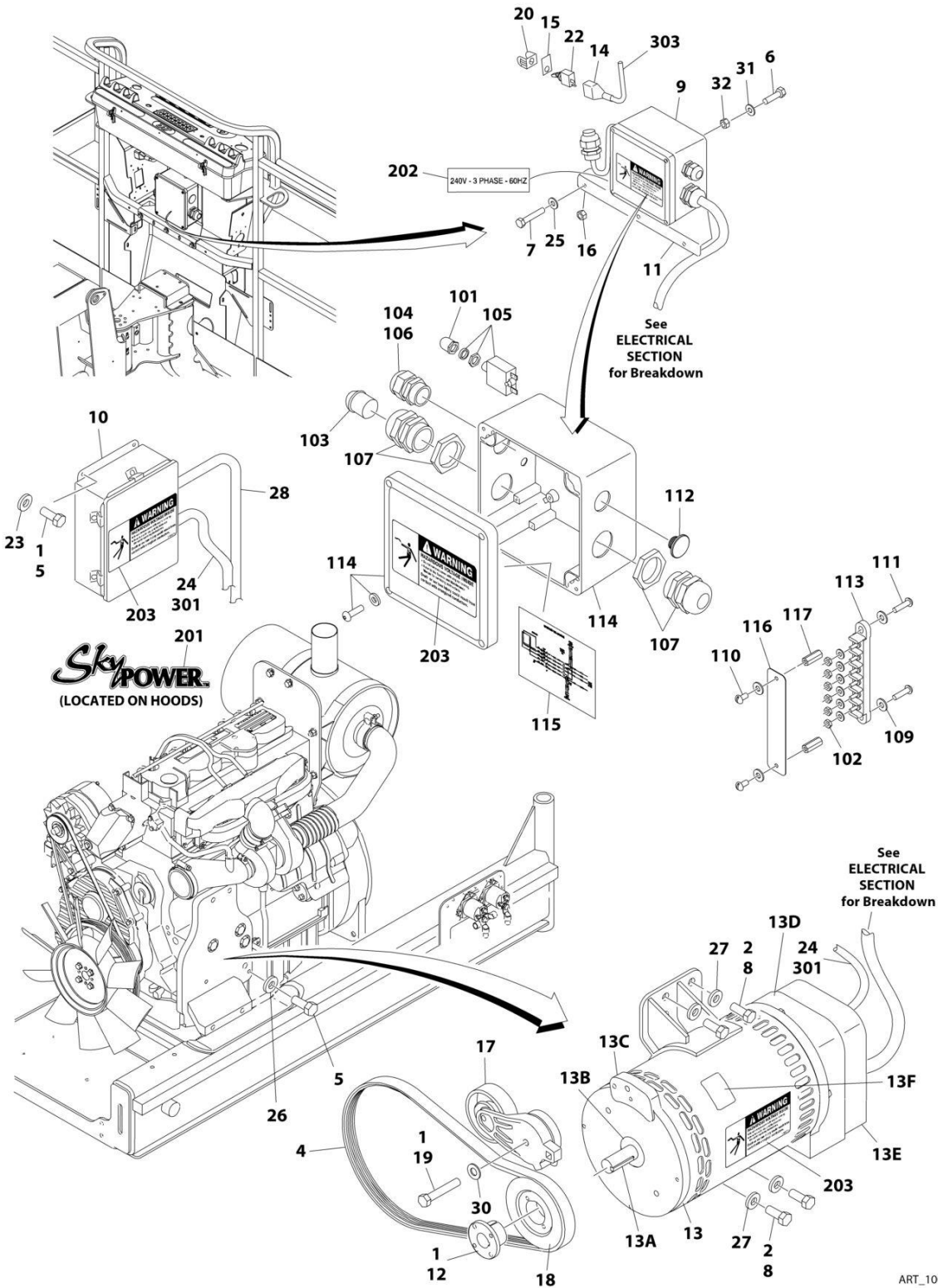
ITEM	PART NUMBER	QTY	DESCRIPTION	REV
18	3580317	1	Pulley, Belt Tensioner	
19	3580318	1	Pulley, Generator	
20	3910606	4	Screw #6 x 3/8	
21	0641618	1	Bolt 3/8 x 2	
22	3960422	1	Gasket, AC Receptacle	
23	1001110873	1	Shield, Receptacle Cover	
24	4060802	1	Guard, Switch	
26	4240018	AR	Strap, Tie (Not Shown)	
27	4360336	1	Switch, Toggle	
30	4460346	1	Terminal, Receptacle	
32	4711400	4	Washer 1/4	
33	0100048	AR	Grease, Dielectric	
34	4751500	3	Washer 5/16	
35	4791400	2	Starwasher 1/4	
36	4891800	4	Washer 1/2	
37	4922972	1	Harness, Generator Cable (See Separate Breakdown in ELECTRICAL SECTION)	
39	4711600	1	Washer 3/8	
40	0100020	AR	Sealant, Pipe (Not Shown)	
41	4460071	1	Connector, Strain Relief	
42	4751000	4	Washer #10	
43	3311005	4	Nut #10	
	1001157592	Ref	JUNCTION BOX ASSEMBLY	C
141	1060343	1.5 ft/ 0.5m	Cable, Electrical 10/4	
142	1001179154	2.5 ft/ 0.8m	Cable, 12/3	
143	1671092	1	Cover	
144	3300396	1	Cover, Fuse	
145	3311001	6	Nut #10	
146	4360070	1	Circuit Breaker - 15Amp	
148	4460425	1	Strain Relief, Terminal	
149	4460426	2	Connector, Strain Relief	
151	4460963	1	Connector	
152	4711000	10	Washer #10	
154	10702077	2	Screw #10 x 3/8	
155	10702082	2	Screw #10 x 3/4	
156	1001152525	1	Plug	
157	1001157520	1	Block, Terminal	
158	1001157521	1	Box, Junction	
159	1001157528	1	Decal - Wiring Schematic	
160	1001158007	1	Decal - PVC	
161	1001158008	2	Stand-Off	
	0272435	Ref	DECAL INSTALLATION	D
201	1705460	2	Decal - SkyPower	
202	3251243	1	Decal - 120V - 60Hz (Located at Platform Receptacle)	
203	1705375	1	Decal - 240V - 3 Phase	
204	1705387	3	Decal - Hazardous Voltage	
	1001122528	Ref	ELECTRICAL DIAGRAM COMPONENTS	B
301	1001119968	1	Generator Harness	B
301A	4460967	1	Plug, Male - 3 Position (Not Shown)	
301A	4460465	6	Socket, Female	

SECTION 3 - ENGINE

ITEM	PART NUMBER	QTY	DESCRIPTION	REV
301B	1001117078	1	Fuseholder with Fuse (Not Shown)	
302	4922641	1	Switch, Harness	

SECTION 3 - ENGINE

FIGURE 3-89. 7500W SKYPOWER GENERATOR INSTALLATION - 50HZ SPEC (DEUTZ TD2011 ENGINES) (OPTIONAL)



ART_1001125428

SECTION 3 - ENGINE

FIGURE 3-89. 7500W SKYPOWER GENERATOR INSTALLATION - 50HZ SPEC (DEUTZ TD2011 ENGINES) (OPTIONAL)

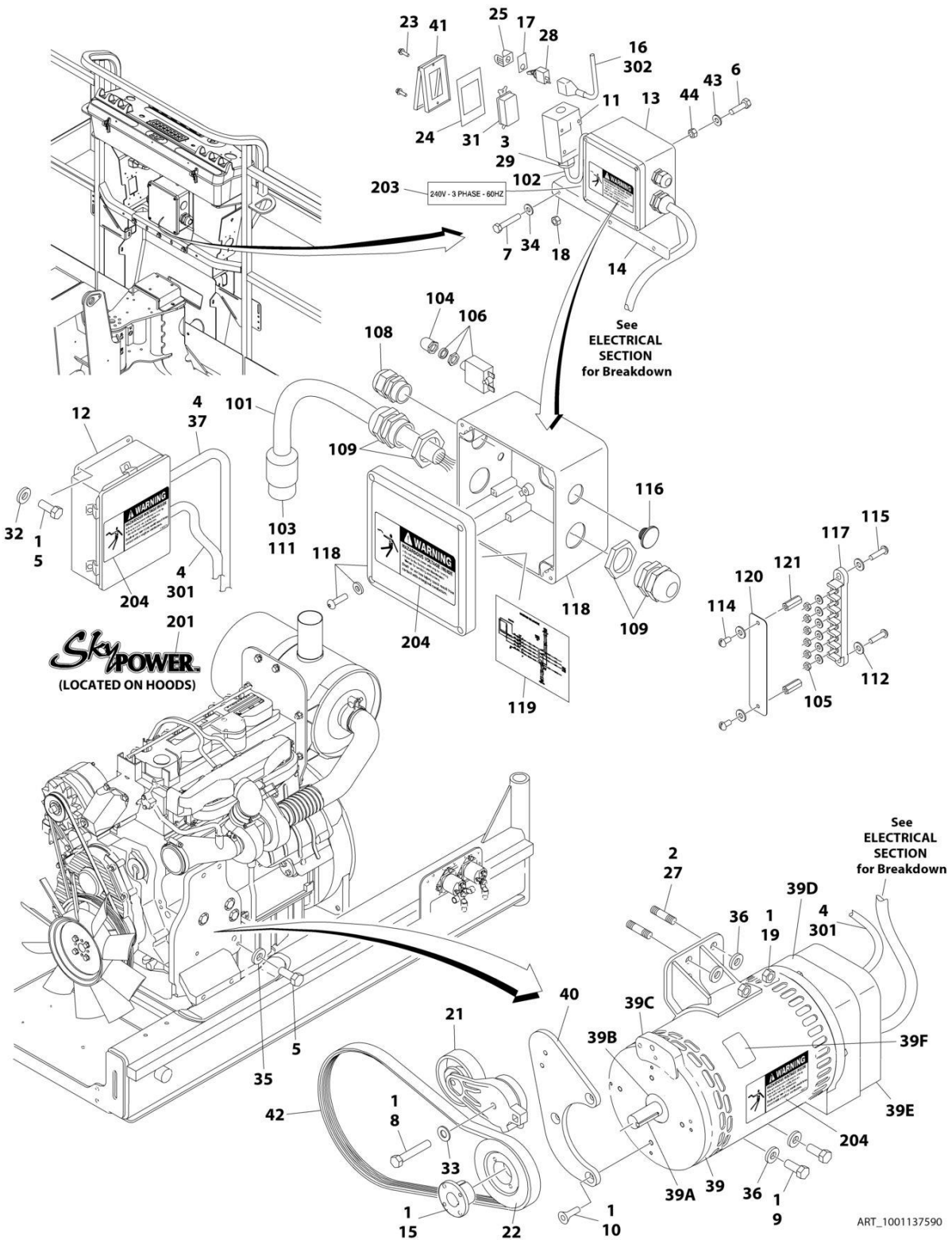
ITEM	PART NUMBER	QTY	DESCRIPTION	REV
	1001125428	Ref	7500W SKYPOWER GENERATOR INSTALLATION - 50HZ SPEC (DEUTZ TD2011 ENGINES)	C
		Ref	Note: See ELECTRICAL SECTION for Boom Cable Installation.	
1	0100011	AR	Compound, Locking	
2	0100019	AR	Compound, Locking	
4	0480129	1	Belt, Generator	
5	0641404	5	Bolt 1/4 x 1/2	
6	3931016	4	Bolt 10 x 1	
7	0641516	3	Bolt 5/16 x 2	
8	0641810	4	Bolt 1/2 x 1-1/4	
9	1001157525	1	Junction Box Assembly (See Items 101-117 for Breakdown)	
10	0861572	1	Box, Generator Control	
10	7024488	1	Card, Circuit - Generator Power (Not Shown)	
10	See Note	1	Fuse (Note: Not Available - Purchase Locally)	
10	7024489	1	Card, Circuit - Control (Not Shown)	
		Ref	Note: When replacing card, rocker switch on card must be set for required application.	
10	70000619	1	Harness, Circuit Card	
11	0902888	1	Bracket, Generator Junction Box	
12	0962520	1	Bushing, Taper	
13	2460048	1	Generator, 7500W	
13	70001100	1	Rotor (Includes p/n 70001384 & 70000863) (Not Shown)	
13	70001384	1	Bearing, Shaft (Rear) (Not Shown)	
13	70000863	1	Fan, Generator (Not Shown)	
13	70002088	1	Stator (Not Shown)	
13	70002297	2	Stud 1/4 x 12-7/8	
13	70003631	1	Brushholder Assembly (Not Shown)	
13A	70004171	1	Key	
13B	70001966	1	Bearing, Ball Radial (Located in Belt Tensioner Endbell)	
13B	70003709	1	Ring, Retaining (Small)	
13B	70003708	1	Ring, Retaining (Large)	
13C	70001953	1	Endbell, Belt Tensioner	
13D	70004169	1	Kit, Endbell (Includes Endbell, Brush Block and Shroud Assembly)	
13E	7027799	1	Block, Connector 6 Position (Not Shown)	
13E	70002460	6	Nut, Brass (Attaches p/n 7027799 to Cover) (Not Shown)	
13E	7024485	1	Breaker, Circuit 30Amp (Not Shown)	
13E	70001696	1	Boot, Breaker (Not Shown)	
13E	7026597	1	Connector with Lead (Not Shown)	
13E	7026626	1	Connector with Pins (Not Shown)	
13E	7026188	1	Clamp, Cable (Not Shown)	
13E	70002255	1	Plate, End Panel (Not Shown)	
13E	See Note	1	Insulator, End Panel (Not Shown) (Note: Not Available for Purchase)	
13E	70001974	1	Decal - Terminal Connections (Not Shown)	
13F	70001973	1	Decal - Warning Moving Parts	
14	2820031	AR	Insulator, Heat Shrink	
15	3251102	1	Nameplate, Generator	
16	3311508	3	Nut 5/16	
17	3580317	1	Pulley, Belt Tensioner	

SECTION 3 - ENGINE

ITEM	PART NUMBER	QTY	DESCRIPTION	REV
18	3580319	1	Pulley, Generator	
19	0641618	1	Bolt 3/8 x 2	
20	4060802	1	Guard, Switch	
21	4240018	AR	Strap, Tie (Not Shown)	
22	4360336	1	Switch, Toggle	
23	4711400	4	Washer 1/4	
24	0100048	AR	Grease, Dielectric	
25	4751500	3	Washer 5/16	
26	4791400	2	Starwasher 1/4	
27	4891800	4	Washer 1/2	
28	4922972	1	Harness, Generator Cable (See Separate Breakdown in ELECTRICAL SECTION)	
30	4711600	1	Washer 3/8	
31	4751000	4	Washer #10	
32	3311005	4	Nut #10	
	1001157525	Ref	JUNCTION BOX ASSEMBLY	B
101	3300396	1	Cover, Fuse	
102	3311001	6	Nut #10	
103	3520189	1	Plug	
104	3520192	1	Plug	
105	4360070	1	Circuit Breaker - 15Amp	
106	4460425	1	Strain Relief, Terminal	
107	4460426	2	Connector, Strain Relief	
109	4711000	10	Washer #10	
110	10702077	2	Screw #10 x 3/8	
111	10702082	2	Screw #10 x 3/4	
112	1001152525	1	Plug	
113	1001157520	1	Block, Terminal	
114	1001157521	1	Box, Junction	
115	1001157528	1	Decal - Wiring Schematic	
116	1001158007	1	Cover, PVC	
117	1001158008	2	Stand-Off	
	0272589	Ref	DECAL INSTALLATION	A
201	1705460	2	Decal - SkyPower	
202	1705461	1	Decal - 240V - 3 Phase	
203	1705489	3	Decal - Hazardous Voltage	
	1001122528	Ref	ELECTRICAL DIAGRAM COMPONENTS	B
301	1001119968	1	Generator Harness	B
301A	4460967	1	Plug, Male - 3 Position (Not Shown)	
301A	4460465	6	Socket, Female	
301B	1001117078	1	Fuseholder with Fuse (Not Shown)	
303	4922641	1	Switch Harness	

SECTION 3 - ENGINE

FIGURE 3-90. 7500W SKYPOWER GENERATOR INSTALLATION - 60HZ SPEC (DEUTZ TCD2.9L4 ENGINES) (OPTIONAL)



SECTION 3 - ENGINE

FIGURE 3-90. 7500W SKYPOWER GENERATOR INSTALLATION - 60HZ SPEC (DEUTZ TCD2.9L4 ENGINES) (OPTIONAL)

ITEM	PART NUMBER	QTY	DESCRIPTION	REV
	1001137590	Ref	7500W SKYPOWER GENERATOR INSTALLATION - 60HZ SPEC (DEUTZ TCD2.9L4 ENGINES)	G
		Ref	Note: See ELECTRICAL SECTION for Boom Cable Installation.	
1	0100011	AR	Compound, Locking	
2	0100019	AR	Compound, Locking	
3	0100020	AR	Sealant, Pipe	
4	0100048	AR	Grease, Dielectric	
5	0641404	5	Bolt 1/4 x 1/2	
6	3931016	4	Bolt 10 x 1	
7	0641516	3	Bolt 5/16 x 2	
8	0641618	1	Bolt 3/8 x 2	
9	0641810	2	Bolt 1/2 x 1-1/4	
10	0741607	3	Screw 3/8 x 7/8	
11	0860038	1	Box, Switch	
12	0861538	1	Box, Generator Control	
12	7024488	1	Card, Circuit - Generator Power (Not Shown)	
12	See Note	1	Fuse (Note: Not Available Purchase Locally)	
12	7024489	1	Card, Circuit - Control (Not Shown)	
		Ref	Note: When replacing card, rocker switch on card must be set for required application.	
12	70000619	1	Harness, Circuit Card	
13	1001157592	1	Junction Box Assembly (See Items 101-121 for Breakdown)	
14	0902888	1	Bracket, Generator Junction Box	
15	0962520	1	Bushing, Taper	
16	2820031	AR	Insulator, Heat Shrink	
17	3251102	1	Nameplate, Generator	
18	3311508	3	Nut 5/16	
19	3311801	2	Nut 1/2	
21	3580317	1	Pulley, Belt Tensioner	
22	3580318	1	Pulley, Generator	
23	3910606	AR	Screw #6 x 3/8	
24	3960422	1	Gasket, AC Receptacle	
25	4060802	1	Guard, Switch	
26	4240018	AR	Strap, Tie (Not Shown)	
27	4300157	2	Stud 1/2	
28	4360336	1	Switch, Toggle	
29	4460071	1	Connector, Strain Relief	
30	4460315	3	Terminal, Spade (Not Shown)	
31	4460346	1	Terminal, Receptacle	
32	4711400	4	Washer 1/4	
33	4711600	1	Washer 3/8	
34	4751500	3	Washer 5/16	
35	4791400	2	Starwasher 1/4	
36	4891800	4	Washer 1/2	
37	4922972	1	Harness, Generator Cable (See Separate Breakdown in ELECTRICAL SECTION)	
39	1001212223	1	Generator, 7500W	
39	70001100	1	Rotor (Includes p/n 70001384 & 70000863)	
39	70001384	1	Bearing, Shaft (Rear)	

SECTION 3 - ENGINE

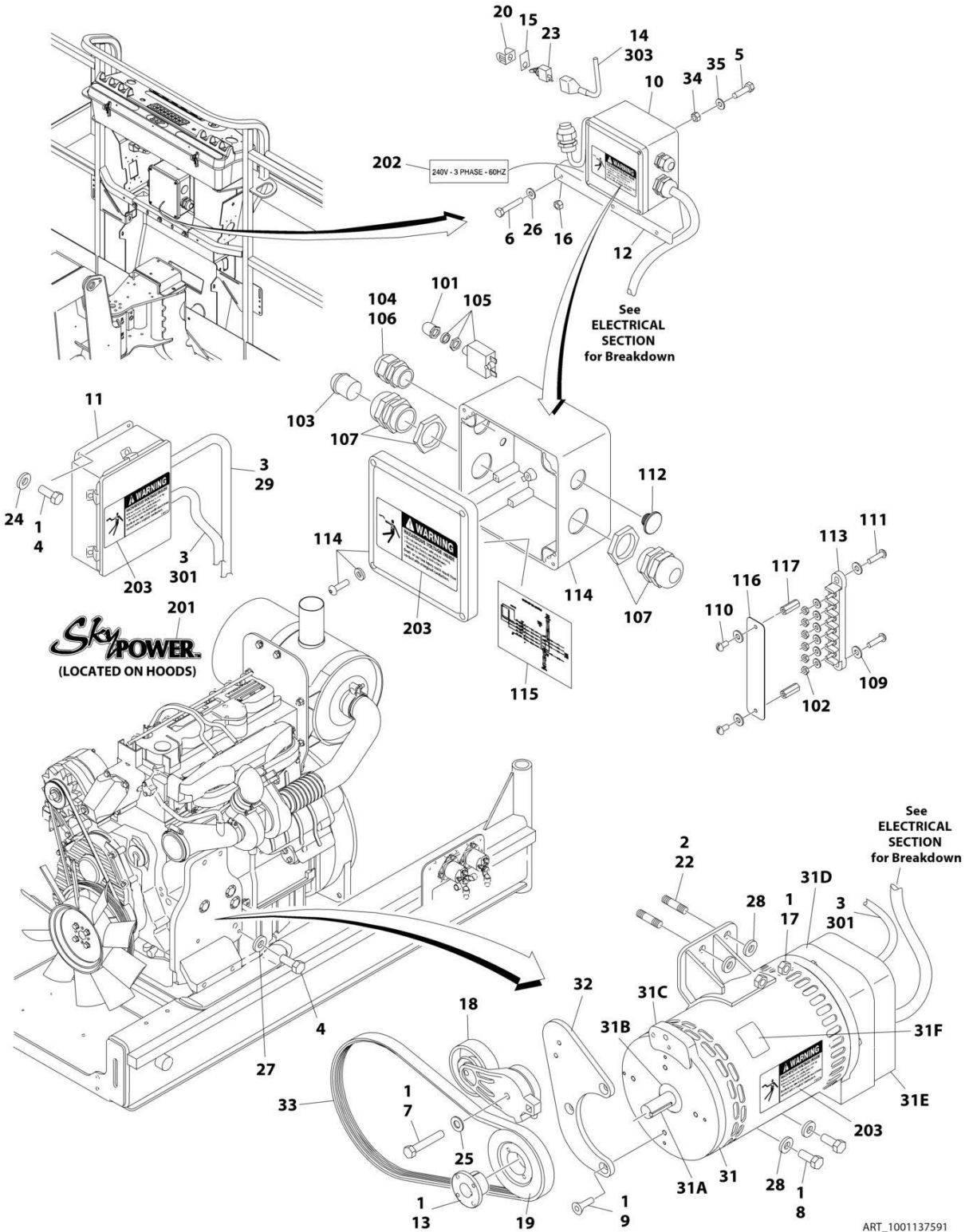
ITEM	PART NUMBER	QTY	DESCRIPTION	REV
39	7000863	1	Fan, Generator	
39	70006093	1	Stater	
39	70003631	1	Brush-holder Assembly (was p/n 7024484)	
39A	70004099	NLA	Key (Use p/n 70004171)	
39B	70001966	1	Bearing, Ball Radial (Located in Belt Tensioner Endbell)	
39B	70003709	1	Ring, Retaining (Small)	
39B	70003708	1	Ring, Retaining (Large)	
39C	70004092	1	Endbell, Belt Tensioner	
39D	70004094	1	Endbell, Brush Block	
39E	70006094	1	Shroud Assembly	
39E	7027799	1	Block, Connector - 6 Position (Not Shown)	
39E	70002460	6	Nut, Brass (Attaches p/n 7027799 to Cover) (Not Shown)	
39E	70006095	1	Breaker, Circuit 30Amp (Not Shown)	
39E	70006096	1	Boot, Breaker (Not Shown)	
39E	7026597	1	Connector with Leads (Not Shown)	
39E	7026626	1	Connector with Pins (Not Shown)	
39E	70004098	1	Clamp, Cable (Not Shown)	
39E	70006097	1	Plate, End Panel (Not Shown)	
39E	70002291	1	Insulator, End Panel Generator (Not Shown)	
39E	70001974	1	Decal - Terminal Connections (Not Shown)	
39F	70001973	1	Decal - Warning Moving Parts	
40	1001138011	1	Bracket	
41	1001110873	1	Shield, Receptacle Cover	
42	1001142645	1	Belt, Generator	
43	4751000	4	Washer #10	
44	3311005	4	Nut #10	
	1001157592	Ref	JUNCTION BOX ASSEMBLY	C
101	1060343	1.5 ft/ 0.5m	Cable, Electrical 10/4	
102	1001179154	2.5 ft/ 0.8m	Cable, Electrical 12/3	
103	1671092	1	Cover	
104	3300396	1	Cover, Fuse	
105	3311001	6	Nut #10	
106	4360070	1	Circuit Breaker - 15Amp	
108	4460425	1	Strain Relief, Terminal	
109	4460426	2	Connector, Strain Relief	
111	4460963	1	Connector	
112	4711000	10	Washer #10	
114	10702077	2	Screw #10 x 3/8	
115	10702082	2	Screw #10 x 3/4	
116	1001152525	1	Plug	
117	1001157520	1	Block, Terminal	
118	1001157521	1	Box, Junction	
119	1001157528	1	Decal - Wiring Schematic	
120	1001158007	1	Cover, PVC	
121	1001158008	2	Stand-Off	
	0272435	Ref	DECAL INSTALLATION	D
201	1705460	2	Decal - SkyPower	
202	3251243	1	Decal - 120V - 60Hz (Not Shown - Located at Platform Receptacle)	
203	1705375	1	Decal - 240V - 3 Phase	

SECTION 3 - ENGINE

ITEM	PART NUMBER	QTY	DESCRIPTION	REV
204	1705387	3	Decal - Hazardous Voltage	
	1001122528	Ref	ELECTRICAL DIAGRAM COMPONENTS	B
301	1001119968	1	Generator Harness	B
301A	4460967	1	Plug, Male - 3 Position (Not Shown)	
301A	4460465	6	Socket, Female	
301B	1001117078	1	Fuseholder with Fuse (Not Shown)	
302	4922641	1	Switch Harness	

SECTION 3 - ENGINE

FIGURE 3-91. 7500W SKYPOWER GENERATOR INSTALLATION - 50HZ SPEC (DEUTZ TCD2.9L4 ENGINES AND DEUTZ TCD2.9L4 (STAGE V ENGINES) (OPTIONAL))



ART_1001137591

SECTION 3 - ENGINE

FIGURE 3-91. 7500W SKYPOWER GENERATOR INSTALLATION - 50HZ SPEC (DEUTZ TCD2.9L4 ENGINES AND DEUTZ TCD2.9L4 (STAGE V ENGINES) (OPTIONAL)

ITEM	PART NUMBER	QTY	DESCRIPTION	REV
	1001137591	Ref	7500W SKYPOWER GENERATOR INSTALLATION - 50HZ SPEC (DEUTZ TCD2.9L4 ENGINES)	D
		Ref	Note: See ELECTRICAL SECTION for Boom Cable Installation.	
1	0100011	AR	Compound, Locking	
2	0100019	AR	Compound, Locking	
3	0100048	AR	Grease, Dielectric	
4	0641404	5	Bolt 1/4 x 1/2	
5	3931016	4	Bolt 10 x 1	
6	0641516	3	Bolt 5/16 x 2	
7	0641618	1	Bolt 3/8 x 2	
8	0641810	2	Bolt 1/2 x 1-1/4	
9	0741607	3	Screw 3/8 x 7/8	
10	1001157525	1	Junction Box Assembly (See Items 101-117 for Breakdown)	
11	0861572	1	Box, Generator Control	
11	7024488	1	Card, Circuit - Generator Power (Not Shown)	
11	See Note	1	Fuse (Note: Not Available - Purchase Locally)	
11	7024489	1	Card, Circuit - Control (Not Shown)	
		Ref	Note: When replacing card, rocker switch on card must be set for required application.	
11	70000619	1	Harness, Circuit Card	
12	0902888	1	Bracket, Generator Junction Box	
13	0962520	1	Bushing, Taper	
14	2820031	AR	Insulator, Heat Shrink	
15	3251102	1	Nameplate, Generator	
16	3311508	3	Nut 5/16	
17	3311801	2	Nut 1/2	
18	3580317	1	Pulley, Belt Tensioner	
19	3580319	1	Pulley, Generator	
20	4060802	1	Guard, Switch	
21	4240018	AR	Strap, Tie (Not Shown)	
22	4300157	2	Stud 1/2	
23	4360336	1	Switch, Toggle	
24	4711400	4	Washer 1/4	
25	4711600	1	Washer 3/8	
26	4751500	3	Washer 5/16	
27	4791400	2	Starwasher 1/4	
28	4891800	4	Washer 1/2	
29	4922972	1	Harness, Generator Cable (See Separate Breakdown in ELECTRICAL Section)	
31	1001212223	1	Generator, 7500W	
31	70001100	1	Rotor (Includes p/n 70001384 & 70000863) (Not Shown)	
31	70001384	1	Bearing, Shaft (Rear) (Not Shown)	
31	70000863	1	Fan, Generator (Not Shown)	
31	70006093	1	Stator (Not Shown)	
31	70003631	1	Brush-holder Assembly (Not Shown)	
31A	70004099	NLA	Key (Use p/n 70004171)	
31B	70001966	1	Bearing, Ball Radial (Located in Belt Tensioner Endbell)	
31B	70003709	1	Ring, Retaining (Small)	
31B	70003708	1	Ring, Retaining (Large)	

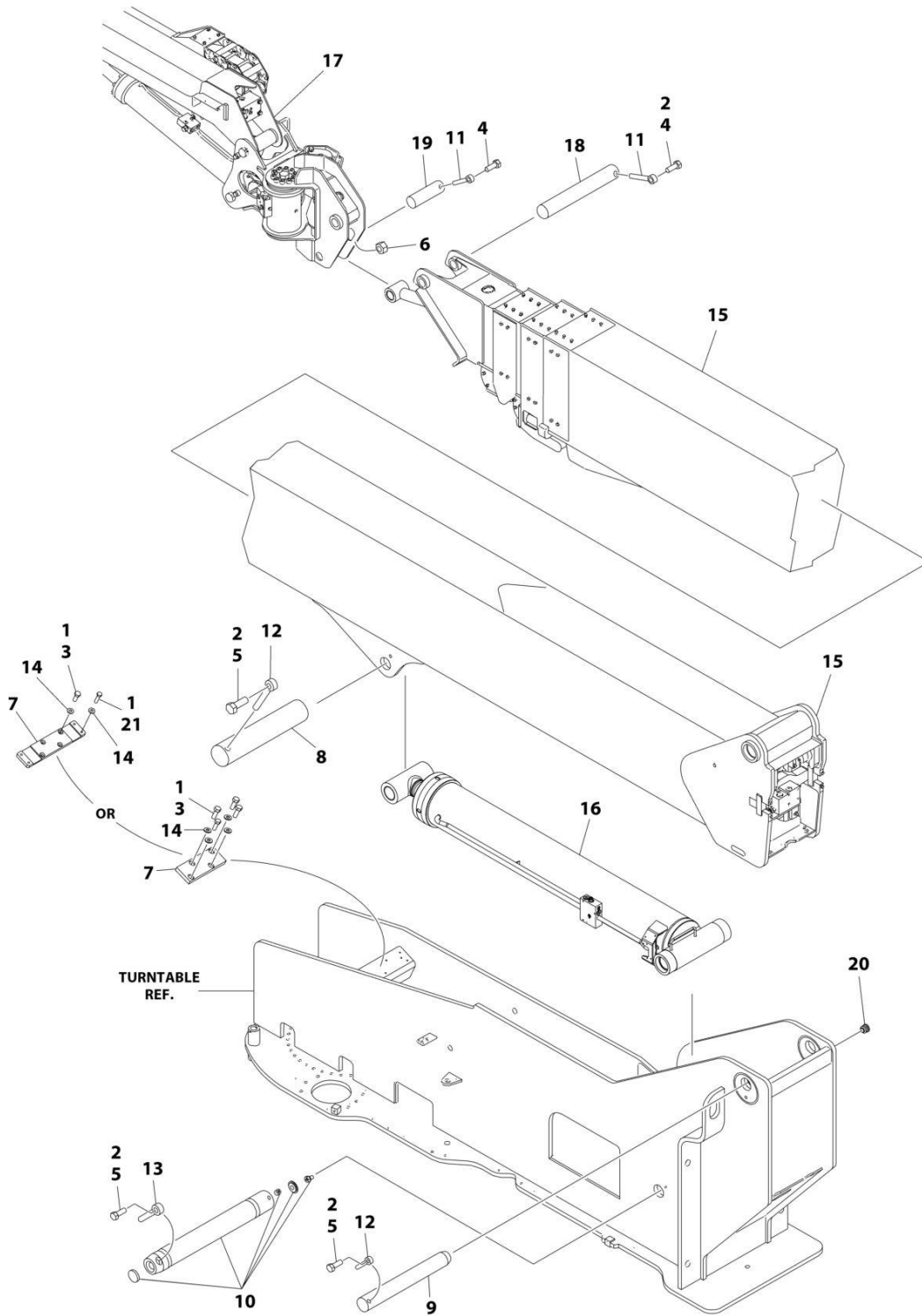
SECTION 3 - ENGINE

ITEM	PART NUMBER	QTY	DESCRIPTION	REV
31C	70004092	1	Endbell, Belt Tensioner	
31D	70004094	1	Endbell, Brush Block	
31E	70006094	1	Shroud Assembly	
31E	7027799	1	Block, Connector - 6 Position (Not Shown)	
31E	70002460	6	Nut, Brass (Attaches p/n 7027799 to Cover) (Not Shown)	
31E	70006095	1	Breaker, Circuit 30Amp (Not Shown)	
31E	70006096	1	Boot, Breaker (Not Shown)	
31E	7026597	1	Connector with Leads (Not Shown)	
31E	7026626	1	Connector with Pins (Not Shown)	
31E	70004098	1	Clamp, Cable (Not Shown)	
31E	70006097	1	Plate, End Panel (Not Shown)	
31E	70002291	1	Insulator, End Panel (Not Shown)	
31E	70001974	1	Decal - Terminal Connections (Not Shown)	
31F	70001973	1	Decal - Warning Moving Parts	
32	1001138011	1	Bracket	
33	1001136357	1	Belt, Generator	
34	3311005	4	Nut #10	
35	4751000	4	Washer #10	
	1001157525	Ref	JUNCTION BOX ASSEMBLY	B
101	3300396	1	Cover, Fuse	
102	3311001	6	Nut #10	
103	3520189	1	Plug (50Hz Spec Only)	
104	3520192	1	Plug	
105	4360070	1	Circuit Breaker - 15Amp	
106	4460425	1	Strain Relief, Terminal	
107	4460426	2	Connector, Strain Relief	
109	4711000	10	Washer #10	
110	10702077	2	Screw #10 x 3/8	
111	10702082	2	Screw #10 x 3/4	
112	1001152525	1	Plug	
113	1001157520	1	Block, Terminal	
114	1001157521	1	Box, Junction	
115	1001157528	1	Decal - Wiring Schematic	
116	1001158007	1	Cover, PVC	
117	1001158008	2	Stand-Off	
	0272589	Ref	DECAL INSTALLATION	A
201	1705460	2	Decal - SkyPower	
202	1705461	1	Decal - 240V - 3 Phase	
203	1705489	3	Decal - Hazardous Voltage	
	1001122528	Ref	ELECTRICAL DIAGRAM COMPONENTS	B
301	1001119968	1	Generator Harness (With UGM)	B
301A	4460967	1	Plug, Male - 3 Position (Not Shown)	
301A	4460465	6	Socket, Female	
301B	1001117078	1	Fuseholder with Fuse (Not Shown)	
303	4922641	1	Switch Harness	

SECTION 4 - BOOM

SECTION 4 - BOOM

FIGURE 4-1. BOOM INSTALLATION - WITHOUT COLD WEATHER PLUS PACKAGE



ART_100119970_G

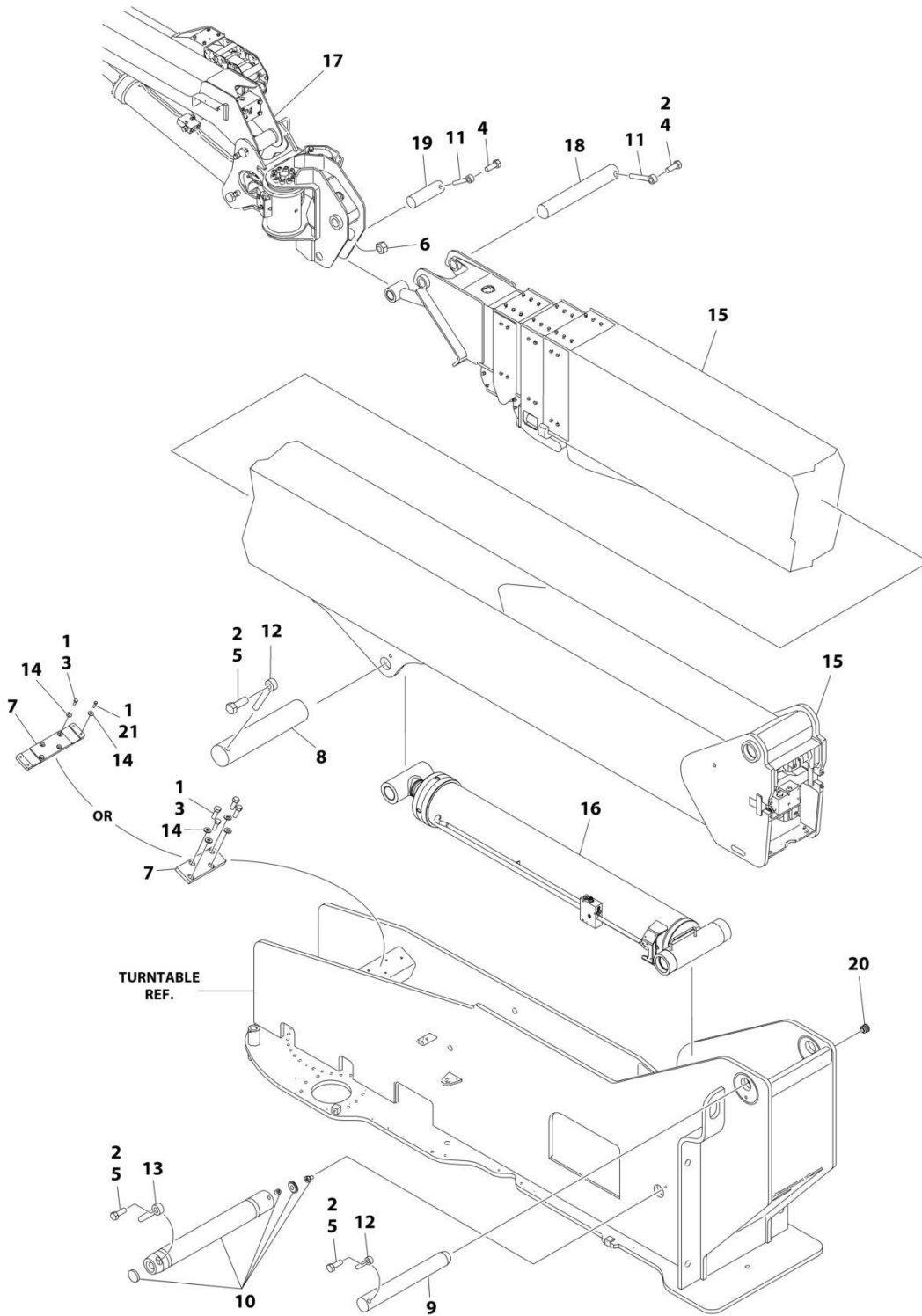
SECTION 4 - BOOM

FIGURE 4-1. BOOM INSTALLATION - WITHOUT COLD WEATHER PLUS PACKAGE

ITEM	PART NUMBER	QTY	DESCRIPTION	REV
	1001119970	Ref	BOOM INSTALLATION - WITHOUT COLD WEATHER PLUS PACKAGE	G
1	0100011	AR	Compound, Locking	
2	0100019	AR	Compound, Locking	
3	0641608	4	Bolt 3/8 x 1	
4	0642012	2	Bolt 5/8 x 1-1/2	
5	0642214	3	Bolt 3/4 x 1-3/4	
6	3312005	1	Nut 5/8	
7	1001237755	1	Pad	
8	3422955	1	Pin	
9	3422988	1	Pin	
10	3423208	1	Pin, Load Sensing	
11	3841258	2	Keeper, Pin	
12	3841287	2	Keeper, Pin	
13	3841581	1	Keeper, Pin	
14	4751600	AR	Washer 3/8	
15	1001117455	1	Boom Assembly (See Separate Breakdown in this Section)	
16	1001251045	1	Lift Cylinder Assembly (See Separate Breakdown in CYLINDER Section)	
17	1001140108	1	Jib Installation (See Separate Breakdown in this Section)	
18	1001119899	1	Pin	
19	1001119999	1	Pin	
20	1001213705	1	Plug	
21	0641612	4	Bolt 3/8 x 1-1/2	

SECTION 4 - BOOM

FIGURE 4-2. BOOM INSTALLATION - WITH COLD WEATHER PLUS PACKAGE



ART_1001140105

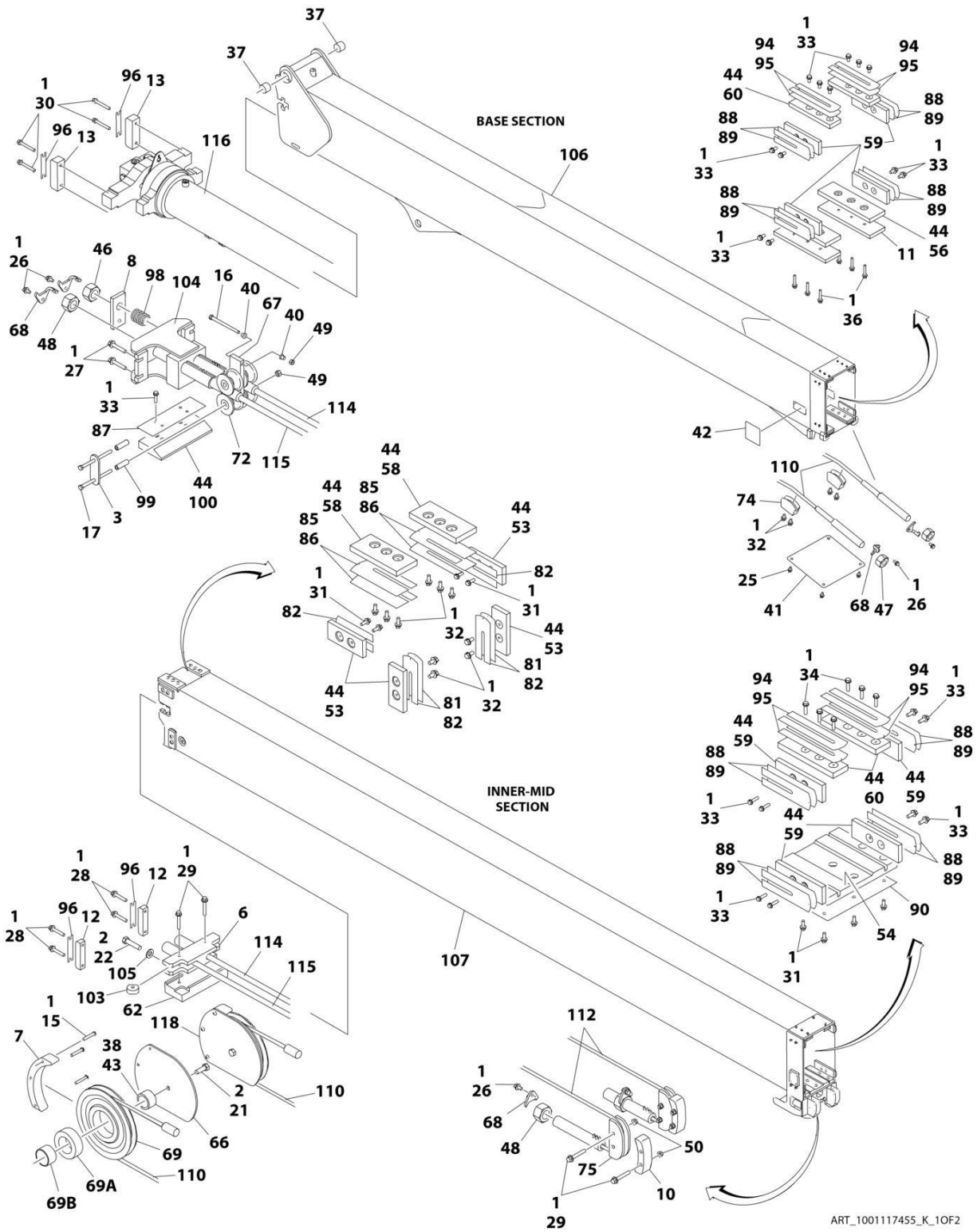
SECTION 4 - BOOM

FIGURE 4-2. BOOM INSTALLATION - WITH COLD WEATHER PLUS PACKAGE

ITEM	PART NUMBER	QTY	DESCRIPTION	REV
	1001140105	Ref	BOOM INSTALLATION - WITH COLD WEATHER PLUS PACKAGE	F
1	0100011	AR	Compound, Locking	
2	0100019	AR	Compound, Locking	
3	0641608	4	Bolt 3/8 x 1	
4	0642012	2	Bolt 5/8 x 1-1/2	
5	0642214	3	Bolt 3/4 x 1-3/4	
6	3312005	1	Nut 5/8	
7	1001237755	1	Pad	
8	3422955	1	Pin	
9	3422988	1	Pin	
10	3423208	1	Pin, Load Sensing	
11	3841258	2	Keeper, Pin	
12	3841287	2	Keeper, Pin	
13	3841581	1	Keeper, Pin	
14	4751600	AR	Washer 3/8	
15	1001140107	1	Boom Assembly (See Separate Breakdown in this Section)	
16	1001251045	1	Lift Cylinder Assembly (See Separate Breakdown in CYLINDER Section)	
17	1001140108	1	Jib Installation (See Separate Breakdown in this Section)	
18	1001119899	1	Pin	
19	1001119999	1	Pin	
20	1001213705	1	Plug	
21	0641612	1	Bolt 3/8 x 1-1/2	

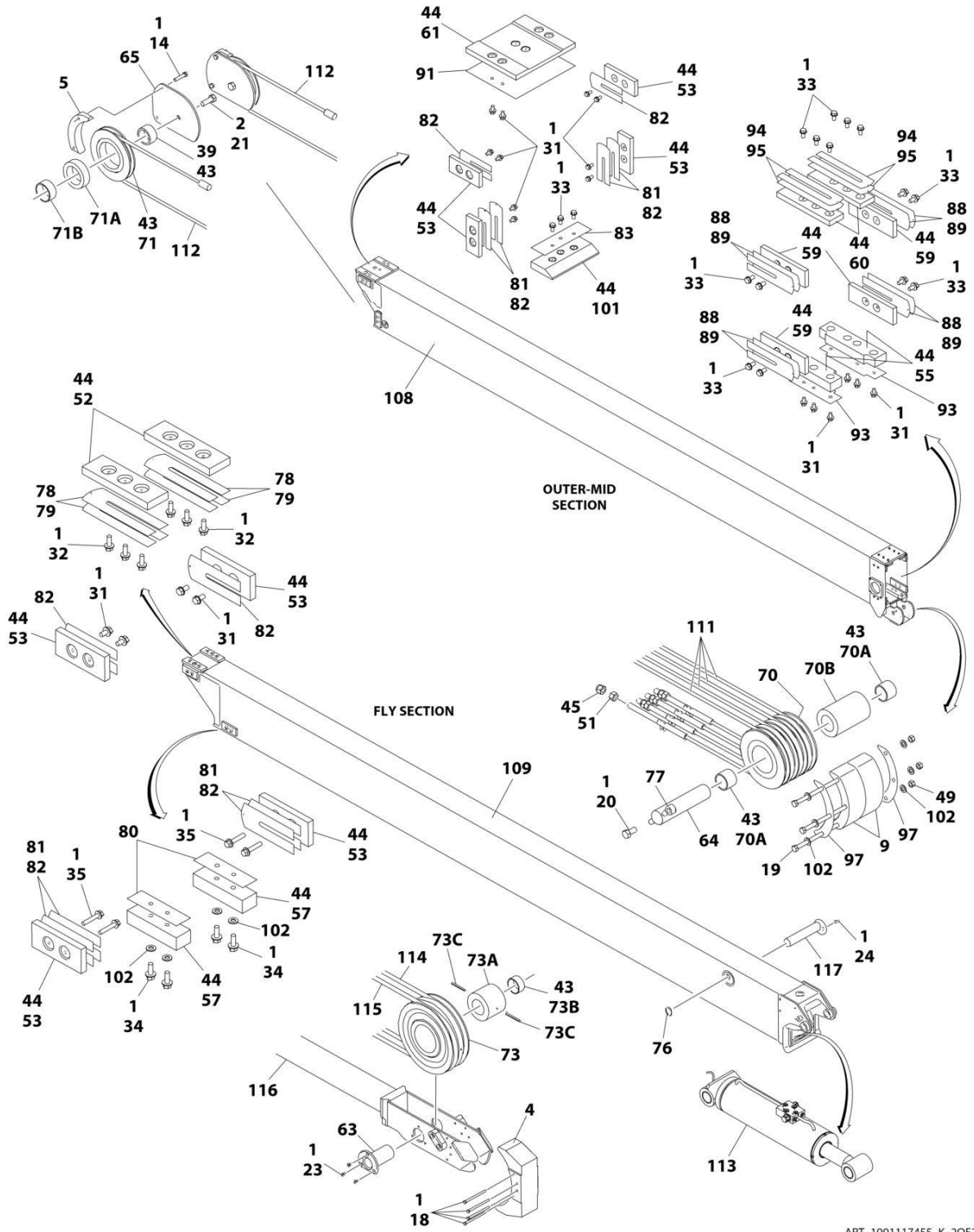
SECTION 4 - BOOM

FIGURE 4-3. BOOM ASSEMBLY - WITHOUT COLD WEATHER PLUS PACKAGE



ART_1001117455_K_10F2

SECTION 4 - BOOM



ART_100117455_K_20F2

SECTION 4 - BOOM

FIGURE 4-3. BOOM ASSEMBLY - WITHOUT COLD WEATHER PLUS PACKAGE

ITEM	PART NUMBER	QTY	DESCRIPTION	REV
	1001117455	Ref	BOOM ASSEMBLY - WITHOUT COLD WEATHER PLUS PACKAGE	K
1	0100011	AR	Compound, Locking	
2	0100019	AR	Compound, Locking	
3	0363066	2	Bar, Stabilizer	
4	0561431	1	Block, Rope Retainer	
5	0561437	2	Block, Rope Retainer	
6	0561439	1	Block, Outer Mid Extend	
7	0561444	2	Block, Cable Retainer	
8	0561454	1	Block, Switch Adjuster	
9	0561457	2	Block, Cable Retainer	
10	0561458	2	Block, Cable Retainer	
11	0561471	2	Block, Spacer	
12	0561482	2	Block, Trunnion Keeper	
13	0561500	2	Block, Trunnion Keeper	
14	0641615	4	Bolt 3/8 x 1-7/8	
15	0641618	6	Screw 3/8 x 2-1/4	
16	0641640	1	Bolt 3/8 x 5	
17	0641644	2	Bolt 3/8 x 5-1/2	
18	0641646	4	Bolt 3/8 x 5-3/4	
19	0641652	3	Bolt 3/8 x 6-1/2	
20	0641808	1	Bolt 1/2 x 1	
21	0642014	4	Bolt 5/8 x 1-3/4	
22	0642022	2	Bolt 5/8 x 2-3/4	
23	0741606	3	Screw 3/8 x 3/4	
24	0741806	1	Screw 1/2 x 3/4	
25	0791604	4	Screw 3/8 x 1/2	
26	0791605	6	Screw 3/8 x 5/8	
27	0791612	4	Screw 3/8 x 1-1/2	
28	0791618	4	Screw 3/8 x 2-1/4	
29	0791620	10	Screw 3/8 x 2-1/2	
30	0791624	4	Screw 3/8 x 3	
31	0811606	30	Screw 3/8 x 3/4	
32	0811607	24	Screw 3/8 x 7/8	
33	0811608	43	Screw 3/8 x 1	
34	0811610	10	Screw 3/8 x 1-1/4	
35	0811614	4	Screw 3/8 x 1-3/4	
36	0811616	6	Screw 3/8 x 2	
37	0962297	2	Bushing	
38	0962409	2	Bushing	
39	0962410	2	Bushing	
40	0962447	2	Bearing, Flanged	
41	1671032	1	Cover	
42	1671033	1	Cover	
43	3020039	AR	Lubricant, Moly	
44	3020042	AR	Lubricant with PTFE	
45	3300239	4	Nut, Nylon Insert	
46	3300458	1	Nut 1-12	
47	3300460	2	Nut 1-1/4-7	
48	3300461	3	Nut 1-3/8-6	

SECTION 4 - BOOM

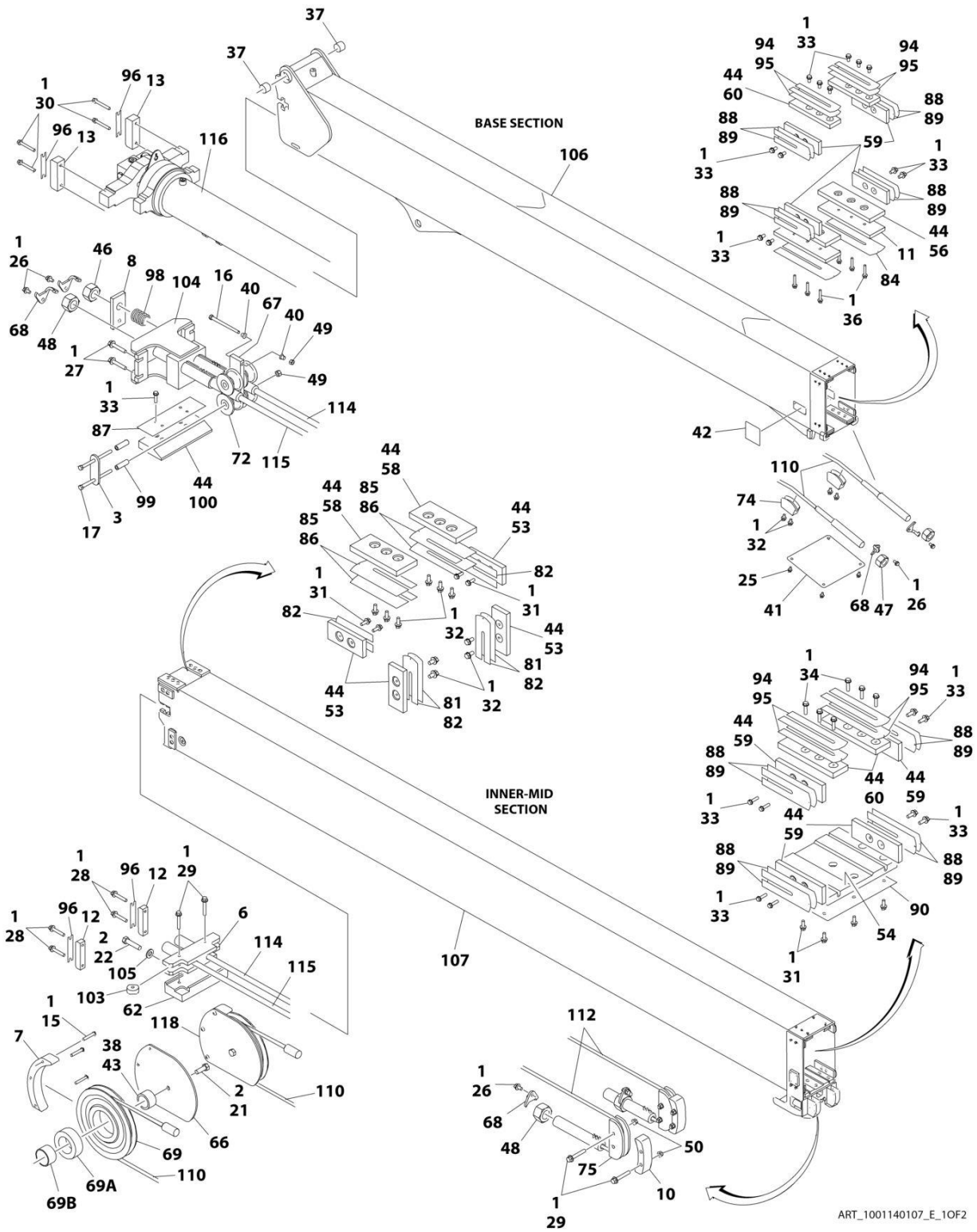
ITEM	PART NUMBER	QTY	DESCRIPTION	REV
49	3311605	6	Nut 3/8-16	
50	3311608	8	Nut 3/8-16	
51	3311801	4	Nut 1/2-13	
52	3340871	2	Pad, Wear	
53	3340881	12	Pad, Wear	
54	3340910	1	Pad, Wear	
55	3340912	2	Pad, Wear	
56	3340916	2	Pad, Wear	
57	3340917	2	Pad, Wear	
58	3340918	2	Pad, Wear	
59	3340921	12	Pad, Wear	
60	3340922	6	Pad, Wear	
61	3340926	1	Pad, Wear	
62	3340955	1	Pad	
63	3422926	1	Pin	
64	3422959	1	Pin	
65	3572950	2	Plate, Cable Retract Retainer	
66	1001131292	1	Plate, Cable Retract Retainer (LH)	
67	3573437	1	Plate, Pulley Adjustment	
68	3573444	6	Plate, Lock	
69	1001131330	2	Sheave	
69A	0962402	2	Bushing (Outer)	
69B	0962406	2	Bushing (Inner)	
70	3580300	1	Sheave	
70A	1001139972	1	Bushing (Inner)	
70B	0962403	1	Bushing (Outer)	
71	3580302	2	Sheave	
71A	0962404	2	Bushing (Outer)	
71B	0962411	2	Bushing (Inner)	
72	3580306	4	Pulley	
73	1001154260	2	Sheave	
73A	1001154306	2	Bushing (Outer)	
73B	1001154304	2	Bushing (Inner)	
73C	1001154294	2	Ring, Retainer	
74	3580341	2	Sheave	
75	3580342	2	Sheave	
76	3760217	1	Ring, Retaining	
77	3841203	1	Keeper, Pin	
78	4070863	2	Shim #11 Gauge	
79	4070864	2	Shim #18 Gauge	
80	4070895	2	Shim #16 Gauge	
81	4070897	6	Shim #18 Gauge	
82	4070898	12	Shim #11 Gauge	
83	4071012	1	Shim #16 Gauge	
85	4071015	2	Shim #16 Gauge	
86	4071016	2	Shim #11 Gauge	
87	4071017	1	Shim #16 Gauge	
88	4071018	8	Shim #16 Gauge	
89	4071019	12	Shim #11 Gauge	
90	4071024	1	Shim #16 Gauge	
91	4071025	1	Shim #16 Gauge	

SECTION 4 - BOOM

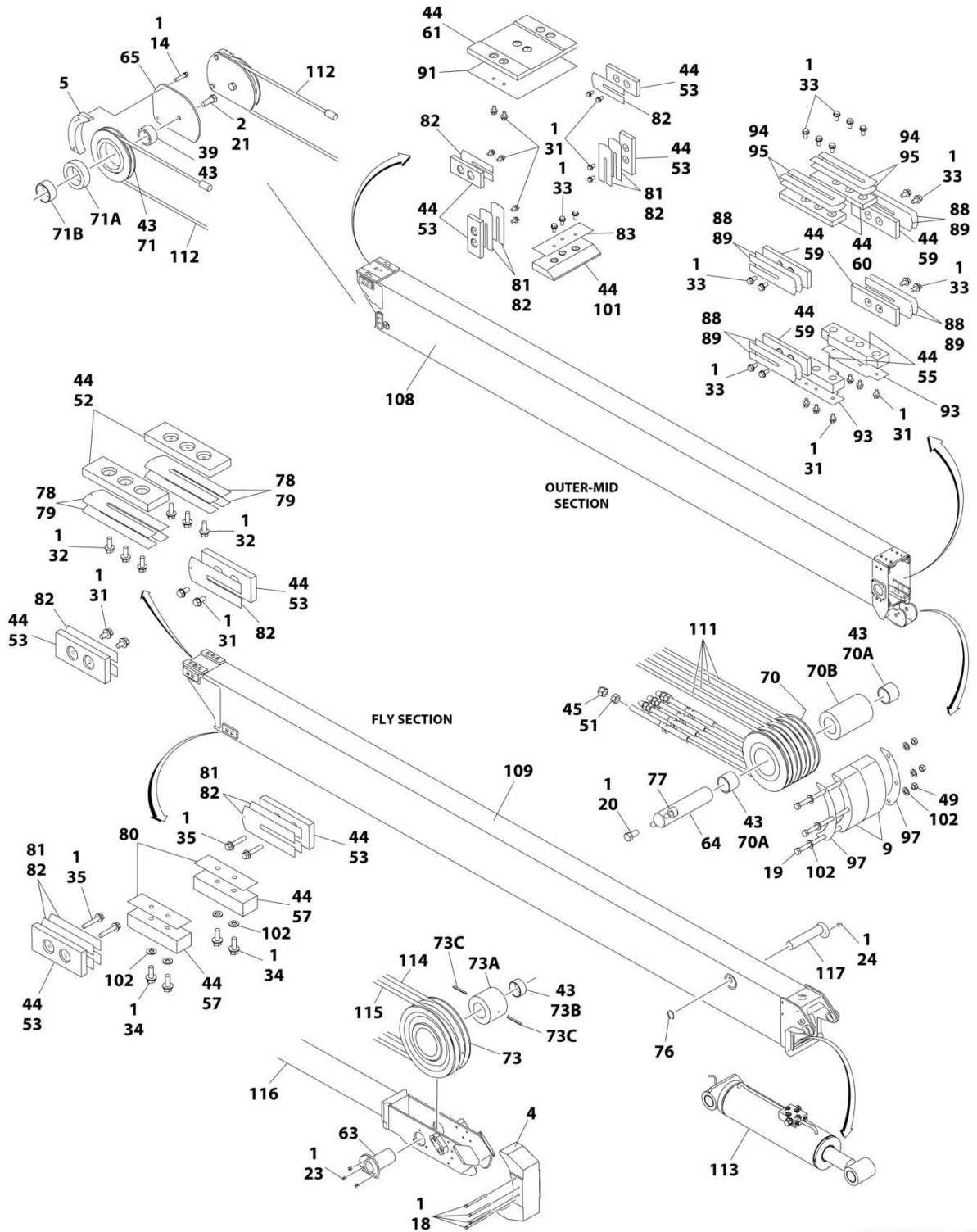
ITEM	PART NUMBER	QTY	DESCRIPTION	REV
93	4071027	2	Shim #16 Gauge	
94	4071028	6	Shim #16 Gauge	
95	4071029	6	Shim #11 Gauge	
96	4071031	4	Shim #16 Gauge	
97	4071046	2	Shim #16 Gauge	
98	4160197	1	Spring	
99	4568423	4	Tube, Spacer	
100	1001131296	1	Pad, Wear	
101	4700039	1	Pad, Wear	
102	4711600	10	Washer 3/8	
103	4740509	2	Spacer	
104	4846453	1	Plate, Mounting	
105	4892000	2	Washer 5/8	
106	1001117456	1	Base, Boom	
107	1001117457	1	Mid, Inner	
108	1001117458	1	Mid, Outer	
109	1001117459	1	Fly, Boom	
110	1001117479	2	Cable, Outer Mid Retract	
111	1001117480	4	Cable, Fly Extend	
112	1001117481	2	Cable, Fly Retract	
113	1001228043	1	Jib Level Cylinder Assembly (See Separate Breakdown in CYLINDER Section)	
114	1001118430	1	Cable, Outer Mid Extend	
115	1001118431	1	Cable, Outer Mid Extend	
116	1001228047	1	Telescope Cylinder Assembly (See Separate Breakdown in CYLINDER Section)	
117	1001119571	1	Pin	
118	1001131293	1	Plate, Cable Retract Retainer (RH)	
		Ref	Kit Options:	
	1001143929	1	Main Boom Wear Pad Kit (Includes Items 11, 31-36, 52-61, 78-95 & 101-102)	
	1001143927	1	Wire Rope Kit (Includes Items 14-23, 26-30, 38-40, 45-51, 63, 64, 69A, 69B, 70-73, 77, 99, 102, 105 & 110-115)	

SECTION 4 - BOOM

FIGURE 4-4. BOOM ASSEMBLY - WITH COLD WEATHER PLUS PACKAGE



SECTION 4 - BOOM



ART_1001140107_E_20F2

SECTION 4 - BOOM

FIGURE 4-4. BOOM ASSEMBLY - WITH COLD WEATHER PLUS PACKAGE

ITEM	PART NUMBER	QTY	DESCRIPTION	REV
	1001140107	Ref	BOOM ASSEMBLY - WITH COLD WEATHER PLUS PACKAGE	E
1	0100011	AR	Compound, Locking	
2	0100019	AR	Compound, Locking	
3	0363066	2	Bar, Stabilizer	
4	0561431	1	Block, Rope Retainer	
5	0561437	2	Block, Rope Retainer	
6	0561439	1	Block, Outer Mid Extend	
7	0561444	2	Block, Cable Retainer	
8	0561454	1	Block, Switch Adjuster	
9	0561457	2	Block, Cable Retainer	
10	0561458	2	Block, Cable Retainer	
11	0561471	2	Block, Spacer	
12	0561482	2	Block, Trunnion Keeper	
13	0561500	2	Block, Trunnion Keeper	
14	0641615	4	Bolt 3/8 x 1-7/8	
15	0641618	6	Screw 3/8 x 2-1/4	
16	0641640	1	Bolt 3/8 x 5	
17	0641644	2	Bolt 3/8 x 5-1/2	
18	0641646	4	Bolt 3/8 x 5-3/4	
19	0641652	3	Bolt 3/8 x 6-1/2	
20	0641808	1	Bolt 1/2 x 1	
21	0642014	4	Bolt 5/8 x 1-3/4	
22	0642022	2	Bolt 5/8 x 2-3/4	
23	0741606	3	Screw 3/8 x 3/4	
24	0741806	1	Screw 1/2 x 3/4	
25	0791604	4	Screw 3/8 x 1/2	
26	0791605	6	Screw 3/8 x 5/8	
27	0791612	4	Screw 3/8 x 1-1/2	
28	0791618	4	Screw 3/8 x 2-1/4	
29	0791620	10	Screw 3/8 x 2-1/2	
30	0791624	4	Screw 3/8 x 3	
31	0811606	30	Screw 3/8 x 3/4	
32	0811607	24	Screw 3/8 x 7/8	
33	0811608	43	Screw 3/8 x 1	
34	0811610	10	Screw 3/8 x 1-1/4	
35	0811614	4	Screw 3/8 x 1-3/4	
36	0811616	6	Screw 3/8 x 2	
37	0962297	2	Bushing	
38	0962409	2	Bushing	
39	0962410	2	Bushing	
40	0962447	2	Bearing, Flanged	
41	1671032	1	Cover	
42	1671033	1	Cover	
43	3020039	AR	Lubricant, Moly	
44	3020042	AR	Lubricant with PTFE	
45	3300239	4	Nut, Nylon Insert	
46	3300458	1	Nut 1-12	
47	3300460	2	Nut 1-1/4-7	
48	3300461	3	Nut 1-3/8-6	
49	3311605	6	Nut 3/8-16	

SECTION 4 - BOOM

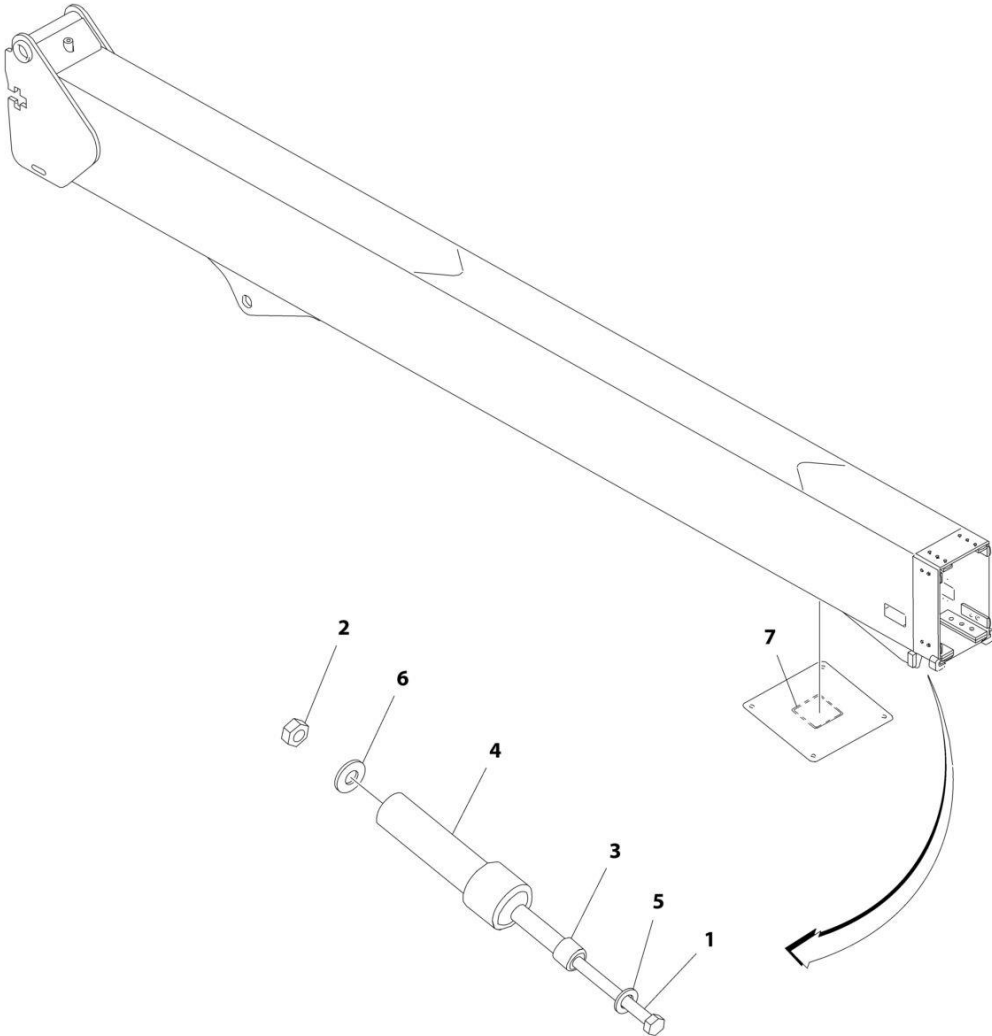
ITEM	PART NUMBER	QTY	DESCRIPTION	REV
50	3311608	8	Nut 3/8-16	
51	3311801	4	Nut 1/2-13	
52	3340871	2	Pad, Wear	
53	3340881	12	Pad, Wear	
54	3340910	1	Pad, Wear	
55	3340912	2	Pad, Wear	
56	3340916	2	Pad, Wear	
57	3340917	2	Pad, Wear	
58	3340918	2	Pad, Wear	
59	3340921	12	Pad, Wear	
60	3340922	6	Pad, Wear	
61	3340926	1	Pad, Wear	
62	3340955	1	Pad	
63	3422926	1	Pin	
64	3422959	1	Pin	
65	3572950	2	Plate, Cable Retract Retainer	
66	1001131292	1	Plate, Cable Retract Retainer (LH)	
67	3573437	1	Plate, Pulley Adjustment	
68	3573444	6	Plate, Lock	
69	1001131330	2	Sheave	
69A	0962402	2	Bushing (Outer)	
69B	0962406	2	Bushing (Inner)	
70	3580300	1	Sheave	
70A	1001139972	1	Bushing (Inner)	
70B	0962403	1	Bushing (Outer)	
71	3580302	2	Sheave	
71A	0962404	2	Bushing (Outer)	
71B	0962411	2	Bushing (Inner)	
72	3580306	4	Pulley	
73	1001154260	2	Sheave	
73A	1001154306	2	Bushing (Outer)	
73B	1001154304	2	Bushing (Inner)	
73C	1001154294	2	Ring, Retainer	
74	3580341	2	Sheave	
75	3580342	2	Sheave	
76	3760217	1	Ring, Retaining	
77	3841203	1	Keeper, Pin	
78	4070863	2	Shim #11 Gauge	
79	4070864	2	Shim #18 Gauge	
80	4070895	2	Shim #16 Gauge	
81	4070897	6	Shim #18 Gauge	
82	4070898	12	Shim #11 Gauge	
83	4071012	1	Shim #16 Gauge	
84	4071013	2	Shim #16 Gauge	
85	4071015	2	Shim #16 Gauge	
86	4071016	2	Shim #11 Gauge	
87	4071017	1	Shim #16 Gauge	
88	4071018	8	Shim #16 Gauge	
89	4071019	12	Shim #11 Gauge	
90	4071024	1	Shim #16 Gauge	
91	4071025	1	Shim #16 Gauge	

SECTION 4 - BOOM

ITEM	PART NUMBER	QTY	DESCRIPTION	REV
93	4071027	2	Shim #16 Gauge	
94	4071028	6	Shim #16 Gauge	
95	4071029	6	Shim #11 Gauge	
96	4071031	4	Shim #16 Gauge	
97	4071046	2	Shim #16 Gauge	
98	4160197	1	Spring	
99	4568423	4	Tube, Spacer	
100	1001131296	1	Pad, Wear	
101	4700039	1	Pad, Wear	
102	4711600	10	Washer 3/8	
103	4740509	2	Spacer	
104	4846453	1	Plate, Mounting	
105	4892000	2	Washer 5/8	
106	1001117456	1	Base, Boom	
107	1001117457	1	Mid, Inner	
108	1001117458	1	Mid, Outer	
109	1001117459	1	Fly, Boom	
110	1001117479	2	Cable, Outer Mid Retract	
111	1001117480	4	Cable, Fly Extend	
112	1001117481	2	Cable, Fly Retract	
113	1001228043	1	Jib Level Cylinder Assembly (See Separate Breakdown in CYLINDER Section)	
114	1001118430	1	Cable, Outer Mid Extend	
115	1001118431	1	Cable, Outer Mid Extend	
116	1001228047	1	Telescope Cylinder Assembly (See Separate Breakdown in CYLINDER Section)	
117	1001119571	1	Pin	
118	1001131293	1	Plate, Cable Retract Retainer (RH)	
		Ref	Kit Options:	
	1001143929	1	Main Boom Wear Pad Kit (Includes Items 11, 31-36, 52-61, 78-95 & 101-102)	
	1001143927	1	Wire Rope Kit (Includes Items 14-23, 26-30, 38-40, 45-51, 63, 64, 69A, 69B, 70-73, 77, 99, 102, 105 & 110-115)	

SECTION 4 - BOOM

FIGURE 4-5. WIRE ROPE TOOLS INSTALLATION (OPTIONAL)



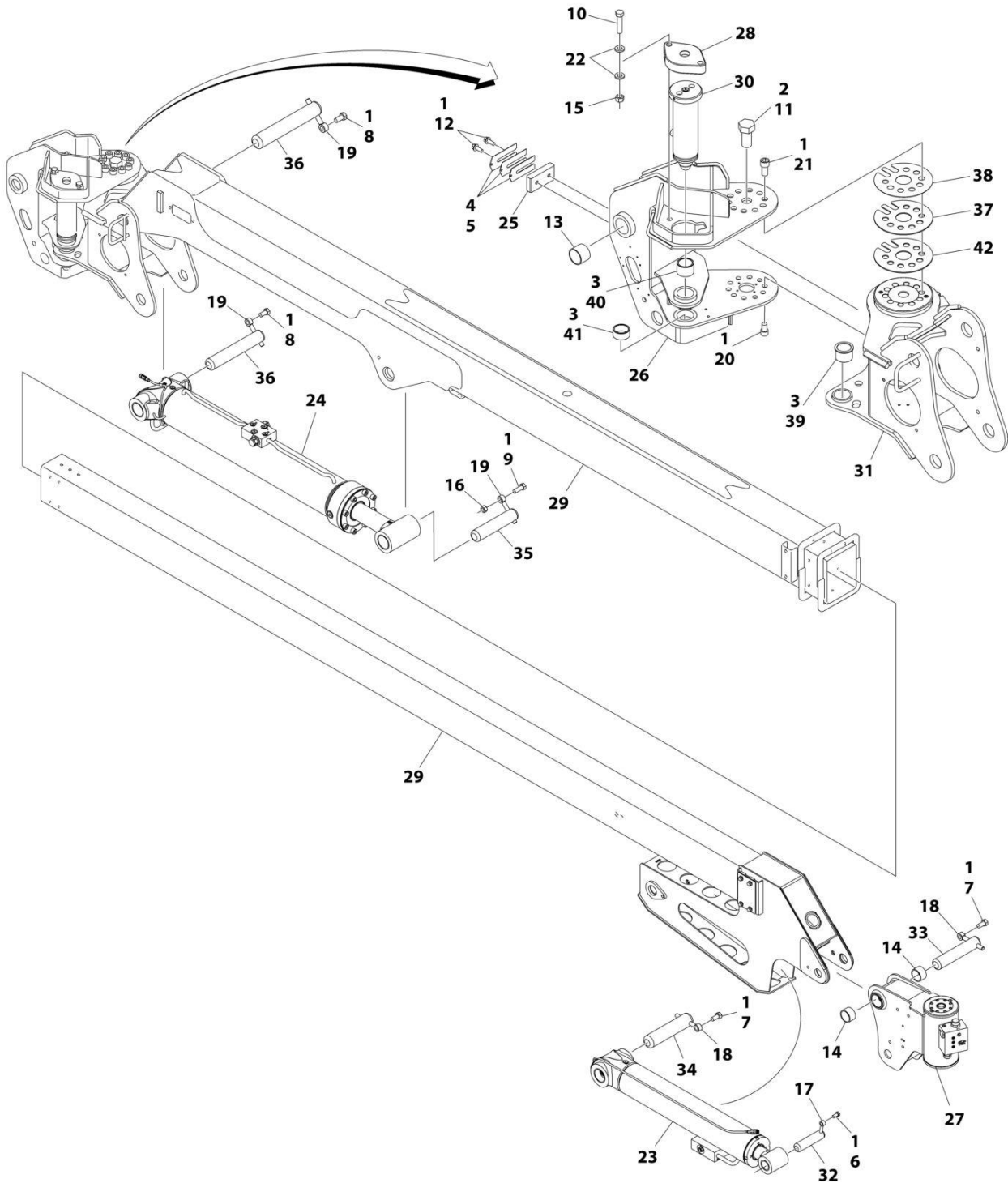
ART_0272048

FIGURE 4-5. WIRE ROPE TOOLS INSTALLATION (OPTIONAL)

ITEM	PART NUMBER	QTY	DESCRIPTION	REV
	0272048	Ref	WIRE ROPE TOOLS INSTALLATION (OPTIONAL)	B
1	0641676	1	Bolt 3/8 x 9-1/2	
2	3311605	1	Nut 3/8	
3	4120040	1	Socket 3/4	
4	4120043	1	Socket 2	
5	4711600	1	Washer 3/8	
6	4891600	1	Washer 3/8	
7	1705307	1	Decal - Tool Location	

SECTION 4 - BOOM

FIGURE 4-6. JIB INSTALLATION



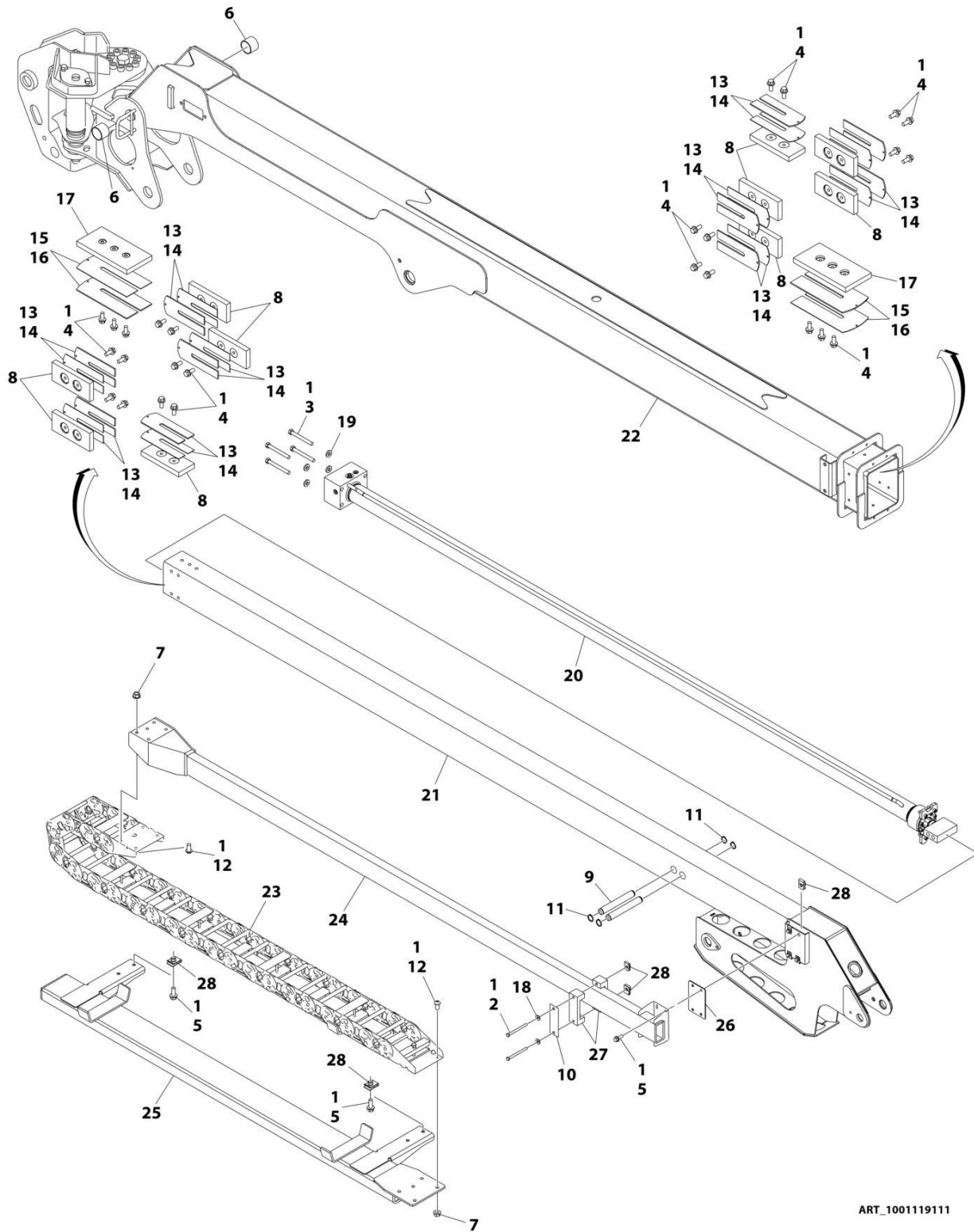
ART_1001140108_H

FIGURE 4-6. JIB INSTALLATION

ITEM	PART NUMBER	QTY	DESCRIPTION	REV
	1001140108	Ref	JIB INSTALLATION	H
1	0100011	AR	Compound, Locking	
2	0100019	AR	Compound, Locking	
3	0100063	AR	Compound, Locking	
4	91471226	AR	Shim 16Ga	
5	91471227	AR	Shim 20Ga	
6	0641606	1	Bolt 3/8 x 3/4	
7	0641808	2	Bolt 1/2 x 1	
8	0642010	2	Bolt 5/8 x 1-1/4	
9	0642014	1	Bolt 5/8 x 1-3/4	
10	0682022	2	Bolt 5/8 x 2-3/4 Grade 8	
11	0683020	1	Bolt 1-1/4 x 2-1/4 Grade 8	
12	0811608	2	Screw 3/8 x 1	
13	0961950	2	Bushing	
14	0962181	2	Bushing	
15	3272005	2	Nut 5/8 Grade 8	
16	3312005	1	Nut 5/8	
17	3841143	1	Keeper, Pin	
18	3841203	2	Keeper, Pin	
19	3841258	3	Keeper, Pin	
20	3932016	10	Capscrew 5/8 x 1	
21	3932224	10	Capscrew 3/4 x 1-1/2	
22	4892000	4	Washer 5/8	
23	1001251057	1	Platform Level Cylinder Assembly (See Separate Breakdown in CYLINDER Section)	
24	1001251058	1	Jib Lift Cylinder Assembly (See Separate Breakdown in CYLINDER Section)	
25	1001118369	1	Pad, Wear	
26	1001118564	1	Pivot, Jib	
27	1001178249	1	Platform Rotate Actuator Assembly (See Separate Breakdown in this Section)	
28	1001119042	1	Cap	
29	1001119111	1	Jib Boom Assembly (See Separate Breakdown in this Section)	
30	1001251046	1	Jib Lock Cylinder Assembly (See Separate Breakdown in CYLINDER Section)	
31	1001178250	1	Jib Rotate Actuator Assembly (See Separate Breakdown in this Section)	
32	1001119985	1	Pin	
33	1001119990	1	Pin	
34	1001119991	1	Pin	
35	1001119998	1	Pin	
36	1001120000	2	Pin	
37	1001120014	1	Shim 11Ga	
38	1001120015	AR	Shim 18Ga	
39	1001120037	1	Bearing, Flange	
40	1001120038	1	Bearing	
41	1001120039	1	Bearing	
42	1001225266	AR	Shim	

SECTION 4 - BOOM

FIGURE 4-7. JIB BOOM ASSEMBLY



ART_1001119111

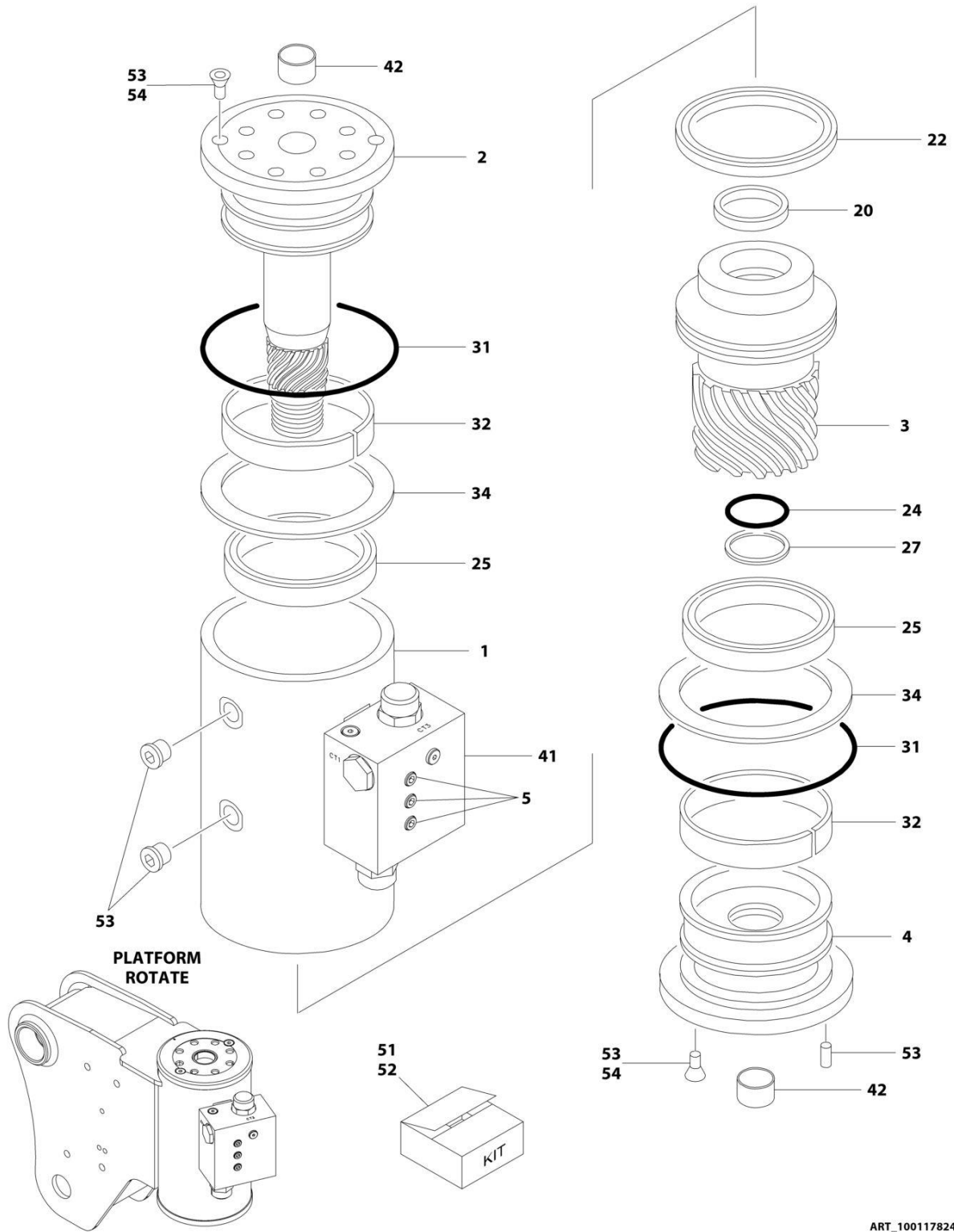
SECTION 4 - BOOM

FIGURE 4-7. JIB BOOM ASSEMBLY

ITEM	PART NUMBER	QTY	DESCRIPTION	REV
	1001119111	Ref	JIB BOOM ASSEMBLY	M
1	0100011	AR	Compound, Locking	
2	0641636	2	Bolt 3/8 x 4-1/2	
3	0681836	4	Bolt 1/2 x 4-1/2 Grade 8	
4	0811607	26	Screw 3/8 x 7/8	
5	0811608	8	Screw 3/8 x 1	
6	0961950	2	Bushing	
7	3311608	8	Nut 3/8	
8	3340881	10	Pad, Wear	
9	3423161	2	Pin	
10	3575889	1	Plate	
11	3760351	4	Ring, Retaining	
12	3900283	8	Screw 3/8 x 3/4	
13	4070897	10	Pad, Wear	
14	4070898	10	Pad, Wear	
15	4071039	2	Shim 18Ga	
16	4071040	2	Shim 11Ga	
17	1001129961	2	Pad, Wear	
18	4751600	2	Washer 3/8	
19	4891800	4	Washer 1/2	
20	1001228048	1	Jib Telescope Cylinder Assembly (See Separate Breakdown in CYLINDER SECTION)	
21	1001119413	1	Boom, Jib Fly	
22	1001119414	1	Boom, Jib Base	
23	1001134180	1	Power Track Assembly	
23	70003923	AR	Repair Section (Includes links, cross bars and mounting hardware)	
23	70003924	1	Mounting Bracket Repair Kit (Includes mounting feet for both ends of power track and attaching hardware)	
24	1001119654	1	Tube, Push	
25	1001119668	1	Support, Power Track	
26	1001119710	1	Shim, Push Tube	
27	1001119714	2	Pad, Push Tube	
28	88662523	10	Nut, Retainer	
	1001143928	1	Jib Wear Pad Kit (Includes Items 4, 5, 8 & 13-17)	

SECTION 4 - BOOM

FIGURE 4-8. PLATFORM ROTATE ACTUATOR ASSEMBLY



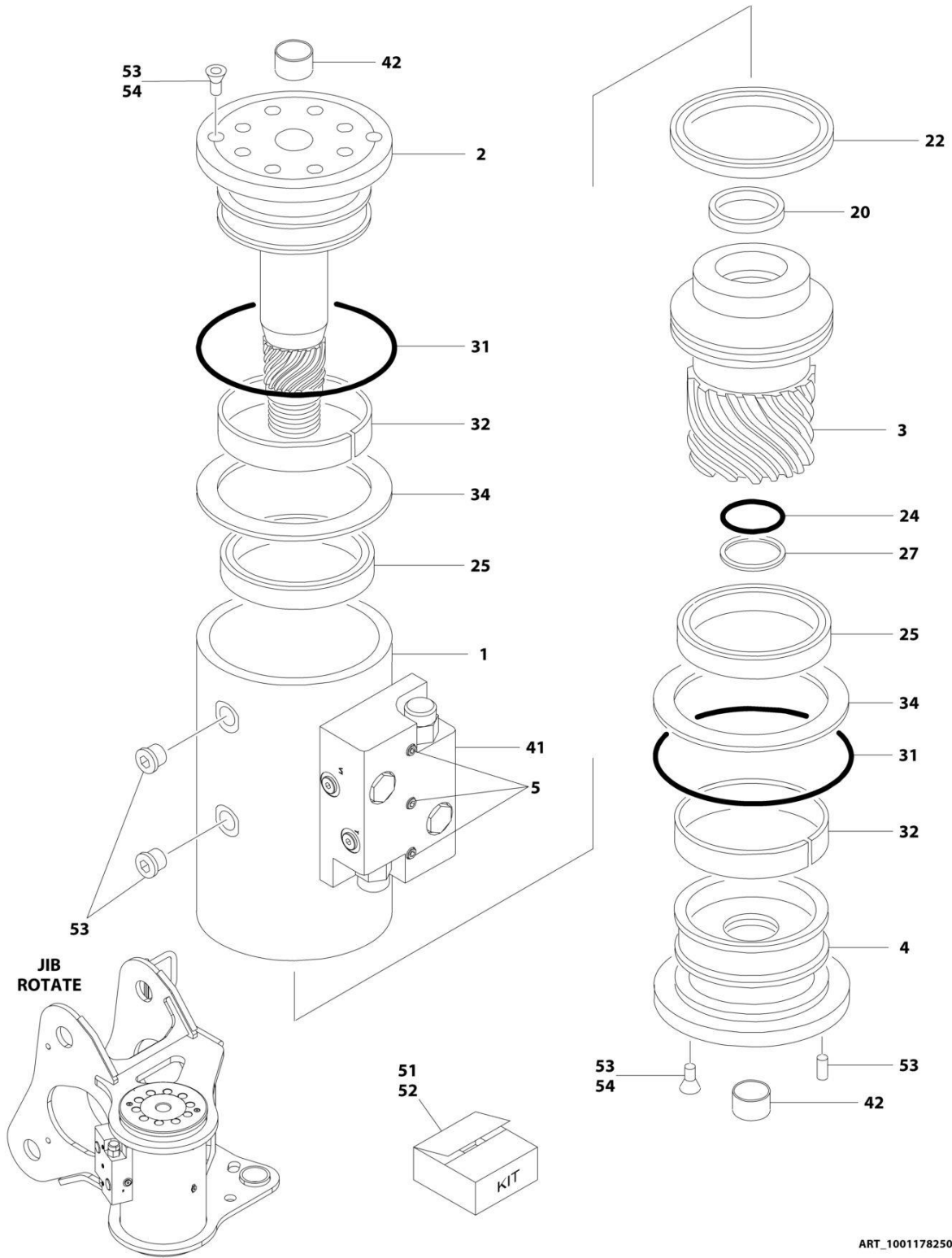
ART_1001178249

FIGURE 4-8. PLATFORM ROTATE ACTUATOR ASSEMBLY

ITEM	PART NUMBER	QTY	DESCRIPTION	REV
	1001178249	Ref	PLATFORM ROTATE ACTUATOR ASSEMBLY	A
1	See Note	NSS	Case/Bracket Weldment (Note: Use p/n 1001178249)	
2	7017162	1	Shaft	
3	7017163	1	Sleeve, Piston	
4	7017164	1	Cap, End	
5	See Note	NSS	Capscrew 1/4 x 1-1/2 Grade 8 (Note: Not Available for Purchase)	
20	See Note	NSS	Seal, Rod (Note: Use Item 52)	
22	See Note	NSS	Seal, Piston (Note: Use Item 52)	
24	See Note	NSS	Seal, Cap (Note: Use Item 52)	
25	See Note	NSS	Packing, Bearing (Note: Use Item 52)	
27	See Note	NSS	Ring, Cap Back-up (Note: Use Item 52)	
31	See Note	NSS	Seal (Note: Use Item 52)	
32	See Note	NSS	Bearing, Shaft (Note: Use Item 51)	
34	See Note	NSS	Thrustwasher (Note: Use Item 51)	
41		Ref	Motion Control Valve Assembly	
41	7017183	1	Valve Assembly for Platform Rotate Actuator	
41	7017193	2	Replacement Cartridge (Located on Top and Bottom of Valve) (Valve for Platform Rotate Actuator Only)	
41	See Note	2	Seal Kit - 7017193 Cartridge (Note: Not Available for Purchase)	
41	See Note	1	Replacement Cartridge (Not Shown - Located on Side of Valve) (Valve for Platform Rotate Actuator Only) (Note: Not Available for Purchase)	
41	See Note	1	Seal Kit - 7017193 Cartridge (Note: Not Available for Purchase)	
41	70002859	1	Valve Assembly for Jib Rotator Actuator (No Service Parts Available)	
42	7017195	2	Bushing, Shaft	
51	7017159	1	Bearing Kit (Includes Items 32 & 34)	
52	70000342	1	Seal Kit (Includes Items 20, 22, 24, 25, 27 & 31)	
53	7017142	1	Hardware Kit	
54	70001697	4	Screw 1/4 x 3/8 Grade 8	

SECTION 4 - BOOM

FIGURE 4-9. JIB ROTATE ACTUATOR ASSEMBLY



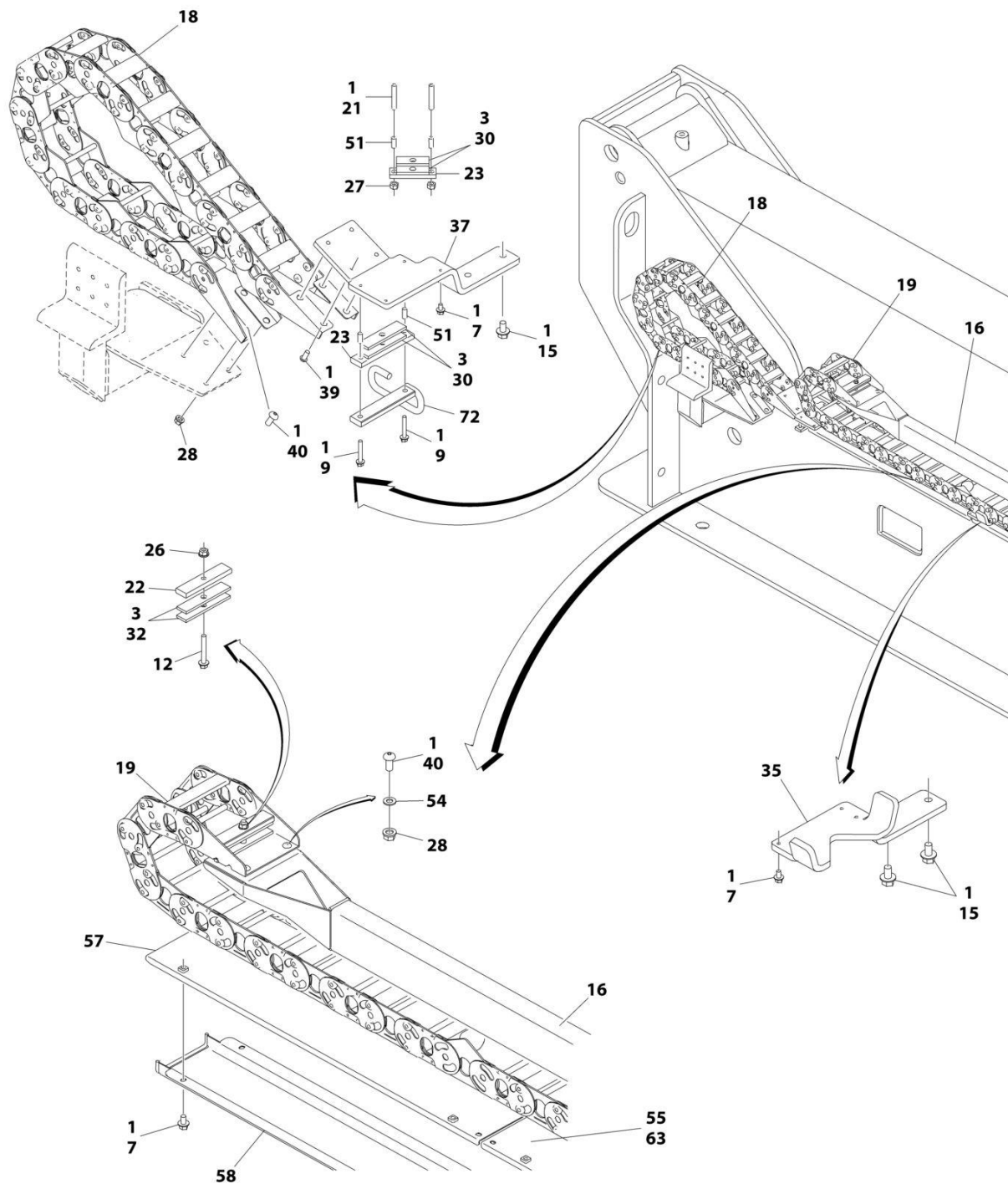
ART_1001178250

FIGURE 4-9. JIB ROTATE ACTUATOR ASSEMBLY

ITEM	PART NUMBER	QTY	DESCRIPTION	REV
	1001178250	Ref	JIB ROTATE ACTUATOR ASSEMBLY	A
1	See Note	NSS	Case/Bracket Weldment (Note: Use p/n 1001178250)	
2	70002853	1	Shaft	
3	70002854	1	Sleeve, Piston	
4	70002855	1	Cap, End	
5	See Note	NSS	Capscrew 1/4 x 1-1/2 Grade 8 (Note: Not Available for Purchase)	
20	See Note	NSS	Seal, Rod (Note: Use Item 52)	
22	See Note	NSS	Seal, Piston (Note: Use Item 52)	
24	See Note	NSS	Seal, Cap (Note: Use Item 52)	
25	See Note	NSS	Packing, Bearing (Note: Use Item 52)	
27	See Note	NSS	Ring, Cap Back-up (Note: Use Item 52)	
31	See Note	NSS	Seal (Note: Use Item 52)	
32	See Note	NSS	Bearing, Shaft (Note: Use Item 51)	
34	See Note	NSS	Thrustwasher (Note: Use Item 51)	
41	70002859	NSS	Motion Control Valve Assembly (No Service Parts Available)	
42	See Note	NSS	Bushing, Shaft (Note: Not Available for Purchase)	
51	70002857	1	Bearing Kit (Includes Items 32 & 34)	
52	70005170	1	Seal Kit (Includes Items 20, 22, 24, 25, 27 & 31)	
53	70002858	1	Hardware Kit	
54	70001697	4	Screw 1/4 x 3/8 Grade 8	

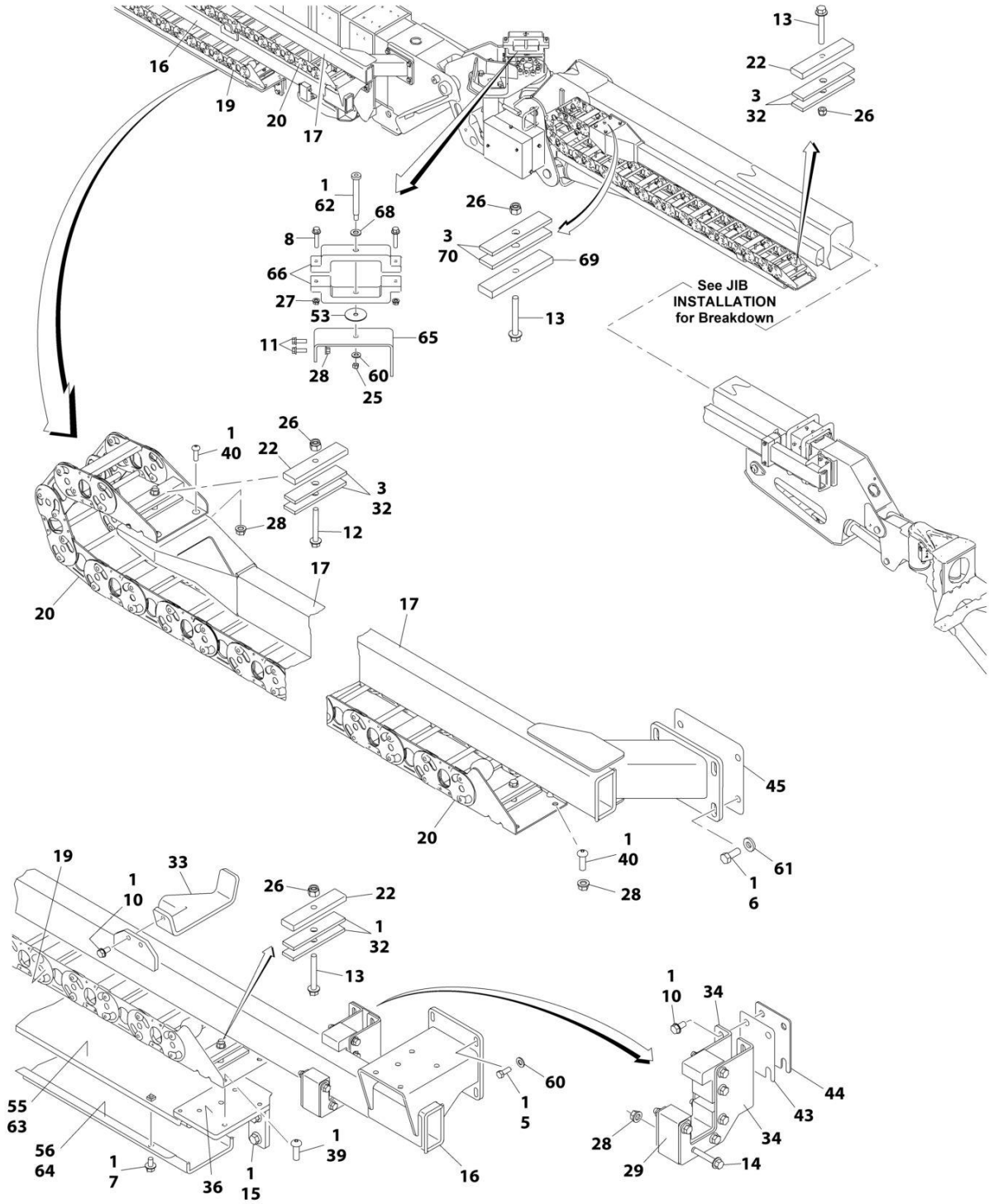
SECTION 4 - BOOM

FIGURE 4-10. POWER TRACK INSTALLATION



ART_1001119944_10F2

SECTION 4 - BOOM



ART_1001119944_20F2

SECTION 4 - BOOM

FIGURE 4-10. POWER TRACK INSTALLATION

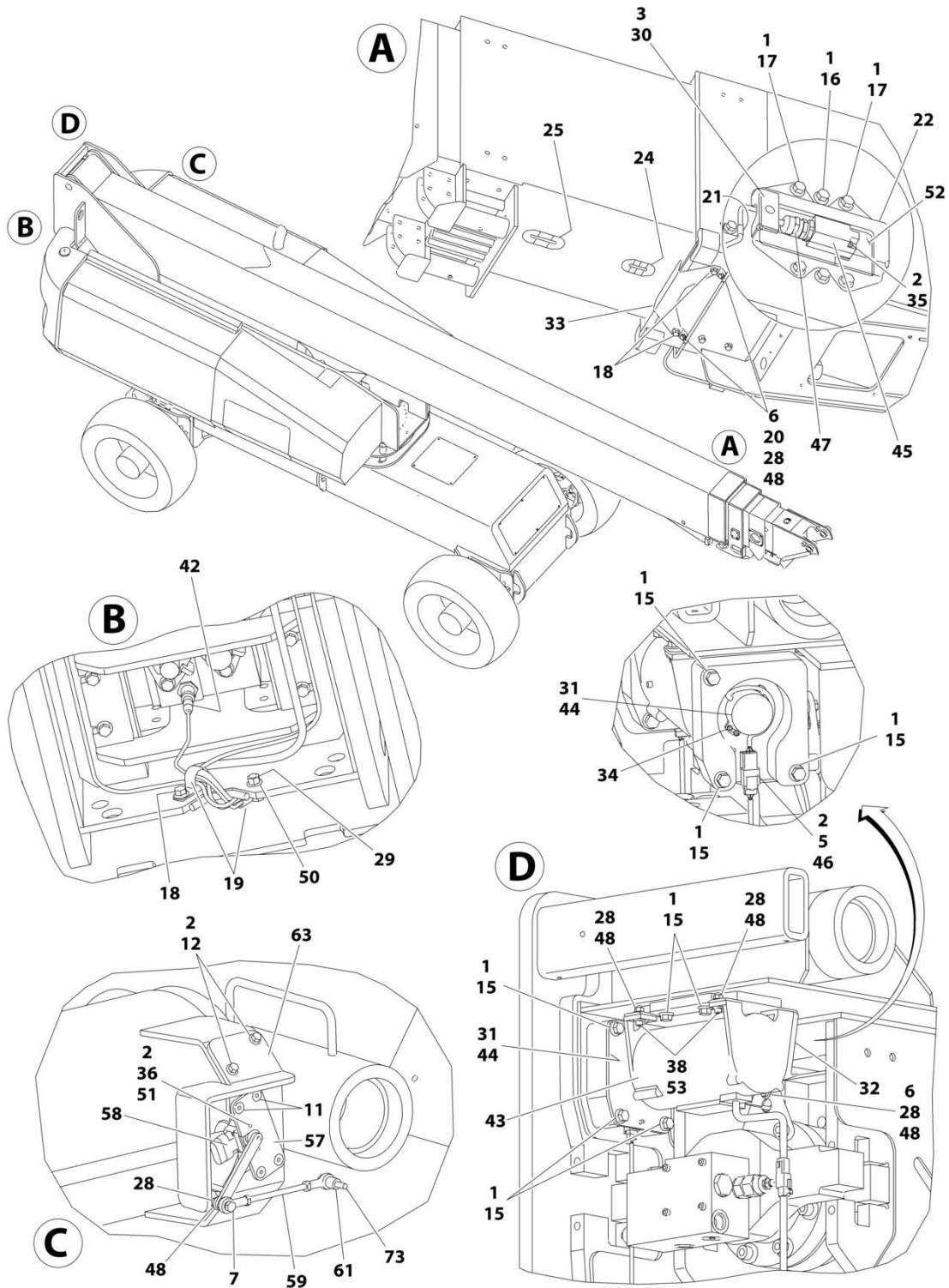
ITEM	PART NUMBER	QTY	DESCRIPTION	REV
	1001119944	Ref	POWER TRACK INSTALLATION	M
1	0100011	AR	Compound, Locking	
2	0100019	AR	Compound, Locking (Not Shown)	
3	0100081	AR	Adhesive #454	
5	0641608	4	Bolt 3/8 x 1	
6	0641810	4	Bolt 1/2 x 1-1/4	
7	0791504	66	Screw 5/16 x 1/2	
8	0791516	2	Screw 5/16 x 2	
9	0791520	2	Setscrew 5/16 x 2-1/2	
10	0791607	10	Screw 3/8 x 7/8	
11	0791609	2	Screw 3/8 x 1-1/8	
12	0791620	2	Screw 3/8 x 2-1/2	
13	0791622	4	Screw 3/8 x 2-3/4	
14	0791624	6	Screw 3/8 x 3	
15	0791808	16	Screw 1/2 x 1	
16	1180362	1	Tube, Push (Lower)	
17	1180363	1	Tube, Push (Upper)	
18	1001131620	1	Carrier (T/T to Boom)	
18	70003917	AR	Section Repair Kit (Includes Inner and Outer Links, Joining Bars and Rollers and Assembling Hardware)	
18	70003918	1	Mounting Bracket Kit (Includes Mounting Brackets for Both Ends, 1 Roller Assembly and Assembling Hardware)	
19	1001131733	1	Carrier (Lower)	
19	70003913	AR	Section Repair Kit (Includes Inner and Outer Links, Joining Bars and Rollers and Assembling Hardware)	
19	70003915	1	Mounting Bracket Kit (Includes Mounting Brackets for Both Ends, 1 Roller Assembly and Assembling Hardware)	
19	70003914	AR	Center Bracket Kit (Includes 1 Flat Bar, 1 Round Bar, 1 Roller and Assembling Hardware)	
20	1001131728	1	Carrier (Upper)	
20	70003913	AR	Section Repair Kit (Includes Inner and Outer Links, Joining Bars and Rollers and Assembling Hardware)	
20	70003915	1	Mounting Bracket Kit (Includes Mounting Brackets for Both Ends, 1 Roller Assembly and Assembling Hardware)	
20	70003914	AR	Center Bracket Kit (Includes 1 Flat Bar, 1 Round Bar, 1 Roller and Assembling Hardware)	
21	3951522	2	Setscrew 5/16 x 2-3/4	
22	1320294	5	Clamp, Bar	
23	1320295	AR	Clamp, Bar	
25	3271601	2	Nut 3/8 Grade 8	
26	3300492	6	Nut, Nylon Insert	
27	3311508	4	Nut 5/16	
28	3311608	24	Nut 3/8	
29	3340925	1	Pad	
30	3340940	4	Pad, Rubber	
32	3340942	10	Pad, Rubber	
33	3573016	3	Support, Track	
34	3573179	2	Plate, Mounting	
35	3573181	6	Support, Track	
36	3573194	1	Plate, Track Mounting	
37	3573210	1	Plate, Track Mounting	

SECTION 4 - BOOM

ITEM	PART NUMBER	QTY	DESCRIPTION	REV
39	3900283	AR	Screw 3/8 x 3/4	
40	3900316	16	Screw 3/8 x 1	
42	4060804	11 in /28cm	Shield, Flex Trim 3/16 (Not Shown)	
43	4071021	1	Shim, Adjusting 16Ga	
44	4071022	1	Shim, Adjusting 11Ga	
45	4071023	1	Shim, Adjusting 11Ga	
47	4240018	10	Tie-Strap (Not Shown)	
48	4240153	3	Strap, 4 Cinch (Not Shown)	
49	4240155	6	Strap, 8 Cinch (Not Shown)	
50	1001137263	1	Strap, 12 Cinch (Not Shown)	
51	4562516	AR	Tubing, Poly	
53	4740400	1	Washer, Special	
54	4751500	4	Washer 5/16	
55	4846423	5	Cover, Cable (Rear)	
56	4846429	5	Support, Cable (Rear)	
57	4846431	1	Cover, Cable (Front)	
58	4846485	1	Support, Cable (Front)	
60	4891600	5	Washer 3/8	
61	4891800	4	Washer 1/2	
62	8310235	1	Capscrew 3/8	
63	1001119521	1	Cover, Cable (Middle)	
64	1001119522	1	Support, Cable (Middle)	
65	1001120209	1	Bracket, Guide Block	
66	1001120257	2	Pad, Guide	
68	4711800	1	Washer 1/2	
69	1320298	1	Clamp, Bar	
70	3340939	2	Pad, Rubber	
71	1001137262	1	Strap, 4 Cinch (Not Shown)	
72	1001212790	1	Clamp	
73	1001307894	1	Cable, Platform Power A	
74	1001308291	1	Cable, Platform Power B	

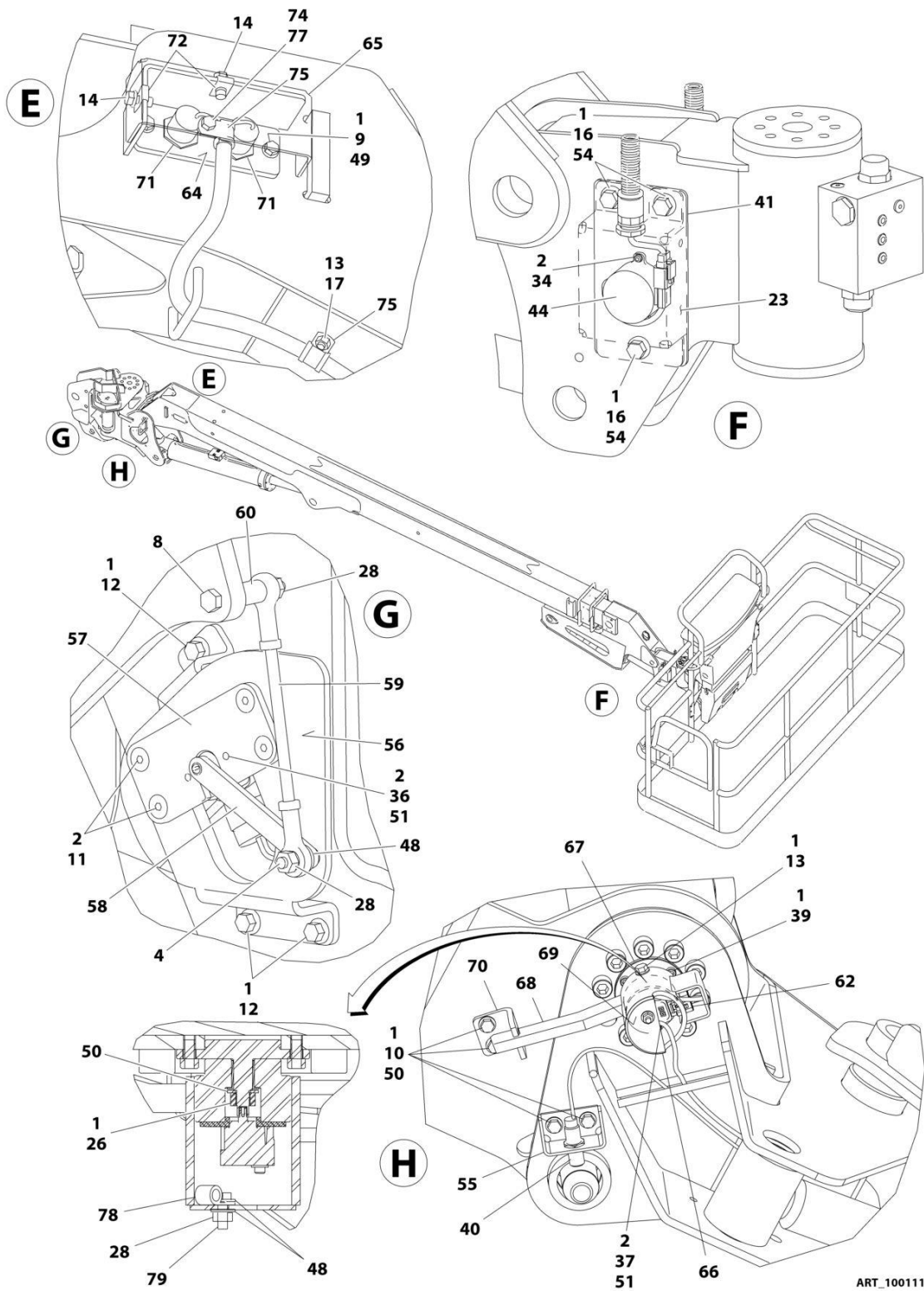
SECTION 4 - BOOM

FIGURE 4-11. BOOM SENSORS AND SWITCHES INSTALLATION



ART_1001119225_I_10F2

SECTION 4 - BOOM



ART_1001119225_I_20F2

SECTION 4 - BOOM

FIGURE 4-11. BOOM SENSORS AND SWITCHES INSTALLATION

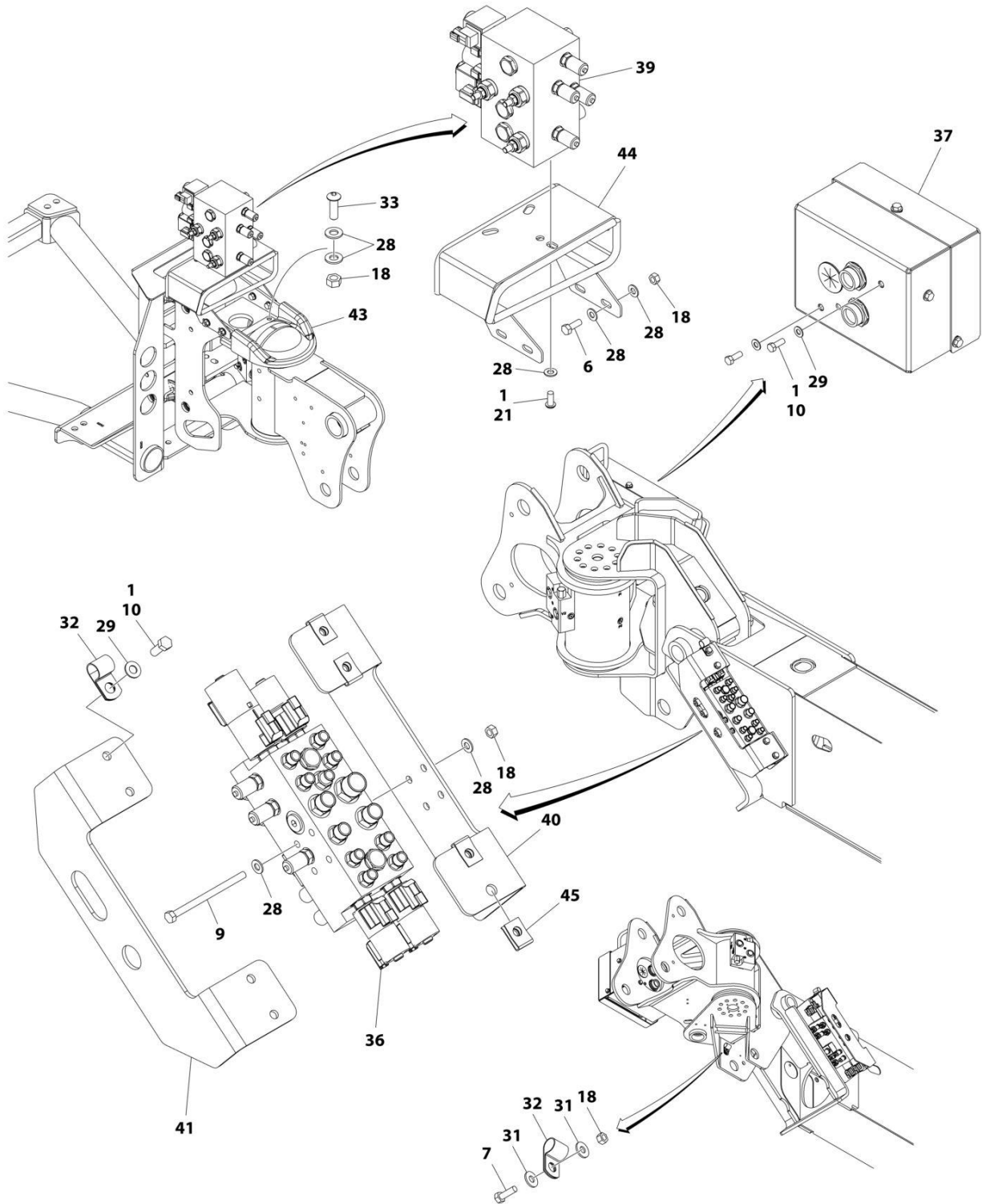
ITEM	PART NUMBER	QTY	DESCRIPTION	REV
	1001119225	Ref	BOOM SENSORS AND SWITCHES INSTALLATION	I
1	0100011	AR	Compound, Locking	
2	0100035	AR	Compound, Locking	
3	0100081	AR	Adhesive	
4	0630357	1	Screw 1/4 x 1	
5	0630464	2	Screw #10 x 1/2	
6	0641405	3	Bolt 1/4 x 5/8	
7	0641408	1	Bolt 1/4 x 1	
8	0641418	1	Bolt 1/4 x 2-1/4	
9	0641508	2	Bolt 5/16 x 1	
10	0641607	4	Bolt 3/8 x 7/8	
11	0741404	8	Screw 1/4 x 1/2	
12	0791406	5	Screw 1/4 x 3/4	
13	0791505	3	Screw 5/16 x 5/8	
14	0791506	2	Screw 5/16 x 3/4	
15	0791604	8	Screw 3/8 x 1/2	
16	0791605	10	Screw 3/8 x 5/8	
17	0791606	4	Screw 3/8 x 3/4	
18	0791608	2	Screw 3/8 x 1	
19	1320130	2	Clamp, Hose	
20	1320136	2	Clamp, Hose	
21	1320301	1	Clamp, Cable	
22	1671031	1	Cover, Limit Switch	
23	1671044	2	Cover, Level Sensor	
24	1705366	1	Decal - Boom Length (500LB Cap)	
25	1705367	1	Decal - Boom Length (1000LB Cap)	
26	3281601	1	Nut 3/8 Grade 8	
28	3311405	11	Nut 1/4	
29	3311605	2	Nut 3/8	
30	3340941	1	Pad, Rubber	
31	3573301	2	Plate, Sensor Mounting	
32	3574431	1	Plate, Switch Mounting	
33	3574616	1	Plate, Boom Length	
34	3930606	12	Capscrew #6 x 3/8	
35	3930816	2	Capscrew #8 x 1	
36	3930820	4	Capscrew #8 x 1-1/4	
37	3930824	2	Capscrew #8 x 1-1/2	
38	3931414	4	Capscrew 1/4 x 7/8	
39	3931508	4	Capscrew 5/16 x 1/2	
40	4000008	1	Sensor, Proximity (Jib Lock) (Note: Control System must be recalibrated when Sensor is replaced)	
41	4341158	2	Plate, Mounting Sensor	
42	4360527	1	Switch, Proximity (Cable Break) (Note: Control System must be recalibrated when Switch is replaced)	
43	4360543	1	Sensor, String (Boom Length) (Note: Control System must be recalibrated when Sensor is replaced)	
44	1001147479	4	Sensor, Angle Indicator (Platform Level and Main Boom Angle) (Note: Control System must be recalibrated when Sensor is replaced)	
45	4360578	1	Switch, Limit (Boom Length) (Note: Control System must be recalibrated when Switch is replaced)	

SECTION 4 - BOOM

ITEM	PART NUMBER	QTY	DESCRIPTION	REV
46	4460914	2	Terminal, Base	
47	4460968	1	Connector, Strain Relief	
48	4711400	15	Washer 1/4	
49	4711500	2	Washer 5/16	
50	4711600	7	Washer 3/8	
51	4750800	6	Washer 1/4	
52	4846484	1	Mount, Switch	
53	4891400	4	Washer 1/4	
54	8310070	6	Pushnut 3/8	
55	1001118373	1	Bracket, Sensor Mounting	
56	1001118930	1	Cover, Sensor	
57	1001118931	2	Mount, Sensor	
58	1001118971	2	Sensor, Angle Indicator (Main Boom Protractor) (Note: Control System must be recalibrated when Sensor is replaced)	
58	70005667	1	Arm (1 Per Sensor)	
59	1001119033	2	Link, Sensor	
60	1001119137	1	Sleeve, Spacer	
61	1001119141	1	Sleeve, Spacer	
62	1001135479	1	Sensor, Angle Indicator (Jib Rotate) (Note: Control System must be recalibrated when Sensor is replaced)	
63	1001119729	1	Cover, Sensor	
64	1001120028	1	Mount, Sensor	
65	1001120048	1	Cover, Sensor	
66	1001179510	1	Cover, Sensor	
67	1001135483	1	Pin, Angle Sensor	
68	1001120076	1	Mount, Sensor	
69	1001135484	1	Adapter	
70	1001120084	1	Bracket	
71	1001285878	2	Switch, Proximity (Jib Telescope) (Note: Control System must be recalibrated when Switch is replaced)	
72	88662530	2	Nut, Retainer	
73	0641412	1	Bolt 1/4 x 1-1/2	
74	0641504	1	Bolt 5/16 x 1/2	
75	1320061	2	Clamp, Cable	
77	3311505	2	Nut 5/16	
78	1321293	1	Clamp	
79	0641406	1	Bolt 1/4 x 3/4	

SECTION 4 - BOOM

FIGURE 4-12. VALVES INSTALLATION - BOOM MOUNTED



ART_1001219992_G_30F3

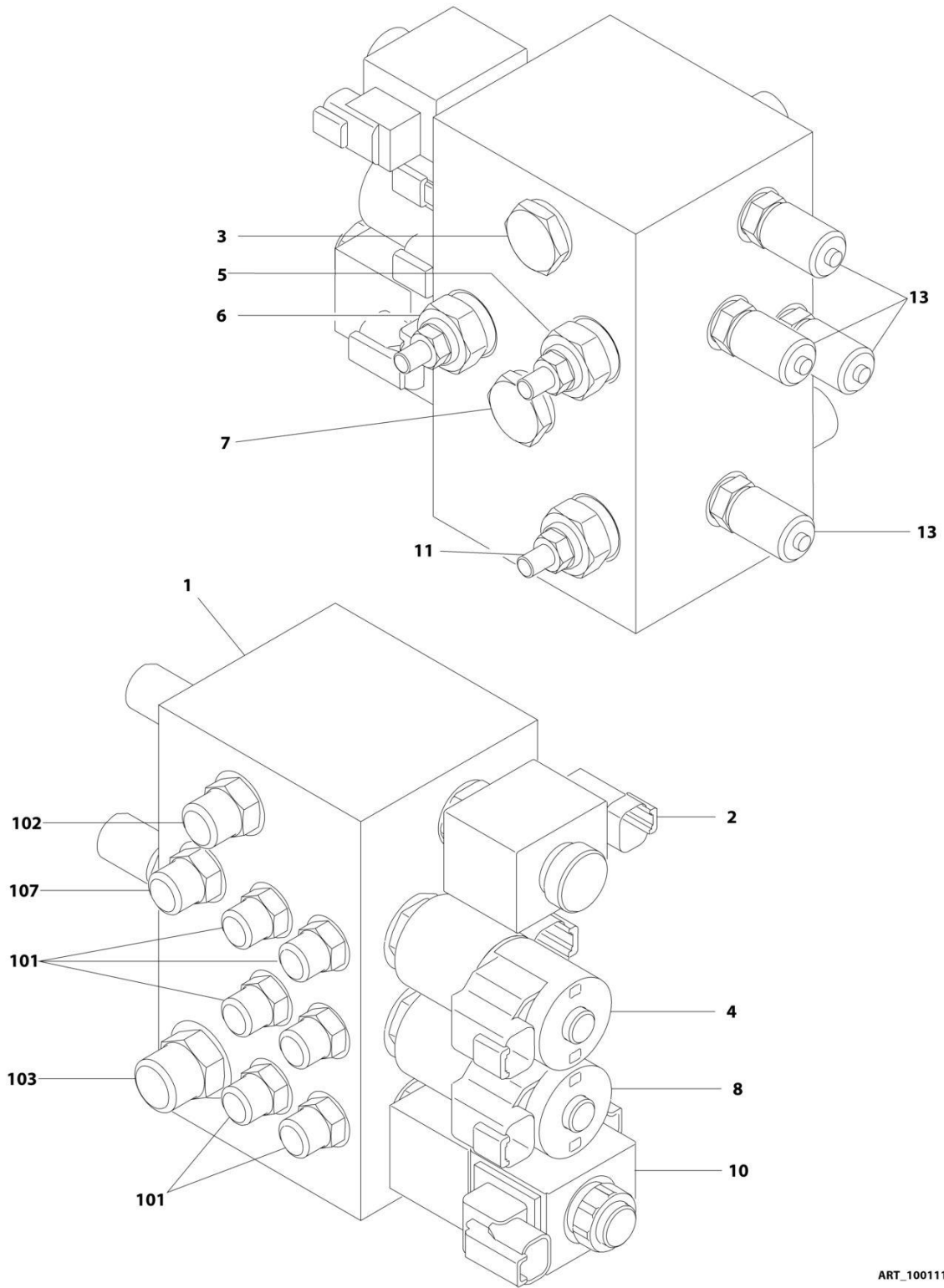
SECTION 4 - BOOM

FIGURE 4-12. VALVES INSTALLATION - BOOM MOUNTED

ITEM	PART NUMBER	QTY	DESCRIPTION	REV
	1001219992	Ref	VALVES INSTALLATION - BOON MOUNTED	G
1	0100011	AR	Compound, Locking	
6	0641507	4	Bolt 5/16 x 7/8	
7	0641508	1	Bolt 5/16 x 1	
9	0641538	4	Bolt 5/16 x 3/4	
10	0641608	20	Bolt 3/8 x 1	
18	3311505	15	Nut 5/16	
21	3900210	3	Screw 5/16 x 3/4	
28	4711500	43	Washer 5/16	
29	4711600	24	Washer 3/8	
31	4751500	2	Washer 5/16	
32	8406105	2	Clamp	
33	88261024	2	Screw 5/16 x 1	
36	1001118286	1	Jib Valve Assembly (See Separate Breakdown in this Section)	
37	1001119212	1	Enclosure Box Assembly (See Separate Breakdown in this Section)	
39	1001119702	1	Platform Valve Assembly (See Separate Breakdown in this Section)	
40	1001119703	1	Plate, Valve Mounting	
41	1001119704	1	Plate, Valve Protection	
43	1001207969	1	Cover	
44	1001208994	1	Mount, Valve	
45	88662523	4	Nut	

SECTION 4 - BOOM

FIGURE 4-13. PLATFORM VALVE ASSEMBLY



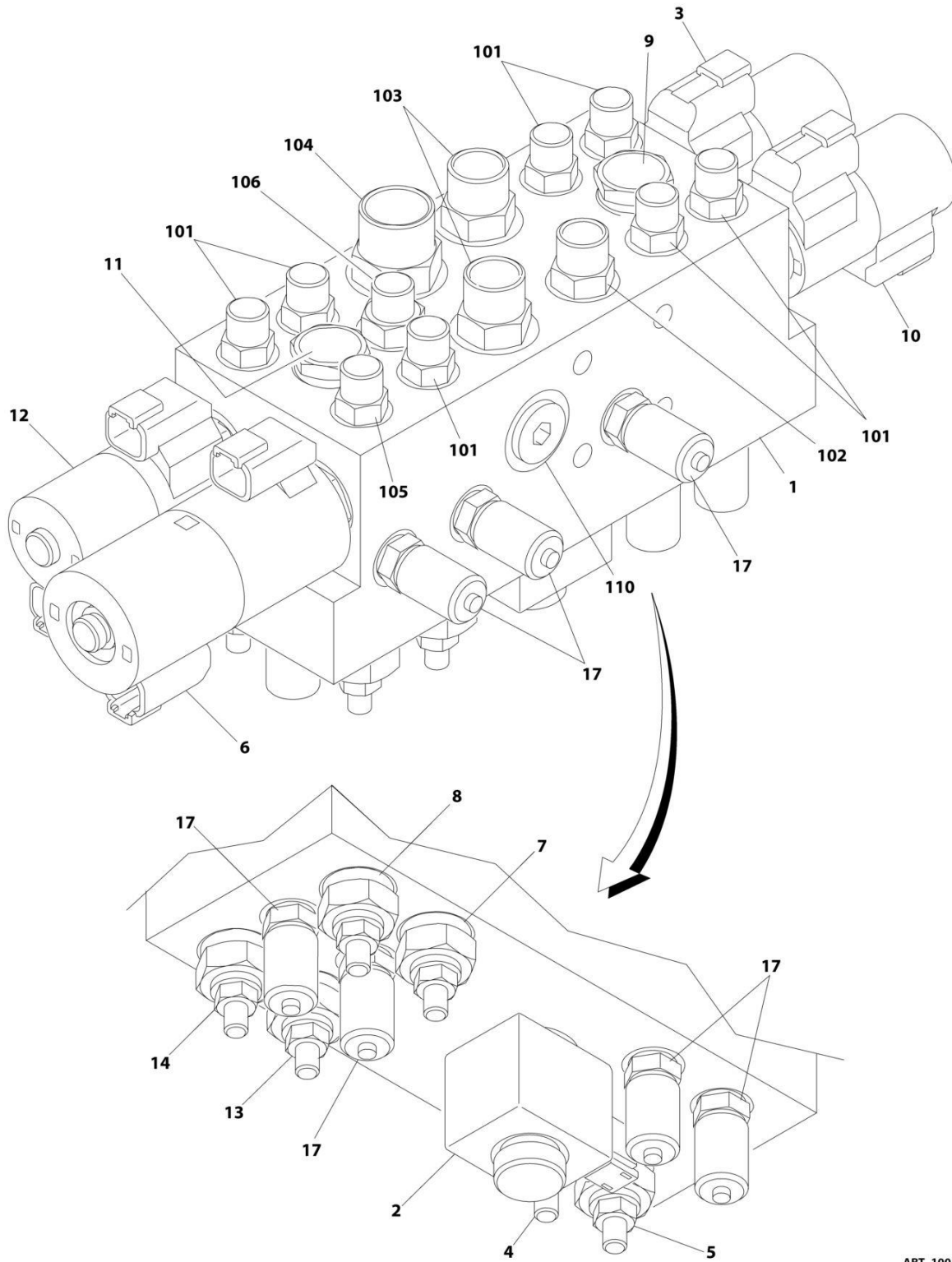
ART_1001119702

FIGURE 4-13. PLATFORM VALVE ASSEMBLY

ITEM	PART NUMBER	QTY	DESCRIPTION	REV
	1001119702	Ref	PLATFORM VALVE ASSEMBLY	F
		Ref	Cartridges:	
1	See Note	NSS	Block, Valve (Note: Not Available for Purchase)	
2	70003025	1	Valve, Cartridge (Valve Inlet)	
2	70004050	1	Seal Kit - 70003025 Cartridge	
2	70004051	1	Nut, Coil	
2	70003026	1	Coil	
3	70003021	1	Valve, Cartridge (Valve Inlet)	
3	70004052	1	Seal Kit - 70003021 Cartridge	
4	7024899	1	Valve, Cartridge (Platform Level)	
4	7017402	1	Seal Kit - 7024899 Cartridge	
4	7022390	1	Nut, Coil	
4	70003023	1	Spacer, Coil	
4	7024885	2	Coil	
5	70003019	1	Valve, Cartridge (Platform Level)	
5	70004052	1	Seal Kit - 70003019 Cartridge	
6	70003019	1	Valve, Cartridge (Platform Level)	
6	70004052	1	Seal Kit - 70003019 Cartridge	
7	70003027	1	Valve, Cartridge (Platform Rotate)	
7	70004052	1	Seal Kit - 70003027 Cartridge	
8	7024899	1	Valve, Cartridge (Platform Rotate)	
8	7017402	1	Seal Kit - 7024899 Cartridge	
8	7022390	1	Nut, Coil	
8	70003023	1	Spacer, Coil	
8	7024885	2	Coil	
10	70003028	1	Valve, Cartridge (Jib Lock Pin)	
10	70004053	1	Seal Kit - 70003028 Cartridge	
10	70004054	1	Nut, Coil	
10	70003026	2	Coil	
11	70003019	1	Valve, Cartridge (Jib Lock Pin)	
11	70004052	1	Seal Kit - 70003019 Cartridge	
13	2221086	4	Check, Pressure	
		Ref	Fittings:	
101	2110404	6	Fitting, Straight ORFS/ORB	
102	2110606	1	Fitting, Straight ORFS/ORB	
103	2110808	1	Fitting, Straight ORFS/ORB	
107	2110406	1	Fitting, Straight ORFS/ORB	

SECTION 4 - BOOM

FIGURE 4-14. JIB VALVE ASSEMBLY



ART_100118286

FIGURE 4-14. JIB VALVE ASSEMBLY

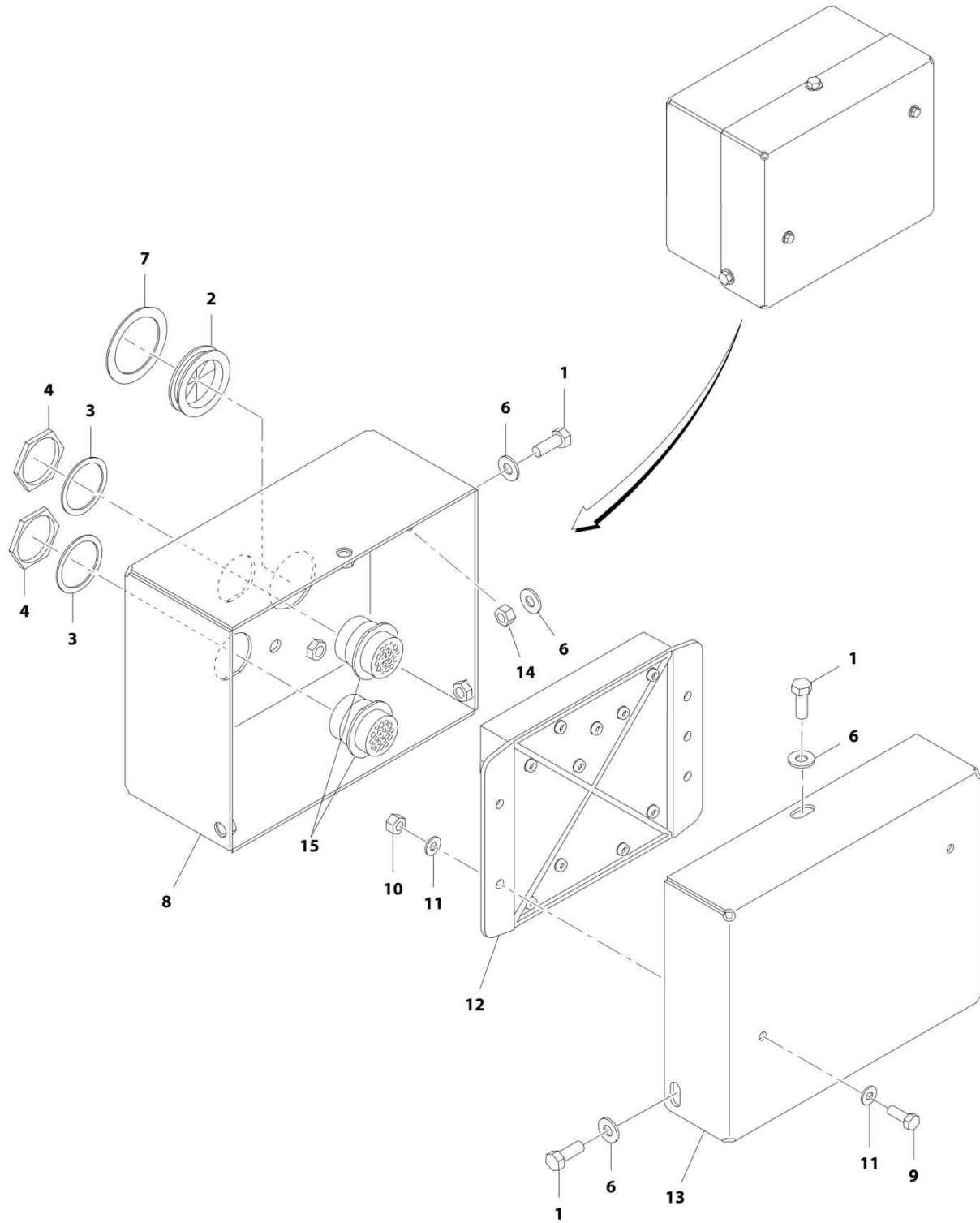
ITEM	PART NUMBER	QTY	DESCRIPTION	REV
	1001118286	Ref	JIB VALVE ASSEMBLY	E
		Ref	Cartridges:	
1	See Note	1	Block, Valve (Note: Not Available for Purchase)	
2	70003017	1	Valve, Cartridge (Valve Inlet)	
2	70004055	1	Seal Kit - 70003017 Cartridge	
2	70004051	1	Nut, Coil	
2	70022147	1	Coil	
3	7023922	1	Valve, Cartridge (Jib Level)	
3	7017402	1	Seal Kit - 7023922 Cartridge	
3	7022390	1	Nut, Coil	
3	70003023	1	Spacer, Coil	
3	7024885	2	Coil	
4	70003019	1	Valve, Cartridge (Jib Level)	
4	70004052	1	Seal Kit - 70003019 Cartridge	
5	70003019	1	Valve, Cartridge (Jib Level)	
5	70004052	1	Seal Kit - 70003019 Cartridge	
6	70003022	1	Valve, Cartridge (Jib Tele)	
6	7012903	1	Seal Kit - 70003022 Cartridge	
6	7022390	1	Nut, Coil	
6	70003024	1	Spacer, Coil	
6	7024883	2	Coil	
7	70003019	1	Valve, Cartridge (Jib Tele)	
7	70004052	1	Seal Kit - 70003019 Cartridge	
8	70003019	1	Valve, Cartridge (Jib Tele)	
8	70004052	1	Seal Kit - 70003019 Cartridge	
9	70003020	1	Valve, Cartridge (Jib Swing)	
9	70004052	1	Seal Kit - 70003020 Cartridge	
10	7024899	1	Valve, Cartridge (Jib Swing)	
10	7017402	1	Seal Kit - 7024899 Cartridge	
10	7022390	1	Nut, Coil	
10	70003023	1	Spacer, Coil	
10	7024885	2	Coil	
11	70003021	1	Valve, Cartridge (Jib Lift)	
11	70004052	1	Seal Kit - 70003021 Cartridge	
12	7023922	1	Valve, Cartridge (Jib Lift)	
12	7017402	1	Seal Kit - 7023922 Cartridge	
12	7022390	1	Nut, Coil	
12	70003023	1	Spacer, Coil	
12	7024885	2	Coil	
13	70003019	1	Valve, Cartridge (Jib Lift)	
13	70004052	1	Seal Kit - 70003019 Cartridge	
14	70003019	1	Valve, Cartridge (Jib Lift)	
14	70004052	1	Seal Kit - 70003019 Cartridge	
17	2221086	7	Check, Pressure	
		Ref	Fittings:	
101	2110404	7	Fitting, Straight ORFS/ORB	
102	2110606	1	Fitting, Straight ORFS/ORB	
103	2110808	2	Fitting, Straight ORFS/ORB	
104	2111010	1	Fitting, Straight ORFS/ORB	
105	2110604	1	Fitting, Straight ORFS/ORB	

SECTION 4 - BOOM

ITEM	PART NUMBER	QTY	DESCRIPTION	REV
106	2110406	1	Fitting, Straight ORFS/ORB	
110	70002759	1	Plug	

SECTION 4 - BOOM

FIGURE 4-15. ENCLOSURE BOX ASSEMBLY



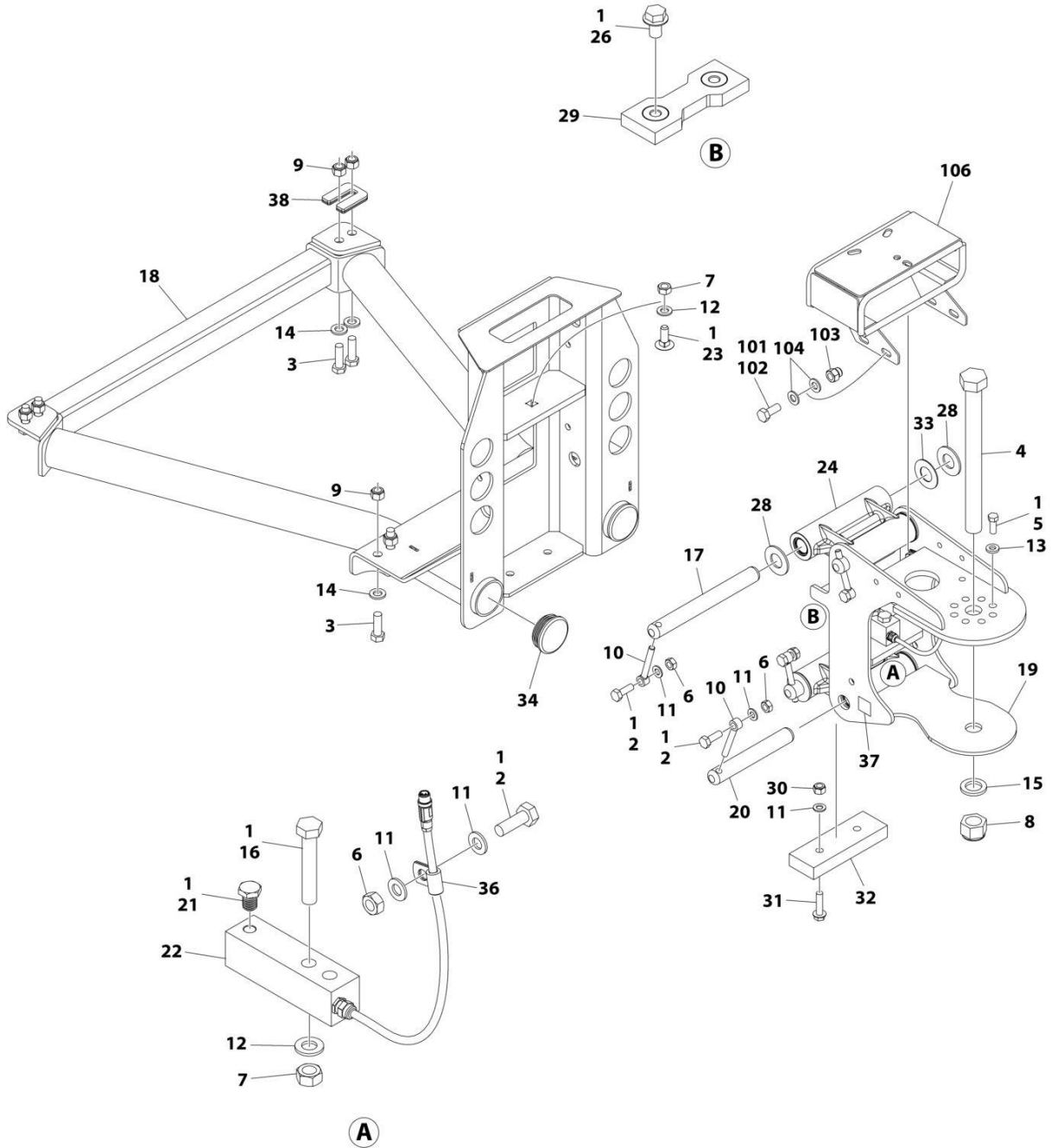
ART_1001119212

FIGURE 4-15. ENCLOSURE BOX ASSEMBLY

ITEM	PART NUMBER	QTY	DESCRIPTION	REV
	1001119212	Ref	ENCLOSURE BOX ASSEMBLY	D
1	0641608	5	Bolt 3/8 x 1	
2	2540045	1	Grommet	
3	4460470	2	Washer, Terminal	
4	4460971	2	Nut, Terminal	
6	4711600	7	Washer 3/8	
7	1001119211	1	Washer, Grommet	
8	1001119214	1	Box Assembly	
9	0641406	2	Bolt 1/4 x 3/4	
10	3311405	2	Nut 1/4	
11	4711400	4	Washer 1/4	
12	1001119262	1	Module, Jib Control (Note: Control System must be recalibrated when replaced)	
13	1001119215	1	Cover	
14	3311605	2	Nut 3/8	
15	1001119392	1	Harness, Jib Valve (See Separate Breakdown in ELECTRICAL SECTION)	

SECTION 4 - BOOM

FIGURE 4-16. PLATFORM SUPPORT INSTALLATION



ART_1001167596_N

SECTION 4 - BOOM

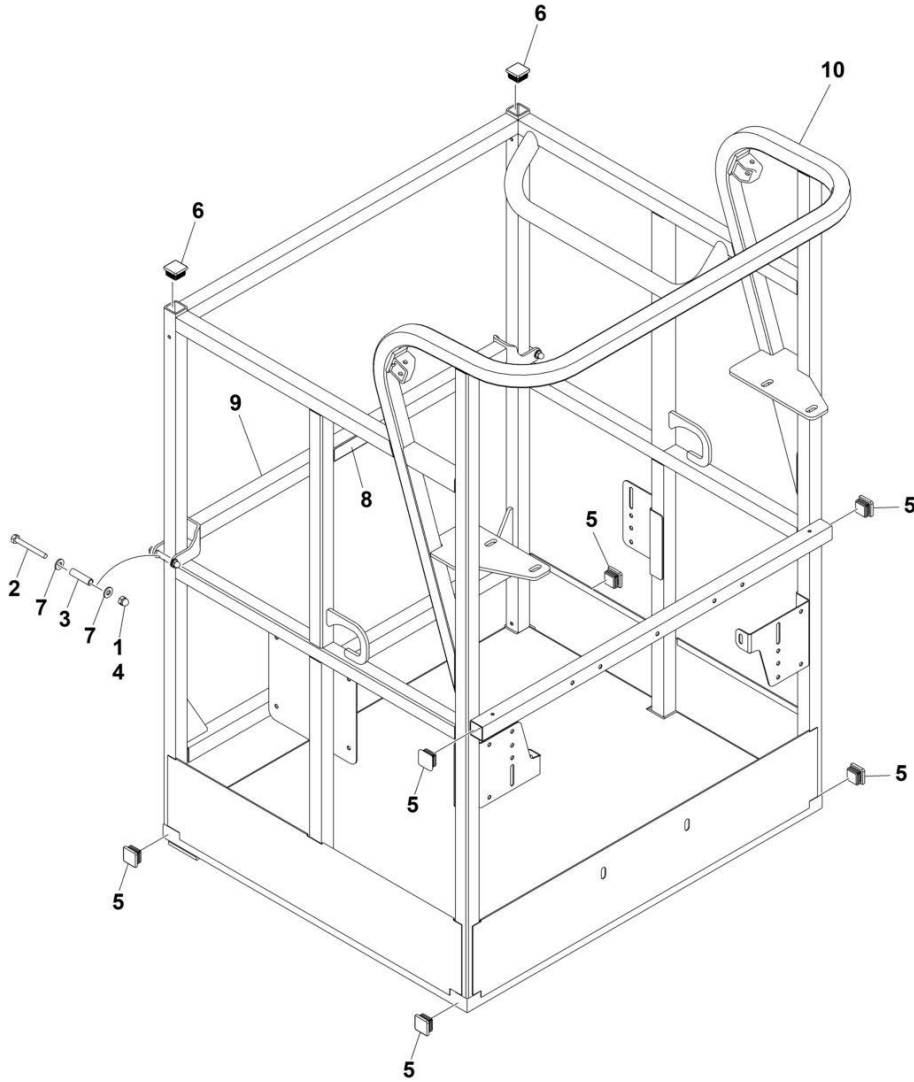
FIGURE 4-16. PLATFORM SUPPORT INSTALLATION

ITEM	PART NUMBER	QTY	DESCRIPTION	REV
	1001167596	Ref	PLATFORM SUPPORT INSTALLATION	N
1	0100011	AR	Compound, Locking	
2	0761014	5	Bolt M10 x 30	
3	0761216	8	Bolt M12 x 40	
4	1001255133	1	Bolt 1 x 11 GRD8	
5	0681608	8	Bolt 3/8 x 1 GRD8	
6	3291001	5	Nut M10	
7	3291201	3	Nut M12	
8	1001174040	1	Nut 1	
9	3291205	8	Nut M12	
10	3841143	4	Keeper, Pin	
11	4812000	8	Washer M10	
12	4812100	3	Washer M12	
13	4891600	8	Washer 3/8	
14	5241200	8	Washer M12	
15	4892600001	1	Washer 1	
16	1001098828	2	Bolt M12 x 70 CL10.9	
17	1001167565	2	Pin	
18	1001200494	1	Support, Platform	
19	1001167567	1	Support, Rotator	
20	1001168402	2	Pin	
21	1001188622	1	Screw	
22	1001247468	1	Loadcell	
23	1001188844	1	Bolt M12 x 35	
24	1001201351	2	Link	
24	1001187382	4	Bearing	
24	1001187383	4	Seal	
26	5251008	2	Bolt M10 x 16 CL10.9	
28	1001189002	8	Bearing	
29	1001190985	1	Pad, Wear	
30	3291005	2	Nut M10	
31	5251016	2	Bolt M10 x 40 CL10.9	
32	1001200491	1	Pad, Wear	
33	1001189001	4	Bearing	
34	1001204725	2	Plug	
36	91203039	1	Clamp	
37	1001216630	2	Decal - Tie Down/No Lift	
38	1001238421	Ref	Kit, Platform Leveling (Not Shown)	
	1001202687	Ref	VALVE MOUNT INSTALLATION	B
101	0100011	AR	Compound, Locking	
102	0760810	4	Bolt M8 x 20	
103	3290806	4	Nut M8	
104	4811900	8	Washer M8	
106	1001208994	1	Mount, Valve	

SECTION 5 - PLATFORM

SECTION 5 - PLATFORM

FIGURE 5-1. PLATFORM ASSEMBLY - 30IN X 3FT (76CM X .91M) - DROP BAR ENTRY



ART_1001228215

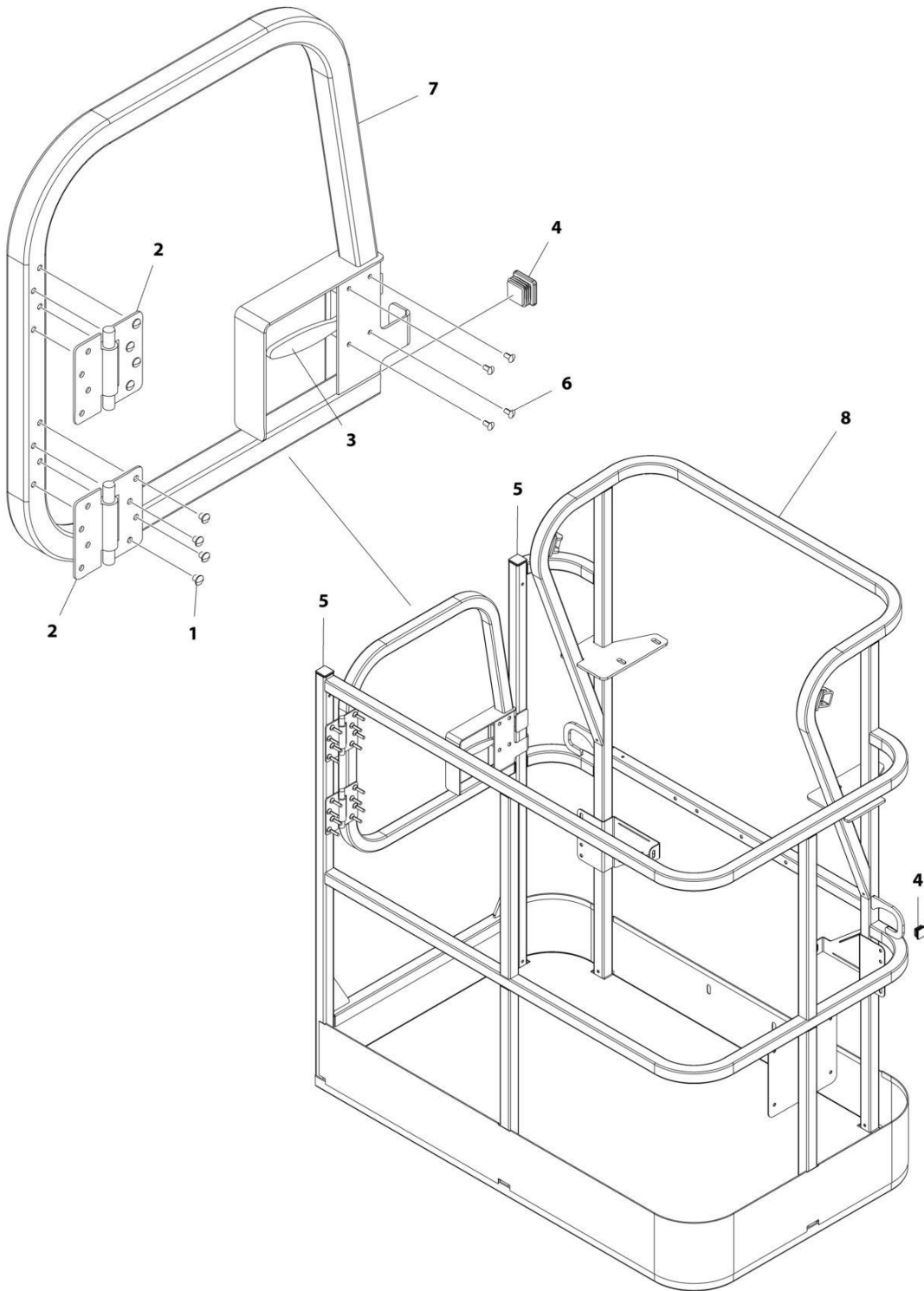
SECTION 5 - PLATFORM

FIGURE 5-1. PLATFORM ASSEMBLY - 30IN X 3FT (76CM X .91M) - DROP BAR ENTRY

ITEM	PART NUMBER	QTY	DESCRIPTION	REV
	1001228215	Ref	PLATFORM ASSEMBLY	A
	See Note	Ref	Note: Platform and Mesh must be ordered separately for Platforms with Mesh. See SPECIAL OPTIONS SECTION for Mesh Installations.	
	See Note	Ref	Note: Replacement Decals Must be Ordered Separately - See DECAL SECTION.	
1	0100011	AR	Compound, Locking	
2	0641418	2	Bolt 1/4 x 2-1/4	
3	0961845	2	Bushing	
4	3300151	2	Nut 1/4	
5	3520072	6	Cap, Plug	
6	3520198	2	Cap, Plug	
7	4711400	4	Washer 1/4	
8	1001140429	1	Decal - Drop Bar	
9	1001226872	1	Bar, Drop	
10	See Note	NSS	Platform (Note: Not Available - Purchase Platform Assembly)	

SECTION 5 - PLATFORM

FIGURE 5-2. PLATFORM ASSEMBLY - 30IN X 4FT (76CM X 1.22M) - SIDE GATE ENTRY



ART_1001186387

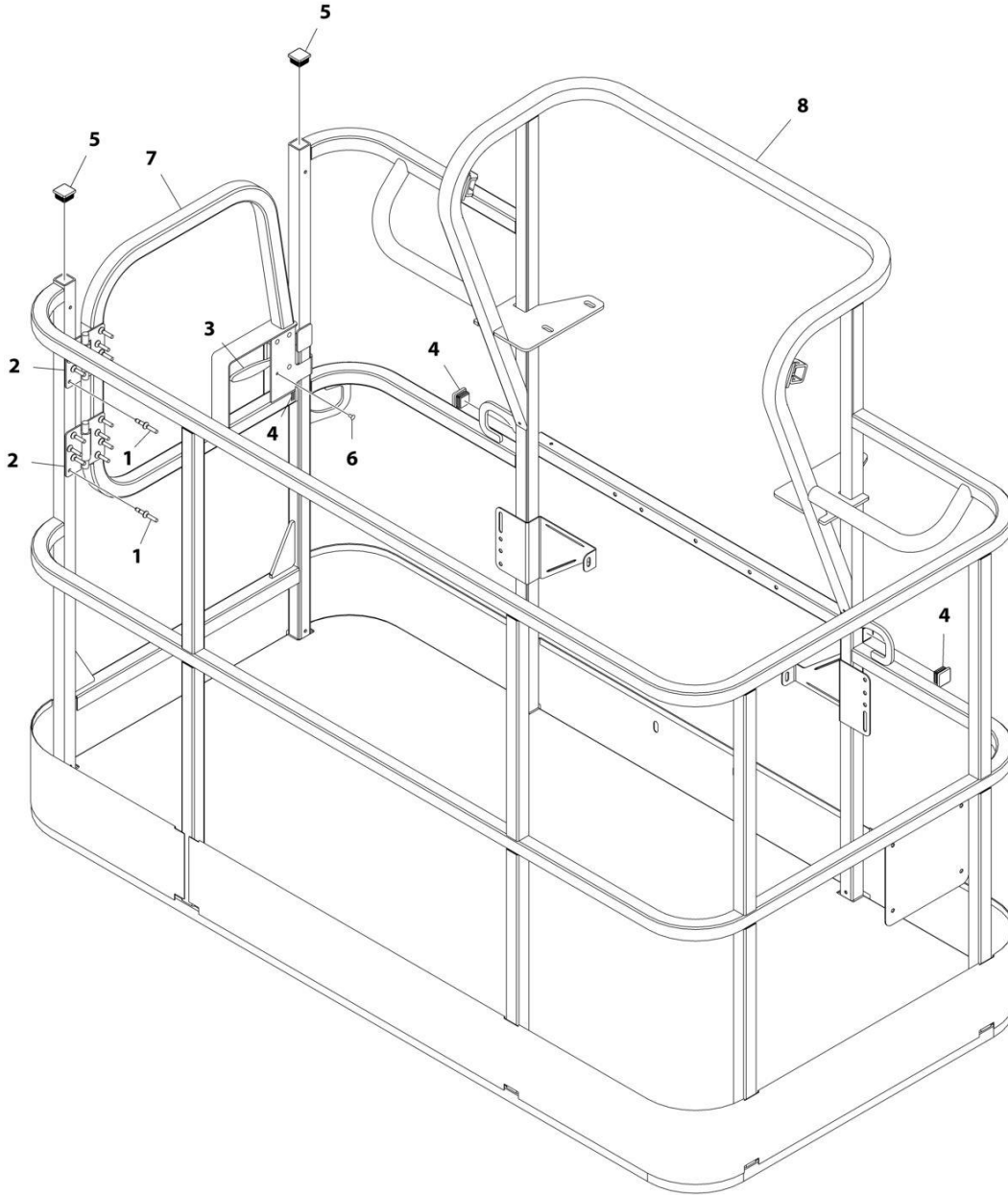
SECTION 5 - PLATFORM

FIGURE 5-2. PLATFORM ASSEMBLY - 30IN X 4FT (76CM X 1.22M) - SIDE GATE ENTRY

ITEM	PART NUMBER	QTY	DESCRIPTION	REV
	1001186387	Ref	PLATFORM ASSEMBLY	C
		Ref	Note: Platform and Mesh must be ordered separately for Platforms with Mesh. See SPECIAL OPTIONS SECTION for Mesh Installations.	
		Ref	Note: Replacement Decals Must be Ordered Separately - See DECALS SECTION.	
1	2080040	16	Fastener, Huck	
2	2600281	2	Hinge, Self-Closing	
3	2940074	1	Latch	
4	3520072	3	Plug	
5	3520198	2	Plug	
6	3820020	4	Rivet	
7	1001144629	1	Gate	
8	See Note	1	Platform (Note: Not Available - Purchase Platform Assembly)	

SECTION 5 - PLATFORM

FIGURE 5-3. PLATFORM ASSEMBLY - 36IN X 6FT (91.5CM X 1.83M) WITH SWING GATE



ART_1001186384

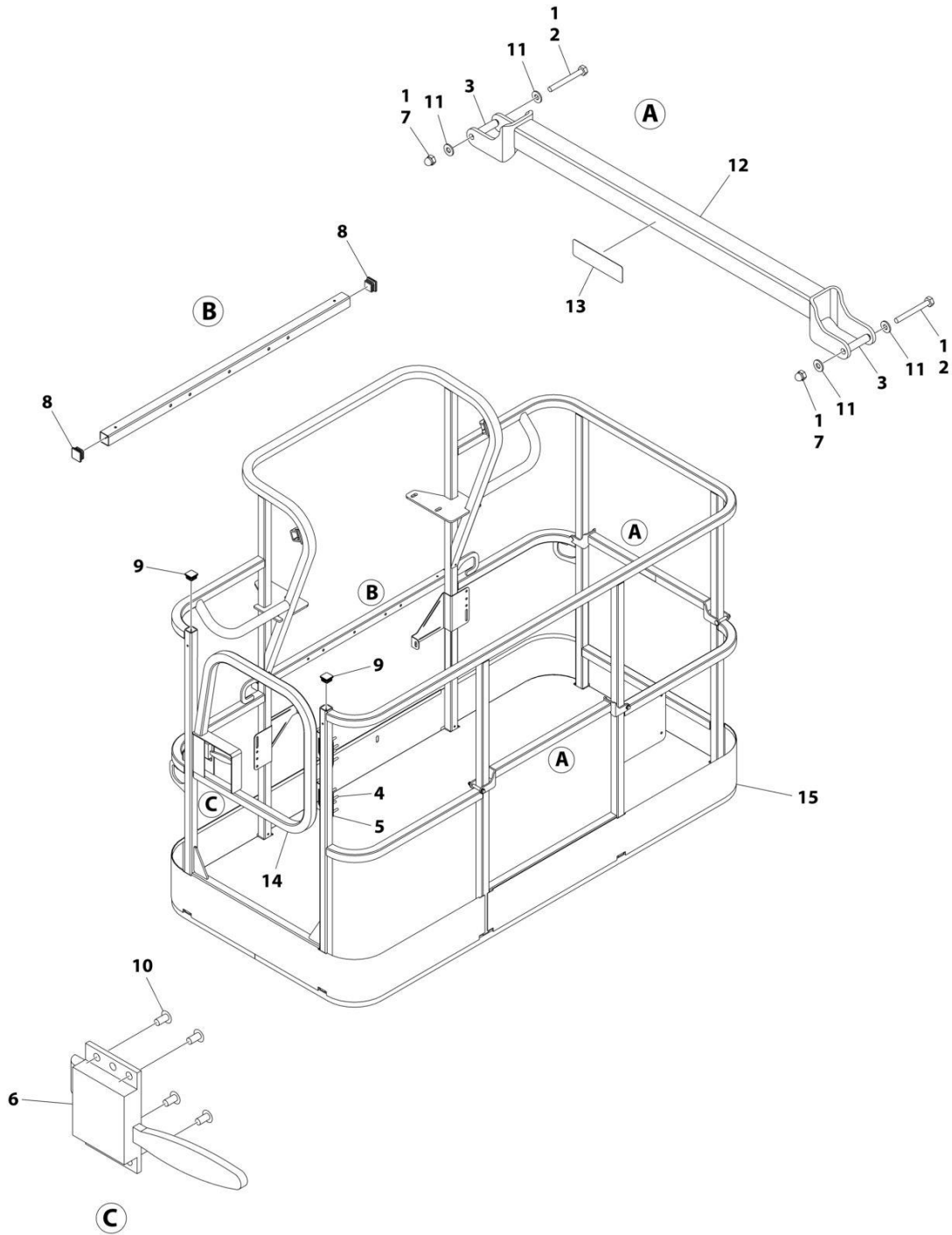
SECTION 5 - PLATFORM

FIGURE 5-3. PLATFORM ASSEMBLY - 36IN X 6FT (91.5CM X 1.83M) WITH SWING GATE

ITEM	PART NUMBER	QTY	DESCRIPTION	REV
	1001186384	Ref	PLATFORM ASSEMBLY - 36IN X 6FT (91.5CM X 1.83M) WITH SWING GATE	C
	See Note	Ref	Note: Platform and Mesh must be ordered separately for Platforms with Mesh. See SPECIAL OPTIONS SECTION for Mesh Installations.	
	See Note	Ref	Note: Replacement Decals Must be Ordered Separately - See DECALS SECTION.	
1	2080040	16	Fastener, Huck	
2	2600281	2	Hinge	
3	2940074	1	Latch	
4	3520072	3	Plug	
5	3520198	2	Plug	
6	3820020	4	Rivet	
7	1001144629	1	Gate	
8	See Note	NSS	Platform (Note: Not Available - Purchase Platform Assembly)	

SECTION 5 - PLATFORM

FIGURE 5-4. PLATFORM ASSEMBLY - 36IN X 6FT (91.5CM X 1.83M) TRI-ENTRY WITH SWING GATE



ART_1001228376

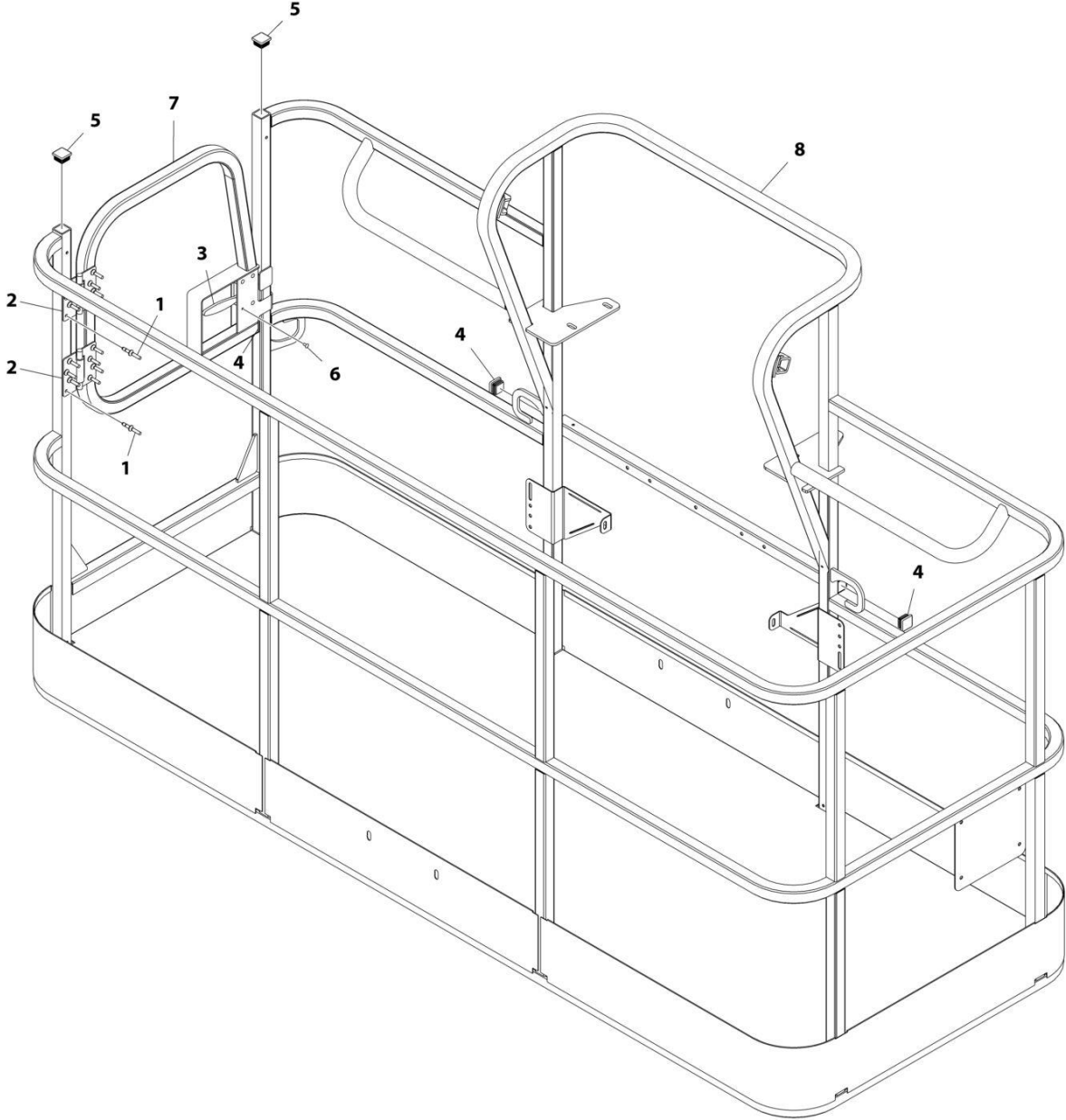
SECTION 5 - PLATFORM

FIGURE 5-4. PLATFORM ASSEMBLY - 36IN X 6FT (91.5CM X 1.83M) TRI-ENTRY WITH SWING GATE

ITEM	PART NUMBER	QTY	DESCRIPTION	REV
	1001228376	Ref	PLATFORM ASSEMBLY - 36IN x 6FT (91.5CM x 1.83M)	B
		Ref	Note: Platform and Mesh must be ordered separately for Platforms with Mesh. See SPECIAL OPTIONS SECTION for Mesh Installations.	
		Ref	Note: Replacement Decals Must be Ordered Separately - See DECAL SECTION.	
1	0100011	AR	Compound, Locking	
2	0641418	4	Bolt 1/4 x 2-1/4	
3	0961845	4	Bushing	
4	2080040	16	Fastener	
5	2600281	2	Hinge	
6	2940074	1	Latch	
7	3300151	4	Nut 1/4	
8	3520072	3	Plug	
9	3520198	2	Plug	
10	3820020	4	Rivet	
11	4711400	8	Washer 1/4	
12	1001138494	2	Bar, Drop	
13	1001140429	2	Decal - Drop Bar	
14	1001144629	1	Gate	
15	See Note	NSS	Platform (Note: Not Available - Purchase Platform Assembly)	

SECTION 5 - PLATFORM

FIGURE 5-5. PLATFORM ASSEMBLY - 36IN X 8FT (91.5CM X 2.44M) WITH SWING GATE



ART_1001186383

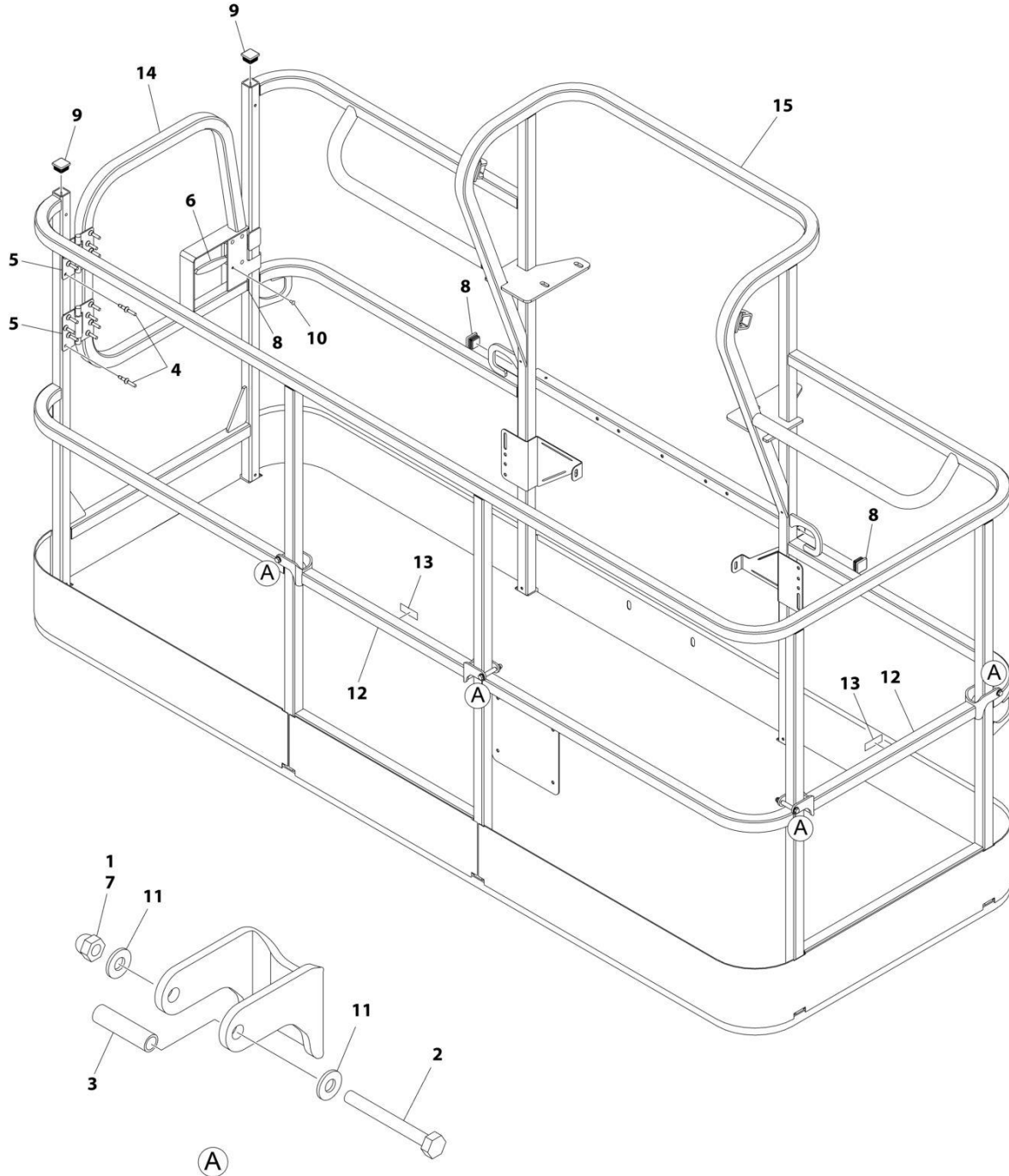
SECTION 5 - PLATFORM

FIGURE 5-5. PLATFORM ASSEMBLY - 36IN X 8FT (91.5CM X 2.44M) WITH SWING GATE

ITEM	PART NUMBER	QTY	DESCRIPTION	REV
	1001186383	Ref	PLATFORM ASSEMBLY - 36IN X 8FT (91.5CM X 2.44M) WITH SWING GATE	D
		Ref	Note: Platform and Mesh must be ordered separately for Platforms with Mesh. See SPECIAL OPTIONS SECTION for Mesh Installations.	
		Ref	Note: Replacement Decals Must be Ordered Separately - See DECALS SECTION.	
1	2080040	16	Fastener, Huck	
2	2600281	2	Hinge	
3	2940074	1	Latch	
4	3520072	3	Plug	
5	3520198	2	Plug	
6	3820020	4	Rivet	
7	1001144629	1	Gate	
8	See Note	NSS	Platform (Note: Not Available - Purchase Platform Assembly)	

SECTION 5 - PLATFORM

FIGURE 5-6. PLATFORM ASSEMBLY - 36IN X 8FT (91.5CM X 2.44M) WITH TRI-ENTRY (1 GATE/2 DROP BARS)



ART_1001228243

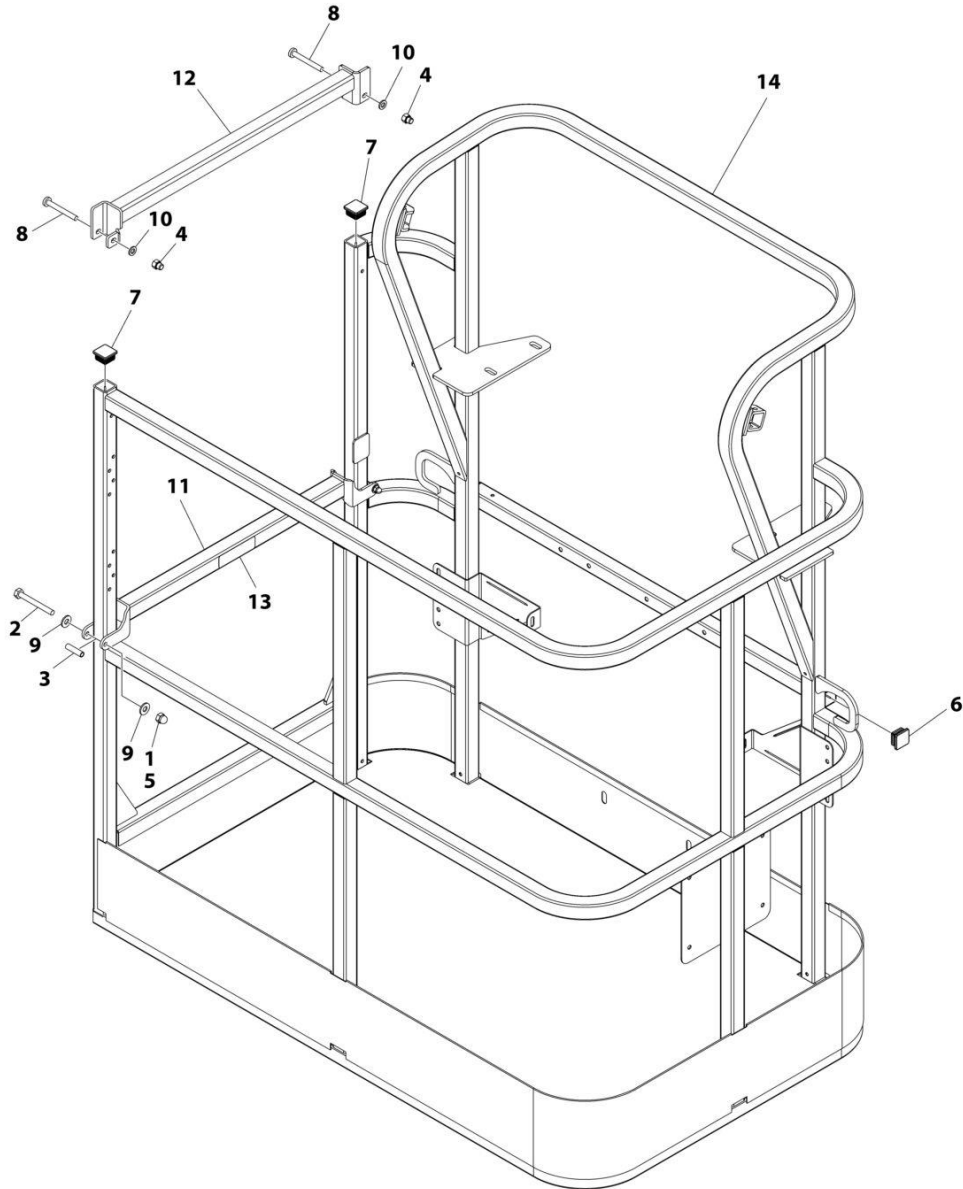
SECTION 5 - PLATFORM

FIGURE 5-6. PLATFORM ASSEMBLY - 36IN X 8FT (91.5CM X 2.44M) WITH TRI-ENTRY (1 GATE/2 DROP BARS)

ITEM	PART NUMBER	QTY	DESCRIPTION	REV
	1001228243	Ref	PLATFORM ASSEMBLY - 36IN X 8FT (91.5CM X 2.44M) WITH TRI-ENTRY	A
		Ref	Note: Platform and Mesh must be ordered separately for Platforms with Mesh. See SPECIAL OPTIONS SECTION for Mesh Installations.	
1	0100011	AR	Compound, Locking	
2	0641418	4	Bolt 1/4 x 2-1/4	
3	0961845	4	Bushing	
4	2080040	16	Fastener, Huck	
5	2600281	2	Hinge, Self-Closing	
6	2940074	1	Latch	
7	3300151	4	Nut 1/4	
8	3520072	3	Cap, Plug	
9	3520198	2	Cap, Plug	
10	3820020	4	Rivet	
11	4711400	8	Washer 1/4	
12	1001138494	2	Bar, Drop	
13	1001140429	2	Decal - Drop Bar	
14	1001144629	1	Gate, Weldment	
15	See Note	1	Platform (Note: Not Available - Purchase Platform Assembly)	

SECTION 5 - PLATFORM

FIGURE 5-7. PLATFORM ASSEMBLY - 30IN X 4FT (76CM X 1.22M) WITH DROP BAR



ART_1001186375

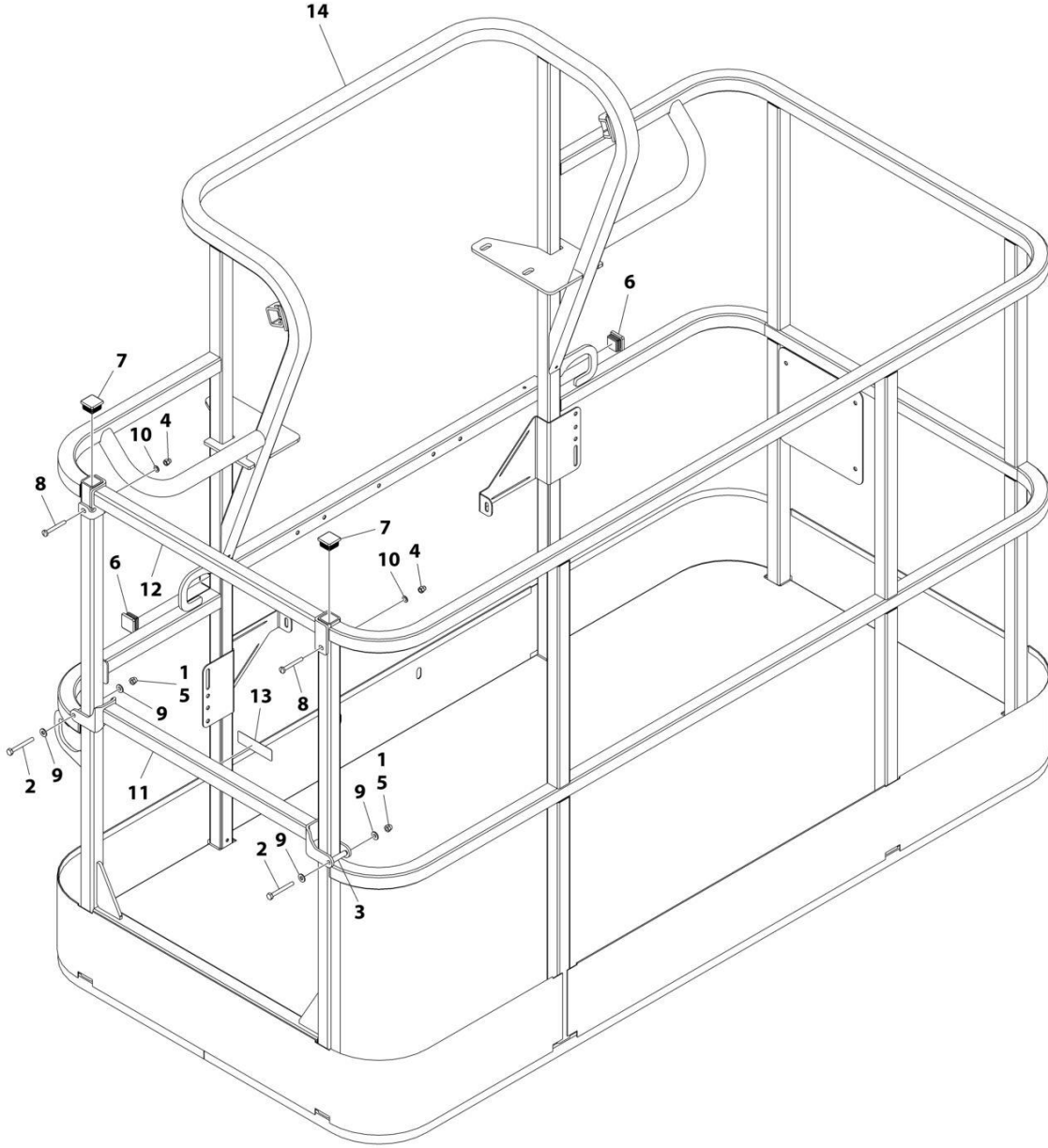
SECTION 5 - PLATFORM

FIGURE 5-7. PLATFORM ASSEMBLY - 30IN X 4FT (76CM X 1.22M) WITH DROP BAR

ITEM	PART NUMBER	QTY	DESCRIPTION	REV
	1001186375	Ref	PLATFORM ASSEMBLY	B
		Ref	Note: Platform and Mesh must be ordered separately for Platforms with Mesh. See SPECIAL OPTIONS SECTION for Mesh Installations.	
		Ref	Note: Replacement Decals Must be Ordered Separately - See DECALS SECTION.	
1	0100011	AR	Compound, Locking	
2	0641418	2	Bolt 1/4 x 2-1/4	
3	0961845	2	Bushing	
4	3290606	2	Nut M6	
5	3300151	2	Nut 1/4	
6	3520072	2	Plug	
7	3520198	2	Plug	
8	4010618	2	Screw M6 x 50	
9	4711400	4	Washer 1/4	
10	4811700	2	Washer M6	
11	1001138494	1	Bar, Drop	
12	1001138514	1	Rail - Top	
13	1001140429	1	Decal - Drop Bar	
14	See Note	1	Platform (Note: Not Available - Purchase Platform Assembly)	

SECTION 5 - PLATFORM

FIGURE 5-8. PLATFORM ASSEMBLY - 36IN X 6FT (91.5CM X 1.83M) WITH DROP BAR



ART_1001186379

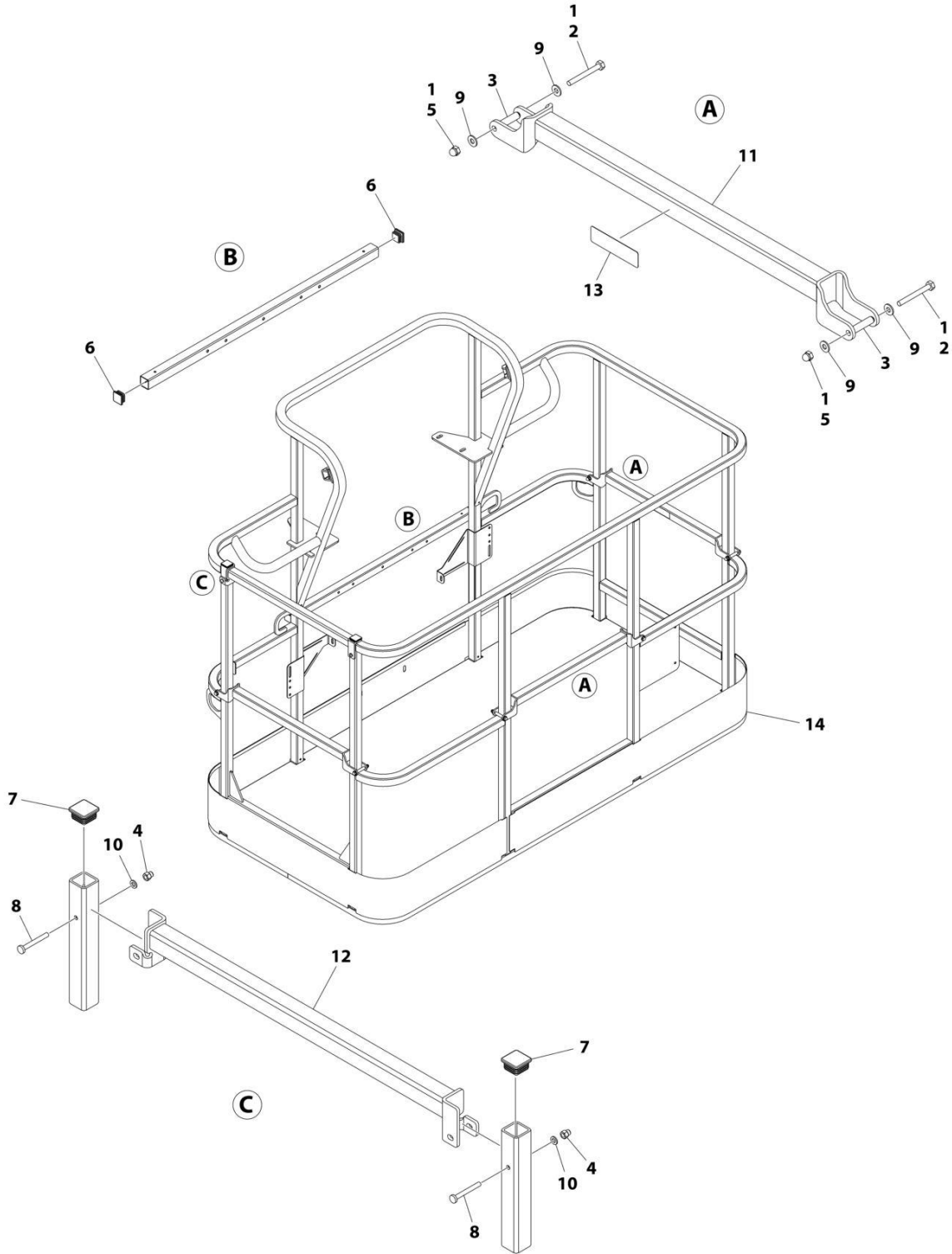
SECTION 5 - PLATFORM

FIGURE 5-8. PLATFORM ASSEMBLY - 36IN X 6FT (91.5CM X 1.83M) WITH DROP BAR

ITEM	PART NUMBER	QTY	DESCRIPTION	REV
	1001186379	Ref	PLATFORM ASSEMBLY - 36IN X 6FT (91.5CM X 1.83M) WITH DROP BAR	B
		Ref	Note: Platform and Mesh must be ordered separately for Platforms with Mesh. See SPECIAL OPTIONS SECTION for Mesh Installations.	
		Ref	Note: Replacement Decals Must be Ordered Separately - See DECALS SECTION.	
1	0100011	AR	Compound, Locking	
2	0641418	2	Bolt 1/4 x 2-1/4	
3	0961845	2	Bushing	
4	3290606	2	Nut M6	
5	3300151	2	Nut 1/4	
6	3520072	2	Plug	
7	3520198	2	Plug	
8	4010618	2	Screw M6 x 50	
9	4711400	4	Washer 1/4	
10	4811700	2	Washer M6	
11	1001138494	1	Bar, Drop	
12	1001138514	1	Rail (Top)	
13	1001140429	1	Decal - Drop Bar	
14	See Note	NSS	Platform (Note: Not Available - Purchase Platform Assembly)	

SECTION 5 - PLATFORM

FIGURE 5-9. PLATFORM ASSEMBLY - 36IN X 6FT (91.5CM X 1.83M) TRI-ENTRY WITH DROPBAR



ART_1001228377

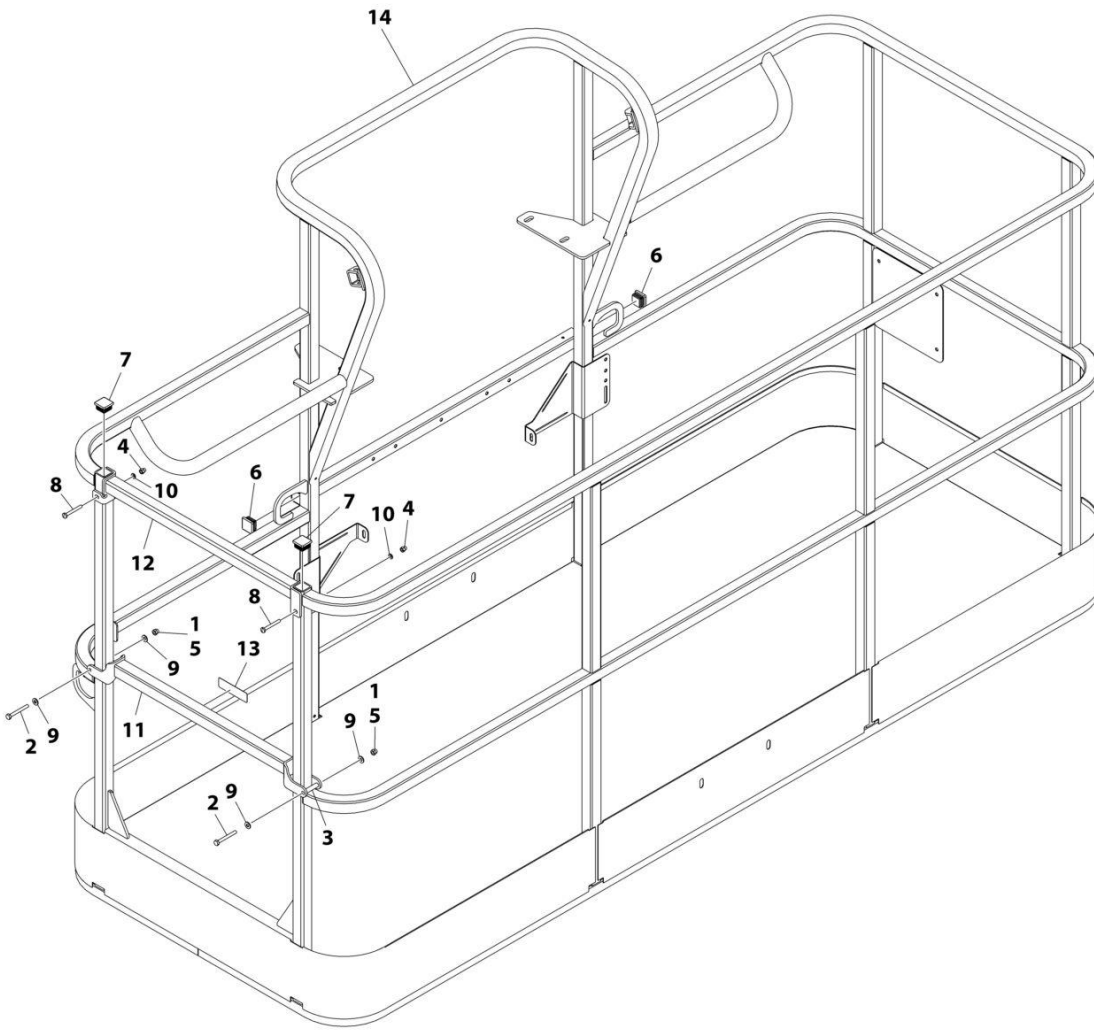
SECTION 5 - PLATFORM

FIGURE 5-9. PLATFORM ASSEMBLY - 36IN X 6FT (91.5CM X 1.83M) TRI-ENTRY WITH DROPBAR

ITEM	PART NUMBER	QTY	DESCRIPTION	REV
	1001228377	Ref	PLATFORM ASSEMBLY - 36IN x 6FT (91.5CM x 1.83M)	B
		Ref	Note: Platform and Mesh must be ordered separately for Platforms with Mesh. See SPECIAL OPTIONS SECTION for Mesh Installations.	
		Ref	Note: Replacement Decals Must be Ordered Separately - See DECAL SECTION.	
1	0100011	1	Compound, Locking	
2	0641418	6	Bolt 1/4 x 2-1/4	
3	0961845	6	Bushing	
4	3290606	2	Nut M6	
5	3300151	6	Nut 1/4	
6	3520072	2	Plug	
7	3520198	2	Plug	
8	4010618	2	Screw M6 x 50	
9	4711400	12	Washer 1/4	
10	4811700	2	Washer M6	
11	1001138494	3	Bar, Drop	
12	1001138514	1	Rail (Top)	
13	1001140429	3	Decal - Drop Bar	
14	See Note	NSS	Platform, Weldment (Note: Not Available - Purchase Platform Assembly)	

SECTION 5 - PLATFORM

FIGURE 5-10. PLATFORM ASSEMBLY - 36IN X 8FT (91.5CM X 2.44M) WITH DROP BAR



ART_1001186382

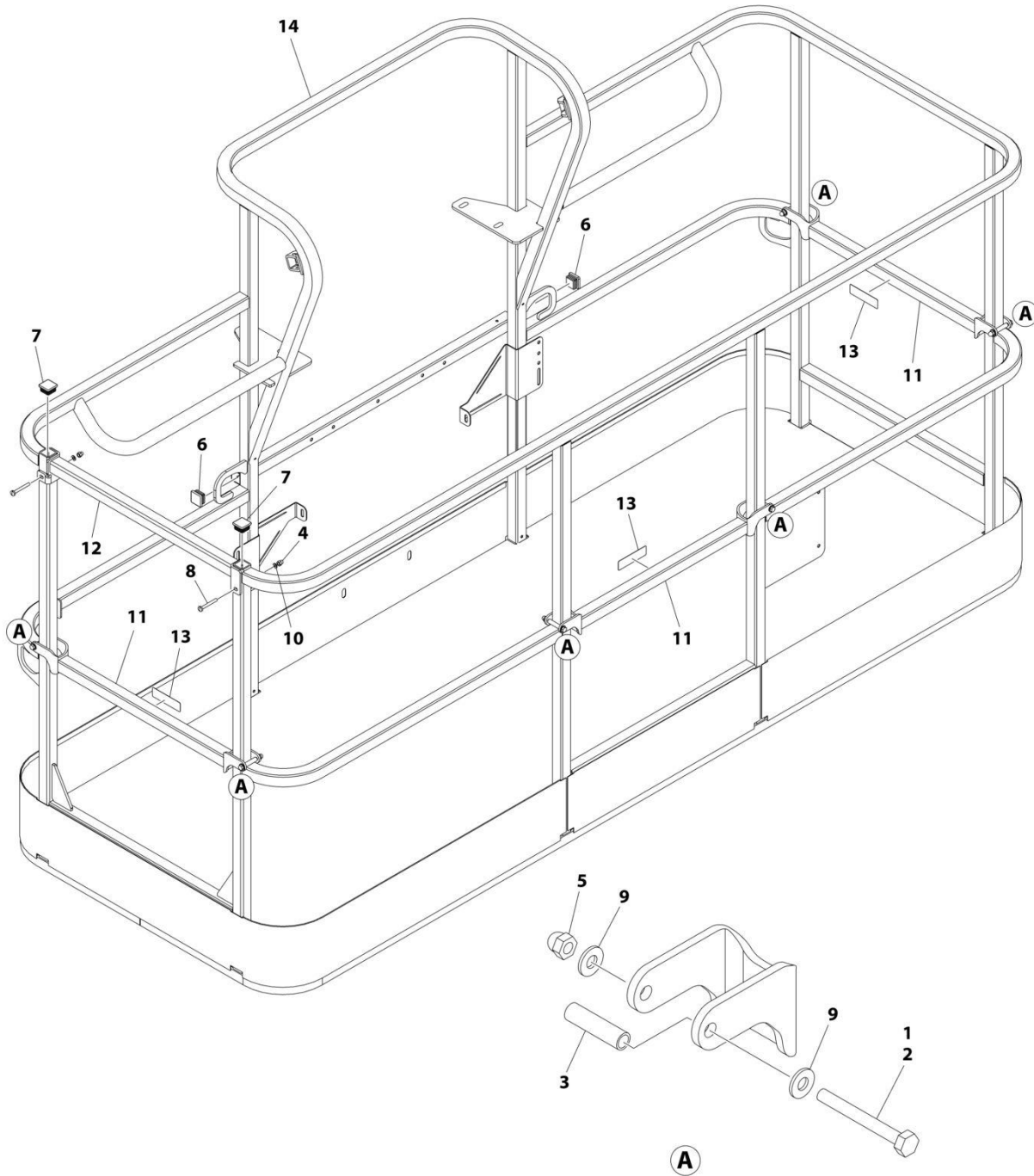
SECTION 5 - PLATFORM

FIGURE 5-10. PLATFORM ASSEMBLY - 36IN X 8FT (91.5CM X 2.44M) WITH DROP BAR

ITEM	PART NUMBER	QTY	DESCRIPTION	REV
	1001186382	Ref	PLATFORM ASSEMBLY - 36IN X 8FT (91.5CM X 2.44M) WITH DROP BAR	C
		Ref	Note: Platform and Mesh must be ordered separately for Platforms with Mesh. See SPECIAL OPTIONS SECTION for Mesh Installations.	
		Ref	Note: Replacement Decals Must be Ordered Separately - See DECALS SECTION.	
1	0100011	AR	Compound, Locking	
2	0641418	2	Bolt 1/4 x 2-1/4	
3	0961845	2	Bushing	
4	3290606	2	Nut M6	
5	3300151	2	Nut 1/4	
6	3520072	2	Plug	
7	3520198	2	Plug	
8	4010618	2	Screw M6 x 50	
9	4711400	4	Washer 1/4	
10	4811700	2	Washer M6	
11	1001138494	1	Bar, Drop	
12	1001138514	1	Rail (Top)	
13	1001140429	1	Decal - Drop Bar	
14	See Note	NSS	Platform (Note: Not Available - Purchase Platform Assembly)	

SECTION 5 - PLATFORM

FIGURE 5-11. PLATFORM ASSEMBLY - 36IN X 8FT (91.5CM X 2.44M) WITH TRI-ENTRY (3 DROP BARS)



ART_1001228375

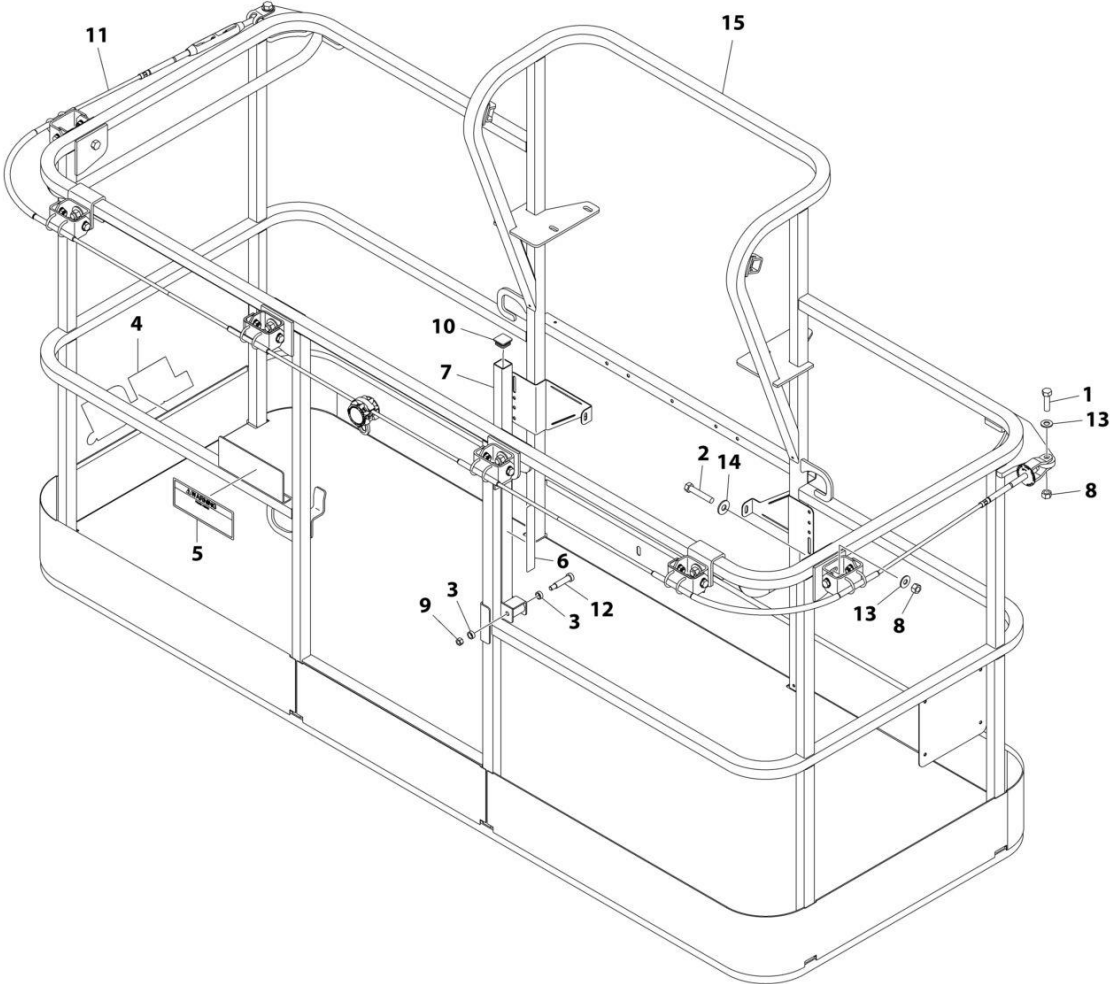
SECTION 5 - PLATFORM

FIGURE 5-11. PLATFORM ASSEMBLY - 36IN X 8FT (91.5CM X 2.44M) WITH TRI-ENTRY (3 DROP BARS)

ITEM	PART NUMBER	QTY	DESCRIPTION	REV
	1001228375	Ref	PLATFORM ASSEMBLY - 36IN X 8FT (91.5CM X 2.44M) WITH TRI-ENTRY	A
		Ref	Note: Platform and Mesh must be ordered separately for Platforms with Mesh. See SPECIAL OPTIONS SECTION for Mesh Installations.	
		Ref	Note: Replacement Decals Must be Ordered Separately - See DECAL SECTION.	
1	0100011	AR	Compound, Locking	
2	0641418	6	Bolt 1/4 x 2-1/4	
3	0961845	6	Bushing	
4	3290606	2	Nut M6 x 1	
5	3300151	6	Nut 1/4	
6	3520072	2	Cap, Plug	
7	3520198	2	Cap, Plug	
8	4010618	2	Screw M6 x 50	
9	4711400	12	Washer 1/4	
10	4811700	2	Washer M6	
11	1001138494	3	Bar, Drop	
12	1001138514	1	Rail (Top)	
13	1001140429	3	Decal - Drop Bar	
14	See Note	1	Platform (Note: Not Available - Purchase Platform Assembly)	

SECTION 5 - PLATFORM

FIGURE 5-12. PLATFORM ASSEMBLY - 36IN X 8FT (91.5CM X 2.44M) WITH FALL ARREST (ANSI SPECS)



ART_1001186334

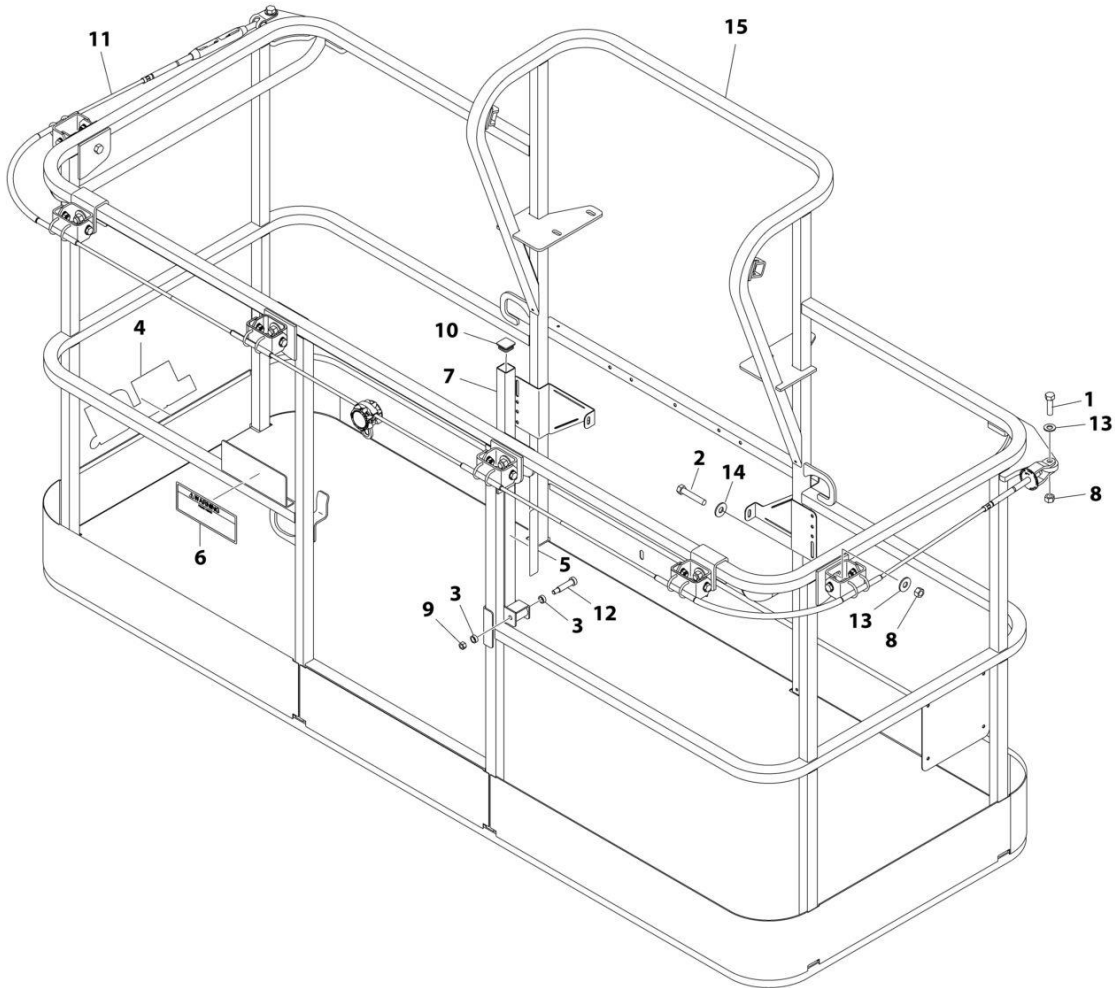
SECTION 5 - PLATFORM

FIGURE 5-12. PLATFORM ASSEMBLY - 36IN X 8FT (91.5CM X 2.44M) WITH FALL ARREST (ANSI SPECS)

ITEM	PART NUMBER	QTY	DESCRIPTION	REV
	1001186334	Ref	PLATFORM ASSEMBLY	D
		Ref	Note: Replacement Decals Must be Ordered Separately - See DECALS SECTION.	
1	0681814	2	Bolt 1/2 x 1-3/4 Grade 8	
2	0681822	6	Bolt 1/2 x 2-3/4 Grade 8	
3	0962270	2	Bearing	
4	1702773	1	Decal - JLG	
5	1705014	1	Decal - Safety	
6	1706385	1	Decal - Drop Bar	
7	2410014	1	Bar, Drop	
8	3271805	8	Nut 1/2 Grade 8	
9	3311605	1	Nut 3/8	
10	3520072	1	Plug	
11	1001203656	1	Cable	
12	3900054	1	Bolt 1/2 x 1-3/4	
13	4711800	2	Washer 1/2	
14	4751800	6	Washer 1/2	
15	See Note	NSS	Platform (Note: Purchase Platform Assembly)	

SECTION 5 - PLATFORM

FIGURE 5-13. PLATFORM ASSEMBLY - 36IN X 8FT (91.5CM X 2.44M) WITH FALL ARREST (AUSTRALIAN SPECS)



ART_1001186389

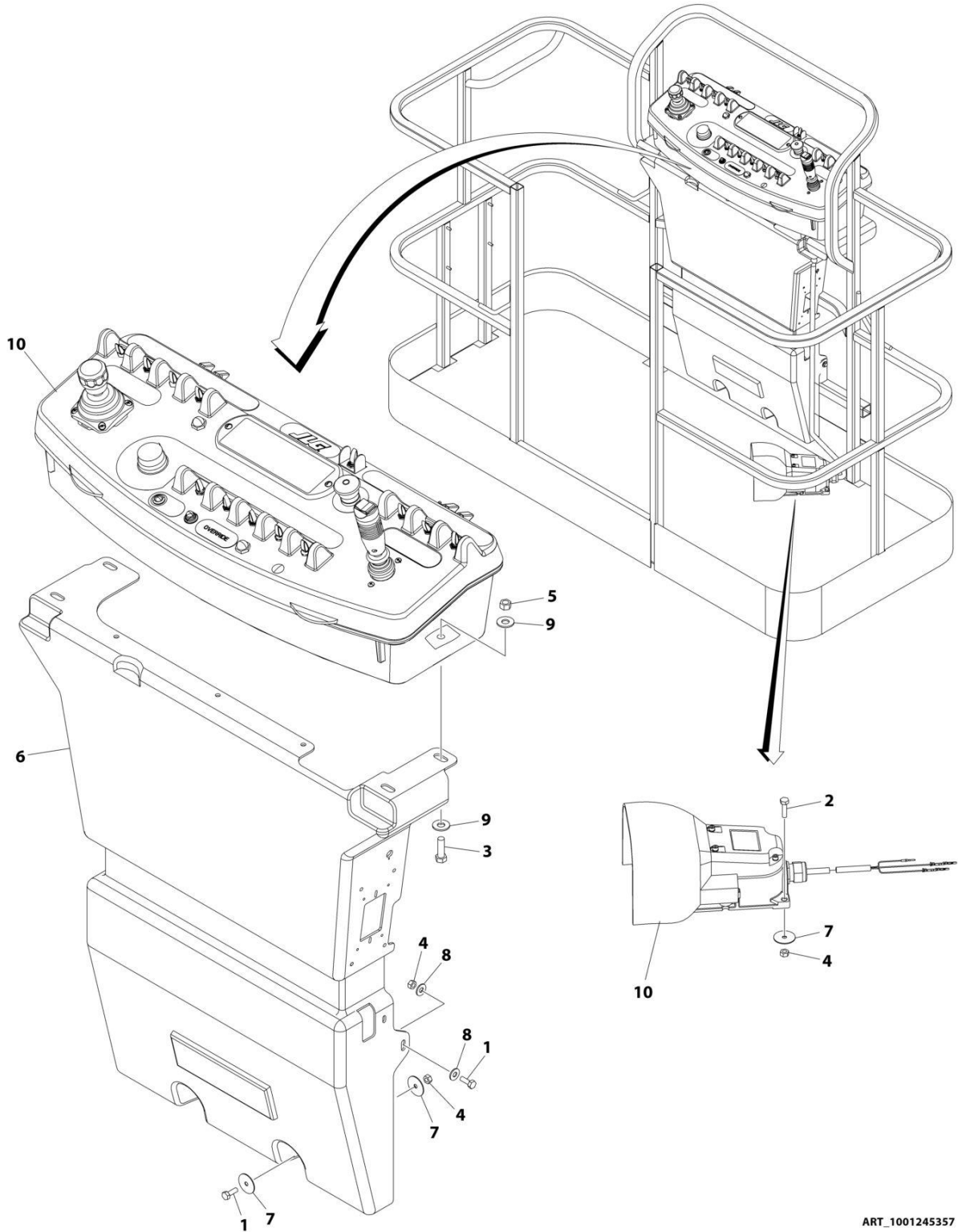
SECTION 5 - PLATFORM

**FIGURE 5-13. PLATFORM ASSEMBLY - 36IN X 8FT (91.5CM X 2.44M) WITH FALL ARREST
(AUSTRALIAN SPECS)**

ITEM	PART NUMBER	QTY	DESCRIPTION	REV
	1001186389	Ref	PLATFORM ASSEMBLY - 36IN X 8FT (91.5CM X 2.44M) WITH FALL ARREST	D
		Ref	Note: Standard decals must be ordered separately - See DECAL SECTION.	
1	0681814	2	Bolt 1/2 x 1-3/4 Grade 8	
2	0681822	6	Bolt 1/2 x 2-3/4 Grade 8	
3	0962270	2	Bearing	
4	1702773	1	Decal - JLG	
5	1706493	1	Decal - Drop Bar	
6	1706501	1	Decal - Safety	
7	2410014	1	Gate	
8	3271805	8	Nut 1/2 Grade 8	
9	3311605	1	Nut 3/8	
10	3520072	1	Plug	
11	1001203656	1	Cable	
12	3900054	1	Bolt 1/2 x 1-3/4	
13	4711800	8	Washer 1/2	
14	4751800	6	Washer 1/2	
15	1001186318	NSS	Platform (Note: Not Available - Purchase Platform Assembly)	

SECTION 5 - PLATFORM

FIGURE 5-14. PLATFORM CONSOLE BOX INSTALLATION



ART_1001245357

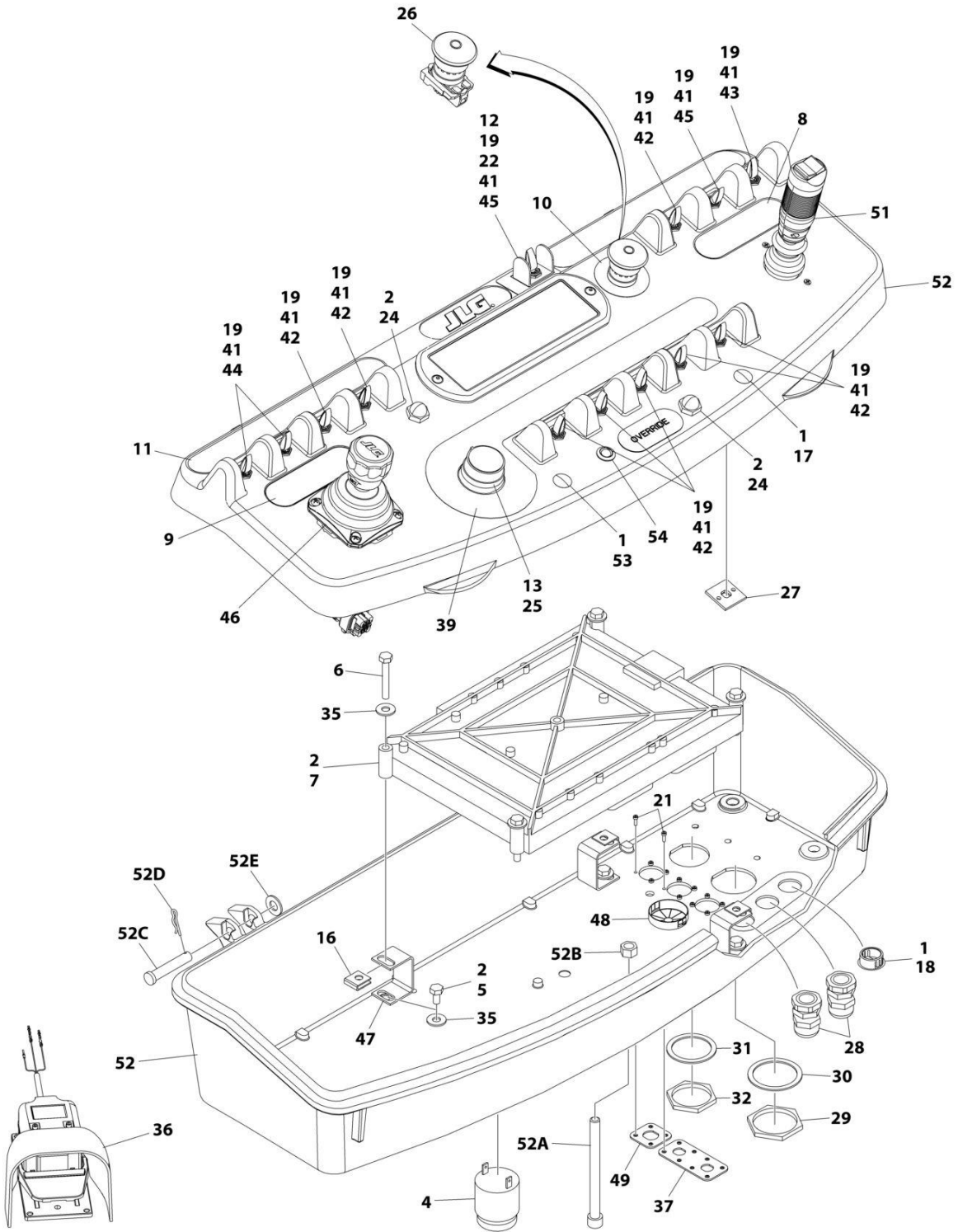
SECTION 5 - PLATFORM

FIGURE 5-14. PLATFORM CONSOLE BOX INSTALLATION

ITEM	PART NUMBER	QTY	DESCRIPTION	REV
	1001245357	Ref	PLATFORM CONSOLE BOX INSTALLATION	A
		Ref	Note: Replacement Decals Must be Ordered Separately - See DECALS SECTION.	
1	0641406	4	Bolt 1/4 x 3/4	
2	0641408	3	Bolt 1/4 x 1	
3	0641610	4	Bolt 3/8 x 1-1/4	
4	3311405	7	Nut 1/4	
5	3311605	4	Nut 3/8	
6	3380434	1	Panel, Molded	
7	4740362	7	Washer, Fender	
8	4751400	4	Washer 1/4	
9	4751600	8	Washer 3/8	
10	1001245356	1	Platform Console Box Assembly (See Separate Breakdown in this Section)	

SECTION 5 - PLATFORM

FIGURE 5-15. PLATFORM CONSOLE ASSEMBLY



ART_1001245356_G

SECTION 5 - PLATFORM

FIGURE 5-15. PLATFORM CONSOLE ASSEMBLY

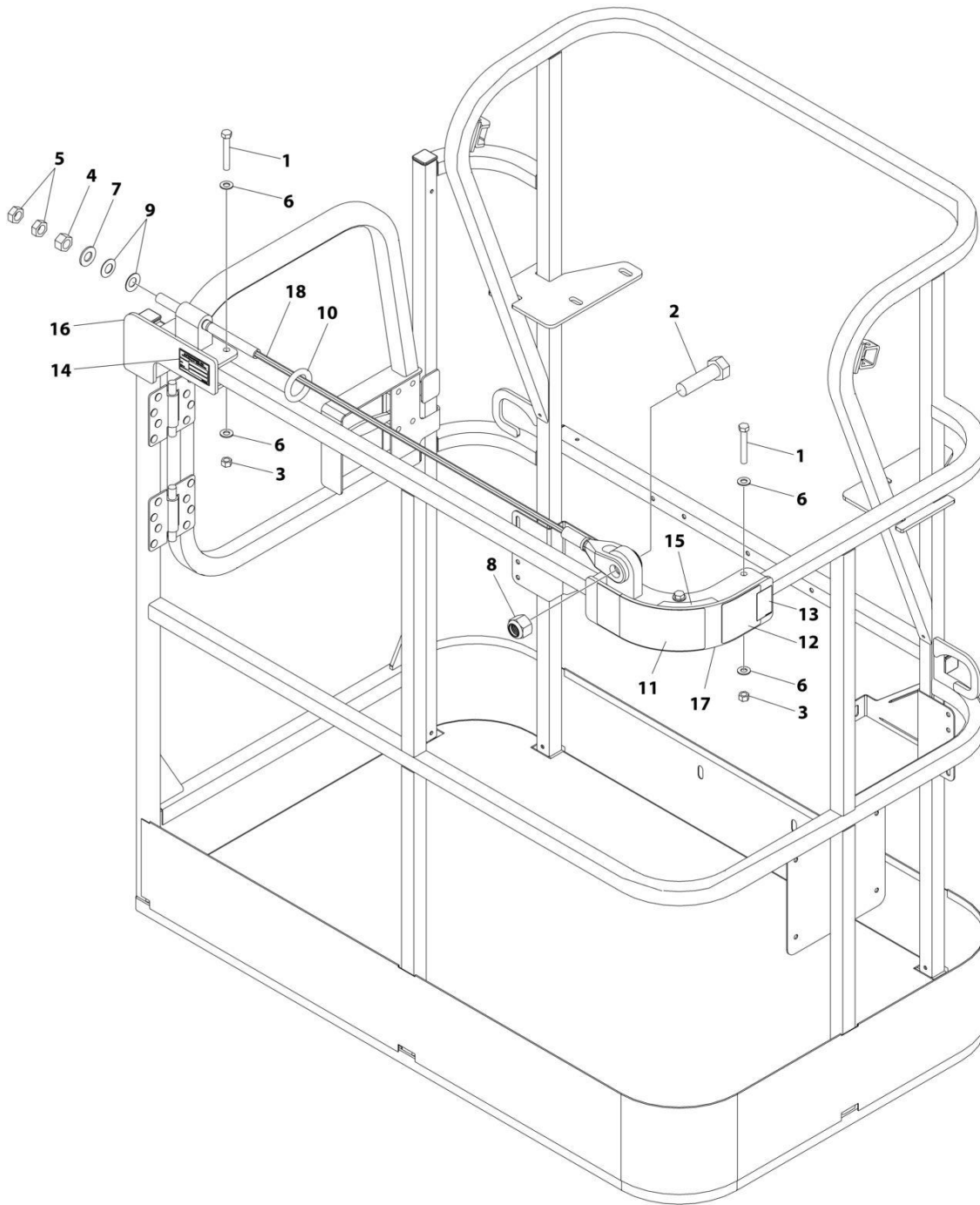
ITEM	PART NUMBER	QTY	DESCRIPTION	REV
	1001245356	Ref	PLATFORM CONSOLE ASSEMBLY	G
1	0100009	AR	Sealant	
2	0100035	AR	Compound, Locking	
4	0140011	1	Alarm	
5	0641405	4	Bolt 1/4 x 5/8	
6	0641414	4	Bolt 1/4 x 1-3/4	
7	1600343	1	Module, Control (Note: Re-calibration Required when Replaced)	
8	1702565	1	Decal - Drive and Steer	
9	1702566	1	Decal - Lift and Swing	
10	1704260	1	Decal - EMS	
11	1705744	1	Decal - Horn	
12	1706741	1	Decal - Jib Select	
13	2560136	1	Handle, Knob	
16	3300353	4	Nut, Retainer	
17	3520026	1	Plug, Hole	
18	3520030	1	Plug, Hole	
19	3790012	13	O-Ring	
21	3900349	12	Capscrew M2.5	
22	4060906	1	Guard, Switch	
24	4360387	2	Switch, Pushbutton	
25	4360407	1	Controller, Speed	
25	See Note	NSS	Gasket "Top Hat" (Included with Switch) (Note: Not Available - Purchase Complete Controller)	
25	70003784	1	Seal	
26	1001274559	1	Switch, Emergency Stop	
27	4460234	AR	Base, Mounting	
28	4460428	2	Connector, Strain Relief	
29	4460470	1	Nut, Terminal	
30	4460471	1	Washer, Terminal	
31	4460496	1	Washer, Terminal	
32	4460497	1	Washer	
35	4751400	8	Washer 1/4	
36	1001117174	1	Footswitch Assembly (See Separate Breakdown in this Section)	
37	1001120338	1	Mount, Connector	
39	1001125195	1	Decal - Function Speed	
41	1001155044	13	Nut 15/32-32	
42	1001155045	8	Switch, Toggle	
43	1001159256	1	Switch, Toggle	
44	1001161709	2	Switch, Toggle	
45	1001161710	2	Switch, Toggle	
46	1001275629	1	Controller Assembly - Lift and Swing	
47	1001172760	4	Bracket, Support	
48	1001185281	1	Plug	
49	1001220929	1	Mount, Connector	
50	1001242189	1	Harness, Console Box (Not Shown - See Separate Breakdown in ELECTRICAL Section)	
51	1001275628	1	Controller Assembly - Drive and Steer	
52	1001245916	1	Box, Console	
52A	0630568	1	Capscrew 3/8 x 4-1/2	
52B	3311601	1	Nut 3/8	

SECTION 5 - PLATFORM

ITEM	PART NUMBER	QTY	DESCRIPTION	REV
52C	3430616	2	Pin, Clevis	
52D	3470003	2	Pin, Hair	
52E	4711600	2	Washer, 3/8	
53	3520027	1	Plug	
54	1001206532	1	Lamp, Indicator	
55	4240099	AR	Tie-Strap (Not Shown)	

SECTION 5 - PLATFORM

FIGURE 5-16. FALL ARREST INSTALLATION (BOLT - ON EXTERNAL) 4FFT/1.22M PLATFORM)



ART_1001261338

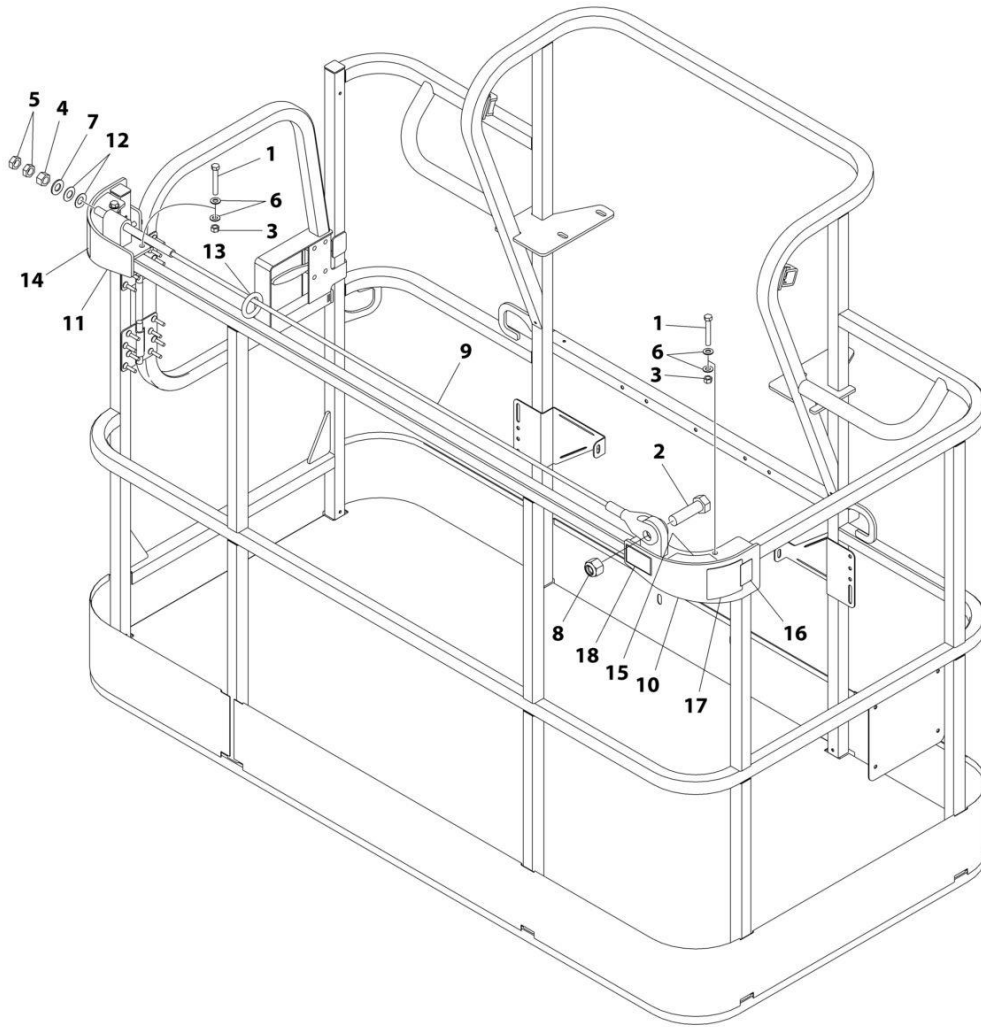
SECTION 5 - PLATFORM

FIGURE 5-16. FALL ARREST INSTALLATION (BOLT - ON EXTERNAL) 4FFT/1.22M PLATFORM)

ITEM	PART NUMBER	QTY	DESCRIPTION	REV
	1001261338	Ref	FALL ARREST INSTALLATION	A
1	0681620	6	Bolt 3/8 x 2-1/2	
2	0682424	1	Bolt 7/8 x 3	
3	3271605	6	Nut 3/8	
4	3272001	1	Nut 5/8	
5	3312002	2	Nut 5/8	
6	4711600	12	Washer 3/8	
7	4712000	1	Washer 5/8	
8	88521214	1	Nut 7/8	
9	1001236891	2	Washer	
10	1001236895	1	Ring	
11	1001238263	1	Decal - Warning Falling Hazard	
12	1001248140	1	Decal - Bolt Fall Arrest Re-Cert	
13	1001248141	1	Decal - Incription	
14	See Note	NSS	Nameplate - Manufacturers Serial Number (Note: Not Available for Purchase)	
15	1001252629	1	Decal - Weight	
16	1001257271	1	Bracket (RH)	
17	1001257274	1	Bracket (LH)	
18	1001261335	1	Rope	

SECTION 5 - PLATFORM

FIGURE 5-17. FALL ARREST INSTALLTION (BOLT-ON EXTERNAL) (6FT/1.82M PLATFORM)



ART_1001236747

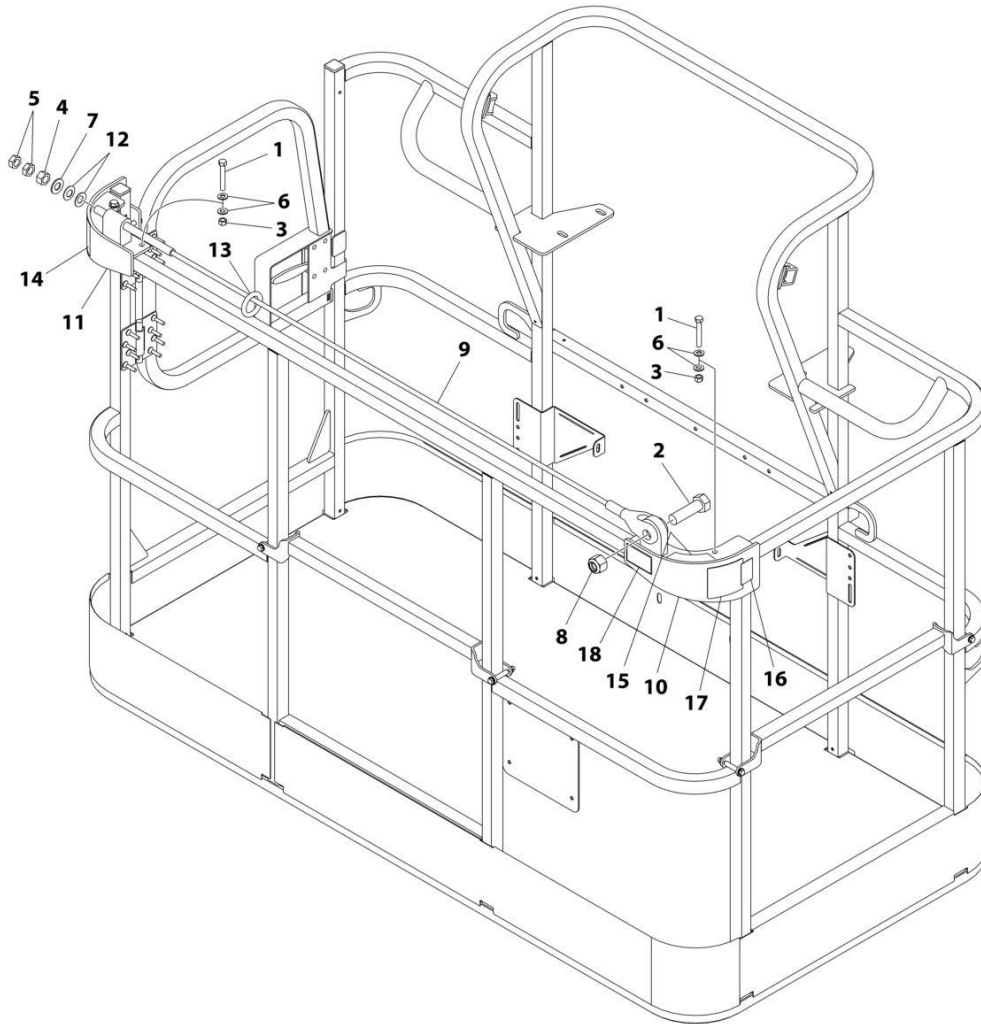
SECTION 5 - PLATFORM

FIGURE 5-17. FALL ARREST INSTALLTION (BOLT-ON EXTERNAL) (6FT/1.82M PLATFORM)

ITEM	PART NUMBER	QTY	DESCRIPTION	REV
	1001236747	Ref	FALL ARREST INSTALLATION (BOLT - ON) 6FT/1.82M PLATFORM	C
1	0681620	6	Bolt 3/8 x 2-1/2	
2	0682424	1	Bolt 7/8 x 3	
3	3271605	6	Nut 3/8	
4	3272001	1	Nut 5/8	
5	3312002	2	Nut 5/8	
6	4711600	12	Washer 3/8	
7	4712000	1	Washer 5/8	
8	88521214	1	Nut 7/8	
9	1001231950	1	Rope	
10	1001232010	1	Bracket (RH)	
11	1001232011	1	Bracket (LH)	
12	1001236891	2	Washer	
13	1001236895	1	Ring	
14	1001238263	1	Decal - Warning Falling Hazard	
15	1001252629	1	Decal - Weight	
16	1001248140	1	Decal - Bolt Fall Arrest Re-Cert	
17	1001248141	1	Decal - Inscription	

SECTION 5 - PLATFORM

FIGURE 5-18. FALL ARREST INSTALLTION (BOLT-ON EXTERNAL) (6FT/1.82M TRI-ENTRY PLATFORM)



ART_1001238463

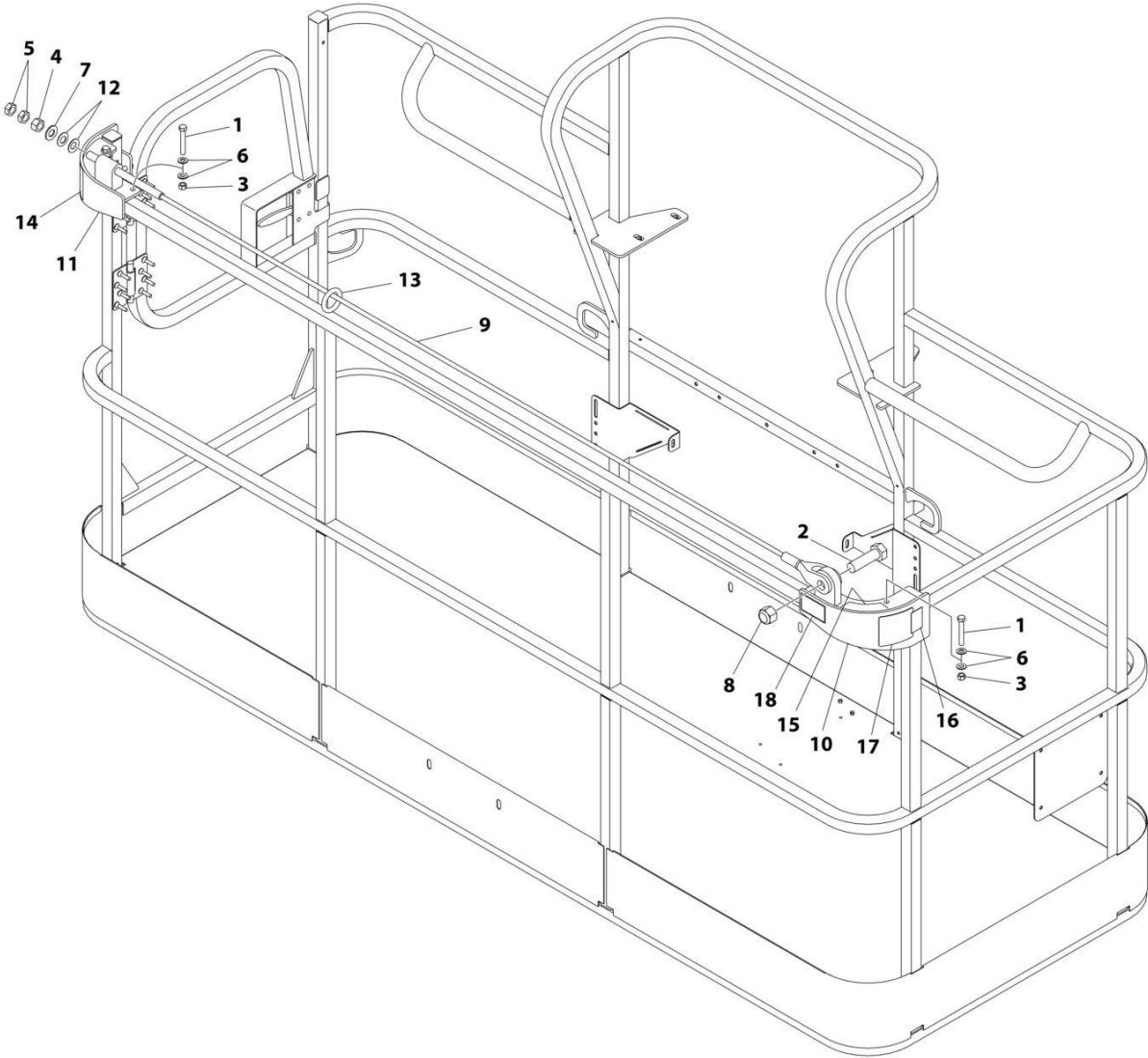
SECTION 5 - PLATFORM

FIGURE 5-18. FALL ARREST INSTALLTION (BOLT-ON EXTERNAL) (6FT/1.82M TRI-ENTRY PLATFORM)

ITEM	PART NUMBER	QTY	DESCRIPTION	REV
	1001238463	Ref	FALL ARREST INSTALLATION (BOLT - ON) 6FT/1.82M PLATFORM	C
1	0681620	6	Bolt 3/8 x 2-1/2	
2	0682424	1	Bolt 7/8 x 3	
3	3271605	6	Nut 3/8	
4	3272001	1	Nut 5/8	
5	3312002	2	Nut 5/8	
6	4711600	12	Washer 3/8	
7	4712000	1	Washer 5/8	
8	88521214	1	Nut 7/8	
9	1001231950	1	Rope	
10	1001232010	1	Bracket (RH)	
11	1001232011	1	Bracket (LH)	
12	1001236891	2	Washer	
13	1001236895	1	Ring	
14	1001238263	1	Decal - Warning Falling Hazard	
15	1001252629	1	Decal - Weight	
16	1001248140	1	Decal - Bolt Fall Arrest Re-Cert	
17	1001248141	1	Decal - Inscription	

SECTION 5 - PLATFORM

FIGURE 5-19. FALL ARREST INSTALLTION (BOLT-ON EXTERNAL) (8FT/2.4M PLATFORM)



ART_1001236746

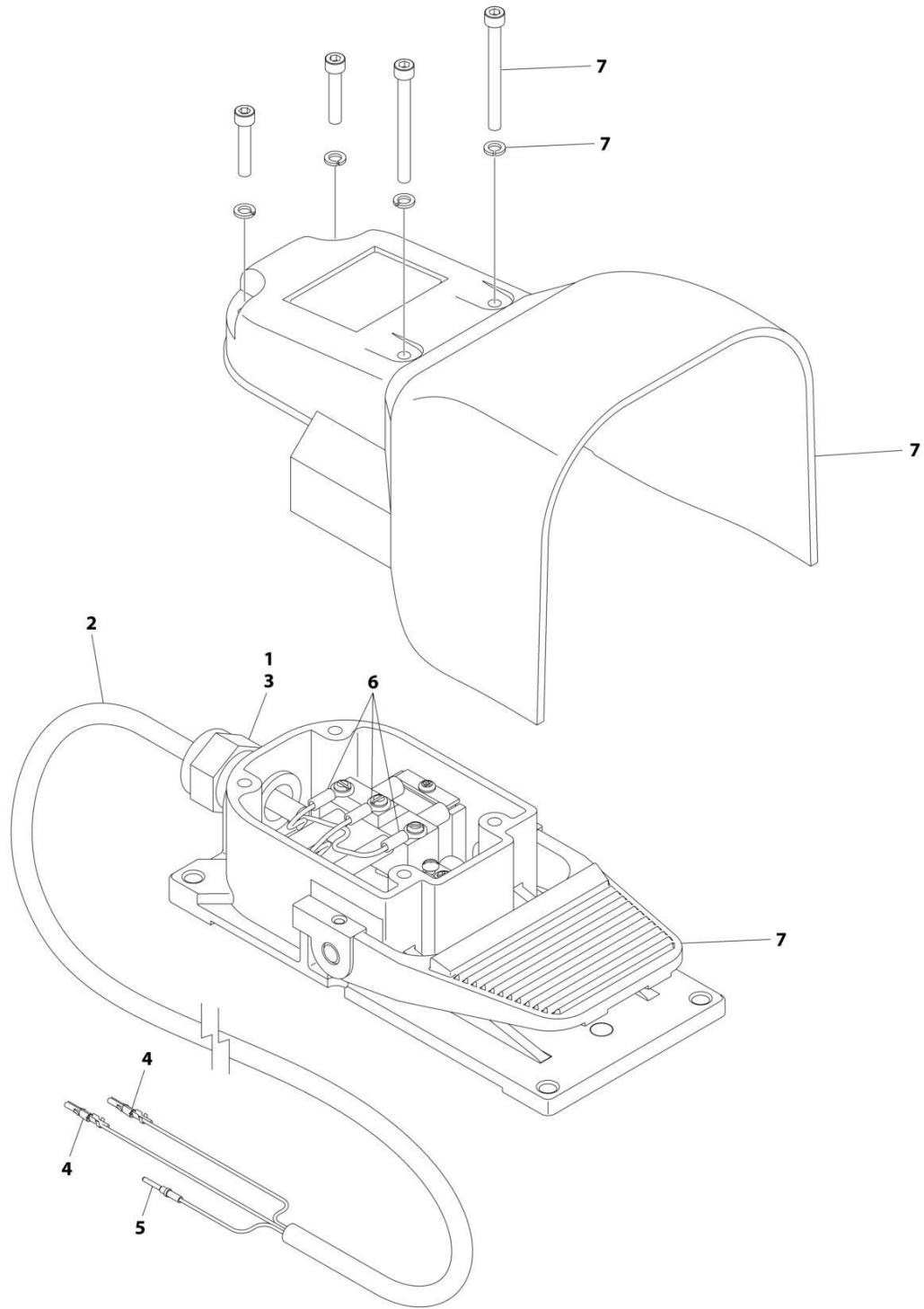
SECTION 5 - PLATFORM

FIGURE 5-19. FALL ARREST INSTALLTION (BOLT-ON EXTERNAL) (8FT/2.4M PLATFORM)

ITEM	PART NUMBER	QTY	DESCRIPTION	REV
	1001236746	Ref	FALL ARREST INSTALLATION (BOLT - ON) 8FT/2.4M PLATFORM	C
1	0681620	6	Bolt 3/8 x 2-1/2	
2	0682424	1	Bolt 7/8 x 3	
3	3271605	6	Nut 3/8	
4	3272001	1	Nut 5/8	
5	3312002	2	Nut 5/8	
6	4711600	12	Washer 3/8	
7	4712000	1	Washer 5/8	
8	88521214	1	Nut 7/8	
9	1001231949	1	Rope	
10	1001232010	1	Bracket (RH)	
11	1001232011	1	Bracket (LH)	
12	1001236891	2	Washer	
13	1001236895	1	Ring	
14	1001238263	1	Decal - Warning Falling Hazard	
15	1001252629	1	Decal - Weight 23LBS/10.4KG	
16	1001248140	1	Decal - Bolt Fall Arrest Re-Cert	
17	1001248141	1	Decal - Inscription	

SECTION 5 - PLATFORM

FIGURE 5-20. FOOTSWITCH ASSEMBLY



ART_100117174

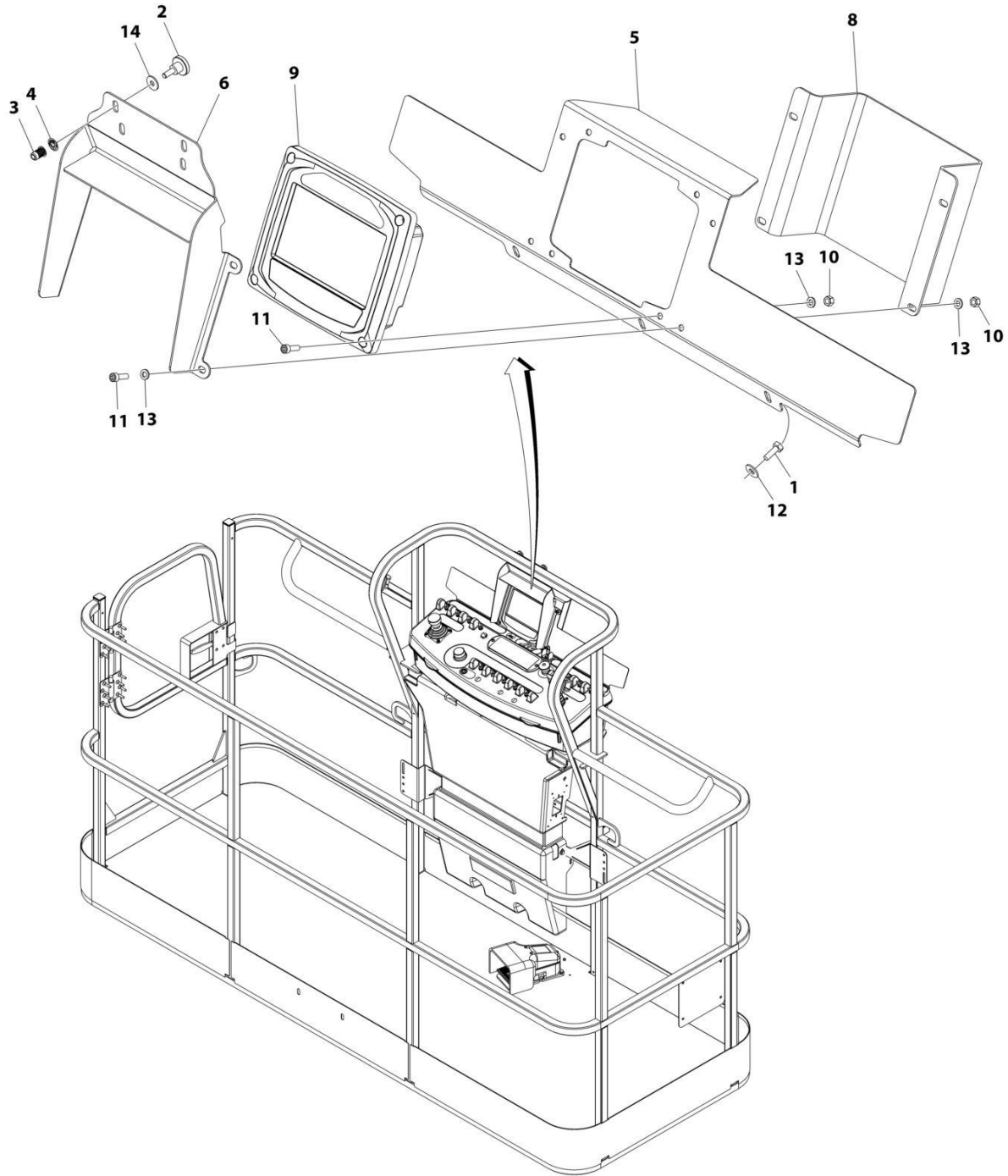
SECTION 5 - PLATFORM

FIGURE 5-20. FOOTSWITCH ASSEMBLY

ITEM	PART NUMBER	QTY	DESCRIPTION	REV
	1001117174	Ref	FOOTSWITCH ASSEMBLY	C
1	0100020	AR	Sealant	
2	1060918	7.5 ft/ 2.3m	Cable, Electrical - 18/3	
3	4460071	1	Connector, Strain Relief	
4	4460226	2	Socket, Female	
5	4460464	1	Pin, Male	
6	1001098122	3	Terminal	
7	1001117172	1	Footswitch	
7	70002902	1	Switch, 20Amp	
7	70002903	1	Gasket	
7	70002905	1	Cover	
7	70002904	1	Kit, Replacement Bolt	

SECTION 5 - PLATFORM

FIGURE 5-21. LCD DISPLAY INSTALLATION



ART_1001215375

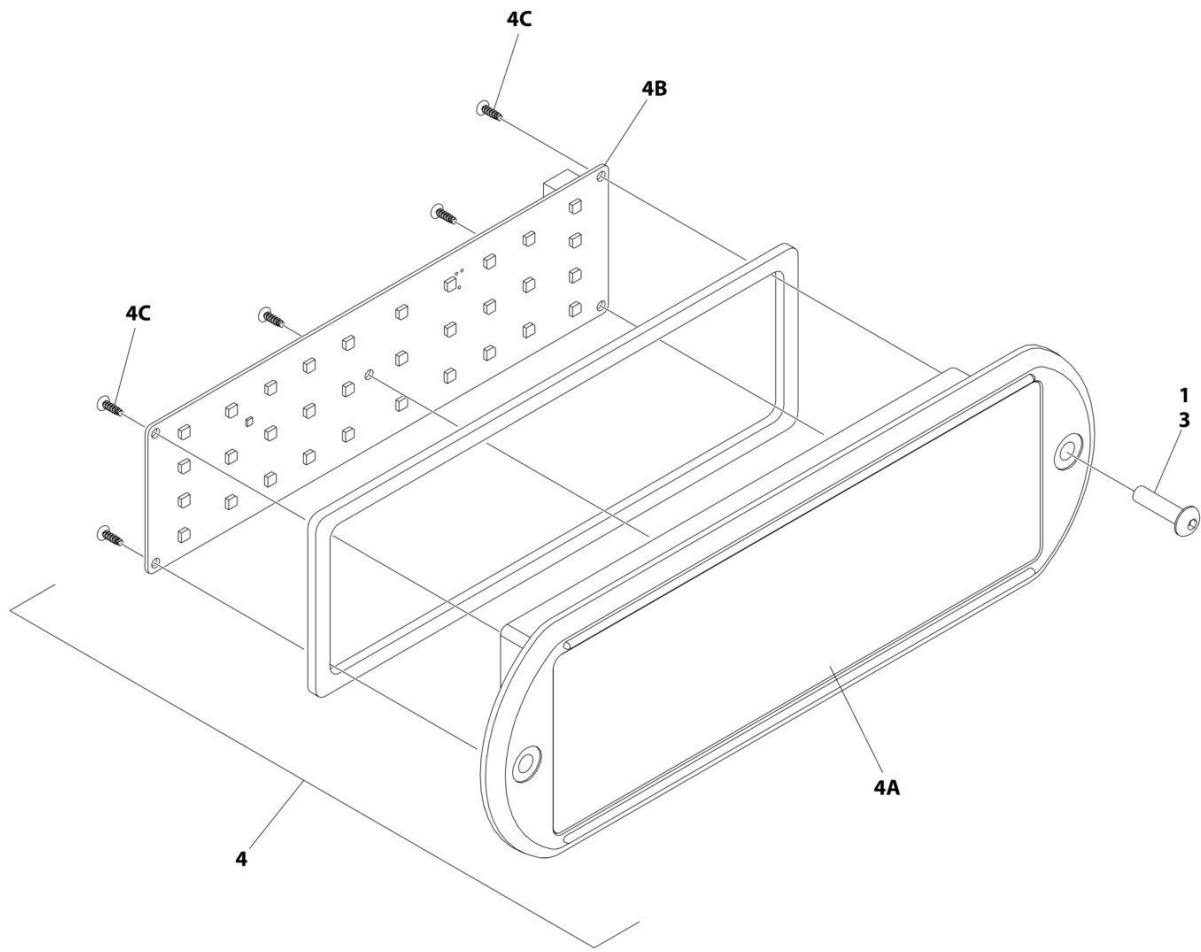
SECTION 5 - PLATFORM

FIGURE 5-21. LCD DISPLAY INSTALLATION

ITEM	PART NUMBER	QTY	DESCRIPTION	REV
	1001215375	Ref	LCD DISPLAY INSTALLATION	A
1	0641406001	3	Bolt 1/4 x 3/4	
2	1001173609	2	Screw, Thumb M6 x 16	
3	1001176636	2	Rivet, Nut M6	
4	1001177635	2	Nut M6	
5	1001215379	1	Bracket, Mounting	
6	1001215380	1	Bracket, Visor	
7	1001220482	1	Harness, LCD Display (Not Shown - See Separate Breakdown in ELECTRICAL SECTION)	
8	1001228976	1	Cover	
9	1001229485	1	Electrical Assembly	
9	1001220955	1	Gauge, LCD Display	
9	1001176582	1	Decal - Platform Display	
9	1001180491	4	Screw #10	
9	1001229922	1	Screen Protector, LCD Display	
10	3290605001	8	Nut M6	
11	4031708001	8	Bolt M6 x 20	
12	4751400001	3	Washer 1/4	
13	4811700001	12	Washer M6	
14	4811702001	2	Washer M6	

SECTION 5 - PLATFORM

FIGURE 5-22. LIGHT PANEL INSTALLATION - PLATFORM CONSOLE



ART_1001233959_C_20F2

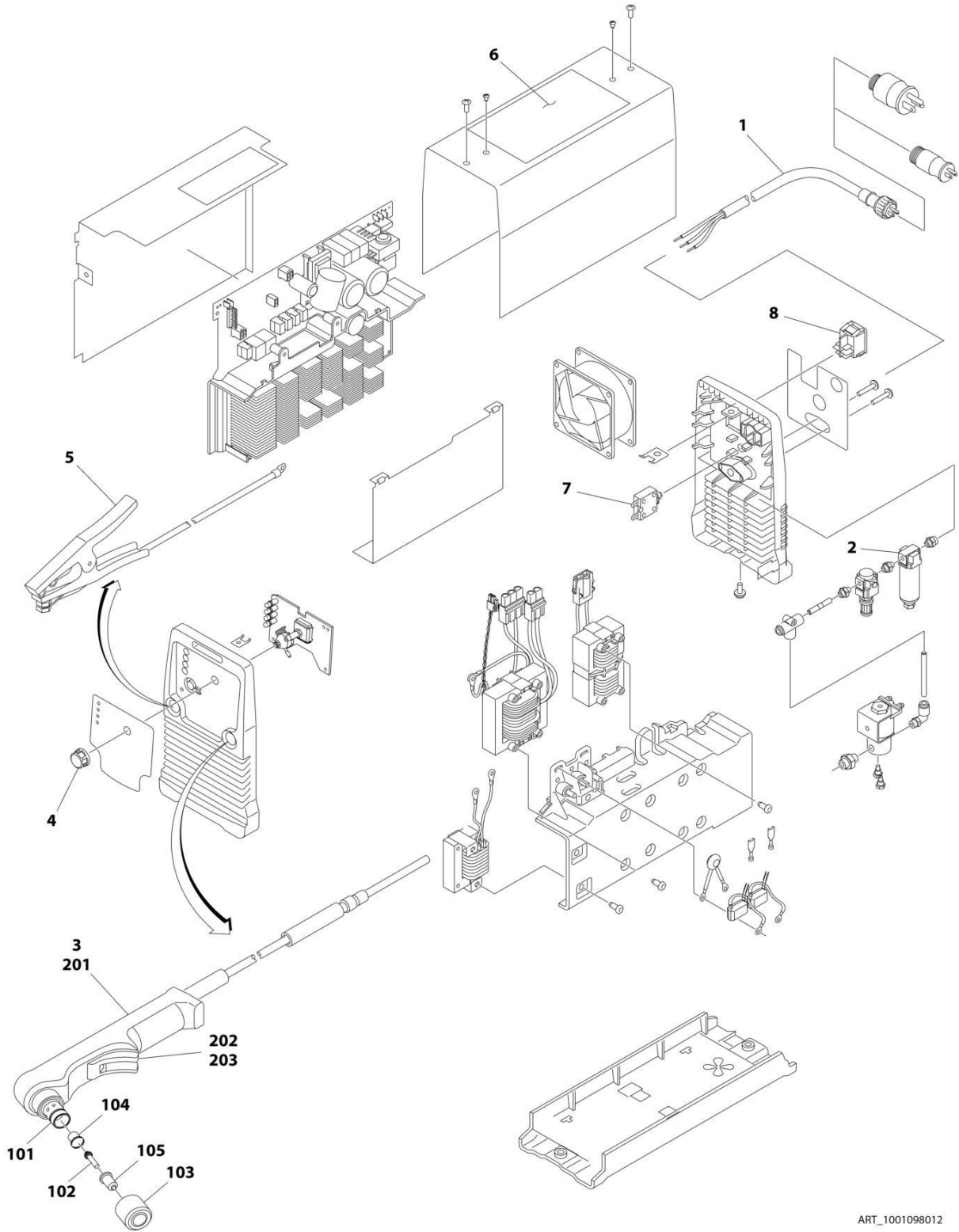
SECTION 5 - PLATFORM

FIGURE 5-22. LIGHT PANEL INSTALLATION - PLATFORM CONSOLE

ITEM	PART NUMBER	QTY	DESCRIPTION	REV
	1001233959	Ref	LIGHT PANEL INSTALLATION - PLATFORM CONSOLE	C
1	0100035	AR	Compound, Locking	
3	0630518	2	Screw #10 x 3/4	
4	1001237544	1	Light Panel Assembly	H
4A	1001236087	1	Lens, I-Con	
4B	1001187807	1	Panel, LED Light	
4C		Ref	Screw	

SECTION 5 - PLATFORM

FIGURE 5-23. PLASMA CUTTER ASSEMBLY



ART_1001098012

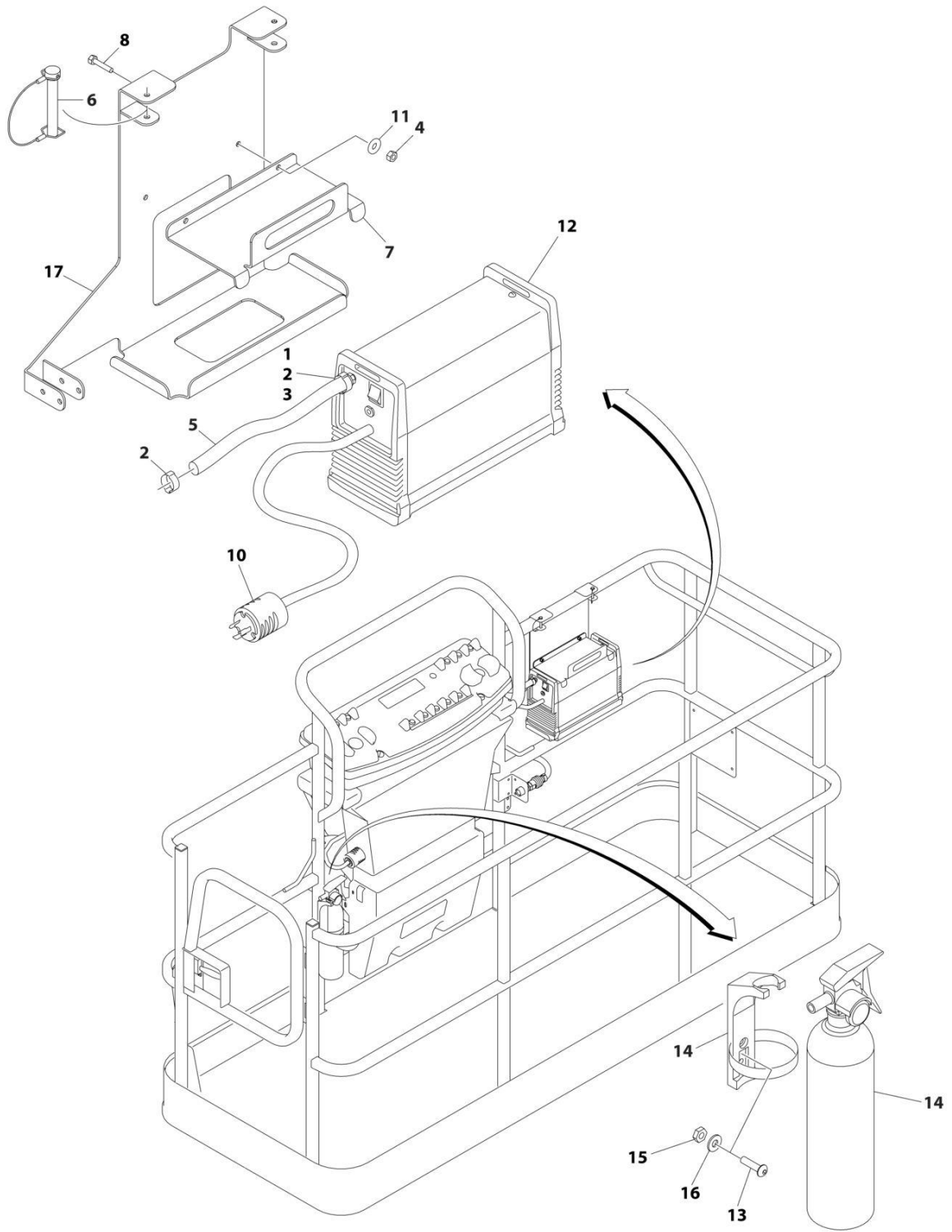
SECTION 5 - PLATFORM

FIGURE 5-23. PLASMA CUTTER ASSEMBLY

ITEM	PART NUMBER	QTY	DESCRIPTION	REV
	1001098012	Ref	PLASMA CUTTER ASSEMBLY	A
		Ref	Note: For Other Components, contact your Miller Welder Dealer.	
1	70001424	1	Cable, Power	
1	70001425	1	Decal - Voltage Warning	
2	70001427	1	Filter, Regulator	
3	70001428	1	Torch Assembly (See Items 101-203 for Breakdown)	
4	7024471	1	Knob	
5	70001429	1	Clamp with Cable	
6	70001430	1	Decal - Caution	
7	70001431	1	Breaker, Circuit	
8	70001432	1	Switch, Rocker	
	70001428	Ref	TORCH ASSEMBLY	
101	7024530	1	O-Ring	
102	7024531	1	Electrode	
103	7024532	1	Cup, Retaining	
104	7024533	1	Swirl Ring	
105	7024534	1	Tip	
201	7024535	1	Handle, Torch	
202	7024536	1	Switch	
203	7024537	1	Trigger	

SECTION 5 - PLATFORM

FIGURE 5-24. SKYCUTTER INSTALLATION



ART_1001098149_D

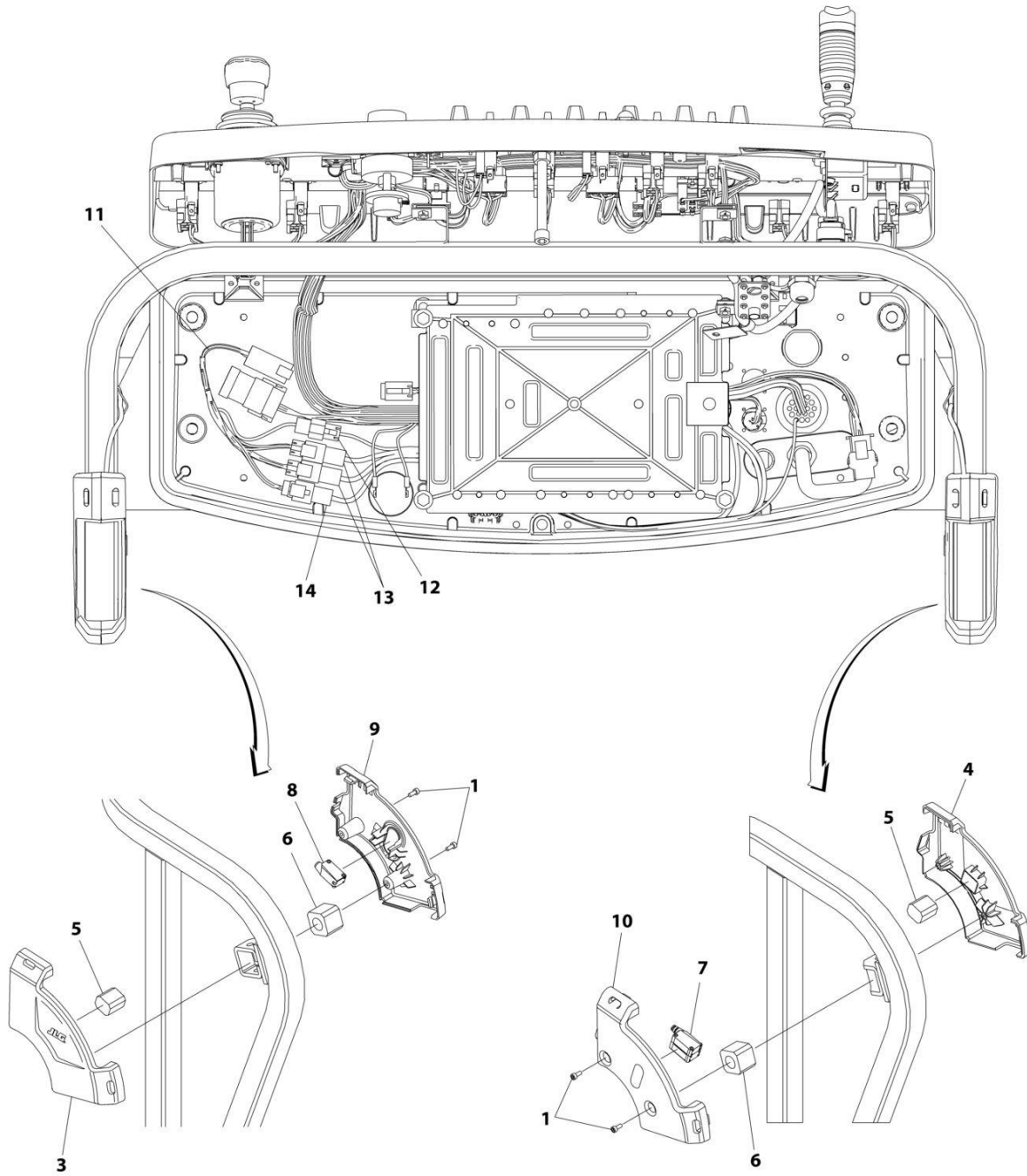
SECTION 5 - PLATFORM

FIGURE 5-24. SKYCUTTER INSTALLATION

ITEM	PART NUMBER	QTY	DESCRIPTION	REV
	1001098149	Ref	SKYCUTTER INSTALLATION	D
		Ref	Note: When replacing platform on machines with SkyCutter option, new bracket p/n 1001145405 must be purchased to accommodate SkyCutter components.	
1	0100020	AR	Sealant	
2	1320177	2	Clamp, Hose	
3	2180832	1	Fitting, NPT/Barbed	
4	3290605	2	Nut M6	
5	2720160	3 ft /.9m	Hose	
6	3421453	3	Pin	
7	3576799	1	Plate, Hold-Down	
8	4010608	2	Screw M6 x 16	
10	4460971	1	Plug, Twistlock	
11	4811700	2	Washer M6	
12	1001098012	1	Plasma Cutter Assembly (See Separate Breakdown in this Section)	
13	0630518	2	Screw #10 x 3/4	
14	2030010	1	Extinguisher, Fire	
15	3311005	2	Nut #10	
16	4751000	2	Washer #10	
17	1001145405	1	Support	

SECTION 5 - PLATFORM

FIGURE 5-25. SKYEYE INSTALLATION



ART_1001229341

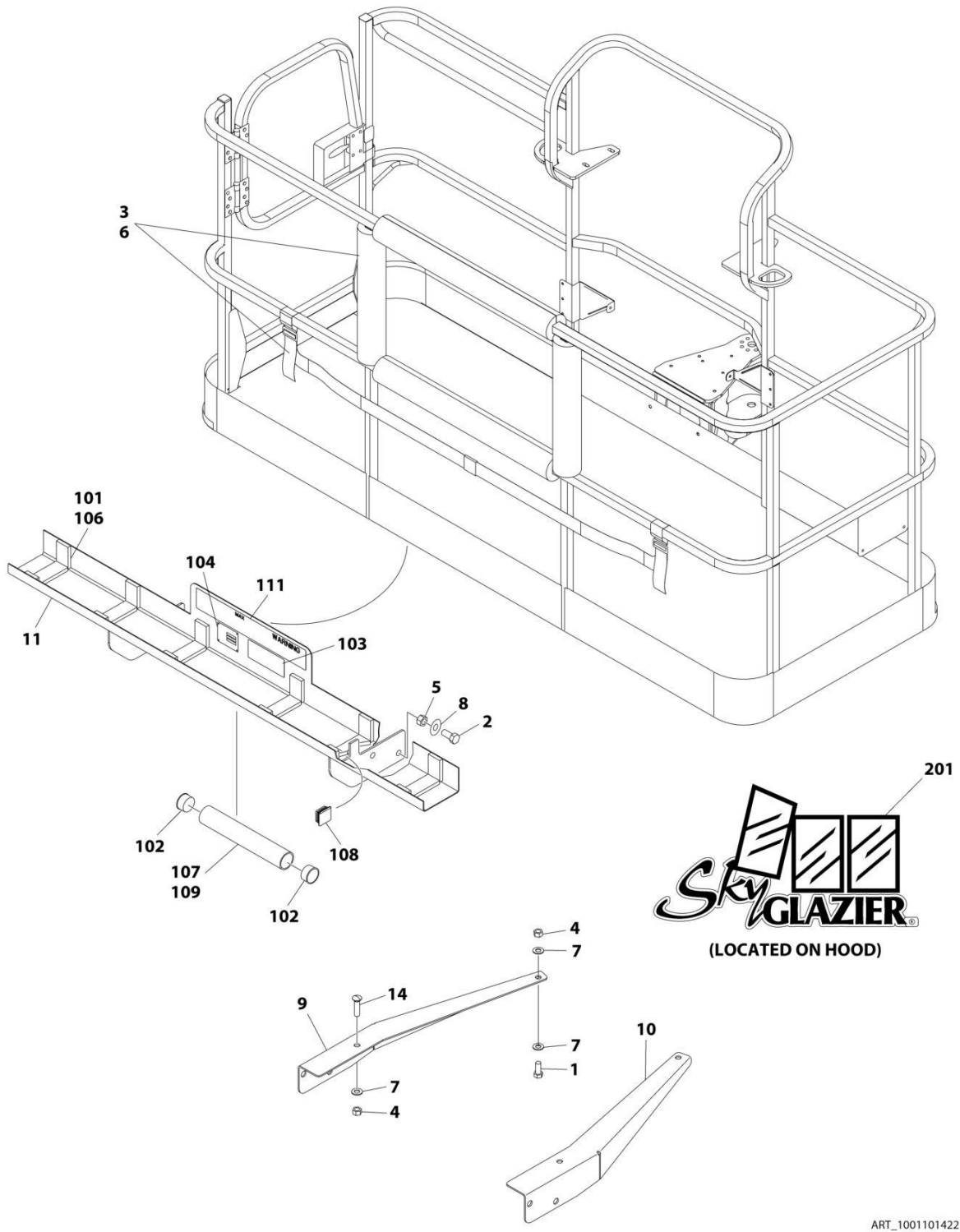
SECTION 5 - PLATFORM

FIGURE 5-25. SKYEYE INSTALLATION

ITEM	PART NUMBER	QTY	DESCRIPTION	REV
	1001229341	Ref	SKYEYE INSTALLATION	B
1	4031505	4	Bolt M4 x 10	
2	4240033	AR	Tie-Strap (Not Shown)	
3	1001227633	1	Housing, LH Outer	
4	1001227634	1	Housing, RH Outer	
5	1001227985	2	Shim	
6	1001227987	2	Shim	
7	1001228224	2	Sensor, Receiver	
8	1001228225	1	Sensor, Emitter	
9	1001232164	1	Housing, LH Inner	
10	1001232165	1	Housing, RH Inner	
11	1001237865	1	Harness, Skyeeye Intermediate (See Separate Breakdown in ELECTRICAL Section)	
12	1001238319	NLA	Harness, Skyeeye Drain Jumper	
12	1001187674	1	Plug, Male - 2 Position	
12	4460942	1	Terminal	
12	4460466	1	Plug, Terminal	
12	4460508	1	Pin, Male	
13	1001237863	2	Harness, Skyeeye Receiver (See Separate Breakdown in ELECTRICAL Section)	
14	1001237864	1	Harness, Skyeeye Emitter (See Separate Breakdown in ELECTRICAL Section)	

SECTION 5 - PLATFORM

FIGURE 5-26. SKYGLAZIER INSTALLATIONS (ANSI, AUSTRALIAN AND CSA SPECS)



ART_1001101422

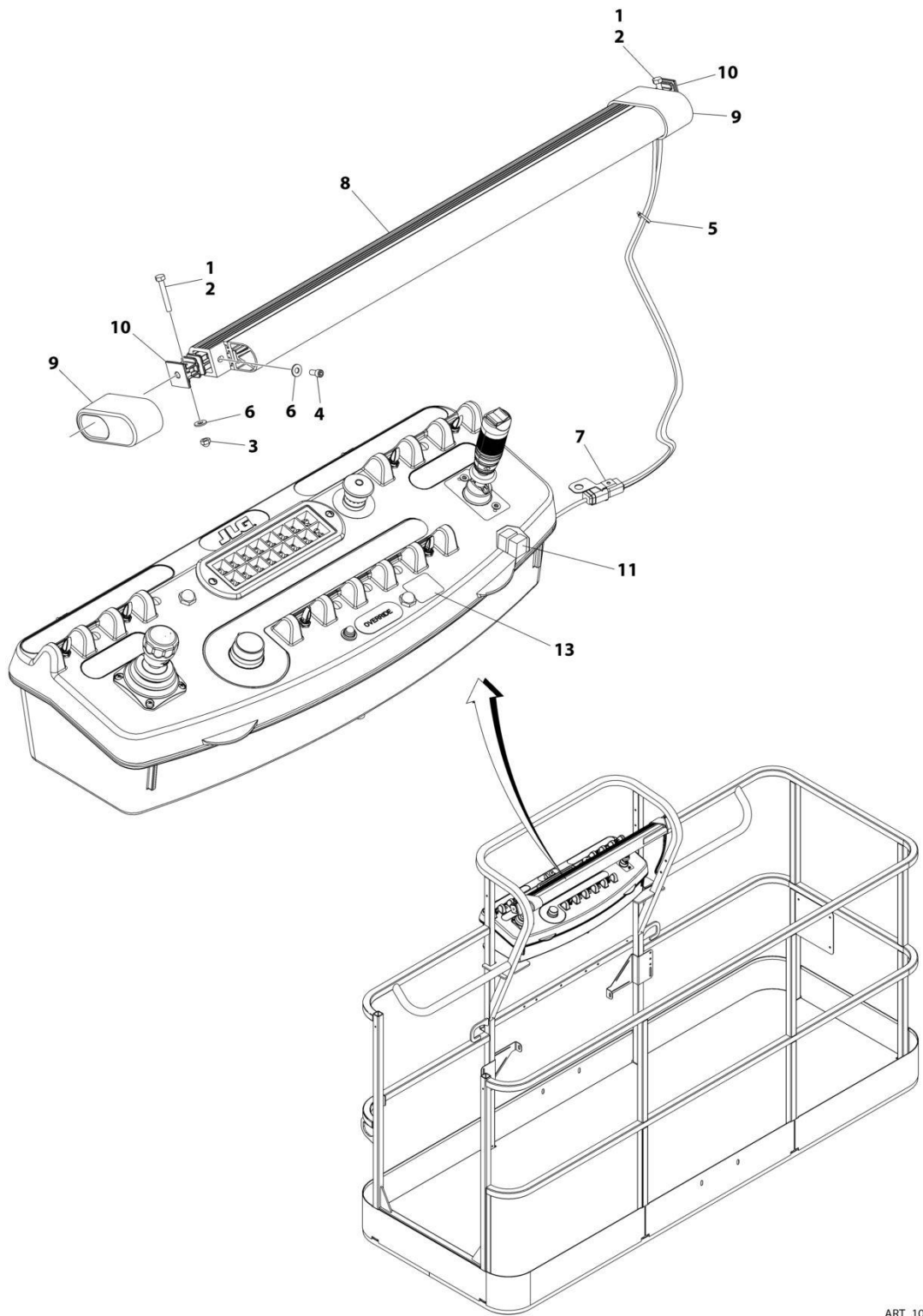
SECTION 5 - PLATFORM

FIGURE 5-26. SKYGLAZIER INSTALLATIONS (ANSI, AUSTRALIAN AND CSA SPECS)

ITEM	PART NUMBER	QTY	DESCRIPTION	REV
	1001101422	Ref	SKYGLAZIER INSTALLATION	C
1	0642012	2	Bolt 5/8 x 1-1/2	
2	0642212	4	Bolt 3/4 x 1-1/2	
3	2902212	1	Bumpers and Strap Kit	
3	0940102	1	Bumper Only	
3	4240149	1	Strap Only	
4	3312005	4	Nut 5/8	
5	3312205	4	Nut 3/4	
6	4420014	AR	Tape	
7	4712000	6	Washer 5/8	
8	4712200	8	Washer 3/4	
9	1001099366	1	Support	
10	1001099367	1	Support	
11	1001101421	1	Tray Assembly (See Items 101-111 for Breakdown)	
14	8310129	2	Bolt 3/4 x 2-1/2	
	1001101421	Ref	TRAY ASSEMBLY	F
101	0100081	AR	Adhesive	
102	1120555	2	Cap, Tube	
103	1701509	1	Decal - Manual	
104	See Note	NSS	Nameplate - Serial Number (Note: Not Available for Purchase)	
106	3340956	1	Pad Kit	
107	3460334	1	Tube	
108	3520071	2	Plug	
109	4420066	AR	Tape, Double Sided	
111	1001163131	2	Decal - Glazier Capacity	
	0272418	Ref	SKYGLAZIER DECAL INSTALLATION	4
201	1705358	2	Decal - SkyGlazier	

SECTION 5 - PLATFORM

FIGURE 5-27. SKYGUARD BAR INSTALLATION



ART_1001238495

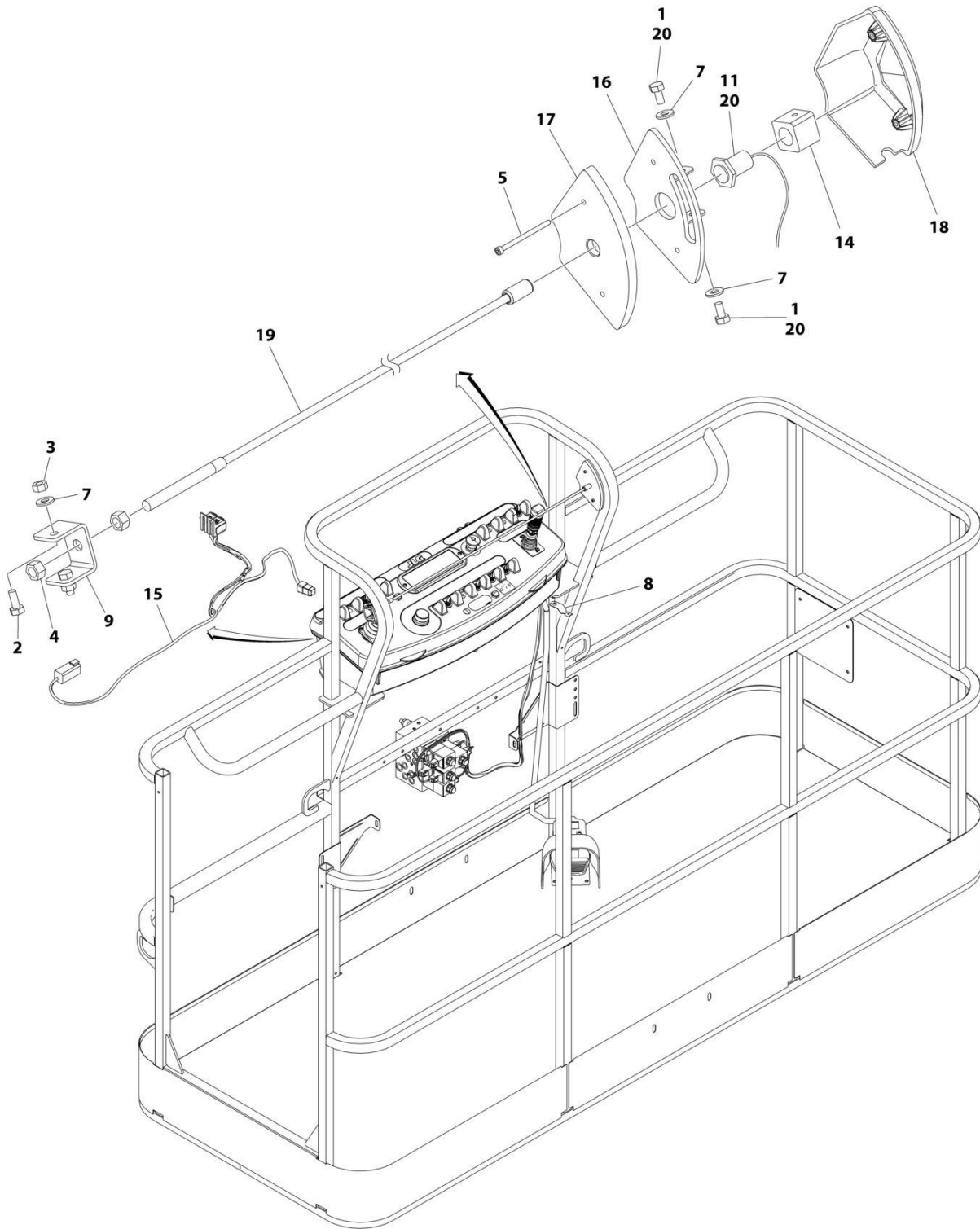
SECTION 5 - PLATFORM

FIGURE 5-27. SKYGUARD BAR INSTALLATION

ITEM	PART NUMBER	QTY	DESCRIPTION	REV
	1001238495	Ref	SKYGUARD BAR INSTALLATION	A
1	0100011	AR	Compound, Locking	
2	0641414	2	Bolt 1/4 x 1-3/4	
3	3300430	2	Nut 1/4	
4	3931408	2	Capscrew 1/4 x 1/2	
5	4240033	8	Tie-Strap	
6	4711400	6	Washer 1/4	
7	1001120328	1	Mount	
8	1001137673	1	SkyGuard Switch Assembly	
9	1001186517	2	Cover, Platform Sensor	
10	1001209664	2	Support, Block	
11	1001186431	2	Relay	
12	1001225580	1	Interface Harness Assembly (Not Shown - Located Inside Console Box) (See Separate Breakdown in ELECTRICAL Section)	
13	1001144433	1	Decal - No Weight SkyGuard	

SECTION 5 - PLATFORM

FIGURE 5-28. SKYLINE INSTALLATION



ART_1001238559_D

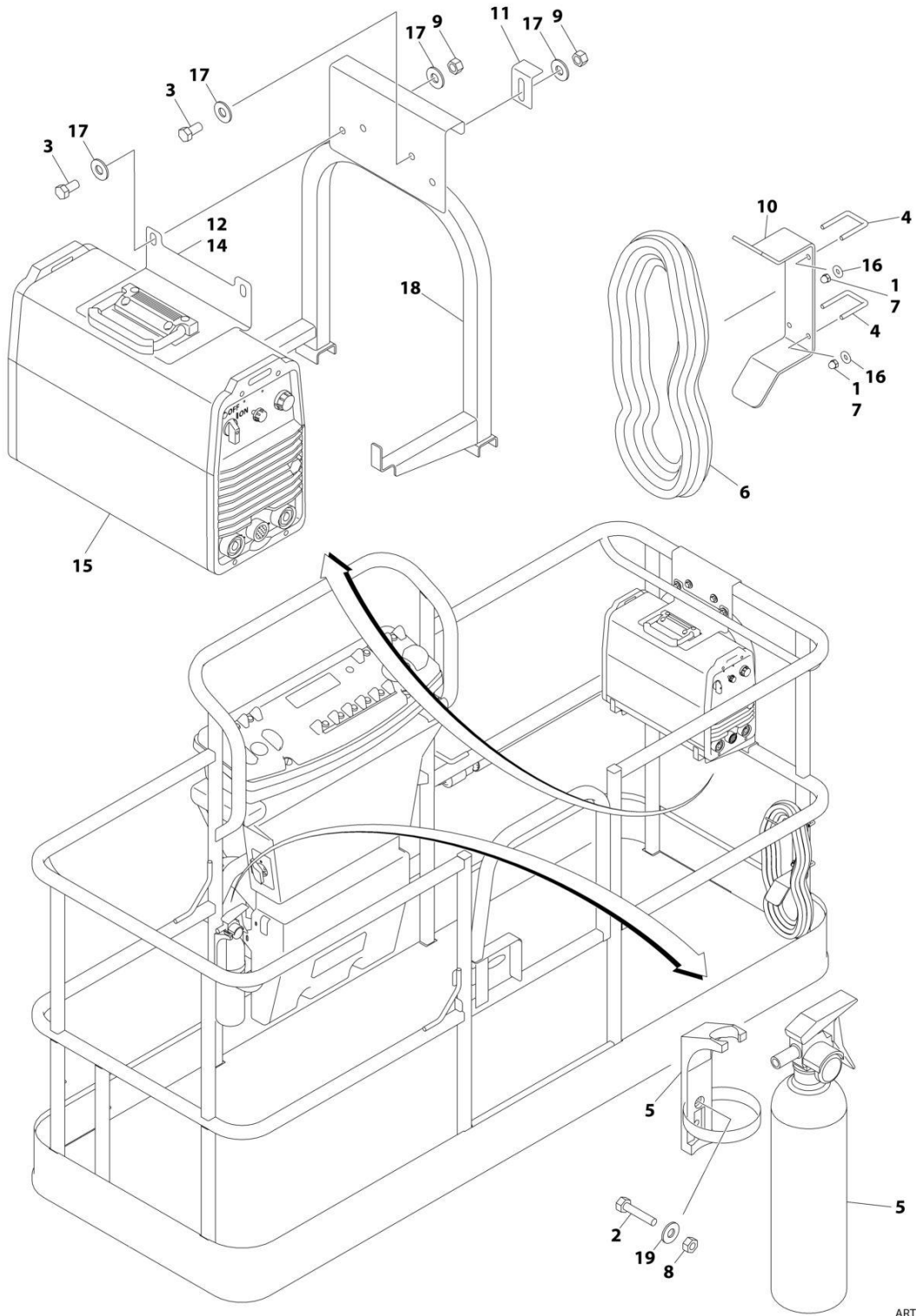
SECTION 5 - PLATFORM

FIGURE 5-28. SKYLINE INSTALLATION

ITEM	PART NUMBER	QTY	DESCRIPTION	REV
	1001238559	Ref	SKYLINE INSTALLATION	D
1	0641404	2	Bolt 1/4 x 1/2	
2	0641405	2	Bolt 1/4 x 5/8	
3	3311405	2	Nut 1/4	
4	3311601	2	Nut 3/8	
5	4031516	2	Capscrew M4 x 60	
6	4240033	AR	Tie-Strap (Not Shown)	
7	4711400	4	Washer 1/4	
8	1001120328	1	Mount	
9	1001232642	1	Bracket	
11	1001232667	1	Sensor, Proximity	
11	1001311034	1	Sensor, Proximity	
14	1001236552	1	Block	
15	1001238418	1	Harness, Skyline (See Separate Breakdown in ELECTRICAL Section)	
16	1001238472	1	Mount	
17	1001254473	1	Housing, LH	
18	1001241965	1	Housing, RH	
19	1001254472	1	Rod	
20	0100011	AR	Compound, Locking	

SECTION 5 - PLATFORM

FIGURE 5-29. SKYWELDER INSTALLATION (50HZ)



ART_0272521_F

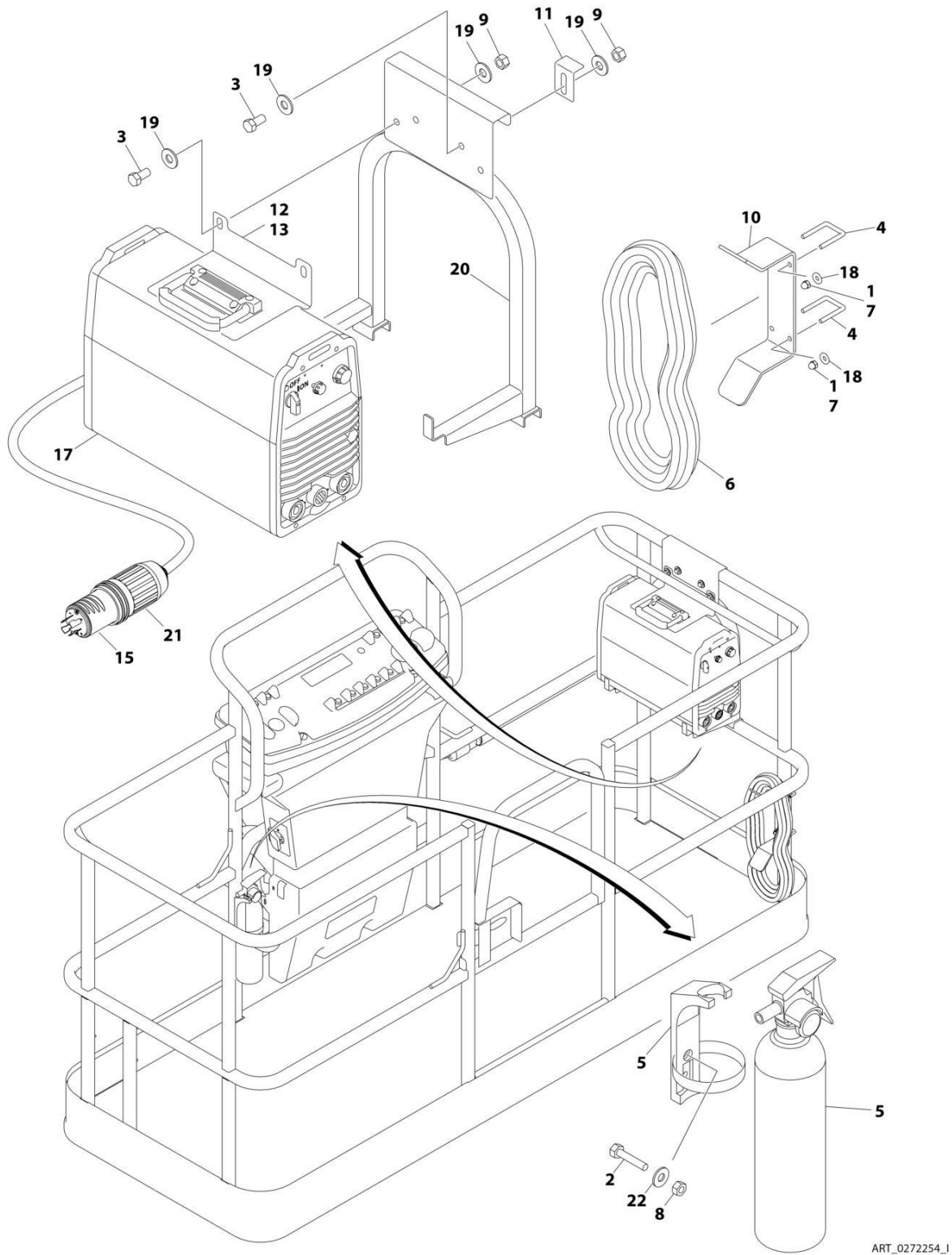
SECTION 5 - PLATFORM

FIGURE 5-29. SKYWELDER INSTALLATION (50HZ)

ITEM	PART NUMBER	QTY	DESCRIPTION	REV
	0272521	Ref	SKYWELDER INSTALLATION	F
1	0100011	AR	Compound, Locking	
2	0630518	2	Screw #10 x 3/4	
3	0641606	4	Bolt 3/8 x 3/4	
4	1320302	2	U-Clamp	
5	2030010	1	Extinguisher, Fire	
6	2902217	1	Weld Leads Kit	
7	3300151	4	Nut 1/4	
8	3311005	2	Nut #10	
9	3311605	4	Nut 3/8	
10	3573400	1	Bracket	
11	3577121	2	Angle	
12	3573642	1	Plate	
13	4240099	AR	Tie-Strap (Not Shown)	
14	4420037	AR	Tape	
15	4530028	1	Welder Assembly (See Separate Breakdown in this Section)	
16	4751400	4	Washer 1/4	
17	4751600	8	Washer 3/8	
18	4846627	1	Support	
19	4751000	2	Washer #10	

SECTION 5 - PLATFORM

FIGURE 5-30. SKYWELDER INSTALLATION (60HZ)



ART_0272254_I

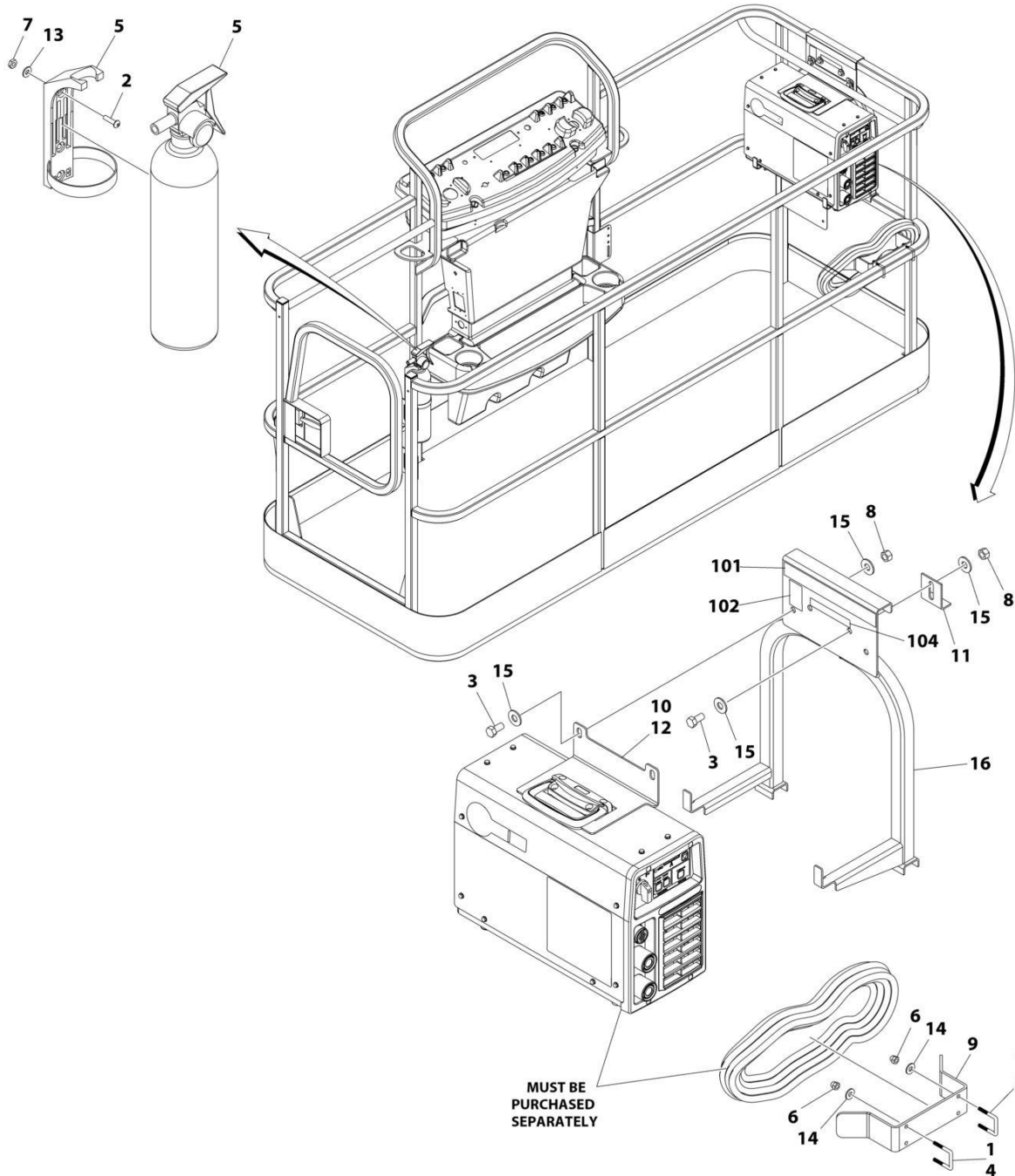
SECTION 5 - PLATFORM

FIGURE 5-30. SKYWELDER INSTALLATION (60HZ)

ITEM	PART NUMBER	QTY	DESCRIPTION	REV
	0272254	Ref	SKYWELDER INSTALLATION	1
1	0100011	AR	Compound, Locking	
2	0630518	2	Screw #10 x 3/4	
3	0641606	4	Bolt 3/8 x 3/4	
4	1320302	2	U-Clamp	
5	2030010	1	Extinguisher, Fire	
6	2902217	1	Weld Leads Kit	
7	3300151	4	Nut 1/4	
8	3311005	2	Nut #10	
9	3311605	4	Nut 3/8	
10	3573400	1	Bracket	
11	3577121	2	Angle	
12	3573642	1	Plate	
13	4420037	AR	Tape	
14	4240099	AR	Tie-Strap (Not Shown)	
15	4460962	1	Plug, Male Twistlock	
17	4530028	1	Welder Assembly (See Separate Breakdown in this Section)	
18	4751400	4	Washer 1/4	
19	4751600	8	Washer 3/8	
20	4846627	1	Support	
21	1671093	1	Cover, Plug	
22	4751000	2	Washer #10	

SECTION 5 - PLATFORM

FIGURE 5-31. SKYWELDER PREP PACKAGE (60HZ)



ART_1001128527_C

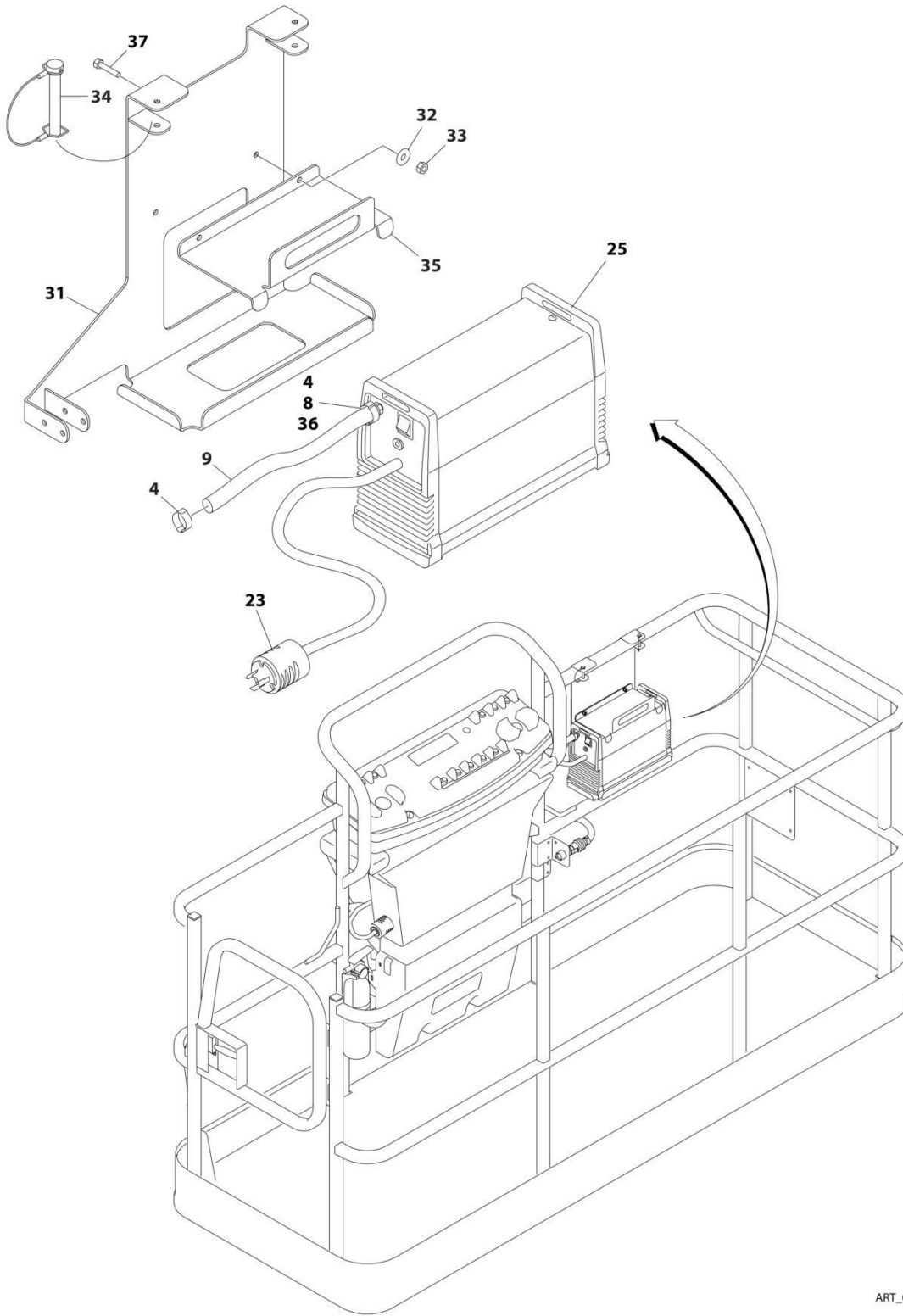
SECTION 5 - PLATFORM

FIGURE 5-31. SKYWELDER PREP PACKAGE (60HZ)

ITEM	PART NUMBER	QTY	DESCRIPTION	REV
	1001128527	Ref	SKYWELDER PREP PACKAGE	C
1	0100011	AR	Compound, Locking	
2	0630518	2	Screw #10 x 3/4	
3	0641606	4	Bolt 3/8 x 3/4	
4	1320302	2	U-Clamp	
5	2030010	1	Extinguisher, Fire	
6	3300151	4	Nut 1/4	
7	3311005	2	Nut #10	
8	3311605	4	Nut 3/8	
9	3573400	1	Bracket	
10	1001269573	1	Plate	
11	3577121	2	Angle	
12	4420037	AR	Tape	
13	4751000	2	Washer #10	
14	4751400	4	Washer 1/4	
15	4751600	8	Washer 3/8	
16	1001269322	1	Support	
	1001128556	Ref	SKYWELDER DECAL INSTALLATION	D
101	1702868	1	Decal - No Hands	
102	1705305	1	Decal - Weld Lead	
104	1001228988	1	Decal - Weight	

SECTION 5 - PLATFORM

FIGURE 5-32. SKYWELDER/SKYCUTTER COMBO INSTALLATION (60HZ)



ART_0273353_20F2

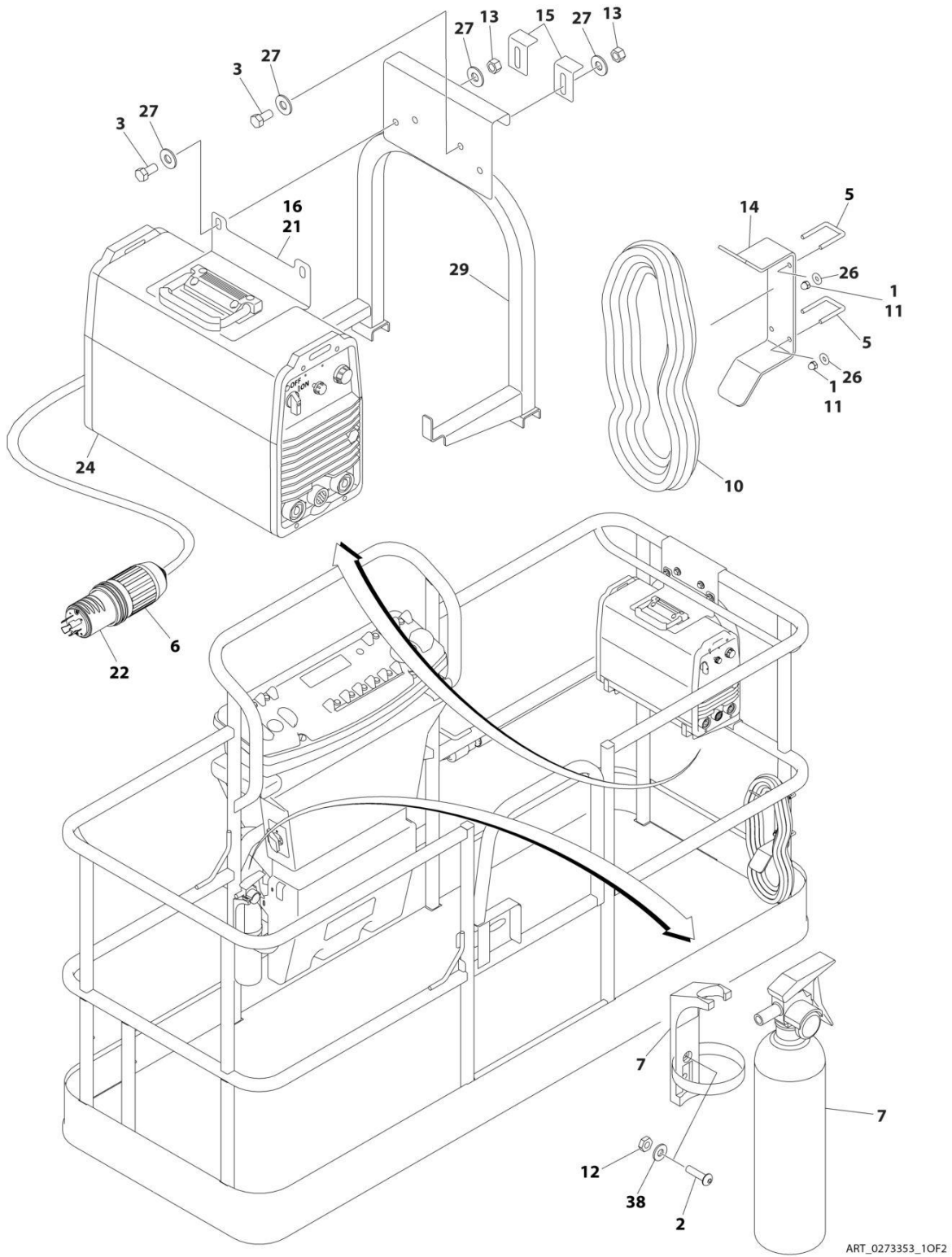
SECTION 5 - PLATFORM

FIGURE 5-32. SKYWELDER/SKYCUTTER COMBO INSTALLATION (60HZ)

ITEM	PART NUMBER	QTY	DESCRIPTION	REV
	0273353	Ref	SKYWELDER/SKYCUTTER COMBO INSTALLATION (60HZ)	G
1	0100011	AR	Compound, Locking	
2	0630518	2	Screw #10 x 3/4	
3	0641606	4	Bolt 3/8 x 3/4	
4	1320177	2	Clamp	
5	1320302	2	Clamp	
6	1671093	1	Cover, Plug	
7	2030010	1	Extinguisher, Fire	
8	2180832	1	Fitting, Barbed/NPT	
9	2720160	4.5 ft /1.37m	Hose	
10	2902217	1	Weld Leads Kit	
11	3300151	4	Nut 1/4	
12	3311005	2	Nut #10	
13	3311605	4	Nut 3/8	
14	3573400	1	Bracket	
15	3577121	2	Angle	
16	3573642	1	Plate	
20	4240099	AR	Tie-Strap (Not Shown)	
21	4420037	2.36 ft /.71m	Tape	
22	4460962	1	Plug, Twist Lock	
23	4460971	1	Plug, Twist Lock	
24	4530028	1	Welder Assembly (See Separate Breakdown in this section)	
25	1001098012	1	Plasma Cutter Assembly (See Separate Breakdown in this Section)	
26	4751400	4	Washer 1/4	
27	4751600	8	Washer 3/8	
29	4846627	1	Support	
31	1001145405	1	Bracket	
32	4811700	2	Washer M6	
33	3290605	2	Nut M6	
34	3421453	3	Pin	
35	3576799	1	Plate, Hold-Down	
36	0100020	1	Sealant	
37	4010608	2	Screw M6 x 16	
38	4751000	2	Washer #10	

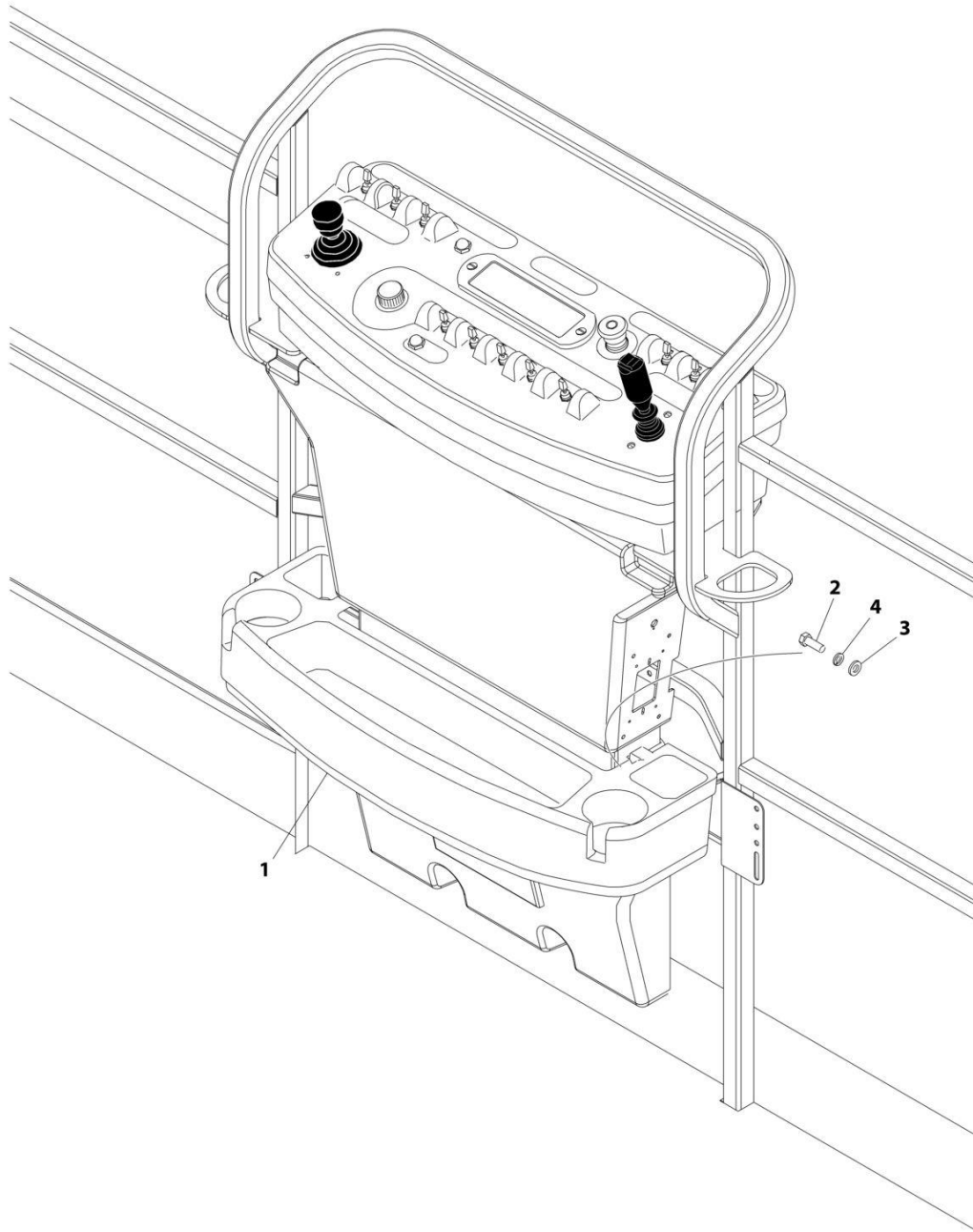
SECTION 5 - PLATFORM

FIGURE 5-33. SKYWELDER/SKYCUTTER COMBO INSTALLATION (60HZ)



ART_0273353_10F2

SECTION 5 - PLATFORM



ART_1580012

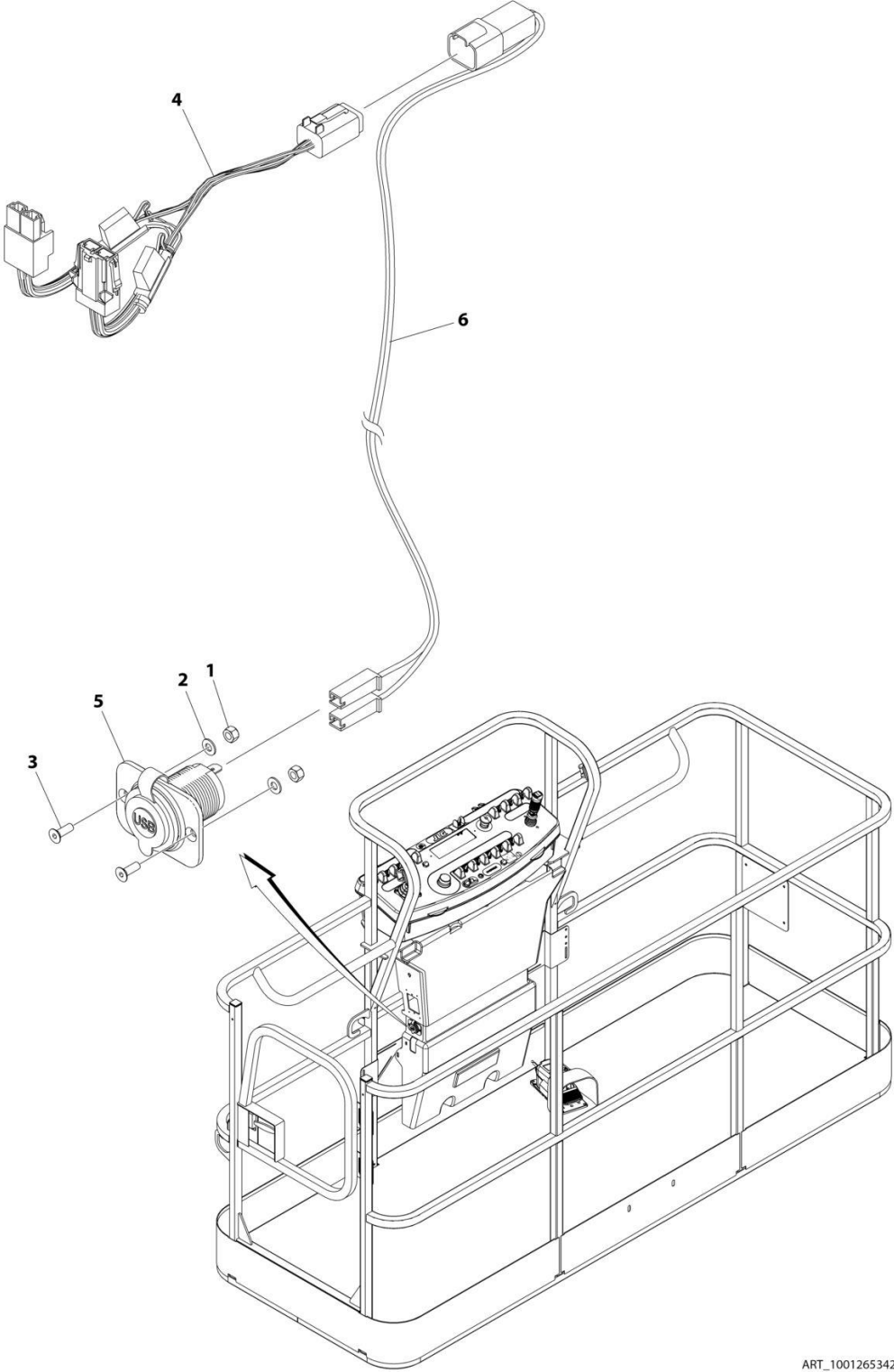
SECTION 5 - PLATFORM

FIGURE 5-33. TRAY INSTALLATION

ITEM	PART NUMBER	QTY	DESCRIPTION	REV
	1580012	Ref	TRAY ASSEMBLY	C
1	See Note	NSS	Tray, Storage (Center) (Note: Purchase p/n 1580012)	
2	0641406	2	Bolt 1/4 x 3/4	
3	4751400	2	Washer 1/4	
4	4761400	2	Washer 1/4	

SECTION 5 - PLATFORM

FIGURE 5-34. USB CHARGER INSTALLATION



ART_1001265342

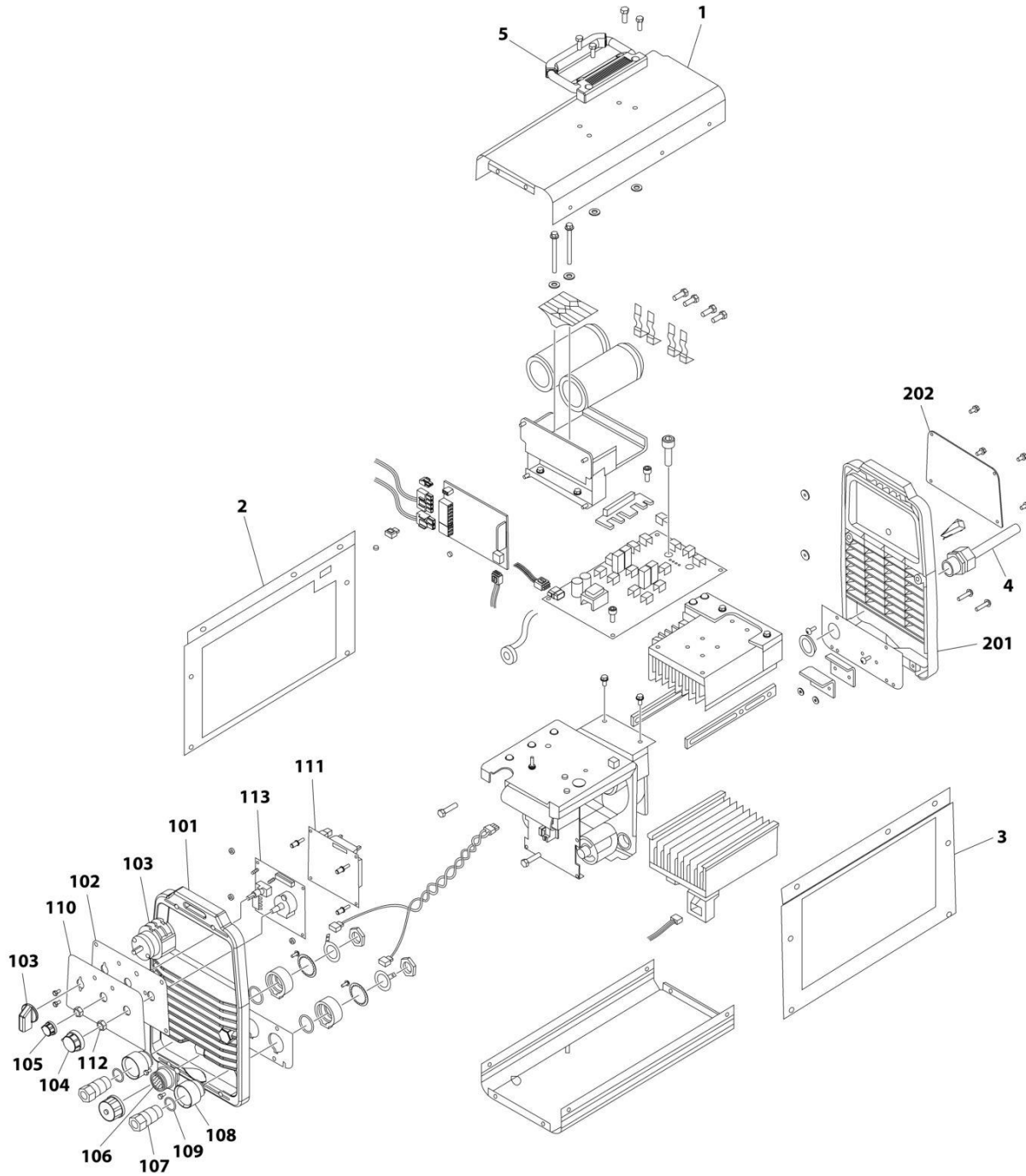
SECTION 5 - PLATFORM

FIGURE 5-34. USB CHARGER INSTALLATION

ITEM	PART NUMBER	QTY	DESCRIPTION	REV
	1001265342	Ref	USB CHARGER INSTALLATION	A
1	3290405	2	Nut M4	
2	4811400	2	Washer M4	
3	1001097244	2	Screw M4 x 12	
4	1001120484	1	Harness, Work Lights	
4	4460879	1	Plug, Male - 2 Position	
4	4460887	2	Terminal	
4	2400060	2	Fuseholder Includes Cover	
4	8229249	2	Fuse, 3 Amp	
4	4460884	1	Connector - 4 Position	
4	4460465	4	Socket, Female	
4	1001120471	1	Connector - 2 Position	
4	1001120477	2	Terminal	
5	1001210636	1	Receptacle, USB	
6	1001265163	1	Harness, USB	A
6	4460260	2	Cover, Terminal	
6	4460259	2	Terminal	
6	4460932	1	Receptacle, Bussbar - 4 Position	
6	4460464	2	Pin, Male	
6	4460466	2	Plug, Terminal	

SECTION 5 - PLATFORM

FIGURE 5-35. WELDER ASSEMBLY



ART_4530028

SECTION 5 - PLATFORM

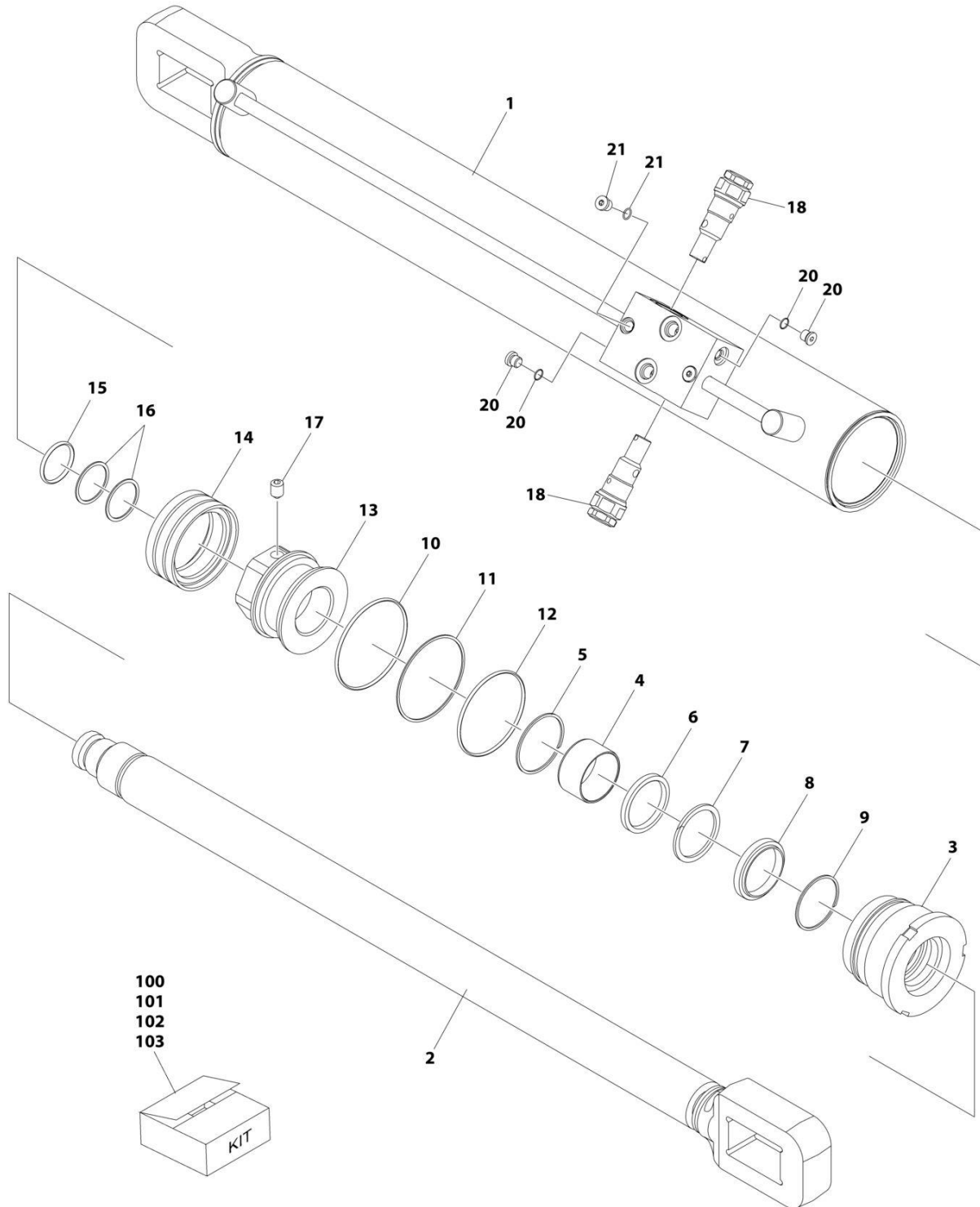
FIGURE 5-35. WELDER ASSEMBLY

ITEM	PART NUMBER	QTY	DESCRIPTION	REV
	4530028	Ref	WELDER ASSEMBLY	B
		Ref	Note: For Other Components, contact your Miller Welder Dealer.	
1	7027773	1	Cover, Top	
1	7027774	1	Decal - Static Precautionary Warning	
2	See Note	NSS	Panel, LH Side (Note: Part of Item 1. Purchase Item 1)	
3	See Note	NSS	Panel, RH Side (Note: Part of Item 1. Purchase Item 1)	
4	7024467	1	Cable, Power	
4	7027775	1	Decal - Electrical Shock Warning (Not Shown)	
5	7027776	1	Handle, Carrying	
101	7024462	1	Panel, Front	
102	7024463	1	Panel, Console	
103	7024469	1	Switch with Lead	
104	7024470	1	Knob	
105	7024471	1	Knob	
106	7024472	1	Receptacle with Leads and Plugs	
107	7024473	2	Receptacle, Twistlock Female	
108	7024474	2	Insulator	
109	7024475	2	O-Ring	
110	7027777	1	Nameplate	
111	7027779	1	Circuit Card Assembly (Process Control)	
112	7024478	2	Nut	
113	7027778	1	Circuit Card Assembly (Operator Interface)	
201	7024462	1	Panel, Rear	
202	7027780	1	Panel, Cover	

SECTION 6 - CYLINDER

SECTION 6 - CYLINDER

FIGURE 6-1. AXLE EXTENSION CYLINDER ASSEMBLY



ART_1001251020

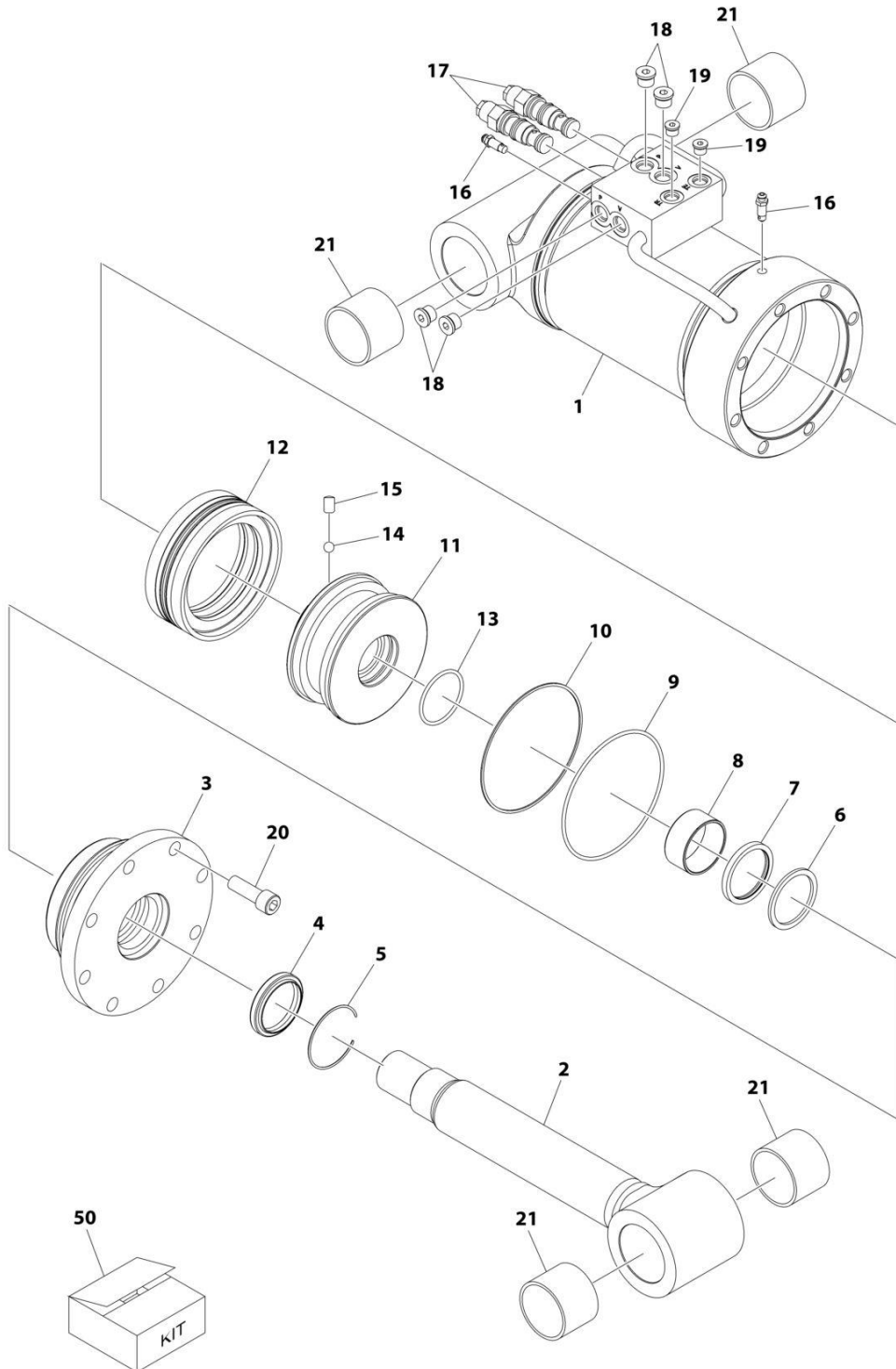
SECTION 6 - CYLINDER

FIGURE 6-1. AXLE EXTENSION CYLINDER ASSEMBLY

ITEM	PART NUMBER	QTY	DESCRIPTION	REV
	1001251020	Ref	AXLE EXTENSION CYLINDER ASSEMBLY	A
		Ref	Note: Original Cylinder May Have Been Replaced with Service Replacement. Identify PN Stamped on Cylinder Before Ordering Parts.	
1	See Note	NSS	Barrel (Note: Use p/n 1001251020)	
2	70007382	1	Rod	
3	See Note	NSS	Head (Use Item 100)	
5	See Note	NSS	Ring (Note: Use Item 100)	
6	See Note	NSS	Seal (Note: Use Item 101)	
7	See Note	NSS	Ring, Back-up (Note: Use Item 101)	
8	See Note	NSS	Wiper, Rod (Note: Use Item 101)	
9	See Note	NSS	Ring, Retaining (Note: Use Item 101)	
10	See Note	NSS	O-Ring (Note: Use Item 101)	
11	See Note	NSS	Ring, Back-up (Note: Use Item 101)	
12	See Note	NSS	O-Ring (Note: Use Item 101)	
13	See Note	NSS	Piston (Note: Use Item 102)	
14	See Note	NSS	Seal (Note: Use Item 101)	
15	See Note	NSS	O-Ring (Note: Use Item 101)	
16	See Note	NSS	Ring, Back-up (Note: Use Item 101)	
17	See Note	NSS	Setscrew (Note: Use Item 102)	
18	4640509	2	Cartridge, Holding Valve	
18	2900792	2	Seal Kit - 4640509 Cartridge Valve (1 Per Assembly)	
20	See Note	NSS	Plug (Note: Use Item 103)	
21	See Note	NSS	Plug (Note: Use Item 103)	
100	70007383	1	Rod Cover Kit (Includes Items 3-5)	
101	70007384	1	Seal Kit (Includes Items 6-12 & 14-16)	
102	70007385	1	Piston Kit (Includes Items 13 & 17)	
103	70007386	1	Plug Kit (Includes Items 20 & 21)	

SECTION 6 - CYLINDER

FIGURE 6-2. AXLE LOCKOUT CYLINDER ASSEMBLY



ART_1001251019

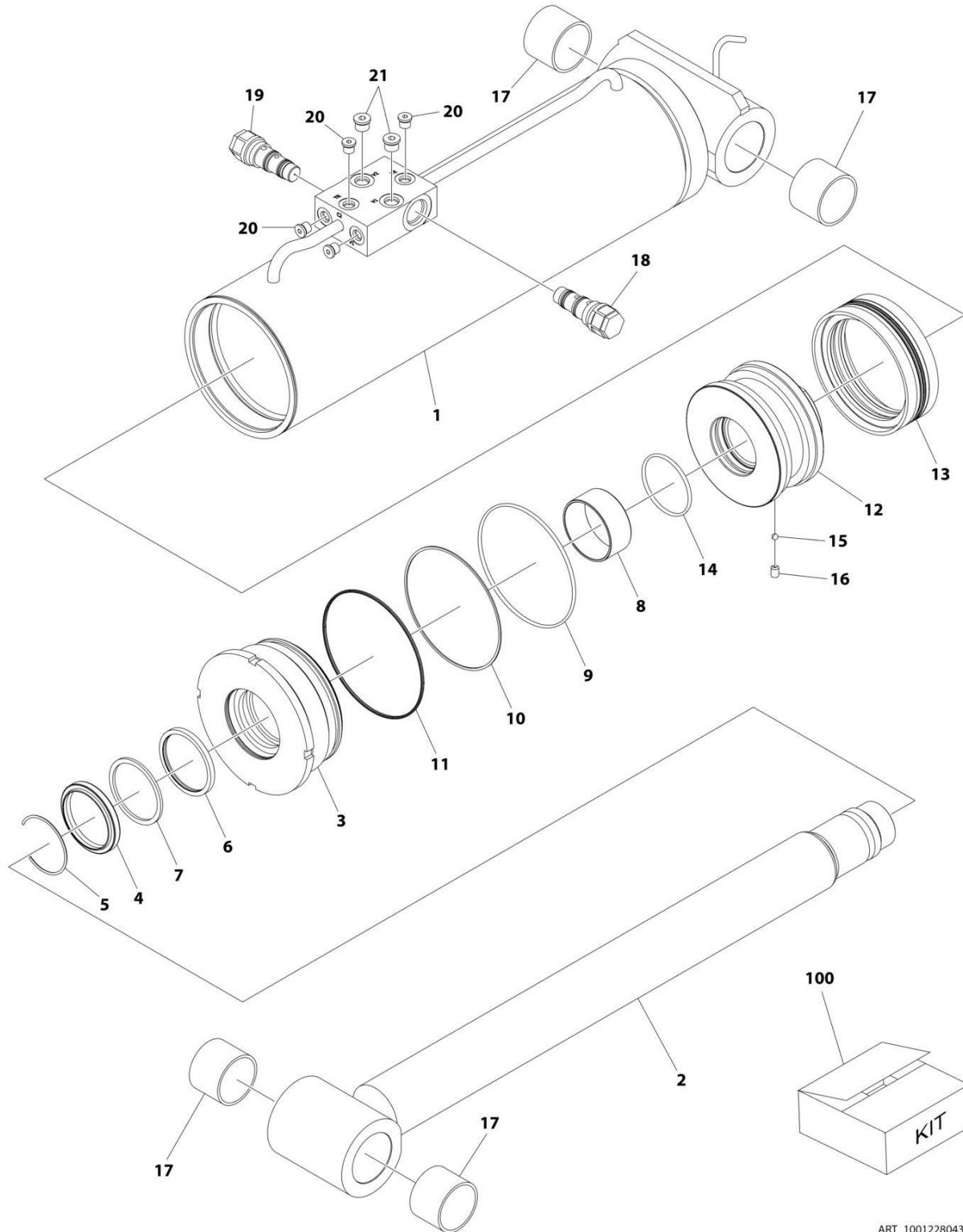
SECTION 6 - CYLINDER

FIGURE 6-2. AXLE LOCKOUT CYLINDER ASSEMBLY

ITEM	PART NUMBER	QTY	DESCRIPTION	REV
	1001251019	Ref	AXLE LOCKOUT CYLINDER ASSEMBLY	B
		Ref	Note: Original Cylinder May Have Been Replaced with Service Replacement. Identify PN Stamped on Cylinder Before Ordering Parts.	
1	See Note	NSS	Barrel (Note: Use PN 1001251019)	
2	70007984	1	Rod	
3	70007985	1	Head	
4	See Note	NSS	Wiper (Note: Use Item 50)	
5	70002412	1	Ring, Retaining	
6	See Note	NSS	Seal, Rod (Note: Use Item 50)	
7	See Note	NSS	Ring, Back-up (Note: Use Item 50)	
8	70005153	1	Bearing	
9	See Note	NSS	O-Ring (Note: Use Item 50)	
10	See Note	NSS	Ring, Back-up (Note: Use Item 50)	
11	7007986	1	Piston	
12	See Note	NSS	Seal, Piston (Note: Use Item 50)	
13	See Note	NSS	O-Ring (Note: Use Item 50)	
14	70022564	1	Ball	
15	70006596	1	Setscrew M8 x 12	
16	70007987	2	Bleeder	
17	4641276	2	Cartridge, Valve - Counterbalance	
17	2900770	2	Seal Kit - 4641276 Valve	
18	2220885	4	Plug 9/16	
19	2220883	2	Plug 7/16	
20	70007988	8	Bolt M12 x 50	
21	0961950	4	Bearing	
50	70007989	1	Seal Kit - 1001251019 Cylinder (Includes Items 4, 6, 7, 9, 10, 12 & 13)	

SECTION 6 - CYLINDER

FIGURE 6-3. LEVEL (JIB) CYLINDER ASSEMBLY - WITH OR WITHOUT COLD WEATHER PLUS PACKAGE



ART_1001228043

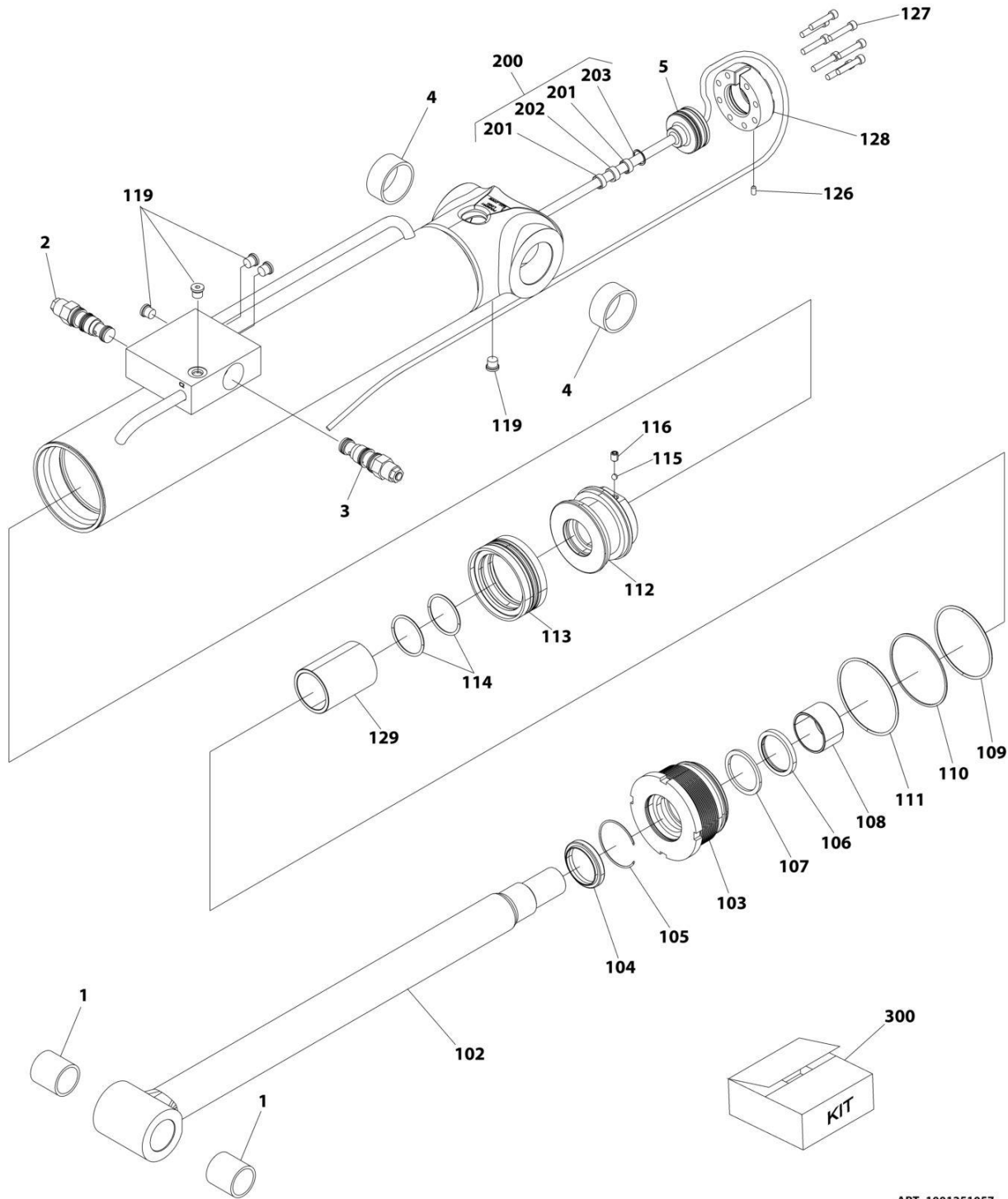
SECTION 6 - CYLINDER

FIGURE 6-3. LEVEL (JIB) CYLINDER ASSEMBLY - WITH OR WITHOUT COLD WEATHER PLUS PACKAGE

ITEM	PART NUMBER	QTY	DESCRIPTION	REV
	1001228043	Ref	LEVEL (JIB) CYLINDER ASSEMBLY - WITH OR WITHOUT COLD WEATHER PLUS PACKAGE	B
		Ref	Note: Original Cylinder May Have Been Replaced with Service Replacement. Identify PN Stamped on Cylinder Before Ordering Parts.	
1	See Note	NSS	Barrel Weldment (Note: Not Available for Purchase)	
2	70006646	1	Rod Weldment	
3	70006635	1	Head	
4	See Note	NSS	Wiper, Rod (Note: Use Item 100)	
5	70050795	1	Ring, Retaining	
6	See Note	NSS	Seal, Rod (Note: Use Item 100)	
7	See Note	NSS	Ring, Back-up (Note: Use Item 100)	
8	70006636	1	Ring, Wear	
9	See Note	NSS	O-Ring (Note: Use Item 100)	
10	See Note	NSS	Ring, Back-up (Note: Use Item 100)	
11	See Note	NSS	O-Ring (Note: Use Item 100)	
12	70006637	1	Piston	
13	See Note	NSS	Seal, Piston (Note: Use Item 100)	
14	See Note	NSS	O-Ring (Note: Use Item 100)	
15	70006596	1	Ball, Steel	
16	70022564	1	Setscrew	
17	0961950	4	Bushing	
18	4640999	1	Cartridge, Holding Valve (Non Vented)	
18	2900792	1	Seal Kit - 4640999 Cartridge Valve	
19	4641248	1	Cartridge, Counterbalance Valve (Non Vented)	
19	See Note	1	Seal Kit - 4641248 Cartridge Valve (Note: Not Available for Purchase)	
20	2220883	4	Plug, O-Ring	
21	2220885	2	Plug, O-Ring	
100	70006647	1	Seal Kit (Includes Items 4, 6, 7, 9-11, 13 & 14)	

SECTION 6 - CYLINDER

FIGURE 6-4. LEVEL (PLATFORM) CYLINDER ASSEMBLY



ART_1001251057

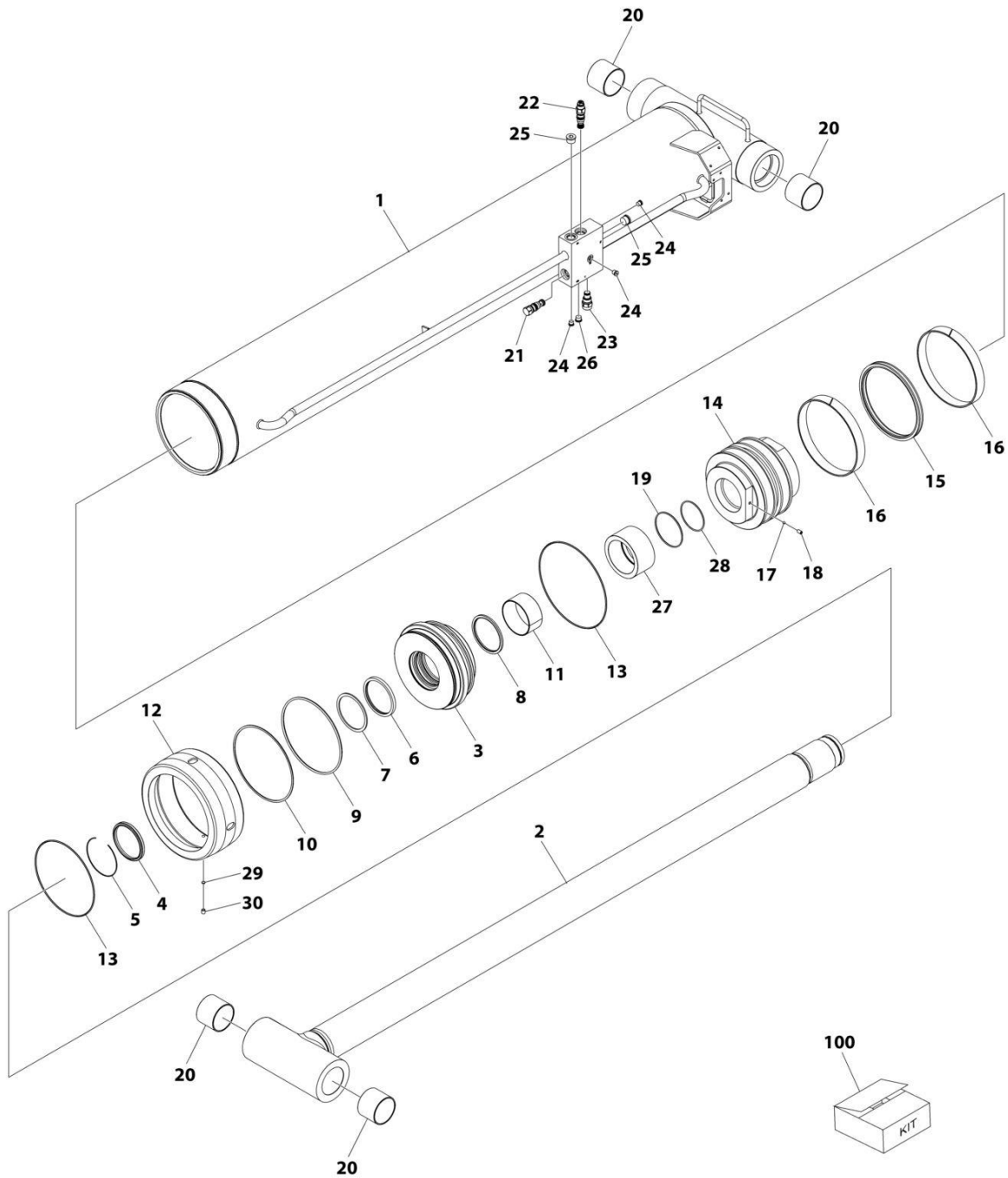
SECTION 6 - CYLINDER

FIGURE 6-4. LEVEL (PLATFORM) CYLINDER ASSEMBLY

ITEM	PART NUMBER	QTY	DESCRIPTION	REV
	1001251057	Ref	LEVEL (PLATFORM) CYLINDER ASSEMBLY	A
		Ref	Note: Original Cylinder May Have Been Replaced with Service Replacement. Identify PN Stamped on Cylinder Before Ordering Parts.	
1	0962006	2	Bushing	
2	4640489	1	Cartridge, Counterbalance Valve	
2	2900770	1	Seal Kit - For 4640489 Counterbalance Valve	
3	4641260	1	Cartridge, Counterbalance Valve	
3	2900770	1	Seal Kit - For 4641260 Counterbalance Valve	
4	1001117969	2	Bushing	
5	1001117990	1	Sensor, Cylinder Length	
102	70008028	1	Rod	
103	70008029	1	Head	
104	See Note	NSS	Wiper (Note: Use Item 300)	
105	70002410	1	Ring, Retaining	
106	See Note	NSS	Seal (Note: Use Item 300)	
107	See Note	NSS	Ring (Note: Use Item 300)	
108	70004237	1	Bearing	
109	See Note	NSS	O-Ring (Note: Use Item 300)	
110	See Note	NSS	Ring (Note: Use Item 300)	
111	See Note	NSS	O-Ring (Note: Use Item 300)	
112	70008030	1	Piston	
113	See Note	NSS	Seal (Note: Use Item 300)	
114	See Note	NSS	O-Ring (Note: Use Item 300)	
115	70022564	1	Ball, Steel	
116	70023369	1	Setscrew M8 x 1-1/4	
119	2220883	5	Plug	
126	70006464	1	Setscrew M5 x 10	
127	70008031	8	Bolt M6 x 35	
128	70008024	1	Cover	
129	70008032	1	Spacer	
200	1001119105	1	Sensor Magnet Kit (Includes Items 201-203)	
201	1001117994	2	Sleeve, Spacer	
202	1001118066	1	Magnet, Sensor	
203	1001118069	1	Ring, Internal Retaining	
300	70008033	1	Seal Kit (Includes Items 104, 106, 107, 109-111, 113 & 114)	

SECTION 6 - CYLINDER

FIGURE 6-5. LIFT (BOOM) CYLINDER ASSEMBLY



ART_1001251045

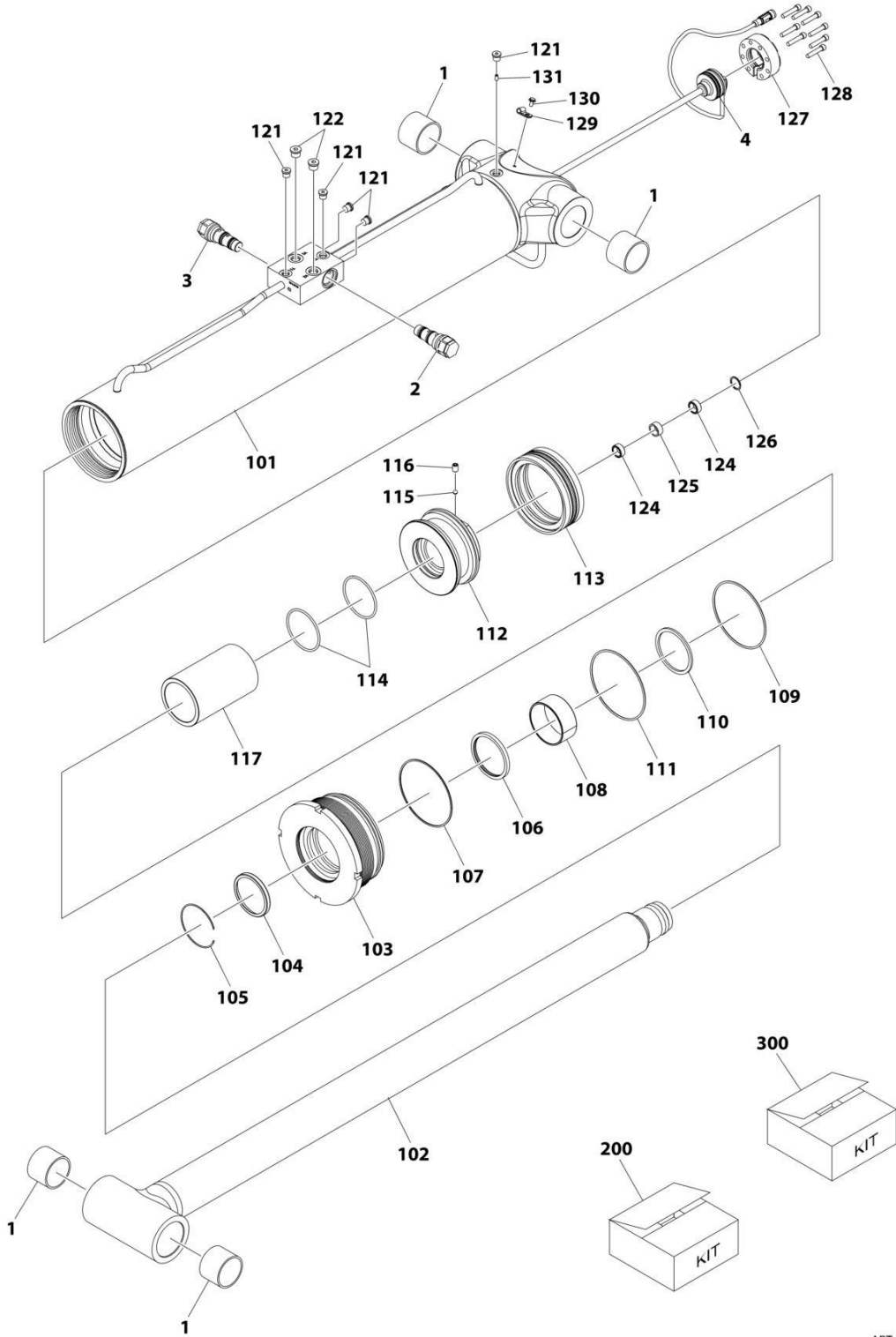
SECTION 6 - CYLINDER

FIGURE 6-5. LIFT (BOOM) CYLINDER ASSEMBLY

ITEM	PART NUMBER	QTY	DESCRIPTION	REV
	1001251045	Ref	LIFT (BOOM) CYLINDER ASSEMBLY	A
		Ref	Note: Original Cylinder may have been replaced with Service Replacement. Identify PN Stamped on Cylinder before ordering parts	
1	See Note	NSS	Barrel (Note: Not Available for Purchase)	
2	70007440	1	Rod	
3	70007441	1	Head	
4	See Note	NSS	Wiper, Rod (Note: Use Item 100)	
5	70026283	1	Ring, Retaining	
6	See Note	NSS	Seal, Rod (Note: Use Item 100)	
7	See Note	NSS	Ring, Back-up (Note: Use Item 100)	
8	See Note	NSS	O-Ring (Note: Use Item 100)	
9	See Note	NSS	O-Ring (Note: Use Item 100)	
10	See Note	NSS	Ring, Back-up (Note: Use Item 100)	
11	70026284	1	Ring, Wear (Note: Use Item 100)	
12	70007435	1	Cap, Cylinder	
13	See Note	NSS	O-Ring (Note: Use Item 100)	
14	70007442	1	Piston	
15	See Note	NSS	Seal, Piston (Note: Use Item 100)	
16	See Note	NSS	Ring, Wear (Note: Use Item 100)	
17	70022564	1	Ball, Steel	
18	70007442	1	Setscrew	
19	See Note	NSS	O-Ring (Note: Use Item 100)	
20	0962297	4	Bearing	
21	4640438	1	Cartridge, Check Valve	
21	2900770	1	Seal Kit - 4640438 Cartridge Valve	
22	1001125279	1	Cartridge, Valve	
22	2900770	1	Seal Kit - 1001125279 Cartridge Valve	
23	4641210	1	Cartridge, Pressure Regulator Valve	
23	7010545	1	Seal Kit - 4641210 Cartridge Valve	
24	2220883	3	Plug, O-Ring	
25	70005433	2	Plug, O-Ring	
26	2220885	1	Plug, O-Ring	
27	70007443	1	Spacer	
28	See Note	NSS	O-Ring (Note: Use Item 100)	
29	70007282	1	Insert, Locking	
30	70007438	1	Setscrew	
100	70007444	1	Seal Kit (Includes Items 4, 6-10, 13, 15, 16, 19 & 28)	

SECTION 6 - CYLINDER

FIGURE 6-6. LIFT (JIB) CYLINDER ASSEMBLY



ART_1001251058

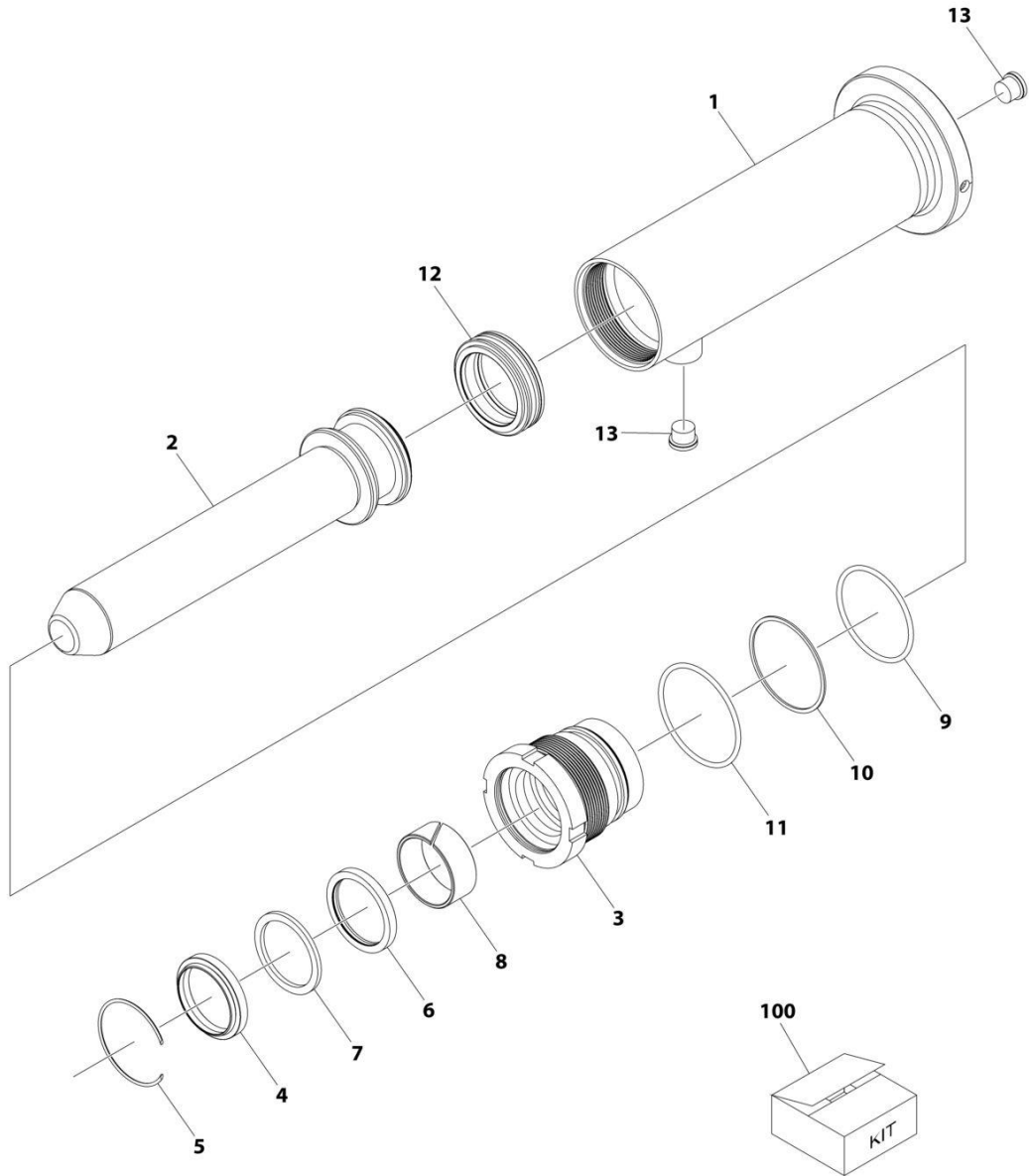
SECTION 6 - CYLINDER

FIGURE 6-6. LIFT (JIB) CYLINDER ASSEMBLY

ITEM	PART NUMBER	QTY	DESCRIPTION	REV
	1001251058	Ref	LIFT (JIB) CYLINDER ASSEMBLY	A
		Ref	Note: Original Cylinder May Have Been Replaced with Service Replacement. Identify PN Stamped on Cylinder Before Ordering Parts.	
1	0961950	4	Bushing	
2	4641248	1	Cartridge, Counterbalance Valve	
2	70004186	1	Seal Kit - 4641248 Counterbalance Valve	
3	4640999	1	Cartridge, Holding Valve	
3	2900792	1	Seal Kit - 4640999 Cartridge Valve	
4	1001117991	1	Sensor	
101	See Note	NSS	Barrel (Note: Not available for Purchase)	
102	70008020	1	Rod	
103	70008021	1	Head	
104	See Note	NSS	Wiper (Note: Use Item 200)	
105	70050795	1	Ring, Retaining	
106	See Note	NSS	Seal, Rod (Note: Use Item 200)	
107	See Note	NSS	Ring, Backup (Note: Use Item 200)	
108	70006636	1	Bushing	
109	See Note	NSS	O-Ring (Note: Use Item 200)	
110	See Note	NSS	Ring, Backup (Note Use Item 200)	
111	See Note	NSS	O-Ring (Note: Use Item 200)	
112	70008022	1	Piston	
113	See Note	NSS	Seal, Piston (Note: Use Item 200)	
114	See Note	NSS	O-Ring (Note: Use Item 200)	
115	70022564	1	Ball, Steel	
116	70006596	1	Setscrew M8 x 12	
117	70008023	1	Spacer	
121	2220883	5	Plug 7/16	
122	2220885	2	Plug 9/16	
124	See Note	2	Sleeve (Note: Use Item 300)	
125	See Note	1	Magnet (Note: Use Item 300)	
126	See Note	1	Ring, Retaining (Note: Use Item 300)	
127	70008024	1	Cover	
128	70008025	8	Bolt M6 x 35	
129	70008026	1	Clamp	
130	70006462	1	Bolt M5 x 8	
131	70006464	1	Set Screw M5 X 10	
200	70008027	1	Seal Kit (Includes Items 104, 106-107, 109-111, 113-114)	
300	1001119105	1	Magnet Kit (Includes Items 124-126)	

SECTION 6 - CYLINDER

FIGURE 6-7. LOCK (JIB) CYLINDER ASSEMBLY



ART_1001251046

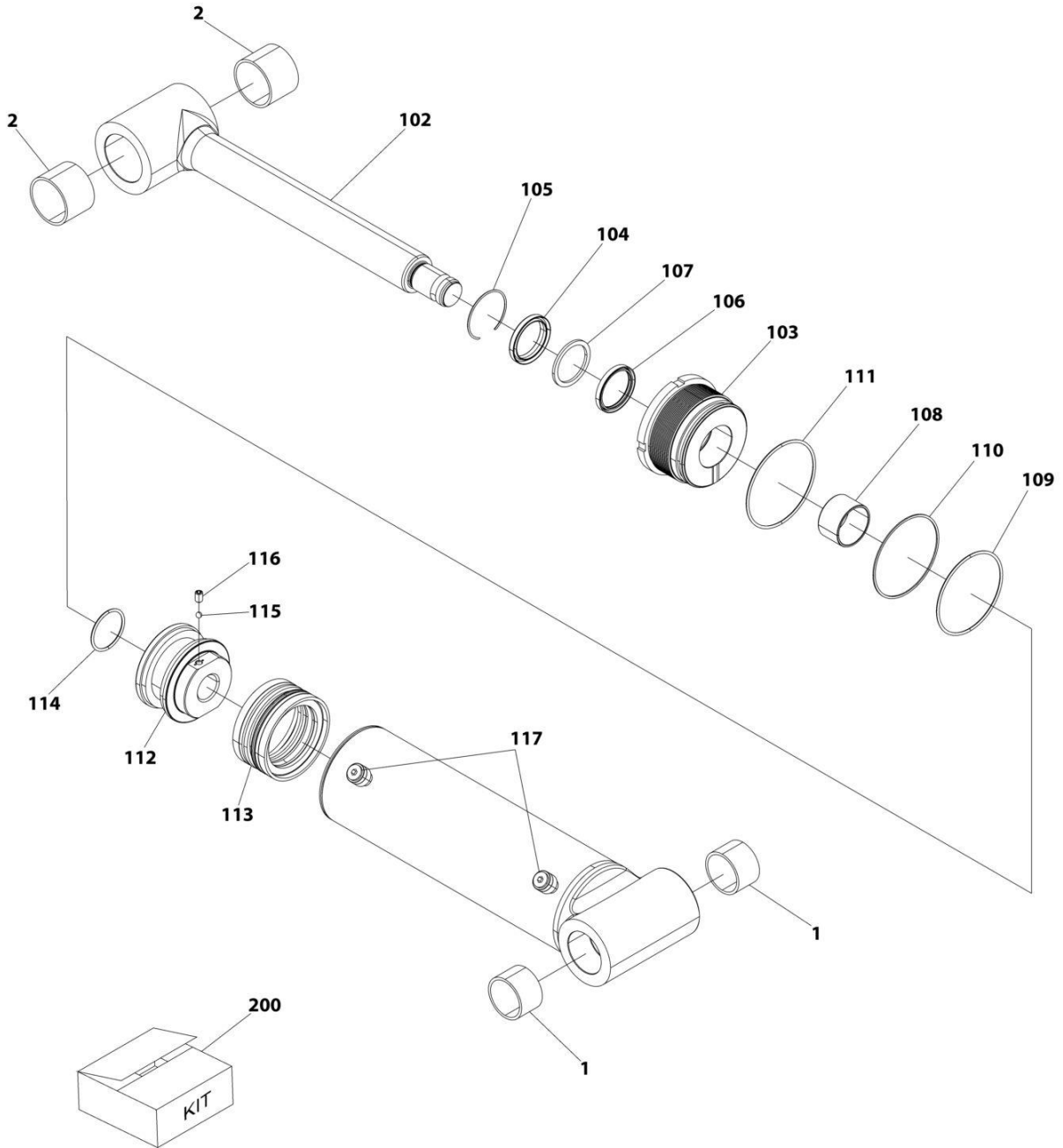
SECTION 6 - CYLINDER

FIGURE 6-7. LOCK (JIB) CYLINDER ASSEMBLY

ITEM	PART NUMBER	QTY	DESCRIPTION	REV
	1001251046	Ref	LOCK (JIB) CYLINDER ASSEMBLY	A
		Ref	Note: Original Cylinder May Have Been Replaced with Service Replacement. Identify PN Stamped on Cylinder Before Ordering Parts.	
1	See Note	NSS	Barrel (Note: Not Available for Purchase)	
2	70008036	1	Rod	
3	70008037	1	Gland	
4	See Note	1	Dust Wiper (Note: Use Item 100)	
5	70002410	1	Ring, Retaining	
6	See Note	1	Rod Seal (Note: Use Item 100)	
7	See Note	1	Ring, Backup (Note: Use Item 100)	
8	See Note	1	Ring, Wear (Note: Use Item 100)	
9	See Note	1	O-Ring (Note: Use Item 100)	
10	See Note	1	Ring, Backup (Note: Use Item 100)	
11	See Note	1	O-Ring (Note: Use Item 100)	
12	See Note	1	Seal, Piston (Note: Use Item 100)	
13	2220885	2	Plug 9/16	
100	70008038	1	Seal Kit (Includes Items 4 & 6-12)	

SECTION 6 - CYLINDER

FIGURE 6-8. STEER CYLINDER ASSEMBLY



ART_1001251031

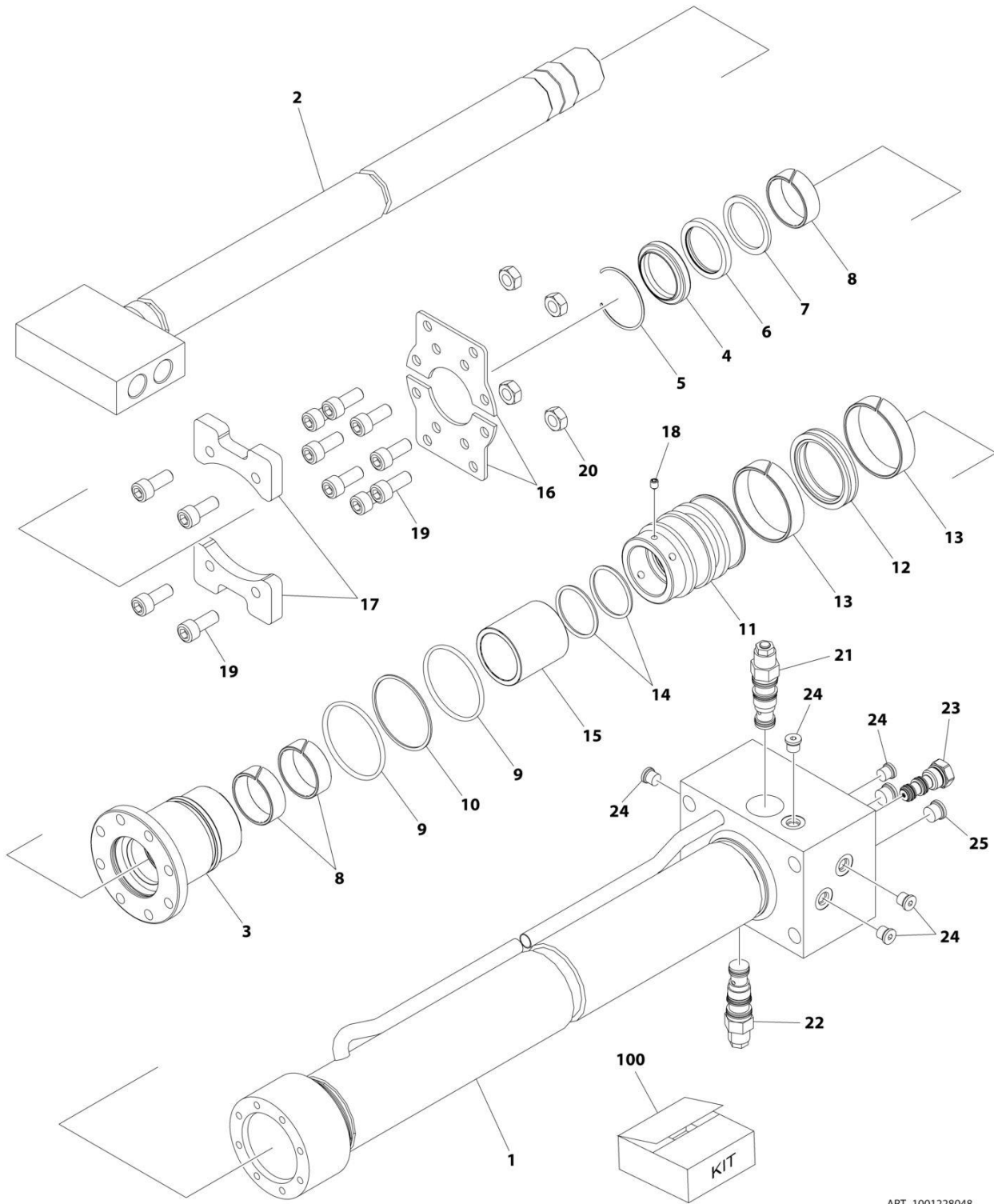
SECTION 6 - CYLINDER

FIGURE 6-8. STEER CYLINDER ASSEMBLY

ITEM	PART NUMBER	QTY	DESCRIPTION	REV
	1001251031	Ref	STEER CYLINDER ASSEMBLY	A
		Ref	Note: Original Cylinder May Have Been Replaced with Service Replacement. Identify PN Stamped on Cylinder Before Ordering Parts.	
1	0961949	2	Bushing	
2	0961950	2	Bushing	
102	70008004	1	Rod	
103	70008005	1	Head	
104	See Note	NSS	Wiper (Note: Use Item 200)	
105	70002410	1	Ring, Retaining	
106	See Note	NSS	Seal (Note: Use Item 200)	
107	See Note	NSS	Ring (Note: Use Item 200)	
108	70004237	1	Bearing	
109	See Note	NSS	O-Ring (Note: Use Item 200)	
110	See Note	NSS	Ring (Note: Use Item 200)	
111	See Note	NSS	O-Ring (Note: Use Item 200)	
112	70008006	1	Piston	
113	See Note	NSS	Seal (Note: Use Item 200)	
114	See Note	NSS	O-Ring (Note: Use Item 200)	
115	70022564	1	Ball, Steel	
116	70006596	1	Setscrew M8 x 1-1/4	
117	2220885	2	Plug	
200	70008007	1	Seal Kit (Includes Items 104, 106, 107, 109-111, 113 & 114)	

SECTION 6 - CYLINDER

FIGURE 6-9. TELESCOPE (JIB) CYLINDER ASSEMBLY



ART_1001228048

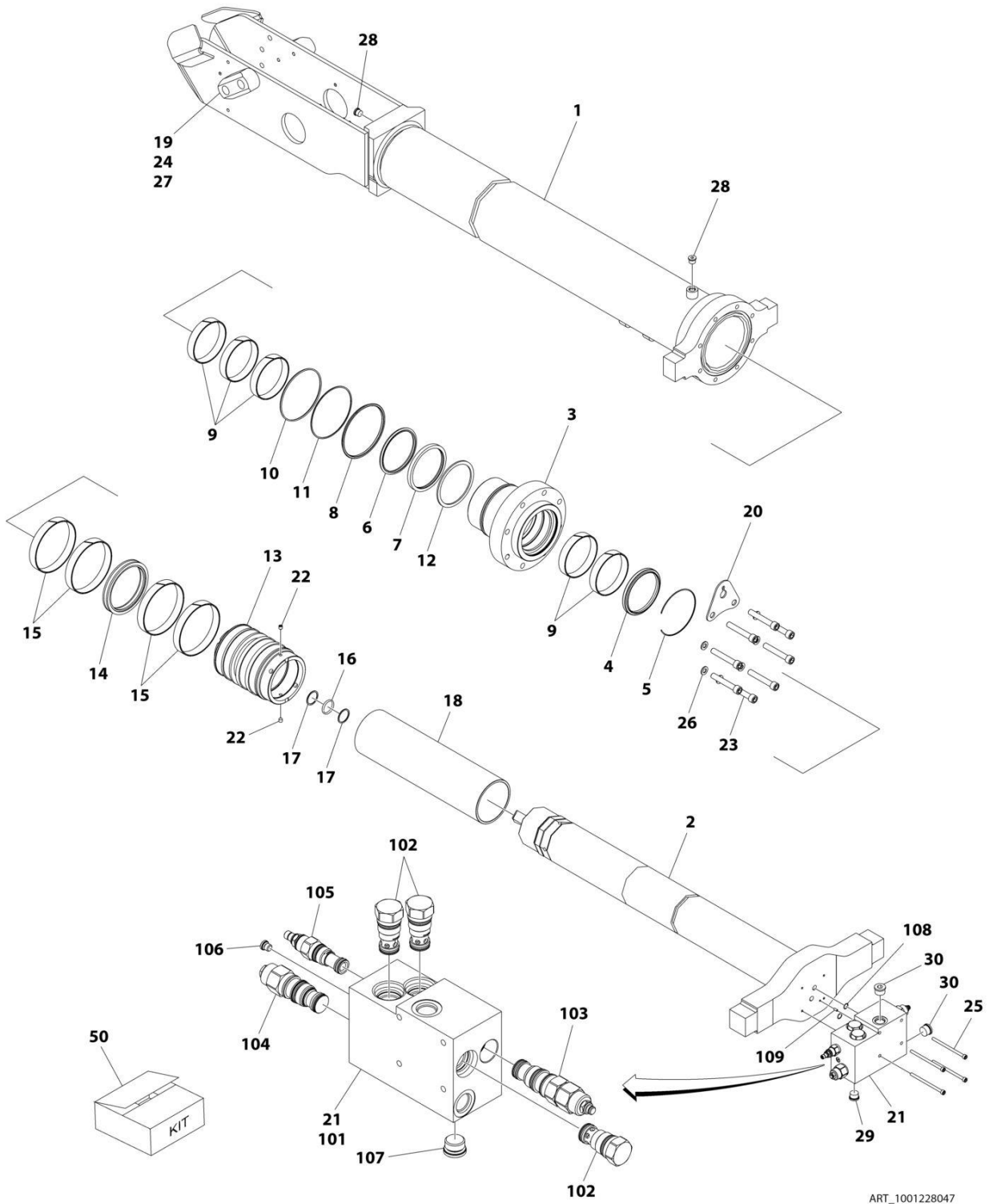
SECTION 6 - CYLINDER

FIGURE 6-9. TELESCOPE (JIB) CYLINDER ASSEMBLY

ITEM	PART NUMBER	QTY	DESCRIPTION	REV
	1001228048	Ref	TELESCOPE (JIB) CYLINDER ASSEMBLY	C
		Ref	Note: Original Cylinder May Have Been Replaced with Service Replacement. Identify PN Stamped on Cylinder Before Ordering Parts.	
1	See Note	NSS	Barrel Weldment (Note: Not Available for Purchase)	
2	70006845	1	Rod Weldment	
3	70006846	1	Head	
4	See Note	NSS	Wiper, Rod (Note: Use Item 100)	
5	70002373	1	Ring, Retaining	
6	See Note	NSS	Seal, Rod (Note: Use Item 100)	
7	See Note	NSS	Ring, Back-up (Note: Use Item 100)	
8	See Note	NSS	Ring, Wear (Note: Use Item 100)	
9	See Note	NSS	O-Ring (Note: Use Item 100)	
10	See Note	NSS	Ring, Back-up (Note: Use Item 100)	
11	70006847	1	Piston	
12	See Note	NSS	Seal, Piston (Note: Use Item 100)	
13	See Note	NSS	Ring, Wear (Note: Use Item 100)	
14	70006848	2	O-Ring	
15	70006849	1	Spacer	
16	70006850	2	Plate	
17	70006851	2	Bracket	
18	70005879	1	Setscrew	
19	70005885	12	Capscrew M8	
20	70005594	4	Nut M8	
21	4640771	1	Cartridge, Counterbalance Valve	
21	2900770	1	Seal Kit - 4640771 Valve	
22	1001121155	1	Cartridge, Counterbalance Valve	
22	2900770	1	Seal Kit - 1001121155 Valve	
23	10837580	1	Cartridge, Shuttle Valve	
23	7010543	1	Seal Kit - 10837580 Valve	
24	2220883	6	Plug (With O-Ring)	
25	2220885	2	Plug (With O-Ring)	
100	70006852	1	Seal Kit (Includes Items 4, 6-10, 12 & 13)	

SECTION 6 - CYLINDER

FIGURE 6-10. TELESCOPE (MAIN BOOM) CYLINDER ASSEMBLY



ART_1001228047

SECTION 6 - CYLINDER

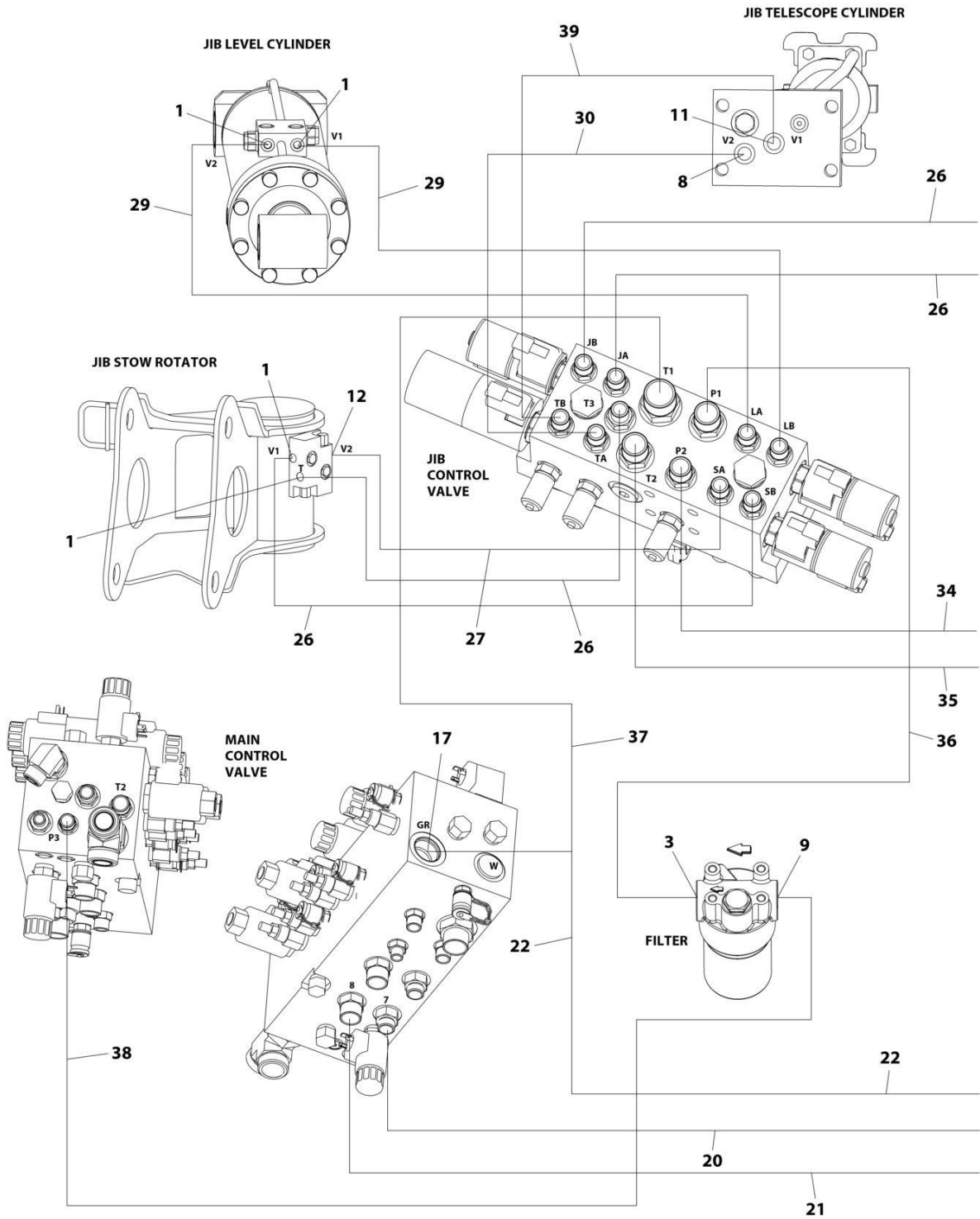
FIGURE 6-10. TELESCOPE (MAIN BOOM) CYLINDER ASSEMBLY

ITEM	PART NUMBER	QTY	DESCRIPTION	REV
	1001228047	Ref	TELESCOPE (MAIN BOOM) CYLINDER ASSEMBLY	C
		Ref	Note: Original Cylinder May Have Been Replaced with Service Replacement. Identify PN Stamped on Cylinder Before Ordering Parts.	
1	See Note	NSS	Barrel (Note: Not Available for Purchase)	
2	70006824	1	Rod	
3	70006825	1	Head	
4	See Note	NSS	Wiper, Rod (Note: Use Item 50)	
5	70026283	1	Ring, Retaining	
6	See Note	NSS	Seal, Rod (Note: Use Item 50)	
7	See Note	NSS	Ring, Back-up (Note: Use Item 50)	
8	See Note	NSS	O-Ring (Note: Use Item 50)	
9	See Note	NSS	Ring, Wear (Note: Use Item 50)	
10	See Note	NSS	O-Ring (Note: Use Item 50)	
11	See Note	NSS	Ring, Back-up (Note: Use Item 50)	
12	See Note	NSS	O-Ring (Note: Use Item 50)	
13	70006826	1	Piston	
14	See Note	NSS	Seal, Piston (Note: Use Item 50)	
15	See Note	NSS	Ring, Wear (Note: Use Item 50)	
16	See Note	NSS	O-Ring (Note: Use Item 50)	
17	See Note	NSS	Ring, Back-up (Note: Use Item 50)	
18	70006827	1	Spacer	
19	70006828	2	Pad, Wear	
20	70006829	1	Bracket	
21	1001144398	1	Valve Assembly (See Items 101-109 for Breakdown)	
22	70006799	2	Setscrew	
23	70005882	8	Capscrew M12	
24	70005885	4	Capscrew	
25	70006830	4	Capscrew	
26	70005883	6	Washer M12	
27	70006344	4	Washer	
28	2220885	2	Plug, O-Ring	
29	2220886	1	Plug, O-Ring	
30	70005433	2	Plug, O-Ring	
50	70006831	1	Seal Kit (Includes Items 4, 6-12 & 14-17)	
	1001144398	Ref	VALVE ASSEMBLY	A
101	See Note	NSS	Body, Valve (Note: Not Available for Purchase)	
102	7011368	3	Cartridge, Check Valve	
102	7011351	3	Seal Kit - 7011368 Cartridge	
103	70004029	1	Cartridge, Counterbalance Valve	
103	7011371	1	Seal Kit - 70004029 Cartridge	
104	4641289	1	Cartridge, Counterbalance Valve	
104	2900789	1	Seal Kit - 4641289 Cartridge	
105	70004030	1	Cartridge, Relief Valve	
105	7011311	1	Seal Kit - 70004030 Cartridge	
106	70003031	1	Plug, O-Ring	
107	70003030	1	Plug, O-Ring	
108	70003029	2	O-Ring	
109	See Note	NSS	Pin (Note: Not Available for Purchase)	

SECTION 7 - HYDRAULIC

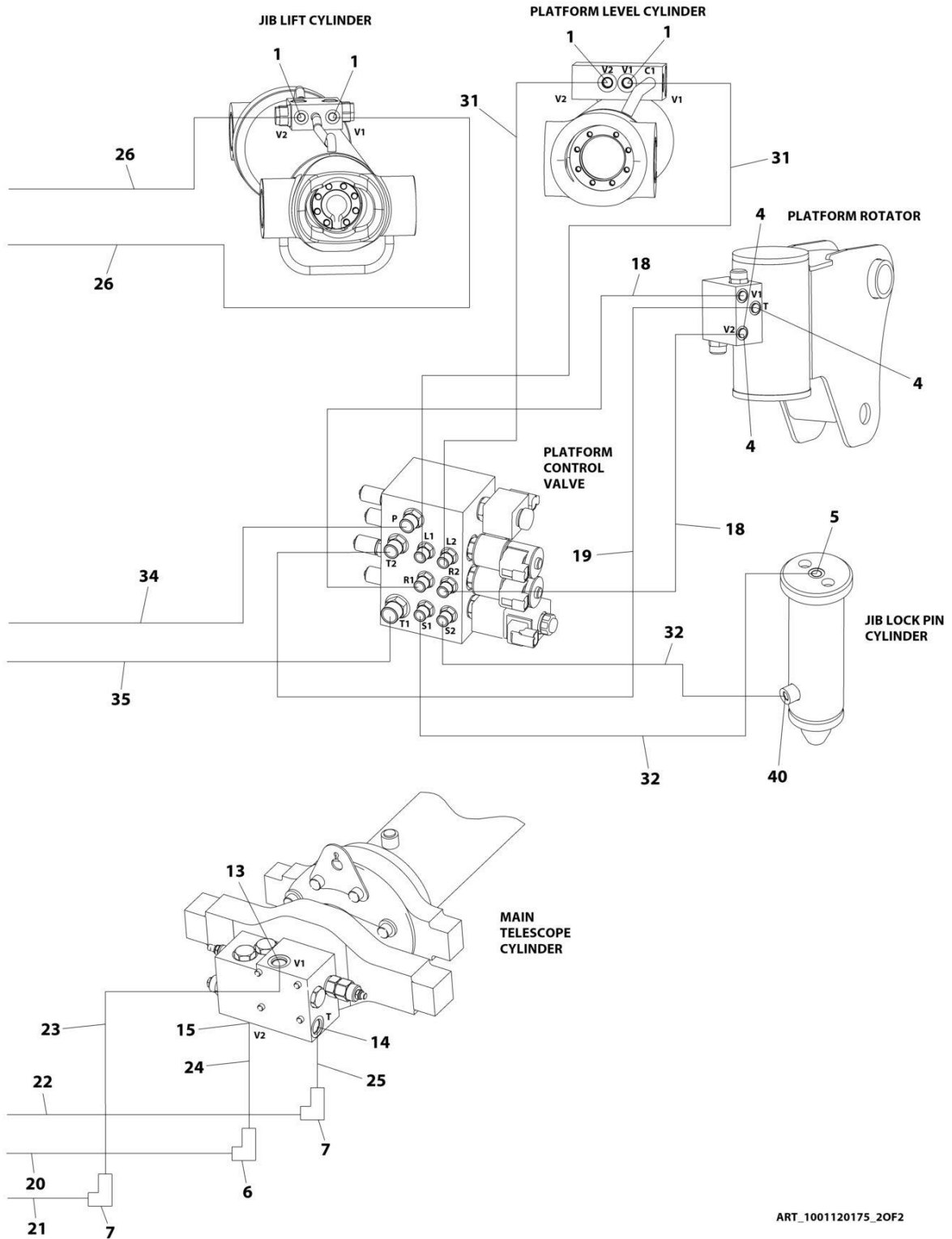
SECTION 7 - HYDRAULIC

FIGURE 7-1. HYDRAULIC DIAGRAM - BOOM



ART_1001120175_10F2

SECTION 7 - HYDRAULIC



ART_1001120175_20F2

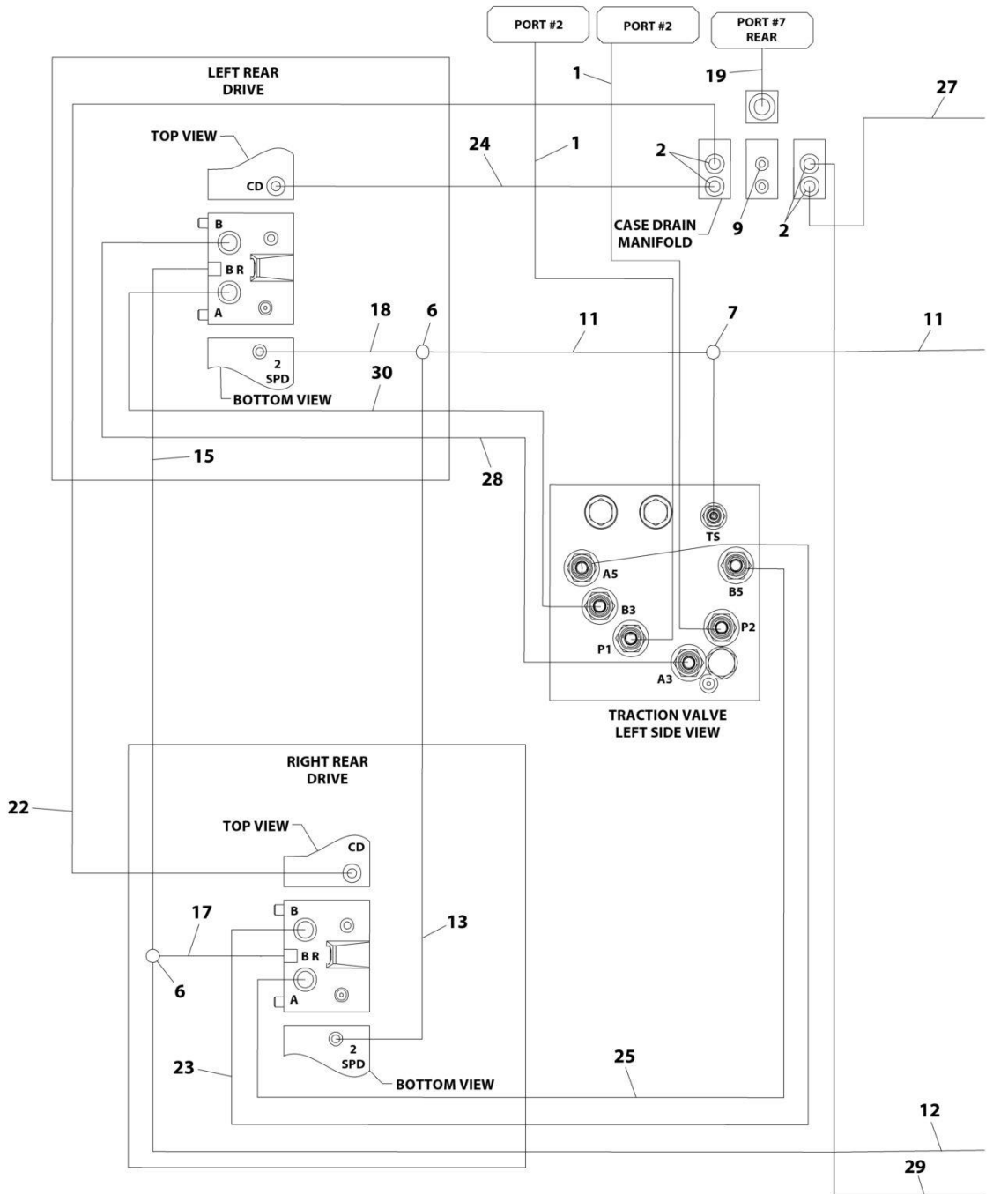
SECTION 7 - HYDRAULIC

FIGURE 7-1. HYDRAULIC DIAGRAM - BOOM

ITEM	PART NUMBER	QTY	DESCRIPTION	REV
		Ref	HYDRAULIC DIAGRAM - BOOM	
	1001120168	Ref	Hydraulic Diagram Chart for Deutz TD2011 Engine Machines with Rexroth Pumps	F
	1001152972	Ref	Hydraulic Diagram Chart for Deutz TCD2.9L4 Engine Machines with Rexroth Pumps	B
	1001120169	Ref	Hydraulic Diagram Chart for Deutz TD2011 & Deutz TCD2.9L4 Engine Machines with Sauer Pumps	E
	1001120175	Ref	Hydraulic Diagram - Main Boom and Jib	G
1	2110404	8	Fitting, Straight ORFS/ORB	
3	2110812	1	Fitting, Straight ORFS/ORB	
4	2150404	3	Fitting, 45 ORFS/ORB	
5	2110406	2	Fitting, Straight ORFS/ORB	
6	2171208	1	Fitting, 90 ORFS/ORB	
7	2171210	2	Fitting, 90 ORFS/ORB	
8	2130406	2	Fitting, 90 ORFS/ORB	
9	2130812	1	Fitting, 90 ORFS/ORB	
11	1001134728	1	Fitting, 90 with 0.090 Orifice	
12	2130404	1	Fitting, 90 ORFS/ORB	
13	2111010	1	Fitting, Straight ORFS/ORB	
14	2131010	1	Fitting, 90 ORFS/ORB	
15	2130808	1	Fitting, 90 ORFS/ORB	
17	2170710	1	Fitting, Straight Adapter ORFS/ORFS/ORB	
18	2753545	2	Hose	
19	1001120348	1	Hose	
20	2753755	1	Hose	
21	2753767	1	Hose	
22	1001120349	1	Hose	
23	2753763	1	Hose	
24	1001120350	1	Hose	
25	1001120351	1	Hose	
26	2753784	4	Hose	
27	2753675	1	Hose	
29	2753743	2	Hose	
30	1001213385	1	Hose	
31	2754470	1	Hose	
32	1001120352	2	Hose	
34	1001120354	1	Hose	
35	1001120355	1	Hose	
36	1001120356	1	Hose	
37	1001120357	1	Hose	
38	1001119546	1	Hose	
39	2717235	1	Hose	
40	2150406	1	Adapter ORFS/ORB	

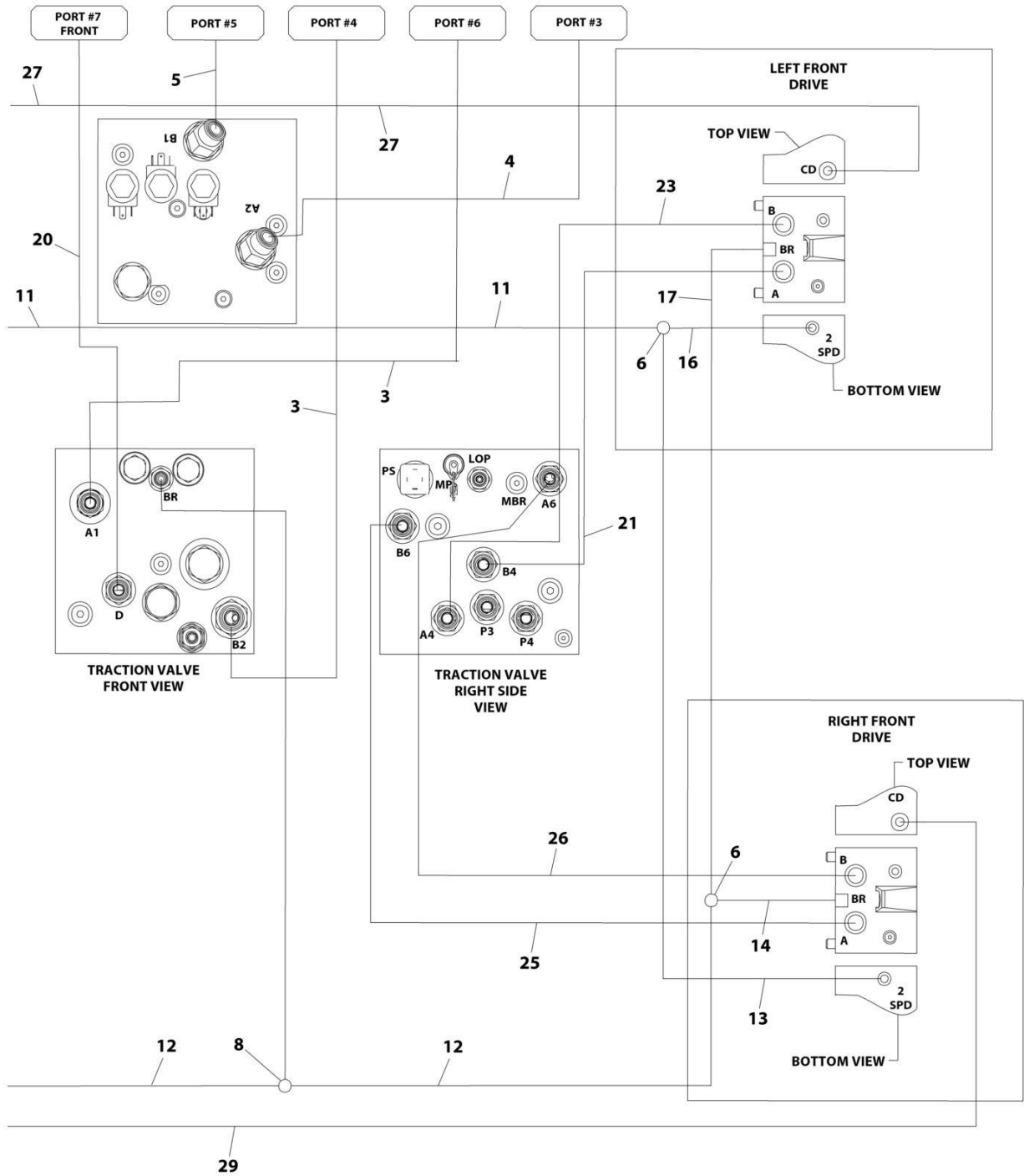
SECTION 7 - HYDRAULIC

FIGURE 7-2. HYDRAULIC DIAGRAM - DRIVE



ART_1001120172_10F2

SECTION 7 - HYDRAULIC



ART_1001120172_20F2

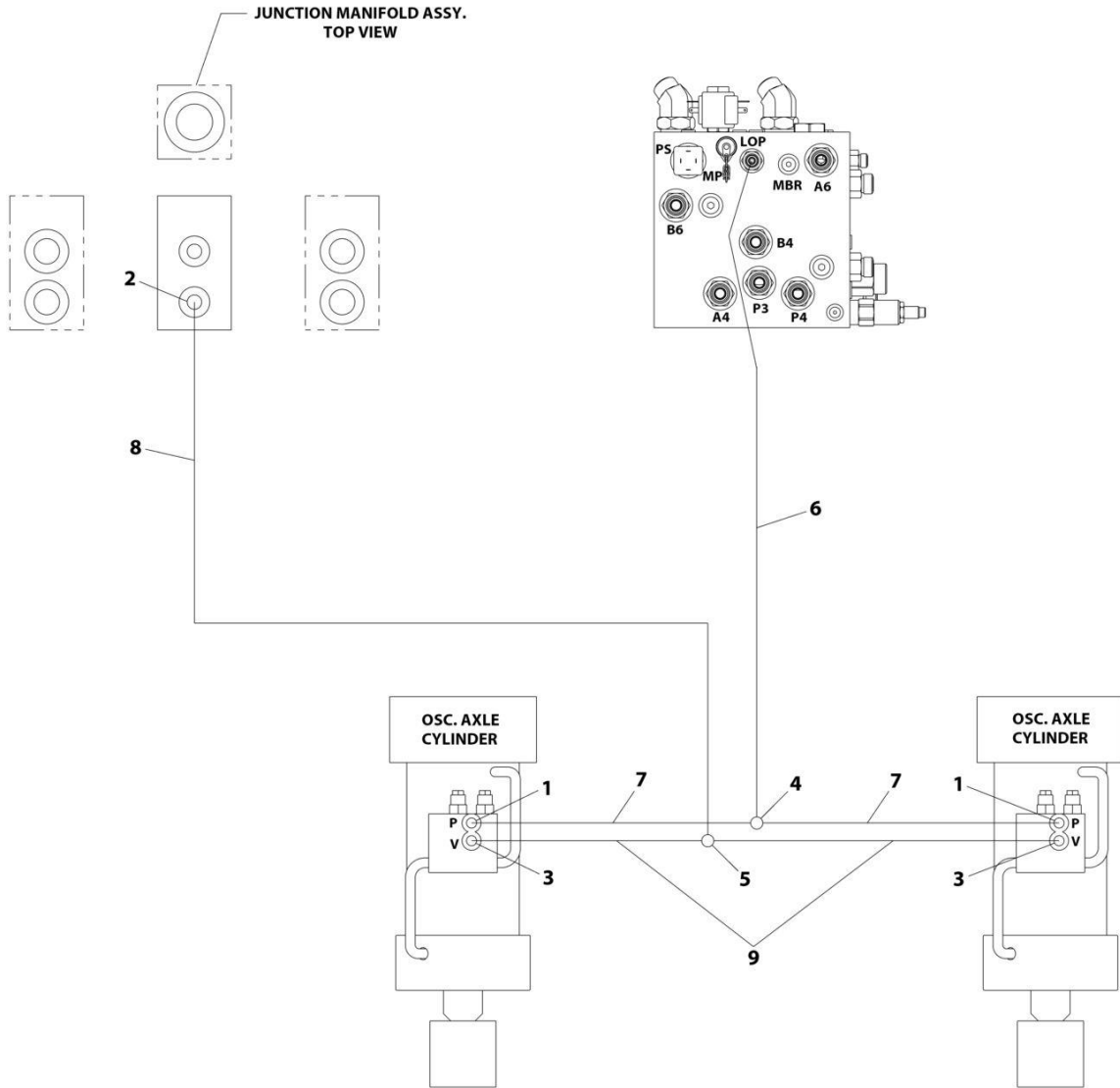
SECTION 7 - HYDRAULIC

FIGURE 7-2. HYDRAULIC DIAGRAM - DRIVE

ITEM	PART NUMBER	QTY	DESCRIPTION	REV
		Ref	HYDRAULIC DIAGRAM - DRIVE	
	1001120168	Ref	Hydraulic Diagram Chart for Deutz TD2011 Engine Machines with Rexroth Pumps	F
	1001152972	Ref	Hydraulic Diagram Chart for Deutz TCD2.9L4 Engine Machines with Rexroth Pumps	B
	1001120169	Ref	Hydraulic Diagram Chart for Deutz TD2011 & Deutz TCD2.9L4 Engine Machines with Sauer Pumps	E
	1001120172	Ref	Hydraulic Diagram - Drive	B
1	2753685	2	Hose	
2	2110808	4	Fitting, Straight ORFS/ORB	
3	2753703	2	Hose	
4	2753764	1	Hose	
5	2753768	1	Hose	
6	2170504	4	Fitting, Tee ORFS/ORFS/ORFS	
7	2170704	1	Fitting, Tee ORFS/ORB/ORFS	
8	2170804	1	Fitting, Tee ORFS/ORB/ORFS	
9	2220235	1	Plug	
11	2753541	2	Hose	
12	2753545	2	Hose	
13	2753677	2	Hose	
14	2753714	1	Hose	
15	2753713	1	Hose	
16	2753716	1	Hose	
17	2753715	2	Hose	
18	2753552	1	Hose	
19	2753752	1	Hose	
20	2753582	1	Hose	
21	2753756	1	Hose	
22	2753747	1	Hose	
23	2753757	2	Hose	
24	2753748	1	Hose	
25	2753759	2	Hose	
26	2753760	1	Hose	
27	2753749	1	Hose	
28	2753761	1	Hose	
29	2753750	1	Hose	
30	2753762	1	Hose	

SECTION 7 - HYDRAULIC

FIGURE 7-3. HYDRAULIC DIAGRAM - OSCILLATING AXLE



ART_1001120174

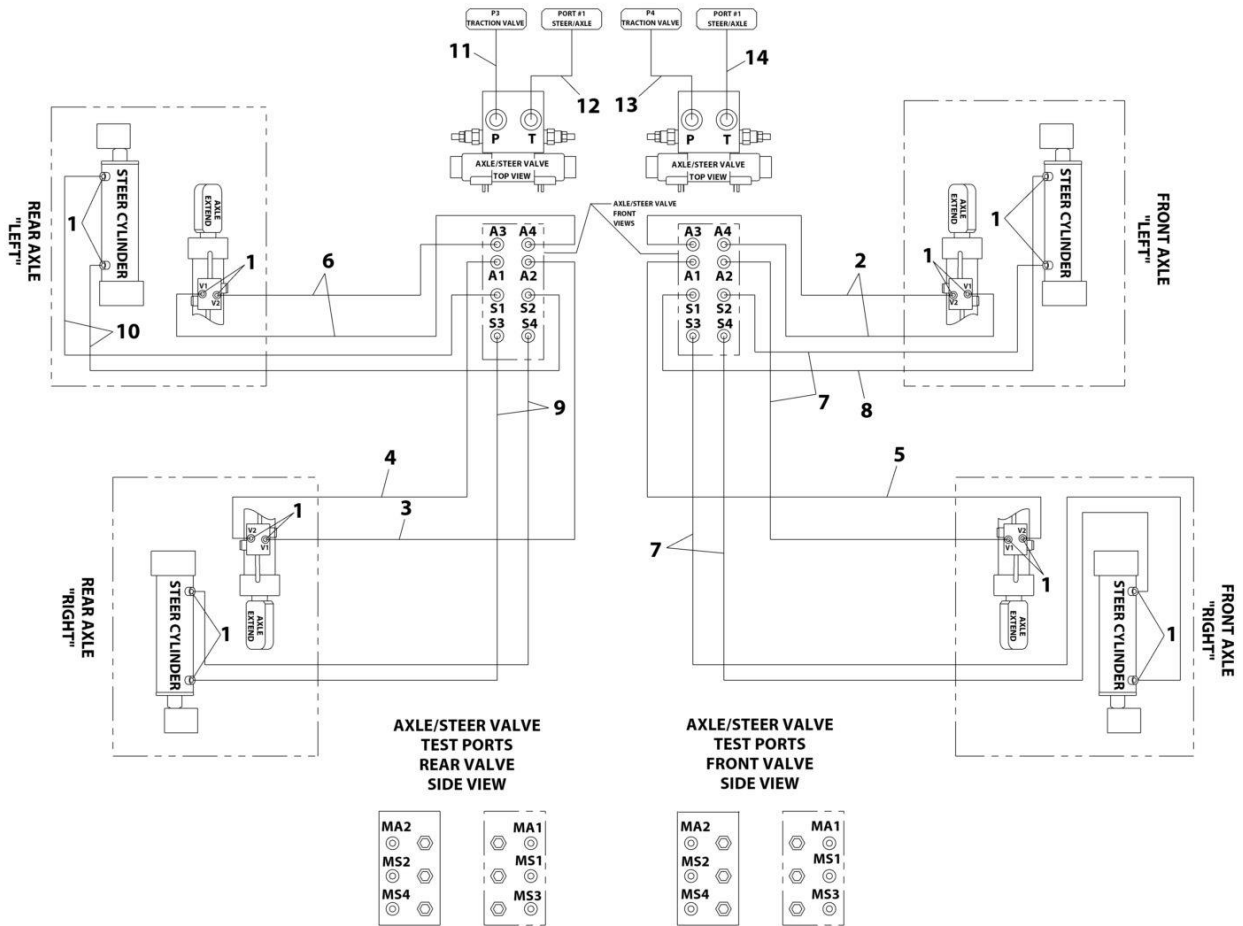
SECTION 7 - HYDRAULIC

FIGURE 7-3. HYDRAULIC DIAGRAM - OSCILLATING AXLE

ITEM	PART NUMBER	QTY	DESCRIPTION	REV
		Ref	HYDRAULIC DIAGRAM - OSCILLATING AXLE	
	1001120168	Ref	Hydraulic Diagram Chart for Deutz TD2011 Engine Machines with Rexroth Pumps	F
	1001152972	Ref	Hydraulic Diagram Chart for Deutz TCD2.9L4 Engine Machines with Rexroth Pumps	B
	1001120169	Ref	Hydraulic Diagram Chart for Deutz TD2011 & Deutz TCD2.9L4 Engine Machines with Sauer Pumps	E
	1001120174	Ref	Hydraulic Diagram - Oscillating Axle	1
1	2110406	2	Fitting, Straight ORFS/ORB	
2	2110604	1	Fitting, Straight ORFS/ORB	
3	2110606	2	Fitting, Straight ORFS/ORB	
4	2170504	1	Fitting, Tee ORFS/ORFS/ORFS	
5	2170506	1	Fitting, Tee ORFS/ORFS/ORFS	
6	2753726	1	Hose	
7	2753719	2	Hose	
8	2753727	1	Hose	
9	2753729	2	Hose	

SECTION 7 - HYDRAULIC

FIGURE 7-4. HYDRAULIC DIAGRAM - STEER



ART_1001120173

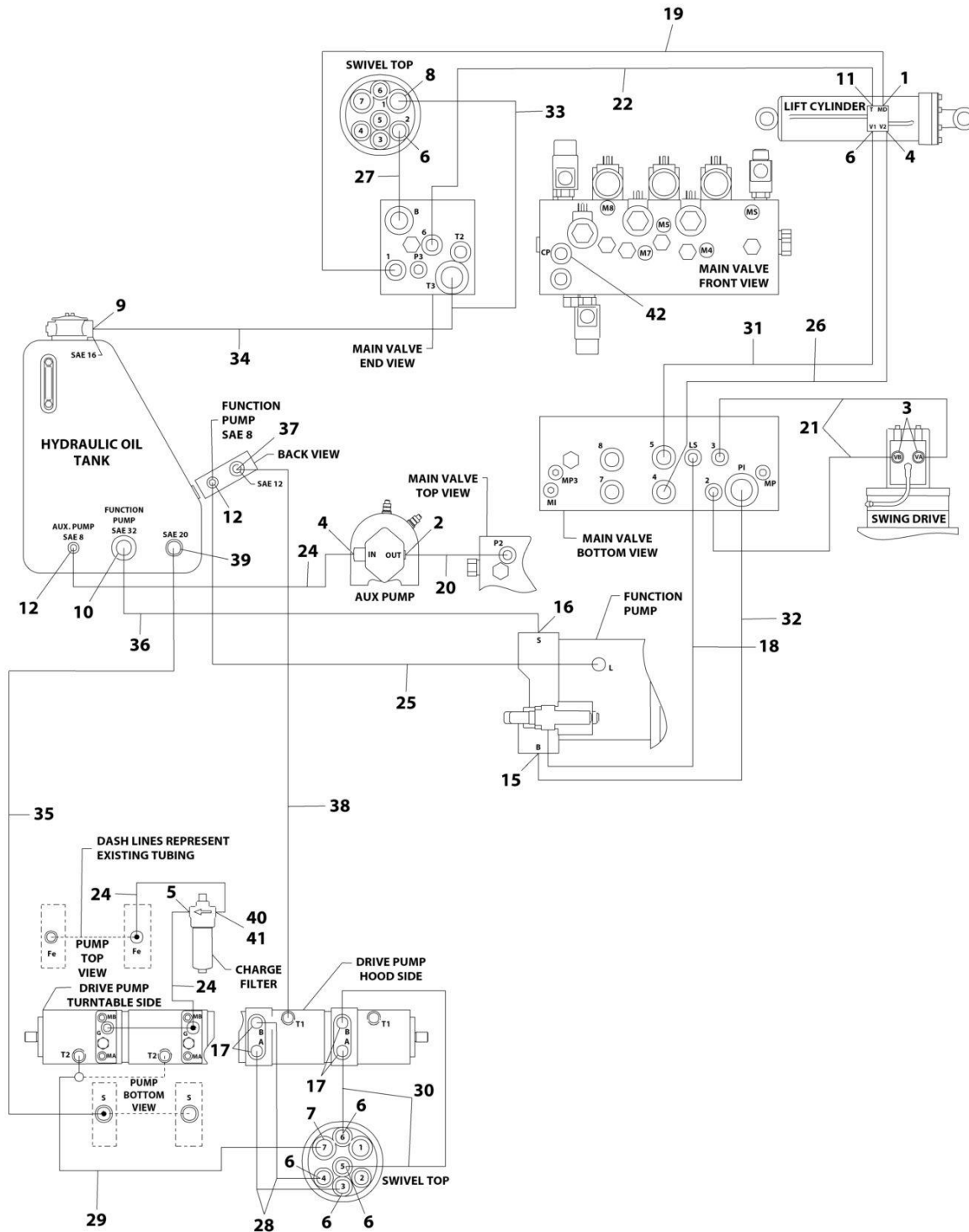
SECTION 7 - HYDRAULIC

FIGURE 7-4. HYDRAULIC DIAGRAM - STEER

ITEM	PART NUMBER	QTY	DESCRIPTION	REV
		Ref	HYDRAULIC DIAGRAM - STEER	
	1001120168	Ref	Hydraulic Diagram Chart for Deutz TD2011 Engine Machines with Rexroth Pumps	F
	1001152972	Ref	Hydraulic Diagram Chart for Deutz TCD2.9L4 Engine Machines with Rexroth Pumps	B
	1001120169	Ref	Hydraulic Diagram Chart for Deutz TD2011 & Deutz TCD2.9L4 Engine Machines with Sauer Pumps	E
	1001120173	Ref	Hydraulic Diagram - Steer	1
1	2130606	16	Fitting, 90 ORFS/ORB	
2	2753732	2	Hose	
3	2753733	1	Hose	
4	2753728	1	Hose	
5	2753734	1	Hose	
6	2753735	2	Hose	
7	2753736	4	Hose	
8	2753737	1	Hose	
9	2753738	2	Hose	
10	2753739	2	Hose	
11	2753753	1	Hose	
12	2753742	1	Hose	
13	2753754	1	Hose	
14	2753743	1	Hose	

SECTION 7 - HYDRAULIC

FIGURE 7-5. HYDRAULIC DIAGRAM - TURNTABLE (DEUTZ TD2011 ENGINE MACHINES WITH REXROTH PUMPS)



ART_1001120170

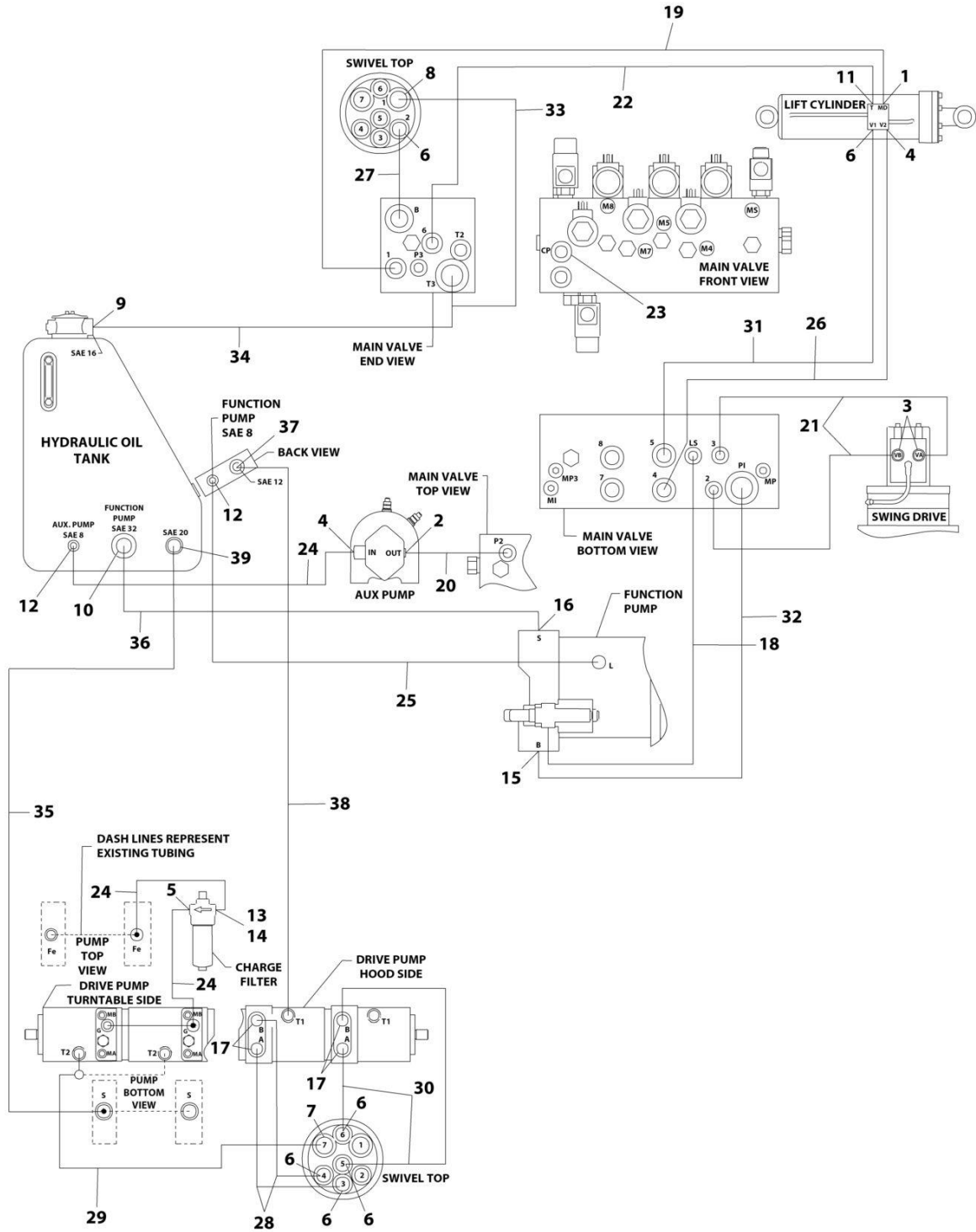
SECTION 7 - HYDRAULIC

FIGURE 7-5. HYDRAULIC DIAGRAM - TURNTABLE (DEUTZ TD2011 ENGINE MACHINES WITH REXROTH PUMPS)

ITEM	PART NUMBER	QTY	DESCRIPTION	REV
		Ref	HYDRAULIC DIAGRAM - TURNTABLE (DEUTZ TD2011 ENGINE MACHINES WITH REXROTH PUMPS)	
	1001120168	Ref	Hydraulic Diagram Chart for Deutz TD2011 Engine Machines with Rexroth Pumps	F
	1001120170	Ref	Hydraulic Diagram - Turntable	C
1	2110404	1	Fitting, Straight ORFS/ORB	
2	2110608	1	Fitting, Straight ORFS/ORB	
3	2110610	2	Fitting, Straight ORFS/ORB	
4	2110810	2	Fitting, Straight ORFS/ORB	
5	2110812	1	Fitting, Straight ORFS/ORB	
6	2111010	6	Fitting, Straight ORFS/ORB	
7	2111012	1	Fitting, Straight ORFS/ORB	
8	2111212	1	Fitting, Straight ORFS/ORB	
9	2111616	1	Fitting, Straight ORFS/ORB	
10	2113232	1	Fitting, Straight ORFS/ORB	
11	2130606	1	Fitting, 90 ORFS/ORB	
12	2130808	2	Fitting, 90 ORFS/ORB	
15	2220478	1	Flange Kit	
16	2220737	1	Flange Kit	
17	2221117	4	Flange Kit	
18	1001213385	1	Hose	
19	2753718	1	Hose	
20	2753730	1	Hose	
21	2753731	2	Hose	
22	2753734	1	Hose	
24	2753746	3	Hose	
25	2753741	1	Hose	
26	2753744	1	Hose	
27	2753766	1	Hose	
28	2753769	2	Hose	
29	2753708	1	Hose	
30	2753770	2	Hose	
31	2753765	1	Hose	
32	2753771	1	Hose	
33	2753772	1	Hose	
34	2753774	1	Hose	
35	2753775	1	Hose	
36	2753776	1	Hose	
37	2131212	1	Fitting, 90 ORFS/ORB	
38	2753773	1	Hose	
39	2112020	1	Fitting, Straight ORFS/ORB	
40	2221084	1	Fitting, Tee ORFS/ORB/ORFS	
41	2170908	1	Fitting, Cap ORFS	
42	1001119455	1	Valve, Oil Sampling	

SECTION 7 - HYDRAULIC

FIGURE 7-6. HYDRAULIC DIAGRAM - TURNTABLE (DEUTZ TCD2.9L4 ENGINE MACHINES WITH REXROTH PUMPS)



ART_1001152969

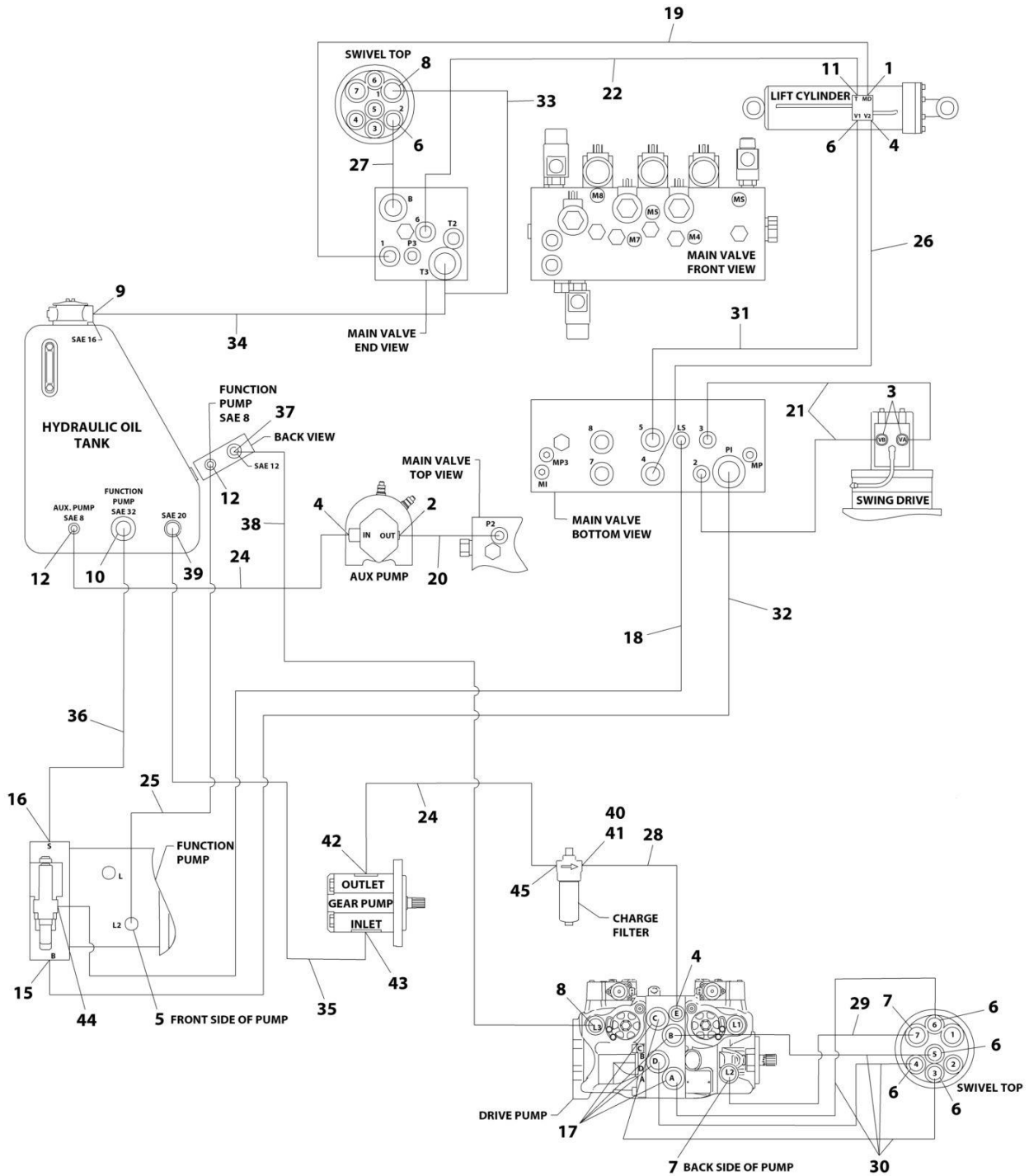
SECTION 7 - HYDRAULIC

FIGURE 7-6. HYDRAULIC DIAGRAM - TURNTABLE (DEUTZ TCD2.9L4 ENGINE MACHINES WITH REXROTH PUMPS)

ITEM	PART NUMBER	QTY	DESCRIPTION	REV
		Ref	HYDRAULIC DIAGRAM - TURNTABLE (DEUTZ TCD2.9L4 ENGINE MACHINES WITH REXROTH PUMPS)	
	1001152972	Ref	Hydraulic Diagram Chart for Deutz TCD2.9L4 Engine Machines with Rexroth Pumps	B
	1001152969	Ref	Hydraulic Diagram - Turntable	A
1	2110404	1	Fitting, Straight ORFS/ORB	
2	2110608	1	Fitting, Straight ORFS/ORB	
3	2110610	2	Fitting, Straight ORFS/ORB	
4	2110810	2	Fitting, Straight ORFS/ORB	
5	2110812	1	Fitting, Straight ORFS/ORB	
6	2111010	6	Fitting, Straight ORFS/ORB	
7	2111012	1	Fitting, Straight ORFS/ORB	
8	2111212	1	Fitting, Straight ORFS/ORB	
9	2111616	1	Fitting, Straight ORFS/ORB	
10	2113232	1	Fitting, Straight ORFS/ORB	
11	2130606	1	Fitting, 90 ORFS/ORB	
12	2130808	2	Fitting, 90 ORFS/ORB	
13	2221084	1	Fitting, Tee ORFS/ORB/ORFS	
14	2170908	1	Fitting, Cap ORFS	
15	2220478	1	Flange Kit	
16	2220737	1	Flange Kit	
17	2221117	4	Flange Kit	
18	2753622	1	Hose	
19	2753718	1	Hose	
20	2753730	1	Hose	
21	2753731	2	Hose	
22	2753734	1	Hose	
23	1001119455	1	Valve, Oil Sampling	
24	2753746	3	Hose	
25	2753741	1	Hose	
26	2753744	1	Hose	
27	2753766	1	Hose	
28	2753769	2	Hose	
29	2753708	1	Hose	
30	2753770	2	Hose	
31	2753765	1	Hose	
32	2753771	1	Hose	
33	2753772	1	Hose	
34	2753774	1	Hose	
35	1001152966	1	Hose	
36	2753776	1	Hose	
37	2131212	1	Fitting, 90 ORFS/ORB	
38	2753773	1	Hose	
39	2112020	1	Fitting, Straight ORFS/ORB	

SECTION 7 - HYDRAULIC

FIGURE 7-7. HYDRAULIC DIAGRAM - TURNTABLE (DEUTZ TD2011 AND DEUTZ TCD2.9L4 ENGINE MACHINES WITH SAUER PUMPS)



ART_1001120171

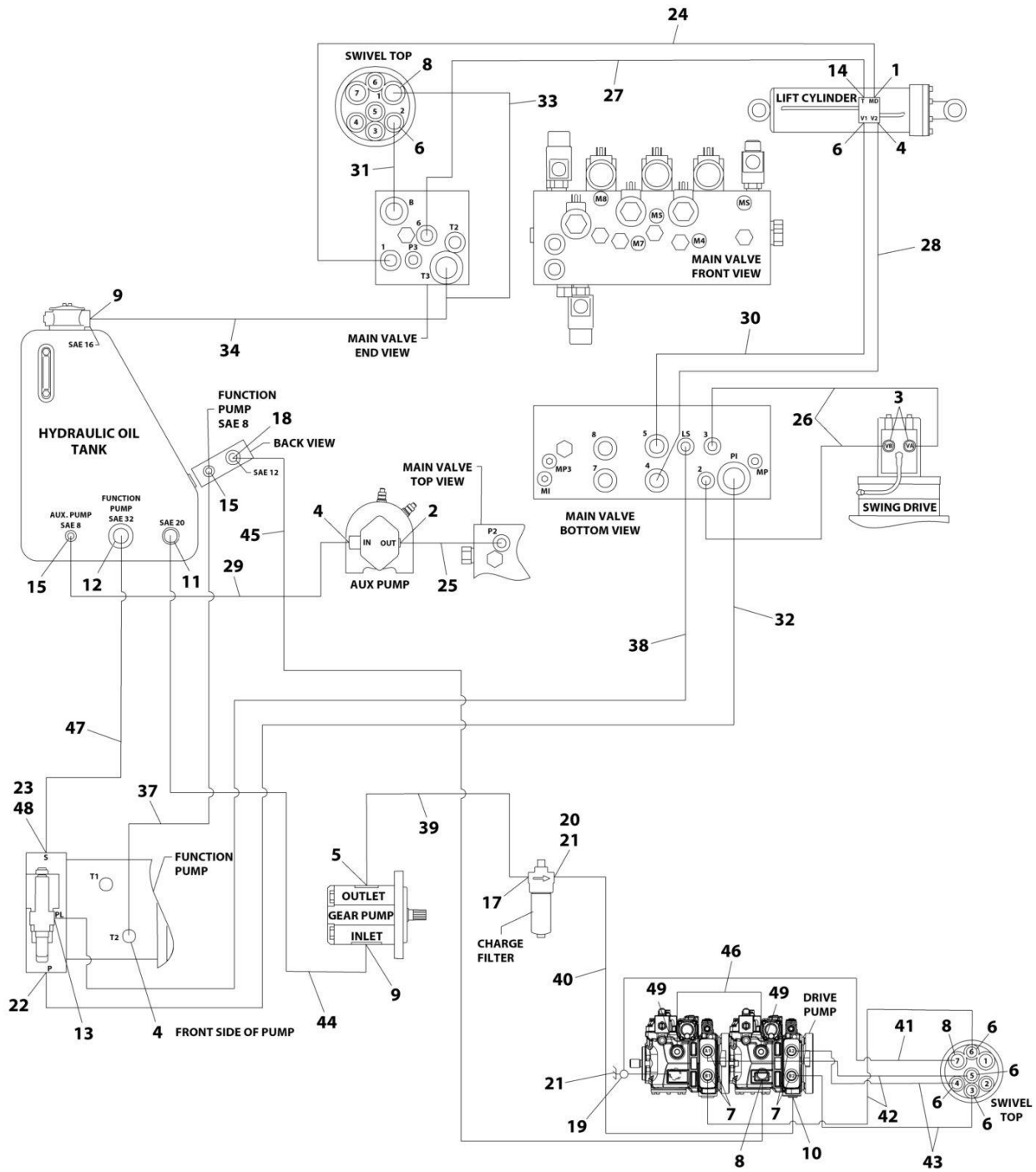
SECTION 7 - HYDRAULIC

FIGURE 7-7. HYDRAULIC DIAGRAM - TURNTABLE (DEUTZ TD2011 AND DEUTZ TCD2.9L4 ENGINE MACHINES WITH SAUER PUMPS)

ITEM	PART NUMBER	QTY	DESCRIPTION	REV
		Ref	HYDRAULIC DIAGRAM - TURNTABLE (DEUTZ TD2011 AND DEUTZ TCD2.9L4 ENGINE MACHINES WITH SAUER PUMPS)	
	1001120169	Ref	Hydraulic Diagram Chart for Deutz TD2011 and Deutz TCD2.9L4 Engine Machines with Sauer Pumps	E
	1001120171	Ref	Hydraulic Diagram - Turntable	E
1	2110404	1	Fitting, Straight ORFS/ORB	
2	2110608	1	Fitting, Straight ORFS/ORB	
3	2110610	2	Fitting, Straight ORFS/ORB	
4	2110810	3	Fitting, Straight ORFS/ORB	
5	2130810	1	Fitting, 90 ORFS/ORB	
6	2111010	6	Fitting, Straight ORFS/ORB	
7	2111012	2	Fitting, Straight ORFS/ORB	
8	2111212	1	Fitting, Straight ORFS/ORB	
9	2111616	1	Fitting, Straight ORFS/ORB	
10	2113232	1	Fitting, Straight ORFS/ORB	
11	2130606	1	Fitting, 90 ORFS/ORB	
12	2130808	AR	Fitting, 90 ORFS/ORB	
15	2220478	1	Flange Kit	
16	1001110604	1	Flange Kit	
17	2111016	4	Fitting, Straight ORFS/ORB	
18	1001213385	1	Hose	
19	2753718	1	Hose	
20	2753730	1	Hose	
21	2753731	2	Hose	
22	2753734	1	Hose	
24	2753746	2	Hose	
25	1001118934	1	Hose	
26	2753744	1	Hose	
27	2753766	1	Hose	
28	1001118933	1	Hose	
29	2753708	1	Hose	
30	1001109468	4	Hose	
31	2753765	1	Hose	
32	2753771	1	Hose	
33	2753772	1	Hose	
34	2753774	1	Hose	
35	1001119817	1	Hose	
36	1001118935	1	Hose	
37	2131612	1	Fitting, 90 ORFS/ORB	
38	1001119138	1	Hose	
39	2112020	1	Fitting, Straight ORFS/ORB	
40	2221084	1	Fitting, Tee ORFS/ORFS/ORB	
41	2170908	1	Fitting, Cap ORFS	
42	2110812	1	Fitting, Straight ORFS/ORB	
43	2112016	1	Fitting, Straight ORFS/ORB	
44	2130404	1	Fitting, 90 ORFS/ORB	
45	2130812	1	Fitting, 90 ORFS/ORB	

SECTION 7 - HYDRAULIC

FIGURE 7-8. HYDRAULIC DIAGRAM - TURNTABLE (WITH PMP PUMPS) (SN 0300311785 to Present)



ART_1001300101

SECTION 7 - HYDRAULIC

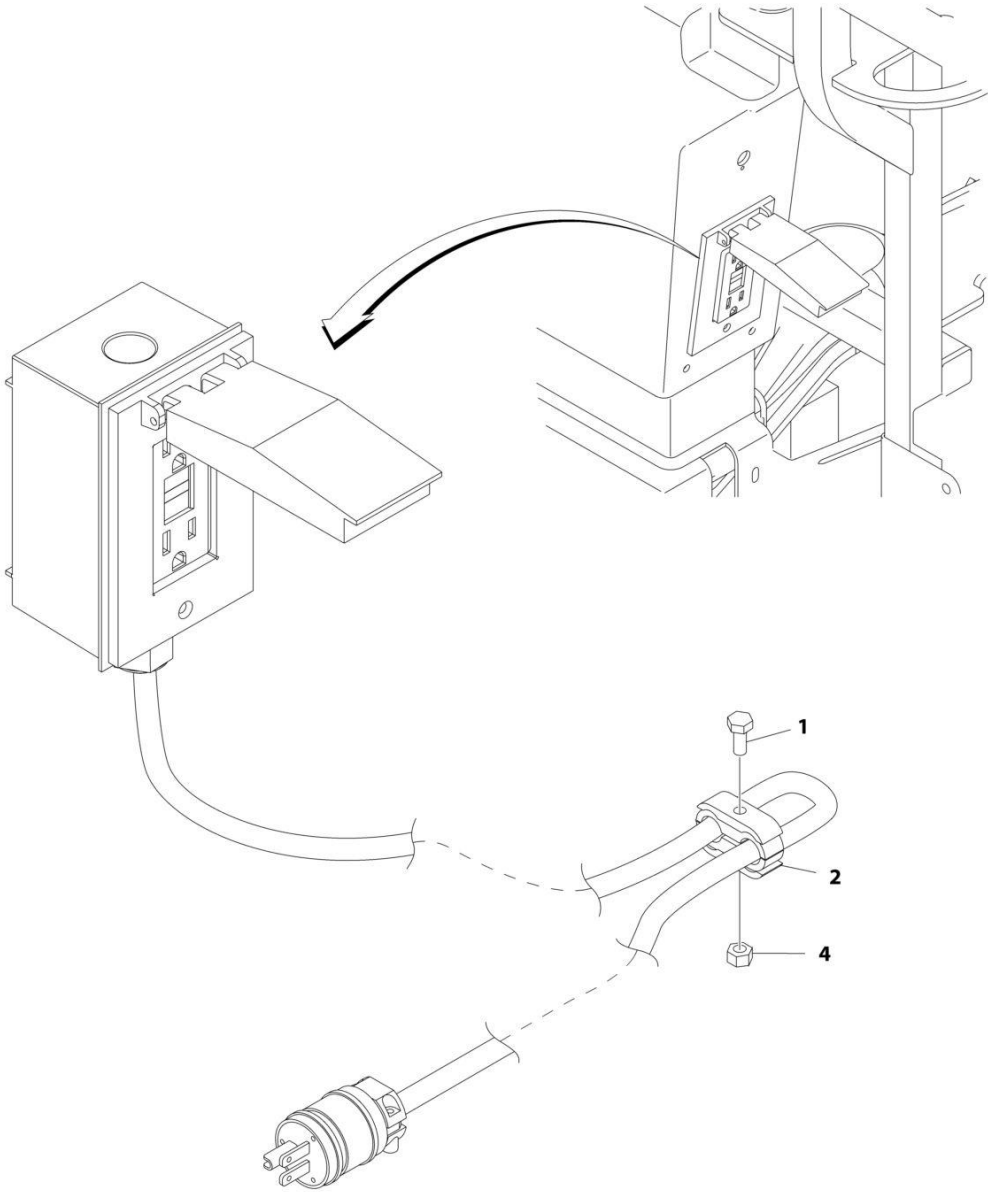
FIGURE 7-8. HYDRAULIC DIAGRAM - TURNTABLE (WITH PMP PUMPS) (SN 0300311785 to Present)

ITEM	PART NUMBER	QTY	DESCRIPTION	REV
	1001300101	Ref	HYDRAULIC DIAGRAM - TURNTABLE (WITH PMP PUMPS)	B
1	2110404	1	Fitting, Straight ORFS/ORB	
2	2110608	1	Fitting, Straight ORFS/ORB	
3	2110610	2	Fitting, Straight ORFS/ORB	
4	2110810	3	Fitting, Straight ORFS/ORB	
5	2110812	1	Fitting, Straight ORFS/ORB	
6	2111010	6	Fitting, Straight ORFS/ORB	
7	2111012	4	Fitting, Straight ORFS/ORB	
8	2111212	3	Fitting, Straight ORFS/ORB	
9	2111616	2	Fitting, Straight ORFS/ORB	
10	2111620	1	Fitting, Straight ORFS/ORB	
11	2112020	1	Fitting, Straight ORFS/ORB	
12	2113232	1	Fitting, Straight ORFS/ORB	
13	2130404	1	Fitting, 90 ORFS/ORB	
14	2130606	1	Fitting, 90 ORFS/ORB	
15	2130808	2	Fitting, 90 ORFS/ORB	
17	2130812	1	Fitting, 90 ORFS/ORB	
18	2131612	1	Fitting, 90 ORFS/ORB	
19	2170312	1	Fitting, Tee ORFS	
20	2170412	1	Fitting, Tee ORFS/ORB	
21	2170912	2	Fitting, Cap	
22	2220478	1	Flange Kit	
23	2220737	1	Flange Kit	
24	2753718	1	Hose	
25	2753730	1	Hose	
26	2753731	2	Hose	
27	2753734	1	Hose	
28	2753744	1	Hose	
29	2753746	1	Hose	
30	2753765	1	Hose	
31	2753766	1	Hose	
32	2753771	1	Hose	
33	2753772	1	Hose	
34	2753774	1	Hose	
35	4061032	1	Hose (Not Shown)	
36	4240018	2	Tie-Strap (Not Shown)	
37	1001307624	1	Hose	
38	1001213385	1	Hose	
39	1001297564	1	Hose	
40	1001297565	1	Hose	
41	1001297566	1	Hose	
42	1001297567	2	Hose	
43	1001297568	2	Hose	
44	1001297569	1	Hose	
45	1001297570	1	Hose	
46	1001297571	1	Hose	
47	1001297572	1	Hose	
48	1001297601	1	Fitting, 90	
49	2170112	2	Fitting, Straight ORFS/ORB	

SECTION 8 - ELECTRICAL

SECTION 8 - ELECTRICAL

FIGURE 8-1. AC BOX AT PLATFORM - 110V (ANSI SPECS)



ART_0271955

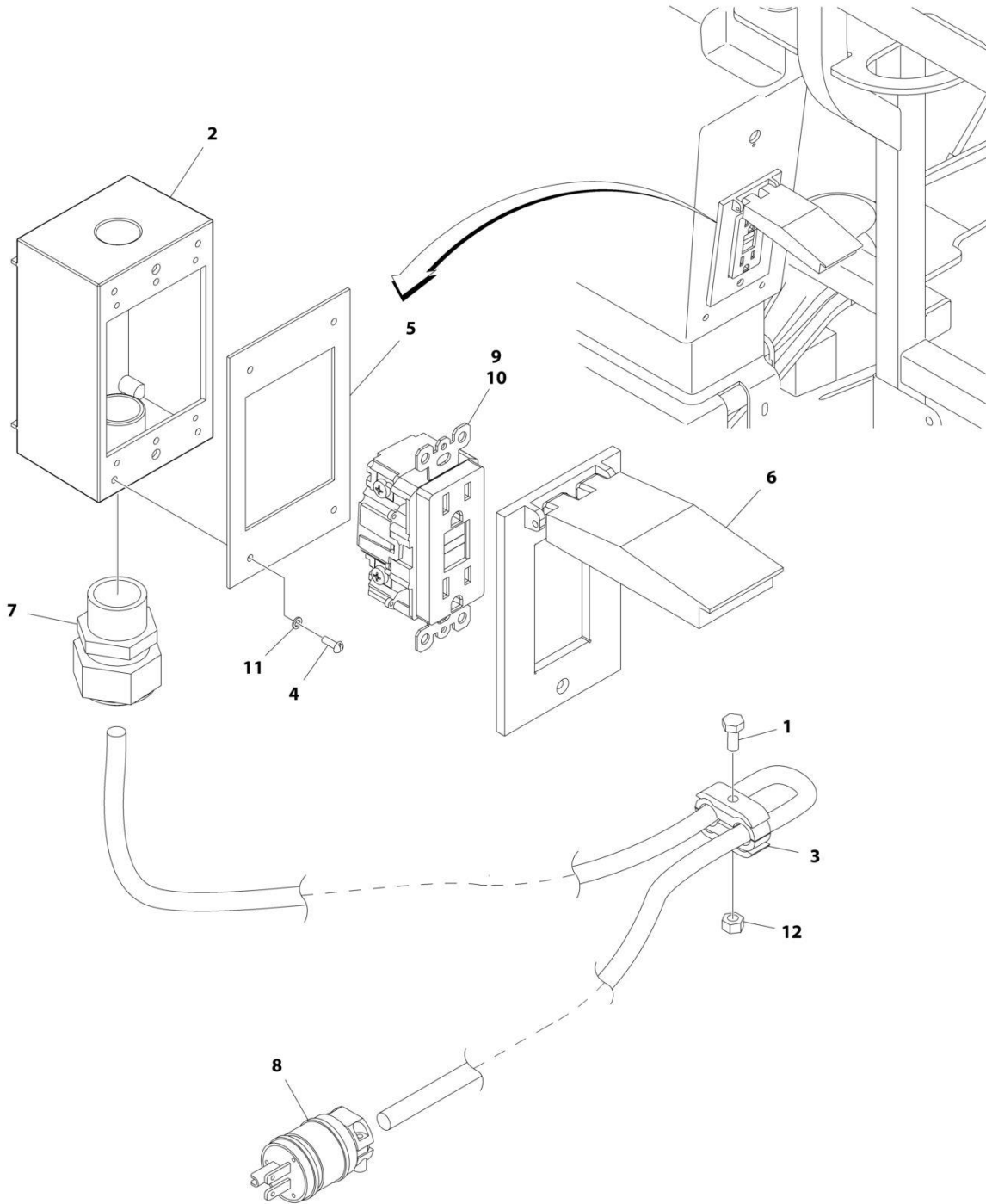
SECTION 8 - ELECTRICAL

FIGURE 8-1. AC BOX AT PLATFORM - 110V (ANSI SPECS)

ITEM	PART NUMBER	QTY	DESCRIPTION	REV
	0271955	Ref	AC BOX AT PLATFORM - 110V	C
1	0641416	1	Bolt 1/4 x 2	
2	1320146	1	Clamp	
4	3311405	1	Nut 1/4	

SECTION 8 - ELECTRICAL

FIGURE 8-2. AC BOX AT PLATFORM - 110V GFI RECEPTACLE (ANSI SPECS)



ART_0271953

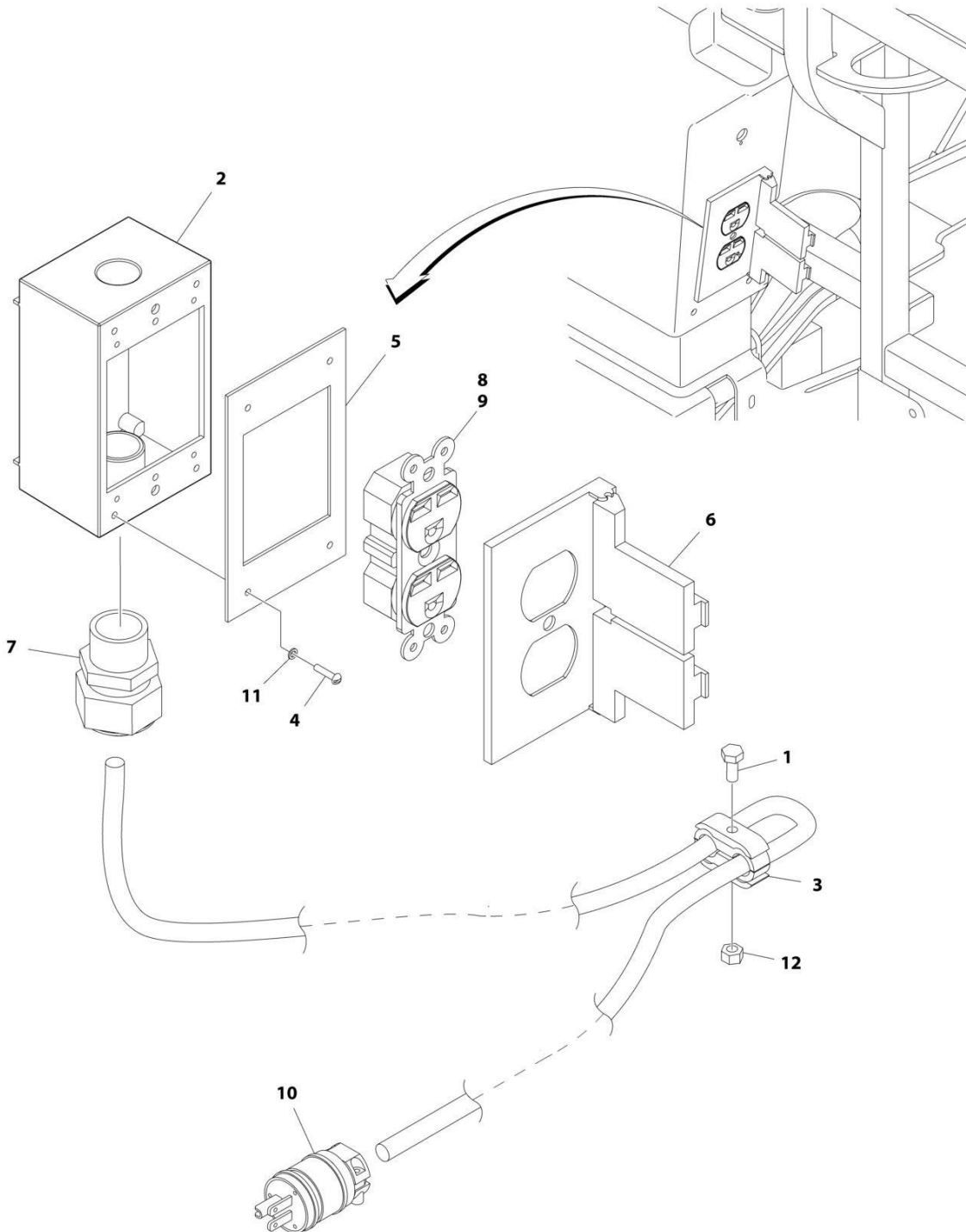
SECTION 8 - ELECTRICAL

FIGURE 8-2. AC BOX AT PLATFORM - 110V GFI RECEPTACLE (ANSI SPECS)

ITEM	PART NUMBER	QTY	DESCRIPTION	REV
	0271953	Ref	AC BOX AT PLATFORM - 110V GFI RECEPTACLE	D
1	0641416	1	Bolt 1/4 x 2	
2	0860038	1	Box, Switch	
3	1320146	1	Clamp	
4	3910606	4	Screw 6 x 3/8	
5	3960422	1	Gasket, AC Receptacle	
6	1001110873	1	Shield, Receptacle Cover	
7	4460051	1	Connector, Strain Relief	
8	4460205	1	Plug, Male	
9	4460315	1	Terminal, Spade	
10	4460346	1	Terminal, Receptacle	
11	4760600	4	Washer 6	
12	3311405	1	Nut 1/4	

SECTION 8 - ELECTRICAL

FIGURE 8-3. AC BOX AT PLATFORM - 220V GFI RECEPTACLE (ANSI SPECS)



ART_0271954

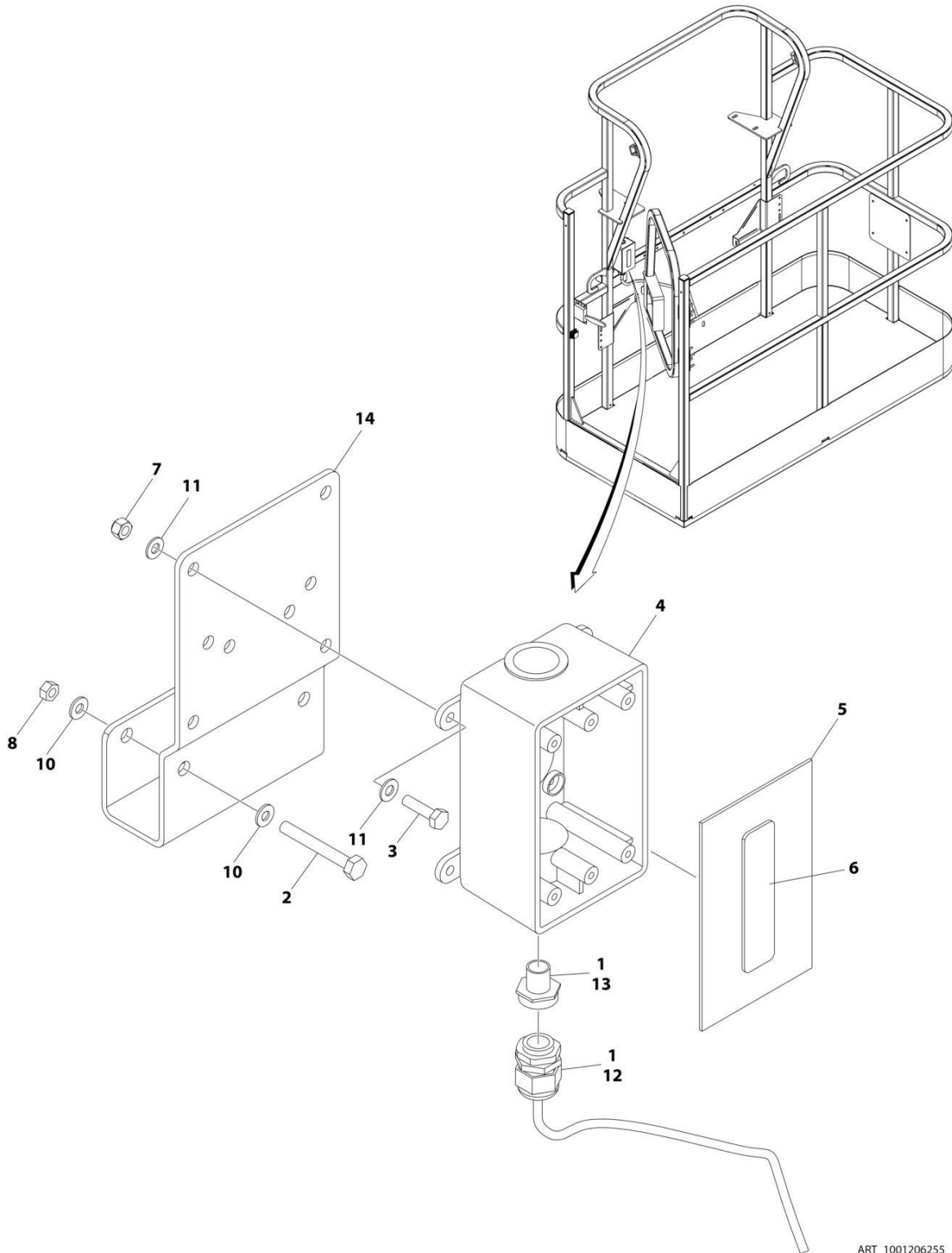
SECTION 8 - ELECTRICAL

FIGURE 8-3. AC BOX AT PLATFORM - 220V GFI RECEPTACLE (ANSI SPECS)

ITEM	PART NUMBER	QTY	DESCRIPTION	REV
	0271954	Ref	AC BOX AT PLATFORM - 220V GFI RECEPTACLE	C
1	0641416	1	Bolt 1/4 x 2	
2	0860038	1	Box, Switch	
3	1320146	1	Clamp	
4	3910606	4	Screw 6 x 3/8	
5	3960422	1	Gasket, AC Receptacle	
6	4060092	1	Shield, Receptacle Cover	
7	4460051	1	Connector, Strain Relief	
8	4460125	1	Terminal, Receptacle	
9	4460315	1	Terminal, Spade	
10	4460709	1	Plug, Male	
11	4760600	4	Washer 6	
12	3311405	1	Nut 1/4	

SECTION 8 - ELECTRICAL

FIGURE 8-4. AC BOX AT PLATFORM INSTALLATION - BOX WITH COVER (2X4 BOX) WITH 4000W GENERATOR (ANSI EXPORT, AUSTRALIAN, CHINA AND JAPANESE SPECS)



ART_1001206255

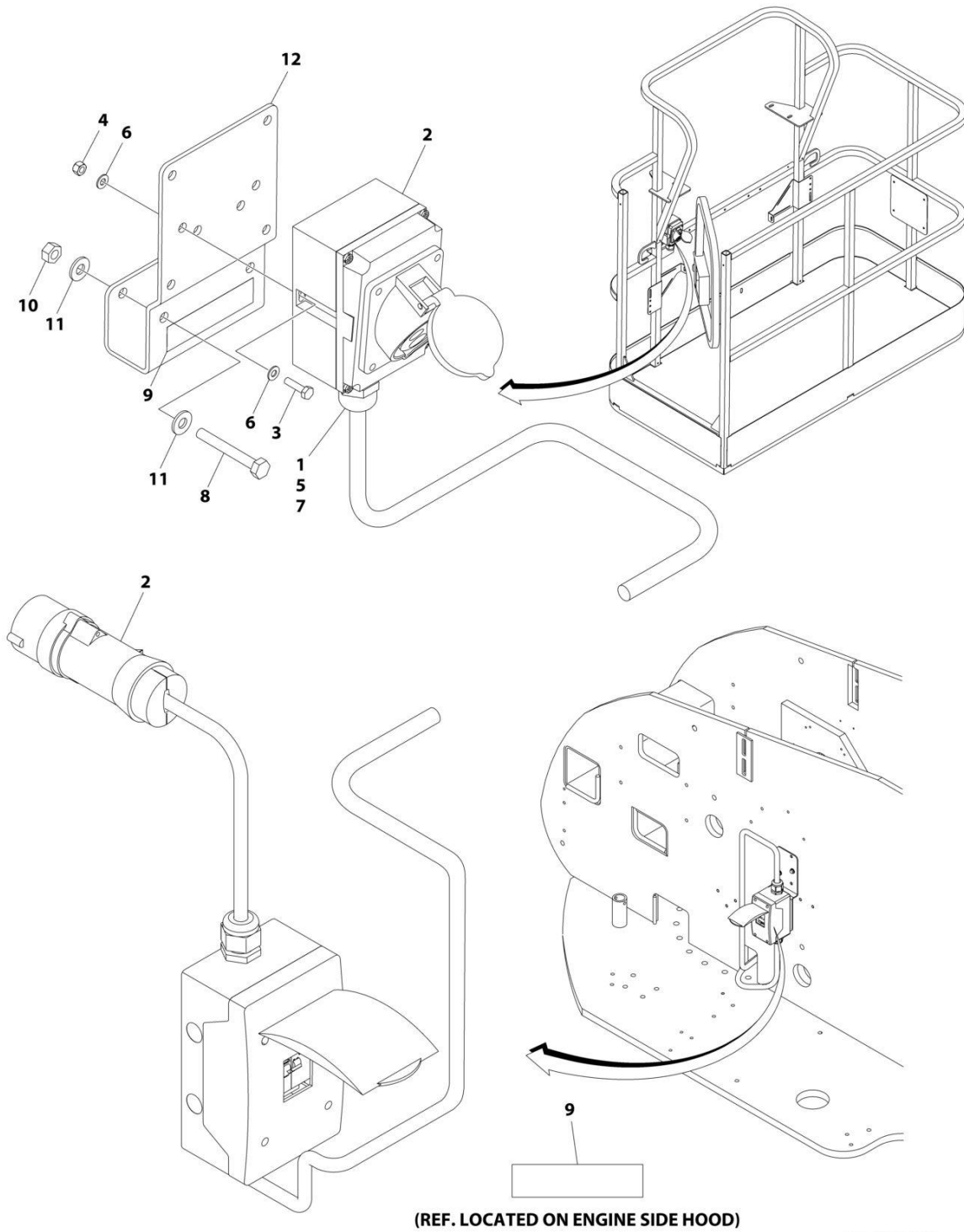
SECTION 8 - ELECTRICAL

FIGURE 8-4. AC BOX AT PLATFORM INSTALLATION - BOX WITH COVER (2X4 BOX) WITH 4000W GENERATOR (ANSI EXPORT, AUSTRALIAN, CHINA AND JAPANESE SPECS)

ITEM	PART NUMBER	QTY	DESCRIPTION	REV
	1001206255	Ref	AC BOX AT PLATFORM INSTALLATION - BOX WITH COVER (2X4 BOX) WITH 4000W GENERATOR	A
1	0100020	AR	Sealant, Pipe	
2	0641416	2	Bolt 1/4 x 2	
3	0700408	4	Bolt M4 x 16	
4	0861731	1	Box, Switch	
5	1670603	1	Cover	
6	3251242	1	Decal - 240V-50Hz	
7	3290405	4	Nut M4	
8	3311405	2	Nut 1/4	
10	4711400	4	Washer 1/4	
11	4811400	8	Washer M4	
12	1001101191	1	Connector, Strain Relief	
13	1001101197	1	Adapter	
14	1001193018	1	Bracket, AC Receptacle	

SECTION 8 - ELECTRICAL

FIGURE 8-5. AC BOX AT PLATFORM INSTALLATION - 110V IEC 60309 YELLOW WITHOUT 2500W GENERATOR (CE & UK CA SPECS)



ART_1001091969

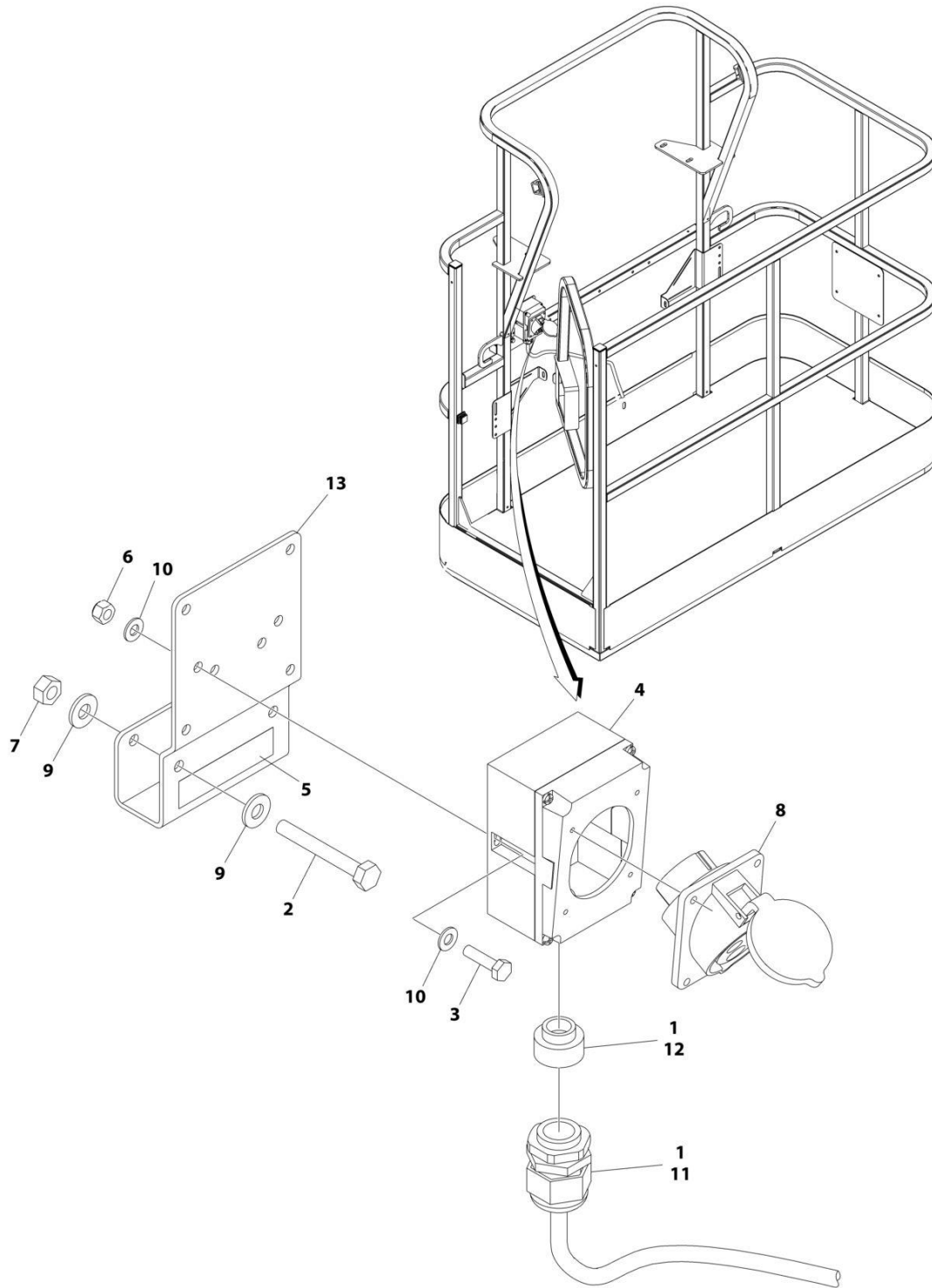
SECTION 8 - ELECTRICAL

FIGURE 8-5. AC BOX AT PLATFORM INSTALLATION - 110V IEC 60309 YELLOW WITHOUT 2500W GENERATOR (CE & UK CA SPECS)

ITEM	PART NUMBER	QTY	DESCRIPTION	REV
	1001091969	Ref	AC BOX AT PLATFORM INSTALLATION - 110V IEC YELLOW	D
1	0100020	AR	Sealant, Pipe	
2	0275216	1	Receptacle Box Kit (See Separate Breakdown in this Section)	
3	0700408	2	Bolt M4 x 16	
4	3290405	2	Nut M4	
5	1001101196	1	Adapter	
6	4811400	4	Washer M4	
7	1001101191	1	Connector, Strain Relief	
8	0641416	2	Bolt 1/4 x 2	
9	1705325	2	Decal - 110V	
10	3311405	2	Nut 1/4	
11	4711400	4	Washer 1/4	
12	1001193018	1	Bracket	

SECTION 8 - ELECTRICAL

FIGURE 8-6. AC BOX AT PLATFORM INSTALLATION - 110V IEC 60309 YELLOW WITH 4000W GENERATOR (CE & UK CA SPECS)



ART_1001206253

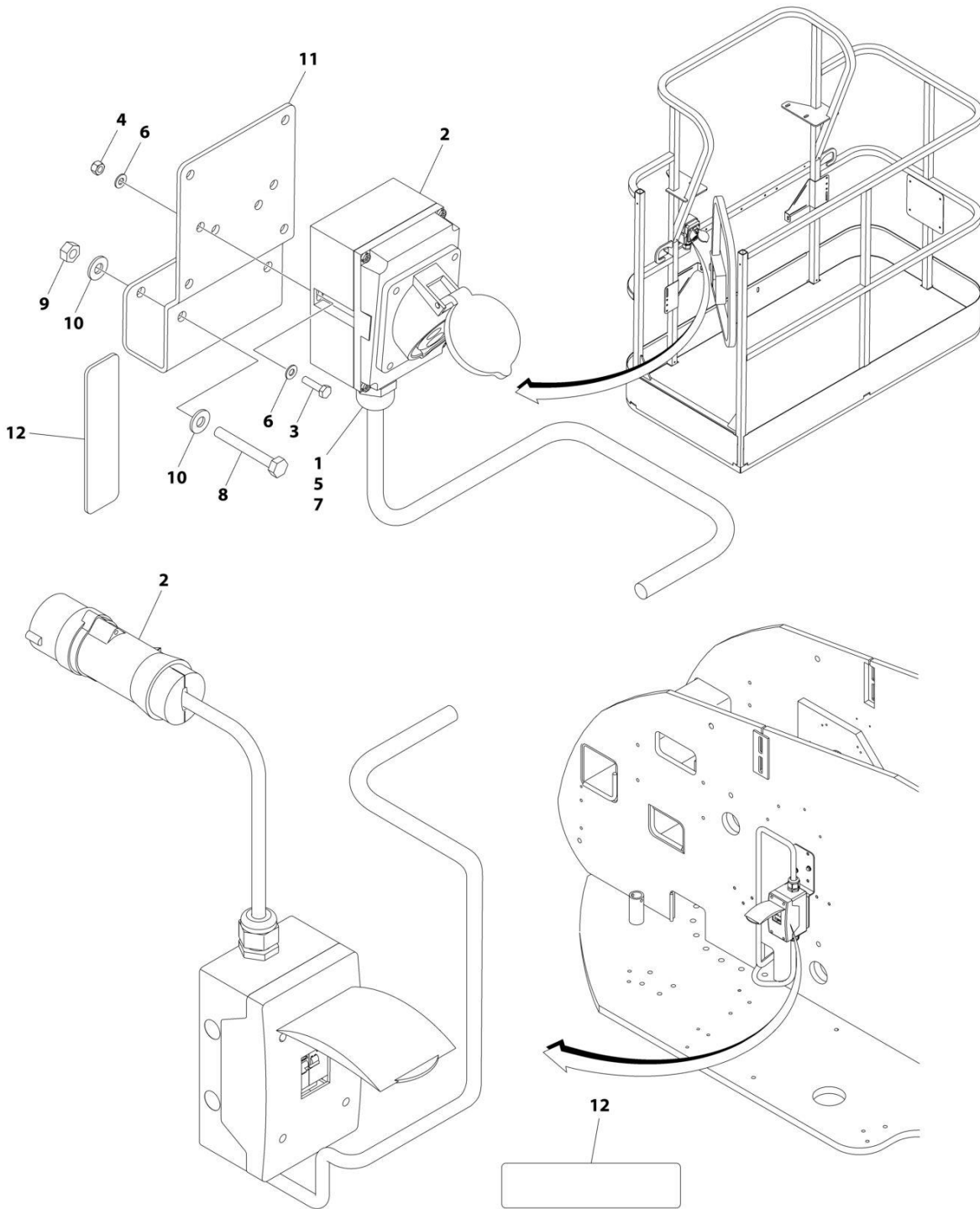
SECTION 8 - ELECTRICAL

FIGURE 8-6. AC BOX AT PLATFORM INSTALLATION - 110V IEC 60309 YELLOW WITH 4000W GENERATOR (CE & UK CA SPECS)

ITEM	PART NUMBER	QTY	DESCRIPTION	REV
	1001206253	Ref	AC BOX AT PLATFORM INSTALLATION - 110V IEC 60309 YELLOW WITHOUT 4000W GENERATOR	A
1	0100020	AR	Sealant, Pipe	
2	0641416	2	Bolt 1/4 x 2	
3	0700408	2	Bolt M4 x 16	
4	0861781	1	Box, Switch	
5	1705325	1	Decal - 110V	
6	3290405	2	Nut M4	
7	3311405	2	Nut 1/4	
8	4461198	1	Receptacle	
9	4711400	4	Washer 1/4	
10	4811400	4	Washer M4	
11	1001101191	1	Connector, Strain Relief	
12	1001101196	1	Adapter	
13	1001193018	1	Bracket, AC Receptacle	

SECTION 8 - ELECTRICAL

FIGURE 8-7. AC BOX AT PLATFORM INSTALLATION - 220V IEC 60309 BLUE WITHOUT 2500W GENERATOR (CE & UK CA SPECS)



(REF. LOCATED ON ENGINE SIDE HOOD)

ART_1001091970

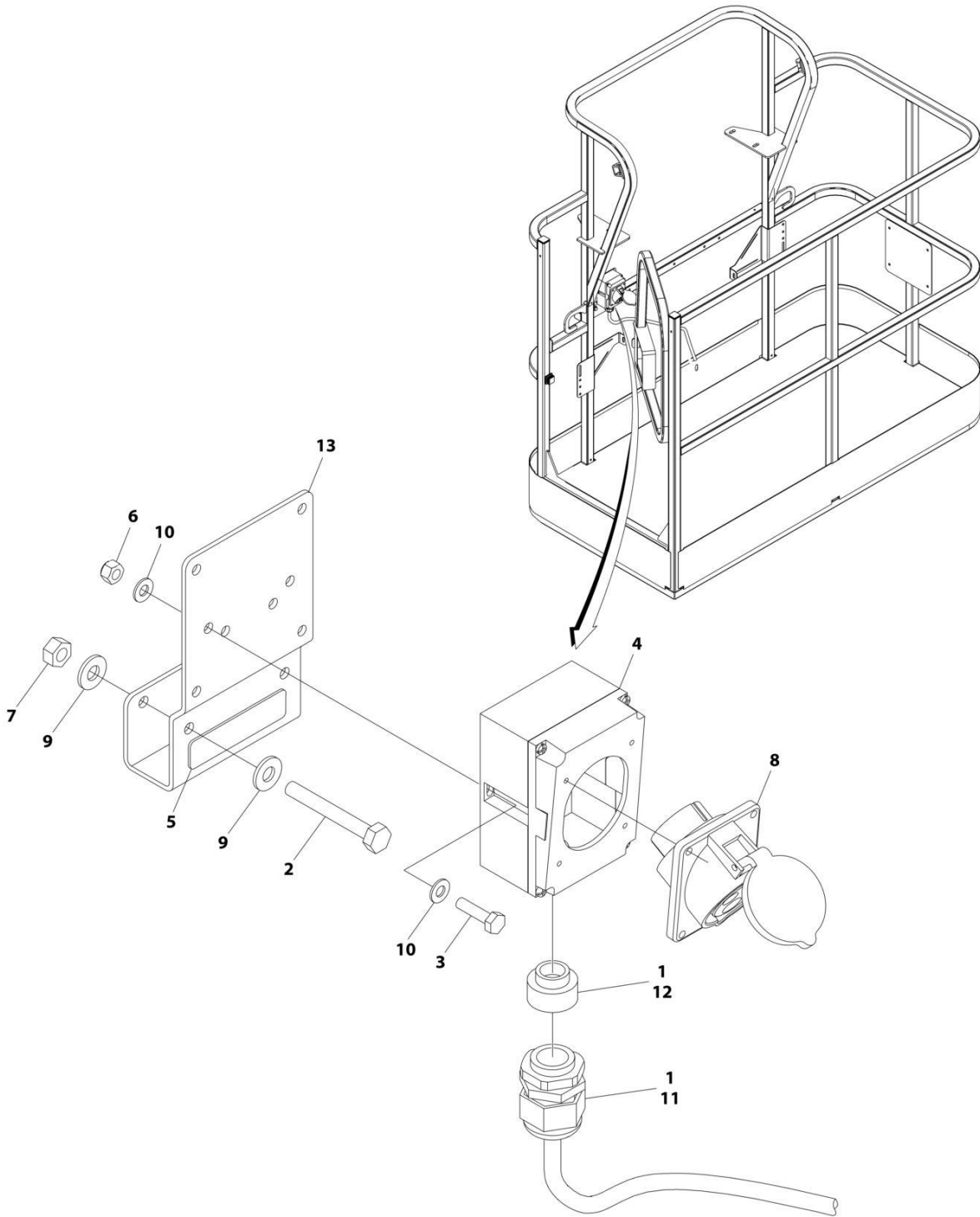
SECTION 8 - ELECTRICAL

FIGURE 8-7. AC BOX AT PLATFORM INSTALLATION - 220V IEC 60309 BLUE WITHOUT 2500W GENERATOR (CE & UK CA SPECS)

ITEM	PART NUMBER	QTY	DESCRIPTION	REV
	1001091970	Ref	AC BOX AT PLATFORM INSTALLATION - 220V IEC BLUE	D
1	0100020	AR	Sealant, Pipe	
2	0275217	1	Receptacle Box Kit (See Separate Breakdown in this Section)	
3	0700408	2	Bolt M4 x 16	
4	3290405	2	Nut M4	
5	1001101196	1	Adapter	
6	4811400	4	Washer M4	
7	1001101191	1	Connector, Strain Relief	
8	0641416	2	Bolt 1/4 x 2	
9	3311405	2	Nut 1/4	
10	4711400	4	Washer 1/4	
11	1001193018	1	Bracket	
12	3251242	2	Decal - 240V/50Hz	

SECTION 8 - ELECTRICAL

FIGURE 8-8. AC BOX AT PLATFORM INSTALLATION - 220V IEC 60309 BLUE WITH 4000W GENERATOR (CE & UK CA SPECS)



ART_1001206254

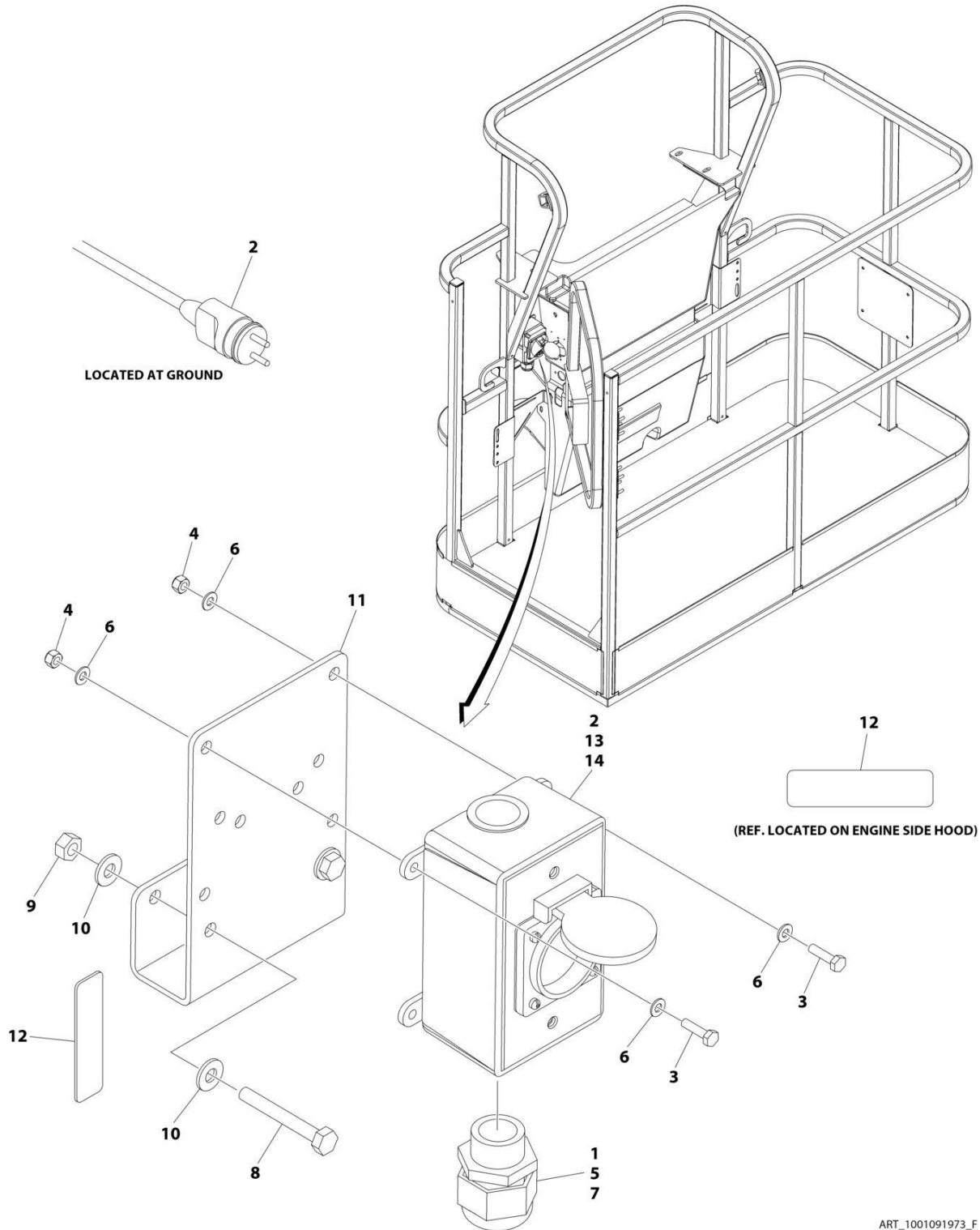
SECTION 8 - ELECTRICAL

FIGURE 8-8. AC BOX AT PLATFORM INSTALLATION - 220V IEC 60309 BLUE WITH 4000W GENERATOR (CE & UK CA SPECS)

ITEM	PART NUMBER	QTY	DESCRIPTION	REV
	1001206254	Ref	AC BOX AT PLATFORM INSTALLATION - 220V IEC BLUE	A
1	0100020	AR	Sealant, Pipe	
2	0641416	2	Bolt 1/4 x 2	
3	0700408	2	Bolt M4 x 16	
4	0861781	1	Box, Switch	
5	3251242	1	Decal - 240V/50Hz	
6	3290405	2	Nut M4	
7	3311405	2	Nut 1/4	
8	4461201	1	Receptacle	
9	4711400	4	Washer 1/4	
10	4811400	4	Washer M4	
11	1001101191	1	Connector, Strain Relief	
12	1001101196	1	Adapter	
13	1001193018	1	Bracket, AC Receptacle	

SECTION 8 - ELECTRICAL

FIGURE 8-9. AC BOX AT PLATFORM INSTALLATION - 220V CEE7 POST GROUND (2X4 BOX) WITHOUT 2500W GENERATOR (CE & UK CA SPECS)



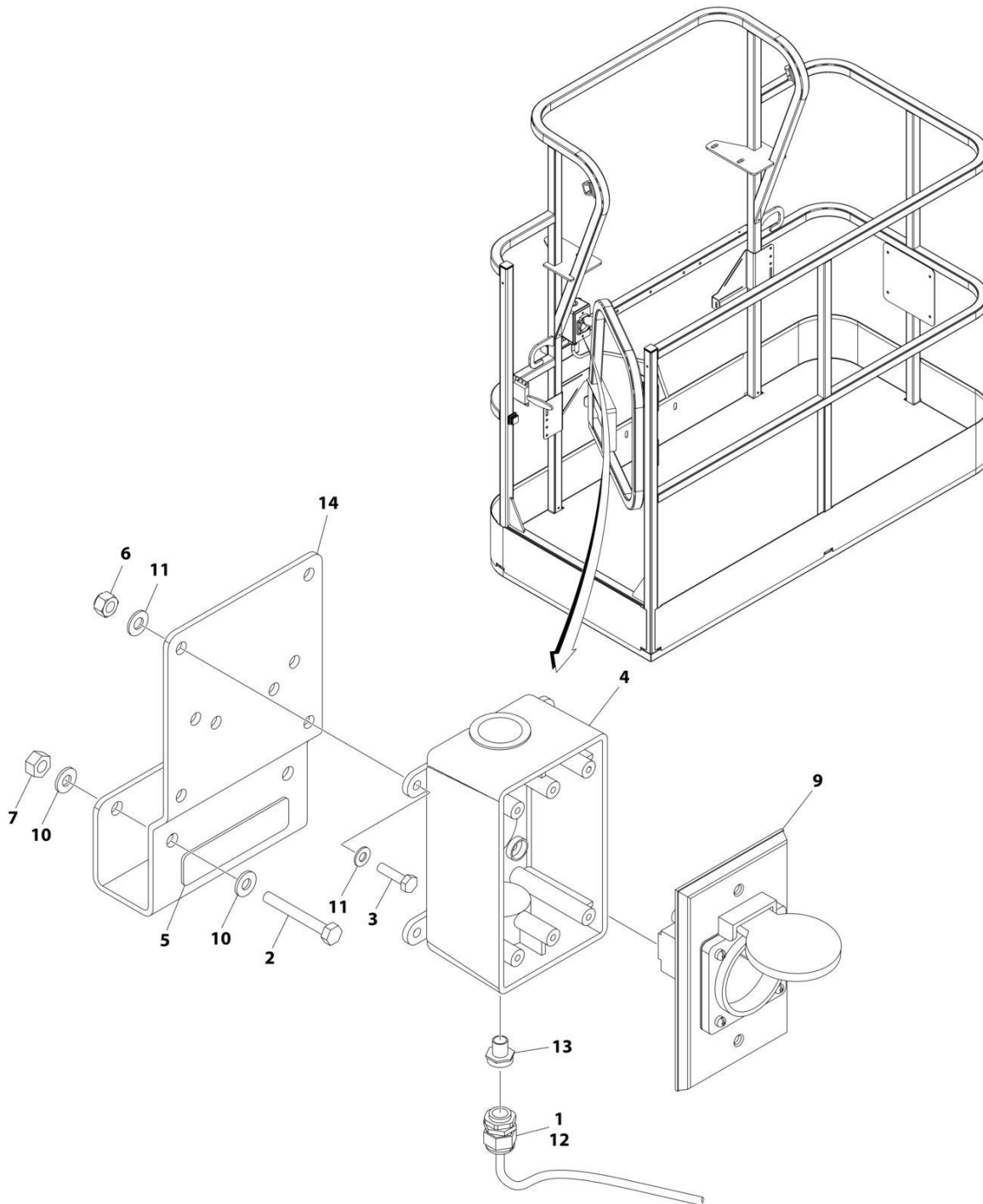
SECTION 8 - ELECTRICAL

**FIGURE 8-9. AC BOX AT PLATFORM INSTALLATION - 220V CEE7 POST GROUND (2X4 BOX)
WITHOUT 2500W GENERATOR (CE & UK CA SPECS)**

ITEM	PART NUMBER	QTY	DESCRIPTION	REV
	1001091973	Ref	AC BOX AT PLATFORM INSTALLATION - 220V CEE7 2X4 BOX POST GROUND	F
1	0100020	AR	Sealant, Pipe	
2	0275452	1	Receptacle Box Kit (See Separate Breakdown in this Section)	
3	0700408	4	Bolt M4 x 16	
4	3290405	4	Nut M4	
5	1001101197	1	Adapter	
6	4811400	8	Washer M4	
7	1001101191	1	Connector, Strain Relief	
8	0641416	2	Bolt 1/4 x 2	
9	3311405	2	Nut 1/4	
10	4711400	4	Washer 1/4	
11	1001193018	1	Bracket	
12	3251242	2	Decal - 240V/50Hz	
13	4460806	2	Terminal, Fork (Not Shown)	
14	1001205958	1	Terminal (Not Shown)	

SECTION 8 - ELECTRICAL

FIGURE 8-10. AC BOX AT PLATFORM INSTALLATION - 220V CEE7 POST GROUND (2X4 BOX) WITH 4000W GENERATOR (CE & UK CA SPECS)



ART_1001206250

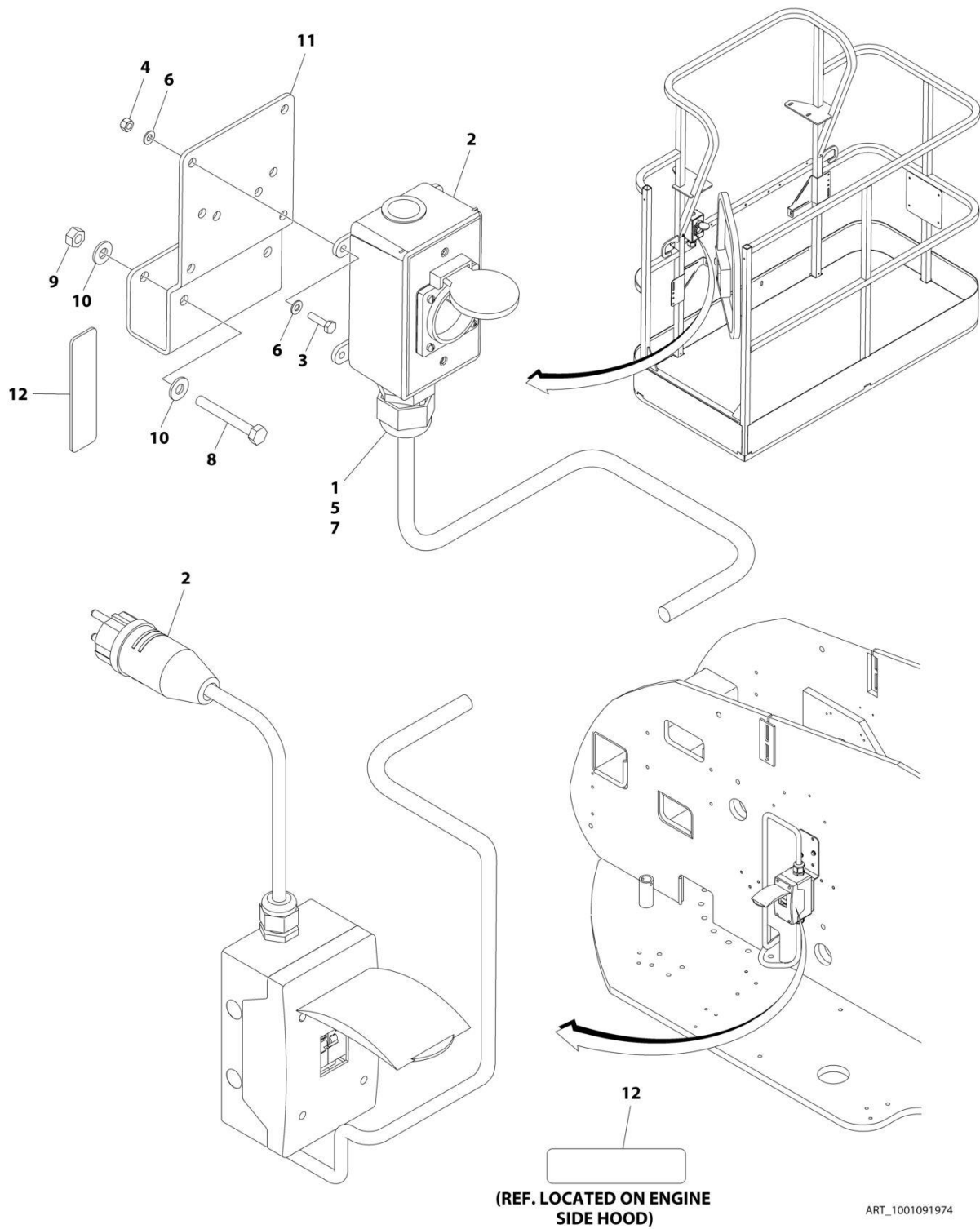
SECTION 8 - ELECTRICAL

FIGURE 8-10. AC BOX AT PLATFORM INSTALLATION - 220V CEE7 POST GROUND (2X4 BOX) WITH 4000W GENERATOR (CE & UK CA SPECS)

ITEM	PART NUMBER	QTY	DESCRIPTION	REV
	1001206250	Ref	AC BOX AT PLATFORM INSTALLATION - 220V CEE7 2X4 BOX POST GROUND	A
1	0100020	AR	Sealant, Pipe	
2	0641416	2	Bolt 1/4 x 2	
3	0700408	4	Bolt M4 x 16	
4	0861731	1	Box, Switch	
5	3251242	1	Decal - 240V/50Hz	
6	3290405	4	Nut M4	
7	3311405	2	Nut 1/4	
8	4460806	2	Terminal, Fork (Not Shown)	
9	4461244	1	Receptacle	
10	4711400	4	Washer 1/4	
11	4811400	8	Washer M4	
12	1001101191	1	Connector, Strain Relief	
13	1001101197	1	Adapter	
14	1001193018	1	Bracket, AC Receptacle	
15	1001205958	1	Terminal (Not Shown)	

SECTION 8 - ELECTRICAL

**FIGURE 8-11. AC BOX AT PLATFORM INSTALLATION - 220V CEE7 SIDE GROUND (2X4 BOX)
WITHOUT 2500W GENERATOR (CE & UK CA SPECS)**



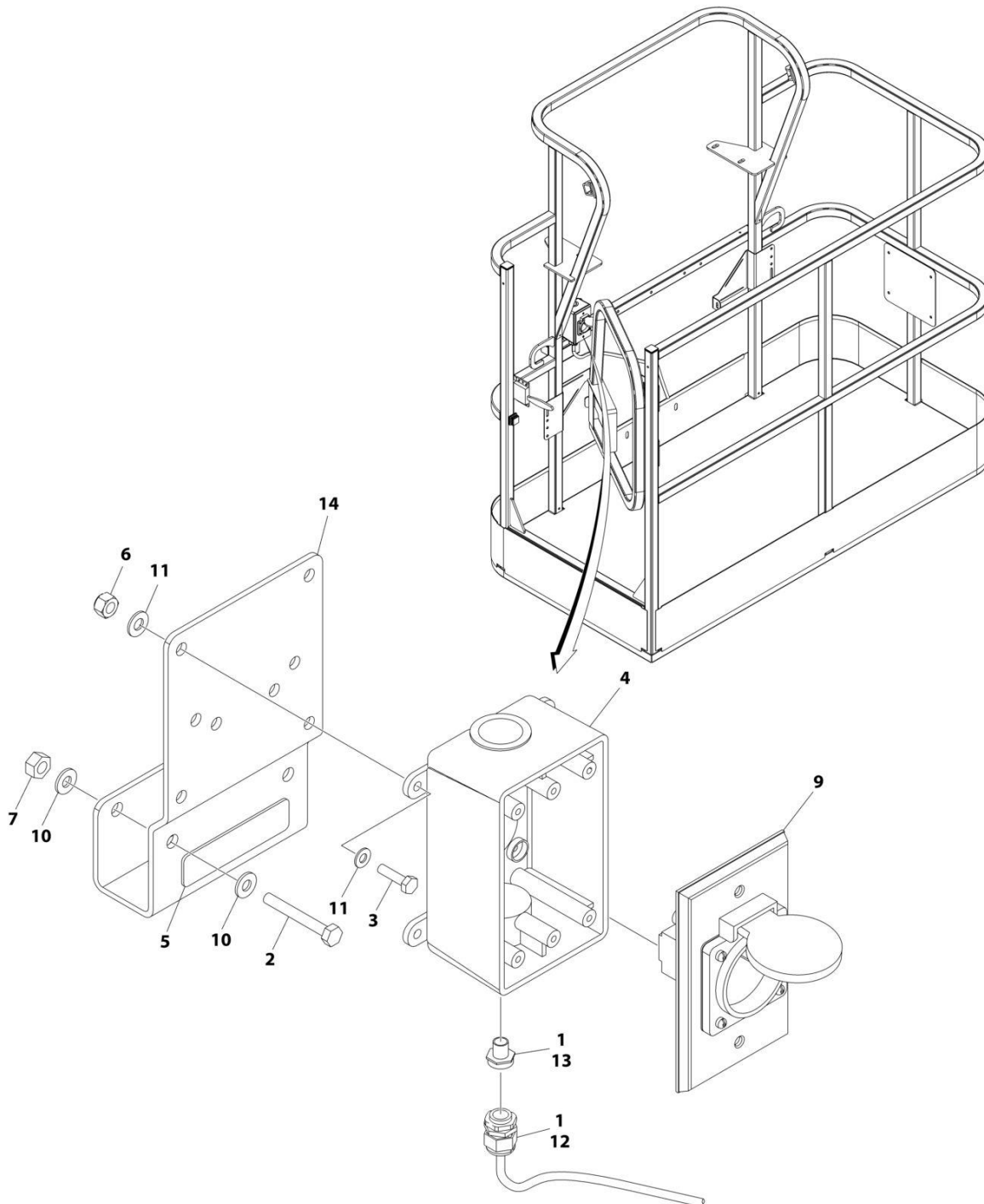
SECTION 8 - ELECTRICAL

**FIGURE 8-11. AC BOX AT PLATFORM INSTALLATION - 220V CEE7 SIDE GROUND (2X4 BOX)
WITHOUT 2500W GENERATOR (CE & UK CA SPECS)**

ITEM	PART NUMBER	QTY	DESCRIPTION	REV
	1001091974	Ref	AC BOX AT PLATFORM INSTALLATION - 220V CEE7 2X4 BOX SIDE GROUND	F
1	0100020	AR	Sealant, Pipe	
2	0275453	1	Receptacle Box Kit (See Separate Breakdown in this Section)	
3	0700408	4	Bolt M4 x 16	
4	3290405	4	Nut M4	
5	1001101197	1	Adapter	
6	4811400	8	Washer M4	
7	1001101191	1	Connector, Strain Relief	
8	0641416	2	Bolt 1/4 x 2	
9	3311405	2	Nut 1/4	
10	4711400	4	Washer 1/4	
11	1001193018	1	Bracket	
12	3251242	2	Decal - 240V/50Hz	
13	4460806	2	Terminal, Fork (Not Shown)	
14	1001205958	1	Terminal (Not Shown)	

SECTION 8 - ELECTRICAL

FIGURE 8-12. AC BOX AT PLATFORM INSTALLATION - 220V CEE7 SIDE GROUND (2X4 BOX) WITH 4000W GENERATOR (CE & UK CA SPECS)



ART_1001206251

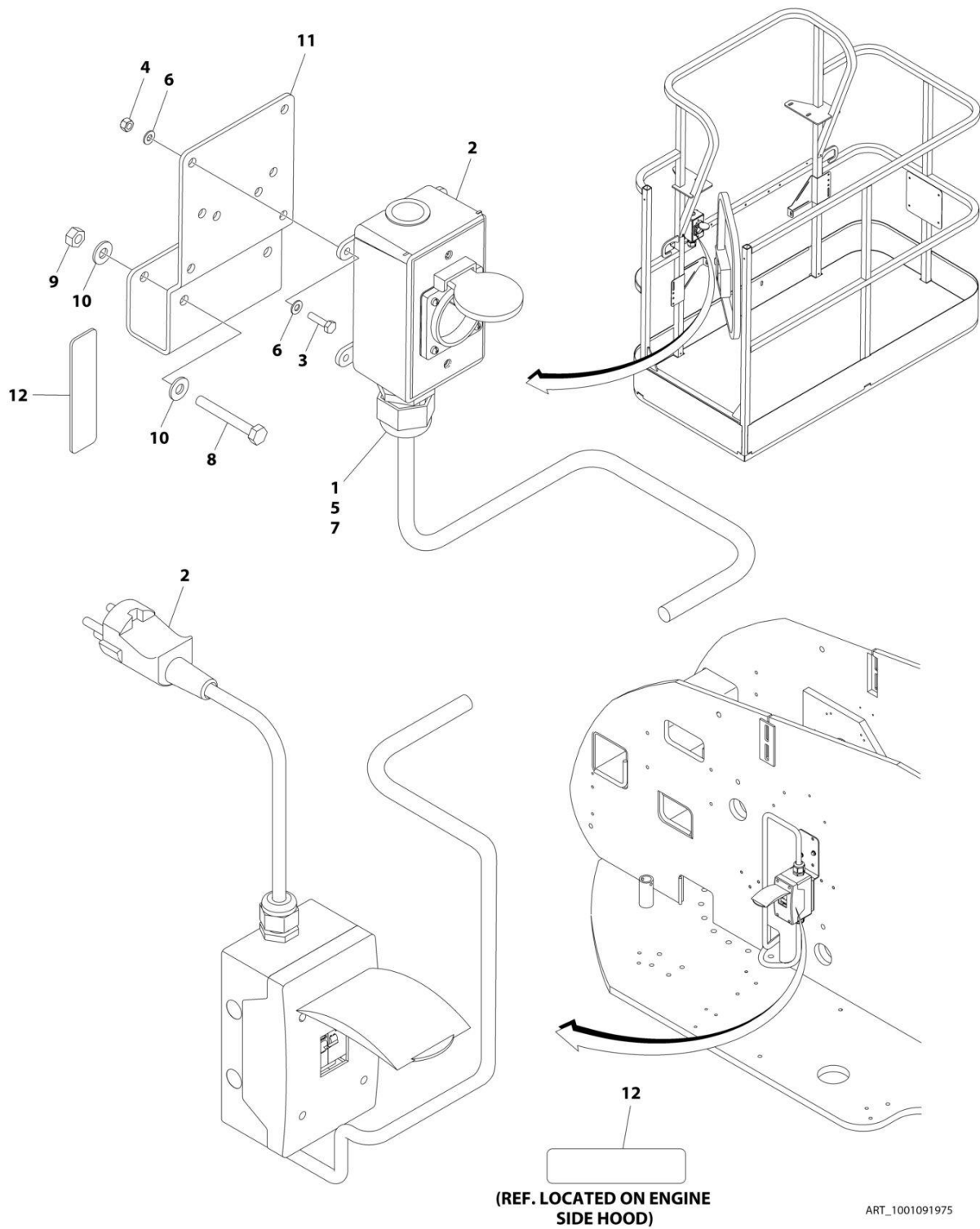
SECTION 8 - ELECTRICAL

FIGURE 8-12. AC BOX AT PLATFORM INSTALLATION - 220V CEE7 SIDE GROUND (2X4 BOX) WITH 4000W GENERATOR (CE & UK CA SPECS)

ITEM	PART NUMBER	QTY	DESCRIPTION	REV
	1001206251	Ref	AC BOX AT PLATFORM INSTALLATION - 220V CEE7 2X4 BOX SIDE GROUND	A
1	0100020	AR	Sealant, Pipe	
2	0641416	2	Bolt 1/4 x 2	
3	0700408	4	Bolt M4 x 16	
4	0861731	1	Box, Switch	
5	3251242	1	Decal - 240V/50Hz	
6	3290405	4	Nut M4	
7	3311405	2	Nut 1/4	
8	4460806	2	Terminal, Fork (Not Shown)	
9	4461245	1	Receptacle	
10	4711400	4	Washer 1/4	
11	4811400	8	Washer M4	
12	1001101191	1	Connector, Strain Relief	
13	1001101197	1	Adapter	
14	1001193018	1	Bracket, AC Receptacle	
15	1001205958	1	Terminal (Not Shown)	

SECTION 8 - ELECTRICAL

FIGURE 8-13. AC BOX AT PLATFORM INSTALLATION - 220V AFSINT 107 KEYED GROUND (2X4 BOX) WITHOUT 2500W GENERATOR (CE & UK CA SPECS)



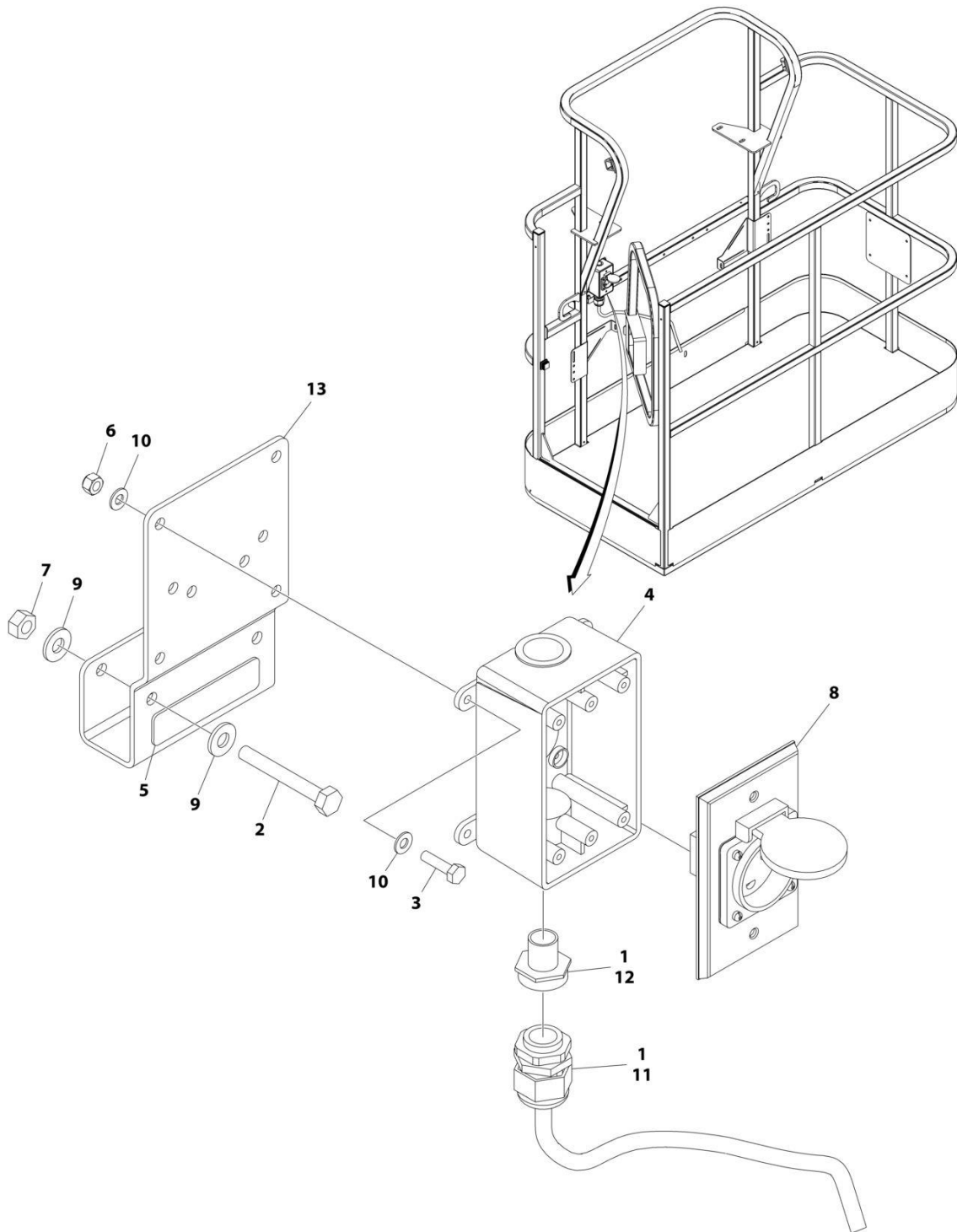
SECTION 8 - ELECTRICAL

FIGURE 8-13. AC BOX AT PLATFORM INSTALLATION - 220V AFSINT 107 KEYED GROUND (2X4 BOX) WITHOUT 2500W GENERATOR (CE & UK CA SPECS)

ITEM	PART NUMBER	QTY	DESCRIPTION	REV
	1001091975	Ref	AC BOX AT PLATFORM INSTALLATION - 220V AFSINT 107 2X4 BOX KEYED GROUND	F
1	0100020	AR	Sealant, Pipe	
2	0275454	1	Receptacle Box Kit (See Separate Breakdown in this Section)	
3	0700408	4	Bolt M4 x 16	
4	3290405	4	Nut M4	
5	1001101197	1	Adapter	
6	4811400	8	Washer M4	
7	1001101191	1	Connector, Strain Relief	
8	0641416	2	Bolt 1/4 x 2	
9	3311405	2	Nut 1/4	
10	4711400	4	Washer 1/4	
11	1001193018	1	Bracket	
12	3251242	2	Decal - 240V/50Hz	
13	1001205958	3	Terminal (Not Shown)	

SECTION 8 - ELECTRICAL

FIGURE 8-14. AC BOX AT PLATFORM INSTALLATION - 220V AFSINT 107 KEYED GROUND (2X4 BOX) WITH 4000W GENERATOR (CE & UK CA SPECS)



ART_1001206252

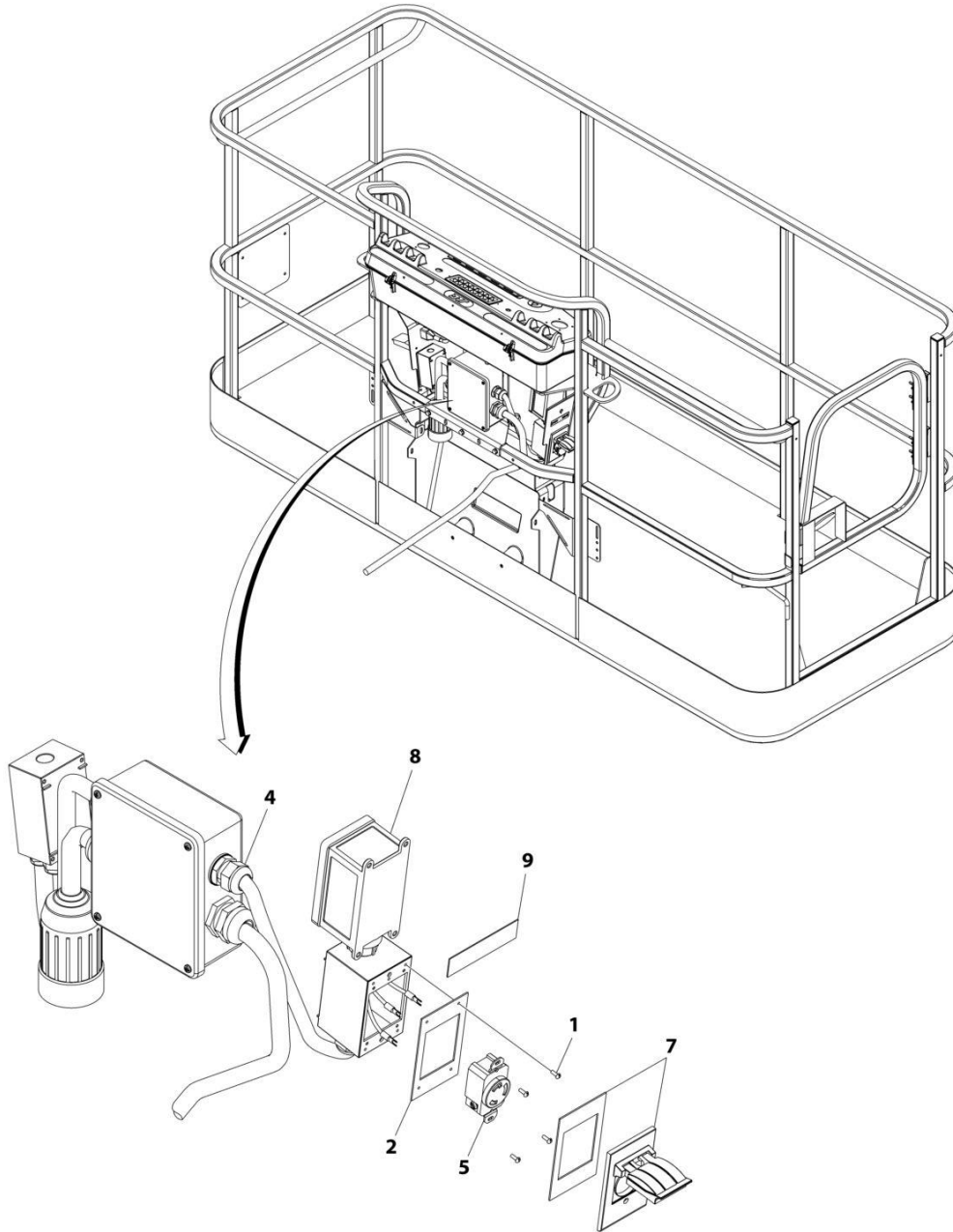
SECTION 8 - ELECTRICAL

FIGURE 8-14. AC BOX AT PLATFORM INSTALLATION - 220V AFSINT 107 KEYED GROUND (2X4 BOX) WITH 4000W GENERATOR (CE & UK CA SPECS)

ITEM	PART NUMBER	QTY	DESCRIPTION	REV
	1001206252	Ref	AC BOX AT PLATFORM INSTALLATION - 220V AFSINT 107 2x4 BOX KEYED GROUND	A
1	0100020	AR	Sealant, Pipe	
2	0641416	2	Bolt 1/4 x 2	
3	0700408	4	Bolt M4 x 16	
4	0861731	1	Box, Switch	
5	3251242	1	Decal - 240V/50Hz	
6	3290405	4	Nut M4	
7	3311405	2	Nut 1/4	
8	4461246	1	Receptacle	
9	4711400	4	Washer 1/4	
10	4811400	8	Washer M4	
11	1001101191	1	Connector, Strain Relief	
12	1001101197	1	Adapter	
13	1001193018	1	Bracket, AC Receptacle	
14	1001205958	3	Terminal (Not Shown)	

SECTION 8 - ELECTRICAL

FIGURE 8-15. AC BOX AT PLATFORM INSTALLATION - 240V (WITH 7500W SKYPOWER GENERATOR) (ALL SPECS EXCEPT AUSTRALIAN, CHINA, CE & UK CA SPECS)



ART_1001159121

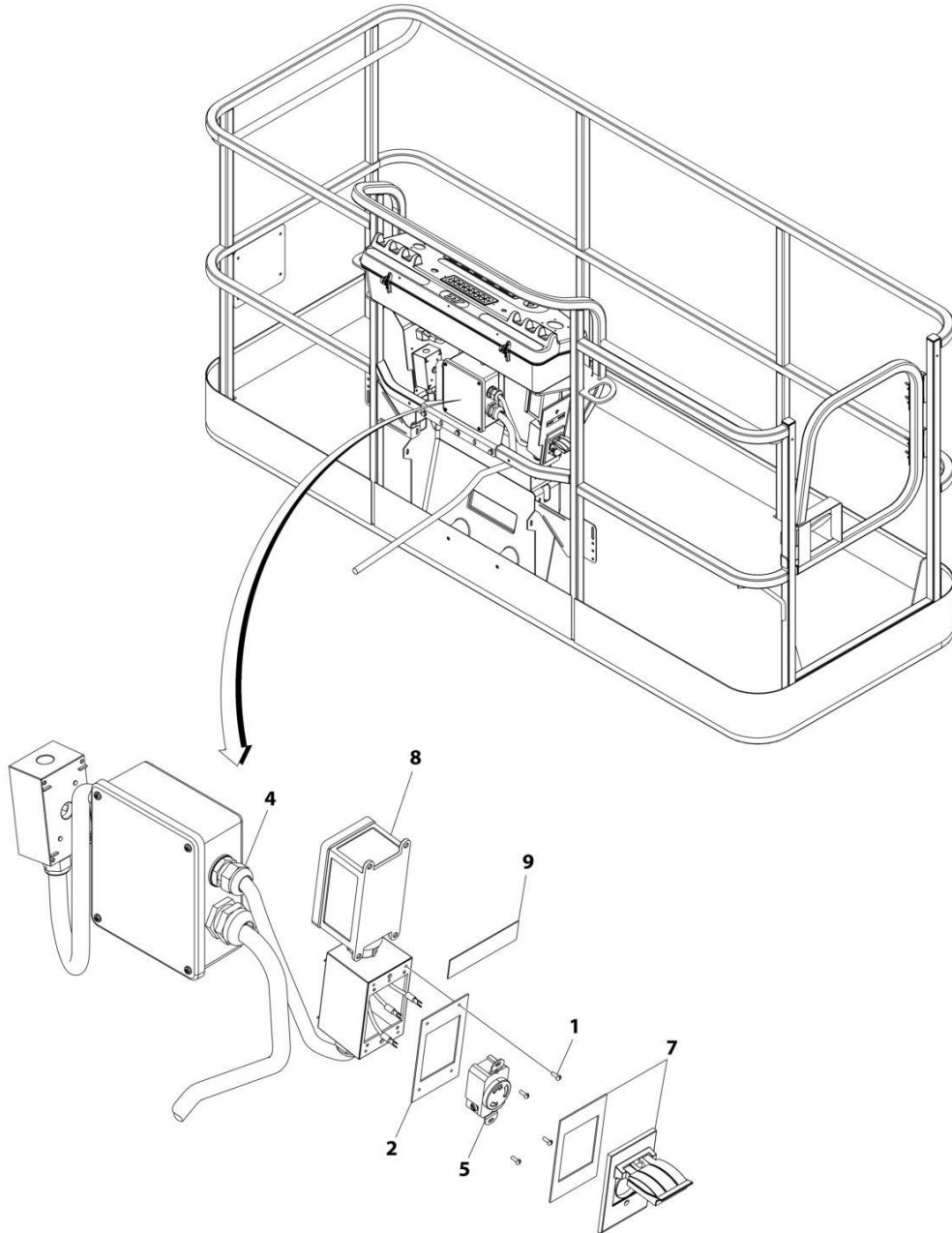
SECTION 8 - ELECTRICAL

FIGURE 8-15. AC BOX AT PLATFORM INSTALLATION - 240V (WITH 7500W SKYPOWER GENERATOR) (ALL SPECS EXCEPT AUSTRALIAN, CHINA, CE & UK CA SPECS)

ITEM	PART NUMBER	QTY	DESCRIPTION	REV
	1001159121	Ref	AC BOX AT PLATFORM INSTALLATION - 240V RECEPTACLE	B
1	3910606	4	Screw 6 x 3/8	
2	3960422	1	Gasket	
3	4240018	AR	Tie-Strap (Not Shown)	
4	4460425	1	Connector, Strain Relief	
5	4460958	1	Receptacle	
7	1001110872	1	Cover, Receptacle	
8	1001159120	1	Receptacle/Breaker Box Assembly	
8	1001148675	1	Box, Receptacle	
8	1001159118	1	Breaker Box Assembly	
8	4460612	1	Connector, Strain Relief	
8	1001159119	1	Connector (Between Boxes)	
9	1705374	1	Decal - 240V/60Hz	

SECTION 8 - ELECTRICAL

FIGURE 8-16. AC BOX AT PLATFORM INSTALLATION - 240V (WITH 4000W GENERATOR) (ALL SPECS EXCEPT AUSTRALIAN, CHINA, CE & UK CA SPECS)



ART_1001171131

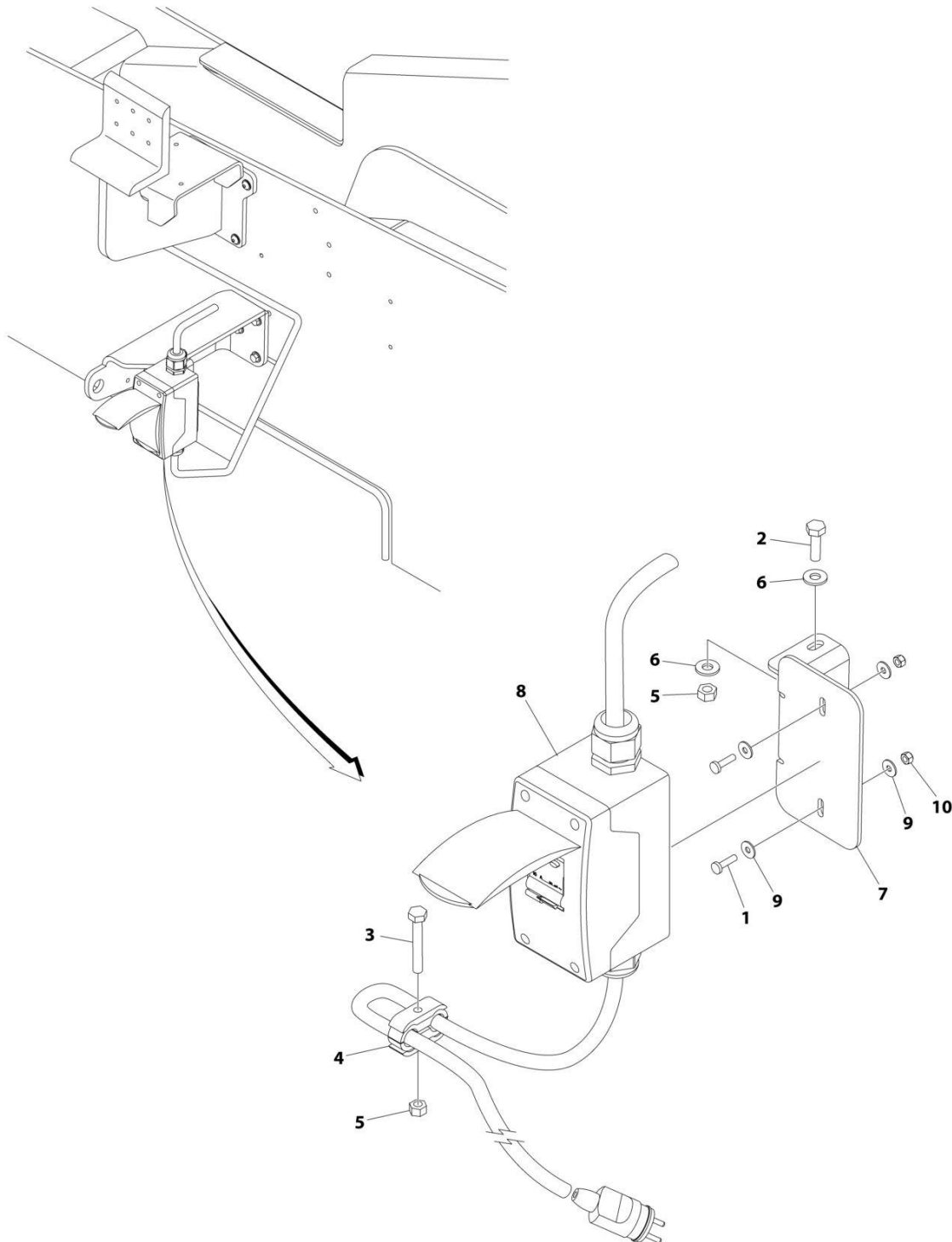
SECTION 8 - ELECTRICAL

FIGURE 8-16. AC BOX AT PLATFORM INSTALLATION - 240V (WITH 4000W GENERATOR) (ALL SPECS EXCEPT AUSTRALIAN, CHINA, CE & UK CA SPECS)

ITEM	PART NUMBER	QTY	DESCRIPTION	REV
	1001171131	Ref	AC BOX AT PLATFORM INSTALLATION - 240V RECEPTACLE	B
1	3910606	4	Screw 6 x 3/8	
2	3960422	1	Gasket	
3	4240018	AR	Tie-Strap (Not Shown)	
4	4460425	1	Connector, Strain Relief	
5	1001176862	1	Receptacle	
7	1001110872	1	Cover, Receptacle	
8	1001159120	1	Receptacle/Breaker Box Assembly	
8	1001148675	1	Box, Receptacle	
8	1001159118	1	Breaker GFCI 30Amp 240VAC	
8	4460612	1	Connector, Strain Relief	
8	1001159119	1	Connector (Between Boxes)	
9	1705374	1	Decal - 240V/60Hz	

SECTION 8 - ELECTRICAL

FIGURE 8-17. AC 16 AMP BREAKER BOX INSTALLATION (CE & UK CA SPECS)



ART_1001095976

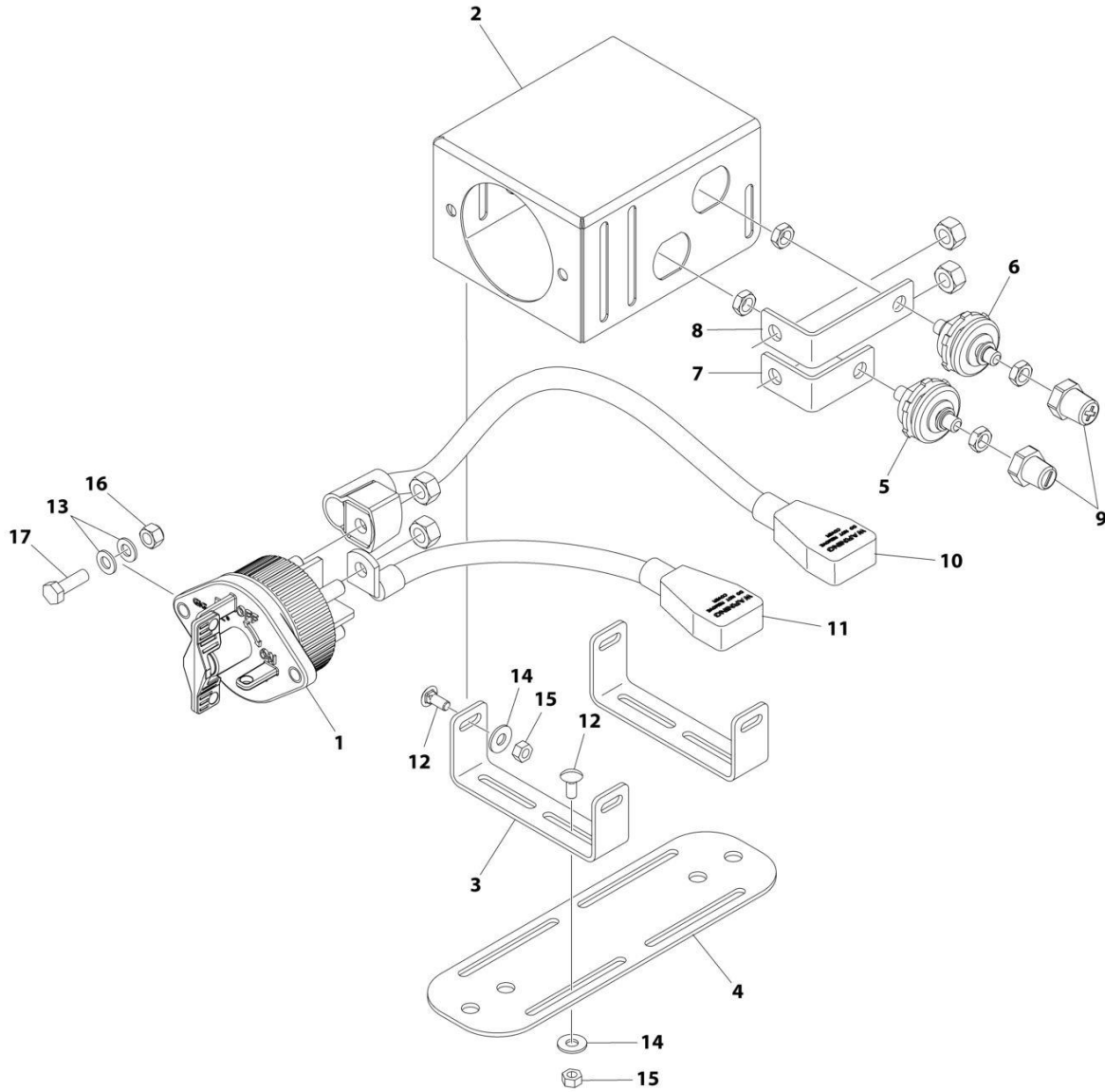
SECTION 8 - ELECTRICAL

FIGURE 8-17. AC 16 AMP BREAKER BOX INSTALLATION (CE & UK CA SPECS)

ITEM	PART NUMBER	QTY	DESCRIPTION	REV
	1001095976	Ref	AC 16 AMP BREAKER BOX INSTALLATION	D
1	4010408	2	Screw M4 x 16	
2	0641407	2	Bolt 1/4 x 7/8	
3	0641416	AR	Bolt 1/4 x 2	
4	1320146	1	Clamp	
5	3311405	AR	Nut 1/4	
6	4711400	AR	Washer 1/4	
7	1001094915	1	Bracket	
8	1001109654	1	Breaker Box Kit - 16 Amp (See Separate Breakdown in this Section)	
9	1001091102	4	Washer M4	
10	3290405	2	Nut M4	

SECTION 8 - ELECTRICAL

FIGURE 8-18. BATTERY DISCONNECT INSTALLATION



ART_1001241630

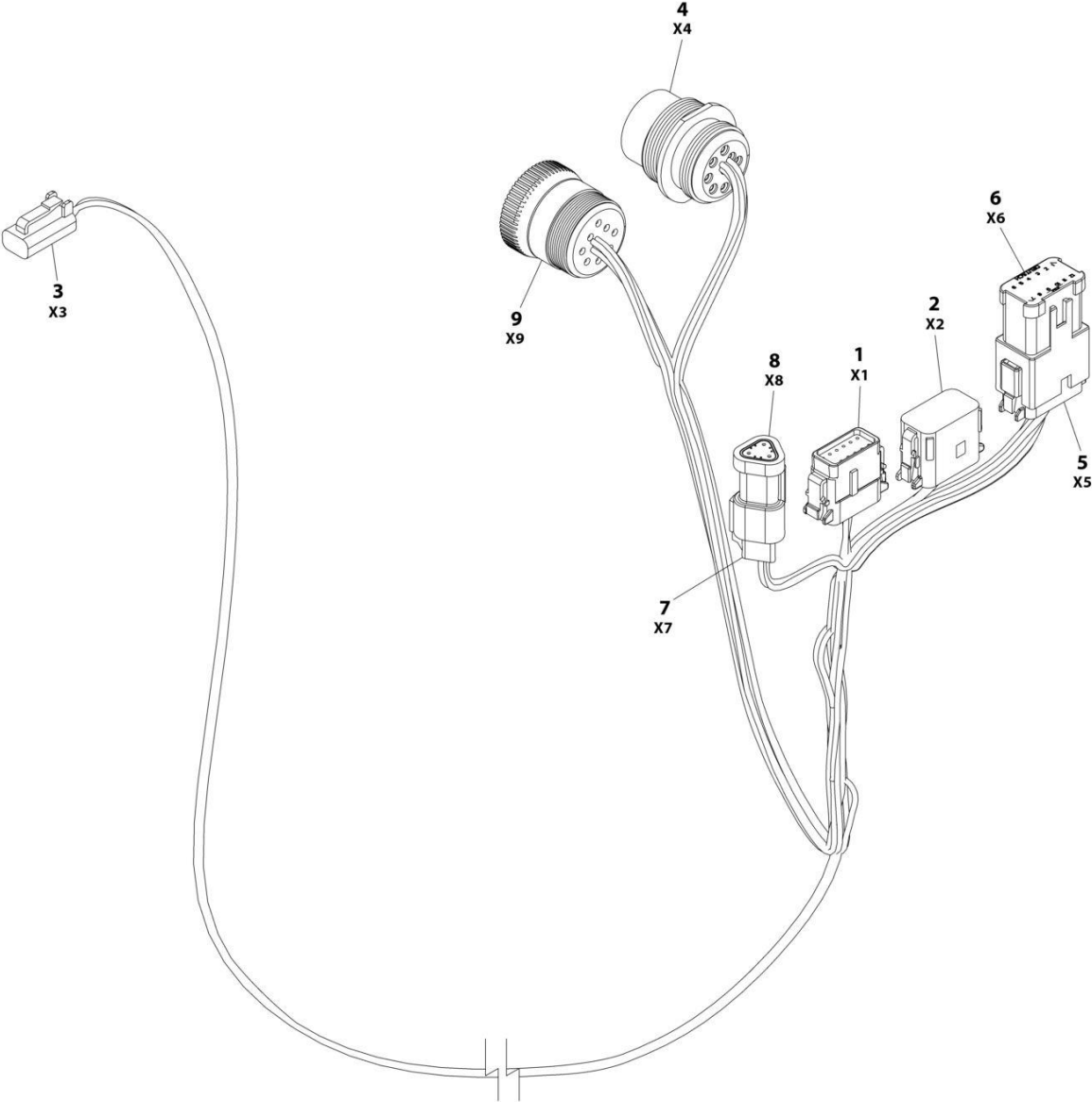
SECTION 8 - ELECTRICAL

FIGURE 8-18. BATTERY DISCONNECT INSTALLATION

ITEM	PART NUMBER	QTY	DESCRIPTION	REV
	1001241630	Ref	BATTERY DISCONNECT SWITCH	A
1	1001225346	1	Switch, Battery Disconnect	
2	1001226531	1	Mount	
3	1001239805	2	Mount	
4	1001241585	1	Plate	
5	1001214571	1	Connector (Black)	
6	1001214570	1	Connector (Red)	
7	1001209474	1	Buss bar	
8	1001209432	1	Buss bar	
9	1001206476	1	Connector	
10	1001236504	1	Cable (Positive)	
11	1001236505	1	Cable (Negative)	
12	88411013	8	Bolt 1/4 x 3/4	
13	4811900	4	Washer M8	
14	4751400	8	Washer 1/4	
15	3311405	8	Nut 1/4	
16	3290805	2	Nut M8	
17	0760812	2	Bolt M8 x 25	

SECTION 8 - ELECTRICAL

FIGURE 8-19. BEACON LIGHT HARNESS



ART_1001142736

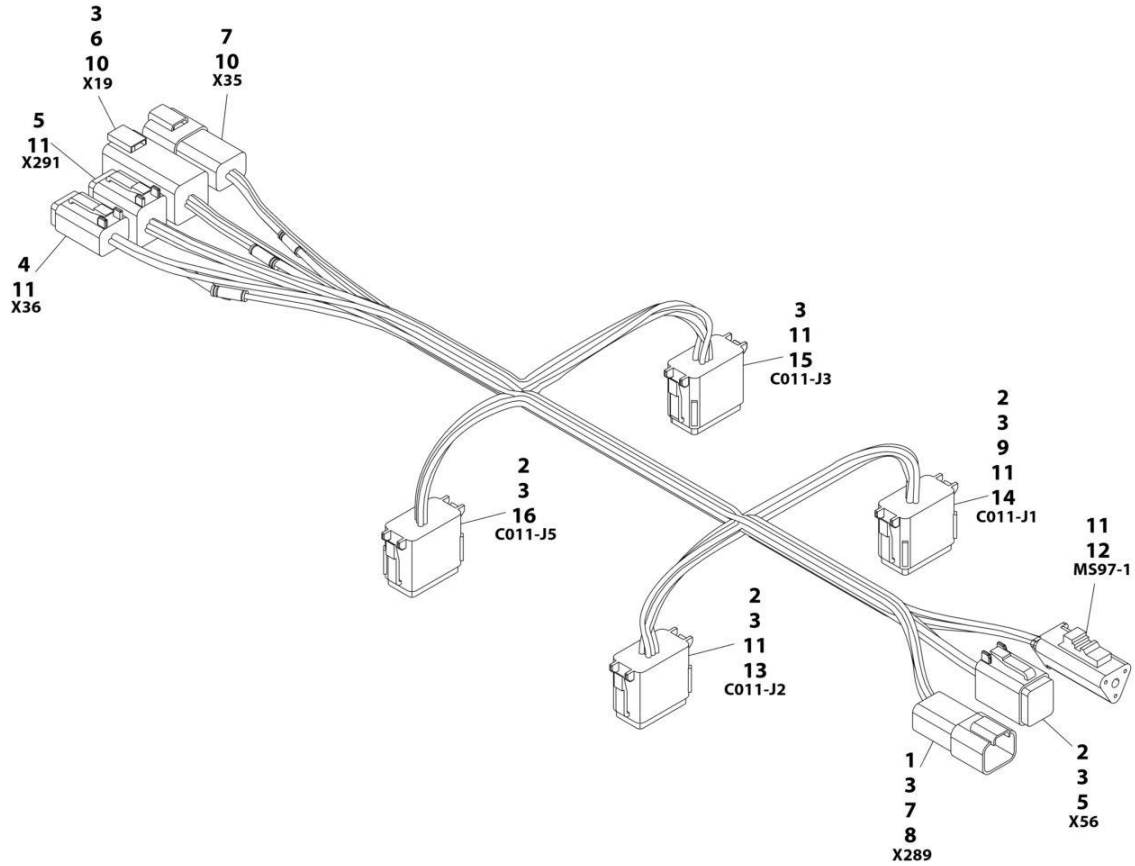
SECTION 8 - ELECTRICAL

FIGURE 8-19. BEACON LIGHT HARNESS

ITEM	PART NUMBER	QTY	DESCRIPTION	REV
	1001142736	Ref	STROBE LIGHT HARNESS	F
1	1001116808	1	Plug, Male - 12 Position	
1	4460928	3	Socket, Female	
1	4460518	9	Plug, Terminal	
2	1001116774	1	Plug, Male - 12 Position	
2	4460928	3	Socket, Female	
2	4460518	9	Plug, Terminal	
3	4460891	1	Plug, Male - 2 Position	
3	4460465	2	Socket, Female	
4	1001112612	1	Connector - 9 Position	
4	4460464	6	Pin, Male	
4	4460466	3	Plug, Terminal	
5	4460933	1	Plug, Male - 12 Position	
5	4460465	12	Socket, Female	
6	1001119020	1	Bussbar - 12 Position	
7	4461095	1	Plug, Male - 3 Position	
7	4460465	3	Socket, Female	
8	4461070	1	Bussbar - 3 Position	
9	1001112796	1	Connector - 9 Position	
9	4460465	6	Socket, Female	
9	4460466	3	Plug, Terminal	

SECTION 8 - ELECTRICAL

FIGURE 8-20. B.L.A.M. HARNESS



ART_1001242185_C

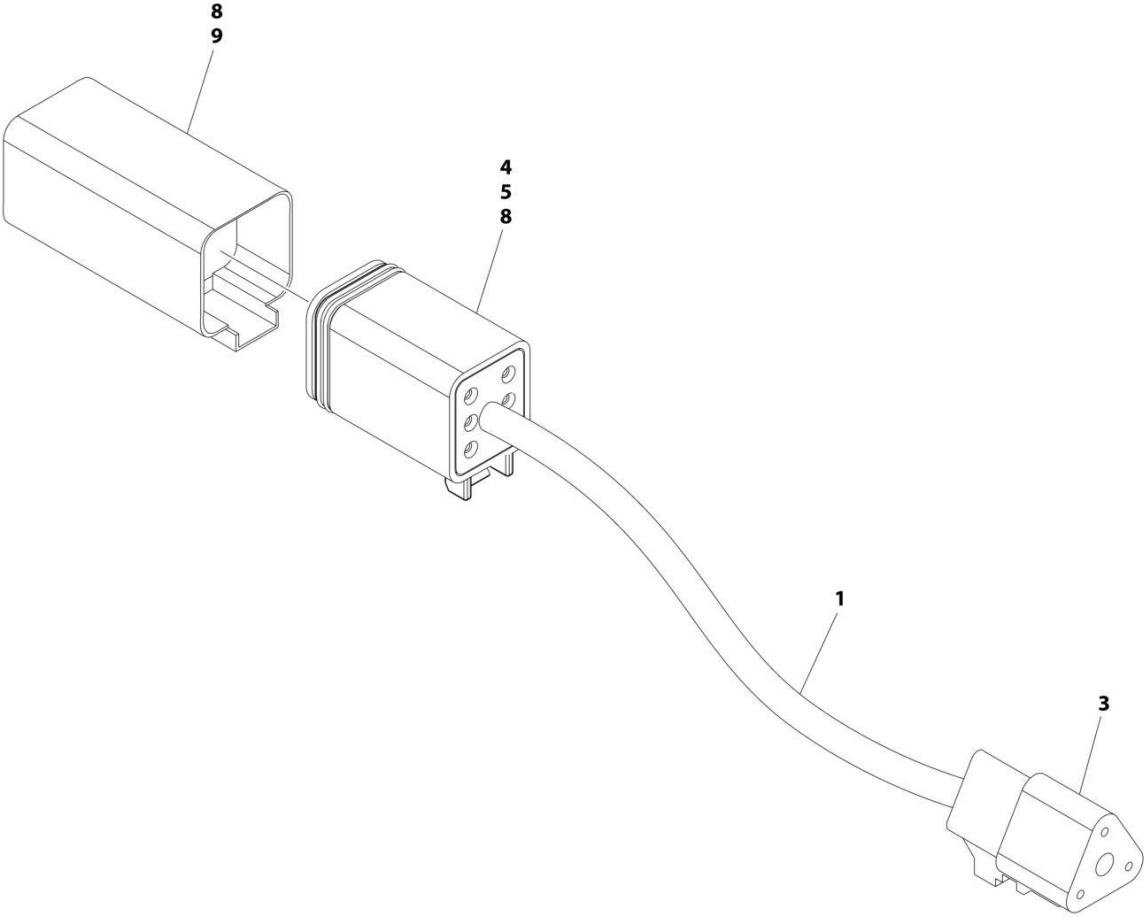
SECTION 8 - ELECTRICAL

FIGURE 8-20. B.L.A.M. HARNESS

ITEM	PART NUMBER	QTY	DESCRIPTION	REV
	1001242185	Ref	B.L.A.M. HARNESS	C
1	4460464	1	Pin	
2	4460465	17	Socket	
3	4460466	19	Plug, Seal	
4	4460884	1	Connector	
5	4460894	2	Connector	
6	4460899	1	Connector	
7	4460932	2	Connector	
8	4460941	2	Pin	
9	4460942	2	Socket	
10	4460943	8	Pin	
11	4460944	32	Socket	
12	4460965	1	Connector	
13	1001270340	1	Connector	
14	1001270339	1	Connector	
15	1001239344	1	Connector	
16	1001239345	1	Connector	

SECTION 8 - ELECTRICAL

FIGURE 8-21. B.L.A.M. TO BOOM LENGTH SENSOR HARNESS



ART_4922716

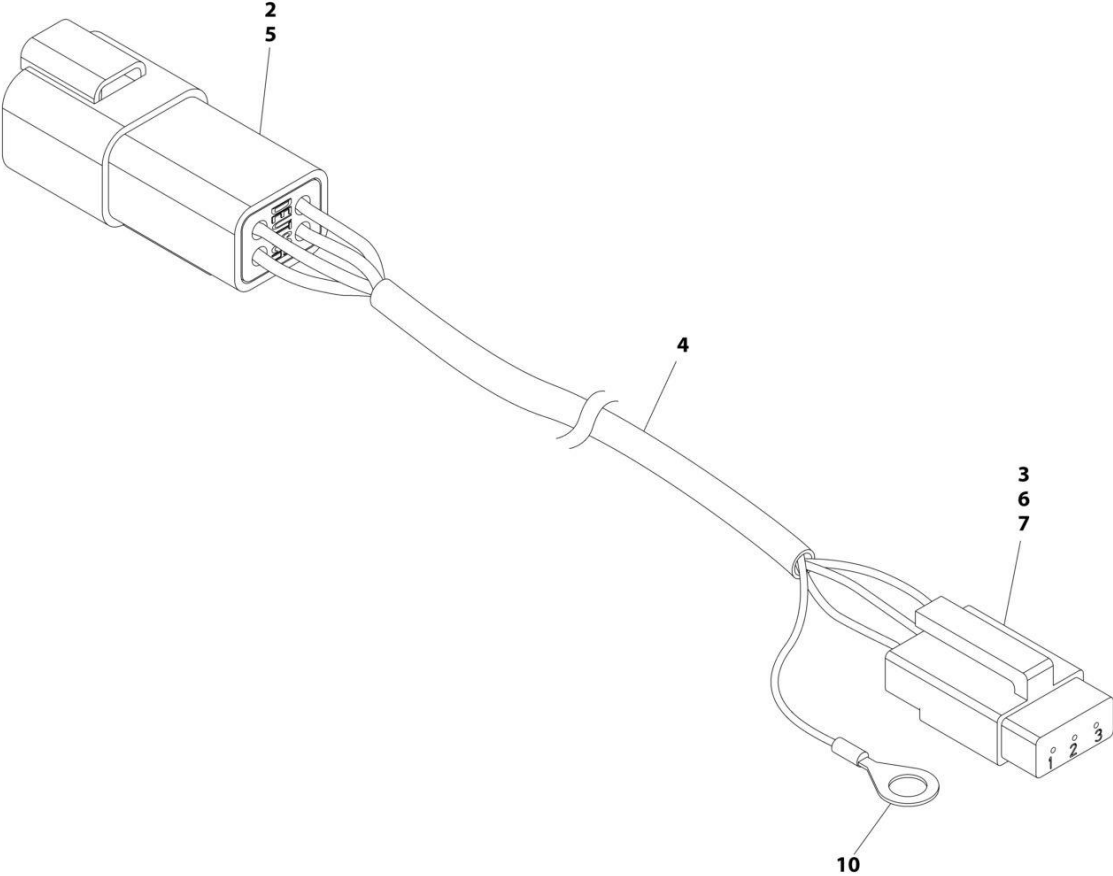
SECTION 8 - ELECTRICAL

FIGURE 8-21. B.L.A.M. TO BOOM LENGTH SENSOR HARNESS

ITEM	PART NUMBER	QTY	DESCRIPTION	REV
	4922716	Ref	B.L.A.M. TO BOOM LENGTH SENSOR HARNESS	H
1	1060981	14 ft/ 4.3m	Cable, Electrical 18/3	
3	4460539	1	Connector - 3 Position	
4	4460944	7	Socket, Female (Gold)	
5	4460894	1	Plug, Male - 6 Position	
8	4460466	AR	Plug, Terminal	
9	4460899	1	Connector, Female - 6 Position	

SECTION 8 - ELECTRICAL

FIGURE 8-22. B.L.A.M. TO BOOM ANGLE SENSOR HARNESS (LEFT SIDE)



ART_4922781

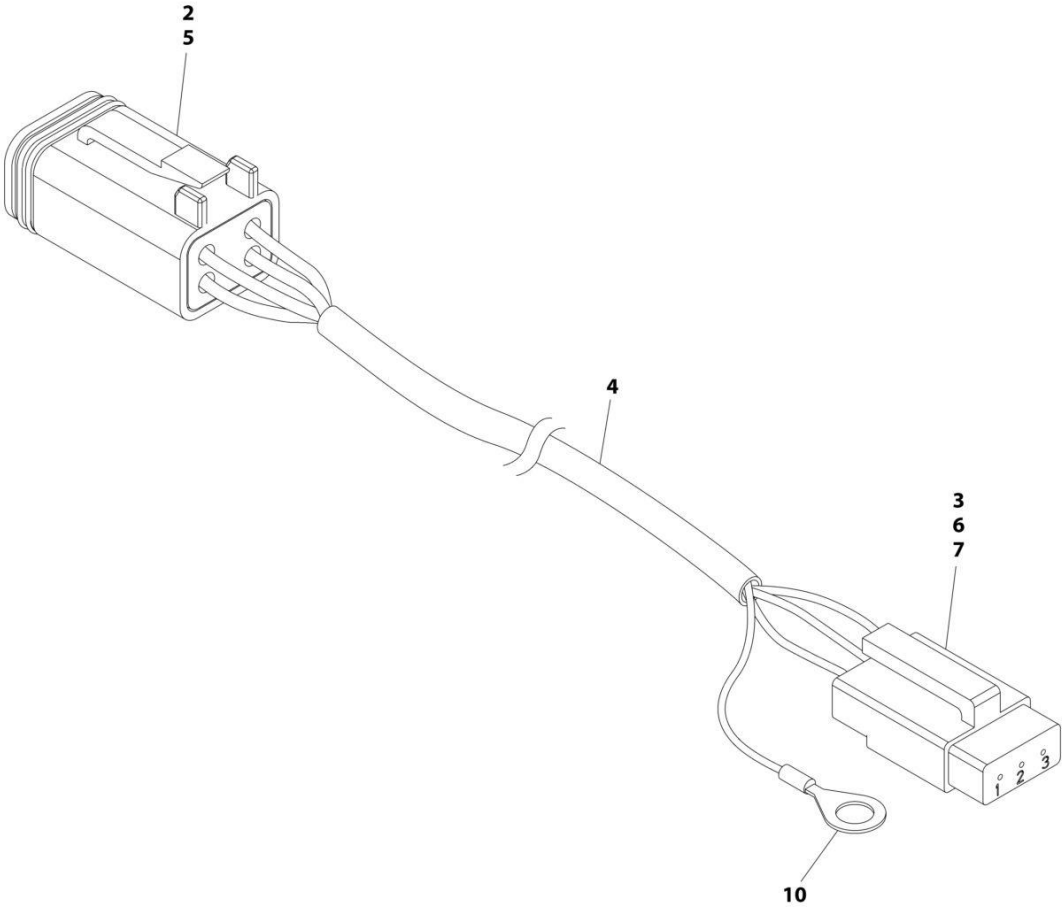
SECTION 8 - ELECTRICAL

FIGURE 8-22. B.L.A.M. TO BOOM ANGLE SENSOR HARNESS (LEFT SIDE)

ITEM	PART NUMBER	QTY	DESCRIPTION	REV
	4922781	Ref	B.L.A.M. TO BOOM ANGLE SENSOR HARNESS (LEFT SIDE)	F
2	4460932	1	Connector, Female - 4 Position	
3	4460912	1	Lock, Wedge - Position	
4	1060982	16.2 ft/ 4.9m	Cable, Electrical 18/3	
5	4460943	4	Pin, Male 16 Ga	
6	4460911	1	Plug, Male - 3 Position	
7	4460918	3	Socket, Female (Gold)	
10	4460722	1	Terminal, Ring	

SECTION 8 - ELECTRICAL

FIGURE 8-23. B.L.A.M. TO BOOM ANGLE SENSOR HARNESS (RIGHT SIDE)



ART_4922780

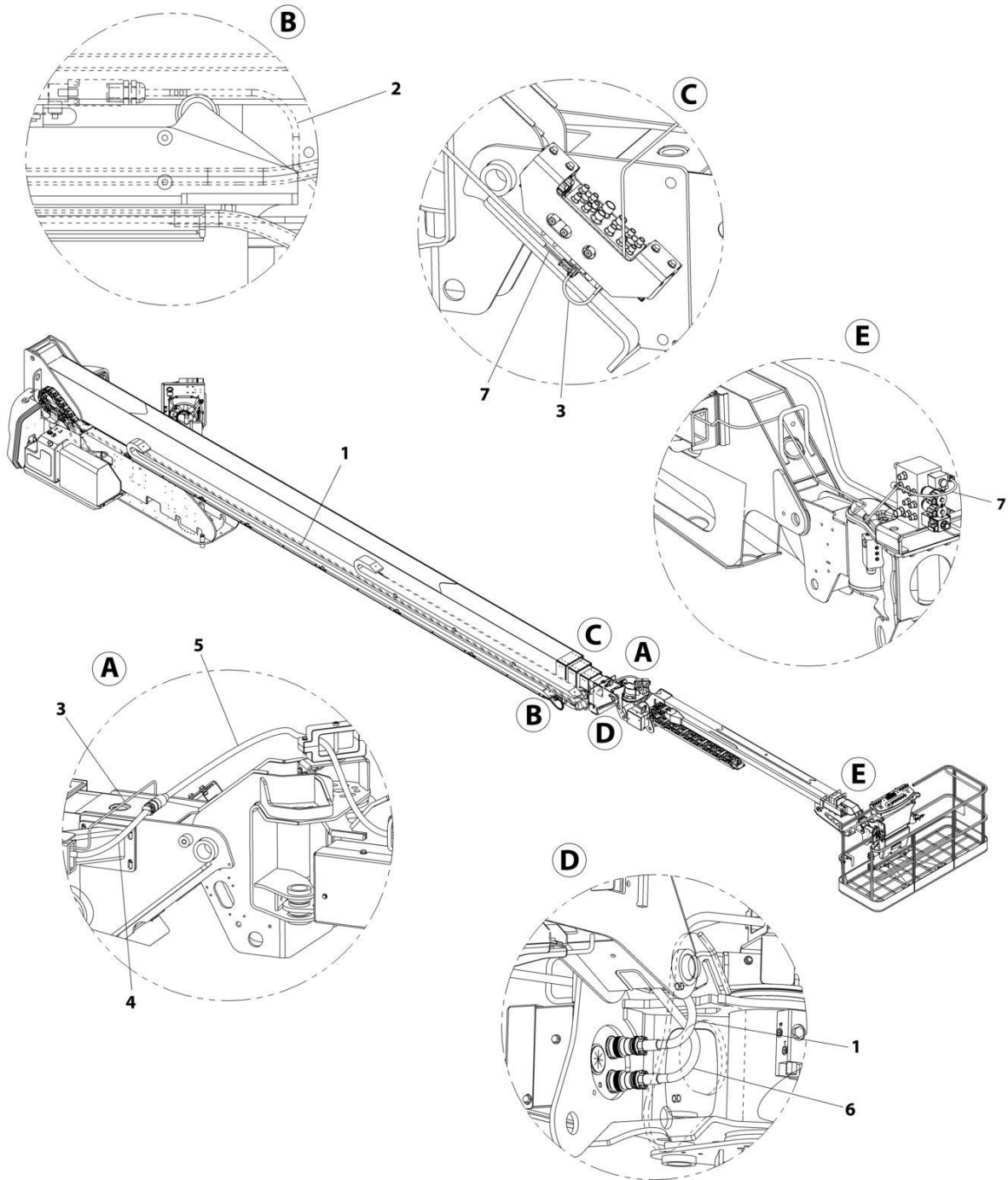
SECTION 8 - ELECTRICAL

FIGURE 8-23. B.L.A.M. TO BOOM ANGLE SENSOR HARNESS (RIGHT SIDE)

ITEM	PART NUMBER	QTY	DESCRIPTION	REV
	4922780	Ref	B.L.A.M. TO BOOM ANGLE SENSOR HARNESS (RIGHT SIDE)	E
2	4460884	1	Connector, Gray - 4 Position	
3	4460912	1	Lock, Wedge - Position	
4	1060981	16.2 ft/ 4.9m	Cable, Electrical 18/3	
5	4460944	4	Socket, Female (Gold)	
6	4460911	1	Plug, Male - 3 Position	
7	4460918	3	Socket, Female (Gold)	
10	4460722	1	Terminal, Ring	

SECTION 8 - ELECTRICAL

FIGURE 8-24. BOOM CABLES INSTALLATION (ANSI, CSA AND JAPANESE SPECS)



ART_1001120137

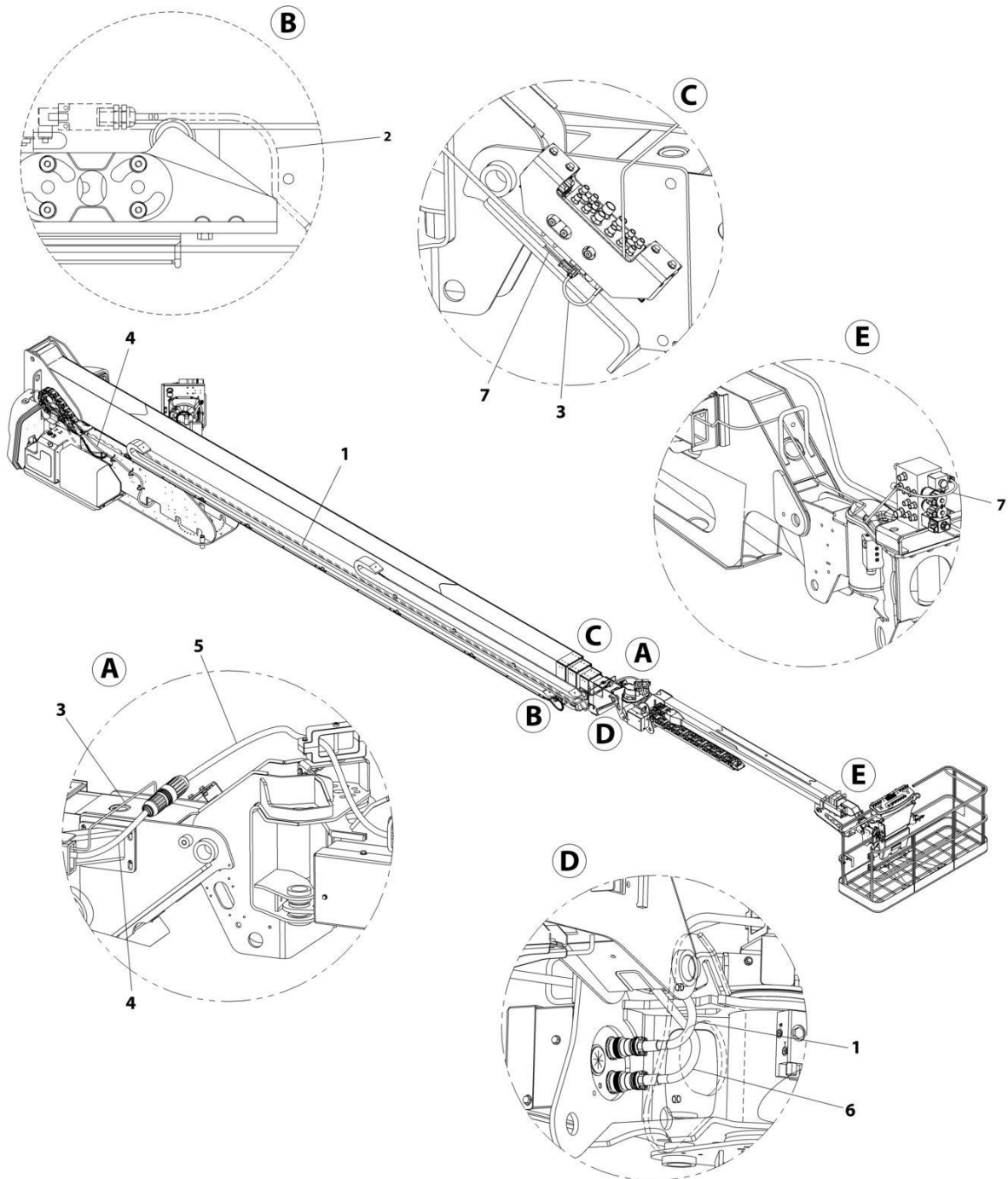
SECTION 8 - ELECTRICAL

FIGURE 8-24. BOOM CABLES INSTALLATION (ANSI, CSA AND JAPANESE SPECS)

ITEM	PART NUMBER	QTY	DESCRIPTION	REV
	1001120137	Ref	BOOM CABLES INSTALLATION (ANSI, CSA AND JAPANESE SPECS)	E
1	1001122396	1	Harness, Main Boom Control (See Separate Breakdown in this Section)	
2	1001179216	1	Transport Switch Cable	
3	1001119393	1	Harness, Jib Enable (See Separate Breakdown in this Section)	
4	1001120099	1	Harness, Main Boom AC/Generator Power	
4	4460134	1	Receptacle, Female	
5	1001120107	1	Harness, Jib Boom AC/Generator Power	
5	4460205	1	Plug, Male	
6	1001120098	1	Harness, Jib Control (See Separate Breakdown in this Section)	
7	1001125666	1	Harness, Platform Dump	
7	4460891	2	Plug, Male - 2 Position	
7	4460942	4	Socket, Female	
8	1001307894	1	Cable, Platform Power A	
9	1001308291	1	Cable, Platform Power B	

SECTION 8 - ELECTRICAL

FIGURE 8-25. BOOM CABLES INSTALLATION - WITH 4000W 60HZ GENERATOR (ALL SPECS EXCEPT AUSTRALIAN, CE & UK CA SPECS)



ART_1001161052

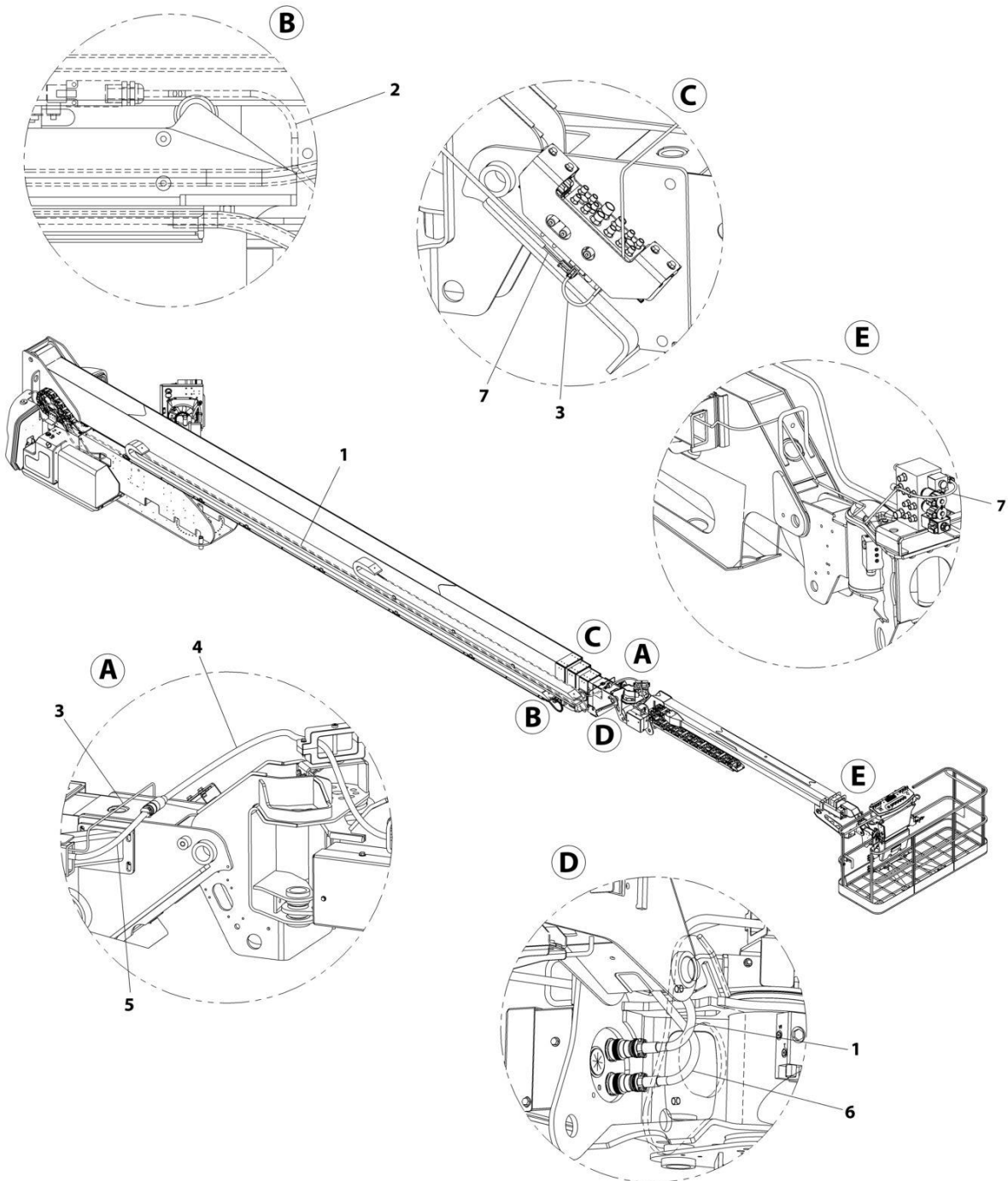
SECTION 8 - ELECTRICAL

FIGURE 8-25. BOOM CABLES INSTALLATION - WITH 4000W 60HZ GENERATOR (ALL SPECS EXCEPT AUSTRALIAN, CE & UK CA SPECS)

ITEM	PART NUMBER	QTY	DESCRIPTION	REV
	1001161052	Ref	BOOM CABLES INSTALLATION - WITH 4000W 60HZ GENERATOR	C
1	1001122396	1	Harness, Main Boom Control (See Separate Breakdown in this Section)	
2	1001179216	1	Transport Switch Cable	
3	1001119393	1	Harness, Jib Enable (See Separate Breakdown in this Section)	
4	1001161046	1	Harness, Main Boom AC/Generator Power	
4	1671092	1	Cover	
4	4460963	1	Connector, Female	
5	1001161047	1	Harness, Jib Boom AC/Generator Power	
5	1671093	1	Cover	
5	4460962	1	Plug, Male	
6	1001120098	1	Harness, Jib Control (See Separate Breakdown in this Section)	
7	1001125666	1	Harness, Platform Dump	
7	4460891	2	Plug, Male - 2 Position	
7	4460942	4	Socket, Female	
8	1001307894	1	Cable, Platform Power A	
9	1001308291	1	Cable, Platform Power B	

SECTION 8 - ELECTRICAL

FIGURE 8-26. BOOM CABLES INSTALLATION - WITH 4000W 50HZ GENERATOR (ANSI EXPORT, AUSTRALIAN, CHINA, CE & UK CA SPECS)



ART_1001120138

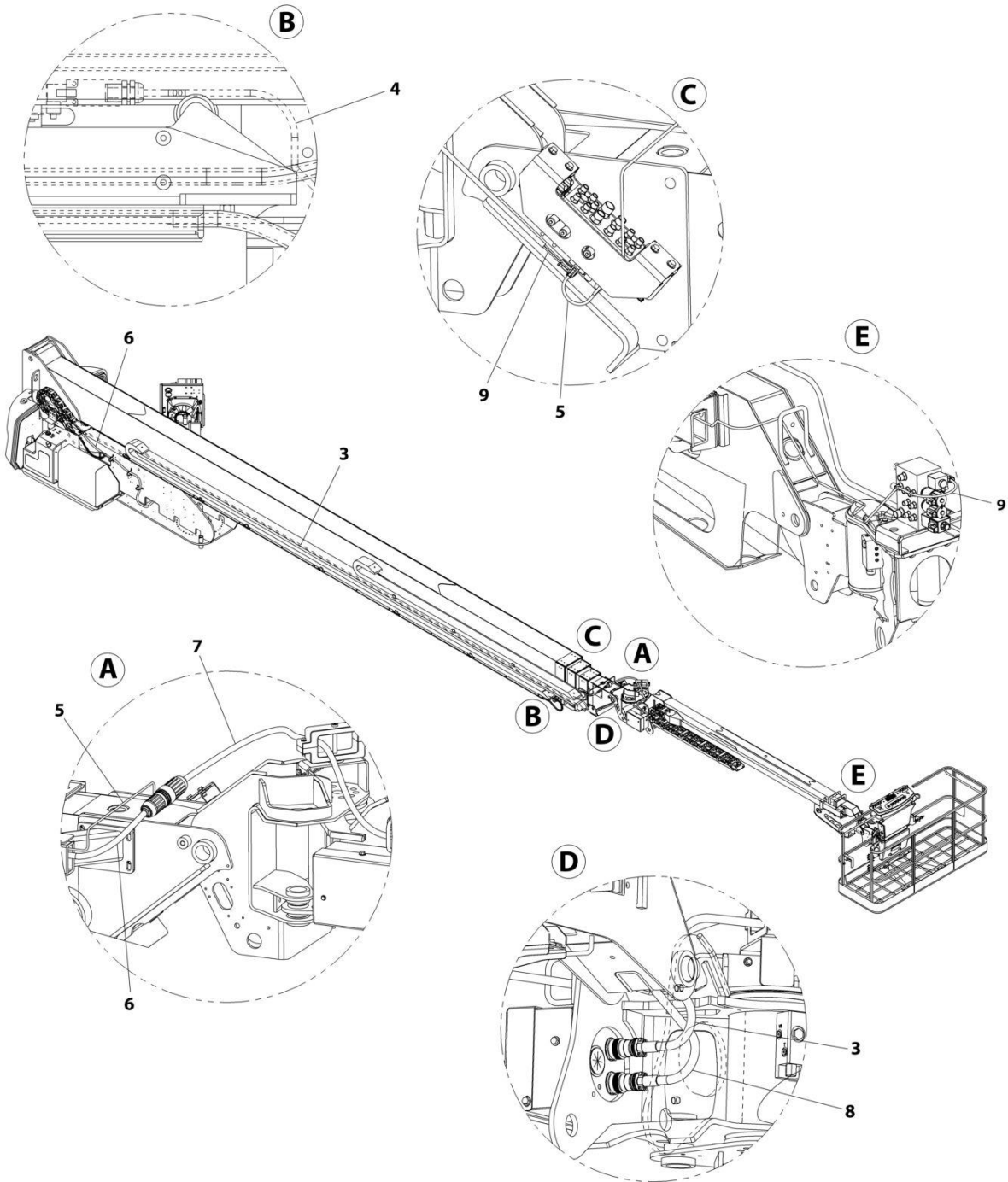
SECTION 8 - ELECTRICAL

FIGURE 8-26. BOOM CABLES INSTALLATION - WITH 4000W 50HZ GENERATOR (ANSI EXPORT, AUSTRALIAN, CHINA, CE & UK CA SPECS)

ITEM	PART NUMBER	QTY	DESCRIPTION	REV
	1001120138	Ref	BOOM CABLES INSTALLATION - WITH 4000W 50HZ GENERATOR	F
1	1001122396	1	Harness, Main Boom Control (See Separate Breakdown in this Section)	
2	1001179216	1	Transport Switch Cable	
3	1001119393	1	Harness, Jib Enable (See Separate Breakdown in this Section)	
4	1001120108	1	Harness, Jib Boom AC/Generator Power	
4	4460709	1	Plug, Male	
5	1001120111	1	Harness, Main Boom AC/Generator Power	
5	4460710	1	Receptacle, Female	
6	1001120098	1	Harness, Jib Control (See Separate Breakdown in this Section)	
7	1001125666	1	Harness, Platform Dump	
7	4460891	2	Plug, Male - 2 Position	
7	4460942	4	Socket, Female	
8	1001307894	1	Cable, Platform Power A	
9	1001308291	1	Cable, Platform Power B	

SECTION 8 - ELECTRICAL

FIGURE 8-27. BOOM CABLES INSTALLATION - WITH 7500W GENERATOR



ART_1001120139

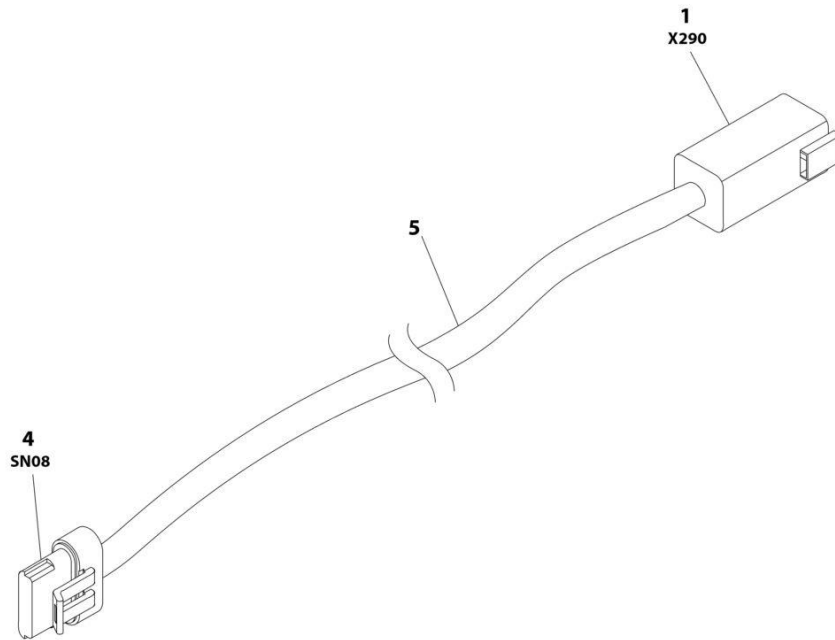
SECTION 8 - ELECTRICAL

FIGURE 8-27. BOOM CABLES INSTALLATION - WITH 7500W GENERATOR

ITEM	PART NUMBER	QTY	DESCRIPTION	REV
	1001120139	Ref	BOOM CABLES INSTALLATION - WITH 7500W GENERATOR	G
3	1001122396	1	Harness, Main Boom Control (See Separate Breakdown in this Section)	
4	1001179216	1	Transport Switch Cable	
5	1001119393	1	Harness, Jib Enable (See Separate Breakdown in this Section)	
6	1001226289	1	Harness, Main Boom AC/Generator Power	
6	1001218623	1	Connector, Female	
7	1001226290	1	Harness, Jib Boom AC/Generator Power	
7	1001218622	1	Plug, Male	
8	1001120098	1	Harness, Jib Control (See Separate Breakdown in this Section)	
9	1001125666	1	Harness, Platform Dump	
9	4460891	2	Plug, Male - 2 Position	
9	4460942	4	Socket, Female	
10	1001307894	1	Cable, Platform Power A	
11	1001308291	1	Cable, Platform Power B	

SECTION 8 - ELECTRICAL

FIGURE 8-28. BOOM CYLINDER ANGLE HARNESS



ART_1001120278

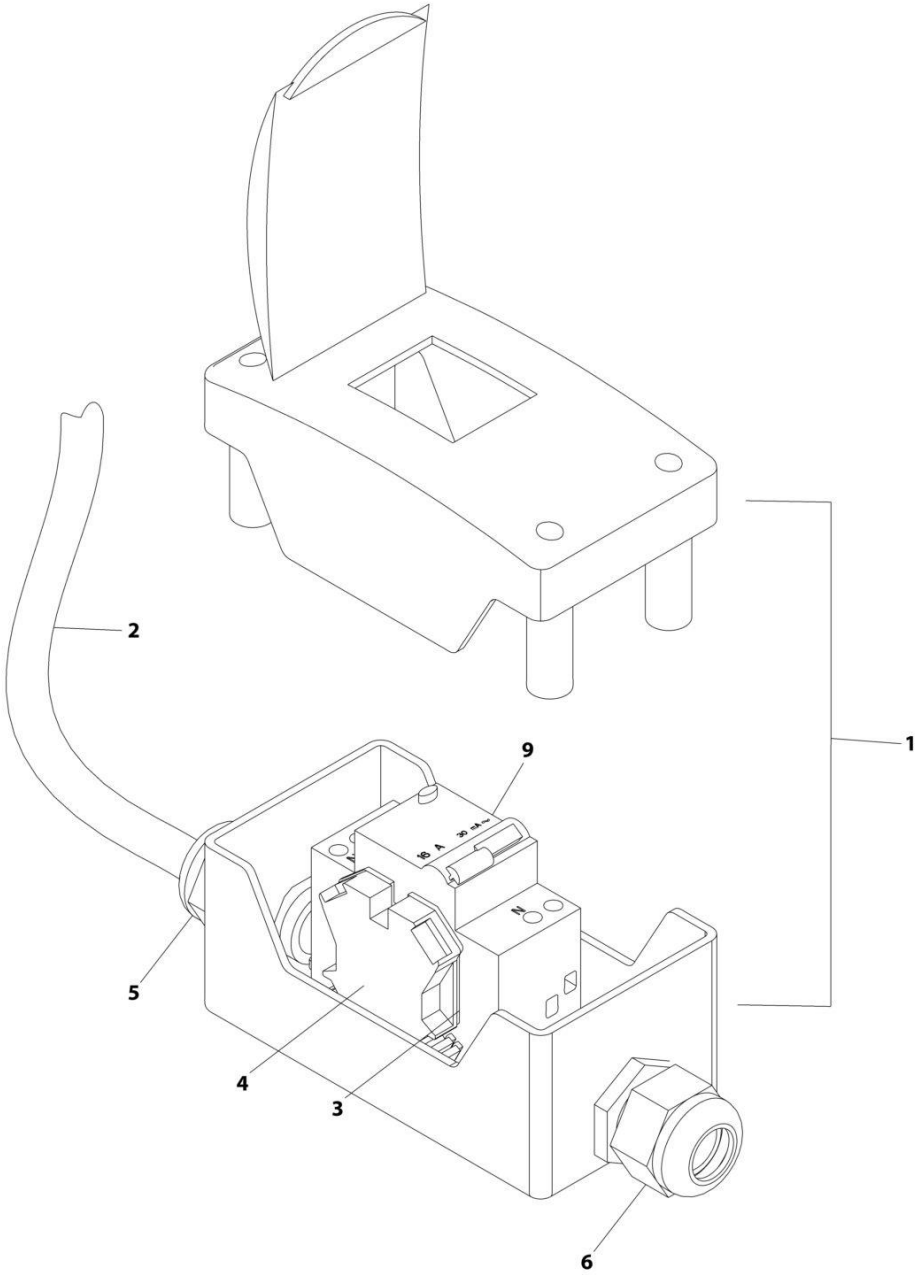
SECTION 8 - ELECTRICAL

FIGURE 8-28. BOOM CYLINDER ANGLE HARNESS

ITEM	PART NUMBER	QTY	DESCRIPTION	REV
	1001120278	Ref	BOOM CYLINDER ANGLE HARNESS	D
1	4460899	1	Connector, Female - 6 Position	
1	4460943	6	Pin, Male 16 Ga	
4	1001230931	1	Plug, Male - 6 Position	
4	1001116748	6	Socket, Female	
5	1060979	10.5 ft/ 4.4m	Cable, Electrical 18/6	

SECTION 8 - ELECTRICAL

FIGURE 8-29. BREAKER BOX KIT - 16 AMP



ART_1001109654

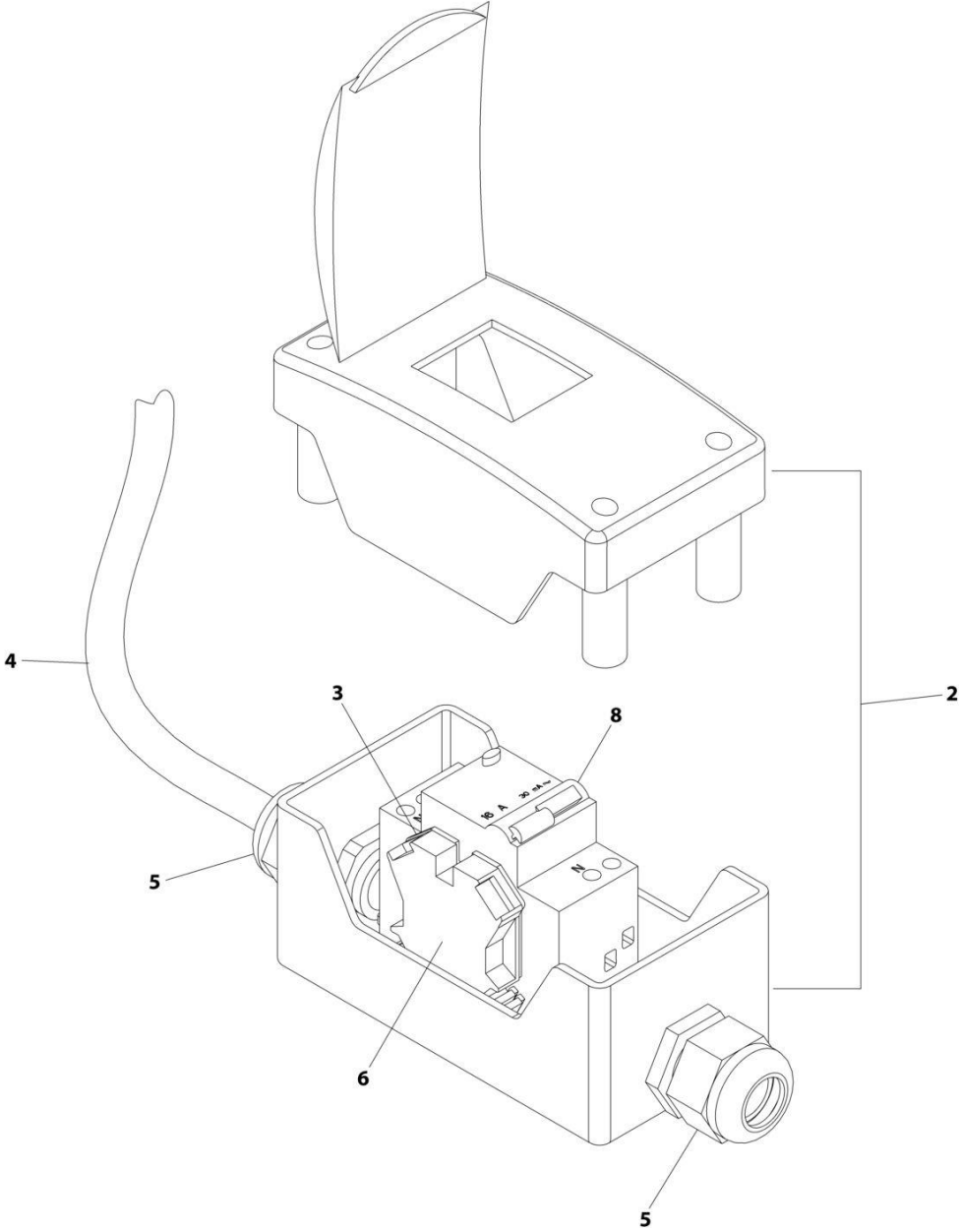
SECTION 8 - ELECTRICAL

FIGURE 8-29. BREAKER BOX KIT - 16 AMP

ITEM	PART NUMBER	QTY	DESCRIPTION	REV
	1001109654	Ref	BREAKER BOX KIT	C
1	0861880	1	Box, Breaker	
2	1060908	12 ft/ 3.6m	Cable 12/3	
3	4460956	1	Barrier, Terminal Block End	
4	4460957	1	Block, Terminal	
5	1001097150	1	Connector, Strain Relief	
6	1001101191	1	Connector, Strain Relief	
9	1001181045	1	Breaker - 30mA/16Amp	
10	1001100231	3	Terminal (Not Shown)	

SECTION 8 - ELECTRICAL

FIGURE 8-30. BREAKER BOX KIT - 16 AMP (4000W GENERATOR)



ART_1001165368_B

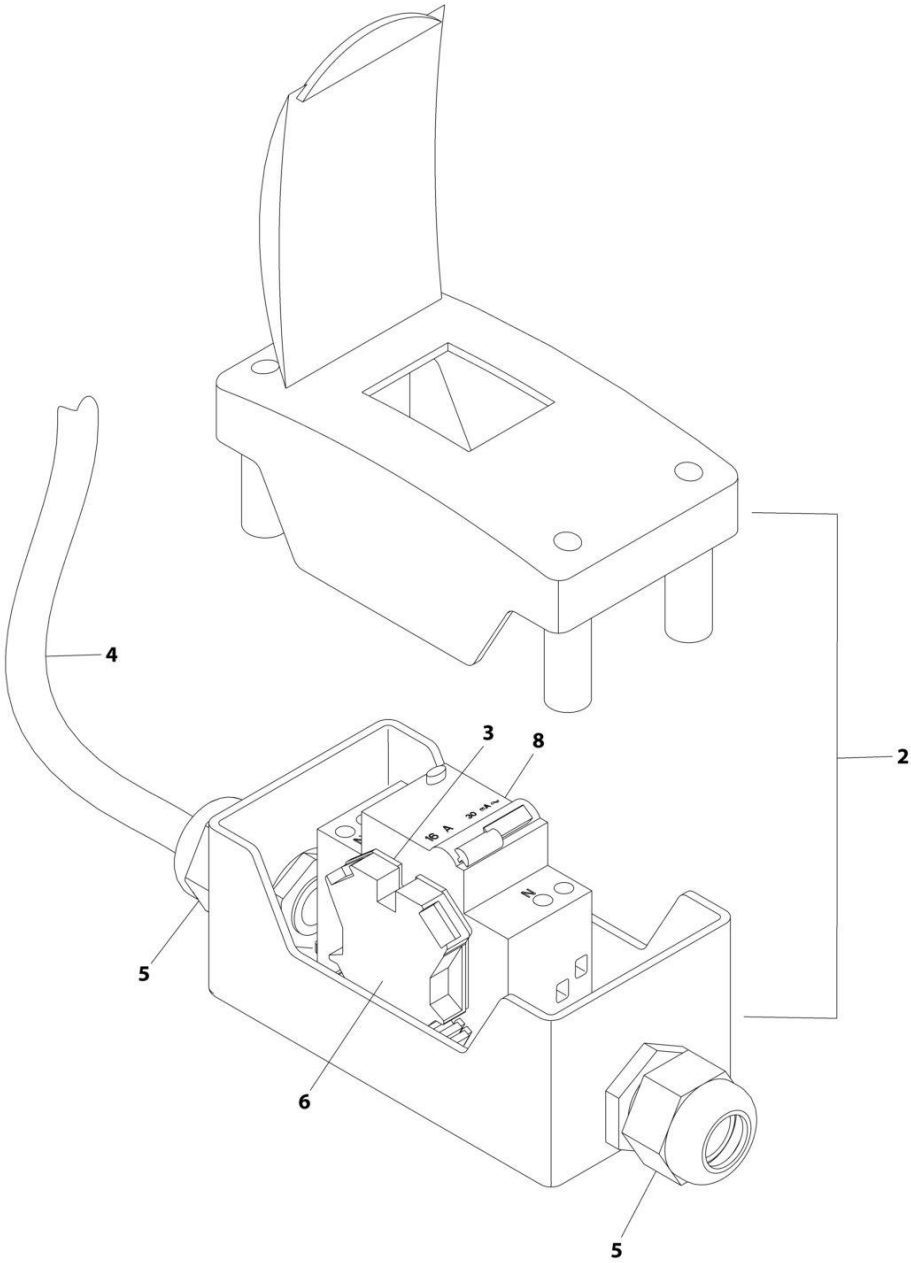
SECTION 8 - ELECTRICAL

FIGURE 8-30. BREAKER BOX KIT - 16 AMP (4000W GENERATOR)

ITEM	PART NUMBER	QTY	DESCRIPTION	REV
	1001165368	Ref	BREAKER BOX KIT	B
2	0861880	1	Box, Circuit Breaker	
3	4460956	1	Barrier, Terminal Block End	
4	1060545	12 ft/ 3.6m	Cable, Electrical 10/3	
5	1001101191	2	Connector, Strain Relief	
6	4460957	1	Block, Terminal	
8	1001181045	1	Breaker 30mA/16Amp	

SECTION 8 - ELECTRICAL

FIGURE 8-31. BREAKER BOX KIT - 16 AMP/30MA



ART_1001096070

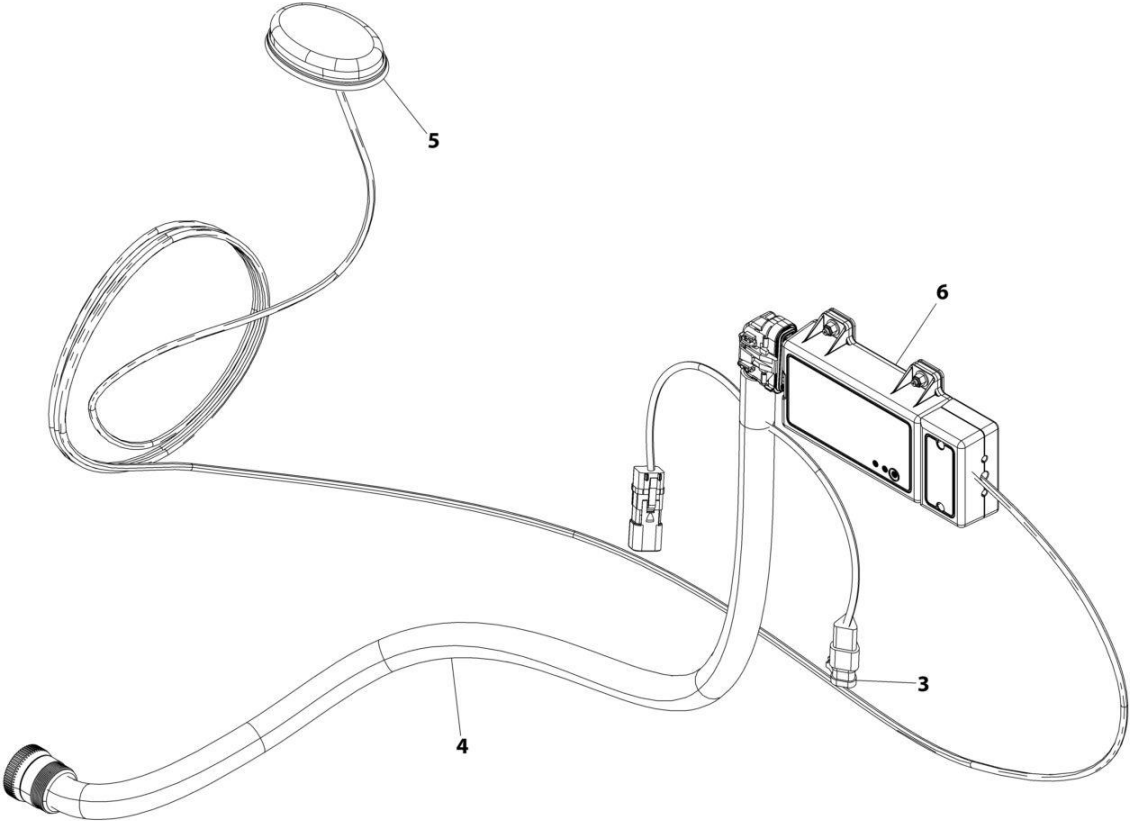
SECTION 8 - ELECTRICAL

FIGURE 8-31. BREAKER BOX KIT - 16 AMP/30MA

ITEM	PART NUMBER	QTY	DESCRIPTION	REV
	1001096070	Ref	BREAKER BOX KIT	E
2	0861880	1	Box	
3	4460956	1	Barrier, Terminal Block End	
4	1060908	12 ft/ 3.6m	Cable, 12/3	
5	1001097150	2	Connector, Strain Relief	
6	4460957	1	Block, Terminal	
8	1001181045	1	Breaker, 16Amp	

SECTION 8 - ELECTRICAL

FIGURE 8-32. CLEARSKY INSTALLATION - 3G CANBUS CONNECTION (ANSI EXPORT, CE & UK CA SPECS)



ART_1001228952

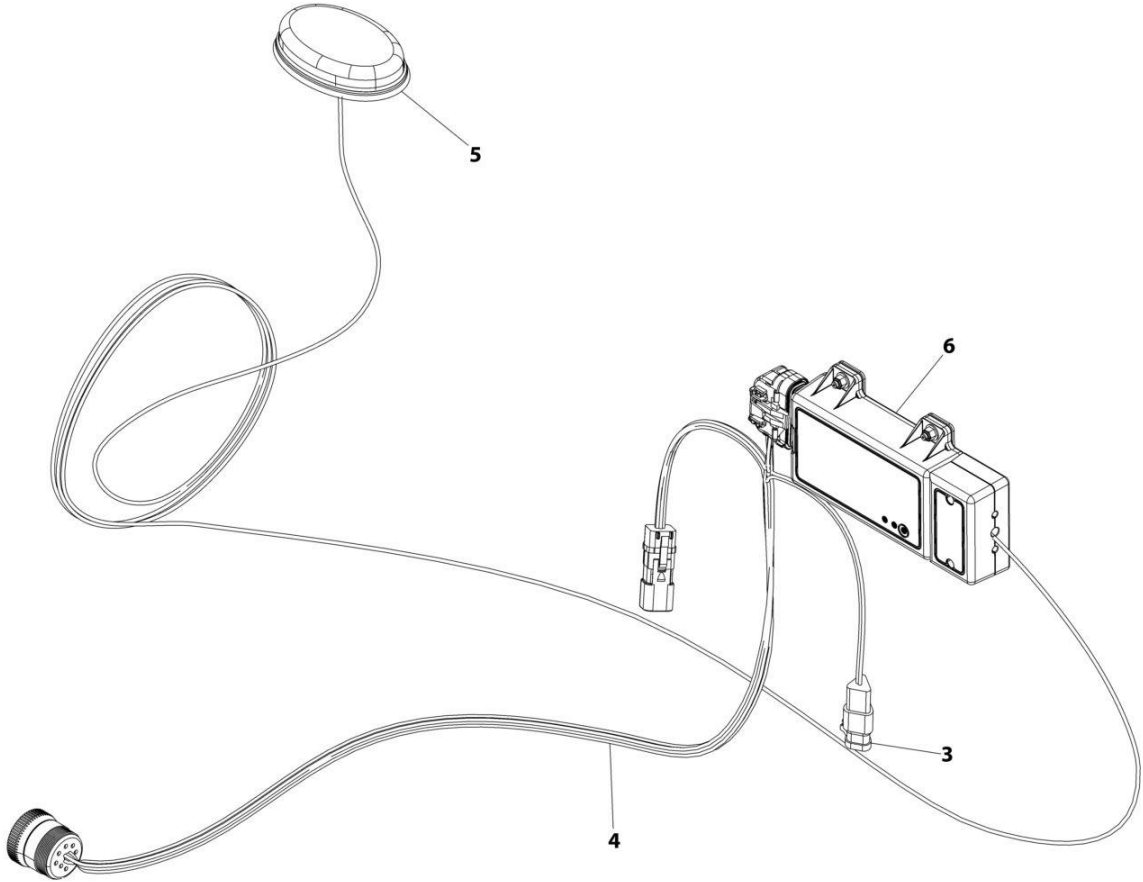
SECTION 8 - ELECTRICAL

FIGURE 8-32. CLEARSKY INSTALLATION - 3G CANBUS CONNECTION (ANSI EXPORT, CE & UK CA SPECS)

ITEM	PART NUMBER	QTY	DESCRIPTION	REV
	1001228952	Ref	CLEARSKY INSTALLATION CANBUS CONNECTION	A
1	4240032	AR	Tie-Strap (Not Shown)	
2	4460234	AR	Strap, Cable -Tie (Not Shown)	
3	1001129408	1	Connector	
4	1001226739	1	ClearSky Harness (See Separate Breakdown in this Section)	
5	1001226799	1	Antenna	
6	1001228954	1	Telematics Control Module (Note: Re-calibration Required when Replaced)	

SECTION 8 - ELECTRICAL

FIGURE 8-33. CLEARSKY INSTALLATION - 3G CANBUS CONNECTION (AUSTRALIAN SPECS)



ART_1001246127

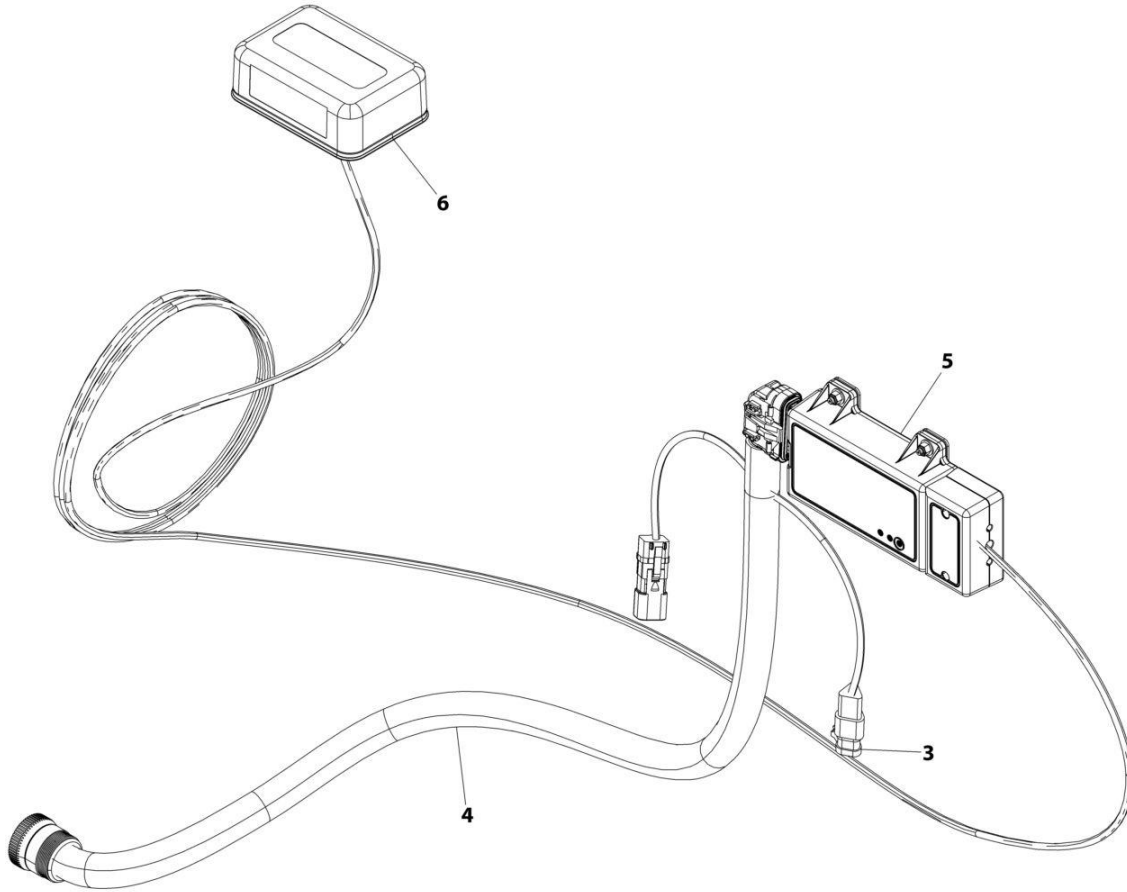
SECTION 8 - ELECTRICAL

FIGURE 8-33. CLEARSKY INSTALLATION - 3G CANBUS CONNECTION (AUSTRALIAN SPECS)

ITEM	PART NUMBER	QTY	DESCRIPTION	REV
	1001246127	Ref	CLEARSKY INSTALLATION CANBUS CONNECTION	A
1	4240032	AR	Tie-Strap (Not Shown)	
2	4460234	AR	Strap, Cable -Tie (Not Shown)	
3	1001129408	1	Connector	
4	1001226739	1	ClearSky Harness (See Separate Breakdown in this Section)	
5	1001226799	1	Antenna	
6	1001246144	1	Telematics Control Module (Note: Re-calibration Required when Replaced)	

SECTION 8 - ELECTRICAL

FIGURE 8-34. CLEARSKY INSTALLATION - 4G CANBUS CONNECTION (ALL SPECS EXCEPT CHINA SPECS)



ART_1001227451

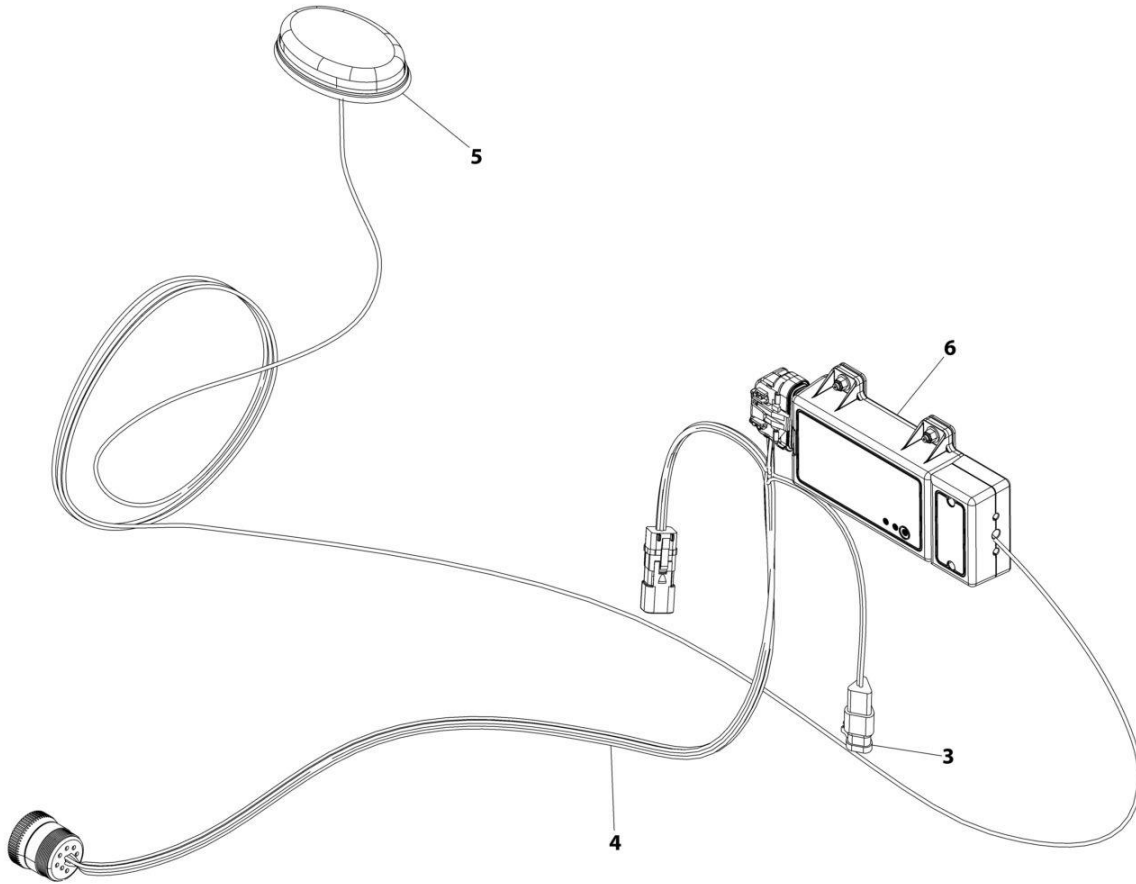
SECTION 8 - ELECTRICAL

FIGURE 8-34. CLEARSKY INSTALLATION - 4G CANBUS CONNECTION (ALL SPECS EXCEPT CHINA SPECS)

ITEM	PART NUMBER	QTY	DESCRIPTION	REV
	1001227451	Ref	CLEARSKY INSTALLATION CANBUS CONNECTION	B
1	4240032	AR	Tie-Strap (Not Shown)	
2	4460234	AR	Strap, Cable -Tie (Not Shown)	
3	1001129408	1	Connector	
4	1001226739	1	ClearSky Harness (See Separate Breakdown in this Section)	
5	1001262322	1	Telematics Control Module (Note: Re-calibration Required when Replaced)	
6	1001262326	1	Antenna	

SECTION 8 - ELECTRICAL

FIGURE 8-35. CLEARSKY INSTALLATION - 4G CANBUS CONNECTION (CHINA SPECS)



ART_1001246128

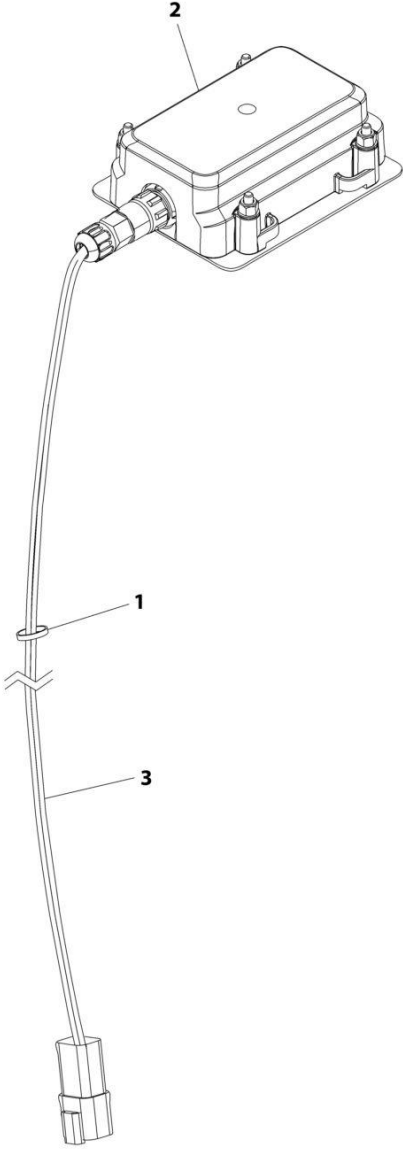
SECTION 8 - ELECTRICAL

FIGURE 8-35. CLEARSKY INSTALLATION - 4G CANBUS CONNECTION (CHINA SPECS)

ITEM	PART NUMBER	QTY	DESCRIPTION	REV
	1001246128	Ref	CLEARSKY INSTALLATION CANBUS CONNECTION	A
1	4240032	AR	Tie-Strap (Not Shown)	
2	4460234	AR	Strap, Cable -Tie (Not Shown)	
3	1001129408	1	Connector	
4	1001226739	1	ClearSky Harness (See Separate Breakdown in this Section)	
5	1001226799	1	Antenna	
6	1001246145	1	Telematics Control Module (Note: Re-calibration Required when Replaced)	

SECTION 8 - ELECTRICAL

FIGURE 8-36. CLEARSKY INSTALLATION 3-WIRE CONNECTION (ALL SPECS EXCEPT CHINA SPECS)



ART_1001276610

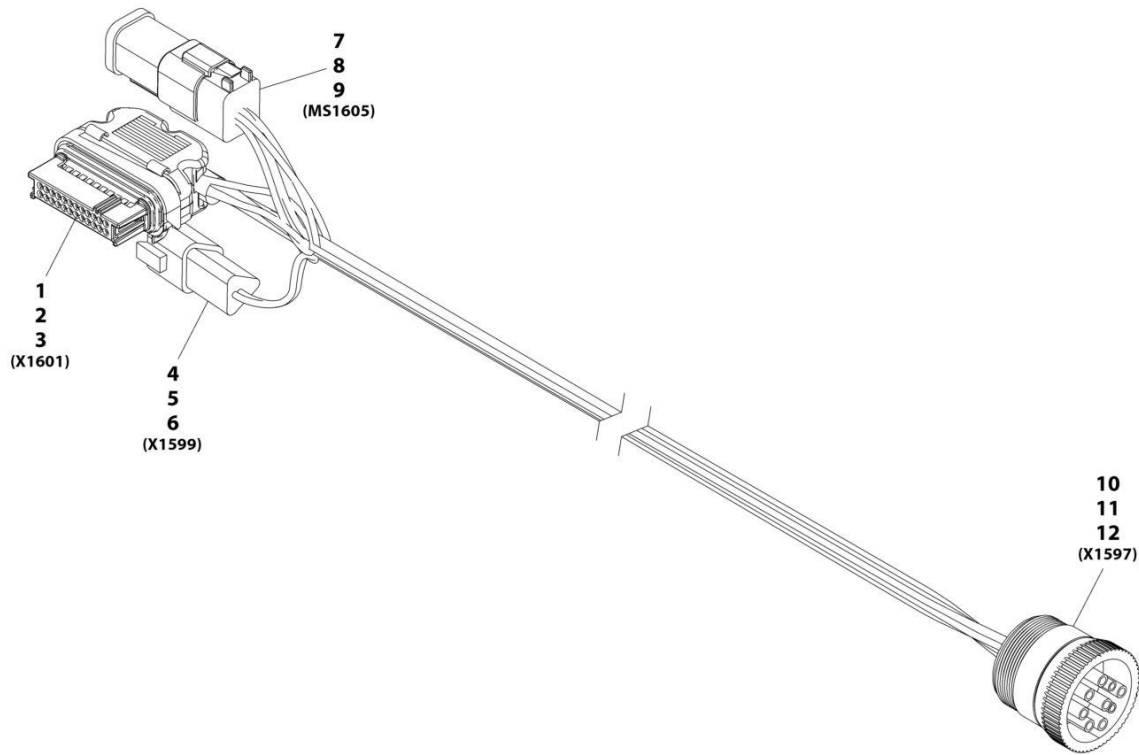
SECTION 8 - ELECTRICAL

FIGURE 8-36. CLEARSKY INSTALLATION 3-WIRE CONNECTION (ALL SPECS EXCEPT CHINA SPECS)

ITEM	PART NUMBER	QTY	DESCRIPTION	REV
	1001276610	Ref	CLEARSKY INSTALLATION 3-WIRE CONNECTION	A
1	4240032	AR	Tie-Strap	
2	1001272659	1	Telematics Control Module Assembly (Note: Re-calibration Required when Replaced)	
3	1001273012	1	ClearSky Harness (See Separate Breakdown in this Section)	

SECTION 8 - ELECTRICAL

FIGURE 8-37. CLEARSKY HARNESS - 3G & 4G CANBUS CONNECTIONS



ART_1001226739-A

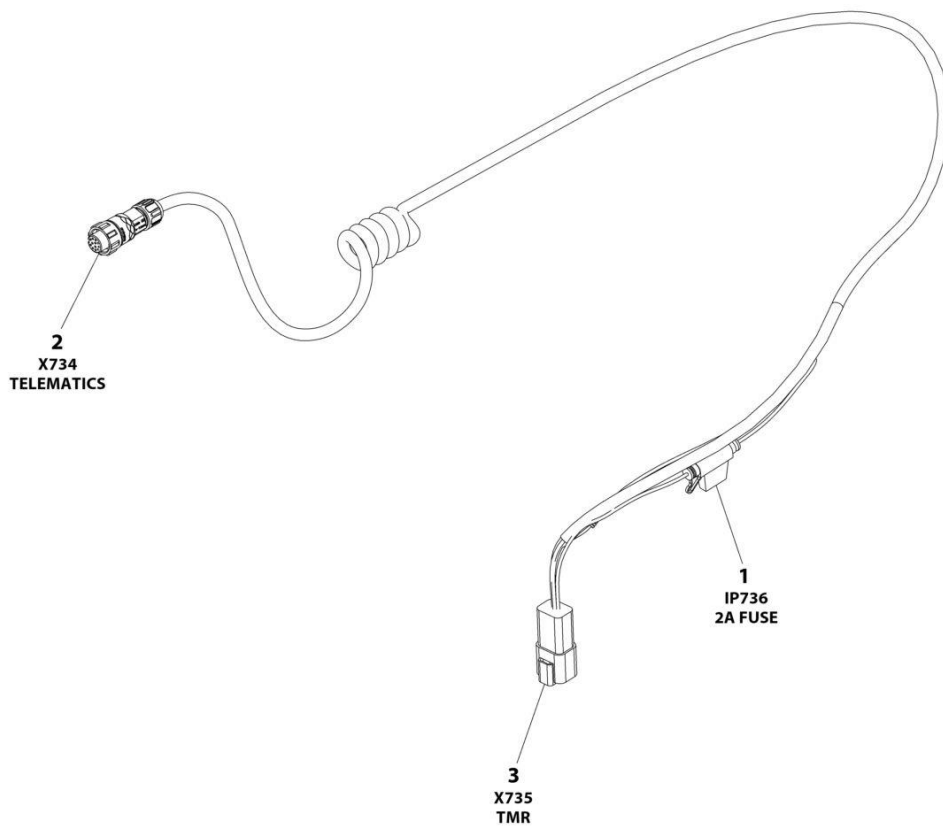
SECTION 8 - ELECTRICAL

FIGURE 8-37. CLEARSKY HARNESS - 3G & 4G CANBUS CONNECTIONS

ITEM	PART NUMBER	QTY	DESCRIPTION	REV
	1001226739	Ref	Clearsky Harness	A
1	1001226636	1	Connector	
2	1001116731	16	Plug, Terminal	
3	1001226637	8	Terminal	
4	1001144147	1	Connector	
5	4460464	2	Terminal	
6	4460466	1	Plug, Terminal	
7	4460894	1	Connector	
8	4460465	6	Terminal	
9	1001226541	1	Connector- 6 Pin Bussbar	
10	1001112796	1	Connector	
11	4460465	8	Terminal	
12	4460466	1	Plug, Terminal	

SECTION 8 - ELECTRICAL

FIGURE 8-38. CLEARSKY HARNESS - 3 WIRE GT1030



ART_1001273012

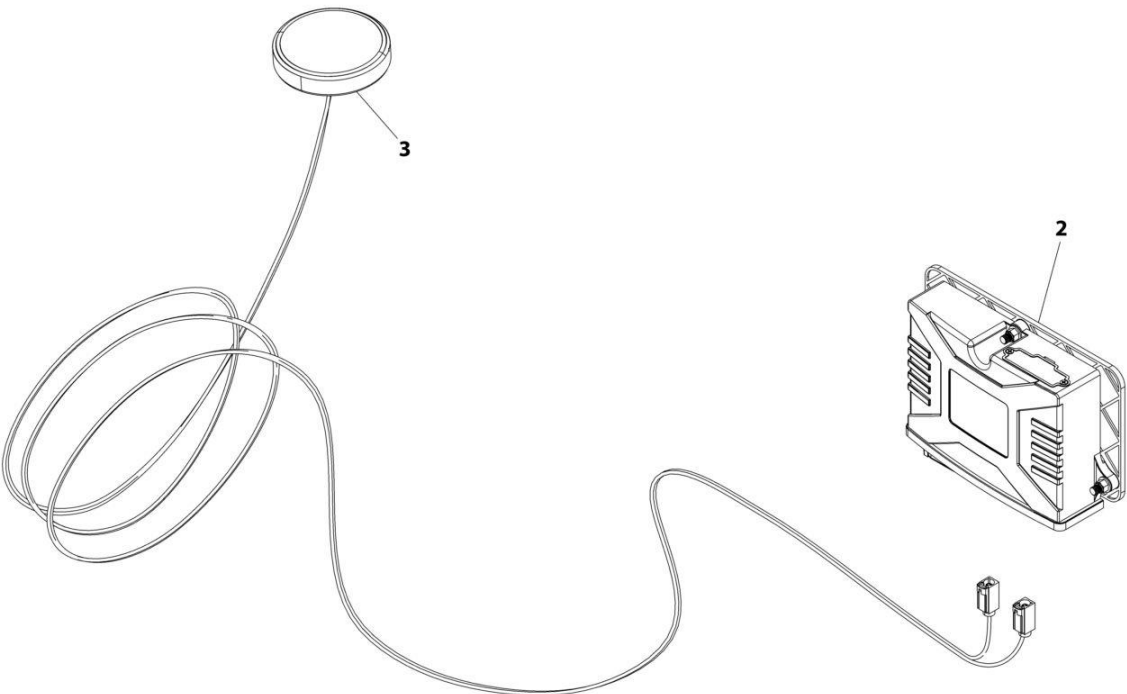
SECTION 8 - ELECTRICAL

FIGURE 8-38. CLEARSKY HARNESS - 3 WIRE GT1030

ITEM	PART NUMBER	QTY	DESCRIPTION	REV
	1001273012	Ref	CLEARSKY TELEMATICS HARNESS - GT1030	D
1	1001255901	1	Fuseholder	
1	1001196634	1	Fuse - 2Amp	
2	1001272997	1	Connector - 12 Position	
2		Ref	Terminal	
3	4460932	1	Receptacle, Female - 4 Position	
3	4460464	4	Pin, Male	

SECTION 8 - ELECTRICAL

FIGURE 8-39. CLEARSKY CONTROL MODULE ASSEMBLY (SN 0300302628 to Present)



ART_1001289138

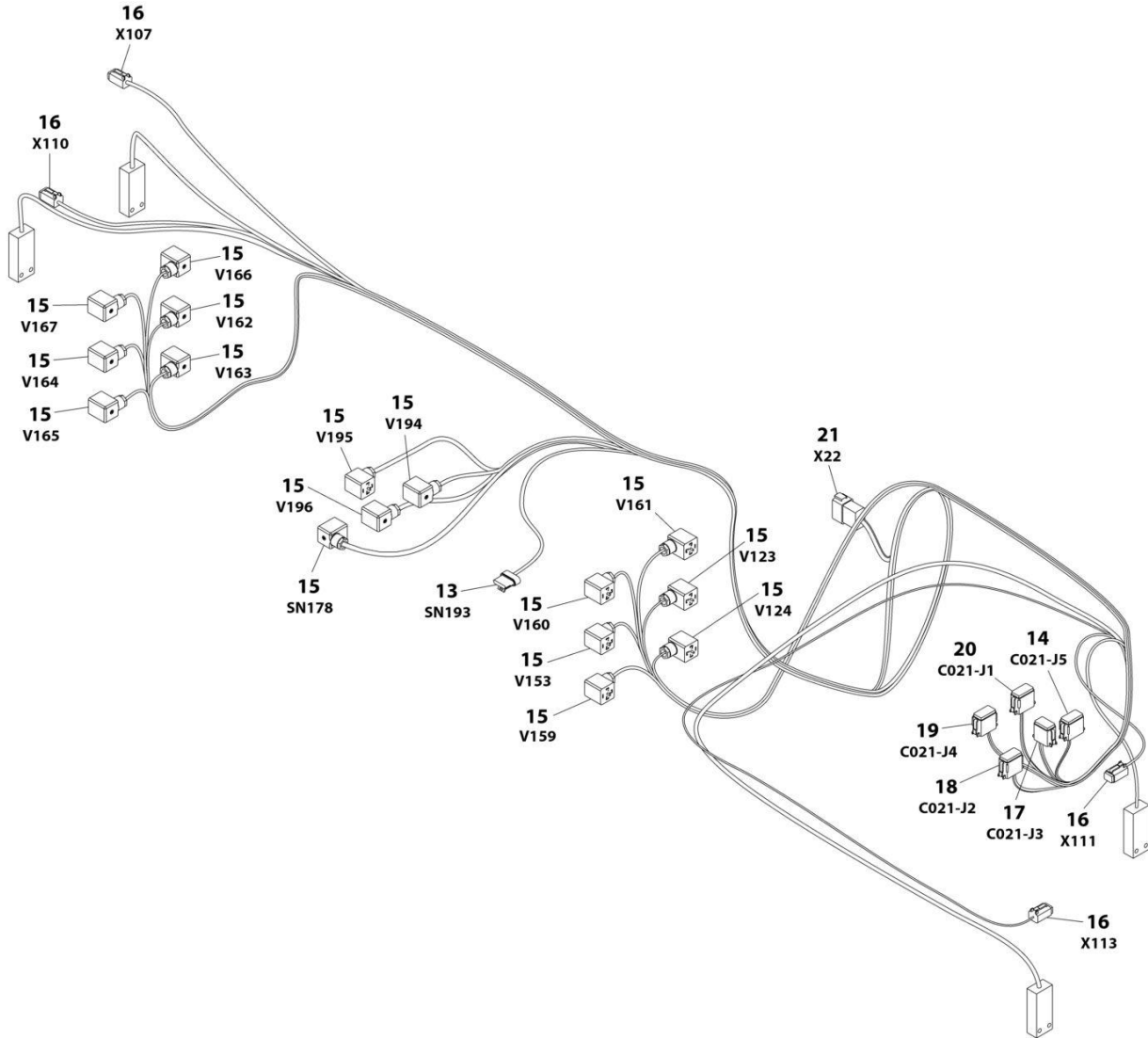
SECTION 8 - ELECTRICAL

FIGURE 8-39. CLEARSKY CONTROL MODULE ASSEMBLY (SN 0300302628 to Present)

ITEM	PART NUMBER	QTY	DESCRIPTION	REV
	1001289138	Ref	CLEARSKY CONTROL MODULE ASSEMBLY	A
2	1001289140	1	ClearSky Control Module	
3	1001289199	1	Antenna	

SECTION 8 - ELECTRICAL

FIGURE 8-40. CHASSIS HARNESS



ART_1001119395

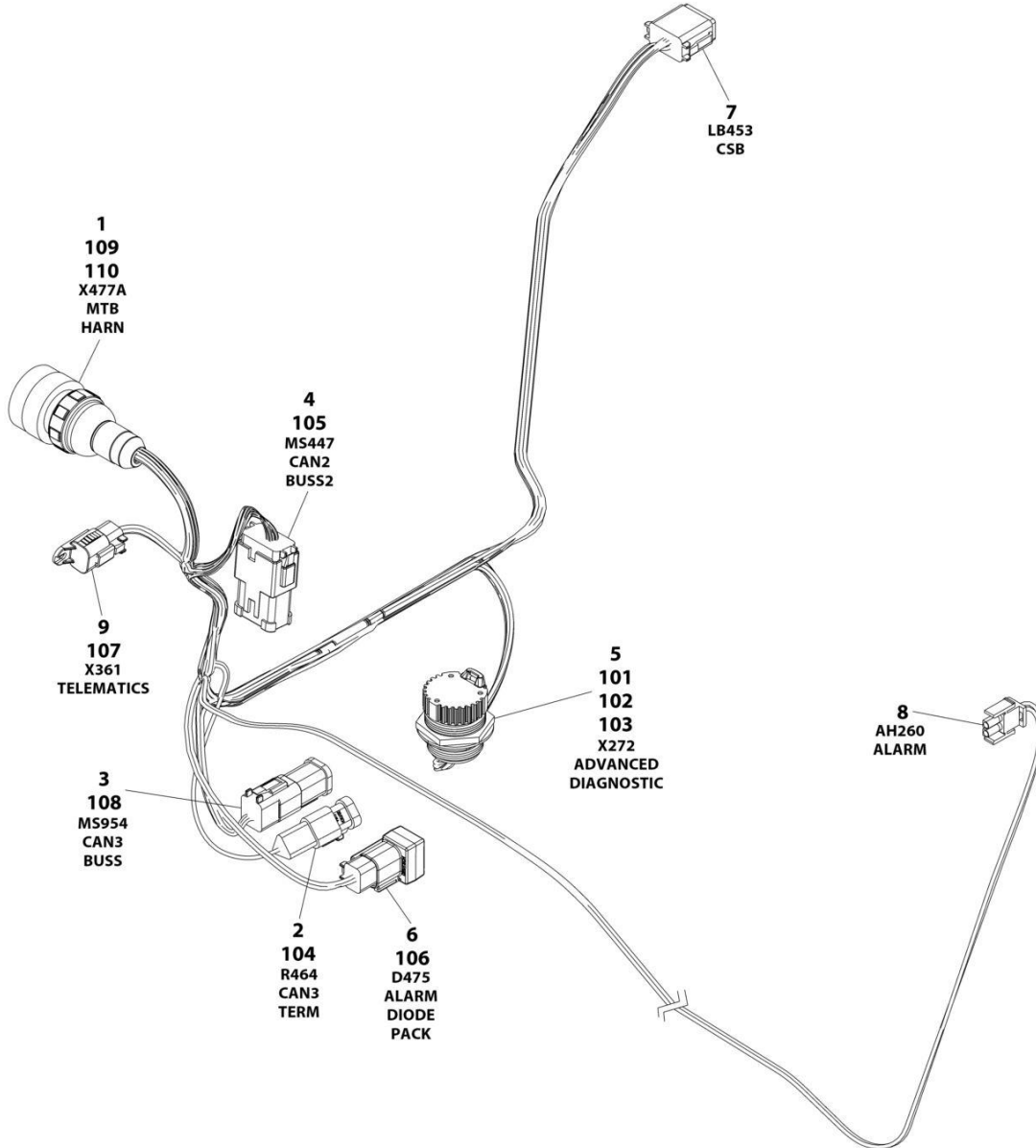
SECTION 8 - ELECTRICAL

FIGURE 8-40. CHASSIS HARNESS

ITEM	PART NUMBER	QTY	DESCRIPTION	REV
	1001119395	Ref	CHASSIS HARNESS ASSEMBLY	C
13	1001230931	1	Plug, Male - 6 Position	
13	1001116748	6	Socket, Female	
14	4460836	1	Plug, Male - 12 Position	
14	4460465	9	Socket, Female 18 Gauge	
15	4460880	16	DIN Connector	
16	4460884	4	Connector, Gray - 4 Position	
16	4460944	16	Socket, Female (Gold)	
17	4460930	1	Connector, Gray - 8 Position	
17	4460465	4	Socket, Female	
18	4460933	1	Connector, Male - 12 Position (Gray)	
18	4460465	4	Socket, Female	
18	4460944	3	Socket, Female (Gold)	
18	4460942	2	Socket, Female	
19	4460934	1	Plug, Male - 12 Position (Green)	
19	4460944	12	Socket, Female (Gold)	
20	4460935	1	Plug, Male - 12 Position (Brown)	
20	4460465	10	Socket, Female 18 Gauge	
21	4460950	1	Connector, Female - 12 Position	
21	4460464	4	Pin, Male	
21	4460943	3	Pin, Male 16 Ga	
21	4460941	2	Pin, Male	

SECTION 8 - ELECTRICAL

FIGURE 8-41. DIAGNOSTIC HARNESS



ART_1001287523

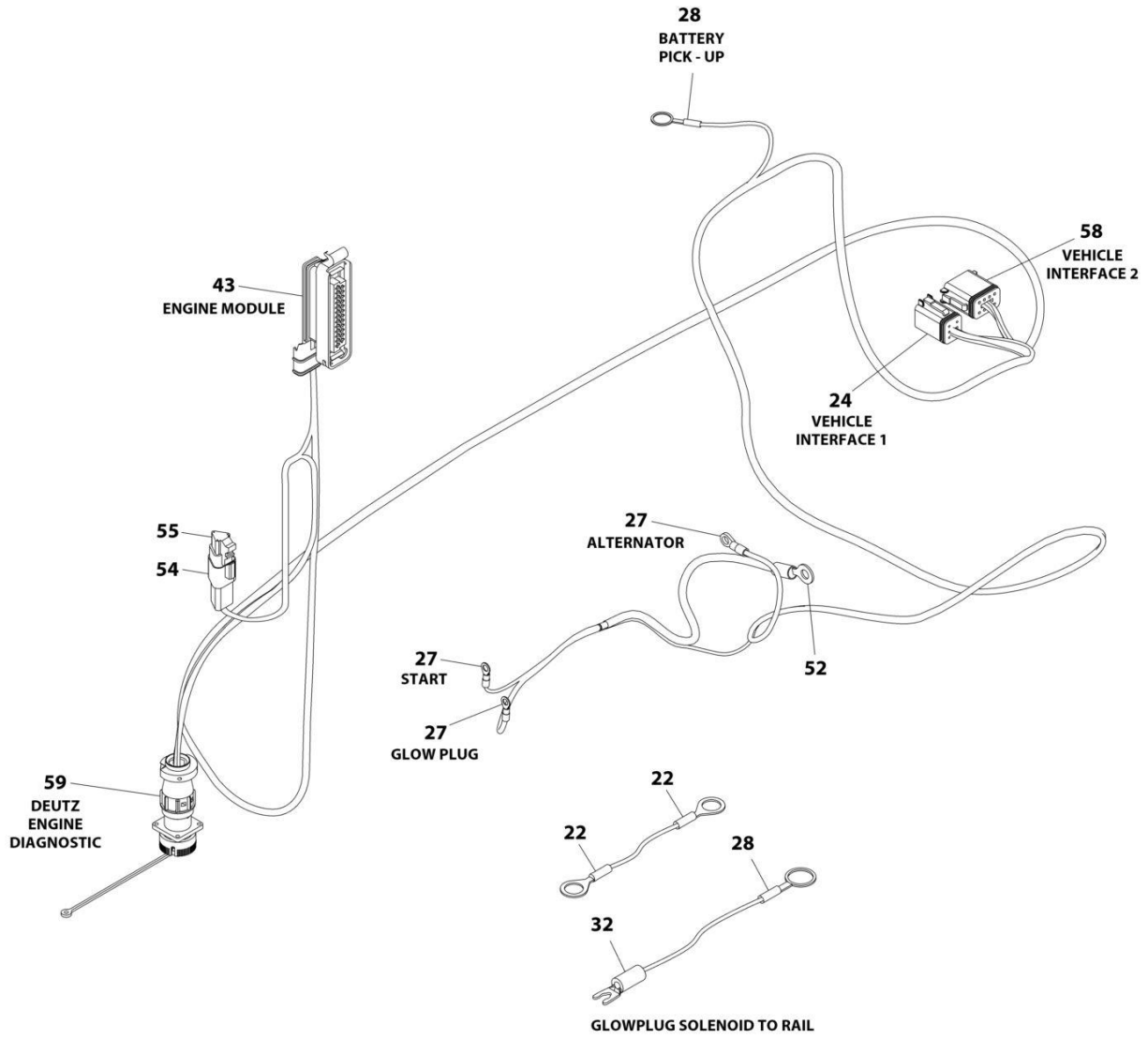
SECTION 8 - ELECTRICAL

FIGURE 8-41. DIAGNOSTIC HARNESS

ITEM	PART NUMBER	QTY	DESCRIPTION	REV
	1001287523	Ref	DIAGNOSTIC HARNESS	A
1	1001109485	1	Connector	
1	4460465	13	Socket	
1	4460466	1	Plug	
2	1001144147	1	Connector	
2	4460464	2	Pin	
2	4460466	1	Plug	
3	4460894	1	Connector	
3	4460465	6	Socket	
4	4460933	1	Connector	
4	4460465	12	Socket	
5	1001112612	1	Connector	
5	4460464	6	Pin	
5	4460466	3	Plug	
6	4460884	1	Connector	
6	4460465	3	Socket	
6	4460466	1	Plug	
7	4460930	1	Connector	
7	4460465	8	Socket	
8	4460320	1	Connector	
8	4460267	2	Pin	
9	4460884	1	Connector	
9	4460465	4	Socket	
101	4460496	1	Washer, Terminal Lock	
102	4460497	1	Nut, Terminal	
103	1001106736	1	Cap, Dust	
104	1001116815	1	Connector, Plug	
105	1001119020	1	Connector, Bussbar	
106	1001152266	1	Connector, Diode	
107	1001192401	1	Cap, Dust	
108	1001226541	1	Connector, Bussbar	
109	1001241590	1	Backshell, Connector	
110	1001241591	1	Nut, Compression	

SECTION 8 - ELECTRICAL

FIGURE 8-42. ENGINE HARNESS - DEUTZ TD2011 ENGINES



ART_1001119470

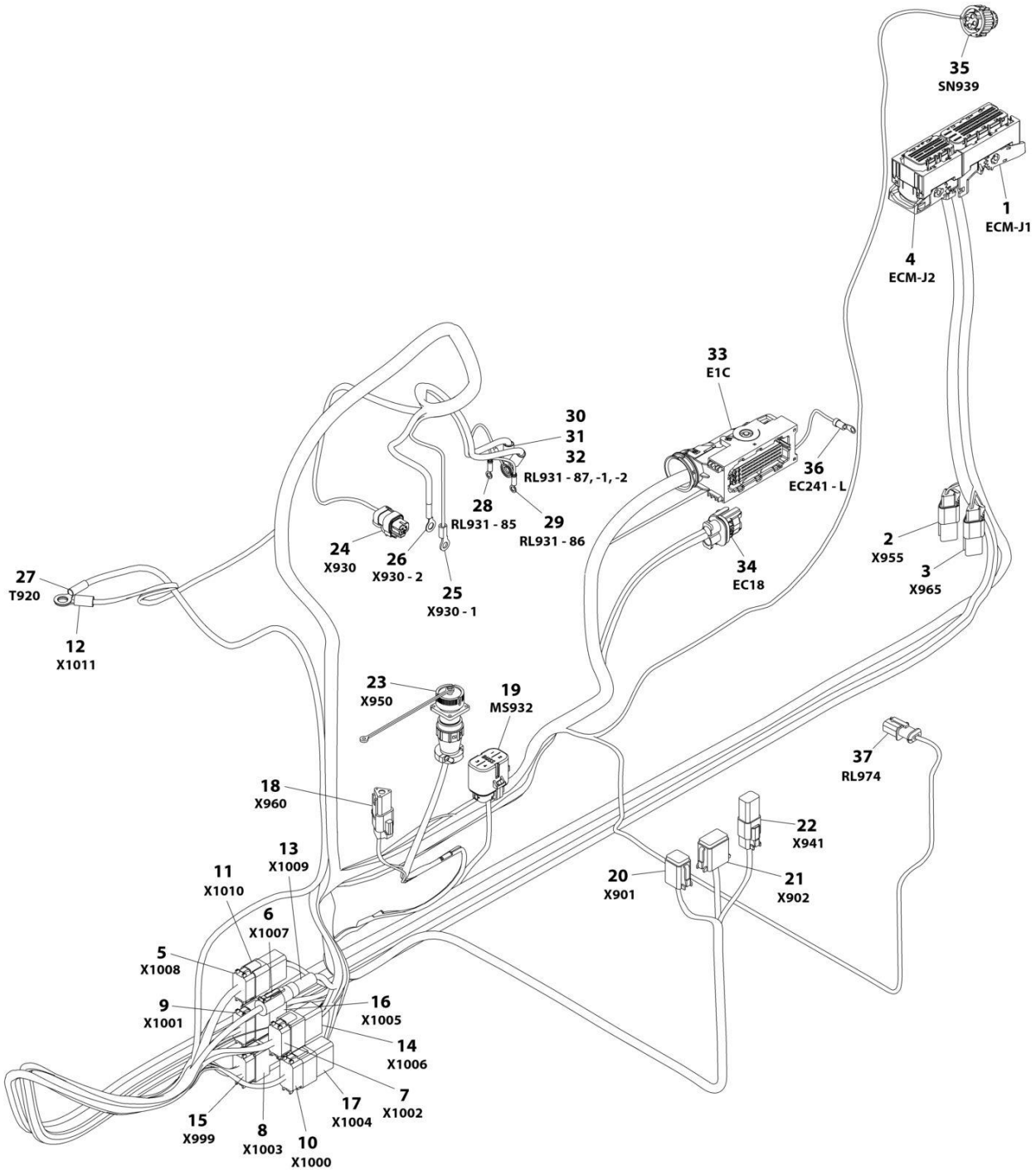
SECTION 8 - ELECTRICAL

FIGURE 8-42. ENGINE HARNESS - DEUTZ TD2011 ENGINES

ITEM	PART NUMBER	QTY	DESCRIPTION	REV
	1001119470	Ref	ENGINE HARNESS - DEUTZ TD2011 ENGINES	B
22	4460702	2	Terminal, Eyelet	
24	4460894	1	Connector - 6 Position	
24	4460465	2	Socket, Female	
24	4460466	1	Plug, Terminal	
24	4460944	3	Socket, Female	
27	4460313	3	Terminal, Eyelet	
28	4460019	2	Terminal, Eyelet	
32	4460315	1	Terminal, Fork	
43	4461052	1	Connector - 25 Position	
43	4461005	5	Terminal	
43	4461006	5	Seal	
43	4461060	2	Terminal (Tin)	
43	4461054	2	Seal, Terminal	
43	4461008	18	Plug, Hole	
43	4461053	1	Cover, Plug	
50	4240032	AR	Tie-Strap (Not Shown)	
51	4240033	AR	Tie-Strap (Not Shown)	
52	4461097	1	Terminal, Eyelet	
54	4461095	1	Connector - 3 Position	
54	4460944	3	Socket, Female	
55	4461070	1	Connector with Resistor (3 Position)	
58	4460930	1	Connector - 8 Position	
58	4460465	2	Socket, Female	
58	4460466	6	Seal, Plug	
59	2902443	1	Kit, Receptacle	
59	4461071	8	Terminal, Female (Gold)	
59	4461072	1	Connector, Flange Mount	
59	4461073	1	Connector, Dust Cap	
59	4461074	1	Connector, Shell	

SECTION 8 - ELECTRICAL

FIGURE 8-43. ENGINE HARNESS - DEUTZ TCD2.9L4 ENGINES



ART_1001138346

SECTION 8 - ELECTRICAL

FIGURE 8-43. ENGINE HARNESS - DEUTZ TCD2.9L4 ENGINES

ITEM	PART NUMBER	QTY	DESCRIPTION	REV
	1001138346	Ref	ENGINE HARNESS - DEUTZ TCD2.9L4 ENGINES AND DEUTZ TCD2.9L4 (STAGE V PRE-BUY) ENGINES	H
1	1001133956	1	Connector (Includes Cover, Locks and Retention Plate)	
1	1001182361	6	Terminal	
1	1001230934	15	Terminal	
1	1001126351	1	Terminal	
1	1001256507	4	Terminal	
1	1001230936	3	Plug, Terminal	
1	1001230935	62	Plug, Terminal	
1	1001126352	6	Terminal	
1	1001126384	19	Terminal	
1	1001126357	3	Plug, Seal	
1	1001126356	65	Plug, Seal	
2	4461070	1	Connector with Resistor (3 Position)	
2	4461095	1	Connector - 3 Position	
2	4460944	2	Socket, Female	
2	4460466	1	Seal, Plug	
3	4461070	1	Connector with Resistor (3 Position)	
3	4461095	1	Connector - 3 Position	
3	4460944	2	Socket, Female	
3	4460466	1	Seal, Plug	
4	1001133957	1	Connector (Includes Cover, Locks and Retention Plate)	
4	1001126351	13	Terminal	
4	1001230934	11	Terminal	
4	1001252527	4	Terminal	
4	1001256507	2	Terminal	
4	1001230935	19	Plug, Terminal	
4	1001230936	11	Plug, Terminal	
5	4460930	1	Connector - 8 Position	
5	4460944	5	Socket, Female (Gold)	
5	4460465	2	Socket, Female	
5	4460466	1	Seal, Plug	
6	1001116707	1	Connector - 1 Position	
6	91143340	1	Terminal	
7	4460935	1	Plug, Brown - 12 Position	
7	4460465	12	Socket, Female	
8	4460970	1	Connector - 12 Position	
8	4460941	12	Pin, Male	
9	4460934	1	Connector, Green - 12 Position	
9	4460465	10	Socket, Female	
9	4460466	2	Seal, Plug	
10	4460836	1	Connector, Black - 12 Position	
10	4460465	8	Socket, Female	
10	4460466	4	Seal, Plug	
11	4460931	1	Connector - 8 Position (Gray)	
11	4460943	5	Pin, Male (Gold)	
11	4460466	3	Plug, Socket	
12	8220164	1	Terminal, Eyelet	
13	1001116967	1	Connector - 1 Position	
13	91143339	1	Terminal	

SECTION 8 - ELECTRICAL

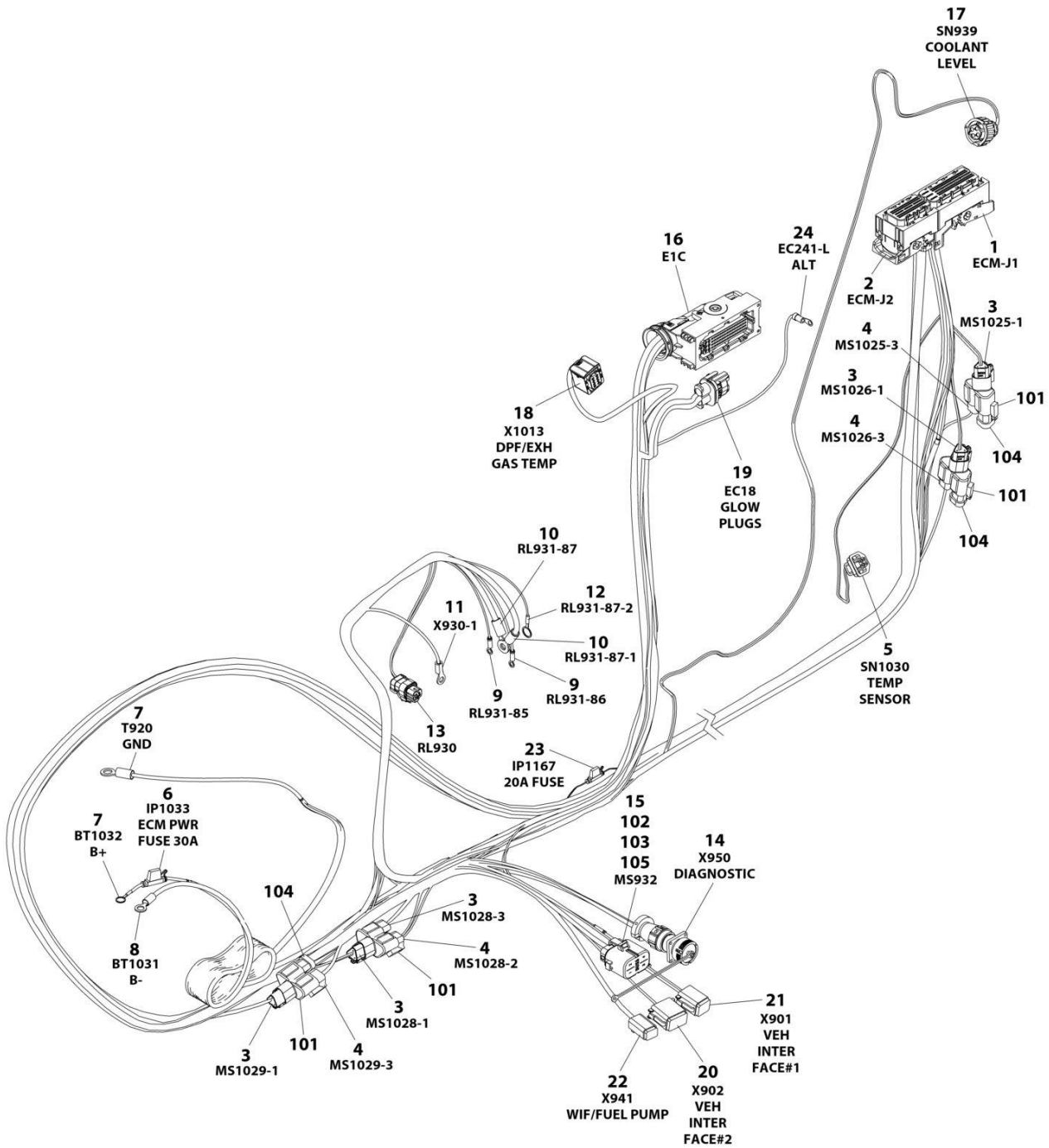
ITEM	PART NUMBER	QTY	DESCRIPTION	REV
14	4460982	1	Connector - 12 Position	
14	4460464	12	Pin, Male	
15	4460933	1	Connector, Gray - 12 Position	
15	4460942	12	Socket, Female	
16	1001152742	1	Connector - 12 Position	
16	4460464	10	Pin, Male	
16	4460466	2	Seal, Plug	
17	4460950	1	Connector - 12 Position	
17	4460464	8	Pin, Male	
17	4460466	4	Plug, Seal	
18	4461070	1	Connector with Resistor (3 Position)	
18	4461095	1	Connector - 3 Position	
18	4460944	2	Socket, Female	
18	4460466	1	Seal, Plug	
19	80484084	1	Connector - 8 Position	
19	8229242	1	Fuse - 5A	
19	80983191	1	Fuse - 10A	
19	1001147264	1	Cap	
19	1001116728	4	Plug	
19	4460458	4	Seal	
20	4460894	1	Connector - 6 Position	
20	4460465	3	Socket, Female	
20	4460944	2	Socket, Female	
20	4460466	1	Seal, Plug	
21	4460930	1	Connector - 8 Position	
21	4460465	1	Socket, Female	
21	4460466	7	Plug, Seal	
22	1001220379	1	Connector - 4 Position	
22	4460465	2	Socket, Female	
22	4460942	2	Socket, Female	
22	4460932	1	Connector - 4 Position	
22	4460466	4	Seal, Plug	
23	2902443	1	Kit, Receptacle	
23	4461071	8	Terminal, Female (Gold)	
23	4461072	1	Connector, Flange Mount	
23	4461073	1	Connector, Dust Cap	
23	4461074	1	Connector, Shell	
24	1001116952	1	Connector - 2 Position	
24	4460465	2	Socket, Female	
25	4460043	1	Terminal, Eyelet	
26	1001117106	1	Terminal, Eyelet	
27	4460019	1	Terminal, Eyelet	
28	4460247	1	Terminal, Eyelet	
29	4460247	1	Terminal, Eyelet	
30	1001117107	1	Terminal, Eyelet	
31	1001117107	1	Terminal, Eyelet	
32	4460703	1	Terminal, Eyelet	
33	1001126362	1	Connector - 62 Position	
33	1001126363	23	Terminal	
33	1001256506	2	Seal	
33	1001126364	21	Seal	

SECTION 8 - ELECTRICAL

ITEM	PART NUMBER	QTY	DESCRIPTION	REV
33	1001126392	10	Terminal	
33	1001223459	10	Seal	
33	1001126365	2	Terminal	
33	4461054	2	Seal	
33	1001126391	22	Plug, Terminal	
33	4461008	4	Plug, Cavity	
34	1001142938	1	Connector - 2 Position	
34	1001142940	2	Terminal, Female	
34	1001142941	2	Seal	
35	1001133714	1	Connector - 4 Position	
35	1001133715	3	Terminal, Female	
35	1001135650	1	Seal	
35	1001135651	1	Plug, Cavity	
36	4460042	1	Terminal, Eyelet	
37	1001138110	1	Connector - 2 Position	
37	1001138111	2	Socket, Female	
37	1001138113	2	Seal	

SECTION 8 - ELECTRICAL

FIGURE 8-44. ENGINE HARNESS - DEUTZ TCD2.9L4 (CHINA IV) ENGINES



ART_1001276646

SECTION 8 - ELECTRICAL

FIGURE 8-44. ENGINE HARNESS - DEUTZ TCD2.9L4 (CHINA IV) ENGINES

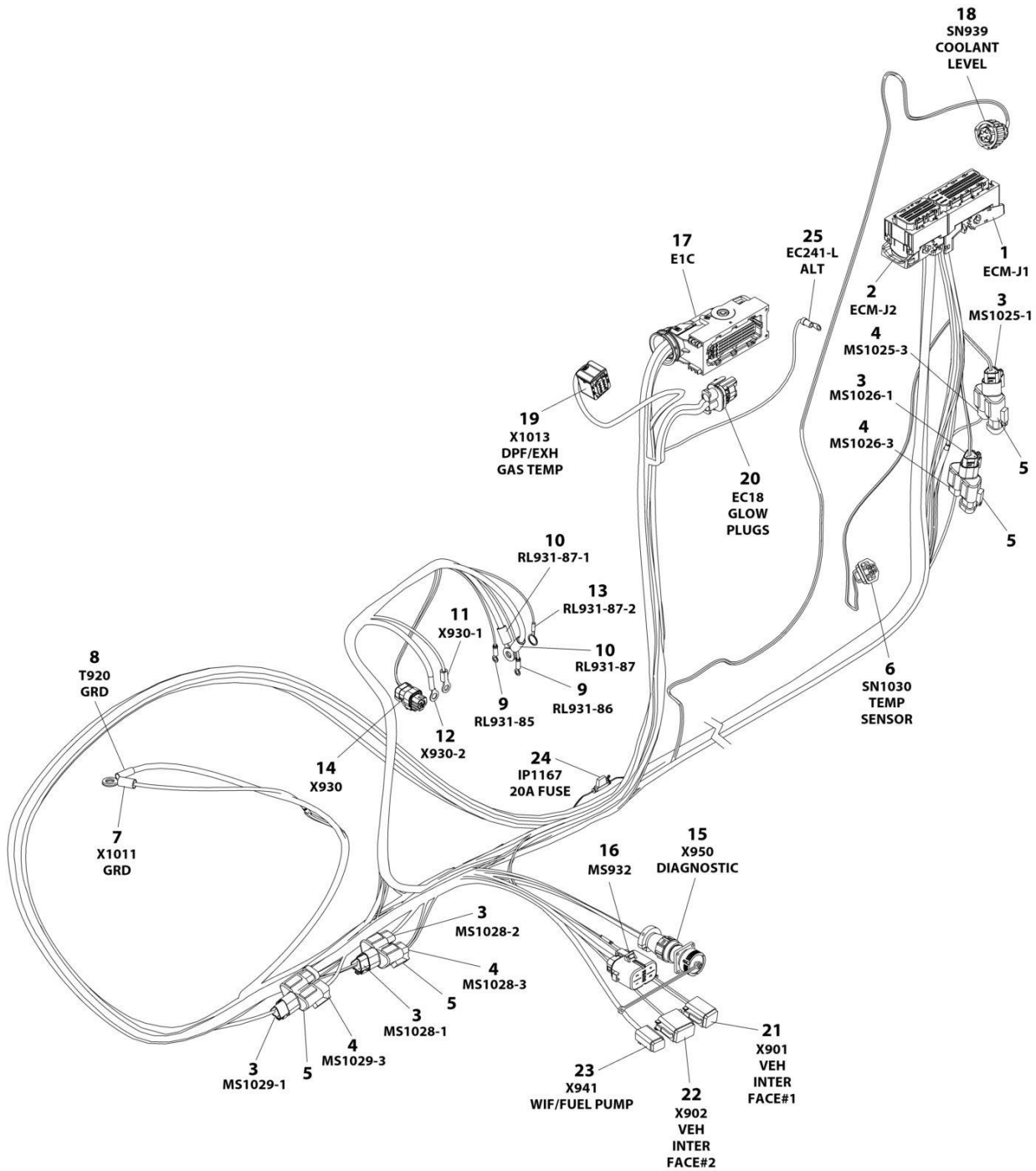
ITEM	PART NUMBER	QTY	DESCRIPTION	REV
	1001276646	Ref	DEUTZ TCD2.9L4 STAGE V ENGINE HARNESS	B
1	1001133956	1	Connector (Includes Cover, Locks and Retention Plate)	
1	1001182361	6	Socket 18 - 15AWG Wire	
1	1001182365	6	Seal	
1	1001230934	23	Socket 0.75 MM2 Wire	
1	1001126351	3	Socket 2.5 - 1.5 MM2 Wire	
1	1001252527	4	Socket 0.85 MM2 Wire	
1	1001230935	57	Plug - Black	
1	1001230936	1	Plug - Natural	
2	1001133957	1	Connector (Includes Cover, Locks and Retention Plate)	
2	1001126351	13	Socket 2.5 - 1.5 MM2 Wire	
2	1001230934	26	Socket 0.75 MM2 Wire	
2	1001230935	10	Plug - Black	
2	1001230936	11	Plug - Natural	
3	1001116812	5	Connector	
3	4460944	10	Socket	
3	4460466	5	Plug	
4	4460539	4	Connector	
4	4460944	8	Socket	
4	4460466	4	Plug	
5	1001126487	1	Connector	
5	1001167635	2	Socket	
5	1001126485	2	Seal	
6	1001172064	1	Fuseholder	
6	1001172065	1	Fuse, 30Amp	
7	4460019	2	Terminal, Eyelet	
8	8220115	1	Terminal, Eyelet	
9	4460247	2	Terminal, Eyelet	
10	1001117107	2	Terminal, Eyelet	
11	4460043	1	Terminal, Eyelet	
12	4460703	1	Terminal, Eyelet	
13	1001116952	1	Connector	
13	4460465	2	Socket	
14	2902443	1	Kit, Receptacle	
14	4461071	8	Socket	
14	4461072	1	Connector	
14	4461073	1	Dust Cap	
14	4461074	1	Shell	
15	80484084	1	Connector	
15	4460748	4	Plug	
15	4460746	3	Socket 1.0 - 0.5 MM2 Wire	
15	1001234800	1	Socket 2.0 - 1.0 MM2 Wire	
15	4460458	4	Seal	
16	1001126362	1	Connector	
16	1001126363	37	Socket 20 - 17AWG	
16	1001126364	37	Seal (Use With 1001126363)	
16	1001126391	7	Plug - White	
16	4461008	4	Plug - Clear	
16	1001126392	12	Socket 16AWG	
16	1001223459	12	Seal (Use With 1001223459)	

SECTION 8 - ELECTRICAL

ITEM	PART NUMBER	QTY	DESCRIPTION	REV
16	1001167632	2	Socket 1.0 - 0.5 MM2 Wire	
16	4461054	2	Seal (Use With 10011676323)	
16	1001151856	1	Backshell	
17	1001133714	1	Connector	
17	1001133715	3	Socket	
17	1001135650	3	Seal	
17	1001135651	1	Plug	
18	1001239202	1	Connector	
18	1001126363	7	Socket	
18	1001126364	7	Seal	
18	1001135651	1	Plug	
19	1001142938	1	Connector	
19	1001142940	2	Socket	
19	1001142941	2	Seal	
20	4460930	1	Connector	
20	4460465	1	Socket	
20	4460466	7	Plug	
21	4460894	1	Connector	
21	4460465	2	Socket - Nickel	
21	4460944	2	Socket - Gold	
21	4460466	2	Plug	
22	4460884	1	Connector	
22	4460465	2	Socket 20 - 16AWG	
22	4460942	2	Socket 16 - 14AWG	
23	1001170764	1	Fuseholder with Cover and 20AMP Fuse	
23	1001197719	1	Resistor 620ohm/5 watt	
24	4460042	1	Terminal, Eyelet	
101	4460945	4	Connector	
102	8229242	1	Fuse, 5Amp	
103	80983191	1	Fuse, 10Amp	
104	1001116815	3	Connector	
105	1001147264	1	Cap	

SECTION 8 - ELECTRICAL

FIGURE 8-45. ENGINE HARNESS - DEUTZ TCD2.9L4 & DEUTZ TCD2.9L4 (STAGE V) ENGINES



ART_1001237285

SECTION 8 - ELECTRICAL

FIGURE 8-45. ENGINE HARNESS - DEUTZ TCD2.9L4 & DEUTZ TCD2.9L4 (STAGE V) ENGINES

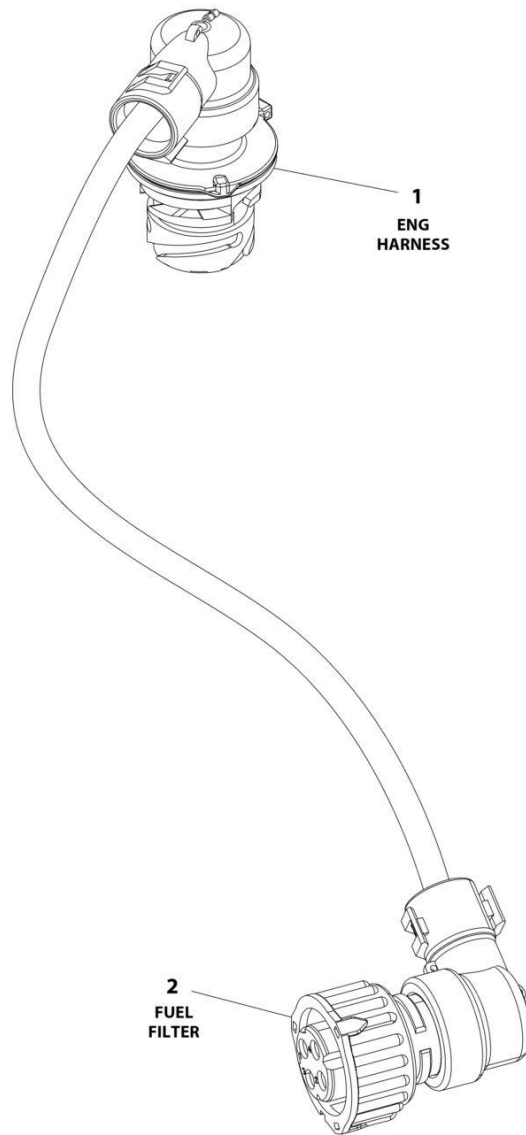
ITEM	PART NUMBER	QTY	DESCRIPTION	REV
	1001237285	Ref	ENGINE HARNESS	G
1	1001133956	1	Connector (Includes Cover, Locks and Retention Plate)	
1	1001182361	6	Terminal	
1	1001230934	25	Terminal	
1	1001126351	3	Terminal	
1	1001252527	4	Terminal	
1	1001230935	55	Plug, Terminal	
1	1001230936	1	Plug, Terminal	
2	1001133957	1	Connector (Includes Cover, Locks and Retention Plate)	
2	1001126351	13	Terminal	
2	1001230934	26	Terminal	
2	1001230935	9	Terminal	
2	1001230936	11	Plug, Terminal	
3	1001116812	5	Plug, Male - 3 Position	
3	4460944	10	Socket, Female	
3	4460466	5	Plug, Terminal	
4	4460539	4	Plug, Male - 3 Position	
4	4460944	8	Socket, Female	
4	4460466	4	Plug, Terminal	
5	4460945	4	Connector - 3 Way	
6	1001126487	1	Connector - 3 Position	
6	1001167635	2	Terminal	
6	1001126485	2	Seal	
7	8220164	1	Terminal, Eyelet	
8	4460019	1	Terminal, Eyelet	
9	4460247	2	Terminal, Eyelet	
10	1001117107	2	Terminal, Eyelet	
11	4460043	1	Terminal, Eyelet	
12	1001117106	1	Terminal, Eyelet	
13	4460703	1	Terminal, Eyelet	
14	1001116952	1	Connector - 2 Position	
14	4460465	2	Socket, Female	
15	2902443	1	Kit, Receptacle	
15	4461071	8	Terminal, Female (Gold)	
15	4461072	1	Connector, Flange Mount	
15	4461073	1	Connector, Dust Cap	
15	4461074	1	Connector, Shell	
16	80484084	1	Connector - 8 Position	
16	4460748	4	Plug, Terminal	
16	4460746	3	Terminal	
16	1001234800	1	Terminal	
16	4460458	4	Seal	
17	1001126362	1	Connector - 62 Position	
17	1001126363	36	Terminal	
17	1001126364	36	Seal	
17	1001126391	7	Plug, Terminal	
17	4461008	4	Plug, Cavity	
17	1001126392	12	Terminal	
17	1001223459	12	Seal	
17	1001167632	2	Terminal	

SECTION 8 - ELECTRICAL

ITEM	PART NUMBER	QTY	DESCRIPTION	REV
17	4461054	2	Seal	
18	1001133714	1	Connector - 4 Position	
18	1001133715	3	Terminal, Female	
18	1001135650	1	Seal	
18	1001135651	1	Plug, Cavity	
19	1001239202	1	Connector - 8 Position	
19	1001126363	7	Terminal	
19	1001126364	7	Seal	
19	1001135651	1	Plug, Terminal	
20	1001142938	1	Connector - 2 Position	
20	1001142940	2	Terminal, Female	
20	1001142941	2	Seal	
21	4460894	1	Connector - 6 Position	
21	4460465	2	Socket, Female	
21	4460944	2	Socket, Female	
21	4460466	2	Seal, Plug	
22	4460930	1	Connector - 8 Position	
22	4460465	1	Socket, Female	
22	4460466	7	Seal, Plug	
23	4460884	1	Connector - 4 Position	
23	4460465	2	Socket, Female	
23	4460942	2	Socket, Female	
24	1001170764	1	Fuseholder with Cover and 20AMP Fuse	
24	1001197719	1	Resistor 620ohm/5 watt	
25	4460042	1	Terminal, Eyelet	

SECTION 8 - ELECTRICAL

FIGURE 8-46. FUEL FILTER HARNESS - DEUTZ TCD2.9L4 ENGINES



ART_1001148843

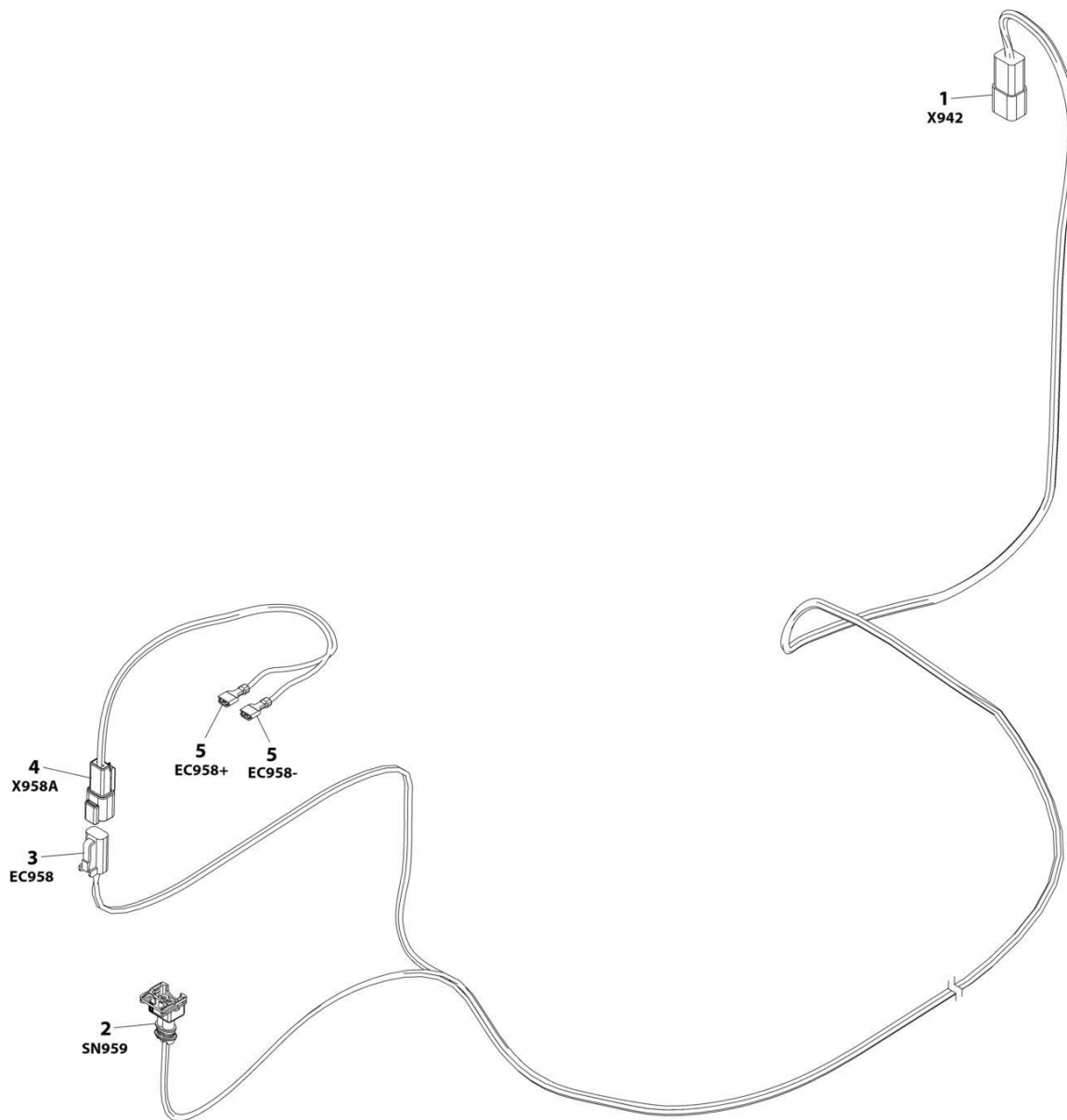
SECTION 8 - ELECTRICAL

FIGURE 8-46. FUEL FILTER HARNESS - DEUTZ TCD2.9L4 ENGINES

ITEM	PART NUMBER	QTY	DESCRIPTION	REV
	1001148843	Ref	FUEL FILTER HARNESS - DEUTZ TCD2.9L4 ENGINES	A
1	1001148842	1	Connector - 4 Position	
1	1001148841	4	Pin, Male	
1	1001135650	4	Seal	
2	1001133714	1	Plug, Male - 4 Position	
2	1001133715	4	Socket, Female	
2	1001135650	4	Seal	

SECTION 8 - ELECTRICAL

FIGURE 8-47. FUEL HARNESS - DEUTZ TCD2.9L4 & DEUTZ TCD2.9L4 (STAGE V PRE-BUY) ENGINES



ART_1001138491

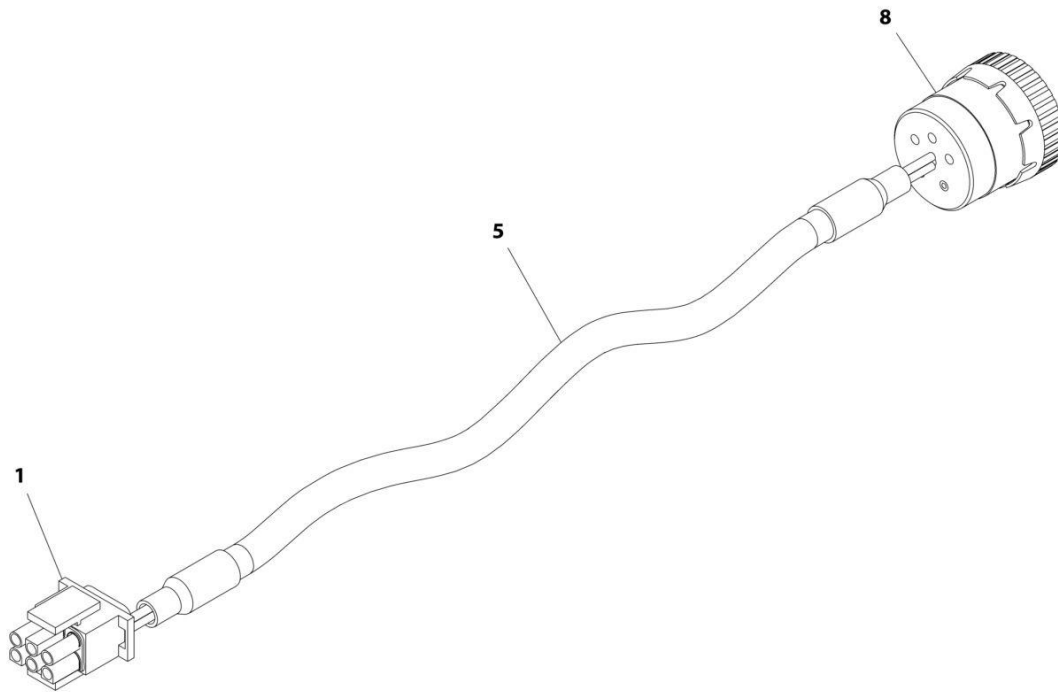
SECTION 8 - ELECTRICAL

FIGURE 8-47. FUEL HARNESS - DEUTZ TCD2.9L4 & DEUTZ TCD2.9L4 (STAGE V PRE-BUY) ENGINES

ITEM	PART NUMBER	QTY	DESCRIPTION	REV
	1001138491	Ref	FUEL PUMP HARNESS	D
1	4460932	1	Receptacle, Female - 4 Position	
1	4460941	2	Pin, Male	
1	4460464	2	Pin, Male	
2	1001116983	1	Plug, Male - 2 Position	
2	1001116710	2	Socket, Female	
2	4461054	2	Seal	
3	4460891	1	Plug, Male - 2 Position	
3	4460942	2	Socket, Female	
4	4460897	1	Connector - 2 Position	
4	4460941	2	Pin, Male	
5	8220051	2	Terminal, Ring	

SECTION 8 - ELECTRICAL

FIGURE 8-48. GENERATOR HARNESS - 4000W GENERATOR



ART_1001152533

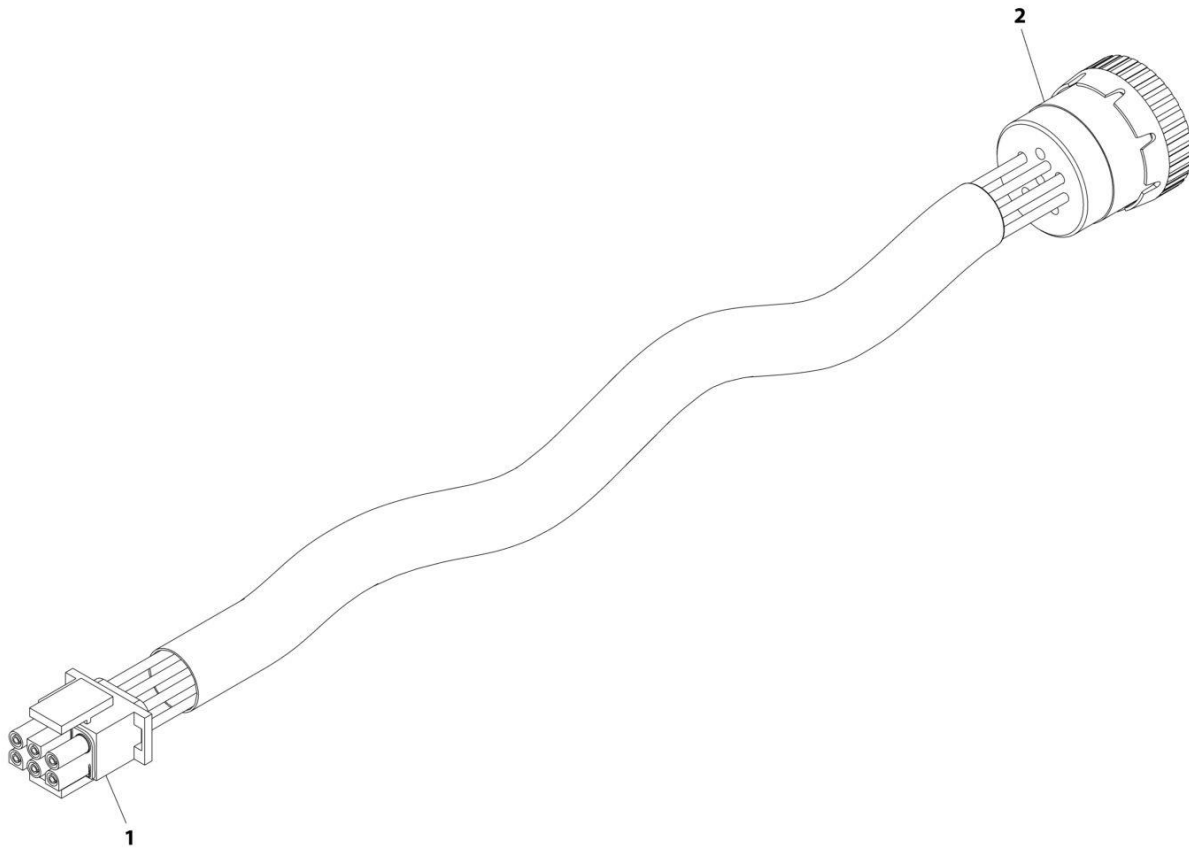
SECTION 8 - ELECTRICAL

FIGURE 8-48. GENERATOR HARNESS - 4000W GENERATOR

ITEM	PART NUMBER	QTY	DESCRIPTION	REV
	1001152533	Ref	GENERATOR HARNESS - 4000W GENERATOR	A
1	4460225	1	Connector - 6 Position	
1	4460268	2	Socket, Female	
1	4460807	1	Seal, Plug	
1	4460808	1	Seal, Plug	
5	1060341	8 ft /2.4m	Cable, 16/2	
8	77363233	1	Connector - 6 Position	
8	4460465	2	Socket, Female	

SECTION 8 - ELECTRICAL

FIGURE 8-49. GENERATOR HARNESS - 7500W GENERATOR



ART_4922972

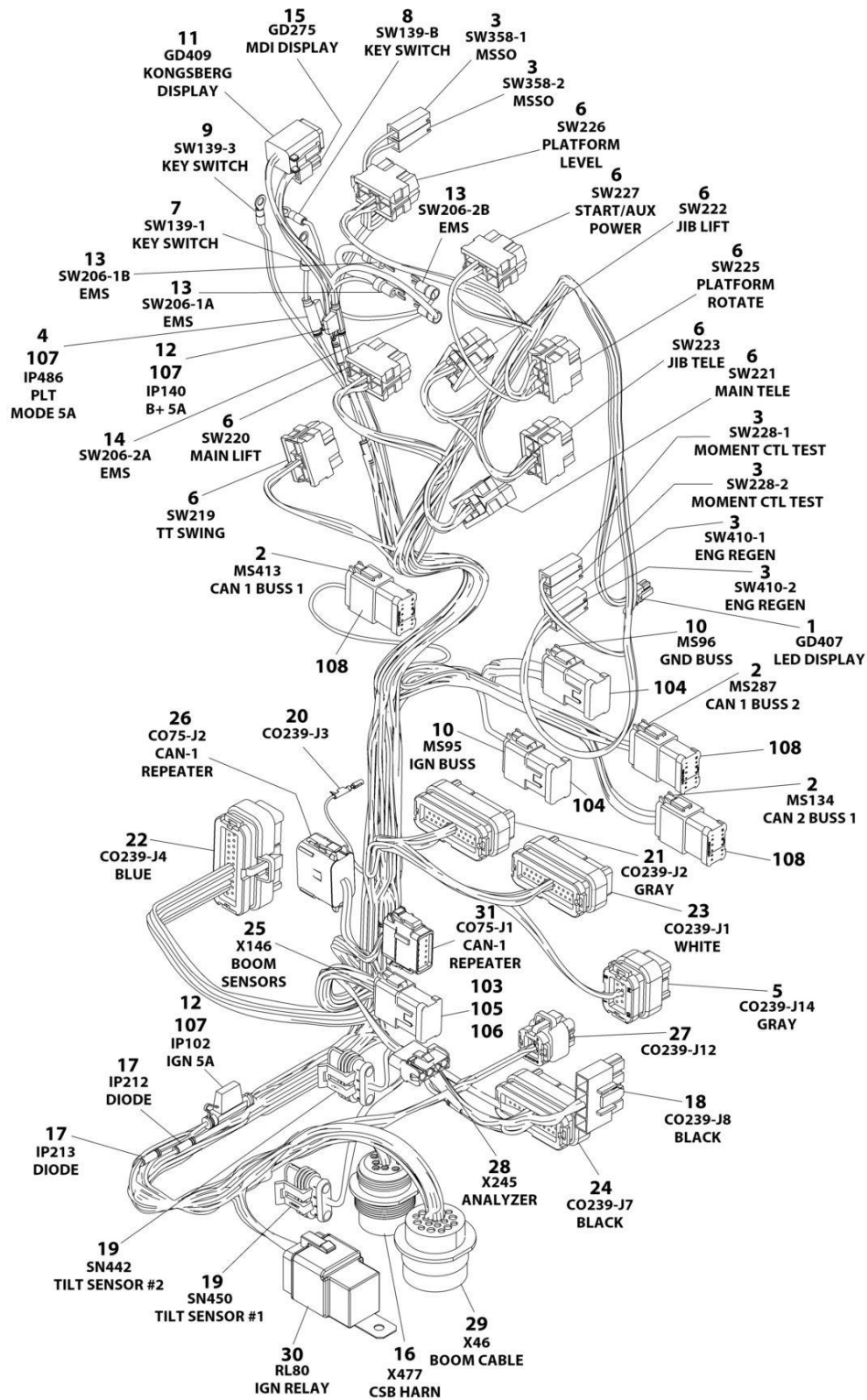
SECTION 8 - ELECTRICAL

FIGURE 8-49. GENERATOR HARNESS - 7500W GENERATOR

ITEM	PART NUMBER	QTY	DESCRIPTION	REV
	4922972	Ref	GENERATOR HARNESS - 7500W GENERATOR	C
1	4460225	1	Connector - 6 Position	
1	4460268	6	Socket, Female	
1	4460807	1	Seal, Plug	
1	4460808	1	Seal, Plug	
2	77363233	1	Connector - 6 Position	
2	4460465	6	Socket, Female	

SECTION 8 - ELECTRICAL

FIGURE 8-50. GROUND CONTROL BOX HARNESS



ART_1001285576

SECTION 8 - ELECTRICAL

FIGURE 8-50. GROUND CONTROL BOX HARNESS

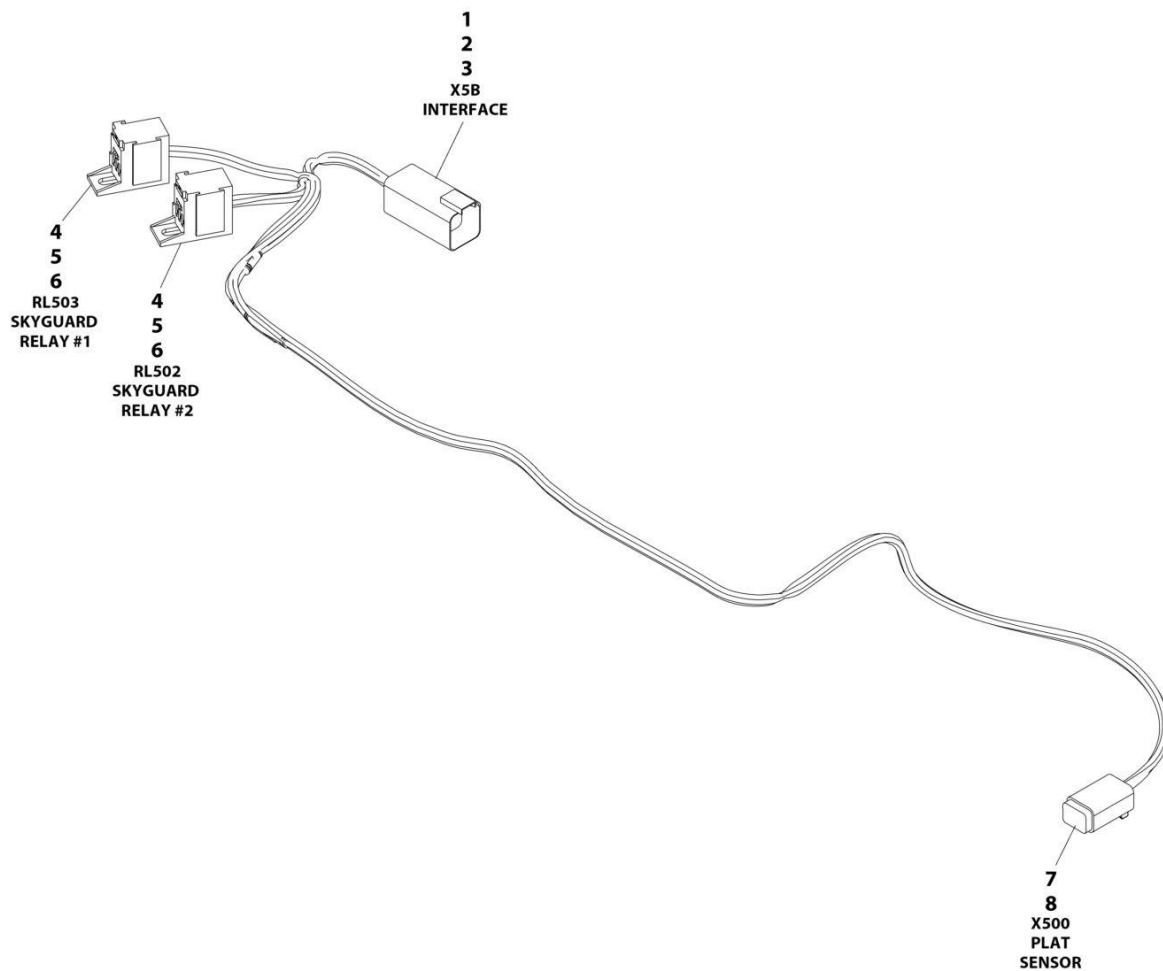
ITEM	PART NUMBER	QTY	DESCRIPTION	REV
	1001285576	Ref	GROUND CONTROL BOX HARNESS	A
1	1001237667	1	Connector	
1	1001237668	5	Socket	
2	4460933	3	Connector	
2	4460465	24	Socket	
2	4460466	6	Plug	
3	4460260	6	Connector	
3	4460259	8	Socket	
4	2400060	1	Fuseholder	
5	1001246859	1	Connector	
5	4460905	8	Plug	
5	4460871	6	Socket	
6	4460418	8	Connector	
6	4460419	32	Socket	
7	4460142	1	Terminal, Ring	
8	4460313	1	Terminal, Ring	
9	4460042	1	Terminal, Ring	
10	4460836	2	Connector	
10	4460465	14	Socket	
10	4460466	2	Plug	
11	4460894	1	Connector	
11	4460465	4	Socket	
11	4460466	2	Plug	
12	2400066	2	Fuseholder	
13	4460806	3	Terminal, Fork	
14	4460144	1	Terminal, Fork	
15	4460868	1	Connector	
15	4460877	4	Socket	
16	1001109484	1	Connector	
16	4460464	6	Pin	
16	4460466	3	Plug	
17	3990001	2	Diode - 3Amp	
18	4460878	1	Connector	
18	4460877	2	Socket	
19	1001103012	2	Connector	
19	1001107854	8	Socket	
19	1001104498	8	Seal	
20	4460871	1	Socket	
21	4460875	1	Connector	
21	4460871	8	Socket	
21	4460905	27	Plug	
22	4460876	1	Connector	
22	4460905	16	Plug	
22	4460871	19	Socket	
23	4460874	1	Connector	
23	4460871	7	Socket	
23	4460905	28	Plug	
24	4460873	1	Connector	
24	4460871	18	Socket	
24	4460905	17	Plug	

SECTION 8 - ELECTRICAL

ITEM	PART NUMBER	QTY	DESCRIPTION	REV
25	4460970	1	Connector	
25	4460464	10	Pin	
25	4460466	2	Plug	
26	1001116808	1	Connector	
26	4460918	3	Socket	
26	4460518	9	Plug	
27	1001113961	1	Connector	
27	4460871	6	Socket	
27	4460905	2	Plug	
28	4460761	1	Connector	
28	4460227	4	Pin	
29	4460866	1	Connector	
29	4460464	11	Pin (20-16Awg)	
29	4460508	4	Pin (14-12Awg)	
29	4460466	4	Plug	
30	1001117025	1	Relay with Connector	
30	3740080	1	Relay, Sealed	
30	4460374	1	Plug	
30	4460375	5	Socket	
31	1001116774	1	Connector	
31	4460928	2	Socket (Nickel)	
31	4460918	2	Socket (Gold)	
31	4460518	8	Plug	
103	4460465	6	Socket (20-16Awg)	
104	4460837	2	Connector - 12 Position	
105	4460933	1	Connector	
106	4460942	4	Socket (16-14Awg)	
107	8229242	3	Fuse 5Amp	
108	1001119020	3	Connector, Bussbar	

SECTION 8 - ELECTRICAL

FIGURE 8-51. INTERFACE HARNESS



ART_1001225580_E

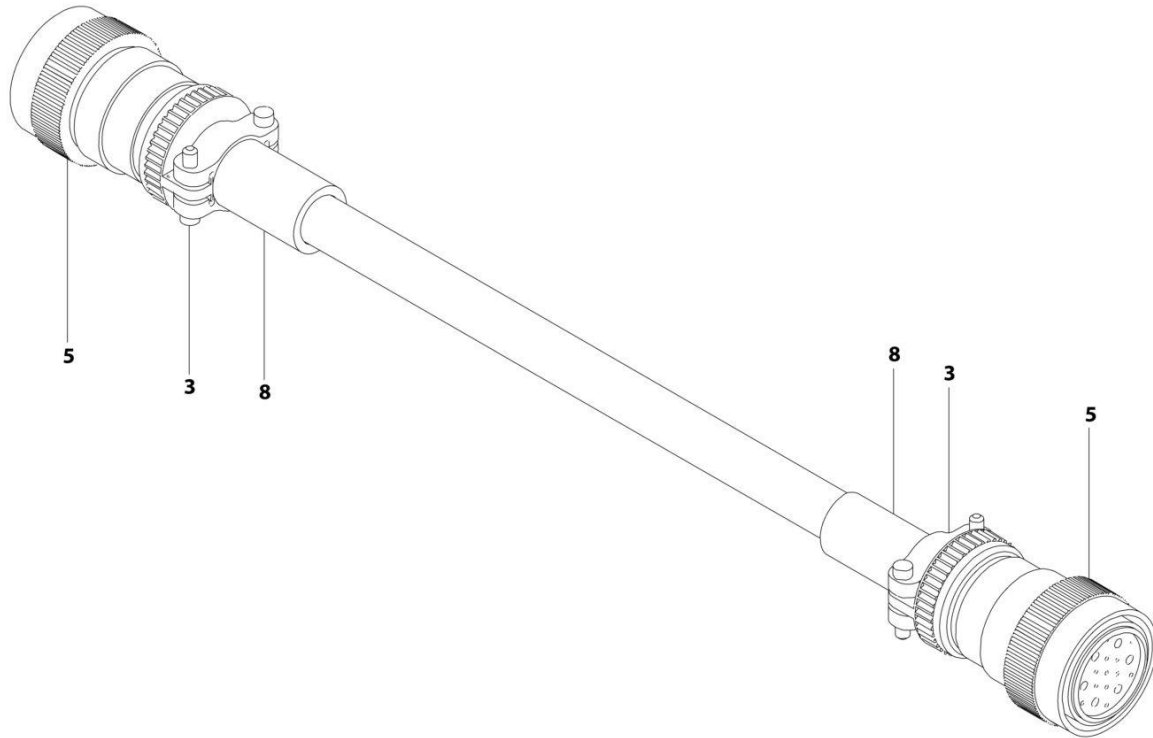
SECTION 8 - ELECTRICAL

FIGURE 8-51. INTERFACE HARNESS

ITEM	PART NUMBER	QTY	DESCRIPTION	REV
	1001225580	Ref	PLATFORM INTERFACE HARNESS - WITH 1 CELL LSS	E
1	4460899	1	Connector	
2	4460464	4	Terminal	
3	4460466	2	Plug	
4	1001186432	2	Connector	
5	1001253375	4	Terminal	
6	1001104519	4	Terminal	
7	4460884	1	Connector	
8	4460465	4	Terminal	

SECTION 8 - ELECTRICAL

FIGURE 8-52. JIB BOOM CONTROL HARNESS



ART_1001120098

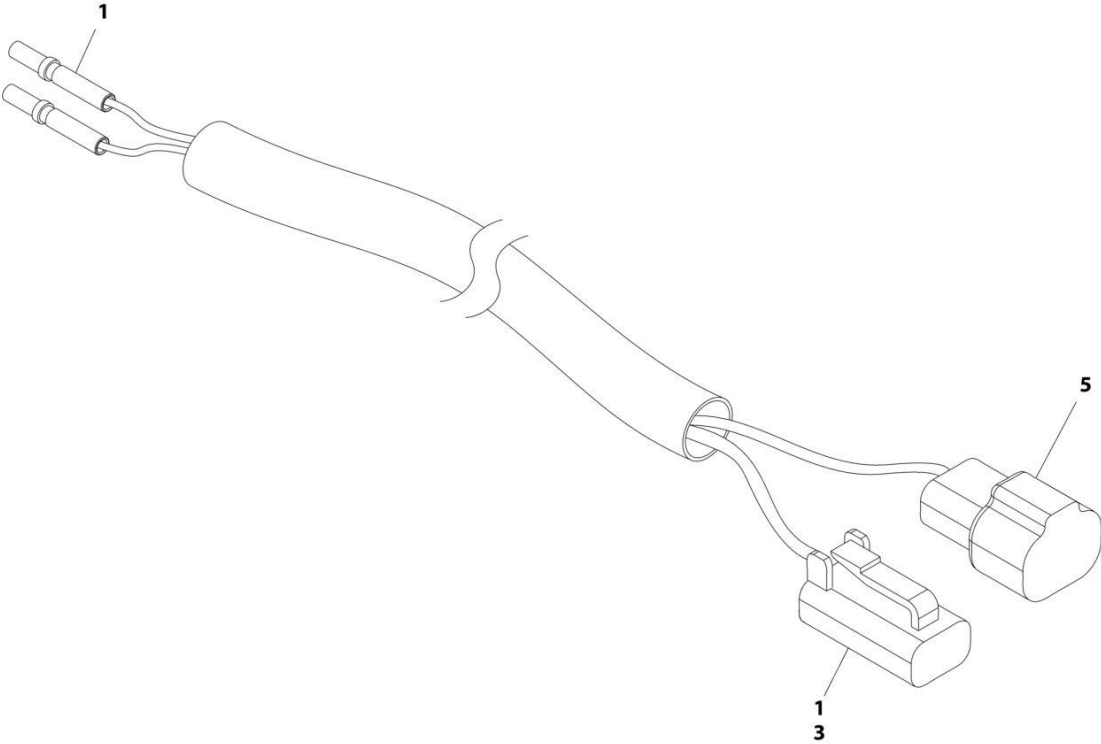
SECTION 8 - ELECTRICAL

FIGURE 8-52. JIB BOOM CONTROL HARNESS

ITEM	PART NUMBER	QTY	DESCRIPTION	REV
	1001120098	Ref	JIB BOOM CONTROL HARNESS	D
3	4460473	2	Clamp	
5	4460865	2	Connector - 19 Position	
5	4460509	8	Socket, Female	
5	4460465	22	Socket, Female	
5	4460466	8	Plug, Socket	
8	1001226400	2	Heat Shrink	

SECTION 8 - ELECTRICAL

FIGURE 8-53. JIB ENABLE HARNESS



ART_100119393

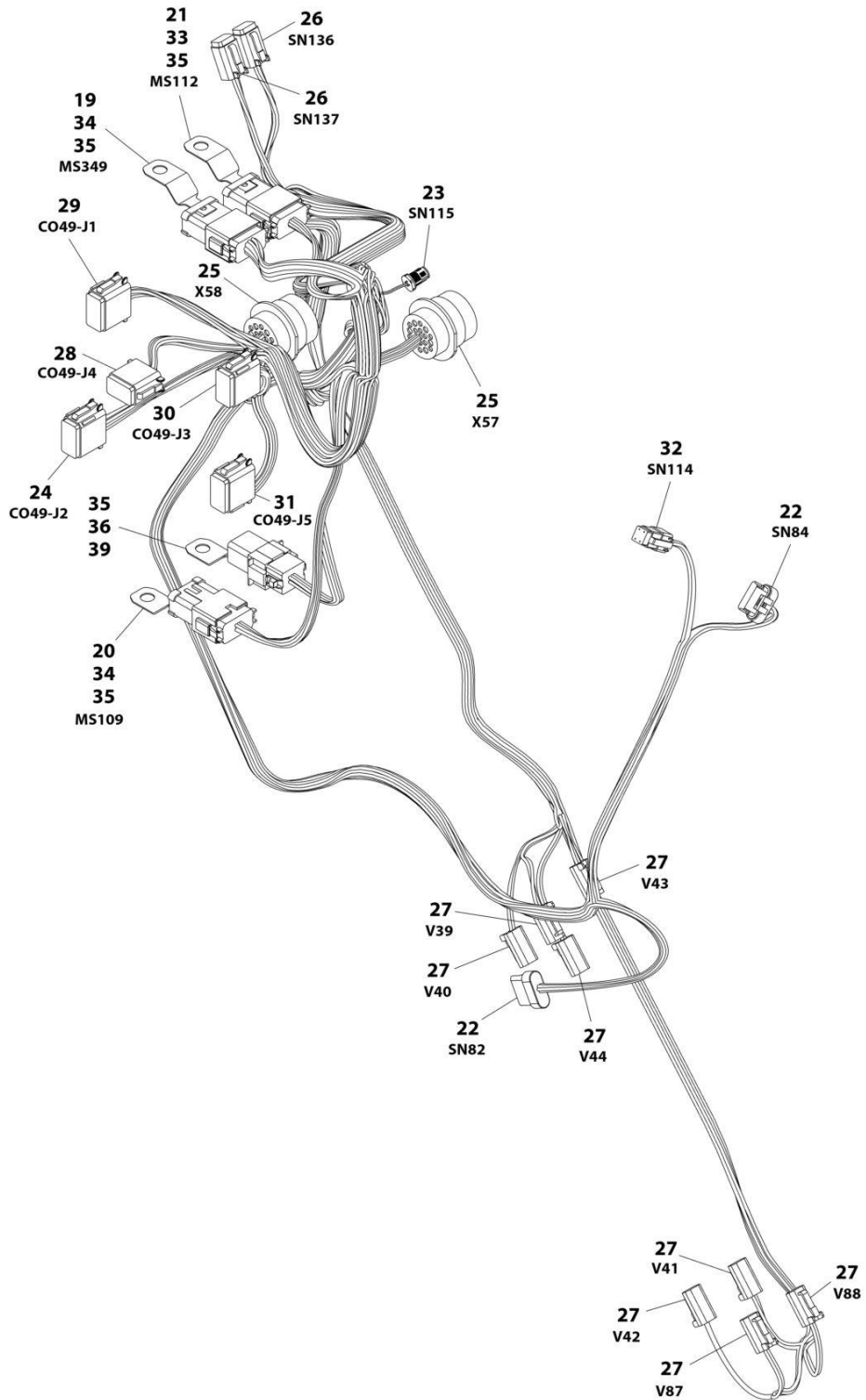
SECTION 8 - ELECTRICAL

FIGURE 8-53. JIB ENABLE HARNESS

ITEM	PART NUMBER	QTY	DESCRIPTION	REV
	1001119393	Ref	JIB ENABLE HARNESS	D
1	4460942	4	Socket, Female	
3	4460891	1	Plug, Male - 2 Position	
3	4460942	2	Socket, Female	
5	4460897	1	Plug, Male - 2 Position (Includes Wedge Lock and Seal)	
5	4460941	2	Pin, Male	

SECTION 8 - ELECTRICAL

FIGURE 8-54. JIB VALVE HARNESS



ART_1001119392

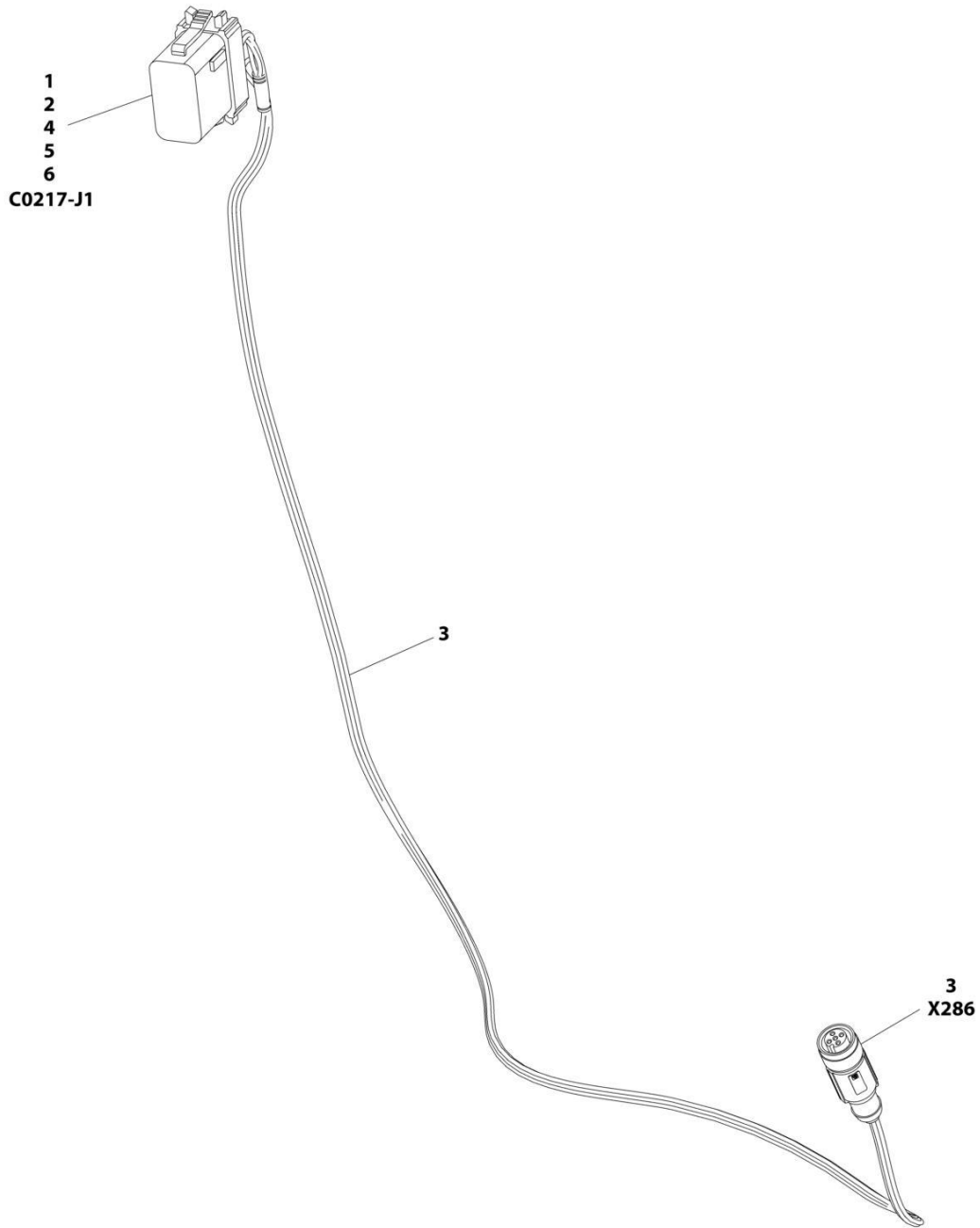
SECTION 8 - ELECTRICAL

FIGURE 8-54. JIB VALVE HARNESS

ITEM	PART NUMBER	QTY	DESCRIPTION	REV
	1001119392	Ref	JIB VALVE HARNESS	K
19	4460933	1	Connector, Male - 12 Position (Gray)	
19	4460465	9	Socket, Female	
20	4460933	1	Connector, Male - 12 Position (Gray)	
20	4460944	8	Socket, Female (Gold)	
21	4460933	1	Connector, Male - 12 Position (Gray)	
21	4460465	2	Socket, Female	
21	4460942	2	Socket, Female	
21	1001157890	8	Socket, Female	
22	1001230931	2	Plug, Male - 6 Position	
22	1001116748	12	Socket, Female	
23	1001120055	1	Connector - 5 Position with Leads	
24	4460836	1	Connector - 12 Position	
24	4460465	9	Socket, Female	
25	4460866	2	Connector - 19 Position	
25	4460464	20	Pin, Male	
25	4460508	8	Pin, Male Deutsch 12 Ga	
26	4460884	2	Connector, Gray - 4 Position	
26	4460465	8	Socket, Female	
27	4460891	8	Plug, Male - 2 Position	
27	4460465	16	Socket, Female	
28	4460930	1	Connector - 8 Position (Gray)	
28	4460465	6	Socket, Female	
29	4460933	1	Connector, Male - 12 Position (Gray)	
29	4460465	7	Socket, Female	
29	4460942	2	Socket, Female	
30	4460934	1	Plug, Male - 12 Position (Green)	
30	4460465	12	Socket, Female	
31	4460935	1	Plug, Male - 12 Position (Brown)	
31	4460465	7	Socket, Female 18 Gauge	
32	4461077	1	Plug, Male - 4 Position	
32	1001126008	4	Socket, Female	
33	1001125677	1	Connector - 12 Position Buss Bar	
34	1001119020	2	Connector - 12 Position Buss Bar	
35	1001120328	4	Mount, Deutsch	
36	4460852	1	Connector - 8 Position Buss Bar	
39	4460851	1	Plug, Male - 8 Position	
39	4460465	7	Socket, Female 18 Gauge	

SECTION 8 - ELECTRICAL

FIGURE 8-55. LCD DISPLAY HARNESS



ART_1001220482

SECTION 8 - ELECTRICAL

FIGURE 8-55. LCD DISPLAY HARNESS

ITEM	PART NUMBER	QTY	DESCRIPTION	REV
	1001220482	Ref	LCD DISPLAY HARNESS	A
1	4460465	3	Socket, Female	
2	4460944	2	Socket, Female (Gold)	
3	1001125295	1	Connector with Cable	
4	1001176333	1	Connector - 12 Position	
5	4460466	13	Plug, Seal	
6	2820171	3	Tube, Heat Shrink	

SECTION 8 - ELECTRICAL

FIGURE 8-56. LOAD SENSING PIN HARNESS



ART_4923256

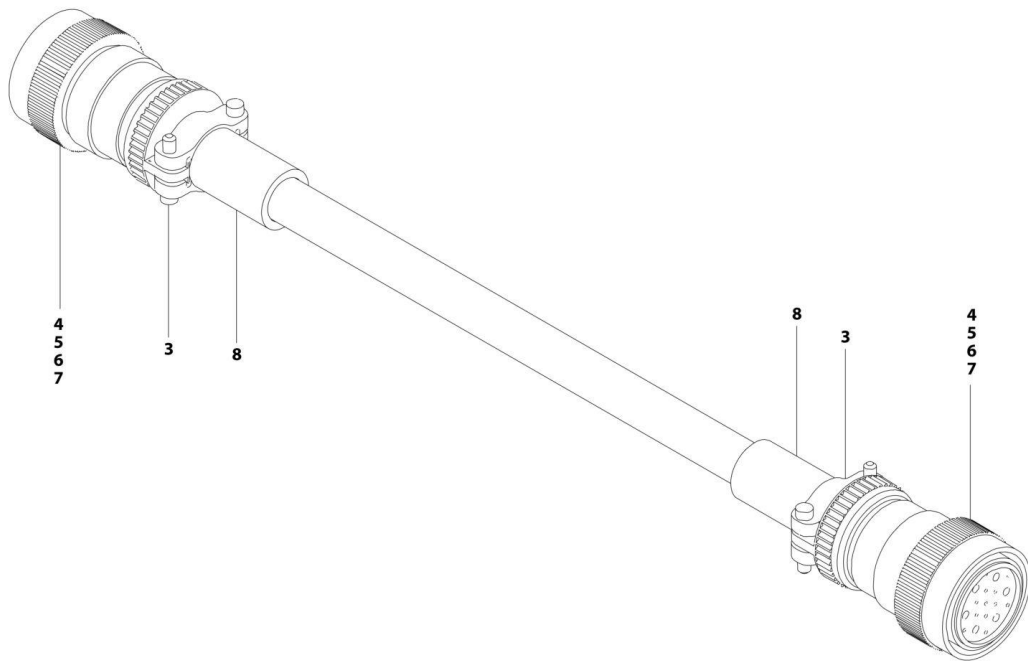
SECTION 8 - ELECTRICAL

FIGURE 8-56. LOAD SENSING PIN HARNESS

ITEM	PART NUMBER	QTY	DESCRIPTION	REV
	4923256	Ref	LOAD SENSING PIN HARNESS	C
1	4460930	1	Connector - 8 Position (Gray)	
1	4460465	4	Socket, Female	
1	4460466	3	Plug, Sealing	
2	See Note	NSS	Connector - 4 Position (Note: Not Available for Purchase)	
2	See Note	NSS	Terminal (Note: Not Available for Purchase)	

SECTION 8 - ELECTRICAL

FIGURE 8-57. MAIN BOOM CONTROL HARNESS



ART_1001122396

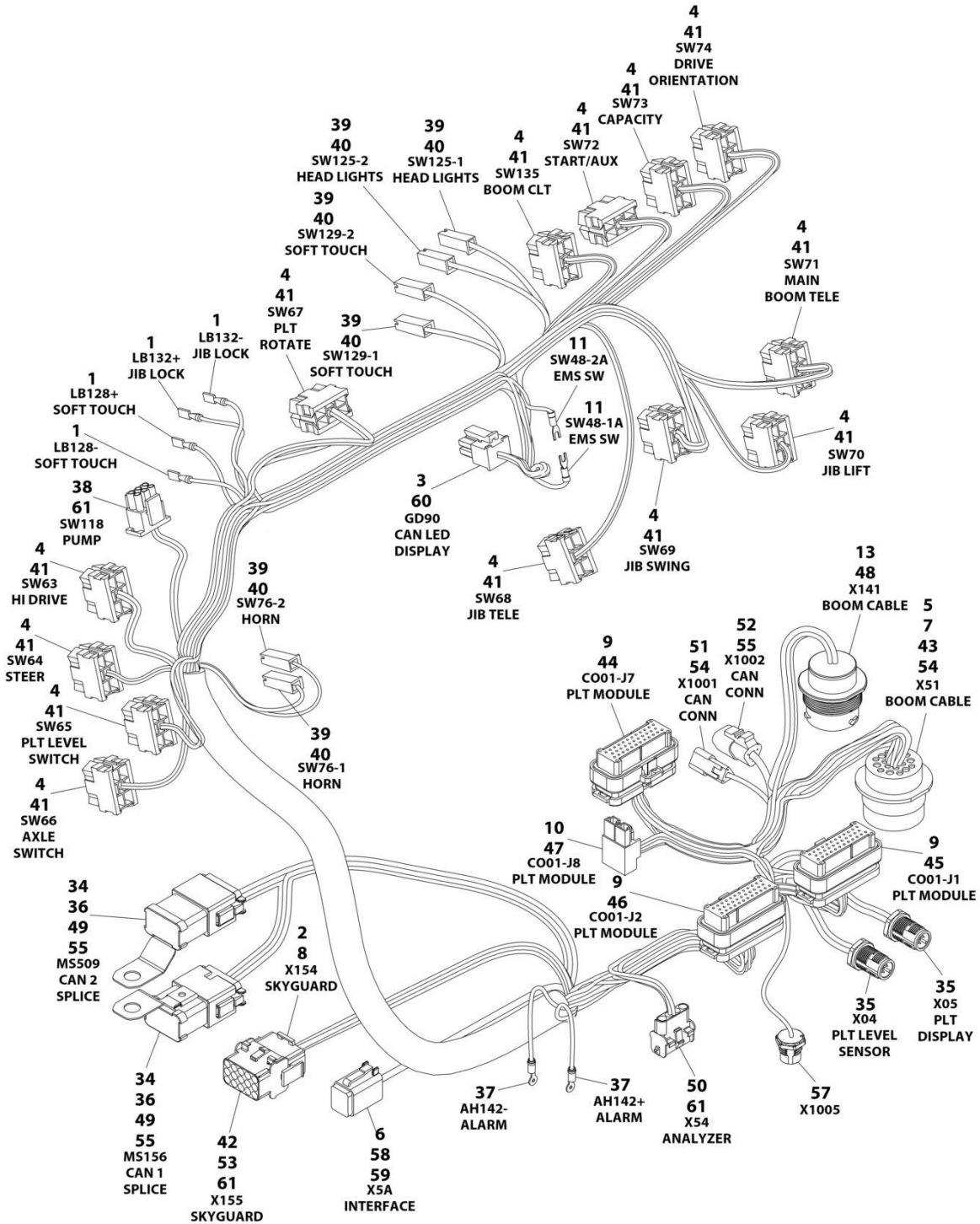
SECTION 8 - ELECTRICAL

FIGURE 8-57. MAIN BOOM CONTROL HARNESS

ITEM	PART NUMBER	QTY	DESCRIPTION	REV
	1001122396	Ref	MAIN BOOM CONTROL HARNESS	D
3	4460473	2	Clamp	
4	4460509	8	Socket, Female	
5	4460865	2	Connector - 19 Position	
6	4460465	22	Socket, Female	
7	4460466	8	Plug, Socket	
8	1001226400	2	Heat Shrink	

SECTION 8 - ELECTRICAL

FIGURE 8-58. PLATFORM CONSOLE BOX HARNESS



ART_1001242189

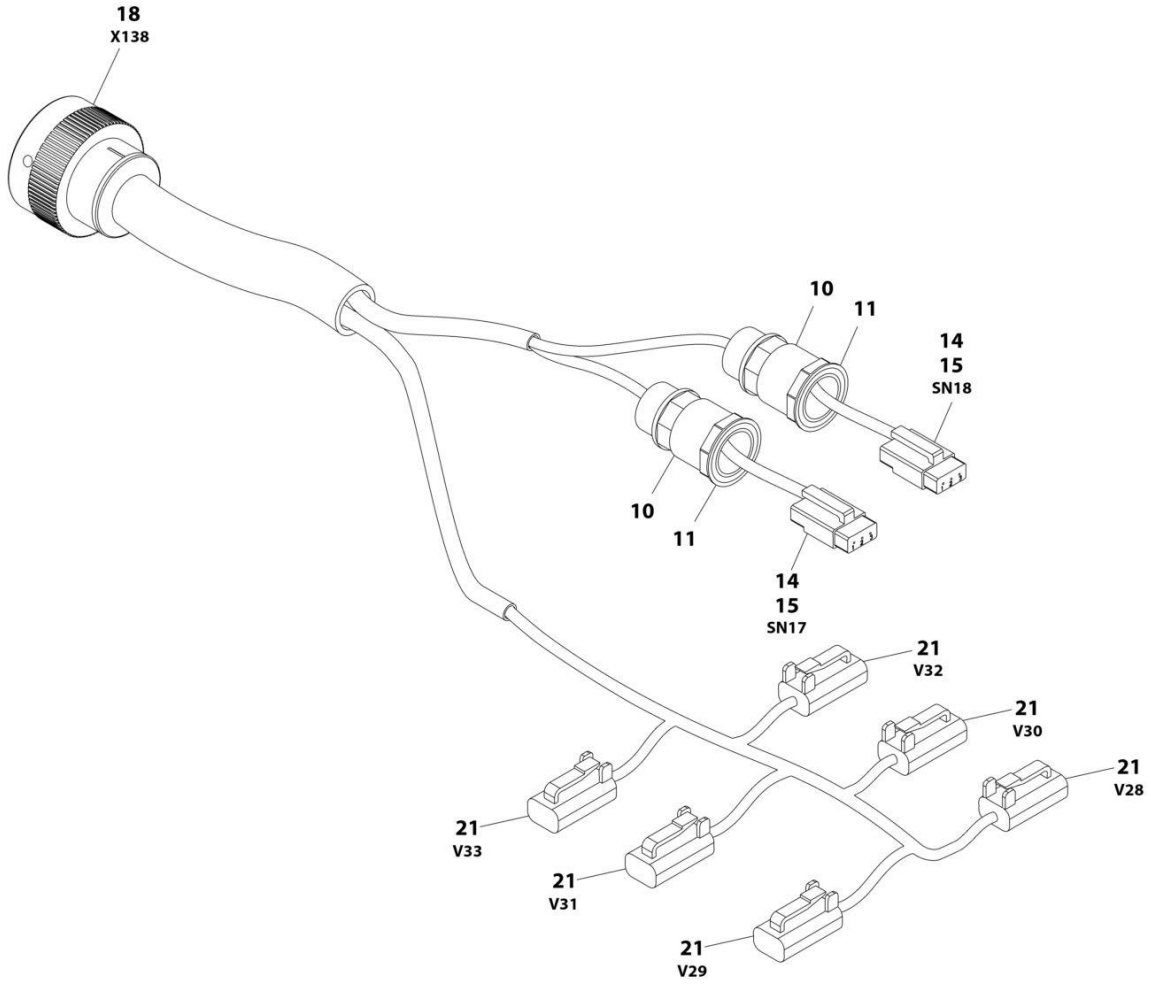
SECTION 8 - ELECTRICAL

FIGURE 8-58. PLATFORM CONSOLE BOX HARNESS

ITEM	PART NUMBER	QTY	DESCRIPTION	REV
	1001242189	Ref	PLATFORM CONSOLE BOX HARNESS	F
1	4460016	5	Terminal	
2	4460226	21	Socket	
3	1001237667	1	Connector	
4	4460419	36	Socket	
5	4460464	7	Pin (20-16Awg Nickel)	
6	4460466	10	Plug	
7	4460508	4	Pin (14-12Awg Nickel)	
8	4460708	1	Connector	
9	4460871	70	Socket	
10	4460887	2	Socket	
11	4460888	2	Terminal, Fork	
13	4460929	12	Pin	
34	1001119020	2	Connector, Bussbar	
35	1001120055	2	Connector	
36	1001120328	2	Mount	
37	4460213	2	Terminal, Ring	
38	4460225	1	Connector	
39	4460259	6	Socket	
40	4460260	6	Connector	
41	4460418	13	Connector	
42	4460434	1	Connector	
43	4460866	1	Connector	
44	4460873	1	Connector	
45	4460874	1	Connector	
46	4460876	1	Connector	
47	4460879	1	Connector	
48	4460925	1	Connector	
49	4460933	2	Connector	
50	4460761	1	Connector	
51	4460536	1	Connector	
52	4460539	1	Connector (Includes Wedge Lock and Seal)	
53	4460267	2	Pin (20-14Awg)	
54	4460943	6	Pin (20-16Awg Gold)	
55	4460944	25	Socket	
57	1001213447	1	Connector	
58	4460894	1	Connector	
59	4460465	5	Socket	
60	1001237668	4	Socket	
61	4460227	19	Pin (24-18Awg)	

SECTION 8 - ELECTRICAL

FIGURE 8-59. PLATFORM VALVE HARNESS



ART_1001119390

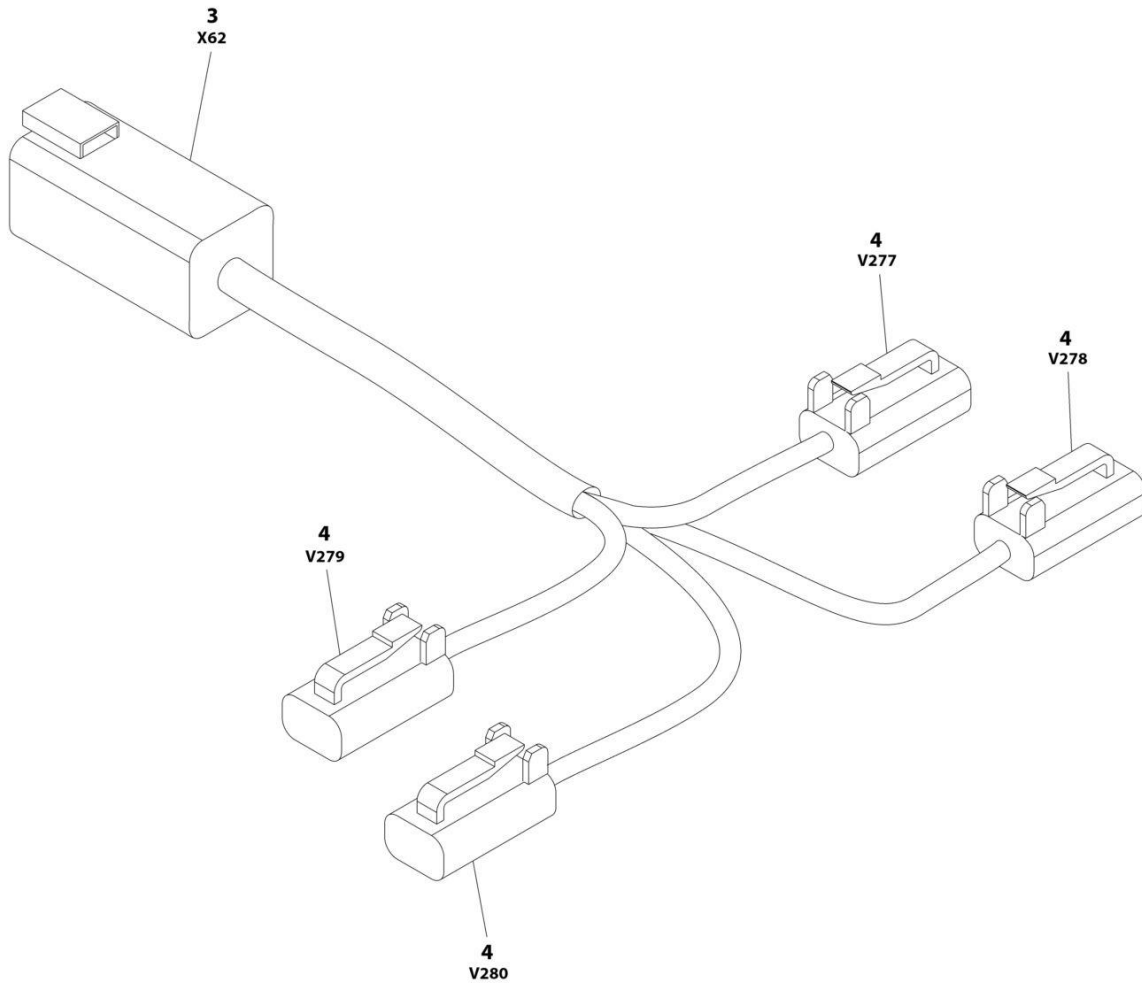
SECTION 8 - ELECTRICAL

FIGURE 8-59. PLATFORM VALVE HARNESS

ITEM	PART NUMBER	QTY	DESCRIPTION	REV
	1001119390	Ref	PLATFORM VALVE HARNESS	D
10	1560011	2	Connector, Conduit	
11	1560012	2	Nut, Conduit Connector	
14	4460911	2	Plug, Male - 3 Position	
14	4460918	6	Socket, Female (Gold)	
15	4460912	2	Lock, Wedge - Position	
18	4460926	1	Connector - 21 Position	
18	4460918	6	Socket, Female (Gold)	
18	4460928	8	Socket, Female	
21	4460891	6	Plug, Male - 2 Position	
21	4460465	12	Socket, Female	

SECTION 8 - ELECTRICAL

FIGURE 8-60. PUMP HARNESS



ART_1001120276

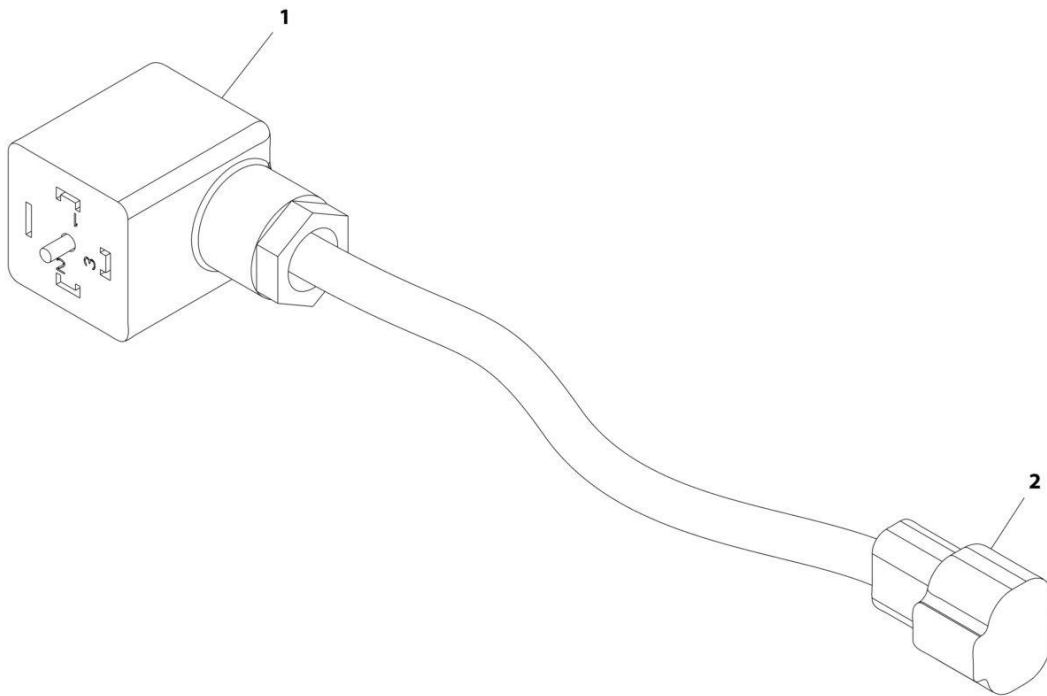
SECTION 8 - ELECTRICAL

FIGURE 8-60. PUMP HARNESS

ITEM	PART NUMBER	QTY	DESCRIPTION	REV
	1001120276	Ref	PUMP HARNESS	A
3	4460899	1	Connector, Female - 6 Position	
3	4460464	5	Pin, Male	
4	4460891	4	Plug, Male - 2 Position	
4	4460465	8	Socket, Female	

SECTION 8 - ELECTRICAL

FIGURE 8-61. PUMP ADAPTER HARNESS - SAUER PUMP TO REXROTH PUMP



ART_1001119456

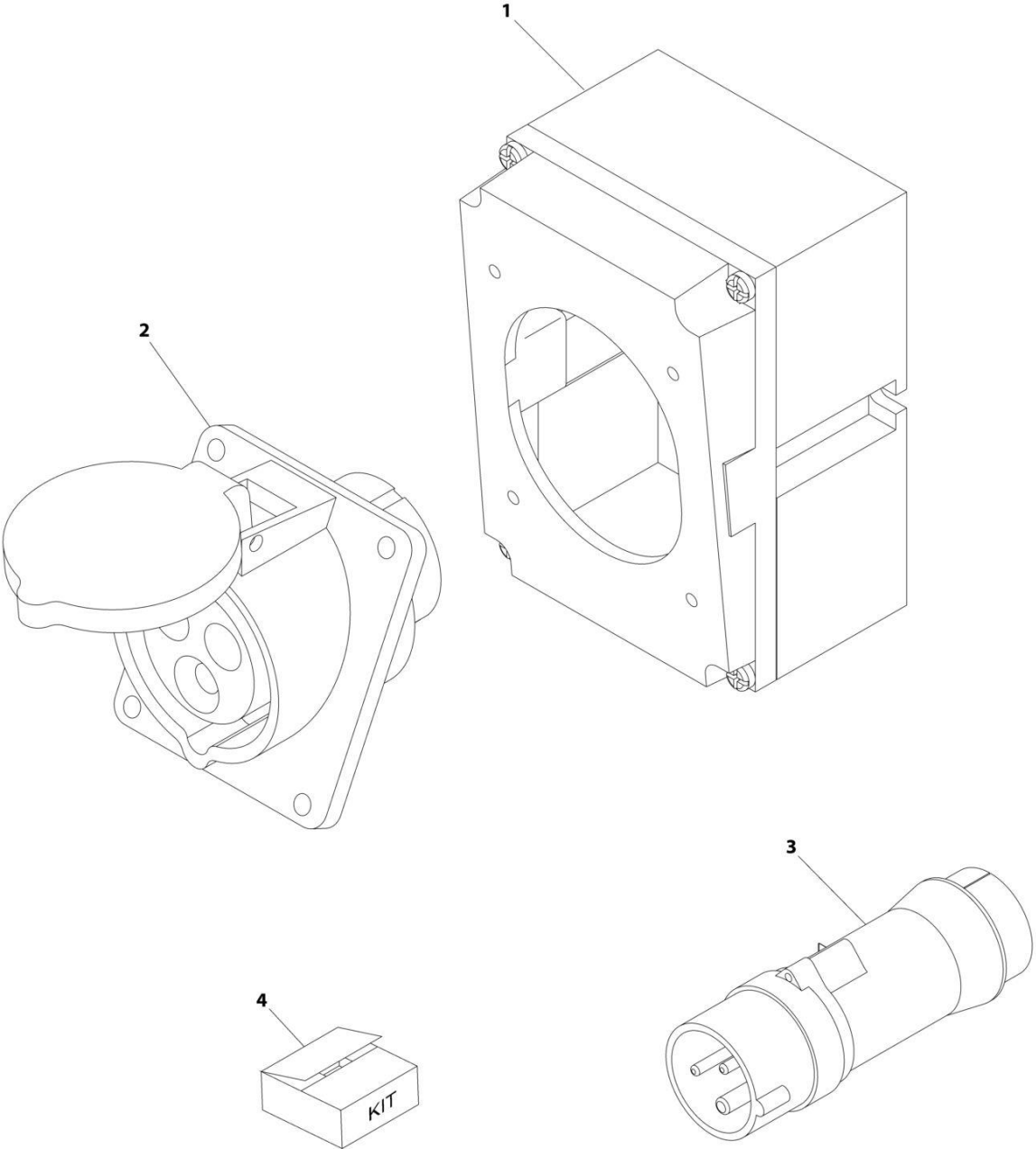
SECTION 8 - ELECTRICAL

FIGURE 8-61. PUMP ADAPTER HARNESS - SAUER PUMP TO REXROTH PUMP

ITEM	PART NUMBER	QTY	DESCRIPTION	REV
	1001119456	Ref	PUMP ADAPTER HARNESS - SAUER PUMPS	C
1	4460880	2	DIN Connector	
2	4460897	2	Connector - 2 Position	
2	4460464	4	Pin, Male	

SECTION 8 - ELECTRICAL

FIGURE 8-62. RECEPTACLE BOX KIT - 110V IEC YELLOW WITHOUT 2500W GENERATOR (CE & UK CA SPECS)



ART_0275216

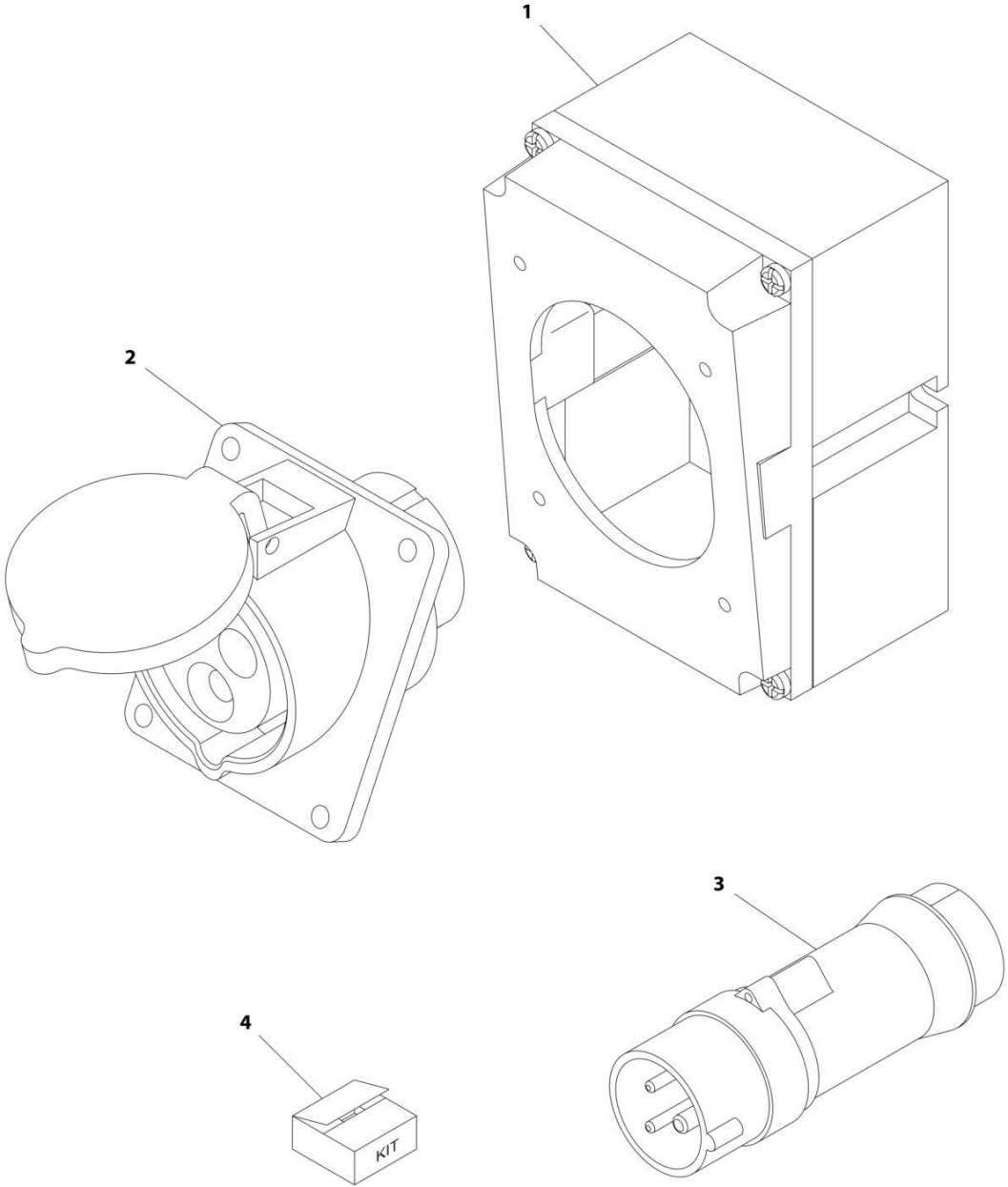
SECTION 8 - ELECTRICAL

FIGURE 8-62. RECEPTACLE BOX KIT - 110V IEC YELLOW WITHOUT 2500W GENERATOR (CE & UK CA SPECS)

ITEM	PART NUMBER	QTY	DESCRIPTION	REV
	0275216	Ref	RECEPTACLE BOX KIT - 110V IEC YELLOW	B
1	0861781	1	Box, Switch	
2	4461198	1	Receptacle	
3	4461196	1	Plug, Male	
4	1001100341	1	Plug and Socket Kit (Includes Items 1-3 and Female Plug p/n 4461197)	

SECTION 8 - ELECTRICAL

FIGURE 8-63. RECEPTACLE BOX KIT - 220V IEC BLUE WITHOUT 2500W GENERATOR (CE & UK CA SPECS)



ART_0275217

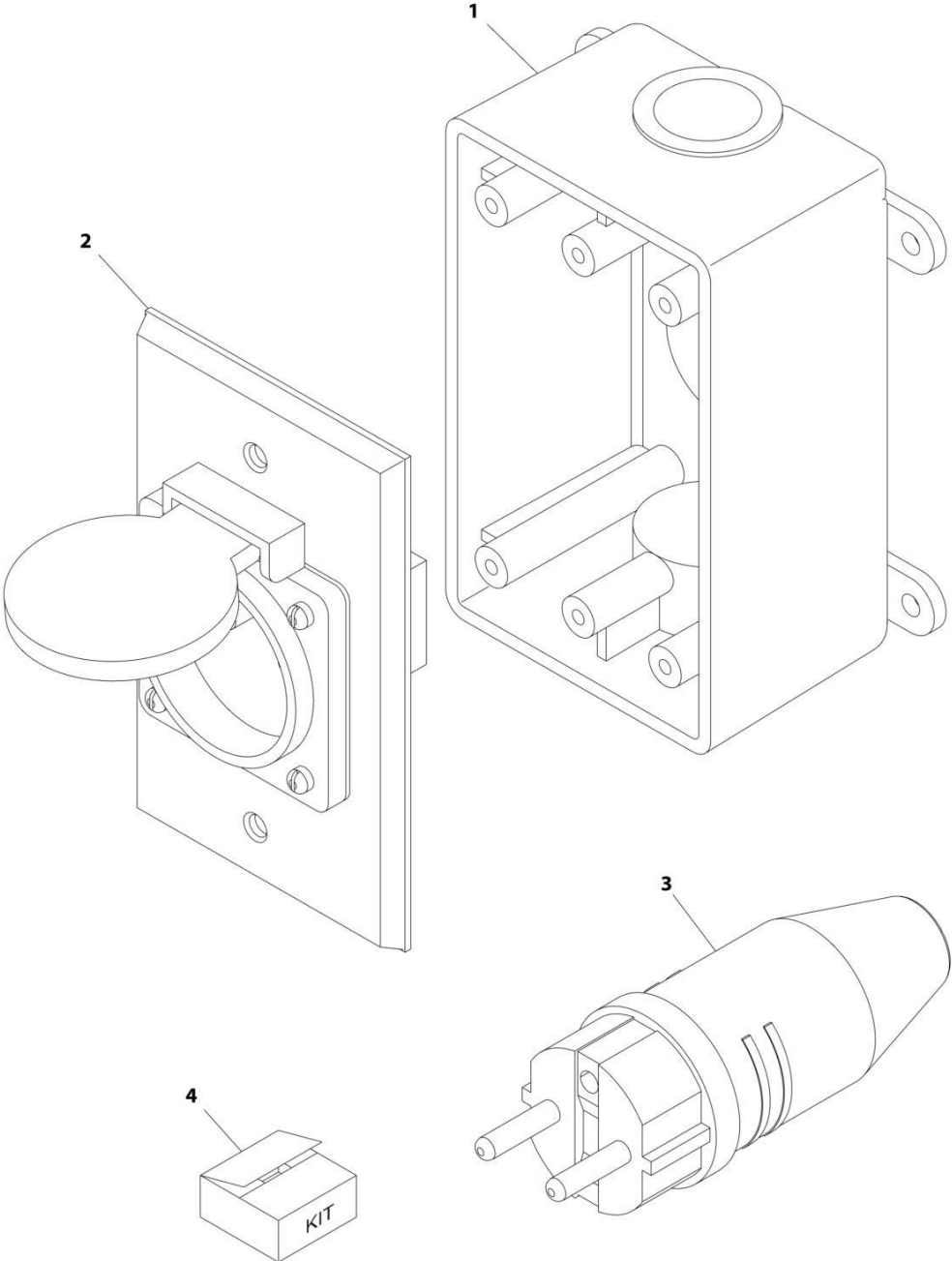
SECTION 8 - ELECTRICAL

FIGURE 8-63. RECEPTACLE BOX KIT - 220V IEC BLUE WITHOUT 2500W GENERATOR (CE & UK CA SPECS)

ITEM	PART NUMBER	QTY	DESCRIPTION	REV
	0275217	Ref	RECEPTACLE BOX KIT - 220V IEC BLUE	B
1	0861781	1	Box, Switch	
2	4461201	1	Receptacle	
3	4461199	1	Plug, Male	
4	1001100342	1	Plug and Socket Kit (Includes Items 1-3 and Female Plug p/n 4461200)	

SECTION 8 - ELECTRICAL

**FIGURE 8-64. RECEPTACLE BOX KIT - 220V CEE7 POST GROUND WITHOUT 2500W GENERATOR
(2X4 BOX) (CE & UK CA SPECS)**



ART_0275452-C

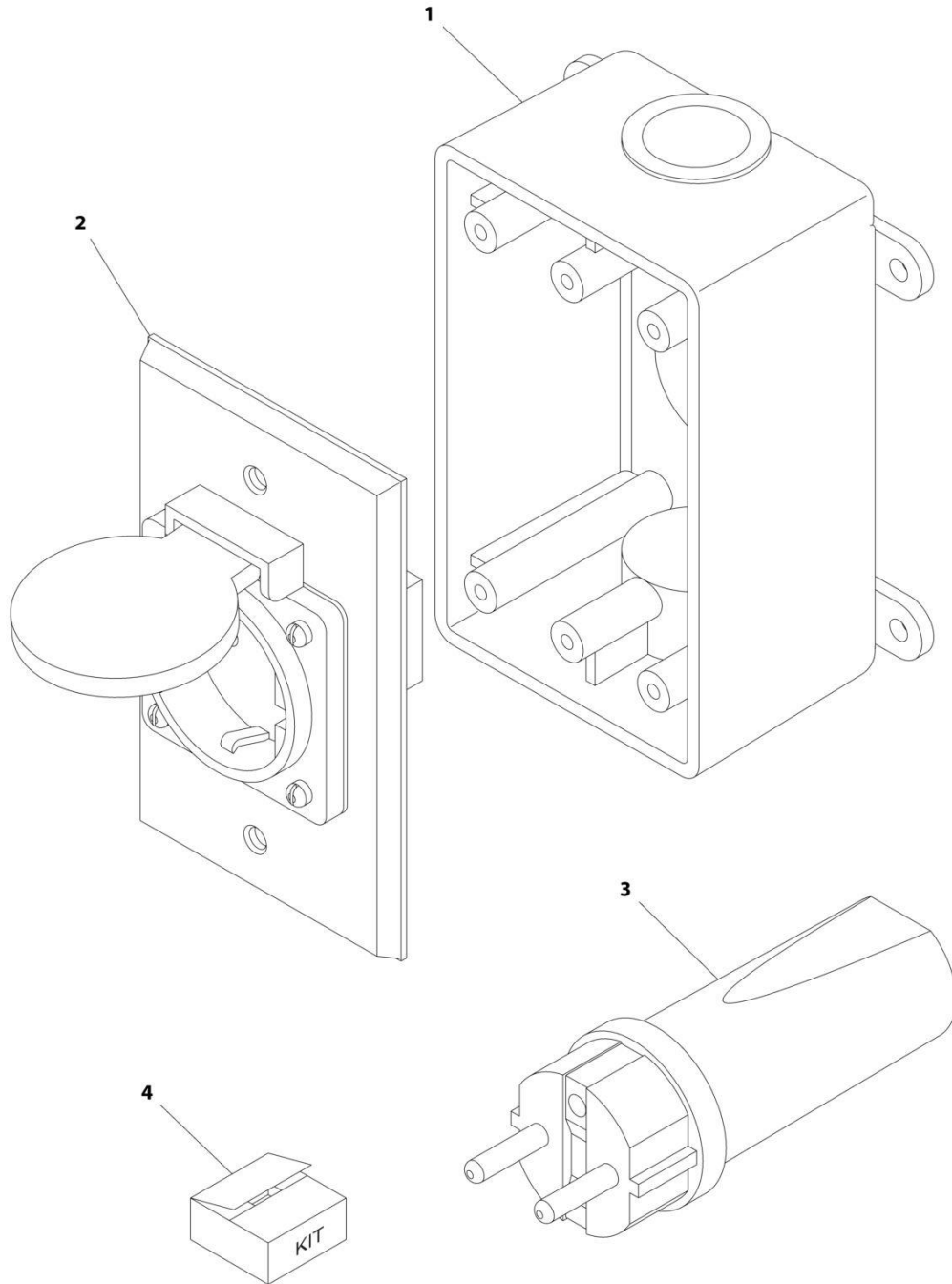
SECTION 8 - ELECTRICAL

**FIGURE 8-64. RECEPTACLE BOX KIT - 220V CEE7 POST GROUND WITHOUT 2500W GENERATOR
(2X4 BOX) (CE & UK CA SPECS)**

ITEM	PART NUMBER	QTY	DESCRIPTION	REV
	0275452	Ref	RECEPTACLE BOX KIT - 220V CEE7 POST GROUND 2IN X 4IN BOX	C
1	0861731	1	Box, Switch	
2	4461244	1	Receptacle	
3	4461205	1	Plug, Male	
4	1001100345	1	Plug and Socket Kit (Includes Items 1-3 and Female Plug p/n 4461203)	

SECTION 8 - ELECTRICAL

FIGURE 8-65. RECEPTACLE BOX KIT - 220V CEE7 SIDE GROUND WITHOUT 2500W GENERATOR
(2X4 BOX) (CE & UK CA SPECS)



ART_0275453

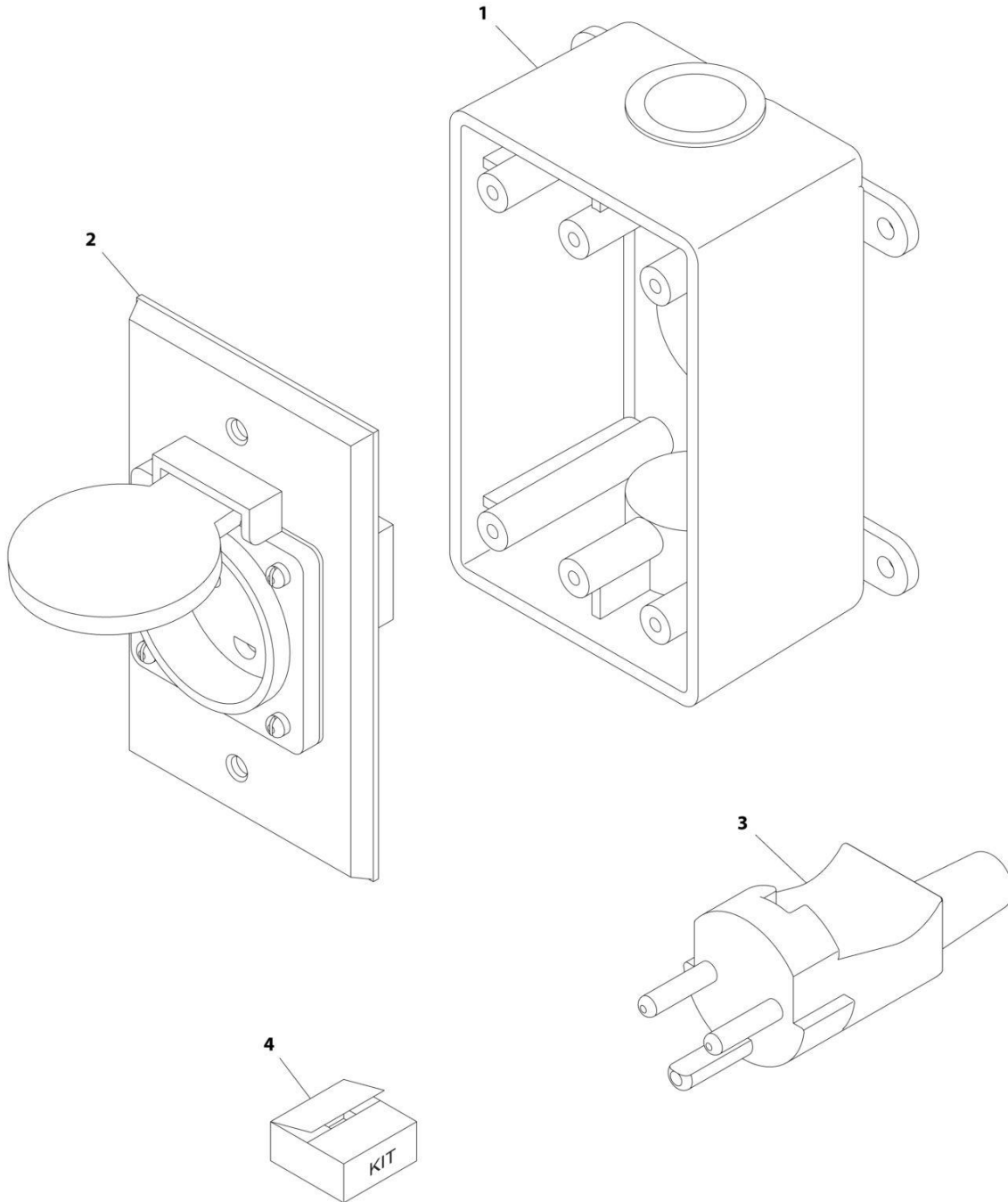
SECTION 8 - ELECTRICAL

**FIGURE 8-65. RECEPTACLE BOX KIT - 220V CEE7 SIDE GROUND WITHOUT 2500W GENERATOR
(2X4 BOX) (CE & UK CA SPECS)**

ITEM	PART NUMBER	QTY	DESCRIPTION	REV
	0275453	Ref	RECEPTACLE BOX KIT - 220V CEE7 SIDE GROUND	B
1	0861731	1	Box, Switch	
2	4461245	1	Receptacle	
3	4461205	1	Plug, Male	
4	1001100347	1	Plug and Socket Kit (Includes Items 1-3 and Female Plug p/n 4461206)	

SECTION 8 - ELECTRICAL

FIGURE 8-66. RECEPTACLE BOX KIT - 220V AFSINT 107 KEYED GROUND WITHOUT 2500W GENERATOR (2X4 BOX) (CE & UK CA SPECS)



ART_0275454

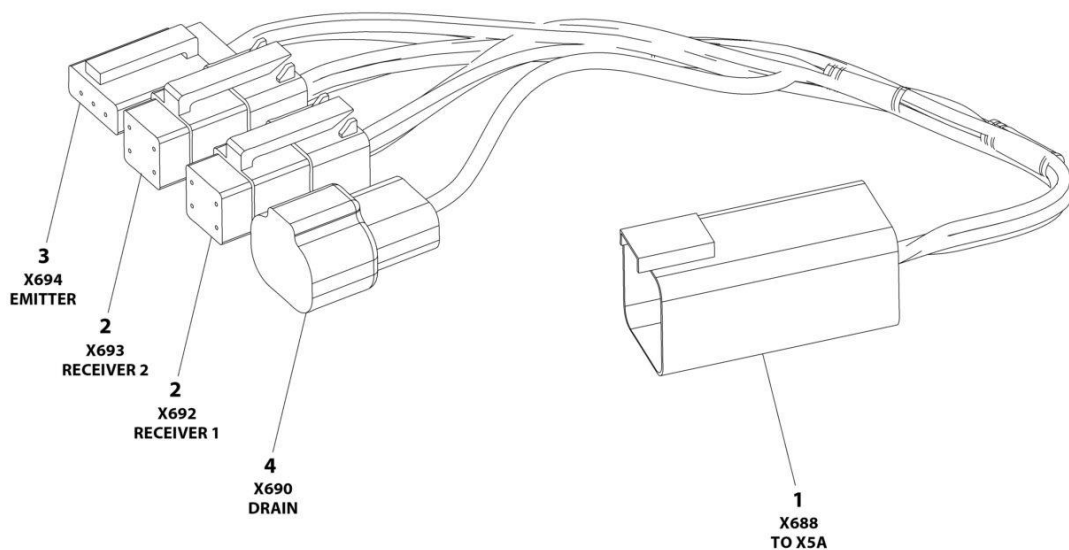
SECTION 8 - ELECTRICAL

FIGURE 8-66. RECEPTACLE BOX KIT - 220V AFSINT 107 KEYED GROUND WITHOUT 2500W GENERATOR (2X4 BOX) (CE & UK CA SPECS)

ITEM	PART NUMBER	QTY	DESCRIPTION	REV
	0275454	Ref	RECEPTACLE BOX KIT - 220V AFSINT 107	B
1	0861731	1	Box, Switch	
2	4461246	1	Receptacle	
3	4461249	1	Plug, Male	
4	1001100346	1	Plug and Socket Kit (Includes Items 1-3 and Female Plug p/n 4461250)	

SECTION 8 - ELECTRICAL

FIGURE 8-67. SKYEYE INTERMEDIATE HARNESS



ART_1001237865

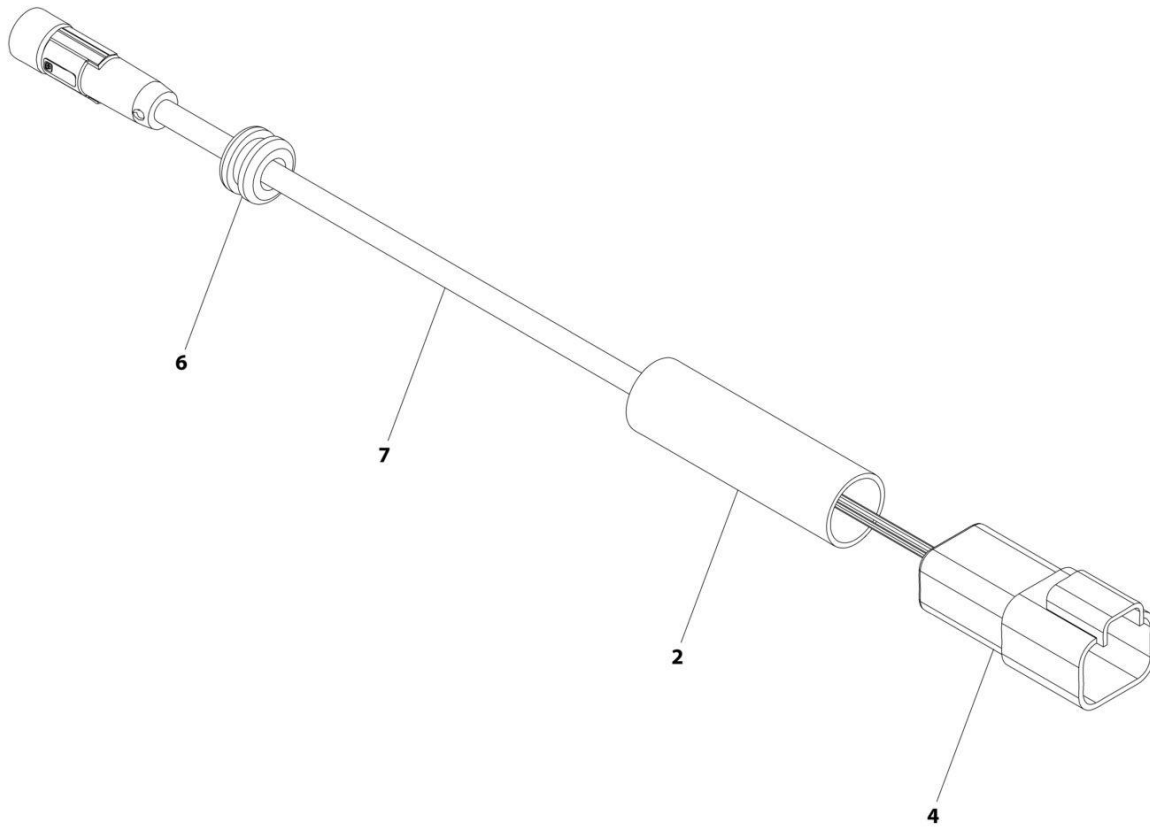
SECTION 8 - ELECTRICAL

FIGURE 8-67. SKYEYE INTERMEDIATE HARNESS

ITEM	PART NUMBER	QTY	DESCRIPTION	REV
	1001237865	Ref	SKYEYE INTERMEDIATE HARNESS	A
1	4460899	1	Connector - 6 Position	
1	4460943	4	Pin, Male	
1	4460466	2	Plug, Terminal	
2	4461077	2	Connector - 4 Position	
2	1001119619	8	Socket, Female	
3	4460911	1	Connector - 3 Position	
3	1001119619	3	Socket, Female	
4	1001187681	1	Connector - 2 Position	
4	4460941	1	Pin, Male	
4	4460466	1	Plug, Terminal	

SECTION 8 - ELECTRICAL

FIGURE 8-68. SKYEYE RECEIVER HARNESS



ART_1001237863

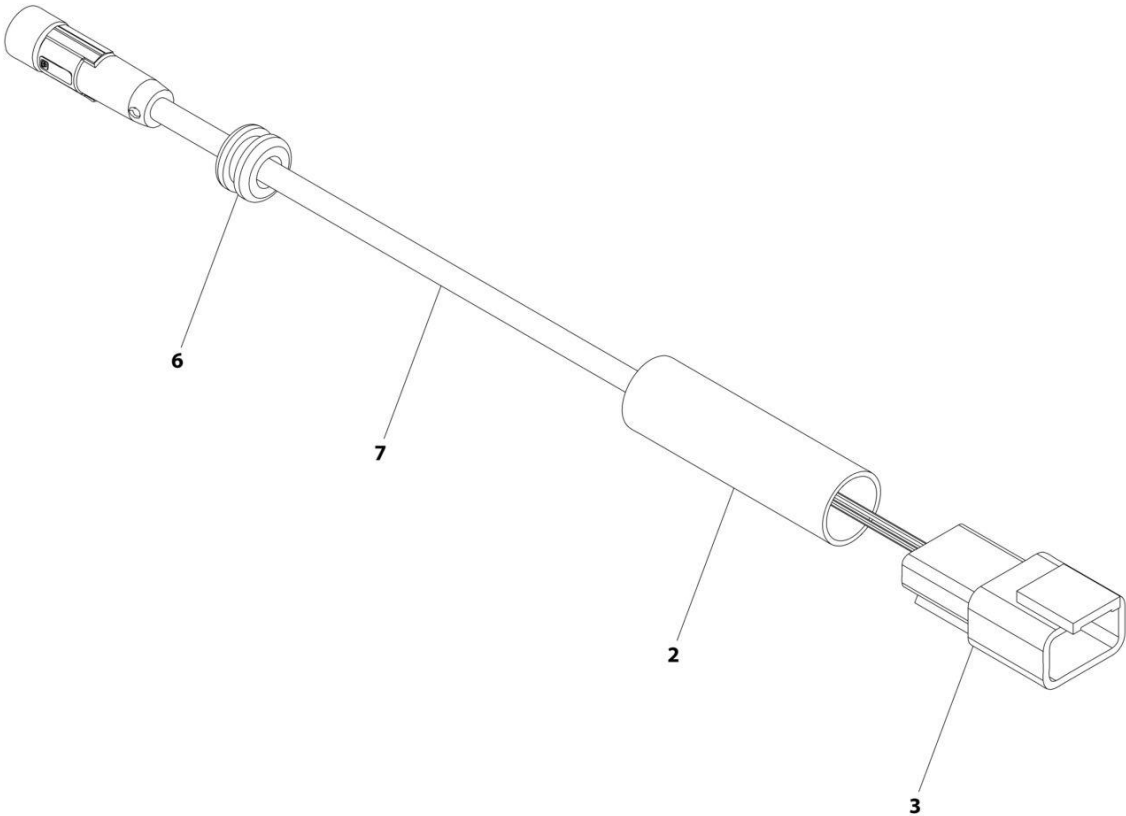
SECTION 8 - ELECTRICAL

FIGURE 8-68. SKYEYE RECEIVER HARNESS

ITEM	PART NUMBER	QTY	DESCRIPTION	REV
	1001237863	Ref	SKYEYE RECEIVER HARNESS	A
2	2820247	AR	Tubing, Heat Shrink	
4	1001097051	1	Connector - 4 Position	
4	1001119620	4	Pin, Male	
6	1001227996	1	Grommet	
7	1001237862	1	Cable, M8 Female Cordset	

SECTION 8 - ELECTRICAL

FIGURE 8-69. SKYEYE EMITTER HARNESS



ART_1001237864

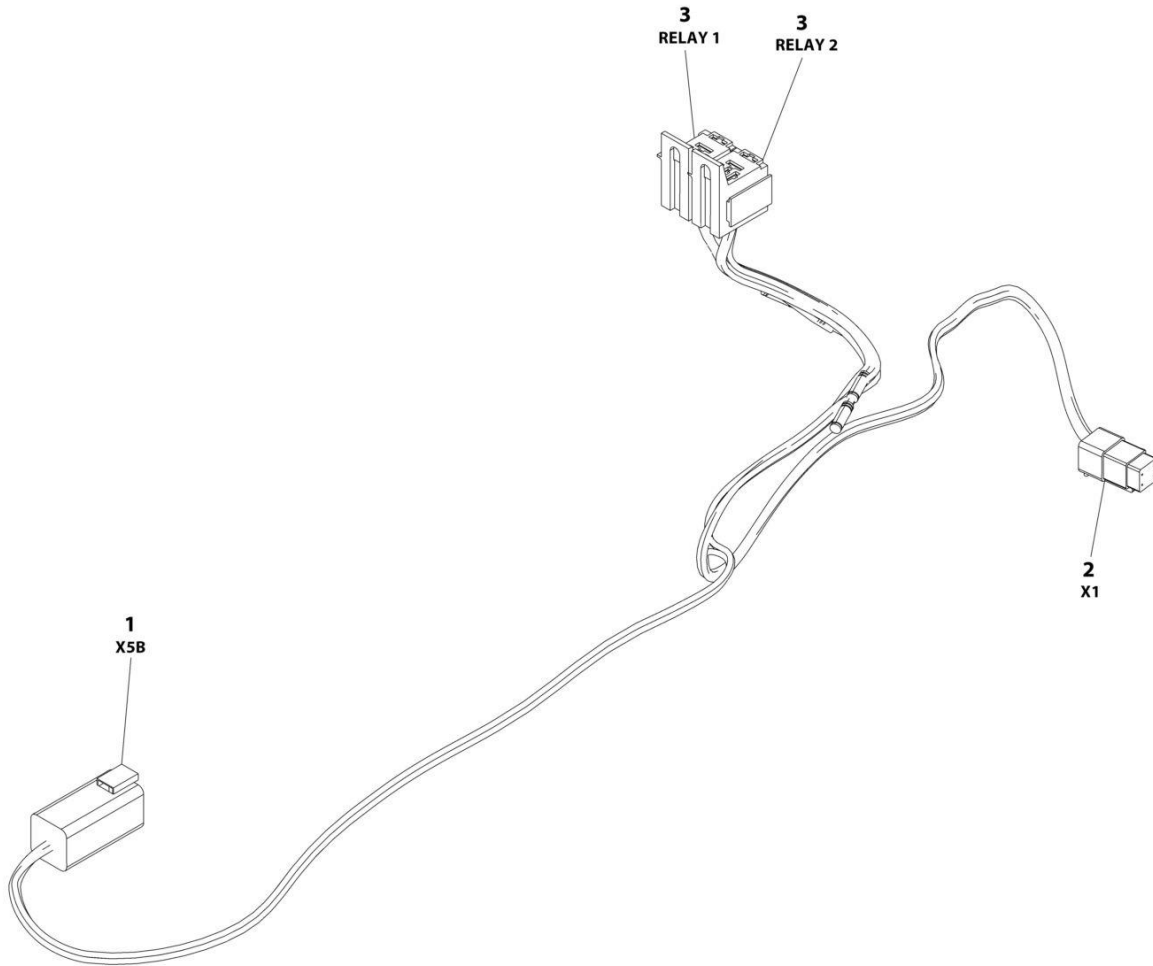
SECTION 8 - ELECTRICAL

FIGURE 8-69. SKYEYE EMITTER HARNESS

ITEM	PART NUMBER	QTY	DESCRIPTION	REV
	1001237864	Ref	SKYEYE EMITTER HARNESS	A
2	2820247	AR	Tubing, Heat Shrink	
3	4460910	1	Connector - 3 Position	
3	1001119620	3	Pin, Male	
6	1001227996	1	Grommet	
7	1001237862	1	Cable, M8 Female Cordset	

SECTION 8 - ELECTRICAL

FIGURE 8-70. SKYLINE HARNESS



ART_1001238418

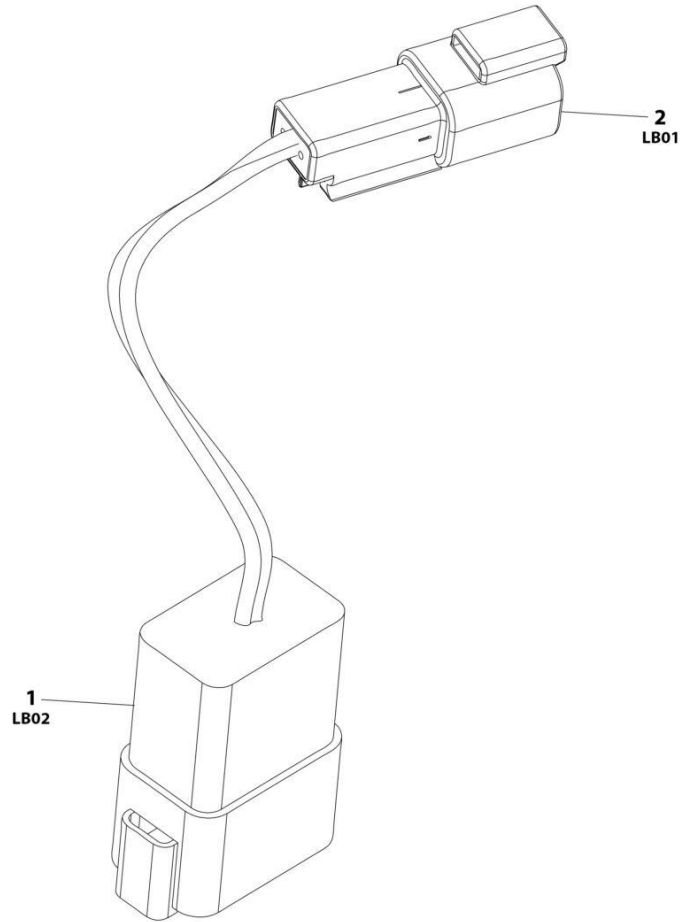
SECTION 8 - ELECTRICAL

FIGURE 8-70. SKYLINE HARNESS

ITEM	PART NUMBER	QTY	DESCRIPTION	REV
	1001238418	Ref	SKYLINE HARNESS	B
1	4460899	1	Connector - 6 Position	
1	4460464	4	Pin, Male	
1	4460466	2	Plug, Terminal	
2	4461077	1	Connector - 4 Position	
2	1001126009	4	Socket, Female	
3	1001186432	2	Plug, Relay	
3	1001118388	5	Terminal	
3	1001118384	3	Terminal	
3	3740086	2	Relay	

SECTION 8 - ELECTRICAL

FIGURE 8-71. STROBE LIGHT HARNESS (AMBER)



ART_1001283776

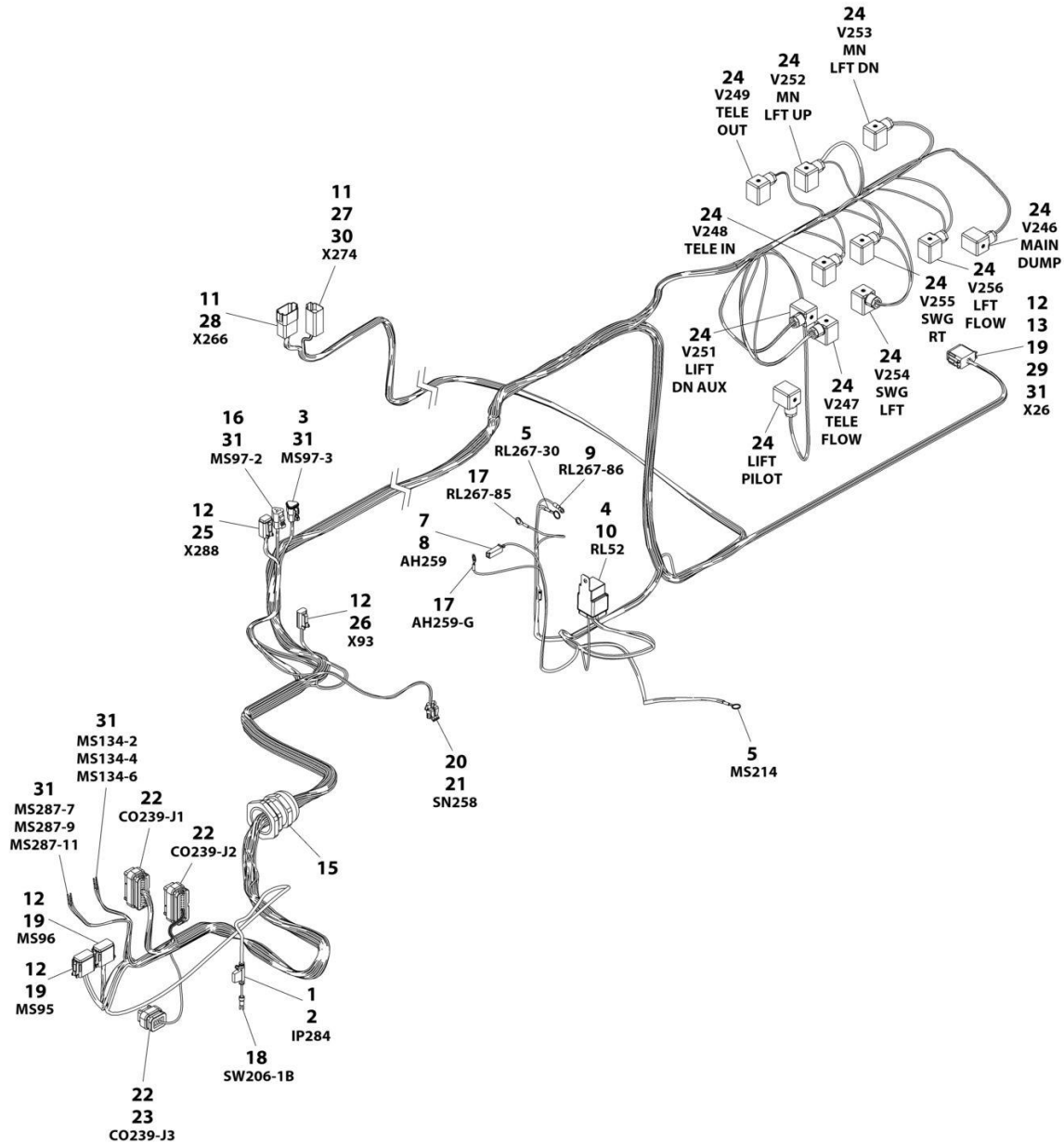
SECTION 8 - ELECTRICAL

FIGURE 8-71. STROBE LIGHT HARNESS (AMBER)

ITEM	PART NUMBER	QTY	DESCRIPTION	REV
	1001283776	Ref	STROBE LIGHT HARNESS (AMBER)	A
1	4460931	1	Connector	
1	4460464	2	Pin	
1	4460466	6	Plug	
2	4460897	1	Connector	
2	4460464	2	Pin	

SECTION 8 - ELECTRICAL

FIGURE 8-72. TURNTABLE HARNESS



ART_1001285524

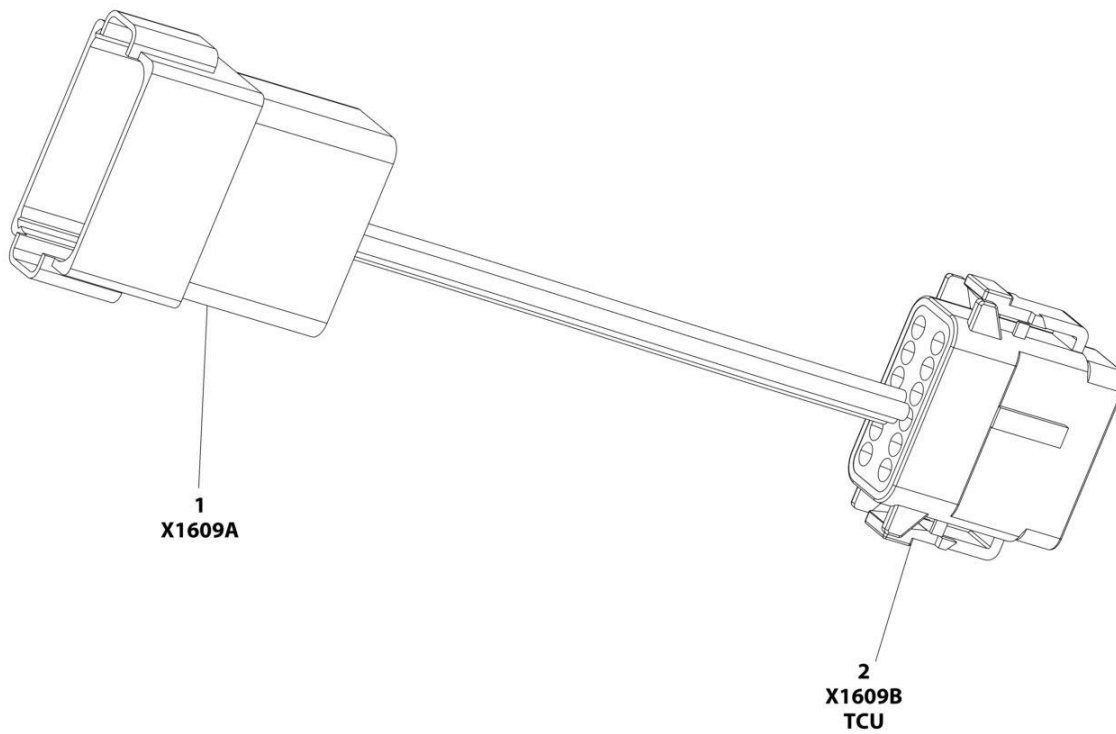
SECTION 8 - ELECTRICAL

FIGURE 8-72. TURNTABLE HARNESS

ITEM	PART NUMBER	QTY	DESCRIPTION	REV
	1001285524	Ref	TURNTABLE HARNESS	A
1	2400065	1	Fuse 30Amp	
2	2400066	1	Fuse Holder	
3	1001116812	1	Connector	
4	1001117025	1	Relay	
5	4460019	2	Terminal, Ring	
7	4460259	1	Socket	
8	4460260	1	Connector	
9	4460313	1	Terminal, Ring	
10	4460375	4	Socket	
11	4460464	11	Pin (Nickel)	
12	4460465	16	Socket (20-16Awg Nickel)	
13	4460466	4	Plug	
15	4460526	1	Grommet, Strain Relief	
16	4460539	1	Connector	
17	4460702	2	Terminal, Ring	
18	4460806	1	Terminal, Fork	
19	4460836	3	Connector	
20	4460842	2	Socket	
21	4460843	1	Connector	
22	4460871	30	Socket	
23	4460872	1	Connector	
24	4460880	11	Connector	
25	4460884	1	Connector	
26	4460891	1	Connector	
27	4460899	1	Connector	
28	4460931	1	Connector	
29	4460942	2	Socket (16-14Awg Nickel)	
30	4460943	3	Pin (Gold)	
31	4460944	15	Socket (20-16Awg Gold)	

SECTION 8 - ELECTRICAL

FIGURE 8-73. TELEMATICS JUMPER HARNESS (SN 0300302628 to Present)



ART_1001282406

SECTION 8 - ELECTRICAL

FIGURE 8-73. TELEMATICS JUMPER HARNESS (SN 0300302628 to Present)

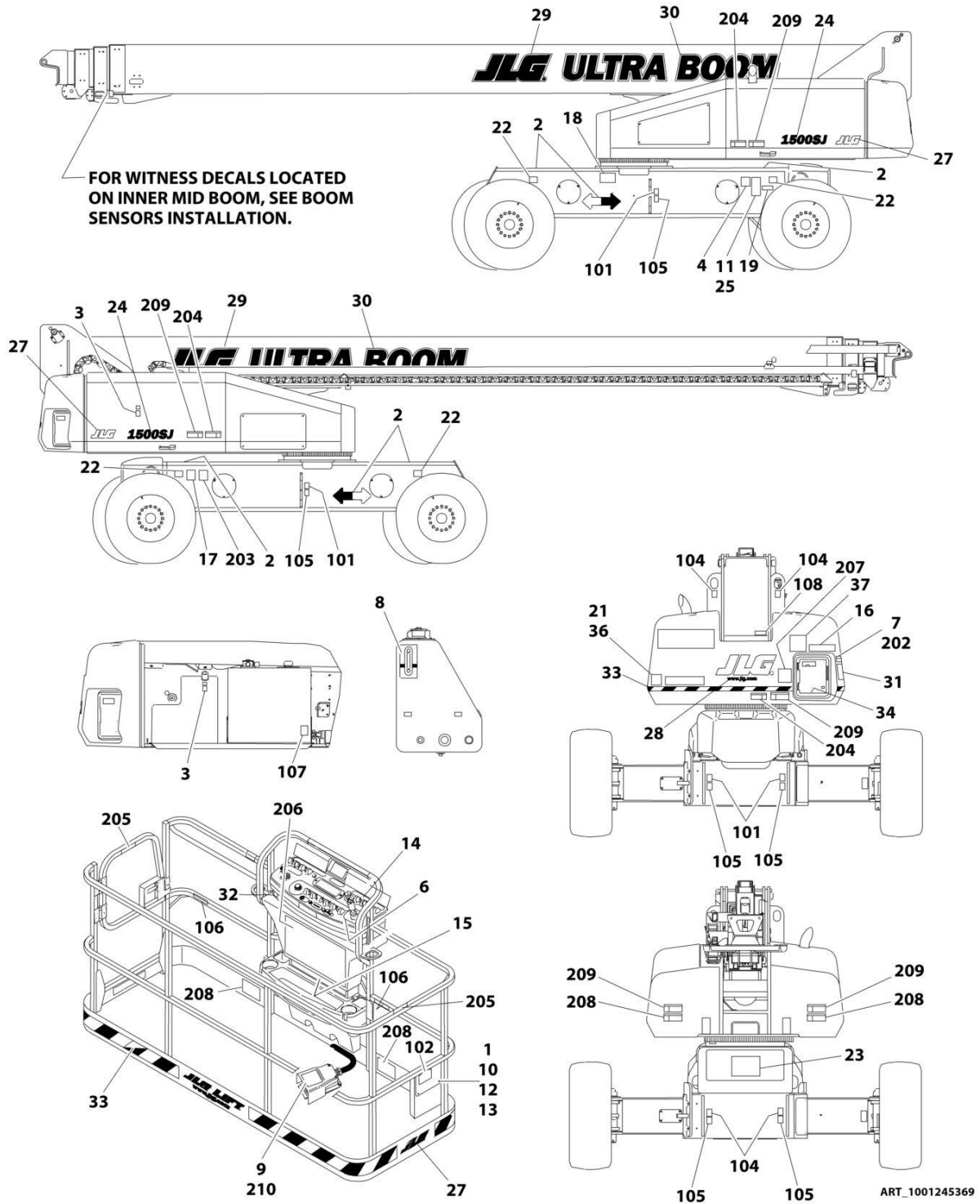
ITEM	PART NUMBER	QTY	DESCRIPTION	REV
	1001282406	REF	TELEMATICS JUMPER HARNESS	B
1	4460970	1	Connector	
1	1001116693	5	Socket	
1	4460466	7	Plug, Sealing	
2	1001116774	1	Connector	
2	4460518	5	Plug Sealing	
2	1001116694	7	Socket	

SECTION 9 - DECALS

SECTION 9 - DECALS

FIGURE 9-1. DECAL INSTALLATION - ANSI SPEC

NOTE: ITEMS SHOWN MAY NOT BE REQUIRED FOR ALL SPECS. REFER TO PARTS LISTS FOR USAGE.



SECTION 9 - DECALS

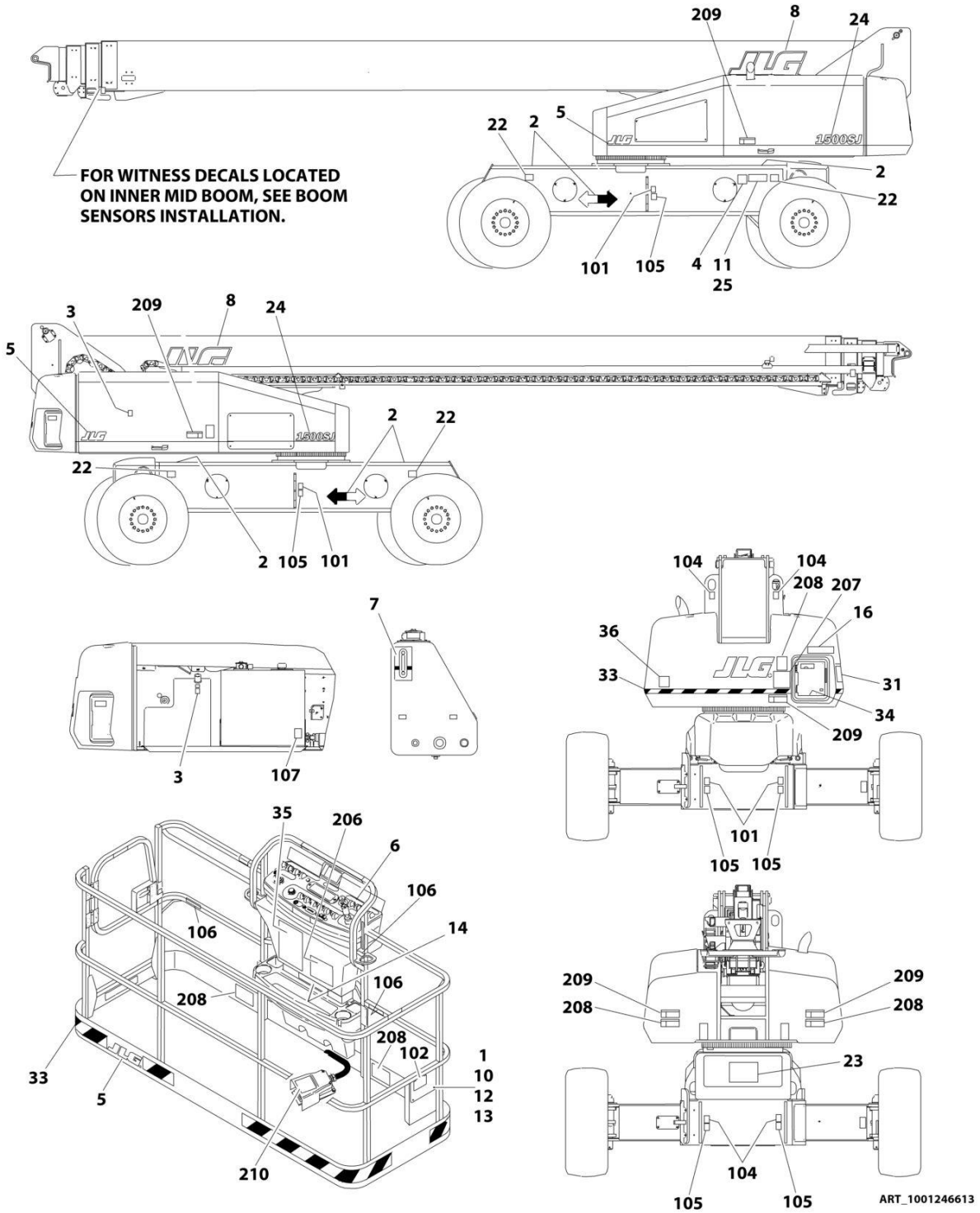
FIGURE 9-1. DECAL INSTALLATION - ANSI SPEC

ITEM	PART NUMBER	QTY	DESCRIPTION	REV
	1001248555	Ref	DECAL INSTALLATION - REFERENCE CHART	C
	1001245369	Ref	DECAL INSTALLATION - ANSI SPEC	B
1	0641406	4	Bolt 1/4 x 3/4	
2	1701501	4	Decal - Arrow	
3	1701505	2	Decal - Fuel	
4	See Note	1	Decal - Bar Code (Note: Not Available for Purchase)	
5	1704972	1	Decal - Warning Explosion/Fire (Not Shown - Located on Air Intake Box in Engine Compartment)	
6	1705351	1	Decal - Drive/Steer Instructions	
7	1705492	1	Decal - Tip Over Hazard	
8	1705511	1	Decal - Oil Level	
9	3252347	1	Decal - Footswitch	
10	3311405	4	Nut 1/4	
11	3820001	2	Rivet	
12	4751400	4	Washer 1/4	
13	91403230	1	Box, Manual Storage	
14	1001122611	1	Decal - Stop	
15	1001253543	1	Decal - Capacity (Platform)	
16	1001253544	1	Decal - Capacity (Ground Control)	
17	1001131269	1	Decal - Patent	
18	1001223055	1	Decal - Yearly Inspection	
19	1001223453	1	Decal - ICES	
100	1001248539	1	Decal Kit - Master (Includes Items 101-108)	
101	1701499	4	Decal - No Lift	
102	1701509	1	Decal - Manual	
104	1703811	4	Decal - Tie Down/Lift	
105	1703814	6	Decal - Tie Down	
106	1704277	3	Decal - Attach Lanyard Here	
107	1704412	1	Decal - Hydraulic Oil Chart	
108	3251243	1	Nameplate - 120V-60Hz	
200	1001248547	1	Decal Kit - Country Spec (Includes Items 204-209)	
204	1703953	7	Decal - Warning/Crushing	
205	1702868	2	Decal - No Hands	
206	1001231315	1	Decal - Danger/Warning (Platform)	
207	1705336	1	Decal - Danger/Warning (Ground Control)	
208	1703804	5	Decal - Warning Crushing	
209	1703805	5	Decal - Danger/Electrocution	

SECTION 9 - DECALS

FIGURE 9-2. DECAL INSTALLATION - AUSTRALIAN SPEC

NOTE: ITEMS SHOWN MAY NOT BE REQUIRED FOR ALL SPECS. REFER TO PARTS LISTS FOR USAGE.



SECTION 9 - DECALS

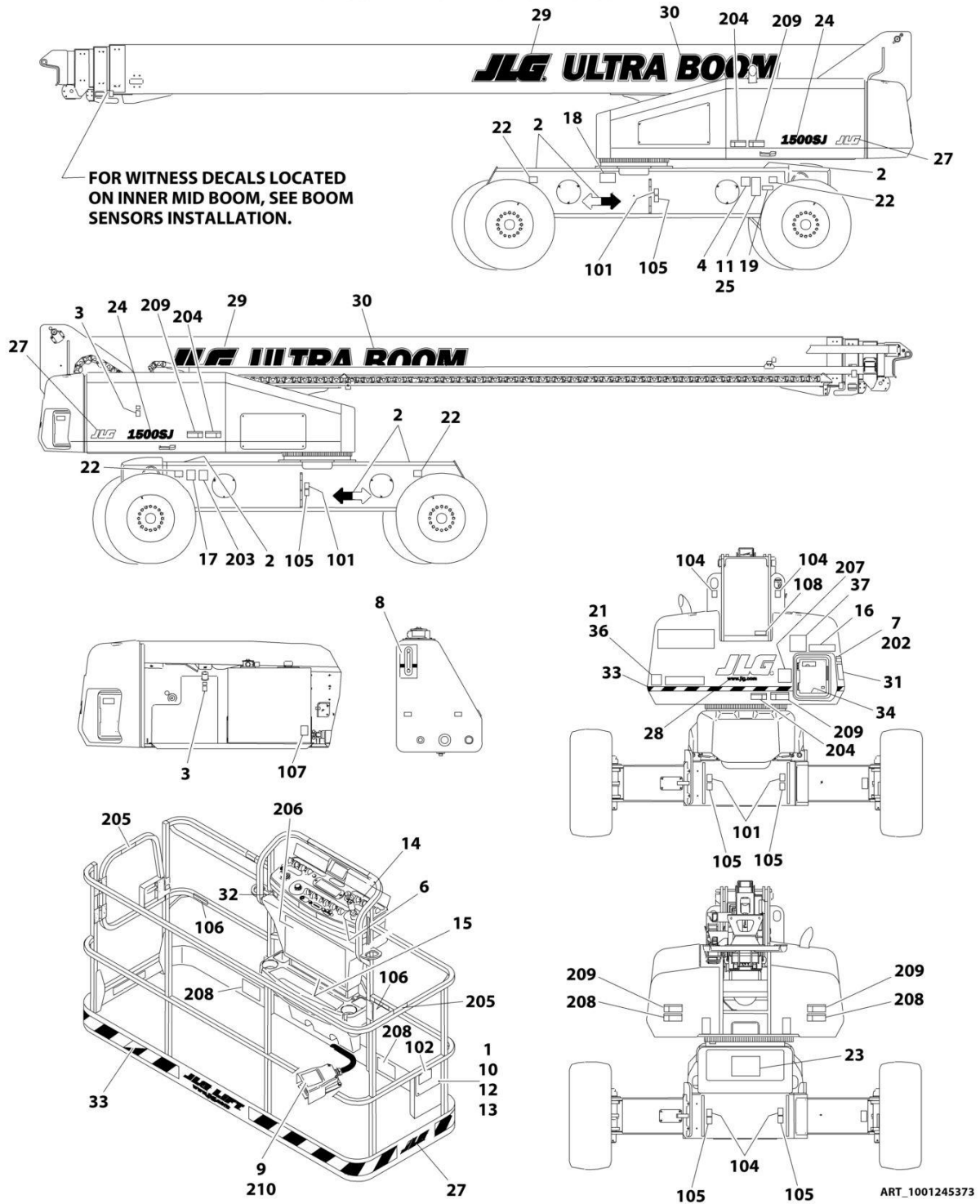
FIGURE 9-2. DECAL INSTALLATION - AUSTRALIAN SPEC

ITEM	PART NUMBER	QTY	DESCRIPTION	REV
	1001248561	Ref	DECAL INSTALLATION - REFERENCE CHART	B
	1001246613	Ref	DECAL INSTALLATION - AUSTRALIAN SPEC	A
1	0641406	4	Bolt 1/4 x 3/4	
2	1701501	4	Decal - Arrow	
3	1701505	2	Decal - Fuel	
4	See Note	1	Decal - Bar Code (Note: Not Available for Purchase)	
5	1706098	1	Decal - Warning Explosion/Fire (Not Shown - Located on Air Intake Box in Engine Compartment)	
6	1001125178	1	Decal - Capacity (Ground Control)	
8	1705511	1	Decal - Oil Level	
10	3311405	4	Nut 1/4	
11	3820001	6	Rivet	
12	4751400	4	Washer 1/4	
13	91403230	1	Box, Manual Storage	
14	1705174	1	Decal - Stop	
15	1001125177	1	Decal - Capacity (Platform)	
37	1001112551	1	Decal - Emergency Controls	
100	1001248540	1	Decal Kit - Master (Includes Items 101-107)	
101	1701499	4	Decal - No Lift	
102	1701509	1	Decal - Manual	
104	1703811	4	Decal - Tie Down/Lift	
105	1703814	6	Decal - Tie Down	
106	1704277	4	Decal - Attach Lanyard Here	
107	1704412	1	Decal - Hydraulic Oil Chart	
200	1001248546	1	Decal Kit - Country Spec (Includes Items 206-210)	
206	1705921	1	Decal - Tipping/Electrical (Platform)	
207	1705822	1	Decal - Electrical/Safety (Ground Control)	
208	1701518	10	Decal - Warning Crushing	
209	1705961	5	Decal - Danger Electrocution	
210	1705828	1	Decal - Footswitch	

SECTION 9 - DECALS

FIGURE 9-3. DECAL INSTALLATION - BRAZIL SPEC (PORTUGUESE/ENGLISH)

NOTE: ITEMS SHOWN MAY NOT BE REQUIRED FOR ALL SPECS. REFER TO PARTS LISTS FOR USAGE.



SECTION 9 - DECALS

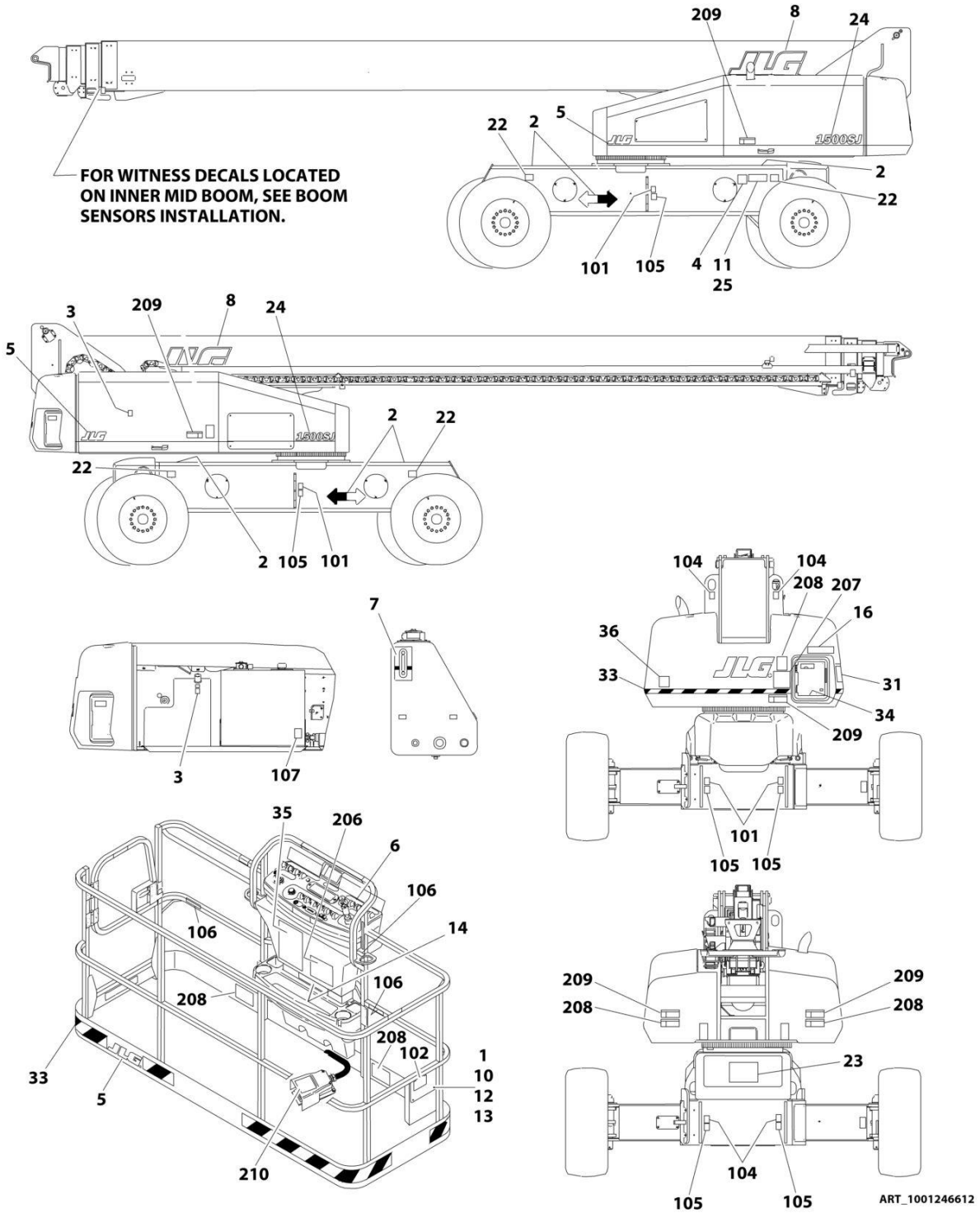
FIGURE 9-3. DECAL INSTALLATION - BRAZIL SPEC (PORTUGUESE/ENGLISH)

ITEM	PART NUMBER	QTY	DESCRIPTION	REV
	1001248555	Ref	DECAL INSTALLATION - REFERENCE CHART	C
	1001245373	Ref	DECAL INSTALLATION - BRAZIL SPEC (PORTUGUESE/ENGLISH)	B
1	0641406	4	Bolt 1/4 x 3/4	
2	1701501	4	Decal - Arrow	
3	1701505	2	Decal - Fuel	
4	See Note	1	Decal - Bar Code (Note: Not Available for Purchase)	
5	1706059	1	Decal - Warning Explosion/Fire (Not Shown - Located on Air Intake Box in Engine Compartment)	
6	1705905	1	Decal - Drive/Steer Instructions	
8	1705511	1	Decal - Oil Level	
10	3311405	4	Nut 1/4	
11	3820001	2	Rivet	
12	4751400	4	Washer 1/4	
13	91403230	1	Box, Manual Storage	
14	1001122611	1	Decal - Stop	
15	1001253551	1	Decal - Capacity (Platform)	
16	1001253552	1	Decal - Capacity (Ground Control)	
18	1001224052	1	Decal - Yearly Inspection	
100	1001248539	1	Decal Kit - Master (Includes Items 101-107)	
101	1701499	4	Decal - No Lift	
102	1701509	1	Decal - Manual	
104	1703811	8	Decal - Tie Down/Lift	
105	1703814	6	Decal - Tie Down	
106	1704277	4	Decal - Attach Lanyard Here	
107	1704412	1	Decal - Hydraulic Oil Chart	
200	1001248551	1	Decal Kit - Country Spec (Includes Items 202-210)	
202	1705906	1	Decal - Tip Over Hazard	
203	1705901	1	Decal - Inspection	
204	1705903	7	Decal - Warning/Crushing	
205	1705967	2	Decal - No Hands	
206	1001231319	1	Decal - Danger/Warning (Platform)	
207	1705896	1	Decal - Danger/Warning (Ground Control)	
208	1705898	5	Decal - Warning Crushing	
209	1705897	5	Decal - Danger/Electrocution	
210	1705902	1	Decal - Footswitch	

SECTION 9 - DECALS

FIGURE 9-4. DECAL INSTALLATION - CE & UK CA SPEC

NOTE: ITEMS SHOWN MAY NOT BE REQUIRED FOR ALL SPECS. REFER TO PARTS LISTS FOR USAGE.



SECTION 9 - DECALS

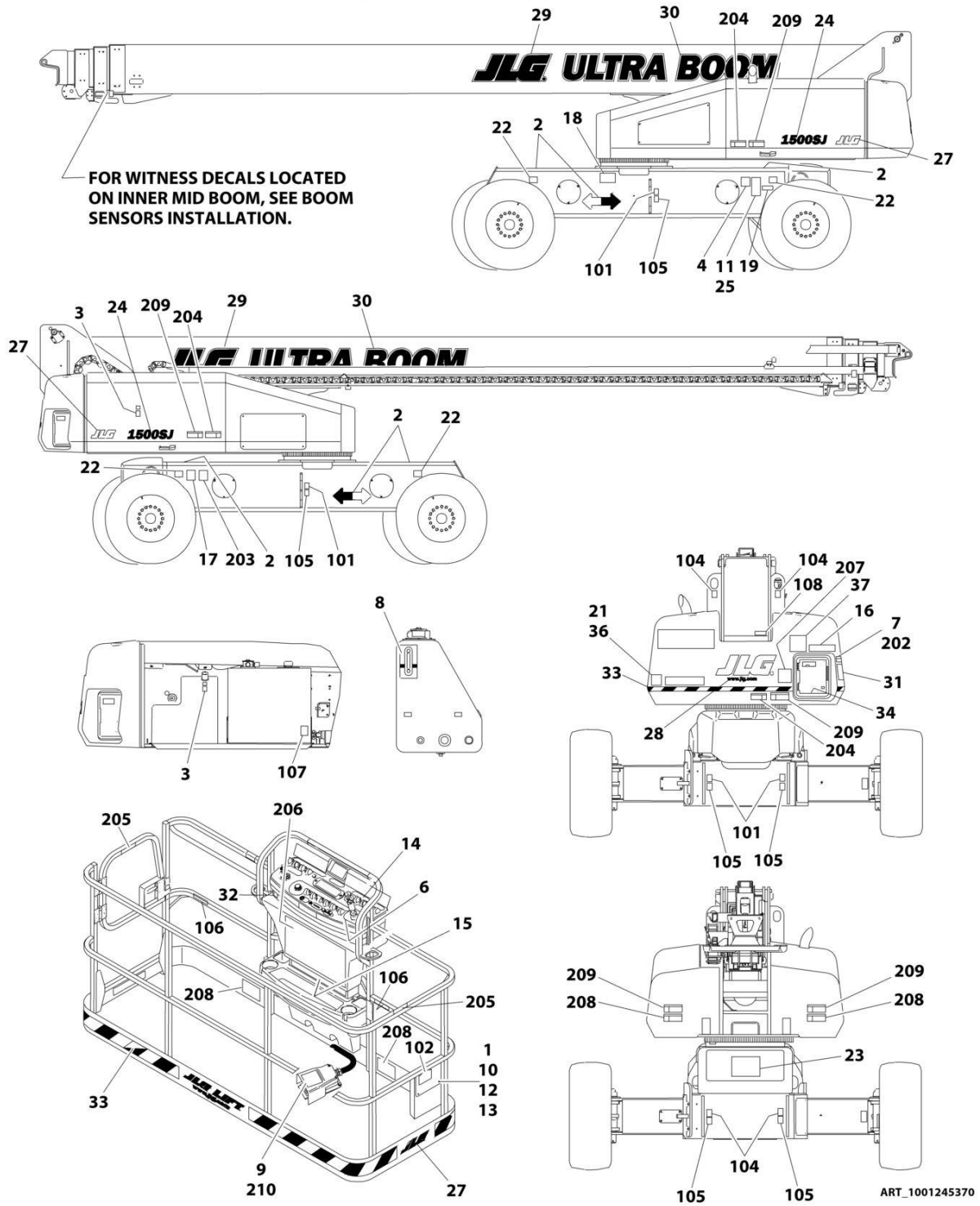
FIGURE 9-4. DECAL INSTALLATION - CE & UK CA SPEC

ITEM	PART NUMBER	QTY	DESCRIPTION	REV
	1001248561	Ref	DECAL INSTALLATION - REFERENCE CHART	B
	1001246612	Ref	DECAL INSTALLATION - CE & UK CA SPEC	A
1	0641406	4	Bolt 1/4 x 3/4	
2	1701501	4	Decal - Arrow	
3	1701505	2	Decal - Fuel	
4	See Note	1	Decal - Bar Code (Note: Not Available for Purchase)	
5	1702773	3	Decal - JLG	
6	1705174	1	Decal - Stop	
7	1705511	1	Decal - Oil Level	
8	1705864	2	Decal - JLG	
9	1706098	1	Decal - Warning Explosion/Fire (Not Shown - Located on Air Intake Box in Engine Compartment)	
10	3311405	4	Nut 1/4	
11	3820001	2	Rivet	
12	4751400	4	Washer 1/4	
13	91403230	1	Box, Manual Storage	
14	1001125177	1	Decal - Capacity (Platform)	
15	1001125178	1	Decal - Capacity (Ground Control)	
100	1001248540	1	Decal Kit - Master (Includes Items 101-107)	
101	1701499	4	Decal - No Lift	
102	1701509	1	Decal - Manual	
104	1703811	4	Decal - Tie Down/Lift	
105	1703814	6	Decal - Tie Down	
106	1704277	4	Decal - Attach Lanyard Here	
107	1704412	1	Decal - Hydraulic Oil Chart	
200	1001248546	1	Decal Kit - Country Spec (Includes Items 206-210)	
206	1705921	1	Decal - Tipping/Electrical (Platform)	
207	1705822	1	Decal - Electrical/Safety (Ground Control)	
208	1701518	10	Decal - Warning Crushing	
209	1705961	5	Decal - Danger Electrocution	
210	1705828	1	Decal - Footswitch	

SECTION 9 - DECALS

FIGURE 9-5. DECAL INSTALLATION - CSA SPEC (FRENCH/ENGLISH)

NOTE: ITEMS SHOWN MAY NOT BE REQUIRED FOR ALL SPECS. REFER TO PARTS LISTS FOR USAGE.



SECTION 9 - DECALS

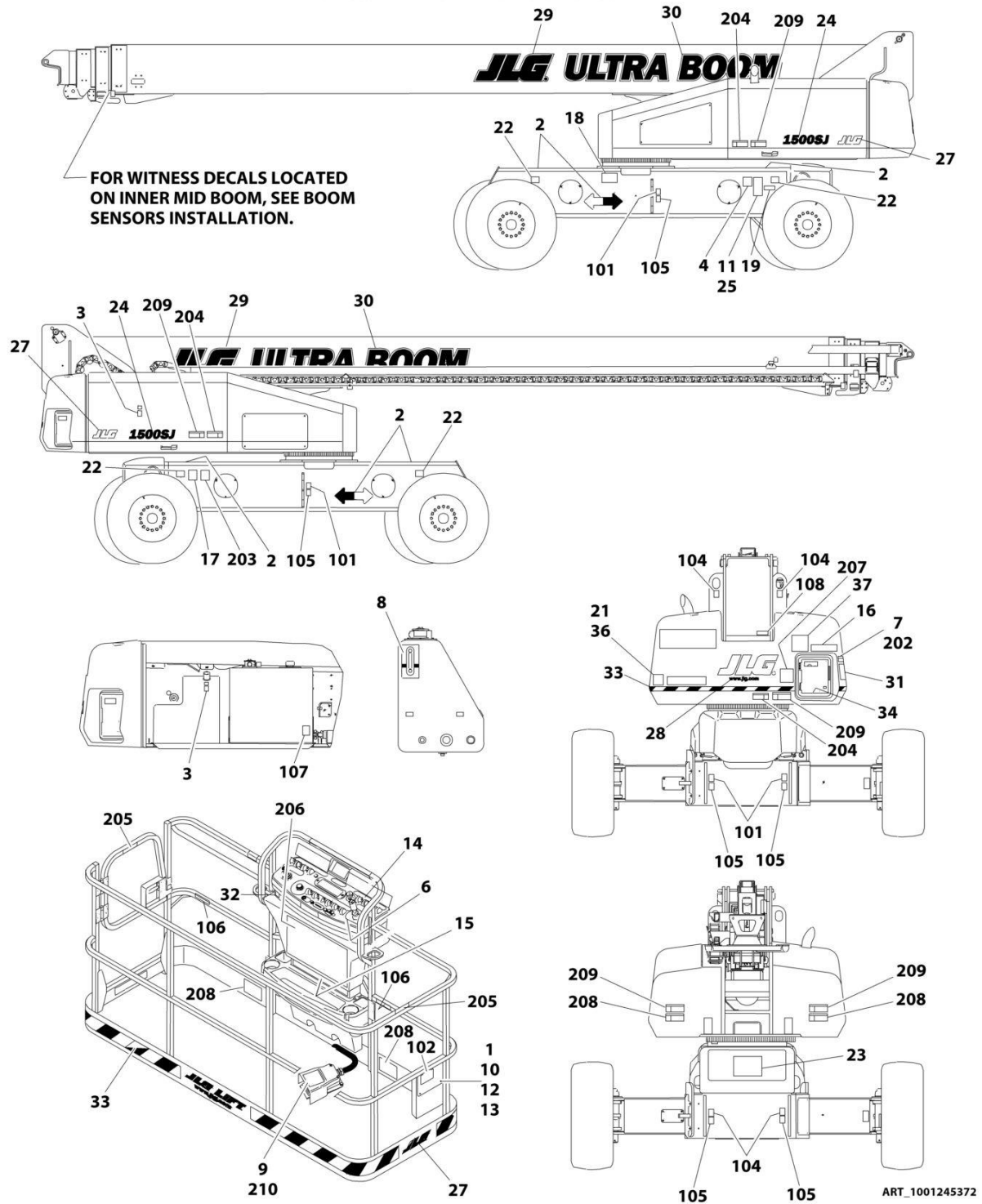
FIGURE 9-5. DECAL INSTALLATION - CSA SPEC (FRENCH/ENGLISH)

ITEM	PART NUMBER	QTY	DESCRIPTION	REV
	1001248555	Ref	DECAL INSTALLATION - REFERENCE CHART	C
	1001245370	Ref	DECAL INSTALLATION - CSA SPEC (FRENCH/ENGLISH)	B
1	0641406	4	Bolt 1/4 x 3/4	
2	1701501	4	Decal - Arrow	
3	1701505	2	Decal - Fuel	
4	See Note	1	Decal - Bar Code (Note: Not Available for Purchase)	
5	1706064	1	Decal - Warning Explosion/Fire (Not Shown - Located on Air Intake Box in Engine Compartment)	
6	1705429	1	Decal - Drive/Steer Instructions	
8	1705511	1	Decal - Oil Level	
10	3311405	4	Nut 1/4	
11	3820001	2	Rivet	
12	4751400	4	Washer 1/4	
13	91403230	1	Box, Manual Storage	
14	1705174	1	Decal - Stop	
15	1001253545	1	Decal - Capacity (Platform)	
16	1001253546	1	Decal - Capacity (Ground Control)	
30	1001131269	1	Decal - Patent	
18	1001223971	1	Decal - Yearly Inspection	
19	1001223453	1	Decal - ICES	
100	1001248539	1	Decal Kit - Master (Includes Items 101-108)	
101	1701499	4	Decal - No Lift	
102	1701509	1	Decal - Manual	
104	1703811	8	Decal - Tie Down/Lift	
105	1703814	6	Decal - Tie Down	
106	1704277	4	Decal - Attach Lanyard Here	
107	1704412	1	Decal - Hydraulic Oil Chart	
108	3251243	1	Nameplate - 120V-60Hz	
200	1001248548	1	Decal Kit - Country Spec (Includes Items 202-210)	
202	1705505	1	Decal - Tip Over Hazard	
203	1704006	1	Decal - Inspection	
204	1703942	7	Decal - Warning/Crushing	
205	1704000	2	Decal - No Hands	
206	1001231316	1	Decal - Danger/Warning (Platform)	
207	1705347	1	Decal - Danger/Warning (Ground Control)	
208	1703948	5	Decal - Warning Crushing	
209	1703936	5	Decal - Danger/Electrocution	
210	1703984	1	Decal - Footswitch	

SECTION 9 - DECALS

FIGURE 9-6. DECAL INSTALLATION - CHINESE SPEC (ENGLISH)

NOTE: ITEMS SHOWN MAY NOT BE REQUIRED FOR ALL SPECS. REFER TO PARTS LISTS FOR USAGE.



SECTION 9 - DECALS

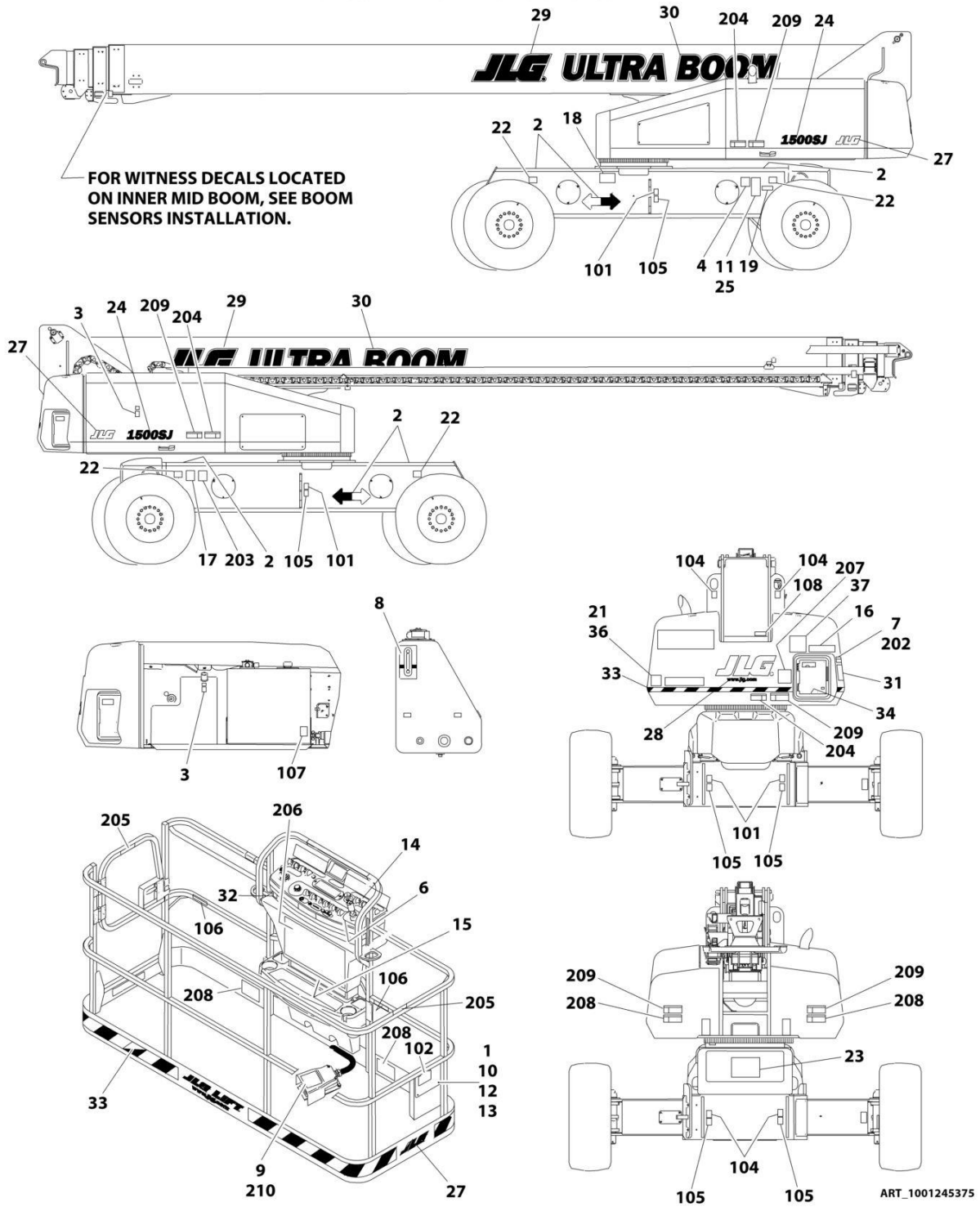
FIGURE 9-6. DECAL INSTALLATION - CHINESE SPEC (ENGLISH)

ITEM	PART NUMBER	QTY	DESCRIPTION	REV
	1001248555	Ref	DECAL INSTALLATION - REFERENCE CHART	C
	1001245372	Ref	DECAL INSTALLATION - CHINESE SPEC (ENGLISH)	C
1	0641406	4	Bolt 1/4 x 3/4	
2	1701501	4	Decal - Arrow	
3	1701505	2	Decal - Fuel	
4	See Note	1	Decal - Bar Code (Note: Not Available for Purchase)	
5	1706060	1	Decal - Warning Explosion/Fire (Not Shown - Located on Air Intake Box in Engine Compartment)	
6	1705430	1	Decal - Drive/Steer Instructions	
8	1705511	1	Decal - Oil Level	
10	3311405	4	Nut 1/4	
11	3820001	2	Rivet	
12	4751400	4	Washer 1/4	
13	91403230	1	Box, Manual Storage	
14	1001122611	1	Decal - Stop	
15	1001253549	1	Decal - Capacity (Platform)	
16	1001253550	1	Decal - Capacity (Ground Control)	
18	1001224050	1	Decal - Yearly Inspection	
100	1001248539	1	Decal Kit - Master (Includes Items 101-108)	
101	1701499	4	Decal - No Lift	
102	1701509	1	Decal - Manual	
104	1703811	8	Decal - Tie Down/Lift	
105	1703814	6	Decal - Tie Down	
106	1704277	4	Decal - Attach Lanyard Here	
107	1704412	1	Decal - Hydraulic Oil Chart	
108	3251243	1	Nameplate - 120V-60Hz	
200	1001248553	1	Decal Kit - Country Spec (Includes Items 202-210)	
202	1001117035	1	Decal - Tip Over Hazard	
204	1703943	7	Decal - Warning/Crushing	
205	1001116846	1	Decal - No Hands	
206	1001231321	1	Decal - Danger/Warning (Platform)	
207	1001116849	1	Decal - Warning Inspection (MTB)	
208	1703949	5	Decal - Warning Crushing	
209	1001116851	1	Decal - Danger Electrocution	
210	1703982	1	Decal - Footswitch	

SECTION 9 - DECALS

FIGURE 9-7. DECAL INSTALLATION - JAPANESE SPEC (JAPANESE/ENGLISH)

NOTE: ITEMS SHOWN MAY NOT BE REQUIRED FOR ALL SPECS. REFER TO PARTS LISTS FOR USAGE.



SECTION 9 - DECALS

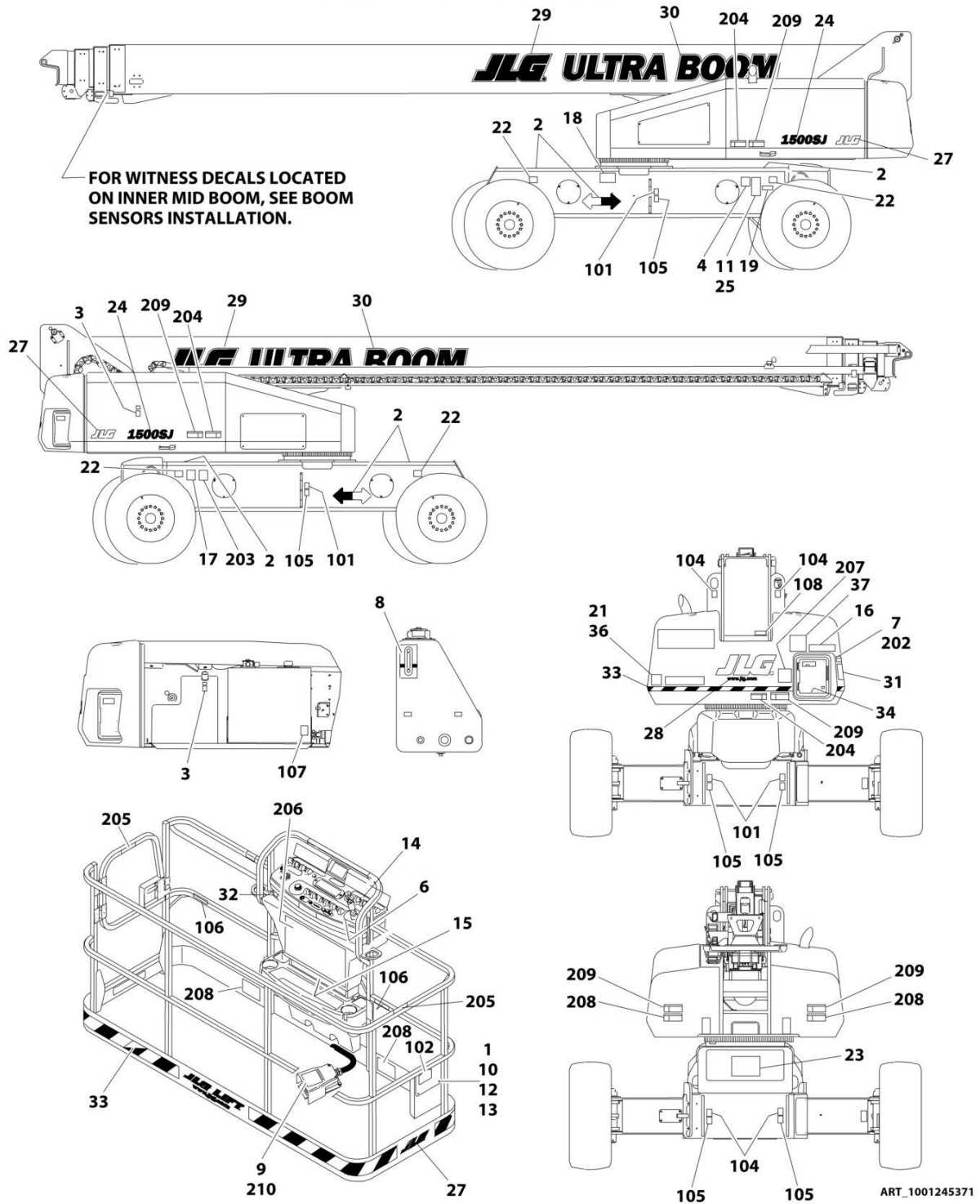
FIGURE 9-7. DECAL INSTALLATION - JAPANESE SPEC (JAPANESE/ENGLISH)

ITEM	PART NUMBER	QTY	DESCRIPTION	REV
	1001248555	Ref	DECAL INSTALLATION - REFERENCE CHART	C
	1001245375	Ref	DECAL INSTALLATION - JAPANESE SPEC (JAPANESE/ENGLISH)	B
1	0641406	4	Bolt 1/4 x 3/4	
2	1701501	4	Decal - Arrow	
3	1701505	2	Decal - Fuel	
4	See Note	1	Decal - Bar Code (Note: Not Available for Purchase)	
5	1706062	1	Decal - Warning Explosion/Fire (Not Shown - Located on Air Intake Box in Engine Compartment)	
6	1705426	1	Decal - Drive/Steer Instructions	
8	1705511	1	Decal - Oil Level	
10	3311405	4	Nut 1/4	
11	3820001	2	Rivet	
12	4751400	4	Washer 1/4	
13	91403230	1	Box, Manual Storage	
14	1001122611	1	Decal - Stop	
15	1001253555	1	Decal - Capacity (Platform)	
16	1001253556	1	Decal - Capacity (Ground Control)	
18	1001224053	1	Decal - Yearly Inspection	
100	1001248539	1	Decal Kit - Master (Includes Items 101-107)	
101	1701499	4	Decal - No Lift	
102	1701509	1	Decal - Manual	
104	1703811	8	Decal - Tie Down/Lift	
105	1703814	6	Decal - Tie Down	
106	1704277	4	Decal - Attach Lanyard Here	
107	1704412	1	Decal - Hydraulic Oil Chart	
200	1001248552	1	Decal Kit - Country Spec (Includes Items 202-210)	
202	1705493	1	Decal - Tip Over Hazard	
204	1703944	7	Decal - Warning/Crushing	
206	1001231320	1	Decal - Danger/Warning (Platform)	
207	1705344	1	Decal - Danger/Warning (Ground Control)	
208	1703950	5	Decal - Warning Crushing	
209	1703938	5	Decal - Danger/Electrocution	
210	1703980	1	Decal - Footswitch	

SECTION 9 - DECALS

FIGURE 9-8. DECAL INSTALLATION - KOREAN SPEC (KOREAN/ENGLISH)

NOTE: ITEMS SHOWN MAY NOT BE REQUIRED FOR ALL SPECS. REFER TO PARTS LISTS FOR USAGE.



SECTION 9 - DECALS

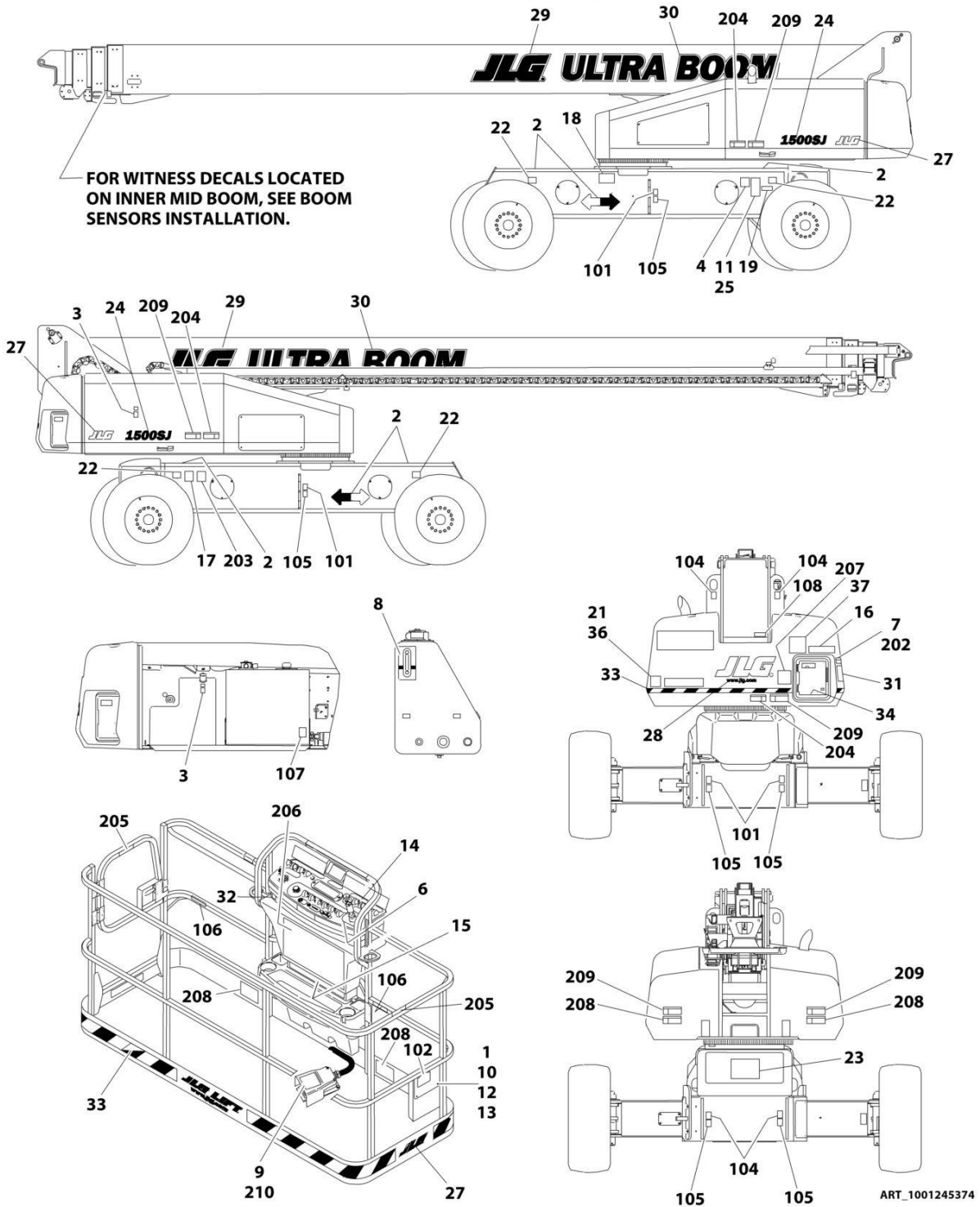
FIGURE 9-8. DECAL INSTALLATION - KOREAN SPEC (KOREAN/ENGLISH)

ITEM	PART NUMBER	QTY	DESCRIPTION	REV
	1001248555	Ref	DECAL INSTALLATION - REFERENCE CHART	C
	1001245371	Ref	DECAL INSTALLATION - KOREAN SPEC (KOREAN/ENGLISH)	B
1	0641406	4	Bolt 1/4 x 3/4	
2	1701501	4	Decal - Arrow	
3	1701505	2	Decal - Fuel	
4	See Note	1	Decal - Bar Code (Note: Not Available for Purchase)	
5	1706061	1	Decal - Warning Explosion/Fire (Not Shown - Located on Air Intake Box in Engine Compartment)	
6	1705427	1	Decal - Drive/Steer Instructions	
8	1705511	1	Decal - Oil Level	
10	3311405	4	Nut 1/4	
11	3820001	2	Rivet	
12	4751400	4	Washer 1/4	
13	91403230	1	Box, Manual Storage	
14	1001122611	1	Decal - Stop	
15	1001253547	1	Decal - Capacity (Platform)	
16	1001253548	1	Decal - Capacity (Ground Control)	
18	1001224048	1	Decal - Yearly Inspection	
100	1001248539	1	Decal Kit - Master (Includes Items 101-107)	
101	1701499	4	Decal - No Lift	
102	1701509	1	Decal - Manual	
104	1703811	8	Decal - Tie Down/Lift	
105	1703814	6	Decal - Tie Down	
106	1704277	4	Decal - Attach Lanyard Here	
107	1704412	1	Decal - Hydraulic Oil Chart	
200	1001248549	1	Decal Kit - Country Spec (Includes Items 202-210)	
202	1705503	1	Decal - Tip Over Hazard	
204	1703945	7	Decal - Warning/Crushing	
205	1705969	2	Decal - No Hands	
206	1001231317	1	Decal - Danger/Warning (Platform)	
207	1705345	1	Decal - Danger/Warning (Ground Control)	
208	1703951	5	Decal - Warning Crushing	
209	1703939	5	Decal - Danger/Electrocution	
210	1703981	1	Decal - Footswitch	

SECTION 9 - DECALS

FIGURE 9-9. DECAL INSTALLATION - LATIN AMERICAN SPEC (SPANISH/ENGLISH)

NOTE: ITEMS SHOWN MAY NOT BE REQUIRED FOR ALL SPECS. REFER TO PARTS LISTS FOR USAGE.



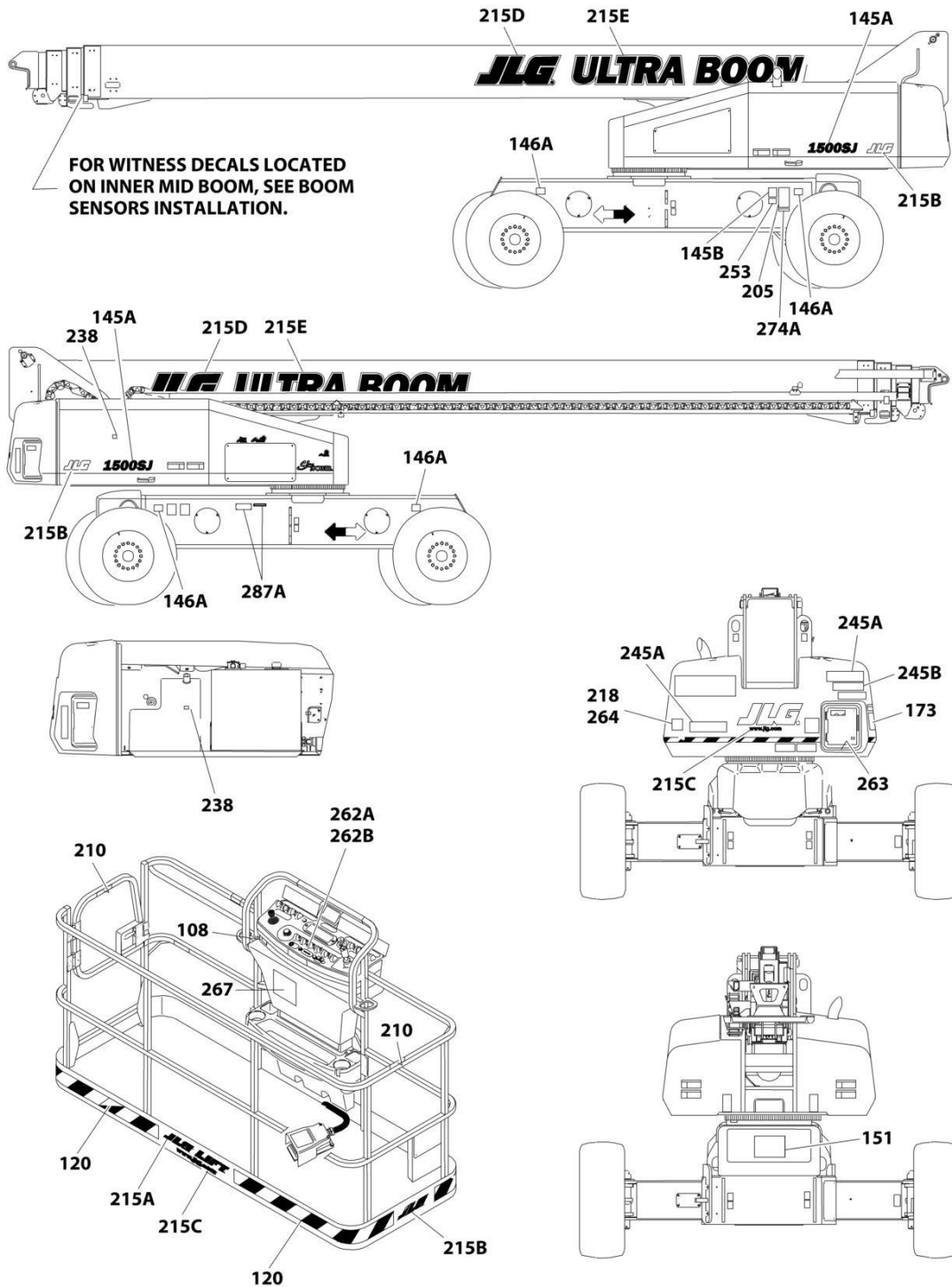
SECTION 9 - DECALS

FIGURE 9-9. DECAL INSTALLATION - LATIN AMERICAN SPEC (SPANISH/ENGLISH)

ITEM	PART NUMBER	QTY	DESCRIPTION	REV
	1001248555	Ref	DECAL INSTALLATION - REFERENCE CHART	C
	1001245374	Ref	DECAL INSTALLATION - LATIN AMERICAN SPEC (SPANISH/ENGLISH)	B
1	0641406	4	Bolt 1/4 x 3/4	
2	1701501	4	Decal - Arrow	
3	1701505	2	Decal - Fuel	
4	See Note	1	Decal - Bar Code (Note: Not Available for Purchase)	
5	1706063	1	Decal - Warning Explosion/Fire (Not Shown - Located on Air Intake Box in Engine Compartment)	
6	1705910	1	Decal - Drive/Steer Instructions	
8	1705511	1	Decal - Oil Level	
10	3311405	4	Nut 1/4	
11	3820001	2	Rivet	
12	4751400	4	Washer 1/4	
13	91403230	1	Box, Manual Storage	
14	1001122611	1	Decal - Stop	
15	1001253553	1	Decal - Capacity (Platform)	
16	1001253554	1	Decal - Capacity (Ground Control)	
18	1001224049	1	Decal - Yearly Inspection	
100	1001248539	1	Decal Kit - Master (Includes Items 101-107)	
101	1701499	4	Decal - No Lift	
102	1701509	1	Decal - Manual	
104	1703811	8	Decal - Tie Down/Lift	
105	1703814	6	Decal - Tie Down	
106	1704277	4	Decal - Attach Lanyard Here	
107	1704412	1	Decal - Hydraulic Oil Chart	
200	1001248550	1	Decal Kit - Country Spec (Includes Items 202-210)	
202	1705915	1	Decal - Tip Over Hazard	
203	1704007	1	Decal - Inspection	
204	1703941	4	Decal - Warning/Crushing	
205	1704001	2	Decal - No Hands	
206	1001231318	1	Decal - Danger/Warning (Platform)	
207	1705917	1	Decal - Danger/Warning (Ground Control)	
208	1703947	5	Decal - Warning Crushing	
209	1703935	5	Decal - Danger/Electrocution	
210	1703983	1	Decal - Footswitch	

SECTION 9 - DECALS

FIGURE 9-10. DECAL INSTALLATION - OPTIONS



ART_DECAL_OPTIONS

SECTION 9 - DECALS

FIGURE 9-10. DECAL INSTALLATION - OPTIONS

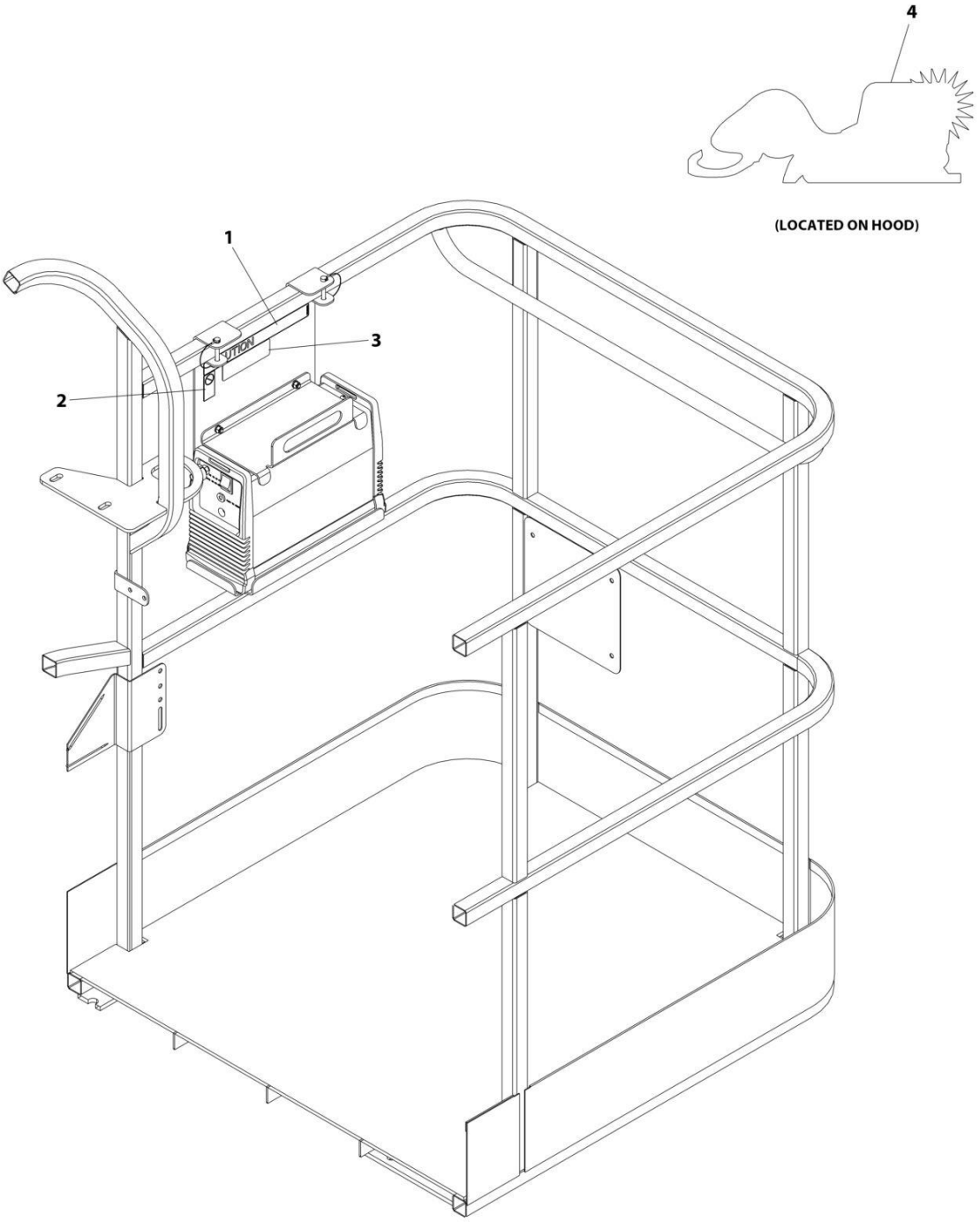
ITEM	PART NUMBER	QTY	DESCRIPTION	REV
	1001248555	Ref	DECAL INSTALLATION - REFERENCE CHART	C
	1001261500	Ref	DECAL INSTALLATION - OPTIONS	K
108	1001231801	1	Decal - Warning (Proposition 65) (ANSI Spec Only)	
120	4420051	22 ft/6.71m	Decal - Warning Stripes	
145	1001125152	1	Decal - Model Designation Installation	C
145A	1001125191	2	Decal - 1500SJ (Prior to SN 0300280580)	
145A	1001268240	2	Decal - 1500SJ (SN 0300280580 to Present)	
145B	See Note	1	Decal - Bar Code (Note: Not Available for Purchase)	
146	1001125153	1	Decal - Max Tire Load Kit	1
146A	1001125192	4	Decal - Max Tire Load	
151	1001284692	1	Decal - Lift Diagram	
173	1001125196	1	Decal - Daily Check List - ANSI Spec	
173	1001125196	1	Decal - Daily Check List - Australian Spec	
173	1001125200	1	Decal - Daily Check List - Brazil Spec (Spanish/Portuguese)	
173	1001125198	1	Decal - Daily Check List - Chinese Spec (Chinese/English)	
173	1001125201	1	Decal - Daily Check List - CSA Spec (English/French)	
173	1001125209	1	Decal - Daily Check List - Danish Spec	
173	1001125203	1	Decal - Daily Check List - Dutch Spec	
173	1001172840	1	Decal - Daily Check List - Estonian Spec	
173	1001125207	1	Decal - Daily Check List - Finnish Spec	
173	1001125204	1	Decal - Daily Check List - French Spec	
173	1001125211	1	Decal - Daily Check List - German Spec	
173	1001125205	1	Decal - Daily Check List - Italian Spec	
173	1001125202	1	Decal - Daily Check List - Japanese Spec (Japanese/English)	
173	1001125197	1	Decal - Daily Check List - Korean Spec (Korean/English)	
173	1001125199	1	Decal - Daily Check List - Latin American Spec (Spanish/English)	
173	1001125210	1	Decal - Daily Check List - Norwegian Spec	
173	1001125212	1	Decal - Daily Check List - Polish Spec	
173	1001125200	1	Decal - Daily Check List - Portuguese Spec	
173	1001125206	1	Decal - Daily Check List - Spanish Spec	
173	1001125208	1	Decal - Daily Check List - Swedish Spec	
173	1001125196	1	Decal - Daily Check List - UK English Spec	
205	See Note	1	Decal - Nameplate (Note: Not Available for Purchase)	
210	1702868	2	Decal - No Hands - ANSI Spec	
210	1704000	2	Decal - No Hands - CSA Spec (French/English)	
210	1705969	2	Decal - No Hands - Korean Spec (Korean/English)	
215	1001116025	1	Decal - JLG Decal Installation	D
215	1001291459	1	Decal - JLG Decal Installation (Chinese)	A
215A	1702774	1	Decal - JLG Lift	
215A	1001288705	1	Decal - JLG Lift (Chinese)	
215B	1702773	3	Decal - JLG	
215C	1704885	1	Decal - Website	
215D	1705864	2	Decal - JLG	
215D	1001290403	2	Decal - JLG (Chinese)	
215E	1705865	2	Decal - Ultra Boom	
215E	1001267315	2	Decal - Ultra Boom (Chinese)	
215F	1001290348	2	Decal - JLG (Chinese)	
218	3251813	1	Decal - USA (ANSI, ANSI Export and CSA Specs)	

SECTION 9 - DECALS

ITEM	PART NUMBER	QTY	DESCRIPTION	REV
238	1001125387	1	Decal - Ultra Low Sulfur Fuel (Deutz TCD2.9L4 Engines) (ANSI and CSA Specs)	
238	1001139654	1	Decal - Ultra Low Sulfur Fuel (Deutz TCD2.9L4 Engines) (ANSI Export (HRC), Japanese, CE & UK CA Specs)	
245	1001120994	1	Decal - ClearSky Telematics Decal Installation	A
245A	1001116208	2	Decal - ClearSky	
245B	1001120989	1	Decal - Radio Frequency Device	
245	1001294761	1	ClearSky Smart Fleet Decal Installation	A
245A	1001120989	1	Decal - Radio Frequency	
245B	1001294815	1	Decal - ClearSky	
253	1001143852	1	Decal - EPA (ANSI Export (LRC), Australian, CE & UK CA (LRC) Specs)	
262A	1001141300	1	Decal - SkyGuard Override	
262B	1001141302	1	Decal - SkyGuard/Soft Touch Override	
263	1001197408	1	Decal - MSSO (CE& UK CA Specs Only)	
264	8007508	1	Decal - Sound Power (104dB) (Deutz TD2011 Engines)	
264	1705980	1	Decal - Sound Power (106dB) (Deutz TD2011 Engines)	
264	1001191525	1	Decal - Sound Power (108dB) (Deutz TCD2.9L4 Engines, Deutz TCD2.9L4(Stage V Pre-Buy) Engines and Deutz TCD2.9L4(Stage V) Engines)	
267	1001200067	1	Decal - Quick Start Guide (Danish)	
267	1001200065	1	Decal - Quick Start Guide (Dutch)	
267	1001177562	1	Decal - Quick Start Guide (English)	
267	1001200064	1	Decal - Quick Start Guide (French)	
267	1001200066	1	Decal - Quick Start Guide (German)	
267	1001200071	1	Decal - Quick Start Guide (Norwegian)	
267	1001200070	1	Decal - Quick Start Guide (Spanish)	
267	1001200069	1	Decal - Quick Start Guide (Swedish)	
274	1001214029	1	Decal - EAC Installation (CIS and Russia Specs)	
274A	1001173703	1	Decal - EAC	
287A	1001292058	1	Decal Installation - ECO Label	
287A	3820001	8	Rivet	
287A	See Note	1	Plate - Environmental Protection (Note: Not Available for Purchase)	
287A	See Note	1	Plate - Mein Code (Note: Not Available for Purchase)	

SECTION 9 - DECALS

FIGURE 9-11. SKYCUTTER DECAL INSTALLATION (ANSI, ANSI EXPORT AND CSA SPECS)



ART_0272599

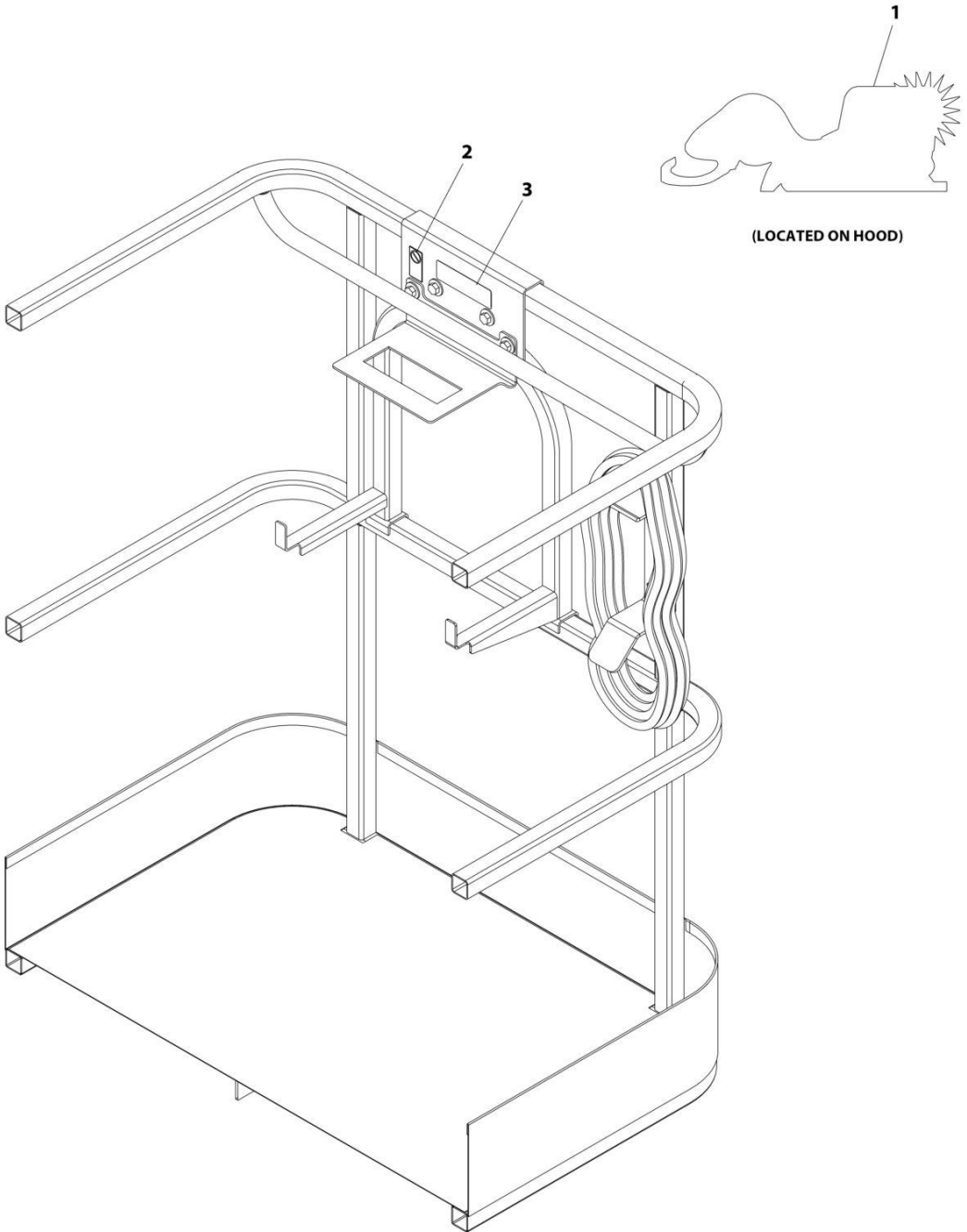
SECTION 9 - DECALS

FIGURE 9-11. SKYCUTTER DECAL INSTALLATION (ANSI, ANSI EXPORT AND CSA SPECS)

ITEM	PART NUMBER	QTY	DESCRIPTION	REV
	0272599	Ref	SKYCUTTER DECAL INSTALLATION	C
1	1702868	1	Decal - No Hands	
2	1705305	1	Decal - Weld Leads	
3	1001252627	1	Decal - Weight	
4	1705490	2	Decal - SkyCutter	

SECTION 9 - DECALS

FIGURE 9-12. SKYCUTTER DECAL INSTALLATION (JAPANESE SPECS)



ART_0272607_C

SECTION 9 - DECALS

FIGURE 9-12. SKYCUTTER DECAL INSTALLATION (JAPANESE SPECS)

ITEM	PART NUMBER	QTY	DESCRIPTION	REV
	0272607	1	SKYCUTTER DECAL INSTALLATION	C
1	1705490	2	Decal - SkyCutter	
2	1705305	1	Decal - Weld Lead	
3	1001252627	1	Decal - Weight	

SECTION 10 - RECOMMENDED SERVICE PARTS STOCK

SECTION 10 - RECOMMENDED SERVICE PARTS STOCK

SECTION 10 - RECOMMENDED SERVICE PARTS STOCK

FIGURE 10-1. RECOMMENDED SERVICE PARTS STOCK

ITEM	PART NUMBER	QTY	DESCRIPTION	REV
		Ref	Note: The following list will service one machine (built to current production per date on the front cover) with emergency repair parts which can be installed in the field. Parts from the list should be replaced when inventory is depleted to keep service parts stock supplied. For further information, contact your JLG dealer or the JLG Industries Parts Department.	
	4360070	1	Breaker, Circuit 15Amp (Machines with Generator)	
	7024485	1	Breaker, Circuit 30Amp	
	1001159118	1	Breaker, GFCI 30Amp	
	1001181045	1	Breaker 30mAmp/16Amp (CE & UK CA Spec Machines)	
	7018991	1	Coil (Steer Valve)	
	7012944	1	Coil (Traction Valve)	
	70003026	1	Coil (Platform Valve)	
	7024885	1	Coil (Platform Valve & Jib Valve)	
	70022147	1	Coil (Jib Valve)	
	7024883	1	Coil (Jib Valve)	
	70003485	1	Contactora, Rotary Circuit (Rotary Coupling & Collector Ring)	
	1001138566	1	Control, Generator Box (4000w)	
	0861538	1	Control, Generator Box (7500w 60Hz)	
	0861572	1	Control, Generator Box (7500w 50Hz)	
	1001275628	1	Controller, Drive/Steer	
	1001275629	1	Controller, Lift/Swing	
	4360407	1	Controller, Speed (Potentiometer)	
	3990001	2	Diode - 3Amp (Ground Control Box Harness)	
		Ref	Engine - Deutz TD2011	
	7003655	12	Element, Air Filter	
	1001202281	12	Element, Fuel/Water Separator	
	7016328	12	Filter, Fuel	
	7016331	12	Filter, Oil	
	1600443	Ref	Module, EMR2 Controller (Note: Not available to order. Please Contact JLG Part Center)	
	3740067	1	Relay	
	3740080	1	Relay	
	7026608	1	Relay, Start	
		Ref	Engine - Deutz TCD2.9L4	
	70025210	Ref	ECU (Engine Control Unit) (Note: Not available to order. Please Contact JLG Part Center)	
	70024190	12	Element, Air Filter	
	70006405	12	Element, Fuel/Water Separator	
	1001225430	12	Filter, Fuel Primary	
	1001225431	12	Filter, Fuel Secondary	
	7016331	12	Filter, Oil	
	1001196634	2	Fuse, 2A	
	8229242	2	Fuse, 5A	
	80983191	2	Fuse, 10A	
	70023592	2	Fuse, 20A	
	70023593	2	Fuse, 30A	
	1001117308	1	Relay	
	70005648	1	Relay	
	1001138228	1	Relay, Power Module	

SECTION 10 - RECOMMENDED SERVICE PARTS STOCK

ITEM	PART NUMBER	QTY	DESCRIPTION	REV
	70025203	1	Module, EGR	
		Ref	Engine - Deutz TCD2.9L4 Stage V	
	70024190	1	Element, Air Filter	
	1001196634	2	Fuse, 2A	
	70023592	2	Fuse, 20A	
	70023593	2	Fuse, 30A	
	7024375	12	Element, Hydraulic Oil Filter (Hydraulic Tank)	
	70002231	12	Element, Pressure Filter	
	2120217	12	Filter, High Pressure	
	8229249	2	Fuse, 3A (USB Charger)	
	2400064	2	Fuse, 5A (Ground Control Box Harness) (Prior to SN 0300296324)	
	8229242	2	Fuse, 5A (Ground Control Box Harness) (SN 0300296324 to Present)	
	2400065	2	Fuse, 30A (Turntable Harness)	
	2860030	1	Key, Replacement	
	2940074	1	Latch, Platform	
	1001247468	1	Loadcell (Platform Support)	
	1001227960	1	Module, B.L.A.M.	
	1001112758	1	Module, Chassis (Valves & Modules - Frame)	
	1600343	1	Module, Control (Platform Control Box)	
	1001142683	1	Module, Control Beacon (Red & Blue Beacons)	
	1001281100	1	Module, Ground Control (Ground Control Box)	
	1001119262	1	Module, Jib Control (Enclosure Box)	
	1001119512	1	Module, Repeater (Ground Control Box)	
	3740067	1	Relay (Battery, Horn & Aux Pump)	
	3740080	1	Relay (Ground Control Box, Ground Control Harness & Turntable Harness))	
	70006553	1	Relay (4000w Generator)	
	1001186431	1	Relay (SkyGuard Bar)	
	3740086	1	Relay (SkyLine Harness)	
	1001133759	1	Sensor, Angle (Rotary Coupling & Collector Ring)	
	1001135479	1	Switch, Angle Indicator (Jib Rotate)	
	1001118971	1	Switch, Angle Indicator (Main Boom Protractor)	
	1001147479	1	Sensor, Angle Indicator (Platform Level & Main Boom Angle)	
	1001138827	1	Sensor, Coolant (All Deutz Engines)	
	1001117991	1	Sensor, Cylinder Length (Jib Cylinder)	
	1001117990	1	Sensor, Cylinder Length (Level Cylinder)	
	1001228225	1	Sensor, Emitter (SkyEye)	
	7026031	1	Sensor, Proximity (Rotary Coupling & Collector Ring)	
	1001232667	1	Sensor, Proximity (SkyLine)	
	4000008	1	Sensor, Proximity (Jib Lock)	
	1001228224	1	Sensor, Receiver (SkyEye)	
	4360543	1	Sensor, String (Boom Length)	
	1001219601	1	Sensor, Tilt Dual Axis CAN (Ground Control Box)	
	1001225346	1	Switch, Battery Disconnect	
	1001117172	1	Switch, Foot	
	4360469	1	Switch, Key (Ground Control)	
	4360274	1	Switch, Pushbutton Gray (Ground Control)	
	4360387	1	Switch, Pushbutton Yellow (Ground Control & Platform Console Box)	
	4360475	1	Switch, Push-Pull Emergency Stop (Ground Controls)	

SECTION 10 - RECOMMENDED SERVICE PARTS STOCK

ITEM	PART NUMBER	QTY	DESCRIPTION	REV
	1001274559	1	Switch, Push-Pull Emergency Stop (Platform Control Box)	
	1001137673	1	Switch, SkyGuard Bar	
	4360336	1	Switch, Toggle (4000w Generator)	
	1001155045	1	Switch, Toggle (Platform Console Box)	
	1001159256	1	Switch, Toggle (Platform Console Box)	
	1001161709	1	Switch, Toggle (Platform Console Box)	
	1001161710	1	Switch, Toggle (Platform Console Box)	
	4360328	1	Switch, Toggle (Ground Control Box)	

SECTION 11 - SPECIAL OPTIONS

SECTION 11 - SPECIAL OPTIONS

FIGURE 11-1. SPECIAL OPTIONS/ACCESSORIES/KITS

ITEM	PART NUMBER	QTY	DESCRIPTION	REV
		Ref	Note: This list is to accommodate machines ordered with special equipment. Options may not be applicable to all models. For more specific parts information contact JLG Parts Department.	
	0272078	Ref	Accessory Counterweight (Required with SkyWelder and/or Fall Arrest Platform Options)	
	1340067	Ref	Air Cleaner Pre-Cleaner	
	1001120325	Ref	Airline Installation, 1/2	
	1001202697	Ref	Air Intake Shut-off Valve (Deutz TCD2.9L4 Engines) (ANSI and CSA Specs)	
	1001249695	Ref	Analyzer, Machine System with Cable	
	1001249941	Ref	Analyzer, Machine System with Cable (Battery Powered)	
	0271803	Ref	Bellows, Cylinder (Fixed Axle)	
	0271804	Ref	Bellows, Cylinder (Oscillating Axle)	
	1001122591	Ref	Bellows, Cylinder (Boom)	
	0271875	Ref	Boom Wipers Installation (Boom)	
	1001134627	Ref	Boom Wipers Installation (Jib)	
	1001233047	Ref	Breather Heater Add-on Kit (Deutz TCD2.9L4 Engines) (Dealer Installed)	
		Ref	ClearSky (Telematics) Installations (Dealer Installed)	
	1001242192	Ref	ClearSky (Telematics) Access Control Installation Kit (Dealer Installed) (ANSI, ANSI Export and CSA Specs)	
	1001243183	Ref	ClearSky (Telematics) Add-on Kit (Dealer Installed) (ANSI, ANSI Export and CSA Specs)	
	1001246142	Ref	ClearSky (Telematics) Add-on Kit (Dealer Installed) (Australian Specs)	
	1001243184	Ref	ClearSky (Telematics) Add-on Kit (Dealer Installed) (CE & UK CA Specs)	
	1001276923	Ref	ClearSky (Telematics) Add-on Kit (Dealer Installed) (Contact JLG for Approved Countries)	
	1001293501	Ref	ClearSky Telematics CS550 Installation	
	0273862	Ref	Cold Weather Package (Deutz TD2011 Engines)	
	1001235617	Ref	Cold Weather Package (Deutz TCD2.9L4 Engines, Deutz TCD2.9L4 (Stage V Pre-Buy) Engines and Deutz TCD2.9L4 (Stage V) Engines)	
	1001271731	Ref	Cold Weather Package CE & UK CA, Ultra	
	1001282063	Ref	Cold Weather Package - Deutz TCD2.9L4 Engines (China IV)	
	0272621	Ref	Control System Analyzer Installation	
	1001216363	Ref	Cribbing Enable Installation	
	1001293369	Ref	Hood Plug Installation	
		Ref	Decal Kits	
	1001270521	Ref	Decal Kit - Machine (ANSI Spec)	
	1001272203	Ref	Decal Kit - Platform (ANSI Spec)	
	1001272091	Ref	Decal Kit - Platform Console Box (ANSI Spec)	
		Ref	Electrical Connector Kits	
	1001148902	Ref	Amp/Tyco Electrical Connector Kit	
	1001148903	Ref	Deutsch DT Electrical Connector Kit	
	1001148904	Ref	Deutsch HD Electrical Connector Kit	
	1001148905	Ref	Packard Electrical Connector Kit	
	1001148906	Ref	Various Electrical Connectors Kit	

SECTION 11 - SPECIAL OPTIONS

ITEM	PART NUMBER	QTY	DESCRIPTION	REV
	1001237883	Ref	Fall Arrest (Bolt-on) Add-on Kit (6ft/1.82m Platform) (ANSI, ANSI Export, China, CSA & Japanese Specs Only) (Fits Platform p/ns 1001186384)	
	1001237882	Ref	Fall Arrest (Bolt-on) Add-on Kit (8ft/2.4m Platform) (ANSI, ANSI Export, China, CSA & Japanese Specs Only) (Fits Platform p/ns 1001186383)	
	1001182600	Ref	Fan and Belt Shield Kit (Deutz TD2011 Engines Only) (Use p/n 1001202221)	
	1001202221	Ref	Fan and Belt Shield Kit (Deutz TD2011 Engines Only)	
	1001206794	Ref	Fan and Belt Shield Add-on Kit (Deutz TD2011 Engines Only)	
	1001145708	Ref	Fan Guard Installation (Deutz TCD2.9L4 Engines, Deutz TCD2.9L4 (Stage V Pre-Buy) Engines and Deutz TCD2.9L4 (Stage V) Engines Only)	
	1001203564	Ref	Fan and Belt Guard Installation (Deutz TCD2.9L4 Engines, Deutz TCD2.9L4 (Stage V Pre-Buy) Engines and Deutz TCD2.9L4 (Stage V) Engines Only)	
	1001206797	Ref	Fan and Belt Guard Add-on Kit (Deutz TCD2.9L4 Engines Only)	
	1001274833	Ref	Floor Mat Add-on Kit (30x48 Platform) (Dealer Installed)	
	1001274830	Ref	Floor Mat Add-on Kit (36x72 Platform) (Dealer Installed)	
	1001274829	Ref	Floor Mat Add-on Kit (36x96 Platform) (Dealer Installed)	
		Ref	Filter Kits:	
	1001133071	Ref	Combined Filter Kit (Hydraulic/Air and Fuel/Engine Oil) (Deutz TD2011 Engines)	
	1001181151	Ref	Combined Filter Kit (Hydraulic/Air and Fuel/Engine Oil) (Deutz TCD2.9L4 Engines)	
	1001139099	Ref	Fire Extinguisher Installation	
	1001117294	Ref	Foot Switch Shield	
	1001191395	Ref	Fuel Cap Cover (Lockable) (Green)	
	1001202749	Ref	Fuel Cap Cover (Lockable) (Black)	
	1001222665	Ref	Fuel Pump Harness Kit (Deutz TCD2.9L4 Engines)	
	1001103286	Ref	Generator Hourmeter Installation	
	0271769	Ref	Headlight and Taillights Installation	
	1001228431	Ref	Hose/Cable Protection Installation (Boom)	
	1001187456	Ref	Hose/Cable Protection Installation - Without LSS (Platform)	
	1001233494	Ref	Hose/Cable Protection Installation - With LSS (Platform)	
	1001239634	Ref	Hose Kit - Jib Valve	
	1001204900	Ref	Hose Kit - Platform Valve	
	1001187787	Ref	Hose Kit - Upper Power Track	
	1001241420	Ref	Hostile Environment Kit	
	0271808	Ref	Illumination Lights Installation	
	1001148971	Ref	Lanyard (Bolt-on) Installation Kit	
	1001236951	Ref	Low Temperature Cutout Installation (Russian Specs)	
	1001288636	Ref	Lockout Cylinder Kit	
	1001272166	Ref	Pipe Rack Kit	
	1001172045	Ref	Platform Cable Carrier Installation	
	1001197436	Ref	Platform Console Cover Installation	
	1580013	Ref	Platform Corner Storage Tray	
		Ref	Platform Entry Kits	
	1001142504	Ref	Drop Bar (Replacing Swing Gate with Drop Bar)	
	1001142505	Ref	Swing Gate (Replacing Drop Bar with Swing Gate)	
	1001120467	Ref	Platform Floodlights Installation	
		Ref	Platform Mesh to Top Rail Installations	
	1001266056	Ref	Platform Mesh (Nylon) to Top Rail Installation - 36in x 8ft (91.5cm x 2.44m) (Factory Installed) (ANSI & CSA Specs)	

SECTION 11 - SPECIAL OPTIONS

ITEM	PART NUMBER	QTY	DESCRIPTION	REV
	1001269187	Ref	Platform Mesh (Steel) to Top Rail Installation - 36in x 8ft (91.5cm x 2.44m) (Factory Installed) (ANSI Spec)	
	1001266489	Ref	Platform Mesh (Nylon) to Top Rail Installation - 36in x 6ft (91.5cm x 1.83m) (Factory Installed) (ANSI, ANSI Export, CSA & China Specs)	
	1001271642	Ref	Platform Mesh (Steel) to Top Rail Installation - 36in x 6ft (91.5cm x 1.83m) (Factory Installed) (ANSI and ANSI Export Specs)	
	1001281453	Ref	Platform Mesh (Steel) to Top Rail Add-On Kit - 36in x 6ft (91.5cm x 1.83m) with Gate (ANSI, ANSI EXP, CSA & China Specs)	
	1001281452	Ref	Platform Mesh (Steel) to Top Rail Add-On Kit - 36in x 8ft (91.5cm x 2.44m) with Gate (ANSI & CSA Specs)	
		Ref	Platform Mesh to Mid Rail Installations	
	1001266098	Ref	Platform Mesh (Nylon) to Mid Rail Installation - 36in x 8ft (91.5cm x 2.44m) (Factory Installed) (ANSI, ANSI Export, Australian & China Specs)	
	1001269389	Ref	Platform Mesh (Steel) to Mid Rail Installation - 36in x 8ft (91.5cm x 2.44m) (Factory Installed) (ANSI, ANSI Export and Australian Specs)	
	1001266284	Ref	Platform Mesh (Nylon) to Mid Rail Installation - 36in x 6ft (91.5cm x 1.83m) (Factory Installed) (ANSI, ANSI Export, Australian & China Specs)	
	1001271760	Ref	Platform Mesh (Steel) to Mid Rail Installation - 36in x 6ft (91.5cm x 1.83m) (Factory Installed) (ANSI, ANSI Export and Australian Specs)	
	1001266969	Ref	Platform Mesh (Nylon) to Mid Rail Installation - 30in x 4ft (76.2cm x 1.22m) (Factory Installed) (ANSI, ANSI Export, Australian & China Specs)	
	1001272274	Ref	Platform Mesh (Steel) to Mid Rail Installation - 30in x 4ft (76.2cm x 1.22m) (Factory Installed) (ANSI, ANSI Export and Australian Specs)	
	1001281461	Ref	Platform Mesh (Steel) to Top Rail Add-On Kit - 36in x 4ft (91.5cm x 1.22m) with Gate (ANSI, ANSI EXPORT, AUSTRALIAN & CHINA SPECS)	
	1001281458	Ref	Platform Mesh (Steel) to Top Rail Add-On Kit - 36in x 6ft (91.5cm x 1.83m) with Gate (ANSI, ANSI EXPORT, AUSTRALIAN & CHINA SPECS)	
	1001281457	Ref	Platform Mesh (Steel) to Top Rail Add-On Kit - 36in x 8ft (91.5cm x 2.44m) with Gate (ANSI, ANSI EXPORT, AUSTRALIAN & CHINA SPECS)	
	1001149730	Ref	Platform Mid Rail Repair Kit	
		Ref	Platform Rail Extensions	
	0272733	Ref	6ft Platform	
	0272725	Ref	8ft Platform	
	1001120466	Ref	Platform Worklights Installation	
	1001209059	Ref	Platform Work Surface Installation	
	1001190893	Ref	Service Tools & Kits	T
	1001247073	Ref	SkyEye Retrofit Kit	
	1001241547	Ref	SkyEye Housing Repair Kit (LH)	
	1001241548	Ref	SkyEye Housing Repair Kit (RH)	
	1001209481	Ref	SkyGuard Complete Add-on Kit (Blue Beacon)	
	1001210043	Ref	SkyGuard Complete Add-on Kit (Red Beacon)	
	1001250035	Ref	SkyGuard Platform Sensor Kit	
	1001249052	Ref	SkyGuard Retrofit Kit	
	1001206544	Ref	SkyGuard Strobe Light Kit (Blue Beacon)	
	1001210028	Ref	SkyGuard Strobe Light Kit (Red Beacon)	
	1001250595	Ref	SkyGuard 6-Pin Retrofit Installation Kit	
	1001262016	Ref	SkyLine Add-on Kit (Dealer Installed)	

SECTION 11 - SPECIAL OPTIONS

ITEM	PART NUMBER	QTY	DESCRIPTION	REV
	1001289831	Ref	SkySense/Enhanced Detection System (EDS) Level 1 (2-Bar) Installation Kit (Factory Installed)	
	1001289832	Ref	SkySense/Enhanced Detection System (EDS) Level 2 (3-Bar) Installation (Factory Installed)	
	1001289905	Ref	SkySense/Enhanced Detection System (EDS) Level 1 (2-Bar) Add-on Kit (Dealer Installed)	
	1001289906	Ref	SkySense/Enhanced Detection System (EDS) Level 2 (3-Bar) Add-on Kit (Dealer Installed)	
	1001282461	Ref	SkySense Padding Installation - For 30 x 48 Platforms Equipped with SkySense	
	1001282434	Ref	SkySense Pre-Cut Bumper Kit (use with 1001282461)	
	1001275642	Ref	SkySense Padding Installation - For 36 x 72 Platforms Equipped with SkySense	
	1001275650	Ref	SkySense Pre-Cut Bumper Kit (use with 1001275642)	
	1001269655	Ref	SkySense Padding Installation - For 36 x 96 Platforms Equipped with SkySense	
	1001276062	Ref	SkySense Pre-Cut Bumper Kit (use with 1001269655)	
	1001253618	Ref	SkySense Module Kit (EDS) Level 1 (2-Bar) (Dealer Installed)	
	1001253619	Ref	SkySense Module Kit (EDS) Level 2 (3-Bar) (Dealer Installed)	
	1001231235	Ref	SkyWelder Locking Bracket	
	0273824	Ref	Soft Touch System Installation - 6ft/1.8m Platforms	
	0272427	Ref	Soft Touch System Installation - 8ft/2.4m Platforms	
	0273706	Ref	Soft Touch System Installation - 6ft/1.8m Platforms (With Fall Arrest)	
	1001284519	Ref	Telematics Gateway (Dealer Installed)	
		Ref	Tools For Service:	
	2901443	Ref	Analyzer Kit	
	0272048	Ref	Boom Cable Tools Installation	
	4120040	Ref	Socket 3/4	
	4120043	Ref	Socket 2	
	1705307	Ref	Decal - Tool Location	
	7002821	Ref	Crimper, Wire	
	7002823	Ref	Pin Extractor - Universal (For Electrical Connectors with Pins and Sockets)	
	4460467	Ref	Extractor - 16-18 Gauge (For Removal of Pin/Sockets from Deutsch Connectors)	
	4460510	Ref	Extractor - 12-14 Gauge (For Removal of Pin/Sockets from Deutsch Connectors)	
	7016654	Ref	Screwdriver, Magnetic	
	7002822	Ref	Screwdriver, Potentiometer	
	7004275	Ref	Seal Tool 1 (For Cylinders)	
	7004276	Ref	Seal Tool 1 1/2 (For Cylinders)	
	7002828	Ref	Stripper, Wire	
	4921850	Ref	Throttle Service Harness	
	70004185	Ref	Torque Multiplier	
	7016655	Ref	Wire Rope Sheave Gauge	
	1001137005	Ref	Software Cable Kit	
	70004646	Ref	Puller (Hub Assembly)	
	70004647	Ref	Seal Tool (Hub Assembly)	
	70004648	Ref	Puller (Hub Assembly)	
	2915072	Ref	Turntable Bearing Kit	
	1001277845	Ref	UGM2 Retrofit Kit	
	1001274249	Ref	USB Charger Add-on Kit (Dealer Installed)	
	1001262959	Ref	Voltage Regulator Relocation Add-on Kit (Dealer Installed)	

SECTION 11 - SPECIAL OPTIONS

ITEM	PART NUMBER	QTY	DESCRIPTION	REV
	1001143928	Ref	Wear Pad Kit - Jib Boom	
	1001143929	Ref	Wear Pad Kit - Main Boom	
	1001277222	Ref	White Noise Alarm Kit	
	1001277191	Ref	White Noise Ambient Alarm Kit	
	1001143927	Ref	Wire Rope Kit	

PART NUMBER INDEX

SECTION 11 - SPECIAL OPTIONS

0080237.....169, 193	0259666.....129	0630464.....27, 113, 117, 121, 125, 496	0641511.....27, 165, 173, 181, 189, 197, 205, 217, 223, 229, 235, 241, 247, 253, 285, 289, 293, 297, 301, 337, 341, 359, 363, 367
0080244.....177, 185, 201, 209	0271512.....69	0630518...131, 557, 561, 571, 573, 575, 577	0641516....433, 441, 449, 453, 457, 461
0080277.....27	0271520.....27	0630548...113, 117, 121, 125	0641520.....87, 89, 91, 95
0100009.....541	0271769.....821	0630568.....541	0641524.....71, 93, 97
0100011....19, 23, 27, 34, 45, 51, 53, 57, 59, 77, 81, 83, 99, 101, 103, 105, 107, 109, 111, 113, 117, 118, 121, 122, 125, 126, 145, 152, 153, 156, 157, 160, 161, 165, 169, 173, 177, 181, 185, 189, 193, 197, 201, 205, 209, 217, 221, 223, 227, 229, 233, 235, 239, 241, 245, 247, 251, 253, 257, 259, 264, 269, 277, 285, 289, 293, 297, 301, 305, 307, 309, 311, 313, 315, 319, 325, 337, 341, 345, 347, 351, 359, 363, 367, 371, 373, 375, 378, 383, 425, 427, 433, 437, 441, 445, 449, 453, 457, 461, 465, 467, 470, 476, 483, 485, 492, 496, 499, 509, 513, 519, 523, 525, 527, 529, 531, 533, 567, 569, 571, 573, 575, 577	0271803.....820	0641404...433, 437, 441, 461, 569	0641605....165, 169, 173, 177, 181, 185, 189, 193, 197, 201, 205, 209, 217, 223, 229, 235, 241, 247, 253, 285, 289, 293, 297, 301, 337, 341, 359, 363, 367
0100019....19, 23, 27, 29, 67, 69, 441, 445, 449, 453, 457, 461, 465, 467, 470, 476, 483, 492	0271804.....820	0641405....496, 541, 569	0641606 19, 23, 152, 156, 160, 166, 174, 182, 190, 198, 206, 217, 223, 229, 235, 241, 247, 253, 263, 269, 277, 285, 289, 293, 297, 301, 319, 325, 337, 341, 351, 359, 363, 367, 378, 383, 483, 571, 573, 575, 577
0100020....264, 269, 277, 319, 325, 351, 378, 383, 433, 441, 450, 457, 553, 561, 577, 639, 641, 643, 645, 647, 649, 651, 653, 655, 657, 659	0271806.....133	0641406 53, 57, 113, 117, 121, 125, 135, 156, 160, 169, 177, 185, 193, 201, 209, 227, 245, 263, 269, 277, 319, 325, 351, 378, 383, 497, 507, 539, 580, 789, 791, 793, 795, 797, 799, 801, 803, 805	0641607.....59, 496
0100035.....27, 271, 496, 541, 557	0271808.....821	0641407.....57, 137, 227, 245, 351, 380, 383, 437, 445, 665	0641608....19, 23, 45, 57, 81, 83, 87, 89, 145, 147, 149, 152, 156, 160, 169, 177, 185, 193, 201, 209, 217, 223, 229, 235, 239, 241, 245, 247, 251, 253, 257, 259, 263, 269, 277, 285, 289, 293, 297, 301, 305, 307, 313, 315, 319, 325, 337, 341, 345, 347, 351, 359, 363, 367, 371, 373, 378, 383, 429, 465, 467, 492, 499, 507
0100048.....79, 135, 137, 433, 441, 445, 450, 454, 457, 461	0271852.....39	0641408.....59, 141, 143, 153, 157, 161, 217, 227, 229, 235, 245, 247, 253, 285, 289, 293, 297, 301, 337, 341, 359, 363, 367, 496, 539	0641609....19, 23, 93, 97, 169, 177, 185, 193, 201, 209
0100062....265, 269, 279, 319, 325, 351, 378, 383	0271874.....145	0641410...113, 117, 121, 125, 165, 173, 181, 189, 197, 205, 217, 223, 229, 235, 241, 247, 253, 285, 289, 293, 297, 301, 337, 341, 359, 363, 367	0641610....152, 156, 160, 165, 169, 173, 177, 181, 185, 189, 193, 197, 201, 205, 209, 217, 223, 229, 235, 241, 247, 253, 263, 269, 277, 285, 289, 293, 297, 301, 319, 325, 337, 341, 351, 359, 363, 367, 378, 383, 423, 427, 539
0100063.....483	0271875.....820	0641412..51, 53, 59, 497	0641611.....19, 23, 425
0100079....165, 173, 181, 189, 197, 205, 217, 223, 229, 235, 241, 247, 253, 285, 289, 293, 297, 301, 337, 341, 359, 363, 367, 423	0271953.....635	0641414.....53, 541, 567	0641612....217, 223, 229, 235, 241, 247, 253, 265, 279, 285, 289, 293, 297, 301, 319, 325, 337, 341, 353,
0100081....492, 496, 565	0271954.....637	0641416...633, 635, 637, 639, 641, 643, 645, 647, 649, 651, 653, 655, 657, 659, 665	
0140001.....59	0271955.....633	0641418...496, 513, 519, 523, 525, 527, 529, 531, 533	
0140011.....541	0272048.....481, 823	0641503...265, 269, 279, 319, 325, 351, 378, 383	
0140032.....133	0272055.....39	0641504.....45, 497	
0200833.....27	0272056.....39	0641505.....27	
0236768.....59	0272060...170, 177, 185, 194, 201, 209	0641506....57, 133, 152, 156, 160, 165, 169, 173, 177, 181, 185, 189, 193, 197, 201, 205, 209	
0257887.....133	0272064.....147	0641507...169, 177, 185, 193, 201, 209, 499	
	0272078.....820	0641508 93, 97, 263, 277, 319, 325, 351, 378, 383, 496, 499	
	0272080.....87	0641509....45, 149, 165, 173, 181, 189, 197, 205	
	0272254.....573	0641510...265, 279, 319, 325, 353, 385	
	0272418.....565		
	0272427.....823		
	0272435.....450, 458		
	0272521.....571		
	0272589.....454, 462		
	0272599.....811		
	0272607.....813		
	0272621.....820		
	0272725.....822		
	0272733.....822		
	0273353.....577		
	0273706.....823		
	0273824.....823		
	0273862.....820		
	0275216.....641, 763		
	0275217.....645, 765		
	0275452.....649, 767		
	0275453.....653, 769		
	0275454.....657, 771		
	0340003...169, 177, 185, 193, 201, 209		
	0340051...169, 177, 185, 193, 201, 209		
	0363037.....19, 23		
	0363062.....59		
	0363066.....470, 476		
	0363076.....19		
	0400020.....59		
	0440251.....69		
	0480128.....433, 449		
	0480129.....453		
	0561431.....470, 476		
	0561437.....470, 476		
	0561439.....470, 476		
	0561444.....470, 476		
	0561454.....470, 476		
	0561457.....470, 476		
	0561458.....470, 476		
	0561471.....470, 476		
	0561482.....470, 476		
	0561500.....470, 476		
	0630357.....496		
	0630407...114, 118, 122, 126		

SECTION 11 - SPECIAL OPTIONS

359, 363, 367, 385, 423, 465, 467	0681620 ... 545, 547, 549, 551	0771212.....263, 269, 277, 319, 325, 351, 378, 383	0962297 470, 476, 597
0641613 19, 23	0681813 19, 23	0771414....169, 177, 185, 193, 201, 209, 263, 269, 277, 319, 325, 351, 378, 383	0962402 471, 477
0641614 81, 83	0681814 19, 23, 535, 537		0962403 471, 477
0641615 470, 476	0681815 19, 23		0962404 471, 477
0641616 433, 437	0681816 19, 23		0962406 471, 477
0641618 ... 441, 445, 450, 454, 457, 461, 470, 476	0681822 535, 537	0791406.....496	0962409 470, 476
0641630 152, 156, 160	0681836 485	0791410.....51, 53	0962410 470, 476
0641634 27	0682022 483	0791504.....492	0962411 471, 477
0641636 485	0682026 69	0791505.....496	0962423 27
0641640 470, 476	0682028 ... 263, 269, 277, 319, 325, 351, 378, 383	0791506.....496	0962447 470, 476
0641644 470, 476	0682040 69	0791516.....492	0962520 ... 433, 437, 441, 445, 449, 453, 457, 461
0641646 470, 476	0682422 67	0791520.....492	1001091102 437, 445, 665
0641652 470, 476	0682424 ... 545, 547, 549, 551	079160451, 53, 152, 156, 160, 470, 476, 496	1001091969 641
0641676 481	0683020 483	0791605.....470, 476, 496	1001091970 645
0641706 ... 263, 269, 277, 319, 325, 351, 378, 383	0700408 ... 639, 641, 643, 645, 647, 649, 651, 653, 655, 657, 659	0791606.....496	1001091973 649
0641708 ... 218, 223, 230, 236, 241, 248, 253, 263, 269, 277, 285, 289, 293, 297, 301, 319, 325, 337, 341, 351, 359, 363, 367, 378, 383	0700615 141, 143	0791607.....51, 492	1001091974 653
0641808 . 19, 23, 45, 165, 169, 173, 177, 181, 185, 189, 193, 197, 201, 205, 209, 217, 223, 229, 235, 241, 247, 253, 285, 289, 293, 297, 301, 337, 341, 359, 363, 367, 470, 476, 483	0700616 153, 157, 161	0791608.....496	1001091975 657
0641810 43, 433, 437, 441, 445, 449, 453, 457, 461, 492	0700812 ... 265, 279, 319, 325	0791609.....492	1001094915 437, 445, 665
0641812 77, 169, 177, 185, 221, 227, 233, 239, 245, 251, 257, 259, 305, 307, 313, 315, 347, 371, 373, 375	0700815 ... 263, 269, 277, 319, 325, 351, 378, 383	0791612 470, 476	1001095976 665
0641813 152, 156, 160	0701022 272	0791618.....470, 476	1001096070 693
0641814 20, 193, 201, 209, 221, 233, 239, 251, 309, 311, 345, 371, 375	0701024 269	0791620....470, 476, 492	1001097051 775
0641816 149	0701025 269	0791622.....492	1001097150 689, 693
0641818 ... 147, 169, 177, 185, 193, 201, 209	0701617 29	0791624....470, 476, 492	1001097244 583
0641820 77	0701619 39, 41, 43	0791808.....492	1001098012 559, 561, 577
0641826 ... 169, 177, 185, 193, 201, 209	0711214 ... 169, 177, 185, 193, 201, 209	0811606.....470, 476	1001098122 553
0642010 ... 165, 173, 181, 189, 197, 205, 217, 223, 229, 235, 241, 247, 253, 285, 289, 293, 297, 301, 337, 341, 359, 363, 367, 483	0711417 ... 177, 185, 201, 209	0811607....470, 476, 485	1001098149 561
0642012 465, 467, 565	0721006 425, 427	0811608....470, 476, 483, 485	1001098513 166, 169
0642014 470, 476, 483	0731007 81, 83	0811610.....470, 476	1001098530 174, 177
0642016 27	0741404 496	0811614.....470, 476	1001098531 182, 185
0642020 23	0741606 27, 470, 476	0811616.....470, 476	1001098601 169, 178, 186, 193, 202, 210, 213
0642022 470, 476	0741607 ... 433, 437, 441, 445, 457, 461	0860038....433, 441, 449, 457, 635, 637	1001098828 509
0642212 565	0741806 470, 476	0861538....449, 457, 816	1001099366 565
0642214 19, 23, 465, 467	0760612 ... 113, 117, 121, 125	0861572....453, 461, 816	1001099367 565
0681608 509	0760808 351, 380, 383	0861731....639, 651, 655, 659, 767, 769, 771	1001099632 27
	0760810 ... 265, 269, 279, 319, 325, 509	0861781....643, 647, 763, 765	1001100231 689
	0760812 667	0861880....689, 691, 693	1001100341 763
	0760814 270	0902755.....57	1001100342 765
	0760814001.....270	0902800.....57	1001100345 767
	0761014 509	0902888....433, 441, 449, 453, 457, 461	1001100346 771
	0761016 269	0902915.....77	1001100347 769
	0761210 ... 217, 223, 229, 235, 241, 247, 253, 272, 285, 289, 293, 297, 301, 337, 341, 359, 363, 367	0903530.....57	1001101191 639, 641, 643, 645, 647, 649, 651, 653, 655, 657, 659, 689, 691
	0761212 351, 380, 383	0940070....169, 177, 185, 193, 201, 209, 263, 269, 277, 319, 325, 351, 378, 383	1001101196 641, 643, 645, 647
	0761214 34, 265, 269, 279, 319, 325, 351, 378, 383, 431	0940102.....565	1001101197 639, 649, 651, 653, 655, 657, 659
	0761215 ... 194, 201, 210, 239, 245, 251, 257, 259, 305, 307, 313, 315, 345, 347, 371, 373	0961845....513, 519, 523, 525, 527, 529, 531, 533	1001101421 565
	0761216 509	0961949.....603	1001101422 565
		0961950....483, 485, 591, 593, 599, 603	1001101550 33
		0961986....169, 177, 185, 193, 201, 209, 263, 269, 277, 319, 325, 351, 378, 383	1001103012 737
		0962006.....595	1001103286 821
		0962033.....19, 23	1001104315 29, 31
		0962051 147, 149	1001104324 29
		0962181 483	1001104325 31, 33
		0962270.....535, 537	1001104498 737
			1001104519 741
			1001106736 713
			1001107359 81
			1001107854 737
			1001107971 190, 193

SECTION 11 - SPECIAL OPTIONS

1001107973.....198, 201	1001113047 152, 156, 160	1001118369 483	1001119970.....465
1001107975.....206, 209	1001113103..... 83	1001118373 497	1001119985.....483
1001108579.....83	1001113961 738	1001118384 779	1001119990.....483
1001108616.....194, 202, 211, 239, 245, 251, 313, 315, 345, 371, 406	1001115961 41	1001118388 779	1001119991.....483
1001108617.....165, 173, 181, 189, 197, 205, 217, 223, 229, 235, 241, 247, 253, 285, 289, 293, 297, 301, 337, 341, 359, 363, 367	1001116015 181	1001118430 472, 478	1001119998.....483
1001109048.....83	1001116025 807	1001118431 472, 478	1001119999.....465, 467
1001109468.....627	1001116208 808	1001118564 483	1001120000.....483
1001109484.....737	1001116290 153, 157, 161	1001118930 497	1001120014.....483
1001109485.....713	1001116693 785	1001118931 497	1001120015.....483
1001109654.....665, 689	1001116694 785	1001118933 627	1001120028.....497
1001109677.....89, 95, 97	1001116707 717	1001118934 627	1001120037.....483
1001110027.....152	1001116710 731	1001118935 627	1001120038.....483
1001110059.....83	1001116728 718	1001118957 89	1001120039.....483
1001110108.....53	1001116731 705	1001118971 497, 817	1001120048.....497
1001110109.....53	1001116748 687, 711, 747	1001119020 669, 713, 738, 747, 755	1001120055.....747, 755
1001110110.....53	1001116774 669, 738, 785	1001119033 497	1001120076.....497
1001110111.....53	1001116792 217, 223, 229, 235, 241, 247, 253, 285, 289, 293, 297, 301, 337, 341, 359, 363, 367	1001119042 483	1001120084.....497
1001110112.....53	1001116808 669, 738	1001119052 189	1001120098.....679, 681, 683, 685, 743
1001110113.....53	1001116812 721, 725, 783	1001119053 197	1001120099.....679
1001110186.....71	1001116815 713, 722	1001119054 205	1001120107.....679
1001110194.....152	1001116846 799	1001119105 595, 599	1001120108.....683
1001110425.....217, 223, 229, 235, 241, 247, 253, 285, 289, 293, 297, 301, 337, 341, 359, 363, 367	1001116849 799	1001119111 483, 485	1001120111.....683
1001110433.....152, 156, 160	1001116851 799	1001119137 497	1001120137.....679
1001110486.....152, 156, 160	1001116952 718, 721, 725	1001119138 627	1001120138.....683
1001110513.....53	1001116967 717	1001119141 497	1001120139.....685
1001110604.....627	1001116983 731	1001119211 507	1001120168.....612, 616, 619, 621, 623
1001110872.....661, 663	1001117025 121, 125, 738, 783	1001119212 499, 507	1001120169.....612, 616, 619, 621, 627
1001110873.....433, 441, 450, 458, 635	1001117035 799	1001119214 507	1001120170.....623
1001110877.....53	1001117078 451, 454, 459, 462	1001119215 507	1001120171.....627
1001111132.....166, 174, 182, 190, 198, 206	1001117106 718, 725	1001119225 496	1001120172.....616
1001112551.....791	1001117107 718, 721, 725	1001119262 507, 817	1001120173.....621
1001112612.....669, 713	1001117172 553, 817	1001119273 77	1001120174.....619
1001112669.....41	1001117174 541, 553	1001119390 757	1001120175.....612
1001112691.....152, 156, 160	1001117294 821	1001119392 507, 747	1001120176.....612
1001112716.....41	1001117308 264, 270, 278, 320, 326, 352, 379, 384, 816	1001119393 679, 681, 683, 685, 745	1001120177.....493
1001112758.....45, 817	1001117370 165	1001119395 711	1001120178.....687
1001112766.....169, 177, 185, 193, 201, 209	1001117371 173	1001119413 485	1001120179.....820
1001112796.....669, 705	1001117455 465, 470	1001119414 485	1001120328.....567, 569, 747, 755
1001112878.....165, 173, 181, 189, 197, 205	1001117456 472, 478	1001119455 57, 623, 625	1001120338.....541
1001112879.....165, 173, 181, 189, 197, 205	1001117457 472, 478	1001119456 99, 101, 761	1001120348.....612
1001112880.....165, 173, 181, 189, 197, 205	1001117458 472, 478	1001119470 99, 101, 103, 105, 715	1001120349.....612
1001112927.....194, 202, 210, 239, 245, 251, 257, 259, 305, 307, 313, 315, 345, 347, 371, 373, 413	1001117459 472, 478	1001119512 113, 117, 121, 125, 817	1001120350.....612
	1001117479 472, 478	1001119521 493	1001120351.....612
	1001117480 472, 478	1001119522 493	1001120352.....612
	1001117481 472, 478	1001119546 612	1001120353.....612
	1001117969 595	1001119571 472, 478	1001120354.....612
	1001117990 595, 817	1001119619 773	1001120355.....612
	1001117991 599, 817	1001119620 775, 777	1001120356.....612
	1001117994 595	1001119654 485	1001120357.....612
	1001118066 595	1001119668 485	1001120466.....822
	1001118069 595	1001119702 499, 501	1001120467.....821
	1001118286 499, 503	1001119703 499	1001120471.....583
		1001119704 499	1001120477.....583
		1001119710 485	1001120484.....583
		1001119714 485	1001120564.....87, 89
		1001119727 270	1001120989.....808
		1001119729 497	1001120994.....808
		1001119817 627	1001121155.....605
		1001119899 465, 467	1001122396.....679, 681, 683, 685, 753
		1001119944 492	1001122528.....450, 454, 459, 462
		1001119952 59	1001122591.....820
		1001119968 450, 454, 459, 462	

SECTION 11 - SPECIAL OPTIONS

1001122611 789, 793, 799, 801, 803, 805	1001131462..... 152, 156, 160	1001135913.....264, 278, 320, 326, 352, 379, 384	1001138827 264, 270, 278, 321, 327, 352, 379, 384, 817
1001125152 807	1001131482..... 149	1001135924.....264, 278, 320, 326, 352, 379, 384	1001139099 821
1001125153 807	1001131542..... 169, 177, 185, 193, 201, 209,	1001135926.....264, 278, 320, 326, 352, 379, 384	1001139240 264, 270, 278, 321, 327, 352, 379, 384
1001125177 791, 795	218, 223, 230, 236,	1001135943.....264, 278, 320, 326, 352, 379, 384	1001139357 433, 437
1001125178 791, 795	241, 248, 253, 285,	1001135946.....270, 352, 379, 384	1001139492 95
1001125191 807	289, 293, 297, 301,	1001136356.....437	1001139494 91
1001125192 807	337, 341, 359, 363, 367	1001136357 445, 462	1001139654 808
1001125195 541	1001131620.....492	1001136626.....264, 278, 320, 326, 352, 379, 384	1001139665 91, 95
1001125196 807	1001131728.....492	1001136665.....264, 270, 278, 320, 326, 352, 379, 384	1001139666 91, 95
1001125197 807	1001131733.....492	1001136834.....264, 270, 278, 320, 326, 352, 379, 384	1001139958 433
1001125198 807	1001133071.....821	1001137005.....823	1001139959 437
1001125199 807	1001133633..... 264, 271, 278, 320, 326, 352, 379, 384	1001137262.....493	1001139972 471, 477
1001125200 807	1001133634..... 264, 270, 278, 320, 326, 352,	1001137263.....493	1001140105 467
1001125201 807	379, 384	1001137276.....264, 270, 278, 320, 326, 352, 379, 384	1001140107 467, 476
1001125202 807	1001133714..... 719, 722, 726, 729	1001137336.....269	1001140108 465, 467, 483
1001125203 807	1001133715..... 719, 722, 726, 729	1001137354.....62	1001140222 425
1001125204 807	1001133759.....817	1001137590.....457	1001140312 279, 321
1001125205 807	1001133956..... 717, 721, 725	1001137591 461	1001140344 441
1001125206 807	1001133957..... 717, 721, 725	1001137673.....567, 818	1001140346 442
1001125207 807	1001134180..... 485	1001138011.....441, 445, 458, 462	1001140347 445
1001125208 807	1001134389..... 235	1001138110..... 719	1001140429 513, 519, 523, 525, 527, 529, 531, 533
1001125209 807	1001134390..... 235, 239	1001138111..... 719	1001140485 156, 160
1001125210 807	1001134392..... 221, 239, 257, 263	1001138113..... 719	1001140564 263, 270, 278, 321, 327, 352, 379, 384
1001125211 807	1001134488..... 263, 270, 279, 320, 326, 352, 379, 384	1001138228.....264, 270, 278, 320, 326, 352, 379, 384, 816	1001140604 217, 229, 235, 247, 253, 285, 289, 293, 297, 301, 337, 341, 359, 363, 367
1001125212 807	1001134627..... 820	1001138248.....264, 271, 278, 320, 326, 352, 379, 384	1001141225 217, 223, 229, 235, 241, 247, 253, 285, 289, 293, 297, 301, 337, 341, 359, 363, 367
1001125279 597	1001134728..... 612	1001138253.....264, 270, 278, 320, 326, 352, 379, 384	1001141300 808
1001125295 749	1001135124..... 91	1001138346.....264, 270, 278, 717	1001141302 808
1001125387 808	1001135138..... 264, 270, 278, 320, 326, 379, 384	1001138491.....217, 223, 229, 235, 241, 247, 253, 285, 289, 293, 297, 301, 337, 341, 359, 363, 367, 731	1001141304 265, 270, 278, 321, 327, 352, 380, 385
1001125427 449	1001135479..... 497, 817	1001138494.....519, 523, 525, 527, 529, 531, 533	1001141717 265, 270, 278, 321, 327, 353, 380, 385
1001125428 453	1001135483..... 497	1001138514.....525, 527, 529, 531, 533	1001141718 425, 427
1001125666 679, 681, 683, 685	1001135484..... 497	1001138524.....264, 271, 278, 320, 326, 352, 379, 384	1001141719 263, 270, 278, 321, 327, 353, 380, 385
1001125677 747	1001135560..... 264, 270, 278, 320, 326, 352, 379, 384	1001138559.....264, 272, 278, 321, 327, 352, 379, 384	1001141744 247
1001126008 747	1001135562..... 264, 270, 278, 320, 326, 352, 379, 384	1001138565.....437	1001141745 247, 251
1001126009 779	1001135651..... 719, 722, 726	1001138566.....433, 437, 441, 445, 816	1001141746 233, 251, 259, 277
1001126351 717, 721, 725	1001135653..... 149	1001138717.....265, 279, 321, 327	1001141811 217
1001126352 717	1001135679..... 264, 270, 278, 320, 326		1001141812 217, 221
1001126356 717	1001135680..... 264, 278, 320, 326, 352, 379, 384		1001141813 229, 233
1001126357 717	1001135779..... 265, 271, 278, 320, 326, 352, 379, 384		1001141815 229
1001126362 718, 721, 725	1001135901..... 264, 278, 320, 326, 352, 379, 384		1001142398 380
1001126363 718, 721, 722, 725, 726	1001135903..... 270, 352, 379, 384		1001142501 265, 270, 279, 321, 327, 353, 380, 385
1001126364 718, 721, 722, 725, 726			1001142504 821
1001126365 719			1001142505 821
1001126384 717			
1001126391 719, 721, 725			
1001126392 719, 721, 725			
1001126485 721, 725			
1001126487 721, 725			
1001128527 575			
1001128556 575			
1001129408 695, 697, 699, 701			
1001129858 433, 434			
1001129961 485			
1001131269 789, 797			
1001131292 471, 477			
1001131293 472, 478			
1001131296 472, 478			
1001131330 471, 477			

SECTION 11 - SPECIAL OPTIONS

1001142637.....353, 380, 385	1001148675..... 661, 663	1001157592..... 449, 450, 457, 458	1001173166..... 152, 157, 160
1001142645.....441, 458	1001148841..... 729	1001157890..... 747	1001173170..... 152, 157, 161
1001142683.....141, 143, 817	1001148842..... 729	1001158007..... 450, 454, 458, 462	1001173171..... 81, 83
1001142685.....265, 270, 279, 321, 327, 353, 380, 385	1001148843..... 265, 271, 279, 321, 327, 353, 380, 385, 729	1001158008..... 434, 442, 450, 454, 458, 462	1001173183..... 153
1001142719..... 141, 143	1001148902..... 820	1001158363..... 434, 442	1001173185..... 152, 157, 161
1001142736.....141, 143, 669	1001148903..... 820	1001159118..... 661, 663, 816	1001173186..... 152, 157, 161
1001142938.....719, 722, 726	1001148904..... 820	1001159119..... 661, 663	1001173187..... 152, 157, 161
1001142940.....719, 722, 726	1001148905..... 820	1001159120..... 661, 663	1001173188..... 152
1001142941.....719, 722, 726	1001148906..... 820	1001159121..... 661	1001173609..... 555
1001143087.....91, 93, 95, 97	1001148971..... 821	1001159256..... 541, 818	1001173647..... 152, 157, 161
1001143123.....91, 95	1001149730..... 822	1001160567..... 81	1001173651..... 152, 157, 161
1001143294..... 149	1001149955..... 139	1001161046..... 681	1001173703..... 808
1001143298..... 149	1001151393..... 129	1001161047..... 681	1001173912..... 152
1001143390.....265, 270, 279, 321, 327, 353, 380, 385	1001151432..... 271	1001161052..... 681	1001173913..... 23
1001143852..... 808	1001151856..... 722	1001161401..... 19, 24	1001173914..... 19
1001143927.....472, 478, 824	1001152266..... 713	1001161402..... 19, 24	1001173915..... 81
1001143928.....485, 824	1001152456..... 434, 442	1001161403..... 19, 24	1001173918..... 83
1001143929.....472, 478, 824	1001152457..... 433, 441, 442	1001161709..... 541, 818	1001174040..... 509
1001144089.....265, 271, 279, 321, 327, 353, 380, 385	1001152525..... 434, 442, 450, 454, 458, 462	1001161710..... 541, 818	1001174331..... 153
1001144147.....705, 713	1001152530..... 434, 442	1001163131..... 565	1001175250..... 153
1001144398..... 607	1001152533..... 433, 437, 441, 445, 733	1001165035..... 264, 271, 278, 321, 327, 353, 380, 385	1001175859..... 152, 157, 161
1001144433..... 567	1001152742..... 718	1001165101..... 221, 233, 239, 251, 257, 259, 305, 307, 309, 311, 313, 315, 380, 385, 425	1001175879..... 152, 157, 161
1001144629..... 515, 517, 519, 521, 523	1001152963..... 221, 227, 233, 309, 311, 375, 400	1001165368..... 437, 445, 691	1001175880..... 152, 157, 161
1001145089.....217, 229, 235, 247, 254, 286, 290, 294, 298, 302, 338, 342, 360, 364, 368	1001152966..... 625	1001165820..... 265, 279, 321, 327, 353, 380, 385	1001176329..... 271
1001145154.....265, 271, 279, 321, 327, 353, 380, 385	1001152969..... 625	1001166393..... 264, 270, 278, 321, 327, 353, 380, 385	1001176330..... 271
1001145162..... 156, 160	1001152972..... 612, 616, 619, 621, 625	1001167164..... 227, 245	1001176333..... 749
1001145382.....170, 178, 186, 194, 202, 210	1001153024..... 264, 278, 321, 327, 353, 380, 385	1001167565..... 509	1001176346..... 51
1001145405.....561, 577	1001153257..... 433, 441	1001167567..... 509	1001176347..... 53
1001145708..... 821	1001153260..... 434, 442	1001167596..... 509	1001176415..... 271
1001145842.....218, 230, 236, 248, 254, 286, 290, 294, 298, 302, 338, 342, 360, 364, 368	1001153387..... 265, 279, 321, 327, 353, 380, 385	1001167632..... 722, 725	1001176416..... 271
1001146132..... 156, 160	1001154260..... 471, 477	1001167635..... 721, 725	1001176469..... 117, 121
1001146178..... 156, 160	1001154294..... 471, 477	1001168166..... 271	1001176582..... 555
1001146183..... 156, 160	1001154304..... 471, 477	1001168402..... 509	1001176636..... 555
1001146219.....263, 271, 277, 321, 327, 353, 380, 385	1001154306..... 471, 477	1001169054..... 271	1001176862..... 663
1001146244..... 156, 160	1001154405..... 217, 229, 235, 247, 254, 265, 271, 279, 286, 290, 294, 298, 302, 321, 327, 338, 342, 353, 360, 364, 368, 380, 385, 425, 427, 429	1001169138..... 271	1001177562..... 808
1001146588.....338, 342, 353, 360, 364, 368, 380, 385	1001155044..... 541	1001170035..... 271	1001177635..... 555
1001147264.....718, 722	1001155045..... 541, 818	1001170764..... 722, 726	1001177945..... 227, 245
1001147479.....496, 817	1001155575..... 264, 271, 278, 321, 327, 353, 380, 385	1001170982..... 271, 353, 380, 385	1001177946..... 227, 245
	1001155743..... 57	1001171095..... 194, 202, 211, 239, 245, 251, 313, 315, 345, 371, 409	1001177957..... 227, 245
	1001155823..... 265, 271, 279, 321, 327, 353, 380, 385	1001171130..... 441	1001177958..... 227, 245
	1001157520..... 450, 454, 458, 462	1001171131..... 663	1001177959..... 227, 245
	1001157521..... 450, 454, 458, 462	1001171273..... 445	1001178236..... 271
	1001157525..... 453, 454, 461, 462	1001172045..... 821	1001178249..... 483, 487
	1001157528..... 450, 454, 458, 462	1001172064..... 721	1001178250..... 483, 489
		1001172065..... 721	1001178797..... 429
		1001172760..... 541	1001178894..... 271
		1001172840..... 807	1001179154..... 434, 442, 450, 458
		1001173163..... 153, 157, 161	1001179216..... 679, 681, 683, 685
		1001173164..... 153, 157, 161	1001179510..... 497
			1001180051..... 152, 157, 161
			1001180491..... 555
			1001180620..... 271, 353, 380, 385

SECTION 11 - SPECIAL OPTIONS

1001181045 689, 691, 693, 816	1001200069..... 808	1001220560.....93, 97	1001228043 472, 478, 593
1001181129 93, 97	1001200070..... 808	1001220735.....227, 245, 269	1001228047 472, 478, 607
1001181151 821	1001200071..... 808	1001220770.....271	1001228048 485, 605
1001181895 279, 321	1001200491..... 509	1001220929.....541	1001228215 513
1001181899 353, 380, 385	1001200494..... 509	1001220955.....555	1001228224 563, 817
1001182361 717, 721, 725	1001201351..... 509	1001221203.....271	1001228225 563, 817
1001182365 721	1001202221..... 821	1001221205.....271	1001228243 523
1001182600 821	1001202280..... 423, 816	1001221212.....271	1001228375 533
1001182806 137	1001202687..... 509	1001221217.....271	1001228376 519
1001182997 271	1001202697..... 820	1001221219.....271	1001228377 529
1001184682 135	1001202749..... 821	1001221259.....223	1001228431 821
1001185281 541	1001203564..... 821	1001221261 241	1001228488 67, 73
1001186318 537	1001203656..... 535, 537	1001221263.....224, 227	1001228617 67
1001186334 535	1001203866..... 423	1001221265.....242, 245	1001228952 695
1001186375 525	1001204725..... 509	1001221427.....271	1001228954 695
1001186379 527	1001204900..... 821	1001221666.....97	1001228976 555
1001186382 531	1001205958..... 649, 651, 653, 655, 657, 659	1001221802.....93	1001228988 575
1001186383 521	1001206250..... 651	1001222665.....821	1001229058 67
1001186384 517	1001206251..... 655	1001222773.....427	1001229341 563
1001186387 515	1001206252..... 659	1001222817.....429	1001229485 555
1001186389 537	1001206253..... 643	1001223055.....789	1001229599 271
1001186431 567, 817	1001206254..... 647	1001223068.....429	1001229600 271
1001186432 741, 779	1001206255..... 639	1001223453.....789, 797	1001229922 555
1001186517 567	1001206255..... 639	1001223459.....719, 721, 725	1001230931 687, 711, 747
1001187011 271	1001206476..... 667	1001223883.....43	1001230934 717, 721, 725
1001187382 509	1001206532..... 542	1001223971 797	1001230935 717, 721, 725
1001187383 509	1001206544..... 822	1001224048.....803	1001230936 717, 721, 725
1001187456 821	1001206794..... 821	1001224049.....805	1001231235 823
1001187674 563	1001206797..... 821	1001224050.....799	1001231315 789
1001187681 773	1001207969..... 499	1001224052.....793	1001231316 797
1001187787 821	1001208299..... 353, 380, 385	1001224053.....801	1001231317 803
1001187807 131, 557	1001208994..... 499, 509	1001224066.....59, 65	1001231318 805
1001188376 93, 97	1001209059..... 822	1001225118.....170, 178, 186, 194, 202, 210	1001231319 793
1001188382 93, 97	1001209432..... 667	1001225266.....483	1001231320 801
1001188622 509	1001209474..... 667	1001225346.....667, 817	1001231321 799
1001188844 509	1001209481..... 822	1001225430.....281, 329, 355, 816	1001231801 807
1001188884 423	1001209664..... 567	1001225431 281, 329, 816	1001231886 135
1001188887 423	1001210028..... 822	1001225432.....356	1001231949 551
1001189001 509	1001210043..... 822	1001225580.....567, 741	1001231950 547, 549
1001189002 509	1001210636..... 583	1001226289.....685	1001232010 547, 549, 551
1001190893 822	1001211556..... 355	1001226290.....685	1001232011 547, 549, 551
1001190985 509	1001212223..... 457, 461	1001226400.....743, 753	1001232164 563
1001191272 264, 278, 321, 327, 353, 380, 385	1001212790..... 493	1001226531 667	1001232165 563
1001191395 821	1001213385..... 612, 623, 627, 629	1001226541 705, 713	1001232546 380, 389
1001191525 808	1001213447..... 755	1001226636.....705	1001232642 569
1001191541 19, 24	1001213705..... 465, 467	1001226637 705	1001232667 569, 817
1001191620 353, 380, 385	1001214029..... 808	1001226739.....695, 697, 699, 701, 705	1001232842 421
1001192401 713	1001214570..... 667	1001226872.....513	1001233047 820
1001193018 639, 641, 643, 645, 647, 649, 651, 653, 655, 657, 659	1001214571..... 667	1001226923.....429	1001233492 353, 380, 385
1001193674 19, 24	1001215375..... 555	1001227451 699	1001233494 821
1001196634 421, 707, 816, 817	1001215379..... 555	1001227606.....223, 241, 353, 427	1001233763 421
1001197408 808	1001215380..... 555	1001227633.....563	1001233959 131, 557
1001197436 821	1001216363..... 820	1001227634.....563	1001234800 721, 725
1001197719 722, 726	1001216630..... 509	1001227960.....57, 817	1001235149 375
1001198751 423	1001216876..... 43	1001227985.....563	1001235150 360, 364, 371
1001200064 808	1001216877..... 43	1001227987.....563	1001235151 371, 375, 378
1001200065 808	1001218622..... 685	1001227996.....775, 777	
1001200066 808	1001218623..... 685		
1001200067 808	1001219601..... 113, 117, 122, 125, 817		
	1001219642..... 271, 333		
	1001219992... 45, 57, 499		
	1001220379..... 718		
	1001220482..... 555, 749		

SECTION 11 - SPECIAL OPTIONS

1001235617.....820	1001243734.....135	1001251058.....483, 599	1001266052.....101, 105, 117
1001235952.....353, 380, 385	1001243849.....137	1001252527.....717, 721, 725	1001266053.....113
1001236087.....557	1001243895.....421	1001252627.....811, 813	1001266054.....117
1001236091.....131	1001244026.....141	1001252629.....545, 547, 549, 551	1001266056.....821
1001236411.....161	1001244027.....143	1001253375.....741	1001266068.....109, 121
1001236504.....667	1001245356.....539, 541	1001253543.....789	1001266098.....822
1001236505.....667	1001245357.....539	1001253544.....789	1001266284.....822
1001236552.....569	1001245358.....107	1001253545.....797	1001266489.....822
1001236686.....121	1001245359.....99	1001253546.....797	1001266969.....822
1001236746.....551	1001245360.....103	1001253547.....803	1001267315.....807
1001236747.....547	1001245363.....101	1001253548.....803	1001268240.....807
1001236755.....109	1001245364.....105	1001253549.....799	1001269187.....822
1001236891.....545, 547, 549, 551	1001245369.....789	1001253550.....799	1001269322.....575
1001236895.....545, 547, 549, 551	1001245370.....797	1001253551.....793	1001269389.....822
1001236951.....821	1001245371.....803	1001253552.....793	1001269573.....575
1001237111.....160	1001245372.....799	1001253553.....805	1001269655.....823
1001237113.....157, 161	1001245373.....793	1001253554.....805	1001270106.....57, 61
1001237285.....380, 725	1001245374.....805	1001253555.....801	1001270339.....671
1001237544.....557	1001245375.....801	1001253556.....801	1001270340.....671
1001237546.....131	1001245916.....541	1001253556.....801	1001270521.....820
1001237667.....737, 755	1001246127.....697	1001253556.....801	1001270594.....139
1001237668.....737, 755	1001246128.....701	1001253618.....823	1001271642.....822
1001237755.....465, 467	1001246142.....820	1001254472.....569	1001271731.....820
1001237827.....363	1001246144.....697	1001254473.....569	1001271760.....822
1001237828.....359	1001246145.....701	1001255133.....509	1001272091.....820
1001237862.....775, 777	1001246612.....795	1001255901.....707	1001272166.....821
1001237863.....563, 775	1001246613.....791	1001256212.....157	1001272203.....820
1001237864.....563, 777	1001246618.....157, 161	1001256216.....156	1001272274.....822
1001237865.....563, 773	1001246619.....157, 161	1001256506.....718	1001272659.....703
1001237882.....821	1001246859.....737	1001256507.....717	1001272681.....141
1001237883.....821	1001247073.....822	1001256859.....93, 95, 97	1001272682.....143
1001238263.....545, 547, 549, 551	1001247468.....509, 817	1001256864.....264, 278, 321, 327, 353, 379, 385	1001272997.....707
1001238319.....563	1001248140.....545, 547, 549, 551	1001256879.....338, 342, 360, 364, 368	1001273012.....703, 707
1001238418.....569, 779	1001248141.....545, 547, 549, 551	1001257155.....271	1001274249.....823
1001238421.....509	1001248539.....789, 793, 797, 799, 801, 803, 805	1001257271.....545	1001274559.....541, 818
1001238463.....549	1001248540.....791, 795	1001257274.....545	1001274829.....821
1001238472.....569	1001248546.....791, 795	1001257277.....169, 178, 186, 194, 202, 210	1001274830.....821
1001238495.....567	1001248547.....789	1001258800.....353, 379, 385	1001274833.....821
1001238559.....569	1001248548.....797	1001260432.....378, 385	1001275149.....139, 141, 143
1001239202.....722, 726	1001248549.....803	1001261045.....353, 378, 385	1001275628.....541, 816
1001239281.....135	1001248550.....805	1001261335.....545	1001275629.....541, 816
1001239344.....671	1001248551.....793	1001261338.....545	1001275637.....43
1001239345.....671	1001248552.....801	1001261500.....807	1001275642.....823
1001239634.....821	1001248553.....799	1001262016.....822	1001275650.....823
1001239805.....667	1001248555.....789, 793, 797, 799, 801, 803, 805, 807	1001262322.....699	1001276062.....823
1001241383.....137	1001248561.....791, 795	1001262326.....699	1001276610.....703
1001241420.....821	1001249052.....822	1001262959.....823	1001276626.....113, 117, 121, 125
1001241547.....822	1001249695.....820	1001264917.....264, 278, 321, 327	1001276646.....321, 327, 353, 385, 721
1001241548.....822	1001249941.....820	1001264982.....264, 278, 321, 327	1001276923.....820
1001241585.....667	1001249964.....264, 278, 281	1001265163.....583	1001277191.....824
1001241590.....713	1001250035.....822	1001265342.....583	1001277222.....824
1001241591.....713	1001250296.....157, 160	1001265880.....126	1001277593.....385
1001241630.....667	1001250297.....157, 161	1001266048.....113	1001277599.....373, 383
1001241965.....569	1001250595.....822	1001266049.....117, 121, 122, 125	1001277845.....823
1001242185.....671	1001251019.....23, 591	1001266051.....99, 103, 107, 113	1001278483.....113, 118, 122, 125
1001242189.....541, 755	1001251020.....19, 23, 589		1001278608.....77, 79
1001242192.....820	1001251031.....27, 603		1001278850.....141, 143
1001242373.....114, 118, 122, 126	1001251045.....465, 467, 597		1001281100.....113, 117, 121, 125, 817
1001243183.....820	1001251046.....483, 601		1001281192.....353
1001243184.....820	1001251057.....483, 595		1001281298.....431
1001243414.....157, 161			1001281304.....431
1001243731.....137			

SECTION 11 - SPECIAL OPTIONS

1001281305..... 431	1001290348..... 807	1120550..... 27	1600443..... 213, 816
1001281307..... 431	1001290403..... 807	1120555..... 565	1670603..... 639
1001281309..... 431	1001291401..... 265, 272,	1180362..... 492	1670996..... 51
1001281310..... 431	279, 321, 327, 353, 385	1180363..... 492	1671023... 169, 177, 185,
1001281311..... 431	1001291459..... 807	1260017..... 71	193, 201, 209
1001281359..... 431	1001291868..... 355	1320022... 165, 169, 173,	1671031..... 496
1001281360..... 431	1001292058..... 808	177, 181, 185, 189,	1671032..... 470, 476
1001281404..... 431	1001292604..... 353, 355	193, 197, 201, 205,	1671033..... 470, 476
1001281452..... 822	1001293369..... 820	209, 217, 223, 229,	1671038... 152, 156, 160
1001281453..... 822	1001293501..... 820	235, 241, 247, 253,	1671040..... 27
1001281457..... 822	1001294761..... 808	264, 271, 278, 285,	1671044..... 496
1001281458..... 822	1001294815..... 808	289, 293, 297, 301,	1671045..... 51, 53
1001281461..... 822	1001296427..... 113, 117,	319, 325, 337, 341,	1671046..... 51, 53
1001281656..... 431	122, 125	351, 359, 363, 367,	1671047..... 51, 53
1001281985..... 321, 327	1001297394..... 122	378, 383, 423	1671048..... 51, 53
1001281986..... 321, 327	1001297395..... 114, 118	1320058... 169, 177, 185,	1671049..... 51, 53
1001282063..... 820	1001297564..... 629	193, 201, 209	1671092... 450, 458, 681
1001282199..... 338, 345	1001297565..... 629	1320060... 169, 177, 185,	1671093... 573, 577, 681
1001282200..... 345, 347,	1001297566..... 629	193, 201, 209	1671121... 165, 173, 181,
351	1001297567..... 629	1320061..... 497	189, 197, 205, 217,
1001282203..... 337	1001297568..... 629	1320095... 113, 117, 121,	223, 229, 235, 241,
1001282251..... 111, 125	1001297569..... 629	125	247, 253, 285, 289,
1001282252..... 111	1001297570..... 629	1320130..... 271, 496	293, 297, 301, 337,
1001282253..... 125	1001297571..... 629	1320136..... 496	341, 359, 363, 367
1001282333..... 431	1001297572..... 629	1320146... 633, 635, 637,	1701499... 789, 791, 793,
1001282406..... 785	1001297601..... 629	665	795, 797, 799, 801,
1001282434..... 823	1001300101..... 629	1320162... 87, 89, 91, 95	803, 805
1001282461..... 823	1001301545..... 321, 327,	1320177..... 561, 577	1701501... 789, 791, 793,
1001283008..... 264, 270,	329	1320187... 165, 173, 181,	795, 797, 799, 801,
278, 321, 327, 353, 385	1001301546..... 307, 311,	189, 197, 205, 217,	803, 805
1001283776..... 139, 781	315, 325	223, 229, 235, 241,	1701505... 789, 791, 793,
1001284070..... 431	1001301590..... 305, 309,	247, 253, 285, 289,	795, 797, 799, 801,
1001284100..... 431	313, 319	293, 297, 301, 337,	803, 805
1001284101..... 431	1001301654..... 286, 305	341, 359, 363, 367	1701509... 565, 789, 791,
1001284519..... 823	1001301672..... 309	1320190... 165, 173, 181,	793, 795, 797, 799,
1001284692..... 807	1001301710..... 290, 307	189, 197, 205, 217,	801, 803, 805
1001285524..... 113, 117,	1001301713..... 294, 311	223, 229, 235, 241,	1701518..... 791, 795
121, 125, 783	1001301718..... 289	247, 253, 285, 289,	1702565..... 541
1001285576..... 113, 117,	1001301722..... 293	293, 297, 301, 337,	1702566..... 541
121, 125, 737	1001301725..... 285	341, 359, 363, 367	1702773... 535, 537, 795,
1001285878..... 497	1001302756..... 302, 315	1320223... 169, 177, 185,	807
1001286114..... 113, 117,	1001302757..... 298, 313	193, 201, 209	1702774..... 807
121, 125	1001302758..... 301	1320263..... 19, 23	1702868... 575, 789, 807,
1001286957..... 257, 259,	1001302761..... 297	1320294..... 492	811
305, 307, 347, 373, 415	1001307624..... 629	1320295..... 492	1702942..... 182, 206
1001286958..... 257, 259,	1001307894..... 493, 679,	1320298..... 493	1703162... 169, 177, 185,
305, 307, 347, 373, 417	681, 683, 685	1320301..... 496	193, 201, 209, 265,
1001286966..... 253	1001308291..... 493, 679,	1320302... 571, 573, 575,	269, 279, 319, 325,
1001286967..... 254, 257	681, 683, 685	577	351, 378, 383
1001286969..... 259	1001311034..... 569	1321283... 337, 341, 360,	1703804..... 789
1001286982..... 368, 373	1060341..... 733	364, 367	1703805..... 789
1001286984..... 342, 347	1060343..... 450, 458	1321289... 265, 279, 319,	1703811... 789, 791, 793,
1001286991..... 367	1060545..... 691	325	795, 797, 799, 801,
1001286992..... 341	1060904..... 185, 209	1321293..... 497	803, 805
1001287523 99, 101, 105,	1060908..... 689, 693	1321716... 285, 289, 293,	1703814... 789, 791, 793,
107, 109, 111, 713	1060918..... 553	297, 301, 337, 341,	795, 797, 799, 801,
1001288370..... 57	1060979..... 687	360, 364, 367	803, 805
1001288636..... 821	1060981..... 673, 677	1340065... 169, 177, 185,	1703935..... 805
1001288705..... 807	1060982..... 675	193, 201, 209	1703936..... 797
1001289138..... 709	10702077 . 450, 454, 458,	1340067..... 820	1703938..... 801
1001289140..... 709	462	1380147..... 147, 149	1703939..... 803
1001289199..... 709	10702082 . 450, 454, 458,	1380169... 152, 156, 160	1703941..... 805
1001289831..... 823	462	1560011..... 757	1703942..... 797
1001289832..... 823	10836804 . 113, 117, 121,	1560012..... 757	1703943..... 799
1001289905..... 823	125	1580012..... 580	1703944..... 801
1001289906..... 823	10837580..... 605	1580013..... 821	1703945..... 803
1001289964..... 352	1120549..... 27	1600343..... 541, 817	1703947..... 805

SECTION 11 - SPECIAL OPTIONS

1703948.....797	1705902.....793	2130606.....61, 621, 623, 625, 627, 629	2221117.....623, 625
1703949.....799	1705903.....793	2130808 ... 612, 623, 625, 627, 629	2221176....165, 173, 181, 189, 197, 205
1703950.....801	1705905.....793	213081047, 627	2400060....421, 583, 737
1703951.....803	1705906.....793	213081234, 612, 627, 629	2400064.....817
1703953.....789	1705910.....805	2131010612	2400065.....783, 817
1703980.....801	1705915.....805	213101262	2400066.....737, 783
1703981.....803	1705917.....805	2131212 ... 87, 89, 91, 93, 95, 97, 623, 625	2410014.....535, 537
1703982.....799	1705921791, 795	2131612627, 629	2420191.....81
1703983.....805	1705961791, 795	2150404612	2460048.....449, 453
1703984.....797	1705967793	2150406612	2540038.....269
1704000.....797, 807	1705969803, 807	215101249	2540045.....507
1704001.....805	1705980808	216000269	2560136.....541
1704006.....797	1706059793	2170112629	2560187....153, 157, 161
1704007.....805	1706060799	2170312629	2580062.....185, 209
1704260.....541	1706061803	217031661	2600279....114, 118, 122, 126
1704277....789, 791, 793, 795, 797, 799, 801, 803, 805	1706062801	2170412629	2600281....515, 517, 519, 521, 523
1704412....789, 791, 793, 795, 797, 799, 801, 803, 805	1706063805	2170504616, 619	2717235.....612
1704885.....807	1706064797	2170506619	2720015....264, 271, 278, 319, 325
1704972.....789	1706098791, 795	217051293, 97	2720058....169, 177, 185, 193, 201, 209, 423
1705014.....535	1706385535	2170704616	2720160.....561, 577
1705174....791, 795, 797	1706493537	2170710612	2720500....169, 177, 185, 193, 201, 209
1705305....575, 811, 813	1706501537	217071287, 89, 91, 95	2720501....169, 177, 185, 193, 201, 209
1705307.....481, 823	1706741541	2170804616	2750528.....69
1705325.....641, 643	2030010...561, 571, 573, 575, 577	2170908623, 625, 627	2750532....165, 169, 173, 177, 181, 185, 189, 193, 197, 203, 205, 209, 217, 223, 229, 235, 241, 247, 253, 285, 289, 293, 297, 301, 337, 341, 359, 363, 367
1705336.....789	2060025 ...169, 177, 185, 193, 201, 209	2170912629	2753541.....616
1705344.....801	2080040...515, 517, 519, 521, 523	217111291, 93, 95, 97	2753545.....612, 616
1705345.....803	211040434, 501, 503, 612, 623, 625, 627, 629	2171208612	2753552.....616
1705347.....797	211040649, 62, 501, 504, 612, 619	2171210612	2753582.....616
1705351.....789	211040862	217211293, 97	2753622.....625
1705358.....565	2110604503, 619	218034469	2753675.....612
1705366.....496	211060647, 62, 501, 503, 619	2180348 ...165, 173, 181, 189, 197, 205, 423	2753677.....616
1705367.....496	211060862, 623, 625, 627, 629	218046783	2753685.....616
1705374....433, 441, 661, 663	2110610 ...623, 625, 627, 629	2180832 ...217, 223, 229, 235, 241, 247, 253, 285, 289, 293, 297, 301, 337, 341, 359, 363, 367, 561, 577	2753703.....616
1705375.....450, 458	211080661	222006369	2753708....623, 625, 627
1705387....433, 441, 450, 459	211080834, 501, 503, 616	222023520, 616	2753713.....616
1705426.....801	211081049, 62, 623, 625, 627, 629	2220273269	2753714.....616
1705427.....803	211081234, 612, 623, 625, 627, 629	2220313 ...165, 173, 181, 189, 197, 205, 217, 223, 229, 235, 241, 247, 253, 285, 289, 293, 297, 301, 337, 341, 359, 363, 367	2753715.....616
1705429.....797	211101062, 503, 612, 623, 625, 627, 629	2220451 ...169, 177, 185, 193, 201, 209	2753716.....616
1705430.....799	211101249, 623, 625, 627, 629	2220478 ...623, 625, 627, 629	2753718....623, 625, 627, 629
1705460....450, 454, 458, 462	211101662, 627	2220498 ...169, 177, 185, 193, 201, 209	2753719.....619
1705461.....454, 462	2111212 ...623, 625, 627, 629	2220737623, 625, 629	2753726.....619
1705489....437, 445, 454, 462	211121661	2220816423, 429	2753727.....619
1705490.....811, 813	2111616 ...623, 625, 627, 629	222088349, 591, 593, 595, 597, 599, 605	2753728.....621
1705492.....789	2111620629	2220885 ...591, 593, 597, 599, 601, 603, 605, 607	2753729.....619
1705493.....801	2112016627	222088661, 607	2753730....623, 625, 627, 629
1705503.....803	211202157, 817	2221084623, 625, 627	2753731....623, 625, 627, 629
1705505.....797	2130404612, 627, 629	2221086 .47, 49, 61, 501, 503	2753732.....621
1705511....789, 791, 793, 795, 797, 799, 801, 803, 805	213040634, 612		2753733.....621
1705744.....541			2753734....621, 623, 625, 627, 629
1705822.....791, 795			
1705828.....791, 795			
1705864.....795, 807			
1705865.....807			
1705896.....793			
1705897.....793			
1705898.....793			
1705901.....793			

SECTION 11 - SPECIAL OPTIONS

2753735	621	269, 277, 319, 325,	3300353.....	541	507, 535, 537, 539,	
2753736	621	351, 378, 383, 419	3300396....	434, 442, 450,	571, 573, 575, 577	
2753737	621	2902099 ... 165, 173, 181,	454, 458, 462	3311608 ...	471, 477, 485,	
2753738	621	189, 197, 205	3300408.....	131	492	
2753739	621	2902212	3300430.....	567	3311705 ...	218, 223, 230,
2753741	623, 625	2902217 ... 571, 573, 577	330045453, 57, 141, 143,		236, 241, 248, 253,	
2753742	621	2902443 ... 715, 718, 721,	170, 178, 186, 194,		263, 269, 277, 285,	
2753743	612, 621	725	202, 210		289, 293, 297, 301,	
2753744 ...	623, 625, 627,	2915072	3300458.....	470, 476	319, 325, 337, 341,	
629		2940074 ... 515, 517, 519,	3300460.....	470, 476	351, 359, 363, 367,	
2753746 ...	623, 625, 627,	521, 523, 817	3300461.....	470, 476	378, 383	
629		2940173 153, 157, 161	3300464.....	27	3311801 ...	441, 445, 457,
2753747	616	3020039	3300492.....	492	461, 471, 477	
2753748	616	3020042	3310401....	264, 269, 277,	331180543, 77, 147, 149,	
2753749	616	3160339	319, 325, 351, 378, 383		152, 156, 160, 170,	
2753750	616	3200362 ... 169, 177, 186,	3310601.....	147, 149	178, 186, 194, 202, 210	
2753752	616	193, 201, 210	3310805.....	19, 23	3312002	67, 545, 547,
2753753	621	3200401 ... 169, 177, 186,	3311001....	113, 117, 121,	549, 551	
2753754	621	193, 201, 210	125, 425, 427, 434,		3312005	23, 465, 467,
2753755	612	3251102 ... 433, 437, 441,	442, 450, 454, 458, 462		483, 565	
2753756	616	445, 449, 453, 457, 461	3311005....	433, 441, 450,	3312205	565
2753757	616	3251242 ... 639, 645, 647,	454, 458, 462, 561,		3312602	139, 141, 143
2753759	616	649, 651, 653, 655,	571, 573, 575, 577		3322201	77
2753760	616	657, 659	3311402....	114, 118, 122,	3340871	471, 477
2753761	616	3251243 ... 433, 442, 450,	126		3340881 19, 23, 471, 477,	
2753762	616	458, 789, 797, 799	3311405..	45, 53, 59, 113,	485	
2753763	612	3251813	117, 121, 125, 135,		3340910	471, 477
2753764	616	3252347	137, 156, 160, 170,		3340912	471, 477
2753765 ...	623, 625, 627,	3271601	178, 186, 194, 202,		3340916	471, 477
629		3271605 ... 545, 547, 549,	210, 217, 227, 229,		3340917	471, 477
2753766 ...	623, 625, 627,	551	235, 245, 247, 253,		3340918	471, 477
629		3271805	263, 269, 277, 285,		3340921	471, 477
2753767	612	3272001 ... 263, 269, 277,	289, 293, 297, 301,		3340922	471, 477
2753768	616	319, 325, 351, 378,	319, 325, 337, 341,		3340925	492
2753769	623, 625	383, 545, 547, 549, 551	351, 359, 363, 367,		3340926	471, 477
2753770	623, 625	3272005	378, 383, 437, 445,		3340939	493
2753771 ...	623, 625, 627,	3281601	496, 507, 539, 569,		3340940	492
629		3290405 ... 139, 141, 143,	633, 635, 637, 639,		3340941	496
2753772 ...	623, 625, 627,	437, 445, 583, 639,	641, 643, 645, 647,		3340942	492
629		641, 643, 645, 647,	649, 651, 653, 655,		3340955	471, 477
2753773	623, 625	649, 651, 653, 655,	657, 659, 665, 667,		3340956	565
2753774 ...	623, 625, 627,	657, 659, 665	789, 791, 793, 795,		3380434	539
629		3290601 153, 157, 161	797, 799, 801, 803, 805		3380473 ...	165, 173, 181,
2753775	623	3290605 ... 113, 117, 121,	3311505....	27, 45, 71, 87,	189, 197, 205	
2753776	623, 625	125, 561, 577	89, 91, 93, 95, 97, 133,		3421453	561, 577
2753778	87, 89	3290605001.....	149, 152, 153, 156,		3421563	71
2753784	612	3290606 ... 525, 527, 529,	157, 160, 161, 165,		3421565	71
2753843	87	531, 533	170, 173, 178, 181,		3422446 ...	165, 173, 181,
2753999	89	3290607	186, 189, 194, 197,		189, 197, 205, 217,	
2754470	612	3290801 ... 263, 269, 277,	202, 205, 210, 497, 499		223, 229, 235, 241,	
2820031 ...	433, 437, 441,	319, 325, 351, 378, 383	3311508....	433, 441, 449,	247, 253, 285, 289,	
445, 449, 453, 457, 461		3290805	453, 457, 461, 492		293, 297, 301, 337,	
2820035	133, 421	3290806 ... 265, 279, 319,	3311601..	59, 81, 83, 156,	341, 359, 363, 367	
2820170 ...	165, 173, 181,	325, 509	161, 541, 569		3422532 ...	170, 178, 186,
189, 197, 205		3290807	3311605....	45, 59, 87, 89,	194, 202, 210	
2820171	749	3291001	93, 97, 147, 149, 152,		3422833	23
2820247	775, 777	3291005	156, 160, 170, 178,		3422915	23
2840016	147, 149	3291007	186, 194, 202, 210,		3422917	27
2860030	121, 129, 817	3291201	217, 223, 229, 235,		3422918	19, 23
2900770	61, 591, 595,	3291205	241, 247, 253, 263,		3422926	471, 477
597, 605		3300151 ... 513, 519, 523,	269, 277, 285, 289,		3422940	27
2900789	607	525, 527, 529, 531,	293, 297, 301, 319,		3422941	27
2900792	589, 593, 599	533, 571, 573, 575, 577	325, 337, 341, 351,		3422955	465, 467
2901443	823	3300220 ... 217, 223, 229,	359, 363, 367, 378,		3422959	471, 477
2902065 ...	169, 177, 185,	235, 241, 247, 253,	383, 425, 427, 429,		3422960	19, 23
193, 201, 209, 264,		337, 341, 359, 363, 367	471, 476, 481, 496,		3422988	465, 467
		3300239	470, 476		3423161	485

SECTION 11 - SPECIAL OPTIONS

3423208.....465, 467	3574431 496	3900210 ... 152, 153, 156, 157, 160, 161, 499	4010408.....437, 445, 665
3423256.....27	3574616 496	3900232 152, 156, 160	4010608.....561, 577
3430616.....542	3575889 485	3900251 ... 114, 118, 122, 126	4010618....525, 527, 529, 531, 533
3430816.....147, 149	3576799 561, 577	3900267 434, 442	4031505.....563
3450404.....147, 149	3577121 ... 571, 573, 575, 577	3900270 19, 23	4031509.....139, 141, 143
3451214.....27	3580158 170, 194	3900272 ... 165, 173, 181, 189, 197, 205	4031516.....569
3460334.....565	3580300 471, 477	3900283 ... 51, 57, 81, 83, 485, 493	4031708001.....555
3470003.....542	3580302 471, 477	3900300 434, 442	4031907.....269
3520026.....541	3580306 471, 477	3900316 493	4031912.....351
3520027.....542	3580317 ... 433, 437, 441, 445, 450, 453, 457, 461	3900349 541	4031914....263, 269, 277, 319, 325, 378, 383
3520030.....541	3580318 ... 433, 441, 450, 457	3900363 153, 157, 161	4032014....263, 269, 277, 319, 325
3520034.....152, 156, 160	3580319 ... 437, 445, 454, 461	3910408 ... 264, 269, 277, 319, 325, 351, 378, 383	4032022....170, 178, 186, 194, 202, 210
3520054.....23, 170, 178, 186, 194, 202, 210, 218, 223, 230, 236, 241, 248, 253, 285, 289, 293, 297, 301, 337, 341, 351, 359, 363, 367, 380, 383	3580320... 178, 186, 202, 210, 263, 269, 277, 319, 325	3910606 ... 433, 441, 450, 457, 635, 637, 661, 663	4060092.....637
3520071.....565	3580341 471, 477	3910608 147, 149	4060802....433, 437, 441, 445, 450, 454, 457, 461
3520072....513, 515, 517, 519, 521, 523, 525, 527, 529, 531, 533, 535, 537	3580342 471, 477	3910804 129	4060804....170, 178, 186, 194, 202, 210, 493
3520189.....454, 462	3600339... 170, 178, 186, 394	3930606 496	4060805....170, 178, 186, 194, 202, 210
3520192.....454, 462	3620034 87, 89	3930816 496	4060808.....45
3520198....513, 515, 517, 519, 521, 523, 525, 527, 529, 531, 533	3740067 59, 170, 178, 186, 194, 202, 210, 816, 817	3930820 19, 23, 496	4060906.....541
3537416....170, 178, 186, 194, 202, 210	3740080... 121, 170, 178, 186, 194, 202, 210, 738, 816, 817	3931016 ... 433, 441, 449, 453, 457, 461	4061032.....629
3537445.....147	3740086 779, 817	3931020 27	4070863.....471, 477
3539971....170, 178, 186, 194, 202, 210	3760170 71	3931408 567	4070864.....471, 477
3572950.....471, 477	3760217 471, 477	3931412 27	4070895.....471, 477
3573016.....492	3760308 153, 156, 160	3931414 496	4070897....471, 477, 485
3573142....170, 178, 186, 194, 202, 210	3760308 153, 156, 160	3931432 ... 264, 269, 277, 319, 325, 351, 378, 383	4070898....471, 477, 485
3573144....114, 118, 122, 126	3760351 485	3931508 ... 265, 269, 279, 319, 325, 351, 378, 383, 496	4071012.....471, 477
3573179.....492	3760383 27	3931512 79, 263, 269, 277, 319, 325, 351, 378, 383	4071013.....477
3573181.....492	3790012 541	3931616 99, 101, 103, 105, 107, 109, 111, 113, 117, 121, 125	4071015.....471, 477
3573194.....492	3790152 ... 194, 202, 211, 239, 245, 251, 257, 259, 305, 307, 313, 315, 345, 347, 371, 373	3931628 ... 263, 269, 277, 319, 325	4071016.....471, 477
3573210.....492	3790155 ... 194, 203, 211, 239, 245, 251, 257, 259, 305, 307, 313, 315, 345, 347, 371, 373	3932016 483	4071017.....471, 477
3573232....152, 156, 160	3790158 34	3932024 27	4071018.....471, 477
3573294.....19, 23	3820001 ... 789, 791, 793, 795, 797, 799, 801, 803, 805, 808	3932224 483	4071019.....471, 477
3573301.....496	3820020 ... 515, 517, 519, 521, 523	3951522 492	4071021.....493
3573335.....19, 23	3841143 ... 165, 173, 181, 189, 197, 205, 217, 223, 229, 235, 241, 247, 253, 285, 289, 293, 297, 301, 337, 341, 359, 363, 367, 483, 509	3952020 67	4071022.....493
3573355.....145	3841203 471, 477, 483	3960418 ... 114, 118, 122, 126	4071023.....493
3573400....571, 573, 575, 577	3841258 23, 27, 465, 467, 483	3960422 ... 433, 441, 450, 457, 635, 637, 661, 663	4071024.....471, 477
3573411....170, 178, 186, 194, 202, 210	3841287 .19, 23, 465, 467	3960447 153, 156, 160	4071025.....471, 477
3573412....170, 178, 186, 194, 202, 210	3841340 45, 81, 83	3960543 ... 170, 178, 186, 194, 202, 210, 263, 269, 277, 319, 325, 351, 378, 383	4071027.....472, 478
3573437 471, 477	3841581 465, 467	3960544 ... 170, 178, 186, 194, 202, 210, 263, 269, 277, 319, 325, 351, 378, 383	4071028.....472, 478
3573444 471, 477	3900054 535, 537	3960551 27	4071029.....472, 478
3573454 147	3900174 152, 156, 160	3960552 27	4071031.....472, 478
3573529....170, 178, 186, 194, 202, 210		3980006 59	4071035.....19, 23
3573642....571, 573, 577		3990001 737, 816	4071036.....19, 23
3573644....165, 173, 181, 189, 197, 205		4000008 496, 817	4071039.....19, 23, 485
3573669....165, 173, 181, 189, 197, 205			4071040.....19, 23, 485
3573728....165, 173, 181, 189, 197, 205			4071041.....67
			4071042.....19, 23
			4071046.....472, 478
			4071049.....20
			4071050.....20
			4071054.....19, 23
			4071055.....19, 23
			4120040.....481, 823
			4120043.....481, 823
			4160194....152, 156, 160
			4160197.....472, 478
			4240018....165, 173, 181, 189, 197, 205, 217, 223, 229, 235, 241, 247, 253, 285, 289, 293, 297, 301, 337,

SECTION 11 - SPECIAL OPTIONS

341, 359, 363, 367, 433, 437, 441, 445, 450, 454, 457, 461, 493, 629, 661, 663	4460071 ... 433, 441, 450, 457, 553	4460470.... 113, 117, 121, 125, 507, 541	4460897... 141, 143, 731, 745, 761, 781
4240032 99, 101, 105, 107, 109, 111, 141, 143, 265, 272, 279, 319, 325, 353, 385, 695, 697, 699, 701, 703, 715	4460125 637	4460471.... 113, 117, 121, 125, 541	4460899... 671, 673, 687, 741, 759, 773, 779, 783
4240033 ... 563, 567, 569, 715	4460134 679	4460473..... 743, 753	4460905 737, 738
4240099 ... 165, 170, 173, 178, 181, 186, 189, 194, 197, 202, 205, 210, 265, 269, 279, 319, 325, 337, 341, 351, 360, 364, 367, 378, 383, 421, 542, 571, 573, 577	4460142 737	4460483..... 434, 442	4460910 777
4240139 81	4460144 737	4460488..... 141, 143	4460911... 675, 677, 757, 773
4240149 565	4460205 635, 679	4460496.... 113, 117, 121, 125, 541, 713	4460912.... 675, 677, 757
4240153 493	4460213 755	4460497.... 113, 117, 121, 125, 541, 713	4460914.... 27, 113, 117, 121, 125, 497
4240155 19, 24, 493	4460224 446	4460508.... 563, 738, 747, 755	4460918... 675, 677, 738, 757
4300157 ... 441, 445, 457, 461	4460225 ... 733, 735, 755	4460509..... 743, 753	4460925 755
4340999 152, 156, 160	4460226 553, 755	4460510..... 823	4460926 757
4341158 496	4460227 738, 755	4460518.... 669, 738, 785	4460928.... 669, 738, 757
4360070 ... 434, 442, 450, 454, 458, 462, 816	4460234 99, 101, 105, 107, 109, 111, 186, 210, 279, 286, 290, 294, 298, 302, 319, 541, 695, 697, 699, 701	4460526.... 113, 117, 121, 125, 783	4460929 755
4360274 ... 113, 117, 121, 125, 817	4460247 718, 721, 725	4460536..... 755	4460930... 711, 713, 715, 717, 718, 722, 726, 747, 751
4360328 ... 113, 117, 121, 125, 818	4460259 ... 583, 737, 755, 783	4460539.... 673, 721, 725, 755, 783	4460931 717, 781, 783
4360336 ... 433, 437, 441, 445, 450, 454, 457, 461, 818	4460260 ... 583, 737, 755, 783	4460612..... 661, 663	4460932... 583, 671, 675, 707, 718, 731
4360387 ... 117, 121, 541, 817	4460267 713, 755	4460702..... 715, 783	4460933... 669, 711, 713, 718, 737, 738, 747, 755
4360407 541, 816	4460268 ... 133, 135, 137, 733, 735	4460703.... 718, 721, 725	4460934 711, 717, 747
4360469 ... 121, 125, 129, 817	4460294 446	4460708..... 755	4460935 711, 717, 747
4360475 ... 113, 117, 121, 125, 817	4460313 715, 737, 783	4460709..... 637, 683	4460941 ... 671, 711, 717, 731, 745, 773
4360476 ... 113, 117, 121, 125	4460315 ... 457, 635, 637, 715	4460710..... 683	4460942... 563, 671, 679, 681, 683, 685, 711, 718, 722, 726, 731, 738, 745, 747, 783
4360505 27	4460320 713	4460722.... 421, 675, 677	4460943... 671, 675, 687, 711, 717, 755, 773, 783
4360527 496	4460346 ... 433, 441, 450, 457, 635	4460746..... 721, 725	4460944 79, 671, 673, 677, 711, 715, 717, 718, 721, 722, 725, 726, 747, 749, 755, 783
4360543 496, 817	4460374 121, 738	4460748..... 721, 725	4460945 722, 725
4360578 19, 23, 496	4460375 121, 738, 783	4460761..... 738, 755	4460950 79, 711, 718
4400457 81, 83, 85	4460418 737, 755	4460806.... 649, 651, 653, 655, 737, 783	4460956 689, 691, 693
4420014 565	4460419 737, 755	4460807..... 733, 735	4460957 689, 691, 693
4420037 59, 571, 573, 575, 577	4460424 133, 135, 137	4460808..... 733, 735	4460958 661
4420038 81, 83	4460425 ... 434, 442, 450, 454, 458, 462, 661, 663	4460836..... 79, 711, 717, 737, 747, 783	4460962 573, 577, 681
4420051 807	4460426 ... 113, 117, 121, 125, 434, 442, 450, 454, 458, 462	4460837..... 738	4460963 450, 458, 681
4420066 565	4460428 541	4460842..... 783	4460965 671
4460016 755	4460434 755	4460843..... 783	4460967 ... 450, 454, 459, 462
4460019 ... 715, 718, 721, 725, 783	4460458 718, 721, 725	4460851..... 747	4460968 19, 23, 497
4460042 ... 719, 722, 726, 737	4460464 ... 141, 143, 553, 583, 669, 671, 705, 707, 711, 713, 718, 731, 737, 738, 741, 747, 755, 759, 761, 779, 781, 783	4460852..... 747	4460970 717, 738, 785
4460043 ... 421, 718, 721, 725	4460465 ... 139, 450, 454, 459, 462, 583, 669, 671, 705, 711, 713, 715, 717, 718, 721, 722, 725, 726, 733, 735, 737, 738, 741, 743, 747, 749, 751, 753, 755, 757, 759, 783	4460865..... 743, 753	4460971 507, 561, 577
4460051 635, 637	4460466 79, 563, 583, 669, 671, 673, 705, 713, 715, 717, 718, 721, 722, 725, 726, 737, 738, 741, 743, 749, 751, 753, 755, 773, 779, 781, 783, 785	4460866.... 738, 747, 755	4460982 718
4460068 434, 442	4460467 823	4460868..... 737	4461005 715
		4460871 737, 738, 755, 783	4461006 715
		4460872..... 783	4461008 ... 715, 719, 721, 725
		4460873..... 737, 755	4461052 715
		4460874..... 737, 755	4461053 715
		4460875..... 737	4461054... 715, 719, 722, 726, 731
		4460876..... 737, 755	4461060 715
		4460877..... 737	4461070 ... 669, 715, 717, 718
		4460878..... 737	4461071 ... 715, 718, 721, 725
		4460879..... 583, 755	
		4460880.... 711, 761, 783	
		4460884.... 79, 583, 671, 677, 711, 713, 722, 726, 741, 747, 783	
		4460887..... 583, 755	
		4460888..... 755	
		4460891.... 139, 669, 679, 681, 683, 685, 731, 745, 747, 757, 759, 783	
		4460894.... 671, 673, 705, 713, 715, 718, 722, 726, 737, 755	

SECTION 11 - SPECIAL OPTIONS

4461072....715, 718, 721, 725	641, 643, 645, 647, 649, 651, 653, 655,	157, 161, 170, 178, 186, 194, 202, 210,	4812200....263, 270, 277, 320, 326, 352, 379, 384
4461073....715, 718, 721, 725	657, 659, 665	263, 270, 277, 320, 326, 351, 378, 383,	4831900....263, 277, 320, 326, 352, 379, 384
4461074....715, 718, 721, 725	4711500... 27, 45, 57, 87, 89, 91, 93, 95, 97, 149, 152, 153, 156, 157,	539, 541, 571, 573, 575, 577, 580, 667, 789, 791, 793, 795, 797, 799, 801, 803, 805	4846383.....19, 24
4461077.....747, 773, 779	160, 161, 165, 170, 173, 178, 181, 186, 189, 194, 197, 202,	4751400001555	4846423.....493
4461095....669, 715, 717, 718	205, 210, 263, 270, 277, 320, 326, 351, 378, 383, 497, 499	4751500 ... 133, 152, 156, 160, 433, 441, 450, 454, 457, 461, 493, 499	4846429.....493
4461097.....715	4711600... 19, 23, 45, 57, 59, 93, 97, 147, 149, 152, 156, 160, 165, 170, 173, 178, 181,	4751600 ... 27, 51, 81, 83, 87, 89, 99, 101, 103, 105, 107, 109, 111, 113, 117, 121, 125, 145, 152, 156, 160, 465, 467, 485, 539, 571, 573, 575, 577	4846431.....493
4461196.....763	277, 320, 326, 351, 378, 383, 497, 499	4751700 ... 263, 270, 277, 320, 326, 351, 378, 383	4846453.....472, 478
4461198.....643, 763	4711700... 218, 223, 230, 236, 241, 248, 253, 263, 270, 277, 285, 289, 293, 297, 301, 320, 326, 337, 341, 351, 359, 363, 367, 378, 383, 423	475180043, 77, 152, 156, 160, 535, 537	4846484.....497
4461199.....765	423, 425, 427, 429, 433, 437, 441, 445, 450, 454, 457, 461, 472, 478, 481, 497, 499, 507, 542, 545, 547, 549, 551	4752000 ... 165, 173, 181, 189, 197, 205, 217, 223, 229, 235, 241, 247, 253, 285, 289, 293, 297, 301, 337, 341, 359, 363, 367	4846485.....493
4461201.....647, 765	4711800... 19, 23, 27, 45, 147, 149, 170, 178, 186, 194, 202, 210, 493, 535, 537	475180043, 77, 152, 156, 160, 535, 537	4846552.... 170, 178, 186, 194, 202, 210
4461205.....767, 769	4712000.... 23, 545, 547, 549, 551, 565	475180043, 77, 152, 156, 160, 535, 537	4846627.....571, 573, 577
4461244.....651, 767	4712200565	475180043, 77, 152, 156, 160, 535, 537	4846637.....19, 24
4461245.....655, 769	4740171233, 309	475180043, 77, 152, 156, 160, 535, 537	4846945.... 178, 186, 202, 210
4461246.....659, 771	474018127	475180043, 77, 152, 156, 160, 535, 537	4846946.... 170, 178, 186, 194, 202, 210
4461249.....771	474022927	475180043, 77, 152, 156, 160, 535, 537	4891400.....497
4530028....571, 573, 577, 585	4740274... 170, 178, 186, 194, 202, 210	475180043, 77, 152, 156, 160, 535, 537	4891600.... 156, 161, 194, 202, 210, 239, 245, 251, 257, 259, 305, 307, 313, 315, 345, 347, 371, 373, 481, 493, 509
4562516.....493	4740362539	475180043, 77, 152, 156, 160, 535, 537	4891800.... 147, 149, 170, 178, 186, 194, 202, 210, 221, 227, 239, 245, 251, 257, 259, 305, 307, 311, 313, 315, 345, 347, 371, 373, 375, 433, 437, 441, 445, 450, 454, 457, 461, 485, 493
4568293.... 170, 178, 186, 194, 202, 210	4740397... 113, 117, 121, 125	475180043, 77, 152, 156, 160, 535, 537	4892000.... 29, 39, 41, 43, 69, 263, 270, 277, 320, 326, 352, 379, 384, 472, 478, 483
4568423.....472, 478	4740400493	475180043, 77, 152, 156, 160, 535, 537	4892400.....67
4568426.....87, 89	4740430.51, 53, 227, 245	475180043, 77, 152, 156, 160, 535, 537	4892600001.....509
4568427.....87, 89	474046119, 23	475180043, 77, 152, 156, 160, 535, 537	4920385.....271
4640438.....597	474050527	475180043, 77, 152, 156, 160, 535, 537	4921850.....823
4640465.....79	4740509472, 478	475180043, 77, 152, 156, 160, 535, 537	4922641.... 451, 454, 459, 462
4640489.....595	4740518... 170, 178, 186, 194, 202, 210	475180043, 77, 152, 156, 160, 535, 537	4922716.....673
4640509.....589	4750600147, 149	475180043, 77, 152, 156, 160, 535, 537	4922780.....677
4640751.... 170, 178, 186, 194, 202, 210, 265, 271, 279, 319, 325, 351, 378, 383	475080019, 23, 497	475180043, 77, 152, 156, 160, 535, 537	4922781.....675
4640771.....605	475100081, 83, 113, 117, 121, 125, 433, 441, 450, 454, 458, 462, 561, 571, 573, 575, 577	475180043, 77, 152, 156, 160, 535, 537	4922972.... 450, 454, 457, 461, 735
4640999.....593, 599	4751400... 113, 117, 121, 125, 141, 143, 378, 525, 527, 529, 531, 533, 561, 577	475180043, 77, 152, 156, 160, 535, 537	4923256.....751
4641155.....45	4751400... 113, 117, 121, 125, 141, 143, 378, 525, 527, 529, 531, 533, 561, 577	475180043, 77, 152, 156, 160, 535, 537	4923468.... 170, 178, 186, 194, 202, 210
4641210.....597	4751400... 113, 117, 121, 125, 141, 143, 378, 525, 527, 529, 531, 533, 561, 577	475180043, 77, 152, 156, 160, 535, 537	4923592.... 170, 178, 194, 202
4641247.....87, 91, 93	4751400... 113, 117, 121, 125, 141, 143, 378, 525, 527, 529, 531, 533, 561, 577	475180043, 77, 152, 156, 160, 535, 537	5241200.....34, 509
4641248.....593, 599	4751400... 113, 117, 121, 125, 141, 143, 378, 525, 527, 529, 531, 533, 561, 577	475180043, 77, 152, 156, 160, 535, 537	5250808.....271
4641248.....593, 599	4751400... 113, 117, 121, 125, 141, 143, 378, 525, 527, 529, 531, 533, 561, 577	475180043, 77, 152, 156, 160, 535, 537	5251008.....509
4641260.....595	4751400... 113, 117, 121, 125, 141, 143, 378, 525, 527, 529, 531, 533, 561, 577	475180043, 77, 152, 156, 160, 535, 537	5251016.....509
4641268.....45, 47	4751400... 113, 117, 121, 125, 141, 143, 378, 525, 527, 529, 531, 533, 561, 577	475180043, 77, 152, 156, 160, 535, 537	70000044.....213
4641276.....591	4751400... 113, 117, 121, 125, 141, 143, 378, 525, 527, 529, 531, 533, 561, 577	475180043, 77, 152, 156, 160, 535, 537	70000342.....487
4641289.....607	4751400... 113, 117, 121, 125, 141, 143, 378, 525, 527, 529, 531, 533, 561, 577	475180043, 77, 152, 156, 160, 535, 537	70000345..213, 281, 329, 333, 355, 389
4641454.....45, 49	4751400... 113, 117, 121, 125, 141, 143, 378, 525, 527, 529, 531, 533, 561, 577	475180043, 77, 152, 156, 160, 535, 537	70000619..449, 453, 457, 461
4700039.....472, 478	4751400... 113, 117, 121, 125, 141, 143, 378, 525, 527, 529, 531, 533, 561, 577	475180043, 77, 152, 156, 160, 535, 537	70000793.....419
4710400....264, 269, 277, 320, 326, 351, 378, 383	4751400... 113, 117, 121, 125, 141, 143, 378, 525, 527, 529, 531, 533, 561, 577	475180043, 77, 152, 156, 160, 535, 537	70000801.....49
4711000....425, 427, 434, 442, 450, 454, 458, 462	4751400... 113, 117, 121, 125, 141, 143, 378, 525, 527, 529, 531, 533, 561, 577	475180043, 77, 152, 156, 160, 535, 537	
4711400....45, 53, 57, 59, 135, 137, 153, 156, 157, 160, 161, 165, 173, 181, 189, 197, 205, 217, 223, 227, 229, 235, 241, 245, 247, 253, 264, 269, 277, 285, 289, 293, 297, 301, 320, 326, 337, 341, 351, 359, 363, 367, 378, 383, 433, 437, 441, 445, 450, 454, 457, 461, 497, 507, 513, 519, 523, 525, 527, 529, 531, 533, 567, 569, 639,	4751400... 113, 117, 121, 125, 141, 143, 378, 525, 527, 529, 531, 533, 561, 577	475180043, 77, 152, 156, 160, 535, 537	

SECTION 11 - SPECIAL OPTIONS

70000802	49	70001968	395, 401	70002174	407	70002904	553
70000803	49	70001973	449, 453, 458, 462	70002175	407	70002905	553
70000804	49	70001974	449, 453, 458, 462	70002177	407	70003017	503
70000805	49			70002178	407	70003019	501, 503
70000806	49			70002179	407	70003020	503
70000852	37	70001976	47, 61	70002231	165, 173, 181, 189, 197, 205, 217, 223, 229, 235, 241, 247, 253, 285, 289, 293, 297, 301, 359, 363, 817	70003021	61, 501, 503
70000853	37	70002015	33	70002247	34	70003022	503
70000854	37	70002016	33	70002248	34	70003023	501, 503
70000855	37	70002018	33	70002249	34	70003024	503
70000856	37	70002019	33	70002255	449, 453	70003025	501
70000857	37	70002020	33	70002291	458, 462	70003026	501, 816
70000858	37	70002021	33	70002297	449, 453	70003027	501
70000859	37	70002026	33	70002373	605	70003028	501
70000860	37	70002027	33	70002410	595, 601, 603	70003029	607
70000861	37	70002029	33	70002412	591	70003030	607
70000862	37	70002030	33	70002460	449, 453, 458, 462	70003031	607
70000863	449, 453, 458, 461	70002031	33	70002569	396	70003135	213
70000916	213	70002032	33, 73	70002576	413	70003136	213
70000917	213	70002033	33	70002578	409	70003165	402
70000918	213	70002034	33	70002580	409	70003167	401
70000919	213	70002035	33	70002582	409	70003170	402
70000950	401	70002036	33	70002583	409	70003173	400
70001000	65	70002037	33	70002585	409	70003174	400
70001001	65	70002039	33	70002586	409	70003175	400
70001100	449, 453, 457, 461	70002040	33	70002588	409	70003177	400
70001101	79	70002041	33	70002589	409	70003340	401, 402
70001102	79	70002044	33	70002590	409	70003475	213
70001125	213	70002045	33	70002592	410	70003485	816
70001126	213	70002046	33	70002593	410	70003628	37
70001128	213	70002047	33	70002599	410	70003631	449, 453, 458, 461
70001129	213	70002048	33	70002600	406	70003708	434, 437, 442, 445, 449, 453, 458, 461
70001130	213	70002049	33	70002601	406	70003709	434, 437, 442, 445, 449, 453, 458, 461
70001131	213	70002050	33	70002602	406	70003784	541
70001135	213	70002052	33	70002604	407	70003913	492
70001384	449, 453, 457, 461	70002057	33, 73	70002605	407	70003914	492
70001424	559	70002088	449, 453	70002606	407	70003915	492
70001425	559	70002097	57	70002607	407	70003917	492
70001427	559	70002132	406	70002608	407	70003918	492
70001428	559	70002133	406, 409	70002609	407	70003923	485
70001429	559	70002134	406	70002610	407	70003924	485
70001430	559	70002135	406	70002612	407	70004029	607
70001431	559	70002136	406	70002616	407	70004030	607
70001432	559	70002137	406	70002617	407	70004050	501
70001435	213	70002138	406	70002618	406	70004051	501, 503
70001606	61	70002139	406	70002619	406	70004052	61, 501, 503
70001696	449, 453	70002140	406	70002620	406	70004053	501
70001697	487, 489	70002141	406	70002621	407	70004054	501
70001847	213	70002142	406	70002622	407	70004055	503
70001850	213	70002145	406	70002623	407	70004092	434, 437, 442, 445, 458, 462
70001857	213	70002148	406	70002674	33	70004094	458, 462
70001867	213	70002150	406	70002718	213, 281, 330, 333, 356	70004098	434, 442, 458, 462
70001868	213	70002151	406	70002759	504	70004099	442, 445, 458, 461
70001870	213, 281, 330, 333, 356, 390	70002152	406	70002853	489	70004169	449, 453
70001871	213	70002153	406	70002854	489	70004171	434, 437, 449, 453
70001930	61	70002154	406	70002855	489		
70001939	47	70002155	406	70002857	489	70004185	823
70001952	394	70002156	406	70002858	489	70004186	599
70001953	449, 453	70002157	406	70002859	487, 489	70004237	595, 603
70001955	409	70002158	406	70002902	553	70004276	334
70001956	409	70002159	406	70002903	553	70004277	282, 330, 335, 356, 390
70001958	407	70002160	406				
70001966	434, 437, 442, 445, 449, 453, 458, 461	70002161	406				
		70002162	406				
		70002163	406				
		70002164	406				
		70002165	406				
		70002168	407				

SECTION 11 - SPECIAL OPTIONS

70004280...281, 333, 356	70005191..... 335	70006828..... 607	70007787.....417
70004282.....282, 334	70005317..... 73	70006829..... 607	70007788.....417
70004328..... 57	70005318..... 73	70006830..... 607	70007789.....417
70004413..... 83	70005418..... 410	70006831..... 607	70007790.....417
70004414..... 81	70005433..... 597, 607	70006845..... 605	70007791.....417
70004416..... 409	70005480..... 400	70006846..... 605	70007792.....417
70004417..... 409	70005481..... 400	70006847..... 605	70007793.....417
70004420..... 409	70005527..... 282	70006848..... 605	70007794.....417
70004421..... 409	70005594..... 605	70006849..... 605	70007795.....417
70004422..... 410	70005647..... 282, 335	70006850..... 605	70007796.....417
70004423..... 409	70005648.. 282, 335, 816	70006851..... 605	70007797.....417
70004426..... 409	70005667..... 497	70006852..... 605	70007798.....417
70004467..... 73	70005879..... 605	70006986..... 73	70007799.....417
70004469..... 73	70005882..... 607	70006987..... 73	70007800.....417
70004474..... 73	70005883..... 607	70006988..... 73	70007801.....417
70004477..... 73	70005885..... 605, 607	70006989..... 73	70007984.....591
70004480..... 73	70005920..... 333	70006990..... 73	70007985.....591
70004481..... 73	70005921..... 281, 333	70006991..... 73	70007987.....591
70004494..... 74	70005923..... 334	70006992..... 73	70007988.....591
70004501.....282, 334	70005924..... 334	70006993..... 73	70007989.....591
70004502.....282	70005925..... 334	70006994..... 73	70008004.....603
70004503.....389	70005926..... 282, 334	70006995..... 73	70008005.....603
70004504..282, 329, 355, 389	70005927..... 334	70006996..... 73	70008006.....603
70004505...281, 329, 356	70005928..... 334	70006997..... 73	70008007.....603
70004506.....281	70005929..... 282, 334	70006998..... 73	70008020.....599
70004507.....281	70005931 . 282, 329, 355, 389	70006999..... 73	70008021.....599
70004508..281, 329, 356, 389	70005938.. 330, 356, 390	70007000..... 73	70008022.....599
70004509.....281	70005941 . 281, 330, 333, 356, 389	70007001..... 73	70008023.....599
70004510.....281	70005942 . 281, 330, 333, 356, 389	70007002..... 73	70008024.....595, 599
70004511.....333	70006093..... 458, 461	70007003..... 73	70008025.....599
70004512.....333	70006094..... 458, 462	70007004..... 74	70008026.....599
70004646.....823	70006095..... 458, 462	70007005..... 74	70008027.....599
70004647.....823	70006096..... 458, 462	70007006..... 74	70008028.....595
70004648.....823	70006097..... 458, 462	70007007..... 74	70008029.....595
70004676..434, 437, 442, 445	70006127..... 333	70007008..... 74	70008030.....595
70004677.....437	70006144..... 281, 389	70007009..... 73	70008031.....595
70004678..434, 437, 442, 446	70006344..... 607	70007010..... 74	70008032.....595
70004680..434, 437, 442, 446	70006403..... 429	70007011..... 73	70008033.....595
70004681.....437, 446	70006404..... 429	70007012..... 74	70008036.....601
70004682..434, 437, 442, 446	70006405..... 429, 816	70007013..... 74	70008037.....601
70004683.....438, 446	70006406..... 429	70007178..... 402	70008038.....601
70004684.....434	70006407..... 429	70007282..... 597	70008296.....330
70004685.....434, 442	70006408..... 429	70007325 .. 282, 329, 355	70008360.....79
70004686.....445	70006409..... 429	70007326..... 282, 355	70008361.....79
70004687.....442	70006410..... 429	70007327..... 282	70008362.....79
70005023.....415	70006462..... 599	70007328 .. 282, 329, 355	70008363.....79
70005041.....415	70006464..... 595, 599	70007329..... 282	70008364.....79
70005153.....591	70006552 . 433, 437, 441, 445	70007330..... 282, 329	70008365.....79
70005170.....489	70006553 . 433, 437, 441, 445, 817	70007331..... 282, 329	70008366.....79
70005171...281, 333, 356	70006596 . 591, 593, 599, 603	70007353..... 214	70008422.....329, 356
70005172..281, 330, 333, 356, 389	70006635..... 593	70007354..... 329, 355	70008431.....355
70005173...330, 333, 356	70006636..... 593, 599	70007382..... 589	70008432.....355
70005174.....333	70006637..... 593	70007383..... 589	70008436.....329
70005176.....330, 356	70006646..... 593	70007384..... 589	70008490.....415
70005177...330, 334, 356	70006647..... 593	70007385..... 589	70008491.....415
70005181.....334	70006653..... 282	70007386..... 589	70008492.....415
70005184..329, 334, 355, 389	70006799..... 607	70007435..... 597	70008493.....415
70005188.....334	70006824..... 607	70007438..... 597	70008494.....415
70005189.....334	70006825..... 607	70007440..... 597	70008495.....415
	70006826..... 607	70007441..... 597	70008496.....415
	70006827..... 607	70007442..... 597	70008497.....415
		70007443..... 597	70008498.....415
		70007444..... 597	70008499.....415
		70007510..... 79	70008500.....415
		70007603 .. 329, 355, 389	70008501.....415
		70007605..... 61	70008502.....415
		70007786..... 417	70008503.....415

SECTION 11 - SPECIAL OPTIONS

70008504	415	70024925 ..	281, 333, 389	70026210..	282, 329, 335, 355, 389	7011368	607
70008505	415	70024961 ..	281, 333, 389	70026283.....	597, 607	7011371	607
70008506	415	70025076	333	70026284.....	597	7012706	394, 400
70008507	415	70025077	335	70026995.....	334	7012709	394
70008508	415	70025080	333	70027432.....	330, 356	7012715	394
70008509	415	70025082	333	70028185.....	330, 356	7012773	47, 61
70008510	415	70025084	334	7002821.....	823	7012903	503
70008511	415	70025091	333	7002822.....	823	7012941	49
70008512	415	70025101	334	7002823.....	823	7012942	49
70008525	417	70025107	334	7002828.....	823	7012944	49, 816
70008526	417	70025109	334	70028540...282, 329, 355		7012955	49
70008527	417	7002511	281	70028699.....	282, 330	7012967	49
70008528	417	70025111	333	70029401.....	282, 389	7012998	49
70008537	355	70025112	282, 334	70029407.....	355	7015003... 169, 177, 185, 193, 201, 209	
70008558	355	70025115	334	70029409.....	355	7015013... 169, 177, 185, 193, 201, 209	
70008564	355	70025120	282, 335	70029433.....	282	7015014... 169, 177, 185, 193, 201, 209	
70008604	355	70025130 ..	329, 355, 389	70029451.....	281	7015015... 169, 177, 185, 193, 201, 209	
70008607	356	70025133	334	70029512.....	329	7016314	83
70008608	355	70025135 .281, 330, 333, 356		70029517...282, 329, 355		7016322	147, 149
70020329	401	70025136	281	70029520...282, 329, 355		7016328	213, 816
70020336	402	70025137	281, 333	70029557...282, 329, 355		7016331... 213, 281, 330, 333, 356, 389, 816	
70021867	394, 400	70025140	281, 333	70029581.....	389	7016374	147, 149
70021895	334	70025142 .282, 329, 334, 355, 389		70029797.....	282	7016654	823
70022147	503, 816	70025144 .281, 329, 333, 356		70029997.....	61	7016655	823
70022286	409	70025145	281, 333	70030097.....	355	7017142	487
70022564 .591, 593, 595, 597, 599, 603		70025146	281, 333	70030099.....	355	7017159	487
70023369	595	70025149	335	70030359.....	356	7017162	487
70023592 .264, 270, 278, 320, 326, 352, 379, 384, 816, 817		70025151	281, 334	70030360.....	329	7017163	487
70023593 .264, 270, 278, 320, 326, 352, 379, 384, 816, 817		70025152 ..	281, 333, 356	70030381.....	329, 356	7017164	487
70024190 .264, 271, 278, 320, 326, 352, 379, 384, 816, 817		70025153	333, 389	70031055.....	329, 355	7017183	487
70024484	334	70025154	281, 333	70031095.....	329	7017193	487
70024488	333	70025155	334	70031137.....	329	7017195	487
70024494 ..	281, 333, 389	70025158	334	70031138.....	355	7017402	501, 503
70024502	334	70025159	389	70031142.....	329, 355	7017405	49
70024504 .282, 329, 333, 335, 355, 389		70025160	389	70031143.....	329, 355	7017451	61
70024505	355	70025162	333	70031144.....	329, 355	7017495	61
70024507 .282, 329, 335, 355, 389		70025164 .282, 329, 334, 355, 389		70031388.....	330, 356	7018936	396, 402
70024509	334	70025171	333	70031474.....	330, 356	7018943	61
70024513 .281, 329, 333, 355, 389		70025176	333	70035212.....	335	7018945	61
70024517	333	70025178	334	7003655...169, 177, 185, 193, 201, 209, 816		7018991	47, 61, 816
70024904 .281, 330, 356, 390		70025179	334	7004275.....	823	7020043	81
70024905 .281, 330, 333, 356		70025180	334	7004276.....	823	7020175... 113, 117, 121, 125	
70024906 .281, 330, 333, 356		70025181 ..	281, 329, 333	70050795.....	593, 599	7020176... 113, 117, 121, 125	
70024910	334	70025182	281, 334	7007207.....	406, 409	7020414	213
70024912	282, 334	70025183	282, 334	7007415.....	407, 409, 410	7020447	213
70024915 ..	282, 335, 389	70025184	282, 334	7007418.....	406	7020460	213
70024916	389	70025185	334	7007419.....	406	7020465... 213, 281, 330, 333, 356, 389	
70024917	282	70025188	334	7007420.....	37	7020468	213
70024918	335, 389	70025200	282, 334	7007437.....	37	7020471	213
70024919	281	70025203	334, 817	7007438.....	37	7020479	213
70024920 .281, 282, 334, 335		70025205 ..	281, 330, 333	7007439.....	37, 407	7020486	213
70024922	335	70025210 ..	282, 334, 816	7007446.....	37, 406, 409	7020492 ... 282, 329, 334	
70024924 ..	281, 333, 389	70025231	329, 333	7007489.....	413	7021249	37
		70025235	281, 334	7007986.....	591	7021256	407
		70025239	281, 333	7010543.....	49, 605	7021265	407
		70025240	334	7010545.....	597	7021275	37, 406, 409
		70025242	282, 355	7010639.....	65	7021293	407
		70025477	334	7010640.....	65	7021375	61
		70025533	335	7010924.....	65		
		70025660	335	7011044.....	65		
		70025733	330	7011311.....	61, 607		
		70025768	334	7011321.....	61		
		70025788	282	7011346.....	47, 61		
		70025877	282	7011351.....	607		
		70025931	334	7011354.....	61		

SECTION 11 - SPECIAL OPTIONS

7021636.....61	7024475 585	7026016 61	8229242.... 718, 722, 738, 816, 817
7022300.....407	7024478 585	7026028 47	8229249..... 583, 817
7022301.....406	7024485 ... 449, 453, 816	7026031 817	8310056.... 257, 259, 305, 307, 347, 373
7022311.....37	7024488 ... 449, 453, 457, 461	7026188 449, 453	8310070.... 113, 117, 122, 125, 497
7022314.....37	7024489 ... 449, 453, 457, 461	7026571 85	8310129..... 565
7022321.....37	7024530 559	7026597 ... 449, 453, 458, 462	8310235..... 493
7022340.....409	7024531 559	7026608 213, 816	8310658..... 156, 160
7022368.....37	7024532 559	7026626 ... 449, 453, 458, 462	8405006.... 217, 229, 235, 247, 253, 265, 270, 279, 285, 289, 293, 297, 301, 320, 326, 337, 341, 352, 359, 363, 367, 379, 384, 425, 427, 429
7022371.....37	7024533 559	7026980 402	8405007.... 264, 270, 279, 320, 326, 352, 379, 384
7022390..... 501, 503	7024534 559	7027042 ... 217, 223, 229, 235, 241, 247, 253, 285, 289, 293, 297, 301, 337, 341, 359, 363, 367	8405009..... 83, 352, 379, 384
7023306..... 85	7024535 559	7027043 ... 217, 223, 229, 235, 241, 247, 253, 285, 289, 293, 297, 301, 337, 342, 359, 363, 368	8405201.... 263, 270, 278, 320, 326, 352, 379, 384
7023347 85	7024536 559	7027044 ... 217, 223, 229, 235, 241, 247, 254, 286, 290, 294, 298, 302, 338, 342, 360, 364, 368	8405204.... 263, 270, 278, 320, 326, 352, 379, 384
7023881 395	7024537 559	7027045 ... 217, 223, 229, 235, 241, 247, 254, 286, 290, 294, 298, 302, 338, 342, 360, 364, 368	8405212..... 352, 379, 384
7023887 400	7024565 213	7027235 213	8405213..... 352, 379, 384
7023922 503	7024570 61	7027236 213	8406102.... 265, 270, 279, 320, 326, 352, 379, 384
7023962 409	7024571 61	7027239 213	8406105..... 499
7023964 409, 410	7024574 61	7027240 213	8406109..... 270
7024005 395	7024579 ... 213, 281, 330, 333, 356	7027276 213	8406112.... 265, 270, 279, 320, 326, 352, 379, 384
7024006 401	7024580 ... 165, 173, 181, 189, 197, 205	7027277 213	8406201.... 352, 380, 384
7024038 394, 400	7024581 ... 165, 173, 181, 189, 197, 205	7027278 213	8406302.... 263, 270, 277, 320, 326, 352, 379, 384
7024042 394	7024582 ... 165, 173, 181, 189, 197, 205	7027279 213	8410011.... 265, 270, 279, 320, 326
7024043 394	7024583 ... 165, 173, 181, 189, 197, 205	7027279 ... 449, 453, 458, 462	8410013.... 170, 178, 186, 194, 202, 210, 263, 271, 278, 320, 326
7024044 394, 400	7024584 ... 165, 173, 181, 189, 197, 205	77143013 . 113, 117, 122, 125	8410014.... 352, 379, 384
7024064 394, 400	7024598 147, 149	77363233 733, 735	8580420..... 51, 53
7024065 395, 401	7024800 407	8007508 808	8750024..... 93, 97
7024068 395	7024865 37	80334079 402	88261024..... 499
7024069 396, 402	7024867 37	80363179 79	88411013..... 667
7024070 395	7024868 37	80484084 .. 718, 721, 725	88521214.. 545, 547, 549, 551
7024071 395, 401	7024883 37	80604016 79	88662523.. 152, 156, 160, 485, 499
7024072 395, 401	7024885 ... 503, 816	80604021 79	88662530..... 497
7024073 395, 401	7024889 501, 503	80934174 401	91143339..... 717
7024075 395, 401	7024905 401	80934644 402	91143340..... 717
7024076 395, 401	7024906 395, 401	80983191 .. 718, 722, 816	91203039..... 509
7024077 395, 401	7024907 401	8220051 731	91403230.. 789, 791, 793, 795, 797, 799, 801, 803, 805
7024078 401	7024908 395, 401	8220115 721	91471226..... 483
7024079 401	7024909 401	8220164 717, 725	91471227..... 483
7024080 395	7024911 395, 401		91563070.. 263, 278, 320, 326, 352, 379, 384
7024081 395, 402	7024913 394, 400		SEE NOTE 61, 62
7024083 395	7024914 394		
7024084 395	7024915 394		
7024085 396	7024916 394		
7024087 396	7024917 394, 400		
7024088 396	7024918 394, 400		
7024089 396	7024919 394, 400		
7024096 402	7024920 394, 400		
7024097 395	7024921 394, 400		
7024374 85	7024922 394, 400		
7024375 85, 817	7024924 61		
7024439 85	7024925 61		
7024440 85	7024927 47		
7024441 85	7026000 61		
7024442 85	7026001 61		
7024443 85	7026002 61		
7024444 85	7026003 61		
7024445 85	7026004 61		
7024446 85	7026007 61		
7024462 585	7026008 61		
7024463 585			
7024467 585			
7024469 585			
7024470 585			
7024471 559, 585			
7024472 585			
7024473 585			
7024474 585			



**Corporate Office
JLG Industries, Inc.
1 JLG Drive
McConnellsburg, PA 17233-9533 USA**
☎ **(717) 485-5161 (Corporate)**
☎ **(877) 554-5438 (Customer Support)**
📠 **(717) 485-6417**

**Visit our website for JLG Worldwide Locations.
www.jlg.com**



OSHKOSH™