



Illustrated Parts Manual

Model 1500AJP

PVC
2307

P/N
31222392

January 8, 2024 - Rev C

ANSI

CE



**UK
CA**

AS/NZS

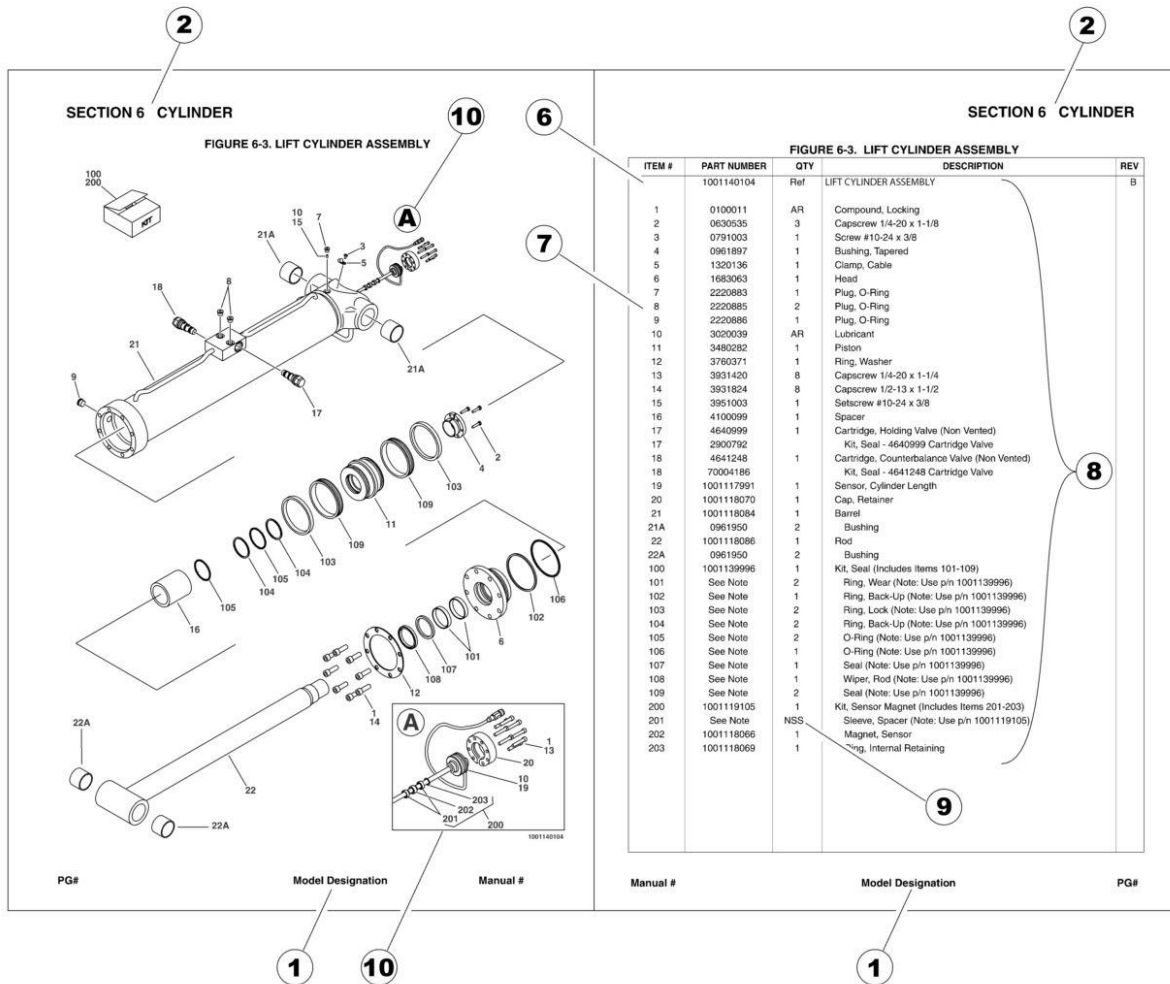


An Oshkosh Corporation Company

REVISION LOG

July 1, 2023 - A - Original Issue of Manual (Edited to B/M 1001261501 Revision P)
September 1, 2023 - B - Revised Manual (Edited to B/M 1001261501 Revision P)
January 8, 2024 - C - Revised Manual (Edited to B/M 1001261501 Revision P)

GENERAL INFORMATION



1) MACHINE IDENTIFICATION

Machines are identified by model and in some cases a combination of models, serial number (SN) or regional standard (i.e ANSI, CE, CSA). Components may also be identified by SN or manufacturer. Common components that may be identified by these characteristics are engines and hydraulic components.

2) PARTS MANUAL ORGANIZATION

Product information in this manual is organized under section titles. Frame, Cylinder, Hydraulic and Electrical are a few examples. Each section is organized by figure and page number. The information within the Figure is then organized by item number, part number, description and corresponding illustration (s).

3) TABLE OF CONTENTS (NOT SHOWN)

A table of contents is found toward the beginning of the manual. Figure number, description and page number are provided for quick reference to the page containing the related information.

4) RECOMMENDED SPARE PARTS (NOT SHOWN)

The Recommended Spare Parts List, located near the end of the manual, reference most frequently used maintenance parts.

5) PART NUMBER INDEX (NOT SHOWN)

A numerical index listing all part numbers and the corresponding page number(s) appears at the back of the manual.

GENERAL INFORMATION

6) NON-SERVICED PARTS

In some instances, it is necessary to display non-serviced parts, assemblies or installations. In the case of assemblies and installations there will be a Ref in the Qty. column. In case of parts that are not available for service within assemblies or components, there will be a NSS (Not Sold Separately) or NLA (No Longer Available) listed in the Qty. column of the manual.

7) PARTS LIST ITEM NUMBERS

Numbers shown in the item# column correspond to numbers used in the associated illustration (s). Item numbers which are missing from the sequence in the parts list are not used on that page.

8) INDENTED PARTS DESCRIPTION

An indented part description is included in the item under which it is indented.

9) ABBREVIATION AND SYMBOLS

AC.....	Alternating Current	L.....	Liter
ADE.....	Advanced Design Electronics	LB(LBS).....	Pounds
AG.....	Agricultural	LCD.....	Liquid Crystal Display
ANSI.....	American National Standards Institute	LED.....	Light Emitting Diodes
AR.....	As Required	LH.....	Left Hand
ASSY.....	Assembly	LRC.....	Low Rated Countries
AUS.....	Australia	LSS.....	Load Sensing System
AUX.....	Auxiliary	M(m).....	Metric/Meter
AWG.....	American Wire Gauge	MM(mm).....	Milimeter
B/M.....	Bill of Material	mA.....	Miliamps
CAC.....	Charge Air Cooler	NLA.....	No Longer Available
CE.....	European Conformity	NPT.....	National Pipe Threads
CCW.....	Counter Clockwise	NSS.....	Not Sold Separately
CM.....	Centimeter	OD.....	Outside Diameter
CW.....	Clockwise	ORB.....	O-Ring Boss
CSA.....	Canadian Standards Association	ORFS.....	O-Ring Face Seal
CYL.....	Cylinder	OZ (oz).....	Ounces
DIA.....	Diameter	PG.....	Page
DC.....	Direct Current	PN.....	Part Number
DEF.....	Diesel Exhaust Fluid	QT(qt.).....	Quarts
EMS.....	Emergency Stop	QTY.....	Quantity
ENG.....	Engine	REF.....	Reference
FT(ft).....	Feet	REV.....	Revision Level
GA(Ga).....	Gauge	RH.....	Right Hand
HRC.....	High Rated Countries	SAE.....	Society of Automotive Engineers
HVAC.....	Heating, Ventilating, and Air Conditioning	SN.....	Serial Number
HYD.....	Hydraulic	SPEC(S).....	Specifications
Hz.....	Hertz	T/T.....	Turntable
ID.....	Inside Diameter	UGM.....	Universal Ground Module
IN.....	inches	V.....	Volts
ISO.....	International Organization for Standards	W.....	Watts
JIC.....	Joint Industry Council	#.....	Number
KG.....	Kilogram		

10) ILLUSTRATION REFERENCE LETTERS

When necessary, illustrations may contain reference letters that are intended to track information (i. e. hoses, harnesses) from one point to another or to track visual enlargement of components to show details that may be located in another area on the illustration.

Note: Due to continuous product improvements, JLG Industries, Inc. reserves the right to make specification changes without prior notification. Contact JLG Industries, Inc. for updated information.

TABLE OF CONTENTS

SECTION 1 - FRAME.....	15
FIGURE 1-1. AXLE INSTALLATION	16
FIGURE 1-2. STEER INSTALLATION.....	18
FIGURE 1-3. WHEEL DRIVE INSTALLATION.....	20
FIGURE 1-4. DRIVE MOTOR ASSEMBLY	22
FIGURE 1-5. DRIVE HUB ASSEMBLY	24
FIGURE 1-6. TIRE/WHEEL INSTALLATION.....	28
FIGURE 1-7. VALVES INSTALLATION - FRAME.....	30
FIGURE 1-8. TRACTION VALVE ASSEMBLY	32
FIGURE 1-9. STEER/AXLE EXTEND VALVE ASSEMBLY.....	34
FIGURE 1-10. ELECTRICAL COMPONENTS INSTALLATION - FRAME (HRC) (ANSI, ANSI EXPORT, CSA AND JAPANESE SPECS)	36
FIGURE 1-11. ELECTRICAL COMPONENTS INSTALLATION - FRAME (HRC) (CE & UK CA SPECS)	38
FIGURE 1-12. ELECTRICAL COMPONENTS INSTALLATION - FRAME (LRC) (ANSI EXPORT, AUSTRALIAN AND CHINA SPECS)	40
FIGURE 1-13. ELECTRICAL COMPONENTS INSTALLATION - FRAME (LRC) (CE & UK CA SPECS)	42
FIGURE 1-14. ELECTRICAL COMPONENTS INSTALLATION WITH TOWER STOW - FRAME (HRC) (ANSI, ANSI EXPORT, CSA AND JAPANESE SPECS).....	44
FIGURE 1-15. ELECTRICAL COMPONENTS INSTALLATION WITH TOWER STOW - FRAME (HRC) (CE & UK CA SPECS) .	46
FIGURE 1-16. ELECTRICAL COMPONENTS INSTALLATION WITH TOWER STOW - FRAME (LRC) (ANSI EXPORT, AUSTRALIAN AND CHINA SPECS)	48
FIGURE 1-17. ELECTRICAL COMPONENTS INSTALLATION WITH TOWER STOW - FRAME (LRC) (CE & UK CA SPECS) ..	50
FIGURE 1-18. COVERS INSTALLATION - FRAME.....	52
SECTION 2 - TURNTABLE.....	55
FIGURE 2-1. VALVES AND FILTERS INSTALLATION - TURNTABLE (PARKER HYDRAULIC FILTER).....	56
FIGURE 2-2. VALVES AND FILTERS INSTALLATION - TURNTABLE (DONALDSON HYDRAULIC FILTER).....	58
FIGURE 2-3. MAIN VALVE ASSEMBLY	60
FIGURE 2-4. JUNCTION VALVE ASSEMBLY	64
FIGURE 2-5. TURNTABLE BEARING INSTALLATION	66
FIGURE 2-6. TURNTABLE LOCK INSTALLATION.....	68
FIGURE 2-7. SWING DRIVE INSTALLATION	70
FIGURE 2-8. SWING HUB/BRAKE/MOTOR ASSEMBLY.....	72
FIGURE 2-9. COUPLING/COLLECTOR RING INSTALLATION	76
FIGURE 2-10. COUPLING/COLLECTOR RING ASSEMBLY	78
FIGURE 2-11. TANKS INSTALLATION (WITHOUT DIESEL EXHAUST FLUID TANK)	80
FIGURE 2-12. TANKS INSTALLATION (WITH DIESEL EXHAUST FLUID TANK).....	82
FIGURE 2-13. TANKS INSTALLATION (HRC) (SN 0300308811 to Present).....	84
FIGURE 2-14. HYDRAULIC TANK ASSEMBLY.....	86
FIGURE 2-15. AUXILIARY POWER AND BATTERIES INSTALLATIONS.....	88
FIGURE 2-16. AUXILIARY PUMP/MOTOR ASSEMBLY	90
FIGURE 2-17. ELECTRICAL COMPONENTS INSTALLATION - TURNTABLE (HRC) (ANSI, ANSI EXPORT, CSA AND JAPANESE SPECS).....	92
FIGURE 2-18. ELECTRICAL COMPONENTS INSTALLATION - TURNTABLE (HRC) (CE & UK CA SPECS).....	96
FIGURE 2-19. ELECTRICAL COMPONENTS INSTALLATION - TURNTABLE (LRC) (ANSI EXPORT, AUSTRALIAN AND CHINA SPECS)	100
FIGURE 2-20. ELECTRICAL COMPONENTS INSTALLATION - TURNTABLE (LRC) (CE & UK CA SPECS)	104

TABLE OF CONTENTS

FIGURE 2-21. ELECTRICAL COMPONENTS INSTALLATION WITH TOWER STOW - TURNTABLE (HRC) (ANSI, ANSI EXPORT, CSA AND JAPANESE SPECS).....	108
FIGURE 2-22. ELECTRICAL COMPONENTS INSTALLATION WITH TOWER STOW - TURNTABLE (HRC) (CE & UK CA SPECS).....	112
FIGURE 2-23. ELECTRICAL COMPONENTS INSTALLATION WITH TOWER STOW - TURNTABLE (LRC) (ANSI EXPORT, AUSTRALIAN AND CHINA SPECS).....	116
FIGURE 2-24. ELECTRICAL COMPONENTS INSTALLATION WITH TOWER STOW - TURNTABLE (LRC) (CE & UK CA SPECS).....	120
FIGURE 2-25. GROUND CONTROL CONSOLE ASSEMBLY (HRC) (ANSI, ANSI EXPORT, CSA AND JAPANESE SPECS) ..	124
FIGURE 2-26. GROUND CONTROL CONSOLE ASSEMBLY (HRC) (CE & UK CA SPECS).....	126
FIGURE 2-27. GROUND CONTROL CONSOLE ASSEMBLY (LRC) (ANSI EXPORT, AUSTRALIAN AND CHINA SPECS)	128
FIGURE 2-28. GROUND CONTROL CONSOLE ASSEMBLY (LRC) (CE & UK CA SPECS)	130
FIGURE 2-29. GROUND CONTROL CONSOLE ASSEMBLY WITH TOWER STOW (HRC) (ANSI, ANSI EXPORT, CSA AND JAPANESE SPECS)	132
FIGURE 2-30. GROUND CONTROL CONSOLE ASSEMBLY WITH TOWER STOW (HRC) (CE & UK CA SPECS).....	134
FIGURE 2-31. GROUND CONTROL CONSOLE ASSEMBLY WITH TOWER STOW (LRC) (ANSI EXPORT, AUSTRALIAN AND CHINA SPECS).....	136
FIGURE 2-32. GROUND CONTROL CONSOLE ASSEMBLY WITH TOWER STOW (LRC) (CE & UK CA SPECS)	138
FIGURE 2-33. LIGHT PANEL INSTALLATION	140
FIGURE 2-34. ALARM INSTALLATION	142
FIGURE 2-35. WHITE NOISE ALARM INSTALLATION	144
FIGURE 2-36. WHITE NOISE AMBIENT ALARM INSTALLATION	146
FIGURE 2-37. STROBE LIGHT INSTALLATION - AMBER	148
FIGURE 2-38. STROBE LIGHT INSTALLATION - BLUE	150
FIGURE 2-39. STROBE LIGHT INSTALLATION - RED	152
FIGURE 2-40. HOOD INSTALLATION	154
FIGURE 2-41. HOOD PLUGS INSTALLATION	160
FIGURE 2-42. VENTURI INSTALLATION (HRC)	162
FIGURE 2-43. VENTURI INSTALLATION (LRC).....	164
SECTION 3 - ENGINE	167
FIGURE 3-1. ENGINE INSTALLATION (HRC) (WITHOUT COLD WEATHER PACKAGE)	168
FIGURE 3-2. ENGINE ASSEMBLY WITH PUMPS (HRC) (WITHOUT COLD WEATHER PACKAGE).....	172
FIGURE 3-3. ENGINE ASSEMBLY (HRC) (WITHOUT COLD WEATHER PACKAGE)	174
FIGURE 3-4. ENGINE INSTALLATION (HRC) (WITH COLD WEATHER PACKAGE).....	180
FIGURE 3-5. ENGINE ASSEMBLY WITH PUMPS (HRC) (WITH COLD WEATHER PACKAGE)	184
FIGURE 3-6. ENGINE ASSEMBLY (HRC) (WITH COLD WEATHER PACKAGE)	186
FIGURE 3-7. DEUTZ HRC ENGINE COMPONENTS.....	192
FIGURE 3-8. ENGINE INSTALLATION (LRC) (WITHOUT COLD WEATHER PACKAGE).....	196
FIGURE 3-9. ENGINE ASSEMBLY WITH PUMPS (LRC) (WITHOUT COLD WEATHER PACKAGE)	200
FIGURE 3-10. ENGINE ASSEMBLY (LRC) (WITHOUT COLD WEATHER PACKAGE)	202
FIGURE 3-11. ENGINE INSTALLATION (LRC) (WITH COLD WEATHER PACKAGE)	208
FIGURE 3-12. ENGINE ASSEMBLY WITH PUMPS (LRC) (WITH COLD WEATHER PACKAGE).....	212
FIGURE 3-13. ENGINE ASSEMBLY (LRC) (WITH COLD WEATHER PACKAGE)	214
FIGURE 3-14. DEUTZ LRC ENGINE COMPONENTS	220
FIGURE 3-15. ENGINE INSTALLATION EMR5 (HRC) (WITH COLD WEATHER PACKAGE).....	222
FIGURE 3-16. ENGINE INSTALLATION EMR5 (HRC) (WITHOUT COLD WEATHER PACKAGE)	226
FIGURE 3-17. ENGINE ASSEMBLY WITH PUMPS EMR5 (HRC) (WITH COLD WEATHER PACKAGE)	230

TABLE OF CONTENTS

FIGURE 3-18. ENGINE ASSEMBLY WITH PUMPS EMR5 (HRC) (WITHOUT COLD WEATHER PACKAGE)	232
FIGURE 3-19. ENGINE ASSEMBLY EMR5 (HRC) (WITHOUT COLD WEATHER PACKAGE)	234
FIGURE 3-20. ENGINE ASSEMBLY EMR5 (HRC) (WITH COLD WEATHER PACKAGE)	240
FIGURE 3-21. DEUTZ EMR5 HRC ENGINE COMPONENTS	246
FIGURE 3-22. ENGINE INSTALLATION (HRC) (STAGE V) (WITHOUT COLD WEATHER PACKAGE)	250
FIGURE 3-23. ENGINE ASSEMBLY WITH PUMPS (HRC) (STAGE V) (WITHOUT COLD WEATHER PACKAGE)	256
FIGURE 3-24. ENGINE ASSEMBLY (HRC) (STAGE V) (WITHOUT COLD WEATHER PACKAGE)	260
FIGURE 3-25. ENGINE INSTALLATION (HRC) (WITH COLD WEATHER PACKAGE)	266
FIGURE 3-26. ENGINE ASSEMBLY WITH PUMPS (HRC) (WITH COLD WEATHER PACKAGE)	272
FIGURE 3-27. ENGINE ASSEMBLY (HRC) (STAGE V) (WITH COLD WEATHER PACKAGE)	276
FIGURE 3-28. DEUTZ HRC (STAGE V) ENGINE COMPONENTS	282
FIGURE 3-29. PUMP COUPLING KIT	286
FIGURE 3-30. TANDEM PUMP ASSEMBLY	288
FIGURE 3-31. PISTON PUMP ASSEMBLY	292
FIGURE 3-32. GEAR PUMP ASSEMBLY	296
FIGURE 3-33. FUEL FILTER/WATER SEPARATOR INSTALLATION (LRC)	298
FIGURE 3-34. QUICKFIT OIL VALVE	300
FIGURE 3-35. SPARK ARRESTOR INSTALLATION (LRC) (OPTIONAL)	302
FIGURE 3-36. 4000W GENERATOR INSTALLATION - 50HZ	304
FIGURE 3-37. 4000W GENERATOR INSTALLATION - 60HZ	308
FIGURE 3-38. 7500W SKYPOWER GENERATOR INSTALLATION - 50HZ	312
FIGURE 3-39. 7500W SKYPOWER GENERATOR INSTALLATION - 60HZ	316
FIGURE 3-40. BREATHER HEATER INSTALLATION - MACHINES WITH COLD WEATHER PACKAGE	320
SECTION 4 - BOOM	323
FIGURE 4-1. BOOM AND CYLINDERS INSTALLATION	324
FIGURE 4-2. TOWER BOOM ASSEMBLY	328
FIGURE 4-3. MAIN BOOM AND JIB ASSEMBLY	332
FIGURE 4-4. PLATFORM ROTATOR ASSEMBLY	338
FIGURE 4-5. JIB ROTATOR ASSEMBLY	340
FIGURE 4-6. POWER TRACK INSTALLATION - TOWER BOOM	342
FIGURE 4-7. POWER TRACK INSTALLATION - MAIN BOOM	344
FIGURE 4-8. VALVES AND FILTERS INSTALLATION - BOOM	346
FIGURE 4-9. BOOM VALVE ASSEMBLY	348
FIGURE 4-10. PLATFORM VALVE ASSEMBLY	350
FIGURE 4-11. BOOM SENSORS AND COVERS INSTALLATION	352
FIGURE 4-12. PLATFORM SUPPORT INSTALLATION - WITH LSS	358
SECTION 5 - PLATFORM	361
FIGURE 5-1. PLATFORM ASSEMBLY - 30IN X 3FT (76CM X .91M) - DROP BAR ENTRY	362
FIGURE 5-2. PLATFORM ASSEMBLY - 30IN X 4FT (76.2CM X 1.22M) WITH SWING GATE	364
FIGURE 5-3. PLATFORM ASSEMBLY - 30IN X 4FT (76.2CM X 1.22M) WITH DROP BAR	366
FIGURE 5-4. PLATFORM ASSEMBLY - 36IN X 6FT (91.5CM X 1.83M) WITH SWING GATE	368
FIGURE 5-5. PLATFORM ASSEMBLY - 36IN X 6FT (91.5CM X 1.83M) TRI-ENTRY WITH SWING GATE	370
FIGURE 5-6. PLATFORM ASSEMBLY - 36IN X 6FT (91.5CM X 1.83M) WITH DROP BAR	372
FIGURE 5-7. PLATFORM ASSEMBLY - 36IN X 6FT (91.5CM X 1.83M) TRI-ENTRY WITH DROPBAR	374

TABLE OF CONTENTS

FIGURE 5-8. PLATFORM ASSEMBLY - 36IN X 6FT (91.5CM X 1.83M) WITH FALL ARREST (ANSI, ANSI EXPORT AND CSA SPECS).....	376
FIGURE 5-9. PLATFORM ASSEMBLY - 36IN X 8FT (91.5CM X 2.44M) WITH SWING GATE	378
FIGURE 5-10. PLATFORM ASSEMBLY - 36IN X 8FT (91.5CM X 2.44M) WITH TRI-ENTRY (1 GATE/2 DROP BARS).....	380
FIGURE 5-11. PLATFORM ASSEMBLY - 36IN X 8FT (91.5CM X 2.44M) WITH DROP BAR	382
FIGURE 5-12. PLATFORM ASSEMBLY - 36IN X 8FT (91.5CM X 2.44M) WITH TRI-ENTRY (3 DROP BARS).....	384
FIGURE 5-13. PLATFORM ASSEMBLY - 36IN X 8FT (91.5CM X 2.44M) WITH FALL ARREST (ANSI, ANSI EXPORT AND CSA SPECS).....	386
FIGURE 5-14. PLATFORM ASSEMBLY - 36IN X 8FT (91.5CM X 2.44M) WITH FALL ARREST (ALL SPECS EXCEPT CSA SPECS).....	388
FIGURE 5-15. TRAY ASSEMBLY	390
FIGURE 5-16. LCD DISPLAY INSTALLATION.....	392
FIGURE 5-17. CONSOLE BOX AND FOOTSWITCH INSTALLATION.....	394
FIGURE 5-18. CONSOLE BOX AND FOOTSWITCH INSTALLATION - WITH TOWER STOW	396
FIGURE 5-19. PLATFORM CONSOLE ASSEMBLY	398
FIGURE 5-20. PLATFORM CONSOLE ASSEMBLY - WITH TOWER STOW	402
FIGURE 5-21. CONSOLE DECAL AND LIGHT PANEL INSTALLATION.....	406
FIGURE 5-22. FOOTSWITCH ASSEMBLY	408
FIGURE 5-23. SKYEYE INSTALLATION.....	410
FIGURE 5-24. SKYGUARD BAR INSTALLATION.....	412
FIGURE 5-25. SKYLINE INSTALLATION	414
FIGURE 5-26. SKYSENSE MID TUBE SENSOR ASSEMBLY	416
FIGURE 5-27. SKYSENSE OVERHEAD SENSOR ASSEMBLY.....	418
FIGURE 5-28. SKYGLAZIER INSTALLATION (ANSI, ANSI EXPORT, AUSTRALIAN, CE AND CSA SPECS).....	420
FIGURE 5-29. SKYWELDER/SKYCUTTER COMBO INSTALLATION (60HZ)	422
FIGURE 5-30. SKYWELDER INSTALLATION (50HZ).....	426
FIGURE 5-31. SKYWELDER INSTALLATION (60HZ).....	428
FIGURE 5-32. SKYWELDER PREP PACKAGE (60HZ)	430
FIGURE 5-33. SOFT TOUCH SYSTEM INSTALLATION - 8FT/2.4M PLATFORMS (OPTIONAL)	432
FIGURE 5-34. SOFT TOUCH SYSTEM INSTALLATION - 8FT/2.44M FALL ARREST PLATFORM	434
FIGURE 5-35. WELDER ASSEMBLY	436
FIGURE 5-36. SKYCUTTER INSTALLATION	438
FIGURE 5-37. PLASMA CUTTER ASSEMBLY	440
FIGURE 5-38. FALL ARREST INSTALLATION (BOLT - ON EXTERNAL) 4FFT/1.22M PLATFORM).....	442
FIGURE 5-39. FALL ARREST INSTALLATION (BOLT-ON EXTERNAL) (6FT/1.82M PLATFORM).....	444
FIGURE 5-40. FALL ARREST INSTALLATION (BOLT-ON EXTERNAL) (6FT/1.82M TRI-ENTRY PLATFORM).....	446
FIGURE 5-41. FALL ARREST INSTALLATION (BOLT-ON EXTERNAL) (8FT/2.4M PLATFORM).....	448
FIGURE 5-42. USB CHARGER INSTALLATION.....	450
SECTION 6 - CYLINDER.....	453
FIGURE 6-1. AXLE EXTEND CYLINDER ASSEMBLY.....	454
FIGURE 6-2. LEVEL CYLINDER ASSEMBLY - PLATFORM SLAVE.....	456
FIGURE 6-3. LIFT CYLINDER ASSEMBLY - JIB	458
FIGURE 6-4. LIFT CYLINDER ASSEMBLY - MAIN BOOM (Prior to SN 0300310905)	460
FIGURE 6-5. LIFT CYLINDER ASSEMBLY - MAIN BOOM (SN 0300310905 to Present)	462
FIGURE 6-6. LIFT CYLINDER ASSEMBLY - TOWER BOOM	464
FIGURE 6-7. STEER CYLINDER ASSEMBLY	466

TABLE OF CONTENTS

FIGURE 6-8. TELESCOPE CYLINDER ASSEMBLY - MAIN BOOM	468
FIGURE 6-9. TELESCOPE CYLINDER ASSEMBLY - TOWER BOOM.....	470
FIGURE 6-10. TELESCOPE CYLINDER ASSEMBLY - TOWER BOOM.....	474
SECTION 7 - HYDRAULIC	477
FIGURE 7-1. BOOM AND JIB HYDRAULIC DIAGRAM	478
FIGURE 7-2. CHASSIS HYDRAULIC DIAGRAM.....	480
FIGURE 7-3. TURNTABLE HYDRAULIC DIAGRAM	484
SECTION 8 - ELECTRICAL.....	491
FIGURE 8-1. AC BOX AT PLATFORM INSTALLATION - 110V GFI (ANSI, CSA AND JAPANESE SPECS)	492
FIGURE 8-2. AC BOX AT PLATFORM INSTALLATION - 110V IEC YELLOW WITHOUT GENERATOR (CE & UK CA SPECS)	494
FIGURE 8-3. AC BOX AT PLATFORM INSTALLATION - 110V IEC YELLOW WITH 4000W GENERATOR (CE & UK CA SPECS)	496
FIGURE 8-4. AC BOX AT PLATFORM INSTALLATION - 220V IEC BLUE WITHOUT GENERATOR (CE & UK CA SPECS) ...	498
FIGURE 8-5. AC BOX AT PLATFORM INSTALLATION - 220V IEC BLUE WITH 4000W GENERATOR (CE & UK CA SPECS)	500
FIGURE 8-6. AC BOX AT PLATFORM INSTALLATION - 220V CEE7 POST GROUND WITHOUT GENERATOR (CE & UK CA SPECS)	502
FIGURE 8-7. AC BOX AT PLATFORM INSTALLATION - 220V CEE7 POST GROUND WITH 4000W GENERATOR (CE & UK CA SPECS)	504
FIGURE 8-8. AC BOX AT PLATFORM INSTALLATION - 220V CEE7 SIDE GROUND WITHOUT GENERATOR (CE & UK CA SPECS)	506
FIGURE 8-9. AC BOX AT PLATFORM INSTALLATION - 220V CEE7 SIDE GROUND WITH 4000W GENERATOR (CE & UK CA SPECS)	508
FIGURE 8-10. AC BOX AT PLATFORM INSTALLATION - 220V AFSINT 107 KEYED GROUND WITHOUT GENERATOR (CE & UK CA SPECS)	510
FIGURE 8-11. AC BOX AT PLATFORM INSTALLATION - 220V AFSINT 107 KEYED GROUND WITH 4000W GENERATOR (CE & UK CA SPECS).....	512
FIGURE 8-12. AC BOX AT PLATFORM INSTALLATION - BOX WITH COVER WITH 4000W GENERATOR (ANSI EXPORT, AUSTRALIAN, CHINA, JAPANESE, CE & UK CA SPECS).....	514
FIGURE 8-13. AC BOX AT PLATFORM INSTALLATION - 240V (WITH 7500W SKYPOWER GENERATOR) (ANSI & CSA SPECS)	516
FIGURE 8-14. AC LEAD INSTALLATION (ANSI EXPORT, AUSTRALIAN, CHINA, CE & UK CA SPECS).....	518
FIGURE 8-15. BATTERY DISCONNECT INSTALLATION	520
FIGURE 8-16. BLAM HARNESS.....	522
FIGURE 8-17. BOOM CABLES INSTALLATION - WITHOUT GENERATOR (ALL SPEC EXCEPT AUSTRALIAN, CHINA, CE & UK CA SPECS)	524
FIGURE 8-18. BOOM CABLES INSTALLATION - WITHOUT GENERATOR (AUSTRALIAN, CHINA, CE & UK CA SPECS)....	526
FIGURE 8-19. BOOM CABLES INSTALLATION - WITH 4000W GENERATOR (ALL SPECS)	528
FIGURE 8-20. BOOM CABLES INSTALLATION - WITH SKYPOWER 7500W GENERATOR (ALL SPECS EXCEPT CE & UK CA SPECS)	530
FIGURE 8-21. BOOM CABLE (MAIN BOOM)	532
FIGURE 8-22. BOOM CABLE (TOWER BOOM).....	534
FIGURE 8-23. BOOM CONTROL BOX ASSEMBLY.....	536
FIGURE 8-24. BREAKER BOX INSTALLATION - WITH 2 BREAKERS (CE & UK CA SPECS)	538
FIGURE 8-25. BREAKER BOX INSTALLATION - WITH 3 BREAKERS (CE & UK CA SPECS)	540
FIGURE 8-26. BREAKER BOX KIT - WITH 2 BREAKERS (CE & UK CA SPECS)	542
FIGURE 8-27. BREAKER BOX KIT - WITH 3 BREAKERS (CE & UK CA SPECS)	544

TABLE OF CONTENTS

FIGURE 8-28. BREAKER BOX KIT - 4000W 50HZ GENERATOR	546
FIGURE 8-29. CHASSIS HARNESS.....	548
FIGURE 8-30. CLEARSKY INSTALLATION - 4G CANBUS CONNECTION (ALL SPECS EXCEPT CHINA SPECS).....	552
FIGURE 8-31. CLEARSKY INSTALLATION - 4G CANBUS CONNECTION (CHINA SPECS).....	554
FIGURE 8-32. CLEARSKY INSTALLATION - 3G CANBUS CONNECTION (ANSI EXPORT, CE, AND UK CA SPECS)	556
FIGURE 8-33. CLEARSKY INSTALLATION - 3G CANBUS CONNECTION (AUSTRALIAN SPECS)	558
FIGURE 8-34. CLEARSKY INSTALLATION - 3 WIRE GT1030 (ALL SPECS EXCEPT CHINA SPECS)	560
FIGURE 8-35. CLEARSKY HARNESS - 3G & 4G CANBUS CONNECTIONS.....	562
FIGURE 8-36. CLEARSKY HARNESS - 3 WIRE GT1030.....	564
FIGURE 8-37. DEF TANK EXTENSION HARNESS.....	566
FIGURE 8-38. DIESEL EXHAUST FLUID TANK HARNESS.....	568
FIGURE 8-39. DRIVE PUMP HARNESS.....	570
FIGURE 8-40. ENGINE HARNESS - DEUTZ (HRC)	572
FIGURE 8-41. ENGINE HARNESS - DEUTZ T4F ENGINES (HRC).....	576
FIGURE 8-42. ENGINE HARNESS STAGE V (HRC).....	580
FIGURE 8-43. ENGINE HARNESS (LRC).....	584
FIGURE 8-44. ENGINE CAN HARNESS.....	588
FIGURE 8-45. FUEL PUMP AND WIF HARNESS.....	590
FIGURE 8-46. PLATFORM OUTLET HARNESS.....	592
FIGURE 8-47. GENERATOR TO CONTROL BOX HARNESS (4000W GENERATOR)	594
FIGURE 8-48. GENERATOR TO CONTROL BOX HARNESS (7500W GENERATOR)	596
FIGURE 8-49. GENERATOR TO PLATFORM HARNESS (4000W-60HZ GENERATOR).....	598
FIGURE 8-50. GENERATOR TO PLATFORM HARNESS (4000W-50HZ & 7500W GENERATOR)	600
FIGURE 8-51. GROUND CONTROL HARNESS.....	602
FIGURE 8-52. INTERFACE HARNESS - WITH 1 CELL LSS.....	604
FIGURE 8-53. LCD DISPLAY HARNESS.....	606
FIGURE 8-54. MAIN BOOM CONTROL BOX HARNESS	608
FIGURE 8-55. PLATFORM CONSOLE HARNESS - WITH SKYGUARD.....	612
FIGURE 8-56. RECEPTACLE BOX KIT - 110V IEC YELLOW (CE & UK CA SPEC).....	616
FIGURE 8-57. RECEPTACLE BOX KIT - 220V IEC BLUE (CE & UK CA SPEC)	618
FIGURE 8-58. RECEPTACLE BOX KIT - 220V CEE7 POST GROUND (CE & UK CA SPEC).....	620
FIGURE 8-59. RECEPTACLE BOX KIT - 220V CEE7 SIDE GROUND (CE & UK CA SPEC)	622
FIGURE 8-60. RECEPTACLE BOX KIT - 220V AFSINT 107 (CE & UK CA SPEC)	624
FIGURE 8-61. SECONDARY CONTROL HARNESS	626
FIGURE 8-62. SENSOR HARNESS - AXLE.....	628
FIGURE 8-63. SENSOR HARNESS - BOOM.....	630
FIGURE 8-64. SENSOR HARNESS - PLATFORM LEVEL	632
FIGURE 8-65. SKYEYE INTERMEDIATE HARNESS	634
FIGURE 8-66. SKYEYE EMITTER HARNESS	636
FIGURE 8-67. SKYEYE RECEIVER HARNESS.....	638
FIGURE 8-68. SKYLINE HARNESS.....	640
FIGURE 8-69. STEER HARNESS	642
FIGURE 8-70. STROBE LIGHT HARNESS - AMBER LIGHTS	644
FIGURE 8-71. STROBE LIGHT HARNESS - BLUE & RED LIGHTS.....	646
FIGURE 8-72. STROBE LIGHT JUMPER HARNESS - AMBER	648

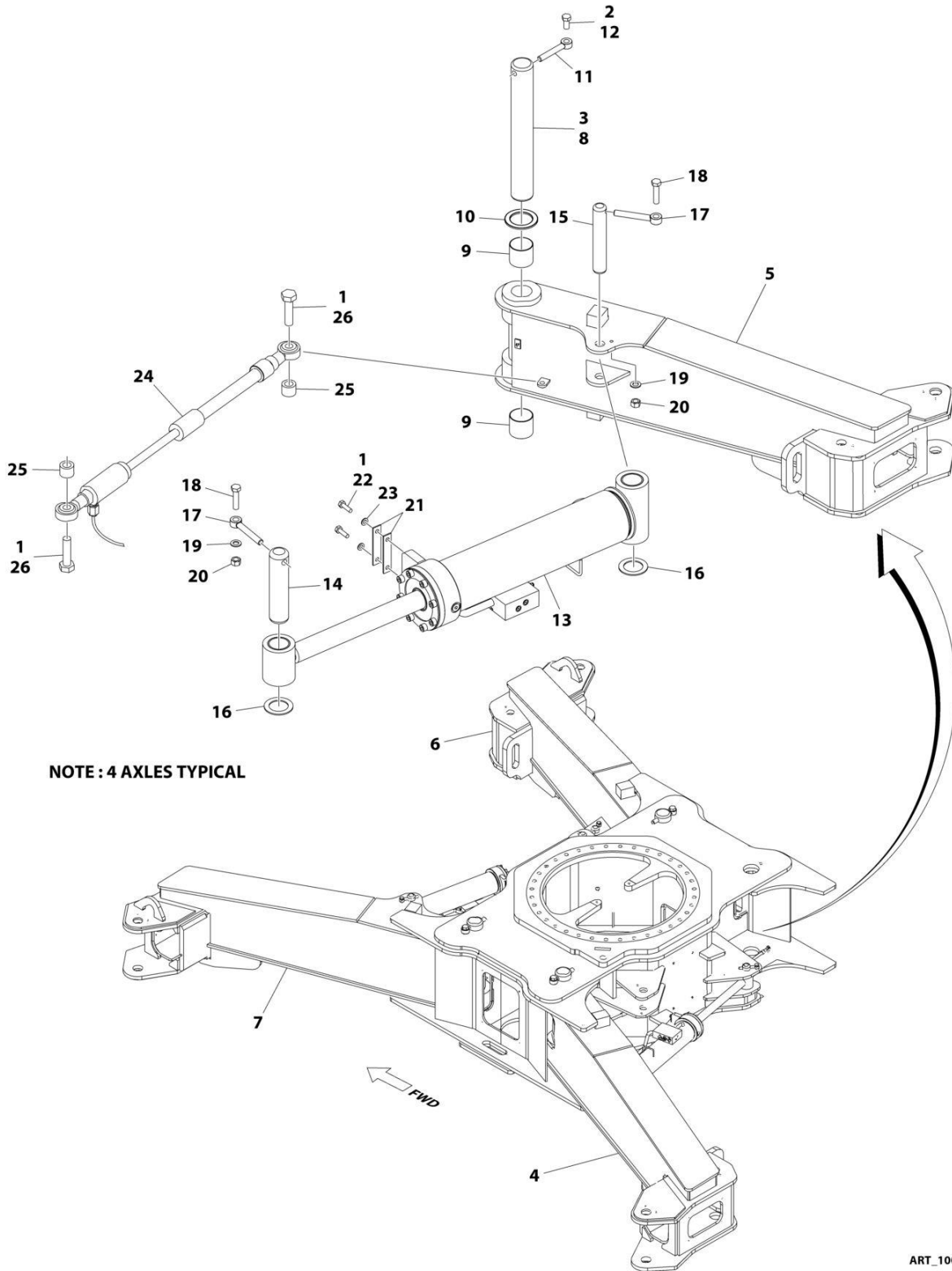
TABLE OF CONTENTS

FIGURE 8-73. TURNTABLE HARNESS	650
FIGURE 8-74. VALVE HARNESS - BOOM	654
FIGURE 8-75. VALVE HARNESS - PLATFORM.....	656
FIGURE 8-76. VALVE HARNESS - TURNTABLE.....	658
FIGURE 8-77. WHITE NOISE MOTION ARLARM HARNESS.....	660
SECTION 9 - DECALS.....	663
FIGURE 9-1. DECAL INSTALLATION - ANSI SPEC	664
FIGURE 9-2. DECAL INSTALLATION - AUSTRALIAN SPEC	668
FIGURE 9-3. DECAL INSTALLATION - BRAZIL SPEC (ENGLISH/PORTUGUESE)	672
FIGURE 9-4. DECAL INSTALLATION - CE & UK CA SPEC	676
FIGURE 9-5. DECAL INSTALLATION - CHINA SPEC (ENGLISH/CHINESE).....	680
FIGURE 9-6. DECAL INSTALLATION - CSA SPEC (ENGLISH/FRENCH)	684
FIGURE 9-7. DECAL INSTALLATION - JAPAN SPEC (ENGLISH/JAPANESE)	688
FIGURE 9-8. DECAL INSTALLATION - KOREA SPEC (ENGLISH/KOREAN)	692
FIGURE 9-9. DECAL INSTALLATION - CSA SPEC (ENGLISH/FRENCH)	696
FIGURE 9-10. DECAL INSTALLATION - OPTIONS	700
FIGURE 9-11. SKYCUTTER DECAL INSTALLATION (ANSI, ANSI EXPORT AND CSA SPECS)	704
FIGURE 9-12. SKYCUTTER DECAL INSTALLATION (JAPANESE SPECS).....	706
SECTION 10 - RECOMMENDED SERVICE PARTS STOCK	709
FIGURE 10-1. RECOMMENDED SERVICE PARTS STOCK	710
SECTION 11 - SPECIAL OPTIONS/ACCESSORIES/KITS	713
FIGURE 11-1. SPECIAL OPTIONS/ACCESSORIES/KITS	714
PART NUMBER INDEX	719

SECTION 1 - FRAME

SECTION 1 - FRAME

FIGURE 1-1. AXLE INSTALLATION



ART_1001190949_B

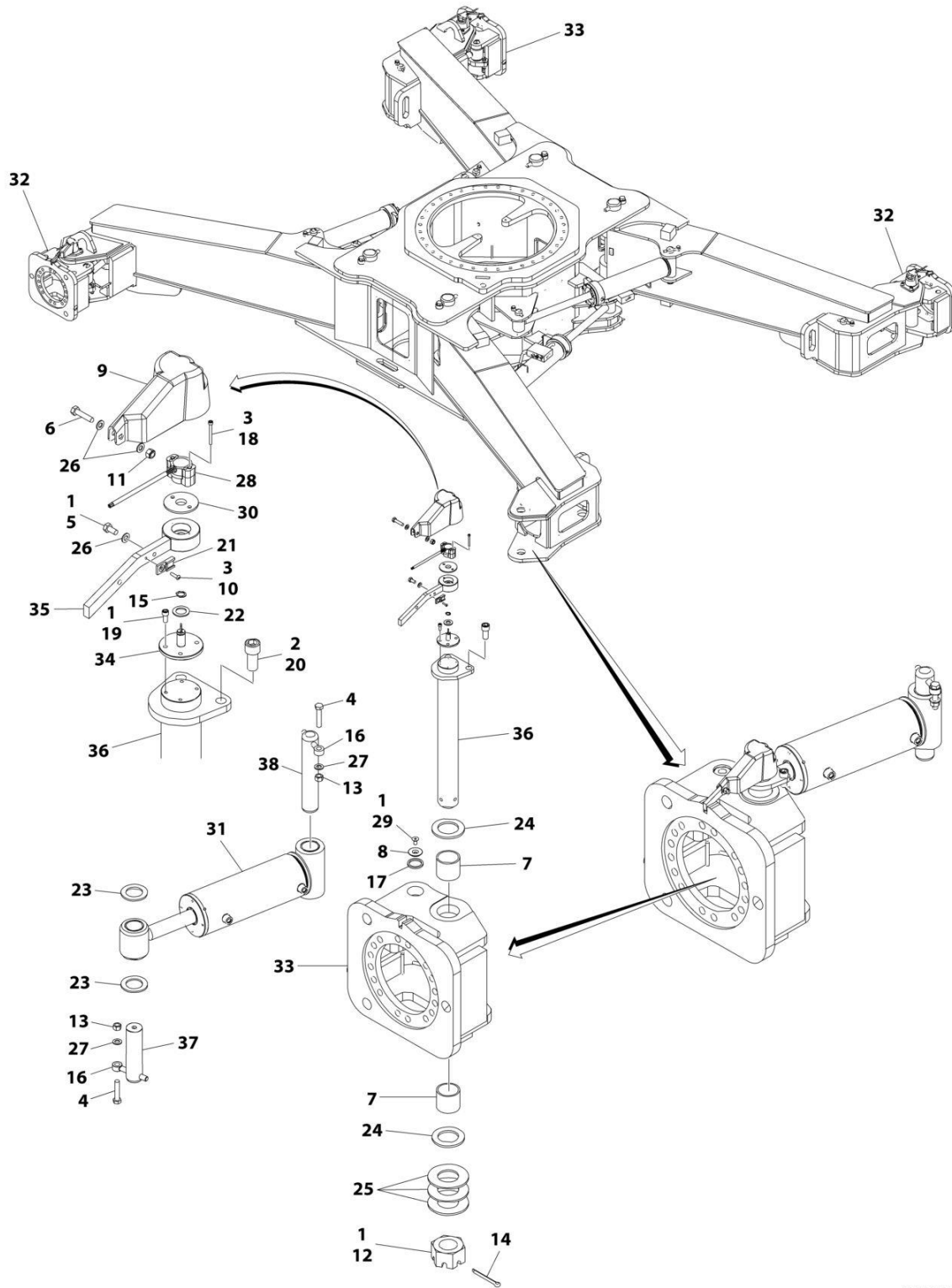
SECTION 1 - FRAME

FIGURE 1-1. AXLE INSTALLATION

ITEM	PART NUMBER	QTY	DESCRIPTION	REV
	1001190949	Ref	AXLE INSTALLATION	G
1	0100011	AR	Compound, Locking	
2	0100071	AR	Compound, Locking	
3	3020039	AR	Lubricant	
4	1001190950	1	Axle - Rear LH	
5	1001190951	1	Axle - Rear RH	
6	1001190952	1	Axle - Front RH	
7	1001190953	1	Axle - Front LH	
8	1001155363	4	Pin	
9	0440273	8	Bushing	
10	1001155133	4	Washer, Thrust	
11	3841356	4	Keeper, Pin	
12	0762418001	4	Bolt M24 x 50	
13	1001251066	4	Axle Extend Cylinder Assembly (See Separate Breakdown in CYLINDER Section)	
14	3422912	4	Pin	
15	1001120000	4	Pin	
16	4740229	8	Washer, Thrust	
17	3841258	8	Keeper, Pin	
18	0701420001	8	Bolt M14 x 60	
19	4812200001	8	Washer M14	
20	3291407001	8	Nut M14	
21	1001158017	AR	Shim	
22	0761015001	8	Bolt M10 x 35	
23	1001172358	8	Washer M10	
24	1001157084	4	Axle Sensor and Harness Assembly	
24	4460910	1	Receptacle, Female - 3 Position	
24	4460917	6	Pin, Male	
25	1001157007	8	Sleeve	
26	0761016001	8	Bolt M10 x 40	

SECTION 1 - FRAME

FIGURE 1-2. STEER INSTALLATION



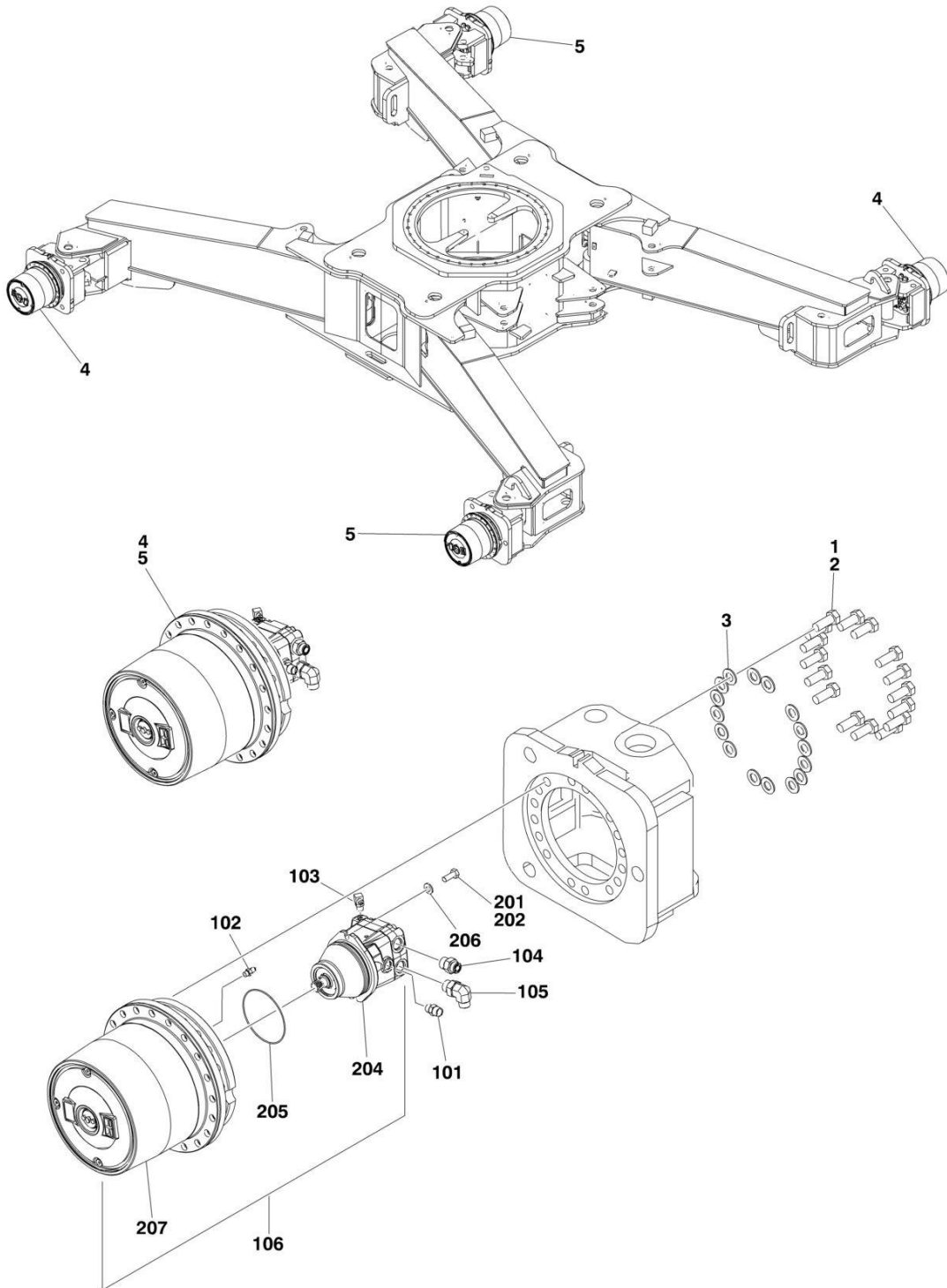
ART_1001156606_G

FIGURE 1-2. STEER INSTALLATION

ITEM	PART NUMBER	QTY	DESCRIPTION	REV
	1001156606	Ref	STEER INSTALLATION	G
1	0100011	AR	Compound, Locking	
2	0100019	AR	Compound, Locking	
3	0100035	AR	Compound, Locking	
4	0701422001	8	Bolt M14 x 70	
5	0760808001	4	Bolt M8 x 16	
6	0760815001	4	Bolt M8 x 35	
7	0962423	8	Bushing	
8	1120549	4	Cap	
9	1671040	4	Cover	
10	2080091	4	Screw M4 x 16	
11	3290805001	4	Nut M8	
12	3300464001	4	Nut	
13	3291407001	8	Nut M14	
14	3451214	4	Pin, Cotter	
15	3760383	4	Ring	
16	3841258	8	Keeper, Pin	
17	3960551	4	Seal	
18	4031512	8	Capscrew M4 x 40	
19	4031707	16	Capscrew M6 x 16	
20	4032311001	8	Capscrew M16 x 35	
21	4460914	4	Base, Terminal	
22	4711800	4	Washer 1/2	
23	4740229	8	Washer, Thrust	
24	4740505	8	Washer, Thrust	
25	4755000001	18	Washer 2-1/2	
26	4811900001	12	Washer M8	
27	4812200001	8	Washer M14	
28	1001146963	4	Sensor Assembly	
28	4460899	1	Connector - 6 Position	
28	4460464	6	Socket, Female	
29	1001174345	4	Screw M20 x 20	
30	1001155836	4	Adapter	
31	1001251065	4	Steer Cylinder Assembly (See Separate Breakdown in CYLINDER Section)	
32	1001156678	2	Spindle - Front LH and Rear RH	
33	1001156679	2	Spindle - Front RH and Rear LH	
34	1001156778	4	Pin	
35	1001156785	4	Link	
36	1001156815	4	Kingpin	
37	1001156991	4	Pin	
38	1001156996	4	Pin	
39	1001155817	4	Steer Harness (Not Shown - See Separate Breakdown in ELECTRICAL SECTION)	

SECTION 1 - FRAME

FIGURE 1-3. WHEEL DRIVE INSTALLATION



ART_1001157850

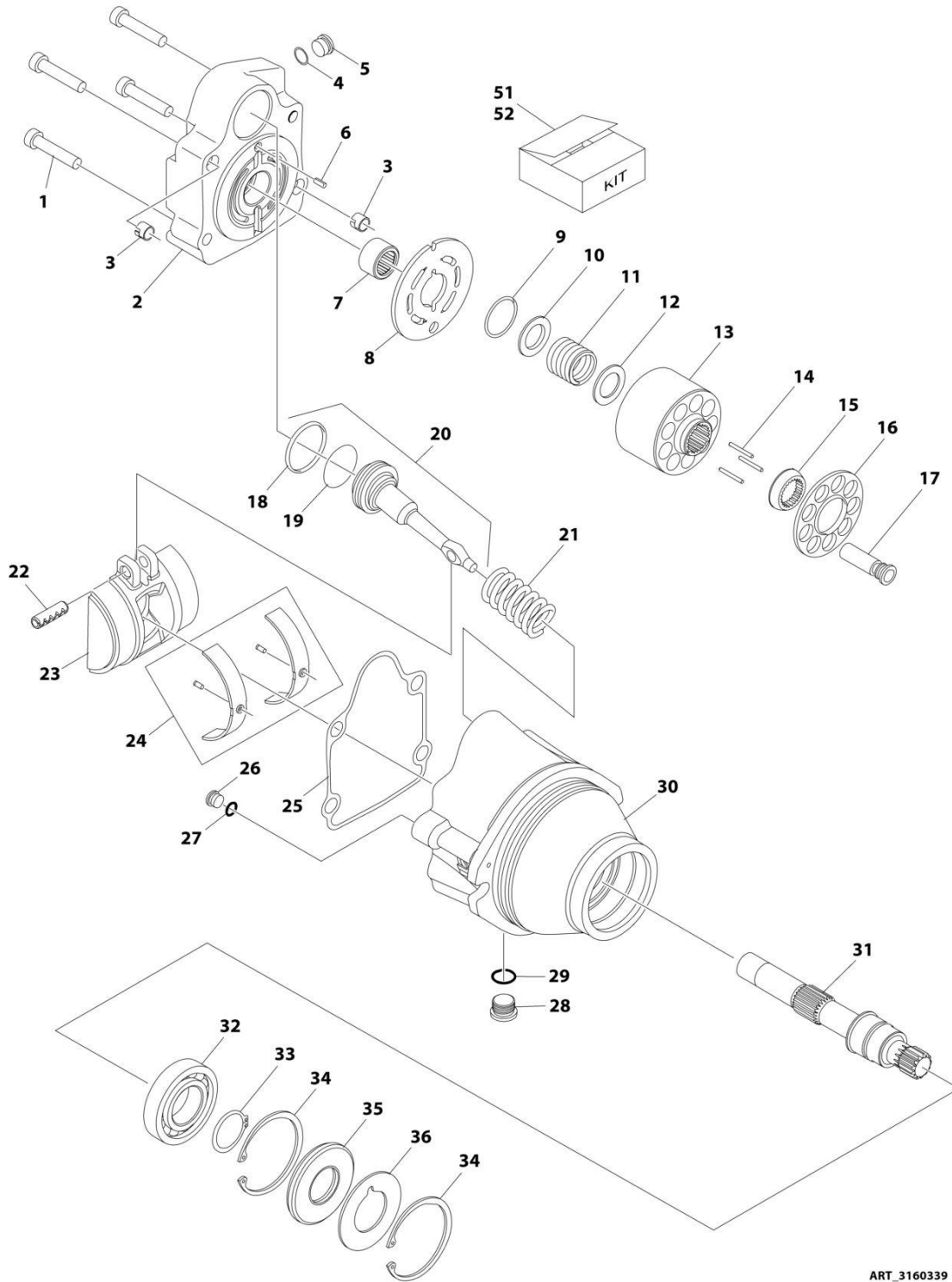
SECTION 1 - FRAME

FIGURE 1-3. WHEEL DRIVE INSTALLATION

ITEM	PART NUMBER	QTY	DESCRIPTION	REV
	1001157850	Ref	WHEEL DRIVE INSTALLATION	F
1	0100019	AR	Compound, Locking	
2	0762018001	64	Bolt M20 x 50	
3	5242000001	64	Washer M20	
4	1001154759	2	Drive Hub/Motor with Fittings - Front LH and Rear RH (See Items 101-106 for Breakdown)	
5	1001157849	2	Drive Hub/Motor with Fittings - Front RH and Rear LH (See Items 101-106 for Breakdown)	
	1001154759	Ref	HUB/MOTOR ASSEMBLY WITH FITTINGS - FRONT LH AND REAR RH	E
	1001157849	Ref	HUB/MOTOR ASSEMBLY WITH FITTINGS - FRONT RH AND REAR LH	E
101	2110808	1	Fitting, Straight ORFS/ORB	
102	2220415	1	Fitting, Straight JIC/ORB	
103	2220472	1	Fitting, 90 JIC/ORB	
104	2111012	1	Fitting, Straight ORFS/ORB	
105	2131012	1	Fitting, 90 ORFS/ORB	
106	1001154772	1	Drive Hub/Motor (See Items 201-207 for Breakdown)	
	1001154772	Ref	DRIVE HUB/MOTOR ASSEMBLY	E
201	0100011	AR	Compound, Locking	
202	0761214	2	Bolt M12 x 30	
204	3160339	1	Motor - Drive (See Separate Breakdown in this Section)	
205	3790158	1	O-Ring	
206	5241200	2	Washer M12	
207	1001149921	1	Hub - Drive (See Separate Breakdown in this Section)	

SECTION 1 - FRAME

FIGURE 1-4. DRIVE MOTOR ASSEMBLY



ART_3160339

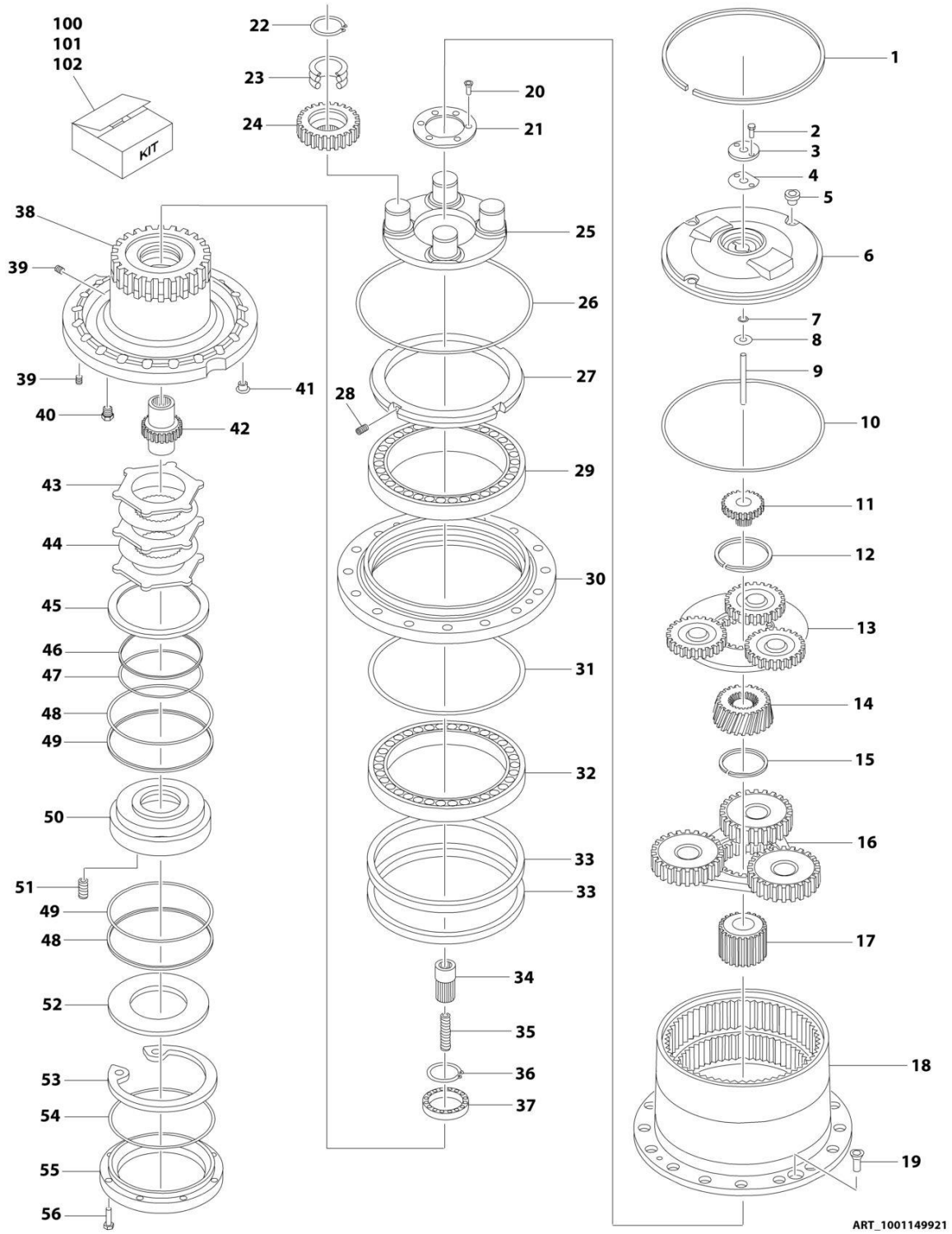
SECTION 1 - FRAME

FIGURE 1-4. DRIVE MOTOR ASSEMBLY

ITEM	PART NUMBER	QTY	DESCRIPTION	REV
	3160339	Ref	DRIVE MOTOR ASSEMBLY	D
1	7022368	4	Bolt	
2	70000859	1	End Cap, Motor	
3	70003628	2	Locating Pin	
4	See Note	NSS	O-Ring (Note: Use Item 51)	
5	7007420	1	Plug (Includes Item 4)	
6	7007446	1	Pin, Dowel	
7	7021249	1	Bearing, Needle	
8	70000854	1	Plate, Valve	
9	7022311	1	Snap Ring	
10	7022314	1	Retainer, Spring	
11	7024867	1	Spring	
12	7024868	1	Washer	
13	70000855	1	Block, Cylinder	
14	7021275	3	Pin, Slipper	
15	70000856	1	Guide	
16	70000857	1	Retainer, Slipper	
17	7024865	9	Piston, Cylinder	
18	See Note	NSS	Ring, Piston (Note: Use Item 51)	
19	See Note	NSS	O-Ring (Note: Use Item 51)	
20	70000860	1	Piston, Servo (Includes Items 18 & 19)	
21	70000861	1	Spring	
22	See Note	NSS	Pin (Note: Not Available for Purchase)	
23	70000853	1	Swash Plate	
24	70000852	1	Bearing Kit	
25	See Note	NSS	Gasket (Note: Use Item 51)	
26	See Note	NSS	Plug (Note: Not Available for Purchase)	
27	See Note	NSS	O-Ring (Note: Use Item 51)	
28	7022321	1	Plug (Includes Item 29)	
29	See Note	NSS	O-Ring (Note: Use Item 51)	
30	See Note	NSS	Housing (Note: Not Available - Purchase Complete Motor)	
31	70000858	1	Shaft	
32	7007437	1	Bearing	
33	7007439	1	Snap Ring	
34	7007438	2	Snap Ring	
35	See Note	NSS	Seal (Note: Use Item 51)	
36	7022371	1	Washer, Seal Support	
51	70000862	1	Kit 1 - Motor Seal Kit (Includes Items 4, 18, 19, 25, 27, 29 & 35)	
52	7027740	1	Kit 2 - Cylinder Block Kit (Includes Items 9-17)	

SECTION 1 - FRAME

FIGURE 1-5. DRIVE HUB ASSEMBLY



SECTION 1 - FRAME

FIGURE 1-5. DRIVE HUB ASSEMBLY

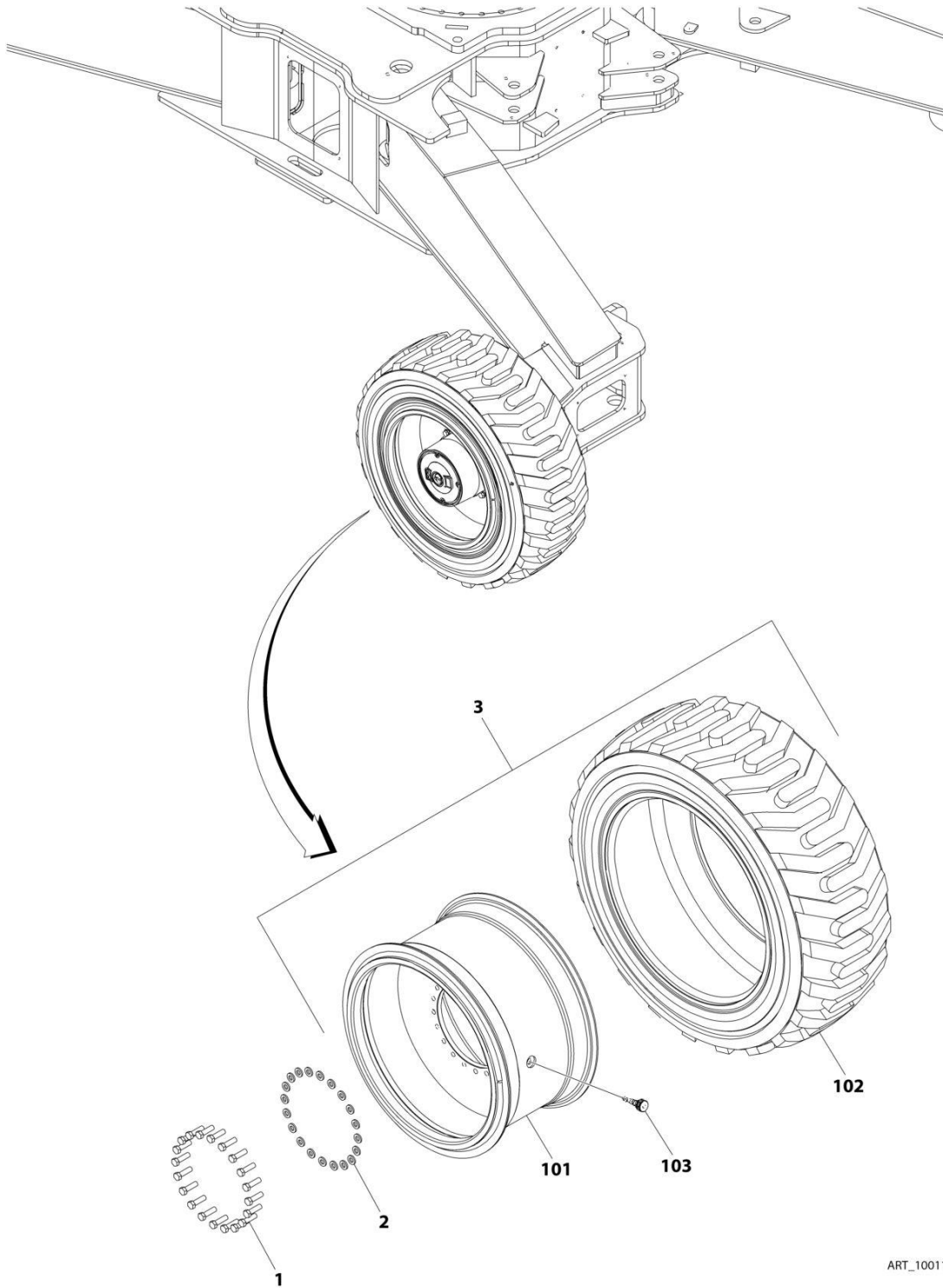
ITEM	PART NUMBER	QTY	DESCRIPTION	REV
	1001149921	Ref	DRIVE HUB ASSEMBLY	G
1	70004429	1	Ring	
2	See Note	NSS	Screw M6 x 20 (Note: Use Item 101)	
3	See Note	NSS	Cover (Note: Use Item 101)	
4	70004429	1	Gasket	
5	70002057	3	Plug	
6	See Note	NSS	Cover (Note: Use Item 101)	
7	See Note	NSS	O-Ring (Note: Use Item 100 or 101)	
8	See Note	NSS	Shim (Note: Use Item 101)	
9	See Note	NSS	Pin (Note: Use Item 101)	
10	See Note	NSS	O-Ring (Note: Use Item 100 or 101)	
11	70004430	1	Pinion	
12	70004431	1	Ring, Retaining	
13	70004432	1	Assembly, Gear Reduction	
14	70004433	1	Pinion	
15	70004434	1	Ring	
16	70004435	1	Assembly, Gear Reduction	
17	70004436	1	Pinion	
18	See Note	NSS	Housing, Hub (Note: Use p/n 1001149921)	
19	70002052	2	Screw M10 x 25	
20	70004437	6	Screw M6 x 14	
21	70004438	1	Plug	
22	70002032	4	Ring, Retaining	
23	70002031	4	Bearing	
24	70004439	4	Wheel, Planet	
25	70004440	1	Flange	
26	See Note	NSS	O-Ring (Note: Use Item 100)	
27	70004441	1	Nut	
28	70004363	2	Screw M6 x 10	
29	70004442	1	Bearing	
30	See Note	NSS	Support, Hub (Note: Use p/n 1001149921)	
31	See Note	NSS	O-Ring (Note: Use Item 100)	
32	70004443	1	Bearing	
33	See Note	1	Seal (Note: Use Item 100)	
34	70004444	1	Coupling	
35	70002036	1	Spring	
36	70004445	1	Ring, Retaining	
37	70004446	1	Bearing	
38	See Note	NSS	Axle (Note: Use p/n 1001149921)	
39	70004447	3	Plug	
40	70002057	3	Plug (Includes O-Ring)	
41	70002028	1	Plug, Plastic	
42	70004448	1	Shaft, Input	
43	See Note	NSS	Disc, Iron (Note: Use Item 102)	
44	See Note	NSS	Disc, Brake (Note: Use Item 102)	
45	See Note	NSS	Spacer (Note: Use Item 102)	
46	See Note	NSS	Seal (Note: Use Item 100 or 102)	
47	See Note	NSS	O-Ring (Note: Use Item 100 or 102)	
48	See Note	NSS	Seal (Note: Use Item 100 or 102)	
49	See Note	NSS	O-Ring (Note: Use Item 100 or 102)	

SECTION 1 - FRAME

ITEM	PART NUMBER	QTY	DESCRIPTION	REV
50	See Note	NSS	Piston, Brake (Note: Use Item 102)	
51	See Note	NSS	Spring, Brake (Note: Use Item 102)	
52	See Note	NSS	Spacer (Note: Use Item 102)	
53	See Note	NSS	Ring, Retaining (Note: Use Item 102)	
54	See Note	NSS	O-Ring (Note: Use Item 100)	
55	70004449	1	Support, Motor	
56	70004450	6	Screw M8 x 25	
100	70004451	1	Kit, Seal (Includes Items 4, 7, 10, 26, 31, 33, 46-49 & 54)	
101	70004452	1	Kit, Cover (Includes Items 2-10)	
102	70004453	1	Kit, Brake (Includes Items 43-53)	

SECTION 1 - FRAME

FIGURE 1-6. TIRE/WHEEL INSTALLATION



ART_1001157216

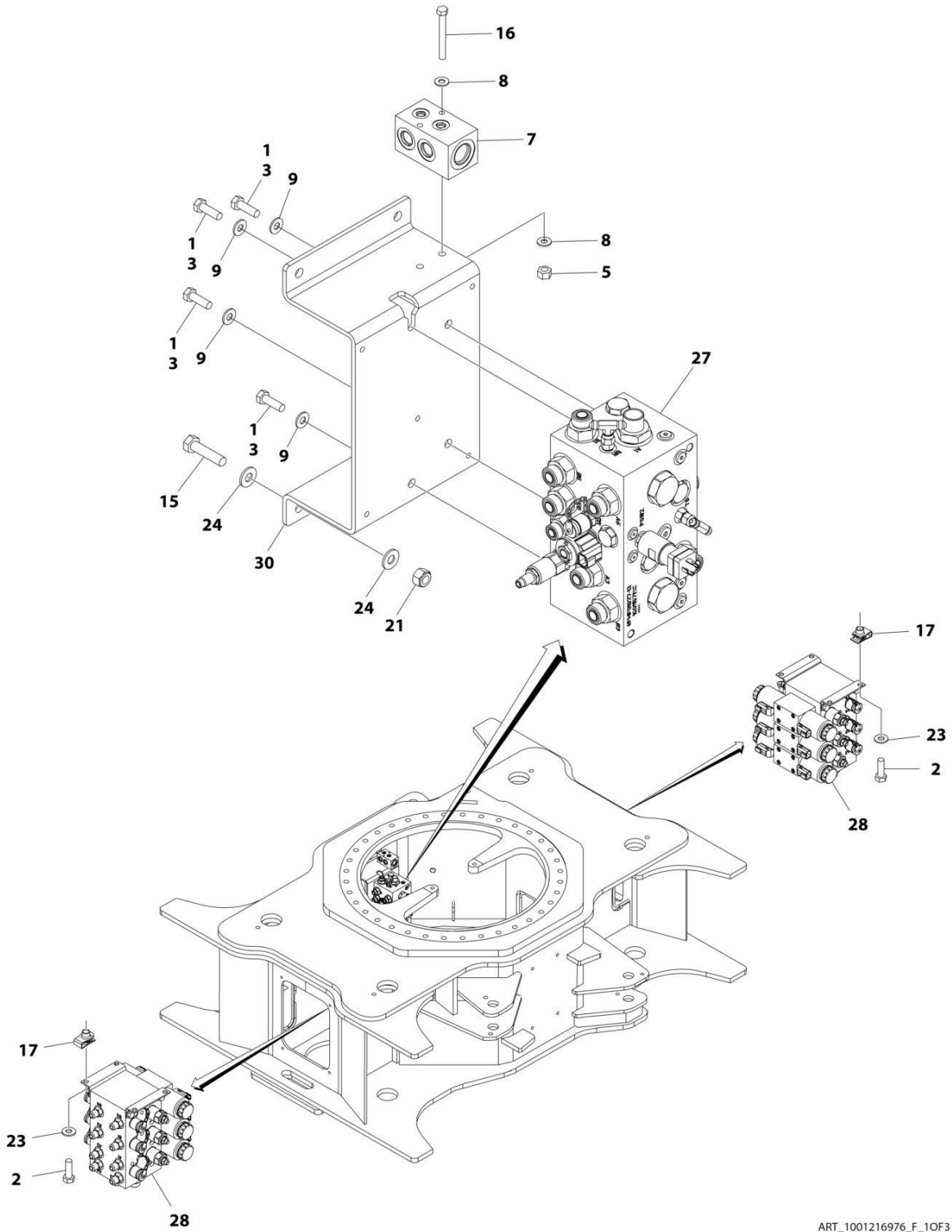
SECTION 1 - FRAME

FIGURE 1-6. TIRE/WHEEL INSTALLATION

ITEM	PART NUMBER	QTY	DESCRIPTION	REV
	1001157216	Ref	TIRE/WHEEL INSTALLATION	F
		Ref	Note: Requires ballast/foam filling to manufacturer's specifications prior to installing on a machine. Refer to Service and Maintenance Manuals. Purchase individual tire and/or rim only if able to foam fill tire and wheel assembly, otherwise, purchase complete.	
1	0701619001	80	Bolt M16 x 55 (20 Per Wheel)	
2	1001172356	80	Washer 5/8 (20 Per Wheel)	
3	1001147616	2	Tire/Wheel (RH Side)	
3	1001149711	2	Tire/Wheel (LH Side)	
	1001147616	Ref	TIRE/WHEEL ASSEMBLY (RH SIDE)	I
	1001149711	Ref	TIRE/WHEEL ASSEMBLY (LH SIDE)	I
101	1001147617	4	Wheel (1 per Tire/Wheel)	
102	1001147618	4	Tire (1 per Tire/Wheel)	
103	1001157467	4	Valve (1 per Tire/Wheel)	

SECTION 1 - FRAME

FIGURE 1-7. VALVES INSTALLATION - FRAME



ART_1001216976_F_10F3

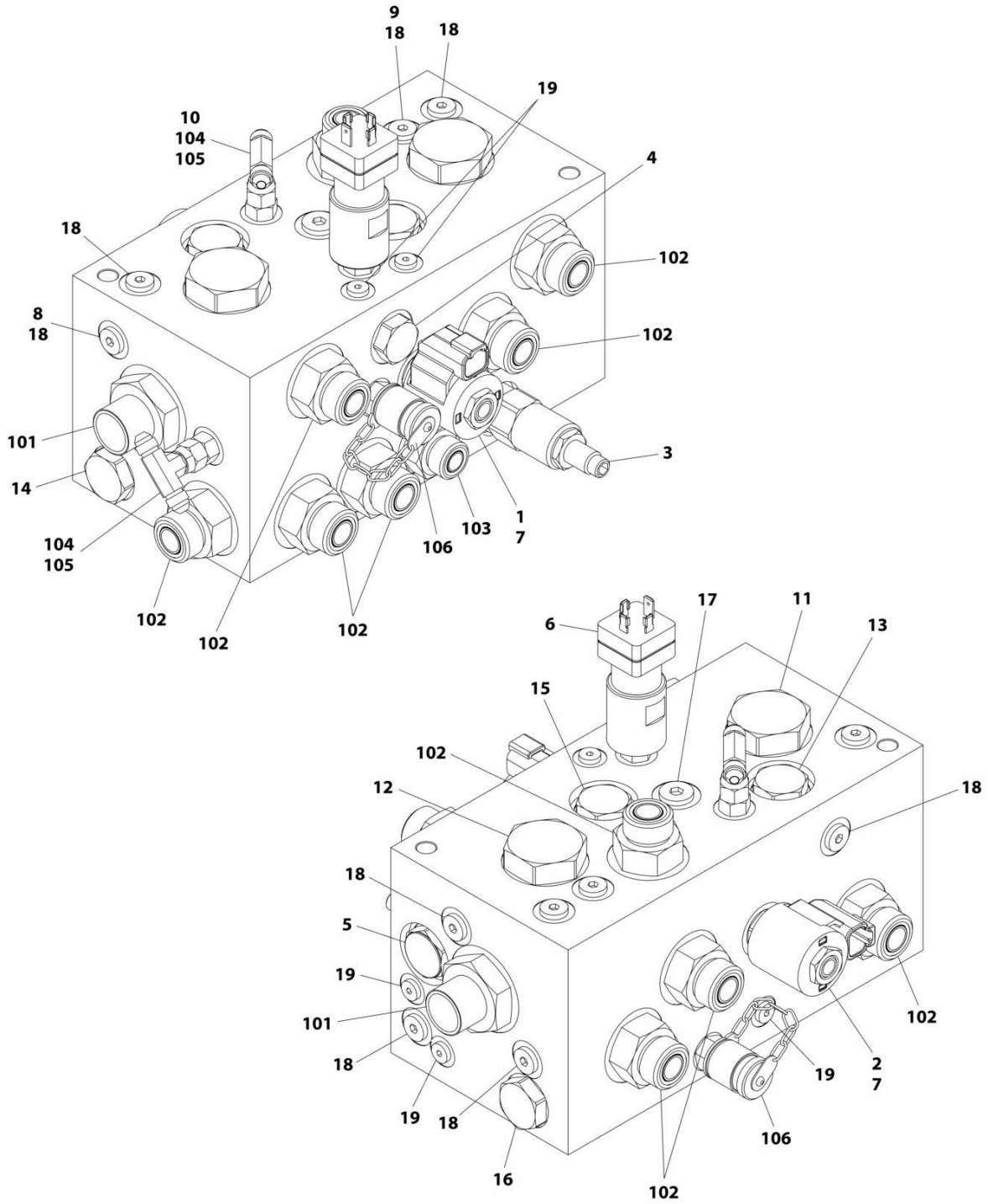
SECTION 1 - FRAME

FIGURE 1-7. VALVES INSTALLATION - FRAME

ITEM	PART NUMBER	QTY	DESCRIPTION	REV
	1001216976	Ref	VALVES INSTALLATION - FRAME	F
1	0100011	AR	Compound, Locking	
2	0760812	8	Bolt M8 x 25	
3	0761012	4	Bolt M10 x 25	
5	3290607	2	Nut M6	
7	4641155	1	Manifold, Junction	
8	4811700	4	Washer M6	
9	4812000	4	Washer M10	
15	0761218001	4	Bolt M12 x 50	
16	1001096653	2	Bolt M6 x 70	
17	1001118274	8	Nut M8	
21	3291205001	4	Nut M12	
23	4811900001	8	Washer M8	
24	4812100001	8	Washer M12	
27	1001219110	1	Traction Valve Assembly (See Separate Breakdown in this Section)	
28	1001157207	2	Steer/Axle Extend Valve Assembly (See Separate Breakdown in this Section)	
30	1001164354	1	Bracket	

SECTION 1 - FRAME

FIGURE 1-8. TRACTION VALVE ASSEMBLY



ART_1001219110

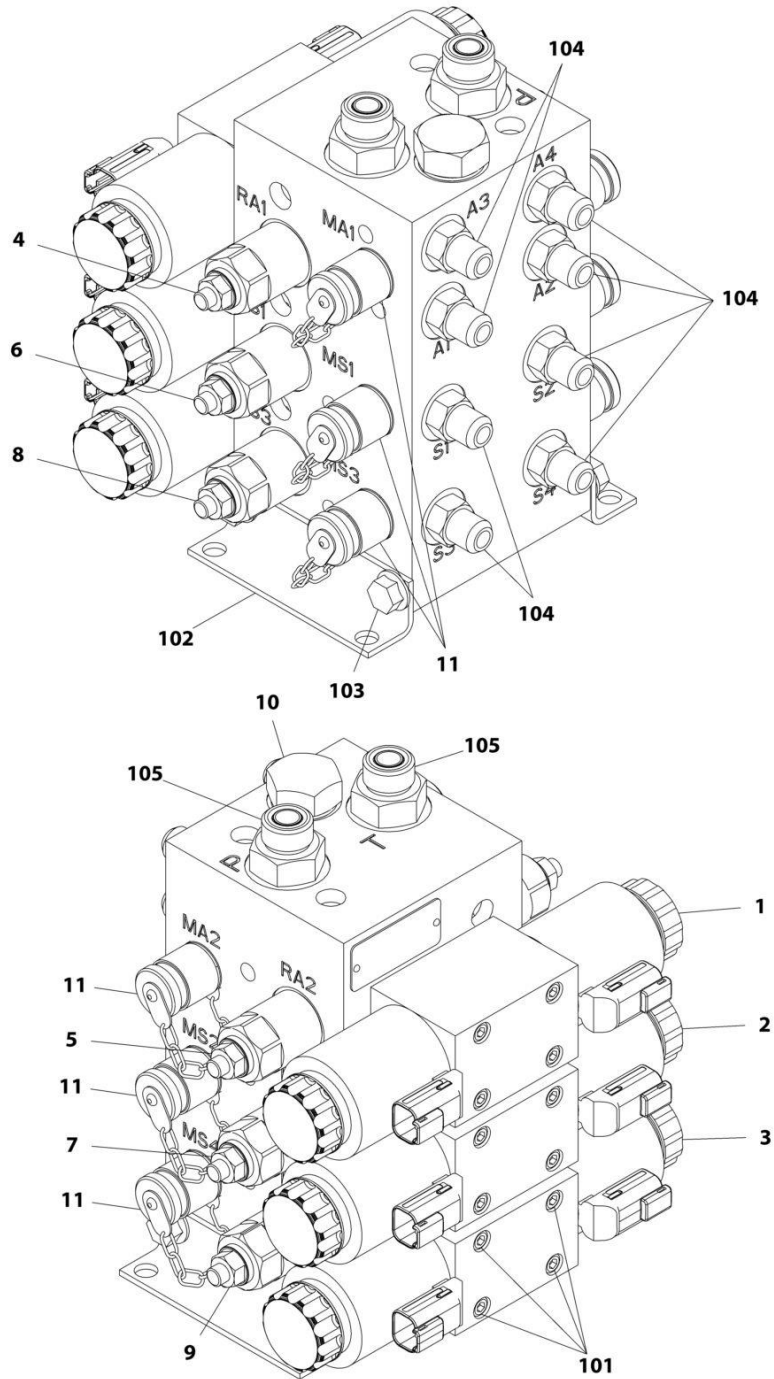
SECTION 1 - FRAME

FIGURE 1-8. TRACTION VALVE ASSEMBLY

ITEM	PART NUMBER	QTY	DESCRIPTION	REV
	1001219110	Ref	TRACTION VALVE ASSEMBLY	B
1	7012941	1	Cartridge, Solenoid Less Coil	
1	7010543	1	Kit, Seal	
2	7012941	1	Cartridge, Solenoid Less Coil	
2	7010543	1	Kit, Seal	
3	70004383	1	Cartridge, Relief	
3	7012998	1	Kit, Seal	
4	70004384	1	Cartridge, Load Shuttle	
4	7012973	1	Kit, Seal	
5	70000804	1	Cartridge	
5	70000805	1	Kit, Seal	
6	70000803	1	Cartridge, Pressure Switch	
7	70002386	2	Coil	
8	7017493	1	Orifice	
9	7017493	1	Orifice	
10	70004386	1	Orifice	
11	70004017	1	Cartridge, Flow Divider	
11	7021625	1	Kit, Seal	
12	70004017	1	Cartridge, Flow Divider	
12	7021625	1	Kit, Seal	
13	70003408	1	Cartridge, Check	
13	7022399	1	Kit, Seal	
14	70003408	1	Cartridge, Check	
14	7022399	1	Kit, Seal	
15	70003408	1	Cartridge, Check	
15	7022399	1	Kit, Seal	
16	70003408	1	Cartridge, Check	
16	7022399	1	Kit, Seal	
17	2220885	1	Plug	
18	2220883	9	Plug	
19	2220881	8	Plug	
101	2111016	2	Fitting, Straight ORB/ORFS	
102	2111012	10	Fitting, Straight ORB/ORFS	
103	2110810	1	Fitting, Straight ORB/ORFS	
104	2220415	2	Fitting, Straight JIC/ORB	
105	2220861	2	Fitting, Tee JIC/ORB	
106	2221086	2	Fitting, Test	

SECTION 1 - FRAME

FIGURE 1-9. STEER/AXLE EXTEND VALVE ASSEMBLY



ART_1001157207

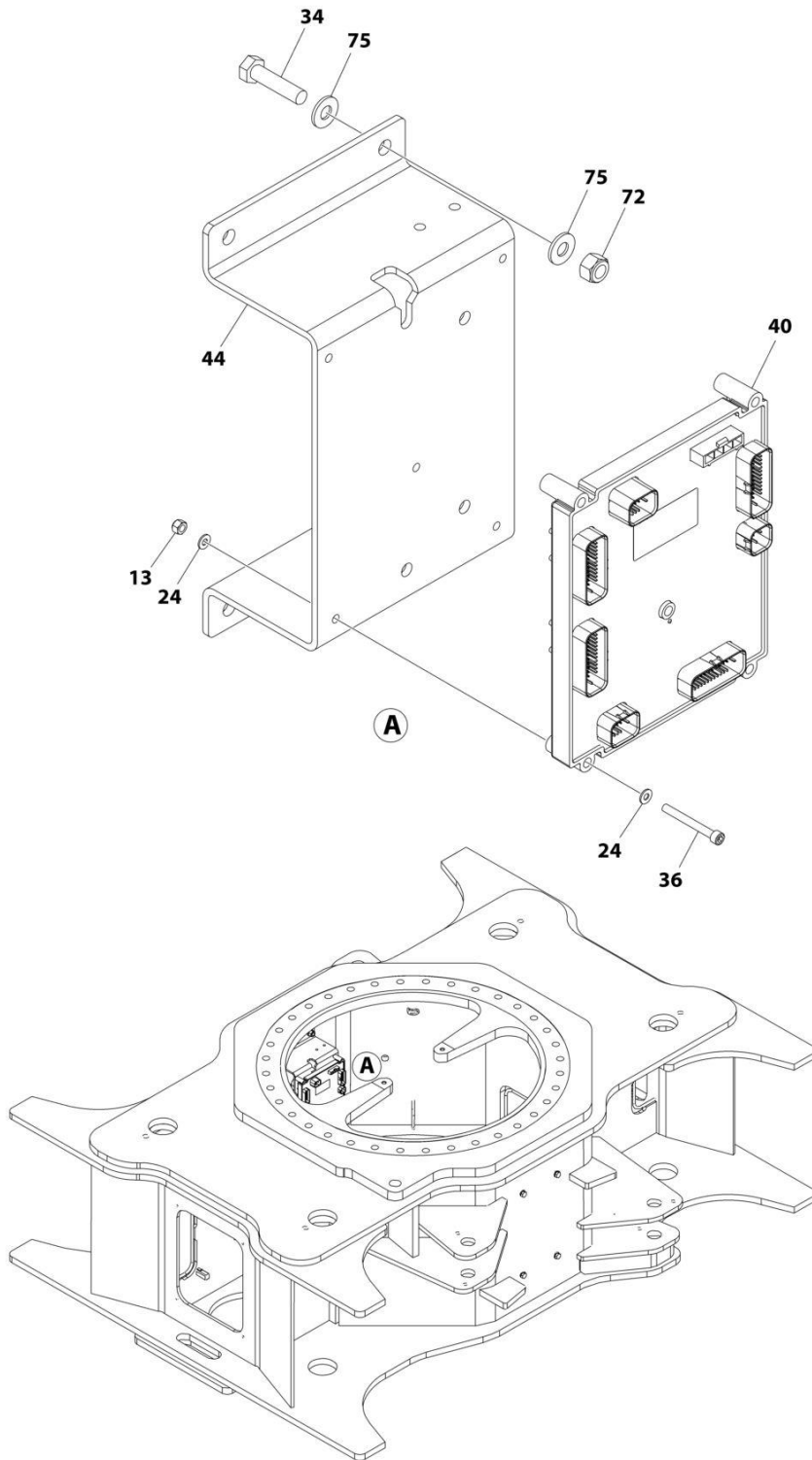
SECTION 1 - FRAME

FIGURE 1-9. STEER/AXLE EXTEND VALVE ASSEMBLY

ITEM	PART NUMBER	QTY	DESCRIPTION	REV
	1001157207	Ref	STEER/AXLE EXTEND VALVE ASSEMBLY	G
1	70004459	1	Valve, Direction Control	
1	7012773	1	Kit, Seal	
1	70004460	2	Coil	
1	7021375	2	Nut, Coil	
1	70004461	2	O-Ring, Solenoid Pole	
2	70004462	1	Valve, Direction Control	
2	7012773	1	Kit, Seal	
2	70004463	2	Coil	
2	7021375	2	Nut, Coil	
2	70004461	2	O-Ring, Solenoid Pole	
3	70004462	1	Valve, Direction Control	
3	7012773	1	Kit, Seal	
3	70004463	2	Coil	
3	7021375	2	Nut, Coil	
3	70004461	2	O-Ring, Solenoid Pole	
4	70004464	1	Cartridge, Relief	
4	70004055	1	Kit, Seal	
5	70004464	1	Cartridge, Relief	
5	70004055	1	Kit, Seal	
6	70004464	1	Cartridge, Relief	
6	70004055	1	Kit, Seal	
7	70004464	1	Cartridge, Relief	
7	70004055	1	Kit, Seal	
8	70004464	1	Cartridge, Relief	
8	70004055	1	Kit, Seal	
9	70004464	1	Cartridge, Relief	
9	70004055	1	Kit, Seal	
10	70004465	1	Cartridge, Flow Divider	
10	70004164	1	Kit, Seal	
11	2221086	6	Fitting, Test	
101	See Note	NSS	Capscrew #10 x 2 (Note: Purchase Locally)	
102	See Note	NSS	Bracket (Note: Not Available for Purchase)	
103	0641504	4	Bolt 5/16 x 1/2	
104	2220371	8	Fitting, Straight JIC/ORB	
105	2110810	2	Fitting, Straight ORB/ORFS	

SECTION 1 - FRAME

FIGURE 1-10. ELECTRICAL COMPONENTS INSTALLATION - FRAME (HRC) (ANSI, ANSI EXPORT, CSA AND JAPANESE SPECS)



ART_1001243047_H_10F2

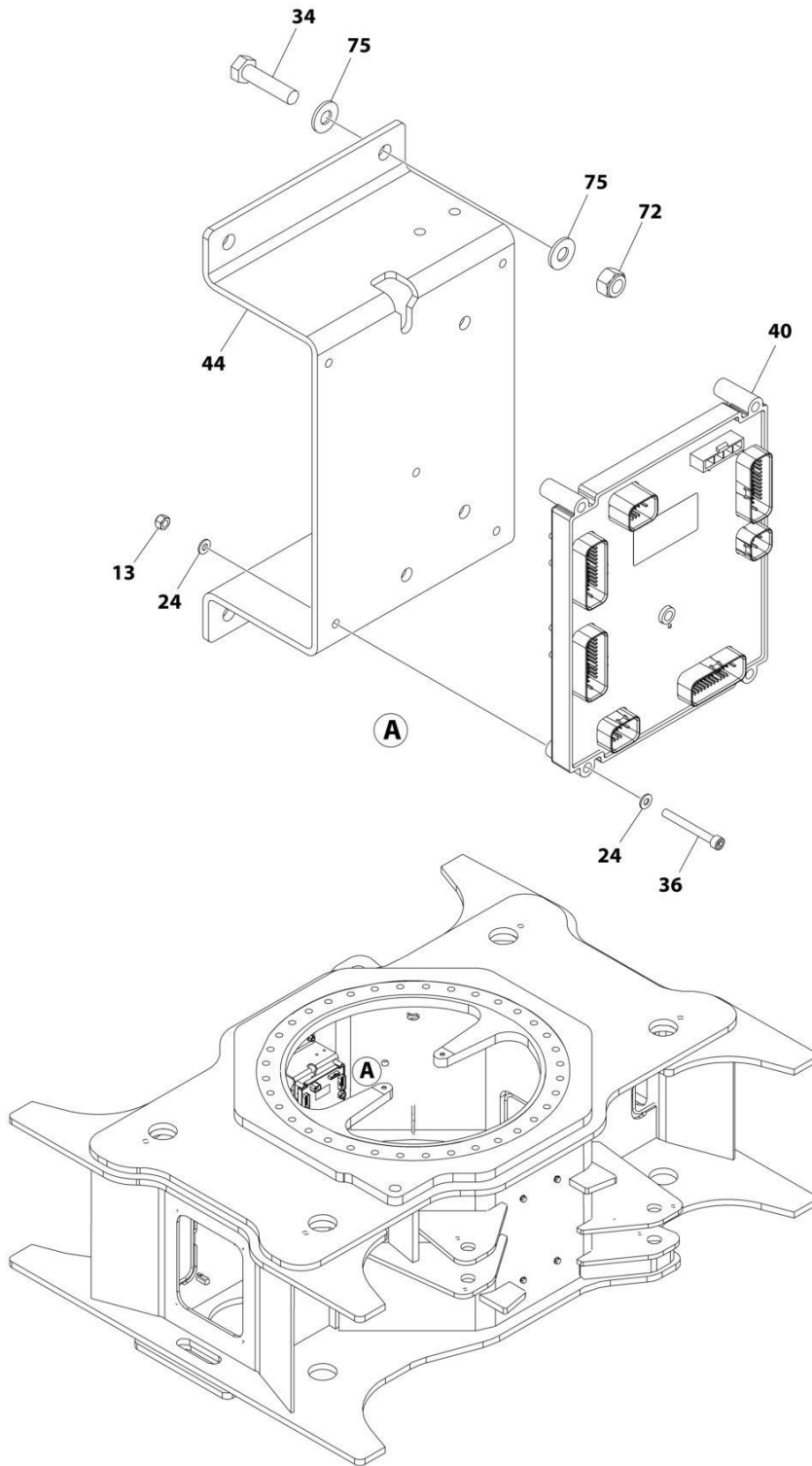
SECTION 1 - FRAME

FIGURE 1-10. ELECTRICAL COMPONENTS INSTALLATION - FRAME (HRC) (ANSI, ANSI EXPORT, CSA AND JAPANESE SPECS)

ITEM	PART NUMBER	QTY	DESCRIPTION	REV
	1001243047	Ref	ELECTRICAL COMPONENTS INSTALLATION - FRAME (HRC)	H
13	3290605	5	Nut M6	
24	4811700	10	Washer M6	
34	0761218001	4	Bolt M12 x 50	
36	1001118878	5	Capscrew M6 x 55	
39	1001149975	1	Chassis Harness (Not Shown - See Separate Breakdown in ELECTRICAL Section)	
40	1001277132	1	Module, Control (Note: Re-calibration Required when Replaced)	
43	1001163631	4	Axle Sensor Harness (Not Shown - See Separate Breakdown in ELECTRICAL Section)	
44	1001164354	1	Bracket	
72	3291205001	4	Nut M12	
75	4812100001	8	Washer M12	

SECTION 1 - FRAME

FIGURE 1-11. ELECTRICAL COMPONENTS INSTALLATION - FRAME (HRC) (CE & UK CA SPECS)



ART_1001243050_H_10F2

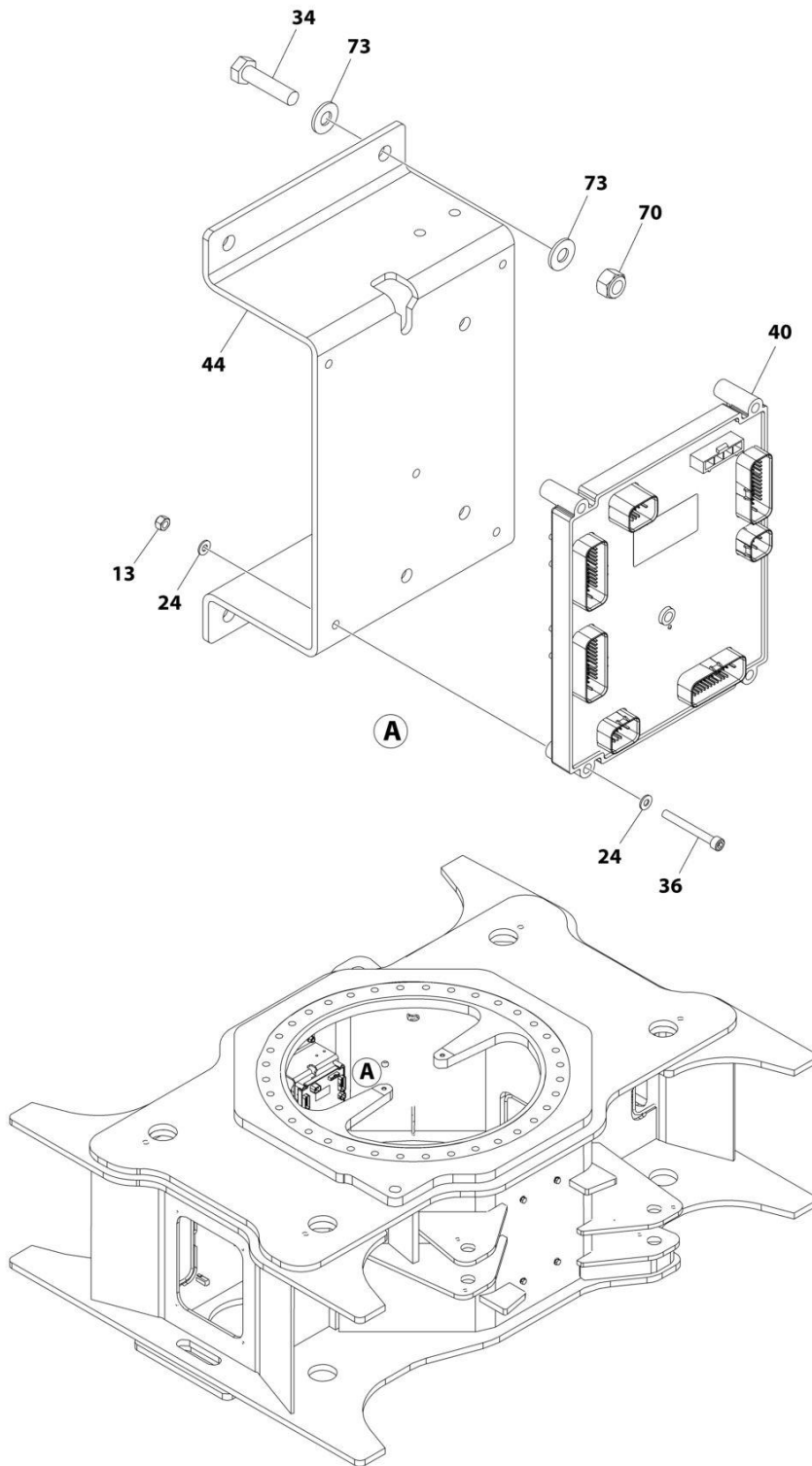
SECTION 1 - FRAME

FIGURE 1-11. ELECTRICAL COMPONENTS INSTALLATION - FRAME (HRC) (CE & UK CA SPECS)

ITEM	PART NUMBER	QTY	DESCRIPTION	REV
	1001243050	Ref	ELECTRICAL COMPONENTS INSTALLATION - FRAME (HRC)	H
13	3290605	5	Nut M6	
24	4811700	6	Washer M6	
34	0761218001	4	Bolt M12 x 50	
36	1001118878	5	Capscrew M6 x 55	
39	1001149975	1	Chassis Harness (Not Shown - See Separate Breakdown in ELECTRICAL Section)	
40	1001277132	1	Module, Control (Note: Re-calibration Required when Replaced)	
43	1001163631	4	Axle Sensor Harness (Not Shown - See Separate Breakdown in ELECTRICAL Section)	
44	1001164354	1	Bracket	
72	3291205001	4	Nut M12	
75	4812100001	8	Washer M12	

SECTION 1 - FRAME

FIGURE 1-12. ELECTRICAL COMPONENTS INSTALLATION - FRAME (LRC) (ANSI EXPORT, AUSTRALIAN AND CHINA SPECS)



ART_1001243053_H_1OF2

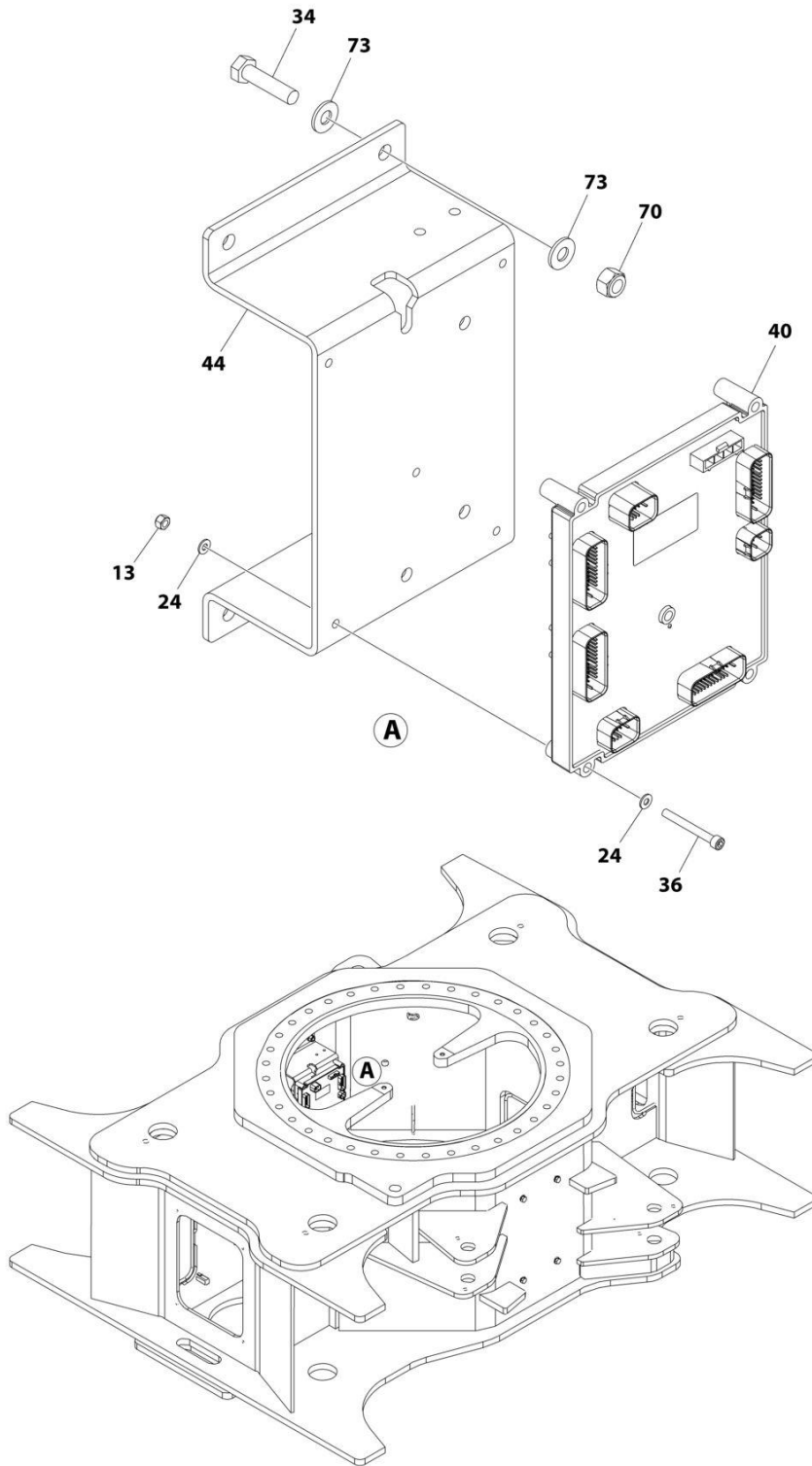
SECTION 1 - FRAME

FIGURE 1-12. ELECTRICAL COMPONENTS INSTALLATION - FRAME (LRC) (ANSI EXPORT, AUSTRALIAN AND CHINA SPECS)

ITEM	PART NUMBER	QTY	DESCRIPTION	REV
	1001243053	Ref	ELECTRICAL COMPONENTS INSTALLATION - FRAME (LRC)	H
13	3290605	5	Nut M6	
24	4811700	6	Washer M6	
34	0761218001	4	Bolt M12 x 50	
36	1001118878	5	Capscrew M6 x 55	
39	1001149975	1	Chassis Harness (Not Shown - See Separate Breakdown in ELECTRICAL Section)	
40	1001277132	1	Module, Control (Note: Re-calibration Required when Replaced)	
43	1001163631	4	Axle Sensor Harness (Not Shown - See Separate Breakdown in ELECTRICAL Section)	
44	1001164354	1	Bracket	
70	3291205001	4	Nut M12	
73	4812100001	8	Washer M12	

SECTION 1 - FRAME

FIGURE 1-13. ELECTRICAL COMPONENTS INSTALLATION - FRAME (LRC) (CE & UK CA SPECS)



ART_1001243055_H_10F2

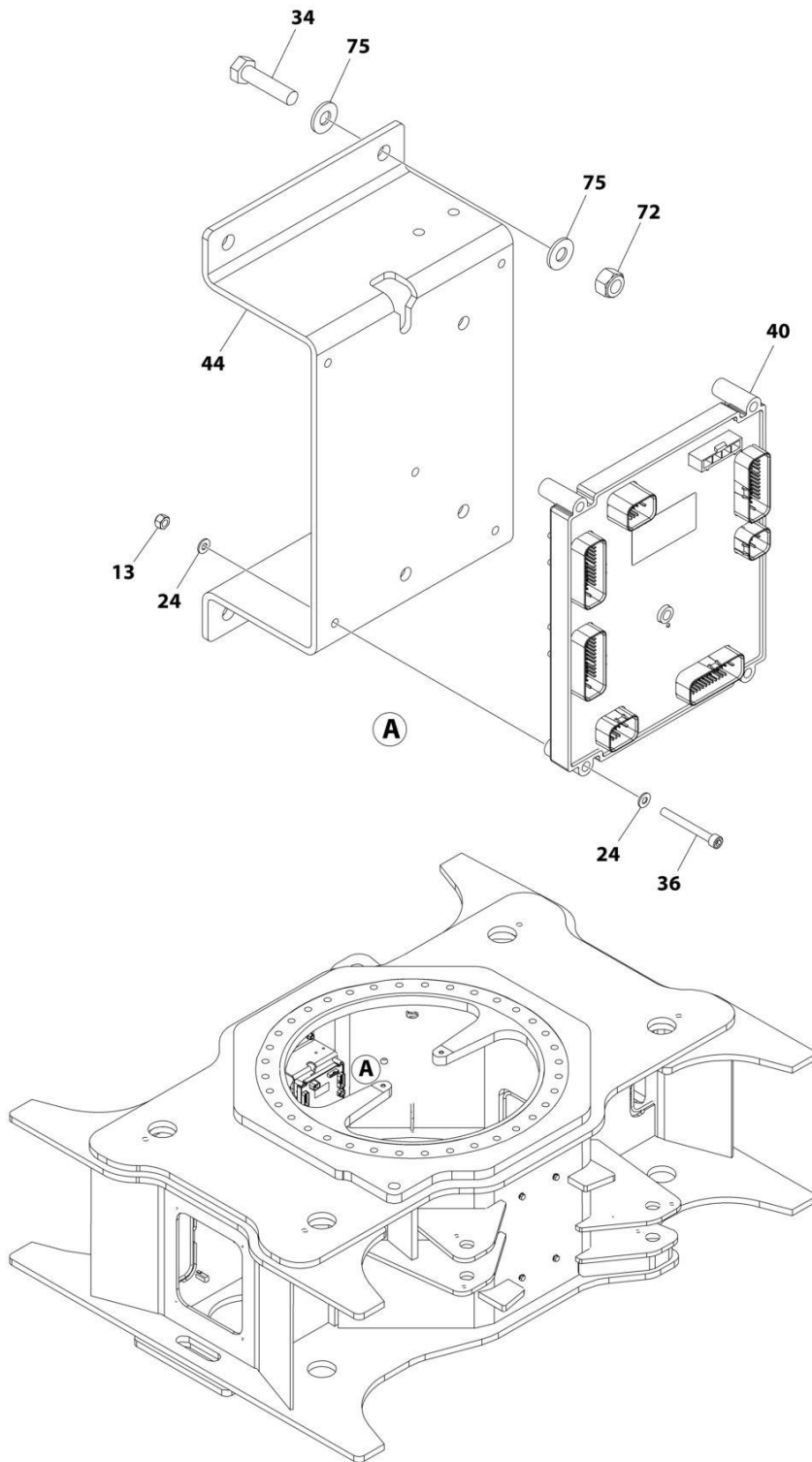
SECTION 1 - FRAME

FIGURE 1-13. ELECTRICAL COMPONENTS INSTALLATION - FRAME (LRC) (CE & UK CA SPECS)

ITEM	PART NUMBER	QTY	DESCRIPTION	REV
	1001243055	Ref	ELECTRICAL COMPONENTS INSTALLATION - FRAME (LRC)	H
13	3290605	5	Nut M6	
24	4811700	6	Washer M6	
34	0761218001	4	Bolt M12 x 50	
36	1001118878	5	Capscrew M6 x 55	
39	1001149975	1	Chassis Harness (Not Shown - See Separate Breakdown in ELECTRICAL Section)	
40	1001277132	1	Module, Control (Note: Re-calibration Required when Replaced)	
43	1001163631	4	Axle Sensor Harness (Not Shown - See Separate Breakdown in ELECTRICAL Section)	
44	1001164354	1	Bracket	
70	3291205001	4	Nut M12	
73	4812100001	8	Washer M12	

SECTION 1 - FRAME

FIGURE 1-14. ELECTRICAL COMPONENTS INSTALLATION WITH TOWER STOW - FRAME (HRC)
(ANSI, ANSI EXPORT, CSA AND JAPANESE SPECS)



ART_1001267659_G_1OF2

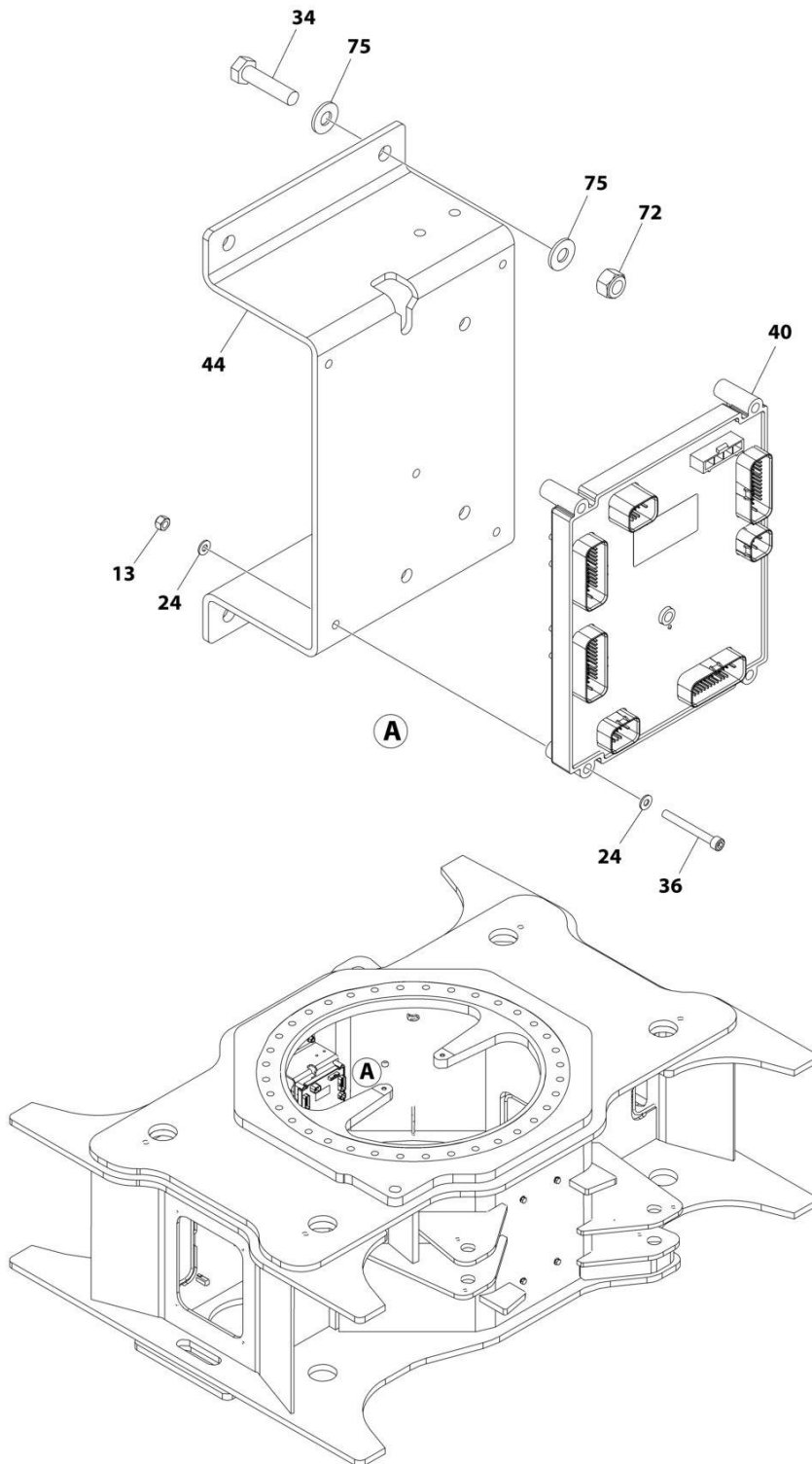
SECTION 1 - FRAME

**FIGURE 1-14. ELECTRICAL COMPONENTS INSTALLATION WITH TOWER STOW - FRAME (HRC)
(ANSI, ANSI EXPORT, CSA AND JAPANESE SPECS)**

ITEM	PART NUMBER	QTY	DESCRIPTION	REV
	1001267659	Ref	ELECTRICAL COMPONENTS INSTALLATION - FRAME (HRC)	G
13	3290605	5	Nut M6	
24	4811700	10	Washer M6	
34	0761218001	4	Bolt M12 x 50	
36	1001118878	5	Capscrew M6 x 55	
39	1001149975	1	Chassis Harness (Not Shown - See Separate Breakdown in ELECTRICAL Section)	
40	1001277132	1	Module, Control (Note: Re-calibration Required when Replaced)	
43	1001163631	4	Axle Sensor Harness (Not Shown - See Separate Breakdown in ELECTRICAL Section)	
44	1001164354	1	Bracket	
72	3291205001	4	Nut M12	
75	4812100001	8	Washer M12	

SECTION 1 - FRAME

FIGURE 1-15. ELECTRICAL COMPONENTS INSTALLATION WITH TOWER STOW - FRAME (HRC) (CE & UK CA SPECS)



ART_1001267660_G_10F2

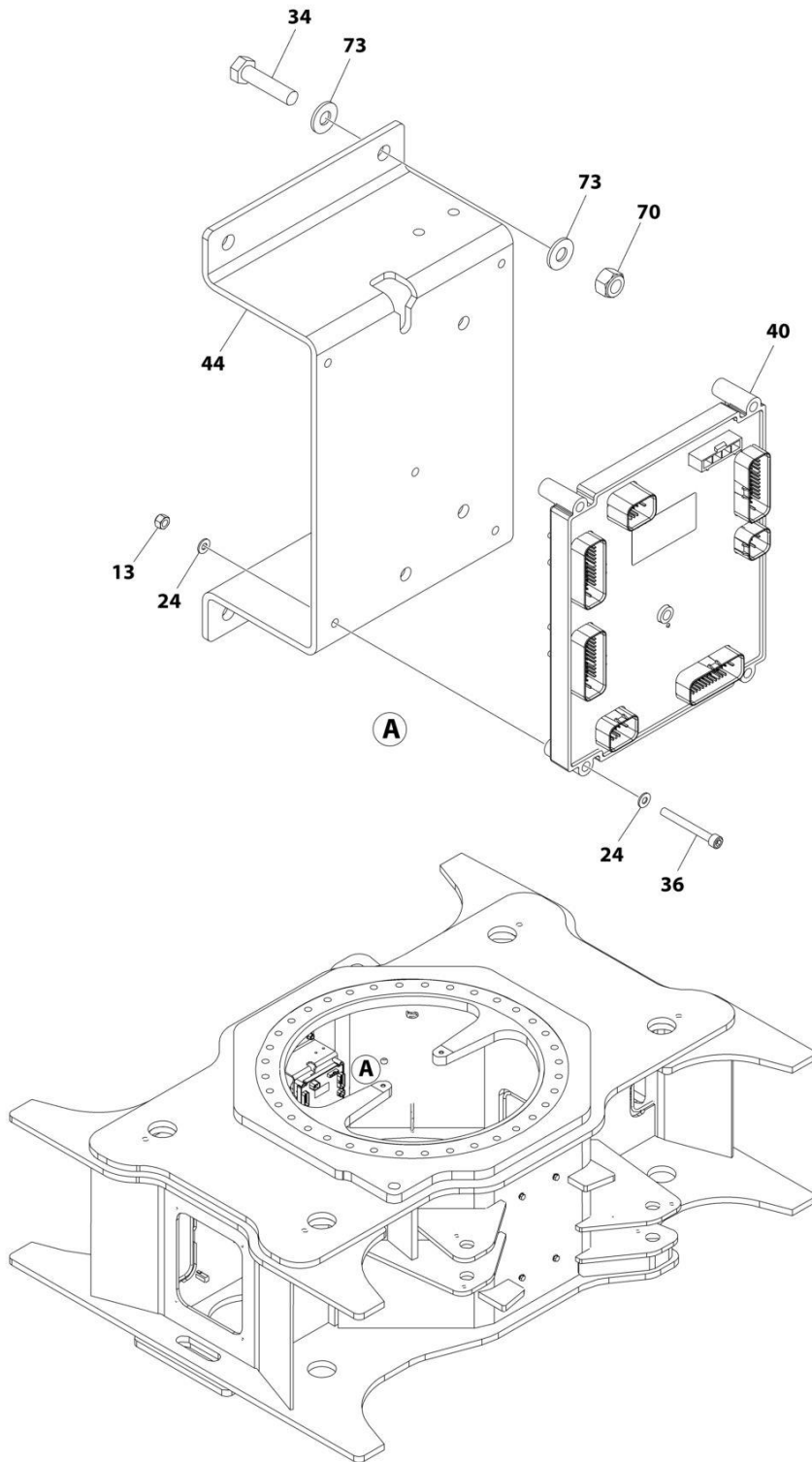
SECTION 1 - FRAME

FIGURE 1-15. ELECTRICAL COMPONENTS INSTALLATION WITH TOWER STOW - FRAME (HRC) (CE & UK CA SPECS)

ITEM	PART NUMBER	QTY	DESCRIPTION	REV
	1001267660	Ref	ELECTRICAL COMPONENTS INSTALLATION - FRAME (HRC)	G
13	3290605	5	Nut M6	
24	4811700	6	Washer M6	
34	0761218001	4	Bolt M12 x 50	
36	1001118878	5	Capscrew M6 x 55	
39	1001149975	1	Chassis Harness (Not Shown - See Separate Breakdown in ELECTRICAL Section)	
40	1001277132	1	Module, Control (Note: Re-calibration Required when Replaced)	
43	1001163631	4	Axle Sensor Harness (Not Shown - See Separate Breakdown in ELECTRICAL Section)	
44	1001164354	1	Bracket	
72	3291205001	4	Nut M12	
75	4812100001	8	Washer M12	

SECTION 1 - FRAME

FIGURE 1-16. ELECTRICAL COMPONENTS INSTALLATION WITH TOWER STOW - FRAME (LRC)
(ANSI EXPORT, AUSTRALIAN AND CHINA SPECS)



ART_1001267661_G_10F2

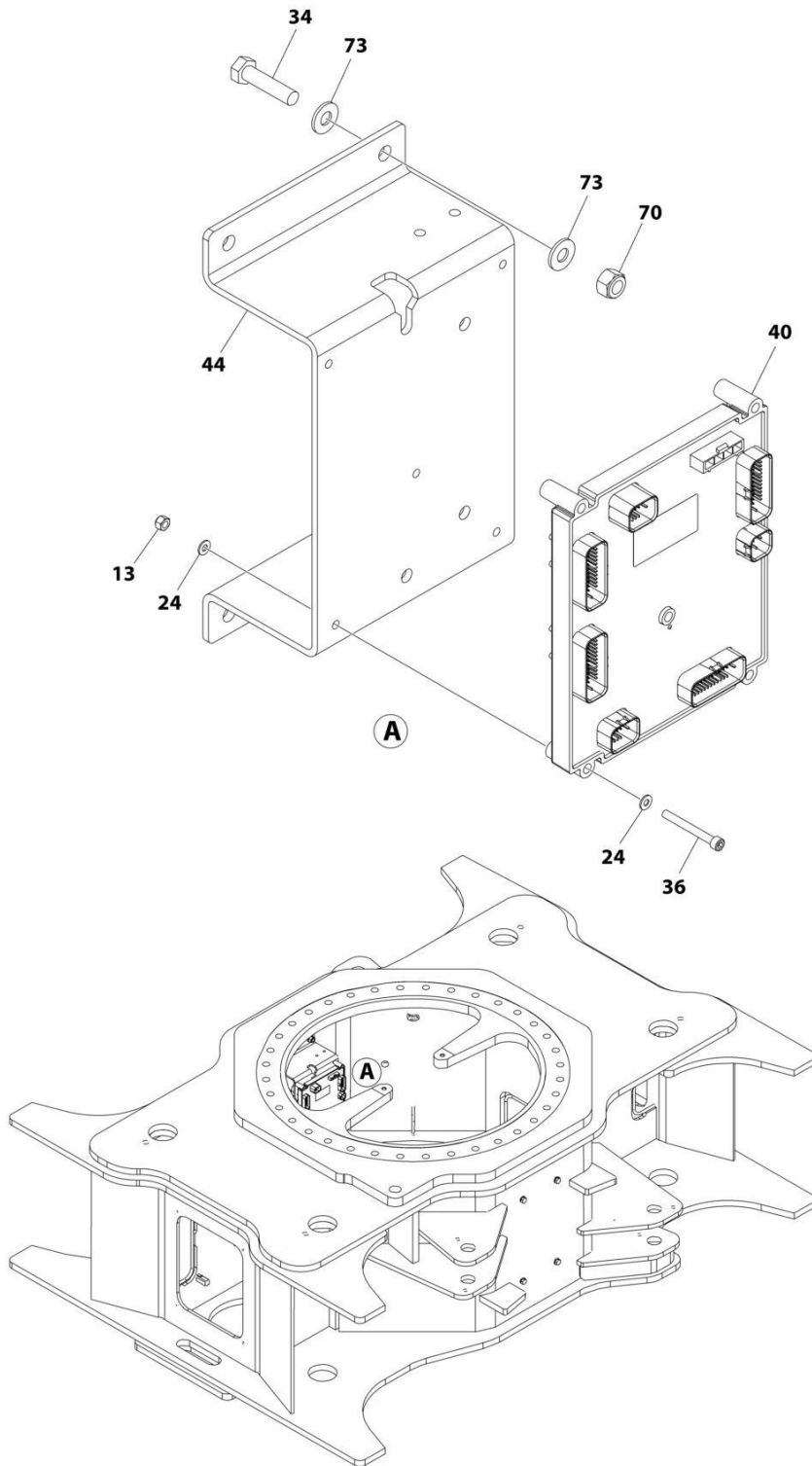
SECTION 1 - FRAME

**FIGURE 1-16. ELECTRICAL COMPONENTS INSTALLATION WITH TOWER STOW - FRAME (LRC)
(ANSI EXPORT, AUSTRALIAN AND CHINA SPECS)**

ITEM	PART NUMBER	QTY	DESCRIPTION	REV
	1001267661	Ref	ELECTRICAL COMPONENTS INSTALLATION - FRAME (LRC)	G
13	3290605	5	Nut M6	
24	4811700	6	Washer M6	
34	0761218001	4	Bolt M12 x 50	
36	1001118878	5	Capscrew M6 x 55	
39	1001149975	1	Chassis Harness (Not Shown - See Separate Breakdown in ELECTRICAL Section)	
40	1001277132	1	Module, Control (Note: Re-calibration Required when Replaced)	
43	1001163631	4	Axle Sensor Harness (Not Shown - See Separate Breakdown in ELECTRICAL Section)	
44	1001164354	1	Bracket	
70	3291205001	4	Nut M12	
73	4812100001	8	Washer M12	

SECTION 1 - FRAME

FIGURE 1-17. ELECTRICAL COMPONENTS INSTALLATION WITH TOWER STOW - FRAME (LRC) (CE & UK CA SPECS)



ART_1001267662_G_10F2

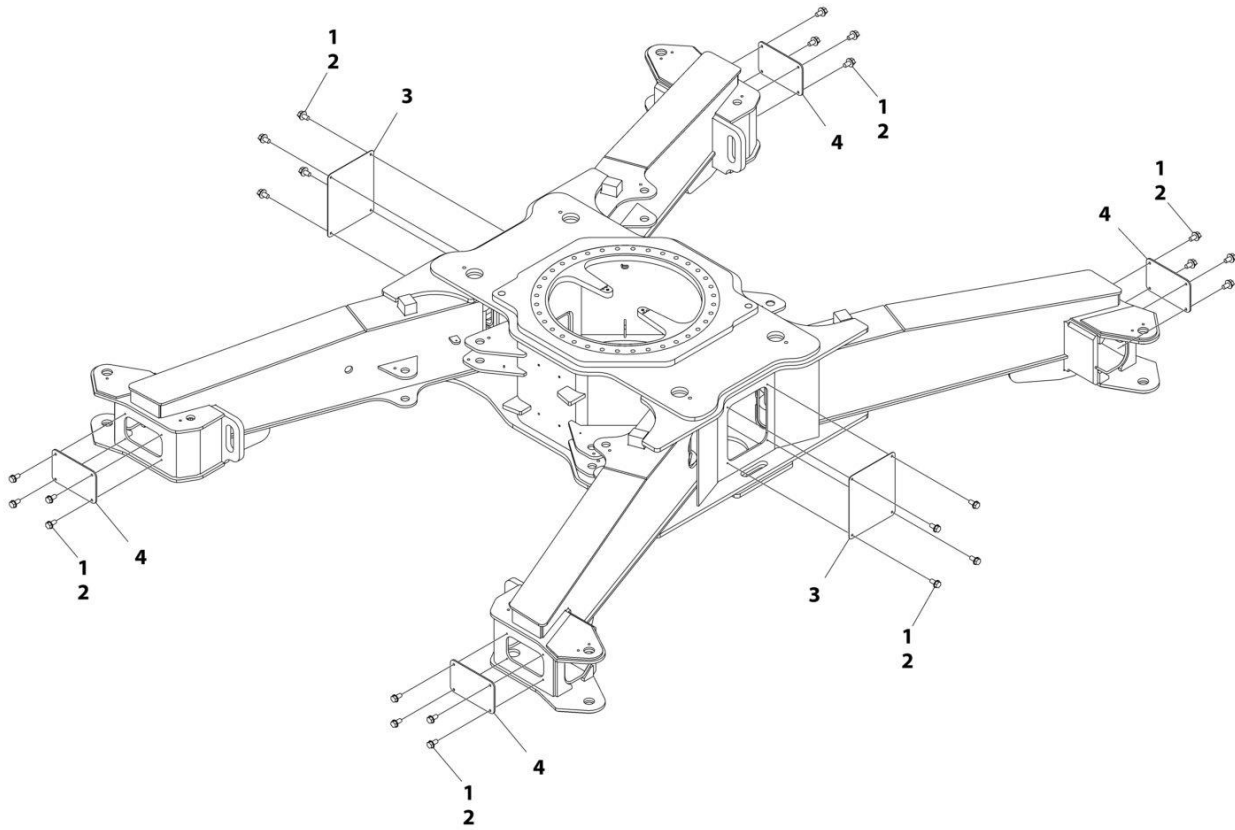
SECTION 1 - FRAME

FIGURE 1-17. ELECTRICAL COMPONENTS INSTALLATION WITH TOWER STOW - FRAME (LRC) (CE & UK CA SPECS)

ITEM	PART NUMBER	QTY	DESCRIPTION	REV
	1001267662	Ref	ELECTRICAL COMPONENTS INSTALLATION - FRAME (LRC)	G
13	3290605	5	Nut M6	
24	4811700	6	Washer M6	
34	0761218001	4	Bolt M12 x 50	
36	1001118878	5	Capscrew M6 x 55	
39	1001149975	1	Chassis Harness (Not Shown - See Separate Breakdown in ELECTRICAL Section)	
40	1001277132	1	Module, Control (Note: Re-calibration Required when Replaced)	
43	1001163631	4	Axle Sensor Harness (Not Shown - See Separate Breakdown in ELECTRICAL Section)	
44	1001164354	1	Bracket	
70	3291205001	4	Nut M12	
73	4812100001	8	Washer M12	

SECTION 1 - FRAME

FIGURE 1-18. COVERS INSTALLATION - FRAME



ART_1001157670

SECTION 1 - FRAME

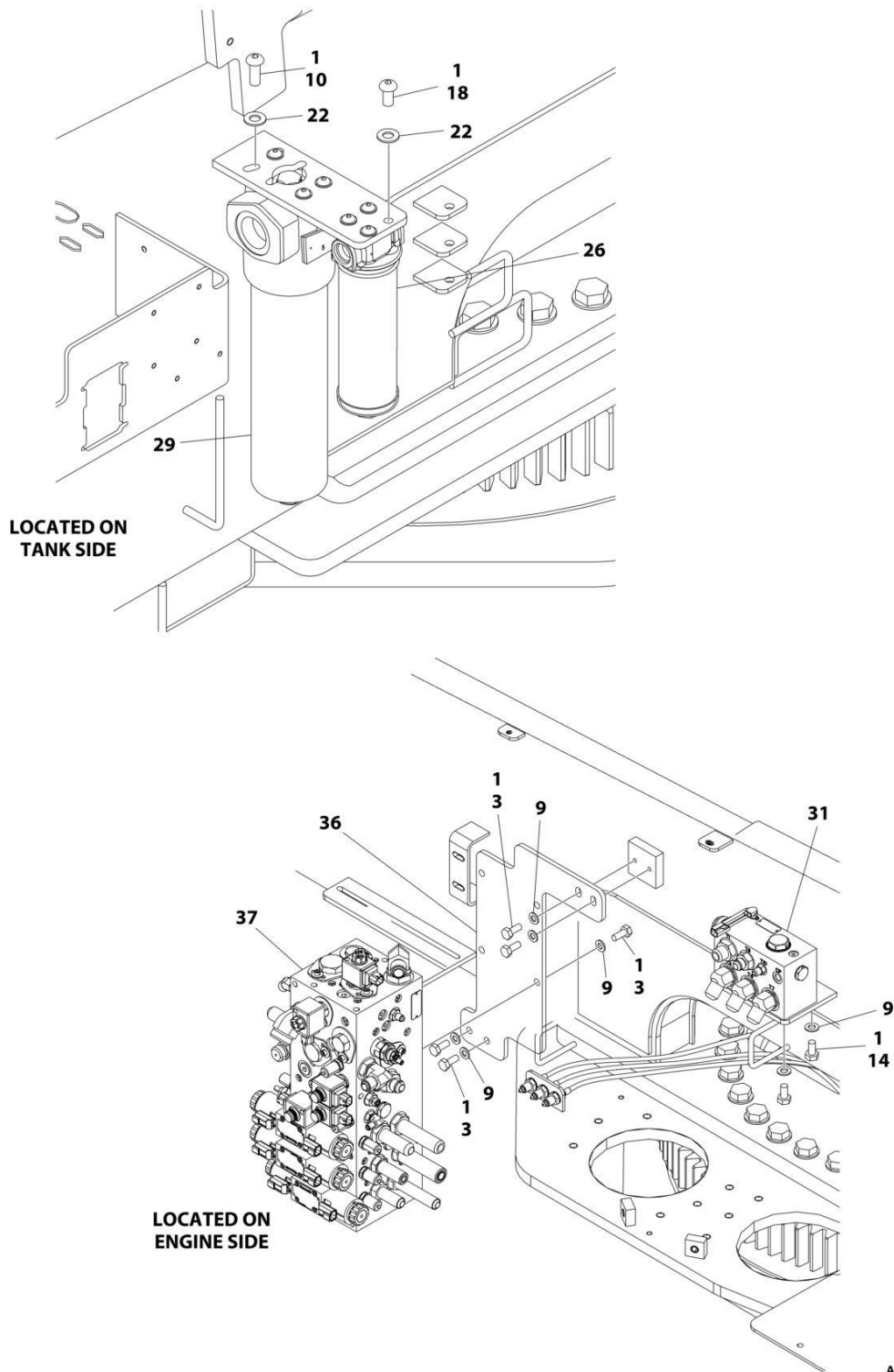
FIGURE 1-18. COVERS INSTALLATION - FRAME

ITEM	PART NUMBER	QTY	DESCRIPTION	REV
	1001157670	Ref	COVERS INSTALLATION - FRAME	B
1	0100011	AR	Compound, Locking	
2	5251210001	24	Bolt M12 x 20	
3	1001155561	2	Cover	
4	1001156867	4	Cover	

SECTION 2 - TURNTABLE

SECTION 2 - TURNTABLE

FIGURE 2-1. VALVES AND FILTERS INSTALLATION - TURNTABLE (PARKER HYDRAULIC FILTER)



ART_1001216976_20F3

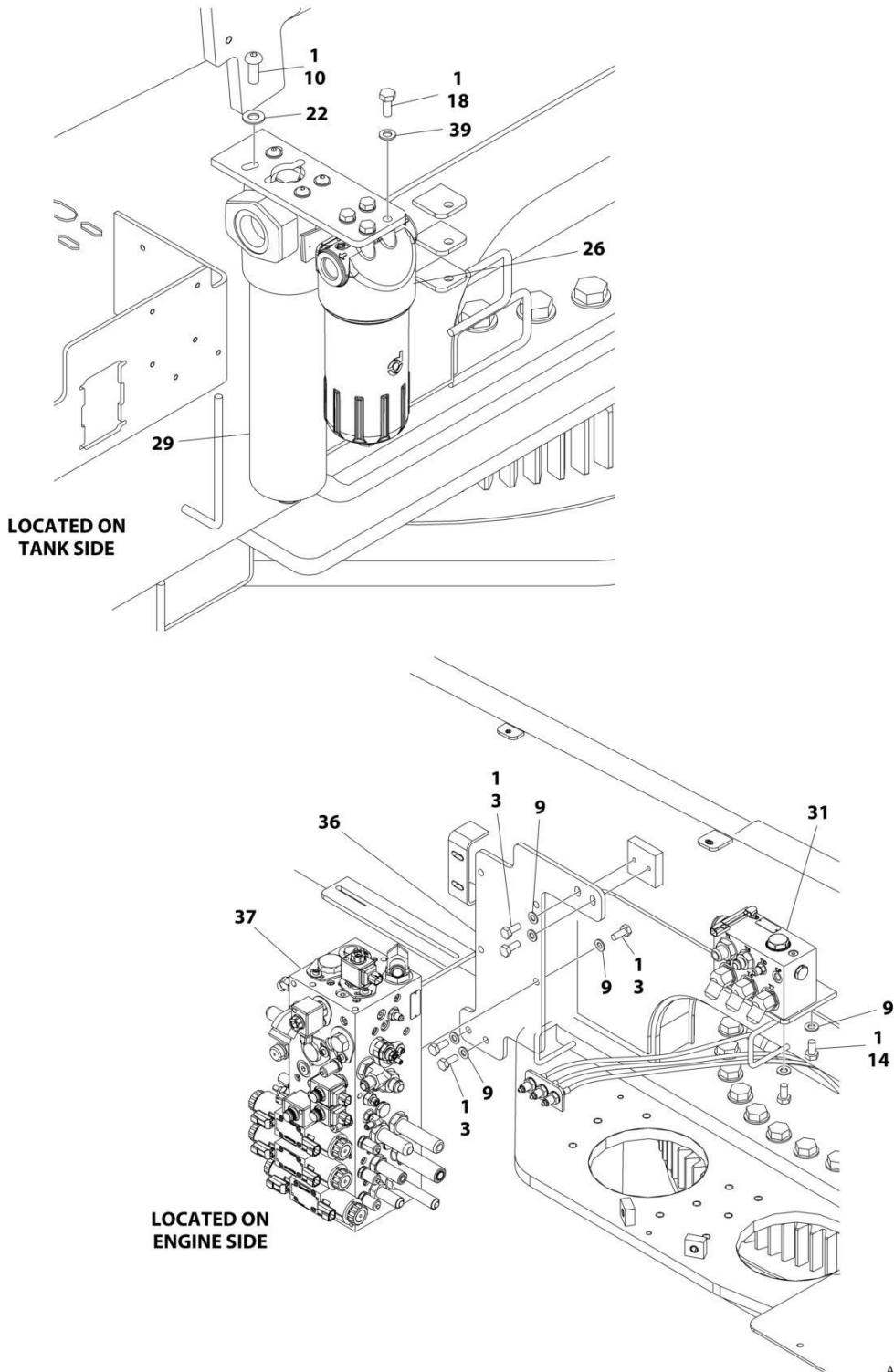
SECTION 2 - TURNTABLE

FIGURE 2-1. VALVES AND FILTERS INSTALLATION - TURNTABLE (PARKER HYDRAULIC FILTER)

ITEM	PART NUMBER	QTY	DESCRIPTION	REV
	1001216976	Ref	VALVES AND FILTERS INSTALLATION - TURNTABLE	E
1	0100011	AR	Compound, Locking	
3	0761012	8	Bolt M10 x 25	
9	4812000	12	Washer M10	
10	88261128	4	Screw 3/8 x 1	
14	0761010001	4	Bolt M10 x 20	
18	1001173846	4	Screw 3/8 x 3/4	
18	1001238236	4	Screw 3/8 x 7/8	
22	4711600001	8	Washer 3/8	
26	1001108617	1	Filter	
26	70002231	1	Element, Filter	
29	1001158412	1	Filter, High Pressure	
29	1001161232	1	Element, High Pressure Filter	
29	70006137	1	Seal Kit - 1001158412 Filter	
31	1001200988	1	Return Valve Assembly (See Separate Breakdown in this Section)	
36	1001213392	1	Bracket	
37	1001234247	1	Main Valve Assembly (See Separate Breakdown in this Section)	

SECTION 2 - TURNTABLE

FIGURE 2-2. VALVES AND FILTERS INSTALLATION - TURNTABLE (DONALDSON HYDRAULIC FILTER)



ART_1001216976_F_2OF3

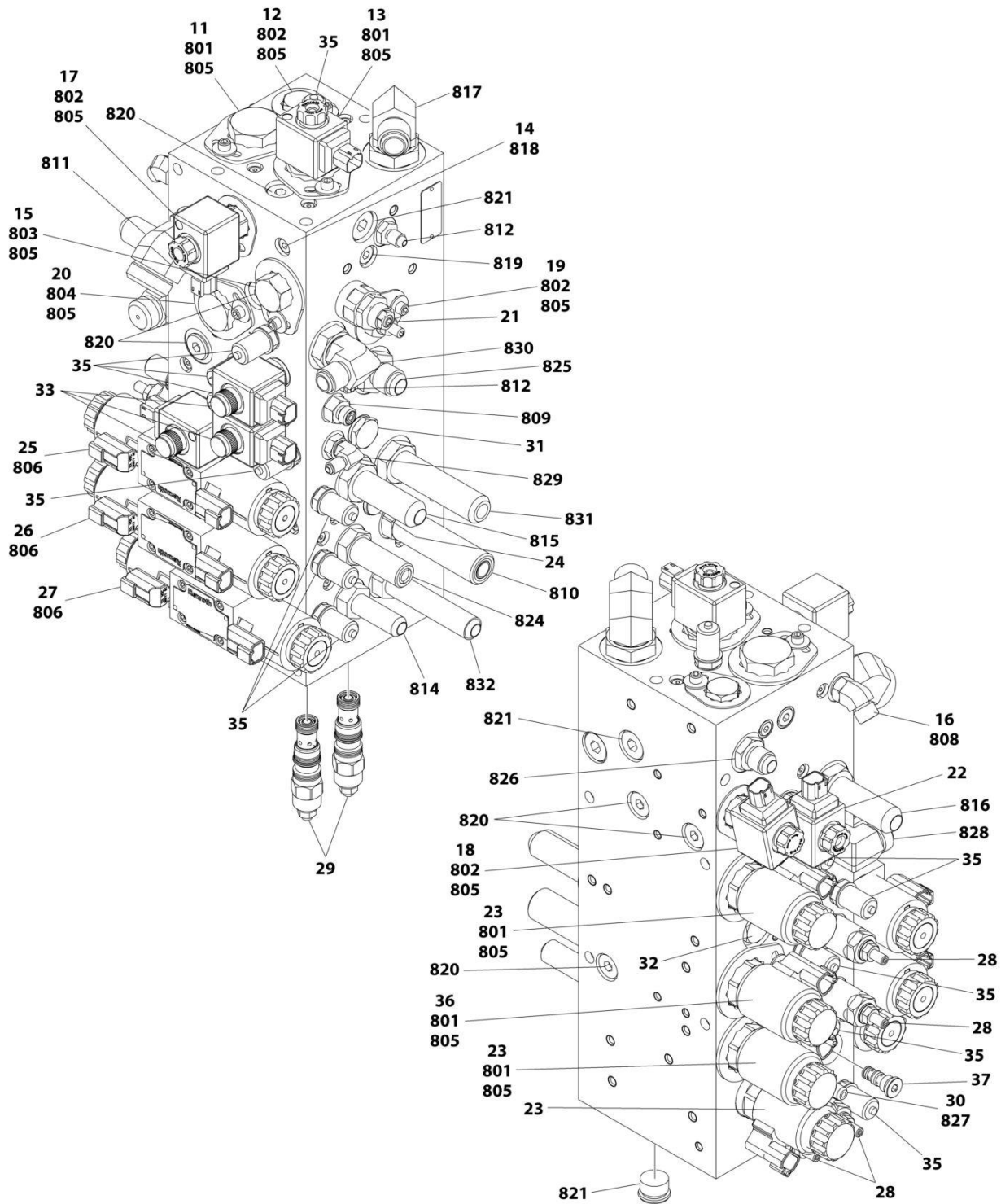
SECTION 2 - TURNTABLE

FIGURE 2-2. VALVES AND FILTERS INSTALLATION - TURNTABLE (DONALDSON HYDRAULIC FILTER)

ITEM	PART NUMBER	QTY	DESCRIPTION	REV
	1001216976	Ref	VALVES AND FILTERS INSTALLATION - TURNTABLE	F
1	0100011	AR	Compound, Locking	
3	0761012	8	Bolt M10 x 25	
9	4812000	12	Washer M10	
10	88261128	4	Screw 3/8 x 1	
14	0761010001	4	Bolt M10 x 20	
18	0761012001	1	Bolt M10 x 25	
22	4711600001	8	Washer 3/8	
26	1001293701	1	Filter	
26	70008358	1	Element, Filter	
26	70008368	1	Head, Filter	
26	70008369	1	Housing, Filter	
29	1001158412	1	Filter, High Pressure	
29	1001161232	1	Element, High Pressure Filter	
29	70006137	1	Seal Kit - 1001158412 Filter	
31	1001200988	1	Return Valve Assembly (See Separate Breakdown in this Section)	
36	1001213392	1	Bracket	
37	1001234247	1	Main Valve Assembly (See Separate Breakdown in this Section)	
39	1001172358	4	Washer M10	

SECTION 2 - TURNTABLE

FIGURE 2-3. MAIN VALVE ASSEMBLY



ART_1001234247

SECTION 2 - TURNTABLE

FIGURE 2-3. MAIN VALVE ASSEMBLY

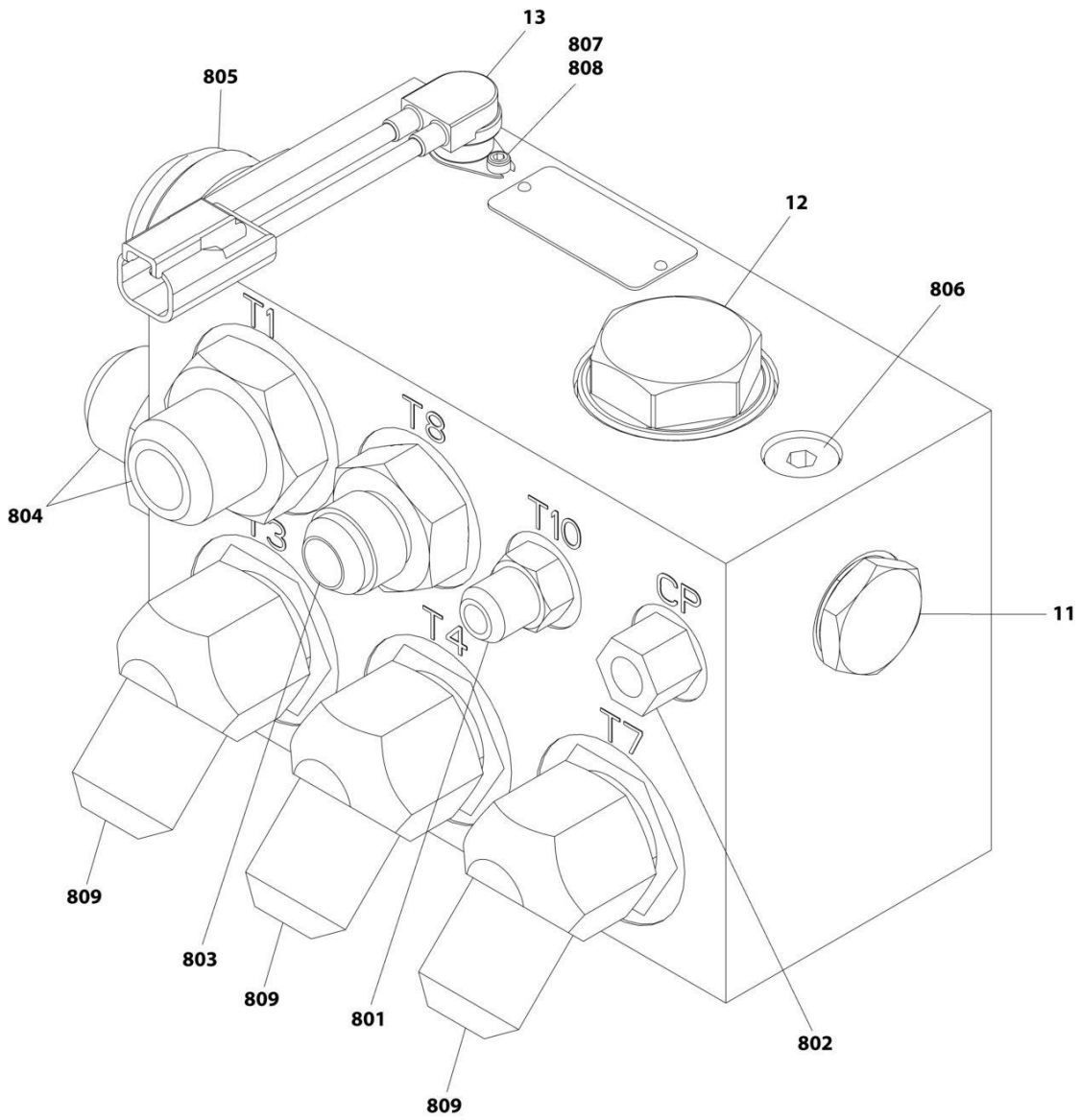
ITEM	PART NUMBER	QTY	DESCRIPTION	REV
	1001234247	Ref	MAIN VALVE ASSEMBLY	C
11	70005943	1	Valve, Cartridge (Check)	
11	70005944	1	Seal Kit - 70005943 Valve	
12	70004585	1	Valve, Cartridge (Check)	
12	70004052	1	Seal Kit - 70004585 Valve	
13	70005945	1	Valve, Solenoid Less Coil (Directional Control)	
13	70005946	1	Seal Kit - 70005945 Valve	
13	70004588	1	Coil	
13	70005947	1	Coil Nut and Pole Tube O-Ring Kit	
14	70004589	1	Orifice 2.2mm	
15	70004590	1	Valve, Solenoid Less Coil (Directional Control)	
15	70023862	1	Seal Kit - 70004590 Valve	
16	70006707	1	Orifice .7mm	
17	70005948	1	Valve, Solenoid Less Coil (Directional Control)	
17	70004055	1	Seal Kit - 70005948 Valve	
17	70004588	1	Coil	
17	70005947	1	Coil Nut and Pole Tube O-Ring Kit	
18	70005948	1	Valve, Solenoid Less Coil (Directional Control)	
18	See Note	NSS	Seal Kit - 70004598 Valve (Note: Not Available)	
18	70004588	1	Coil	
18	70005947	1	Coil Nut and Pole Tube O-Ring Kit	
19	70004591	1	Valve, Cartridge (Pressure Reducing)	
19	70004592	1	Seal Kit - 70004591 Valve	
20	70004583	1	Valve, Cartridge (Check)	
20	70004584	1	Seal Kit - 70004583 Valve	
21	70006708	1	Valve, Cartridge (Relief)	
21	See Note	NSS	Seal Kit - 70006708 Valve (Note: Not Available)	
22	70004586	1	Valve, Solenoid Less Coil (Directional Control)	
22	70004587	1	Seal Kit - 70004586 Valve	
22	70004588	1	Coil	
22	70005947	1	Coil Nut and Pole Tube O-Ring Kit	
23	70004593	3	Valve, Solenoid Less Coil (Flow Control)	
23	70004594	3	Seal Kit - 70004593 Valve	
23	70004595	3	Coil	
23	70004597	3	Nut, Coil	
23	70004596	3	O-Ring, Pole Tube	
24	70023859	3	Valve, Cartridge (Shuttle)	
24	70023860	3	Seal Kit - 70023859 Valve	
25	70004459	1	Valve, Solenoid Less Coil (Tele)	
25	7012773	1	Seal Kit - 70004459 Valve	
25	70004460	1	Coil	
25	7021375	1	Nut, Coil	
26	70004600	1	Valve, Solenoid Less Coil (Lift)	
26	7012773	1	Seal Kit - 70004600 Valve	
26	70004460	1	Coil	
26	7021375	1	Nut, Coil	
27	70004609	1	Valve, Solenoid Less Coil (Lift)	
27	7012773	1	Seal Kit - 70004609 Valve	
27	70004460	1	Coil	
27	7021375	1	Nut, Coil	

SECTION 2 - TURNTABLE

ITEM	PART NUMBER	QTY	DESCRIPTION	REV
28	70004601	4	Valve, Cartridge (Relief)	
28	70004602	4	Seal Kit - 70004601 Valve	
29	70004610	2	Valve, Cartridge (Counterbalance)	
30	70005950	1	Orifice	
31	70005951	1	Valve, Cartridge (Check)	
31	70004052	1	Seal Kit - 70005951 Valve	
32	70005952	1	Valve, Cartridge (Check)	
32	70004052	1	Seal Kit - 70005952 Valve	
33	70004457	3	Valve, Solenoid Less Coil (Directional Control)	
33	70004050	3	Seal Kit - 70004457 Valve	
33	70004588	3	Coil	
33	70005947	3	Coil Nut and Pole Tube O-Ring Kit	
35	2221086	13	Fitting, Test	
36	70005953	1	Valve, Solenoid Less Coil (Flow Control)	
36	70004594	1	Seal Kit - 70005953 Valve	
36	70004595	1	Coil	
36	70004597	1	Nut, Coil	
36	70004596	1	O-Ring, Pole Tube	
37	70004613	1	Valve, Cartridge (Check)	
37	70023860	1	Seal Kit - 70004613 Valve	
801	70000781	5	Plate, Locking	
802	70004619	4	Plate, Locking	
803	70004618	1	Plate, Locking	
804	70002962	1	Plate, Locking	
805	70005958	11	Capscrew	
806	7018942	12	Capscrew	
808	2150606	1	Fitting, 45 ORFS/ORB	
809	2110406	1	Fitting, Straight ORFS/ORB	
810	1001213297	1	Fitting, Straight ORFS/ORB	
811	2151616	1	Fitting, 45 JIC/ORB	
812	2220582	2	Fitting, Straight JIC/ORB	
814	1001213292	1	Fitting, Straight JIC/ORB	
815	1001213294	1	Fitting, Straight JIC/ORB	
816	1001213294	1	Fitting, Straight JIC/ORB	
817	2220465	1	Fitting, 90 JIC/ORB	
818	70002758	1	Plug	
819	70004617	1	Plug	
820	70002759	6	Plug	
821	70004603	4	Plug	
824	1001213296	1	Fitting, Straight ORFS/ORB	
825	2220865	1	Fitting, Straight JIC/ORB	
826	2220374	1	Fitting, Straight JIC/ORB	
827	1001213295	1	Fitting, Straight JIC/ORB	
828	2131010	1	Fitting, 90 ORFS/ORB	
829	2220472	1	Fitting, 90 JIC/ORB	
830	2220906	1	Fitting, 90 JIC/ORB	
831	1001213298	1	Fitting, Straight JIC/ORB	
832	1001213293	1	Fitting, Straight JIC/ORB	

SECTION 2 - TURNTABLE

FIGURE 2-4. JUNCTION VALVE ASSEMBLY



ART_1001200988

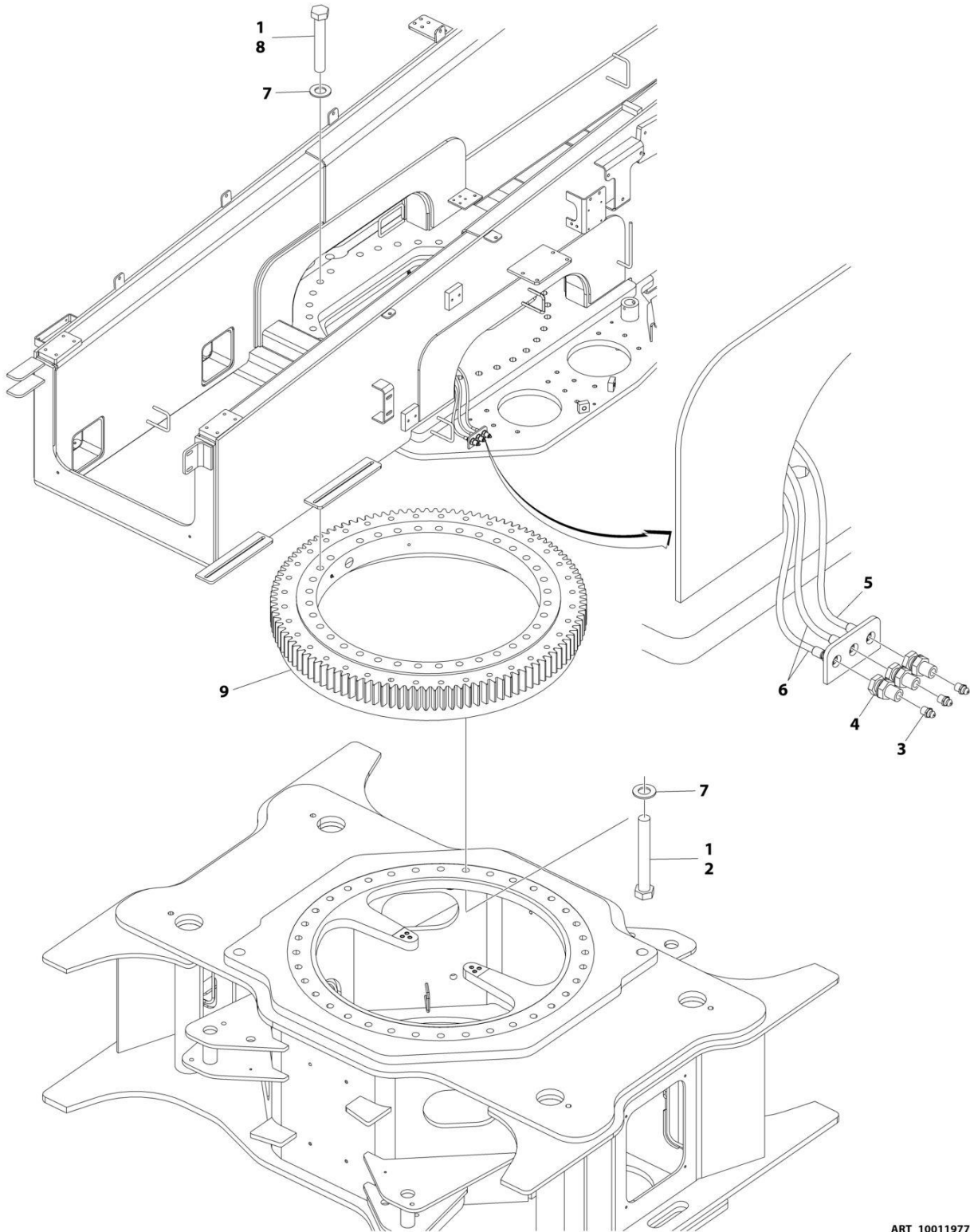
SECTION 2 - TURNTABLE

FIGURE 2-4. JUNCTION VALVE ASSEMBLY

ITEM	PART NUMBER	QTY	DESCRIPTION	REV
	1001200988	Ref	JUNCTION VALVE ASSEMBLY	L
11	70023866	1	Valve, Cartridge (Check)	
11	70023867	1	Seal Kit - 70023866 Valve	
12	70005959	1	Valve, Cartridge (Check)	
12	70004614	1	Seal Kit - 70005959 Valve	
13	70004614	1	Switch, Temperature	
801	2220371	1	Fitting, Straight ORFS/ORB	
802	2221155	1	Fitting, Straight FORB/MORB	
803	2220865	1	Fitting, Straight JIC/ORB	
804	2220435	2	Fitting, Straight JIC/ORB	
805	2220380	1	Fitting, Straight JIC/ORB	
806	70005199	1	Plug	
807	70004615	2	Capscrew	
808	70005961	2	Insert, Threaded	
809	70005958	3	Fitting, 45 JIC/ORB	

SECTION 2 - TURNTABLE

FIGURE 2-5. TURNTABLE BEARING INSTALLATION



ART_1001197761

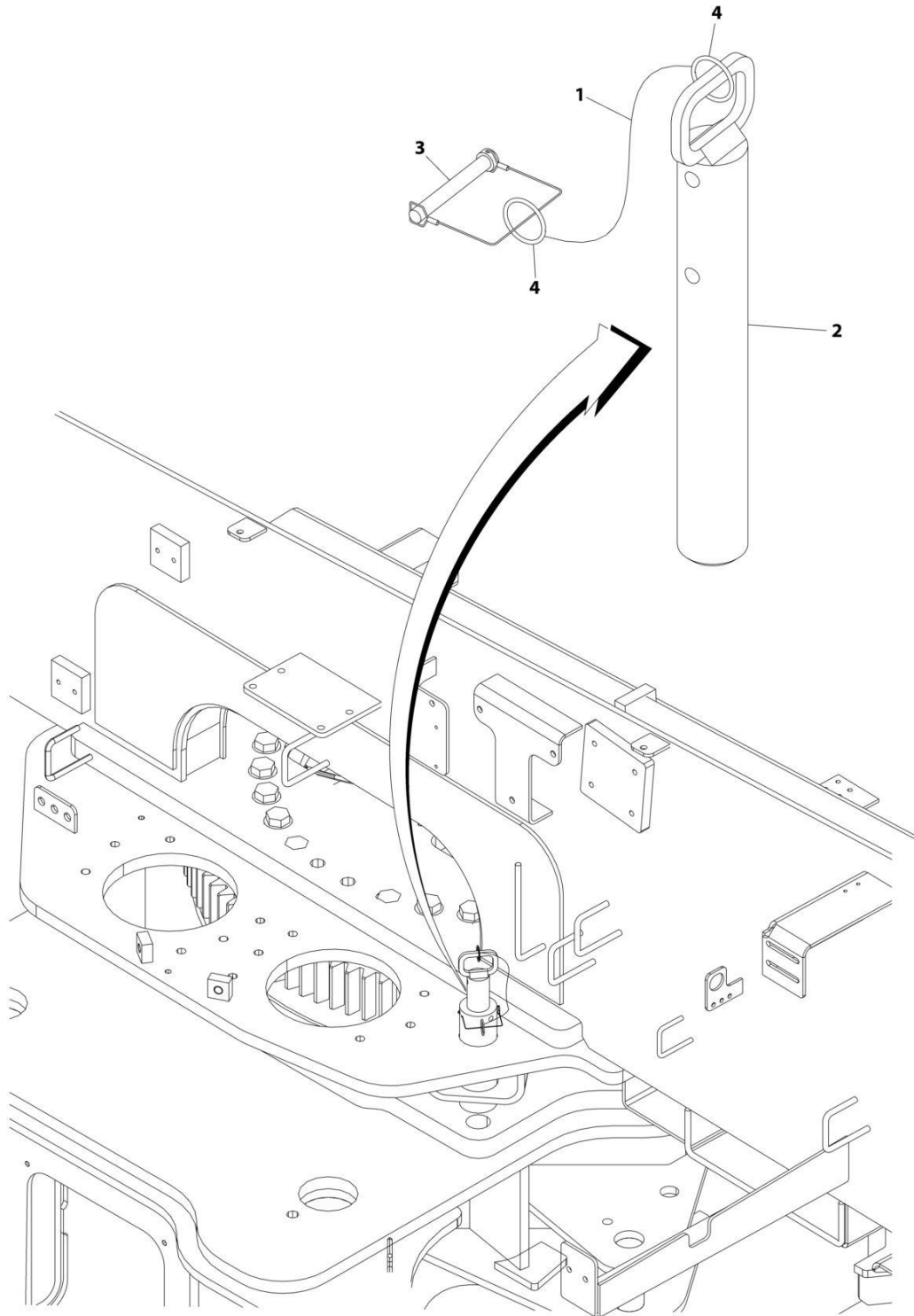
SECTION 2 - TURNTABLE

FIGURE 2-5. TURNTABLE BEARING INSTALLATION

ITEM	PART NUMBER	QTY	DESCRIPTION	REV
	1001197761	Ref	TURNTABLE BEARING INSTALLATION	A
1	0100019	AR	Compound, Locking	
2	0712435	36	Bolt M24 x 180 Grade 10.9	
3	2160002	3	Fitting, Grease	
4	2180344	3	Fitting, Bulkhead NPT	
5	2750528	1	Hose	
6	2751032	2	Hose	
7	5242400	69	Washer M24	
8	1001097587	33	Bolt M24 x 150 Grade 10.9	
9	1001149823	1	Bearing, Swing	
10	1001193630	1	Bearing Kit (Not Shown - Includes Items 2, 7, 8 & 9)	

SECTION 2 - TURNTABLE

FIGURE 2-6. TURNTABLE LOCK INSTALLATION



ART_1001197142

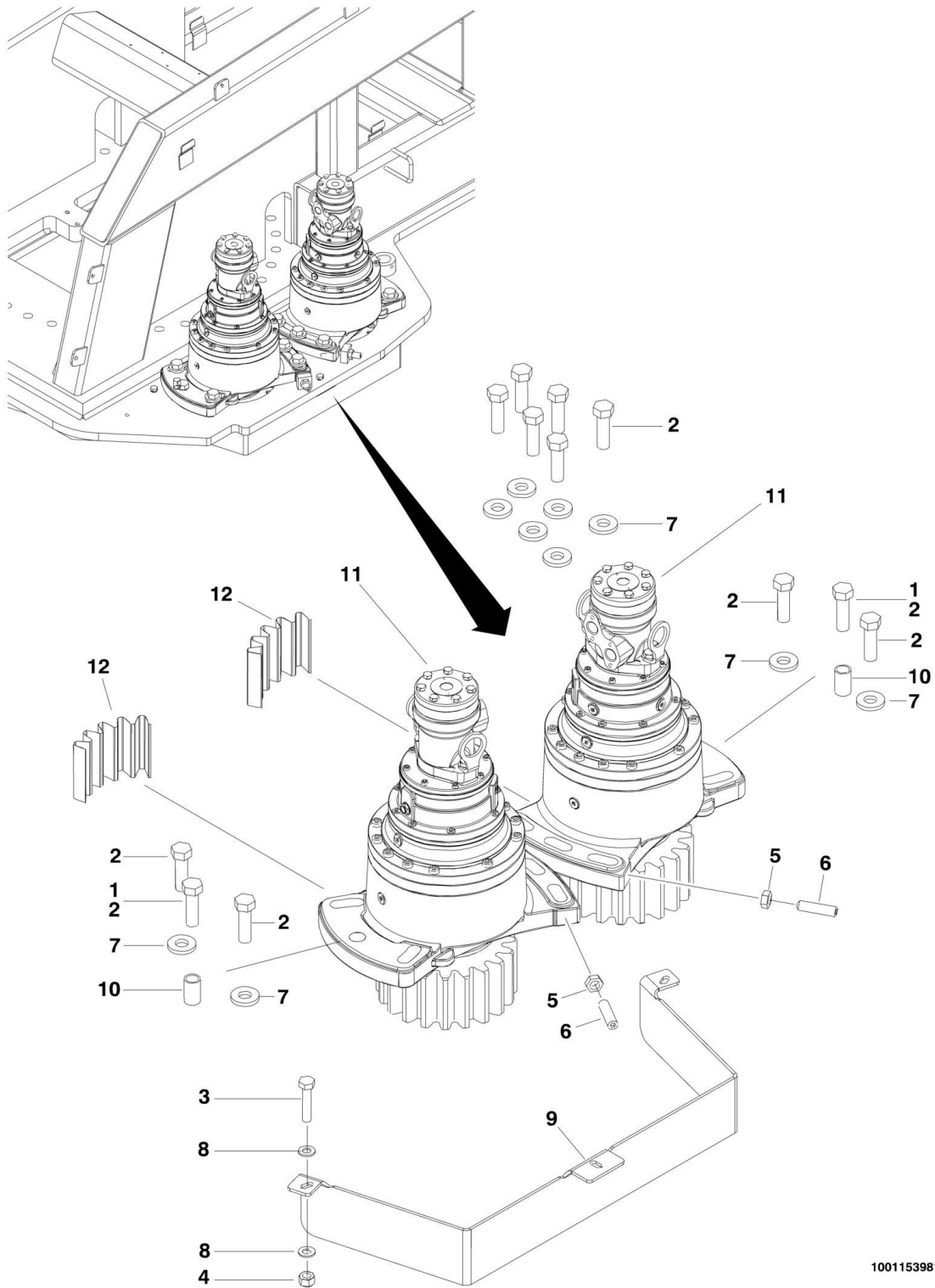
SECTION 2 - TURNTABLE

FIGURE 2-6. TURNTABLE LOCK INSTALLATION

ITEM	PART NUMBER	QTY	DESCRIPTION	REV
	1001197142	Ref	TURNTABLE LOCK INSTALLATION	A
1	1260017	8 in /20cm	Chain	
2	3421563	1	Pin	
3	3421565	1	Pin	
4	3760170	2	Ring	

SECTION 2 - TURNTABLE

FIGURE 2-7. SWING DRIVE INSTALLATION



1001153981

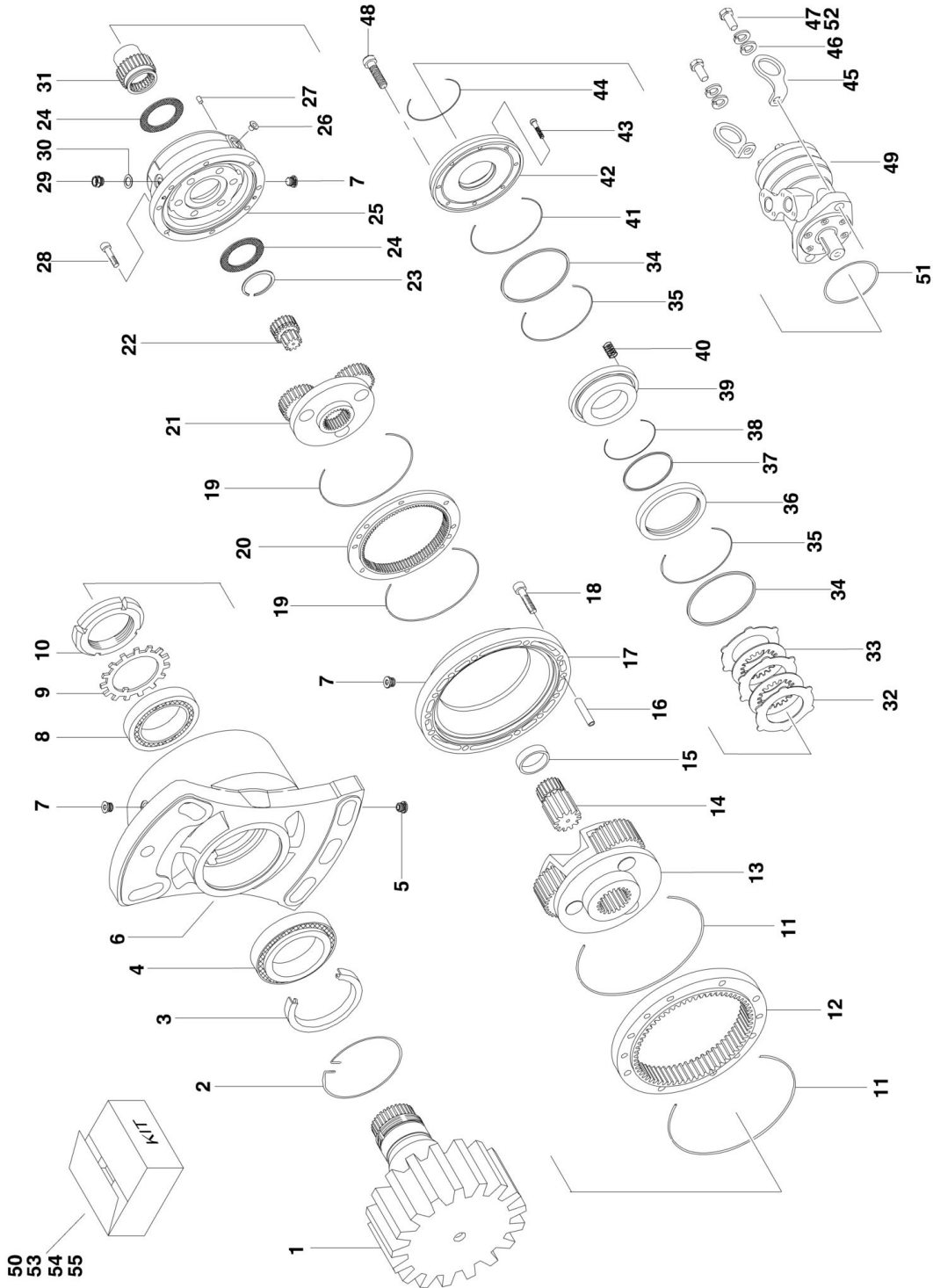
SECTION 2 - TURNTABLE

FIGURE 2-7. SWING DRIVE INSTALLATION

ITEM	PART NUMBER	QTY	DESCRIPTION	REV
	1001153981	Ref	SWING DRIVE INSTALLATION	C
1	0100019	AR	Compound, Locking	
2	0682220	12	Bolt 3/4 x 2-1/2 Grade 8	
3	0701018	3	Bolt M10 x 50	
4	3291005	3	Nut M10	
5	3312002	2	Nut 5/8	
6	3952020	2	Setscrew 5/8 x 2-1/2	
7	4740057	10	Washer	
8	4812000	6	Washer M10	
9	1001150725	1	Shield	
10	1001153983	2	Bar	
11	1001153984	2	Swing Hub/Brake/Motor Assembly (See Separate Breakdown in this Section)	
12	1001154377	2	Shim	

SECTION 2 - TURNTABLE

FIGURE 2-8. SWING HUB/BRAKE/MOTOR ASSEMBLY



1001153984

SECTION 2 - TURNTABLE

FIGURE 2-8. SWING HUB/BRAKE/MOTOR ASSEMBLY

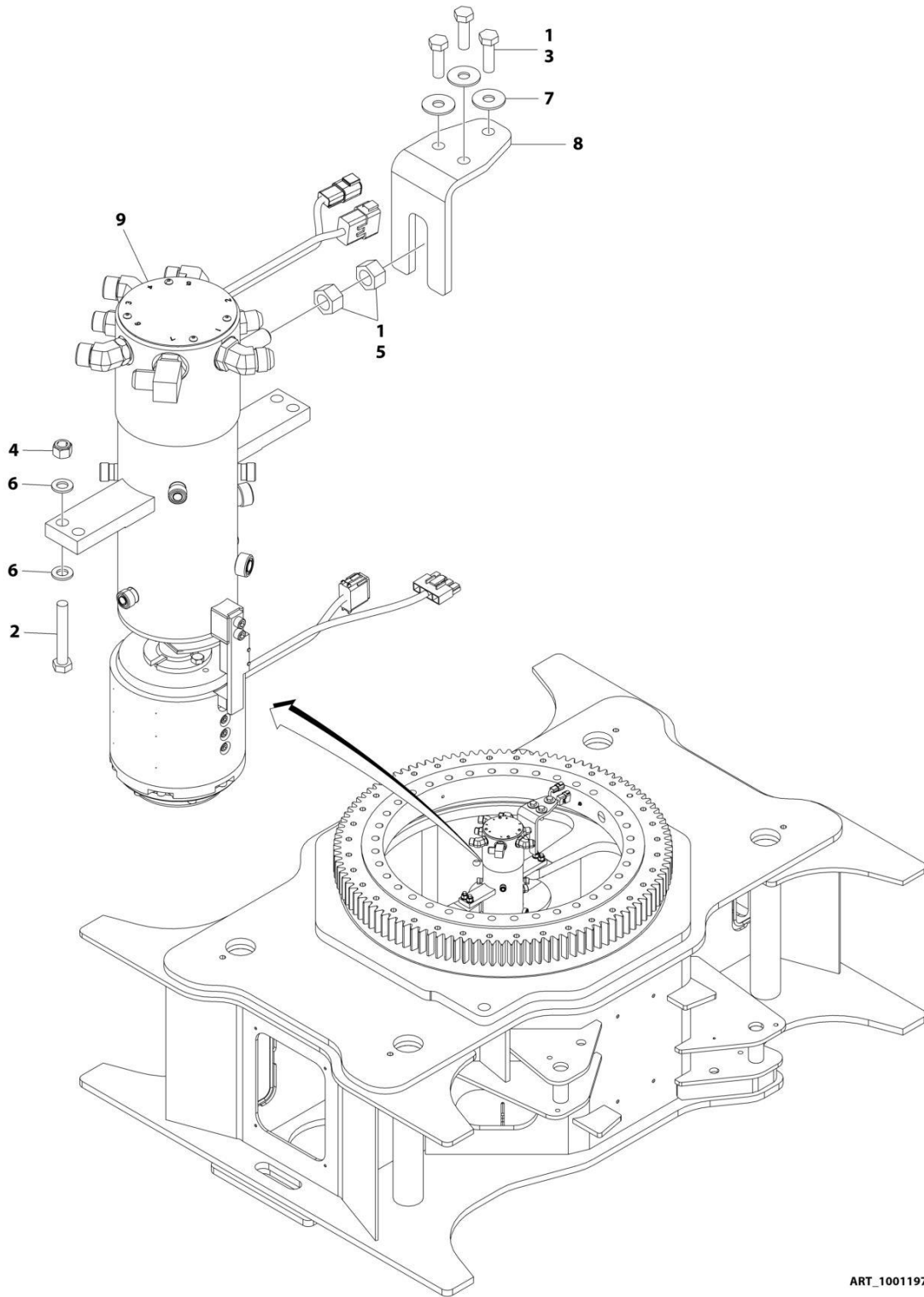
ITEM	PART NUMBER	QTY	DESCRIPTION	REV
	1001153984	Ref	HUB/BRAKE/MOTOR - SWING	E
1	70004466	1	Shaft	
2	70004467	1	Ring	
3	See Note	NSS	Seal, Oil (Use p/n 70004489)	
4	70004468	1	Bearing	
5	70004469	1	Plug with O-Ring	
6	70004470	1	Support, Output	
7	70002057	5	Plug with O-Ring	
8	70004471	1	Bearing	
9	70004472	1	Washer	
10	70004473	1	Nut, Ring	
11	See Note	NSS	O-Ring (Use p/n 70004489)	
12	70004474	1	Ring, Planetary	
13	70004475	1	Reduction, Gear - Complete	
14	70004476	1	Pinion	
15	70004477	1	Spacer	
16	70004478	4	Pin, Spring	
17	70004479	1	Spacer	
18	70004480	8	Capscrew M10x55	
19	See Note	NSS	O-Ring (Use p/n 70004489)	
20	70004481	1	Ring, Planetary	
21	70004482	1	Reduction, Gear - Complete	
22	70004483	1	Pinion	
23	See Note	NSS	Ring (Use p/n 70004488)	
24	See Note	NSS	Washer (Use p/n 70004488)	
25	See Note	NSS	Housing, Brake (Use p/n 70004488)	
26	See Note	NSS	Plug (Use p/n 70004488)	
27	See Note	NSS	Plug (Use p/n 70004488)	
28	See Note	NSS	Capscrew M8x35 (Use p/n 70004488)	
29	See Note	NSS	Plug (Use p/n 70004488)	
30	See Note	NSS	Washer (Use p/n 70004488)	
31	See Note	NSS	Shaft, Input (Use p/n 70004488)	
32	See Note	NSS	Disc, Steel (Use p/n 70004488)	
33	See Note	NSS	Disc (Use p/n 70004488)	
34	See Note	NSS	Seal (Use p/n 70004488 or 70004490)	
35	See Note	NSS	O-Ring (Use p/n 70004488 or 70004490)	
36	See Note	NSS	Spacer (Use p/n 70004488)	
37	See Note	NSS	Seal (Use p/n 70004488 or 70004490)	
38	See Note	NSS	O-Ring (Use p/n 70004488 or 70004490)	
39	See Note	NSS	Piston, Brake (Use p/n 70004488)	
40	See Note	NSS	Spring, Brake (Use p/n 70004488)	
41	See Note	NSS	O-Ring (Use p/n 70004488 or 70004490)	
42	See Note	NSS	Cover (Use p/n 70004488 or 70004490)	
43	See Note	NSS	Screw M6x25 (Use p/n 70004488)	
44	See Note	NSS	O-Ring (Use p/n 70004488 or 70004490)	
45	70004484	2	Lug, Lifting	
46	70004485	4	Washer, Lock	
47	70004486	2	Capscrew M12x25	
48	70004487	2	Capscrew M12x35	
49	70004491	1	Motor	

SECTION 2 - TURNTABLE

ITEM	PART NUMBER	QTY	DESCRIPTION	REV
		Ref	Note: Seal Kit is the only replacement component available. Otherwise, replacement complete motor.	
50	70004492	1	Kit, Seal - Motor	
51	70004493	1	O-Ring	
52	70004494	2	Bolt	
53	70004488	1	Kit, Brake (Includes Items 23-44)	
54	70004489	1	Kit, Seal - Gearbox (Includes Items 3, 11 & 19)	
55	70004490	1	Kit, Brake Seal (Includes Items 34, 35, 37, 38 & 44)	

SECTION 2 - TURNTABLE

FIGURE 2-9. COUPLING/COLLECTOR RING INSTALLATION



ART_1001197118

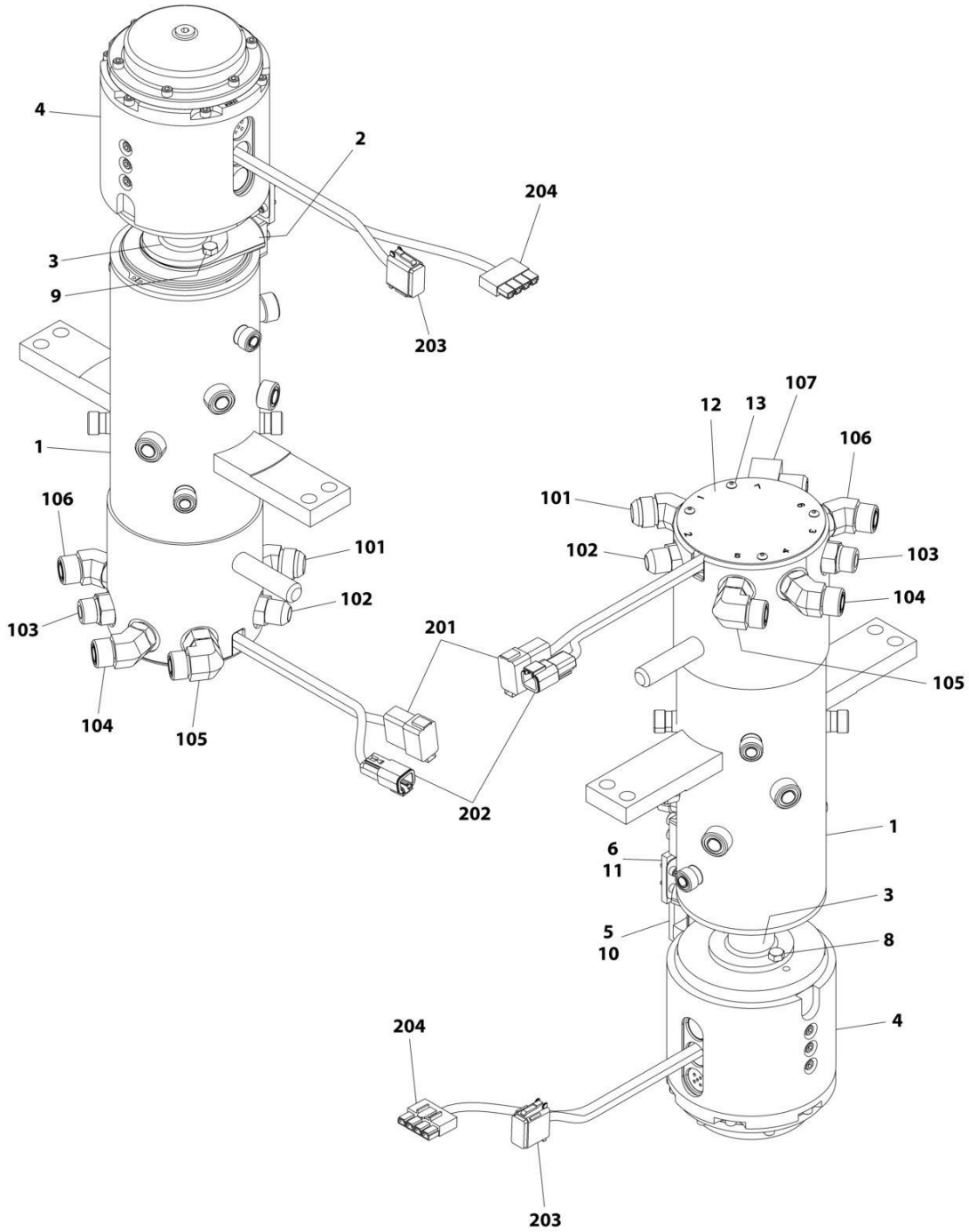
SECTION 2 - TURNTABLE

FIGURE 2-9. COUPLING/COLLECTOR RING INSTALLATION

ITEM	PART NUMBER	QTY	DESCRIPTION	REV
	1001197118	Ref	COUPLING/COLLECTOR RING INSTALLATION	C
1	0100011	AR	Compound, Locking	
2	0701224	4	Bolt M12 x 80	
3	0761216	3	Bolt M12 x 40	
4	3291205	4	Nut M12	
5	3322201	2	Nut 3/4	
6	4812100	8	Washer M12	
7	4812102	3	Washer M12	
8	1001154196	1	Bracket	
9	1001195588	1	Coupling/Collector Ring Assembly (See Separate Breakdown in this Section)	

SECTION 2 - TURNTABLE

FIGURE 2-10. COUPLING/COLLECTOR RING ASSEMBLY



ART_1001195588

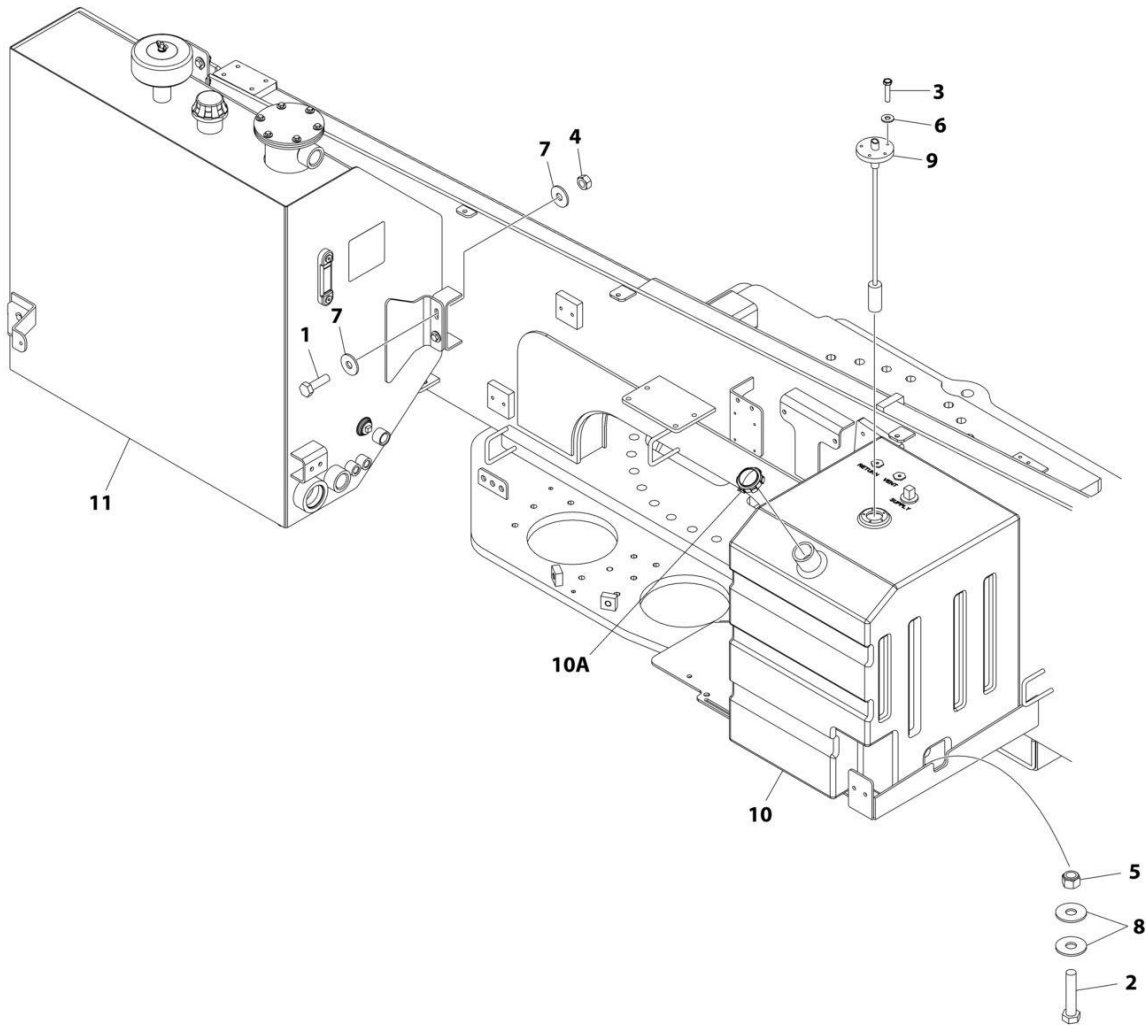
SECTION 2 - TURNTABLE

FIGURE 2-10. COUPLING/COLLECTOR RING ASSEMBLY

ITEM	PART NUMBER	QTY	DESCRIPTION	REV
	1001195588	Ref	COUPLING/COLLECTOR RING ASSEMBLY	E
1	70005679	1	Coupling, Rotary	
2	7026030	1	Cam	
3	See Note	1	Adapter	
4	70005678	1	Ring, Collector	
5	70003484	1	Arm	
6	7026031	1	Sensor, Proximity	
7	7026032	1	Pin, Dowel (Not Shown)	
8	0641506	2	Bolt 5/16 x 3/4	
9	0641508	2	Bolt 5/16 x 1	
10	3931512	2	Capscrew 5/16 x 3/4	
11	See Note	NSS	Capscrew #10 x 1/2 (Note: Purchase Locally)	
12	See Note	NSS	Cover (Note: Purchase Complete Assembly)	
13	See Note	NSS	Screw #10 x 3/8 (Note: Purchase Locally)	
101	2220498	1	Fitting, 45 JIC/ORB	
102	2220947	1	Fitting, Straight JIC/ORB	
103	2111010	1	Fitting, Straight ORBS/ORB	
104	2151010	1	Fitting, 45 ORBS/ORB	
105	2131010	1	Fitting, 90 ORBS/ORB	
106	2151010	1	Fitting, 45 ORBS/ORB	
107	2220906	1	Fitting, 90 JIC/ORB	
201	4460837	1	Receptacle, Female - 12 Position	
201	4460943	3	Pin, Male	
201	4460516	3	Pin, Male	
201	4460466	6	Plug, Terminal	
202	4461017	1	Receptacle, Female - 2 Position	
202	4460464	2	Pin, Male	
203	4460836	1	Plug, Male - 12 Position	
203	4460944	3	Socket, Female	
203	4460465	5	Socket, Female	
203	4460466	4	Plug, Terminal	
204	4460878	1	Plug, Male - 4 Position	
204	4460887	2	Terminal	

SECTION 2 - TURNTABLE

FIGURE 2-11. TANKS INSTALLATION (WITHOUT DIESEL EXHAUST FLUID TANK)



ART_1001197627

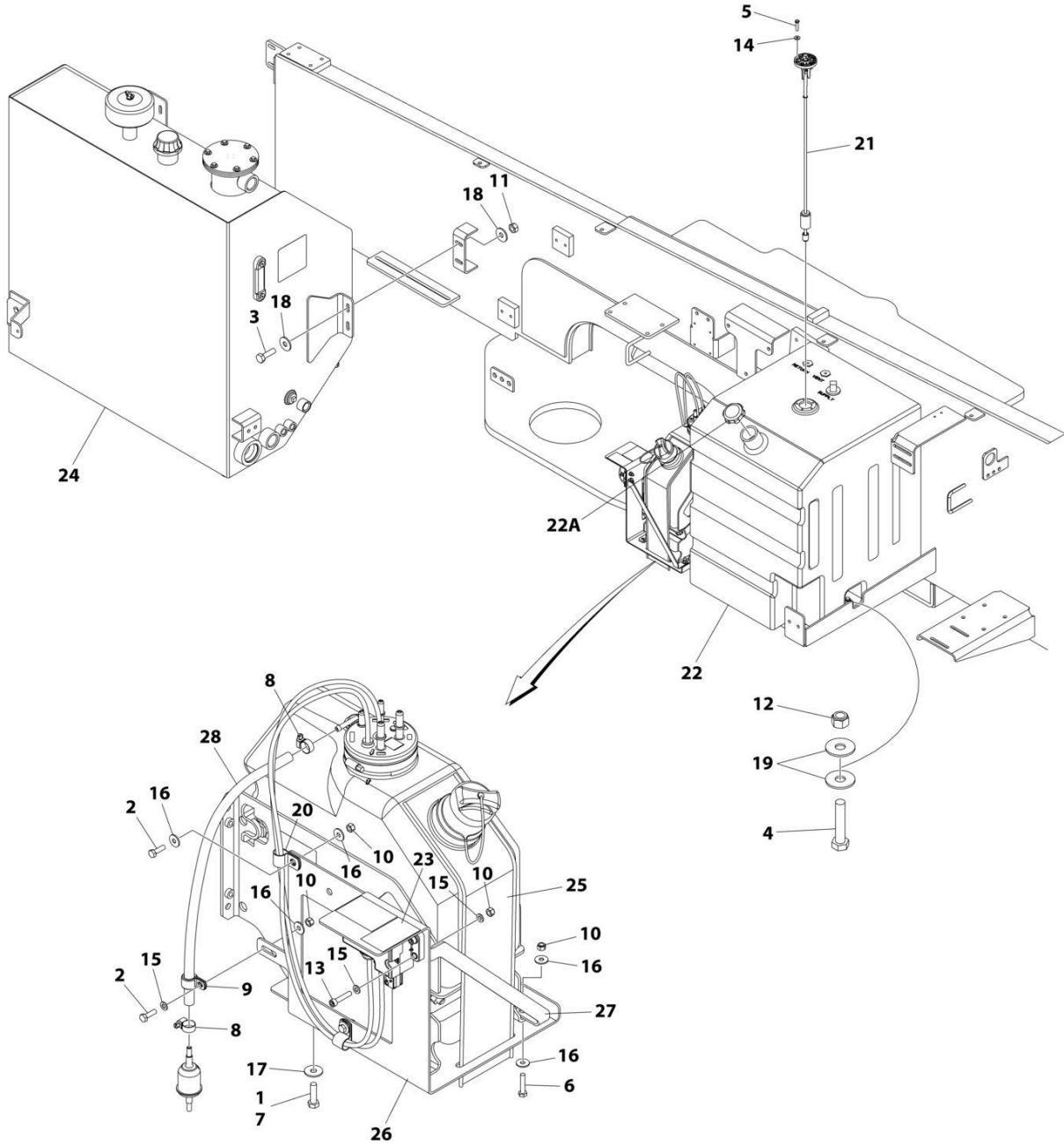
SECTION 2 - TURNTABLE

FIGURE 2-11. TANKS INSTALLATION (WITHOUT DIESEL EXHAUST FLUID TANK)

ITEM	PART NUMBER	QTY	DESCRIPTION	REV
	1001197627	Ref	TANKS INSTALLATION (WITHOUT DIESEL EXHAUST FLUID TANK)	C
1	0701015	4	Bolt M10 x 35	
2	0701220	2	Bolt M12 x 60	
3	0731007	5	Screw #10 x 7/8	
4	3291007	4	Nut M10	
5	3291205	2	Nut M12	
6	4751000	5	Washer #10	
7	4812002	8	Washer M10	
8	4812102	4	Washer M12	
9	1001109048	1	Gauge, Fuel	
9	3960525	1	Gasket (Gauge to Tank)	
10	1001188491	1	Tank, Fuel	
10A	70005565	1	Cap, Fuel	
11	1001197292	1	Hydraulic Tank Assembly (See Separate Breakdown in this Section)	

SECTION 2 - TURNTABLE

FIGURE 2-12. TANKS INSTALLATION (WITH DIESEL EXHAUST FLUID TANK)



ART_1001242390

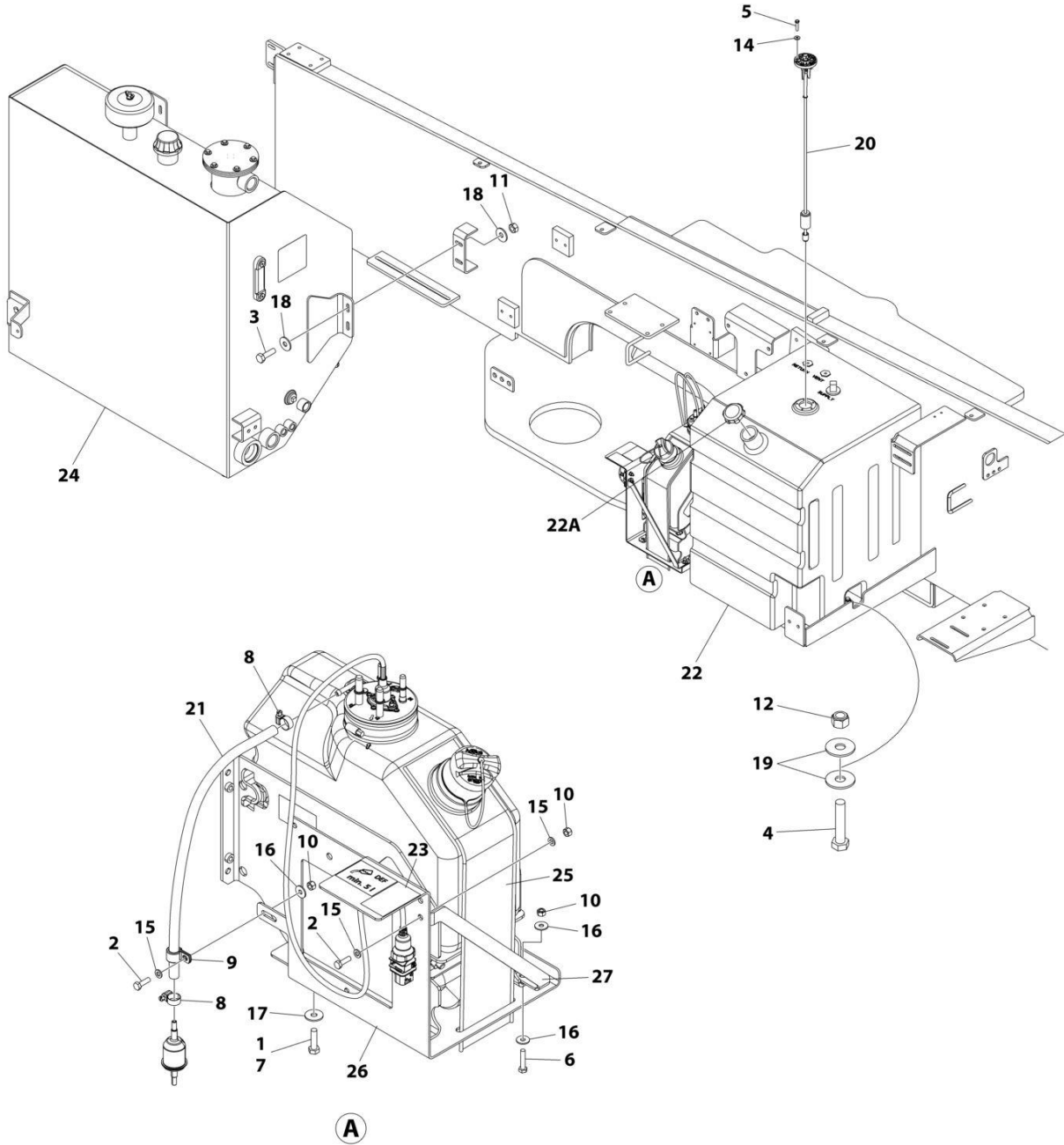
SECTION 2 - TURNTABLE

FIGURE 2-12. TANKS INSTALLATION (WITH DIESEL EXHAUST FLUID TANK)

ITEM	PART NUMBER	QTY	DESCRIPTION	REV
	1001242390	Ref	TANKS INSTALLATION (WITH DIESEL EXHAUST FLUID TANK)	A
1	0100011	AR	Compound, Locking	
2	0700610	3	Bolt M6 x 20	
3	0701015	4	Bolt M10 x 35	
4	0701220	2	Bolt M12 x 60	
5	0731007	5	Screw #10 x 7/8	
6	0760614	1	Bolt M6 x 30	
7	0760814	4	Bolt M8 x 30	
8	1320022	2	Clamp	
9	1320041	1	Clamp	
10	3290605	8	Nut M6	
11	3291007	4	Nut M10	
12	3291205	2	Nut M12	
13	4031710	4	Bolt M6 x 30	
14	4751000	5	Washer #10	
15	4811700	9	Washer M6	
16	4811702	7	Washer M6	
17	4811902	4	Washer M8	
18	4812002	8	Washer M10	
19	4812102	4	Washer M12	
20	8406101	2	Clip	
21	1001109048	1	Gauge, Fuel	
21	3960525	1	Gasket (Gauge to Tank)	
22	1001188491	1	Tank, Fuel	
22A	70005565	1	Cap, Fuel	
23	1001196806	1	Decal - Diesel Exhaust Fluid	
24	1001197292	1	Hydraulic Tank Assembly (See Separate Breakdown in this Section)	
25	1001238158	1	Sleeve, Spill Guard	
26	1001238262	1	Support	
27	1001241631	1	Bracket	
28	1001175201	18 in/ 0.46m	Hose	

SECTION 2 - TURNTABLE

FIGURE 2-13. TANKS INSTALLATION (HRC) (SN 0300308811 to Present)



ART_1001297408

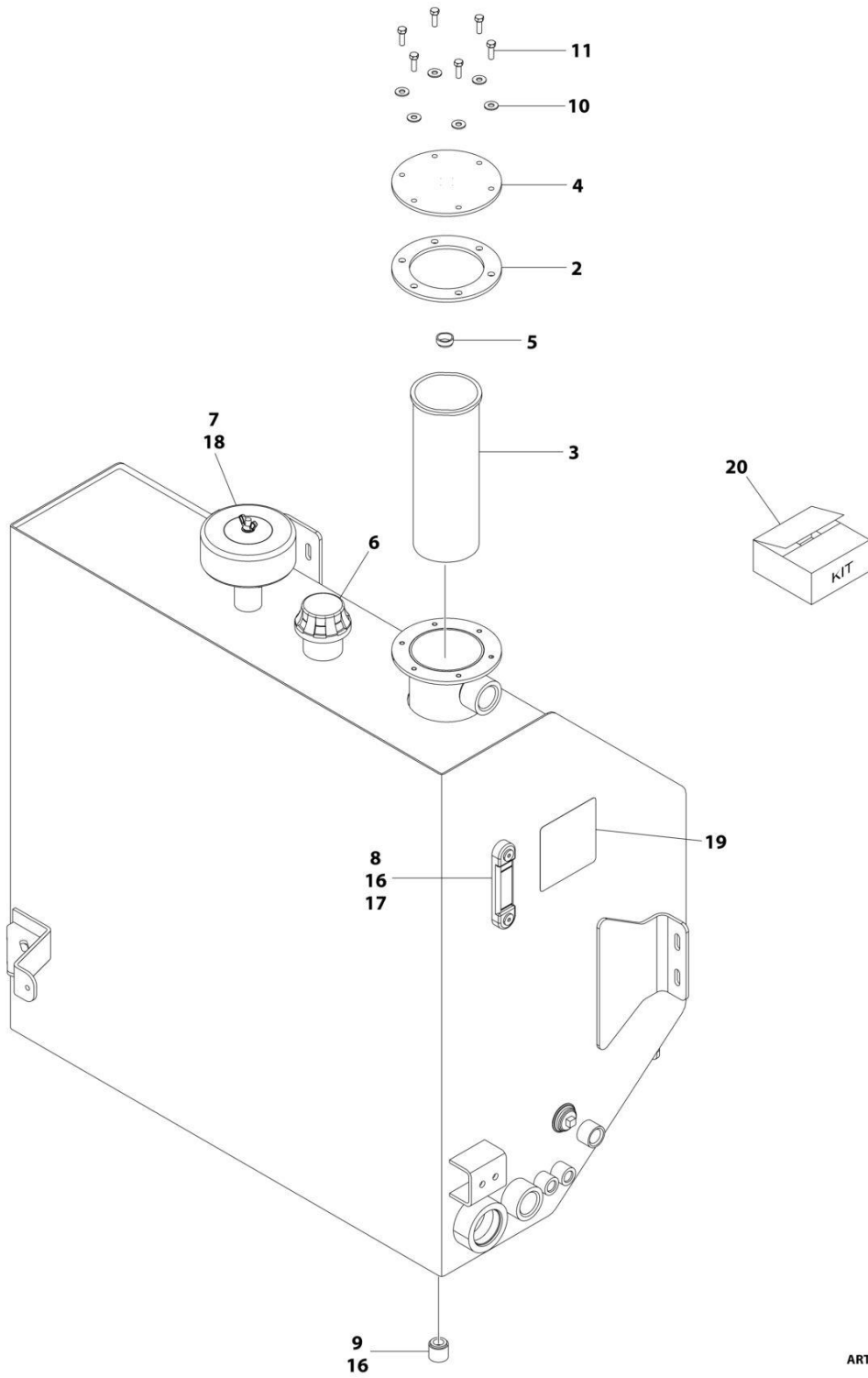
SECTION 2 - TURNTABLE

FIGURE 2-13. TANKS INSTALLATION (HRC) (SN 0300308811 to Present)

ITEM	PART NUMBER	QTY	DESCRIPTION	REV
	1001297408	Ref	TANKS INSTALLATION (HRC)	B
1	0100011	AR	Compound, Locking	
2	0700610	2	Bolt M6 x 20	
3	0701015	4	Bolt M10 x 35	
4	0701220	2	Bolt M12 x 60	
5	0731007	5	Screw #10 x 7/8	
6	0760614	1	Bolt M6 x 30	
7	0760814	4	Bolt M8 x 30	
8	1320022	2	Clamp	
9	1320041	1	Clamp	
10	3290605	3	Nut M6	
11	3291007	4	Nut M10	
12	3291205	2	Nut M12	
13	4240099	3	Tie-Strap (Not Shown)	
14	4751000	5	Washer #10	
15	4811700	3	Washer M6	
16	4811702	3	Washer M6	
17	4811902	4	Washer M8	
18	4812002	8	Washer M10	
19	4812102	4	Washer M12	
20	1001109048	1	Gauge, Fuel	
20	3960525	1	Gasket (Gauge to Tank)	
21	1001175201	17 in/ 43 cm	Hose	
22	1001188491	1	Tank, Fuel	
22A	70005565	1	Cap, Fuel	
23	1001196806	1	Decal - Diesel Exhaust Fluid	
24	1001197292	1	Hydraulic Tank Assembly (See Separate Breakdown in this Section)	
25	1001238158	1	Sleeve, Spill Guard	
26	1001238262	1	Support	
27	1001241631	1	Bracket	

SECTION 2 - TURNTABLE

FIGURE 2-14. HYDRAULIC TANK ASSEMBLY



ART_1001197292

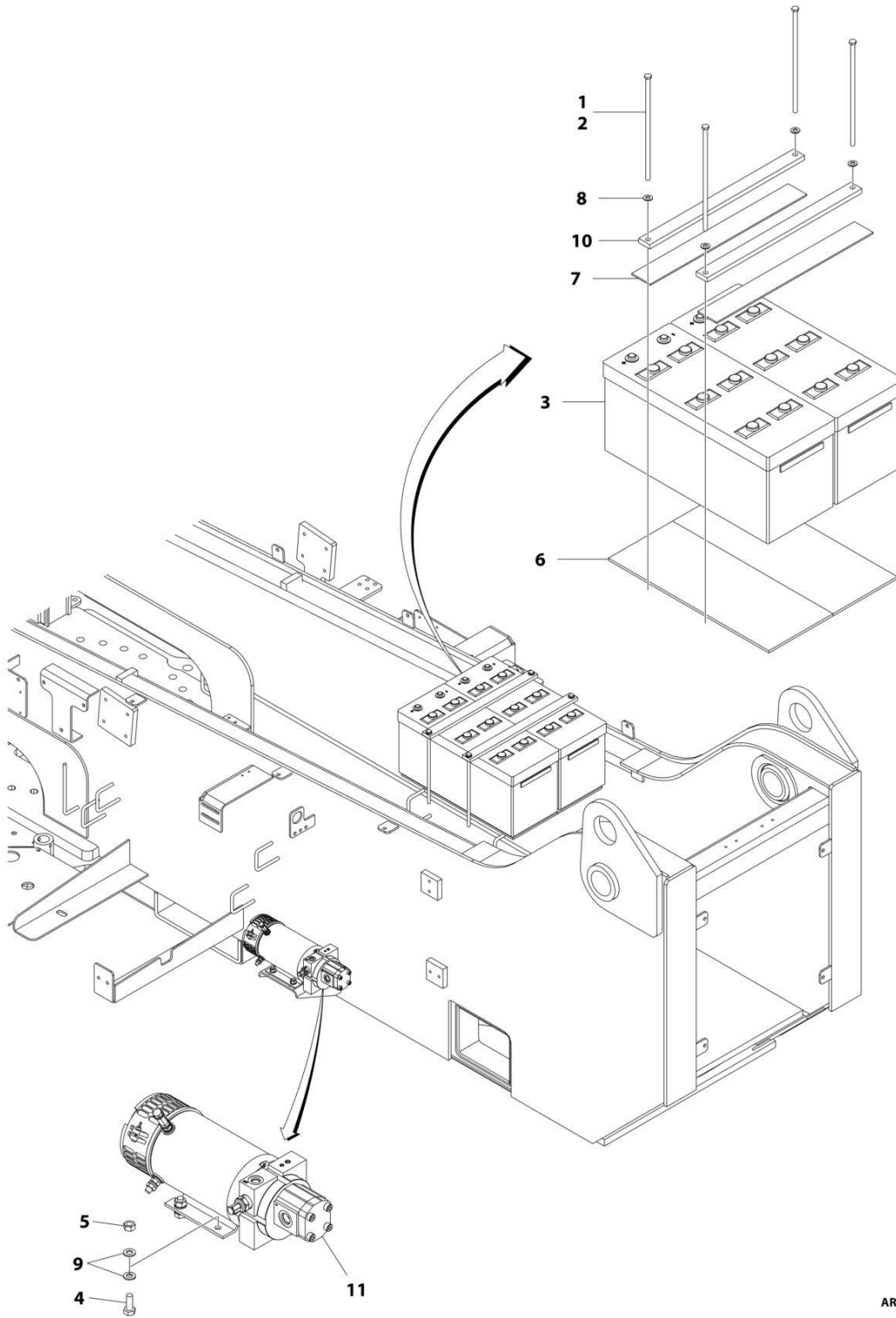
SECTION 2 - TURNTABLE

FIGURE 2-14. HYDRAULIC TANK ASSEMBLY

ITEM	PART NUMBER	QTY	DESCRIPTION	REV
	1001197292	Ref	HYDRAULIC TANK ASSEMBLY	D
2	See Note	NSS	Gasket (Note: Use Item 20)	
3	See Note	NSS	Element, Filter (Note: Use Item 20)	
4	See Note	NSS	Cover (Note: Not Available for Purchase)	
5	70004412	1	Spring	
6	70002838	1	Cap, Fill	
7	See Note	NSS	Breather (Note: Use Item 20)	
8	7024441	1	Gauge	
9	See Note	NSS	Plug (Note: Purchase Locally)	
10	See Note	NSS	Washer 5/16 Stainless Steel (Note: Purchase Locally)	
11	See Note	NSS	Bolt 5/16 x 1 Stainless Steel (Note: Purchase Locally)	
16	See Note	AR	Loctite #243 (Note: Purchase Locally)	
17	See Note	AR	Lubricant (Note: Purchase Locally)	
18	See Note	AR	Loctite #565 (Note: Purchase Locally)	
19	70004411	1	Decal - Service	
20	70004150	1	Tank Filter/ Breather Kit (Includes Item 2, 3 & 7)	

SECTION 2 - TURNTABLE

FIGURE 2-15. AUXILIARY POWER AND BATTERIES INSTALLATIONS



ART_1001197345

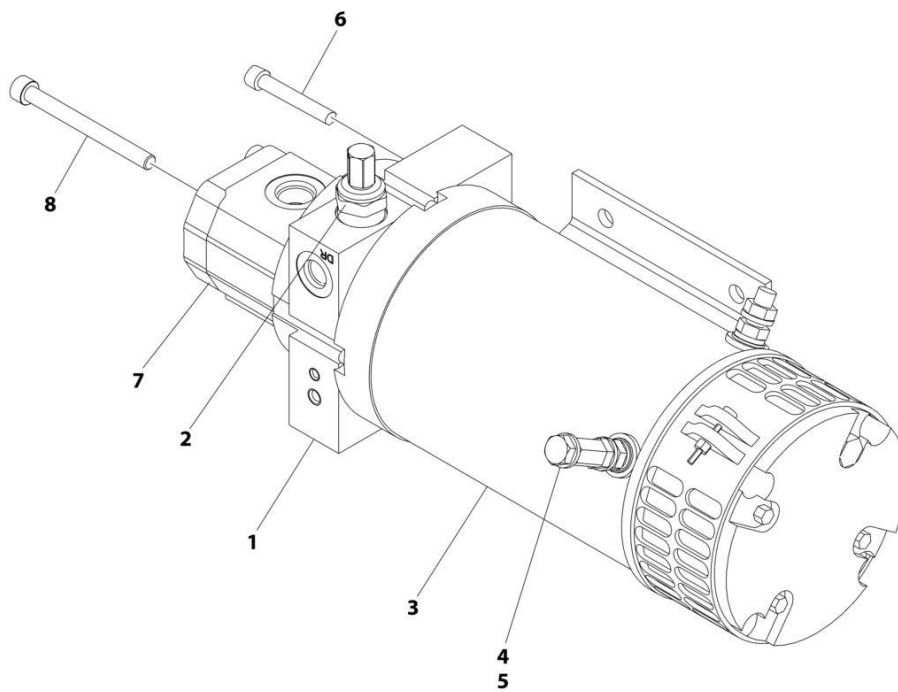
SECTION 2 - TURNTABLE

FIGURE 2-15. AUXILIARY POWER AND BATTERIES INSTALLATIONS

ITEM	PART NUMBER	QTY	DESCRIPTION	REV
	1001197345	Ref	AUXILIARY POWER AND BATTERIES INSTALLATIONS	A
1	0100011	AR	Compound, Locking	
2	0236768	4	Bolt, Tie-Down	
3	0400020	2	Battery	
4	0701013	4	Bolt M10 x 28	
5	3291007	4	Nut M10	
6	3980006	2	Seat, Battery	
7	4420038	34 in /85cm	Tape	
8	4711600	4	Washer 3/8	
9	4812000	8	Washer M10	
10	1001154035	2	Plate	
11	1001162880	1	Auxiliary Pump/Motor Assembly (See Separate Breakdown in this Section)	

SECTION 2 - TURNTABLE

FIGURE 2-16. AUXILIARY PUMP/MOTOR ASSEMBLY



ART_1001162880

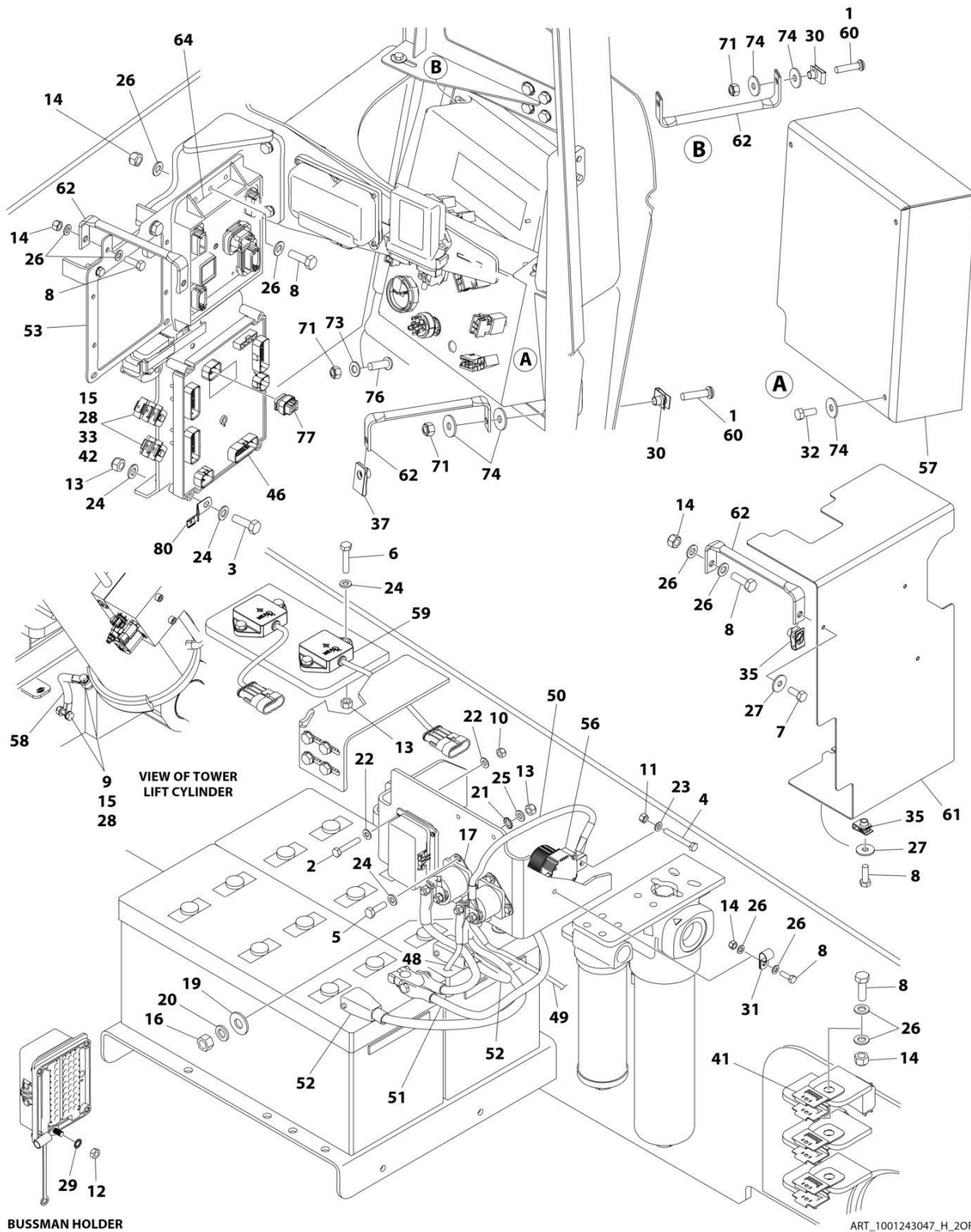
SECTION 2 - TURNTABLE

FIGURE 2-16. AUXILIARY PUMP/MOTOR ASSEMBLY

ITEM	PART NUMBER	QTY	DESCRIPTION	REV
	1001162880	Ref	AUXILIARY PUMP ASSEMBLY (WITHOUT COLD WEATHER PLUS PACKAGE)	A
1	1001164700	1	Base Assembly	
1	70005618	1	Plug	
1	70005617	1	Spring	
1	70005616	1	Poppet, Check	
2	1001164700	1	Valve, Relief	
3	See Note	1	Motor (Note: Not Available for Purchase)	
4	70004006	1	Nut 3/8	
5	70004007	1	Bolt 3/8x3/4	
6	70004005	4	Capscrew 1/4x3	
6	See Note	1	Sleeve (Note: Not Available for Purchase)	
7	See Note	1	Pump Assembly (Note: Not Available for Purchase)	
7	70005615	1	Seal, Shaft	
7	70005619	1	Bearing	
8	See Note	4	Screw M8 x 85 (Note: Not Available for Purchase)	

SECTION 2 - TURNTABLE

FIGURE 2-17. ELECTRICAL COMPONENTS INSTALLATION - TURNTABLE (HRC) (ANSI, ANSI EXPORT, CSA AND JAPANESE SPECS)



SECTION 2 - TURNTABLE

FIGURE 2-17. ELECTRICAL COMPONENTS INSTALLATION - TURNTABLE (HRC) (ANSI, ANSI EXPORT, CSA AND JAPANESE SPECS)

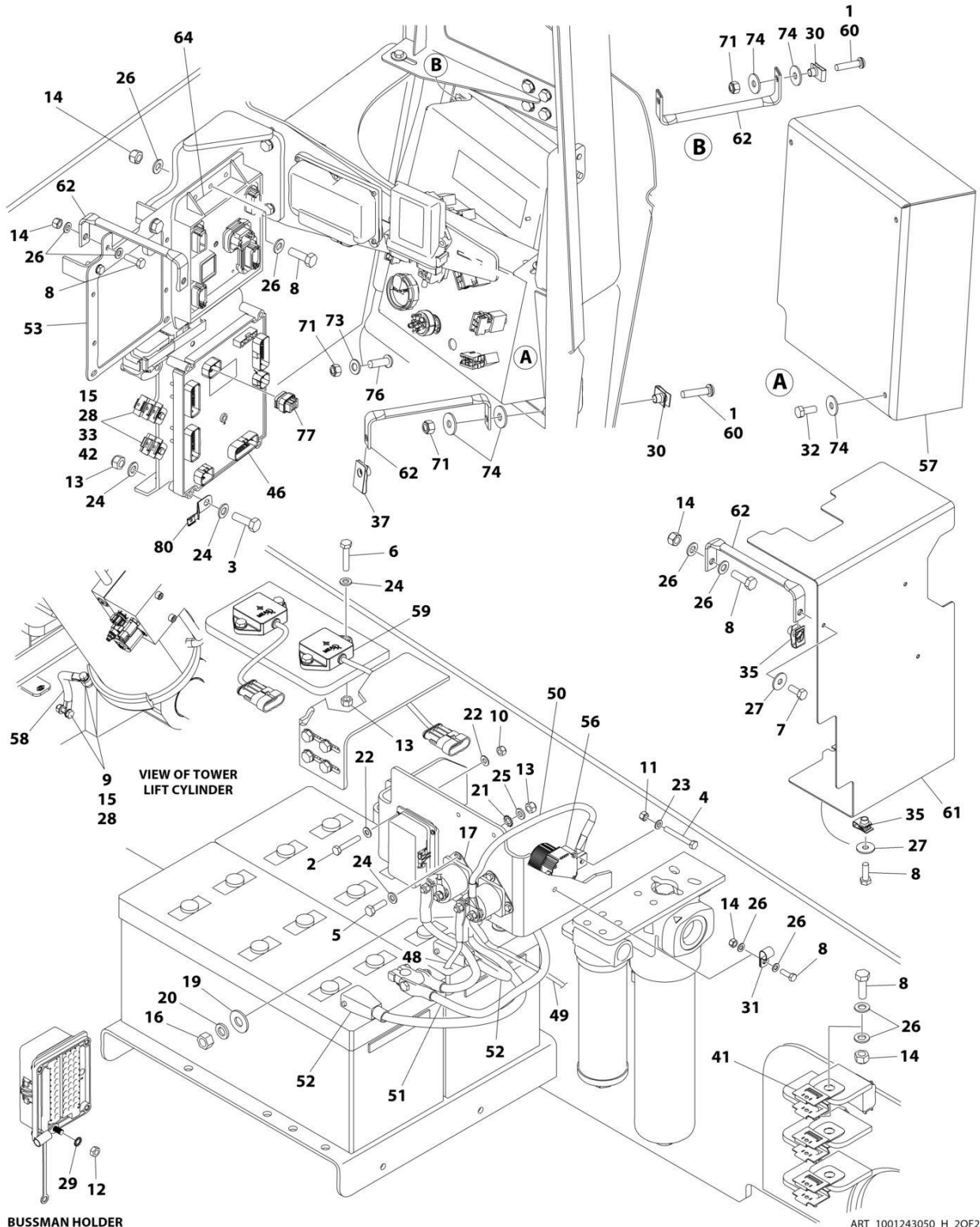
ITEM	PART NUMBER	QTY	DESCRIPTION	REV
	1001243047	Ref	ELECTRICAL COMPONENTS INSTALLATION - TURNTABLE (HRC)	H
1	0100011	AR	Compound, Locking	
2	0700412	4	Bolt M4 x 25	
3	0700620	4	Bolt M6 x 60	
4	0760516	2	Bolt M5 x 40	
5	0760610	4	Bolt M6 x 20	
6	0760613	4	Bolt M6 x 28	
7	0760810	3	Bolt M8 x 20	
8	0760812	12	Bolt M8 x 25	
9	0761015	3	Bolt M10 x 35	
10	3290405	4	Nut M4	
11	3290507	2	Nut M5	
12	3290601	1	Nut M6	
13	3290605	12	Nut M6	
14	3290805	10	Nut M8	
15	3291007	5	Nut M10	
16	3311601	2	Nut 3/8	
17	3740067	2	Relay	
18	4240099	1	Tie-Strap (Not Shown)	
19	4751600	4	Washer 3/8	
20	4761600	2	Washer 3/8	
21	4791400	4	Washer 1/4	
22	4811400	8	Washer M4	
23	4811600	2	Washer M5	
24	4811700	20	Washer M6	
25	4811702	4	Washer M6	
26	4811900	20	Washer M8	
27	4811902	5	Washer M8	
28	4812000	10	Washer M10	
29	4871700	1	Washer M6	
30	8310686	3	Nut, Retainer M8	
31	8406101	1	Clip	
32	0760810001	3	Bolt M8 x 20	
33	0761013001	2	Bolt M10 x 28	
35	100118274	5	Nut, Tinnerman M8	
37	1001149160	3	Nut, Tinnerman M8	
38	1001149970	1	Drive Pump Harness (Not Shown - See Separate Breakdown in ELECTRICAL Section)	
41	1001155967	6	Holder	
42	1001156107	2	Holder	
45	1001187744	AR	Sealant (Not Shown)	
46	1001281500	1	Module, Control (Note: Re-calibration Required when Replaced)	
47	1001258191	1	BLAM Harness (Not Shown - See Separate Breakdown in ELECTRICAL Section)	
48	1001200604	1	Cable, Auxiliary Pump (+)	
49	1001200605	1	Cable, Auxiliary Pump (-)	
50	1001200606	1	Cable, Battery to Auxiliary Relay	
51	1001200726	1	Cable Kit, Battery Positive (Note: Includes Battery Terminal and Qty 4 Cables)	

SECTION 2 - TURNTABLE

ITEM	PART NUMBER	QTY	DESCRIPTION	REV
52	1001200727	1	Cable Kit, Battery Negative (Note: Includes Qty 2 Cables)	
53	1001201103	1	Plate	
54	1001206817	1	Diesel Exhaust Fluid Tank Harness (Not Shown - See Separate Breakdown in ELECTRICAL Section)	
55	1001211885	1	Fuel Pump and WIF Harness (Not Shown - See Separate Breakdown in ELECTRICAL Section)	
56	1001216021	1	Relay	
57	1001216238	1	Cover	
58	1001217007	1	Cable, Ground	
59	1001219601	2	Sensor, Dual Axis	
60	1001221585	3	Screw M8 x 35	
61	1001225167	1	Cover	
62	1001225279	6	Bracket	
63	1001226102	1	Connector, Resistor - 20K Ohm (Not Shown - Located Near Item 12)	
64	1001227960	1	Module, Control (Note: Re-calibration Required when Replaced)	
65	1001228364	1	Wire, Relay Grounding (Not Shown)	
66	1001238483	1	Def Tank Extension Harness (Not Shown - See Separate Breakdown in ELECTRICAL Section)	
67	1001286089	1	Valve Harness (Not Shown - See Separate Breakdown in ELECTRICAL Section)	
68	1001286088	1	Turntable Harness (Not Shown - See Separate Breakdown in ELECTRICAL Section)	
69	1001242126	1	Ground Control Harness (Not Shown - See Separate Breakdown in ELECTRICAL Section)	
70	1001243048	1	Ground Control Box Assembly (Not Shown - See Separate Breakdown in this Section)	
71	3290805001	4	Nut M8	
73	4811900001	1	Washer M8	
74	4811902001	9	Washer M8	
76	8310643001	1	Screw M8 x 25	
77	1001246859	1	Connector	
78	4240032	AR	Tie-Strap (Not Shown)	
79	4460234	AR	Mount, Tie-Strap (Not Shown)	
80	1001120328	1	Mount, Connector	
81	1001296427	1	Hourmeter Jumper Harness (Not Shown)	

SECTION 2 - TURNTABLE

FIGURE 2-18. ELECTRICAL COMPONENTS INSTALLATION - TURNTABLE (HRC) (CE & UK CA SPECS)



ART_1001243050_H_20F2

SECTION 2 - TURNTABLE

FIGURE 2-18. ELECTRICAL COMPONENTS INSTALLATION - TURNTABLE (HRC) (CE & UK CA SPECS)

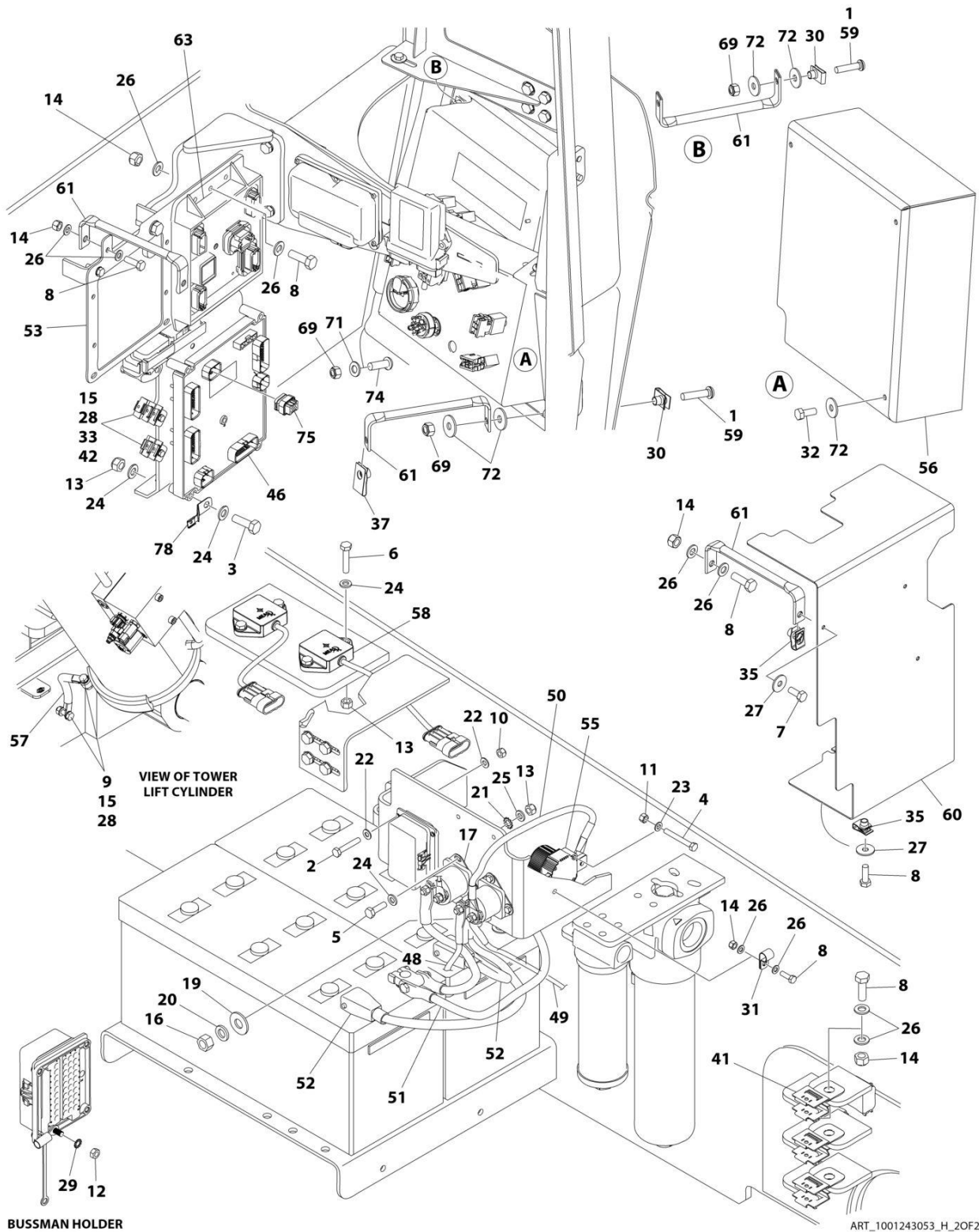
ITEM	PART NUMBER	QTY	DESCRIPTION	REV
	1001243050	Ref	ELECTRICAL COMPONENTS INSTALLATION - TURNTABLE (HRC)	H
1	0100011	AR	Compound, Locking	
2	0700412	4	Bolt M4 x 25	
3	0700620	4	Bolt M6 x 60	
4	0760516	2	Bolt M5 x 40	
5	0760610	4	Bolt M6 x 20	
6	0760613	4	Bolt M6 x 28	
7	0760810	3	Bolt M8 x 20	
8	0760812	12	Bolt M8 x 25	
9	0761015	3	Bolt M10 x 35	
10	3290405	4	Nut M4	
11	3290507	2	Nut M5	
12	3290601	1	Nut M6	
13	3290605	12	Nut M6	
14	3290805	10	Nut M8	
15	3291007	5	Nut M10	
16	3311601	2	Nut 3/8	
17	3740067	2	Relay	
18	4240099	1	Tie-Strap (Not Shown)	
19	4751600	4	Washer 3/8	
20	4761600	2	Washer 3/8	
21	4791400	4	Washer 1/4	
22	4811400	8	Washer M4	
23	4811600	2	Washer M5	
24	4811700	24	Washer M6	
25	4811702	4	Washer M6	
26	4811900	20	Washer M8	
27	4811902	5	Washer M8	
28	4812000	10	Washer M10	
29	4871700	1	Washer M6	
30	8310686	3	Nut, Retainer M8	
31	8406101	1	Clip	
32	0760810001	3	Bolt M8 x 20	
33	0761013001	2	Bolt M10 x 28	
35	100118274	5	Nut, Tinnerman M8	
37	1001149160	3	Nut, Tinnerman M8	
38	1001149970	1	Drive Pump Harness (Not Shown - See Separate Breakdown in ELECTRICAL Section)	
41	1001155967	6	Holder	
42	1001156107	2	Holder	
45	1001187744	AR	Sealant (Not Shown)	
46	1001281500	1	Module, Control (Note: Re-calibration Required when Replaced)	
47	1001258191	1	BLAM Harness (Not Shown - See Separate Breakdown in ELECTRICAL Section)	
48	1001200604	1	Cable, Auxiliary Pump (+)	
49	1001200605	1	Cable, Auxiliary Pump (-)	
50	1001200606	1	Cable, Battery to Auxiliary Relay	
51	1001200726	1	Cable Kit, Battery Positive (Note: Includes Battery Terminal and Qty 4 Cables)	

SECTION 2 - TURNTABLE

ITEM	PART NUMBER	QTY	DESCRIPTION	REV
52	1001200727	1	Cable Kit, Battery Negative (Note: Includes Qty 2 Cables)	
53	1001201103	1	Plate	
54	1001206817	1	Diesel Exhaust Fluid Tank Harness (Not Shown - See Separate Breakdown in ELECTRICAL Section)	
55	1001211885	1	Fuel Pump and WIF Harness (Not Shown - See Separate Breakdown in ELECTRICAL Section)	
56	1001216021	1	Relay	
57	1001216238	1	Cover	
58	1001217007	1	Cable, Ground	
59	1001219601	2	Sensor, Dual Axis	
60	1001221585	3	Screw M8 x 35	
61	1001225167	1	Cover	
62	1001225279	6	Bracket	
63	1001226102	1	Connector, Resistor - 20K Ohm (Not Shown - Located Near Item 12)	
64	1001227960	1	Module, Control (Note: Re-calibration Required when Replaced)	
65	1001228364	1	Wire, Relay Grounding (Not Shown)	
66	1001238483	1	Def Tank Extension Harness (Not Shown - See Separate Breakdown in ELECTRICAL Section)	
67	1001286089	1	Valve Harness (Not Shown - See Separate Breakdown in ELECTRICAL Section)	
68	1001286088	1	Turntable Harness (Not Shown - See Separate Breakdown in ELECTRICAL Section)	
69	1001242126	1	Ground Control Harness (Not Shown - See Separate Breakdown in ELECTRICAL Section)	
70	1001243052	1	Ground Control Box Assembly (Not Shown - See Separate Breakdown in this Section)	
71	3290805001	4	Nut M8	
73	4811900001	1	Washer M8	
74	4811902001	9	Washer M8	
76	8310643001	1	Screw M8 x 25	
77	1001246859	1	Connector	
78	4240032	AR	Tie-Strap (Not Shown)	
79	4460234	AR	Mount, Tie-Strap (Not Shown)	
80	1001120328	1	Mount, Connector	
81	1001296427	1	Hourmeter Jumper Harness (Not Shown)	

SECTION 2 - TURNTABLE

FIGURE 2-19. ELECTRICAL COMPONENTS INSTALLATION - TURNTABLE (LRC) (ANSI EXPORT, AUSTRALIAN AND CHINA SPECS)



SECTION 2 - TURNTABLE

FIGURE 2-19. ELECTRICAL COMPONENTS INSTALLATION - TURNTABLE (LRC) (ANSI EXPORT, AUSTRALIAN AND CHINA SPECS)

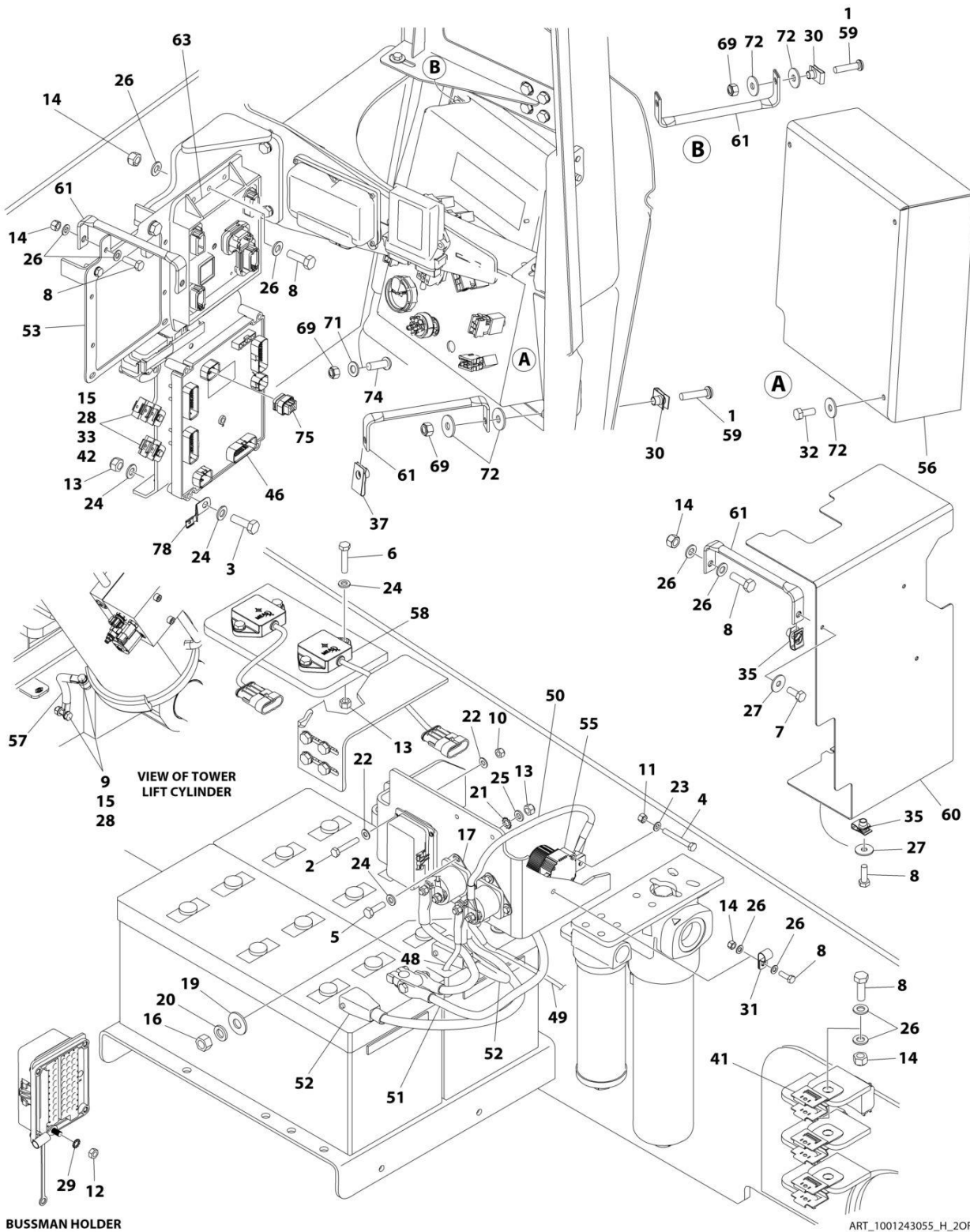
ITEM	PART NUMBER	QTY	DESCRIPTION	REV
	1001243053	Ref	ELECTRICAL COMPONENTS INSTALLATION - TURNTABLE (LRC)	H
1	0100011	AR	Compound, Locking	
2	0700412	4	Bolt M4 x 25	
3	0700620	4	Bolt M6 x 60	
4	0760516	2	Bolt M5 x 40	
5	0760610	4	Bolt M6 x 20	
6	0760613	4	Bolt M6 x 28	
7	0760810	3	Bolt M8 x 20	
8	0760812	11	Bolt M8 x 25	
9	0761015	3	Bolt M10 x 35	
10	3290405	4	Nut M4	
11	3290507	2	Nut M5	
12	3290601	1	Nut M6	
13	3290605	12	Nut M6	
14	3290805	9	Nut M8	
15	3291007	5	Nut M10	
16	3311601	2	Nut 3/8	
17	3740067	2	Relay	
18	4240099	AR	Tie-Strap (Not Shown)	
19	4751600	4	Washer 3/8	
20	4761600	2	Washer 3/8	
21	4791400	4	Washer 1/4	
22	4811400	8	Washer M4	
23	4811600	2	Washer M5	
24	4811700	24	Washer M6	
25	4811702	4	Washer M6	
26	4811900	18	Washer M8	
27	4811902	5	Washer M8	
28	4812000	10	Washer M10	
29	4871700	1	Washer M6	
30	8310686	3	Nut, Retainer M8	
31	8406101	1	Clip	
32	0760810001	3	Bolt M8 x 20	
33	0761013001	2	Bolt M10 x 28	
35	100118274	5	Nut, Tinnerman M8	
37	1001149160	3	Nut, Tinnerman M8	
38	1001149970	1	Drive Pump Harness (Not Shown - See Separate Breakdown in ELECTRICAL Section)	
41	1001155967	4	Holder	
42	1001156107	2	Holder	
45	1001187744	AR	Sealant (Not Shown)	
46	1001281500	1	Module, Control (Note: Re-calibration Required when Replaced)	
47	1001258191	1	BLAM Harness (Not Shown - See Separate Breakdown in ELECTRICAL Section)	
48	1001200604	1	Cable, Auxiliary Pump (+)	
49	1001200605	1	Cable, Auxiliary Pump (-)	
50	1001200606	1	Cable, Battery to Auxiliary Relay	
51	1001200726	1	Cable Kit, Battery Positive (Note: Includes Battery Terminal and Qty 4 Cables)	

SECTION 2 - TURNTABLE

ITEM	PART NUMBER	QTY	DESCRIPTION	REV
52	1001200727	1	Cable Kit, Battery Negative (Note: Includes Qty 2 Cables)	
53	1001201103	1	Plate	
54	1001211885	1	Fuel Pump and WIF Harness (Not Shown - See Separate Breakdown in ELECTRICAL Section)	
55	1001216021	1	Relay	
56	1001216238	1	Cover	
57	1001217007	1	Cable, Ground	
58	1001219601	2	Sensor, Dual Axis	
59	1001221585	3	Screw M8 x 35	
60	1001225167	1	Cover	
61	1001225279	6	Bracket	
62	1001226102	1	Connector, Resistor - 20K Ohm (Not Shown - Located Near Item 12)	
63	1001227960	1	Module, Control (Note: Re-calibration Required when Replaced)	
64	1001228364	1	Wire, Relay Grounding (Not Shown)	
65	1001286089	1	Valve Harness (Not Shown - See Separate Breakdown in ELECTRICAL Section)	
66	1001286088	1	Turntable Harness (Not Shown - See Separate Breakdown in ELECTRICAL Section)	
67	1001242126	1	Ground Control Harness (Not Shown - See Separate Breakdown in ELECTRICAL Section)	
68	1001243054	1	Ground Control Box Assembly (Not Shown - See Separate Breakdown in this Section)	
69	3290805001	4	Nut M8	
71	4811900001	1	Washer M8	
72	4811902001	9	Washer M8	
74	8310643001	1	Screw M8 x 25	
75	1001246859	1	Connector	
76	4240032	AR	Tie-Strap (Not Shown)	
77	4460234	AR	Mount, Tie-Strap (Not Shown)	
78	1001120328	1	Mount, Connector	
79	1001296427	1	Hourmeter Jumper Harness (Not Shown)	

SECTION 2 - TURNTABLE

FIGURE 2-20. ELECTRICAL COMPONENTS INSTALLATION - TURNTABLE (LRC) (CE & UK CA SPECS)



SECTION 2 - TURNTABLE

FIGURE 2-20. ELECTRICAL COMPONENTS INSTALLATION - TURNTABLE (LRC) (CE & UK CA SPECS)

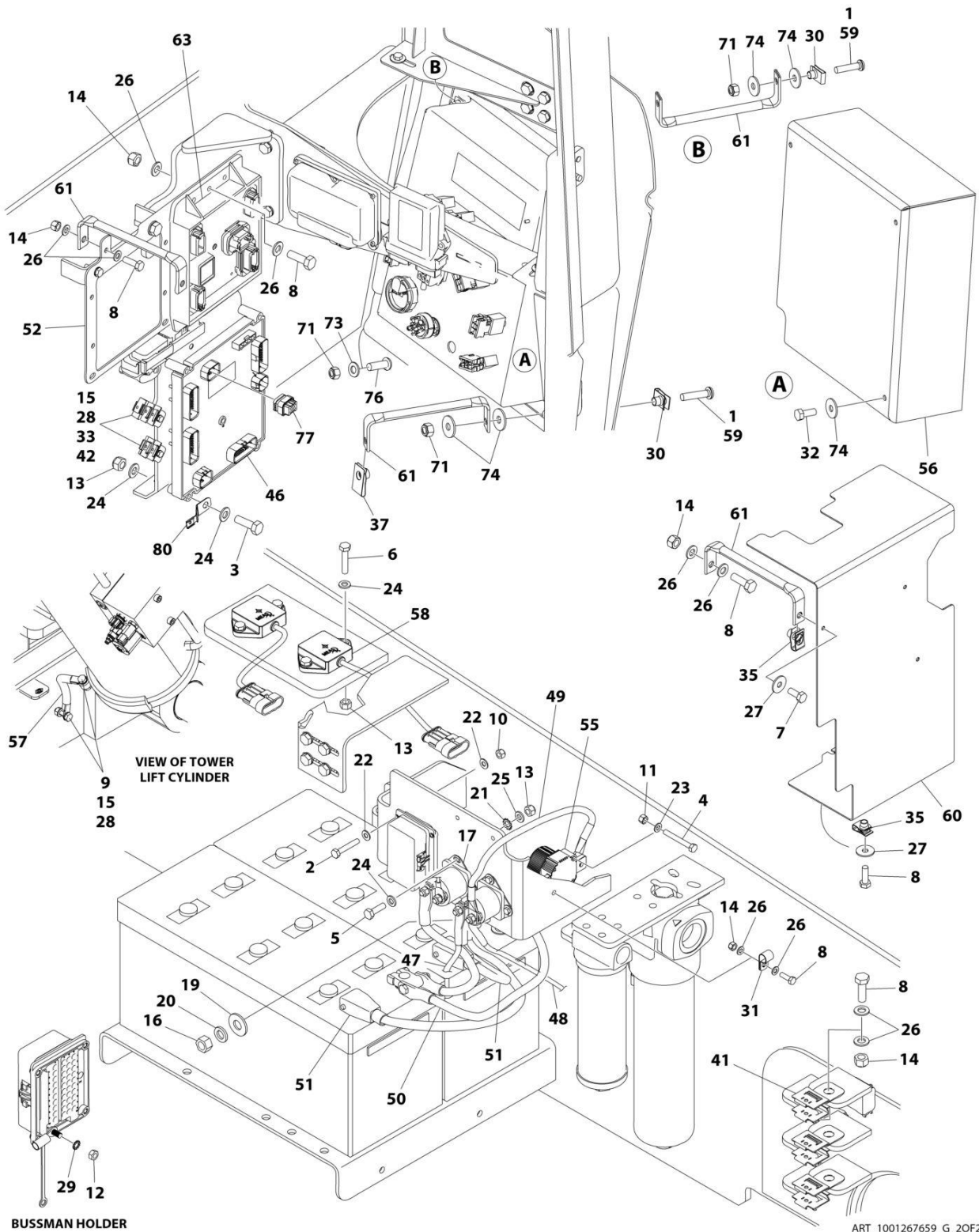
ITEM	PART NUMBER	QTY	DESCRIPTION	REV
	1001243055	Ref	ELECTRICAL COMPONENTS INSTALLATION - TURNTABLE (LRC)	H
1	0100011	AR	Compound, Locking	
2	0700412	4	Bolt M4 x 25	
3	0700620	4	Bolt M6 x 60	
4	0760516	2	Bolt M5 x 40	
5	0760610	4	Bolt M6 x 20	
6	0760613	4	Bolt M6 x 28	
7	0760810	3	Bolt M8 x 20	
8	0760812	11	Bolt M8 x 25	
9	0761015	3	Bolt M10 x 35	
10	3290405	4	Nut M4	
11	3290507	2	Nut M5	
12	3290601	1	Nut M6	
13	3290605	12	Nut M6	
14	3290805	9	Nut M8	
15	3291007	5	Nut M10	
16	3311601	2	Nut 3/8	
17	3740067	2	Relay	
18	4240099	AR	Tie-Strap (Not Shown)	
19	4751600	4	Washer 3/8	
20	4761600	2	Washer 3/8	
21	4791400	4	Washer 1/4	
22	4811400	8	Washer M4	
23	4811600	2	Washer M5	
24	4811700	24	Washer M6	
25	4811702	4	Washer M6	
26	4811900	18	Washer M8	
27	4811902	5	Washer M8	
28	4812000	10	Washer M10	
29	4871700	1	Washer M6	
30	8310686	3	Nut, Retainer M8	
31	8406101	1	Clip	
32	0760810001	3	Bolt M8 x 20	
33	0761013001	2	Bolt M10 x 28	
35	100118274	5	Nut, Tinnerman M8	
37	1001149160	3	Nut, Tinnerman M8	
38	1001149970	1	Drive Pump Harness (Not Shown - See Separate Breakdown in ELECTRICAL Section)	
41	1001155967	4	Holder	
42	1001156107	2	Holder	
45	1001187744	AR	Sealant (Not Shown)	
46	1001281500	1	Module, Control (Note: Re-calibration Required when Replaced)	
47	1001258191	1	BLAM Harness (Not Shown - See Separate Breakdown in ELECTRICAL Section)	
48	1001200604	1	Cable, Auxiliary Pump (+)	
49	1001200605	1	Cable, Auxiliary Pump (-)	
50	1001200606	1	Cable, Battery to Auxiliary Relay	
51	1001200726	1	Cable Kit, Battery Positive (Note: Includes Battery Terminal and Qty 4 Cables)	

SECTION 2 - TURNTABLE

ITEM	PART NUMBER	QTY	DESCRIPTION	REV
52	1001200727	1	Cable Kit, Battery Negative (Note: Includes Qty 2 Cables)	
53	1001201103	1	Plate	
54	1001211885	1	Fuel Pump and WIF Harness (Not Shown - See Separate Breakdown in ELECTRICAL Section)	
55	1001216021	1	Relay	
56	1001216238	1	Cover	
57	1001217007	1	Cable, Ground	
58	1001219601	2	Sensor, Dual Axis	
59	1001221585	3	Screw M8 x 35	
60	1001225167	1	Cover	
61	1001225279	6	Bracket	
62	1001226102	1	Connector, Resistor - 20K Ohm (Not Shown - Located Near Item 12)	
63	1001227960	1	Module, Control (Note: Re-calibration Required when Replaced)	
64	1001228364	1	Wire, Relay Grounding (Not Shown)	
65	1001286089	1	Valve Harness (Not Shown - See Separate Breakdown in ELECTRICAL Section)	
66	1001286088	1	Turntable Harness (Not Shown - See Separate Breakdown in ELECTRICAL Section)	
67	1001242126	1	Ground Control Harness (Not Shown - See Separate Breakdown in ELECTRICAL Section)	
68	1001243056	1	Ground Control Box Assembly (Not Shown - See Separate Breakdown in this Section)	
69	3290805001	4	Nut M8	
71	4811900001	1	Washer M8	
72	4811902001	9	Washer M8	
74	8310643001	1	Screw M8 x 25	
75	1001246859	1	Connector	
76	4240032	AR	Tie-Strap (Not Shown)	
77	4460234	AR	Mount, Tie-Strap (Not Shown)	
78	1001120328	1	Mount, Connector	
79	1001296427	1	Hourmeter Jumper Harness (Not Shown)	

SECTION 2 - TURNTABLE

FIGURE 2-21. ELECTRICAL COMPONENTS INSTALLATION WITH TOWER STOW - TURNTABLE (HRC) (ANSI, ANSI EXPORT, CSA AND JAPANESE SPECS)



SECTION 2 - TURNTABLE

FIGURE 2-21. ELECTRICAL COMPONENTS INSTALLATION WITH TOWER STOW - TURNTABLE (HRC) (ANSI, ANSI EXPORT, CSA AND JAPANESE SPECS)

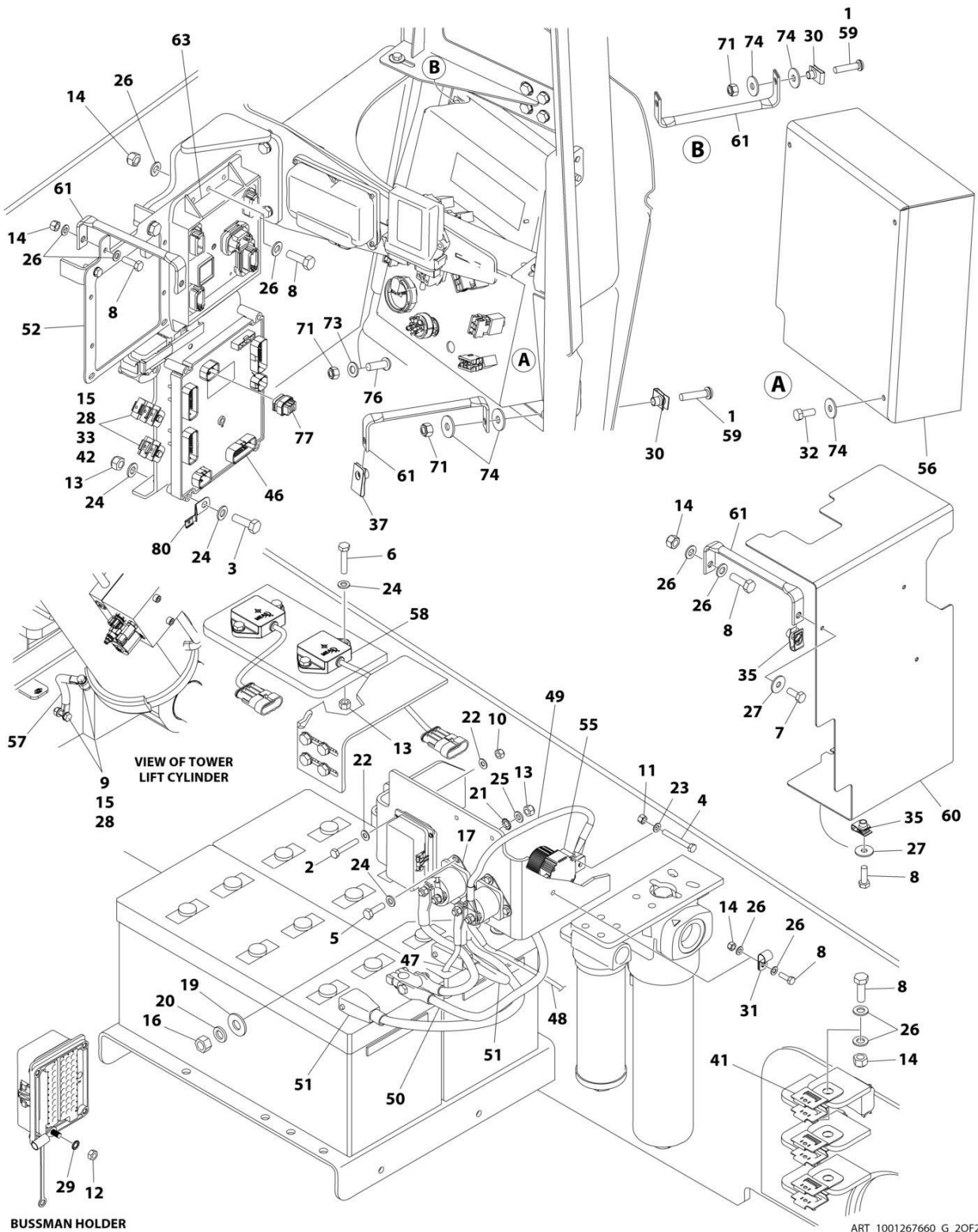
ITEM	PART NUMBER	QTY	DESCRIPTION	REV
	1001267659	Ref	ELECTRICAL COMPONENTS INSTALLATION - TURNTABLE (HRC)	G
1	0100011	AR	Compound, Locking	
2	0700412	4	Bolt M4 x 25	
3	0700620	4	Bolt M6 x 60	
4	0760516	2	Bolt M5 x 40	
5	0760610	4	Bolt M6 x 20	
6	0760613	4	Bolt M6 x 28	
7	0760810	3	Bolt M8 x 20	
8	0760812	12	Bolt M8 x 25	
9	0761015	3	Bolt M10 x 35	
10	3290405	4	Nut M4	
11	3290507	2	Nut M5	
12	3290601	1	Nut M6	
13	3290605	12	Nut M6	
14	3290805	10	Nut M8	
15	3291007	5	Nut M10	
16	3311601	2	Nut 3/8	
17	3740067	2	Relay	
18	4240099	1	Tie-Strap (Not Shown)	
19	4751600	4	Washer 3/8	
20	4761600	2	Washer 3/8	
21	4791400	4	Washer 1/4	
22	4811400	8	Washer M4	
23	4811600	2	Washer M5	
24	4811700	20	Washer M6	
25	4811702	4	Washer M6	
26	4811900	20	Washer M8	
27	4811902	5	Washer M8	
28	4812000	10	Washer M10	
29	4871700	1	Washer M6	
30	8310686	3	Nut, Retainer M8	
31	8406101	1	Clip	
32	0760810001	3	Bolt M8 x 20	
33	0761013001	2	Bolt M10 x 28	
35	100118274	5	Nut, Tinnerman M8	
37	1001149160	3	Nut, Tinnerman M8	
38	1001149970	1	Drive Pump Harness (Not Shown - See Separate Breakdown in ELECTRICAL Section)	
41	1001155967	6	Holder	
42	1001156107	2	Holder	
45	1001187744	AR	Sealant (Not Shown)	
46	1001281500	1	Module, Control (Note: Re-calibration Required when Replaced)	
47	1001200604	1	Cable, Auxiliary Pump (+)	
48	1001200605	1	Cable, Auxiliary Pump (-)	
49	1001200606	1	Cable, Battery to Auxiliary Relay	
50	1001200726	1	Cable Kit, Battery Positive (Note: Includes Battery Terminal and Qty 4 Cables)	
51	1001200727	1	Cable Kit, Battery Negative (Note: Includes Qty 2 Cables)	

SECTION 2 - TURNTABLE

ITEM	PART NUMBER	QTY	DESCRIPTION	REV
52	1001201103	1	Plate	
53	1001206817	1	Diesel Exhaust Fluid Tank Harness (Not Shown - See Separate Breakdown in ELECTRICAL Section)	
54	1001211885	1	Fuel Pump and WIF Harness (Not Shown - See Separate Breakdown in ELECTRICAL Section)	
55	1001216021	1	Relay	
56	1001216238	1	Cover	
57	1001217007	1	Cable, Ground	
58	1001219601	2	Sensor, Dual Axis	
59	1001221585	3	Screw M8 x 35	
60	1001225167	1	Cover	
61	1001225279	6	Bracket	
62	1001226102	1	Connector, Resistor - 20K Ohm (Not Shown - Located Near Item 12)	
63	1001227960	1	Module, Control (Note: Re-calibration Required when Replaced)	
64	1001228364	1	Wire, Relay Grounding (Not Shown)	
65	1001238483	1	Def Tank Extension Harness (Not Shown - See Separate Breakdown in ELECTRICAL Section)	
66	1001286089	1	Valve Harness (Not Shown - See Separate Breakdown in ELECTRICAL Section)	
67	1001286088	1	Turntable Harness (Not Shown - See Separate Breakdown in ELECTRICAL Section)	
68	1001242126	1	Ground Control Harness (Not Shown - See Separate Breakdown in ELECTRICAL Section)	
69	1001258191	1	BLAM Harness (Not Shown - See Separate Breakdown in ELECTRICAL Section)	
70	1001265870	1	Ground Control Box Assembly (Not Shown - See Separate Breakdown in this Section)	
71	3290805001	4	Nut M8	
73	4811900001	1	Washer M8	
74	4811902001	9	Washer M8	
76	8310643001	1	Screw M8 x 25	
77	1001246859	1	Connector	
78	4240032	AR	Tie-Strap (Not Shown)	
79	4460234	AR	Mount, Tie-Strap (Not Shown)	
80	1001120328	1	Mount, Connector	
81	1001296427	1	Hourmeter Jumper Harness (Not Shown)	

SECTION 2 - TURNTABLE

FIGURE 2-22. ELECTRICAL COMPONENTS INSTALLATION WITH TOWER STOW - TURNTABLE (HRC) (CE & UK CA SPECS)



SECTION 2 - TURNTABLE

FIGURE 2-22. ELECTRICAL COMPONENTS INSTALLATION WITH TOWER STOW - TURNTABLE (HRC) (CE & UK CA SPECS)

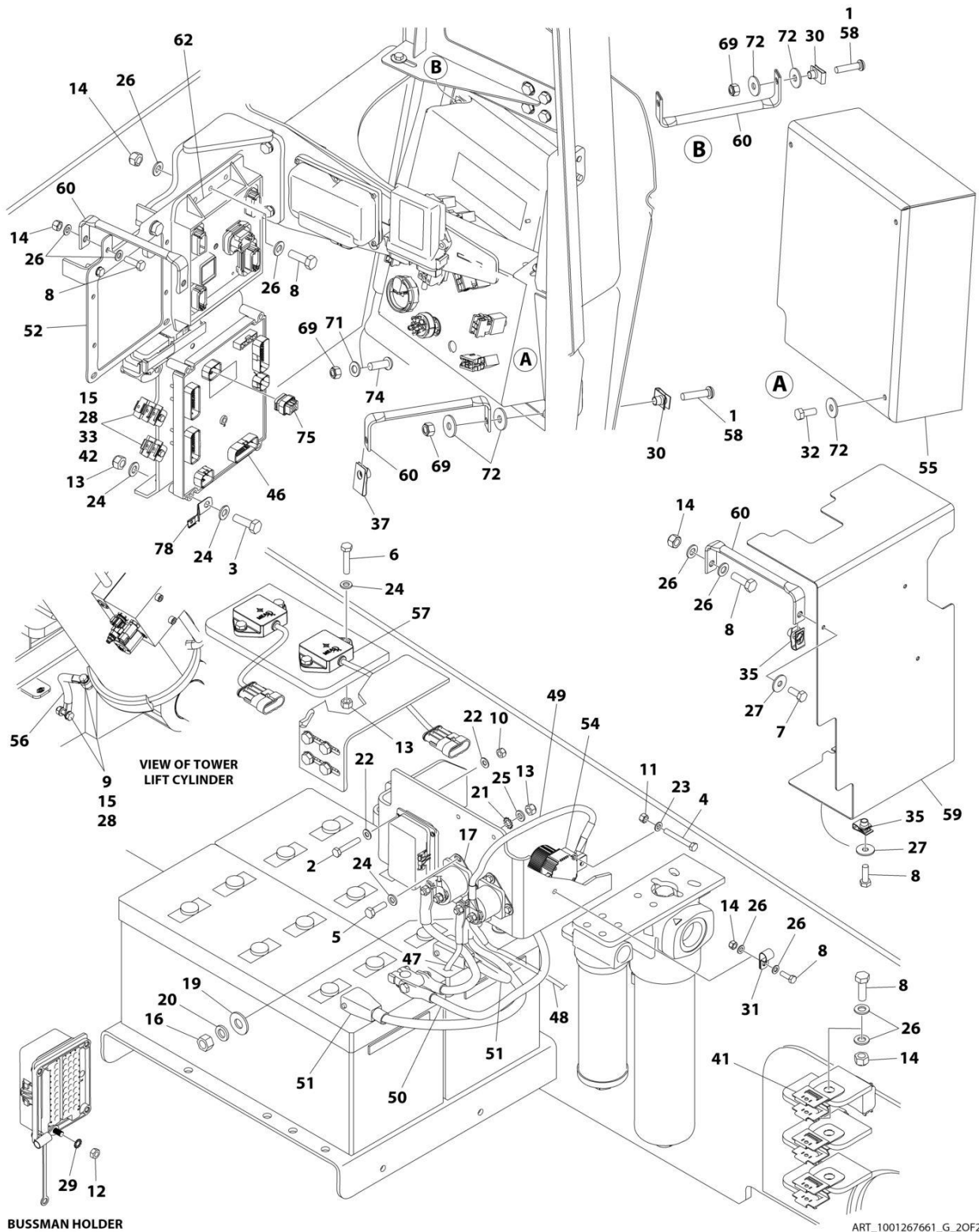
ITEM	PART NUMBER	QTY	DESCRIPTION	REV
	1001267660	Ref	ELECTRICAL COMPONENTS INSTALLATION - TURNTABLE (HRC)	G
1	0100011	AR	Compound, Locking	
2	0700412	4	Bolt M4 x 25	
3	0700620	4	Bolt M6 x 60	
4	0760516	2	Bolt M5 x 40	
5	0760610	4	Bolt M6 x 20	
6	0760613	4	Bolt M6 x 28	
7	0760810	3	Bolt M8 x 20	
8	0760812	12	Bolt M8 x 25	
9	0761015	3	Bolt M10 x 35	
10	3290405	4	Nut M4	
11	3290507	2	Nut M5	
12	3290601	1	Nut M6	
13	3290605	12	Nut M6	
14	3290805	10	Nut M8	
15	3291007	5	Nut M10	
16	3311601	2	Nut 3/8	
17	3740067	2	Relay	
18	4240099	1	Tie-Strap (Not Shown)	
19	4751600	4	Washer 3/8	
20	4761600	2	Washer 3/8	
21	4791400	4	Washer 1/4	
22	4811400	8	Washer M4	
23	4811600	2	Washer M5	
24	4811700	24	Washer M6	
25	4811702	4	Washer M6	
26	4811900	20	Washer M8	
27	4811902	5	Washer M8	
28	4812000	10	Washer M10	
29	4871700	1	Washer M6	
30	8310686	3	Nut, Retainer M8	
31	8406101	1	Clip	
32	0760810001	3	Bolt M8 x 20	
33	0761013001	2	Bolt M10 x 28	
35	100118274	5	Nut, Tinnerman M8	
37	1001149160	3	Nut, Tinnerman M8	
38	1001149970	1	Drive Pump Harness (Not Shown - See Separate Breakdown in ELECTRICAL Section)	
41	1001155967	6	Holder	
42	1001156107	2	Holder	
45	1001187744	AR	Sealant (Not Shown)	
46	1001281500	1	Module, Control (Note: Re-calibration Required when Replaced)	
47	1001200604	1	Cable, Auxiliary Pump (+)	
48	1001200605	1	Cable, Auxiliary Pump (-)	
49	1001200606	1	Cable, Battery to Auxiliary Relay	
50	1001200726	1	Cable Kit, Battery Positive (Note: Includes Battery Terminal and Qty 4 Cables)	
51	1001200727	1	Cable Kit, Battery Negative (Note: Includes Qty 2 Cables)	

SECTION 2 - TURNTABLE

ITEM	PART NUMBER	QTY	DESCRIPTION	REV
52	1001201103	1	Plate	
53	1001206817	1	Diesel Exhaust Fluid Tank Harness (Not Shown - See Separate Breakdown in ELECTRICAL Section)	
54	1001211885	1	Fuel Pump and WIF Harness (Not Shown - See Separate Breakdown in ELECTRICAL Section)	
55	1001216021	1	Relay	
56	1001216238	1	Cover	
57	1001217007	1	Cable, Ground	
58	1001219601	2	Sensor, Dual Axis	
59	1001221585	3	Screw M8 x 35	
60	1001225167	1	Cover	
61	1001225279	6	Bracket	
62	1001226102	1	Connector, Resistor - 20K Ohm (Not Shown - Located Near Item 12)	
63	1001227960	1	Module, Control (Note: Re-calibration Required when Replaced)	
64	1001228364	1	Wire, Relay Grounding (Not Shown)	
65	1001238483	1	Def Tank Extension Harness (Not Shown - See Separate Breakdown in ELECTRICAL Section)	
66	1001286089	1	Valve Harness (Not Shown - See Separate Breakdown in ELECTRICAL Section)	
67	1001286088	1	Turntable Harness (Not Shown - See Separate Breakdown in ELECTRICAL Section)	
68	1001242126	1	Ground Control Harness (Not Shown - See Separate Breakdown in ELECTRICAL Section)	
69	1001258191	1	BLAM Harness (Not Shown - See Separate Breakdown in ELECTRICAL Section)	
70	1001265871	1	Ground Control Box Assembly (Not Shown - See Separate Breakdown in this Section)	
71	3290805001	4	Nut M8	
73	4811900001	1	Washer M8	
74	4811902001	9	Washer M8	
76	8310643001	1	Screw M8 x 25	
77	1001246859	1	Connector	
78	4240032	AR	Tie-Strap (Not Shown)	
79	4460234	AR	Mount, Tie-Strap (Not Shown)	
80	1001120328	1	Mount, Connector	
81	1001296427	1	Hourmeter Jumper Harness (Not Shown)	

SECTION 2 - TURNTABLE

FIGURE 2-23. ELECTRICAL COMPONENTS INSTALLATION WITH TOWER STOW - TURNTABLE (LRC) (ANSI EXPORT, AUSTRALIAN AND CHINA SPECS)



SECTION 2 - TURNTABLE

FIGURE 2-23. ELECTRICAL COMPONENTS INSTALLATION WITH TOWER STOW - TURNTABLE (LRC) (ANSI EXPORT, AUSTRALIAN AND CHINA SPECS)

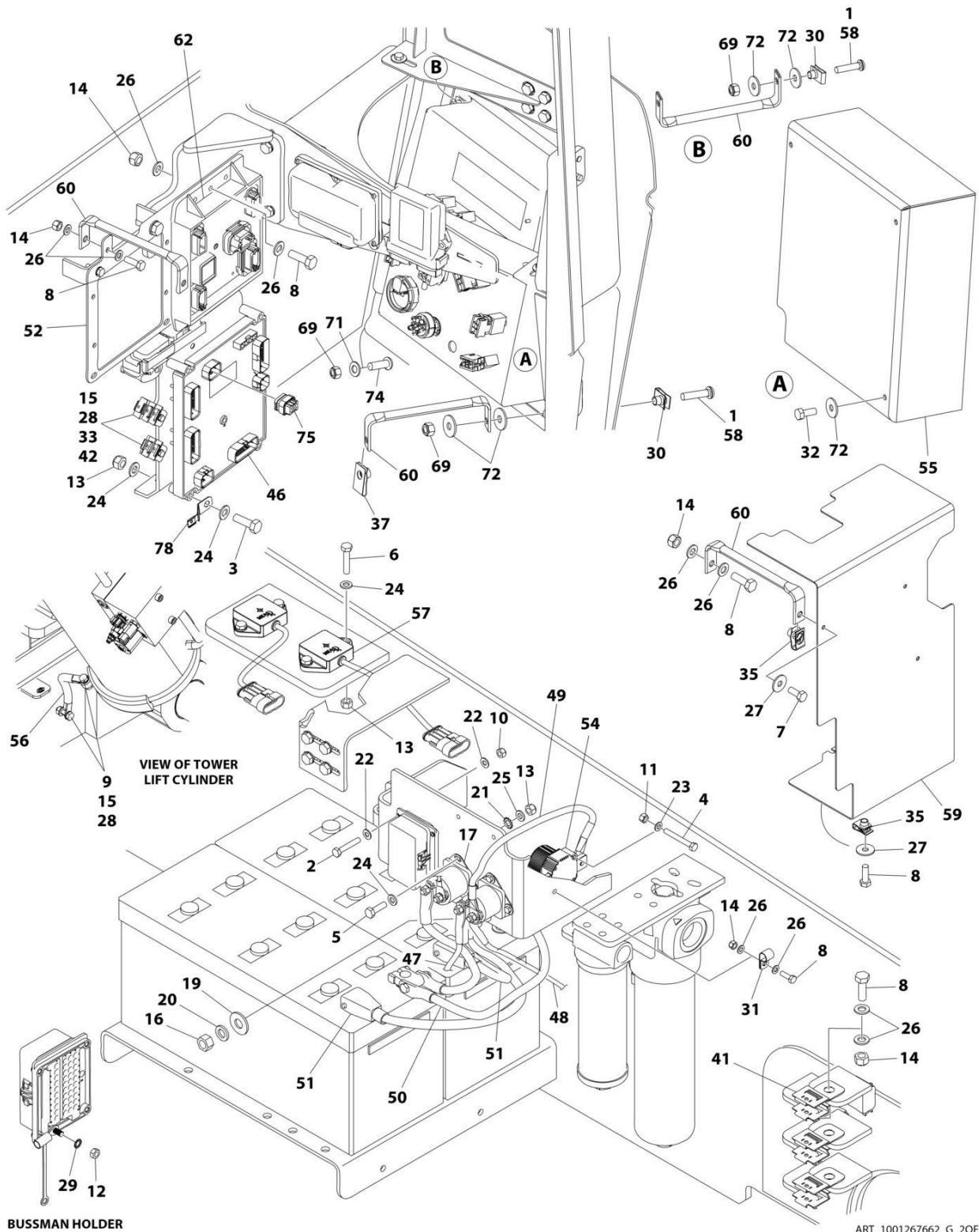
ITEM	PART NUMBER	QTY	DESCRIPTION	REV
	1001267661	Ref	ELECTRICAL COMPONENTS INSTALLATION - TURNTABLE (LRC)	G
1	0100011	AR	Compound, Locking	
2	0700412	4	Bolt M4 x 25	
3	0700620	4	Bolt M6 x 60	
4	0760516	2	Bolt M5 x 40	
5	0760610	4	Bolt M6 x 20	
6	0760613	4	Bolt M6 x 28	
7	0760810	3	Bolt M8 x 20	
8	0760812	11	Bolt M8 x 25	
9	0761015	3	Bolt M10 x 35	
10	3290405	4	Nut M4	
11	3290507	2	Nut M5	
12	3290601	1	Nut M6	
13	3290605	12	Nut M6	
14	3290805	9	Nut M8	
15	3291007	5	Nut M10	
16	3311601	2	Nut 3/8	
17	3740067	2	Relay	
18	4240099	AR	Tie-Strap (Not Shown)	
19	4751600	4	Washer 3/8	
20	4761600	2	Washer 3/8	
21	4791400	4	Washer 1/4	
22	4811400	8	Washer M4	
23	4811600	2	Washer M5	
24	4811700	24	Washer M6	
25	4811702	4	Washer M6	
26	4811900	18	Washer M8	
27	4811902	5	Washer M8	
28	4812000	10	Washer M10	
29	4871700	1	Washer M6	
30	8310686	3	Nut, Retainer M8	
31	8406101	1	Clip	
32	0760810001	3	Bolt M8 x 20	
33	0761013001	2	Bolt M10 x 28	
35	100118274	5	Nut, Tinnerman M8	
37	1001149160	3	Nut, Tinnerman M8	
38	1001149970	1	Drive Pump Harness (Not Shown - See Separate Breakdown in ELECTRICAL Section)	
41	1001155967	4	Holder	
42	1001156107	2	Holder	
45	1001187744	AR	Sealant (Not Shown)	
46	1001281500	1	Module, Control (Note: Re-calibration Required when Replaced)	
47	1001200604	1	Cable, Auxiliary Pump (+)	
48	1001200605	1	Cable, Auxiliary Pump (-)	
49	1001200606	1	Cable, Battery to Auxiliary Relay	
50	1001200726	1	Cable Kit, Battery Positive (Note: Includes Battery Terminal and Qty 4 Cables)	
51	1001200727	1	Cable Kit, Battery Negative (Note: Includes Qty 2 Cables)	

SECTION 2 - TURNTABLE

ITEM	PART NUMBER	QTY	DESCRIPTION	REV
52	1001201103	1	Plate	
53	1001211885	1	Fuel Pump and WIF Harness (Not Shown - See Separate Breakdown in ELECTRICAL Section)	
54	1001216021	1	Relay	
55	1001216238	1	Cover	
56	1001217007	1	Cable, Ground	
57	1001219601	2	Sensor, Dual Axis	
58	1001221585	3	Screw M8 x 35	
59	1001225167	1	Cover	
60	1001225279	6	Bracket	
61	1001226102	1	Connector, Resistor - 20K Ohm (Not Shown - Located Near Item 12)	
62	1001227960	1	Module, Control (Note: Re-calibration Required when Replaced)	
63	1001228364	1	Wire, Relay Grounding (Not Shown)	
64	1001286089	1	Valve Harness (Not Shown - See Separate Breakdown in ELECTRICAL Section)	
65	1001286088	1	Turntable Harness (Not Shown - See Separate Breakdown in ELECTRICAL Section)	
66	1001242126	1	Ground Control Harness (Not Shown - See Separate Breakdown in ELECTRICAL Section)	
67	1001258191	1	BLAM Harness (Not Shown - See Separate Breakdown in ELECTRICAL Section)	
68	1001265872	1	Ground Control Box Assembly (Not Shown - See Separate Breakdown in this Section)	
69	3290805001	4	Nut M8	
71	4811900001	1	Washer M8	
72	4811902001	9	Washer M8	
74	8310643001	1	Screw M8 x 25	
75	1001246859	1	Connector	
76	4240032	AR	Tie-Strap (Not Shown)	
77	4460234	AR	Mount, Tie-Strap (Not Shown)	
78	1001120328	1	Mount, Connector	
79	1001296427	1	Hourmeter Jumper Harness (Not Shown)	

SECTION 2 - TURNTABLE

FIGURE 2-24. ELECTRICAL COMPONENTS INSTALLATION WITH TOWER STOW - TURNTABLE (LRC) (CE & UK CA SPECS)



SECTION 2 - TURNTABLE

**FIGURE 2-24. ELECTRICAL COMPONENTS INSTALLATION WITH TOWER STOW - TURNTABLE
(LRC) (CE & UK CA SPECS)**

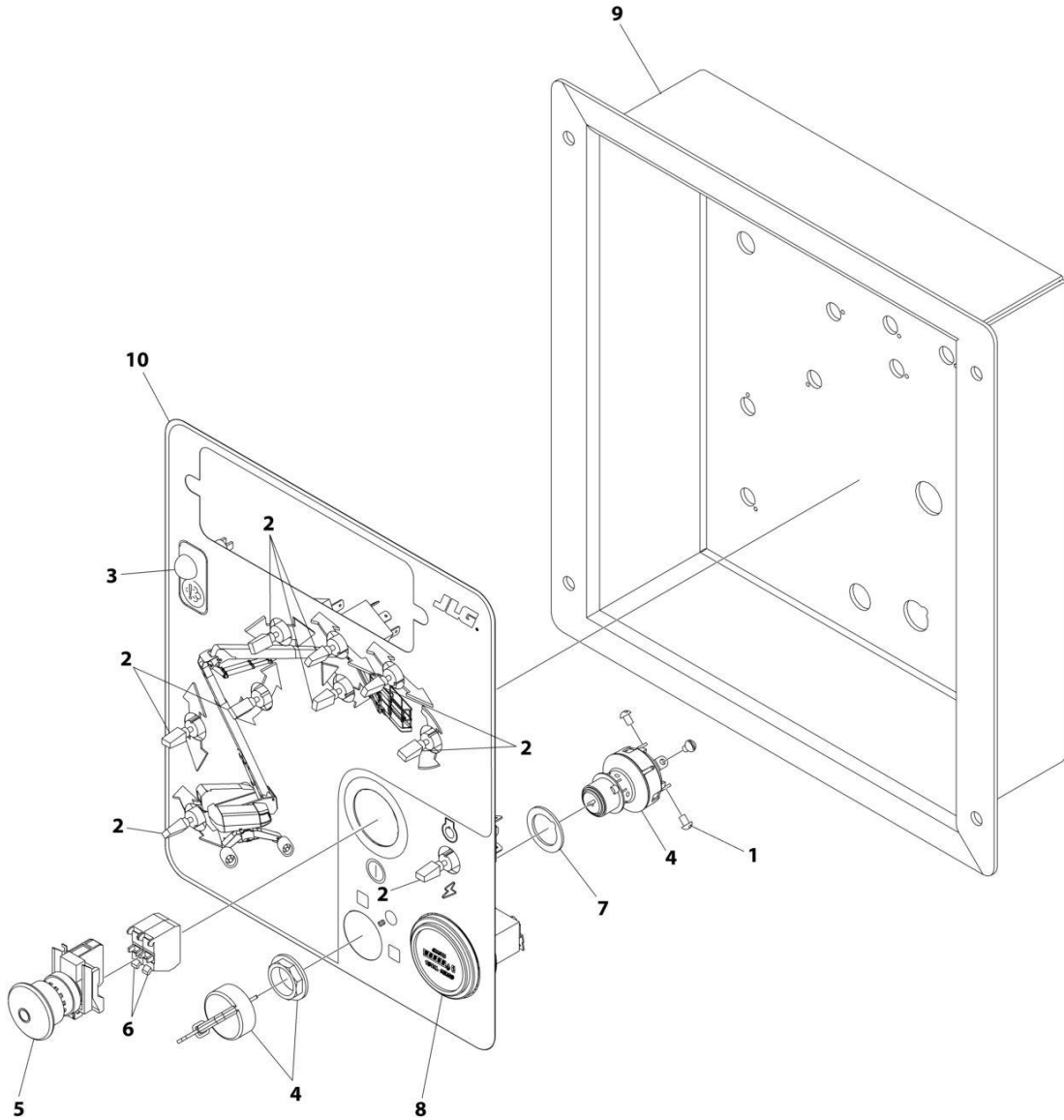
ITEM	PART NUMBER	QTY	DESCRIPTION	REV
	1001267662	Ref	ELECTRICAL COMPONENTS INSTALLATION - TURNTABLE (LRC)	G
1	0100011	AR	Compound, Locking	
2	0700412	4	Bolt M4 x 25	
3	0700620	4	Bolt M6 x 60	
4	0760516	2	Bolt M5 x 40	
5	0760610	4	Bolt M6 x 20	
6	0760613	4	Bolt M6 x 28	
7	0760810	3	Bolt M8 x 20	
8	0760812	11	Bolt M8 x 25	
9	0761015	3	Bolt M10 x 35	
10	3290405	4	Nut M4	
11	3290507	2	Nut M5	
12	3290601	1	Nut M6	
13	3290605	12	Nut M6	
14	3290805	9	Nut M8	
15	3291007	5	Nut M10	
16	3311601	2	Nut 3/8	
17	3740067	2	Relay	
18	4240099	AR	Tie-Strap (Not Shown)	
19	4751600	4	Washer 3/8	
20	4761600	2	Washer 3/8	
21	4791400	4	Washer 1/4	
22	4811400	8	Washer M4	
23	4811600	2	Washer M5	
24	4811700	24	Washer M6	
25	4811702	4	Washer M6	
26	4811900	18	Washer M8	
27	4811902	5	Washer M8	
28	4812000	10	Washer M10	
29	4871700	1	Washer M6	
30	8310686	3	Nut, Retainer M8	
31	8406101	1	Clip	
32	0760810001	3	Bolt M8 x 20	
33	0761013001	2	Bolt M10 x 28	
35	100118274	5	Nut, Tinnerman M8	
37	1001149160	3	Nut, Tinnerman M8	
38	1001149970	1	Drive Pump Harness (Not Shown - See Separate Breakdown in ELECTRICAL Section)	
41	1001155967	4	Holder	
42	1001156107	2	Holder	
45	1001187744	AR	Sealant (Not Shown)	
46	1001281500	1	Module, Control (Note: Re-calibration Required when Replaced)	
47	1001200604	1	Cable, Auxiliary Pump (+)	
48	1001200605	1	Cable, Auxiliary Pump (-)	
49	1001200606	1	Cable, Battery to Auxiliary Relay	
50	1001200726	1	Cable Kit, Battery Positive (Note: Includes Battery Terminal and Qty 4 Cables)	
51	1001200727	1	Cable Kit, Battery Negative (Note: Includes Qty 2 Cables)	

SECTION 2 - TURNTABLE

ITEM	PART NUMBER	QTY	DESCRIPTION	REV
52	1001201103	1	Plate	
53	1001211885	1	Fuel Pump and WIF Harness (Not Shown - See Separate Breakdown in ELECTRICAL Section)	
54	1001216021	1	Relay	
55	1001216238	1	Cover	
56	1001217007	1	Cable, Ground	
57	1001219601	2	Sensor, Dual Axis	
58	1001221585	3	Screw M8 x 35	
59	1001225167	1	Cover	
60	1001225279	6	Bracket	
61	1001226102	1	Connector, Resistor - 20K Ohm (Not Shown - Located Near Item 12)	
62	1001277208	1	Module, Control (Note: Re-calibration Required when Replaced)	
63	1001228364	1	Wire, Relay Grounding (Not Shown)	
64	1001286089	1	Valve Harness (Not Shown - See Separate Breakdown in ELECTRICAL Section)	
65	1001286088	1	Turntable Harness (Not Shown - See Separate Breakdown in ELECTRICAL Section)	
66	1001242126	1	Ground Control Harness (Not Shown - See Separate Breakdown in ELECTRICAL Section)	
67	1001258191	1	BLAM Harness (Not Shown - See Separate Breakdown in ELECTRICAL Section)	
68	1001265873	1	Ground Control Box Assembly (Not Shown - See Separate Breakdown in this Section)	
69	3290805001	4	Nut M8	
71	4811900001	1	Washer M8	
72	4811902001	9	Washer M8	
74	8310643001	1	Screw M8 x 25	
75	1001246859	1	Connector	
76	4240032	AR	Tie-Strap (Not Shown)	
77	4460234	AR	Mount, Tie-Strap (Not Shown)	
78	1001120328	1	Mount, Connector	
79	1001296427	1	Hourmeter Jumper Harness (Not Shown)	

SECTION 2 - TURNTABLE

FIGURE 2-25. GROUND CONTROL CONSOLE ASSEMBLY (HRC) (ANSI, ANSI EXPORT, CSA AND JAPANESE SPECS)



ART_1001243048_B

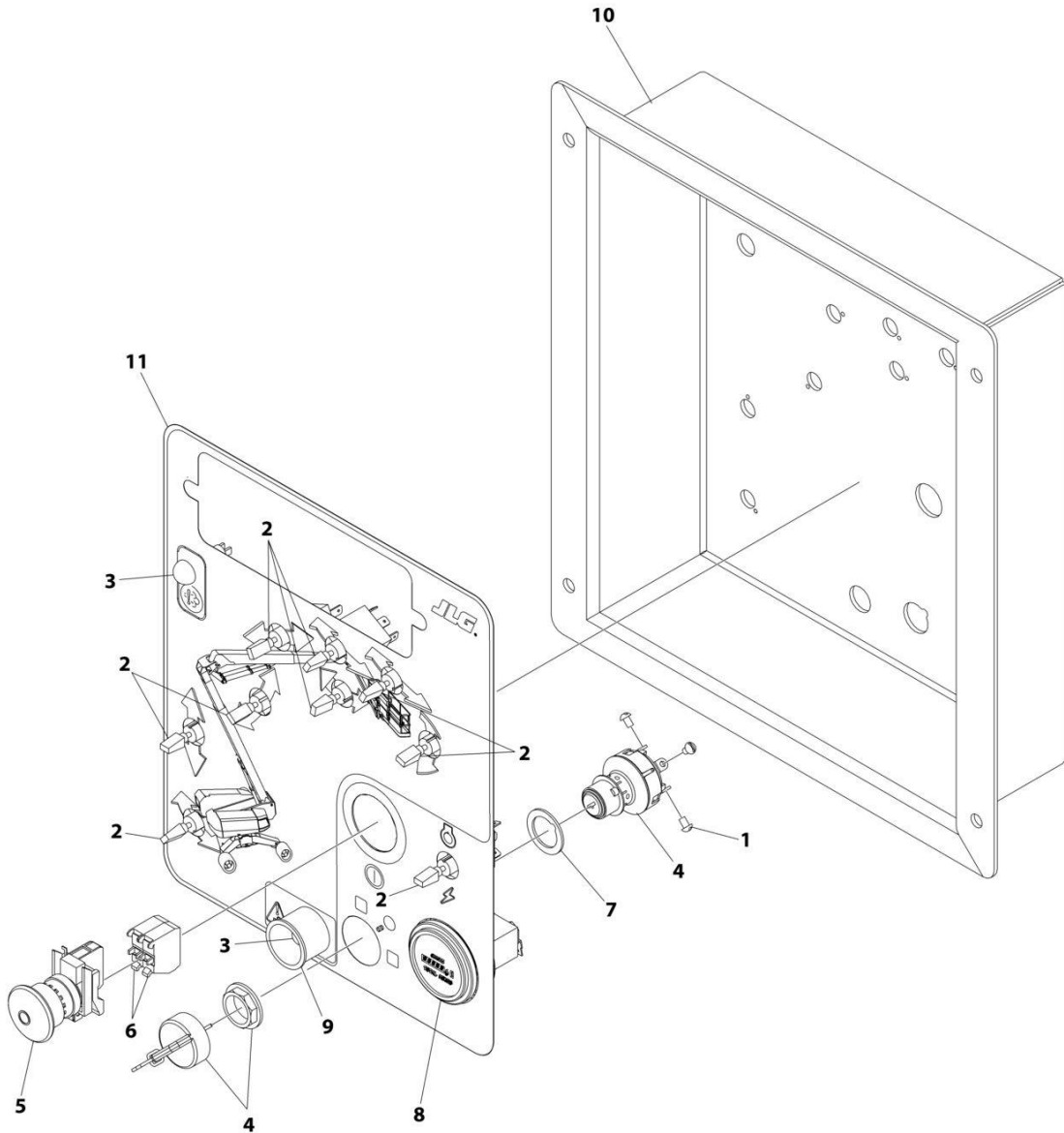
SECTION 2 - TURNTABLE

FIGURE 2-25. GROUND CONTROL CONSOLE ASSEMBLY (HRC) (ANSI, ANSI EXPORT, CSA AND JAPANESE SPECS)

ITEM	PART NUMBER	QTY	DESCRIPTION	REV
	1001243048	Ref	GROUND CONTROL CONSOLE ASSEMBLY (HRC)	B
1	3910804	6	Screw #8 x 1/4	
2	4360328	9	Switch, Toggle	
3	4360387	1	Switch, Push Button	
4	4360469	1	Switch, Key	
4	2360030	1 Set	Key, Replacement	
5	4360475	1	Switch, Push-Pull Emergency	
5	7020175	1	Cap	
5	7020176	1	Block, Contact	
6	4360476	2	Block, Contact	
7	1001151393	1	Shim	
8	10836804	1	Gauge	
9	1001297399	1	Panel	
10	1001243049	1	Decal - Ground Control	

SECTION 2 - TURNTABLE

FIGURE 2-26. GROUND CONTROL CONSOLE ASSEMBLY (HRC) (CE & UK CA SPECS)



ART_1001243052_B

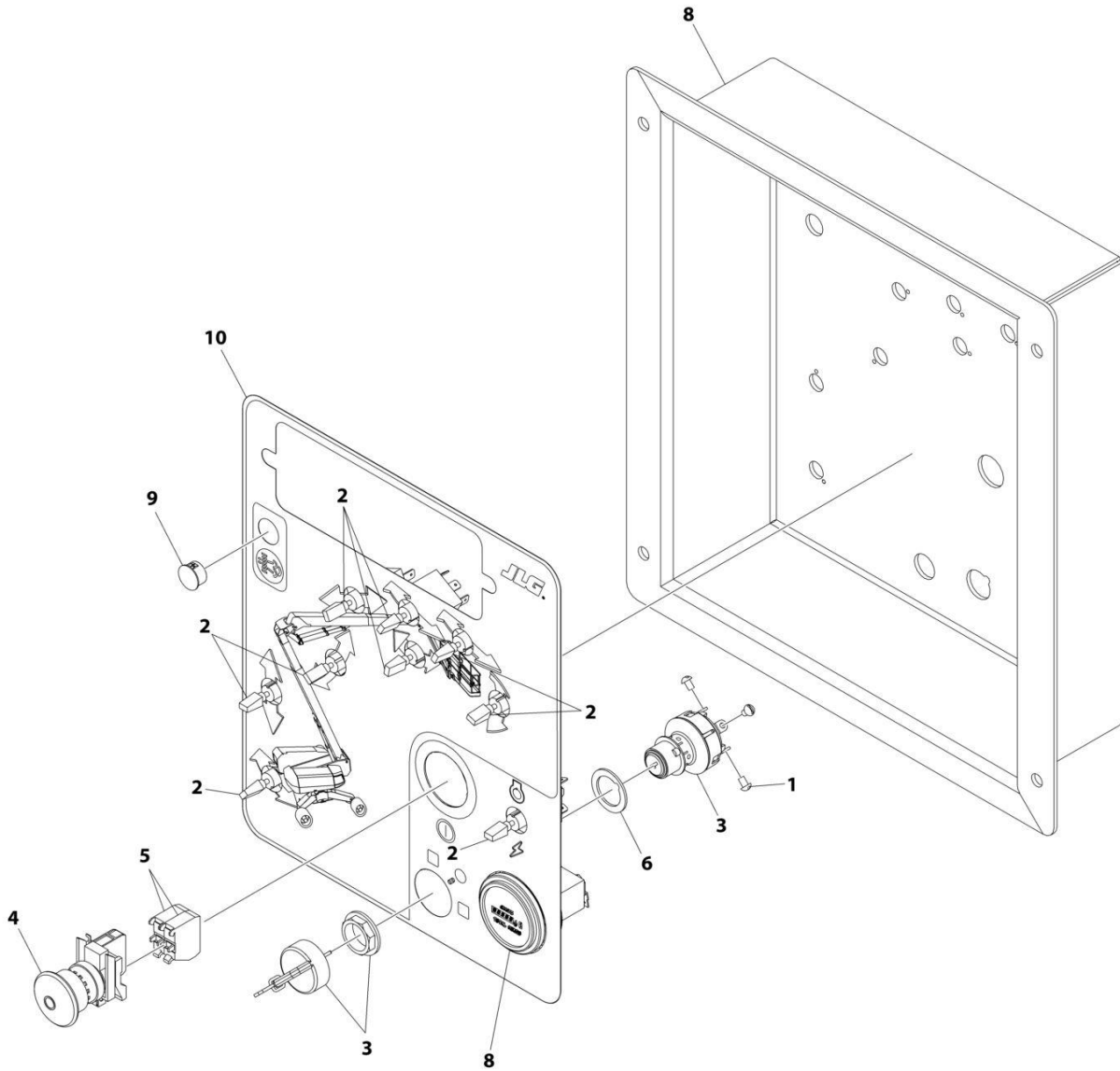
SECTION 2 - TURNTABLE

FIGURE 2-26. GROUND CONTROL CONSOLE ASSEMBLY (HRC) (CE & UK CA SPECS)

ITEM	PART NUMBER	QTY	DESCRIPTION	REV
	1001243052	Ref	GROUND CONTROL CONSOLE ASSEMBLY (HRC)	B
1	3910804	6	Screw #8 x 1/4	
2	4360328	9	Switch, Toggle	
3	4360387	1	Switch, Push Button	
4	4360469	1	Switch, Key	
4	2360030	1 Set	Key, Replacement	
5	4360475	1	Switch, Push-Pull Emergency	
5	7020175	1	Cap	
5	7020176	1	Block, Contact	
6	4360476	2	Block, Contact	
7	1001151393	1	Shim	
8	10836804	1	Gauge	
9	1001176469	1	Shroud	
10	1001297399	1	Panel	
11	1001243051	1	Decal - Ground Control	

SECTION 2 - TURNTABLE

FIGURE 2-27. GROUND CONTROL CONSOLE ASSEMBLY (LRC) (ANSI EXPORT, AUSTRALIAN AND CHINA SPECS)



ART_1001243054_B

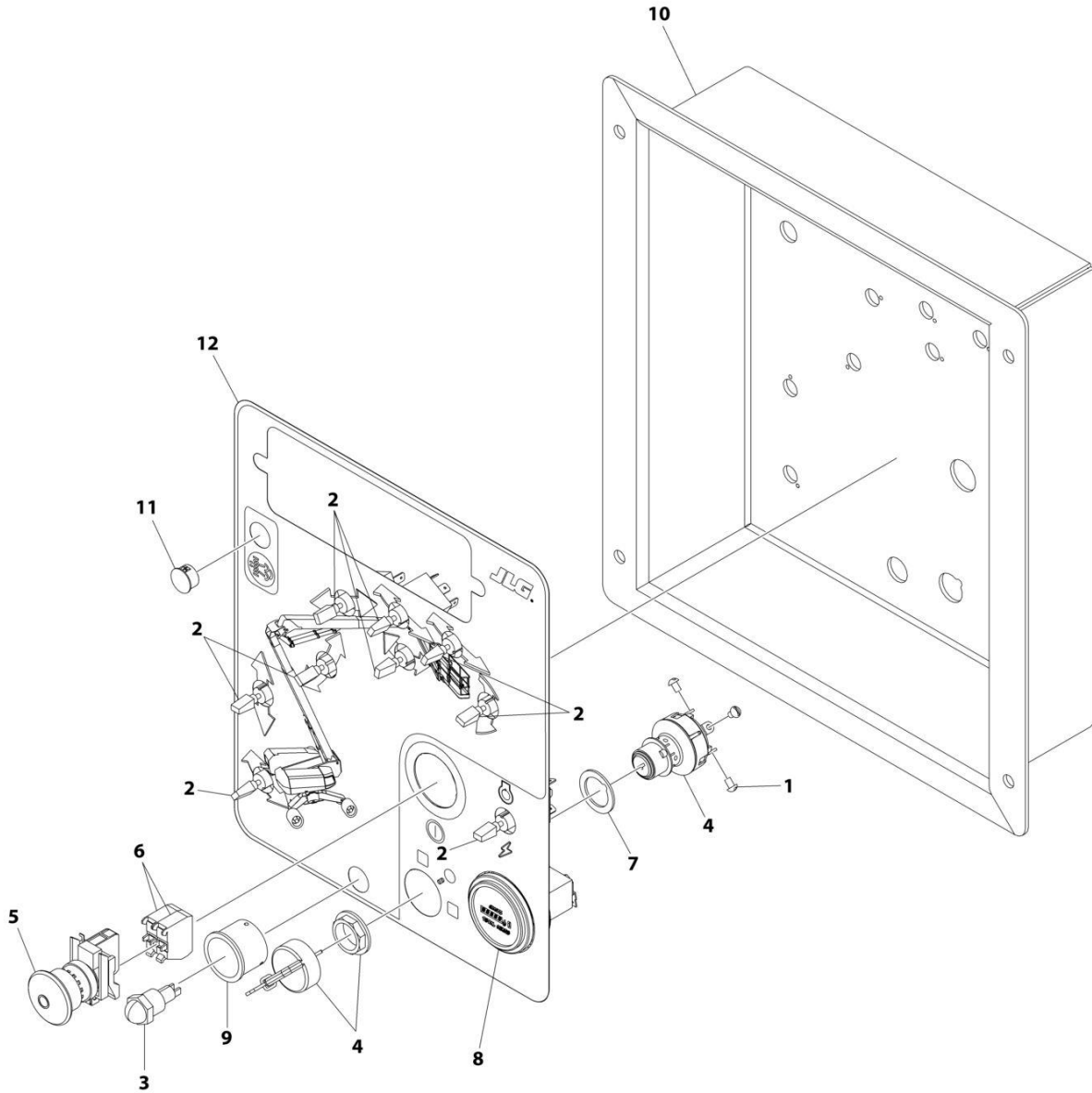
SECTION 2 - TURNTABLE

FIGURE 2-27. GROUND CONTROL CONSOLE ASSEMBLY (LRC) (ANSI EXPORT, AUSTRALIAN AND CHINA SPECS)

ITEM	PART NUMBER	QTY	DESCRIPTION	REV
	1001243054	Ref	GROUND CONTROL CONSOLE ASSEMBLY (LRC)	B
1	3910804	6	Screw #8 x 1/4	
2	4360328	9	Switch, Toggle	
3	4360469	1	Switch, Key	
3	2360030	1 Set	Key, Replacement	
4	4360475	1	Switch, Push-Pull Emergency	
4	7020175	1	Cap	
4	7020176	1	Block, Contact	
5	4360476	2	Block, Contact	
6	1001151393	1	Shim	
7	10836804	1	Gauge	
8	1001297399	1	Panel	
9	1001207963	1	Plug	
10	1001243049	1	Decal - Ground Control	

SECTION 2 - TURNTABLE

FIGURE 2-28. GROUND CONTROL CONSOLE ASSEMBLY (LRC) (CE & UK CA SPECS)



ART_1001243056_B

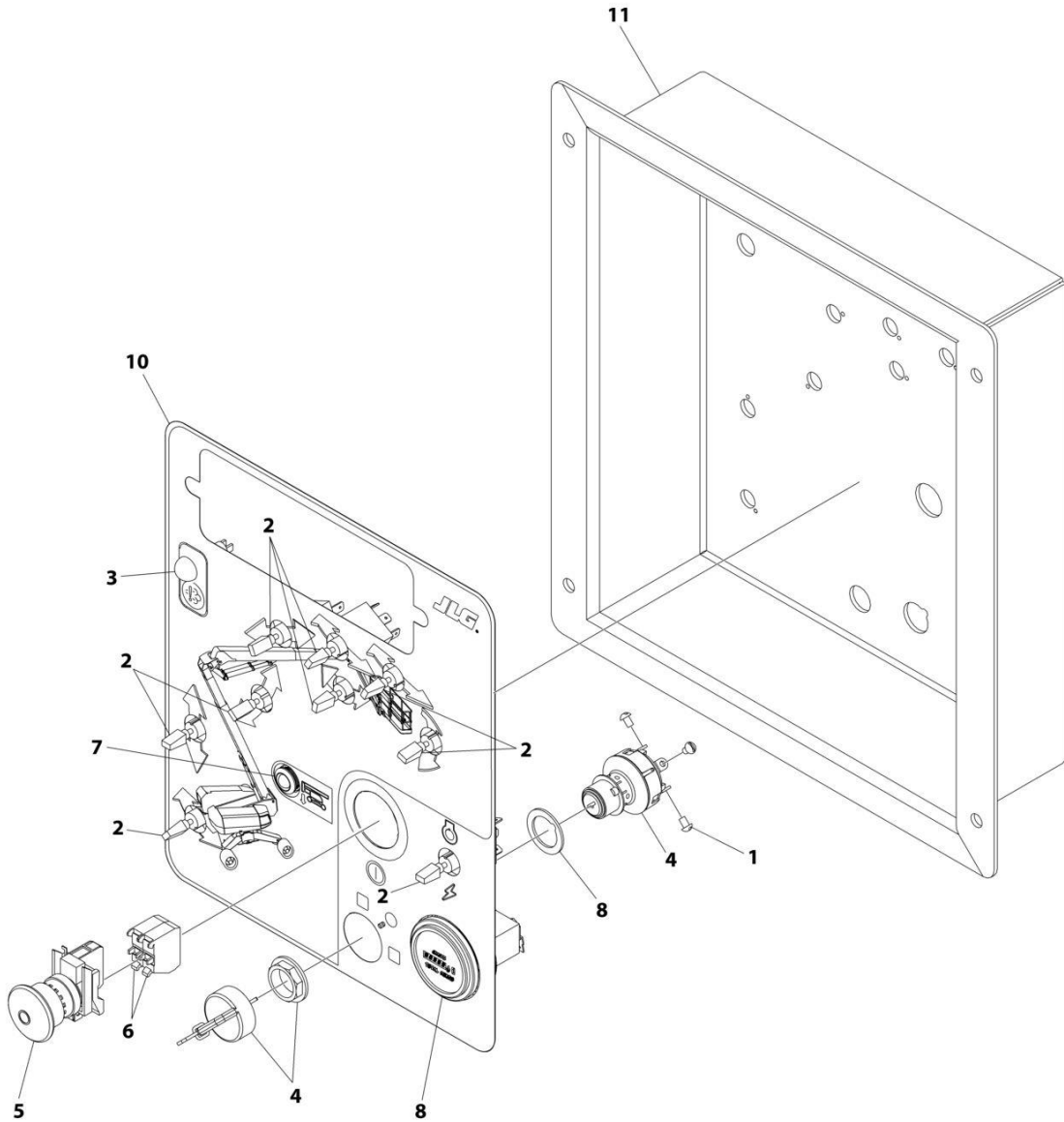
SECTION 2 - TURNTABLE

FIGURE 2-28. GROUND CONTROL CONSOLE ASSEMBLY (LRC) (CE & UK CA SPECS)

ITEM	PART NUMBER	QTY	DESCRIPTION	REV
	1001243056	Ref	GROUND CONTROL CONSOLE ASSEMBLY (LRC)	B
1	3910804	6	Screw #8 x 1/4	
2	4360328	9	Switch, Toggle	
3	4360387	1	Switch, Push Button	
4	4360469	1	Switch, Key	
4	2360030	1 Set	Key, Replacement	
5	4360475	1	Switch, Push-Pull Emergency	
5	7020175	1	Cap	
5	7020176	1	Block, Contact	
6	4360476	2	Block, Contact	
7	1001151393	1	Shim	
8	10836804	1	Gauge	
9	1001176469	1	Shroud	
10	1001297399	1	Panel	
11	1001207963	1	Plug	
12	1001243051	1	Decal - Ground Control	

SECTION 2 - TURNTABLE

FIGURE 2-29. GROUND CONTROL CONSOLE ASSEMBLY WITH TOWER STOW (HRC) (ANSI, ANSI EXPORT, CSA AND JAPANESE SPECS)



ART_1001265870_B

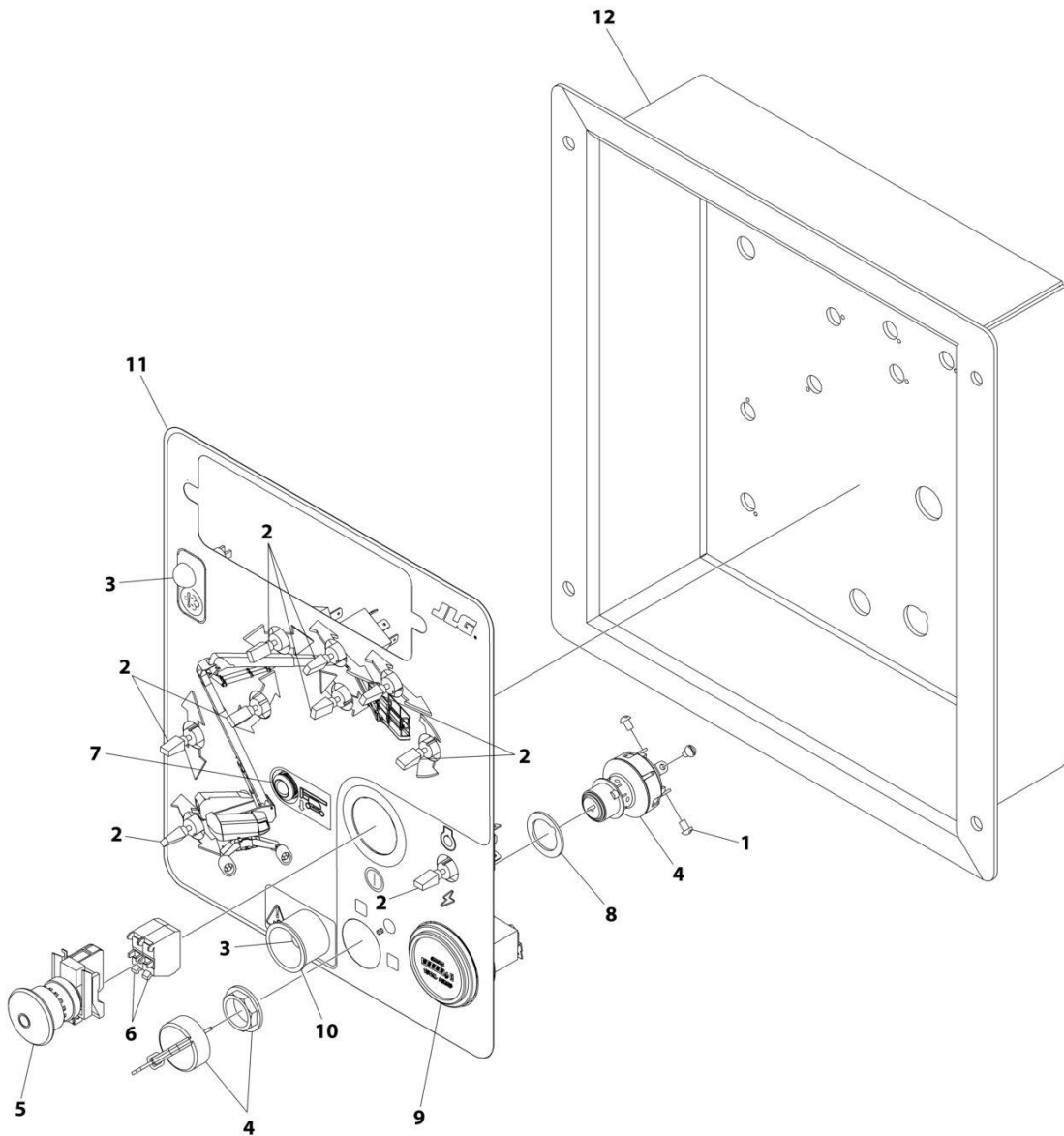
SECTION 2 - TURNTABLE

FIGURE 2-29. GROUND CONTROL CONSOLE ASSEMBLY WITH TOWER STOW (HRC) (ANSI, ANSI EXPORT, CSA AND JAPANESE SPECS)

ITEM	PART NUMBER	QTY	DESCRIPTION	REV
	1001265870	Ref	GROUND CONTROL CONSOLE ASSEMBLY (HRC)	B
1	3910804	6	Screw #8 x 1/4	
2	4360328	9	Switch, Toggle	
3	4360387	1	Switch, Push Button	
4	4360469	1	Switch, Key	
4	2360030	1 Set	Key, Replacement	
5	4360475	1	Switch, Push-Pull Emergency	
5	7020175	1	Cap	
5	7020176	1	Block, Contact	
6	4360476	2	Block, Contact	
7	1001137364	1	Lamp, Indicator	
8	1001151393	1	Shim	
9	10836804	1	Gauge	
10	1001265857	1	Decal - Ground Control	
11	1001297397	1	Panel	

SECTION 2 - TURNTABLE

FIGURE 2-30. GROUND CONTROL CONSOLE ASSEMBLY WITH TOWER STOW (HRC) (CE & UK CA SPECS)



ART_1001265871_B

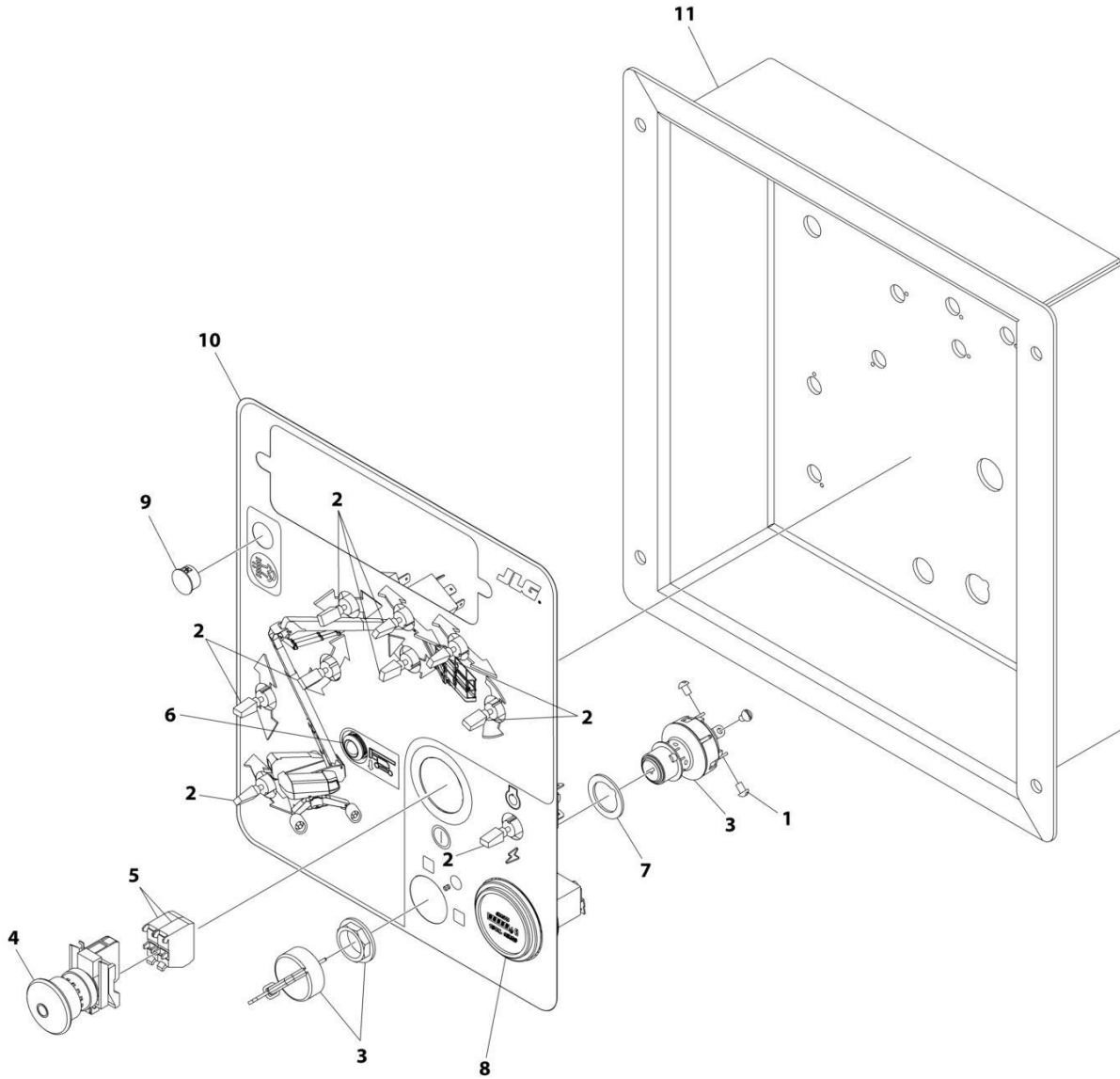
SECTION 2 - TURNTABLE

FIGURE 2-30. GROUND CONTROL CONSOLE ASSEMBLY WITH TOWER STOW (HRC) (CE & UK CA SPECS)

ITEM	PART NUMBER	QTY	DESCRIPTION	REV
	1001265871	Ref	GROUND CONTROL CONSOLE ASSEMBLY (HRC)	B
1	3910804	6	Screw #8 x 1/4	
2	4360328	9	Switch, Toggle	
3	4360387	1	Switch, Push Button	
4	4360469	1	Switch, Key	
4	2360030	1 Set	Key, Replacement	
5	4360475	1	Switch, Push-Pull Emergency	
5	7020175	1	Cap	
5	7020176	1	Block, Contact	
6	4360476	2	Block, Contact	
7	1001137364	1	Lamp, Indicator	
8	1001151393	1	Shim	
9	10836804	1	Gauge	
10	1001176469	1	Shroud	
11	1001265858	1	Decal - Ground Control	
12	1001297397	1	Panel	

SECTION 2 - TURNTABLE

FIGURE 2-31. GROUND CONTROL CONSOLE ASSEMBLY WITH TOWER STOW (LRC) (ANSI EXPORT, AUSTRALIAN AND CHINA SPECS)



ART_1001265872_B

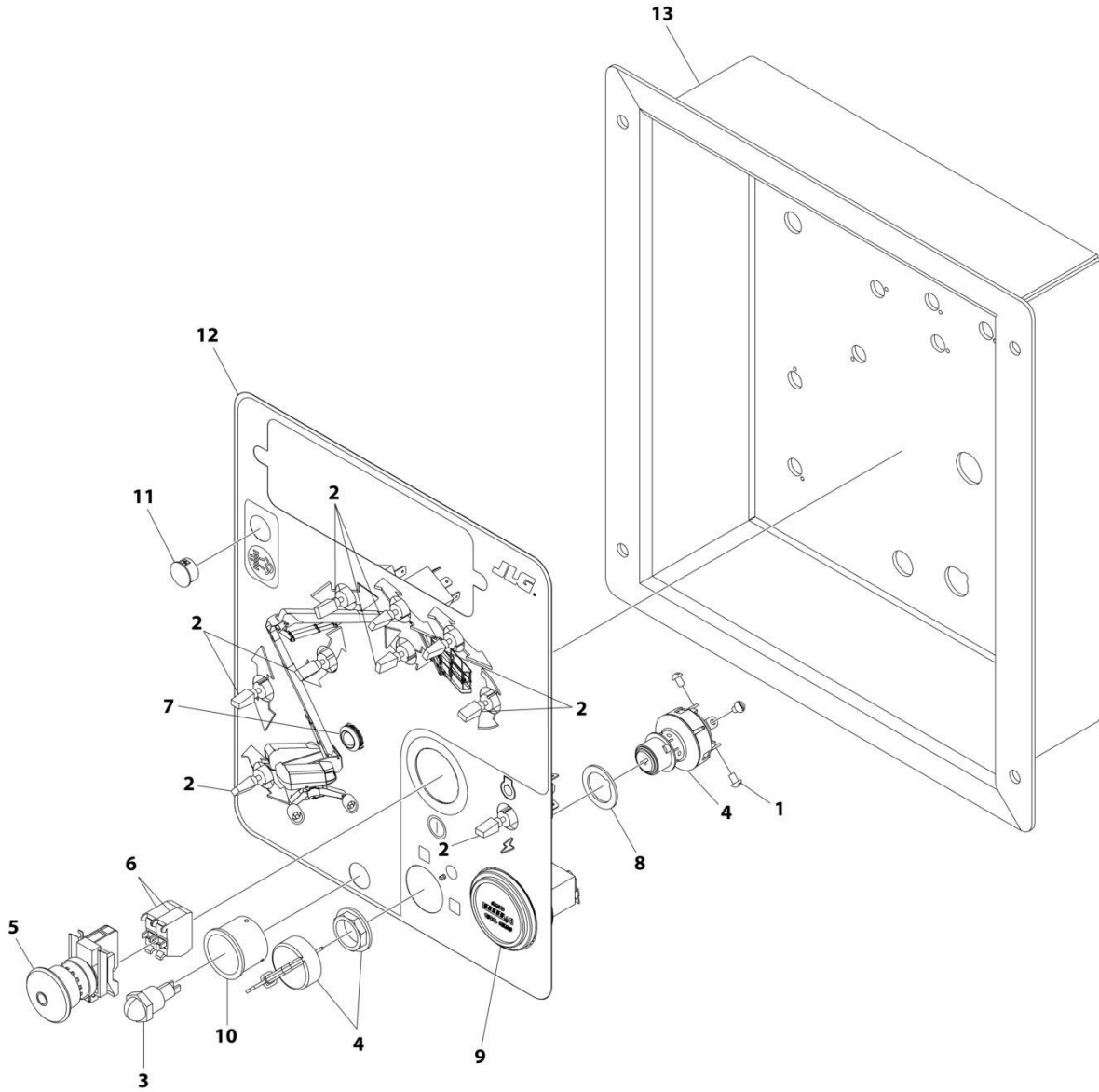
SECTION 2 - TURNTABLE

FIGURE 2-31. GROUND CONTROL CONSOLE ASSEMBLY WITH TOWER STOW (LRC) (ANSI EXPORT, AUSTRALIAN AND CHINA SPECS)

ITEM	PART NUMBER	QTY	DESCRIPTION	REV
	1001265872	Ref	GROUND CONTROL CONSOLE ASSEMBLY (LRC)	B
1	3910804	6	Screw #8 x 1/4	
2	4360328	9	Switch, Toggle	
3	4360469	1	Switch, Key	
3	2360030	1 Set	Key, Replacement	
4	4360475	1	Switch, Push-Pull Emergency	
4	7020175	1	Cap	
4	7020176	1	Block, Contact	
5	4360476	2	Block, Contact	
6	1001137364	1	Lamp, Indicator	
7	1001151393	1	Shim	
8	10836804	1	Gauge	
9	1001207963	1	Plug	
10	1001265857	1	Decal - Ground Control	
11	1001297397	1	Panel	

SECTION 2 - TURNTABLE

FIGURE 2-32. GROUND CONTROL CONSOLE ASSEMBLY WITH TOWER STOW (LRC) (CE & UK CA SPECS)



ART_1001265873_B

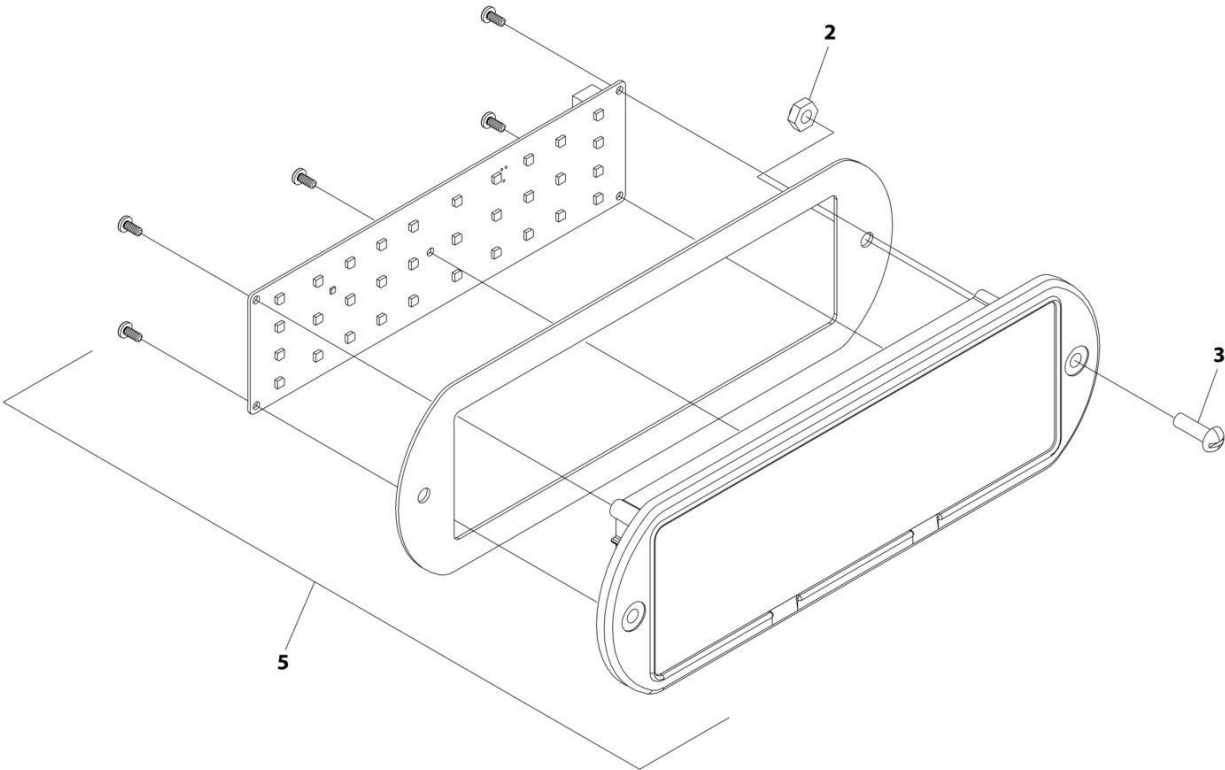
SECTION 2 - TURNTABLE

FIGURE 2-32. GROUND CONTROL CONSOLE ASSEMBLY WITH TOWER STOW (LRC) (CE & UK CA SPECS)

ITEM	PART NUMBER	QTY	DESCRIPTION	REV
	1001265873	Ref	GROUND CONTROL CONSOLE ASSEMBLY (LRC)	B
1	3910804	6	Screw #8 x 1/4	
2	4360328	9	Switch, Toggle	
3	4360387	1	Switch, Push Button	
4	4360469	1	Switch, Key	
4	2360030	1 Set	Key, Replacement	
5	4360475	1	Switch, Push-Pull Emergency	
5	7020175	1	Cap	
5	7020176	1	Block, Contact	
6	4360476	2	Block, Contact	
7	1001137364	1	Lamp, Indicator	
8	1001151393	1	Shim	
9	10836804	1	Gauge	
10	1001176469	1	Shroud	
11	1001207963	1	Plug	
12	1001265858	1	Decal - Ground Control	
13	1001297397	1	Panel	

SECTION 2 - TURNTABLE

FIGURE 2-33. LIGHT PANEL INSTALLATION



ART_1001245176_10F2

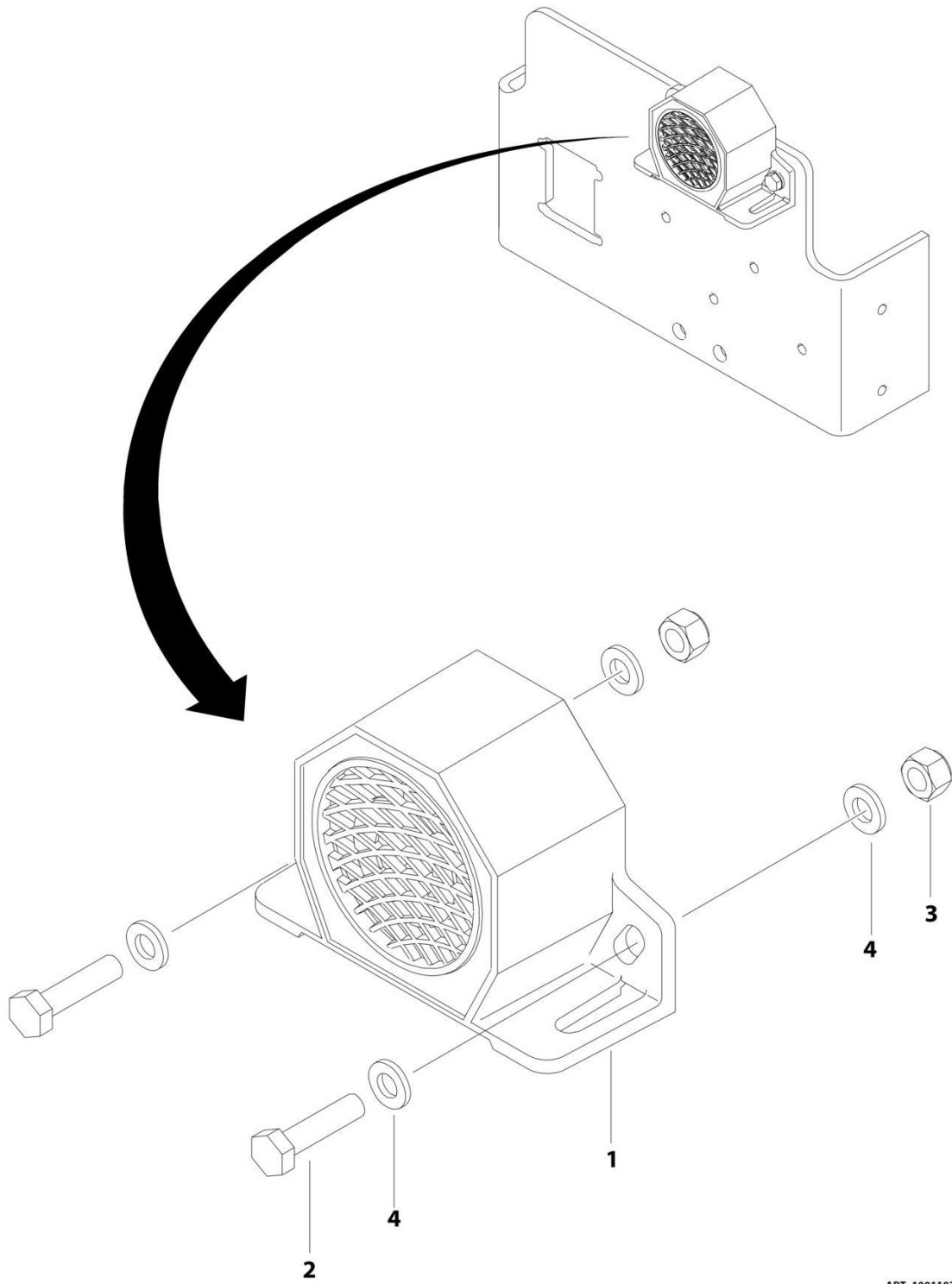
SECTION 2 - TURNTABLE

FIGURE 2-33. LIGHT PANEL INSTALLATION

ITEM	PART NUMBER	QTY	DESCRIPTION	REV
	1001245176	Ref	LIGHT PANEL INSTALLATION	C
2	3300408	2	Nut	
3	0630518	4	Screw 10 x 3/4	
5	1001245206	1	Light Panel Assembly	
5	1001245160	1	Overlay	
5	1001238732	1	Light Panel	

SECTION 2 - TURNTABLE

FIGURE 2-34. ALARM INSTALLATION



ART_1001197331

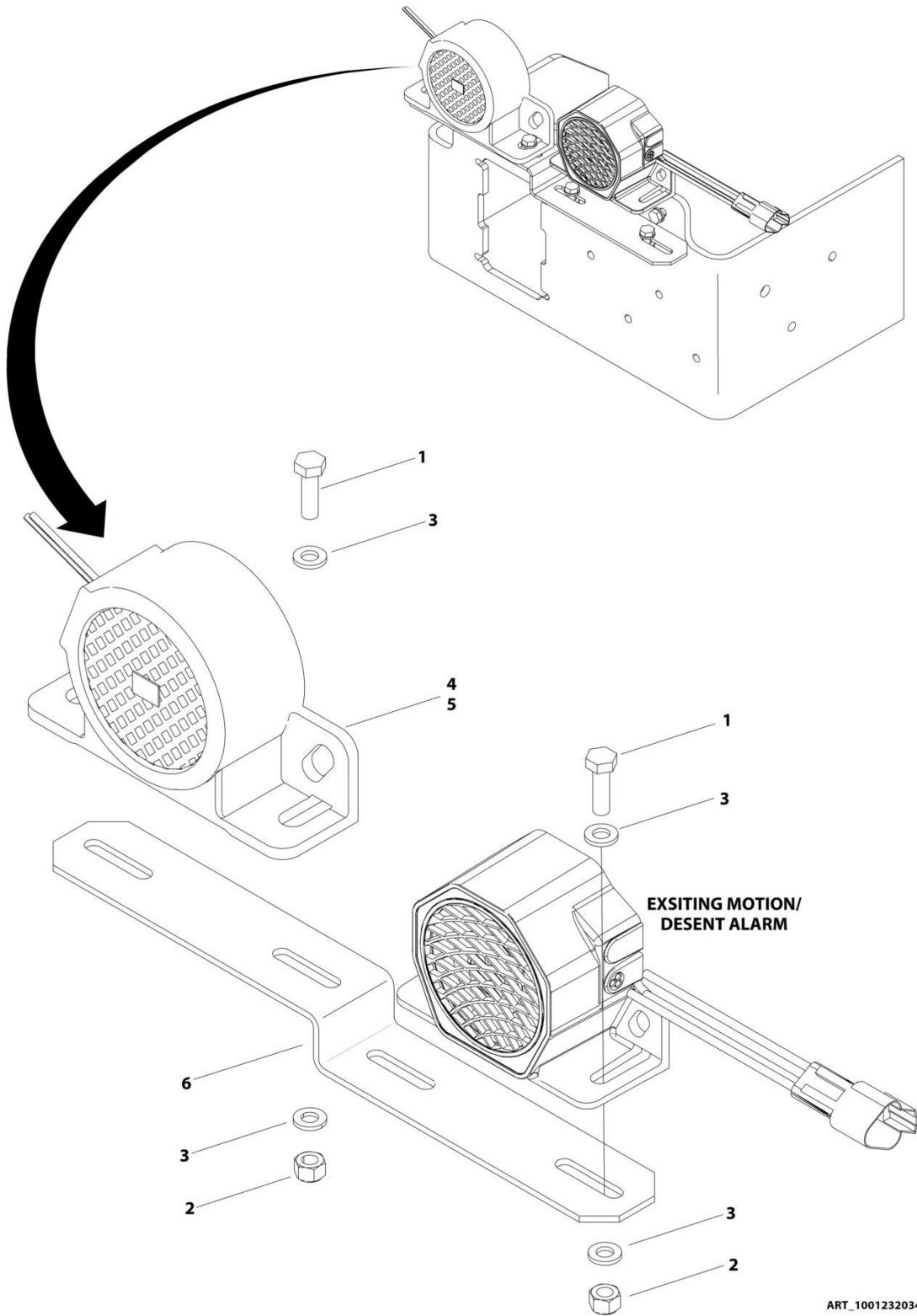
SECTION 2 - TURNTABLE

FIGURE 2-34. ALARM INSTALLATION

ITEM	PART NUMBER	QTY	DESCRIPTION	REV
	1001197331	Ref	ALARM INSTALLATION	A
1	0140043	1	Alarm	
1	4460536	1	Receptacle, Female - 3 Position	
1	4460943	3	Pin, Male	
2	0700612	2	Bolt M6 x 25	
3	3290605	2	Nut M6	
4	4811700	4	Washer M6	

SECTION 2 - TURNTABLE

FIGURE 2-35. WHITE NOISE ALARM INSTALLATION



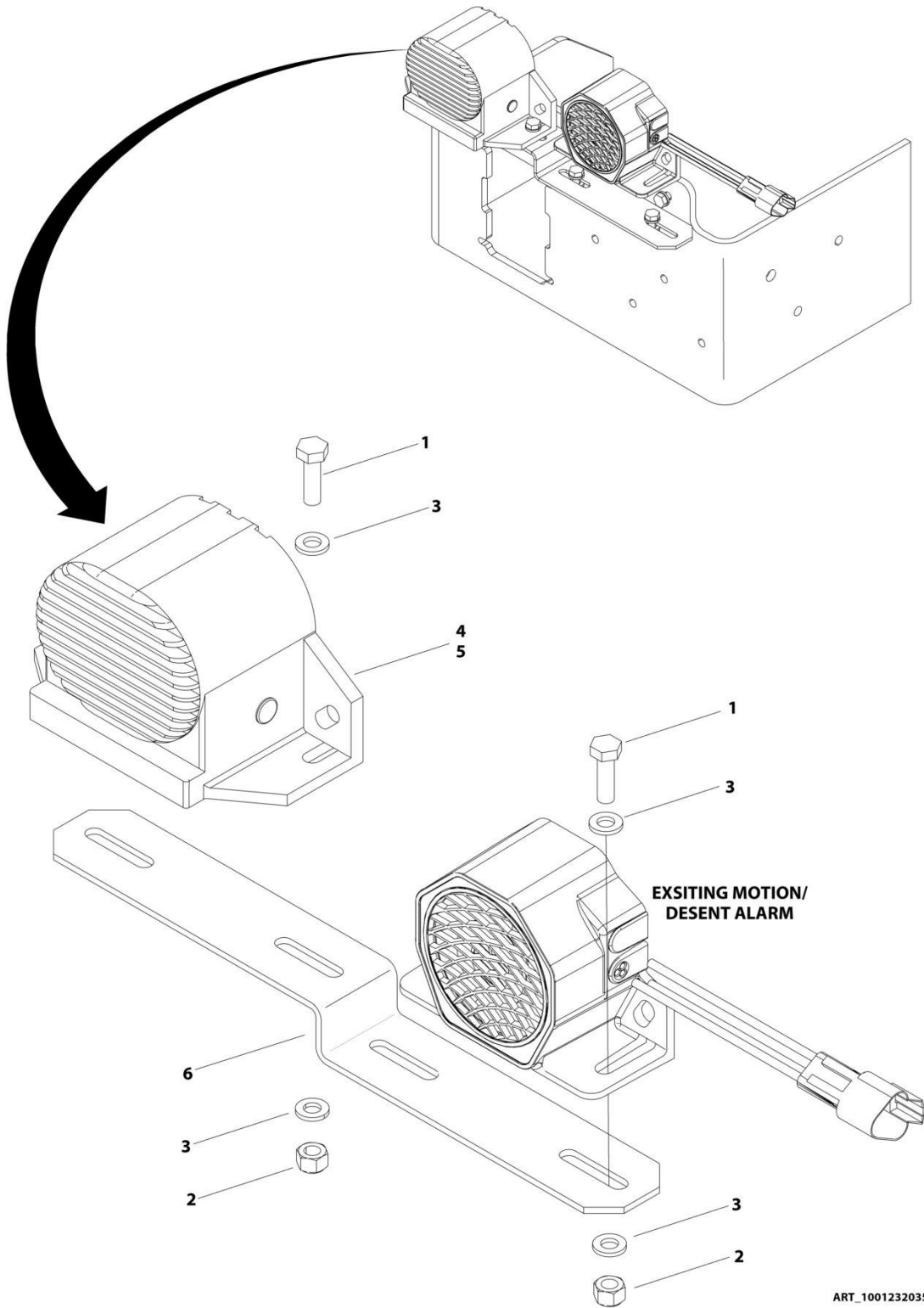
SECTION 2 - TURNTABLE

FIGURE 2-35. WHITE NOISE ALARM INSTALLATION

ITEM	PART NUMBER	QTY	DESCRIPTION	REV
	1001232034	Ref	WHITE NOISE ALARM INSTALLATION	A
1	0700610	4	Bolt M6 x 20	
2	3290605	4	Nut M6	
3	4811700	8	Washer M6	
4	1001184682	1	Alarm	
5	1001231008	1	White Noise Motion Alarm Harness (Not Shown - See Separate Breakdown in ELECTRICAL SECTION)	
6	1001231711	1	Bracket	

SECTION 2 - TURNTABLE

FIGURE 2-36. WHITE NOISE AMBIENT ALARM INSTALLATION



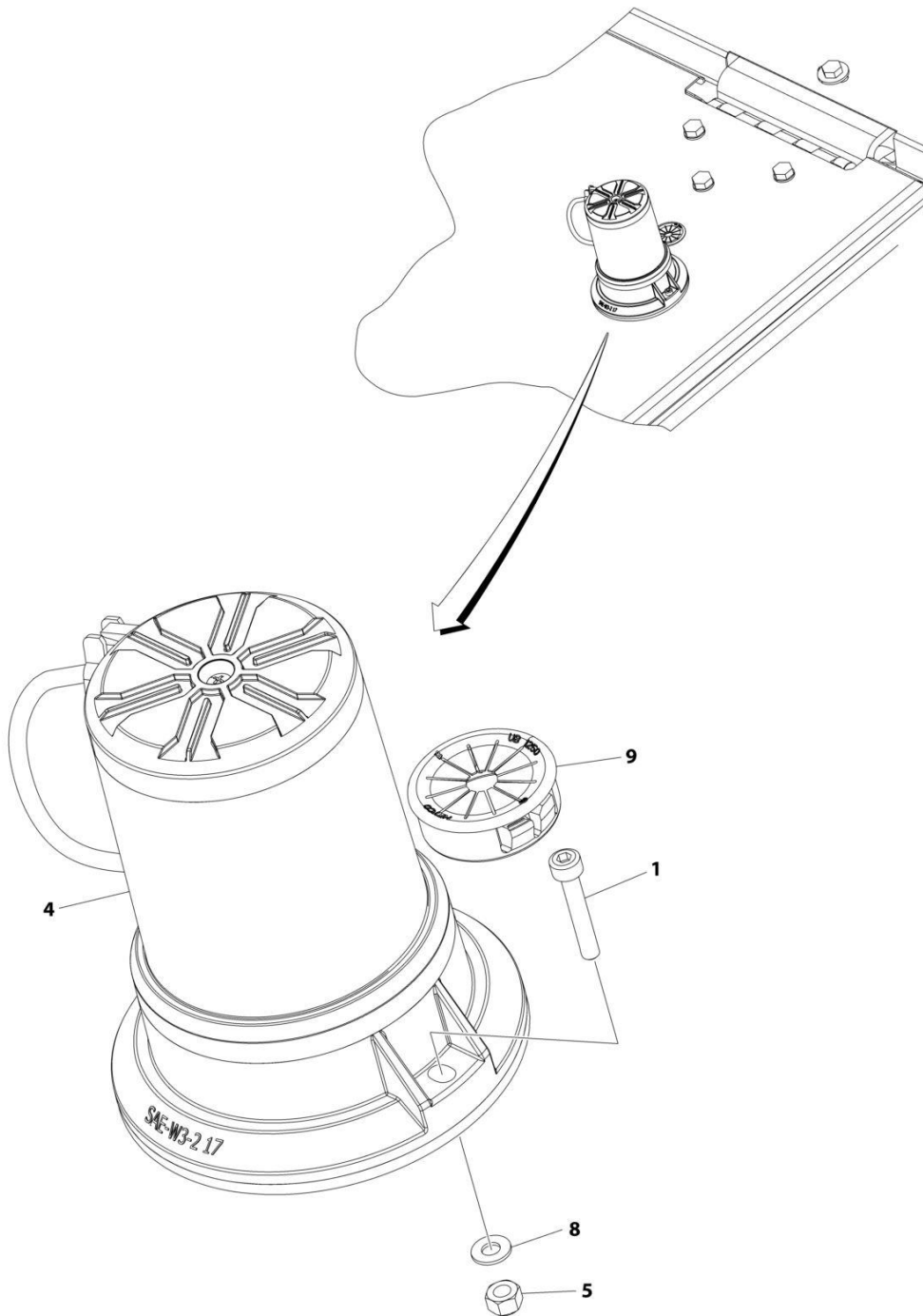
SECTION 2 - TURNTABLE

FIGURE 2-36. WHITE NOISE AMBIENT ALARM INSTALLATION

ITEM	PART NUMBER	QTY	DESCRIPTION	REV
	1001232035	Ref	WHITE NOISE AMBIENT ALARM INSTALLATION	A
1	0700610	4	Bolt M6 x 20	
2	3290605	4	Nut M6	
3	4811700	8	Washer M6	
4	1001182806	1	Alarm	
5	1001231008	1	White Noise Motion Alarm Harness (Not Shown - See Separate Breakdown in ELECTRICAL SECTION)	
6	1001231711	1	Bracket	

SECTION 2 - TURNTABLE

FIGURE 2-37. STROBE LIGHT INSTALLATION - AMBER



ART_1001203413_C

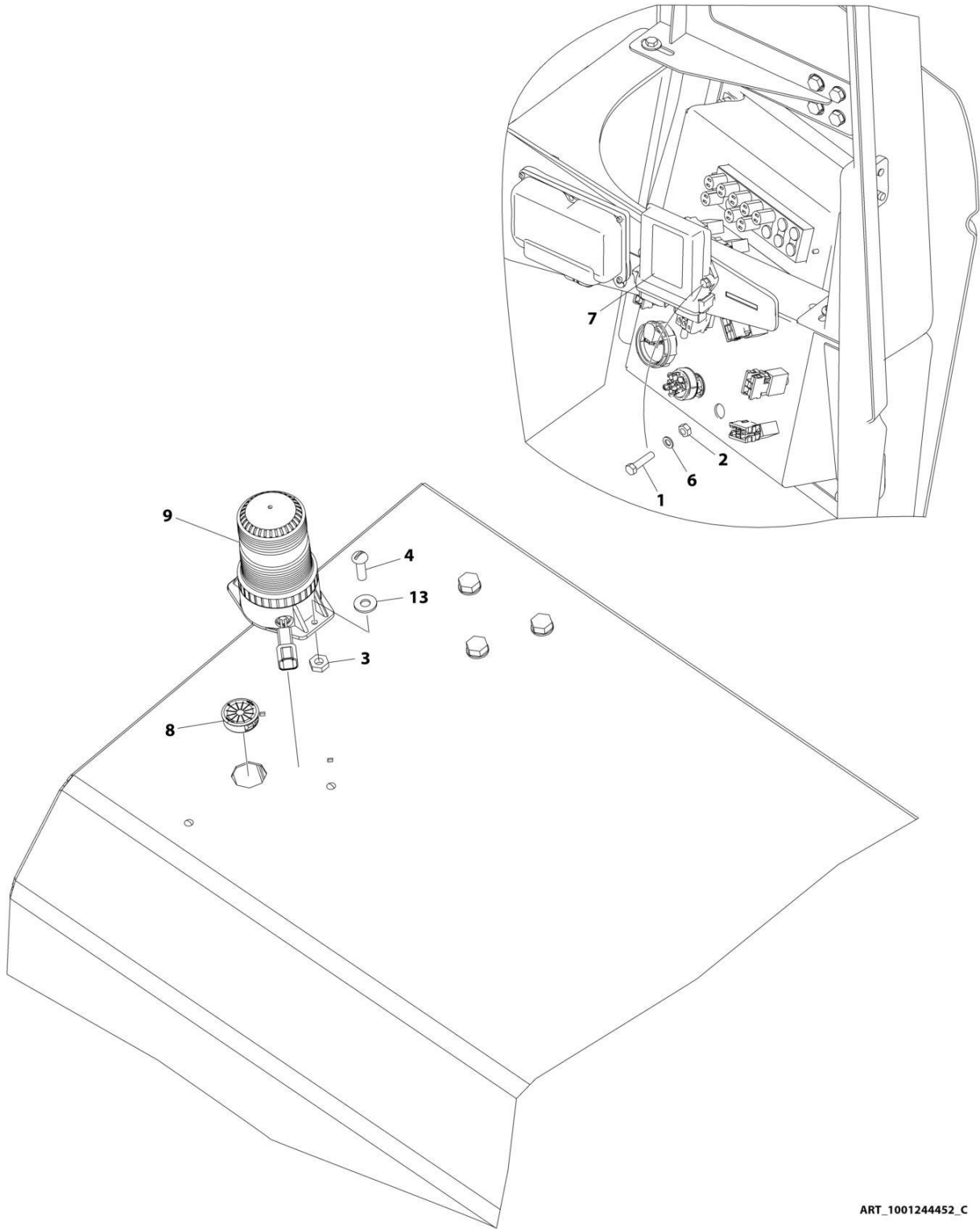
SECTION 2 - TURNTABLE

FIGURE 2-37. STROBE LIGHT INSTALLATION - AMBER

ITEM	PART NUMBER	QTY	DESCRIPTION	REV
	1001203413	Ref	STROBE LIGHT INSTALLATION - AMBER	C
1	4031509	1	Capscrew M4 x 25	
4	1001270594	1	Strobe Light Assembly	
4	4460891	1	Connector	
4	4460465	2	Socket	
5	3290405	2	Nut M4	
8	4811400	2	Washer M4	
9	1001169085	1	Grommet	
11	1001283776	1	Harness, Jumper (Not Shown - See Separate Breakdown in ELECTRICAL Section)	

SECTION 2 - TURNTABLE

FIGURE 2-38. STROBE LIGHT INSTALLATION - BLUE



ART_1001244452_C

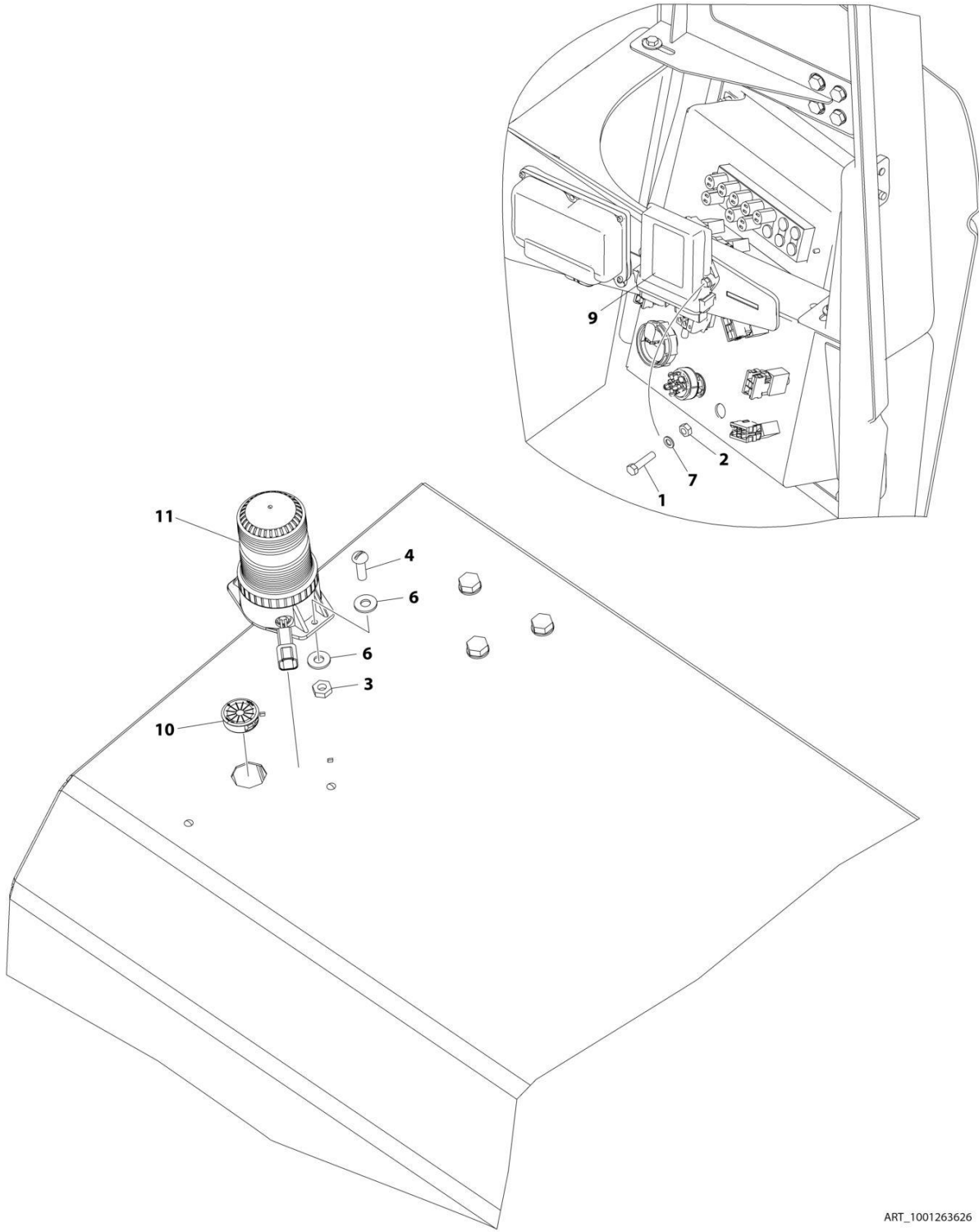
SECTION 2 - TURNTABLE

FIGURE 2-38. STROBE LIGHT INSTALLATION - BLUE

ITEM	PART NUMBER	QTY	DESCRIPTION	REV
	1001244452	Ref	STROBE LIGHT INSTALLATION - BLUE	C
1	0700615	2	Bolt M6 x 35	
2	3290605	2	Nut M6	
3	3290405	2	Nut, Lock M4	
4	4031509	2	Capscrew M4 x 25	
6	4811700	2	Washer M6	
7	1001142683	1	Module, Beacon Control	
8	1001169085	1	Grommet	
9	1001272681	1	Strobe Light Assembly	
9	4460897	1	Connector	
9	4460464	2	Pin	
10	1001210781	1	Strobe Light Harness (Not Shown - See Separate Breakdown in ELECTRICAL Section)	
11	4460488	3	Mounting Base, Terminal (Not Shown)	
12	1001008559	6	Tie, Strap (Not Shown)	
13	4811400	2	Washer M4	

SECTION 2 - TURNTABLE

FIGURE 2-39. STROBE LIGHT INSTALLATION - RED



ART_1001263626

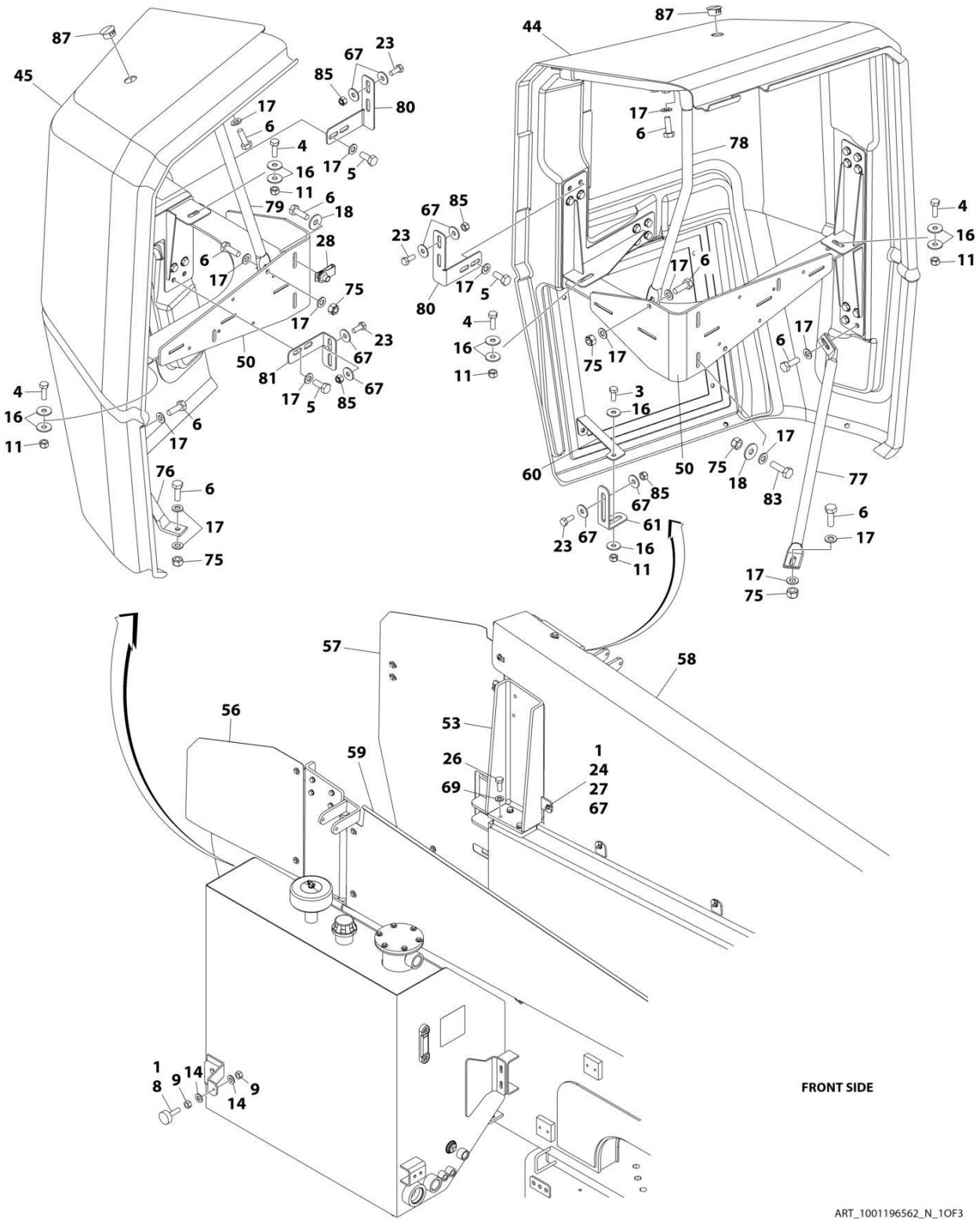
SECTION 2 - TURNTABLE

FIGURE 2-39. STROBE LIGHT INSTALLATION - RED

ITEM	PART NUMBER	QTY	DESCRIPTION	REV
	1001263626	Ref	STROBE LIGHT INSTALLATION	A
1	0700615	2	Bolt M6 x 35	
2	3290605	2	Nut M6	
3	3311005	2	Nut #10	
4	3911010	2	Screw #10 x 5/8	
5	4460488	3	Mounting Base, Terminal (Not Shown)	
6	4711000	4	Washer #10	
7	4811700	2	Washer M6	
8	1001008559	6	Tie-Strap (Not Shown)	
9	1001142683	1	Module, Beacon Control	
10	1001169085	1	Grommet	
11	1001207004	1	Strobe Light/Harness Assembly	
11	4460897	1	Connector - 2 Position	
11	4460464	2	Pin, Male	
12	1001210781	1	Strobe Light Harness (Not Shown - See Separate Breakdown in ELECTRICAL Section)	

SECTION 2 - TURNTABLE

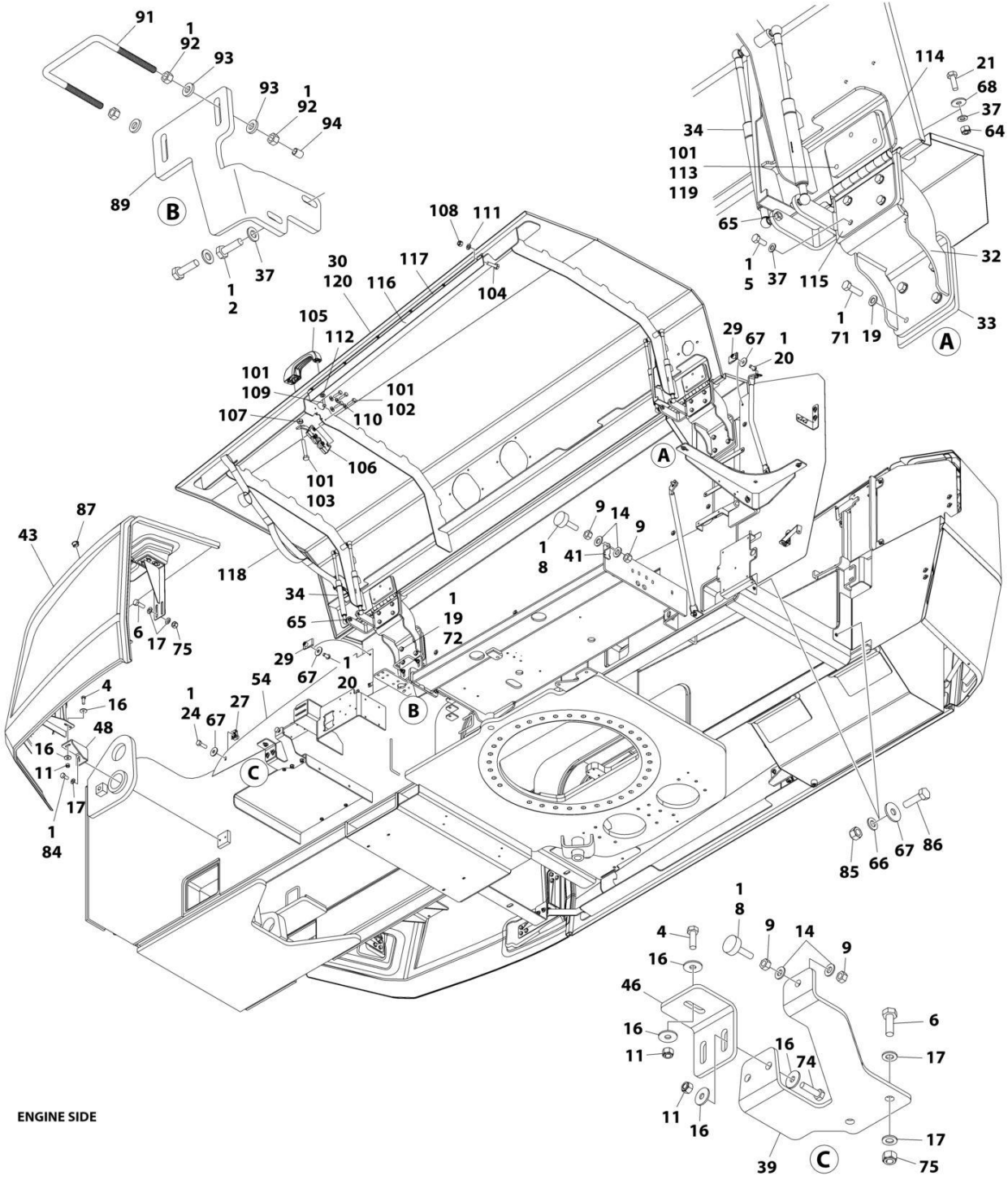
FIGURE 2-40. HOOD INSTALLATION



FRONT SIDE

ART_1001196562_N_10F3

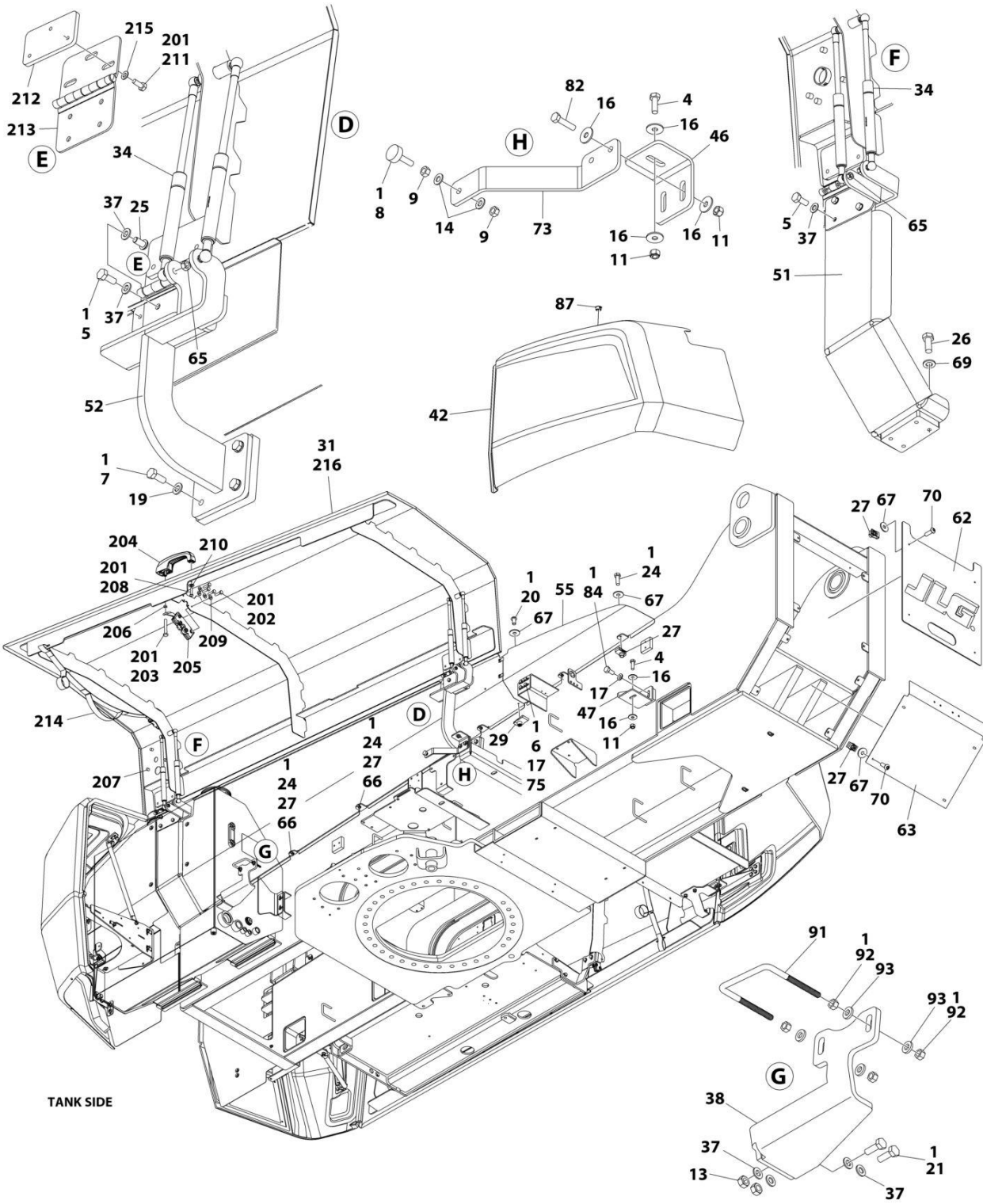
SECTION 2 - TURNTABLE



ENGINE SIDE

ART_1001196562_N_20F3

SECTION 2 - TURNTABLE



SECTION 2 - TURNTABLE

FIGURE 2-40. HOOD INSTALLATION

ITEM	PART NUMBER	QTY	DESCRIPTION	REV
	1001196562	Ref	HOOD INSTALLATION	N
1	0100011	AR	Compound, Locking	
2	0701015	2	Bolt M10 x 35	
3	0760810	1	Bolt M8 x 20	
4	0760812	8	Bolt M8 x 25	
5	0761012	22	Bolt M10 x 25	
6	0761014	21	Bolt M10 x 35	
7	0761214	4	Bolt M12 x 30	
8	0940049	4	Bumper	
9	3271501	8	Nut 5/16	
11	3290805	12	Nut M8	
13	3291007	2	Nut M10	
14	4711500	8	Washer 5/16	
16	4811902	26	Washer M8	
17	4812000	44	Washer M10	
18	4812002	5	Washer M10	
19	4812100	12	Washer M12	
20	0630615001	6	Screw M8 x 16	
21	0701014001	4	Bolt M10 x 30	
23	0760810001	8	Bolt M8 x 20	
24	0760812001	19	Bolt M8 x 25	
25	0761007001	2	Bolt M10 x 14	
26	0761214001	8	Bolt M12 x 30	
27	1001118274	27	Nut M8	
28	1001118972	3	Nut M10	
29	1001149160	6	Nut M8	
30	1001286281	1	Hood - Engine Side (See Items 101-120 for Breakdown)	
31	1001286284	1	Hood - Tank Side (See Items 201-216 for Breakdown)	
32	1001155591	2	Bracket	
33	1001155832	2	Plate, Spacer	
34	1001227710	8	Spring, Gas	
37	1001172358	26	Washer M10	
39	1001197937	1	Mount, Cover	
41	1001198685	1	Brace	
42	1001199310	1	Cover, Rear Left	
43	1001199319	1	Cover, Rear Right	
44	1001199465	1	Cover, Front Right	
45	1001199468	1	Cover, Front Left	
46	1001199753	2	Support	
47	1001199754	1	Bracket	
48	1001199755	1	Bracket	
50	1001199764	2	Bracket	
51	1001199778	1	Bracket	
52	1001199780	1	Support	
53	1001199782	1	Mount	
54	1001200501	1	Plate	
55	1001200502	1	Plate	
56	1001200519	1	Panel, Turntable Side	
57	1001200522	1	Cover	
58	1001200532	1	Panel, Filter	

SECTION 2 - TURNTABLE

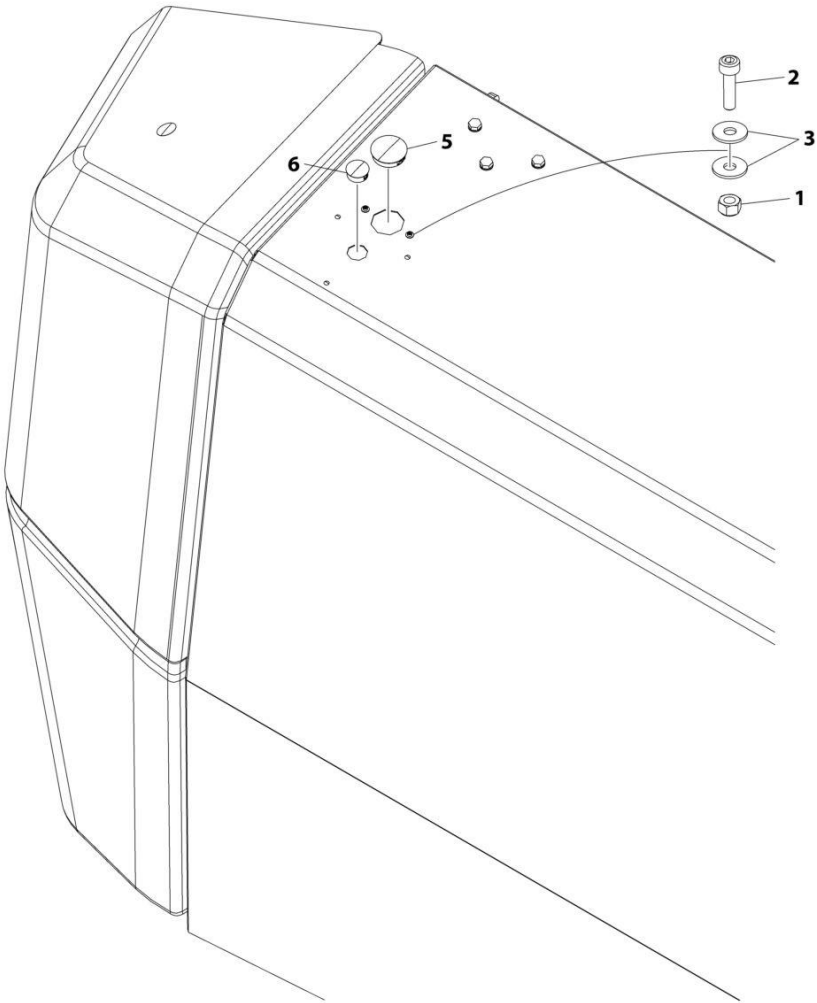
ITEM	PART NUMBER	QTY	DESCRIPTION	REV
59	1001202169	1	Panel, Hood	
60	1001202181	1	Strut	
61	1001202225	1	Bracket	
62	1001202733	1	Cover, Turntable	
63	1001202734	1	Cover, Turntable	
64	3291005001	2	Nut M10	
65	3291007001	8	Nut M10	
66	4811900001	4	Washer M8	
67	4811902001	49	Washer M8	
68	4812002001	2	Washer M10	
69	4812100001	8	Washer M12	
70	8310643001	8	Screw M8 x 25	
71	0761216	4	Bolt M12 x 40	
72	0761217	4	Bolt M12 x 45	
73	1001209961	1	Bracket, Bumper	
74	0760814	2	Bolt M8 x 30	
75	3291005	16	Nut M10	
76	1001209626	1	Brace	
77	1001209935	1	Brace	
78	1001210116	1	Brace	
79	1001210259	1	Brace	
80	1001210283	2	Bracket	
81	1001210294	1	Bracket	
82	0760815	2	Bolt M8 x 35	
83	0761015	2	Bolt M10 x 35	
84	0761011	4	Bolt M10 x 22	
85	3290805001	11	Nut M8	
86	0760814001	2	Bolt M8 x 30	
87	1001131130	4	Plug	
88	1001180620	AR	Compound, Locking	
89	1001250302	1	Bracket	
90	1001250303	1	Bracket	
91	1001243414	2	Bolt U	
92	3311601	8	Nut 3/8	
93	4891600	8	Washer 3/8	
94	1001218572	2	Cap	
	1001286281	Ref	HOOD ASSEMBLY - ENGINE SIDE	A
		Ref	Note: Replacement Decals Must be Ordered Separately - See DECAL Section.	
101	0100011	AR	Compound, Locking	
102	0641408	4	Bolt 1/4 x 1	
103	0700616	1	Bolt M6 x 40	
104	0760612	6	Bolt M6 x 25	
105	2560187	1	Handle, Push Button	
106	2940173	1	Latch	
107	3290601	1	Nut M6	
108	3290605	6	Nut, Lock M6	
109	3900363	2	Capscrew M6 x 25	
110	4711400	4	Washer 1/4	
111	4811700	6	Washer M6	
112	4811900	2	Washer M8	
113	0761012001	6	Bolt M10 x 25	

SECTION 2 - TURNTABLE

ITEM	PART NUMBER	QTY	DESCRIPTION	REV
114	1001155584	2	Plate	
115	1001156347	2	Hinge	
116	1001157906	1	Seal	
117	1001157907	1	Plate	
118	1001160505	1	Strap	
119	1001172358	6	Washer M10	
120	1001286280	1	Hood	
	1001286284	Ref	HOOD ASSEMBLY - TANK SIDE	A
		Ref	Note: Replacement Decals Must be Ordered Separately - See DECAL Section.	
201	0100011	AR	Compound, Locking	
202	0641408	4	Bolt 1/4 x 1	
203	0700616	1	Bolt M6 x 40	
204	2560187	1	Handle, Push Button	
205	2940173	1	Latch	
206	3290601	1	Nut M6	
207	3520173	3	Plug	
208	3900363	2	Capscrew M6 x 25	
209	4711400	4	Washer 1/4	
210	4811900	2	Washer M8	
211	0761012001	6	Bolt M10 x 25	
212	1001155584	2	Plate	
213	1001156347	2	Hinge	
214	1001160505	1	Strap	
215	1001172358	6	Washer M10	
216	1001286283	1	Hood	

SECTION 2 - TURNTABLE

FIGURE 2-41. HOOD PLUGS INSTALLATION



ART_1001287191

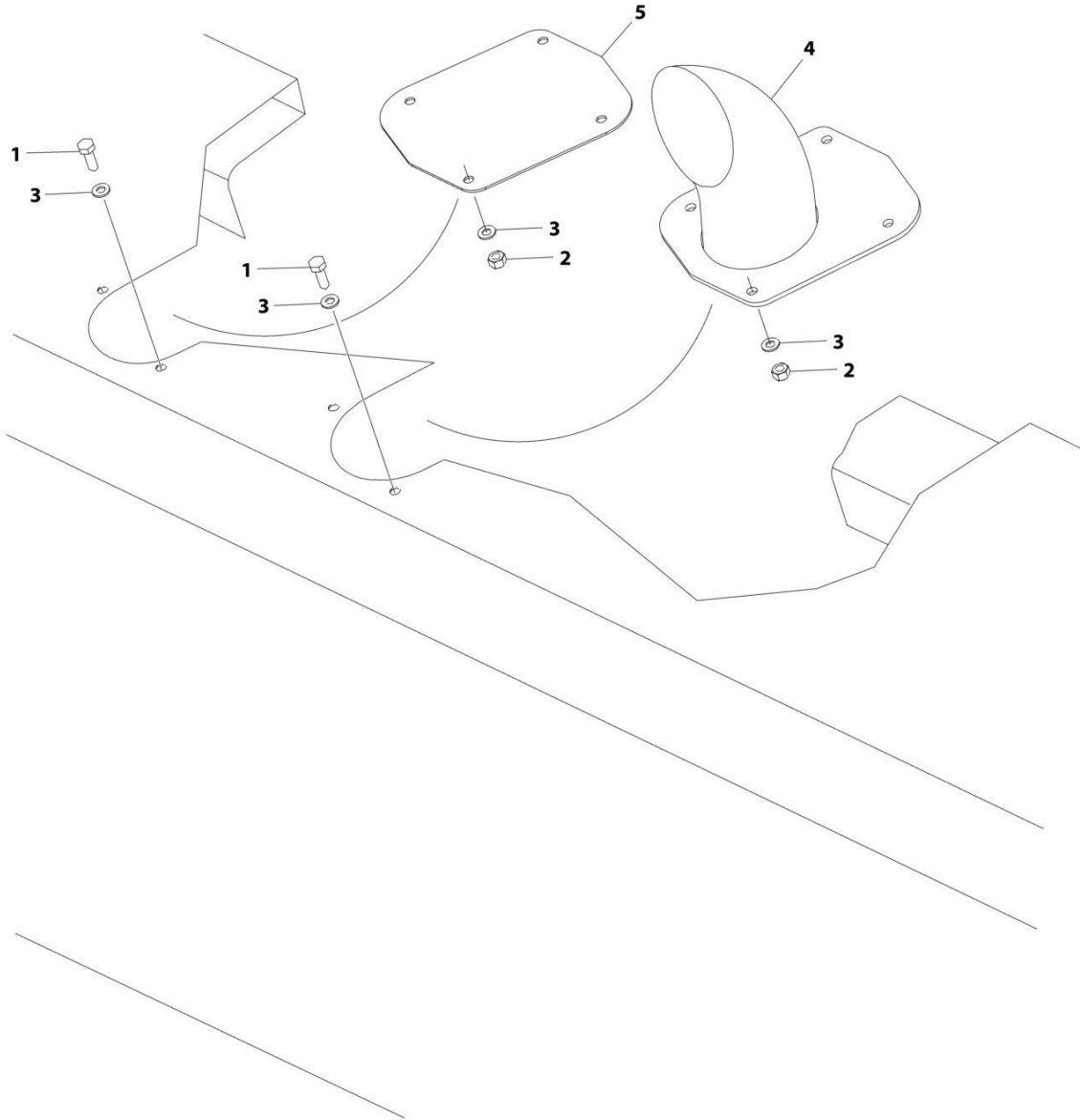
SECTION 2 - TURNTABLE

FIGURE 2-41. HOOD PLUGS INSTALLATION

ITEM	PART NUMBER	QTY	DESCRIPTION	REV
	1001287191	Ref	HOOD PLUGS INSTALLATION	A
1	3290405	4	Nut, Lock M4	
2	4031507	4	Capscrew M4 x 16	
3	1001091102	8	Washer M4	
4	1001244462	1	Cap, Dust (Not Shown)	
5	1001285891	2	Plug 50mm	
6	1001285892	2	Plug 31mm	

SECTION 2 - TURNTABLE

FIGURE 2-42. VENTURI INSTALLATION (HRC)



ART_1001161488

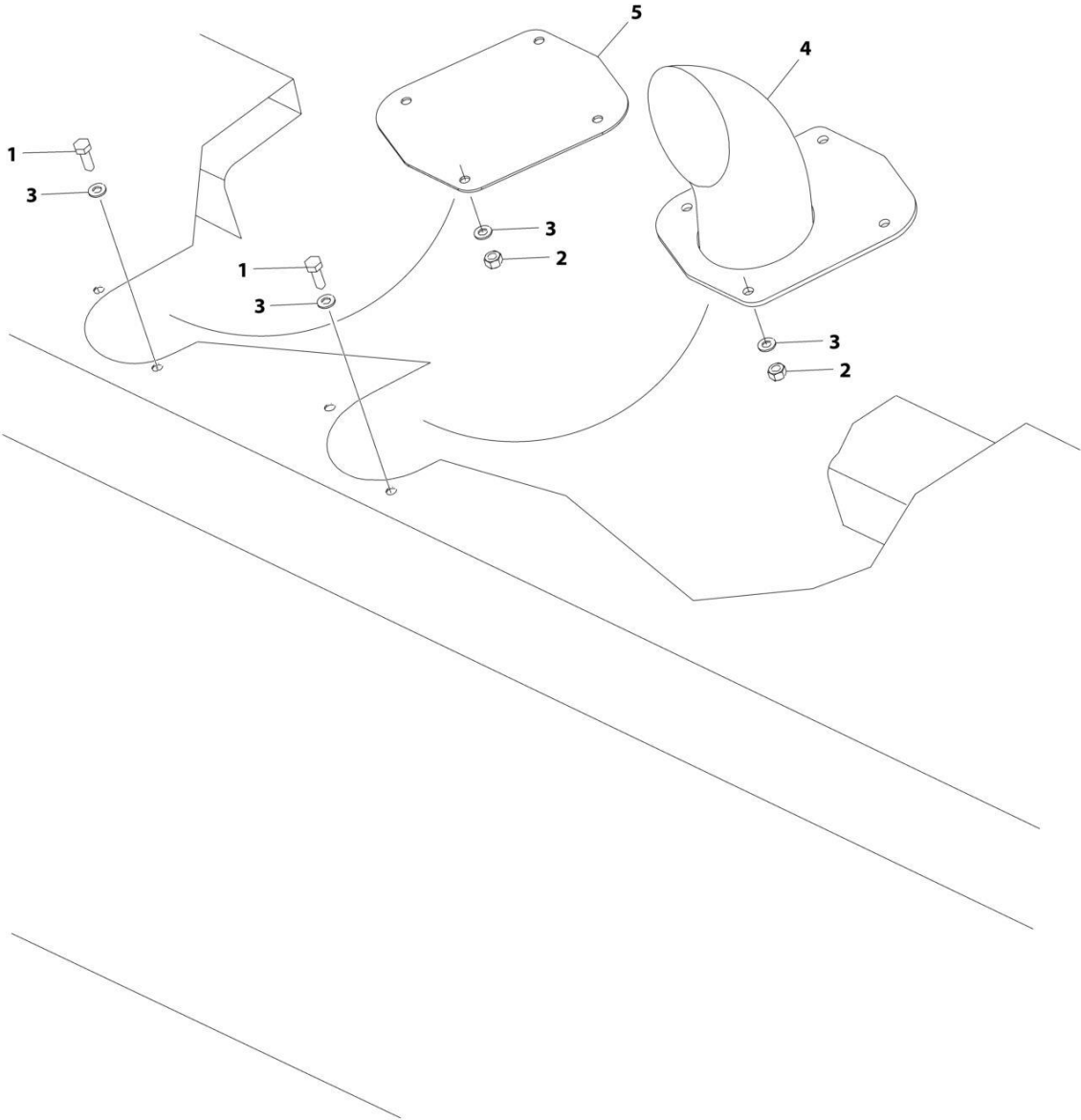
SECTION 2 - TURNTABLE

FIGURE 2-42. VENTURI INSTALLATION (HRC)

ITEM	PART NUMBER	QTY	DESCRIPTION	REV
	1001161488	Ref	VENTURI INSTALLATION (HRC)	E
1	0701014001	8	Bolt M10 x 30	
2	3291005001	8	Nut M10	
3	1001172358	16	Washer M10	
4	1001155527	1	Venturi, Exhaust	
5	1001190927	1	Panel	

SECTION 2 - TURNTABLE

FIGURE 2-43. VENTURI INSTALLATION (LRC)



ART_1001190032

SECTION 2 - TURNTABLE

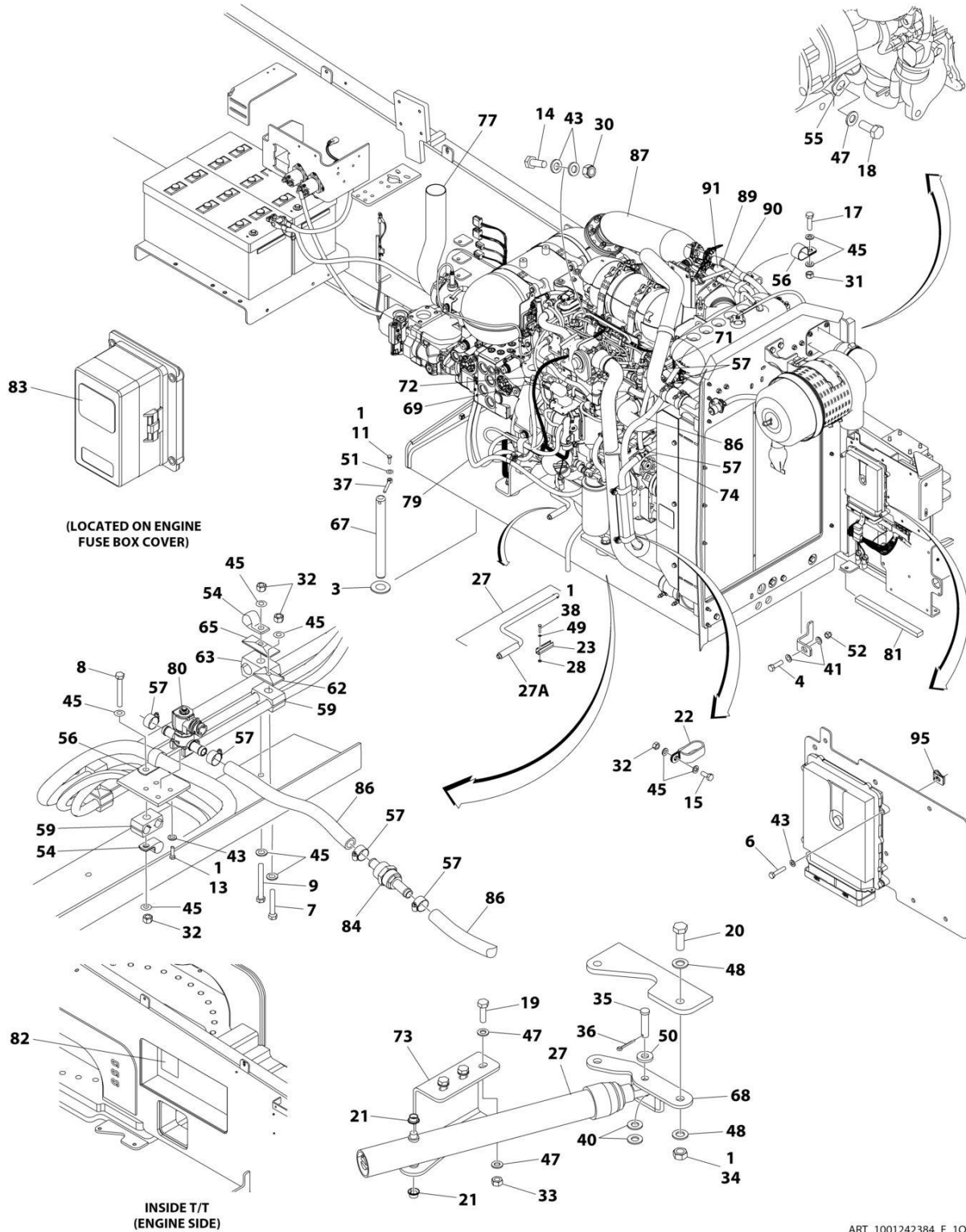
FIGURE 2-43. VENTURI INSTALLATION (LRC)

ITEM	PART NUMBER	QTY	DESCRIPTION	REV
	1001190032	Ref	VENTURI INSTALLATION (LRC)	B
1	0701014001	8	Bolt M10 x 30	
2	3291005001	8	Nut M10	
3	1001172358	16	Washer M10	
4	1001161470	1	Venturi, Exhaust	
5	1001190927	1	Panel	

SECTION 3 - ENGINE

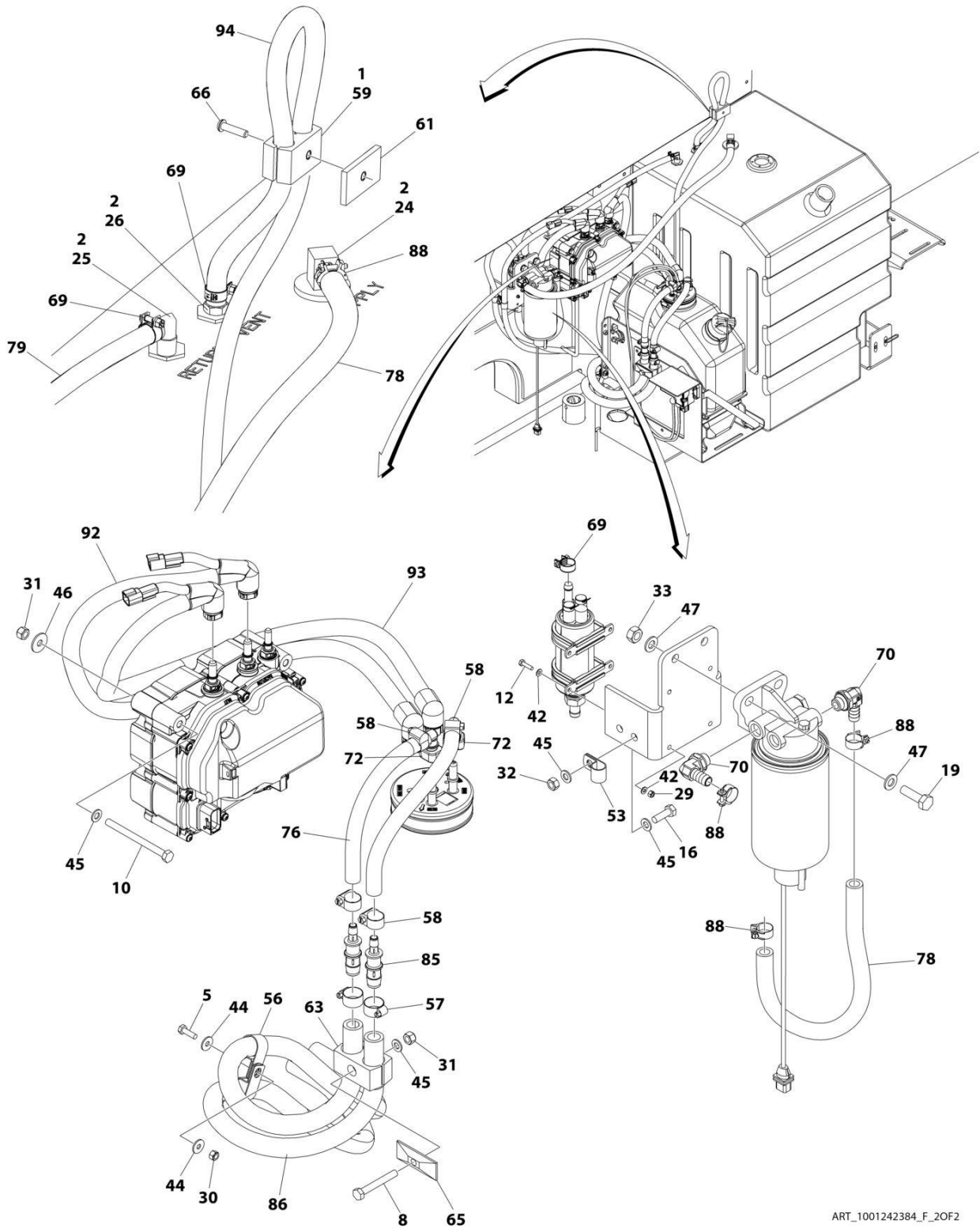
SECTION 3 - ENGINE

FIGURE 3-1. ENGINE INSTALLATION (HRC) (WITHOUT COLD WEATHER PACKAGE)



ART_1001242384_F_10F2

SECTION 3 - ENGINE



ART_1001242384_F_2OF2

SECTION 3 - ENGINE

FIGURE 3-1. ENGINE INSTALLATION (HRC) (WITHOUT COLD WEATHER PACKAGE)

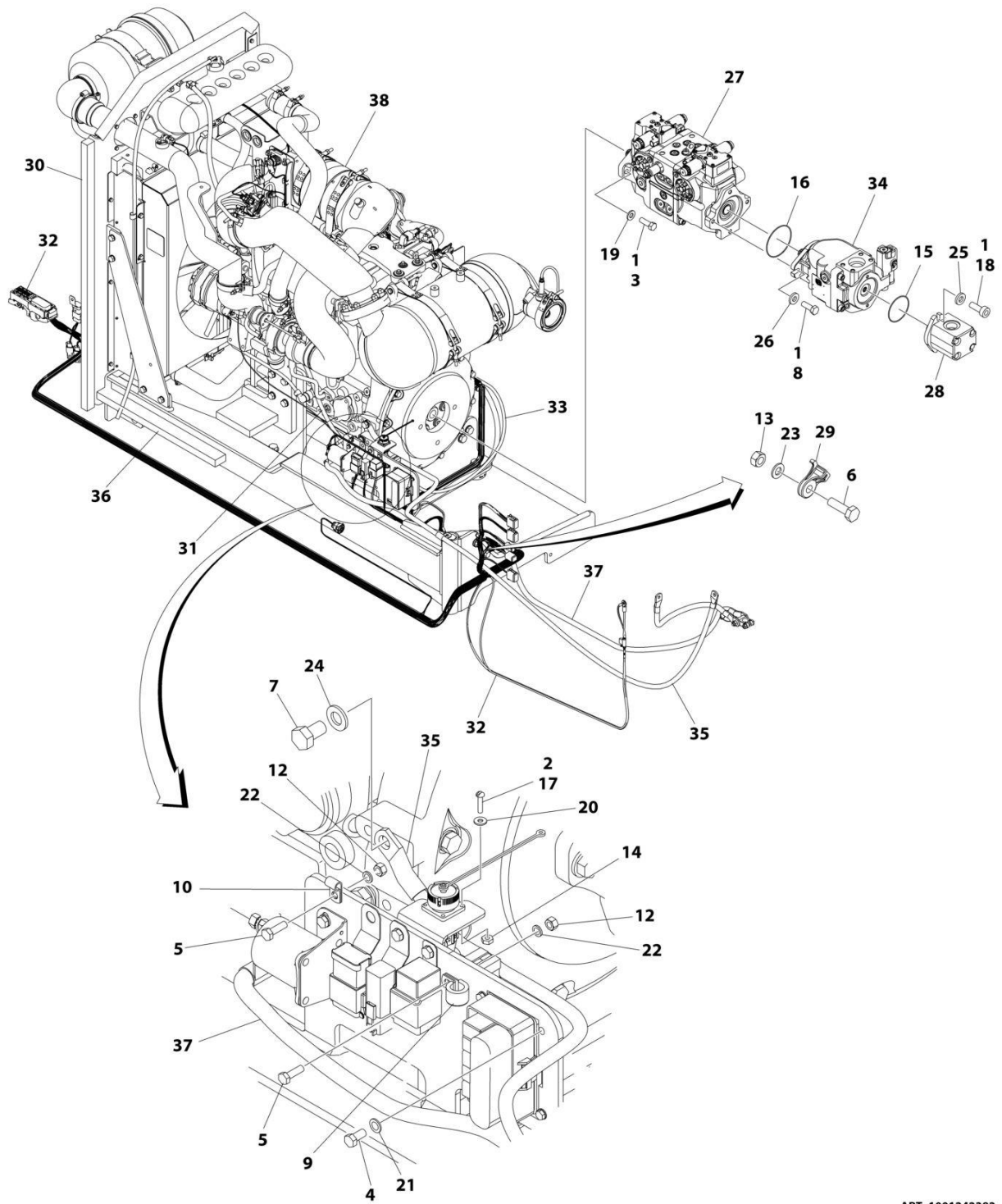
ITEM	PART NUMBER	QTY	DESCRIPTION	REV
	1001242384	Ref	ENGINE INSTALLATION (HRC) (WITHOUT COLD WEATHER PACKAGE)	F
1	0100011	AR	Compound, Locking	
2	0100020	AR	Sealant	
3	0440162	1	Bearing	
4	0642220	1	Bolt 3/4 x 2-1/2	
5	0700610	1	Bolt M6 x 20	
6	0700614	4	Bolt M6 x 30	
7	0700818	2	Bolt M8 x 50	
8	0700820	2	Bolt M8 x 60	
9	0700822	2	Bolt M8 x 70	
10	0700827	3	Bolt M8 x 100	
11	0711015	1	Bolt M10 x 35	
12	0760408	4	Bolt M4 x 16	
13	0760606	4	Bolt M6 x 12	
14	0760608	1	Bolt M6 x 16	
15	0760810	3	Bolt M8 x 20	
16	0760812	2	Bolt M8 x 25	
17	0760814	1	Bolt M8 x 30	
18	0761009	1	Bolt M10 x 18	
19	0761015	5	Bolt M10 x 35	
20	0771416	2	Bolt M14 x 40	
21	0962051	2	Bearing	
22	1321716	3	Clamp	
23	1380147	1	Clip	
24	2180832	1	Fitting, Straight Barbed/NPTF	
25	2220313	1	Fitting, 90 Barbed/NPTF	
26	2221114	1	Fitting, Straight Barbed/NPT	
27	2840016	1	Tray Jack Assembly	
27	7016322	1	Wiper (Burr Brand)	
27A	7016374	1	Handle (Burr Brand)	
27A	7024598	1	Handle (Hammerblow Brand)	
28	3290301	2	Nut M3	
29	3290405	4	Nut M4	
30	3290605	2	Nut M6	
31	3290805	6	Nut M8	
32	3290807	9	Nut M8	
33	3291007	5	Nut M10	
34	3331411	2	Nut M14	
35	3430816	1	Pin	
36	3450404	1	Pin, Cotter 1/8 x 1	
37	3841143	1	Keeper, Pin	
38	4010308	2	Screw M3 x 16	
39	4240099	AR	Tie-Strap (Not Shown)	
40	4711800	2	Washer 1/2	
41	4712200	2	Washer 3/4	
42	4811400	8	Washer M4	
43	4811700	10	Washer M6	
44	4811702	2	Washer M6	
45	4811900	26	Washer M8	

SECTION 3 - ENGINE

ITEM	PART NUMBER	QTY	DESCRIPTION	REV
46	4811902	3	Washer M8	
47	4812000	11	Washer M10	
48	4812200	4	Washer M14	
49	4871200	2	Washer M3	
50	4891800	1	Washer 1/2	
51	5241000	1	Washer M10	
52	8310067	1	Nut 3/4	
53	8406101	1	Clip	
54	8406102	3	Clip	
55	8406105	1	Clip	
56	8406201	6	Clip	
57	8410009	14	Clamp	
58	8410013	4	Clamp	
59	8750014	4	Clamp	
61	8750031	1	Plate, Clamp	
62	8769123	2	Cover, Clamp	
63	8769127	3	Clamp	
65	77133137	3	Cover, Clamp	
66	1001101580	1	Screw M8 x 30	
67	1001135196	1	Pin	
68	1001135497	1	Support	
69	1001136975	5	Clamp	
70	1001142501	2	Fitting, 90 Barbed	
71	1001154262	2	Fitting, Straight Barbed	
72	1001155823	3	Fitting, 90 Barbed	
73	1001155939	1	Mount	
74	1001162212	2	Fitting, Tee Barbed	
76	1001181625	2 ft/ 0.61m	Hose	
77	1001190475	1	Pipe, Exhaust	
78	1001154405	53 in/ 1.4m	Hose	
79	1001165035	31 ft/ 9.4m	Hose	
80	1001199670	1	Valve, Flow	
81	1001206747	1	Seal	
82	1001212056	1	Decal - Engine Fuse Box	
83	1001224046	1	Decal - Engine Fuse Box Cover	
84	1001228872	1	Filter, Coolant Screen	
85	1001238470	2	Fitting, Reducer Barbed	
86	82033995	378 in/ 9.6m	Hose	
87	1001242382	1	Engine Assembly with Pumps (HRC) (Without Cold Weather Package) (See Separate Breakdown in this Section)	
88	1001186342	4	Clip	
89	1001187518	1	Hose	
90	1001193980	1	Hose, Return	
91	1001212825	1	Hose	
92	1001238401	1	Hose, Backflow	
93	1001238402	1	Hose, Suction	
94	2750532	4 ft/ 1.2m	Hose	
95	8305919	4	Nut, Retainer M6	

SECTION 3 - ENGINE

FIGURE 3-2. ENGINE ASSEMBLY WITH PUMPS (HRC) (WITHOUT COLD WEATHER PACKAGE)



ART_1001242382

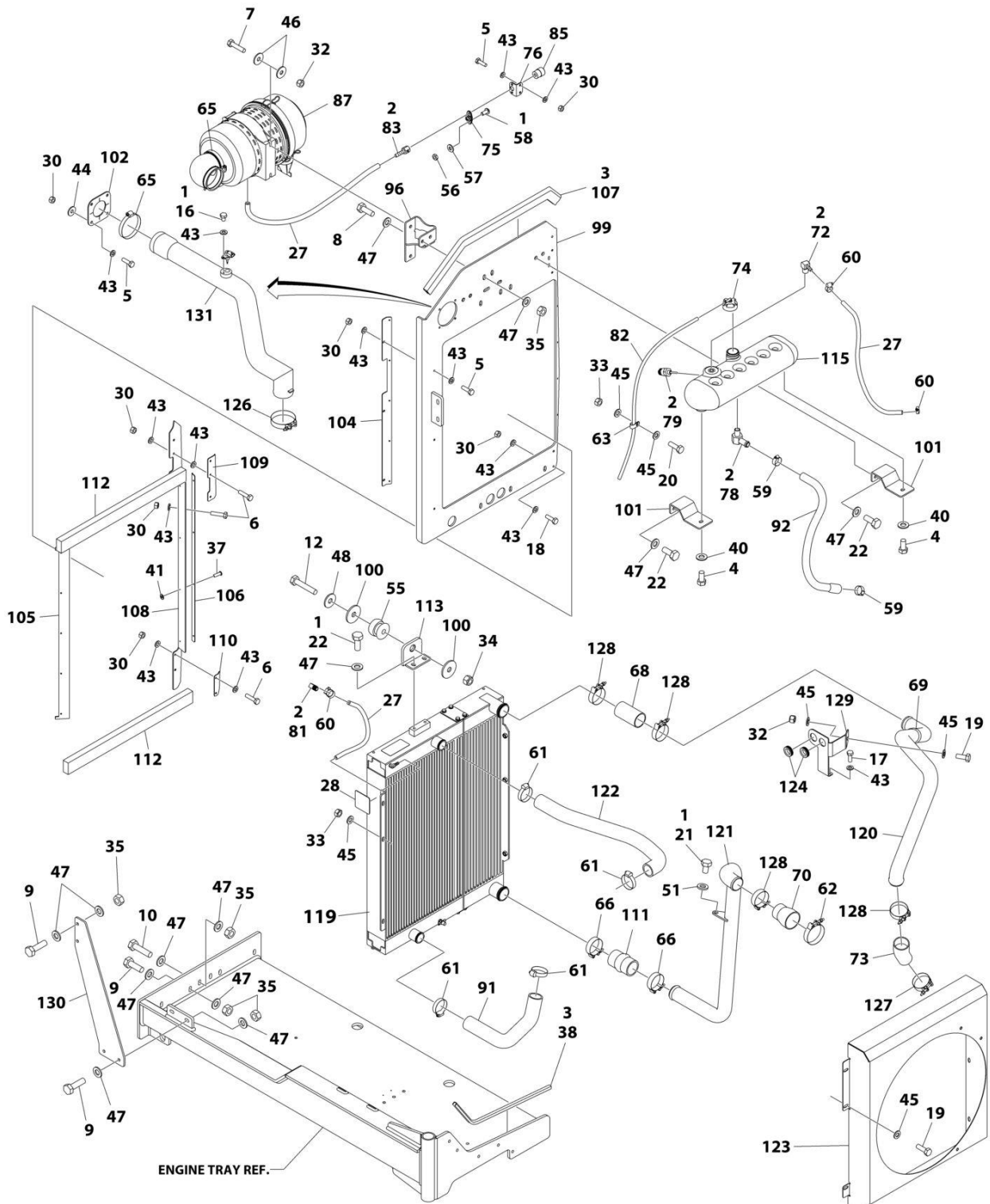
SECTION 3 - ENGINE

FIGURE 3-2. ENGINE ASSEMBLY WITH PUMPS (HRC) (WITHOUT COLD WEATHER PACKAGE)

ITEM	PART NUMBER	QTY	DESCRIPTION	REV
	1001242382	Ref	ENGINE ASSEMBLY WITH PUMPS (HRC) (WITHOUT COLD WEATHER PACKAGE)	C
1	0100011	AR	Compound, Locking	
2	0100035	AR	Compound, Locking	
3	0641812	2	Bolt 1/2 x 1-1/2	
4	0760508	4	Bolt M5 x 16	
5	0760610	2	Bolt M6 x 20	
6	0761015	2	Bolt M10 x 35	
7	0761210	1	Bolt M12 x 20	
8	0761216	2	Bolt M12 x 40	
9	1320041	1	Clamp	
10	1320136	1	Clamp	
12	3290607	2	Nut M6	
13	3291007	2	Nut M10	
14	3310401	3	Nut #4	
15	3790152	1	O-Ring	
16	3790155	1	O-Ring	
17	3910408	3	Screw #4 x 1/2	
18	3931620	2	Capscrew 3/8 x 1-1/4	
19	4740171	2	Washer	
20	4750400	3	Washer #4	
21	4811600	4	Washer M5	
22	4811700	2	Washer M6	
23	4812000	2	Washer M10	
24	4812100	1	Washer M12	
25	4891600	2	Washer 3/8	
26	4891800	2	Washer 1/2	
27	1001108616	1	Tandem Pump Assembly (See Separate Breakdown in this Section)	
28	1001112927	1	Gear Pump Assembly (See Separate Breakdown in this Section)	
29	1001156107	2	Holder, Cable	
30	1001156718	1	Seal	
31	1001157073	1	Cable, Alternator	
32	1001188922	1	Engine Harness (See Separate Breakdown in ELECTRICAL SECTION)	
33	1001197445	1	Cable, Glow Plug	
34	1001199470	1	Piston Pump Assembly (See Separate Breakdown in this Section)	
35	1001202355	1	Cable, Battery Negative	
36	1001206747	1	Seal	
37	1001234791	1	Cable, Battery Positive	
38	1001242378	1	Engine Assembly (HRC) (Without Cold Weather Package) (See Separate Breakdown in this Section)	

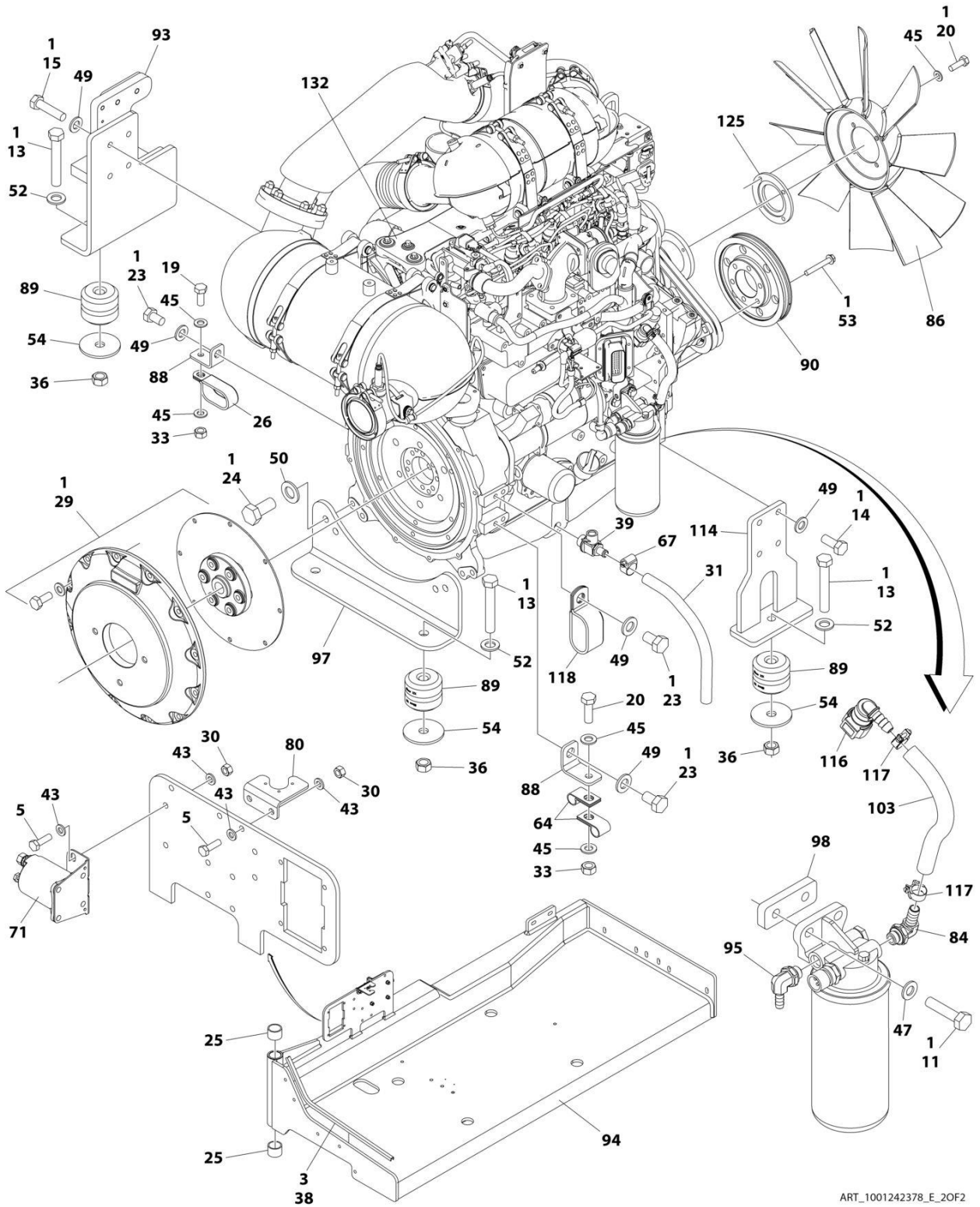
SECTION 3 - ENGINE

FIGURE 3-3. ENGINE ASSEMBLY (HRC) (WITHOUT COLD WEATHER PACKAGE)



ART_1001242378_E_10F2

SECTION 3 - ENGINE



ART_1001242378_E_20F2

SECTION 3 - ENGINE

FIGURE 3-3. ENGINE ASSEMBLY (HRC) (WITHOUT COLD WEATHER PACKAGE)

ITEM	PART NUMBER	QTY	DESCRIPTION	REV
	1001242378	Ref	DEUTZ T4F ENGINE ASSEMBLY	F
1	0100011	AR	Compound, Locking	
2	0100020	AR	Sealant	
3	0100081	AR	Adhesive	
4	0641606	2	Bolt 3/8 x 3/4	
5	0700610	13	Bolt M6 x 20	
6	0700612	7	Bolt M6 x 25	
7	0700815	2	Bolt M8 x 35	
8	0701013	2	Bolt M10 x 28	
9	0701015	6	Bolt M10 x 35	
10	0701016	2	Bolt M10 x 40	
11	0701017	2	Bolt M10 x 45	
12	0701019	1	Bolt M10 x 55	
13	0701627	4	Bolt M16 x 100	
14	0711214	4	Bolt M12 x 30 Grade 10.9	
15	0711218	4	Bolt M12 x 50 Grade 10.9	
16	0760604	1	Bolt M6 x 8	
17	0760608	2	Bolt M6 x 16	
18	0760614	2	Bolt M6 x 30	
19	0760810	6	Bolt M8 x 20	
20	0760812	7	Bolt M8 x 25	
21	0761008	1	Bolt M10 x 16	
22	0761012	6	Bolt M10 x 25	
23	0761210	3	Bolt M12 x 20	
24	0771415	4	Bolt M14 x 35 Grade 10.9	
25	0961951	2	Bushing	
26	1321716	1	Clamp	
27	2720015	5 ft/ 1.5m	Hose	
28	1703162	2	Decal - Fan Blade	
29	2902065	1	Pump Coupling Kit (See Separate Breakdown in this Section)	
30	3290607	22	Nut M6	
31	1001165035	1 ft/ 0.3m	Hose	
32	3290805	3	Nut M8	
33	3290807	5	Nut M8	
34	3291005	1	Nut M10	
35	3291007	10	Nut M10	
36	3291601	4	Nut M16	
37	3820032	9	Rivet	
38	4060807	22 in/ 55cm	Flex-Trim	
39	4640751	1	Valve, Oil Drain	
40	4711600	2	Washer 3/8	
41	4811600	4	Washer M5	
42	4240099	AR	Tie-Strap (Not Shown)	
43	4811700	43	Washer M6	
44	4811702	4	Washer M6	
45	4811900	19	Washer M8	
46	4811902	4	Washer M8	
47	4812000	30	Washer M10	
48	4812002	1	Washer M10	

SECTION 3 - ENGINE

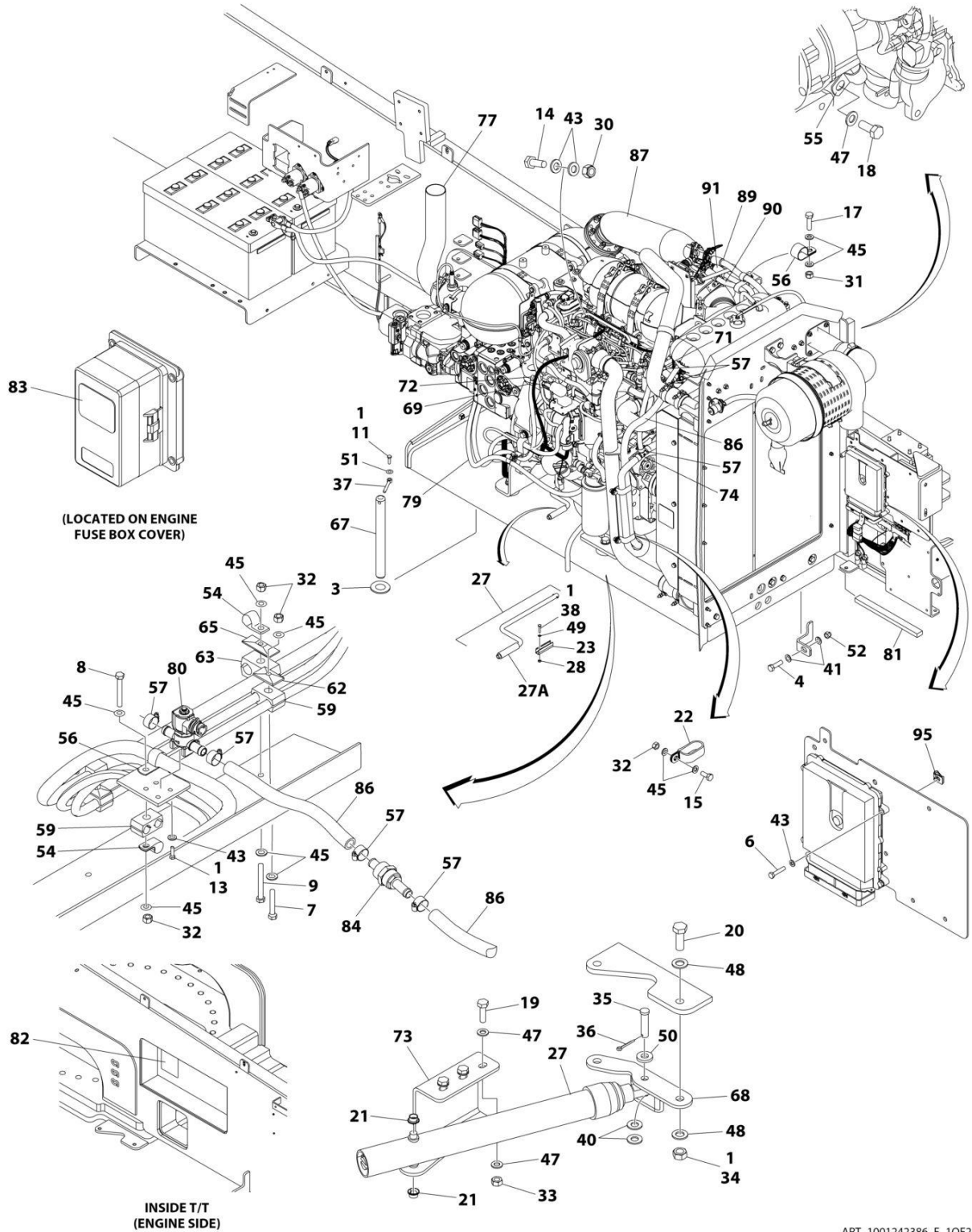
ITEM	PART NUMBER	QTY	DESCRIPTION	REV
49	4812100	11	Washer M12	
50	4812200	4	Washer M14	
51	5241000	1	Washer M10	
52	5241600	4	Washer M16	
53	5251022	6	Bolt M10 x 70	
54	7300435	4	Washer	
55	8278020	1	Mount	
56	8305401	2	Nut 1/4	
57	8307109	2	Washer 1/4	
58	8310548	2	Screw 1/4 x 1/2	
59	8405007	2	Clamp	
60	8405009	4	Clamp	
61	8405104	4	Clamp	
62	8405211	1	Clamp	
63	8406109	2	Clip	
64	8406110	2	Clip	
65	8410011	2	Clamp	
66	8410012	2	Clamp	
67	8410013	1	Clamp	
68	91563070	1	Coupling, Rubber	
69	1001097588	1	Clip	
70	1001117244	1	Reducer	
71	1001117308	1	Relay, 200Amp	
72	1001134488	1	Fitting, 90 NPT/Barbed	
73	1001135943	1	Coupling	
74	1001136834	1	Cap	
75	1001138173	1	Support	
76	1001138175	1	Bracket	
78	1001138559	1	Fitting, 90 NPT	
79	1001138827	1	Sensor	
80	1001139240	1	Bracket	
81	1001140564	1	Fitting, 90 NPT/Barbed	
82	1001138248	5 ft/ 1.5m	Tubing	
83	1001141995	1	Fitting, Straight NPT/Barbed	
84	1001142501	1	Fitting, 90 NPT/Barbed	
85	1001143390	1	Indicator, Air Restriction	
86	1001147567	1	Fan	
87	1001147847	1	Filter, Air	
87	70023809	1	Element, Primary	
87	70023872	1	Element, Secondary	
87	70024328	1	Elbow, Rubber	
87	70024329	1	Clamp, Mounting	
88	1001148641	2	Bracket	
89	1001149517	4	Mount, Motor	
90	1001149746	1	Pulley	
91	1001150504	1	Hose	
92	1001150553	1	Hose	
93	1001151491	1	Support	
94	1001151749	1	Tray	
95	1001152489	1	Fitting, 90 Barbed	
96	1001155023	1	Plate	

SECTION 3 - ENGINE

ITEM	PART NUMBER	QTY	DESCRIPTION	REV
97	1001155496	1	Support	
98	1001155498	1	Plate	
99	1001155525	1	Support	
100	1001155540	2	Washer	
101	1001155557	2	Plate	
102	1001155563	1	Seal	
103	1001154405	8.5 in/ 21cm	Hose	
104	1001155564	1	Bracket	
105	1001155565	1	Seal	
106	1001155566	1	Bracket	
107	1001155728	1	Seal	
108	1001156034	1	Seal	
109	1001156035	1	Bracket	
110	1001156062	1	Bracket	
111	1001156091	1	Hose	
112	1001156644	2	Seal	
113	1001157862	1	Bracket	
114	1001160518	1	Support	
115	1001166393	1	Tank	
116	1001170982	1	Fitting, 90 SAE/Barbed	
117	1001175568	2	Clip	
118	1001181899	1	Clamp	
119	1001256862	1	Radiator	
120	1001189291	1	Pipe, Exhaust	
121	1001190418	1	Tube	
122	1001191122	1	Hose, Upper	
123	1001192138	1	Shroud	
124	1001193599	2	Grommet	
125	1001197317	1	Spacer	
126	1001208297	1	Clamp	
127	1001208298	1	Clamp	
128	1001208299	4	Clamp	
129	1001212810	1	Support	
130	1001212817	1	Plate	
131	1001212826	1	Tube, Intake	
132	1001251858	1	Deutz HRC Engine Components (See Separate Breakdown in this Section)	

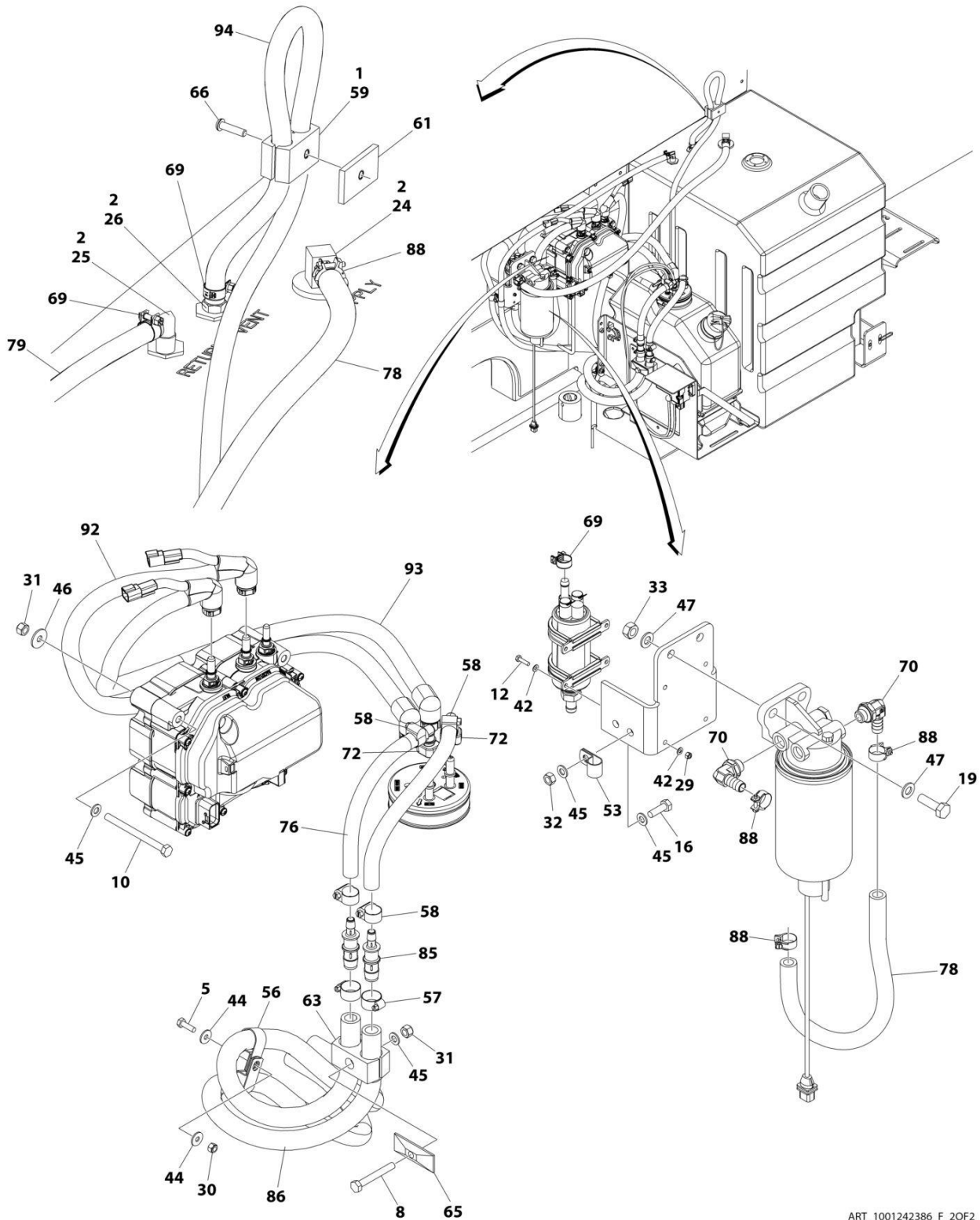
SECTION 3 - ENGINE

FIGURE 3-4. ENGINE INSTALLATION (HRC) (WITH COLD WEATHER PACKAGE)



ART_1001242386_F_10F2

SECTION 3 - ENGINE



ART_1001242386_F_2OF2

SECTION 3 - ENGINE

FIGURE 3-4. ENGINE INSTALLATION (HRC) (WITH COLD WEATHER PACKAGE)

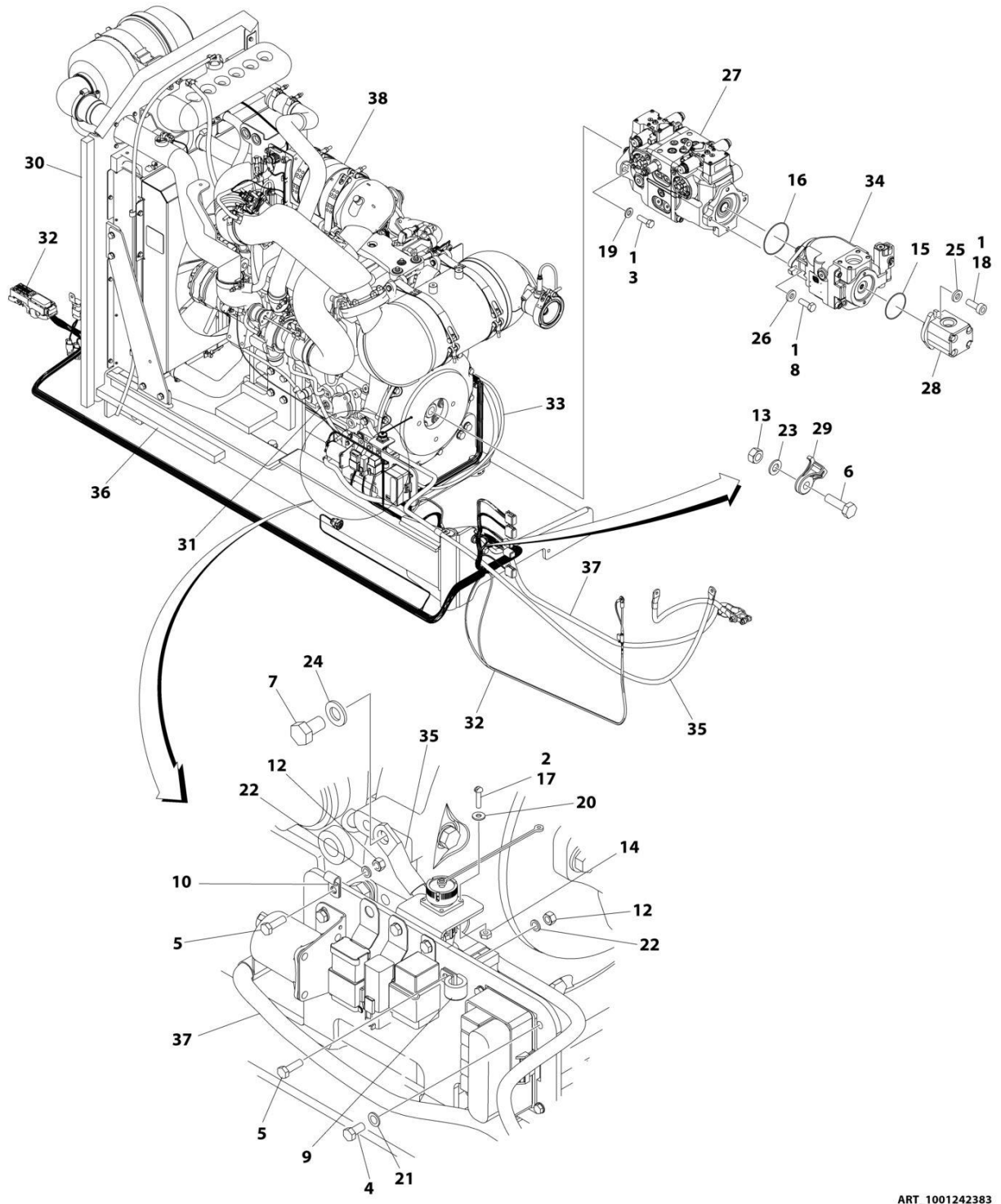
ITEM	PART NUMBER	QTY	DESCRIPTION	REV
	1001242386	Ref	ENGINE INSTALLATION (HRC) (WITH COLD WEATHER PACKAGE)	F
1	0100011	AR	Compound, Locking	
2	0100020	AR	Sealant	
3	0440162	1	Bearing	
4	0642220	1	Bolt 3/4 x 2-1/2	
5	0700610	1	Bolt M6 x 20	
6	0700614	4	Bolt M6 x 30	
7	0700818	2	Bolt M8 x 50	
8	0700820	1	Bolt M8 x 60	
9	0700822	2	Bolt M8 x 70	
10	0700827	3	Bolt M8 x 100	
11	0711015	1	Bolt M10 x 35	
12	0760408	4	Bolt M4 x 16	
13	0760606	4	Bolt M6 x 12	
14	0760608	1	Bolt M6 x 16	
15	0760810	3	Bolt M8 x 20	
16	0760812	2	Bolt M8 x 25	
17	0760814	1	Bolt M8 x 30	
18	0761009	1	Bolt M10 x 18	
19	0761015	5	Bolt M10 x 35	
20	0771416	2	Bolt M14 x 40	
21	0962051	2	Bearing	
22	1321716	3	Clamp	
23	1380147	1	Clip	
24	2180832	1	Fitting, Straight Barbed/NPTF	
25	2220313	1	Fitting, 90 Barbed/NPTF	
26	2221114	1	Fitting, Straight Barbed/NPT	
27	2840016	1	Tray Jack Assembly	
27	7016322	1	Wiper (Burr Brand)	
27A	7016374	1	Handle (Burr Brand)	
27A	7024598	1	Handle (Hammerblow Brand)	
28	3290301	2	Nut M3	
29	3290405	4	Nut M4	
30	3290605	2	Nut M6	
31	3290805	6	Nut M8	
32	3290807	9	Nut M8	
33	3291007	5	Nut M10	
34	3331411	2	Nut M14	
35	3430816	1	Pin	
36	3450404	1	Pin, Cotter 1/8 x 1	
37	3841143	1	Keeper, Pin	
38	4010308	2	Screw M3 x 16	
39	4240099	AR	Tie-Strap (Not Shown)	
40	4711800	2	Washer 1/2	
41	4712200	2	Washer 3/4	
42	4811400	8	Washer M4	
43	4811700	10	Washer M6	
44	4811702	2	Washer M6	
45	4811900	26	Washer M8	

SECTION 3 - ENGINE

ITEM	PART NUMBER	QTY	DESCRIPTION	REV
46	4811902	3	Washer M8	
47	4812000	11	Washer M10	
48	4812200	4	Washer M14	
49	4871200	2	Washer M3	
50	4891800	1	Washer 1/2	
51	5241000	1	Washer M10	
52	8310067	1	Nut 3/4	
53	8406101	1	Clip	
54	8406102	3	Clip	
55	8406105	1	Clip	
56	8406201	6	Clip	
57	8410009	14	Clamp	
58	8410013	4	Clamp	
59	8750014	4	Clamp	
61	8750031	1	Plate, Clamp	
62	8769123	2	Cover, Clamp	
63	8769127	3	Cover, Clamp	
65	77133137	3	Cover, Clamp	
66	1001101580	1	Screw M8 x 30	
67	1001135196	1	Pin	
68	1001135497	1	Support	
69	1001136975	5	Clamp	
70	1001142501	2	Fitting, 90 Barbed	
71	1001154262	2	Fitting, Straight Barbed	
72	1001155823	3	Fitting, 90 Barbed	
73	1001155939	1	Mount	
74	1001162212	2	Fitting, Tee Barbed	
76	1001181625	2 ft/ 0.61m	Hose	
77	1001190475	1	Pipe, Exhaust	
78	1001154405	53 in/ 1.4m	Hose	
79	1001165035	31 ft/ 9.4m	Hose	
80	1001199670	1	Valve, Flow	
81	1001206747	1	Seal	
82	1001212056	1	Decal - Engine Fuse Box	
83	1001224046	1	Decal - Engine Fuse Box Cover	
84	1001228872	1	Filter, Coolant Screen	
85	1001238470	2	Fitting, Reducer Barbed	
86	82033995	374 in/ 9.5m	Hose	
87	1001242383	1	Engine Assembly with Pumps (HRC) (With Cold Weather Package) (See Separate Breakdown in this Section)	
88	1001186342	4	Clip	
89	1001187518	1	Hose	
90	1001193980	1	Hose, Return	
91	1001212825	1	Hose	
92	1001238401	1	Hose, Backflow	
93	1001238402	1	Hose, Suction	
94	2750532	4 ft/ 1.2m	Hose	
95	8305919	4	Nut, Tinnerman M6	

SECTION 3 - ENGINE

FIGURE 3-5. ENGINE ASSEMBLY WITH PUMPS (HRC) (WITH COLD WEATHER PACKAGE)



ART_1001242383

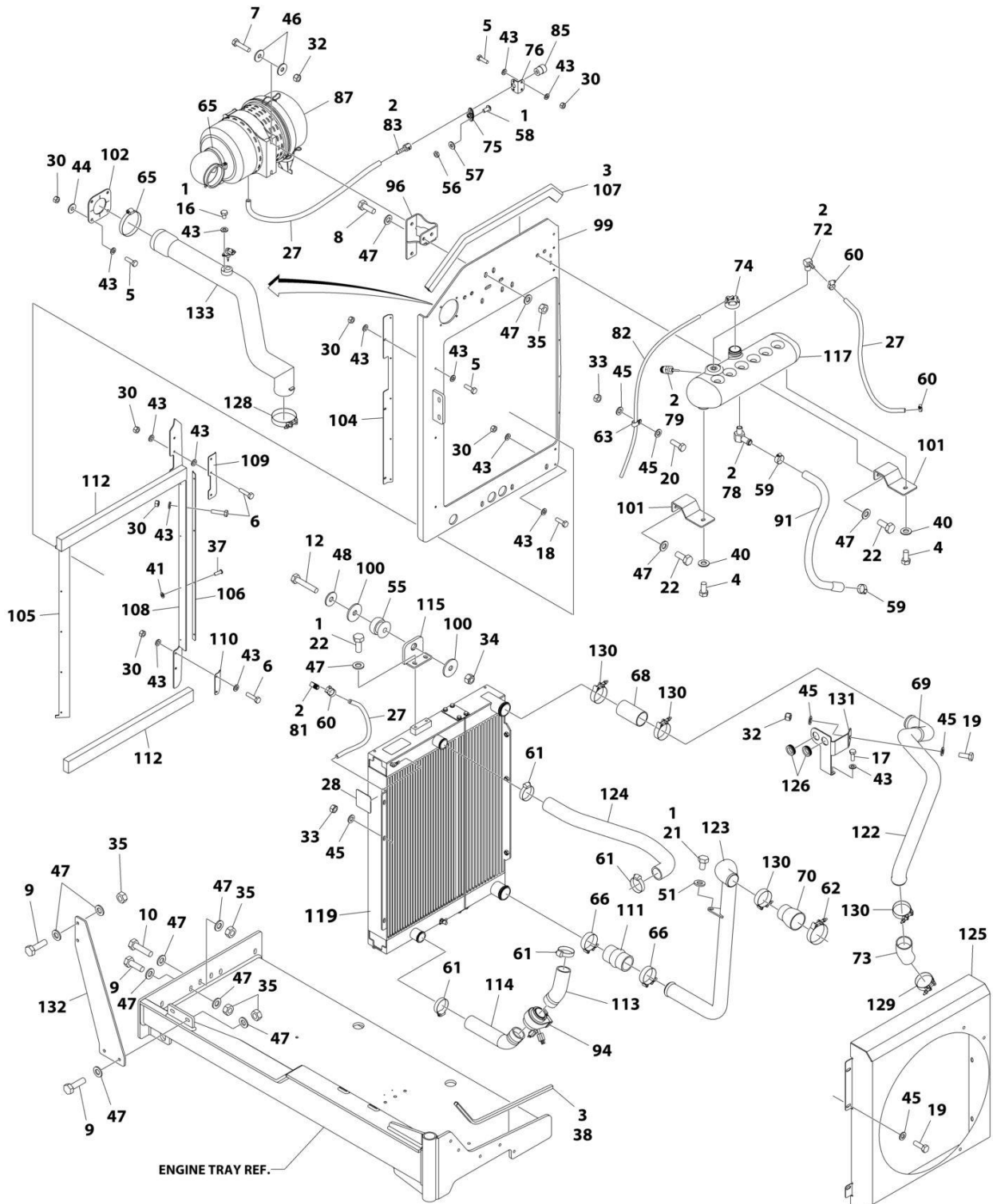
SECTION 3 - ENGINE

FIGURE 3-5. ENGINE ASSEMBLY WITH PUMPS (HRC) (WITH COLD WEATHER PACKAGE)

ITEM	PART NUMBER	QTY	DESCRIPTION	REV
	1001242383	Ref	ENGINE ASSEMBLY WITH PUMPS (HRC) (WITH COLD WEATHER PACKAGE)	C
1	0100011	AR	Compound, Locking	
2	0100035	AR	Compound, Locking	
3	0641812	2	Bolt 1/2 x 1-1/2	
4	0760508	4	Bolt M5 x 16	
5	0760610	2	Bolt M6 x 20	
6	0761015	2	Bolt M10 x 35	
7	0761210	1	Bolt M12 x 20	
8	0761216	2	Bolt M12 x 40	
9	1320041	1	Clamp	
10	1320136	1	Clamp	
12	3290607	2	Nut M6	
13	3291007	2	Nut M10	
14	3310401	3	Nut #4	
15	3790152	1	O-Ring	
16	3790155	1	O-Ring	
17	3910408	3	Screw #4 x 1/2	
18	3931620	2	Capscrew 3/8 x 1-1/4	
19	4740171	2	Washer	
20	4750400	3	Washer #4	
21	4811600	4	Washer M5	
22	4811700	2	Washer M6	
23	4812000	2	Washer M10	
24	4812100	1	Washer M12	
25	4891600	2	Washer 3/8	
26	4891800	2	Washer 1/2	
27	1001108616	1	Tandem Pump Assembly (See Separate Breakdown in this Section)	
28	1001112927	1	Gear Pump Assembly (See Separate Breakdown in this Section)	
29	1001156107	2	Holder, Cable	
30	1001156718	1	Seal	
31	1001157073	1	Cable, Alternator	
32	1001188922	1	Engine Harness (See Separate Breakdown in ELECTRICAL SECTION)	
33	1001197445	1	Cable, Glow Plug	
34	1001199470	1	Piston Pump Assembly (See Separate Breakdown in this Section)	
35	1001202355	1	Cable, Battery Negative	
36	1001206747	1	Seal	
37	1001234791	1	Cable, Battery Positive	
38	1001242380	1	Engine Assembly (HRC) (With Cold Weather Package) (See Separate Breakdown in this Section)	

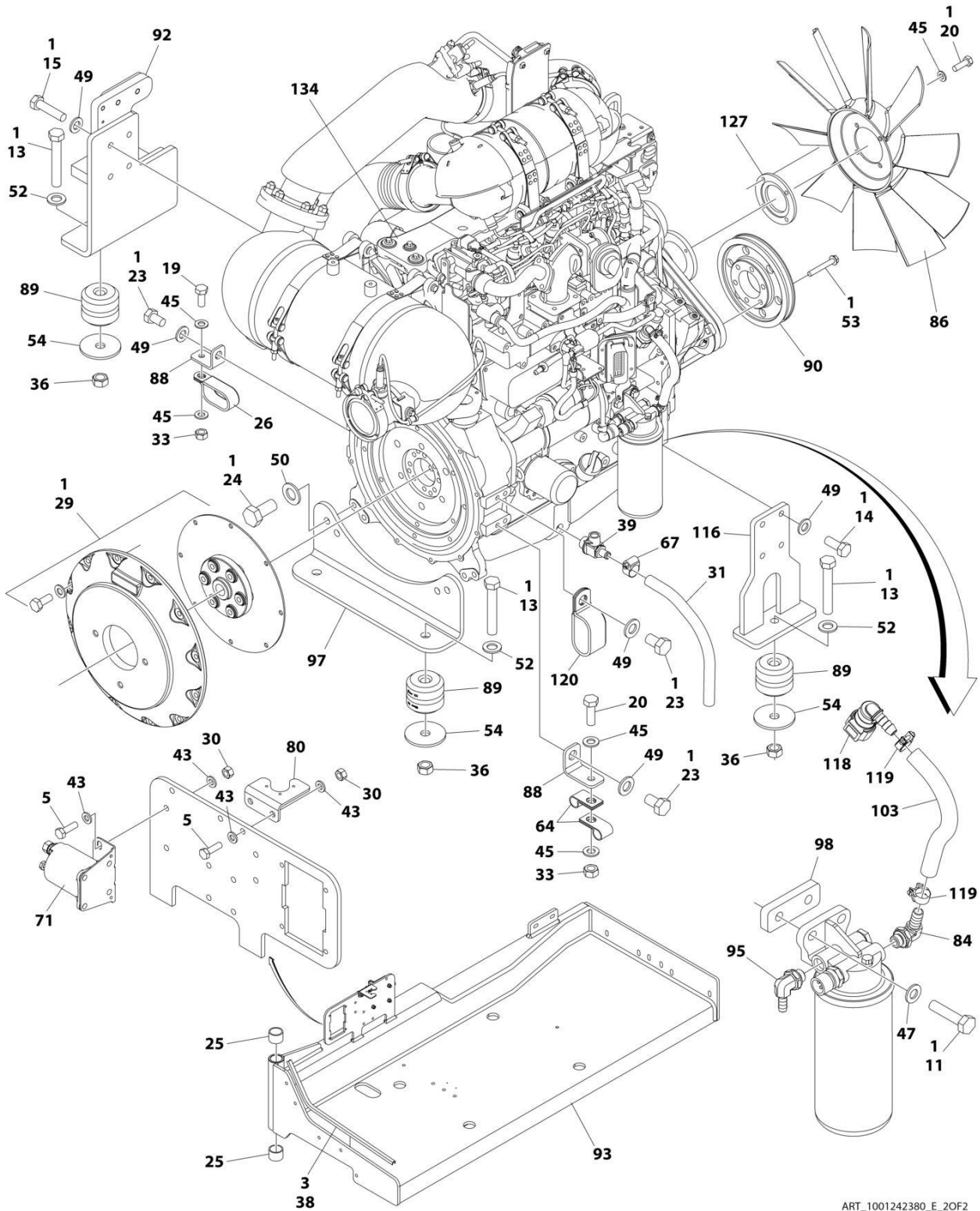
SECTION 3 - ENGINE

FIGURE 3-6. ENGINE ASSEMBLY (HRC) (WITH COLD WEATHER PACKAGE)



ART_1001242380_E_1OF2

SECTION 3 - ENGINE



ART_1001242380_E_20F2

SECTION 3 - ENGINE

FIGURE 3-6. ENGINE ASSEMBLY (HRC) (WITH COLD WEATHER PACKAGE)

ITEM	PART NUMBER	QTY	DESCRIPTION	REV
	1001242380	Ref	DEUTZ T4F ENGINE ASSEMBLY	F
1	0100011	AR	Compound, Locking	
2	0100020	AR	Sealant	
3	0100081	AR	Adhesive	
4	0641606	2	Bolt 3/8 x 3/4	
5	0700610	13	Bolt M6 x 20	
6	0700612	7	Bolt M6 x 25	
7	0700815	2	Bolt M8 x 35	
8	0701013	2	Bolt M10 x 28	
9	0701015	6	Bolt M10 x 35	
10	0701016	2	Bolt M10 x 40	
11	0701017	2	Bolt M10 x 45	
12	0701019	1	Bolt M10 x 55	
13	0701627	4	Bolt M16 x 100	
14	0711214	4	Bolt M12 x 30 Grade 10.9	
15	0711218	4	Bolt M12 x 50 Grade 10.9	
16	0760604	1	Bolt M6 x 8	
17	0760608	2	Bolt M6 x 16	
18	0760614	2	Bolt M6 x 30	
19	0760810	6	Bolt M8 x 20	
20	0760812	7	Bolt M8 x 25	
21	0761008	1	Bolt M10 x 16	
22	0761012	6	Bolt M10 x 25	
23	0761210	3	Bolt M12 x 20	
24	0771415	4	Bolt M14 x 35 Grade 10.9	
25	0961951	2	Bushing	
26	1321716	1	Clamp	
27	2720015	5 ft/ 1.5m	Hose	
28	1703162	2	Decal - Fan Blade	
29	2902065	1	Pump Coupling Kit (See Separate Breakdown in this Section)	
30	3290607	22	Nut M6	
31	1001165035	1 ft/ 0.3m	Hose	
32	3290805	3	Nut M8	
33	3290807	5	Nut M8	
34	3291005	1	Nut M10	
35	3291007	10	Nut M10	
36	3291601	4	Nut M16	
37	3820032	9	Rivet	
38	4060807	22 in/ 55cm	Flex-Trim	
39	4640751	1	Valve, Oil Drain	
40	4711600	2	Washer 3/8	
41	4811600	4	Washer M5	
42	4240099	AR	Tie-Strap (Not Shown)	
43	4811700	43	Washer M6	
44	4811702	4	Washer M6	
45	4811900	19	Washer M8	
46	4811902	4	Washer M8	
47	4812000	30	Washer M10	
48	4812002	1	Washer M10	

SECTION 3 - ENGINE

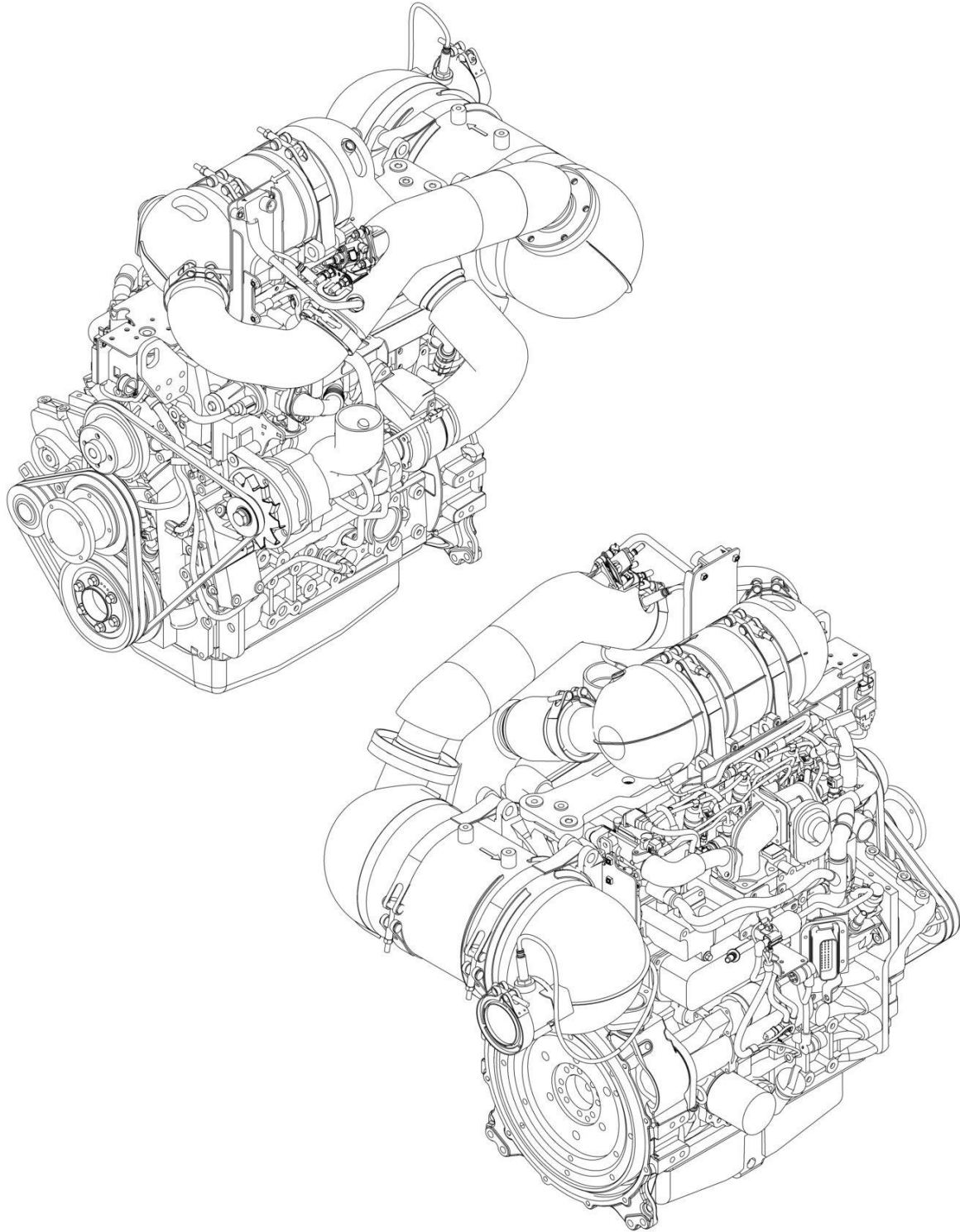
ITEM	PART NUMBER	QTY	DESCRIPTION	REV
49	4812100	11	Washer M12	
50	4812200	4	Washer M14	
51	5241000	1	Washer M10	
52	5241600	4	Washer M16	
53	5251022	6	Bolt M10 x 70	
54	7300435	4	Washer	
55	8278020	1	Mount	
56	8305401	2	Nut 1/4	
57	8307109	2	Washer 1/4	
58	8310548	2	Screw 1/4 x 1/2	
59	8405007	2	Clamp	
60	8405009	4	Clamp	
61	8405104	4	Clamp	
62	8405211	1	Clamp	
63	8406109	2	Clip	
64	8406110	2	Clip	
65	8410011	2	Clamp	
66	8410012	2	Clamp	
67	8410013	1	Clamp	
68	91563070	1	Coupling, Rubber	
69	1001097588	1	Clip	
70	1001117244	1	Reducer	
71	1001117308	1	Relay, 200Amp	
72	1001134488	1	Fitting, 90 NPT/Barbed	
73	1001135943	1	Coupling	
74	1001136834	1	Cap	
75	1001138173	1	Support	
76	1001138175	1	Bracket	
78	1001138559	1	Fitting, 90 NPT	
79	1001138827	1	Sensor	
80	1001139240	1	Bracket	
81	1001140564	1	Fitting, 90 NPT/Barbed	
82	1001138248	5 ft/ 1.5m	Tubing	
83	1001141995	1	Fitting, Straight NPT/Barbed	
84	1001142501	1	Fitting, 90 NPT/Barbed	
85	1001143390	1	Indicator, Air Restriction	
86	1001147567	1	Fan	
87	1001147847	1	Filter, Air	
87	70023809	1	Element, Primary	
87	70023872	1	Element, Secondary	
87	70024328	1	Elbow, Rubber	
87	70024329	1	Clamp, Mounting	
88	1001148641	2	Bracket	
89	1001149517	4	Mount, Motor	
90	1001149746	1	Pulley	
91	1001150553	1	Hose	
92	1001151491	1	Support	
93	1001151749	1	Tray	
94	1001152112	1	Heater	
95	1001152489	1	Fitting, 90 Barbed	
96	1001155023	1	Plate	

SECTION 3 - ENGINE

ITEM	PART NUMBER	QTY	DESCRIPTION	REV
97	1001155496	1	Support	
98	1001155498	1	Plate	
99	1001155525	1	Support	
100	1001155540	2	Washer	
101	1001155557	2	Plate	
102	1001155563	1	Seal	
103	1001154405	8.5 in/ 21cm	Hose	
104	1001155564	1	Bracket	
105	1001155565	1	Seal	
106	1001155566	1	Bracket	
107	1001155728	1	Seal	
108	1001156034	1	Seal	
109	1001156035	1	Bracket	
110	1001156062	1	Bracket	
111	1001156091	1	Hose	
112	1001156644	2	Seal	
113	1001157300	1	Hose	
114	1001157301	1	Hose	
115	1001157862	1	Bracket	
116	1001160518	1	Support	
117	1001166393	1	Tank	
118	1001170982	1	Fitting, 90 SAE/Barbed	
119	1001175568	2	Clip	
120	1001181899	1	Clamp	
121	1001256862	1	Radiator	
122	1001189291	1	Pipe, Exhaust	
123	1001190418	1	Tube	
124	1001191122	1	Hose, Upper	
125	1001192138	1	Shroud	
126	1001193599	2	Grommet	
127	1001197317	1	Spacer	
128	1001208297	1	Clamp	
129	1001208298	1	Clamp	
130	1001208299	4	Clamp	
131	1001212810	1	Support	
132	1001212817	1	Plate	
133	1001212826	1	Tube, Intake	
134	1001251858	1	Deutz HRC Engine Components (See Separate Breakdown in this Section)	

SECTION 3 - ENGINE

FIGURE 3-7. DEUTZ HRC ENGINE COMPONENTS



ART_1001251858

SECTION 3 - ENGINE

FIGURE 3-7. DEUTZ HRC ENGINE COMPONENTS

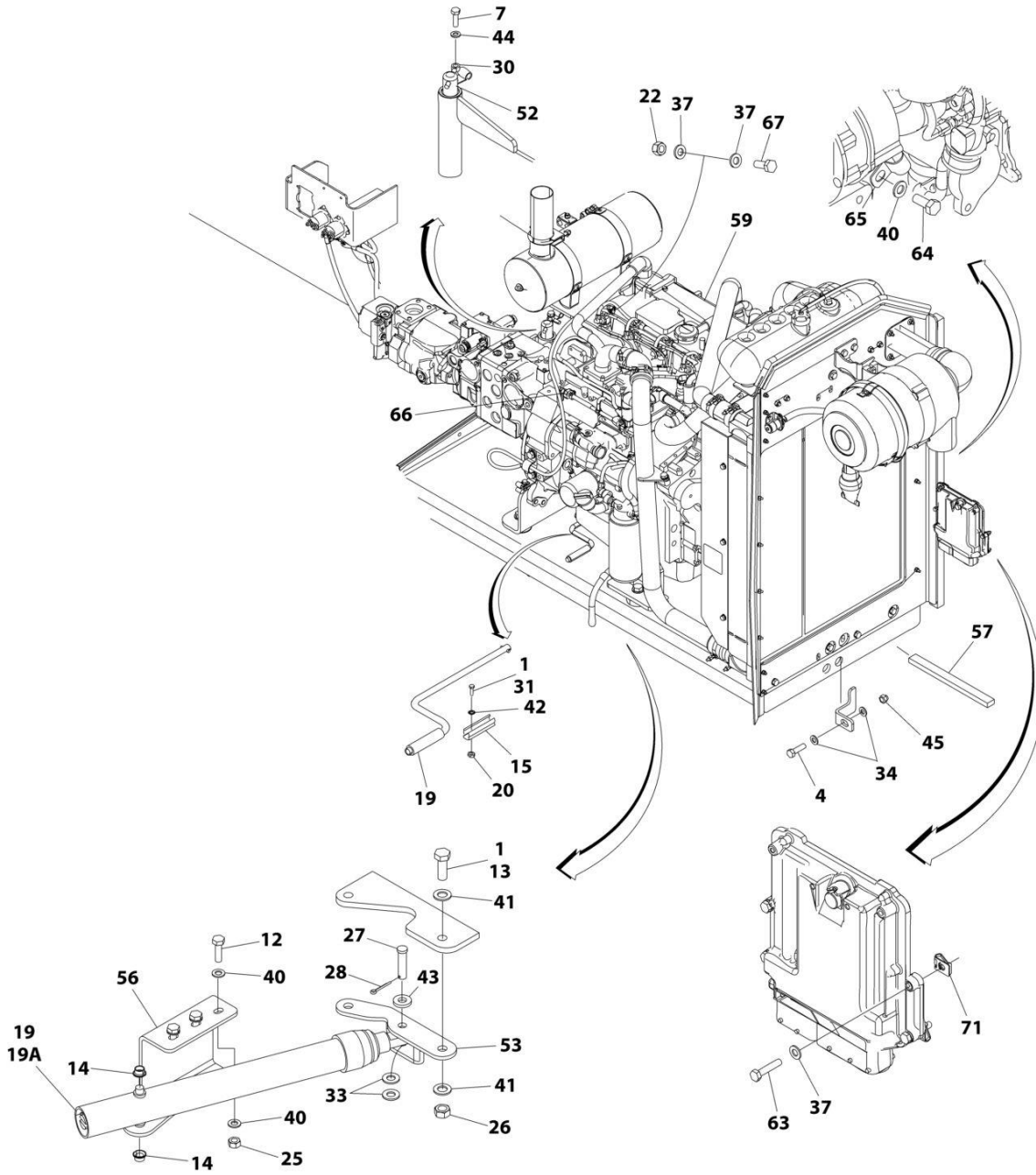
ITEM	PART NUMBER	QTY	DESCRIPTION	REV
	1001251858	Ref	DEUTZ ENGINE COMPONENTS	B
		Ref	Note: For complete list of parts, contact JLG Parts Department	
		Ref	Air Intake System Components	
	70007083	1	Turbocharger	
		Ref	Cooling System Components	
	70004515	1	Pump, Coolant	
		Ref	Electrical System Components	
	70027420	1	Module, ECU/ECM	
	70029401	1	Generator (Includes Regulator & Fan)	
	70006653	1	Regulator	
	70004520	1	Starter (Includes Solenoid)	
	70025780	1	Relay	
	70007085	1	Harness, Engine	
	70005517	1	Harness, Starter	
	70026210	2	Sender, Tacho-Generator (Speed) (Includes Seal)	
	70005559	1	Sender, Temperature	
	70028540	1	Sender, Temperature (On Thermostat Housing)	
	70027405	2	Sender, Temperature (On Exhaust) (Includes Seal)	
	70005556	1	Sender, Temperature (On Exhaust) (Includes Seal)	
	70005524	1	Sensor (On Exhaust)	
	70005522	1	Sensor, Pressure (O2) (On Exhaust)	
	70005523	1	Sensor, Pressure (O2) (On Exhaust)	
	70024507	1	Sensor, Pressure (Includes Seal) (On Air Intake Manifold)	
	70005504	1	Sensor, Pressure (Includes Seal) (On Exhaust)	
	70024504	1	Sensor, Pressure (Includes Seal) (On Block)	
	70024474	4	Plug, Glow	
	70005544	1	Unit, Exhaust Metering (Includes Gasket)	
		Ref	Exhaust System Components	
	70005513	1	Valve, EGR	
	70005511	1	Gasket, Exhaust (Manifold to Head)	
	70024480	1	Gasket, Exhaust (Manifold to TurboCharger)	
	70007083	1	Turbocharger	
	70027460	1	Tank, DEF (Includes Filter, Cover & Breather)	
	70027464	1	Filter (Inside DEF Tank)	
	70027467	1	Breather (On DEF Tank)	
	70007093	1	Catalyst	
	70008612	1	DEF Tank Assembly (Includes Cap, Filler Filter & Venting Valve)	
	70027495	1	Filter, Filler - DEF Tank	
	70008613	1	Cap/Cover, DEF Tank	
	70027467	1	Valve, Venting - DEF Tank	
	1001293066	1	Sensor, Level - DEF Tank	
	70027463	1	Clip, Level Sensor - DEF Tank	
	70027464	1	Filter, DEF In-line	
		Ref	Fuel System Components	
	70024487	1	Pump, Fuel Injector	
	70024485	4	Injector (Includes Seal, Clamp & O-Ring)	
	70006144	1	Pump, Fuel Supply (Includes Clamps)	
	70025153	1	Filter, Fuel (Pre-Filter)	
	70004512	1	Filter, Fuel	
	70005492	1	Valve, Throttle	

SECTION 3 - ENGINE

ITEM	PART NUMBER	QTY	DESCRIPTION	REV
	70005548	1	Pump, Fuel Supply (Includes Filter)	
	70005549	1	Filter (Inside Fuel Supply Pump)	
		Ref	Lubricating System Components	
	70025745	1	Dipstick	
	7020465	2	Cap, Oil Fill	
	70025088	1	Plug, Oil Drain	
	7020404	2	Seal, Oil Drain Plug	
		Ref	Pump, Oil (Includes Bolts & Bushing)	
	7016331	1	Filter, Oil	
	70024494	1	Cooler, Oil	
		Ref	Mechanical Components	
	70005498	1	V-Belt (Set of 2)	
	70005516	1	V-Belt (Generator)	
	70024481	1	Gasket, Valve Cover	
	70025789	1	Gasket, Head	
	70025707	1	Gasket Kit - Complete	

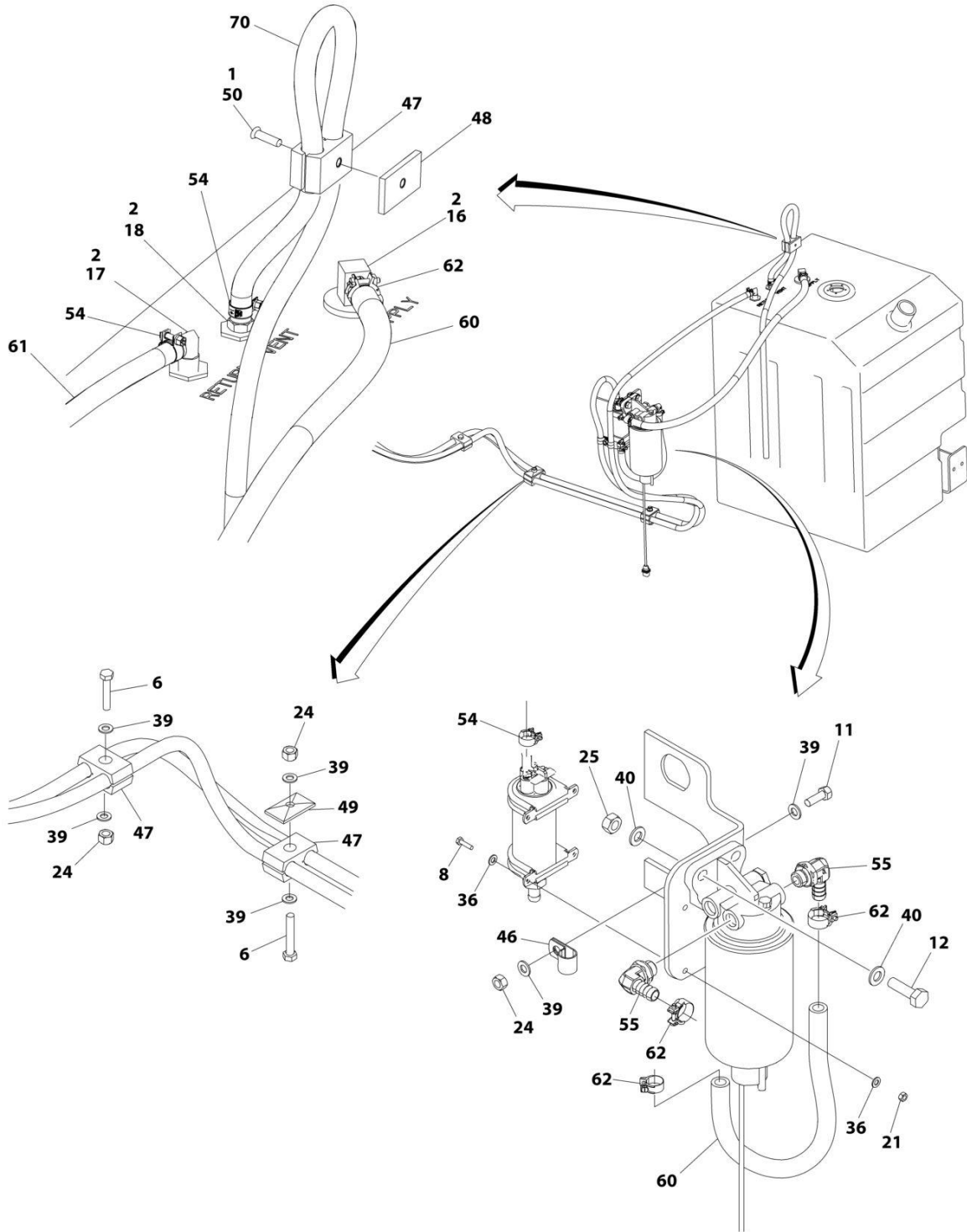
SECTION 3 - ENGINE

FIGURE 3-8. ENGINE INSTALLATION (LRC) (WITHOUT COLD WEATHER PACKAGE)



ART_1001197307_K_10F2

SECTION 3 - ENGINE



ART_1001197307_K_2OF2

SECTION 3 - ENGINE

FIGURE 3-8. ENGINE INSTALLATION (LRC) (WITHOUT COLD WEATHER PACKAGE)

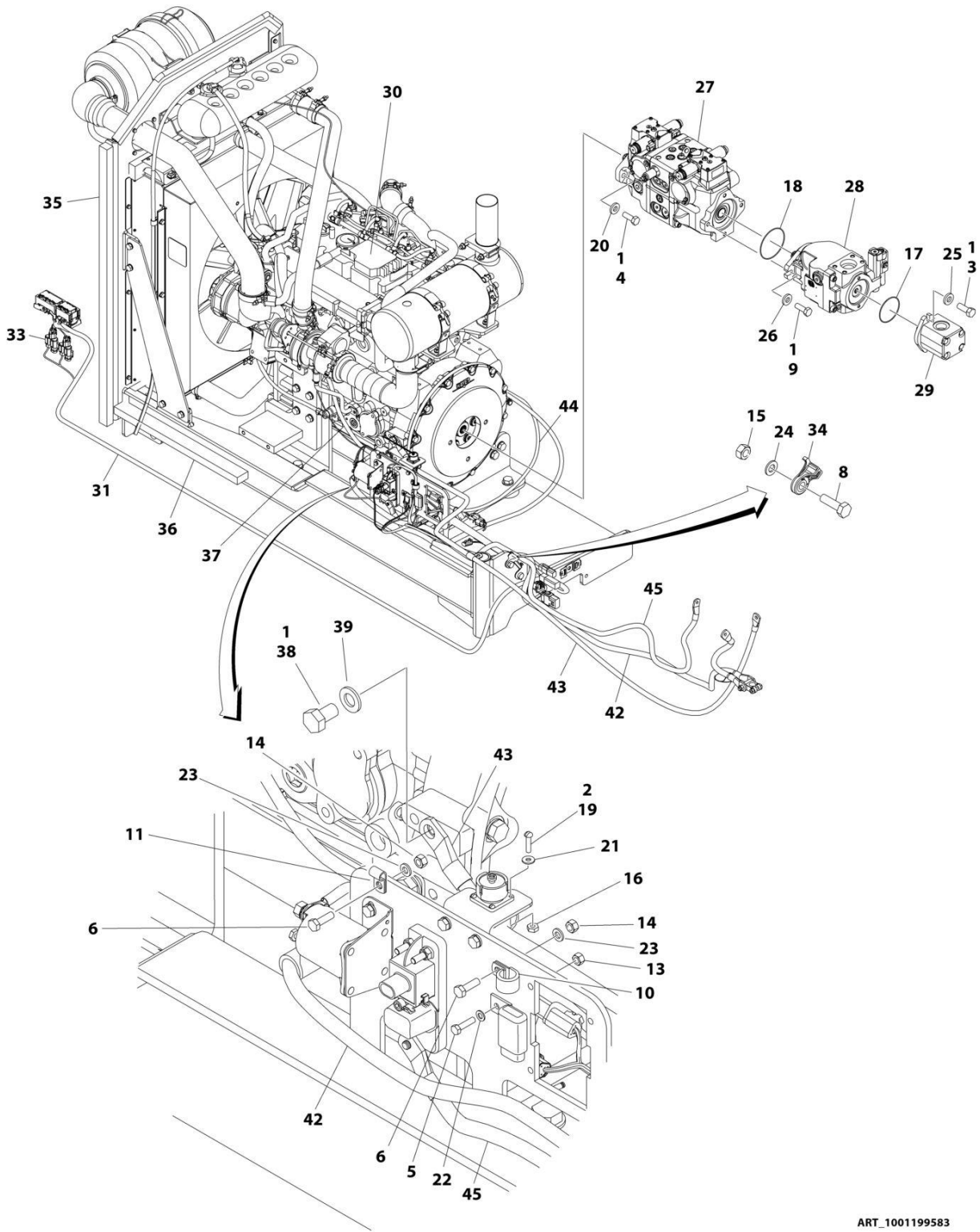
ITEM	PART NUMBER	QTY	DESCRIPTION	REV
	1001197307	Ref	ENGINE INSTALLATION (LRC) (WITHOUT COLD WEATHER PACKAGE)	K
1	0100011	AR	Compound, Locking	
2	0100020	AR	Sealant	
3	0440162	1	Bearing (Not Shown)	
4	0642220	1	Bolt 3/4 x 2-1/2	
6	0700818	3	Bolt M8 x 50	
7	0711015	1	Bolt M10 x 35	
8	0760408	4	Bolt M4 x 16	
11	0760812	1	Bolt M8 x 25	
12	0761015	5	Bolt M10 x 35	
13	0771416	2	Bolt M14 x 40	
14	0962051	2	Bearing	
15	1380147	1	Clip	
16	2180832	1	Fitting, Straight Barbed/NPTF	
17	2220313	1	Fitting, 90 Barbed/NPTF	
18	2221114	1	Fitting, Straight Barbed/NPT	
19	2840016	1	Tray Jack Assembly	
19	7016322	1	Wiper (Burr Brand)	
19A	7016374	1	Handle (Burr Brand)	
19A	7024598	1	Handle (Hammerblow Brand)	
20	3290301	2	Nut M3	
21	3290405	4	Nut M4	
22	3290605	1	Nut M6	
24	3290807	4	Nut M8	
25	3291007	5	Nut M10	
26	3331411	2	Nut M14	
27	3430816	1	Pin	
28	3450404	1	Pin, Cotter 1/8 x 1	
30	3841143	1	Keeper, Pin	
31	4010308	2	Screw M3 x 16	
32	4240099	AR	Tie-Strap (Not Shown)	
33	4711800	2	Washer 1/2	
34	4712200	2	Washer 3/4	
36	4811400	8	Washer M4	
37	4811700	6	Washer M6	
39	4811900	8	Washer M8	
40	4812000	11	Washer M10	
41	4812200	4	Washer M14	
42	4871200	2	Washer M3	
43	4891800	1	Washer 1/2	
44	5241000	1	Washer M10	
45	8310067	1	Nut 3/4	
46	8406101	1	Clip	
47	8750014	4	Clamp	
48	8750031	1	Plate, Clamp	
49	8769123	2	Cover, Clamp	
50	1001101580	1	Screw M8 x 30	
52	1001135196	1	Pin	
53	1001135497	1	Support	

SECTION 3 - ENGINE

ITEM	PART NUMBER	QTY	DESCRIPTION	REV
54	1001136975	5	Clamp	
55	1001142501	2	Fitting, 90 Barbed	
56	1001155939	1	Mount	
57	1001206747	1	Seal	
59	1001199583	1	Engine Assembly with Pumps (LRC) (Without Cold Weather Package) (See Separate Breakdown in this Section)	
60	1001154405	53 in /1.4m	Hose	
61	1001165035	31 ft /9.4m	Hose	
62	1001186342	4	Clip	
63	0700614	4	Bolt M6 x 30	
64	0761009	1	Bolt M10 x 18	
65	8406105	1	Clip	
66	1001155823	1	Fitting, 90 Barbed	
67	0760608	1	Bolt M6 x 16	
70	2750532	4 ft /1.2m	Hose	
71	8305919	4	Nut, Retainer M6	

SECTION 3 - ENGINE

FIGURE 3-9. ENGINE ASSEMBLY WITH PUMPS (LRC) (WITHOUT COLD WEATHER PACKAGE)



ART_1001199583

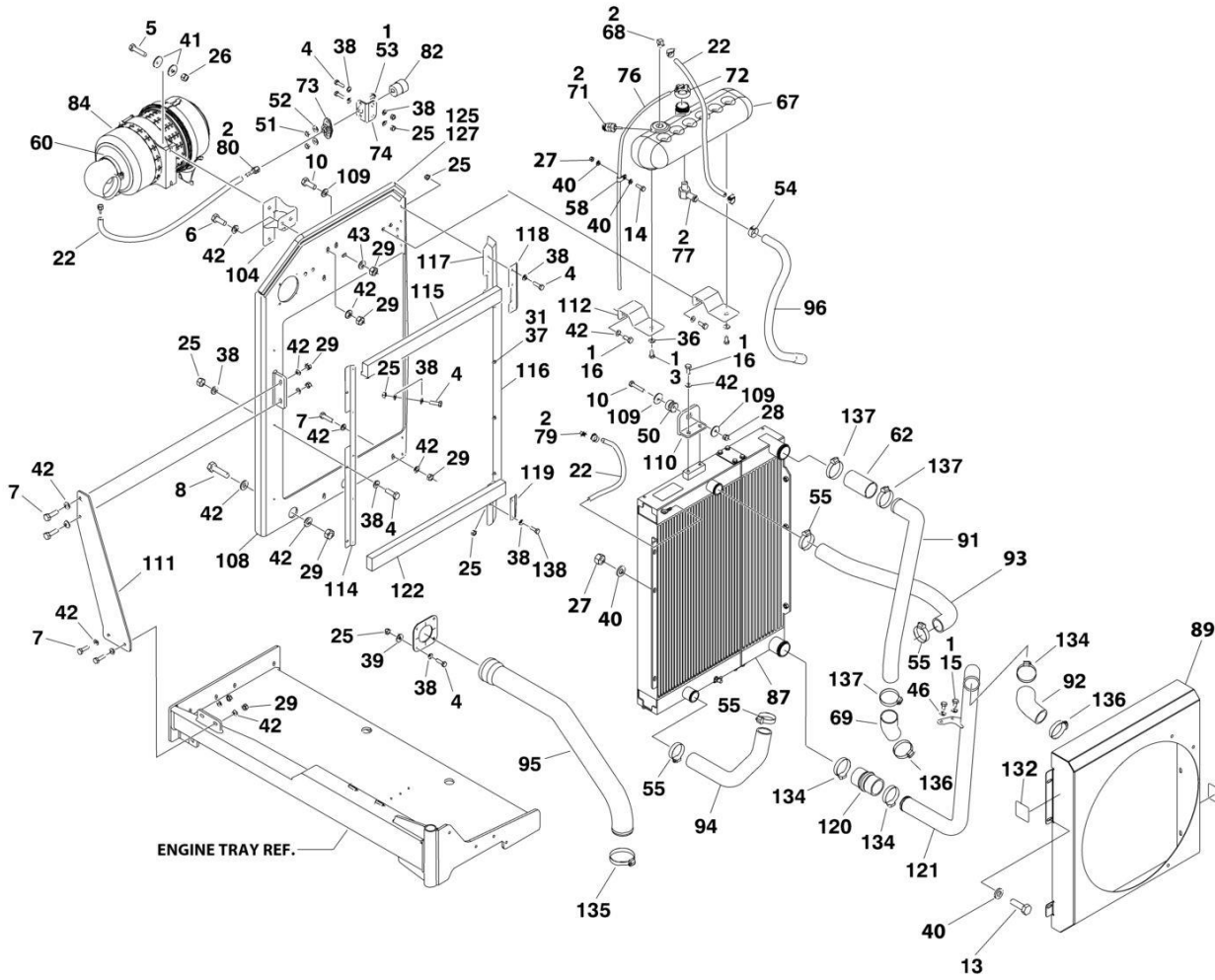
SECTION 3 - ENGINE

FIGURE 3-9. ENGINE ASSEMBLY WITH PUMPS (LRC) (WITHOUT COLD WEATHER PACKAGE)

ITEM	PART NUMBER	QTY	DESCRIPTION	REV
	1001199583	Ref	ENGINE ASSEMBLY WITH PUMPS (LRC) (WITHOUT COLD WEATHER PACKAGE)	J
1	0100011	AR	Compound, Locking	
2	0100035	AR	Compound, Locking	
3	0641608	2	Bolt 3/8 x 1	
4	0641812	2	Bolt 1/2 x 1-1/2	
5	0700510	1	Bolt M5 x 20	
6	0760610	2	Bolt M6 x 20	
8	0761015	2	Bolt M10 x 35	
9	0761216	2	Bolt M12 x 40	
10	1320041	1	Clamp	
11	1320136	1	Clamp	
13	3290507	1	Nut M5	
14	3290607	2	Nut M6	
15	3291007	2	Nut M10	
16	3310401	3	Nut #4	
17	3790152	1	O-Ring	
18	3790155	1	O-Ring	
19	3910408	3	Screw #4 x 1/2	
20	4740171	2	Washer	
21	4750400	3	Washer #4	
22	4811600	2	Washer M5	
23	4811700	2	Washer M6	
24	4812000	2	Washer M10	
25	4891600	2	Washer 3/8	
26	4891800	2	Washer 1/2	
27	1001108616	1	Tandem Pump Assembly (See Separate Breakdown in this Section)	
28	1001199470	1	Piston Pump Assembly (See Separate Breakdown in this Section)	
29	1001112927	1	Gear Pump Assembly (See Separate Breakdown in this Section)	
30	1001149867	1	Engine Assembly (LRC) (Without Cold Weather Package) (See Separate Breakdown in this Section)	
31	1001149971	1	Engine Harness (See Separate Breakdown in ELECTRICAL SECTION)	
33	1001156001	1	Engine Harness Can (See Separate Breakdown in ELECTRICAL SECTION)	
34	1001156107	2	Holder, Cable	
35	1001156718	1	Seal	
36	1001206747	1	Seal	
37	1001157073	1	Cable, Alternator	
38	0761210	1	Bolt M12 x 20	
39	4812100	1	Washer M12	
42	1001234791	1	Cable, Battery Positive	
43	1001202355	1	Cable, Battery Negative	
44	1001168734	1	Cable, Glow Plug	
45	1001222918	1	Cable, System B+	

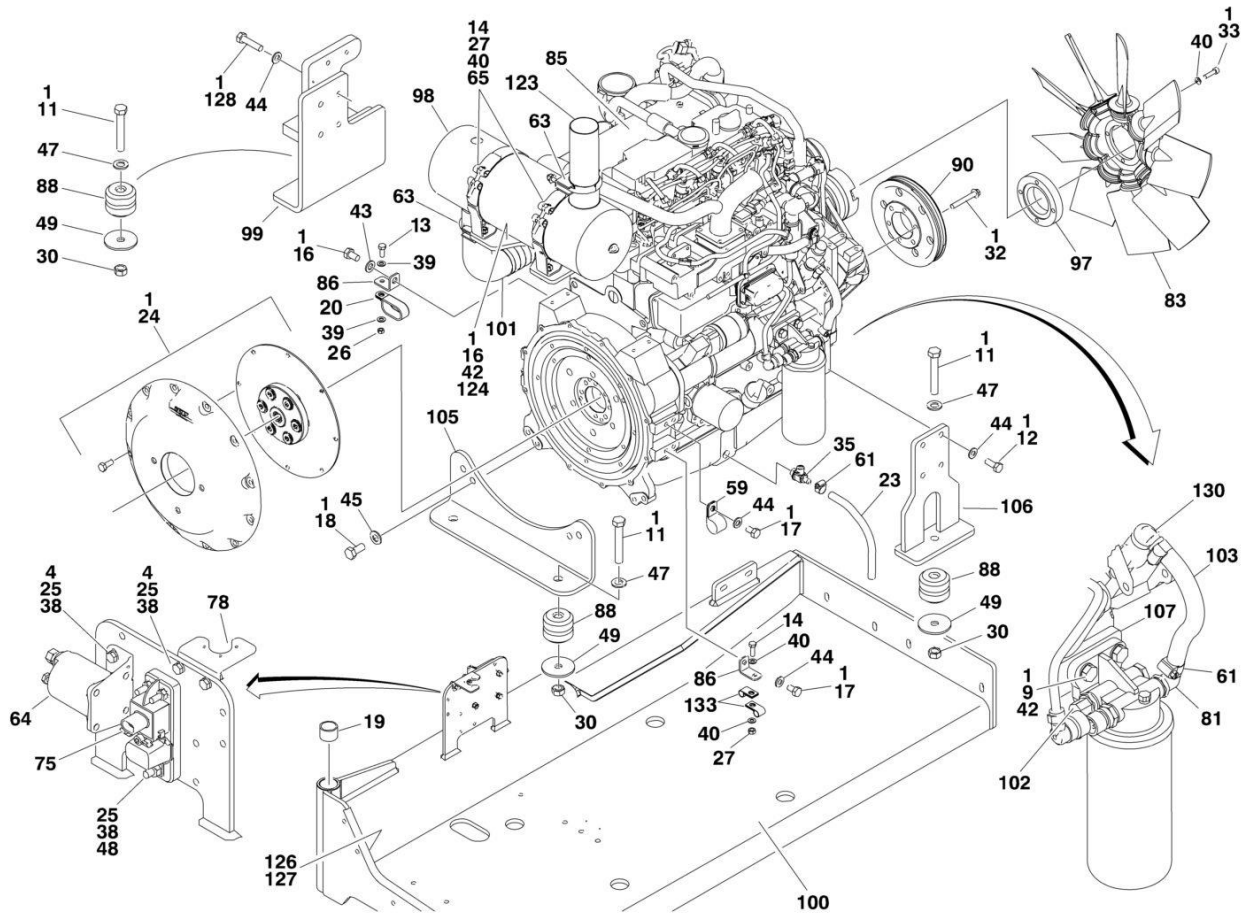
SECTION 3 - ENGINE

FIGURE 3-10. ENGINE ASSEMBLY (LRC) (WITHOUT COLD WEATHER PACKAGE)



ART_1001149867_S_10F2

SECTION 3 - ENGINE



ART_1001149867_S_20F2

SECTION 3 - ENGINE

FIGURE 3-10. ENGINE ASSEMBLY (LRC) (WITHOUT COLD WEATHER PACKAGE)

ITEM	PART NUMBER	QTY	DESCRIPTION	REV
	1001149867	Ref	DEUTZ LRC ENGINE ASSEMBLY	T
1	0100011	AR	Compound, Locking	
2	0100020	AR	Sealant	
3	0641606	2	Bolt 3/8 x 3/4	
4	0700612	20	Bolt M6 x 25	
5	0700815	2	Bolt M8 x 35	
6	0701013	2	Bolt M10 x 28	
7	0701015	6	Bolt M10 x 35	
8	0701016	2	Bolt M10 x 40	
9	0701017	2	Bolt M10 x 45	
10	0701019	1	Bolt M10 x 55	
11	0701627	4	Bolt M16 x 100	
12	0711214	4	Bolt M12 x 30 Grade 10.9	
13	0760810	5	Bolt M8 x 20	
14	0760812	7	Bolt M8 x 25	
15	0761008	2	Bolt M10 x 16	
16	0761012	10	Bolt M10 x 25	
17	0761210	3	Bolt M12 x 20	
18	0771415	4	Bolt M14 x 35 Grade 10.9	
19	0961951	2	Bushing	
20	1321716	1	Clamp	
22	2720015	5 ft/1.5m	Hose	
23	1001165035	1 ft/30.5m	Hose	
24	2902065	1	Pump Coupling Kit (See Separate Breakdown in this Section)	
25	3290607	23	Nut M6	
26	3290805	2	Nut M8	
27	3290807	9	Nut M8	
28	3291005	1	Nut M10	
29	3291007	10	Nut M10	
30	3291601	4	Nut M16	
31	3820032	9	Rivet	
32	5251022	6	Bolt M10 x 70	
33	4031912	4	Capscrew M8 x 40	
34	4240099	AR	Tie-Strap (Not Shown)	
35	4640751	1	Valve, Oil Drain	
36	4711600	2	Washer 3/8	
37	4811600	4	Washer M5	
38	4811700	41	Washer M6	
39	4811702	4	Washer M6	
40	4811900	25	Washer M8	
41	4811902	4	Washer M8	
42	4812000	34	Washer M10	
43	4812002	1	Washer M10	
44	4812100	11	Washer M12	
45	4812200	4	Washer M14	
46	5241000	2	Washer M10	
47	5241600	4	Washer M16	
48	5271614	1	Capscrew M16 x 50	
49	7300435	4	Washer	
50	8278020	1	Mount	

SECTION 3 - ENGINE

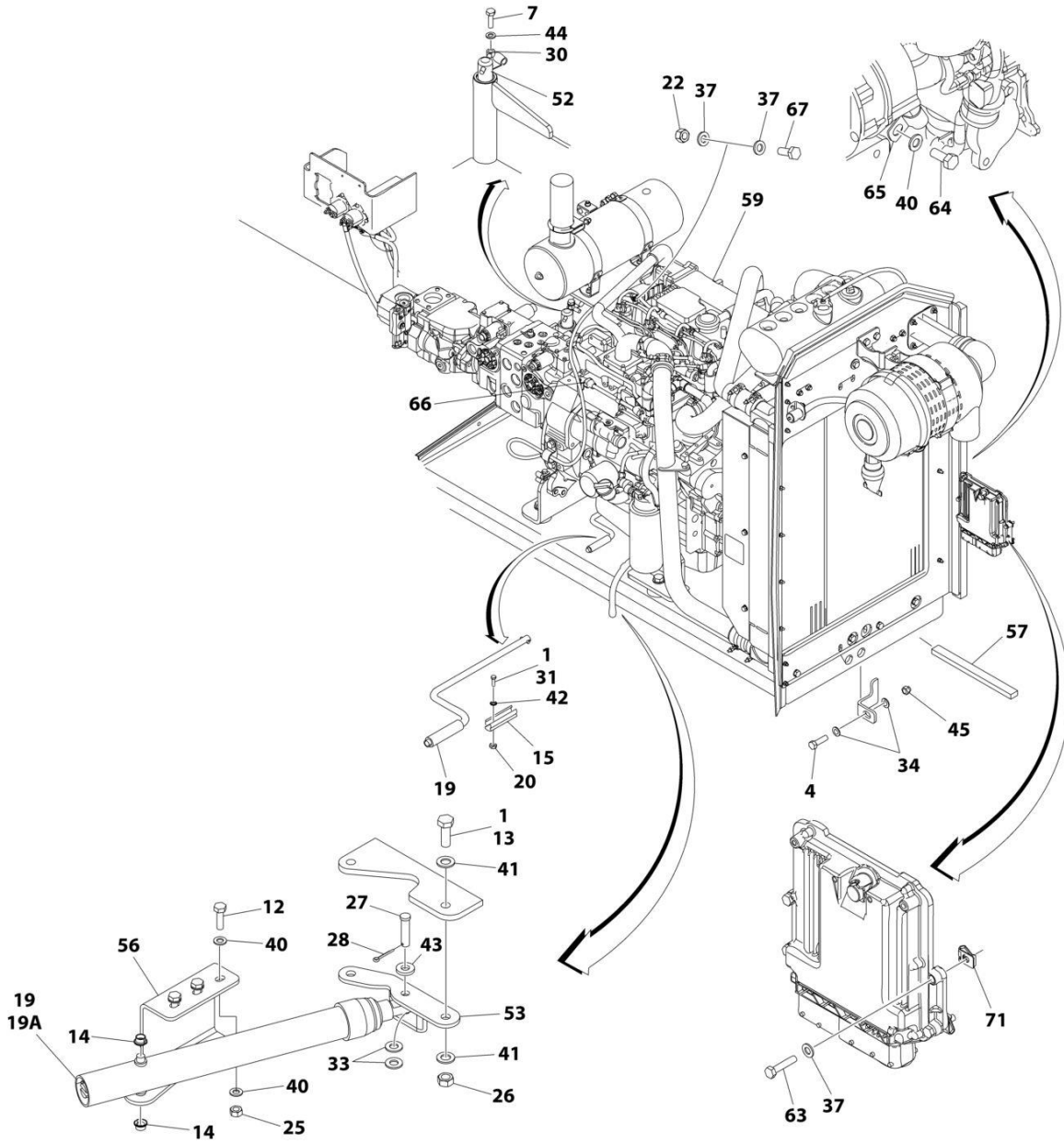
ITEM	PART NUMBER	QTY	DESCRIPTION	REV
51	8305401	2	Nut 1/4	
52	8307109	2	Washer 1/4	
53	8310548	2	Screw 1/4 x 1/2	
54	8405007	2	Clamp	
55	8405104	4	Clamp	
58	8406109	2	Clamp	
59	8406303	1	Clip	
60	8410011	1	Clamp	
61	8410013	3	Clamp	
62	91563070	1	Coupling, Rubber	
63	1001111116	2	Clamp	
64	1001117308	1	Relay	
65	1001119727	2	Clamp	
67	1001166393	1	Tank	
68	1001134488	1	Fitting, 90 NPT/Barbed	
69	1001135943	1	Coupling	
71	1001138827	1	Sensor	
72	1001136834	1	Cap	
73	1001138173	1	Support	
74	1001138175	1	Bracket	
75	1001138228	1	Module, Relay	
75	70023592	1	Fuse 20Amp	
75	70023593	1	Fuse 30Amp	
76	1001138248	5 ft/1.5m	Tubing	
77	1001138559	1	Fitting, 90 NPT	
78	1001139240	1	Bracket	
79	1001140564	1	Fitting, 90 NPT/Barbed	
80	1001141995	1	Fitting, Straight NPT/Barbed	
81	1001142501	1	Fitting, 90 NPT/Barbed	
82	1001143390	1	Indicator, Air Restriction	
83	1001177137	1	Fan	
84	1001147847	1	Filter, Air	
84	70023809	1	Element, Primary	
84	70023872	1	Element, Secondary	
84	70024328	1	Elbow, Rubber	
84	70024329	1	Clamp, Mounting	
85	1001251857	1	Deutz LRC Engine Components (See Separate Breakdown in this Section)	
86	1001148641	2	Bracket	
87	1001256862	1	Radiator	
88	1001149517	4	Mount, Motor	
89	1001192138	1	Shroud	
90	1001149746	1	Pulley	
91	1001150498	1	Tube	
92	1001150499	1	Hose	
93	1001191122	1	Hose	
94	1001150504	1	Hose	
95	1001150505	1	Pipe	
96	1001150553	1	Hose	
97	1001177134	1	Adapter	
98	1001151432	1	Muffler	
99	1001151491	1	Support	

SECTION 3 - ENGINE

ITEM	PART NUMBER	QTY	DESCRIPTION	REV
100	1001151749	1	Tray	
101	1001151761	1	Pipe, Exhaust	
102	1001152489	1	Fitting, 90 Barbed	
103	1001154405	8.5 in/ 21cm	Hose	
104	1001155023	1	Plate	
105	1001155496	1	Support	
106	1001160518	1	Support	
107	1001155498	1	Plate	
108	1001155525	1	Support	
109	1001155540	2	Washer	
110	1001157862	1	Bracket	
111	1001212817	1	Plate	
112	1001155557	2	Plate	
113	1001155563	1	Seal	
114	1001155564	1	Bracket	
115	1001155565	1	Seal	
116	1001155566	1	Bracket	
117	1001156034	1	Seal	
118	1001156035	1	Bracket	
119	1001156062	1	Bracket	
120	1001156091	1	Hose	
121	1001156112	1	Tube	
122	1001156644	2	Seal	
123	1001158262	1	Pipe, Exhaust	
124	1001158289	1	Bracket	
125	1001155728	1	Seal	
126	4060807	22 in/ 55cm	Flex-Trim	
127	0100081	AR	Adhesive	
128	0711218	4	Bolt M12 x 50 Grade 10.9	
129	1320022	4	Clamp	
130	1001170982	1	Fitting, 90 SAE/Barbed	
132	1703162	2	Decal - Fan Blade	
133	8406110	2	Clip	
134	8410012	3	Clamp	
135	1001208297	1	Clamp	
136	1001208298	2	Clamp	
137	1001208299	3	Clamp	
138	0760614	2	Bolt M6 x 30	

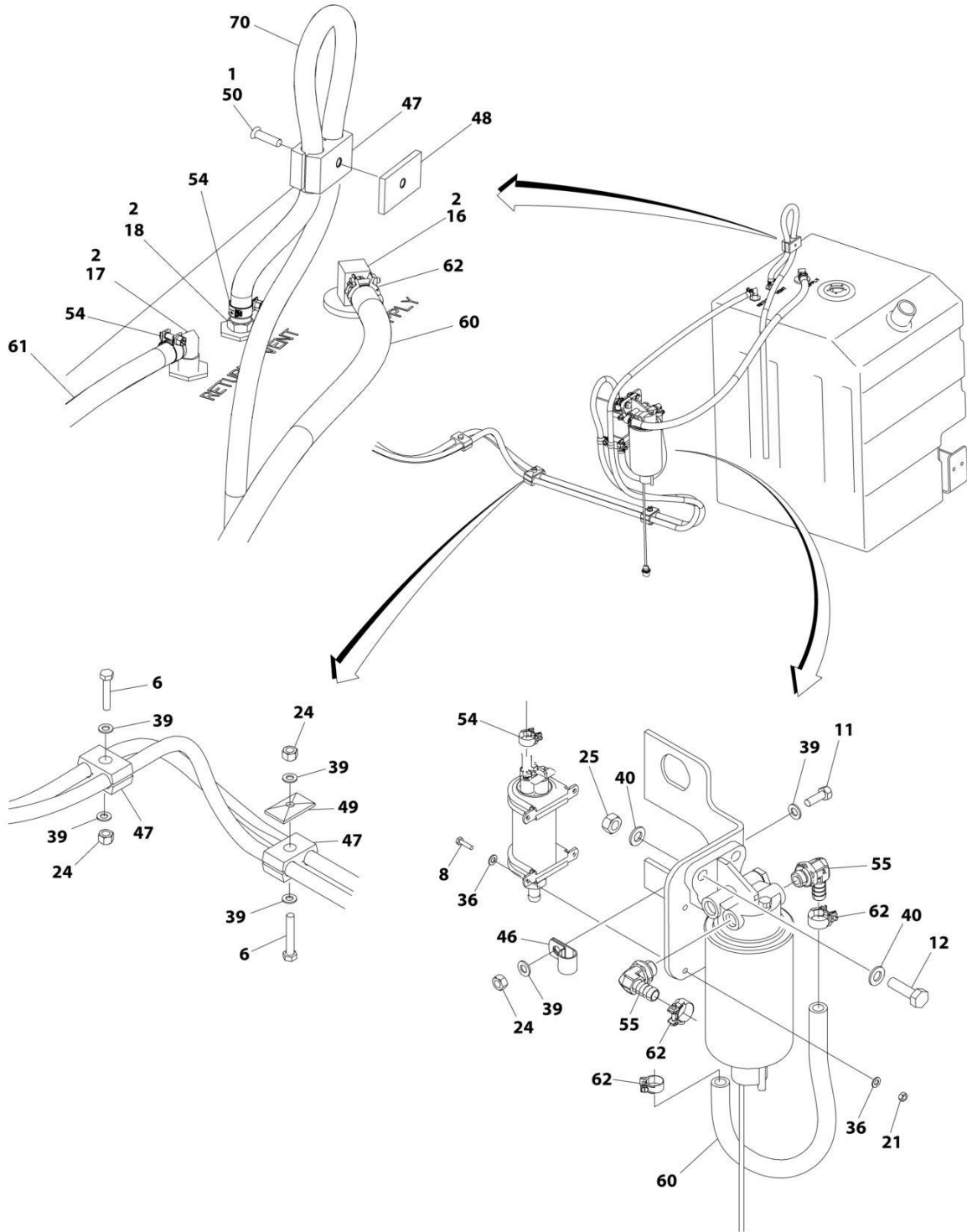
SECTION 3 - ENGINE

FIGURE 3-11. ENGINE INSTALLATION (LRC) (WITH COLD WEATHER PACKAGE)



ART_1001197308_K_10F2

SECTION 3 - ENGINE



ART_1001197308_K_2OF2

SECTION 3 - ENGINE

FIGURE 3-11. ENGINE INSTALLATION (LRC) (WITH COLD WEATHER PACKAGE)

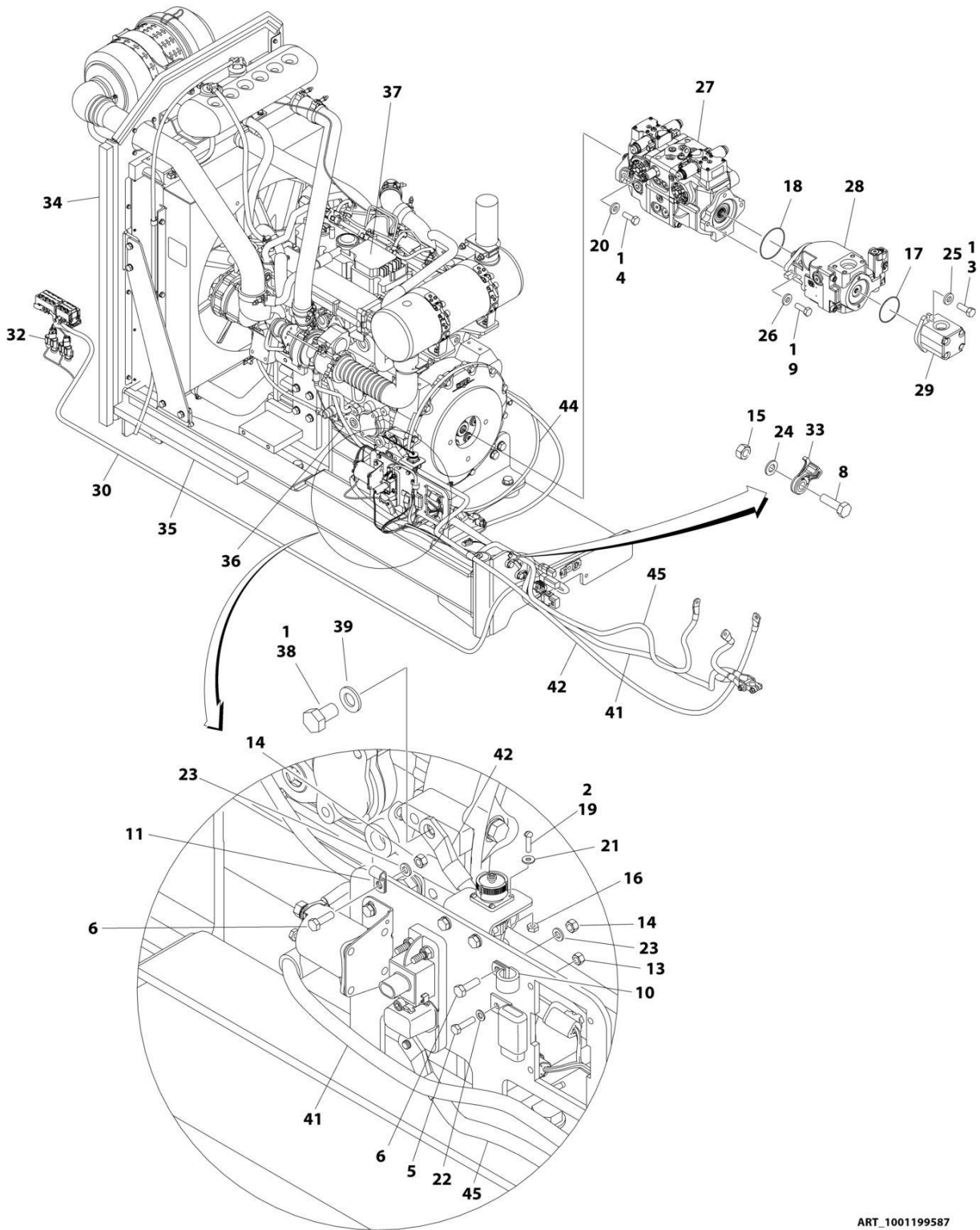
ITEM	PART NUMBER	QTY	DESCRIPTION	REV
	1001197308	Ref	ENGINE INSTALLATION (LRC) (WITH COLD WEATHER PACKAGE)	K
1	0100011	AR	Compound, Locking	
2	0100020	AR	Sealant	
3	0440162	1	Bearing (Not Shown)	
4	0642220	1	Bolt 3/4 x 2-1/2	
6	0700818	3	Bolt M8 x 50	
7	0711015	1	Bolt M10 x 35	
8	0760408	4	Bolt M4 x 16	
11	0760812	1	Bolt M8 x 25	
12	0761015	5	Bolt M10 x 35	
13	0771416	2	Bolt M14 x 40	
14	0962051	2	Bearing	
15	1380147	1	Clip	
16	2180832	1	Fitting, Straight Barbed/NPTF	
17	2220313	1	Fitting, 90 Barbed/NPTF	
18	2221114	1	Fitting, Straight Barbed/NPT	
19	2840016	1	Tray Jack Assembly	
19	7016322	1	Wiper (Burr Brand)	
19A	7016374	1	Handle (Burr Brand)	
19A	7024598	1	Handle (Hammerblow Brand)	
20	3290301	2	Nut M3	
21	3290405	4	Nut M4	
22	3290605	1	Nut M6	
24	3290807	4	Nut M8	
25	3291007	5	Nut M10	
26	3331411	2	Nut M14	
27	3430816	1	Pin	
28	3450404	1	Pin, Cotter 1/8 x 1	
30	3841143	1	Keeper, Pin	
31	4010308	2	Screw M3 x 16	
32	4240099	AR	Tie-Strap (Not Shown)	
33	4711800	2	Washer 1/2	
34	4712200	2	Washer 3/4	
36	4811400	8	Washer M4	
37	4811700	6	Washer M6	
39	4811900	8	Washer M8	
40	4812000	11	Washer M10	
41	4812200	4	Washer M14	
42	4871200	2	Washer M3	
43	4891800	1	Washer 1/2	
44	5241000	1	Washer M10	
45	8310067	1	Nut 3/4	
46	8406101	1	Clip	
47	8750014	4	Clamp	
48	8750031	1	Plate, Clamp	
49	8769123	2	Cover, Clamp	
50	1001101580	1	Screw M8 x 30	
52	1001135196	1	Pin	
53	1001135497	1	Support	

SECTION 3 - ENGINE

ITEM	PART NUMBER	QTY	DESCRIPTION	REV
54	1001136975	5	Clamp	
55	1001142501	2	Fitting, 90 Barbed	
56	1001155939	1	Mount	
57	1001206747	1	Seal	
59	1001199587	1	Engine Assembly with Pumps (LRC) (With Cold Weather Package) (See Separate Breakdown in this Section)	
60	1001154405	53 in /1.4m	Hose	
61	1001165035	31 ft /9.4m	Hose	
62	1001186342	4	Clip	
63	0700614	4	Bolt M6 x 30	
64	0761009	1	Bolt M10 x 18	
65	8406105	1	Clip	
66	1001155823	1	Fitting, 90 Barbed	
67	0760608	1	Bolt M6 x 16	
70	2750532	4 ft /1.2m	Hose	
71	8305919	4	Nut, Retainer M6	

SECTION 3 - ENGINE

FIGURE 3-12. ENGINE ASSEMBLY WITH PUMPS (LRC) (WITH COLD WEATHER PACKAGE)



ART_1001199587

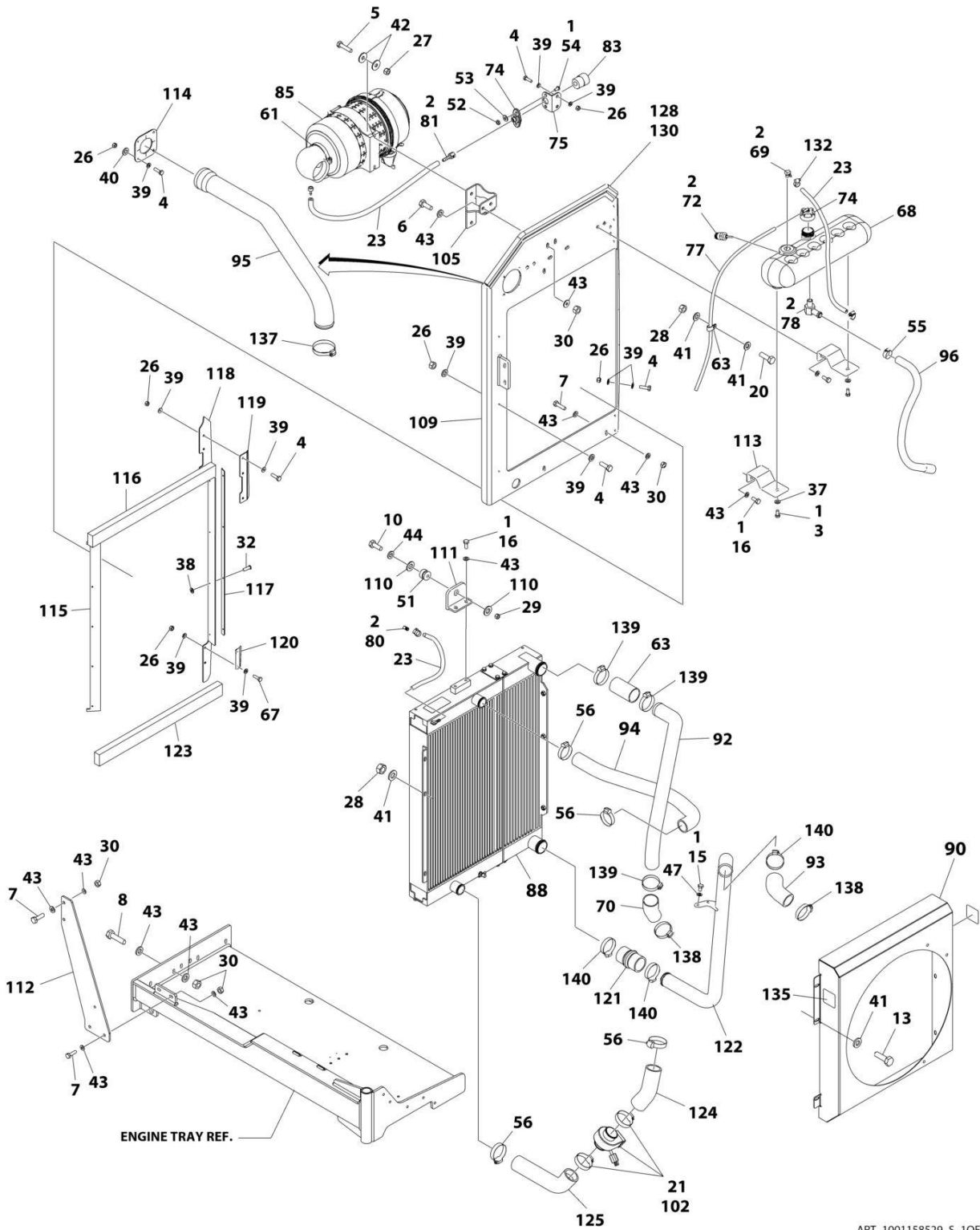
SECTION 3 - ENGINE

FIGURE 3-12. ENGINE ASSEMBLY WITH PUMPS (LRC) (WITH COLD WEATHER PACKAGE)

ITEM	PART NUMBER	QTY	DESCRIPTION	REV
	1001199587	Ref	ENGINE ASSEMBLY WITH PUMPS (LRC) (WITH COLD WEATHER PACKAGE)	J
1	0100011	AR	Compound, Locking	
2	0100035	AR	Compound, Locking	
3	0641608	2	Bolt 3/8 x 1	
4	0641812	2	Bolt 1/2 x 1-1/2	
5	0700510	1	Bolt M5 x 20	
6	0760610	2	Bolt M6 x 20	
8	0761015	2	Bolt M10 x 35	
9	0761216	2	Bolt 12 x 40	
10	1320041	1	Clamp	
11	1320136	1	Clamp	
13	3290507	1	Nut M5	
14	3290607	2	Nut M6	
15	3291007	2	Nut M10	
16	3310401	3	Nut #4	
17	3790152	1	O-Ring	
18	3790155	1	O-Ring	
19	3910408	3	Screw #4 x 1/2	
20	4740171	2	Washer	
21	4750400	3	Washer #4	
22	4811600	2	Washer M5	
23	4811700	2	Washer M6	
24	4812000	2	Washer M10	
25	4891600	2	Washer 3/8	
26	4891800	2	Washer 1/2	
27	1001108616	1	Tandem Pump Assembly (See Separate Breakdown in this Section)	
28	1001199470	1	Piston Pump Assembly (See Separate Breakdown in this Section)	
29	1001112927	1	Gear Pump Assembly (See Separate Breakdown in this Section)	
30	1001149971	1	Engine Harness (See Separate Breakdown in ELECTRICAL SECTION)	
32	1001156001	1	Engine Harness Can (See Separate Breakdown in ELECTRICAL SECTION)	
33	1001156107	2	Holder, Cable	
34	1001156718	1	Seal	
35	1001206747	1	Seal	
36	1001157073	1	Cable, Alternator	
37	1001158529	1	Engine Assembly (LRC) (With Cold Weather Package) (See Separate Breakdown in this Section)	
38	0761210	1	Bolt M12 x 20	
39	4812100	1	Washer M12	
41	1001234791	1	Cable, Battery Positive	
42	1001202355	1	Cable, Battery Negative	
44	1001168734	1	Cable, Glow Plug	
45	1001222918	1	Cable, System B+	

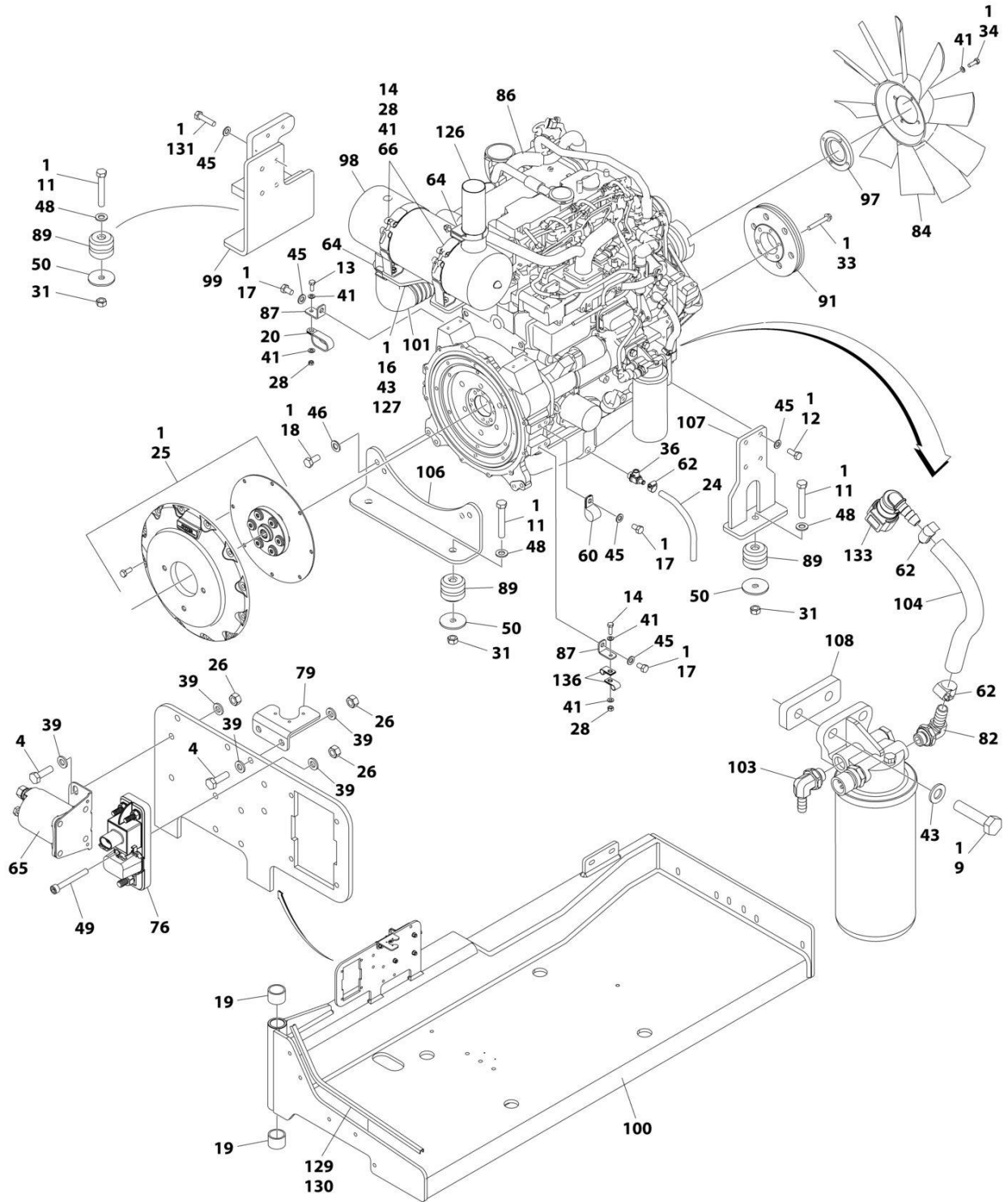
SECTION 3 - ENGINE

FIGURE 3-13. ENGINE ASSEMBLY (LRC) (WITH COLD WEATHER PACKAGE)



ART_1001158529_S_10F2

SECTION 3 - ENGINE



ART_1001158529_S_20F2

SECTION 3 - ENGINE

FIGURE 3-13. ENGINE ASSEMBLY (LRC) (WITH COLD WEATHER PACKAGE)

ITEM	PART NUMBER	QTY	DESCRIPTION	REV
	1001158529	Ref	DEUTZ LRC ENGINE ASSEMBLY - WITH COLD WEATHER PKG	T
1	0100011	AR	Compound, Locking	
2	0100020	AR	Sealant	
3	0641606	2	Bolt 3/8 x 3/4	
4	0700612	20	Bolt M6 x 25	
5	0700815	2	Bolt M8 x 35	
6	0701013	2	Bolt M10 x 28	
7	0701015	6	Bolt M10 x 35	
8	0701016	2	Bolt M10 x 40	
9	0701017	2	Bolt M10 x 45	
10	0701019	1	Bolt M10 x 55	
11	0701627	4	Bolt M16 x 100	
12	0711214	4	Bolt M12 x 30 Grade 10.9	
13	0760810	5	Bolt M8 x 20	
14	0760812	7	Bolt M8 x 25	
15	0761008	2	Bolt M10 x 16	
16	0761012	10	Bolt M10 x 25	
17	0761210	3	Bolt M12 x 20	
18	0771415	4	Bolt M14 x 35 Grade 10.9	
19	0961951	2	Bushing	
20	1321716	1	Clamp	
21	1702942	1	Decal - Engine Block Heater	
23	2720015	5 ft/1.5m	Hose	
24	1001165035	1 ft/30.5m	Hose	
25	2902065	1	Pump Coupling Kit (See Separate Breakdown in this Section)	
26	3290607	23	Nut M6	
27	3290805	2	Nut M8	
28	3290807	9	Nut M8	
29	3291005	1	Nut M10	
30	3291007	10	Nut M10	
31	3291601	4	Nut M16	
32	3820032	9	Rivet	
33	5251022	6	Bolt M10 x 70	
34	4031912	4	Capscrew M8 x 40	
35	4240099	AR	Tie-Strap (Not Shown)	
36	4640751	1	Valve, Oil Drain	
37	4711600	2	Washer 3/8	
38	4811600	4	Washer M5	
39	4811700	41	Washer M6	
40	4811702	4	Washer M6	
41	4811900	25	Washer M8	
42	4811902	4	Washer M8	
43	4812000	34	Washer M10	
44	4812002	1	Washer M10	
45	4812100	11	Washer M12	
46	4812200	4	Washer M14	
47	5241000	2	Washer M10	
48	5241600	4	Washer M16	
49	5271614	1	Capscrew M16 x 50	
50	7300435	4	Washer	

SECTION 3 - ENGINE

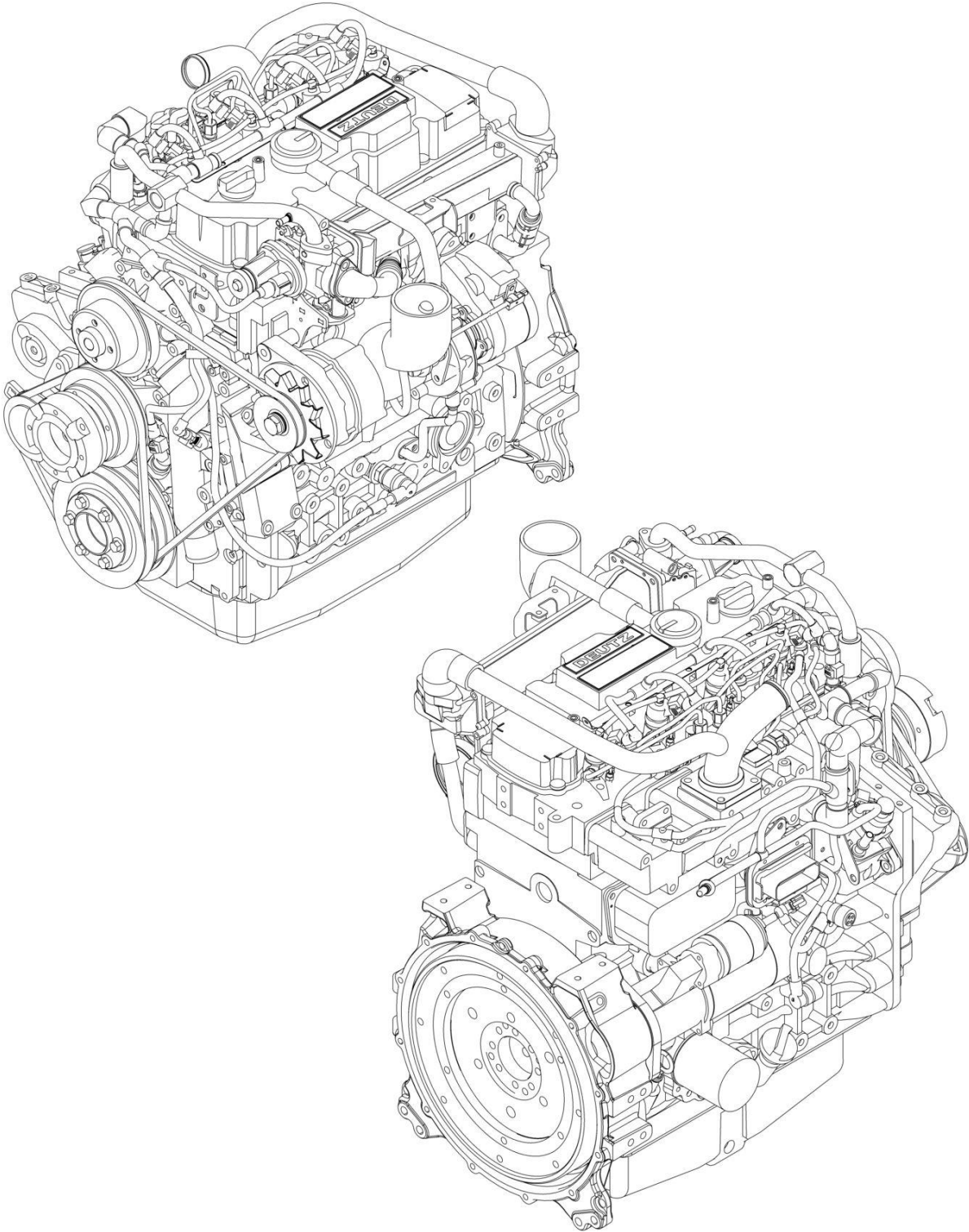
ITEM	PART NUMBER	QTY	DESCRIPTION	REV
51	8278020	1	Mount	
52	8305401	2	Nut 1/4	
53	8307109	2	Washer 1/4	
54	8310548	2	Screw 1/4 x 1/2	
55	8405007	2	Clamp	
56	8405104	4	Clamp	
59	8406109	2	Clamp	
60	8406303	1	Clip	
61	8410011	1	Clamp	
62	8410013	3	Clamp	
63	91563070	1	Coupling, Rubber	
64	1001111116	2	Clamp	
65	1001117308	1	Relay	
66	1001119727	2	Clamp	
67	0760614	2	Bolt M6 x 30	
68	1001166393	1	Tank	
69	1001134488	1	Fitting, 90 NPT/Barbed	
70	1001135943	1	Coupling	
72	1001138827	1	Sensor	
73	1001136834	1	Cap	
74	1001138173	1	Support	
75	1001138175	1	Bracket	
76	1001138228	1	Module, Relay	
76	70023592	1	Fuse 20Amp	
76	70023593	1	Fuse 30Amp	
77	1001138248	5 ft/1.5m	Tubing	
78	1001138559	1	Fitting, 90 NPT	
79	1001139240	1	Bracket	
80	1001140564	1	Fitting, 90 NPT/Barbed	
81	1001141995	1	Fitting, Straight NPT/Barbed	
82	1001142501	1	Fitting, 90 NPT/Barbed	
83	1001143390	1	Indicator, Air Restriction	
84	1001177137	1	Fan	
85	1001147847	1	Filter, Air	
85	70023809	1	Element, Primary	
85	70023872	1	Element, Secondary	
85	70024328	1	Elbow, Rubber	
85	70024329	1	Clamp, Mounting	
86	1001251857	1	Deutz LRC Engine Components (See Separate Breakdown in this Section)	
87	1001148641	2	Bracket	
88	1001256862	1	Radiator	
89	1001149517	4	Mount, Motor	
90	1001192138	1	Shroud	
91	1001149746	1	Pulley	
92	1001150498	1	Tube	
93	1001150499	1	Hose	
94	1001191122	1	Hose	
95	1001150505	1	Pipe	
96	1001150553	1	Hose	
97	1001177134	1	Adapter	
98	1001151432	1	Muffler	

SECTION 3 - ENGINE

ITEM	PART NUMBER	QTY	DESCRIPTION	REV
99	1001151491	1	Support	
100	1001151749	1	Tray	
101	1001151761	1	Pipe, Exhaust	
102	1001152112	1	Heater, Engine Block	
103	1001152489	1	Fitting, 90 Barbed	
104	1001154405	8.5 in /21cm	Hose	
105	1001155023	1	Plate	
106	1001155496	1	Support	
107	1001160518	1	Support	
108	1001155498	1	Plate	
109	1001155525	1	Support	
110	1001155540	2	Washer	
111	1001157862	1	Bracket	
112	1001212817	1	Plate	
113	1001155557	2	Plate	
114	1001155563	1	Seal	
115	1001155564	1	Bracket	
116	1001155565	1	Seal	
117	1001155566	1	Bracket	
118	1001156034	1	Seal	
119	1001156035	1	Bracket	
120	1001156062	1	Bracket	
121	1001156091	1	Hose	
122	1001156112	1	Tube	
123	1001156644	2	Seal	
124	1001157300	1	Hose, Lower Radiator (Top Section)	
125	1001157301	1	Hose, Lower Radiator (Bottom Section)	
126	1001158262	1	Pipe, Exhaust	
127	1001158289	1	Bracket	
128	1001155728	1	Seal	
129	4060807	22 in/ 55cm	Flex-Trim	
130	0100081	AR	Adhesive	
131	0711218	4	Bolt M12 x 50 Grade 10.9	
132	1320022	4	Clamp	
133	1001170982	1	Fitting, 90 SAE/Barbed	
135	1703162	2	Decal - Fan Blade	
136	8406110	2	Clip	
137	1001208297	1	Clamp	
138	1001208298	2	Clamp	
139	1001208299	3	Clamp	
140	8410012	3	Clamp	

SECTION 3 - ENGINE

FIGURE 3-14. DEUTZ LRC ENGINE COMPONENTS



ART_1001251857

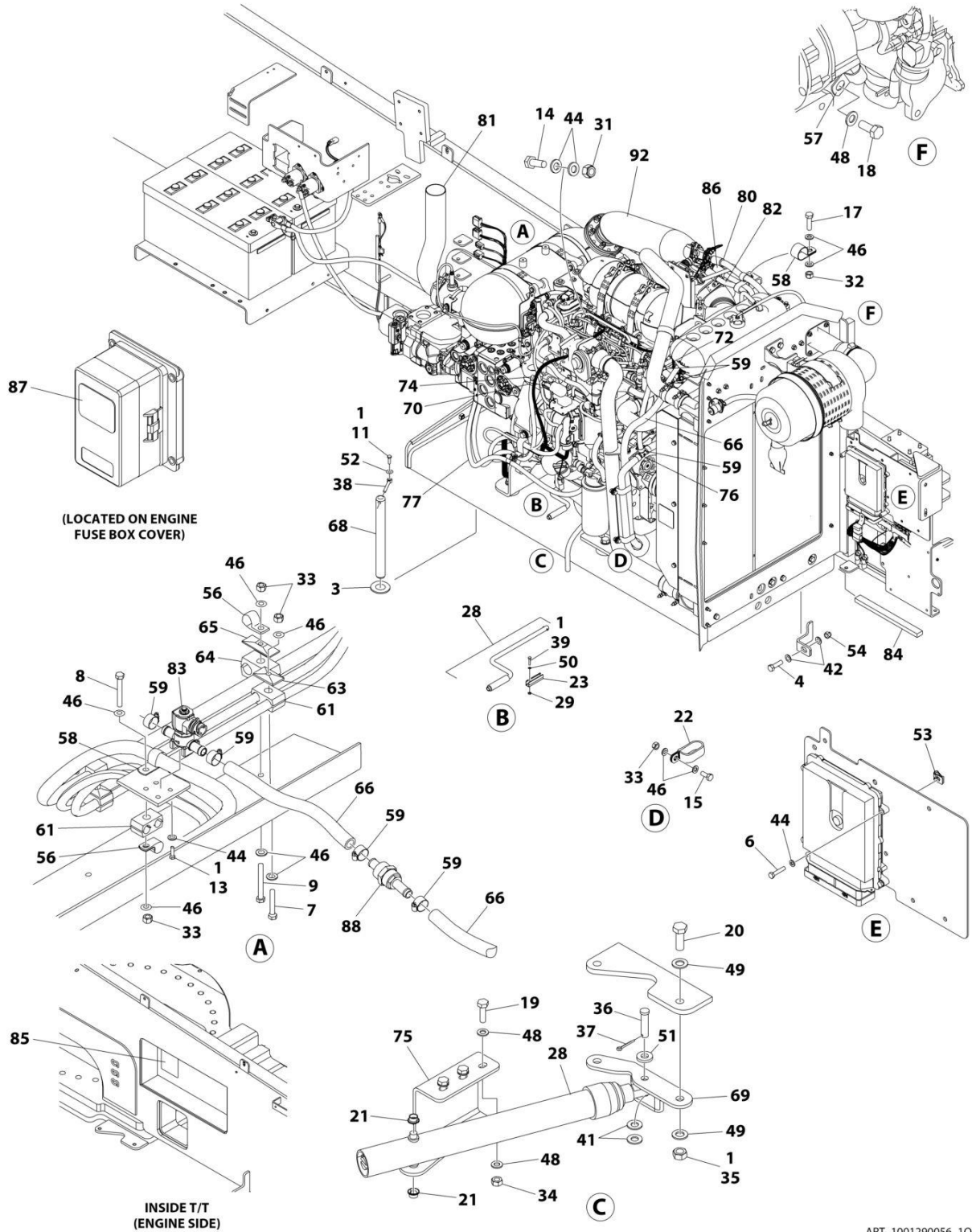
SECTION 3 - ENGINE

FIGURE 3-14. DEUTZ LRC ENGINE COMPONENTS

ITEM	PART NUMBER	QTY	DESCRIPTION	REV
	1001251857	Ref	DEUTZ ENGINE COMPONENTS	A
		Ref	Note: For complete list of parts, contact JLG Parts Department	
		Ref	Air Intake System Components	
	70004518	1	Turbocharger	
		Ref	Cooling System Components	
	70004515	1	Pump, Coolant	
		Ref	Electrical System Components	
	70024472	1	Module, ECU/ECM	
	70029401	1	Generator (Includes Regulator & Fan)	
	70006653	1	Regulator	
	70004520	1	Starter (Includes Solenoid)	
	70025780	1	Relay	
	70005564	1	Harness, Engine	
	70026210	1	Sender, Tacho-Generator (Speed) (On Front Cover) (Includes Seal)	
	70028540	1	Sender, Temperature (On Thermostat Housing)	
	70024507	1	Sensor, Pressure (Includes Seal) (On Air Intake Manifold)	
	70024504	1	Sensor, Pressure (Includes Seal) (On Block)	
	70024474	4	Plug, Glow	
		Ref	Exhaust System Components	
	70027569	1	Valve, EGR	
		Ref	Fuel System Components	
	70024487	1	Pump, Fuel Injector	
	70024485	4	Injector (Includes Seal, Clamp & O-Ring)	
	70006144	1	Pump, Fuel Supply (Includes Clamps)	
	70025153	1	Filter, Fuel (Pre-Filter)	
	70004512	1	Filter, Fuel	
		Ref	Lubricating System Components	
	70025745	1	Dipstick	
	7020465	2	Cap, Oil Fill	
	70025088	1	Plug, Oil Drain	
	7020404	2	Seal, Oil Drain Plug	
		Ref	Pump, Oil (Includes Bolts & Bushing)	
	7016331	1	Filter, Oil	
	70024494	1	Cooler, Oil	
		Ref	Mechanical Components	
	70004517	1	V-Belt	
	70004519	1	V-Belt	
	70024481	1	Gasket, Valve Cover	
	70025789	1	Gasket, Head	

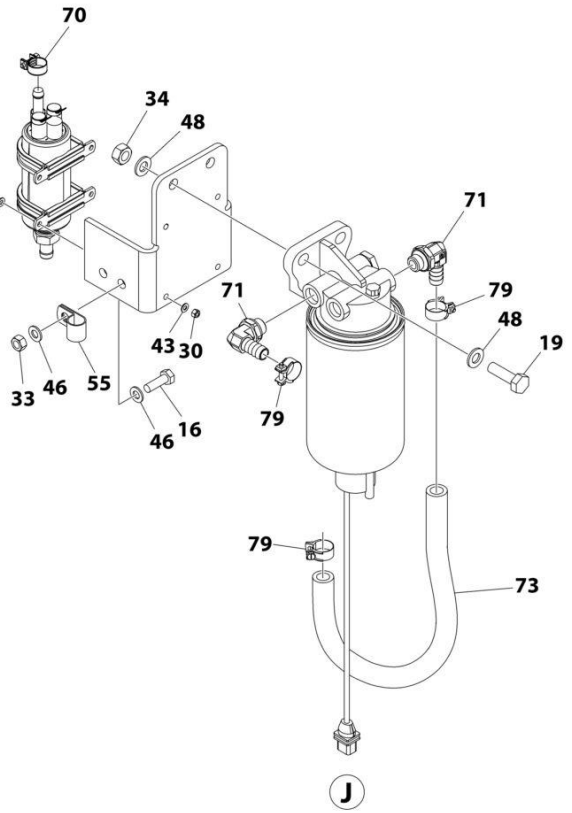
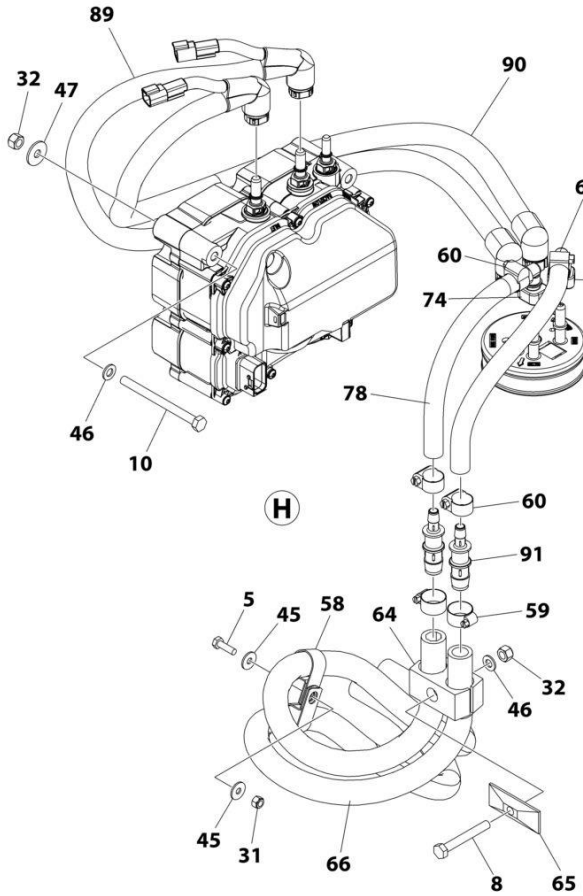
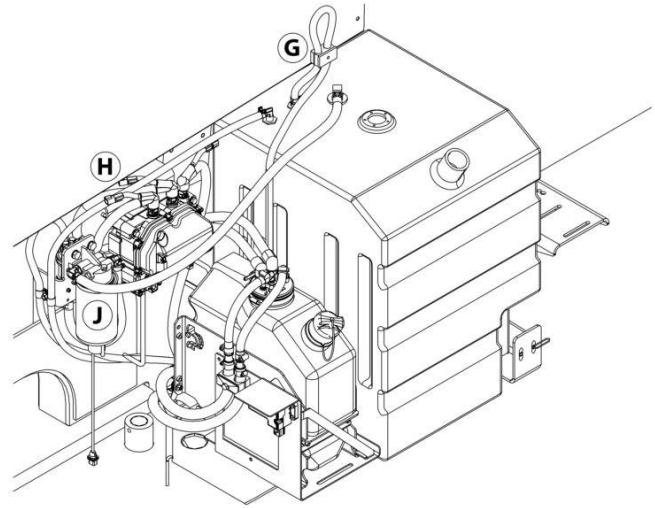
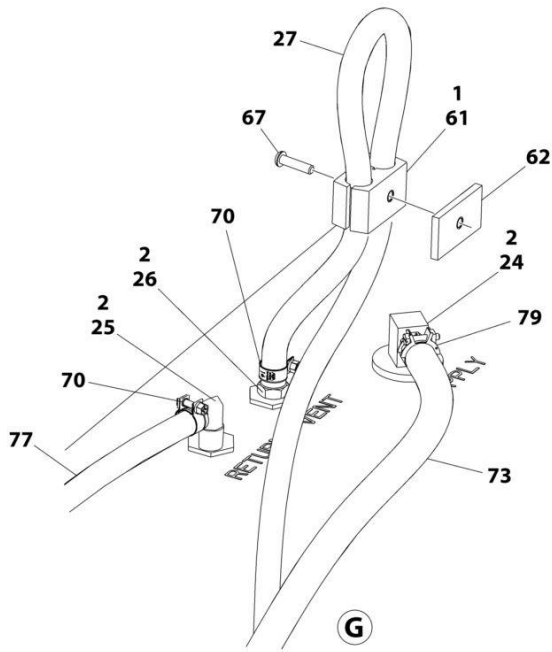
SECTION 3 - ENGINE

FIGURE 3-15. ENGINE INSTALLATION EMR5 (HRC) (WITH COLD WEATHER PACKAGE)



ART_1001290056_1OF2

SECTION 3 - ENGINE



ART_1001290056_20F2

SECTION 3 - ENGINE

FIGURE 3-15. ENGINE INSTALLATION EMR5 (HRC) (WITH COLD WEATHER PACKAGE)

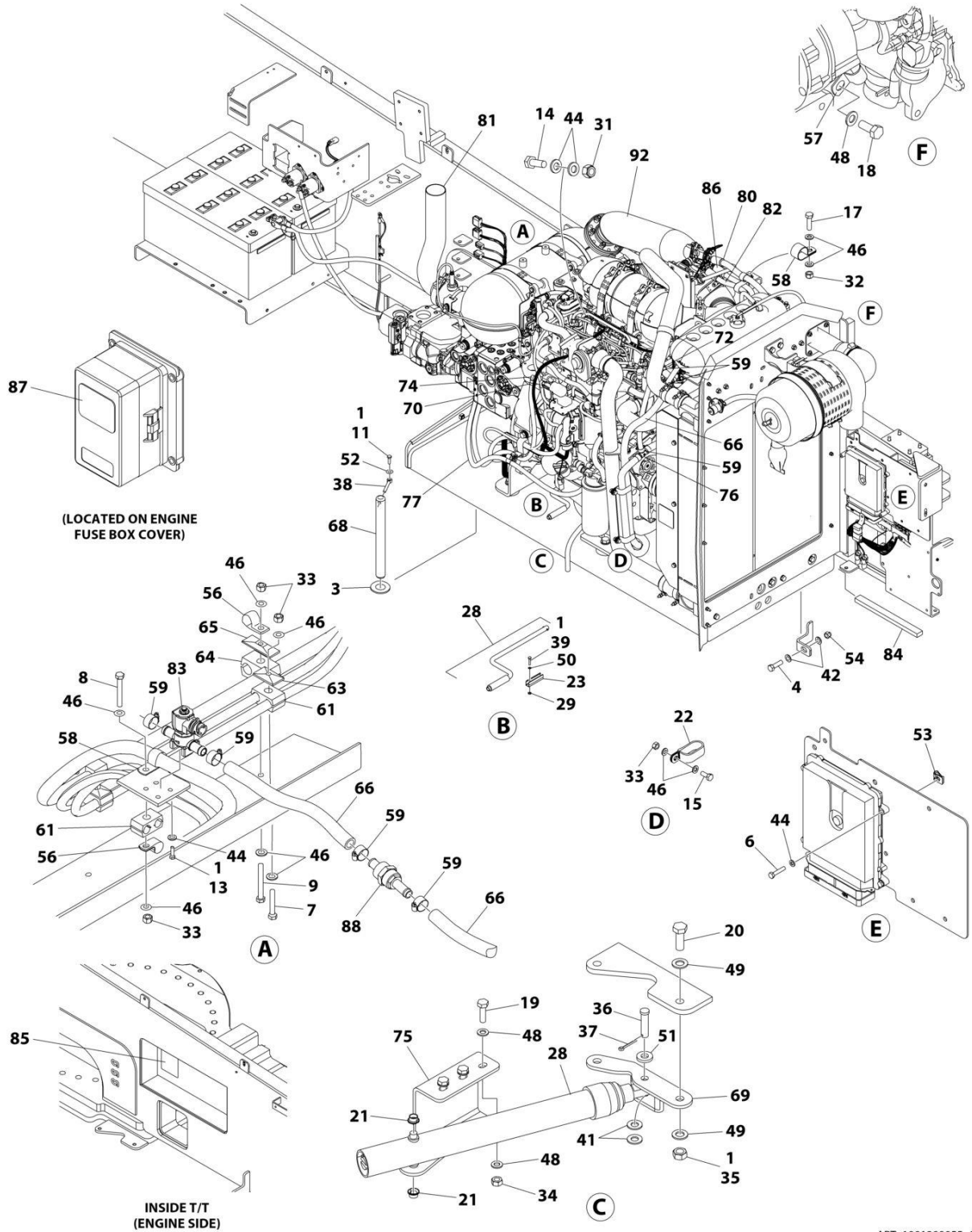
ITEM	PART NUMBER	QTY	DESCRIPTION	REV
	1001290056	Ref	ENGINE INSTALLATION EMR5 (HRC) (WITH COLD WEATHER PACKAGE)	A
1	0100011	AR	Compound, Locking	
2	0100020	AR	Sealant	
3	0440162	1	Bearing	
4	0642220	1	Bolt 3/4 x 2-1/2	
5	0700610	1	Bolt M6 x 20	
6	0700614	4	Bolt M6 x 30	
7	0700818	2	Bolt M8 x 50	
8	0700820	2	Bolt M8 x 60	
9	0700822	2	Bolt M8 x 70	
10	0700827	3	Bolt M8 x 100	
11	0711015	1	Bolt M10 x 35	
12	0760408	4	Bolt M4 x 16	
13	0760606	4	Bolt M6 x 12	
14	0760608	1	Bolt M6 x 16	
15	0760810	3	Bolt M8 x 20	
16	0760812	2	Bolt M8 x 25	
17	0760814	1	Bolt M8 x 30	
18	0761009	1	Bolt M10 x 18	
19	0761015	5	Bolt M10 x 35	
20	0771416	2	Bolt M14 x 40	
21	0962051	2	Bearing	
22	1321716	3	Clamp	
23	1380147	1	Clip	
24	2180832	1	Fitting, Straight Barbed/NPTF	
25	2220313	1	Fitting, 90 Barbed/NPTF	
26	2221114	1	Fitting, Straight Barbed/NPT	
27	2750532	4 ft/1.2 m	Hose	
28	2840016	1	Tray Jack Assembly	
28	7016322	1	Wiper (Burr Brand)	
28	7016374	1	Handle (Burr Brand)	
28	7024598	1	Handle (Hammerblow Brand)	
29	3290301	2	Nut M3	
30	3290405	4	Nut M4	
31	3290605	2	Nut M6	
32	3290805	6	Nut M8	
33	3290807	9	Nut M8	
34	3291007	5	Nut M10	
35	3331411	2	Nut M14	
36	3430816	1	Pin	
37	3450404	1	Pin, Cotter	
38	3841143	1	Keeper, Pin	
39	4010308	2	Screw M3 x 16	
40	4240099	AR	Tie-Strap (Not Shown)	
41	4711800	2	Washer 1/2	
42	4712200	2	Washer 3/4	
43	4811400	8	Washer M4	
44	4811700	10	Washer M6	
45	4811702	2	Washer M6	

SECTION 3 - ENGINE

ITEM	PART NUMBER	QTY	DESCRIPTION	REV
46	4811900	26	Washer M8	
47	4811902	3	Washer M8	
48	4812000	11	Washer M10	
49	4812200	4	Washer M14	
50	4871200	2	Washer M3	
51	4891800	1	Washer 1/2	
52	5241000	1	Washer M10	
53	8305919	4	Nut, Tinnerman M6	
54	8310067	1	Nut 3/4	
55	8406101	2	Clip	
56	8406102	3	Clip	
57	8406105	1	Clip	
58	8406201	6	Clip	
59	8410009	14	Clamp	
60	8410013	4	Clamp	
61	8750014	4	Clamp	
62	8750031	1	Plate, Clamp	
63	8769123	2	Cover, Clamp	
64	8769127	3	Cover, Clamp	
65	77133137	3	Cover, Clamp	
66	82033995	31 ft/9.5 m	Hose	
67	1001101580	1	Screw M8 x 30	
68	1001135196	1	Pin	
69	1001135497	1	Support	
70	1001136975	5	Clamp	
71	1001142501	2	Fitting, 90 Barbed	
72	1001154262	2	Fitting, Straight Barbed	
73	1001154405	4 ft/1.3 m	Hose	
74	1001155823	3	Coupling, 90 Quick Connect	
75	1001155939	1	Mount	
76	1001162212	2	Fitting, Tee Barbed	
77	1001165035	31 ft/9.4 m	Hose	
78	1001181625	2 ft/0.6 m	Hose	
79	1001186342	4	Clip	
80	1001187518	1	Hose	
81	1001190475	1	Pipe, Exhaust	
82	1001193980	1	Hose	
83	1001199670	1	Valve, Flow	
84	1001206747	1	Seal	
85	1001212056	1	Decal - Engine Fuse Box	
86	1001212825	1	Hose	
87	1001224046	1	Decal - Engine Fuse Box Cover	
88	1001228872	1	Filter, Coolant Screen	
89	1001238401	1	Hose	
90	1001238402	1	Hose	
91	1001238470	2	Fitting, Reducer Barbed	
92	1001290052	1	Engine Assembly with Pumps (See Separate Breakdown in this Section)	

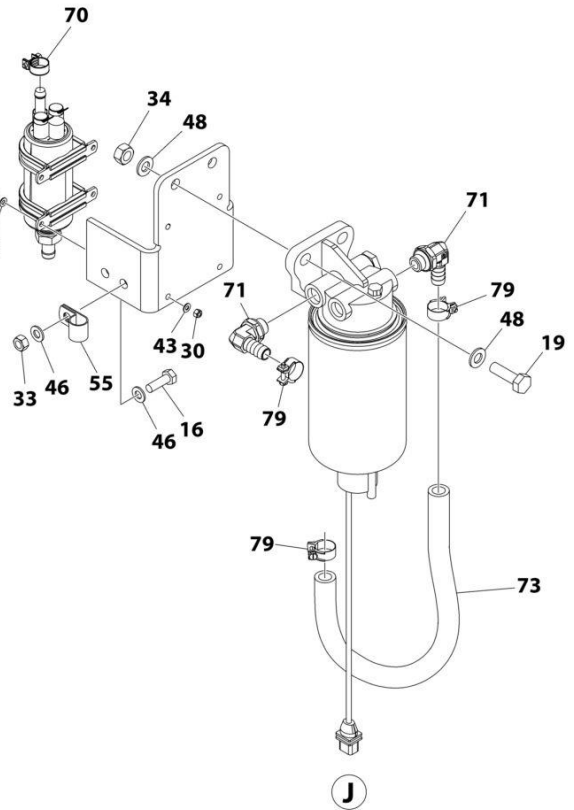
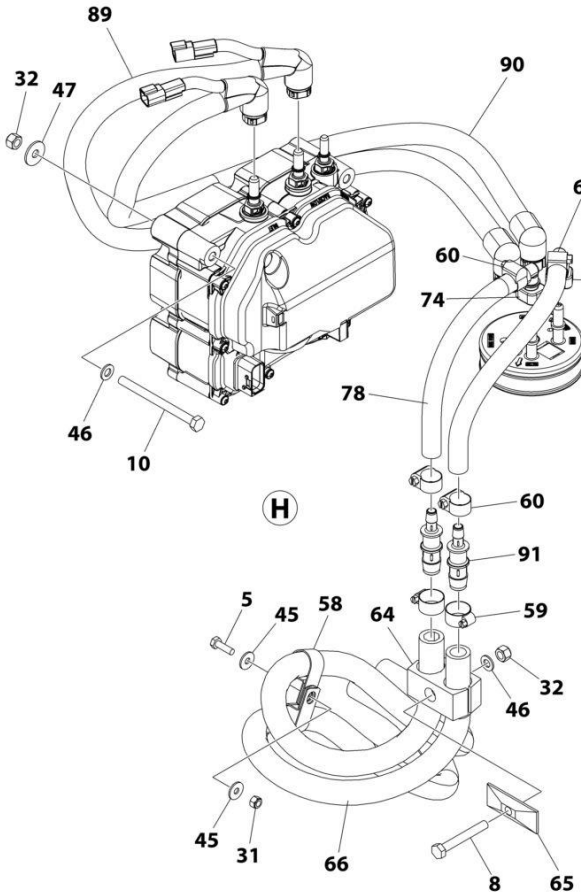
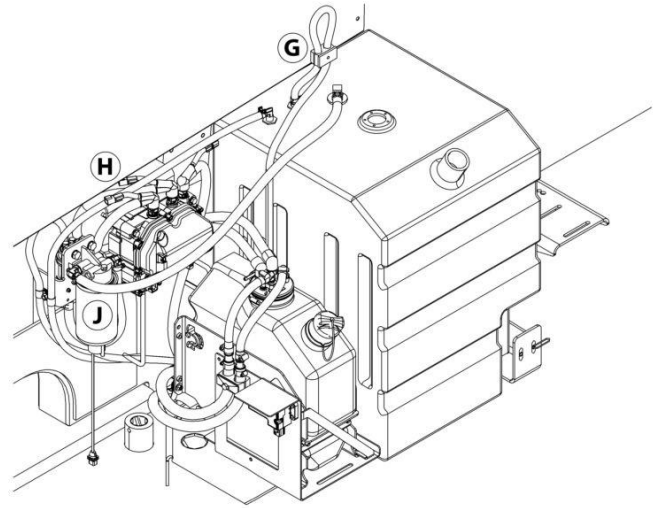
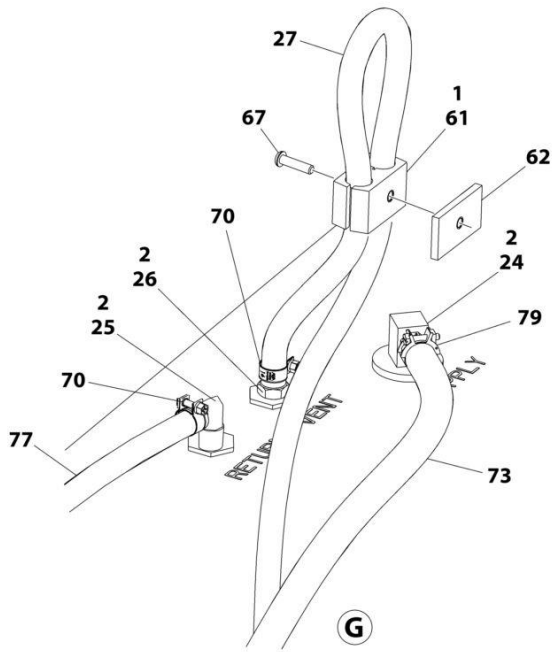
SECTION 3 - ENGINE

FIGURE 3-16. ENGINE INSTALLATION EMR5 (HRC) (WITHOUT COLD WEATHER PACKAGE)



ART_1001290055_10F2

SECTION 3 - ENGINE



ART_1001290055_20F2

SECTION 3 - ENGINE

FIGURE 3-16. ENGINE INSTALLATION EMR5 (HRC) (WITHOUT COLD WEATHER PACKAGE)

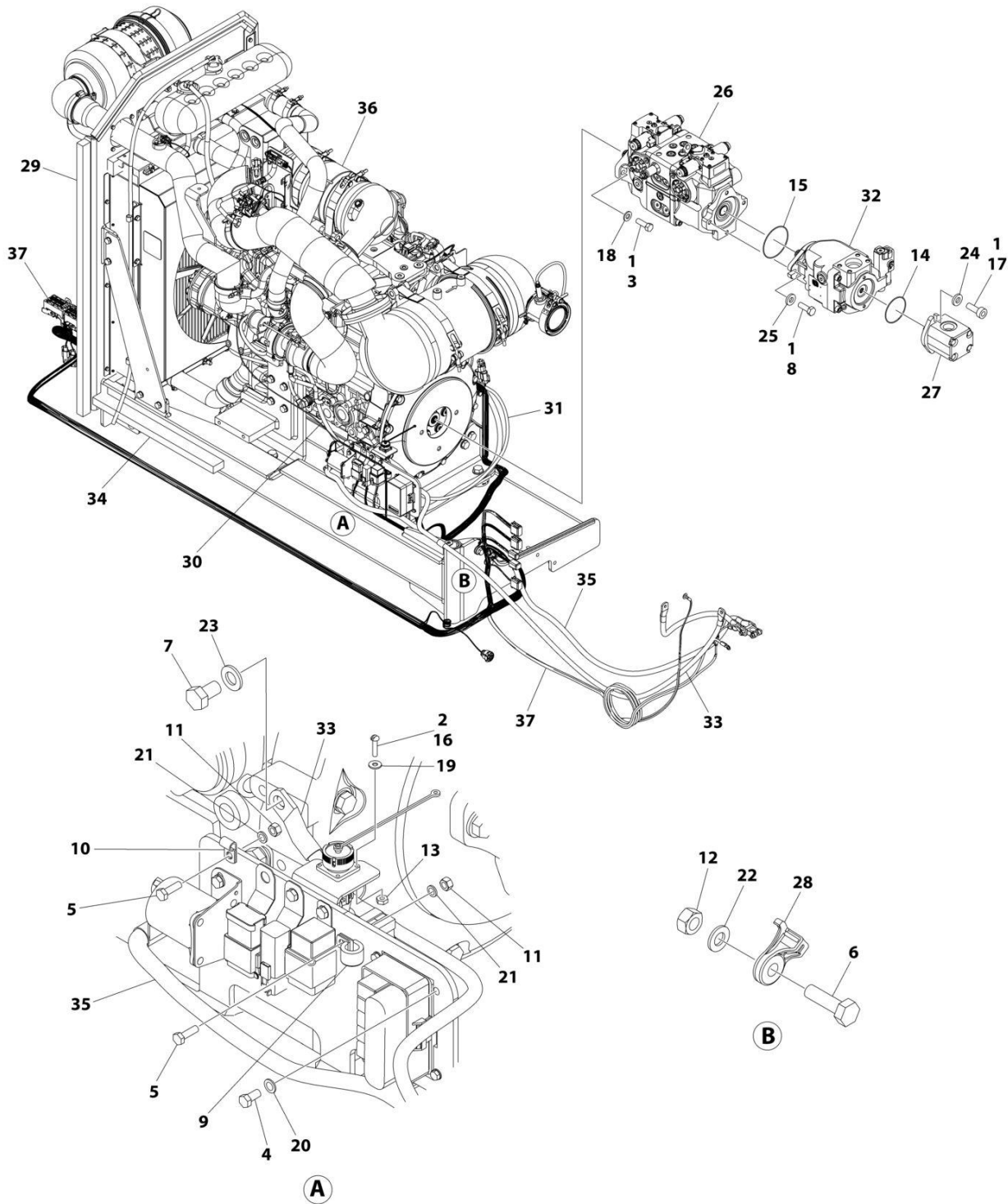
ITEM	PART NUMBER	QTY	DESCRIPTION	REV
	1001290055	Ref	ENGINE INSTALLATION EMR5 (HRC) (WITHOUT COLD WEATHER PACKAGE)	A
1	0100011	AR	Compound, Locking	
2	0100020	AR	Sealant	
3	0440162	1	Bearing	
4	0642220	1	Bolt 3/4 x 2-1/2	
5	0700610	1	Bolt M6 x 20	
6	0700614	4	Bolt M6 x 30	
7	0700818	2	Bolt M8 x 50	
8	0700820	2	Bolt M8 x 60	
9	0700822	2	Bolt M8 x 70	
10	0700827	3	Bolt M8 x 100	
11	0711015	1	Bolt M10 x 35	
12	0760408	4	Bolt M4 x 16	
13	0760606	4	Bolt M6 x 12	
14	0760608	1	Bolt M6 x 16	
15	0760810	3	Bolt M8 x 20	
16	0760812	2	Bolt M8 x 25	
17	0760814	1	Bolt M8 x 30	
18	0761009	1	Bolt M10 x 18	
19	0761015	5	Bolt M10 x 35	
20	0771416	2	Bolt M14 x 40	
21	0962051	2	Bearing	
22	1321716	3	Clamp	
23	1380147	1	Clip	
24	2180832	1	Fitting, Straight Barbed/NPTF	
25	2220313	1	Fitting, 90 Barbed/NPTF	
26	2221114	1	Fitting, Straight Barbed/NPT	
27	2750532	4 ft/1.2 m	Hose	
28	2840016	1	Tray Jack Assembly	
28	7016322	1	Wiper (Burr Brand)	
28	7016374	1	Handle (Burr Brand)	
28	7024598	1	Handle (Hammerblow Brand)	
29	3290301	2	Nut M3	
30	3290405	4	Nut M4	
31	3290605	2	Nut M6	
32	3290805	6	Nut M8	
33	3290807	9	Nut M8	
34	3291007	5	Nut M10	
35	3331411	2	Nut M14	
36	3430816	1	Pin	
37	3450404	1	Pin, Cotter	
38	3841143	1	Keeper, Pin	
39	4010308	2	Screw M3 x 16	
40	4240099	AR	Tie-Strap (Not Shown)	
41	4711800	2	Washer 1/2	
42	4712200	2	Washer 3/4	
43	4811400	8	Washer M4	
44	4811700	10	Washer M6	
45	4811702	2	Washer M6	

SECTION 3 - ENGINE

ITEM	PART NUMBER	QTY	DESCRIPTION	REV
46	4811900	26	Washer M8	
47	4811902	3	Washer M8	
48	4812000	11	Washer M10	
49	4812200	4	Washer M14	
50	4871200	2	Washer M3	
51	4891800	1	Washer 1/2	
52	5241000	1	Washer M10	
53	8305919	4	Nut, Tinnerman M6	
54	8310067	1	Nut 3/4	
55	8406101	2	Clip	
56	8406102	3	Clip	
57	8406105	1	Clip	
58	8406201	6	Clip	
59	8410009	14	Clamp	
60	8410013	4	Clamp	
61	8750014	4	Clamp	
62	8750031	1	Plate, Clamp	
63	8769123	2	Cover, Clamp	
64	8769127	3	Cover, Clamp	
65	77133137	3	Cover, Clamp	
66	82033995	31 ft/9.5 m	Hose	
67	1001101580	1	Screw M8 x 30	
68	1001135196	1	Pin	
69	1001135497	1	Support	
70	1001136975	5	Clamp	
71	1001142501	2	Fitting, 90 Barbed	
72	1001154262	2	Fitting, Straight Barbed	
73	1001154405	4 ft/1.3 m	Hose	
74	1001155823	3	Coupling, 90 Quick Connect	
75	1001155939	1	Mount	
76	1001162212	2	Fitting, Tee Barbed	
77	1001165035	31 ft/9.4 m	Hose	
78	1001181625	2 ft/0.6 m	Hose	
79	1001186342	4	Clip	
80	1001187518	1	Hose	
81	1001190475	1	Pipe, Exhaust	
82	1001193980	1	Hose, Return	
83	1001199670	1	Valve, Flow	
84	1001206747	1	Seal	
85	1001212056	1	Decal - Engine Fuse Box	
86	1001212825	1	Hose	
87	1001224046	1	Decal - Engine Fuse Box Cover	
88	1001228872	1	Filter, Coolant Screen	
89	1001238401	1	Hose	
90	1001238402	1	Hose	
91	1001238470	2	Fitting, Reducer Barbed	
92	1001290051	1	Engine Assembly with Pumps (See Separate Breakdown in this Section)	

SECTION 3 - ENGINE

FIGURE 3-17. ENGINE ASSEMBLY WITH PUMPS EMR5 (HRC) (WITH COLD WEATHER PACKAGE)



ART_1001290052

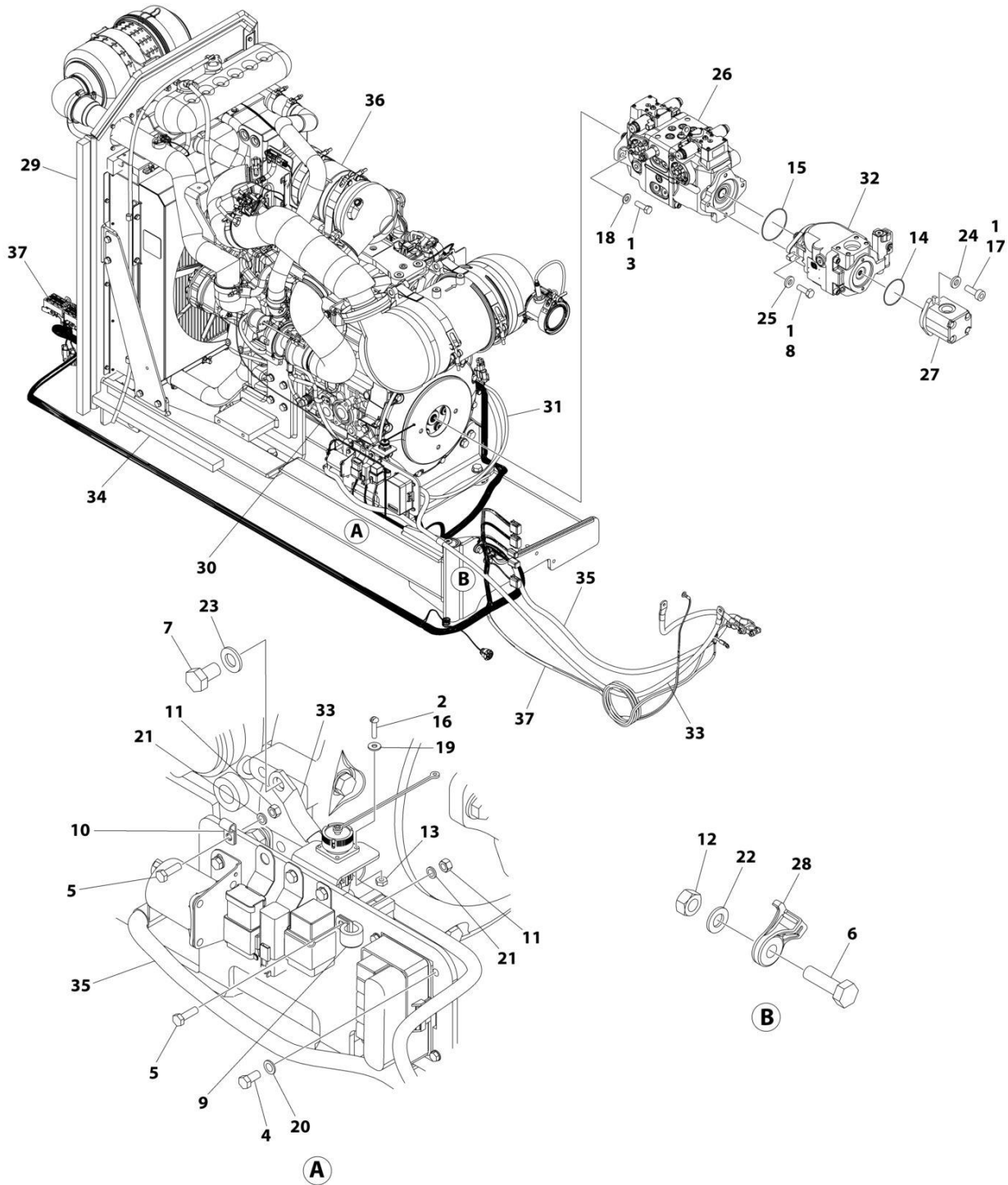
SECTION 3 - ENGINE

FIGURE 3-17. ENGINE ASSEMBLY WITH PUMPS EMR5 (HRC) (WITH COLD WEATHER PACKAGE)

ITEM	PART NUMBER	QTY	DESCRIPTION	REV
	1001290052	Ref	ENGINE ASSEMBLY WITH PUMPS EMR5 (HRC) (WITH COLD WEATHER PACKAGE)	A
1	0100011	AR	Compound, Locking	
2	0100035	AR	Compound, Locking	
3	0641812	2	Bolt 1/2 x 1-1/2	
4	0760508	4	Bolt M5 x 16	
5	0760610	2	Bolt M6 x 20	
6	0761015	2	Bolt M10 x 35	
7	0761210	1	Bolt M12 x 20	
8	0761216	2	Bolt M12 x 40	
9	1320041	1	Clamp	
10	1320136	1	Clamp	
11	3290607	2	Nut M6	
12	3291007	2	Nut M10	
13	3310401	3	Nut #4	
14	3790152	1	O-Ring	
15	3790155	1	O-Ring	
16	3910408	3	Screw #4 x 1/2	
17	3931620	2	Capscrew 3/8 x 1-1/4	
18	4740171	2	Washer	
19	4750400	3	Washer #4	
20	4811600	4	Washer M5	
21	4811700	2	Washer M6	
22	4812000	2	Washer M10	
23	4812100	1	Washer M12	
24	4891600	2	Washer 3/8	
25	4891800	2	Washer 1/2	
26	1001108616	1	Tandem Pump Assembly (See Separate Breakdown in this Section)	
27	1001112927	1	Gear Pump Assembly (See Separate Breakdown in this Section)	
28	1001156107	2	Holder, Cable	
29	1001156718	1	Seal	
30	1001157073	1	Cable, Alternator	
31	1001197445	1	Cable, Glow Plug	
32	1001199470	1	Piston Pump Assembly (See Separate Breakdown in this Section)	
33	1001202355	1	Cable, Battery Negative	
34	1001206747	1	Seal	
35	1001234791	1	Cable, Battery Positive	
36	1001290076	1	Engine Assembly (HRC) (See Separate Breakdown in this Section)	
37	1001291589	1	Engine Harness (See Separate Breakdown in ELECTRICAL Section)	

SECTION 3 - ENGINE

FIGURE 3-18. ENGINE ASSEMBLY WITH PUMPS EMR5 (HRC) (WITHOUT COLD WEATHER PACKAGE)



ART_1001290051

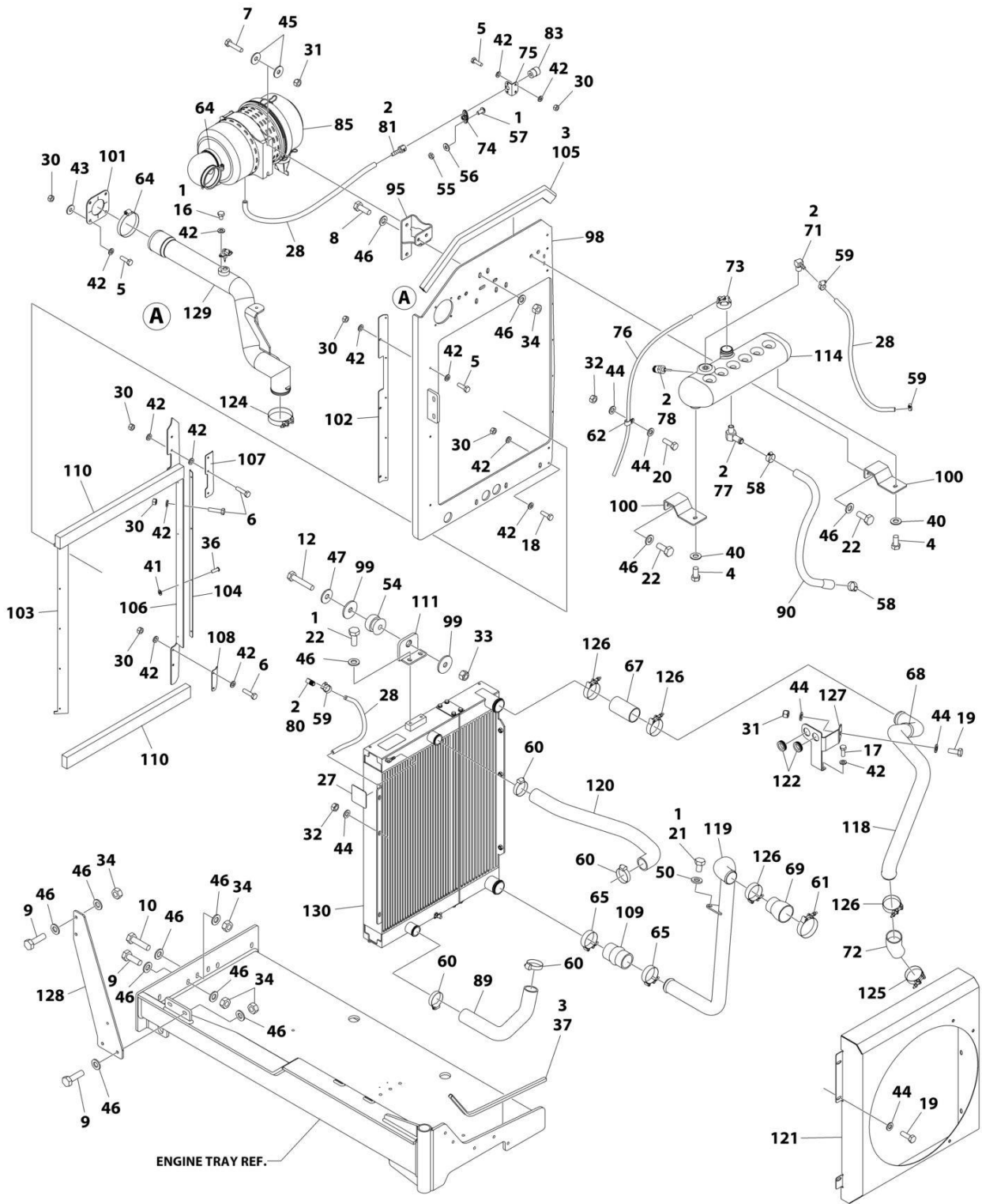
SECTION 3 - ENGINE

FIGURE 3-18. ENGINE ASSEMBLY WITH PUMPS EMR5 (HRC) (WITHOUT COLD WEATHER PACKAGE)

ITEM	PART NUMBER	QTY	DESCRIPTION	REV
	1001290051	Ref	ENGINE ASSEMBLY WITH PUMPS EMR5 (HRC) (WITHOUT COLD WEATHER PACKAGE)	A
1	0100011	AR	Compound, Locking	
2	0100035	AR	Compound, Locking	
3	0641812	2	Bolt 1/2 x 1-1/2	
4	0760508	4	Bolt M5 x 16	
5	0760610	2	Bolt M6 x 20	
6	0761015	2	Bolt M10 x 35	
7	0761210	1	Bolt M12 x 20	
8	0761216	2	Bolt M12 x 40	
9	1320041	1	Clamp	
10	1320136	1	Clamp	
11	3290607	2	Nut M6	
12	3291007	2	Nut M10	
13	3310401	3	Nut #4	
14	3790152	1	O-Ring	
15	3790155	1	O-Ring	
16	3910408	3	Screw #4 x 1/2	
17	3931620	2	Capscrew 3/8 x 1-1/4	
18	4740171	2	Washer	
19	4750400	3	Washer #4	
20	4811600	4	Washer M5	
21	4811700	2	Washer M6	
22	4812000	2	Washer M10	
23	4812100	1	Washer M12	
24	4891600	2	Washer 3/8	
25	4891800	2	Washer 1/2	
26	1001108616	1	Tandem Pump Assembly (See Separate Breakdown in this Section)	
27	1001112927	1	Gear Pump Assembly (See Separate Breakdown in this Section)	
28	1001156107	2	Holder, Cable	
29	1001156718	1	Seal	
30	1001157073	1	Cable, Alternator	
31	1001197445	1	Cable, Glow Plug	
32	1001199470	1	Piston Pump Assembly (See Separate Breakdown in this Section)	
33	1001202355	1	Cable, Battery Negative	
34	1001206747	1	Seal	
35	1001234791	1	Cable, Battery Positive	
36	1001290075	1	Engine Assembly (HRC) (See Separate Breakdown in this Section)	
37	1001291589	1	Engine Harness (See Separate Breakdown in ELECTRICAL Section)	

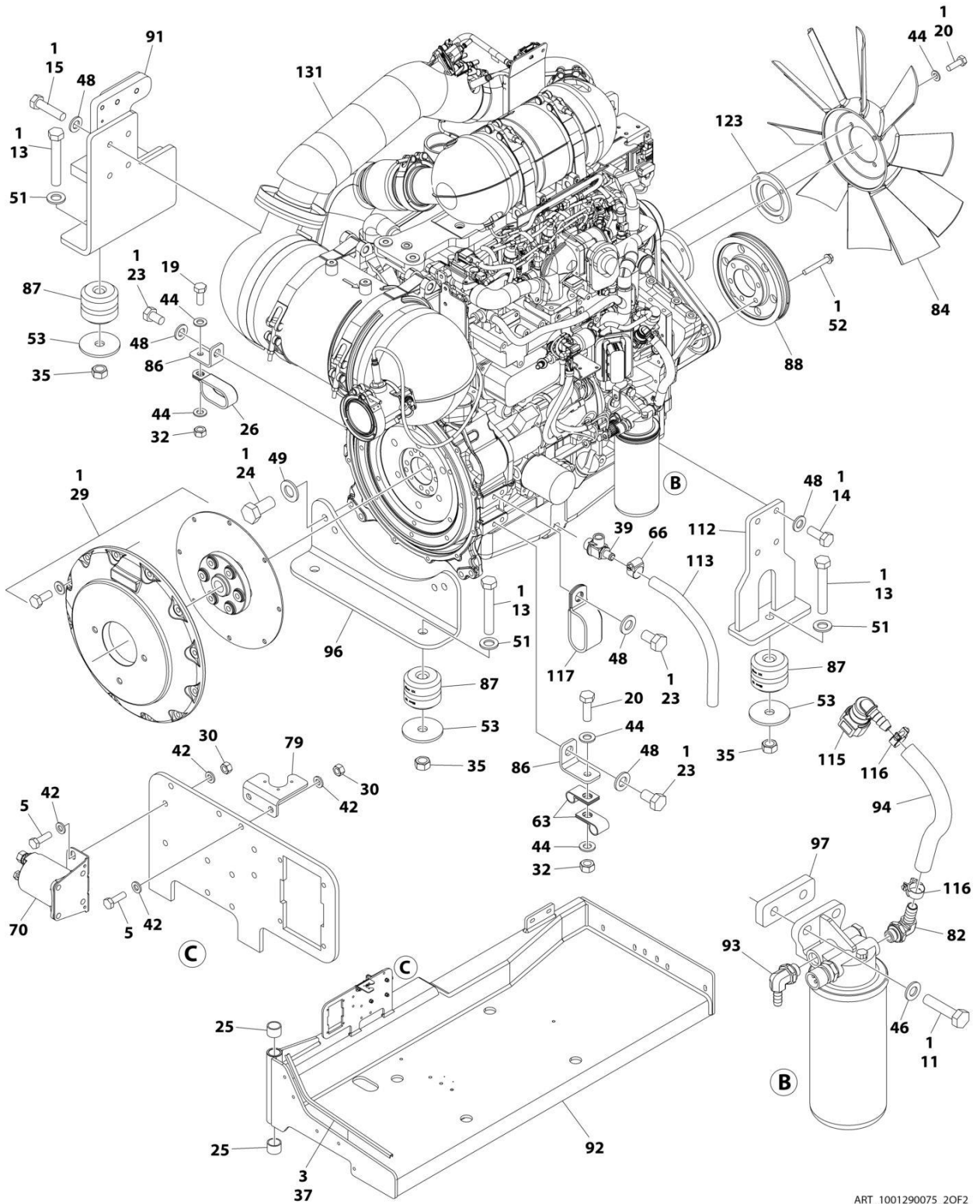
SECTION 3 - ENGINE

FIGURE 3-19. ENGINE ASSEMBLY EMR5 (HRC) (WITHOUT COLD WEATHER PACKAGE)



ART_1001290075_10F2

SECTION 3 - ENGINE



ART_1001290075_20F2

SECTION 3 - ENGINE

FIGURE 3-19. ENGINE ASSEMBLY EMR5 (HRC) (WITHOUT COLD WEATHER PACKAGE)

ITEM	PART NUMBER	QTY	DESCRIPTION	REV
	1001290075	Ref	ENGINE ASSEMBLY EMR5 (HRC) (WITHOUT COLD WEATHER PACKAGE)	A
1	0100011	AR	Compound, Locking	
2	0100020	AR	Sealant	
3	0100081	AR	Adhesive	
4	0641606	2	Bolt 3/8 x 3/4	
5	0700610	13	Bolt M6 x 20	
6	0700612	7	Bolt M6 x 25	
7	0700815	2	Bolt M8 x 35	
8	0701013	2	Bolt M10 x 28	
9	0701015	6	Bolt M10 x 35	
10	0701016	2	Bolt M10 x 40	
11	0701017	2	Bolt M10 x 45	
12	0701019	1	Bolt M10 x 55	
13	0701627	4	Bolt M16 x 100	
14	0711214	4	Bolt M12 x 30	
15	0711218	4	Bolt M12 x 50	
16	0760604	1	Bolt M6 x 8	
17	0760608	2	Bolt M6 x 16	
18	0760614	2	Bolt M6 x 30	
19	0760810	6	Bolt M8 x 20	
20	0760812	7	Bolt M8 x 25	
21	0761008	1	Bolt M10 x 16	
22	0761012	6	Bolt M10 x 25	
23	0761210	3	Bolt M12 x 20	
24	0771415	4	Bolt M14 x 35	
25	0961951	2	Bushing	
26	1321716	1	Clamp	
27	1703162	2	Decal - Fan Blade	
28	2720015	5 ft/1.5 m	Hose	
29	2902065	1	Pump Coupling Kit (See Separate Breakdown in this Section)	
30	3290607	22	Nut M6	
31	3290805	3	Nut M8	
32	3290807	5	Nut M8	
33	3291005	1	Nut M10	
34	3291007	10	Nut M10	
35	3291601	4	Nut M16	
36	3820032	9	Rivet	
37	4060807	22 in/55 cm	Flex-Trim	
38	4240099	AR	Tie-Strap (Not Shown)	
39	4640751	1	Valve, Oil Drain	
40	4711600	2	Washer 3/8	
41	4811600	4	Washer M5	
42	4811700	43	Washer M6	
43	4811702	4	Washer M6	
44	4811900	19	Washer M8	
45	4811902	4	Washer M8	
46	4812000	30	Washer M10	
47	4812002	1	Washer M10	

SECTION 3 - ENGINE

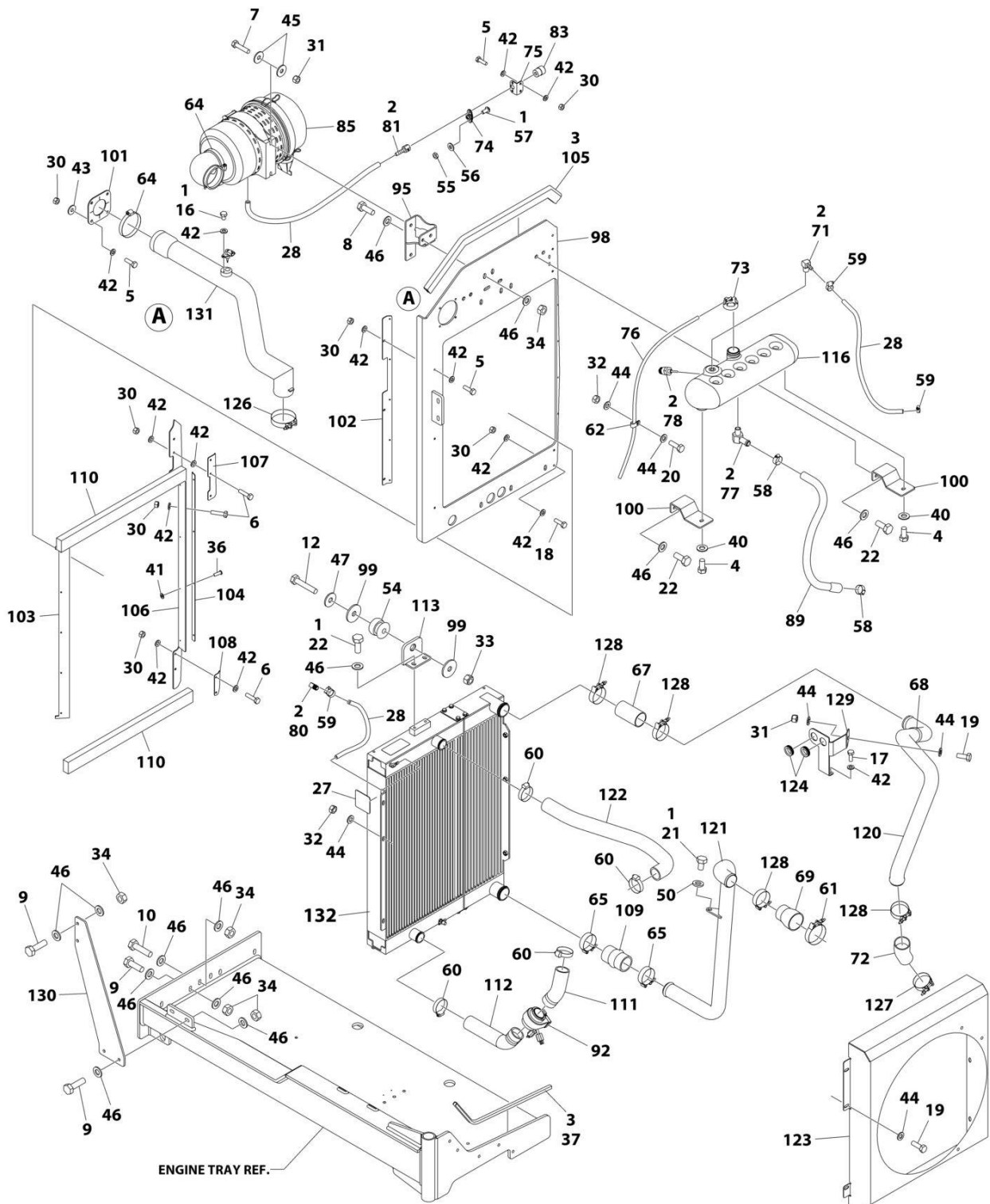
ITEM	PART NUMBER	QTY	DESCRIPTION	REV
48	4812100	11	Washer M12	
49	4812200	4	Washer M14	
50	5241000	1	Washer M10	
51	5241600	4	Washer M16	
52	5251022	6	Bolt M10 x 70	
53	7300435	4	Washer	
54	8278020	1	Mount	
55	8305401	2	Nut 1/4	
56	8307109	2	Washer 1/4	
57	8310548	2	Screw 1/4 x 1/2	
58	8405007	2	Clamp	
59	8405009	4	Clamp	
60	8405104	4	Clamp	
61	8405211	1	Clamp	
62	8406109	2	Clip	
63	8406110	2	Clip	
64	8410011	2	Clamp	
65	8410012	2	Clamp	
66	8410013	1	Clamp	
67	91563070	1	Coupling, Rubber	
68	1001097588	1	Clip	
69	1001117244	1	Reducer	
70	1001117308	1	Relay, 200Amp	
71	1001134488	1	Fitting, 90 Barbed	
72	1001135943	1	Coupling	
73	1001136834	1	Cap	
74	1001138173	1	Support	
75	1001138175	1	Bracket	
76	1001138248	5 ft/1.5 m	Tubing	
77	1001138559	1	Fitting, 90 NPTF/Barbed	
78	1001138827	1	Sensor	
79	1001139240	1	Bracket	
80	1001140564	1	Fitting, 90 Barbed	
81	1001141995	1	Fitting, Straight NPT/Barbed	
82	1001142501	1	Fitting, 90 Barbed	
83	1001143390	1	Indicator, Air Restriction	
84	1001147567	1	Fan	
85	1001147847	1	Filter, Air	
85	70023809	1	Element, Primary	
85	70023872	1	Element, Secondary	
85	70024328	1	Elbow, Rubber	
85	70024329	1	Clamp, Mounting	
86	1001148641	2	Bracket	
87	1001149517	4	Mount, Engine	
88	1001149746	1	Pulley	
89	1001150504	1	Hose	
90	1001150553	1	Hose	
91	1001151491	1	Support	
92	1001151749	1	Tray	
93	1001152489	1	Fitting, 90 Barbed	
94	1001154405	8 in/21 cm	Hose	

SECTION 3 - ENGINE

ITEM	PART NUMBER	QTY	DESCRIPTION	REV
95	1001155023	1	Plate	
96	1001155496	1	Support	
97	1001155498	1	Plate	
98	1001155525	1	Support	
99	1001155540	2	Washer	
100	1001155557	2	Plate	
101	1001155563	1	Seal	
102	1001155564	1	Bracket	
103	1001155565	1	Seal	
104	1001155566	1	Bracket	
105	1001155728	1	Seal	
106	1001156034	1	Seal	
107	1001156035	1	Bracket	
108	1001156062	1	Bracket	
109	1001156091	1	Hose	
110	1001156644	2	Seal	
111	1001157862	1	Bracket	
112	1001160518	1	Support	
113	1001165035	12 in/30 cm	Hose	
114	1001166393	1	Tank	
115	1001170982	1	Fitting, 90 SAE/Barbed	
116	1001175568	2	Clip	
117	1001181899	1	Clamp	
118	1001189291	1	Pipe, Exhaust	
119	1001190418	1	Tube	
120	1001191122	1	Hose	
121	1001192138	1	Shroud	
122	1001193599	2	Grommet	
123	1001197317	1	Spacer	
124	1001208297	1	Clamp	
125	1001208298	1	Clamp	
126	1001208299	4	Clamp	
127	1001212810	1	Support	
128	1001212817	1	Plate	
129	1001212826	1	Tube, Intake	
130	1001256862	1	Radiator	
131	1001289693	1	Engine Components (See Separate Breakdown in this Section)	

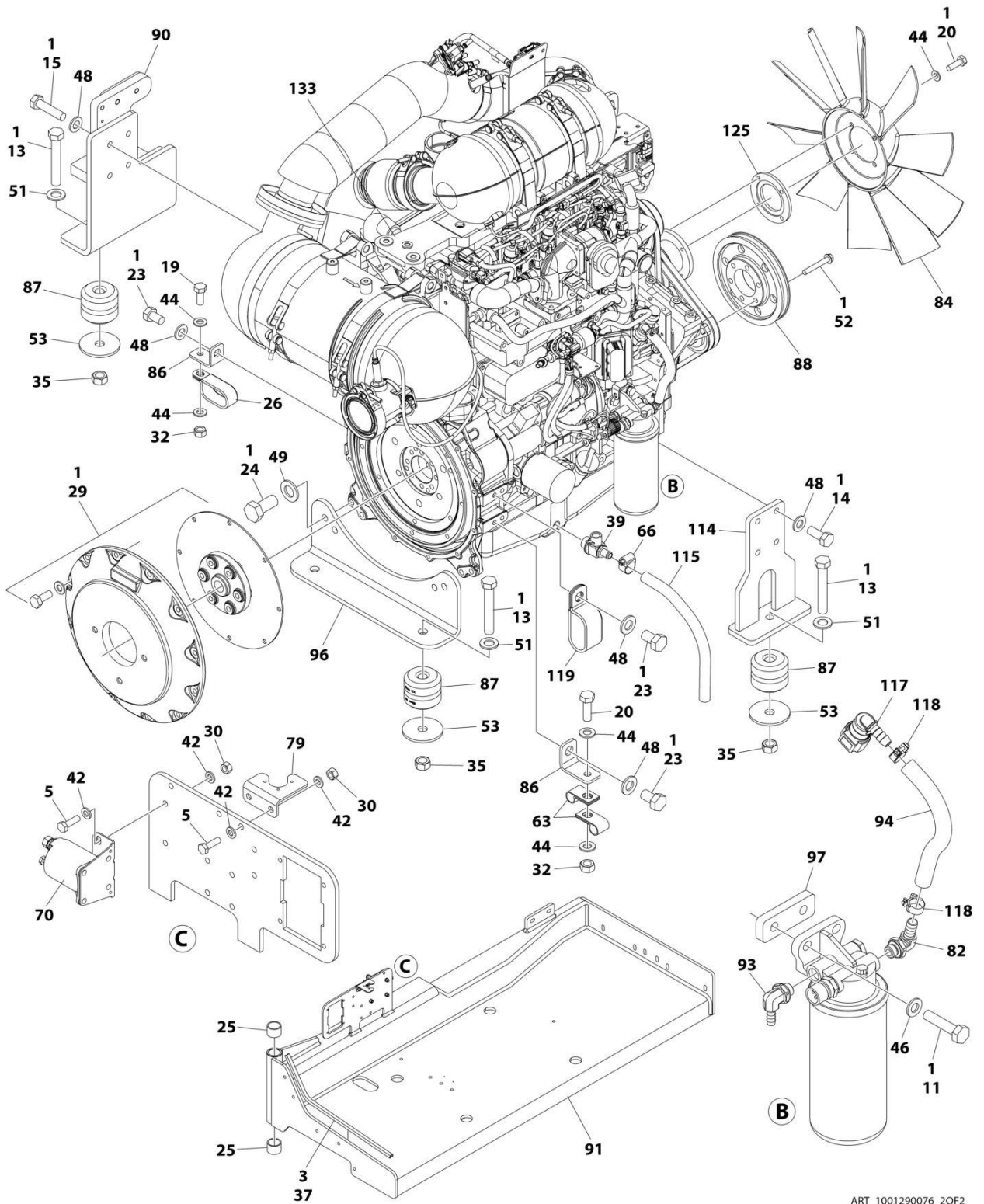
SECTION 3 - ENGINE

FIGURE 3-20. ENGINE ASSEMBLY EMR5 (HRC) (WITH COLD WEATHER PACKAGE)



ART_1001290076_10F2

SECTION 3 - ENGINE



ART_1001290076_20F2

SECTION 3 - ENGINE

FIGURE 3-20. ENGINE ASSEMBLY EMR5 (HRC) (WITH COLD WEATHER PACKAGE)

ITEM	PART NUMBER	QTY	DESCRIPTION	REV
	1001290076	Ref	ENGINE ASSEMBLY EMR5 (HRC) (WITH COLD WEATHER PACKAGE)	A
1	0100011	AR	Compound, Locking	
2	0100020	AR	Sealant	
3	0100081	AR	Adhesive	
4	0641606	2	Bolt 3/8 x 3/4	
5	0700610	13	Bolt M6 x 20	
6	0700612	7	Bolt M6 x 25	
7	0700815	2	Bolt M8 x 35	
8	0701013	2	Bolt M10 x 28	
9	0701015	6	Bolt M10 x 35	
10	0701016	2	Bolt M10 x 40	
11	0701017	2	Bolt M10 x 45	
12	0701019	1	Bolt M10 x 55	
13	0701627	4	Bolt M16 x 100	
14	0711214	4	Bolt M12 x 30	
15	0711218	4	Bolt M12 x 50	
16	0760604	1	Bolt M6 x 8	
17	0760608	2	Bolt M6 x 16	
18	0760614	2	Bolt M6 x 30	
19	0760810	6	Bolt M8 x 20	
20	0760812	7	Bolt M8 x 25	
21	0761008	1	Bolt M10 x 16	
22	0761012	6	Bolt M10 x 25	
23	0761210	3	Bolt M12 x 20	
24	0771415	4	Bolt M14 x 35	
25	0961951	2	Bushing	
26	1321716	1	Clamp	
27	1703162	2	Decal - Fan Blade	
28	2720015	5 ft/1.5 m	Hose	
29	2902065	1	Pump Coupling Kit (See Separate Breakdown in this Section)	
30	3290607	22	Nut M6	
31	3290805	3	Nut M8	
32	3290807	5	Nut M8	
33	3291005	1	Nut M10	
34	3291007	10	Nut M10	
35	3291601	4	Nut M16	
36	3820032	9	Rivet	
37	4060807	22 in/55 cm	Flex-Trim	
38	4240099	AR	Tie-Strap (Not Shown)	
39	4640751	1	Valve, Oil Drain	
40	4711600	2	Washer 3/8	
41	4811600	4	Washer M5	
42	4811700	43	Washer M6	
43	4811702	4	Washer M6	
44	4811900	19	Washer M8	
45	4811902	4	Washer M8	
46	4812000	30	Washer M10	
47	4812002	1	Washer M10	

SECTION 3 - ENGINE

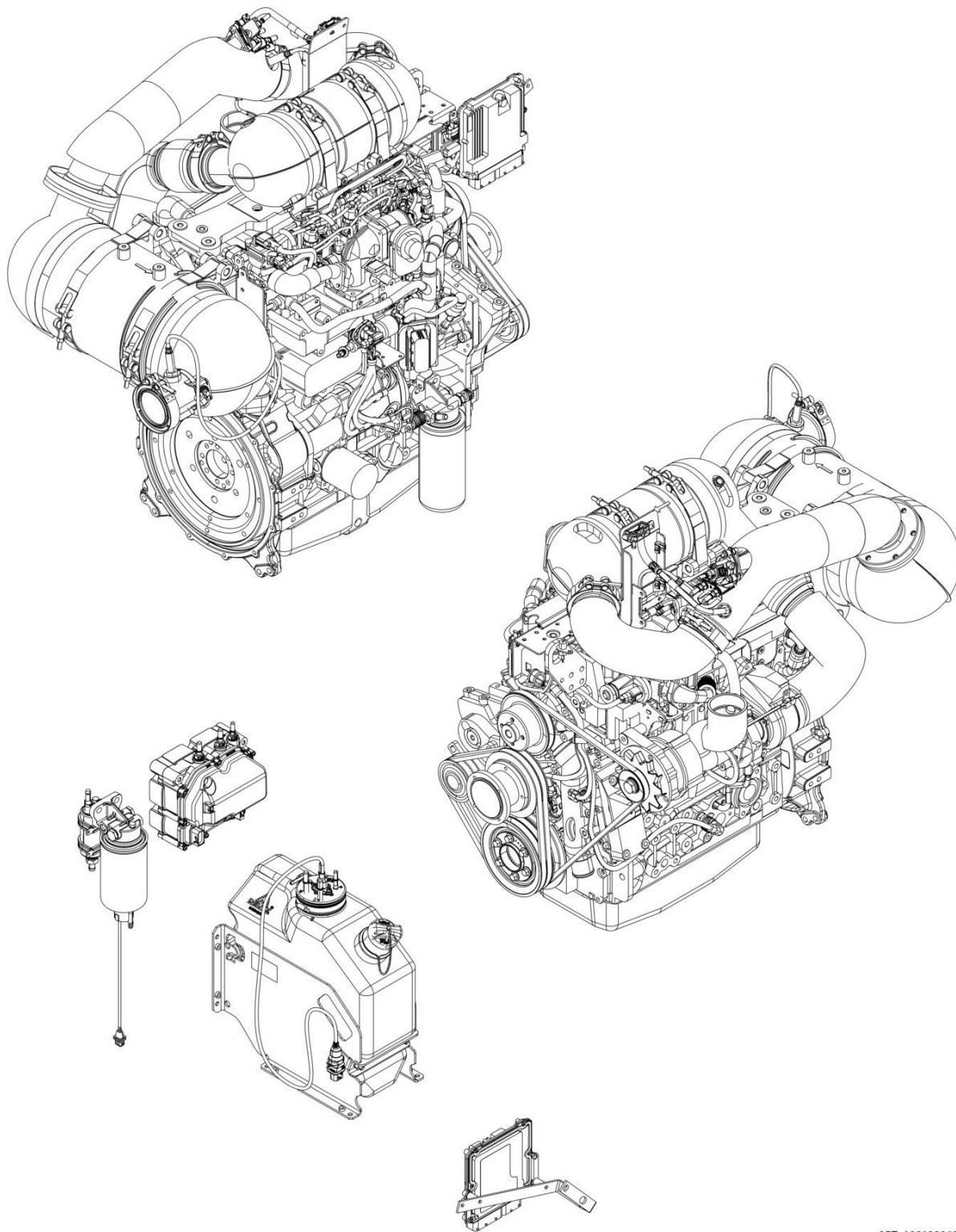
ITEM	PART NUMBER	QTY	DESCRIPTION	REV
48	4812100	11	Washer M12	
49	4812200	4	Washer M14	
50	5241000	1	Washer M10	
51	5241600	4	Washer M16	
52	5251022	6	Bolt M10 x 70	
53	7300435	4	Washer	
54	8278020	1	Mount	
55	8305401	2	Nut 1/4	
56	8307109	2	Washer 1/4	
57	8310548	2	Screw 1/4 x 1/2	
58	8405007	2	Clamp	
59	8405009	4	Clamp	
60	8405104	4	Clamp	
61	8405211	1	Clamp	
62	8406109	2	Clip	
63	8406110	2	Clip	
64	8410011	2	Clamp	
65	8410012	2	Clamp	
66	8410013	1	Clamp	
67	91563070	1	Coupling, Rubber	
68	1001097588	1	Clip	
69	1001117244	1	Reducer	
70	1001117308	1	Relay, 200Amp	
71	1001134488	1	Fitting, 90 Barbed	
72	1001135943	1	Coupling	
73	1001136834	1	Cap	
74	1001138173	1	Support	
75	1001138175	1	Bracket	
76	1001138248	5 ft/1.5 m	Tubing	
77	1001138559	1	Fitting, 90 NPTF/Barbed	
78	1001138827	1	Sensor	
79	1001139240	1	Bracket	
80	1001140564	1	Fitting, 90 Barbed	
81	1001141995	1	Fitting, Straight NPT/Barbed	
82	1001142501	1	Fitting, 90 Barbed	
83	1001143390	1	Indicator, Air Restriction	
84	1001147567	1	Fan	
85	1001147847	1	Filter, Air	
85	70023809	1	Element, Primary	
85	70023872	1	Element, Secondary	
85	70024328	1	Elbow, Rubber	
85	70024329	1	Clamp, Mounting	
86	1001148641	2	Bracket	
87	1001149517	4	Mount, Engine	
88	1001149746	1	Pulley	
89	1001150553	1	Hose	
90	1001151491	1	Support	
91	1001151749	1	Tray	
92	1001152112	1	Heater	
93	1001152489	1	Fitting, 90 Barbed	
94	1001154405	8 in/21 cm	Hose	

SECTION 3 - ENGINE

ITEM	PART NUMBER	QTY	DESCRIPTION	REV
95	1001155023	1	Plate	
96	1001155496	1	Support	
97	1001155498	1	Plate	
98	1001155525	1	Support	
99	1001155540	2	Washer	
100	1001155557	2	Plate	
101	1001155563	1	Seal	
102	1001155564	1	Bracket	
103	1001155565	1	Seal	
104	1001155566	1	Bracket	
105	1001155728	1	Seal	
106	1001156034	1	Seal	
107	1001156035	1	Bracket	
108	1001156062	1	Bracket	
109	1001156091	1	Hose	
110	1001156644	2	Seal	
111	1001157300	1	Hose	
112	1001157301	1	Hose	
113	1001157862	1	Bracket	
114	1001160518	1	Support	
115	1001165035	12 in/30 cm	Hose	
116	1001166393	1	Tank	
117	1001170982	1	Fitting, 90 SAE/Barbed	
118	1001175568	2	Clip	
119	1001181899	1	Clamp	
120	1001189291	1	Pipe, Exhaust	
121	1001190418	1	Tube	
122	1001191122	1	Hose	
123	1001192138	1	Shroud	
124	1001193599	2	Grommet	
125	1001197317	1	Spacer	
126	1001208297	1	Clamp	
127	1001208298	1	Clamp	
128	1001208299	4	Clamp	
129	1001212810	1	Support	
130	1001212817	1	Plate	
131	1001212826	1	Tube, Intake	
132	1001256862	1	Radiator	
133	1001289693	1	Engine Components (See Separate Breakdown in this Section)	

SECTION 3 - ENGINE

FIGURE 3-21. DEUTZ EMR5 HRC ENGINE COMPONENTS



ART_1001289693

SECTION 3 - ENGINE

FIGURE 3-21. DEUTZ EMR5 HRC ENGINE COMPONENTS

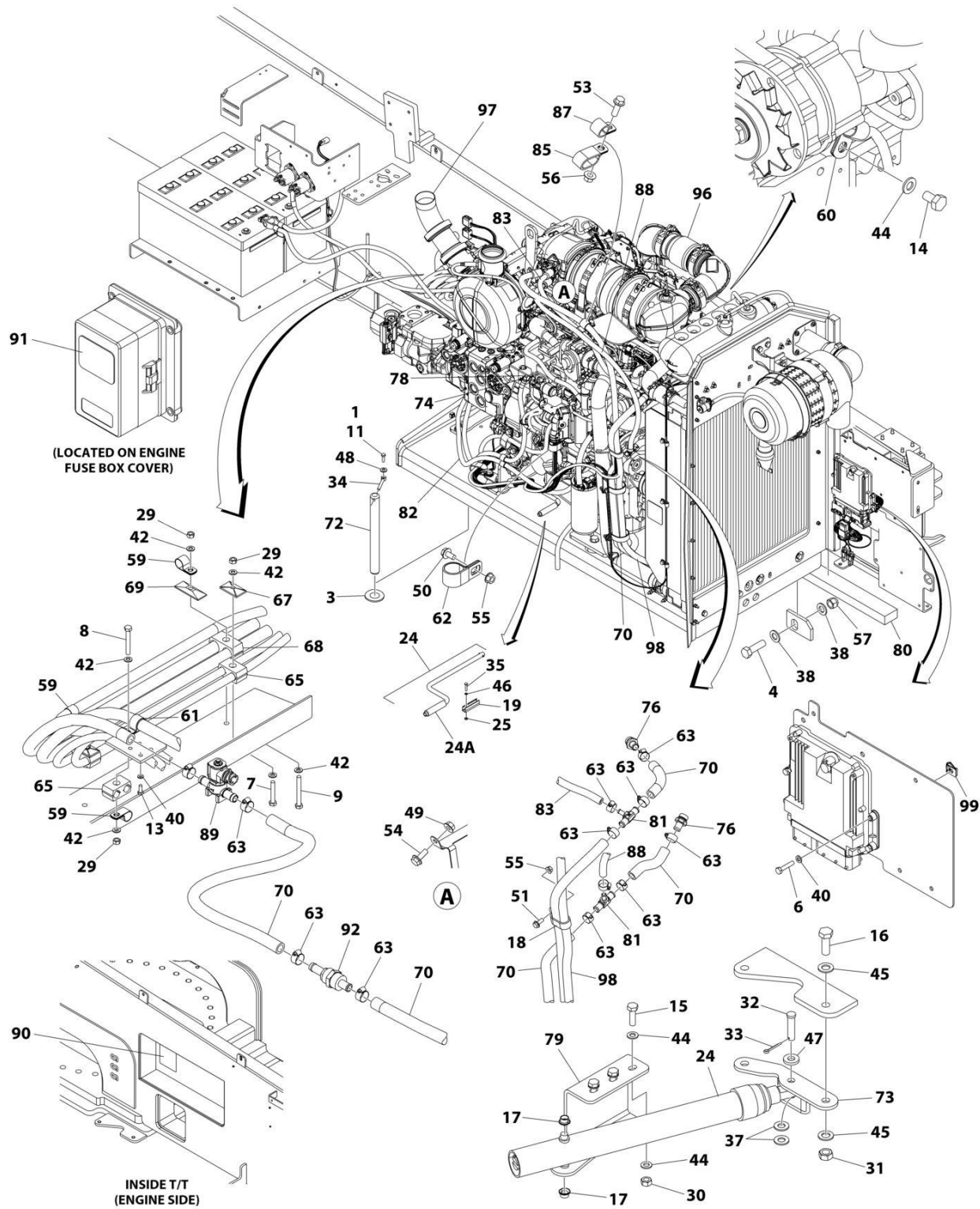
ITEM	PART NUMBER	QTY	DESCRIPTION	REV
	1001289693	Ref	DEUTZ TCD3.6L - EMR5 ENGINE COMPONENTS	A
	See Note	Ref	Note: Contact JLG Customer Service for availability for addition components.	
		Ref	AIR INTAKE SYSTEM COMPONENTS	
	70028927	1	Charge Air Elbow	
	70124432	1	Breather Line	
	70007083	1	Turbocharger	
		Ref	COOLING SYSTEM COMPONENTS	
	70004515	1	Pump, Water	
		Ref	ELECTRICAL COMPONENTS	
	70008427	1	Module	
	70028538	1	Sensor, Fuel Pressure	
	70030378	1	Generator	
	70004520	1	Starter	
	70028542	4	Plug, Glow	
	70005556	1	Transmitter, Temperature	
	70026210	1	Sensor, Speed	
	7008431	1	Sensor, Pressure	
	70025737	1	Sensor, Wheel	
		Ref	EXHAUST COMPONENTS	
	70027422	1	Pipe, Exhaust	
	NPN	1	Manifold, Exhaust	
	70029379	4	Valve, Exhaust	
	70028989	1	Valve, Shuttle	
	70008612	1	DEF Tank Assembly (Includes Cap, Filler Filter & Venting Valve)	
	70027495	1	Filter, Filler - DEF Tank	
	70008613	1	Cap/Cover, DEF Tank	
	70027467	1	Valve, Venting - DEF Tank	
	1001293066	1	Sensor, Level - DEF Tank	
	70027463	1	Clip, Level Sensor - DEF Tank	
	70027464	1	Filter, DEF In-line	
		Ref	FUEL SYSTEM COMPONENTS	
	70008425	1	Pump, High Pressure	
	70004508	1	Valve, Volume Control	
	70024485	4	Injector, Fuel	
	70006144	1	Pump, Fuel Supply	
	70025153	1	Filter, Fuel (Pre-Filter) Assembly	
	70029580	1	Filter, Fuel	
	70024513	1	Sensor, Cable	
	7016331	1	Filter, Fuel	
		Ref	GASKET AND SEAL COMPONENT	
	7020442	2	Seal, Dipstick	
	7020404	1	Seal, Oil Plug	
	70025789	1	Gasket, Head	
	70030375	1	Gasket, Valve Cover	
	70029386	1	O-Ring, Oil Pump	
	70029385	1	Gasket, Oil Pump	
	70024495	1	Gasket, Oil Cooler	
	70024475	1	Gasket, Charge Air Housing	
	70005497	1	Seal, Coolant Pump	

SECTION 3 - ENGINE

ITEM	PART NUMBER	QTY	DESCRIPTION	REV
	70029399	1	Gasket, Exhaust Manifold	
	70024500	1	Gasket, Exhaust Pipe	
	70007326	1	Gasket, EGR	
		Ref	OTHER COMPONENTS	
	70001870	1	Flywheel (Includes Ring Gear)	
	7024579	1	Gear, Ring	
	70005516	1	V-Belt	
		Ref	OIL LUBE SYSTEMS	
	70025745	1	Dipstick	
	7020465	1	Cap, Filler	
	70005941	1	Plug, Oil	
	70031215	1	Pump, Oil	
	70024494	1	Cooler, Oil	

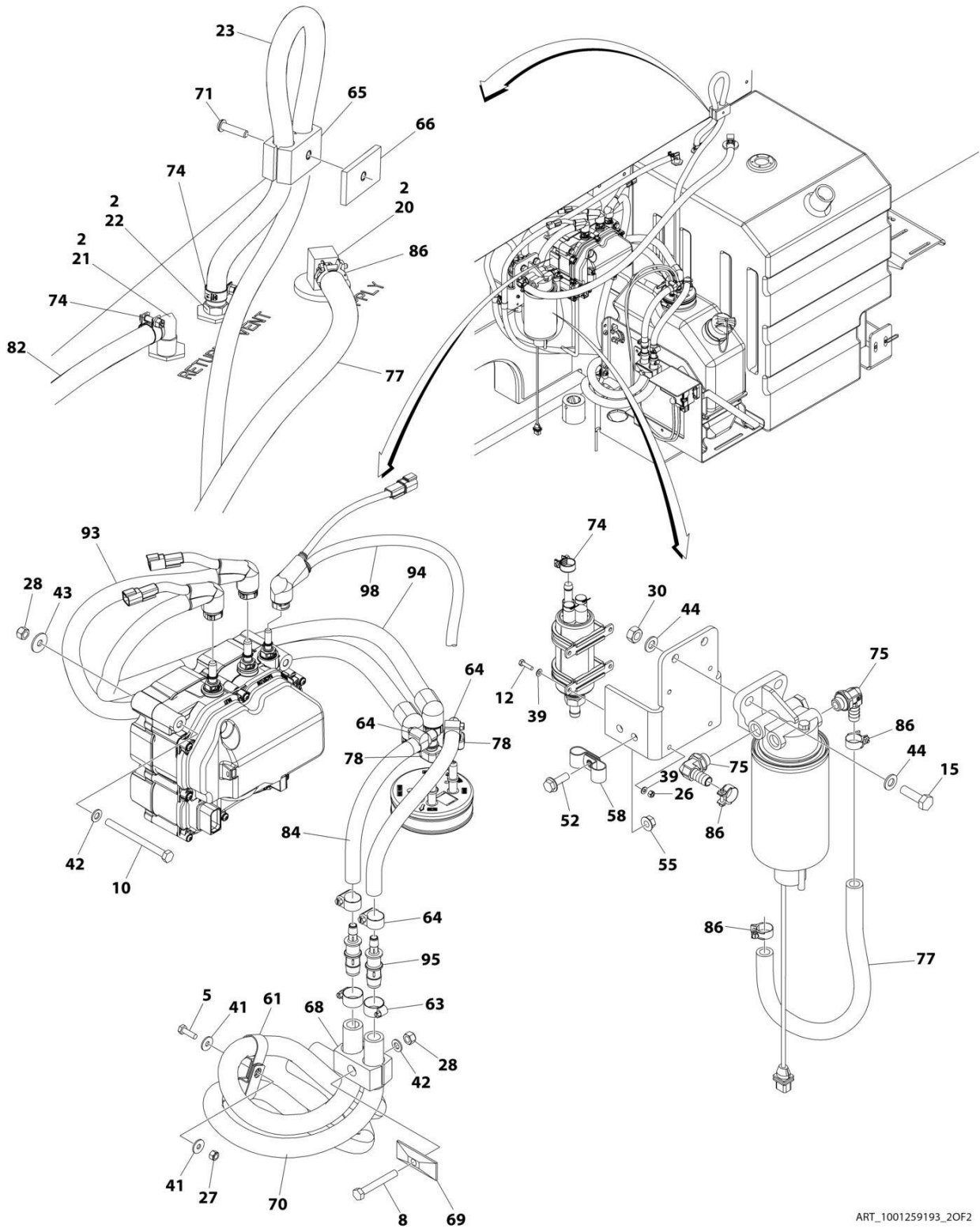
SECTION 3 - ENGINE

FIGURE 3-22. ENGINE INSTALLATION (HRC) (STAGE V) (WITHOUT COLD WEATHER PACKAGE)



ART_1001259193_10F2

SECTION 3 - ENGINE



ART_1001259193_2OF2

SECTION 3 - ENGINE

FIGURE 3-22. ENGINE INSTALLATION (HRC) (STAGE V) (WITHOUT COLD WEATHER PACKAGE)

ITEM	PART NUMBER	QTY	DESCRIPTION	REV
	1001259193	Ref	ENGINE INSTALLATION (HRC)	D
1	0100011	AR	Compound, Locking	
2	0100020	AR	Sealant	
3	0440162	1	Bearing	
4	0642220	1	Bolt 3/4 x 2-1/2	
5	0700610	1	Bolt M6 x 20	
6	0700614	4	Bolt M6 x 30	
7	0700818	2	Bolt M8 x 50	
8	0700820	2	Bolt M8 x 60	
9	0700822	2	Bolt M8 x 70	
10	0700827	3	Bolt M8 x 100	
11	0711015	1	Bolt M10 x 35	
12	0760408	4	Bolt M4 x 16	
13	0760608	4	Bolt M6 x 16	
14	0761009	1	Bolt M10 x 18	
15	0761015	5	Bolt M10 x 35	
16	0771416	2	Bolt M14 x 40	
17	0962051	2	Bearing	
18	1321716	1	Clamp	
19	1380147	1	Clip	
20	2180832	1	Fitting, Straight Barbed/NPTF	
21	2220313	1	Fitting, 90 Barbed/NPTF	
22	2221114	1	Fitting, Straight Barbed/NPT	
23	2750532	4 ft/ 1.2m	Hose	
24	2840016	1	Tray Jack Assembly	
24	7016322	1	Wiper (Burr Brand)	
24A	7016374	1	Handle (Burr Brand)	
24A	7024598	1	Handle (Hammerblow Brand)	
25	3290301	2	Nut M3	
26	3290405	4	Nut M4	
27	3290605	1	Nut M6	
28	3290805	4	Nut M8	
29	3290807	5	Nut M8	
30	3291007	5	Nut M10	
31	3331411	2	Nut M14	
32	3430816	1	Pin	
33	3450404	1	Pin, Cotter 1/8 x 1	
34	3841143	1	Keeper, Pin	
35	4010308	2	Screw M3 x 16	
36	4240099	AR	Tie-Strap (Not Shown)	
37	4711800	2	Washer 1/2	
38	4712200	2	Washer 3/4	
39	4811400	8	Washer M4	
40	4811700	8	Washer M6	
41	4811702	2	Washer M6	
42	4811900	14	Washer M8	
43	4811902	3	Washer M8	
44	4812000	11	Washer M10	
45	4812200	4	Washer M14	
46	4871200	2	Washer M3	

SECTION 3 - ENGINE

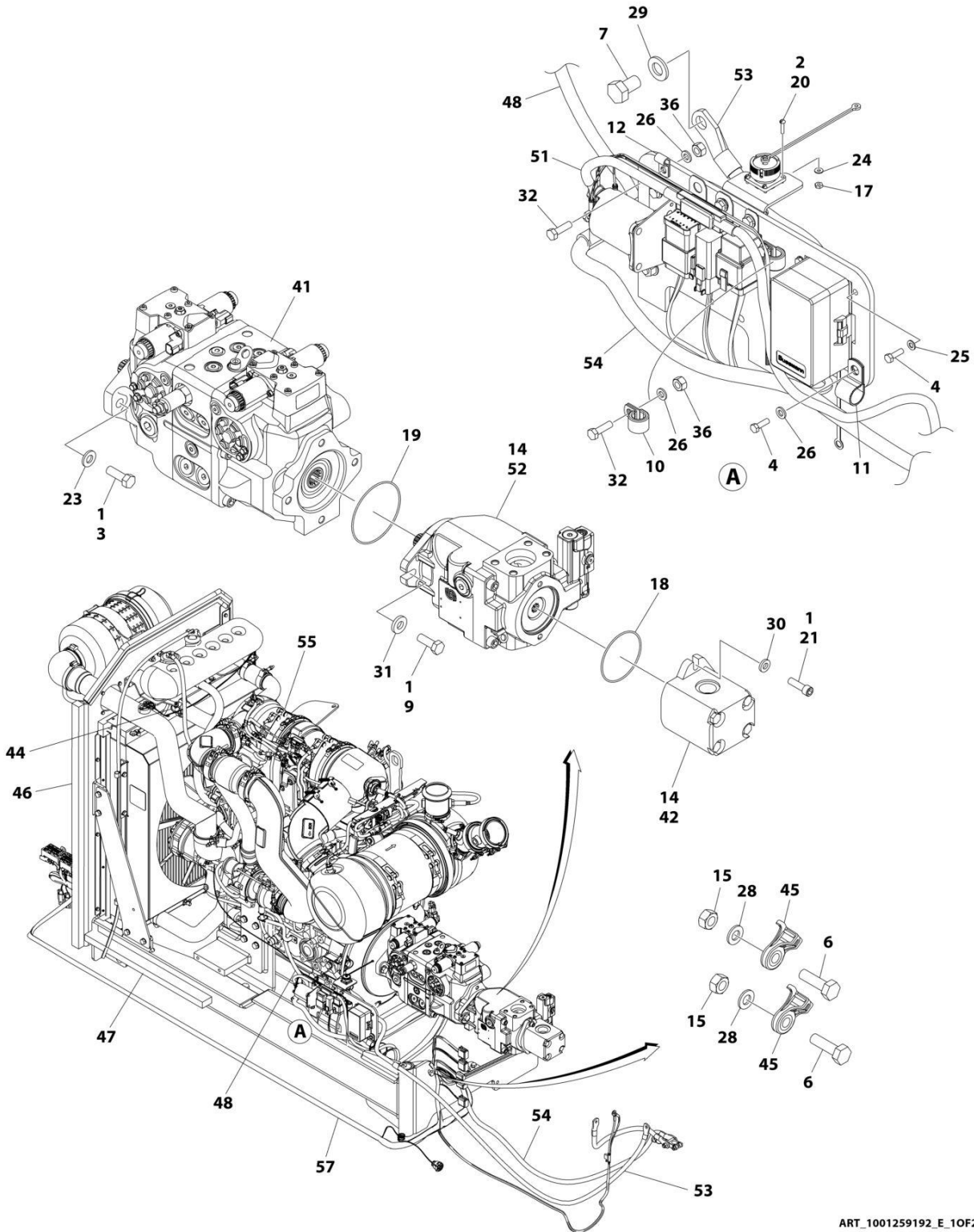
ITEM	PART NUMBER	QTY	DESCRIPTION	REV
47	4891800	1	Washer 1/2	
48	5241000	1	Washer M10	
49	5250608	1	Bolt M6 x 16	
50	5250808	1	Bolt M8 x 16	
51	5250810	1	Bolt M8 x 20	
52	5250812	1	Bolt M8 x 25	
53	5251215	1	Bolt M12 x 35	
54	5260600	1	Nut M6	
55	5260800	3	Nut M8	
56	5261200	1	Nut M12	
57	8310067	1	Nut 3/4	
58	8406101	2	Clip	
59	8406102	3	Clip	
60	8406105	1	Clip	
61	8406201	3	Clip	
62	8406303	1	Clamp	
63	8410009	14	Clamp	
64	8410013	4	Clamp	
65	8750014	4	Clamp	
66	8750031	1	Plate, Clamp	
67	8769123	2	Cover, Clamp	
68	8769127	3	Cover, Clamp	
69	77133137	3	Cover, Clamp	
70	82033995	374 in/ 9.5m	Hose	
71	1001101580	1	Screw M8 x 30	
72	1001135196	1	Pin	
73	1001135497	1	Support	
74	1001136975	5	Clamp	
75	1001142501	2	Fitting, 90 Barbed	
76	1001154262	2	Fitting, Straight Barbed	
77	1001154405	51 in/ 1.3m	Hose	
78	1001155823	3	Fitting, 90 Barbed	
79	1001155939	1	Mount	
80	1001206747	1	Seal	
81	1001162212	2	Fitting, Tee Barbed	
82	1001165035	28 ft/ 8.4m	Hose	
83	1001169409	1	Hose	
84	1001181625	1.65 ft/ 0.50m	Hose	
85	1001181899	1	Clamp	
86	1001186342	4	Clip	
87	1001191620	1	Clamp	
88	1001193980	1	Hose, Return	
89	1001199670	1	Valve, Flow	
90	1001212056	1	Decal - Engine Fuse Box	
91	1001224046	1	Decal - Engine Fuse Box Cover	
92	1001228872	1	Filter, Coolant Screen	
93	1001238401	1	Hose, Backflow	
94	1001238402	1	Hose, Suction	

SECTION 3 - ENGINE

ITEM	PART NUMBER	QTY	DESCRIPTION	REV
95	1001238470	2	Fitting, Reducer Barbed	
96	1001259192	1	Engine Assembly with Pumps (HRC) (Stage V) (With Cold Weather Package) (See Separate Breakdown in this Section)	
97	1001259204	1	Pipe	
98	1001260287	1	Hose	
99	8305919	4	Nut, Retainer	

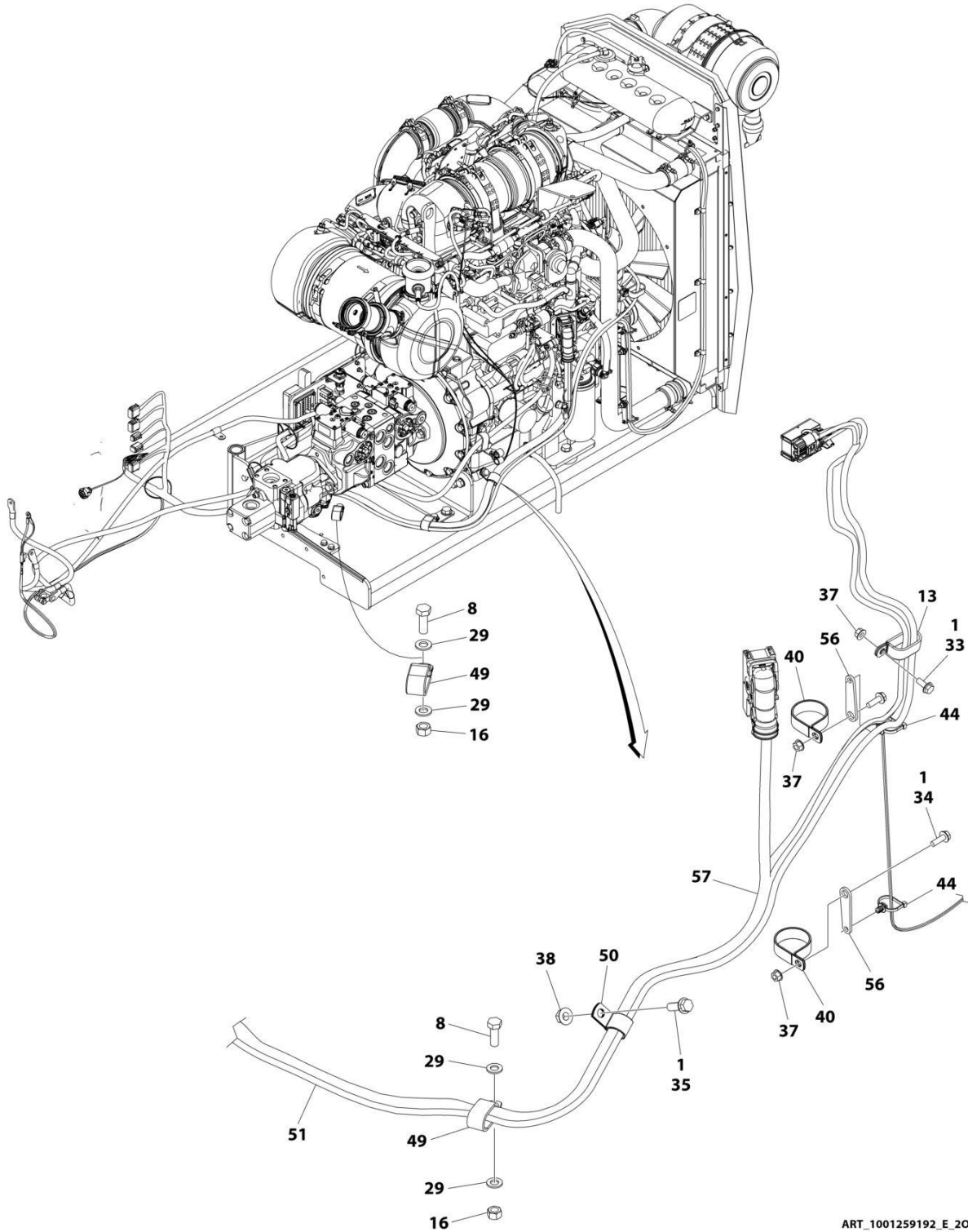
SECTION 3 - ENGINE

FIGURE 3-23. ENGINE ASSEMBLY WITH PUMPS (HRC) (STAGE V) (WITHOUT COLD WEATHER PACKAGE)



ART_1001259192_E_10F2

SECTION 3 - ENGINE



ART_1001259192_E_20F2

SECTION 3 - ENGINE

FIGURE 3-23. ENGINE ASSEMBLY WITH PUMPS (HRC) (STAGE V) (WITHOUT COLD WEATHER PACKAGE)

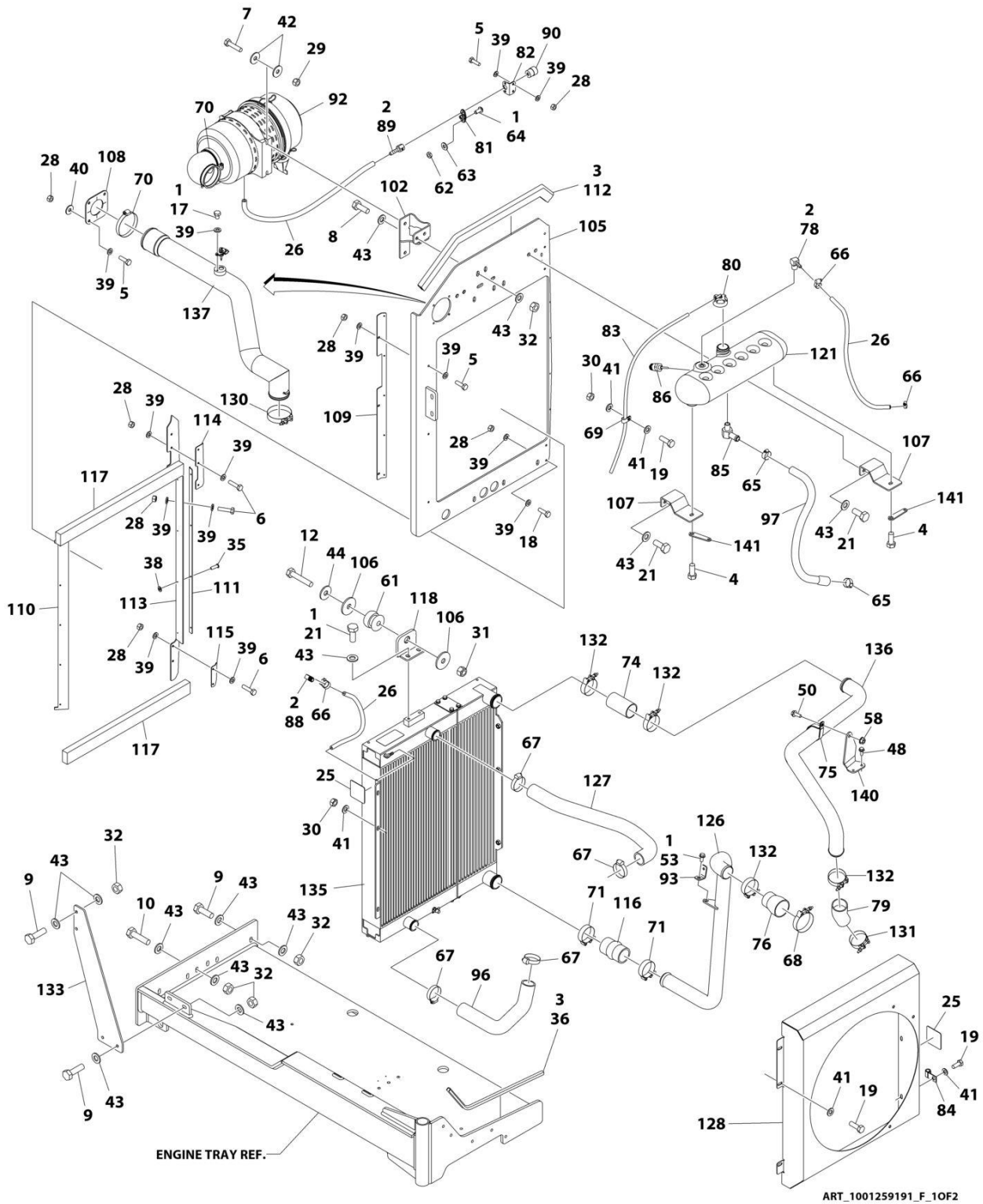
ITEM	PART NUMBER	QTY	DESCRIPTION	REV
	1001259192	Ref	ENGINE ASSEMBLY WITH PUMPS (HRC)	E
1	0100011	AR	Compound, Locking	
2	0100035	AR	Compound, Locking	
3	0641812	2	Bolt 1/2 x 1-1/2	
4	0760508	4	Bolt M5 x 16	
6	0761015	2	Bolt M10 x 35	
7	0761210	1	Bolt M12 x 20	
8	0761215	2	Bolt M12 x 35	
9	0761216	2	Bolt M12 x 40	
10	1320041	1	Clamp	
11	1320061	1	Clamp	
12	1320136	1	Clamp	
13	1321716	1	Clamp	
14	3020037	AR	Lubricant	
15	3291007	2	Nut M10	
16	3291207	2	Nut M12	
17	3310401	3	Nut #4	
18	3790152	1	O-Ring	
19	3790155	1	O-Ring	
20	3910408	3	Screw #4 x 1/2	
21	3931620	2	Capscrew 3/8 x 1-1/4	
22	4240099	AR	Tie-Strap (Not Shown)	
23	4740171	2	Washer	
24	4750400	3	Washer #4	
25	4811600	3	Washer M5	
26	4811700	3	Washer M6	
28	4812000	2	Washer M10	
29	4812100	5	Washer M12	
30	4891600	2	Washer 3/8	
31	4891800	2	Washer 1/2	
32	5250611	2	Screw M6 x 22	
32	0760610	2	Bolt M6 x 20	
33	5250810	1	Bolt M8 x 20	
34	5250812	2	Bolt M8 x 25	
35	5251215	1	Bolt M12 x 35	
36	5260600	2	Nut M6	
36	3290607	2	Nut, Lock M6	
37	5260800	3	Nut M8	
38	5261200	1	Nut M12	
40	1001097588	2	Clamp	
41	1001108616	1	Tandem Pump Assembly (See Separate Breakdown in this Section)	
42	1001112927	1	Gear Pump Assembly (See Separate Breakdown in this Section)	
44	1001146588	4	Tie-Strap	
45	1001156107	2	Holder, Cable	
46	1001156718	1	Seal	
47	1001206747	1	Seal	
48	1001157073	1	Cable, Alternator	
49	1001181899	2	Clamp	

SECTION 3 - ENGINE

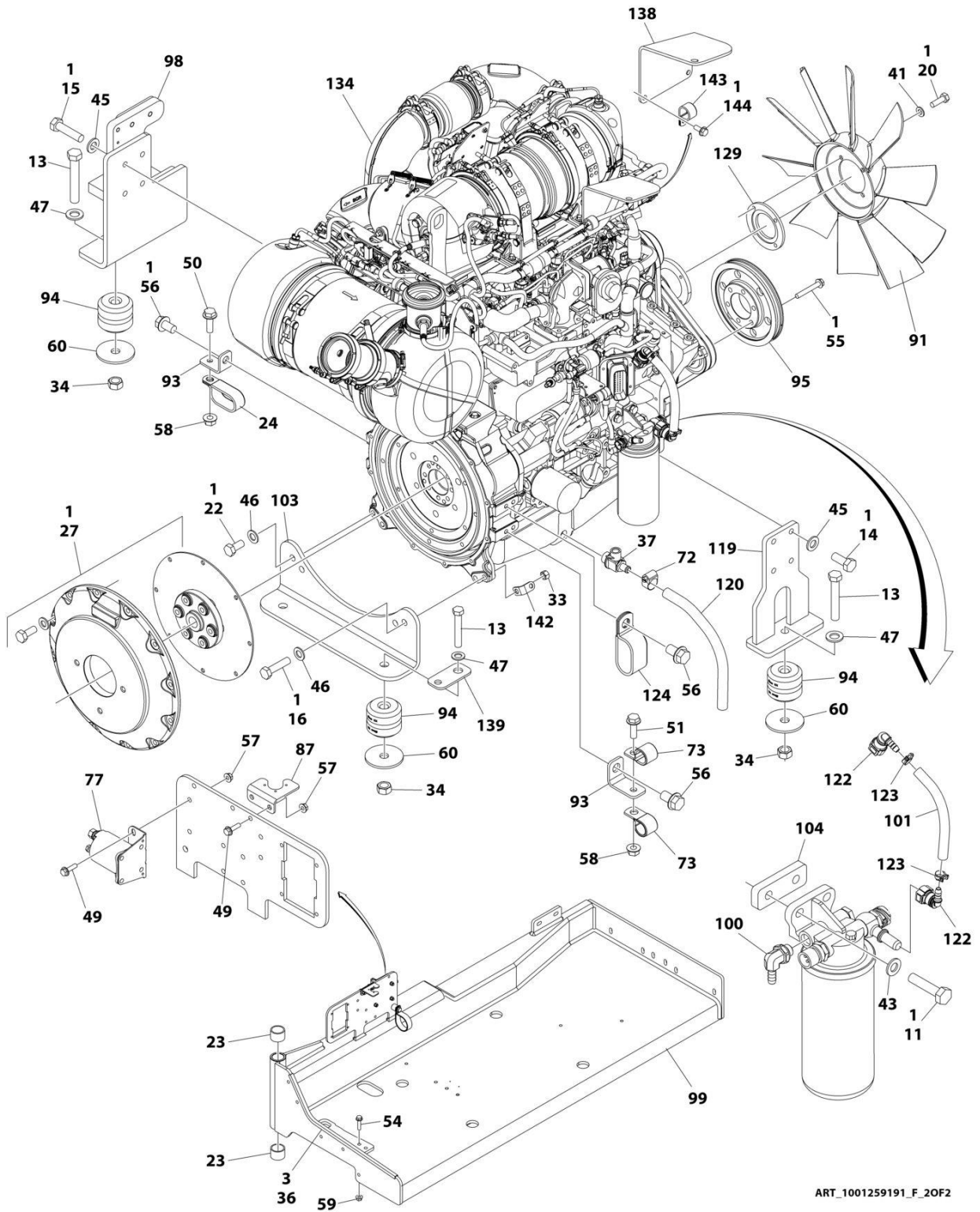
ITEM	PART NUMBER	QTY	DESCRIPTION	REV
50	1001191620	1	Clamp	
51	1001274992	1	Cable, Glow Plug	
52	1001199470	1	Piston Pump Assembly (See Separate Breakdown in this Section)	
53	1001202355	1	Cable, Battery Negative	
54	1001234791	1	Cable, Battery Positive	
55	1001259191	1	Engine Assembly (HRC) (Stage V) (With Cold Weather Package) (See Separate Breakdown in this Section)	
56	1001260307	2	Bracket	
57	1001262056	1	Engine Harness (See Separate Breakdown in ELECTRICAL Section)	

SECTION 3 - ENGINE

FIGURE 3-24. ENGINE ASSEMBLY (HRC) (STAGE V) (WITHOUT COLD WEATHER PACKAGE)



SECTION 3 - ENGINE



ART_1001259191_F_2OF2

SECTION 3 - ENGINE

FIGURE 3-24. ENGINE ASSEMBLY (HRC) (STAGE V) (WITHOUT COLD WEATHER PACKAGE)

ITEM	PART NUMBER	QTY	DESCRIPTION	REV
	1001259191	Ref	DEUTZ T4F ENGINE ASSEMBLY	F
1	0100011	AR	Compound, Locking	
2	0100020	AR	Sealant	
3	0100081	AR	Adhesive	
4	0641607	2	Bolt 3/8 x 7/8	
5	0700610	9	Bolt M6 x 20	
6	0700612	7	Bolt M6 x 25	
7	0700815	2	Bolt M8 x 35	
8	0701013	2	Bolt M10 x 28	
9	0701015	6	Bolt M10 x 35	
10	0701016	2	Bolt M10 x 40	
11	0701017	2	Bolt M10 x 45	
12	0701019	1	Bolt M10 x 55	
13	0701627	4	Bolt M16 x 100	
14	0711214	4	Bolt M12 x 30 Class 10.9	
15	0711218	4	Bolt M12 x 50 Class 10.9	
16	0771419	1	Bolt M14 x 55 Class 10.9	
17	0760604	1	Bolt M6 x 8	
18	0760614	2	Bolt M6 x 30	
19	0760810	6	Bolt M8 x 20	
20	0760812	4	Bolt M8 x 25	
21	0761012	6	Bolt M10 x 25	
22	0771415	3	Bolt M14 x 35 Class 10.9	
23	0961951	2	Bushing	
24	1321716	1	Clamp	
25	1703162	2	Decal - Fan Blade	
26	2720015	5 ft/ 1.5m	Hose	
27	2902065	1	Pump Coupling Kit (See Separate Breakdown in this Section)	
28	3290607	18	Nut M6	
29	3290805	2	Nut M8	
30	3290807	3	Nut M8	
31	3291005	1	Nut M10	
32	3291007	10	Nut M10	
33	3291407	1	Nut M14	
34	3291601	4	Nut M16	
35	3820032	9	Rivet	
36	4060807	22 in/ 56cm	Flex-Trim	
37	4640751	1	Valve, Oil Drain	
38	4811600	4	Washer M5	
39	4811700	33	Washer M6	
40	4811702	4	Washer M6	
41	4811900	13	Washer M8	
42	4811902	4	Washer M8	
43	4812000	30	Washer M10	
44	4812002	1	Washer M10	
45	4812100	8	Washer M12	
46	4812200	4	Washer M14	
47	5241600	4	Washer M16	
48	5250608	2	Bolt M6 x 16	

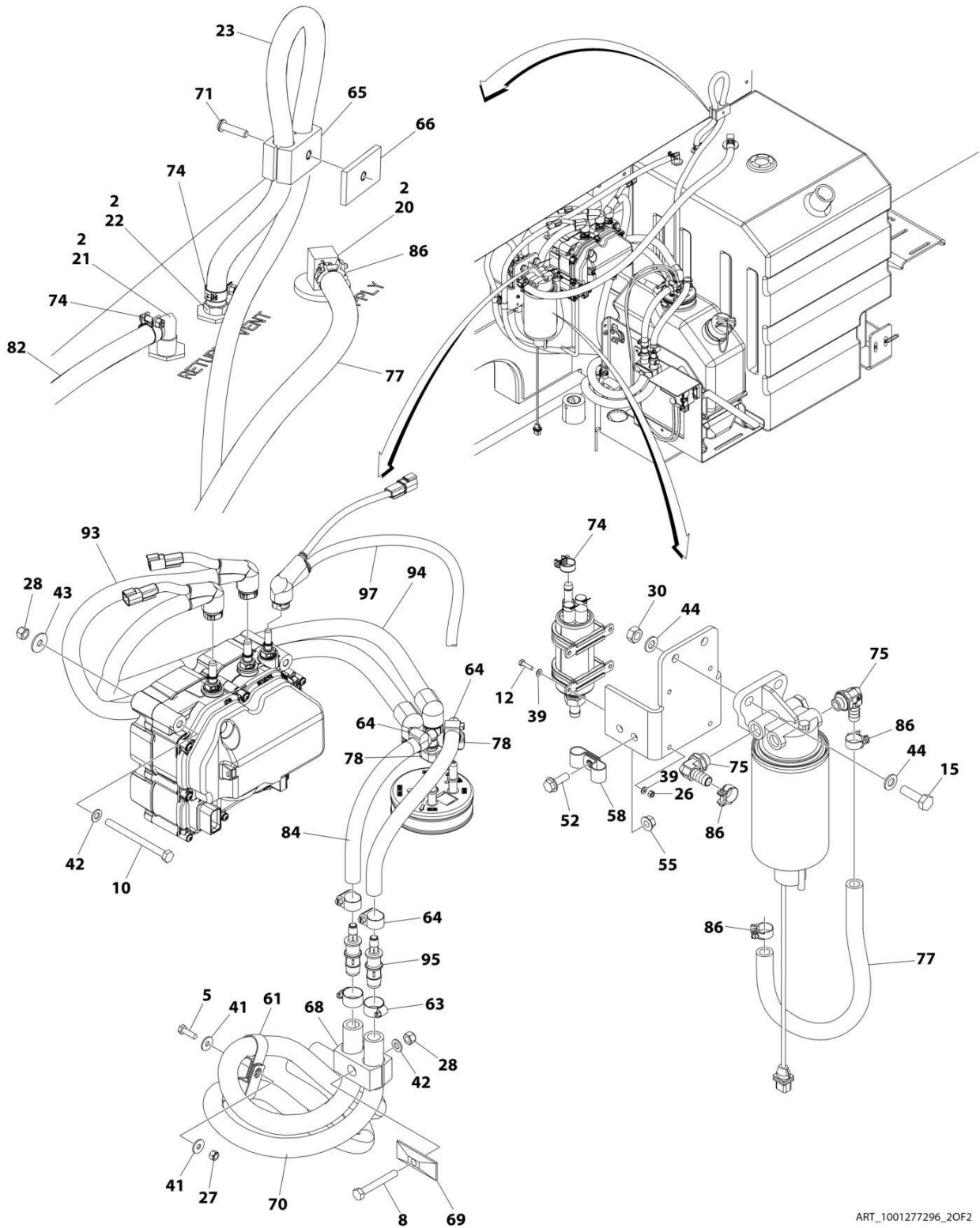
SECTION 3 - ENGINE

ITEM	PART NUMBER	QTY	DESCRIPTION	REV
49	5250611	4	Bolt M6 x 22	
50	5250810	2	Bolt M8 x 20 Class 10.9	
51	5250812	1	Bolt M8 x 25 Class 10.9	
53	5251010	1	Bolt M10 x 20 Class 10.9	
54	5251016	2	Bolt M10 x 40 Class 10.9	
55	5251022	6	Bolt M10 x 70 Class 10.9	
56	5251210	3	Bolt M12 x 20 Class 10.9	
57	5260600	4	Nut M6	
58	5260800	3	Nut M8	
59	5261000	2	Nut M10	
60	7300435	4	Washer	
61	8278020	1	Mount	
62	8305401	2	Nut 1/4	
63	8307109	2	Washer 1/4	
64	8310548	2	Screw 1/4 x 1/2	
65	8405007	2	Clamp	
66	8405009	4	Clamp	
67	8405104	4	Clamp	
68	8405211	1	Clamp	
69	8406109	2	Clip	
70	8410011	2	Clamp	
71	8410012	2	Clamp	
72	8410013	1	Clamp	
73	24861170	2	Clamp	
74	91563070	1	Coupling, Rubber	
75	1001097588	1	Clip	
76	1001117244	1	Reducer	
77	1001117308	1	Relay, 200Amp	
78	1001134488	1	Fitting, 90 NPT/Barbed	
79	1001135943	1	Coupling	
80	1001136834	1	Cap	
81	1001138173	1	Support	
82	1001138175	1	Bracket	
83	1001138248	5 ft/ 1.5m	Tubing	
84	1001138253	3	Clamp	
85	1001138559	1	Fitting, 90 NPT	
86	1001138827	1	Sensor	
87	1001139240	1	Bracket	
88	1001140564	1	Fitting, 90 NPT/Barbed	
89	1001141995	1	Fitting, Straight NPT/Barbed	
90	1001143390	1	Indicator, Air Restriction	
91	1001147567	1	Fan	
92	1001147847	1	Filter, Air	
92	70023809	1	Element, Primary	
92	70023872	1	Element, Secondary	
92	70024328	1	Elbow, Rubber	
92	70024329	1	Clamp, Mounting	
93	1001148641	3	Bracket	
94	1001149517	4	Mount, Motor	
95	1001149746	1	Pulley	
96	1001150504	1	Hose	

SECTION 3 - ENGINE

ITEM	PART NUMBER	QTY	DESCRIPTION	REV
97	1001150553	1	Hose	
98	1001151491	1	Support	
99	1001151749	1	Tray	
100	1001152489	1	Fitting, 90 Barbed	
101	1001154405	8.5 in/ 21cm	Hose	
102	1001155023	1	Plate	
103	1001155496	1	Support	
104	1001155498	1	Plate	
105	1001155525	1	Support	
106	1001155540	2	Washer	
107	1001155557	2	Plate	
108	1001155563	1	Seal	
109	1001155564	1	Bracket	
110	1001155565	1	Seal	
111	1001155566	1	Bracket	
112	1001155728	1	Seal	
113	1001156034	1	Seal	
114	1001156035	1	Bracket	
115	1001156062	1	Bracket	
116	1001156091	1	Hose	
117	1001156644	2	Seal	
118	1001157862	1	Bracket	
119	1001160518	1	Support	
120	1001165035	1 ft/ 0.3m	Hose	
121	1001166393	1	Tank	
122	1001170982	2	Fitting, 90 SAE/Barbed	
123	1001175568	2	Clip	
124	1001181899	1	Clamp	
126	1001190418	1	Tube	
127	1001191122	1	Hose, Upper	
128	1001192138	1	Shroud	
129	1001197317	1	Spacer	
130	1001208297	1	Clamp	
131	1001208298	1	Clamp	
132	1001208299	4	Clamp	
133	1001212817	1	Plate	
134	1001256823	1	Deutz HRC (Stage V) Engine Components (See Separate Breakdown in this Section)	
135	1001256862	1	Radiator	
136	1001259203	1	Hose	
137	1001259208	1	Hose	
138	1001259278	1	Bracket	
139	1001259281	1	Bracket	
140	1001291543	1	Support, Hose	
141	1001260307	2	Bracket	
142	1001260889	1	Bracket	
143	1001100319	1	Clip	
144	5250808	2	Bolt M8 X 16 Class 10.9	

SECTION 3 - ENGINE



ART_1001277296_2OF2

SECTION 3 - ENGINE

FIGURE 3-25. ENGINE INSTALLATION (HRC) (WITH COLD WEATHER PACKAGE)

ITEM	PART NUMBER	QTY	DESCRIPTION	REV
	1001277296	Ref	ENGINE INSTALLATION (HRC)	C
1	0100011	AR	Compound, Locking	
2	0100020	AR	Sealant	
3	0440162	1	Bearing	
4	0642220	1	Bolt 3/4 x 2-1/2	
5	0700610	1	Bolt M6 x 20	
6	0700614	4	Bolt M6 x 30	
7	0700818	2	Bolt M8 x 50	
8	0700820	2	Bolt M8 x 60	
9	0700822	2	Bolt M8 x 70	
10	0700827	3	Bolt M8 x 100	
11	0711015	1	Bolt M10 x 35	
12	0760408	4	Bolt M4 x 16	
13	0760608	4	Bolt M6 x 16	
14	0761009	1	Bolt M10 x 18	
15	0761015	5	Bolt M10 x 35	
16	0771416	2	Bolt M14 x 40	
17	0962051	2	Bearing	
18	1321716	1	Clamp	
19	1380147	1	Clip	
20	2180832	1	Fitting, Straight Barbed/NPTF	
21	2220313	1	Fitting, 90 Barbed/NPTF	
22	2221114	1	Fitting, Straight Barbed/NPT	
23	2750532	4 ft/ 1.2m	Hose	
24	2840016	1	Tray Jack Assembly	
24	7016322	1	Wiper (Burr Brand)	
24A	7016374	1	Handle (Burr Brand)	
24A	7024598	1	Handle (Hammerblow Brand)	
25	3290301	2	Nut M3	
26	3290405	4	Nut M4	
27	3290605	1	Nut M6	
28	3290805	4	Nut M8	
29	3290807	5	Nut M8	
30	3291007	5	Nut M10	
31	3331411	2	Nut M14	
32	3430816	1	Pin	
33	3450404	1	Pin, Cotter 1/8 x 1	
34	3841143	1	Keeper, Pin	
35	4010308	2	Screw M3 x 16	
36	4240099	AR	Tie-Strap (Not Shown)	
37	4711800	2	Washer 1/2	
38	4712200	2	Washer 3/4	
39	4811400	8	Washer M4	
40	4811700	8	Washer M6	
41	4811702	2	Washer M6	
42	4811900	14	Washer M8	
43	4811902	3	Washer M8	
44	4812000	11	Washer M10	
45	4812200	4	Washer M14	
46	4871200	2	Washer M3	

SECTION 3 - ENGINE

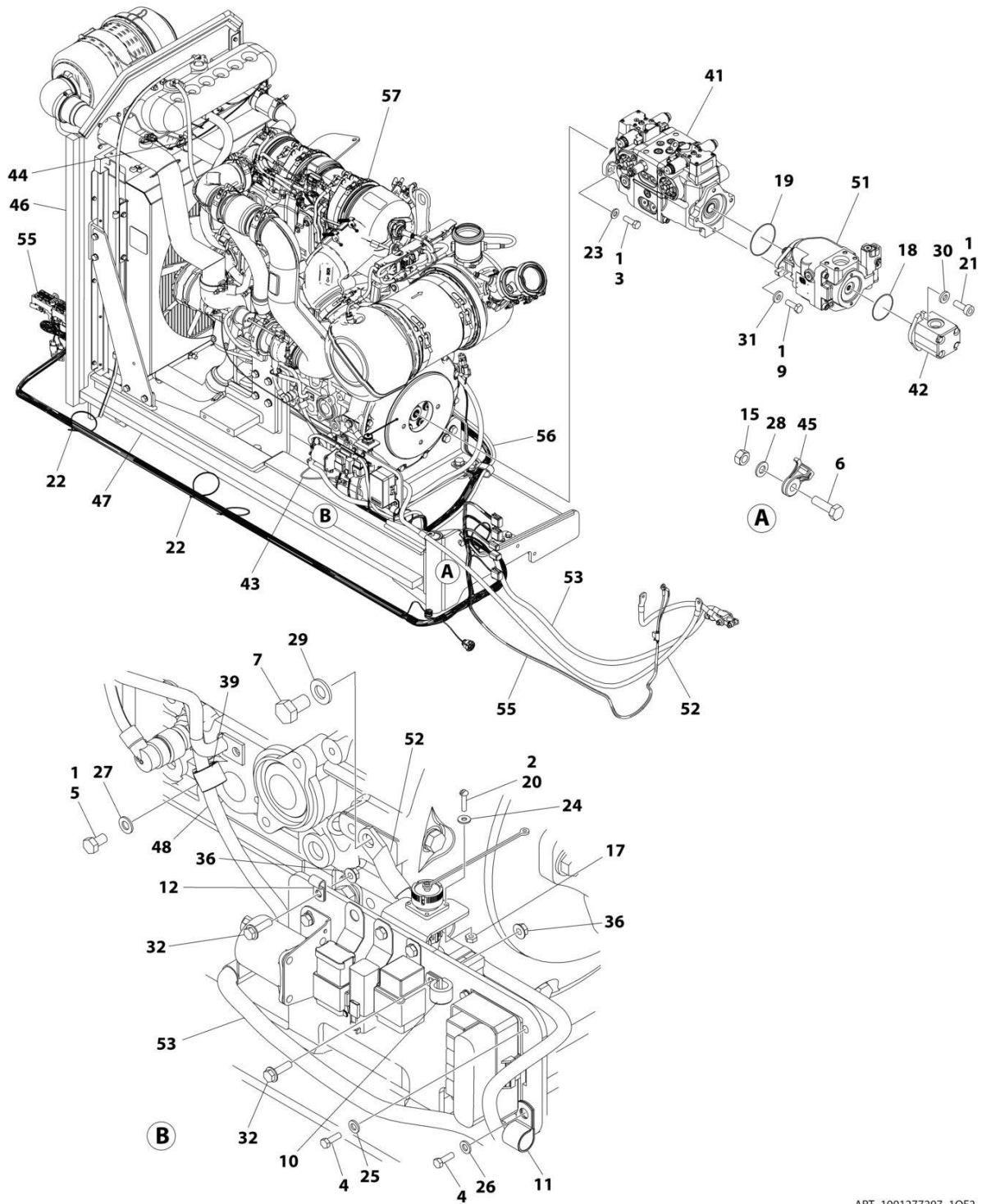
ITEM	PART NUMBER	QTY	DESCRIPTION	REV
47	4891800	1	Washer 1/2	
48	5241000	1	Washer M10	
49	5250608	1	Bolt M6 x 16	
50	5250808	1	Bolt M8 x 16	
51	5250810	1	Bolt M8 x 20	
52	5250812	1	Bolt M8 x 25	
53	5251215	1	Bolt M12 x 35	
54	5260600	1	Nut M6	
55	5260800	3	Nut M8	
56	5261200	1	Nut M12	
57	8310067	1	Nut 3/4	
58	8406101	2	Clip	
59	8406102	3	Clip	
60	8406105	1	Clip	
61	8406201	3	Clip	
62	8406303	1	Clamp	
63	8410009	14	Clamp	
64	8410013	4	Clamp	
65	8750014	4	Clamp	
66	8750031	1	Plate, Clamp	
67	8769123	2	Cover, Clamp	
68	8769127	3	Cover, Clamp	
69	77133137	3	Cover, Clamp	
70	82033995	374 in/ 9.5m	Hose	
71	1001101580	1	Screw M8 x 30	
72	1001135196	1	Pin	
73	1001135497	1	Support	
74	1001136975	5	Clamp	
75	1001142501	2	Fitting, 90 Barbed	
76	1001154262	2	Fitting, Straight Barbed	
77	1001154405	51 in/ 1.3m	Hose	
78	1001155823	3	Fitting, 90 Barbed	
79	1001155939	1	Mount	
80	1001156719	1	Seal	
81	1001162212	2	Fitting, Tee Barbed	
82	1001165035	28 ft/ 8.4m	Hose	
83	1001169409	1	Hose	
84	1001181625	1.65 ft/ 0.50m	Hose	
85	1001181899	1	Clamp	
86	1001186342	4	Clip	
87	1001191620	1	Clamp	
88	1001193980	1	Hose, Return	
89	1001199670	1	Valve, Flow	
90	1001212056	1	Decal - Engine Fuse Box	
91	1001224046	1	Decal - Engine Fuse Box Cover	
92	1001228872	1	Filter, Coolant Screen	
93	1001238401	1	Hose, Backflow	
94	1001238402	1	Hose, Suction	

SECTION 3 - ENGINE

ITEM	PART NUMBER	QTY	DESCRIPTION	REV
95	1001238470	2	Fitting, Reducer Barbed	
96	1001259204	1	Pipe	
97	1001260287	1	Hose	
98	1001277297	1	Engine Assembly with Pumps (HRC) (Stage V) (With Cold Weather Package) (See Separate Breakdown in this Section)	
99	8305919	4	Nut, Retainer	

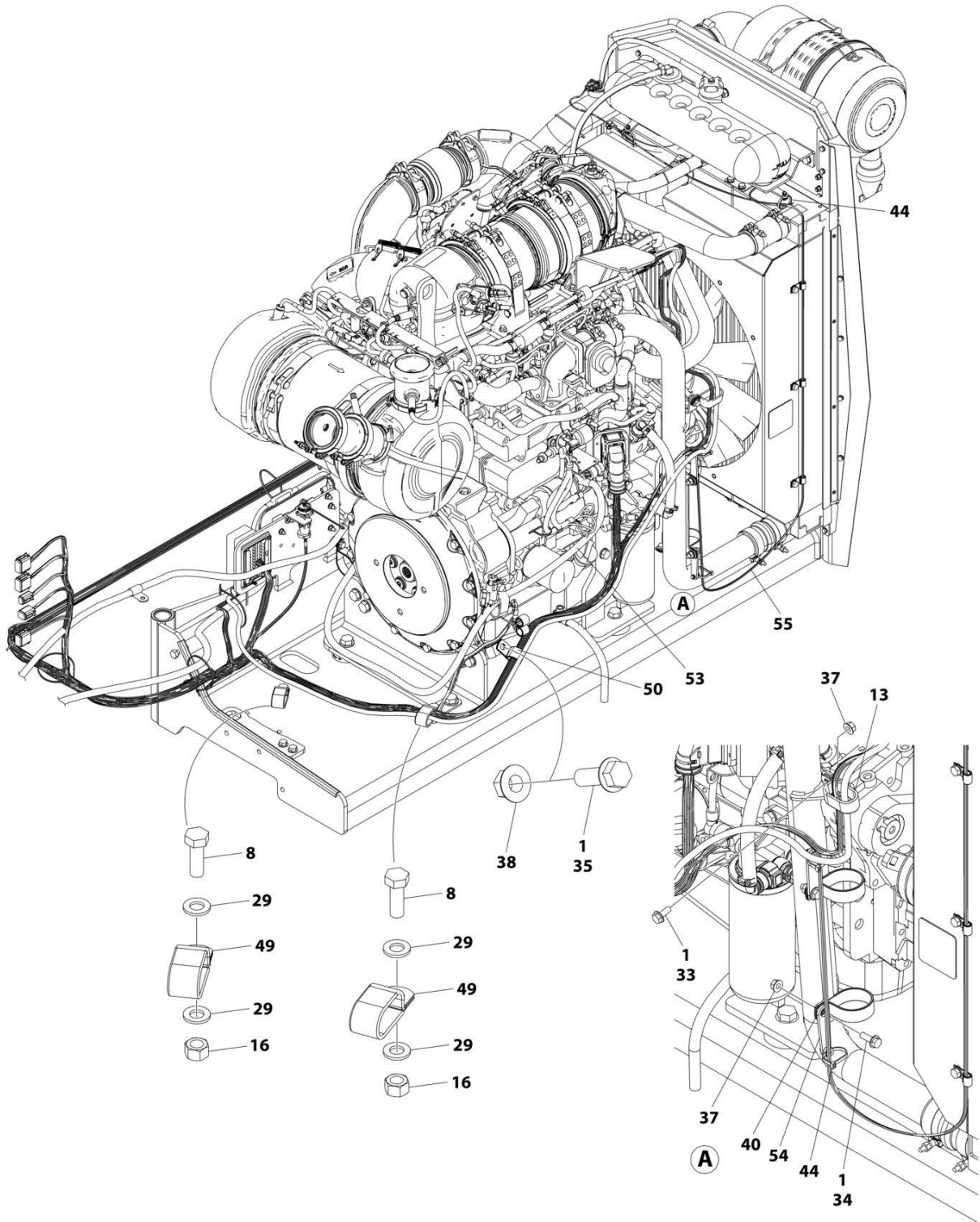
SECTION 3 - ENGINE

FIGURE 3-26. ENGINE ASSEMBLY WITH PUMPS (HRC) (WITH COLD WEATHER PACKAGE)



ART_1001277297_10F2

SECTION 3 - ENGINE



ART_1001277297_2OF2

SECTION 3 - ENGINE

FIGURE 3-26. ENGINE ASSEMBLY WITH PUMPS (HRC) (WITH COLD WEATHER PACKAGE)

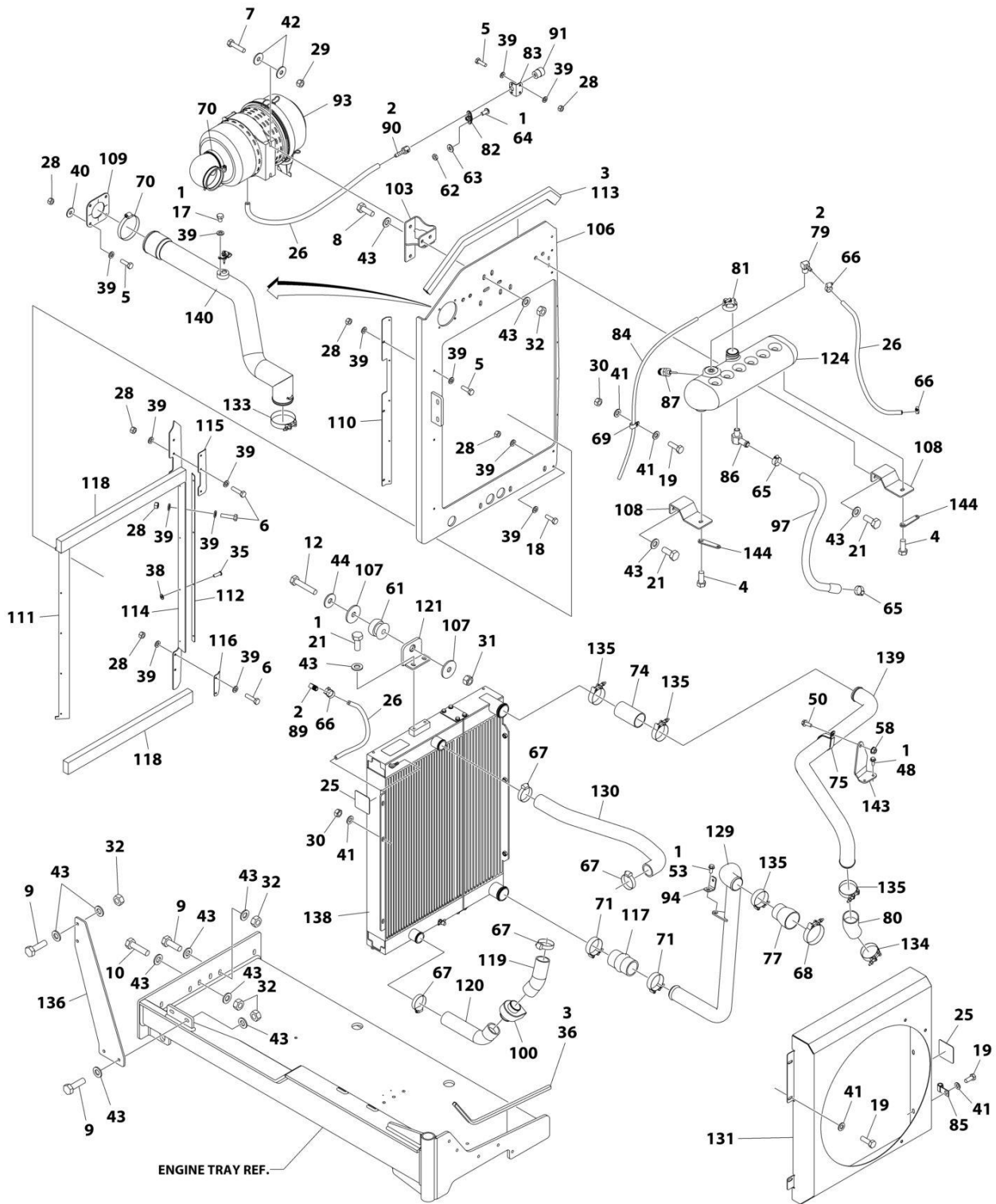
ITEM	PART NUMBER	QTY	DESCRIPTION	REV
	1001277297	Ref	ENGINE ASSEMBLY WITH PUMPS (HRC)	C
1	0100011	AR	Compound, Locking	
2	0100035	AR	Compound, Locking	
3	0641812	2	Bolt 1/2 x 1-1/2	
4	0760508	4	Bolt M5 x 16	
5	0760807	1	Bolt M8 x 14	
6	0761015	2	Bolt M10 x 35	
7	0761210	1	Bolt M12 x 20	
8	0761215	2	Bolt M12 x 35	
9	0761216	2	Bolt M12 x 40	
10	1320041	1	Clamp	
11	1320061	1	Clamp	
12	1320136	1	Clamp	
13	1321716	1	Clamp	
14	3020037	AR	Lubricant	
15	3291007	2	Nut M10	
16	3291207	2	Nut M12	
17	3310401	3	Nut #4	
18	3790152	1	O-Ring	
19	3790155	1	O-Ring	
20	3910408	3	Screw #4 x 1/2	
21	3931620	2	Capscrew 3/8 x 1-1/4	
22	4240099	AR	Tie-Strap (Not Shown)	
23	4740171	2	Washer	
24	4750400	3	Washer #4	
25	4811600	3	Washer M5	
26	4811700	1	Washer M6	
27	4811900	1	Washer M8	
28	4812000	2	Washer M10	
29	4812100	5	Washer M12	
30	4891600	2	Washer 3/8	
31	4891800	2	Washer 1/2	
32	5250611	2	Screw M6 x 22	
33	5250810	1	Bolt M8 x 20	
34	5250812	2	Bolt M8 x 25	
35	5251215	1	Bolt M12 x 35	
36	5260600	2	Nut M6	
37	5260800	3	Nut M8	
38	5261200	1	Nut M12	
39	91043147	1	Clamp	
40	1001097588	2	Clamp	
41	1001108616	1	Tandem Pump Assembly (See Separate Breakdown in this Section)	
42	1001112927	1	Gear Pump Assembly (See Separate Breakdown in this Section)	
43	1001141304	1	Wire, Glow Fuse	
44	1001146588	4	Tie-Strap	
45	1001156107	2	Holder, Cable	
46	1001156718	1	Seal	
47	1001156719	1	Seal	
48	1001157073	1	Cable, Alternator	

SECTION 3 - ENGINE

ITEM	PART NUMBER	QTY	DESCRIPTION	REV
49	1001181899	2	Clamp	
50	1001191620	1	Clamp	
51	1001199470	1	Piston Pump Assembly (See Separate Breakdown in this Section)	
52	1001202355	1	Cable, Battery Negative	
53	1001234791	1	Cable, Battery Positive	
54	1001260307	2	Bracket	
55	1001262056	1	Engine Harness (See Separate Breakdown in ELECTRICAL Section)	
56	1001274992	1	Cable, Glow Plug	
57	1001277298	1	Engine Assembly (HRC) (Stage V) (With Cold Weather Package) (See Separate Breakdown in this Section)	

SECTION 3 - ENGINE

FIGURE 3-27. ENGINE ASSEMBLY (HRC) (STAGE V) (WITH COLD WEATHER PACKAGE)



SECTION 3 - ENGINE

FIGURE 3-27. ENGINE ASSEMBLY (HRC) (STAGE V) (WITH COLD WEATHER PACKAGE)

ITEM	PART NUMBER	QTY	DESCRIPTION	REV
	1001277298	Ref	DEUTZ T4F ENGINE ASSEMBLY	B
1	0100011	AR	Compound, Locking	
2	0100020	AR	Sealant	
3	0100081	AR	Adhesive	
4	0641607	2	Bolt 3/8 x 7/8	
5	0700610	9	Bolt M6 x 20	
6	0700612	7	Bolt M6 x 25	
7	0700815	2	Bolt M8 x 35	
8	0701013	2	Bolt M10 x 28	
9	0701015	6	Bolt M10 x 35	
10	0701016	2	Bolt M10 x 40	
11	0701017	2	Bolt M10 x 45	
12	0701019	1	Bolt M10 x 55	
13	0701627	4	Bolt M16 x 100	
14	0711214	4	Bolt M12 x 30 Class 10.9	
15	0711218	4	Bolt M12 x 50 Class 10.9	
16	0771419	1	Bolt M14 x 55 Class 10.9	
17	0760604	1	Bolt M6 x 8	
18	0760614	2	Bolt M6 x 30	
19	0760810	6	Bolt M8 x 20	
20	0760812	4	Bolt M8 x 25	
21	0761012	6	Bolt M10 x 25	
22	0771415	3	Bolt M14 x 35 Grade 10.9	
23	0961951	2	Bushing	
24	1321716	1	Clamp	
25	1703162	2	Decal - Fan Blade	
26	2720015	5 ft/ 1.5m	Hose	
27	2902065	1	Pump Coupling Kit (See Separate Breakdown in this Section)	
28	3290607	18	Nut M6	
29	3290805	2	Nut M8	
30	3290807	3	Nut M8	
31	3291005	1	Nut M10	
32	3291007	10	Nut M10	
33	3291407	1	Nut M14	
34	3291601	4	Nut M16	
35	3820032	9	Rivet	
36	4060807	22 in/ 56cm	Flex-Trim	
37	4640751	1	Valve, Oil Drain	
38	4811600	4	Washer M5	
39	4811700	33	Washer M6	
40	4811702	4	Washer M6	
41	4811900	13	Washer M8	
42	4811902	4	Washer M8	
43	4812000	30	Washer M10	
44	4812002	1	Washer M10	
45	4812100	8	Washer M12	
46	4812200	4	Washer M14	
47	5241600	4	Washer M16	
48	5250608	2	Bolt M6 x 16	

SECTION 3 - ENGINE

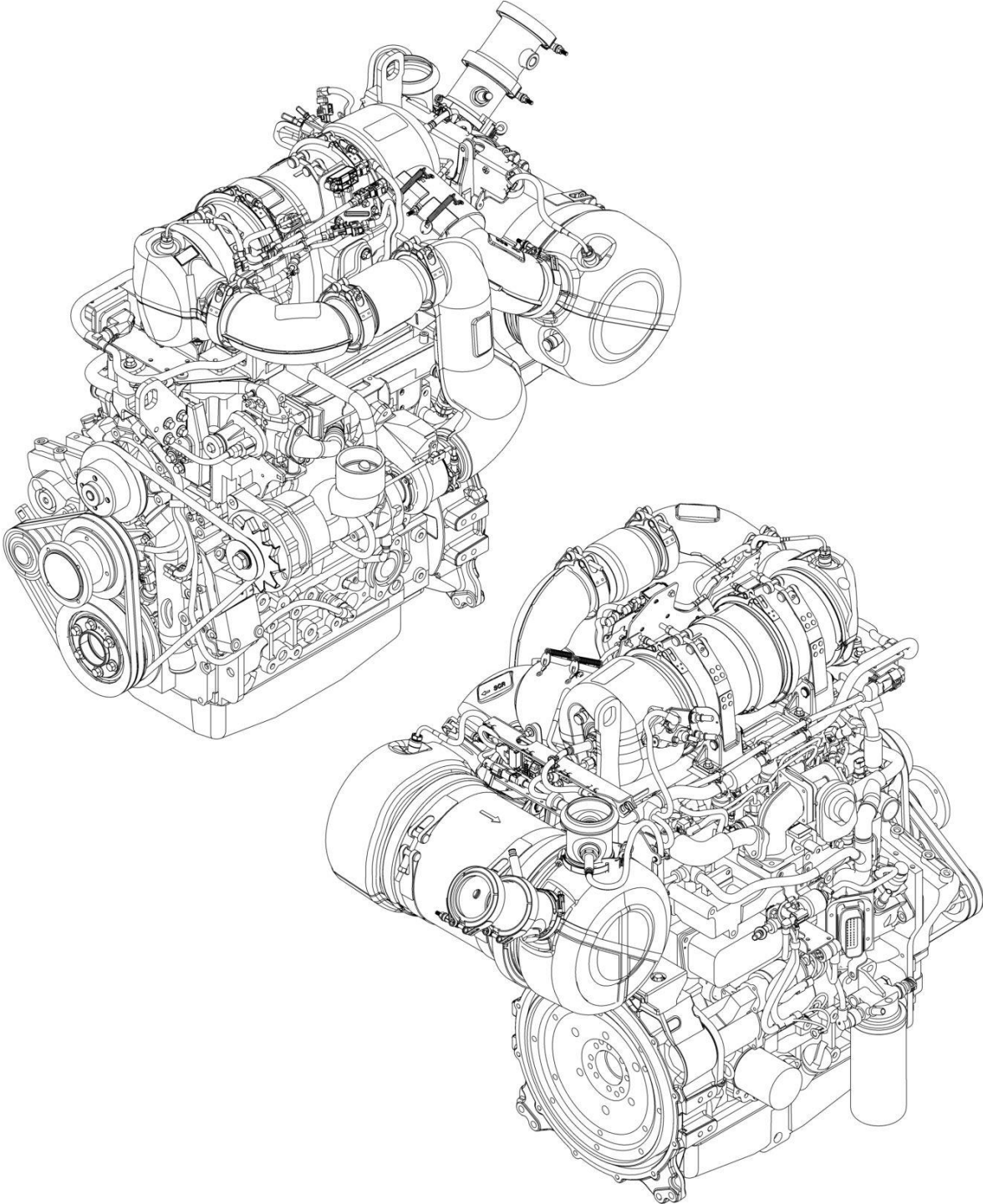
ITEM	PART NUMBER	QTY	DESCRIPTION	REV
49	5250611	4	Bolt M6 x 22	
50	5250810	2	Bolt M8 x 20 Class 10.9	
51	5250812	1	Bolt M8 x 25 Class 10.9	
53	5251010	1	Bolt M10 x 20 Class 10.9	
54	5251016	2	Bolt M10 x 40 Class 10.9	
55	5251022	6	Bolt M10 x 70 Class 10.9	
56	5251210	3	Bolt M12 x 20 Class 10.9	
57	5260600	4	Nut M6	
58	5260800	3	Nut M8	
59	5261000	2	Nut M10	
60	7300435	4	Washer	
61	8278020	1	Mount	
62	8305401	2	Nut 1/4	
63	8307109	2	Washer 1/4	
64	8310548	2	Screw 1/4 x 1/2	
65	8405007	2	Clamp	
66	8405009	4	Clamp	
67	8405104	4	Clamp	
68	8405211	1	Clamp	
69	8406109	2	Clip	
70	8410011	2	Clamp	
71	8410012	2	Clamp	
72	8410013	1	Clamp	
73	24861170	2	Clamp	
74	91563070	1	Coupling, Rubber	
75	1001097588	1	Clip	
76	1001100319	1	Clip	
77	1001117244	1	Reducer	
78	1001117308	1	Relay, 200Amp	
79	1001134488	1	Fitting, 90 NPT/Barbed	
80	1001135943	1	Coupling	
81	1001136834	1	Cap	
82	1001138173	1	Support	
83	1001138175	1	Bracket	
84	1001138248	5 ft/ 1.5m	Tubing	
85	1001138253	3	Clamp	
86	1001138559	1	Fitting, 90 NPT	
87	1001138827	1	Sensor	
88	1001139240	1	Bracket	
89	1001140564	1	Fitting, 90 NPT/Barbed	
90	1001141995	1	Fitting, Straight NPT/Barbed	
91	1001143390	1	Indicator, Air Restriction	
92	1001147567	1	Fan	
93	1001147847	1	Filter, Air	
93	70023809	1	Element, Primary	
93	70023872	1	Element, Secondary	
93	70024328	1	Elbow, Rubber	
93	70024329	1	Clamp, Mounting	
94	1001148641	3	Bracket	
95	1001149517	4	Mount, Motor	
96	1001149746	1	Pulley	

SECTION 3 - ENGINE

ITEM	PART NUMBER	QTY	DESCRIPTION	REV
97	1001150553	1	Hose	
98	1001151491	1	Support	
99	1001151749	1	Tray	
100	1001152112	1	Heater	
101	1001152489	1	Fitting, 90 Barbed	
102	1001154405	0.5 in/ 21cm	Hose	
103	1001155023	1	Plate	
104	1001155496	1	Support	
105	1001155498	1	Plate	
106	1001155525	1	Support	
107	1001155540	2	Washer	
108	1001155557	2	Plate	
109	1001155563	1	Seal	
110	1001155564	1	Bracket	
111	1001155565	1	Seal	
112	1001155566	1	Bracket	
113	1001155728	1	Seal	
114	1001156034	1	Seal	
115	1001156035	1	Bracket	
116	1001156062	1	Bracket	
117	1001156091	1	Hose	
118	1001156644	2	Seal	
119	1001157300	1	Hose	
120	1001157301	1	Hose	
121	1001157862	1	Bracket	
122	1001160518	1	Support	
123	1001165035	1 ft/ 0.3m	Hose	
124	1001166393	1	Tank	
125	1001170982	2	Fitting, 90 SAE/Barbed	
126	1001175568	2	Clip	
127	1001181899	1	Clamp	
129	1001190418	1	Tube	
130	1001191122	1	Hose, Upper	
131	1001192138	1	Shroud	
132	1001197317	1	Spacer	
133	1001208297	1	Clamp	
134	1001208298	1	Clamp	
135	1001208299	4	Clamp	
136	1001212817	1	Plate	
137	1001256823	1	Deutz T4F Engine Components (See Separate Breakdown in this Section)	
138	1001256862	1	Radiator	
139	1001259203	1	Pipe, Turbo Exhaust	
140	1001259208	1	Pipe, Intake	
141	1001259278	1	Bracket	
142	1001259281	1	Bracket	
143	1001291543	1	Support, Hose	
144	1001260307	2	Bracket	
145	1001260889	1	Bracket	
146	5250808	2	Bolt M8 X 16 Class 10.9	

SECTION 3 - ENGINE

FIGURE 3-28. DEUTZ HRC (STAGE V) ENGINE COMPONENTS



ART_1001256823

SECTION 3 - ENGINE

FIGURE 3-28. DEUTZ HRC (STAGE V) ENGINE COMPONENTS

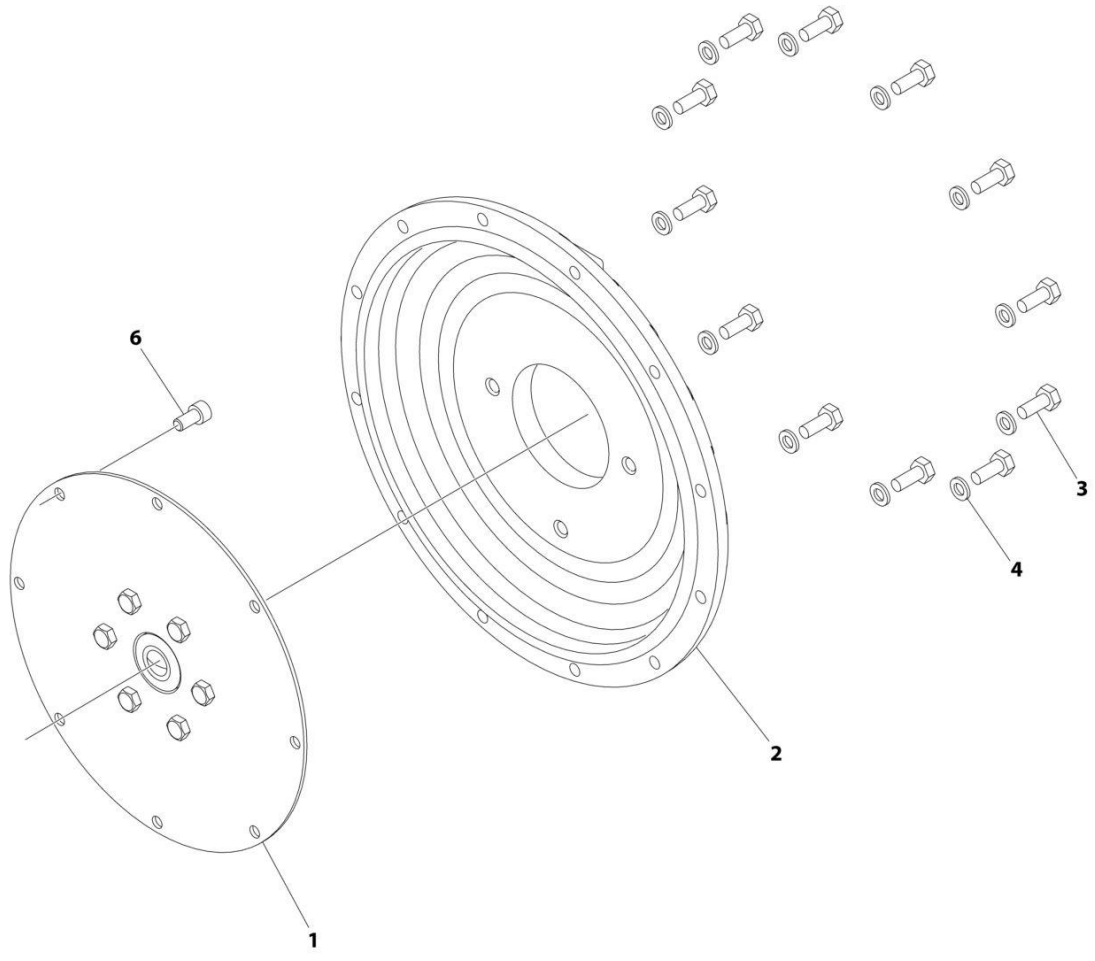
ITEM	PART NUMBER	QTY	DESCRIPTION	REV
	1001256823	Ref	DEUTZ ENGINE COMPONENTS	E
		Ref	Note: For complete list of parts, contact JLG Parts Department	
		Ref	Air Intake System Components	
	70007083	1	Turbocharger	
		Ref	Cooling System Components	
	70004515	1	Pump, Coolant	
		Ref	Electrical System Components	
		Ref	Module, ECU/ECM	
	70029401	1	Generator (Includes Regulator & Fan)	
	70006653	1	Regulator	
	70004520	1	Starter (Includes Solenoid)	
	70025780	1	Relay, Starter	
	70005517	1	Harness, Starter to Relay	
		Ref	Harness, Injector	
	70026210	1	Sender, Tacho-Generator (Speed) (On Rear of Block & Front Cover) (Includes Seal)	
	70005559	1	Sender, Temperature (Includes Seal) (On Air Intake Manifold)	
	70024507	1	Sensor, Pressure (Includes Seal) (On Air Intake Manifold)	
	70024504	1	Sensor, Pressure (Includes Seal) (On Fuel Filter & Side of Block)	
	70029407	1	Sensor, Pressure (Includes Seal) (On Exhaust Manifold)	
	70024474	4	Plug, Glow	
		Ref	Exhaust System Components	
		Ref	Valve, EGR	
	70027425	8	Bolt, Exhaust Manifold	
	70005511	1	Gasket, Exhaust Manifold	
		Ref	Outlet, Muffler	
		Ref	Muffler	
		Ref	Bracket, Muffler Mounting	
		Ref	Compensator, Exhaust	
	70024480	1	Gasket, Turbo to Exhaust Manifold	
	70008612	1	DEF Tank Assembly (Includes Cap, Filler Filter & Venting Valve)	
	70027495	1	Filter, Filler - DEF Tank	
	70008613	1	Cap/Cover, DEF Tank	
	70027467	1	Valve, Venting - DEF Tank	
	1001293066	1	Sensor, Level - DEF Tank	
	70027463	1	Clip, Level Sensor - DEF Tank	
	70027464	1	Filter, DEF In-line	
		Ref	Fuel System Components	
		Ref	Pump, High Pressure	
	70024485	1	Injector (Includes Sealing washer, Clamp & O-Ring)	
	70006144	1	Pump, Fuel Supply (Includes Clamps)	
	70024961	1	Filter, Fuel (Pre-Filter Assembly) (Includes Head, Spin on filter, Sensor Cable & Seal)	
	70025153	1	Filter, Fuel Spin On	
	70024513	1	Sensor Cable (Includes Seal)	
	70004511	1	Filter, Fuel (Assembly) (Includes Head & Spin on Filter)	
	70004512	1	Filter, Fuel Spin On	
	70004508	1	Vol. Control Valve (Includes O-Ring & Gasket)	
	70005548	1	Pump, DEF Supply (Includes Filter, Cover & Fittings)	
		Ref	Lubricating System Components	

SECTION 3 - ENGINE

ITEM	PART NUMBER	QTY	DESCRIPTION	REV
	7020465	2	Cap, Oil Fill	
	70025088	2	Plug, Oil Drain	
	7020404	2	Seal, Oil Drain Plug	
		Ref	Pump, Oil (Includes seal 7 Gasket)	
	7016331	1	Filter, Oil	
	70024494	1	Cooler, Oil	
	70024495	1	Gasket, Oil Cooler	
	70025745	1	Dipstick (Includes Seal)	
		Ref	Mechanical Components	
	70001870	1	Flywheel (includes Gear)	
	70005498	1	Set, Narrow V-Belts	
	70005516	1	V-Belt	
	70025707	1	Gasket Set - Complete	

SECTION 3 - ENGINE

FIGURE 3-29. PUMP COUPLING KIT



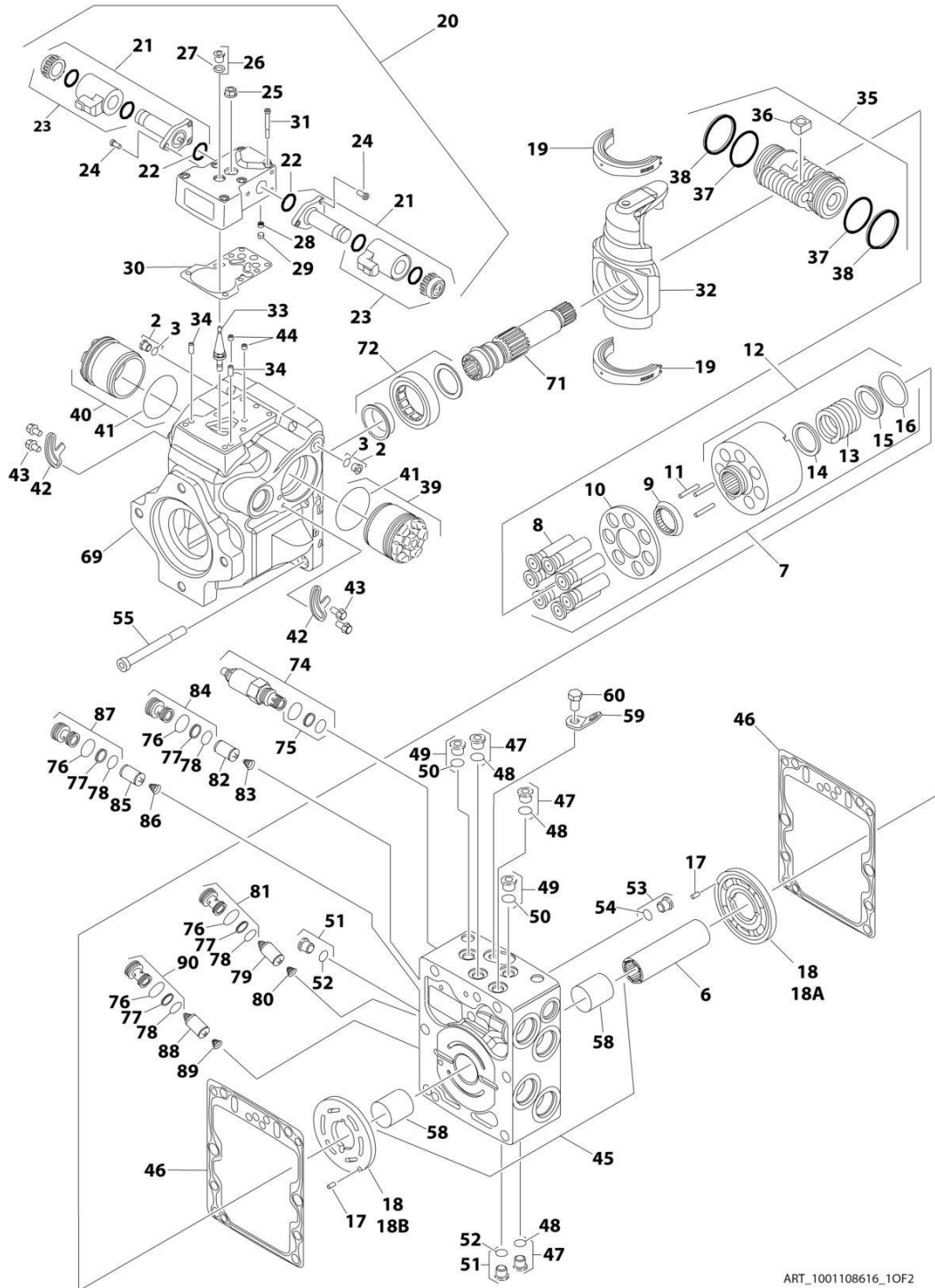
ART_2902065

FIGURE 3-29. PUMP COUPLING KIT

ITEM	PART NUMBER	QTY	DESCRIPTION	REV
	2902065	Ref	PUMP COUPLING KIT	L
1	70000793	1	Coupling, Hayes	
2	See Note	NSS	Plate, Pump Adapter (Note: Use p/n 2902065)	
3	See Note	NSS	Bolt M10 x 30 Grade 10.9 (Note: Use p/n 2902065)	
4	See Note	NSS	Washer M10 (Note: Use p/n 2902065)	
6	See Note	NSS	Bolt M10 x 20 Grade 10.9 (Note: Use p/n 2902065)	

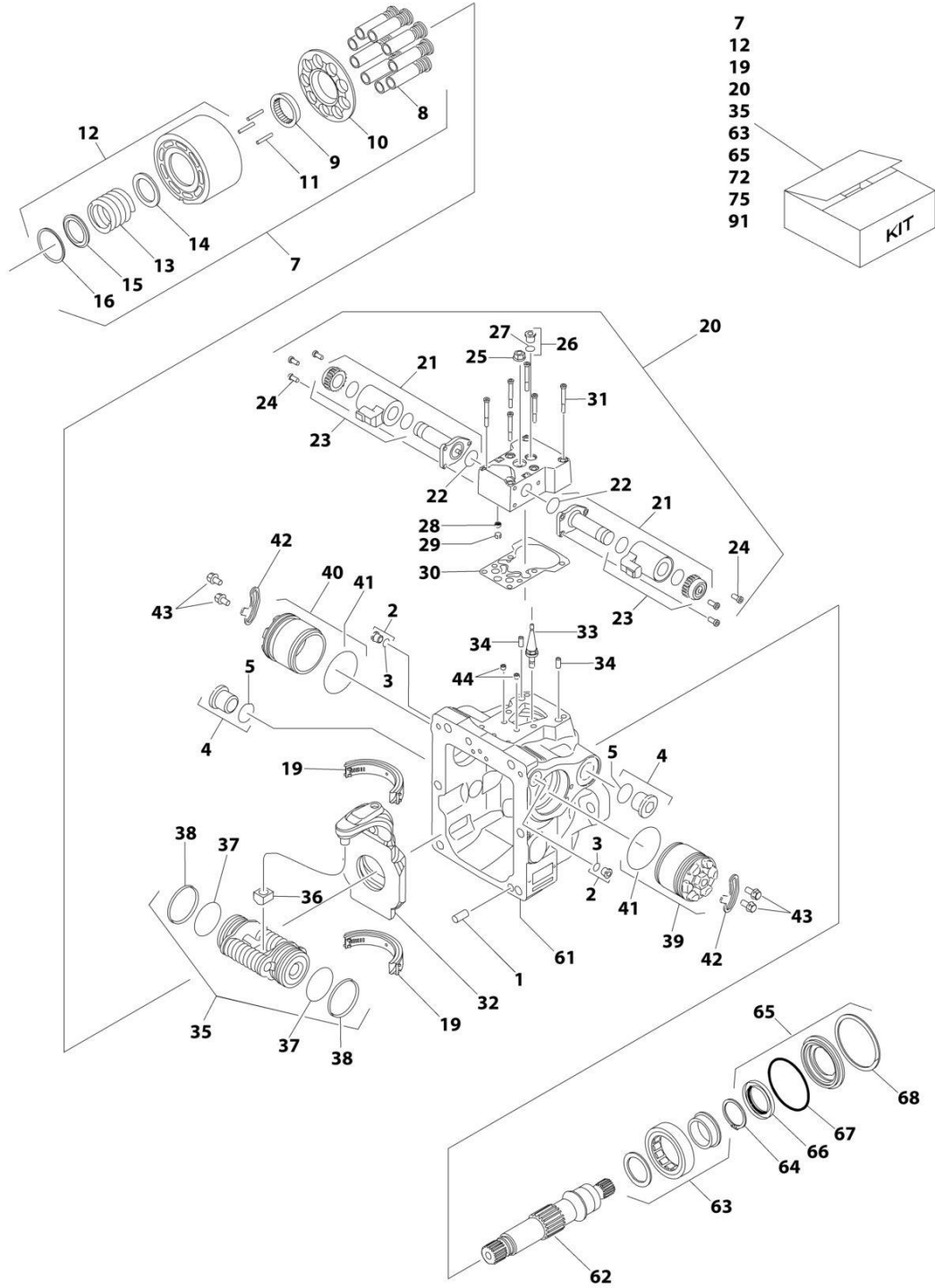
SECTION 3 - ENGINE

FIGURE 3-30. TANDEM PUMP ASSEMBLY



ART_1001108616_10F2

SECTION 3 - ENGINE



ART_1001108616_2OF2

SECTION 3 - ENGINE

FIGURE 3-30. TANDEM PUMP ASSEMBLY

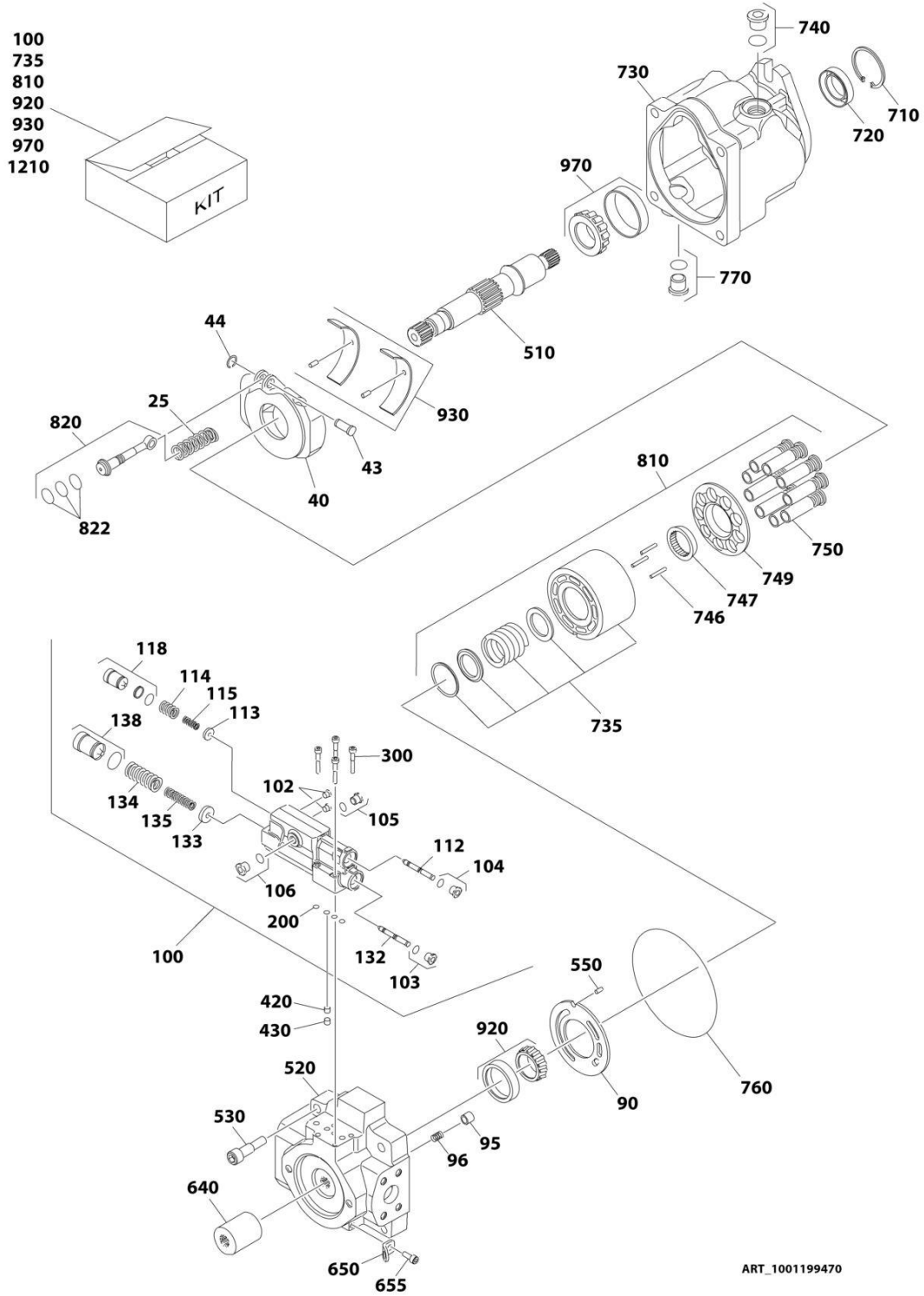
ITEM	PART NUMBER	QTY	DESCRIPTION	REV
	1001108616	Ref	PUMP ASSEMBLY (SAUER TANDEM)	D
1	70002132	4	Pin	
2	70002133	4	Plug Assembly (Includes Item 3)	
3	7007207	4	O-Ring (Part of Item 2)	
4	7007419	2	Plug Assembly (Includes Item 5)	
5	7007418	2	O-Ring (Part of Item 4)	
6	70002600	1	Coupling	
7	70002135	2	Cylinder Block Kit (Each Kit Includes Qty 1 of Items 8-10 & 12-16 & Qty 3 of Item 11)	
8	70002136	2	Piston Assembly Kit (Includes Qty 9 Piston Assemblies) (Part of Item 7)	
9	70002137	2	Guide, Slipper Retainer (Part of Item 7)	
10	70002138	2	Retainer, Slipper (Part of Item 7)	
11	7021275	6	Pin, Slipper Retainer Holddown (Part of Item 7)	
12	70002135	2	Cylinder Block Assembly (Includes Qty 1 of Item 13-16) (Part of Item 7)	
13	70002139	2	Spring (Part of Item 12)	
14	70002140	2	Washer (Part of Item 12)	
15	70002141	2	Washer (Part of Item 12)	
16	70002142	2	Ring, Retaining (Part of Item 12)	
17	7007446	2	Pin	
18		Ref	Plate, Valve Options:	
18A	70002601	1	Plate, CW Valve	
18B	70002602	1	Plate, CCW Valve	
19	70002145	2	Swash Plate Bearing Kit (Includes Qty 2 Bearings)	
20	70002618	2	EDC Kit (Includes Items 21-31)	
21	70002619	4	Solenoid Valve Assembly (Includes Items 22 & 23) (Part of Item 20)	
22	70002148	4	O-Ring (2 Per EDC Assembly) (Part of Item 21)	
23	70002620	4	Coil, Nut and Seals Kit (2 Per EDC Assembly) (Part of Item 21)	
24	70002150	12	Screw (Part of Item 20)	
25	7022301	2	Nut, Seal (Part of Item 20)	
26	70002151	2	Plug Assembly (Part of Item 20) (Includes Item 27)	
27	7007207	2	O-Ring (Part of Item 26)	
28	70002134	2	Screen (Part of Item 20)	
29	70002153	2	Ring, Locking (Part of Item 20)	
30	70002154	2	Gasket, Control (Part of Item 20)	
31	70002156	12	Capscrew (Part of Item 20)	
32	70002152	2	Swash Plate	
33	70002155	2	Link, Swash Plate	
34	70002157	4	Pin, Dowel	
35	70002158	2	Servo Piston Assembly (Includes Items 36-38)	
36	70002159	2	Block, Slider (Part of Item 35)	
37	70002160	2	O-Ring (Part of Item 35)	
38	70002161	2	Ring, Piston (Part of Item 35)	
39	70002162	2	Cylinder, Servo	
40	70002162	2	Cylinder, Servo	
41	70002163	4	O-Ring	
42	70002164	4	Plate, Locking	
43	70002165	8	Screw	

SECTION 3 - ENGINE

ITEM	PART NUMBER	QTY	DESCRIPTION	REV
44	70002604	4	Orifice	
45	70002605	1	Center Section Assembly (Includes Item 58)	
46	70002168	2	Gasket, End Cap	
47	70001958	2	Plug Assembly (Includes Item 48)	
48	7021256	2	O-Ring (Part of Item 47)	
49	70001958	2	Plug Assembly (Includes Item 50)	
50	7021256	2	O-Ring (Part of Item 49)	
51	70001958	2	Plug Assembly (Includes Item 52)	
52	7021256	2	O-Ring (Part of Item 51)	
53	70001958	2	Plug Assembly (Includes Item 54)	
54	7021256	2	O-Ring (Part of Item 53)	
55	70002606	4	Capscrew	
58	70002607	2	Bearing, Journal (Part of Item 45)	
59	70002608	1	Bracket, Lifting	
60	70002609	1	Screw	
61	See Note	1	Housing (Note: Not Available for Purchase)	
62	70002175	1	Shaft	
63	70002610	1	Ball Bearing Kit	
	7007439	1	Ring, Retaining	
65	70002174	1	Shaft Seal Kit (Includes Items 66-68) (Note: This is a universal kit and will contain extra pieces that are not used on this pump assembly)	
66	70002177	1	Seal, Lip	
67	70002178	1	O-Ring	
68	70002179	1	Ring, Retaining	
69	See Note	1	Housing (Note: Not Available for Purchase)	
71	70002612	1	Shaft	
72	70002610	1	Ball Bearing Kit	
74	70002621	1	High Pressure Relief Valve Cartridge Assembly (Includes Item 75)	
75	70002622	1	Seal Kit - 70002621 Valve (Part of Item 74)	
76	7007415	1	O-Ring (Part of Items 81, 84, 87 & 90)	
77	7021293	1	Ring, Back-up (Part of Items 81, 84, 87 & 90)	
78	7022300	1	O-Ring (Part of Items 81, 84, 87 & 90)	
79	70002616	1	SCR Valve Assembly	
80	7024800	1	Spring	
81	7021265	1	Plug Assembly (Includes Qty 1 of Items 76-78)	
82	70002616	1	SCR Valve Assembly	
83	7024800	1	Spring	
84	7021265	1	Plug Assembly (Includes Qty 1 of Item 76-78)	
85	70002616	1	SCR Valve Assembly	
86	7024800	1	Spring	
87	70002617	1	Plug Assembly (Includes Qty 1 of Item 76-78)	
88	70002616	1	SCR Valve Assembly	
89	7024800	1	Spring	
90	7021265	1	Plug Assembly (Includes Qty 1 of Items 76-78)	
91	70002623	1	Overhaul Seal Kit (Includes Items 3, 5, 22, 27, 30, 37, 38, 41, 46, 48, 50, 52, 54, 66, 67, 75, 76, 77 & 78)	

SECTION 3 - ENGINE

FIGURE 3-31. PISTON PUMP ASSEMBLY



SECTION 3 - ENGINE

FIGURE 3-31. PISTON PUMP ASSEMBLY

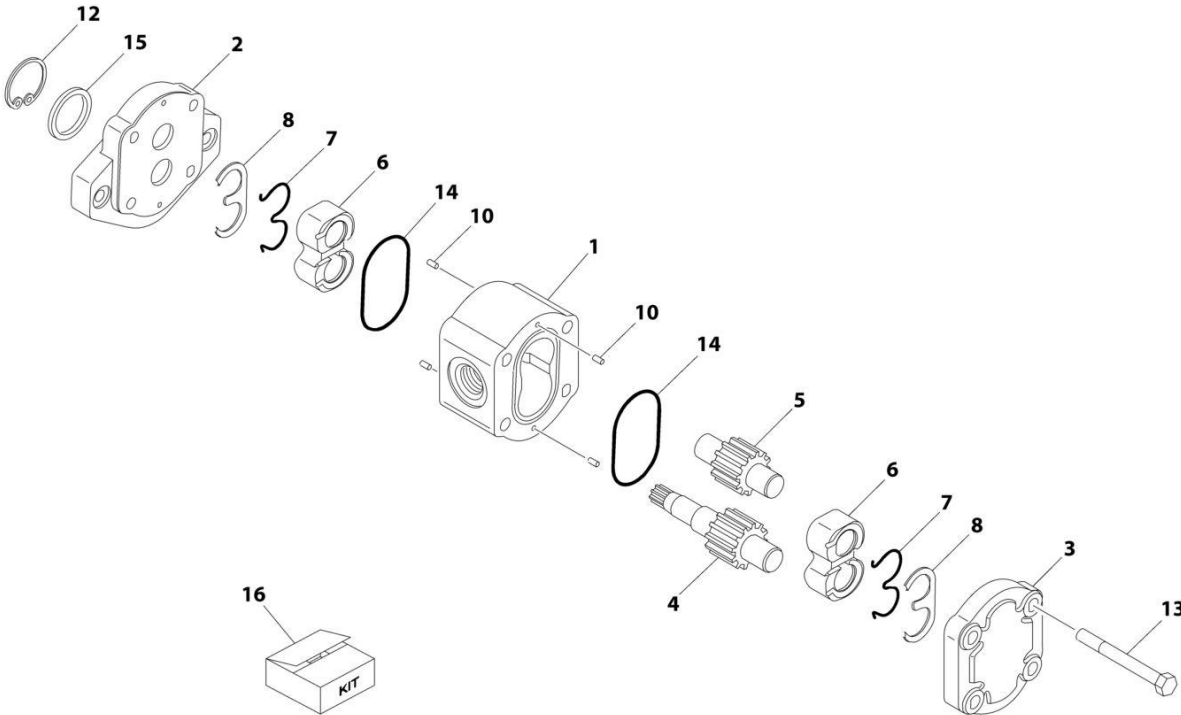
ITEM	PART NUMBER	QTY	DESCRIPTION	REV
	1001199470	Ref	PISTON PUMP ASSEMBLY	E
25	70002580	1	Spring, Bias	
40	70004416	1	Swashplate Assembly	
43	70002582	1	Shaft	
44	70002583	1	Ring, Retaining	
90	70004417	1	Plate, Valve	
95	70001956	1	Poppet, Check Valve	
96	70001955	1	Spring	
100	70022286	1	Kit, Control (Includes Items 102-300)	
102	70023351	1	Setscrew	
103	70002133	1	Plug Assembly (Includes O-Ring)	
103	7007207	1	O-Ring	
104	70002133	1	Plug Assembly (Includes O-Ring)	
104	7007207	1	O-Ring	
105	70002133	1	Plug Assembly (Includes O-Ring)	
105	7007207	1	O-Ring	
106	70002133	1	Plug Assembly (Includes O-Ring)	
106	7007207	1	O-Ring	
112	70004418	1	Spool	
113	70023353	1	Guide, Spring LS	
114	70023354	1	Spring, Outer LS	
115	70023355	1	Spring, Inner LS	
118	70024039	1	Plug, Adjusting LS	
132	70023352	1	Spool, Control	
133	70023357	1	Guide, Spring PC	
134	70023358	1	Spring, Outer PC	
135	70023359	1	Spring, Inner PC	
138	70024040	1	Plug, Adjusting PC (Includes O-Ring)	
138	70023361	1	O-Ring	
200	70023362	4	Ring, Seal	
300	70023363	4	Capscrew	
420	7023377	1	Plug, Orifice	
430	70004419	1	Plug, Orifice	
510	70002586	1	Shaft	
520	70004420	1	Cap, End	
530	70002588	4	Capscrew	
550	7007446	1	Pin, Slotted	
640	70002589	1	Coupling	
650	7022340	1	Bracket, Lifting	
655	70002590	1	Capscrew	
710	7023962	1	Ring, Retaining	
720	70022287	1	Seal, Lip	
730	See Note	NSS	Housing (Note: Not Available for Purchase)	
735	70004421	1	Block, Cylinder	
740	7023964	1	Plug Assembly (Includes O-Ring)	
740	7007415	1	O-Ring	
746	7021275	3	Pin, Hold-down	
747	70002592	1	Guide, Slipper Retainer	
749	70002593	1	Retainer, Slipper	
750	70004422	9	Piston Assembly	

SECTION 3 - ENGINE

ITEM	PART NUMBER	QTY	DESCRIPTION	REV
760	70002595	1	Seal, End Cap	
770	7023964	1	Plug, O-Ring (Includes O-Ring)	
770	7007415	1	O-Ring	
810	70004423	1	Kit, Cylinder Block (Includes Items 735, 746, 747, 749 & 750)	
820	70025979	1	Piston, Servo (Includes Item 822)	
822	70004425	3	Ring, Piston (Part of Item 820)	
920	70002585	1	Kit, Bearing - Rear (Includes Cup and Cone)	
930	70004426	1	Kit, Swashplate Bearing (Includes Qty 2 Bearings and Retainer Pins)	
970	70002578	1	Bearing Kit - Front (Includes Cup and Cone)	
1210	70002599	1	Kit, Complete Seal (Includes Items 200, 720, 760, 822 and Plug O-Rings)	

SECTION 3 - ENGINE

FIGURE 3-32. GEAR PUMP ASSEMBLY



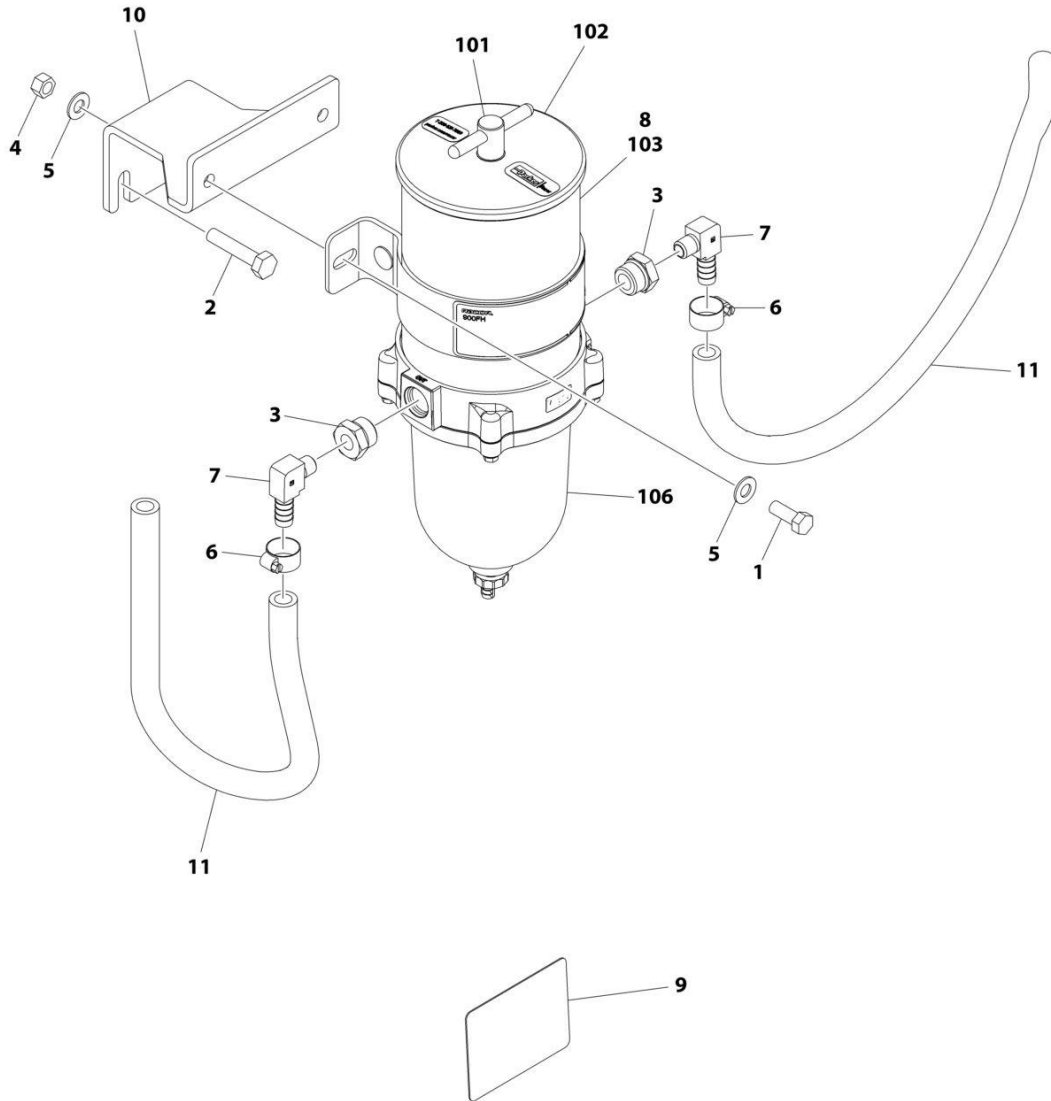
ART_1001112927

FIGURE 3-32. GEAR PUMP ASSEMBLY

ITEM	PART NUMBER	QTY	DESCRIPTION	REV
	1001112927	Ref	PUMP ASSEMBLY (SAUER GEAR)	A
1	See Note	NSS	Body (Note: Use p/n 1001112927)	
2	See Note	NSS	Cover, Front (Note: Use p/n 1001112927)	
3	See Note	NSS	Cover, Rear (Note: Use p/n 1001112927)	
4	See Note	NSS	Shaft, Gear (Note: Use p/n 1001112927)	
5	See Note	NSS	Gear, Idler (Note: Use p/n 1001112927)	
6	See Note	NSS	Block, Bearing (Note: Use p/n 1001112927)	
7	7007489	2	Ring, Anti-Extrusion	
8	7007489	2	Ring, Seal	
10	See Note	NSS	Pin, Dowel (Note: Use p/n 1001112927)	
12	70002576	1	Ring, Retaining	
13	See Note	NSS	Capscrew (Note: Use p/n 1001112927)	
14	7007489	2	O-Ring	
15	7007489	1	Seal, Lip	
16	7007489	1	Seal Kit - 1001112927 Pump (Includes Items 7, 8, 14 & 15)	

SECTION 3 - ENGINE

FIGURE 3-33. FUEL FILTER/WATER SEPARATOR INSTALLATION (LRC)



LOCATED ON TANK SIDE HOOD

ART_1001227912

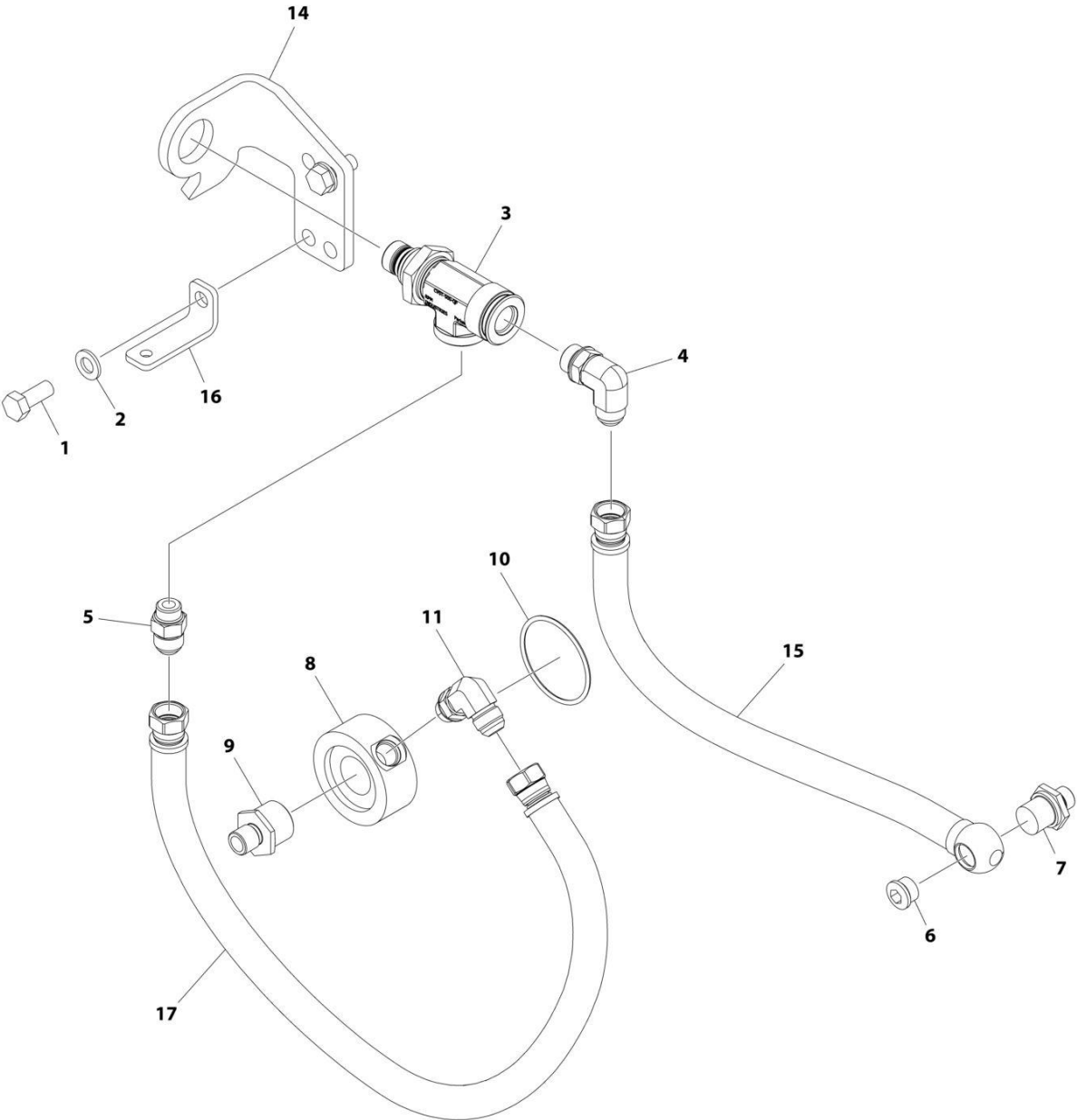
SECTION 3 - ENGINE

FIGURE 3-33. FUEL FILTER/WATER SEPARATOR INSTALLATION (LRC)

ITEM	PART NUMBER	QTY	DESCRIPTION	REV
	1001227912	Ref	FUEL FILTER/WATER SEPARATOR INSTALLATION (LRC)	A
1	0641608	2	Bolt 3/8 x 1	
2	0761018	2	Bolt M10 x 50	
3	2220816	2	Fitting, Adapter FNPTF/ORB	
4	3311605	2	Nut 3/8	
5	4711600	4	Washer 3/8	
6	8405006	2	Clamp	
7	1001178797	2	Fitting, 90 Elbow	
8	1001222817	1	Fuel Filter Assembly (See Items 101-107 for Breakdown)	
9	1001226923	1	Decal - Fuel Water Separator	
10	1001227948	1	Mount, Fuel Filter	
11	1001154405	4 ft/ 1.22m	Hose	
	1001222817	Ref	FUEL FILTER ASSEMBLY	
101	70006403	1	T-Handle Kit (Includes O-Ring)	
102	70006404	1	Lid Kit (Includes Gasket)	
103	70006405	1	Element	
104	70006406	1	Checkball & Gasket Kit (Not Shown)	
105	70006407	1	Centrifuge and Baffle Kit (Not Shown)	
106	70006409	1	Bowl Kit (Includes Gasket, O-Ring and Drain)	
106	70006408	1	Gasket, Bowl	
107	70006410	1	Bowl Ring Kit (Includes Gasket & Hardware) (Not Shown)	

SECTION 3 - ENGINE

FIGURE 3-34. QUICKFIT OIL VALVE



ART_1001284139

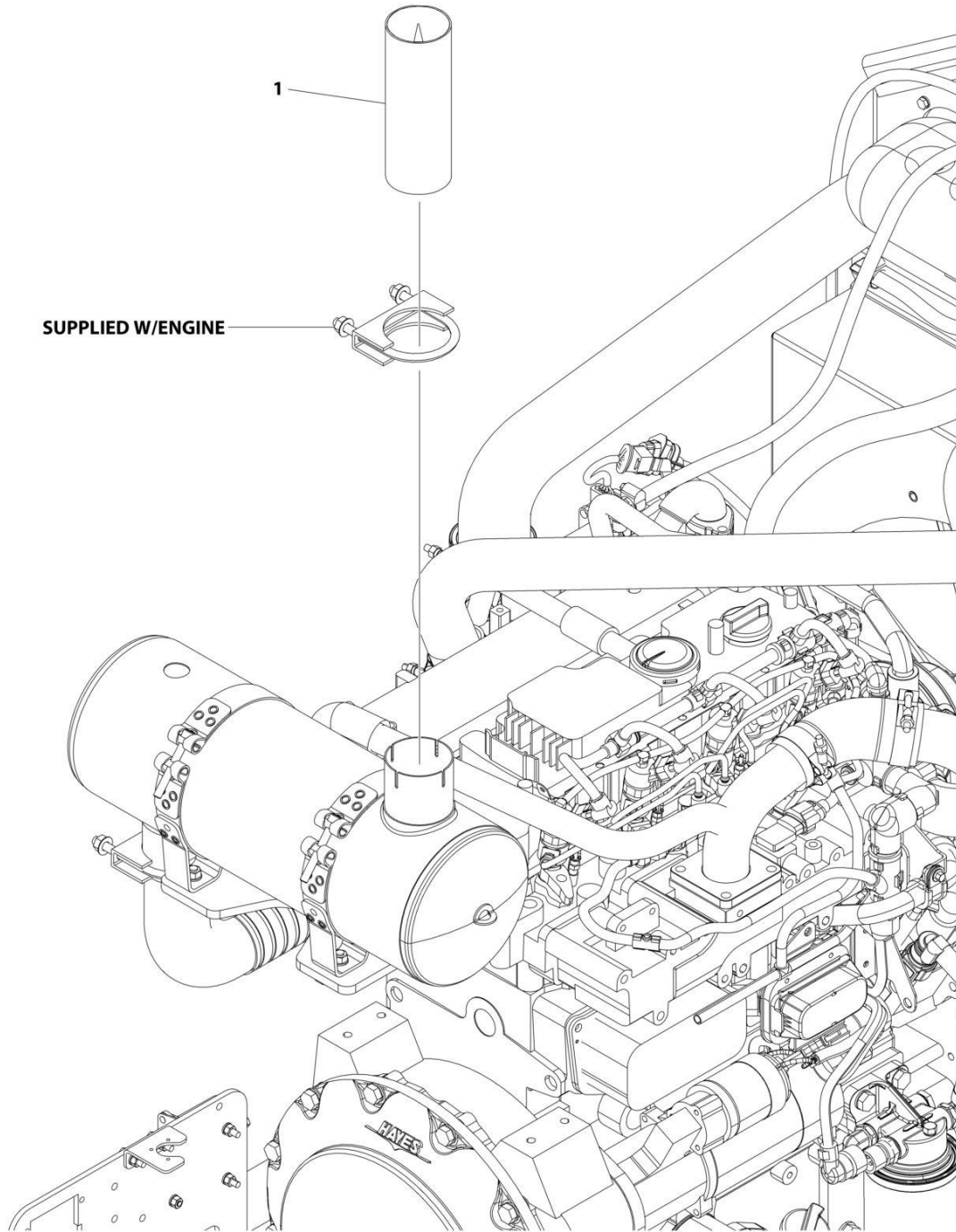
SECTION 3 - ENGINE

FIGURE 3-34. QUICKFIT OIL VALVE

ITEM	PART NUMBER	QTY	DESCRIPTION	REV
	1001284139	Ref	QUICKFIT OIL VALVE	A
1	0761214	2	Bolt M12 x 30	
2	4812100	2	Washer M12	
3	1001281298	1	Valve	
4	1001281301	1	Fitting, 90	
5	1001281302	1	Fitting, Quickfit	
6	1001281304	1	Plug	
7	1001281305	1	Fitting, Banjo	
8	1001281309	1	Filter	
9	1001281310	1	Fitting	
10	1001281311	1	O-Ring	
11	1001281359	1	Valve, Check	
12	1001281360	1	Decal (Not Shown - Located On Frame)	
13	1001281656	AR	Tie-strap (Not Shown)	
14	1001282725	1	Bracket	
15	1001284138	1	Hose	
16	1001284257	1	Bracket	
17	1001284272	1	Hose	

SECTION 3 - ENGINE

FIGURE 3-35. SPARK ARRESTOR INSTALLATION (LRC) (OPTIONAL)



ART_1001158607

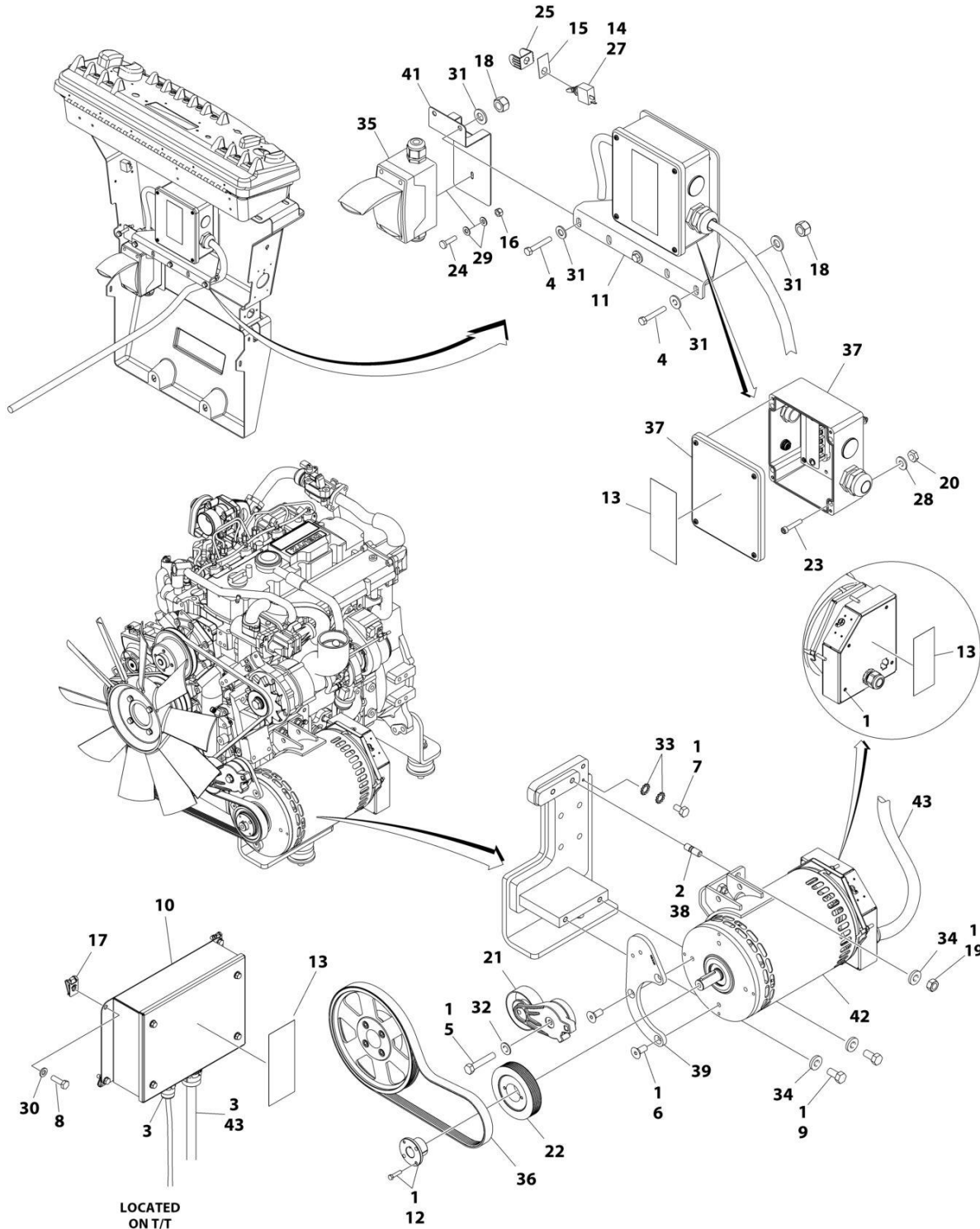
SECTION 3 - ENGINE

FIGURE 3-35. SPARK ARRESTOR INSTALLATION (LRC) (OPTIONAL)

ITEM	PART NUMBER	QTY	DESCRIPTION	REV
1	1001158607 1001158263	Ref 1	SPARK ARRESTOR INSTALLATION Arrestor, Spark	B

SECTION 3 - ENGINE

FIGURE 3-36. 4000W GENERATOR INSTALLATION - 50HZ



SECTION 3 - ENGINE

FIGURE 3-36. 4000W GENERATOR INSTALLATION - 50HZ

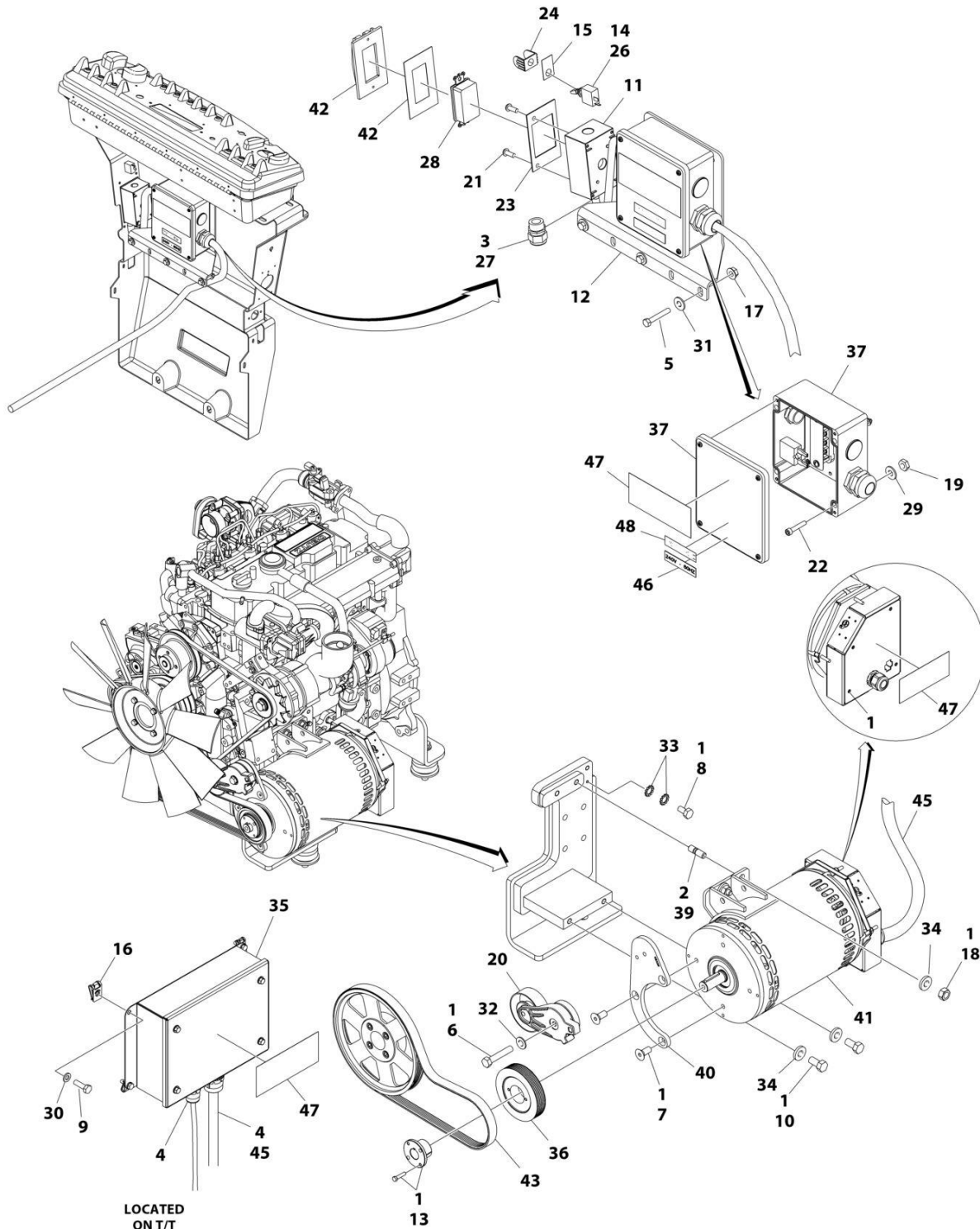
ITEM	PART NUMBER	QTY	DESCRIPTION	REV
	1001200698	Ref	4000W GENERATOR INSTALLATION - 50HZ	D
1	0100011	AR	Compound, Locking	
2	0100019	AR	Compound, Locking	
3	0100048	AR	Grease, Dielectric	
4	0700819001	4	Bolt M8 x 55	
5	0701018	1	Bolt M10 x 50	
6	0741607	3	Screw 3/8 x 7/8	
7	0760606	1	Bolt M6 x 12	
8	0760610	4	Bolt M6 x 20	
9	0761212	2	Bolt M12 x 25	
10	1001138566	1	Control Box Assembly	
10	77363232	1	Connector - 6 Position	
10	See Note	NSS	Connector - 3 Position (Note: Not Available for Purchase)	
10	70006552	1	Capacitor	
10	70006553	1	Relay	
11	0902888	1	Bracket, Junction Box	
12	0962520	1	Bushing, Split	
13	1705489	3	Decal - Hazardous Voltage	
14	2820031	0.3 ft /0.1m	Heat Shrink	
15	3251102	1	Nameplate, Generator	
16	3290405001	2	Nut M4	
17	8305919	4	Nut, Retainer	
18	3290805001	4	Nut M8	
19	3291201	2	Nut M12	
20	3311005001	4	Nut #10	
21	3580317	1	Tensioner, Belt with Pulley	
22	3580318	1	Pulley, Generator	
23	3931016	4	Capscrew #10 x 1	
24	4010408	2	Screw M4 x 16	
25	4060802	1	Guard, Switch	
26	4240018	AR	Tie-Strap (Not Shown)	
27	4360336	1	Switch, Toggle	
28	4751000001	4	Washer #10	
29	4811400001	4	Washer M4	
30	4811700	4	Washer M6	
31	4811900001	8	Washer M8	
32	4812000	1	Washer M10	
33	4871700	2	Washer M6	
34	5241200	4	Washer M12	
35	1001096612	1	Breaker Box Kit (See Separate Breakdown in ELECTRICAL Section)	
36	1001148059	1	Belt, Generator	
37	1001152458	1	Junction Box Assembly	
37	4460425	1	Connector, Strain Relief (LH Side)	
37	4460426	1	Connector, Strain Relief (RH Side)	
37	1001152530	1	Block, Terminal	
37	1001158363	1	Cover, Terminal Block	
38	1001155041	2	Stud	
39	1001155338	1	Support, Tensioner	

SECTION 3 - ENGINE

ITEM	PART NUMBER	QTY	DESCRIPTION	REV
41	1001204650	1	Bracket	
42	1001206119	1	Generator Assembly	
42	70003709	1	Ring, Retaining (External)	
42	70003708	1	Ring, Retaining (Internal)	
42	70001966	1	Bearing	
42	70004092	1	Endbell (Shaft End)	
42	70004171	1	Key	
42	70004676	1	Rotor	
42	70005624	1	Stator	
42	70004678	1	Endbell (Rear)	
42	70004679	1	Cover, Endbell (Rear)	
42	70004680	1	Enclosure, Wiring	
42	70004681	1	Cover, Enclosure	
42	70004682	1	Switch, Reset (Located on Enclosure Cover)	
42	70004098	1	Connector, Strain Relief (Located on Enclosure Cover)	
42	70004683	1	Bushing, Connector (Use p/n 70004098)	
42	70001973	1	Decal - Warning Pinch Point	
43	1001152532	1	Generator (See Separate Breakdown in ELECTRICAL Section)	
		Ref	ELECTRICAL DIAGRAM COMPONENTS	
101	1001153259	1	Generator to Platform Harness (Not Shown) (See Separate Breakdown in ELECTRICAL Section)	
103	4922641	1	Generator Switch Harness (Not Shown)	

SECTION 3 - ENGINE

FIGURE 3-37. 4000W GENERATOR INSTALLATION - 60HZ



SECTION 3 - ENGINE

FIGURE 3-37. 4000W GENERATOR INSTALLATION - 60HZ

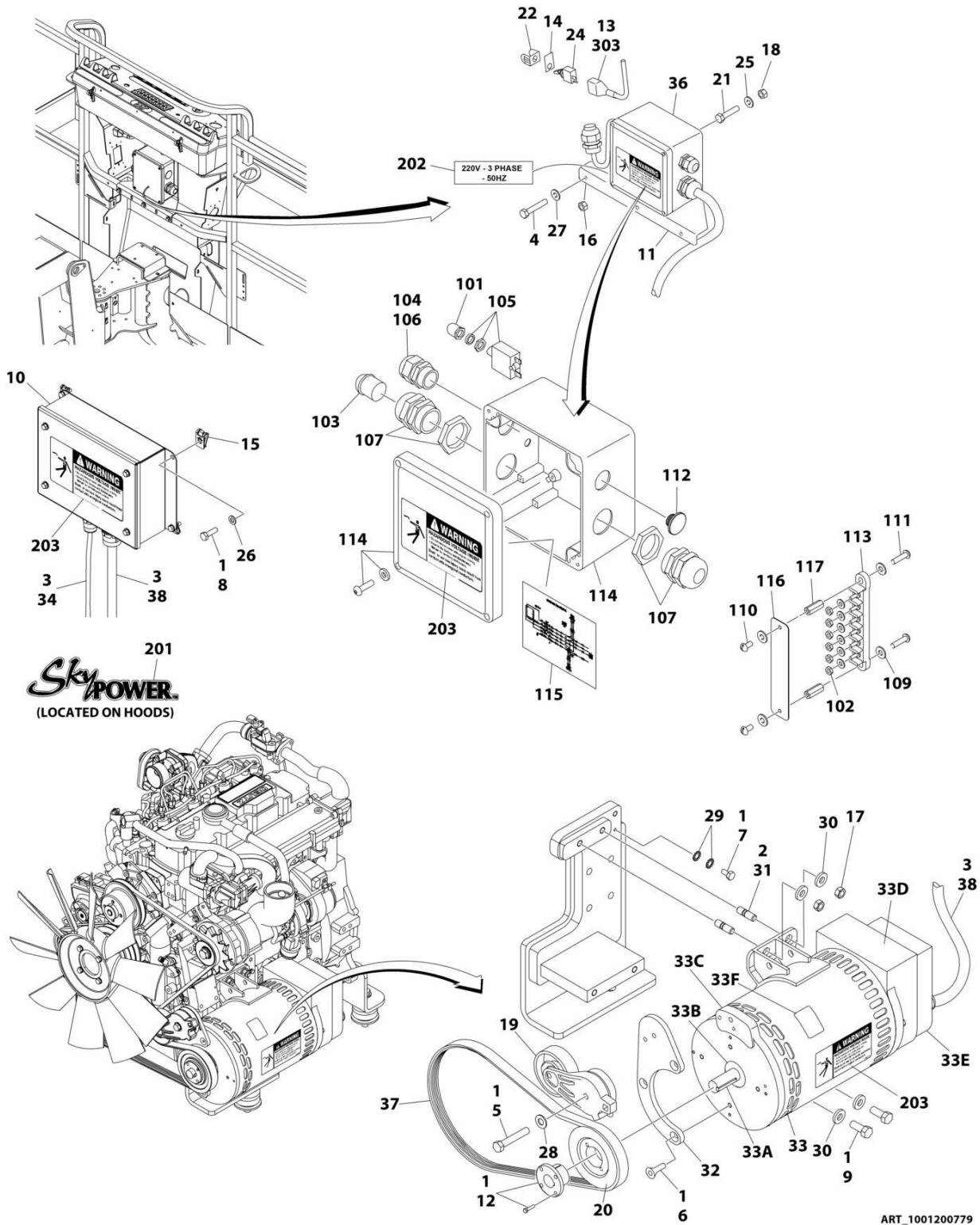
ITEM	PART NUMBER	QTY	DESCRIPTION	REV
	1001200699	Ref	4000W GENERATOR INSTALLATION - 60HZ	B
1	0100011	AR	Compound, Locking	
2	0100019	AR	Compound, Locking	
3	0100020	AR	Sealant	
4	0100048	AR	Grease, Dielectric	
5	0700818001	3	Bolt M8 x 50	
6	0701018	1	Bolt M10 x 50	
7	0741607	3	Screw 3/8 x 7/8	
8	0760606	1	Bolt M6 x 12	
9	0760610	4	Bolt M6 x 20	
10	0761212	2	Bolt M12 x 25	
11	0860038	1	Box, Switch	
12	0902888	1	Bracket, Junction Box	
13	0962520	1	Bushing, Split	
14	2820031	0.3 ft /0.1m	Heat Shrink	
15	3251102	1	Nameplate, Generator	
16	8305919	4	Nut, Retainer	
17	3290805001	3	Nut M8	
18	3291201	2	Nut M12	
19	3311005	4	Nut #10	
20	3580317	1	Tensioner, Belt with Pulley	
21	3910606	4	Screw M6 x 3/8	
22	3931016	4	Capscrew #10 x 1	
23	3960422	1	Gasket, AC Receptacle	
24	4060802	1	Guard, Switch	
25	4240018	AR	Tie-Strap (Not Shown)	
26	4360336	1	Switch, Toggle	
27	4460071	1	Connector, Strain Relief	
28	4460346	1	Receptacle	
29	4751000	4	Washer #10	
30	4811700	4	Washer M6	
31	4811900001	6	Washer M8	
32	4812000	1	Washer M10	
33	4871700	2	Washer M6	
34	5241200	4	Washer M12	
35	1001138566	1	Control Box Assembly	
35	77363232	1	Connector - 6 Position	
35	See Note	NSS	Connector - 3 Position (Note: Not Available for Purchase)	
35	70006552	1	Capacitor	
35	70006553	1	Relay	
36	1001150174	1	Pulley, Generator	
37	1001152457	1	Junction Box Assembly	
37	3300396	1	Cover, Breaker	
37	4360070	1	Breaker, Circuit - 15Amp	
37	1001152530	1	Block, Terminal	
37	1001158363	1	Cover, Terminal Block	
37	4460425	1	Connector, Strain Relief (LH Side)	
37	4460426	1	Connector, Strain Relief (RH Side)	
39	1001155041	2	Stud	

SECTION 3 - ENGINE

ITEM	PART NUMBER	QTY	DESCRIPTION	REV
40	1001155338	1	Support, Tensioner	
41	1001200565	1	Generator Assembly	
41	70003709	1	Ring, Retaining (External)	
41	70003708	1	Ring, Retaining (Internal)	
41	70001966	1	Bearing	
41	70004092	1	Endbell (Shaft End)	
41	70004171	1	Key	
41	70004676	1	Rotor	
41	70005625	1	Stator	
41	70004678	1	Endbell (Rear)	
41	70004679	1	Cover, Endbell (Rear)	
41	70004680	1	Enclosure, Wiring	
41	70004685	1	Cover, Enclosure	
41	70005624	1	Switch, Reset (Located on Enclosure Cover)	
41	70004098	1	Connector, Strain Relief (Located on Enclosure Cover)	
41	70004683	1	Bushing, Connector (Use with p/n 70004098)	
41	70001973	1	Decal - Warning Pinch Point	
42	1001110873	1	Cover, Receptacle (60Hz)	
43	1001155303	1	Belt, Generator	
45	1001152532	1	Generator Harness (See Separate Breakdown in ELECTRICAL Section)	
46	1705374	1	Decal - 240V	
47	1705387	3	Decal - Hazardous Voltage	
48	3251243	1	Decal - 120V	
		Ref	ELECTRICAL DIAGRAM COMPONENTS	
101	1001153259	1	Generator to Platform Harness (Not Shown) (See Separate Breakdown in ELECTRICAL Section)	
103	4922641	1	Generator Switch Harness (Not Shown)	

SECTION 3 - ENGINE

FIGURE 3-38. 7500W SKYPOWER GENERATOR INSTALLATION - 50HZ



SECTION 3 - ENGINE

FIGURE 3-38. 7500W SKYPOWER GENERATOR INSTALLATION - 50HZ

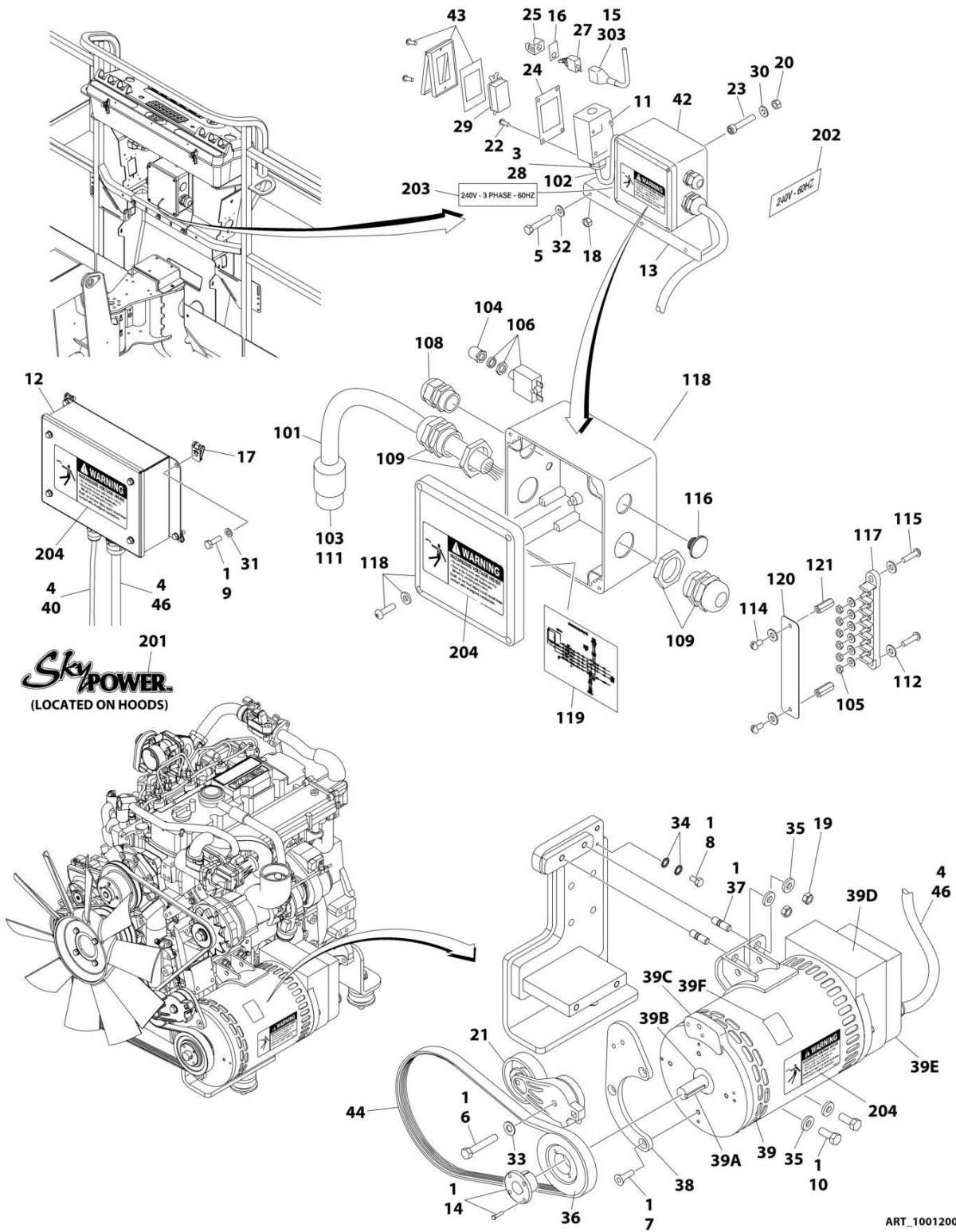
ITEM	PART NUMBER	QTY	DESCRIPTION	REV
	1001200779	Ref	7500W SKYPOWER GENERATOR INSTALLATION - 50HZ	C
		Ref	Note: See ELECTRICAL SECTION for Boom Cable Installation.	
1	0100011	AR	Compound, Locking	
2	0100019	AR	Compound, Locking	
3	0100048	AR	Grease, Dielectric	
4	0700818001	3	Bolt M8 x 50	
5	0701018	1	Bolt M10 x 50	
6	0741607	3	Screw 3/8 x 7/8	
7	0760606	1	Bolt M6 x 12	
8	0760610	4	Bolt M6 x 20	
9	0761212	2	Bolt M12 x 25	
10	0861572	1	Box, Generator Control	
10	7024488	1	Card, Circuit - Generator Power (Not Shown)	
10	See Note	1	Fuse (Note: Not Available Purchase Locally)	
10	7024489	1	Card, Circuit - Control (Not Shown)	
		Ref	Note: When replacing card, rocker switch on card must be set for required application.	
10	70000619	1	Circuit Card Harness	
10	77363232	1	Connector - 6 Position	
10	See Note	NSS	Connector - 3 Position (Note: Not Available for Purchase)	
11	0902888	1	Bracket	
12	0962520	1	Bushing	
13	2820031	AR	Heat Shrink	
14	3251102	1	Nameplate, Generator	
15	8305919	4	Nut, Retainer M6	
16	3290805001	3	Nut M8	
17	3291201	2	Nut M12	
18	3311005	4	Nut #10	
19	3580317	1	Tensioner, Belt with Pulley	
20	3580318	1	Pulley, Generator	
21	3931016	4	Capscrew #10 x 1	
22	4060802	1	Guard, Switch	
23	4240018	AR	Tie-Strap (Not Shown)	
24	4360336	1	Switch, Toggle	
25	4751000	4	Washer #10	
26	4711700	4	Washer M6	
27	4811900001	6	Washer M8	
28	4812000	1	Washer M10	
29	4871700	2	Washer M6	
30	5241200	4	Washer M12	
31	1001155041	2	Stud	
32	1001155338	1	Bracket	
33	1001155348	1	Generator, 7500W	
33	70001100	1	Rotor (Includes p/n 70001384 & 70000863) (Not Shown)	
33	70001384	1	Bearing, Shaft (Rear) (Not Shown)	
33	70000863	1	Fan, Generator (Not Shown)	
33	70005651	1	Stator (Not Shown)	
33	70002297	2	Stud 1/4 x 12-7/8 (Not Shown)	
33	70003631	1	Brushholder Assembly (Not Shown)	
33A	70004171	1	Key	

SECTION 3 - ENGINE

ITEM	PART NUMBER	QTY	DESCRIPTION	REV
33B	70001966	1	Bearing, Ball Radial (Located in Belt Tensioner Endbell)	
33B	70003709	1	Ring, Retaining (Small)	
33B	70003708	1	Ring, Retaining (Large)	
33C	70004092	1	Endbell, Belt Tensioner	
33D	70004094	1	Endbell, Brush Block	
33E	70004096	1	Shroud Assembly	
33E	7027799	1	Block, Connector - 6 Position (Not Shown)	
33E	70002460	6	Nut, Brass (Attaches p/n 7027799 to Cover) (Not Shown)	
33E	7024485	1	Breaker, Circuit 30Amp (Not Shown)	
33E	70001696	1	Boot, Breaker (Not Shown)	
33E	7026597	1	Connector with Leads (Not Shown)	
33E	7026626	1	Connector with Pins (Not Shown)	
33E	70004098	1	Clamp, Cable (Not Shown)	
33E	70005652	1	Plate, End Panel (Not Shown)	
33E	70004097	1	Insulator, End Panel (Not Shown)	
33E	70001974	1	Decal - Terminal Connections (Not Shown)	
33F	70001973	1	Decal - Warning Moving Parts	
34	1001156030	1	Generator Harness (See Separate Breakdown in ELECTRICAL SECTION)	
36	1001157525	1	Junction Box Assembly (See Items 101-117 for Breakdown)	
37	1001148059	1	Belt, Generator	
38	4922925	1	Generator Harness (See Separate Breakdown in ELECTRICAL SECTION)	
	1001157525	Ref	JUNCTION BOX ASSEMBLY	B
101	3300396	1	Cover, Fuse	
102	3311001	6	Nut #10	
103	3520189	1	Plug (50Hz Spec Only)	
104	3520192	1	Plug	
105	4360070	1	Circuit Breaker - 15Amp	
106	4460425	1	Strain Relief, Terminal	
107	4460426	2	Connector, Strain Relief	
109	4711000	10	Washer #10	
110	10702077	2	Screw #10 x 3/8	
111	10702082	2	Screw #10 x 3/4	
112	1001152525	1	Plug	
113	1001157520	1	Block, Terminal	
114	1001157521	1	Box, Junction	
115	1001157528	1	Decal - Wiring Schematic	
116	1001158007	1	Cover, PVC	
117	1001158008	2	Stand-off	
	0272589	Ref	DECAL INSTALLATION	A
201	1705460	2	Decal - SkyPower	
202	1705461	1	Decal - 240V - 3 Phase	
203	1705489	3	Decal - Hazardous Voltage	
		Ref	ELECTRICAL DIAGRAM COMPONENTS	
303	4922641	1	Generator Switch Harness	

SECTION 3 - ENGINE

FIGURE 3-39. 7500W SKYPOWER GENERATOR INSTALLATION - 60HZ



ART_1001200780

SECTION 3 - ENGINE

FIGURE 3-39. 7500W SKYPOWER GENERATOR INSTALLATION - 60HZ

ITEM	PART NUMBER	QTY	DESCRIPTION	REV
	1001200780	Ref	7500W SKYPOWER GENERATOR INSTALLATION - 60HZ	B
1	0100011	AR	Compound, Locking	
2	0100019	AR	Compound, Locking (Not Shown)	
3	0100020	AR	Sealant, Pipe	
4	0100048	AR	Grease, Dielectric	
5	0700818001	3	Bolt M8 x 50	
6	0701018	1	Bolt M10 x 50	
7	0741607	3	Screw 3/8 x 7/8	
8	0760606	1	Bolt M6 x 12	
9	0760610	4	Bolt M6 x 20	
10	0761212	2	Bolt M12 x 25	
11	0860038	1	Box, Switch	
12	0861538	1	Box, Generator Control	
12	7024488	1	Card, Circuit - Generator Power (Not Shown)	
12	See Note	1	Fuse (Note: Not Available Purchase Locally)	
12	7024489	1	Card, Circuit - Control (Not Shown)	
		Ref	Note: When replacing card, rocker switch on card must be set for required application.	
12	70000619	1	Circuit Card Harness	
12	77363232	1	Connector - 6 Position	
12	See Note	1	Connector - 3 Position (Note: Not Available for Purchase)	
13	0902888	1	Bracket, Generator Junction Box	
14	0962520	1	Bushing, Taper	
15	2820031	AR	Insulator, Heat Shrink	
16	3251102	1	Nameplate, Generator	
17	8305919	4	Nut, Retainer M6	
18	3290805001	3	Nut M8	
19	3291201	2	Nut M12	
20	3311005	4	Nut #10	
21	3580317	1	Pulley, Belt Tensioner	
22	3910606	4	Screw #6 x 3/8	
23	3931016	4	Capscrew #10 x 1	
24	3960422	1	Gasket, AC Receptacle	
25	4060802	1	Guard, Switch	
26	4240018	AR	Tie-Strap (Not Shown)	
27	4360336	1	Switch, Toggle	
28	4460071	1	Connector, Strain Relief	
29	4460346	1	Terminal, Receptacle	
30	4751000	4	Washer #10	
31	4711700	4	Washer M6	
32	4811900001	6	Washer M8	
33	4812000	1	Washer M10	
34	4871700	2	Washer M6	
35	5241200	4	Washer M12	
36	1001150174	1	Pulley, Generator	
37	1001155041	2	Stud	
38	1001155338	1	Bracket	
39	1001155348	1	Generator, 7500W	
39	70001100	1	Rotor (Includes p/n 70001384 & 70000863) (Not Shown)	
39	70001384	1	Bearing, Shaft (Rear) (Not Shown)	

SECTION 3 - ENGINE

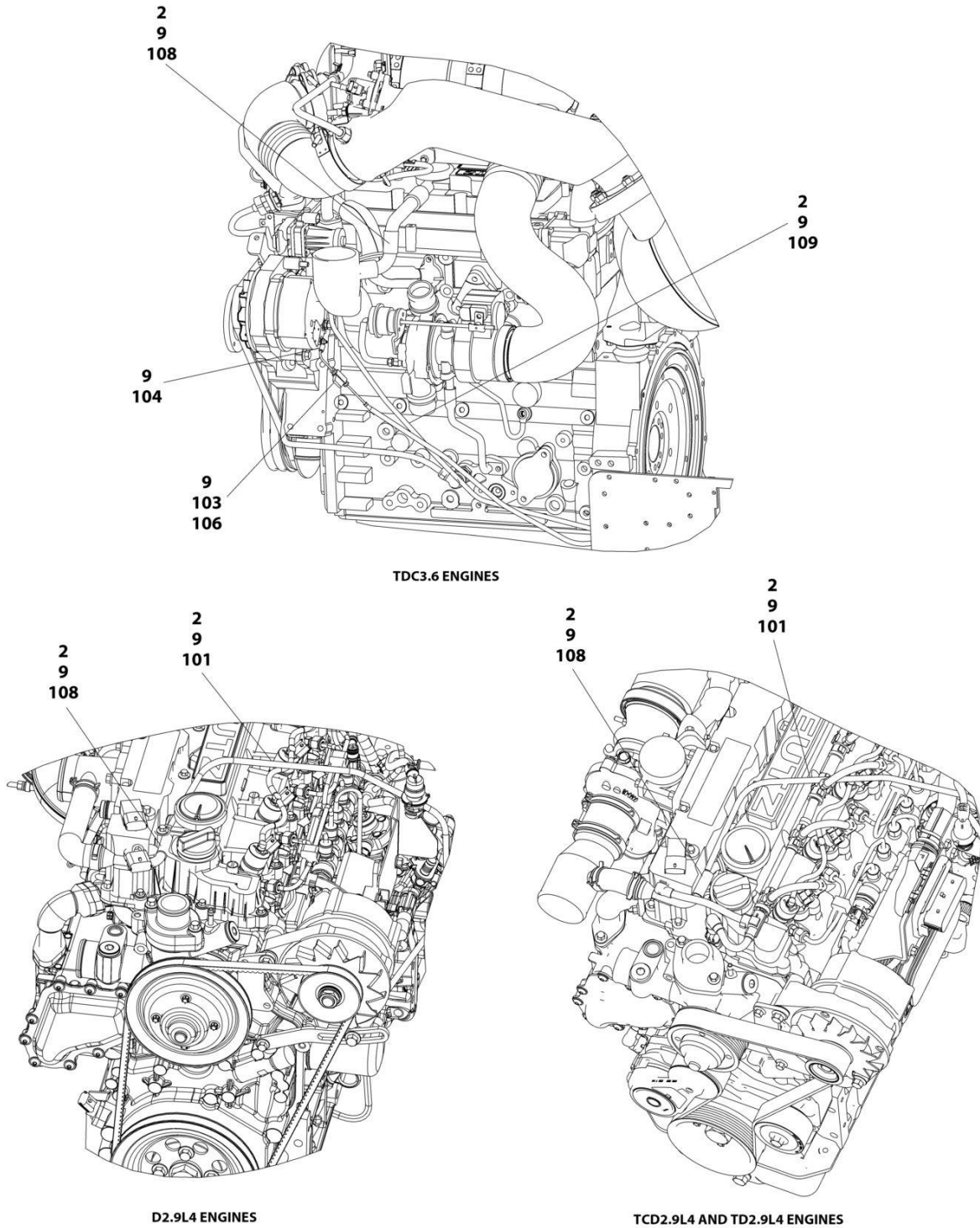
ITEM	PART NUMBER	QTY	DESCRIPTION	REV
39	7000863	1	Fan, Generator (Not Shown)	
39	70004093	1	Stator (Not Shown)	
39	70002297	2	Stud 1/4-20 x 12-7/8 (Not Shown)	
39	70003631	1	Brushholder Assembly (Not Shown)	
39A	70004099	1	Key	
39B	70001966	1	Bearing, Ball Radial (Located in Belt Tensioner Endbell)	
39B	70003709	1	Ring, Retaining (Small)	
39B	70003708	1	Ring, Retaining (Large)	
39C	70004092	1	Endbell, Belt Tensioner	
39D	70004094	1	Endbell, Brush Block	
39E	70004096	1	Shroud Assembly	
39E	7027799	1	Block, Connector - 6 Position (Not Shown)	
39E	70002460	6	Nut, Brass (Attaches p/n 7027799 to Cover) (Not Shown)	
39E	7024485	1	Breaker, Circuit 30Amp (Not Shown)	
39E	70001696	1	Boot, Breaker (Not Shown)	
39E	7026597	1	Connector with Leads (Not Shown)	
39E	7026626	1	Connector with Pins (Not Shown)	
39E	70004098	1	Clamp, Cable (Not Shown)	
39E	70004095	1	Plate, End Panel (Not Shown)	
39E	70004097	1	Insulator, End Panel (Not Shown)	
39E	70001974	1	Decal - Terminal Connections (Not Shown)	
39F	70001973	1	Decal - Warning Moving Parts	
40	1001156030	1	Generator Harness (See Separate Breakdown in ELECTRICAL SECTION)	
42	1001157592	1	Junction Box Assembly (See Items 101-121 for Breakdown)	
43	1001110873	1	Shield, Receptacle Cover	
44	1001155303	1	Belt, Generator	
46	4922925	1	Generator Harness (See Separate Breakdown in ELECTRICAL SECTION)	
	1001157592	Ref	JUNCTION BOX ASSEMBLY	C
101	1060343	1.5 ft /0.5m	Cable, Electrical 10/4	
102	1001179154	2.5 ft /0.8m	Cable, Electrical 12/3	
103	1671092	1	Cover	
104	3300396	1	Cover, Fuse	
105	3311001	6	Nut #10	
106	4360070	1	Circuit Breaker - 15Amp	
108	4460425	1	Strain Relief, Terminal	
109	4460426	2	Connector, Strain Relief	
111	4460963	1	Connector	
112	4711000	10	Washer #10	
114	10702077	2	Screw #10 x 3/8	
115	10702082	2	Screw #10 x 3/4	
116	1001152525	1	Plug	
117	1001157520	1	Block, Terminal	
118	1001157521	1	Box, Junction	
119	1001157528	1	Decal - Wiring Schematic	
120	1001158007	1	Cover, PVC	
121	1001158008	2	Stand-Off	
	0272435	Ref	DECAL INSTALLATION	D
201	1705460	2	Decal - SkyPower	

SECTION 3 - ENGINE

ITEM	PART NUMBER	QTY	DESCRIPTION	REV
202	3251243	1	Decal - 120V - 60Hz	
203	1705375	1	Decal - 240V - 3 Phase	
204	1705387	3	Decal - Hazardous Voltage	
		Ref	ELECTRICAL DIAGRAM COMPONENTS	
303	4922641	1	Generator Switch Harness	

SECTION 3 - ENGINE

FIGURE 3-40. BREATHER HEATER INSTALLATION - MACHINES WITH COLD WEATHER PACKAGE



ART_1001233763

SECTION 3 - ENGINE

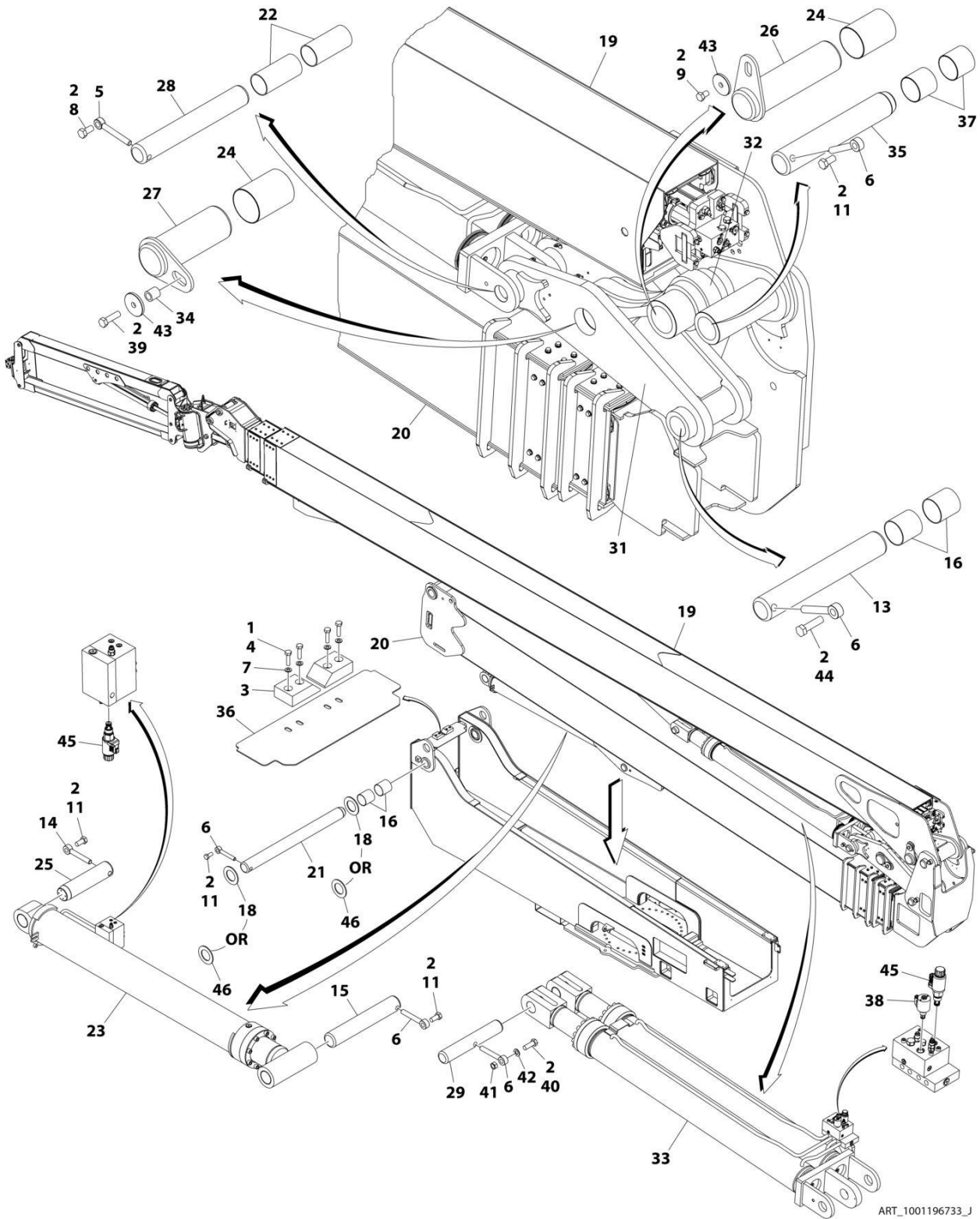
FIGURE 3-40. BREATHER HEATER INSTALLATION - MACHINES WITH COLD WEATHER PACKAGE

ITEM	PART NUMBER	QTY	DESCRIPTION	REV
	1001233763	Ref	BREATHER HEATER INSTALLATION - DEUTZ ENGINES	D
2	4240099	AR	Tie-Strap	
9	1001243895	1	Breather Heater Harness	C
101	2820035	AR	Insulation	
103	2400060	1	Fuseholder with Cover	
104	4460043	1	Terminal, Ring	
105	4460722	1	Terminal, Ring (Not Shown)	
106	1001196634	1	Fuse - 2 Amp	
108	1001232842	1	Breather Heater Kit	

SECTION 4 - BOOM

SECTION 4 - BOOM

FIGURE 4-1. BOOM AND CYLINDERS INSTALLATION



ART_1001196733_J

SECTION 4 - BOOM

FIGURE 4-1. BOOM AND CYLINDERS INSTALLATION

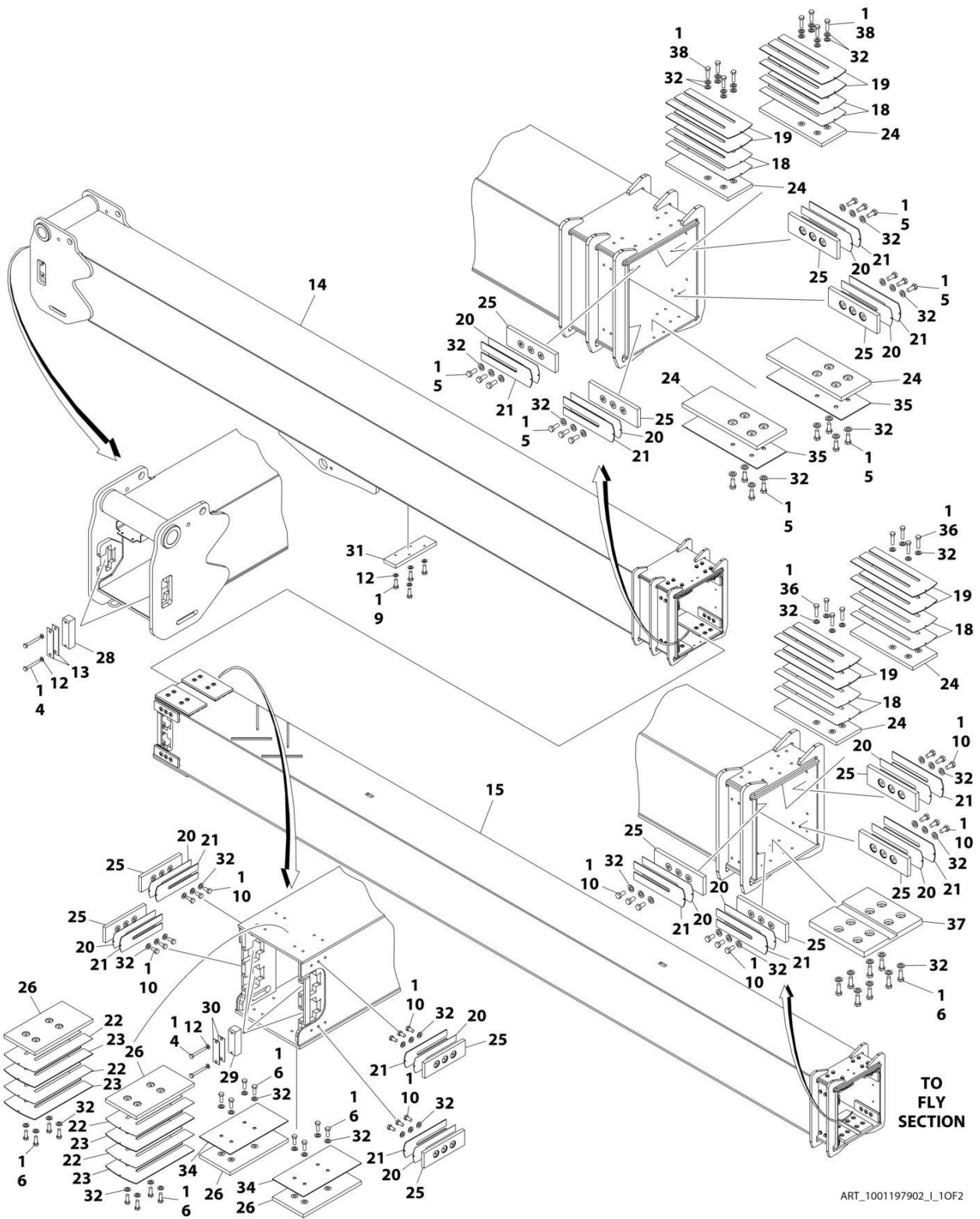
ITEM	PART NUMBER	QTY	DESCRIPTION	REV
	1001196733	Ref	BOOM AND CYLINDERS INSTALLATION	J
1	0100011	AR	Compound, Locking	
2	0100019	AR	Compound, Locking	
3	0561380	2	Block, Boom Rest	
4	0761016001	4	Bolt M10 x 40	
5	3841287	1	Keeper, Pin	
6	3841356	5	Keeper, Pin	
7	1001172358	4	Washer M10	
8	0762016001	1	Bolt M20 x 40	
9	0762014001	1	Bolt M20 x 30	
11	0762418001	4	Bolt M24 x 50	
13	1001134314	1	Pin	
14	1001146940	1	Keeper, Pin	
15	1001156650	1	Pin	
16	1001157887	4	Bearing	
18	1001180153	AR	Washer	
19	1001196917	1	Main Boom and Jib Assembly (See Separate Breakdown in this Section)	
20	1001197902	1	Tower Boom Assembly (See Separate Breakdown in this Section)	
21	1001197969	1	Pivot	
22	1001197973	2	Bearing	
23	1001228090	1	Lift Cylinder Assembly - Tower Boom (See Separate Breakdown in CYLINDER Section)	
24	1001198749	2	Bearing	
25	1001198757	1	Pin	
26	1001198758	1	Pin	
27	1001198759	1	Pin	
28	1001198760	1	Pin	
29	1001198761	1	Pin	
31	1001199804	1	Link	
32	1001199812	1	Link	
33	1001251094	1	Lift Cylinder Assembly - Main Boom (See Separate Breakdown in CYLINDER Section)	
34	1001200154	1	Spacer	
35	1001200574	1	Pin	
36	1001200576	1	Deflector	
37	0440273	2	Bearing	
38	1001201938	1	Cartridge Valve Assembly	
38	70005657	1	Cartridge, Solenoid Valve Less Coil	
38	70026446	1	Seal Kit - 70005657 Valve	
38	70003788	1	Coil	
39	0702022001	1	Bolt M20 x 70	
40	0762422001	1	Bolt M24 x 70	
41	3292401001	1	Nut M24	
42	4812700001	1	Washer M24	
43	1001207937	2	Washer	
44	0702426001	1	Bolt M24 x 90	
45	1001218037	2	Cartridge, Valve Assembly	
45	70006003	2	Cartridge, Solenoid Valve Less Coil	
45	70006005	2	Seal Kit - 70006003 Valve	

SECTION 4 - BOOM

ITEM	PART NUMBER	QTY	DESCRIPTION	REV
45	70006004	2	Coil	
45	70006006	2	Nut, Coil	
46	1001221425	AR	Washer	

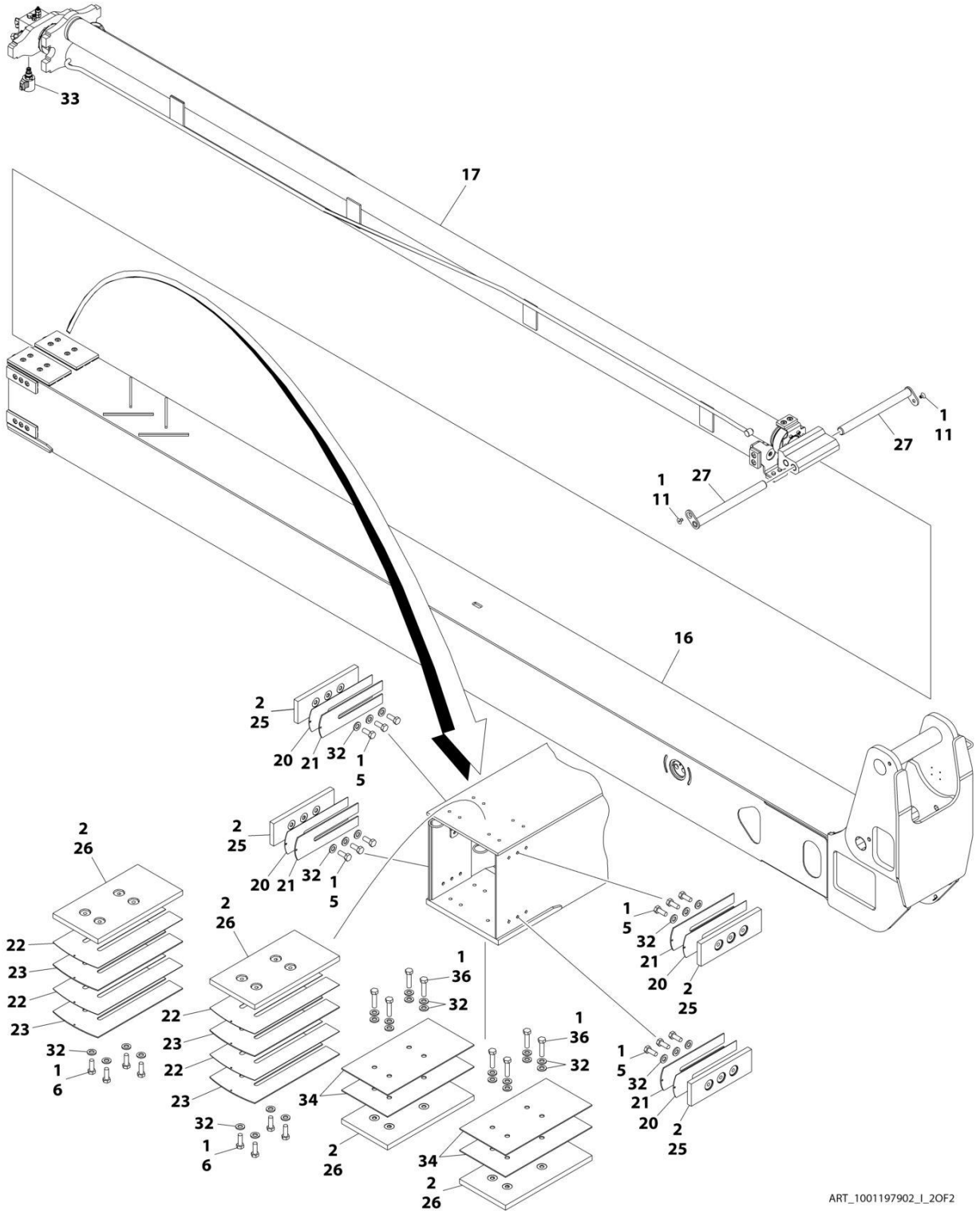
SECTION 4 - BOOM

FIGURE 4-2. TOWER BOOM ASSEMBLY



ART_1001197902_1_10F2

SECTION 4 - BOOM



ART_1001197902_I_20F2

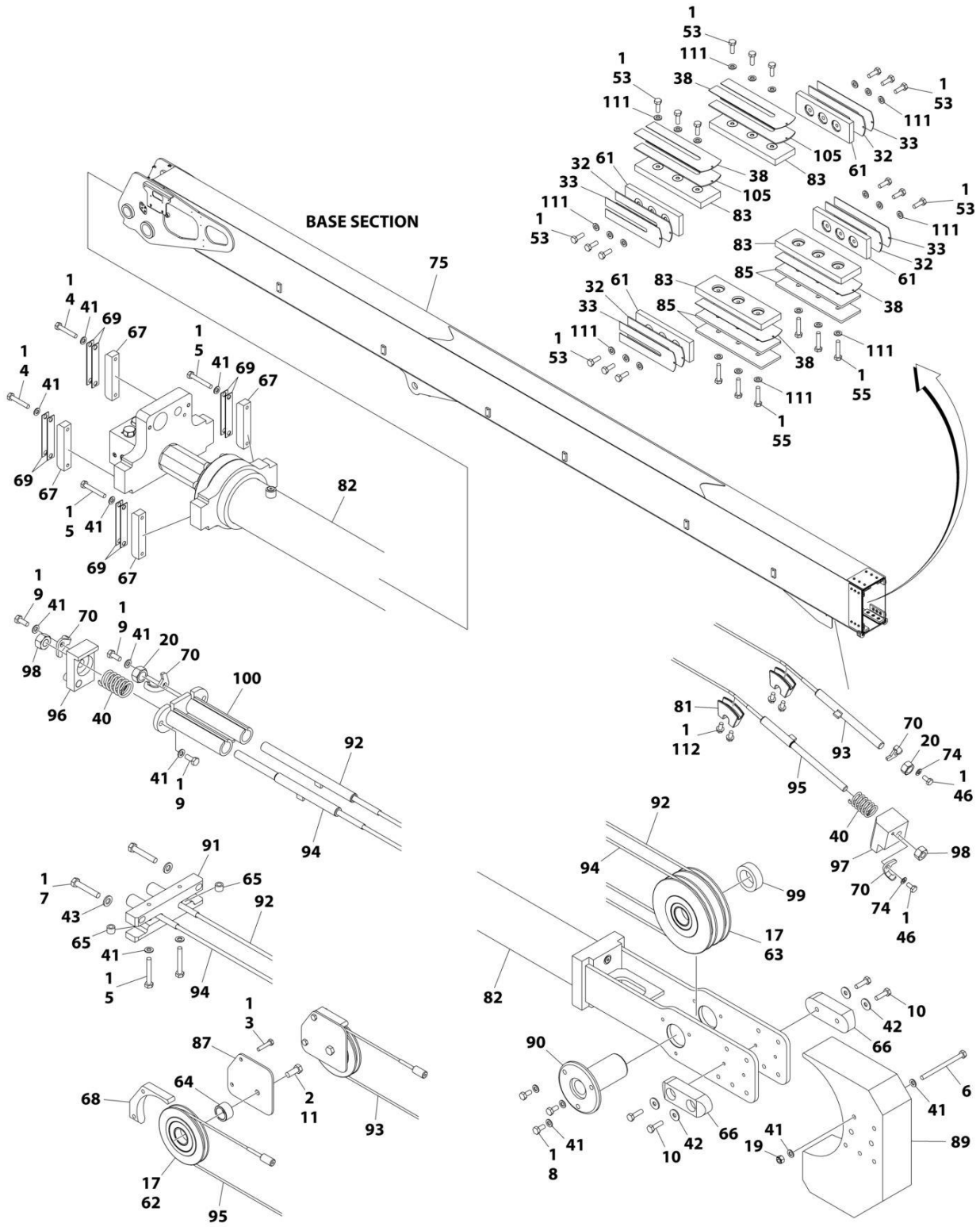
SECTION 4 - BOOM

FIGURE 4-2. TOWER BOOM ASSEMBLY

ITEM	PART NUMBER	QTY	DESCRIPTION	REV
	1001197902	Ref	TOWER BOOM ASSEMBLY	I
1	0100011	AR	Compound, Locking	
2	3020042	AR	Lubricant	
4	0701024001	12	Bolt M10 x 80	
5	0711214001	32	Bolt M12 x 30	
6	0711215001	32	Bolt M12 x 35	
9	0761014001	4	Bolt M10 x 30	
10	0771212001	24	Bolt M12 x 25	
11	1001137032	2	Screw M10 x 16	
12	1001172358	16	Washer M10	
13	1001173662	4	Shim 16 Gauge	
14	1001197899	1	Base, Boom (Section 1)	
15	1001209368	1	Mid, Boom (Section 2)	
16	1001197901	1	Fly, Boom (Section 3)	
17	1001251091	1	Telescope Cylinder Assembly - Tower (See Separate Breakdown in CYLINDER Section)	
18	1001198640	8	Shim 18 Gauge	
19	1001198641	8	Shim 11 Gauge	
20	1001198642	16	Shim 18 Gauge	
21	1001198643	16	Shim 11 Gauge	
22	1001198644	8	Shim 18 Gauge	
23	1001198645	8	Shim 11 Gauge	
24	1001209375	6	Pad, Wear	
25	1001198732	16	Pad, Wear	
26	1001209374	8	Pad, Wear	
27	1001201007	2	Pin	
28	1001201333	2	Block, Trunnion	
29	1001201334	4	Block, Trunnion	
30	1001201335	8	Shim 16 Gauge	
31	1001204914	1	Pad	
32	5241200001	128	Washer M12	
33	1001201938	1	Cartridge Valve Assembly	
34	1001209372	6	Plate, Spacer	
35	1001209373	2	Plate, Spacer	
36	0771218001	16	Bolt M12 x 50	
37	1001212669	1	Pad, Wear	
38	0711217001	8	Bolt M12 x 45	

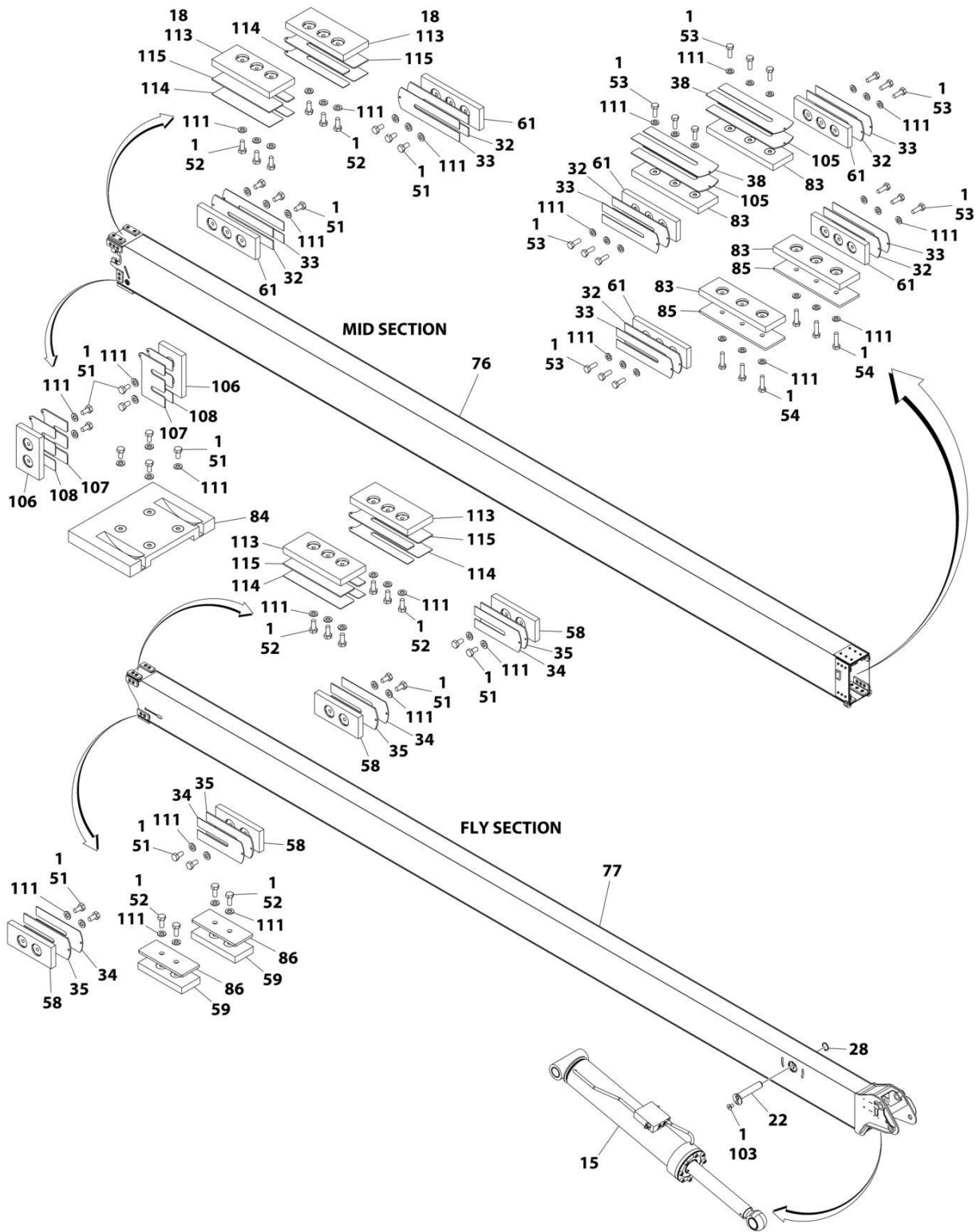
SECTION 4 - BOOM

FIGURE 4-3. MAIN BOOM AND JIB ASSEMBLY



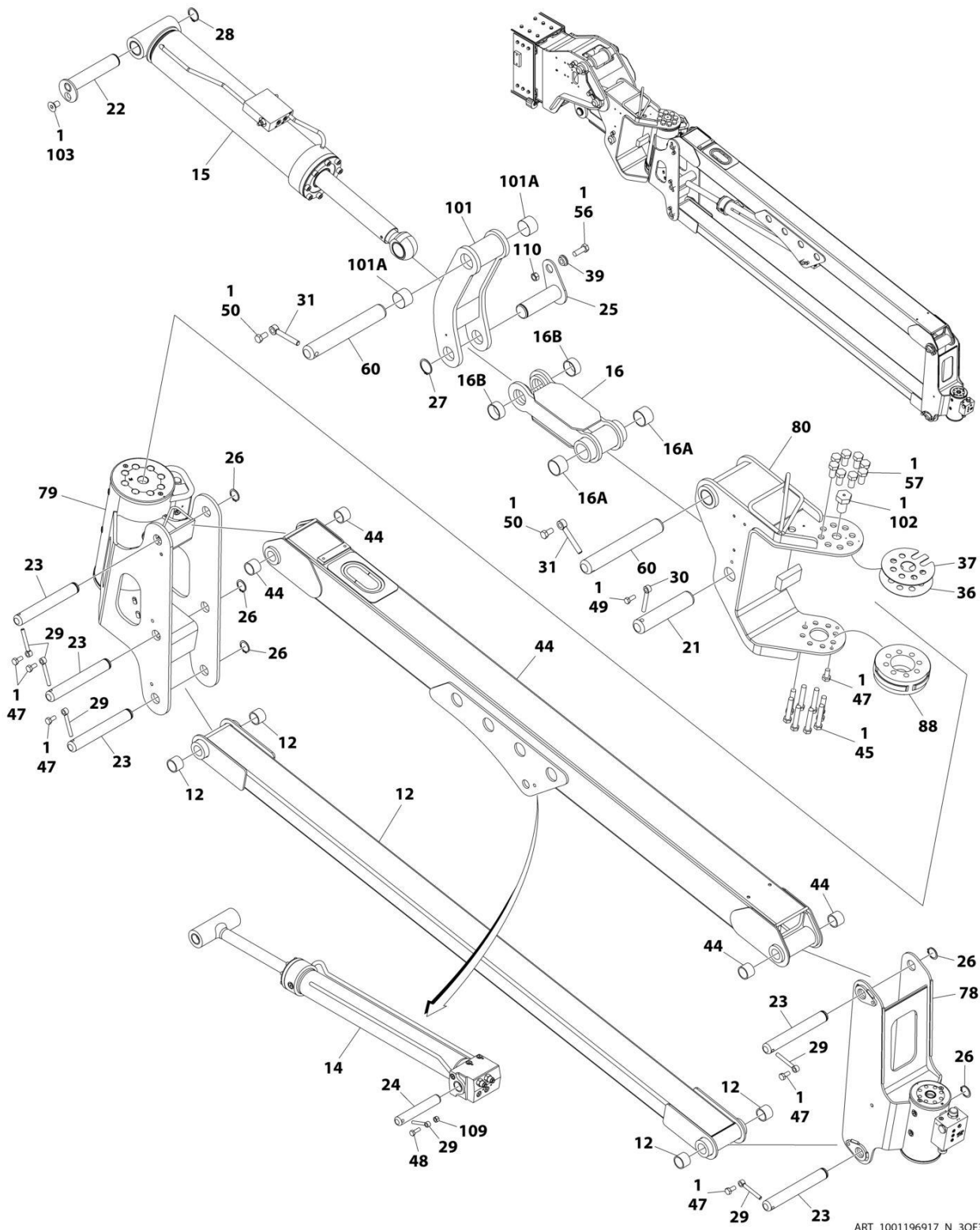
ART_1001196917_N_10F3

SECTION 4 - BOOM



ART_1001196917_N_20F3

SECTION 4 - BOOM



ART_1001196917_N_30F3

SECTION 4 - BOOM

FIGURE 4-3. MAIN BOOM AND JIB ASSEMBLY

ITEM	PART NUMBER	QTY	DESCRIPTION	REV
	1001196917	Ref	MAIN BOOM AND JIB ASSEMBLY	N
1	0100011	AR	Compound, Locking	
2	0100019	AR	Compound, Locking	
3	0701018	4	Bolt M10 x 50	
4	0701020	4	Bolt M10 x 60	
5	0701022	6	Bolt M10 x 70	
6	0701031	5	Bolt M10 x 140	
7	0701222	2	Bolt M12 x 70	
8	0761011	3	Bolt M10 x 22	
9	0761012	4	Bolt M10 x 25	
10	0761015	4	Bolt M10 x 35	
11	0761616	2	Bolt M16 x 40	
12	0801550	1	Link, Jib (Lower)	
12	0961951	4	Bushing	
14	1001251025	1	Lift Cylinder Assembly - Jib (See Separate Breakdown in CYLINDER Section)	
15	1001251034	1	Level Cylinder Assembly (See Separate Breakdown in CYLINDER Section)	
16	3010136	1	Link, Level (Outer)	
16A	0962224	2	Bushing	
16B	0962556	2	Bushing	
17	3020039	AR	Lubricant	
18	3020042	AR	Lubricant	
19	3291005	5	Nut M10	
20	3292201	2	Nut M22	
21	3422178	1	Pin	
22	3422937	1	Pin	
23	3422957	5	Pin	
24	3422958	1	Pin	
25	3423190	1	Pin	
26	3760133	5	Ring, Retaining	
27	3760217	1	Ring, Retaining	
28	3760233	1	Ring, Retaining	
29	3841143	6	Keeper, Pin	
30	3841203	1	Keeper, Pin	
31	3841258	2	Keeper, Pin	
32	4070863	10	Shim 11 Gauge	
33	4070864	10	Shim 18 Gauge	
34	4070897	4	Shim 18 Gauge	
35	4070898	4	Shim 11 Gauge	
36	4071044	1	Shim 18 Gauge	
37	4071045	1	Shim 11 Gauge	
38	4071073	4	Shim 18 Gauge	
39	4100101	1	Spacer	
40	4160197	2	Spring	
41	4812000	27	Washer M10	
42	4812002	4	Washer M10	
43	5241200	2	Washer M12	
44	4846482	1	Link, Jib (Upper)	
44	0961951	4	Bushing	

SECTION 4 - BOOM

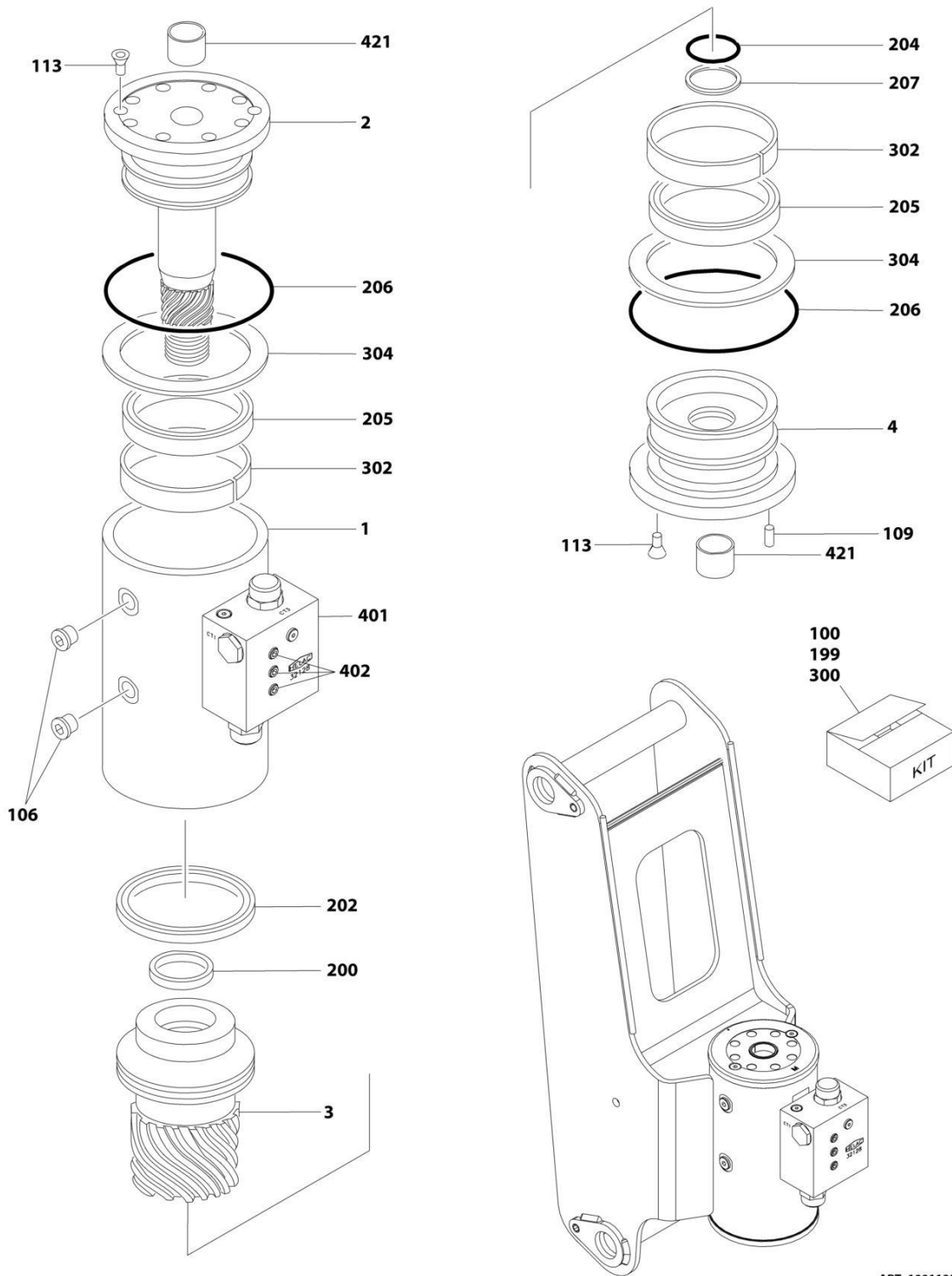
ITEM	PART NUMBER	QTY	DESCRIPTION	REV
45	0711626001	8	Bolt M16 x 90 Grade 10.9	
46	0761010001	2	Bolt M10 x 20	
47	0761011001	7	Bolt M10 x 22	
48	0761014001	1	Bolt M10 x 30	
49	0761214001	1	Bolt M12 x 30	
50	0761614001	2	Bolt M16 x 30	
51	0771010001	22	Bolt M10 x 20 Grade 10.9	
52	0771012001	16	Bolt M10 x 25 Grade 10.9	
53	0771014001	36	Bolt M10 x 30 Grade 10.9	
54	0771016001	6	Bolt M10 x 40 Grade 10.9	
55	0771018001	6	Bolt M10 x 50 Grade 10.9	
56	0771617001	1	Bolt M16 x 45 Grade 10.9	
57	0772016001	8	Bolt M20 x 40 Grade 10.9	
58	1001118287	4	Pad, Wear	
59	1001118288	2	Pad, Wear	
60	1001119899	2	Pin	
61	1001136583	10	Pad, Wear	
62	1001222385	2	Sheave	
62	1001153785	1	Bushing	
62	1001154247	1	Ring, Snap	
62	1001222387	1	Bushing	
63	1001222402	2	Sheave	
63	1001153827	1	Bushing	
63	1001154247	1	Ring, Snap	
63	1001222404	1	Bushing	
64	1001156613	2	Bushing	
65	1001157007	2	Sleeve, Spacer, Sensor	
66	1001157454	2	Pad, Wear	
67	1001157872	4	Block, Trunnion	
68	1001157878	2	Retainer, Rope	
69	1001157885	8	Shim 16 Gauge	
70	1001167497	4	Plate, Keeper	
74	1001172358	2	Washer M10	
75	1001195924	1	Boom, Base	
76	1001219583	1	Boom, Mid	
77	1001219590	1	Boom, Fly	
78	1001195939	1	Platform Rotator Assembly (See Separate Breakdown in this Section)	
79	1001195940	1	Jib Rotator Assembly (See Separate Breakdown in this Section)	
80	1001195941	1	Pivot, Jib	
81	1001198864	2	Sheave, Deflector	
82	1001251093	1	Telescope Cylinder Assembly - Main Boom (See Separate Breakdown in CYLINDER Section)	
83	1001199083	8	Pad	
84	1001199084	1	Pad	
85	1001199085	6	Shim 6mm	
86	1001199086	2	Shim 6mm	
87	1001199117	2	Plate, Sheave	
88	1001199320	1	Cam	
89	1001199610	1	Retainer, Rope	
90	1001199641	1	Pin	
91	1001199990	1	Block, Cable Mount	

SECTION 4 - BOOM

ITEM	PART NUMBER	QTY	DESCRIPTION	REV
92	1001200091	1	Rope, Extend	
93	1001200092	1	Rope, Retract	
94	1001200093	1	Rope, Extend	
95	1001200094	1	Rope, Retract	
96	1001200732	1	Block, Mounting	
97	1001200733	1	Block, Mounting	
98	1001200736	2	Nut M18	
99	1001200739	1	Spacer	
100	1001200741	1	Retainer, Rope	
101	1001200839	1	Link, Level (Inner)	
101A	0962224	2	Bushing	
102	1001201485	1	Bolt M30 x 50	
103	1001201846	1	Screw M12 x 20 Grade 10.9	
105	1001202793	4	Shim 11 Gauge	
106	1001203753	2	Pad, Wear	
107	1001203754	2	Shim 11 Gauge	
108	1001203755	2	Shim 18 Gauge	
109	3291005001	1	Nut M10	
110	3331611001	1	Nut M16	
111	5241000001	86	Washer M10	
112	5251010001	4	Bolt M10 x 20	
113	1001148012	4	Pad, Wear	
114	1001219599	8	Shim 18 Gauge	
115	1001219600	4	Shim 11 Gauge	

SECTION 4 - BOOM

FIGURE 4-4. PLATFORM ROTATOR ASSEMBLY



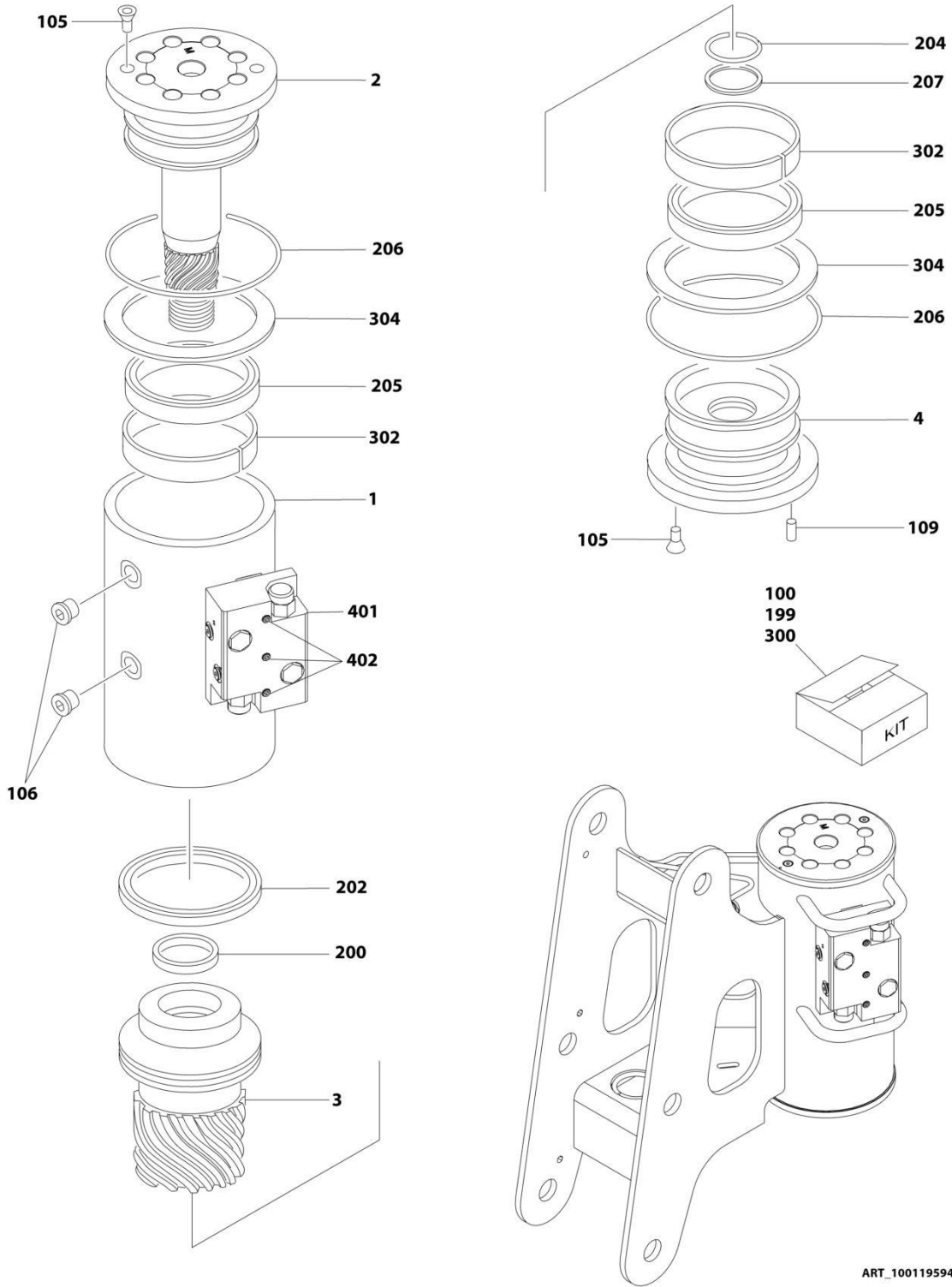
ART_1001195939

FIGURE 4-4. PLATFORM ROTATOR ASSEMBLY

ITEM	PART NUMBER	QTY	DESCRIPTION	REV
	1001195939	Ref	PLATFORM ROTATOR ASSEMBLY	C
1	See Note	NSS	Housing/Ring Gear (Note: Purchase Complete Assembly)	
2	70003948	1	Shaft	
3	7017163	1	Piston	
4	7017164	1	Cap	
100	7017142	1	Hardware Kit (Includes Items 106-109)	
106	See Note	NSS	Plug (Note: Use Item 100)	
109	See Note	NSS	Pin, Dowel (Note: Use Item 100)	
113	70001697	6	Screw 1/4 x 3/8	
199	70000342	1	Seal Kit - Low Temperature (Includes Items 200-207)	
200	See Note	NSS	T-Seal (Note: Use Item 199)	
202	See Note	NSS	T-Seal (Note: Use Item 199)	
204	See Note	NSS	O-Ring (Note: Use Item 199)	
205	See Note	NSS	Seal (Note: Use Item 199)	
206	See Note	NSS	O-Ring (Note: Use Item 199)	
207	See Note	1	Ring, Back-up (Note: Use Item 199)	
300	7017159	1	Bearing Kit (Includes Items 302-304)	
302	See Note	NSS	Bearing (Note: Use Item 300)	
304	See Note	NSS	Washer, Thrust (Note: Use Item 300)	
401	70001639	1	Valve, Control (Note: Sold as Assembly Only)	
402	See Note	NSS	Bolt 1/4 x 1-1/2 Grade 8 (Note: Purchase Locally)	
421	7017195	2	Bushing	

SECTION 4 - BOOM

FIGURE 4-5. JIB ROTATOR ASSEMBLY



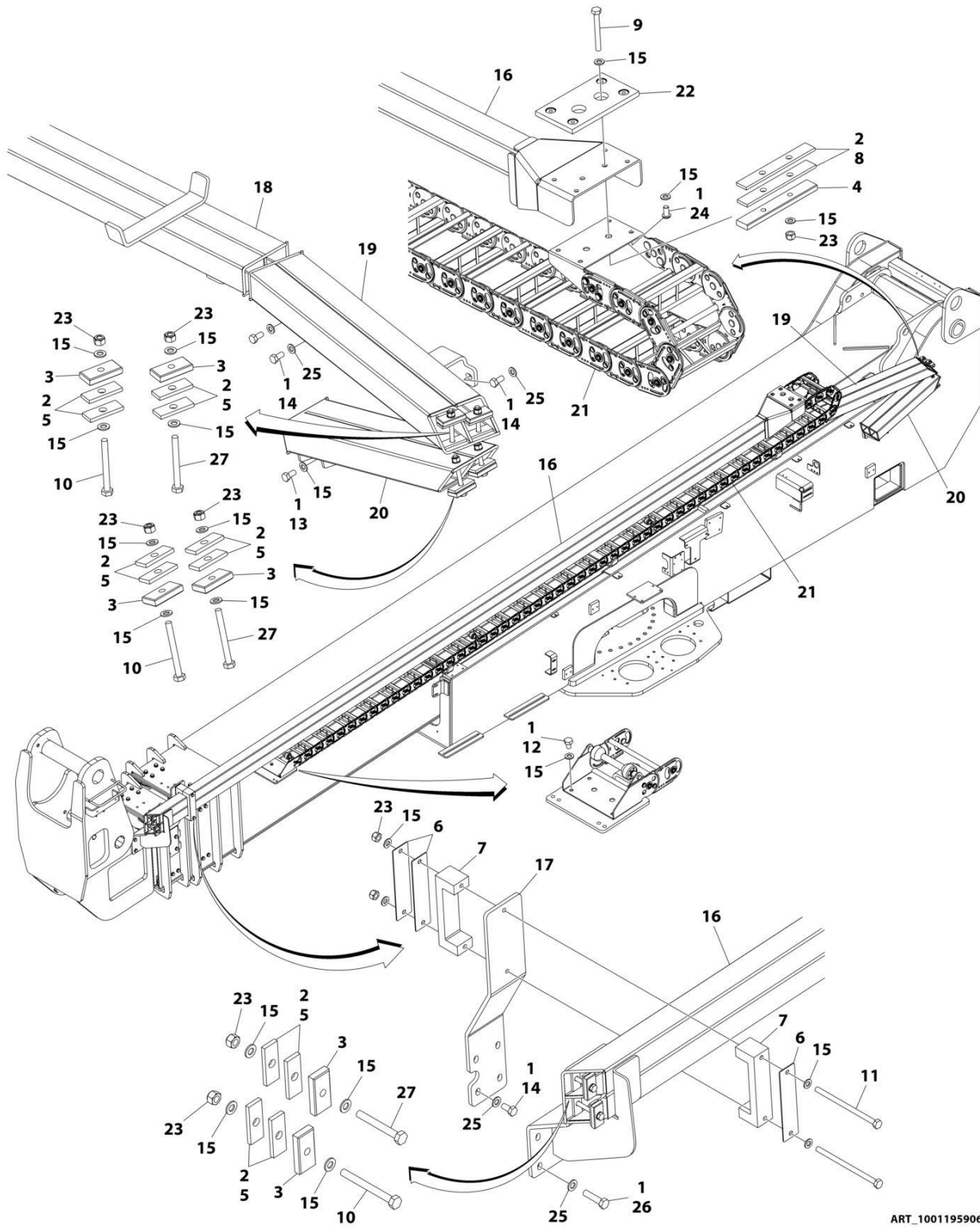
ART_1001195940

FIGURE 4-5. JIB ROTATOR ASSEMBLY

ITEM	PART NUMBER	QTY	DESCRIPTION	REV
	1001195940	Ref	JIB ROTATOR ASSEMBLY	D
1	See Note	NSS	Housing/Ring Gear (Note: Purchase Complete Assembly)	
2	70005620	1	Shaft	
3	7017187	1	Piston	
4	70005621	1	Cap	
5	7017189	1	Ring, Lock (Not Shown)	
100	70001640	1	Hardware Kit (Includes Items 105-109)	
105	See Note	NSS	Screw (Note: Use Item 100)	
106	See Note	NSS	Plug (Note: Use Item 100)	
109	See Note	NSS	Setscrew (Note: Use Item 100)	
199	70000796	1	Seal Kit (Includes Items 200-207)	
200	See Note	NSS	T-Seal (Note: Use Item 199)	
202	See Note	NSS	T-Seal (Note: Use Item 199)	
204	See Note	NSS	O-Ring (Note: Use Item 199)	
205	See Note	NSS	Seal (Note: Use Item 199)	
206	See Note	NSS	O-Ring (Note: Use Item 199)	
207	See Note	NSS	Ring, Back-up (Note: Use Item 199)	
300	70005622	1	Bearing Kit (Includes Items 302-304)	
302	See Note	NSS	Bearing (Note: Use Item 300)	
304	See Note	2	Washer, Thrust (Note: Use Item 300)	
401	70002859	1	Valve, Control (Note: Sold as Assembly Only)	
402	See Note	NSS	Bolt 1/4 x 1-1/2 Grade 8 (Note: Purchase Locally)	

SECTION 4 - BOOM

FIGURE 4-6. POWER TRACK INSTALLATION - TOWER BOOM



ART_1001195906

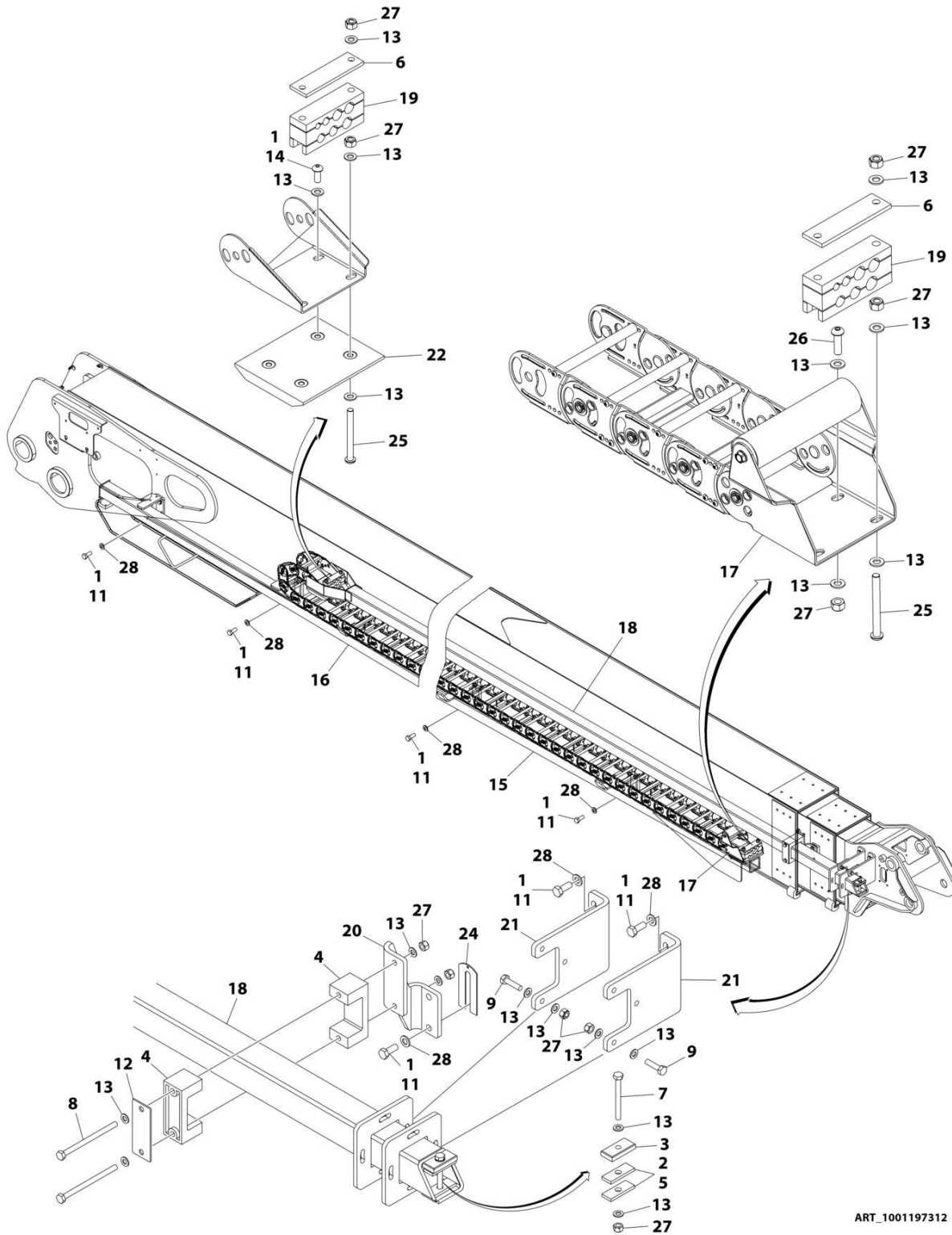
SECTION 4 - BOOM

FIGURE 4-6. POWER TRACK INSTALLATION - TOWER BOOM

ITEM	PART NUMBER	QTY	DESCRIPTION	REV
	1001195906	Ref	POWER TRACK INSTALLATION - TOWER BOOM	D
1	0100011	AR	Compound, Locking	
2	0100081	AR	Adhesive	
3	1320288	6	Clamp	
4	1320328	1	Clamp	
5	3340941	12	Pad	
6	4071076	AR	Shim	
7	4220189	2	Block	
8	4220190	2	Pad	
9	0701026001	2	Bolt M10 x 90	
10	0701027001	3	Bolt M10 x 100	
11	0701034001	2	Bolt M10 x 170	
12	0761007001	4	Bolt M10 x 14	
13	0761012001	2	Bolt M10 x 25	
14	0761212001	16	Bolt M12 x 25	
15	1001172358	30	Washer M10	
16	1001197760	1	Tube, Push	
17	1001197766	1	Plate, Support	
18	1001201997	1	Tube	
19	1001202000	1	Tube	
20	1001202002	1	Tube	
21	1001202005	1	Power Track Assembly	
21	70003919	AR	Repair Kit	
21	70003920	2	Mounting Feet & Roller Kit	
22	1001202245	1	Pad	
23	3291005001	10	Nut M10	
24	3900393001	4	Screw M10 x 20	
25	4812100001	19	Washer M12	
26	0761218001	3	Bolt M12 x 50	
27	0701024001	3	Bolt M10 x 80	

SECTION 4 - BOOM

FIGURE 4-7. POWER TRACK INSTALLATION - MAIN BOOM



ART_1001197312

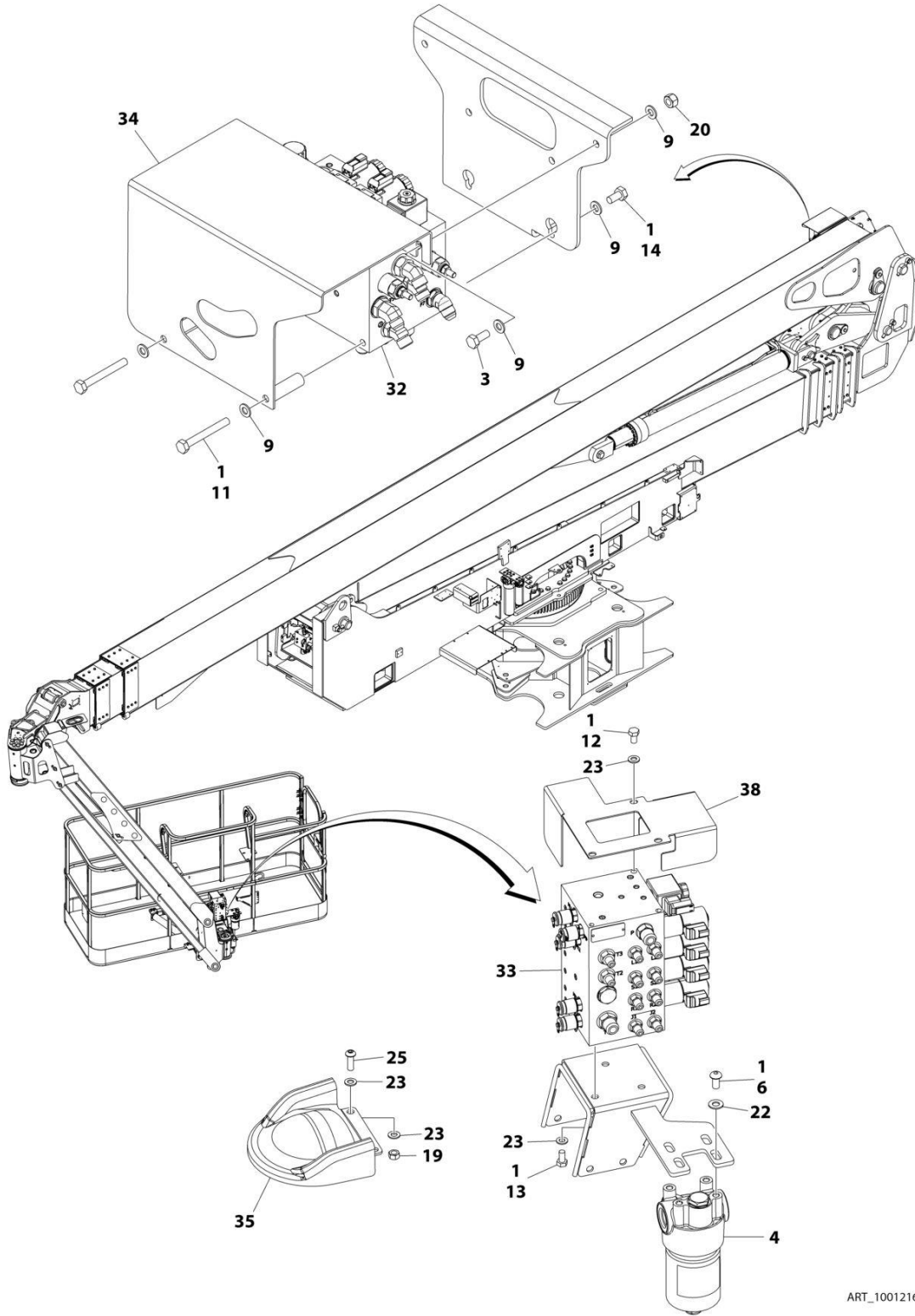
SECTION 4 - BOOM

FIGURE 4-7. POWER TRACK INSTALLATION - MAIN BOOM

ITEM	PART NUMBER	QTY	DESCRIPTION	REV
	1001197312	Ref	POWER TRACK INSTALLATION - MAIN BOOM	I
1	0100011	AR	Compound, Locking	
2	0100081	AR	Adhesive	
3	1320288	1	Clamp	
4	3340764	2	Pad	
5	3340941	2	Pad	
6	1001208596	2	Plate, Clamp	
7	0701027001	1	Bolt M10 x 100	
8	0701032001	2	Bolt M10 x 150	
9	0761016001	6	Bolt M10 x 40	
11	0761214001	20	Bolt M12 x 30	
12	3538758	1	Plate, Mounting	
13	1001172358	34	Washer M10	
14	1001173763	2	Screw M10 x 25	
15	1001198376	1	Tube	
16	1001198377	1	Tube	
17	1001198382	1	Power Track Assembly	
17	70004071	AR	Repair Kit	
17	70005666	2	Mounting Feet Kit	
18	1001198383	1	Tube, Push	
19	1001198386	2	Clamp	
20	1001198388	1	Bracket	
21	1001198389	2	Bracket	
22	1001209633	1	Pad	
24	1001199315	AR	Shim	
25	1001199671	4	Screw M10 x 100	
26	1001200686	2	Screw M10 x 35	
27	3291005001	19	Nut M10	
28	4812100001	20	Washer M12	

SECTION 4 - BOOM

FIGURE 4-8. VALVES AND FILTERS INSTALLATION - BOOM



ART_1001216976_F_30F3

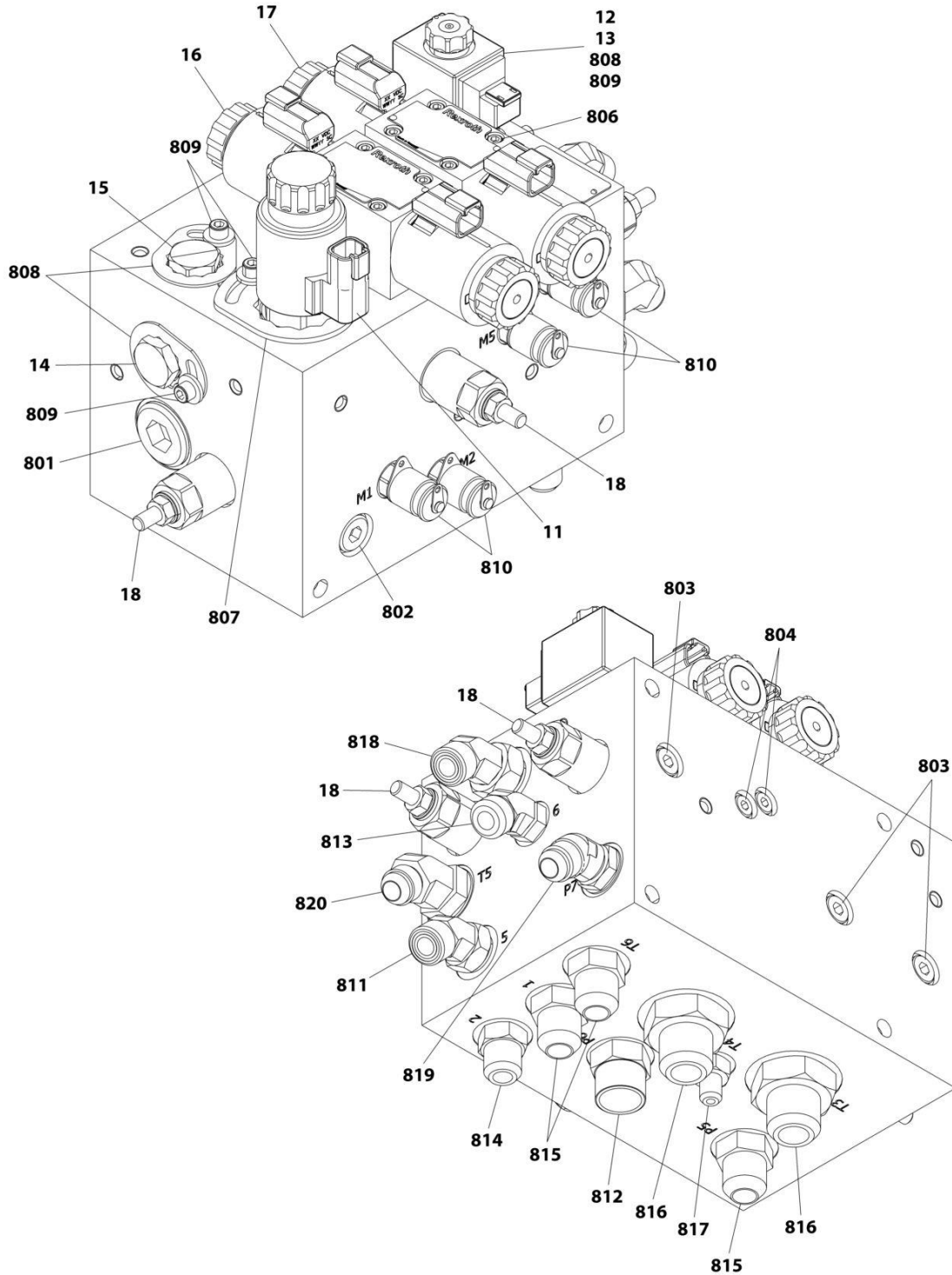
SECTION 4 - BOOM

FIGURE 4-8. VALVES AND FILTERS INSTALLATION - BOOM

ITEM	PART NUMBER	QTY	DESCRIPTION	REV
	1001216976	Ref	VALVES AND FILTERS INSTALLATION - BOOM	F
1	0100011	AR	Compound, Locking	
3	0761012	2	Bolt M10 x 25	
4	2120217	1	Filter	
4	70002097	1	Element	
6	3900283	4	Screw 3/8 x 3/4	
9	4812000	10	Washer M10	
11	0701025001	2	Bolt M10 x 85	
12	0760807001	3	Bolt M8 x 14	
13	0760808001	3	Bolt M8 x 16	
14	0761010001	4	Bolt M10 x 20	
19	3290807001	2	Nut M8	
20	3291005001	2	Nut M10	
22	4711600001	4	Washer 3/8	
23	4811900001	10	Washer M8	
25	8310643001	2	Bolt M8 x 25	
32	1001201503	1	Boom Valve Assembly (See Separate Breakdown in this Section)	
33	1001201986	1	Platform Valve Assembly (See Separate Breakdown in this Section)	
34	1001202692	1	Cover	
35	1001207969	1	Cover	
38	1001214756	1	Cover	

SECTION 4 - BOOM

FIGURE 4-9. BOOM VALVE ASSEMBLY



ART_1001201503

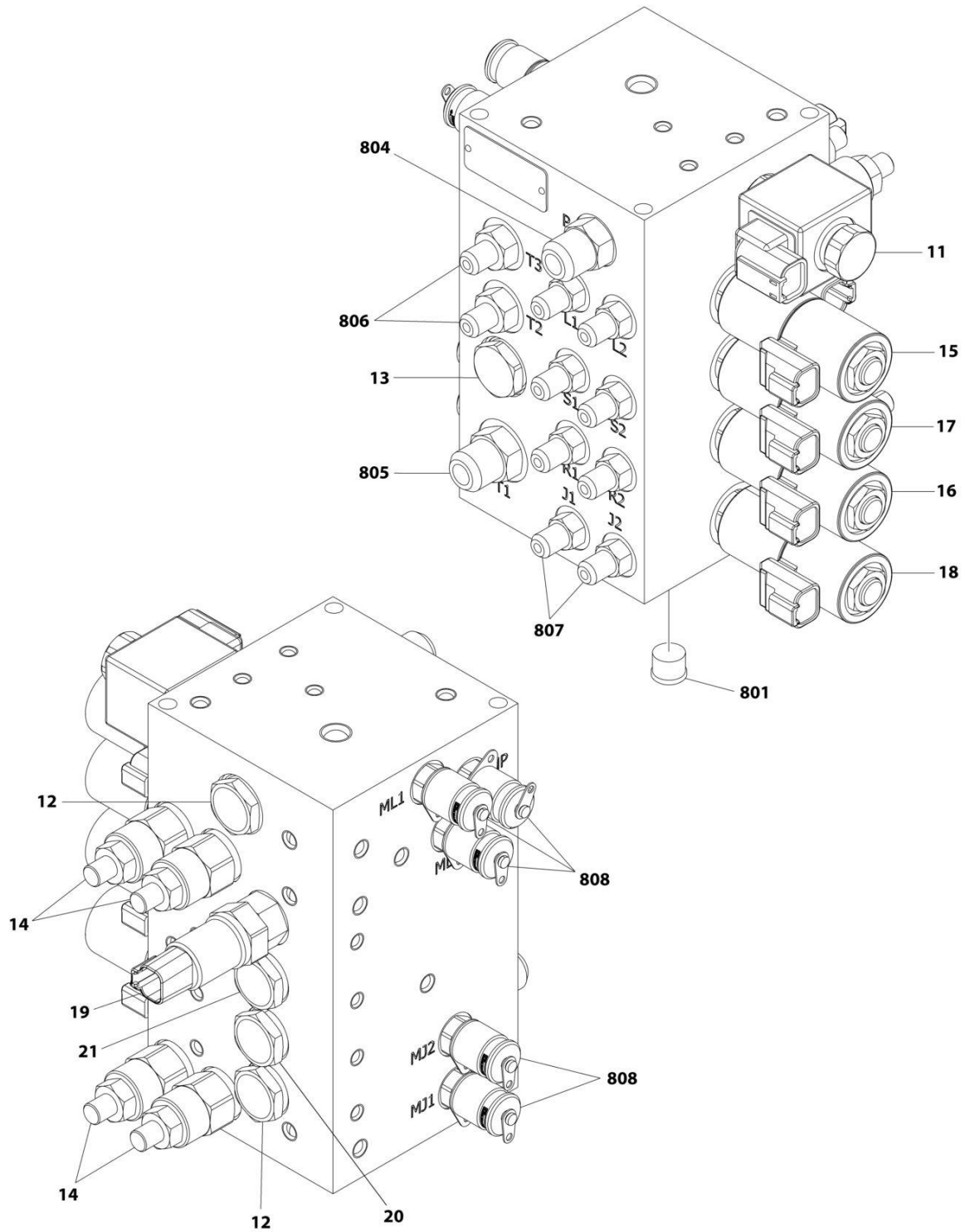
SECTION 4 - BOOM

FIGURE 4-9. BOOM VALVE ASSEMBLY

ITEM	PART NUMBER	QTY	DESCRIPTION	REV
	1001201503	Ref	BOOM VALVE ASSEMBLY	K
11	70004593	1	Valve, Solenoid Less Coil (Flow Control)	
11	70004594	1	Seal Kit - 70004593 Valve	
11	70004595	1	Coil	
11	70004597	1	Nut, Coil	
11	70004596	1	O-Ring, Pole Tube	
12	7022523	1	Orifice 1mm	
13	70005962	1	Valve, Solenoid Less Coil (Directional Control)	
13	70004052	1	Seal Kit - 70005962 Valve	
13	70004588	1	Coil	
13	70004456	1	Nut, Coil	
13	70004051	1	O-Ring, Pole Tube	
14	70005963	1	Valve, Cartridge (Check)	
14	70005964	1	Seal Kit - 70005963 Valve	
15	70004585	1	Valve, Cartridge (Check)	
15	70004052	1	Seal Kit - 70004585 Valve	
16	70004459	1	Valve, Solenoid Less Coil (Main Tele)	
16	7012773	1	Seal Kit - 70004459 Valve	
16	70004460	1	Coil	
16	7021375	1	Nut, Coil	
16	70004596	1	O-Ring, Pole Tube	
17	70004459	1	Valve, Solenoid Less Coil (Main Lift)	
17	7012773	1	Seal Kit - 70004459 Valve	
17	70004460	1	Coil	
17	7021375	1	Nut, Coil	
17	70004596	1	O-Ring, Pole Tube	
18	70004601	4	Valve, Cartridge (Relief)	
18	70004602	4	Seal Kit - 70004602 Valve	
801	70005965	1	Plug	
802	70002759	1	Plug	
803	70004617	5	Plug	
804	70002758	2	Plug	
806	7018942	8	Capscrew #10 x 2	
807	70005954	1	Plate, Locking	
808	70005955	1	Plate, Locking	
809	70005958	4	Capscrew	
810	2221086	4	Fitting, Test	
811	2150808	1	Fitting, 45 ORFS/ORB	
812	2111010	1	Fitting, Straight ORFS/ORB	
813	2150806	1	Fitting, 45 ORFS/ORB	
814	2220373	1	Fitting, Straight JIC/ORB	
815	2220947	3	Fitting, Straight JIC/ORB	
816	2220435	2	Fitting, Straight JIC/ORB	
817	2220582	1	Fitting, Straight JIC/ORB	
818	2150810	1	Fitting, 45 JIC/ORB	
819	2220500	1	Fitting, 45 JIC/ORB	
820	2220499	1	Fitting, 45 JIC/ORB	

SECTION 4 - BOOM

FIGURE 4-10. PLATFORM VALVE ASSEMBLY



ART_1001201986

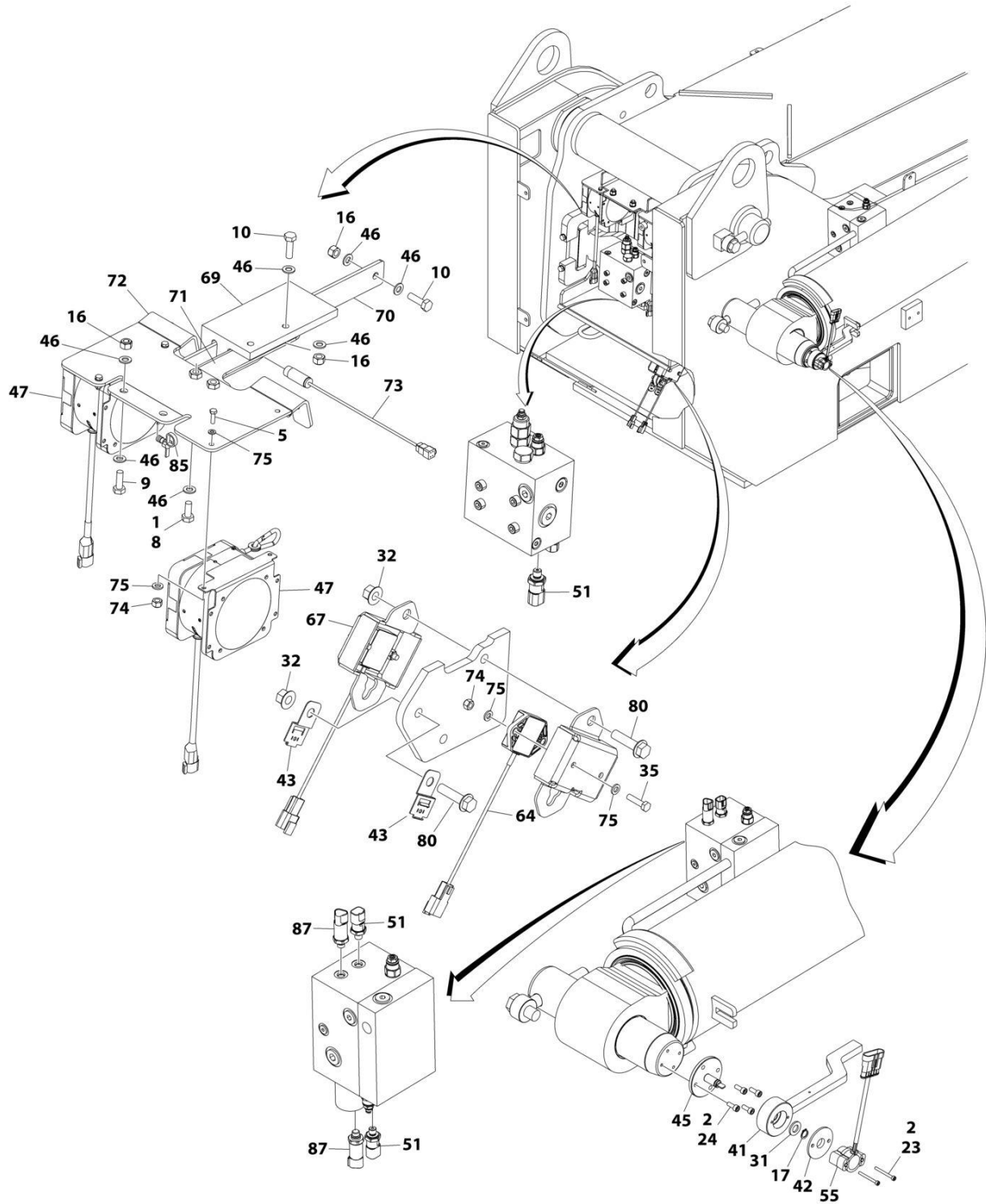
SECTION 4 - BOOM

FIGURE 4-10. PLATFORM VALVE ASSEMBLY

ITEM	PART NUMBER	QTY	DESCRIPTION	REV
	1001201986	Ref	PLATFORM VALVE ASSEMBLY	K
11	70004457	1	Valve, Solenoid Less Coil (Dump)	
11	70004050	1	Seal Kit - 70004457 Valve	
11	70004653	1	Coil	
11	70004051	1	Seal Kit - 70004653 Coil	
12	70003021	2	Valve, Cartridge (Flow Control)	
12	70004052	2	Seal Kit - 70003021 Valve	
13	70004585	1	Valve, Cartridge (Check)	
13	70004052	1	Seal Kit - 70004585 Valve	
14	70003019	4	Valve, Cartridge (Pressure Relief)	
14	70004052	4	Seal Kit - 70003019 Valve	
15	7023922	1	Valve, Solenoid Less Coil (Platform Level)	
15	7017402	1	Seal Kit - 7023922 Valve	
15	7024885	2	Coil	
15	7022390	1	Nut, Coil	
15	70003023	1	Spacer, Coil	
16	7024899	1	Valve, Solenoid Less Coil (Platform Rotate)	
16	7017402	1	Seal Kit - 7024899 Valve	
16	7024885	2	Coil	
16	7022390	1	Nut, Coil	
16	70003023	1	Spacer, Coil	
17	7024899	1	Valve, Solenoid Less Coil (Platform Sideswing Rotate)	
17	7017402	1	Seal Kit - 7024899 Valve	
17	7024885	2	Coil	
17	7022390	1	Nut, Coil	
17	70003023	1	Spacer, Coil	
18	7023922	1	Valve, Solenoid Less Coil (Jib)	
18	7017402	1	Seal Kit - 7023922 Valve	
18	7024885	2	Coil	
18	7022390	1	Nut, Coil	
18	70003023	1	Spacer, Coil	
19	70005966	1	Switch, Pressure	
19	70005967	1	Connector	
20	70003027	2	Valve, Cartridge (Flow Control)	
20	70004052	2	Seal Kit - 70003027 Valve	
21	70003020	2	Valve, Cartridge (Flow Control)	
21	70004052	2	Seal Kit - 70003020 Valve	
801	70004617	1	Plug	
804	2220600	1	Fitting, Straight JIC/ORB	
805	2220373	1	Fitting, Straight JIC/ORB	
806	2220582	2	Fitting, Straight JIC/ORB	
807	2220415	8	Fitting, Straight JIC/ORB	
808	2221086	5	Fitting, Test	

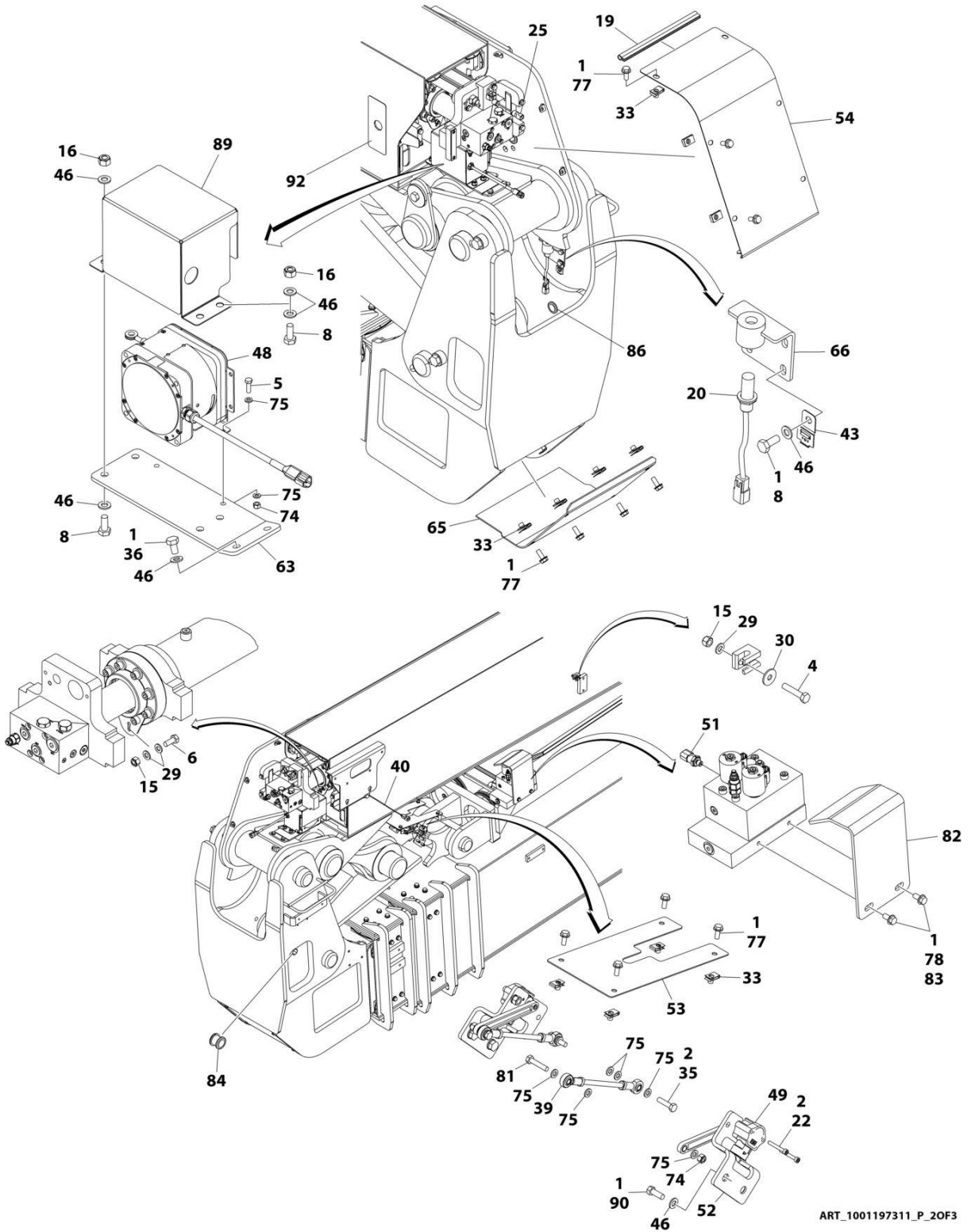
SECTION 4 - BOOM

FIGURE 4-11. BOOM SENSORS AND COVERS INSTALLATION



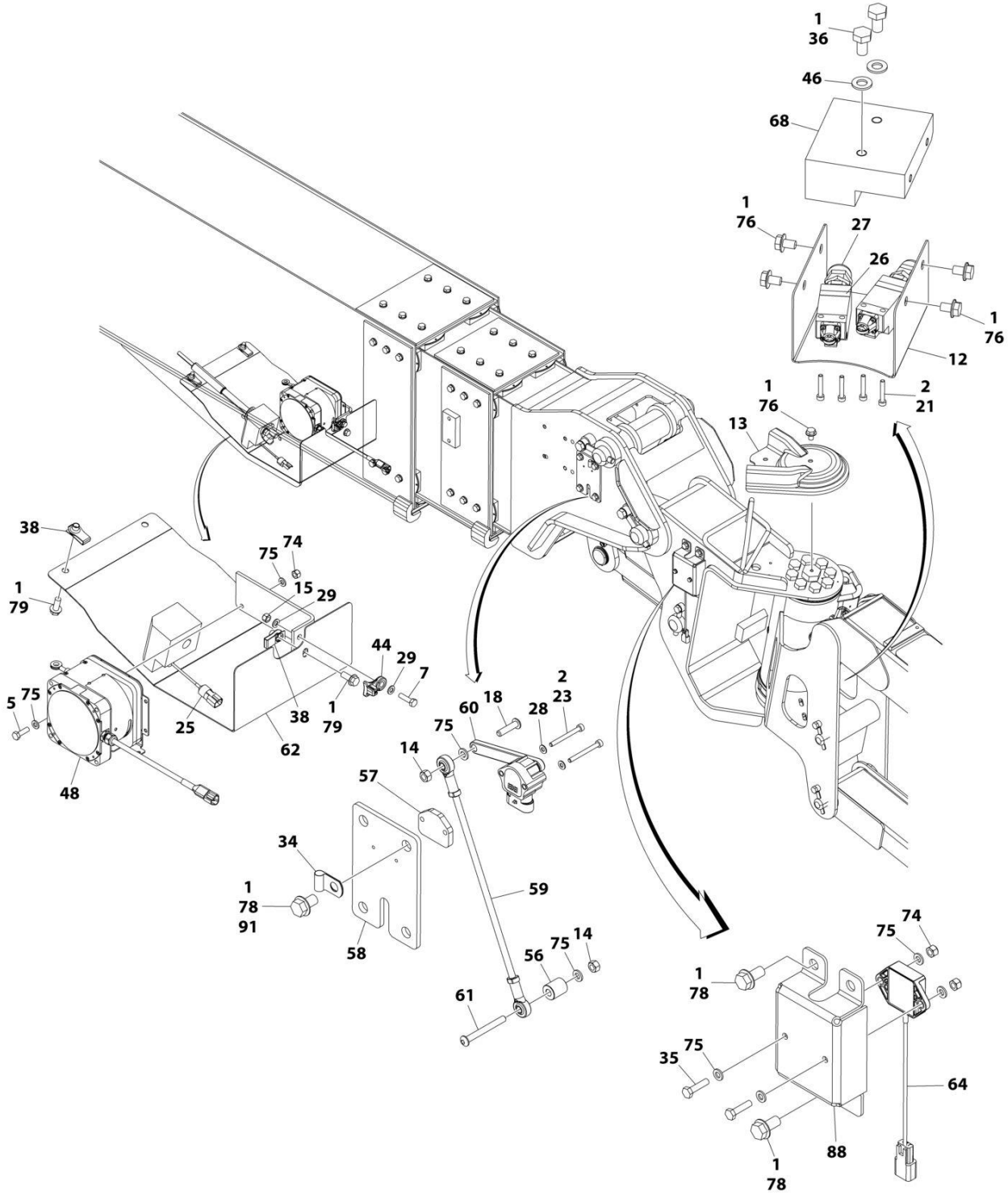
ART_1001197311_P_10F3

SECTION 4 - BOOM



ART_1001197311_P_20F3

SECTION 4 - BOOM



ART_1001197311_P_30F3

SECTION 4 - BOOM

FIGURE 4-11. BOOM SENSORS AND COVERS INSTALLATION

ITEM	PART NUMBER	QTY	DESCRIPTION	REV
	1001197311	Ref	BOOM SENSORS AND COVERS INSTALLATION	P
1	0100011	AR	Compound, Locking	
2	0100035	AR	Compound, Locking	
4	0700816	1	Bolt M8 x 40	
5	0760610	8	Bolt M6 x 20	
6	0760810	1	Bolt M8 x 20	
7	0760814	1	Bolt M8 x 30	
8	0761012001	10	Bolt M10 x 25	
9	0761014	2	Bolt M10 x 30	
10	0761015	4	Bolt M10 x 35	
12	1671039	1	Cover	
13	1671122	1	Cover	
14	3290607	2	Nut M6	
15	3290805	3	Nut M8	
16	3291005	6	Nut M10	
17	3760383	1	Ring	
18	3900363	1	Screw M6 x 25	
19	3960389	1.1 ft/ 0.3m	Seal	
20	4000008	1	Proximity Sensor Assembly (Note: Re-calibration Required when Replaced)	
20	4461076	1	Receptacle, Female - 4 Position	
20	4460917	4	Pin, Male	
21	4031509	4	Capscrew M4 x 25	
22	4031510	4	Capscrew M4 x 30	
23	4031512	4	Capscrew M4 x 40	
24	4031707	4	Capscrew M6 x 16	
25	1001196517	2	Switch, Proximity (Note: Re-calibration Required when Replaced)	
26	4360548	2	Switch, Limit	
27	4460968	2	Connector, Strain Relief	
28	4811400	2	Washer M4	
29	4811900	5	Washer M8	
30	4811902	1	Washer M8	
31	4812100	1	Washer M12	
32	5261018	3	Nut M10 Grade 10.9	
33	8310686	14	Nut, Retainer M8	
34	8406003	1	Clip	
35	0760612001	8	Bolt M6 x 25	
36	0761009001	4	Bolt M10 x 18	
38	1001118972	3	Nut M10	
39	1001216579	2	Link, Sensor	
40	1001285878	1	Proximity Sensor Assembly (Note: Re-calibration Required when Replaced)	
40	4460932	1	Receptacle, Female - 2 Position	
40	4460464	4	Pin, Male	
41	1001155262	1	Link, Sensor	
42	1001155836	1	Adapter	
43	1001155967	3	Holder	
44	1001156107	1	Holder	
45	1001156778	1	Pin	

SECTION 4 - BOOM

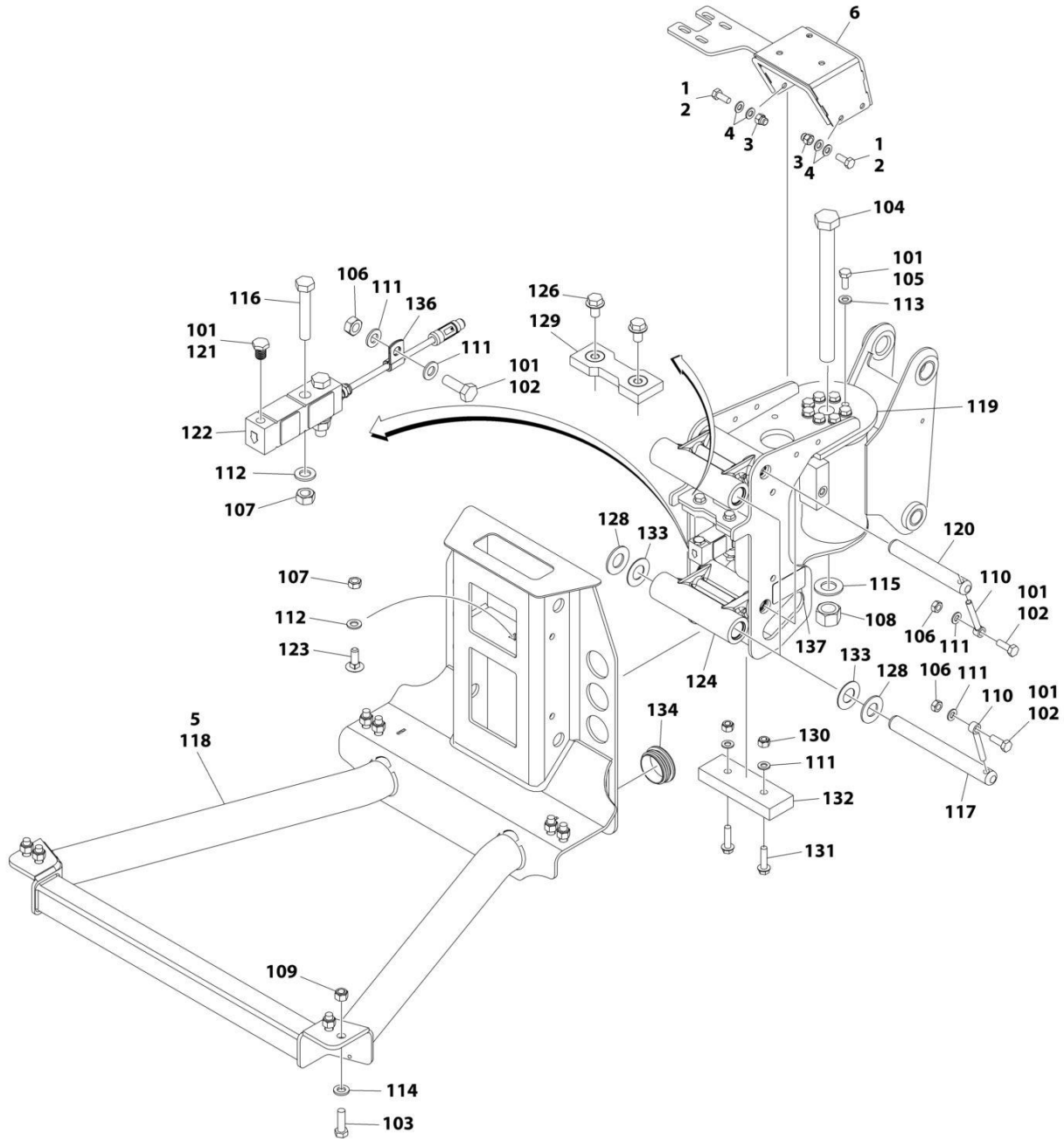
ITEM	PART NUMBER	QTY	DESCRIPTION	REV
46	1001172358	30	Washer M10	
47	1001197960	2	Sensor, Boom Length	
47	4460536	1	Receptacle, Female - 3 Position	
47	4460943	3	Pin, Male	
47	4460539	1	Receptacle, Female - 3 Position	
47	4460466	3	Plug, Terminal	
48	1001197961	2	Sensor, Boom Length	
48	4460536	1	Receptacle, Female - 3 Position	
48	4460943	3	Pin, Male	
48	4460539	1	Receptacle, Female - 3 Position	
48	4460466	3	Plug, Terminal	
49	1001200345	2	Sensor, Angle	
51	1001200550	4	Transducer, Pressure	
52	1001216258	2	Bracket	
53	1001200587	1	Cover	
54	1001200734	1	Panel, Boom Base	
55	1001200764	1	Sensor, BEI Angle	
55	4461228	1	Plug, Male - 6 Position	
55	1001104497	6	Socket, Female	
56	1001200834	1	Spacer	
57	1001200836	1	Plate	
58	1001200837	1	Plate, Mounting	
59	1001200838	1	Link, Sensor	
60	1001200848	1	Sensor, Angle	
61	1001200849	1	Screw M6 x 55	
62	1001201068	1	Cover	
63	1001201069	1	Bracket	
64	1001201095	3	Sensor, Angle Gravity	
64	4460910	1	Receptacle, Female - 3 Position	
64	4460917	3	Pin, Male	
64	4460913	AR	Lock, Wedge	
65	1001202055	1	Cover, Boom Fly	
66	1001202179	1	Bracket	
67	1001202182	2	Shield	
68	1001202950	1	Mount, Switch	
69	1001203898	1	Stop	
70	1001203899	1	Bar	
71	1001203900	1	Plate	
72	1001203904	1	Bracket	
73	1001204043	1	Sensor, Proximity	
73	4461077	1	Plug, Male - 4 Position	
73	4460918	4	Socket, Female	
74	3290605001	16	Nut M6	
75	4811700001	42	Washer M6	
76	5250806001	7	Bolt M8 x 12	
77	5250810001	14	Bolt M8 x 20	
78	5251010001	5	Bolt M10 x 20	
79	5251012001	3	Bolt M10 x 25	
80	5251016001	3	Bolt M10 x 40	
81	0760614001	2	Bolt M6 x 30	
82	1001220470	1	Plate	

SECTION 4 - BOOM

ITEM	PART NUMBER	QTY	DESCRIPTION	REV
83	0100038	AR	Primer, Locking	
84	1001212663	1	Grommet	
85	7894000042	1	Tie-Strap	
86	1001213053	1	Grommet	
87	1001199043	2	Transducer, Pressure	
88	1001213836	1	Cover	
89	1001214098	1	Cover	
90	8310614	4	Screw M10 x 30	
91	5251008001	4	Bolt M10 x 16	
92	1001171324	1	Cover	

SECTION 4 - BOOM

FIGURE 4-12. PLATFORM SUPPORT INSTALLATION - WITH LSS



ART_1001204911_F

SECTION 4 - BOOM

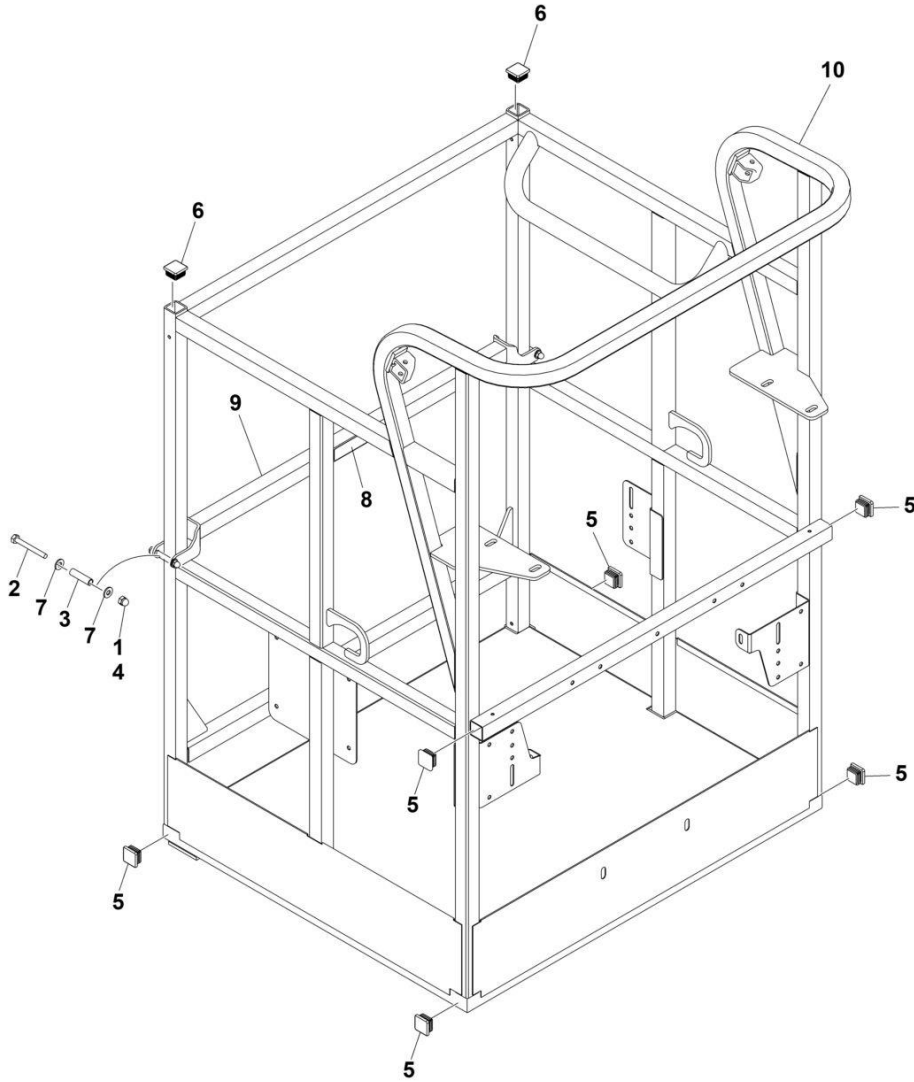
FIGURE 4-12. PLATFORM SUPPORT INSTALLATION - WITH LSS

ITEM	PART NUMBER	QTY	DESCRIPTION	REV
	1001204911	Ref	PLATFORM SUPPORT INSTALLATION - WITH LSS	F
1	0100011	AR	Compound, Locking	
2	0760812001	4	Bolt M8 x 25	
3	3290805001	4	Nut M8	
4	4811900001	8	Washer M8	
5	1001207388	1	Platform Support Assembly - With LSS	
6	1001204073	1	Bracket, Mounting	
	1001207388	Ref	PLATFORM SUPPORT ASSEMBLY - WITH LSS	H
101	0100011	AR	Compound, Locking	
102	0761014001	5	Bolt M10 x 30	
103	0761216001	8	Bolt M12 x 40	
104	0712445001	1	Bolt M24 x 280	
105	0771012001	8	Bolt M10 x 25 Grade 10.9	
106	3291001001	5	Nut M10	
107	3291201001	3	Nut M12	
108	3332415001	1	Nut M24 Grade 10.9	
109	3291205001	8	Nut M12	
110	3841143	4	Keeper, Pin	
111	1001172358	8	Washer M10	
112	4812100001	3	Washer M12	
113	5241000001	8	Washer M10	
114	5241200001	8	Washer M12	
115	5242400001	1	Washer M24	
116	0711222001	2	Screw M12 x 70 Grade 10.9	
117	1001167565	2	Pin	
118	1001200494	1	Support, Platform	
119	1001167567	1	Bracket, Actuator	
120	1001168402	2	Pin	
121	1001188622	1	Screw	
122	1001247468	1	Gauge, Load Sensing	
123	1001188844	1	Bolt M12 x 35	
124	1001201351	2	Link	
126	5251008001	2	Bolt M10 x 16	
128	1001189002	8	Bearing	
129	1001190985	1	Pad, Wear	
130	3291005001	2	Nut M10	
131	5251016001	2	Bolt M10 x 40	
132	1001200491	1	Plate, Wear	
133	1001189001	4	Bearing	
134	1001204725	2	Plug	
136	91203039	1	Clamp	
137	1001216630	2	Decal - Tie Down/No Lift	

SECTION 5 - PLATFORM

SECTION 5 - PLATFORM

FIGURE 5-1. PLATFORM ASSEMBLY - 30IN X 3FT (76CM X .91M) - DROP BAR ENTRY



ART_1001228215

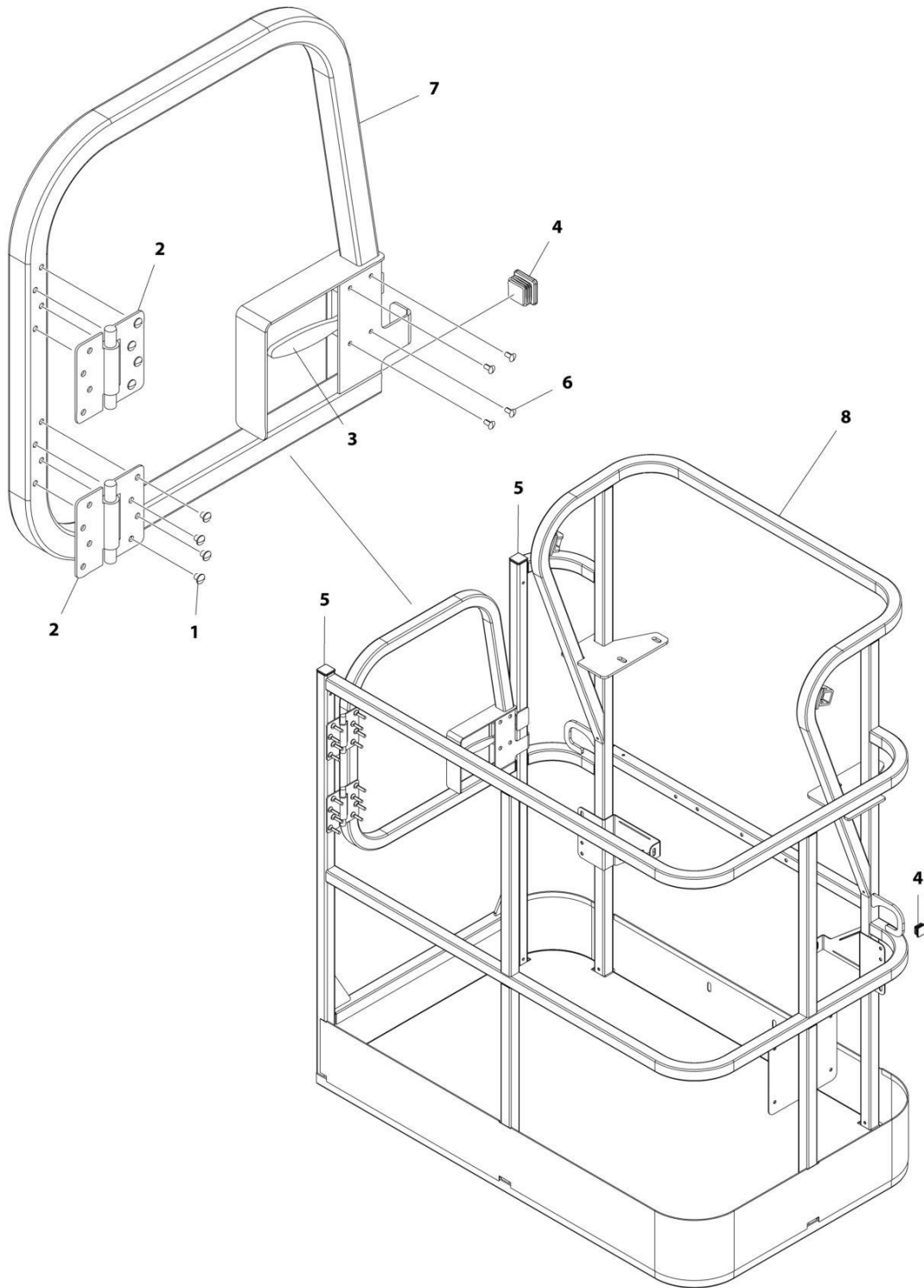
SECTION 5 - PLATFORM

FIGURE 5-1. PLATFORM ASSEMBLY - 30IN X 3FT (76CM X .91M) - DROP BAR ENTRY

ITEM	PART NUMBER	QTY	DESCRIPTION	REV
	1001228215	Ref	PLATFORM ASSEMBLY	A
	See Note	Ref	Note: Platform and Mesh must be ordered separately for Platforms with Mesh. See SPECIAL OPTIONS SECTION for Mesh Installations.	
	See Note	Ref	Note: Replacement Decals Must be Ordered Separately - See DECAL SECTION.	
1	0100011	AR	Compound, Locking	
2	0641418	2	Bolt 1/4 x 2-1/4	
3	0961845	2	Bushing	
4	3300151	2	Nut 1/4	
5	3520072	6	Cap, Plug	
6	3520198	2	Cap, Plug	
7	4711400	4	Washer 1/4	
8	1001140429	1	Decal - Drop Bar	
9	1001226872	1	Bar, Drop	
10	See Note	NSS	Platform (Note: Not Available - Purchase Platform Assembly)	

SECTION 5 - PLATFORM

FIGURE 5-2. PLATFORM ASSEMBLY - 30IN X 4FT (76.2CM X 1.22M) WITH SWING GATE



ART_1001186387

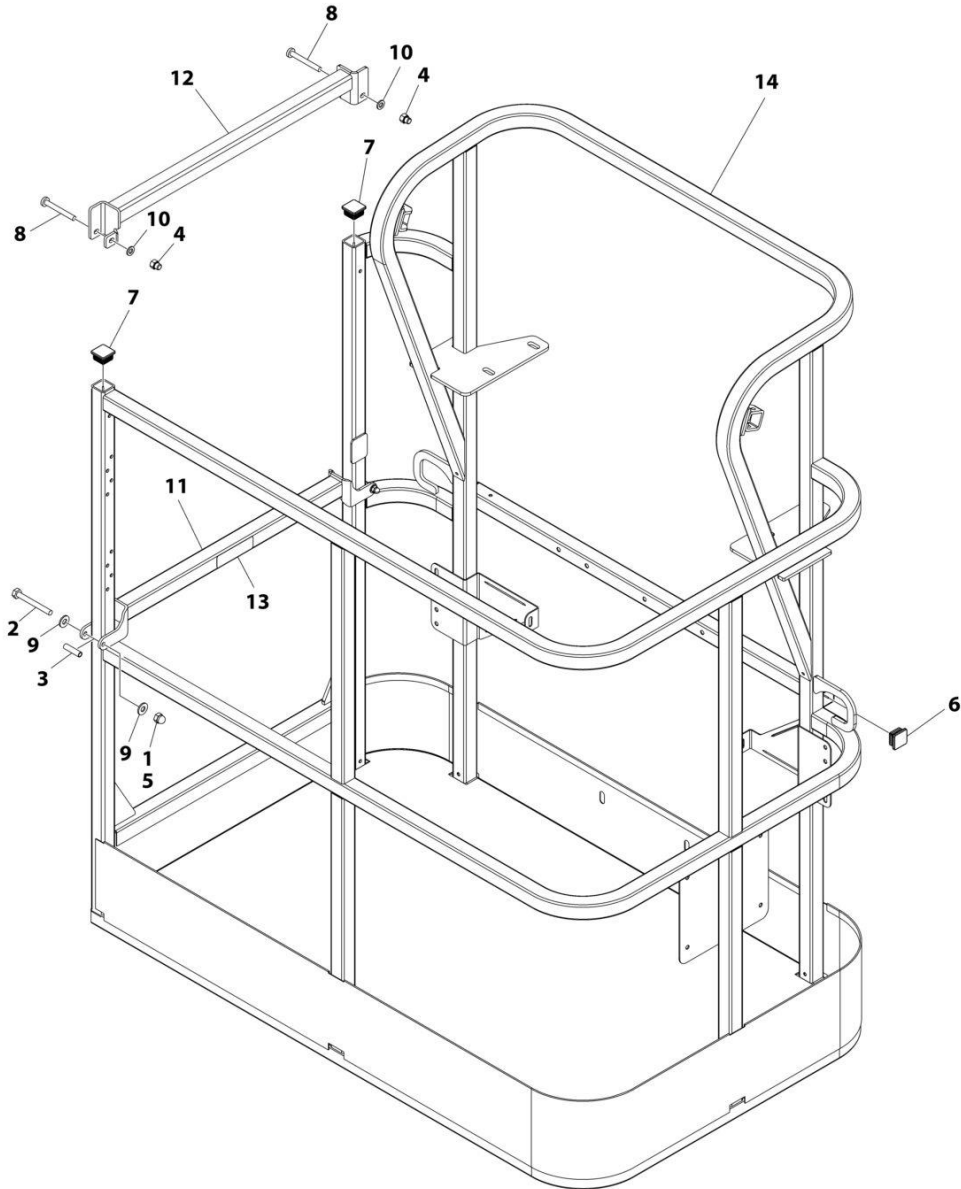
SECTION 5 - PLATFORM

FIGURE 5-2. PLATFORM ASSEMBLY - 30IN X 4FT (76.2CM X 1.22M) WITH SWING GATE

ITEM	PART NUMBER	QTY	DESCRIPTION	REV
	1001186387	Ref	PLATFORM ASSEMBLY	C
		Ref	Note: Platform and Mesh must be ordered separately for Platforms with Mesh. See SPECIAL OPTIONS SECTION for Mesh Installations.	
		Ref	Note: Replacement Decals Must be Ordered Separately - See DECALS SECTION.	
1	2080040	16	Fastener, Huck	
2	2600281	2	Hinge, Self-Closing	
3	2940074	1	Latch	
4	3520072	3	Plug	
5	3520198	2	Plug	
6	3820020	4	Rivet	
7	1001144629	1	Gate	
8	See Note	1	Platform (Note: Not Available - Purchase Platform Assembly)	

SECTION 5 - PLATFORM

FIGURE 5-3. PLATFORM ASSEMBLY - 30IN X 4FT (76.2CM X 1.22M) WITH DROP BAR



ART_1001186375

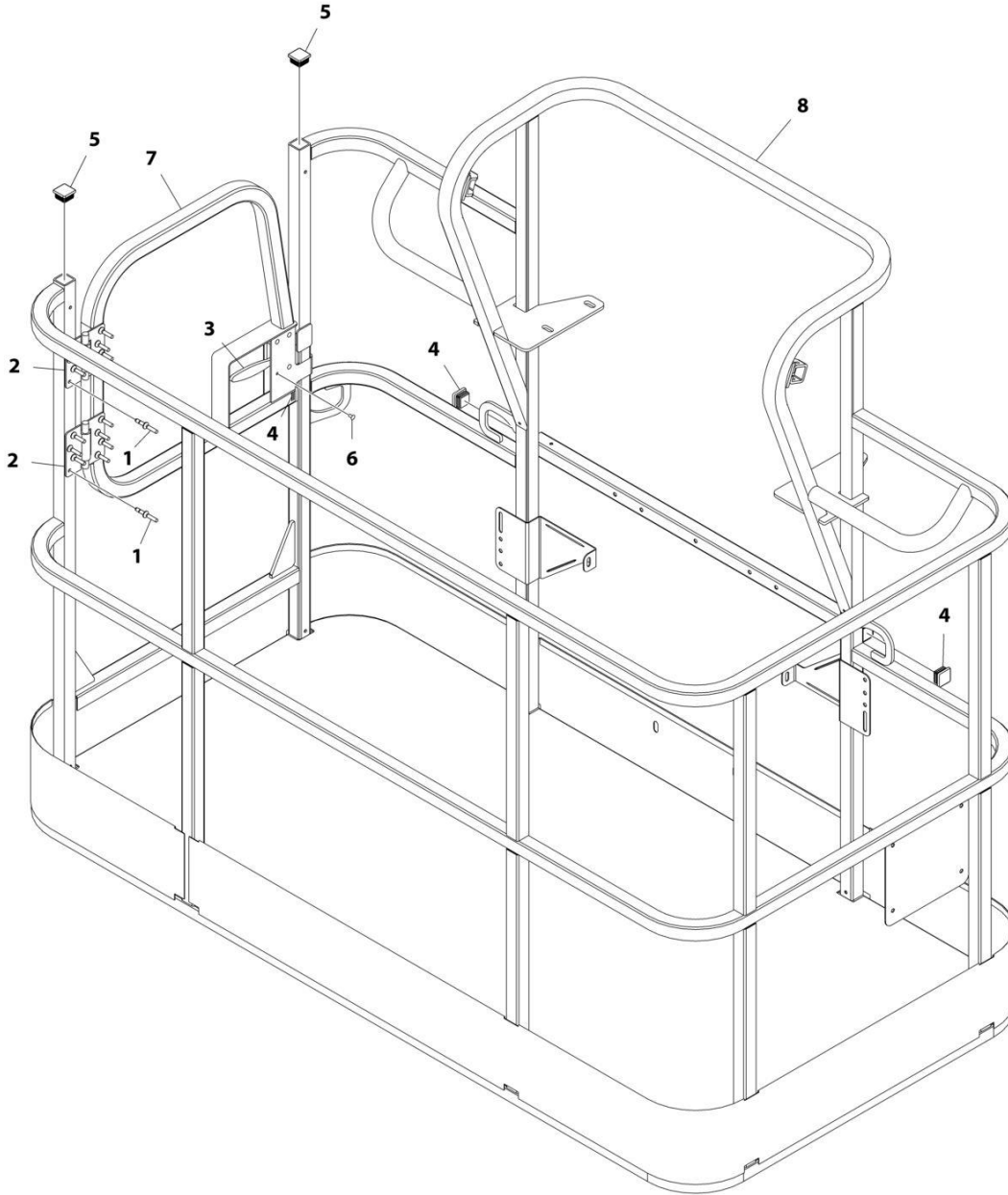
SECTION 5 - PLATFORM

FIGURE 5-3. PLATFORM ASSEMBLY - 30IN X 4FT (76.2CM X 1.22M) WITH DROP BAR

ITEM	PART NUMBER	QTY	DESCRIPTION	REV
	1001186375	Ref	PLATFORM ASSEMBLY	B
		Ref	Note: Platform and Mesh must be ordered separately for Platforms with Mesh. See SPECIAL OPTIONS SECTION for Mesh Installations.	
		Ref	Note: Replacement Decals Must be Ordered Separately - See DECALS SECTION.	
1	0100011	AR	Compound, Locking	
2	0641418	2	Bolt 1/4 x 2-1/4	
3	0961845	2	Bushing	
4	3290606	2	Nut M6	
5	3300151	2	Nut 1/4	
6	3520072	2	Plug	
7	3520198	2	Plug	
8	4010618	2	Screw M6 x 50	
9	4711400	4	Washer 1/4	
10	4811700	2	Washer M6	
11	1001138494	1	Bar, Drop	
12	1001138514	1	Rail - Top	
13	1001140429	1	Decal - Drop Bar	
14	See Note	1	Platform (Note: Not Available - Purchase Platform Assembly)	

SECTION 5 - PLATFORM

FIGURE 5-4. PLATFORM ASSEMBLY - 36IN X 6FT (91.5CM X 1.83M) WITH SWING GATE



ART_1001186384

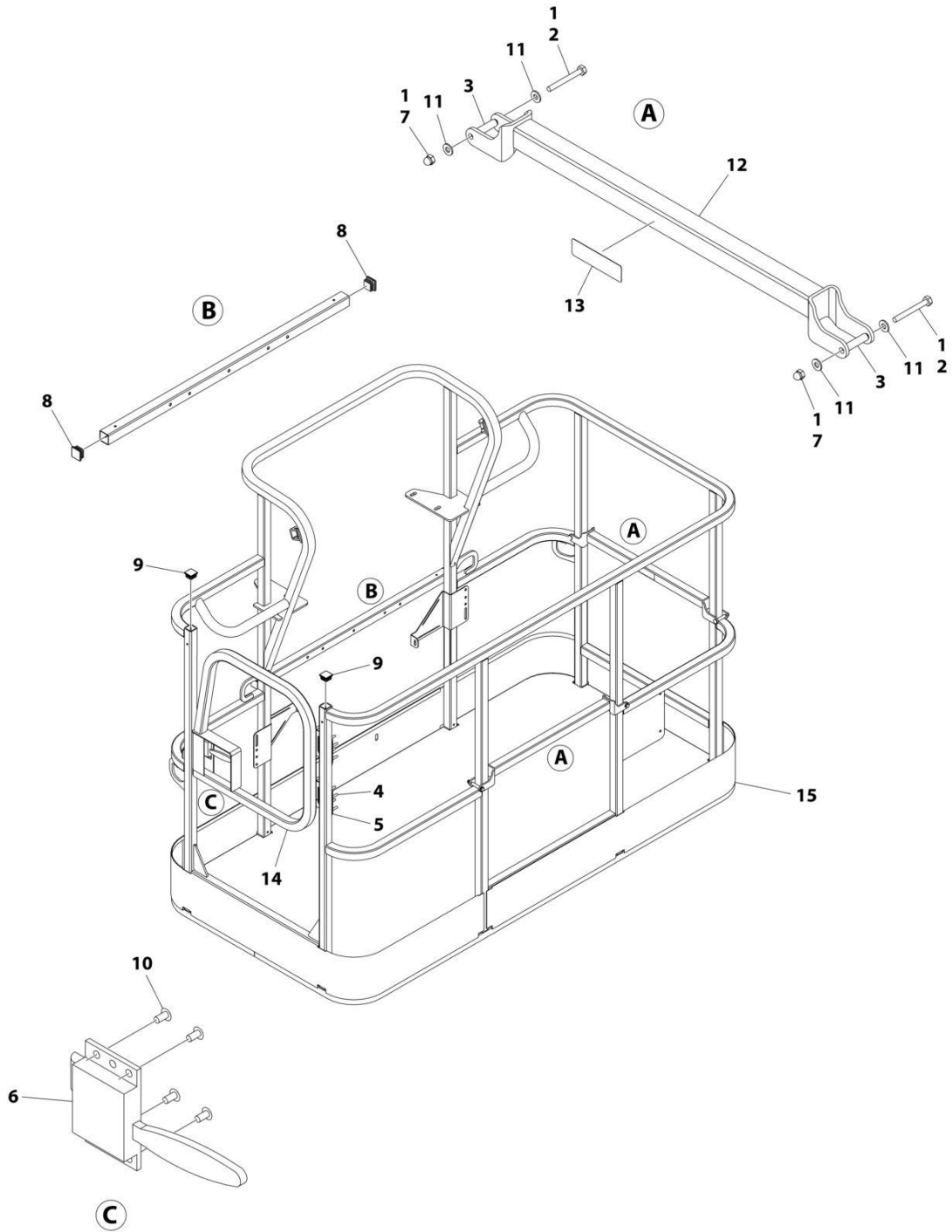
SECTION 5 - PLATFORM

FIGURE 5-4. PLATFORM ASSEMBLY - 36IN X 6FT (91.5CM X 1.83M) WITH SWING GATE

ITEM	PART NUMBER	QTY	DESCRIPTION	REV
	1001186384	Ref	PLATFORM ASSEMBLY - 36IN X 6FT (91.5CM X 1.83M) WITH SWING GATE	C
	See Note	Ref	Note: Platform and Mesh must be ordered separately for Platforms with Mesh. See SPECIAL OPTIONS SECTION for Mesh Installations.	
	See Note	Ref	Note: Replacement Decals Must be Ordered Separately - See DECALS SECTION.	
1	2080040	16	Fastener, Huck	
2	2600281	2	Hinge	
3	2940074	1	Latch	
4	3520072	3	Plug	
5	3520198	2	Plug	
6	3820020	4	Rivet	
7	1001144629	1	Gate	
8	See Note	NSS	Platform (Note: Not Available - Purchase Platform Assembly)	

SECTION 5 - PLATFORM

FIGURE 5-5. PLATFORM ASSEMBLY - 36IN X 6FT (91.5CM X 1.83M) TRI-ENTRY WITH SWING GATE



ART_1001228376

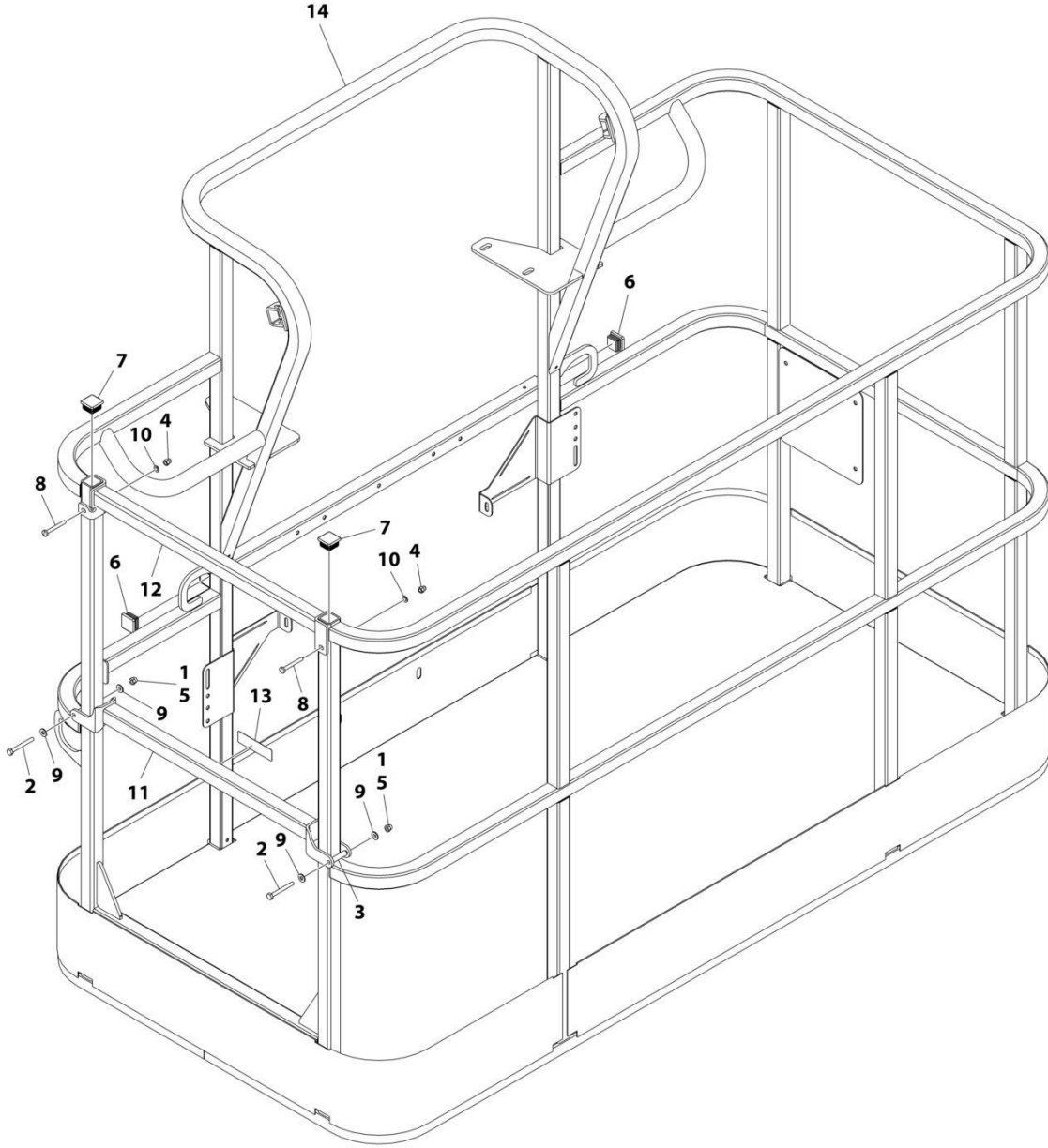
SECTION 5 - PLATFORM

FIGURE 5-5. PLATFORM ASSEMBLY - 36IN X 6FT (91.5CM X 1.83M) TRI-ENTRY WITH SWING GATE

ITEM	PART NUMBER	QTY	DESCRIPTION	REV
	1001228376	Ref	PLATFORM ASSEMBLY - 36IN x 6FT (91.5CM x 1.83M)	B
		Ref	Note: Platform and Mesh must be ordered separately for Platforms with Mesh. See SPECIAL OPTIONS SECTION for Mesh Installations.	
		Ref	Note: Replacement Decals Must be Ordered Separately - See DECAL SECTION.	
1	0100011	AR	Compound, Locking	
2	0641418	4	Bolt 1/4 x 2-1/4	
3	0961845	4	Bushing	
4	2080040	16	Fastener	
5	2600281	2	Hinge	
6	2940074	1	Latch	
7	3300151	4	Nut 1/4	
8	3520072	3	Plug	
9	3520198	2	Plug	
10	3820020	4	Rivet	
11	4711400	8	Washer 1/4	
12	1001138494	2	Bar, Drop	
13	1001140429	2	Decal - Drop Bar	
14	1001144629	1	Gate	
15	See Note	NSS	Platform (Note: Not Available - Purchase Platform Assembly)	

SECTION 5 - PLATFORM

FIGURE 5-6. PLATFORM ASSEMBLY - 36IN X 6FT (91.5CM X 1.83M) WITH DROP BAR



ART_1001186379

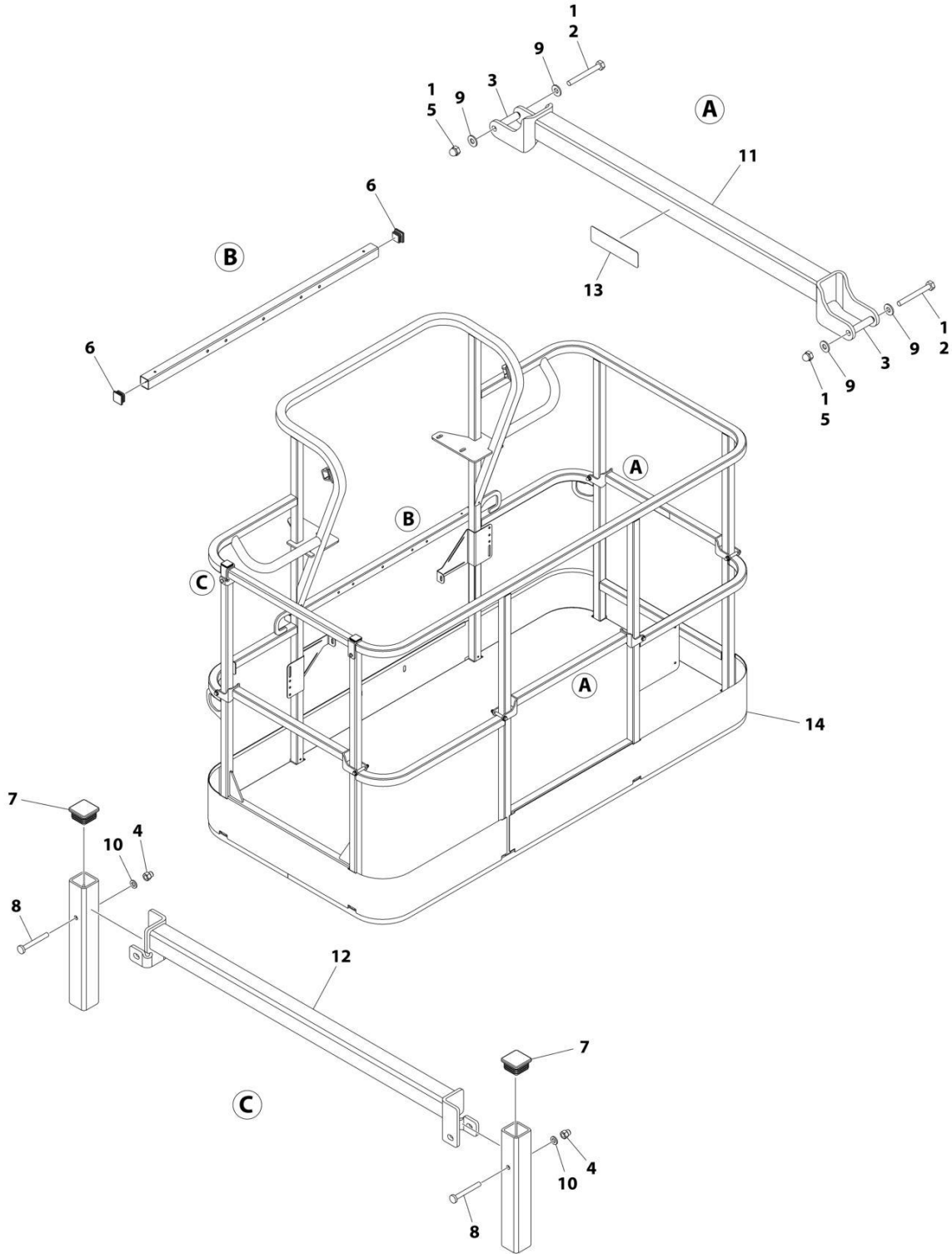
SECTION 5 - PLATFORM

FIGURE 5-6. PLATFORM ASSEMBLY - 36IN X 6FT (91.5CM X 1.83M) WITH DROP BAR

ITEM	PART NUMBER	QTY	DESCRIPTION	REV
	1001186379	Ref	PLATFORM ASSEMBLY - 36IN X 6FT (91.5CM X 1.83M) WITH DROP BAR	B
		Ref	Note: Platform and Mesh must be ordered separately for Platforms with Mesh. See SPECIAL OPTIONS SECTION for Mesh Installations.	
		Ref	Note: Replacement Decals Must be Ordered Separately - See DECALS SECTION.	
1	0100011	AR	Compound, Locking	
2	0641418	2	Bolt 1/4 x 2-1/4	
3	0961845	2	Bushing	
4	3290606	2	Nut M6	
5	3300151	2	Nut 1/4	
6	3520072	2	Plug	
7	3520198	2	Plug	
8	4010618	2	Screw M6 x 50	
9	4711400	4	Washer 1/4	
10	4811700	2	Washer M6	
11	1001138494	1	Bar, Drop	
12	1001138514	1	Rail (Top)	
13	1001140429	1	Decal - Drop Bar	
14	See Note	NSS	Platform (Note: Not Available - Purchase Platform Assembly)	

SECTION 5 - PLATFORM

FIGURE 5-7. PLATFORM ASSEMBLY - 36IN X 6FT (91.5CM X 1.83M) TRI-ENTRY WITH DROPBAR



ART_1001228377

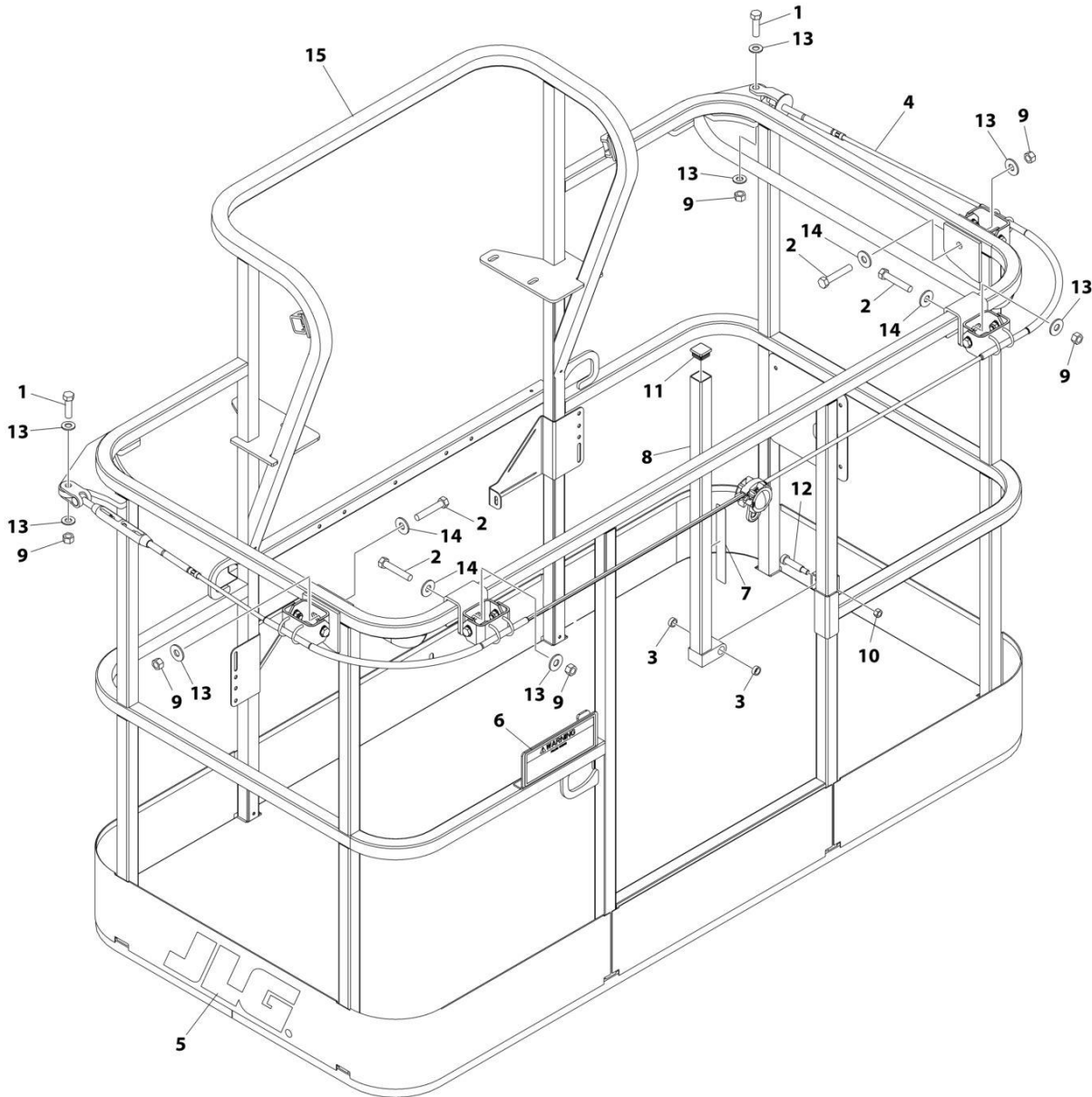
SECTION 5 - PLATFORM

FIGURE 5-7. PLATFORM ASSEMBLY - 36IN X 6FT (91.5CM X 1.83M) TRI-ENTRY WITH DROPBAR

ITEM	PART NUMBER	QTY	DESCRIPTION	REV
	1001228377	Ref	PLATFORM ASSEMBLY - 36IN x 6FT (91.5CM x 1.83M)	B
		Ref	Note: Platform and Mesh must be ordered separately for Platforms with Mesh. See SPECIAL OPTIONS SECTION for Mesh Installations.	
		Ref	Note: Replacement Decals Must be Ordered Separately - See DECAL SECTION.	
1	0100011	1	Compound, Locking	
2	0641418	6	Bolt 1/4 x 2-1/4	
3	0961845	6	Bushing	
4	3290606	2	Nut M6	
5	3300151	6	Nut 1/4	
6	3520072	2	Plug	
7	3520198	2	Plug	
8	4010618	2	Screw M6 x 50	
9	4711400	12	Washer 1/4	
10	4811700	2	Washer M6	
11	1001138494	3	Bar, Drop	
12	1001138514	1	Rail (Top)	
13	1001140429	3	Decal - Drop Bar	
14	See Note	NSS	Platform, Weldment (Note: Not Available - Purchase Platform Assembly)	

SECTION 5 - PLATFORM

FIGURE 5-8. PLATFORM ASSEMBLY - 36IN X 6FT (91.5CM X 1.83M) WITH FALL ARREST (ANSI, ANSI EXPORT AND CSA SPECS)



ART_1001186333

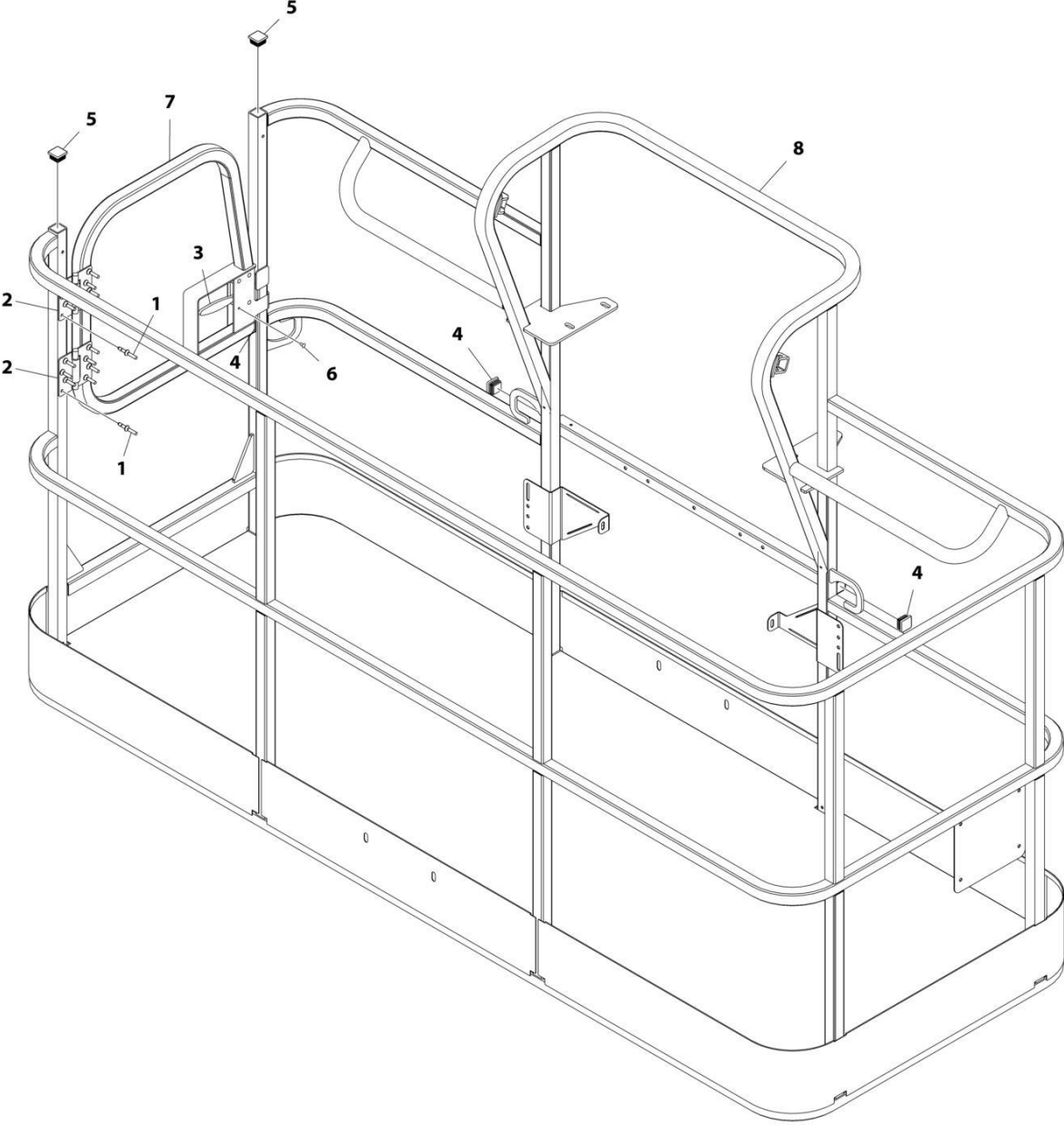
SECTION 5 - PLATFORM

FIGURE 5-8. PLATFORM ASSEMBLY - 36IN X 6FT (91.5CM X 1.83M) WITH FALL ARREST (ANSI, ANSI EXPORT AND CSA SPECS)

ITEM	PART NUMBER	QTY	DESCRIPTION	REV
	1001186333	Ref	PLATFORM ASSEMBLY	C
		Ref	Note: Replacement Decals Must be Ordered Separately - See DECALS SECTION.	
1	0681814	2	Bolt 1/2 x 1-3/4 Grade 8	
2	0681822	4	Bolt 1/2 x 2-3/4 Grade 8	
3	0962270	2	Bearing	
4	1001203655	1	Cable	
5	1702773	1	Decal - JLG	
6	1705014	1	Decal - Safety	
7	1706385	1	Decal - Drop Bar	
8	2410014	1	Bar, Drop	
9	3271805	6	Nut 1/2 Grade 8	
10	3311605	1	Nut 3/8	
11	3520072	1	Plug	
12	3900054	1	Bolt 1/2 x 1-3/4	
13	4711800	8	Washer 1/2	
14	4751800	4	Washer 1/2	
15	See Note	NSS	Platform (Note: Not Available - Purchase Platform Assembly)	

SECTION 5 - PLATFORM

FIGURE 5-9. PLATFORM ASSEMBLY - 36IN X 8FT (91.5CM X 2.44M) WITH SWING GATE



ART_1001186383

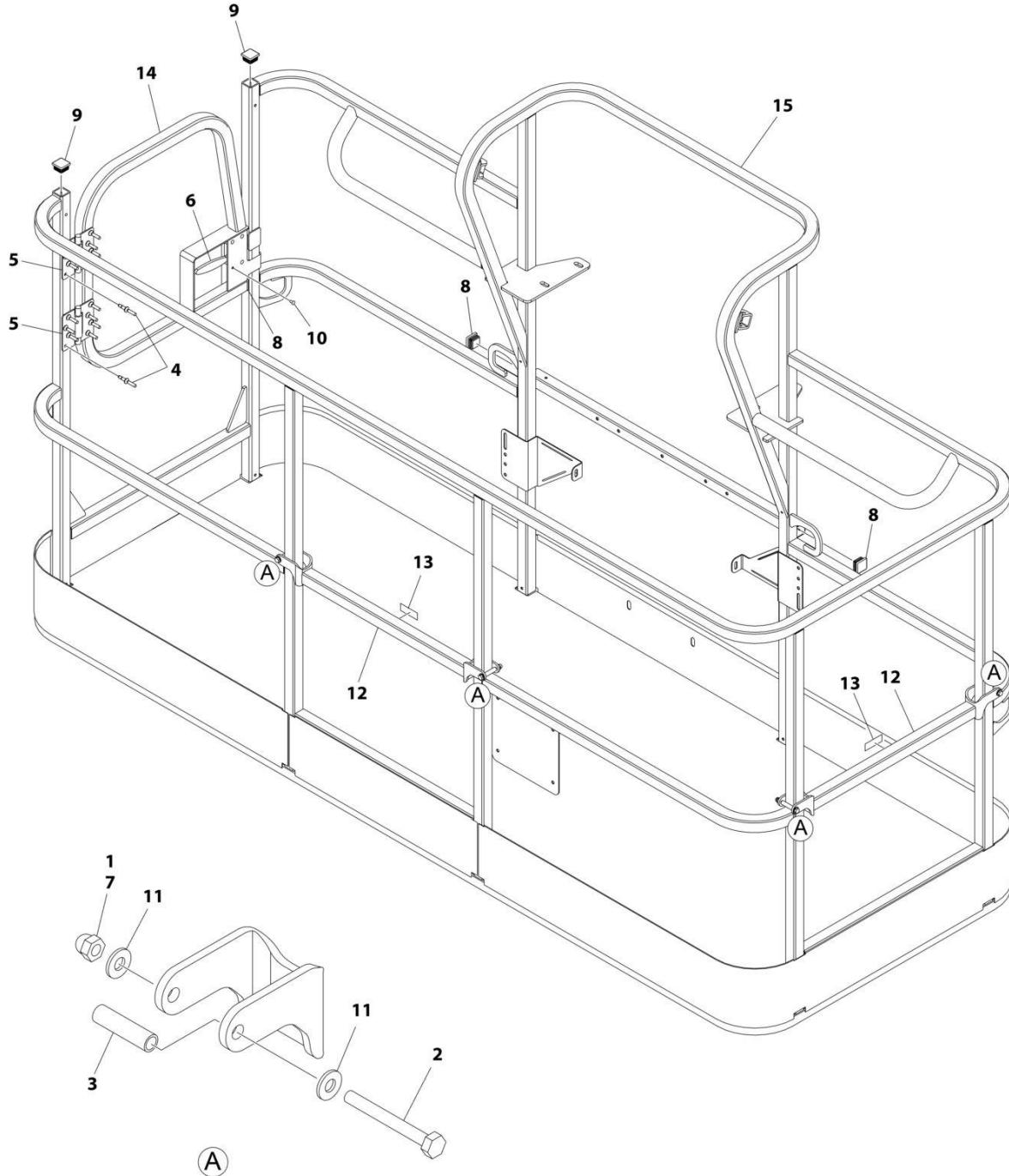
SECTION 5 - PLATFORM

FIGURE 5-9. PLATFORM ASSEMBLY - 36IN X 8FT (91.5CM X 2.44M) WITH SWING GATE

ITEM	PART NUMBER	QTY	DESCRIPTION	REV
	1001186383	Ref	PLATFORM ASSEMBLY - 36IN X 8FT (91.5CM X 2.44M) WITH SWING GATE	D
		Ref	Note: Platform and Mesh must be ordered separately for Platforms with Mesh. See SPECIAL OPTIONS SECTION for Mesh Installations.	
		Ref	Note: Replacement Decals Must be Ordered Separately - See DECALS SECTION.	
1	2080040	16	Fastener, Huck	
2	2600281	2	Hinge	
3	2940074	1	Latch	
4	3520072	3	Plug	
5	3520198	2	Plug	
6	3820020	4	Rivet	
7	1001144629	1	Gate	
8	See Note	NSS	Platform (Note: Not Available - Purchase Platform Assembly)	

SECTION 5 - PLATFORM

FIGURE 5-10. PLATFORM ASSEMBLY - 36IN X 8FT (91.5CM X 2.44M) WITH TRI-ENTRY (1 GATE/2 DROP BARS)



ART_1001228243

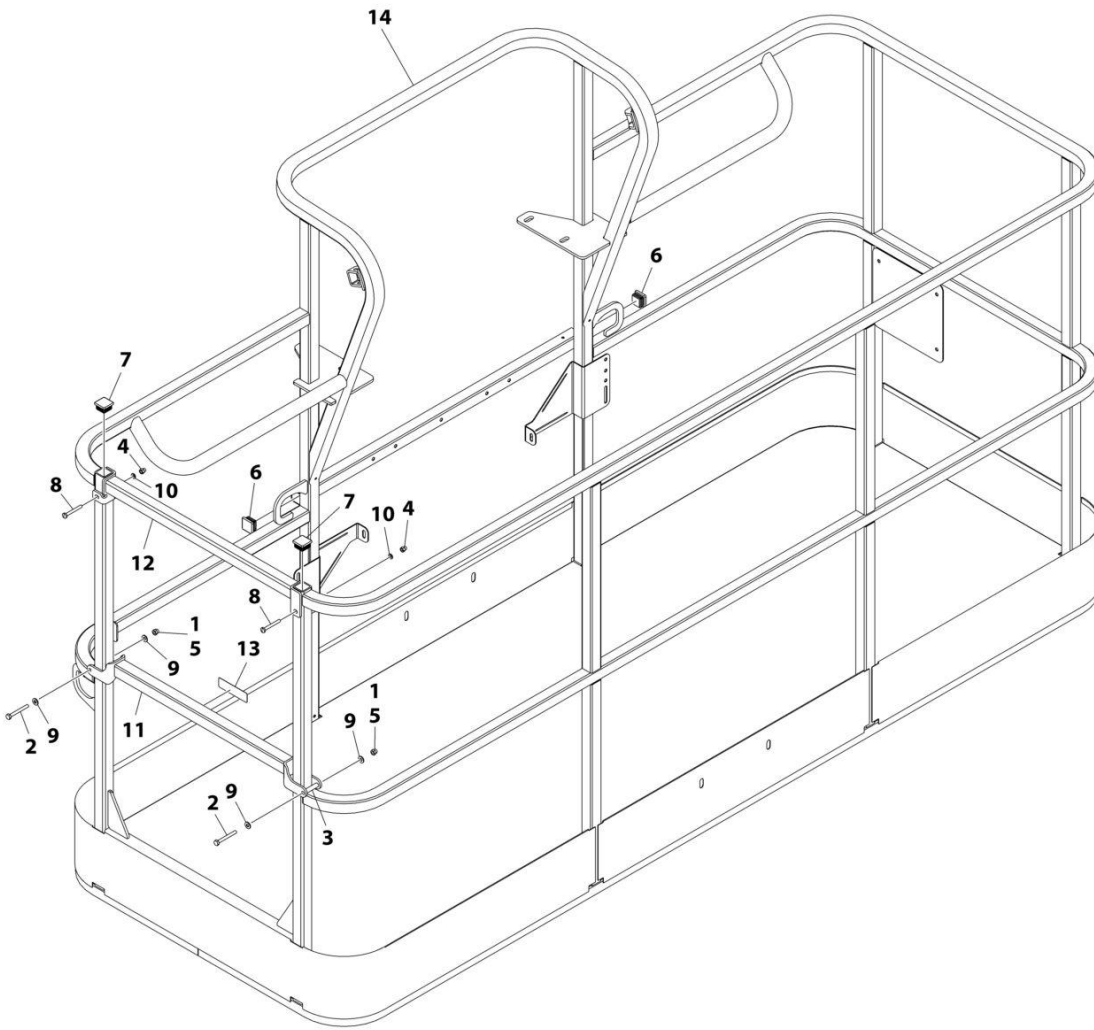
SECTION 5 - PLATFORM

FIGURE 5-10. PLATFORM ASSEMBLY - 36IN X 8FT (91.5CM X 2.44M) WITH TRI-ENTRY (1 GATE/2 DROP BARS)

ITEM	PART NUMBER	QTY	DESCRIPTION	REV
	1001228243	Ref	PLATFORM ASSEMBLY - 36IN X 8FT (91.5CM X 2.44M) WITH TRI-ENTRY	A
		Ref	Note: Platform and Mesh must be ordered separately for Platforms with Mesh. See SPECIAL OPTIONS SECTION for Mesh Installations.	
1	0100011	AR	Compound, Locking	
2	0641418	4	Bolt 1/4 x 2-1/4	
3	0961845	4	Bushing	
4	2080040	16	Fastener, Huck	
5	2600281	2	Hinge, Self-Closing	
6	2940074	1	Latch	
7	3300151	4	Nut 1/4	
8	3520072	3	Cap, Plug	
9	3520198	2	Cap, Plug	
10	3820020	4	Rivet	
11	4711400	8	Washer 1/4	
12	1001138494	2	Bar, Drop	
13	1001140429	2	Decal - Drop Bar	
14	1001144629	1	Gate, Weldment	
15	See Note	1	Platform (Note: Not Available - Purchase Platform Assembly)	

SECTION 5 - PLATFORM

FIGURE 5-11. PLATFORM ASSEMBLY - 36IN X 8FT (91.5CM X 2.44M) WITH DROP BAR



ART_1001186382

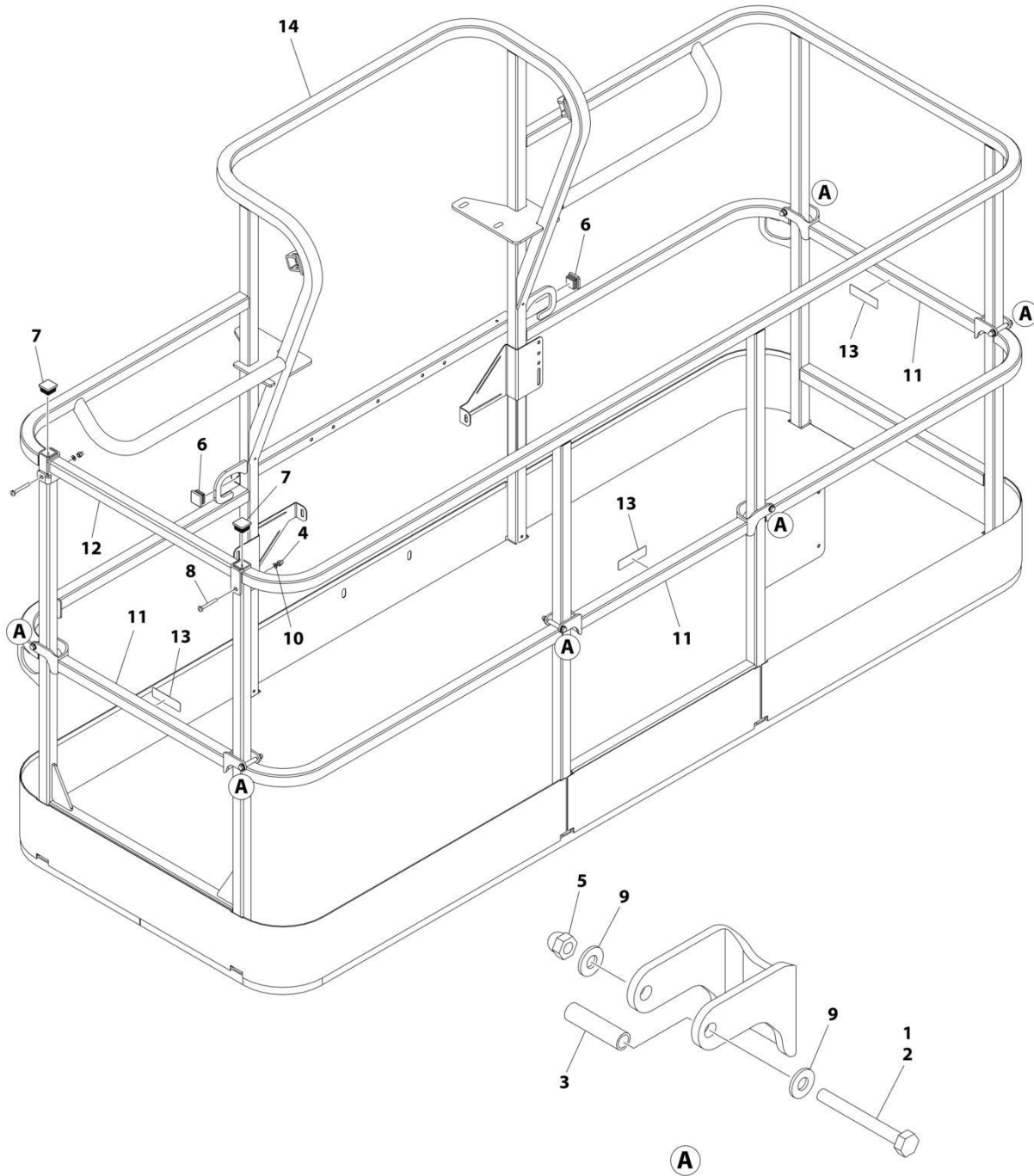
SECTION 5 - PLATFORM

FIGURE 5-11. PLATFORM ASSEMBLY - 36IN X 8FT (91.5CM X 2.44M) WITH DROP BAR

ITEM	PART NUMBER	QTY	DESCRIPTION	REV
	1001186382	Ref	PLATFORM ASSEMBLY - 36IN X 8FT (91.5CM X 2.44M) WITH DROP BAR	C
		Ref	Note: Platform and Mesh must be ordered separately for Platforms with Mesh. See SPECIAL OPTIONS SECTION for Mesh Installations.	
		Ref	Note: Replacement Decals Must be Ordered Separately - See DECALS SECTION.	
1	0100011	AR	Compound, Locking	
2	0641418	2	Bolt 1/4 x 2-1/4	
3	0961845	2	Bushing	
4	3290606	2	Nut M6	
5	3300151	2	Nut 1/4	
6	3520072	2	Plug	
7	3520198	2	Plug	
8	4010618	2	Screw M6 x 50	
9	4711400	4	Washer 1/4	
10	4811700	2	Washer M6	
11	1001138494	1	Bar, Drop	
12	1001138514	1	Rail (Top)	
13	1001140429	1	Decal - Drop Bar	
14	See Note	NSS	Platform (Note: Not Available - Purchase Platform Assembly)	

SECTION 5 - PLATFORM

FIGURE 5-12. PLATFORM ASSEMBLY - 36IN X 8FT (91.5CM X 2.44M) WITH TRI-ENTRY (3 DROP BARS)



ART_1001228375

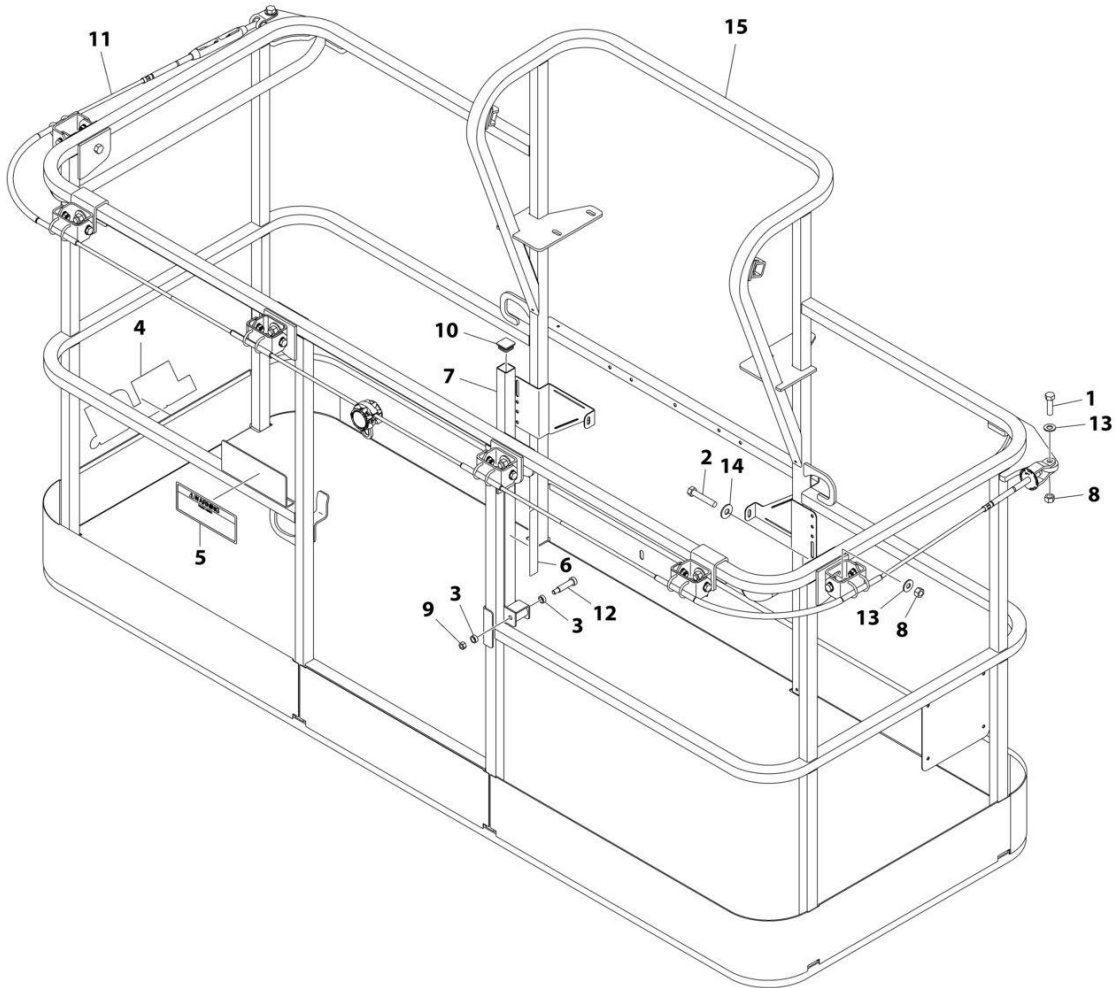
SECTION 5 - PLATFORM

FIGURE 5-12. PLATFORM ASSEMBLY - 36IN X 8FT (91.5CM X 2.44M) WITH TRI-ENTRY (3 DROP BARS)

ITEM	PART NUMBER	QTY	DESCRIPTION	REV
	1001228375	Ref	PLATFORM ASSEMBLY - 36IN X 8FT (91.5CM X 2.44M) WITH TRI-ENTRY	A
		Ref	Note: Platform and Mesh must be ordered separately for Platforms with Mesh. See SPECIAL OPTIONS SECTION for Mesh Installations.	
		Ref	Note: Replacement Decals Must be Ordered Separately - See DECAL SECTION.	
1	0100011	AR	Compound, Locking	
2	0641418	6	Bolt 1/4 x 2-1/4	
3	0961845	6	Bushing	
4	3290606	2	Nut M6 x 1	
5	3300151	6	Nut 1/4	
6	3520072	2	Cap, Plug	
7	3520198	2	Cap, Plug	
8	4010618	2	Screw M6 x 50	
9	4711400	12	Washer 1/4	
10	4811700	2	Washer M6	
11	1001138494	3	Bar, Drop	
12	1001138514	1	Rail (Top)	
13	1001140429	3	Decal - Drop Bar	
14	See Note	1	Platform (Note: Not Available - Purchase Platform Assembly)	

SECTION 5 - PLATFORM

FIGURE 5-13. PLATFORM ASSEMBLY - 36IN X 8FT (91.5CM X 2.44M) WITH FALL ARREST (ANSI, ANSI EXPORT AND CSA SPECS)



ART_1001186334

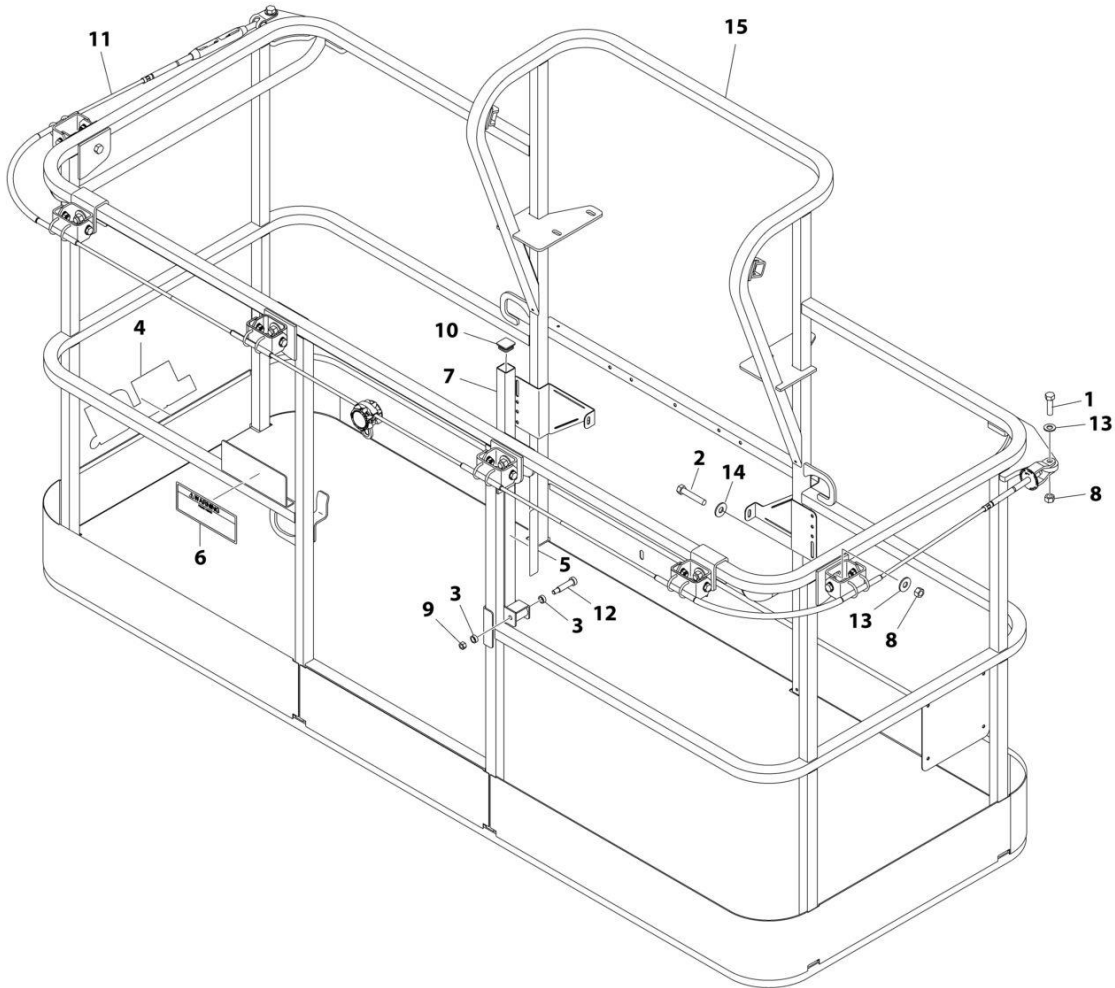
SECTION 5 - PLATFORM

FIGURE 5-13. PLATFORM ASSEMBLY - 36IN X 8FT (91.5CM X 2.44M) WITH FALL ARREST (ANSI, ANSI EXPORT AND CSA SPECS)

ITEM	PART NUMBER	QTY	DESCRIPTION	REV
	1001186334	Ref	PLATFORM ASSEMBLY	D
		Ref	Note: Replacement Decals Must be Ordered Separately - See DECALS SECTION.	
1	0681814	2	Bolt 1/2 x 1-3/4 Grade 8	
2	0681822	6	Bolt 1/2 x 2-3/4 Grade 8	
3	0962270	2	Bearing	
4	1702773	1	Decal - JLG	
5	1705014	1	Decal - Safety	
6	1706385	1	Decal - Drop Bar	
7	2410014	1	Bar, Drop	
8	3271805	8	Nut 1/2 Grade 8	
9	3311605	1	Nut 3/8	
10	3520072	1	Plug	
11	1001203656	1	Cable	
12	3900054	1	Bolt 1/2 x 1-3/4	
13	4711800	2	Washer 1/2	
14	4751800	6	Washer 1/2	
15	See Note	NSS	Platform (Note: Purchase Platform Assembly)	

SECTION 5 - PLATFORM

FIGURE 5-14. PLATFORM ASSEMBLY - 36IN X 8FT (91.5CM X 2.44M) WITH FALL ARREST (ALL SPECS EXCEPT CSA SPECS)



ART_1001186389

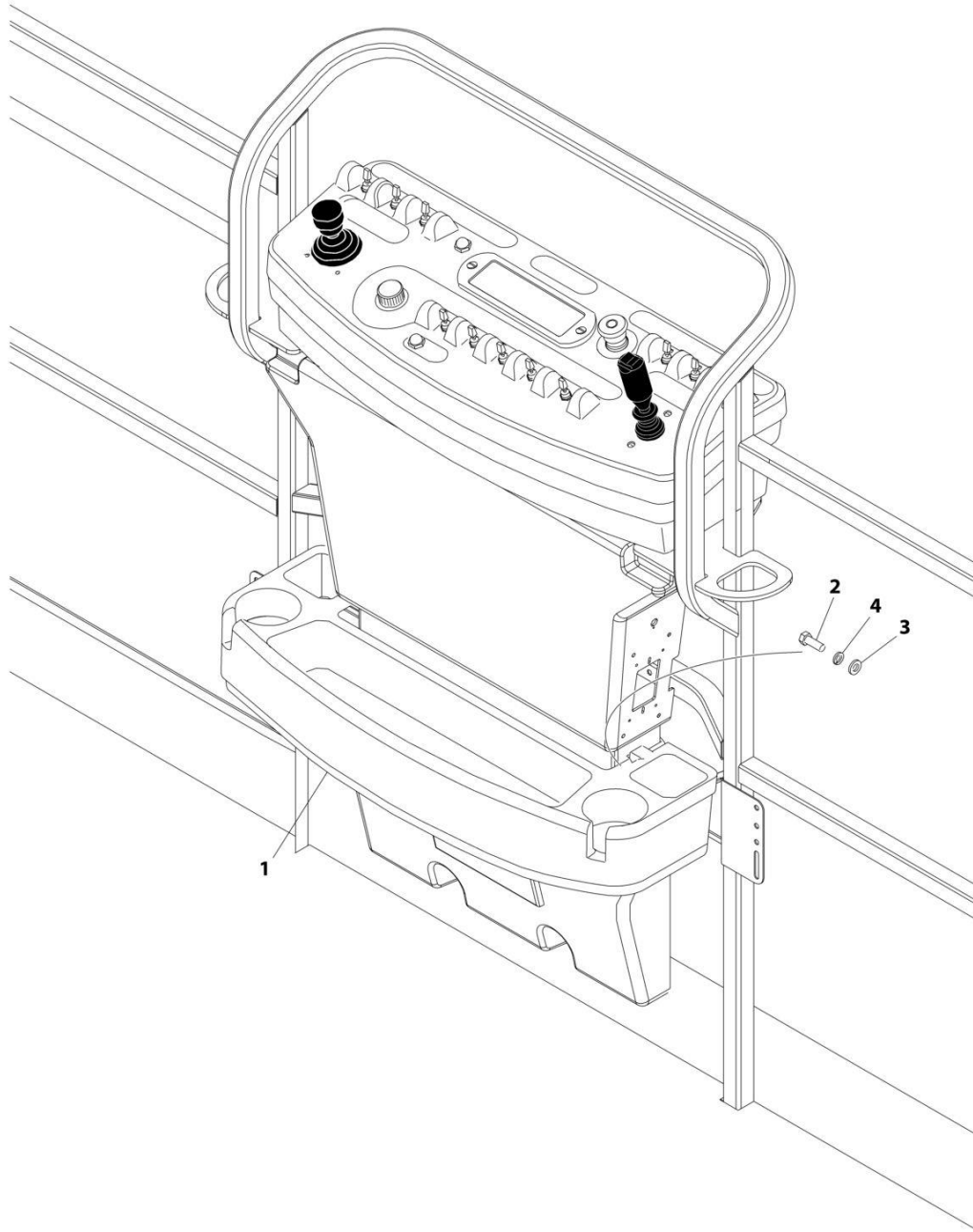
SECTION 5 - PLATFORM

FIGURE 5-14. PLATFORM ASSEMBLY - 36IN X 8FT (91.5CM X 2.44M) WITH FALL ARREST (ALL SPECS EXCEPT CSA SPECS)

ITEM	PART NUMBER	QTY	DESCRIPTION	REV
	1001186389	Ref	PLATFORM ASSEMBLY - 36IN X 8FT (91.5CM X 2.44M) WITH FALL ARREST	D
		Ref	Note: Standard decals must be ordered separately - See DECAL SECTION.	
1	0681814	2	Bolt 1/2 x 1-3/4 Grade 8	
2	0681822	6	Bolt 1/2 x 2-3/4 Grade 8	
3	0962270	2	Bearing	
4	1702773	1	Decal - JLG	
5	1706493	1	Decal - Drop Bar	
6	1706501	1	Decal - Safety	
7	2410014	1	Gate	
8	3271805	8	Nut 1/2 Grade 8	
9	3311605	1	Nut 3/8	
10	3520072	1	Plug	
11	1001203656	1	Cable	
12	3900054	1	Bolt 1/2 x 1-3/4	
13	4711800	8	Washer 1/2	
14	4751800	6	Washer 1/2	
15	1001186318	NSS	Platform (Note: Not Available - Purchase Platform Assembly)	

SECTION 5 - PLATFORM

FIGURE 5-15. TRAY ASSEMBLY



ART_1580012

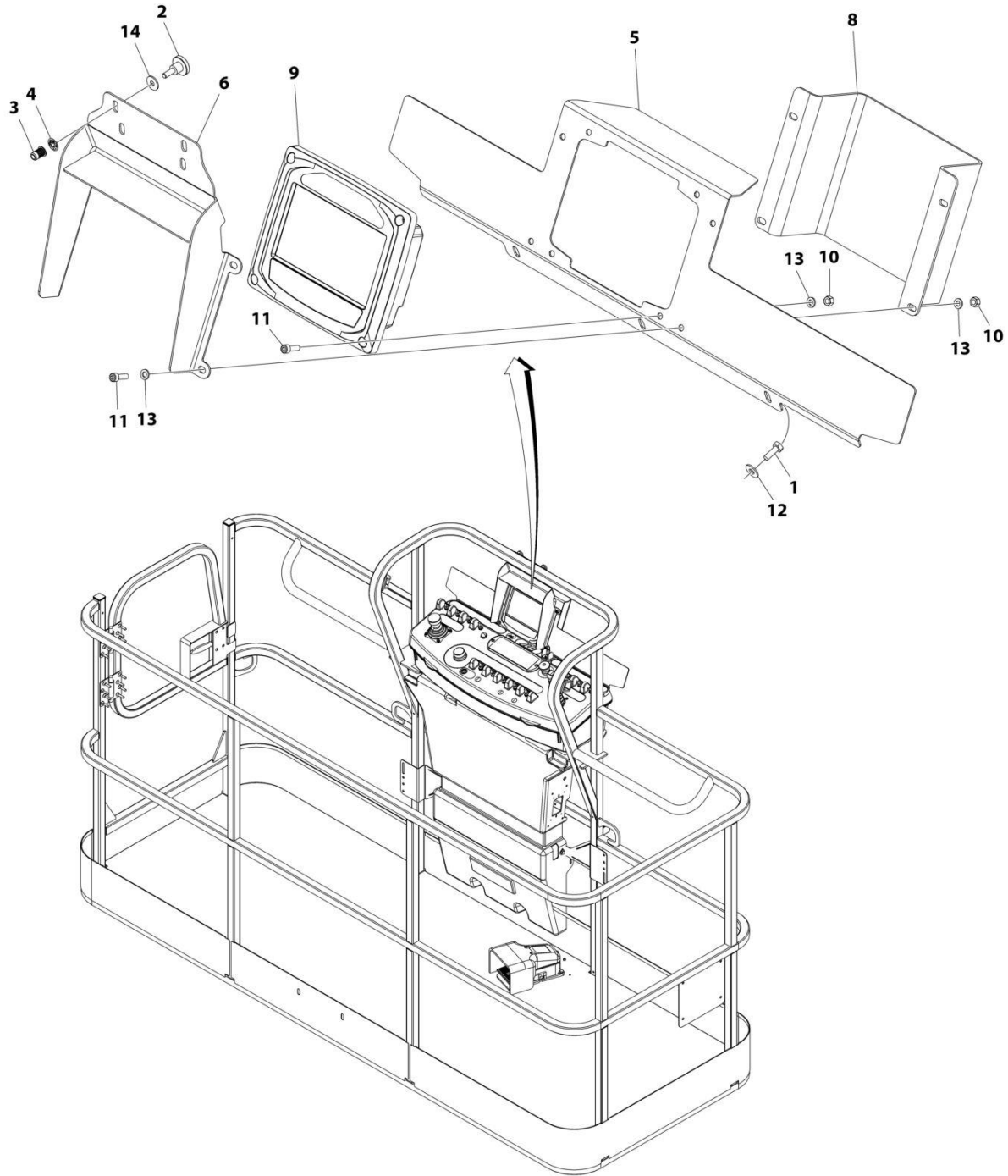
SECTION 5 - PLATFORM

FIGURE 5-15. TRAY ASSEMBLY

ITEM	PART NUMBER	QTY	DESCRIPTION	REV
	1580012	Ref	TRAY ASSEMBLY	C
1	See Note	NSS	Tray, Storage (Center) (Note: Purchase p/n 1580012)	
2	0641406	2	Bolt 1/4 x 3/4	
3	4751400	2	Washer 1/4	
4	4761400	2	Washer 1/4	

SECTION 5 - PLATFORM

FIGURE 5-16. LCD DISPLAY INSTALLATION



ART_1001215375

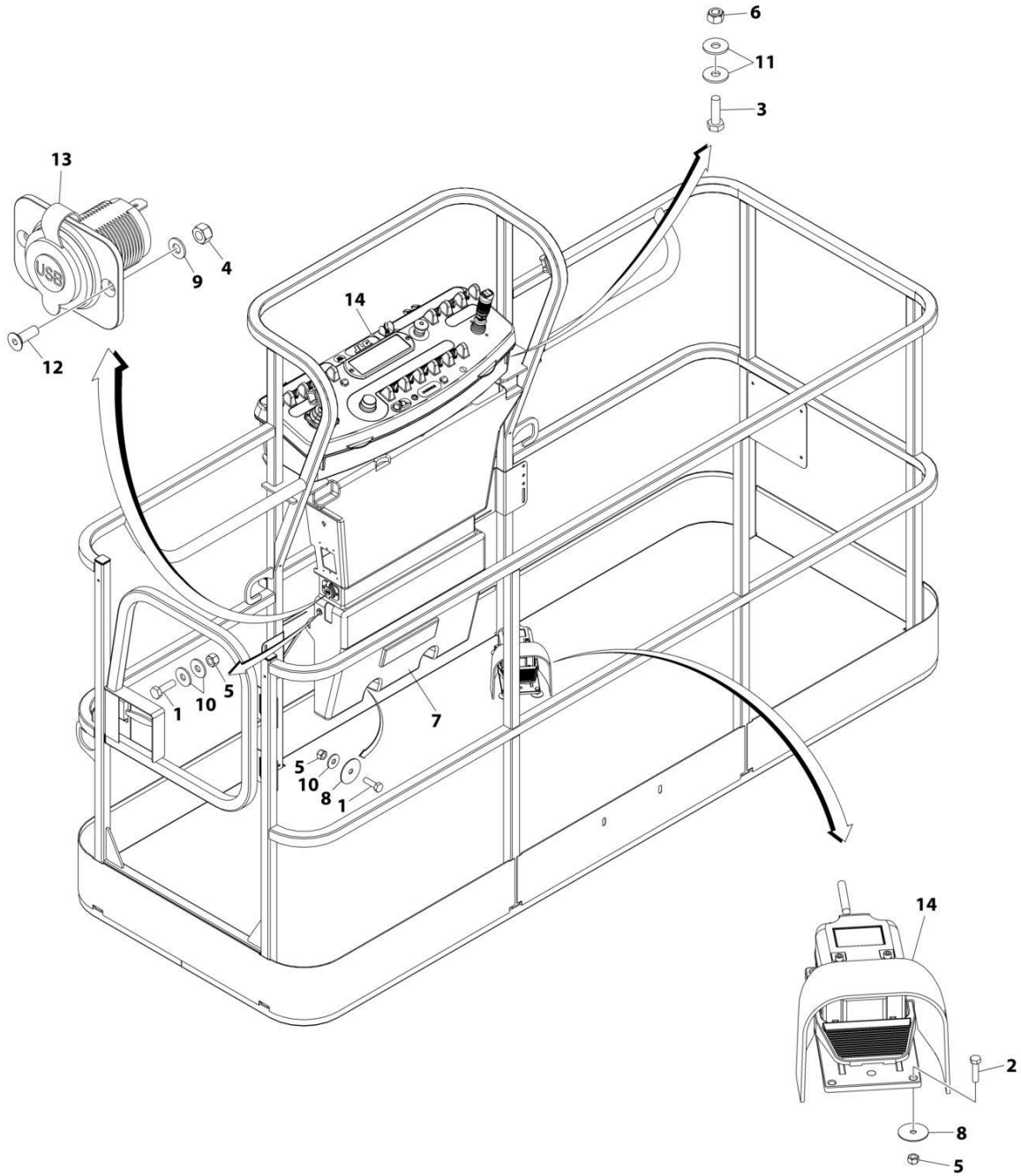
SECTION 5 - PLATFORM

FIGURE 5-16. LCD DISPLAY INSTALLATION

ITEM	PART NUMBER	QTY	DESCRIPTION	REV
	1001215375	Ref	LCD DISPLAY INSTALLATION	A
1	0641406001	3	Bolt 1/4 x 3/4	
2	1001173609	2	Screw, Thumb M6 x 16	
3	1001176636	2	Rivet, Nut M6	
4	1001177635	2	Nut M6	
5	1001215379	1	Bracket, Mounting	
6	1001215380	1	Bracket, Visor	
7	1001220482	1	Harness, LCD Display (Not Shown - See Separate Breakdown in ELECTRICAL SECTION)	
8	1001228976	1	Cover	
9	1001229485	1	Electrical Assembly	
9	1001220955	1	Gauge, LCD Display	
9	1001176582	1	Decal - Platform Display	
9	1001180491	4	Screw #10	
9	1001229922	1	Screen Protector, LCD Display	
10	3290605001	8	Nut M6	
11	4031708001	8	Bolt M6 x 20	
12	4751400001	3	Washer 1/4	
13	4811700001	12	Washer M6	
14	4811702001	2	Washer M6	

SECTION 5 - PLATFORM

FIGURE 5-17. CONSOLE BOX AND FOOTSWITCH INSTALLATION



ART_1001267388

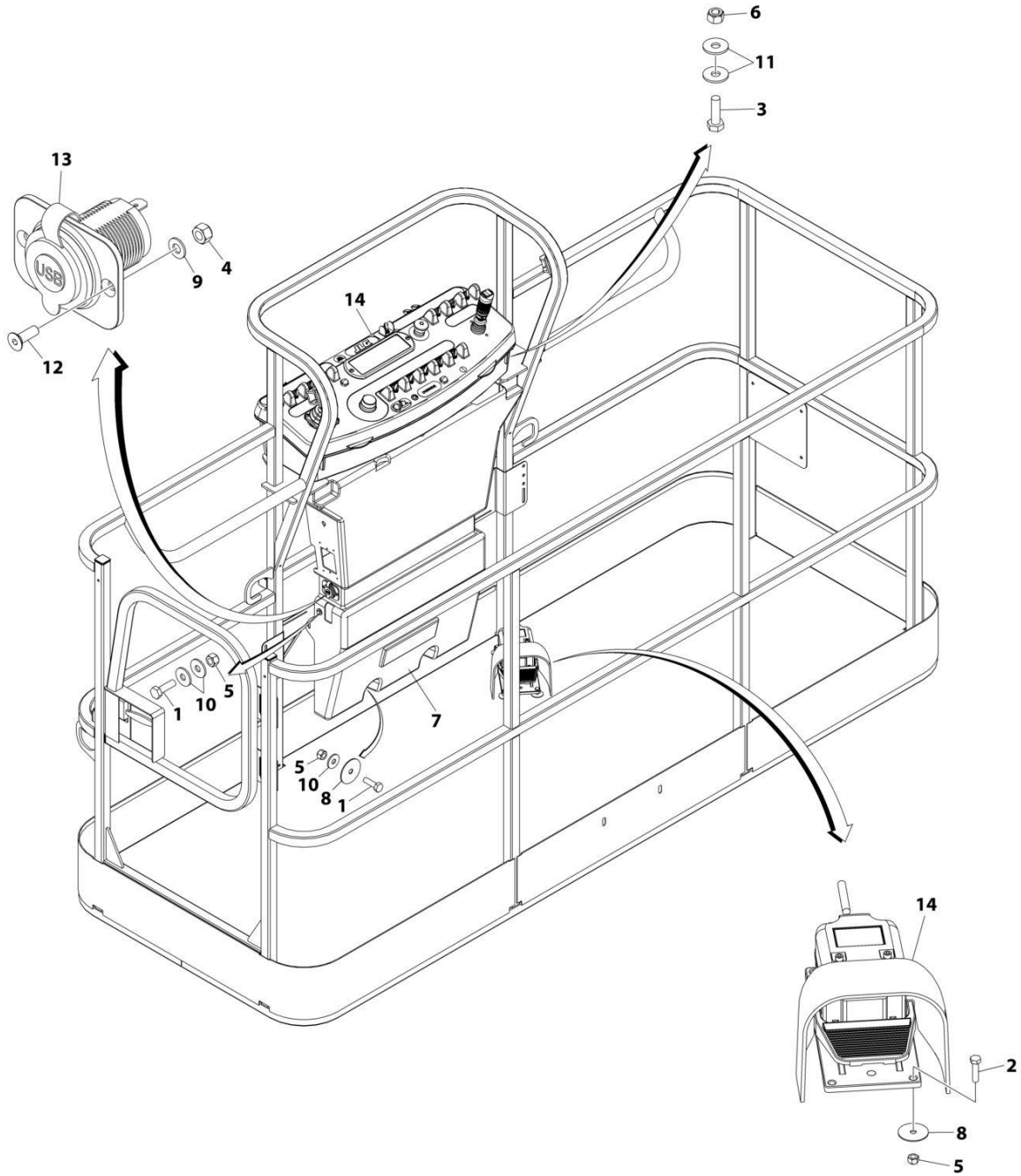
SECTION 5 - PLATFORM

FIGURE 5-17. CONSOLE BOX AND FOOTSWITCH INSTALLATION

ITEM	PART NUMBER	QTY	DESCRIPTION	REV
	1001267388	Ref	CONSOLE BOX AND FOOTSWITCH INSTALLATION	A
1	0760610	4	Bolt M6 x 20	
2	0760612	4	Bolt M6 x 25	
3	0761015	4	Bolt M10 x 35	
4	3290405	2	Nut M4	
5	3290605	8	Nut M6	
6	3291005	4	Nut M10	
7	3380434	1	Panel	
8	4740362	6	Washer	
9	4811400	2	Washer M4	
10	4811702	6	Washer M6	
11	4812002	8	Washer M10	
12	1001097244	2	Screw M4 x 12	
13	1001210636	1	Receptacle	
14	1001267390	1	Platform Console Assembly (See Separate Breakdown in this Section)	

SECTION 5 - PLATFORM

FIGURE 5-18. CONSOLE BOX AND FOOTSWITCH INSTALLATION - WITH TOWER STOW



ART_1001265902

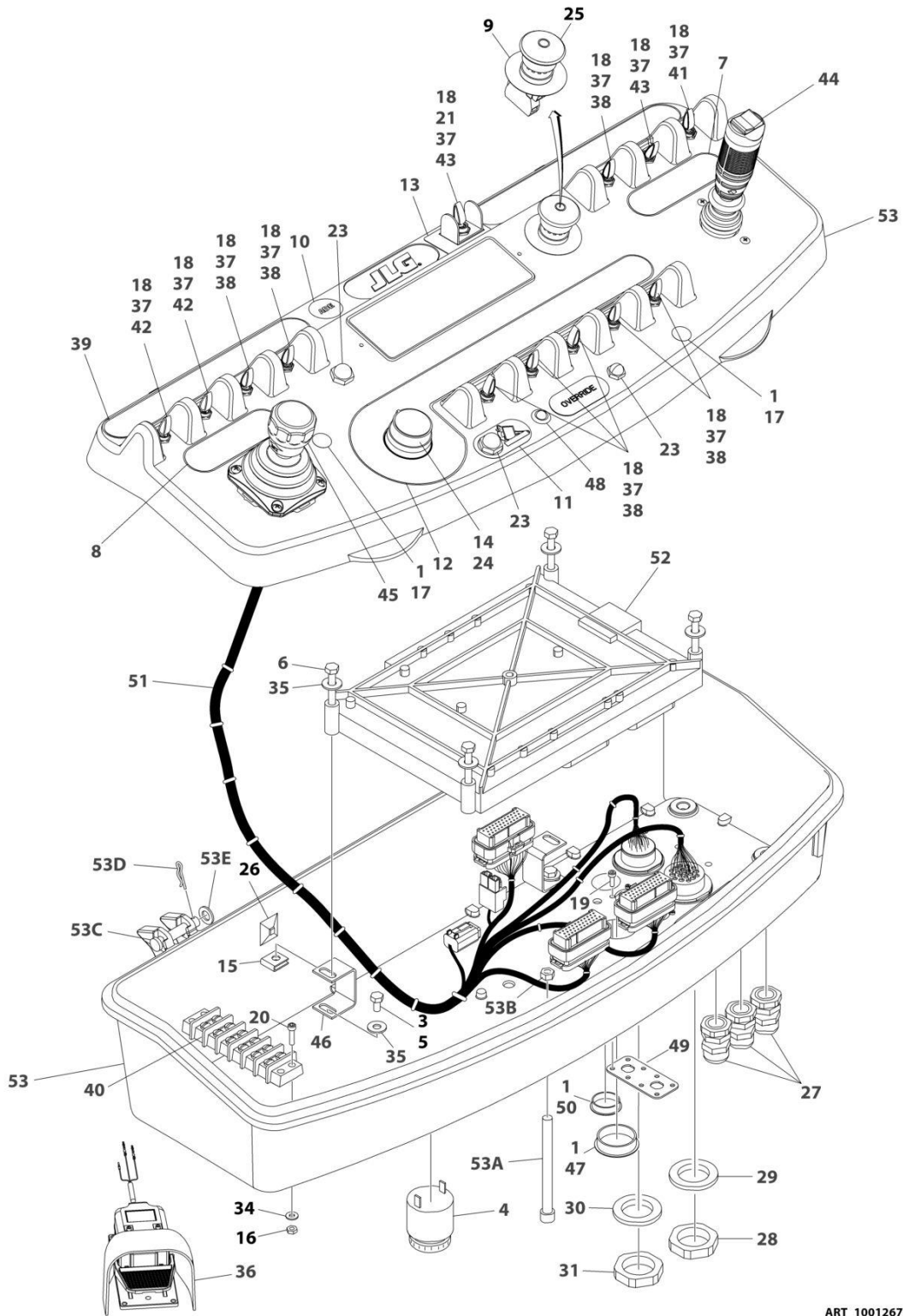
SECTION 5 - PLATFORM

FIGURE 5-18. CONSOLE BOX AND FOOTSWITCH INSTALLATION - WITH TOWER STOW

ITEM	PART NUMBER	QTY	DESCRIPTION	REV
	1001265902	Ref	CONSOLE BOX AND FOOTSWITCH INSTALLATION	A
1	0760610	4	Bolt M6 x 20	
2	0760612	4	Bolt M6 x 25	
3	0761015	4	Bolt M10 x 35	
4	3290405	2	Nut M4	
5	3290605	8	Nut M6	
6	3291005	4	Nut M10	
7	3380434	1	Panel	
8	4740362	6	Washer	
9	4811400	2	Washer M4	
10	4811702	6	Washer M6	
11	4812002	8	Washer M10	
12	1001097244	2	Screw M4 x 12	
13	1001210636	1	Receptacle	
14	1001265904	1	Platform Console Assembly - with Tower Stow (See Separate Breakdown in this Section)	

SECTION 5 - PLATFORM

FIGURE 5-19. PLATFORM CONSOLE ASSEMBLY



ART_1001267390_D

SECTION 5 - PLATFORM

FIGURE 5-19. PLATFORM CONSOLE ASSEMBLY

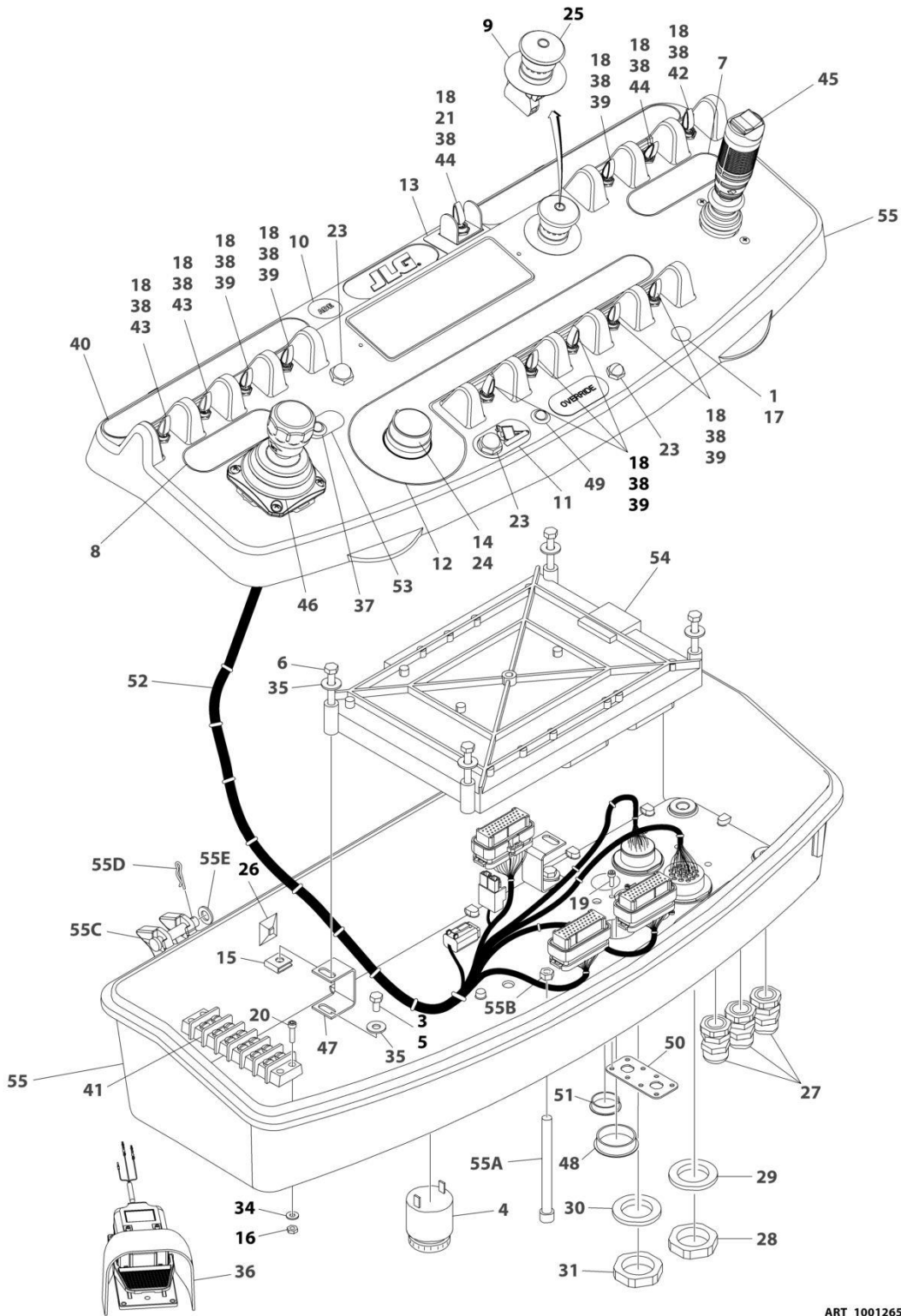
ITEM	PART NUMBER	QTY	DESCRIPTION	REV
	1001267390	Ref	PLATFORM CONSOLE ASSEMBLY	D
1	0100009	AR	Sealant	
3	0100035	AR	Compound, Locking	
4	0140011	1	Alarm	
5	0641405	4	Bolt 1/4 x 5/8	
6	0641414	4	Bolt 1/4 x 1-3/4	
7	1702565	1	Decal - Drive and Steer	
8	1702566	1	Decal - Lift and Swing	
9	1704260	1	Decal - EMS	
10	1705132	1	Decal - Control ADE	
11	1705171	1	Decal - Jib Stow	
12	1705745	1	Decal - Function Speed	
13	1706741	1	Decal - Boom Control Select	
14	2560136	1	Handle, Knob	
15	3300353	4	Nut, Tinnerman	
16	3311005	2	Nut #10	
17	3520026	2	Plug	
18	3790012	13	O-Ring	
19	3900349	8	Capscrew M2.5	
20	3931012	2	Capscrew #10 x 3/4	
21	4060906	1	Guard, Switch	
23	4360387	3	Switch, Push Button	
24	4360407	1	Controller, Speed	
24	4460224	1	Receptacle, Female - 6 Position	
24	4460226	1	Socket, Female	
24	See Note	1	Gasket "Top Hat" (Included with Switch) (Note: Not Available - Purchase Complete Controller.)	
24	70003784	1	Seal	
25	1001274559	1	Switch, Emergency Stop	
26	4460234	6	Mount, Tie-Strap	
27	4460428	3	Connector, Strain Relief	
28	4460470	1	Nut, Terminal	
29	4460471	1	Washer, Terminal	
30	4460496	1	Washer, Terminal	
31	4460497	1	Nut, Terminal	
34	4751000	2	Washer #10	
35	4751400	8	Washer 1/4	
36	1001117174	1	Footswitch Assembly (See Separate Breakdown in this Section)	
37	1001155044	13	Nut 15/32	
38	1001155045	8	Switch, Toggle	
39	1001156926	1	Decal - Horn	
40	1001157292	1	Bar, Buss	
41	1001159256	1	Switch, Toggle	
42	1001161709	2	Switch, Toggle	
43	1001161710	2	Switch, Toggle	
44	1001275628	1	Controller Assembly (Drive and Steer)	
45	1001275629	1	Controller Assembly (Lift and Swing)	
46	1001172760	4	Bracket	
47	1001185281	1	Plug	
48	1001206532	1	Lamp, Indicator	

SECTION 5 - PLATFORM

ITEM	PART NUMBER	QTY	DESCRIPTION	REV
49	1001213882	1	Mount, Connector	C
50	1001220486	1	Plug	
51	1001242124	1	Platform Console Harness (See Separate Breakdown in ELECTRICAL Section)	
52	1001199483	1	Module, Platform (Note: Re-calibration Required when Replaced)	
53	1001265905	1	BOX, CONSOLE ASSEMBLY	
53A	0630568	1	Screw 3/8 x 4-1/2	
53B	3311601	1	Nut 3/8	
53C	3430616	2	Pin	
53D	3470003	2	Pin	
53E	4711600	2	Washer 3/8	
54	4240099	AR	Tie-Strap (Not Shown)	

SECTION 5 - PLATFORM

FIGURE 5-20. PLATFORM CONSOLE ASSEMBLY - WITH TOWER STOW



ART_1001265904_D

SECTION 5 - PLATFORM

FIGURE 5-20. PLATFORM CONSOLE ASSEMBLY - WITH TOWER STOW

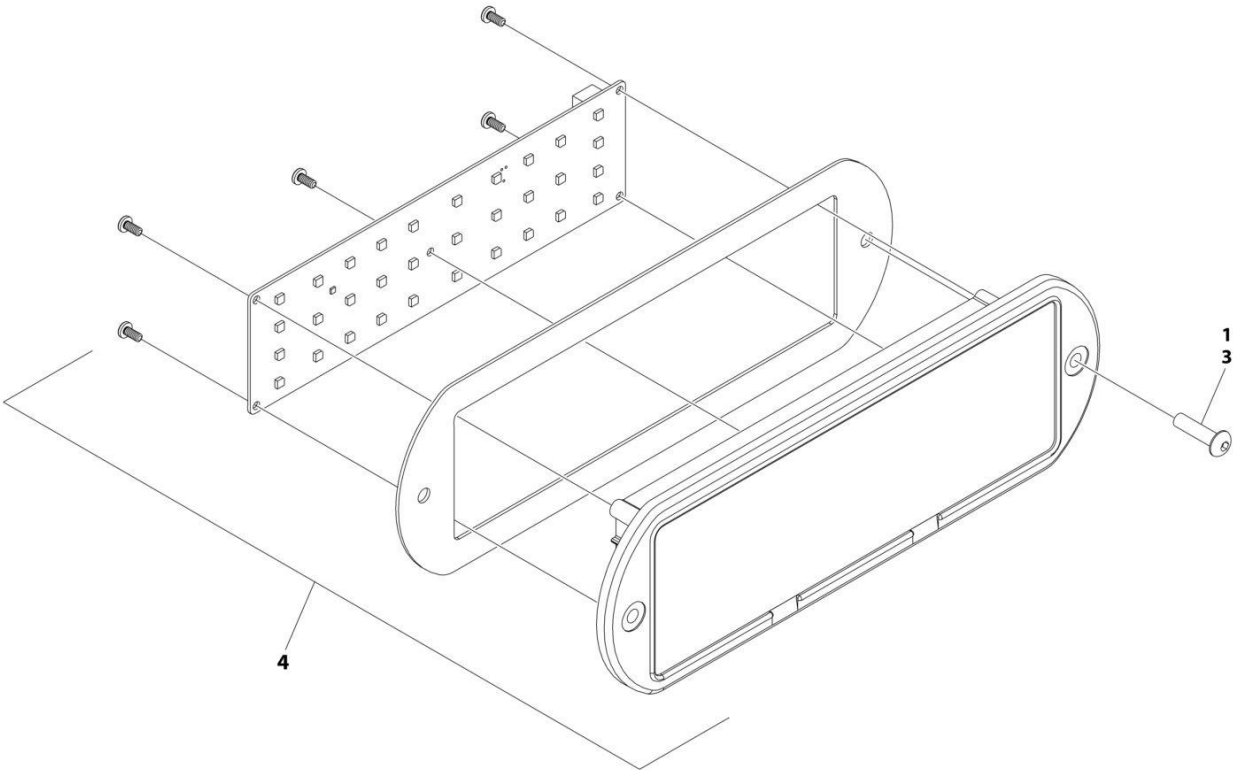
ITEM	PART NUMBER	QTY	DESCRIPTION	REV
	1001265904	Ref	PLATFORM CONSOLE ASSEMBLY	D
1	0100009	AR	Sealant	
3	0100035	1	Compound, Locking	
4	0140011	1	Alarm	
5	0641405	4	Bolt 1/4 x 5/8	
6	0641414	4	Bolt 1/4 x 1-3/4	
7	1702565	1	Decal - Drive and Steer	
8	1702566	1	Decal - Lift and Swing	
9	1704260	1	Decal - EMS	
10	1705132	1	Decal - Control ADE	
11	1705171	1	Decal - Jib Stow	
12	1705745	1	Decal - Function Speed	
13	1706741	1	Decal - Boom Control Select	
14	2560136	1	Handle, Knob	
15	3300353	4	Nut, Tinnerman	
16	3311005	2	Nut #10	
17	3520026	1	Plug	
18	3790012	13	O-Ring	
19	3900349	8	Capscrew M2.5	
20	3931012	2	Capscrew #10 x 3/4	
21	4060906	1	Guard, Switch	
23	4360387	3	Switch, Push Button	
24	4360407	1	Controller, Speed	
24	4460224	1	Receptacle, Female - 6 Position	
24	4460226	1	Socket, Female	
24	See Note	1	Gasket "Top Hat" (Included with Switch) (Note: Not Available - Purchase Complete Controller.)	
24	70003784	1	Seal	
25	1001274559	1	Switch, Emergency Stop	
26	4460234	6	Mount, Tie-Strap	
27	4460428	3	Connector, Strain Relief	
28	4460470	1	Nut, Terminal	
29	4460471	1	Washer, Terminal	
30	4460496	1	Washer, Terminal	
31	4460497	1	Nut, Terminal	
34	4751000	2	Washer #10	
35	4751400	8	Washer 1/4	
36	1001117174	1	Footswitch Assembly (See Separate Breakdown in this Section)	
37	1001137364	1	Lamp, Indicator	
38	1001155044	13	Nut 15/32	
39	1001155045	8	Switch, Toggle	
40	1001156926	1	Decal - Horn	
41	1001157292	1	Bar, Buss	
42	1001159256	1	Switch, Toggle	
43	1001161709	2	Switch, Toggle	
44	1001161710	2	Switch, Toggle	
45	1001275628	1	Controller Assembly (Drive and Steer)	
46	1001275629	1	Controller Assembly (Lift and Swing)	
47	1001172760	4	Bracket	
48	1001185281	1	Plug	

SECTION 5 - PLATFORM

ITEM	PART NUMBER	QTY	DESCRIPTION	REV
49	1001206532	1	Lamp, Indicator	C
50	1001213882	1	Mount, Connector	
51	1001220486	1	Plug	
52	1001242124	1	Platform Console Harness (See Separate Breakdown in ELECTRICAL Section)	
53	1001260937	1	Decal - Tower Stow	
54	1001199483	1	Module, Platform (Note: Re-calibration Required when Replaced)	
55	1001265905	1	BOX, CONSOLE ASSEMBLY	
55A	0630568	1	Screw 3/8 x 4-1/2	
55B	3311601	1	Nut 3/8	
55C	3430616	2	Pin	
55D	3470003	2	Pin	
55E	4711600	2	Washer 3/8	
56	4240099	AR	Tie-Strap (Not Shown)	

SECTION 5 - PLATFORM

FIGURE 5-21. CONSOLE DECAL AND LIGHT PANEL INSTALLATION



ART_1001245176_20F2

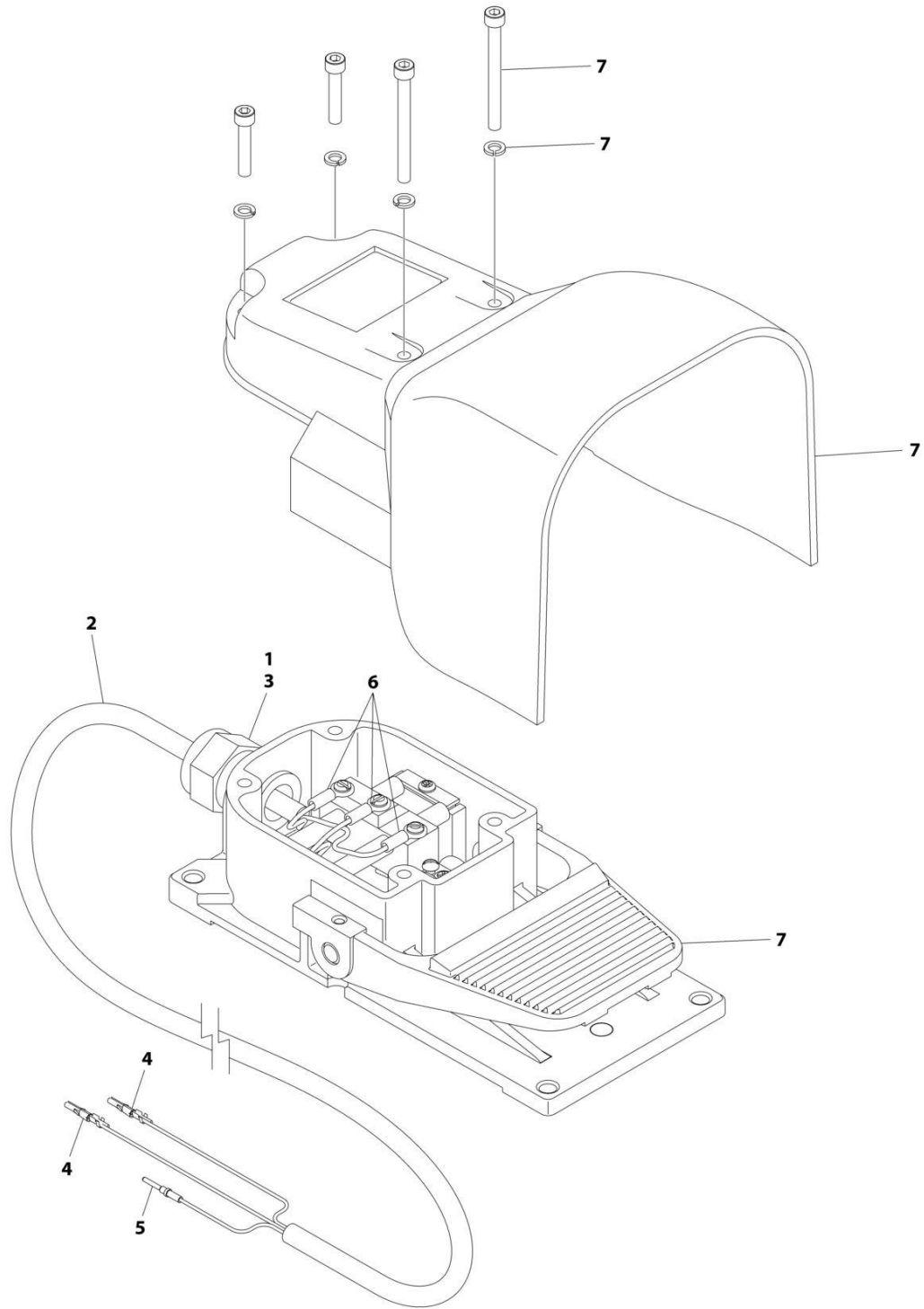
SECTION 5 - PLATFORM

FIGURE 5-21. CONSOLE DECAL AND LIGHT PANEL INSTALLATION

ITEM	PART NUMBER	QTY	DESCRIPTION	REV
	1001245176	Ref	LIGHT PANEL INSTALLATION	C
1	0100035	AR	Compound, Locking	
3	0630518	2	Screw #10 x 3/4	
	1001284588	1	Light Panel Electrical Assembly	
4	1001282106	1	Housing and Seal	
4	1001284587	1	Light Panel (LED)	

SECTION 5 - PLATFORM

FIGURE 5-22. FOOTSWITCH ASSEMBLY



ART_100117174

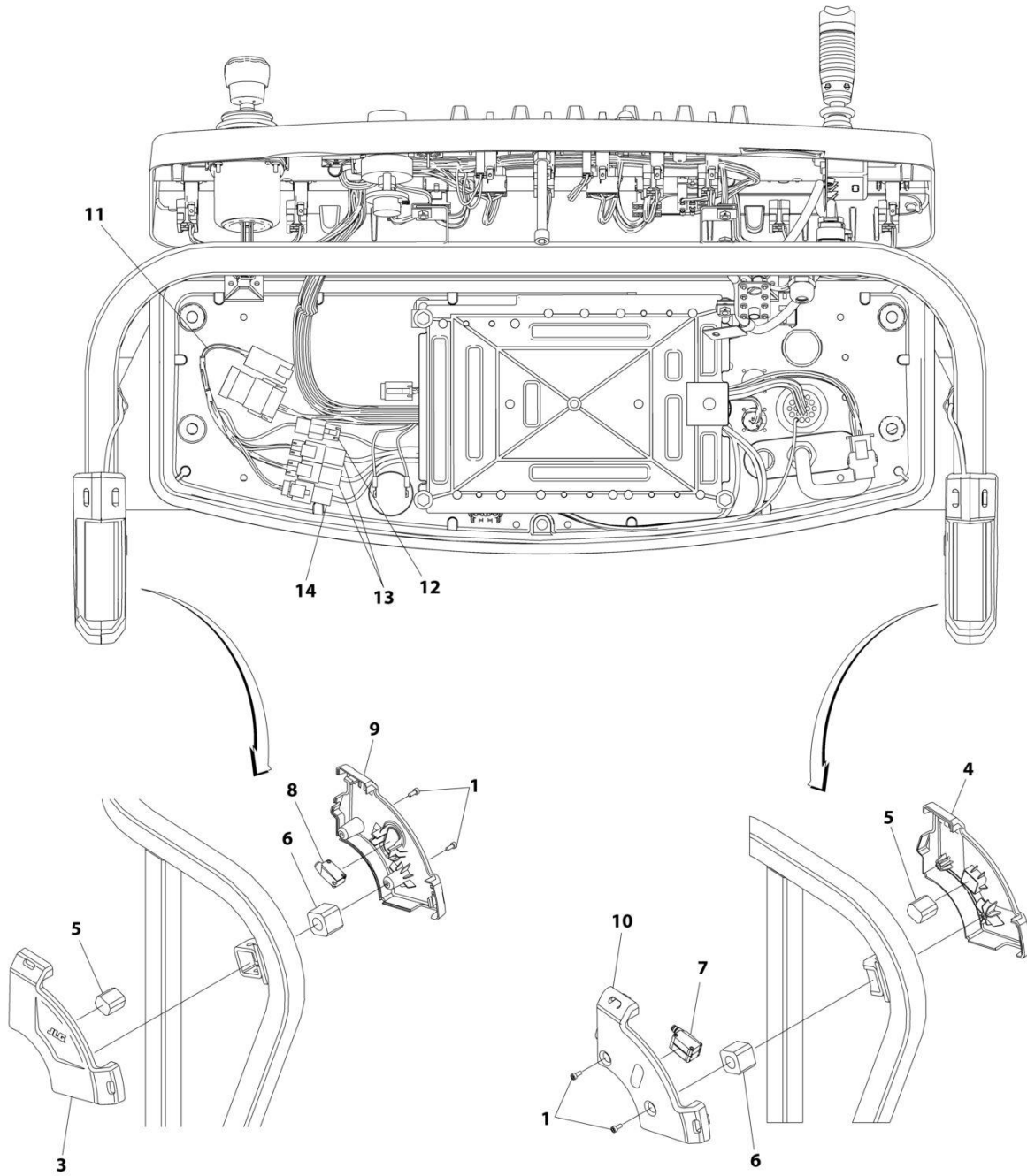
SECTION 5 - PLATFORM

FIGURE 5-22. FOOTSWITCH ASSEMBLY

ITEM	PART NUMBER	QTY	DESCRIPTION	REV
	1001117174	Ref	FOOTSWITCH ASSEMBLY	C
1	0100020	AR	Sealant	
2	1060918	7.5 ft/ 2.3m	Cable, Electrical - 18/3	
3	4460071	1	Connector, Strain Relief	
4	4460226	2	Socket, Female	
5	4460464	1	Pin, Male	
6	1001098122	3	Terminal	
7	1001117172	1	Footswitch	
7	70002902	1	Switch, 20Amp	
7	70002903	1	Gasket	
7	70002905	1	Cover	
7	70002904	1	Kit, Replacement Bolt	

SECTION 5 - PLATFORM

FIGURE 5-23. SKYEYE INSTALLATION



ART_1001229341

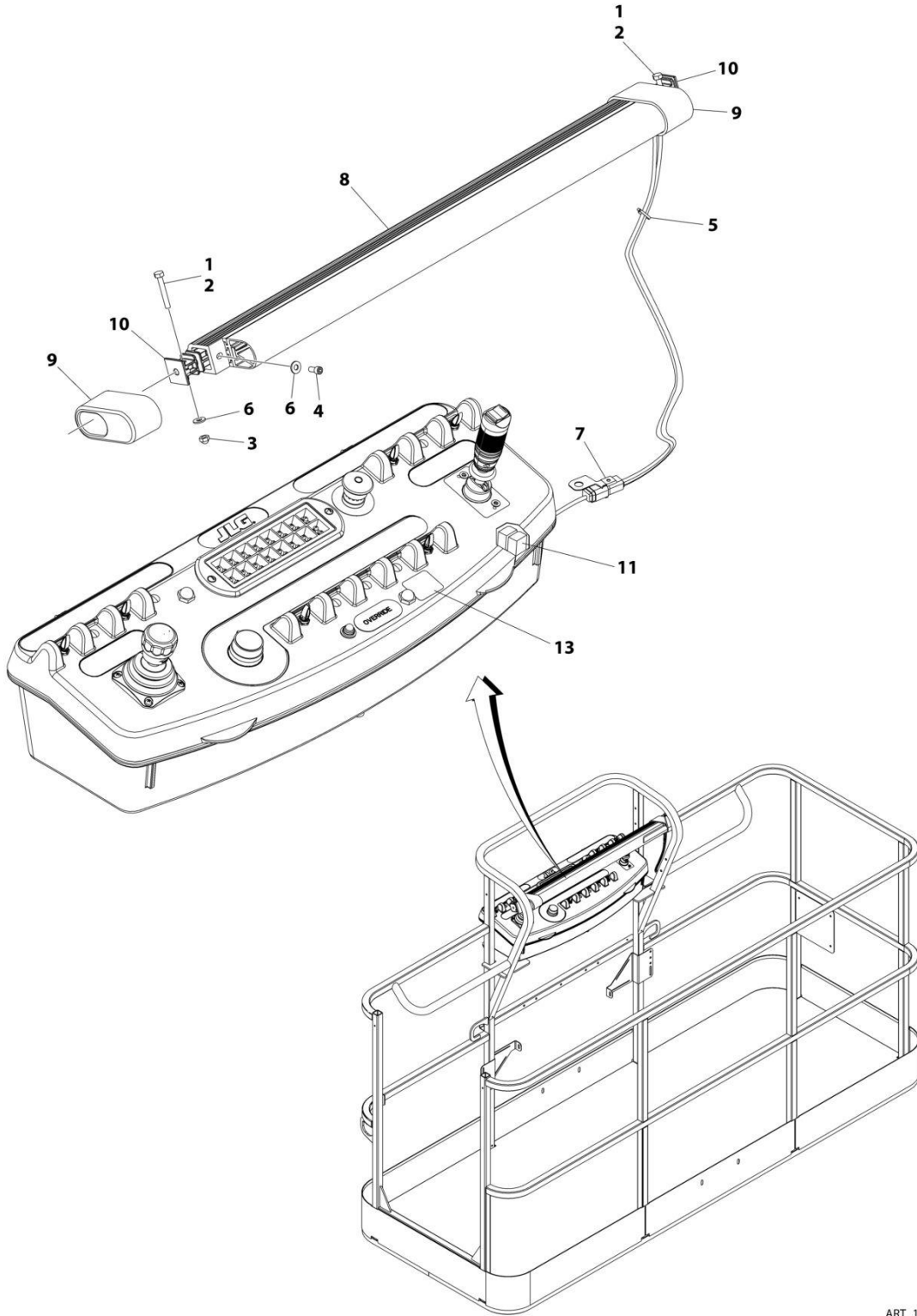
SECTION 5 - PLATFORM

FIGURE 5-23. SKYEYE INSTALLATION

ITEM	PART NUMBER	QTY	DESCRIPTION	REV
	1001229341	Ref	SKYEYE INSTALLATION	B
1	4031505	4	Bolt M4 x 10	
2	4240033	AR	Tie-Strap (Not Shown)	
3	1001227633	1	Housing, LH Outer	
4	1001227634	1	Housing, RH Outer	
5	1001227985	2	Shim	
6	1001227987	2	Shim	
7	1001228224	2	Sensor, Receiver	
8	1001228225	1	Sensor, Emitter	
9	1001232164	1	Housing, LH Inner	
10	1001232165	1	Housing, RH Inner	
11	1001237865	1	Harness, Skyeeye Intermediate (See Separate Breakdown in ELECTRICAL Section)	
12	1001238319	NLA	Harness, Skyeeye Drain Jumper	
12	1001187674	1	Plug, Male - 2 Position	
12	4460942	1	Terminal	
12	4460466	1	Plug, Terminal	
12	4460508	1	Pin, Male	
13	1001237863	2	Harness, Skyeeye Receiver (See Separate Breakdown in ELECTRICAL Section)	
14	1001237864	1	Harness, Skyeeye Emitter (See Separate Breakdown in ELECTRICAL Section)	

SECTION 5 - PLATFORM

FIGURE 5-24. SKYGUARD BAR INSTALLATION



ART_1001238495

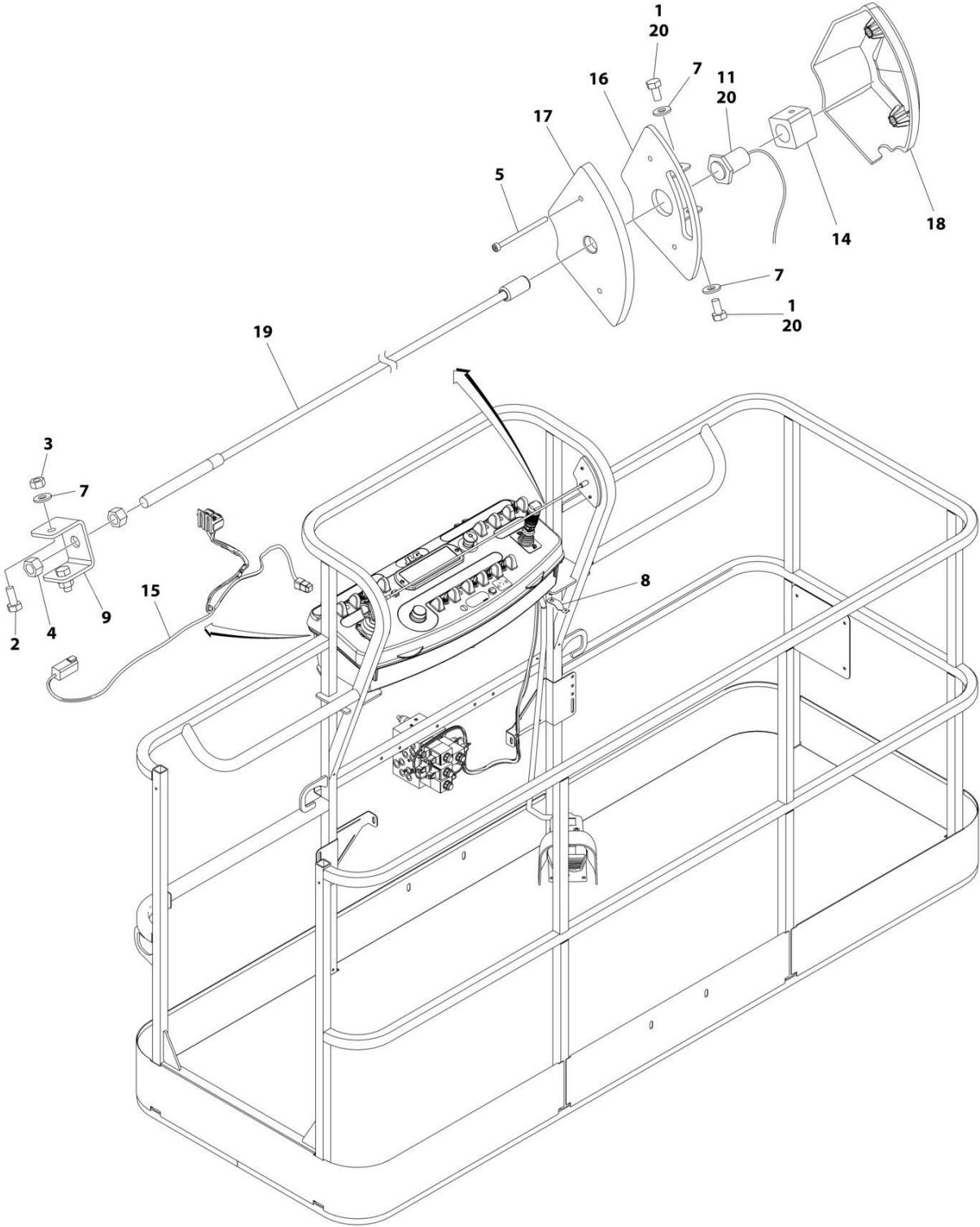
SECTION 5 - PLATFORM

FIGURE 5-24. SKYGUARD BAR INSTALLATION

ITEM	PART NUMBER	QTY	DESCRIPTION	REV
	1001238495	Ref	SKYGUARD BAR INSTALLATION	A
1	0100011	AR	Compound, Locking	
2	0641414	2	Bolt 1/4 x 1-3/4	
3	3300430	2	Nut 1/4	
4	3931408	2	Capscrew 1/4 x 1/2	
5	4240033	8	Tie-Strap	
6	4711400	6	Washer 1/4	
7	1001120328	1	Mount	
8	1001137673	1	SkyGuard Switch Assembly	
9	1001186517	2	Cover, Platform Sensor	
10	1001209664	2	Support, Block	
11	1001186431	2	Relay	
12	1001225580	1	Interface Harness Assembly (Not Shown - Located Inside Console Box) (See Separate Breakdown in ELECTRICAL Section)	
13	1001144433	1	Decal - No Weight SkyGuard	

SECTION 5 - PLATFORM

FIGURE 5-25. SKYLINE INSTALLATION



ART_1001238559_D

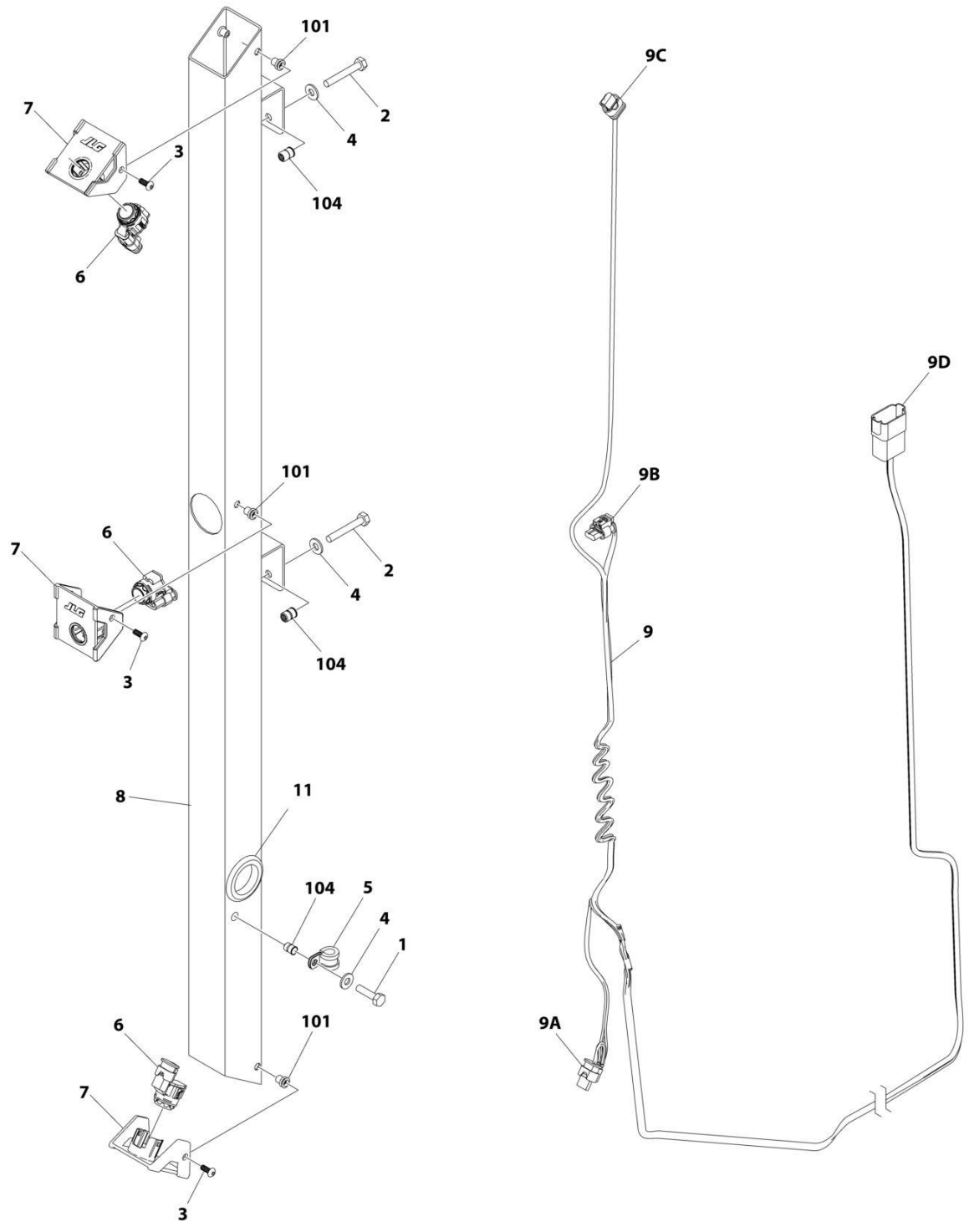
SECTION 5 - PLATFORM

FIGURE 5-25. SKYLINE INSTALLATION

ITEM	PART NUMBER	QTY	DESCRIPTION	REV
	1001238559	Ref	SKYLINE INSTALLATION	D
1	0641404	2	Bolt 1/4 x 1/2	
2	0641405	2	Bolt 1/4 x 5/8	
3	3311405	2	Nut 1/4	
4	3311601	2	Nut 3/8	
5	4031516	2	Capscrew M4 x 60	
6	4240033	AR	Tie-Strap (Not Shown)	
7	4711400	4	Washer 1/4	
8	1001120328	1	Mount	
9	1001232642	1	Bracket	
11	1001232667	1	Sensor, Proximity	
11	1001311034	1	Sensor, Proximity	
14	1001236552	1	Block	
15	1001238418	1	Harness, Skyline (See Separate Breakdown in ELECTRICAL Section)	
16	1001238472	1	Mount	
17	1001254473	1	Housing, LH	
18	1001241965	1	Housing, RH	
19	1001254472	1	Rod	
20	0100011	AR	Compound, Locking	

SECTION 5 - PLATFORM

FIGURE 5-26. SKYSENSE MID TUBE SENSOR ASSEMBLY



ART_1001243205

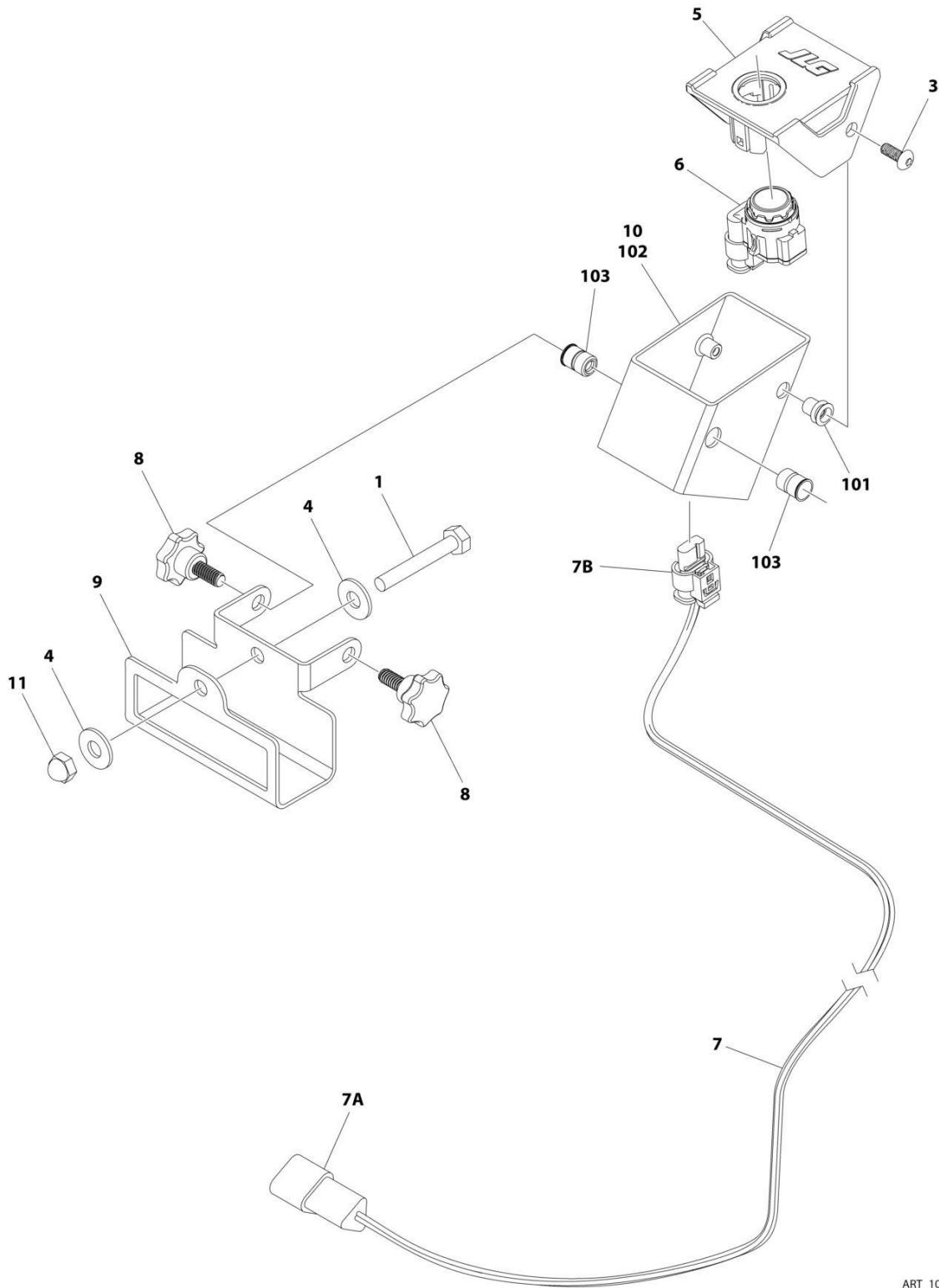
SECTION 5 - PLATFORM

FIGURE 5-26. SKYSENSE MID TUBE SENSOR ASSEMBLY

ITEM	PART NUMBER	QTY	DESCRIPTION	REV
	1001243205	Ref	SKYSENSE MID TUBE SENSOR ASSEMBLY	C
1	0641408	1	Bolt 1/4 x 1	
2	0641414	2	Bolt 1/4 x 1-3/4	
3	1001260525	6	Screw #10 x 1/2	
4	4711400	3	Washer 1/4	
5	1001260524	1	Clamp	
6	1001237902	3	Sensor, SkySense	
7	1001241162	3	Mount, Sensor	
8	1001243092	1	Tube Assembly (Includes items 101 through 104)	C
9	1001244336	1	Harness, SkySense Mid Tube	D
9A	1001237898	1	Connector	
9A	1001237888	3	Terminal	
9B	1001237898	1	Connector	
9B	1001237888	3	Terminal	
9C	1001237898	1	Connector	
9C	1001237888	3	Terminal	
9D	4460931	1	Connector	
9D	4460943	7	Pin	
9D	4460466	1	Plug	
10	1001246389	1	Decal (Not Shown)	
11	1001247252	1	Grommet	
101	2080069	6	Fastener	
104	1001258730	3	Rivnut	

SECTION 5 - PLATFORM

FIGURE 5-27. SKYSENSE OVERHEAD SENSOR ASSEMBLY



ART_1001244733

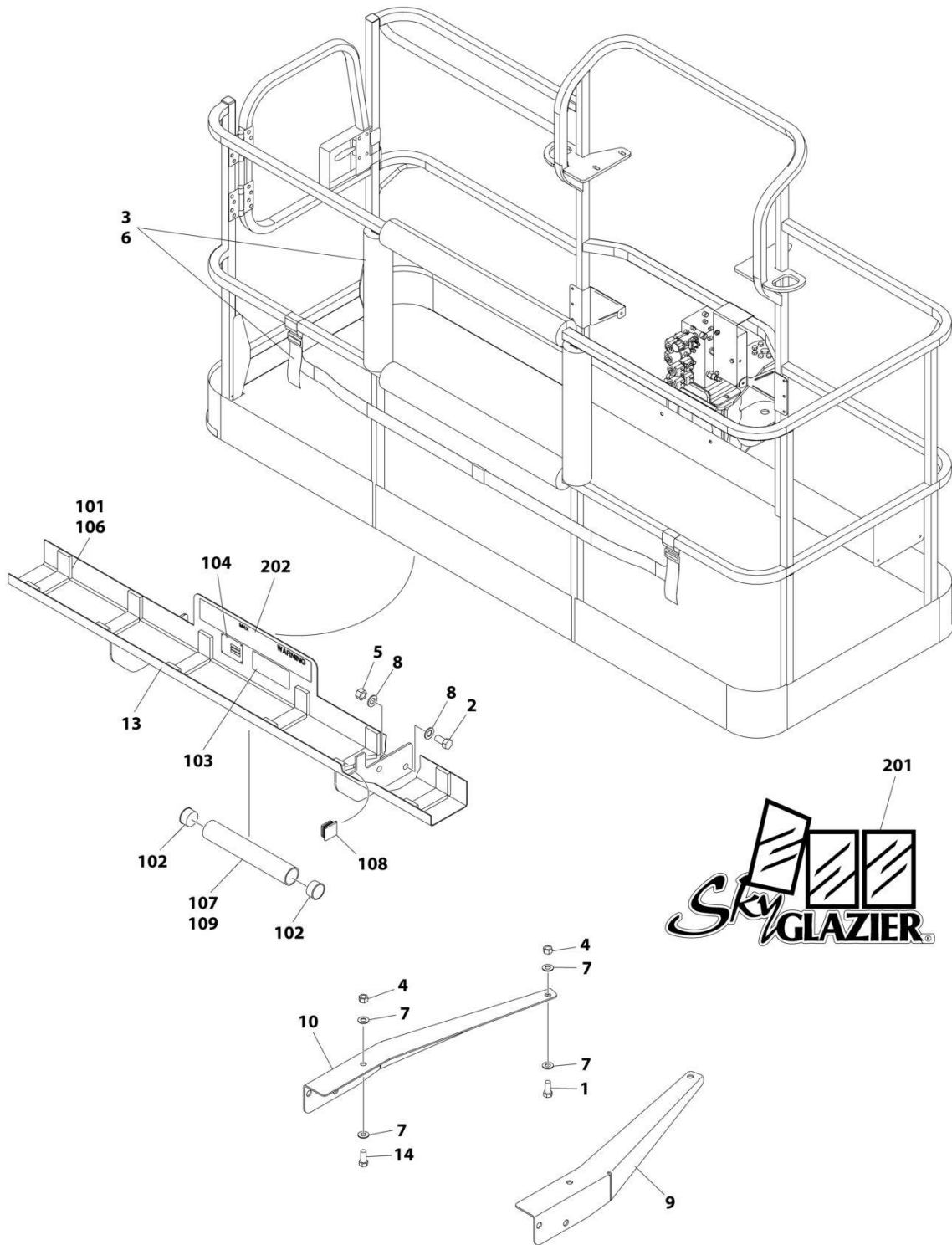
SECTION 5 - PLATFORM

FIGURE 5-27. SKYSENSE OVERHEAD SENSOR ASSEMBLY

ITEM	PART NUMBER	QTY	DESCRIPTION	REV
	1001244733	Ref	SKYSENSE OVERHEAD SENSOR ASSEMBLY	D
1	0641414	1	Bolt 1/4 x 1-3/4	
3	1001260525	2	Screw #10 x 1/2	
4	4751400	2	Washer 1/4	
5	1001237891	1	Mount, Sensor	
6	1001237902	1	Sensor, SkySense	
7	1001244335	1	Harness, SkySense Overhead	D
7A	4460536	1	Connector	
7A	4460943	3	Pin	
7B	1001237898	1	Connector	
7B	1001237888	1	Terminal	
8	1001244671	2	Knob	
9	1001244709	1	Bracket, Mounting	
10	1001244732	1	Housing Assembly (Includes items 101 through 103)	B
11	3300430	1	Nut	
101	2080069	2	Fastener	
102	1001244710	1	Housing, Sensor	
103	1001258730	2	Rivnut	

SECTION 5 - PLATFORM

FIGURE 5-28. SKYGLAZIER INSTALLATION (ANSI, ANSI EXPORT, AUSTRALIAN, CE AND CSA SPECS)



ART_1001172578

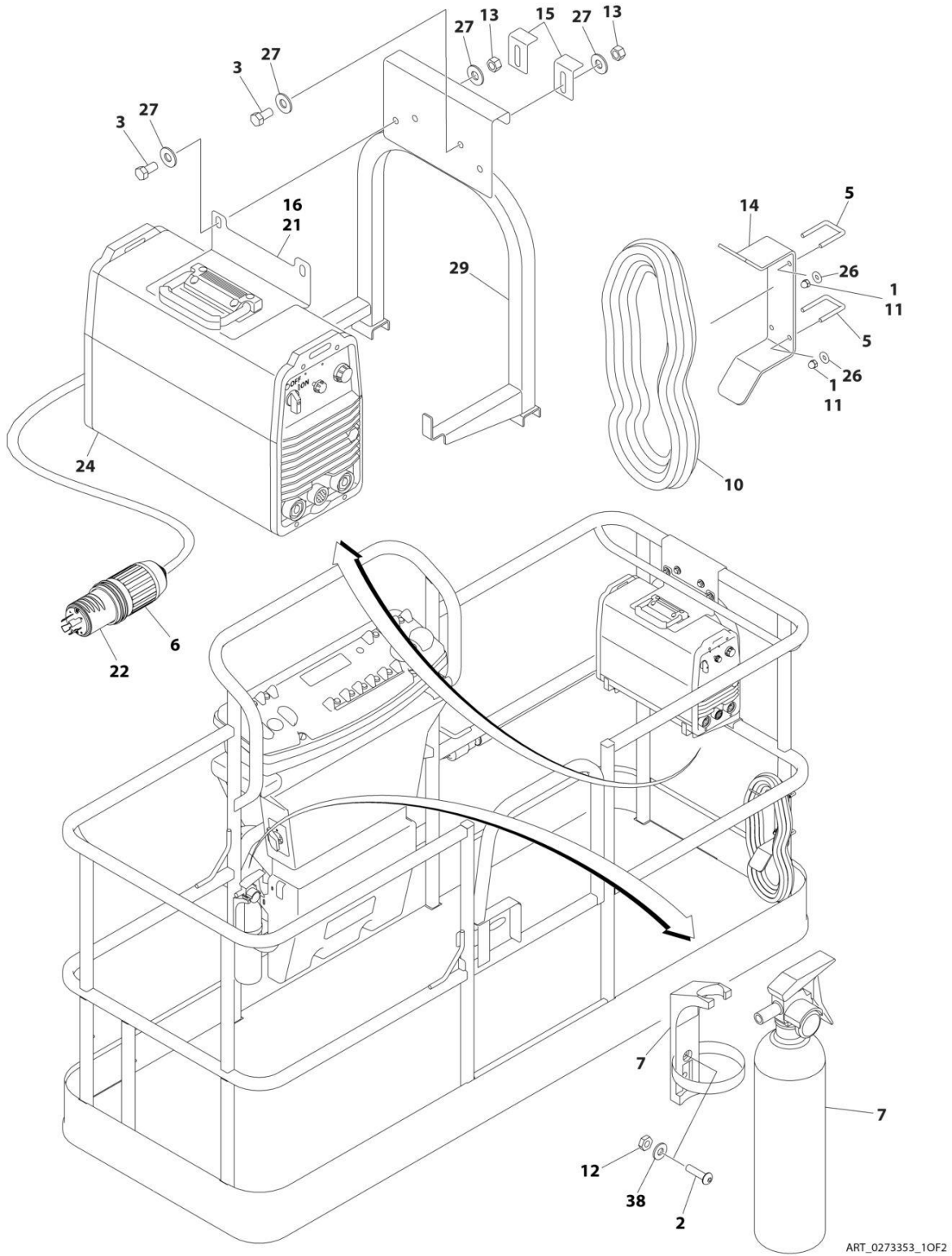
SECTION 5 - PLATFORM

FIGURE 5-28. SKYGLAZIER INSTALLATION (ANSI, ANSI EXPORT, AUSTRALIAN, CE AND CSA SPECS)

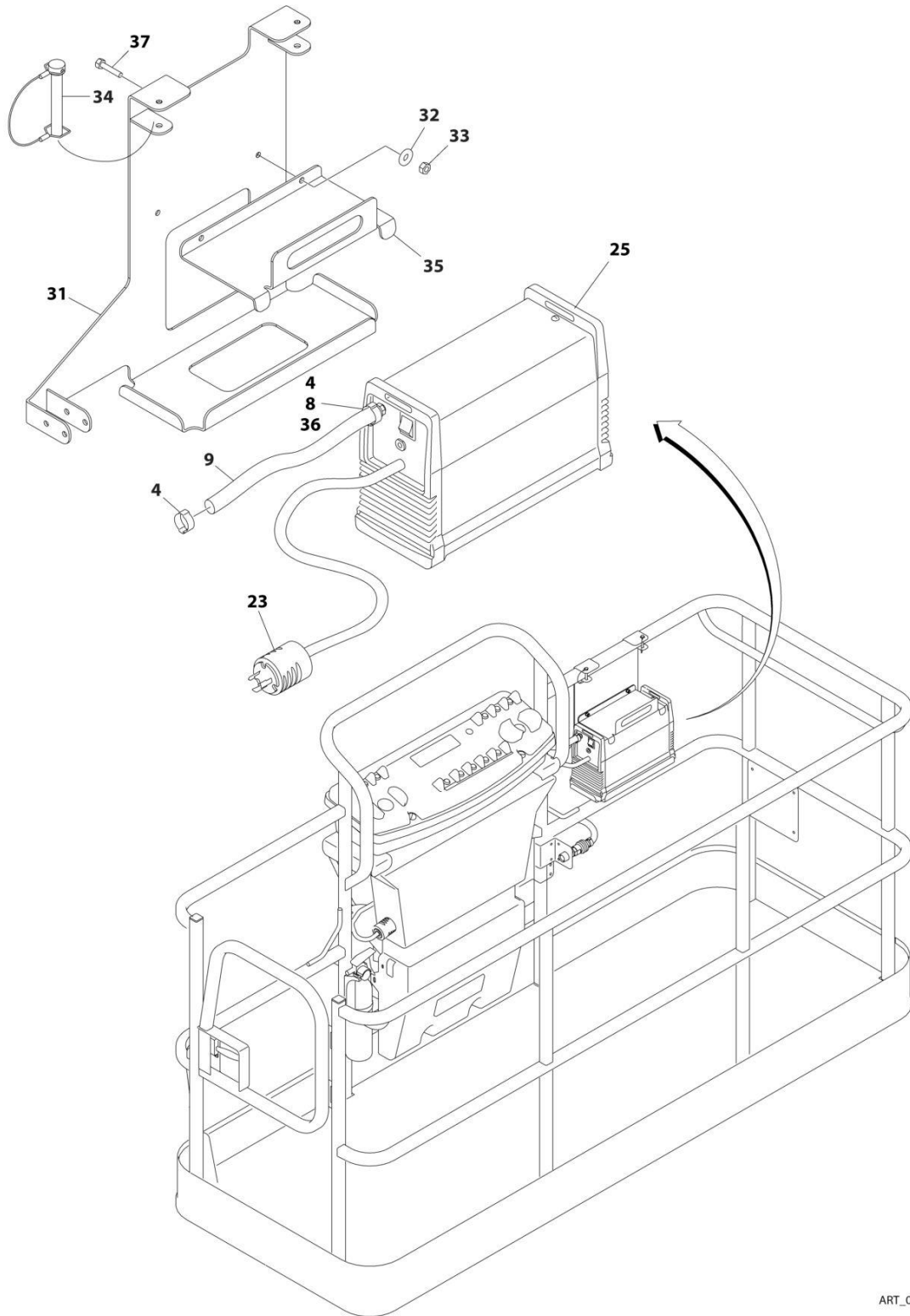
ITEM	PART NUMBER	QTY	DESCRIPTION	REV
	1001172578	Ref	SKYGLAZIER INSTALLATION	C
1	0642012	2	Bolt 5/8 x 1-1/2	
2	0642212	4	Bolt 3/4 x 1-1/2	
3	2902212	1	Bumpers and Strap Kit	
3	0940102	1	Bumper Only	
3	4240149	1	Strap Only	
4	3312005	4	Nut 5/8	
5	3312205	4	Nut 3/4	
6	4420014	AR	Tape	
7	4712000	6	Washer 5/8	
8	4712200	8	Washer 3/4	
9	1001099366	1	Support	
10	1001099367	1	Support	
13	1001172577	1	Tray Assembly (See Items 101-109 for Breakdown)	
14	8310129	2	Bolt 3/4 x 2-1/2	
	1001172577	Ref	TRAY ASSEMBLY	C
101	0100081	AR	Adhesive	
102	1120555	2	Cap, Tube	
103	1701509	2	Decal - Manual	
104	See Note	NSS	Nameplate - Serial Number (Note: Not Available for Purchase)	
106	3340956	1	Pad Kit	
107	3460334	1	Tube	
108	3520071	2	Plug	
109	4420066	AR	Tape, Double Sided	
	1001172570	Ref	SKYGLAZIER DECAL INSTALLATION (CSA SPECS) (ENGLISH DECALS)	C
	1001172620	Ref	SKYGLAZIER DECAL INSTALLATION (AUSTRALIAN SPEC) (AUSTRALIAN DECALS)	C
201	1705358	2	Decal - SkyGlazier	
202	1001199035	2	Decal - SkyGlazier Capacity (ANSI Specs)	
202	1001199036	2	Decal - SkyGlazier Capacity (Australian Specs)	

SECTION 5 - PLATFORM

FIGURE 5-29. SKYWELDER/SKYCUTTER COMBO INSTALLATION (60HZ)



SECTION 5 - PLATFORM



ART_0273353_20F2

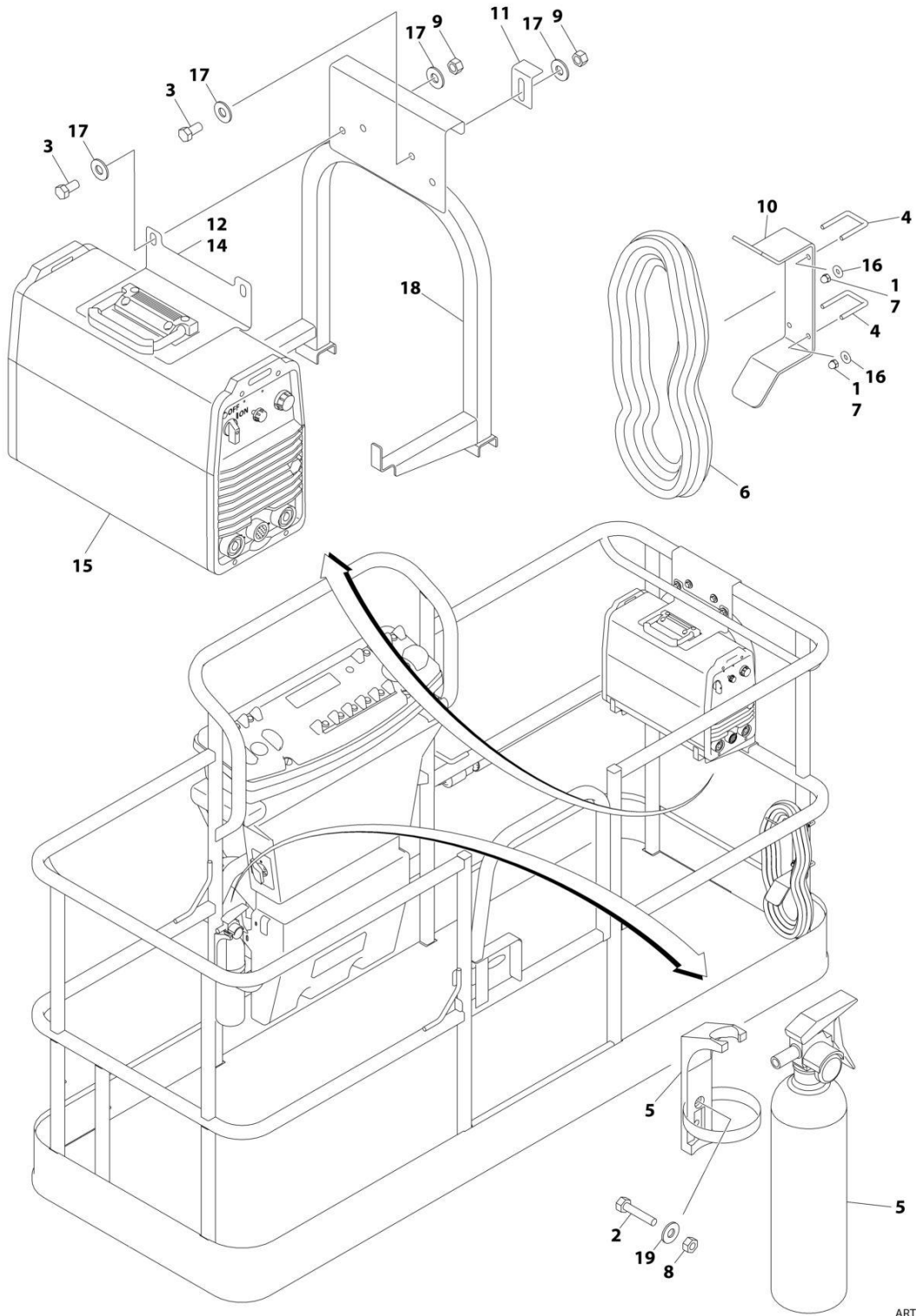
SECTION 5 - PLATFORM

FIGURE 5-29. SKYWELDER/SKYCUTTER COMBO INSTALLATION (60HZ)

ITEM	PART NUMBER	QTY	DESCRIPTION	REV
	0273353	Ref	SKYWELDER/SKYCUTTER COMBO INSTALLATION (60HZ)	G
1	0100011	AR	Compound, Locking	
2	0630518	2	Screw #10 x 3/4	
3	0641606	4	Bolt 3/8 x 3/4	
4	1320177	2	Clamp	
5	1320302	2	Clamp	
6	1671093	1	Cover, Plug	
7	2030010	1	Extinguisher, Fire	
8	2180832	1	Fitting, Barbed/NPT	
9	2720160	4.5 ft /1.37m	Hose	
10	2902217	1	Weld Leads Kit	
11	3300151	4	Nut 1/4	
12	3311005	2	Nut #10	
13	3311605	4	Nut 3/8	
14	3573400	1	Bracket	
15	3577121	2	Angle	
16	3573642	1	Plate	
20	4240099	AR	Tie-Strap (Not Shown)	
21	4420037	2.36 ft /.71m	Tape	
22	4460962	1	Plug, Twist Lock	
23	4460971	1	Plug, Twist Lock	
24	4530028	1	Welder Assembly (See Separate Breakdown in this section)	
25	1001098012	1	Plasma Cutter Assembly (See Separate Breakdown in this Section)	
26	4751400	4	Washer 1/4	
27	4751600	8	Washer 3/8	
29	4846627	1	Support	
31	1001145405	1	Bracket	
32	4811700	2	Washer M6	
33	3290605	2	Nut M6	
34	3421453	3	Pin	
35	3576799	1	Plate, Hold-Down	
36	0100020	1	Sealant	
37	4010608	2	Screw M6 x 16	
38	4751000	2	Washer #10	

SECTION 5 - PLATFORM

FIGURE 5-30. SKYWELDER INSTALLATION (50HZ)



ART_0272521_F

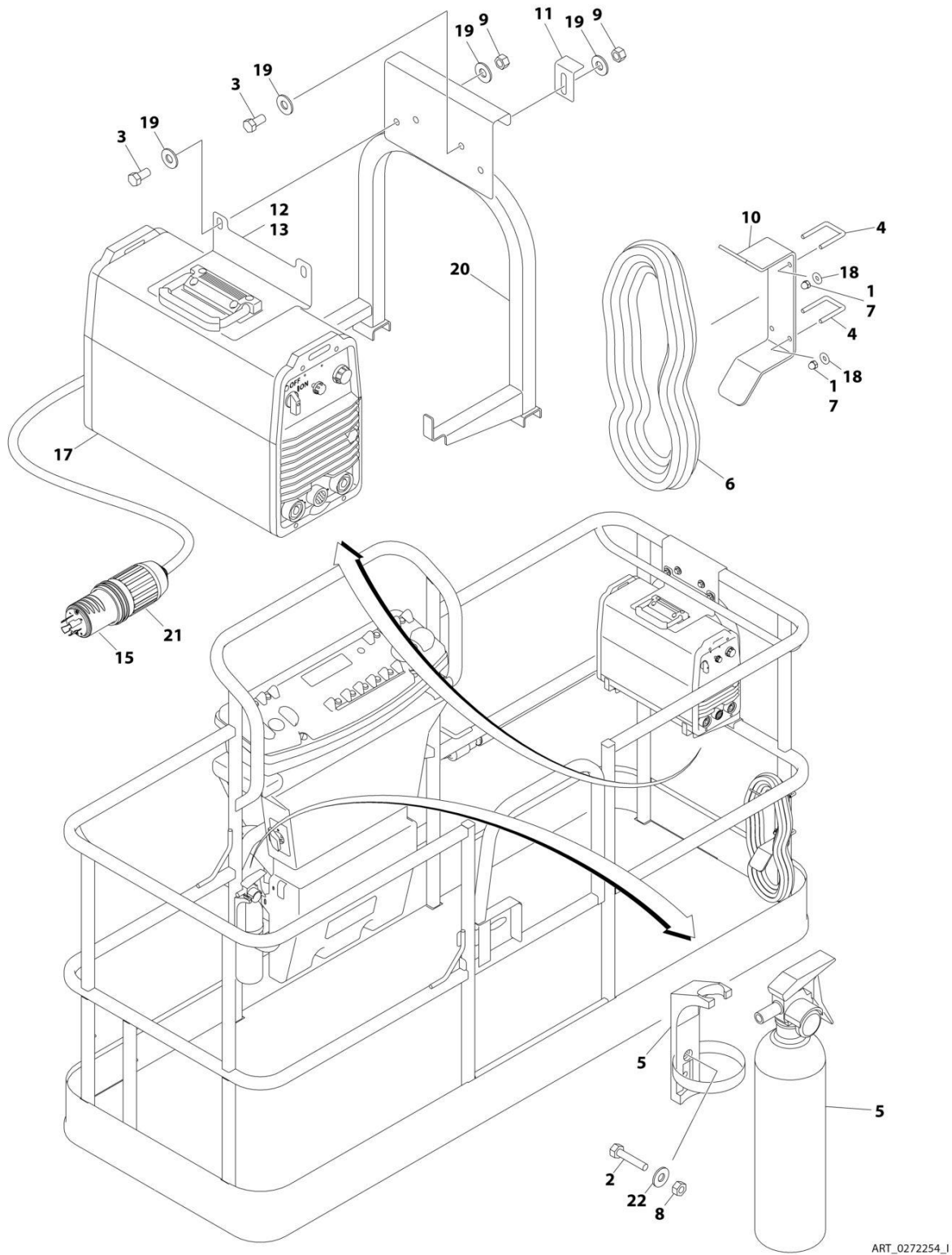
SECTION 5 - PLATFORM

FIGURE 5-30. SKYWELDER INSTALLATION (50HZ)

ITEM	PART NUMBER	QTY	DESCRIPTION	REV
	0272521	Ref	SKYWELDER INSTALLATION	F
1	0100011	AR	Compound, Locking	
2	0630518	2	Screw #10 x 3/4	
3	0641606	4	Bolt 3/8 x 3/4	
4	1320302	2	U-Clamp	
5	2030010	1	Extinguisher, Fire	
6	2902217	1	Weld Leads Kit	
7	3300151	4	Nut 1/4	
8	3311005	2	Nut #10	
9	3311605	4	Nut 3/8	
10	3573400	1	Bracket	
11	3577121	2	Angle	
12	3573642	1	Plate	
13	4240099	AR	Tie-Strap (Not Shown)	
14	4420037	AR	Tape	
15	4530028	1	Welder Assembly (See Separate Breakdown in this Section)	
16	4751400	4	Washer 1/4	
17	4751600	8	Washer 3/8	
18	4846627	1	Support	
19	4751000	2	Washer #10	

SECTION 5 - PLATFORM

FIGURE 5-31. SKYWELDER INSTALLATION (60HZ)



ART_0272254_I

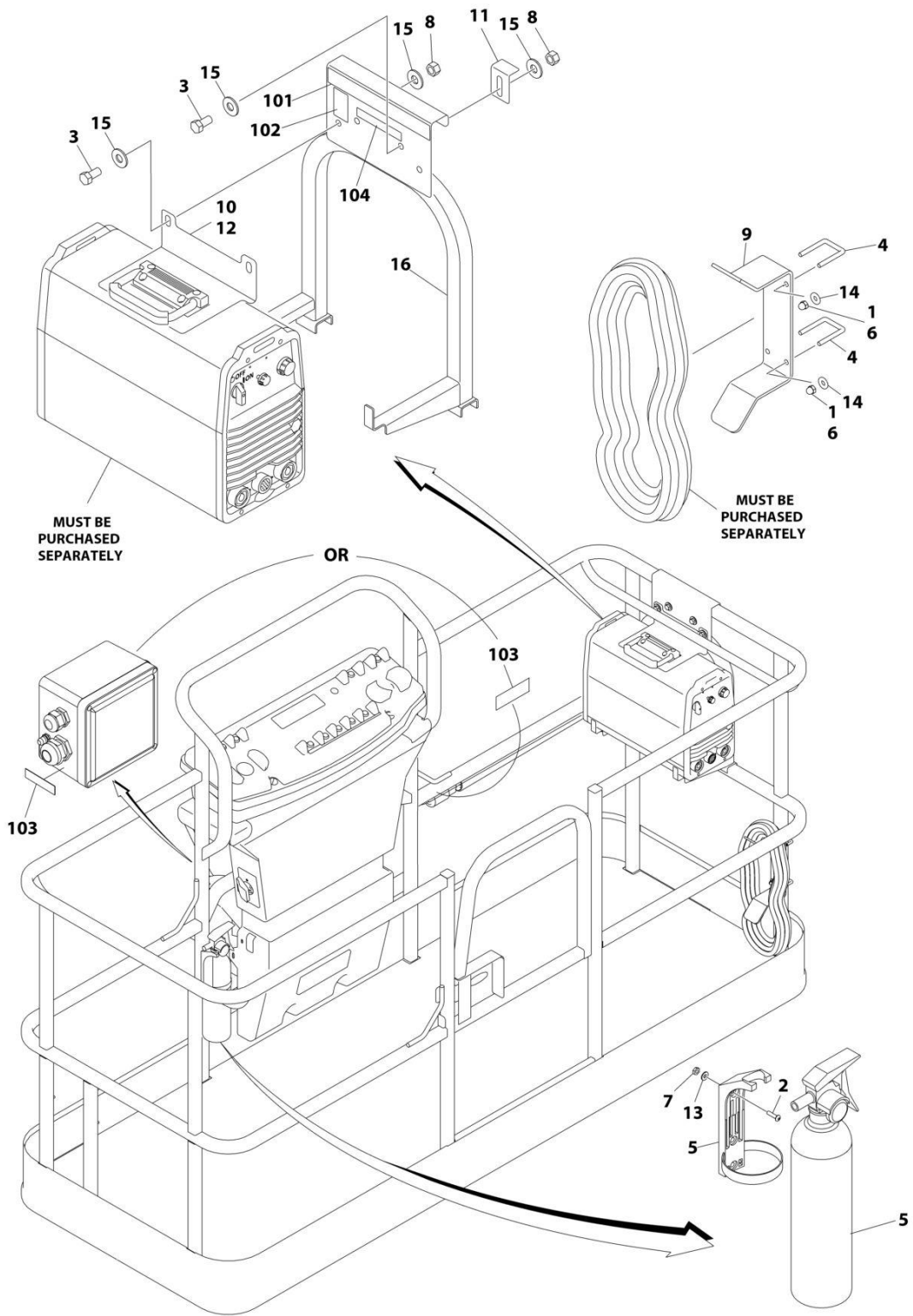
SECTION 5 - PLATFORM

FIGURE 5-31. SKYWELDER INSTALLATION (60HZ)

ITEM	PART NUMBER	QTY	DESCRIPTION	REV
	0272254	Ref	SKYWELDER INSTALLATION	1
1	0100011	AR	Compound, Locking	
2	0630518	2	Screw #10 x 3/4	
3	0641606	4	Bolt 3/8 x 3/4	
4	1320302	2	U-Clamp	
5	2030010	1	Extinguisher, Fire	
6	2902217	1	Weld Leads Kit	
7	3300151	4	Nut 1/4	
8	3311005	2	Nut #10	
9	3311605	4	Nut 3/8	
10	3573400	1	Bracket	
11	3577121	2	Angle	
12	3573642	1	Plate	
13	4420037	AR	Tape	
14	4240099	AR	Tie-Strap (Not Shown)	
15	4460962	1	Plug, Male Twistlock	
17	4530028	1	Welder Assembly (See Separate Breakdown in this Section)	
18	4751400	4	Washer 1/4	
19	4751600	8	Washer 3/8	
20	4846627	1	Support	
21	1671093	1	Cover, Plug	
22	4751000	2	Washer #10	

SECTION 5 - PLATFORM

FIGURE 5-32. SKYWELDER PREP PACKAGE (60HZ)



ART_1001128527_B

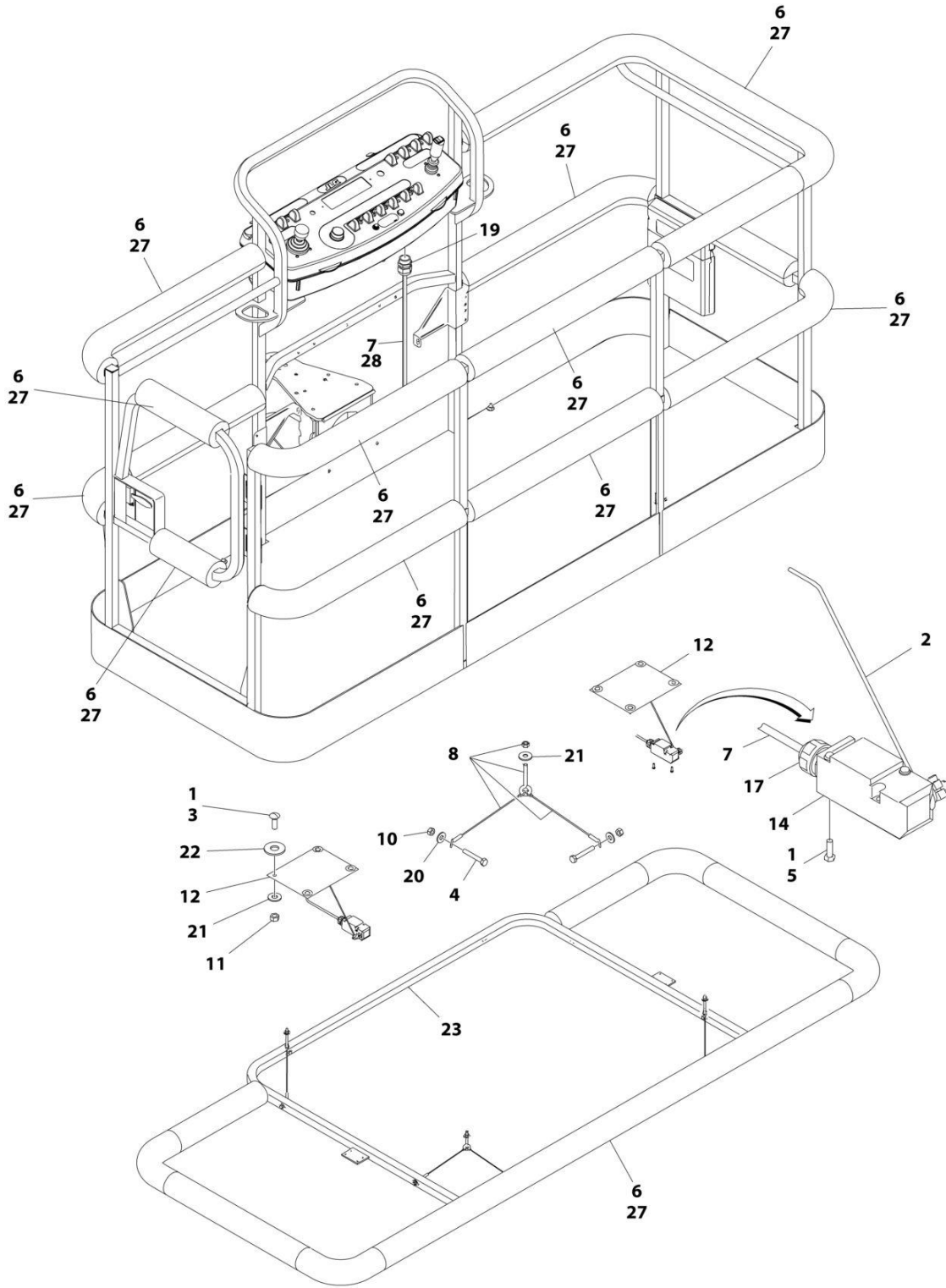
SECTION 5 - PLATFORM

FIGURE 5-32. SKYWELDER PREP PACKAGE (60HZ)

ITEM	PART NUMBER	QTY	DESCRIPTION	REV
	1001128527	Ref	SKYWELDER PREP PACKAGE	B
1	0100011	AR	Compound, Locking	
2	0630518	2	Screw #10 x 3/4	
3	0641606	4	Bolt 3/8 x 3/4	
4	1320302	2	U-Clamp	
5	2030010	1	Extinguisher, Fire	
6	3300151	4	Nut 1/4	
7	3311005	2	Nut #10	
8	3311605	4	Nut 3/8	
9	3573400	1	Bracket	
10	3573642	1	Plate	
11	3577121	2	Angle	
12	4420037	AR	Tape	
13	4751000	2	Washer #10	
14	4751400	4	Washer 1/4	
15	4751600	8	Washer 3/8	
16	4846627	1	Support	
	1001128556	Ref	SKYWELDER DECAL INSTALLATION	C
101	1702868	1	Decal - No Hands	
102	1705305	1	Decal - Weld Lead	
103	1705375	1	Decal - 240V - 3 Phase - 60Hz	
104	1001228988	1	Decal - Weight	

SECTION 5 - PLATFORM

FIGURE 5-33. SOFT TOUCH SYSTEM INSTALLATION - 8FT/2.4M PLATFORMS (OPTIONAL)



ART_0272427_H

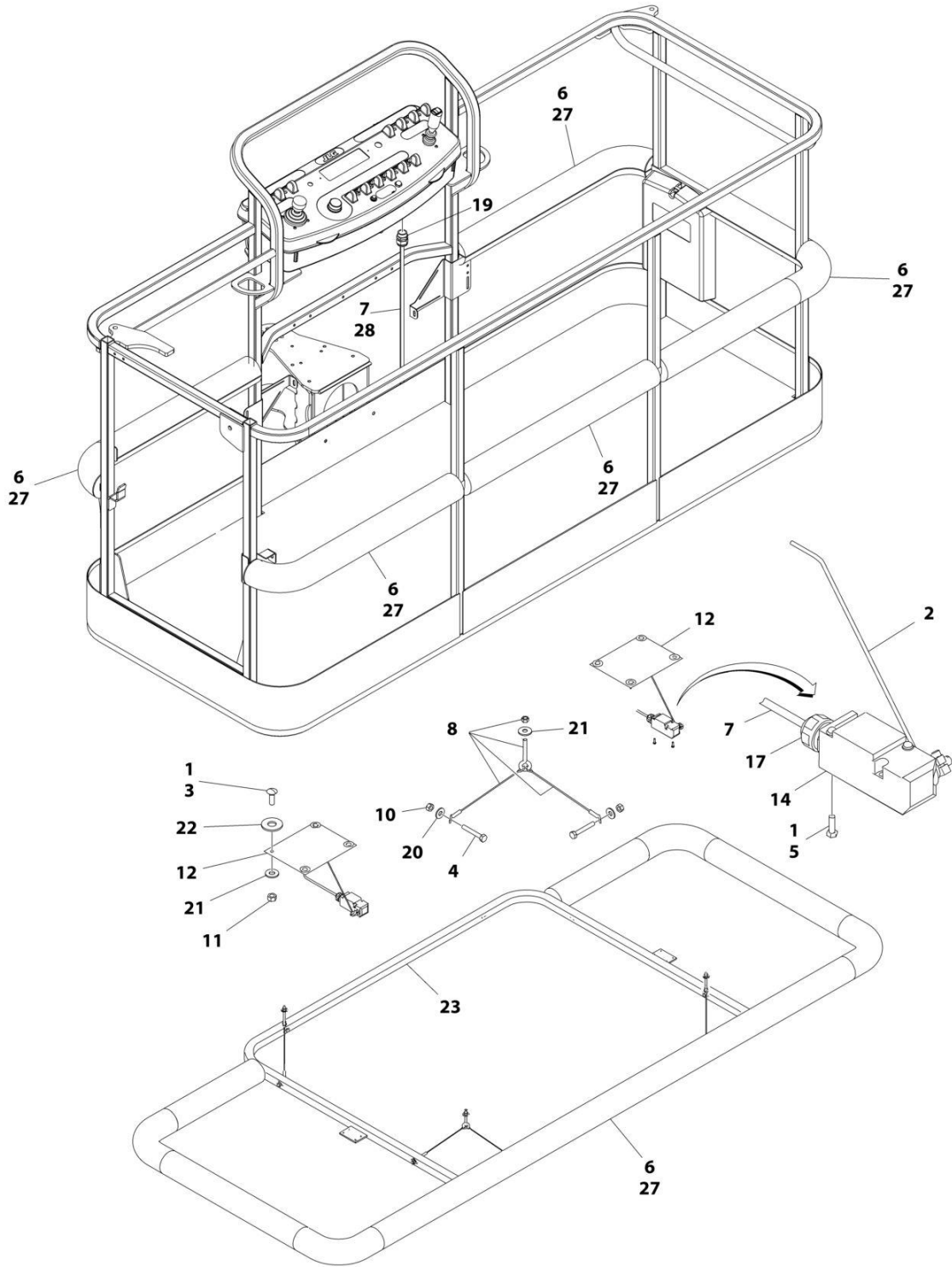
SECTION 5 - PLATFORM

FIGURE 5-33. SOFT TOUCH SYSTEM INSTALLATION - 8FT/2.4M PLATFORMS (OPTIONAL)

ITEM	PART NUMBER	QTY	DESCRIPTION	REV
	0272427	Ref	SOFT TOUCH INSTALLATION - 36IN X 8FT (91.5CM X 2.44M) PLATFORM	H
1	0100011	AR	Compound, Locking	
2	0200048	2	Arm, Switch	
3	0630462	8	Bolt	
4	0641414	8	Bolt 1/4 x 1-3/4	
5	0721005	4	Bolt #10 x 5/8	
6	0940103	1	Bumper Kit (Includes Corners and Enough Straight Material for One Platform)	
6	0940092	12	Bumper (Corner)	
6	0940094	AR	Bumper (12ft Length)	
7	1060341	23 ft/7m	Cable, Soft Touch - 16/2	
8	1060903	4	Wire Rope and Eyebolt Assembly	
10	3311401	8	Nut 1/4	
11	3311501	8	Nut 5/16	
12	3574091	2	Plate, Switch Strike	
13	4240099	7	Tie-Strap (Not Shown)	
14	4360057	2	Switch, Limit	
17	4460049	2	Connector, Strain Relief	
18	4460234	7	Tie-Strap (Not Shown)	
19	4460425	1	Connector, Strain Relief	
20	4751400	8	Washer 1/4	
21	4751500	12	Washer 5/16	
22	4751800	8	Washer 1/2	
23	4846673	1	Rail, Soft Touch	
27	1001197017	AR	Tie-Strap	
28	4460226	1	Socket	

SECTION 5 - PLATFORM

FIGURE 5-34. SOFT TOUCH SYSTEM INSTALLATION - 8FT/2.44M FALL ARREST PLATFORM



ART_0273706_E

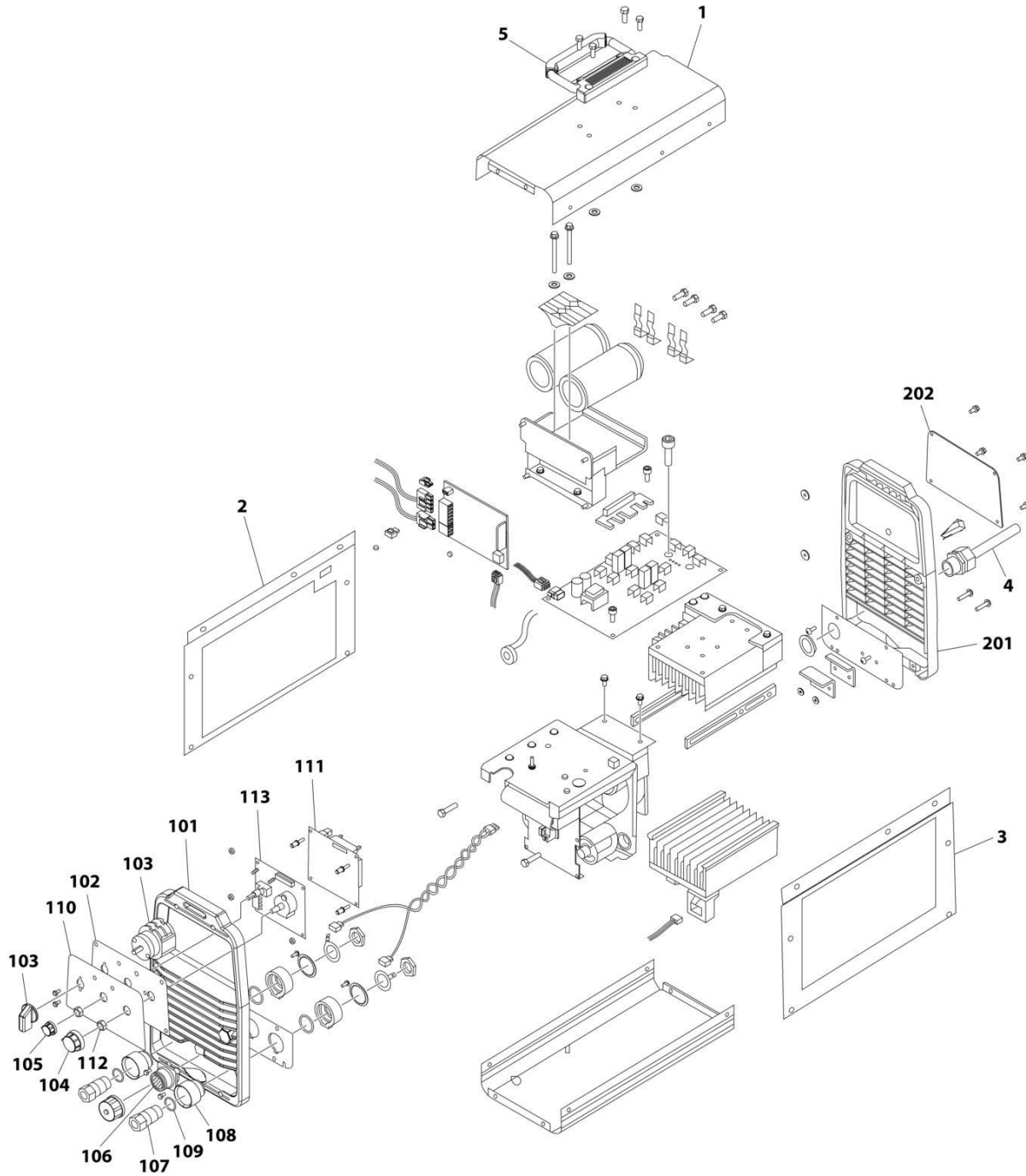
SECTION 5 - PLATFORM

FIGURE 5-34. SOFT TOUCH SYSTEM INSTALLATION - 8FT/2.44M FALL ARREST PLATFORM

ITEM	PART NUMBER	QTY	DESCRIPTION	REV
	0273706	Ref	SOFT TOUCH INSTALLATION	E
1	0100011	AR	Compound, Locking	
2	0200048	2	Arm, Switch	
3	0630462	8	Bolt	
4	0641414	8	Bolt 1/4 x 1-3/4	
5	0721005	4	Bolt #10 x 5/8	
6	0940133	1	Bumper Kit (Includes Corners and Enough Straight Material for One Platform)	
6	0940092	8	Bumper (Corner)	
6	0940094	AR	Bumper (12ft Length)	
7	1060341	23 ft/7m	Cable, Soft Touch - 16/2	
8	1060903	4	Wire Rope and Eyebolt Assembly	
10	3311401	8	Nut 1/4	
11	3311501	8	Nut 5/16	
12	3574091	2	Plate, Switch Strike	
13	4240099	7	Tie-Strap (Not Shown)	
14	4360057	2	Switch, Limit	
17	4460049	2	Connector, Strain Relief	
18	4460234	7	Tie-Strap (Not Shown)	
19	4460425	1	Connector, Strain Relief	
20	4751400	8	Washer 1/4	
21	4751500	12	Washer 5/16	
22	4751800	8	Washer 1/2	
23	4846673	1	Rail, Soft Touch	
27	1001197017	AR	Tie-Strap	
28	4460226	4	Socket	

SECTION 5 - PLATFORM

FIGURE 5-35. WELDER ASSEMBLY



ART_4530028

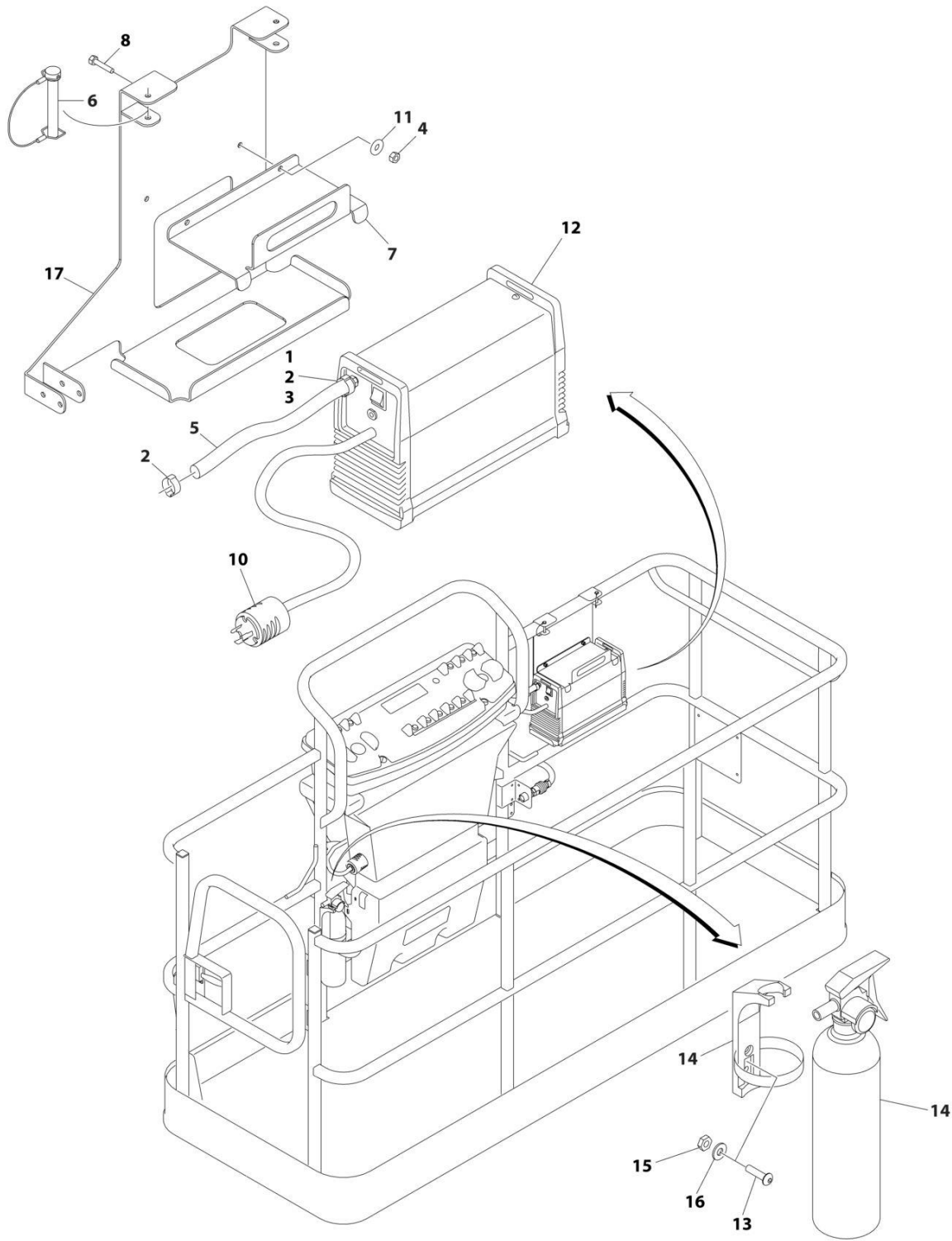
SECTION 5 - PLATFORM

FIGURE 5-35. WELDER ASSEMBLY

ITEM	PART NUMBER	QTY	DESCRIPTION	REV
	4530028	Ref	WELDER ASSEMBLY	B
		Ref	Note: For Other Components, contact your Miller Welder Dealer.	
1	7027773	1	Cover, Top	
1	7027774	1	Decal - Static Precautionary Warning	
2	See Note	NSS	Panel, LH Side (Note: Part of Item 1. Purchase Item 1)	
3	See Note	NSS	Panel, RH Side (Note: Part of Item 1. Purchase Item 1)	
4	7024467	1	Cable, Power	
4	7027775	1	Decal - Electrical Shock Warning (Not Shown)	
5	7027776	1	Handle, Carrying	
101	7024462	1	Panel, Front	
102	7024463	1	Panel, Console	
103	7024469	1	Switch with Lead	
104	7024470	1	Knob	
105	7024471	1	Knob	
106	7024472	1	Receptacle with Leads and Plugs	
107	7024473	2	Receptacle, Twistlock Female	
108	7024474	2	Insulator	
109	7024475	2	O-Ring	
110	7027777	1	Nameplate	
111	7027779	1	Circuit Card Assembly (Process Control)	
112	7024478	2	Nut	
113	7027778	1	Circuit Card Assembly (Operator Interface)	
201	7024462	1	Panel, Rear	
202	7027780	1	Panel, Cover	

SECTION 5 - PLATFORM

FIGURE 5-36. SKYCUTTER INSTALLATION



ART_1001098149_D

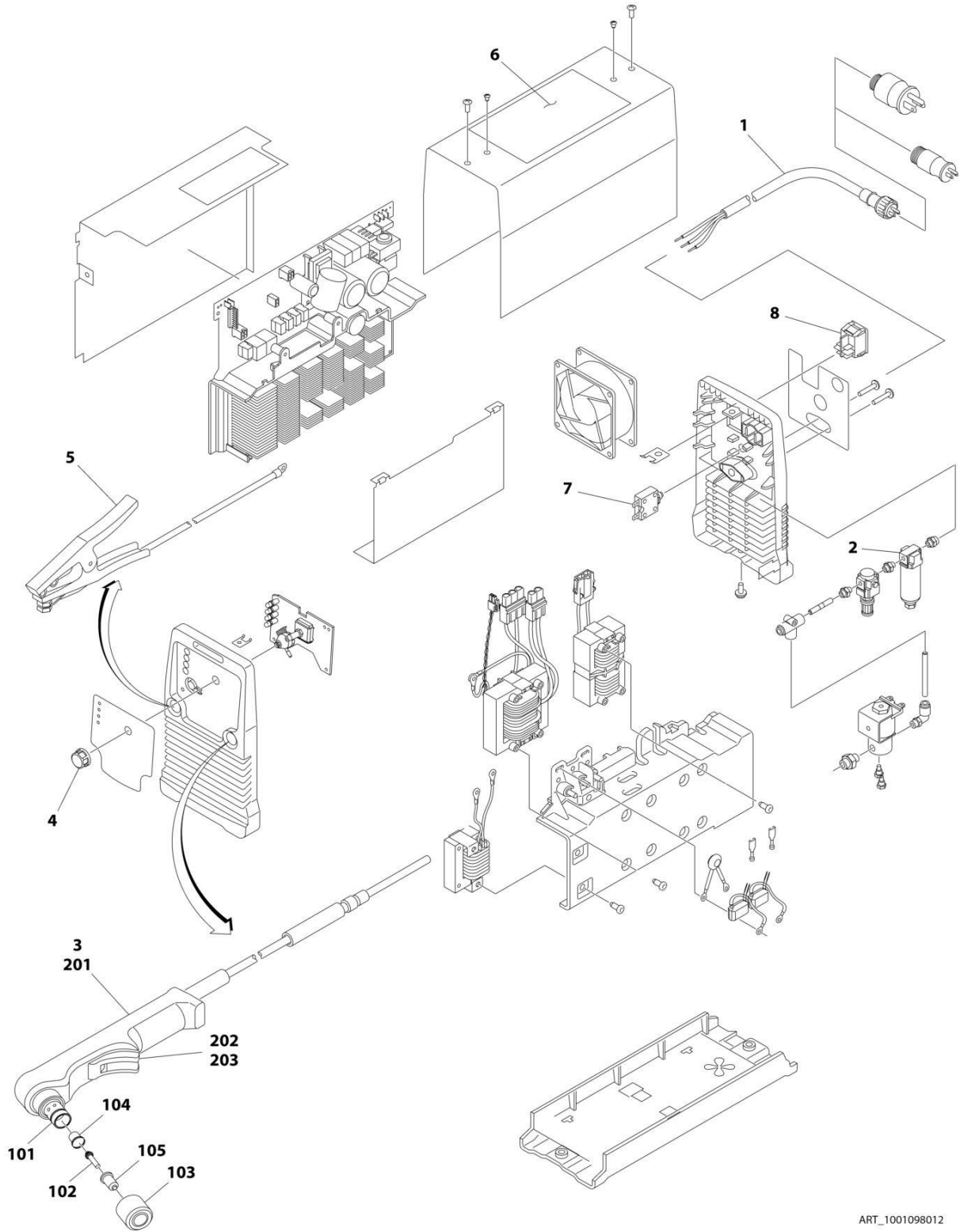
SECTION 5 - PLATFORM

FIGURE 5-36. SKYCUTTER INSTALLATION

ITEM	PART NUMBER	QTY	DESCRIPTION	REV
	1001098149	Ref	SKYCUTTER INSTALLATION	D
		Ref	Note: When replacing platform on machines with SkyCutter option, new bracket p/n 1001145405 must be purchased to accommodate SkyCutter components.	
1	0100020	AR	Sealant	
2	1320177	2	Clamp, Hose	
3	2180832	1	Fitting, NPT/Barbed	
4	3290605	2	Nut M6	
5	2720160	3 ft /.9m	Hose	
6	3421453	3	Pin	
7	3576799	1	Plate, Hold-Down	
8	4010608	2	Screw M6 x 16	
10	4460971	1	Plug, Twistlock	
11	4811700	2	Washer M6	
12	1001098012	1	Plasma Cutter Assembly (See Separate Breakdown in this Section)	
13	0630518	2	Screw #10 x 3/4	
14	2030010	1	Extinguisher, Fire	
15	3311005	2	Nut #10	
16	4751000	2	Washer #10	
17	1001145405	1	Support	

SECTION 5 - PLATFORM

FIGURE 5-37. PLASMA CUTTER ASSEMBLY



ART_1001098012

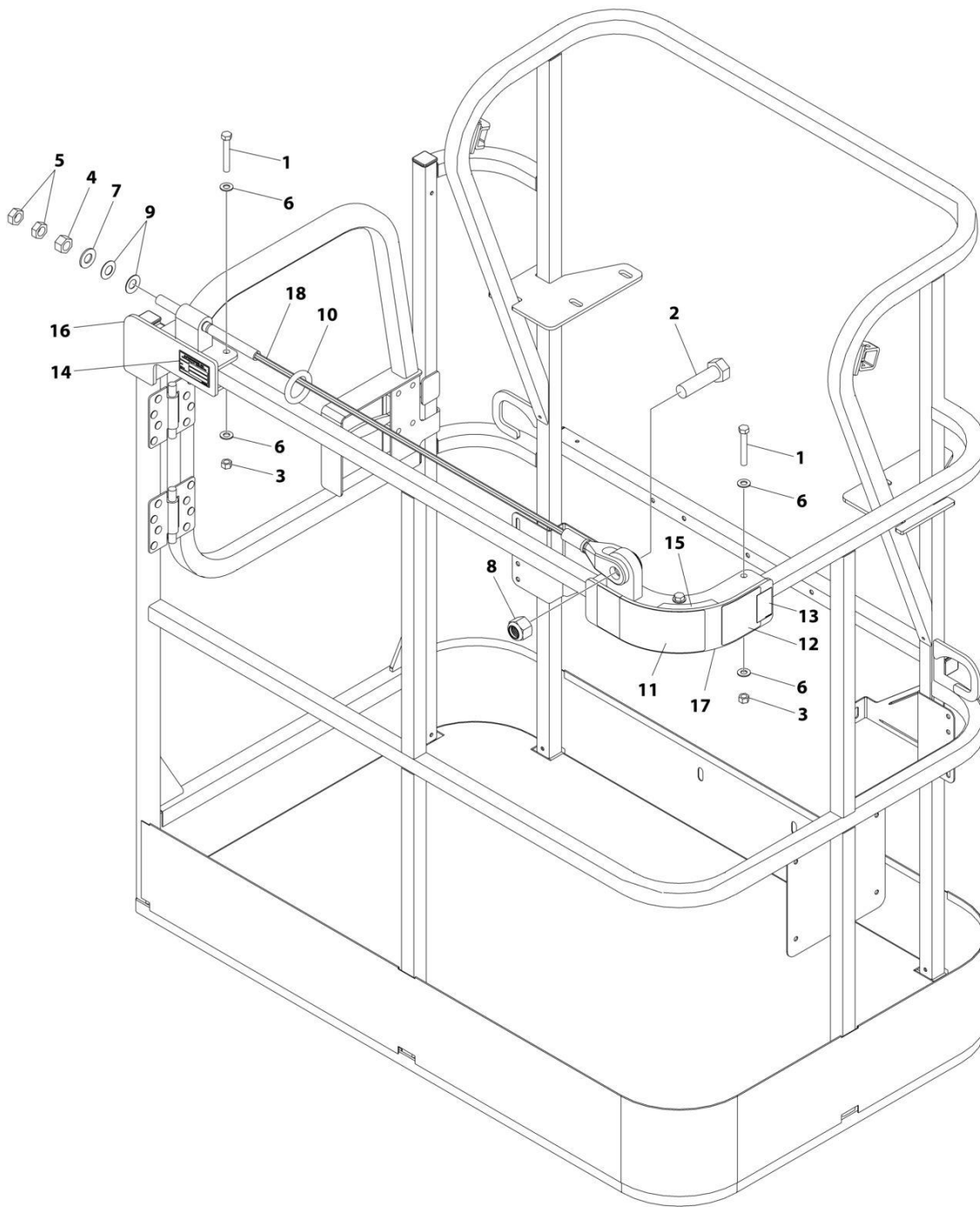
SECTION 5 - PLATFORM

FIGURE 5-37. PLASMA CUTTER ASSEMBLY

ITEM	PART NUMBER	QTY	DESCRIPTION	REV
	1001098012	Ref	PLASMA CUTTER ASSEMBLY	A
		Ref	Note: For Other Components, contact your Miller Welder Dealer.	
1	70001424	1	Cable, Power	
1	70001425	1	Decal - Voltage Warning	
2	70001427	1	Filter, Regulator	
3	70001428	1	Torch Assembly (See Items 101-203 for Breakdown)	
4	7024471	1	Knob	
5	70001429	1	Clamp with Cable	
6	70001430	1	Decal - Caution	
7	70001431	1	Breaker, Circuit	
8	70001432	1	Switch, Rocker	
	70001428	Ref	TORCH ASSEMBLY	
101	7024530	1	O-Ring	
102	7024531	1	Electrode	
103	7024532	1	Cup, Retaining	
104	7024533	1	Swirl Ring	
105	7024534	1	Tip	
201	7024535	1	Handle, Torch	
202	7024536	1	Switch	
203	7024537	1	Trigger	

SECTION 5 - PLATFORM

FIGURE 5-38. FALL ARREST INSTALLATION (BOLT - ON EXTERNAL) 4FFT/1.22M PLATFORM)



ART_1001261338

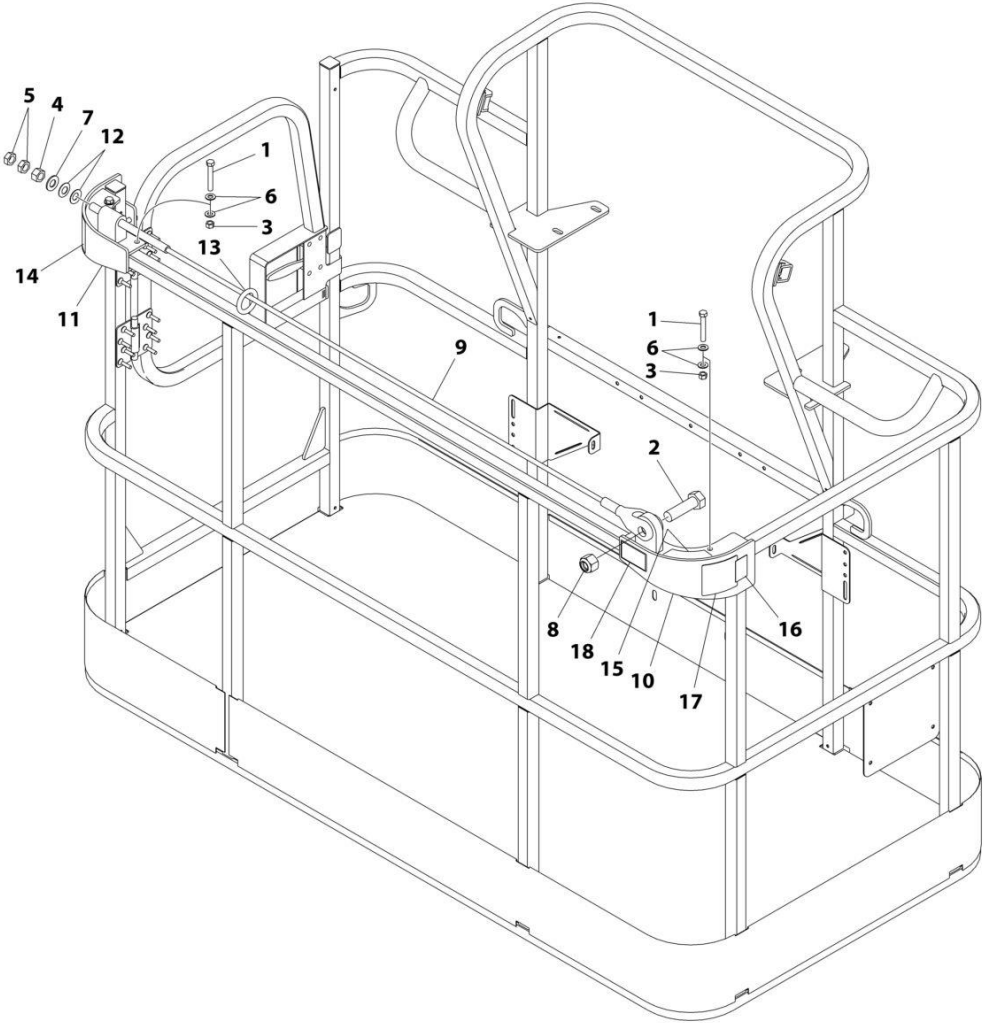
SECTION 5 - PLATFORM

FIGURE 5-38. FALL ARREST INSTALLATION (BOLT - ON EXTERNAL) 4FFT/1.22M PLATFORM)

ITEM	PART NUMBER	QTY	DESCRIPTION	REV
	1001261338	Ref	FALL ARREST INSTALLATION	A
1	0681620	6	Bolt 3/8 x 2-1/2	
2	0682424	1	Bolt 7/8 x 3	
3	3271605	6	Nut 3/8	
4	3272001	1	Nut 5/8	
5	3312002	2	Nut 5/8	
6	4711600	12	Washer 3/8	
7	4712000	1	Washer 5/8	
8	88521214	1	Nut 7/8	
9	1001236891	2	Washer	
10	1001236895	1	Ring	
11	1001238263	1	Decal - Warning Falling Hazard	
12	1001248140	1	Decal - Bolt Fall Arrest Re-Cert	
13	1001248141	1	Decal - Incription	
14	See Note	NSS	Nameplate - Manufacturers Serial Number (Note: Not Available for Purchase)	
15	1001252629	1	Decal - Weight	
16	1001257271	1	Bracket (RH)	
17	1001257274	1	Bracket (LH)	
18	1001261335	1	Rope	

SECTION 5 - PLATFORM

FIGURE 5-39. FALL ARREST INSTALLATION (BOLT-ON EXTERNAL) (6FT/1.82M PLATFORM)



ART_1001236747

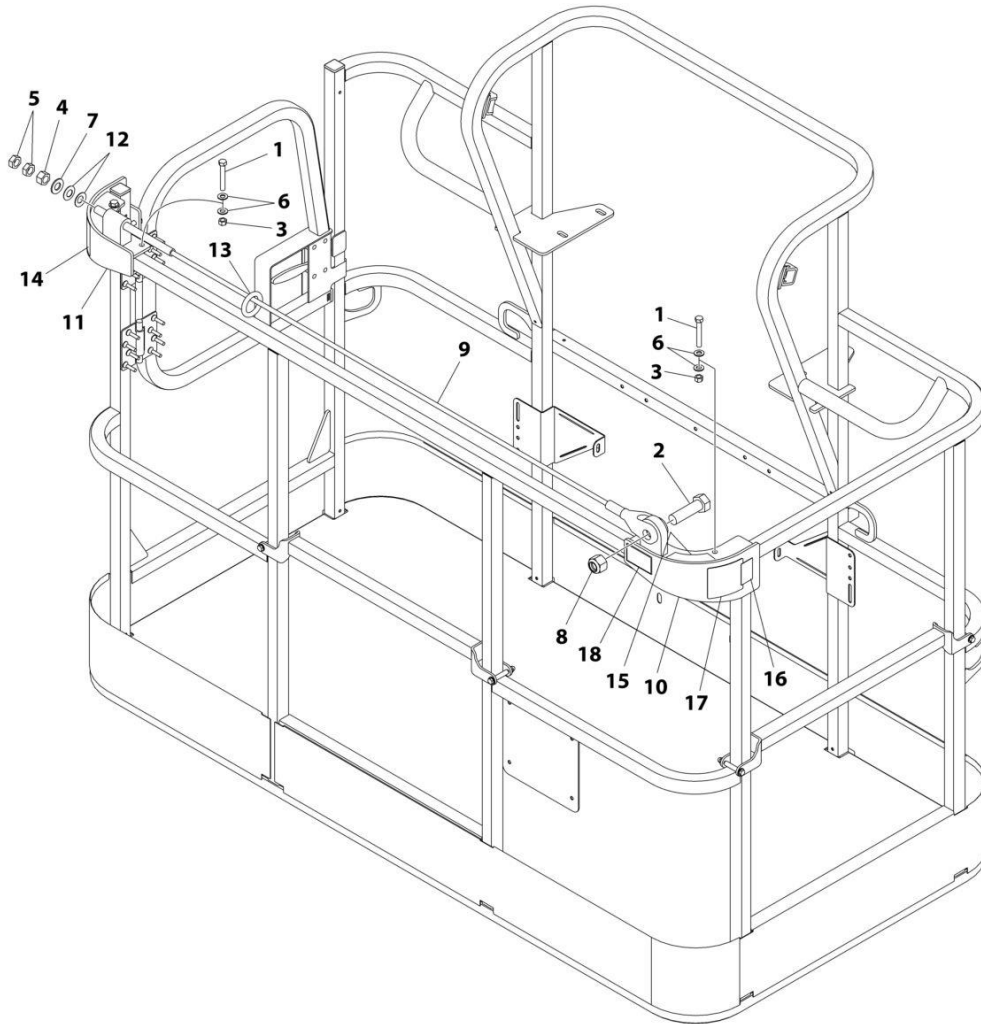
SECTION 5 - PLATFORM

FIGURE 5-39. FALL ARREST INSTALLATION (BOLT-ON EXTERNAL) (6FT/1.82M PLATFORM)

ITEM	PART NUMBER	QTY	DESCRIPTION	REV
	1001236747	Ref	FALL ARREST INSTALLATION (BOLT - ON) 6FT/1.82M PLATFORM	C
1	0681620	6	Bolt 3/8 x 2-1/2	
2	0682424	1	Bolt 7/8 x 3	
3	3271605	6	Nut 3/8	
4	3272001	1	Nut 5/8	
5	3312002	2	Nut 5/8	
6	4711600	12	Washer 3/8	
7	4712000	1	Washer 5/8	
8	88521214	1	Nut 7/8	
9	1001231950	1	Rope	
10	1001232010	1	Bracket (RH)	
11	1001232011	1	Bracket (LH)	
12	1001236891	2	Washer	
13	1001236895	1	Ring	
14	1001238263	1	Decal - Warning Falling Hazard	
15	1001252629	1	Decal - Weight	
16	1001248140	1	Decal - Bolt Fall Arrest Re-Cert	
17	1001248141	1	Decal - Inscription	

SECTION 5 - PLATFORM

FIGURE 5-40. FALL ARREST INSTALLATION (BOLT-ON EXTERNAL) (6FT/1.82M TRI-ENTRY PLATFORM)



ART_1001238463

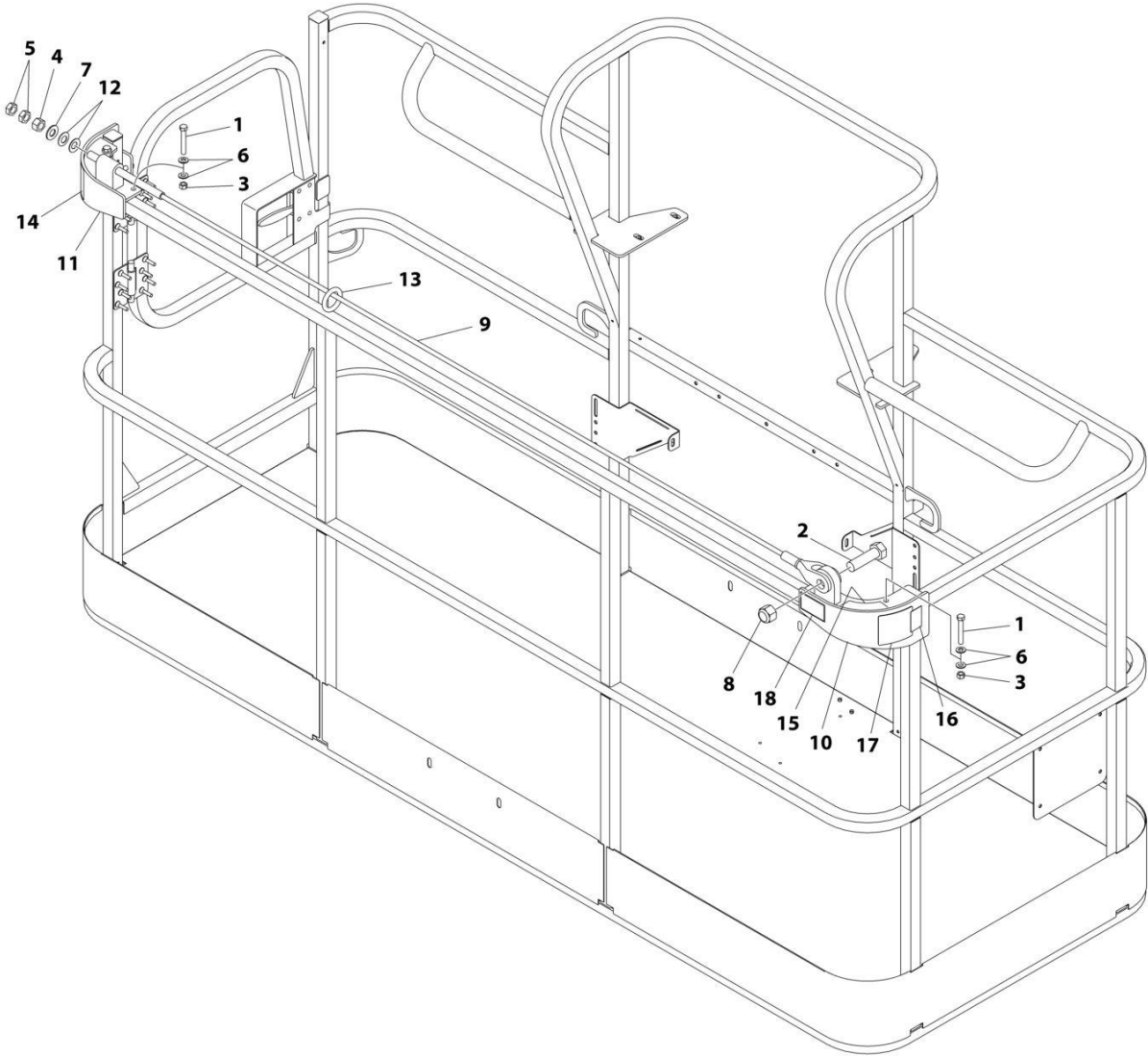
SECTION 5 - PLATFORM

FIGURE 5-40. FALL ARREST INSTALLATION (BOLT-ON EXTERNAL) (6FT/1.82M TRI-ENTRY PLATFORM)

ITEM	PART NUMBER	QTY	DESCRIPTION	REV
	1001238463	Ref	FALL ARREST INSTALLATION (BOLT - ON) 6FT/1.82M PLATFORM	C
1	0681620	6	Bolt 3/8 x 2-1/2	
2	0682424	1	Bolt 7/8 x 3	
3	3271605	6	Nut 3/8	
4	3272001	1	Nut 5/8	
5	3312002	2	Nut 5/8	
6	4711600	12	Washer 3/8	
7	4712000	1	Washer 5/8	
8	88521214	1	Nut 7/8	
9	1001231950	1	Rope	
10	1001232010	1	Bracket (RH)	
11	1001232011	1	Bracket (LH)	
12	1001236891	2	Washer	
13	1001236895	1	Ring	
14	1001238263	1	Decal - Warning Falling Hazard	
15	1001252629	1	Decal - Weight	
16	1001248140	1	Decal - Bolt Fall Arrest Re-Cert	
17	1001248141	1	Decal - Inscription	

SECTION 5 - PLATFORM

FIGURE 5-41. FALL ARREST INSTALLATION (BOLT-ON EXTERNAL) (8FT/2.4M PLATFORM)



ART_1001236746

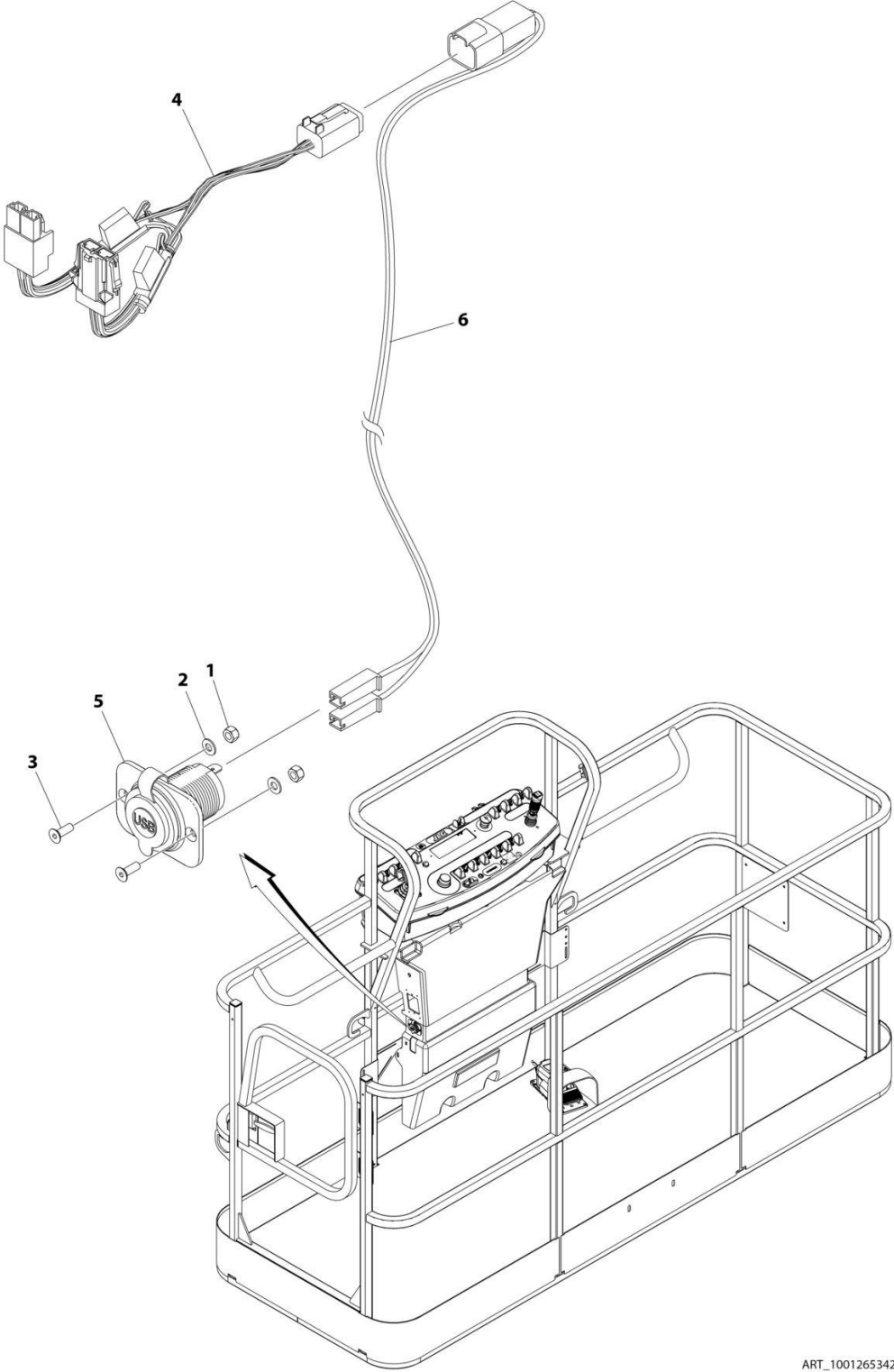
SECTION 5 - PLATFORM

FIGURE 5-41. FALL ARREST INSTALLATION (BOLT-ON EXTERNAL) (8FT/2.4M PLATFORM)

ITEM	PART NUMBER	QTY	DESCRIPTION	REV
	1001236746	Ref	FALL ARREST INSTALLATION (BOLT - ON) 8FT/2.4M PLATFORM	C
1	0681620	6	Bolt 3/8 x 2-1/2	
2	0682424	1	Bolt 7/8 x 3	
3	3271605	6	Nut 3/8	
4	3272001	1	Nut 5/8	
5	3312002	2	Nut 5/8	
6	4711600	12	Washer 3/8	
7	4712000	1	Washer 5/8	
8	88521214	1	Nut 7/8	
9	1001231949	1	Rope	
10	1001232010	1	Bracket (RH)	
11	1001232011	1	Bracket (LH)	
12	1001236891	2	Washer	
13	1001236895	1	Ring	
14	1001238263	1	Decal - Warning Falling Hazard	
15	1001252629	1	Decal - Weight 23LBS/10.4KG	
16	1001248140	1	Decal - Bolt Fall Arrest Re-Cert	
17	1001248141	1	Decal - Inscription	

SECTION 5 - PLATFORM

FIGURE 5-42. USB CHARGER INSTALLATION



ART_1001265342

SECTION 5 - PLATFORM

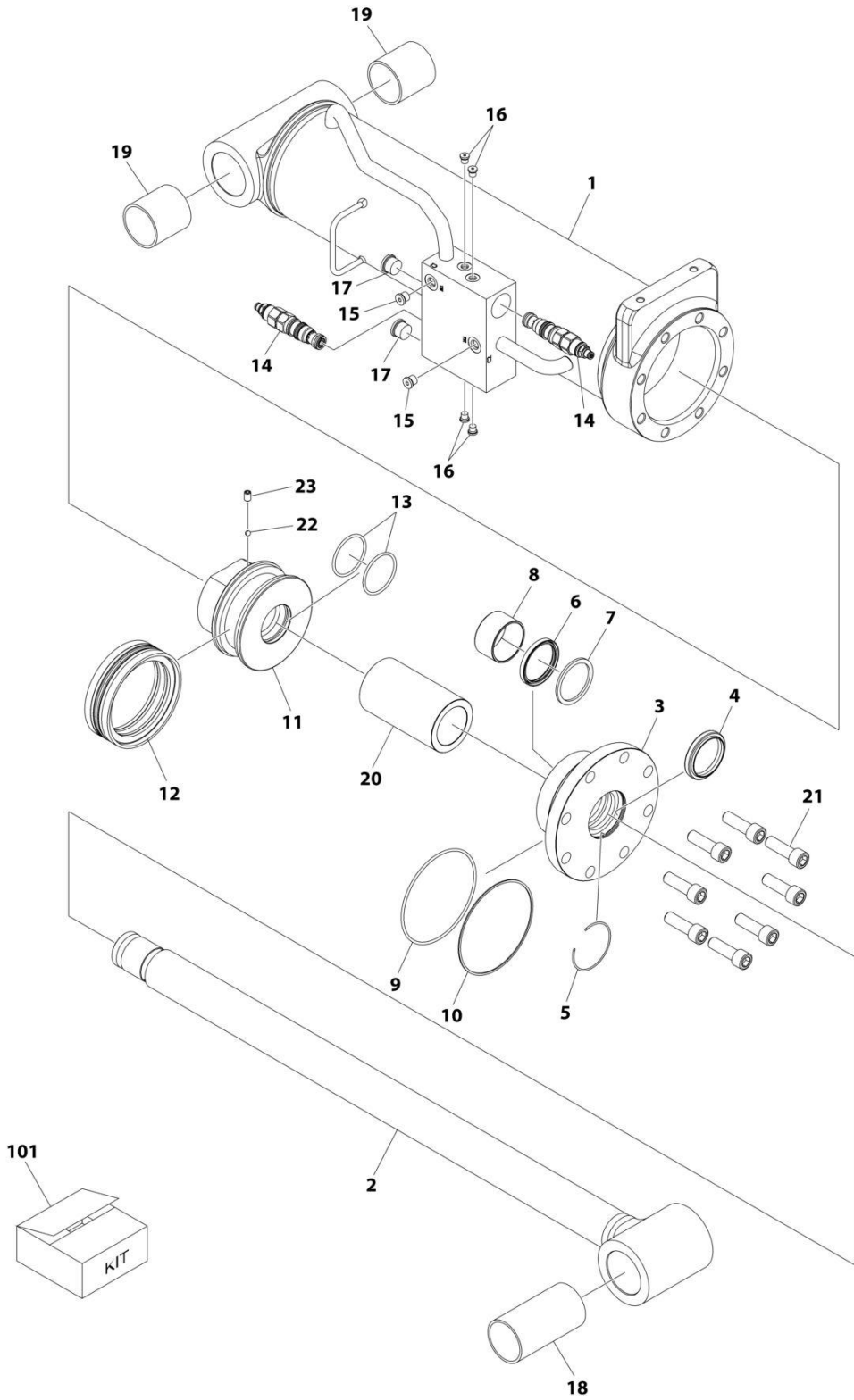
FIGURE 5-42. USB CHARGER INSTALLATION

ITEM	PART NUMBER	QTY	DESCRIPTION	REV
	1001265342	Ref	USB CHARGER INSTALLATION	A
1	3290405	2	Nut M4	
2	4811400	2	Washer M4	
3	1001097244	2	Screw M4 x 12	
4	1001120484	1	Harness, Work Lights	
4	4460879	1	Plug, Male - 2 Position	
4	4460887	2	Terminal	
4	2400060	2	Fuseholder Includes Cover	
4	8229249	2	Fuse, 3 Amp	
4	4460884	1	Connector - 4 Position	
4	4460465	4	Socket, Female	
4	1001120471	1	Connector - 2 Position	
4	1001120477	2	Terminal	
5	1001210636	1	Receptacle, USB	
6	1001265163	1	Harness, USB	A
6	4460260	2	Cover, Terminal	
6	4460259	2	Terminal	
6	4460932	1	Receptacle, Bussbar - 4 Position	
6	4460464	2	Pin, Male	
6	4460466	2	Plug, Terminal	

SECTION 6 - CYLINDER

SECTION 6 - CYLINDER

FIGURE 6-1. AXLE EXTEND CYLINDER ASSEMBLY



ART_1001251066

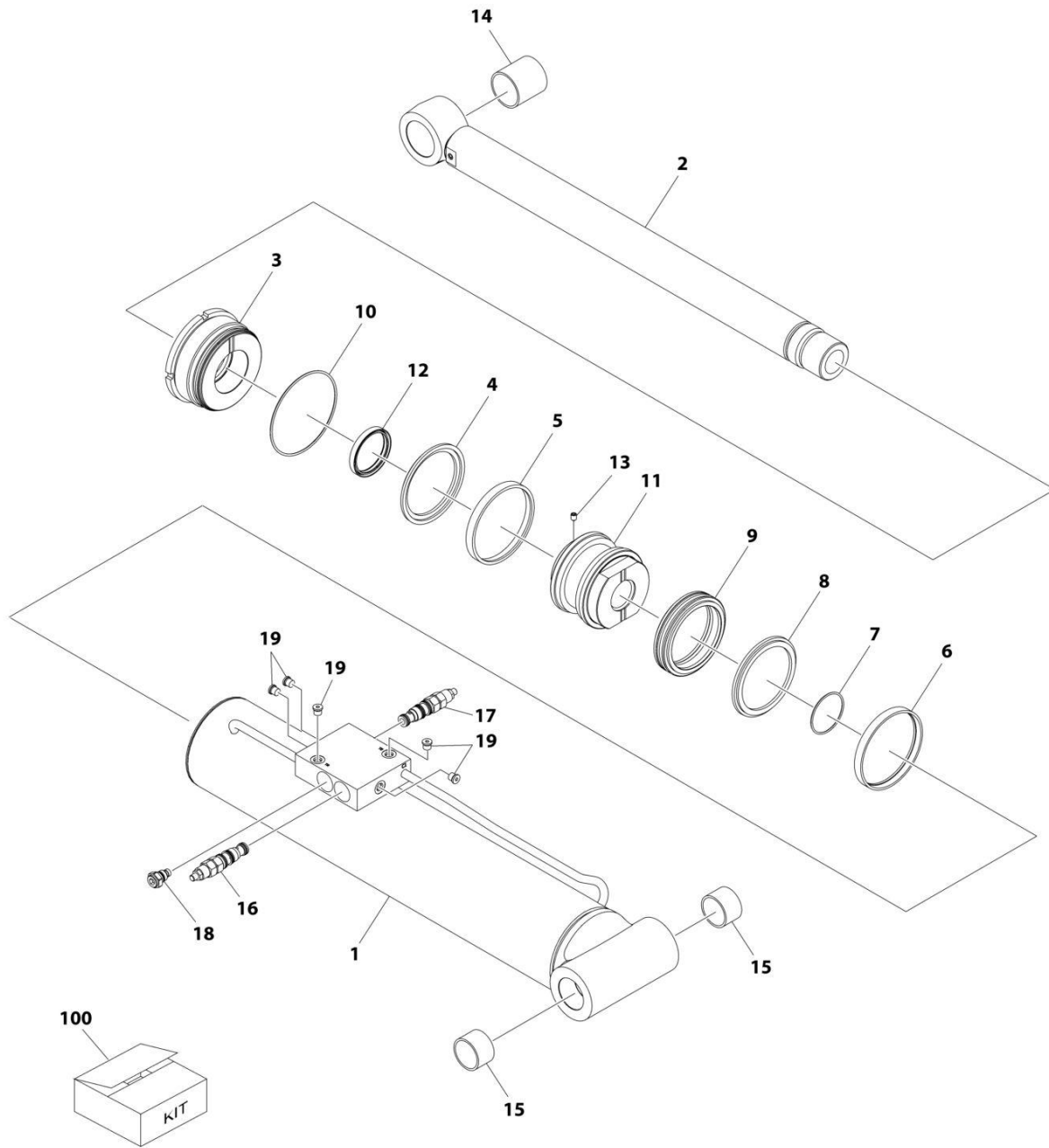
SECTION 6 - CYLINDER

FIGURE 6-1. AXLE EXTEND CYLINDER ASSEMBLY

ITEM	PART NUMBER	QTY	DESCRIPTION	REV
	1001251066	Ref	AXLE EXTEND CYLINDER ASSEMBLY	A
		Ref	Note: Original Cylinder May Have Been Replaced with Service Replacement. Identify PN Stamped on Cylinder Before Ordering Parts.	
1	See Note	NSS	Barrel (Note: Not Available for Purchase)	
2	70008014	1	Rod	
3	70008015	1	Head	
4	See Note	NSS	Wiper (Note: Use Item 101)	
5	7002412	1	Ring, Retaining	
6	See Note	NSS	Seal, Rod (Note: Use Item 101)	
7	See Note	NSS	Ring, Backup (Note: Use Item 101)	
8	70052577	1	Bushing	
9	See Note	NSS	O-Ring (Note: Use Item 101)	
10	See Note	NSS	Ring, Backup (Note: Use Item 101)	
11	70008016	1	Piston	
12	See Note	NSS	Seal, Piston (Note: Use Item 101)	
13	See Note	NSS	O-Ring (Note: Use Item 101)	
14	1001156016	2	Valve, Counterbalance	
14	7011376	2	Seal Kit (Use with 1001156016)	
15	2220883	2	Plug - 7/16	
16	2220881	4	Plug - 5/16	
17	2220886	2	Plug - 3/4	
18	1001157080	1	Bushing	
19	0962561	2	Bushing	
20	70008017	1	Spacer	
21	70008018	8	Bolt M14 x 45	
22	70022564	1	Ball, Steel	
23	70029468	1	Setscrew M8 x 14	
101	70008019	1	Seal Kit (Includes Items 4, 6-7, 9-10 & 12-13)	

SECTION 6 - CYLINDER

FIGURE 6-2. LEVEL CYLINDER ASSEMBLY - PLATFORM SLAVE



ART_1001251034

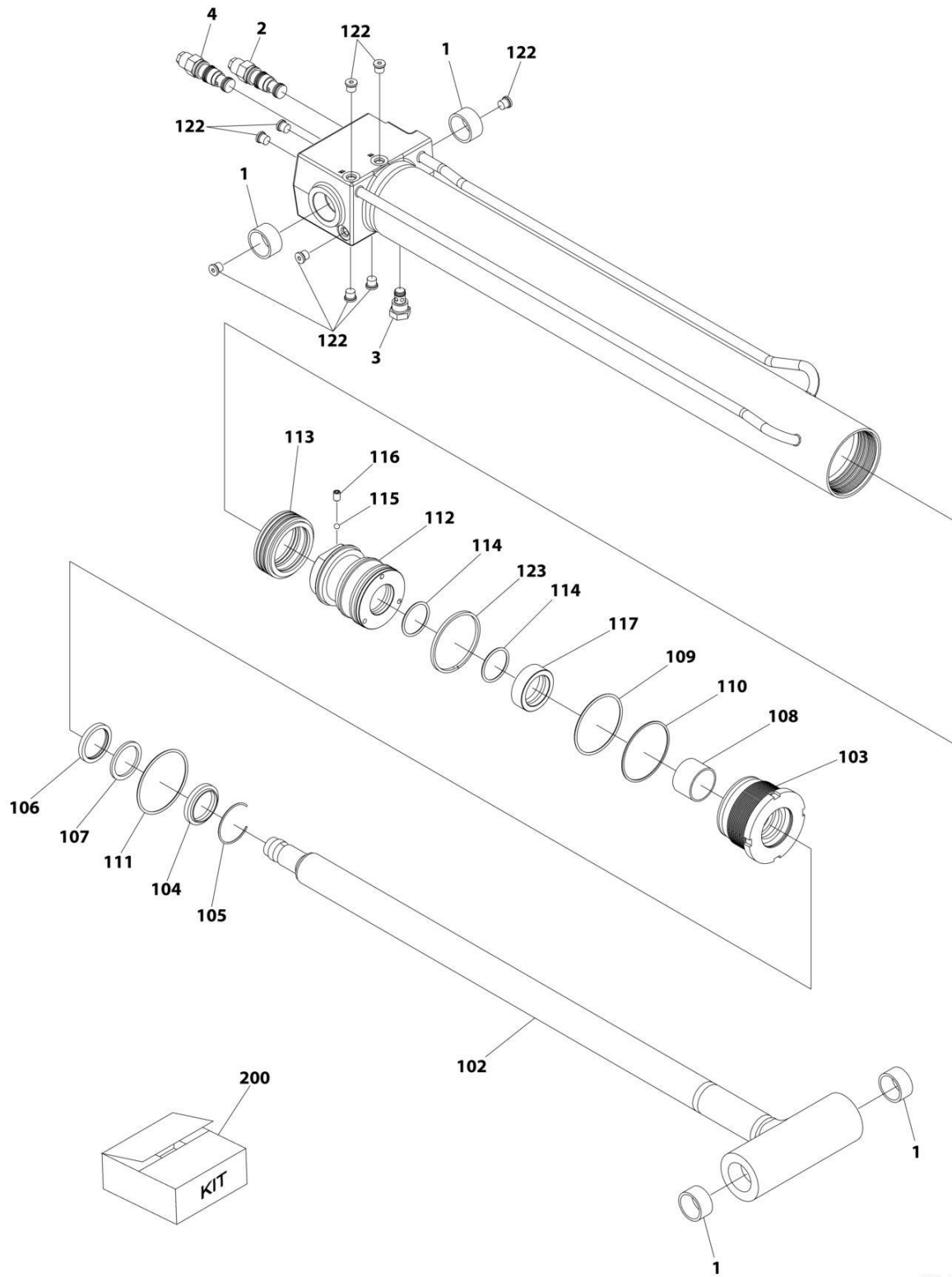
SECTION 6 - CYLINDER

FIGURE 6-2. LEVEL CYLINDER ASSEMBLY - PLATFORM SLAVE

ITEM	PART NUMBER	QTY	DESCRIPTION	REV
	1001251034	Ref	PLATFORM LEVEL CYLINDER	A
		Ref	Note: Original Cylinder May Have Been Replaced with Service Replacement. Identify PN Stamped on Cylinder Before Ordering Parts.	
1	See Note	NSS	Barrel (Note: Not Available for Purchase)	
2	70008067	1	Rod	
3	70008068	1	Head	
4	See Note	NSS	Wiper, Rod (Note: Use Item 100)	
5	See Note	NSS	Seal, Rod (Note: Use Item 100)	
6	See Note	NSS	Ring, Wear (Note: Use Item 100)	
7	See Note	NSS	O-Ring (Note: Use Item 100)	
8	See Note	NSS	Ring, Back-up (Note: Use Item 100)	
9	See Note	NSS	O-Ring (Note: Use Item 100)	
10	See Note	NSS	O-Ring (Note: Use Item 100)	
11	70008069	1	Piston	
12	See Note	NSS	Seal (Note: Use Item 100)	
13	70005839	1	Setscrew M8 x 12	
14	0962561	1	Bushing	
15	0961949	2	Bushing	
16	4641386	1	Cartridge, Counterbalance Valve	
16	7011376	1	Seal Kit - 4641386 Cartridge	
17	4641393	1	Cartridge, Counterbalance Valve	
17	7011376	1	Seal Kit - 4641393 Cartridge	
18	4641388	1	Cartridge, Orifice Valve	
18	7011353	1	Seal Kit - 4641388 Cartridge	
19	2220883	5	Plug	
100	70008070	1	Seal Kit (Includes Items 4-10 & 12)	

SECTION 6 - CYLINDER

FIGURE 6-3. LIFT CYLINDER ASSEMBLY - JIB



ART_1001251025

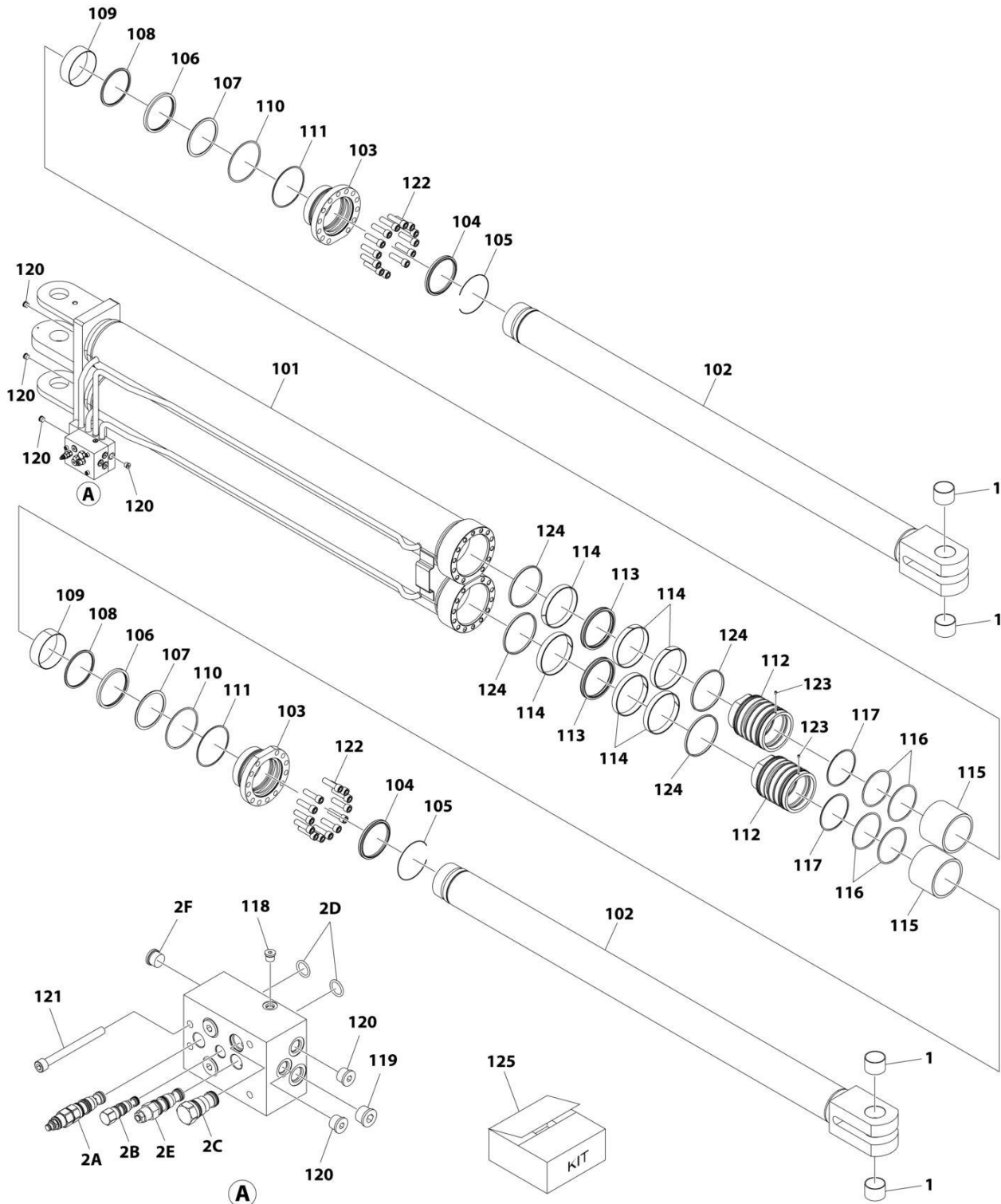
SECTION 6 - CYLINDER

FIGURE 6-3. LIFT CYLINDER ASSEMBLY - JIB

ITEM	PART NUMBER	QTY	DESCRIPTION	REV
	1001251025	Ref	JIB CYLINDER ASSEMBLY	A
		Ref	Note: Original Cylinder May Have Been Replaced with Service Replacement. Identify PN Stamped on Cylinder Before Ordering Parts.	
1	0962257	4	Bushing	
2	4640452	1	Valve, Counterbalance	
2	2900770	1	Seal Kit - For 4640452 Counterbalance Valve	
3	4641114	1	Valve, Check	
3	7012998	1	Seal Kit - For 4641114 Check Valve	
4	4641260	1	Valve, Counterbalance	
4	2900770	1	Seal Kit - For 4641260 Counterbalance Valve	
102	70007993	1	Rod	
103	70007994	1	Head	
104	See Note	NSS	Wiper (Note: Use Item 200)	
105	70002373	1	Ring, Retaining	
106	See Note	NSS	Seal (Note: Use Item 200)	
107	See Note	NSS	Ring (Note: Use Item 200)	
108	70005143	1	Bearing	
109	See Note	NSS	O-Ring (Note: Use Item 200)	
110	See Note	NSS	Ring (Note: Use Item 200)	
111	See Note	NSS	O-Ring (Note: Use Item 200)	
112	70007995	1	Piston	
113	See Note	NSS	Seal (Note: Use Item 200)	
114	See Note	NSS	O-Ring (Note: Use Item 200)	
115	70022564	1	Ball, Steel	
116	70006596	1	Setscrew M8 x 1-1/4	
117	70007996	1	Spacer	
122	2220883	9	Plug	
123	70007997	1	Ring	
200	70007998	1	Seal Kit (Includes Items 104, 106, 107, 109-111, 113 & 114)	

SECTION 6 - CYLINDER

FIGURE 6-4. LIFT CYLINDER ASSEMBLY - MAIN BOOM (Prior to SN 0300310905)



ART_1001251094

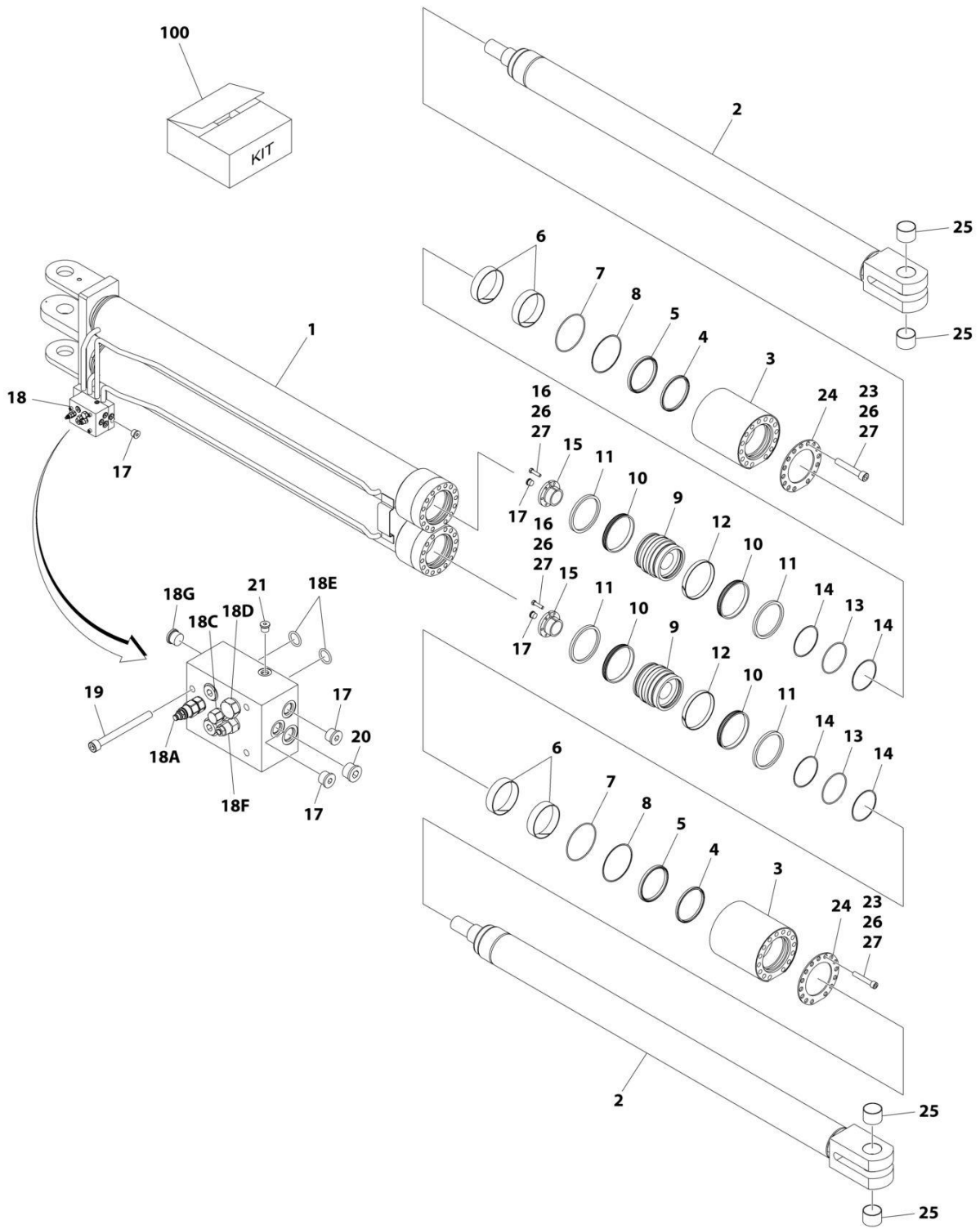
SECTION 6 - CYLINDER

FIGURE 6-4. LIFT CYLINDER ASSEMBLY - MAIN BOOM (Prior to SN 0300310905)

ITEM	PART NUMBER	QTY	DESCRIPTION	REV
	1001251094	Ref	LIFT CYLINDER ASSEMBLY	A
		Ref	Note: Original Cylinder May Have Been Replaced with Service Replacement. Identify PN Stamped on Cylinder Before Ordering Parts.	
1	1001198762	4	Bushing	
2	1001204041	1	Valve Assembly	
2A	70005659	1	Cartridge, Valve (Counterbalance)	
2A	7011376	1	Seal Kit - 70005659 Valve	
2B	70005658	1	Cartridge, Valve (Shuttle)	
2B	7026004	1	Seal Kit - 70005658 Valve	
2C	70004406	1	Cartridge, Valve (Check)	
2C	7011351	1	Seal Kit - 70004406 Valve	
2D	70000778	2	O-Ring	
2E	1001156033	1	Cartridge, Valve (Counterbalance)	
2E	7024574	1	Seal Kit - 1001156033 Valve	
2F	70005598	1	Plug #6	
101	See Note	NSS	Tube (Note: Not Available for Purchase)	
102	70008228	2	Rod	
103	70008229	2	Head	
104	See Note	NSS	Wiper, Dust (Note: Use Item 125)	
105	70008230	2	Ring, Retaining	
106	See Note	NSS	Seal, Rod (Note: Use Item 125)	
107	See Note	NSS	Ring, Backup (Note: Use Item 125)	
108	See Note	NSS	Ring, Buffer (Note: Use Item 125)	
109	70008231	2	Bushing	
110	See Note	NSS	O-Ring (Note: Use Item 125)	
111	See Note	NSS	Ring, Backup (Note: Use Item 125)	
112	70008232	2	Piston	
113	See Note	NSS	Seal, Piston (Note: Use Item 125)	
114	See Note	NSS	Ring, Wear (Note: Use Item 125)	
115	70008233	2	Spacer	
116	See Note	NSS	O-Ring (Note: Use Item 125)	
117	See Note	NSS	Ring, Backup (Note: Use Item 125)	
118	2220883	1	Plug 7/16	
119	70005433	3	Plug 7/8	
120	2220886	6	Plug 3/4	
121	70008234	4	Bolt M10 x 110	
122	70008235	26	Bolt M20 x 75	
123	70005839	2	Setscrew	
124	See Note	NSS	Ring, Dust (Note: Use Item 125)	
125	70008236	1	Seal Kit (Includes Items 104, 106-108, 110-111, 113-114, 116-117 & 124)	

SECTION 6 - CYLINDER

FIGURE 6-5. LIFT CYLINDER ASSEMBLY - MAIN BOOM (SN 0300310905 to Present)



ART_1001228094

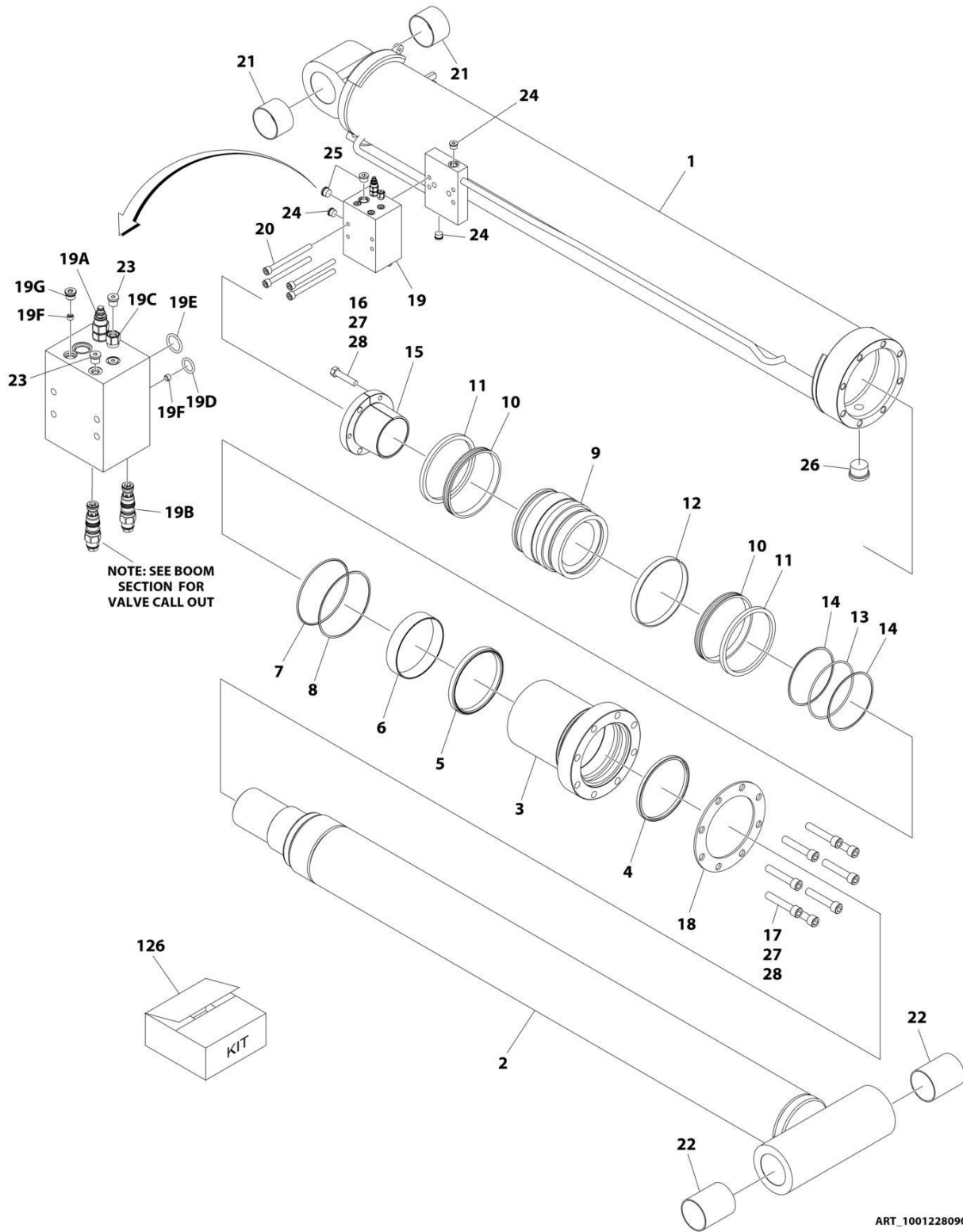
SECTION 6 - CYLINDER

FIGURE 6-5. LIFT CYLINDER ASSEMBLY - MAIN BOOM (SN 0300310905 to Present)

ITEM	PART NUMBER	QTY	DESCRIPTION	REV
	1001228094	Ref	LIFT CYLINDER ASSEMBLY - MAIN BOOM	D
		Ref	Note: Original Cylinder May Have Been Replaced with Service Replacement. Identify PN Stamped on Cylinder Before Ordering Parts.	
1	See Note	NSS	Barrel Weldment (Note: Not Available for Purchase)	
2	70006546	2	Rod	
3	70006545	2	Head	
4	See Note	NSS	Wiper (Note: Use Item 100)	
5	See Note	NSS	Seal (Note: Use Item 100)	
6	See Note	NSS	Ring, Wear (Note: Use Item 100)	
7	See Note	NSS	O-Ring (Note: Use Item 100)	
8	See Note	NSS	Ring, Back-up (Note: Use Item 100)	
9	1001202201	2	Piston	
10	See Note	NSS	Seal (Note: Use Item 100)	
11	See Note	NSS	Ring, Lock (Note: Use Item 100)	
12	See Note	NSS	Ring, Wear (Note: Use Item 100)	
13	See Note	NSS	O-Ring (Note: Use Item 100)	
14	See Note	NSS	Ring, Back-up (Note: Use Item 100)	
15	0961898	2	Bushing	
16	0630536	6	Capscrew 3/8 x 1-1/2	
17	2220886	6	Plug #8	
18	1001204041	1	Valve Assembly	C
18A	70005659	1	Cartridge, Valve (Counterbalance)	
18A	7011376	1	Seal Kit - 70005659 Valve	
18C	70005658	1	Cartridge, Valve (Shuttle)	
18C	7026004	1	Seal Kit - 70005658 Valve	
18D	70004406	1	Cartridge, Valve (Check)	
18D	7011351	1	Seal Kit - 70004406 Valve	
18E	70000778	2	O-Ring	
18F	1001156033	1	Cartridge, Valve (Counterbalance)	
18F	7024574	1	Seal Kit - 1001156033 Valve	
18G	70005598	1	Plug #6	
19	5272024	4	Capscrew M10 x 110	
20	2220887	3	Plug #10	
21	2220883	1	Plug #4	
23	3932272	30	Capscrew 3/4 x 4-1/2	
24	1001202236	2	Ring, Washer	
25	1001198762	4	Bearing	
26	0100011	AR	Compound, Locking	
27	0100038	AR	Primer, Locking	
100	1001202539	2	Kit Seal - Cylinder (Includes Items 4-8 & 10-14)	

SECTION 6 - CYLINDER

FIGURE 6-6. LIFT CYLINDER ASSEMBLY - TOWER BOOM



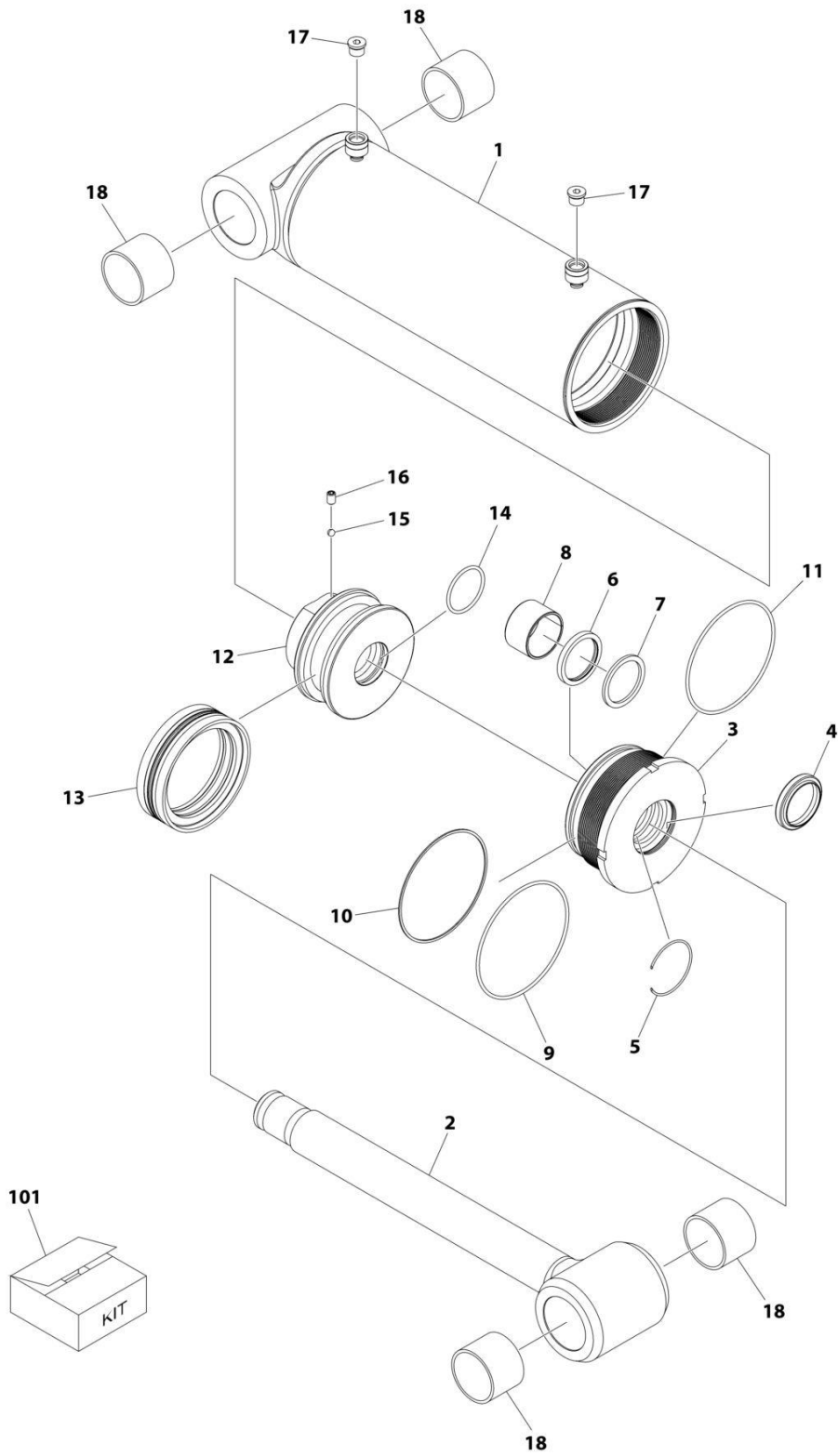
SECTION 6 - CYLINDER

FIGURE 6-6. LIFT CYLINDER ASSEMBLY - TOWER BOOM

ITEM	PART NUMBER	QTY	DESCRIPTION	REV
	1001228090	Ref	LIFT CYLINDER ASSEMBLY - TOWER BOOM	C
		Ref	Note: Original Cylinder May Have Been Replaced with Service Replacement. Identify PN Stamped on Cylinder Before Ordering Parts.	
1	See Note	NSS	Barrel Weldment (Note: Not Available for Purchase)	
2	70006512	1	Rod	
3	70006511	1	Head	
4	See Note	NSS	Ring, Wiper (Note: Use Item 126)	
5	See Note	NSS	Seal, Rod (Note: Use Item 126)	
6	See Note	NSS	Ring, Wear (Note: Use Item 126)	
7	See Note	NSS	O-Ring (Note: Use Item 126)	
8	See Note	NSS	Ring, Back-up (Note: Use Item 126)	
9	70006510	1	Piston	
10	See Note	NSS	Ring, Hydrolock (Note: Use Item 126)	
11	See Note	NSS	Ring, Lock (Note: Use Item 126)	
12	See Note	NSS	Ring, Wear (Note: Use Item 126)	
13	See Note	NSS	O-Ring (Note: Use Item 126)	
14	See Note	NSS	Ring, Back-up (Note: Use Item 126)	
15	0962562	1	Bushing, Tapered	
16	1001206184	3	Bolt 5/8 x 2-7/8 Grade 8	
17	3932264	8	Capscrew 3/4 x 4	
18	1001151503	1	Ring, Washer	
19	1001212199	1	Valve Assembly	
19A	70005656	1	Cartridge, Valve (Counterbalance)	
19A	7011376	1	Seal Kit - 70005656 Valve	
19B	70005655	1	Cartridge, Valve (Counterbalance)	
19B	2900770	1	Seal Kit - 70005655 Valve	
19C	7011361	1	Cartridge, Valve (Shuttle)	
19C	7011346	1	Seal Kit - 7011361 Valve	
19D	70005654	1	O-Ring	
19E	70024072	1	O-Ring	
19F	70005633	2	Orifice .031	
19G	70005598	1	Plug #6	
20	5272025	4	Capscrew M10 x 120	
21	1001133927	2	Bearing	
22	1001150942	2	Bushing	
23	2220883	5	Plug #4	
24	2220886	3	Plug #8	
25	2220887	2	Plug #10	
26	2220888	1	Plug #12	
27	0100011	AR	Compound, Locking	
28	0100038	AR	Primer, Locking	
126	1001160169	1	Seal Kit (Includes Items 4-8 & 10-14)	

SECTION 6 - CYLINDER

FIGURE 6-7. STEER CYLINDER ASSEMBLY



ART_1001251065

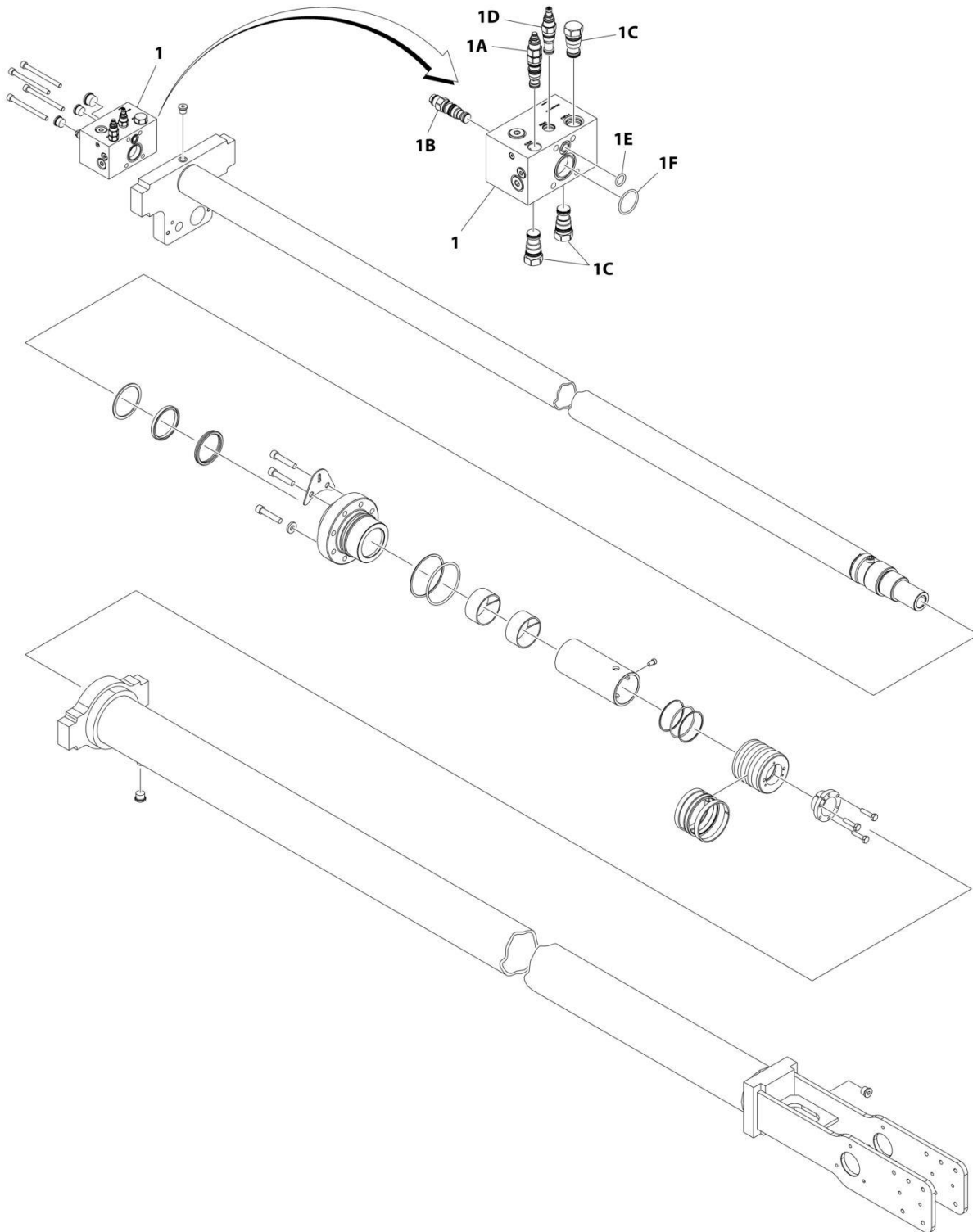
SECTION 6 - CYLINDER

FIGURE 6-7. STEER CYLINDER ASSEMBLY

ITEM	PART NUMBER	QTY	DESCRIPTION	REV
	1001251065	Ref	STEER CYLINDER ASSEMBLY	A
		Ref	Note: Original Cylinder May Have Been Replaced with Service Replacement. Identify PN Stamped on Cylinder Before Ordering Parts.	
1	See Note	NSS	Barrel (Note: Not Available for Purchase)	
2	7008010	1	Rod	
3	7008011	1	Head	
4	See Note	NSS	Wiper (Note: Use Item 101)	
5	70002410	1	Ring, Retaining	
6	See Note	NSS	Seal, Rod (Note: Use Item 101)	
7	See Note	NSS	Ring, Backup (Note: Use Item 101)	
8	7004237	1	Bushing	
9	See Note	NSS	O-Ring (Note: Use Item 101)	
10	See Note	NSS	Ring, Backup (Note: Use Item 101)	
11	See Note	NSS	O-Ring (Note: Use Item 101)	
12	70008012	1	Piston	
13	See Note	NSS	Seal, Piston (Note: Use Item 101)	
14	See Note	NSS	O-Ring (Note: Use Item 101)	
15	70022564	1	Ball, Steel	
16	70006596	1	Setscrew M8 x 12	
17	2220885	2	Plug 9/16	
18	0961950	4	Bushing	
101	70008013	1	Seal Kit (Includes Items 4, 6-7, 9-11 & 13-14)	

SECTION 6 - CYLINDER

FIGURE 6-8. TELESCOPE CYLINDER ASSEMBLY - MAIN BOOM



ART_1001251093

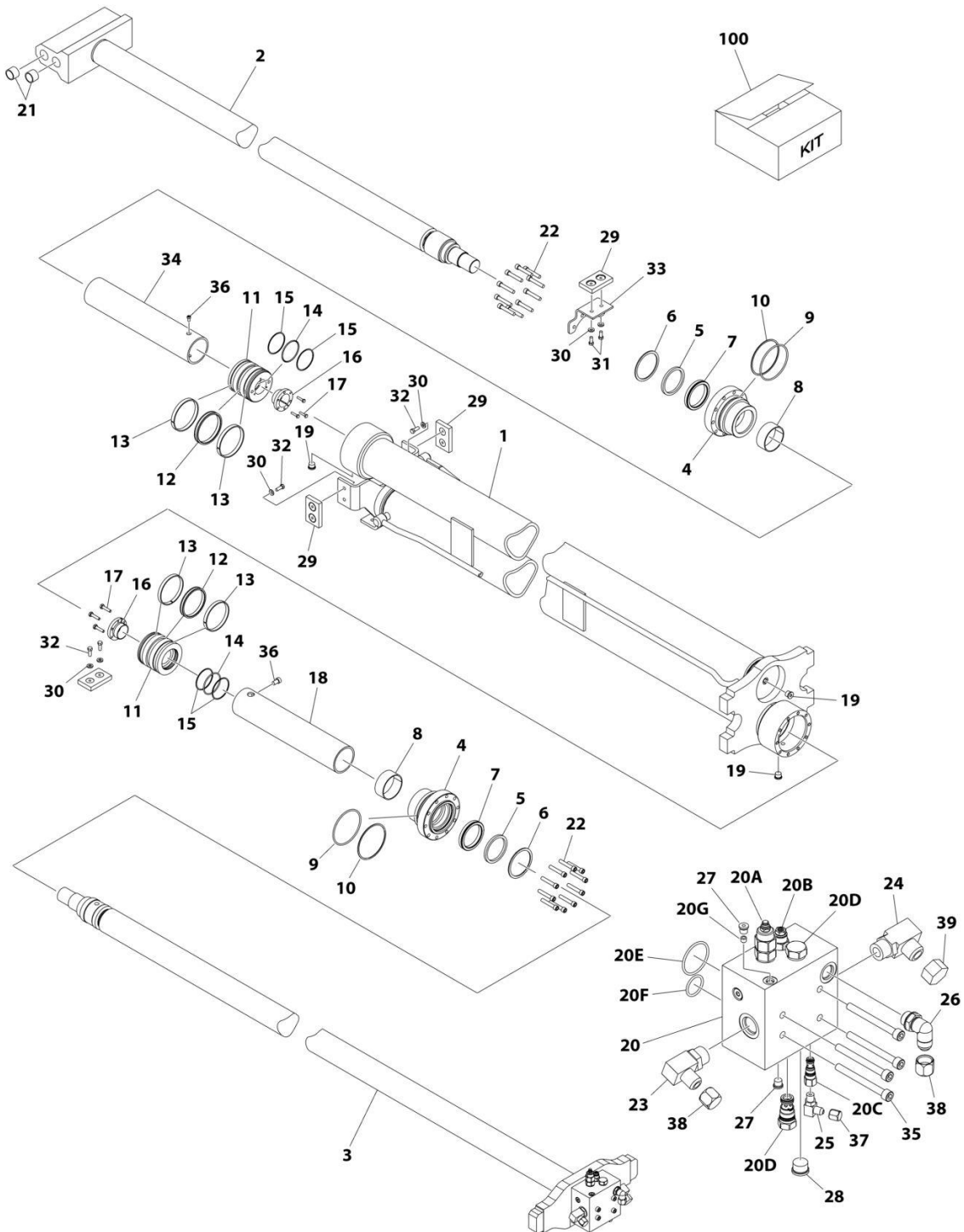
SECTION 6 - CYLINDER

FIGURE 6-8. TELESCOPE CYLINDER ASSEMBLY - MAIN BOOM

ITEM	PART NUMBER	QTY	DESCRIPTION	REV
	1001251093	Ref	TELESCOPE CYLINDER ASSEMBLY - MAIN BOOM	A
		Ref	Note: Original Cylinder May Have Been Replaced with Service Replacement. Identify PN Stamped on Cylinder Before Ordering Parts.	
		Ref	Note: No Other Service Parts Available at Time of Printing.	
1	1001201772	1	Valve Assembly	D
1A	7011381	1	Cartridge, Valve (Counterbalance)	
1A	2900770	1	Seal Kit - 7011381 Valve	
1B	4640746	1	Cartridge, Valve (Counterbalance)	
1B	2900770	1	Seal Kit - 4640746 Valve	
1C	70004406	3	Cartridge, Valve (Check)	
1C	7011351	3	Seal Kit - 70004406 Valve	
1D	70005999	1	Cartridge, Valve (Relief)	
1D	See Note	NSS	Seal Kit - 70005999 Valve (Note: Not Available for Purchase)	
1E	70005654	1	O-Ring	
1F	70004407	1	O-Ring	

SECTION 6 - CYLINDER

FIGURE 6-9. TELESCOPE CYLINDER ASSEMBLY - TOWER BOOM



ART_1001228091

SECTION 6 - CYLINDER

FIGURE 6-9. TELESCOPE CYLINDER ASSEMBLY - TOWER BOOM

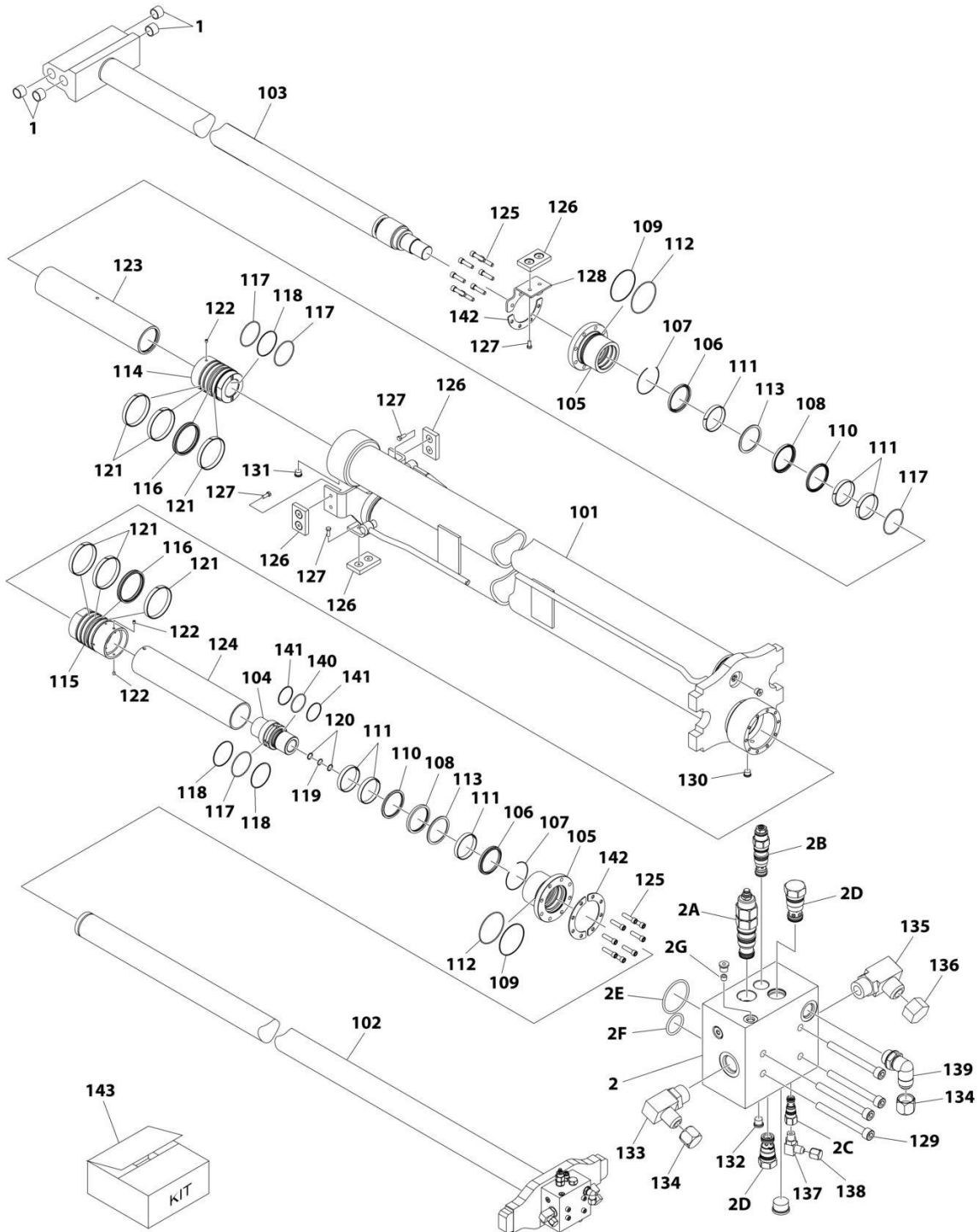
ITEM	PART NUMBER	QTY	DESCRIPTION	REV
	1001228091	Ref	TELESCOPE CYLINDER ASSEMBLY - TOWER BOOM	C
		Ref	Note: Original Cylinder May Have Been Replaced with Service Replacement. Identify PN Stamped on Cylinder Before Ordering Parts.	
1	See Note	NSS	Barrel Weldment (Note: Not Available for Purchase)	
2	70006853	1	Rod	
3	70006854	1	Rod	
4	70006867	1	Head	
5	See Note	NSS	Seal, Wiper (Note: Use Item 100)	
6	See Note	NSS	Ring, Retaining (Note: Use Item 100)	
7	See Note	NSS	Seal, Rod (Note: Use Item 100)	
8	See Note	NSS	Ring, Wear (Note: Use Item 100)	
9	See Note	NSS	O-Ring (Note: Use Item 100)	
10	See Note	NSS	Ring, Back-up (Note: Use Item 100)	
11	70006856	1	Piston	
12	See Note	NSS	Seal (Note: Use Item 100)	
13	See Note	NSS	Ring, Wear (Note: Use Item 100)	
14	See Note	NSS	O-Ring (Note: Use Item 100)	
15	See Note	NSS	Ring, Back-up (Note: Use Item 100)	
16	0961897	1	Bushing, Tapered	
17	0630535	3	Capscrew 1/4 x 1-1/8	
18	70006857	1	Spacer	
19	2220885	4	Plug #6	
20	1001205683	1	Valve Assembly	
20A	70005603	1	Cartridge, Valve (Counterbalance)	
20A	7011371	1	Seal Kit - 70005603 Valve	
20B	70005602	1	Cartridge, Valve (Counterbalance)	
20B	2900770	1	Seal Kit - 70005602 Valve	
20C	7011361	1	Cartridge, Valve (Shuttle)	
20C	7011346	1	Seal Kit - 7011361 Valve	
20D	7011368	2	Cartridge, Valve (Check)	
20D	7011351	2	Seal Kit - 7011368 Valve	
20E	70005601	1	O-Ring	
20F	70005600	1	O-Ring	
20G	70005599	2	Orifice .031	
21	0961951	4	Bushing	
22	70006732	20	Bolt	
23	70006858	1	Connector	
24	70006859	1	Connector	
25	70005804	1	Connector	
26	70006860	1	Connector	
27	2220883	2	Plug #4	
28	70005433	1	Plug	
29	3340763	4	Pad, Wear	
30	70006344	8	Washer	
31	0681607	2	Bolt 3/8 x 7/8 Grade 8	
32	0681608	6	Bolt 3/8 x 1 Grade 8	
33	1001198587	1	Plate, Mounting	
34	70006861	1	Spacer	
35	70006862	4	Bolt	

SECTION 6 - CYLINDER

ITEM	PART NUMBER	QTY	DESCRIPTION	REV
36	70006731	2	Bolt	
37	70006863	1	Cap, Dust	
38	70006864	2	Cap, Dust	
39	70006865	1	Cap, Dust	
100	1001198594	1	Seal kit (Includes Items 5-10 & 12-15)	

SECTION 6 - CYLINDER

FIGURE 6-10. TELESCOPE CYLINDER ASSEMBLY - TOWER BOOM



ART_1001251091

SECTION 6 - CYLINDER

FIGURE 6-10. TELESCOPE CYLINDER ASSEMBLY - TOWER BOOM

ITEM	PART NUMBER	QTY	DESCRIPTION	REV
	1001251091	Ref	TELESCOPE CYLINDER ASSEMBLY - TOWER BOOM	A
		Ref	Note: Original Cylinder May Have Been Replaced with Service Replacement. Identify PN Stamped on Cylinder Before Ordering Parts.	
1	0961951	4	Bushing	
2	1001205683	1	Valve Assembly	
2A	70005603	1	Cartridge, Valve (Counterbalance)	
2A	7011371	1	Seal Kit - 70005603 Valve	
2B	70005602	1	Cartridge, Valve (Counterbalance)	
2B	2900770	1	Seal Kit - 70005602 Valve	
2C	7011361	1	Cartridge, Valve (Shuttle)	
2C	7011346	1	Seal Kit - 7011361 Valve	
2D	7011368	2	Cartridge, Valve (Check)	
2D	7011351	2	Seal Kit - 7011368 Valve	
2E	70005601	1	O-Ring	
2F	70005600	1	O-Ring	
2G	70005599	2	Orifice .031	
101	See Note	NSS	Tube (Note: Not Available for Purchase)	
102	70008211	1	Rod	
103	70008212	1	Rod	
104	70008213	1	Rod End	
105	70008214	2	Head	
106	See Note	NSS	Wiper, Dust (Note: Use Item 143)	
107	70023380	2	Ring, Retaining	
108	See Note	NSS	Seal, Rod (Note: Use Item 143)	
109	See Note	NSS	Ring, Backup (Note: Use Item 143)	
110	See Note	NSS	Ring, Buffer (Note: Use Item 143)	
111	See Note	NSS	Ring, Wear (Note: Use Item 143)	
112	See Note	NSS	O-Ring (Note: Use Item 143)	
113	See Note	NSS	Ring, Backup (Note: Use Item 143)	
114	70008215	1	Piston	
115	70008216	1	Piston	
116	See Note	NSS	Seal, Piston (Note: Use Item 143)	
117	See Note	NSS	O-Ring (Note: Use Item 143)	
118	See Note	NSS	Ring, Backup (Note: Use Item 143)	
119	See Note	NSS	O-Ring (Note: Use Item 143)	
120	See Note	NSS	Ring, Backup (Note: Use Item 143)	
121	See Note	NSS	Ring, Wear (Note: Use Item 143)	
122	70005839	3	Setscrew	
123	70008217	1	Spacer	
124	70008218	1	Spacer	
125	70008219	16	Bolt M14 x 50	
126	70008220	4	Pad, Wear	
127	70008221	8	Bolt M12 x 20	
128	70008222	1	Plate, Wear Pad	
129	70008223	4	Bolt M10 x 105	
130	2220883	4	Plug 7/16	
131	2220885	2	Plug 9/16	
132	70005433	1	Plug 7/82	
133	70008224	1	Connector	

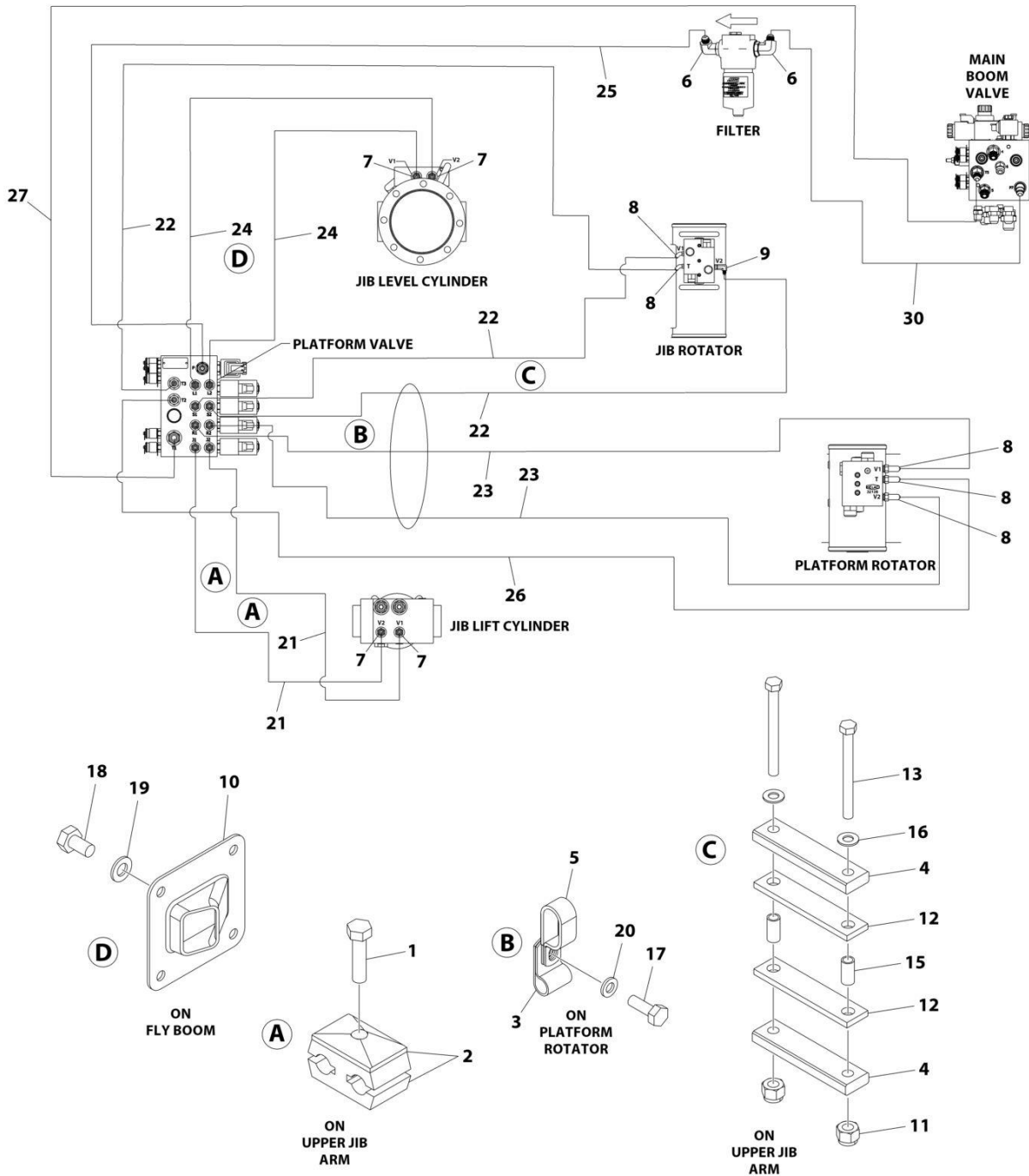
SECTION 6 - CYLINDER

ITEM	PART NUMBER	QTY	DESCRIPTION	REV
134	70006864	2	Cap, Dust	
135	70006859	1	Connector	
136	70006865	1	Cap, Dust	
137	70005804	1	Connector	
138	70006363	1	Cap, Dust	
139	70006860	1	Connector	
140	See Note	NSS	O-Ring (Note: Use Item 143)	
141	See Note	NSS	Ring, Backup (Note: Use Item 143)	
142	70008225	3	Ring, Washer	
143	70008226	1	Seal Kit (Includes Items 106, 108-113, 116-121, 140 & 141)	

SECTION 7 - HYDRAULIC

SECTION 7 - HYDRAULIC

FIGURE 7-1. BOOM AND JIB HYDRAULIC DIAGRAM



ART_1001197361_E

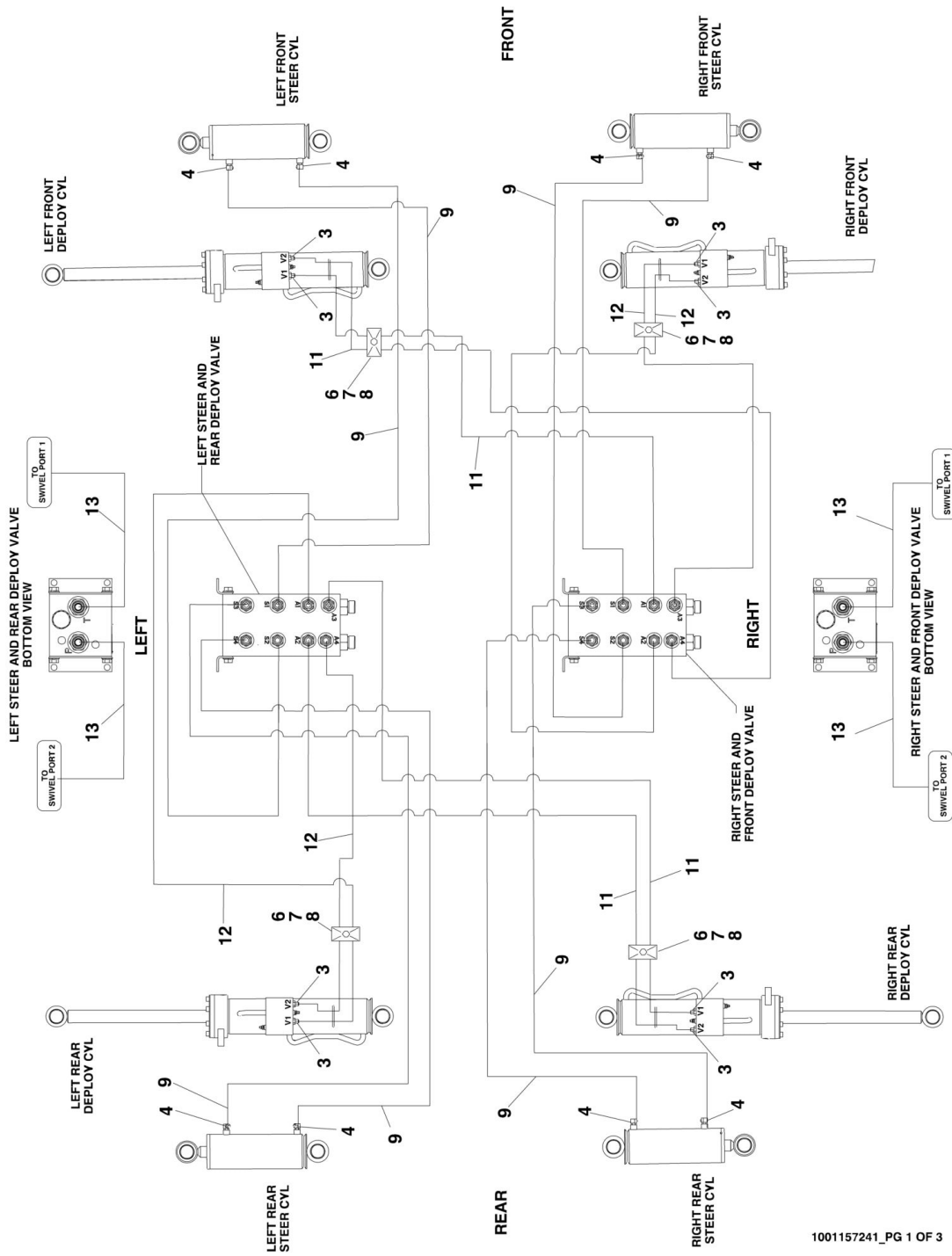
SECTION 7 - HYDRAULIC

FIGURE 7-1. BOOM AND JIB HYDRAULIC DIAGRAM

ITEM	PART NUMBER	QTY	DESCRIPTION	REV
	1001197361	Ref	BOOM AND JIB HYDRAULIC DIAGRAM	E
1	0641510	2	Bolt 5/16 x 1-1/4	
2	1320159	2	Clamp	
3	1320263	1	Clamp	
4	1320296	3	Clamp	
5	1321385	1	Clamp	
6	2220366	2	Fitting, 90 JIC/ORB	
7	2220415	4	Fitting, Straight JIC/ORB	
8	2220502	5	Fitting, 45 JIC/ORB	
9	2220940	1	Fitting, 90 JIC/ORB	
10	2540044	1	Guide, Hose	
11	3300492	2	Nut 3/8	
12	3340934	4	Pad, Rubber	
13	3900260	4	Bolt 3/8 x 4	
14	4240018	11	Tie-Strap (Not Shown)	
15	4562516	4 in/0.1m	Tubing	
16	4711600	4	Washer 3/8	
17	0760610001	1	Bolt M6 x 20	
18	0761009001	4	Bolt M10 x 18	
19	1001172358	4	Washer M10	
20	4811700001	1	Washer M6	
21	1001201130	2	Hose	
22	1001201131	3	Hose	
23	1001201132	2	Hose	
24	1001201133	2	Hose	
25	1001201134	1	Hose	
26	1001201135	1	Hose	
27	1001201136	1	Hose	
28	4100063	1	Protector, Hose Wrap (Not Shown)	
29	4240033	4	Tie-Strap (Not Shown)	
30	1001226902	1	Hose	

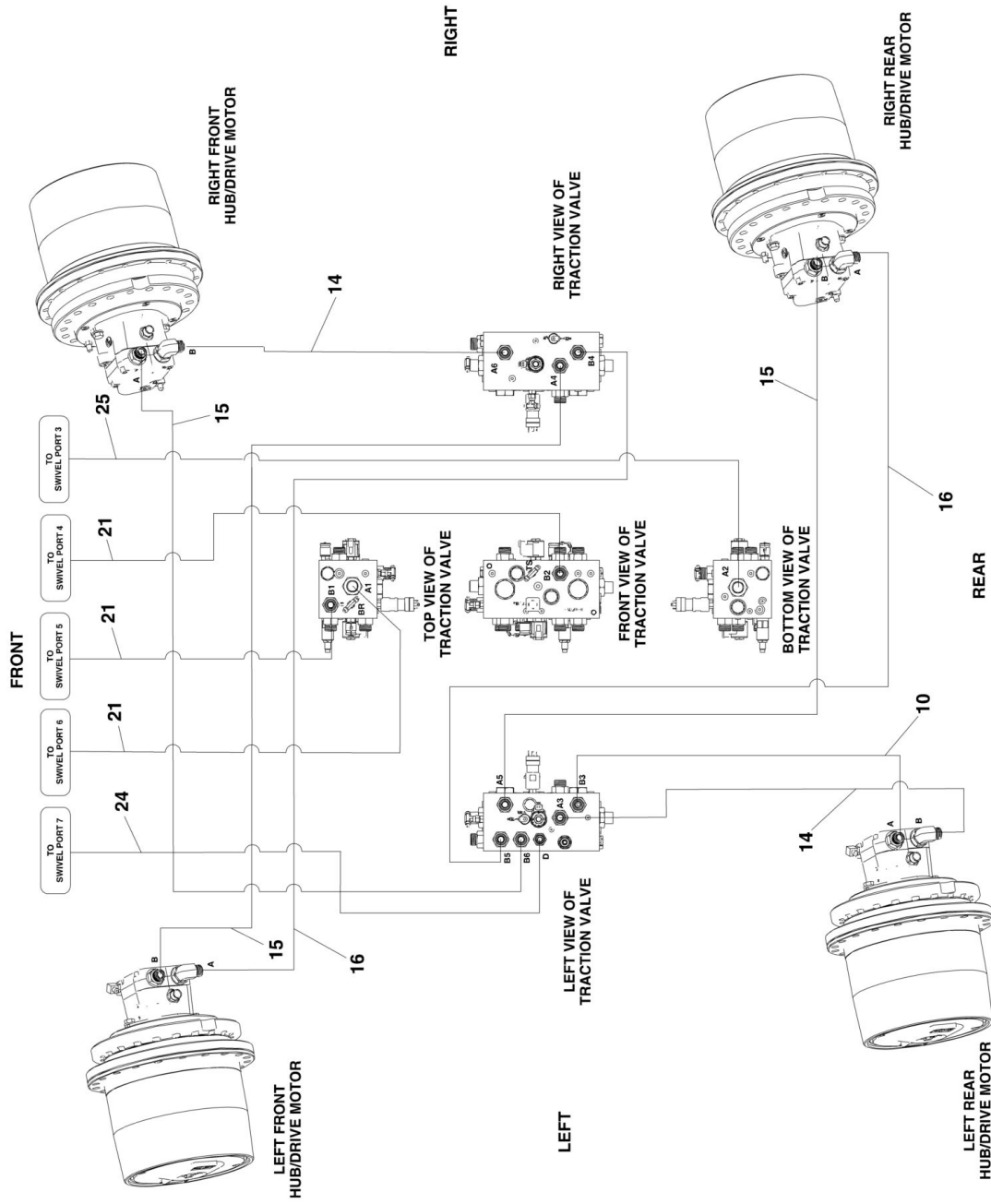
SECTION 7 - HYDRAULIC

FIGURE 7-2. CHASSIS HYDRAULIC DIAGRAM



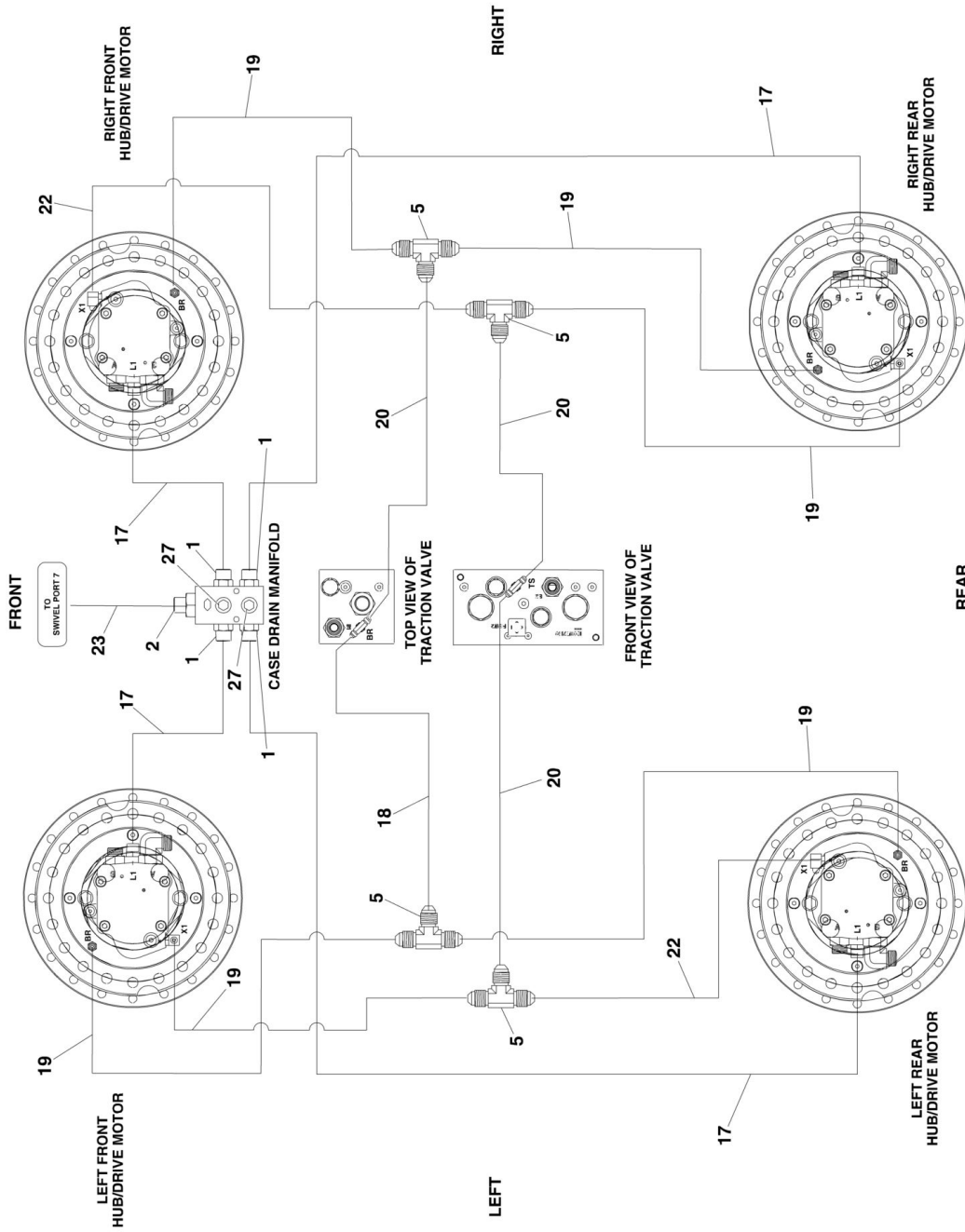
1001157241_PG 1 OF 3

SECTION 7 - HYDRAULIC



1001157241_PG 2 OF 3

SECTION 7 - HYDRAULIC



1001157241_PG 3 OF 3

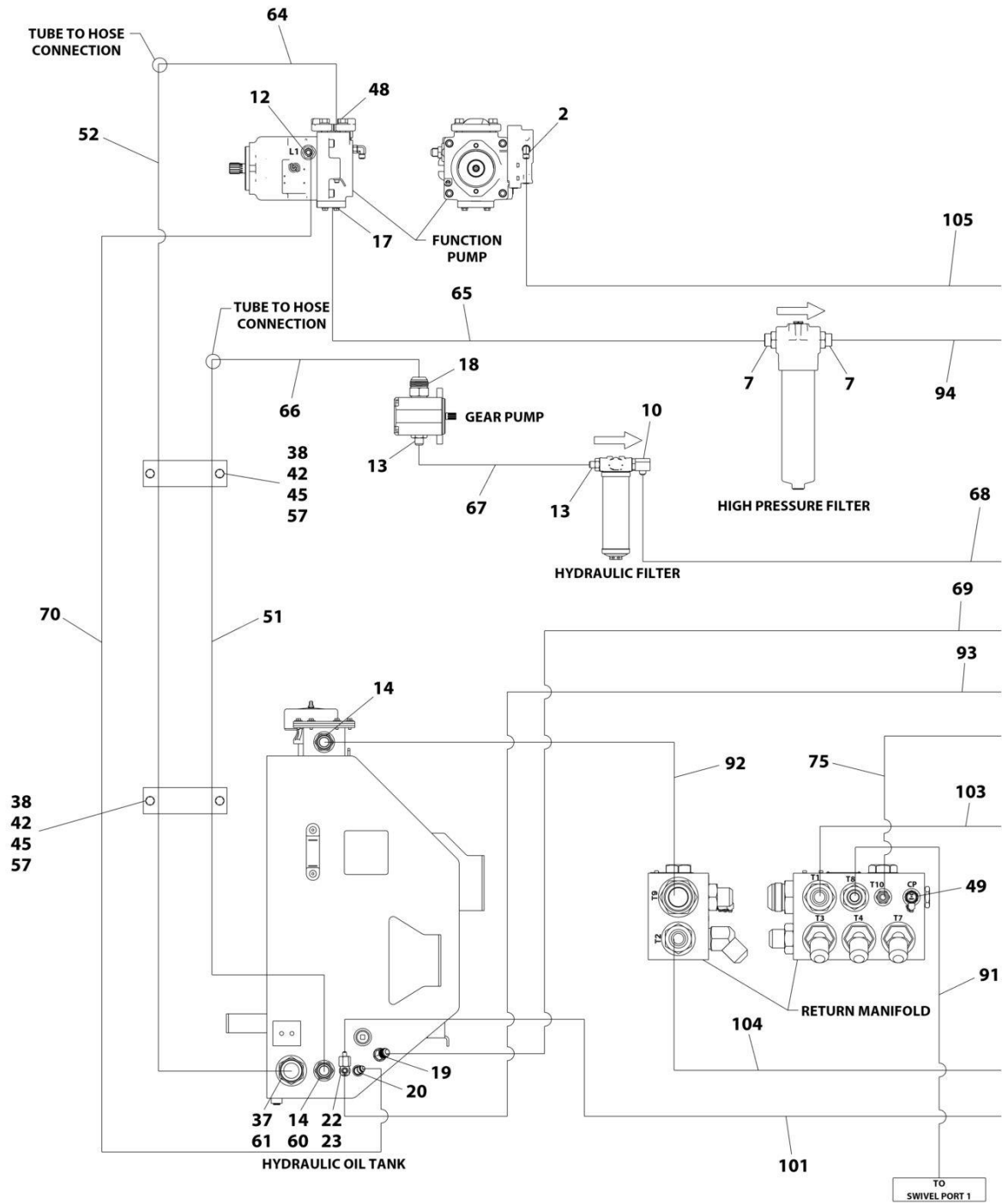
SECTION 7 - HYDRAULIC

FIGURE 7-2. CHASSIS HYDRAULIC DIAGRAM

ITEM	PART NUMBER	QTY	DESCRIPTION	REV
	1001157241	Ref	CHASSIS HYDRAULIC DIAGRAM	D
1	2110808	4	Fitting, Straight ORFS/ORB	
2	2110812	1	Fitting, Straight ORFS/ORB	
3	2220372	8	Fitting, Straight JIC/ORB	
4	2220473	8	Fitting, 90 JIC/ORB	
5	2220504	4	Fitting, Tee JIC/JIC/JIC	
6	8769122	4	Clamp Set	
7	8769128	4	Cover	
8	0641511001	4	Bolt 5/16 x 1-3/8	
9	1001161269	8	Hose	
10	1001161270	1	Hose	
11	1001161271	4	Hose	
12	1001161272	4	Hose	
13	1001161273	4	Hose	
14	1001161274	2	Hose	
15	1001161275	3	Hose	
16	1001161276	2	Hose	
17	1001161277	4	Hose	
18	1001161278	1	Hose	
19	1001161279	6	Hose	
20	1001161280	3	Hose	
21	1001161281	3	Hose	
22	1001161282	2	Hose	
23	1001161283	1	Hose	
24	1001161289	1	Hose	
25	1001161290	1	Hose	
26	4240018	18	Tie-Strap (Not Shown)	
27	2220235	2	Fitting, O-Ring	

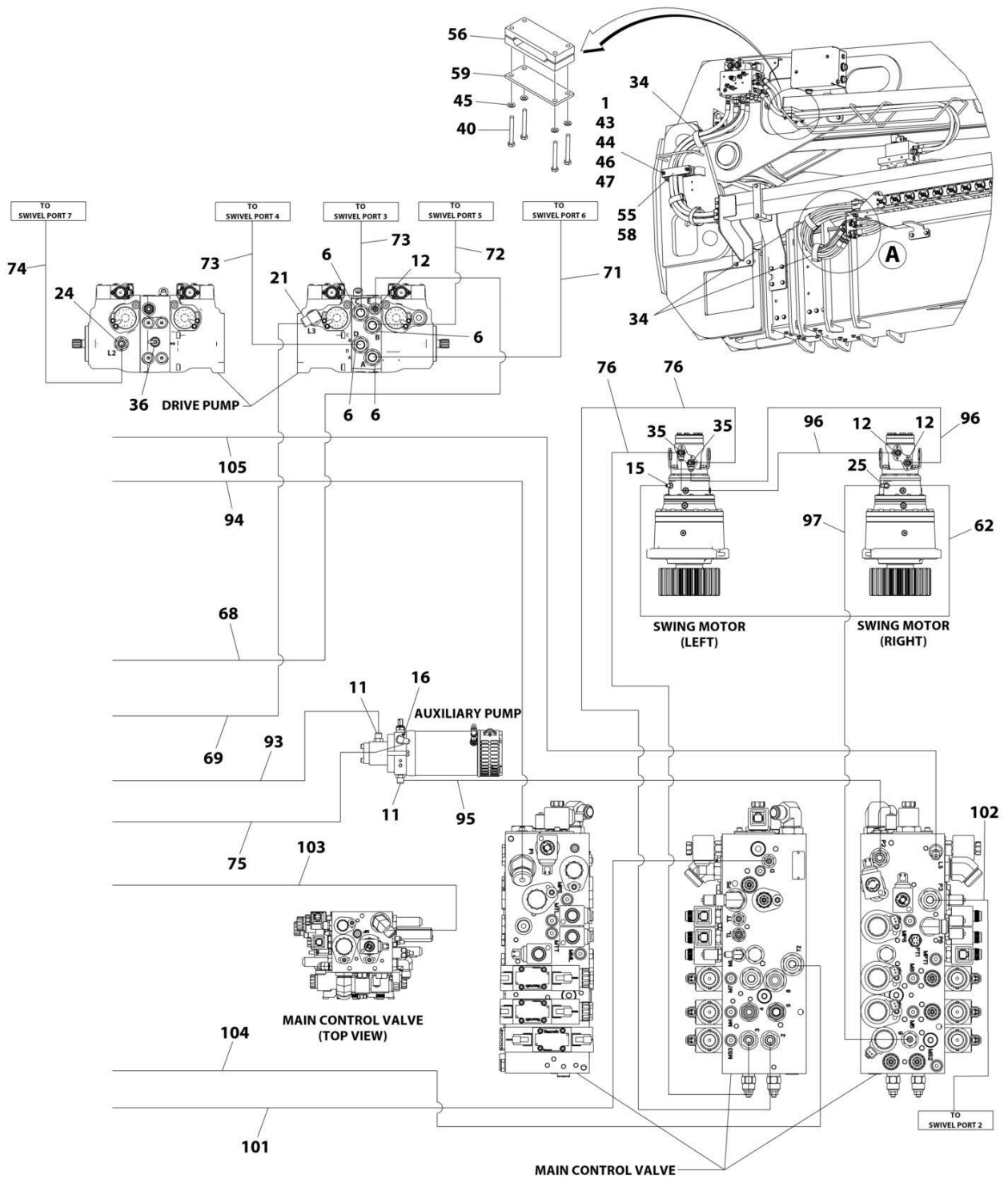
SECTION 7 - HYDRAULIC

FIGURE 7-3. TURNTABLE HYDRAULIC DIAGRAM



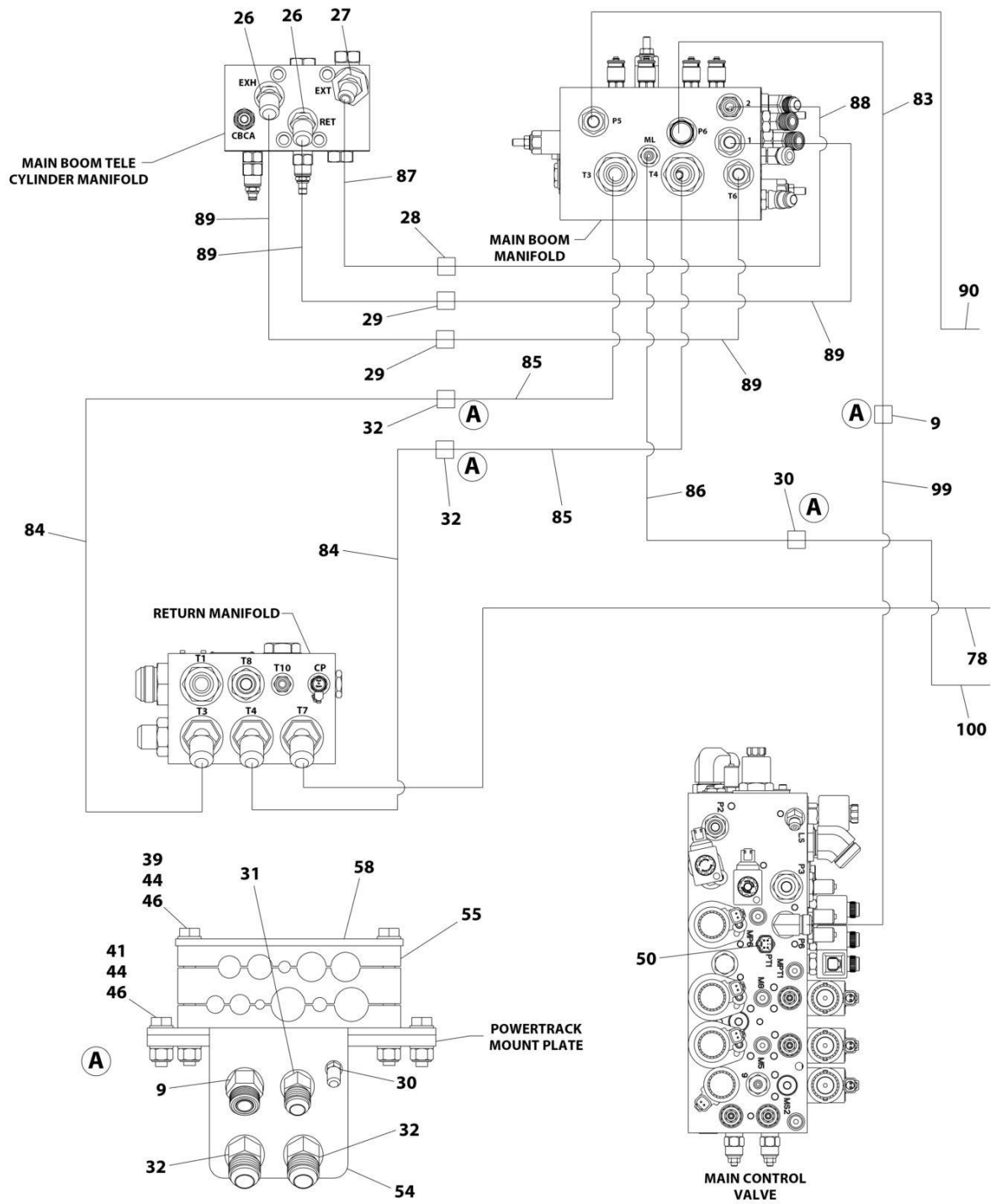
ART_1001212512_10F4

SECTION 7 - HYDRAULIC



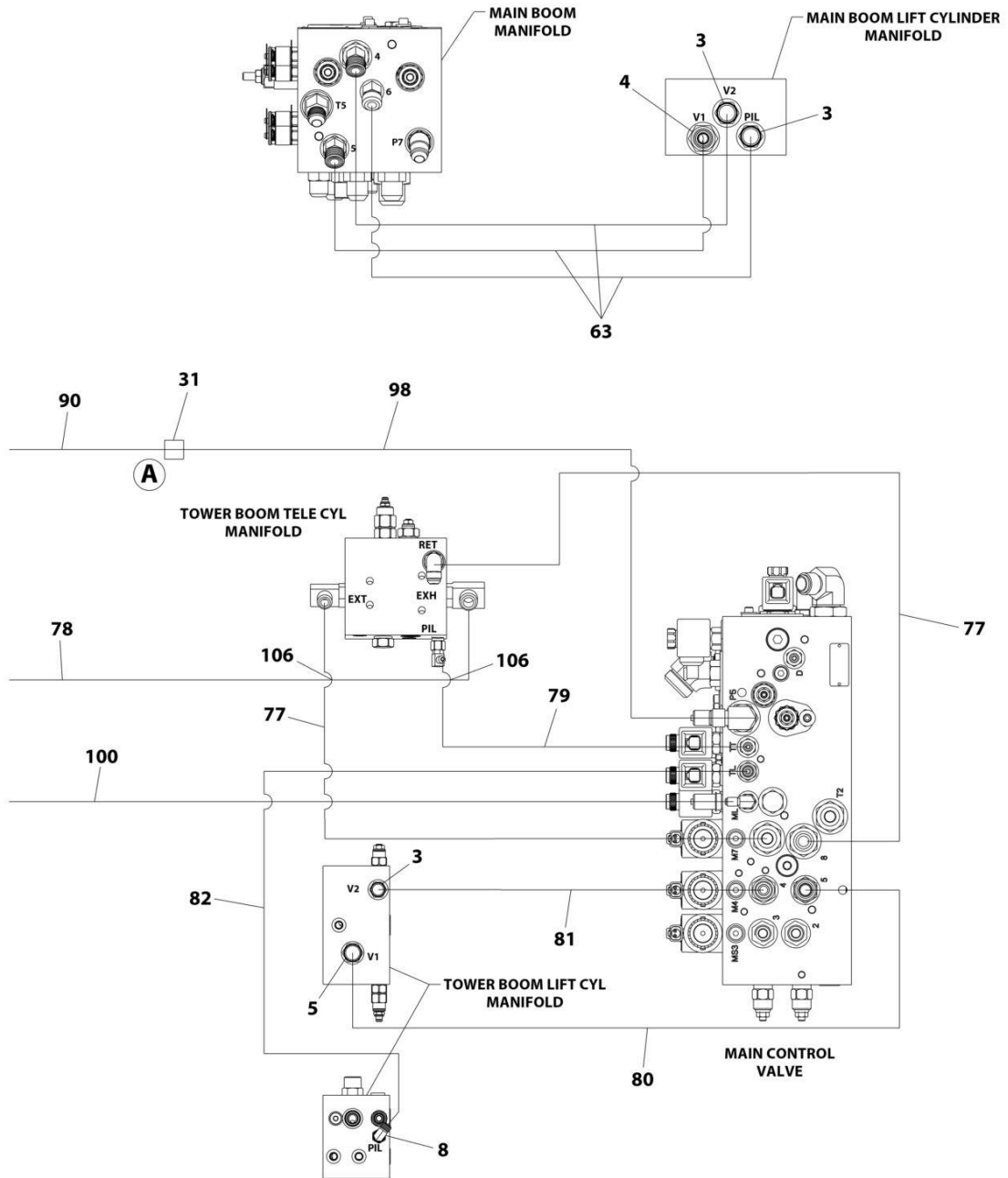
ART_1001212512_2OF4

SECTION 7 - HYDRAULIC



ART_1001212512_30F4

SECTION 7 - HYDRAULIC



ART_1001212512_40F4

SECTION 7 - HYDRAULIC

FIGURE 7-3. TURNTABLE HYDRAULIC DIAGRAM

ITEM	PART NUMBER	QTY	DESCRIPTION	REV
	1001212512	Ref	TURNTABLE HYDRAULIC DIAGRAM	G
1	0100019	AR	Compound, Locking	
2	2110604	1	Fitting, 90 ORFS/ORB	
3	2110808	3	Fitting, Straight ORFS/ORB	
4	2110810	1	Fitting, Straight ORFS/ORB	
5	2111010	1	Fitting, Straight ORFS/ORB	
6	2111016	4	Fitting, Straight ORFS/ORB	
7	2111620	2	Fitting, Straight ORFS/ORB	
8	2170204	1	Fitting, 90 ORFS/ORB	
9	2171310	1	Fitting, 45 ORFS	
10	2220366	1	Fitting, 90 JIC/ORB	
11	2220373	2	Fitting, Straight JIC/ORB	
12	2220374	4	Fitting, Straight JIC/ORB	
13	2220375	2	Fitting, Straight JIC/ORB	
14	2220380	2	Fitting, Straight JIC/ORB	
15	2220415	1	Fitting, Straight JIC/ORB	
16	2220473	1	Fitting, 90 JIC/ORB	
17	2220478	1	Fitting Kit - Split Flange	
18	2220479	1	Fitting, Straight JIC/ORB	
19	2220498	1	Fitting, 45 JIC/ORB	
20	2220500	1	Fitting, 45 JIC/ORB	
21	2220578	1	Fitting, 90 JIC/ORB	
22	2220602	1	Fitting, Tee JIC/ORB/JIC	
23	2220618	1	Fitting, Straight JIC/FSJIC	
24	2220865	1	Fitting, Straight JIC/ORB	
25	2221034	1	Fitting, Tee	
26	2221050	2	Fitting, 45 JIC/ORB	
27	2221077	1	Fitting, 45	
28	2230025	1	Fitting, Straight JIC/JIC	
29	2230026	2	Fitting, Straight JIC/JIC	
30	2230031	1	Fitting, 45 JIC/JIC	
31	2230035	1	Fitting, 45 JIC/JIC	
32	2230036	2	Fitting, 45 JIC/JIC	
33	4240018	4	Tie-Strap (Not Shown)	
34	1001137263	AR	Strap, Cinch	
35	8760554	2	Fitting, Tee JIC/ORB/JIC	
36	77133089	1	Valve, Check	
37	88662013	1	Fitting, Straight JIC/ORB	
38	0700823001	4	Bolt M8 x 75	
39	0701028001	2	Bolt M10 x 110	
40	0760822001	4	Bolt M8 x 70	
41	0761015001	2	Bolt M10 x 35	
42	3290801001	4	Nut M8	
43	3291001001	2	Nut M10	
44	3291005001	6	Nut M10	
45	4811900001	12	Washer M8	
46	1001172358	10	Washer M10	
47	1001202136	2	Stud M10 x 115	
48	1001110604	1	Fitting Kit - Split Flange	
49	1001119455	1	Fitting, Test	

SECTION 7 - HYDRAULIC

ITEM	PART NUMBER	QTY	DESCRIPTION	REV
50	1001200550	1	Sensor, Pressure Transducer	
51	1001202320	1	Tube	
52	1001212328	1	Tube	
53	1001207279	1	Shield (Not Shown)	
54	1001202705	1	Bracket	
55	1001202706	2	Clamp	
56	1001202707	1	Clamp	
57	1001207102	2	Clamp	
58	1001202708	2	Cover, Clamp	
59	1001202709	1	Cover, Clamp	
60	1001217086	1	Seal, Conical	
61	1001217087	1	Seal, Conical	
62	1001161647	1	Hose	
63	1001200977	1	Hose	
64	1001205083	1	Hose	
65	1001205084	1	Hose	
66	1001205086	1	Hose	
67	1001205087	1	Hose	
68	1001205088	1	Hose	
69	1001205089	1	Hose	
70	1001205090	1	Hose	
71	1001205092	1	Hose	
72	1001205093	1	Hose	
73	1001205094	2	Hose	
74	1001205095	1	Hose	
75	1001205096	1	Hose	
76	1001205098	2	Hose	
77	1001205100	2	Hose	
78	1001205102	1	Hose	
79	1001205103	1	Hose	
80	1001205104	1	Hose	
81	1001205105	1	Hose	
82	1001205106	1	Hose	
83	1001205108	1	Hose	
84	1001205110	2	Hose	
85	1001205111	2	Hose	
86	1001205113	1	Hose	
87	1001205114	1	Hose	
88	1001205115	1	Hose	
89	1001205116	4	Hose	
90	1001205117	1	Hose	
91	1001205124	1	Hose	
92	1001205125	1	Hose	
93	1001205949	1	Hose	
94	1001212491	1	Hose	
95	1001212492	1	Hose	
96	1001212494	2	Hose	
97	1001212495	1	Hose	
98	1001212502	1	Hose	
99	1001212503	1	Hose	
100	1001212504	1	Hose	

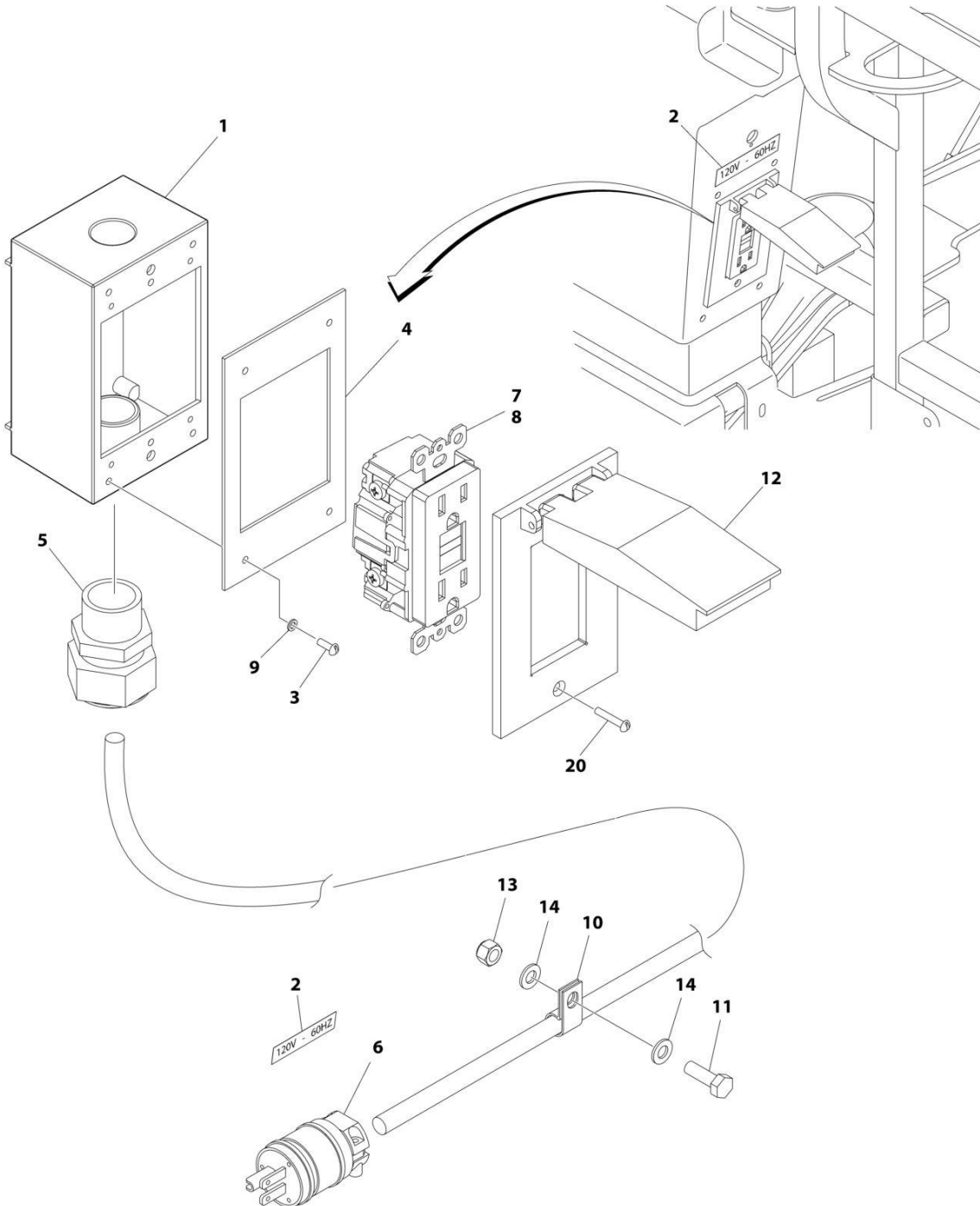
SECTION 7 - HYDRAULIC

ITEM	PART NUMBER	QTY	DESCRIPTION	REV
101	1001212505	1	Hose	
102	1001212507	1	Hose	
103	1001212509	1	Hose	
104	1001231291	1	Hose	
105	1001232201	1	Hose	
106	4240155	6	Strap, Cinch	

SECTION 8 - ELECTRICAL

SECTION 8 - ELECTRICAL

FIGURE 8-1. AC BOX AT PLATFORM INSTALLATION - 110V GFI (ANSI, CSA AND JAPANESE SPECS)



ART_1001197333

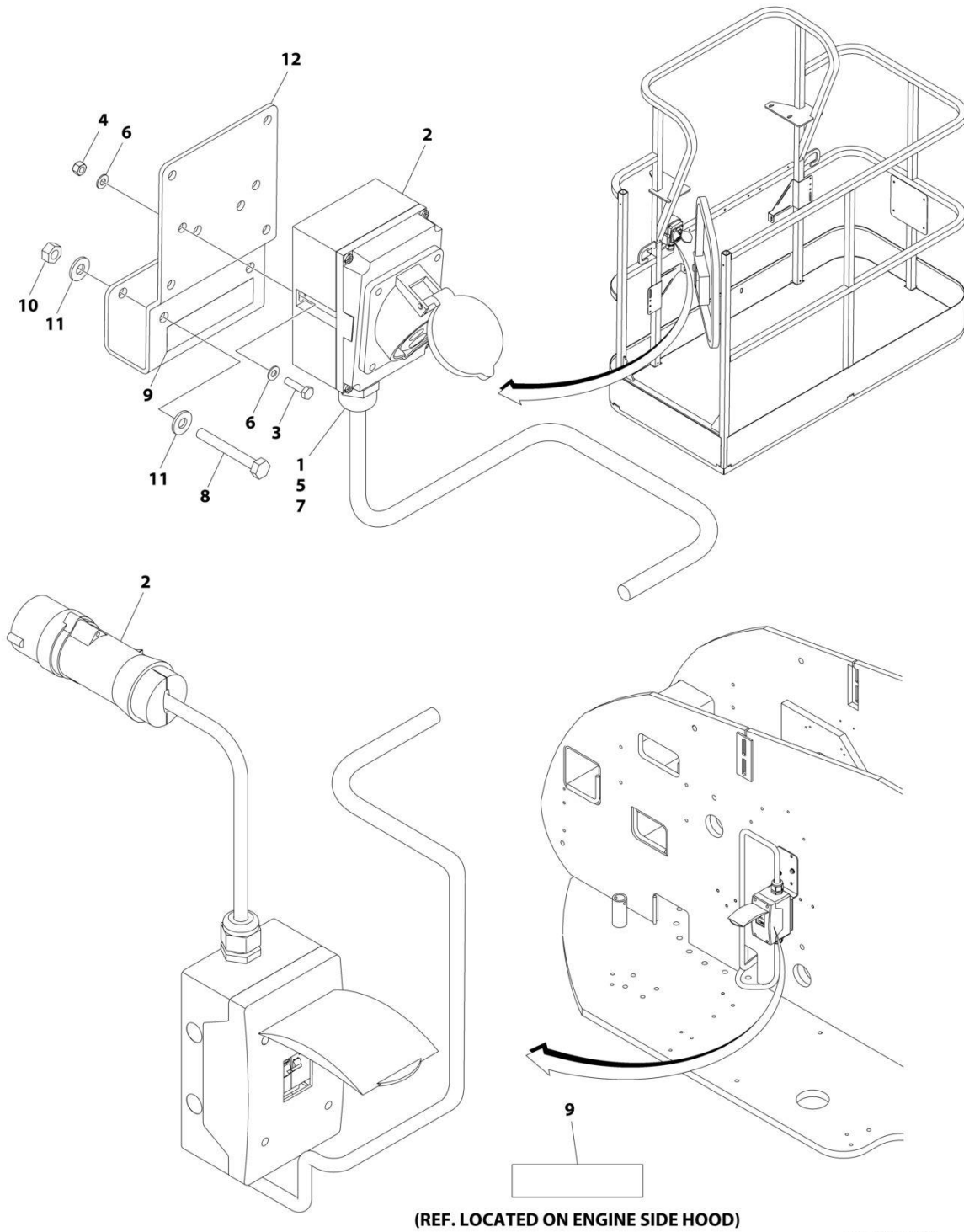
SECTION 8 - ELECTRICAL

FIGURE 8-1. AC BOX AT PLATFORM INSTALLATION - 110V GFI (ANSI, CSA AND JAPANESE SPECS)

ITEM	PART NUMBER	QTY	DESCRIPTION	REV
	1001197333	Ref	AC BOX AT PLATFORM INSTALLATION - 110V GFI	B
1	0860038	1	Box, Switch	
2	3251243	2	Decal - 120V/60Hz	
3	3910606	4	Screw #6 x 3/8	
4	3960422	1	Gasket, AC Receptacle	
5	4460051	1	Connector, Strain Relief	
6	4460205	1	Plug, Male	
7	4460315	3	Terminal, Spade	
8	4460346	1	Terminal, Receptacle	
9	4760600	4	Washer #6	
10	8406109	1	Clamp	
11	0760812001	1	Bolt M8 x 25	
12	1001110873	1	Shield, Receptacle Cover	
13	3290805001	1	Nut M8	
14	4811900001	2	Washer M8	
20	3910612	2	Screw #6 x 3/4	

SECTION 8 - ELECTRICAL

FIGURE 8-2. AC BOX AT PLATFORM INSTALLATION - 110V IEC YELLOW WITHOUT GENERATOR
(CE & UK CA SPECS)



ART_1001091969

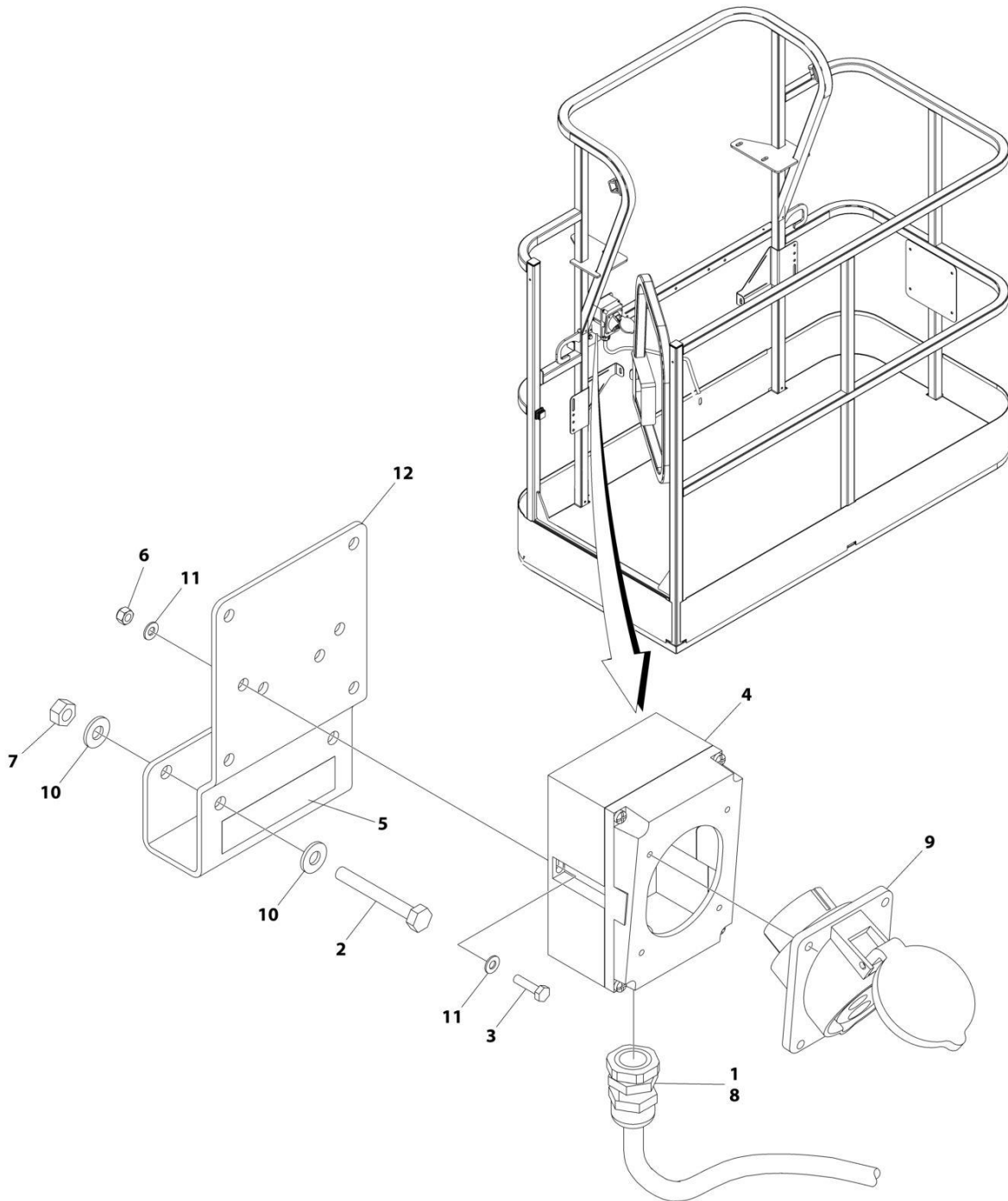
SECTION 8 - ELECTRICAL

**FIGURE 8-2. AC BOX AT PLATFORM INSTALLATION - 110V IEC YELLOW WITHOUT GENERATOR
(CE & UK CA SPECS)**

ITEM	PART NUMBER	QTY	DESCRIPTION	REV
	1001091969	Ref	AC BOX AT PLATFORM INSTALLATION - 110V IEC YELLOW	D
1	0100020	AR	Sealant, Pipe	
2	0275216	1	Receptacle Box Kit (See Separate Breakdown in this Section)	
3	0700408	2	Bolt M4 x 16	
4	3290405	2	Nut M4	
5	1001101196	1	Adapter	
6	4811400	4	Washer M4	
7	1001101191	1	Connector, Strain Relief	
8	0641416	2	Bolt 1/4 x 2	
9	1705325	2	Decal - 110V	
10	3311405	2	Nut 1/4	
11	4711400	4	Washer 1/4	
12	1001193018	1	Bracket	

SECTION 8 - ELECTRICAL

FIGURE 8-3. AC BOX AT PLATFORM INSTALLATION - 110V IEC YELLOW WITH 4000W GENERATOR
(CE & UK CA SPECS)



ART_1001194203

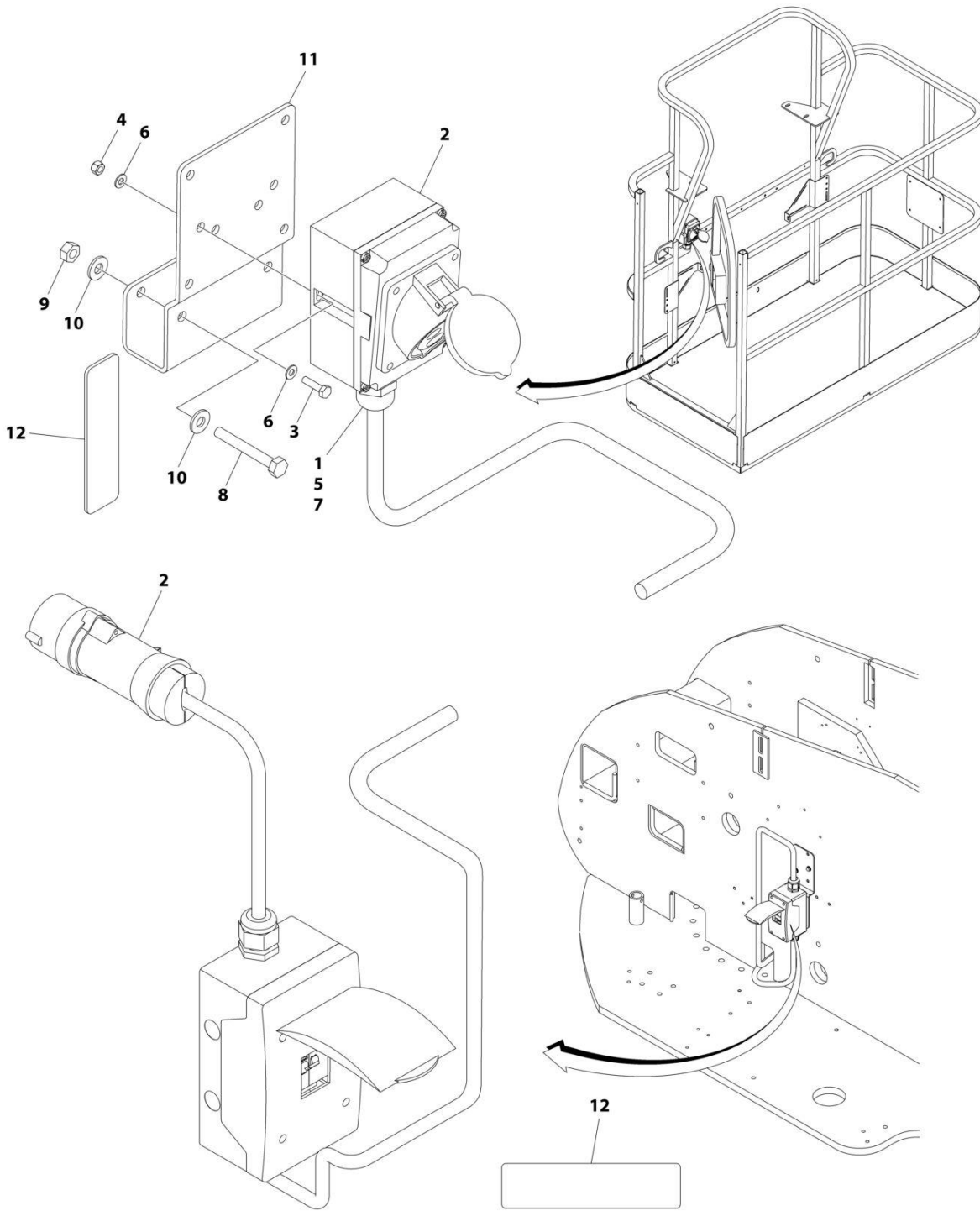
SECTION 8 - ELECTRICAL

**FIGURE 8-3. AC BOX AT PLATFORM INSTALLATION - 110V IEC YELLOW WITH 4000W GENERATOR
(CE & UK CA SPECS)**

ITEM	PART NUMBER	QTY	DESCRIPTION	REV
	1001194203	Ref	AC BOX AT PLATFORM INSTALLATION	B
1	0100020	AR	Sealant, Pipe	
2	0641416	2	Bolt 1/4 x 2	
3	0700408	2	Bolt M4 x 16	
4	0861781	1	Box, Switch	
5	1705325	1	Decal - 110V	
6	3290405	2	Nut M4	
7	3311405	2	Nut 1/4	
8	4460968	1	Connector, Strain Relief	
9	4461198	1	Receptacle	
10	4711400	4	Washer 1/4	
11	4811400	4	Washer M4	
12	1001193018	1	Bracket, AC Receptacle	

SECTION 8 - ELECTRICAL

FIGURE 8-4. AC BOX AT PLATFORM INSTALLATION - 220V IEC BLUE WITHOUT GENERATOR (CE & UK CA SPECS)



(REF. LOCATED ON ENGINE SIDE HOOD)

ART_1001091970

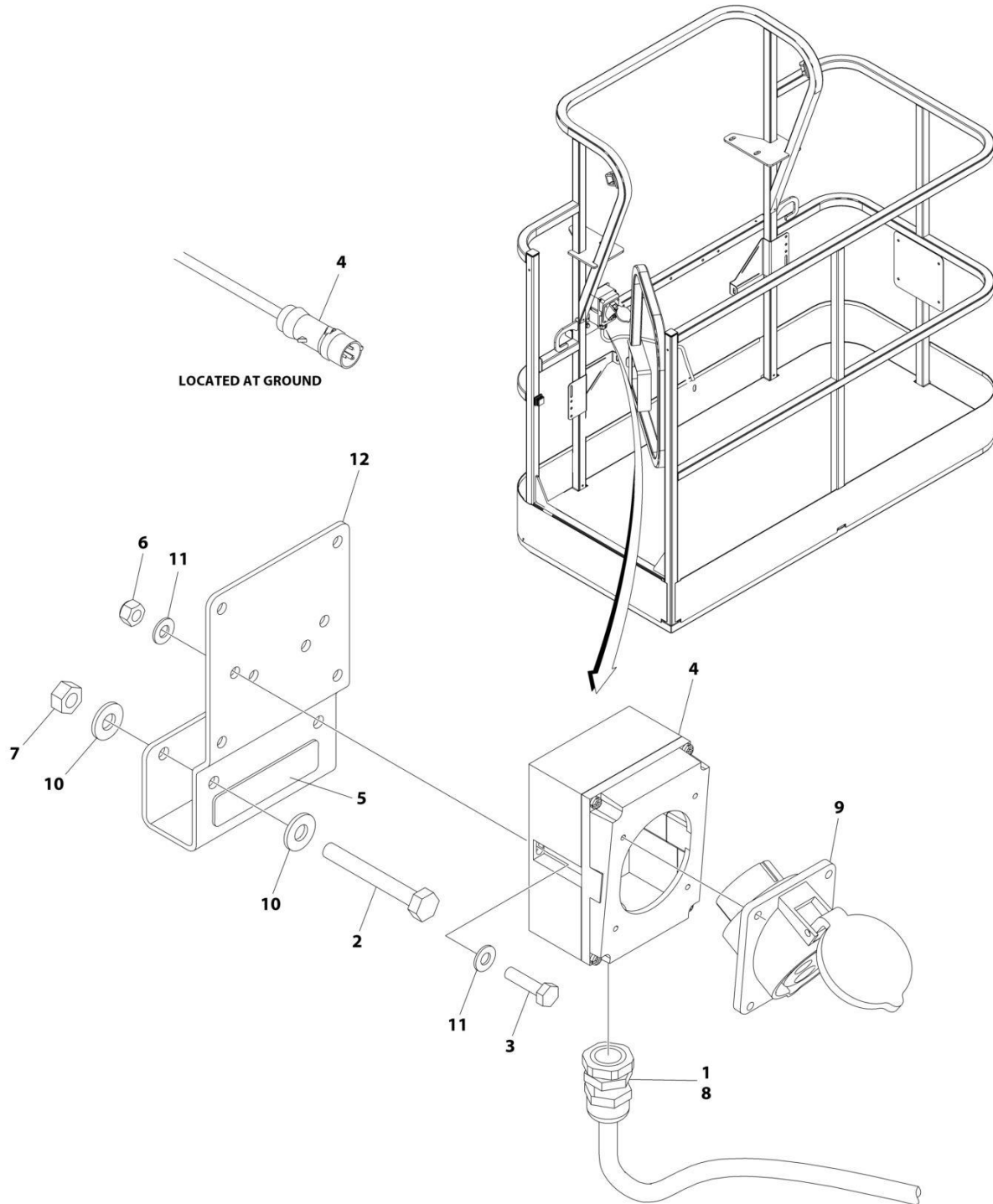
SECTION 8 - ELECTRICAL

FIGURE 8-4. AC BOX AT PLATFORM INSTALLATION - 220V IEC BLUE WITHOUT GENERATOR (CE & UK CA SPECS)

ITEM	PART NUMBER	QTY	DESCRIPTION	REV
	1001091970	Ref	AC BOX AT PLATFORM INSTALLATION - 220V IEC BLUE	D
1	0100020	AR	Sealant, Pipe	
2	0275217	1	Receptacle Box Kit (See Separate Breakdown in this Section)	
3	0700408	2	Bolt M4 x 16	
4	3290405	2	Nut M4	
5	1001101196	1	Adapter	
6	4811400	4	Washer M4	
7	1001101191	1	Connector, Strain Relief	
8	0641416	2	Bolt 1/4 x 2	
9	3311405	2	Nut 1/4	
10	4711400	4	Washer 1/4	
11	1001193018	1	Bracket	
12	3251242	2	Decal - 240V/50Hz	

SECTION 8 - ELECTRICAL

FIGURE 8-5. AC BOX AT PLATFORM INSTALLATION - 220V IEC BLUE WITH 4000W GENERATOR
(CE & UK CA SPECS)



ART_1001194204

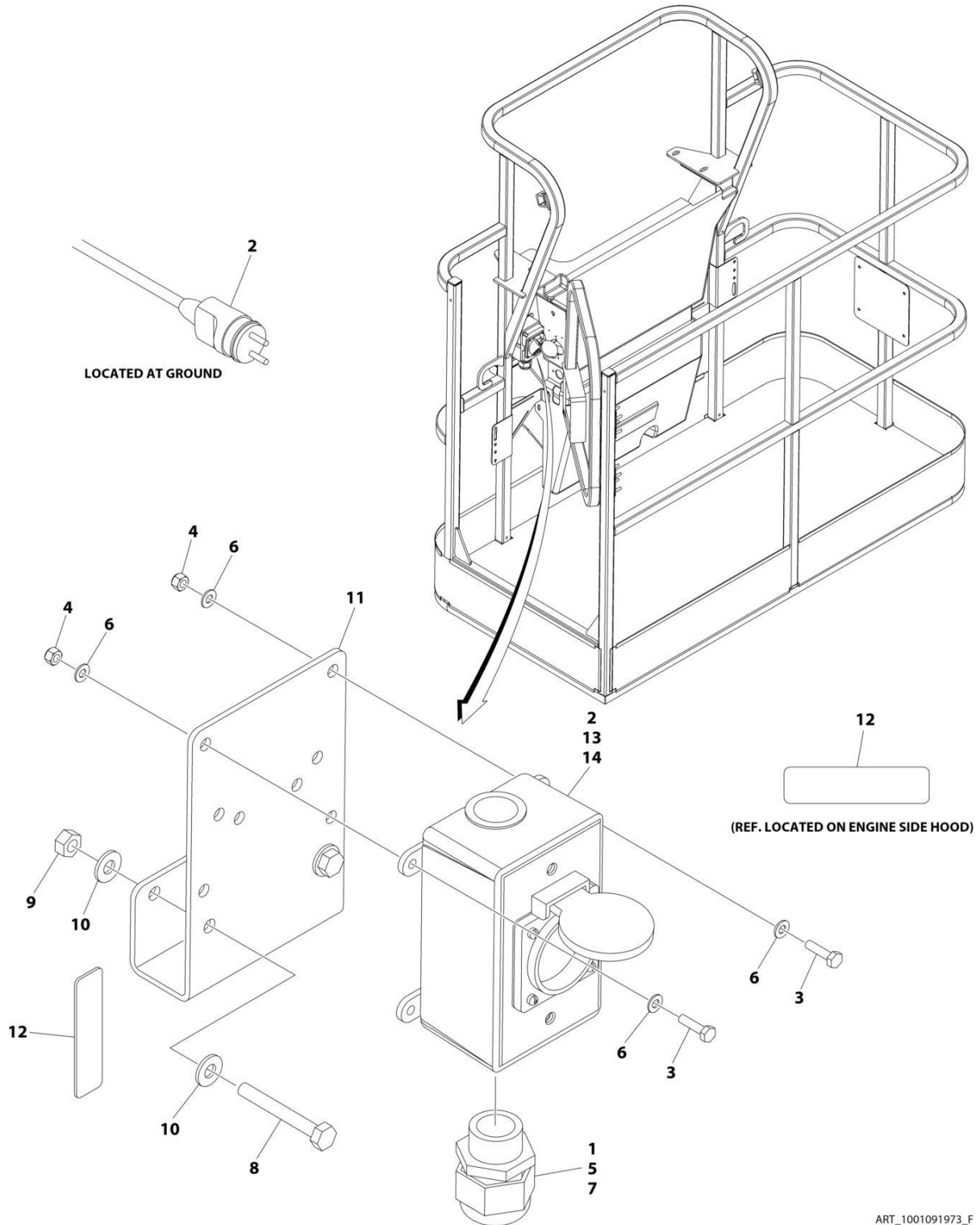
SECTION 8 - ELECTRICAL

**FIGURE 8-5. AC BOX AT PLATFORM INSTALLATION - 220V IEC BLUE WITH 4000W GENERATOR
(CE & UK CA SPECS)**

ITEM	PART NUMBER	QTY	DESCRIPTION	REV
	1001194204	Ref	AC BOX AT PLATFORM INSTALLATION	B
1	0100020	AR	Sealant, Pipe	
2	0641416	2	Bolt 1/4 x 2	
3	0700408	2	Bolt M4 x 16	
4	0861781	1	Box, Switch	
5	3251242	1	Decal - 240V/50Hz	
6	3290405	2	Nut M4	
7	3311405	2	Nut 1/4	
8	4460968	1	Connector, Strain Relief	
9	4461201	1	Receptacle	
10	4711400	4	Washer 1/4	
11	4811400	4	Washer M4	
12	1001193018	1	Bracket, AC Receptacle	

SECTION 8 - ELECTRICAL

FIGURE 8-6. AC BOX AT PLATFORM INSTALLATION - 220V CEE7 POST GROUND WITHOUT GENERATOR (CE & UK CA SPECS)



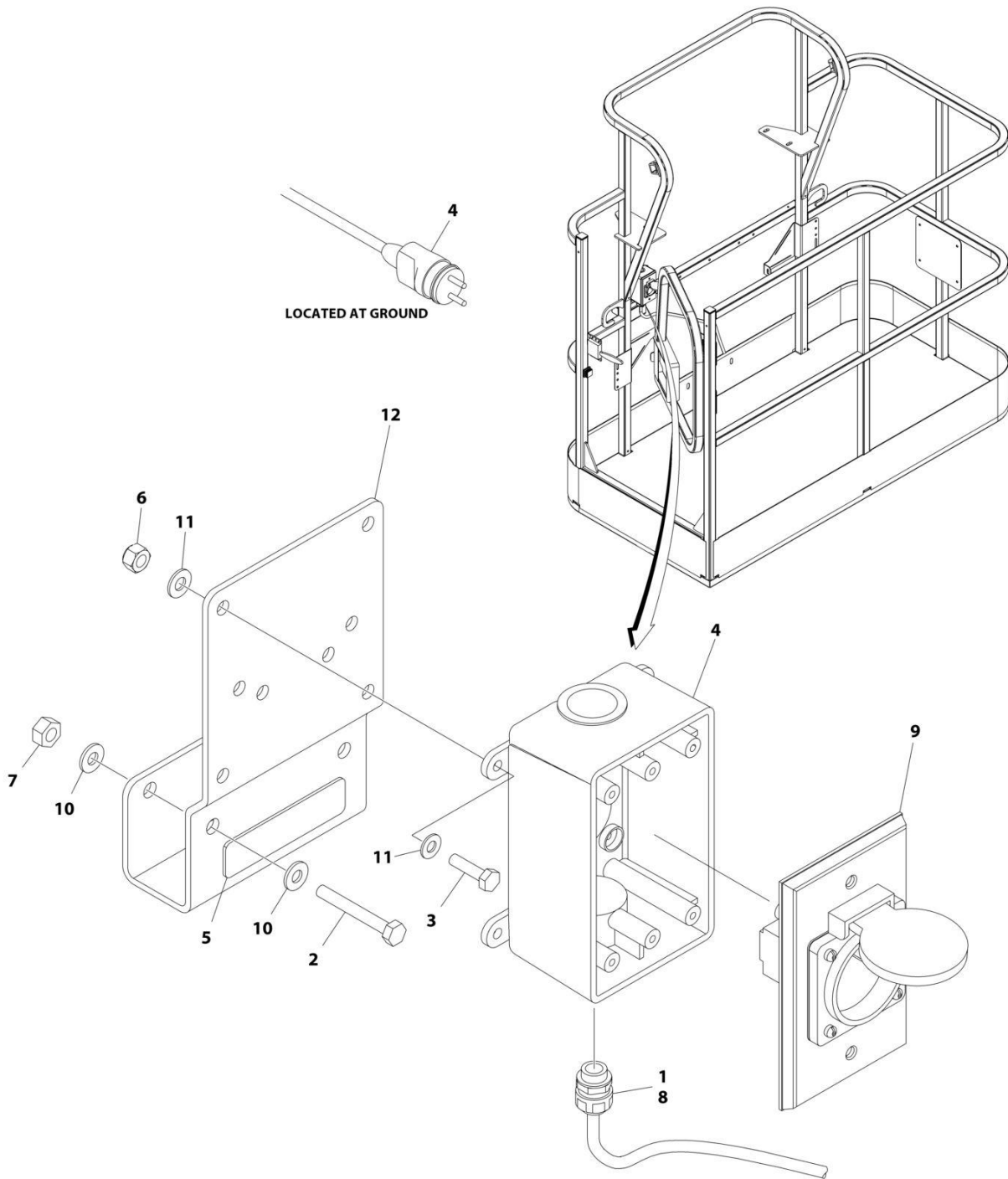
SECTION 8 - ELECTRICAL

FIGURE 8-6. AC BOX AT PLATFORM INSTALLATION - 220V CEE7 POST GROUND WITHOUT GENERATOR (CE & UK CA SPECS)

ITEM	PART NUMBER	QTY	DESCRIPTION	REV
	1001091973	Ref	AC BOX AT PLATFORM INSTALLATION - 220V CEE7 2X4 BOX POST GROUND	F
1	0100020	AR	Sealant, Pipe	
2	0275452	1	Receptacle Box Kit (See Separate Breakdown in this Section)	
3	0700408	4	Bolt M4 x 16	
4	3290405	4	Nut M4	
5	1001101197	1	Adapter	
6	4811400	8	Washer M4	
7	1001101191	1	Connector, Strain Relief	
8	0641416	2	Bolt 1/4 x 2	
9	3311405	2	Nut 1/4	
10	4711400	4	Washer 1/4	
11	1001193018	1	Bracket	
12	3251242	2	Decal - 240V/50Hz	
13	4460806	2	Terminal, Fork (Not Shown)	
14	1001205958	1	Terminal (Not Shown)	

SECTION 8 - ELECTRICAL

FIGURE 8-7. AC BOX AT PLATFORM INSTALLATION - 220V CEE7 POST GROUND WITH 4000W GENERATOR (CE & UK CA SPECS)



ART_1001194197

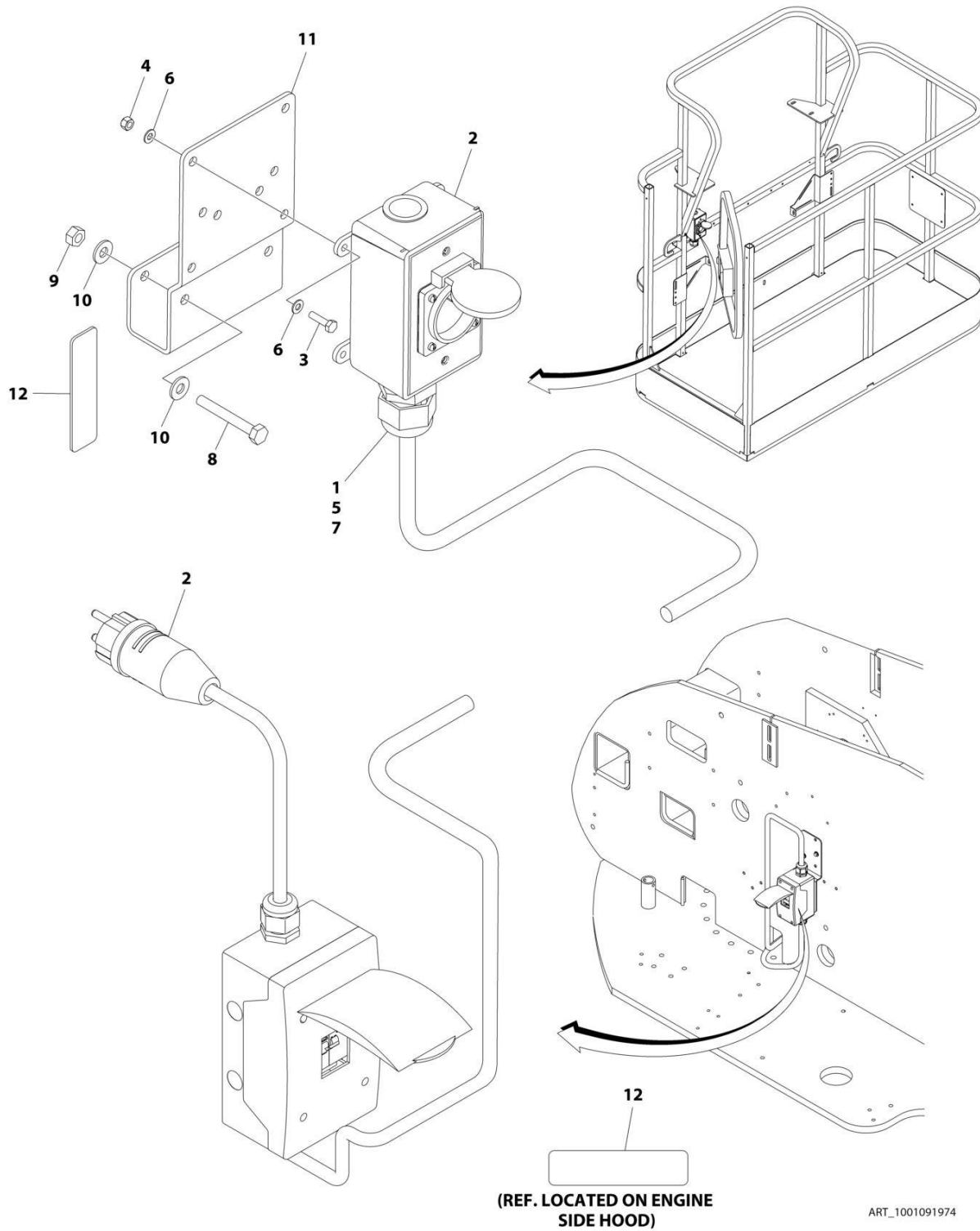
SECTION 8 - ELECTRICAL

FIGURE 8-7. AC BOX AT PLATFORM INSTALLATION - 220V CEE7 POST GROUND WITH 4000W GENERATOR (CE & UK CA SPECS)

ITEM	PART NUMBER	QTY	DESCRIPTION	REV
	1001194197	Ref	AC BOX AT PLATFORM INSTALLATION	B
1	0100020	AR	Sealant, Pipe	
2	0641416	2	Bolt 1/4 x 2	
3	0700408	4	Bolt M4 x 16	
4	0861731	1	Box, Switch	
5	3251242	1	Decal - 240V/50Hz	
6	3290405	4	Nut M4	
7	3311405	2	Nut 1/4	
8	4460662	1	Connector, Strain Relief	
9	4461244	1	Receptacle	
10	4711400	4	Washer 1/4	
11	4811400	8	Washer M4	
12	1001193018	1	Bracket, AC Receptacle	
13	4460806	2	Terminal, Fork (Not Shown)	
14	1001205958	1	Terminal (Not Shown)	

SECTION 8 - ELECTRICAL

FIGURE 8-8. AC BOX AT PLATFORM INSTALLATION - 220V CEE7 SIDE GROUND WITHOUT GENERATOR (CE & UK CA SPECS)



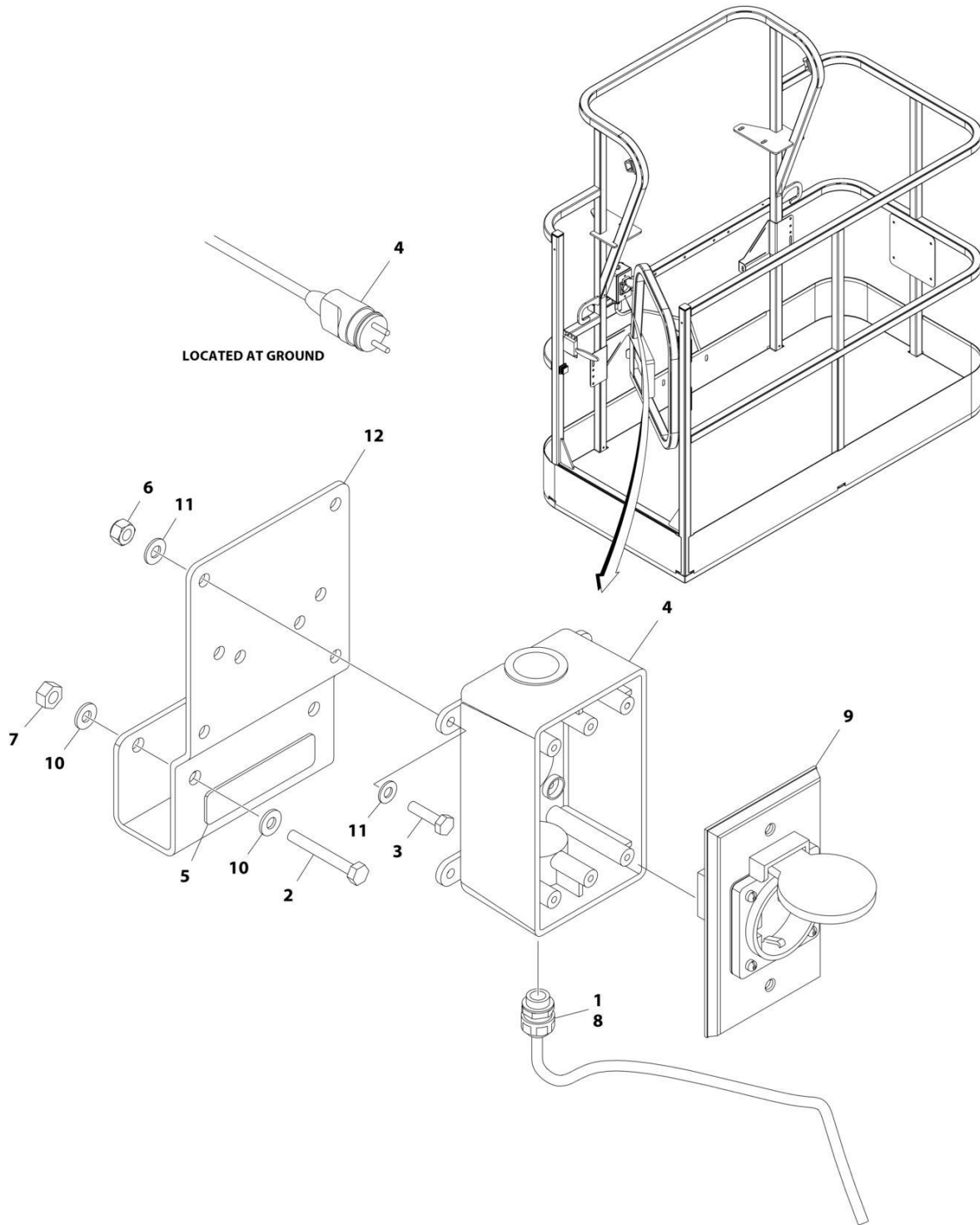
SECTION 8 - ELECTRICAL

FIGURE 8-8. AC BOX AT PLATFORM INSTALLATION - 220V CEE7 SIDE GROUND WITHOUT GENERATOR (CE & UK CA SPECS)

ITEM	PART NUMBER	QTY	DESCRIPTION	REV
	1001091974	Ref	AC BOX AT PLATFORM INSTALLATION - 220V CEE7 2X4 BOX SIDE GROUND	F
1	0100020	AR	Sealant, Pipe	
2	0275453	1	Receptacle Box Kit (See Separate Breakdown in this Section)	
3	0700408	4	Bolt M4 x 16	
4	3290405	4	Nut M4	
5	1001101197	1	Adapter	
6	4811400	8	Washer M4	
7	1001101191	1	Connector, Strain Relief	
8	0641416	2	Bolt 1/4 x 2	
9	3311405	2	Nut 1/4	
10	4711400	4	Washer 1/4	
11	1001193018	1	Bracket	
12	3251242	2	Decal - 240V/50Hz	
13	4460806	2	Terminal, Fork (Not Shown)	
14	1001205958	1	Terminal (Not Shown)	

SECTION 8 - ELECTRICAL

FIGURE 8-9. AC BOX AT PLATFORM INSTALLATION - 220V CEE7 SIDE GROUND WITH 4000W GENERATOR (CE & UK CA SPECS)



ART_1001194198

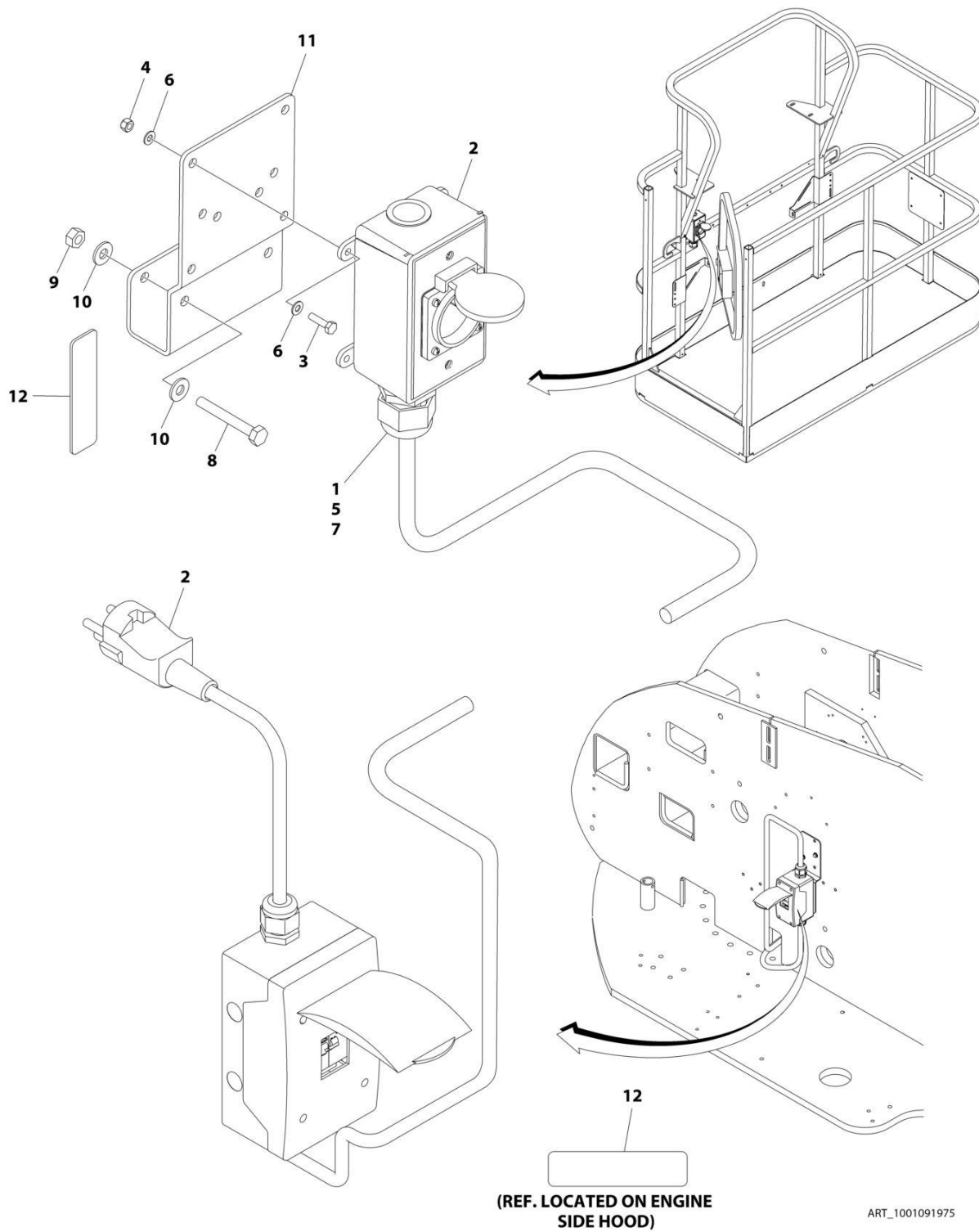
SECTION 8 - ELECTRICAL

FIGURE 8-9. AC BOX AT PLATFORM INSTALLATION - 220V CEE7 SIDE GROUND WITH 4000W GENERATOR (CE & UK CA SPECS)

ITEM	PART NUMBER	QTY	DESCRIPTION	REV
	1001194198	Ref	AC BOX AT PLATFORM INSTALLATION	B
1	0100020	AR	Sealant, Pipe	
2	0641416	2	Bolt 1/4 x 2	
3	0700408	4	Bolt M4 x 16	
4	0861731	1	Box, Switch	
5	3251242	1	Decal - 240V/50Hz	
6	3290405	4	Nut M4	
7	3311405	2	Nut 1/4	
8	4460662	1	Connector, Strain Relief	
9	4461245	1	Receptacle	
10	4711400	4	Washer 1/4	
11	4811400	8	Washer M4	
12	1001193018	1	Bracket, AC Receptacle	
13	4460806	2	Terminal, Fork (Not Shown)	
14	1001205958	1	Terminal (Not Shown)	

SECTION 8 - ELECTRICAL

FIGURE 8-10. AC BOX AT PLATFORM INSTALLATION - 220V AFSINT 107 KEYED GROUND WITHOUT GENERATOR (CE & UK CA SPECS)



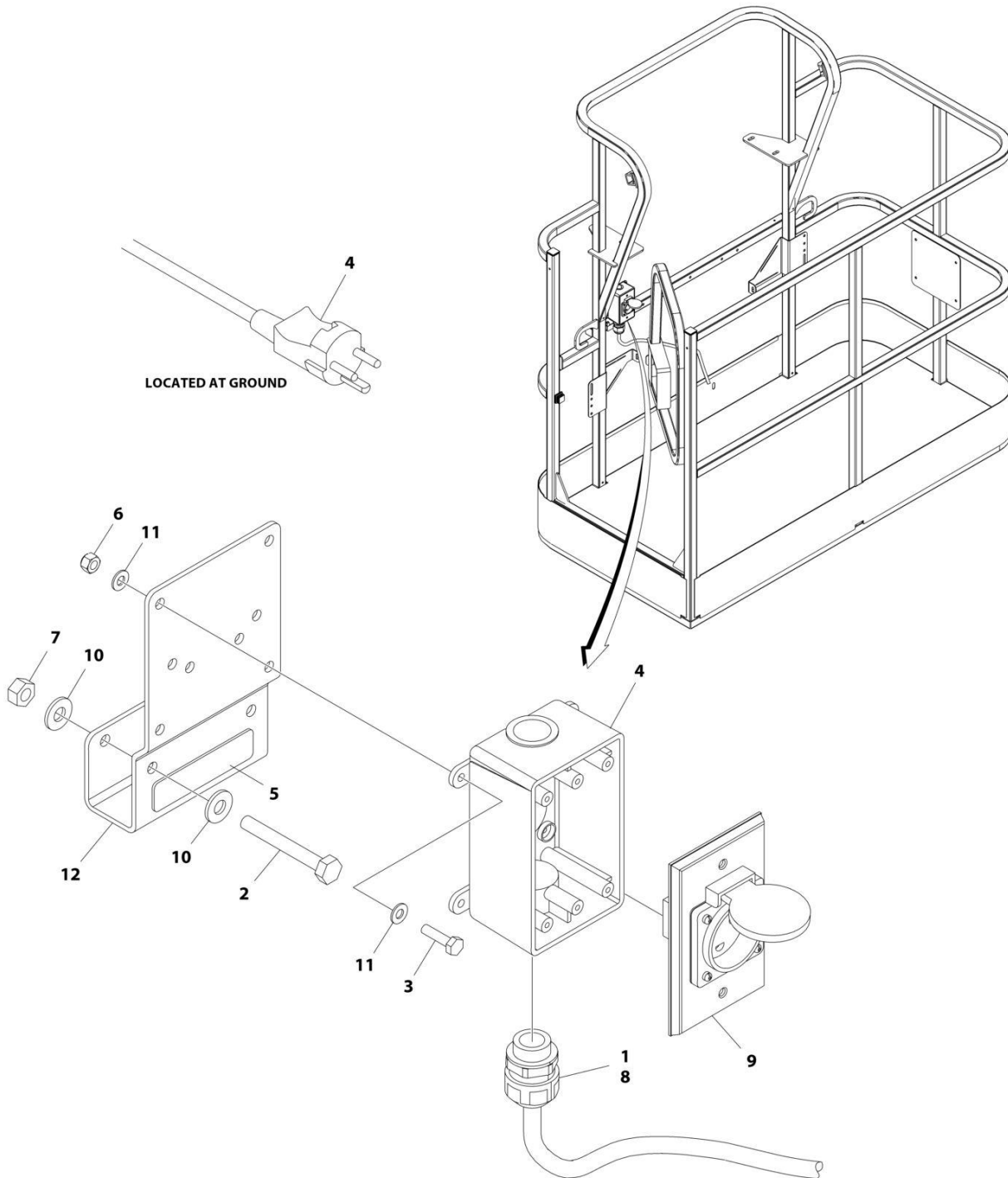
SECTION 8 - ELECTRICAL

**FIGURE 8-10. AC BOX AT PLATFORM INSTALLATION - 220V AFSINT 107 KEYED GROUND
WITHOUT GENERATOR (CE & UK CA SPECS)**

ITEM	PART NUMBER	QTY	DESCRIPTION	REV
	1001091975	Ref	AC BOX AT PLATFORM INSTALLATION - 220V AFSINT 107 2X4 BOX KEYED GROUND	F
1	0100020	AR	Sealant, Pipe	
2	0275454	1	Receptacle Box Kit (See Separate Breakdown in this Section)	
3	0700408	4	Bolt M4 x 16	
4	3290405	4	Nut M4	
5	1001101197	1	Adapter	
6	4811400	8	Washer M4	
7	1001101191	1	Connector, Strain Relief	
8	0641416	2	Bolt 1/4 x 2	
9	3311405	2	Nut 1/4	
10	4711400	4	Washer 1/4	
11	1001193018	1	Bracket	
12	3251242	2	Decal - 240V/50Hz	
13	1001205958	3	Terminal (Not Shown)	

SECTION 8 - ELECTRICAL

FIGURE 8-11. AC BOX AT PLATFORM INSTALLATION - 220V AFSINT 107 KEYED GROUND WITH 4000W GENERATOR (CE & UK CA SPECS)



ART_1001194200

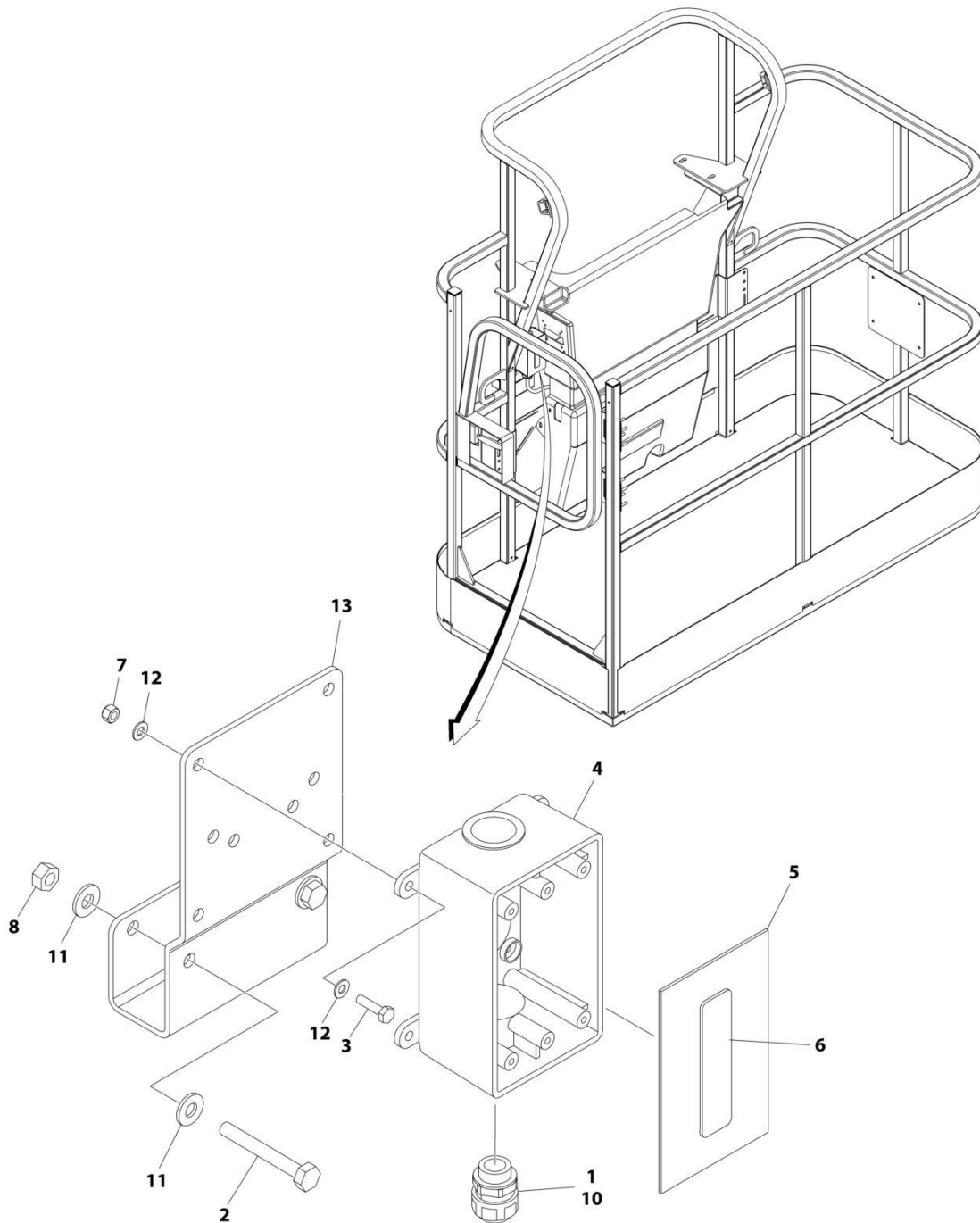
SECTION 8 - ELECTRICAL

FIGURE 8-11. AC BOX AT PLATFORM INSTALLATION - 220V AFSINT 107 KEYED GROUND WITH 4000W GENERATOR (CE & UK CA SPECS)

ITEM	PART NUMBER	QTY	DESCRIPTION	REV
	1001194200	Ref	AC BOX AT PLATFORM INSTALLATION	B
1	0100020	AR	Sealant, Pipe	
2	0641416	2	Bolt 1/4 x 2	
3	0700408	4	Bolt M4 x 16	
4	0861731	1	Box, Switch	
5	3251242	1	Decal - 240V/50Hz	
6	3290405	4	Nut M4	
7	3311405	2	Nut 1/4	
8	4460662	1	Connector, Strain Relief	
9	4461246	1	Receptacle	
10	4711400	4	Washer 1/4	
11	4811400	8	Washer M4	
12	1001193018	1	Bracket, AC Receptacle	
13	1001205958	1	Terminal (Not Shown)	

SECTION 8 - ELECTRICAL

FIGURE 8-12. AC BOX AT PLATFORM INSTALLATION - BOX WITH COVER WITH 4000W GENERATOR (ANSI EXPORT, AUSTRALIAN, CHINA, JAPANESE, CE & UK CA SPECS)



ART_1001194365

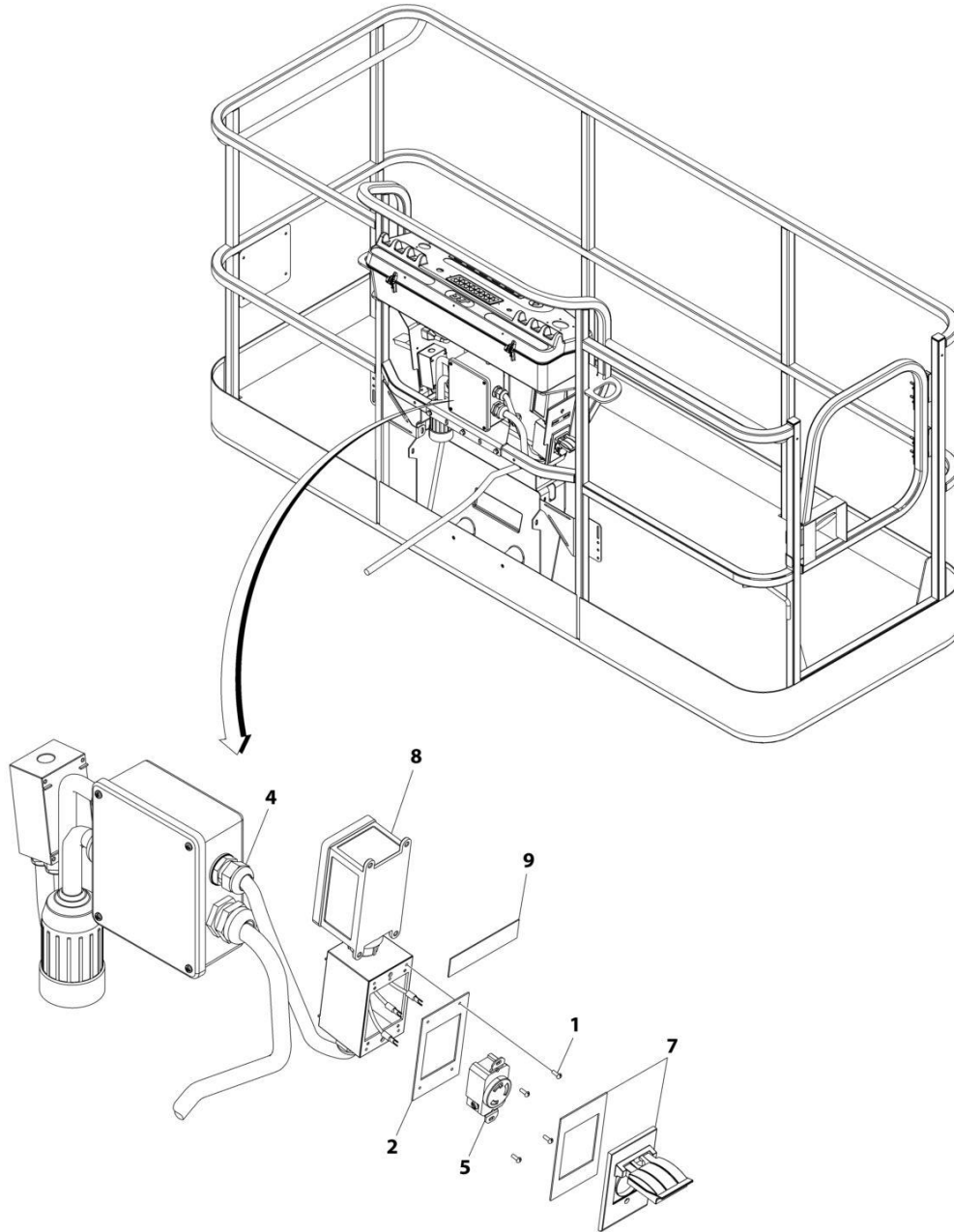
SECTION 8 - ELECTRICAL

FIGURE 8-12. AC BOX AT PLATFORM INSTALLATION - BOX WITH COVER WITH 4000W GENERATOR (ANSI EXPORT, AUSTRALIAN, CHINA, JAPANESE, CE & UK CA SPECS)

ITEM	PART NUMBER	QTY	DESCRIPTION	REV
	1001194365	Ref	AC BOX AT PLATFORM INSTALLATION - BOX WITH COVER (2X4 BOX)	A
1	0100020	AR	Sealant	
2	0641416	2	Bolt 1/4 x 2	
3	0700408	4	Bolt M4 x 16	
4	0861731	1	Box, Switch	
5	1670603	1	Cover	
6	3251242	1	Decal - 240V/50Hz	
7	3290405	4	Nut M4	
8	3311405	2	Nut 1/4	
9	4460384	3	Terminal (Not Shown)	
10	4460662	1	Connector, Strain Relief	
11	4711400	4	Washer 1/4	
12	4811400	8	Washer M4	
13	1001193018	1	Bracket, AC Receptacle	

SECTION 8 - ELECTRICAL

FIGURE 8-13. AC BOX AT PLATFORM INSTALLATION - 240V (WITH 7500W SKYPOWER GENERATOR) (ANSI & CSA SPECS)



ART_1001159121

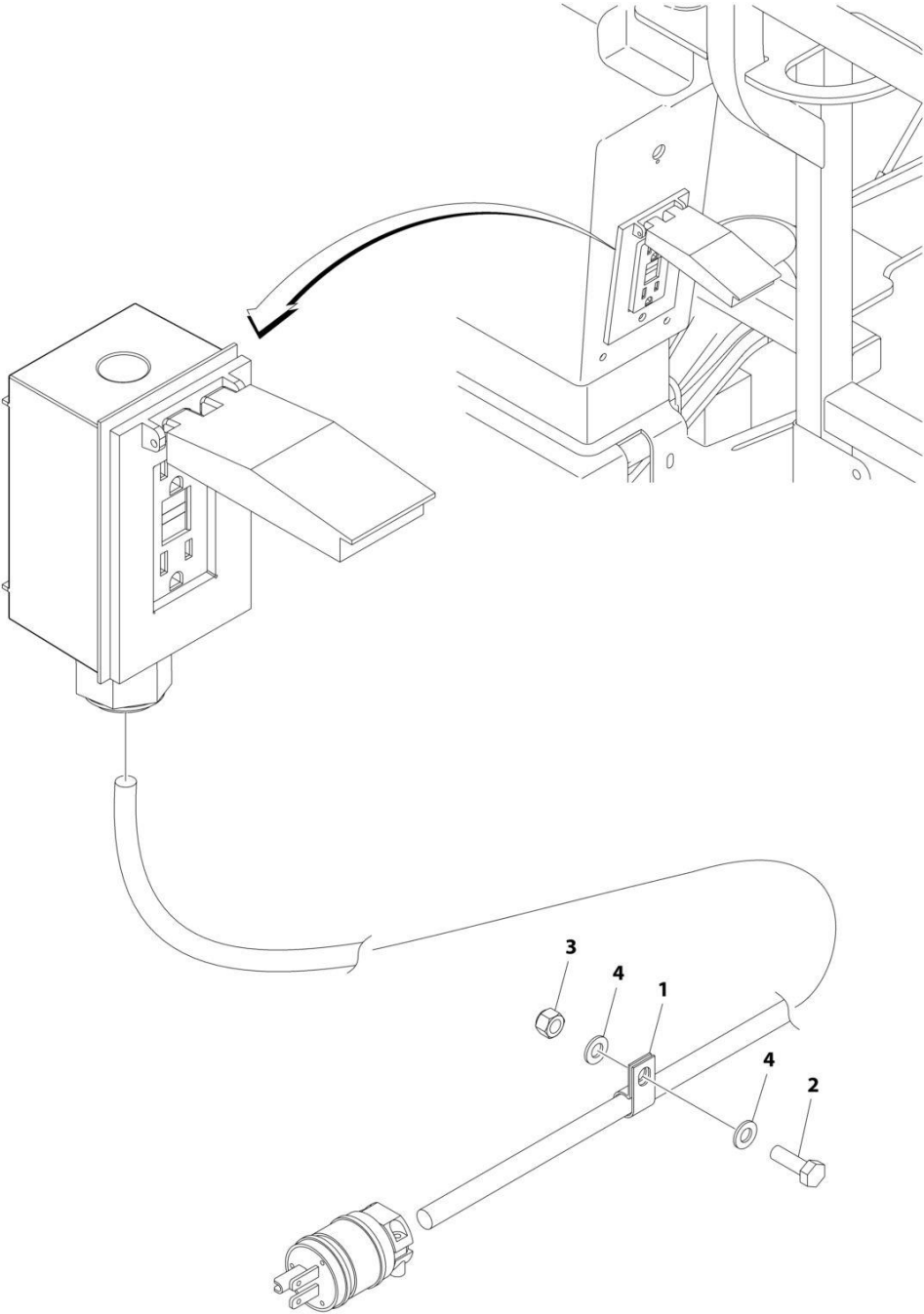
SECTION 8 - ELECTRICAL

FIGURE 8-13. AC BOX AT PLATFORM INSTALLATION - 240V (WITH 7500W SKYPOWER GENERATOR) (ANSI & CSA SPECS)

ITEM	PART NUMBER	QTY	DESCRIPTION	REV
	1001159121	Ref	AC BOX AT PLATFORM INSTALLATION - 240V RECEPTACLE	B
1	3910606	4	Screw 6 x 3/8	
2	3960422	1	Gasket	
3	4240018	AR	Tie-Strap (Not Shown)	
4	4460425	1	Connector, Strain Relief	
5	4460958	1	Receptacle	
7	1001110872	1	Cover, Receptacle	
8	1001159120	1	Receptacle/Breaker Box Assembly	
8	1001148675	1	Box, Receptacle	
8	1001159118	1	Breaker Box Assembly	
8	4460612	1	Connector, Strain Relief	
8	1001159119	1	Connector (Between Boxes)	
9	1705374	1	Decal - 240V/60Hz	

SECTION 8 - ELECTRICAL

FIGURE 8-14. AC LEAD INSTALLATION (ANSI EXPORT, AUSTRALIAN, CHINA, CE & UK CA SPECS)



ART_1001197332

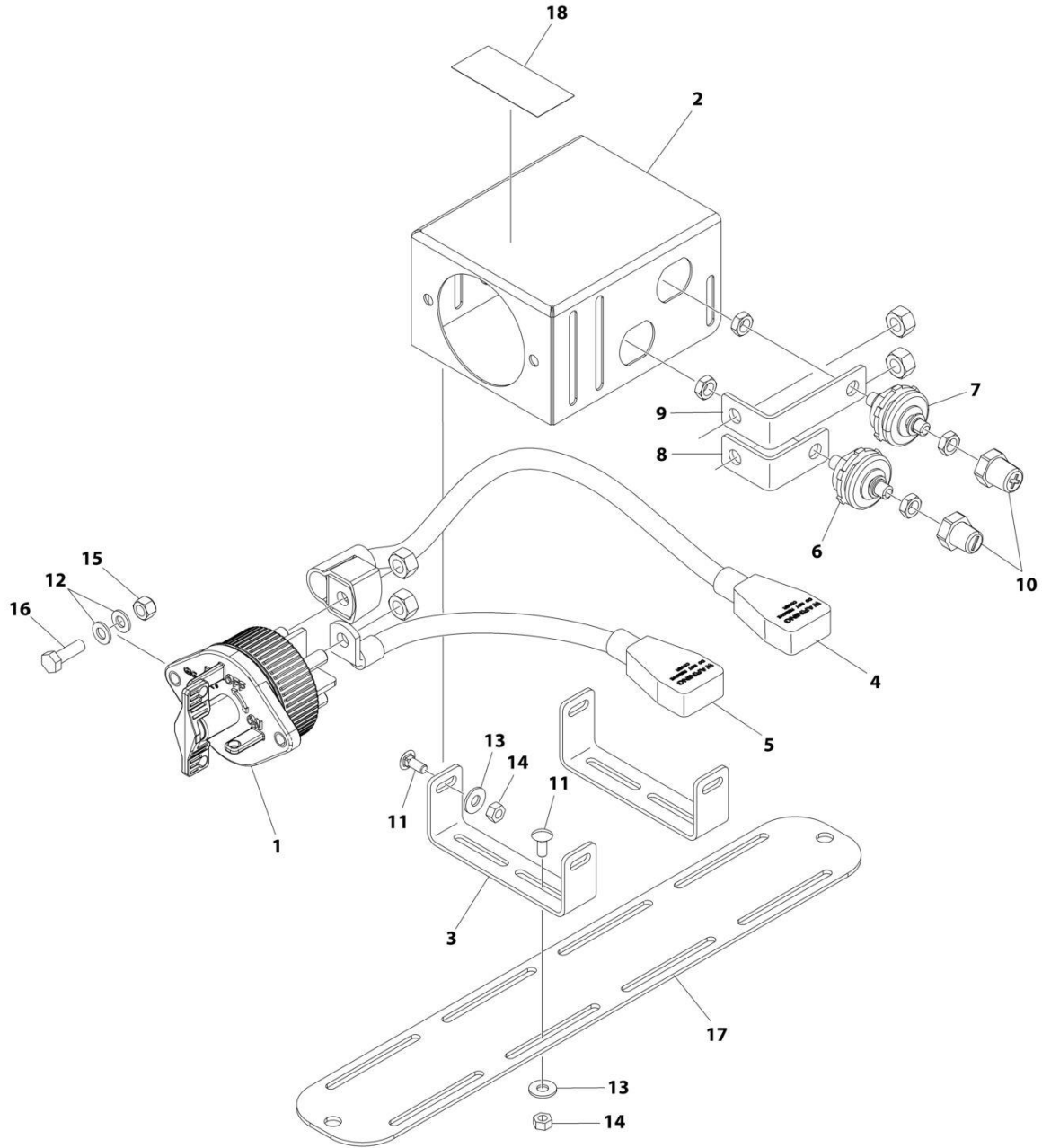
SECTION 8 - ELECTRICAL

FIGURE 8-14. AC LEAD INSTALLATION (ANSI EXPORT, AUSTRALIAN, CHINA, CE & UK CA SPECS)

ITEM	PART NUMBER	QTY	DESCRIPTION	REV
	1001197332	Ref	AC LEAD INSTALLATION	A
1	8406109	1	Clamp	
2	0760812001	1	Bolt M8 x 25	
3	3290805001	1	Nut M8	
4	4811900001	2	Washer M8	

SECTION 8 - ELECTRICAL

FIGURE 8-15. BATTERY DISCONNECT INSTALLATION



ART_1001239874

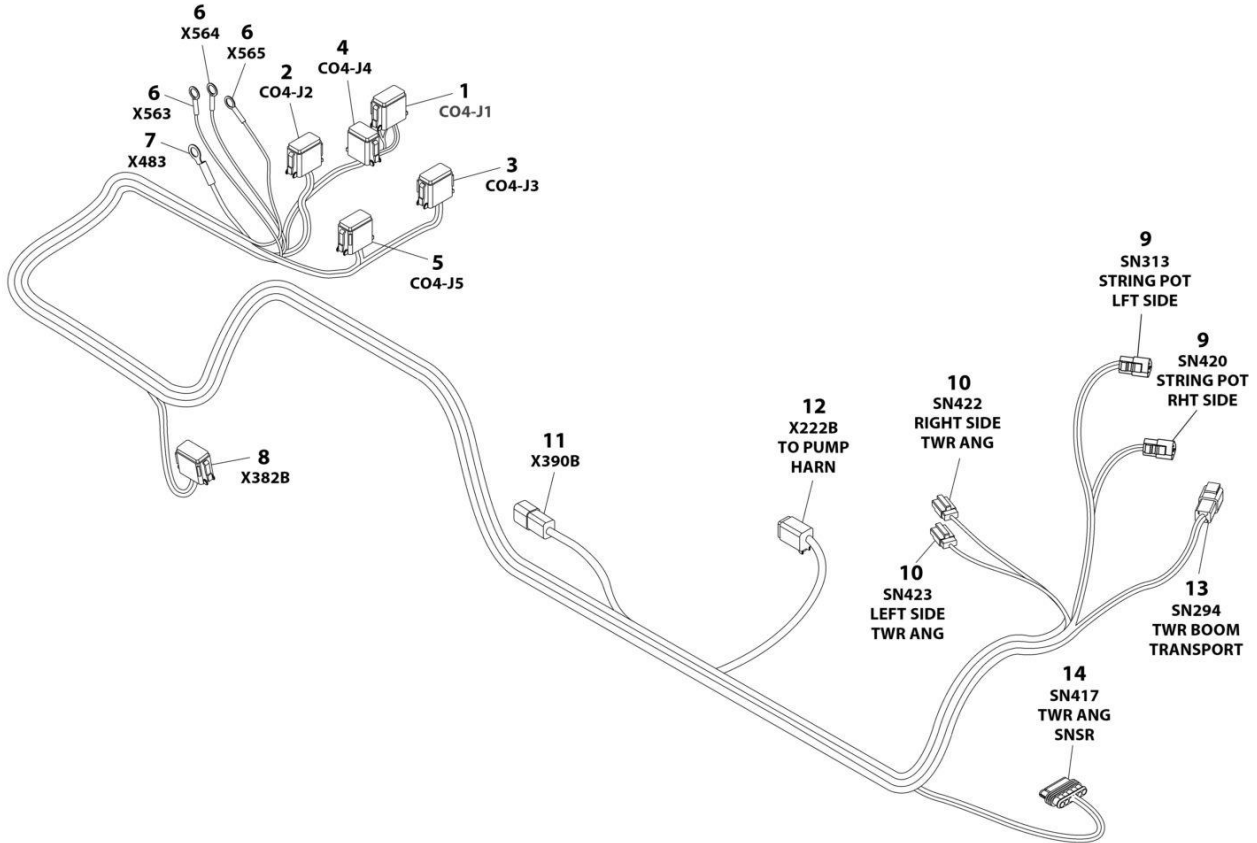
SECTION 8 - ELECTRICAL

FIGURE 8-15. BATTERY DISCONNECT INSTALLATION

ITEM	PART NUMBER	QTY	DESCRIPTION	REV
	1001239874	Ref	BATTERY DISCONNECT INSTALLATION	A
1	1001225346	1	Switch, Disconnect	
2	1001226531	1	Mount	
3	1001239805	2	Mount	
4	1001236504	1	Cable (Positive)	
5	1001236505	1	Cable (Negative)	
6	1001214571	1	Connector (Black)	
7	1001214570	1	Connector (Red)	
8	1001209474	1	Buss bar	
9	1001209432	1	Buss bar	
10	1001206476	1	Connector	
11	88411013	8	Bolt 1/4 x 3/4	
12	4811900	4	Washer M8	
13	4751400	8	Washer 1/4	
14	3311405	8	Nut 1/4	
15	3290805	2	Nut M8	
16	0760812	2	Bolt M8 x 25	
17	1001241586	1	Plate	
18	1001239957	1	Decal - Battery Disconnect	

SECTION 8 - ELECTRICAL

FIGURE 8-16. BLAM HARNESS



ART_1001258191

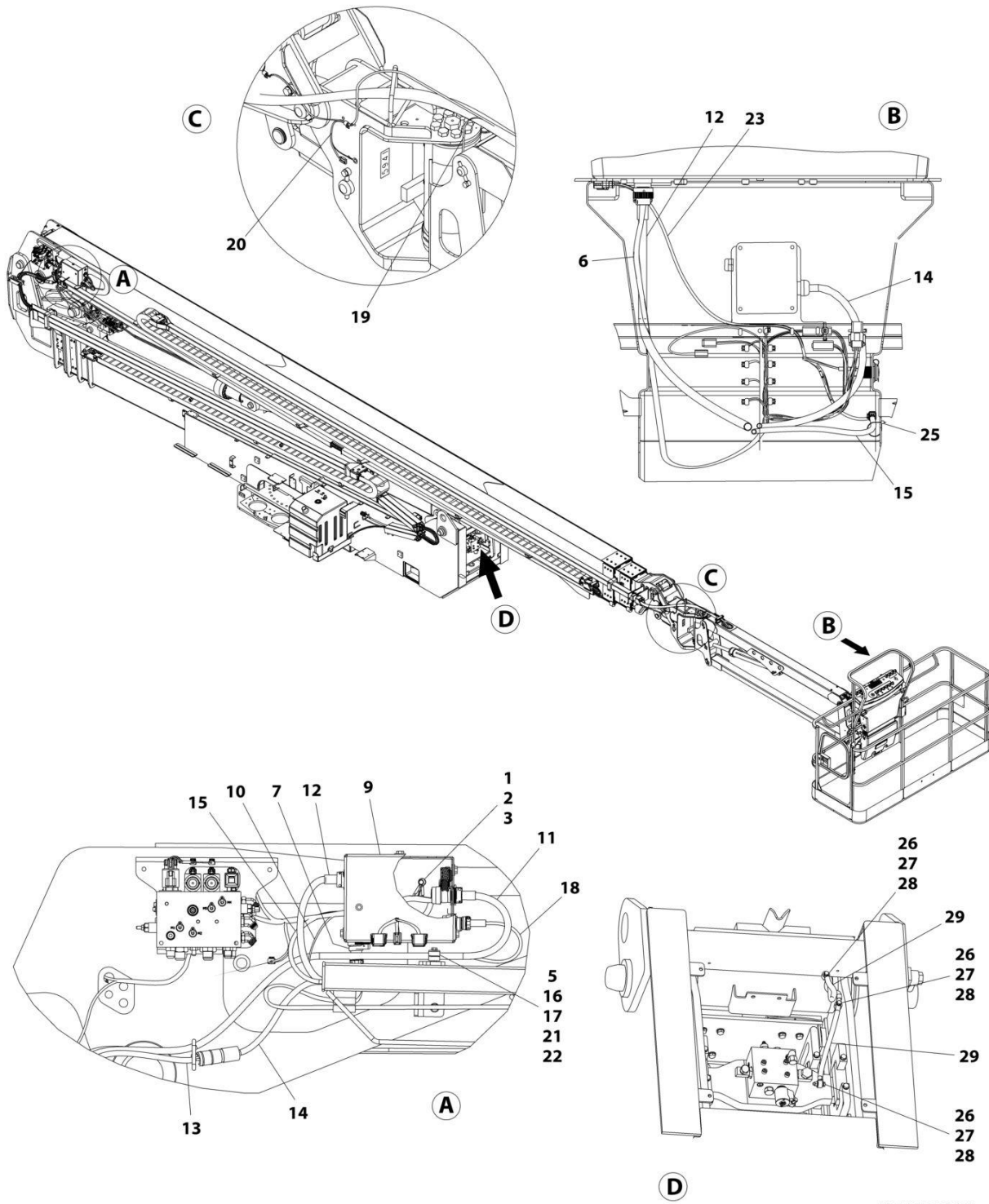
SECTION 8 - ELECTRICAL

FIGURE 8-16. BLAM HARNESS

ITEM	PART NUMBER	QTY	DESCRIPTION	REV
	1001258191	Ref	BLAM HARNESS	B
1	1001270339	1	Plug, Male - 12 Position	
1	1001116692	6	Socket, Female	
1	4460944	2	Socket, Female	
1	4460466	4	Plug, Terminal	
2	1001270340	1	Plug, Male - 12 Position	
2	1001116692	10	Socket, Female	
2	4460466	2	Plug, Terminal	
3	1001239344	1	Plug, Male - 12 Position	
3	1001116692	8	Socket, Female	
3	4460466	4	Plug, Terminal	
4	4460930	1	Plug, Male - 8 Position	
4	1001116692	3	Socket, Female	
4	4460466	5	Plug, Terminal	
5	1001239345	1	Plug, Male - 12 Position	
5	1001116692	4	Socket, Female	
5	4460466	8	Plug, Terminal	
6	4460256	3	Terminal, Ring	
7	1001117110	1	Terminal, Ring	
8	4460933	1	Plug, Male - 12 Position	
8	1001116692	10	Socket, Female	
8	4460944	2	Socket, Female	
9	4460539	2	Plug, Male - 3 Position	
9	4460465	6	Socket, Female	
10	4460911	2	Plug, Male - 3 Position	
10	4460912	2	Wedge Lock	
10	1001116694	6	Socket, Female	
11	4460932	1	Receptacle, Female - 4 Position	
11	4460464	4	Pin, Male	
12	4460894	1	Plug, Male - 6 Position	
12	1001116692	5	Socket, Female	
12	4460466	1	Plug, Terminal	
13	1001097051	1	Receptacle, Female - 4 Position	
13	1001116695	4	Terminal	
14	4461117	1	Plug, Male - 6 Position	
14	1001107854	6	Terminal	
14	1001104498	6	Seal	

SECTION 8 - ELECTRICAL

FIGURE 8-17. BOOM CABLES INSTALLATION - WITHOUT GENERATOR (ALL SPEC EXCEPT AUSTRALIAN, CHINA, CE & UK CA SPECS)



ART_1001197326

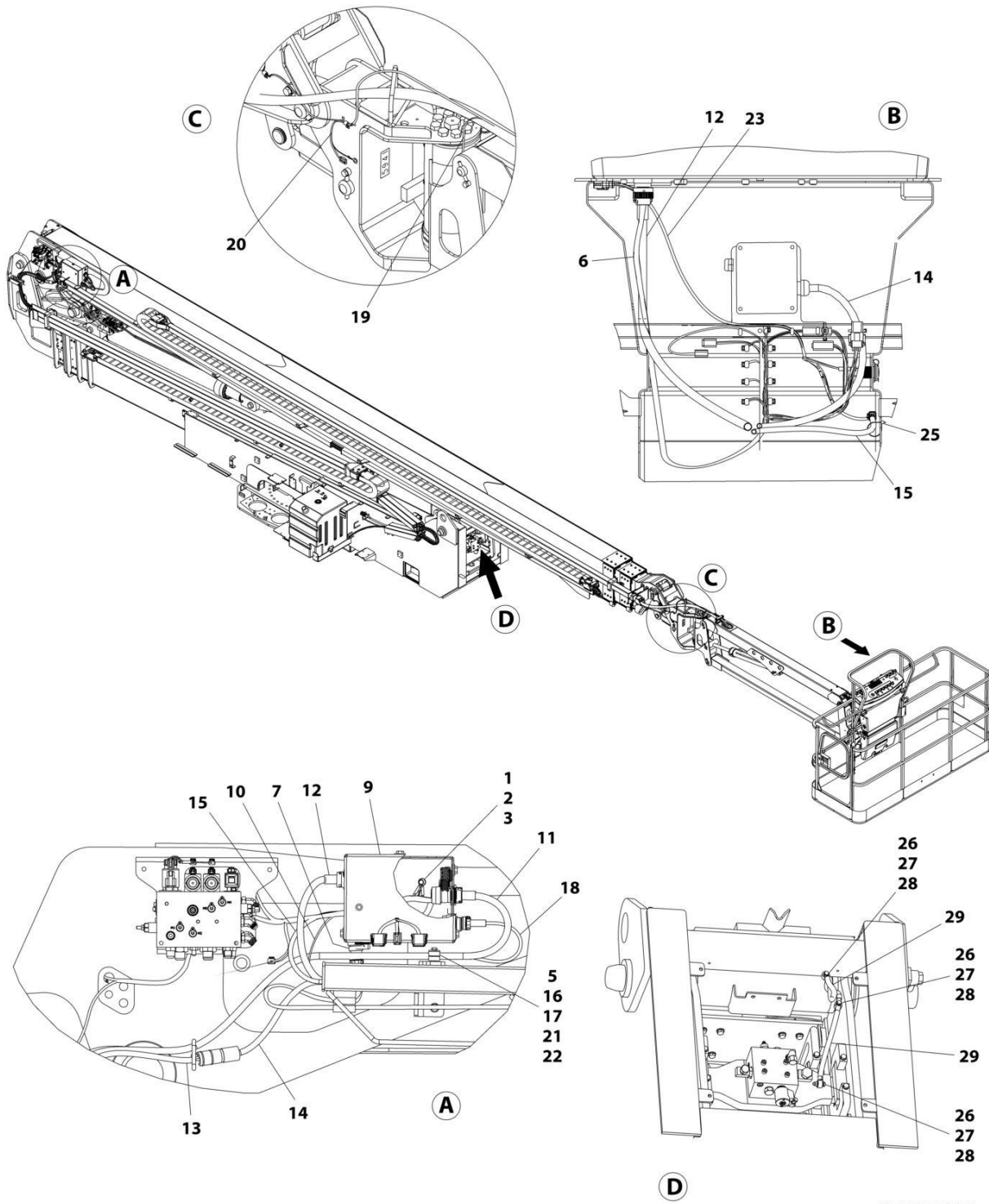
SECTION 8 - ELECTRICAL

FIGURE 8-17. BOOM CABLES INSTALLATION - WITHOUT GENERATOR (ALL SPEC EXCEPT AUSTRALIAN, CHINA, CE & UK CA SPECS)

ITEM	PART NUMBER	QTY	DESCRIPTION	REV
	1001197326	Ref	BOOM CABLES INSTALLATION - WITHOUT GENERATOR	F
1	0100011	AR	Compound, Locking	
2	0761010	3	Bolt M10 x 20	
3	4812000	3	Washer M10	
5	0760818001	2	Bolt M8 x 50	
6	1001196682	1	Valve Harness - Platform (See Separate Breakdown in this Section)	
7	1001216806	1	Valve Harness - Boom (See Separate Breakdown in this Section)	
9	1001200199	1	Boom Control Box Assembly (See Separate Breakdown in this Section)	
10	1001201062	1	Sensor Harness - Boom (See Separate Breakdown in this Section)	
11	1001202259	1	Boom Cable (Tower Boom) (See Separate Breakdown in this Section)	
12	1001202260	1	Boom Cable (Main Boom) (See Separate Breakdown in this Section)	
13	1001202261	1	AC Power to Platform Cable (Tower Boom)	
13	4460134	1	Receptacle, Female	
14	1001202262	1	AC Power to Platform Cable (Main Boom)	
14	4460205	1	Plug, Male	
15	1001202269	1	Main Boom 12/4 Harness	
15	4460932	1	Receptacle, Female - 4 Position	
15	1001157891	7	Pin, Male	
16	1001202742	1	Clamp	
17	1001202743	1	Cover, Clamp	
18	1001202785	1	Secondary Control Harness (See Separate Breakdown in this Section)	
19	1001204027	1	Jib Limit Switch Harness	
19	4460894	1	Plug, Male - 6 Position	
19	4460465	5	Socket, Female	
19	4460466	1	Plug, Terminal	
20	1001204028	1	Sensor Harness - Platform Level (See Separate Breakdown in this Section)	
21	3290805001	2	Nut M8	
22	4811900001	2	Washer M8	
23	1001206506	1	Platform Outlet Harness (See Separate Breakdown in this Section)	
24	1001146588	2	Tie-Strap (Not Shown)	
25	1001008559	3	Tie-Strap	
26	0700815	3	Bolt M8 x 35	
27	3290805	3	Nut M8	
28	4811900	6	Washer M8	
29	1001217007	2	Cable, Stainless Braided Ground	

SECTION 8 - ELECTRICAL

FIGURE 8-18. BOOM CABLES INSTALLATION - WITHOUT GENERATOR (AUSTRALIAN, CHINA, CE & UK CA SPECS)



ART_1001197327

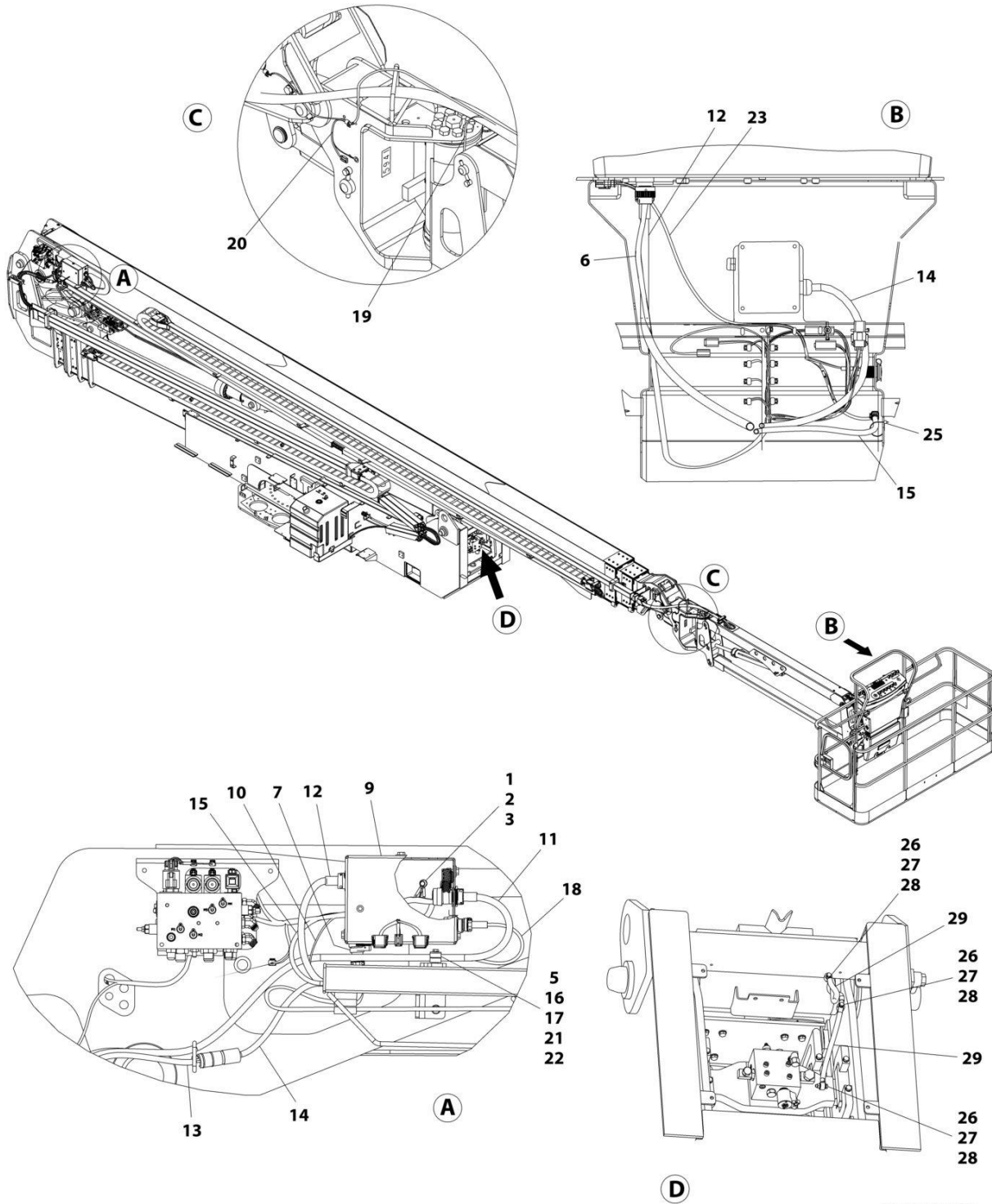
SECTION 8 - ELECTRICAL

FIGURE 8-18. BOOM CABLES INSTALLATION - WITHOUT GENERATOR (AUSTRALIAN, CHINA, CE & UK CA SPECS)

ITEM	PART NUMBER	QTY	DESCRIPTION	REV
	1001197327	Ref	BOOM CABLES INSTALLATION - WITHOUT GENERATOR	F
1	0100011	AR	Compound, Locking	
2	0761010	3	Bolt M10 x 20	
3	4812000	3	Washer M10	
5	0760818001	2	Bolt M8 x 50	
6	1001196682	1	Valve Harness - Platform (See Separate Breakdown in this Section)	
7	1001216806	1	Valve Harness - Boom (See Separate Breakdown in this Section))	
9	1001200199	1	Boom Control Box Assembly (See Separate Breakdown in this Section)	
10	1001201062	1	Sensor Harness - Boom (See Separate Breakdown in this Section)	
11	1001202259	1	Boom Cable (Tower Boom) (See Separate Breakdown in this Section)	
12	1001202260	1	Boom Cable (Main Boom) (See Separate Breakdown in this Section)	
13	1001202263	1	AC Power to Platform Cable (Tower Boom)	
13	4460134	1	Receptacle, Female	
14	1001202264	1	AC Power to Platform Cable (Main Boom)	
14	4460205	1	Plug, Male	
15	1001202269	1	Main Boom 12/4 Harness	
15	4460932	1	Receptacle, Female - 4 Position	
15	1001157891	7	Pin, Male	
16	1001202742	1	Clamp	
17	1001202743	1	Cover, Clamp	
18	1001202785	1	Secondary Control Harness (See Separate Breakdown in this Section)	
19	1001204027	1	Jib Limit Switch Harness	
19	4460894	1	Plug, Male - 6 Position	
19	4460465	5	Socket, Female	
19	4460466	1	Plug, Terminal	
20	1001204028	1	Sensor Harness - Platform Level (See Separate Breakdown in this Section)	
21	3290805001	2	Nut M8	
22	4811900001	2	Washer M8	
23	1001206506	1	Platform - Outlet Harness (See Separate Breakdown in this Section)	
24	1001146588	2	Tie-Strap (Not Shown)	
25	1001008559	3	Tie-Strap	
26	0700815	3	Bolt M8 x 35	
27	3290805	3	Nut M8	
28	4811900	6	Washer M8	
29	1001217007	2	Cable, Stainless Braided Ground	

SECTION 8 - ELECTRICAL

FIGURE 8-19. BOOM CABLES INSTALLATION - WITH 4000W GENERATOR (ALL SPECS)



ART_1001201710

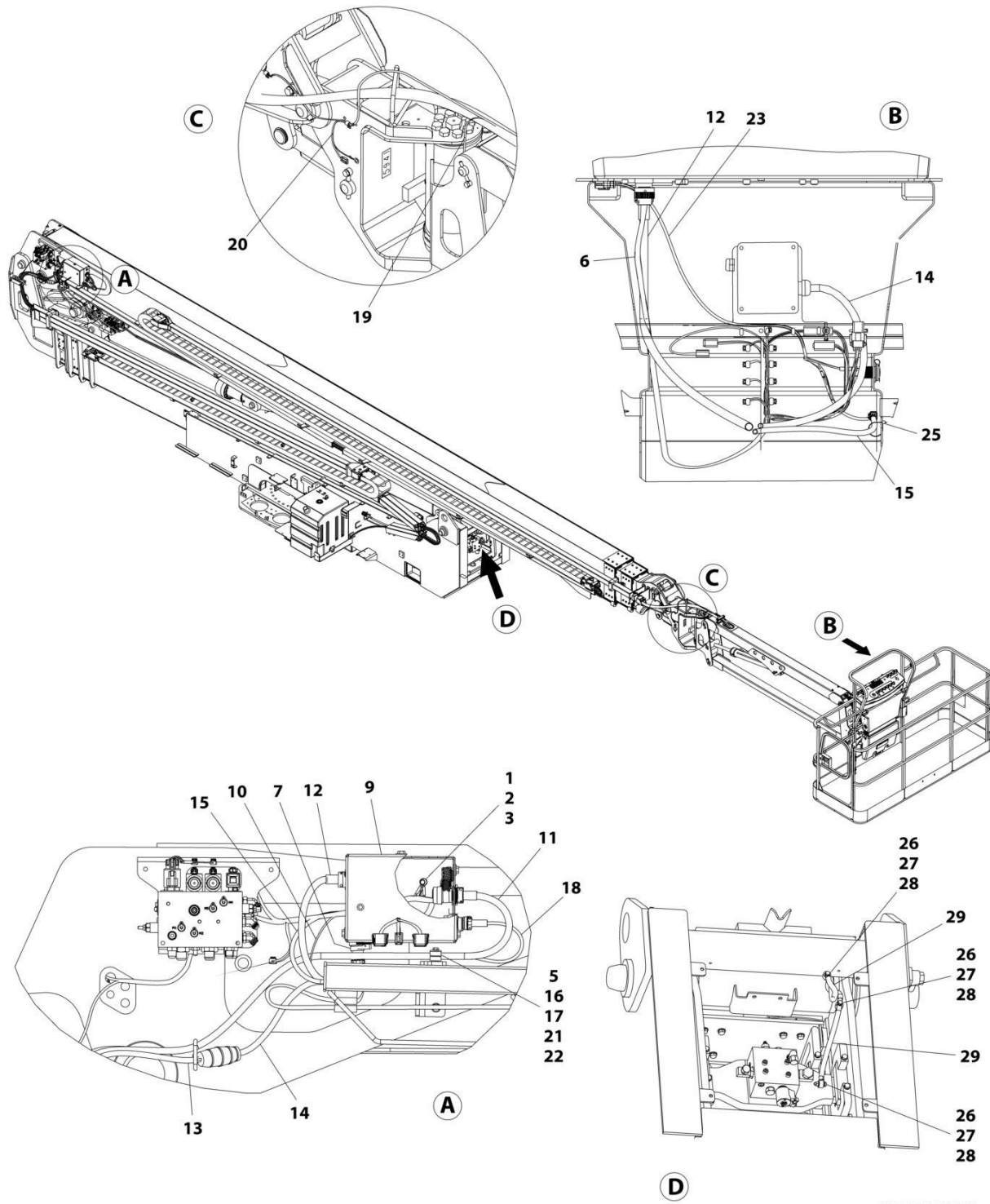
SECTION 8 - ELECTRICAL

FIGURE 8-19. BOOM CABLES INSTALLATION - WITH 4000W GENERATOR (ALL SPECS)

ITEM	PART NUMBER	QTY	DESCRIPTION	REV
	1001201710	Ref	BOOM CABLES INSTALLATION - WITH 4000W GENERATOR	F
1	0100011	AR	Compound, Locking	
2	0761010	3	Bolt M10 x 20	
3	4812000	3	Washer M10	
5	0760818001	2	Bolt M8 x 50	
6	1001196682	1	Valve Harness - Platform (See Separate Breakdown in this Section)	
7	1001216806	1	Valve Harness - Boom (See Separate Breakdown in this Section)	
9	1001200199	1	Boom Control Box Assembly (See Separate Breakdown in this Section)	
10	1001201062	1	Sensor Harness - Boom (See Separate Breakdown in this Section)	
11	1001202259	1	Boom Cable (Tower Boom) (See Separate Breakdown in this Section)	
12	1001202260	1	Boom Cable (Main Boom) (See Separate Breakdown in this Section)	
13	1001202267	1	AC Power to Platform Cable (Tower Boom)	
13	4460963	1	Receptacle, Female	
13	1671093	1	Cover	
14	1001202268	1	AC Power to Platform Cable (Main Boom)	
14	4460962	1	Plug, Male	
14	1671092	1	Cover	
15	1001202269	1	Main Boom 12/4 Harness	
15	4460932	1	Receptacle, Female - 4 Position	
15	1001157891	7	Pin, Male	
16	1001202742	1	Clamp	
17	1001202743	1	Cover, Clamp	
18	1001202785	1	Secondary Control Harness (See Separate Breakdown in this Section)	
19	1001204027	1	Jib Limit Switch Harness	
19	4460894	1	Plug, Male - 6 Position	
19	4460465	5	Socket, Female	
19	4460466	1	Plug, Terminal	
20	1001204028	1	Sensor Harness - Platform Level (See Separate Breakdown in this Section)	
21	3290805001	2	Nut M8	
22	4811900001	2	Washer M8	
23	1001206506	1	Platform Outlet Harness (See Separate Breakdown in this Section)	
24	1001146588	2	Tie-Strap (Not Shown)	
25	1001008559	3	Tie-Strap	
26	0700815	3	Bolt M8 x 35	
27	3290805	3	Nut M8	
28	4811900	6	Washer M8	
29	1001217007	2	Cable, Stainless Braided Ground	

SECTION 8 - ELECTRICAL

FIGURE 8-20. BOOM CABLES INSTALLATION - WITH SKYPOWER 7500W GENERATOR (ALL SPECS EXCEPT CE & UK CA SPECS)



ART_1001197328

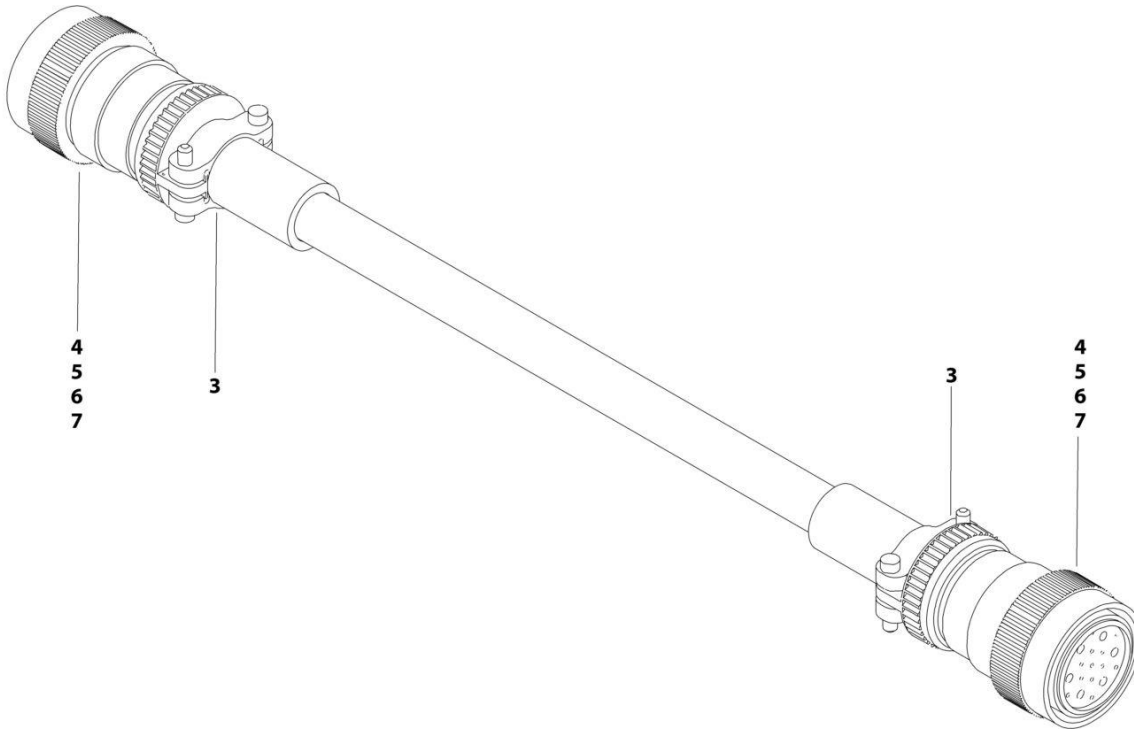
SECTION 8 - ELECTRICAL

FIGURE 8-20. BOOM CABLES INSTALLATION - WITH SKYPOWER 7500W GENERATOR (ALL SPECS EXCEPT CE & UK CA SPECS)

ITEM	PART NUMBER	QTY	DESCRIPTION	REV
	1001197328	Ref	BOOM CABLES INSTALLATION - WITH SKYPOWER 7500W GENERATOR	G
1	0100011	AR	Compound, Locking	
2	0761010	3	Bolt M10 x 20	
3	4812000	3	Washer M10	
5	0760818001	2	Bolt M8 x 50	
6	1001196682	1	Valve Harness - Platform (See Separate Breakdown in this Section)	
7	1001216806	1	Valve Harness - Boom (See Separate Breakdown in this Section)	
9	1001200199	1	Boom Control Box Assembly (See Separate Breakdown in this Section)	
10	1001201062	1	Sensor Harness - Boom (See Separate Breakdown in this Section)	
11	1001202259	1	Boom Cable (Tower Boom) (See Separate Breakdown in this Section)	
12	1001202260	1	Boom Cable (Main Boom) (See Separate Breakdown in this Section)	
13	1001226291	1	AC Power to Platform Cable (Tower Boom)	
13	1060945	1	Cable	
13	1001218623	1	Socket, 30Amp	
14	1001226292	1	AC Power to Platform Cable (Main Boom)	
14	1060945	1	Cable	
14	1001218622	1	Plug, 30Amp	
15	1001202269	1	Main Boom 12/4 Harness	
15	4460932	1	Receptacle, Female - 4 Position	
15	1001157891	7	Pin, Male	
16	1001202742	1	Clamp	
17	1001202743	1	Cover, Clamp	
18	1001202785	1	Secondary Control Harness (See Separate Breakdown in this Section)	
19	1001204027	1	Jib Limit Switch Harness	
19	4460894	1	Plug, Male - 6 Position	
19	4460465	5	Socket, Female	
19	4460466	1	Plug, Terminal	
20	1001204028	1	Sensor Harness - Platform Level (See Separate Breakdown in this Section)	
21	3290805001	2	Nut M8	
22	4811900001	2	Washer M8	
23	1001206506	1	Platform Outlet Harness (See Separate Breakdown in this Section)	
24	1001146588	2	Tie-Strap (Not Shown)	
25	1001008559	3	Tie-Strap	
26	0700815	3	Bolt M8 x 35	
27	3290805	3	Nut M8	
28	4811900	6	Washer M8	
29	1001217007	2	Cable, Stainless Braided Ground	

SECTION 8 - ELECTRICAL

FIGURE 8-21. BOOM CABLE (MAIN BOOM)



ART_1001202260

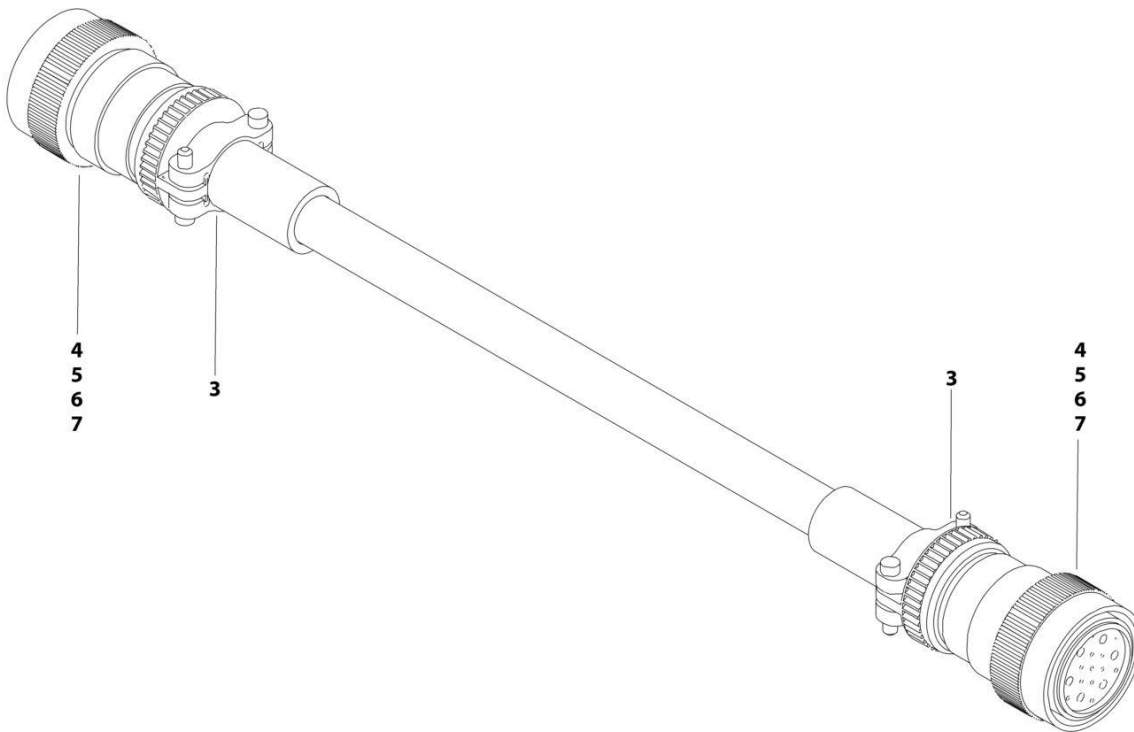
SECTION 8 - ELECTRICAL

FIGURE 8-21. BOOM CABLE (MAIN BOOM)

ITEM	PART NUMBER	QTY	DESCRIPTION	REV
	1001202260	Ref	BOOM CABLE (MAIN BOOM)	B
3	4460473	2	Clamp	
4	4460509	8	Socket, Female	
5	4460865	2	Connector - 19 Position	
6	4460465	20	Socket, Female	
7	4460466	10	Plug, Socket	

SECTION 8 - ELECTRICAL

FIGURE 8-22. BOOM CABLE (TOWER BOOM)



ART_1001202259

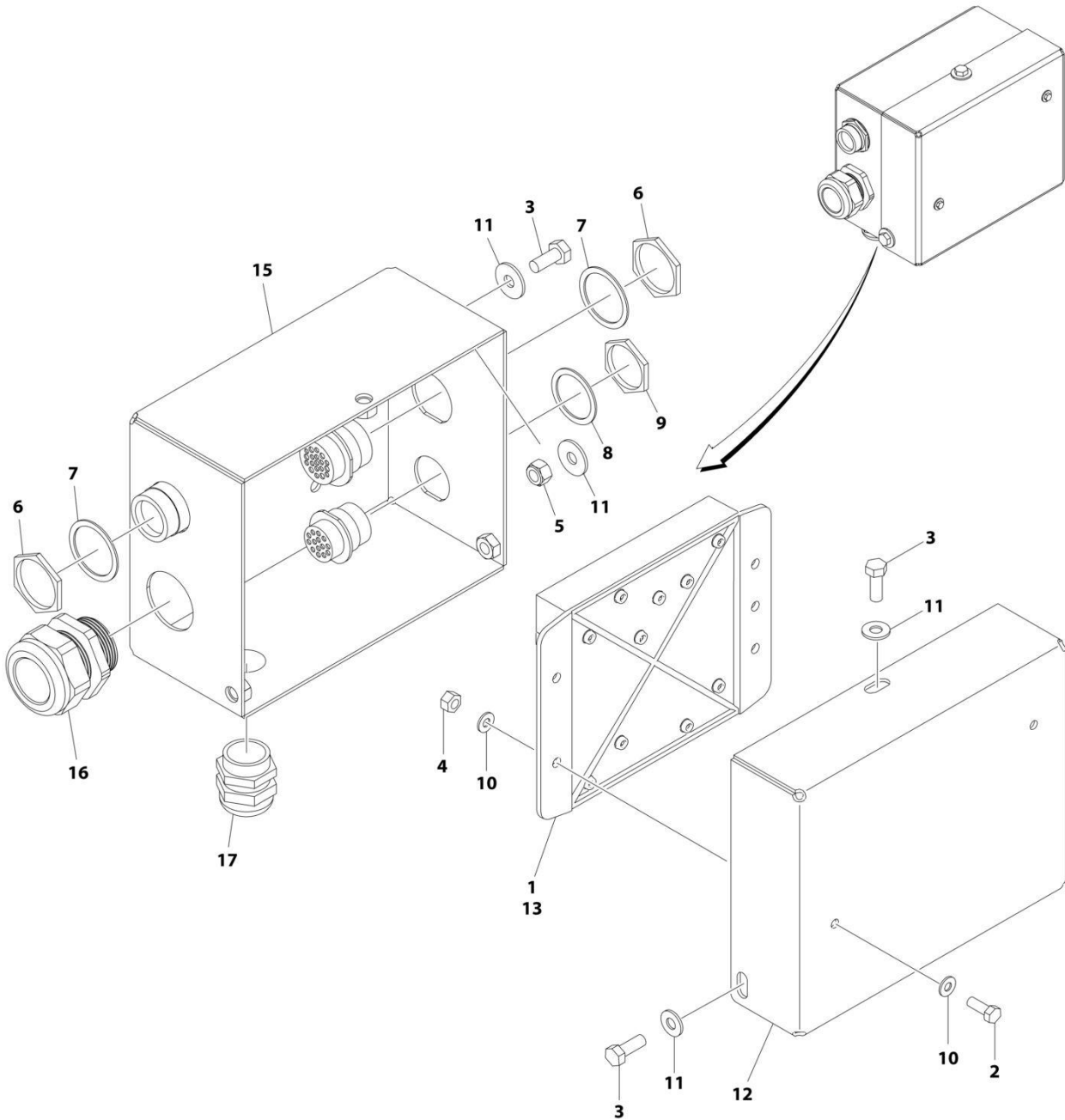
SECTION 8 - ELECTRICAL

FIGURE 8-22. BOOM CABLE (TOWER BOOM)

ITEM	PART NUMBER	QTY	DESCRIPTION	REV
	1001202259	Ref	BOOM CABLE (TOWER BOOM)	B
3	4460473	2	Clamp	
4	4460509	8	Socket, Female	
5	4460865	2	Connector - 19 Position	
6	4460465	20	Socket, Female	
7	4460466	10	Plug, Socket	

SECTION 8 - ELECTRICAL

FIGURE 8-23. BOOM CONTROL BOX ASSEMBLY



ART_1001200199_G

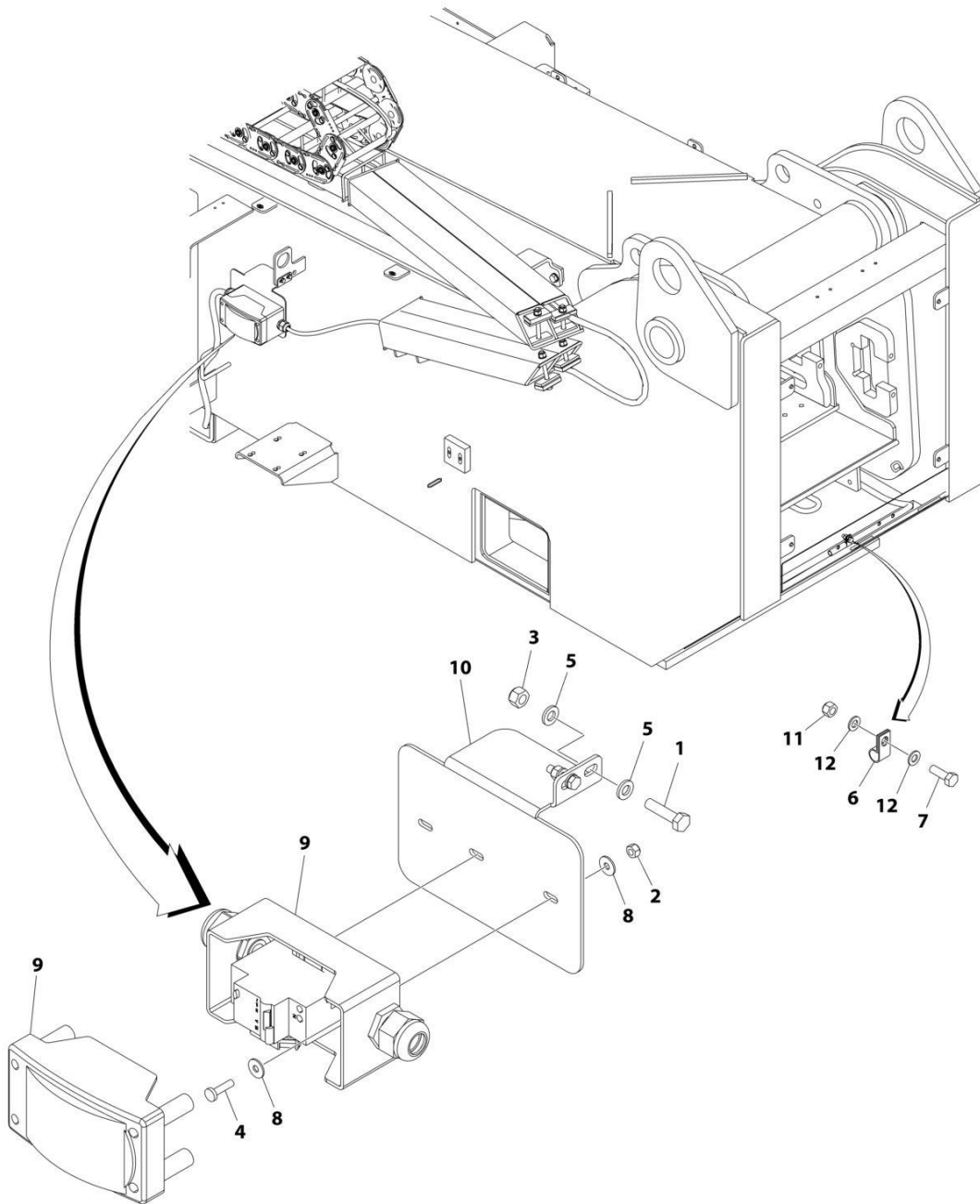
SECTION 8 - ELECTRICAL

FIGURE 8-23. BOOM CONTROL BOX ASSEMBLY

ITEM	PART NUMBER	QTY	DESCRIPTION	REV
	1001200199	Ref	BOOM CONTROL BOX ASSEMBLY	G
1	0100048	AR	Grease, Dielectric	
2	0760610	2	Bolt M6 x 20	
3	0761012	4	Bolt M10 x 25	
4	3290605	2	Nut M6	
5	3291005	1	Nut M10	
6	4460470	2	Nut, Terminal	
7	4460471	2	Washer, Terminal	
8	4460496	2	Washer, Terminal	
9	4460497	2	Nut, Terminal	
10	4811702	4	Washer M6	
11	4812002	5	Washer M10	
12	1001119215	1	Cover	
13	1001200183	1	Module, Control - Boom (Note: Re-calibration Required when Replaced)	
14	1001216638	1	Main Boom Control Box Harness (Not Shown - See Separate Breakdown in this Section)	
15	1001200203	1	Box	
16	1001215836	1	Connector, Strain Relief	
17	4460426	1	Connector, Strain Relief	

SECTION 8 - ELECTRICAL

FIGURE 8-24. BREAKER BOX INSTALLATION - WITH 2 BREAKERS (CE & UK CA SPECS)



ART_1001197335

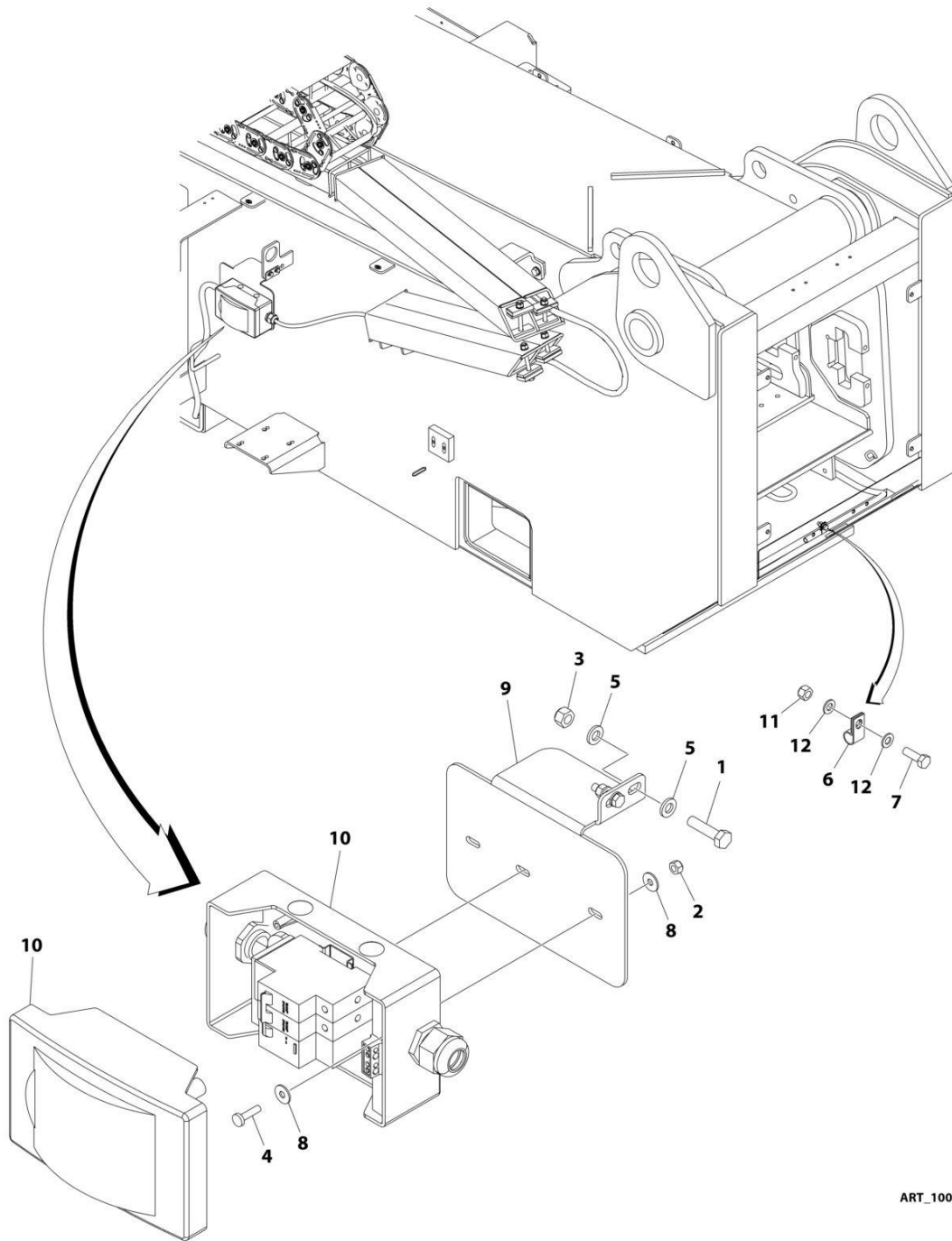
SECTION 8 - ELECTRICAL

FIGURE 8-24. BREAKER BOX INSTALLATION - WITH 2 BREAKERS (CE & UK CA SPECS)

ITEM	PART NUMBER	QTY	DESCRIPTION	REV
	1001197335	Ref	BREAKER BOX INSTALLATION - WITH 2 BREAKERS	D
1	0700612	2	Bolt M6 x 25	
2	3290405	2	Nut M4	
3	3290605	2	Nut M6	
4	4010408	2	Screw M4 x 16	
5	4811700	4	Washer M6	
6	8406109	1	Clamp	
7	0760812001	1	Bolt M8 x 25	
8	1001091102	4	Washer M4	
9	1001109654	1	Breaker Box Kit - With 2 Breakers (See Separate Breakdown in this Section)	
10	1001205660	1	Bracket	
11	3290805001	1	Nut M8	
12	4811900001	2	Washer M8	

SECTION 8 - ELECTRICAL

FIGURE 8-25. BREAKER BOX INSTALLATION - WITH 3 BREAKERS (CE & UK CA SPECS)



ART_1001205682

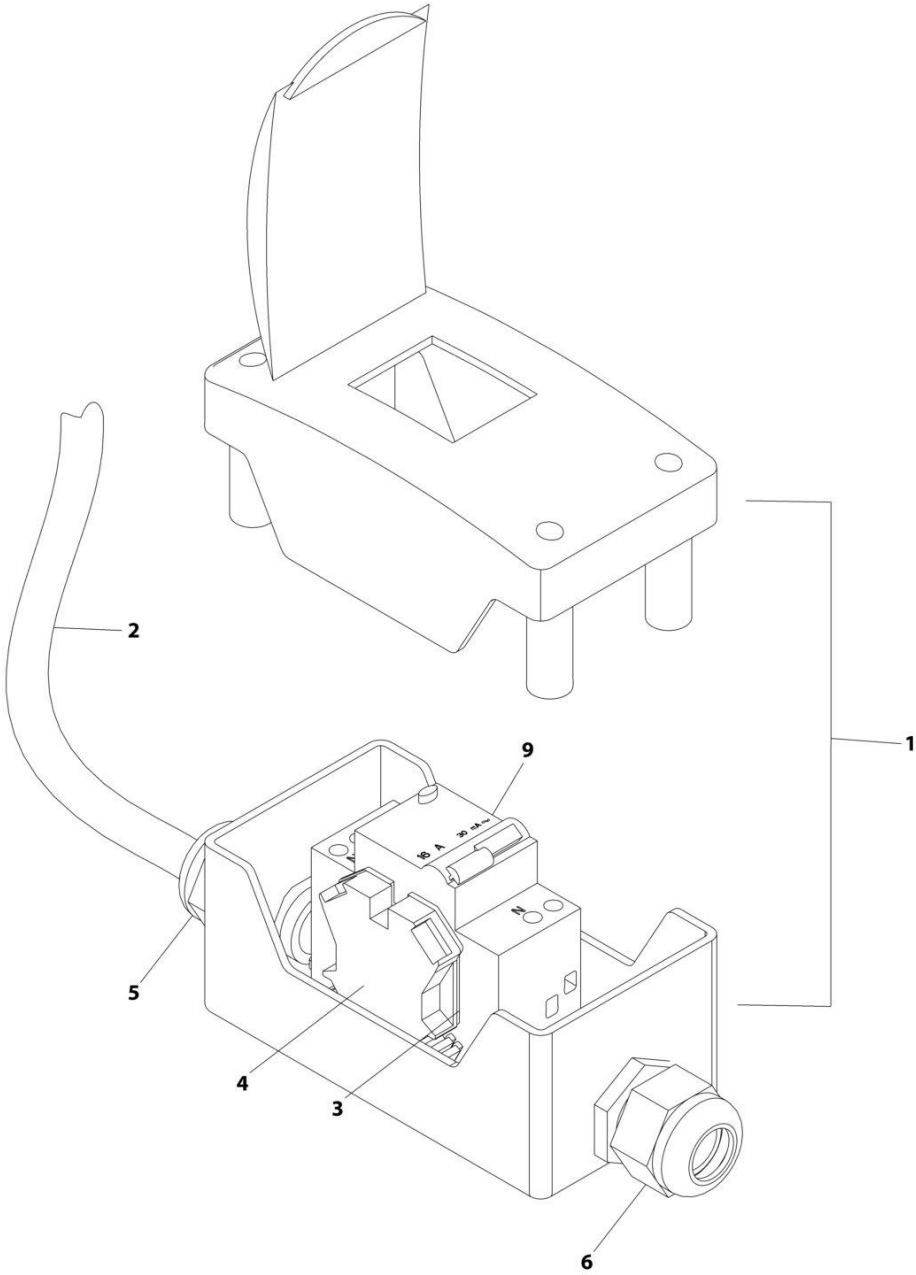
SECTION 8 - ELECTRICAL

FIGURE 8-25. BREAKER BOX INSTALLATION - WITH 3 BREAKERS (CE & UK CA SPECS)

ITEM	PART NUMBER	QTY	DESCRIPTION	REV
	1001205682	Ref	BREAKER BOX INSTALLATION - WITH 3 BREAKERS	B
1	0700612	2	Bolt M6 x 25	
2	3290405	2	Nut M4	
3	3290605	2	Nut M6	
4	4010408	2	Screw M4 x 16	
5	4811700	4	Washer M6	
6	8406109	1	Clamp	
7	0760812001	1	Bolt M8 x 25	
8	1001091102	4	Washer M4	
9	1001205660	1	Bracket	
10	1001205690	1	Breaker Box Kit - With 3 Breakers (See Separate Breakdown in this Section)	
11	3290805001	1	Nut M8	
12	4811900001	2	Washer M8	

SECTION 8 - ELECTRICAL

FIGURE 8-26. BREAKER BOX KIT - WITH 2 BREAKERS (CE & UK CA SPECS)



ART_1001109654

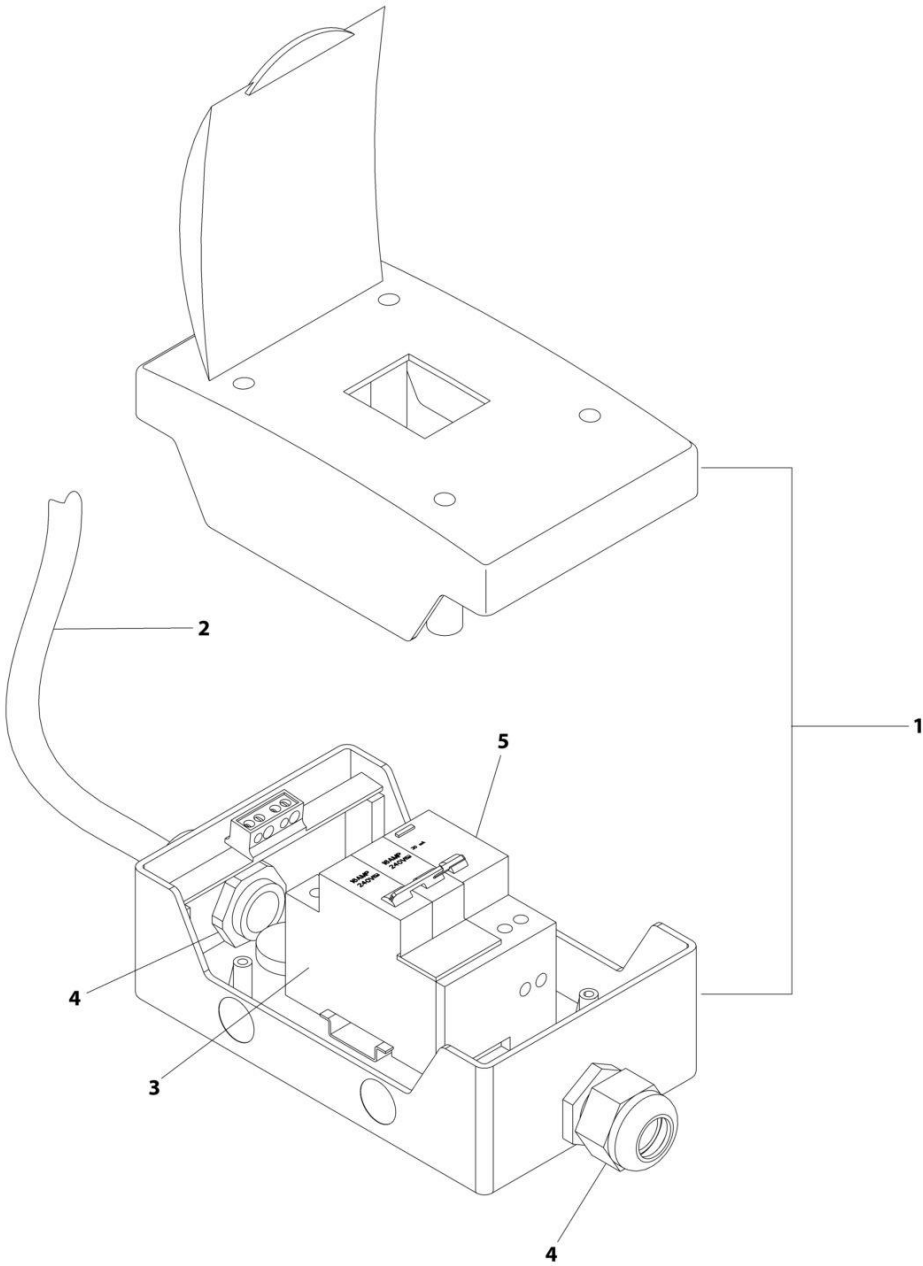
SECTION 8 - ELECTRICAL

FIGURE 8-26. BREAKER BOX KIT - WITH 2 BREAKERS (CE & UK CA SPECS)

ITEM	PART NUMBER	QTY	DESCRIPTION	REV
	1001109654	Ref	BREAKER BOX KIT	C
1	0861880	1	Box, Breaker	
2	1060908	12 ft/ 3.6m	Cable 12/3	
3	4460956	1	Barrier, Terminal Block End	
4	4460957	1	Block, Terminal	
5	1001097150	1	Connector, Strain Relief	
6	1001101191	1	Connector, Strain Relief	
9	1001181045	1	Breaker - 30mA/16Amp	
10	1001100231	3	Terminal (Not Shown)	

SECTION 8 - ELECTRICAL

FIGURE 8-27. BREAKER BOX KIT - WITH 3 BREAKERS (CE & UK CA SPECS)



ART_1001205690

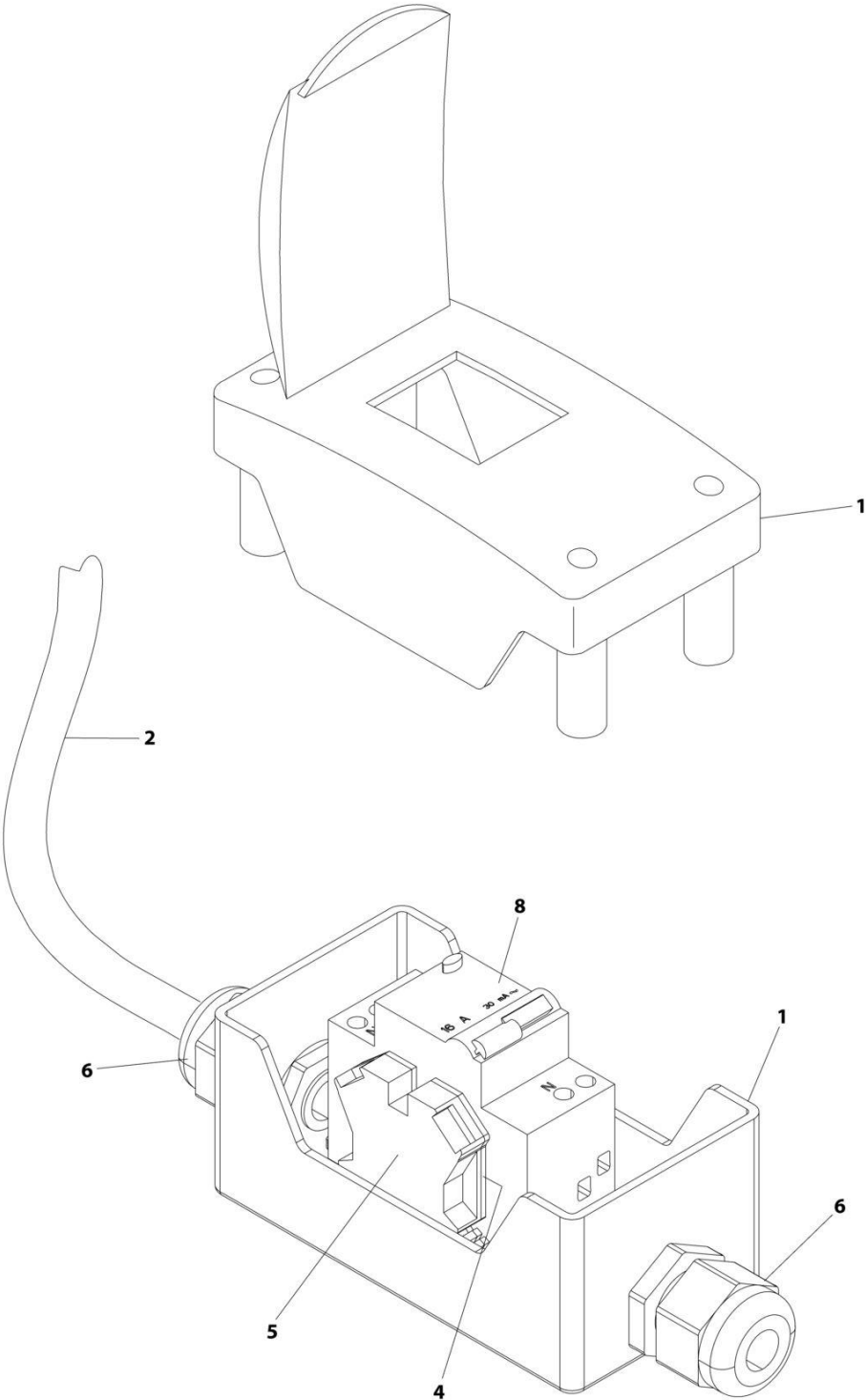
SECTION 8 - ELECTRICAL

FIGURE 8-27. BREAKER BOX KIT - WITH 3 BREAKERS (CE & UK CA SPECS)

ITEM	PART NUMBER	QTY	DESCRIPTION	REV
	1001205690	Ref	BREAKER BOX KIT	B
1	1001152483	1	Box, Breaker	
2	1060545	12 ft / 3.6m	Cable, Electrical 10/3	
3	1001189172	1	Breaker 16Amp Double	
4	1001101191	2	Connector, Strain Relief	
5	1001189171	1	Breaker 30mA	

SECTION 8 - ELECTRICAL

FIGURE 8-28. BREAKER BOX KIT - 4000W 50HZ GENERATOR



ART_1001096612

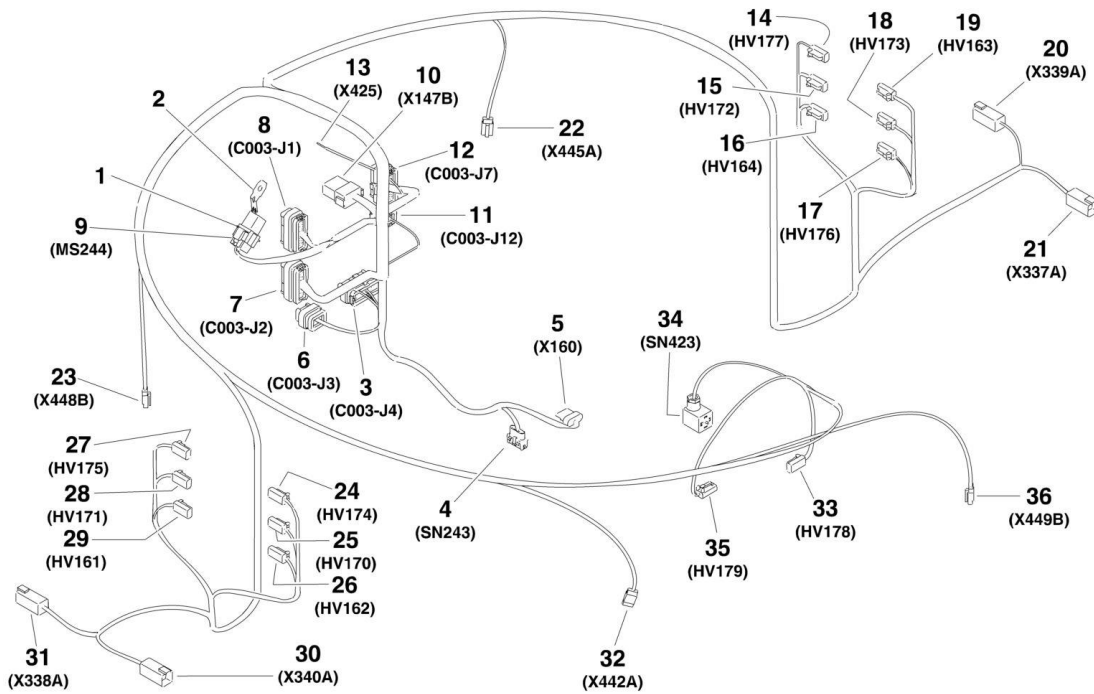
SECTION 8 - ELECTRICAL

FIGURE 8-28. BREAKER BOX KIT - 4000W 50HZ GENERATOR

ITEM	PART NUMBER	QTY	DESCRIPTION	REV
	1001096612	Ref	BREAKER BOX ASSEMBLY	C
1	0861880	1	Box	
2	1060908	4.5 ft /1.4m	Cable, 12/3	
4	4460956	1	Barrier, Terminal	
5	4460957	1	Block, Terminal	
6	1001097150	2	Connector, Strain Relief	
8	1001181045	1	Breaker, Double 30mAmp/16Amp	

SECTION 8 - ELECTRICAL

FIGURE 8-29. CHASSIS HARNESS



1001149975

SECTION 8 - ELECTRICAL

FIGURE 8-29. CHASSIS HARNESS

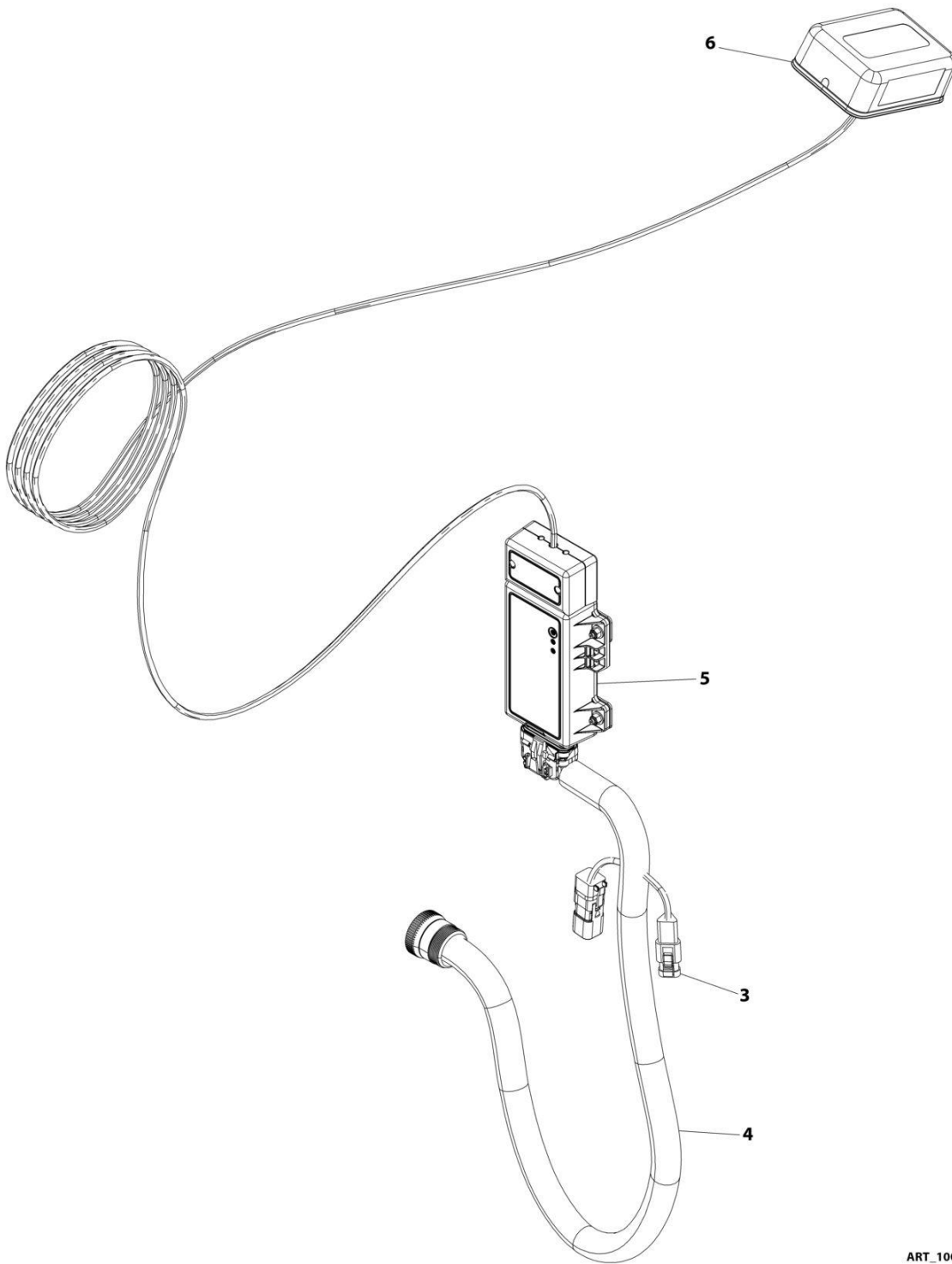
ITEM	PART NUMBER	QTY	DESCRIPTION	REV
	1001149975	Ref	CHASSIS HARNESS	I
1	4460852	1	Connector - 8 Position	
2	1001155743	1	Holder	
3	4460876	1	Connector - 35 Position	
3	4460871	4	Socket, Female	
3	4460905	31	Seal, Plug	
4	1001230931	1	Connector - 6 Position	
4	1001116748	6	Terminal	
5	4460761	1	Connector - 4 Position	
5	4460227	4	Pin, Male	
6	4460872	1	Connector - 14 Position	
6	4460871	5	Socket, Female	
6	4460905	9	Seal, Plug	
7	4460875	1	Connector - 35 Position	
7	4460871	21	Socket, Female	
7	4460905	14	Seal, Plug	
8	4460874	1	Connector - 35 Position	
8	4460871	10	Socket, Female	
8	4460905	25	Seal, Plug	
9	4460851	1	Connector - 8 Position	
9	4460465	7	Socket, Female	
9	4460466	1	Seal, Plug	
10	4460950	1	Connector - 12 Position	
10	4460943	3	Pin, Male (Gold)	
10	4460464	3	Pin, Male	
10	4460466	6	Seal, Plug	
11	1001113961	1	Connector - 8 Position	
11	4460871	1	Socket, Female	
11	4460905	7	Seal, Plug	
12	4460873	1	Connector - 35 Position	
12	4460871	22	Socket, Female	
12	4460905	13	Seal, Plug	
13	4461271	1	Connector - 1 Position	
14	4460891	1	Connector - 2 Position	
14	4460465	2	Socket, Female	
15	4460891	1	Connector - 2 Position	
15	4460465	2	Socket, Female	
16	4460891	1	Connector - 2 Position	
16	4460465	2	Socket, Female	
17	4460891	1	Connector - 2 Position	
17	4460465	2	Socket, Female	
18	4460891	1	Connector - 2 Position	
18	4460465	2	Socket, Female	
19	4460891	1	Connector - 2 Position	
19	4460465	2	Socket, Female	
20	4460899	1	Connector - 6 Position	
20	4460464	4	Pin, Male	
20	4460466	2	Plug, Seal	
21	4460899	1	Connector - 6 Position	
21	4460464	4	Pin, Male	

SECTION 8 - ELECTRICAL

ITEM	PART NUMBER	QTY	DESCRIPTION	REV
21	4460466	2	Plug, Seal	
22	4460911	1	Connector - 3 Position	
23	4460911	1	Connector - 3 Position	
24	4460891	1	Connector - 2 Position	
24	4460465	2	Socket, Female	
25	4460891	1	Connector - 2 Position	
25	4460465	2	Socket, Female	
26	4460891	1	Connector - 2 Position	
26	4460465	2	Socket, Female	
27	4460891	1	Connector - 2 Position	
27	4460465	2	Socket, Female	
28	4460891	1	Connector - 2 Position	
28	4460465	2	Socket, Female	
29	4460891	1	Connector - 2 Position	
29	4460465	2	Socket, Female	
30	4460899	1	Connector - 6 Position	
30	4460464	4	Pin, Male	
30	4460466	2	Plug, Seal	
31	4460899	1	Connector - 6 Position	
31	4460464	4	Pin, Male	
31	4460466	2	Plug, Seal	
32	4460911	1	Connector - 3 Position	
33	4460891	1	Connector - 2 Position	
33	4460465	2	Socket, Female	
34	1001263923	1	Connector - 3 Position	
35	4460891	1	Connector - 2 Position	
35	4460465	2	Socket, Female	
36	4460911	1	Connector - 3 Position	

SECTION 8 - ELECTRICAL

FIGURE 8-30. CLEARSKY INSTALLATION - 4G CANBUS CONNECTION (ALL SPECS EXCEPT CHINA SPECS)



ART_1001227457

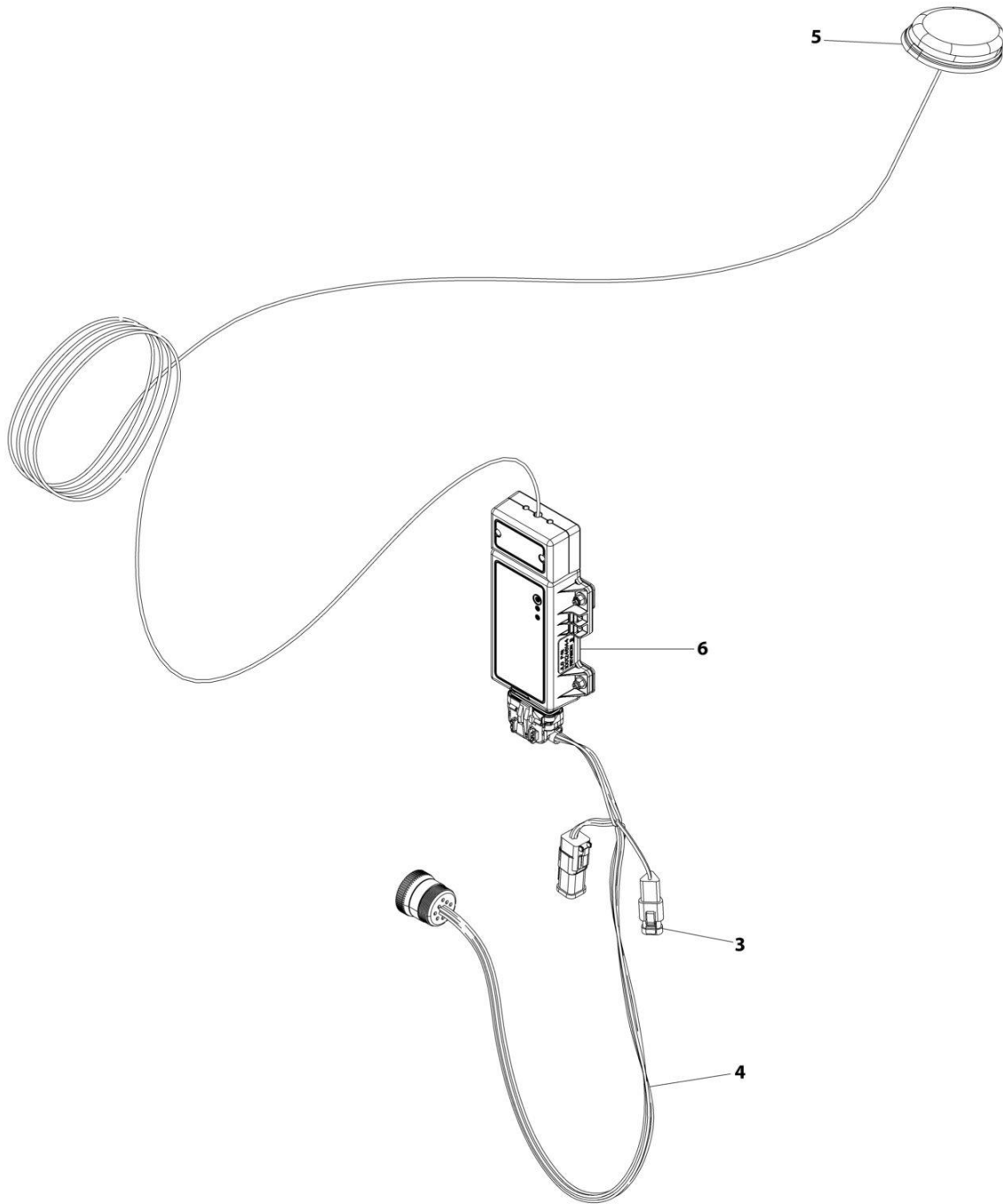
SECTION 8 - ELECTRICAL

FIGURE 8-30. CLEARSKY INSTALLATION - 4G CANBUS CONNECTION (ALL SPECS EXCEPT CHINA SPECS)

ITEM	PART NUMBER	QTY	DESCRIPTION	REV
	1001227457	REF	CLEARSKY INSTALLATION CANBUS CONNECTION	B
1	4240032	AR	Tie-Strap (Not Shown)	
2	4460234	AR	Strap, Cable Tie (Not Shown)	
3	1001129408	1	Connector	
4	1001226739	1	ClearSky Harness (See Separate Breakdown in this Section)	
5	1001262322	1	Telematics Control Module (Note: Re-calibration Required when Replaced)	
6	1001262326	1	Antenna	

SECTION 8 - ELECTRICAL

FIGURE 8-31. CLEARSKY INSTALLATION - 4G CANBUS CONNECTION (CHINA SPECS)



ART_1001246472

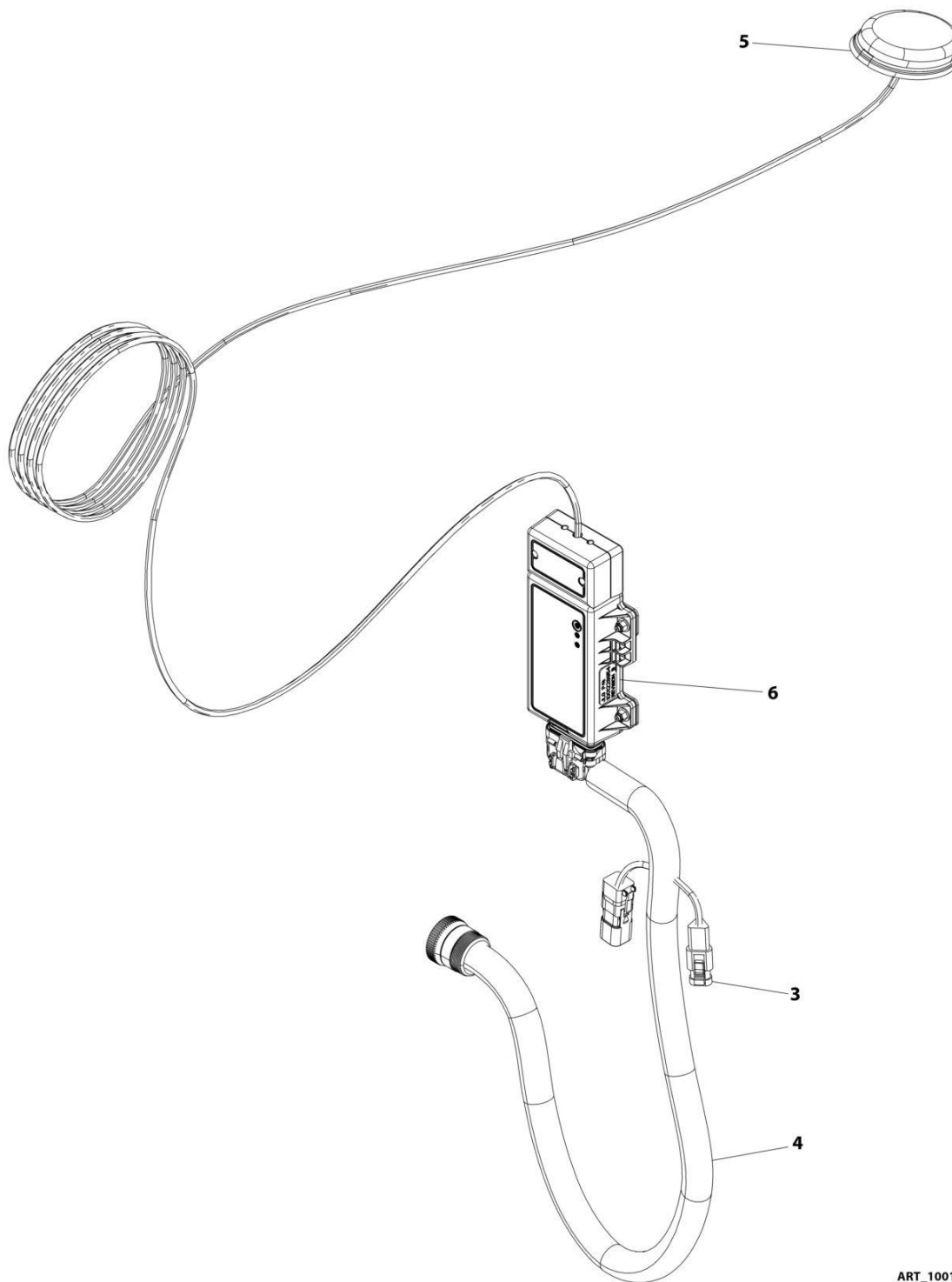
SECTION 8 - ELECTRICAL

FIGURE 8-31. CLEARSKY INSTALLATION - 4G CANBUS CONNECTION (CHINA SPECS)

ITEM	PART NUMBER	QTY	DESCRIPTION	REV
	1001246472	REF	CLEARSKY INSTALLATION CANBUS CONNECTION	A
1	4240032	AR	Tie-Strap (Not Shown)	
2	4460234	AR	Strap, Cable -Tie (Not Shown)	
3	1001129408	1	Connector	
4	1001226739	1	ClearSky Harness (See Separate Breakdown in this Section)	
5	1001226799	1	Antenna	
6	1001246145	1	Telematics Control Module (Note: Re-calibration Required when Replaced)	

SECTION 8 - ELECTRICAL

FIGURE 8-32. CLEARSKY INSTALLATION - 3G CANBUS CONNECTION (ANSI EXPORT, CE, AND UK CA SPECS)



ART_1001228959

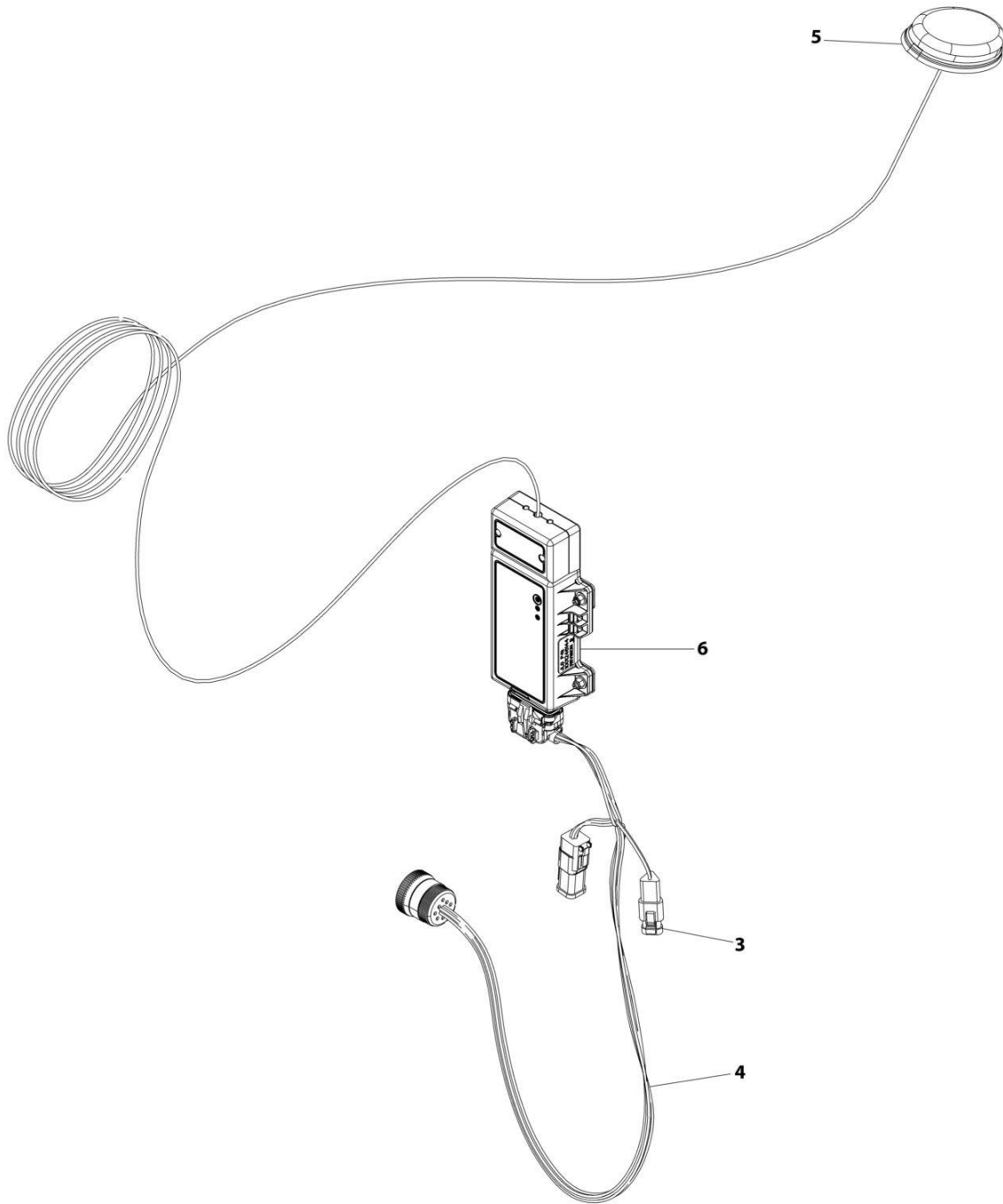
SECTION 8 - ELECTRICAL

FIGURE 8-32. CLEARSKY INSTALLATION - 3G CANBUS CONNECTION (ANSI EXPORT, CE, AND UK CA SPECS)

ITEM	PART NUMBER	QTY	DESCRIPTION	REV
	1001228959	REF	CLEARSKY INSTALLATION CANBUS CONNECTION	A
1	4240032	AR	Tie-Strap (Not Shown)	
2	4460234	AR	Strap, Cable Tie (Not Shown)	
3	1001129408	1	Connector	
4	1001226739	1	ClearSky Harness (See Separate Breakdown in this Section)	
5	1001226799	1	Antenna	
6	1001228954	1	Telematics Control Module (Note: Re-calibration Required when Replaced)	

SECTION 8 - ELECTRICAL

FIGURE 8-33. CLEARSKY INSTALLATION - 3G CANBUS CONNECTION (AUSTRALIAN SPECS)



ART_1001246471

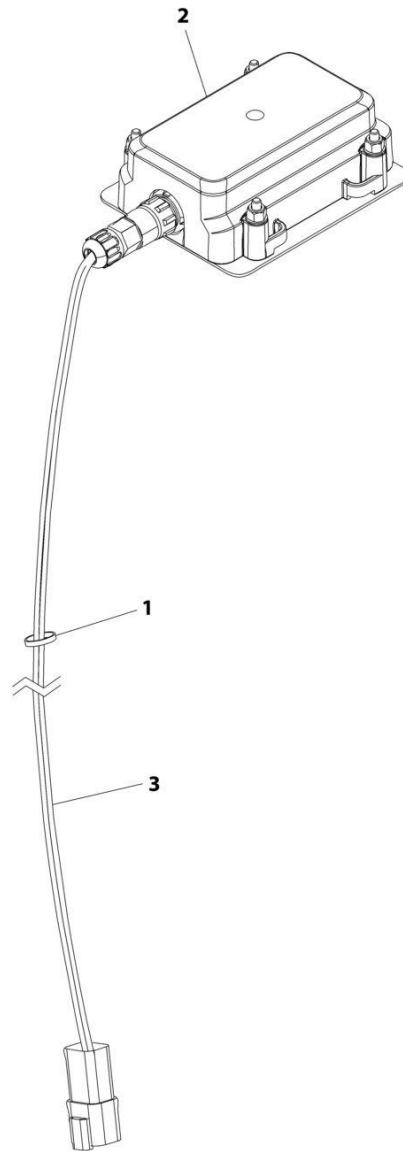
SECTION 8 - ELECTRICAL

FIGURE 8-33. CLEARSKY INSTALLATION - 3G CANBUS CONNECTION (AUSTRALIAN SPECS)

ITEM	PART NUMBER	QTY	DESCRIPTION	REV
	1001246471	REF	CLEARSKY INSTALLATION CANBUS CONNECTION	A
1	4240032	AR	Tie-Strap (Not Shown)	
2	4460234	AR	Strap, Cable -Tie (Not Shown)	
3	1001129408	1	Connector	
4	1001226739	1	ClearSky Harness (See Separate Breakdown in this Section)	
5	1001226799	1	Antenna	
6	1001246144	1	Telematics Control Module (Note: Re-calibration Required when Replaced)	

SECTION 8 - ELECTRICAL

FIGURE 8-34. CLEARSKY INSTALLATION - 3 WIRE GT1030 (ALL SPECS EXCEPT CHINA SPECS)



ART_1001276610

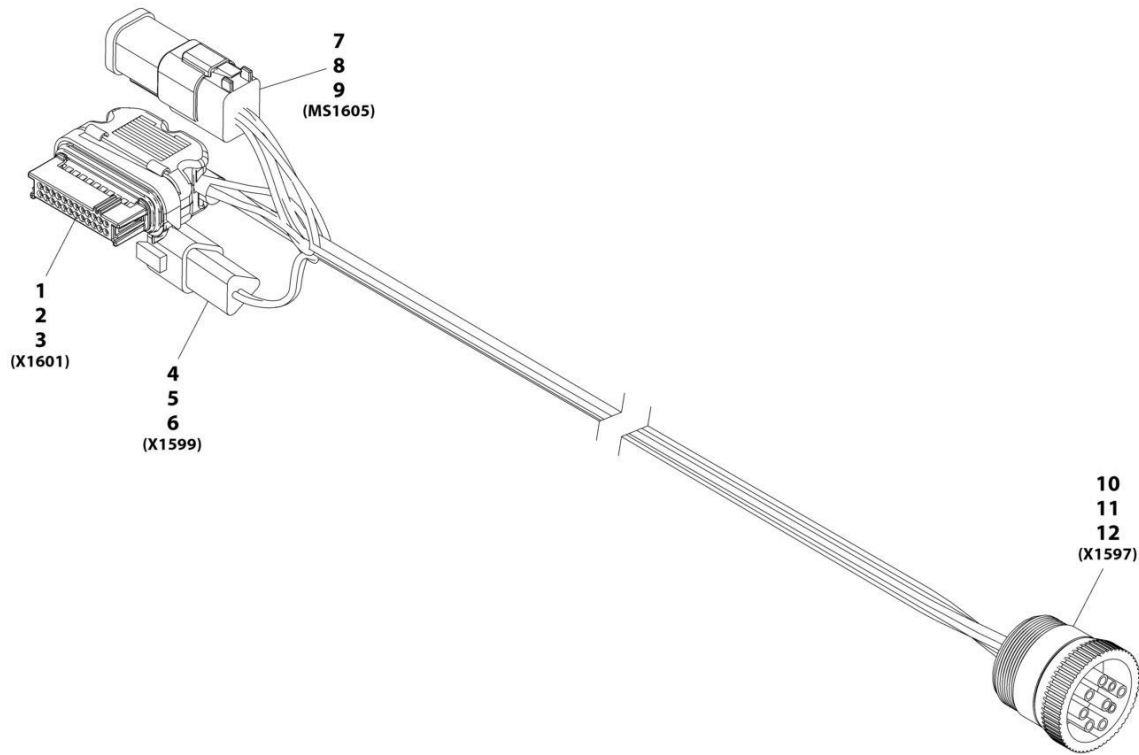
SECTION 8 - ELECTRICAL

FIGURE 8-34. CLEARSKY INSTALLATION - 3 WIRE GT1030 (ALL SPECS EXCEPT CHINA SPECS)

ITEM	PART NUMBER	QTY	DESCRIPTION	REV
1	1001276610 4240032	Ref AR	CLEARSKY INSTALLATION 3-WIRE CONNECTION Tie-Strap	A
2	1001272659	1	Telematics Control Module Assembly (Note: Re-calibration Required when Replaced)	
3	1001273012	1	ClearSky Harness (See Separate Breakdown in this Section)	

SECTION 8 - ELECTRICAL

FIGURE 8-35. CLEARSKY HARNESS - 3G & 4G CANBUS CONNECTIONS



ART_1001226739-A

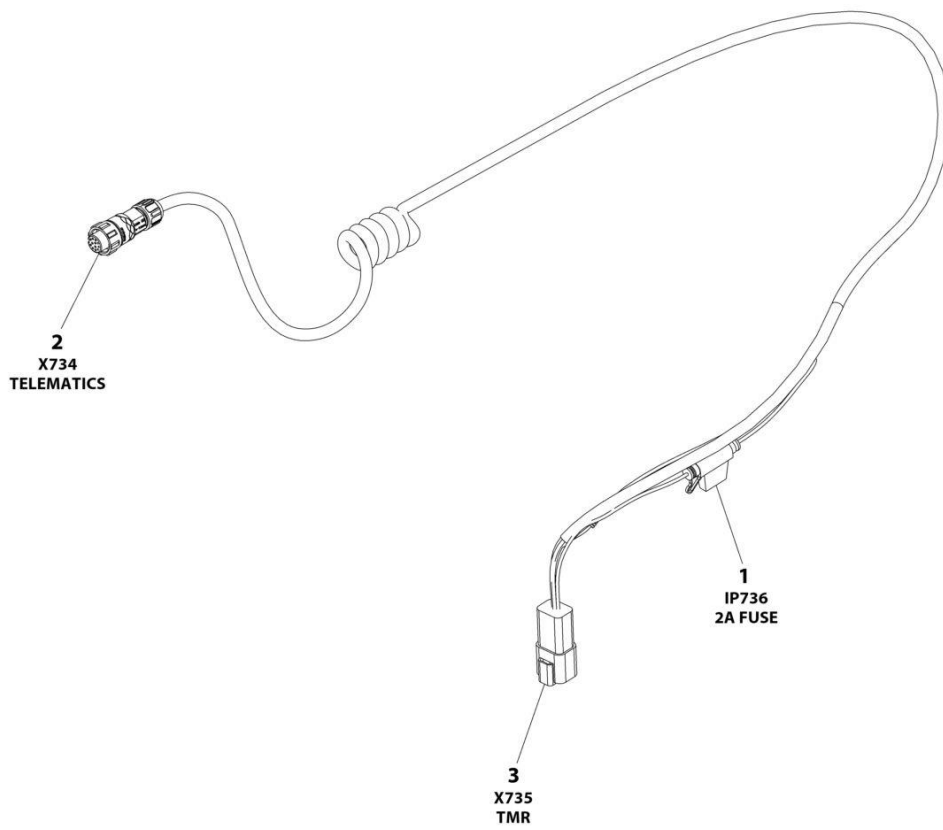
SECTION 8 - ELECTRICAL

FIGURE 8-35. CLEARSKY HARNESS - 3G & 4G CANBUS CONNECTIONS

ITEM	PART NUMBER	QTY	DESCRIPTION	REV
	1001226739	Ref	Clearsky Harness	A
1	1001226636	1	Connector	
2	1001116731	16	Plug, Terminal	
3	1001226637	8	Terminal	
4	1001144147	1	Connector	
5	4460464	2	Terminal	
6	4460466	1	Plug, Terminal	
7	4460894	1	Connector	
8	4460465	6	Terminal	
9	1001226541	1	Connector- 6 Pin Bussbar	
10	1001112796	1	Connector	
11	4460465	8	Terminal	
12	4460466	1	Plug, Terminal	

SECTION 8 - ELECTRICAL

FIGURE 8-36. CLEARSKY HARNESS - 3 WIRE GT1030



ART_1001273012

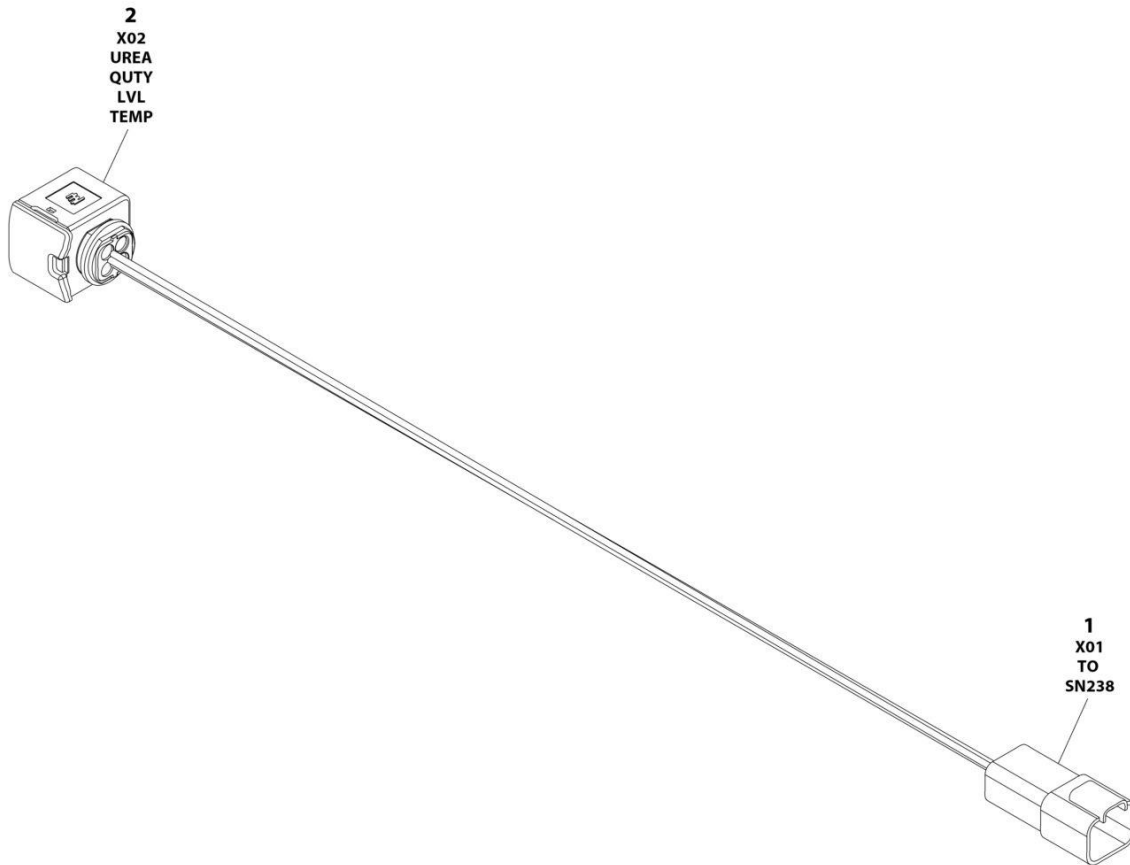
SECTION 8 - ELECTRICAL

FIGURE 8-36. CLEARSKY HARNESS - 3 WIRE GT1030

ITEM	PART NUMBER	QTY	DESCRIPTION	REV
	1001273012	Ref	CLEARSKY TELEMATICS HARNESS - GT1030	D
1	1001255901	1	Fuseholder	
1	1001196634	1	Fuse - 2Amp	
2	1001272997	1	Connector - 12 Position	
2		Ref	Terminal	
3	4460932	1	Receptacle, Female - 4 Position	
3	4460464	4	Pin, Male	

SECTION 8 - ELECTRICAL

FIGURE 8-37. DEF TANK EXTENSION HARNESS



ART_1001238483

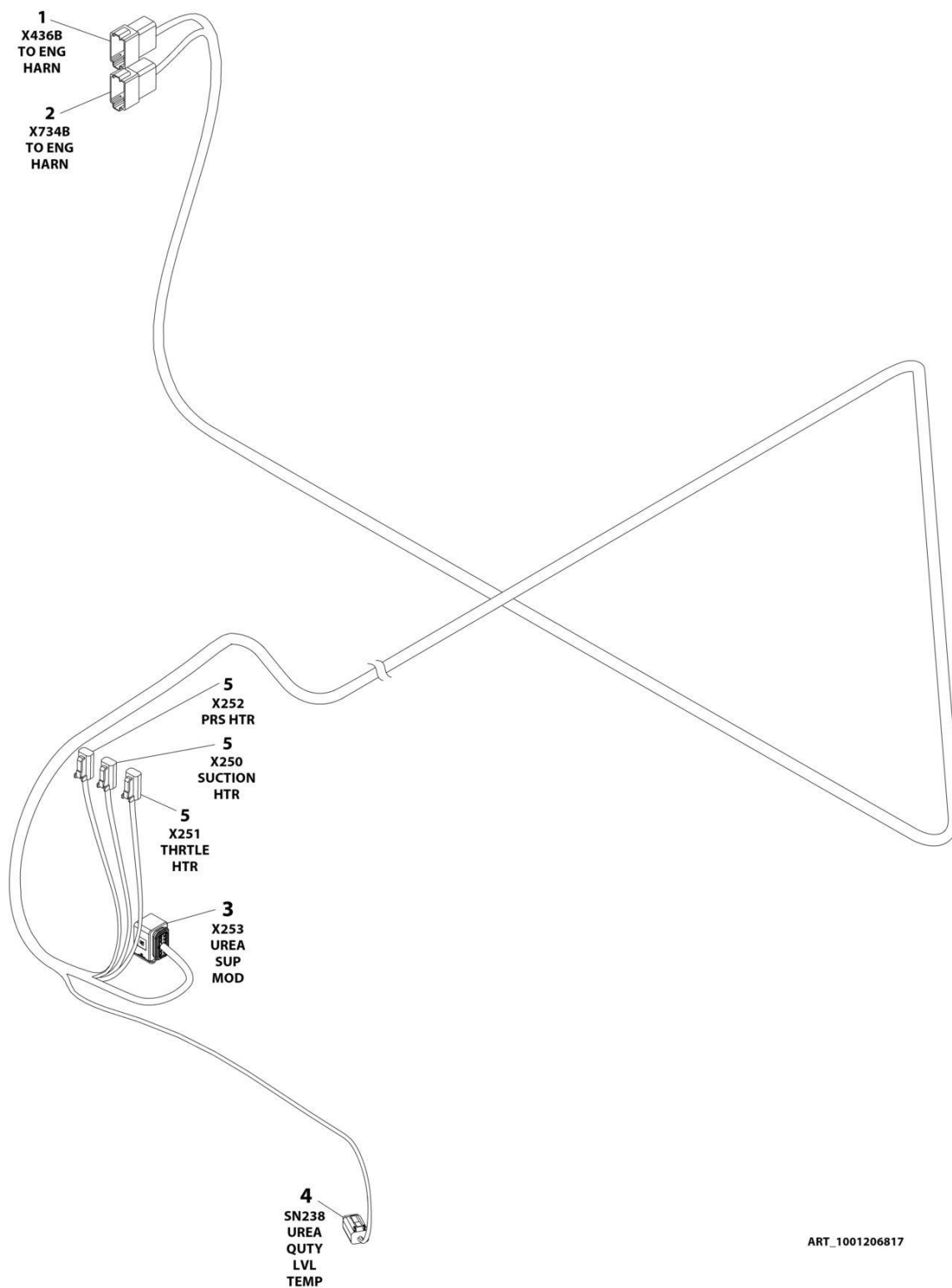
SECTION 8 - ELECTRICAL

FIGURE 8-37. DEF TANK EXTENSION HARNESS

ITEM	PART NUMBER	QTY	DESCRIPTION	REV
	1001238483	Ref	DEF TANK EXTENSION HARNESS	A
1	4460932	1	Receptacle, Female - 4 Position	
1	4460464	2	Pin, Male	
1	4460943	2	Pin, Male	
2	1001167528	1	Connector - 4 Position	
2	1001167632	2	Terminal	
2	1001166704	2	Terminal	
2	1001137578	4	Seal	

SECTION 8 - ELECTRICAL

FIGURE 8-38. DIESEL EXHAUST FLUID TANK HARNESS



ART_1001206817

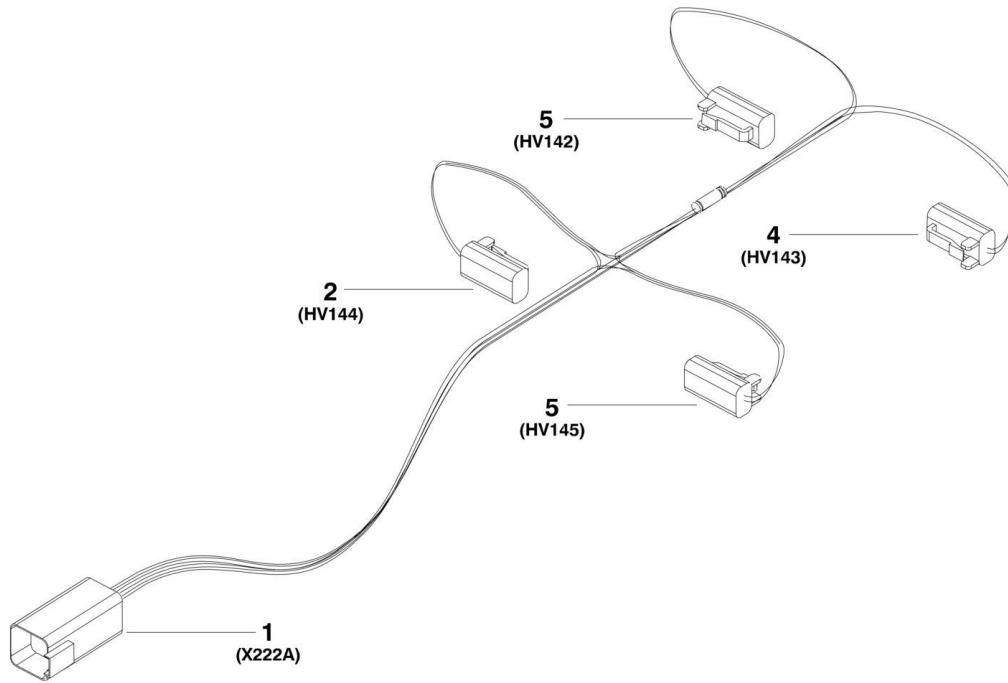
SECTION 8 - ELECTRICAL

FIGURE 8-38. DIESEL EXHAUST FLUID TANK HARNESS

ITEM	PART NUMBER	QTY	DESCRIPTION	REV
	1001206817	Ref	DIESEL EXHAUST FLUID TANK HARNESS	B
1	4460982	1	Receptacle, Female - 12 Position	
1	1001157891	6	Pin, Male	
1	4460464	2	Pin, Male	
1	4460943	2	Pin, Male	
1	4460466	2	Plug, Terminal	
2	1001152742	1	Receptacle, Female - 12 Position	
2	4460941	2	Pin, Male	
2	4460464	8	Pin, Male	
2	4460466	2	Plug, Terminal	
3	1001165194	1	Plug, Male - 12 Position	
3	1001166556	8	Socket, Female	
3	1001166774	2	Socket, Female	
3	1001126391	2	Plug, Terminal	
4	4460884	1	Plug, Male - 4 Position	
4	4460944	2	Socket, Female	
4	4460465	2	Socket, Female	
5	4460891	3	Plug, Male - 2 Position	
5	4460942	6	Socket, Female	

SECTION 8 - ELECTRICAL

FIGURE 8-39. DRIVE PUMP HARNESS



1001149970

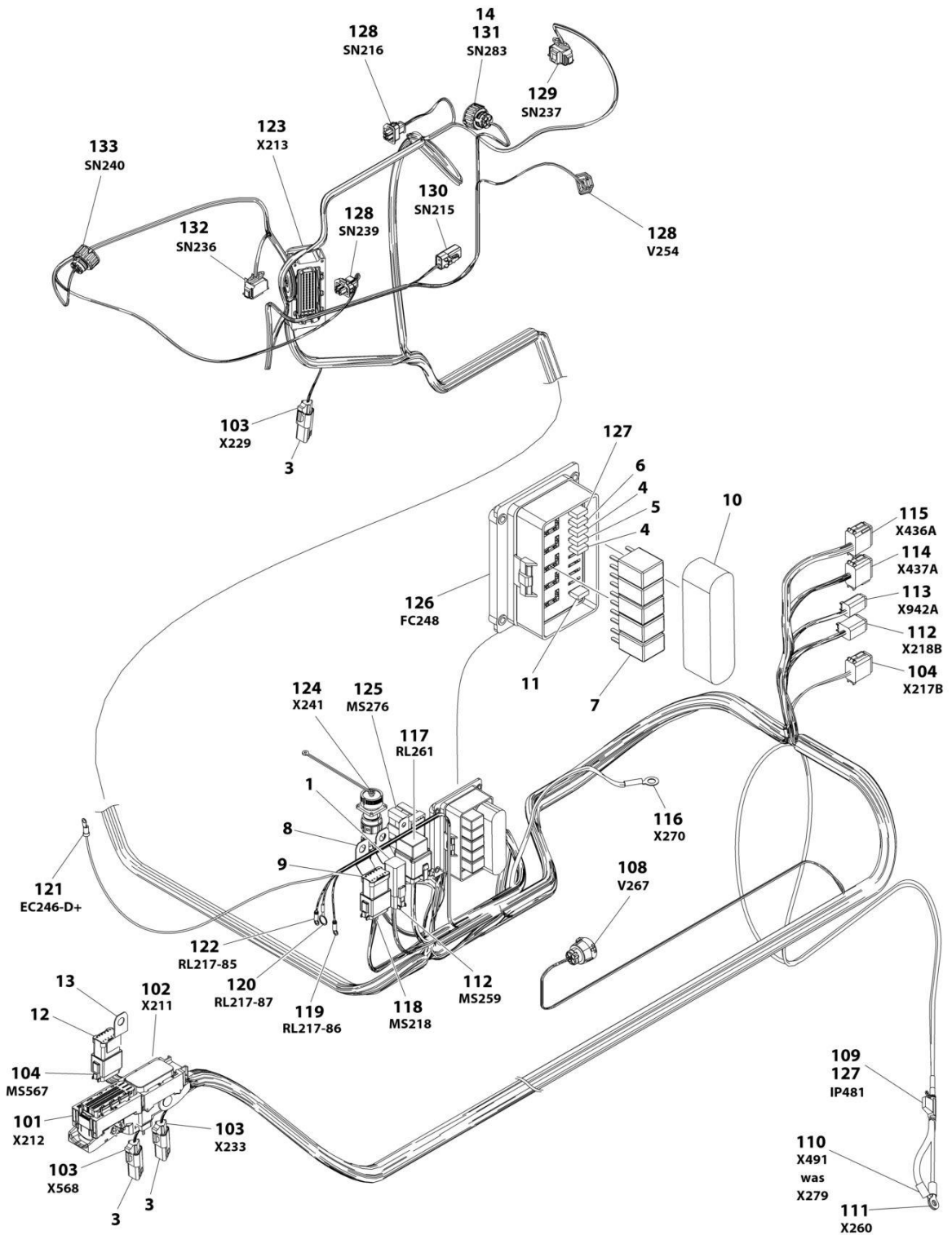
SECTION 8 - ELECTRICAL

FIGURE 8-39. DRIVE PUMP HARNESS

ITEM	PART NUMBER	QTY	DESCRIPTION	REV
	1001149970	Ref	DRIVE PUMP HARNESS	B
1	4460899	1	Connector - 6 Position	
1	4460464	5	Pin, Male	
1	4460466	1	Plug, Seal	
2	4460891	1	Connector - 2 Position	
2	4460465	2	Socket, Female	
3	4460891	1	Connector - 2 Position	
3	4460465	2	Socket, Female	
4	4460891	1	Connector - 2 Position	
4	4460465	2	Socket, Female	
5	4460891	1	Connector - 2 Position	
5	4460465	2	Socket, Female	

SECTION 8 - ELECTRICAL

FIGURE 8-40. ENGINE HARNESS - DEUTZ (HRC)



ART_1001188922

SECTION 8 - ELECTRICAL

FIGURE 8-40. ENGINE HARNESS - DEUTZ (HRC)

ITEM	PART NUMBER	QTY	DESCRIPTION	REV
	1001188922	Ref	ENGINE HARNESS	K
1	4460892	1	Buss Bar - 6 Position	
3	4461070	3	Connector, Terminating - 3 Position	
4	8229242	2	Fuse, 5 Amp	
5	8229244	1	Fuse, 15 Amp	
6	8229247	1	Fuse, 25 Amp	
7	1001095704	5	Relay	
8	1001120328	2	Mount	
9	1001125677	1	Connector, Bussbar	
10	1001190921	1	Seal	
11	1001197719	1	Resistor 620ohm	
12	4460984	1	Receptacle, Female - 8 Position	
13	1001155743	1	Mount	
14	1001216318	1	Cover	
101	1001167615	1	Connector - 91 Position	
101	1001166551	6	Terminal	
101	1001167621	20	Terminal	
101	1001167622	65	Plug, Terminal	
101	1001126353	6	Seal	
102	1001167625	1	Connector - 105 Position	
102	1001166555	13	Terminal	
102	1001167621	50	Terminal	
102	1001167622	36	Plug, Terminal	
102	1001167623	6	Seal	
103	4461095	3	Connector - 3 Position	
103	4460944	4	Socket, Female	
103	4460465	2	Socket, Female	
103	4460466	3	Plug, Terminal	
104	4460930	2	Connector - 8 Position	
104	4460465	10	Socket, Female	
104	4460466	6	Plug, Terminal	
108	1001167620	1	Connector - 4 Position	
108	1001176004	2	Socket, Female	
108	1001167624	2	Plug, Terminal	
108	1001176002	2	Seal	
109	2400066	1	Fuseholder with Leads	
110	1001117107	1	Terminal, Ring	
111	8220045	1	Terminal, Ring	
112	4460894	2	Plug, Male - 6 Position	
112	4460465	7	Socket, Female	
112	4460944	2	Socket, Female	
112	4460942	1	Socket, Female	
112	4460466	2	Plug, Socket	
113	4460884	1	Plug, Male - 4 Position	
113	4460465	2	Socket, Female	
113	4460942	2	Socket, Female	
114	4460934	1	Plug, Male - 12 Position	
114	4460942	2	Socket, Female	
114	4460465	8	Socket, Female	
114	4460466	2	Plug, Socket	

SECTION 8 - ELECTRICAL

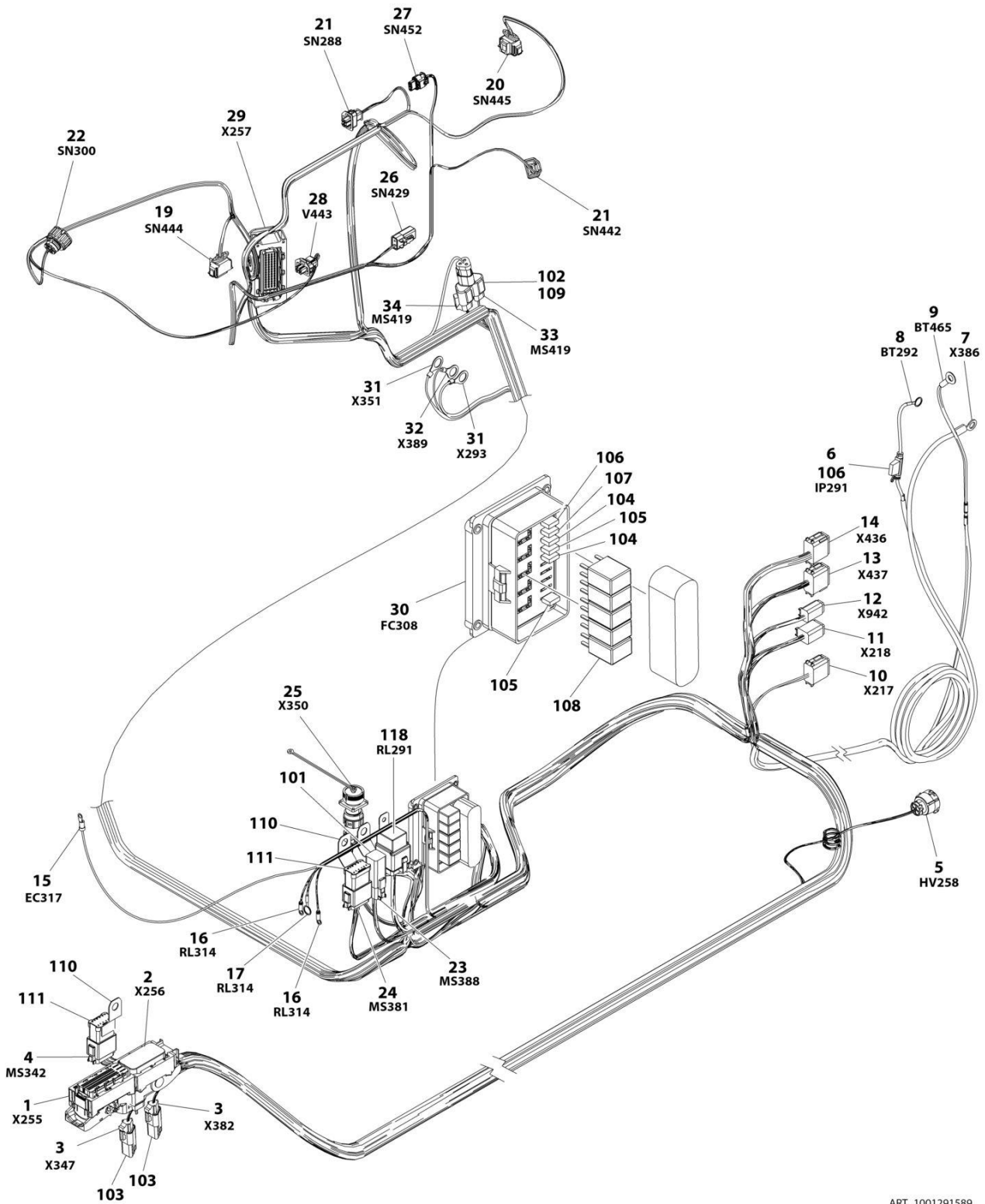
ITEM	PART NUMBER	QTY	DESCRIPTION	REV
115	4460935	1	Plug, Male - 12 Position	
115	1001157890	6	Socket, Female	
115	4460465	2	Socket, Female	
115	4460944	2	Socket, Female	
115	4460466	2	Plug, Socket	
116	1001117108	1	Ring, Terminal	
117	1001118282	1	Connector - 5 Position	
117	1001116734	2	Terminal	
117	1001116733	2	Terminal	
117	1001128128	1	Plug, Socket	
118	4460933	1	Plug, Male - 12 Position	
118	4460944	12	Socket, Female	
119	4460247	1	Terminal, Ring	
120	4460703	1	Terminal, Ring	
121	4460042	1	Terminal, Ring	
122	4460247	1	Terminal, Ring	
123	1001126362	1	Connector - 62 Position	
123	1001166556	30	Socket, Female	
123	1001166774	10	Socket, Female	
123	1001166541	2	Socket, Female	
123	1001166543	2	Socket, Female	
123	1001126391	16	Plug, Terminal	
123	4461008	2	Plug, Terminal	
123	1001166701	30	Seal, Terminal	
123	1001126393	10	Seal, Terminal	
123	4461006	2	Seal, Terminal (Blue)	
123	4461054	2	Seal, Terminal (White)	
124	2902443	1	Kit, Receptacle	
124	4461071	8	Socket, Female	
124	4461072	1	Connector	
124	4461043	1	Cap, Dust	
124	4461074	1	Shell, Back	
125	1001184846	1	Plug, Male - 10 Position	
125	4460509	10	Socket, Female	
126	1001167616	1	Main Fuse Box Assembly	
126	1001116725	6	Socket, Female	
126	8220097	19	Terminal	
126	8220098	7	Terminal	
126	4460748	13	Plug, Terminal	
126	80963067	6	Seal (Blue)	
126	1001175265	12	Seal, Terminal	
126	4460458	14	Seal, Terminal	
127	8229245	2	Fuse, 30 Amp	
128	1001126487	3	Connector - 2 Position	
128	1001167634	4	Socket, Female	
128	1001167635	2	Socket, Female	
128	1001126485	3	Seal, Terminal	
129	1001167629	1	Connector - 4 Position	
129	1001167630	4	Socket, Female	
129	1001126485	4	Seal, Terminal	
130	1001126245	1	Plug, Male - 2 Position	

SECTION 8 - ELECTRICAL

ITEM	PART NUMBER	QTY	DESCRIPTION	REV
130	1001126008	2	Socket, Female	
131	1001167633	1	Connector - 3 Position	
131	1001133715	3	Socket, Female	
131	1001135650	3	Seal, Terminal	
132	1001167631	1	Connector - 4 Position	
132	1001167630	4	Socket, Female	
132	1001126485	4	Seal, Terminal	
133	1001133714	1	Connector - 4 Position	
133	1001133715	3	Socket, Female	
133	1001135650	3	Seal, Terminal	

SECTION 8 - ELECTRICAL

FIGURE 8-41. ENGINE HARNESS - DEUTZ T4F ENGINES (HRC)



ART_1001291589

SECTION 8 - ELECTRICAL

FIGURE 8-41. ENGINE HARNESS - DEUTZ T4F ENGINES (HRC)

ITEM	PART NUMBER	QTY	DESCRIPTION	REV
	1001291589	Ref	ENGINE HARNESS - DEUTZ T4F ENGINES (HRC)	B
1	1001133956	1	Connector	
1	1001182361	6	Socket (14-16AWG)	
1	1001126351	3	Socket (15-18AWG)	
1	1001230934	42	Socket (19AWG)	
1	1001230935	43	Plug	
1	1001182365	6	Seal	
2	1001133957	1	Connector	
2	1001126351	14	Socket (15-18AWG)	
2	1001230934	25	Socket (19AWG)	
2	1001230935	9	Plug	
2	1001230936	12	Plug	
3	4461095	2	Connector	
3	4460465	4	Socket	
3	4460466	2	Plug	
4	4460933	1	Connector	
4	4460465	6	Socket	
5	1001167620	1	Connector	
5	1001176004	2	Socket	
5	1001176002	2	Seal	
5	1001167624	2	Plug	
6	2400066	1	Fuseholder	
7	8220045	1	Terminal, Ring	
8	4460019	1	Terminal, Ring	
9	8220115	1	Terminal, Ring	
10	4460930	1	Connector	
10	4460465	1	Socket (16-20AWG)	
10	4460942	1	Socket (14-16AWG)	
10	4460466	6	Plug	
11	4460894	1	Connector	
11	4460942	1	Socket (14-16AWG) (Nickel)	
11	4460465	2	Socket (16-20AWG) (Nickel)	
11	4460944	2	Socket (16-20AWG) (Gold)	
11	4460466	1	Plug	
12	4460884	1	Connector	
12	4460465	2	Socket (16-20AWG)	
12	1001157890	2	Socket (12-16AWG)	
13	4460934	1	Connector	
13	4460465	8	Socket (12-16AWG)	
13	4460942	2	Socket (14-16AWG)	
13	4460466	2	Plug	
14	4460935	1	Connector	
14	1001157890	6	Socket (12-16AWG) (Nickel)	
14	4460465	2	Socket (16-20AWG) (Nickel)	
14	4460944	2	Socket (16-20AWG) (Gold)	
14	4460466	2	Plug	
15	4460042	1	Terminal, Ring	
16	4460247	2	Terminal, Ring	
17	4460703	1	Terminal, Ring	
18	1001118282	1	Connector	

SECTION 8 - ELECTRICAL

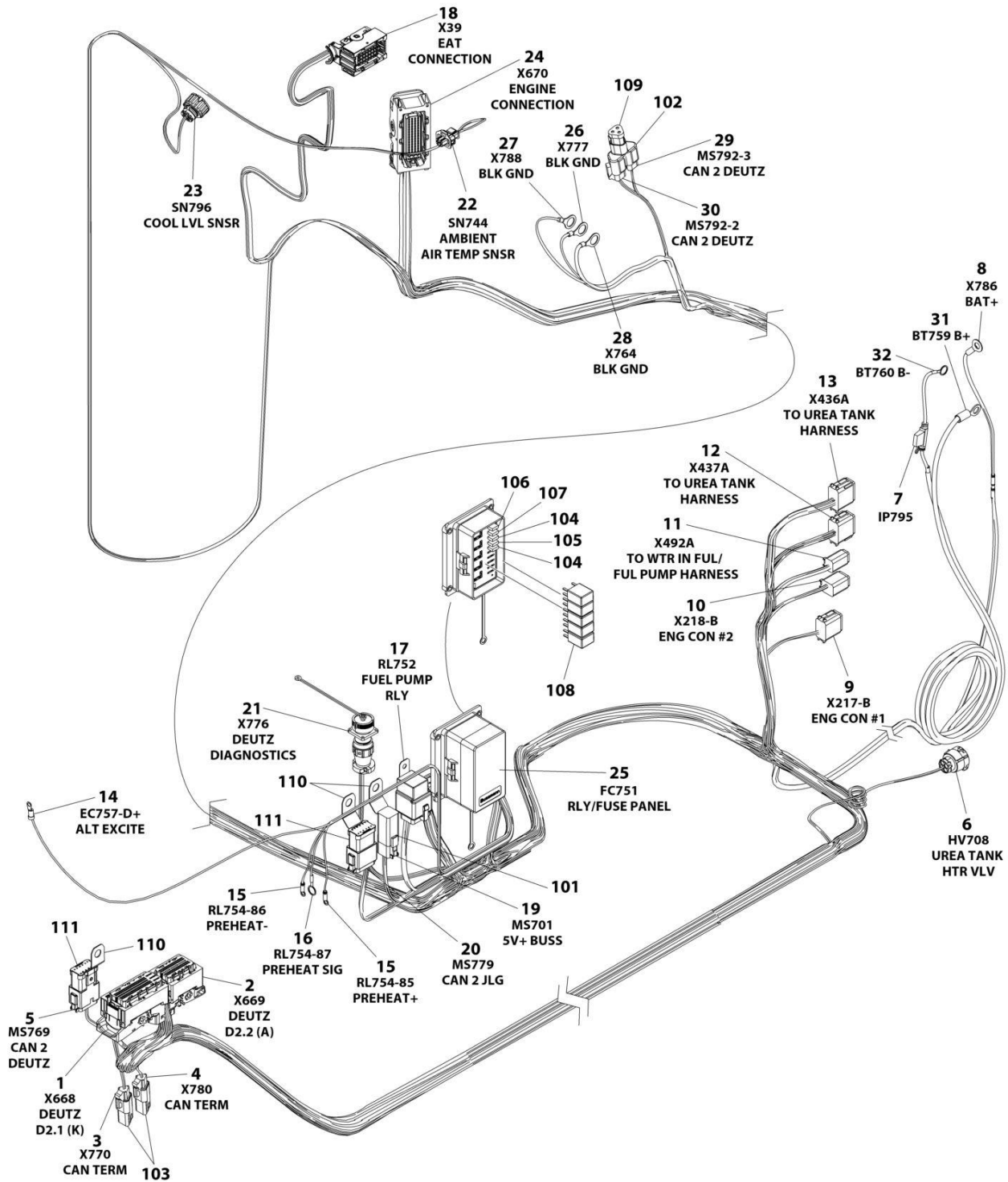
ITEM	PART NUMBER	QTY	DESCRIPTION	REV
18	1001116733	2	Socket (14-17AWG)	
18	1001116734	2	Socket (12AWG)	
18	1001128128	1	Plug	
19	1001167631	1	Connector	
19	1001167630	4	Socket	
19	1001126485	4	Seal	
20	1001167629	1	Connector	
20	1001167630	4	Socket	
20	1001126485	4	Seal	
21	1001126487	2	Connector	
21	1001167634	4	Socket	
21	1001126485	4	Seal	
22	1001133714	1	Connector	
22	1001133715	3	Socket	
22	1001135650	3	Seal	
23	4460894	1	Connector	
23	4460465	6	Socket	
24	4460933	1	Connector	
24	4460465	8	Socket	
24	4460466	4	Plug	
25	2902443	1	Connector	
25	4461071	6	Socket	
26	1001126245	1	Connector	
26	1001126008	2	Socket	
27	1001291588	1	Connector	
27	1001166795	3	Socket	
27	1001166796	3	Seal	
28	1001126487	1	Connector	
28	1001167635	2	Socket	
28	1001126485	2	Seal	
29	1001126362	1	Connector	
29	1001126363	36	Socket (17-20AWG)	
29	1001126392	12	Socket (16AWG)	
29	1001126365	2	Socket (17-18AWG)	
29	1001126391	8	Plug	
29	4461008	4	Plug	
29	1001126364	36	Seal	
29	1001126393	12	Seal	
29	4461054	2	Seal	
30	1001167616	1	Connector	
30	1001116725	6	Socket (10-12AWG)	
30	8220097	19	Socket (16-18AWG)	
30	4460748	13	Plug	
30	8220098	7	Socket (14AWG)	
30	80963067	6	Seal	
30	4460458	16	Seal	
30	1001175265	10	Seal	
31	1001275151	2	Terminal, Ring	
32	1001275153	1	Terminal, Ring	
33	1001116812	1	Connector	
33	4460465	2	Socket	

SECTION 8 - ELECTRICAL

ITEM	PART NUMBER	QTY	DESCRIPTION	REV
33	4460466	1	Plug	
34	4460539	1	Connector	
34	4460465	2	Socket	
34	4460466	1	Plug	
101	4460892	1	Plug	
102	4460945	1	Plug, 3-Way	
103	4461070	2	Connector	
104	8229242	2	Fuse 5Amp	
105	8229244	1	Fuse 15Amp	
106	8229245	1	Fuse 30 Amp	
107	8229247	1	Fuse 25 Amp	
108	1001095704	5	Relay	
109	1001116815	1	Connector	
110	1001120328	3	Mount	
111	1001125677	2	Connector	

SECTION 8 - ELECTRICAL

FIGURE 8-42. ENGINE HARNESS STAGE V (HRC)



ART_1001262056_F

SECTION 8 - ELECTRICAL

FIGURE 8-42. ENGINE HARNESS STAGE V (HRC)

ITEM	PART NUMBER	QTY	DESCRIPTION	REV
	1001262056	Ref	ENGINE HARNESS	F
1	1001133956	1	Connector - 94 Position	
1	1001182361	6	Terminal	
1	1001126351	3	Terminal	
1	1001230934	42	Terminal	
1	1001230935	43	Plug	
1	1001182365	6	Seal	
2	1001133957	1	Connector - 60 Position	
2	1001230936	10	Plug	
2	1001126351	14	Terminal	
2	1001230935	7	Plug	
2	1001230934	27	Terminal	
3	4461095	1	Connector - 3 Position	
3	4460465	2	Socket, Female	
3	4460466	1	Plug, Socket	
4	4461095	1	Connector - 3 Position	
4	4460465	2	Socket, Female	
4	4460466	1	Plug, Socket	
5	4460933	1	Connector - 12 Position	
5	4460465	10	Socket, Female	
5	4460466	2	Plug, Socket	
6	1001167620	1	Connector - 4 Position	
6	1001176004	2	Socket, Female	
6	1001167624	2	Plug, Terminal	
6	1001176002	2	Seal	
7	2400066	1	Fuseholder with Leads	
8	8220045	1	Terminal, Ring	
9	4460930	1	Connector - 8 Position	
9	4460465	1	Socket, Female	
9	4460466	6	Plug, Terminal	
9	4460942	1	Socket, Female	
10	4460894	1	Plug, Male - 6 Position	
10	4460942	1	Socket, Female	
10	4460465	2	Socket, Female	
10	4460944	2	Socket, Female	
10	4460466	1	Plug, Terminal	
11	4460884	1	Plug, Male - 4 Position	
11	4460465	2	Socket, Female	
11	1001157890	2	Socket, Female	
12	4460934	1	Plug, Male - 12 Position	
12	4460465	8	Socket, Female	
12	4460942	2	Terminal	
12	4460466	2	Plug, Terminal	
13	4460935	1	Plug, Male - 12 Position	
13	1001157890	6	Socket, Female	
13	4460465	2	Socket, Female	
13	4460944	2	Socket, Female	
13	4460466	2	Plug, Socket	
14	4460042	1	Terminal, Ring	
15	4460247	2	Terminal, Ring	

SECTION 8 - ELECTRICAL

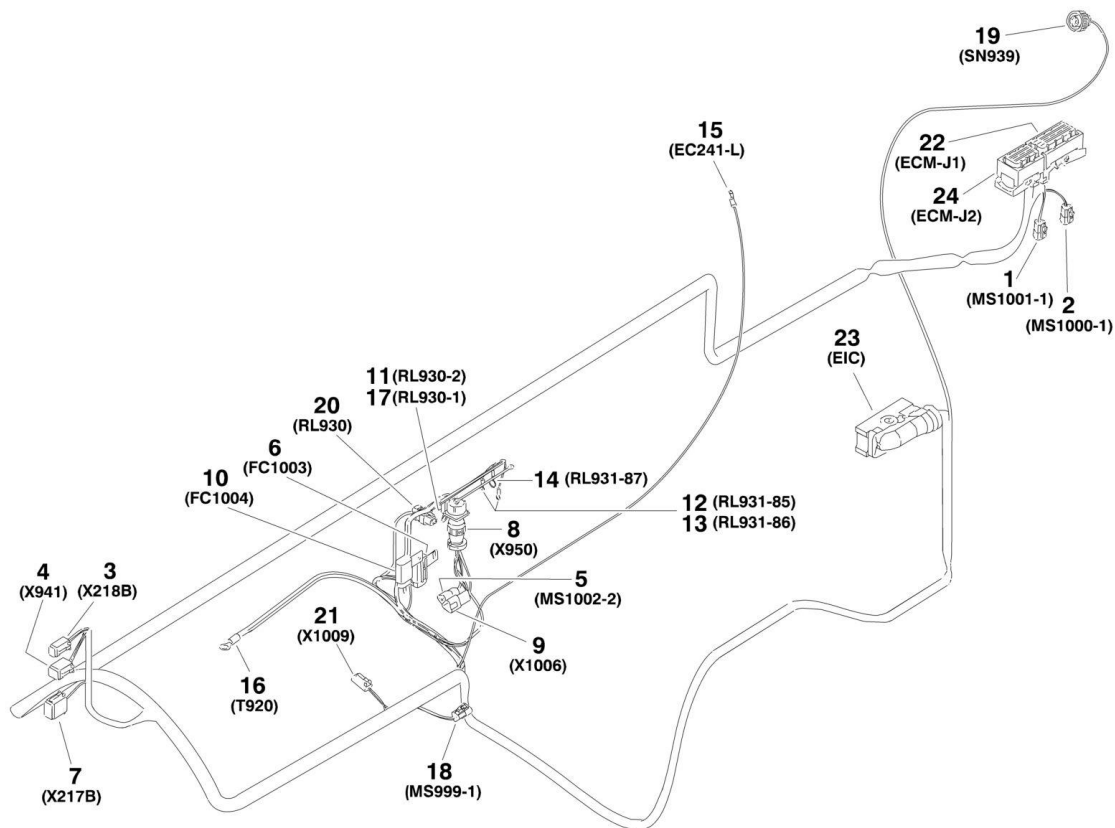
ITEM	PART NUMBER	QTY	DESCRIPTION	REV
16	4460703	1	Terminal, Ring	
17	1001118282	1	Connector - 5 Position	
17	1001116734	2	Terminal	
17	1001116733	2	Terminal	
17	1001128128	1	Plug, Socket	
18	1001268946	1	Connector - 21 Position	
18	1001167632	15	Terminal	
18	4461008	6	Plug	
18	4461054	15	Seal	
19	4460894	1	Plug, Male - 6 Position	
19	4460465	6	Socket, Female	
20	4460933	1	Plug, Male - 12 Position	
20	4460465	8	Socket, Female	
20	4460466	4	Plug, Socket	
21	2902443	1	Kit, Receptacle	
21	4461071	6	Socket, Female	
22	1001126487	1	Connector - 2 Position	
22	1001167634	2	Socket, Female	
22	1001126485	2	Seal, Terminal	
23	1001133714	1	Connector - 4 Position	
23	1001133715	3	Socket, Female	
23	1001135650	3	Seal, Terminal	
24	1001126362	1	Connector - 62 Position	
24	1001126363	36	Terminal	
24	1001126391	8	Plug, Socket	
24	1001126392	12	Terminal	
24	1001126365	2	Terminal	
24	4461008	4	Plug, Socket	
25	1001167616	1	Main Fuse Box Assembly	
25	1001116725	6	Socket, Female	
25	8220097	19	Terminal	
25	4460748	13	Plug, Terminal	
25	8220098	7	Terminal	
26	1001275151	1	Terminal, Ring	
27	1001275153	1	Terminal, Ring	
28	1001275151	1	Terminal, Ring	
29	1001116812	1	Connector - 3 Position	
29	4460465	2	Socket, Female	
29	4460466	1	Plug, Socket	
30	4460539	1	Connector - 3 Position	
30	4460465	2	Socket, Female	
30	4460466	1	Plug, Socket	
31	8220115	1	Terminal, Ring	
32	4460019	1	Terminal, Ring	
101	4460892	1	Receptacle, Female Buss Bar - 6 Position	
102	4460945	1	Receptacle, Female Bussbar - 6 Position	
103	4461070	2	Connector, Terminating - 3 Position	
104	8229242	2	Connector - 3 Position	
105	8229244	1	Fuse 15Amp	
106	8229245	1	Fuse, 30 Amp	
107	8229247	1	Fuse, 25 Amp	

SECTION 8 - ELECTRICAL

ITEM	PART NUMBER	QTY	DESCRIPTION	REV
108	1001095704	5	Relay	
109	1001116815	1	Connector - 3 Position	
110	1001120328	3	Mount	
111	1001125677	2	Connector, Bussbar	

SECTION 8 - ELECTRICAL

FIGURE 8-43. ENGINE HARNESS (LRC)



1001149971

SECTION 8 - ELECTRICAL

FIGURE 8-43. ENGINE HARNESS (LRC)

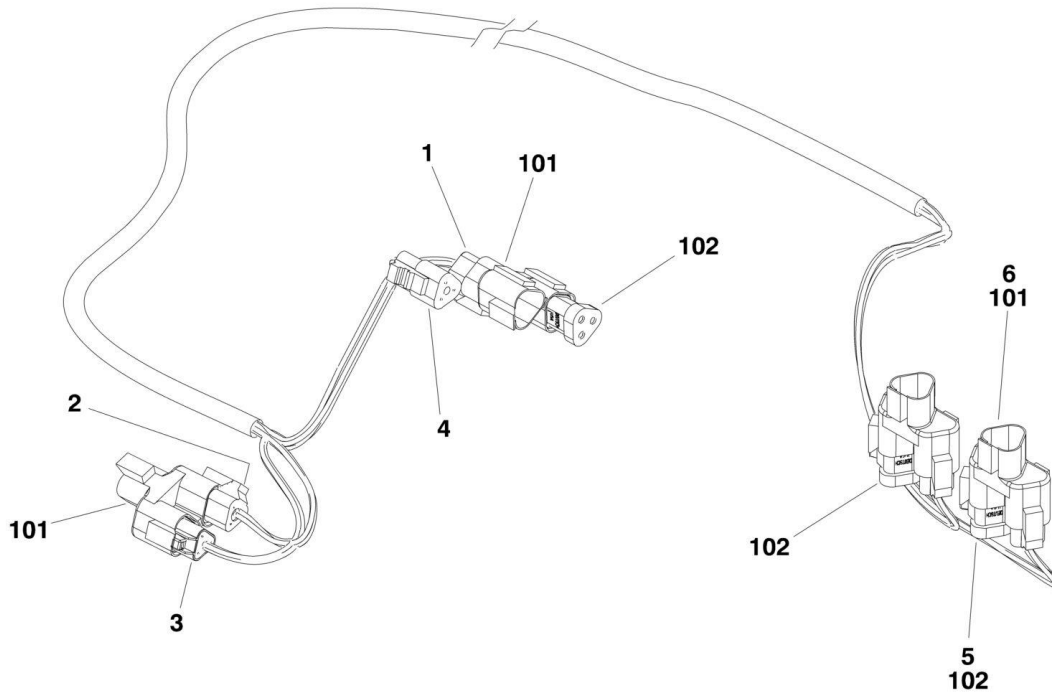
ITEM	PART NUMBER	QTY	DESCRIPTION	REV
	1001149971	Ref	ENGINE HARNESS	F
1	1001116812	1	Connector - 3 Position	
1	4460944	2	Socket, Female	
1	4460466	1	Plug, Socket	
2	1001116812	1	Connector - 3 Position	
2	4460944	2	Socket, Female	
2	4460466	1	Plug, Socket	
3	4460894	1	Connector - 6 Position	
3	4460944	3	Socket, Female	
3	4460466	3	Plug, Socket	
4	1001220379	1	Connector - 4 Position	
4	4460942	2	Socket, Female	
4	4460465	2	Socket, Female	
4	4460466	4	Plug, Socket	
5	4460539	1	Connector - 3 Position	
5	4460944	2	Socket, Female	
5	4460466	1	Plug, Socket	
6	1001119412	1	Fuseholder	
6	See Note	NSS	Fuse 5A (Note: Purchase Locally)	
6	1001116732	1	Terminal	
6	1001128128	1	Plug, Socket	
7	4460930	1	Connector, Female - 8 Position	
7	4460944	1	Socket, Female	
7	4460466	7	Plug, Seal	
8	2902443	1	Kit, Receptacle	
8	4461071	8	Socket, Female	
8	4461072	1	Connector	
8	4461043	1	Cap, Dust	
8	4461074	1	Shell, Back	
9	4460536	1	Connector - 3 Position	
9	4460943	2	Pin, Male	
9	4460466	1	Plug, Socket	
10	1001117023	1	Fuseholder	
10	See Note	NSS	Fuse 10A (Note: Purchase Locally)	
10	1001116732	1	Terminal	
10	1001128128	1	Plug, Socket	
11	1001117106	1	Ring, Terminal	
12	4460247	1	Ring, Terminal	
13	4460247	1	Ring, Terminal	
14	4460703	1	Ring, Terminal	
15	4460042	1	Ring, Terminal	
16	8220115	1	Ring, Terminal	
17	4460043	1	Ring, Terminal	
18	1001116812	1	Connector - 3 Position	
18	4460944	3	Socket, Female	
19	1001133714	1	Connector - 4 Position	
19	1001133715	3	Socket, Female	
20	1001116952	1	Connector - 2 Position	
20	4460465	1	Socket, Female	
20	4460466	1	Seal, Plug	

SECTION 8 - ELECTRICAL

ITEM	PART NUMBER	QTY	DESCRIPTION	REV
21	4460891	1	Connector, Male - 2 Position	
21	4460465	2	Socket, Female	
21	4460897	1	Connector, Female - 2 Position	
21	4460464	2	Pin, Male	
21	See Note	NSS	Resistor 1.5ohm (Note: Not Available for Purchase)	
21	1001156692	AR	Heat Shrink	
22	1001133956	1	Connector - 94 Position	
22	1001126352	6	Terminal 13-17Ga	
22	1001126384	21	Terminal 18-20Ga	
22	1001126351	2	Terminal 15-18Ga	
22	1001126357	2	Plug, Socket	
22	1001126356	63	Plug, Socket	
23	1001126362	1	Connector - 62 Position	
23	1001126365	2	Terminal 17-20Ga	
23	1001126363	35	Terminal 17-20Ga (Gold)	
23	1001126391	21	Plug, Socket	
23	4461008	4	Plug, Socket	
24	1001133957	1	Connector - 60 Position	
24	1001126351	13	Terminal 15-18Ga	
24	1001126384	17	Terminal 18-20Ga	
24	1001126357	11	Plug, Socket	
24	1001126356	19	Plug, Socket	

SECTION 8 - ELECTRICAL

FIGURE 8-44. ENGINE CAN HARNESS



1001156001

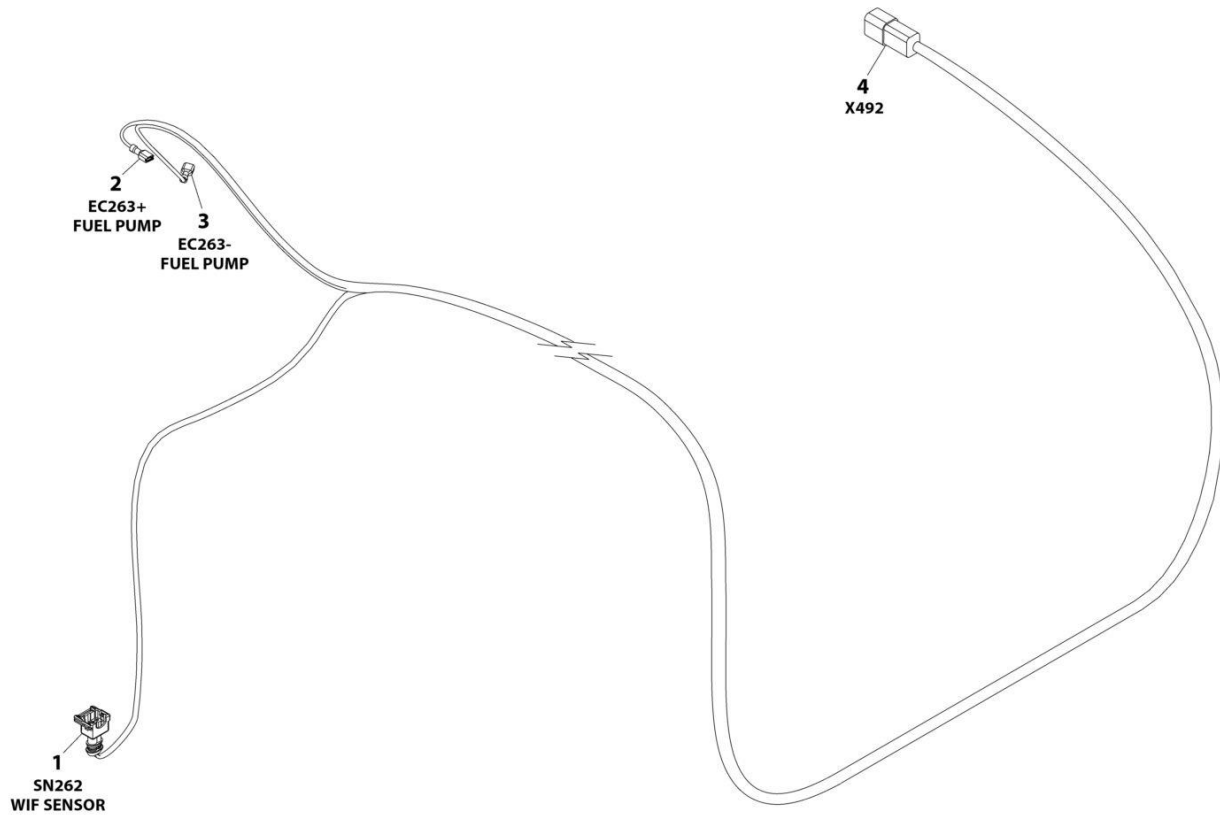
SECTION 8 - ELECTRICAL

FIGURE 8-44. ENGINE CAN HARNESS

ITEM	PART NUMBER	QTY	DESCRIPTION	REV
	1001156001	Ref	ENGINE CAN HARNESS	B
1	1001116812	1	Connector - 3 Position	
1	4460944	3	Socket, Female	
2	4460539	1	Connector - 3 Position	
2	4460944	3	Socket, Female	
3	1001116812	1	Connector - 3 Position	
3	4460944	3	Socket, Female	
4	4460539	1	Connector - 3 Position	
4	4460944	3	Socket, Female	
5	4460539	1	Connector - 3 Position	
5	4460944	3	Socket, Female	
6	4460539	1	Connector - 3 Position	
6	4460944	3	Socket, Female	
101	4460945	4	Connector, Tee	
102	1001116815	3	Connector - 3 Position	

SECTION 8 - ELECTRICAL

FIGURE 8-45. FUEL PUMP AND WIF HARNESS



ART_1001211885

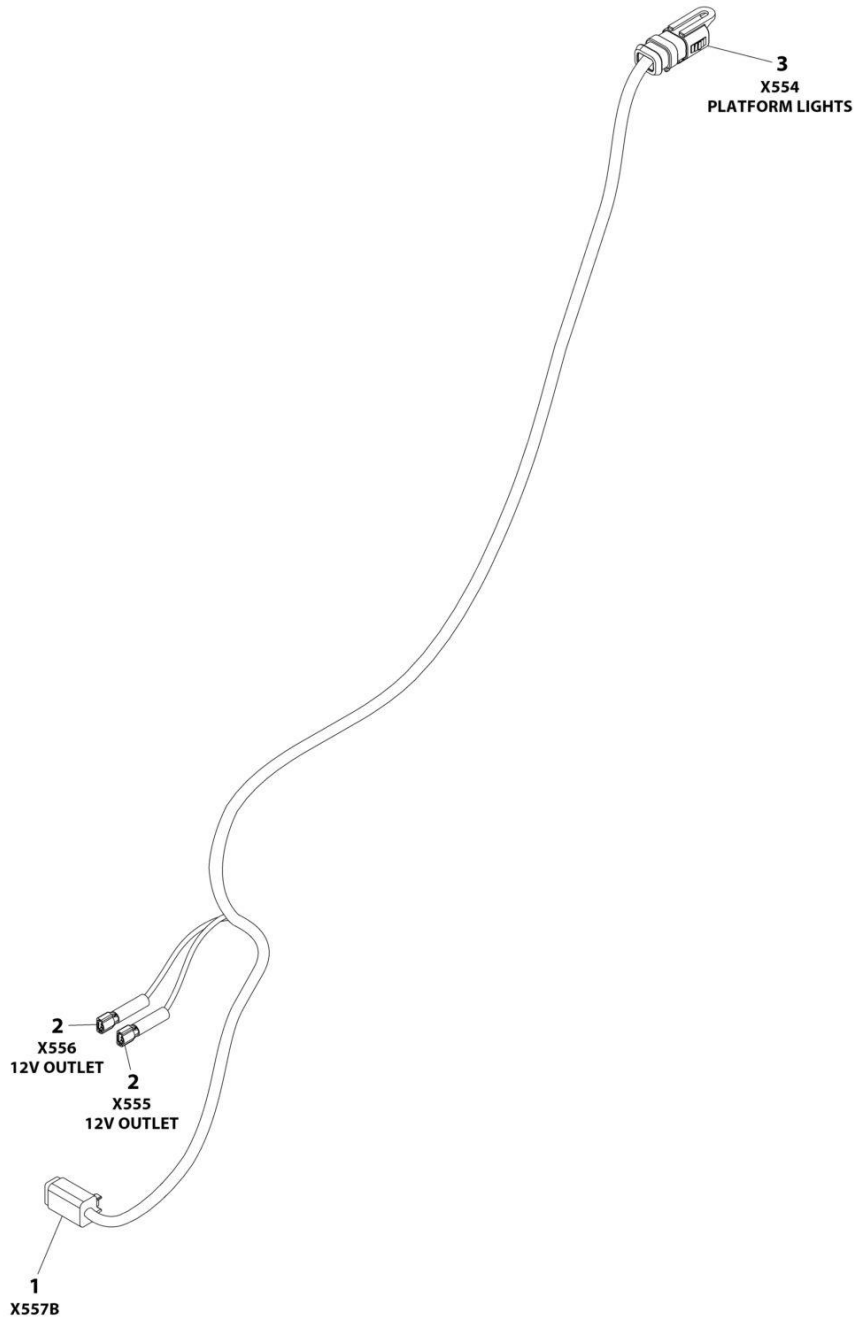
SECTION 8 - ELECTRICAL

FIGURE 8-45. FUEL PUMP AND WIF HARNESS

ITEM	PART NUMBER	QTY	DESCRIPTION	REV
	1001211885	Ref	FUEL PUMP AND WIF HARNESS	B
1	1001116983	1	Connector - 2 Position	
1	4461060	2	Pin, Male	
2	8220051	1	Terminal, Ring	
3	8220051	1	Terminal, Ring	
4	4460932	1	Connector - 4 Position	
4	4460464	2	Pin, Male	
4	4460941	2	Pin, Male	

SECTION 8 - ELECTRICAL

FIGURE 8-46. PLATFORM OUTLET HARNESS



ART_1001206506

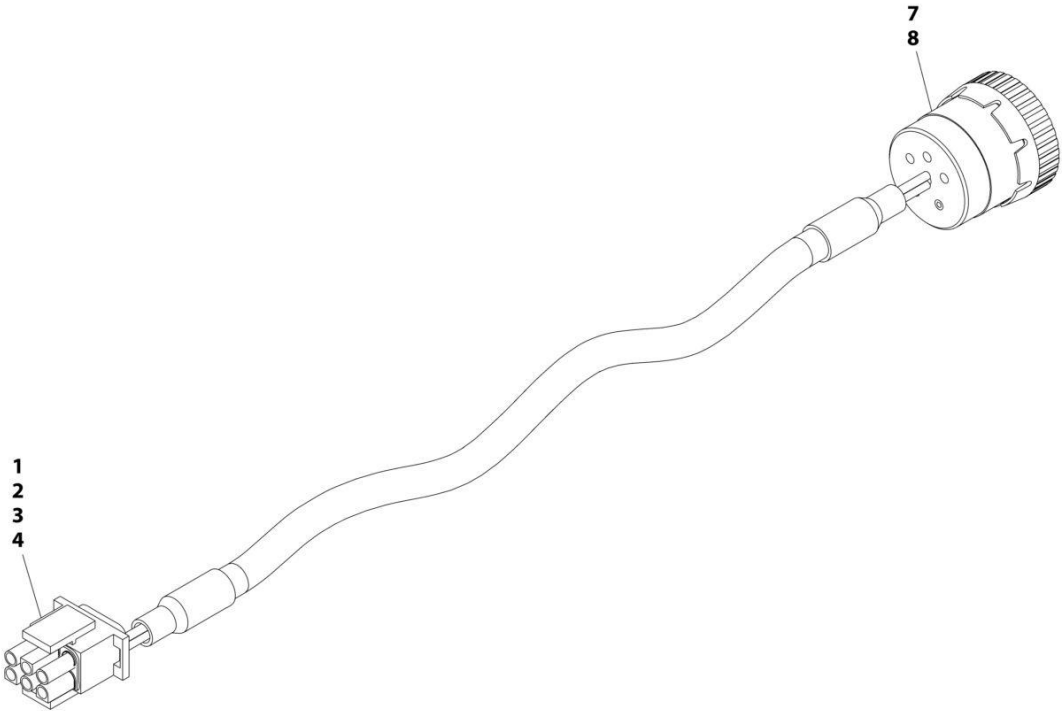
SECTION 8 - ELECTRICAL

FIGURE 8-46. PLATFORM OUTLET HARNESS

ITEM	PART NUMBER	QTY	DESCRIPTION	REV
	1001206506	Ref	PLATFORM OUTLET HARNESS	C
1	4460884	1	Plug, Male - 4 Position	
1	4460465	4	Socket, Female	
2	1001206509	2	Terminal	
3	1001210079	1	Plug, Male - 4 Position	
3	4460465	4	Socket, Female	
3	1001192401	1	Cap, Dust	

SECTION 8 - ELECTRICAL

FIGURE 8-47. GENERATOR TO CONTROL BOX HARNESS (4000W GENERATOR)



ART_1001152532

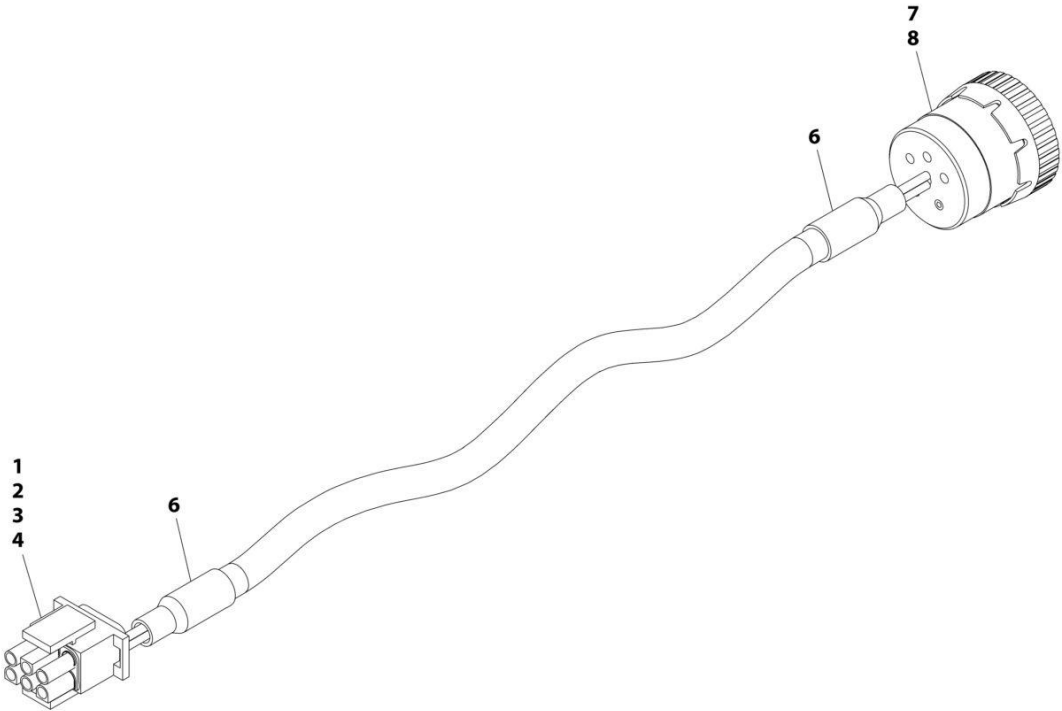
SECTION 8 - ELECTRICAL

FIGURE 8-47. GENERATOR TO CONTROL BOX HARNESS (4000W GENERATOR)

ITEM	PART NUMBER	QTY	DESCRIPTION	REV
	1001152532	Ref	GENERATOR HARNESS	A
1	4460225	1	Connector - 6 Position	
2	4460268	2	Socket, Female	
3	4460807	1	Seal	
4	4460808	1	Seal	
7	4460465	2	Socket, Female	
8	77363233	1	Connector - 6 Position	

SECTION 8 - ELECTRICAL

FIGURE 8-48. GENERATOR TO CONTROL BOX HARNESS (7500W GENERATOR)



ART_4922925

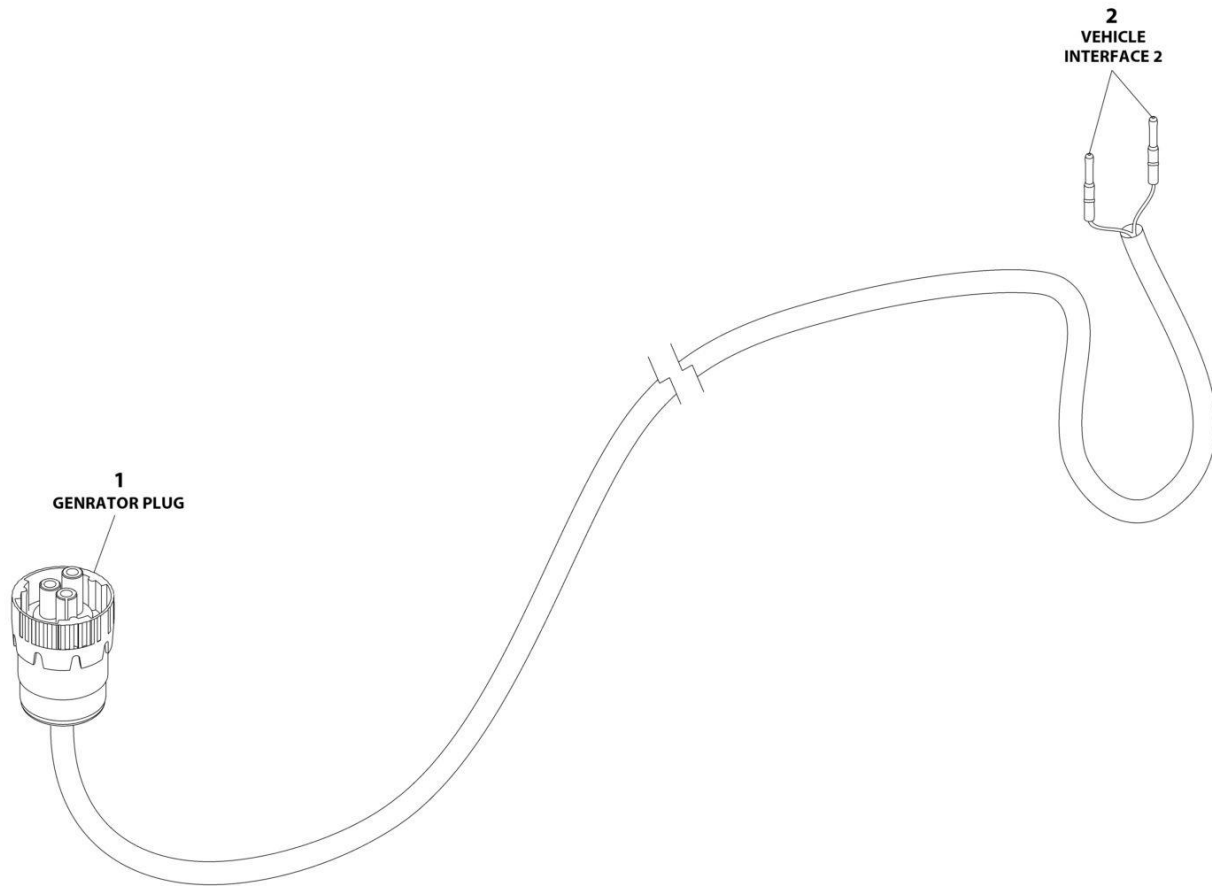
SECTION 8 - ELECTRICAL

FIGURE 8-48. GENERATOR TO CONTROL BOX HARNESS (7500W GENERATOR)

ITEM	PART NUMBER	QTY	DESCRIPTION	REV
	4922925	Ref	GENERATOR TO CONTROL BOX HARNESS (7500W GENERATOR)	C
1	4460225	1	Plug, Male - 2 Position	
2	4460268	6	Socket, Female	
3	4460807	1	Seal	
4	4460808	1	Seal	
6	2820019	AR	Heat Shrink	
7	4460465	6	Socket, Female	
8	77363233	1	Connector - 6 Position	

SECTION 8 - ELECTRICAL

FIGURE 8-49. GENERATOR TO PLATFORM HARNESS (4000W-60HZ GENERATOR)



ART_1001153259

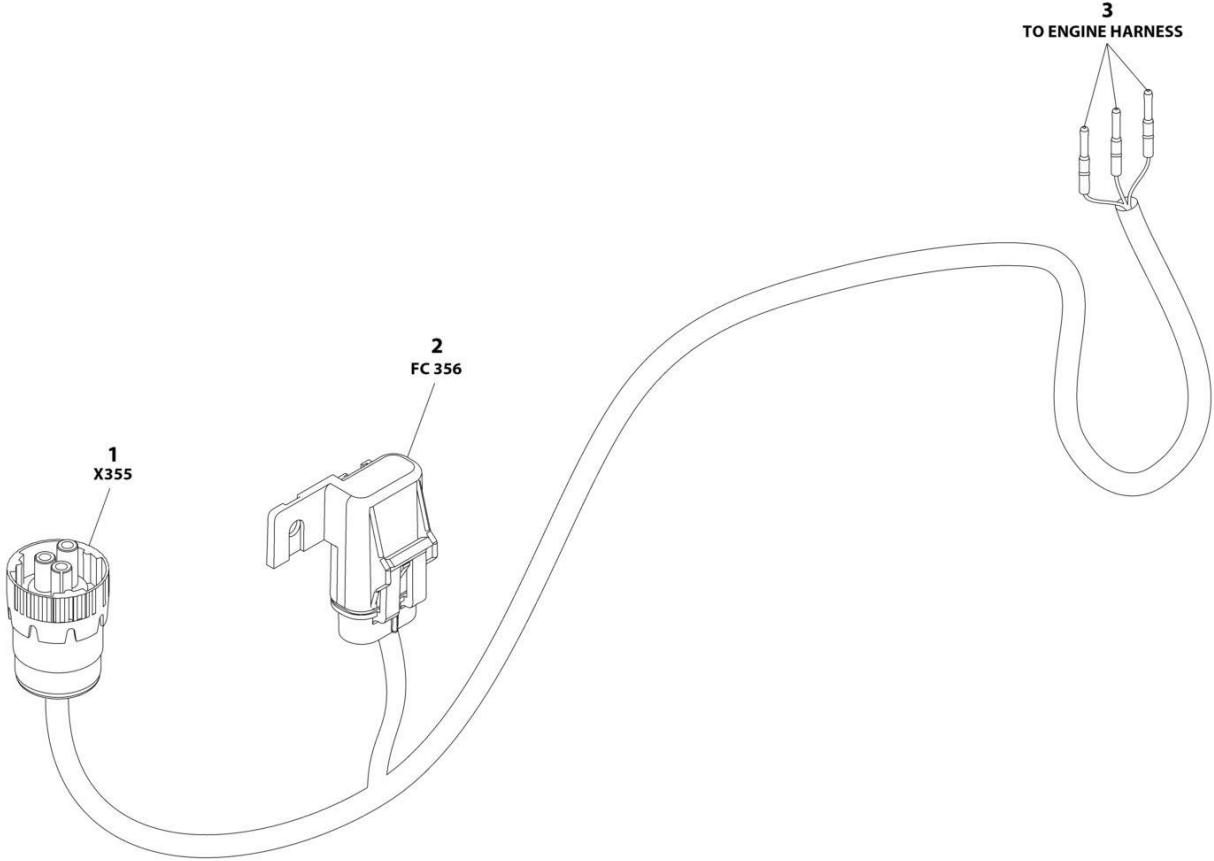
SECTION 8 - ELECTRICAL

FIGURE 8-49. GENERATOR TO PLATFORM HARNESS (4000W-60HZ GENERATOR)

ITEM	PART NUMBER	QTY	DESCRIPTION	REV
	1001153259	Ref	GENERATOR TO PLATFORM HARNESS (4000W-60HZ GENERATOR)	B
1	4460967	1	Connector - 3 Position	
1	4460465	2	Socket, Female	
2	4460465	2	Socket, Female	

SECTION 8 - ELECTRICAL

FIGURE 8-50. GENERATOR TO PLATFORM HARNESS (4000W-50HZ & 7500W GENERATOR)



ART_1001156030

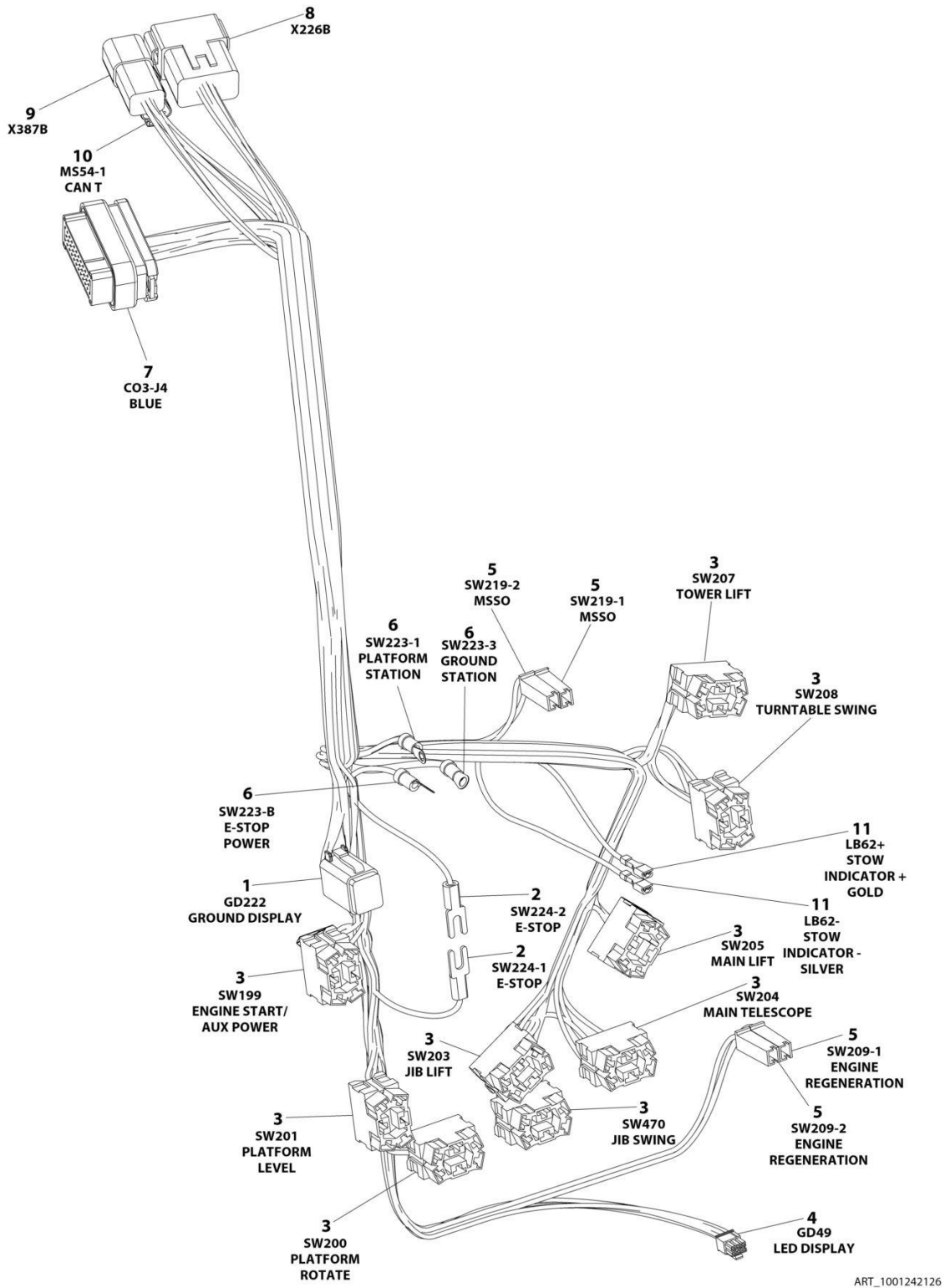
SECTION 8 - ELECTRICAL

FIGURE 8-50. GENERATOR TO PLATFORM HARNESS (4000W-50HZ & 7500W GENERATOR)

ITEM	PART NUMBER	QTY	DESCRIPTION	REV
	1001156030	Ref	GENERATOR ENABLE HARNESS - 7500W GENERATOR	B
1	4460967	1	Connector - 3 Position	
1	4460465	3	Socket, Female	
2	1001119412	1	Connector, Metri-Pack with 5Amp Fuse	
2	1001116733	2	Terminal	
3	4460465	3	Socket, Female	

SECTION 8 - ELECTRICAL

FIGURE 8-51. GROUND CONTROL HARNESS



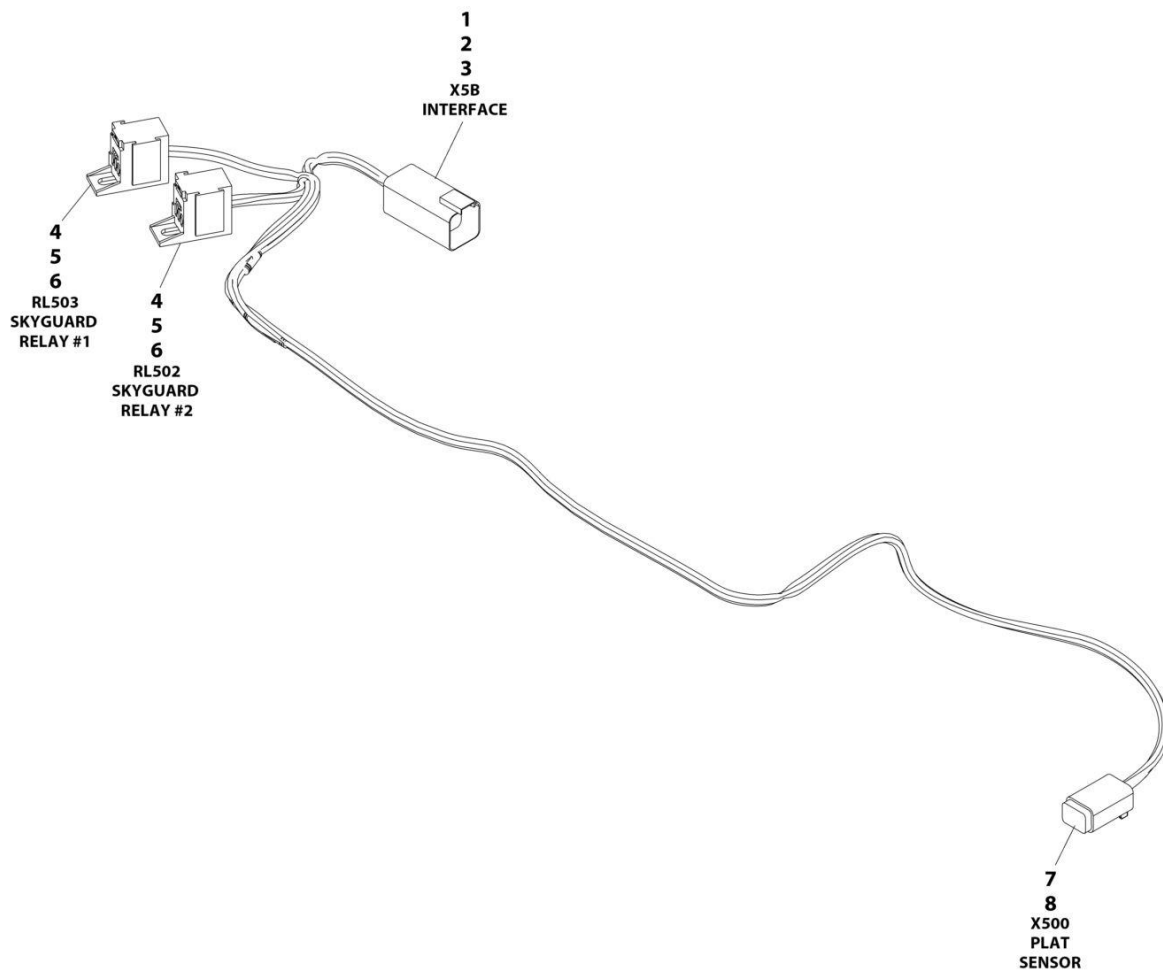
SECTION 8 - ELECTRICAL

FIGURE 8-51. GROUND CONTROL HARNESS

ITEM	PART NUMBER	QTY	DESCRIPTION	REV
	1001242126	Ref	GROUND CONTROL HARNESS	C
1	4460894	1	Plug, Male - 6 Position	
1	4460465	2	Socket, Female	
1	4460944	2	Socket, Female	
1	4460466	2	Plug, Terminal	
2	4460144	2	Terminal, Fork	
3	4460418	9	Connector - 6 Position	
3	4460419	16	Terminal	
3	1001159186	19	Terminal	
4	1001237667	1	Plug Male - 6 Position	
4	1001237668	5	Terminal	
5	4460260	4	Cover, Terminal	
5	4460259	4	Terminal	
6	4460042	3	Terminal, Ring	
7	4460876	1	Connector - 35 Position	
7	4460871	22	Socket, Female	
7	4460905	13	Plug, Terminal	
8	4460970	1	Receptacle, Female - 12 Position	
8	4460464	9	Pin, Male	
8	4460943	2	Pin, Male	
8	4460466	1	Plug, Terminal	
9	4460932	1	Receptacle, Female - 4 Position	
9	4460464	4	Pin, Male	
10	1001116812	1	Plug, Male - 3 Position	
10	4460944	2	Socket, Female	
10	4460466	1	Plug, Terminal	
11	1001201885	2	Terminal	

SECTION 8 - ELECTRICAL

FIGURE 8-52. INTERFACE HARNESS - WITH 1 CELL LSS



ART_1001225580

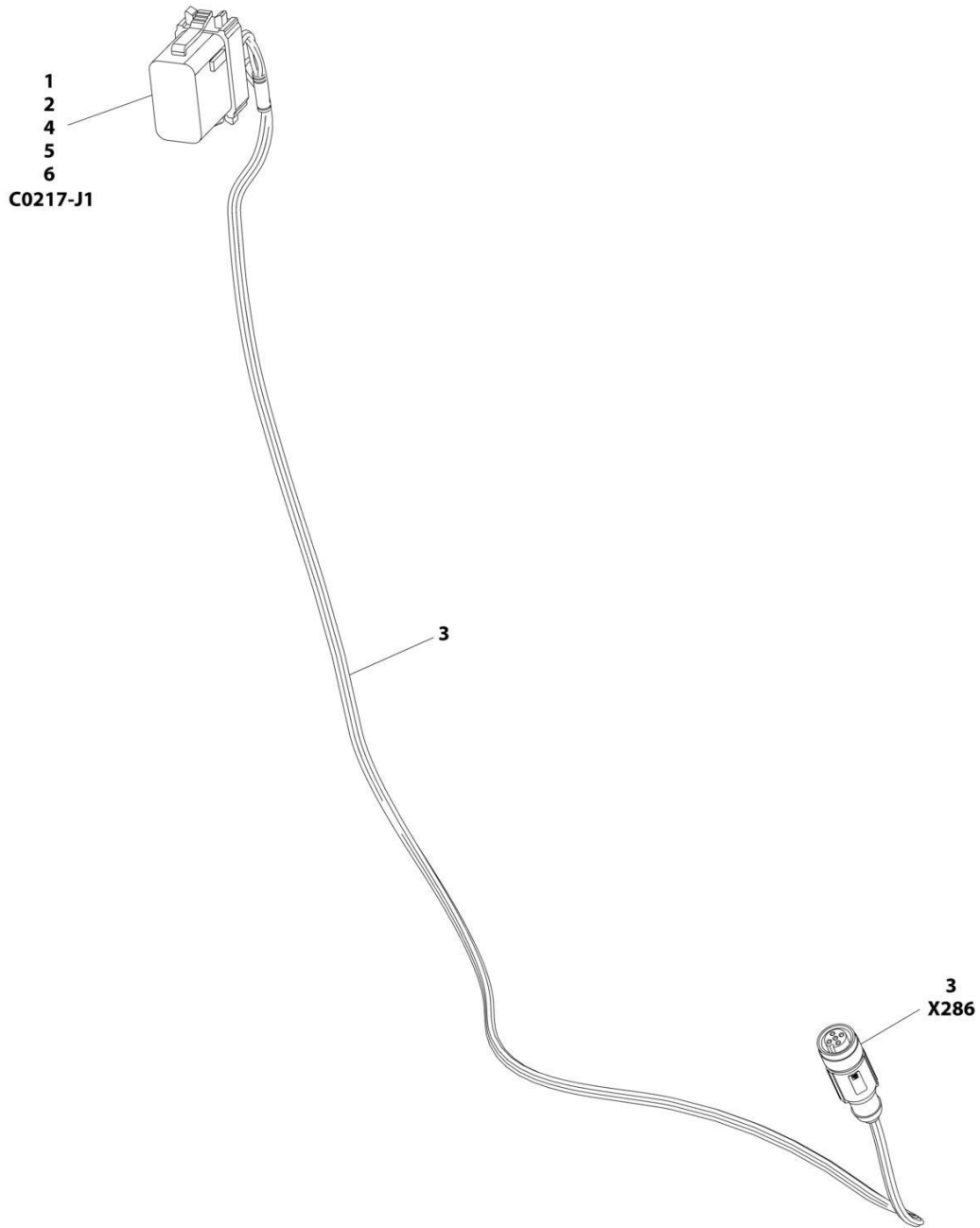
SECTION 8 - ELECTRICAL

FIGURE 8-52. INTERFACE HARNESS - WITH 1 CELL LSS

ITEM	PART NUMBER	QTY	DESCRIPTION	REV
	1001225580	Ref	INTERFACE HARNESS - WITH 1 CELL LSS	D
1	4460899	1	Connector	
2	4460464	4	Terminal	
3	4460466	2	Plug	
4	1001186432	2	Connector	
5	1001116720	4	Terminal	
6	1001118388	4	Terminal	
7	4460884	1	Connector	
8	4460465	4	Terminal	

SECTION 8 - ELECTRICAL

FIGURE 8-53. LCD DISPLAY HARNESS



ART_1001220482

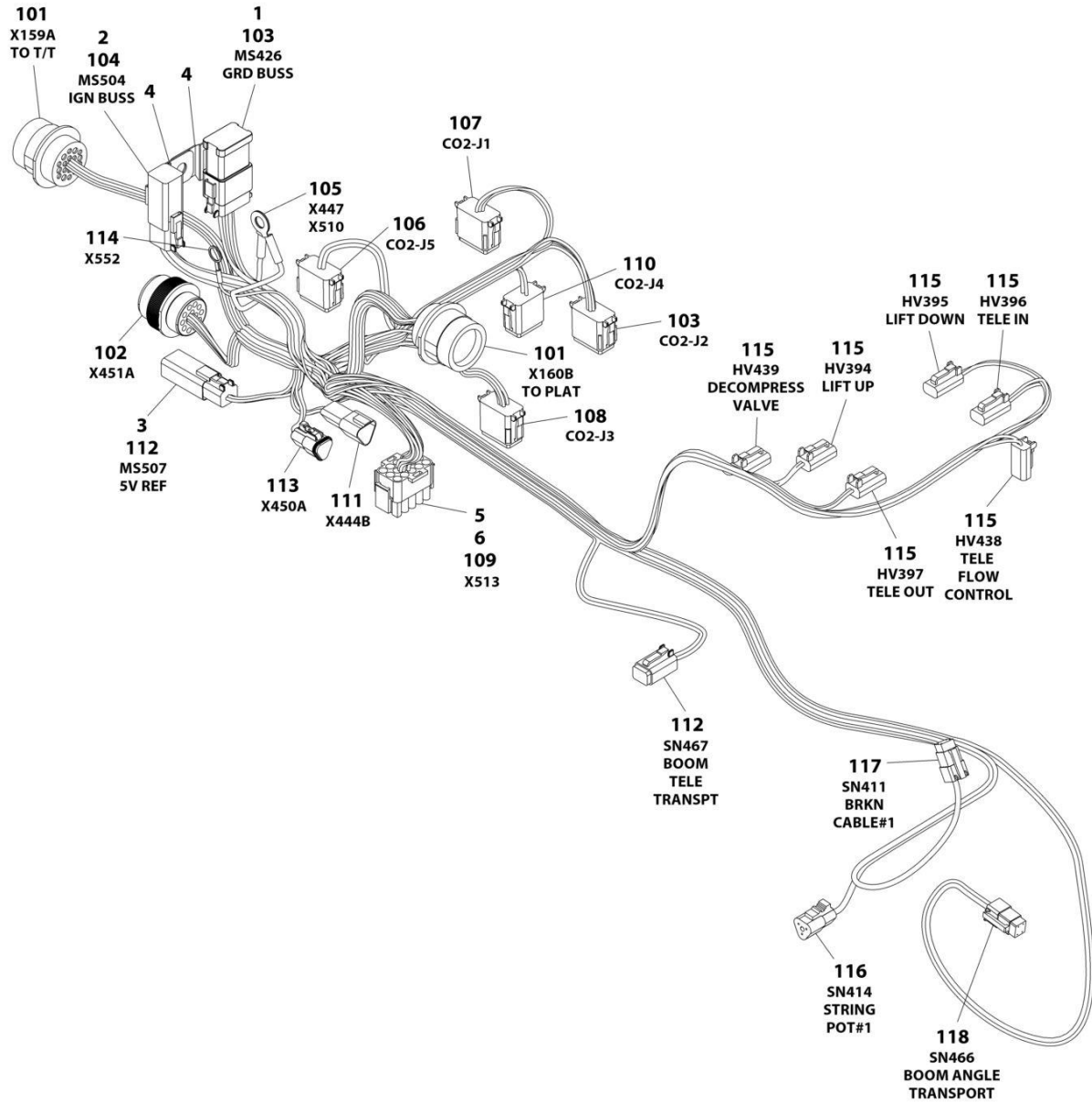
SECTION 8 - ELECTRICAL

FIGURE 8-53. LCD DISPLAY HARNESS

ITEM	PART NUMBER	QTY	DESCRIPTION	REV
	1001220482	Ref	LCD DISPLAY HARNESS	A
1	4460465	3	Socket, Female	
2	4460944	2	Socket, Female (Gold)	
3	1001125295	1	Connector with Cable	
4	1001176333	1	Connector - 12 Position	
5	4460466	13	Plug, Seal	
6	2820171	3	Tube, Heat Shrink	

SECTION 8 - ELECTRICAL

FIGURE 8-54. MAIN BOOM CONTROL BOX HARNESS



ART_1001216638

SECTION 8 - ELECTRICAL

FIGURE 8-54. MAIN BOOM CONTROL BOX HARNESS

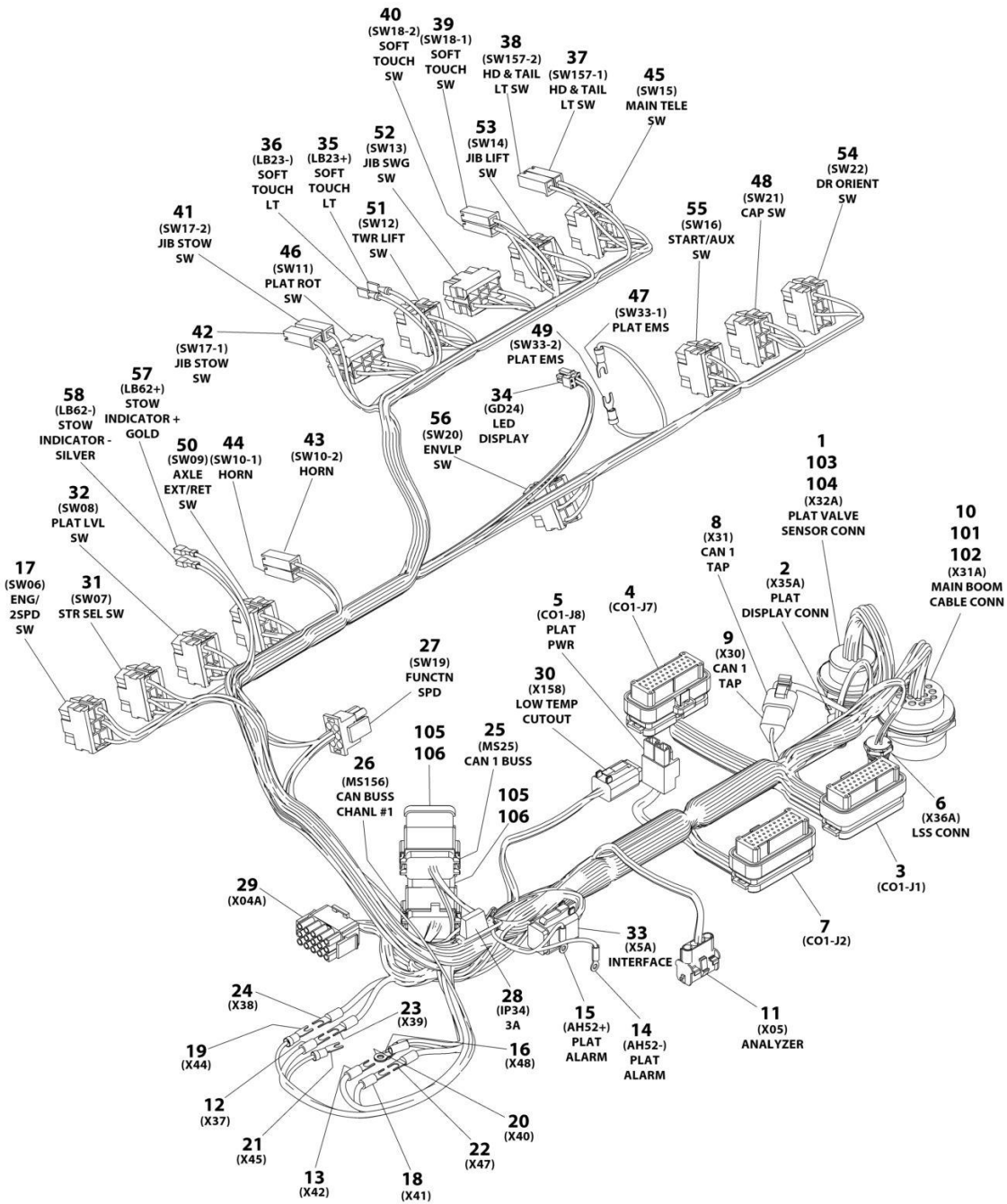
ITEM	PART NUMBER	QTY	DESCRIPTION	REV
	1001216638	Ref	MAIN BOOM CONTROL BOX HARNESS	B
1	4460837	1	Receptacle, Female Termination - 12 Position	
2	4460892	1	Receptacle, Female Buss Bar - 6 Position	
3	4460893	1	Receptacle, Female Buss Bar - 4 Position	
4	1001155967	2	Mount	
5	1001216625	1	Seal	
6	1001216626	1	Seal	
101	4460866	2	Connector - 19 Position	
101	4460943	4	Pin, Male	
101	4460464	16	Pin, Male	
101	4460508	8	Pin, Male	
101	4460466	10	Plug, Terminal	
102	4461016	1	Connector - 12 Position	
102	4460464	9	Pin, Male	
102	4460466	5	Plug, Terminal	
103	4460836	2	Plug, Male - 12 Position	
103	1001157890	4	Socket, Female	
103	4460465	12	Socket, Female	
103	4460466	8	Plug, Terminal	
104	4460894	1	Plug, Male - 6 Position	
104	1001157890	4	Socket, Female	
104	4460465	2	Socket, Female	
105	1001117110	2	Terminal, Ring	
106	4460935	1	Plug, Male - 12 Position	
106	4460465	8	Socket, Female	
106	4460466	4	Plug, Terminal	
107	4460933	1	Plug, Male - 12 Position	
107	4460465	3	Socket, Female	
107	4460944	2	Socket, Female	
107	4460466	7	Plug, Terminal	
108	4460934	1	Plug, Male - 12 Position	
108	4460465	11	Socket, Female	
108	4460466	1	Plug, Terminal	
109	4460434	1	Plug, Male - 15 Position	
109	4460268	13	Socket, Female	
109	4460906	2	Socket, Female	
110	4460930	1	Plug, Male - 8 Position	
110	4460465	2	Socket, Female	
110	4460944	2	Socket, Female	
110	4460466	4	Plug, Terminal	
111	4460536	1	Receptacle, Female - 3 Position	
111	4460464	3	Pin, Male	
112	4460884	2	Plug, Male - 4 Position	
112	4460465	8	Socket, Female	
113	1001116812	1	Plug, Male - 3 Position	
113	4460465	3	Socket, Female	
114	4460722	1	Terminal, Ring	
115	4460891	6	Plug, Male - 2 Position	
115	4460465	12	Socket, Female	
116	4460539	1	Plug, Male - 3 Position	

SECTION 8 - ELECTRICAL

ITEM	PART NUMBER	QTY	DESCRIPTION	REV
116	4460465	2	Socket, Female	
117	4461077	1	Plug, Male - 4 Position	
117	4460928	3	Socket, Female	
117	4460518	1	Plug, Terminal	
118	4461077	1	Plug, Male - 4 Position	
118	1001126008	4	Socket, Female	

SECTION 8 - ELECTRICAL

FIGURE 8-55. PLATFORM CONSOLE HARNESS - WITH SKYGUARD



ART_1001242124

SECTION 8 - ELECTRICAL

FIGURE 8-55. PLATFORM CONSOLE HARNESS - WITH SKYGUARD

ITEM	PART NUMBER	QTY	DESCRIPTION	REV
	1001242124	Ref	PLATFORM CONSOLE HARNESS - WITH SKYGUARD	E
1	4460925	1	Connector - 21 Position	
1	1001126011	20	Pin, Male	
1	4460518	1	Plug, Socket	
2	1001120055	1	Connector - 5 Position with Cable	
3	4460874	1	Connector - 35 Position	
3	4460871	35	Socket, Female	
4	4460873	1	Connector - 35 Position	
4	4460871	28	Socket, Female	
4	4460905	7	Plug, Terminal	
5	4460879	1	Connector - 2 Position	
5	4460887	2	Terminal	
6	1001213447	1	Connector - 5 Position with Cable	
7	4460876	1	Connector - 35 Position	
7	4460871	14	Socket, Female	
7	4460905	21	Plug, Terminal	
8	4460539	1	Connector - 3 Position	
8	4460944	2	Socket, Female	
8	4460466	1	Plug, Socket	
9	4460536	1	Connector - 3 Position	
9	4460943	2	Pin, Male	
9	4460466	1	Plug, Socket	
10	4460866	1	Connector - 19 Position	
10	4460943	2	Pin, Male	
10	4460508	4	Pin, Male	
10	4460464	7	Pin, Male	
10	4460466	5	Plug, Terminal	
11	4460761	1	Receptacle, Female - 4 Position	
11	4460227	4	Pin, Male	
12	4460314	1	Terminal, Fork	
13	4460315	1	Terminal, Fork	
14	1001098122	1	Terminal, Ring	
15	1001098122	1	Terminal, Ring	
16	8220007	1	Terminal, Ring	
17	4460418	1	Connector - 6 Position	
17	1001159186	2	Terminal	
17	4460419	2	Terminal	
18	4460315	1	Terminal, Fork	
19	4460315	1	Terminal, Fork	
20	4460315	1	Terminal, Fork	
21	4460314	1	Terminal, Fork	
22	4460315	1	Terminal, Fork	
23	4460315	1	Terminal, Fork	
24	4460315	1	Terminal, Fork	
25	4460933	1	Connector - 12 Position	
25	4460944	6	Socket, Female	
25	4460466	6	Plug, Terminal	
26	4460933	1	Connector - 12 Position	
26	4460944	12	Socket, Female	
27	4460225	5	Plug, Male - 6 Position	

SECTION 8 - ELECTRICAL

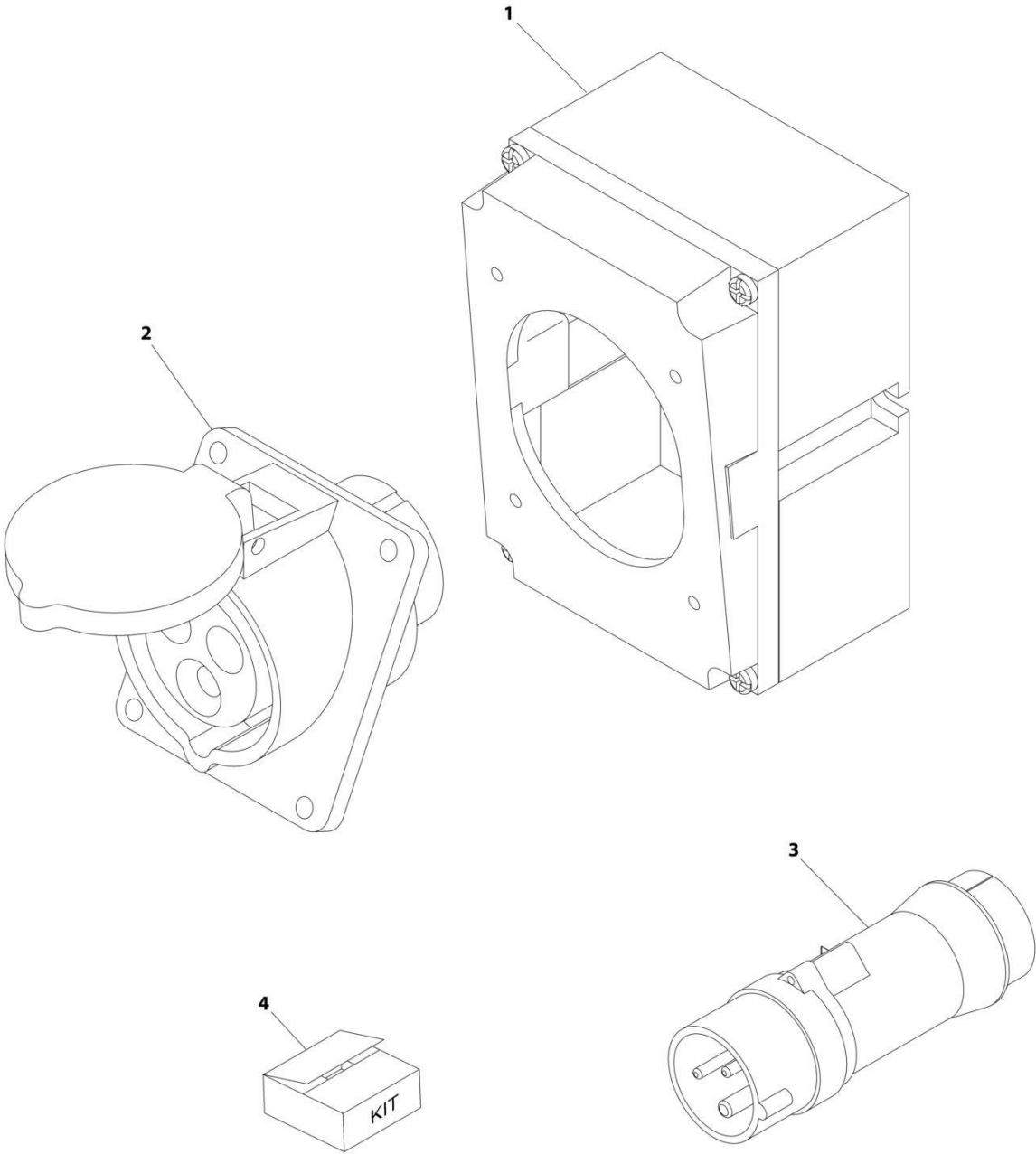
ITEM	PART NUMBER	QTY	DESCRIPTION	REV
27	4460227	4	Pin, Male	
27	4460267	2	Pin, Male	
28	2400060	1	Fuseholder with Cover	
28	2400030	1	Fuse 3 Amp	
29	4460434	1	Plug, Male - 15 Position	
29	4460227	10	Pin, Male	
29	4460267	2	Pin, Male	
30	4460884	1	Plug, Male - 4 Position	
30	4460465	2	Socket, Female	
30	4460944	2	Socket, Female	
31	4460418	1	Connector - 6 Position	
31	1001159186	2	Terminal	
31	4460419	2	Terminal	
32	4460418	1	Connector - 6 Position	
32	1001159186	2	Terminal	
32	4460419	2	Terminal	
33	4460894	1	Connector - 6 Position	
33	4460465	6	Socket, Female	
34	1001237667	1	Plug Male - 6 Position	
34	1001237668	1	Terminal	
35	4460016	1	Terminal	
36	4460016	1	Terminal	
37	4460260	1	Cover, Connector - 1 Position	
37	4460259	1	Terminal	
38	4460260	1	Cover, Connector - 1 Position	
38	4460259	1	Terminal	
39	4460260	1	Cover, Connector - 1 Position	
39	4460259	1	Terminal	
40	4460260	1	Cover, Connector - 1 Position	
40	4460259	1	Terminal	
41	4460260	1	Cover, Connector - 1 Position	
41	4460259	1	Terminal	
42	4460260	1	Cover, Connector - 1 Position	
42	4460259	1	Terminal	
43	4460260	1	Cover, Connector - 1 Position	
43	4460259	1	Terminal	
44	4460260	1	Cover, Connector - 1 Position	
44	4460259	1	Terminal	
45	4460418	1	Connector - 6 Position	
45	1001159186	2	Terminal	
45	4460419	2	Terminal	
46	4460418	1	Connector - 6 Position	
46	1001159186	2	Terminal	
46	4460419	2	Terminal	
47	4460183	1	Terminal, Fork	
48	4460418	1	Connector - 6 Position	
48	1001159186	2	Terminal	
48	4460419	2	Terminal	
49	4460183	1	Terminal, Fork	
50	4460418	1	Connector - 6 Position	
50	1001159186	2	Terminal	

SECTION 8 - ELECTRICAL

ITEM	PART NUMBER	QTY	DESCRIPTION	REV
50	4460419	2	Terminal	
51	4460418	1	Connector - 6 Position	
51	1001159186	2	Terminal	
51	4460419	2	Terminal	
52	4460418	1	Connector - 6 Position	
52	1001159186	2	Terminal	
52	4460419	2	Terminal	
53	4460418	1	Connector - 6 Position	
53	1001159186	2	Terminal	
53	4460419	2	Terminal	
54	4460418	1	Connector - 6 Position	
54	1001159186	2	Terminal	
55	4460418	1	Connector - 6 Position	
55	1001159186	2	Terminal	
55	4460419	2	Terminal	
56	4460418	1	Connector - 6 Position	
56	1001159186	1	Terminal	
56	4460419	2	Terminal	
57	1001201885	1	Terminal	
58	1001201885	1	Terminal	
101	4460470	1	Nut, Terminal	
102	4460471	1	Washer, Terminal	
103	4460496	1	Washer, Terminal	
104	4460497	1	Nut, Terminal	
105	1001120328	1	Mount	
106	1001125677	1	Bussbar, Female - 12 Position	

SECTION 8 - ELECTRICAL

FIGURE 8-56. RECEPTACLE BOX KIT - 110V IEC YELLOW (CE & UK CA SPEC)



ART_0275216

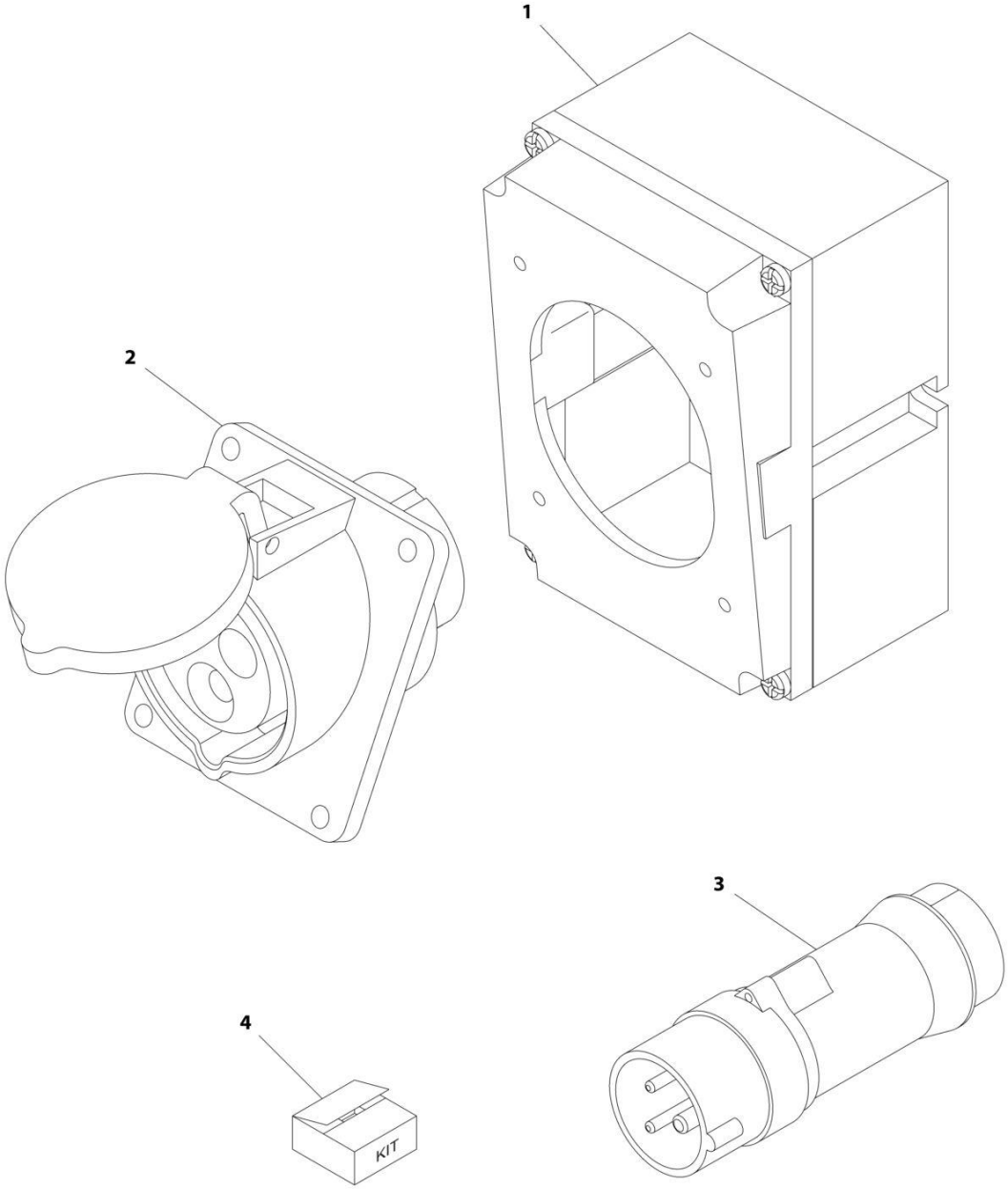
SECTION 8 - ELECTRICAL

FIGURE 8-56. RECEPTACLE BOX KIT - 110V IEC YELLOW (CE & UK CA SPEC)

ITEM	PART NUMBER	QTY	DESCRIPTION	REV
	0275216	Ref	RECEPTACLE BOX KIT - 110V IEC YELLOW	B
1	0861781	1	Box, Switch	
2	4461198	1	Receptacle	
3	4461196	1	Plug, Male	
4	1001100341	1	Plug and Socket Kit (Includes Items 1-3 and Female Plug p/n 4461197)	

SECTION 8 - ELECTRICAL

FIGURE 8-57. RECEPTACLE BOX KIT - 220V IEC BLUE (CE & UK CA SPEC)



ART_0275217

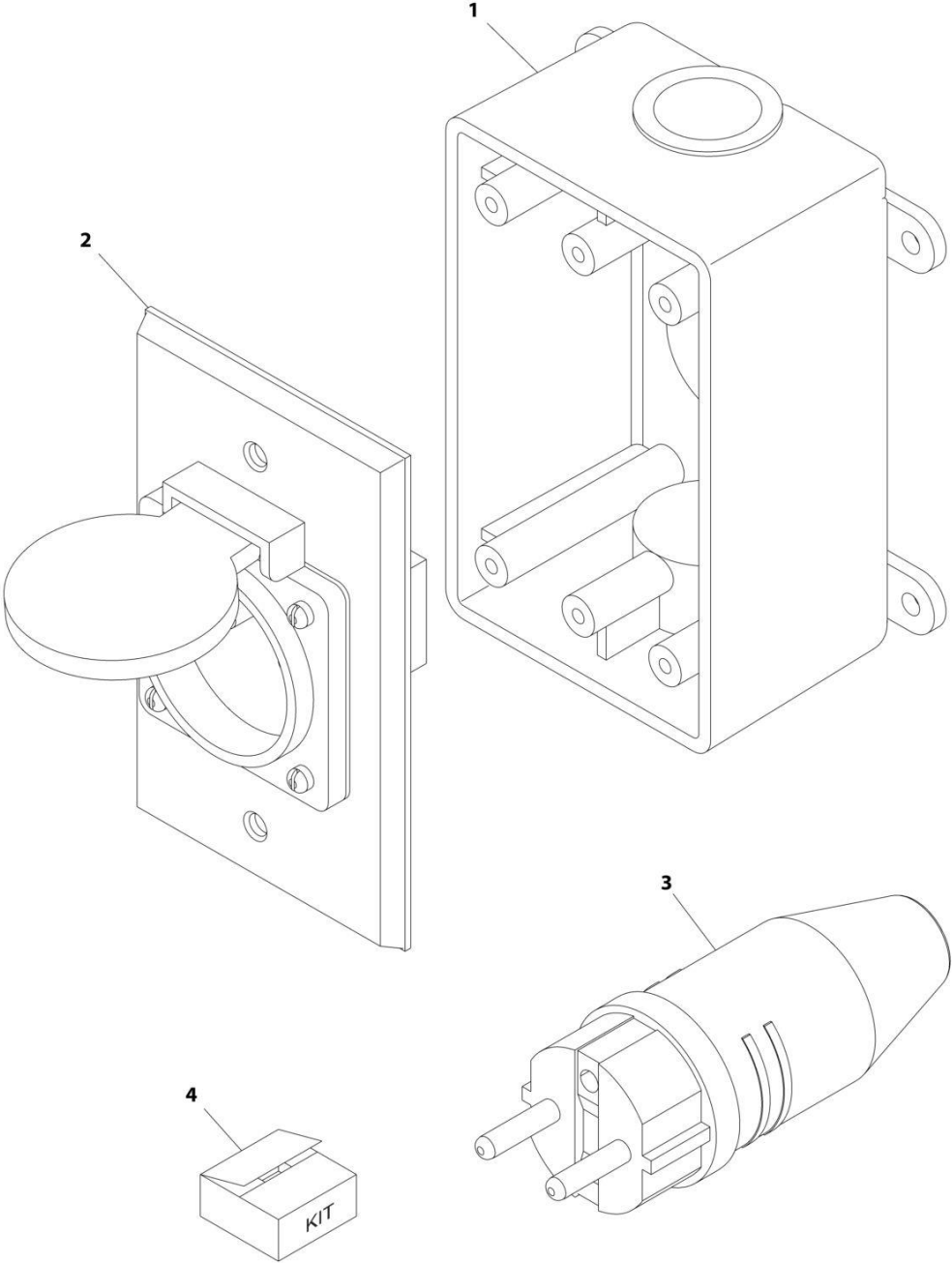
SECTION 8 - ELECTRICAL

FIGURE 8-57. RECEPTACLE BOX KIT - 220V IEC BLUE (CE & UK CA SPEC)

ITEM	PART NUMBER	QTY	DESCRIPTION	REV
	0275217	Ref	RECEPTACLE BOX KIT - 220V IEC BLUE	B
1	0861781	1	Box, Switch	
2	4461201	1	Receptacle	
3	4461199	1	Plug, Male	
4	1001100342	1	Plug and Socket Kit (Includes Items 1-3 and Female Plug p/n 4461200)	

SECTION 8 - ELECTRICAL

FIGURE 8-58. RECEPTACLE BOX KIT - 220V CEE7 POST GROUND (CE & UK CA SPEC)



ART_0275452-C

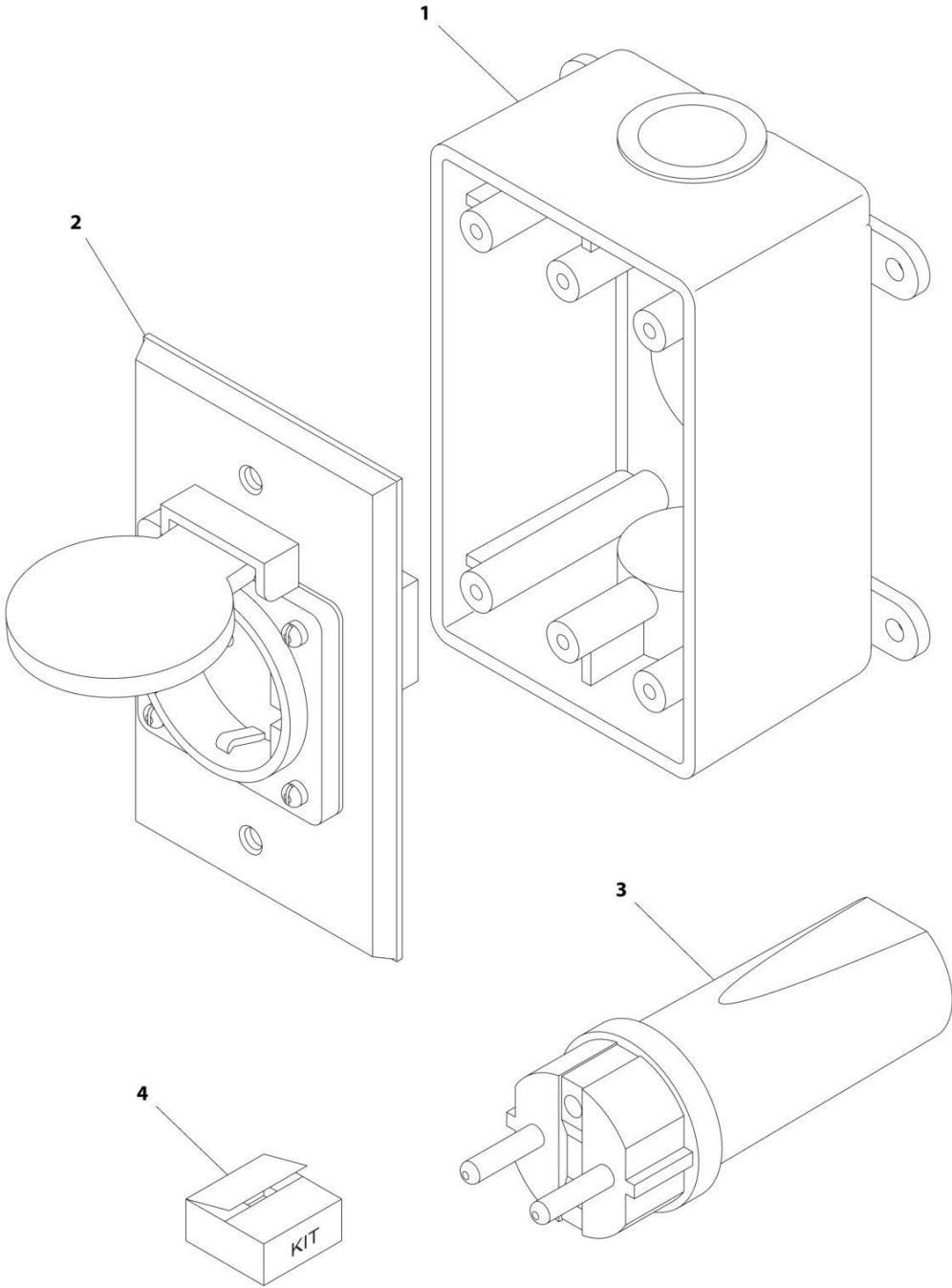
SECTION 8 - ELECTRICAL

FIGURE 8-58. RECEPTACLE BOX KIT - 220V CEE7 POST GROUND (CE & UK CA SPEC)

ITEM	PART NUMBER	QTY	DESCRIPTION	REV
	0275452	Ref	RECEPTACLE BOX KIT - 220V CEE7 POST GROUND 2IN X 4IN BOX	C
1	0861731	1	Box, Switch	
2	4461244	1	Receptacle	
3	4461205	1	Plug, Male	
4	1001100345	1	Plug and Socket Kit (Includes Items 1-3 and Female Plug p/n 4461203)	

SECTION 8 - ELECTRICAL

FIGURE 8-59. RECEPTACLE BOX KIT - 220V CEE7 SIDE GROUND (CE & UK CA SPEC)



ART_0275453

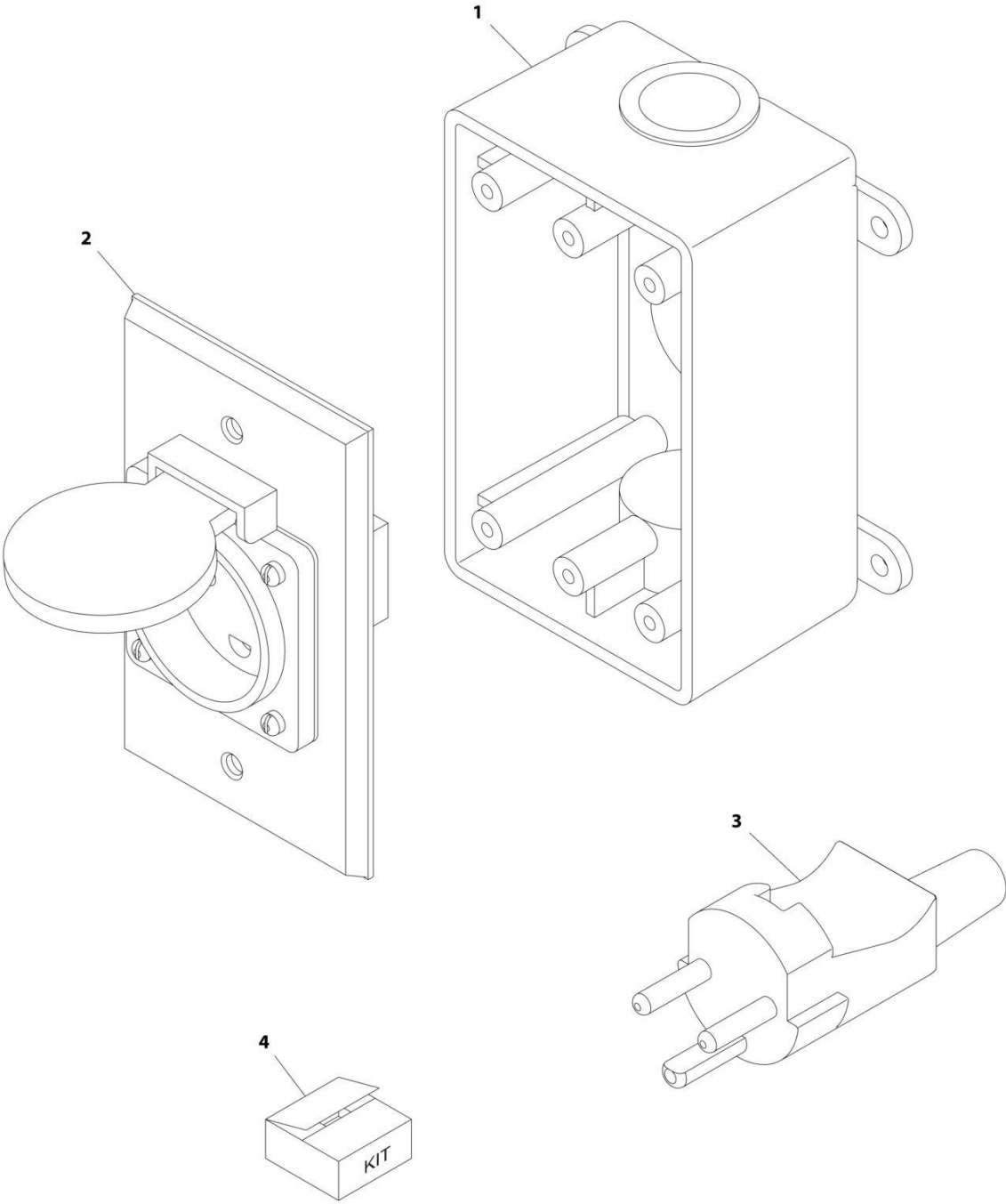
SECTION 8 - ELECTRICAL

FIGURE 8-59. RECEPTACLE BOX KIT - 220V CEE7 SIDE GROUND (CE & UK CA SPEC)

ITEM	PART NUMBER	QTY	DESCRIPTION	REV
	0275453	Ref	RECEPTACLE BOX KIT - 220V CEE7 SIDE GROUND	B
1	0861731	1	Box, Switch	
2	4461245	1	Receptacle	
3	4461205	1	Plug, Male	
4	1001100347	1	Plug and Socket Kit (Includes Items 1-3 and Female Plug p/n 4461206)	

SECTION 8 - ELECTRICAL

FIGURE 8-60. RECEPTACLE BOX KIT - 220V AFSINT 107 (CE & UK CA SPEC)



ART_0275454

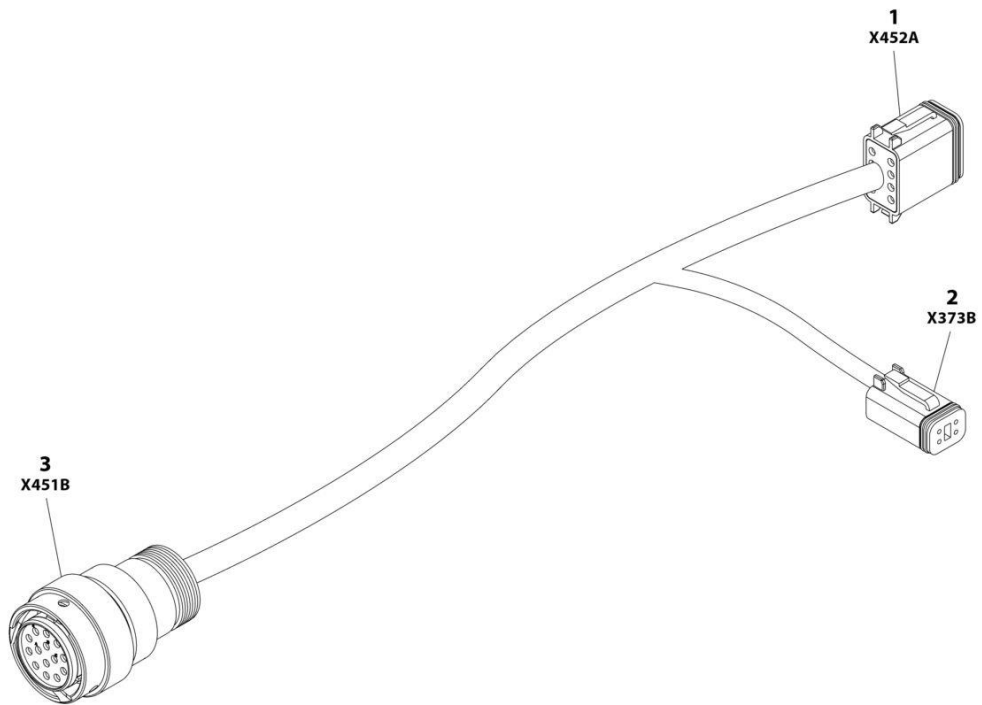
SECTION 8 - ELECTRICAL

FIGURE 8-60. RECEPTACLE BOX KIT - 220V AFSINT 107 (CE & UK CA SPEC)

ITEM	PART NUMBER	QTY	DESCRIPTION	REV
	0275454	Ref	RECEPTACLE BOX KIT - 220V AFSINT 107	B
1	0861731	1	Box, Switch	
2	4461246	1	Receptacle	
3	4461249	1	Plug, Male	
4	1001100346	1	Plug and Socket Kit (Includes Items 1-3 and Female Plug p/n 4461250)	

SECTION 8 - ELECTRICAL

FIGURE 8-61. SECONDARY CONTROL HARNESS



ART_1001202785

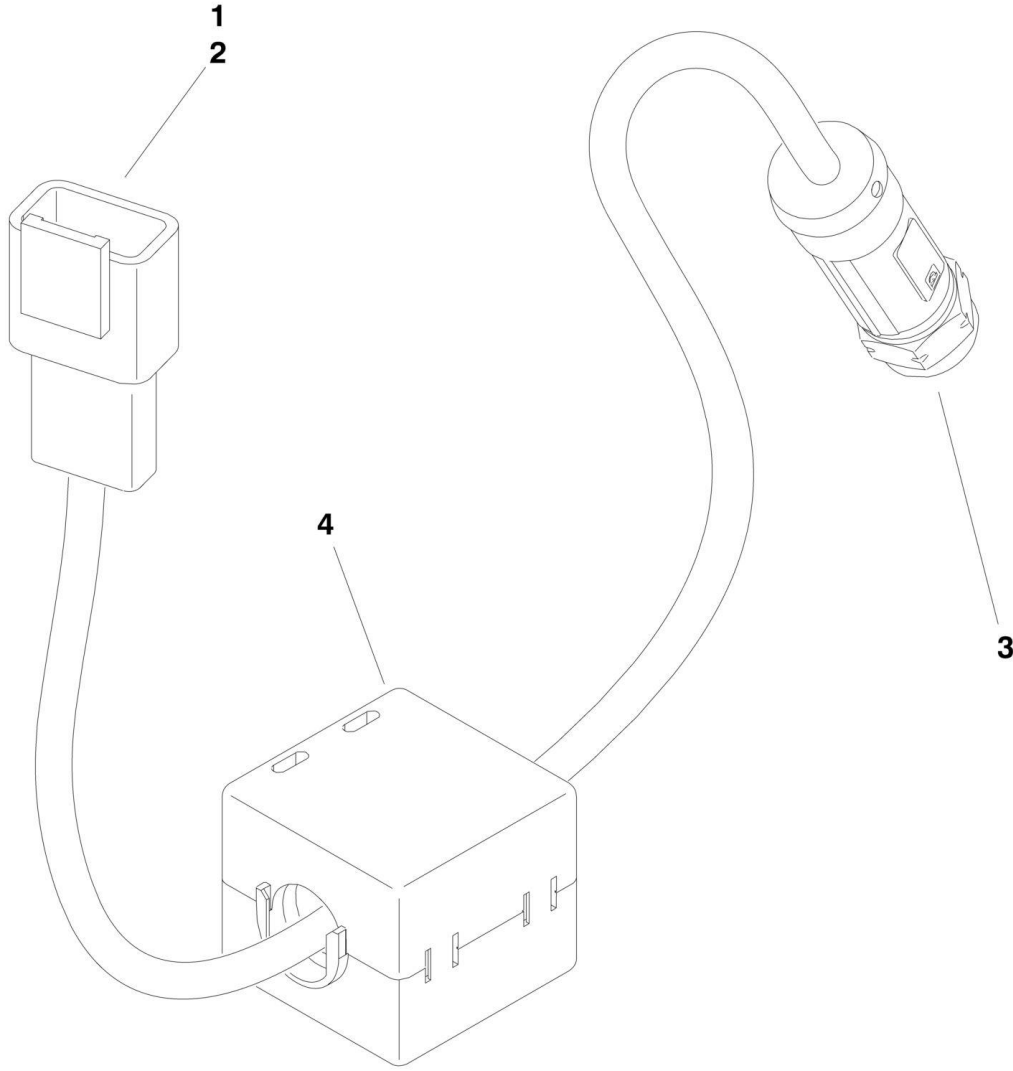
SECTION 8 - ELECTRICAL

FIGURE 8-61. SECONDARY CONTROL HARNESS

ITEM	PART NUMBER	QTY	DESCRIPTION	REV
	1001202785	Ref	SECONDARY CONTROL HARNESS	C
1	4460930	1	Plug, Male - 8 Position	
1	4460465	8	Socket, Female	
2	4460884	1	Plug, Male - 4 Position	
2	1001157890	4	Socket, Female	
3	1001212188	1	Connector - 14 Position	
3	4460465	8	Socket, Female	
3	1001157890	4	Socket, Female	
3	4460466	2	Plug, Terminal	

SECTION 8 - ELECTRICAL

FIGURE 8-62. SENSOR HARNESS - AXLE



1001163631

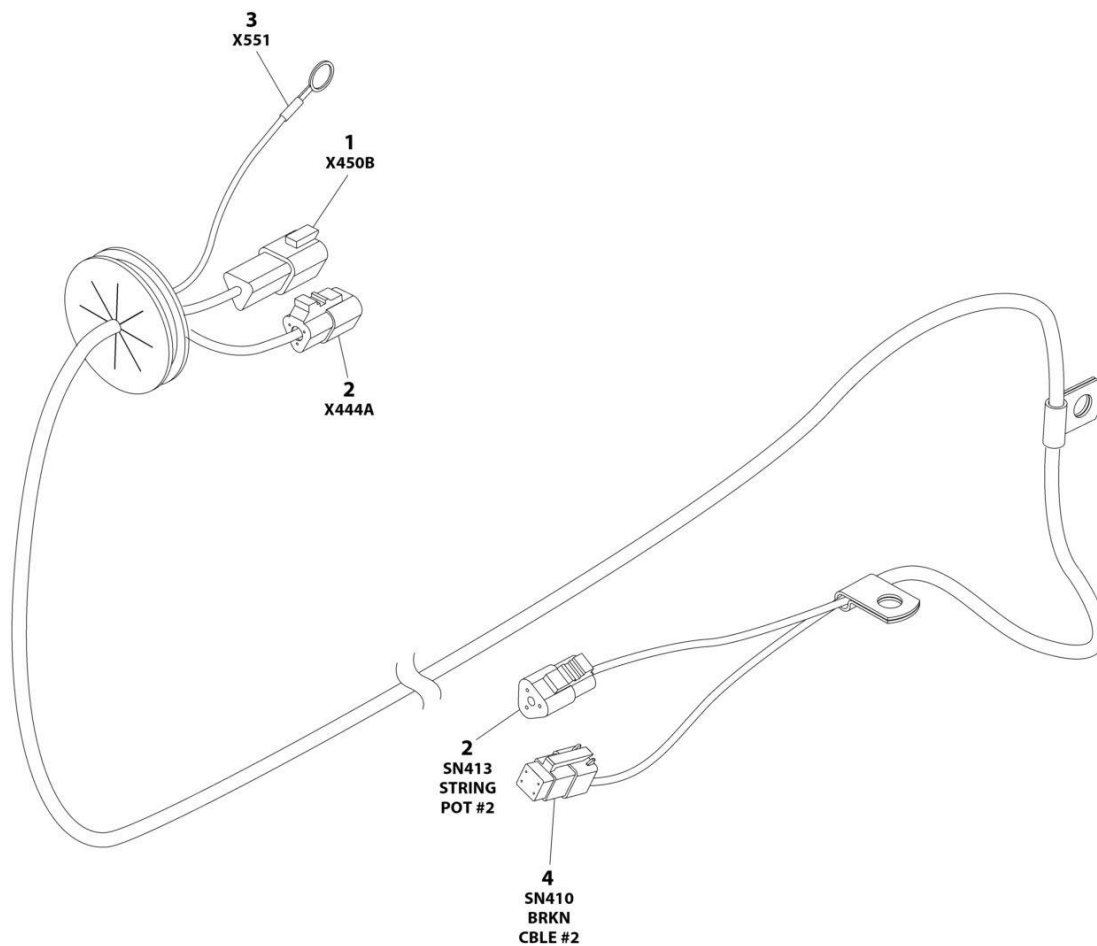
SECTION 8 - ELECTRICAL

FIGURE 8-62. SENSOR HARNESS - AXLE

ITEM	PART NUMBER	QTY	DESCRIPTION	REV
	1001163631	Ref	MTS CONNECTION CABLE	B
1	4460910	1	Connector - 3 Position	
2	4460929	3	Pin, Male	
3	See Note	NSS	Sensor with Cable (Note: Purchase p/n 1001163631)	
4	1001102594	1	Ferrite, LMI	

SECTION 8 - ELECTRICAL

FIGURE 8-63. SENSOR HARNESS - BOOM



ART_1001201062

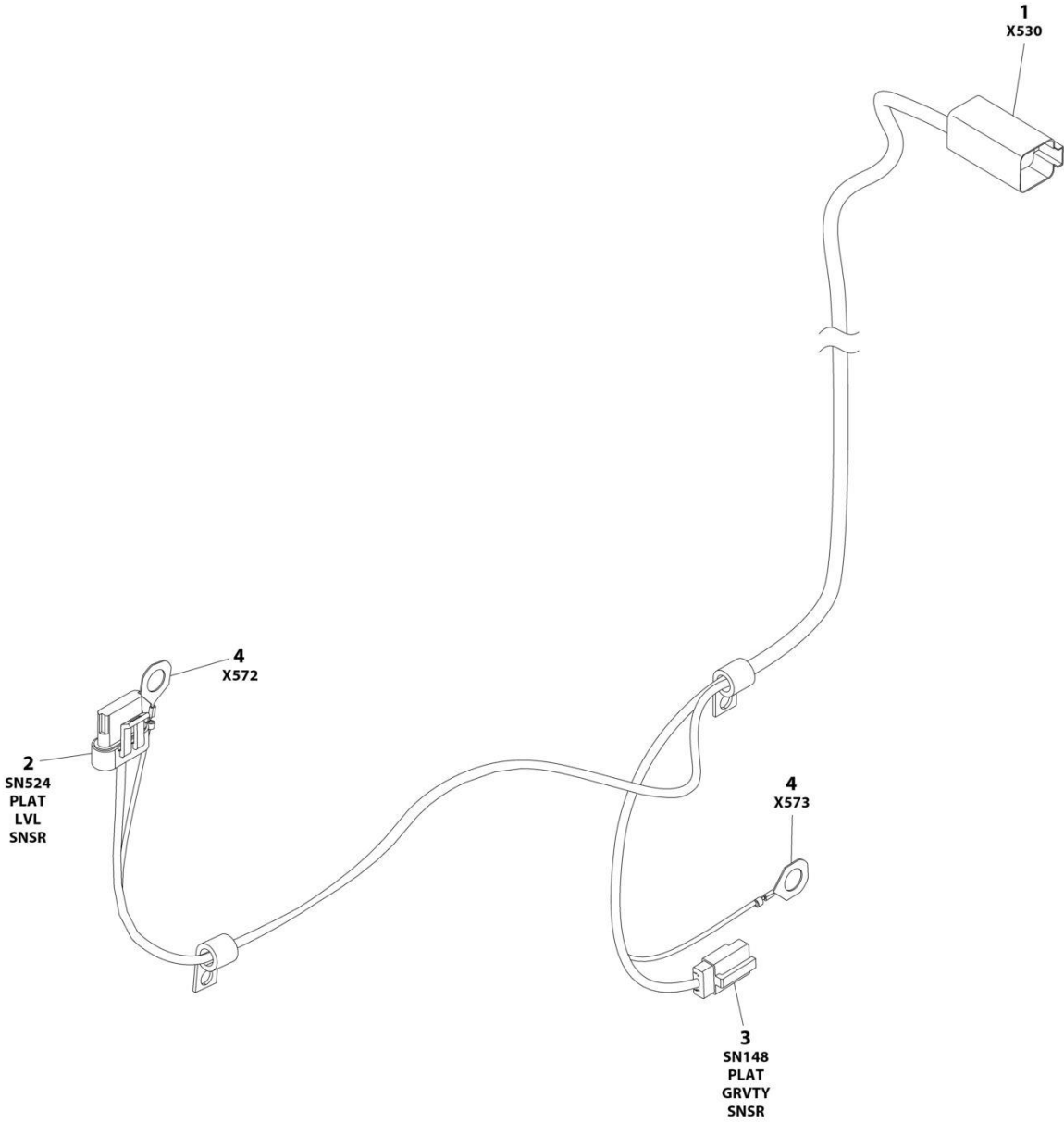
SECTION 8 - ELECTRICAL

FIGURE 8-63. SENSOR HARNESS - BOOM

ITEM	PART NUMBER	QTY	DESCRIPTION	REV
	1001201062	Ref	SENSOR HARNESS - BOOM	C
1	1001144147	1	Receptacle, Female - 3 Position	
1	4460464	3	Pin, Male	
2	4460539	2	Plug, Male - 3 Position	
2	4460465	6	Socket, Female	
3	4460722	1	Terminal, Ring	
4	4461077	1	Plug, Male - 4 Position	
4	4460928	3	Socket, Female	
4	4460518	1	Plug, Terminal	

SECTION 8 - ELECTRICAL

FIGURE 8-64. SENSOR HARNESS - PLATFORM LEVEL



ART_1001204028

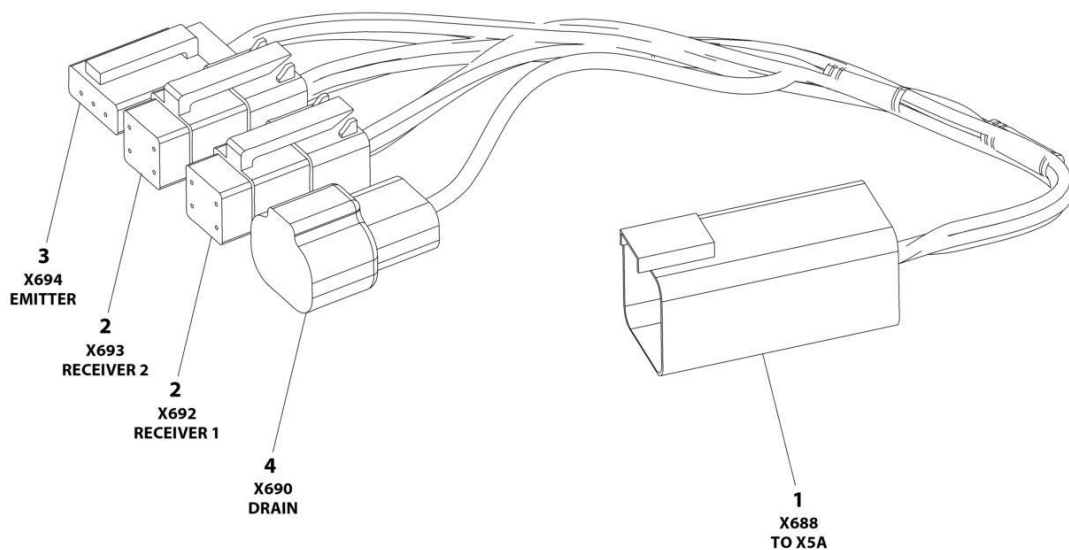
SECTION 8 - ELECTRICAL

FIGURE 8-64. SENSOR HARNESS - PLATFORM LEVEL

ITEM	PART NUMBER	QTY	DESCRIPTION	REV
	1001204028	Ref	SENSOR HARNESS - PLATFORM LEVEL	C
1	4460899	1	Receptacle, Female - 6 Position	
1	4460464	6	Pin, Male	
2	1001230931	1	Plug, Male - 6 Position	
2	1001116748	3	Terminal	
2	1001116751	3	Plug, Terminal	
3	4460911	1	Plug, Male - 3 Position	
3	4460918	3	Socket, Female	
4	1001187077	2	Terminal, Ring	

SECTION 8 - ELECTRICAL

FIGURE 8-65. SKYEYE INTERMEDIATE HARNESS



ART_1001237865

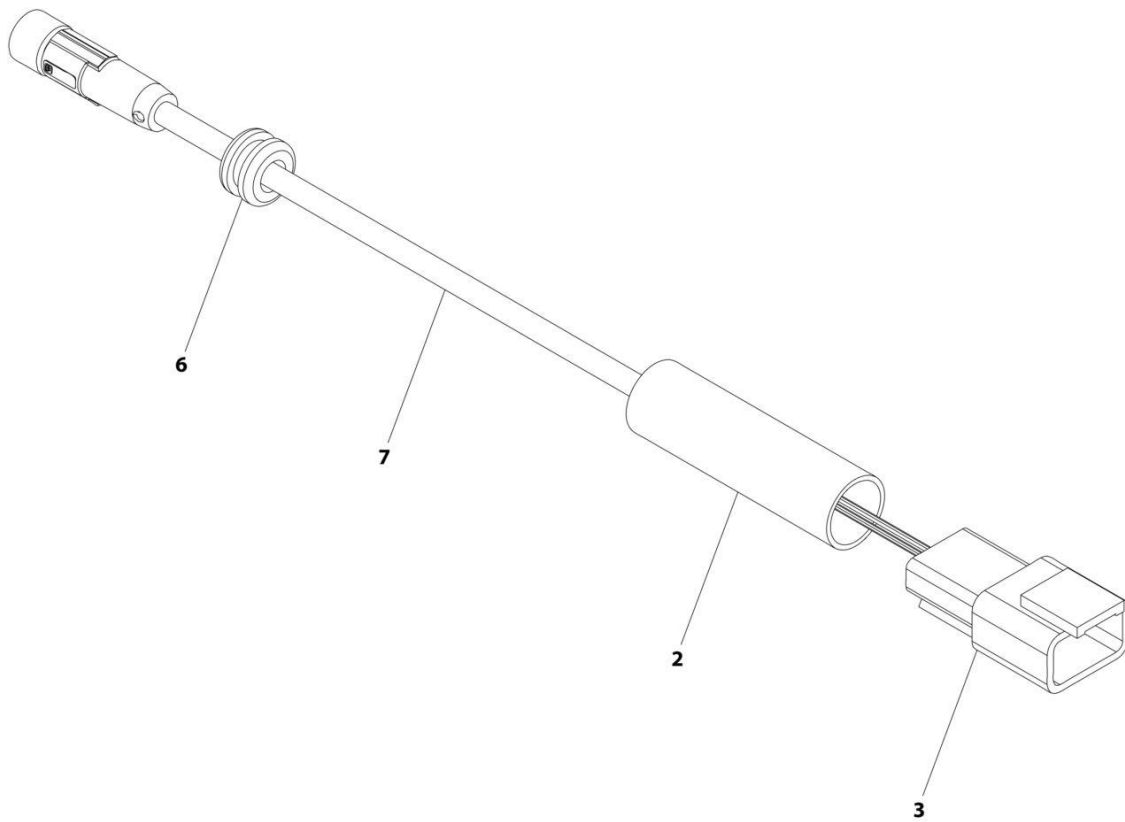
SECTION 8 - ELECTRICAL

FIGURE 8-65. SKYEYE INTERMEDIATE HARNESS

ITEM	PART NUMBER	QTY	DESCRIPTION	REV
	1001237865	Ref	SKYEYE INTERMEDIATE HARNESS	A
1	4460899	1	Connector - 6 Position	
1	4460943	4	Pin, Male	
1	4460466	2	Plug, Terminal	
2	4461077	2	Connector - 4 Position	
2	1001119619	8	Socket, Female	
3	4460911	1	Connector - 3 Position	
3	1001119619	3	Socket, Female	
4	1001187681	1	Connector - 2 Position	
4	4460941	1	Pin, Male	
4	4460466	1	Plug, Terminal	

SECTION 8 - ELECTRICAL

FIGURE 8-66. SKYEYE EMITTER HARNESS



ART_1001237864

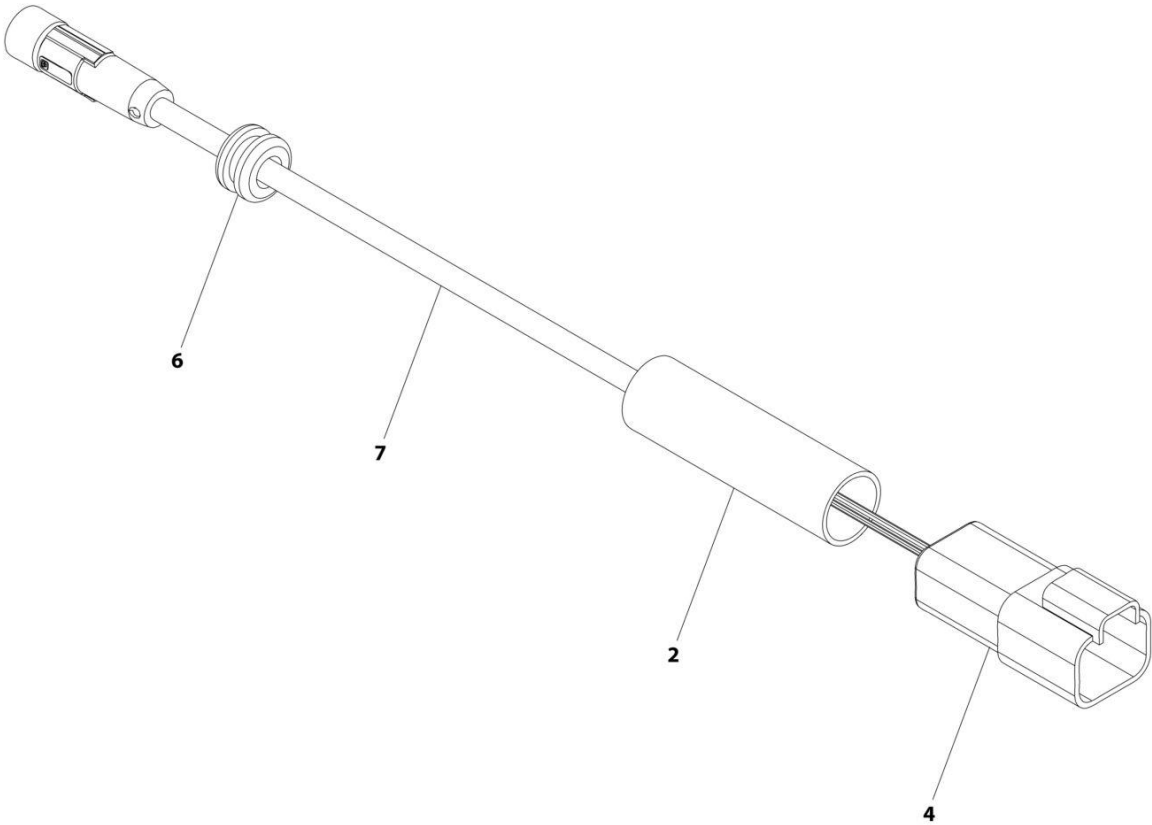
SECTION 8 - ELECTRICAL

FIGURE 8-66. SKYEYE EMITTER HARNESS

ITEM	PART NUMBER	QTY	DESCRIPTION	REV
	1001237864	Ref	SKYEYE EMITTER HARNESS	A
2	2820247	AR	Tubing, Heat Shrink	
3	4460910	1	Connector - 3 Position	
3	1001119620	3	Pin, Male	
6	1001227996	1	Grommet	
7	1001237862	1	Cable, M8 Female Cordset	

SECTION 8 - ELECTRICAL

FIGURE 8-67. SKYEYE RECEIVER HARNESS



ART_1001237863

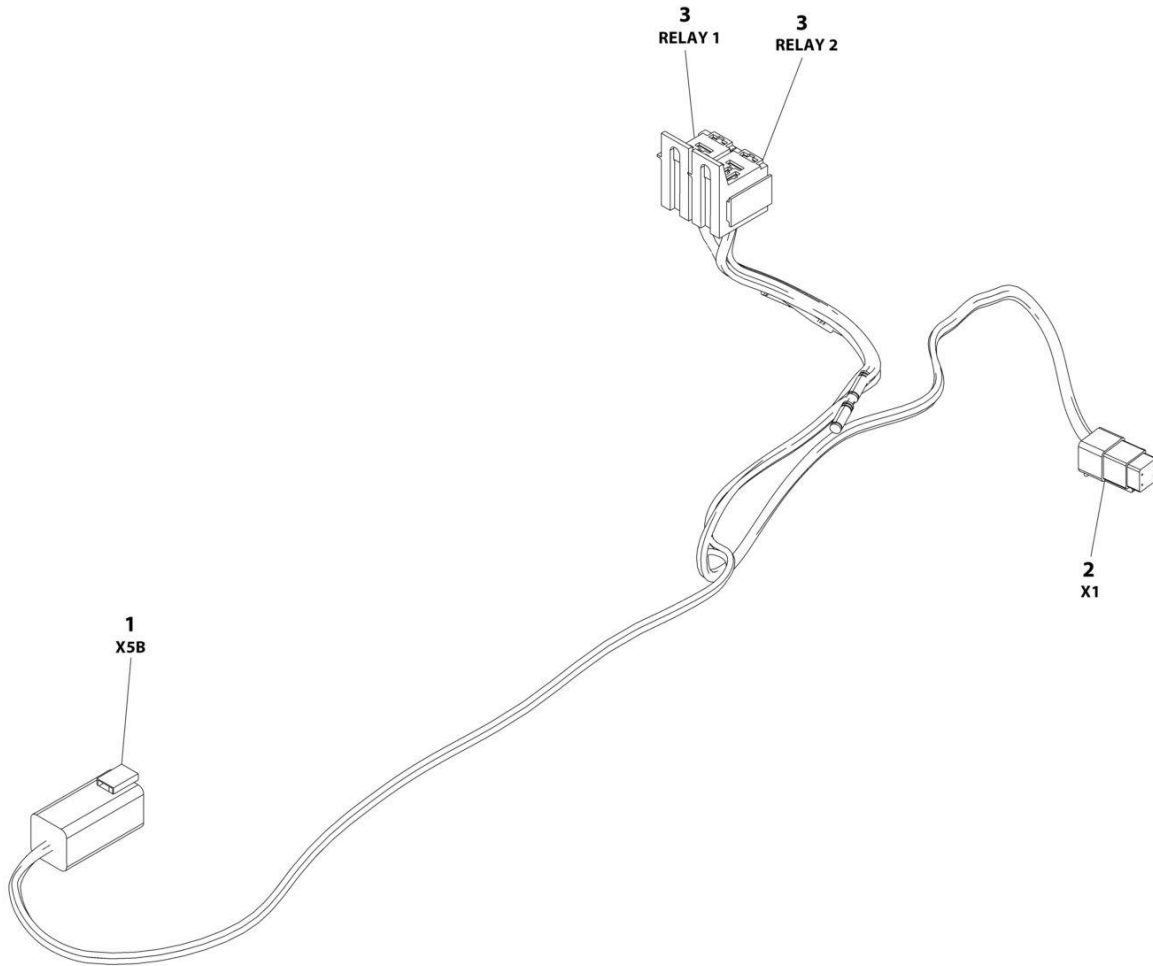
SECTION 8 - ELECTRICAL

FIGURE 8-67. SKYEYE RECEIVER HARNESS

ITEM	PART NUMBER	QTY	DESCRIPTION	REV
	1001237863	Ref	SKYEYE RECEIVER HARNESS	A
2	2820247	AR	Tubing, Heat Shrink	
4	1001097051	1	Connector - 4 Position	
4	1001119620	4	Pin, Male	
6	1001227996	1	Grommet	
7	1001237862	1	Cable, M8 Female Cordset	

SECTION 8 - ELECTRICAL

FIGURE 8-68. SKYLINE HARNESS



ART_1001238418

SECTION 8 - ELECTRICAL

FIGURE 8-68. SKYLINE HARNESS

ITEM	PART NUMBER	QTY	DESCRIPTION	REV
	1001238418	Ref	SKYLINE HARNESS	B
1	4460899	1	Connector - 6 Position	
1	4460464	4	Pin, Male	
1	4460466	2	Plug, Terminal	
2	4461077	1	Connector - 4 Position	
2	1001126009	4	Socket, Female	
3	1001186432	2	Plug, Relay	
3	1001118388	5	Terminal	
3	1001118384	3	Terminal	
3	3740086	2	Relay	

SECTION 8 - ELECTRICAL

FIGURE 8-69. STEER HARNESS



ART_1001155817

SECTION 8 - ELECTRICAL

FIGURE 8-69. STEER HARNESS

ITEM	PART NUMBER	QTY	DESCRIPTION	REV
	1001155817	Ref	STEER HARNESS	B
1	4460894	1	Connector - 6 Position	
1	4460465	4	Socket, Female	
1	4460466	2	Seal, Plug	
2	4460894	1	Connector - 6 Position	
2	4460465	3	Socket, Female	
2	4460466	3	Seal, Plug	

SECTION 8 - ELECTRICAL

FIGURE 8-70. STROBE LIGHT HARNESS - AMBER LIGHTS



ART_1001202787

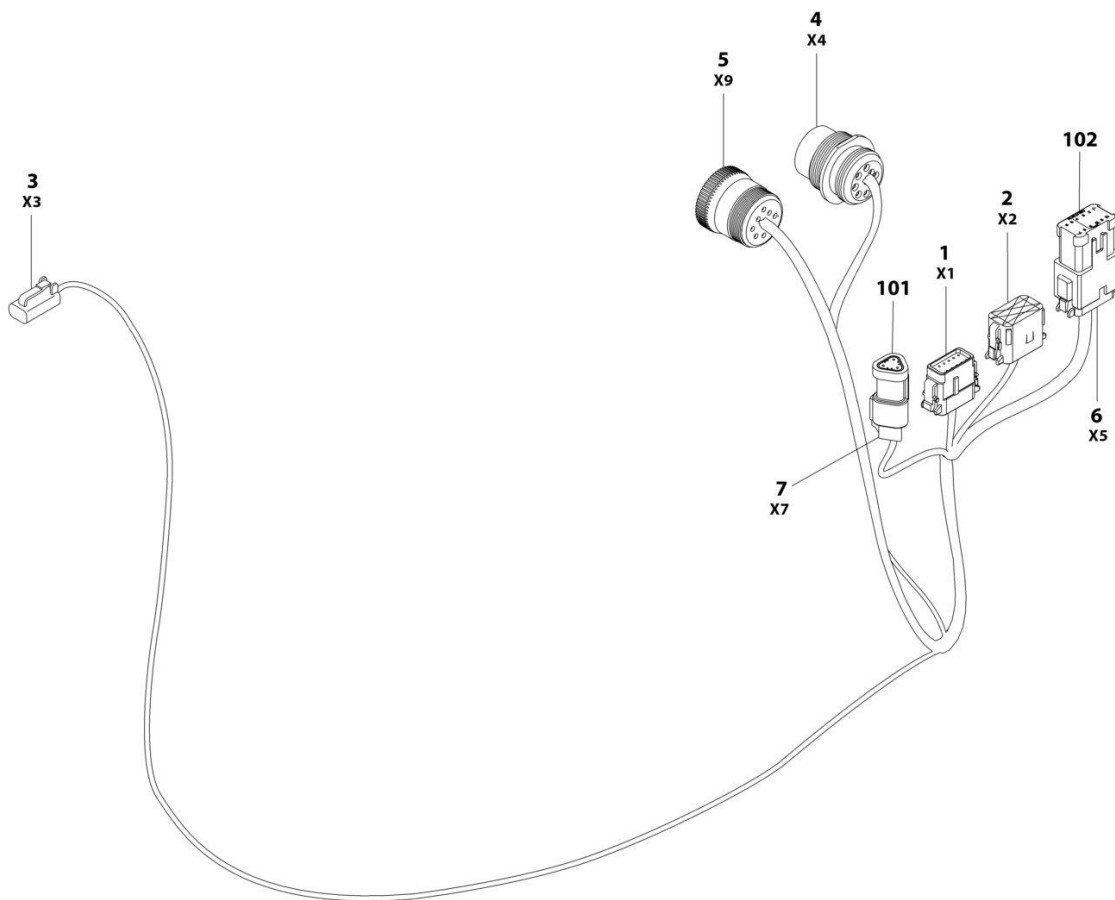
SECTION 8 - ELECTRICAL

FIGURE 8-70. STROBE LIGHT HARNESS - AMBER LIGHTS

ITEM	PART NUMBER	QTY	DESCRIPTION	REV
	1001202787	Ref	STROBE LIGHT (AMBER) HARNESS	B
1	4460897	2	Connector	
1	4460464	4	Pin	

SECTION 8 - ELECTRICAL

FIGURE 8-71. STROBE LIGHT HARNESS - BLUE & RED LIGHTS



ART_1001210781

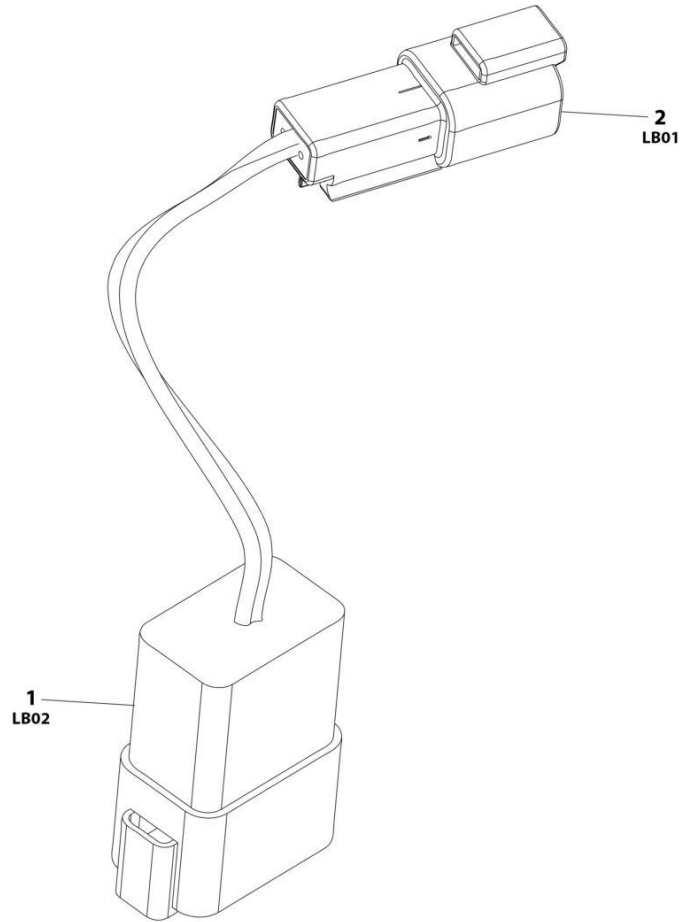
SECTION 8 - ELECTRICAL

FIGURE 8-71. STROBE LIGHT HARNESS - BLUE & RED LIGHTS

ITEM	PART NUMBER	QTY	DESCRIPTION	REV
	1001210781	Ref	STROBE LIGHT HARNESS	C
1	1001116808	1	Connector - 12 Position	
1	1001116694	3	Socket, Female	
1	4460518	9	Plug, Socket	
2	1001116774	1	Connector - 12 Position	
2	1001116694	3	Socket, Female	
2	4460518	9	Plug, Socket	
3	4460891	1	Connector - 2 Position	
3	4460465	2	Socket, Female	
4	1001249095	1	Connector - 9 Position	
4	4460464	6	Pin, Male	
4	4460466	3	Plug, Socket	
5	1001112796	1	Connector - 9 Position	
5	4460465	6	Socket, Female	
5	4460466	3	Plug, Socket	
6	4460933	1	Connector - 12 Position	
6	4460465	12	Socket, Female	
7	4461095	1	Connector - 3 Position	
7	4460465	3	Socket, Female	
101	4461070	1	Connector - 3 Position	
101	1001144296	1	Dust Cap	
102	1001119020	1	Connector, Female Bussbar - 12 Position	

SECTION 8 - ELECTRICAL

FIGURE 8-72. STROBE LIGHT JUMPER HARNESS - AMBER



ART_1001283776

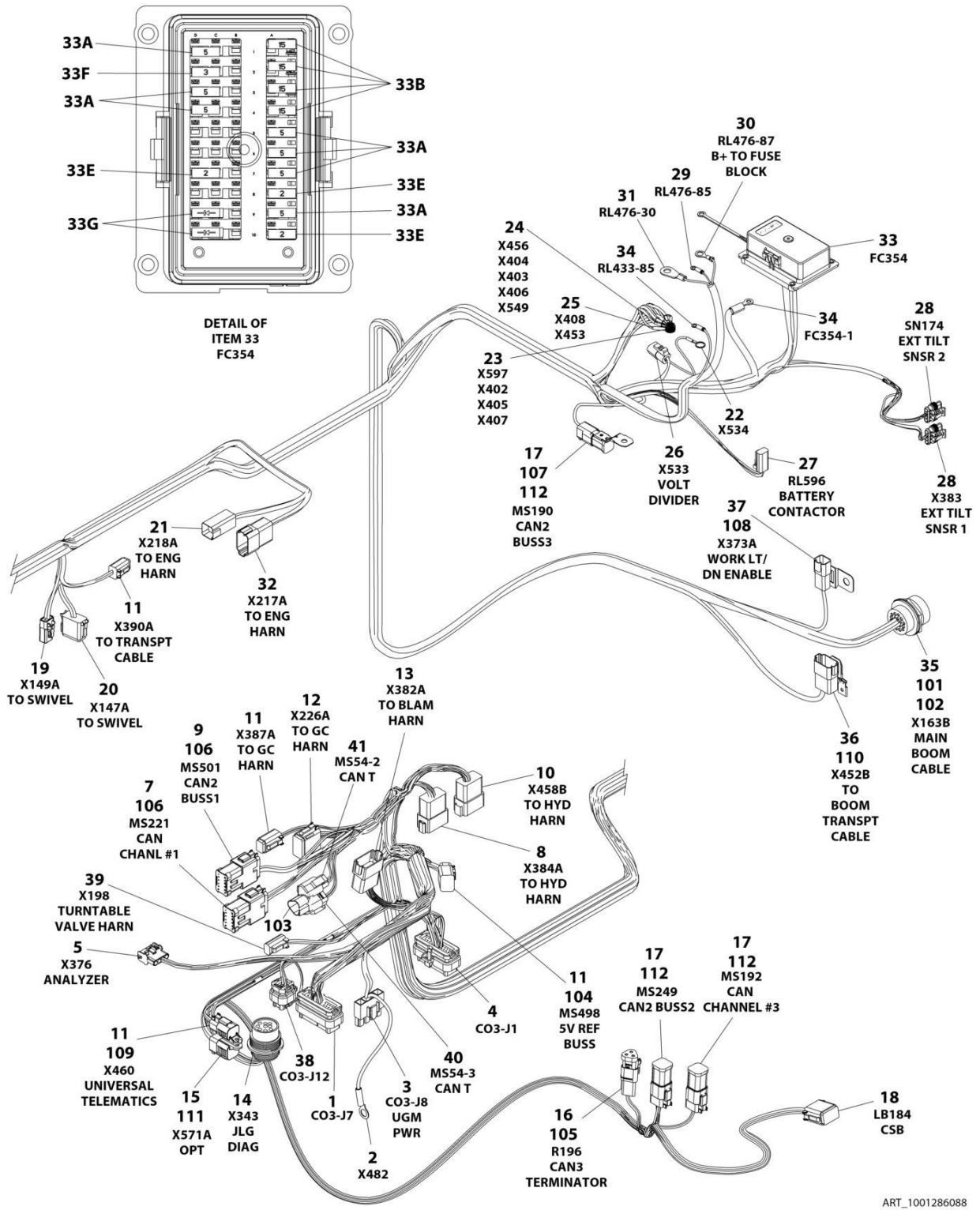
SECTION 8 - ELECTRICAL

FIGURE 8-72. STROBE LIGHT JUMPER HARNESS - AMBER

ITEM	PART NUMBER	QTY	DESCRIPTION	REV
	1001283776	Ref	STROBE LIGHT HARNESS (AMBER)	A
1	4460931	1	Connector	
1	4460464	2	Pin	
1	4460466	6	Plug	
2	4460897	1	Connector	
2	4460464	2	Pin	

SECTION 8 - ELECTRICAL

FIGURE 8-73. TURNTABLE HARNESS



ART_1001286088

SECTION 8 - ELECTRICAL

FIGURE 8-73. TURNTABLE HARNESS

ITEM	PART NUMBER	QTY	DESCRIPTION	REV
	1001286088	Ref	TURNTABLE HARNESS	B
1	4460873	1	Connector	
1	4460871	27	Socket	
1	4460905	8	Plug	
2	1001117110	1	Terminal, Ring	
3	4460878	1	Connector	
3	4460887	3	Socket	
4	4460874	1	Connector	
4	4460871	26	Socket	
4	4460905	9	Plug	
5	4460761	1	Connector	
5	4460267	4	Socket	
6	1001113961	1	Connector	
6	4460905	1	Plug	
6	4460871	7	Socket	
7	4460933	1	Connector	
7	4460944	12	Socket	
8	4460970	1	Connector	
8	4460464	12	Pin	
9	4460933	1	Connector	
9	4460466	4	Plug	
9	4460944	8	Socket	
10	4460950	1	Connector	
10	4460464	12	Socket	
11	4460884	4	Connector	
11	4460465	4	Socket	
12	4460933	1	Connector	
12	4460465	9	Socket (Nickel)	
12	4460944	2	Socket (Gold)	
12	4460466	1	Plug	
13	4460970	1	Connector	
13	1001116693	10	Pin (Nickel)	
13	4460943	2	Pin (Gold)	
14	1001112612	1	Connector	
14	4460464	3	Socket	
14	4460943	2	Pin	
14	4460466	4	Plug	
15	4460894	1	Connector	
15	4460465	4	Socket (Nickel)	
15	4460944	2	Socket (Gold)	
16	1001144147	1	Connector	
16	4460943	2	Pin	
16	4460466	1	Plug	
17	4460894	2	Connector	
17	4460465	12	Socket	
18	4460930	1	Connector	
18	4460465	8	Socket	
19	4461018	1	Connector	
19	1001150611	2	Socket	
20	4460836	1	Connector	

SECTION 8 - ELECTRICAL

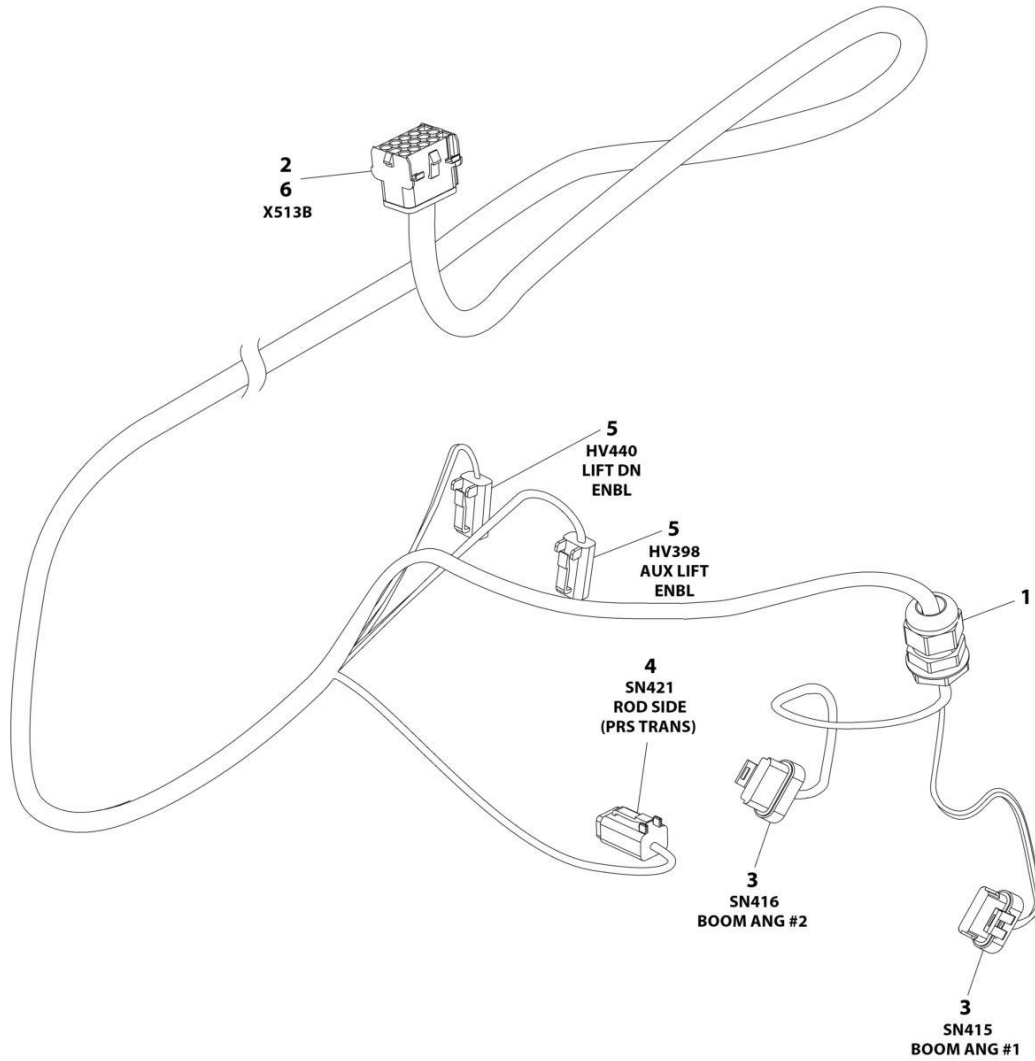
ITEM	PART NUMBER	QTY	DESCRIPTION	REV
20	4460944	2	Socket (Gold)	
20	4460466	9	Plug	
20	4460465	1	Socket (Nickel)	
21	4460899	1	Connector	
21	1001116693	3	Pin (Nickel)	
21	4460943	2	Pin (Gold)	
21	4460466	1	Plug	
22	4460703	1	Terminal, Ring	
23	4460722	4	Terminal, Ring(22-16AWG)	
24	4460019	5	Terminal, Ring(12-10AWG)	
25	4460256	2	Terminal, Ring(16-14AWG)	
26	4460539	1	Connector	
26	4460465	3	Socket	
27	4460891	1	Connector	
27	4460465	2	Socket	
28	1001103012	2	Connector	
28	1001104498	8	Socket	
29	4460247	1	Terminal, Ring	
30	4460670	1	Terminal, Ring	
31	4460443	1	Terminal, Ring	
32	4460931	1	Connector	
32	1001116693	7	Plug	
32	4460466	1	Plug	
33	1001196605	1	Fuse Box Assembly	
33	8220098	6	Socket (14AWG)	
33	1001116725	1	Socket (12-10AWG)	
33	8220097	17	Socket (18AWG)	
33	4460748	11	Plug	
33	4460458	23	Seal (Green)	
33	80963067	1	Seal (Blue)	
33A	8229242	7	Fuse 5AMP	
33B	8229244	4	Fuse 15AMP	
33D	1001196603	1	Cover (Not Shown)	
33E	1001196634	3	Fuse 2AMP	
33F	1001196635	1	Fuse 3AMP	
33G	1001196636	2	Diode 1AMP	
34	8220116	1	Terminal, Ring	
35	4460866	1	Connector	
35	4460466	3	Plug	
35	4460943	2	Pin (20-16AWG, Gold)	
35	4460464	8	Pin (20-16AWG, Nickel)	
35	4460508	4	Pin (14-12AWG, Nickel)	
36	4460931	1	Connector	
36	4460464	8	Pin	
37	4460932	1	Connector	
37	1001157891	3	Pin (16-12AWG)	
37	1001116693	1	Pin (18-14AWG)	
38	1001246859	1	Connector	
38	4460871	4	Socket	
38	4460905	10	Plug	
39	4460891	1	Connector	

SECTION 8 - ELECTRICAL

ITEM	PART NUMBER	QTY	DESCRIPTION	REV
39	4460465	1	Socket	
39	4460466	1	Plug	
40	1001116812	1	Connector	
40	4460944	2	Socket	
40	4460466	1	Plug	
41	4460539	1	Connector	
41	4460944	2	Socket	
41	4460466	1	Plug	
101	4460470	1	Nut, Terminal	
102	4460471	1	Washer, Lock	
103	4460945	1	Connector	
104	4460893	1	Connector, Buss Bar	
105	1001116815	1	Connector	
106	1001125677	2	Connector, Buss Bar	
107	1001120328	1	Mount	
108	1001155967	1	Mount	
109	1001192401	1	Cap, Dust	
110	1001202914	1	Mount	
111	1001213448	1	Cap, Dust	
112	1001226541	3	Connector, Buss Bar	

SECTION 8 - ELECTRICAL

FIGURE 8-74. VALVE HARNESS - BOOM



ART_1001216806

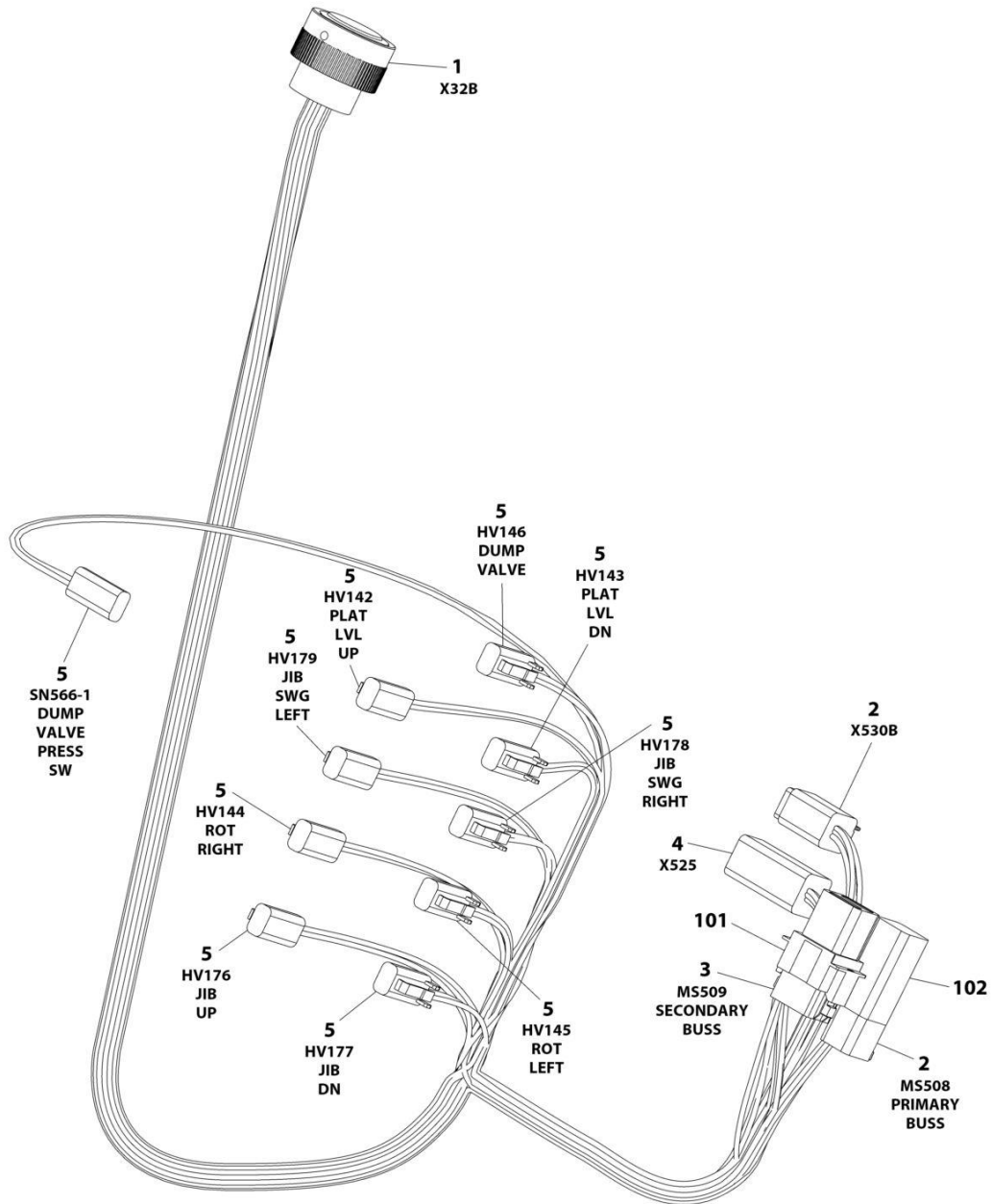
SECTION 8 - ELECTRICAL

FIGURE 8-74. VALVE HARNESS - BOOM

ITEM	PART NUMBER	QTY	DESCRIPTION	REV
	1001216806	Ref	VALVE HARNESS - BOOM	C
1	4460633	1	Connector, Strain Relief	
2	1001216626	1	Seal	
3	1001230931	3	Plug, Male - 6 Position	
3	1001116748	3	Terminal	
3	1001116751	3	Plug, Terminal	
4	4460884	1	Plug, Male - 4 Position	
4	4460465	4	Socket, Female	
5	4460891	2	Plug, Male - 2 Position	
5	4460465	4	Socket, Female	
6	4460708	1	Receptacle, Female - 15 Position	
6	4460267	15	Pin, Male	

SECTION 8 - ELECTRICAL

FIGURE 8-75. VALVE HARNESS - PLATFORM



ART_1001196682

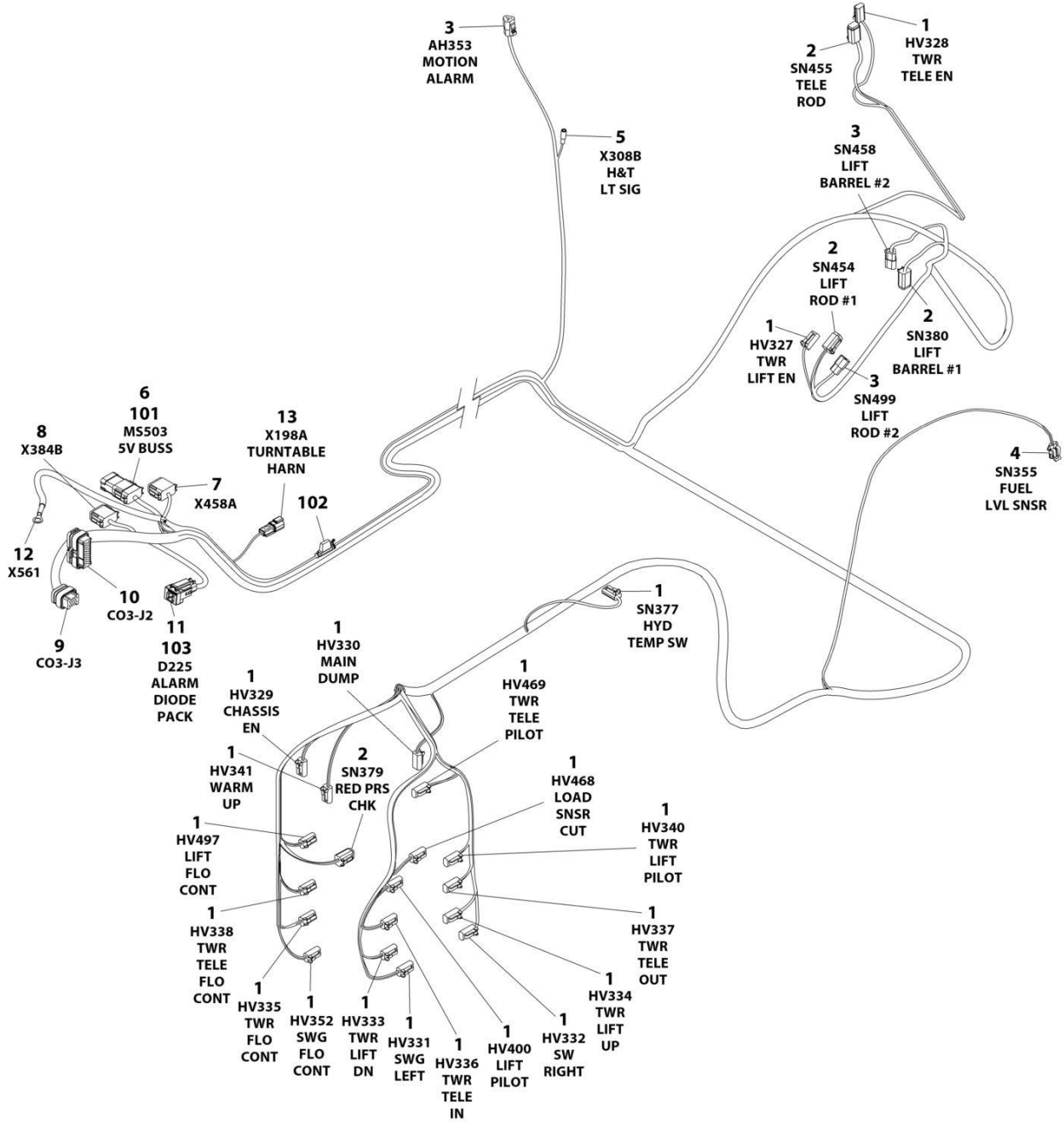
SECTION 8 - ELECTRICAL

FIGURE 8-75. VALVE HARNESS - PLATFORM

ITEM	PART NUMBER	QTY	DESCRIPTION	REV
	1001196682	Ref	VALVE HARNESS - PLATFORM	E
1	4460926	1	Connector - 21 Position	
1	1001126008	20	Socket, Female	
1	4460518	1	Plug, Terminal	
2	4460894	2	Plug, Male - 6 Position	
2	4460465	11	Socket, Female	
2	4460466	1	Plug, Terminal	
3	4460851	1	Plug, Male - 8 Position	
3	4460465	7	Socket, Female	
3	4460466	1	Plug, Terminal	
4	4460899	1	Receptacle, Female - 6 Position	
4	4460464	5	Pin, Male	
4	4460466	1	Plug, Terminal	
5	4460891	10	Plug, Male - 2 Position	
5	4460465	20	Socket, Female	
101	4460852	1	Receptacle, Female Termination - 8 Position	
102	4460892	1	Receptacle, Female Bussbar - 6 Position	

SECTION 8 - ELECTRICAL

FIGURE 8-76. VALVE HARNESS - TURNTABLE



ART_1001286089

SECTION 8 - ELECTRICAL

FIGURE 8-76. VALVE HARNESS - TURNTABLE

ITEM	PART NUMBER	QTY	DESCRIPTION	REV
	1001286089	Ref	VALVE HARNESS	C
1	4460891	20	Connector	
1	4460465	40	Socket	
2	4460884	4	Connector	
2	4460465	13	Socket	
2	4460466	4	Plug	
3	4460539	3	Connector	
3	4460465	9	Socket	
4	4460843	1	Connector	
4	91554014	2	Socket	
5	8220068	1	Connector	
5	1001117125	1	Socket	
6	4460930	1	Connector	
6	4460465	6	Socket	
6	4460466	2	Plug	
7	4460836	1	Connector	
7	4460465	12	Socket	
8	4460933	1	Connector	
8	4460465	12	Socket	
9	4460872	1	Connector	
9	4460871	11	Socket	
9	4460905	3	Plug	
10	4460875	1	Connector	
10	4460871	33	Socket	
10	4460905	2	Plug	
11	4460884	1	Connector	
11	4460465	4	Socket	
12	1001128127	1	Terminal, Ring	
13	4460897	1	Connector	
13	4460464	1	Pin	
13	4460466	1	Plug	
101	4460984	1	Cap	
102	1001196636	1	Diode 1Amp	
103	1001152266	1	Connector, Diode	

SECTION 8 - ELECTRICAL

FIGURE 8-77. WHITE NOISE MOTION ALARM HARNESS



ART_1001231008

SECTION 8 - ELECTRICAL

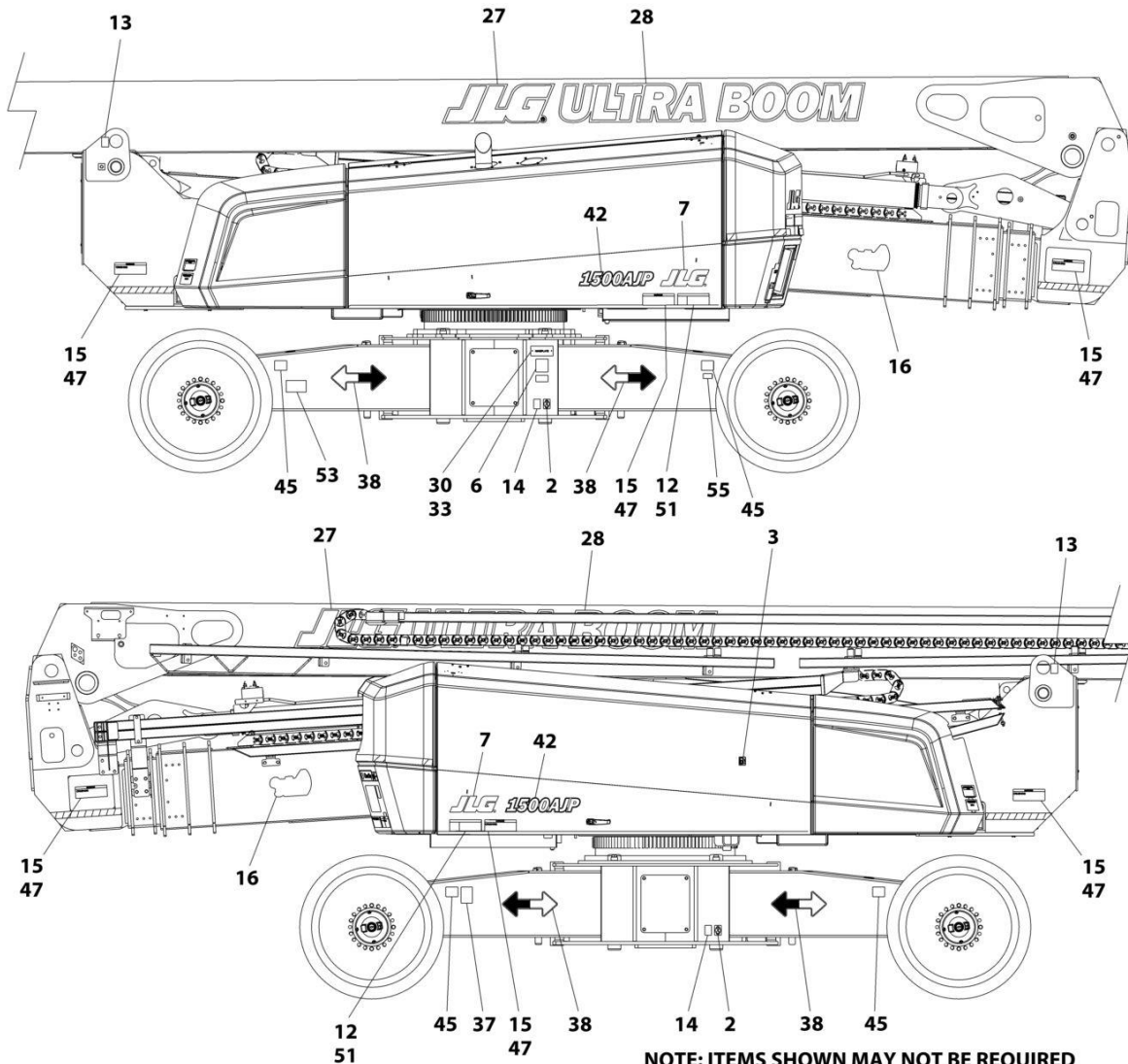
FIGURE 8-77. WHITE NOISE MOTION ALARM HARNESS

ITEM	PART NUMBER	QTY	DESCRIPTION	REV
	1001231008	Ref	WHITE NOISE MOTION ALARM HARNESS	B
1	4460871	1	Socket, Female	
2	4460891	1	Plug, Male - 2 Position	
2	4460465	2	Socket, Female	
3	4460536	1	Connector - 3 Position	
3	4460464	3	Pin, Male	

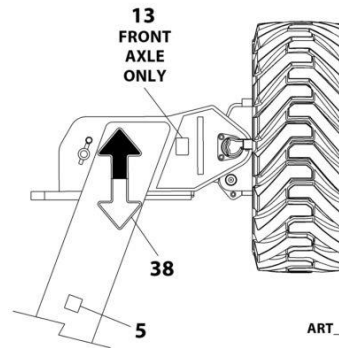
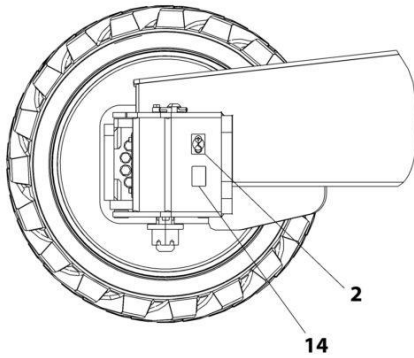
SECTION 9 - DECALS

SECTION 9 - DECALS

FIGURE 9-1. DECAL INSTALLATION - ANSI SPEC

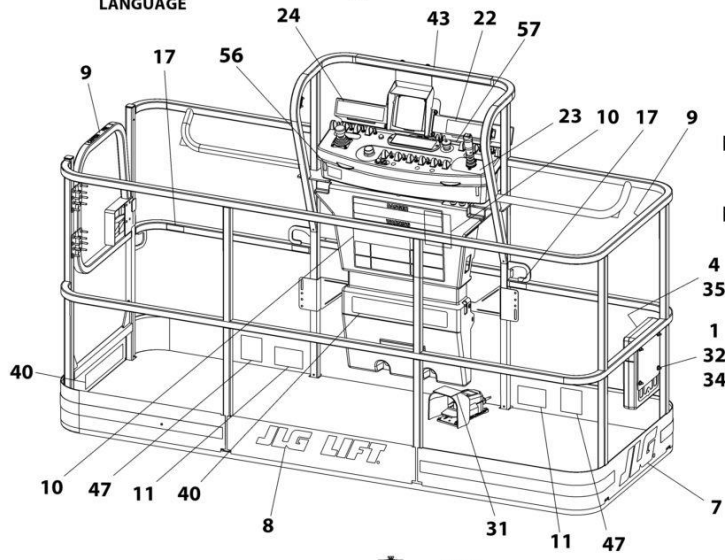
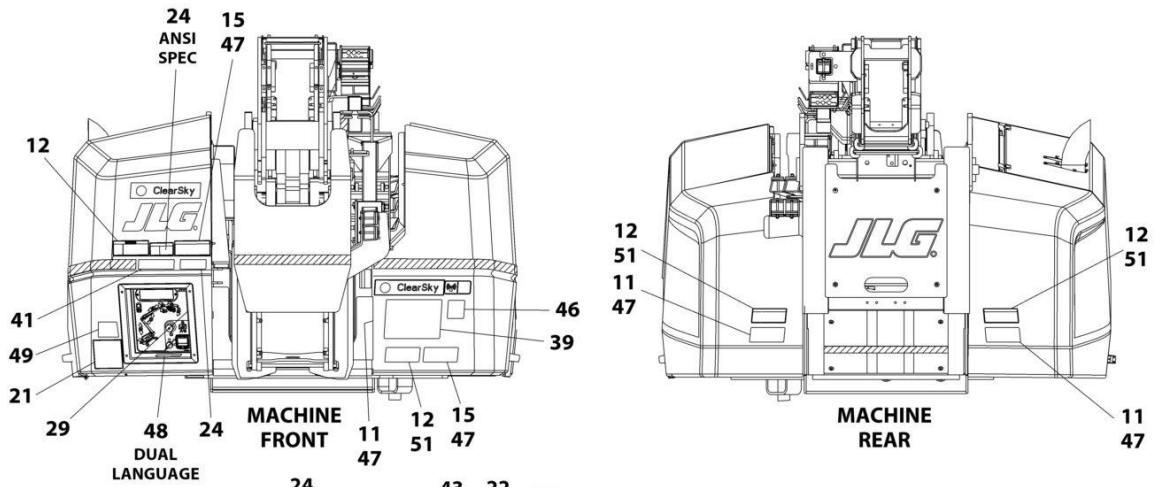


NOTE: ITEMS SHOWN MAY NOT BE REQUIRED FOR ALL SPECS. REFER TO PARTS LISTS FOR USAGE.
 NOTE: ADDITIONAL DECALS CALLED OUT ON DECAL INSTALLATION - OPTIONS.

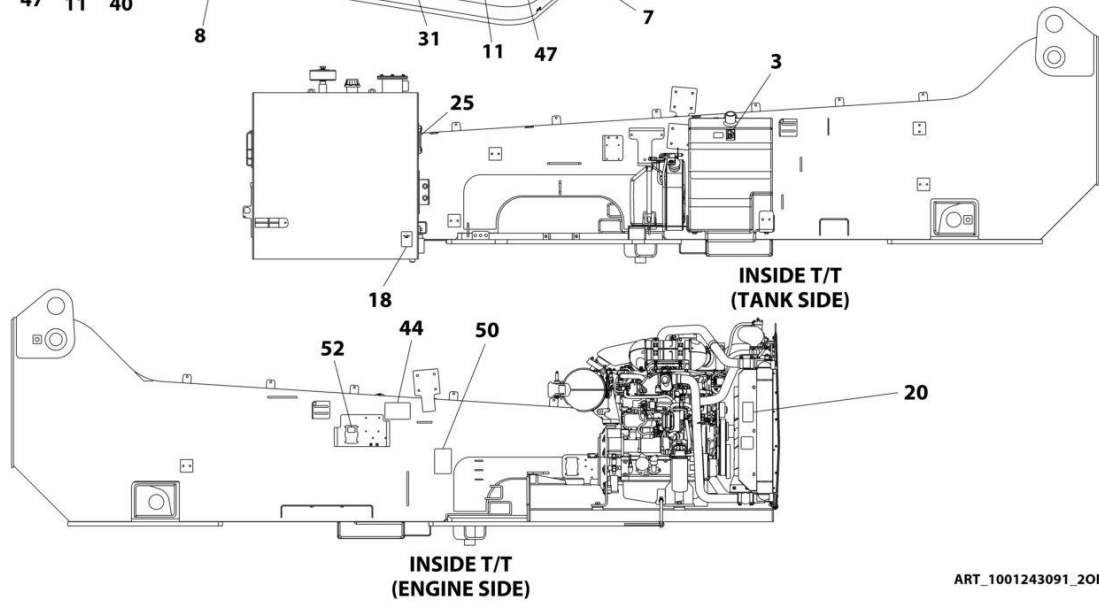


ART_1001243091_10F2

SECTION 9 - DECALS



NOTE: ITEMS SHOWN MAY NOT BE REQUIRED FOR ALL SPECS. REFER TO PARTS LISTS FOR USAGE.
NOTE: ADDITIONAL DECALS CALLED OUT ON DECAL INSTALLATION - OPTIONS.



ART_1001243091_20F2

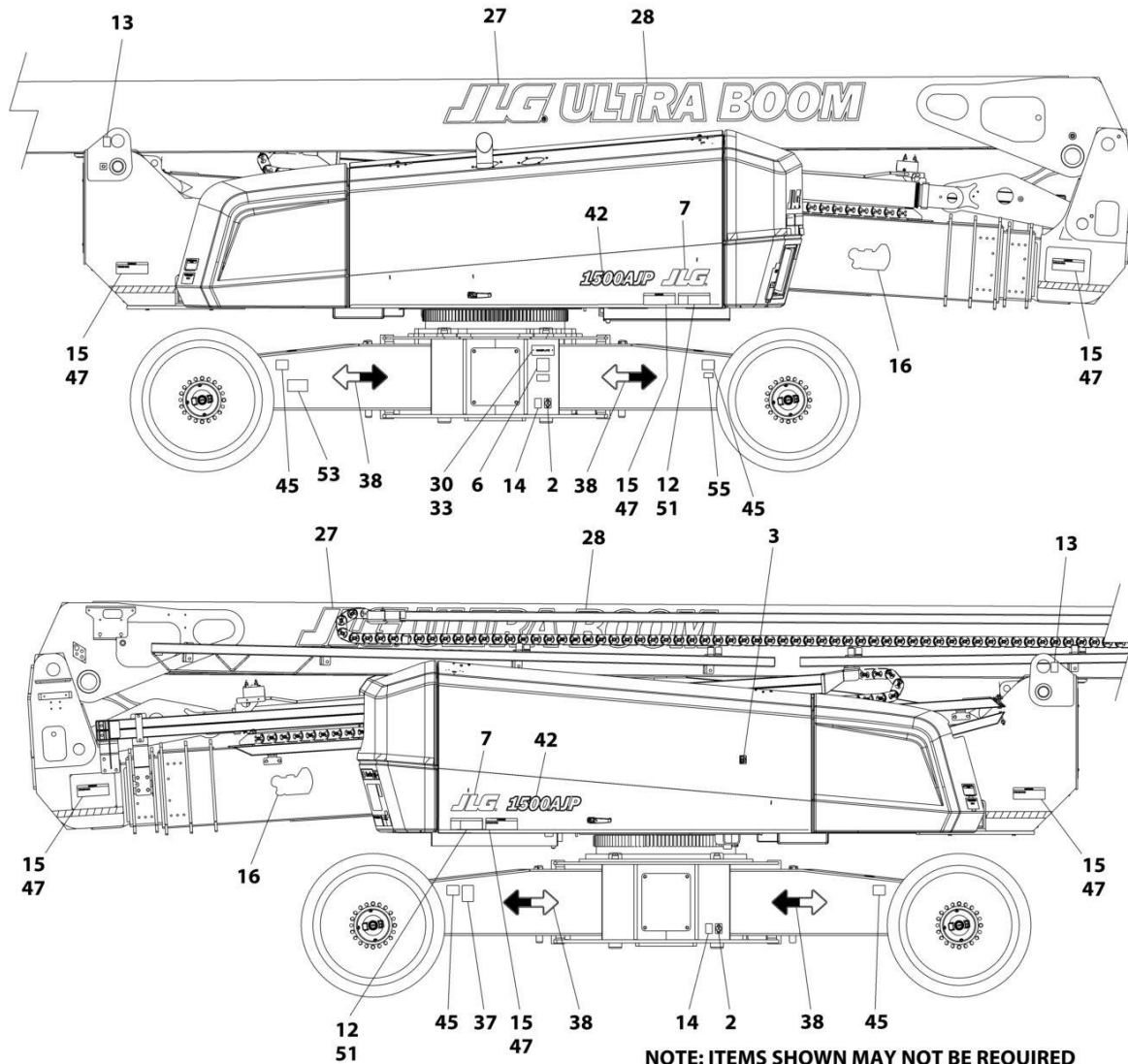
SECTION 9 - DECALS

FIGURE 9-1. DECAL INSTALLATION - ANSI SPEC

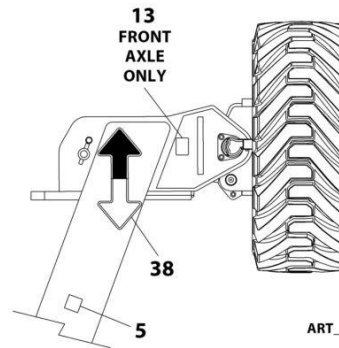
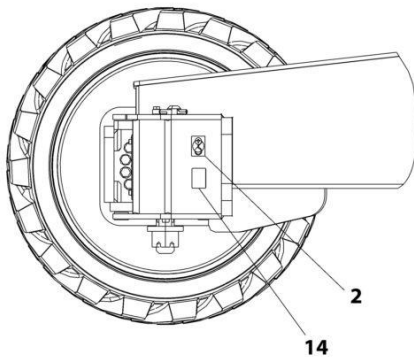
ITEM	PART NUMBER	QTY	DESCRIPTION	REV
	1001243091	Ref	DECAL INSTALLATION - ANSI SPEC	F
	1001197315	Ref	DECAL INSTALLATION - REFERENCE	N
1	0641406	4	Bolt 1/4 x 3/4	
2	1701499	6	Decal - No Tie Down/Lift	
3	1701505	2	Decal - Diesel Fuel	
4	1701509	1	Decal - Manual	
5	1701691	4	Decal - No Step	
6	See Note	NSS	Decal - Bar Code (Note: Not Available for Purchase)	
7	1702773	3	Decal - JLG	
8	1702774	1	Decal - JLG Lift	
9	1702868	2	Decal - No Hands	
10	1001231315	1	Decal - Danger/Warning	
11	1703804	6	Decal - Warning Crushing	
12	1703805	6	Decal - Electrocution	
13	1703811	4	Decal - Lifting Lug	
14	1703814	6	Decal - Tie Down	
15	1703953	8	Decal - Warning Crushing	
16	1703959	2	Decal - Quik Stik	
17	1704277	3	Decal - Lanyard Attach	
18	1704412	1	Decal - Hydraulic Oil	
20	1704972	1	Decal - Glow Plugs Warning	
21	1705336	1	Decal - Danger/Warning	
23	1705351	1	Decal - Drive/Steer Instructions	
24	1705492	1	Decal - Tip-Over	
25	1705511	1	Decal - Oil Level	
27	1705864	2	Decal - JLG	
28	1705865	2	Decal - Ultraboom (Prior to SN 0300281037)	
28	1001267315	2	Decal - Ultraboom (SN 0300281037 to Present)	
29	1001225220	1	Decal - Legend	
31	3252347	1	Nameplate - Footswitch	
32	3311405	4	Nut 1/4	
33	3820001	2	Rivet	
34	4751400	8	Washer 1/4	
35	91403230	1	Box, Manual Storage	
37	1001131269	1	Decal - Patent	
38	1001160445	8	Decal - Arrow	
39	1001284691	1	Decal - Lift Diagram	
40	1001254474	1	Decal - Warning Dual Capacity	
41	1001254475	1	Decal - Warning Dual Capacity	
42	1001200707	2	Decal - 1500AJP (Prior to SN 0300280111)	
42	1001268243	2	Decal - 1500AJP (SN 0300280111 to Present)	
43	1001204096	1	Decal - Legend	
44	1001234789	1	Decal - Jump Start/Dual Battery	
45	1001209896	4	Decal - Maximum Tire Load	
50	1001211904	1	Decal - Fuse Box	
52	1001224045	1	Decal - Fuse Box Cover	
53	1001223055	1	Decal - Decal Yearly Inspection	
55	1001223453	1	Decal - ICES	
57	1001195947	1	Decal - Stop and Auxiliary Power	

SECTION 9 - DECALS

FIGURE 9-2. DECAL INSTALLATION - AUSTRALIAN SPEC

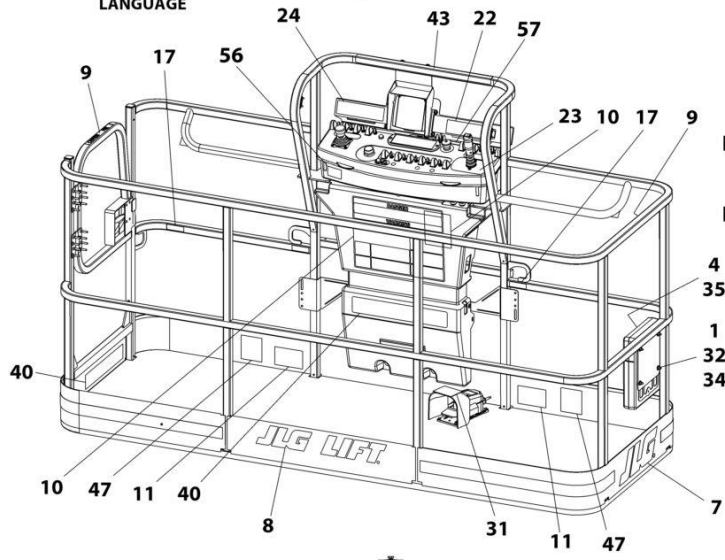
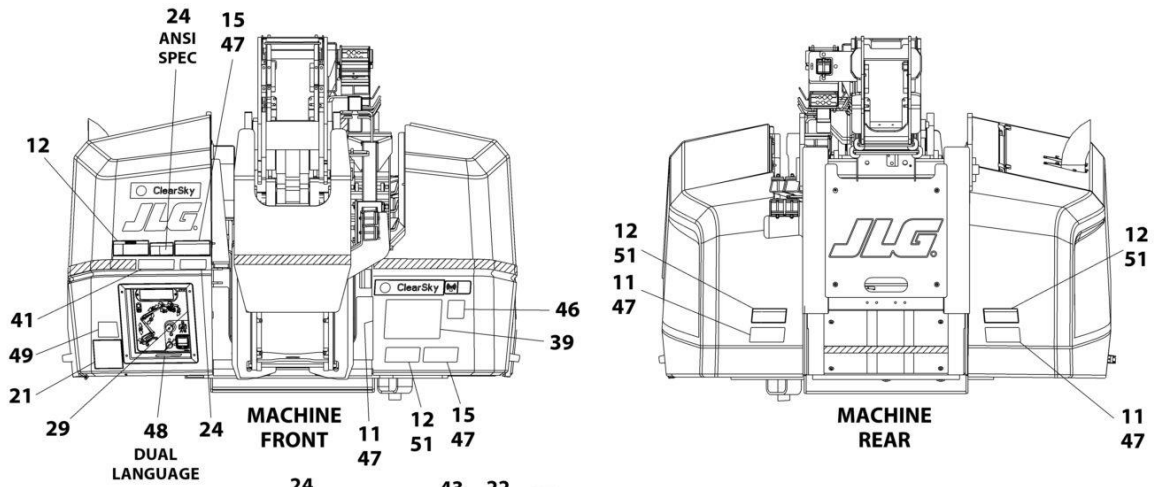


NOTE: ITEMS SHOWN MAY NOT BE REQUIRED FOR ALL SPECS. REFER TO PARTS LISTS FOR USAGE.
 NOTE: ADDITIONAL DECALS CALLED OUT ON DECAL INSTALLATION - OPTIONS.

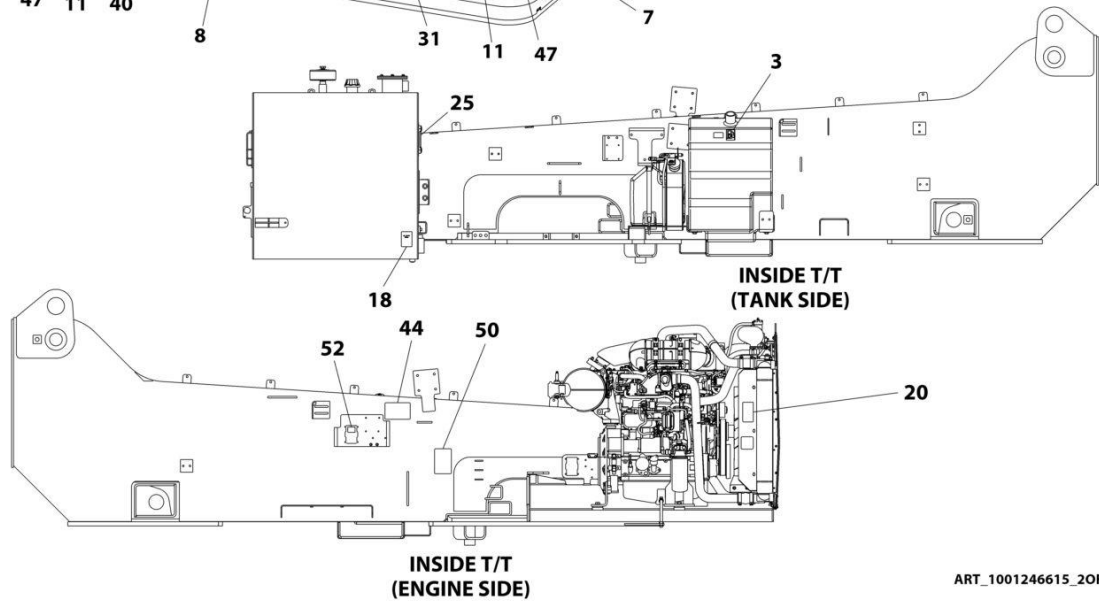


ART_1001246615_10F2

SECTION 9 - DECALS



NOTE: ITEMS SHOWN MAY NOT BE REQUIRED FOR ALL SPECS. REFER TO PARTS LISTS FOR USAGE.
NOTE: ADDITIONAL DECALS CALLED OUT ON DECAL INSTALLATION - OPTIONS.



ART_1001246615_20F2

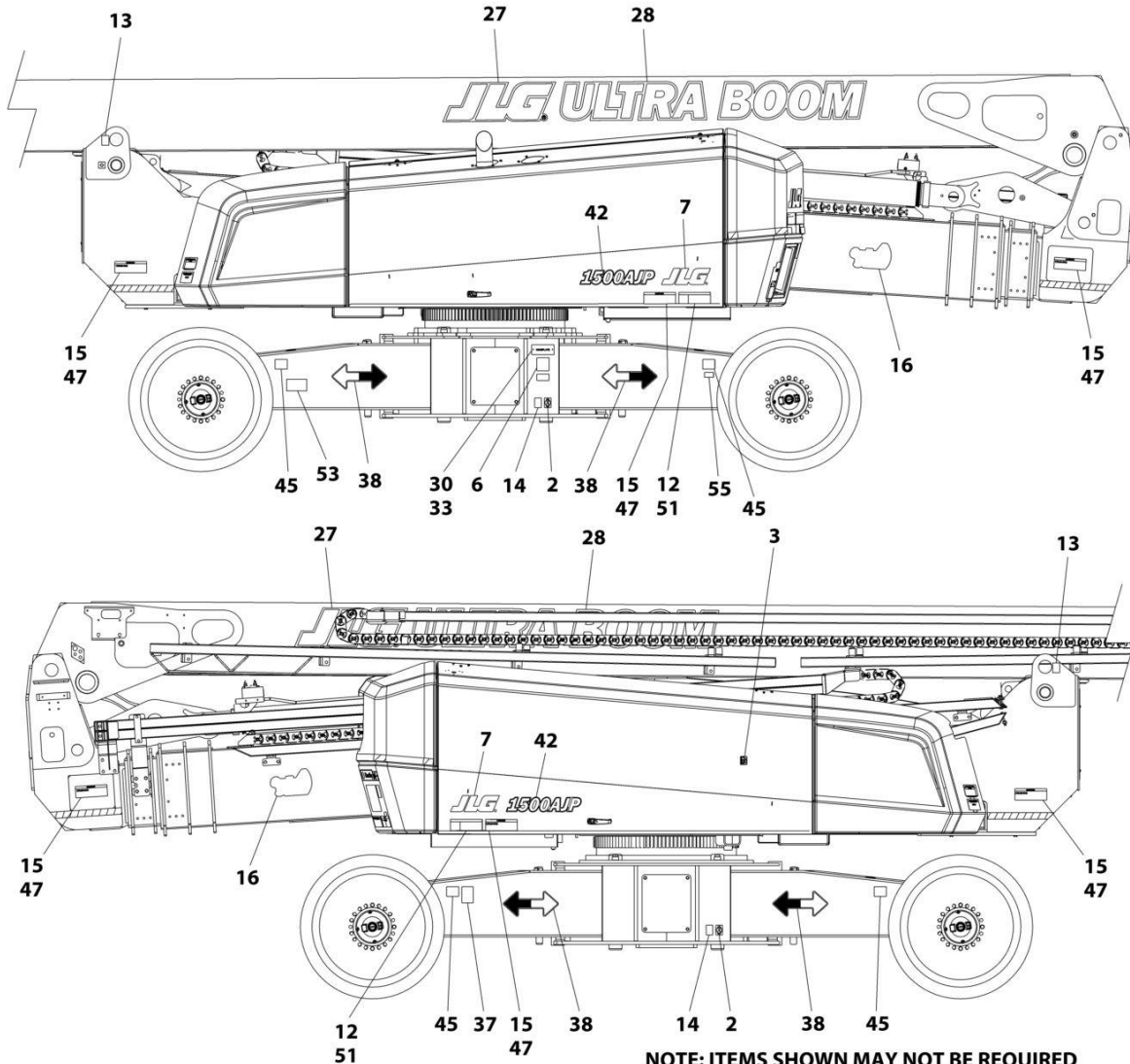
SECTION 9 - DECALS

FIGURE 9-2. DECAL INSTALLATION - AUSTRALIAN SPEC

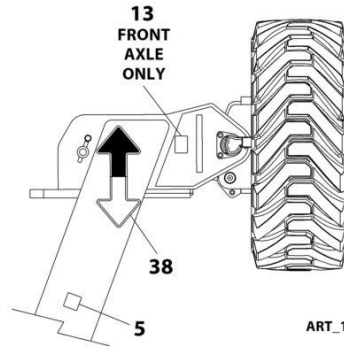
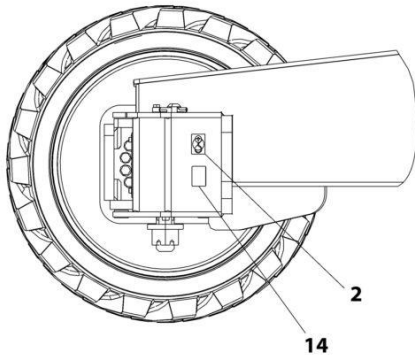
ITEM	PART NUMBER	QTY	DESCRIPTION	REV
	1001246615	Ref	DECAL INSTALLATION - AUSTRALIAN SPEC	F
	1001197315	Ref	DECAL INSTALLATION - REFERENCE	P
1	0641406	4	Bolt 1/4 x 3/4	
2	1701499	6	Decal - No Tie Down/Lift	
3	1701505	2	Decal - Diesel Fuel	
4	1701509	1	Decal - Manual	
5	1701691	4	Decal - No Step	
6	See Note	NSS	Decal - Bar Code (Note: Not Available for Purchase)	
7	1702773	3	Decal - JLG	
8	1702774	1	Decal - JLG Lift	
10	1705921	1	Decal - Tipping/Electrocution	
13	1703811	4	Decal - Lifting Lug	
14	1703814	6	Decal - Tie Down	
16	1703959	2	Decal - Quik Stik	
17	1704277	3	Decal - Lanyard Attach	
18	1704412	1	Decal - Hydraulic Oil	
20	1706098	1	Decal - Warning Ether Start	
21	1705822	1	Decal - Electrical/Safety Manual	
25	1705511	1	Decal - Oil Level	
27	1705864	2	Decal - JLG	
28	1705865	2	Decal - Ultraboom (Prior to SN 0300306809)	
28	1001267315	2	Decal - Ultraboom (SN 0300306809 to Present)	
30	See Note	NSS	Nameplate - Serial Number (Note: Not Available for Purchase)	
31	1705828	1	Nameplate - Footswitch	
32	3311405	4	Nut 1/4	
33	3820001	4	Rivet	
34	4751400	8	Washer 1/4	
35	91403230	1	Box, Manual Storage	
38	1001160445	8	Decal - Arrow	
39	1001284691	1	Decal - Lift Diagram	
40	1001200118	2	Decal - Warning Dual Capacity	
41	1001200117	1	Decal - Warning Dual Capacity	
42	1001200707	1	Decal - 1500AJP (Prior to SN 0300280111)	
42	1001268243	2	Decal - 1500AJP (SN 0300280111 to Present)	
44	1001234789	1	Decal - Jump Start/Dual Battery	
45	1001209896	4	Decal - Maximum Tire Load	
46	1705515	1	Decal - Sound Level	
47	1701518	14	Decal - Crushing	
49	1001112551	1	Decal - Emergency Controls	
50	1001211904	1	Decal - Fuse Box	
51	1705961	5	Decal - Electrocution	
52	1001224045	1	Decal - Fuse Box Cover	
54	1001229782	1	Decal - Wheel Assembly Mass	
57	1001184619	1	Decal - Stop	

SECTION 9 - DECALS

FIGURE 9-3. DECAL INSTALLATION - BRAZIL SPEC (ENGLISH/PORTUGUESE)

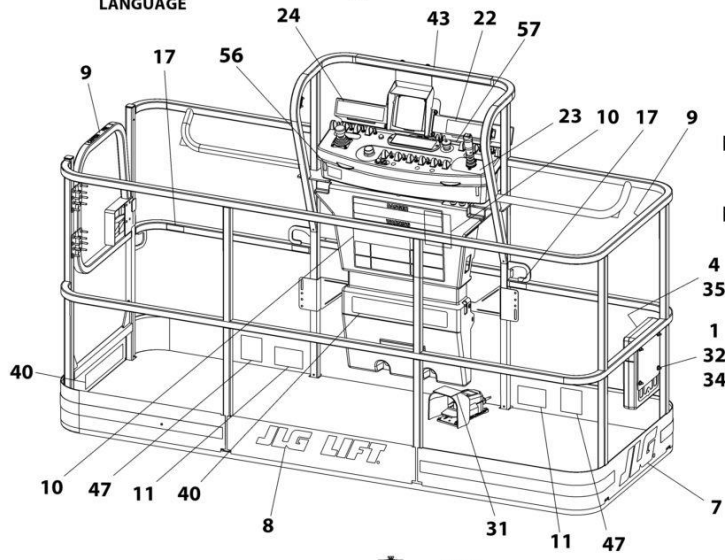
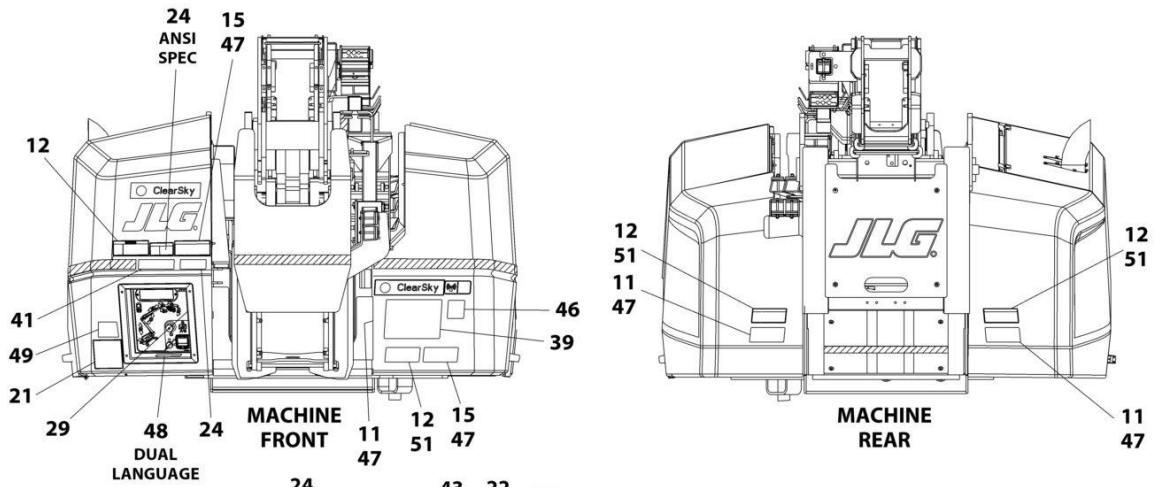


NOTE: ITEMS SHOWN MAY NOT BE REQUIRED FOR ALL SPECS. REFER TO PARTS LISTS FOR USAGE.
 NOTE: ADDITIONAL DECALS CALLED OUT ON DECAL INSTALLATION - OPTIONS.

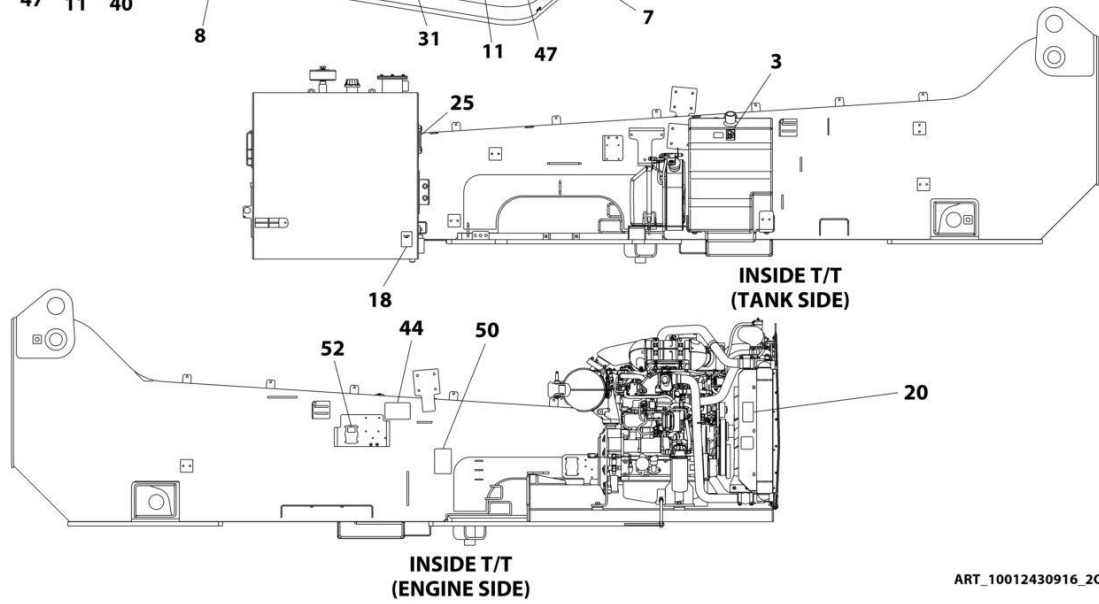


ART_1001243096_10F2

SECTION 9 - DECALS



NOTE: ITEMS SHOWN MAY NOT BE REQUIRED FOR ALL SPECS. REFER TO PARTS LISTS FOR USAGE.
NOTE: ADDITIONAL DECALS CALLED OUT ON DECAL INSTALLATION - OPTIONS.



ART_10012430916_20F2

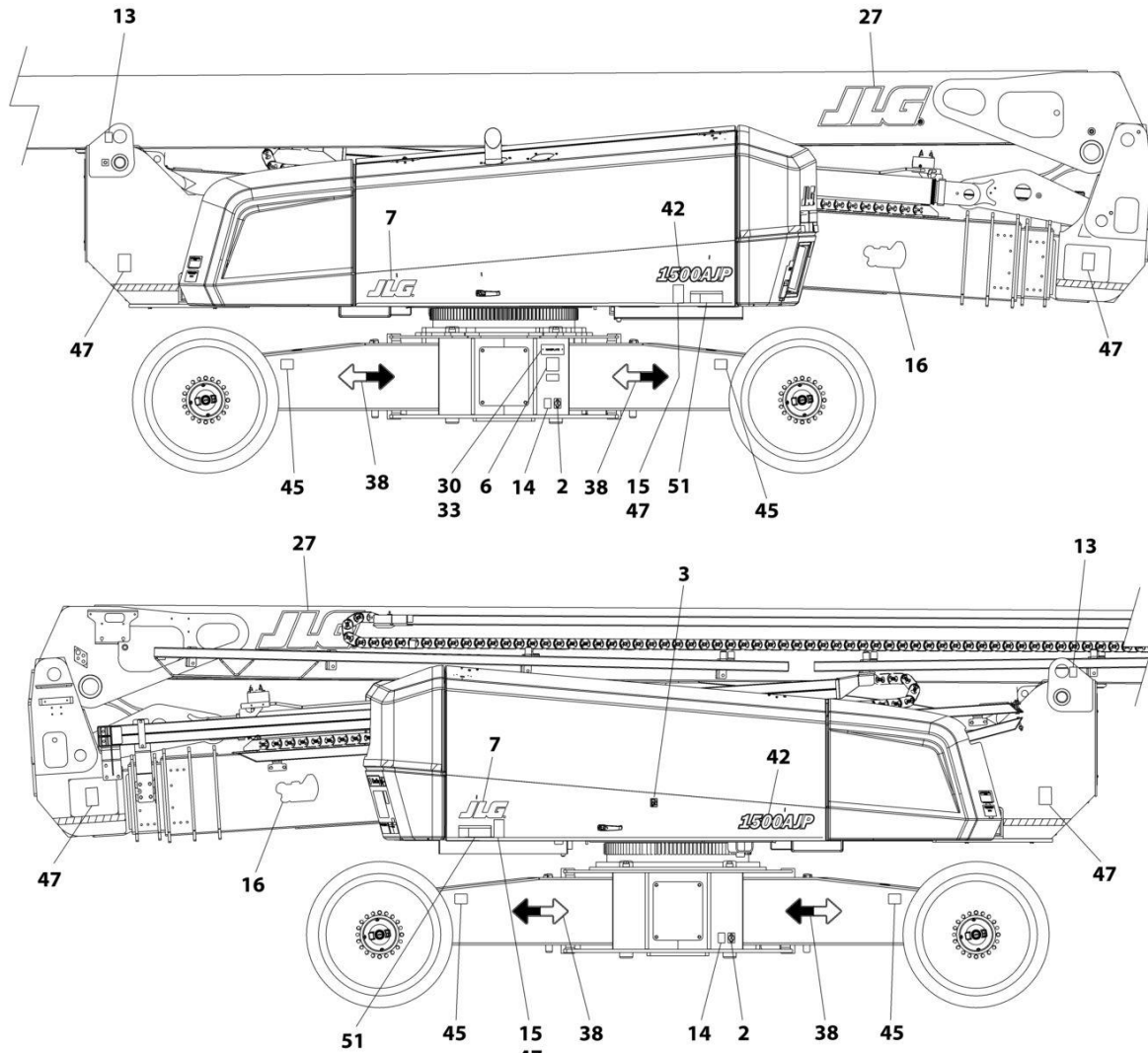
SECTION 9 - DECALS

FIGURE 9-3. DECAL INSTALLATION - BRAZIL SPEC (ENGLISH/PORTUGUESE)

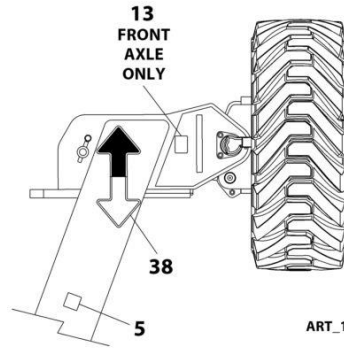
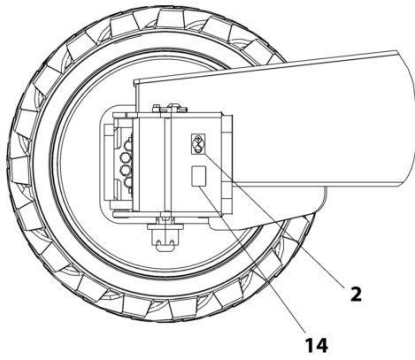
ITEM	PART NUMBER	QTY	DESCRIPTION	REV
	1001243096	Ref	DECAL INSTALLATION - BRAZIL SPEC (ENGLISH/PORTUGUESE)	F
	1001197315	Ref	DECAL INSTALLATION - REFERENCE	N
1	0641406	4	Bolt 1/4 x 3/4	
2	1701499	6	Decal - No Tie Down/Lift	
3	1701505	2	Decal - Diesel Fuel	
4	1701509	1	Decal - Manual	
5	1701691	4	Decal - No Step	
6	See Note	NSS	Decal - Bar Code (Note: Not Available for Purchase)	
7	1702773	3	Decal - JLG	
8	1702774	1	Decal - JLG Lift	
9	1705967	2	Decal - No Hands	
10	1001231319	1	Decal - Danger/Warning	
11	1705898	6	Decal - Crushing	
12	1705897	6	Decal - Danger Electrocution	
13	1703811	4	Decal - Lifting Lug	
14	1703814	6	Decal - Tie Down	
15	1705903	8	Decal - Warning Crushing	
16	1703959	2	Decal - Quik Stik	
17	1704277	3	Decal - Lanyard Attach	
18	1704412	1	Decal - Hydraulic Oil	
20	1706059	1	Decal - Warning Explosion	
21	1705896	1	Decal - Warning Inspection	
23	1705905	1	Decal - Drive/Steer Instruction	
24	1705906	1	Decal - Tip-Over Hazard	
25	1705511	1	Decal - Oil Level	
27	1705864	2	Decal - JLG	
28	1705865	2	Decal - Ultraboom (Prior to SN 0300281037)	
28	1001267315	2	Decal - Ultraboom (SN 0300281037 to Present)	
29	1001225220	1	Decal - Legend	
30	See Note	NSS	Nameplate - Serial Number (Note: Not Available for Purchase)	
31	1705902	1	Decal - Footswitch	
32	3311405	4	Nut 1/4	
33	3820001	2	Rivet	
34	4751400	8	Washer 1/4	
35	91403230	1	Box, Manual Storage	
38	1001160445	8	Decal - Arrow	
39	1001284691	1	Decal - Lift Diagram	
40	1001254482	1	Decal - Warning Dual Capacity	
41	1001254483	1	Decal - Warning Dual Capacity	
42	1001200707	2	Decal - 1500AJP (Prior to SN 0300280111)	
42	1001268243	2	Decal - 1500AJP (SN 0300280111 to Present)	
43	1001204096	1	Decal - Legend	
44	1001234789	1	Decal - Jump Start/Dual Battery	
45	1001209896	4	Decal - Maximum Tire Load	
50	1001211904	1	Decal - Fuse Box	
52	1001224045	1	Decal - Fuse Box Cover	
53	1001224052	1	Decal - Yearly Inspection	
57	1001195947	1	Decal - Stop and Auxiliary Power	

SECTION 9 - DECALS

FIGURE 9-4. DECAL INSTALLATION - CE & UK CA SPEC

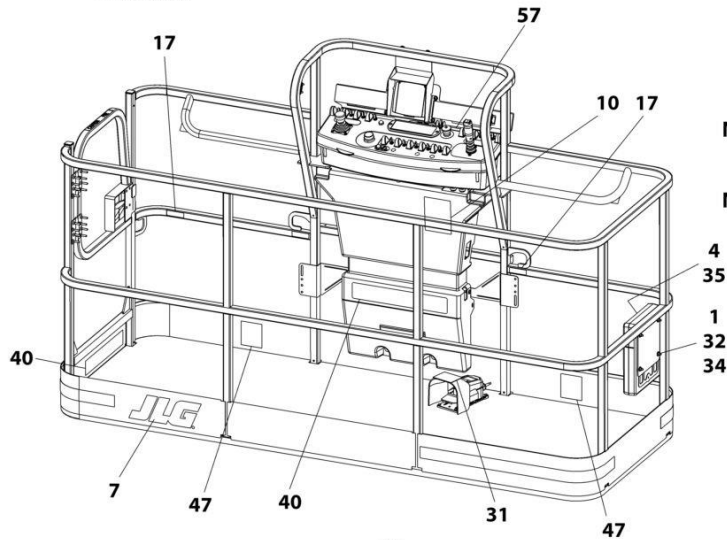
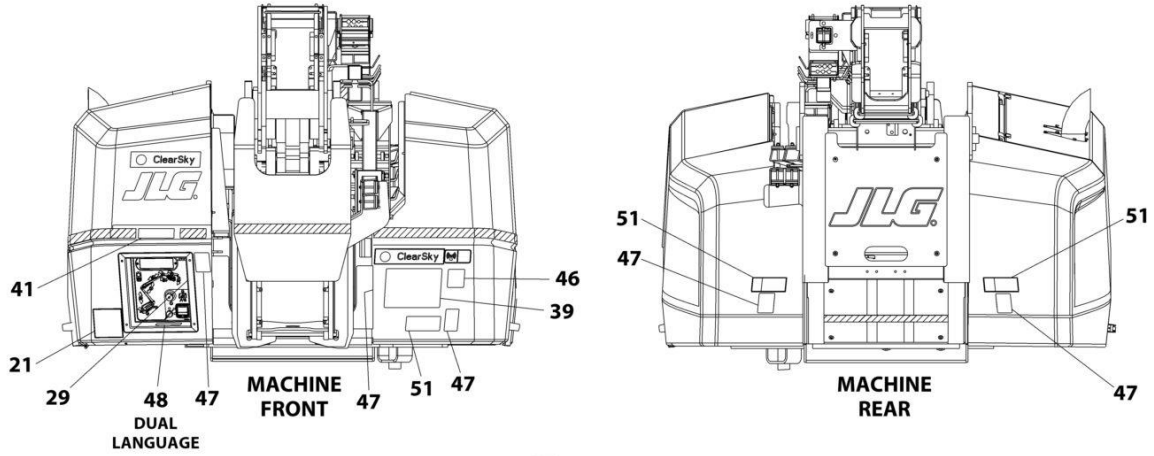


NOTE: ITEMS SHOWN MAY NOT BE REQUIRED FOR ALL SPECS. REFER TO PARTS LISTS FOR USAGE.
 NOTE: ADDITIONAL DECALS CALLED OUT ON DECAL INSTALLATION - OPTIONS.

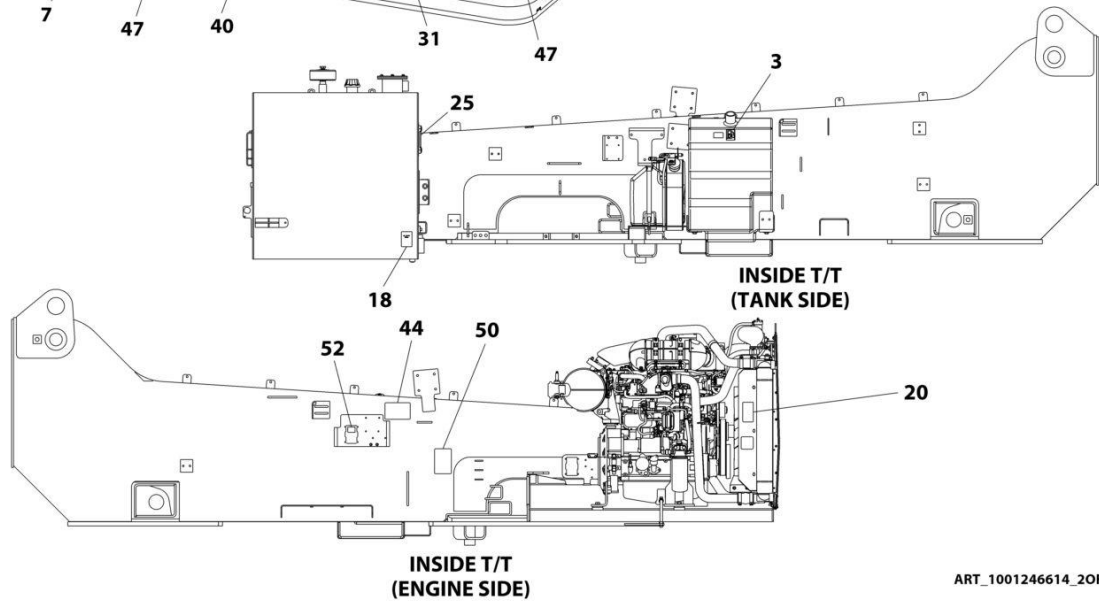


ART_1001246614_10F2

SECTION 9 - DECALS



NOTE: ITEMS SHOWN MAY NOT BE REQUIRED FOR ALL SPECS. REFER TO PARTS LISTS FOR USAGE.
NOTE: ADDITIONAL DECALS CALLED OUT ON DECAL INSTALLATION - OPTIONS.



ART_1001246614_20F2

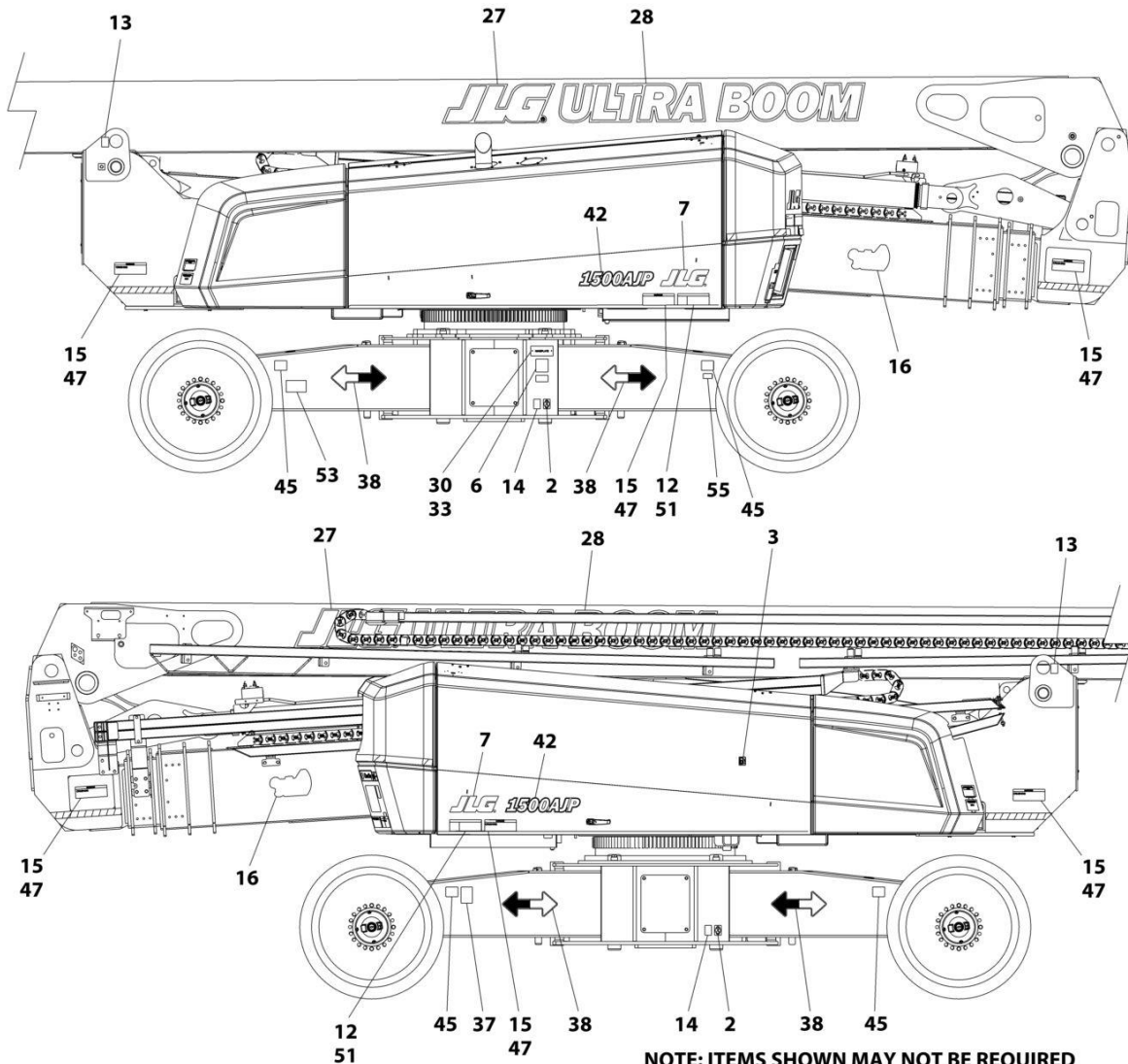
SECTION 9 - DECALS

FIGURE 9-4. DECAL INSTALLATION - CE & UK CA SPEC

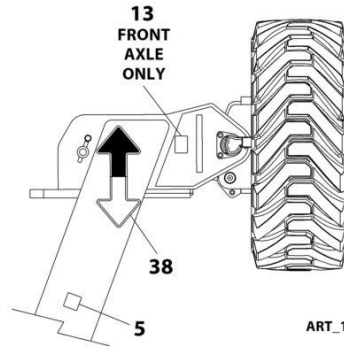
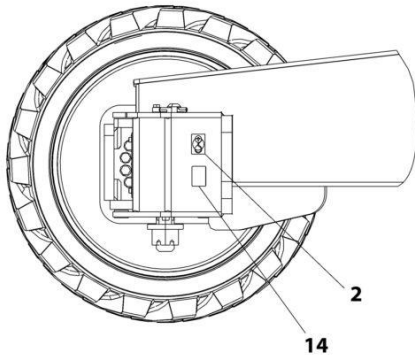
ITEM	PART NUMBER	QTY	DESCRIPTION	REV
	1001246614	Ref	DECAL INSTALLATION - CE & UK CA SPEC	E
	1001234408	Ref	DECAL INSTALLATION - REFERENCE	D
1	0641406	4	Bolt 1/4 x 3/4	
2	1701499	6	Decal - No Tie Down/Lift	
3	1701505	2	Decal - Diesel Fuel	
4	1701509	1	Decal - Manual	
5	1701691	4	Decal - No Step	
6	See Note	NSS	Decal - Bar Code (Note: Not Available for Purchase)	
7	1702773	3	Decal - JLG	
10	1705921	1	Decal - Tipping/Electrocution	
13	1703811	4	Decal - Lifting Lug	
14	1703814	6	Decal - Tie Down	
16	1703959	2	Decal - Quik Stik	
17	1704277	3	Decal - Lanyard Attach	
18	1704412	1	Decal - Hydraulic Oil	
20	1706098	1	Decal - Warning Ether Start	
21	1705822	1	Decal - Electrical/Safety Manual	
25	1705511	1	Decal - Oil Level	
27	1705864	2	Decal - JLG	
30	See Note	NSS	Decal - Serial Number (Note: Not Available for Purchase)	
31	1705828	1	Nameplate - Footswitch	
32	3311405	4	Nut 1/4	
33	3820001	4	Rivet	
34	4751400	8	Washer 1/4	
35	91403230	1	Box, Manual Storage	
38	1001160445	8	Decal - Arrow	
39	1001284691	1	Decal - Lift Diagram	
40	1001200118	1	Decal - Warning Dual Capacity	
41	1001200117	1	Decal - Warning Dual Capacity	
42	1001200707	1	Decal - 1500AJP (Prior to SN 0300280111)	
42	1001268243	2	Decal - 1500AJP (SN 0300280111 to Present)	
44	1001234789	1	Decal - Jump Start/Dual Battery	
45	1001209896	4	Decal - Maximum Tire Load	
46	1705515	1	Decal - Sound Level	
47	1701518	14	Decal - Crushing	
48	1001189882	1	Decal - MSSO Operation	
50	1001211904	1	Decal - Fuse Box	
51	1705961	5	Decal - Electrocution	
52	1001224045	1	Decal - Fuse Box Cover	
57	1001184619	1	Decal - Stop	

SECTION 9 - DECALS

FIGURE 9-5. DECAL INSTALLATION - CHINA SPEC (ENGLISH/CHINESE)

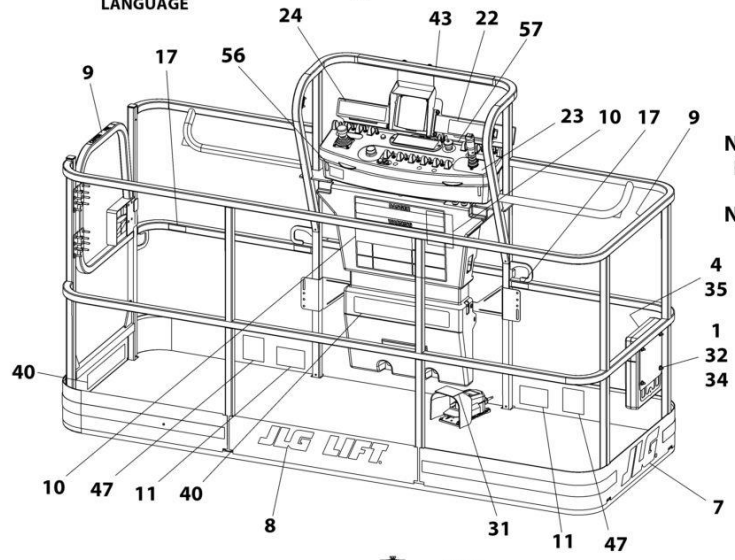
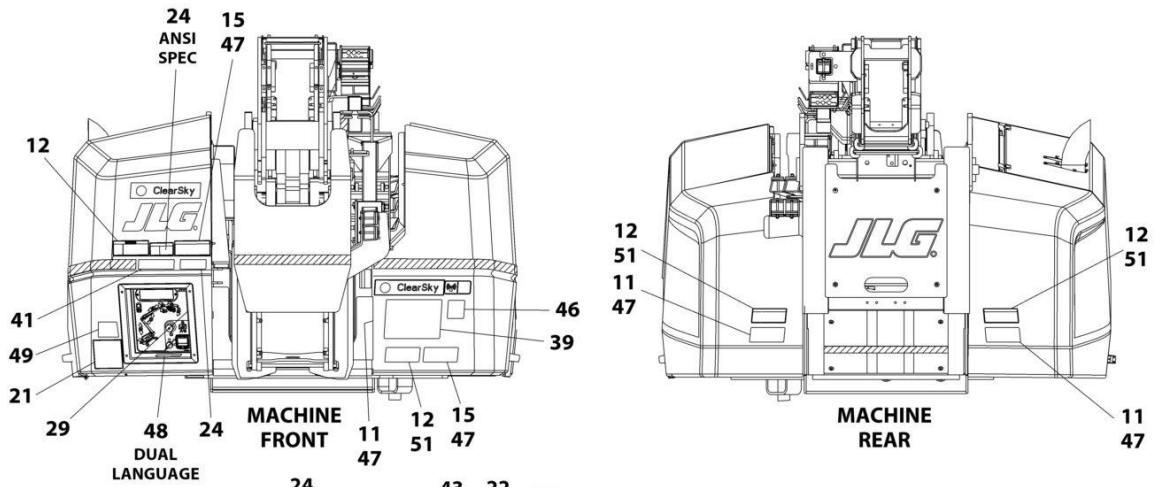


NOTE: ITEMS SHOWN MAY NOT BE REQUIRED FOR ALL SPECS. REFER TO PARTS LISTS FOR USAGE.
 NOTE: ADDITIONAL DECALS CALLED OUT ON DECAL INSTALLATION - OPTIONS.

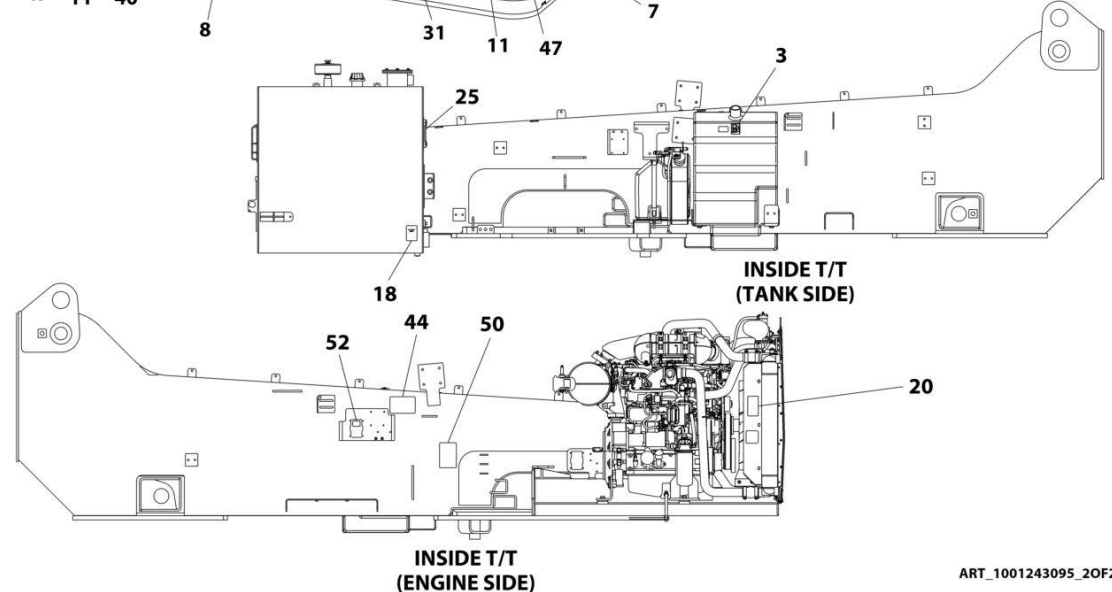


ART_1001243095_10F2

SECTION 9 - DECALS



NOTE: ITEMS SHOWN MAY NOT BE REQUIRED FOR ALL SPECS. REFER TO PARTS LISTS FOR USAGE.
NOTE: ADDITIONAL DECALS CALLED OUT ON DECAL INSTALLATION - OPTIONS.



ART_1001243095_20F2

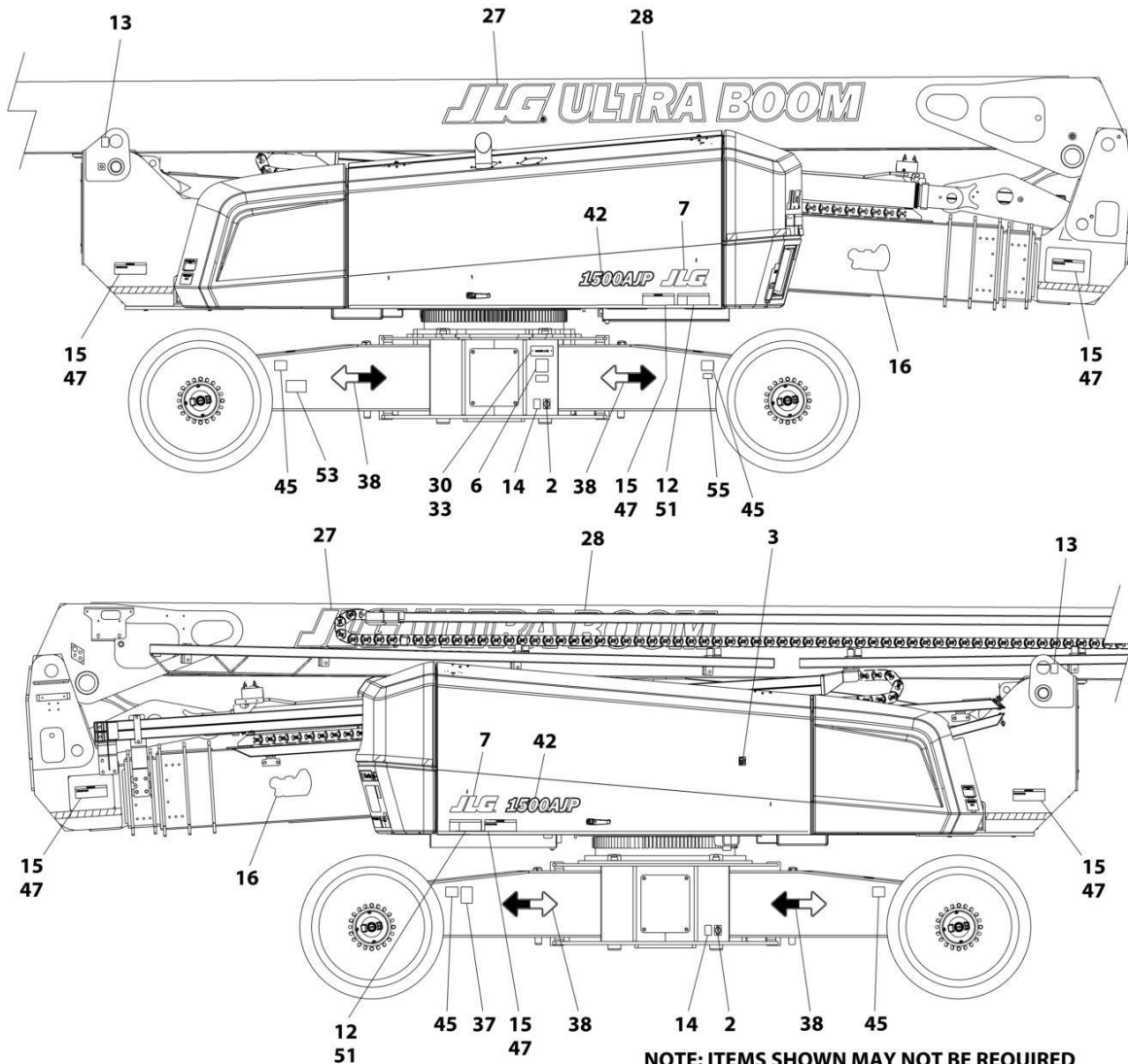
SECTION 9 - DECALS

FIGURE 9-5. DECAL INSTALLATION - CHINA SPEC (ENGLISH/CHINESE)

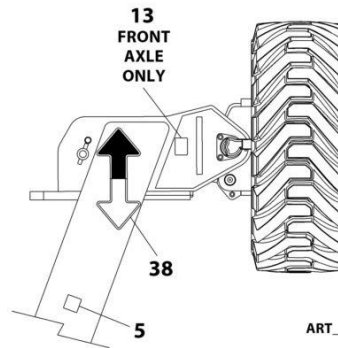
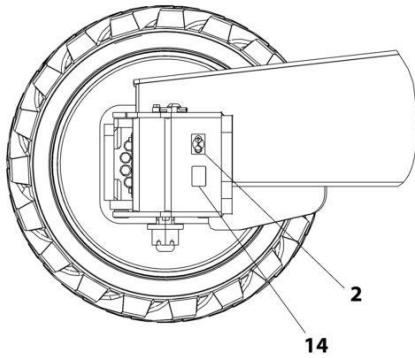
ITEM	PART NUMBER	QTY	DESCRIPTION	REV
	1001243095	Ref	DECAL INSTALLATION - CHINA SPEC (ENGLISH/CHINESE)	F
	1001197315	Ref	DECAL INSTALLATION - REFERENCE	N
1	0641406	4	Bolt 1/4 x 3/4	
2	1701499	6	Decal - No Tie Down/Lift	
3	1701505	2	Decal - Diesel Fuel	
4	1701509	1	Decal - Manual	
5	1701691	4	Decal - No Step	
6	See Note	NSS	Decal - Bar Code (Note: Not Available for Purchase)	
7	1702773	3	Decal - JLG	
8	1702774	1	Decal - JLG Lift	
9	1001116846	2	Decal - Caution No Hands	
10	1001231321	1	Decal - Warning/Danger	
11	1703949	6	Decal - Crushing	
12	1001116851	6	Decal - Electrocution	
13	1703811	4	Decal - Lifting Lug	
14	1703814	6	Decal - Tie Down	
15	1703943	8	Decal - Warning Crushing	
16	1703959	2	Decal - Quik Stik	
17	1704277	3	Decal - Lanyard Attach	
18	1704412	1	Decal - Hydraulic Oil	
20	1706060	1	Decal - Warning Fire Hazard	
21	1001116849	1	Decal - Warning Inspection	
23	1705430	1	Decal - Drive Steer	
24	1001117035	1	Decal - Tip-Over	
25	1705511	1	Decal - Oil Level	
27	1705864	2	Decal - JLG	
28	1705865	2	Decal - Ultraboom (Prior to SN 0300281037)	
28	1001267315	2	Decal - Ultraboom (SN 0300281037 to Present)	
31	1703982	1	Decal - Footswitch	
32	3311405	4	Nut 1/4	
33	3820001	2	Rivet	
34	4751400	8	Washer 1/4	
35	91403230	1	Box, Manual Storage	
38	1001160445	8	Decal - Arrow	
39	1001284691	1	Decal - Lift Diagram	
40	1001254480	1	Decal - Warning Dual Capacity	
41	1001254481	1	Decal - Warning Dual Capacity	
42	1001200707	2	Decal - 1500AJP (Prior to SN 0300280111)	
42	1001268243	2	Decal - 1500AJP (SN 0300280111 to Present)	
44	1001234789	1	Decal - Jump Start/Dual Battery	
45	1001209896	4	Decal - Maximum Tire Load	
50	1001211904	1	Decal - Fuse Box	
52	1001224045	1	Decal - Fuse Box Cover	
53	1001224050	1	Decal - Decal Yearly Inspection	
57	1001195947	1	Decal - Stop and Auxiliary Power	

SECTION 9 - DECALS

FIGURE 9-6. DECAL INSTALLATION - CSA SPEC (ENGLISH/FRENCH)

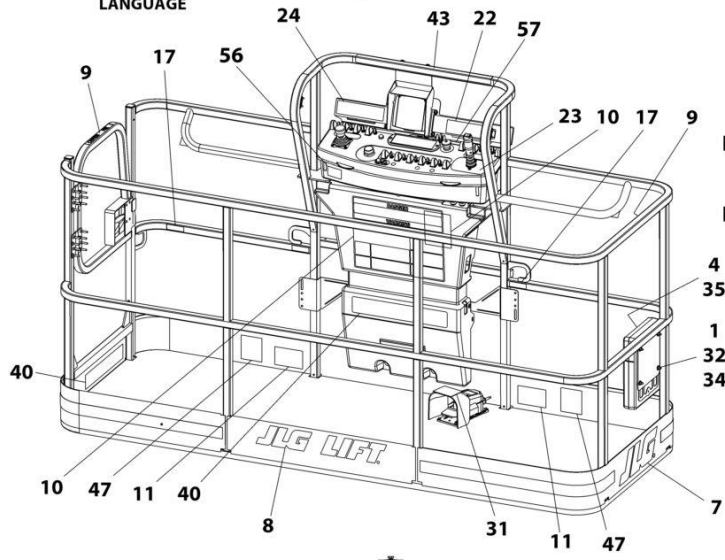
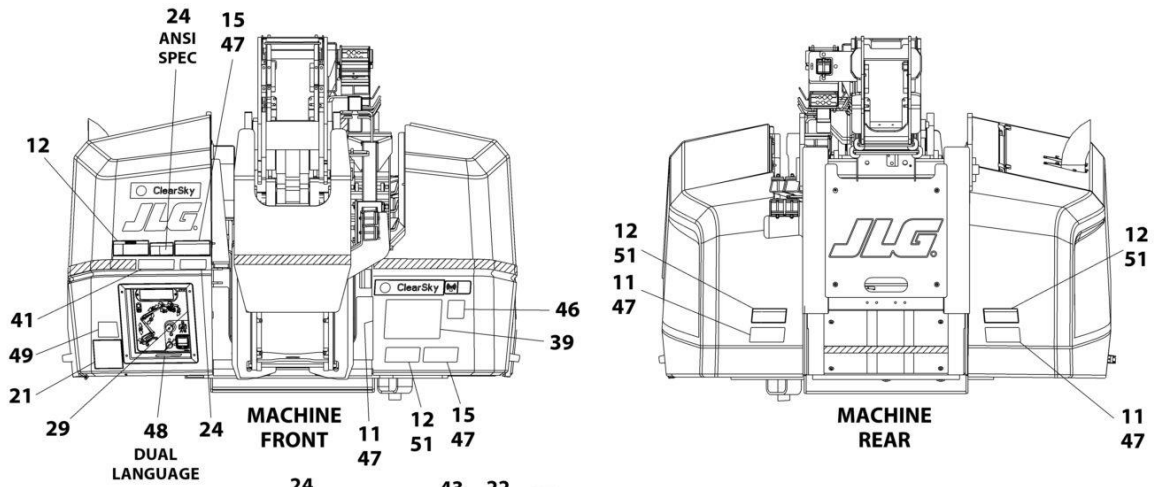


NOTE: ITEMS SHOWN MAY NOT BE REQUIRED FOR ALL SPECS. REFER TO PARTS LISTS FOR USAGE.
 NOTE: ADDITIONAL DECALS CALLED OUT ON DECAL INSTALLATION - OPTIONS.

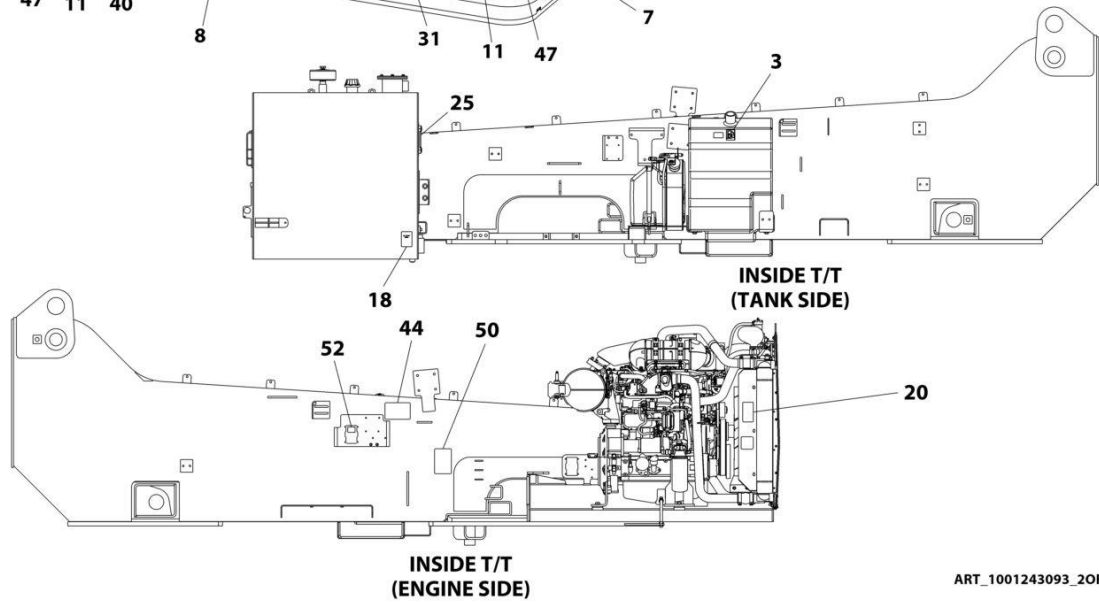


ART_1001243093_10F2

SECTION 9 - DECALS



NOTE: ITEMS SHOWN MAY NOT BE REQUIRED FOR ALL SPECS. REFER TO PARTS LISTS FOR USAGE.
 NOTE: ADDITIONAL DECALS CALLED OUT ON DECAL INSTALLATION - OPTIONS.



ART_1001243093_20F2

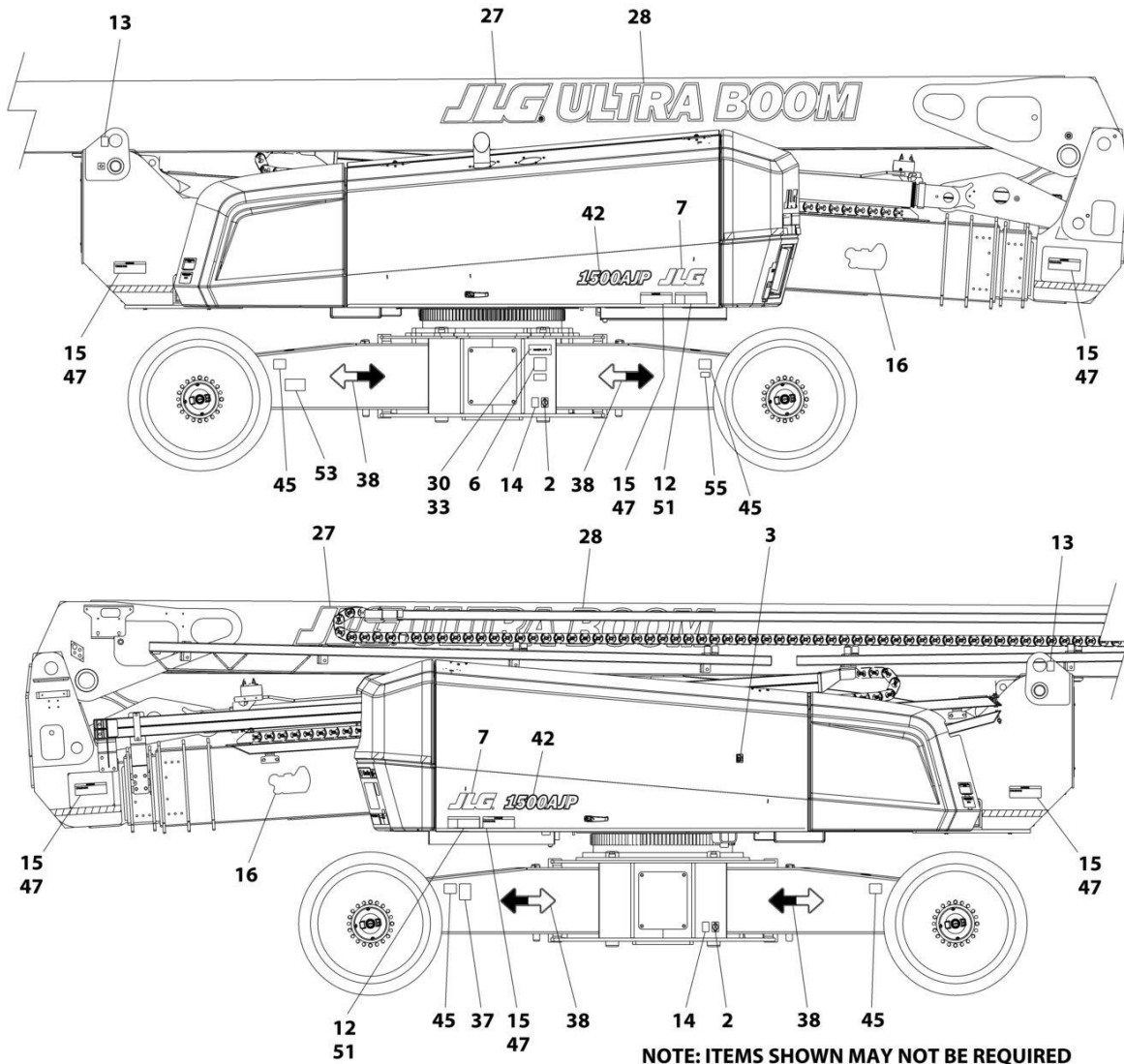
SECTION 9 - DECALS

FIGURE 9-6. DECAL INSTALLATION - CSA SPEC (ENGLISH/FRENCH)

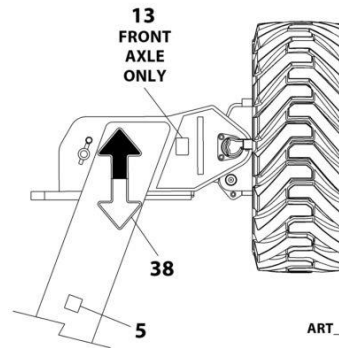
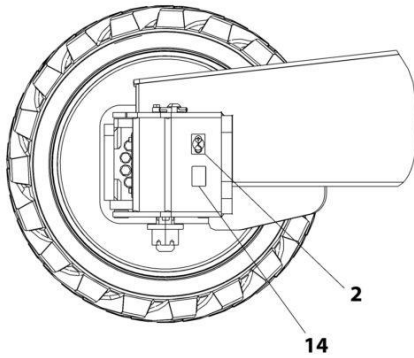
ITEM	PART NUMBER	QTY	DESCRIPTION	REV
	1001243093	Ref	DECAL INSTALLATION - CSA SPEC (ENGLISH/FRENCH)	G
	1001197315	Ref	DECAL INSTALLATION - REFERENCE	N
1	0641406	4	Bolt 1/4 x 3/4	
2	1701499	6	Decal - No Tie Down/Lift	
3	1701505	2	Decal - Diesel Fuel	
4	1701509	1	Decal - Manual	
5	1701691	4	Decal - No Step	
6	See Note	NSS	Decal - Bar Code (Note: Not Available for Purchase)	
7	1702773	3	Decal - JLG	
8	1702774	1	Decal - JLG Lift	
9	1704000	2	Decal - No Hands	
10	1001231316	1	Decal - Danger/Warning	
11	1703948	6	Decal - Warning Crushing	
12	1703936	6	Decal - Electrocution	
13	1703811	4	Decal - Lifting Lug	
14	1703814	6	Decal - Tie Down	
15	1703942	8	Decal - Crushing	
16	1703959	2	Decal - Quik Stik	
17	1704277	3	Decal - Lanyard Attach	
18	1704412	1	Decal - Hydraulic Oil	
20	1706064	1	Decal - Warning Fire Hazard	
21	1705347	1	Decal - Warning Inspection	
23	1705429	1	Decal - Drive/Steer Instructions	
24	1705505	1	Decal - Tip-Over	
25	1705511	1	Decal - Oil Level	
27	1705864	2	Decal - JLG	
28	1705865	2	Decal - Ultraboom (Prior to SN 0300281037)	
28	1001267315	2	Decal - Ultraboom (SN 0300281037 to Present)	
31	1703984	1	Decal - Footswitch	
32	3311405	4	Nut 1/4	
33	3820001	2	Rivet	
34	4751400	8	Washer 1/4	
35	91403230	1	Box, Manual Storage	
37	1001131269	1	Decal - Patent	
38	1001160445	8	Decal - Arrow	
39	1001284691	1	Decal - Lift Diagram	
40	1001254476	1	Decal - Warning Dual Capacity	
41	1001254477	1	Decal - Warning Dual Capacity	
42	1001200707	2	Decal - 1500AJP (Prior to SN 0300280111)	
42	1001268243	2	Decal - 1500AJP (SN 0300280111 to Present)	
43	1001204096	1	Decal - Legend	
44	1001234789	1	Decal - Jump Start/Dual Battery	
45	1001209896	4	Decal - Maximum Tire Load	
50	1001211904	1	Decal - Fuse Box	
52	1001224045	1	Decal - Fuse Box Cover	
53	1001223971	1	Decal - Decal Yearly Inspection	
55	1001223453	1	Decal - ICES	
57	1001184619	1	Decal - Stop	

SECTION 9 - DECALS

FIGURE 9-7. DECAL INSTALLATION - JAPAN SPEC (ENGLISH/JAPANESE)

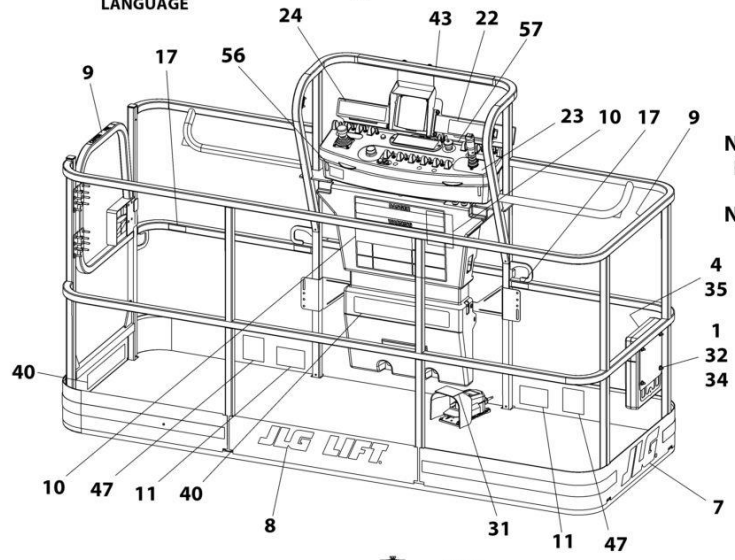
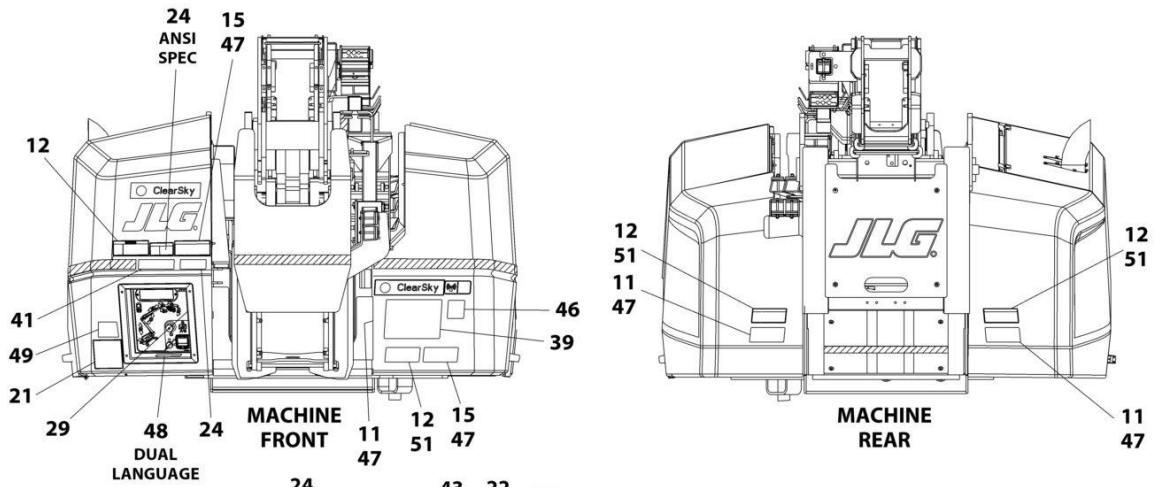


NOTE: ITEMS SHOWN MAY NOT BE REQUIRED FOR ALL SPECS. REFER TO PARTS LISTS FOR USAGE.
 NOTE: ADDITIONAL DECALS CALLED OUT ON DECAL INSTALLATION - OPTIONS.

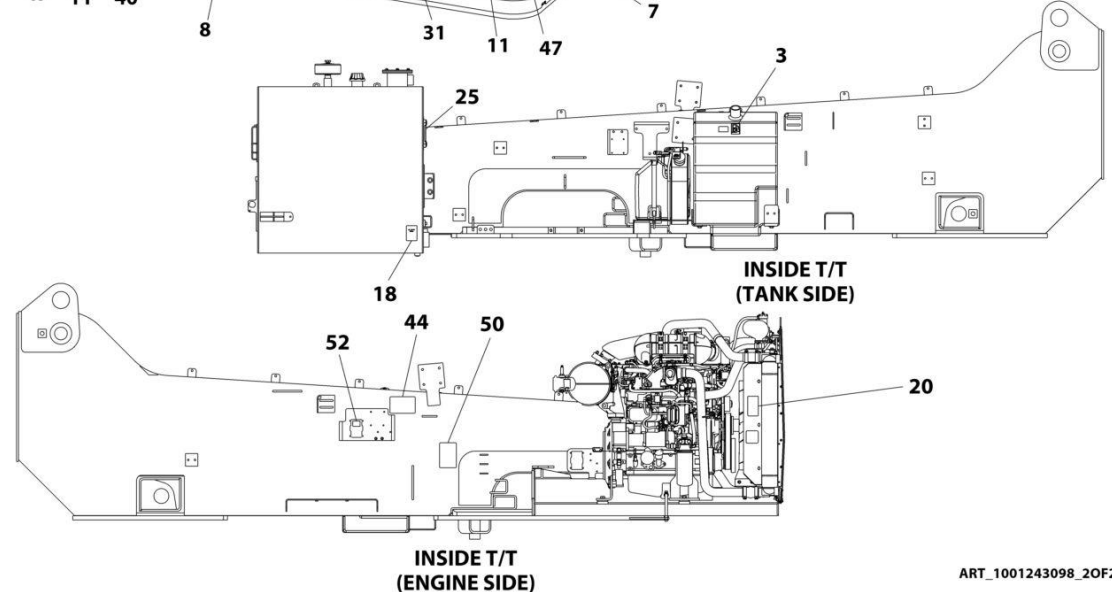


ART_1001243098_10F2

SECTION 9 - DECALS



NOTE: ITEMS SHOWN MAY NOT BE REQUIRED FOR ALL SPECS. REFER TO PARTS LISTS FOR USAGE.
NOTE: ADDITIONAL DECALS CALLED OUT ON DECAL INSTALLATION - OPTIONS.



ART_1001243098_20F2

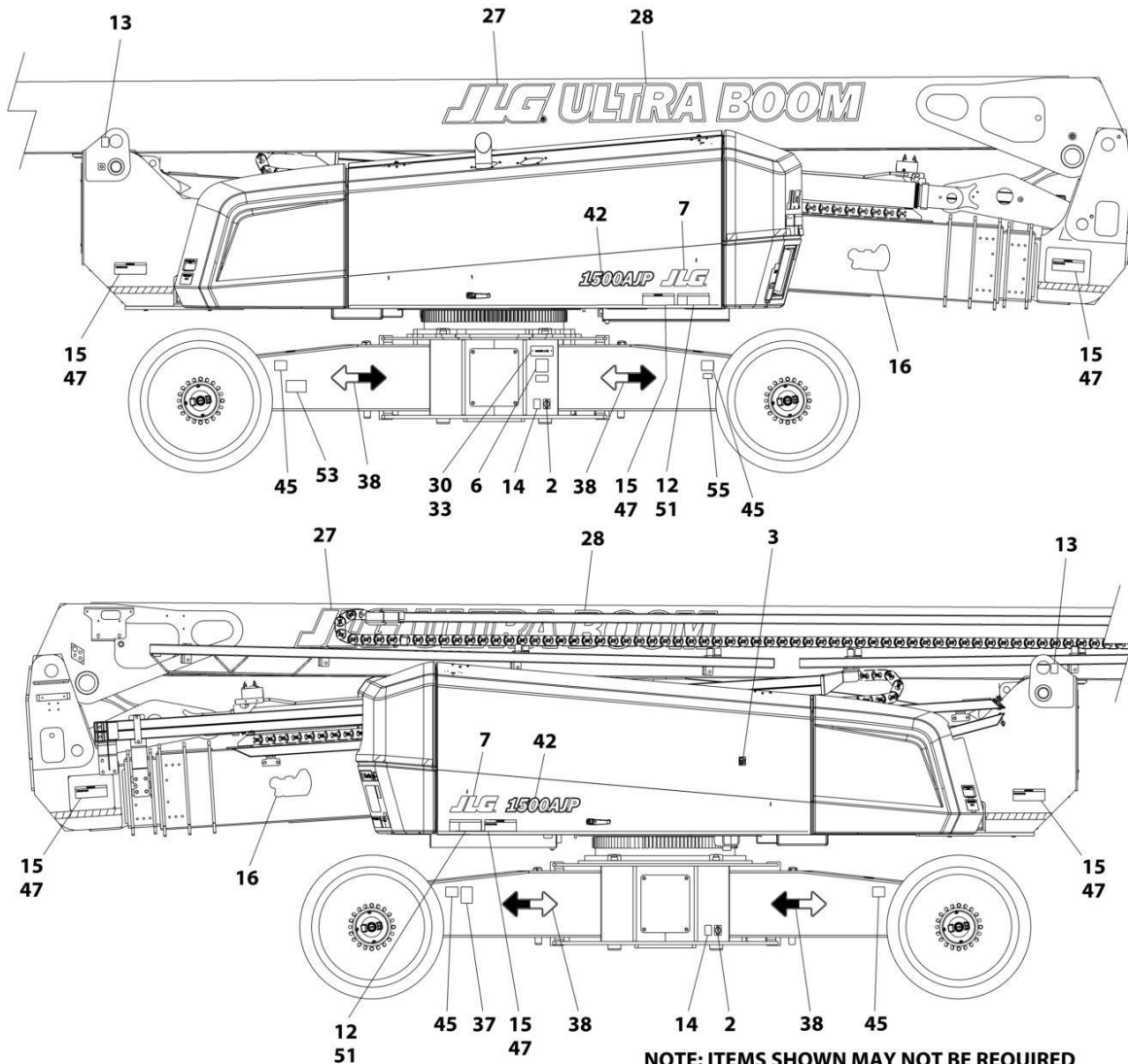
SECTION 9 - DECALS

FIGURE 9-7. DECAL INSTALLATION - JAPAN SPEC (ENGLISH/JAPANESE)

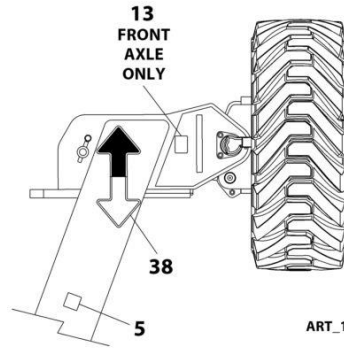
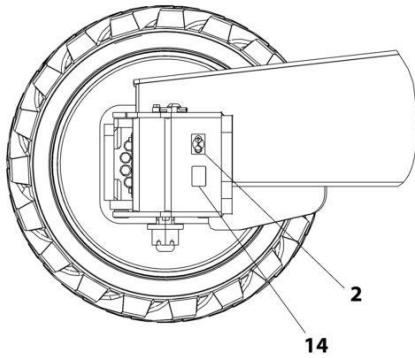
ITEM	PART NUMBER	QTY	DESCRIPTION	REV
	1001243098	Ref	DECAL INSTALLATION - JAPAN SPEC (ENGLISH/JAPANESE)	F
	1001197315	Ref	DECAL INSTALLATION - REFERENCE	N
1	0641406	4	Bolt 1/4 x 3/4	
2	1701499	6	Decal - No Tie Down/Lift	
3	1701505	2	Decal - Diesel Fuel	
4	1701509	1	Decal - Manual	
5	1701691	4	Decal - No Step	
6	See Note	NSS	Decal - Bar Code (Note: Not Available for Purchase)	
7	1702773	3	Decal - JLG	
8	1702774	1	Decal - JLG Lift	
10	1001231320	1	Decal - Danger/Warning	
11	1703950	6	Decal - Crushing	
12	1703938	6	Decal - Electrocution	
13	1703811	4	Decal - Lifting Lug	
14	1703814	6	Decal - Tie Down	
15	1703944	8	Decal - Warning Crushing	
16	1703959	2	Decal - Quik Stik	
17	1704277	3	Decal - Lanyard Attach	
18	1704412	1	Decal - Hydraulic Oil	
20	1704972	1	Decal - Glow Plugs Warning	
21	1705344	1	Decal - Warning Inspection	
23	1705426	1	Decal - Drive/Steer Instruction	
24	1705493	1	Decal - Warning Tip-Over	
25	1705511	1	Decal - Oil Level	
27	1705864	2	Decal - JLG	
28	1705865	2	Decal - Ultraboom (Prior to SN 0300281037)	
28	1001267315	2	Decal - Ultraboom (SN 0300281037 to Present)	
31	1703980	1	Decal - Footswitch	
32	3311405	4	Nut 1/4	
33	3820001	2	Rivet	
34	4751400	8	Washer 1/4	
35	91403230	1	Box, Manual Storage	
38	1001160445	8	Decal - Arrow	
39	1001284691	1	Decal - Lift Diagram	
40	1001254486	1	Decal - Warning Dual Capacity	
41	1001254487	1	Decal - Warning Dual Capacity	
42	1001200707	2	Decal - 1500AJP (Prior to SN 0300280111)	
42	1001268243	2	Decal - 1500AJP (SN 0300280111 to Present)	
44	1001234789	1	Decal - Jump Start/Dual Battery	
45	1001209896	4	Decal - Maximum Tire Load	
50	1001211904	1	Decal - Fuse Box	
52	1001224045	1	Decal - Fuse Box Cover	
53	1001224053	1	Decal - Decal Yearly Inspection	
57	1001195947	1	Decal - Stop and Auxiliary Power	

SECTION 9 - DECALS

FIGURE 9-8. DECAL INSTALLATION - KOREA SPEC (ENGLISH/KOREAN)

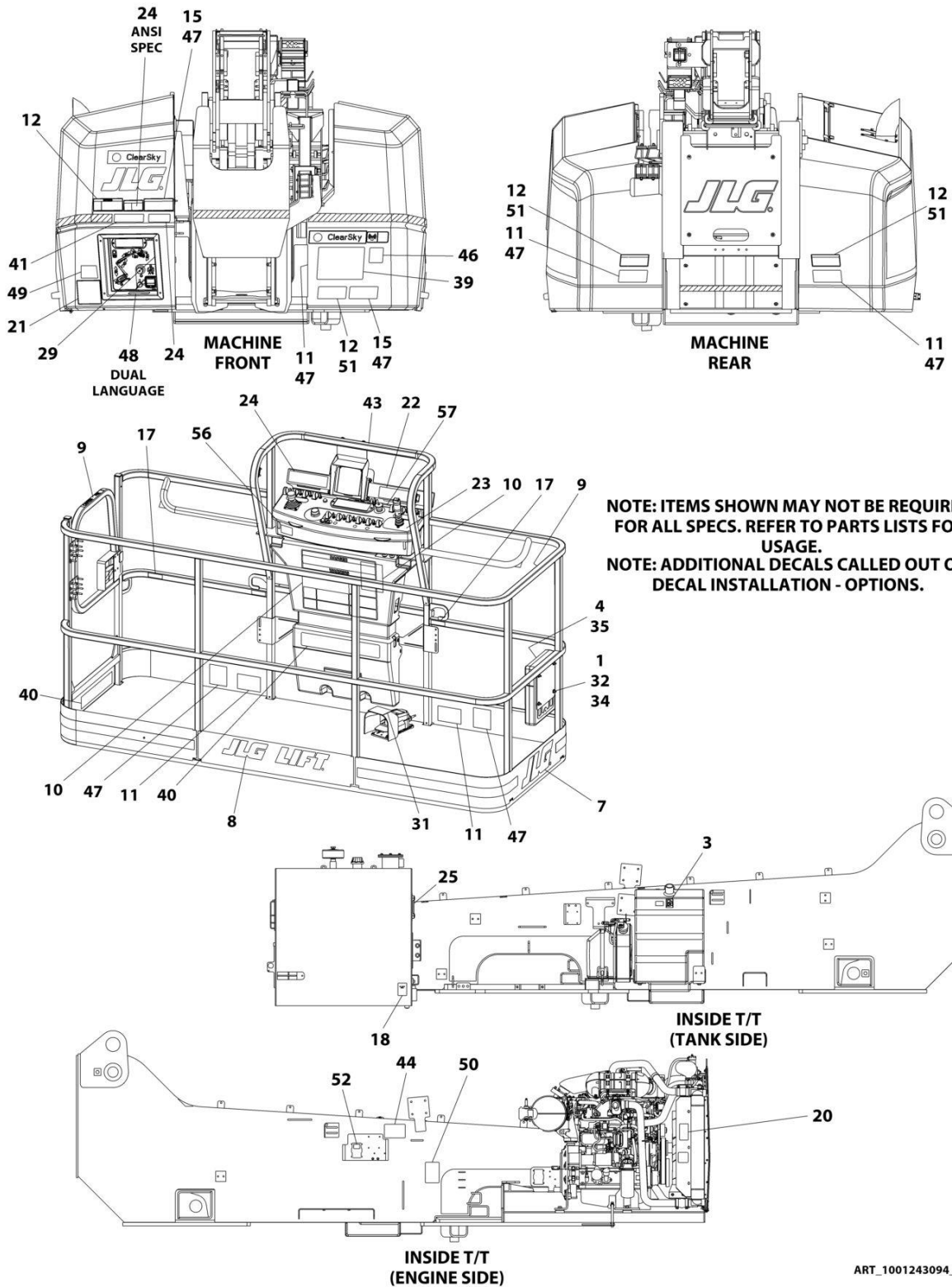


NOTE: ITEMS SHOWN MAY NOT BE REQUIRED FOR ALL SPECS. REFER TO PARTS LISTS FOR USAGE.
 NOTE: ADDITIONAL DECALS CALLED OUT ON DECAL INSTALLATION - OPTIONS.



ART_1001243094_10F2

SECTION 9 - DECALS



ART_1001243094_20F2

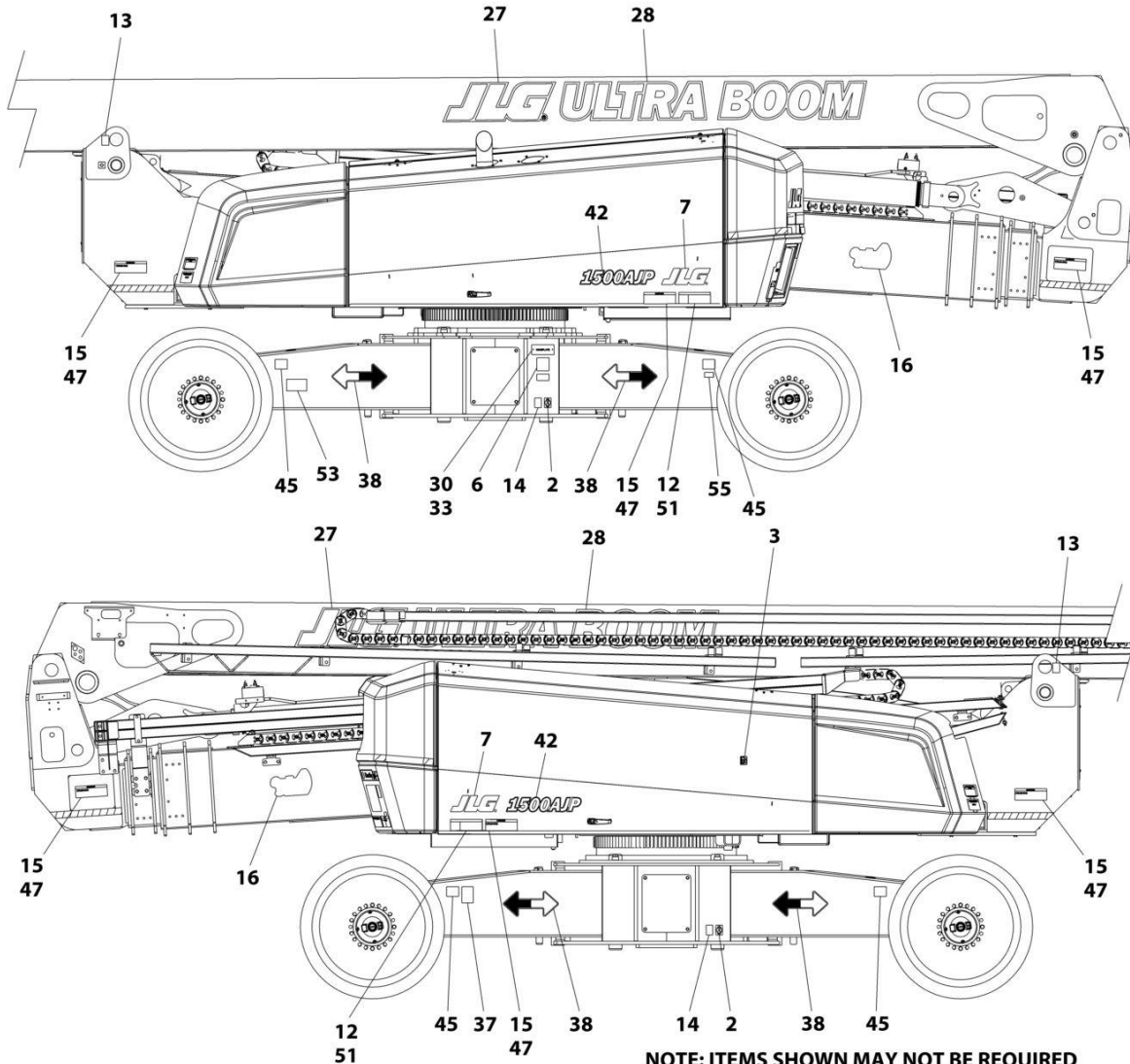
SECTION 9 - DECALS

FIGURE 9-8. DECAL INSTALLATION - KOREA SPEC (ENGLISH/KOREAN)

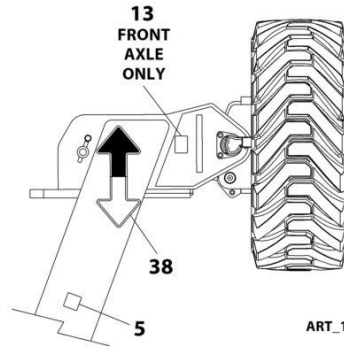
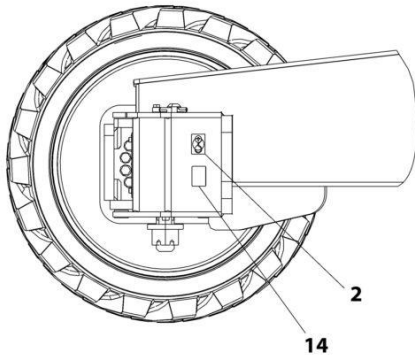
ITEM	PART NUMBER	QTY	DESCRIPTION	REV
	1001243094	Ref	DECAL INSTALLATION - KOREA SPEC (ENGLISH/KOREAN)	F
	1001197315	Ref	DECAL INSTALLATION - REFERENCE	N
1	0641406	4	Bolt 1/4 x 3/4	
2	1701499	6	Decal - No Tie Down/Lift	
3	1701505	2	Decal - Diesel Fuel	
4	1701509	1	Decal - Manual	
5	1701691	4	Decal - No Step	
6	See Note	NSS	Decal - Bar Code (Note: Not Available for Purchase)	
7	1702773	3	Decal - JLG	
8	1702774	1	Decal - JLG Lift	
9	1705969	2	Decal - No Hands	
10	1001231317	1	Decal - Danger/Warning	
11	1703951	6	Decal - Warning Crushing	
12	1703939	6	Decal - Danger Electrocution	
13	1703811	4	Decal - Lifting Lug	
14	1703814	6	Decal - Tie Down	
15	1703945	8	Decal - Warning Crushing	
16	1703959	2	Decal - Quik Stik	
17	1704277	3	Decal - Lanyard Attach	
18	1704412	1	Decal - Hydraulic Oil	
20	1706061	1	Decal - Warning Fire Hazard	
21	1705345	1	Decal - Warning Inspection	
23	1705427	1	Decal - Drive/Steer Instruction	
24	1705503	1	Decal - Warning Tip-Over	
25	1705511	1	Decal - Oil Level	
27	1705864	2	Decal - JLG	
28	1705865	2	Decal - Ultraboom (Prior to SN 0300281037)	
28	1001267315	1	Decal - Ultraboom (SN 0300281037 to Present)	
31	1703981	1	Decal - Footswitch	
32	3311405	4	Nut 1/4	
33	3820001	2	Rivet	
34	4751400	8	Washer 1/4	
35	91403230	1	Box, Manual Storage	
38	1001160445	8	Decal - Arrow	
39	1001284691	1	Decal - Lift Diagram	
40	1001254478	1	Decal - Warning Dual Capacity	
41	1001254479	1	Decal - Warning Dual Capacity	
42	1001200707	2	Decal - 1500AJP (Prior to SN 0300280111)	
42	1001268243	2	Decal - 1500AJP (SN 0300280111 to Present)	
44	1001234789	1	Decal - Jump Start/Dual Battery	
45	1001209896	4	Decal - Maximum Tire Load	
50	1001211904	1	Decal - Fuse Box	
52	1001224045	1	Decal - Fuse Box Cover	
53	1001224048	1	Decal - Decal Yearly Inspection	
57	1001195947	1	Decal - Stop and Auxiliary Power	

SECTION 9 - DECALS

FIGURE 9-9. DECAL INSTALLATION - CSA SPEC (ENGLISH/FRENCH)

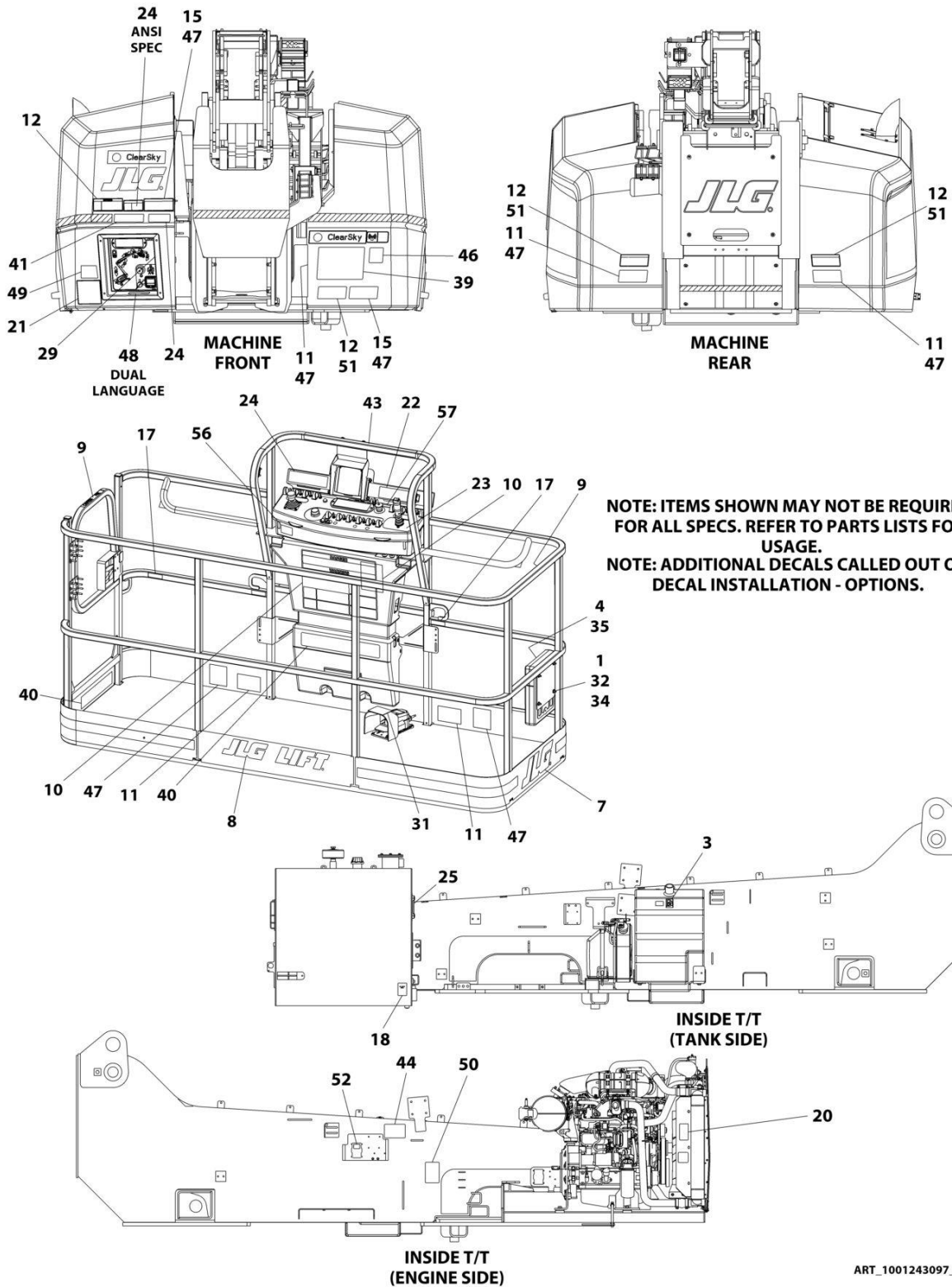


NOTE: ITEMS SHOWN MAY NOT BE REQUIRED FOR ALL SPECS. REFER TO PARTS LISTS FOR USAGE.
 NOTE: ADDITIONAL DECALS CALLED OUT ON DECAL INSTALLATION - OPTIONS.



ART_1001243097_10F2

SECTION 9 - DECALS



NOTE: ITEMS SHOWN MAY NOT BE REQUIRED FOR ALL SPECS. REFER TO PARTS LISTS FOR USAGE.
NOTE: ADDITIONAL DECALS CALLED OUT ON DECAL INSTALLATION - OPTIONS.

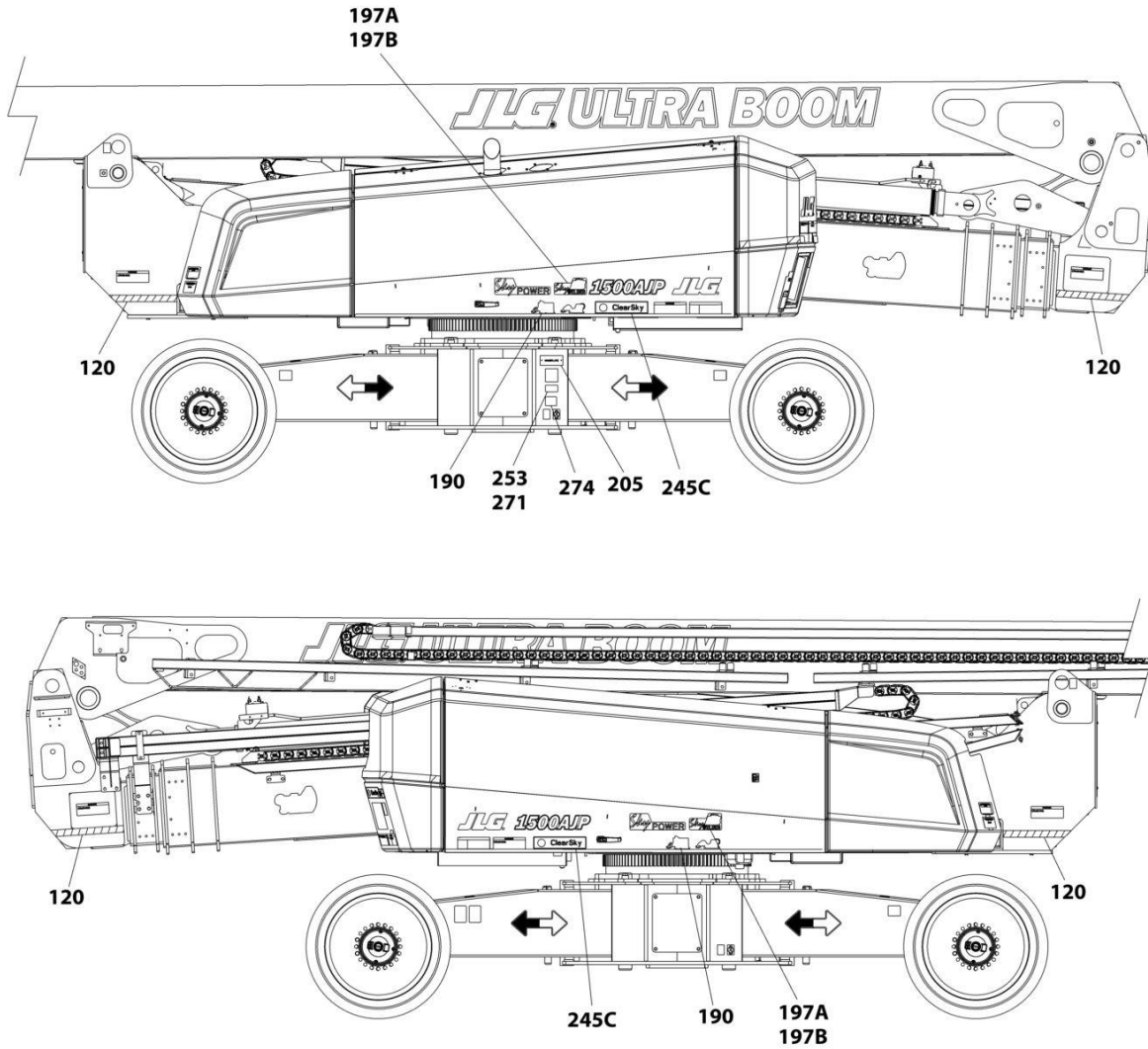
SECTION 9 - DECALS

FIGURE 9-9. DECAL INSTALLATION - CSA SPEC (ENGLISH/FRENCH)

ITEM	PART NUMBER	QTY	DESCRIPTION	REV
	1001243097	Ref	DECAL INSTALLATION - LATIN AMERICA SPEC (ENGLISH/SPANISH)	F
	1001197315	Ref	DECAL INSTALLATION - REFERENCE	N
1	0641406	4	Bolt 1/4 x 3/4	
2	1701499	6	Decal - No Tie Down/Lift	
3	1701505	2	Decal - Diesel Fuel	
4	1701509	1	Decal - Manual	
5	1701691	4	Decal - No Step	
6	See Note	NSS	Decal - Bar Code (Note: Not Available for Purchase)	
7	1702773	3	Decal - JLG	
8	1702774	1	Decal - JLG Lift	
9	1704001	2	Decal - No Hands	
10	1001231318	1	Decal - Danger/Warning	
11	1703947	6	Decal - Warning Crushing	
12	1703935	6	Decal - Electrocutation	
13	1703811	4	Decal - Lifting Lug	
14	1703814	6	Decal - Tie Down	
15	1703941	8	Decal - Warning Crushing	
16	1703959	2	Decal - Quik Stik	
17	1704277	3	Decal - Lanyard Attach	
18	1704412	1	Decal - Hydraulic Oil	
20	1706063	1	Decal - Warning Fire Hazard	
21	1705917	1	Decal - Warning Inspection	
23	1705910	1	Decal - Drive/Steer Instruction	
24	1705915	1	Decal - Tip-Over Hazard	
25	1705511	1	Decal - Oil Level	
27	1705864	2	Decal - JLG	
28	1705865	2	Decal - Ultraboom (Prior to SN 0300281037)	
28	1001267315	2	Decal - Ultraboom (SN 0300281037 to Present)	
31	1703983	1	Decal - Footswitch	
32	3311405	4	Nut 1/4	
33	3820001	2	Rivet	
34	4751400	8	Washer 1/4	
35	91403230	1	Box Manual Storage	
38	1001160445	8	Decal - Arrow	
39	1001284691	1	Decal - Lift Diagram	
40	1001254484	1	Decal - Warning Dual Capacity	
41	1001254485	1	Decal - Warning Dual Capacity	
42	1001200707	2	Decal - 1500AJP (Prior to SN 0300280111)	
42	1001268243	2	Decal - 1500AJP (SN 0300280111 to Present)	
44	1001234789	1	Decal - Jump Start/Dual Battery	
45	1001209896	4	Decal - Max Tire Load	
50	1001211904	1	Decal - Fuse Box	
52	1001224045	1	Decal - Fuse Box Cover	
53	1001224049	1	Decal - Decal Yearly Inspection	
57	1001195947	1	Decal - Stop and Auxiliary Power	

SECTION 9 - DECALS

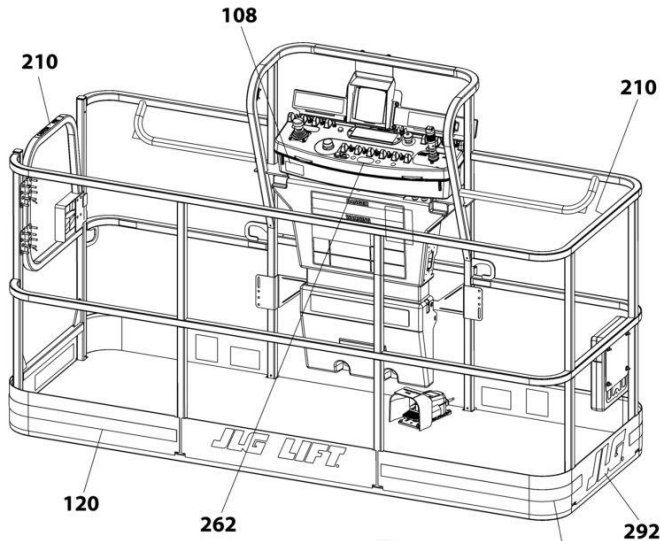
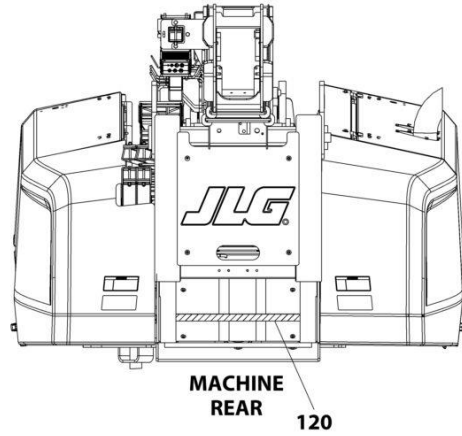
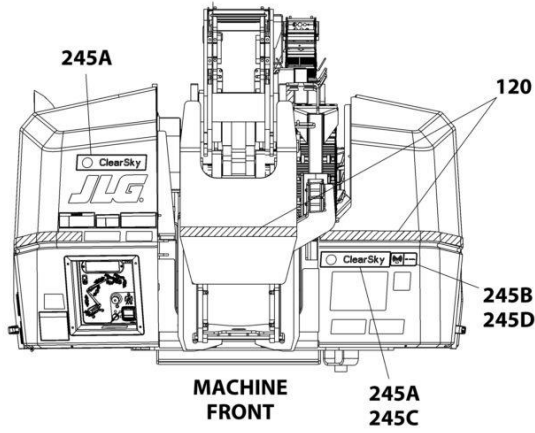
FIGURE 9-10. DECAL INSTALLATION - OPTIONS



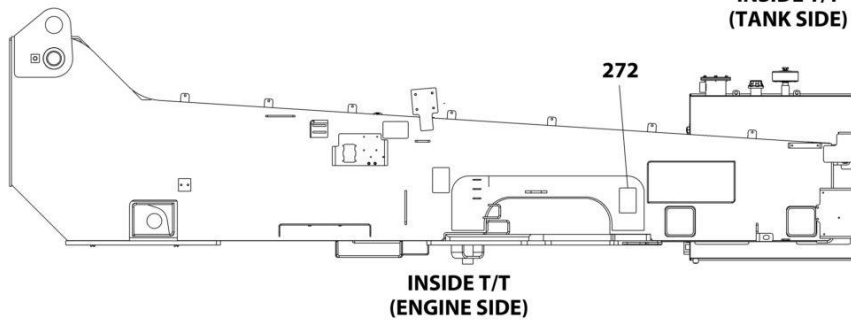
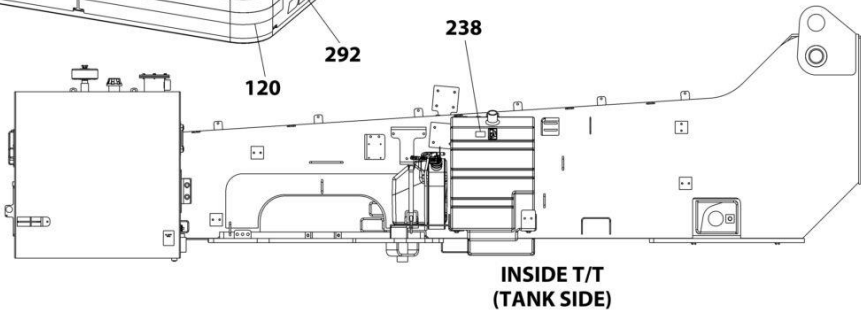
NOTE: ITEMS SHOWN MAY NOT BE REQUIRED FOR ALL SPECS. REFER TO PARTS LISTS FOR USAGE.

ART_DECAL_OPTIONS_10F2

SECTION 9 - DECALS



NOTE: ITEMS SHOWN MAY NOT BE REQUIRED FOR ALL SPECS. REFER TO PARTS LISTS FOR USAGE.



ART_DECAL_OPTIONS_20F2

SECTION 9 - DECALS

FIGURE 9-10. DECAL INSTALLATION - OPTIONS

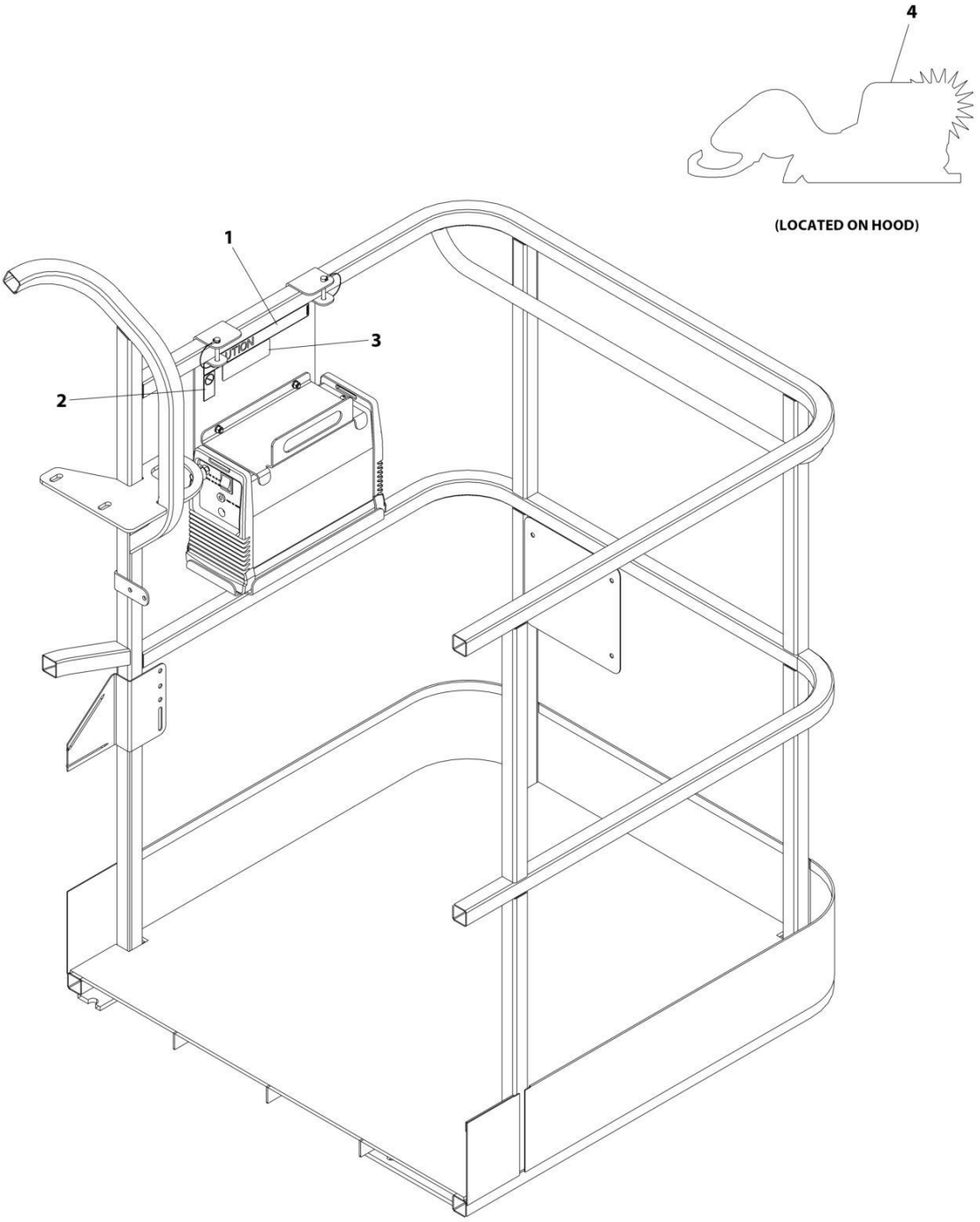
ITEM	PART NUMBER	QTY	DESCRIPTION	REV
		Ref	DECAL INSTALLATION - OPTIONS	
108	1001231801	1	Decal - Warning Prop 65 Diesel (ANSI Specs)	
120	4420051	29 ft /8.8m	Decal - Warning Stripes	
190	1001172570	1	Decal - SkyGlazier (English Language) (ANSI)	
190	1001172620	1	Decal - SkyGlazier (English Language) (Australian)	
190	1001172576	1	Decal - SkyGlazier (English Language) (UK)	
190	1001172573	1	Decal - SkyGlazier (French Language)	
190	1001172574	1	Decal - SkyGlazier (German Language)	
190	1001172575	1	Decal - SkyGlazier (Italian Language)	
190	1001172572	1	Decal - SkyGlazier (Portuguese Language) (Brazil)	
190	1001193136	1	Decal - SkyGlazier (Portuguese Language) (Europe)	
190	1001193135	1	Decal - SkyGlazier (Spanish Language) (Europe)	
190	1001172571	1	Decal - SkyGlazier (Spanish Language) (Latin American)	
197A	0272448	1	Decal - SkyGlazier 60Hz (ANSI, ANSI Export, and CSA Specs)	
197A	1705355	1	Decal - SkyWelder	
197A	1702868	1	Decal - No Hands (Not Shown)	
197A	1705305	1	Decal - Weld Lead (Not Shown)	
197A	1705375	1	Decal - 240V - 3 Phase - 60Hz (Not Shown)	
197A	1001228988	1	Decal - Weight (Not Shown)	
197B	0272588	1	Decal - SkyWelder 50Hz (Australian, Japanese and China Specs)	
197B	1705355	1	Decal - SkyWelder	
197B	1705305	1	Decal - Weld Lead (Not Shown)	
197B	1001228988	1	Decal - Weight (Not Shown)	
205	See Note	1	Nameplate, Serial Number (Note: Not Available for Purchase)	
210		Ref	Decal - No Hands (Required with Soft Touch Platform or Mesh to Top Rail Options Only)	
210	1702868	2	Decal - No Hands (ANSI and Australian Spec) (English)	
210	1705967	2	Decal - No Hands (Brazil Spec) (English/Portuguese)	
210	1001116846	2	Decal - No Hands (China Spec) (English/Chinese)	
210	1704000	2	Decal - No Hands (CSA Spec) (English/French)	
210	1705969	2	Decal - No Hands (Korean Spec) (English/Korean)	
210	1704001	2	Decal - No Hands (Latin American Spec) (English/Spanish)	
238	1001125387	1	Decal - Ultra Low Sulfur Fuel (ANSI, ANSI Export (HRC) and CSA Specs Only)	
238	1001139654	1	Decal - Ultra Low Sulfur Fuel (ANSI Export (LRC), Australian, China, Japanese, CE & UK CA Specs Only)	
245	1001216618	Ref	Decal - ClearSky Telematics	A
245C	1001116208	3	Decal - ClearSky	
245D	1001120989	1	Decal - Radio Frequency	
253	1001143852	1	Decal - Emissions Compliance (ANSI Export (LRC), Australian, China, CE & UK CA (LRC) Specs Only)	
262	1001141300	1	Decal - SkyGuard Override	
265	1001271930	1	Decal - Soft Touch (ANSI) (English) (Not Shown)	
265	1001271932	1	Decal - Soft Touch (China Spec) (English/Chinese) (Not Shown)	
265	1001271934	1	Decal - Soft Touch (Latin American Spec) (English/Spanish) (Not Shown)	
265	1001271936	1	Decal - Soft Touch (CSA Spec) (English/French) (Not Shown)	
265	1001271938	1	Decal - Soft Touch (Japanese Spec) (English/Japanese) (Not Shown)	
265	1001271939	1	Decal - Soft Touch (Korean Spec) (English/Korean) (Not Shown)	

SECTION 9 - DECALS

ITEM	PART NUMBER	QTY	DESCRIPTION	REV
265	1001271940	1	Decal - Soft Touch (Brazil Spec) (English/Portuguese) (Not Shown)	
265	1001271941	1	Decal - Soft Touch (Australian, CE & UK CA Spec) (Not Shown)	
274	1001214029	1	Decal - EAC (CE Russian Spec)	

SECTION 9 - DECALS

FIGURE 9-11. SKYCUTTER DECAL INSTALLATION (ANSI, ANSI EXPORT AND CSA SPECS)



ART_0272599

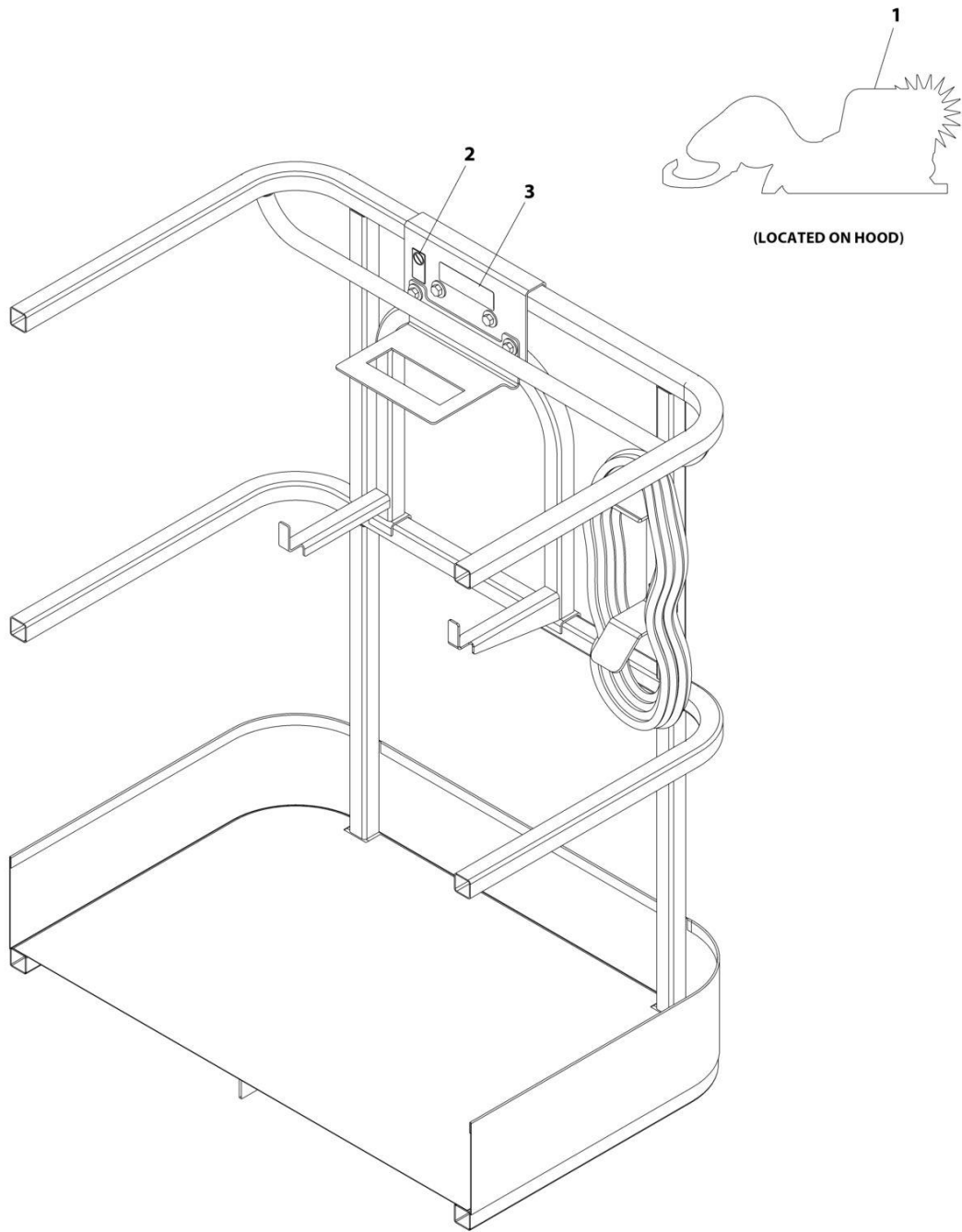
SECTION 9 - DECALS

FIGURE 9-11. SKYCUTTER DECAL INSTALLATION (ANSI, ANSI EXPORT AND CSA SPECS)

ITEM	PART NUMBER	QTY	DESCRIPTION	REV
	0272599	Ref	SKYCUTTER DECAL INSTALLATION	C
1	1702868	1	Decal - No Hands	
2	1705305	1	Decal - Weld Leads	
3	1001252627	1	Decal - Weight	
4	1705490	2	Decal - SkyCutter	

SECTION 9 - DECALS

FIGURE 9-12. SKYCUTTER DECAL INSTALLATION (JAPANESE SPECS)



ART_0272607_C

SECTION 9 - DECALS

FIGURE 9-12. SKYCUTTER DECAL INSTALLATION (JAPANESE SPECS)

ITEM	PART NUMBER	QTY	DESCRIPTION	REV
	0272607	1	SKYCUTTER DECAL INSTALLATION	C
1	1705490	2	Decal - SkyCutter	
2	1705305	1	Decal - Weld Lead	
3	1001252627	1	Decal - Weight	

SECTION 10 - RECOMMENDED SERVICE PARTS STOCK

SECTION 10 - RECOMMENDED SERVICE PARTS STOCK

SECTION 10 - RECOMMENDED SERVICE PARTS STOCK

FIGURE 10-1. RECOMMENDED SERVICE PARTS STOCK

ITEM	PART NUMBER	QTY	DESCRIPTION	REV
		Ref	Note: The following list will service one machine (built to current production per date on the front cover) with emergency repair parts which can be installed in the field. Parts from the list should be replaced when inventory is depleted to keep service parts stock supplied. For further information, contact your JLG dealer or the JLG Industries Parts Department.	
	7024485	1	Breaker, Circuit 30Amp (7500W Generators)	
	1001181045	1	Breaker - 30mA/16Amp (Breaker Box with 2 Breakers and 4000W 50Hz Breaker Box)	
	1001189171	1	Breaker 30mA (Breaker Box with 3 Breakers)	
	1001189172	1	Breaker 16Amp Double (Breaker Box with 3 Breakers)	
	70001431	1	Breaker, Circuit (Plasma Cutter)	
	4360070	1	Breaker, Circuit - 15Amp (4000W 60Hz and all 7500W Generators)	
	70002386	1	Coil (Traction Valve)	
	70004460	1	Coil (Steer/Axle Extend Valve, Main Valve & Boom Valve)	
	70004463	1	Coil (Steer/Axle Extend Valve)	
	70004588	1	Coil (Main Valve & Boom Valve)	
	70004595	1	Coil (Main Valve & Boom Valve)	
	70003788	1	Coil (Boom & Cylinders Installation)	
	70006004	1	Coil (Boom & Cylinders Installation)	
	70004653	1	Coil (Platform Valve)	
	7024885	1	Coil (Platform Valve)	
	1001138566	1	Control, Box (4000w Generator)	
	0861572	1	Control, Box (7500w 50Hz Generator)	
	0861538	1	Control, Box (7500w 60Hz Generator)	
	1001275628	1	Controller, Drive/Steer	
	1001275629	1	Controller, Lift/Swing	
	4360407	1	Controller, Speed (Potentiometer) (Platform Console Box)	
	70008358	12	Element, Hydraulic Filter (Donaldson) (Valves & Filters - Turntable)	
	70002231	12	Element, Hydraulic Filter (Parker) (Valves & Filters - Turntable)	
	1001161232	12	Element, Hydraulic High Pressure Filter (Valves & Filters - Turntable)	
	70002097	12	Element, Hydraulic Pressure (Valves & Filters - Boom)	
	70006405	12	Element, Fuel (LRC Engines)	
	70023809	12	Element, Primary Air (All Engines)	
	70023872	12	Element - Secondary Air (All Engines)	
	1001228872	12	Filter, Coolant Screen (HRC Engines)	
	1001196634	2	Fuse, 2A (Breather Heater)	
	8229249	2	Fuse, 3 Amp (USB Charger)	
	2400030	2	Fuse, 3A (Console Box Harness)	
	8229242	2	Fuse, 5A (Engine Harness HRC)	
	8229244	2	Fuse, 15A (Engine Harness HRC)	
	70023592	2	Fuse, 20A (LRC Engines)	
	8229247	2	Fuse, 25A (Engine Harness HRC)	
	70023593	2	Fuse, 30A (LRC Engines)	
	8229245	2	Fuse, 30A (Engine Harness HRC)	
	2860030	1	Key, Replacement	
	2940074	1	Latch (Platforms with Swing Gate)	
	1001247468	1	Loadcell (Platform Support)	
	1001142683	1	Module, Beacon Control	

SECTION 10 - RECOMMENDED SERVICE PARTS STOCK

ITEM	PART NUMBER	QTY	DESCRIPTION	REV
	1001150162	1	Module, Control (Frame)	
	1001281500	1	Module, Ground Control	
	1001277209	1	Module, Control (Boom)	
	1001199483	1	Module, Platform	
	1001138228	1	Module, Relay (LRC Engines)	
	3740067	1	Relay (Electrical Components - Turntable)	
	1001216021	1	Relay (Electrical Components - Turntable)	
	70006553	1	Relay (4000W Generators)	
	1001186431	1	Relay (SkyGuard)	
	1001095704	1	Relay (HRC Engines)	
	3740086	1	Relay (SkyLine)	
	1001117308	1	Relay, 200Amp (All Engines)	
	1001146963	1	Sensor, Angle (Steer)	
	1001200345	1	Sensor, Angle (Boom Sensors)	
	1001200848	1	Sensor, Angle (Boom Sensors)	
	1001201095	1	Sensor, Angle Gravity (Boom Sensors)	
	1001200764	1	Sensor, BEI Angle (Boom Sensors)	
	1001197960	1	Sensor, Boom Length (Boom Sensors)	
	1001197961	1	Sensor, Boom Length (Boom Sensors)	
	1001138827	1	Sensor (Engine Coolant Level)	
	1001219601	1	Sensor, Dual Axis	
	1001228225	1	Sensor, Emitter (SkyEye)	
	4360548	1	Sensor, Limit (Boom Sensors)	
	70005966	1	Sensor, Pressure (Platform Valve)	
	1001200550	1	Sensor, Pressure Transducer (Turntable Hydraulics)	
	4000008	1	Sensor, Proximity (Boom Sensors)	
	1001120104	1	Sensor, Proximity (Boom Sensors)	
	1001204043	1	Sensor, Proximity (Boom Sensors)	
	1001232667	1	Sensor, Proximity (SkyLine)	
	7026031	1	Sensor, Proximity (Coupling/Collector Ring)	
	1001196517	1	Sensor, Proximity (Boom Sensors)	
	1001228224	1	Sensor, Receiver (SkyEye)	
	1001237902	1	Sensor, SkySense	
	70004614	1	Sensor, Temp (Junction Valve)	
	1001225346	1	Switch, Disconnect (Battery Disconnect)	
	1001117174	1	Switch, Foot	
	4360469	1	Switch, Key	
	4360387	1	Switch, Pushbutton Yellow (Console Box & Ground control Box)	
	4360475	1	Switch, Push-Pull Emergency	
	70001432	1	Switch, Rocker (Plasma Cutter)	
	1001137673	1	Switch, SkyGuard	
	4360336	1	Switch, Toggle (Generators)	
	1001155045	1	Switch, Toggle (Platform Console Box)	
	1001159256	1	Switch, Toggle (Platform Console Box)	
	1001161709	1	Switch, Toggle (Platform Console Box)	
	1001161710	1	Switch, Toggle (Platform Console Box)	
	4360328	1	Switch, Toggle (Ground Control Assembly)	

SECTION 11 - SPECIAL OPTIONS/ACCESSORIES/KITS

SECTION 11 - SPECIAL OPTIONS/ACCESSORIES/KITS

SECTION 11 - SPECIAL OPTIONS/ACCESSORIES/KITS

FIGURE 11-1. SPECIAL OPTIONS/ACCESSORIES/KITS

ITEM	PART NUMBER	QTY	DESCRIPTION	REV
		Ref	Note: This list is to accommodate machines ordered with special equipment. Options may not be applicable to all models. For more specific parts information contact JLG Parts Department.	
		Ref	MISCELLANEOUS SPECIAL OPTIONS/ACCESSORIES/KITS	
	1001197342	Ref	Airline Installation - 1/2	
	1001202401	Ref	Air Intake Shut-off Valve (Deutz Engines - HRC) (ANSI and CSA Specs)	
	1001197329	Ref	Bellows Installation - Boom	
	1001158014	Ref	Bellows Installation - Chassis	
	1001197330	Ref	Boom Wipers Installation	
	1001242192	Ref	ClearSky Access Control Add-on Kit	
		Ref	ClearSky Telematics Installation (Dealer Installed)	
	1001265378	Ref	ClearSky (Telematics) Add-on Kit (Dealer Installed) (ANSI, ANSI Export and CSA Specs)	
	1001246142	Ref	ClearSky (Telematics) Add-on Kit (Dealer Installed) (Australian Specs)	
	1001243184	Ref	ClearSky (Telematics) Add-on Kit (Dealer Installed) (CE & UK CA Specs)	
	1001276923	Ref	ClearSky (Telematics) Add-on Kit (Contact JLG for Approved Countries)	
	1001197336	Ref	Cold Weather Package (Machines without Arctic Package)	
	1001197336	Ref	Cold Weather Package (Machines with Arctic Package)	
	1001233047	Ref	Crankcase Breather Heater Kit	
	1001200137	Ref	Cribbing Switch Installation (ANSI Spec Only)	
		Ref	Decal Installations	
	1001220864	Ref	Decal - Boom Transport Decals Kit	
	1001241344	Ref	Decal - Platform Console Box Decal Kit	
	1001241335	Ref	Decal - Platform Decal Kit	
		Ref	Electrical Connector Kits	
	1001148902	Ref	Amp/Tyco Electrical Connector Kit	
	1001148903	Ref	Deutsch DT Electrical Connector Kit	
	1001148904	Ref	Deutsch HD Electrical Connector Kit	
	1001148905	Ref	Packard Electrical Connector Kit	
	1001148906	Ref	Various Electrical Connectors Kit	
	1001244863	Ref	DEF Tank Replacement Kit	
	1001235962	Ref	Engine Coolant Strainer Kit	
	1001237883	Ref	Fall Arrest Bolt On Kit (6FT x 1.83M) (ANSI, ANSI Export, China, CSA, and Japanese Specs) (Fits Platform p/ns 1001186384 & 1001228376)	
	1001237882	Ref	Fall Arrest Bolt On Kit (8FT x 2.44M) (ANSI, ANSI Export, China, CSA, and Japanese Specs) (Fits Platform p/ns 1001186383)	
	1001197775	Ref	Fan Guard Installation	
	1001225639	Ref	Combined Filter Kit (Deutz HRC & LRC Engines)	
	1001139099	Ref	Fire Extinguisher Installation	
	1001274833	Ref	Floor Mat Add-on Kit (30x48 Platform) (Dealer Installed)	
	1001274830	Ref	Floor Mat Add-on Kit (36x72 Platform) (Dealer Installed)	
	1001274829	Ref	Floor Mat Add-on Kit (36x96 Platform) (Dealer Installed)	
	1001117294	Ref	Foot Switch Shield	
	1001205812	Ref	Fuel Cap Installation - Lockable	
	1001197340	Ref	Headlight and Taillights Installation	
	1001237402	Ref	Hose/Cable Protection Installation (Boom)	

SECTION 11 - SPECIAL OPTIONS/ACCESSORIES/KITS

ITEM	PART NUMBER	QTY	DESCRIPTION	REV
	1001239627	Ref	Hose Kit - Platform Valve	
	1001239625	Ref	Hose Kit - Upper Powertrack	
	1001241419	Ref	Hostile Environment Kit	
	1001197341	Ref	Illumination Lights Installation	
	1001236952	Ref	Low Temperature Cut Out Installation	
	1001236268	Ref	Main Control Valve Kit	
	1001253618	Ref	Module Box Assembly Kit (Service Kit for P/N 1001246867)	
	1001253619	Ref	Module Box Assembly Kit (Service Kit for P/N 1001246860)	
	1001155064	Ref	Oil Cooler Installation	
	1001272166	Ref	Pipe Rack Kit	
	1001197436	Ref	Platform Console Cover Installation	
	1580013	Ref	Platform Corner Storage Tray	
		Ref	Platform Entry Kits	
	1001142504	Ref	Drop Bar (Replacing Swing Gate with Drop Bar)	
	1001142505	Ref	Swing Gate (Replacing Drop Bar with Swing Gate)	
	1001202917	Ref	Platform Floodlights Installation	
		Ref	Platform Mesh to Top Rail Add-On Kits: (ANSI, ANSI Export, Australian and CSA Specs)	
	1001281456	Ref	30in x 4ft (76cm x 1.22m) with Gate	
	1001281453	Ref	36in x 6ft (91.5cm x 1.83m) with Gate	
	1001281452	Ref	36in x 8ft (91.5cm x 2.44m) with Gate	
		Ref	Platform Mesh to Top Rail Installations (ANSI, ANSI Export, Australian and CSA Specs)	
	1001272182	Ref	30in x 4ft (76cm x 1.22m)	
	1001271642	Ref	36in x 6ft (91.5cm x 1.83m)	
	1001269187	Ref	36in x 8ft (91.5cm x 2.44m)	
		Ref	Platform Plastic Mesh to Top Rail Installations (ANSI, ANSI Export, Australian and CSA Specs)	
	1001266807	Ref	30in x 4ft (76cm x 1.22m)	
	1001266489	Ref	36in x 6ft (91.5cm x 1.83m)	
	1001266056	Ref	36in x 8ft (91.5cm x 2.44m)	
		Ref	Platform Mesh to Mid Rail Add-On Kits: (ANSI, ANSI Export, Australian and CSA Specs)	
	1001281461	Ref	30in x 4ft (76cm x 1.22m) with Gate	
	1001281458	Ref	36in x 6ft (91.5cm x 1.83m) with Gate	
	1001281457	Ref	36in x 8ft (91.5cm x 2.44m) with Gate	
		Ref	Platform Mesh to Mid Rail Installation (ANSI, ANSI Export, Australian and CSA Specs)	
	1001272274	Ref	30in x 4ft (76cm x 1.22m)	
	1001271760	Ref	36in x 6ft (91.5cm x 1.83m)	
	1001269389	Ref	36in x 8ft (91.5cm x 2.44m)	
		Ref	Platform Plastic Mesh to Mid Rail Installation (ANSI, ANSI Export, Australian and CSA Specs)	
	1001266969	Ref	30in x 4ft (76cm x 1.22m)	
	1001266284	Ref	36in x 6ft (91.5cm x 1.83m)	
	1001266098	Ref	36in x 8ft (91.5cm x 2.44m)	
	0272725	Ref	Platform Rail Extension - 8ft Platform	
	2902217	Ref	Platform Weld Leads	
	1001202916	Ref	Platform Worklights Installation	
	1001233732	Ref	Service Tools & Kits	R
	1001266828	Ref	Strobe Light Installation Kit - Blue	
	1001266826	Ref	Strobe Light Installation Kit - Red	
	1001247073	Ref	SkyEye Retrofit Kit	

SECTION 11 - SPECIAL OPTIONS/ACCESSORIES/KITS

ITEM	PART NUMBER	QTY	DESCRIPTION	REV
	1001250035	Ref	SkyGuard Platform Sensor Kit	
	1001249052	Ref	SkyGuard Retrofit Kit	
	1001241547	Ref	SkyEye Housing Repair Kit (LH)	
	1001241548	Ref	SkyEye Housing Repair Kit (RH)	
	1001250595	Ref	SkyGuard 6-Pin Retrofit Installation Kit	
	1001262016	Ref	SkyLine Kit	
	1001289905	Ref	SkySense/Enhanced Detection System (EDS) Level 1 (2-Bar) Installation Kit (Dealer Installed)	
	1001289906	Ref	SkySense/Enhanced Detection System (EDS) Level 2 (3-Bar) Installation Kit (Dealer Installed)	
	1001250465	Ref	SkySense/Enhanced Detection System (EDS) Level 1 (2-Bar) Installation Kit (Factory Installed)	
	1001250466	Ref	SkySense/Enhanced Detection System (EDS) Level 2 (3-Bar) Installation Kit (Factory Installed)	
	1001282461	Ref	SkySense Padding Installation - For 36 x 48 Platforms equipped with SkySense	
	1001282434	Ref	SkySense Pre-cut Bumper Kit (use with 1001282461)	
	1001275642	Ref	SkySense Padding Installation - For 36 x 72 Platforms equipped with SkySense	
	1001275650	Ref	SkySense Pre-cut Bumper Kit (use with 1001275642)	
	1001269655	Ref	SkySense Padding Installation - For 36 x 96 Platforms equipped with SkySense	
	1001276062	Ref	SkySense Pre-cut Bumper Kit (use with 1001269655)	
	4530028	Ref	SkyWelder (Welder Assembly only)	
	1001231235	Ref	SkyWelder Locking Bracket Installation	
		Ref	Tools For Service:	
	2901443	Ref	Analyzer Kit	
	1001249695	Ref	Analyzer, Machine System with Cable	
	1001249941	Ref	Analyzer, Machine System with Cable (Battery Powered)	
	1001197359	Ref	Boom Cable Adjustment Socket Installation	
	7002821	Ref	Crimper, Wire	
	7002823	Ref	Pin Extractor - Universal (For Electrical Connectors with Pins and Sockets)	
	4460467	Ref	Extractor - 16-18 Gauge (For Removal of Pin/Sockets from Deutsch Connectors)	
	4460510	Ref	Extractor - 12-14 Gauge (For Removal of Pin/Sockets from Deutsch Connectors)	
	7016654	Ref	Screwdriver, Magnetic	
	7002822	Ref	Screwdriver, Potentiometer	
	7004275	Ref	Seal Tool 1 in (For Cylinders)	
	7004276	Ref	Seal Tool 1-1/2 in (For Cylinders)	
	1001137005	Ref	Software Cable Kit (Service Kit)	
	7002828	Ref	Stripper, Wire	
	70004185	Ref	Torque Multiplier	
	7016655	Ref	Wire Rope Sheave Gauge	
	1001193630	Ref	Turntable Bearing Kit	
	1001241273	Ref	Tower Boom Wear Pad Kit	
	1001265328	Ref	Tower Stow Sensor Kit	
	1001278007	Ref	UCM Replacement Kit	
	1001277846	Ref	UGM Kit	
	1001274249	Ref	USB Charger Add-on Kit (Dealer Installed)	
	1001262959	Ref	Voltage Regulator Relocation Kit (ClearSky)	
	1001277341	Ref	White Noise Alarm Kit	
	1001277285	Ref	White Noise Ambient Alarm Kit	

SECTION 11 - SPECIAL OPTIONS/ACCESSORIES/KITS

ITEM	PART NUMBER	QTY	DESCRIPTION	REV
	1001241673	Ref	Wire Rope Kit	

SECTION 11 - SPECIAL OPTIONS/ACCESSORIES/KITS

PART NUMBER INDEX

SECTION 11 - SPECIAL OPTIONS/ACCESSORIES/KITS

0100009	399, 403	0630536.....	463	0700820	170, 182, 224, 228,	0760608	170, 176, 182, 188,
0100011	17, 19, 21, 31, 53,	0630568.....	400, 404	252, 268		199, 211, 224, 228, 236,	242, 252, 268
57, 59, 77, 83, 85, 89, 93,		0630615001	157	0700822	170, 182, 224, 228,	0760610.....	93, 97, 101, 105,
97, 101, 105, 109, 113,		0641404.....	415	252, 268		109, 113, 117, 121, 173,	185, 201, 213, 231, 233,
117, 121, 157, 158, 159,		0641405.....	399, 403, 415	0700823001	488	258, 305, 309, 313, 317,	355, 395, 397, 537
170, 173, 176, 182, 185,		0641406	391, 666, 670, 674,	0700827	170, 182, 224, 228,	0760610001	479
188, 198, 201, 204, 210,		678, 682, 686, 690, 694,	698	252, 268		0760612.....	158, 395, 397
213, 216, 224, 228, 231,		0641406001	393	0701013	89, 176, 188, 204,	0760612001	355
233, 236, 242, 252, 258,		0641408.....	158, 159, 417	216, 236, 242, 262, 278		0760613.....	93, 97, 101, 105,
262, 268, 274, 278, 305,		0641414	399, 403, 413, 417,	0701014001	157, 163, 165	109, 113, 117, 121	
309, 313, 317, 325, 330,		419, 433, 435		0701015	81, 83, 85, 157,	0760614.....	83, 85, 176, 188,
335, 343, 345, 347, 355,		0641416	495, 497, 499, 501,	242, 262, 278		206, 217, 236, 242, 262,	278
359, 363, 367, 371, 373,		503, 505, 507, 509, 511,	513, 515	0701016	176, 188, 204, 216,	0760614001	356
375, 381, 383, 385, 413,		0641418	363, 367, 371, 373,	236, 242, 262, 278		0760807.....	274
415, 424, 427, 429, 431,		375, 381, 383, 385		0701017	176, 188, 204, 216,	0760807001	347
433, 435, 463, 465, 525,		0641504.....	35	236, 242, 262, 278		0760808001	19, 347
527, 529, 531		0641506.....	79	0701018	71, 305, 309, 313,	0760810.....	93, 97, 101, 105,
0100019	19, 21, 67, 71, 305,	0641508.....	79	317, 335		109, 113, 117, 121, 157,	
309, 313, 317, 325, 335,		0641510.....	479	0701019	176, 188, 204, 216,	170, 176, 182, 188, 204,	
488		0641511001	483	236, 242, 262, 278		216, 224, 228, 236, 242,	
0100020	170, 176, 182, 188,	0641606	176, 188, 204, 216,	0701020	335	262, 278, 355	
198, 204, 210, 216, 224,		236, 242, 424, 427, 429,	431	0701022	335	0760810001	93, 97, 101,
228, 236, 242, 252, 262,		0641607.....	262, 278	0701024001	330, 343	105, 109, 113, 117, 121,	
268, 278, 309, 317, 409,		0641608.....	201, 213, 299	0701025001	347	157, 170, 176, 182, 188,	
424, 439, 495, 497, 499,		0641812	173, 185, 201, 213,	0701026001	343	198, 204, 210, 216, 224,	
501, 503, 505, 507, 509,		231, 233, 258, 274		0701027001	343, 345	228, 236, 242, 262, 278,	
511, 513, 515		0642012.....	421	0701028001	488	521	
0100035	19, 173, 185, 201,	0642212.....	421	0701031	335	0760812.....	31, 93, 97, 101,
213, 231, 233, 258, 274,		0642220	170, 182, 198, 210,	0701032001	345	105, 109, 113, 117, 121,	
355, 399, 403, 407		224, 228, 252, 268		0701034001	343	157, 170, 176, 182, 188,	
0100038	357, 463, 465	0681607.....	471	07011220	81, 83, 85	198, 204, 210, 216, 224,	
0100048	305, 309, 313, 317,	0681608.....	471	0701222	335	228, 236, 242, 262, 278,	
537		0681620.	443, 445, 447, 449	0701224	77	521	
0100071	17	0681814.....	377, 387, 389	0701420001	17	0760812001	157, 359, 493,
0100081	176, 188, 206, 218,	0681822.....	377, 387, 389	0701422001	19	519, 539, 541	
236, 242, 262, 278, 343,		0682220.....	71	0701619001	29	0760814.....	83, 85, 158, 170,
345, 421		0682424.	443, 445, 447, 449	0701627	176, 188, 204, 216,	182, 224, 228, 355	
0140011	399, 403	0700408	495, 497, 499, 501,	236, 242, 262, 278		0760814001	158
0140043	143	503, 505, 507, 509, 511,	513, 515	0702022001	325	0760815.....	158
0200048	433, 435	0700412....	93, 97, 101, 105,	0702426001	325	0760815001	19
0236768	89	109, 113, 117, 121		0711015	170, 182, 198, 210,	0760818001	525, 527, 529,
0272254	429	0700510.....	201, 213	224, 228, 252, 268		531	
0272427	433	0700610....	83, 85, 145, 147,	0711214	176, 188, 204, 216,	0760822001	488
0272435	318	170, 176, 182, 188, 224,		236, 242, 262, 278		0761007001	157, 343
0272448	702	228, 236, 242, 252, 262,		0711214001	330	0761008	176, 188, 204, 216,
0272521	427	268, 278		0711215001	330	236, 242	
0272588	702	0700612	143, 176, 188, 204,	0711217001	330	0761009	170, 182, 199, 211,
0272589	314	216, 236, 242, 262, 278,	539, 541	0711218	176, 188, 206, 218,	224, 228, 252, 268	
0272599	705	0700614	170, 182, 199, 211,	236, 242, 262, 278		0761009001	355, 479
0272607	707	224, 228, 252, 268	224, 228, 252, 268	0711222001	359	0761010.	525, 527, 529, 531
0272725	715	0700615.....	151, 153	0711626001	336	076101000157,	59, 336, 347
0273353	424	0700616.....	158, 159	0712435	67	0761011.....	158, 335
0273706	435	0700620....	93, 97, 101, 105,	0712445001	359	0761011001	336
0275216	495, 617	109, 113, 117, 121		0721005	433, 435	0761012.....	31, 57, 59, 157,
0275217	499, 619	0700815	176, 188, 204, 216,	0731007	81, 83, 85	176, 188, 204, 216, 236,	
0275452	503, 621	236, 242, 262, 278, 525,	527, 529, 531	0741607.	305, 309, 313, 317	242, 262, 278, 335, 347,	
0275453	507, 623	0700816.....	158, 159	0760408	170, 182, 198, 210,	537	
0275454	511, 625	0700818	170, 182, 198, 210,	224, 228, 252, 268		0761012001....	59, 158, 159,
0400020	89	224, 228, 252, 268		0760508	173, 185, 231, 233,	343, 355	
0440162	170, 182, 198, 210,	0700818001 ...	309, 313, 317	258, 274		0761013001	93, 97, 101,
224, 228, 252, 268		0700819001	305	0760516	93, 97, 101, 105,	105, 109, 113, 117, 121	
0440273	17, 325			109, 113, 117, 121		0761014.....	157, 355
0561380	325			0760604	176, 188, 236, 242,	0761014001 ...	330, 336, 359
0630462	433, 435			262, 278		0761015....	93, 97, 101, 105,
0630518	141, 407, 424, 427,			0760606	170, 182, 224, 228,	109, 113, 117, 121, 158,	
429, 431, 439				305, 309, 313, 317		170, 173, 182, 185, 198,	
0630535	471						

SECTION 11 - SPECIAL OPTIONS/ACCESSORIES/KITS

201, 210, 213, 224, 228, 231, 233, 252, 258, 268, 274, 335, 355, 395, 397	0962051 170, 182, 198, 210, 224, 228, 252, 268	1001113961 549, 651	413, 415, 573, 579, 583, 615, 653
0761015001 17, 488	0962224 335, 337	1001116208 702	1001120471 451
0761016001 17, 325, 345	0962257 459	1001116692 523	1001120477 451
0761018 299	0962270 377, 387, 389	1001116693 651, 652	1001120484 451
0761210 173, 176, 185, 188, 201, 204, 213, 216, 231, 233, 236, 242, 258, 274	0962423 19	1001116694 523, 647	1001120989 702
0761212 .305, 309, 313, 317	0962520 .305, 309, 313, 317	1001116695 523	1001125295 607
0761212001 343	0962556 335	1001116720 605	1001125387 702
0761214 21, 157, 301	0962561 455, 457	1001116725 .. 574, 578, 582, 652	1001125677 .. 573, 579, 583, 615, 653
0761214001 ... 157, 336, 345	0962562 465	1001116731 563	1001126008 .. 575, 578, 610, 657
0761215 258, 274	1001008559...151, 153, 525, 527, 529, 531	1001116732 585	1001126009 641
0761216 .. 77, 158, 173, 185, 201, 213, 231, 233, 258, 274	1001091102....161, 539, 541	1001116733 .. 574, 578, 582, 601	1001126011 613
0761216001 359	1001091969..... 495	1001116734 ... 574, 578, 582	1001126245 574, 578
0761217 158	1001091970..... 499	1001116748 ... 549, 633, 655	1001126351 ... 577, 581, 586
0761218001 .. 31, 37, 39, 41, 43, 45, 47, 49, 51, 343	1001091973..... 503	1001116751 633, 655	1001126352 586
0761614001 336	1001091974..... 507	1001116774..... 647	1001126353 573
0761616 335	1001091975..... 511	1001116808 647	1001126356 586
0762014001 325	1001095704...573, 579, 583, 711	1001116812 .. 578, 582, 585, 589, 603, 609, 653	1001126357 586
0762016001 325	1001096612.....305, 547	1001116815 .. 579, 583, 589, 653	1001126362 .. 574, 578, 582, 586
0762018001 21	1001096653..... 31	1001116846 682, 702	1001126363 ... 578, 582, 586
0762418001 17, 325	1001097051.....523, 639	1001116849 682	1001126364 578
0762422001 325	1001097150.....543, 547	1001116851 682	1001126365 ... 578, 582, 586
0771010001 336	1001097244...395, 397, 451	1001116952 585	1001126384 586
0771012001 336, 359	1001097587..... 67	1001116983 591	1001126391 .. 569, 574, 578, 582, 586
0771014001 336	1001097588...177, 189, 237, 243, 258, 263, 274, 279	1001117023 585	1001126392 578, 582
0771016001 336	1001098012...424, 439, 441	1001117035 682	1001126393 574, 578
0771018001 336	1001098122.....409, 613	1001117106 585	1001126485 .. 574, 575, 578, 582
0771212001 330	1001098149..... 439	1001117107 573	1001126487 ... 574, 578, 582
0771218001 330	1001099366..... 421	1001117108 574	1001128127 659
0771415 176, 188, 204, 216, 236, 242, 262, 278	1001099367..... 421	1001117110 ... 523, 609, 651	1001128128 .. 574, 578, 582, 585
0771416 170, 182, 198, 210, 224, 228, 252, 268	1001100231..... 543	1001117125 659	1001128527 431
0771419 262, 278	1001100319.....264, 279	1001117172 409	1001128556 431
0771617001 336	1001100341..... 617	1001117174 .. 399, 403, 409, 711	1001129408 .. 553, 555, 557, 559
0772016001 336	1001100342..... 619	1001117244 .. 177, 189, 237, 243, 263, 279	1001131130 158
0801550 335	1001100345..... 621	1001117294 714	1001131269 666, 686
0860038 309, 317, 493	1001100346..... 625	1001117308 .. 177, 189, 205, 217, 237, 243, 263, 279, 711	1001133714 .. 575, 578, 582, 585
0861538 317, 710	1001101191...495, 499, 503, 507, 511, 543, 545	1001117308 .. 177, 189, 205, 217, 237, 243, 263, 279, 711	1001133715 .. 575, 578, 582, 585
0861572 313, 710	1001101196.....495, 499	1001118274 31, 93, 97, 101, 105, 109, 113, 117, 121, 157	1001133927 465
0861731 505, 509, 513, 515, 621, 623, 625	1001101197...503, 507, 511	1001118282 ... 574, 577, 582	1001133956 ... 577, 581, 586
0861781 . 497, 501, 617, 619	1001101580...171, 183, 198, 210, 225, 229, 253, 269	1001118287 336	1001133957 ... 577, 581, 586
0861880 543, 547	1001102594..... 629	1001118288 336	1001134314 325
0902888 . 305, 309, 313, 317	1001103012..... 652	1001118384 641	1001134488 .. 177, 189, 205, 217, 237, 243, 263, 279
0940049 157	1001104497..... 356	1001118388 605, 641	1001135196 .. 171, 183, 198, 210, 225, 229, 253, 269
0940092 433, 435	1001104498.....523, 652	1001118878 .. 37, 39, 41, 43, 45, 47, 49, 51	1001135497 .. 171, 183, 198, 210, 225, 229, 253, 269
0940094 433, 435	1001107854..... 523	1001118972 157, 355	1001135650 ... 575, 578, 582
0940102 421	1001108616...173, 185, 201, 213, 231, 233, 258, 274, 290	1001119412 585, 601	1001135943 .. 177, 189, 205, 217, 237, 243, 263, 279
0940103 433	1001108617..... 57	1001119455 488	1001136583 336
0940133 435	1001109048..... 81, 83, 85	1001119619 635	1001136834 .. 177, 189, 205, 217, 237, 243, 263, 279
0961845 363, 367, 371, 373, 375, 381, 383, 385	1001109654.....539, 543	1001119620 637, 639	1001136975 .. 171, 183, 199, 211, 225, 229, 253, 269
0961897 471	1001110604..... 488	1001119727 205, 217	1001137005 716
0961898 463	1001110872..... 517	1001119899 336	1001137032 330
0961949 457	1001110873...310, 318, 493	1001120000 17	1001137263 488
0961950 467	1001111116.....205, 217	1001120055 613	
0961951 176, 188, 204, 216, 236, 242, 262, 278, 335, 471, 475	1001112551..... 670	1001120104 711	
	1001112612..... 651	1001120328 94, 98, 102, 106, 110, 114, 118, 122,	
	1001112796.....563, 647		
	1001112927...173, 185, 201, 213, 231, 233, 258, 274, 297		

SECTION 11 - SPECIAL OPTIONS/ACCESSORIES/KITS

1001137364...133, 135, 137, 139, 403	1001148903 714	1001154405 ..171, 178, 183, 190, 199, 206, 211, 218, 225, 229, 237, 243, 253, 264, 269, 280, 299	1001156107..... 93, 97, 101, 105, 109, 113, 117, 121, 173, 185, 201, 213, 231, 233, 258, 274, 355
1001137578..... 567	1001148904 714	100115475921	1001156112..... 206, 218
1001137673..... 413, 711	1001148905 714	100115477221	1001156347..... 159
1001138173...177, 189, 205, 217, 237, 243, 263, 279	1001148906 714	1001155023 ..177, 189, 206, 218, 238, 244, 264, 280	1001156606..... 19
1001138175...177, 189, 205, 217, 237, 243, 263, 279	1001149160..... 93, 97, 101, 105, 109, 113, 117, 121, 157	1001155041 ..305, 309, 313, 317	1001156613..... 336
1001138228.....205, 217, 711	1001149517 .. 177, 189, 205, 217, 237, 243, 263, 279	1001155044399, 403	1001156644.. 178, 190, 206, 218, 238, 244, 264, 280
1001138248...177, 189, 205, 217, 237, 243, 263, 279	1001149711 29	1001155045 ...399, 403, 711	1001156650..... 325
1001138253..... 263, 279	1001149746 .. 177, 189, 205, 217, 237, 243, 263, 279	1001155064715	1001156678..... 19
1001138494...367, 371, 373, 375, 381, 383, 385	1001149823 67	100115513317	1001156679..... 19
1001138514...367, 373, 375, 383, 385	1001149867 201, 204	1001155262355	1001156692..... 586
1001138559...177, 189, 205, 217, 237, 243, 263, 279	1001149921 21, 25	1001155303310, 318	1001156718.. 173, 185, 201, 213, 231, 233, 258, 274
1001138566...305, 309, 710	1001149970..... 93, 97, 101, 105, 109, 113, 117, 121, 571	1001155338 ..305, 310, 313, 317	1001156719..... 269, 274
1001138827...177, 189, 205, 217, 237, 243, 263, 279, 711	1001149971 ... 201, 213, 585	1001155348313, 317	1001156778..... 19, 355
1001139099..... 714	1001149975 .. 37, 39, 41, 43, 45, 47, 49, 51, 549	100115536317	1001156785..... 19
1001139240...177, 189, 205, 217, 237, 243, 263, 279	1001150162 711	1001155496 ..178, 190, 206, 218, 238, 244, 264, 280	1001156815..... 19
1001139654..... 702	1001150174 309, 317	1001155498 ..178, 190, 206, 218, 238, 244, 264, 280	1001156867..... 53
1001140429...363, 367, 371, 373, 375, 381, 383, 385	1001150498 205, 217	1001155525 ..178, 190, 206, 218, 238, 244, 264, 280	1001156926..... 399, 403
1001140564...177, 189, 205, 217, 237, 243, 263, 279	1001150499 205, 217	1001155527163	1001156991..... 19
1001141300..... 702	1001150504 .. 177, 205, 237, 263	1001155540 ..178, 190, 206, 218, 238, 244, 264, 280	1001156996..... 19
1001141304..... 274	1001150505 205, 217	1001155557 ..178, 190, 206, 218, 238, 244, 264, 280	1001157007..... 17, 336
1001141995...177, 189, 205, 217, 237, 243, 263, 279	1001150553 .. 177, 189, 205, 217, 237, 243, 264, 280	100115556153	1001157073.. 173, 185, 201, 213, 231, 233, 258, 274
1001142501...171, 177, 183, 189, 199, 205, 211, 217, 225, 229, 237, 243, 253, 269	1001150611 651	1001155563 ..178, 190, 206, 218, 238, 244, 264, 280	1001157080..... 455
1001142504..... 715	1001150725 71	1001155564 ..178, 190, 206, 218, 238, 244, 264, 280	1001157084..... 17
1001142505..... 715	1001150942 465	1001155565 ..178, 190, 206, 218, 238, 244, 264, 280	1001157207..... 31, 35
1001142683...151, 153, 710	1001151393 .. 125, 127, 129, 131, 133, 135, 137, 139	1001155566 ..178, 190, 206, 218, 238, 244, 264, 280	1001157216..... 29
1001143390...177, 189, 205, 217, 237, 243, 263, 279	1001151432 205, 217	1001155584159	1001157241..... 483
1001143852..... 702	1001151491 .. 177, 189, 205, 218, 237, 243, 264, 280	1001155591157	1001157292..... 399, 403
1001144147...563, 631, 651	1001151503465	1001155728 ..178, 190, 206, 218, 238, 244, 264, 280	1001157300.. 190, 218, 244, 280
1001144296..... 647	1001151749 .. 177, 189, 206, 218, 237, 243, 264, 280	1001155743549, 573	1001157301.. 190, 218, 244, 280
1001144433..... 413	1001151761 206, 218	100115581719, 643	1001157454..... 336
1001144629...365, 369, 371, 379, 381	1001152112 .. 189, 218, 243, 280	1001155823 ..171, 183, 199, 211, 225, 229, 253, 269	1001157467..... 29
1001145405..... 424, 439	1001152266 659	1001155832157	1001157520..... 314, 318
1001146588...258, 274, 525, 527, 529, 531	1001152457 309	100115583619, 355	1001157521..... 314, 318
1001146940..... 325	1001152458 305	1001155939 ..171, 183, 199, 211, 225, 229, 253, 269	1001157525..... 314
1001146963..... 19, 711	1001152483545	100115596793, 97, 101, 105, 109, 113, 117, 121, 355, 609, 653	1001157528..... 314, 318
1001147567...177, 189, 237, 243, 263, 279	1001152489 .. 177, 189, 206, 218, 237, 243, 264, 280	1001156001 ...201, 213, 589	1001157592..... 318
1001147616..... 29	1001152525 314, 318	1001156016455	1001157670..... 53
1001147617..... 29	1001152532 ... 306, 310, 595	1001156030 ...314, 318, 601	1001157787..... 21
1001147618..... 29	1001152742569	1001156033461, 463	1001157849..... 21
1001147847...177, 189, 205, 217, 237, 243, 263, 279	1001153259 ... 306, 310, 599	1001156034 ..178, 190, 206, 218, 238, 244, 264, 280	1001157850..... 21
1001148012..... 337	1001153785336	1001156035 ..178, 190, 206, 218, 238, 244, 264, 280	1001157862.. 178, 190, 206, 218, 238, 244, 264, 280
1001148059..... 305, 314	1001153827336	1001156062 ..178, 190, 206, 218, 238, 244, 264, 280	1001157872..... 336
1001148641...177, 189, 205, 217, 237, 243, 263, 279	1001153981 71	1001156091 ..178, 190, 206, 218, 238, 244, 264, 280	1001157878..... 336
1001148675..... 517	1001153983 71		1001157885..... 325
1001148902..... 714	1001153984 71, 73		1001157887..... 325
	100115403589		1001157890.. 574, 577, 581, 609, 627
	1001154196 77		1001157891.. 525, 527, 529, 531, 569, 652
	1001154247336		1001157906..... 159
	1001154262.. 171, 183, 225, 229, 253, 269		1001157907..... 159
	1001154377 71		1001158007..... 314, 318
			1001158008..... 314, 318
			1001158014..... 714
			1001158017..... 17
			1001158262..... 206, 218
			1001158263..... 303
			1001158289..... 206, 218
			1001158363..... 305, 309

SECTION 11 - SPECIAL OPTIONS/ACCESSORIES/KITS

1001158412.....57, 59	1001167565..... 359	1001181899.. 178, 190, 238,	1001193136702
1001158529.....213, 216	1001167567..... 359	244, 253, 258, 264, 269,	1001193599 ..178, 190, 238,
1001158607.....303	1001167615..... 573	275, 280	244
1001159118.....517	1001167616...574, 578, 582	1001182361..... 577, 581	100119363067, 716
1001159119.....517	1001167620...573, 577, 581	1001182365..... 577, 581	1001193980 ..171, 183, 225,
1001159120.....517	1001167621..... 573	1001182806..... 147	229, 253, 269
1001159121.....517	1001167622..... 573	1001184619... 670, 678, 686	1001194197505
1001159186.. 603, 613, 614,	1001167623..... 573	1001184682..... 145	1001194198509
615	1001167624...573, 577, 581	1001184846..... 574	1001194200513
1001159256...399, 403, 711	1001167625..... 573	1001185281..... 399, 403	1001194203497
1001160169.....465	1001167629.....574, 578	1001186318..... 389	1001194204501
1001160445.. 666, 670, 674,	1001167630...574, 575, 578	1001186333..... 377	1001194365515
678, 682, 686, 690, 694,	1001167631.....575, 578	1001186334..... 387	100119558877, 79
698	1001167632.....567, 582	1001186342.. 171, 183, 199,	1001195906343
1001160505..... 159	1001167633..... 575	211, 225, 229, 253, 269	1001195924336
1001160518.. 178, 190, 206,	1001167634...574, 578, 582	1001186375..... 367	1001195939336, 339
218, 238, 244, 264, 280	1001167635.....574, 578	1001186379..... 373	1001195940336, 341
1001161232..... 57, 59, 710	1001168402..... 359	1001186382..... 383	1001195941336
1001161269.....483	1001168734.....201, 213	1001186383..... 379	1001195947 ..666, 674, 682,
1001161270.....483	1001169085...149, 151, 153	1001186384..... 369	690, 694, 698
1001161271.....483	1001169409.....253, 269	1001186387..... 365	1001196517355, 711
1001161272.....483	1001170982..178, 190, 206,	1001186389..... 389	1001196562157
1001161273.....483	218, 238, 244, 264, 280	1001186431..... 413, 711	1001196603652
1001161274.....483	1001171324..... 357	1001186432..... 605, 641	1001196605652
1001161275.....483	1001172356..... 29	1001186517..... 413	1001196634 ..321, 565, 652,
1001161276.....483	1001172358.....17, 59, 157,	1001187077..... 633	710
1001161277.....483	159, 163, 165, 325, 330,	1001187518.. 171, 183, 225,	1001196635652
1001161278.....483	336, 343, 345, 356, 359,	229	1001196636652, 659
1001161279.....483	479, 488	1001187674..... 411	1001196682 ..525, 527, 529,
1001161280.....483	1001172570.....421, 702	1001187681..... 635	531, 657
1001161281.....483	1001172571..... 702	1001187744..... 93, 97, 101,	1001196733325
1001161282.....483	1001172572..... 702	105, 109, 113, 117, 121	100119680683, 85
1001161283.....483	1001172573..... 702	1001188491..... 81, 83, 85	1001196917325, 335
1001161289.....483	1001172574..... 702	1001188622..... 359	1001197017433, 435
1001161290.....483	1001172575..... 702	1001188844..... 359	100119711877
1001161470..... 165	1001172576..... 702	1001188922... 173, 185, 573	100119714269
1001161488..... 163	1001172577..... 421	1001189001..... 359	1001197292 ..81, 83, 85, 87
1001161647.....489	1001172578..... 421	1001189002..... 359	1001197307198
1001161709...399, 403, 711	1001172620.....421, 702	1001189171..... 545, 710	1001197308210
1001161710...399, 403, 711	1001172760.....399, 403	1001189172..... 545, 710	1001197311355
1001162212.. 171, 183, 225,	1001173609..... 393	1001189291.. 178, 190, 238,	1001197312345
229, 253, 269	1001173662..... 330	244	1001197315 ..666, 670, 674,
1001162880..... 89, 91	1001173763..... 345	1001189882..... 678	682, 686, 690, 694, 698
1001163631.. 37, 39, 41, 43,	1001173846..... 57	1001190032..... 165	1001197317 ..178, 190, 238,
45, 47, 49, 51, 629	1001174345..... 19	1001190418.. 178, 190, 238,	244, 264, 280
1001164354.. 31, 37, 39, 41,	1001175201..... 83, 85	1001190475.. 171, 183, 225,	1001197326525
43, 45, 47, 49, 51	1001175265.....574, 578	229	1001197327527
1001164700..... 91	1001175568..178, 190, 238,	1001190921..... 573	1001197328531
1001165035.. 171, 176, 183,	244, 264, 280	1001190927..... 163, 165	1001197329714
188, 199, 204, 211, 216,	1001176002...573, 577, 581	1001190949..... 17	1001197330714
225, 229, 238, 244, 253,	1001176004...573, 577, 581	1001190950..... 17	1001197331143
264, 269, 280	1001176333..... 607	1001190951..... 17	1001197332519
1001165194.....569	1001176469..127, 131, 135,	1001190952..... 17	1001197333493
1001166393.. 178, 190, 205,	139	1001190953..... 17	1001197335539
217, 238, 244, 264, 280	1001176582..... 393	1001190985..... 359	1001197336714
1001166541.....574	1001176636..... 393	1001191122.. 178, 190, 205,	1001197340714
1001166543.....574	1001177134.....205, 217	217, 238, 244, 264, 280	1001197341715
1001166551.....573	1001177137.....205, 217	1001191620.. 253, 259, 269,	1001197342714
1001166555.....573	1001177635..... 393	275	100119734589
1001166556.....569, 574	1001178797..... 299	1001192138.. 178, 190, 205,	1001197359716
1001166701.....574	1001179154..... 318	217, 238, 244, 264, 280	1001197361479
1001166704.....567	1001180153..... 325	1001192401..... 593, 653	1001197436715
1001166774.....569, 574	1001180491..... 393	1001193018.. 495, 497, 499,	1001197445 ..173, 185, 231,
1001166795.....578	1001180620..... 158	501, 503, 505, 507, 509,	233
1001166796.....578	1001181045...543, 547, 710	511, 513, 515	100119762781
1001167497.....336	1001181625..171, 183, 225,	1001193135..... 702	1001197719573
1001167528.....567	229, 253, 269		1001197760343

SECTION 11 - SPECIAL OPTIONS/ACCESSORIES/KITS

1001197761..... 67	1001199782..... 157	1001201069.....356	1001202785.. 525, 527, 529, 531, 627
1001197766..... 343	1001199804..... 325	1001201095.....356, 711	1001202787..... 645
1001197775..... 714	1001199812..... 325	1001201103..... 94, 98, 102, 106, 110, 114, 118, 122	1001202793..... 337
1001197899..... 330	1001199990..... 336	1001201130.....479	1001202914..... 653
1001197901..... 330	1001200091..... 337	1001201131.....479	1001202916..... 715
1001197902..... 325, 330	1001200092..... 337	1001201132.....479	1001202917..... 715
1001197937..... 157	1001200093..... 337	1001201133.....479	1001202950..... 356
1001197960..... 356, 711	1001200094..... 337	1001201134.....479	1001203413..... 149
1001197961..... 356, 711	1001200117..... 670, 678	1001201135.....479	1001203655..... 377
1001197969..... 325	1001200118..... 670, 678	1001201136.....479	1001203656..... 387, 389
1001197973..... 325	1001200137..... 714	1001201333..... 330	1001203753..... 337
1001198376..... 345	1001200154..... 325	1001201334..... 330	1001203754..... 337
1001198377..... 345	1001200183..... 537	1001201335..... 330	1001203755..... 337
1001198382..... 345	1001200199.. 525, 527, 529, 531, 537	1001201351..... 359	1001203898..... 356
1001198383..... 345	1001200203..... 537	1001201485..... 337	1001203899..... 356
1001198386..... 345	1001200345..... 356, 711	1001201503..... 347, 349	1001203900..... 356
1001198388..... 345	1001200491..... 359	1001201710..... 529	1001203904..... 356
1001198389..... 345	1001200494..... 359	1001201772..... 469	1001204027.. 525, 527, 529, 531
1001198587..... 471	1001200501..... 157	1001201846..... 337	1001204028.. 525, 527, 529, 531, 633
1001198594..... 472	1001200502..... 157	1001201885..... 603, 615	1001204041..... 461, 463
1001198640..... 330	1001200519..... 157	1001201938..... 325, 330	1001204043..... 356, 711
1001198641..... 330	1001200522..... 157	1001201986..... 347, 351	1001204073..... 359
1001198642..... 330	1001200532..... 157	1001201997..... 343	1001204096.. 666, 674, 686
1001198643..... 330	1001200550... 356, 489, 711	1001202000..... 343	1001204650..... 306
1001198644..... 330	1001200565..... 310	1001202002..... 343	1001204725..... 359
1001198645..... 330	1001200565..... 310	1001202005..... 343	1001204911..... 359
1001198685..... 157	1001200574..... 325	1001202055..... 356	1001204914..... 330
1001198732..... 330	1001200576..... 325	1001202136..... 488	1001205083..... 489
1001198749..... 325	1001200587..... 356	1001202169..... 158	1001205084..... 489
1001198757..... 325	1001200604..... 93, 97, 101, 105, 109, 113, 117, 121	1001202179..... 356	1001205086..... 489
1001198758..... 325	1001200605..... 93, 97, 101, 105, 109, 113, 117, 121	1001202181..... 158	1001205087..... 489
1001198759..... 325	1001200606..... 93, 97, 101, 105, 109, 113, 117, 121	1001202182..... 356	1001205088..... 489
1001198760..... 325	1001200686..... 345	1001202201..... 463	1001205089..... 489
1001198761..... 325	1001200698..... 305	1001202225..... 158	1001205090..... 489
1001198762..... 461, 463	1001200699..... 309	1001202236..... 463	1001205092..... 489
1001198864..... 336	1001200707.. 666, 670, 674, 678, 682, 686, 690, 694, 698	1001202245..... 343	1001205093..... 489
1001199035..... 421	1001200726..... 93, 97, 101, 105, 109, 113, 117, 121	1001202259.. 525, 527, 529, 531, 535	1001205094..... 489
1001199036..... 421	1001200727..... 94, 98, 102, 106, 109, 113, 117, 121	1001202260.. 525, 527, 529, 531, 533	1001205095..... 489
1001199043..... 357	1001200732..... 337	1001202261..... 525	1001205096..... 489
1001199083..... 336	1001200733..... 337	1001202262..... 525	1001205098..... 489
1001199084..... 336	1001200734..... 356	1001202263..... 527	1001205099..... 489
1001199085..... 336	1001200736..... 337	1001202264..... 527	1001205100..... 489
1001199086..... 336	1001200739..... 337	1001202267..... 529	1001205102..... 489
1001199088..... 336	1001200741..... 337	1001202268..... 529	1001205103..... 489
1001199117..... 336	1001200764..... 356, 711	1001202269.. 525, 527, 529, 531	1001205104..... 489
1001199310..... 157	1001200779..... 313	1001202320..... 489	1001205105..... 489
1001199315..... 345	1001200780..... 317	1001202355.. 173, 185, 201, 213, 231, 233, 259, 275	1001205106..... 489
1001199319..... 157	1001200834..... 356	1001202401..... 714	1001205108..... 489
1001199320..... 336	1001200836..... 356	1001202539..... 463	1001205110..... 489
1001199465..... 157	1001200837..... 356	1001202692..... 347	1001205113..... 489
1001199468..... 157	1001200838..... 356	1001202705..... 489	1001205114..... 489
1001199470... 173, 185, 201, 213, 231, 233, 259, 275, 293	1001200839..... 337	1001202706..... 489	1001205115..... 489
1001199483... 400, 404, 711	1001200848..... 356, 711	1001202707..... 489	1001205116..... 489
1001199583..... 199, 201	1001200849..... 356	1001202708..... 489	1001205117..... 489
1001199587..... 211, 213	1001200977..... 489	1001202709..... 489	1001205124..... 489
1001199610..... 336	1001200988..... 57, 59, 65	1001202733..... 158	1001205125..... 489
1001199641..... 336	1001201007..... 330	1001202734..... 158	1001205660..... 539, 541
1001199670... 171, 183, 225, 229, 253, 269	1001201062.. 525, 527, 529, 531, 631	1001202742.. 525, 527, 529, 531	1001205682..... 541
1001199671..... 345	1001201068..... 356	1001202743.. 525, 527, 529, 531	1001205683..... 471, 475
1001199753..... 157			1001205690..... 541, 545
1001199754..... 157			1001205812..... 714
1001199755..... 157			1001205949..... 489
1001199764..... 157			1001205958.. 503, 505, 507, 509, 511, 513
1001199778..... 157			
1001199780..... 157			

SECTION 11 - SPECIAL OPTIONS/ACCESSORIES/KITS

1001206119.....306	1001212504..... 489	1001219601..... 94, 98, 102,	1001228215363
1001206184.....465	1001212505..... 490	106, 110, 114, 118, 122,	1001228224411, 711
1001206476.....521	1001212507..... 490	711	1001228225411, 711
1001206506.. 525, 527, 529,	1001212509..... 490	1001220379..... 585	1001228243381
531, 593	1001212512..... 488	1001220470..... 356	1001228364 94, 98, 102,
1001206509.....593	1001212663..... 357	1001220482..... 393, 607	106, 110, 114, 118, 122
1001206532..... 399, 404	1001212669..... 330	1001220486..... 400, 404	1001228375385
1001206747.. 171, 173, 183,	1001212810...178, 190, 238,	1001220864..... 714	1001228376371
185, 199, 201, 211, 213,	244	1001220955..... 393	1001228377375
225, 229, 231, 233, 253,	1001212817...178, 190, 206,	1001221425..... 326	1001228872 ..171, 183, 225,
258	218, 238, 244, 264, 280	1001221585..... 94, 98, 102,	229, 253, 269, 710
1001206817..... 94, 98, 110,	1001212825...171, 183, 225,	106, 110, 114, 118, 122	1001228954557
114, 569	229	1001222385..... 336	1001228959557
1001207004..... 153	1001212826...178, 190, 238,	1001222387..... 336	1001228976393
1001207102.....489	244	1001222402..... 336	1001228988431, 702
1001207279.....489	1001213053..... 357	1001222404..... 336	1001229341411
1001207388..... 359	1001213292..... 62	1001222817..... 299	1001229485393
1001207937..... 325	1001213293..... 62	1001222918..... 201, 213	1001229782670
1001207963.. 129, 131, 137,	1001213294..... 62	1001223055..... 666	1001229922393
139	1001213295..... 62	1001223453..... 666, 686	1001230931 ..549, 633, 655
1001207969..... 347	1001213296..... 62	1001223971..... 686	1001230934577, 581
1001208297.. 178, 190, 206,	1001213297..... 62	1001224045.. 666, 670, 674,	1001230935577, 581
218, 238, 244, 264, 280	1001213298..... 62	678, 682, 686, 690, 694,	1001230936577, 581
1001208298.. 178, 190, 206,	1001213392..... 57, 59	698	1001231008 ..145, 147, 661
218, 238, 244, 264, 280	1001213447..... 613	1001224046.. 171, 183, 225,	1001231235716
1001208299.. 178, 190, 206,	1001213448..... 653	229, 253, 269	1001231291490
218, 238, 244, 264, 280	1001213836..... 357	1001224048..... 694	1001231315666
1001208596..... 345	1001213882.....400, 404	1001224049..... 698	1001231316686
1001209368..... 330	1001214029..... 703	1001224050..... 682	1001231317694
1001209372..... 330	1001214098..... 357	1001224052..... 674	1001231318698
1001209373..... 330	1001214570..... 521	1001224053..... 690	1001231319674
1001209374..... 330	1001214571..... 521	1001225167..... 94, 98, 102,	1001231320690
1001209375..... 330	1001214756..... 347	106, 110, 114, 118, 122	1001231321682
1001209432..... 521	1001215375..... 393	1001225220..... 666, 674	1001231711145, 147
1001209474..... 521	1001215379..... 393	1001225279..... 94, 98, 102,	1001231801702
1001209626..... 158	1001215380..... 393	106, 110, 114, 118, 122	1001231949449
1001209633..... 345	1001215836..... 537	1001225346..... 521, 711	1001231950445, 447
1001209664..... 413	1001216021..... 94, 98, 102,	1001225580..... 413, 605	1001232010 ..445, 447, 449
1001209896.. 666, 670, 674,	106, 110, 114, 118, 122,	1001225639..... 714	1001232011 ..445, 447, 449
678, 682, 686, 690, 694,	711	1001226102..... 94, 98, 102,	1001232034145
698	1001216238..... 94, 98, 102,	106, 110, 114, 118, 122	1001232035147
1001209935..... 158	106, 110, 114, 118, 122	1001226291..... 531	1001232164411
1001209961..... 158	1001216258..... 356	1001226292..... 531	1001232165411
1001210079..... 593	1001216318..... 573	1001226531..... 521	1001232201490
1001210116..... 158	1001216579..... 355	1001226541..... 563, 653	1001232642415
1001210259..... 158	1001216618..... 702	1001226636..... 563	1001232667415, 711
1001210283..... 158	1001216625..... 609	1001226637..... 563	1001232842321
1001210294..... 158	1001216626.....609, 655	1001226739.. 553, 555, 557,	1001233047714
1001210636... 395, 397, 451	1001216630..... 359	559, 563	1001233732715
1001210781... 151, 153, 647	1001216638.....537, 609	1001226799... 555, 557, 559	1001233763321
1001211885..... 94, 98, 102,	1001216806...525, 527, 529,	1001226872..... 363	100123424757, 59, 61
106, 110, 114, 118, 122,	531, 655	1001226902..... 479	1001234408678
591	1001216976..31, 57, 59, 347	1001226923..... 299	1001234789 ..666, 670, 674,
1001211904.. 666, 670, 674,	1001217007..... 94, 98, 102,	1001227457..... 553	678, 682, 686, 690, 694,
678, 682, 686, 690, 694,	106, 110, 114, 118, 122,	1001227633..... 411	698
698	525, 527, 529, 531	1001227634..... 411	1001234791 ..173, 185, 201,
1001212056.. 171, 183, 225,	1001217086..... 489	1001227710..... 157	213, 231, 233, 259, 275
229, 253, 269	1001217087..... 489	1001227912..... 299	1001235962714
1001212188..... 627	1001218037..... 325	1001227948..... 299	1001236268715
1001212199..... 465	1001218572..... 158	1001227960..... 94, 98, 102,	1001236504521
1001212328..... 489	1001218622..... 531	106, 110, 114, 118	1001236505521
1001212491..... 489	1001218623..... 531	1001227985..... 411	1001236552415
1001212492..... 489	1001219110..... 31, 33	1001227987..... 411	1001236746449
1001212494..... 489	1001219583..... 336	1001227996..... 637, 639	1001236747445
1001212495..... 489	1001219590..... 336	1001228090..... 325, 465	1001236891 ..443, 445, 447,
1001212502..... 489	1001219599..... 337	1001228091..... 471	449
1001212503..... 489	1001219600..... 337	1001228094..... 463	

SECTION 11 - SPECIAL OPTIONS/ACCESSORIES/KITS

1001236895...443, 445, 447, 449	1001243048..... 94, 125	1001251093336, 469	1001265872..... 118, 137
1001236952..... 715	1001243049 125, 129	1001251094325, 461	1001265873..... 122, 139
1001237402..... 714	1001243050 39, 97	1001251857 ...205, 217, 221	1001265902..... 397
1001237667..... 603, 614	1001243051 127, 131	1001251858 ...178, 190, 193	1001265904..... 397, 403
1001237668..... 603, 614	1001243052 98, 127	1001252627705, 707	1001265905..... 400, 404
1001237862..... 637, 639	1001243053 41, 101	1001252629 ..443, 445, 447, 449	1001266056..... 715
1001237863..... 411, 639	1001243054 102, 129	1001253618715	1001266098..... 715
1001237864..... 411, 637	1001243055 43, 105	1001253619715	1001266284..... 715
1001237865..... 411, 635	1001243056 106, 131	1001254472415	1001266489..... 715
1001237882..... 714	1001243091666	1001254473415	1001266807..... 715
1001237883..... 714	1001243092417	1001254474666	1001266826..... 715
1001237888..... 417, 419	1001243093686	1001254475666	1001266828..... 715
1001237891..... 419	1001243094694	1001254476686	1001266969..... 715
1001237898..... 417, 419	1001243095682	1001254477686	1001267315.. 666, 670, 674, 682, 686, 690, 694, 698
1001237902...417, 419, 711	1001243096674	1001254478694	1001267388..... 395
1001238158..... 83, 85	1001243097698	1001254479694	1001267390..... 395, 399
1001238236..... 57	1001243098690	1001254480682	1001267659..... 45, 109
1001238262..... 83, 85	1001243184714	1001254481682	1001267660..... 47, 113
1001238263...443, 445, 447, 449	1001243205417	1001254482674	1001267661..... 49, 117
1001238319..... 411	1001243414158	1001254483674	1001267662..... 51, 121
1001238401...171, 183, 225, 229, 253, 269	1001243895321	1001254484698	1001268243.. 666, 670, 674, 678, 682, 686, 690, 694, 698
1001238402...171, 183, 225, 229, 253, 269	1001244335419	1001254485698	1001268946..... 582
1001238418..... 415, 641	1001244336417	1001254486690	1001269187..... 715
1001238463..... 447	1001244452151	1001255901565	1001269389..... 715
1001238470...171, 183, 225, 229, 254, 270	1001244462161	1001256823 ...264, 280, 283	1001269655..... 716
1001238472..... 415	1001244671419	1001256862 ..178, 190, 205, 217, 238, 244, 264, 280	1001270339..... 523
1001238483.....94, 98, 110, 114, 567	1001244709419	1001257271443	1001270340..... 523
1001238495..... 413	1001244710419	1001257274443	1001270594..... 149
1001238559..... 415	1001244732419	100125819193, 97, 101, 105, 110, 114, 118, 122, 523	1001271642..... 715
1001238732..... 141	1001244863714	1001258730417, 419	1001271760..... 715
1001239344..... 523	1001245160141	1001259191259, 262	1001271930..... 702
1001239345..... 523	1001245176141, 407	1001259192254, 258	1001271932..... 702
1001239625..... 715	1001245206141	1001259193252	1001271934..... 702
1001239627..... 715	1001246142714	1001259203264, 280	1001271936..... 702
1001239805..... 521	1001246144559	1001259204254, 270	1001271938..... 702
1001239874..... 521	1001246145555	1001259208264, 280	1001271939..... 702
1001239957..... 521	1001246389417	1001259278264, 280	1001271940..... 703
1001241162..... 417	1001246471559	1001259281264, 280	1001271941..... 703
1001241273..... 716	1001246472555	1001260287254, 270	1001272166..... 715
1001241335..... 714	1001246614678	1001260307 ..259, 264, 275, 280	1001272182..... 715
1001241344..... 714	1001246615670	1001260524417	1001272274..... 715
1001241419..... 715	1001246859..... 94, 98, 102, 106, 110, 114, 118, 122, 652	1001260525417, 419	1001272659..... 561
1001241547..... 716	1001247073715	1001260889264, 280	1001272681..... 151
1001241548..... 716	1001247252417	1001260937404	1001272997..... 565
1001241586..... 521	1001247468359, 710	1001261335443	1001273012..... 561, 565
1001241631..... 83, 85	1001248140 ..443, 445, 447, 449	1001261338443	1001274249..... 716
1001241673..... 717	1001248141 ..443, 445, 447, 449	1001262016716	1001274559..... 399, 403
1001241965..... 415	1001249052716	1001262056 ...259, 275, 581	1001274829..... 714
1001242124...400, 404, 613	1001249095647	1001262322553	1001274830..... 714
1001242126.....94, 98, 102, 106, 110, 114, 118, 122, 603	1001249695716	1001262326553	1001274833..... 714
1001242192..... 714	1001249941716	1001262959716	1001274992..... 259, 275
1001242378..... 173, 176	1001250035716	1001263626153	1001275151..... 578, 582
1001242380..... 185, 188	1001250302158	1001263923550	1001275153..... 578, 582
1001242382..... 171, 173	1001250303158	1001265163451	1001275628... 399, 403, 710
1001242383..... 183, 185	1001250465716	1001265328716	1001275629... 399, 403, 710
1001242384..... 170	1001250466716	1001265342451	1001275642..... 716
1001242386..... 182	1001250595716	1001265378714	1001275650..... 716
1001242390..... 83	1001251025335, 459	1001265857133, 137	1001276062..... 716
1001243047..... 37, 93	1001251034335, 457	1001265858135, 139	1001276610..... 561
	100125106519, 467	1001265870110, 133	1001276923..... 714
	100125106617, 455	1001265871114, 135	1001277132.. 37, 39, 41, 43, 45, 47, 49, 51
	1001251091330, 475		1001277208..... 122
			1001277209..... 711

SECTION 11 - SPECIAL OPTIONS/ACCESSORIES/KITS

1001277285.....716	1001293066....193, 247, 283	1702773 377, 387, 389, 666,	1705490.....705, 707
1001277296.....268	1001293701.....59	670, 674, 678, 682, 686,	1705492.....666
1001277297.....270, 274	1001296427.....94, 98, 102,	690, 694, 698	1705493.....690
1001277298.....275, 278	106, 110, 114, 118, 122	1702774 666, 670, 674, 682,	1705503.....694
1001277341.....716	1001297397...133, 135, 137,	686, 690, 694, 698	1705505.....686
1001277846.....716	139	1702868. 431, 666, 702, 705	1705511 666, 670, 674, 678,
1001278007.....716	1001297399...125, 127, 129,	1702942.....216	682, 686, 690, 694, 698
1001281298.....301	131	1703162 176, 188, 206, 218,	1705515.....670, 678
1001281301.....301	1001297408.....85	236, 242, 262, 278	1705745.....399, 403
1001281302.....301	1001311034.....415	1703804.....666	1705822.....670, 678
1001281304.....301	1060341.....433, 435	1703805.....666	1705828.....670, 678
1001281305.....301	1060343.....318	1703811 666, 670, 674, 678,	1705864 666, 670, 674, 678,
1001281309.....301	1060545.....545	682, 686, 690, 694, 698	682, 686, 690, 694, 698
1001281310.....301	1060903.....433, 435	1703814 666, 670, 674, 678,	1705865 666, 670, 674, 682,
1001281311.....301	1060908.....543, 547	682, 686, 690, 694, 698	686, 690, 694, 698
1001281359.....301	1060918.....409	1703935.....698	1705896.....674
1001281360.....301	1060945.....531	1703936.....686	1705897.....674
1001281452.....715	10702077.....314, 318	1703938.....690	1705898.....674
1001281453.....715	10702082.....314, 318	1703939.....694	1705902.....674
1001281456.....715	10836804.....125, 127, 129,	1703941.....698	1705903.....674
1001281457.....715	131, 133, 135, 137, 139	1703942.....686	1705905.....674
1001281458.....715	1120549.....19	1703943.....682	1705906.....674
1001281461.....715	1120555.....421	1703944.....690	1705910.....698
1001281500.....93, 97, 101,	1260017.....69	1703945.....694	1705915.....698
105, 109, 113, 117, 121,	1320022.....83, 85, 206, 218	1703947.....698	1705917.....698
711	1320041.....83, 85, 173, 185,	1703948.....686	1705921.....670, 678
1001281656.....301	201, 213, 231, 233, 258,	1703949.....682	1705961.....670, 678
1001282106.....407	274	1703950.....690	1705967.....674, 702
1001282434.....716	1320061.....258, 274	1703951.....694	1705969.....694, 702
1001282461.....716	1320136 173, 185, 201, 213,	1703953.....666	1706059.....674
1001282725.....301	231, 233, 258, 274	1703959 666, 670, 674, 678,	1706060.....682
1001283776.....149, 649	1320159.....479	682, 686, 690, 694, 698	1706061.....694
1001284138.....301	1320177.....424, 439	1703980.....690	1706063.....698
1001284139.....301	1320263.....479	1703981.....694	1706064.....686
1001284257.....301	1320288.....343, 345	1703982.....682	1706098.....670, 678
1001284272.....301	1320296.....479	1703983.....698	1706385.....377, 387
1001284587.....407	1320302.424, 427, 429, 431	1703984.....686	1706493.....389
1001284588.....407	1320328.....343	1704000.....686, 702	1706501.....389
1001284691..666, 670, 674,	1321385.....479	1704001.....698, 702	1706741.....399, 403
678, 682, 686, 690, 694,	1321716 170, 176, 182, 188,	1704260.....399, 403	2030010 424, 427, 429, 431,
698	204, 216, 224, 228, 236,	1704277 666, 670, 674, 678,	439
1001285878.....355	242, 252, 258, 262, 268,	682, 686, 690, 694, 698	2080040 365, 369, 371, 379,
1001285891.....161	274, 278	1704412 666, 670, 674, 678,	381
1001285892.....161	1380147 170, 182, 198, 210,	682, 686, 690, 694, 698	2080069.....417, 419
1001286088.....94, 98, 102,	224, 228, 252, 268	1704972.....666, 690	2080091.....19
106, 110, 114, 118, 122,	1580012.....391	1705014.....377, 387	2110406.....62
651	1580013.....715	1705132.....399, 403	2110604.....488
1001286089.....94, 98, 102,	1670603.....515	1705171.....399, 403	2110808.....21, 483, 488
106, 110, 114, 118, 122,	1671039.....355	1705305. 431, 702, 705, 707	2110810.....33, 35, 488
659	1671040.....19	1705325.....495, 497	2110812.....483
1001286280.....159	1671092.....318, 529	1705336.....666	2111010.....79, 349, 488
1001286281.....157, 158	1671093.....424, 429, 529	1705344.....690	2111012.....21, 33
1001286283.....159	1671122.....355	1705345.....694	2111016.....33, 488
1001286284.....157, 159	1701499 666, 670, 674, 678,	1705347.....686	2111620.....488
1001287191.....161	682, 686, 690, 694, 698	1705351.....666	2120217.....347
1001289693...238, 244, 247	1701505 666, 670, 674, 678,	1705355.....702	2131010.....62, 79
1001289905.....716	682, 686, 690, 694, 698	1705358.....421	2131012.....21
1001289906.....716	1701509 421, 666, 670, 674,	1705374.....310, 517	2150606.....62
1001290051.....229, 233	678, 682, 686, 690, 694,	1705375.....319, 431, 702	2150806.....349
1001290052.....225, 231	698	1705387.....310, 319	2150808.....349
1001290055.....228	1701518.....670, 678	1705426.....690	2150810.....349
1001290056.....224	1701691 666, 670, 674, 678,	1705427.....694	2151010.....79
1001290075.....233, 236	682, 686, 690, 694, 698	1705429.....686	2151616.....62
1001290076.....231, 242	1702565.....399, 403	1705430.....682	2160002.....67
1001291543.....264, 280	1702566.....399, 403	1705460.....314, 318	2170204.....488
1001291588.....578		1705461.....314	2171310.....488
1001291589...231, 233, 577		1705489.....305, 314	2180344.....67

SECTION 11 - SPECIAL OPTIONS/ACCESSORIES/KITS

2180832 170, 182, 198, 210, 224, 228, 252, 268, 424, 439	2600281 365, 369, 371, 379, 381	3290605001356, 393	3311005 153, 309, 313, 317, 399, 403, 424, 427, 429, 431, 439
2220235 483	2720015 176, 188, 204, 216, 236, 242, 262, 278	3290606 367, 373, 375, 383, 385	3311005001 305
2220313 170, 182, 198, 210, 224, 228, 252, 268	2720160 424, 439	3290607 ..31, 173, 176, 185, 188, 201, 204, 213, 216, 231, 233, 236, 242, 258, 262, 278, 355	3311401 433, 435
2220366 479, 488	2750528 67	3290801001488	3311405 415, 495, 497, 499, 501, 503, 505, 507, 509, 511, 513, 515, 521, 666, 670, 674, 678, 682, 686, 690, 694, 698
2220371 35, 65	2751032 67	329080593, 97, 101, 105, 109, 113, 117, 121, 157, 170, 176, 182, 188, 204, 216, 224, 228, 236, 242, 252, 262, 268, 278, 355, 521, 525, 527, 529, 531	3311501 433, 435
2220372 483	2820019 597	3290805001 19, 94, 98, 102, 106, 110, 114, 118, 122, 158, 305, 309, 313, 317, 359, 493, 519, 525, 527, 529, 531, 539, 541	3311601 93, 97, 101, 105, 109, 113, 117, 121, 158, 400, 404, 415
2220373349, 351, 488	2820031. 305, 309, 313, 317	3290807 170, 176, 182, 188, 198, 204, 210, 216, 224, 228, 236, 242, 252, 262, 268, 278	3311605 299, 377, 387, 389, 424, 427, 429, 431
2220374 62, 488	2820035 321	3290807001347	3312002.. 71, 443, 445, 447, 449
2220375 488	2820171 607	3291001001359, 488	3312005 421
2220380 65, 488	2820247 637, 639	3291005 ..71, 158, 176, 188, 204, 216, 236, 242, 262, 278, 335, 355, 395, 397, 537	3312201 77
222041521, 33, 351, 479, 488	2840016 170, 182, 198, 210, 224, 228, 252, 268	3291007 ..81, 83, 85, 89, 93, 97, 101, 105, 109, 113, 117, 121, 157, 170, 173, 176, 182, 185, 188, 198, 201, 204, 210, 213, 216, 224, 228, 231, 233, 236, 242, 252, 258, 262, 268, 274, 278	3312205 421
2220435 65, 349	2860030 710	3291007001158	3322201 77
2220465 62	2900770 459, 465, 469, 471, 475	3291201 .305, 309, 313, 317	3331411 170, 182, 198, 210, 224, 228, 252, 268
2220472 21, 62	2901443 716	3291201001359	3331611001 337
2220473 483, 488	2902065 176, 188, 204, 216, 236, 242, 262, 278, 287	329120577, 81, 83, 85	3332415001 359
2220478 488	2902212 421	3291205001 ..31, 37, 39, 41, 43, 45, 47, 49, 51, 359	3340763 471
2220479 488	2902217. 424, 427, 429, 715	3291207258, 274	3340764 345
2220498 79, 488	2902443. 574, 578, 582, 585	3291407262, 278	3340934 479
2220499 349	2940074 365, 369, 371, 379, 381, 710	329140700117, 19	3340941 343, 345
2220500 349, 488	2940173 158, 159	3291601 176, 188, 204, 216, 236, 242, 262, 278	3340956 421
2220502 479	3010136 335	3292201335	3380434 395, 397
2220504 483	3020037 258, 274	3292401001325	3421453 424, 439
2220578 488	3020039 17, 335	3300151 363, 367, 371, 373, 375, 381, 383, 385, 424, 427, 429, 431	3421563 69
222058262, 349, 351	3020042 330, 335	3300353399, 403	3421565 69
2220600 351	3160339 21, 23	3300396309, 314, 318	3422178 335
2220602 488	3251102. 305, 309, 313, 317	3300408141	3422912 17
2220618 488	3251242 499, 501, 503, 505, 507, 509, 511, 513, 515	3300430413, 419	3422937 335
2220816 299	3251243 310, 319, 493	330046400119	3422957 335
2220861 33	3252347 666	3300492479	3422958 335
222086562, 65, 488	3271501 157	3310401 173, 185, 201, 213, 231, 233, 258, 274	3423190 335
2220881 33, 455	3271605. 443, 445, 447, 449	3311001314, 318	3430616 400, 404
2220883 ..33, 455, 457, 459, 461, 463, 465, 471, 475	3271805 377, 387, 389		3430816 170, 182, 198, 210, 224, 228, 252, 268
2220885 ...33, 467, 471, 475	3272001. 443, 445, 447, 449		3450404 170, 182, 198, 210, 224, 228, 252, 268
2220886 .455, 461, 463, 465	3290301 170, 182, 198, 210, 224, 228, 252, 268		3451214 19
2220887 463, 465	3290405 93, 97, 101, 105, 109, 113, 117, 121, 149, 151, 161, 170, 182, 198, 210, 224, 228, 252, 268, 395, 397, 451, 495, 497, 499, 501, 503, 505, 507, 509, 511, 513, 515, 539, 541		3460334 421
2220888 465	3290405001 305		3470003 400, 404
2220906 62, 79	3290507 93, 97, 101, 105, 109, 113, 117, 121, 201, 213		3520026 399, 403
2220940 479	3290601 93, 97, 101, 105, 109, 113, 117, 121, 158, 159		3520071 421
2220947 79, 349	3290605 ..37, 39, 41, 43, 45, 47, 49, 51, 83, 85, 93, 97, 101, 105, 109, 113, 117, 121, 143, 145, 147, 151, 153, 158, 170, 182, 198, 210, 224, 228, 252, 268, 395, 397, 424, 439, 537, 539, 541		3520072 363, 365, 367, 369, 371, 373, 375, 377, 379, 381, 383, 385, 387, 389
2221034 488			3520173 159
2221050 488			3520189 314
2221077 488			3520192 314
222108633, 35, 62, 349, 351			3520198 363, 365, 367, 369, 371, 373, 375, 379, 381, 383, 385
2221114 170, 182, 198, 210, 224, 228, 252, 268			3538758 345
2221155 65			3573400. 424, 427, 429, 431
2230025 488			3573642. 424, 427, 429, 431
2230026 488			3574091 433, 435
2230031 488			3576799 424, 439
2230035 488			3577121. 424, 427, 429, 431
2230036 488			3580317. 305, 309, 313, 317
2360030 125, 127, 129, 131, 133, 135, 137, 139			3580318 305, 313
2400030 614, 710			
2400060321, 451, 614			
2400066573, 577, 581			
2410014377, 387, 389			
24861170 263, 279			
2540044 479			
2560136 399, 403			
2560187 158, 159			

SECTION 11 - SPECIAL OPTIONS/ACCESSORIES/KITS

3740067 93, 97, 101, 105, 109, 113, 117, 121, 711	403170719, 355	4460144..... 603	4460497 .399, 403, 537, 615
3740086..... 641, 711	4031708001..... 393	4460183..... 614	4460508 .411, 609, 613, 652
3760133..... 335	4031710 83	4460205..... 493, 525, 527	4460509533, 535, 574
3760170..... 69	4031912204, 216	4460224..... 399, 403	4460510716
3760217 335	4032311001..... 19	4460225..... 595, 597, 613	446051679
3760233..... 335	4060802 .305, 309, 313, 317	4460226 399, 403, 409, 433, 435	4460518 610, 613, 631, 647, 657
3760383 19, 355	4060807 176, 188, 206, 218, 236, 242, 262, 278	4460227..... 549, 613, 614	4460536 143, 356, 419, 585, 609, 613, 661
3790012 399, 403	4060906399, 403	4460234.... 94, 98, 102, 106, 110, 114, 118, 122, 399, 403, 433, 435, 553, 555, 557, 559	4460539 356, 523, 579, 582, 585, 589, 609, 613, 631, 652, 653, 659
3790152 173, 185, 201, 213, 231, 233, 258, 274	4070863 335	4460247 574, 577, 581, 585, 652	4460612517
3790155 173, 185, 201, 213, 231, 233, 258, 274	4070864 335	4460256..... 523, 652	4460633655
3790158..... 21	4070897 335	4460259..... 451, 603, 614	4460662 .505, 509, 513, 515
3820001 666, 670, 674, 678, 682, 686, 690, 694, 698	4070898 335	4460260..... 451, 603, 614	4460670652
3820020 365, 369, 371, 379, 381	4071044 335	4460267..... 614, 651, 655	4460703 574, 577, 582, 585, 652
3820032 176, 188, 204, 216, 236, 242, 262, 278	4071045 335	4460268..... 595, 597, 609	4460708655
3841143 170, 182, 198, 210, 224, 228, 252, 268, 335, 359	4071073 335	4460314..... 613	4460722 .321, 609, 631, 652
3841203 335	4071076 343	4460315..... 493, 613	4460748 .574, 578, 582, 652
3841258..... 17, 19, 335	4100063 479	4460346..... 309, 317, 493	4460761549, 613, 651
3841287 325	4100101 335	4460384..... 515	4460806 .503, 505, 507, 509
3841356..... 17, 325	4160197 335	4460418. 603, 613, 614, 615	4460807595, 597
3900054 377, 387, 389	4220189 343	4460419. 603, 613, 614, 615	4460808595, 597
3900260 479	4220190 343	4460425 305, 309, 314, 318, 433, 435, 517	4460836 ...79, 609, 651, 659
3900283 347	4240018 305, 309, 313, 317, 479, 483, 488, 517	4460426 305, 309, 314, 318, 537	446083779, 609
3900349 399, 403	4240032 ...94, 98, 102, 106, 110, 114, 118, 122, 553, 555, 557, 559, 561	4460428..... 399, 403	4460843659
3900363 158, 159, 355	424009985, 93, 97, 101, 105, 109, 113, 117, 121, 170, 176, 182, 188, 198, 204, 210, 216, 224, 228, 236, 242, 252, 258, 268, 274, 321, 400, 404, 424, 427, 429, 433, 435	4460434..... 609, 614	4460851549, 657
3900393001 343	4240149 421	4460443..... 652	4460852549, 657
3910408 173, 185, 201, 213, 231, 233, 258, 274	4240155 490	4460458..... 574, 578, 652	4460865533, 535
3910606 .309, 317, 493, 517	4360057433, 435	4460464.... 19, 79, 151, 153, 355, 409, 451, 523, 549, 550, 563, 565, 567, 569, 571, 586, 591, 603, 605, 609, 613, 631, 633, 641, 645, 647, 649, 651, 652, 657, 659, 661	4460866609, 613, 652
3910612493	4360070 .309, 314, 318, 710	4460465.. 79, 149, 451, 523, 525, 527, 529, 531, 533, 535, 549, 550, 563, 569, 571, 573, 574, 577, 578, 579, 581, 582, 585, 586, 593, 595, 597, 599, 601, 603, 605, 607, 609, 610, 614, 627, 631, 643, 647, 651, 652, 653, 655, 657, 659, 661	4460871 549, 603, 613, 651, 652, 659, 661
3910804 125, 127, 129, 131, 133, 135, 137, 139	4360328 125, 127, 129, 131, 133, 135, 137, 139, 711	4460466.. 79, 356, 411, 417, 451, 523, 525, 527, 529, 531, 533, 535, 549, 550, 563, 569, 571, 573, 574, 577, 578, 579, 581, 582, 585, 603, 605, 607, 609, 613, 627, 635, 641, 643, 647, 649, 651, 652, 653, 657, 659	4460872549, 659
3911010 153	4360336 305, 309, 313, 317, 711	4460470 399, 403, 537, 615, 653	4460873549, 613, 651
3931012 399, 403	4360387 125, 127, 131, 133, 135, 139, 399, 403, 711	4460471 399, 403, 537, 615, 653	4460874549, 613, 651
3931016 .305, 309, 313, 317	4360407399, 403, 710	4460473..... 533, 535	4460875549, 659
3931408..... 413	4360469 125, 127, 129, 131, 133, 135, 137, 139, 711	4460488..... 151, 153	4460876549, 603, 613
3931512 79	4360475 125, 127, 129, 131, 133, 135, 137, 139, 711	4460496. 399, 403, 537, 615	446087779, 651
3931620 173, 185, 231, 233, 258, 274	4360476 125, 127, 129, 131, 133, 135, 137, 139	4460511 533, 535	4460878451, 613
3932264 465	4360548355, 711	4460512 19, 355	4460884 451, 569, 573, 577, 581, 593, 605, 609, 614, 627, 651, 655, 659
3932272 463	4420014 421	4460515 355	4460887 ...79, 451, 613, 651
3952020 71	4420037 .424, 427, 429, 431	4460516 415	4460891 149, 549, 550, 569, 571, 586, 609, 647, 652, 655, 657, 659, 661
3960389 355	4420038 89		4460892 573, 579, 582, 609, 657
3960422 .309, 317, 493, 517	4420051 702		4460893609, 653
3960525 81, 83, 85	4420066 421		4460894 523, 525, 527, 529, 531, 563, 573, 577, 578, 581, 582, 585, 603, 609, 614, 643, 651, 657
3960551 19	4460016 614		4460897 151, 153, 586, 645, 649, 659
3980006 89	4460019577, 582, 652		4460899 .. 19, 549, 550, 571, 605, 633, 635, 641, 652, 657
4000008 355, 711	4460042 574, 577, 581, 585, 603		4460905 549, 603, 613, 651, 652, 659
4010308 170, 182, 198, 210, 224, 228, 252, 268	4460043321, 585		4460906609
4010408 305, 539, 541	4460049433, 435		4460910 ...17, 356, 629, 637
4010608 424, 439	4460051 493		4460911 .523, 550, 633, 635
4010618 367, 373, 375, 383, 385	4460071309, 317, 409		4460912523
4031505 411	4460134525, 527		4460913356
4031507 161			
4031509 149, 151, 355			
4031510 355			
4031512 19, 355			
4031516 415			

SECTION 11 - SPECIAL OPTIONS/ACCESSORIES/KITS

4460914	19	4461246.....	513, 625	4811400	93, 97, 101, 105,	242, 262, 278, 335, 395,		
4460917	17, 355, 356	4461249.....	625	109, 113, 117, 121, 149,		397, 537		
4460918	356, 633	4461271.....	549	151, 170, 182, 198, 210,			4812002001.....	158
4460925	613	4530028 424, 427, 429, 437,		224, 228, 252, 268, 355,			4812100..	77, 157, 173, 177,
4460926	657	716		395, 397, 451, 495, 497,			185, 189, 201, 204, 213,	
4460928	610, 631	4562516.....	479	499, 501, 503, 505, 507,			216, 231, 233, 237, 243,	
4460929	629	4640452.....	459	509, 511, 513, 515			258, 262, 274, 278, 301,	
4460930 523, 573, 577, 581,		4640746.....	469	4811400001	305		355	
585, 609, 627, 651, 659		4640751 176, 188, 204, 216,		4811600	93, 97, 101, 105,		4812100001..	31, 37, 39, 41,
4460931	417, 649, 652	236, 242, 262, 278		109, 113, 117, 121, 173,			43, 45, 47, 49, 51, 158,	
4460932 355, 451, 523, 525,		4641114.....	459	176, 185, 188, 201, 204,			343, 345, 359	
527, 529, 531, 565, 567,		4641155.....	31	213, 216, 231, 233, 236,			4812102.....	77, 81, 83, 85
591, 603, 652		4641260.....	459	242, 258, 262, 274, 278			4812200 171, 177, 183, 189,	
4460933 523, 574, 577, 578,		4641386.....	457	4811700 ..	31, 37, 39, 41, 43,		198, 204, 210, 216, 225,	
581, 582, 609, 613, 647,		4641388.....	457	45, 47, 49, 51, 83, 85, 93,			229, 237, 243, 252, 262,	
651, 659		4641393.....	457	97, 101, 105, 109, 113,			268, 278	
4460934 .573, 577, 581, 609		4711000.....	153, 314, 318	117, 121, 143, 145, 147,			4812200001	17, 19
4460935 .574, 577, 581, 609		4711400 158, 159, 363, 367,		151, 153, 158, 170, 173,			4812700001	325
4460941	569, 591, 635	371, 373, 375, 381, 383,		176, 182, 185, 188, 198,			4846482.....	335
4460942 411, 569, 573, 577,		385, 413, 415, 417, 495,		201, 204, 210, 213, 216,			4846627. 424, 427, 429, 431	
581, 585		497, 499, 501, 503, 505,		224, 228, 231, 233, 236,			4846673.....	433, 435
4460943 ..79, 143, 356, 417,		507, 509, 511, 513, 515		242, 252, 258, 262, 268,			4871200 171, 183, 198, 210,	
419, 549, 567, 569, 585,		4711500.....	157	274, 278, 305, 309, 367,			225, 229, 252, 268	
603, 609, 613, 635, 651,		4711600..	89, 176, 188, 204,	373, 375, 383, 385, 424,			4871700....	93, 97, 101, 105,
652		216, 236, 242, 299, 400,		439, 539, 541			109, 113, 117, 121, 305,	
4460944 ..79, 523, 569, 573,		404, 443, 445, 447, 449,		4811700001 ...	356, 393, 479		309, 313, 317	
574, 577, 581, 585, 589,		479		4811702 83, 85, 93, 97, 101,			4891600 158, 173, 185, 201,	
603, 607, 609, 613, 614,		4711600001	57, 59, 347	105, 109, 113, 117, 121,			213, 231, 233, 258, 274	
651, 652, 653		4711700.....	313, 317	170, 176, 182, 188, 204,			4891800 171, 173, 183, 185,	
4460945 .579, 582, 589, 653		4711800..	19, 170, 182, 198,	216, 224, 228, 236, 242,			198, 201, 210, 213, 225,	
4460950	549, 651	210, 224, 228, 252, 268,		252, 262, 268, 278, 395,			229, 231, 233, 253, 258,	
4460956	543, 547	377, 387, 389		397, 537			269, 274	
4460957	543, 547	4712000 421, 443, 445, 447,		4811702001	393		4922641. 306, 310, 314, 319	
4460958	517	449		4811900	93, 97, 101, 105,		4922925.....	314, 318, 597
4460962	424, 429, 529	4712200 170, 182, 198, 210,		109, 113, 117, 121, 158,			5241000 171, 177, 183, 189,	
4460963	318, 529	224, 228, 252, 268, 421		159, 170, 176, 182, 188,			198, 204, 210, 216, 225,	
4460967	599, 601	4740057	71	198, 204, 210, 216, 225,			229, 237, 243, 253, 269	
4460968	355, 497, 501	4740171 173, 185, 201, 213,		229, 236, 242, 252, 262,			5241000001	337, 359
4460970	603, 651	231, 233, 258, 274		268, 274, 278, 355, 521,			5241200..	21, 305, 309, 313,
4460971	424, 439	4740229.....	17, 19	525, 527, 529, 531			317, 335	
4460982	569	4740362.....	395, 397	4811900001 ..	19, 31, 94, 98,		5241200001	330, 359
4460984	573, 659	4740505.....	19	102, 106, 110, 114, 118,			5241600 177, 189, 204, 216,	
4461006	574	4750400 173, 185, 201, 213,		122, 158, 305, 309, 313,			237, 243, 262, 278	
4461008 .574, 578, 582, 586		231, 233, 258, 274		317, 347, 359, 488, 493,			5242000001	21
4461016	609	4751000.....	81, 83, 85, 309,	519, 525, 527, 529, 531,			5242400.....	67
4461017	79	313, 317, 399, 403, 424,		539, 541			5242400001	359
4461018	651	427, 429, 431, 439		4811902 83, 85, 93, 97, 101,			5250608. 253, 262, 269, 278	
4461043	574, 585	4751000001	305	105, 109, 113, 117, 121,			5250611. 258, 263, 274, 279	
4461054	574, 578, 582	4751400 391, 399, 403, 419,		157, 171, 176, 183, 188,			5250806001	356
4461060	591	424, 427, 429, 431, 433,		204, 216, 225, 229, 236,			5250808. 253, 264, 269, 280	
4461070 .573, 579, 582, 647		435, 521, 666, 670, 674,		242, 252, 262, 268, 278,			5250810 253, 258, 263, 269,	
4461071 .574, 578, 582, 585		678, 682, 686, 690, 694,		355			274, 279	
4461072	574, 585	698		4811902001	94, 98, 102,		5250810001	356
4461074	574, 585	4751400001	393	106, 110, 114, 118, 122,			5250812 253, 258, 263, 269,	
4461076	355	4751500.....	433, 435	158			274, 279	
4461077 356, 610, 631, 635,		4751600....	93, 97, 101, 105,	4812000 ..	31, 57, 59, 71, 89,		5251008001	357, 359
641		109, 113, 117, 121, 424,		93, 97, 101, 105, 109,			5251010.....	263, 279
4461095 .573, 577, 581, 647		427, 429, 431		113, 117, 121, 157, 171,			5251010001	337, 356
4461117	523	4751800 377, 387, 389, 433,		173, 176, 183, 185, 188,			5251012001	356
4461196	617	435		198, 201, 204, 210, 213,			5251016.....	263, 279
4461198	497, 617	4755000001	19	216, 225, 229, 231, 233,			5251016001	356, 359
4461199	619	4760600.....	493	236, 242, 252, 258, 262,			5251022 177, 189, 204, 216,	
4461201	501, 619	4761400.....	391	268, 274, 278, 305, 309,			237, 243, 263, 279	
4461205	621, 623	4761600....	93, 97, 101, 105,	313, 317, 335, 347, 525,			5251210.....	263, 279
4461228	356	109, 113, 117, 121		527, 529, 531			5251210001	53
4461244	505, 621	4791400....	93, 97, 101, 105,	4812002	81, 83, 85, 157,		5251215. 253, 258, 269, 274	
4461245	509, 623	109, 113, 117, 121		176, 188, 204, 216, 236,				

SECTION 11 - SPECIAL OPTIONS/ACCESSORIES/KITS

5260600 253, 258, 263, 269, 274, 279	70002140 290	70002759 62, 349	70004433 25
5260800 253, 258, 263, 269, 274, 279	70002141 290	70002838 87	70004434 25
5261000 263, 279	70002142 290	70002859 341	70004435 25
5261018 355	70002145 290	70002902 409	70004436 25
5261200 253, 258, 269, 274	70002148 290	70002903 409	70004437 25
5271614 204, 216	70002150 290	70002904 409	70004438 25
5272024 463	70002151 290	70002905 409	70004439 25
5272025 465	70002152 290	70002962 62	70004440 25
70000342 339	70002153 290	70003019 351	70004441 25
70000619 313, 317	70002154 290	70003020 351	70004442 25
70000778 461, 463	70002155 290	70003021 351	70004443 25
70000781 62	70002156 290	70003023 351	70004444 25
70000793 287	70002157 290	70003027 351	70004445 25
70000796 341	70002158 290	70003408 33	70004446 25
70000803 33	70002159 290	70003484 79	70004447 25
70000804 33	70002160 290	70003628 23	70004448 25
70000805 33	70002161 290	70003631 313, 318	70004449 26
70000852 23	70002162 290	70003708306, 310, 314, 318	70004450 26
70000853 23	70002163 290	70003709306, 310, 314, 318	70004451 26
70000854 23	70002164 290	70003784 399, 403	70004452 26
70000855 23	70002165 290	70003788 325, 710	70004453 26
70000856 23	70002168 291	70003919 343	70004456 349
70000857 23	70002174 291	70003920 343	70004457 62, 351
70000858 23	70002175 291	70003948 339	70004459 35, 61, 349
70000859 23	70002177 291	70004005 91	70004460 ... 35, 61, 349, 710
70000860 23	70002178 291	70004006 91	70004461 35
70000861 23	70002179 291	70004007 91	70004462 35
70000862 23	70002231 57, 710	70004017 33	70004463 35, 710
70000863 313, 318	70002297 313, 318	70004050 62, 351	70004464 35
70001100 313, 317	70002373 459	70004051 349, 351	70004465 35
70001384 313, 317	70002386 33, 710	70004052 ... 61, 62, 349, 351	70004466 73
70001424 441	70002410 467	70004055 35, 61	70004467 73
70001425 441	70002460 314, 318	70004071 345	70004468 73
70001427 441	70002576 297	70004092306, 310, 314, 318	70004469 73
70001428 441	70002578 294	70004093 318	70004470 73
70001429 441	70002580 293	70004094 314, 318	70004471 73
70001430 441	70002582 293	70004095 318	70004472 73
70001431 441, 710	70002583 293	70004096 314, 318	70004473 73
70001432 441, 711	70002585 294	70004097 314, 318	70004474 73
70001639 339	70002586 293	70004098306, 310, 314, 318	70004475 73
70001640 341	70002588 293	70004099 318	70004476 73
70001696 314, 318	70002589 293	70004150 87	70004477 73
70001697 339	70002590 293	70004164 35	70004478 73
70001870 248, 284	70002592 293	70004171 306, 310, 313	70004479 73
70001955 293	70002593 293	70004185 716	70004480 73
70001956 293	70002595 294	70004363 25	70004481 73
70001958 291	70002599 294	70004383 33	70004482 73
70001966306, 310, 314, 318	70002600 290	70004384 33	70004483 73
70001973306, 310, 314, 318	70002601 290	70004386 33	70004484 73
70001974 314, 318	70002602 290	70004406 461, 463, 469	70004485 73
70002028 25	70002604 291	70004407 469	70004486 73
70002031 25	70002605 291	70004411 87	70004487 73
70002032 25	70002606 291	70004412 87	70004488 74
70002036 25	70002607 291	70004416 293	70004489 74
70002052 25	70002608 291	70004417 293	70004490 74
70002057 25, 73	70002609 291	70004418 293	70004491 73
70002097 347, 710	70002610 291	70004419 293	70004492 74
70002132 290	70002612 291	70004420 293	70004493 74
70002133 290, 293	70002616 291	70004421 293	70004494 74
70002134 290	70002617 291	70004422 293	70004508 247, 283
70002135 290	70002618 290	70004423 294	70004511 283
70002136 290	70002619 290	70004425 294	70004512 193, 221, 283
70002137 290	70002620 290	70004426 294	70004515193, 221, 247, 283
70002138 290	70002621 291	70004429 25	70004517 221
70002139 290	70002622 291	70004430 25	70004518 221
	70002623 291	70004431 25	70004519 221
	70002758 62, 349	70004432 25	70004520193, 221, 247, 283

SECTION 11 - SPECIAL OPTIONS/ACCESSORIES/KITS

70004583.....	61	70005619.....	91	70006653.....	193, 221, 283	70008369.....	59
70004584.....	61	70005620.....	341	70006707.....	61	70008425.....	247
70004585.....	61, 349, 351	70005621.....	341	70006708.....	61	70008427.....	247
70004586.....	61	70005622.....	341	70006731.....	472	70008612.....	193, 247, 283
70004587.....	61	70005624.....	306, 310	70006732.....	471	70008613.....	193, 247, 283
70004588.....	61, 62, 349, 710	70005625.....	310	70006853.....	471	70022286.....	293
70004589.....	61	70005633.....	465	70006854.....	471	70022287.....	293
70004590.....	61	70005651.....	313	70006856.....	471	70022564.....	455, 459, 467
70004591.....	61	70005652.....	314	70006857.....	471	70023351.....	293
70004592.....	61	70005654.....	465, 469	70006858.....	471	70023352.....	293
70004593.....	61, 349	70005655.....	465	70006859.....	471, 476	70023353.....	293
70004594.....	61, 62, 349	70005656.....	465	70006860.....	471, 476	70023354.....	293
70004595.....	61, 62, 349, 710	70005657.....	325	70006861.....	471	70023355.....	293
70004596.....	61, 62, 349	70005658.....	461, 463	70006862.....	471	70023357.....	293
70004597.....	61, 62, 349	70005659.....	461, 463	70006863.....	472	70023358.....	293
70004600.....	61	70005666.....	345	70006864.....	472, 476	70023359.....	293
70004601.....	62, 349	70005678.....	79	70006865.....	472, 476	70023361.....	293
70004602.....	62, 349	70005679.....	79	70006867.....	471	70023362.....	293
70004603.....	62	70005804.....	471, 476	70007083.....	193, 247, 283	70023363.....	293
70004609.....	61	70005839.....	457, 461, 475	70007085.....	193	70023380.....	475
70004610.....	62	70005941.....	248	70007093.....	193	70023592.....	205, 217, 710
70004613.....	62	70005943.....	61	70007326.....	248	70023593.....	205, 217, 710
70004614.....	65, 711	70005944.....	61	70007993.....	459	70023809.....	177, 189, 205, 217, 237, 243, 263, 279, 710
70004615.....	65	70005945.....	61	70007994.....	459	70023859.....	61
70004617.....	62, 349, 351	70005946.....	61	70007995.....	459	70023860.....	61, 62
70004618.....	62	70005947.....	61, 62	70007996.....	459	70023862.....	61
70004619.....	62	70005948.....	61	70007997.....	459	70023866.....	65
70004653.....	351, 710	70005950.....	62	70007998.....	459	70023867.....	65
70004676.....	306, 310	70005951.....	62	70008012.....	467	70023872.....	177, 189, 205, 217, 237, 243, 263, 279, 710
70004678.....	306, 310	70005952.....	62	70008013.....	467	70024039.....	293
70004679.....	306, 310	70005953.....	62	70008014.....	455	70024040.....	293
70004680.....	306, 310	70005954.....	349	70008015.....	455	70024072.....	465
70004681.....	306	70005955.....	349	70008016.....	455	7002412.....	455
70004682.....	306	70005958.....	62, 65, 349	70008017.....	455	70024328.....	177, 189, 205, 217, 237, 243, 263, 279
70004683.....	306, 310	70005959.....	65	70008018.....	455	70024329.....	177, 189, 205, 217, 237, 243, 263, 279
70004685.....	310	70005961.....	65	70008019.....	455	70024472.....	221
70005143.....	459	70005962.....	349	70008067.....	457	70024474.....	193, 221, 283
70005199.....	65	70005963.....	349	70008068.....	457	70024475.....	247
70005433.....	461, 471, 475	70005964.....	349	70008069.....	457	70024480.....	193, 283
70005492.....	193	70005965.....	349	70008070.....	457	70024481.....	194, 221
70005497.....	247	70005966.....	351, 711	70008211.....	475	70024485.....	193, 221, 247, 283
70005498.....	194, 284	70005967.....	351	70008212.....	475	70024487.....	193, 221
70005504.....	193	70005999.....	469	70008213.....	475	70024494.....	194, 221, 248, 284
70005511.....	193, 283	70006003.....	325	70008214.....	475	70024495.....	247, 284
70005513.....	193	70006004.....	326, 710	70008215.....	475	70024500.....	248
70005516.....	194, 248, 284	70006005.....	325	70008216.....	475	70024504.....	193, 221, 283
70005517.....	193, 283	70006006.....	326	70008217.....	475	70024507.....	193, 221, 283
70005522.....	193	70006137.....	57, 59	70008218.....	475	70024513.....	247, 283
70005523.....	193	70006144.....	193, 221, 247, 283	70008219.....	475	70024961.....	283
70005524.....	193	70006344.....	471	70008220.....	475	70025088.....	194, 221, 284
70005544.....	193	70006363.....	476	70008221.....	475	70025153.....	193, 221, 247, 283
70005548.....	194, 283	70006403.....	299	70008222.....	475	70025707.....	194, 284
70005549.....	194	70006404.....	299	70008223.....	475	70025737.....	247
70005556.....	193, 247	70006405.....	299, 710	70008224.....	475	70025745.....	194, 221, 248, 284
70005559.....	193, 283	70006406.....	299	70008225.....	476	70025780.....	193, 221, 283
70005564.....	221	70006407.....	299	70008226.....	476	70025789.....	194, 221, 247
70005565.....	81, 83, 85	70006408.....	299	70008228.....	461	70025979.....	294
70005598.....	461, 463, 465	70006409.....	299	70008229.....	461	70026210.....	193, 221, 247, 283
70005599.....	471, 475	70006410.....	299	70008230.....	461	70026446.....	325
70005600.....	471, 475	70006510.....	465	70008231.....	461	70027405.....	193
70005601.....	471, 475	70006511.....	465	70008232.....	461	70027420.....	193
70005602.....	471, 475	70006512.....	465	70008233.....	461		
70005603.....	471, 475	70006545.....	463	70008234.....	461		
70005615.....	91	70006546.....	463	70008235.....	461		
70005616.....	91	70006552.....	305, 309	70008236.....	461		
70005617.....	91	70006553.....	305, 309, 711	70008358.....	59, 710		
70005618.....	91	70006596.....	459, 467	70008368.....	59		

SECTION 11 - SPECIAL OPTIONS/ACCESSORIES/KITS

70027422.....247	7016654.....716	7024598 170, 182, 198, 210, 224, 228, 252, 268	8310643001.....94, 98, 102, 106, 110, 114, 118, 122, 158, 347
70027425.....283	7016655.....716	7024800.....291	8310686.....93, 97, 101, 105, 109, 113, 117, 121, 355
70027460.....193	7017142.....339	7024865.....23	8405006.....299
70027463.....193, 247, 283	7017159.....339	7024867.....23	8405007 177, 189, 205, 217, 237, 243, 263, 279
70027464.....193, 247, 283	7017163.....339	7024868.....23	8405009 177, 189, 237, 243, 263, 279
70027467.....193, 247, 283	7017164.....339	7024885.....351, 710	8405104 177, 189, 205, 217, 237, 243, 263, 279
70027495.....193, 247, 283	7017187.....341	7024899.....351	8405211 177, 189, 237, 243, 263, 279
70027569.....221	7017189.....341	7026004.....461, 463	8406003.....355
7002821.....716	7017195.....339	7026030.....79	8406101.....83, 93, 97, 101, 105, 109, 113, 117, 121, 171, 183, 198, 210, 225, 229, 253, 269
7002822.....716	7017402.....351	7026031.....79, 711	8406102 171, 183, 225, 229, 253, 269
7002823.....716	7017493.....33	7026032.....79	8406105 171, 183, 199, 211, 225, 229, 253, 269
7002828.....716	7018942.....62, 349	7026597.....314, 318	8406109 177, 189, 205, 217, 237, 243, 263, 279, 493, 519, 539, 541
70028538.....247	7020175 125, 127, 129, 131, 133, 135, 137, 139	7026626.....314, 318	8406110 177, 189, 206, 218, 237, 243
70028540.....193, 221	7020176 125, 127, 129, 131, 133, 135, 137, 139	7027740.....23	8406201 171, 183, 225, 229, 253, 269
70028542.....247	7020404 .194, 221, 247, 284	7027773.....437	8406303 .205, 217, 253, 269
70028927.....247	7020442.....247	7027774.....437	8410009 171, 183, 225, 229, 253, 269
70028989.....247	7020465 .194, 221, 248, 284	7027775.....437	8410011 177, 189, 205, 217, 237, 243, 263, 279, 493, 519, 539, 541
70029379.....247	7020465 .194, 221, 248, 284	7027776.....437	8410012 177, 189, 206, 218, 237, 243, 263, 279
70029385.....247	7021249.....23	7027777.....437	8410013 171, 177, 183, 189, 205, 217, 225, 229, 237, 243, 253, 263, 269, 279
70029386.....247	7021256.....291	7027778.....437	8750014 171, 183, 198, 210, 225, 229, 253, 269
70029399.....248	7021265.....291	7027779.....437	8750031 171, 183, 198, 210, 225, 229, 253, 269
70029401.....193, 221, 283	7021275.....23, 290, 293	7027780.....437	8760554.....488
70029407.....283	7021293.....291	7027799.....314, 318	8769122.....483
70029468.....455	7021375.....35, 61, 349	7300435 177, 189, 204, 216, 237, 243, 263, 279	8769123 171, 183, 198, 210, 225, 229, 253, 269
70029580.....247	7021625.....33	77133089.....488	8769127 171, 183, 225, 229, 253, 269
70030375.....247	7022300.....291	77133137.....171, 183, 225, 229, 253, 269	8769128.....483
70030378.....247	7022301.....290	77363232305, 309, 313, 317	88261128.....57, 59
70031215.....248	7022311.....23	77363233.....595, 597	88411013.....521
7004237.....467	7022314.....23	7894000042.....357	88521214443, 445, 447, 449
7004275.....716	7022321.....23	80963067.....574, 578, 652	88662013.....488
7004276.....716	7022321.....23	82033995.....171, 183, 225, 229, 253, 269	91043147.....274
70052577.....455	7022340.....293	8220007.....613	91203039.....359
7007207.....290, 293	7022368.....23	8220045.....573, 577, 581	91403230.....666, 670, 674, 678, 682, 686, 690, 694, 698
7007415.....291, 293, 294	7022371.....23	8220051.....591	91554014.....659
7007418.....290	7022390.....351	8220068.....659	91563070.....177, 189, 205, 217, 237, 243, 263, 279
7007419.....290	7022399.....33	8220097. 574, 578, 582, 652	
7007420.....23	7022523.....349	8220098. 574, 578, 582, 652	
7007437.....23	7023377.....293	8220115.....577, 582, 585	
7007438.....23	7023922.....351	8220116.....652	
7007439.....23, 291	7023962.....293	8229242 573, 579, 582, 652, 710	
7007446.....23, 290, 293	7023964.....293, 294	8229244 573, 579, 582, 652, 710	
7007489.....297	7024441.....87	8229245. 574, 579, 582, 710	
7008010.....467	7024462.....437	8229247. 573, 579, 582, 710	
7008011.....467	7024463.....437	8229249.....451, 710	
7008431.....247	7024467.....437	8278020 177, 189, 204, 217, 237, 243, 263, 279	
7010543.....33	7024469.....437	8305401 177, 189, 205, 217, 237, 243, 263, 279	
7011346.....465, 471, 475	7024470.....437	8305919 171, 183, 199, 211, 225, 229, 254, 270, 305, 309, 313, 317	
7011351 461, 463, 469, 471, 475	7024471.....437, 441	8307109 177, 189, 205, 217, 237, 243, 263, 279	
7011353.....457	7024472.....437	8310067 171, 183, 198, 210, 225, 229, 253, 269	
7011361.....465, 471, 475	7024473.....437	8310129.....421	
7011368.....471, 475	7024474.....437	8310548 177, 189, 205, 217, 237, 243, 263, 279	
7011371.....471, 475	7024475.....437		
7011376 455, 457, 461, 463, 465	7024478.....437		
7011381.....469	7024485.....314, 318, 710		
70124432.....247	7024488.....313, 317		
7012773.....35, 61, 349	7024489.....313, 317		
7012941.....33	7024530.....441		
7012973.....33	7024531.....441		
7012998.....33, 459	7024532.....441		
7016322 170, 182, 198, 210, 224, 228, 252, 268	7024533.....441		
7016331 .194, 221, 247, 284	7024534.....441		
7016374 170, 182, 198, 210, 224, 228, 252, 268	7024535.....441		
	7024536.....441		
	7024537.....441		
	7024574.....461, 463		
	7024579.....248		



**Corporate Office
JLG Industries, Inc.
1 JLG Drive
McConnellsburg, PA 17233-9533 USA
☎ (717) 485-5161 (Corporate)
☎ (877) 554-5438 (Customer Support)
📠 (717) 485-6417**

**Visit our website for JLG Worldwide Locations.
www.jlg.com**



OSHKOSH™