



Illustrated Parts Manual

Models **400S HC3** **460SJ HC3**

PVC
2307

P/N
31222398

October 9, 2023 - Rev C

ANSI

CE



**UK
CA**

AS/NZS



An Oshkosh Corporation Company

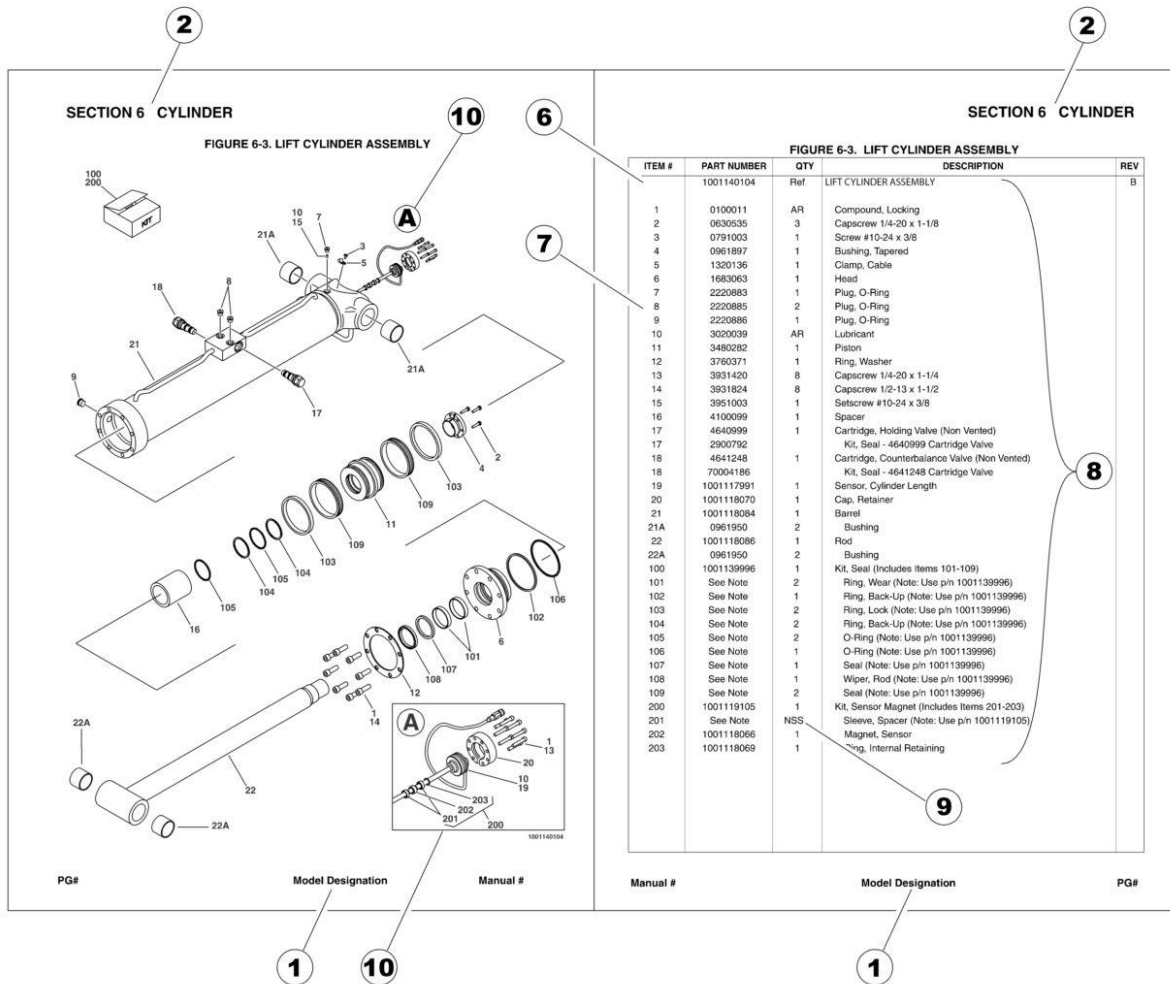
REVISION LOG

July 1, 2023 - A - Original Issue of Manual (Edited to B/M 1001237527 Revision U)

July 15, 2023 - B - Revised Manual (Edited to B/M 1001237527 Revision U)

October 9, 2023 - C - Revised Manual (Edited to B/M 1001237527 Revision W)

GENERAL INFORMATION



1) MACHINE IDENTIFICATION

Machines are identified by model and in some cases a combination of models, serial number (SN) or regional standard (i.e ANSI, CE, CSA). Components may also be identified by SN or manufacturer. Common components that may be identified by these characteristics are engines and hydraulic components.

2) PARTS MANUAL ORGANIZATION

Product information in this manual is organized under section titles. Frame, Cylinder, Hydraulic and Electrical are a few examples. Each section is organized by figure and page number. The information within the Figure is then organized by item number, part number, description and corresponding illustration (s).

3) TABLE OF CONTENTS (NOT SHOWN)

A table of contents is found toward the beginning of the manual. Figure number, description and page number are provided for quick reference to the page containing the related information.

4) RECOMMENDED SPARE PARTS (NOT SHOWN)

The Recommended Spare Parts List, located near the end of the manual, reference most frequently used maintenance parts.

5) PART NUMBER INDEX (NOT SHOWN)

A numerical index listing all part numbers and the corresponding page number(s) appears at the back of the manual.

GENERAL INFORMATION

6) NON-SERVICED PARTS

In some instances, it is necessary to display non-serviced parts, assemblies or installations. In the case of assemblies and installations there will be a Ref in the Qty. column. In case of parts that are not available for service within assemblies or components, there will be a NSS (Not Sold Separately) or NLA (No Longer Available) listed in the Qty. column of the manual.

7) PARTS LIST ITEM NUMBERS

Numbers shown in the item# column correspond to numbers used in the associated illustration (s). Item numbers which are missing from the sequence in the parts list are not used on that page.

8) INDENTED PARTS DESCRIPTION

An indented part description is included in the item under which it is indented.

9) ABBREVIATION AND SYMBOLS

AC.....	Alternating Current	L.....	Liter
ADE.....	Advanced Design Electronics	LB(LBS).....	Pounds
AG.....	Agricultural	LCD.....	Liquid Crystal Display
ANSI.....	American National Standards Institute	LED.....	Light Emitting Diodes
AR.....	As Required	LH.....	Left Hand
ASSY.....	Assembly	LRC.....	Low Rated Countries
AUS.....	Australia	LSS.....	Load Sensing System
AUX.....	Auxiliary	M(m).....	Metric/Meter
AWG.....	American Wire Gauge	MM(mm).....	Milimeter
B/M.....	Bill of Material	mA.....	Miliamps
CAC.....	Charge Air Cooler	NLA.....	No Longer Available
CE.....	European Conformity	NPT.....	National Pipe Threads
CCW.....	Counter Clockwise	NSS.....	Not Sold Separately
CM.....	Centimeter	OD.....	Outside Diameter
CW.....	Clockwise	ORB.....	O-Ring Boss
CSA.....	Canadian Standards Association	ORFS.....	O-Ring Face Seal
CYL.....	Cylinder	OZ (oz).....	Ounces
DIA.....	Diameter	PG.....	Page
DC.....	Direct Current	PN.....	Part Number
DEF.....	Diesel Exhaust Fluid	QT(qt.).....	Quarts
EMS.....	Emergency Stop	QTY.....	Quantity
ENG.....	Engine	REF.....	Reference
FT(ft).....	Feet	REV.....	Revision Level
GA(Ga).....	Gauge	RH.....	Right Hand
HRC.....	High Rated Countries	SAE.....	Society of Automotive Engineers
HVAC.....	Heating, Ventilating, and Air Conditioning	SN.....	Serial Number
HYD.....	Hydraulic	SPEC(S).....	Specifications
Hz.....	Hertz	T/T.....	Turntable
ID.....	Inside Diameter	UGM.....	Universal Ground Module
IN.....	inches	V.....	Volts
ISO.....	International Organization for Standards	W.....	Watts
JIC.....	Joint Industry Council	#.....	Number
KG.....	Kilogram		

10) ILLUSTRATION REFERENCE LETTERS

When necessary, illustrations may contain reference letters that are intended to track information (i. e. hoses, harnesses) from one point to another or to track visual enlargement of components to show details that may be located in another area on the illustration.

Note: Due to continuous product improvements, JLG Industries, Inc. reserves the right to make specification changes without prior notification. Contact JLG Industries, Inc. for updated information.

TABLE OF CONTENTS

SECTION 1 - FRAME.....	15
FIGURE 1-1. AXLE INSTALLATION	16
FIGURE 1-2. STEER INSTALLATION - WITHOUT TOW PACKAGE (400S HC3)	18
FIGURE 1-3. STEER INSTALLATION - WITHOUT TOW PACKAGE (460SJ HC3).....	20
FIGURE 1-4. STEER INSTALLATION - WITH TOW PACKAGE (400S HC3).....	22
FIGURE 1-5. STEER INSTALLATION - WITH TOW PACKAGE (460SJ HC3).....	24
FIGURE 1-6. WHEEL DRIVE AND FRAME VALVES INSTALLATION (400S HC3)	26
FIGURE 1-7. WHEEL DRIVE AND FRAME VALVES INSTALLATION (460SJ HC3)	28
FIGURE 1-8. DRIVE HUB ASSEMBLY - FRONT (400S HC3).....	30
FIGURE 1-9. DRIVE HUB/BRAKE ASSEMBLY - REAR (400S HC3)	32
FIGURE 1-10. DRIVE HUB/BRAKE ASSEMBLY - REAR (460SJ HC3)	36
FIGURE 1-11. DRIVE MOTOR ASSEMBLY (400S HC3).....	40
FIGURE 1-12. DRIVE MOTOR ASSEMBLY (460SJ HC3).....	42
FIGURE 1-13. TRACTION VALVE ASSEMBLY	44
FIGURE 1-14. TIRE AND WHEEL INSTALLATION - 14 X 176.5 FOAM FILLED (400S HC3 & 460SJ HC3).....	46
FIGURE 1-15. TIRE AND WHEEL INSTALLATION - 12 X 16.5 FOAM FILLED (400S HC3)	48
FIGURE 1-16. TIRE AND WHEEL INSTALLATION - 33 X 12D610 FOAM-FILLED (460SJ HC3).....	50
FIGURE 1-17. TIRE AND WHEEL INSTALLATION - 12 X 16.5 FF NON-MARKING (400S HC3).....	52
FIGURE 1-18. TIRE AND WHEEL INSTALLATION - 14 X 17.5 FF NON-MARKING.....	54
FIGURE 1-19. TIRE AND WHEEL INSTALLATION - TURF	56
FIGURE 1-20. LP TANK BRACKETS INSTALLATIONS	58
FIGURE 1-21. FRAME SHIELDS INSTALLATION - WITHOUT TOW PACKAGE	60
FIGURE 1-22. FRAME SHIELDS INSTALLATION - WITH TOW PACKAGE	62
FIGURE 1-23. TOW PACKAGE INSTALLATION.....	64
FIGURE 1-24. TOW BAR ASSEMBLY	66
SECTION 2 - TURNTABLE.....	69
FIGURE 2-1. CONTROL VALVES INSTALLATION (400S HC3)	70
FIGURE 2-2. CONTROL VALVES INSTALLATION (460SJ HC3)	72
FIGURE 2-3. CONTROL VALVE ASSEMBLY (400S HC3).....	74
FIGURE 2-4. CONTROL VALVE ASSEMBLY (460SJ HC3).....	78
FIGURE 2-5. AXLE CONTROL VALVE ASSEMBLY.....	82
FIGURE 2-6. SWING DRIVE INSTALLATION	84
FIGURE 2-7. SWING DRIVE MOTOR/HUB ASSEMBLY	86
FIGURE 2-8. TURNTABLE BEARING INSTALLATION	90
FIGURE 2-9. BEARING LUBE INSTALLATION	92
FIGURE 2-10. TURNTABLE LOCK INSTALLATION.....	94
FIGURE 2-11. ROTARY COUPLING INSTALLATION	96
FIGURE 2-12. TANK INSTALLATION - DIESEL ENGINES (17.3 GAL).....	98
FIGURE 2-13. TANK INSTALLATION - DIESEL ENGINES (36 GAL).....	100
FIGURE 2-14. TANK INSTALLATION - GAS ENGINES (17.3 GAL).....	102
FIGURE 2-15. TANK INSTALLATION - GAS ENGINES (36 GAL).....	104
FIGURE 2-16. HYDRAULIC TANK ASSEMBLY ENGINES (17.3 GAL).....	106
FIGURE 2-17. HYDRAULIC TANK ASSEMBLY (36 GAL)	108
FIGURE 2-18. AUXILIARY POWER INSTALLATION - WITHOUT BATTERY DISCONNECT	110

TABLE OF CONTENTS

FIGURE 2-19. AUXILIARY POWER INSTALLATION - WITH BATTERY DISCONNECT.....	112
FIGURE 2-20. AUXILIARY POWER PUMP/MOTOR ASSEMBLY	114
FIGURE 2-21. ELECTRICAL INSTALLATION (400S HC3)	116
FIGURE 2-22. ELECTRICAL INSTALLATION (460SJ HC3)	118
FIGURE 2-23. ELECTRICAL INSTALLATION (460SJ HC3 WITH DEUTZ D2.9L4 (STAGE V) ENGINES)	120
FIGURE 2-24. ELECTRICAL PANEL ASSEMBLY	122
FIGURE 2-25. GROUND CONTROL BOX ASSEMBLY (400S HC3).....	124
FIGURE 2-26. GROUND CONTROL BOX ASSEMBLY (460SJ HC3).....	126
FIGURE 2-27. GROUND CONTROL BOX ASSEMBLY (460SJ HC3 WITH DEUTZ D2.9L4 (STAGE V) ENGINES) (CE SPECS)	128
FIGURE 2-28. GROUND CONTROL BRACKET INSTALLATION (400S HC3)	130
FIGURE 2-29. GROUND CONTROL BRACKET INSTALLATION (460SJ HC3)	132
FIGURE 2-30. GROUND CONTROL BRACKET INSTALLATION (460SJ HC3 WITH DEUTZ D2.9L4 (STAGE V) ENGINES) (CE SPECS).....	134
FIGURE 2-31. KEYSWITCH AND PANEL DECAL INSTALLATION - 400S HC3.....	136
FIGURE 2-32. KEYSWITCH AND PANEL DECAL INSTALLATION - 460SJ HC3 (ALL SPECS EXCEPT CE & UK CA SPECS)	138
FIGURE 2-33. KEYSWITCH AND PANEL DECAL INSTALLATION - 460SJ HC3 (CE-LRC & UK CA SPECS)	140
FIGURE 2-34. KEYSWITCH AND PANEL DECAL INSTALLATION - 460SJ HC3 (CE & UK CA SPECS WITH DEUTZ D2.9L4 (STAGE V) ENGINES	142
FIGURE 2-35. LIGHT PANEL INSTALLATION.....	144
FIGURE 2-36. STROBE LIGHT INSTALLATION (AMBER).....	146
FIGURE 2-37. STROBE LIGHT INSTALLATION (BLUE)	148
FIGURE 2-38. STROBE LIGHT INSTALLATION (RED)	150
FIGURE 2-39. HOODS INSTALLATION - ABS (DEUTZ ENGINES)	152
FIGURE 2-40. HOODS INSTALLATION - ABS (KUBOTA ENGINES).....	156
FIGURE 2-41. HOODS INSTALLATION - STEEL	160
FIGURE 2-42. HOOD ASSEMBLY - ENGINE SIDE (ABS).....	164
FIGURE 2-43. HOOD ASSEMBLY - ENGINE SIDE (STEEL).....	166
FIGURE 2-44. ABS HOOD ASSEMBLY - TANK SIDE	168
FIGURE 2-45. STEEL HOOD ASSEMBLY - TANK SIDE	170
FIGURE 2-46. SOUND REDUCTION INSTALLATION (STEEL HOODS)	172
FIGURE 2-47. HOOD PLUGS INSTALLATION (HOODS WITHOUT STROBE LIGHT)	174
FIGURE 2-48. TURNTABLE COVERS INSTALLATION.....	176
FIGURE 2-49. WHITE NOISE (AMBIENT) ALARM INSTALLATION	178
FIGURE 2-50. WHITE NOISE (CONSTANT) ALARM INSTALLATION	180
SECTION 3 - ENGINE	183
FIGURE 3-1. DEUTZ D2011 ENGINE INSTALLATION (WITHOUT ARCTIC PACKAGE)	184
FIGURE 3-2. DEUTZ D2011 ENGINE AND PUMP SUB-ASSEMBLY (WITHOUT ARCTIC PACKAGE)	188
FIGURE 3-3. DEUTZ D2011 ENGINE ASSEMBLY (WITHOUT ARCTIC PACKAGE).....	190
FIGURE 3-4. DEUTZ D2011 ENGINE INSTALLATION (WITH ARCTIC PACKAGE)	194
FIGURE 3-5. DEUTZ D2011 ENGINE AND PUMP SUB-ASSEMBLY (WITH ARCTIC PACKAGE).....	198
FIGURE 3-6. DEUTZ D2011 ENGINE ASSEMBLY (WITH ARCTIC PACKAGE)	200
FIGURE 3-7. DEUTZ D2011 ENGINE COMPONENTS.....	204
FIGURE 3-8. DEUTZ D2.9L4 EMR4 ENGINE INSTALLATION (WITHOUT ARCTIC PACKAGE)	208
FIGURE 3-9. DEUTZ D2.9L4 EMR4 ENGINE AND PUMP SUB-ASSEMBLY (WITHOUT ARCTIC PACKAGE)	212

TABLE OF CONTENTS

FIGURE 3-10. DEUTZ D2.9L4 EMR4 ENGINE ASSEMBLY (WITHOUT ARCTIC PACKAGE)	214
FIGURE 3-11. DEUTZ D2.9L4 EMR4 ENGINE INSTALLATION (WITH ARCTIC PACKAGE)	220
FIGURE 3-12. DEUTZ D2.9L4 EMR4 ENGINE AND PUMP SUB-ASSEMBLY (WITH ARCTIC PACKAGE)	224
FIGURE 3-13. DEUTZ D2.9L4 EMR4 ENGINE ASSEMBLY (WITH ARCTIC PACKAGE).....	226
FIGURE 3-14. ENGINE INSTALLATION - DEUTZ D2.9L4 ERM5 ENGINE (WITHOUT ARCTIC PACKAGE) (ANSI, ANSI EXPORT (HRC), CSA AND JAPANESE SPECS)	232
FIGURE 3-15. ENGINE AND PUMP SUB-ASSEMBLY - DEUTZ D2.9L4 ERM5 ENGINE (WITHOUT ARCTIC PACKAGE) (ANSI, ANSI EXPORT AND CSA SPECS)	236
FIGURE 3-16. ENGINE ASSEMBLY - DEUTZ D2.9L4 ERM5 ENGINE (WITHOUT ARCTIC PACKAGE) (ANSI, ANSI EXPORT AND CSA SPECS)	238
FIGURE 3-17. ENGINE INSTALLATION - DEUTZ D2.9L4 ERM5 ENGINE (WITH ARCTIC PACKAGE) (ANSI AND CSA SPECS)	244
FIGURE 3-18. ENGINE AND PUMP SUB-ASSEMBLY - DEUTZ D2.9L4 ERM5 ENGINE (WITH ARCTIC PACKAGE) (ANSI, ANSI EXPORT AND CSA SPECS).....	248
FIGURE 3-19. ENGINE ASSEMBLY - DEUTZ D2.9L4 ERM5 ENGINE (WITH ARCTIC PACKAGE) (ANSI AND CSA SPECS)	250
FIGURE 3-20. DEUTZ D2.9L4 EMR4 ENGINE COMPONENTS	256
FIGURE 3-21. ENGINE COMPONENTS - DEUTZ D2.9L4 ERM5 ENGINE (ANSI, ANSI EXPORT AND CSA SPECS).....	260
FIGURE 3-22. DEUTZ D2.9L4 (STAGE V) ENGINE INSTALLATION.....	264
FIGURE 3-23. DEUTZ D2.9L4 (STAGE V) ENGINE AND PUMP SUB-ASSEMBLY	270
FIGURE 3-24. DEUTZ D2.9L4 (STAGE V) ENGINE ASSEMBLY	272
FIGURE 3-25. DEUTZ D2.9L4 (STAGE V) ENGINE COMPONENTS	278
FIGURE 3-26. DEUTZ D2.9L4 (STAGE V) ENGINE COMPONENTS	282
FIGURE 3-27. FUEL PUMP/FILTER BRACKET ASSEMBLY (DEUTZ TD2.9L4 ENGINES)	286
FIGURE 3-28. FUEL PUMP/FILTER BRACKET ASSEMBLY (DEUTZ D2.9L4 (STAGE V) ENGINES)	288
FIGURE 3-29. QUICKFIT OIL DRAIN INSTALLATION (DEUTZ D2.9L4 ENGINES)	290
FIGURE 3-30. QUICKFIT OIL DRAIN INSTALLATION (KUBOTA 2.5L DF)	292
FIGURE 3-31. BREATHER HEATER INST (DEUTZ D2.9L4 ENGINES)	294
FIGURE 3-32. ENGINE MOUNT (WITH GENERATOR) – DEUTZ D2.9L4 (STAGE V) ENGINE	296
FIGURE 3-33. ENGINE MOUNT (WITHOUT GENERATOR) – DEUTZ D2.9L4 (STAGE V) ENGINE.....	298
FIGURE 3-34. KUBOTA ENGINE INSTALLATION (WITHOUT ARCTIC PACKAGE).....	300
FIGURE 3-35. KUBOTA ENGINE AND PUMP SUB-ASSEMBLY (WITHOUT ARCTIC PACKAGE)	306
FIGURE 3-36. KUBOTA ENGINE ASSEMBLY (WITHOUT ARCTIC PACKAGE).....	308
FIGURE 3-37. KUBOTA ENGINE INSTALLATION (WITH ARCTIC PACKAGE)	314
FIGURE 3-38. KUBOTA ENGINE AND PUMP SUB-ASSEMBLY (WITH ARCTIC PACKAGE).....	320
FIGURE 3-39. KUBOTA ENGINE ASSEMBLY (WITH ARCTIC PACKAGE)	322
FIGURE 3-40. KUBOTA ENGINE COMPONENTS	328
FIGURE 3-41. PUMP COUPING KIT (DEUTZ ENGINES)	332
FIGURE 3-42. PUMP COUPING KIT (KUBOTA ENGINES)	334
FIGURE 3-43. PISTON PUMP ASSEMBLY	336
FIGURE 3-44. PISTON PUMP ASSEMBLY (REAR).....	340
FIGURE 3-45. PISTON PUMP ASSEMBLY (FRONT)	344
FIGURE 3-46. SPARK ARRESTOR MUFFLER INSTALLATION - DEUTZ D2011 STAGE 5 ENGINES	348
FIGURE 3-47. ENGINE HOOD BAFFLE INSTALLATION - DEUTZ ENGINES WITH ABS HOODS	350
FIGURE 3-48. ENGINE HOOD BAFFLE INSTALLATION - DEUTZ ENGINES WITH STEEL HOODS	352
FIGURE 3-49. ENGINE HOOD BAFFLE INSTALLATION - KUBOTA ENGINES.....	354
FIGURE 3-50. ENGINE TRAY JACK INSTALLATION	356
FIGURE 3-51. 2500W/110V/60HZ GENERATOR INSTALLATION - DEUTZ D2011 ENGINES.....	358

TABLE OF CONTENTS

FIGURE 3-52. 2500W/110V/60HZ GENERATOR INSTALLATION - DEUTZ D2.9L4 ENGINES	362
FIGURE 3-53. 2500W/110V/60HZ GENERATOR INSTALLATION - KUBOTA ENGINES	366
FIGURE 3-54. 4000W/50HZ GENERATOR INSTALLATION - DEUTZ D2011 ENGINES.....	370
FIGURE 3-55. 4000W/60HZ GENERATOR INSTALLATION - DEUTZ D2011 ENGINES.....	374
FIGURE 3-56. 4000W/60HZ GENERATOR INSTALLATION - DEUTZ D2.9L4 ENGINES.....	378
FIGURE 3-57. 4000W/50HZ GENERATOR INSTALLATION (DEUTZ D2.9L4 (STAGE V) ENGINES).....	382
FIGURE 3-58. 7500W/50HZ SKYPOWER GENERATOR INSTALLATION - DEUTZ D2011 ENGINES	386
FIGURE 3-59. 7500W/60HZ SKYPOWER GENERATOR INSTALLATION - DEUTZ D2011 ENGINES	390
FIGURE 3-60. 7500W/60HZ SKYPOWER GENERATOR INSTALLATION - DEUTZ D2.9L4 ENGINES	394
FIGURE 3-61. 7500W/60HZ SKYPOWER GENERATOR INSTALLATION - KUBOTA ENGINES.....	398
FIGURE 3-62. 7500W/50HZ SKYPOWER GENERATOR INSTALLATION (DEUTZ D2.9L4 (STAGE V) ENGINES)	402
SECTION 4 - BOOM.....	405
FIGURE 4-1. BOOM INSTALLATION - 400S HC3	406
FIGURE 4-2. BOOM INSTALLATION - 460SJ HC3.....	408
FIGURE 4-3. MAIN BOOM ASSEMBLY - 400S HC3.....	410
FIGURE 4-4. MAIN BOOM ASSEMBLY - 460SJ HC3	412
FIGURE 4-5. JIB BOOM ASSEMBLY - 460SJ HC3.....	414
FIGURE 4-6. ROTATOR ASSEMBLY - 400S HC3	416
FIGURE 4-7. ROTATOR ASSEMBLY - 460SJ HC3	418
FIGURE 4-8. SUPPORT, PLATFORM INSTALLATION	420
FIGURE 4-9. POWER TRACK INSTALLATION - 400S HC3.....	422
FIGURE 4-10. POWER TRACK INSTALLATION - 460SJ HC3	424
FIGURE 4-11. CAPACITY SWITCH INSTALLATION - 400S HC3	426
FIGURE 4-12. CAPACITY SWITCH INSTALLATION - 460SJ HC3.....	428
FIGURE 4-13. TRANSPORT POSITION SWITCH INSTALLATION	430
SECTION 5 - PLATFORM.....	433
FIGURE 5-1. PLATFORM ASSEMBLY WITH DROP-BAR - 30IN X 3FT (76CM X .91M)	434
FIGURE 5-2. PLATFORM ASSEMBLY WITH DROP-BAR - 30IN X 5FT (76CM X 1.52M)	436
FIGURE 5-3. PLATFORM ASSEMBLY WITH DROP-BAR - 36IN X 6FT (91.5CM X 1.83M)	438
FIGURE 5-4. PLATFORM ASSEMBLY WITH DROP-BAR - 36IN X 8FT (91.5CM X 2.44M)	440
FIGURE 5-5. PLATFORM ASSEMBLY WITH GATE - 30IN X 5FT (76CM X 1.52M)	442
FIGURE 5-6. PLATFORM ASSEMBLY WITH GATE- 36IN X 6FT (91.5CM X 1.83M)	444
FIGURE 5-7. PLATFORM ASSEMBLY WITH GATE - 36IN X 8FT (91.5CM X 2.44M)	446
FIGURE 5-8. PLATFORM ASSEMBLY WITH FALL ARREST - 36IN X 6FT (91.5CM X 1.83M)	448
FIGURE 5-9. PLATFORM ASSEMBLY WITH TRI-ENTRY (1 GATE / 2 DROP BARS) - 36IN X 6FT (91.5CM X 1.83M).....	450
FIGURE 5-10. PLATFORM ASSEMBLY WITH TRI-ENTRY (1 GATE/2 DROP BARS) - 36IN X 8FT (91.5CM X 2.44M).....	452
FIGURE 5-11. PLATFORM ASSEMBLY WITH TRI-ENTRY (3 DROP BARS) - 36IN X 6FT (91.5CM X 1.83M).....	454
FIGURE 5-12. PLATFORM ASSEMBLY WITH TRI-ENTRY (3 DROP BARS) - 36IN X 8FT (91.5CM X 2.44M).....	456
FIGURE 5-13. CONSOLE BOX ASSEMBLY WITH FOOTSWITCH	458
FIGURE 5-14. FOOTSWITCH ASSEMBLY	460
FIGURE 5-15. LIGHT PANEL INSTALLATION.....	462
FIGURE 5-16. SKYEYE INSTALLATION.....	464
FIGURE 5-17. SKYGUARD BAR INSTALLATION.....	466
FIGURE 5-18. SKYLINE INSTALLATION	468

TABLE OF CONTENTS

FIGURE 5-19. STORAGE TRAY INSTALLATION - CENTER.....	470
FIGURE 5-20. SKYWELDER INSTALLATION (50HZ).....	472
FIGURE 5-21. SKYWELDER INSTALLATION (60HZ).....	474
FIGURE 5-22. WELDER ASSEMBLY	476
FIGURE 5-23. SKYWELDER PREP PACKAGE (60HZ)	478
FIGURE 5-24. SKYGLAZIER INSTALLATION (400S HC3 ANSI, ANSI EXPORT, CE & CSA SPECS/460SJ HC3 ANSI, AUSTRALIAN & CSA SPECS).....	480
FIGURE 5-25. PLATFORM POWER - USB	482
FIGURE 5-26. SOFT TOUCH SYSTEM INSTALLATION - 6FT/1.83M FALL ARREST PLATFORM (MACHINES WITH SN STARTING WITH 03 ONLY)	484
FIGURE 5-27. SOFT TOUCH SYSTEM INSTALLATION - 8FT/2.44M PLATFORM (MACHINES WITH SN STARTING WITH 03 ONLY).....	486
FIGURE 5-28. FALL ARREST (BOLT-ON) INSTALLATION - 30IN PLATFORM.....	488
FIGURE 5-29. FALL ARREST (BOLT-ON) INSTALLATION - 72IN STANDARD PLATFORM	490
FIGURE 5-30. FALL ARREST (BOLT-ON) INSTALLATION - 72IN TRI-ENTRY PLATFORM	492
FIGURE 5-31. FALL ARREST (BOLT-ON) INSTALLATION - 96IN PLATFORM.....	494
SECTION 6 - CYLINDER.....	497
FIGURE 6-1. AXLE LOCKOUT CYLINDER ASSEMBLY	498
FIGURE 6-2. LEVEL CYLINDER ASSEMBLY - PLATFORM SLAVE (400S HC3)	500
FIGURE 6-3. LEVEL CYLINDER ASSEMBLY - PLATFORM SLAVE (460S HC3)	502
FIGURE 6-4. LIFT CYLINDER ASSEMBLY - JIB (460SJ HC3)	504
FIGURE 6-5. LIFT CYLINDER ASSEMBLY - BOOM (400S HC3)	506
FIGURE 6-6. LIFT CYLINDER ASSEMBLY - BOOM (460SJ HC3).....	508
FIGURE 6-7. MASTER CYLINDER ASSEMBLY (400S HC3).....	510
FIGURE 6-8. MASTER CYLINDER ASSEMBLY (460SJ HC3)	512
FIGURE 6-9. STEER CYLINDER ASSEMBLY.....	514
FIGURE 6-10. TELESCOPE CYLINDER ASSEMBLY (400S HC3)	516
FIGURE 6-11. TELESCOPE CYLINDER ASSEMBLY (460SJ HC3).....	518
SECTION 7 - HYDRAULIC	521
FIGURE 7-1. HYDRAULIC DIAGRAM - 400S HC3.....	522
FIGURE 7-2. HYDRAULIC DIAGRAM - 460SJ HC3	530
SECTION 8 - ELECTRICAL	539
FIGURE 8-1. AC BOX AT PLATFORM INSTALLATION - 110V GFI (MACHINES WITH 2500W GENERATOR/NO GENERATOR OPTIONS) (ANSI AND CSA SPECS).....	540
FIGURE 8-2. AC BOX AT PLATFORM INSTALLATION - CUSTOMER SUPPLIED RECEPTACLE (ANSI EXPORT, CE, CHINA & UK CA SPECS)	542
FIGURE 8-3. AC BOX AT PLATFORM INSTALLATION - 110V IEC YELLOW (CE & UK CA SPECS) (2500W AND 7500W SKYPOWER GENERATORS).....	544
FIGURE 8-4. AC BOX AT PLATFORM INSTALLATION - 110V IEC YELLOW (CE & UK CA SPECS) (4000W GENERATOR)	546
FIGURE 8-5. AC BOX AT PLATFORM INSTALLATION - 220V IEC BLUE (CE & UK CA SPECS) (2500W AND 7500W SKYPOWER GENERATORS).....	548
FIGURE 8-6. AC BOX AT PLATFORM INSTALLATION - 220V IEC BLUE (CE & UK CA SPECS) (4000W GENERATOR)	550
FIGURE 8-7. AC BOX AT PLATFORM INSTALLATION - 220V CEE7 POST GROUND (CE & UK CA SPECS) (WITHOUT GENERATOR).....	552
FIGURE 8-8. AC BOX AT PLATFORM INSTALLATION - 220V CEE7 POST GROUND (CE & UK CA SPECS) (4000W GENERATOR).....	554

TABLE OF CONTENTS

FIGURE 8-9. AC BOX AT PLATFORM INSTALLATION - 220V CEE7 SIDE GROUND (CE & UK CA SPECS) (WITHOUT GENERATOR)	556
FIGURE 8-10. AC BOX AT PLATFORM INSTALLATION - 220V CEE7 SIDE GROUND (CE & UK CA SPECS) (4000W GENERATOR)	558
FIGURE 8-11. AC BOX AT PLATFORM INSTALLATION - 220V AFSINT 107 (CE & UK CA SPECS) (WITHOUT GENERATOR)	560
FIGURE 8-12. AC BOX AT PLATFORM INSTALLATION - 220V AFSINT 107 (CE & UK CA SPECS) (4000W GENERATOR)	562
FIGURE 8-13. AC BOX AT PLATFORM INSTALLATION - 240V GFCI RECEPTACLE (ANSI, ANSI EXPORT AND CSA SPECS WITH 4000W SKYPOWER GENERATOR)	564
FIGURE 8-14. BATTERY DISCONNECT INSTALLATION	566
FIGURE 8-15. BOOM HARNESS - 400S HC3.....	568
FIGURE 8-16. BOOM HARNESS - 460SJ HC3.....	570
FIGURE 8-17. BREAKER BOX INSTALLATION - 110V/220V WITH 1 BREAKER (CE & UK CA SPECS).....	572
FIGURE 8-18. BREAKER BOX INSTALLATION - 110V/220V WITH 3 BREAKERS (CE & UK CA SPECS)	574
FIGURE 8-19. BREAKER BOX KIT - 1 DOUBLE BREAKER (CE & UK CA SPECS).....	576
FIGURE 8-20. BREAKER BOX KIT - 1 BREAKER (CE & UK CA SPECS)	578
FIGURE 8-21. BREAKER BOX KIT - 3 BREAKERS (CE & UK CA SPECS).....	580
FIGURE 8-22. CABLES AND CLAMPS INSTALLATION - 400S HC3 WITH 2500W GENERATOR OR NO GENERATOR.....	582
FIGURE 8-23. CABLES AND CLAMPS INSTALLATION - 400S HC3 WITH 4000W/50HZ GENERATOR	584
FIGURE 8-24. CABLES AND CLAMPS INSTALLATION - 400S HC3 WITH 4000W/60HZ GENERATOR	586
FIGURE 8-25. CABLES AND CLAMPS INSTALLATION - 400S HC3 WITH 7500W GENERATOR	588
FIGURE 8-26. CABLES AND CLAMPS INSTALLATION - 460SJ HC3 WITH 2500W GENERATOR OR NO GENERATOR	590
FIGURE 8-27. CABLES AND CLAMPS INSTALLATION - 460SJ HC3 WITH 4000W/50HZ GENERATOR.....	592
FIGURE 8-28. CABLES AND CLAMPS INSTALLATION - 460SJ HC3 WITH 4000W/60HZ GENERATOR.....	594
FIGURE 8-29. CABLES AND CLAMPS INSTALLATION - 460SJ HC3 WITH 7500W GENERATOR	596
FIGURE 8-30. CAPACITY SWITCH HARNESS (400S HC3)	598
FIGURE 8-31. CAPACITY SWITCH HARNESS (460SJ HC3).....	600
FIGURE 8-32. CLEARSKY INSTALLATION - 4G CANBUS CONNECTION (ALL SPECS EXCEPT CHINA SPECS).....	602
FIGURE 8-33. CLEARSKY INSTALLATION - 3G CANBUS CONNECTION (ANSI EXPORT, CE, JAPANESE & UK CA SPECS)	604
FIGURE 8-34. CLEARSKY INSTALLATION - 3G CANBUS CONNECTION (AUSTRALIAN SPECS)	606
FIGURE 8-35. CLEARSKY INSTALLATION - 4G CANBUS CONNECTION (CHINA SPECS).....	608
FIGURE 8-36. CLEARSKY INSTALLATION 3-WIRE CONNECTION (ALL SPECS EXCEPT CHINA SPECS)	610
FIGURE 8-37. CLEARSKY HARNESS - 3G & 4G CANBUS CONNECTIONS.....	612
FIGURE 8-38. CLEARSKY HARNESS - 3 WIRE GT1030.....	614
FIGURE 8-39. ENGINE HARNESS ASSEMBLY (DEUTZ D2011)	616
FIGURE 8-40. ENGINE HARNESS - DEUTZ D2.9L4	618
FIGURE 8-41. ENGINE HARNESS - DEUTZ D2.9L4 (STAGE V) ENGINE	622
FIGURE 8-42. ENGINE HARNESS ASSEMBLY (KUBOTA)	626
FIGURE 8-43. FUEL HARNESS (DEUTZ D2.9L4 ENGINES)	628
FIGURE 8-44. FUEL HARNESS - DEUTZ D2.9L4 (STAGE V) ENGINE	630
FIGURE 8-45. FUEL HARNESS (KUBOTA ENGINES)	632
FIGURE 8-46. GENERATOR HARNESS - 2500W GENERATOR	634
FIGURE 8-47. GENERATOR HARNESS - 4000W GENERATOR (CONTROL BOX TO GENERATOR) (DEUTZ ENGINES) ...	636
FIGURE 8-48. GENERATOR HARNESS - 7500W GENERATOR (CONTROL BOX TO GENERATOR).....	638
FIGURE 8-49. GROUND CONTROL BOX HARNESS	640
FIGURE 8-50. HIGH CAPACITY HARNESS (460SJ HC3).....	642

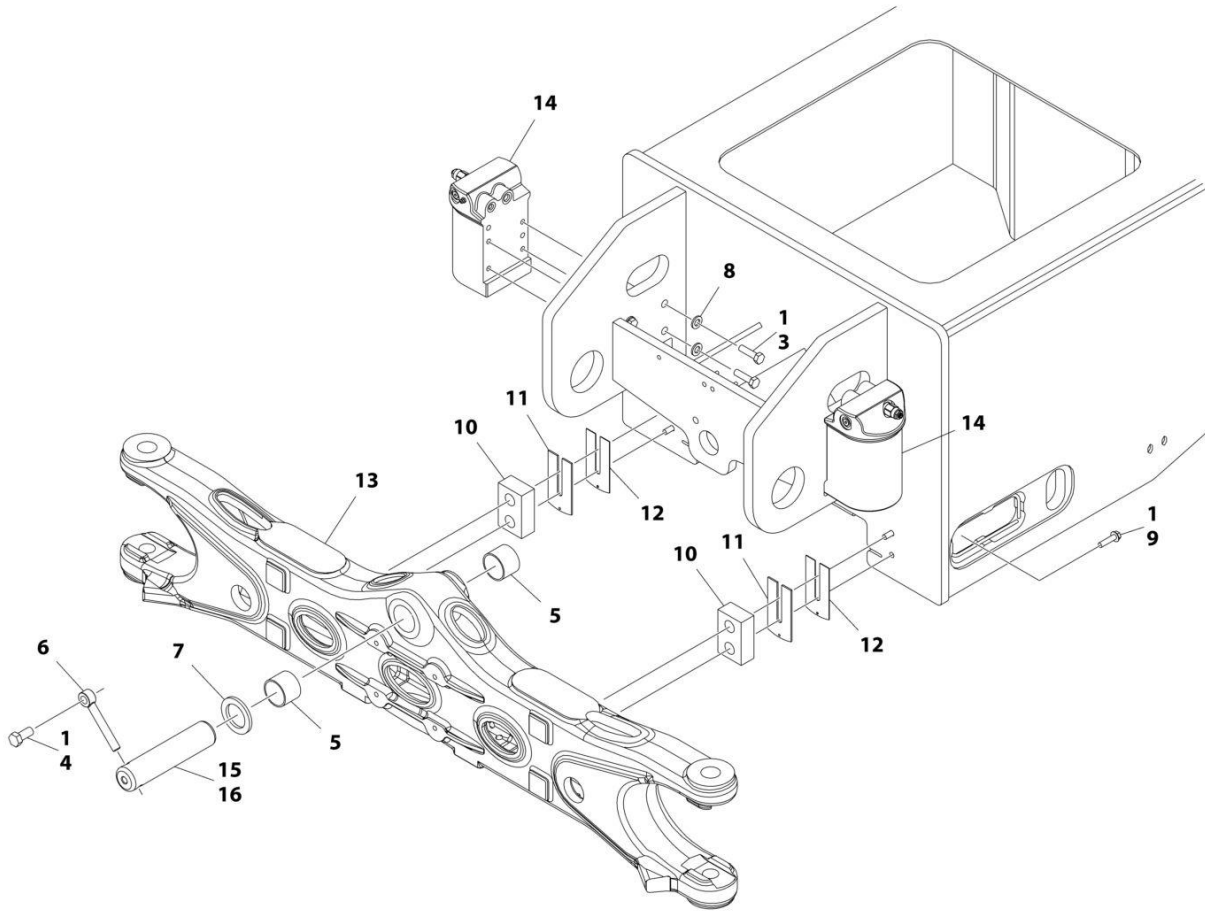
TABLE OF CONTENTS

FIGURE 8-51. HOUR METER JUMPER HARNESS	644
FIGURE 8-52. PLATFORM CONSOLE BOX HARNESS	646
FIGURE 8-53. RECEPTACLE BOX KIT - 110V IEC YELLOW (CE & UK CA SPEC)	648
FIGURE 8-54. RECEPTACLE BOX KIT - 220V IEC BLUE (CE & UK CA SPEC)	650
FIGURE 8-55. RECEPTACLE BOX KIT - 220V CEE7 POST GROUND (CE & UK CA SPEC)	652
FIGURE 8-56. RECEPTACLE BOX KIT - 220V CEE7 SIDE GROUND (CE & UK CA SPEC).....	654
FIGURE 8-57. RECEPTACLE BOX KIT - 220V AFSINT 107 (CE & UK CA SPEC).....	656
FIGURE 8-58. RECEPTACLE/BREAKER BOX ASSEMBLY - 240V (4000W AND 7500W SKYPOWER GENERATORS) (ANSI, ANSI EXPORT AND CSA SPECS)	658
FIGURE 8-59. SKYEYE EMITTER HARNESS.....	660
FIGURE 8-60. SKYEYE INTERMEDIATE HARNESS.....	662
FIGURE 8-61. SKYEYE RECEIVER HARNESS	664
FIGURE 8-62. SKYGUARD HARNESS.....	666
FIGURE 8-63. SKYGUARD INTERFACE HARNESS	668
FIGURE 8-64. SKYLINE HARNESS.....	670
FIGURE 8-65. STROBE LIGHT HARNESS (AMBER STROBE LIGHT)	672
FIGURE 8-66. STROBE LIGHT HARNESS (BLUE AND RED STROBE LIGHTS)	674
FIGURE 8-67. TELESCOPE IN PROXIMITY SENSORS HARNESS (400S HC3).....	676
FIGURE 8-68. TELESCOPE IN PROXIMITY SENSORS HARNESS (460SJ HC3).....	678
FIGURE 8-69. TELESCOPE OUT PROXIMITY SENSORS HARNESS.....	680
FIGURE 8-70. TURNTABLE HARNESS	682
FIGURE 8-71. VALVE HARNESS - MAIN VALVE.....	686
SECTION 9 - DECALS.....	689
FIGURE 9-1. DECAL INSTALLATION - ANSI SPECS (DIESEL MACHINES)	690
FIGURE 9-2. DECAL INSTALLATION - ANSI SPECS (GAS MACHINES)	692
FIGURE 9-3. DECAL INSTALLATION - AUSTRALIAN SPECS	694
FIGURE 9-4. DECAL INSTALLATION - BRAZIL SPECS.....	696
FIGURE 9-5. DECAL INSTALLATION - CE SPECS	698
FIGURE 9-6. DECAL INSTALLATION - CHINESE SPECS	700
FIGURE 9-7. DECAL INSTALLATION - CSA SPECS (DIESEL MACHINES)	702
FIGURE 9-8. DECAL INSTALLATION - CSA SPECS (GAS MACHINES)	704
FIGURE 9-9. DECAL INSTALLATION - JAPANESE SPECS.....	706
FIGURE 9-10. DECAL INSTALLATION - KOREAN SPECS	708
FIGURE 9-11. DECAL INSTALLATION - LATIN AMERICAN SPECS	710
FIGURE 9-12. DECAL INSTALLATION - OPTIONS	712
FIGURE 9-13. DECAL INSTALLATION - SKYWELDER (50HZ).....	716
FIGURE 9-14. DECAL INSTALLATION - SKYWELDER (60HZ).....	718
SECTION 10 - RECOMMENDED SERVICE PARTS STOCK	721
FIGURE 10-1. RECOMMENDED SERVICE PARTS STOCK	722
SECTION 11 - SPECIAL OPTIONS.....	725
FIGURE 11-1. SPECIAL OPTIONS/ACCESSORIES/KITS	726
PART NUMBER INDEX	731

SECTION 1 - FRAME

SECTION 1 - FRAME

FIGURE 1-1. AXLE INSTALLATION



ART_1001164094

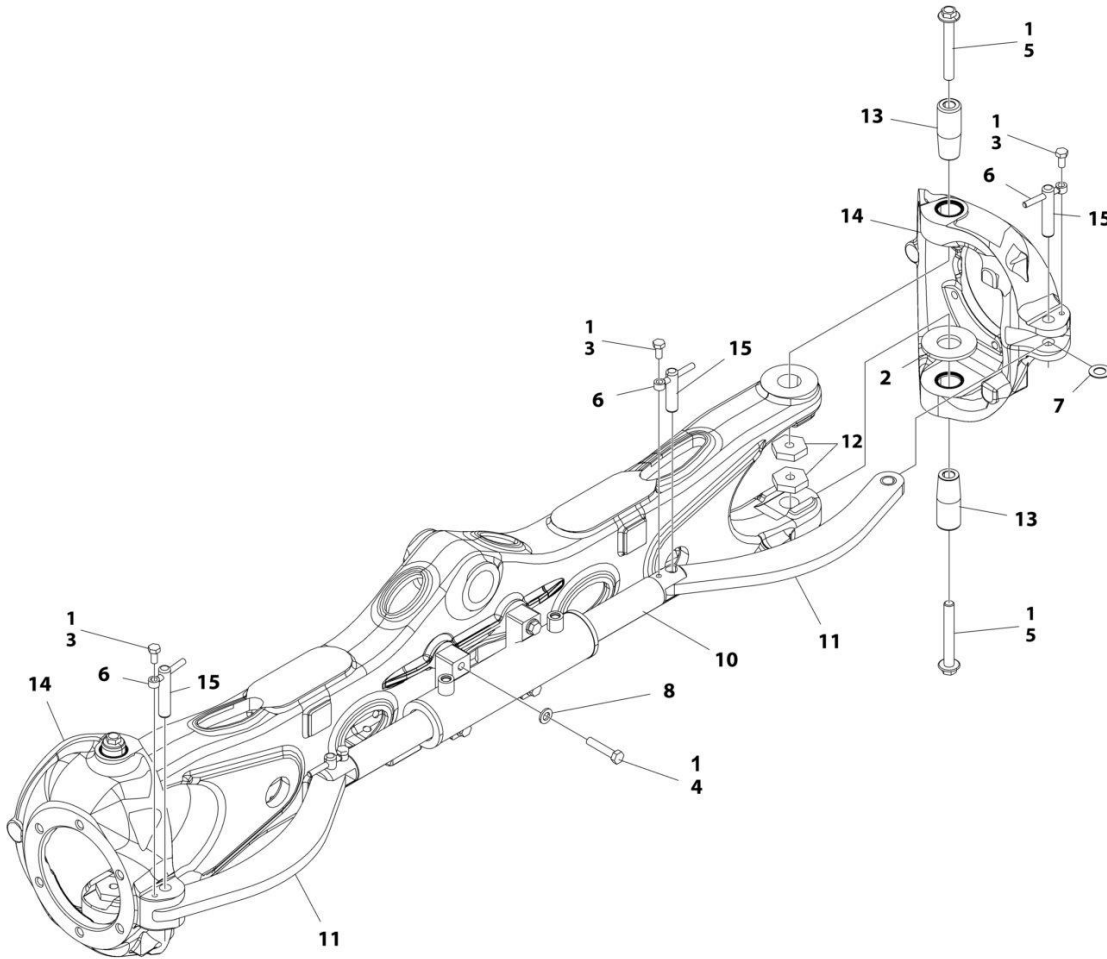
SECTION 1 - FRAME

FIGURE 1-1. AXLE INSTALLATION

ITEM	PART NUMBER	QTY	DESCRIPTION	REV
	1001164094	Ref	AXLE INSTALLATION	C
1	0100011	AR	Compound, Locking	
3	0701217	8	Bolt M12 x 45	
4	0761615	1	Bolt M16 x 35	
5	0961950	2	Bearing	
6	3841258	1	Keeper, Pin	
7	4740158	1	Washer	
8	5241200	8	Washer M12	
9	5251016	4	Bolt M10 x 40	
10	1001166563	2	Pad, Wear	
11	1001150324	2	Shim, 3	
12	1001150326	2	Shim, 1.2	
13	1001162995	1	Axle	
14	1001163580	2	Axle Lockout Cylinder Assembly (See Separate Breakdown in CYLINDER SECTION)	
15	1001164552	1	Pin	
16	3020039	AR	Lube	

SECTION 1 - FRAME

FIGURE 1-2. STEER INSTALLATION - WITHOUT TOW PACKAGE (400S HC3)



ART_1001164092

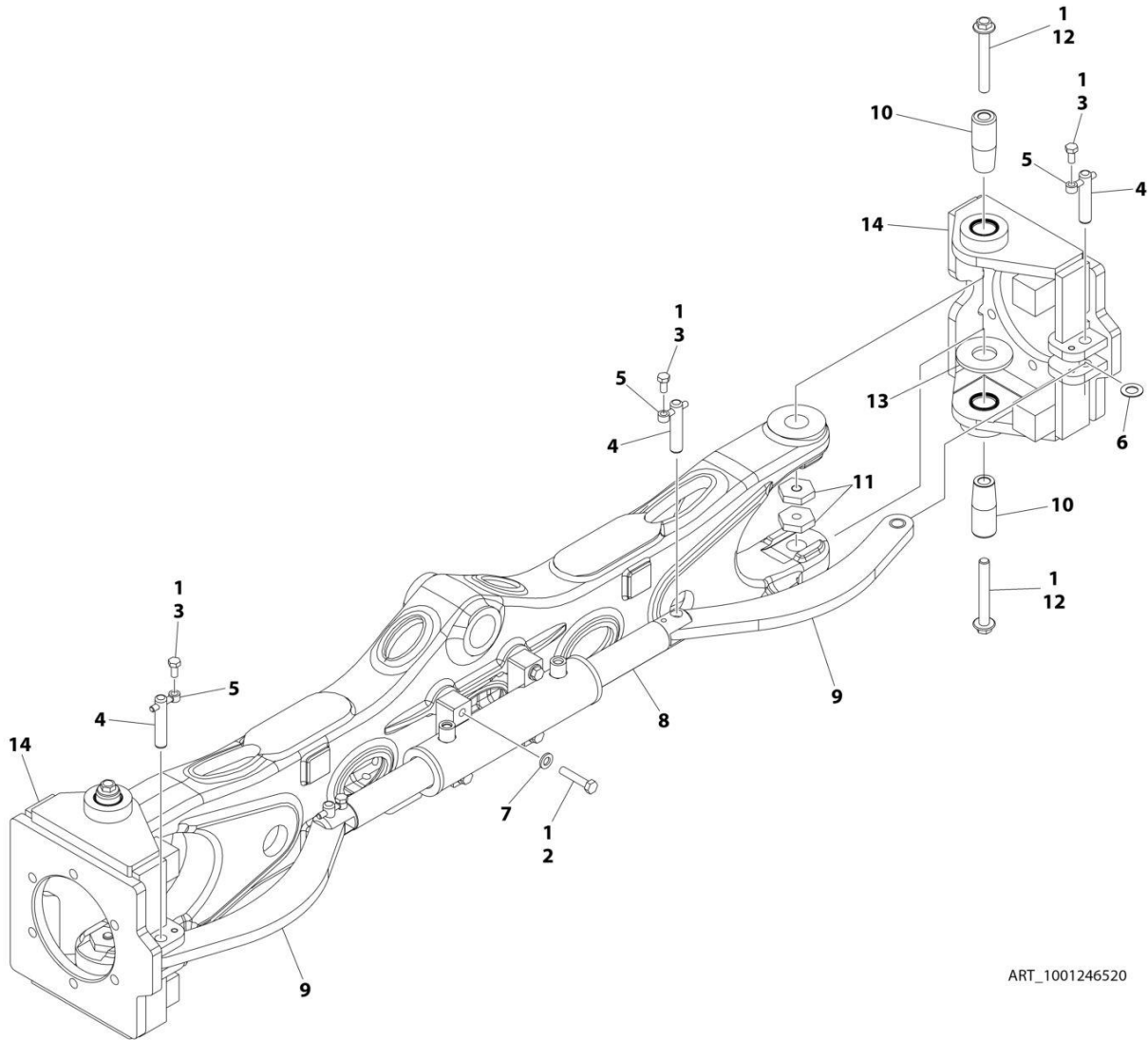
SECTION 1 - FRAME

FIGURE 1-2. STEER INSTALLATION - WITHOUT TOW PACKAGE (400S HC3)

ITEM	PART NUMBER	QTY	DESCRIPTION	REV
	1001164092	Ref	STEER INSTALLATION WITHOUT TOW PACKAGE	F
1	0100011	AR	Compound, Locking	
2	1001233139	2	Bearing, Thrust	
3	0761011	4	Bolt M10 x 22	
4	0711220	4	Bolt M12 x 60 Grade 10.9	
5	1001190368	4	Bolt M16 x 120	
6	3841143	4	Keeper, Pin	
7	4740086	4	Washer	
8	5241200	4	Washer M12	
10	1001163178	1	Steer Cylinder Assembly (See Separate Breakdown in CYLINDER SECTION)	
11	1001163179	2	Link	
11	1001164209	4	Bearing (2 Per Link)	
12	1001176848	4	Nut M16	
13	1001163405	4	Kingpin	
14	1001163715	2	Spindle	
14	0961948	4	Bearing (2 Per Spindle)	
14	1001163716	8	Seal (4 Per Spindle)	
15	3423304	4	Pin	

SECTION 1 - FRAME

FIGURE 1-3. STEER INSTALLATION - WITHOUT TOW PACKAGE (460SJ HC3)



ART_1001246520

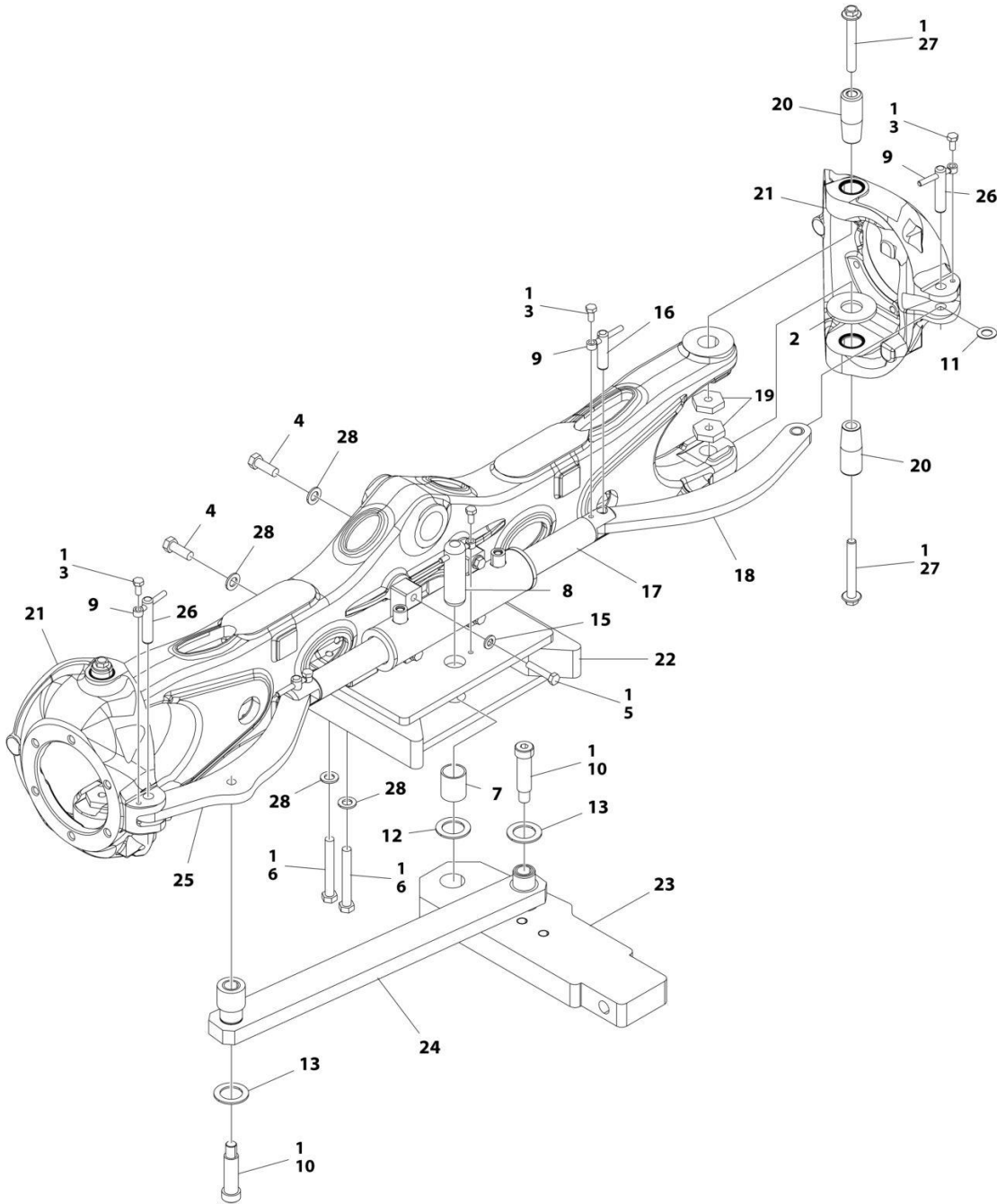
SECTION 1 - FRAME

FIGURE 1-3. STEER INSTALLATION - WITHOUT TOW PACKAGE (460SJ HC3)

ITEM	PART NUMBER	QTY	DESCRIPTION	REV
	1001246520	Ref	STEER INSTALLATION - WITHOUT TOW PACKAGE	A
1	0100011	AR	Compound, Locking	
2	0711220	4	Bolt M12 x 60 Grade 10.9	
3	0761011	4	Bolt M10 x 22	
4	3423304	4	Pin	
5	3841520	4	Keeper	
6	4740086	4	Washer	
7	5241200	4	Washer M12	
8	1001163178	1	Steer Cylinder Assembly (See Separate Breakdown in CYLINDER Section)	
9	1001163179	2	Link	
9	1001164209	4	Bearing (2 Per Link)	
10	1001163405	4	Kingpin	
11	1001176848	4	Nut M16	
12	1001190368	4	Bolt M16 x 120	
13	1001233139	2	Bearing, Thrust	
14	1001246551	2	Spindle	
14	0961948	4	Bearing (2 Per Spindle)	
14	1001163716	2	Seal (1 Per Spindle)	

SECTION 1 - FRAME

FIGURE 1-4. STEER INSTALLATION - WITH TOW PACKAGE (400S HC3)



ART_1001164095

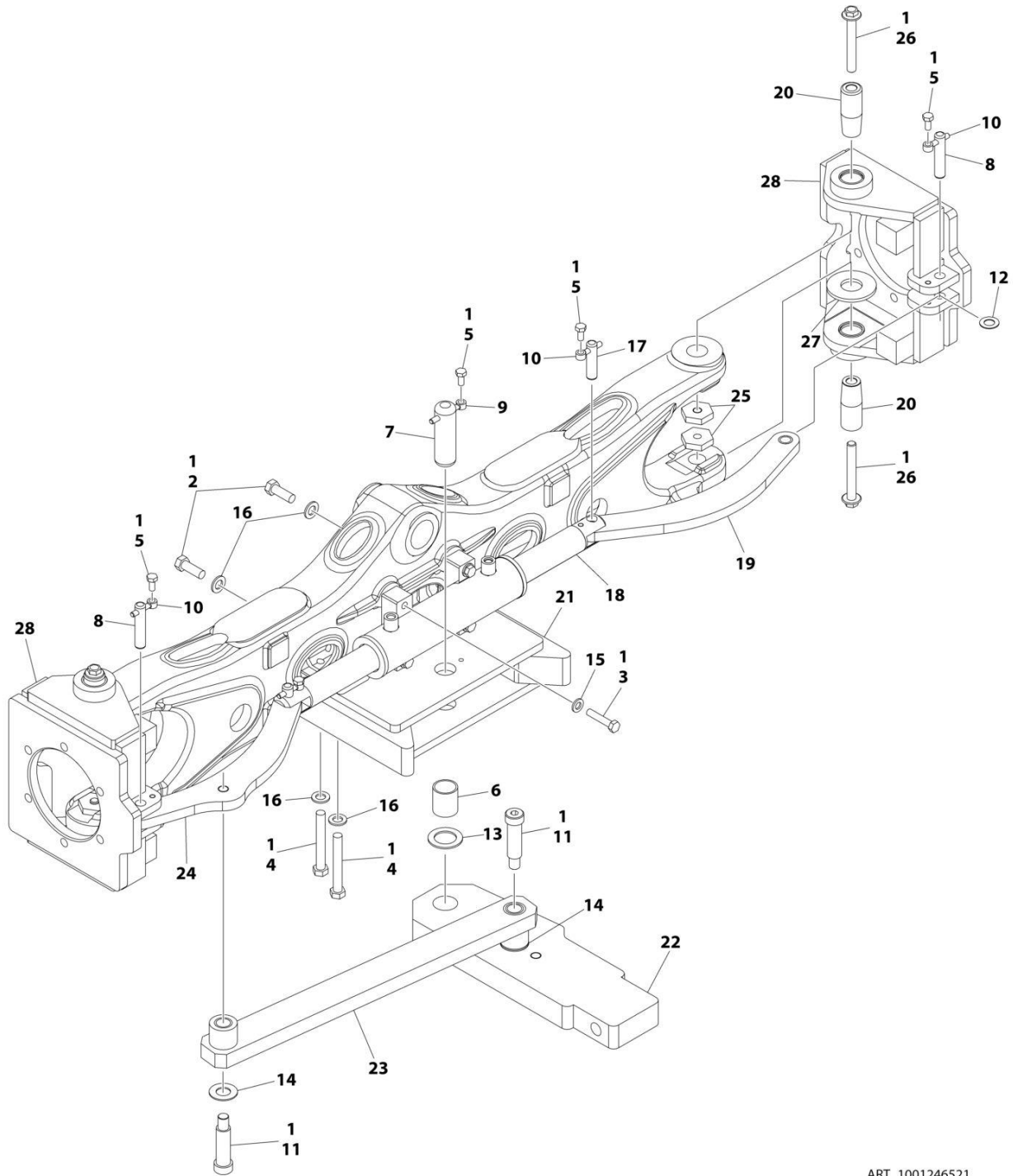
SECTION 1 - FRAME

FIGURE 1-4. STEER INSTALLATION - WITH TOW PACKAGE (400S HC3)

ITEM	PART NUMBER	QTY	DESCRIPTION	REV
	1001164095	Ref	STEER INSTALLATION WITH TOW PACKAGE	D
1	0100011	AR	Compound, Locking	
2	0440271	2	Bearing, Thrust	
3	0761011	5	Bolt M10 x 22	
4	0701617	2	Bolt M16 x 45	
5	0711220	4	Bolt M12 x 60 Grade 10.9	
6	0711629	4	Bolt M16 x 120	
7	0962348	1	Bearing	
8	3422848	1	Pin	
9	3841143	5	Keeper, Pin	
10	3900295	2	Bolt 1 X 3	
11	4740086	4	Washer	
12	4740155	1	Washer	
13	4740491	2	Washer	
15	5241200	4	Washer M12	
16	1001139586	2	Pin	
17	1001163178	1	Steer Cylinder Assembly (See Separate Breakdown in CYLINDER SECTION)	
18	1001163179	1	Link	
18	1001164209	2	Bearing	
19	1001176848	4	Nut M16	
20	1001163405	4	Kingpin	
21	1001163715	2	Spindle	
21	0961948	4	Bearing (2 per Spindle)	
21	1001163716	8	Seal (4 per Spindle)	
22	1001163717	1	Bracket, Tow	
23	1001163722	1	Plate	
24	1001163724	1	Link	
24	0962292	4	Bearing	
25	1001163726	1	Link	
25	1001164209	2	Bearing	
26	3423304	2	Pin	
27	1001190368	4	Bolt M16 x 120	
28	5241600	6	Washer M16	

SECTION 1 - FRAME

FIGURE 1-5. STEER INSTALLATION - WITH TOW PACKAGE (460SJ HC3)



ART_1001246521

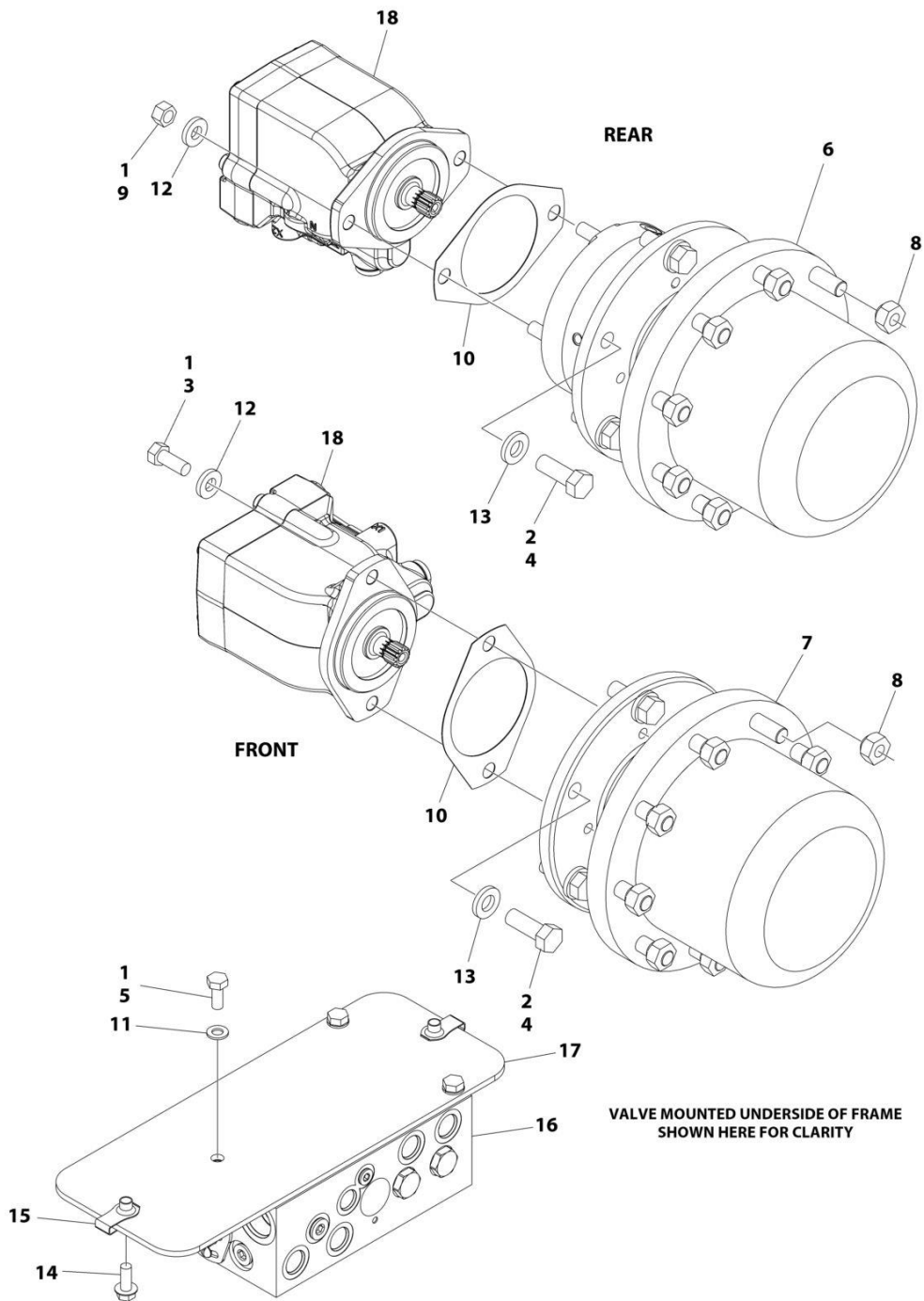
SECTION 1 - FRAME

FIGURE 1-5. STEER INSTALLATION - WITH TOW PACKAGE (460SJ HC3)

ITEM	PART NUMBER	QTY	DESCRIPTION	REV
	1001246521	Ref	STEER INSTALLATION - WITH TOW PACKAGE	B
1	0100011	AR	Compound, Locking	
2	0701617	2	Bolt M16 x 45	
3	0711220	4	Bolt M12 x 60 Grade 10.9	
4	0711629	4	Bolt M16 x 120	
5	0761011	5	Bolt M10 x 22	
6	0962348	1	Bearing	
7	3422848	1	Pin	
8	3423304	2	Pin	
9	3841143	1	Keeper, Pin	
10	3841520	4	Keeper	
11	3900295	2	Bolt 1 X 3	
12	4740086	4	Washer	
13	4740155	1	Washer	
14	4740491	2	Washer	
15	5241200	4	Washer M12	
16	5241600	6	Washer M16	
17	1001139586	2	Pin	
18	1001163178	1	Steer Cylinder Assembly (See Separate Breakdown in CYLINDER SECTION)	
19	1001163179	1	Link	
20	1001163405	4	Kingpin	
21	1001163717	1	Bracket, Tow	
22	1001163722	1	Plate	
23	1001163724	1	Link	
24	1001163726	1	Link	
25	1001176848	4	Nut M16	
26	1001190368	4	Bolt M16 x 120	
27	1001233139	2	Bearing, Thrust	
28	1001246551	2	Knuckle	

SECTION 1 - FRAME

FIGURE 1-6. WHEEL DRIVE AND FRAME VALVES INSTALLATION (400S HC3)



ART_1001285010

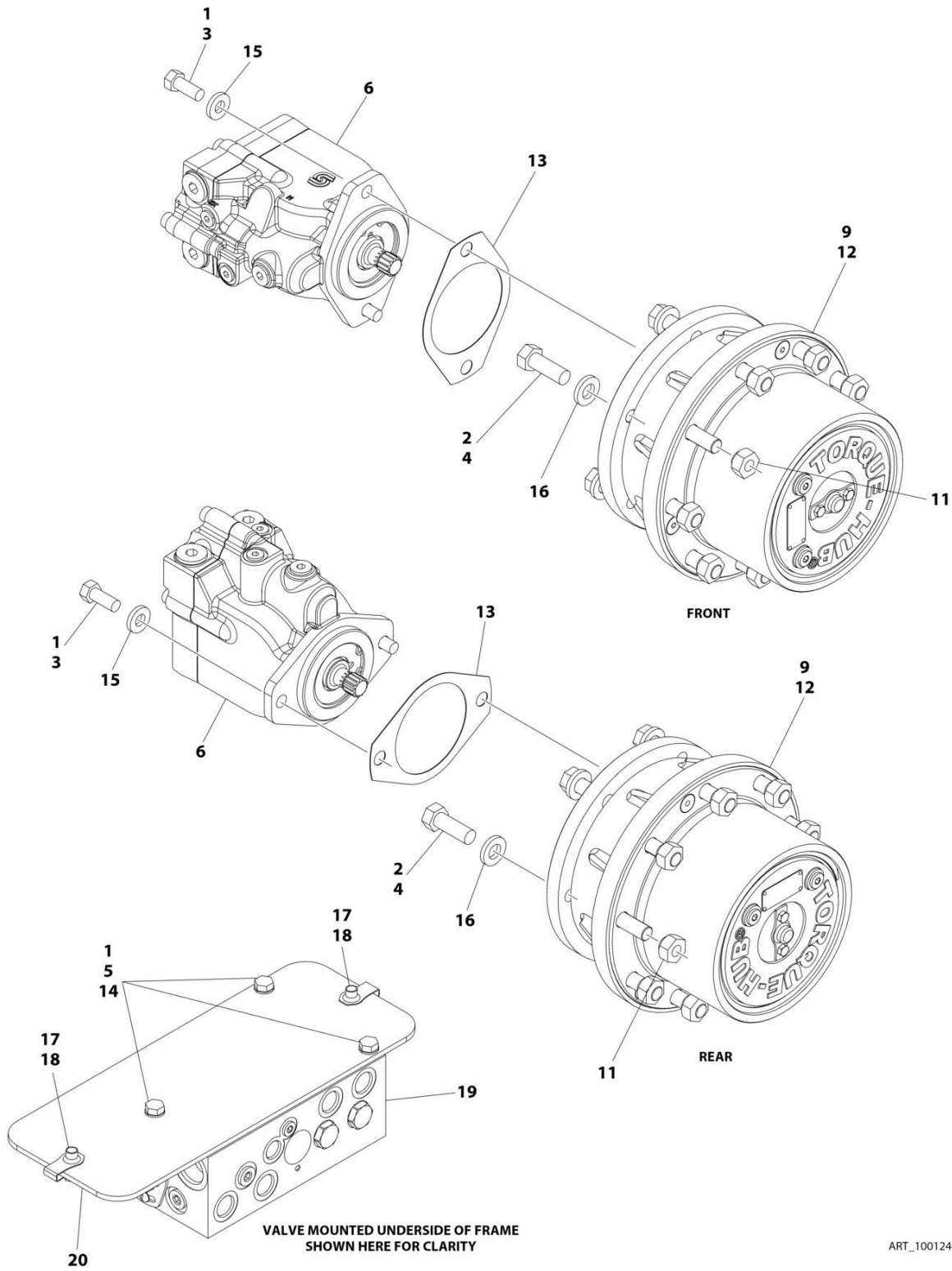
SECTION 1 - FRAME

FIGURE 1-6. WHEEL DRIVE AND FRAME VALVES INSTALLATION (400S HC3)

ITEM	PART NUMBER	QTY	DESCRIPTION	REV
	1001285010	Ref	WHEEL DRIVE INSTALLATION (4WD)	A
1	0100011	AR	Compound, Locking	
2	0100019	AR	Compound, Locking	
3	0681810	4	Bolt 1/2 x 1-1/4 (Grade 8)	
4	0682014	24	Bolt 5/8 x 1-3/4 (Grade 8)	
5	0761012	3	Bolt M10 x 25	
6	2780267	2	Drive Hub Assembly - Rear (See Separate Breakdown in this Section)	
7	2780268	2	Drive Hub Assembly - Front (See Separate Breakdown in this Section)	
8	3300106	36	Lugnut	
9	3311801	4	Nut 1/2	
10	3960526	4	Gasket, Brake	
11	4812000	3	Washer M10	
12	4891800	8	Washer 1/2	
13	4892000	24	Washer 5/8	
14	5251012	2	Bolt M10 x 25	
15	1001118972	2	Nut M10	
16	1001162537	1	Traction Valve Assembly (See Separate Breakdown in this Section)	
17	1001163959	1	Plate, Mounting	
18	1001278022	4	Drive Motor Assembly (See Separate Breakdown in this Section)	

SECTION 1 - FRAME

FIGURE 1-7. WHEEL DRIVE AND FRAME VALVES INSTALLATION (460SJ HC3)



ART_1001246374

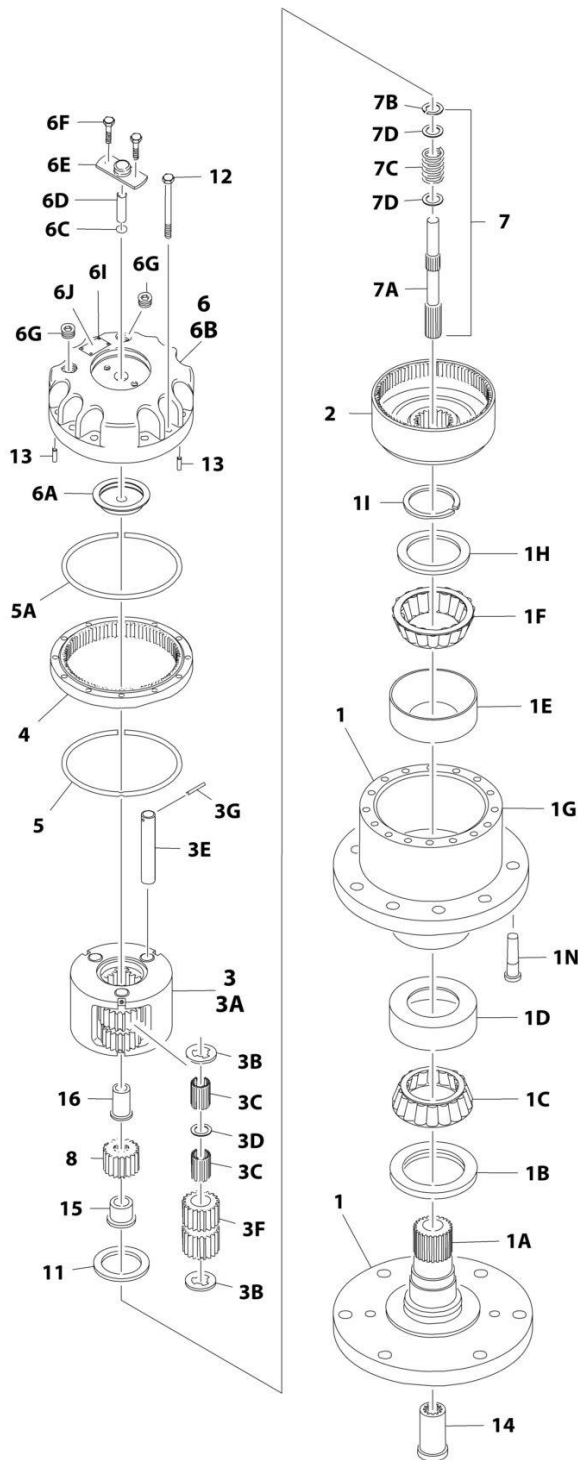
SECTION 1 - FRAME

FIGURE 1-7. WHEEL DRIVE AND FRAME VALVES INSTALLATION (460SJ HC3)

ITEM	PART NUMBER	QTY	DESCRIPTION	REV
	1001246374	Ref	WHEEL DRIVE AND FRAME VALVES INSTALLATION	B
1	0100011	AR	Compound, Locking	
2	0100019	AR	Compound, Locking	
3	0681810	8	Bolt 1/2 x 1-1/4 (Grade 8)	
4	0682014	24	Bolt 5/8 x 1-3/4 (Grade 8)	
5	0761012	3	Bolt M10 x 25	
6	1001245759	4	Drive Motor Assembly (See Separate Breakdown in this Section)	
9	3020008	0.75 gl	Lubricant	
11	3300106	36	Lugnut	
12	1001252541	4	Hub	
13	3960526	4	Gasket, Brake	
14	4812000	3	Washer M10	
15	4891800	8	Washer 1/2	
16	4892000	24	Washer 5/8	
17	5251012	2	Bolt M10 x 25	
18	1001118972	2	Nut M10 x 1.5	
19	1001162537	1	Traction Valve Assembly (See Separate Breakdown in this Section)	
20	1001163959	1	Plate, Mounting	

SECTION 1 - FRAME

FIGURE 1-8. DRIVE HUB ASSEMBLY - FRONT (400S HC3)



ART_2780268

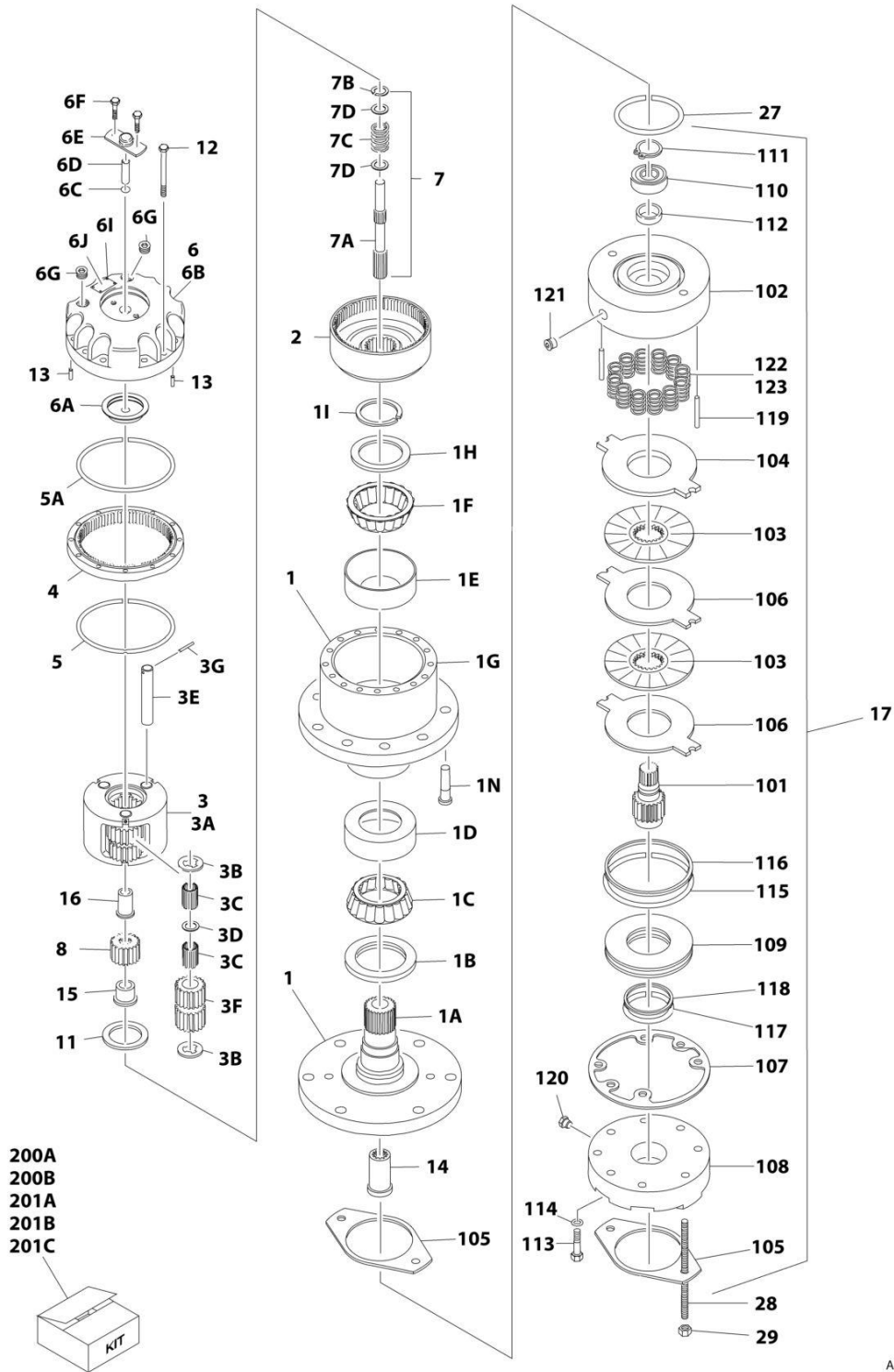
SECTION 1 - FRAME

FIGURE 1-8. DRIVE HUB ASSEMBLY - FRONT (400S HC3)

ITEM	PART NUMBER	QTY	DESCRIPTION	REV
	2780268	Ref	DRIVE HUB ASSEMBLY - FRONT	F
1	See Note	1	Spindle/Housing Assembly (Note: Purchase Individual Components)	
1A	7017059	1	Spindle	
1B	7001998	1	Seal	
1C	7010429	1	Cone, Bearing (Includes Item 1D)	
1D	7010429	1	Cup, Bearing (Includes Item 1C)	
1E	7000257	1	Cup, Bearing	
1F	7000258	1	Cone, Bearing	
1G	7007601	1	Housing/Ring Gear	
1H	7000232	1	Washer, Thrust	
1I	7000229	1	Ring, Retaining	
1N	7007640	9	Stud, Wheel	
2	7000246	1	Gear, Internal	
3	7024712	1	Carrier Assembly	
3A	See Note	1	Carrier (Note: Use Item 3)	
3B	See Note	6	Ring, Retaining (Note: Use Item 3)	
3C	See Note	AR	Bearing, Needle (Note: Use Item 3)	
3D	See Note	3	Washer, Thrust (Note: Use Item 3)	
3E	See Note	3	Shaft, Planet (Note: Use Item 3)	
3F	See Note	3	Gear, Planet (Note: Use Item 3)	
3G	See Note	3	Roll Pin (Note: Use Item 3)	
4	7000248	1	Ring Gear	
5	7000230	1	O-Ring	
5A	7017070	1	O-Ring	
6	70001349	1	Cover Assembly Kit	
6A	See Note	1	Spacer, Thrust (Note: Use Item 6)	
6B	See Note	1	Plate, Cover (Note: Use Item 6)	
6C	See Note	1	O-Ring (Note: Use Item 6)	
6D	See Note	1	Rod, Disconnect (Note: Use Item 6)	
6E	See Note	1	Cap, Disengage (Note: Use Item 6)	
6F	See Note	2	Bolt (Note: Use Item 6)	
6G	See Note	1	Plug, Pipe (Note: Use Item 6)	
6I	See Note	4	Rivet (Note: Not Available for Purchase)	
6J	See Note	1	Plate, ID (Note: Not Available for Purchase)	
7		Ref	Input Shaft Assembly	
7A	7024714	1	Shaft	
7B	7000261	1	Ring, Retaining	
7C	7000262	1	Spring	
7D	7000263	2	Spacer, Thrust	
8	7024713	1	Gear, Sun	
11	7000253	1	Washer, Thrust	
12	7017067	12	Bolt	
13	7017080	4	Pin, Dowel	
14	7000206	1	Coupling	
15	7024715	1	Spacer, Input	
16	7024716	1	Spacer, Input	

SECTION 1 - FRAME

FIGURE 1-9. DRIVE HUB/BRAKE ASSEMBLY - REAR (400S HC3)



ART_2780267

SECTION 1 - FRAME

FIGURE 1-9. DRIVE HUB/BRAKE ASSEMBLY - REAR (400S HC3)

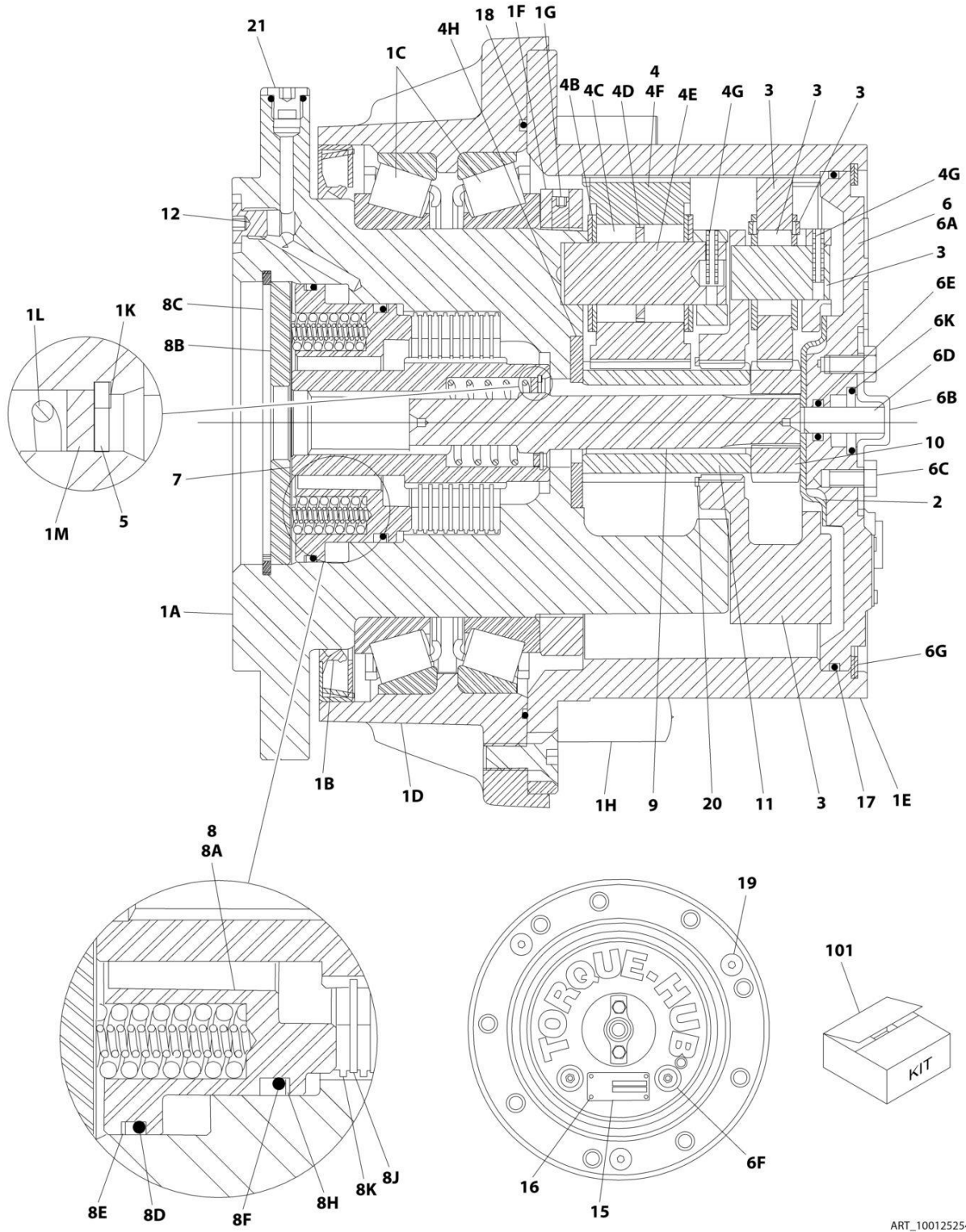
ITEM	PART NUMBER	QTY	DESCRIPTION	REV
	2780267	Ref	DRIVE HUB AND BRAKE ASSEMBLY - REAR	I
1	See Note	1	Spindle/Housing Assembly (Note: Purchase Individual Components)	
1A	7017059	1	Spindle	
1B	7001998	1	Seal	
1C	7010429	1	Cone, Bearing (Includes Item 1D)	
1D	7010429	1	Cup, Bearing (Includes Item 1C)	
1E	7000257	1	Cup, Bearing	
1F	7000258	1	Cone, Bearing	
1G	7007601	1	Housing/Ring Gear	
1H	7000232	1	Washer, Thrust	
1I	7000229	1	Ring, Retaining	
1N	7007640	9	Stud, Wheel	
2	7000246	1	Gear, Internal	
3	7024712	1	Carrier Assembly	
3A	See Note	1	Carrier (Note: Use Item 3)	
3B	See Note	6	Ring, Retaining (Note: Use Item 3)	
3C	See Note	AR	Bearing, Needle (Note: Use Item 3)	
3D	See Note	3	Washer, Thrust (Note: Use Item 3)	
3E	See Note	3	Shaft, Planet (Note: Use Item 3)	
3F	See Note	3	Gear, Planet (Note: Use Item 3)	
3G	See Note	3	Roll Pin (Note: Use Item 3)	
4	7000248	1	Ring Gear	
5	7000230	1	O-Ring	
5A	7017070	1	O-Ring	
6	70001349	1	Cover Assembly Kit	
6A	See Note	1	Spacer, Thrust (Note: Use Item 6)	
6B	See Note	1	Plate, Cover (Note: Use Item 6)	
6C	See Note	1	O-Ring (Note: Use Item 6)	
6D	See Note	1	Rod, Disconnect (Note: Use Item 6)	
6E	See Note	1	Cap, Disengage (Note: Use Item 6)	
6F	See Note	2	Bolt (Note: Use Item 6)	
6G	See Note	1	Plug, Pipe (Note: Use Item 6)	
6I	See Note	4	Rivet (Note: Not Available for Purchase)	
6J	See Note	1	Plate, ID (Note: Not Available for Purchase)	
7		Ref	Input Shaft Assembly	
7A	7024714	1	Shaft	
7B	7000261	1	Ring, Retaining	
7C	7000262	1	Spring	
7D	7000263	2	Spacer, Thrust	
8	7024713	1	Gear, Sun	
11	7000253	1	Washer, Thrust	
12	7017067	12	Bolt	
13	7017080	4	Pin, Dowel	
14	7000206	1	Coupling	
15	7024715	1	Spacer, Input	
16	7024716	1	Spacer, Input	
17	7024182	1	Brake Assembly (See Items 101-123 for Breakdown)	
27	7024705	1	O-Ring	
28	7024717	2	Rod, Threaded	

SECTION 1 - FRAME

ITEM	PART NUMBER	QTY	DESCRIPTION	REV
29	7024718	2	Nut 1/2in-13NC	
	7024182	Ref	BRAKE ASSEMBLY	
101	7024189	1	Shaft	
102	See Note	1	Housing (Note: Use Item 17)	
103	See Note	2	Plate, Friction (Note: Use Item 201B)	
104	See Note	1	Plate, Pressure (Note: Use Item 201B)	
105	7000731	2	Gasket	
106	See Note	2	Plate, Outer (Note: Use Item 201B)	
107	See Note	1	Gasket (Note: Use Item 200A, 201B or 201C)	
108	7024191	1	Cylinder	
109	7024192	1	Piston	
110	See Note	1	Bearing, Ball (Note: Use Item 201C)	
111	See Note	1	Ring, Retaining (Note: Use Item 201C)	
112	See Note	1	Seal, Shaft (Note: Use Item 201C)	
113	See Note	6	Capscrew (Note: Use Item 17)	
114	See Note	6	Lockwasher (Note: Use Item 17)	
115	See Note	1	O-Ring (Note: Use Item 200B)	
116	See Note	1	Ring, Back-up (Note: Use Item 200B)	
117	See Note	1	O-Ring (Note: Use Item 200B)	
118	See Note	1	Ring, Back-up (Note: Use Item 200B)	
119	7024190	2	Pin, Dowel	
120	See Note	1	Plug (Note: Use Item 17)	
121	See Note	2	Plug (Note: Use Item 17)	
122	See Note	12	Spring Kit (Natural) (Note: Use Item 201A)	
123	See Note	2	Spring Kit (Blue) (Note: Use Item 201A)	
		Ref	Kit Options	
200		Ref	Seal Kit Options:	
200A	See Note	1	Hub Seal Kit (Note: Purchase Individual Components)	
200B	7024194	1	Brake Seal Kit (Includes Items 105, 107 & 115-118)	
201		Ref	Repair Kit Options:	
201A	7024196	1	Brake Spring Kit (Includes 12 Natural Colored and 2 Blue Colored Springs Items 122 & 123)	
201B	7024193	1	Brake Friction Disc Kit (Includes Items 103, 104, 106 & 107)	
201C	7024197	1	Brake Bearing Kit (Includes Items 107 & 110-112)	

SECTION 1 - FRAME

FIGURE 1-10. DRIVE HUB/BRAKE ASSEMBLY - REAR (460SJ HC3)



ART_1001252541

SECTION 1 - FRAME

FIGURE 1-10. DRIVE HUB/BRAKE ASSEMBLY - REAR (460SJ HC3)

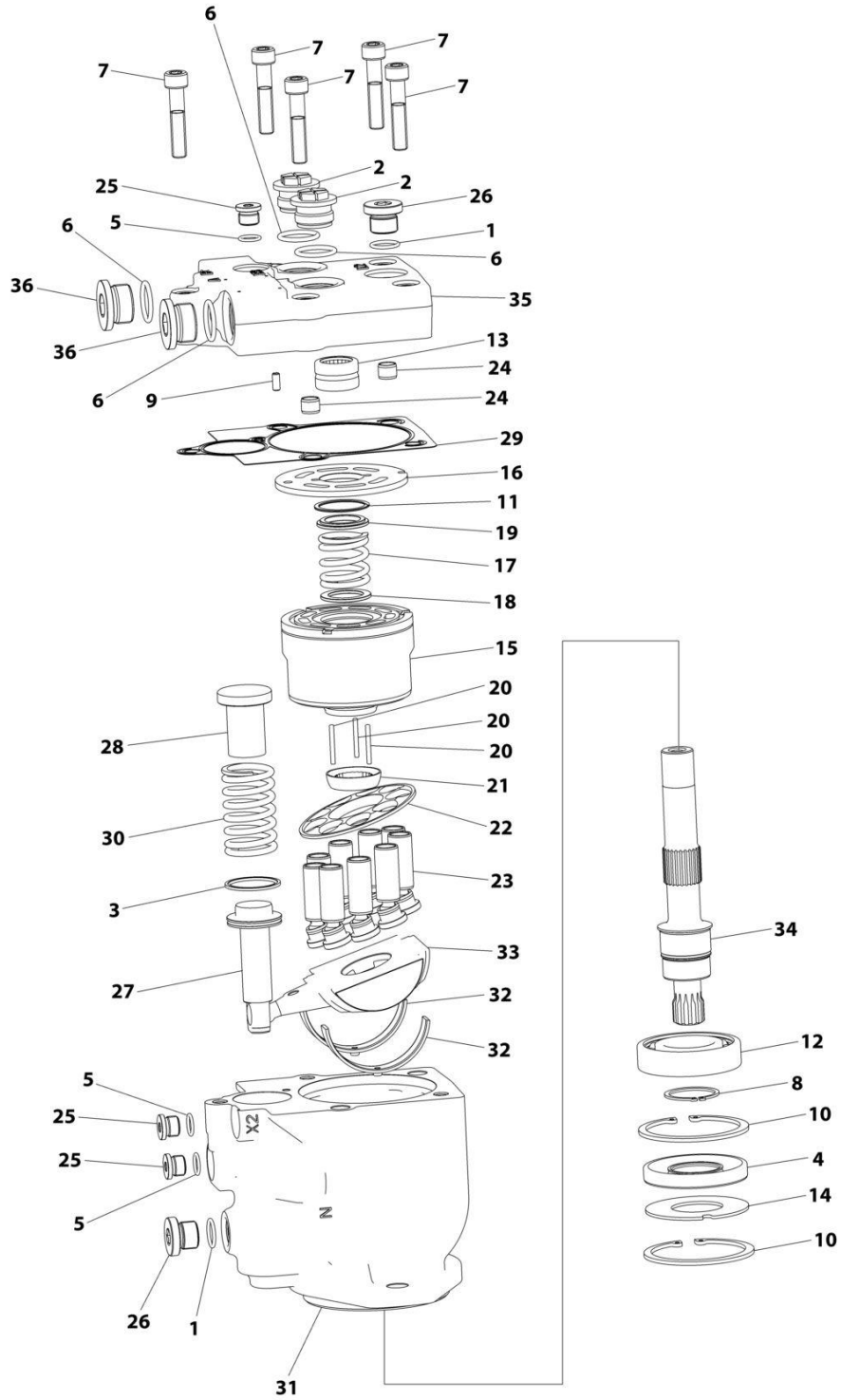
ITEM	PART NUMBER	QTY	DESCRIPTION	REV
	1001252541	Ref	DRIVE HUB AND BRAKE ASSEMBLY	C
1	See Note	Ref	Spindle Sub-Assembly (Note : Not Shown - Not Available as Assembly. Purchase Individual Components)	
1A	7024729	1	Spindle	
1B	70001119	1	Seal, Lip	
1C	7024735	2	Bearing, Tapered	
1D	See Note	NSS	Housing (Note: Not Available for Purchase)	
1E	7024730	1	Gear, Ring	
1F	70003000	1	Nut, Bearing	
1G	70002996	2	Screw	
1H	7007640	9	Stud	
1K	70005613	1	Ring, Retaining (Internal)	
1L	7024124	1	Spring	
1M	7024129	1	Thrust washer	
2	7024741	1	Spacer, Thrust	
3	70007171	1	Carrier, Sub-Assembly (Note: Sold as an Assembly Only)	
4	70007172	1	Planet Gear Sub-Assembly	
4B	7024740	12	Thrust washer	
4C	7024734	84	Bearing, Needle	
4D	7024736	3	Spacer, Thrust	
4E	7024726	3	Shaft, Planet	
4F	See Note	NSS	Gear, Planet (Note : Use PN 70007172)	
4G	7001913	3	Pin, Roll	
4H	7024742	1	Thrust washer	
5	7017027	1	Ring, Retaining (External)	
6	70001368	1	Cover Gear Sub-Assembly	
6A	See Note	NSS	Flange, Plate/Cover (Note: Use Item 6)	
6B	7017093	1	Cap, Disengage	
6C	7000216	2	Bolt 1/4 x 1/2	
6D	7024739	1	Pin, Dowel	
6E	7017095	1	O-Ring	
6F	7017072	2	Plug	
6G	7024738	1	Ring, Retaining (Internal)	
6K	See Note	NSS	O-Ring (Note: Not Available for Purchase)	
7	70007170	1	Coupling Sub-Assembly	
8	70007173	1	Brake Sub-Assembly	
8A	See Note	NSS	Housing, Brake (Note: Use PN 70007173)	
8B	See Note	NSS	Spacer	
8C	70004039	1	Ring, Retaining	
8D	70002070	1	O-Ring	
8E	70002071	1	Ring, Back-up	
8F	70002073	1	O-Ring	
8H	70002072	1	Ring, Back-up	
8J	70007175	8	Rotor, Brake	
8K	70007176	9	Stator, Brake	
9	70005606	1	Shaft, Input	
10	70007174	1	Gear, Sun	
11	7024723	1	Gear, Sun	
12	7017082	1	Plug	
15	See Note	NSS	Plate, ID (Note: Not Available for Purchase)	

SECTION 1 - FRAME

ITEM	PART NUMBER	QTY	DESCRIPTION	REV
16	See Note	NSS	Rivet (Note: Not Available for Purchase)	
17	7024134	1	O-Ring	
18	70002997	1	O-Ring	
19	7017022	5	Bolt (Not Shown)	
20	7024737	1	Ring, Retaining (External)	
21	70007177	1	Plug	
101	7024744	1	Seal Kit (Includes Items 1B, 1F, 1G, 17, 18 & 19)	

SECTION 1 - FRAME

FIGURE 1-11. DRIVE MOTOR ASSEMBLY (400S HC3)



ART_1001278022

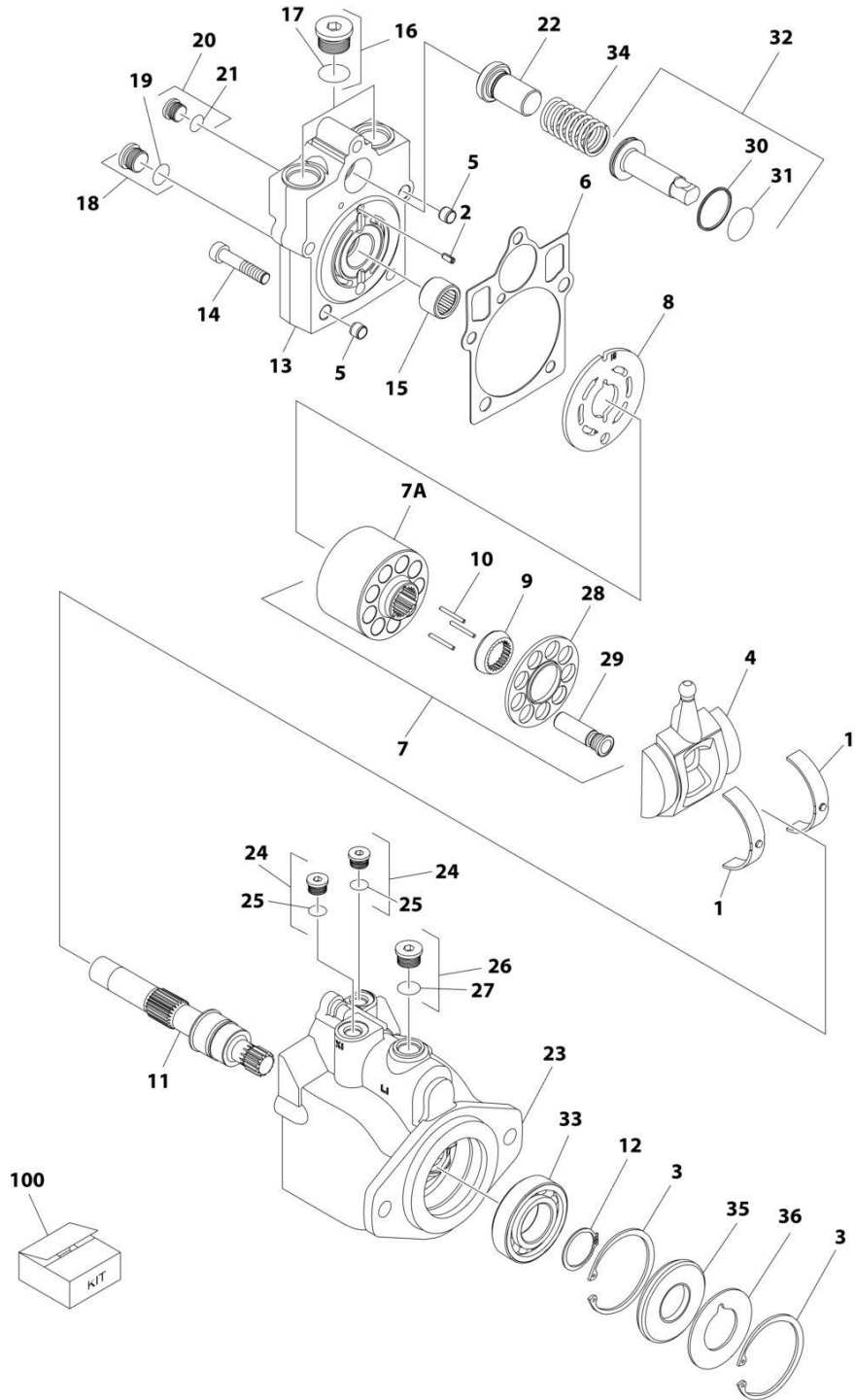
SECTION 1 - FRAME

FIGURE 1-11. DRIVE MOTOR ASSEMBLY (400S HC3)

ITEM	PART NUMBER	QTY	DESCRIPTION	REV
	1001278022	Ref	DRIVE MOTOR ASSEMBLY	B
1	70007847	2	O-Ring	
2	70007848	2	Plug	
3	70007849	1	Ring, Sealing	
4	70007850	1	Bearing	
5	70007851	3	O-Ring	
6	70007852	4	O-Ring	
7	70007853	5	Capscrew M10 x 50	
8	70007854	1	Circlip	
9	70007855	1	Pin	
10		Ref	Circlip	
11	70007856	1	Ring, Retaining	
12	70007857	1	Bearing	
13	70007858	1	Bearing	
14	70007859	1	Gasket	
15	70007860	1	Cylinder	
16	70007861	1	Plate, Valve	
17	70007862	1	Spring	
18	70007863	1	Gasket	
19	70007864	1	Gasket	
20	70007865	3	Pin	
21	70007866	1	Bushing	
22	70007867	1	Retainer	
23	70007868	9	Piston	
24	70007869	2	Pin	
25	70007870	3	Plug	
26	70007871	2	Plug	
27	70007872	1	Piston	
28	70007873	1	Seat, Spring	
29	70007874	1	Gasket	
30	70007875	1	Spring	
31	See Note	NSS	Housing (Note: Purchase Complete Assembly)	
32	70007876	2	Bushing	
33	70007877	1	Plate, Swash	
34	70007878	1	Shaft	
35	See Note	NSS	Cover (Note: Purchase Complete Assembly)	
36	See Note	Ref	Plug (Note: Shipping Use Only)	

SECTION 1 - FRAME

FIGURE 1-12. DRIVE MOTOR ASSEMBLY (460SJ HC3)



ART_1001245759

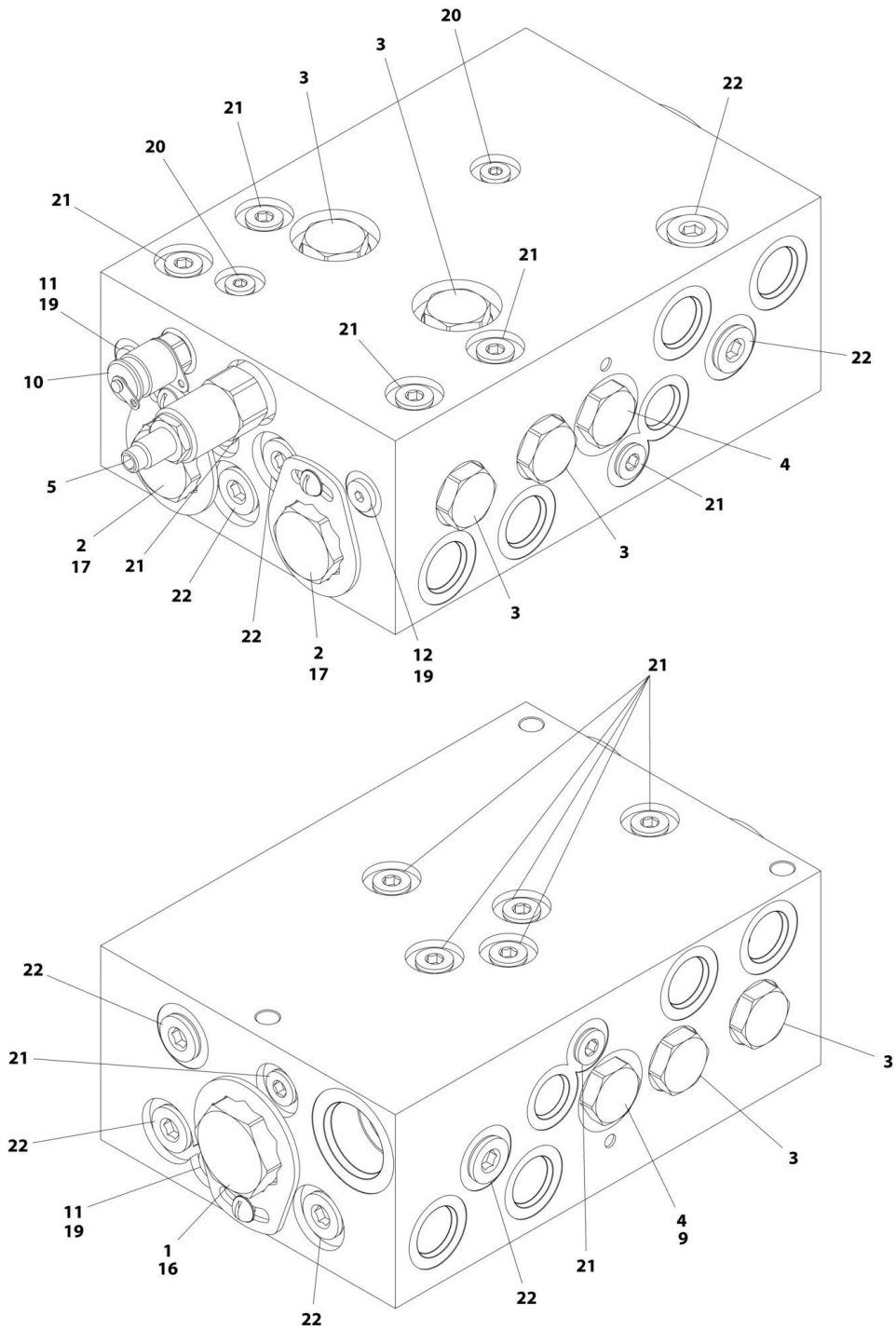
SECTION 1 - FRAME

FIGURE 1-12. DRIVE MOTOR ASSEMBLY (460SJ HC3)

ITEM	PART NUMBER	QTY	DESCRIPTION	REV
	1001245759	Ref	DRIVE MOTOR ASSEMBLY	C
1	70007145	1	Bearing Kit	
2	7007446	1	Pin	
3	7007438	2	Ring, Retaining	
4	70000794	1	Swash Plate	
5	70003628	2	Pin	
6	See Note	NSS	Gasket (Note: Use Item 100)	
7	7027740	1	Cylinder Block Kit (Includes Items 7A, 9, 28 & 29)	
7A	70007146	1	Block, Cylinder	
8	70000854	1	Plate, Valve	
9	70000856	1	Guide, Slipper Retainer	
10	7021275	3	Pin, Slipper Hold Down	
11	7023910	1	Shaft	
12	7007439	1	Ring, Retaining	
13	70000795	1	Cap, End - Axial	
14	7022368	5	Screw	
15	7021249	1	Bearing, Needle	
16	7007419	1	Plug (Includes Item 17)	
17	See Note	NSS	O-Ring (Note: Use Item 17 or 100)	
18	7022321	1	Plug (Includes Item 19)	
19	See Note	NSS	O-Ring (Note: Use Item 19 or 100)	
20	2220883	1	Plug (Includes Item 21)	
21	See Note	NSS	O-Ring (Note: Use Item 21 or 100)	
22	70007142	1	Seat, Spring	
23	70001932	1	Housing	
24	7007420	2	Plug (Includes Item 25)	
25	See Note	NSS	O-Ring (Note: Use Item 25 or 100)	
26	7022321	1	Plug (Includes Item 27)	
27	See Note	NSS	O-Ring (Note: Use Item 27 or 100)	
28	7000857	1	Retainer, Slipper	
29	7024865	9	Piston Assembly	
30	See Note	NSS	O-Ring (Note: Use Item 100)	
31	See Note	NSS	Ring, Seal (Note: Use Item 100)	
32	7024871	1	Piston, Servo (Includes Items 30 & 31)	
33	70007143	1	Bearing	
34	7022326	1	Spring	
35	See Note	1	Seal, Lip (Note: Use Item 100)	
36	7022371	1	Washer, Support	
37		Ref	KIT OPTIONS:	
100	7022328	1	Seal Kit (Includes Items 6, 17, 19, 21, 25, 27, 30 & 35)	

SECTION 1 - FRAME

FIGURE 1-13. TRACTION VALVE ASSEMBLY



ART_1001162537

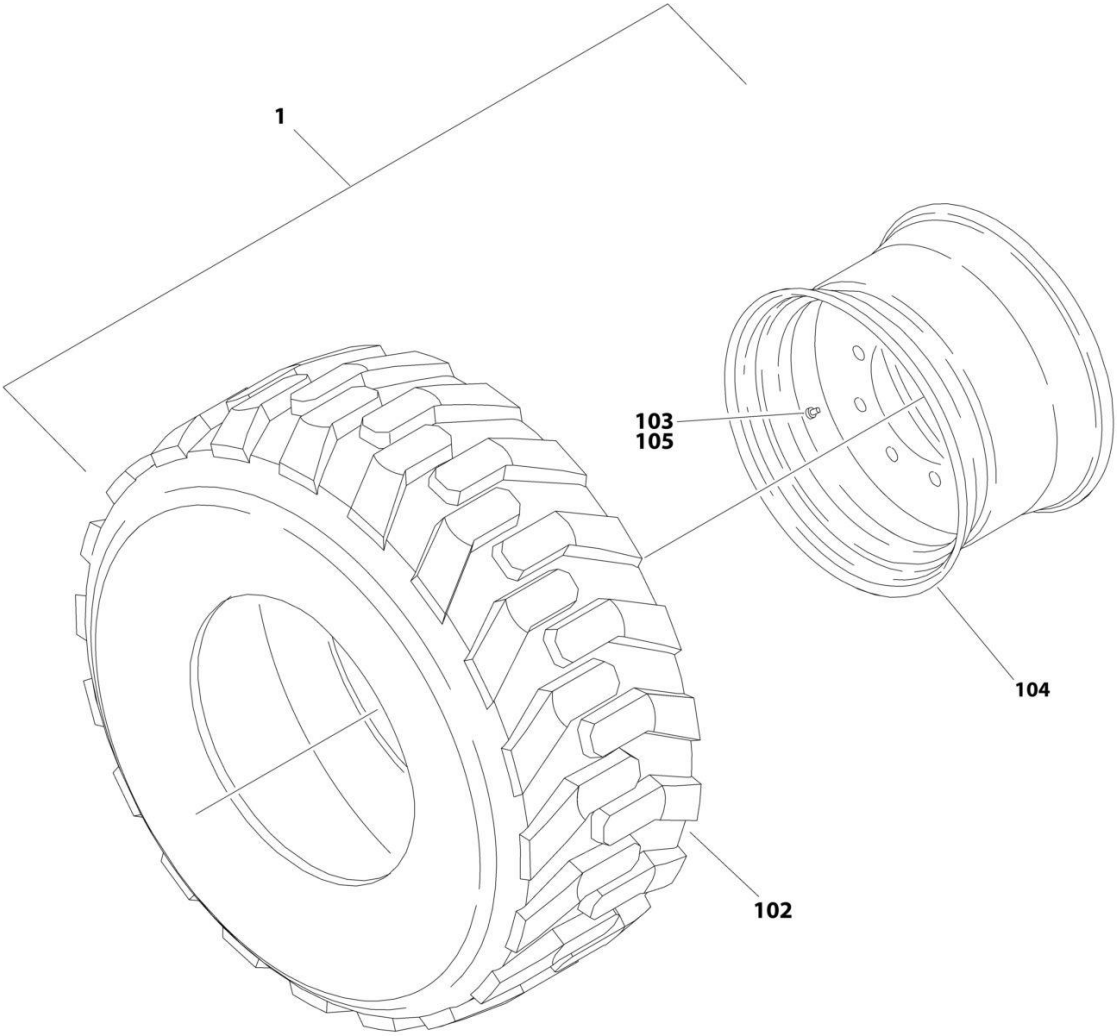
SECTION 1 - FRAME

FIGURE 1-13. TRACTION VALVE ASSEMBLY

ITEM	PART NUMBER	QTY	DESCRIPTION	REV
	1001162537	Ref	TRACTION VALVE ASSEMBLY (4WD)	E
1	70004017	1	Cartridge, Flow Divider Valve	
1	7021625	1	Seal Kit - 70004017 Valve	
2	70004885	2	Cartridge, Flow Divider Valve	
2	70004577	2	Seal Kit - 70004885 Valve	
3	7022397	6	Cartridge, Check Valve	
3	7022399	6	Seal Kit - 7022397 Valve	
4	7021639	2	Cartridge, Check Valve	
4	2900756	2	Seal Kit - 7021639 Valve	
5	70004886	1	Cartridge, Relief Valve	
5	7017496	1	Seal Kit - 70004886 Valve	
9	7024881	1	Piston, Pilot	
10	2221086	1	Fitting, Test Port	
11	70004884	2	Orifice	
12	70002209	1	Orifice	
16	70000781	1	Lockdown Kit	
17	70002962	2	Lockdown Kit	
19	2220883	3	Plug, #4	
20	See Note	NSS	Plug (Note: Not Available for Purchase)	
21	91164079	13	Plug	
22	91164057	8	Plug	

SECTION 1 - FRAME

FIGURE 1-14. TIRE AND WHEEL INSTALLATION - 14 X 176.5 FOAM FILLED (400S HC3 & 460SJ HC3)



ART_0271998

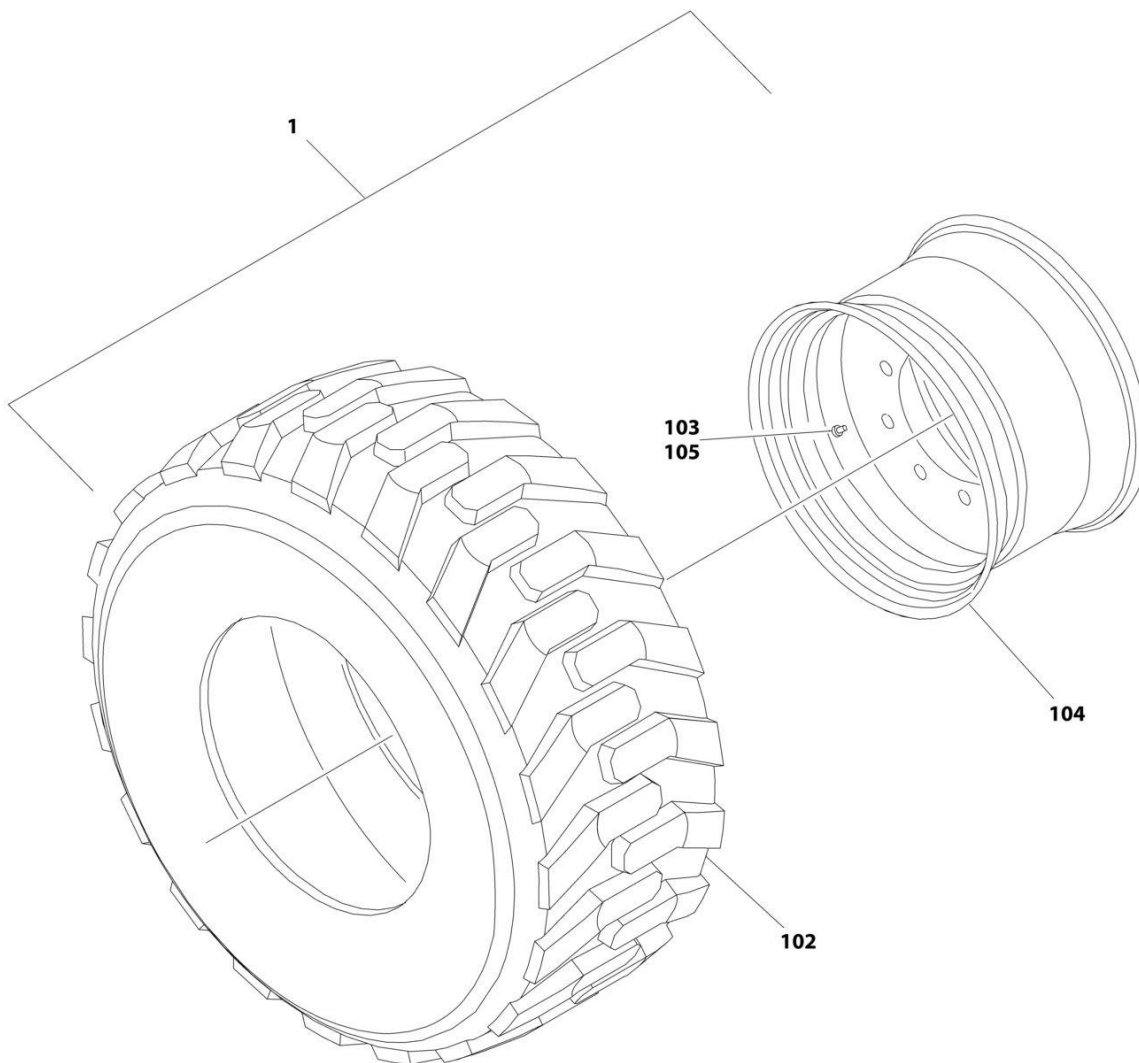
SECTION 1 - FRAME

FIGURE 1-14. TIRE AND WHEEL INSTALLATION - 14 X 17.5 FOAM FILLED (400S HC3 & 460SJ HC3)

ITEM	PART NUMBER	QTY	DESCRIPTION	REV
	0271998	Ref	TIRE AND WHEEL INSTALLATION - 14 X 17.5 FOAM FILLED	B
		Ref	Note: Assemblies may require ballast/foam filling to manufacturer's specifications prior to installing on a machine. Refer to Operation and Safety or Service and Maintenance Manuals. Purchase individual tire and/or rim only if able to foam fill tire and wheel assembly, otherwise, purchase complete assembly.	
1	1001148875	Ref	Tire and Wheel Assembly - 14 x 17.5 (RH Side)	F
1	1001148876	Ref	Tire and Wheel Assembly - 14 x 17.5 (LH Side)	F
102	4520259	4	Tire - 14 x 17.5	
103	4641122	4	Valve	
104	1001146397	4	Rim, Wheel	
105	1001149953	4	Cap, Valve Stem	

SECTION 1 - FRAME

FIGURE 1-15. TIRE AND WHEEL INSTALLATION - 12 X 16.5 FOAM FILLED (400S HC3)



ART_0270092

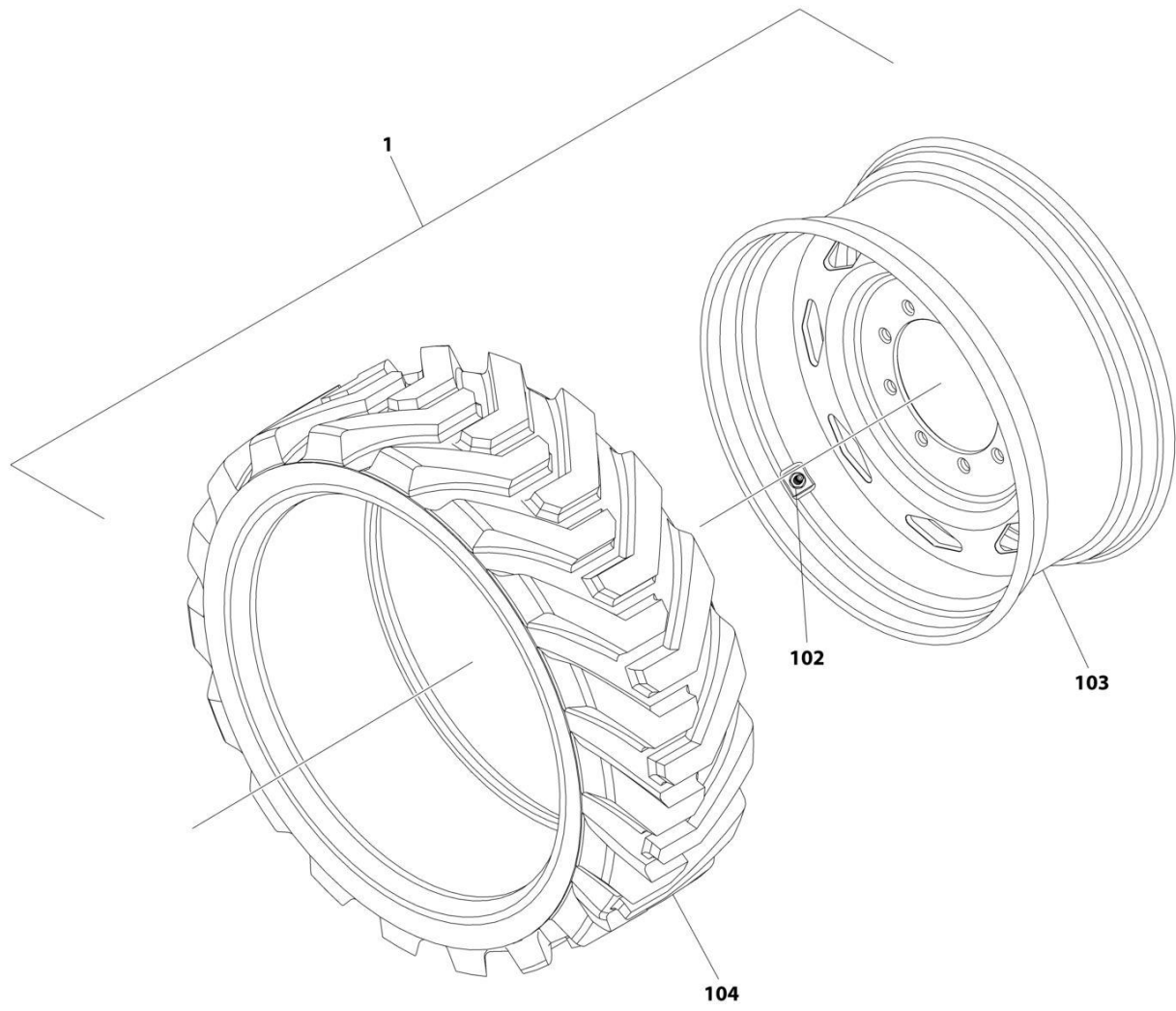
SECTION 1 - FRAME

FIGURE 1-15. TIRE AND WHEEL INSTALLATION - 12 X 16.5 FOAM FILLED (400S HC3)

ITEM	PART NUMBER	QTY	DESCRIPTION	REV
	0270092	Ref	TIRE AND WHEEL INSTALLATION - 12 X 16.5 FOAM FILLED	C
		Ref	Note: Assemblies may require ballast/foam filling to manufacturer's specifications prior to installing on a machine. Refer to Operation and Safety or Service and Maintenance Manuals. Purchase individual tire and/or rim only if able to foam fill tire and wheel assembly, otherwise, purchase complete assembly.	
1	1001148865	2	Tire and Wheel Assembly - 12 x 16.5 (RH Side)	G
1	1001148866	2	Tire and Wheel Assembly - 12 x 16.5 (LH Side)	G
102	4520216	4	Tire - 12 x 16.5	
103	4641122	4	Valve	
104	1001147274	4	Rim, Wheel	
105	1001149953	4	Cap, Valve Stem	

SECTION 1 - FRAME

FIGURE 1-16. TIRE AND WHEEL INSTALLATION - 33 X 12D610 FOAM-FILLED (460SJ HC3)



ART_1001245211

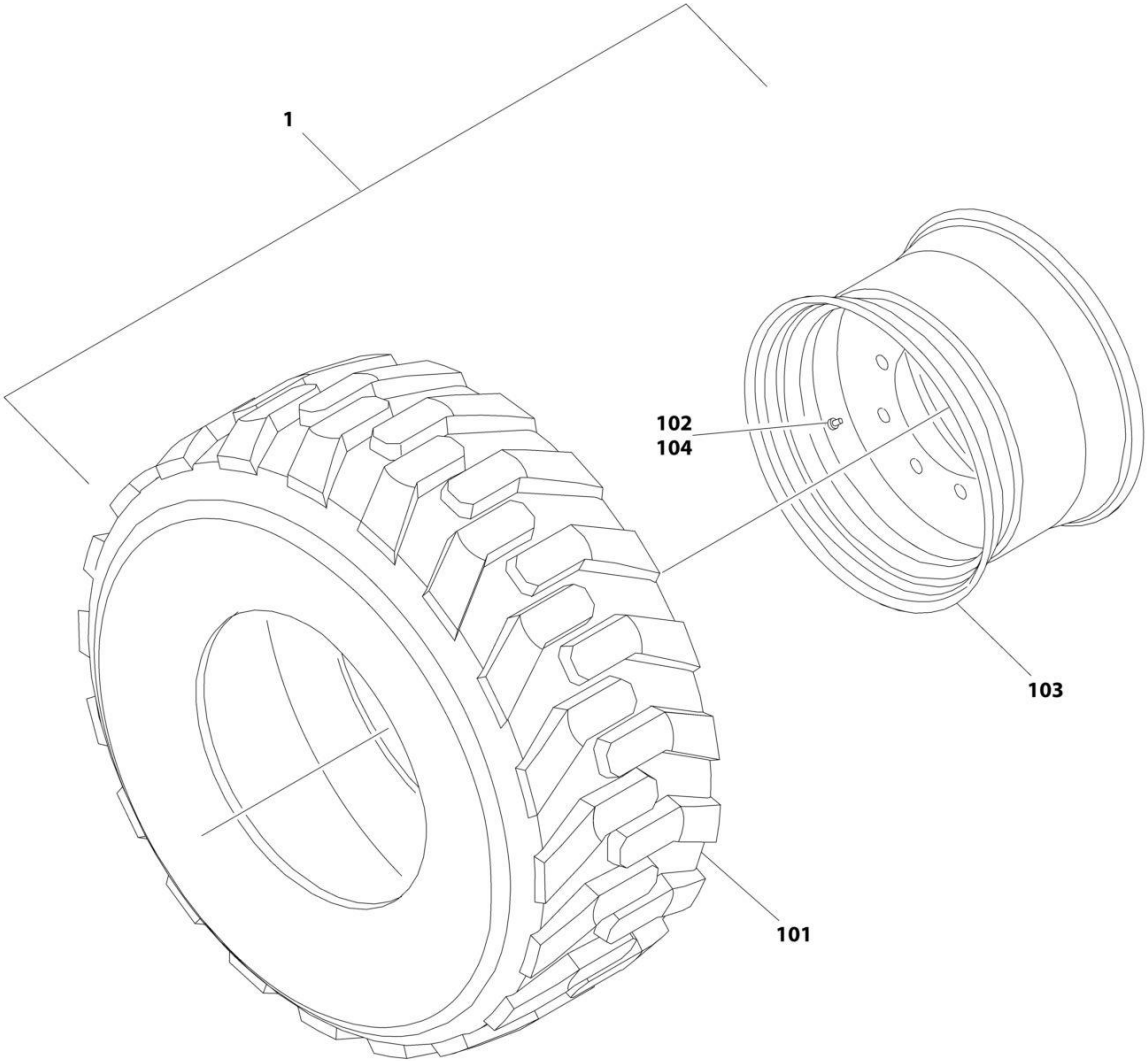
SECTION 1 - FRAME

FIGURE 1-16. TIRE AND WHEEL INSTALLATION - 33 X 12D610 FOAM-FILLED (460SJ HC3)

ITEM	PART NUMBER	QTY	DESCRIPTION	REV
	1001245211	Ref	TIRE AND WHEEL INSTALLATION - 33 x 12D610 FOAM-FILLED	A
		Ref	Note: Assemblies may require ballast/foam filling to manufacturer's specifications prior to installing on a machine. Refer to Operation and Safety or Service and Maintenance Manuals.	
		Ref	Note: Purchase individual tire and/or rim only if able to foam fill tire and wheel assembly, otherwise, purchase complete assembly.	
1	1001245197	2	Tire and Wheel Assembly - 33 x 12 (RH Side)	
1	1001245198	2	Tire and Wheel Assembly - 33 x 12 (LH Side)	
102	4641122	1	Valve	
103	1001245195	1	Wheel	
104	1001245196	1	Tire - 33 x 12	

SECTION 1 - FRAME

FIGURE 1-17. TIRE AND WHEEL INSTALLATION - 12 X 16.5 FF NON-MARKING (400S HC3)



ART_0270653

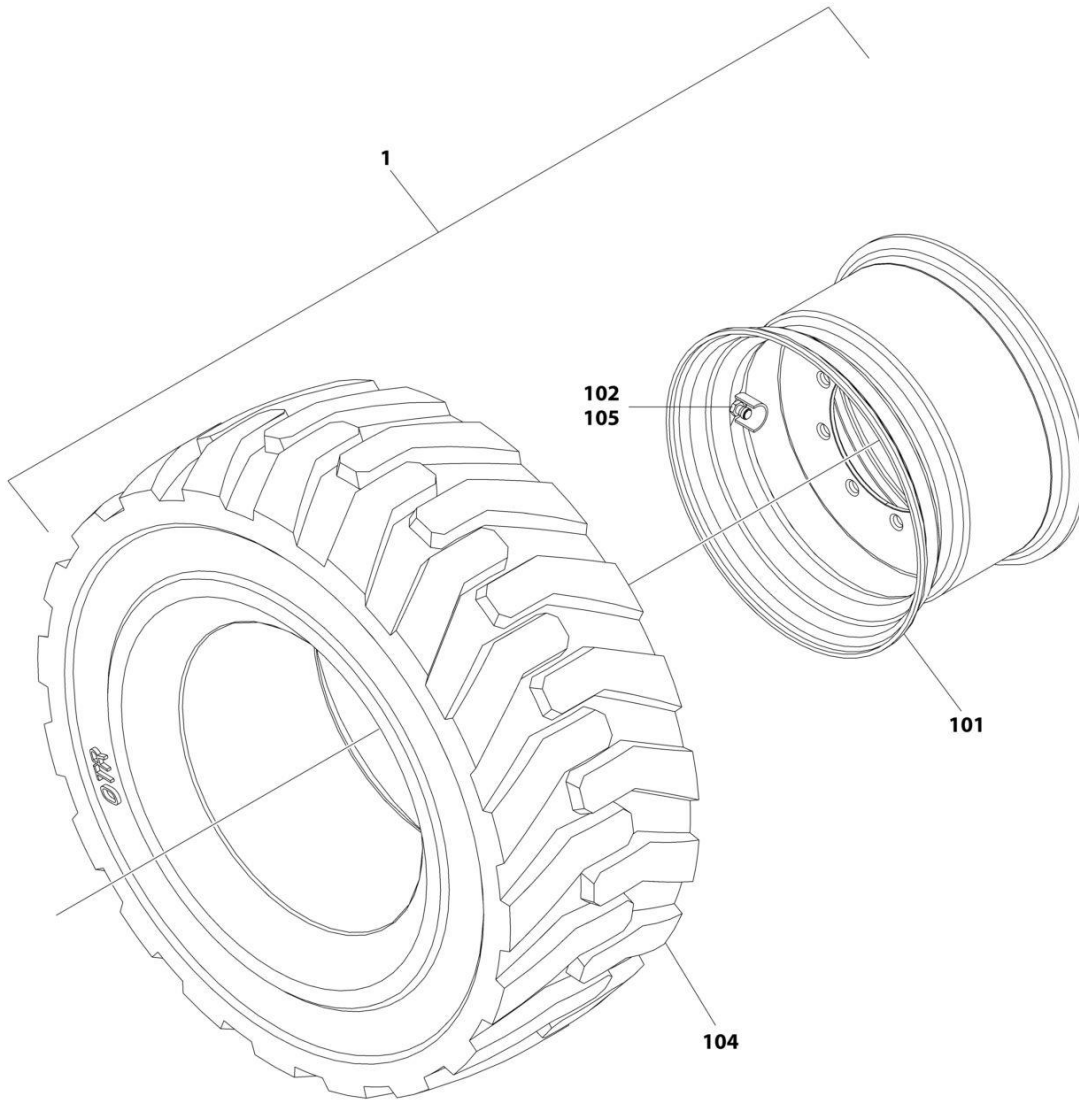
SECTION 1 - FRAME

FIGURE 1-17. TIRE AND WHEEL INSTALLATION - 12 X 16.5 FF NON-MARKING (400S HC3)

ITEM	PART NUMBER	QTY	DESCRIPTION	REV
	0270653	Ref Ref	TIRE AND WHEEL INSTALLATION - 12 X 16.5 FOAM FILLED Note: Assemblies may require ballast/foam filling to manufacturer's specifications prior to installing on a machine. Refer to Operation and Safety or Service and Maintenance Manuals. Purchase individual tire and/or rim only if able to foam fill tire and wheel assembly, otherwise, purchase complete assembly.	B
1	1001148869	1	Tire and Wheel Assembly - Right Side	H
1	1001148870	1	Tire and Wheel Assembly - Left Side	H
101	4520240	1	Tire 12 x 16.5 Non-Marking	
102	4641122	1	Valve	
103	1001147274	1	Rim, Wheel	
104	1001149953	1	Cap, Valve Stem	

SECTION 1 - FRAME

FIGURE 1-18. TIRE AND WHEEL INSTALLATION - 14 X 17.5 FF NON-MARKING



ART_1001258898

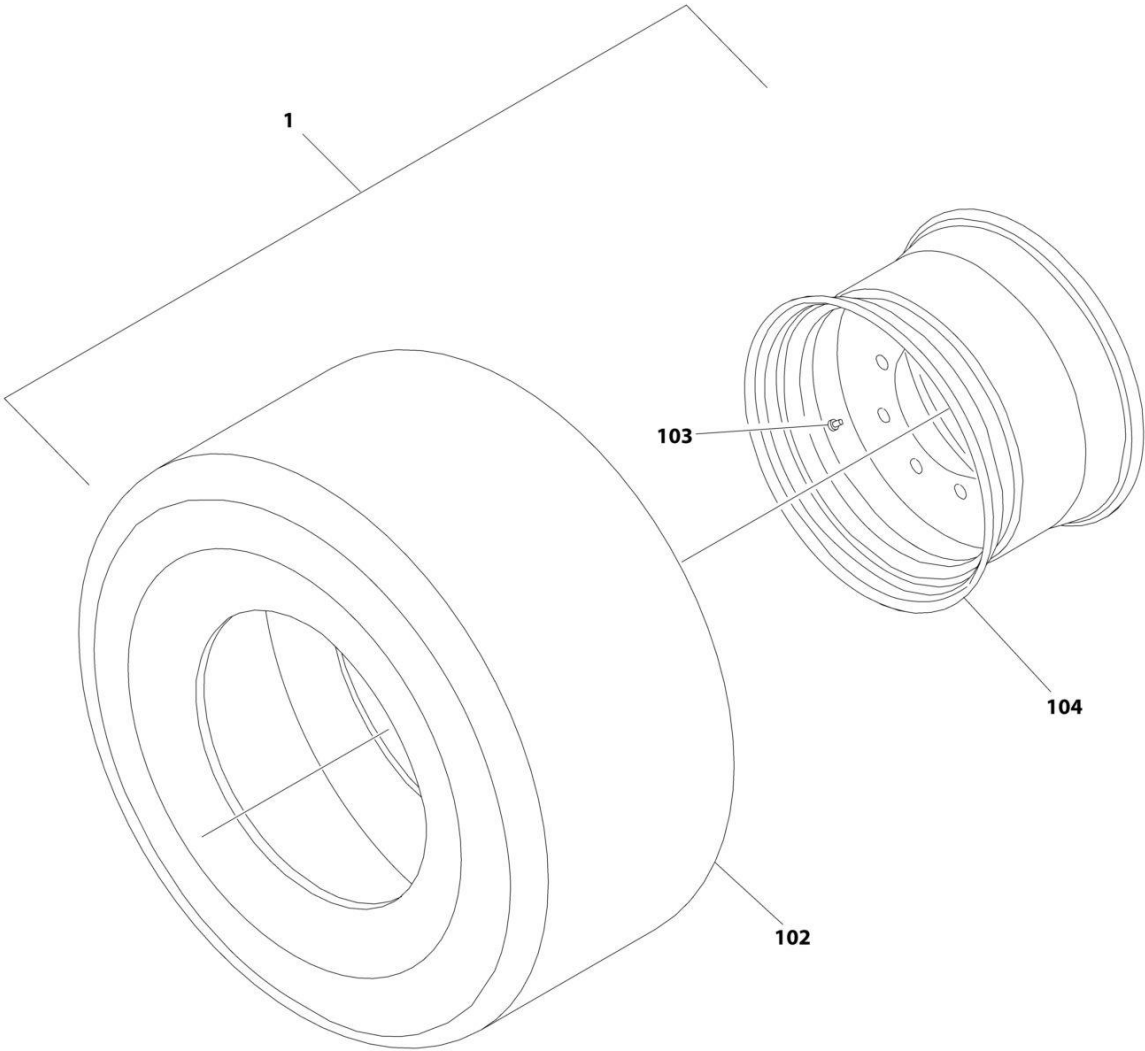
SECTION 1 - FRAME

FIGURE 1-18. TIRE AND WHEEL INSTALLATION - 14 X 17.5 FF NON-MARKING

ITEM	PART NUMBER	QTY	DESCRIPTION	REV
	1001258898	Ref Ref	TIRE AND WHEEL INSTALLATION - 14 X 17.5 FF NON-MARKING Note: Assemblies may require ballast/foam filling to manufacturer's specifications prior to installing on a machine. Refer to Operation and Safety or Service and Maintenance Manuals. Purchase individual tire and/or rim only if able to foam fill tire and wheel assembly, otherwise, purchase complete assembly.	A
1	1001258896	1	Tire and Wheel Assembly - Right Side	H
1	1001258897	1	Tire and Wheel Assembly - Left Side	H
101	1001146397	1	Rim, Wheel	
102	1001149953	1	Cap, Valve Stem	
104	1001258895	1	Tire 14 x 17.5 Non-Marking	
105	4641122	1	Valve	

SECTION 1 - FRAME

FIGURE 1-19. TIRE AND WHEEL INSTALLATION - TURF



ART_1001269298

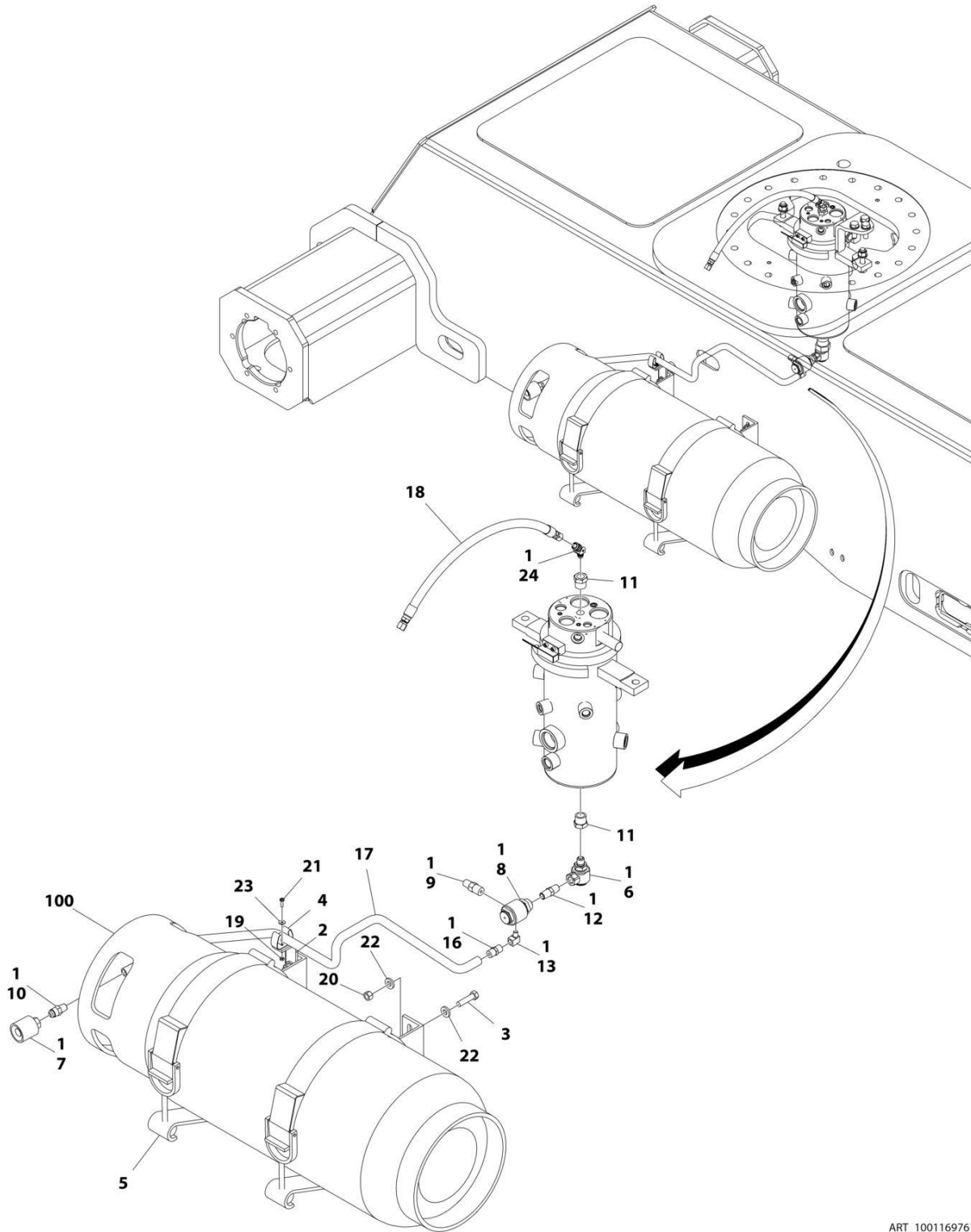
SECTION 1 - FRAME

FIGURE 1-19. TIRE AND WHEEL INSTALLATION - TURF

ITEM	PART NUMBER	QTY	DESCRIPTION	REV
	1001269298	Ref	TIRE AND WHEEL INSTALLATION - 33/16LL X 16.1 FOAM FILLED TURF	A
		Ref	Note: Assemblies may require ballast/foam filling to manufacturer's specifications prior to installing on a machine. Refer to Operation and Safety or Service and Maintenance Manuals. Purchase individual tire and/or rim only if able to foam fill tire and wheel assembly, otherwise, purchase complete assembly.	
1	1001269297	2	Tire and Wheel Assembly 33/16LL X 16.1	A
102	1300018	4	Tire - 33/16LL X 16.1	
103	4641122	4	Valve	
104	4860214	4	Rim, Wheel	

SECTION 1 - FRAME

FIGURE 1-20. LP TANK BRACKETS INSTALLATIONS



ART_1001169761_F

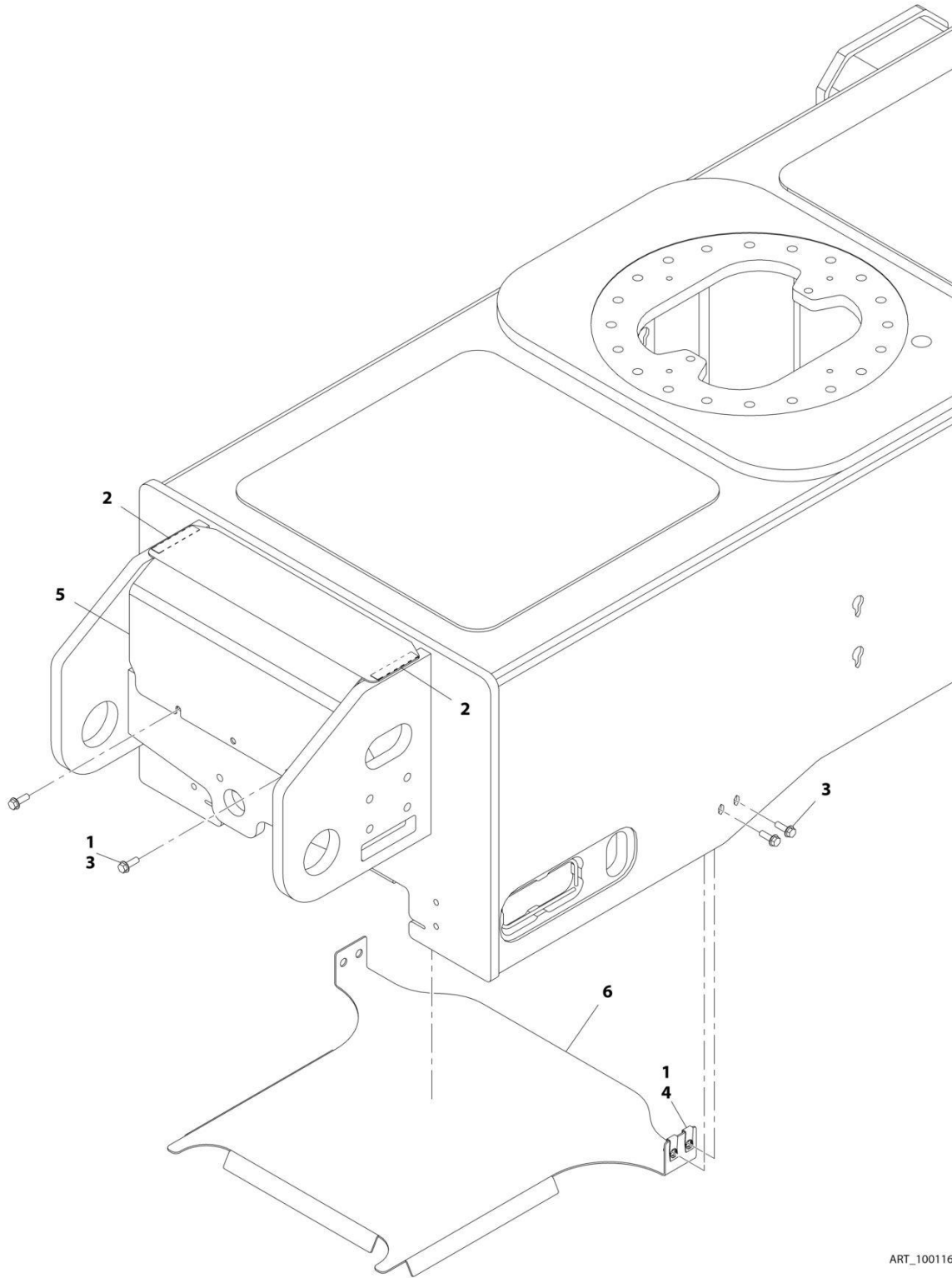
SECTION 1 - FRAME

FIGURE 1-20. LP TANK BRACKETS INSTALLATIONS

ITEM	PART NUMBER	QTY	DESCRIPTION	REV
	1001169761	Ref	LP TANK BRACKETS INSTALLATION	F
1	0100020	AR	Sealant, Pipe	
2	0181949	1	Angle, Support	
4	1320218	1	Clamp	
5	1320220	1	Clamp	
6	1001247358	1	Fitting, Swivel 90	
7	2180387	1	Fitting, Straight	
8	2180388	1	Fitting, Bulkhead	
9	2180389	1	Valve, Relief	
10	2180418	1	Fitting, Straight	
11	2221197	2	Fitting, Reducer	
12	2220261	1	Fitting, Nipple	
13	2220648	1	Fitting, 90 FNPTF/NPTF	
16	2221024	1	Fitting, Nipple	
17	2720144	1	Hose	
18	2720392	1	Hose	
19	3290401	1	Nut M4 x 0.7	
21	3900332	1	Screw M4 x 14	
23	1001091102	1	Washer	
24	1001239802	1	Fitting, 45	
25	3311601	4	Nut 3/8	
26	4891600	8	Washer 3/8	
27	0641612	4	Bolt 3/8 x 1-1/2	
100	4400275	1	Tank, LP 43.5 Lbs (Aluminum)	

SECTION 1 - FRAME

FIGURE 1-21. FRAME SHIELDS INSTALLATION - WITHOUT TOW PACKAGE



ART_1001169973

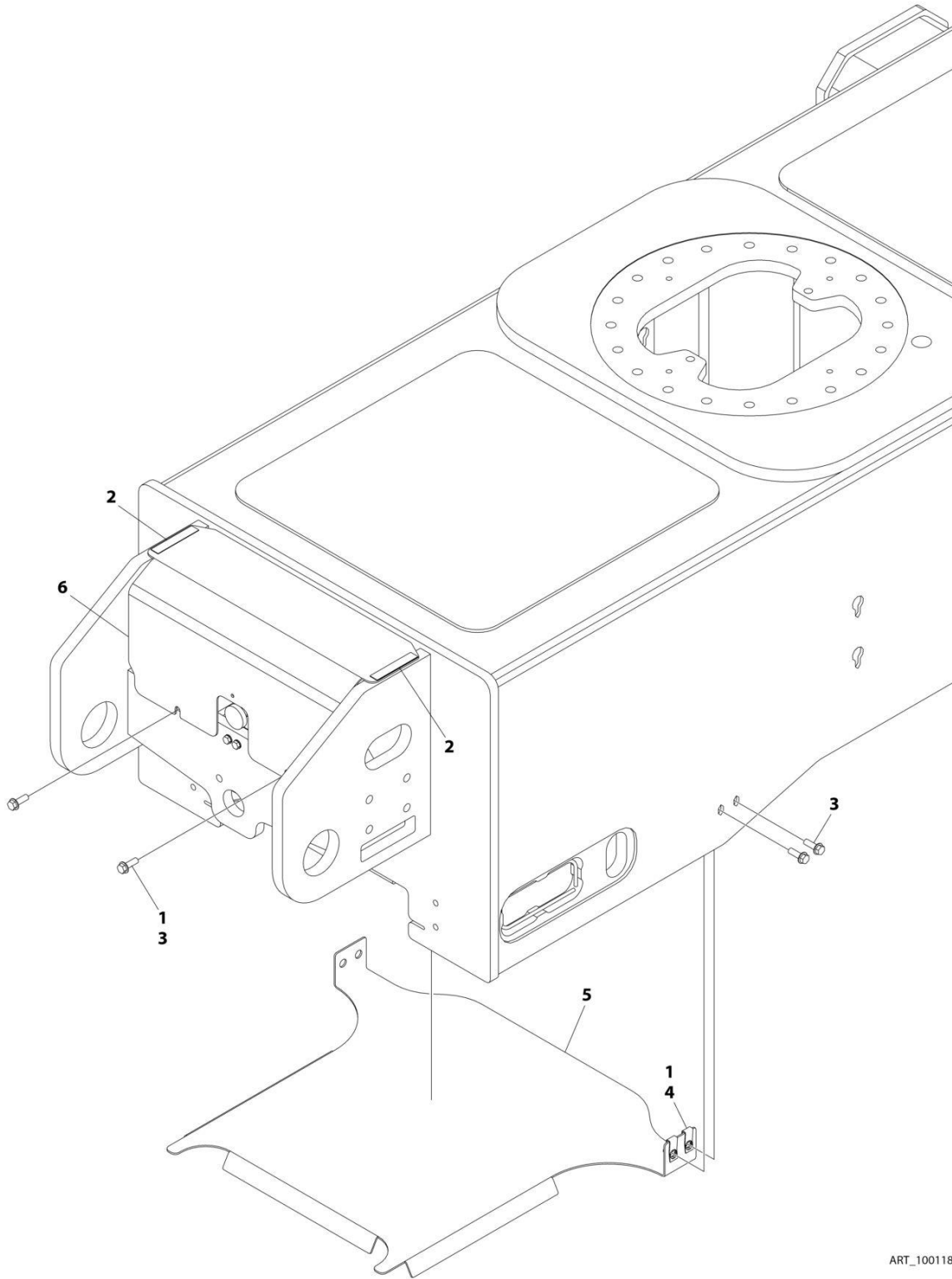
SECTION 1 - FRAME

FIGURE 1-21. FRAME SHIELDS INSTALLATION - WITHOUT TOW PACKAGE

ITEM	PART NUMBER	QTY	DESCRIPTION	REV
	1001169973	Ref	FRAME SHIELD INSTALLATION - WITHOUT TOW BAR	E
1	0100011	AR	Compound, Locking	
2	4280296	8 in / 20.3cm	Strip, Wear	
3	5251014	6	Bolt M10 x 30	
4	1001118972	4	Nut M10 x 1.5	
5	1001169086	1	Plate, Cover	
6	1001169955	1	Plate, Valve Cover	

SECTION 1 - FRAME

FIGURE 1-22. FRAME SHIELDS INSTALLATION - WITH TOW PACKAGE



ART_1001182245

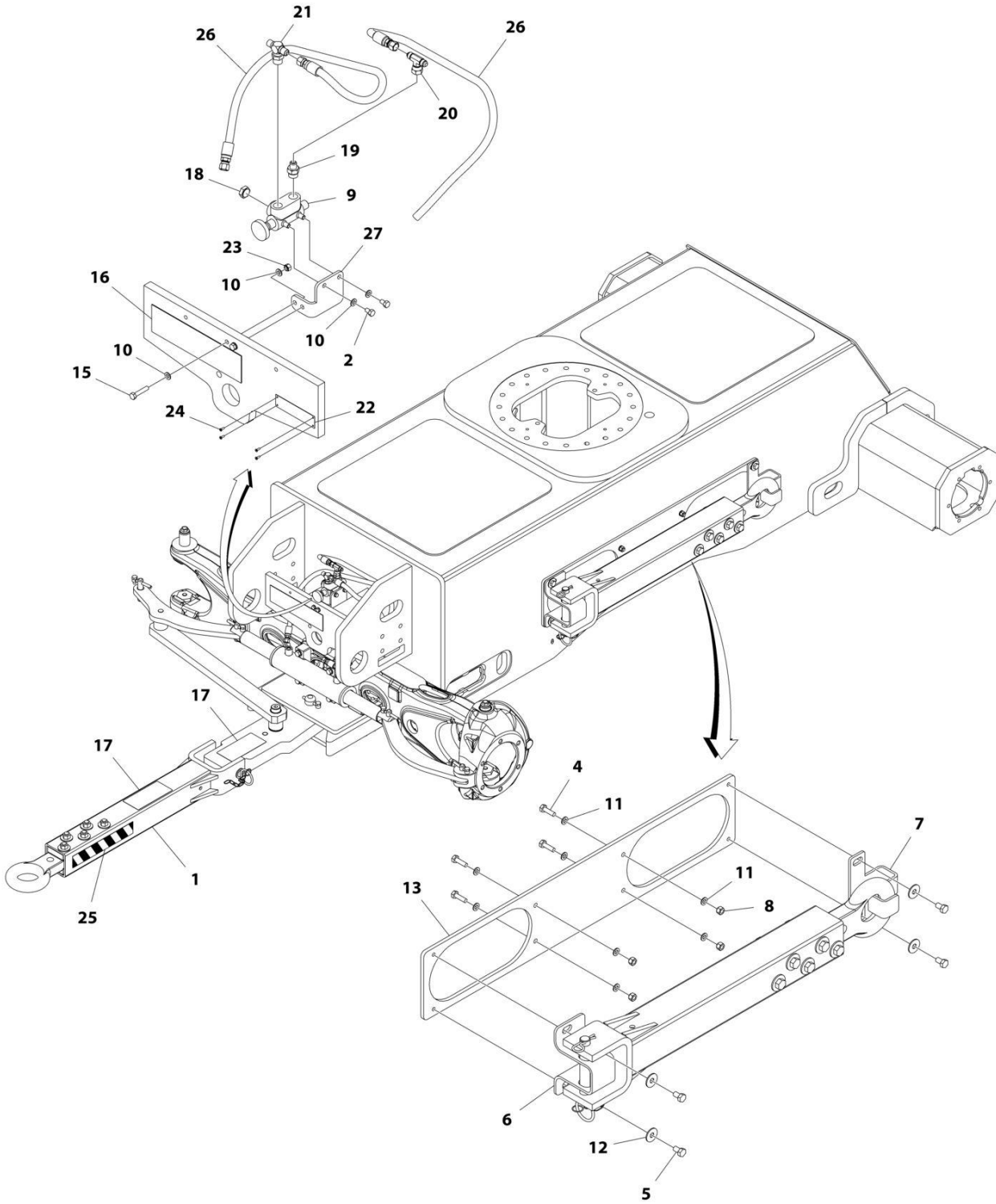
SECTION 1 - FRAME

FIGURE 1-22. FRAME SHIELDS INSTALLATION - WITH TOW PACKAGE

ITEM	PART NUMBER	QTY	DESCRIPTION	REV
	1001182245	Ref	FRAME SHIELD INSTALLATION - WITH TOW BAR	C
1	0100011	AR	Compound, Locking	
2	4280296	8 in / 20.3cm	Strip, Wear	
3	5251014	6	Bolt M10 x 30	
4	1001118972	4	Nut M10 x 1.5	
5	1001169955	1	Plate, Valve Cover	
6	1001182250	1	Plate, Cover	

SECTION 1 - FRAME

FIGURE 1-23. TOW PACKAGE INSTALLATION



ART_1001170736

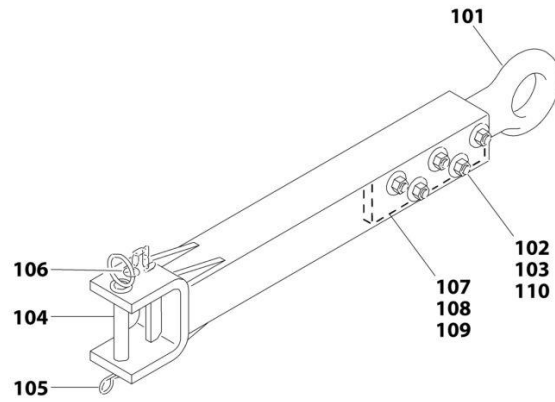
SECTION 1 - FRAME

FIGURE 1-23. TOW PACKAGE INSTALLATION

ITEM	PART NUMBER	QTY	DESCRIPTION	REV
	1001170736	Ref	TOW BAR INSTALLATION	D
1	0363019	1	Tow Bar Assembly (See Separate Breakdown in this Section)	
2	0641504	2	Bolt 5/16 x 1/2	
4	0641612	4	Bolt 3/8 x 1-1/2	
5	0761210	4	Bolt M12 x 20	
6	0902733	1	Bracket, Storage (Front)	
7	0902734	1	Bracket, Storage (Rear)	
8	3311605	4	Nut 3/8	
9	4640261	1	Steer/Tow Select Valve	
10	4811900	6	Washer M8	
11	4891600	8	Washer 3/8	
12	4812102	4	Washer M12	
13	1001166478	1	Plate, Tow Bar Mount	
15	0760816	2	Bolt M8 x 40	
16	1702968	1	Decal - Towing Instructions	
17	1704578	3	Decal - Crushing	
18	2220238	1	Plug ORB	
19	2220372	1	Fitting, Straight JIC/ORB	
20	2220579	1	Fitting, Tee JIC/FSJIC/JIC	
21	2221052	1	Fitting, Tee JIC/ORB/JIC	
22	3250872	1	Nameplate, Steer/Tow Select Valve	
23	3290805	2	Nut M8 x 1.25	
24	3820001	4	Rivet	
25	4420051	48 in /1.21m	Tape, Safety	
26	1001181913	2	Hose	
27	1001182155	1	Bracket, Valve Mounting	

SECTION 1 - FRAME

FIGURE 1-24. TOW BAR ASSEMBLY



ART_0363019

SECTION 1 - FRAME

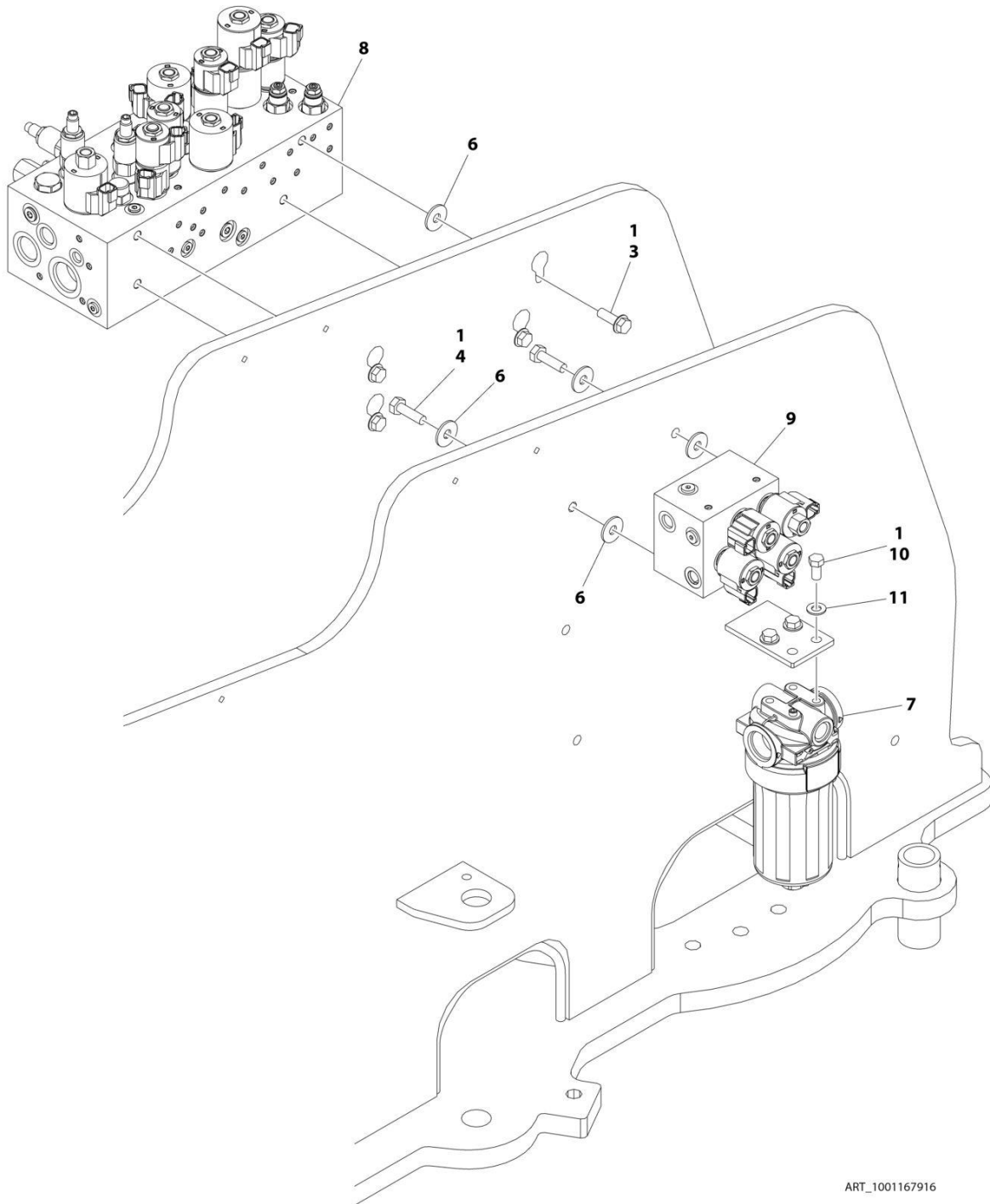
FIGURE 1-24. TOW BAR ASSEMBLY

ITEM	PART NUMBER	QTY	DESCRIPTION	REV
	0363019	Ref	TOW BAR ASSEMBLY	B
101	0360406	1	Pintle, Draw Eye	
102	0682040	5	Bolt 5/8 x 5	
103	3312005	5	Nut 5/8	
104	3420352	1	Pin, Towing	
105	3420372	1	Hairpin	
106	3760170	1	Ring, Split	
107	4070450	2	Shim (.07)	
108	4070560	2	Shim (.88)	
109	4070561	2	Shim (.12)	
110	4752000	10	Washer 5/8	

SECTION 2 - TURNTABLE

SECTION 2 - TURNTABLE

FIGURE 2-1. CONTROL VALVES INSTALLATION (400S HC3)



ART_1001167916

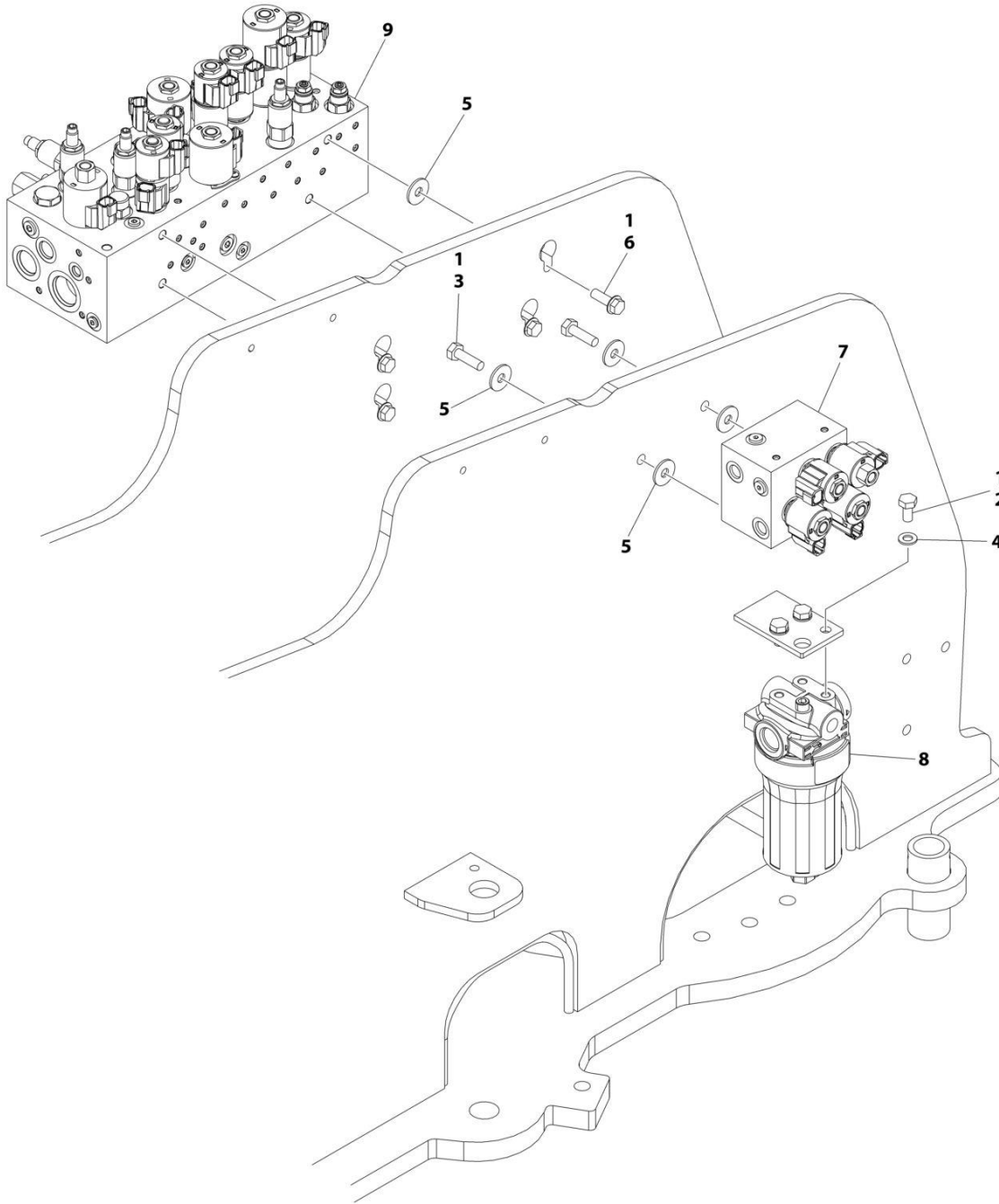
SECTION 2 - TURNTABLE

FIGURE 2-1. CONTROL VALVES INSTALLATION (400S HC3)

ITEM	PART NUMBER	QTY	DESCRIPTION	REV
	1001167916	Ref	CONTROL VALVES INSTALLATION	F
1	0100011	AR	Compound, Locking	
3	5251014	4	Bolt M10 x 30	
4	0761015	2	Bolt M10 x 35	
6	4812002	8	Washer M10	
7	1001208874	1	Filter, Charge Pump	
7	70010383	1	Element, Filter (Includes O-Ring)	
8	1001162531	1	Main Valve Assembly (See Separate Breakdown in this Section)	
9	1001162538	1	Axle Valve Assembly (See Separate Breakdown in this Section)	
10	0761010	3	Bolt M10 x 20	
11	4812000	3	Washer M10	

SECTION 2 - TURNTABLE

FIGURE 2-2. CONTROL VALVES INSTALLATION (460SJ HC3)



ART_1001249357

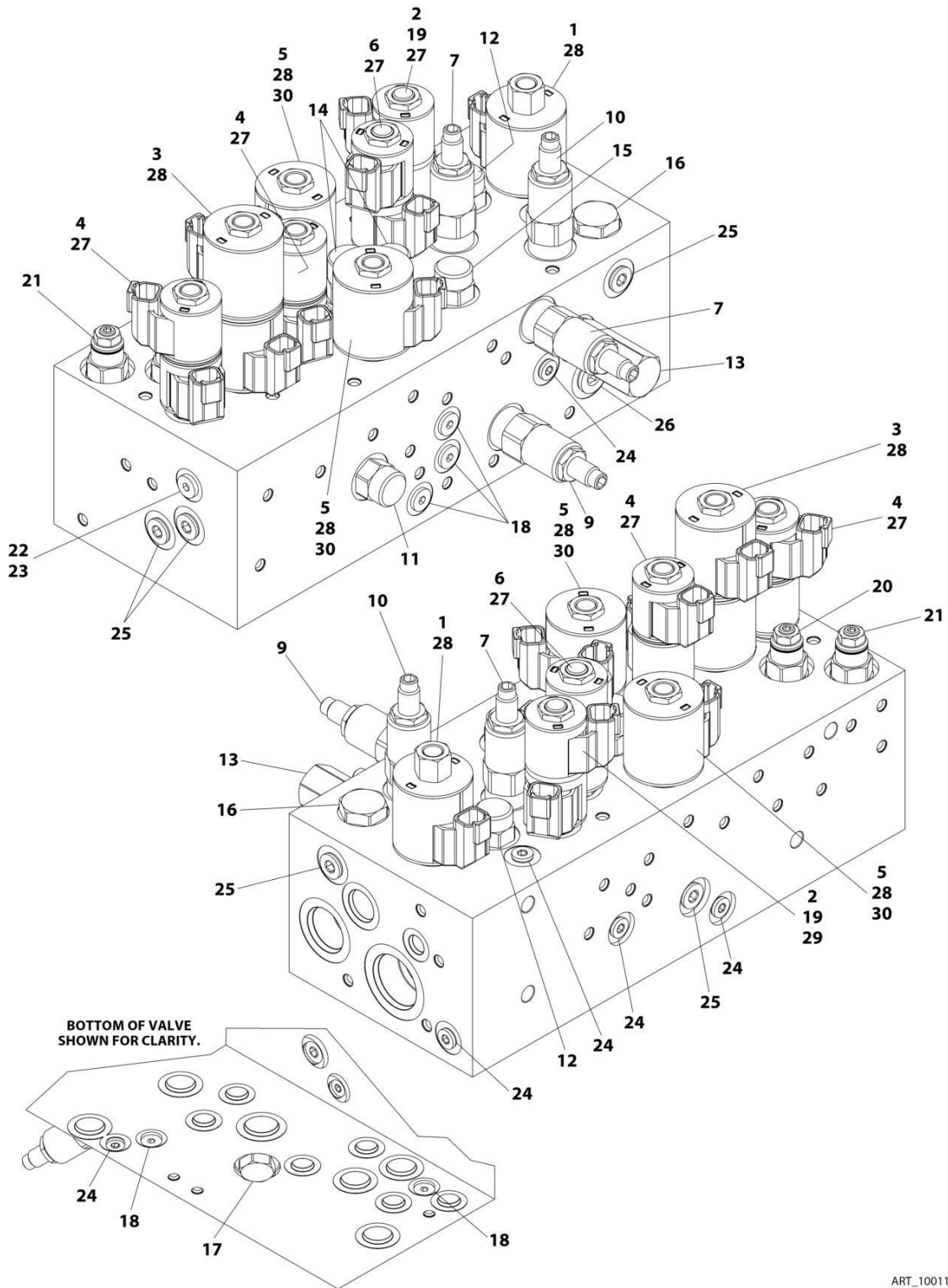
SECTION 2 - TURNTABLE

FIGURE 2-2. CONTROL VALVES INSTALLATION (460SJ HC3)

ITEM	PART NUMBER	QTY	DESCRIPTION	REV
	1001249357	Ref	CONTROL VALVES INSTALLATION	A
1	0100011	AR	Compound, Locking	
2	0761010	3	Bolt M10 x 20	
3	0761015	2	Bolt M10 x 35	
4	4812000	3	Washer M10	
5	4812002	8	Washer M10	
6	5251014	4	Bolt M10 x 30	
7	1001162538	1	Axle Valve Assembly (See Separate Breakdown in this Section)	
8	1001208874	1	Filter, Charge Pump	
8	70010383	1	Element, Filter Charge Pump (Includes O-Ring)	
9	1001249356	1	Main Valve Assembly (See Separate Breakdown in this Section)	

SECTION 2 - TURNTABLE

FIGURE 2-3. CONTROL VALVE ASSEMBLY (400S HC3)



ART_1001162531

SECTION 2 - TURNTABLE

FIGURE 2-3. CONTROL VALVE ASSEMBLY (400S HC3)

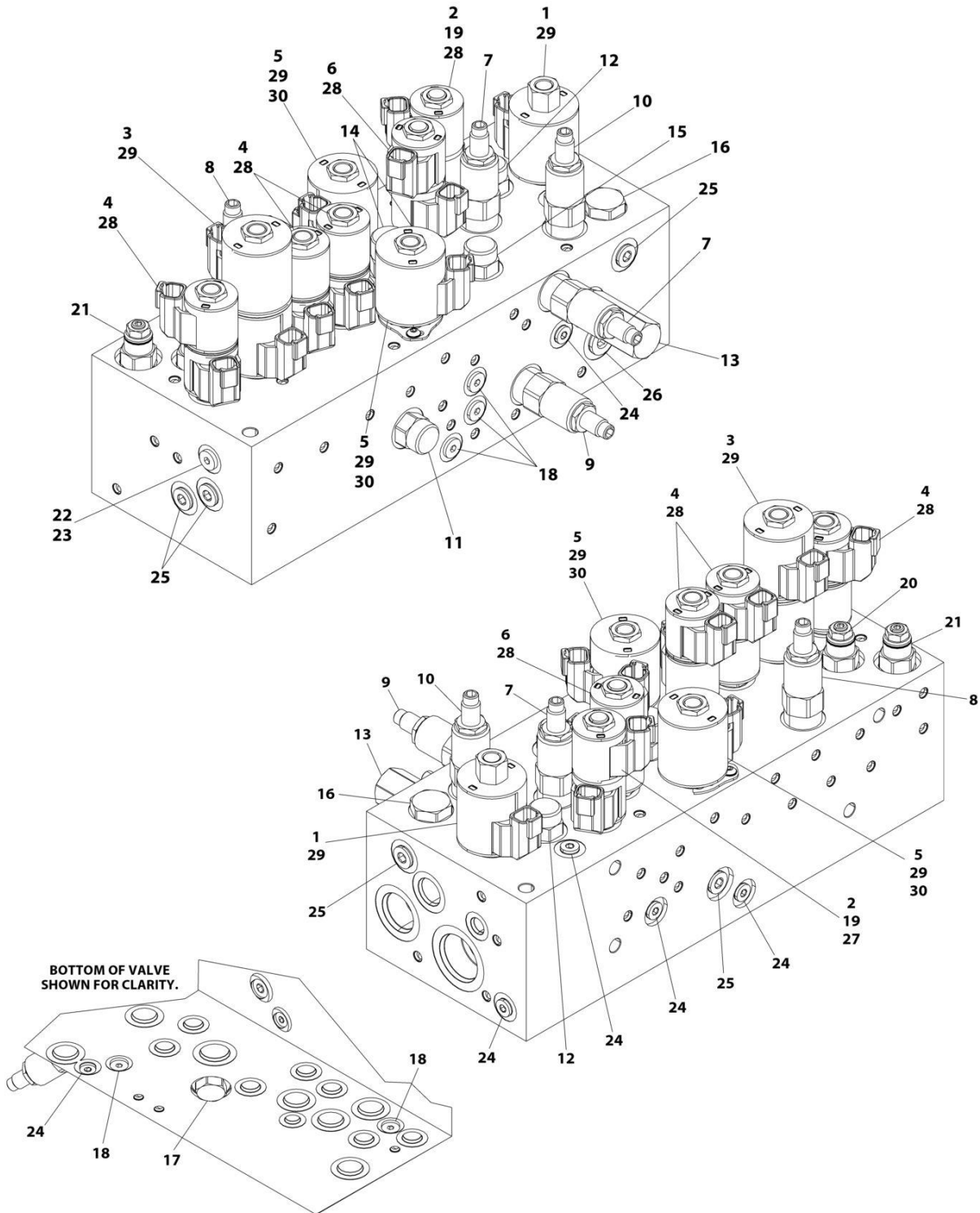
ITEM	PART NUMBER	QTY	DESCRIPTION	REV
	1001162531	Ref	MAIN VALVE ASSEMBLY	F
1	70005069	1	Cartridge, Solenoid Less Coil (Main Dump)	
1	7022399	1	Seal Kit - 70005069 Valve	
1	70003977	1	Nut, Coil	
2	70005217	1	Cartridge, Solenoid Less Coil (Steer)	
2	70005071	1	Seal Kit - 70005217 Valve	
2	7022390	1	Nut, Coil	
3	70005072	1	Cartridge, Solenoid Less Coil (Tele)	
3	70005073	1	Seal Kit - 70005072 Valve	
3	7022390	1	Nut, Coil	
3	70003024	1	Spacer, Coil	
4	70005074	2	Cartridge, Solenoid Valve Less Coil (Platform Level and Rotate)	
4	70005075	2	Seal Kit - 70005074 Valve	
4	7022390	2	Nut, Coil	
4	70003023	2	Spacer, Coil	
5	70005076	2	Cartridge, Solenoid Less Coil (Lift Up and Flow Control)	
5	7022399	2	Seal Kit - 70005076 Valve	
5	7022390	2	Nut, Coil	
6	70005077	1	Cartridge, Solenoid Valve Less Coil (Swing)	
6	70005071	1	Seal Kit - 70005077 Valve	
6	7022390	1	Nut, Coil	
6	70003023	1	Spacer, Coil	
7	70005078	2	Cartridge, Relief Valve	
7	7023936	2	Seal Kit - 70005078 Valve	
9	70005079	1	Cartridge, Relief Valve	
9	7023936	1	Seal Kit - 70005079 Valve	
10	70005080	1	Cartridge, Relief Valve	
10	7022399	1	Seal Kit - 70005080 Valve	
11	70005081	1	Cartridge, Valve	
11	70005082	1	Seal Kit - 70005081 Valve	
12	70005218	1	Cartridge, Valve	
12	70005082	1	Seal Kit - 70005218 Valve	
13	70005084	1	Cartridge, Valve	
13	70005085	1	Seal Kit - 70005084 Valve	
14	70005086	2	Cartridge, Valve	
14	70005087	2	Seal Kit - 70005086 Valve	
15	70005088	1	Cartridge, Valve	
15	7023900	1	Seal Kit - 70005088 Valve	
16	70003408	1	Cartridge, Valve	
16	7022399	1	Seal Kit - 70005100 Valve	
17	70005089	1	Cartridge, Check Valve	
17	7023936	1	Seal Kit - 70005089 Valve	
18	70005090	5	Cartridge, Check Valve	
18	70005092	5	Seal Kit - 70005090 Valve	
19	70002974	1	Disc, Check Valve	
20	70005108	1	Cartridge, Valve	
20	2900770	1	Seal Kit - 70005108 Valve	
21	70005109	1	Cartridge, Valve	
21	2900770	1	Seal Kit - 70005109 Valve	
22	70005091	1	Orifice	

SECTION 2 - TURNTABLE

ITEM	PART NUMBER	QTY	DESCRIPTION	REV
23	2220883	1	Plug, O-Ring #4	
24	91164059	6	Plug	
25	91164079	6	Plug	
26	91164057	1	Plug	
27	70002386	6	Coil	
28	70003788	5	Coil	
29	70005219	2	Coil	
30	70005724	2	Lockdown Kit	

SECTION 2 - TURNTABLE

FIGURE 2-4. CONTROL VALVE ASSEMBLY (460SJ HC3)



ART_1001249356

SECTION 2 - TURNTABLE

FIGURE 2-4. CONTROL VALVE ASSEMBLY (460SJ HC3)

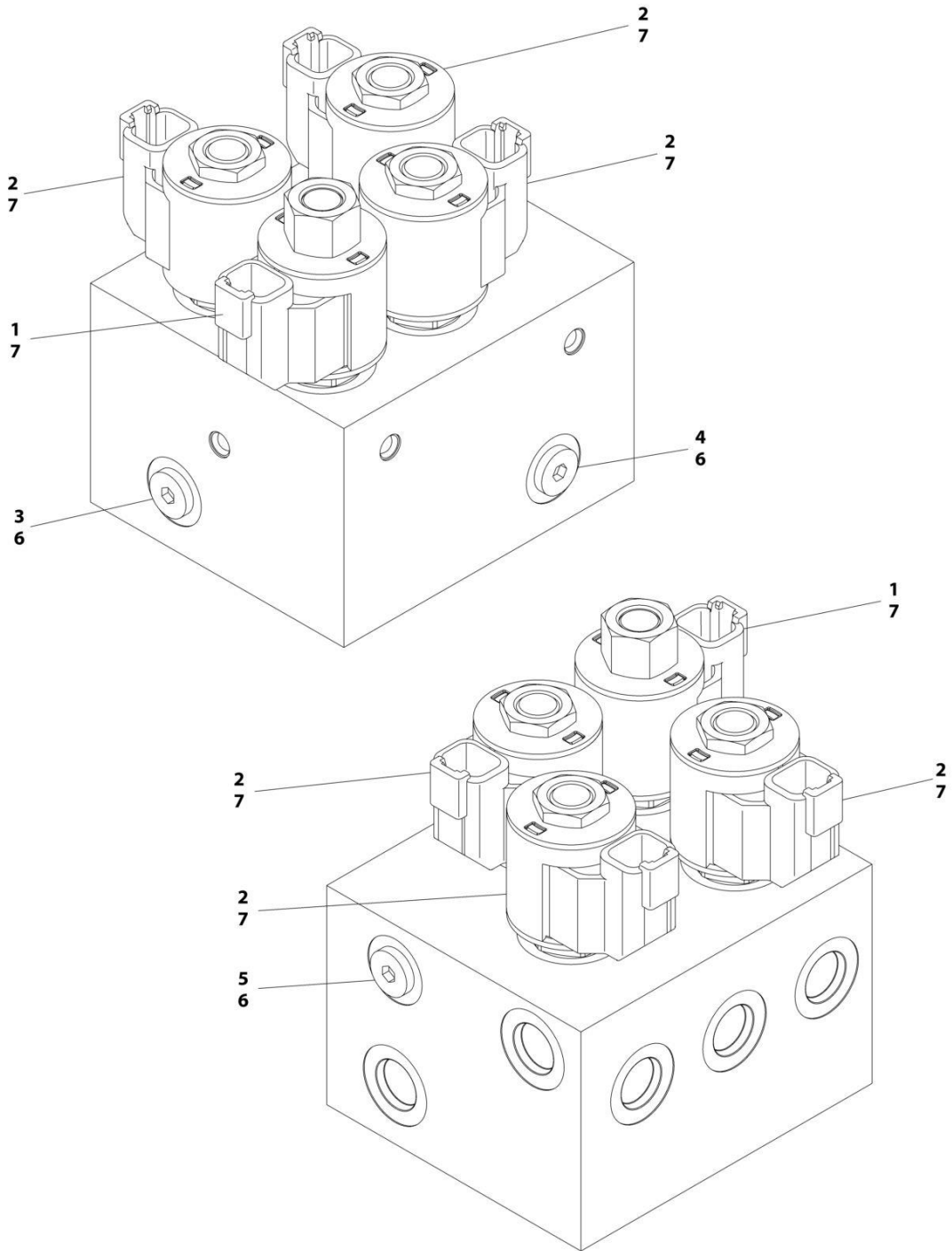
ITEM	PART NUMBER	QTY	DESCRIPTION	REV
	1001249356	Ref	MAIN VALVE ASSEMBLY	B
1	70005069	1	Cartridge, Solenoid Less Coil (Main Dump)	
1	7022399	1	Seal Kit - 70005069 Valve	
1	70003977	1	Nut, Coil	
2	70005217	1	Cartridge, Solenoid Less Coil (Steer)	
2	70005071	1	Seal Kit - 70005217 Valve	
2	7022390	1	Nut, Coil	
3	70005072	1	Cartridge, Solenoid Less Coil (Tele)	
3	70005073	1	Seal Kit - 70005072 Valve	
3	7022390	1	Nut, Coil	
3	70003024	1	Spacer, Coil	
4	70005074	3	Cartridge, Solenoid Valve Less Coil (Platform Level and Rotate)	
4	70005075	3	Seal Kit - 70005074 Valve	
4	7022390	3	Nut, Coil	
4	70003023	3	Spacer, Coil	
5	70005076	2	Cartridge, Solenoid Less Coil (Lift Up and Flow Control)	
5	7022399	2	Seal Kit - 70005076 Valve	
5	7022390	2	Nut, Coil	
6	70005077	1	Cartridge, Solenoid Valve Less Coil (Swing)	
6	70005071	1	Seal Kit - 70005077 Valve	
6	7022390	1	Nut, Coil	
6	70003023	1	Spacer, Coil	
7	70005097	1	Cartridge, Relief Valve	
7	70005082	1	Seal Kit - 70005097 Valve	
8	70005093	1	Cartridge Relief Valve	
8	7023936	1	Seal Kit - 70005093 Valve	
9	70005079	1	Cartridge, Relief Valve	
9	7023936	1	Seal Kit - 70005079 Valve	
10	70005080	1	Cartridge, Relief Valve	
10	7022399	1	Seal Kit - 70005080 Valve	
11	70005081	1	Cartridge, Valve	
11	70005082	1	Seal Kit - 70005081 Valve	
12	70005218	1	Cartridge, Valve	
12	70005082	1	Seal Kit - 70005218 Valve	
13	70005084	1	Cartridge, Valve	
13	70005085	1	Seal Kit - 70005084 Valve	
14	70005086	2	Cartridge, Valve	
14	70005087	2	Seal Kit - 70005086 Valve	
15	70005088	1	Cartridge, Valve	
15	7023900	1	Seal Kit - 70005088 Valve	
16	70003408	1	Cartridge, Valve	
16	7022399	1	Seal Kit - 70005100 Valve	
17	70005089	1	Cartridge, Check Valve	
17	7023936	1	Seal Kit - 70005089 Valve	
18	70005090	5	Cartridge, Check Valve	
18	70005092	5	Seal Kit - 70005090 Valve	
19	70002974	1	Disc, Check Valve	
20	10740145	1	Cartridge, Valve	
20	2900770	1	Seal Kit - 70005108 Valve	
21	70005109	1	Cartridge, Valve	

SECTION 2 - TURNTABLE

ITEM	PART NUMBER	QTY	DESCRIPTION	REV
21	2900770	1	Seal Kit - 70005109 Valve	
22	70005091	1	Orifice	
23	2220883	1	Plug, O-Ring #4	
24	91164059	6	Plug	
25	91164079	6	Plug	
26	91164057	1	Plug	
27	70005219	2	Coil	
28	70002386	8	Coil	
29	70003788	5	Coil	
30	70005724	2	Lockdown Kit	

SECTION 2 - TURNTABLE

FIGURE 2-5. AXLE CONTROL VALVE ASSEMBLY



ART_1001162538

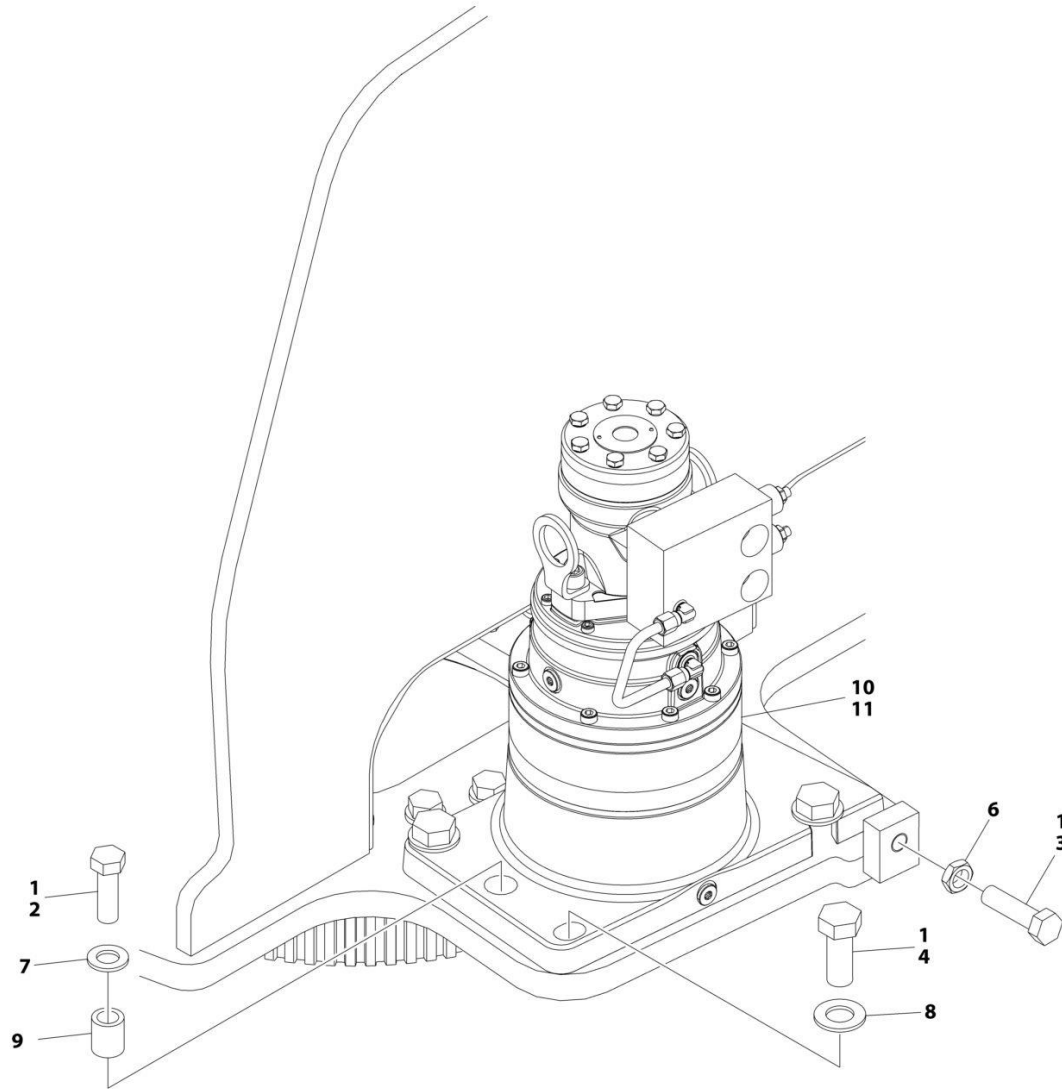
SECTION 2 - TURNTABLE

FIGURE 2-5. AXLE CONTROL VALVE ASSEMBLY

ITEM	PART NUMBER	QTY	DESCRIPTION	REV
	1001162538	Ref	AXLE VALVE ASSEMBLY	D
1	7017410	1	Cartridge, Solenoid Valve Less Coil (Secondary Axle Release)	
1	7012967	1	Seal Kit - 7017410 Valve	
2	7012941	3	Cartridge, Solenoid Valve Less Coil (Brake Release, Primary Axle Release and 2 Speed)	
2	7010543	3	Seal Kit - 7012941 Valve	
3	70004883	1	Orifice	
4	70004884	1	Orifice	
5	70002063	1	Orifice	
6	2220883	3	Plug, O-Ring #4	
7	70002386	4	Coil	

SECTION 2 - TURNTABLE

FIGURE 2-6. SWING DRIVE INSTALLATION



ART_1001228492

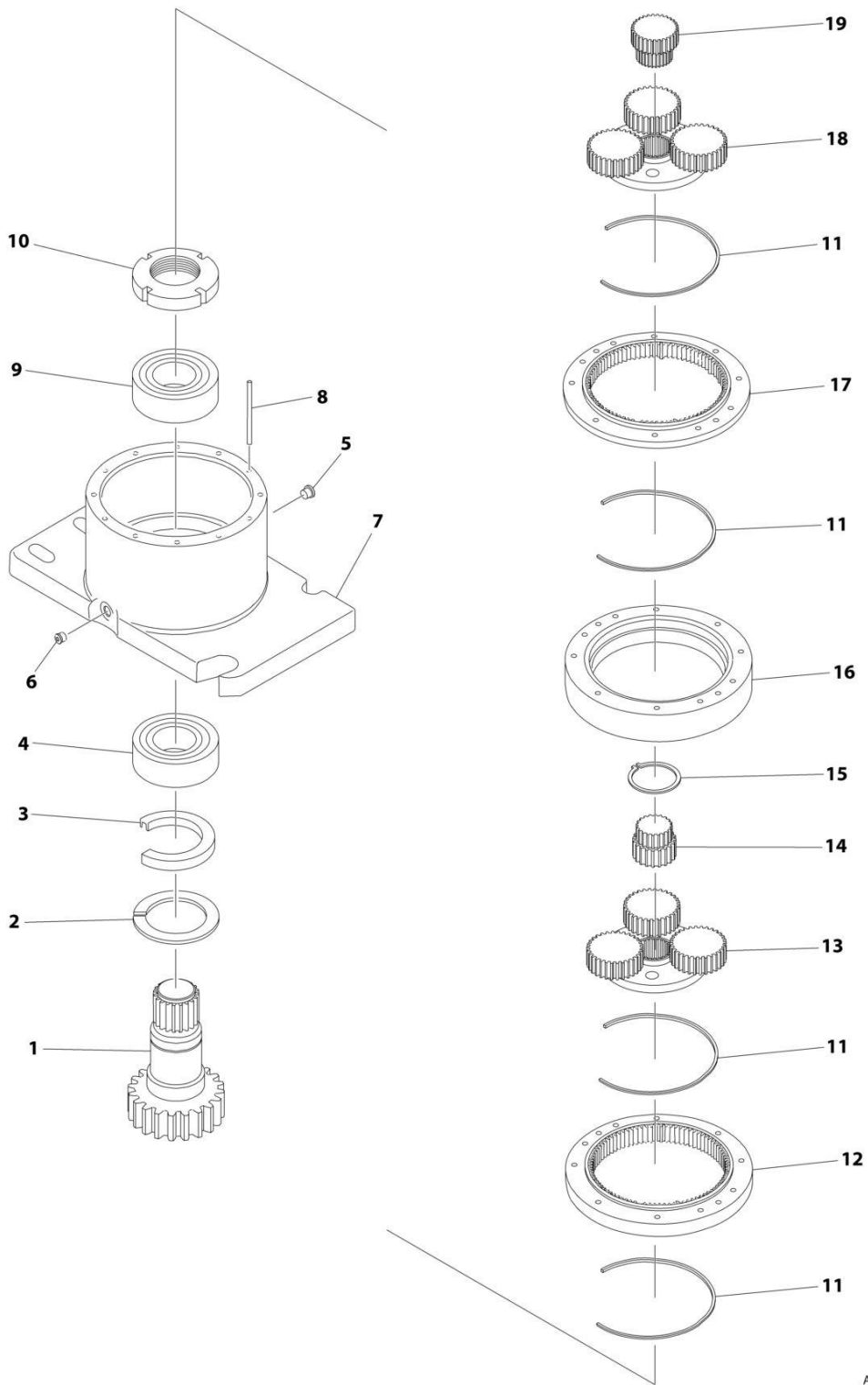
SECTION 2 - TURNTABLE

FIGURE 2-6. SWING DRIVE INSTALLATION

ITEM	PART NUMBER	QTY	DESCRIPTION	REV
	1001228492	Ref	SWING DRIVE INSTALLATION	C
1	0100019	AR	Compound, Locking	
2	0701618	1	Bolt M16 x 50	
3	0761620	1	Bolt M16 x 60	
4	0772018	4	Bolt M20 x 50 Grade 10.9	
6	3291602	1	Nut M16	
7	5241600	1	Washer M16	
8	5242000	4	Washer M20	
9	1001134543	1	Sleeve, Spacer	
10	4071009	1	Shim	
11	1001228487	1	Swing Hub/Motor Assembly (See Separate Breakdown in this Section)	

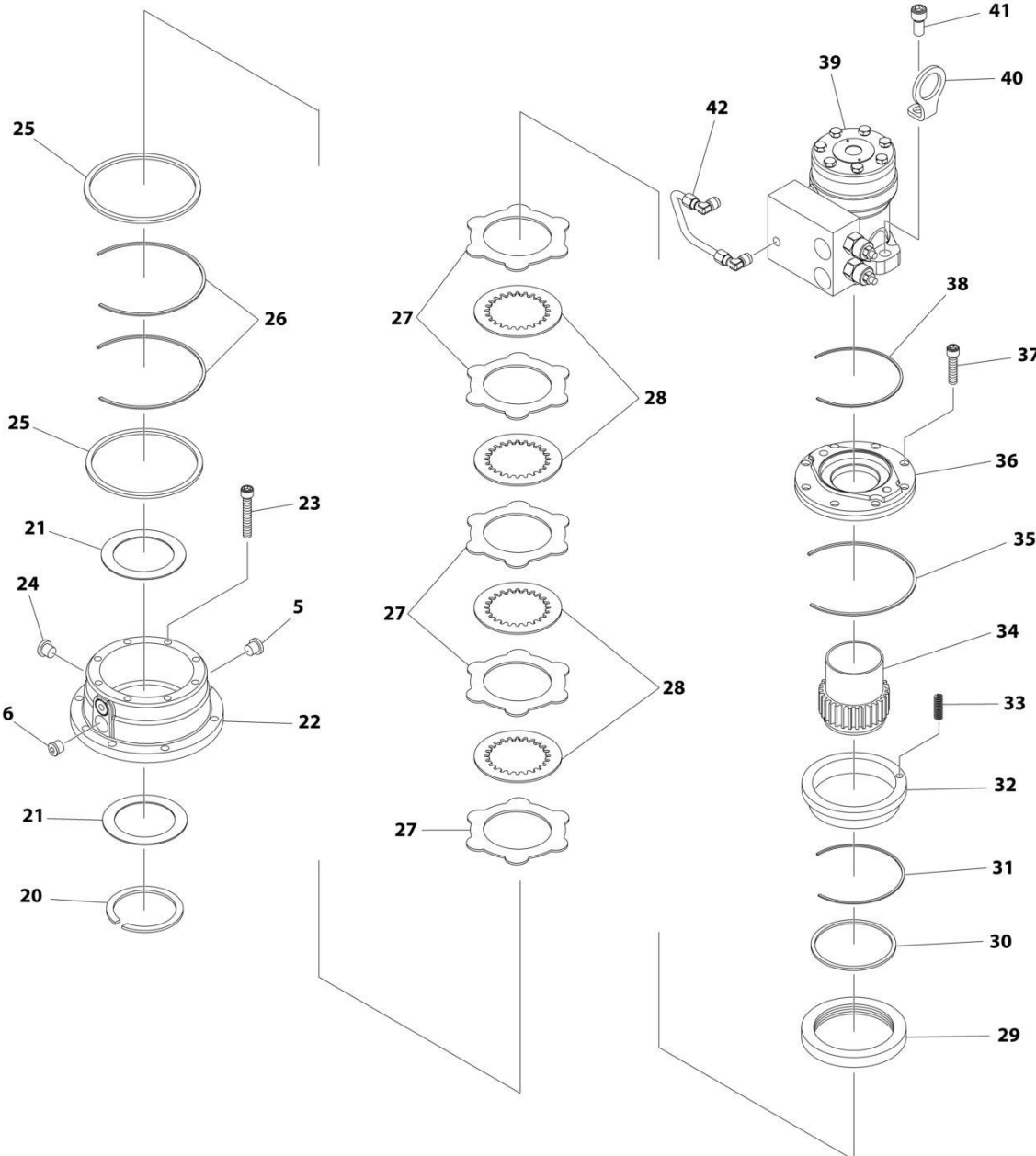
SECTION 2 - TURNTABLE

FIGURE 2-7. SWING DRIVE MOTOR/HUB ASSEMBLY



ART_1001228487_10F2

SECTION 2 - TURNTABLE



ART_1001228487_2OF2

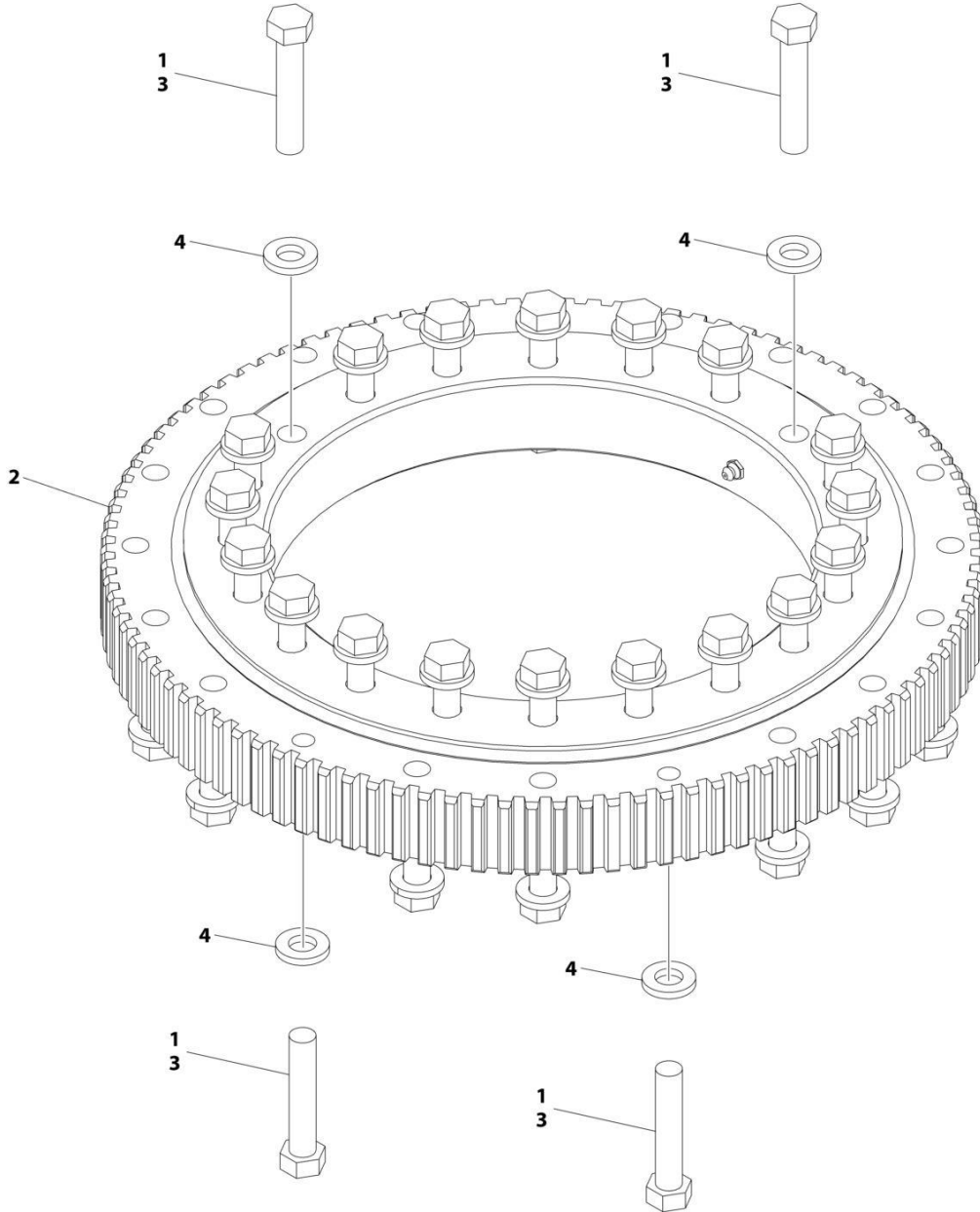
SECTION 2 - TURNTABLE

FIGURE 2-7. SWING DRIVE MOTOR/HUB ASSEMBLY

ITEM	PART NUMBER	QTY	DESCRIPTION	REV
	1001228487	Ref	SWING HUB/MOTOR ASSEMBLY	C
1	70007022	1	Output Shaft	
2	70007023	1	Ring	
3		Ref	Oil Seal	
4	70007024	1	Tapered Roller Bearing	
5	70004469	2	Magnetic Plug with O-Ring	
6	70002057	4	Plug with O-Ring	
7	NSS	1	Output Support	
8	70007025	2	Spring Pin	
9	70007026	1	Tapered Roller Bearing	
10	70007027	1	Ring Nut	
11		Ref	O-Ring	
12	70006990	1	Planetary Ring	
13	70007028	1	Complete Reduction	
14	70007029	1	Pinion	
15	70007030	1	Seeger	
16	70006994	1	Spacer	
17	70004481	1	Planetary Ring	
18	70004482	1	Complete Reduction	
19	70007031	1	Pinion	
20	70006997	1	Ring	
21	70006998	2	Washer	
22	NSS	1	Brake Housing	
23	70007032	8	Screw	
24	70006999	1	Level Oil Plug	
25		Ref	Parbak	
26		Ref	O-Ring	
27		Ref	Iron Disc	
28		Ref	Sintered Disc	
29	70005317	1	Brake Spacer	
30		Ref	Parbak	
31		Ref	O-Ring	
32	70005318	1	Brake Piston	
33		Ref	Brake Spring	
34	70007001	1	Input Shaft	
35		Ref	O-Ring	
36	70007002	1	Cover	
37	70007003	8	Screw	
38		Ref	O-Ring	
39		Ref	Motor with Valve	
40	NSS	2	Vertical Lift Support	
41	70004494	2	Screw	
42	70007004	1	Brake/Valve Adapter	
43	70007046	1	Seal Kit	
44	70007006	1	Kit, Brake Repair	

SECTION 2 - TURNTABLE

FIGURE 2-8. TURNTABLE BEARING INSTALLATION



ART_1001168992

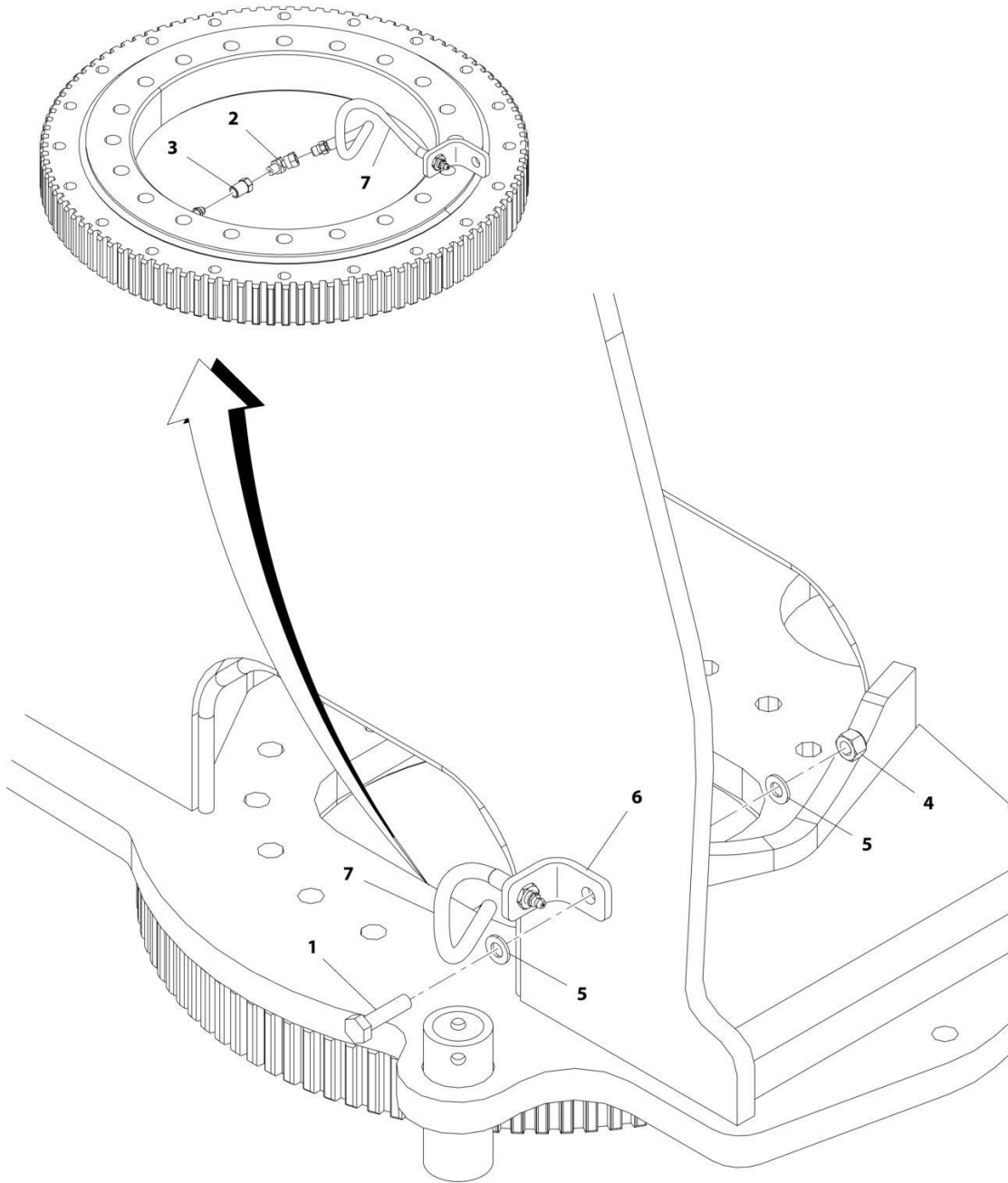
SECTION 2 - TURNTABLE

FIGURE 2-8. TURNTABLE BEARING INSTALLATION

ITEM	PART NUMBER	QTY	DESCRIPTION	REV
	1001168992	Ref	TURNTABLE BEARING INSTALLATION	A
1	0100019	AR	Compound, Locking	
2	0440240	1	Bearing, Turntable	
3	0682026	40	Bolt 5/8 x 3-1/4 Grade 8	
4	4892000	40	Washer 5/8	

SECTION 2 - TURNTABLE

FIGURE 2-9. BEARING LUBE INSTALLATION



ART_1001169191

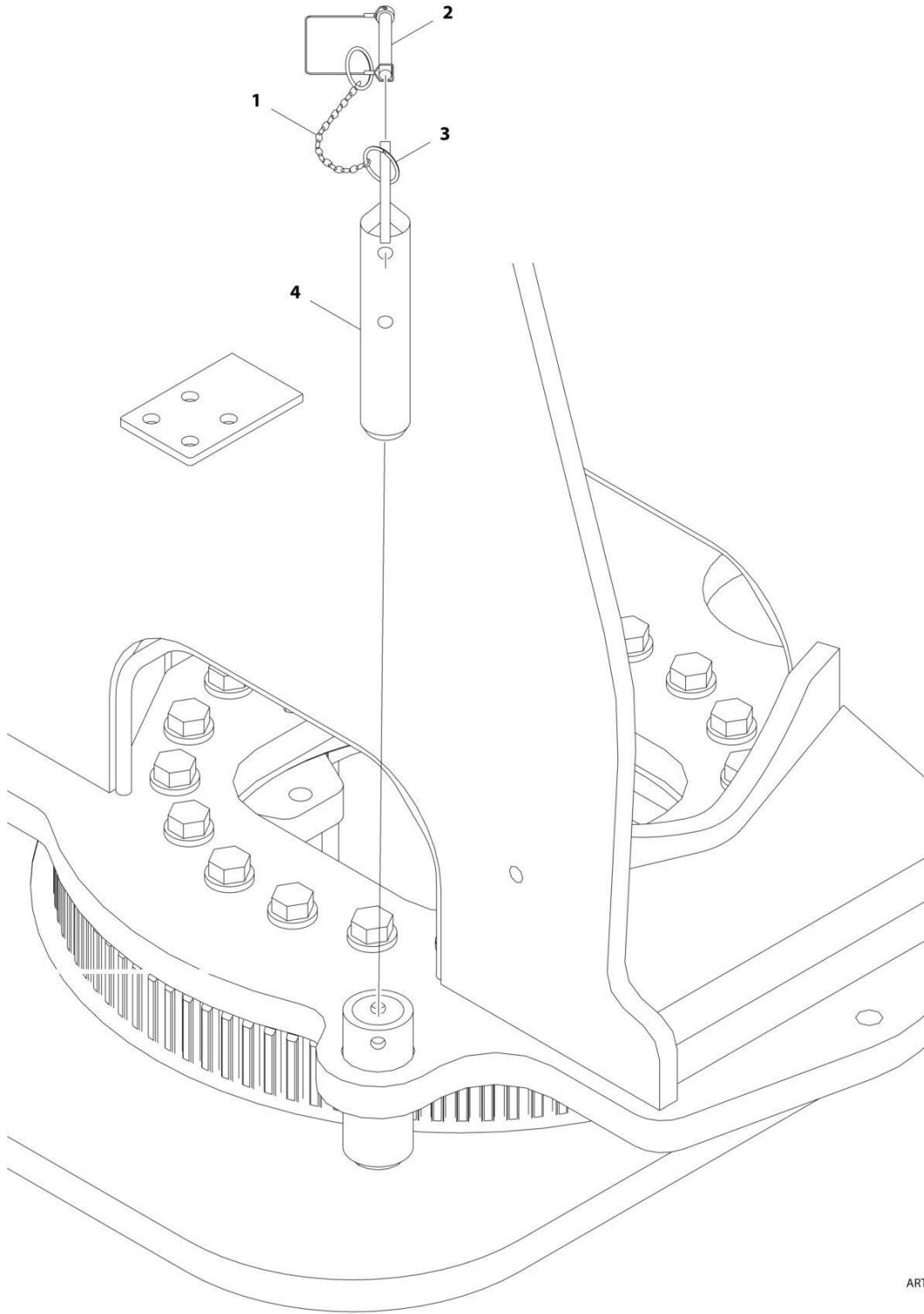
SECTION 2 - TURNTABLE

FIGURE 2-9. BEARING LUBE INSTALLATION

ITEM	PART NUMBER	QTY	DESCRIPTION	REV
	1001169191	Ref	BEARING LUBE INSTALLATION	A
1	0761016	1	Bolt M10 x 40	
2	2220124	1	Fitting, 45 1/8NPT	
3	2220273	1	Fitting, Straight FNPTF/NPTF	
4	3291005	1	Nut M10	
5	4812000	2	Washer M10	
6	1001169192	1	Mount, Bulkhead	
7	1001169193	1	Hose	

SECTION 2 - TURNTABLE

FIGURE 2-10. TURNTABLE LOCK INSTALLATION



ART_1001169496

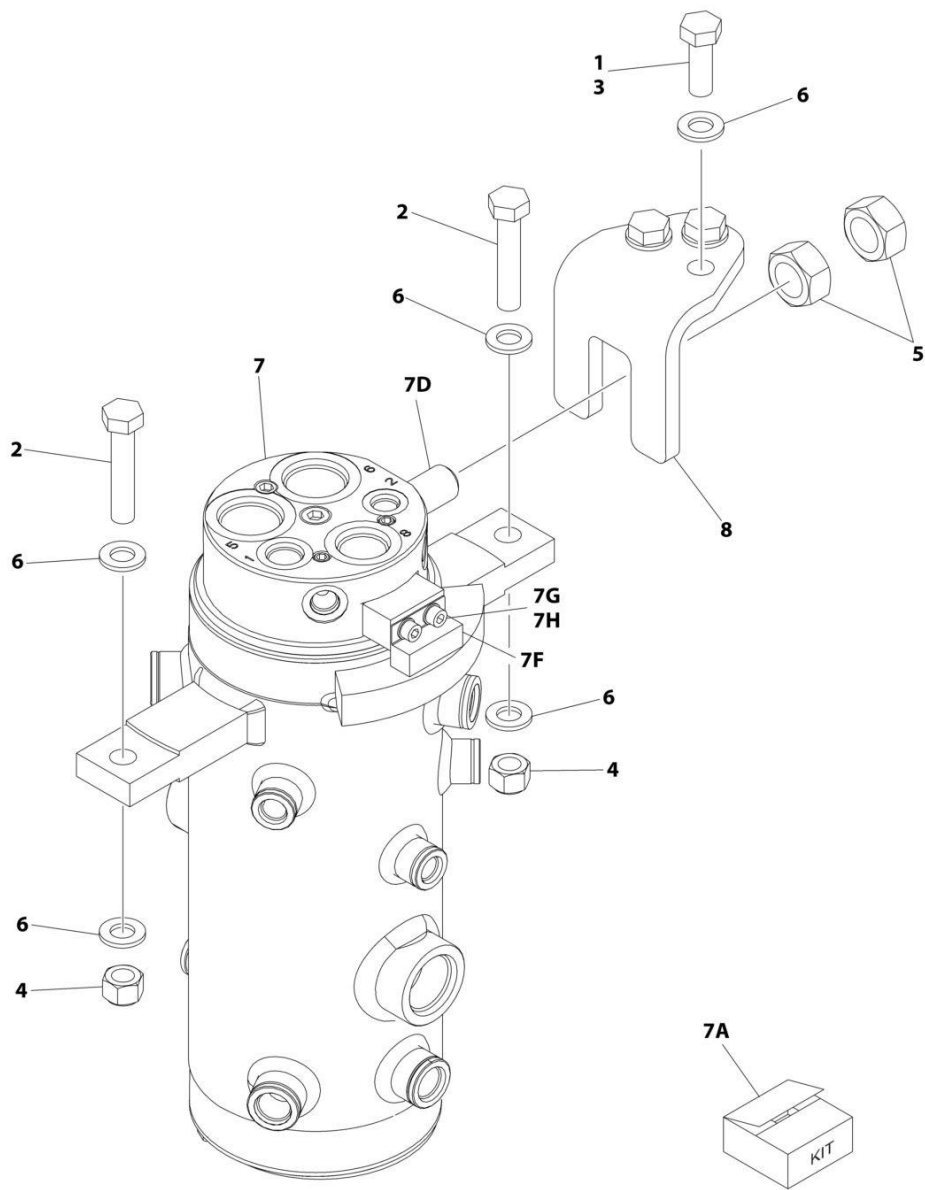
SECTION 2 - TURNTABLE

FIGURE 2-10. TURNTABLE LOCK INSTALLATION

ITEM	PART NUMBER	QTY	DESCRIPTION	REV
	1001169496	Ref	TURNTABLE LOCK INSTALLATION	B
1	1260017	1	Chain	
2	3421565	1	Pin, Snap	
3	3760170	2	Ring, Split	
4	1001169582	1	Pin	

SECTION 2 - TURNTABLE

FIGURE 2-11. ROTARY COUPLING INSTALLATION



ART_1001168855

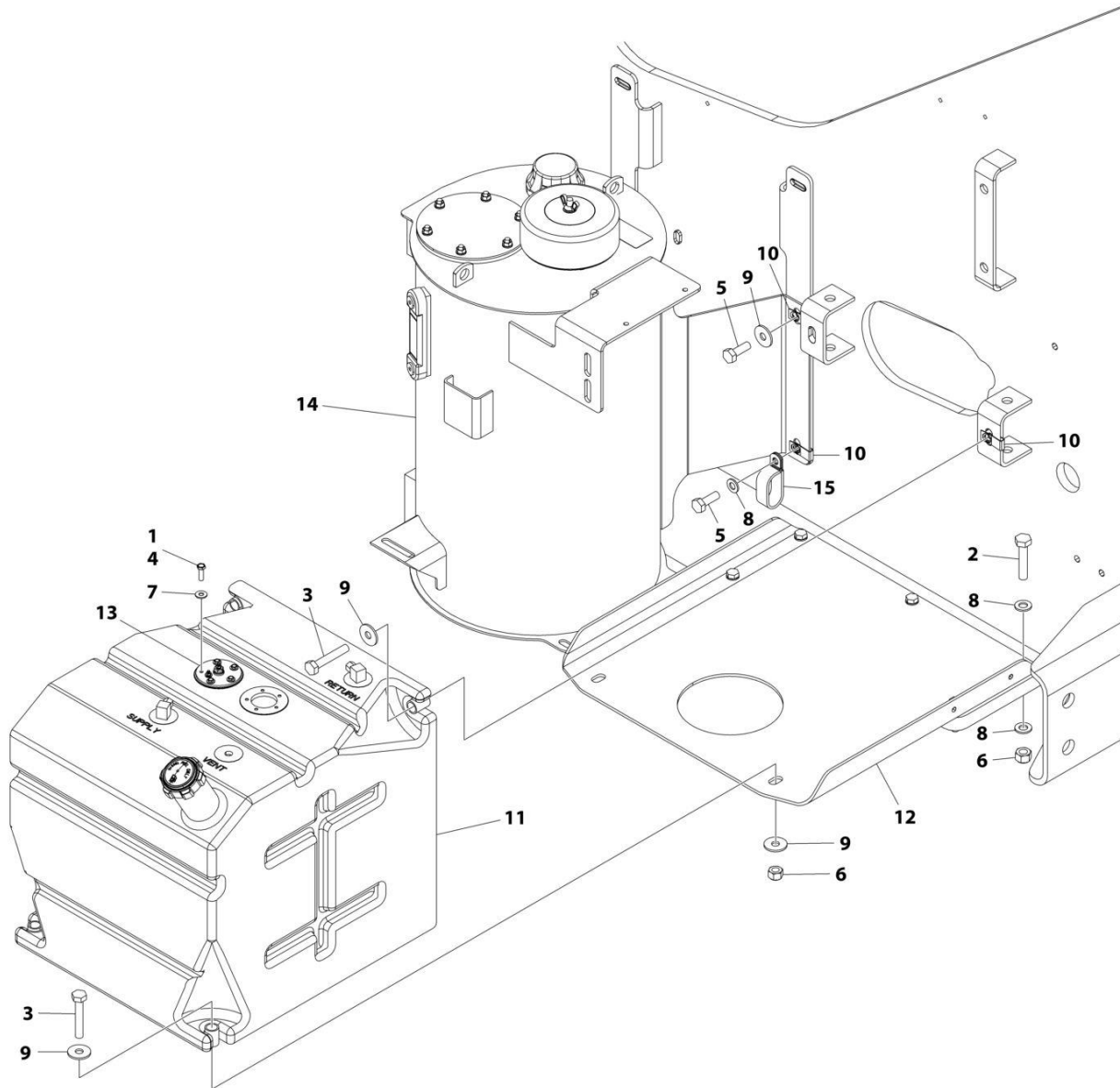
SECTION 2 - TURNTABLE

FIGURE 2-11. ROTARY COUPLING INSTALLATION

ITEM	PART NUMBER	QTY	DESCRIPTION	REV
	1001168855	Ref	ROTARY COUPLING INSTALLATION	C
1	0100011	AR	Compound, Locking	
2	0701220	2	Bolt M12 x 60	
3	0761215	3	Bolt M12 x 35	
4	3291201	2	Nut M12	
5	3292001	2	Nut M20	
6	4812100	7	Washer M12	
7	1001188334	1	Rotary Coupling Assembly	
7A	70005716	1	Seal Kit - 1001188334 Coupling	
7B	70005710	1	Spacer (Not Shown)	
7C	70005711	1	Spacer (Not Shown)	
7D	70005712	1	Threaded Spigot	
7E	70005713	1	Circlip (Not Shown)	
7F	4360517	1	Switch, Proximity	
7G	70005714	1	Bolt	
7H	70005715	1	Washer	
8	1001169185	1	Mount	
9	2220238	1	Fitting, Plug ORB (Not Shown)	

SECTION 2 - TURNTABLE

FIGURE 2-12. TANK INSTALLATION - DIESEL ENGINES (17.3 GAL)



ART_1001207349

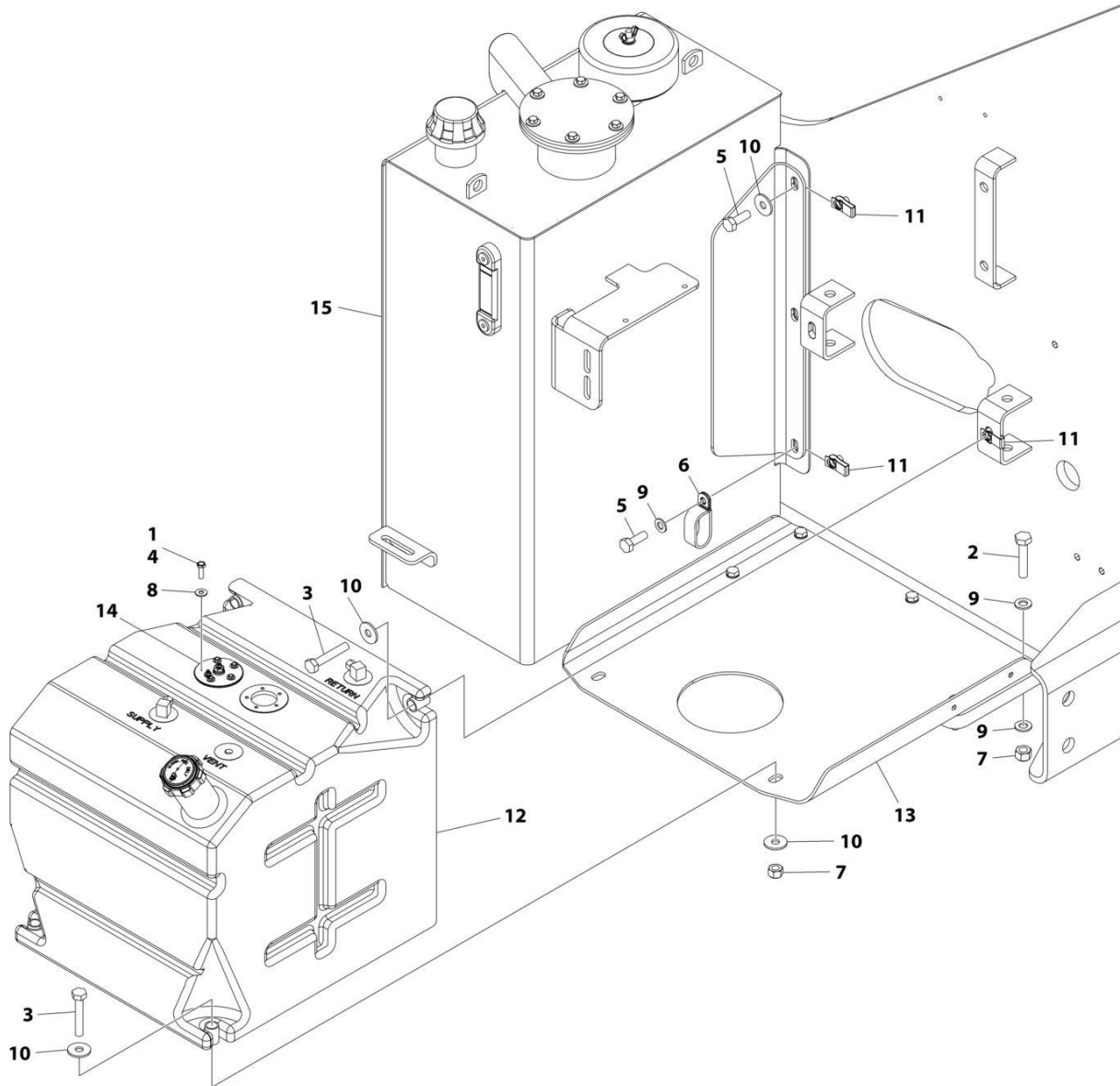
SECTION 2 - TURNTABLE

FIGURE 2-12. TANK INSTALLATION - DIESEL ENGINES (17.3 GAL)

ITEM	PART NUMBER	QTY	DESCRIPTION	REV
	1001207349	Ref	TANKS INSTALLATION - DIESEL MACHINES	C
1	0100035	AR	Compound, Locking	
2	0701018	5	Bolt M10 x 50	
3	0701020	4	Bolt M10 x 60	
4	0731005	5	Screw #10 x .625	
5	0761014	4	Bolt M10 x 30	
6	3291005	7	Nut M10	
7	4751000	5	Washer #10	
8	4812000	12	Washer M10	
9	4812002	8	Washer M10	
10	1001118972	6	Nut M10	
11	1001163418	1	Tank, Fuel	
11	1001193336	1	Cap, Fill with Chain and Stop Spring	
11	70004794	1	Tube, Pick-up	
12	1001166710	1	Plate	
13	1001231195	1	Sensor, Fuel Level	
14	1001206917	1	Tank, Hydraulic (See Separate Breakdown in this Section)	
15	1321716	2	Clamp	

SECTION 2 - TURNTABLE

FIGURE 2-13. TANK INSTALLATION - DIESEL ENGINES (36 GAL)



ART_1001286149

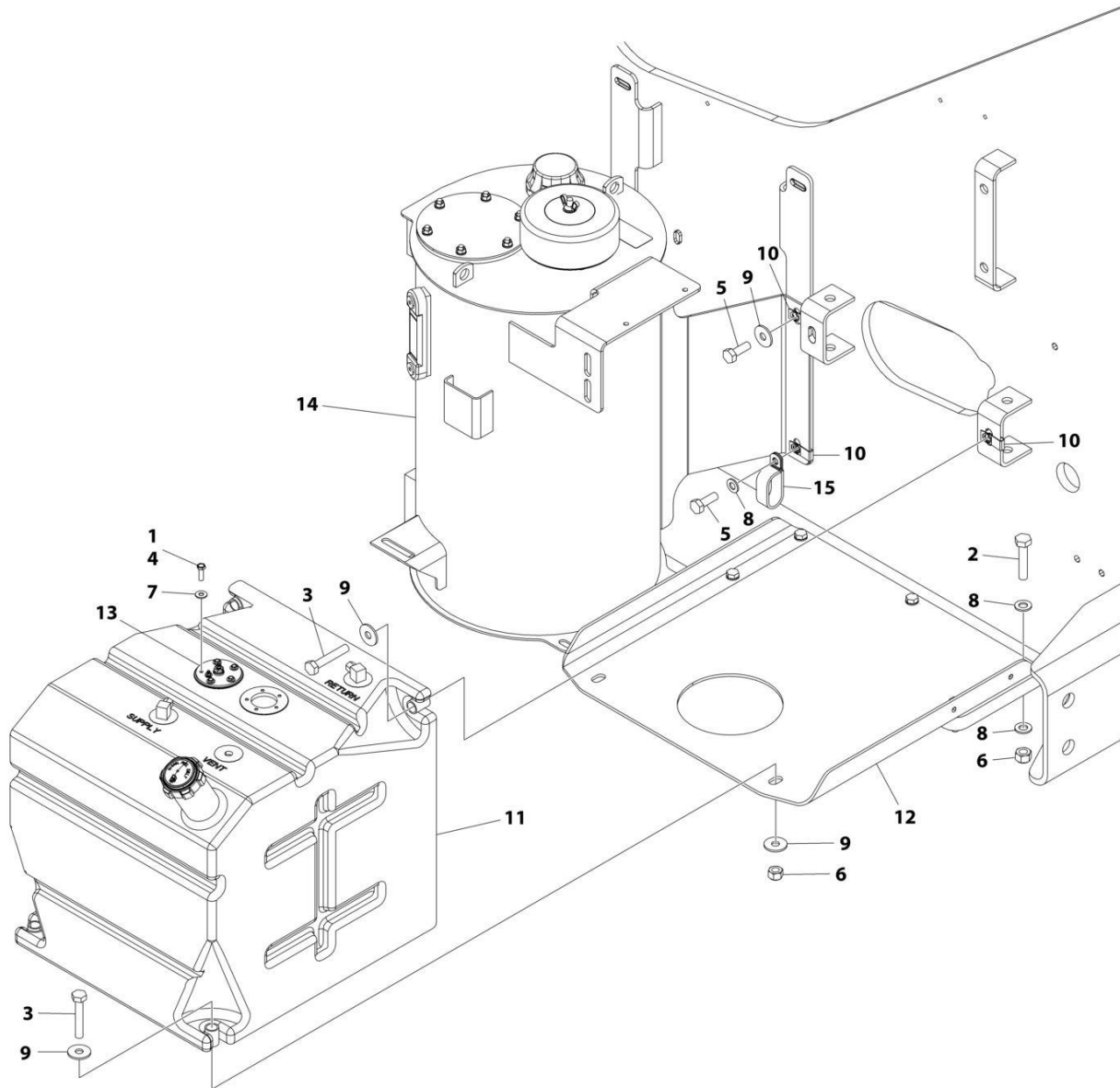
SECTION 2 - TURNTABLE

FIGURE 2-13. TANK INSTALLATION - DIESEL ENGINES (36 GAL)

ITEM	PART NUMBER	QTY	DESCRIPTION	REV
	1001286149	Ref	TANKS INSTALLATION - GAS MACHINES	A
1	0100035	AR	Compound, Locking	
2	0701018	5	Bolt M10 x 50	
3	0701020	4	Bolt M10 x 60	
4	0731005	5	Screw #10 x .625	
5	0761014	4	Bolt M10 x 30	
6	1321716	2	Clamp	
7	3291005	7	Nut M10	
8	4751000	5	Washer #10	
9	4812000	12	Washer M10	
10	4812002	8	Washer M10	
11	1001118972	6	Nut M10	
12	1001163418	1	Tank, Fuel	
12	1001193336	1	Cap, Fill with Chain and Stop Spring	
12	70004794	1	Tube, Pick-up	
13	1001166710	1	Plate	
14	1001231195	1	Sensor, Fuel Level	
15	1001286148	1	Tank, Hydraulic (See Separate Breakdown in this Section)	

SECTION 2 - TURNTABLE

FIGURE 2-14. TANK INSTALLATION - GAS ENGINES (17.3 GAL)



ART_1001207350

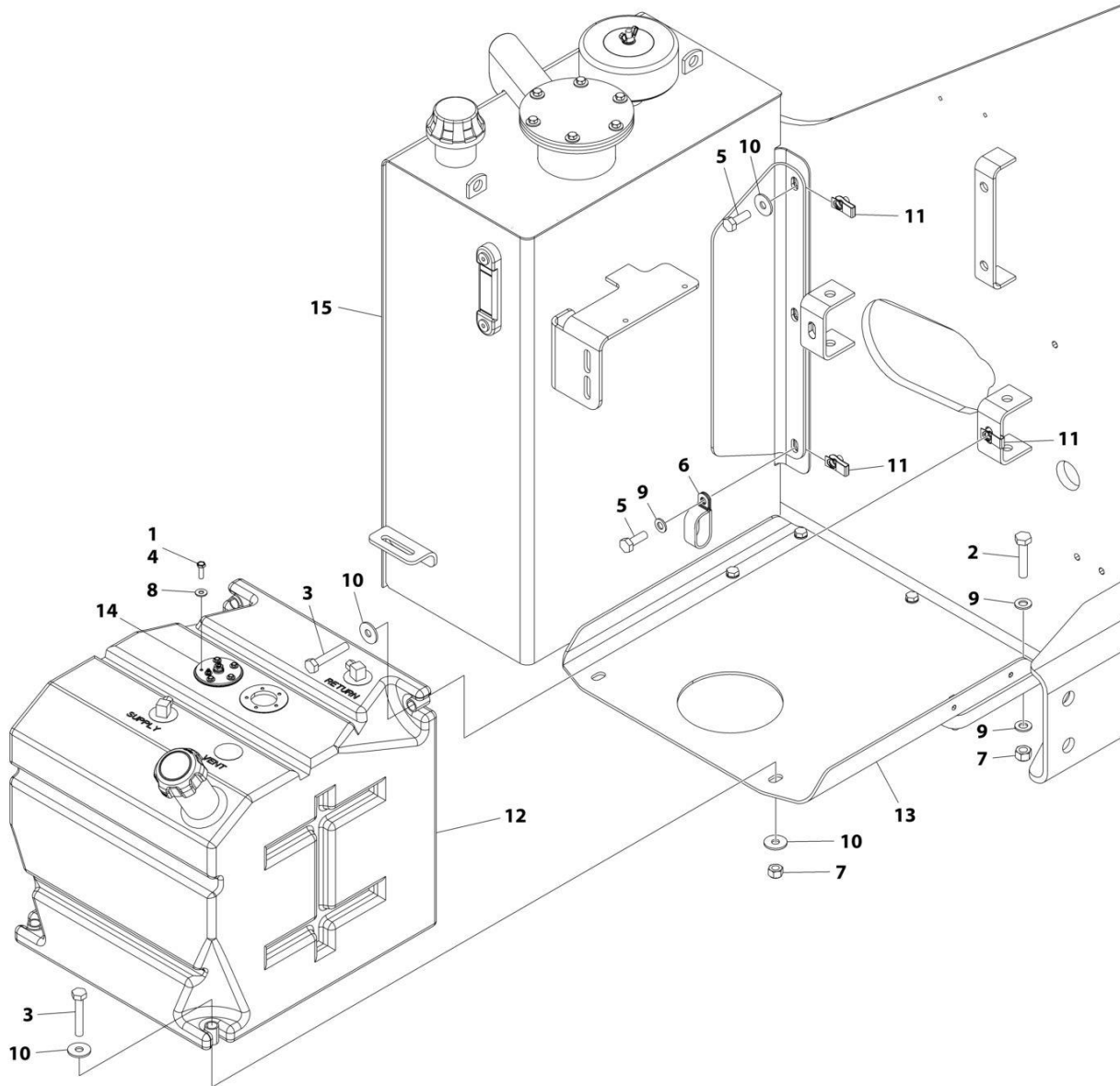
SECTION 2 - TURNTABLE

FIGURE 2-14. TANK INSTALLATION - GAS ENGINES (17.3 GAL)

ITEM	PART NUMBER	QTY	DESCRIPTION	REV
	1001207350	Ref	TANKS INSTALLATION - GAS MACHINES	D
1	0100035	AR	Compound, Locking	
2	0701018	5	Bolt M10 x 50	
3	0701020	4	Bolt M10 x 60	
4	0731005	5	Screw #10 x 5/8	
5	0761014	4	Bolt M10 x 30	
6	3291005	7	Nut M10	
7	4751000	5	Washer #10	
8	4812000	12	Washer M10	
9	4812002	8	Washer M10	
10	1001118972	6	Nut M10	
11	1001163671	1	Tank, Fuel	
11	1001211336	1	Cap, Fill with Lanyard and Stop	
11	70004794	2	Tube, Pick up	
12	1001166710	1	Plate	
13	1001231195	1	Sensor, Fuel Level	
14	1001206917	1	Tank, Hydraulic (See Separate Breakdown in this Section)	
15	1321716	2	Clamp	

SECTION 2 - TURNTABLE

FIGURE 2-15. TANK INSTALLATION - GAS ENGINES (36 GAL)



ART_1001286150

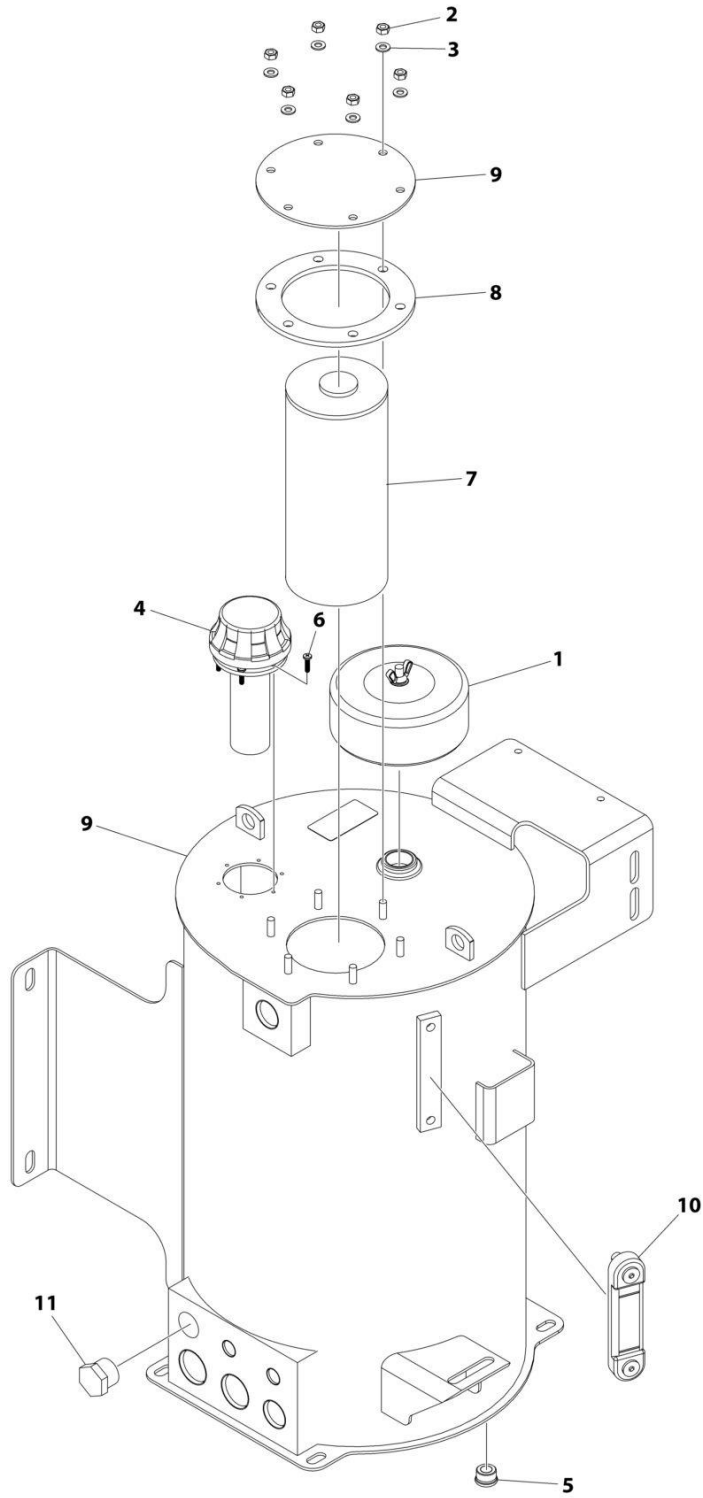
SECTION 2 - TURNTABLE

FIGURE 2-15. TANK INSTALLATION - GAS ENGINES (36 GAL)

ITEM	PART NUMBER	QTY	DESCRIPTION	REV
	1001286150	Ref	TANKS INSTALLATION - GAS MACHINES	A
1	0100035	AR	Compound, Locking	
2	0701018	5	Bolt M10 x 50	
3	0701020	4	Bolt M10 x 60	
4	0731005	5	Screw #10 x 5/8	
5	0761014	4	Bolt M10 x 30	
6	1321716	2	Clamp	
7	3291005	7	Nut M10	
8	4751000	5	Washer #10	
9	4812000	12	Washer M10	
10	4812002	8	Washer M10	
11	1001118972	6	Nut M10	
12	1001163671	1	Tank, Fuel	
12	1001211336	1	Cap, Fill with Lanyard and Stop	
12	70004794	2	Tube, Pick up	
13	1001166710	1	Plate	
14	1001231195	1	Sensor, Fuel Level	
15	1001286148	1	Tank, Hydraulic (See Separate Breakdown in this Section)	

SECTION 2 - TURNTABLE

FIGURE 2-16. HYDRAULIC TANK ASSEMBLY ENGINES (17.3 GAL)



ART_1001206917

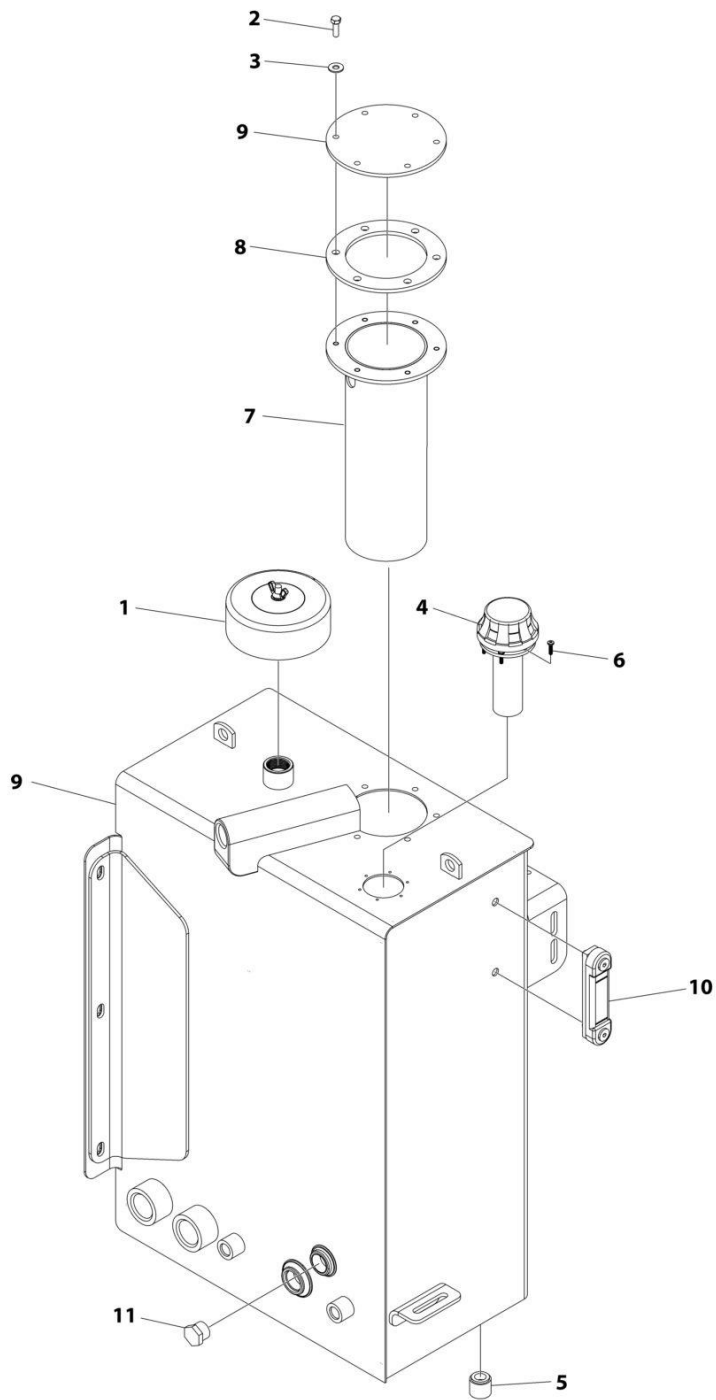
SECTION 2 - TURNTABLE

FIGURE 2-16. HYDRAULIC TANK ASSEMBLY ENGINES (17.3 GAL)

ITEM	PART NUMBER	QTY	DESCRIPTION	REV
	1001206917	Ref	HYDRAULIC TANK ASSEMBLY	A
1	See Note	NSS	Breather Assembly (Note: Use p/n 70003614)	
2	3311501	6	Nut 5/16	
3	4751400	6	Washer 1/4	
4	70002838	1	Cap, Fill	
5	70002112	1	Plug	
6	See Note	NSS	Screw #10 x 3/4 (Note: Not Available for purchase)	
7	See Note	NSS	Element, Filter (Note: Use p/n 70003614)	
8	1001199177	1	Gasket	
9	See Note	NSS	Reservoir (Note: Not Available for purchase)	
10	7024441	1	Gauge, Level	
11	2220887	1	Plug	

SECTION 2 - TURNTABLE

FIGURE 2-17. HYDRAULIC TANK ASSEMBLY (36 GAL)



ART_1001286148

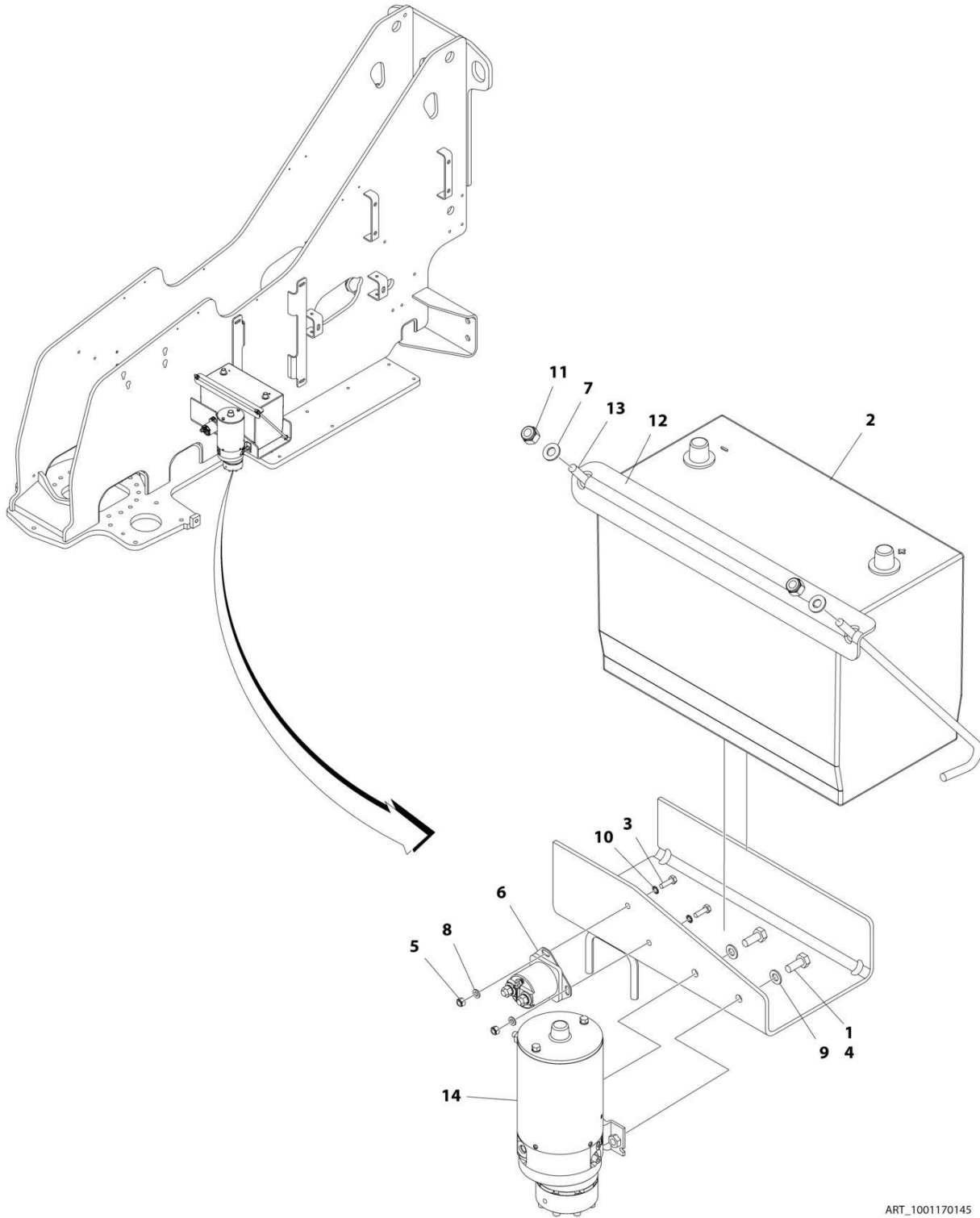
SECTION 2 - TURNTABLE

FIGURE 2-17. HYDRAULIC TANK ASSEMBLY (36 GAL)

ITEM	PART NUMBER	QTY	DESCRIPTION	REV
	1001286148	Ref	HYDRAULIC TANK ASSEMBLY	A
1	See Note	NSS	Breather Assembly (Note: Use p/n 70003614)	
2		Ref	Bolt	
3	4751400	6	Washer 1/4	
4	70002838	1	Cap, Fill	
5	70002112	1	Plug	
6	See Note	NSS	Screw #10 x 3/4 (Note: Not Available for purchase)	
7	See Note	NSS	Element, Filter (Note: Use p/n 70003614)	
8	1001199177	1	Gasket	
9	See Note	NSS	Reservoir (Note: Not Available for purchase)	
10	7024441	1	Gauge, Level	
11	2220887	1	Plug	

SECTION 2 - TURNTABLE

FIGURE 2-18. AUXILIARY POWER INSTALLATION - WITHOUT BATTERY DISCONNECT



ART_1001170145

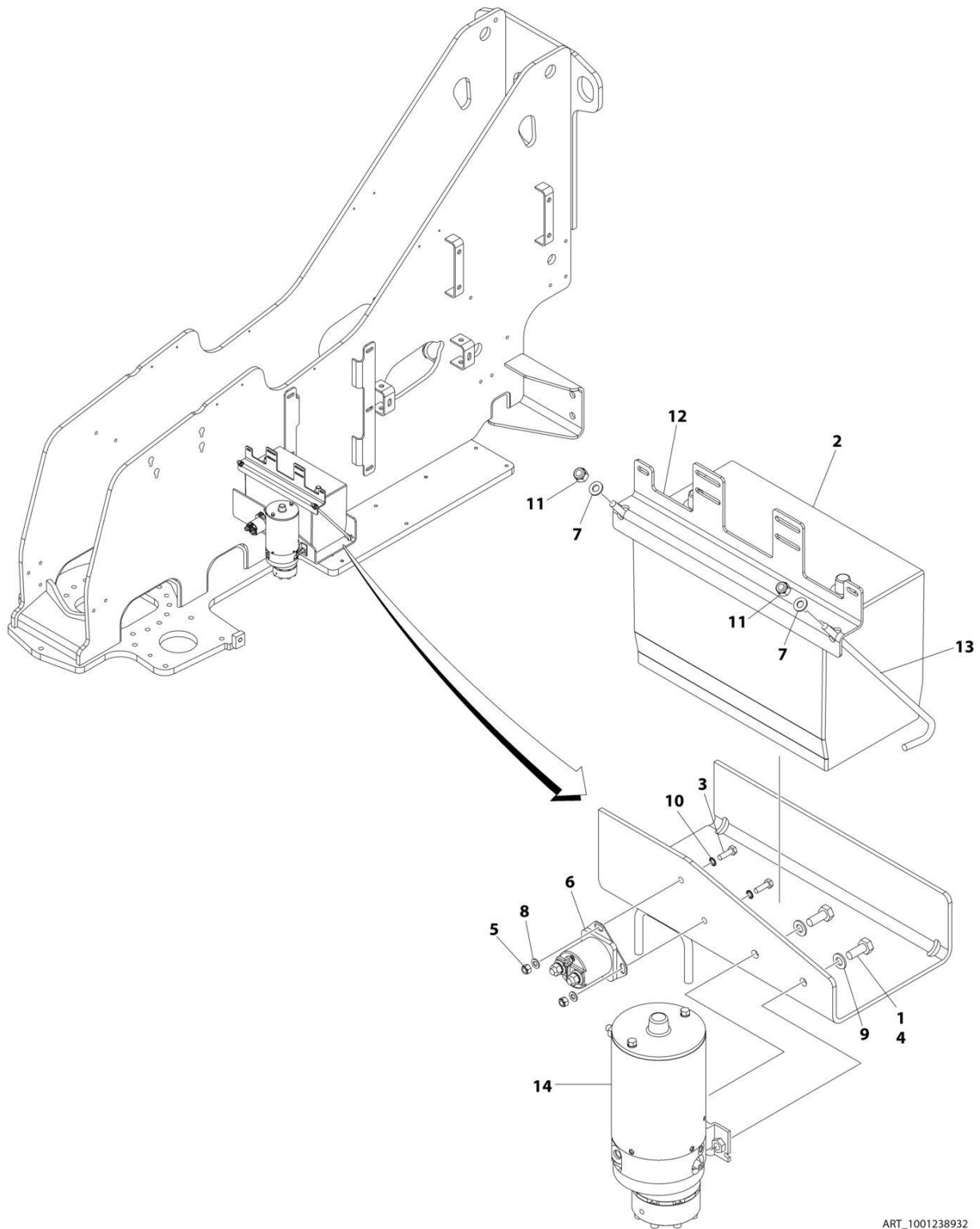
SECTION 2 - TURNTABLE

FIGURE 2-18. AUXILIARY POWER INSTALLATION - WITHOUT BATTERY DISCONNECT

ITEM	PART NUMBER	QTY	DESCRIPTION	REV
	1001170145	Ref	AUXILIARY PUMP AND BATTERY INSTALLATION	C
1	0100011	AR	Compound, Locking	
2	0400075	1	Battery	
3	0760610	2	Bolt M6 x 20	
4	0761012	2	Bolt M10 x 25	
5	3290605	2	Nut M6	
6	3740067	1	Relay	
6	3300220	2	Nut 3/8	
6	3321001	1	Nut #10	
6	4761000	1	Washer #10	
6	1001111424	2	Washer 3/8	
7	4711500	2	Washer 5/16	
8	4811700	2	Washer M6	
9	4812000	2	Washer M10	
10	4871700	2	Washer M6	
11	88521205	2	Nut 5/16	
12	91401281	1	Bracket	
13	1001093382	2	J-Bolt	
14	1001185821	1	Auxiliary Pump Assembly (See Separate Breakdown in this Section)	

SECTION 2 - TURNTABLE

FIGURE 2-19. AUXILIARY POWER INSTALLATION - WITH BATTERY DISCONNECT



ART_1001238932

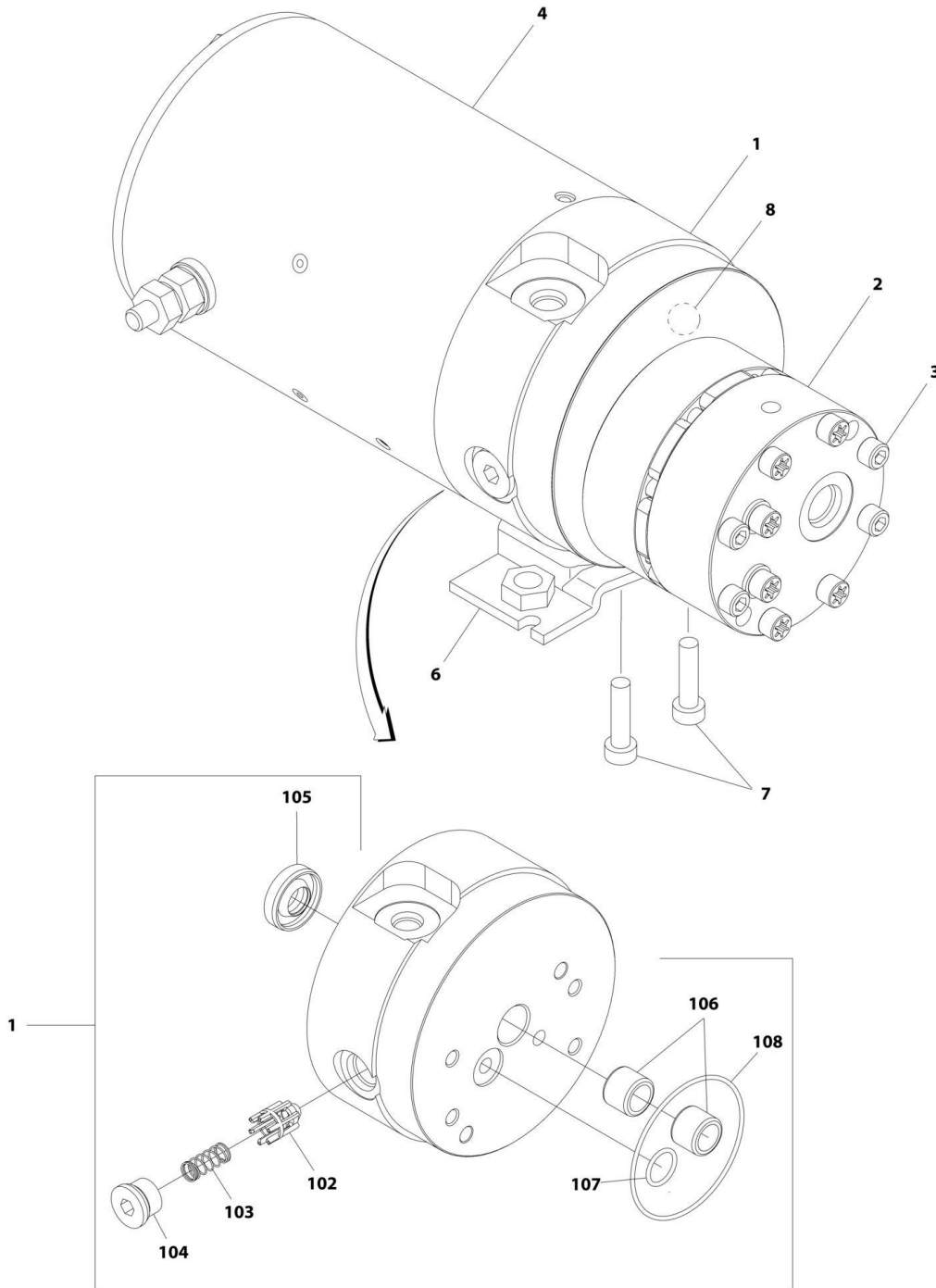
SECTION 2 - TURNTABLE

FIGURE 2-19. AUXILIARY POWER INSTALLATION - WITH BATTERY DISCONNECT

ITEM	PART NUMBER	QTY	DESCRIPTION	REV
	1001238932	Ref	AUXILIARY PUMP AND BATTERY INSTALLATION WITH DISCONNECT	A
1	0100011	AR	Compound, Locking	
2	0400075	1	Battery	
3	0760610	2	Bolt M6 x 20	
4	0761012	2	Bolt M10 x 25	
5	3290605	2	Nut M6	
6	3740067	1	Relay	
6	3300220	2	Nut 3/8	
6	3321001	1	Nut #10	
6	4761000	1	Washer #10	
6	1001111424	2	Washer 3/8	
7	4711500	2	Washer 5/16	
8	4811700	2	Washer M6	
9	4812000	2	Washer M10	
10	4871700	2	Washer M6	
11	88521205	2	Nut 5/16	
12	1001236303	1	Bracket	
13	1001093382	2	J-Bolt	
14	1001185821	1	Auxiliary Pump Assembly (See Separate Breakdown in this Section)	

SECTION 2 - TURNTABLE

FIGURE 2-20. AUXILIARY POWER PUMP/MOTOR ASSEMBLY



ART_1001185821

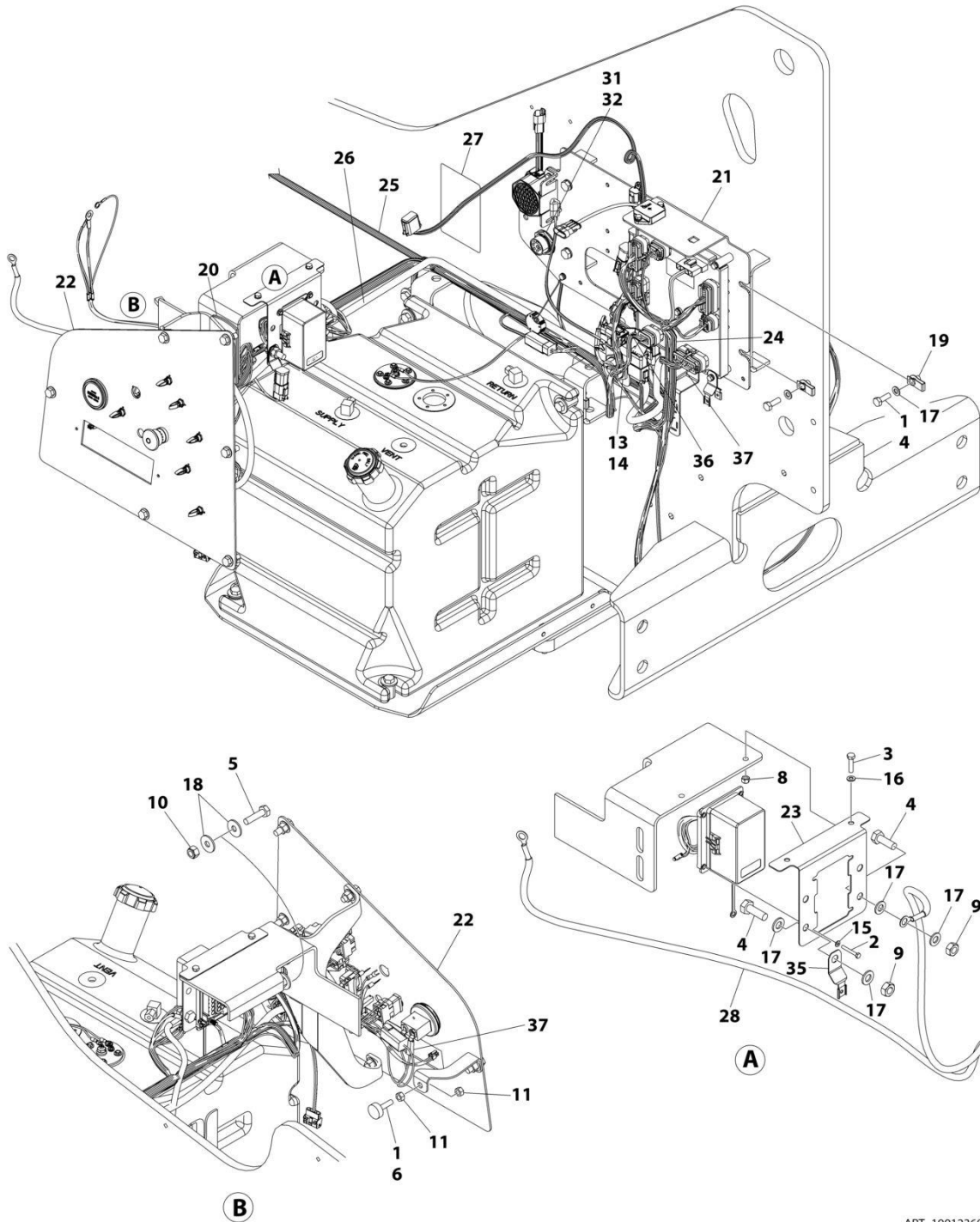
SECTION 2 - TURNTABLE

FIGURE 2-20. AUXILIARY POWER PUMP/MOTOR ASSEMBLY

ITEM	PART NUMBER	QTY	DESCRIPTION	REV
	1001185821	Ref	AUXILIARY PUMP ASSEMBLY	B
1	70005065	1	Base Assembly (See Items 102-108 for Breakdown)	
2	70005066	1	Pump Assembly (Note: No Seal Kit or Internal Components are Available - Purchase Complete Pump Assembly)	
3	70005067	4	Capscrew 1/4 x 2-3/4	
4	70004013	1	Motor Assembly (Note: No Internal Components are Available - Purchase Complete Motor Assembly)	
6	70004014	1	Bracket	
7	70004000	2	Capscrew 3/8 x 1	
8	70005068	1	Relief Valve Assembly	
	70005065	Ref	BASE ASSEMBLY	
102	See Note	NSS	Poppet, Check (Note: Use p/n 70005065)	
103	See Note	NSS	Spring (Note: Use p/n 70005065)	
104	See Note	NSS	Plug (Note: Use p/n 70005065)	
105	7026330	1	Seal, Shaft	
106	70005139	2	Bearing	
107	70003612	1	O-Ring	
108	70004267	1	O-Ring	

SECTION 2 - TURNTABLE

FIGURE 2-21. ELECTRICAL INSTALLATION (400S HC3)



ART_1001236965_I

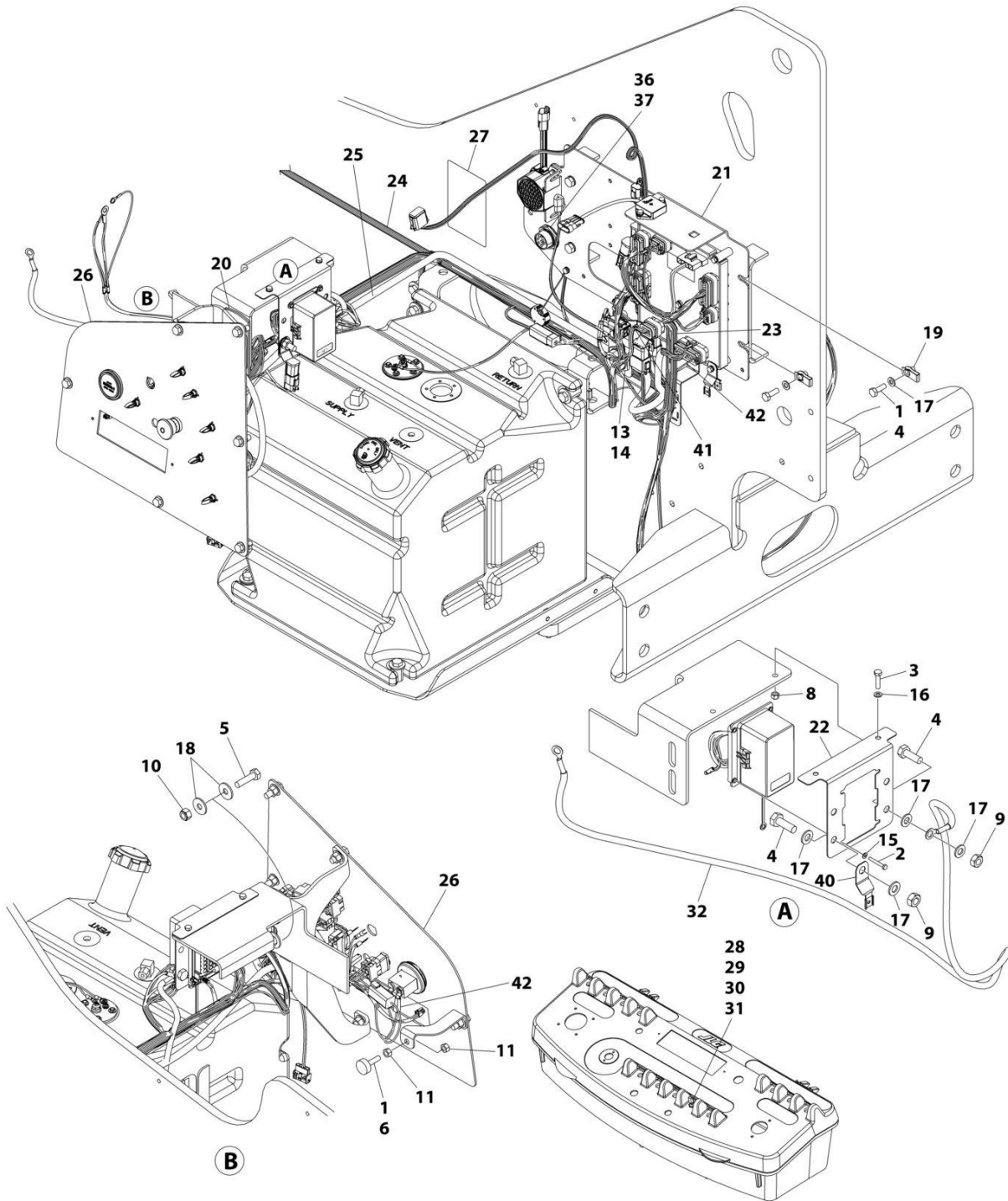
SECTION 2 - TURNTABLE

FIGURE 2-21. ELECTRICAL INSTALLATION (400S HC3)

ITEM	PART NUMBER	QTY	DESCRIPTION	REV
	1001236965	Ref	ELECTRICAL INSTALLATION - 400S	I
1	0100011	AR	Compound, Locking	
2	0731005	4	Bolt #10 x .625	
3	0760612	2	Bolt M6 x 25	
4	0761014	6	Bolt M10 x 30	
5	0761016	2	Bolt M10 x 40	
6	0940049	1	Stopper, Hood	
8	3290605	2	Nut M6	
9	3291001	2	Nut M10	
10	3291005	2	Nut M10	
11	3311501	2	Nut 5/16	
12	4240099	AR	Tie-Strap (Not Shown)	
13	4460470	1	Nut, Terminal	
14	4460471	1	Washer, Terminal	
15	4711000	4	Washer #10	
16	4811700	4	Washer M6	
17	4812000	8	Washer M10	
18	4812002	4	Washer M10	
19	1001118972	4	Nut M10	
20	1001150324	AR	Shim 3	
21	1001172757	1	Electrical Panel Assembly (See Separate Breakdown in this Section)	
22	1001239294	1	Ground Control Assembly (See Separate Breakdown in this Section)	
23	1001237822	1	Plate	
24	1001301483	1	Turntable Harness (See Separate Breakdown in ELECTRICAL Section)	
25	1001282532	1	Valve Harness (See Separate Breakdown in ELECTRICAL Section)	
26	1001238161	1	Ground Control Box Harness (See Separate Breakdown in ELECTRICAL Section)	
27	1001239512	1	Decal - Fuse Box	
28	1001250681	1	Battery Cable (Negative)	
29	4460466	8	Seal, Terminal (Not Shown)	
30	4460931	1	Connector - 8 Position (Not Shown)	
31	4460496	1	Washer, Lock	
32	4460497	1	Nut	
33	4460234	AR	Mount, Tie-Strap (Not Shown)	
34	4240032	AR	Tie-Strap (Not Shown)	
35	1001120328	1	Clip, Mounting	
36	1001155743	1	Holder	
37	1001296426	1	Hour Meter Jumper Harness (See Separate Breakdown in ELECTRICAL Section)	

SECTION 2 - TURNTABLE

FIGURE 2-22. ELECTRICAL INSTALLATION (460SJ HC3)



CONSOLE BOX ASSEMBLY

ART_1001242106_I

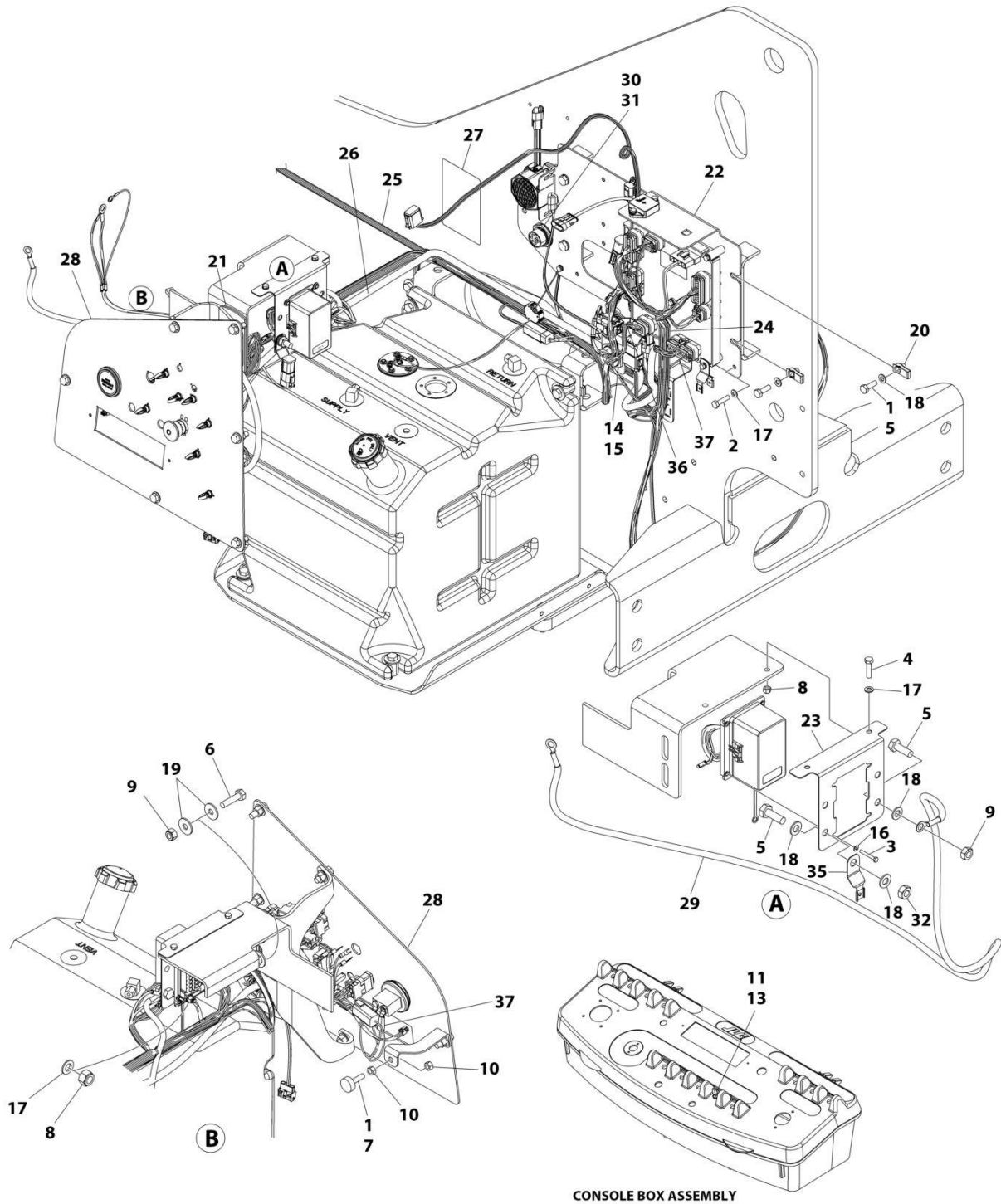
SECTION 2 - TURNTABLE

FIGURE 2-22. ELECTRICAL INSTALLATION (460SJ HC3)

ITEM	PART NUMBER	QTY	DESCRIPTION	REV
	1001242106	Ref	ELECTRICAL INSTALLATION - 460SJ	I
1	0100011	AR	Compound, Locking	
2	0731005	4	Bolt #10 x .625	
3	0760612	2	Bolt M6 x 25	
4	0761014	6	Bolt M10 x 30	
5	0761016	2	Bolt M10 x 40	
6	0940049	1	Stopper, Hood	
8	3290605	2	Nut M6	
9	3291001	2	Nut M10	
10	3291005	2	Nut M10	
11	3311501	2	Nut 5/16	
12	4240099	AR	Tie-Strap (Not Shown)	
13	4460470	1	Nut, Terminal	
14	4460471	1	Washer, Terminal	
15	4711000	4	Washer #10	
16	4811700	4	Washer M6	
17	4812000	8	Washer M10	
18	4812002	4	Washer M10	
19	1001118972	4	Nut M10	
20	1001150324	AR	Shim 3	
21	1001172757	1	Electrical Panel Assembly (See Separate Breakdown in this Section)	
22	1001237822	1	Plate	
23	1001301483	1	Turntable Harness (See Separate Breakdown in ELECTRICAL Section)	
24	TP_1001282532	1	Valve Harness (See Separate Breakdown in ELECTRICAL Section)	
25	1001238161	1	Ground Control Box Harness (See Separate Breakdown in ELECTRICAL Section)	
26	1001239293	1	Ground Control Assembly (See Separate Breakdown in this Section)	
27	1001239512	1	Decal - Fuse Box	
28	3790012	1	O-Ring	
29	4360328	1	Switch, Toggle	
30	4740397	1	Spacer	
31	1001155044	1	Nut 15/32	
32	1001250681	1	Battery Cable (Negative)	
33	4460466	16	Seal, Terminal (Not Shown)	
34	4460930	1	Connector - 8 Position (Not Shown)	
35	4460931	1	Connector - 8 Position (Not Shown)	
36	4460496	1	Washer, Lock	
37	4460497	1	Nut	
38	4460234	AR	Mount, Tie-Strap (Not Shown)	
39	4240032	AR	Tie-Strap (Not Shown)	
40	1001120328	1	Clip, Mounting	
41	1001155743	1	Holder	
42	1001296426	1	Hour Meter Jumper Harness (See Separate Breakdown in ELECTRICAL Section)	

SECTION 2 - TURNTABLE

FIGURE 2-23. ELECTRICAL INSTALLATION (460SJ HC3 WITH DEUTZ D2.9L4 (STAGE V) ENGINES)



ART_1001245993_F

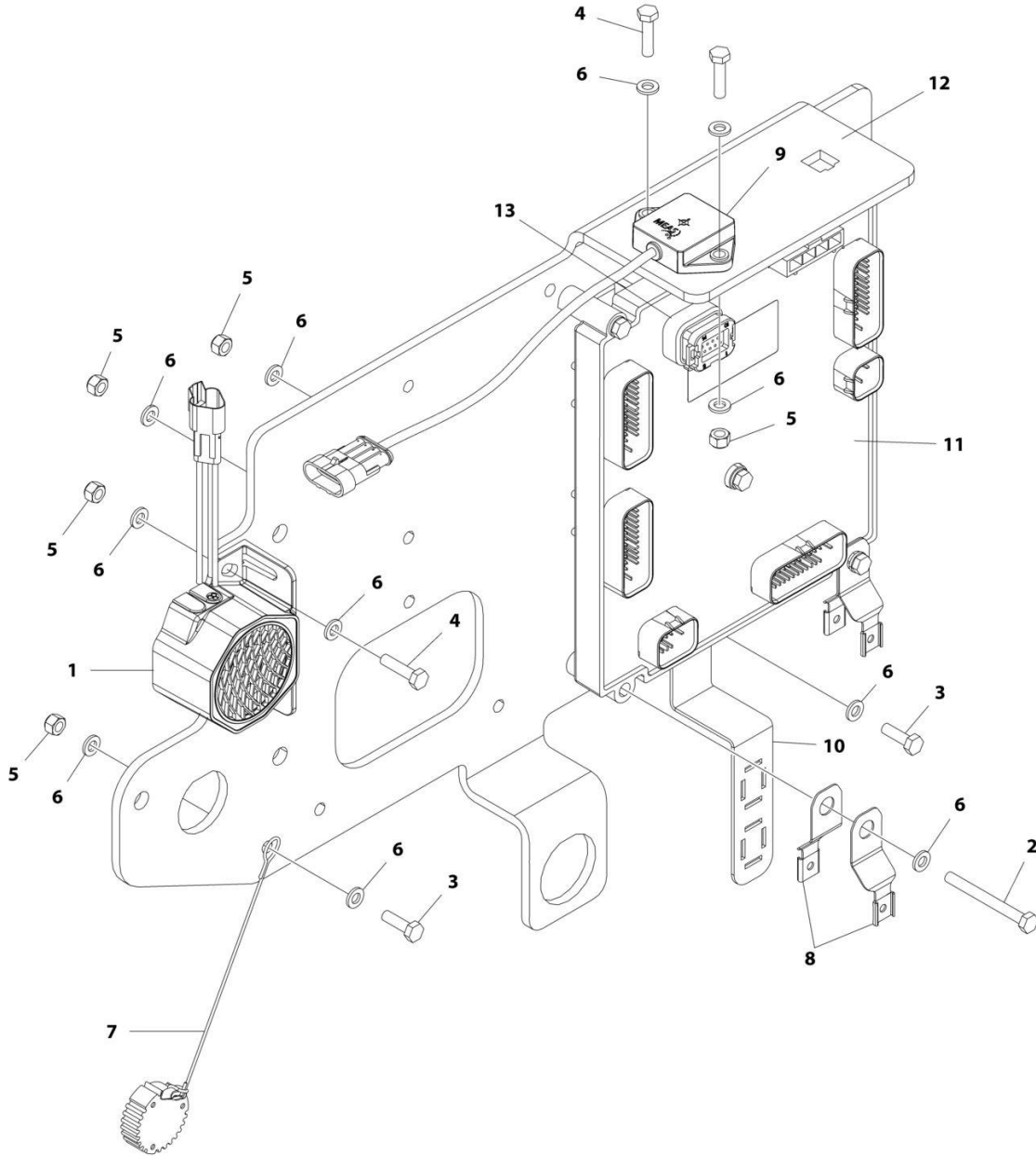
SECTION 2 - TURNTABLE

FIGURE 2-23. ELECTRICAL INSTALLATION (460SJ HC3 WITH DEUTZ D2.9L4 (STAGE V) ENGINES)

ITEM	PART NUMBER	QTY	DESCRIPTION	REV
	1001245993	Ref	ELECTRICAL INSTALLATION - DEUTZ (STAGE V)	F
1	0100011	AR	Compound, Locking	
2	0700612	1	Screw M6 x 25	
3	0731005	4	Screw #10 x 5/8	
4	0760610	2	Bolt M6 x 20	
5	0761014	6	Bolt M10 x 30	
6	0761016	2	Bolt M10 x 40	
7	0940049	1	Stopper, Hood	
8	3290605	4	Nut M6	
9	3291005	3	Nut M10	
10	3311501	2	Nut 5/16	
11	3790012	1	O-Ring	
12	4240099	AR	Tie-Strap (Not Shown)	
13	4360328	1	Switch, Toggle	
14	4460470	1	Nut, Terminal	
15	4460471	1	Washer, Terminal	
16	4711000	4	Washer #10	
17	4711700	7	Washer M6	
18	4812000	7	Washer M10	
19	4812002	4	Washer M10	
20	1001118972	4	Nut M10	
21	1001150324	AR	Shim 3	
22	1001172757	1	Electrical Panel Assembly (See Separate Breakdown in this Section)	
23	1001237822	1	Plate	
24	1001301483	1	Turntable Harness (See Separate Breakdown in ELECTRICAL Section)	
25	1001282532	1	Valve Harness (See Separate Breakdown in ELECTRICAL Section)	
26	1001238161	1	Ground Control Box Harness (See Separate Breakdown in ELECTRICAL Section)	
27	1001239512	1	Decal - Fuse Box	
28	1001245380	1	Electrical Assembly, Ground Control Panel (See Separate Breakdown in this Section)	
29	1001250681	1	Battery Cable (Negative)	
30	4460496	1	Washer	
31	4460497	1	Nut	
32	3291001	1	Nut M10	
33	4460234	AR	Mount, Tie-Strap (Not Shown)	
34	4240032	AR	Tie-Strap (Not Shown)	
35	1001120328	1	Clip, Mounting	
36	1001155743	1	Holder	
37	1001296426	1	Hour Meter Jumper Harness (See Separate Breakdown in ELECTRICAL Section)	

SECTION 2 - TURNTABLE

FIGURE 2-24. ELECTRICAL PANEL ASSEMBLY



ART_1001172757_F

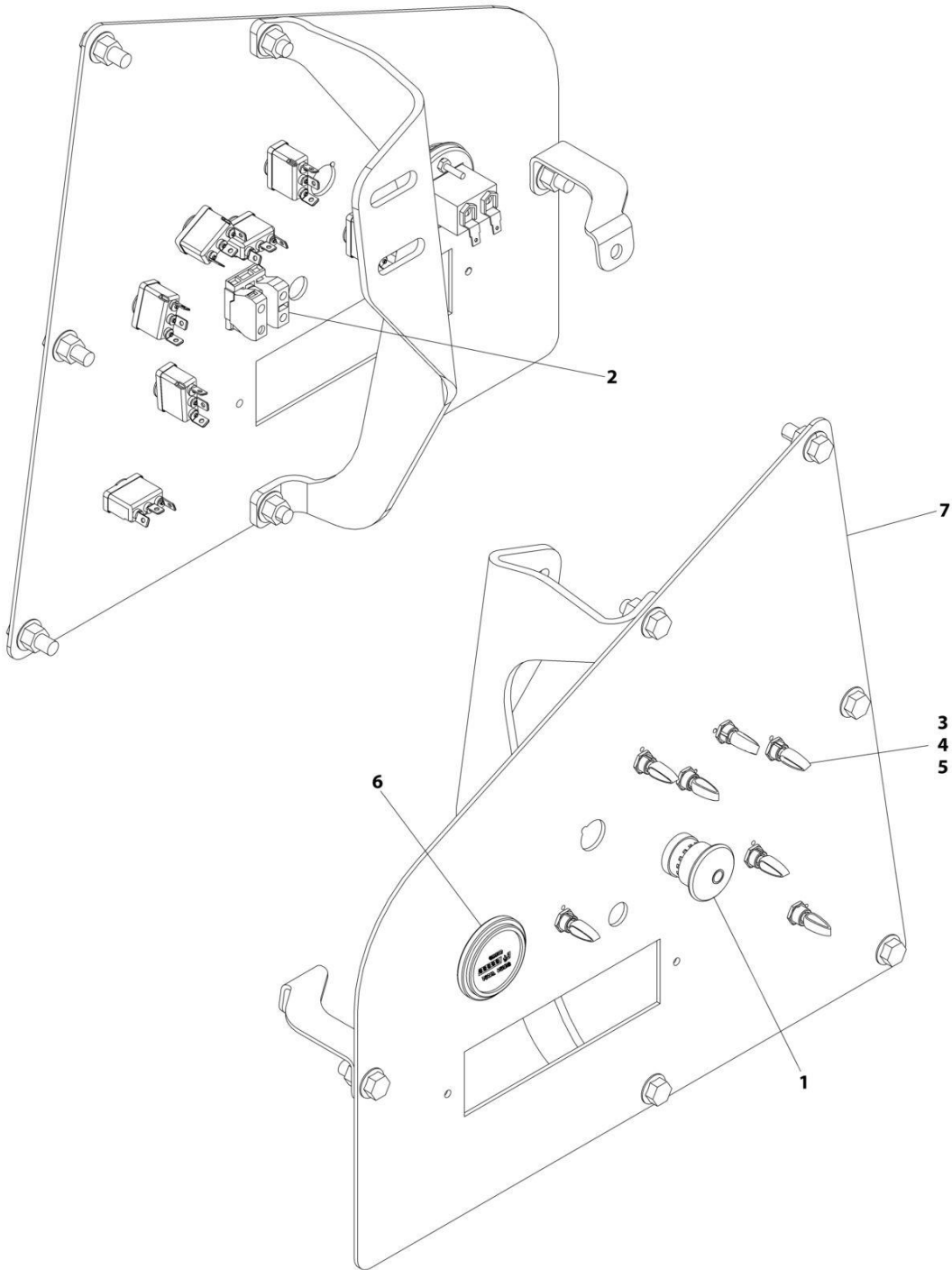
SECTION 2 - TURNTABLE

FIGURE 2-24. ELECTRICAL PANEL ASSEMBLY

ITEM	PART NUMBER	QTY	DESCRIPTION	REV
	1001172757	Ref	ELECTRICAL PANEL ASSEMBLY	F
1	0140043	1	Alarm	
1	4460536	1	Plug, Male - 3 Position	
1	4460943	3	Terminal	
2	0700620	5	Bolt M6 x 60	
3	0760610	2	Bolt M6 x 20	
4	0760612	4	Bolt M6 x 25	
5	3290605	11	Nut M6	
6	4811700	22	Washer M6	
7	1001106736	1	Cap, Dust	
8	1001120328	4	Clip, Mounting	
9	1001219601	1	Sensor	
10	1001159162	1	Bracket	
11	1001280340	1	Module, Ground Control (Note: Re-calibration Required when Replaced.)	
12	1001215373	1	Plate	
13	1001246859	1	Connector, 14 Position	

SECTION 2 - TURNTABLE

FIGURE 2-25. GROUND CONTROL BOX ASSEMBLY (400S HC3)



ART_1001239293_C

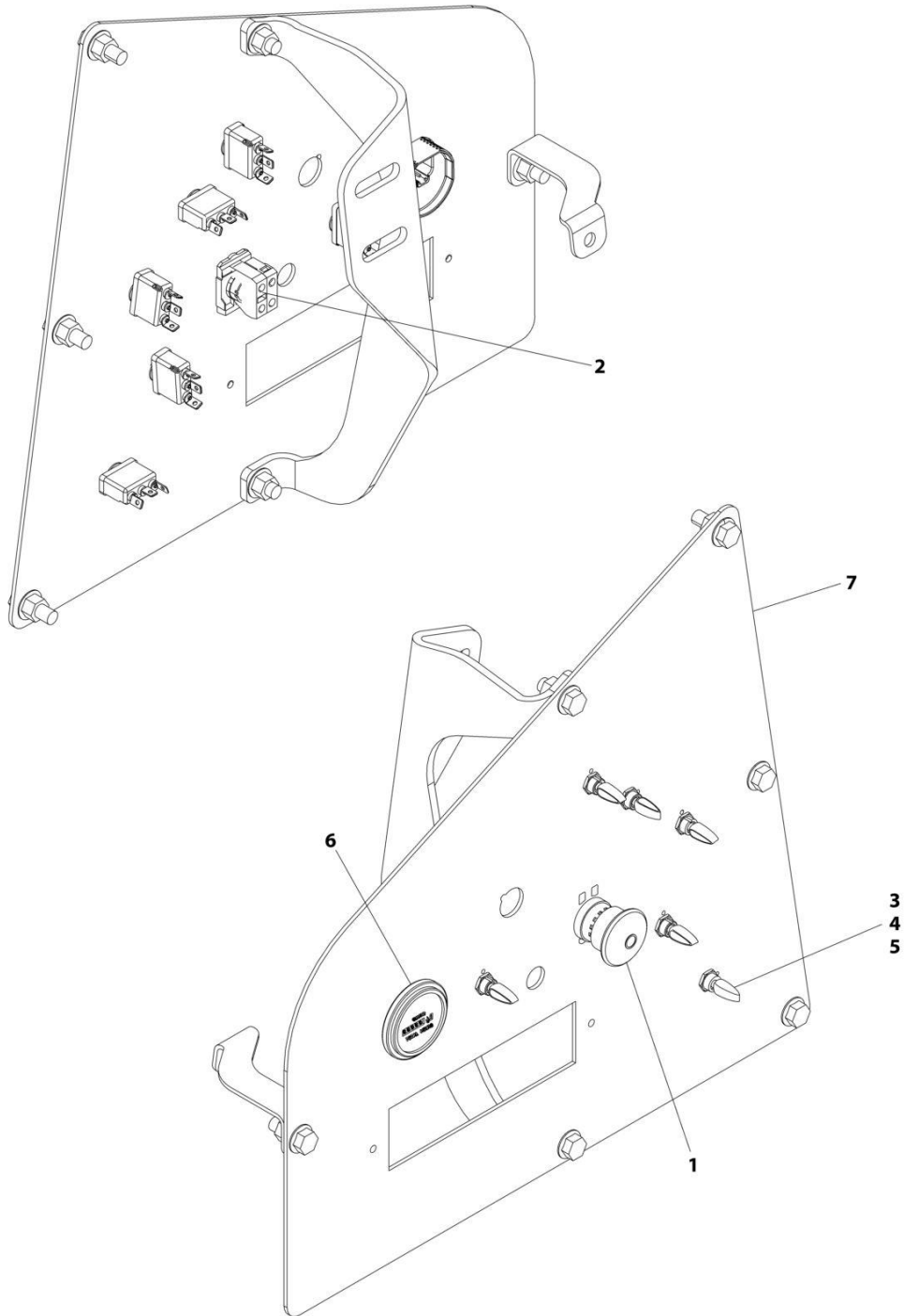
SECTION 2 - TURNTABLE

FIGURE 2-25. GROUND CONTROL BOX ASSEMBLY (400S HC3)

ITEM	PART NUMBER	QTY	DESCRIPTION	REV
	1001239293	Ref	GROUND CONTROL ASSEMBLY - 460SJ	C
1	1001274559	1	Switch, Emergency Stop	
2	4360476	1	Block, Contact	
3	1001155043	7	Washer	
4	1001155044	7	Nut 15/32	
5	1001155045	7	Switch, Toggle	
6	10836804	1	Gauge	
7	1001235531	1	Mount, Ground Control Panel (See Separate Breakdown in this Section)	

SECTION 2 - TURNTABLE

FIGURE 2-26. GROUND CONTROL BOX ASSEMBLY (460SJ HC3)



ART_1001239294_C

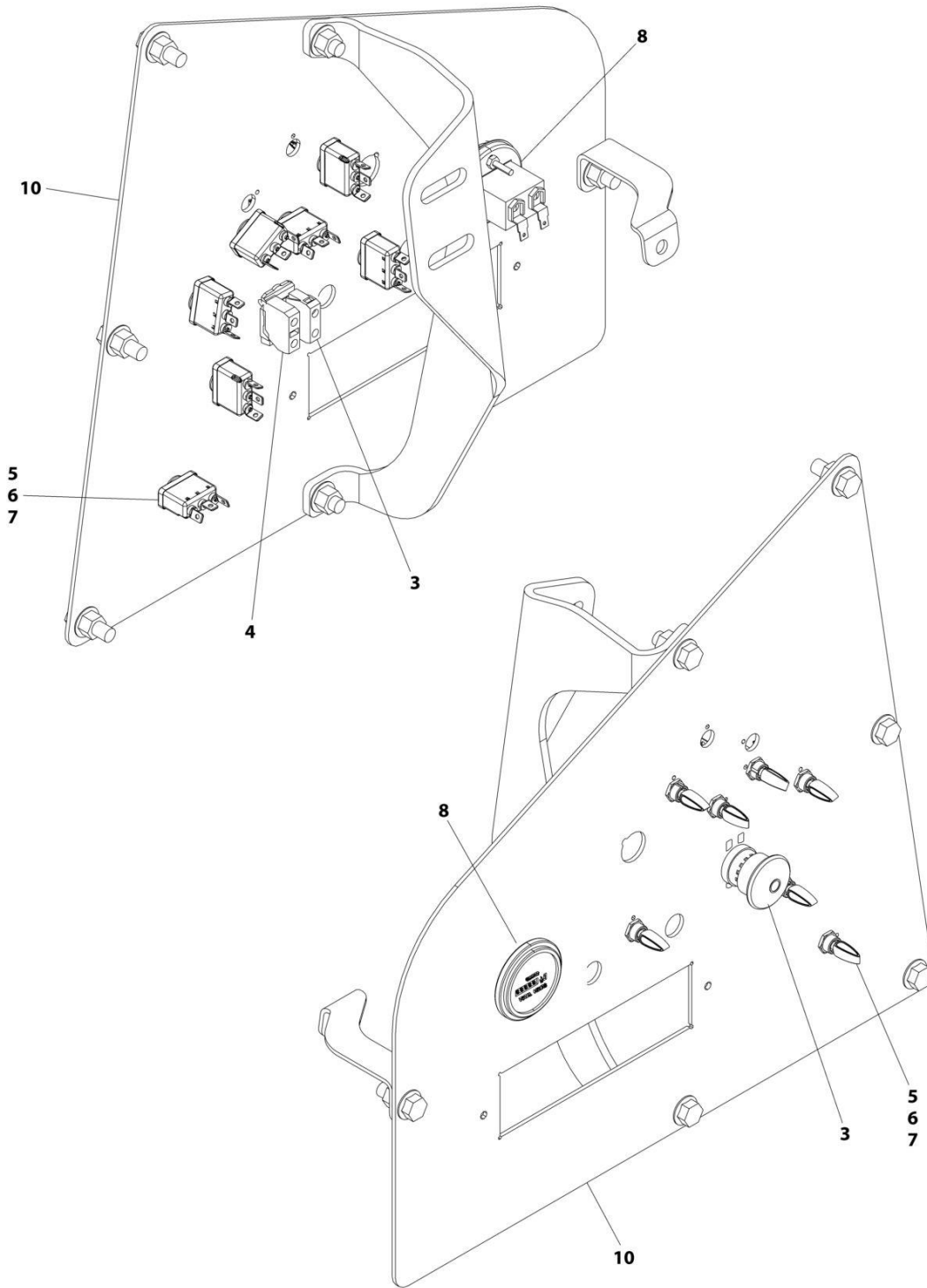
SECTION 2 - TURNTABLE

FIGURE 2-26. GROUND CONTROL BOX ASSEMBLY (460SJ HC3)

ITEM	PART NUMBER	QTY	DESCRIPTION	REV
	1001239294	Ref	GROUND CONTROL ASSEMBLY - 400S	C
1	1001274559	1	Switch, Emergency Stop	
2	4360476	1	Block, Contact	
3	1001155043	6	Washer	
4	1001155044	6	Nut 15/32	
5	1001155045	6	Switch, Toggle	
6	10836804	1	Gauge	
7	1001238887	1	Mount, Ground Control Panel (See Separate Breakdown in this Section)	

SECTION 2 - TURNTABLE

FIGURE 2-27. GROUND CONTROL BOX ASSEMBLY (460SJ HC3 WITH DEUTZ D2.9L4 (STAGE V) ENGINES) (CE SPECS)



ART_1001245380_D

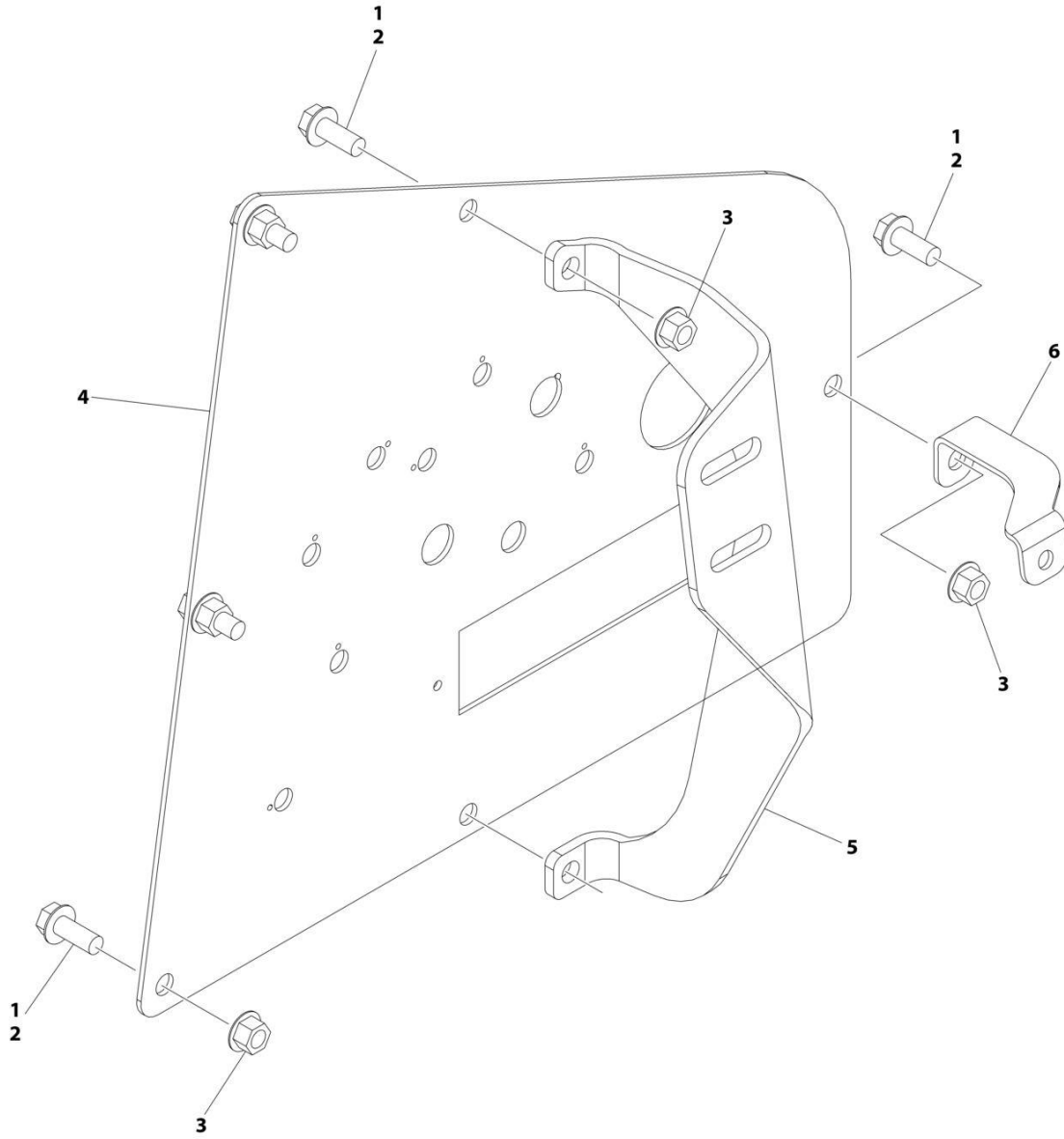
SECTION 2 - TURNTABLE

FIGURE 2-27. GROUND CONTROL BOX ASSEMBLY (460SJ HC3 WITH DEUTZ D2.9L4 (STAGE V) ENGINES) (CE SPECS)

ITEM	PART NUMBER	QTY	DESCRIPTION	REV
	1001245380	Ref	GROUND CONTROL ASSEMBLY	D
3	1001274559	1	Switch, Emergency Stop	
4	4360476	1	Block, Contact	
5	1001155043	7	Washer	
6	1001155044	7	Nut 15/32	
7	1001155045	7	Switch, Toggle	
8	10836804	1	Gauge	
10	1001245379	1	Ground Control Mounting (See Separate Breakdown in this Section)	

SECTION 2 - TURNTABLE

FIGURE 2-28. GROUND CONTROL BRACKET INSTALLATION (400S HC3)



ART_1001235531_C

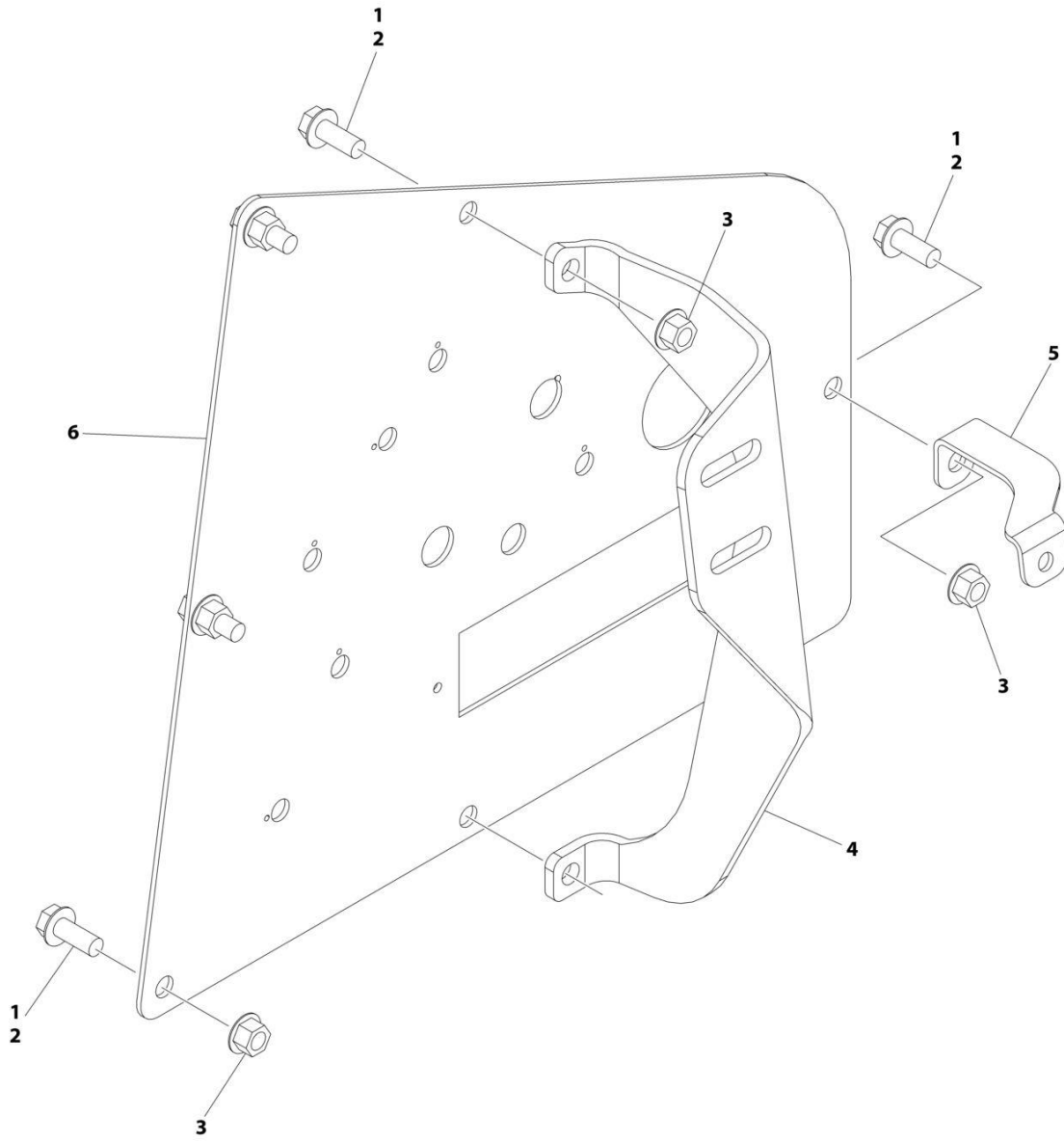
SECTION 2 - TURNTABLE

FIGURE 2-28. GROUND CONTROL BRACKET INSTALLATION (400S HC3)

ITEM	PART NUMBER	QTY	DESCRIPTION	REV
	1001235531	Ref	GROUND CONTORL MOUNTING - 460SJ	C
1	0100011	AR	Compound, Locking	
2	5251012	6	Bolt M10 x 25	
3	5261000	6	Nut M10	
4	1001297385	1	Plate, Ground Control	
5	1001235528	1	Support	
6	1001235529	1	Bracket	

SECTION 2 - TURNTABLE

FIGURE 2-29. GROUND CONTROL BRACKET INSTALLATION (460SJ HC3)



ART_1001238887_B

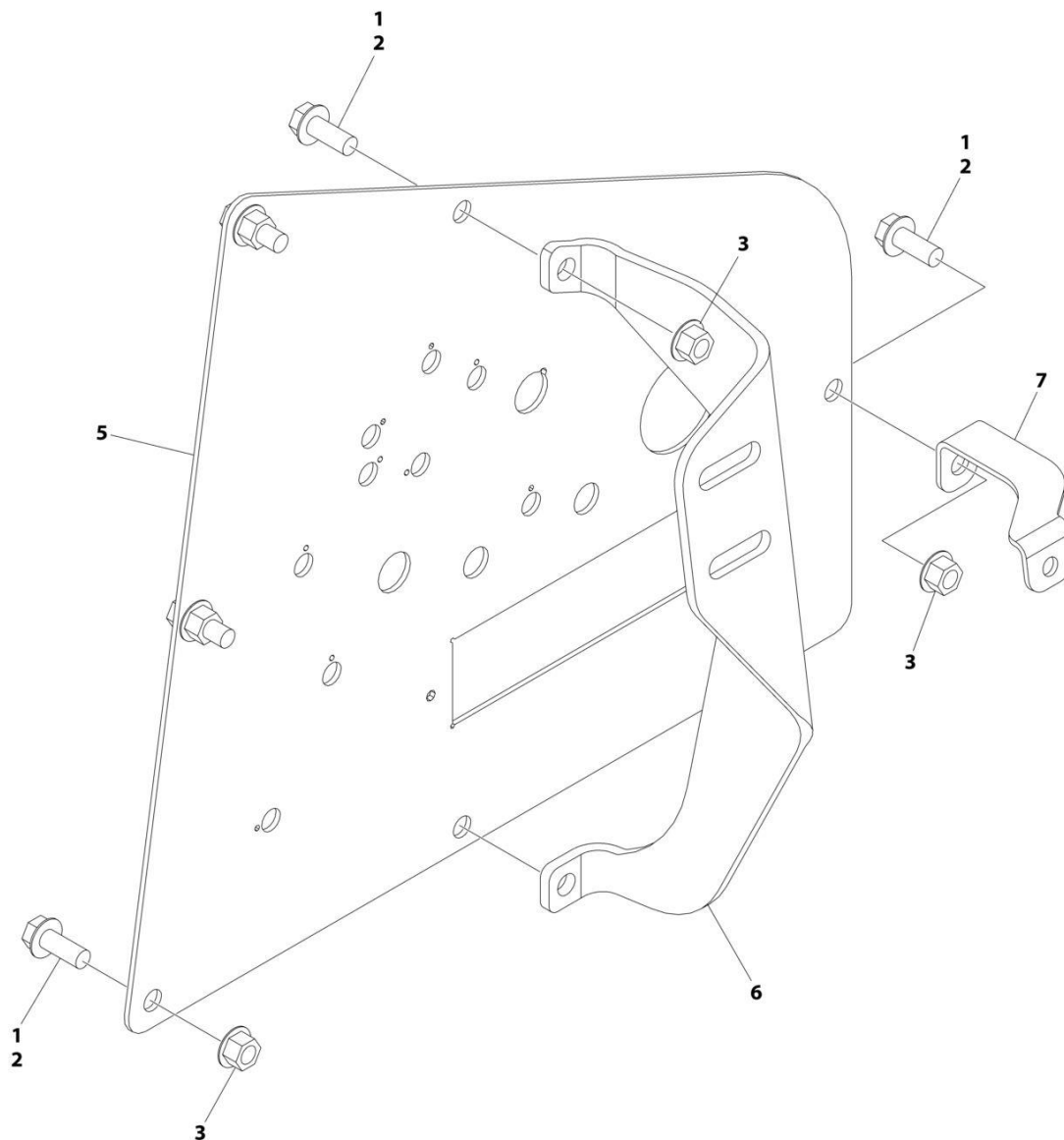
SECTION 2 - TURNTABLE

FIGURE 2-29. GROUND CONTROL BRACKET INSTALLATION (460SJ HC3)

ITEM	PART NUMBER	QTY	DESCRIPTION	REV
	1001238887	Ref	GROUND CONTROL PANEL MOUNTING	B
1	0100011	AR	Compound, Locking	
2	5251012	6	Bolt M10 x 25	
3	5261000	6	Nut M10	
4	1001235528	1	Support	
5	1001235529	1	Bracket	
6	1001297390	1	Plate, Ground Control	

SECTION 2 - TURNTABLE

FIGURE 2-30. GROUND CONTROL BRACKET INSTALLATION (460SJ HC3 WITH DEUTZ D2.9L4 (STAGE V) ENGINES) (CE SPECS)



ART_1001245379_C

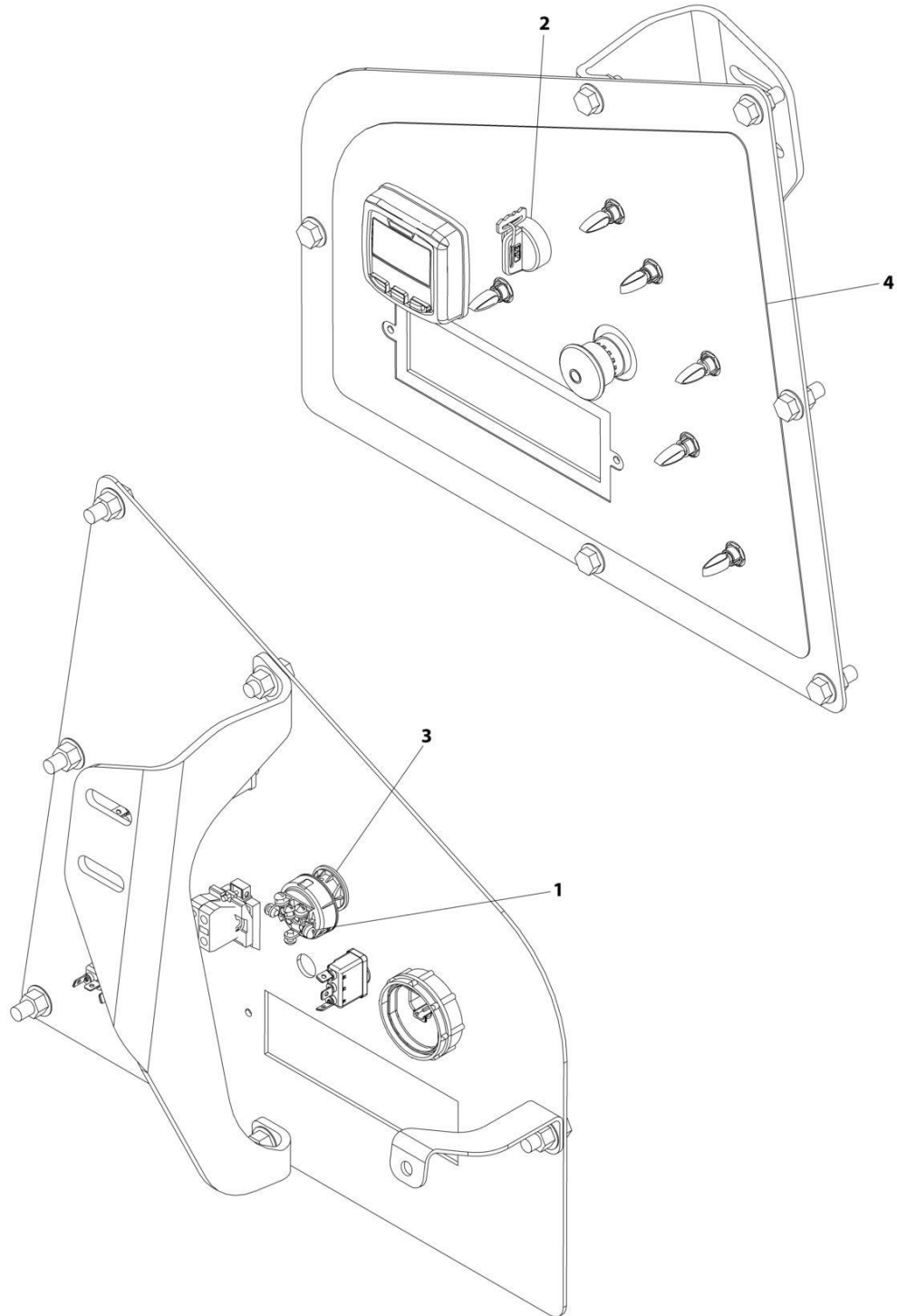
SECTION 2 - TURNTABLE

FIGURE 2-30. GROUND CONTROL BRACKET INSTALLATION (460SJ HC3 WITH DEUTZ D2.9L4 (STAGE V) ENGINES) (CE SPECS)

ITEM	PART NUMBER	QTY	DESCRIPTION	REV
	1001245379	Ref	GROUND CONTORL MOUNTING	C
1	0100035	AR	Compound, Locking	
2	5251012	6	Bolt M10 x 25	
3	5261000	6	Nut M10	
5	1001297386	1	Plate, Ground Control	
6	1001235528	1	Support	
7	1001235529	1	Bracket	

SECTION 2 - TURNTABLE

FIGURE 2-31. KEYSWITCH AND PANEL DECAL INSTALLATION - 400S HC3



ART_1001222139

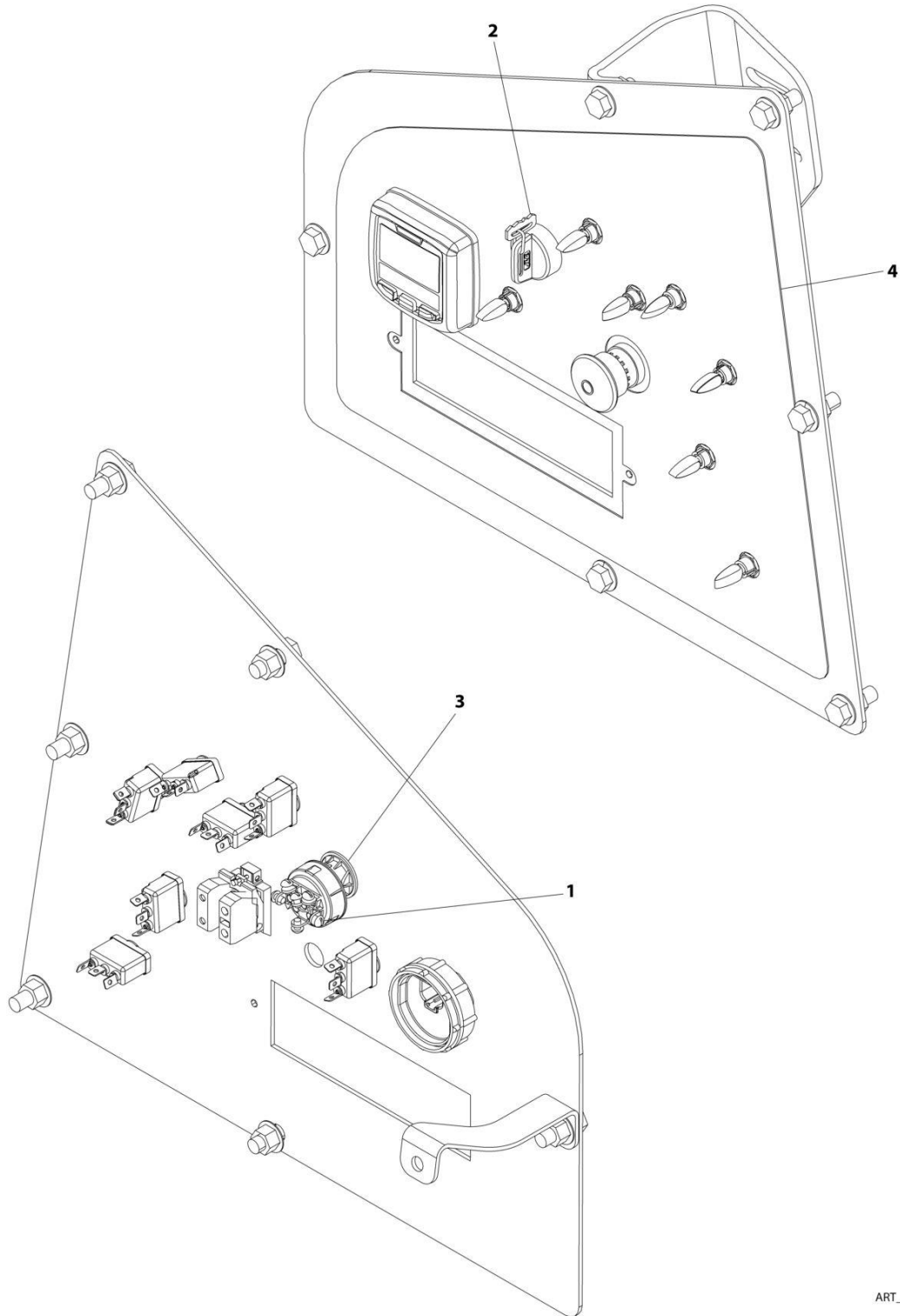
SECTION 2 - TURNTABLE

FIGURE 2-31. KEYSWITCH AND PANEL DECAL INSTALLATION - 400S HC3

ITEM	PART NUMBER	QTY	DESCRIPTION	REV
	1001222139	Ref	GROUND CONTROL DECAL AND KEYSWITCH INSTALLATION - 400S	B
1	3910804	6	Screw #8 x 1/4	
2	4360469	1	Switch, Key	
2	2860030	1	Key, Replacement	
3	1001151393	1	Shim .063	
4	1001221402	1	Decal - Ground Control	

SECTION 2 - TURNTABLE

FIGURE 2-32. KEYSWITCH AND PANEL DECAL INSTALLATION - 460SJ HC3 (ALL SPECS EXCEPT CE & UK CA SPECS)



ART_1001222140

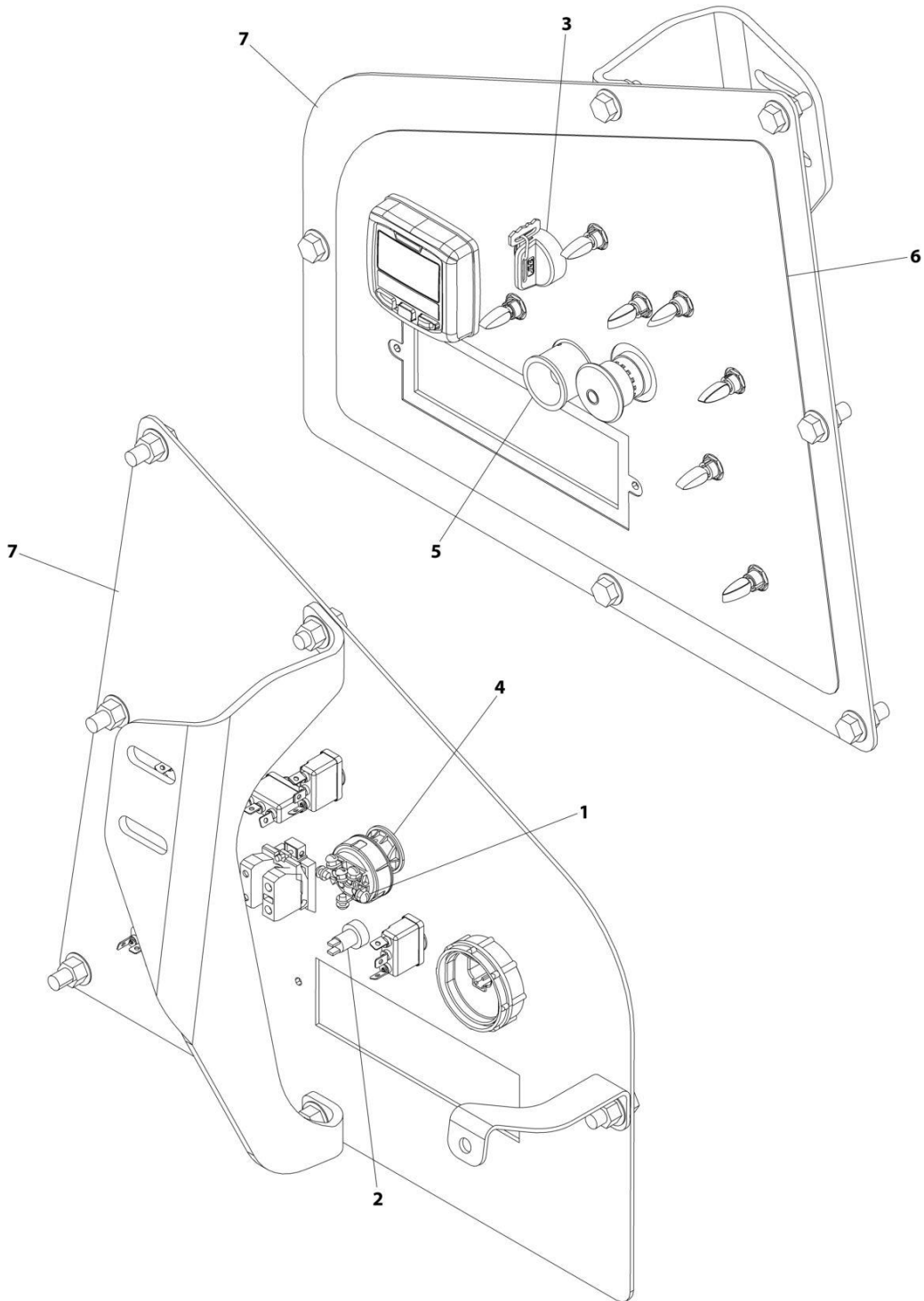
SECTION 2 - TURNTABLE

FIGURE 2-32. KEYSWITCH AND PANEL DECAL INSTALLATION - 460SJ HC3 (ALL SPECS EXCEPT CE & UK CA SPECS)

ITEM	PART NUMBER	QTY	DESCRIPTION	REV
	1001222140	Ref	GROUND CONTROL DECAL AND KEYSWITCH INSTALLATION - 460SJ	B
1	3910804	6	Screw #8 x 1/4	
2	4360469	1	Switch, Key	
2	2860030	1	Key, Replacement	
3	1001151393	1	Shim .063	
4	1001221403	1	Decal - Ground Control	

SECTION 2 - TURNTABLE

FIGURE 2-33. KEYSWITCH AND PANEL DECAL INSTALLATION - 460SJ HC3 (CE-LRC & UK CA SPECS)



ART_1001222142

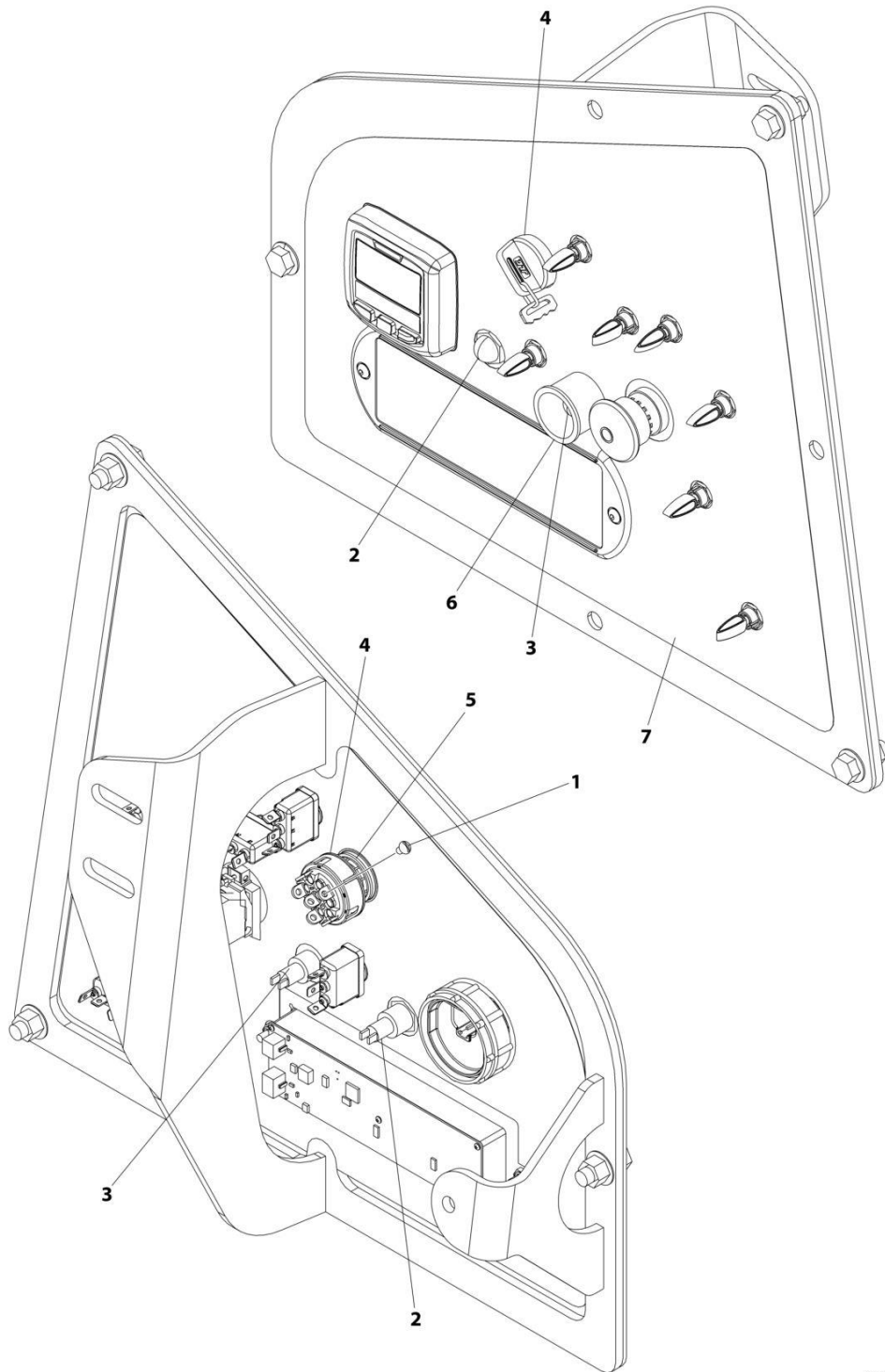
SECTION 2 - TURNTABLE

FIGURE 2-33. KEYSWITCH AND PANEL DECAL INSTALLATION - 460SJ HC3 (CE-LRC & UK CA SPECS)

ITEM	PART NUMBER	QTY	DESCRIPTION	REV
	1001222142	Ref	GROUND CONTROL DECAL AND KEYSWITCH INSTALLATION - 460SJ	C
1	3910804	6	Screw #8 x 1/4	
2	4360387	1	Switch, Push Button	
3	4360469	1	Switch, Key	
3	2860030	1 set	Key, Replacement	
4	1001151393	1	Shim .063	
5	1001176469	1	Shroud, Switch	
6	1001221405	1	Decal - Ground Control	
7	1001239293	1	Mount	

SECTION 2 - TURNTABLE

FIGURE 2-34. KEYSWITCH AND PANEL DECAL INSTALLATION - 460SJ HC3 (CE & UK CA SPECS WITH DEUTZ D2.9L4 (STAGE V) ENGINES)



ART_1001245831

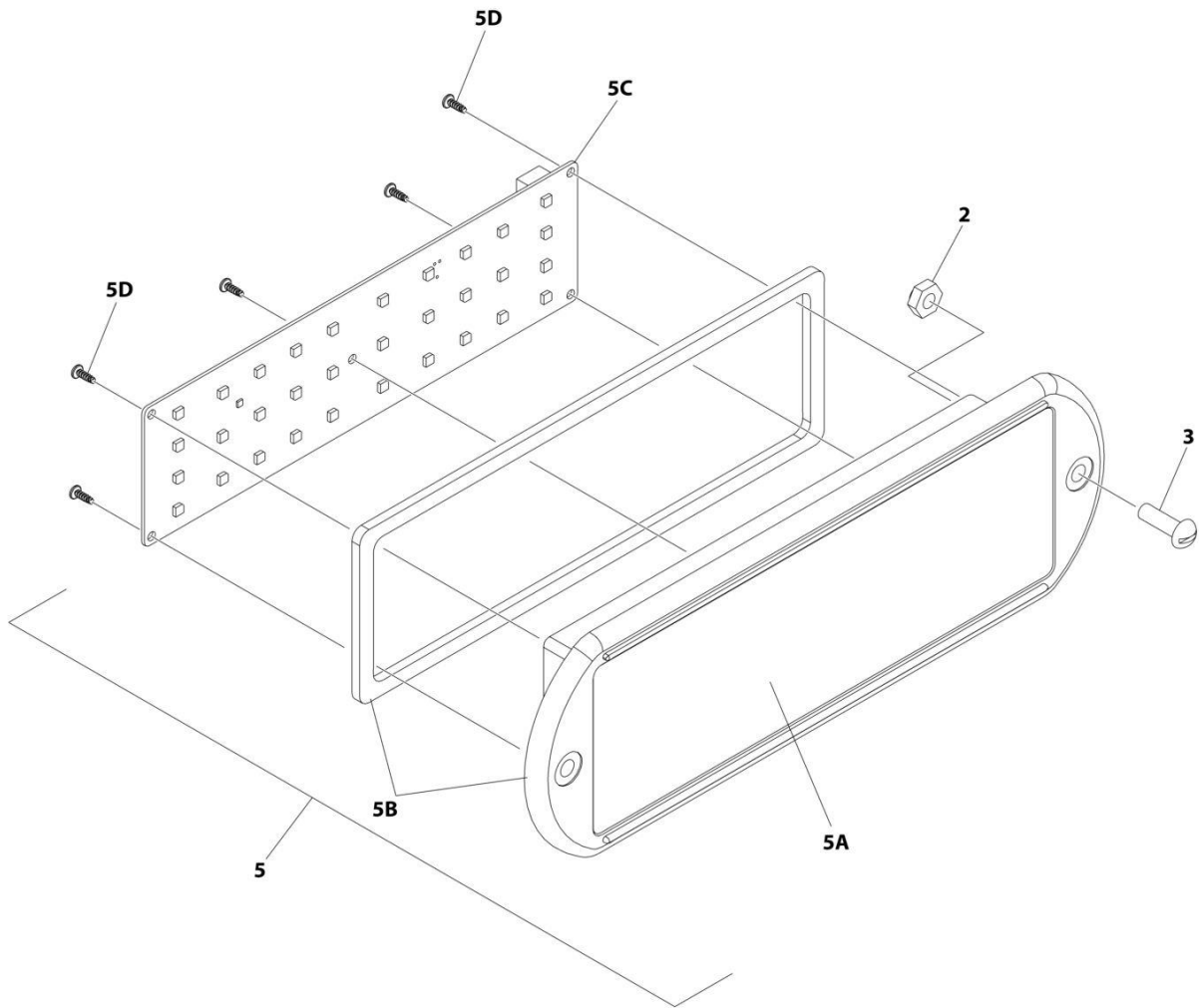
SECTION 2 - TURNTABLE

FIGURE 2-34. KEYSWITCH AND PANEL DECAL INSTALLATION - 460SJ HC3 (CE & UK CA SPECS WITH DEUTZ D2.9L4 (STAGE V) ENGINES

ITEM	PART NUMBER	QTY	DESCRIPTION	REV
	1001245831	Ref	GROUND CONTROL DECAL AND KEYSWITCH INSTALLATION	B
1	3910804	6	Screw #8 x 1/4	
2	4360274	1	Switch, Push Button	
3	4360387	1	Switch, Push Button	
4	4360469	1	Switch, Key	
4	2860030	1	Key, Replacement	
5	1001151393	1	Shim .063	
6	1001176469	1	Shroud, Switch	
7	1001245827	1	Decal, Ground Control	

SECTION 2 - TURNTABLE

FIGURE 2-35. LIGHT PANEL INSTALLATION



ART_1001233959_10F2

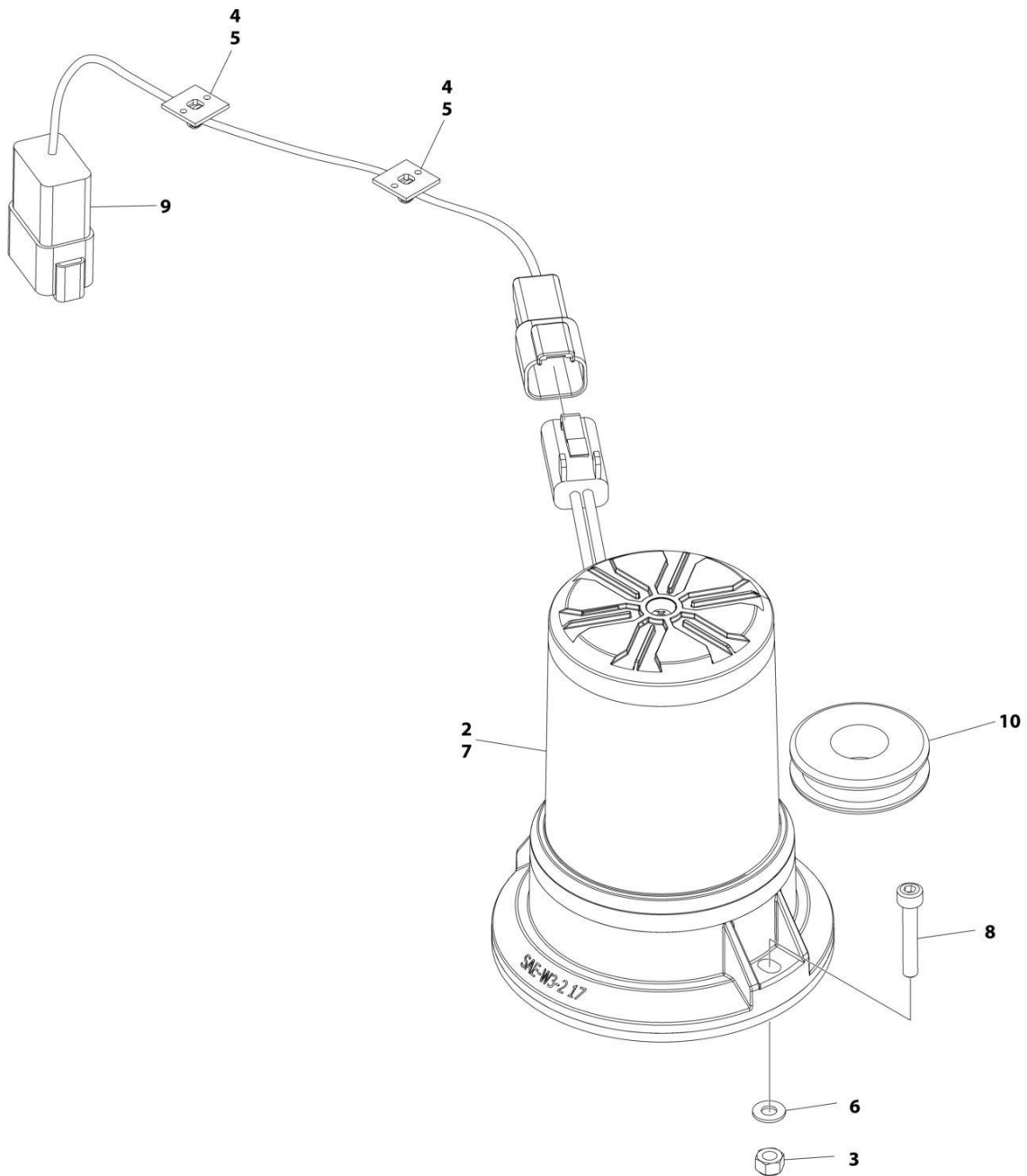
SECTION 2 - TURNTABLE

FIGURE 2-35. LIGHT PANEL INSTALLATION

ITEM	PART NUMBER	QTY	DESCRIPTION	REV
	1001233959	Ref	LIGHT PANEL INSTALLATION	C
2	3300408	2	Nut, Nylon Insert	
3	0630518	2	Screw #10 x 3/4	
5	1001237546	1	Light Panel Assembly	
5A	1001236091	1	Lens, I-Con/Bezel	
5C	1001187807	1	Panel, LED Light	
5D		Ref	Screw	

SECTION 2 - TURNTABLE

FIGURE 2-36. STROBE LIGHT INSTALLATION (AMBER)



ART_1001172816_E

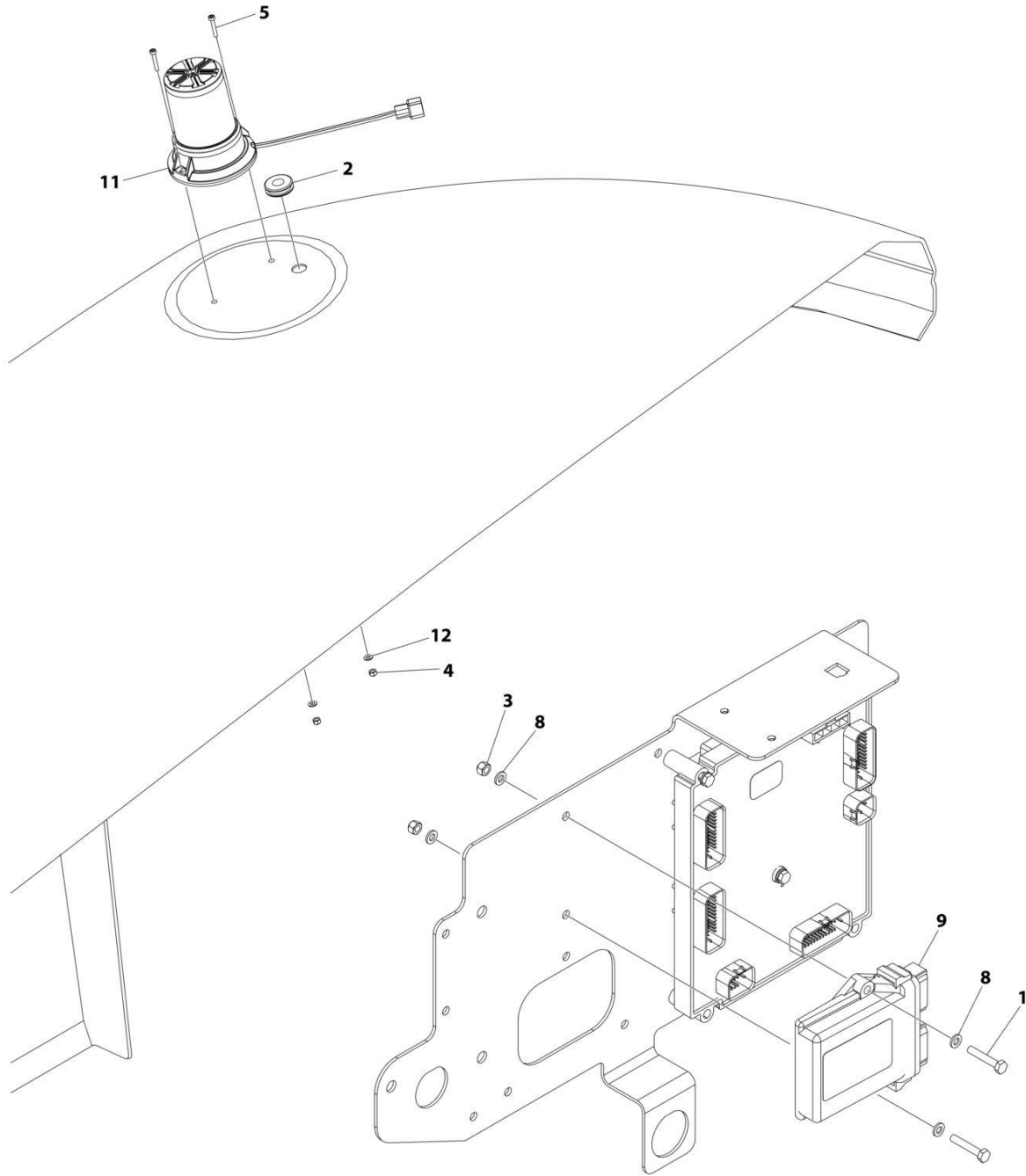
SECTION 2 - TURNTABLE

FIGURE 2-36. STROBE LIGHT INSTALLATION (AMBER)

ITEM	PART NUMBER	QTY	DESCRIPTION	REV
	1001172816	Ref	BEACON LIGHT INSTALLATION - AMBER	E
2	1001270594	1	Light, Strobe (Amber)	
2	4460891	1	Connector	
2	4460465	2	Socket	
3	3290405	2	Nut M4	
4	4240032	AR	Tie-Strap	
5	4460234	2	Mount, Tie-Strap	
6	4811400	2	Washer M4	
7	0100048	AR	Grease, Terminal	
8	4031509	2	Capscrew M4 x 25	
9	1001283776	1	Beacon Harness (See Separate Breakdown in ELECTRICAL Section)	
10	2540020	1	Grommet	

SECTION 2 - TURNTABLE

FIGURE 2-37. STROBE LIGHT INSTALLATION (BLUE)



ART_1001242851_B

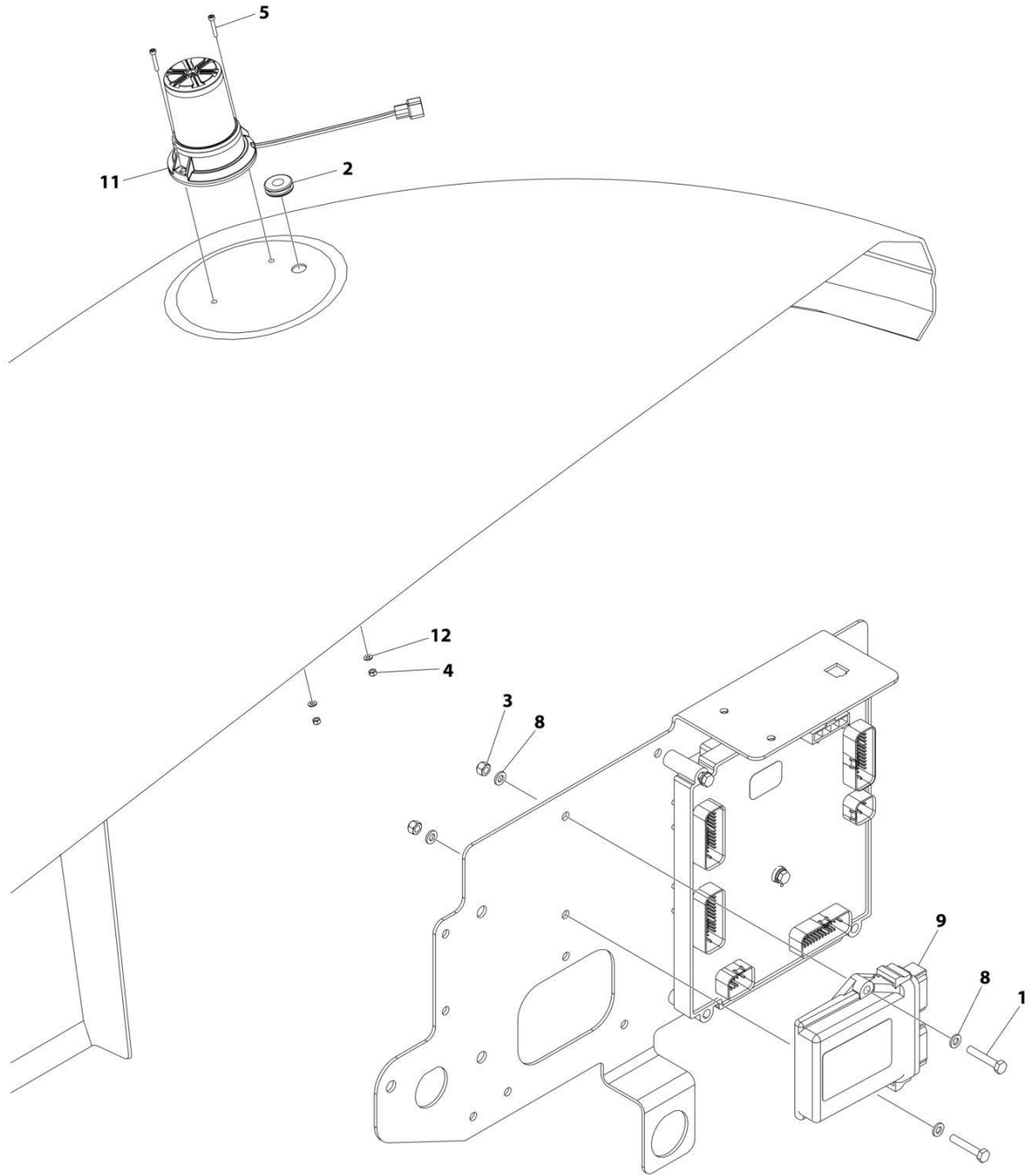
SECTION 2 - TURNTABLE

FIGURE 2-37. STROBE LIGHT INSTALLATION (BLUE)

ITEM	PART NUMBER	QTY	DESCRIPTION	REV
	1001242851	Ref	BEACON LIGHT INSTALLATION - BLUE	B
1	0760615	2	Bolt M6 x 35	
2	2540020	1	Grommet, Insulation	
3	3290605	2	Nut M6	
4	3290405	2	Nut M4	
5	4031509	2	Capscrew M4 x 25	
6	4240099	AR	Tie-Strap (Not Shown)	
8	4811700	4	Washer M6	
9	1001142683	1	Control Module (Note: Re-calibration Required when Replaced)	
10	1001142736	1	Beacon Harness (Not Shown - See Separate Breakdown in ELECTRICAL Section)	
11	1001272681	1	Light, Beacon	
11	4460897	1	Receptacle, Female - 2 Position	
11	4460464	2	Pin, Male	
12	4811400	2	Washer M4	

SECTION 2 - TURNTABLE

FIGURE 2-38. STROBE LIGHT INSTALLATION (RED)



ART_1001242852_B

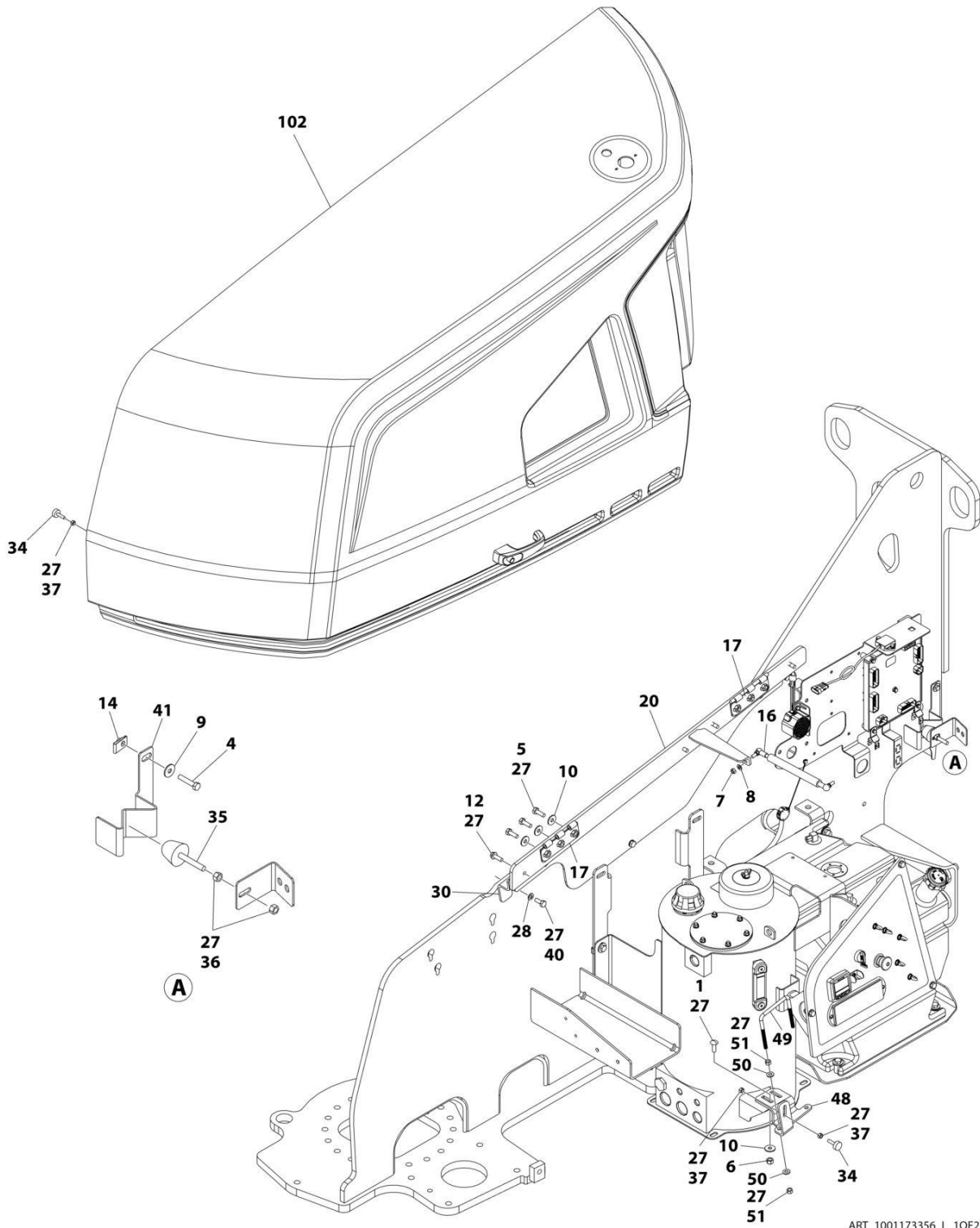
SECTION 2 - TURNTABLE

FIGURE 2-38. STROBE LIGHT INSTALLATION (RED)

ITEM	PART NUMBER	QTY	DESCRIPTION	REV
	1001242852	Ref	BEACON LIGHT INSTALLATION - RED	B
1	0760615	2	Bolt M6 x 35	
2	2540020	1	Grommet, Insulation	
3	3290605	2	Nut M6	
4	3290405	2	Nut M4	
5	4031509	2	Capscrew M4 x 25	
6	4240099	AR	Tie-Strap (Not Shown)	
8	4811700	4	Washer M6	
9	1001142683	1	Control Module (Note: Re-calibration Required when Replaced)	
10	1001142736	1	Beacon Harness (Not Shown - See Separate Breakdown in ELECTRICAL Section)	
11	1001272682	1	Light, Beacon	
11	4460897	1	Receptacle, Female - 2 Position	
11	4460464	2	Pin, Male	
12	4811400	2	Washer M4	

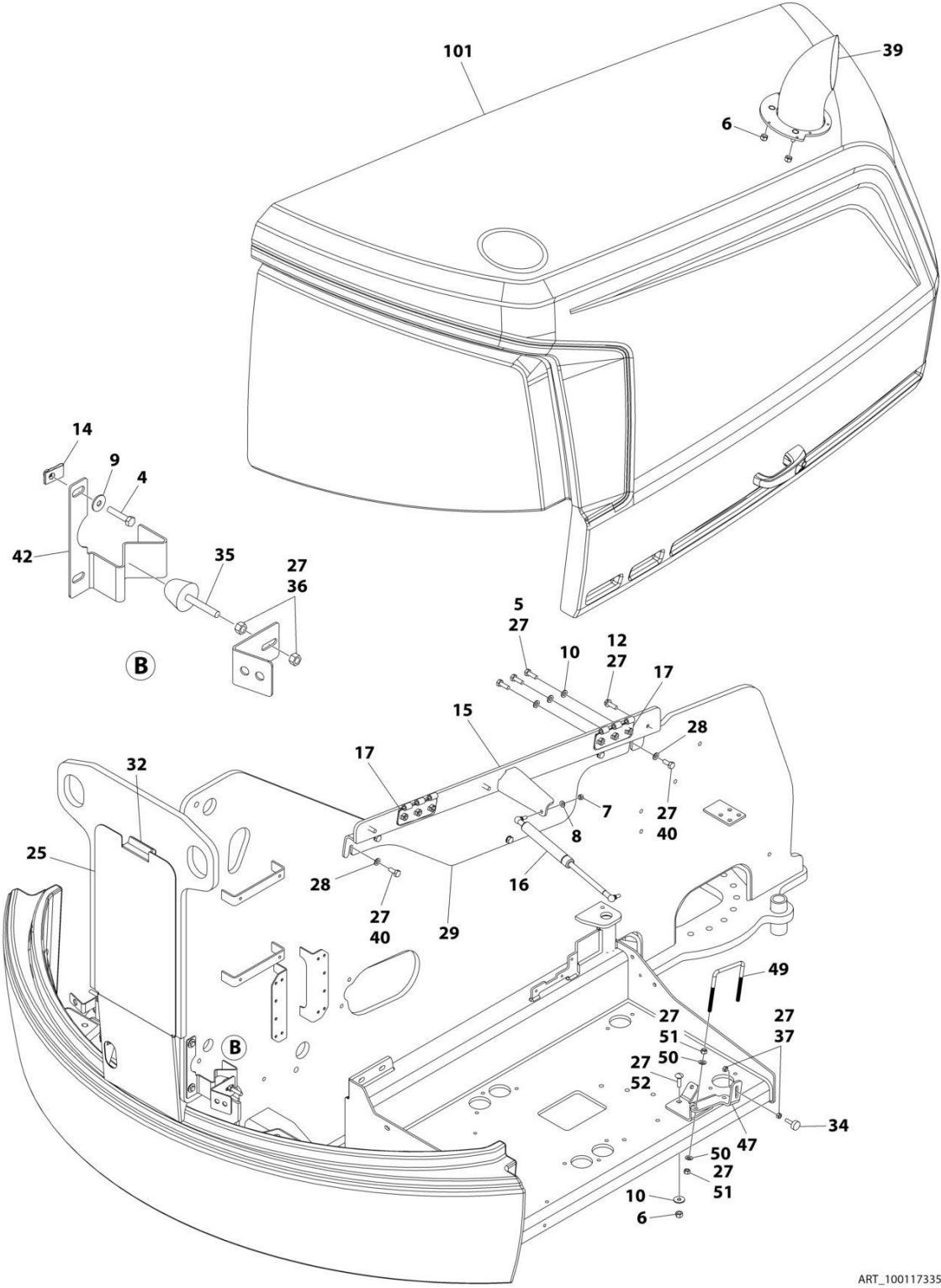
SECTION 2 - TURNTABLE

FIGURE 2-39. HOODS INSTALLATION - ABS (DEUTZ ENGINES)



ART_1001173356_L_10F2

SECTION 2 - TURNTABLE



ART_1001173356_L_20F2

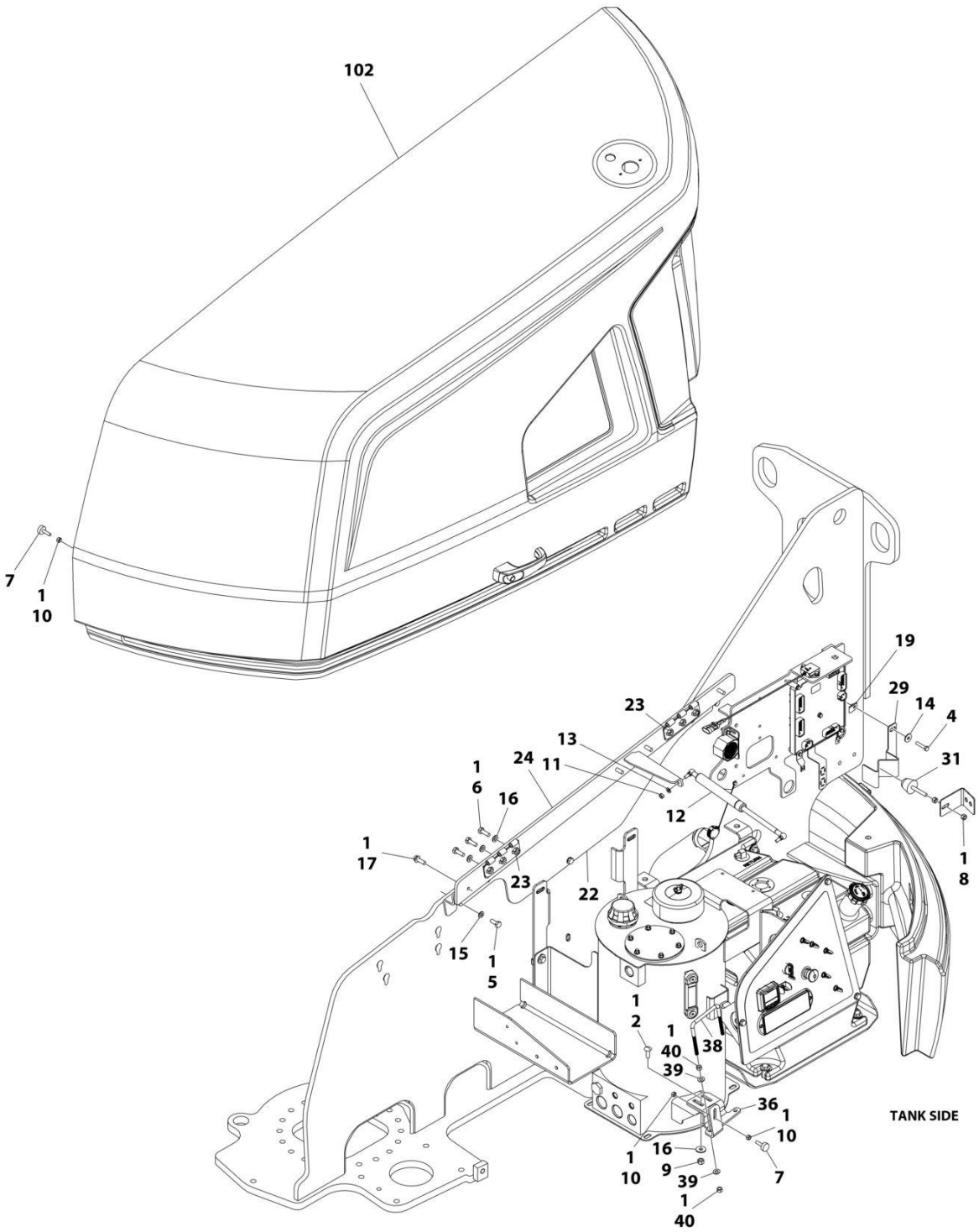
SECTION 2 - TURNTABLE

FIGURE 2-39. HOODS INSTALLATION - ABS (DEUTZ ENGINES)

ITEM	PART NUMBER	QTY	DESCRIPTION	REV
	1001173356	Ref	HOOD INSTALLATION	L
1	0630613	2	Bolt M10 x 30	
4	0760816	4	Bolt M8 x 40	
5	0761014	12	Bolt M10 x 30	
6	3291005	7	Nut M10	
7	3311505	2	Nut 5/16	
8	4711500	2	Washer 5/16	
9	4811902	4	Washer M8	
10	4812002	16	Washer M10	
12	5251014	8	Bolt M10 x 30	
14	1001149160	4	Nut, Tinnerman M8	
15	1001167159	1	Mount, Adjustment	
16	4160182	2	Spring, Gas	
17	1001169046	4	Nut	
20	1001170850	1	Mount, Adjustment	
25	1001173354	1	Cover	
27	0100011	AR	Compound, Locking	
28	4812000	10	Washer M10	
29	1001165060	1	Plate	
30	1001168173	1	Mount, Hinge	
32	90200755	3.35 in/ 8.5cm	Tape, Gasket	
34	0940049	4	Stopper	
35	1001206314	2	Bumper	
36	3271601	4	Nut 3/8	
37	3311501	8	Nut 5/16	
39	1001174098	1	Outlet, Exhaust	
40	0761012	10	Bolt M10 x 25	
41	1001199207	1	Bracket, Bumper	
42	1001199901	1	Bracket, Bumper	
47	1001250287	1	Bracket, Engine	
48	1001250289	1	Bracket, Tank	
49	1001243414	2	Bolt, U-Bolt	
50	4711600	8	Washer 3/8	
51	3311601	8	Nut 3/8	
52	1001228406	2	Bolt M10 x 35	
100	1001285518	1	Hood Kit (Not Shown) (Includes Items 101-102)	
101	1001170551	1	Hood Assembly - Engine Side (See Separate Breakdown in this Section)	
102	1001285517	1	Hood Assembly - Tank Side (See Separate Breakdown in this Section)	

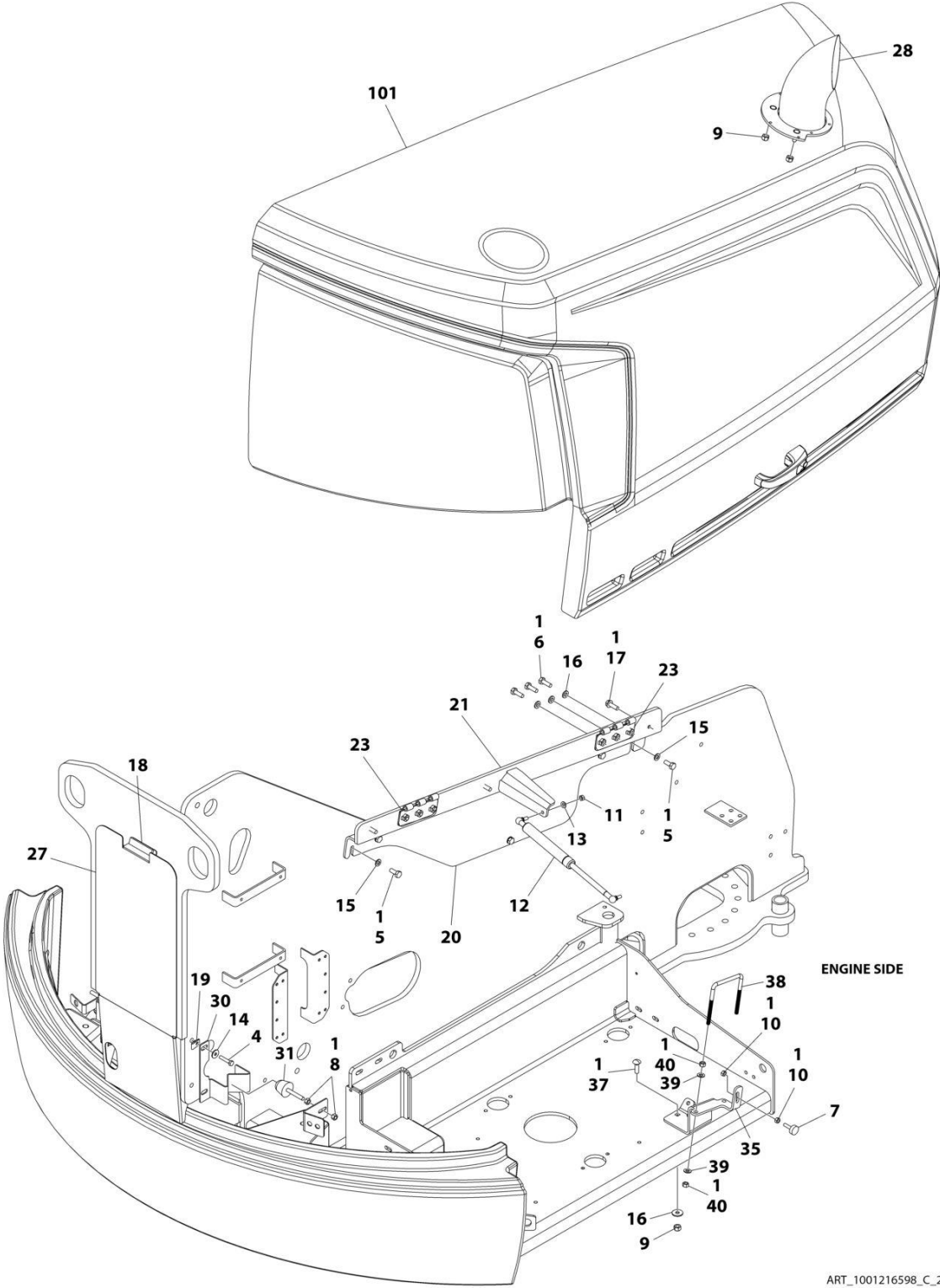
SECTION 2 - TURNTABLE

FIGURE 2-40. HOODS INSTALLATION - ABS (KUBOTA ENGINES)



ART_1001216598_C_10F2

SECTION 2 - TURNTABLE



ART_1001216598_C_2OF2

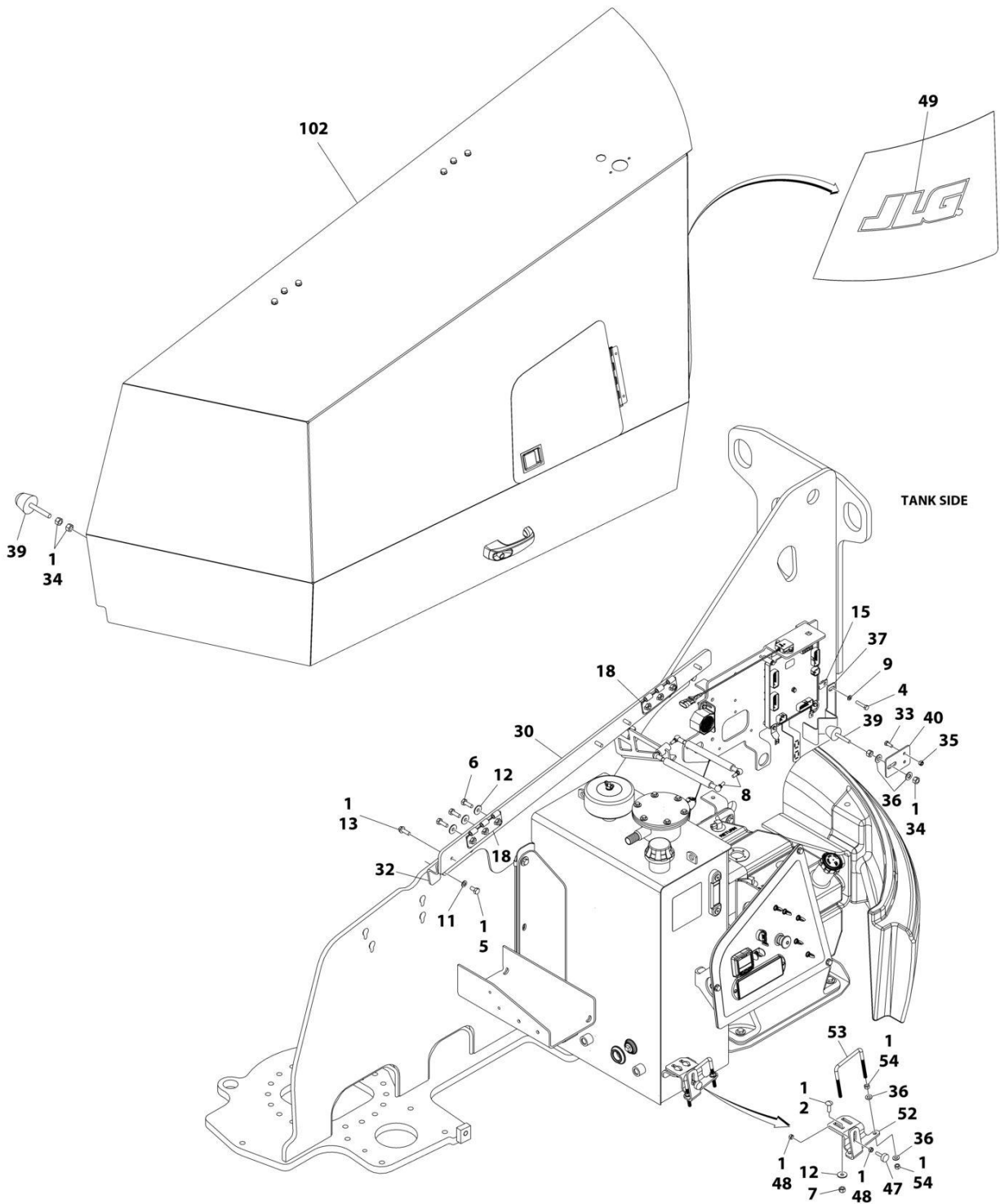
SECTION 2 - TURNTABLE

FIGURE 2-40. HOODS INSTALLATION - ABS (KUBOTA ENGINES)

ITEM	PART NUMBER	QTY	DESCRIPTION	REV
	1001216598	Ref	KUBOTA HOOD INSTALLATION	C
1	0100011	AR	Compound, Locking	
2	0630613	2	Bolt M10 x 30	
4	0760816	4	Bolt M8 x 40	
5	0761012	10	Bolt M10 x 25	
6	0761014	12	Bolt M10 x 30	
7	0940049	4	Stopper	
8	3271601	4	Nut 3/8	
9	3291005	7	Nut M10	
10	3311501	8	Nut 5/16	
11	3311505	2	Nut 5/16	
12	4160182	2	Spring, Gas	
13	4711500	2	Washer 5/16	
14	4811902	4	Washer M8	
15	4812000	10	Washer M10	
16	4812002	16	Washer M10	
17	5251014	8	Bolt M10 x 30	
18	90200755	3.35 in/ 8.5cm	Tape, Gasket	
19	1001149160	4	Nut, Tinnerman M8	
20	1001165060	1	Plate	
21	1001167159	1	Mount, Adjustment	
22	1001168173	1	Mount, Hinge	
23	1001169046	4	Nut	
24	1001170850	1	Mount, Adjustment	
27	1001173354	1	Cover	
28	1001174098	1	Outlet, Exhaust	
29	1001199207	1	Bracket, Bumper	
30	1001199901	1	Bracket, Bumper	
31	1001206314	2	Bumper	
35	1001250288	1	Bracket, Engine	
36	1001250289	1	Bracket, Tank	
37	1001228406	2	Bolt, Carriage	
38	1001243414	2	Bolt, U-bolt	
39	4711600	8	Washer 3/8	
40	3311601	8	Nut 3/8	
100	1001285518	1	Hood Kit (Not Shown - Includes Items 101 & 102)	
101	1001170551	1	Hood Assembly - Engine Side (See Separate Breakdown in this Section)	
102	1001285517	1	Hood Assembly - Tank Side (See Separate Breakdown in this Section)	

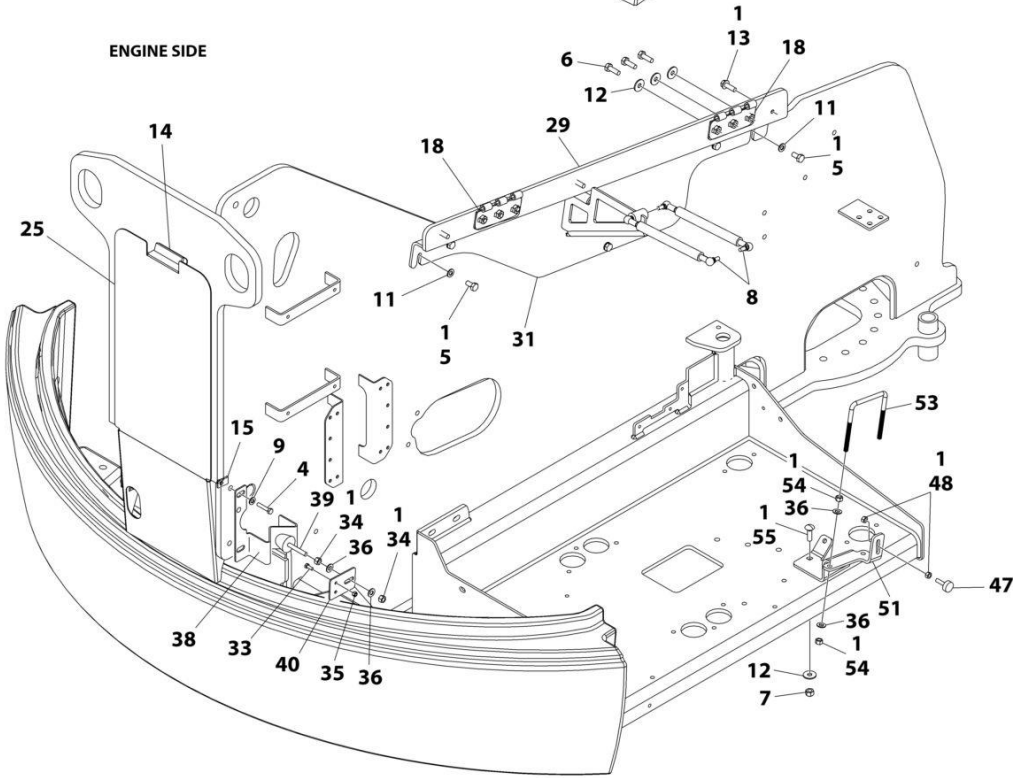
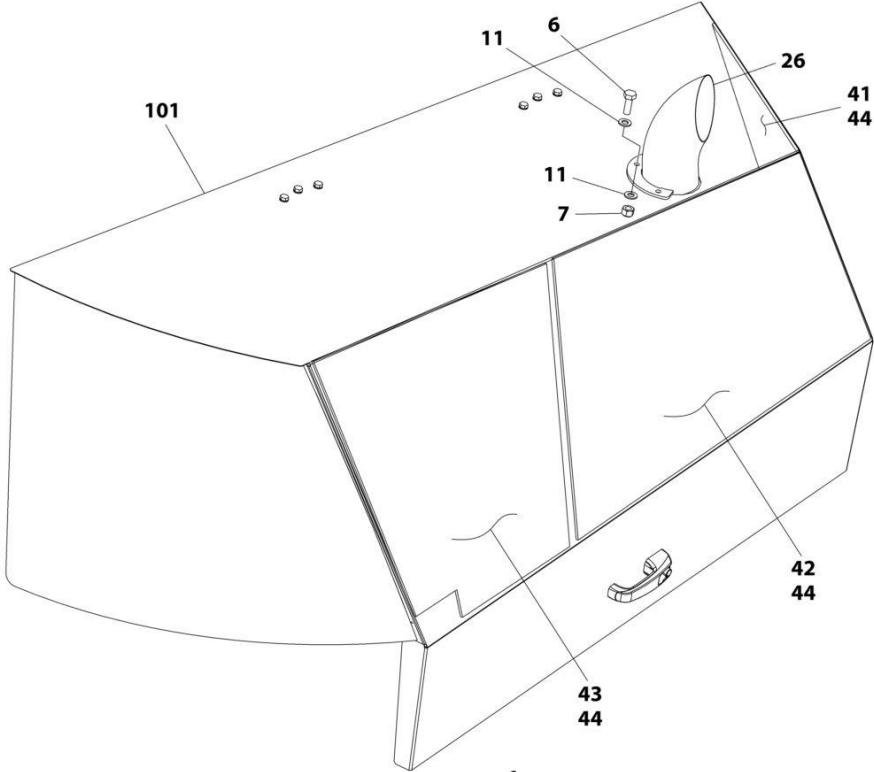
SECTION 2 - TURNTABLE

FIGURE 2-41. HOODS INSTALLATION - STEEL



ART_1001206402_L_10F2

SECTION 2 - TURNTABLE



ART_1001206402_L_20F2

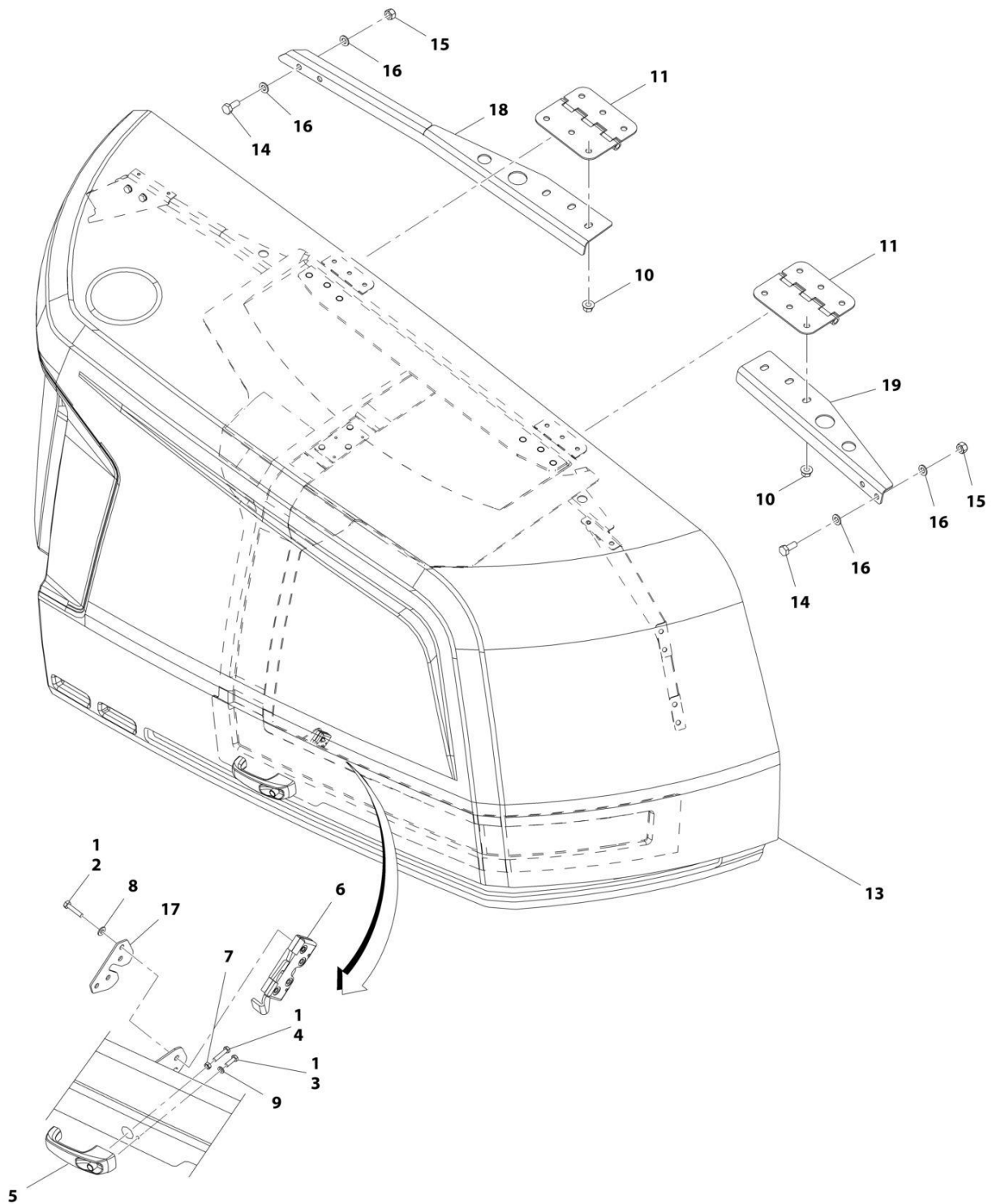
SECTION 2 - TURNTABLE

FIGURE 2-41. HOODS INSTALLATION - STEEL

ITEM	PART NUMBER	QTY	DESCRIPTION	REV
	1001206402	Ref	STEEL HOOD INSTALLATION	I
1	0100011	AR	Compound, Locking	
2	0630613	2	Bolt M10 x 30	
4	0760816	4	Bolt M8 x 40	
5	0761012	10	Bolt M10 x 25	
6	0761014	15	Bolt M10 x 30	
7	3291005	7	Nut M10	
8	1001167918	4	Spring, Gas	
9	4811900	4	Washer M8	
11	4812000	16	Washer M10	
12	4812002	16	Washer M10	
13	5251012	8	Bolt M10 x 25	
14	90200755	85 mm	Tape, Gasket	
15	1001149160	4	Nut, Tinnerman M8	
18	1001169046	4	Nut	
25	1001173354	1	Cover	
26	1001174098	1	Outlet, Exhaust	
29	1001211633	1	Plate	
30	1001211636	1	Plate	
31	1001212819	1	Mount, Hinge	
32	1001212822	1	Mount, Hinge	
33	0760608	4	Bolt M6 x 16	
34	3271601	8	Nut 3/8	
35	3290605	4	Nut M6	
36	4711600	12	Washer 3/8	
37	1001199207	1	Bracket, Bumper	
38	1001199901	1	Bracket, Bumper	
39	1001206314	4	Bumper	
40	1001219134	2	Plate, Bumper Mount	
41	1001222043	1	Insulate, Heat Shield	
42	1001222044	1	Insulate, Heat Shield	
43	1001223387	1	Insulate, Heat Shield	
44	1001117140	AR	Tape	
47	0940049	2	Stopper	
48	3311501	4	Nut	
49	1001159323	1	Decal - JLG	
50	1001113047	AR	Adhesive (Not Shown)	
51	1001250287	1	Bracket, Engine	
52	1001250289	1	Bracket, Tank	
53	1001243414	2	Bolt, U-Bolt	
54	3311601	8	Nut 3/8	
55	1001228406	2	Bolt, Carriage	
100	1001285143	1	Hood Kit (Not Shown - Includes Items 101 & 102)	
101	1001206404	1	Steel Hood Assembly - Engine Side (See Separate Breakdown in this Section)	
102	1001285142	1	Steel Hood Assembly - Tank Side (See Separate Breakdown in this Section)	

SECTION 2 - TURNTABLE

FIGURE 2-42. HOOD ASSEMBLY - ENGINE SIDE (ABS)



ART_1001170551

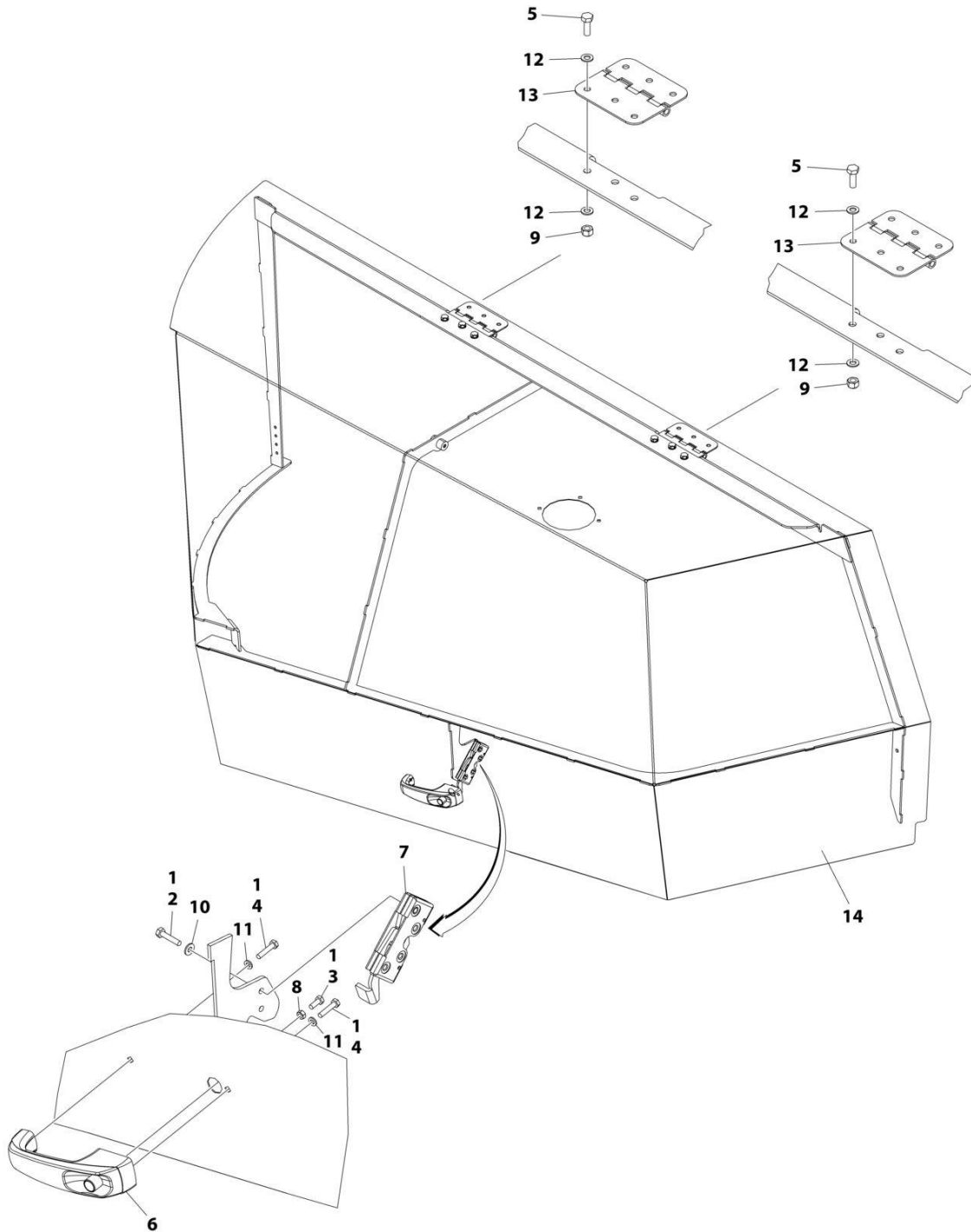
SECTION 2 - TURNTABLE

FIGURE 2-42. HOOD ASSEMBLY - ENGINE SIDE (ABS)

ITEM	PART NUMBER	QTY	DESCRIPTION	REV
	1001170551	Ref	HOOD ASSEMBLY - ENGINE SIDE	F
1	0100011	AR	Compound, Locking	
2	0641410	4	Bolt 1/4 x 1-1/4	
3	0760610	2	Bolt M6 x 20	
4	0760614	1	Bolt M6 x 30	
5	2560187	1	Handle, Push Button	
6	2940173	1	Latch, Rotary	
7	3290601	1	Nut M6	
8	4711400	4	Washer 1/4	
9	4811700	2	Washer M6	
10	5261018	6	Nut M10 Grade 10.9	
11	1001139384	2	Hinge	
13	See Note	NSS	Hood - Engine Side (Note: Purchase pn 1001170551)	
14	0761012	4	Bolt M10 x 25	
15	3291005	4	Nut M10	
16	4812000	8	Washer M10	
17	1001200458	1	Plate	
18	1001201636	1	Hood Support	
19	1001201635	1	Hood Support	

SECTION 2 - TURNTABLE

FIGURE 2-43. HOOD ASSEMBLY - ENGINE SIDE (STEEL)



ART_1001206404

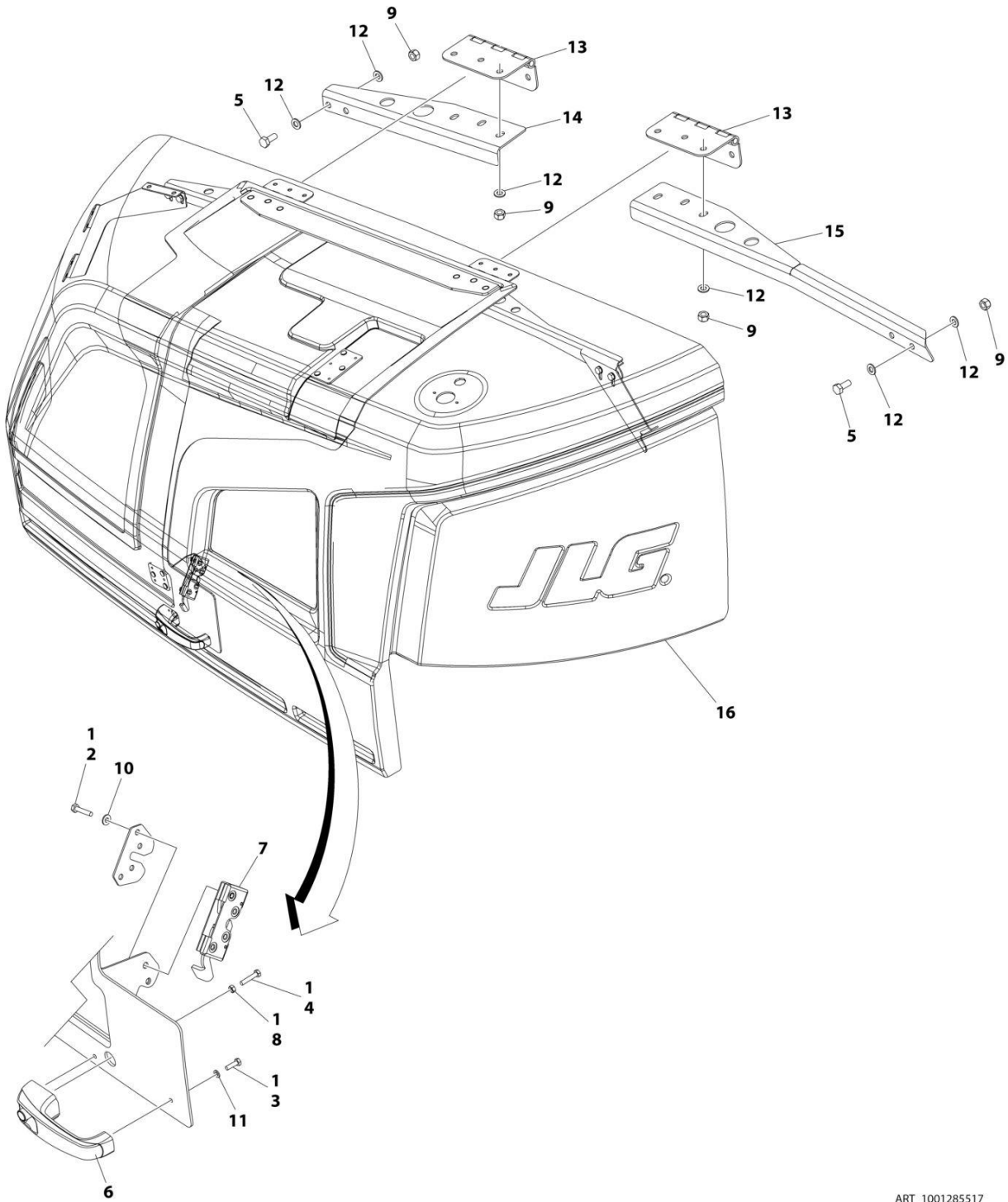
SECTION 2 - TURNTABLE

FIGURE 2-43. HOOD ASSEMBLY - ENGINE SIDE (STEEL)

ITEM	PART NUMBER	QTY	DESCRIPTION	REV
	1001206404	Ref	STEEL HOOD ASSEMBLY - ENGINE SIDE	E
1	0100011	AR	Compound, Locking	
2	0641410	4	Bolt 1/4 x 1-1/4	
3	0760608	1	Bolt M6 x 16	
4	0760614	2	Bolt M6 x 30	
5	0761014	6	Bolt M10 x 30	
6	2560187	1	Handle, Push Button	
7	2940173	1	Latch, Rotary	
8	3290601	1	Nut M6	
9	3291005	6	Nut M10	
10	4711400	4	Washer 1/4	
11	4811700	2	Washer M6	
12	4812000	12	Washer M10	
13	1001139384	2	Hinge	
14	1001206405	1	Hood, Engine Side	

SECTION 2 - TURNTABLE

FIGURE 2-44. ABS HOOD ASSEMBLY - TANK SIDE



ART_1001285517

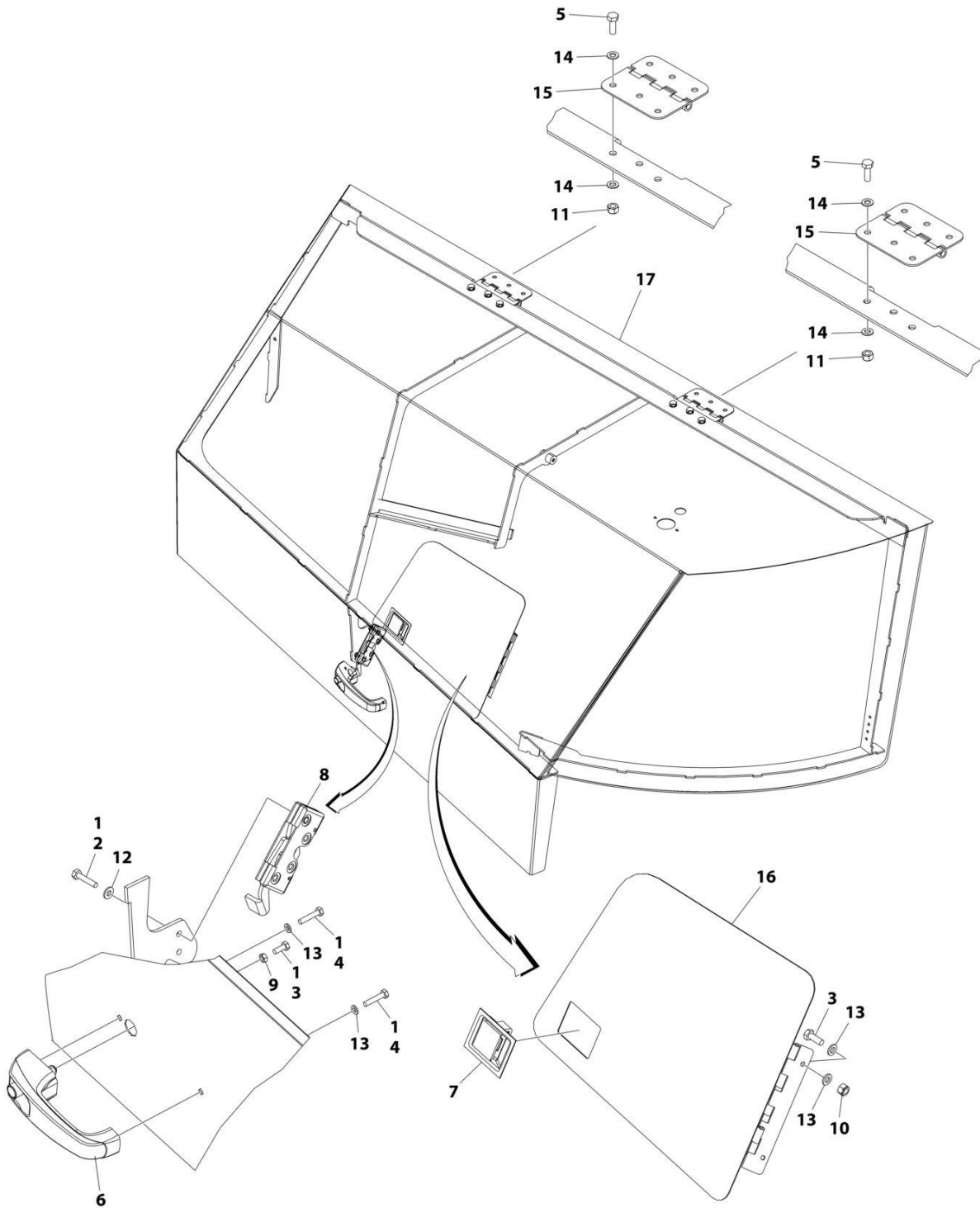
SECTION 2 - TURNTABLE

FIGURE 2-44. ABS HOOD ASSEMBLY - TANK SIDE

ITEM	PART NUMBER	QTY	DESCRIPTION	REV
	1001285517	Ref	ABS HOOD ASSEMBLY - TANK SIDE	A
1	0100011	AR	Compound, Locking	
2	0641410	4	Bolt 1/4 x 1-1/4	
3	0760610	2	Bolt M6 x 20	
4	0760614	1	Bolt M6 x 30	
5	0761012	4	Bolt M10 x 25	
6	2560187	1	Handle, Push Button	
7	2940173	1	Latch, Rotary	
8	3290601	1	Nut M6	
9	3291005	10	Nut M10	
10	4711400	4	Washer 1/4	
11	4811700	2	Washer M6	
12	4812000	14	Washer M10	
13	1001139384	2	Hinge	
14	1001201633	1	Hood Support	
15	1001201634	1	Hood Support	
16	See Note	NSS	Hood (Note: Use PN 1001285517)	

SECTION 2 - TURNTABLE

FIGURE 2-45. STEEL HOOD ASSEMBLY - TANK SIDE



ART_1001285142

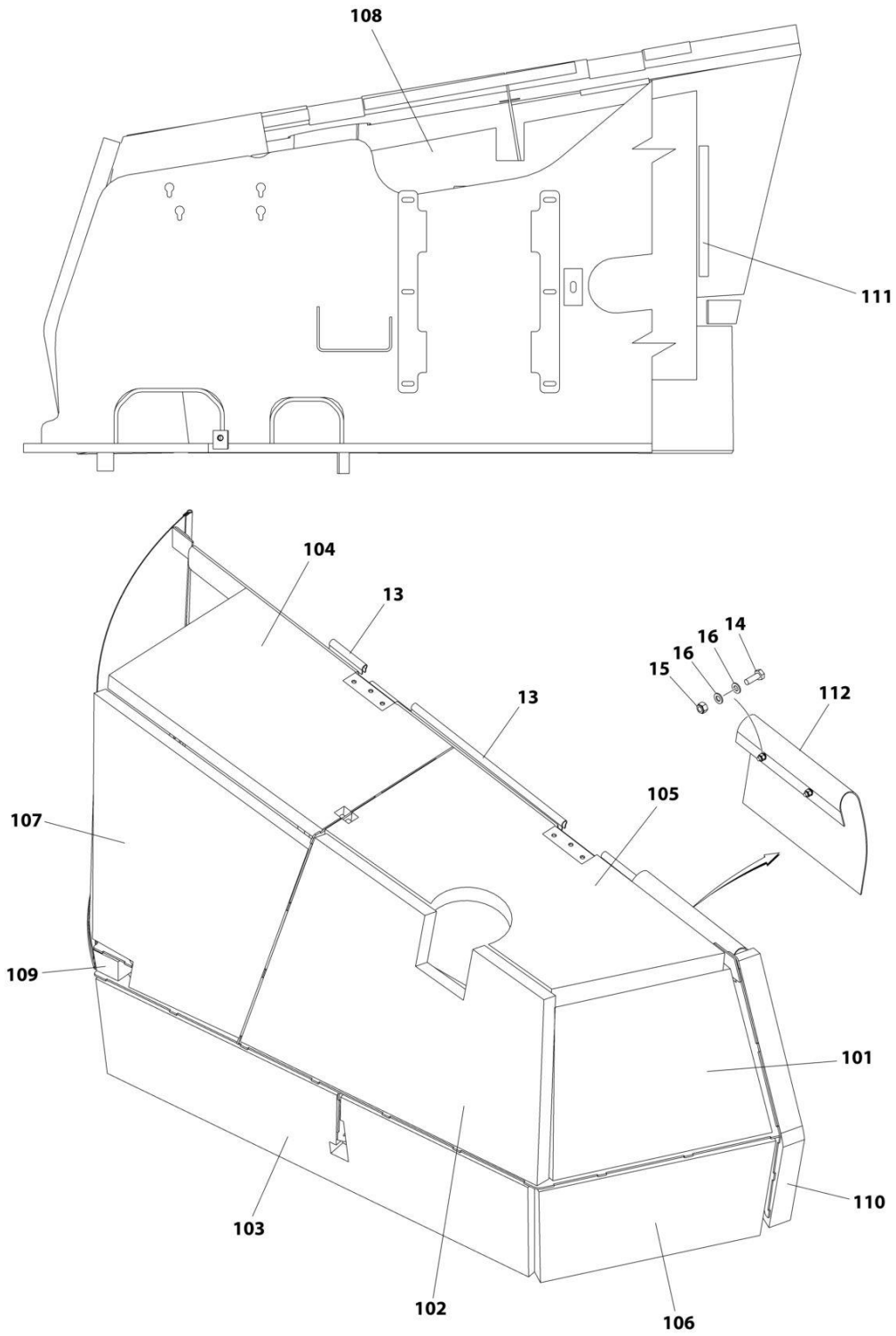
SECTION 2 - TURNTABLE

FIGURE 2-45. STEEL HOOD ASSEMBLY - TANK SIDE

ITEM	PART NUMBER	QTY	DESCRIPTION	REV
	1001285142	Ref	STEEL HOOD ASSEMBLY - TANK SIDE	B
1	0100011	AR	Compound, Locking	
2	0641410	4	Bolt 1/4 x 1-1/4	
3	0760608	3	Bolt M6 x 16	
4	0760614	2	Bolt M6 x 30	
5	0761014	6	Bolt M10 x 30	
6	2560187	1	Handle, Push Button	
7	2940045	1	Latch, Paddle	
8	2940173	1	Latch, Rotary	
9	3290601	1	Nut M6	
10	3290605	2	Nut M6	
11	3291005	6	Nut M10	
12	4711400	4	Washer 1/4	
13	4811700	6	Washer M6	
14	4812000	12	Washer M10	
15	1001139384	2	Hinge	
16	1001207726	1	Door, Ground Control Panel	
17	See Note	NSS	Hood (Note: Use PN 1001285142)	

SECTION 2 - TURNTABLE

FIGURE 2-46. SOUND REDUCTION INSTALLATION (STEEL HOODS)



ART_1001233048

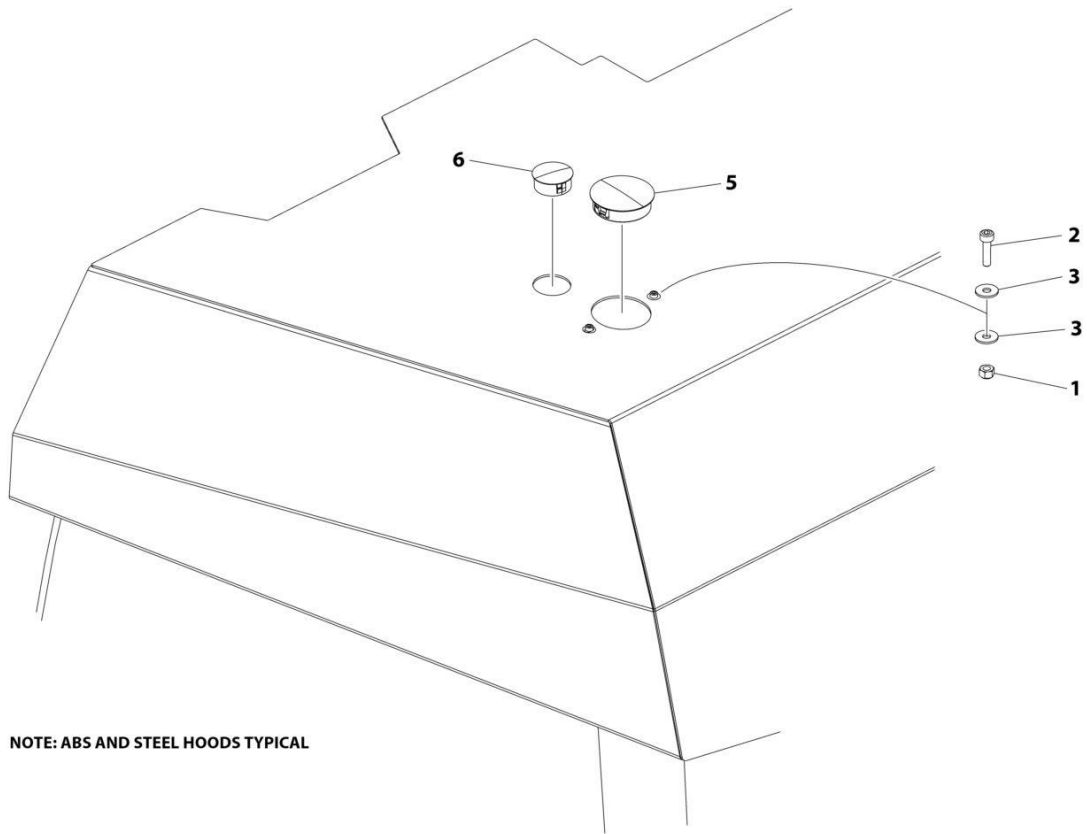
SECTION 2 - TURNTABLE

FIGURE 2-46. SOUND REDUCTION INSTALLATION (STEEL HOODS)

ITEM	PART NUMBER	QTY	DESCRIPTION	REV
	1001233048	Ref	SOUND REDUCTION INSTALLATION	C
13	3960389	11 ft/ 3.4m	Flex-Trim	
14	0761014	2	Bolt M10 x 30	
15	3291005	2	Nut M10	
16	4812000	4	Washer M10	
100	1001237549	Ref	Sound Insulation Kit (Includes Item 101-112)	
101	1001232907	1	Shield, Sound	
102	1001232908	1	Shield, Sound	
103	1001232913	1	Shield, Sound	
104	1001232915	1	Shield, Sound	
105	1001232916	1	Shield, Sound	
106	1001232917	1	Shield, Sound	
107	1001233075	1	Shield, Sound	
108	1001233076	1	Shield, Sound	
109	1001233077	1	Shield, Sound	
110	1001233412	1	Shield, Sound	
111	1001233413	2	Shield, Sound	
112	1001233436	1	Baffle Rubber	

SECTION 2 - TURNTABLE

FIGURE 2-47. HOOD PLUGS INSTALLATION (HOODS WITHOUT STROBE LIGHT)



NOTE: ABS AND STEEL HOODS TYPICAL

ART_1001285811

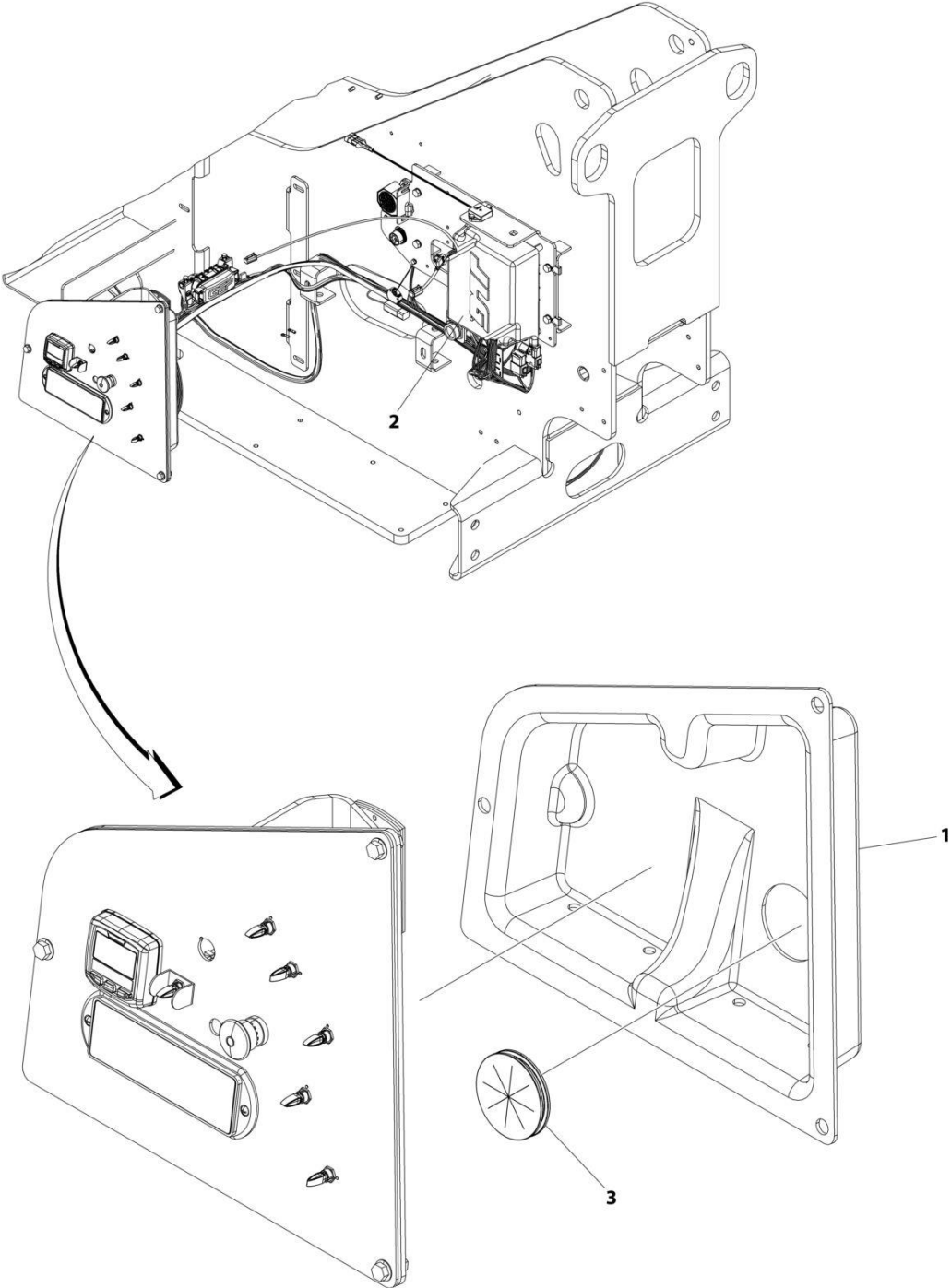
SECTION 2 - TURNTABLE

FIGURE 2-47. HOOD PLUGS INSTALLATION (HOODS WITHOUT STROBE LIGHT)

ITEM	PART NUMBER	QTY	DESCRIPTION	REV
	1001285811	Ref	HOOD PLUGS INSTALLATION	A
1	3290405	2	Nut M4	
2	4031507	2	Capscrew M4 x 16	
3	1001091102	4	Washer M6	
4	1001244462	1	Cap, Dust (Not Shown)	
5	1001285891	1	Plug	
6	1001285892	1	Plug	

SECTION 2 - TURNTABLE

FIGURE 2-48. TURNTABLE COVERS INSTALLATION



ART_1001219130

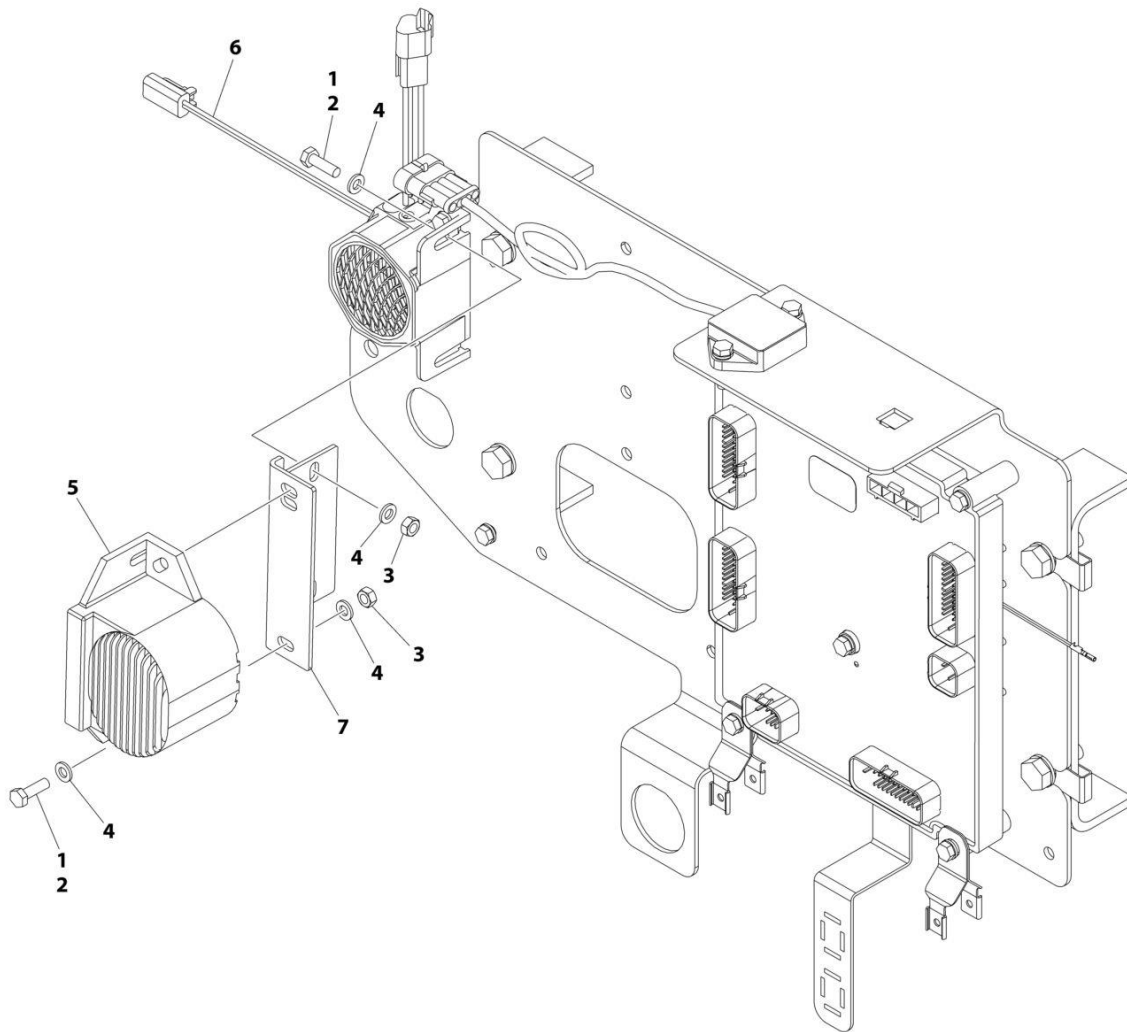
SECTION 2 - TURNTABLE

FIGURE 2-48. TURNTABLE COVERS INSTALLATION

ITEM	PART NUMBER	QTY	DESCRIPTION	REV
	1001219130	Ref	TURNTABLE COVERS INSTALLATION	C
1	1001246087	1	Cover, Control Panel	
2	1001218538	1	Cover, Controller	
3	1001218676	1	Grommet	

SECTION 2 - TURNTABLE

FIGURE 2-49. WHITE NOISE (AMBIENT) ALARM INSTALLATION



ART_1001209618

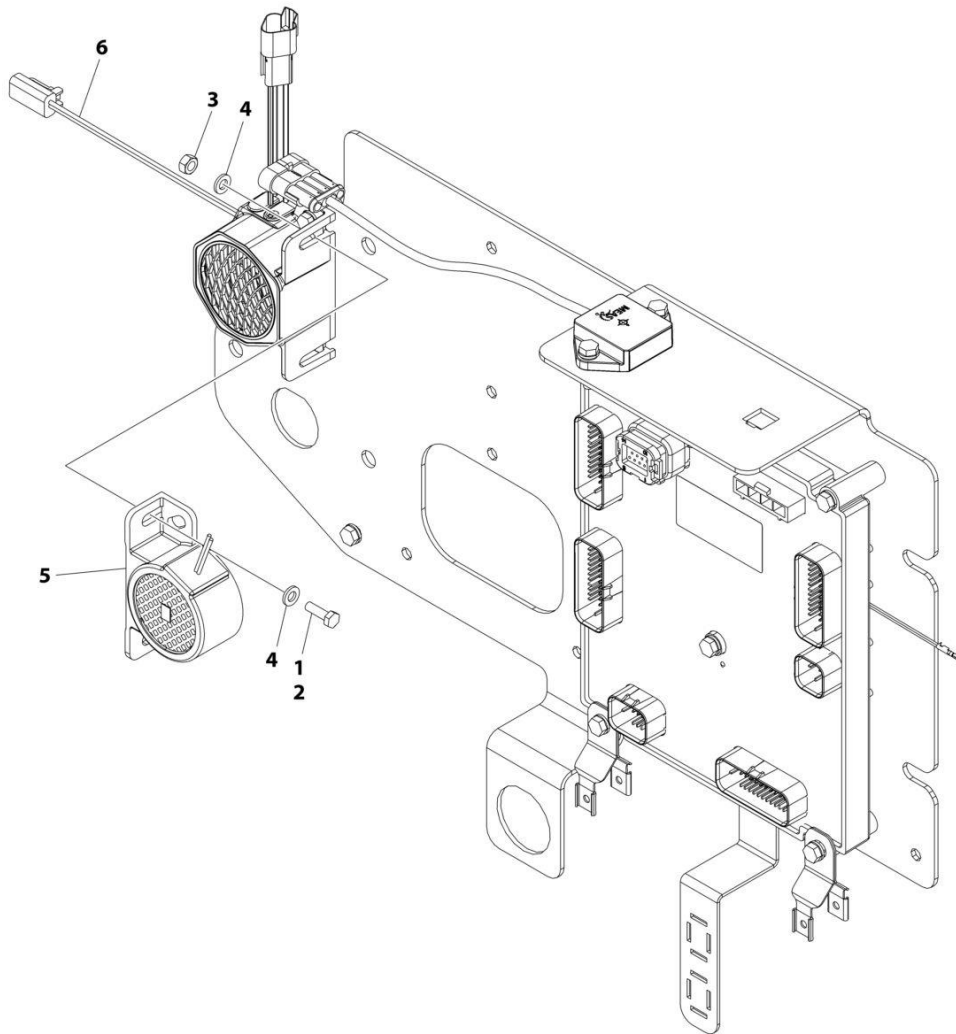
SECTION 2 - TURNTABLE

FIGURE 2-49. WHITE NOISE (AMBIENT) ALARM INSTALLATION

ITEM	PART NUMBER	QTY	DESCRIPTION	REV
	1001209618	Ref	WHITE NOISE ALARM INSTALLATION	C
1	0100011	AR	Compound, Locking	
2	0760610	4	Bolt M6 x 20	
3	3290601	4	Nut M6	
4	4811700	8	Washer M6	
5	1001182806	1	Alarm	
6	1001190663	1	Harness, Jumper	
6	4460891	1	Connector - 2 Position	
6	4460465	2	Socket, Female	
6	4460871	2	Socket, Female	
7	1001231886	1	Plate	

SECTION 2 - TURNTABLE

FIGURE 2-50. WHITE NOISE (CONSTANT) ALARM INSTALLATION



ART_1001263176

SECTION 2 - TURNTABLE

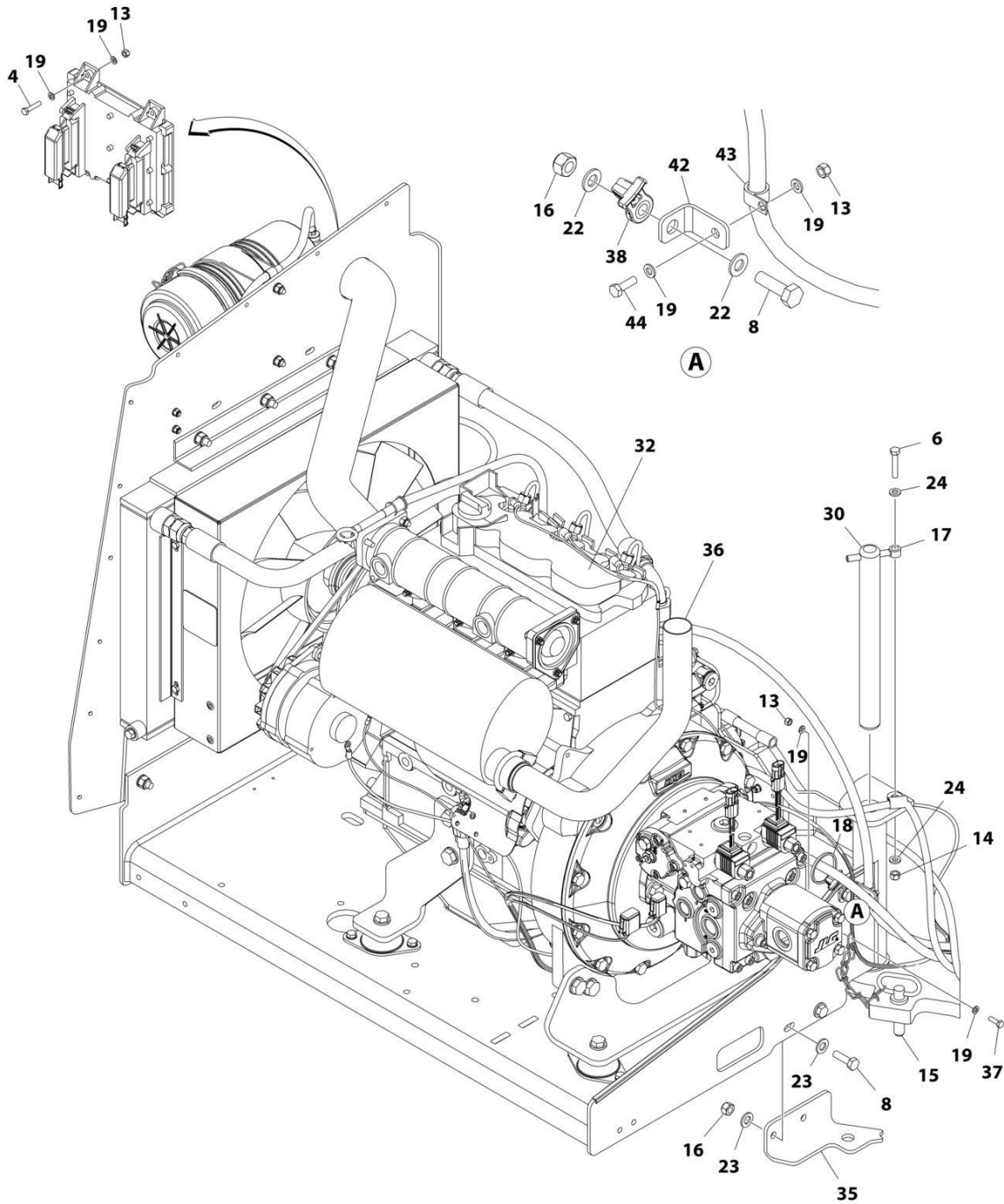
FIGURE 2-50. WHITE NOISE (CONSTANT) ALARM INSTALLATION

ITEM	PART NUMBER	QTY	DESCRIPTION	REV
	1001263176	Ref	WHITE NOISE ALARM INSTALLATION	A
1	0100011	AR	Compound, Locking	
2	0760610	2	Bolt M6 x 20	
3	3290601	2	Nut M6	
4	4811700	4	Washer M6	
5	1001184682	1	Alarm	
6	1001190663	1	Harness, Jumper	
6	4460891	2	Connector - 2 Position	
6	4460465	2	Socket, Female	
6	4460871	1	Socket, Female	

SECTION 3 - ENGINE

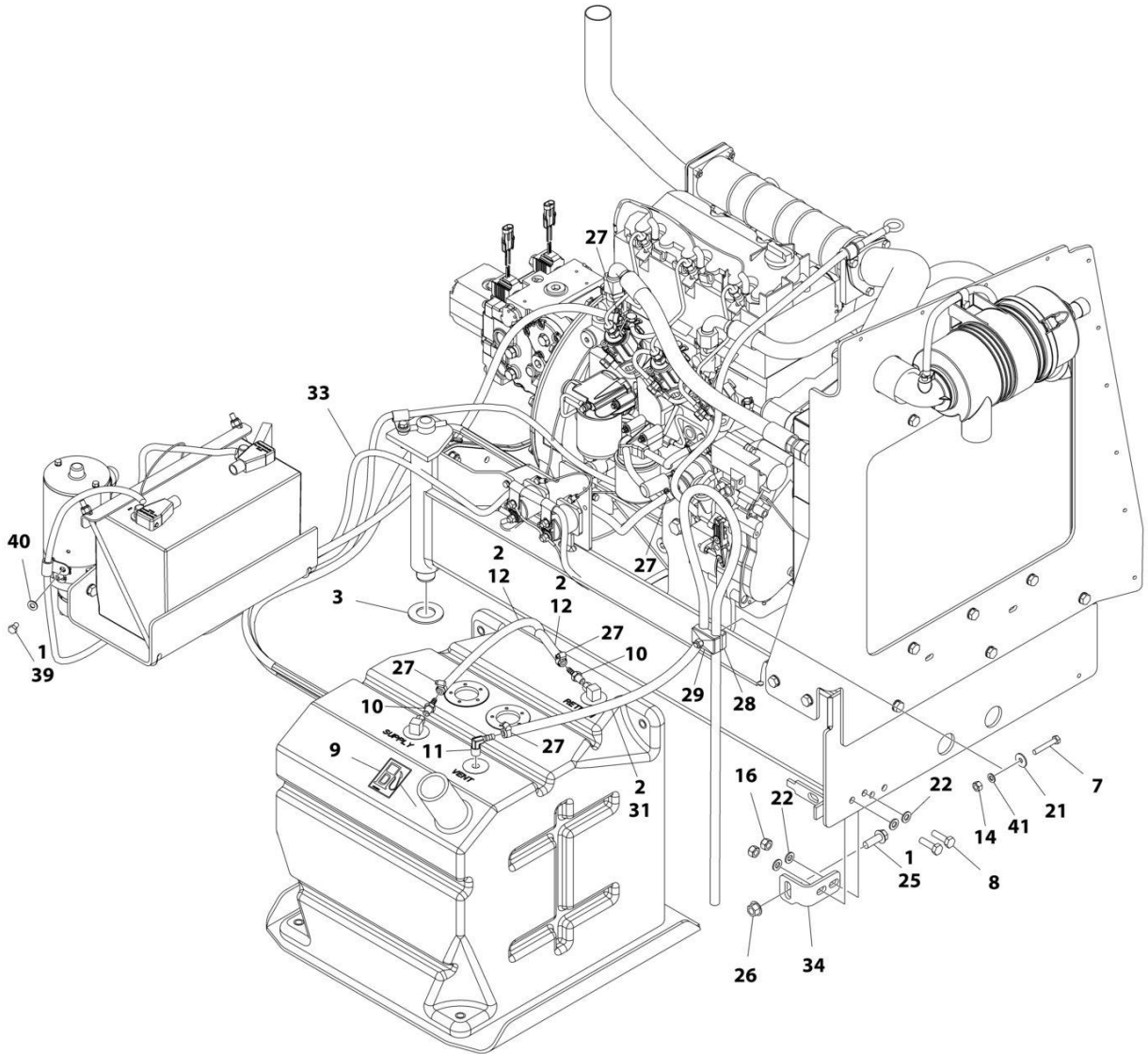
SECTION 3 - ENGINE

FIGURE 3-1. DEUTZ D2011 ENGINE INSTALLATION (WITHOUT ARCTIC PACKAGE)



ART_1001166022_I_10F2

SECTION 3 - ENGINE



ART_1001166022_I_20F2

SECTION 3 - ENGINE

FIGURE 3-1. DEUTZ D2011 ENGINE INSTALLATION (WITHOUT ARCTIC PACKAGE)

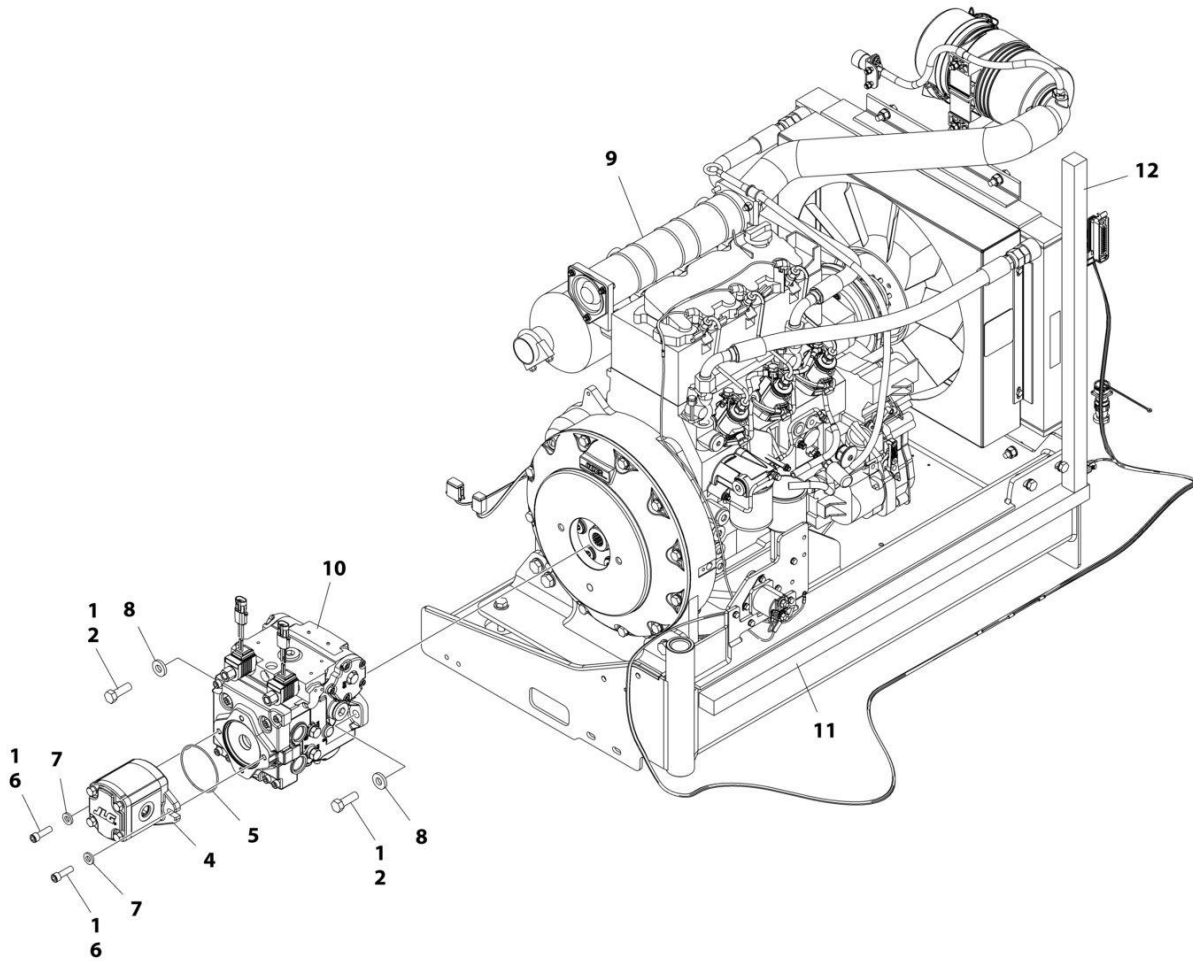
ITEM	PART NUMBER	QTY	DESCRIPTION	REV
	1001166022	Ref	ENGINE INSTALLATION - DEUTZ D2011 ENGINE (WITHOUT ARCTIC PACKAGE)	I
1	0100011	AR	Compound, Locking	
2	0100020	AR	Sealant, Pipe	
3	0440162	1	Bearing	
4	0700614	4	Bolt M6 x 30	
6	0700817	1	Bolt M8 x 45	
7	0700821	1	Bolt M8 x 65	
8	0761015	5	Bolt M10 x 35	
9	1701505	1	Decal - Diesel Fuel	
10	2180348	2	Fitting, Barbed	
11	2220313	1	Fitting, Barbed 90	
12	2720058	17 ft / 5.18m	Hose	
13	3290605	6	Nut M6	
14	3290805	2	Nut M8	
15	3422532	1	Pin	
16	3291005	5	Nut M10	
17	3841143	1	Pin	
18	4240099	AR	Tie-Strap	
19	4811700	12	Washer M6	
21	4811902	1	Washer M8	
22	4812000	6	Washer M10	
23	4812100	4	Washer M12	
24	5240800	2	Washer M8	
25	5251215	1	Bolt M12 x 35	
26	5261200	1	Nut, M12 Class10	
27	8405009	5	Clamp	
28	1320187	1	Clamp	
29	1320190	1	Clamp	
30	1001135196	1	Pin	
31	2750532	6 ft/ 1.83m	Hose	
32	1001166021	1	Engine and Pump Sub-Assembly - Deutz D2011 (See Separate Breakdown in this Section)	
33	1001167038	1	Battery Cable Kit	F
33	70009004	1	Cable, Battery (Black) (Battery Negative, Auxiliary Power Pump, Turntable Ground to Engine Ground)	
33	70009005	1	Cable, Battery (Red) (Battery Positive, Auxiliary Power Relay, Starter Relay to Starter)	
33	70009002	1	Cable, Battery (Red) (Auxiliary Power Relay to Auxiliary Power Pump)	
34	1001167512	1	Bracket, Engine	
35	1001169823	1	Plate, Engine Lock	
36	1001172195	1	Pipe, Exhaust	
37	0760610	1	Bolt M6 x 20	
38	1001156107	1	Holder, Cable	
39	0641504	1	Bolt 5/16 x 1/2	
40	4711500	1	Washer 5/16	
41	4811900	AR	Washer M8	
42	1001148641	1	Bracket, Clamp Mounting	

SECTION 3 - ENGINE

ITEM	PART NUMBER	QTY	DESCRIPTION	REV
43	1320224	1	Clamp, Cable	
44	0700610	1	Bolt M6 x 20	

SECTION 3 - ENGINE

FIGURE 3-2. DEUTZ D2011 ENGINE AND PUMP SUB-ASSEMBLY (WITHOUT ARCTIC PACKAGE)



ART_1001166021_G

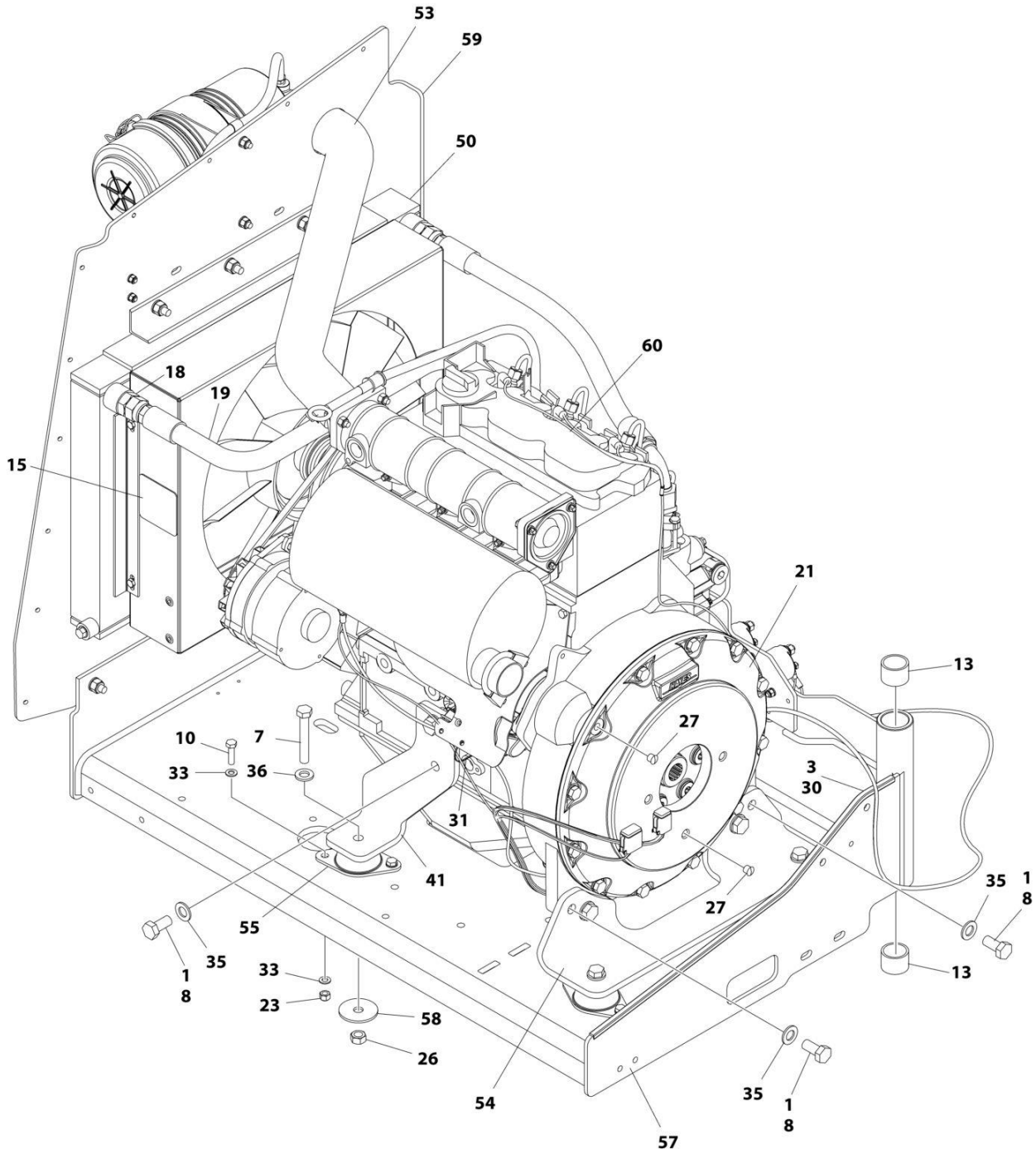
SECTION 3 - ENGINE

FIGURE 3-2. DEUTZ D2011 ENGINE AND PUMP SUB-ASSEMBLY (WITHOUT ARCTIC PACKAGE)

ITEM	PART NUMBER	QTY	DESCRIPTION	REV
	1001166021	Ref	ENGINE AND PUMP SUB-ASSEMBLY - DEUTZ D2011 (WITHOUT ARCTIC PACKAGE)	G
1	0100011	AR	Compound, Locking	
2	0641812	2	Bolt 1/2 x 1-1/2	
4	1001214207	1	Gear Pump Assembly	
4	70006356	1	Seal Kit	
5	3790152	1	O-Ring	
6	3931618	2	Capscrew 3/8 x 1-1/8	
7	4891600	2	Washer 3/8 Hardened	
8	4891800	2	Washer 1/2 Hardened	
9	1001166020	1	Engine Assembly - Deutz D2011 Engine (Without Arctic Package) (See Separate Breakdown in this Section)	
10	1001167036	1	Piston Pump Assembly (See Separate Breakdown in this Section)	
11	1001171953	1	Seal	
12	1001171954	1	Seal	

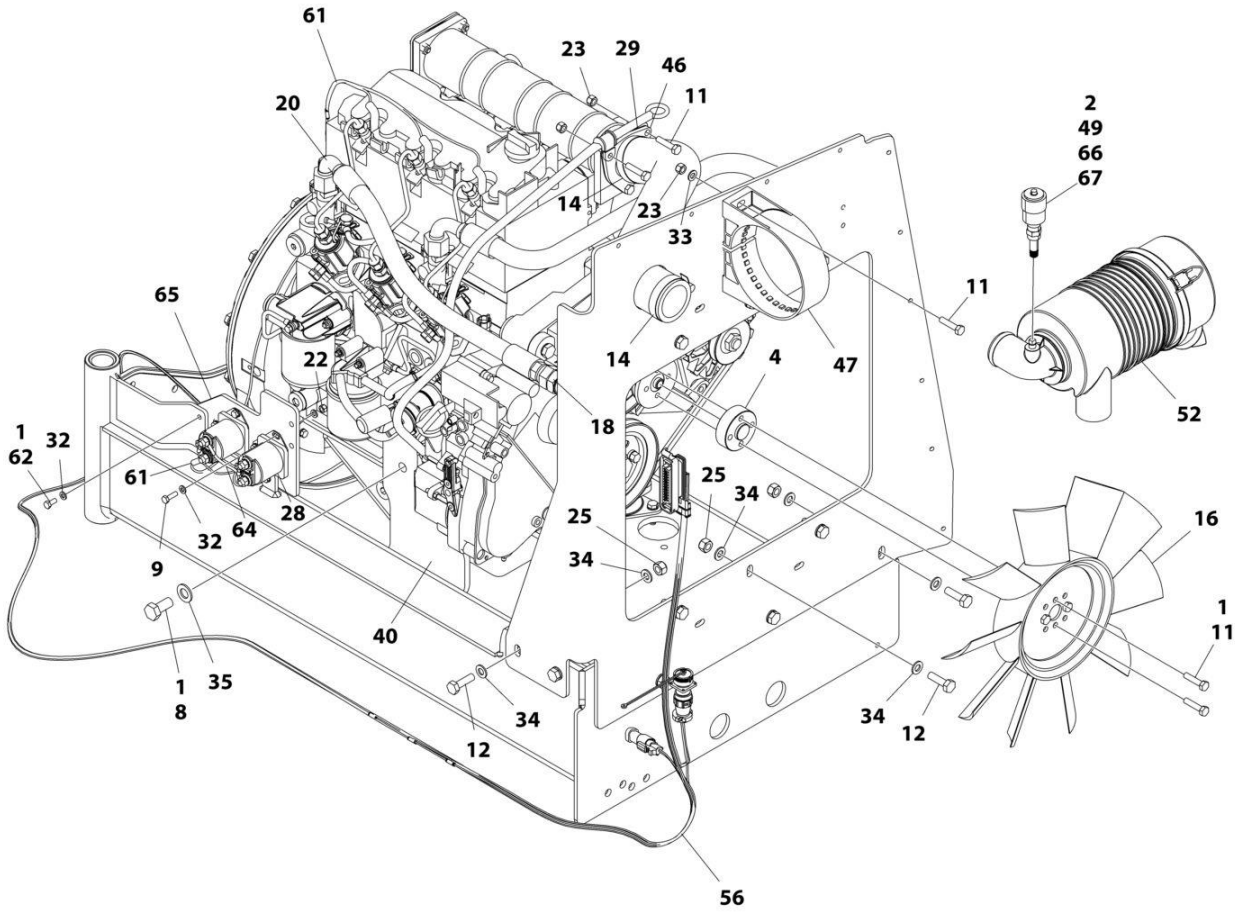
SECTION 3 - ENGINE

FIGURE 3-3. DEUTZ D2011 ENGINE ASSEMBLY (WITHOUT ARCTIC PACKAGE)



ART_1001166020_P_10F2

SECTION 3 - ENGINE



ART_1001166020_P_20F2

SECTION 3 - ENGINE

FIGURE 3-3. DEUTZ D2011 ENGINE ASSEMBLY (WITHOUT ARCTIC PACKAGE)

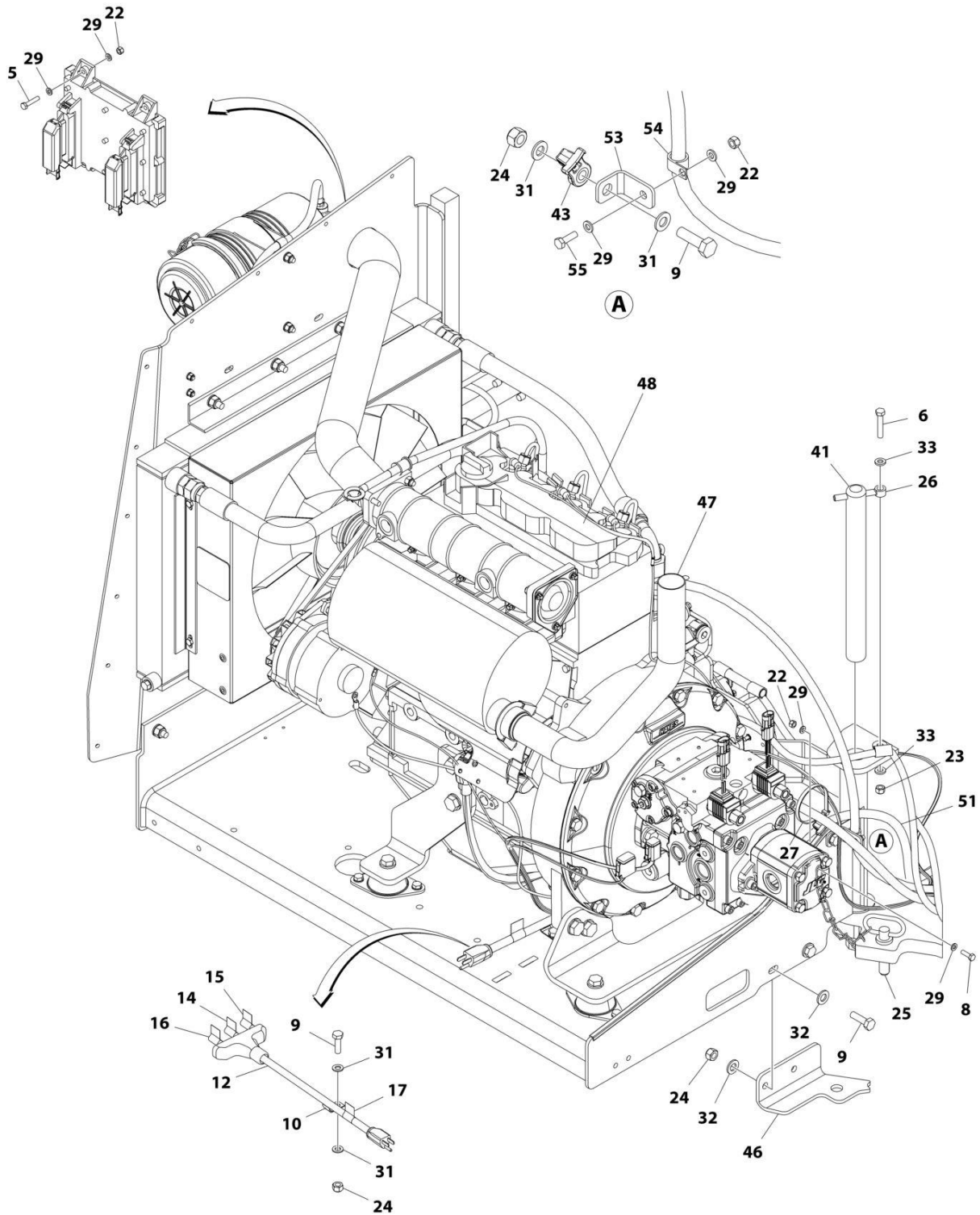
ITEM	PART NUMBER	QTY	DESCRIPTION	REV
	1001166020	Ref	ENGINE ASSEMBLY - DEUTZ D2011 ENGINE (WITHOUT ARCTIC PACKAGE)	P
1	0100011	AR	Compound, Locking	
2	0100020	AR	Sealant, Pipe	
3	0100081	AR	Adhesive	
4	0080231	1	Spacer, Fan	
7	0711224	4	Bolt M12 x 80 Class 10.9	
8	0771414	8	Bolt M14 x 30 Class 10.9	
9	0760610	4	Bolt M6 x 20	
10	0760814	8	Bolt M8 x 30	
11	0760815	9	Bolt M8 x 35	
12	0761015	11	Bolt M10 x 35	
13	0961951	2	Bushing	
14	1320016	2	Clamp	
15	1703162	2	Decal - Caution Fan	
16	2060025	1	Fan	
18	2220451	2	Fitting, Straight JIC/ORB	
19	2720398	1	Hose	
20	2720447	1	Hose	
21	2902065	1	Pump Coupling Kit (See Separate Breakdown in this Section)	
22	3290605	4	Nut M6 x 1	
23	3290805	13	Nut M8 x 1-1/4	
25	3291005	11	Nut M10 x 1-1/2	
26	3331215	4	Nut M12 x 1-3/4	
27	3520054	2	Plug	
28	3740067	2	Relay Assembly	
28	3300220	2	Nut	
28	3321001	1	Nut #10	
28	3740140	1	Relay	
28	4761000	1	Washer #10	
28	1001111424	2	Washer	
29	3960407	1	Gasket	
30	4060805	2.25 ft/ 0.69m	Trim-Flex	
31	4240099	AR	Tie-Strap	
32	4811700	11	Washer M6	
33	4811900	20	Washer M8	
34	4812000	22	Washer M10	
35	4812200	8	Washer M14	
36	5241200	4	Washer M12	
40	1001132195	1	Bracket, Engine Mount	
41	1001132196	1	Bracket, Engine Mount	
46	1001139819	1	Adapter, Air Intake	
47	1001141694	1	Clamp, Air Cleaner	
49	1001143390	1	Indicator	
50	1001150998	1	Radiator	
52	1001165388	1	Air Cleaner Assembly	
52	70003783	1	Element, Air Cleaner	
53	1001165389	1	Hose	
54	1001166717	1	Bracket, Engine Mount	

SECTION 3 - ENGINE

ITEM	PART NUMBER	QTY	DESCRIPTION	REV
55	1001166718	4	Isolator, Engine Mount	
56	1001167111	1	Harness Engine - Deutz D2011 (See Separate Breakdown in ELECTRICAL Section)	
57	1001167520	1	Tray, Engine	
58	1001168018	4	Washer, Snubbing	
59	1001168059	1	Plate, Radiator Mounting	
60	1001170693	1	Engine, Deutz D2011 (See Separate Breakdown in this Section)	
61	4923451	1	Harness, Glow Plugs	
62	0760614	3	Bolt M6 x 30	
64	1001178859	1	Cable, Alternator	
65	1001214975	1	Bracket	
66	2200261	1	Fitting	
67	1001277432	1	Spacer	

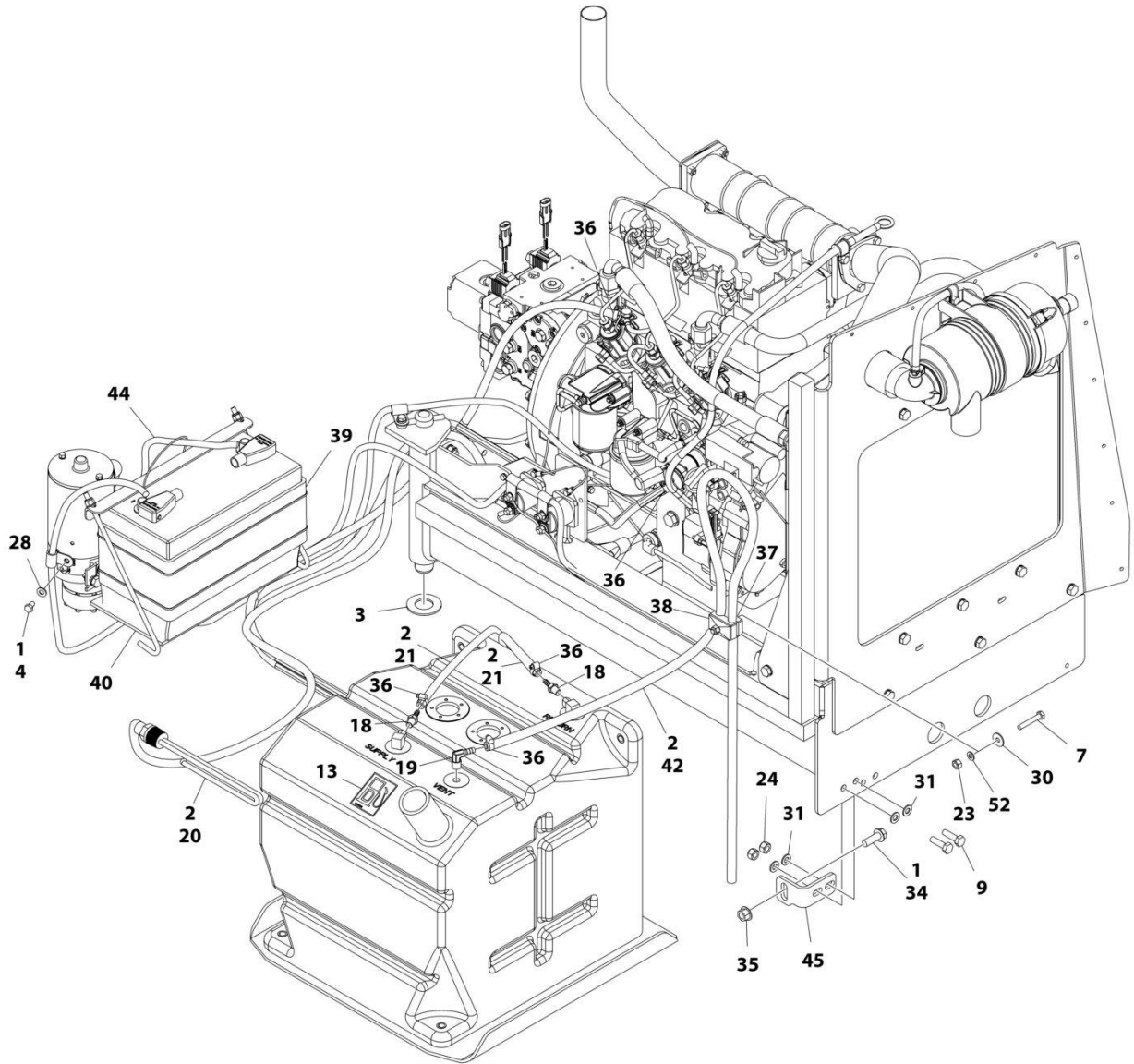
SECTION 3 - ENGINE

FIGURE 3-4. DEUTZ D2011 ENGINE INSTALLATION (WITH ARCTIC PACKAGE)



ART_1001166023_G_10F2

SECTION 3 - ENGINE



ART_1001166023_G_20F2

SECTION 3 - ENGINE

FIGURE 3-4. DEUTZ D2011 ENGINE INSTALLATION (WITH ARCTIC PACKAGE)

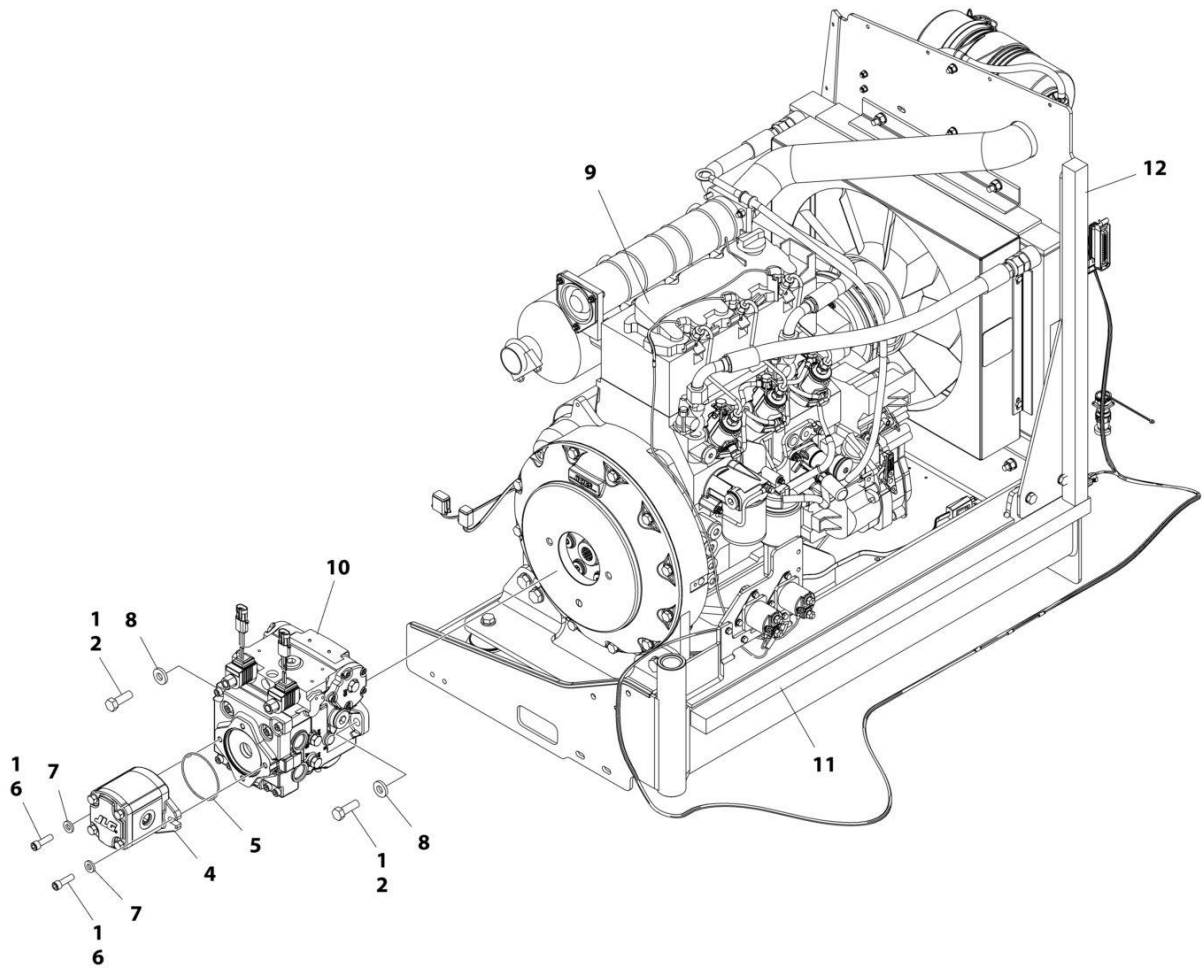
ITEM	PART NUMBER	QTY	DESCRIPTION	REV
	1001166023	Ref	ENGINE INSTALLATION - DEUTZ D2011 ENGINE (WITH ARCTIC PACKAGE)	G
1	0100011	AR	Compound, Locking	
2	0100020	AR	Sealant, Pipe	
3	0440162	1	Bearing	
4	0641504	1	Bolt 5/16 x 1/2	
5	0700614	4	Bolt M6 x 30	
6	0700817	1	Bolt M8 x 45	
7	0700821	1	Bolt M8 x 65	
8	0760610	1	Bolt M6 x 20	
9	0761015	6	Bolt M10 x 35	
10	1320223	1	Clip	
12	1060626	1	Plug, 3 Way	
13	1701505	1	Decal - Diesel Fuel	
14	1702941	1	Decal - Battery Heater	
15	1702942	1	Decal - Engine Block Heater	
16	1702943	1	Decal - Hydraulic Tank Heater	
17	1702944	1	Decal - Heater Cord	
18	2180348	2	Fitting, Barbed	
19	2220313	1	Fitting, Barbed 90	
20	1001188972	1	Heater, Hydraulic Tank	
21	2720058	17 ft / 5.18m	Hose	
22	3290605	6	Nut M6 x 1	
23	3290805	2	Nut M8	
24	3291005	6	Nut M10	
25	3422532	1	Pin	
26	3841143	1	Keeper, Pin	
27	4240099	AR	Tie-Strap	
28	4711500	1	Washer 5/16	
29	4811700	12	Washer M6	
30	4811902	1	Washer M8	
31	4812000	8	Washer M10	
32	4812100	4	Washer M12	
33	5240800	2	Washer M8	
34	5251215	1	Bolt M12 x 35	
35	5261200	1	Nut M12	
36	8405009	5	Clamp	
37	1320187	1	Clamp	
38	1320190	1	Clamp	
39	2580024	1	Heater, Battery	
40	1001119278	1	Insulate	
41	1001135196	1	Pin	
42	2750532	6 ft/ 1.83m	Hose	
43	1001156107	1	Holder, Cable	
44	1001167038	1	Battery Cable Kit	
44	70009004	1	Cable, Battery (Black) (Battery Negative, Auxiliary Power Pump, Turntable Ground to Engine Ground)	
44	70009005	1	Cable, Battery (Red) (Battery Positive, Auxiliary Power Relay, Starter Relay to Starter)	

SECTION 3 - ENGINE

ITEM	PART NUMBER	QTY	DESCRIPTION	REV
44	70009002	1	Cable, Battery (Red) (Auxiliary Power Relay to Auxiliary Power Pump)	
45	1001167512	1	Bracket, Engine	
46	1001169823	1	Plate, Engine Lock	
47	1001172195	1	Pipe, Exhaust	
48	1001174784	1	Engine and Pump Sub-Assembly - Deutz D2011(See Separate Breakdown in this Section)	
51	1001150918	1	Cable, Extension Cord	
52	4811900	1	Washer M8	
53	1001148641	1	Bracket, Clamp Mounting	
54	1320224	1	Clamp, Cable	
55	0700610	1	Bolt M6 x 20	

SECTION 3 - ENGINE

FIGURE 3-5. DEUTZ D2011 ENGINE AND PUMP SUB-ASSEMBLY (WITH ARCTIC PACKAGE)



ART_1001174784_G

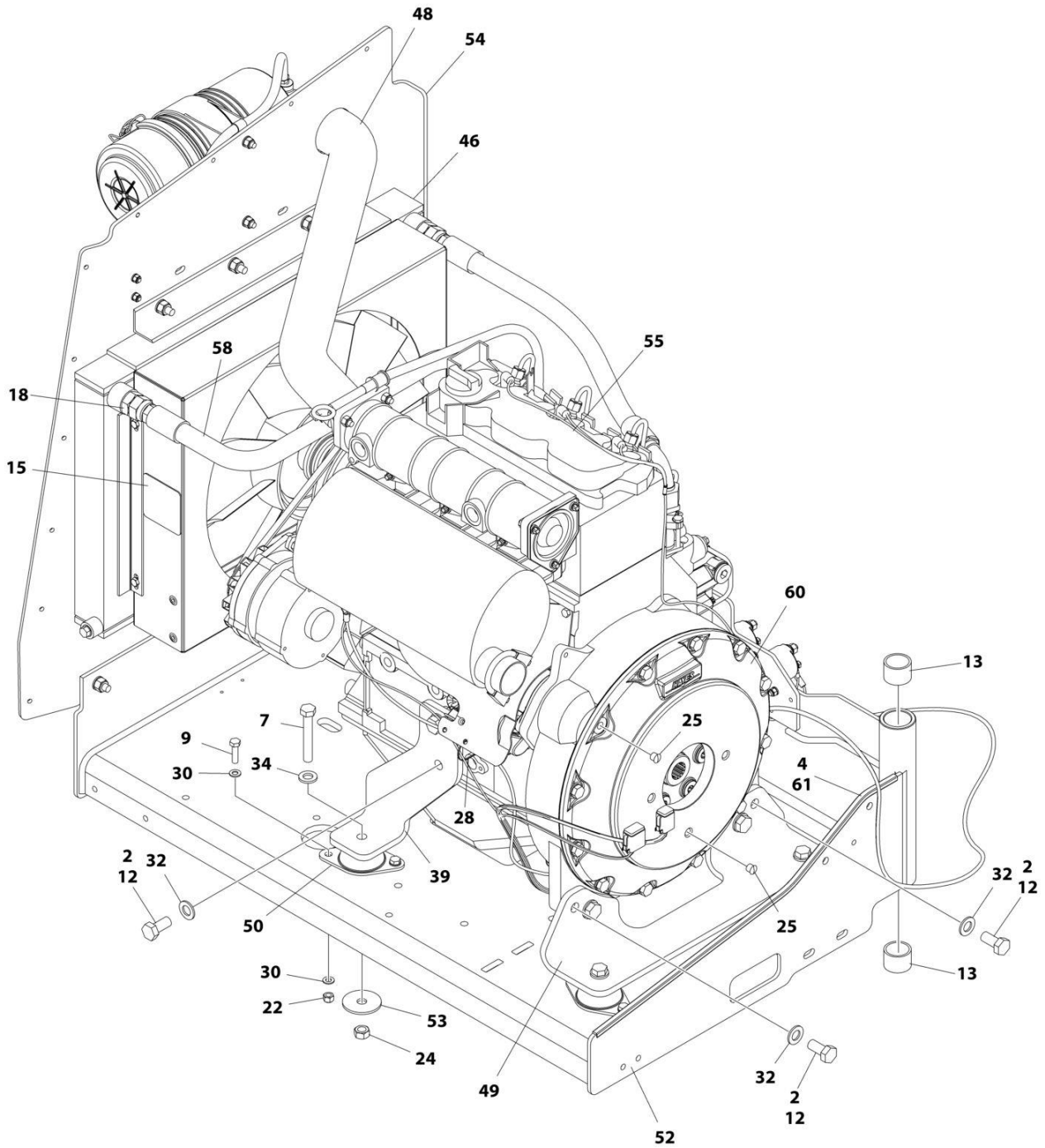
SECTION 3 - ENGINE

FIGURE 3-5. DEUTZ D2011 ENGINE AND PUMP SUB-ASSEMBLY (WITH ARCTIC PACKAGE)

ITEM	PART NUMBER	QTY	DESCRIPTION	REV
	1001174784	Ref	ENGINE AND PUMP SUB-ASSEMBLY - DEUTZ D2011 (WITH ARCTIC PACKAGE)	G
1	0100011	AR	Compound, Locking	
2	0641812	2	Bolt 1/2 x 1-1/2	
4	1001214207	1	Gear Pump Assembly	
4	70006356	1	Seal Kit - 1001214207 Pump	
5	3790152	1	O-Ring	
6	3931618	2	Capscrew 3/8 x 1 1/8	
7	4891600	2	Washer 3/8 Hardened	
8	4891800	2	Washer 1/2 Hardened	
9	1001174783	1	Engine Assembly - Deutz D2011 Engine (With Arctic Package) (See Separate Breakdown in this Section)	
10	1001167036	1	Piston Pump Assembly (See Separate Breakdown in this Section)	
11	1001171953	1	Seal	
12	1001171954	1	Seal	

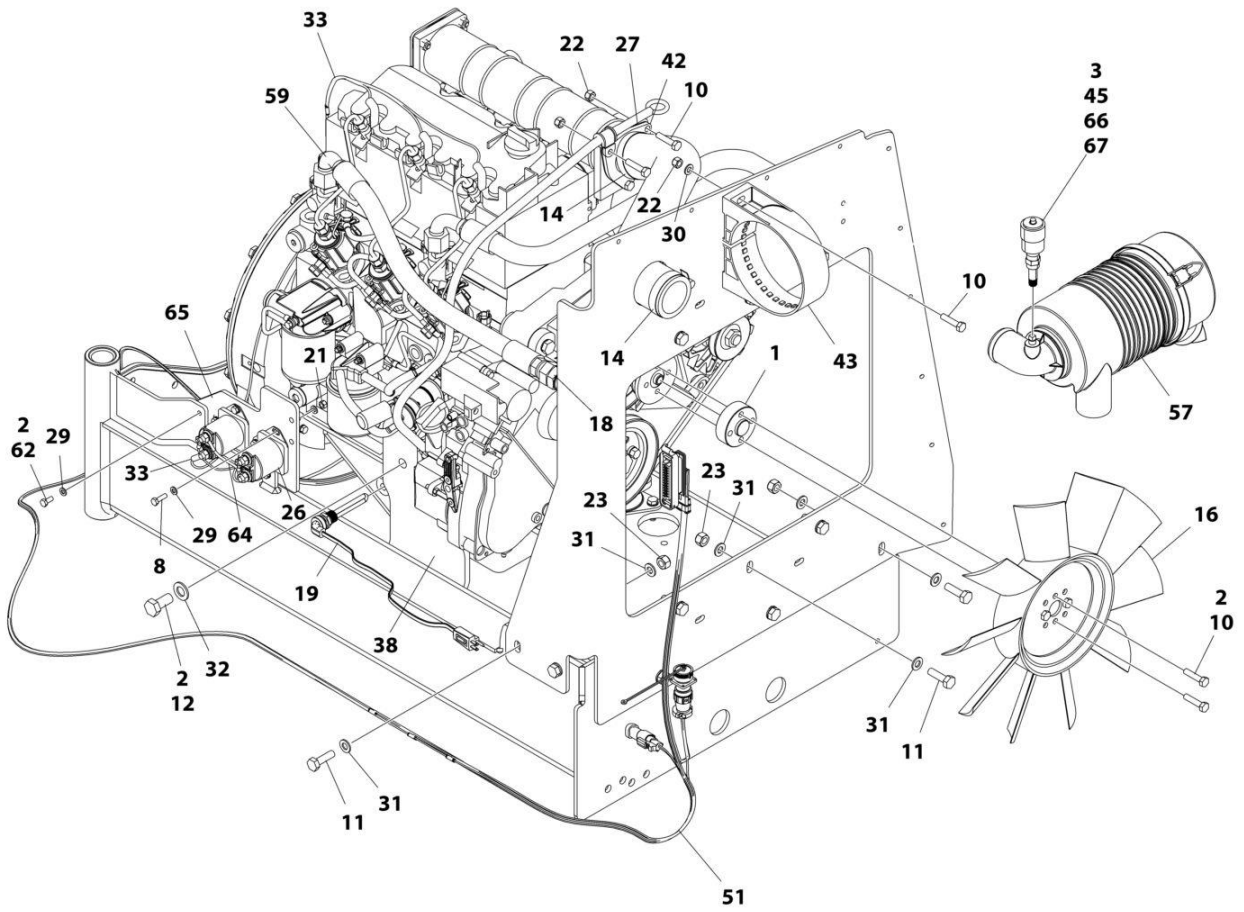
SECTION 3 - ENGINE

FIGURE 3-6. DEUTZ D2011 ENGINE ASSEMBLY (WITH ARCTIC PACKAGE)



ART_1001174783_O_10F2

SECTION 3 - ENGINE



ART_1001174783_O_20F2

SECTION 3 - ENGINE

FIGURE 3-6. DEUTZ D2011 ENGINE ASSEMBLY (WITH ARCTIC PACKAGE)

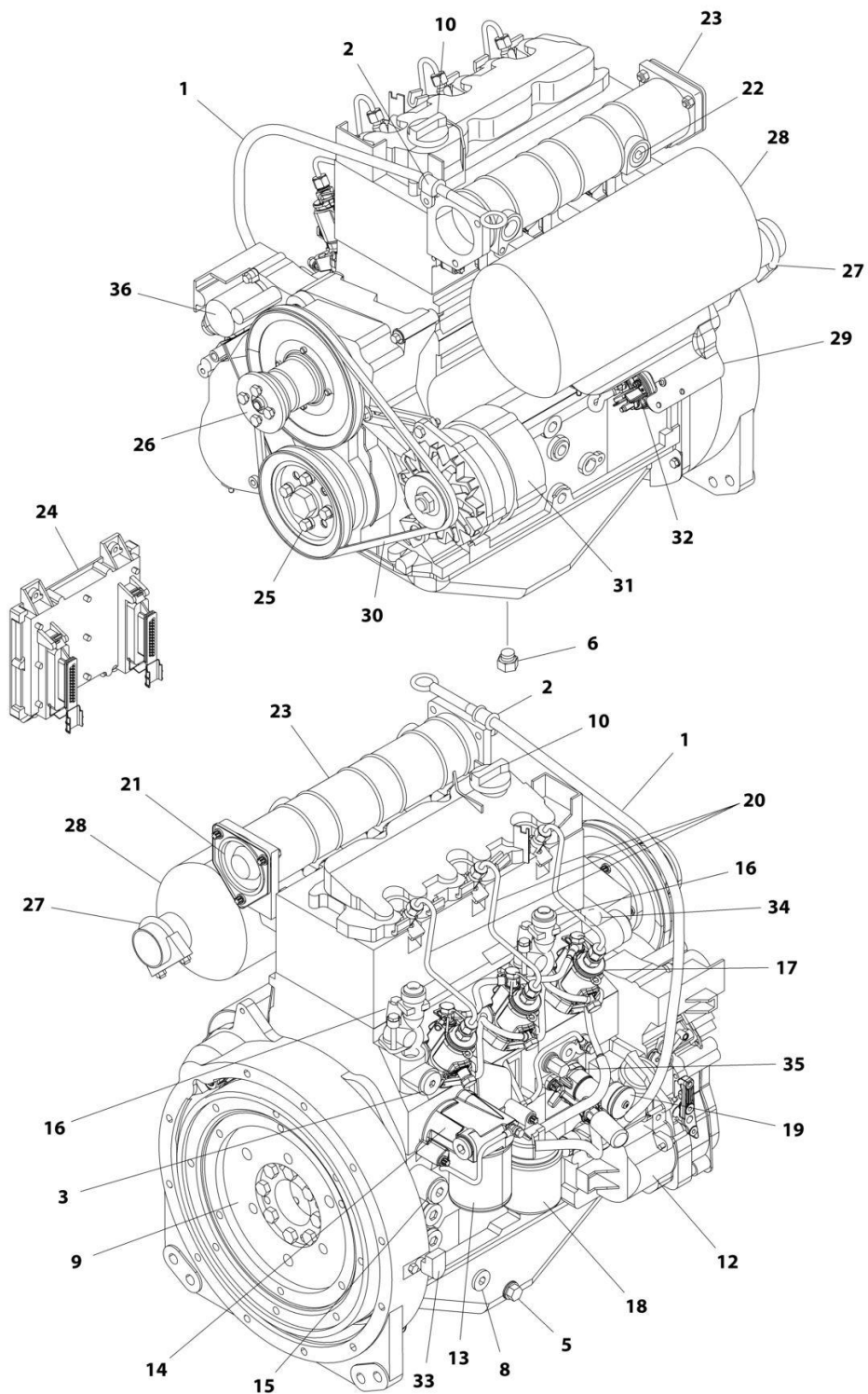
ITEM	PART NUMBER	QTY	DESCRIPTION	REV
	1001174783	Ref	ENGINE ASSEMBLY - DEUTZ D2011 (WITH ARCTIC PACKAGE)	O
1	0080231	1	Spacer, Fan	
2	0100011	AR	Compound, Locking	
3	0100020	AR	Sealant, Pipe	
4	0100081	AR	Adhesive	
7	0711224	4	Bolt M12 x 80 Class10.9	
8	0760610	4	Bolt M6 x 20	
9	0760814	8	Bolt M8 x 30	
10	0760815	9	Bolt M8 x 35	
11	0761015	11	Bolt M10 x 35	
12	0771414	8	Bolt M14 x 30 Class 10.9	
13	0961951	2	Bushing	
14	1320016	2	Clamp	
15	1703162	2	Decal - Caution Fan	
16	2060025	1	Fan	
18	2220451	2	Fitting, Straight JIC/ORB	
19	2580062	1	Heater, Engine Block	
21	3290605	4	Nut M6	
22	3290805	13	Nut M8	
23	3291005	11	Nut M10	
24	3331215	4	Nut M12	
25	3520054	2	Plug	
26	3740067	2	Relay Assembly	
26	3300220	2	Nut	
26	3321001	1	Nut #10	
26	3740140	1	Relay	
26	4761000	1	Washer #10	
26	1001111424	2	Washer	
27	3960407	1	Gasket	
28	4240099	AR	Tie-Strap (Not Shown)	
29	4811700	11	Washer M6	
30	4811900	20	Washer M8	
31	4812000	22	Washer M10	
32	4812200	8	Washer M14	
33	4923451	1	Harness, Glow Plugs	
34	5241200	4	Washer M12	
38	1001132195	1	Bracket, Engine Mount	
39	1001132196	1	Bracket, Engine Mount	
42	1001139819	1	Adapter, Air Intake	
43	1001141694	1	Clamp, Air Cleaner	
45	1001143390	1	Indicator	
46	1001150998	1	Radiator	
48	1001165389	1	Hose	
49	1001166717	1	Bracket, Engine Mount	
50	1001166718	4	Isolator, Engine Mount	
51	1001167111	1	Harness Engine - Deutz D2011 (See Separate Breakdown in ELECTRICAL Section)	
52	1001167520	1	Tray, Engine	
53	1001168018	4	Washer, Snubbing	
54	1001168059	1	Plate, Radiator Mounting	

SECTION 3 - ENGINE

ITEM	PART NUMBER	QTY	DESCRIPTION	REV
55	1001170693	1	Engine, Deutz D2011 (See Separate Breakdown in this Section)	
57	1001165388	1	Air Cleaner Assembly	
57	70003783	1	Element, Air Cleaner	
58	2720398	1	Hose	
59	2720447	1	Hose	
60	2902065	1	Pump Coupling Kit (See Separate Breakdown in this Section)	
61	4060805	2.25 ft/ 0.69m	Flex-Trim	
62	0760614	3	Bolt M6 x 30	
64	1001178859	1	Cable, Alternator	
65	1001214975	1	Bracket	
66	2200261	1	Fitting	
67	1001277432	1	Spacer	

SECTION 3 - ENGINE

FIGURE 3-7. DEUTZ D2011 ENGINE COMPONENTS



ART_1001170693

SECTION 3 - ENGINE

FIGURE 3-7. DEUTZ D2011 ENGINE COMPONENTS

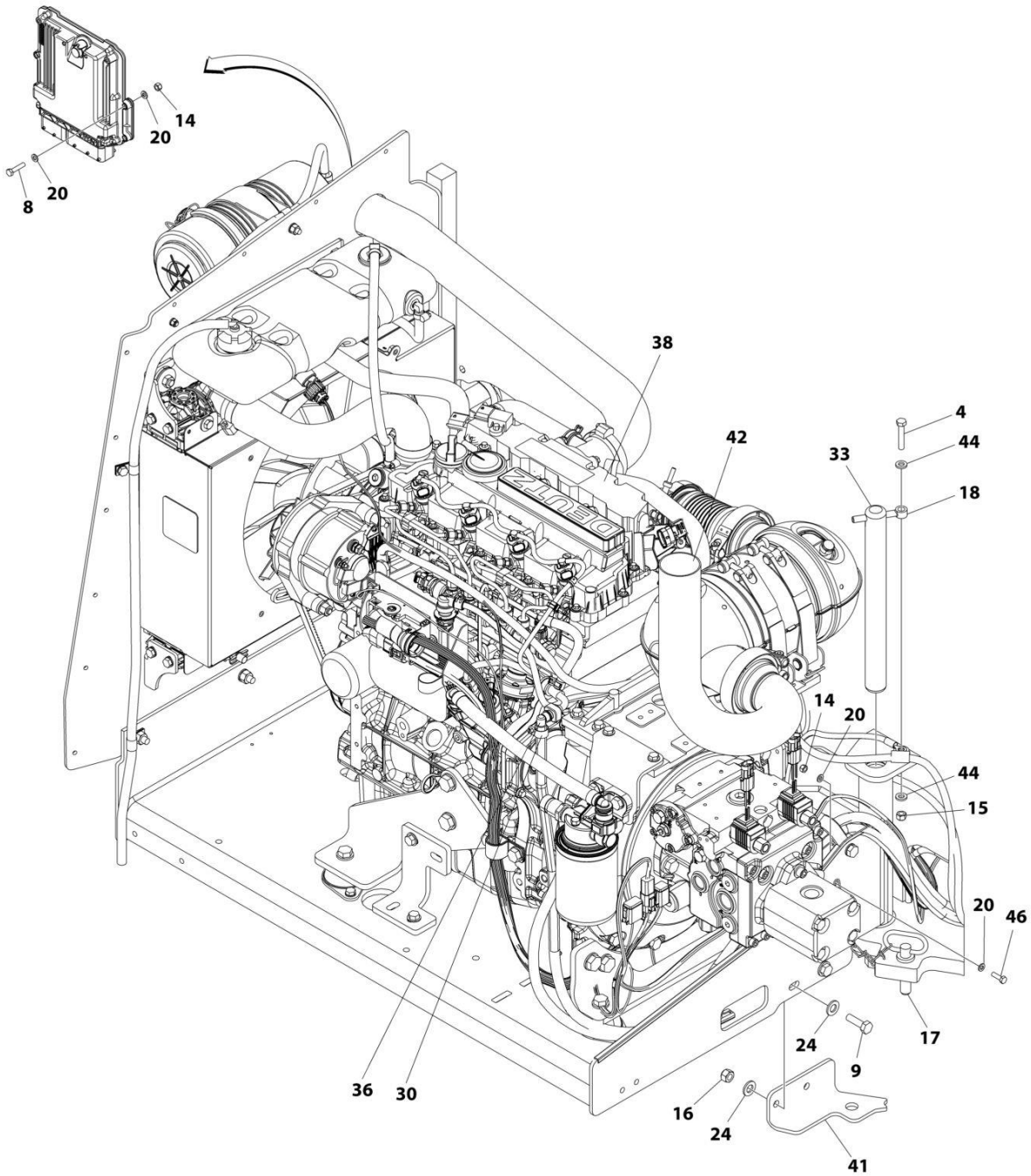
ITEM	PART NUMBER	QTY	DESCRIPTION	REV
	1001170693	Ref	ENGINE COMPONENTS - DEUTZ D2011	C
1	70001002	1	Tube, Dipstick	
1	7020403	1	Seal, Tube	
1	7020026	1	Dipstick	
2	70001654	1	Clamp	
2	70001655	1	Bolt	
3	70003475	1	Thermostat	
3	7020460	1	Spring	
4		Ref	Seal and Gasket Options (Not Shown):	
4	70002718	1	Seal, Rear Main	
4	7020430	1	Gasket, Valve Cover	
4	70003479	1	Gasket, Head - 1 Notch	
4	70003480	1	Gasket, Head - 2 Notch	
4	70003481	1	Gasket, Head - 3 Notch	
5	70025088	1	Plug	
6	70025667	1	Plug	
7	70025123	22	Bolt, Torx (Oil Pan Bolts) (Not Shown)	
8	7020492	1	Seal	
8	70025084	1	Plug	
9	70001870	1	Flywheel	
9	7024579	1	Ring Gear (Part of Flywheel)	
9	70025139	8	Bolt	
10	7020465	1	Cap, Oil Fill	
11	70000800	1	Timing Belt/Idler Kit (Includes Timing Belt, Tensioner and Tensioner Bolt) (Not Shown)	
12	70001850	1	Pump, Lubricating	
12	7020468	1	Seal, Pump to Engine Block (Not Shown)	
13	7016331	1	Filter, Oil	
14	70003472	1	Bracket, Oil Filter (Includes Plug with Seal, Temperature Sensor, Control Valve and Compression Spring)	
14	7027236	1	Sensor, Temperature	
14	70025082	1	Seal, Plug	
14	70025091	1	Plug	
14	70003473	1	Gasket, Bracket to Engine Block (Not Shown)	
15	70001181	1	Valve	
15	70025091	1	Plug	
15	70025082	1	Seal, Plug	
16	70004268	2	Connector, Radiator Neck	
16	70004269	2	Seal, Radiator Neck to Engine Block	
17	70000912	3	Pump, Fuel Injector - A Spec	
17	70000913	3	Pump, Fuel Injector - B Spec	
17	70000914	3	Pump, Fuel Injector - C Spec	
17	70000915	3	Pump, Fuel Injector - D Spec	
17	70003464	3	O-Ring, Pump to Engine Block	
18	7020023	1	Filter, Fuel	
18	70003463	1	Filter, Fuel - RME Resistant	
18	70001423	1	Bracket, Fuel Filter	
19	70000916	1	Pump Fuel Supply	
19	70000917	1	O-Seal Between Fuel Pump and Engine Block	
19	70000918	1	Sealing Ring Between Hand Pump and Supply Pump	

SECTION 3 - ENGINE

ITEM	PART NUMBER	QTY	DESCRIPTION	REV
19	70000919	1	Pump, Hand	
19	70001435	1	Repair Kit	
19	70025694	2	Bolt, Torx	
20	70000931	3	Pipe, High Pressure	
21	70003469	1	Flange, Intake	
21	70003468	1	Seal	
22	70025084	1	Plug	
22	7020492	1	Seal, Plug	
23	7027903	1	Manifold, Air Intake	
23	70001871	3	Gasket Between Manifold and Engine Block	
24	See Note	1	Module, Engine Control (Note: Not Currently Available)	
24	7027796	1	Cable, Electrical Between Module and Engine Harness (Not Shown)	
24	70001872	1	Harness, Engine (Connects to p/n 70004060) (Not Shown)	
24	70004060	1	Plug, Connector Located on Cable Near Module (Not Shown)	
24	70004059	1	Plug, Analyzer (Not Shown)	
25	70025123	4	Bolt, Torx	
26	70000787	1	Support, Fan (Includes Support, Internal Shaft, Bearings and Circlip)	
27	70001844	1	Clamp	
28	See Note	1	Muffler (Note: See Separate Breakdown in this Section)	
28	7020471	3	Gasket, Exhaust Between Muffler and Engine Block	
28	70004270	6	Stud, Muffler	
29	70001498	1	Shield, Starter	
29	70025693	3	Bolt	
30	70004102	1	V-Belt	
31	70004056	1	Alternator (Includes Voltage Regulator and Gaskets, Fan and Fan Mounting Hardware)	
31	70001868	1	Regulator, Voltage	
31	70001866	1	Gasket Set, Voltage Regulator	
31	70025131	1	Fan	
31	70025086	1	Nut, Fan	
31	70000851	1	Bracket, Alternator Mounting	
31	70002234	1	Bracket, Alternator Adjustment	
31	70004103	1	Harness, Alternator (Not Shown)	
32	7020479	1	Starter	
32	70025121	2	Bolt, Starter Mounting	
32	70004058	1	Relay	
32	70004062	1	Harness, Starter (Not Shown)	
33	7024565	1	Sensor, Speed	
33	70003931	1	Bolt	
33	70003932	1	Spacer, Sleeve	
34	7027791	1	Sensor, Temperature	
35	7027790	1	Sensor, Oil Pressure	
36	7027792	1	Actuator	
37	70000345	3	Plug, Glow (Not Shown)	

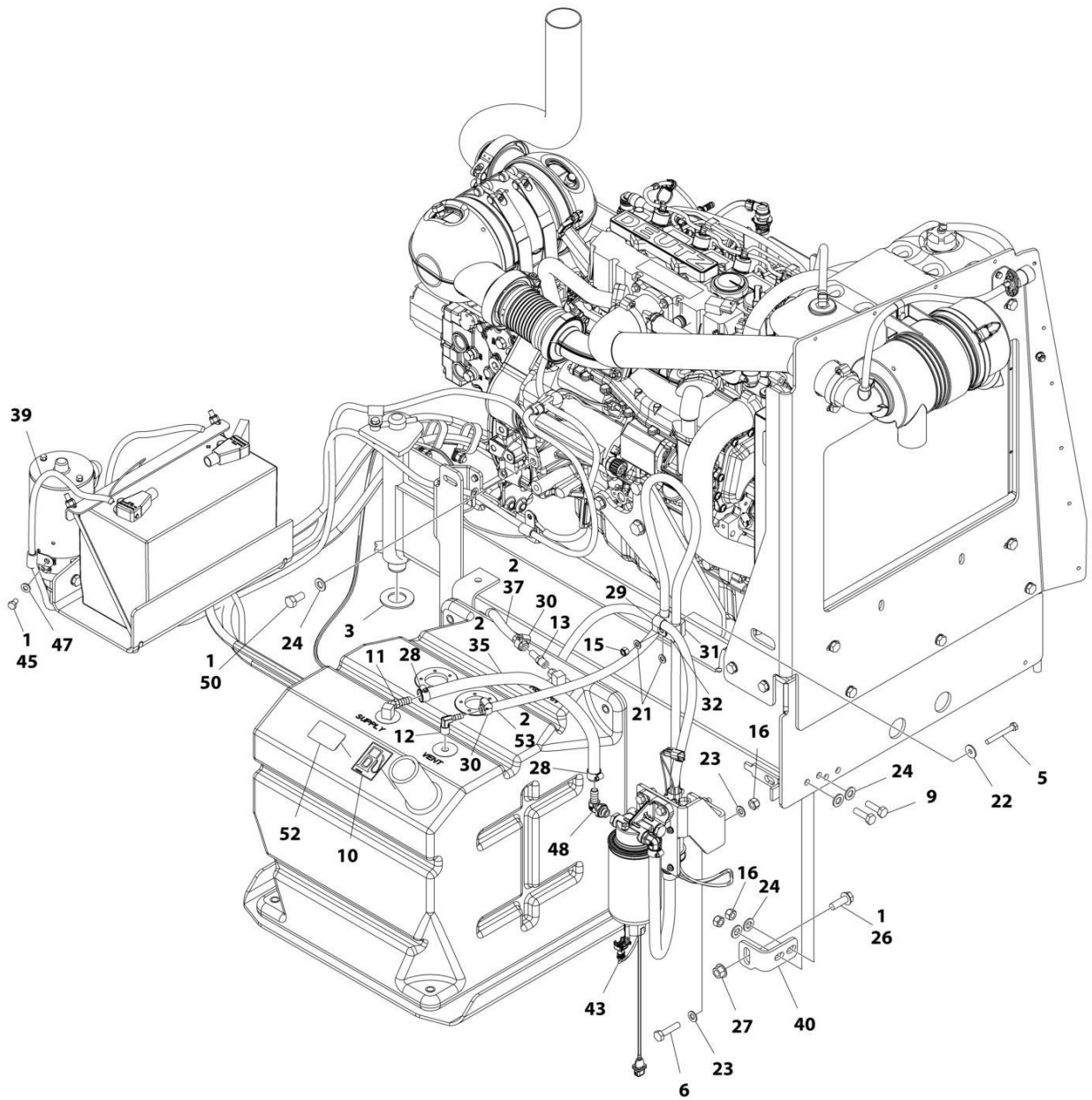
SECTION 3 - ENGINE

FIGURE 3-8. DEUTZ D2.9L4 EMR4 ENGINE INSTALLATION (WITHOUT ARCTIC PACKAGE)



ART_1001166002_L_1OF2

SECTION 3 - ENGINE



ART_1001166002_L_20F2

SECTION 3 - ENGINE

FIGURE 3-8. DEUTZ D2.9L4 EMR4 ENGINE INSTALLATION (WITHOUT ARCTIC PACKAGE)

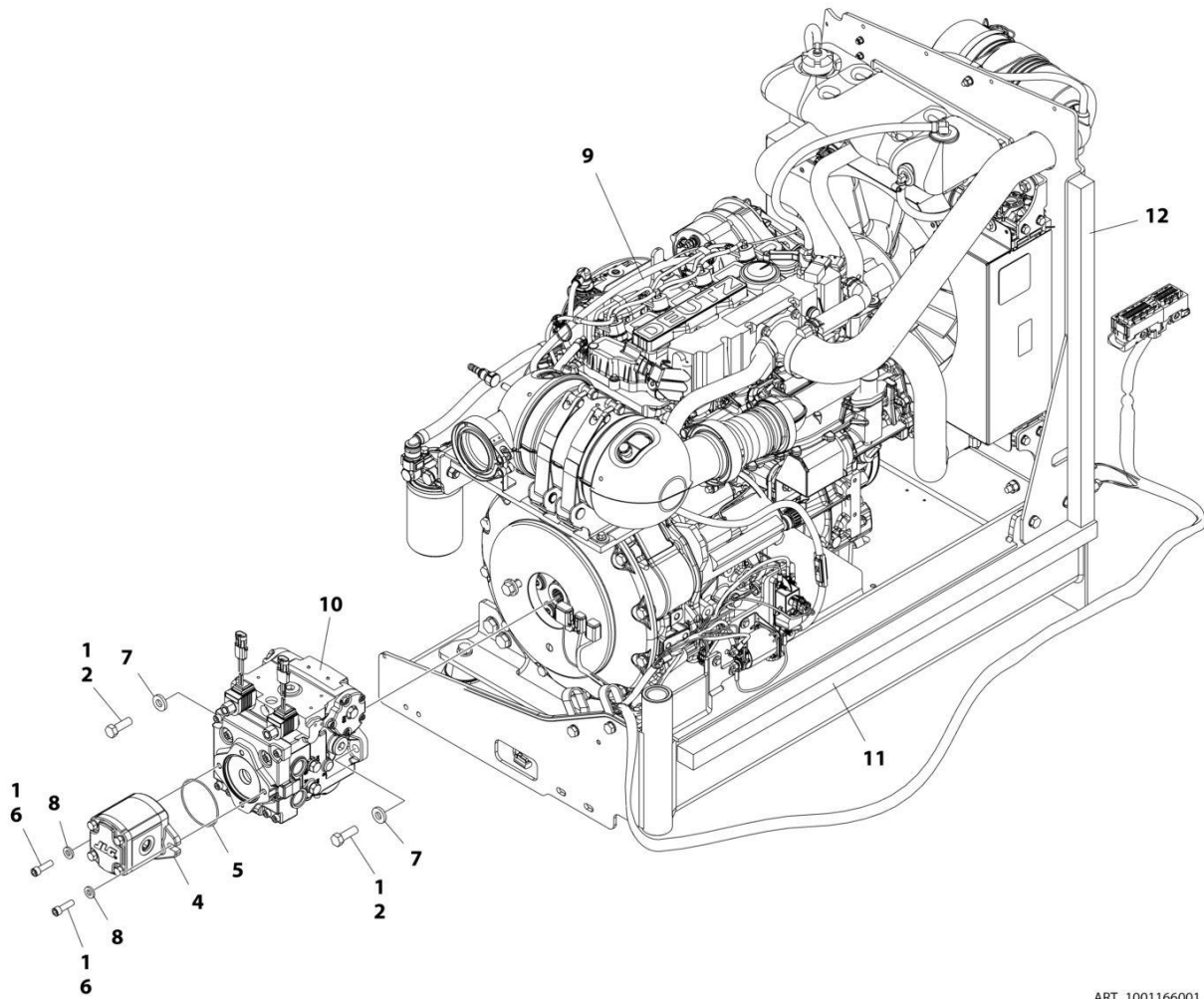
ITEM	PART NUMBER	QTY	DESCRIPTION	REV
	1001166002	Ref	ENGINE INSTALLATION - DEUTZ D2.9L4 ENGINE (WITHOUT ARCTIC PACKAGE)	L
1	0100011	AR	Compound, Locking	
2	0100020	AR	Sealant, Pipe	
3	0440162	1	Bearing	
4	0700817	1	Bolt M8 x 45	
5	0700821	1	Bolt M8 x 65	
6	0701017	2	Bolt M10 x 45	
8	0760613	4	Bolt M6 x 28	
9	0761015	4	Bolt M10 x 35	
10	1701505	2	Decal - Diesel Fuel	
11	2180832	1	Fitting, Barbed	
12	2220313	1	Fitting, Barbed 90	
13	2220767	1	Fitting, Barbed	
14	3290605	5	Nut, Lock M6 x 1	
15	3290805	2	Bolt, M8 x 1.25	
16	3291005	6	Nut, Lock M10 x 1.5	
17	3422532	1	Pin	
18	3841143	1	Keeper, Pin	
19	4240099	AR	Tie-Strap	
20	4811700	10	Washer, M6	
21	4811900	2	Washer, M8	
22	4811902	1	Washer, M8	
23	4812000	4	Washer, M10	
24	4812100	9	Washer, M12	
26	5251215	1	Bolt M12 x 35	
27	5261200	1	Nut, Flange M12	
28	8405006	3	Clamp	
29	8406101	1	Clip	
30	8410013	4	Clamp	
31	1320187	1	Clamp	
32	1320190	1	Clamp	
33	1001135196	1	Pin	
35	1001154405	27.56 in /70cm	Hose	
36	1001155823	1	Coupling, Quick Disconnect 90	
37	1001165035	21 ft /6.42m	Hose	
38	1001166001	1	Engine and Pump Sub-Assembly - Deutz D2.9L4 (Without Arctic Package) (See Separate Breakdown in this Section)	
39	1001166970	1	Battery and Auxiliary Power Pump Cable Kit	E
39	70009006	1	Cable, Battery (Black) (Battery to Ground)	
39	70009002	1	Cable, Battery (Red) (Auxiliary Power Relay to Auxiliary Power Pump)	
39	70009007	1	Cable, Battery (Red) (Battery to Auxiliary Power Relay)	
40	1001167512	1	Bracket, Engine Tray	
41	1001169823	1	Plate, Engine Lock	
42	1001172594	1	Pipe, Exhaust	
43	1001173342	1	Harness, Fuel Pump (See Separate Breakdown in ELECTRICAL SECTION)	
44	5240800	2	Washer, M8 Hardened	

SECTION 3 - ENGINE

ITEM	PART NUMBER	QTY	DESCRIPTION	REV
45	0641504	1	Bolt 5/16 x 1/2	
46	0760610	1	Bolt M6 x 20	
47	4711500	1	Washer, 5/16	
48	1001142501	1	Fitting, Barbed 90	
50	0771212	1	Bolt M12 x 25	
52	1001125387	1	Decal - Ultra Low Sulfur Fuel	
53	2750532	5.54 ft /1.69m	Hose	

SECTION 3 - ENGINE

FIGURE 3-9. DEUTZ D2.9L4 EMR4 ENGINE AND PUMP SUB-ASSEMBLY (WITHOUT ARCTIC PACKAGE)



ART_1001166001_J

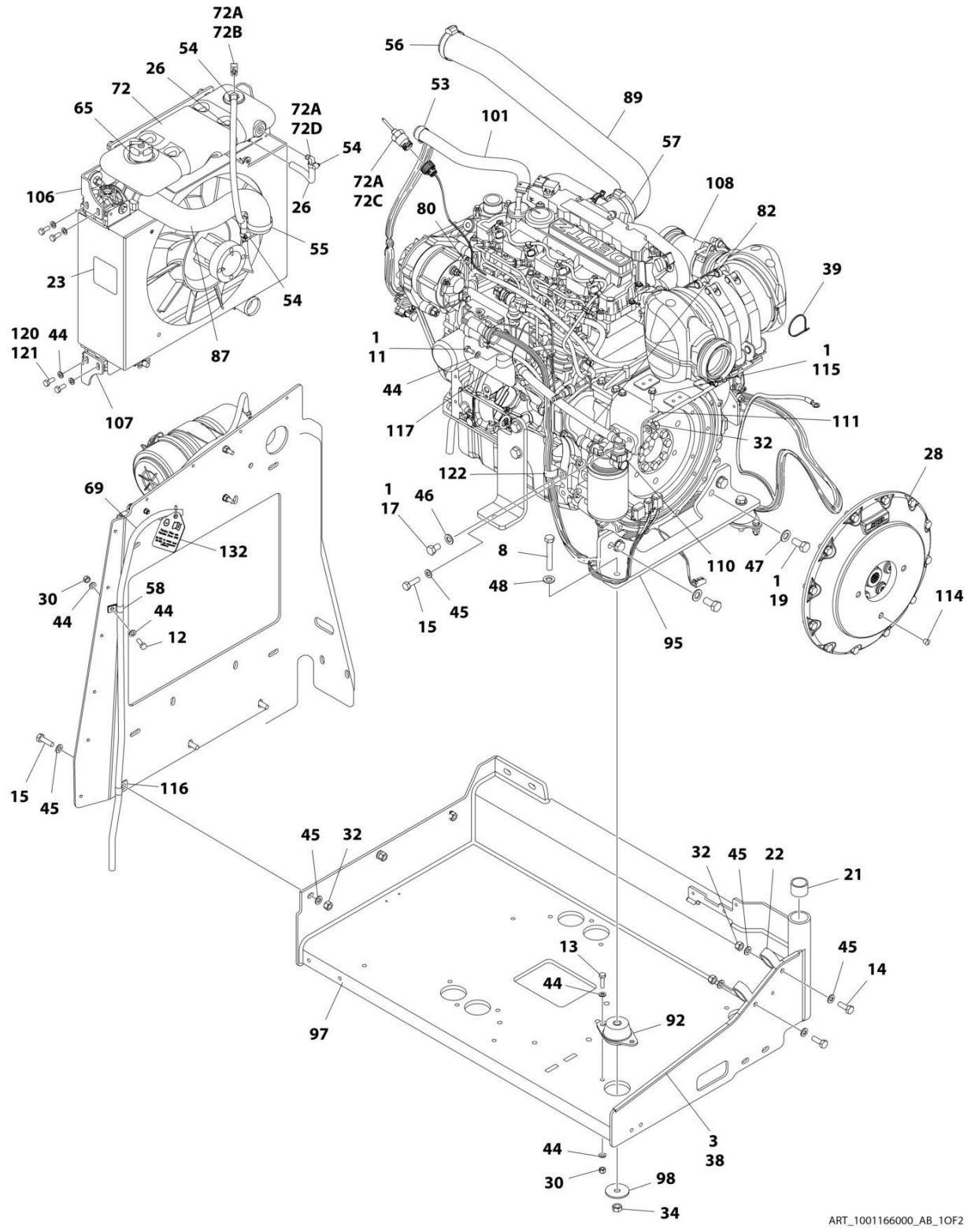
SECTION 3 - ENGINE

FIGURE 3-9. DEUTZ D2.9L4 EMR4 ENGINE AND PUMP SUB-ASSEMBLY (WITHOUT ARCTIC PACKAGE)

ITEM	PART NUMBER	QTY	DESCRIPTION	REV
	1001166001	Ref	ENGINE AND PUMP SUB-ASSEMBLY - DEUTZ D2.9L4 (WITHOUT ARCTIC PACKAGE)	J
1	0100011	AR	Compound, Locking	
2	0641812	2	Bolt 1/2 x 1-1/2	
4	1001214207	1	Gear Pump Assembly	
4	70006356	1	Seal Kit - 1001214207 Pump	
5	3790152	1	O-Ring	
6	3931618	2	Capscrew 3/8 x 1-1/8	
7	4891800	2	Washer 1/2 Hardened	
8	4891600	2	Washer 3/8 Hardened	
9	1001166000	1	Engine Assembly - Deutz D2.9L4 Engine (Without Arctic Package) (See Separate Breakdown in this Section)	
10	1001167036	1	Piston Pump Assembly (See Separate Breakdown in this Section)	
11	1001171953	1	Seal	
12	1001171954	1	Seal	

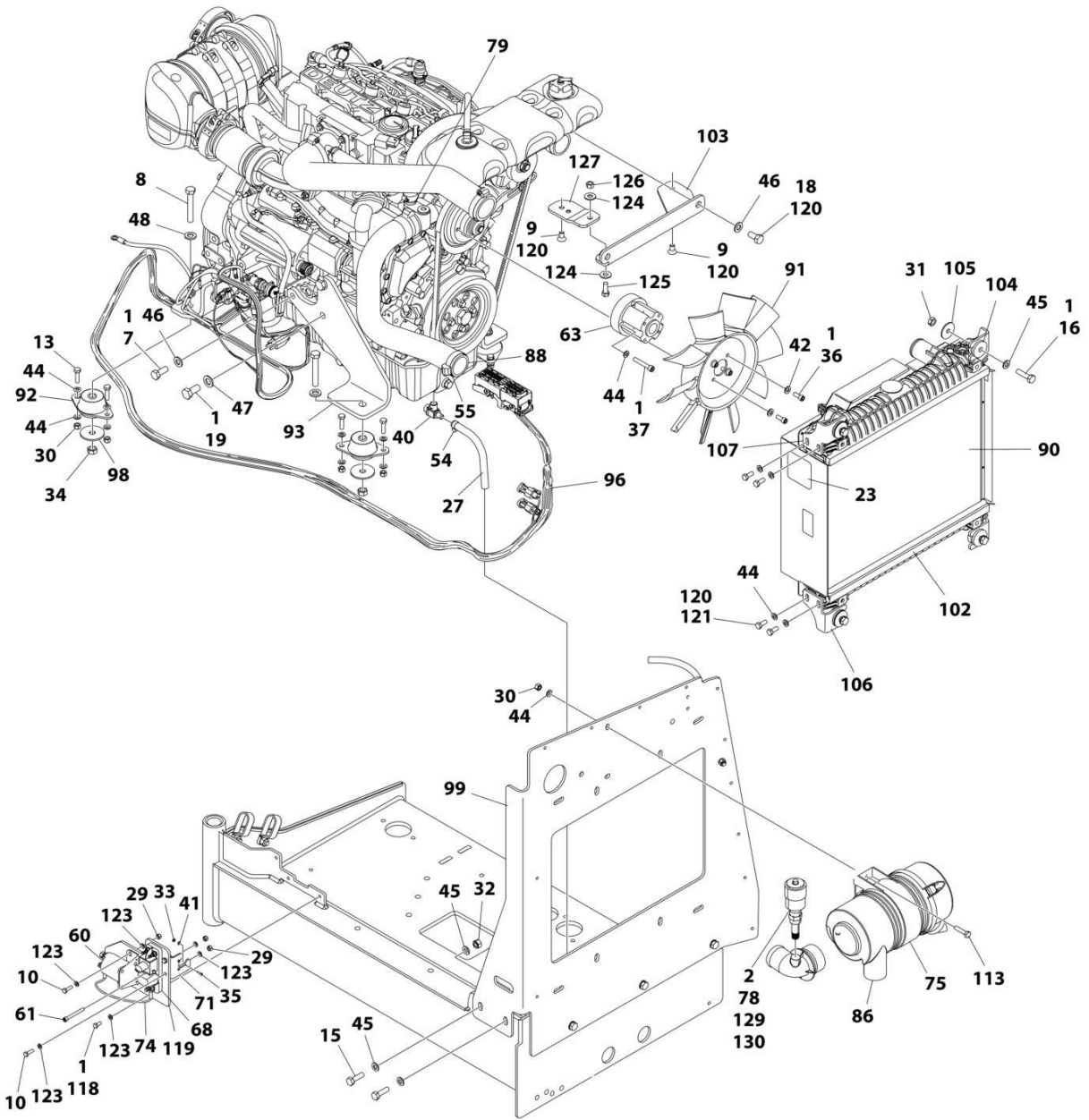
SECTION 3 - ENGINE

FIGURE 3-10. DEUTZ D2.9L4 EMR4 ENGINE ASSEMBLY (WITHOUT ARCTIC PACKAGE)



ART_1001166000_AB_10F2

SECTION 3 - ENGINE



ART_1001166000_AB_2OF2

SECTION 3 - ENGINE

FIGURE 3-10. DEUTZ D2.9L4 EMR4 ENGINE ASSEMBLY (WITHOUT ARCTIC PACKAGE)

ITEM	PART NUMBER	QTY	DESCRIPTION	REV
	1001166000	Ref	ENGINE ASSEMBLY - DEUTZ D2.9L4 ENGINE (WITHOUT ARCTIC PACKAGE)	AB
1	0100011	AR	Compound, Locking	
2	0100020	AR	Sealant, Pipe	
3	0100081	AR	Adhesive	
7	0711214	1	Bolt M12 x 30 Class 10.9	
8	0711224	3	Bolt M12 x 80 Class 10.9	
9	0741606	2	Screw 3/8 x 3/4	
10	0760610	4	Bolt M6 x 20	
11	0760808	1	Bolt M8 x 16	
12	0760812	1	Bolt M8 x 25	
13	0760814	6	Bolt M8 x 30	
14	0761014	2	Bolt M10 x 30	
15	0761015	7	Bolt M10 x 35	
16	0761016	4	Bolt M10 x 40	
17	0761210	1	Bolt M12 x 20	
18	0761212	2	Bolt M12 x 25	
19	0771414	6	Bolt M14 x 30 Class 10.9	
21	0961951	2	Bushing	
22	1321716	2	Clamp	
23	1703162	2	Decal - Caution Fan	
26	2720015	2 ft/1 m	Hose	
27	2720340	8 in/1 m	Hose	
28	2902065	1	Pump Coupling Kit (See Separate Breakdown in this Section)	
29	3290605	5	Nut M6	
30	3290805	9	Nut M8	
31	3291001	4	Nut M10	
32	3291005	9	Nut M10	
33	3310401	3	Nut #4	
34	3331215	3	Nut M12	
35	3910408	3	Screw #4- x 1/2	
36	3931512	4	Capscrew, 5/16 x 3/4	
37	4031914	4	Bolt M8 x 50	
38	4060805	3 ft/1 m	Flex-Trim	
39	4240099	AR	Tie-Strap	
40	4640751	1	Valve, Oil Drain	
41	4710400	3	Washer #4	
42	4711500	4	Washer 5/16	
44	4811900	31	Washer M8	
45	4812000	22	Washer M10	
46	4812100	4	Washer M12	
47	4812200	6	Washer M14	
48	5241200	3	Washer M12 Hardened	
53	8405007	2	Clamp	
54	8405009	5	Clamp	
55	8405104	4	Clamp	
56	8405202	1	Clamp	
57	8405204	1	Clamp	
58	8406109	1	Clip	
60	1001117308	1	Relay, 200Amp	

SECTION 3 - ENGINE

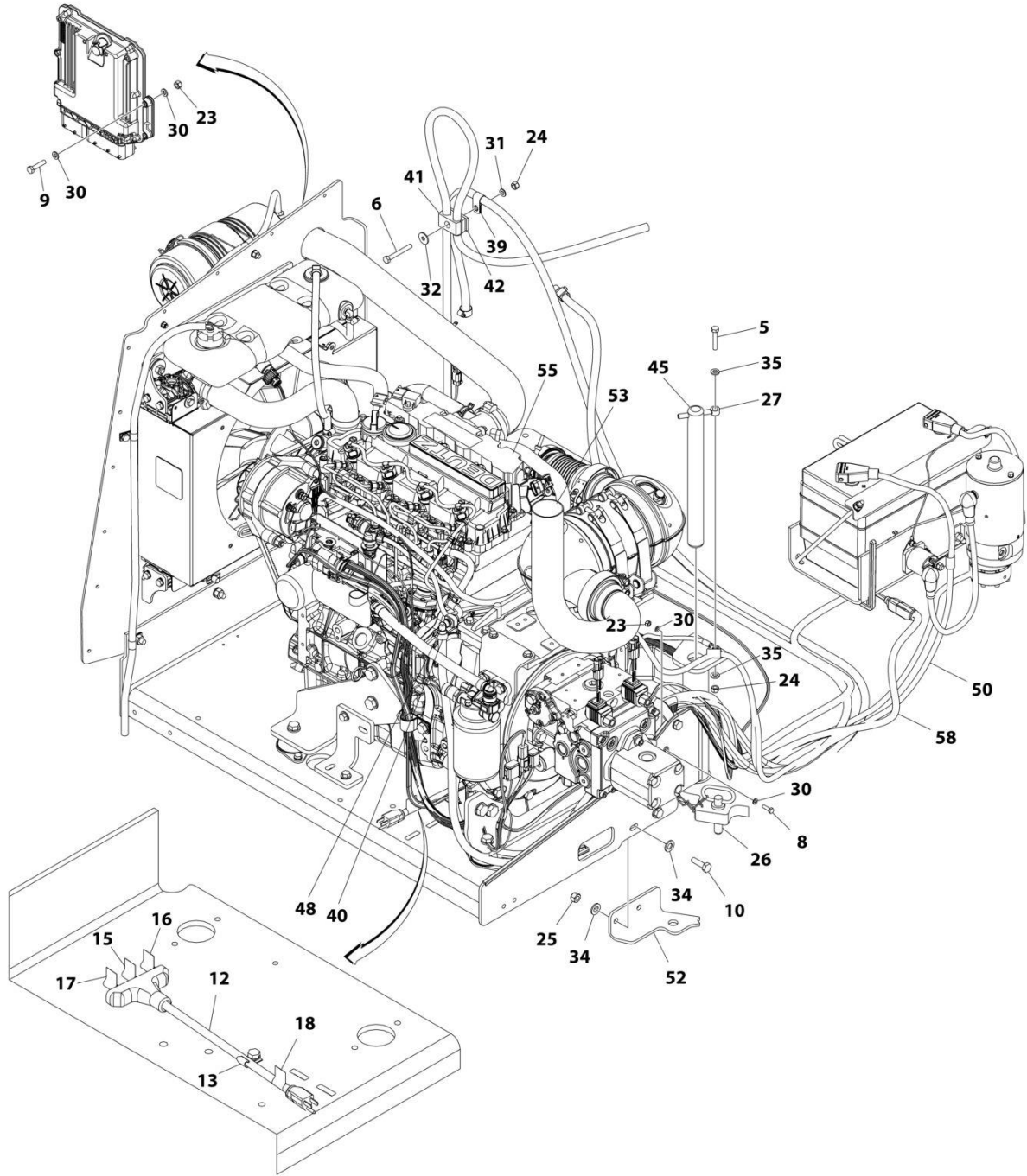
ITEM	PART NUMBER	QTY	DESCRIPTION	REV
60	3300220	2	Nut	
60	3321001	2	Nut #10	
60	4761000	2	Washer #10	
60	1001111424	2	Washer	
61	1001118878	1	Bolt M6 x 55	
63	1001144116	1	Spacer, Fan	
65	1001136834	1	Cap, Tank	
68	1001138228	1	Relay, Power Module	
68	70023592	1	Fuse 20Amp	
68	70023593	1	Fuse 30Amp	
69	1001138248	4 ft/1 m	Tube	
71	1001139240	1	Bracket	
72	1001230635	1	Tank, Surge (Includes Items 72A-72D)	
72A	0100020	AR	Sealant, Pipe	
72B	1001134488	1	Fitting, Barbed	
72C	1001138827	1	Sensor, Coolant Level	
72D	1001140564	1	Fitting, Barbed 90	
74	1001141304	1	Harness, Glow Plug	
75	1001141694	1	Clamp, Air Cleaner	
78	1001143390	1	Indicator	
79	1001143797	1	Fitting, Barbed	
80	1001178788	1	Cable, Alternator	
82	1001152489	1	Fitting, Barbed 90	
86	1001165388	1	Air Cleaner Assembly	
86	70003783	1	Element, Air Cleaner	
87	1001165405	1	Hose, Upper Radiator	
88	1001165406	1	Hose, Lower Radiator	
89	1001165721	1	Hose, Air Intake	
90	1001165722	1	Radiator	
91	1001165849	1	Fan	
92	1001166718	3	Mount, Motor	
93	1001166921	1	Plate, Engine Mount	
95	1001166924	1	Plate, Engine Mount	
96	1001167108	1	Harness Engine - Deutz D2.9L4 (See Separate Breakdown in ELECTRICAL Section)	
97	1001167520	1	Tray, Engine	
98	1001168018	3	Washer, Special	
99	1001168026	1	Plate, Radiator Mounting	
101	1001168099	1	Hose	
102	1001168166	2	Seal	
103	1001260420	1	Bracket	
104	1001169054	4	Isolator	
105	1001169138	4	Washer, Snubbing	
106	1001169967	2	Bracket	
107	1001170035	2	Bracket	
108	1001249965	1	Engine, Deutz D2.9L4 (See Separate Breakdown in this Section)	
110	1001177359	1	Hose	
111	1001178876	1	Mount, Fuel Filter	
113	0760815	2	Bolt M8 x 35	
114	3520054	1	Plug	
115	5250810	2	Bolt M8 x 20	
116	8406110	1	Clip	

SECTION 3 - ENGINE

ITEM	PART NUMBER	QTY	DESCRIPTION	REV
117	8406201	1	Clip	
118	0760607	3	Bolt M6 x 14	
119	1001179903	1	Bracket	
120	1001180620	AR	Adhesive	
121	0760810	8	Bolt M8 x 20	
122	1001191620	1	Clamp	
123	4811702	12	Washer M6	
124	4751600	2	Washer 3/8	
125	0681608	1	Bolt 3/8 x 1	
126	3311605	1	Nut 3/8	
127	1001260412	1	Bracket	
128	1001162335	1	Bracket Assembly - Fuel Pump/Filter (Not Shown - See Separate Breakdown in this Section)	
129	2200261	1	Fitting	
130	1001277432	1	Spacer	
131	4240032	1	Tie-Strap (Not Shown)	
132	1001291401	1	Tag, Coolant	

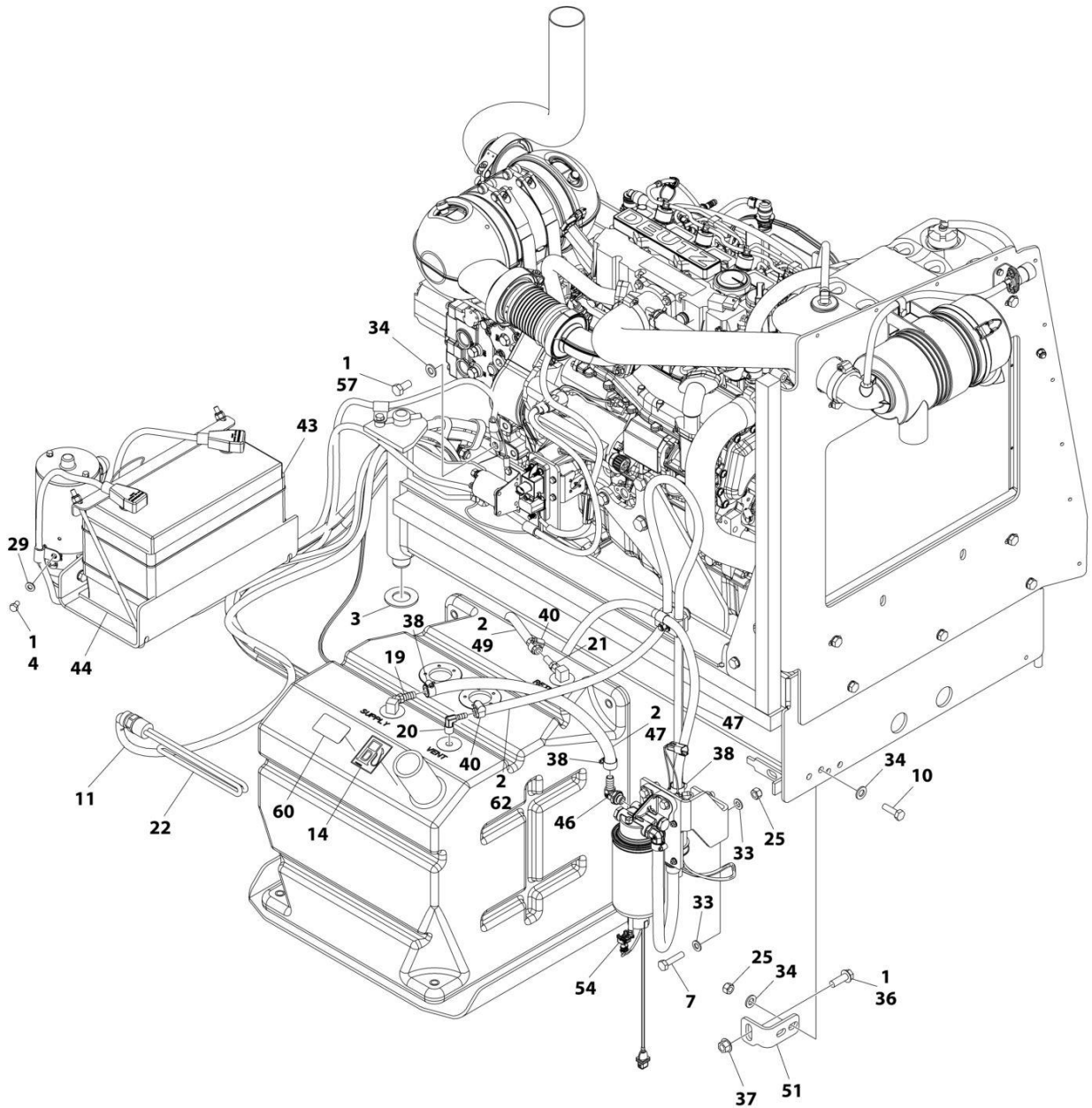
SECTION 3 - ENGINE

FIGURE 3-11. DEUTZ D2.9L4 EMR4 ENGINE INSTALLATION (WITH ARCTIC PACKAGE)



ART_1001166003_K_10F2

SECTION 3 - ENGINE



ART_1001166003_K_20F2

SECTION 3 - ENGINE

FIGURE 3-11. DEUTZ D2.9L4 EMR4 ENGINE INSTALLATION (WITH ARCTIC PACKAGE)

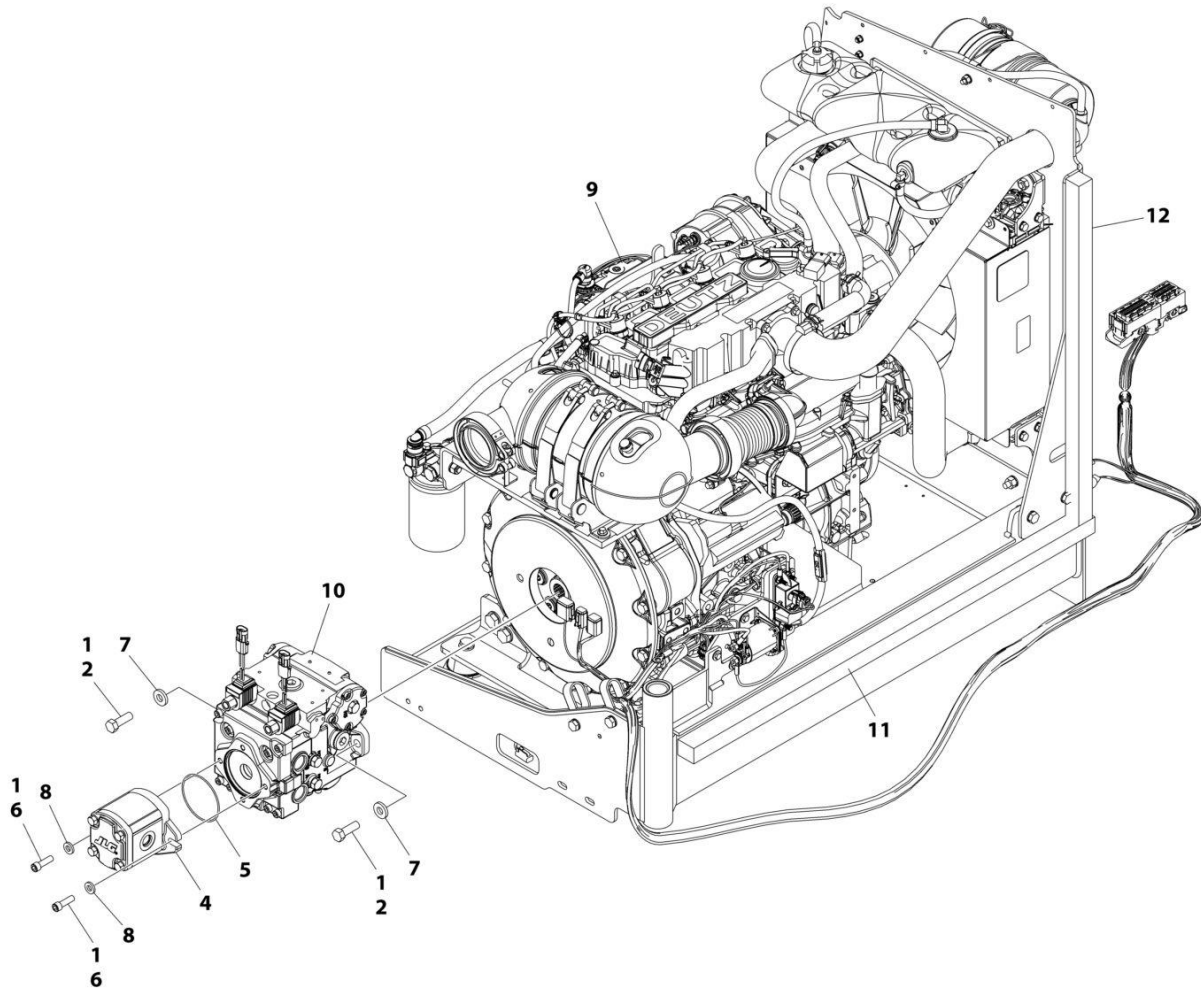
ITEM	PART NUMBER	QTY	DESCRIPTION	REV
	1001166003	Ref	ENGINE INSTALLATION - DEUTZ D2.9L4 ENGINE (WITH ARCTIC PACKAGE)	K
1	0100011	AR	Compound, Locking	
2	0100020	AR	Sealant, Pipe	
3	0440162	1	Bearing	
4	0641504	1	Bolt 5/16 x 1/2	
5	0700817	1	Bolt M8 x 45	
6	0700821	1	Bolt M8 x 65	
7	0701017	2	Bolt M10 x 45	
8	0760610	1	Bolt M6 x 20	
9	0760613	4	Bolt M6 x 28	
10	0761015	5	Bolt M10 x 35	
12	1060626	1	Plug, 3 Way	
13	1320223	1	Clamp	
14	1701505	2	Decal - Diesel Fuel	
15	1702941	1	Decal - Battery Heater	
16	1702942	1	Decal - Engine Block Heater	
17	1702943	1	Decal - Hydraulic Tank Heater	
18	1702944	1	Decal - Heater Cord	
19	2180832	1	Fitting, Barbed	
20	2220313	1	Fitting, Barbed 90	
21	2220767	1	Fitting, Barbed	
22	1001188972	1	Heater, Hydraulic Tank	
23	3290605	5	Nut, Lock M6 x 1	
24	3290805	2	Nut, Lock M8 x 1.25	
25	3291005	7	Nut, Lock M10 x 1.5	
26	3422532	1	Pin	
27	3841143	1	Keeper, Pin	
28	4240099	AR	Tie-Strap	
29	4711500	1	Washer, 5/16	
30	4811700	10	Washer, M6	
31	4811900	1	Washer, M8	
32	4811902	1	Washer, M8	
33	4812000	6	Washer, M10	
34	4812100	9	Washer, M12	
35	5240800	2	Washer, M8 Hardened	
36	5251215	1	Bolt M12 x 35	
37	5261200	1	Nut, Flange M12 Class10	
38	8405006	3	Clamp	
39	8406101	1	Clip	
40	8410013	4	Clamp	
41	1320187	1	Clamp	
42	1320190	1	Clamp	
43	2580024	1	Heater, Battery	
44	1001119278	1	Insulate	
45	1001135196	1	Pin	
46	1001142501	1	Fitting, Barbed 90	
47	1001154405	28 in/.7m	Hose	
48	1001155823	1	Coupling, Quick Disconnect 90	

SECTION 3 - ENGINE

ITEM	PART NUMBER	QTY	DESCRIPTION	REV
49	1001165035	21 ft /6.42m	Hose	
50	1001166970	1	Battery and Auxiliary Power Pump Cable Kit	E
50	70009006	1	Cable, Battery (Black) (Battery to Ground)	
50	70009002	1	Cable, Battery (Red) (Auxiliary Power Relay to Auxiliary Power Pump)	
50	70009007	1	Cable, Battery (Red) (Battery to Auxiliary Power Relay)	
51	1001167512	1	Bracket, Engine Tray	
52	1001169823	1	Plate, Engine Lock	
53	1001172594	1	Pipe, Exhaust	
54	1001173342	1	Harness, Fuel Pump (See Separate Breakdown in ELECTRICAL SECTION)	
55	1001174778	1	Engine and Pump Sub-Assembly - Deutz D2.9L4 (With Arctic Package) (See Separate Breakdown in this Section)	
57	0771212	1	Bolt M12 x 25	
58	1001150918	1	Cable, Extension Cord	
60	1001125387	1	Decal - Ultra Low Sulfur Fuel	
62	2750532	5.54 ft /1.69m	Hose	
63	1001233763	1	Breather Heater Installation (Not Shown - See Separate Breakdown in this Section)	

SECTION 3 - ENGINE

FIGURE 3-12. DEUTZ D2.9L4 EMR4 ENGINE AND PUMP SUB-ASSEMBLY (WITH ARCTIC PACKAGE)



ART_1001174778_I

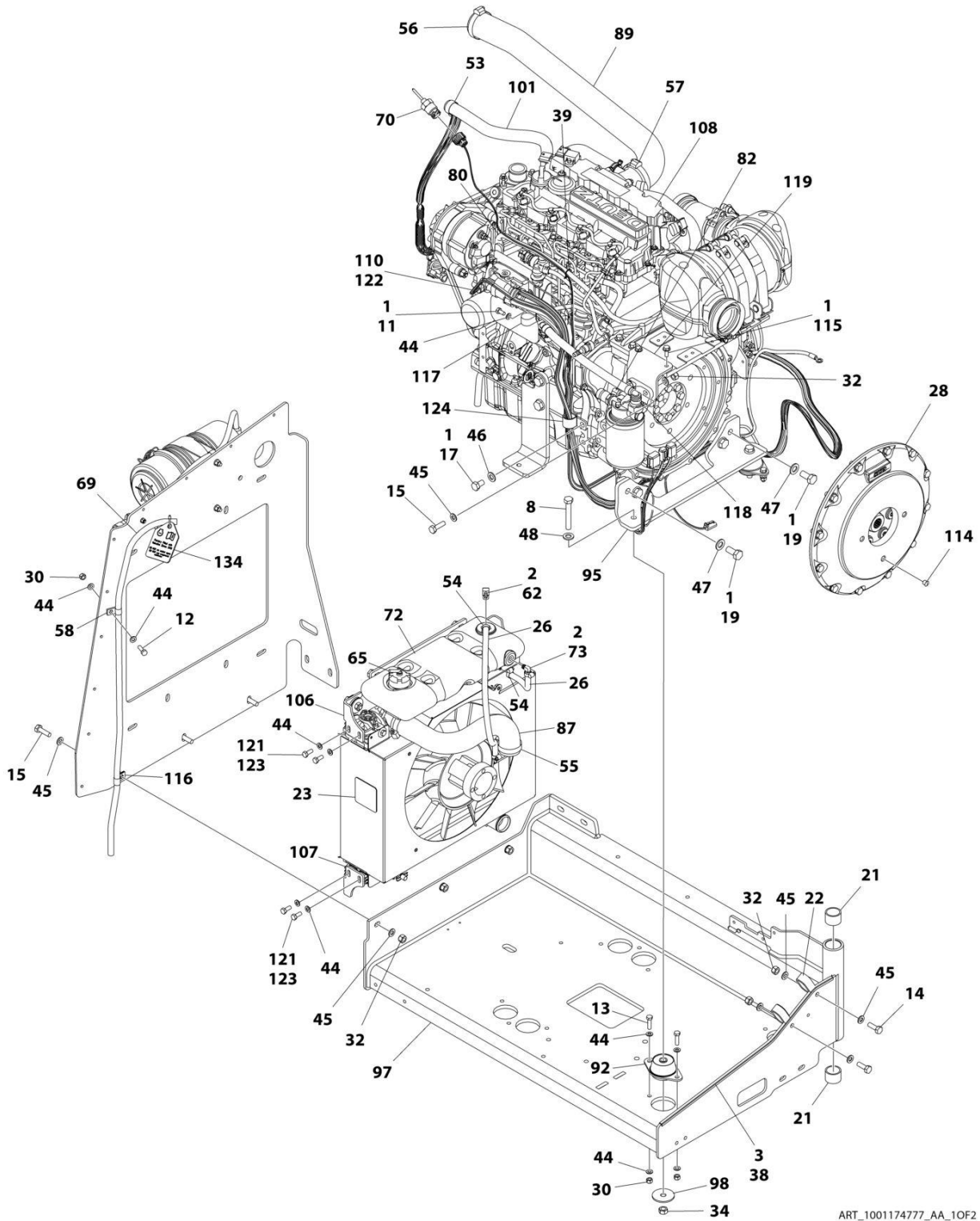
SECTION 3 - ENGINE

FIGURE 3-12. DEUTZ D2.9L4 EMR4 ENGINE AND PUMP SUB-ASSEMBLY (WITH ARCTIC PACKAGE)

ITEM	PART NUMBER	QTY	DESCRIPTION	REV
	1001174778	Ref	ENGINE AND PUMP SUB-ASSEMBLY - DEUTZ D2.9L4 (WITH ARCTIC PACKAGE)	I
1	0100011	AR	Compound, Locking	
2	0641812	2	Bolt 1/2 x 1-1/2	
4	1001214207	1	Gear Pump Assembly	
4	70006356	1	Seal Kit - 1001214207 Pump	
5	3790152	1	O-Ring	
6	3931618	2	Capscrew 3/8 x 1 1/8	
7	4891800	2	Washer 1/2 Hardened	
8	4891600	2	Washer 3/8 Hardened	
9	1001174777	1	Engine Assembly - Deutz D2.9L4 Engine (With Arctic Package) (See Separate Breakdown in this Section)	
10	1001167036	1	Piston Pump Assembly (See Separate Breakdown in this Section)	
11	1001171953	1	Seal	
12	1001171954	1	Seal	

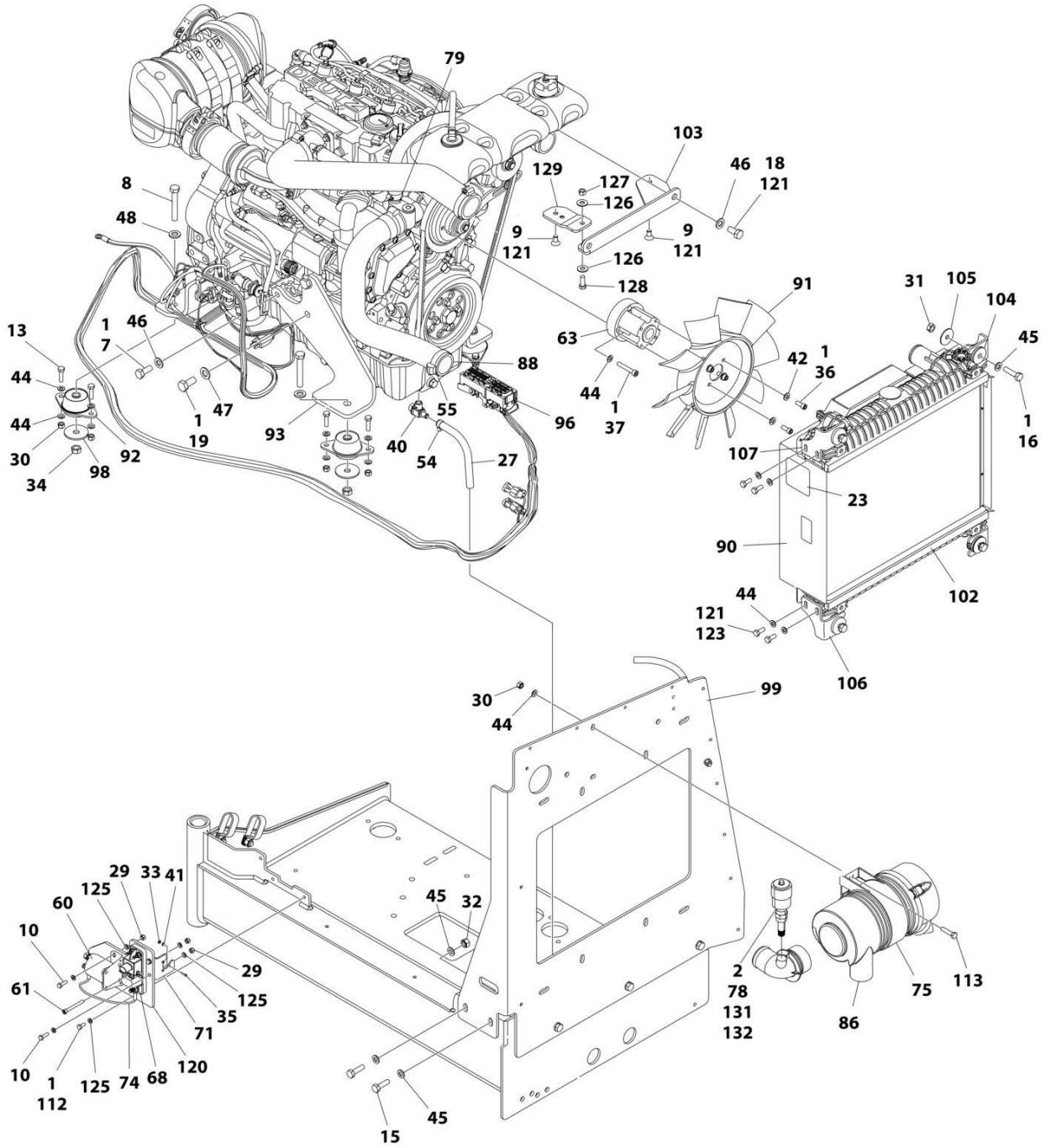
SECTION 3 - ENGINE

FIGURE 3-13. DEUTZ D2.9L4 EMR4 ENGINE ASSEMBLY (WITH ARCTIC PACKAGE)



ART_1001174777_AA_10F2

SECTION 3 - ENGINE



ART_1001174777_AA_20F2

SECTION 3 - ENGINE

FIGURE 3-13. DEUTZ D2.9L4 EMR4 ENGINE ASSEMBLY (WITH ARCTIC PACKAGE)

ITEM	PART NUMBER	QTY	DESCRIPTION	REV
	1001174777	Ref	ENGINE ASSEMBLY - DEUTZ D2.9L4 ENGINE (WITH ARCTIC PACKAGE)	AA
1	0100011	AR	Compound, Locking	
2	0100020	AR	Sealant, Pipe	
3	0100081	AR	Adhesive	
7	0711214	1	Bolt M12 x 30 Class 10.9	
8	0711224	3	Bolt M12 x 80 Class 10.9	
9	0741606	2	Screw 3/8 x 3/4	
10	0760610	4	Bolt M6 x 20	
11	0760808	1	Bolt M8 x 16	
12	0760812	1	Bolt M8 x 25	
13	0760814	6	Bolt M8 x 30	
14	0761014	2	Bolt M10 x 30	
15	0761015	7	Bolt M10 x 35	
16	0761016	4	Bolt M10 x 40	
17	0761210	1	Bolt M12 x 20	
18	0761212	2	Bolt M12 x 25	
19	0771414	6	Bolt M14 x 30 Class 10.9	
21	0961951	2	Bushing	
22	1321716	2	Clamp	
23	1703162	2	Decal - Caution Fan	
26	2720015	2 ft/1 m	Hose	
27	2720340	8 in /20 cm	Hose	
28	2902065	1	Pump Coupling Kit (See Separate Breakdown in this Section)	
29	3290605	5	Nut M6	
30	3290805	9	Nut M8	
31	3291001	4	Nut M10	
32	3291005	9	Nut M10	
33	3310401	3	Nut #4	
34	3331215	3	Nut M12 x 1.75	
35	3910408	3	Screw #4- x 1/2	
36	3931512	4	Capscrew 5/16 x 3/4	
37	4031914	4	Bolt M8 x 50	
38	4060805	3 ft/1 m	Flex-Trim	
39	4240099	AR	Tie-Strap	
40	4640751	1	Valve, Oil Drain	
41	4710400	3	Washer #4	
42	4711500	4	Washer 5/16	
44	4811900	31	Washer M8	
45	4812000	22	Washer M10	
46	4812100	4	Washer M12	
47	4812200	6	Washer M14	
48	5241200	3	Washer M12	
53	8405007	2	Clamp	
54	8405009	5	Clamp	
55	8405104	4	Clamp	
56	8405202	1	Clamp	
57	8405204	1	Clamp	
58	8406109	1	Clip	

SECTION 3 - ENGINE

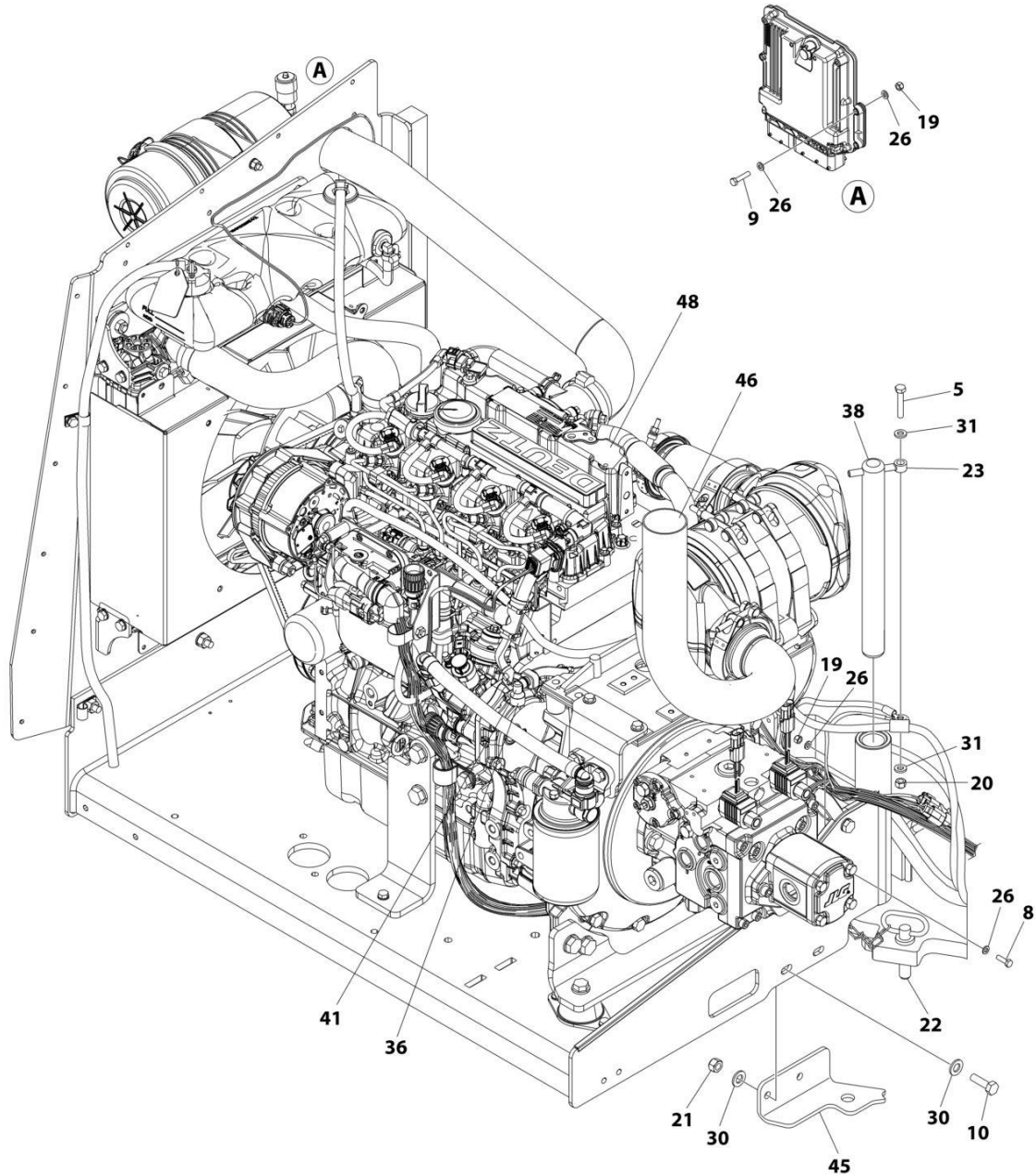
ITEM	PART NUMBER	QTY	DESCRIPTION	REV
60	1001117308	1	Relay, 200Amp	
60	3300220	2	Nut	
60	3321001	2	Nut #10	
60	4761000	2	Washer #10	
60	1001111424	2	Washer	
61	1001118878	1	Bolt M6 x 55	
62	1001134488	1	Fitting, Barbed 90	
63	1001144116	1	Spacer, Fan	
65	1001136834	1	Cap, Tank	
68	1001138228	1	Relay, Power Module	
68	70023592	1	Fuse 20Amp	
68	70023593	1	Fuse 30Amp	
69	1001138248	4 ft/1 m	Tube	
70	1001138827	1	Sensor, Coolant Level	
71	1001139240	1	Bracket	
72	1001230635	1	Tank, Surge (Includes Items 62, 70 & 73)	
73	1001140564	1	Fitting, Barbed 90	
74	1001141304	1	Harness, Glow Plug	
75	1001141694	1	Clamp, Air Cleaner	
78	1001143390	1	Indicator	
79	1001143797	1	Fitting, Barbed	
80	1001178788	1	Cable, Alternator	
82	1001152489	1	Fitting, Barbed 90	
86	1001165388	1	Air Cleaner Assembly	
86	70003783	1	Element, Air Cleaner	
87	1001165405	1	Hose, Upper Radiator	
88	1001165406	1	Hose, Lower Radiator	
89	1001165721	1	Hose, Air Intake	
90	1001165722	1	Radiator	
91	1001165849	1	Fan	
92	1001166718	3	Mount, Motor	
93	1001166921	1	Plate, Engine Mount	
95	1001166924	1	Plate, Engine Mount	
96	1001167108	1	Harness Engine - Deutz D2.9L4 (See Separate Breakdown in ELECTRICAL Section)	
97	1001167520	1	Tray, Engine	
98	1001168018	3	Washer, Special	
99	1001168026	1	Plate, Radiator Mounting	
101	1001168099	1	Hose	
102	1001168166	2	Seal	
103	1001260420	1	Bracket	
104	1001169054	4	Isolator	
105	1001169138	4	Washer, Snubbing	
106	1001169967	2	Bracket	
107	1001170035	2	Bracket	
108	1001249965	1	Engine, Deutz D2.9L4 (See Separate Breakdown in this Section)	
110	1001140312	1	Heater, Engine Block	
112	0760607	3	Bolt M6 x 14	
113	0760815	2	Bolt M8 x 35	
114	3520054	1	Plug	
115	5250810	2	Bolt M8 x 20	
116	8406110	1	Clip	

SECTION 3 - ENGINE

ITEM	PART NUMBER	QTY	DESCRIPTION	REV
117	8406201	1	Clip	
118	1001177359	1	Hose	
119	1001178876	1	Mount, Fuel Filter	
120	1001179903	1	Bracket	
121	1001180620	AR	Adhesive	
122	1001181895	AR	Adhesive	
123	0760810	8	Bolt M8 x 20	
124	1001191620	1	Clamp	
125	4811702	12	Washer M6	
126	4751600	2	Washer 3/8	
127	3311605	1	Nut 3/8	
128	0681608	1	Bolt 3/8 x 1	
129	1001260412	1	Bracket	
130	1001162335	1	Bracket Assembly - Fuel Pump/Filter (Not Shown - See Separate Breakdown in this Section)	
131	2200261	1	Fitting	
132	1001277432	1	Spacer	
133	4240032	1	Tie-Strap (Not Shown)	
134	1001291401	1	Tag, Coolant	

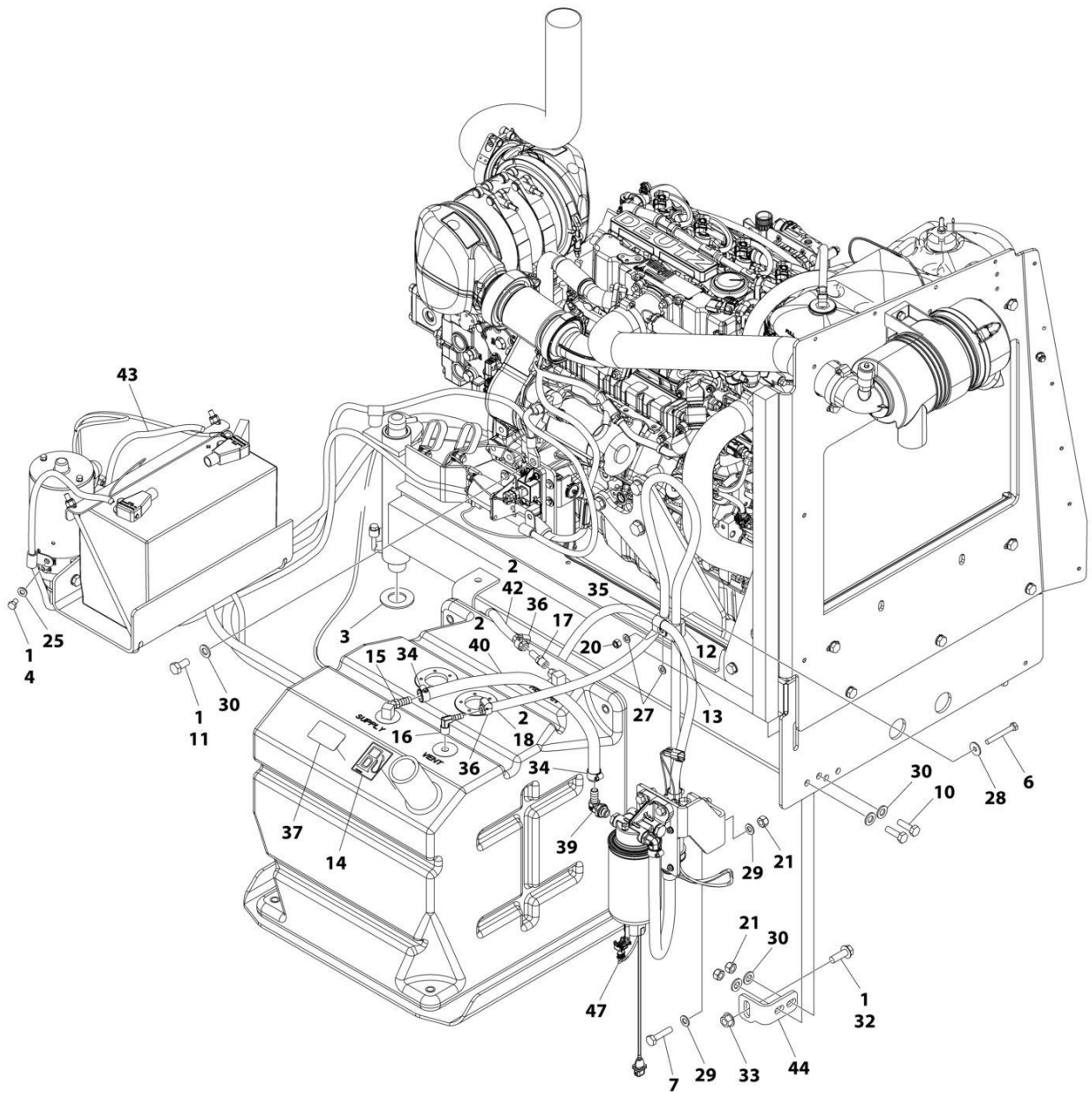
SECTION 3 - ENGINE

FIGURE 3-14. ENGINE INSTALLATION - DEUTZ D2.9L4 ERM5 ENGINE (WITHOUT ARCTIC PACKAGE) (ANSI, ANSI EXPORT (HRC), CSA AND JAPANESE SPECS)



ART_1001302969_10F2

SECTION 3 - ENGINE



ART_1001302969_20F2

SECTION 3 - ENGINE

FIGURE 3-14. ENGINE INSTALLATION - DEUTZ D2.9L4 ERM5 ENGINE (WITHOUT ARCTIC PACKAGE) (ANSI, ANSI EXPORT (HRC), CSA AND JAPANESE SPECS)

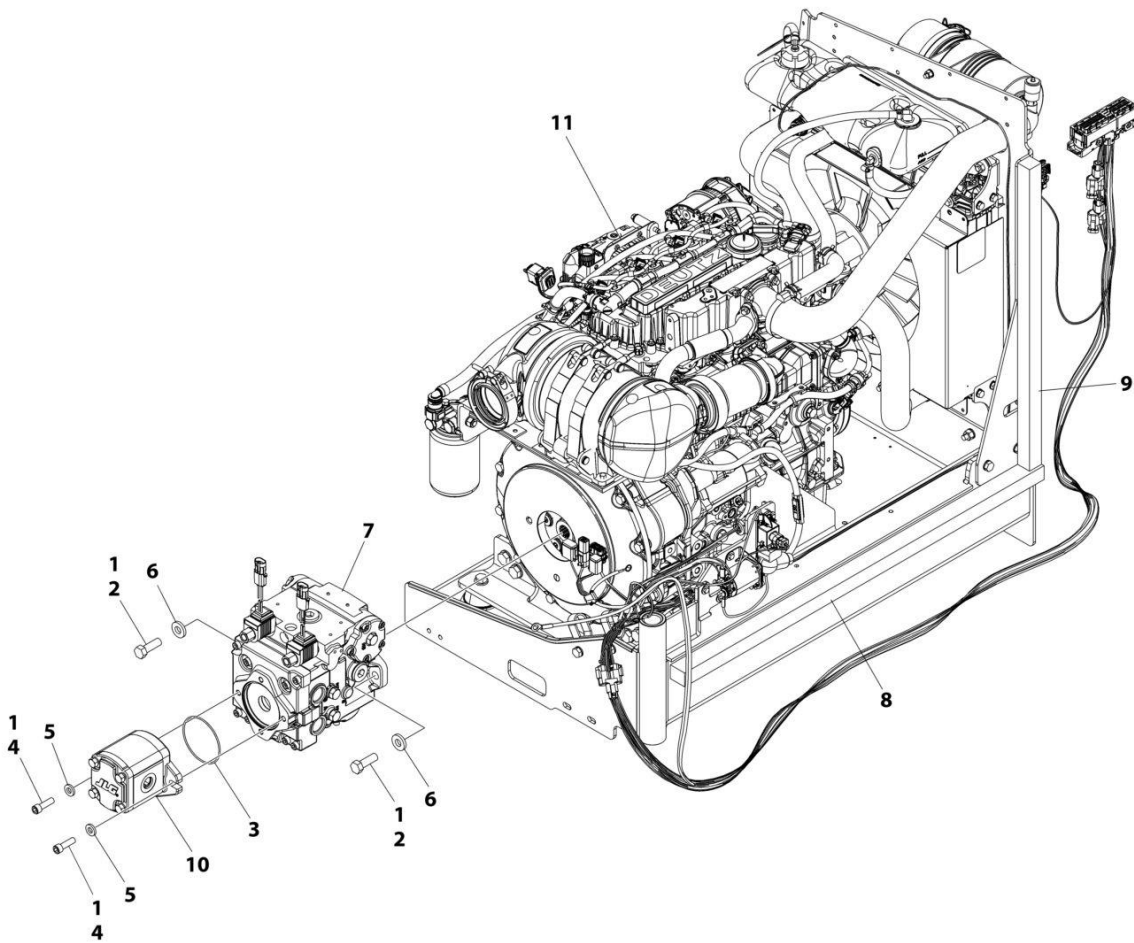
ITEM	PART NUMBER	QTY	DESCRIPTION	REV
	1001302969	Ref	ENGINE INSTALLATION - DEUTZ D2.9L4 ERM5 ENGINE	A
1	0100011	AR	Compound, Locking	
2	0100020	AR	Sealant, Pipe	
3	0440162	1	Bearing	
4	0641504	1	Bolt 5/16 x 1/2	
5	0700817	1	Bolt M8 x 45	
6	0700821	1	Bolt M8 x 65	
7	0701017	2	Bolt M10 x 45	
8	0760610	1	Bolt M6 x 20	
9	0760613	4	Bolt M6 x 28	
10	0761015	4	Bolt M10 x 35	
11	0771212	1	Bolt M12 x 25	
12	1320187	1	Clamp	
13	1320190	1	Clamp	
14	1701505	2	Decal - Diesel	
15	2180832	1	Fitting, Barbed	
16	2220313	1	Fitting, Barbed 90	
17	2220767	1	Fitting, Barbed	
18	2750532	6 ft /2 m	Hose	
19	3290605	5	Nut M6	
20	3290805	2	Nut M8	
21	3291005	6	Nut M10	
22	3422532	1	Pin	
23	3841143	1	Keeper, Pin	
24	4240099	AR	Tie-Strap (Not Shown)	
25	4711500	1	Washer 5/16	
26	4811700	10	Washer M6	
27	4811900	2	Washer M8	
28	4811902	1	Washer M8	
29	4812000	4	Washer M10	
30	4812100	9	Washer M12	
31	5240800	2	Washer M8	
32	5251215	1	Bolt M12 x 35	
33	5261200	1	Nut M12	
34	8405006	3	Clamp	
35	8406101	1	Clip	
36	8410013	4	Clamp	
37	1001125387	1	Decal - Ultra Low Sulfur	
38	1001135196	1	Pin	
39	1001142501	1	Fitting, Barbed 90	
40	1001154405	2.5 ft /1 m	Hose	
41	1001155823	1	Coupling, Quick Disconnect 90	
42	1001165035	21 ft /7 m	Hose	
43	1001166970	1	Battery and Auxiliary Power Pump Cable Kit	E
43	70009006	1	Cable, Battery (Black) (Battery to Ground)	
43	70009002	1	Cable, Battery (Red) (Auxiliary Power Relay to Auxiliary Power Pump)	
43	70009007	1	Cable, Battery (Red) (Battery to Auxiliary Power Relay)	
44	1001167512	1	Bracket	

SECTION 3 - ENGINE

ITEM	PART NUMBER	QTY	DESCRIPTION	REV
45	1001169823	1	Plate	
46	1001172594	1	Pipe, Exhaust	
47	1001173342	1	Fuel Pump Harness (See Separate Breakdown in ELECTRICAL Section)	
48	1001302961	1	Engine and Pump Sub-Assembly - Deutz D2.9L4 ERM5 Engine (See Separate Breakdown in this Section)	

SECTION 3 - ENGINE

FIGURE 3-15. ENGINE AND PUMP SUB-ASSEMBLY - DEUTZ D2.9L4 ERM5 ENGINE (WITHOUT ARCTIC PACKAGE) (ANSI, ANSI EXPORT AND CSA SPECS)



ART_1001302961

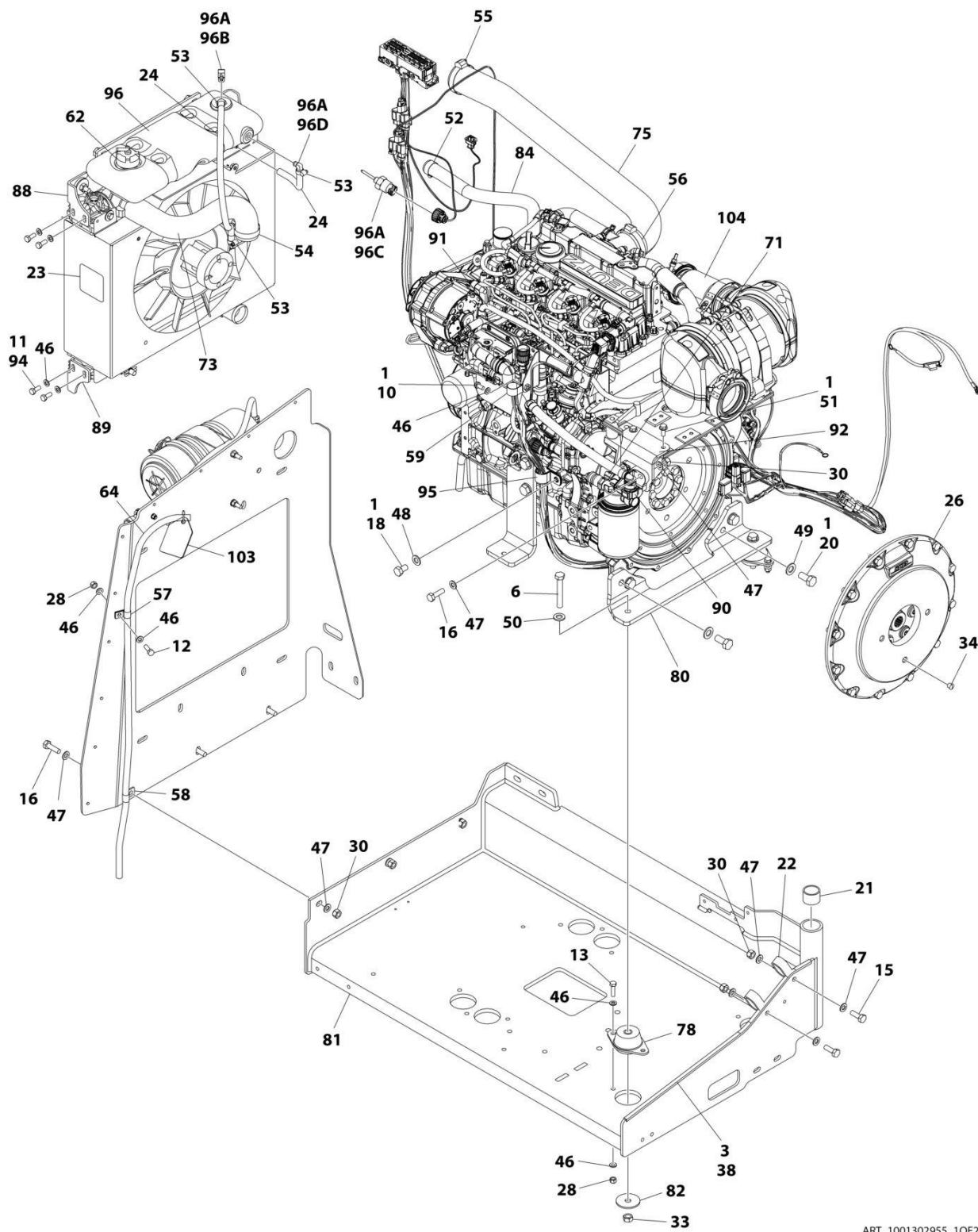
SECTION 3 - ENGINE

FIGURE 3-15. ENGINE AND PUMP SUB-ASSEMBLY - DEUTZ D2.9L4 ERM5 ENGINE (WITHOUT ARCTIC PACKAGE) (ANSI, ANSI EXPORT AND CSA SPECS)

ITEM	PART NUMBER	QTY	DESCRIPTION	REV
	1001302961	Ref	ENGINE AND PUMP SUB-ASSEMBLY - DEUTZ D2.9L4 ERM5	A
1	0100011	AR	Compound, Locking	
2	0641812	2	Bolt 1/2 x 1-1/2	
3	3790152	1	O-Ring	
4	3931618	2	Capscrew 3/8 x 1-1/8	
5	4891600	2	Washer 3/8	
6	4891800	2	Washer 1/2	
7	1001167036	1	Piston Pump Assembly (See Separate Breakdow in this Section)	
8	1001171953	1	Seal	
9	1001171954	1	Seal	
10	1001214207	1	Gear Pump Assembly	
10	70006356	1	Seal Kit - 1001214207 Pump	
11	1001302955	1	Engine Assembly - Deutz D2.9L4 ERM5 Engine (Without Arctic Package) (See Separate Breakdown in this Section)	

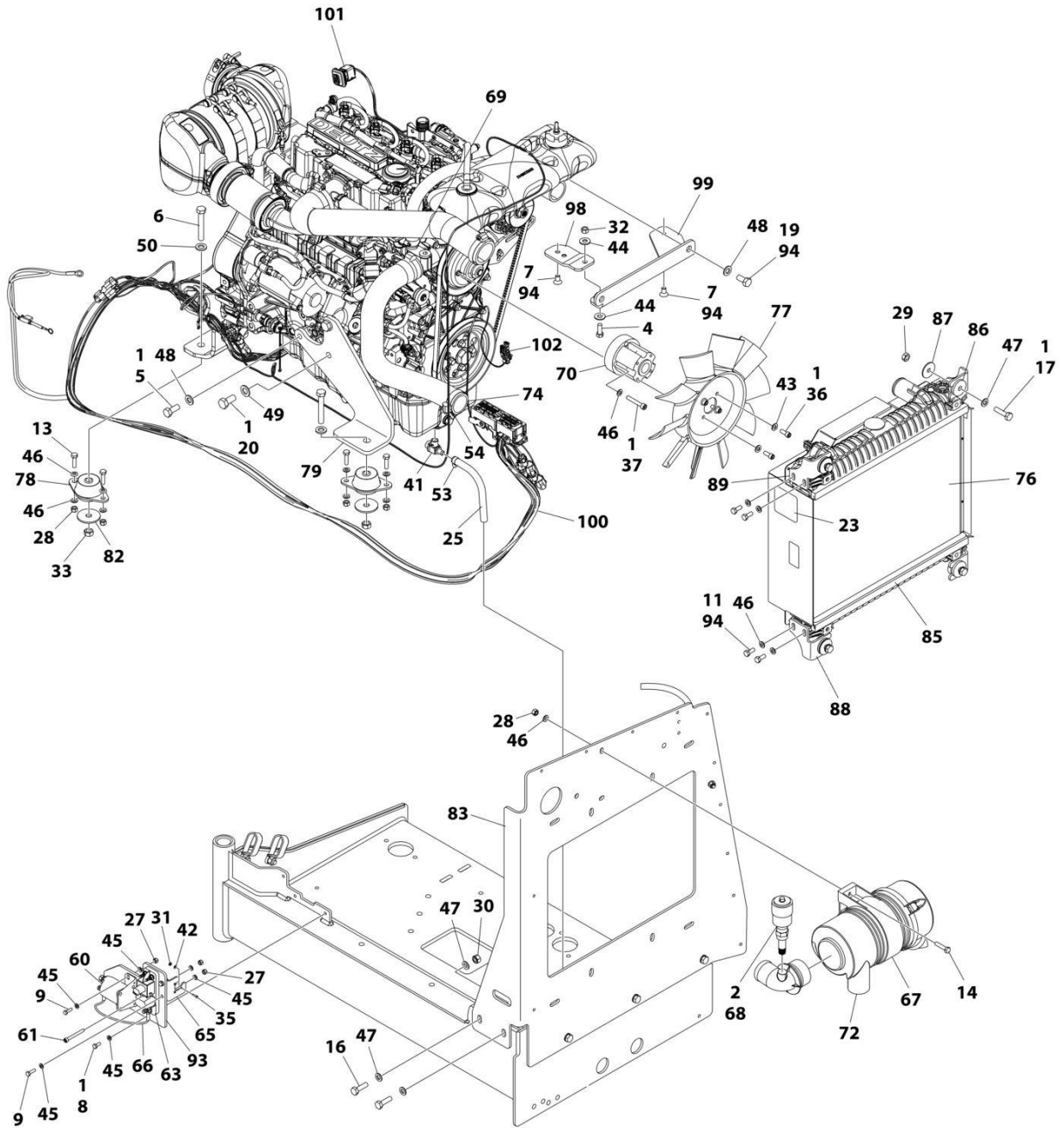
SECTION 3 - ENGINE

FIGURE 3-16. ENGINE ASSEMBLY - DEUTZ D2.9L4 ERM5 ENGINE (WITHOUT ARCTIC PACKAGE)
(ANSI, ANSI EXPORT AND CSA SPECS)



ART_1001302955_10F2

SECTION 3 - ENGINE



ART_1001302955_20F2

SECTION 3 - ENGINE

**FIGURE 3-16. ENGINE ASSEMBLY - DEUTZ D2.9L4 ERM5 ENGINE (WITHOUT ARCTIC PACKAGE)
(ANSI, ANSI EXPORT AND CSA SPECS)**

ITEM	PART NUMBER	QTY	DESCRIPTION	REV
	1001302955	Ref	ENGINE ASSEMBLY - DEUTZ D2.9L4 ERM5 ENGINE	A
1	0100011	AR	Compound, Locking	
2	0100020	AR	Sealant, Pipe	
3	0100081	AR	Adhesive	
4	0681608	1	Bolt 3/8 x 1	
5	0711214	1	Bolt M12 x 30	
6	0711224	3	Bolt M12 x 80	
7	0741606	2	Screw 3/8 x 3/4	
8	0760607	3	Bolt M6 x 14	
9	0760610	4	Bolt M6 x 20	
10	0760808	1	Bolt M8 x 16	
11	0760810	8	Bolt M8 x 20	
12	0760812	1	Bolt M8 x 25	
13	0760814	6	Bolt M8 x 30	
14	0760815	2	Bolt M8 x 35	
15	0761014	2	Bolt M10 x 30	
16	0761015	7	Bolt M10 x 35	
17	0761016	4	Bolt M10 x 40	
18	0761210	1	Bolt M12 x 20	
19	0761212	2	Bolt M12 x 25	
20	0771414	6	Bolt M14 x 30	
21	0961951	2	Bushing	
22	1321716	2	Clamp	
23	1703162	2	Decal - Caution Fan	
24	2720015	2 ft/1 m	Hose	
25	2720340	8 in/20 cm	Hose	
26	2902065	1	Pump Coupling Kit (See Separate Breakdown in this Section)	
27	3290605	5	Nut M6	
28	3290805	9	Nut M8	
29	3291001	4	Nut M10	
30	3291005	9	Nut M10	
31	3310401	3	Nut #4	
32	3311605	1	Nut 3/8	
33	3331215	3	Nut M12	
34	3520054	1	Plug	
35	3910408	3	Screw #4 x 1/2	
36	3931512	4	Capscrew 5/16 x 3/4	
37	4031914	4	Bolt M8 x 50	
38	4060805	2 ft/1 m	Flex-Trim	
39	4240032	AR	Tie-Strap (Not Shown)	
40	4240099	AR	Tie-Strap (Not Shown)	
41	4640751	1	Valve, Oil Drain	
42	4710400	3	Washer #4	
43	4711500	4	Washer 5/16	
44	4751600	2	Washer 3/8	
45	4811702	12	Washer M6	
46	4811900	31	Washer M8	
47	4812000	22	Washer M10	
48	4812100	4	Washer M12	

SECTION 3 - ENGINE

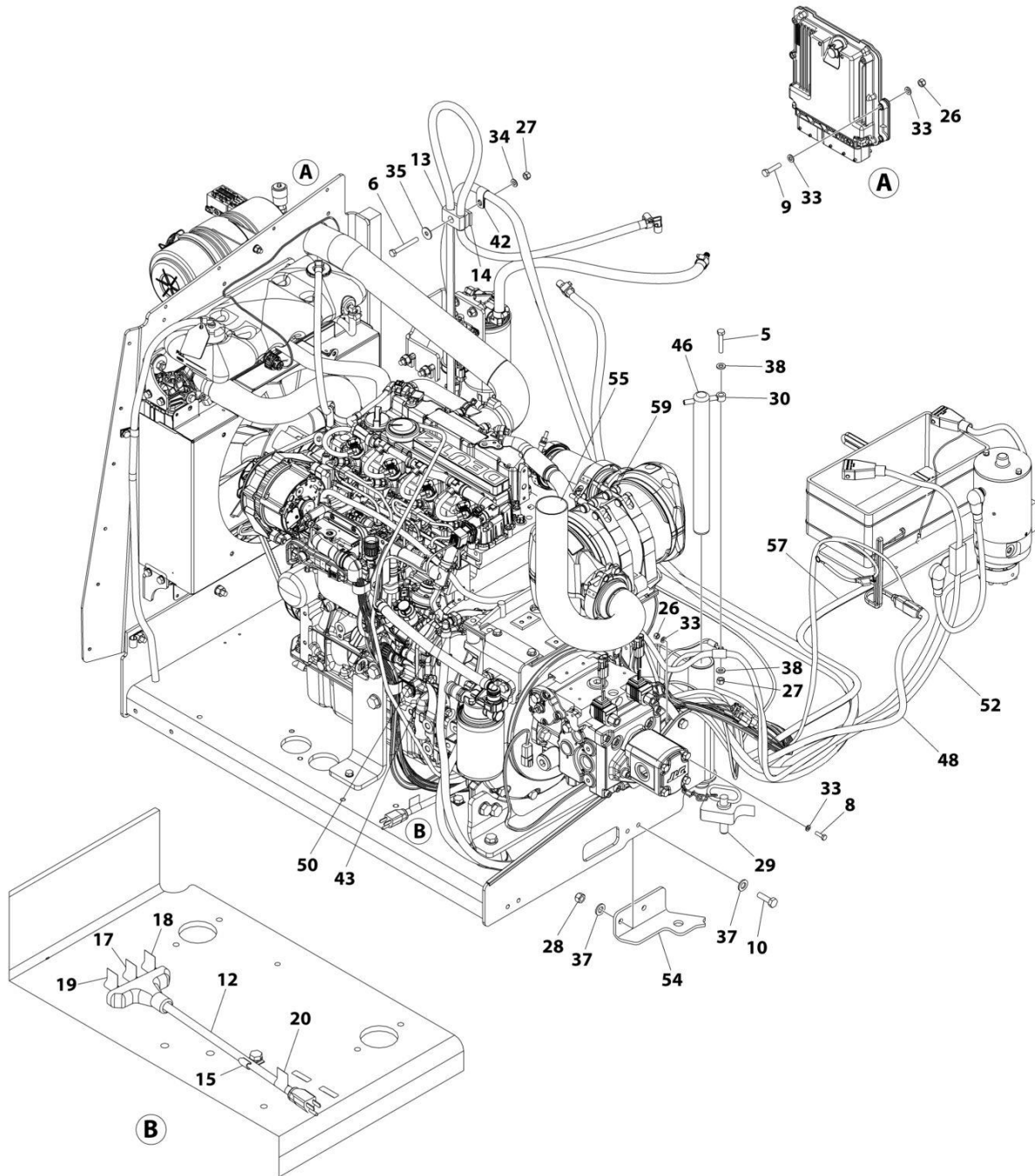
ITEM	PART NUMBER	QTY	DESCRIPTION	REV
49	4812200	6	Washer M14	
50	5241200	3	Washer M12	
51	5250810	2	Bolt M8 x 20	
52	8405007	2	Clamp	
53	8405009	5	Clamp	
54	8405104	4	Clamp	
55	8405202	1	Clamp	
56	8405204	1	Clamp	
57	8406109	1	Clip	
58	8406110	1	Clip	
59	8406201	1	Clip	
60	1001117308	1	Relay, 200Amp	
60	3300220	2	Nut	
60	3321001	2	Nut #10	
60	4761000	2	Washer #10	
60	100111424	2	Washer	
61	1001118878	1	Bolt M6 x 55	
62	1001136834	1	Cap, Tank	
63	1001138228	1	Relay, Power Module	
63	70023592	1	Fuse 20AMP	
63	70023593	1	Fuse 30AMP	
64	1001138248	4 ft/1 m	Hose	
65	1001139240	1	Bracket	
66	1001141304	1	Harness, Glow Fuse	
67	1001141694	1	Clamp	
68	1001143390	1	Indicator	
69	1001143797	1	Fitting, Pipe Straight	
70	1001144116	1	Spacer, Fan	
71	1001152489	1	Fitting, Pipe 90	
72	1001165388	1	Filter, Air Cleaner	
73	1001165405	1	Hose	
74	1001165406	1	Hose	
75	1001165721	1	Hose	
76	1001165722	1	Radiator	
77	1001165849	1	Fan	
78	1001166718	3	Isolator	
79	1001166921	1	Plate	
80	1001166924	1	Plate	
81	1001167520	1	Support	
82	1001168018	3	Washer, Special	
83	1001168026	1	Plate	
84	1001168099	1	Hose	
85	1001168166	2	Seal	
86	1001169054	4	Isolator, Radiator	
87	1001169138	4	Pad	
88	1001169967	2	Bracket	
89	1001170035	2	Bracket	
90	1001177359	1	Hose	
91	1001178788	1	Cable, Alternator	
92	1001178876	1	Mount	
93	1001179903	1	Bracket	

SECTION 3 - ENGINE

ITEM	PART NUMBER	QTY	DESCRIPTION	REV
94	1001180620	AR	Adhesive	
95	1001191620	1	Clamp	
96	1001230635	1	Tank, Surge Assembly (Includes Items 96A-96D)	
96A	0100020	AR	Sealant, Pipe	
96B	1001134488	1	Fitting, Barbed	
96C	1001138827	1	Sensor, Coolant Level	
96D	1001140564	1	Fitting, Barbed 90	
97	1001235949	1	Bracket Assembly Fuel Pump/Filter (Not Shown - See Separate Breakdown in this Section)	
98	1001260412	1	Bracket	
99	1001260420	1	Bracket	
100	1001276643	1	Engine Harness (See Separate Breakdown in ELECTRICAL Section)	
101	1001281985	1	Connector	
102	1001281986	1	Connector	
103	1001291401	1	Tag, Coolant	
104	1001302954	1	Engine, Deutz D2.9L4 ERM5 (See Separate Breakdown in this Section)	

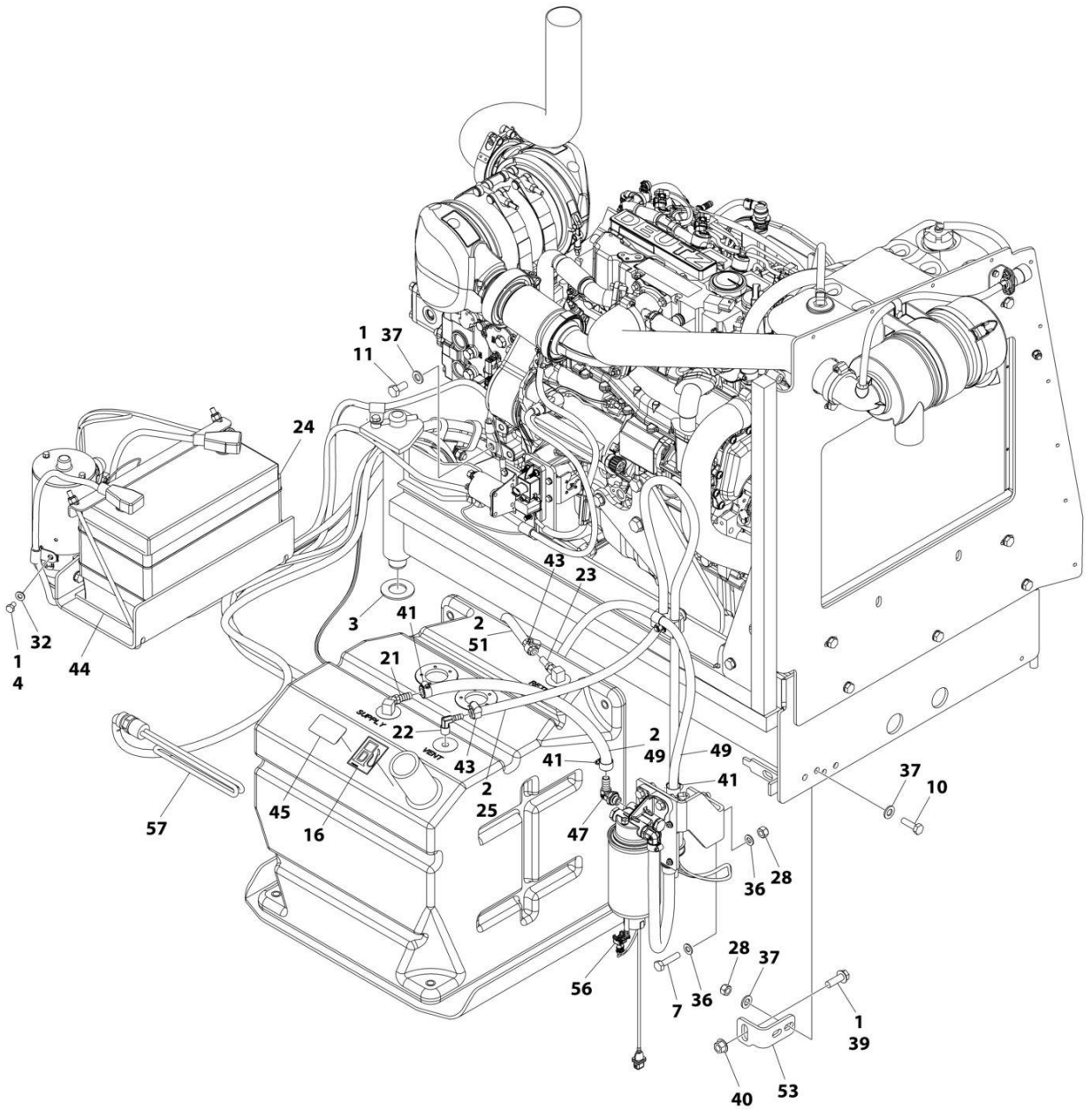
SECTION 3 - ENGINE

FIGURE 3-17. ENGINE INSTALLATION - DEUTZ D2.9L4 ERM5 ENGINE (WITH ARCTIC PACKAGE) (ANSI AND CSA SPECS)



ART_1001302973_10F2

SECTION 3 - ENGINE



ART_1001302973_2OF2

SECTION 3 - ENGINE

**FIGURE 3-17. ENGINE INSTALLATION - DEUTZ D2.9L4 ERM5 ENGINE (WITH ARCTIC PACKAGE)
(ANSI AND CSA SPECS)**

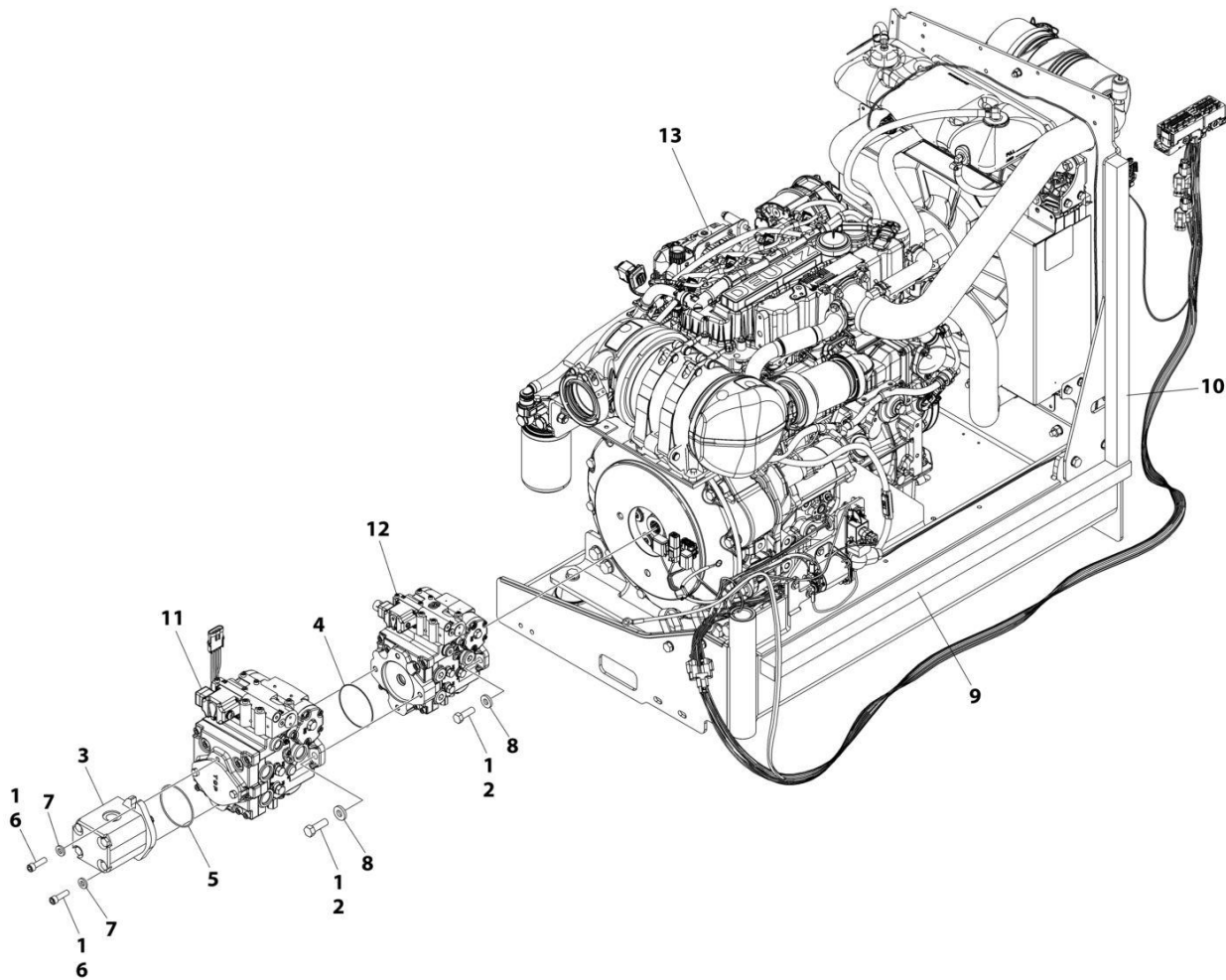
ITEM	PART NUMBER	QTY	DESCRIPTION	REV
	1001302973	Ref	ENGINE INSTALLATION - DEUTZ D2.9L4 ERM5 ENGINE	A
1	0100011	AR	Compound, Locking	
2	0100020	AR	Sealant, Pipe	
3	0440162	1	Bearing	
4	0641504	1	Bolt 5/16 x 1/2	
5	0700817	1	Bolt M8 x 45	
6	0700821	1	Bolt M8 x 65	
7	0701017	2	Bolt M10 x 45	
8	0760610	1	Bolt M6 x 20	
9	0760613	4	Bolt M6 x 28	
10	0761015	5	Bolt M10 x 35	
11	0771212	1	Bolt M12 x 25	
12	1060626	1	Cord, 3-Way Extension	
13	1320187	1	Clamp	
14	1320190	1	Clamp	
15	1320223	1	Clamp	
16	1701505	2	Decal - Diesel	
17	1702941	1	Decal - Battery Heater	
18	1702942	1	Decal - Engine Block Heater	
19	1702943	1	Decal - Hydraulic Tank Heater	
20	1702944	1	Decal - Heater Cord	
21	2180832	1	Fitting, Barbed	
22	2220313	1	Fitting, Barbed 90	
23	2220767	1	Fitting, Barbed	
24	2580024	1	Heater, Battery	
25	2750532	6 ft /2 m	Hose	
26	3290605	5	Nut M6	
27	3290805	2	Nut M8	
28	3291005	7	Nut M10	
29	3422532	1	Pin	
30	3841143	1	Keeper, Pin	
31	4240099	AR	Tie-Strap (Not Shown)	
32	4711500	1	Washer 5/16	
33	4811700	10	Washer M6	
34	4811900	2	Washer M8	
35	4811902	1	Washer M8	
36	4812000	6	Washer M10	
37	4812100	9	Washer M12	
38	5240800	2	Washer M8	
39	5251215	1	Bolt M12 x 35	
40	5261200	1	Nut M12	
41	8405006	3	Clamp	
42	8406101	1	Clip	
43	8410013	4	Clamp	
44	1001119278	1	Insulator, Battery	
45	1001125387	1	Decal - Ultra Low Sulfur	
46	1001135196	1	Pin	
47	1001142501	1	Fitting, Barbed 90	
48	1001150918	1	Cable, Extension Cord	

SECTION 3 - ENGINE

ITEM	PART NUMBER	QTY	DESCRIPTION	REV
49	1001154405	2.5 ft/1 m	Hose	
50	1001155823	1	Coupling, Quick Disconnect 90	
51	1001165035	21 ft /6 m	Hose	
52	1001166970	1	Battery and Auxiliary Power Pump Cable Kit	E
52	70009006	1	Cable, Battery (Black) (Battery to Ground)	
52	70009002	1	Cable, Battery (Red) (Auxiliary Power Relay to Auxiliary Power Pump)	
52	70009007	1	Cable, Battery (Red) (Battery to Auxiliary Power Relay)	
53	1001167512	1	Bracket	
54	1001169823	1	Plate	
55	1001172594	1	Pipe, Exhaust	
56	1001173342	1	Fuel Pump Harness (See Separate Breakdown in ELECTRICAL Section)	
57	1001188972	1	Heater, Immersion	
58	1001233763	1	Deutz Breather Heater Installation (Not Shown - See Separate Breakdown in this Section)	
59	1001302964	1	Engine and Pump Sub-Assembly - Deutz D2.9L4 ERM5 Engine (See Separate Breakdown in this Section)	

SECTION 3 - ENGINE

FIGURE 3-18. ENGINE AND PUMP SUB-ASSEMBLY - DEUTZ D2.9L4 ERM5 ENGINE (WITH ARCTIC PACKAGE) (ANSI, ANSI EXPORT AND CSA SPECS)



ART_1001302964

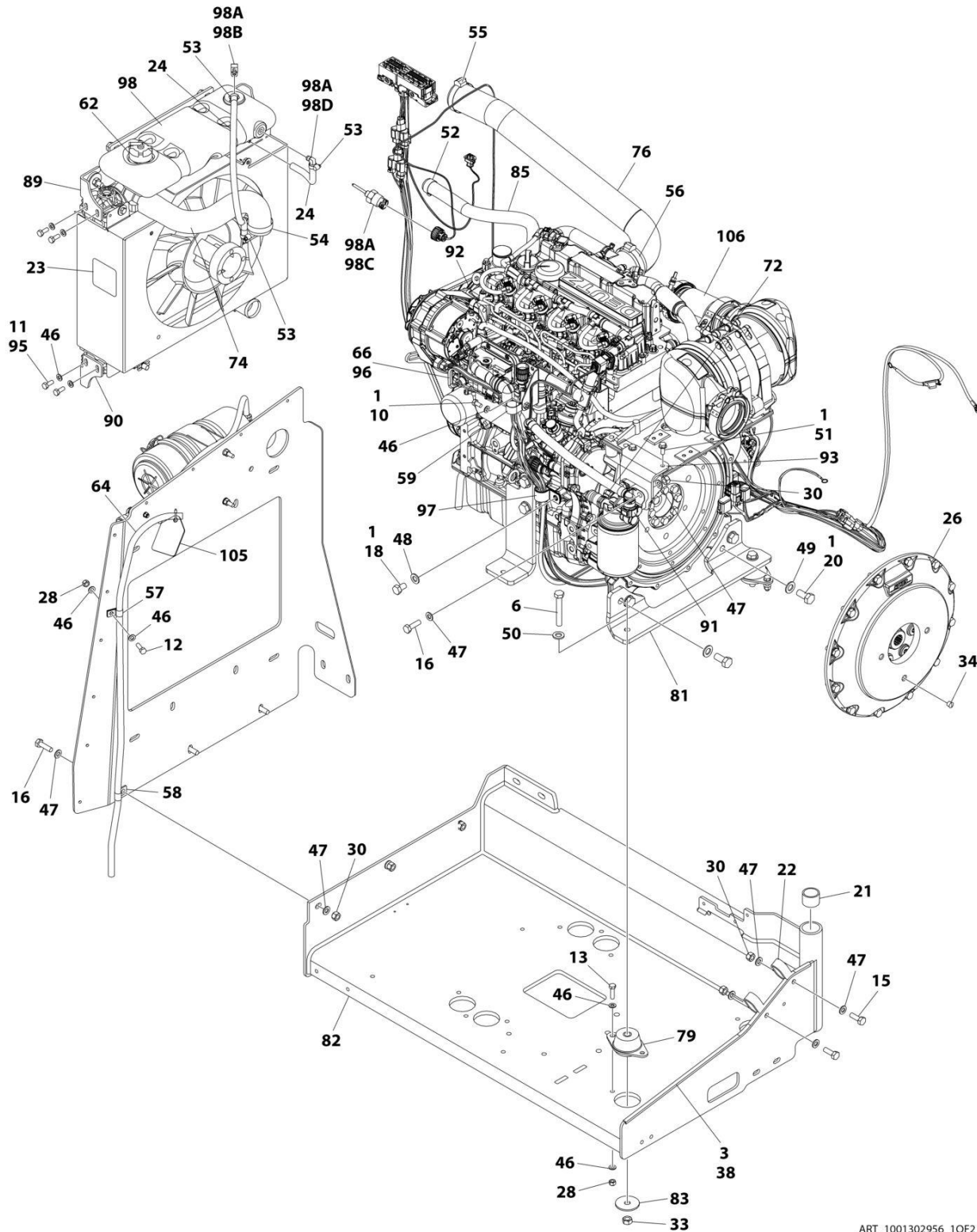
SECTION 3 - ENGINE

FIGURE 3-18. ENGINE AND PUMP SUB-ASSEMBLY - DEUTZ D2.9L4 ERM5 ENGINE (WITH ARCTIC PACKAGE) (ANSI, ANSI EXPORT AND CSA SPECS)

ITEM	PART NUMBER	QTY	DESCRIPTION	REV
	1001302964	Ref	ENGINE AND PUMP SUB-ASSEMBLY - DEUTZ D2.9L4 ERM5 ENGINE	A
1	0100011	AR	Compound, Locking	
2	0641812	4	Bolt 1/2 x 1-1/2	
3	3600242	1	Gear Pump Assembly	
3	70006356	1	Seal Kit - 1001214207 Pump	
4	3790045	1	O-Ring	
5	3790152	1	O-Ring	
6	3931620	2	Capscrew 3/8 x 1-1/4	
7	4891600	2	Washer 3/8	
8	4891800	4	Washer 1/2	
9	1001171953	1	Seal	
10	1001171954	1	Seal	
11	1001189236	1	Piston Pump Assembly (Rear) (See Separate Breakdown in this Section)	
12	1001189237	1	Piston Pump Assembly (Front) (See Separate Breakdown in this Section)	
13	1001302956	1	Engine Assembly - Deutz D2.9L4 ERM5 Engine (Without Arctic Package) (See Separate Breakdown in this Section)	

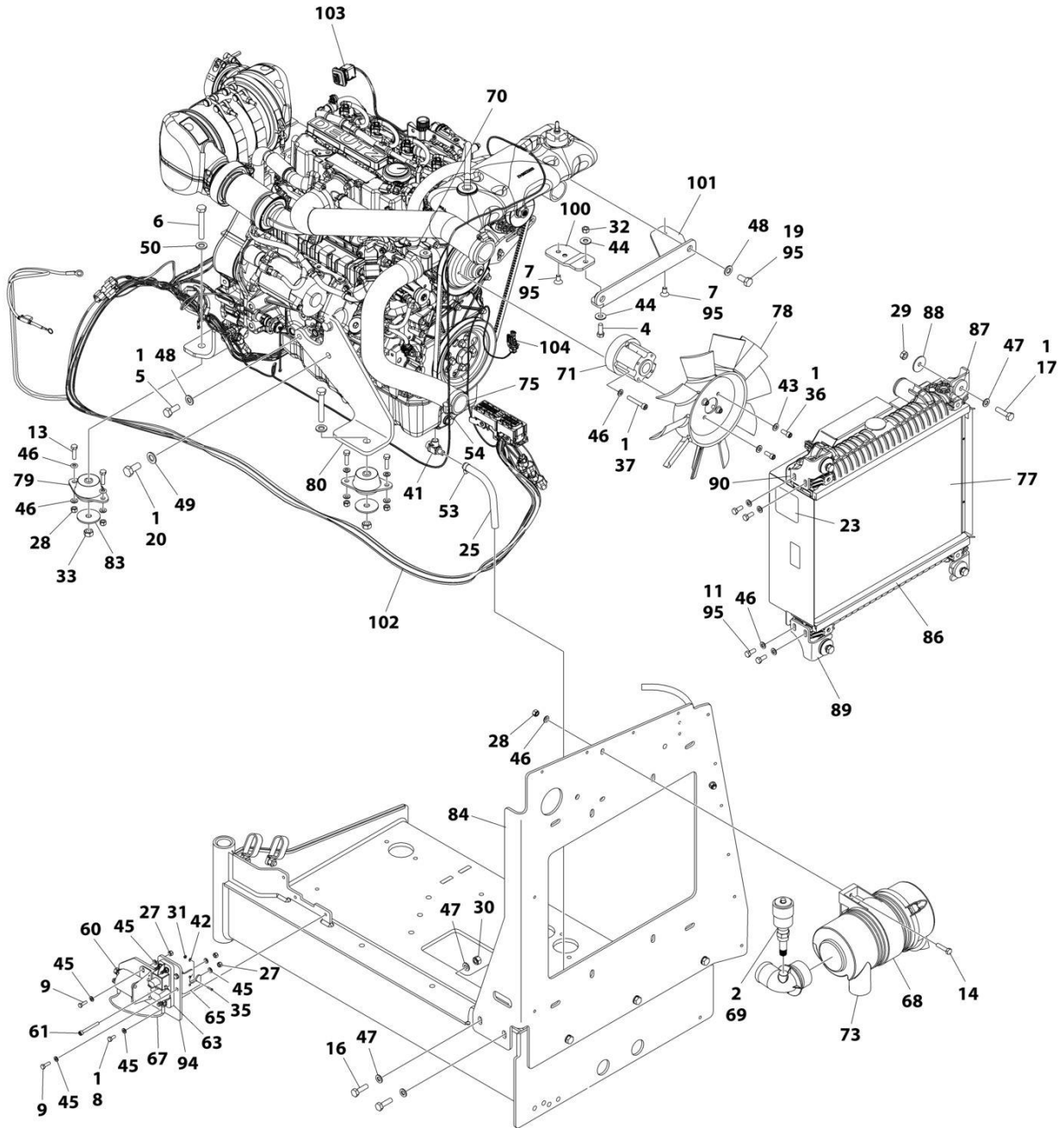
SECTION 3 - ENGINE

FIGURE 3-19. ENGINE ASSEMBLY - DEUTZ D2.9L4 ERM5 ENGINE (WITH ARCTIC PACKAGE) (ANSI AND CSA SPECS)



ART_1001302956_10F2

SECTION 3 - ENGINE



ART_1001302956_20F2

SECTION 3 - ENGINE

FIGURE 3-19. ENGINE ASSEMBLY - DEUTZ D2.9L4 ERM5 ENGINE (WITH ARCTIC PACKAGE) (ANSI AND CSA SPECS)

ITEM	PART NUMBER	QTY	DESCRIPTION	REV
	1001302956	Ref	ENGINE ASSEMBLY - DEUTZ D2.9L4 ERM5 ENGINE	A
1	0100011	AR	Compound, Locking	
2	0100020	AR	Sealant, Pipe	
3	0100081	AR	Adhesive	
4	0681608	1	Bolt 3/8 x 1	
5	0711214	1	Bolt M12 x 30	
6	0711224	3	Bolt M12 x 80	
7	0741606	2	Screw 3/8 x 3/4	
8	0760607	3	Bolt M6 x 14	
9	0760610	4	Bolt M6 x 20	
10	0760808	1	Bolt M8 x 16	
11	0760810	8	Bolt M8 x 20	
12	0760812	1	Bolt M8 x 25	
13	0760814	6	Bolt M8 x 30	
14	0760815	2	Bolt M8 x 35	
15	0761014	2	Bolt M10 x 30	
16	0761015	7	Bolt M10 x 35	
17	0761016	4	Bolt M10 x 40	
18	0761210	1	Bolt M12 x 20	
19	0761212	2	Bolt M12 x 25	
20	0771414	6	Bolt M14 x 30	
21	0961951	2	Bushing	
22	1321716	2	Clamp	
23	1703162	2	Decal - Caution Fan	
24	2720015	2 ft/1 m	Hose	
25	2720340	8 in/20 cm	Hose	
26	2902065	1	Pump Coupling Kit (See Separate Breakdown in this Section)	
27	3290605	5	Nut M6	
28	3290805	9	Nut M8	
29	3291001	4	Nut M10	
30	3291005	9	Nut M10	
31	3310401	3	Nut #4	
32	3311605	1	Nut 3/8	
33	3331215	3	Nut M12	
34	3520054	1	Plug	
35	3910408	3	Screw #4 x 1/2	
36	3931512	4	Capscrew 5/16 x 3/4	
37	4031914	4	Bolt M8 x 50	
38	4060805	3 ft/1 m	Flex-Trim	
39	4240032	AR	Tie-Strap (Not Shown)	
40	4240099	AR	Tie-Strap (Not Shown)	
41	4640751	1	Valve, Oil Drain	
42	4710400	3	Washer #4	
43	4711500	4	Washer 5/16	
44	4751600	2	Washer 3/8	
45	4811702	12	Washer M6	
46	4811900	31	Washer M8	
47	4812000	22	Washer M10	
48	4812100	4	Washer M12	

SECTION 3 - ENGINE

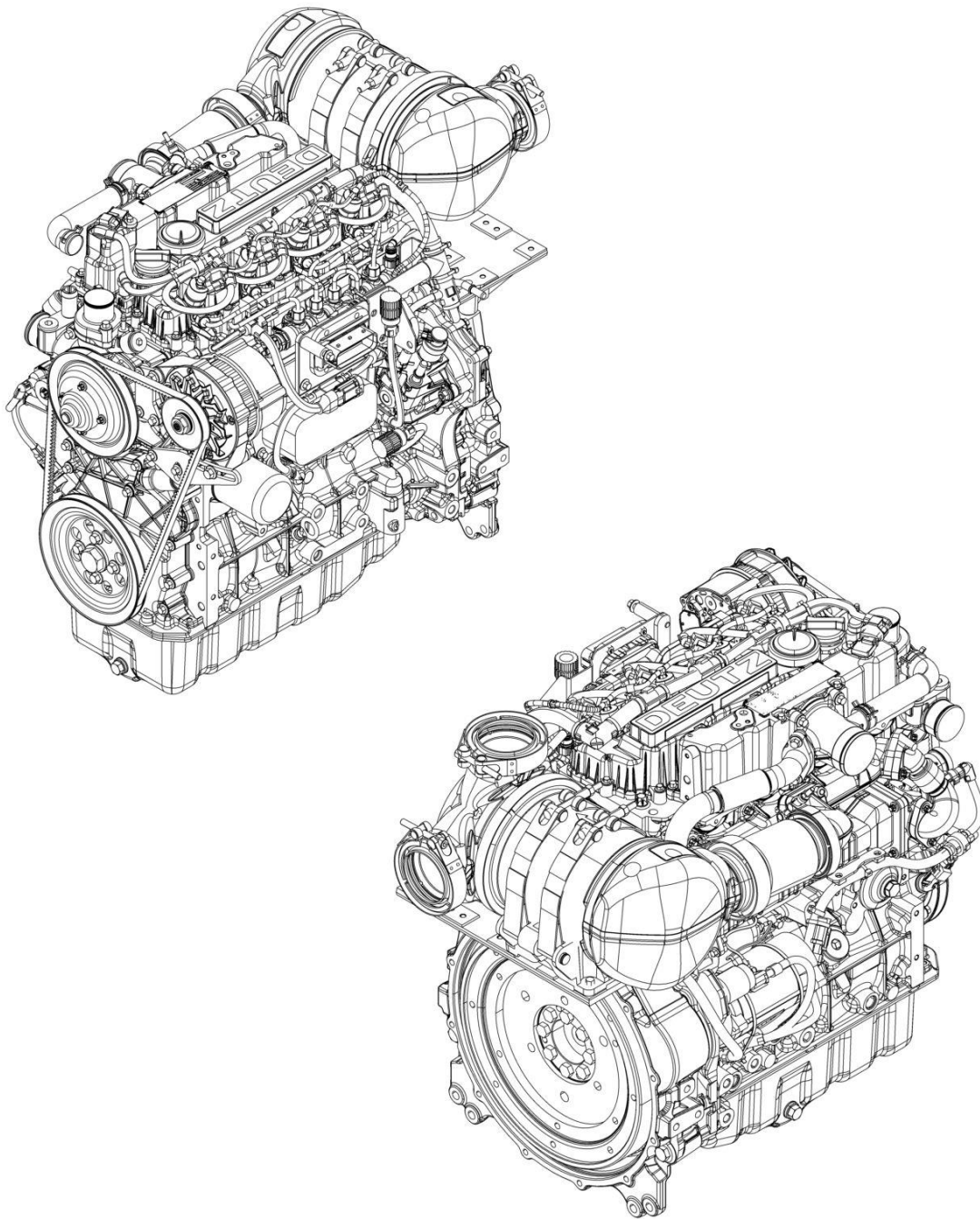
ITEM	PART NUMBER	QTY	DESCRIPTION	REV
49	4812200	6	Washer M14	
50	5241200	3	Washer M12	
51	5250810	2	Bolt M8 x 20	
52	8405007	2	Clamp	
53	8405009	5	Clamp	
54	8405104	4	Clamp	
55	8405202	1	Clamp	
56	8405204	1	Clamp	
57	8406109	1	Clip	
58	8406110	1	Clip	
59	8406201	1	Clip	
60	1001117308	1	Relay, 200Amp	
60	3300220	2	Nut	
60	3321001	2	Nut #10	
60	4761000	2	Washer #10	
60	100111424	2	Washer	
61	1001118878	1	Bolt M6 x 55	
62	1001136834	1	Cap, Tank	
63	1001138228	1	Relay, Power Module	
63	70023592	1	Fuse 20AMP	
63	70023593	1	Fuse 30AMP	
64	1001138248	4 ft/1 m	Hose	
65	1001139240	1	Bracket	
66	1001140312	1	Heater, Engine Block	
67	1001141304	1	Wire, Glow Fuse	
68	1001141694	1	Clamp	
69	1001143390	1	Indicator	
70	1001143797	1	Fitting, Pipe Straight	
71	1001144116	1	Spacer, Fan	
72	1001152489	1	Fitting, Pipe 90	
73	1001165388	1	Filter, Air Cleaner	
74	1001165405	1	Hose	
75	1001165406	1	Hose	
76	1001165721	1	Hose	
77	1001165722	1	Radiator	
78	1001165849	1	Fan	
79	1001166718	3	Isolator	
80	1001166921	1	Plate	
81	1001166924	1	Plate	
82	1001167520	1	Support	
83	1001168018	3	Washer, Special	
84	1001168026	1	Plate	
85	1001168099	1	Hose	
86	1001168166	2	Seal	
87	1001169054	4	Isolator, Radiator	
88	1001169138	4	Pad	
89	1001169967	2	Bracket	
90	1001170035	2	Bracket	
91	1001177359	1	Hose	
92	1001178788	1	Cable, Alternator	
93	1001178876	1	Mount	

SECTION 3 - ENGINE

ITEM	PART NUMBER	QTY	DESCRIPTION	REV
94	1001179903	1	Bracket	
95	1001180620	AR	Adhesive	
96	1001181895	AR	Adhesive	
97	1001191620	1	Clamp	
98	1001230635	1	Tank, Surge Assembly (Includes Items 96A-96D)	
98A	0100020	AR	Sealant, Pipe	
98B	1001134488	1	Fitting, Barbed	
98C	1001138827	1	Sensor, Coolant Level	
98D	1001140564	1	Fitting, Barbed 90	
99	1001235949	1	Bracket Assembly Fuel Pump/Filter (Not Shown - See Separate Breakdown in this Section)	
100	1001260412	1	Bracket	
101	1001260420	1	Bracket	
102	1001276643	1	Engine Harness (See Separate Breakdown in ELECTRICAL Section)	
103	1001281985	1	Connector	
104	1001281986	1	Connector	
105	1001291401	1	Tag, Coolant	
106	1001302954	1	Engine, Deutz D2.9L4 ERM5 (See Separate Breakdown in this Section)	

SECTION 3 - ENGINE

FIGURE 3-20. DEUTZ D2.9L4 EMR4 ENGINE COMPONENTS



ART_1001249965

SECTION 3 - ENGINE

FIGURE 3-20. DEUTZ D2.9L4 EMR4 ENGINE COMPONENTS

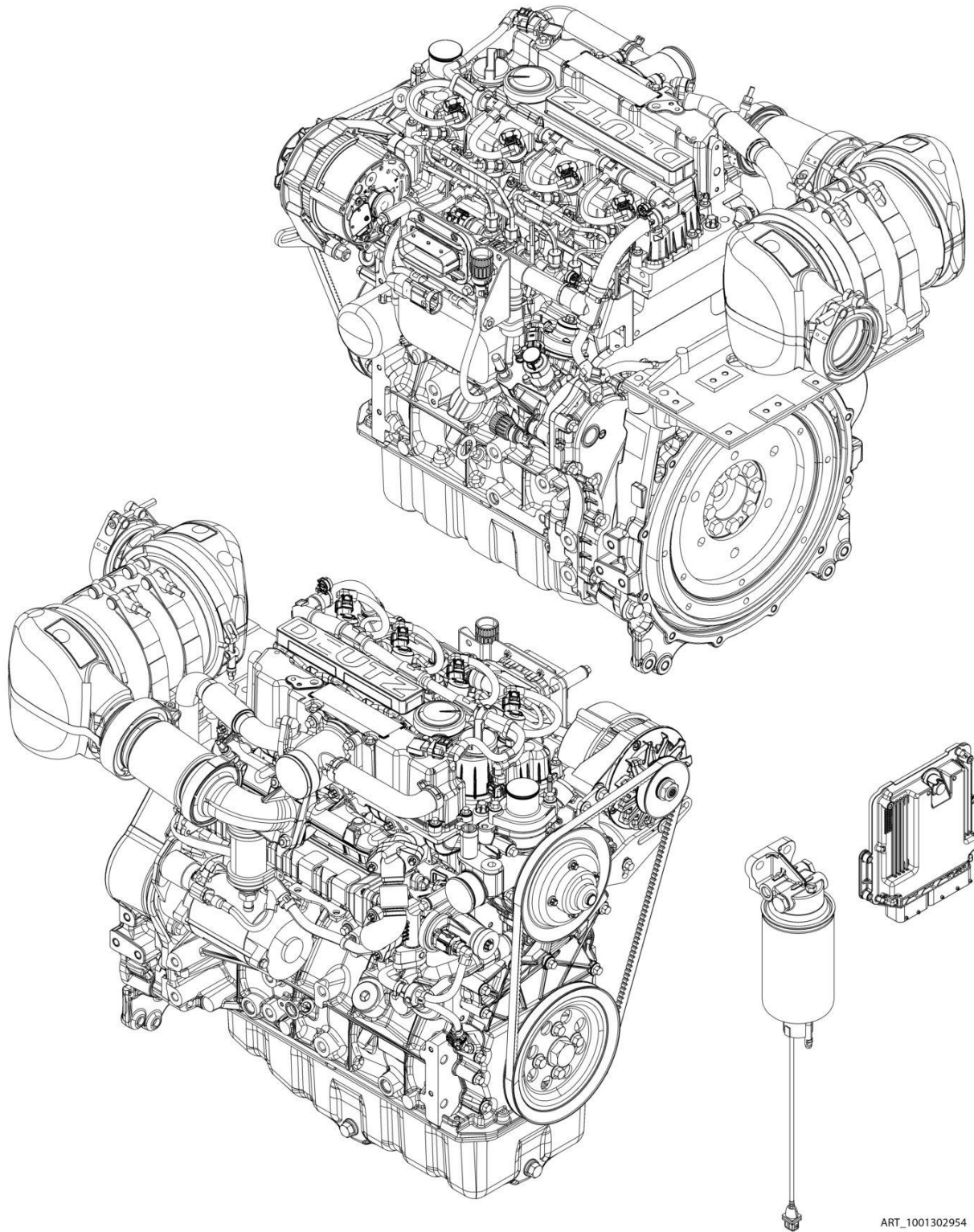
ITEM	PART NUMBER	QTY	DESCRIPTION	REV
	1001249965	Ref	DEUTZ D2.9L4 - EMR4 (49HP) ENGINE COMPONENTS	B
	See Note	Ref	Note: Contact JLG Customer Service for Availability of Additional Components.	
		Ref	Air Intake System	
	70005182	1	Charge Air Elbow	
	70005183	1	Breather Line	
		Ref	Cooling System Components	
	70030360	1	Pump, Coolant	
	70007603	1	Thermostat	
		Ref	Electrical Components	
	70025210	1	Module, Engine Control (ECM/ECU)	
	70024513	1	Harness, Fuel Filter Sensor	
	70024504	1	Sensor, Fuel Pressure	
	70006652	1	Generator	
	70024915	1	Starter	
	70025231	1	Harness, Glow Plug	
	70028540	1	Sensor, Temperature	
	70026210	1	Sensor, Speed	
	70024507	1	Sensor, Pressure (Air Intake)	
	70031145	4	Plug, Glow	
		Ref	Exhaust Components	
	70031136	1	Pipe, Exhaust	
	70004282	1	Exhaust Manifold	
		Ref	Fuel System Components	
	70030381	1	Pump, High Pressure	
	700004508	1	Valve, Volume Control	
	70004281	1	Injector, Fuel	
	70006144	1	Pump, Fuel Supply (Includes Qty 2 Mounting Clamps)	
	1001225430	1	Filter, Fuel (Pre-Filter) Assembly	
	70024961	1	Filter, Fuel	
	70025239	1	Seal	
	70024513	1	Cable, Sensor	
	70029451	1	Filter, Fuel	
		Ref	Gasket & Seal Components	
	70024905	1	Seal, Dipstick	
	70005942	2	Seal, Oil Plug	
	70024906	1	Gasket, Head	
	70005171	1	Gasket, Valve Cover	
	70002718	1	Seal, Rear Main	
	70025135	1	O-Ring, Oil Lube Pump	
	70005173	1	Gasket, Oil Lube Pump	
	70024925	1	Seal, Oil Cooler	
	70005177	1	Gasket, Charge Air Housing	
	70025200	1	O-Ring, Coolant Pump	
	70007325	1	Seal, Coolant Pump	
	70005184	1	O-Ring, Thermostat	
	70005931	1	Seal, Thermostat	
	70025164	1	Gasket, Exhaust Manifold to Head	
	70007354	1	Gasket, Short Exhaust Pipe to JLG supplied Exhaust	
	70007326	1	Gasket EGR Valve	

SECTION 3 - ENGINE

ITEM	PART NUMBER	QTY	DESCRIPTION	REV
	70031095	1	Gasket, Exhaust Return Pipe (to Air Intake Housing)	
		Ref	Other Components	
	70001870	1	Flywheel	
	7024579	1	Gear, Ring	
		Ref	Oil Lube System	
	7020465	1	Cap, Oil Fill	
	70024904	1	Dipstick	
	70005941	2	Plug, Oil (Includes Seal)	
	70005172	1	Pump, Oil Lube (Includes O-Ring & Gasket)	
	70024494	1	Oil Cooler	
	7016331	1	Filter, Oil	

SECTION 3 - ENGINE

FIGURE 3-21. ENGINE COMPONENTS - DEUTZ D2.9L4 ERM5 ENGINE (ANSI, ANSI EXPORT AND CSA SPECS)



ART_1001302954

SECTION 3 - ENGINE

FIGURE 3-21. ENGINE COMPONENTS - DEUTZ D2.9L4 ERM5 ENGINE (ANSI, ANSI EXPORT AND CSA SPECS)

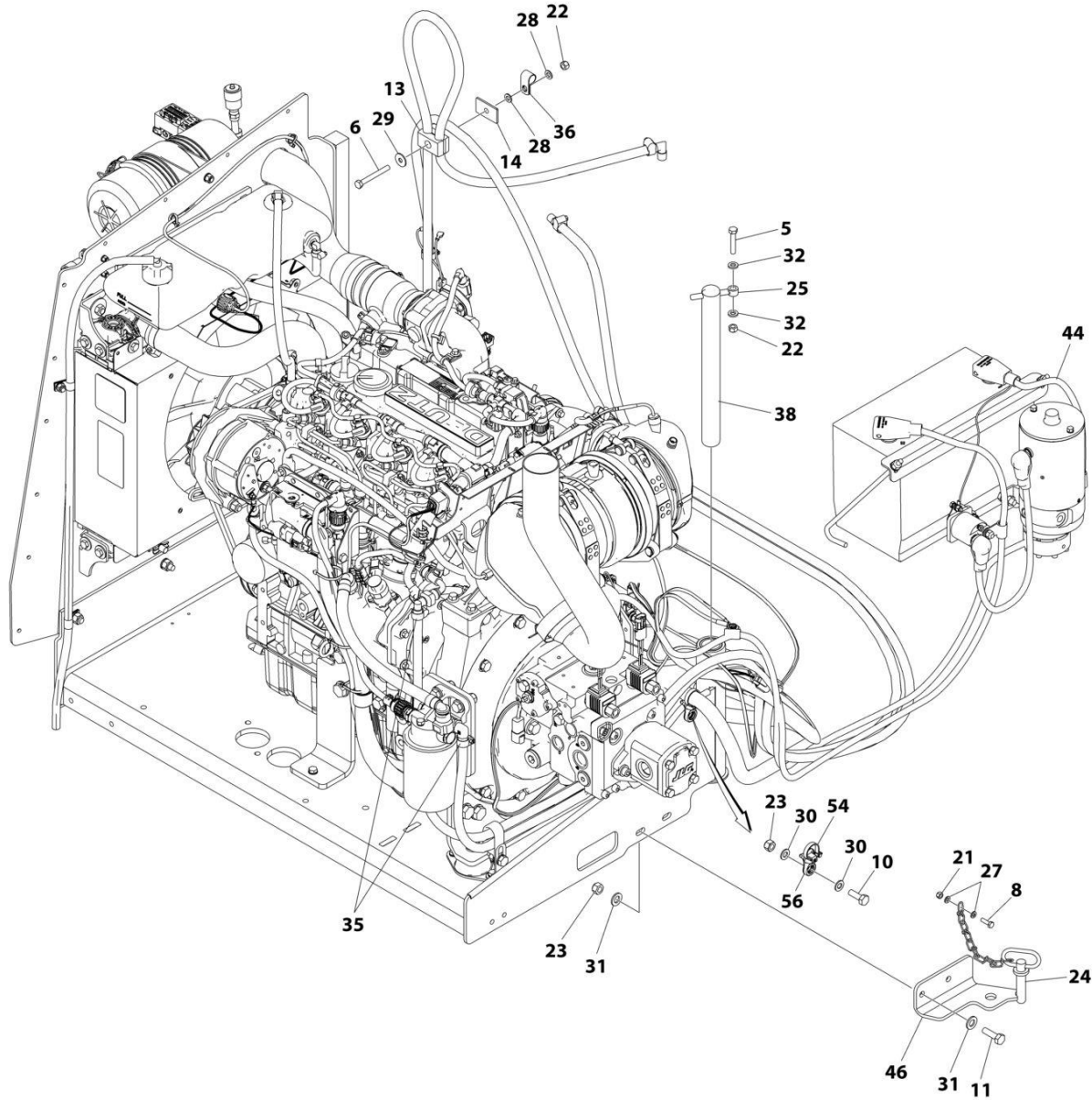
ITEM	PART NUMBER	QTY	DESCRIPTION	REV
	1001302954	Ref	ENGINE COMPONENTS - DEUTZ D2.9L4 ERM5 ENGINE	A
	See Note	Ref	Note: Contact JLG Customer Service for availability for addition components.	
		Ref	AIR INTAKE SYSTEM	
	70005180	1	Breather Line	
	70005182	1	Charge Air Elbow	
		Ref	COOLING SYSTEM COMPONENTS	
	70030360	1	Pump, Coolant	
	70007603	1	Thermostat	
		Ref	ELECTRICAL COMPONENT	
	70031144	1	Starter	
	NPN	1	Generator	
	70024507	1	Sensor, Pressure (Air Intake)	
	70026210	1	Sensor, Speed	
	70025231	1	Harness, Glow Plug	
	70024919	1	Sensor, Fuel Filter	
	70024504	1	Sensor, Pressure	
	70028540	1	Transmitter, Temperature	
	70029512	1	Module, Engine Control	
	70031143	1	Regulator, Voltage	
		Ref	EXHAUST COMPONENT	
	70004282	1	Exhaust Manifold	
	70031136	1	Pipe, Exhaust	
	70012257	1	Valve, Exhaust	
	70004508	1	Valve, Volume Control	
		Ref	FUEL SYSTEM COMPONENT	
	70030381	1	Pump, High Pressure	
	70004281	1	Injector, Fuel	
	NPN	1	Pump, Fuel Supply (Includes qty 2 Clamps)	
	70024961	1	Filter, Fuel	
	1001225430	1	Filter, Fuel (Pre-Filter)	
	70024513	1	Cable, Sensor	
	70025239	1	Seal	
	70029451	1	Filter, Fuel	
	1001225431	1	Filter, Fuel (Spin-On)	
	70024502	1	Pipe, Fuel	
		Ref	GASKET AND SEAL COMPONENT	
	70024905	2	Seal, Dipstick	
	70005942	1	Seal, Oil Plug	
	70005171	1	Gasket, Valve Cover	
	70024906	1	Gasket, Head	
	70002718	1	Seal, Rear Main	
	70005177	1	Gasket, Charge Air Housing	
	70005184	1	O-Ring, Thermostat	
	70005931	1	Seal, Thermostat	
	70025164	1	Gasket, Exhaust Manifold to Head	
	70007326	1	Gasket, EGR Valve	
	70031095	1	Gasket, Exhaust Return Pipe	
	70007354	1	Gasket, Short Exhaust Pipe	

SECTION 3 - ENGINE

ITEM	PART NUMBER	QTY	DESCRIPTION	REV
		Ref	OTHER COMPONENT	
	70001870	1	Flywheel (Includes Ring Gear)	
	7024579	1	Gear, Ring	
		Ref	OIL LUBE SYSTEM	
	70024904	1	Dipstick	
	70024905	1	Cap, Oil Fill	
	70005941	1	Plug, Oil	
	70005172	1	Pump, Oil Lube	
	7016331	1	Filter, Oil	
	70024494	1	Oil Cooler	

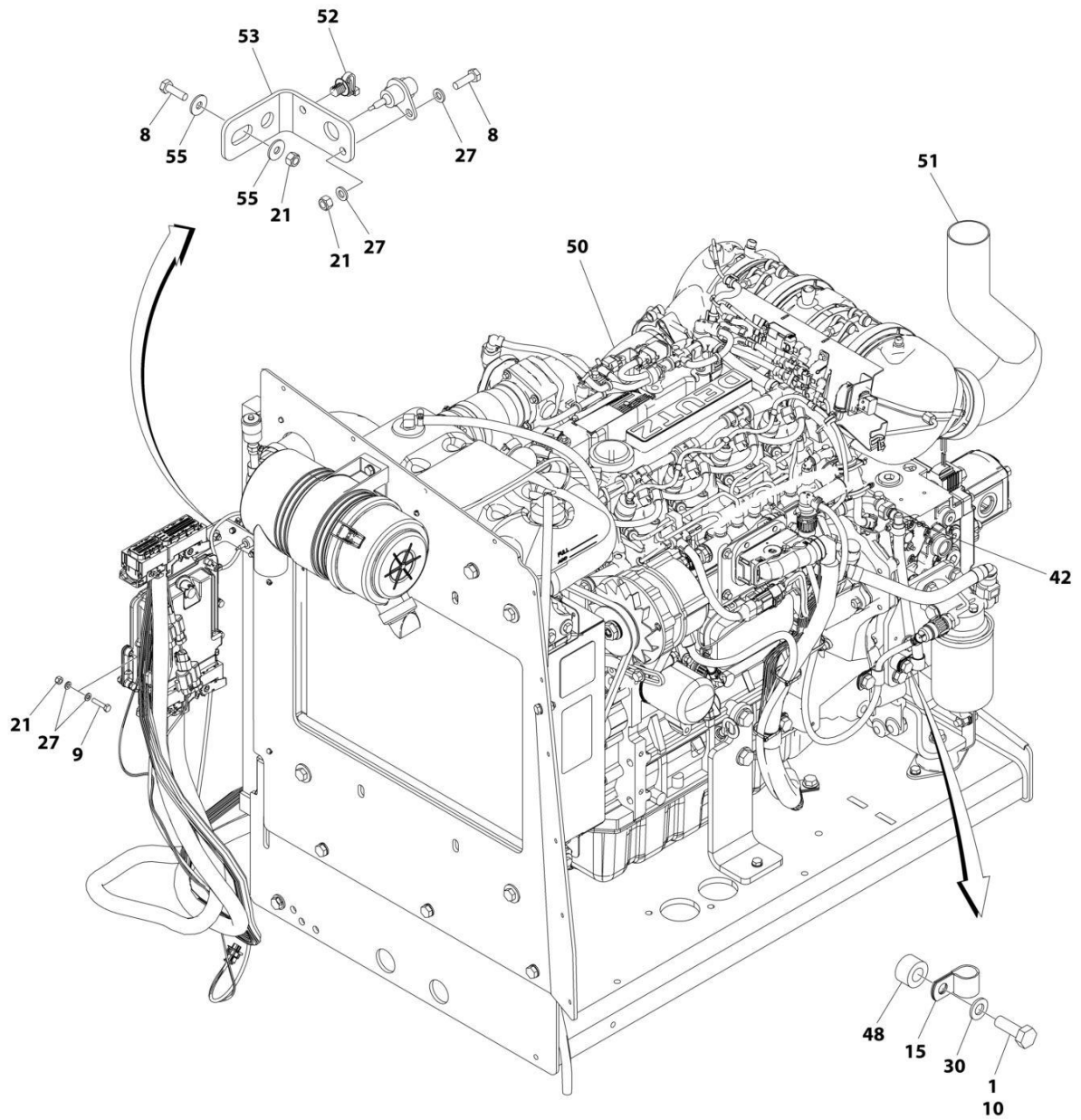
SECTION 3 - ENGINE

FIGURE 3-22. DEUTZ D2.9L4 (STAGE V) ENGINE INSTALLATION



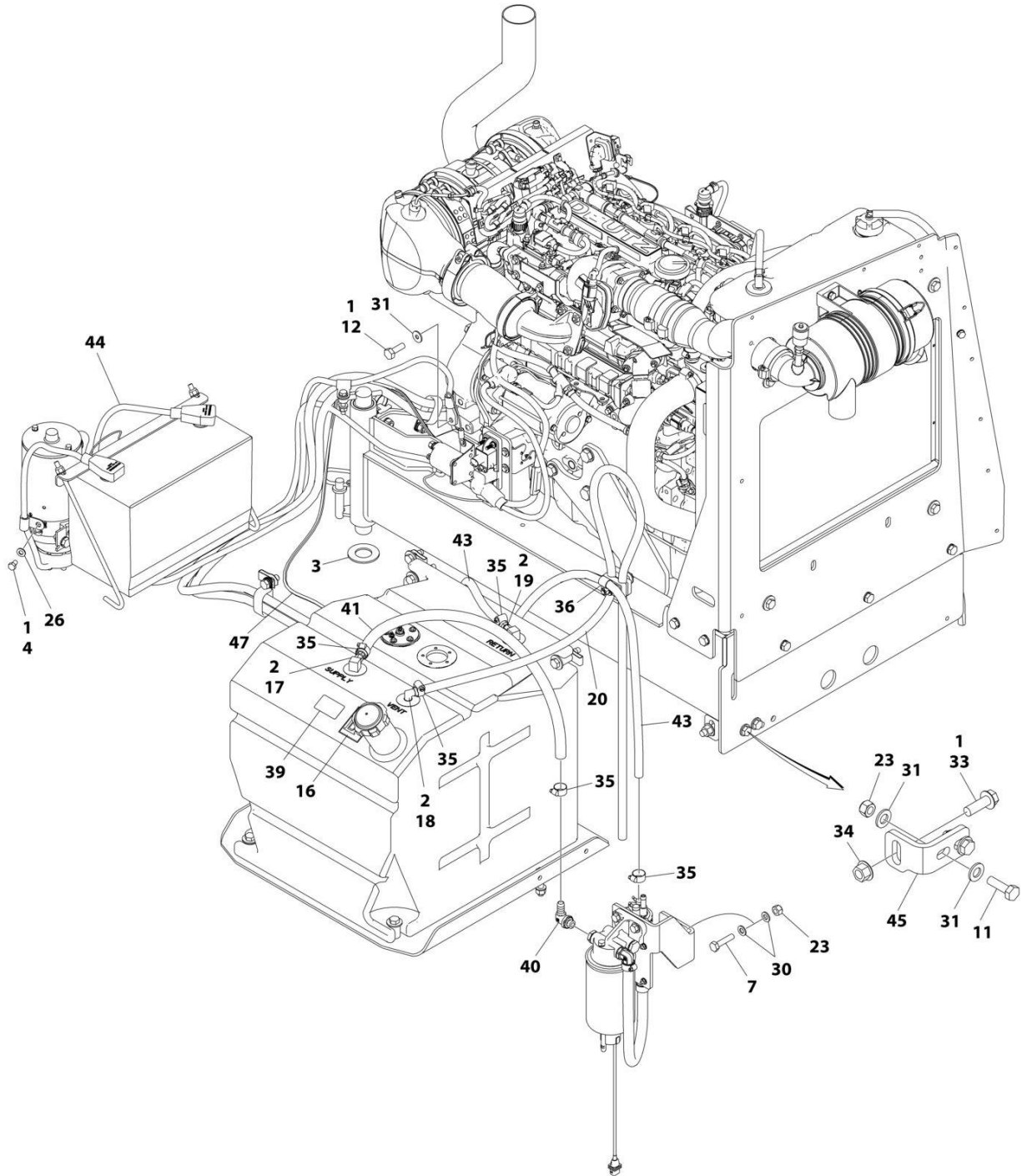
ART_1001244283_H_10F3

SECTION 3 - ENGINE



ART_1001244283_H_20F3

SECTION 3 - ENGINE



ART_1001244283_H_30F3

SECTION 3 - ENGINE

FIGURE 3-22. DEUTZ D2.9L4 (STAGE V) ENGINE INSTALLATION

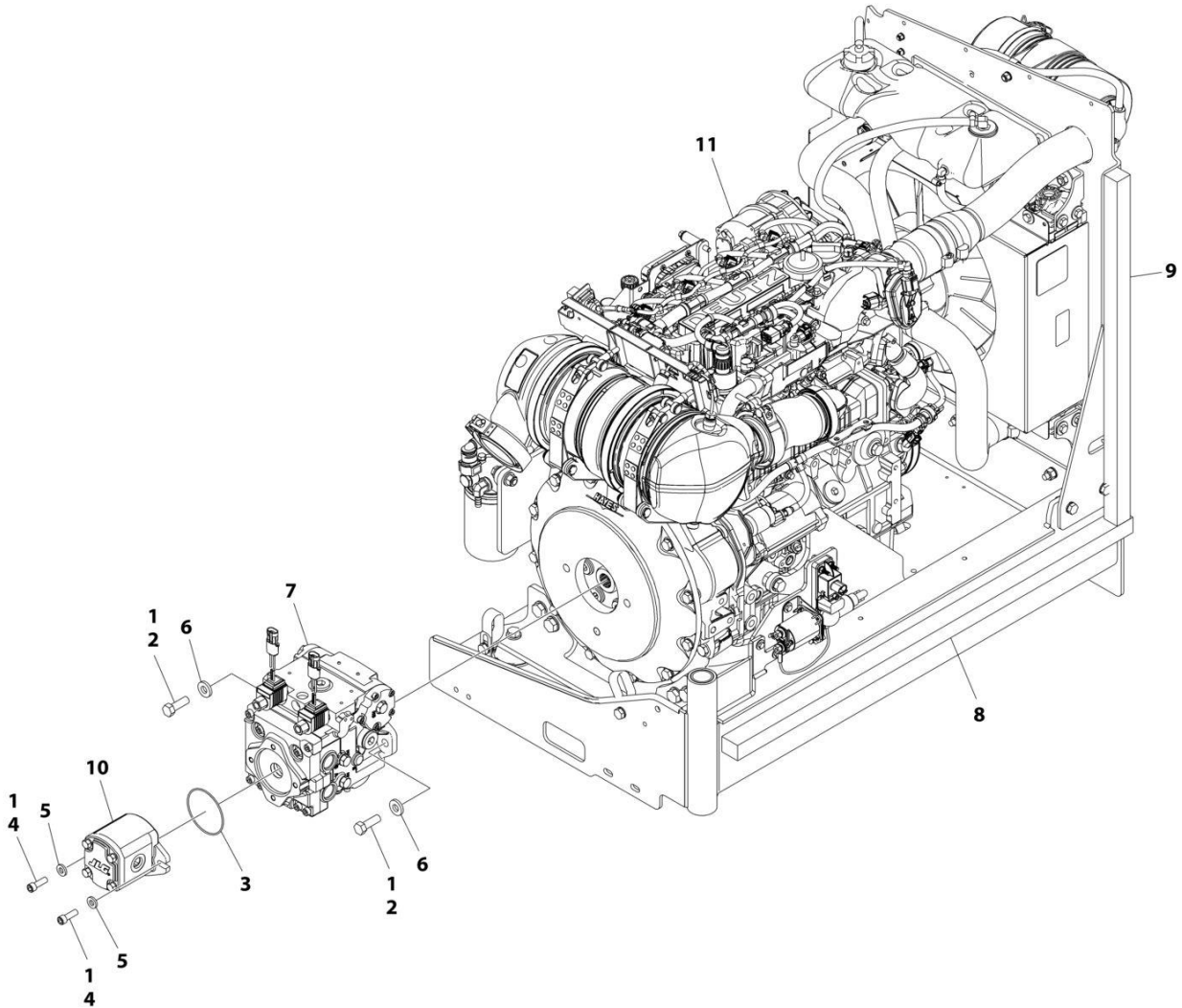
ITEM	PART NUMBER	QTY	DESCRIPTION	REV
	1001244283	Ref	ENGINE INSTALLATION - DEUTZ STAGE V ENGINE	H
1	0100011	AR	Compound, Locking	
2	0100020	1	Sealant, Pipe	
3	0440162	1	Bearing	
4	0641504	1	Bolt 5/16 x 1/2	
5	0700817	1	Bolt M8 x 45	
6	0700822	1	Bolt M8 x 70	
7	0701017	2	Bolt M10 x 45	
8	0760610	4	Bolt M6 x 20	
9	0760613	4	Bolt M6 x 28	
10	0761014	4	Bolt M10 x 30	
11	0761015	2	Bolt M10 x 35	
12	0771212	1	Bolt M12 x 25	
13	1320187	1	Clamp	
14	1320190	1	Clamp	
15	1320061	1	Clamp	
16	1701505	1	Decal - Diesel Fuel	
17	2180832	1	Fitting, Barbed	
18	2220313	1	Fitting, Barbed 90 3/8 NPTF / 3/8	
19	8430007	AR	Coupling	
20	2750532	5.5 ft /1.69m	Hose	
21	3290605	8	Nut M6	
22	3290805	2	Nut M8	
23	3291005	7	Nut M10	
24	3422532	1	Pin	
25	3841143	1	Keeper, Pin	
26	4711500	1	Washer, 5/16	
27	4811700	12	Washer, M6	
28	4811900	2	Washer, M8	
29	4811902	1	Washer, M8	
30	4812000	7	Washer, M10	
31	4812100	9	Washer, M12	
32	5240800	2	Washer, M8 Hardened	
33	5251215	1	Bolt M12 x 35	
34	5261200	1	Nut, Flange M12 Class10	
35	8405006	7	Clamp	
36	8406101	1	Clip	
38	1001135196	1	Pin	
39	1001139654	1	Decal, Ultra Low Sulfur Fuel	
40	1001142501	1	Fitting, Barbed 90	
41	1001154405	2.29 ft /0.70m	Hose	
42	1001155823	1	Coupling, Quick Disconnect 90	
43	1001165035	21.06 ft /6.42m	Hose	
44	1001166970	1	Battery and Auxiliary Power Pump Cable Kit	
45	1001167512	1	Bracket, Engine Tray	
46	1001169823	1	Plate, Engine Lock	

SECTION 3 - ENGINE

ITEM	PART NUMBER	QTY	DESCRIPTION	REV
47	1001173342	1	Harness, Fuel Pump (See Separate Breakdown in ELECTRICAL Section)	
48	1001220266	1	Bar, Spacer M12 x 12	
50	1001277600	1	Engine Assy, Deutz Stage V W/Pumps (See Separate Breakdown in this Section)	
51	1001245305	1	Pipe, Exhaust	
52	1001146588	2	Strap	
53	1001256879	1	Bracket	
54	1062255	AR	Tie-Strap (Not Shown)	
55	4811702	4	Washer M6	
56	1001156107	1	Holder	

SECTION 3 - ENGINE

FIGURE 3-23. DEUTZ D2.9L4 (STAGE V) ENGINE AND PUMP SUB-ASSEMBLY



ART_1001277600

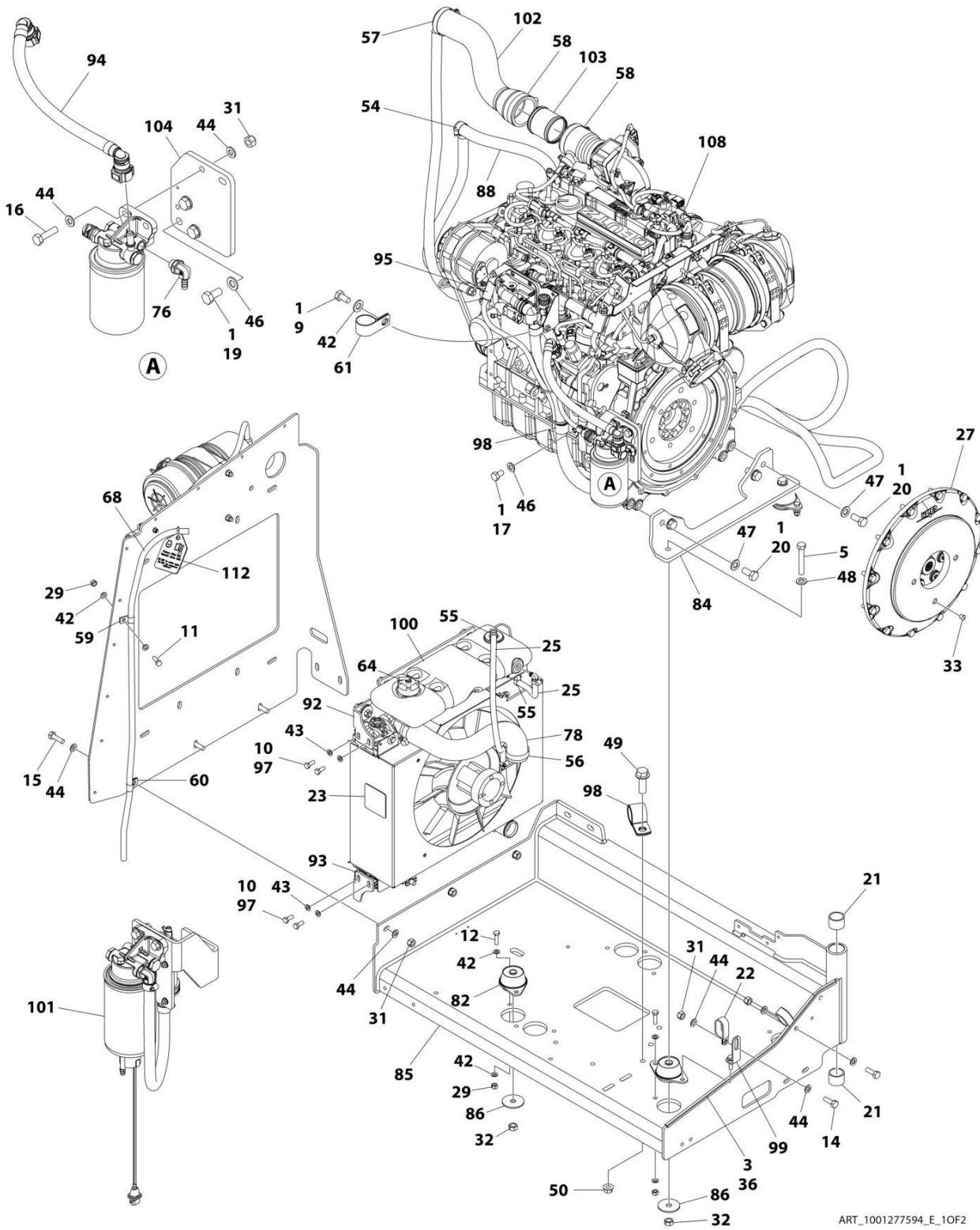
SECTION 3 - ENGINE

FIGURE 3-23. DEUTZ D2.9L4 (STAGE V) ENGINE AND PUMP SUB-ASSEMBLY

ITEM	PART NUMBER	QTY	DESCRIPTION	REV
	1001277600	Ref	ENGINE AND PUMP SUB-ASSEMBLY - DEUTZ (STAGE V) ENGINE	B
1	0100011	AR	Compound, Locking	
2	0641812	2	Bolt 1/2 x 1-1/2	
3	3790152	1	O-Ring	
4	3931618	2	Capscrew 3/8 x 1-1/8	
5	4891600	2	Washer 3/8 Hardened	
6	4891800	2	Washer 1/2 Hardened	
7	1001167036	1	Piston Pump Assembly (See Separate Breakdown in this Section)	
8	1001171953	1	Seal	
9	1001171954	1	Seal	
10	1001214207	1	Gear Pump Assembly	
10	70006356	1	Seal Kit - 1001214207 Pump	
11	1001277594	1	Engine Assembly, Deutz (Stage V) Engine (See Separate Breakdown in this Section)	

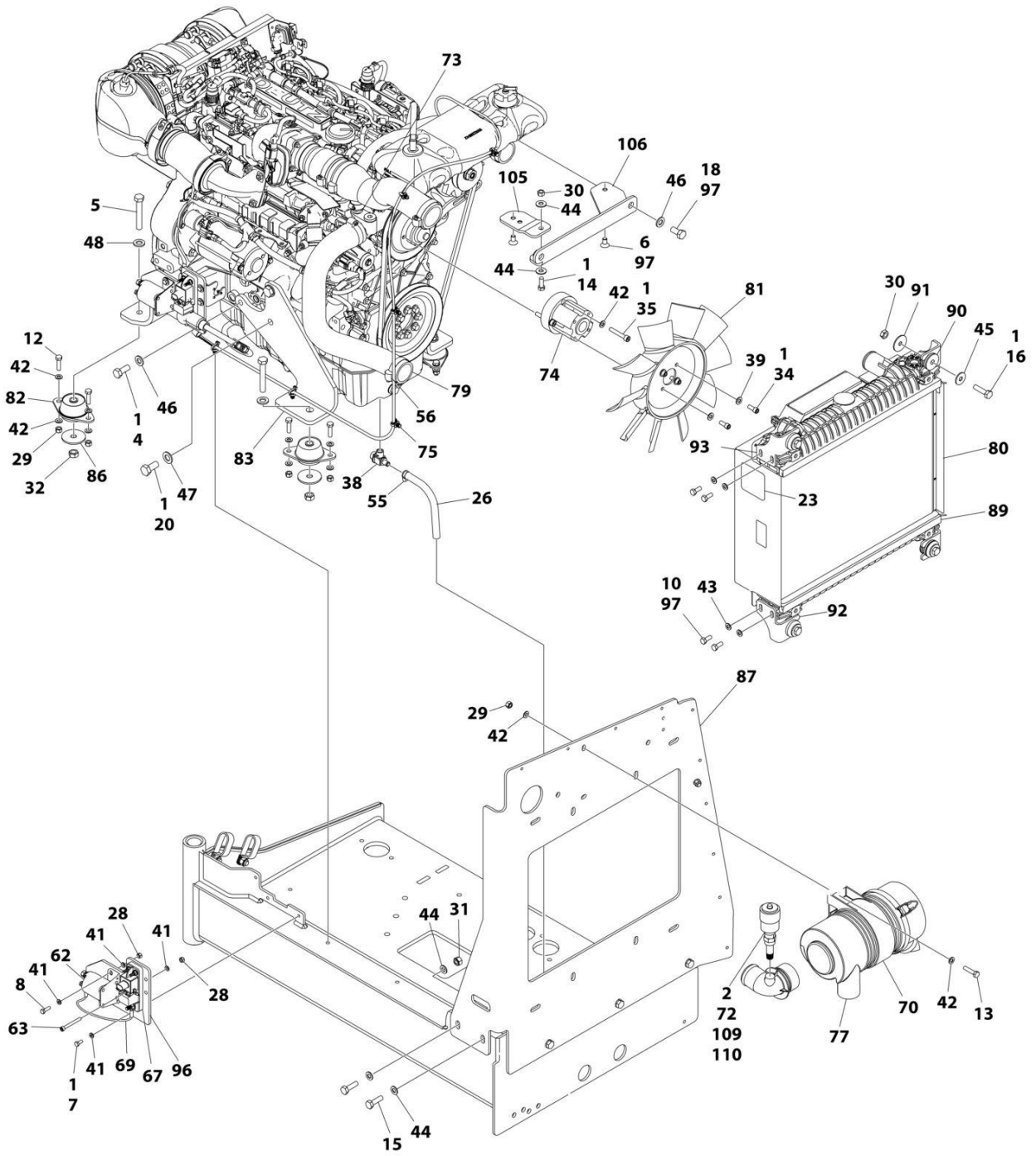
SECTION 3 - ENGINE

FIGURE 3-24. DEUTZ D2.9L4 (STAGE V) ENGINE ASSEMBLY



ART_1001277594_E_10F2

SECTION 3 - ENGINE



ART_1001277594_E_20F2

SECTION 3 - ENGINE

FIGURE 3-24. DEUTZ D2.9L4 (STAGE V) ENGINE ASSEMBLY

ITEM	PART NUMBER	QTY	DESCRIPTION	REV
	1001277594	Ref	ENGINE ASSEMBLY - DEUTZ D2.9L4 (STAGE V)	E
1	0100011	AR	Compound, Locking	
2	0100020	AR	Sealant, Pipe	
3	0100081	AR	Adhesive	
4	0711214	1	Bolt M12 x 30 Class 10.9	
5	0711224	3	Bolt M12 x 80 Class 10.9	
6	0741606	2	Screw 3/8 x 3/4	
7	0760607	3	Bolt M6 x 14	
8	0760610	2	Bolt M6 x 20	
9	0760808	1	Bolt M8 x 16	
10	0760810	8	Bolt M8 x 20	
11	0760812	1	Bolt M8 x 25	
12	0760814	6	Bolt M8 x 30	
13	0760815	2	Bolt M8 x 35	
14	0761014	3	Bolt M10 x 30	
15	0761015	5	Bolt M8 x 35	
16	0761016	6	Bolt M10 x 40	
17	0761210	1	Bolt M12 x 20	
18	0761212	2	Bolt M12 x 25	
19	0771212	3	Bolt M12 x 25	
20	0771414	6	Bolt M14 x 30 Class 10.9	
21	0961951	2	Bushing	
22	1321716	2	Clamp	
23	1703162	2	Decal - Caution Fan	
25	2720015	2 ft /1 m	Hose	
26	2720340	1 ft/1 m	Hose	
27	2902065	1	Pump Coupling Kit (See Separate Breakdown in this Section)	
28	3290605	3	Nut M6	
29	3290805	9	Nut M8	
30	3291001	5	Nut M10	
31	3291005	9	Nut M10	
32	3331215	3	Nut M12 x 1.75	
33	3520054	1	Plug	
34	3931512	4	Capscrew, 5/16 x 3/4	
35	4031914	4	Bolt M8 x 50	
36	4060805	3 ft /1 m	Flex-Trim	
37	4240099	AR	Tie-Strap (Not Shown)	
38	4640751	1	Valve, Oil Drain	
39	4711500	4	Washer 5/16	
40	4811700	2	Washer M6	
41	4811702	8	Washer M6	
42	4811900	23	Washer M8	
43	4811902	8	Washer M8	
44	4812000	20	Washer M10	
45	4812002	4	Washer M10	
46	4812100	7	Washer M12	
47	4812200	6	Washer M14	
48	5241200	3	Washer M12	
49	5251215	1	Bolt M12 x 35	
50	5261200	1	Nut, Flange M12 Class10	

SECTION 3 - ENGINE

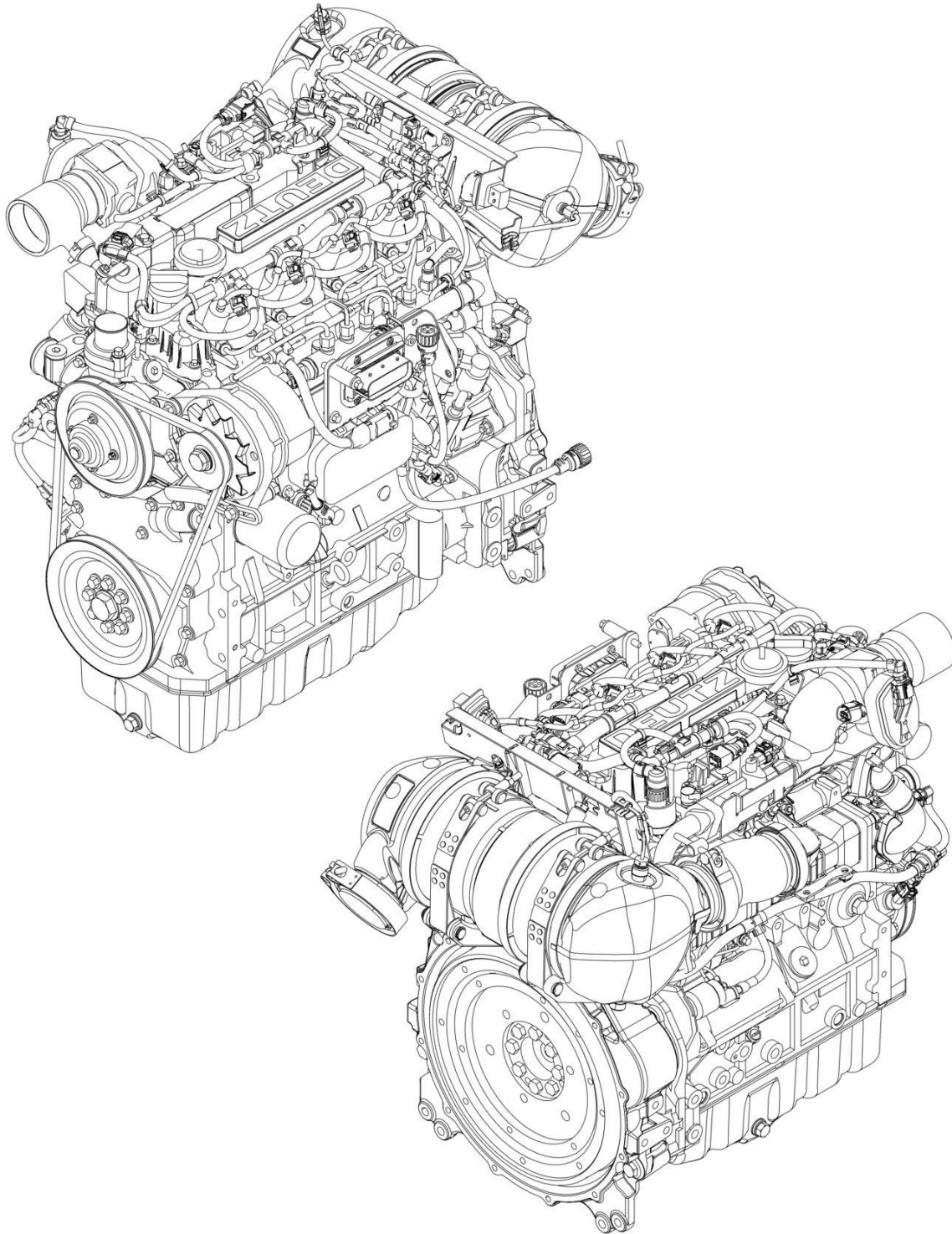
ITEM	PART NUMBER	QTY	DESCRIPTION	REV
54	8405007	2	Clamp	
55	8405009	5	Clamp	
56	8405104	4	Clamp	
57	8405202	1	Clamp	
58	8405204	2	Clamp	
59	8406109	1	Clip	
60	8406110	1	Clip	
61	8406201	1	Clip	
62	1001117308	1	Relay, 200Amp	
63	1001118878	1	Bolt M6 x 55	
64	1001136834	1	Cap, Tank	
67	1001138228	1	Relay, Power Module	
68	1001138248	4 ft/1 m	Tube	
69	1001141304	1	Harness, Glow Plug	
70	1001141694	1	Clamp, Air Cleaner	
72	1001143390	1	Indicator	
73	1001143797	1	Fitting, Barbed	
74	1001144116	1	Spacer, Fan	
75	1001146588	AR	Tie-Strap (Not Shown)	
76	1001152489	1	Fitting, Barbed 90	
77	1001165388	1	Air Cleaner Assembly	
78	1001165405	1	Hose, Upper Radiator	
79	1001165406	1	Hose, Lower Radiator	
80	1001165722	1	Radiator	
81	1001165849	1	Fan	
82	1001166718	3	Mount, Motor	
83	1001166921	1	Plate, Engine Mount	
84	1001166924	1	Plate, Engine Mount	
85	1001167520	1	Tray, Engine	
86	1001168018	3	Washer, Special	
87	1001168026	1	Plate, Radiator Mounting	
88	1001168099	1	Hose	
89	1001168166	2	Seal	
90	1001169054	4	Isolator	
91	1001169138	4	Washer, Snubbing	
92	1001169967	2	Bracket	
93	1001170035	2	Bracket	
94	1001177359	1	Hose	
95	1001178788	1	Cable, Alternator	
96	1001179903	1	Bracket	
97	1001180620	AR	Adhesive	
98	1001191620	2	Clamp	
99	1001223122	1	Support	
100	1001230635	1	Tank, Surge (Includes Items 62, 70, & 73)	
101	1001235949	1	Bracket (See Separate Breakdown in this Section)	
102	1001236780	1	Hose, Air Intake	
103	1001238911	1	Pipe, Air Intake	
104	1001258804	1	Mount, Fuel Filter	
105	1001260412	1	Bracket	
106	1001260420	1	Bracket (note: may require P/N 1001260412)	
107	1001276643	1	Harness, Engine (Not Shown - See Separate Breakdown in ELECTRICAL Section)	

SECTION 3 - ENGINE

ITEM	PART NUMBER	QTY	DESCRIPTION	REV
108	1001277589	1	Engine, Deutz 2.9L4 (Stage V) (See Separate Breakdown in this Section)	
109	2200261	1	Fitting	
110	1001277432	1	Spacer	
111	4240032	1	Tie-Strap (Not Shown)	
112	1001291401	1	Tag, Coolant	

SECTION 3 - ENGINE

FIGURE 3-25. DEUTZ D2.9L4 (STAGE V) ENGINE COMPONENTS



ART_1001277589

SECTION 3 - ENGINE

FIGURE 3-25. DEUTZ D2.9L4 (STAGE V) ENGINE COMPONENTS

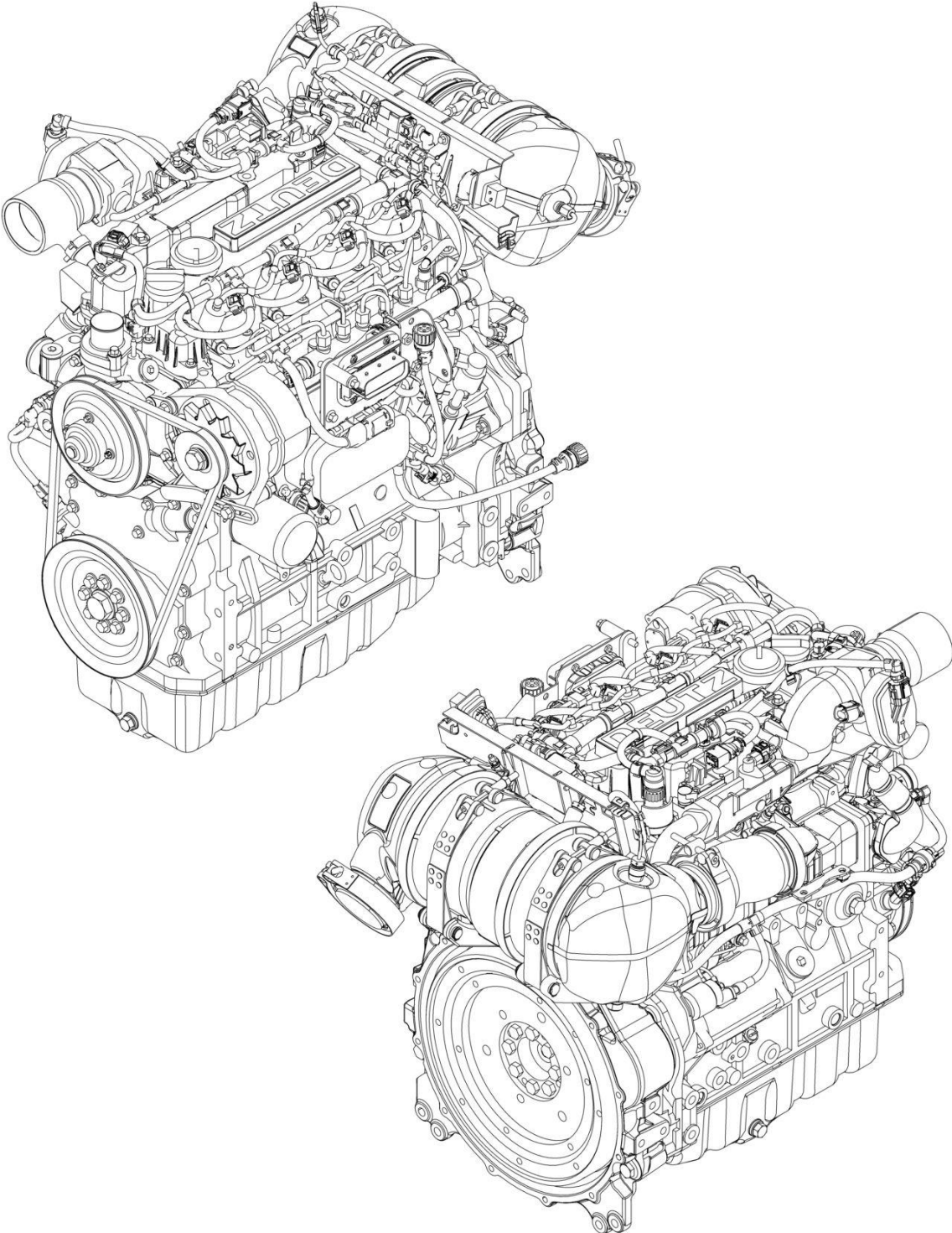
ITEM	PART NUMBER	QTY	DESCRIPTION	REV
	1001277589	Ref	DEUTZ ENGINE COMPONENTS	B
		Ref	COOLING SYSTEM COMPONENTS	
	70031474	1	Cooler, Oil	
	70031388	1	Seal, Oil Cooler	
	70030360	1	Pump, Coolant (Includes Gaskets & Seals)	
	70031055	1	O-Ring, Coolant Pump	
	70007325	1	Gasket	
	70007603	1	Thermostat	
	70005184	1	O-Ring, Thermostat	
	70005931	1	Gasket, Thermostat	
		Ref	ELECTRICAL SYSTEM COMPONENTS	
	70024513	1	Cable, Primary Fuel Filter Sensor (Includes Seal)	
	70025239	1	Seal	
	70028538	1	Sensor, Fuel Pressure (at Filter) (Includes Seal)	
	70024920	1	Seal	
	70029512	1	Module, ECU/ECM	
	70027405	1	Senor, Exhaust Temperature	
	70031144	1	Starter	
	70008435	1	Generator (includes Regulator)	
	70031143	1	Regulator	
	70000345	4	Plug, Glow	
	70025231	1	Harness, Glow Pug	
	70008553	1	Cable, Interconnect	
	70008558	1	Harness, Engine	
	1001211556	1	Sensor, Temperature (Includes O-Seal)	
	70005507	1	O-Seal	
	70028540	1	Sensor, Temperature (in Cylinder Head)	
	70024504	1	Sensor, Oil Pressure (Side of Block) (Includes Seal)	
	70024920	1	Seal	
	70026210	2	Sensor, Speed (Includes O-Ring/Seal)	
	70005191	1	O-Ring	
	70024917	1	Seal	
	70008559	1	Sensor, Air Pressure (Air Exchange Manifold) (Includes O-Ring)	
	70008561	1	Sensor, Air Pressure (Air Exchange Manifold) (Includes O-Ring)	
	70024505	1	Sender, Exhaust Temperature	
	70029409	1	Sender, Exhaust Temperature	
	70008431	1	Sensor, Exhaust Pressure	
		Ref	EXHAUST SYSTEM COMPONENTS	
	70025130	8	Bolt, Exhaust Manifold	
	70025164	1	Gasket, Exhaust Manifold to Head	
	70005505	2	O-Seal	
	70008543	1	Pipe, Exhaust	
	70008544	1	O-Seal, Exhaust (Venturi Tube to Exhaust Pipe)	
	70008545	1	Gasket, Square Exhaust	
	70005504	1	Sensor, Exhaust Pressure (Includes O-Seals)	
	70031136	1	Gasket, Exhaust (Upper)	
	70007354	1	Gasket, Exhaust (Lower)	
	70008547	1	Module, EGR (Includes Gasket)	
	70007326	1	Gasket	
	70025242	2	Gasket, Compensator	

SECTION 3 - ENGINE

ITEM	PART NUMBER	QTY	DESCRIPTION	REV
	70004504	1	Compensator	
	70008564	1	Catalyst	
		Ref	FUEL SYSTEM COMPONENTS	
	1001225430	1	Filter, Primary Fuel	
	1001225431	1	Filter, Fuel	
	70030381	1	Pump, High Pressure	
	70025152	1	O-Ring (Between Pump AND Spacer)	
	70004505	1	Valve, Overflow (Includes O-Rings)	
	70004506	1	O-Ring	
	70004507	1	O-Ring	
	70004508	1	Valve, Volume Control (Includes O-Ring & Gasket)	
	70004509	1	O-Ring	
	70004510	1	Gasket	
	70004281	4	Injector, Fuel (Includes Sealing Washer & O-Ring)	
	70025140	1	Washer, Sealing	
	70025145	1	O-Rin	
	70008422	1	Pump, Fuel Supply (Includes Clamps)	
	70025144	2	Clamp	
	70008537	1	Valve, Throttle (Includes Gasket)	
	70008538	1	Gasket	
		Ref	GASKETS & SEAL & KITS	
	70024906	1	Gasket, Head	
	70005171	1	Gasket, Valve Cover	
	70002718	1	Seal, Rear Main	
	70028185	1	Gasket, Front Cover	
	70008296	1	Seal, Front Main	
	70025235	1	Kit, Repair - Fuel Rail	
	70005176	1	O-Ring, Charge Exchange Manifold	
	70005177	1	Gasket, Charge Exchange Manifold	
	70005938	1	Gasket Kit	
		Ref	LUBRICATION SYSTEM COMPONENTS	
	7016331	1	Filter, Oil	
	70024904	1	Dipstick (Includes O-Ring)	
	70024905	1	O-Ring, Dipstick	
	7020465	2	Cap, Oil Fill	
	70005941	1	Plug, Oil Drain	
	70005942	1	Washer, Oil Drain Plug	
	70005172	1	Pump, Oil Lube (Includes Gasket & O-Ring)	
		Ref	MECHANICAL COMPONENTS	
	70001870	1	Flywheel (Includes Ring Gear)	
	7024579	1	Gear, Ring	
	70024913	1	V-Belt	

SECTION 3 - ENGINE

FIGURE 3-26. DEUTZ D2.9L4 (STAGE V) ENGINE COMPONENTS



ART_1001232545

SECTION 3 - ENGINE

FIGURE 3-26. DEUTZ D2.9L4 (STAGE V) ENGINE COMPONENTS

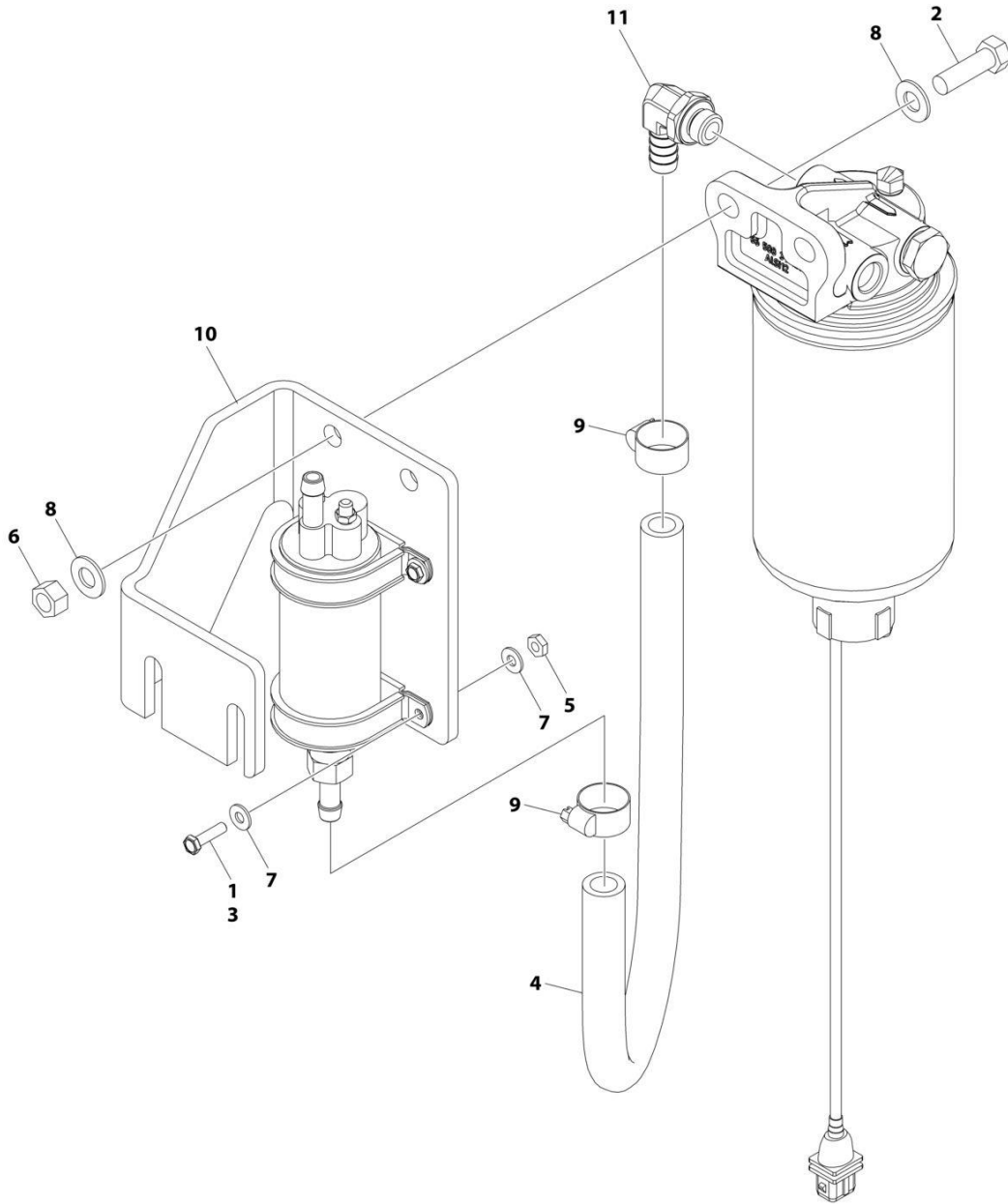
ITEM	PART NUMBER	QTY	DESCRIPTION	REV
	1001232545	Ref	DEUTZ ENGINE COMPONENTS	H
		Ref	Note: For complete list of parts, contact JLG Parts Department	
		Ref	Air Intake System Components	
		Ref	Charge Air Pipe	
	70025168	1	Intake Pipe	
		Ref	Mixing Tube	
		Ref	Throttle Valve	
		Ref	Cooling System Components	
	70029797	1	Pump, Coolant (Includes Gasket & Seals)	
	70007603	1	Thermostat	
	70005184	1	O-Ring	
	70005931	1	Gasket	
	70025142	1	Cover	
		Ref	Electrical System Components	
	70029512	1	Module, ECU/ECM	
	70007784	1	Alternator	
	70031143	1	Module, Alternator Control	
	70029015	1	Fan, Alternator	
	70029402	1	Nut, Alternator Fan	
	70029403	1	Nut, Alternator Power Stud	
	70029404	1	Washer, Alternator Power Stud Spring	
	70031144	1	Starter (Includes Solenoid)	
	70025099	1	Bolt, Starter Mounting	
	70026210	1	Sender, Tacho-Generator (Speed) (On Rear of Block) (Includes Seal)	
	70024916	1	Sender, Tacho-Generator (Speed) (On Cover) (Includes Seal)	
	70024918	1	Sender, Temperature (Includes Seal) (On Air Intake Manifold)	
		Ref	Sensor, Pressure (Includes Seal) (On Air Intake Manifold)	
	70024504	1	Sensor, Pressure (Includes Seal) (On Fuel Filter & Side of Block)	
	70005504	1	Sensor, Pressure (Includes Seal) (On Exhaust Manifold)	
	70027405	1	Sensor, Temperature (Includes Seal) (On Exhaust Manifold)	
	70000345	4	Plug, Glow	
		Ref	Exhaust System Components	
		Ref	Valve, EGR	
	70025130	8	Bolt, Exhaust Manifold	
	70025164	1	Gasket, Exhaust Manifold	
		Ref	Outlet, Muffler	
		Ref	Muffler	
		Ref	Bracket, Muffler Mounting	
	70004504	1	Compensator, Exhaust	
		Ref	Fuel System Components	
		Ref	Pump, High Pressure	
	70004281	1	Injector (Includes Sealing washer, Clamp & O-Ring)	
	70006144	1	Pump, Fuel Supply (Includes Clamps)	
	70024961	1	Filter, Fuel (Pre-Filter Assembly) (Includes Head, Spin on filter, Sensor Cable & Seal)	
	70025153	1	Filter, Fuel Spin On	
	70024513	1	Sensor Cable (Includes Seal)	
	70025160	1	Filter, Fuel (Assembly) (Includes Head & Spin on Filter)	
	70025161	1	Filter, Fuel Spin On	

SECTION 3 - ENGINE

ITEM	PART NUMBER	QTY	DESCRIPTION	REV
	70004508	1	Vol. Control Valve (Includes O-Ring & Gasket)	
		Ref	Lubricating System Components	
	7020465	2	Cap, Oil Fill	
	70005941	2	Plug, Oil Drain	
	70005942	2	Seal, Oil Drain Plug	
	70005172	1	Pump, Oil (Includes Seal & Gasket)	
	7016331	1	Filter, Oil	
	70024494	1	Cooler, Oil	
	70024925	1	Gasket, Oil Cooler	
	70024904	1	Dipstick (Includes Seal)	
		Ref	Mechanical Components	
	70001870	1	Flywheel (includes Gear)	
	70024913	1	V-Belt	
		Ref	Gasket Set - Complete	

SECTION 3 - ENGINE

FIGURE 3-27. FUEL PUMP/FILTER BRACKET ASSEMBLY (DEUTZ TD2.9L4 ENGINES)



ART_1001162335

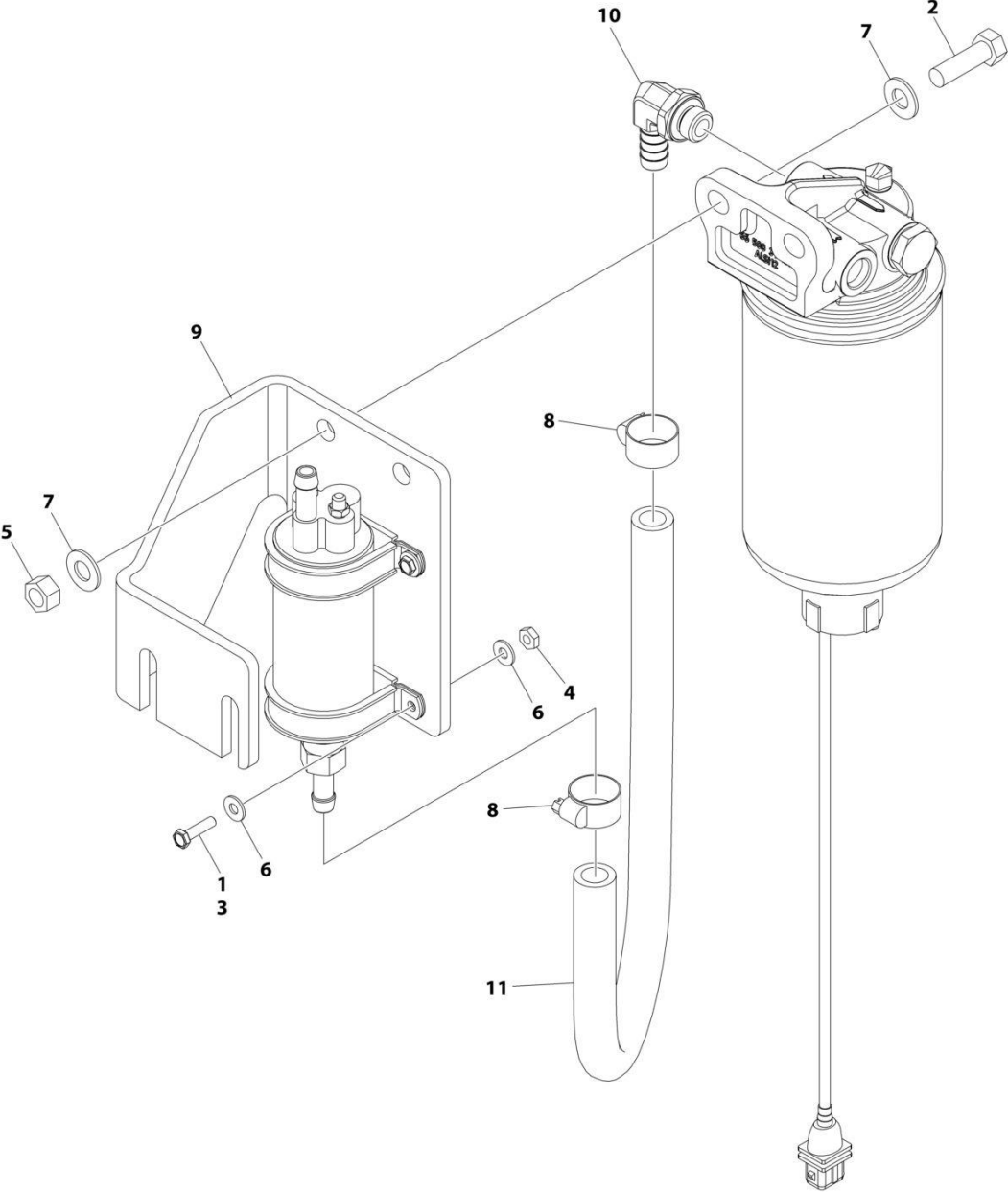
SECTION 3 - ENGINE

FIGURE 3-27. FUEL PUMP/FILTER BRACKET ASSEMBLY (DEUTZ TD2.9L4 ENGINES)

ITEM	PART NUMBER	QTY	DESCRIPTION	REV
	1001162335	Ref	BRACKET ASSEMBLY - FUEL PUMP AND FILTER (DEUTZ D2.9L4 ENGINE)	E
1	0100011	AR	Compound, Locking	
2	0641610	2	Bolt 3/8 x 1-1/4	
3	0721006	4	Bolt #10 x 3/4	
4	1001154405	AR	Hose	
5	3311001	4	Nut #10	
6	3311605	2	Nut 3/8	
7	4711000	8	Washer #10	
8	4711600	4	Washer 3/8	
9	8405006	2	Clamp	
10	1001141870	1	Plate, Fuel Pump Mount	
11	1001142501	1	Fitting, Elbow Barbed	

SECTION 3 - ENGINE

FIGURE 3-28. FUEL PUMP/FILTER BRACKET ASSEMBLY (DEUTZ D2.9L4 (STAGE V) ENGINES)



ART_1001235949

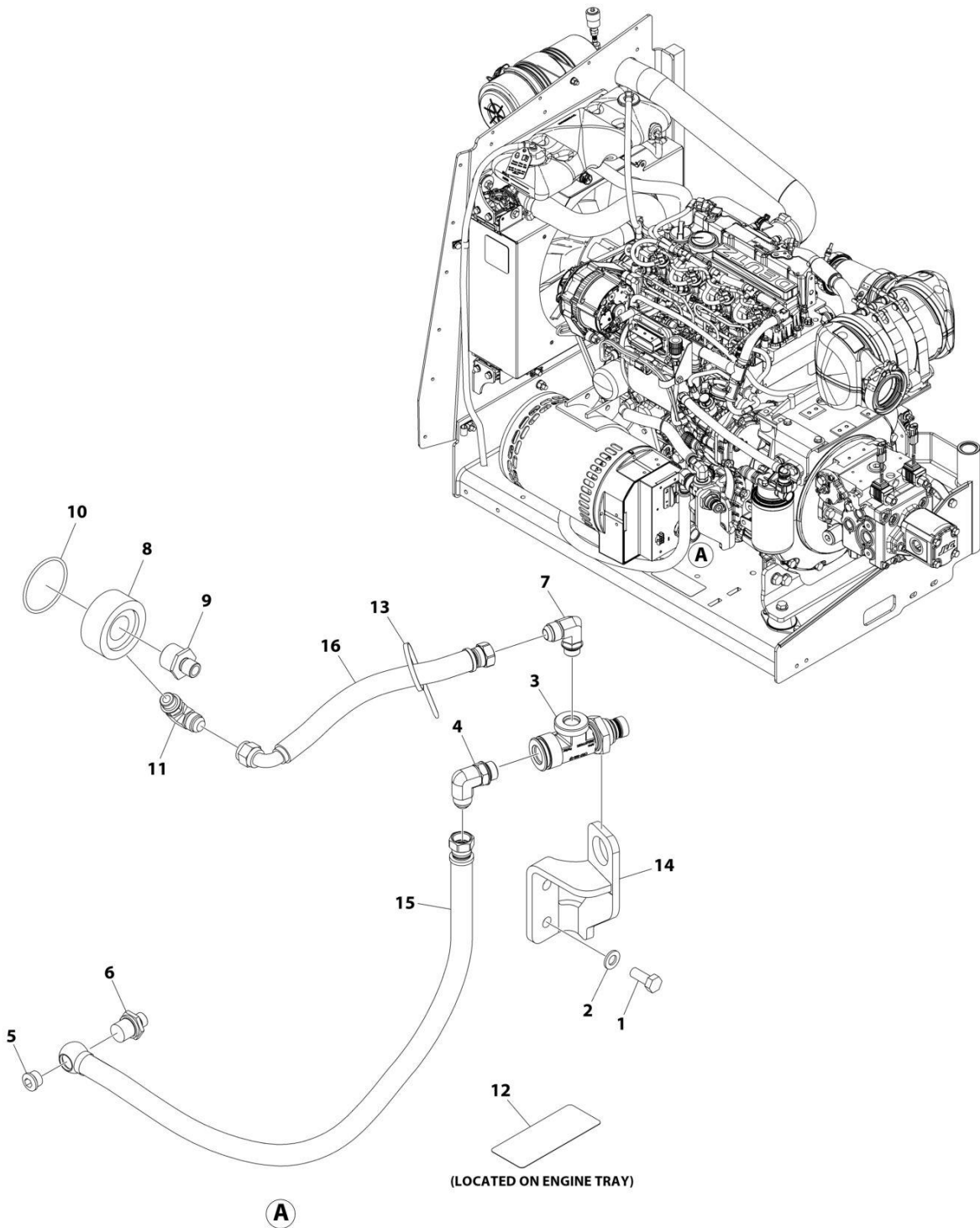
SECTION 3 - ENGINE

FIGURE 3-28. FUEL PUMP/FILTER BRACKET ASSEMBLY (DEUTZ D2.9L4 (STAGE V) ENGINES)

ITEM	PART NUMBER	QTY	DESCRIPTION	REV
	1001235949	Ref	BRACKET ASSEMBLY - FUEL PUMP AND FILTER (DEUTZ D2.9L4 (STAGE V) ENGINE)	A
1	0100035	AR	Compound, Locking	
2	0641610	2	Bolt 3/8 x 1-1/4	
3	0721006	4	Bolt #10 x 3/4	
4	3311001	4	Nut #10	
5	3311605	2	Nut 3/8	
6	4711000	8	Washer #10	
7	4711600	4	Washer 3/8	
8	8405006	2	Clamp	
9	1001141870	1	Plate, Fuel Pump Mount	
10	1001142501	1	Fitting, Elbow Barbed	
11	1001154405	1.5 ft /0.4m	Hose	

SECTION 3 - ENGINE

FIGURE 3-29. QUICKFIT OIL DRAIN INSTALLATION (DEUTZ D2.9L4 ENGINES)



ART_1001285636

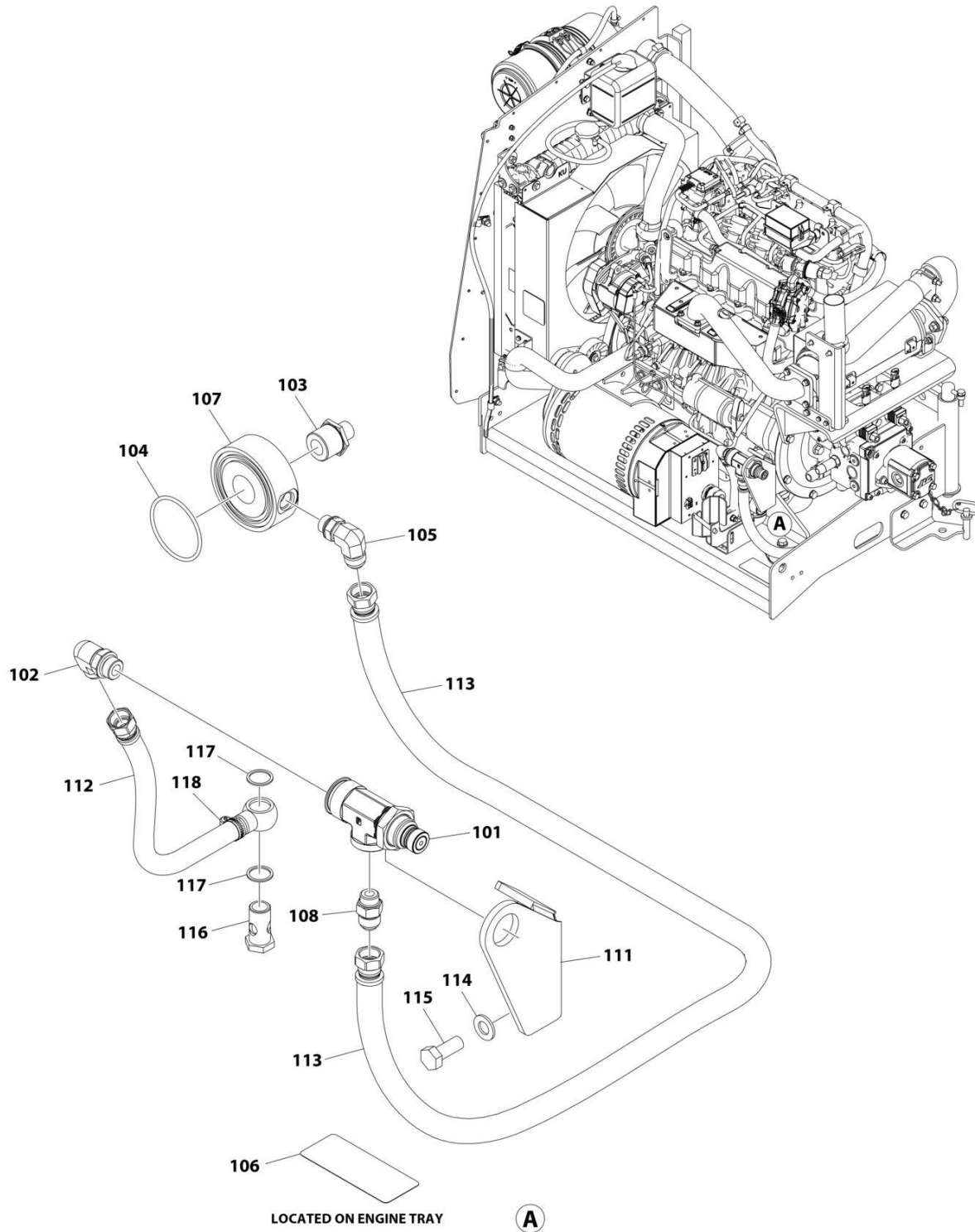
SECTION 3 - ENGINE

FIGURE 3-29. QUICKFIT OIL DRAIN INSTALLATION (DEUTZ D2.9L4 ENGINES)

ITEM	PART NUMBER	QTY	DESCRIPTION	REV
	1001285636	Ref	QUICKFIT OIL DRAIN INSTALLATION	A
1	0761214	2	Bolt M12 x 30	
2	4812100	2	Washer M12	
3	1001281298	1	Valve, Quickfit	
4	1001281301	1	Fitting, 90	
5	1001281304	1	Plug	
6	1001281305	1	Fitting, Banjo	
7	1001281307	1	Fitting, 90	
8	1001281309	1	Filter, Ring	
9	1001281310	1	Fitting, Straight	
10	1001281311	1	O-Ring	
11	1001281359	1	Valve, Check	
12	1001281360	1	Decal - RPM Quickfit	
13	1001281656	1	Tie-Strap	
14	1001287536	1	Bracket	
15	1001287552	1	Hose	
16	1001288113	1	Hose	

SECTION 3 - ENGINE

FIGURE 3-30. QUICKFIT OIL DRAIN INSTALLATION (KUBOTA 2.5L DF)



ART_1001295060

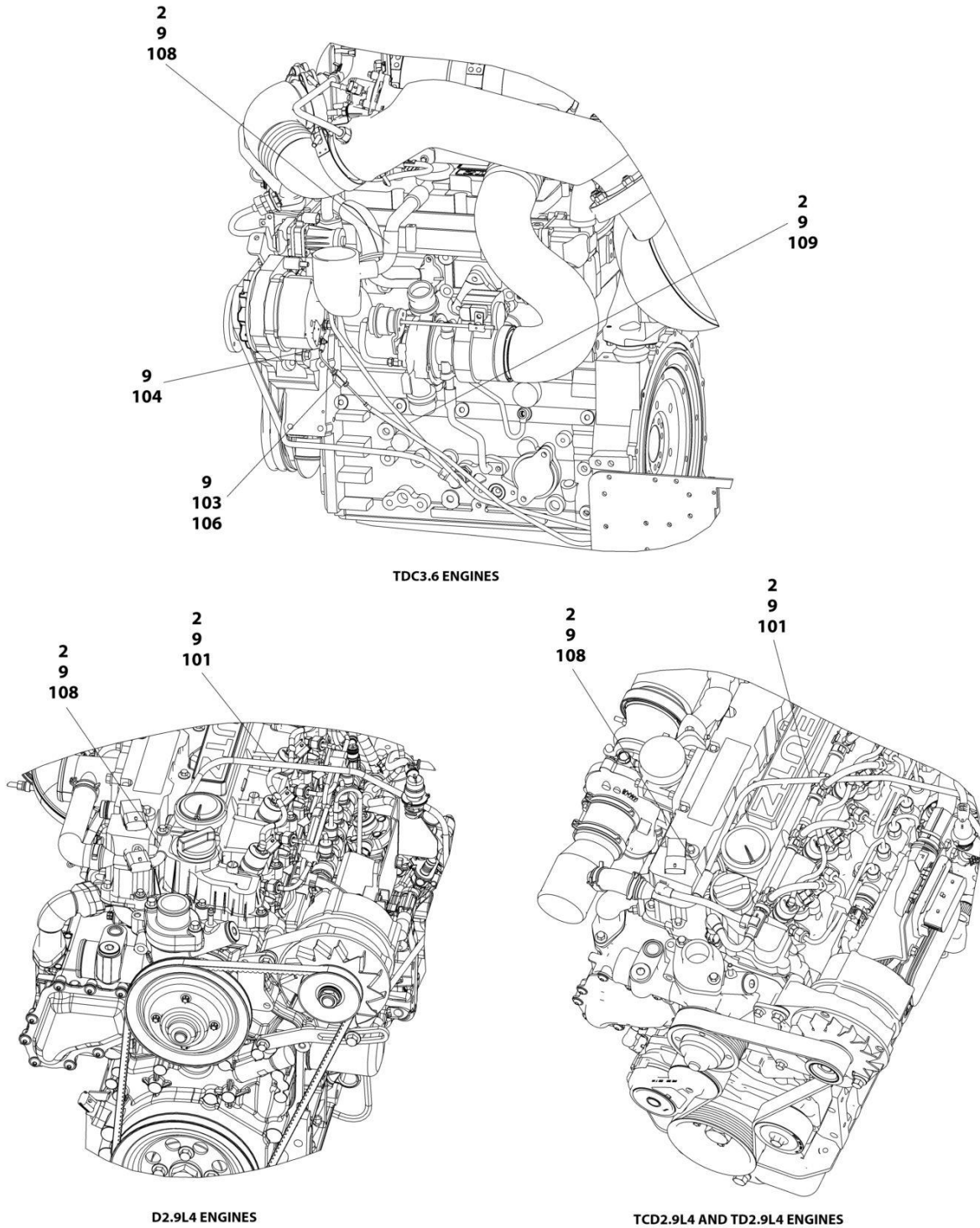
SECTION 3 - ENGINE

FIGURE 3-30. QUICKFIT OIL DRAIN INSTALLATION (KUBOTA 2.5L DF)

ITEM	PART NUMBER	QTY	DESCRIPTION	REV
	1001295060	Ref	QUICKFIT OIL DRAIN INSTALLATION (KUBOTA)	B
1	1001295061	1	Valve, Quickfit (Kubota 2.5L DF) (Not Shown)	
101	1001281298	1	Valve, Small Quickfit	
102	1001281301	1	Fitting, 90	
103	1001281310	1	Fitting, Nipple Filter Ring	
104	1001281311	1	O-Ring	
105	1001281359	1	Valve, Check Valve	
106	1001281360	1	Decal - Quickfit	
107	1001281380	1	Filter	
108	1001281302	1	Fitting, Quickfit	
109	1001281656	AR	Tie-Strap (Not Shown)	
110	1001290385	AR	Cable Mount (Not Shown)	
111	1001295062	1	Bracket	
112	1001295063	1	Hose	
113	1001295064	1	Hose	
114	1001295067	2	Washer M14	
115	1001295068	2	Bolt M14 x 35	
116	1001297092	1	Bolt M22 x 1.5	
117	1001297093	2	Washer	
118	1001297094	1	Clamp	

SECTION 3 - ENGINE

FIGURE 3-31. BREATHER HEATER INST (DEUTZ D2.9L4 ENGINES)



ART_1001233763

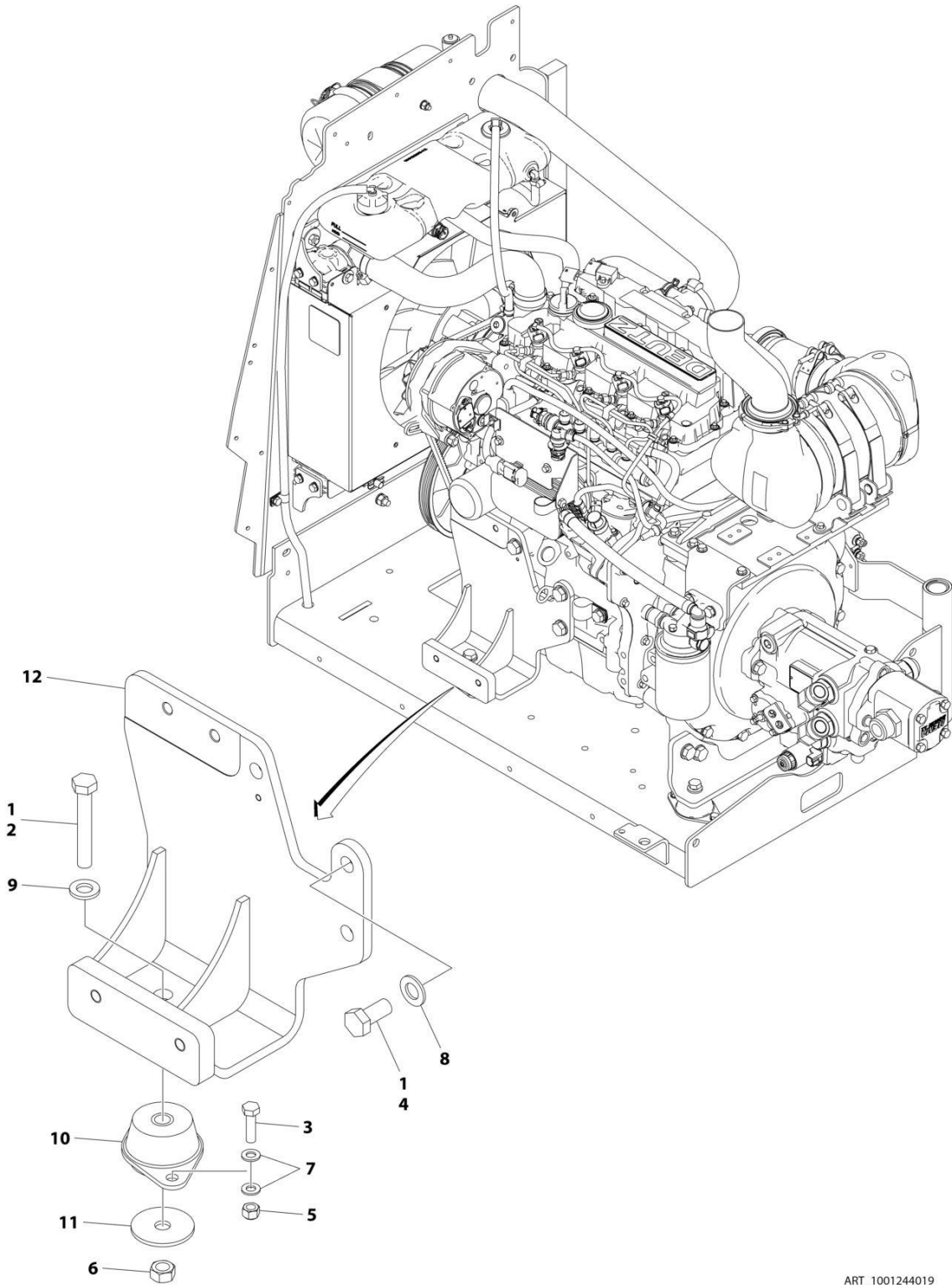
SECTION 3 - ENGINE

FIGURE 3-31. BREATHER HEATER INST (DEUTZ D2.9L4 ENGINES)

ITEM	PART NUMBER	QTY	DESCRIPTION	REV
	1001233763	Ref	BREATHER HEATER INSTALLATION - DEUTZ ENGINES	D
2	4240099	AR	Tie-Strap	
9	1001243895	1	Breather Heater Harness	C
101	2820035	AR	Insulation	
103	2400060	1	Fuseholder with Cover	
104	4460043	1	Terminal, Ring	
105	4460722	1	Terminal, Ring (Not Shown)	
106	1001196634	1	Fuse - 2 Amp	
108	1001232842	1	Breather Heater Kit	

SECTION 3 - ENGINE

FIGURE 3-32. ENGINE MOUNT (WITH GENERATOR) – DEUTZ D2.9L4 (STAGE V) ENGINE



ART_1001244019

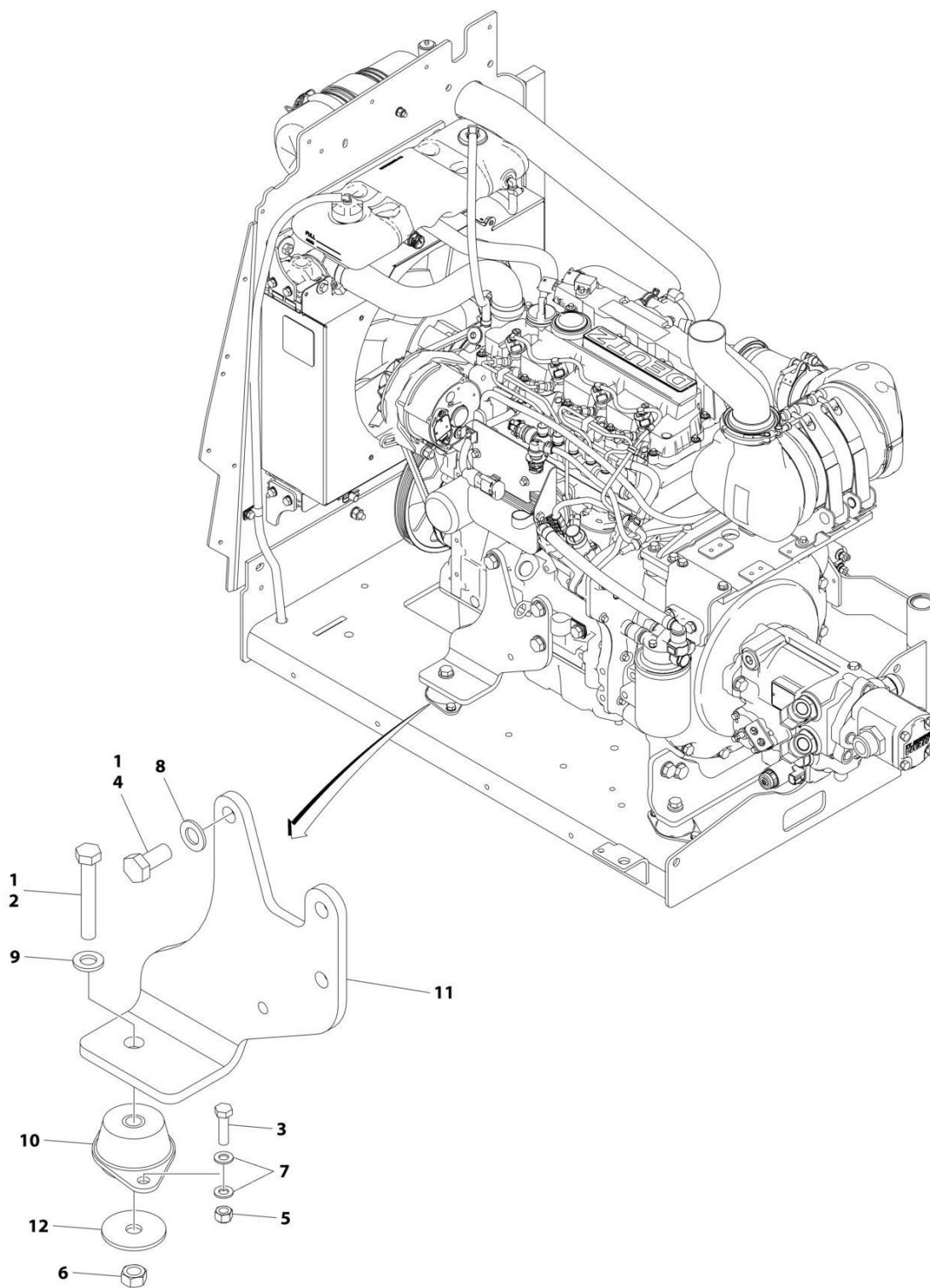
SECTION 3 - ENGINE

FIGURE 3-32. ENGINE MOUNT (WITH GENERATOR) – DEUTZ D2.9L4 (STAGE V) ENGINE

ITEM	PART NUMBER	QTY	DESCRIPTION	REV
	1001244019	Ref	MOTOR MOUNT INSTALLATION	A
1	0100011	AR	Compound, Locking	
2	0711224	1	Bolt M12 x 80	
3	0760814	2	Bolt M8 x 30	
4	0771414	3	Bolt M14 x 30	
5	3290805	2	Nut M8	
6	3331211	1	Nut M12	
7	4811900	4	Washer M8	
8	4812200	3	Washer M14	
9	5241200	1	Washer M12	
10	1001166718	1	Mount, Motor	
11	1001168018	1	Washer	
12	1001168207	1	Mount	

SECTION 3 - ENGINE

FIGURE 3-33. ENGINE MOUNT (WITHOUT GENERATOR) – DEUTZ D2.9L4 (STAGE V) ENGINE



ART_1001244024

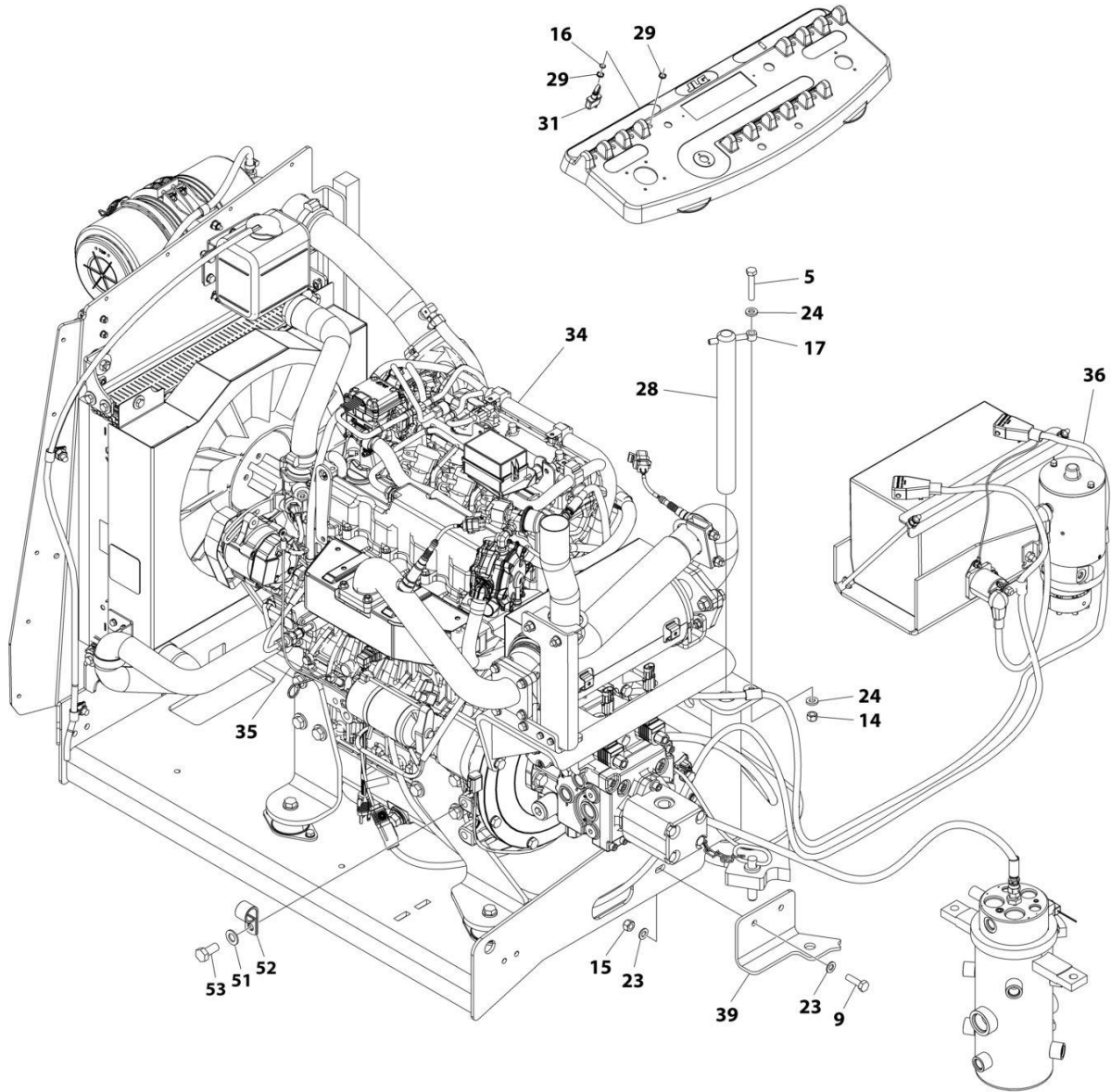
SECTION 3 - ENGINE

FIGURE 3-33. ENGINE MOUNT (WITHOUT GENERATOR) – DEUTZ D2.9L4 (STAGE V) ENGINE

ITEM	PART NUMBER	QTY	DESCRIPTION	REV
	1001244024	Ref	MOTOR MOUNT INSTALLATION	A
1	0100011	AR	Compound, Locking	
2	0711224	1	Bolt M12 x 80	
3	0760814	2	Bolt M8 x 30	
4	0771414	3	Bolt M14 x 30	
5	3290805	2	Nut M8	
6	3331211	1	Nut M12	
7	4811900	4	Washer M8	
8	4812200	3	Washer M14	
9	5241200	1	Washer M12	
10	1001166718	1	Mount, Motor	
11	1001166922	1	Mount	
12	1001168018	1	Washer	

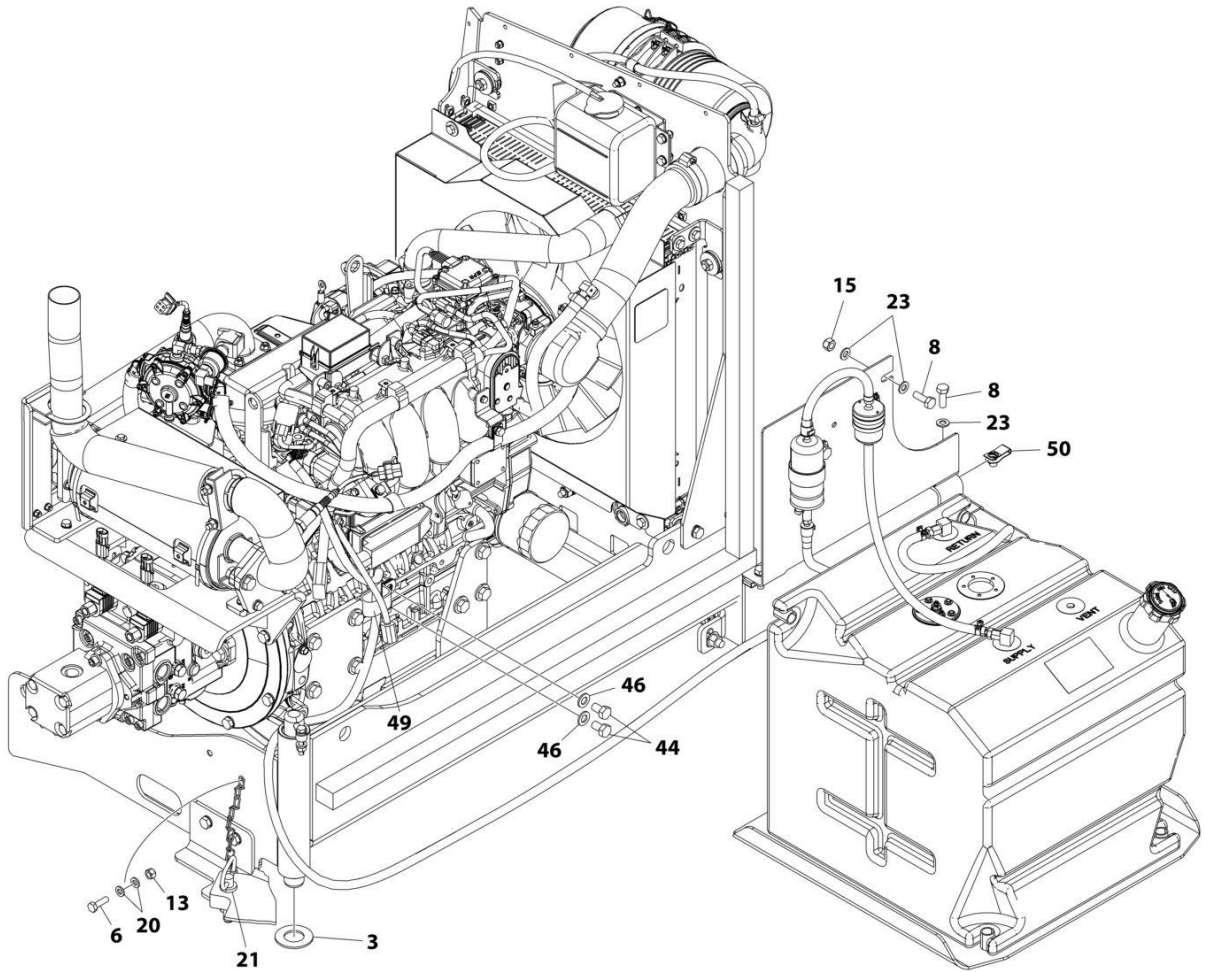
SECTION 3 - ENGINE

FIGURE 3-34. KUBOTA ENGINE INSTALLATION (WITHOUT ARCTIC PACKAGE)



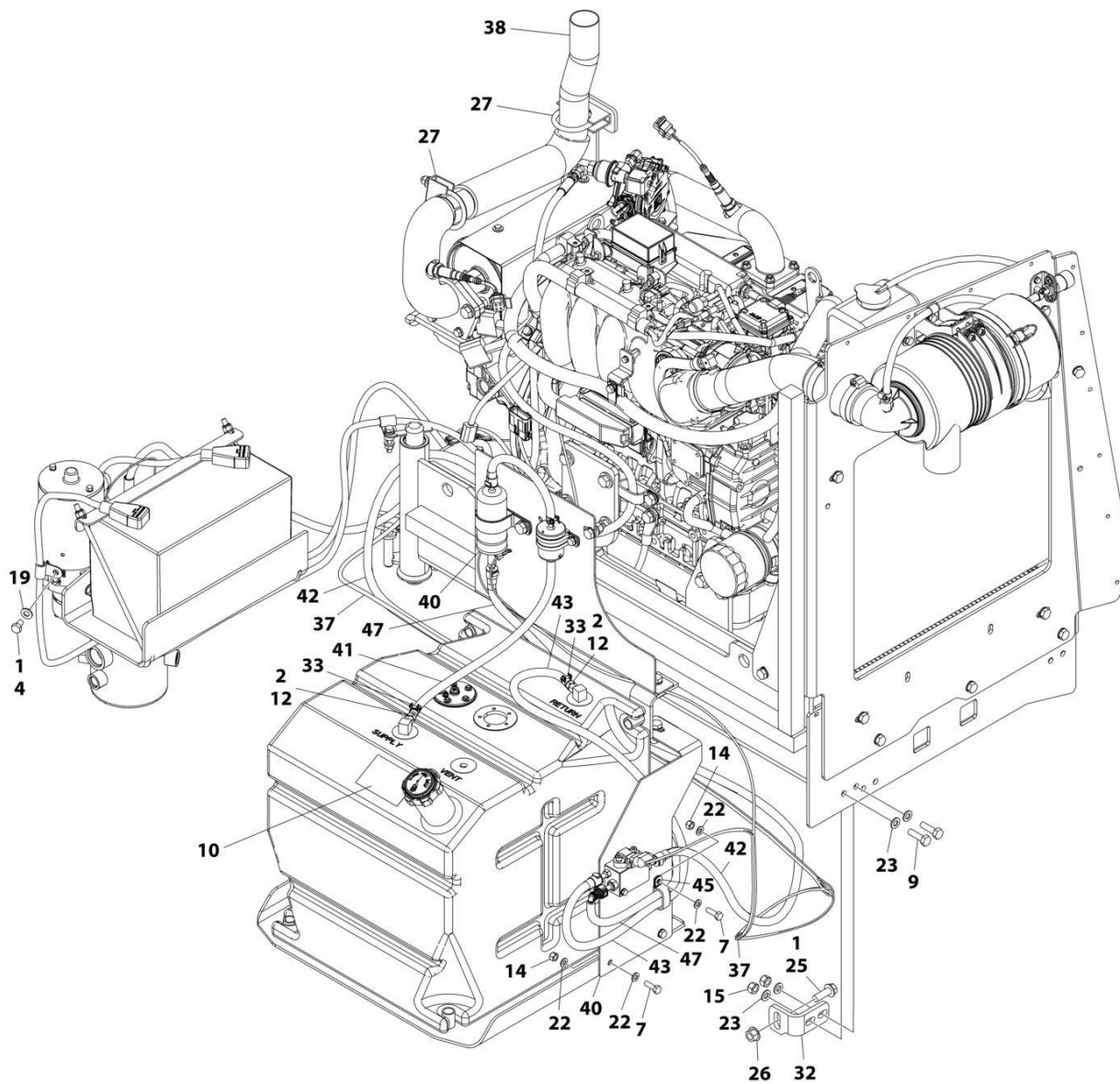
ART_1001236250_10F3

SECTION 3 - ENGINE



ART_1001236250_20F3

SECTION 3 - ENGINE



ART_1001236250_30F3

SECTION 3 - ENGINE

FIGURE 3-34. KUBOTA ENGINE INSTALLATION (WITHOUT ARCTIC PACKAGE)

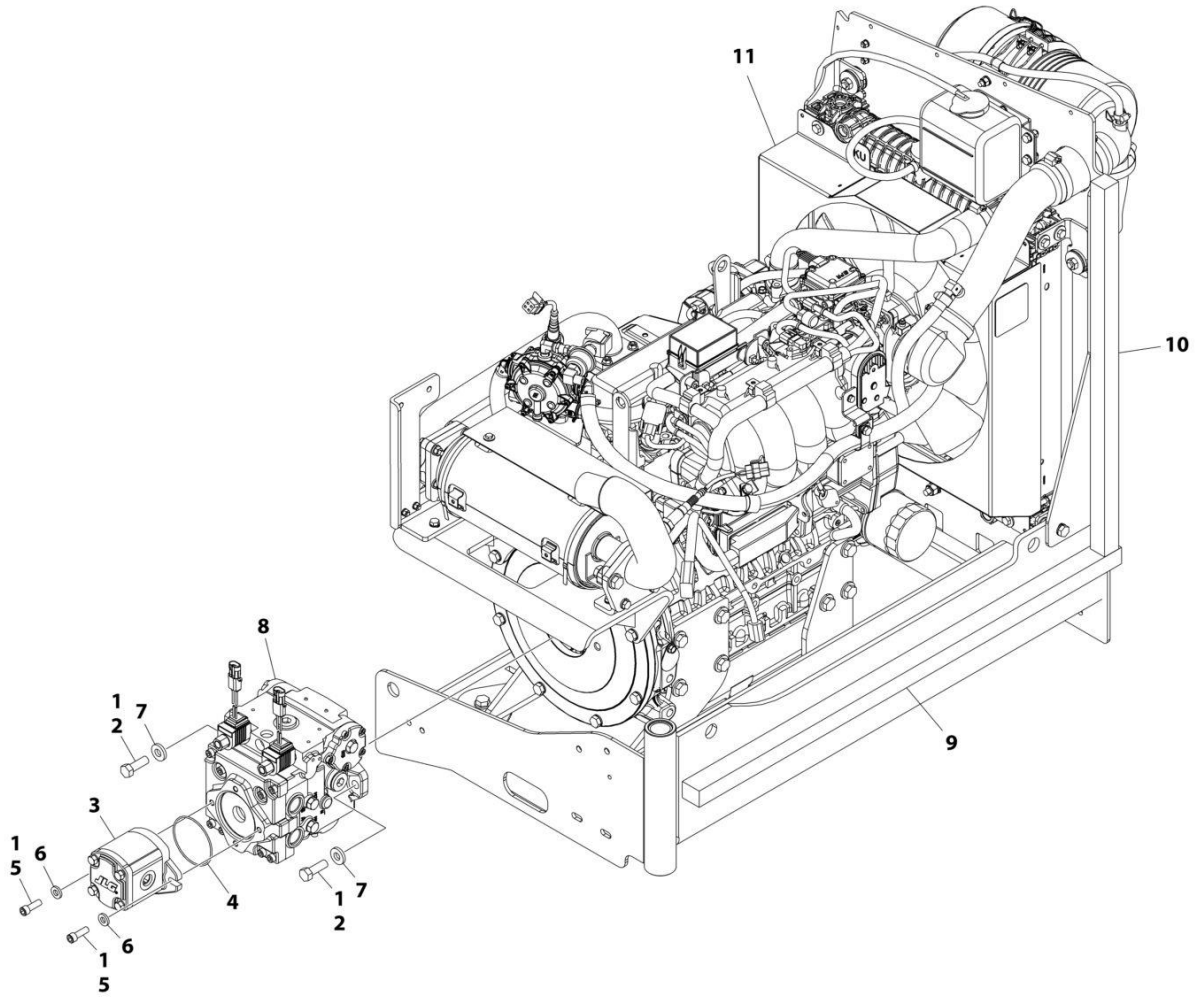
ITEM	PART NUMBER	QTY	DESCRIPTION	REV
	1001236250	Ref	ENGINE INSTALLATION - KUBOTA ENGINE (WITHOUT ARCTIC PACKAGE)	A
1	0100011	AR	Compound, Locking	
2	0100020	AR	Sealant, Pipe	
3	0440162	1	Bearing	
4	0641504	1	Bolt 5/16 x 1/2	
5	0700817	1	Bolt M8 x 45	
6	0760610	1	Bolt M6 x 20	
7	0760812	3	Bolt M8 x 25	
8	0761014	4	Bolt M10 x 30	
9	0761015	4	Bolt M10 x 35	
10	1701542	2	Decal - Gas	
11	1701543	1	Decal - LPG (Not Shown)	
12	2180348	2	Fitting, Barbed	
13	3290605	1	Nut M6	
14	3290805	4	Nut M8	
15	3291005	5	Nut M10	
16	3790012	1	O-Ring	
17	3841143	1	Keeper, Pin	
18	4240099	AR	Tie-Strap (Not Shown)	
19	4711500	1	Washer 5/16	
20	4811700	2	Washer M6	
21	3422532	1	Pin	
22	4811900	6	Washer M8	
23	4812000	13	Washer M10	
24	5240800	2	Washer M8	
25	5251215	1	Bolt M12 x 35	
26	5261200	1	Nut M12 (Grade 10.9)	
27	1001217785	2	Clamp, Muffler	
28	1001135196	1	Pin	
29	1001155044	2	Nut 15/32	
31	1001161710	1	Switch, Toggle	
32	1001167512	1	Bracket, Engine Tray Stow	
33	1001174486	2	Clamp	
34	1001236254	1	Engine and Pump Sub-Assembly - Kubota Engine (Without Arctic Package) (See Separate Breakdown in this Section)	
35	1001212257	1	Cable, Kubota Alternator	
36	1001213062	1	Cable, Battery Cable Kit	
37	1001213599	1	Harness Engine - Kubota Engine (See Separate Breakdown in ELECTRICAL SECTION)	
38	1001214502	1	Pipe, Tail Pipe	
39	1001215259	1	Plate, Engine Lock	
40	1001215801	1	Mount, Fuel System	
41	1001156819	20 in/ 53cm	Hose	
42	1001216396	1	Hose	
43	1001216397	1	Hose	
44	1001217494	2	Bolt M12 x 20	
45	1321283	1	Clamp	
46	4812100	2	Washer M12	

SECTION 3 - ENGINE

ITEM	PART NUMBER	QTY	DESCRIPTION	REV
47	1001216399	1	Hose	
49	1001195039	1	Clamp	
50	1001118972	3	Nut M10	
51	4812200	1	Washer M14	
52	24431386	1	Support Clamp 15/16	
53	1001217345	1	Bolt M14 x 30	
54	1001229798	1	Harness - Kubota Dual Fuel Power (Not Shown - See Separate Breakdown in ELECTRICAL SECTION)	
55	4460466	8	Terminal, Sealing Plug (Not Shown)	
56	4460930	1	Plug, Male - 8 Position (Deutsch) (Not Shown)	

SECTION 3 - ENGINE

FIGURE 3-35. KUBOTA ENGINE AND PUMP SUB-ASSEMBLY (WITHOUT ARCTIC PACKAGE)



ART_1001236254

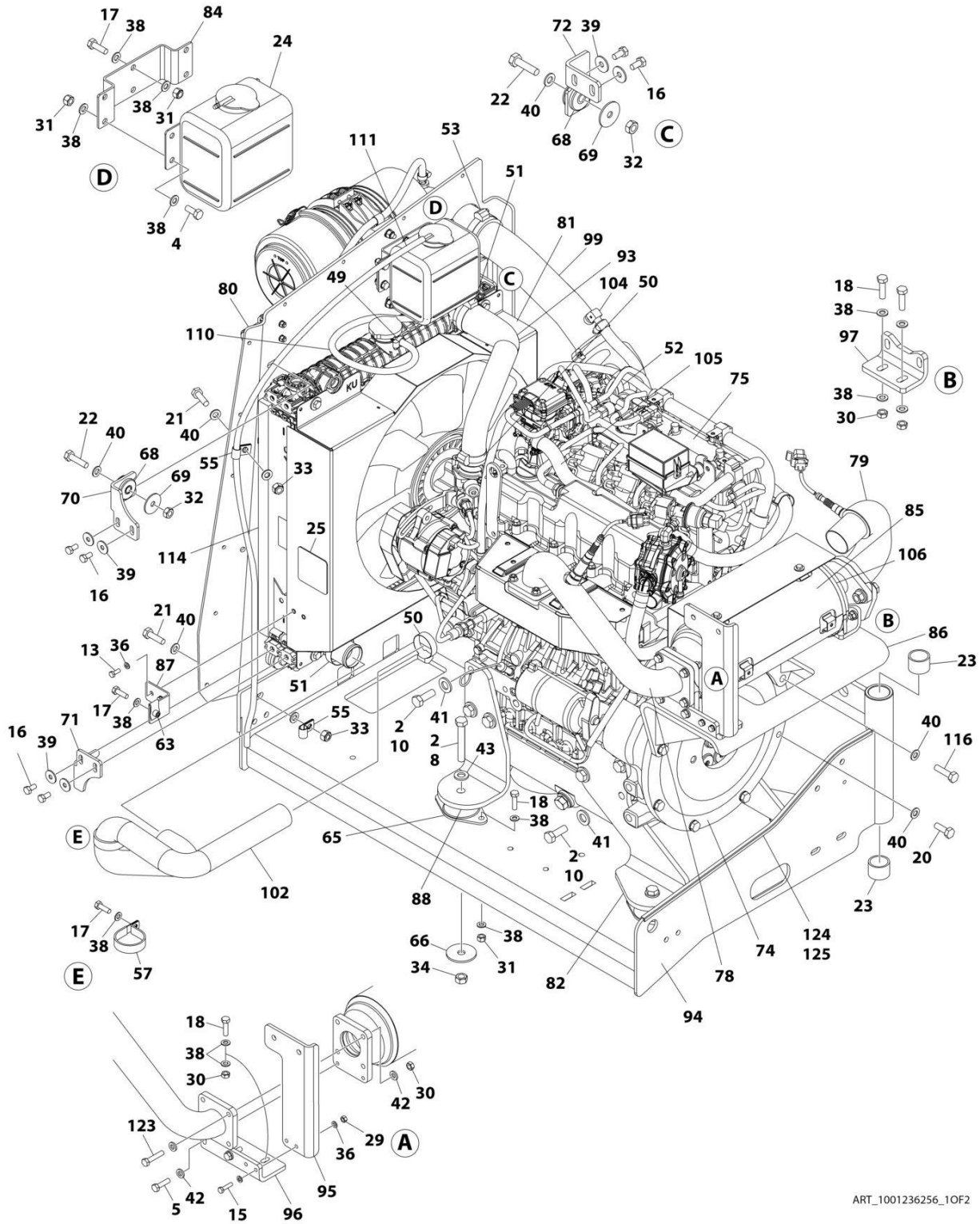
SECTION 3 - ENGINE

FIGURE 3-35. KUBOTA ENGINE AND PUMP SUB-ASSEMBLY (WITHOUT ARCTIC PACKAGE)

ITEM	PART NUMBER	QTY	DESCRIPTION	REV
	1001236254	Ref	ENGINE AND PUMP SUB-ASSEMBLY - KUBOTA ENGINE (WITHOUT ARCTIC PACKAGE)	A
1	0100011	AR	Compound, Locking	
2	0641812	2	Bolt 1/2 x 1-1/2	
3	1001214207	1	Pump, Gear	
3	70006356	1	Seal Kit - 1001214207 Pump	
4	3790152	1	O-Ring	
5	3931618	2	Bolt 3/8 x 1-1/8	
6	4891600	2	Washer 3/8	
7	4891800	2	Washer 1/2	
8	1001167036	1	Piston Pump Assembly (See Separate Breakdown in this Section)	
9	1001171953	1	Seal, Gasket	
10	1001171954	1	Seal, Gasket	
11	1001236256	1	Engine Assembly - Kubota Engine (Without Arctic Package) (See Separate Breakdown in this Section)	

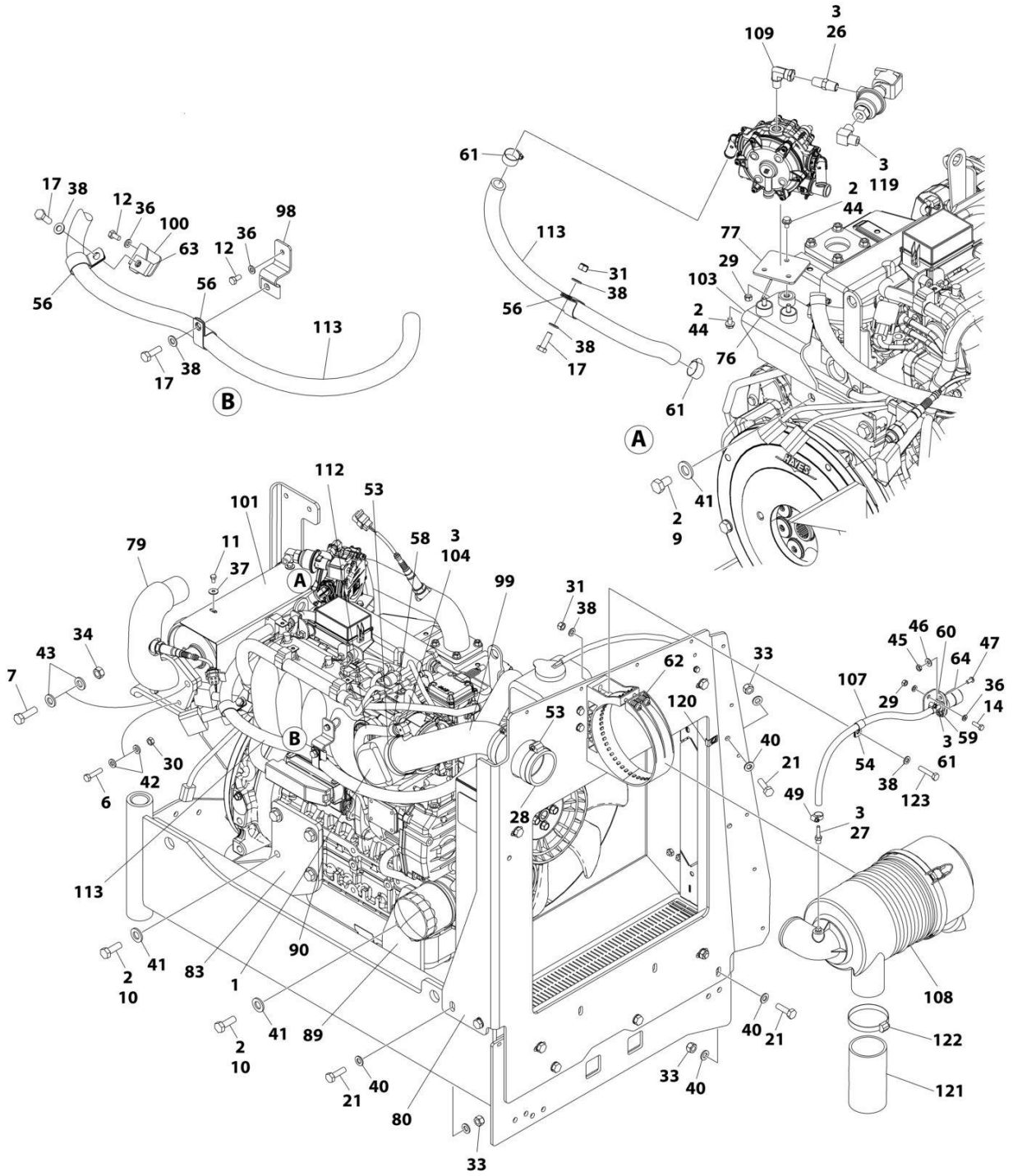
SECTION 3 - ENGINE

FIGURE 3-36. KUBOTA ENGINE ASSEMBLY (WITHOUT ARCTIC PACKAGE)



ART_1001236256_10F2

SECTION 3 - ENGINE



ART_1001236256_20F2

SECTION 3 - ENGINE

FIGURE 3-36. KUBOTA ENGINE ASSEMBLY (WITHOUT ARCTIC PACKAGE)

ITEM	PART NUMBER	QTY	DESCRIPTION	REV
	1001236256	Ref	ENGINE ASSEMBLY - KUBOTA ENGINE (WITHOUT ARCTIC PACKAGE)	E
1	0080201	1	Adapter, 90	
2	0100011	AR	Compound, Locking	
3	0100020	AR	Sealant, Pipe	
4	0700810	4	Bolt M8 x 20	
5	0700814	2	Bolt M8 x 30	
6	0700815	2	Bolt M8 x 35	
7	0701216	2	Bolt M12 x 40	
8	0701224	4	Bolt M12 x 80	
9	1001217494	2	Bolt M12 x 20	
10	1001217343	14	Bolt M12 x 35	
11	0760605	4	Bolt M6 x 10	
12	0760606	2	Bolt M6 x 12	
13	0760608	2	Bolt M6 x 16	
14	0760610	2	Bolt M6 x 20	
15	0760612	2	Bolt M6 x 25	
16	0760808	8	Bolt M8 x 16	
17	0760812	6	Bolt M8 x 25	
18	0760814	12	Bolt M8 x 30	
19	0760815	1	Bolt M8 x 35	
20	0761014	4	Bolt M10 x 30	
21	0761015	6	Bolt M10 x 35	
22	0761016	4	Bolt M10 x 40	
23	0961951	2	Bushing	
24	1580011	1	Container, Coolant Overflow	
25	1703162	2	Decal - Caution Fan	
26	2220261	1	Fitting, Nipple NPTF/NPTF	
27	2220315	1	Fitting, Barbed	
28	2720644	1	Hose	
29	3290607	5	Nut M6	
30	3290801	10	Nut M8	
31	3290805	17	Nut M8	
32	3291001	4	Nut M10	
33	3291005	6	Nut M10	
34	3291201	6	Nut M12	
35	4240099	AR	Tie-Strap (Not Shown)	
36	4811700	12	Washer M6	
37	4811702	4	Washer M6	
38	4811900	45	Washer M8	
39	4811902	8	Washer M8	
40	4812000	24	Washer M10	
41	5241400	16	Washer M14	
42	5240800	14	Washer M8	
43	5241200	8	Washer M12	
44	5250605	3	Bolt M6 x 10	
45	8305401	2	Nut 1/4	
46	8307109	2	Washer 1/4	
47	8310548	2	Screw 1/4 NC x 1/2	
48	1001173535	2	Clamp	

SECTION 3 - ENGINE

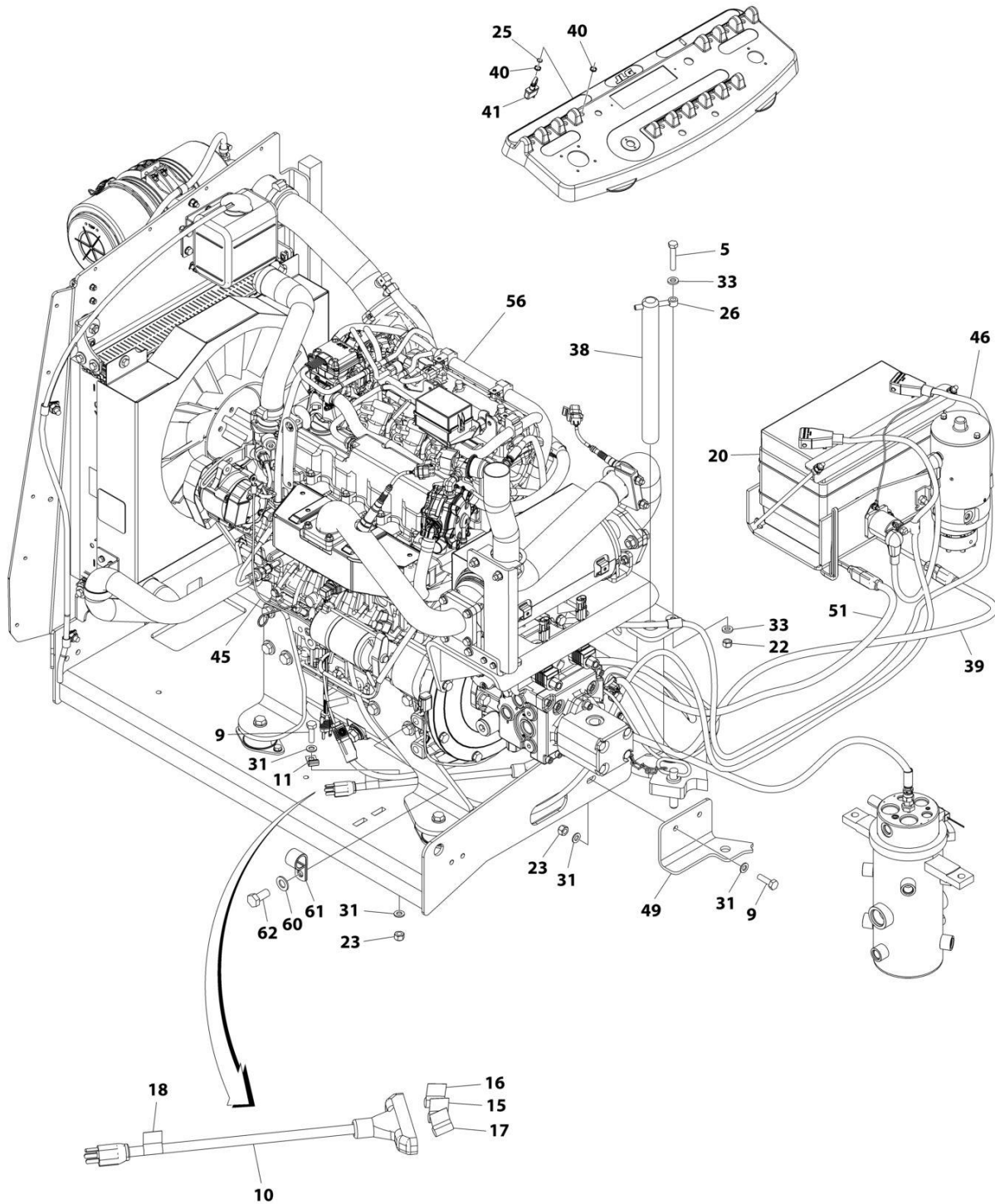
ITEM	PART NUMBER	QTY	DESCRIPTION	REV
49	8405009	4	Clamp	
50	8405102	2	Clamp	
51	8405104	2	Clamp	
52	8405202	1	Clamp	
53	8405203	3	Clamp	
54	8406109	1	Clip	
55	8406110	2	Clip	
56	8406201	3	Clip	
57	8410001	1	Clamp	
58	8410009	6	Clamp	
59	1001138173	1	Support, Service Indicator	
60	1001138175	1	Bracket, Service Indicator	
61	1001141995	1	Fitting, Barbed	
62	1001147812	1	Clamp, Air Cleaner	
63	1001149160	3	Nut M8	
64	1001149639	1	Indicator, Air Intake	
65	1001166718	4	Isolator, Engine Mount	
66	1001168018	4	Washer, Snubbing	
67	1001168166	2	Seal	
68	1001169054	4	Isolator, Radiator	
69	1001169138	4	Washer, Snubbing	
70	1001169967	2	Bracket	
71	1001170035	1	Bracket	
72	1001176330	1	Bracket	
73	1001180620	AR	Adhesive	
74	1001209844	1	Pump Coupling Kit (See Separate Breakdown in this Section)	
75	1001236393	1	Engine, Kubota (See Separate Breakdown in this Section)	
76	1001211794	3	Mount	
77	1001211797	1	Mount	
78	1001212989	1	Pipe, Exhaust (Inlet)	
79	1001212993	1	Pipe Exhaust (Outlet)	
80	1001213305	1	Plate, Mounting	
81	1001236257	1	Radiator	
82	1001213425	1	Plate, Engine Mount (Left Rear)	
83	1001213426	1	Plate, Engine Mount (Right Rear)	
84	1001213482	1	Bracket	
85	1001213824	1	Insulation	
86	1001214138	1	Bracket	
87	1001214205	1	Support	
88	1001214233	1	Plate (Front Left)	
89	1001214234	1	Plate (Front Right)	
90	1001214276	1	Shim	
91	1001214277	1	Shim	
92	1001214278	2	Shim	
93	1001214307	1	Hose	
94	1001214508	1	Support	
95	1001214553	1	Support	
96	1001214555	1	Bracket	
97	1001214556	1	Bracket	
98	1001214558	1	Bracket	
99	1001214598	1	Tube	

SECTION 3 - ENGINE

ITEM	PART NUMBER	QTY	DESCRIPTION	REV
100	1001214599	1	Bracket	
101	1001214664	1	Cover	
102	1001214694	1	Hose	
103	1001214841	1	Bracket	
104	1001215125	1	Fitting, 90	
105	1001215869	1	Hose	
106	1001137336	2	Strap	
107	1001138248	2 ft/ 0.61m	Tube	
108	1001147813	1	Air Cleaner Assembly Including Filter Element	
108	70004020	1	Element, Air Filter	
109	1001247359	1	Fitting, 90	
110	2720058	1.75 ft/ 0.53m	Hose	
111	2720271	4 ft/ 1.22m	Hose	
112	2720615	1.25 ft/ 0.38m	Hose	
113	82033995	5.5 ft/ 1.68m	Hose	
114	1001216825	2	Seal	
115	0700816	4	Bolt M8 x 40	
116	0701016	4	Bolt M10 x 40	
119	2180504	1	Fitting, Barbed	
120	1001118274	1	Nut, Special M8	
121	1001001939	1	Tube, Flex	
122	8410011	1	Clamp	
123	0760816	1	Bolt M8 x 40	
124	4060805	1.94 ft/ 0.59m	Flex-Trim	
125	0100081	AR	Adhesive	

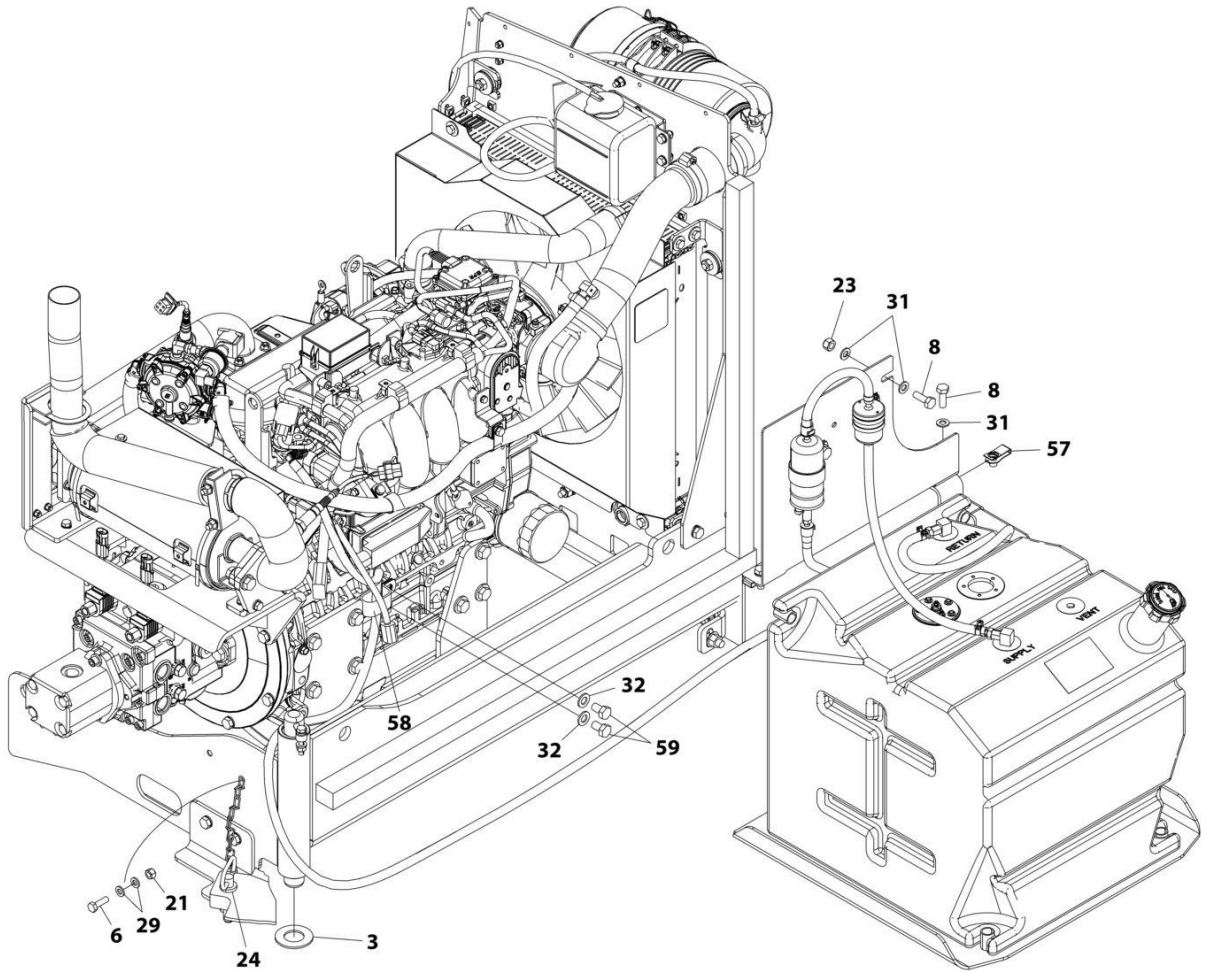
SECTION 3 - ENGINE

FIGURE 3-37. KUBOTA ENGINE INSTALLATION (WITH ARCTIC PACKAGE)



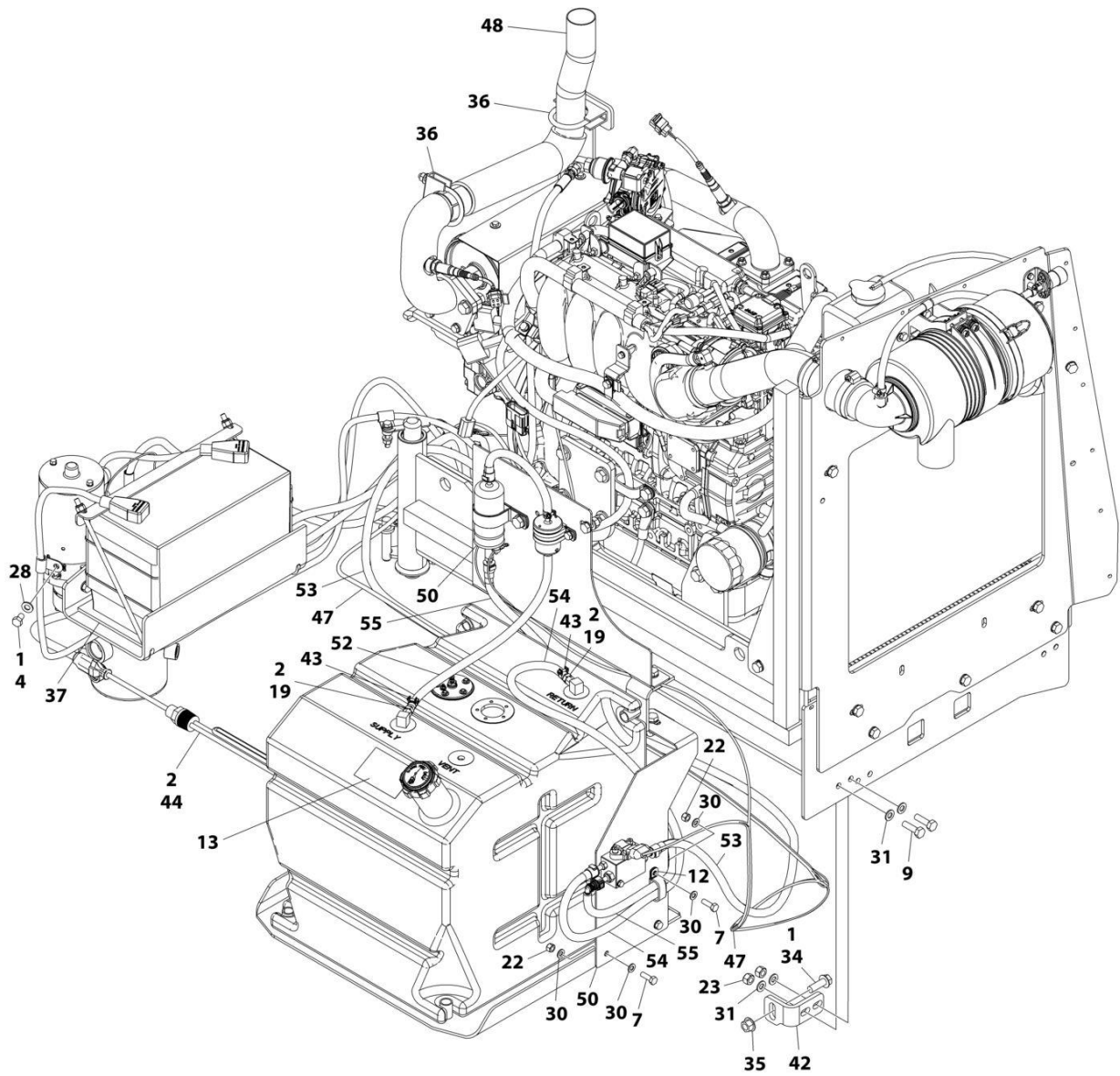
ART_1001236252_10F3

SECTION 3 - ENGINE



ART_1001236252_20F3

SECTION 3 - ENGINE



ART_1001236252_30F3

SECTION 3 - ENGINE

FIGURE 3-37. KUBOTA ENGINE INSTALLATION (WITH ARCTIC PACKAGE)

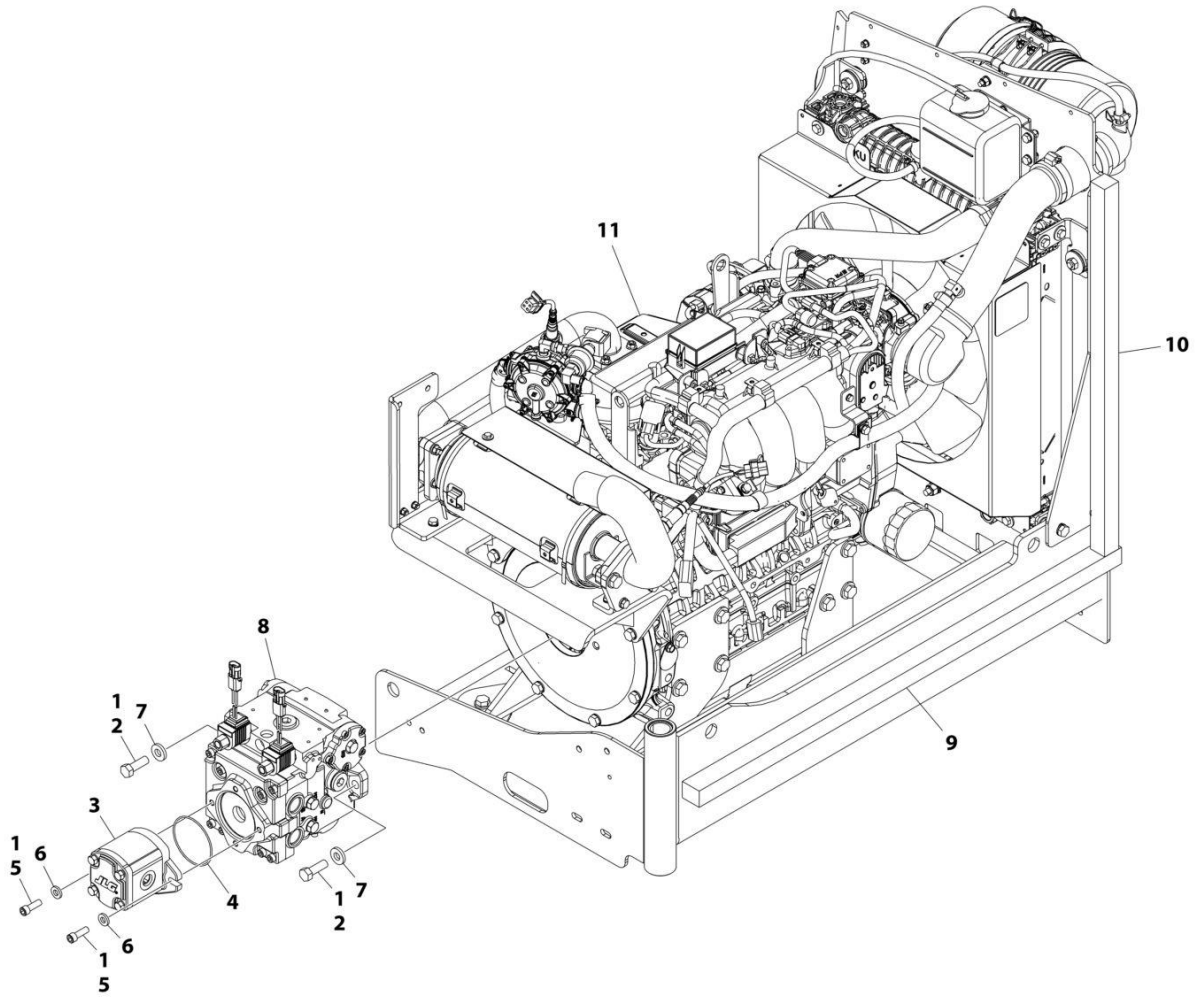
ITEM	PART NUMBER	QTY	DESCRIPTION	REV
	1001236252	Ref	ENGINE INSTALLATION - KUBOTA ENGINE (WITH ARCTIC PACKAGE)	B
1	0100011	AR	Compound, Locking	
2	0100020	AR	Sealant, Pipe	
3	0440162	1	Bearing	
4	0641504	1	Bolt 5/16 x 1/2	
5	0700817	1	Bolt M8 x 45	
6	0760610	1	Bolt M6 x 20	
7	0760812	3	Bolt M8 x 25	
8	0761014	4	Bolt M10 x 30	
9	0761015	5	Bolt M10 x 35	
10	1060626	1	Plug, 3 Way	
11	1320223	1	Clamp	
12	1321283	1	Clamp	
13	1701542	2	Decal - Gas	
14	1701543	1	Decal - LPG (Not Shown)	
15	1702941	1	Decal - Battery Heater	
16	1702942	1	Decal - Engine Block Heater	
17	1702943	1	Decal - Hydraulic Tank Heater	
18	1702944	1	Decal - Heater Cord	
19	2180348	2	Fitting, Barbed	
20	2580024	1	Heater, Battery	
21	3290605	1	Nut M6	
22	3290805	4	Nut M8	
23	3291005	6	Nut M10	
24	3422532	1	Pin	
25	3790012	1	O-Ring	
26	3841143	1	Keeper, Pin	
27	4240099	AR	Tie-Strap (Not Shown)	
28	4711500	1	Washer 5/16	
29	4811700	2	Washer M6	
30	4811900	6	Washer M8	
31	4812000	15	Washer M10	
32	4812100	2	Washer M12	
33	5240800	2	Washer M8	
34	5251215	1	Bolt M12 x 35	
35	5261200	1	Nut M12 Class10	
36	1001217785	2	Clamp, Muffler	
37	1001119278	1	Insulate	
38	1001135196	1	Pin	
39	1001150918	1	Cable, Extension Cord	
40	1001155044	2	Nut 15/32	
41	1001161710	1	Switch, Toggle	
42	1001167512	1	Bracket, Engine Tray Stow	
43	1001174486	2	Clamp	
44	1001188972	1	Heater, Hydraulic Tank	
45	1001212257	1	Cable, Kubota Alternator	
46	1001213062	1	Cable, Battery Cable Kit Kubota	
47	1001213599	1	Harness Engine - Kubota Engine (See Separate Breakdown in ELECTRICAL SECTION)	

SECTION 3 - ENGINE

ITEM	PART NUMBER	QTY	DESCRIPTION	REV
48	1001214502	1	Pipe, Tail Pipe	
49	1001215259	1	Plate, Engine Lock	
50	1001215801	1	Mount, Fuel System (Kubota)	
51	1001216080	2	Cable, Extension Cord	
52	1001156819	20.9 in/ 53cm	Hose	
53	1001216396	1	Hose	
54	1001216397	1	Hose	
55	1001216399	1	Hose	
56	1001236258	1	Engine and Pump Sub-Assembly - Kubota Engine (With Arctic Package) (See Separate Breakdown in this Section)	
57	1001118972	3	Nut M10	
58	1001195039	1	Clamp	
59	1001217494	2	Capscrew M12	
60	4812200	1	Washer M14	
61	24431386	1	Support, Clamp	
62	1001217345	1	Bolt M14 x 30	
63	1001229798	1	Harness - Kubota B6 D/F Power (Not Shown - See Separate Breakdown in ELECTRICAL SECTION)	
64	4460466	8	Terminal, Sealing Plug (Not Shown)	
65	4460930	1	Plug, Male - 8 Position (Deutsch) (Not Shown)	

SECTION 3 - ENGINE

FIGURE 3-38. KUBOTA ENGINE AND PUMP SUB-ASSEMBLY (WITH ARCTIC PACKAGE)



ART_1001236258

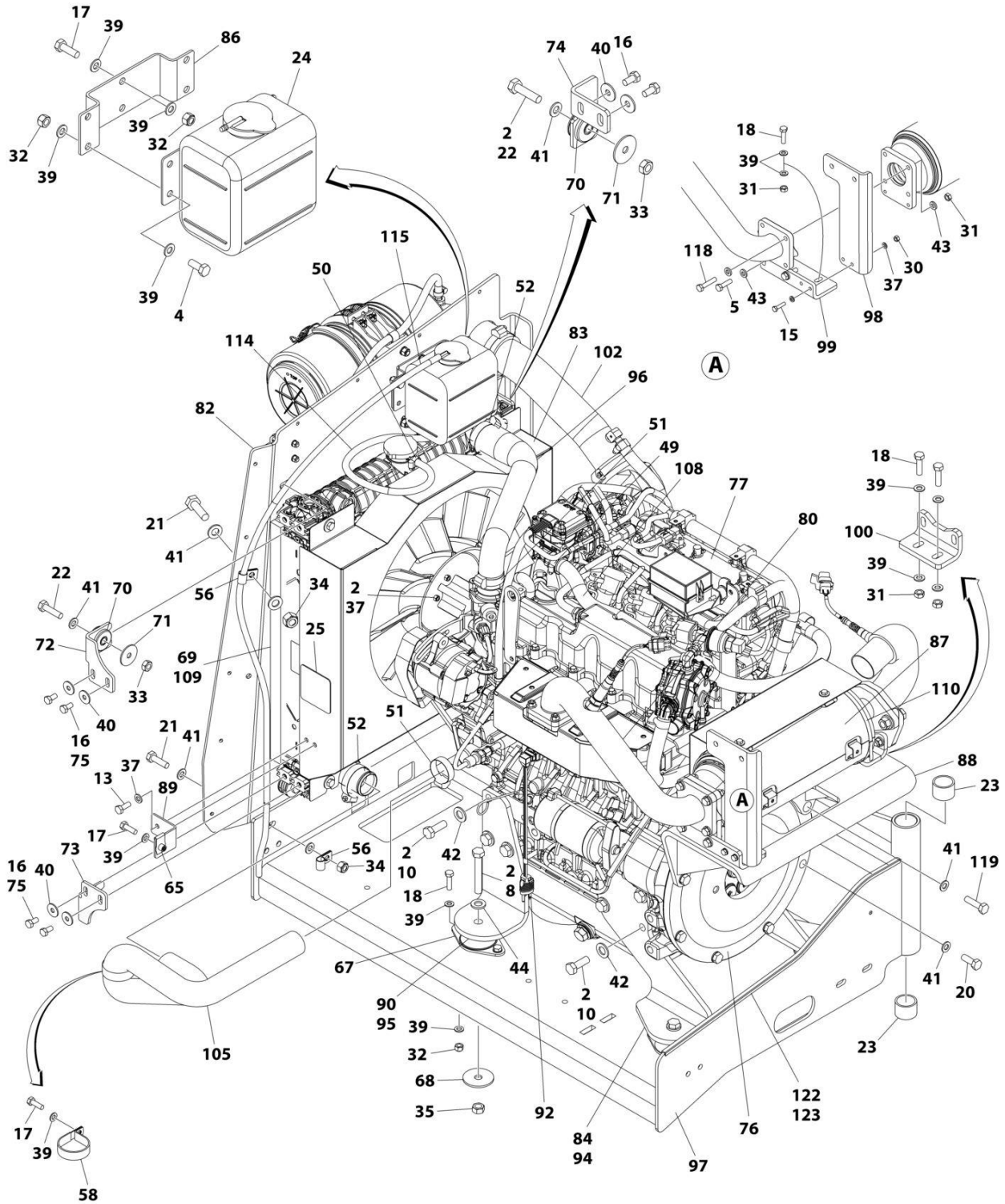
SECTION 3 - ENGINE

FIGURE 3-38. KUBOTA ENGINE AND PUMP SUB-ASSEMBLY (WITH ARCTIC PACKAGE)

ITEM	PART NUMBER	QTY	DESCRIPTION	REV
	1001236258	Ref	ENGINE AND PUMP SUB-ASSEMBLY - KUBOTA ENGINE (WITH ARCTIC PACKAGE)	A
1	0100011	AR	Compound, Locking	
2	0641812	2	Bolt 1/2 x 1-1/2	
3	1001214207	1	Gear Pump Assembly	
3	70006356	1	Seal Kit - 1001214207 Pump	
4	3790152	1	O-Ring	
5	3931618	2	Capscrew 3/8 x 1-1/8	
6	4891600	2	Washer 3/8	
7	4891800	2	Washer 1/2	
8	1001167036	1	Piston Pump Assembly (See Separate Breakdown in this Section)	
9	1001171953	1	Seal	
10	1001171954	1	Seal	
11	1001236259	1	Engine Assembly - Kubota Engine (With Arctic Package) (See Separate Breakdown in this Section)	

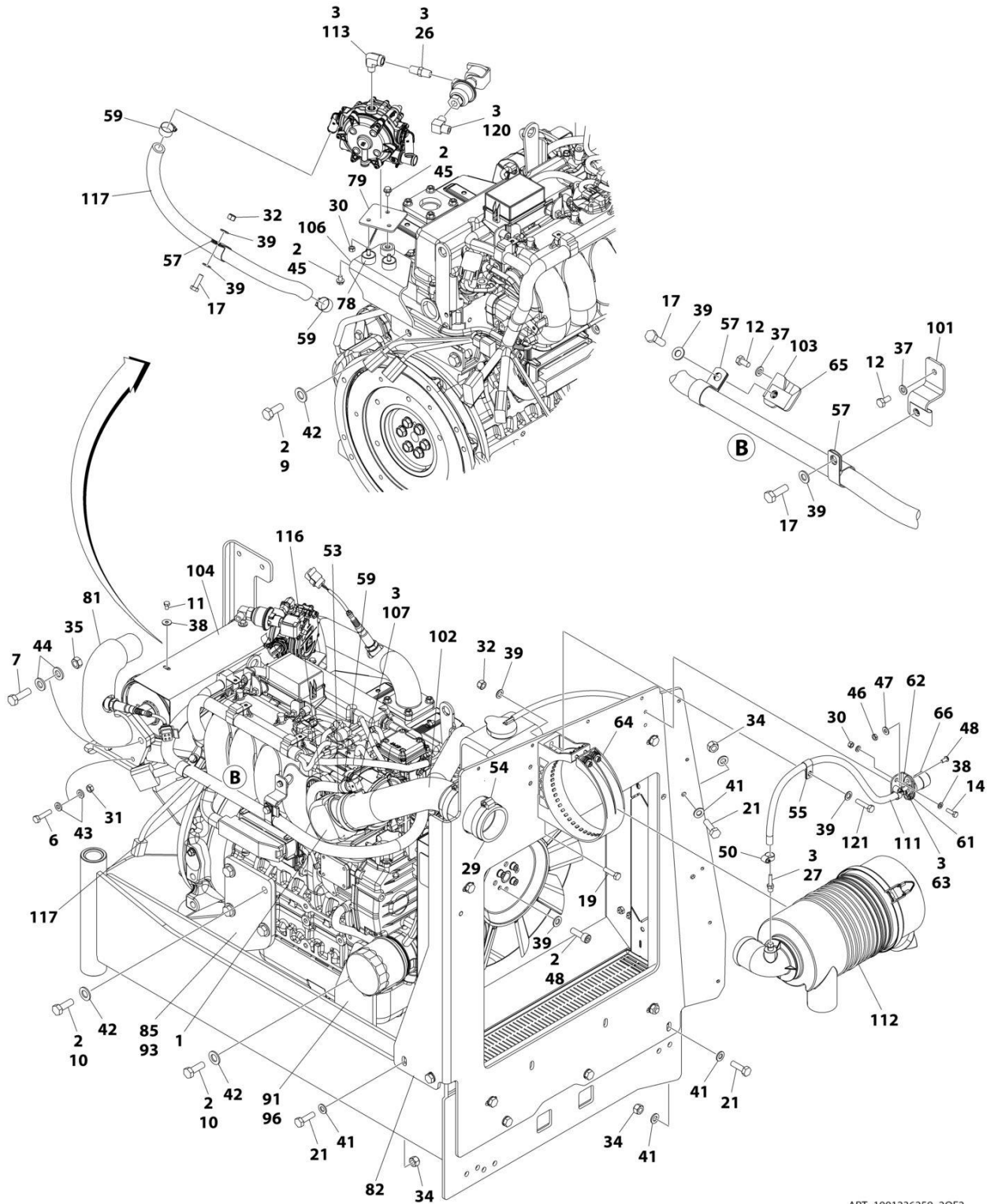
SECTION 3 - ENGINE

FIGURE 3-39. KUBOTA ENGINE ASSEMBLY (WITH ARCTIC PACKAGE)



ART_1001236259_10F2

SECTION 3 - ENGINE



ART_1001236259_2OF2

SECTION 3 - ENGINE

FIGURE 3-39. KUBOTA ENGINE ASSEMBLY (WITH ARCTIC PACKAGE)

ITEM	PART NUMBER	QTY	DESCRIPTION	REV
	1001236259	Ref	ENGINE ASSEMBLY - KUBOTA ENGINE (WITH ARCTIC PACKAGE)	E
1	0080201	1	Adapter, 90	
2	0100011	AR	Compound, Locking	
3	0100020	AR	Sealant, Pipe	
4	0700810	4	Bolt M8 x 20	
5	0700814	2	Bolt M8 x 30	
6	0700815	2	Bolt M8 x 35	
7	0701216	2	Bolt M12 x 40	
8	0701224	4	Bolt M12 x 80	
9	1001217494	2	Bolt M12 x 20	
10	1001217343	14	Bolt M12 x 35	
11	0760605	4	Bolt M6 x 10	
12	0760606	2	Bolt M6 x 12	
13	0760608	2	Bolt M6 x 16	
14	0760610	2	Bolt M6 x 20	
15	0760612	2	Bolt M6 x 25	
16	0760808	8	Bolt M8 x 16	
17	0760812	6	Bolt M8 x 25	
18	0760814	12	Bolt M8 x 30	
19	0760815	1	Bolt M8 x 35	
20	0761014	4	Bolt M10 x 30	
21	0761015	6	Bolt M10 x 35	
22	0761016	4	Bolt M10 x 40	
23	0961951	2	Bushing	
24	1580011	1	Container, Coolant Overflow	
25	1703162	2	Decal - Caution Fan	
26	2220261	1	Fitting, Nipple NPTF/NPTF	
27	2220315	1	Fitting, Barbed	
29	2720644	1	Hose	
30	3290607	5	Nut M6	
31	3290801	10	Nut M8	
32	3290805	17	Nut M8	
33	3291001	4	Nut M10	
34	3291005	6	Nut M10	
35	3291201	6	Nut M12	
36	4240099	AR	Tie-Strap (Not Shown)	
37	4811700	16	Washer M6	
38	4811702	4	Washer M6	
39	4811900	45	Washer M8	
40	4811902	8	Washer M8	
41	4812000	24	Washer M10	
42	5241400	16	Washer M14	
43	5240800	14	Washer M8	
44	5241200	8	Washer M12	
45	5250605	3	Bolt M6 x 10	
46	8305401	2	Nut 1/4	
47	8307109	2	Washer 1/4	
48	8310548	2	Screw 1/4 x 1/2	
49	1001173535	2	Clamp	

SECTION 3 - ENGINE

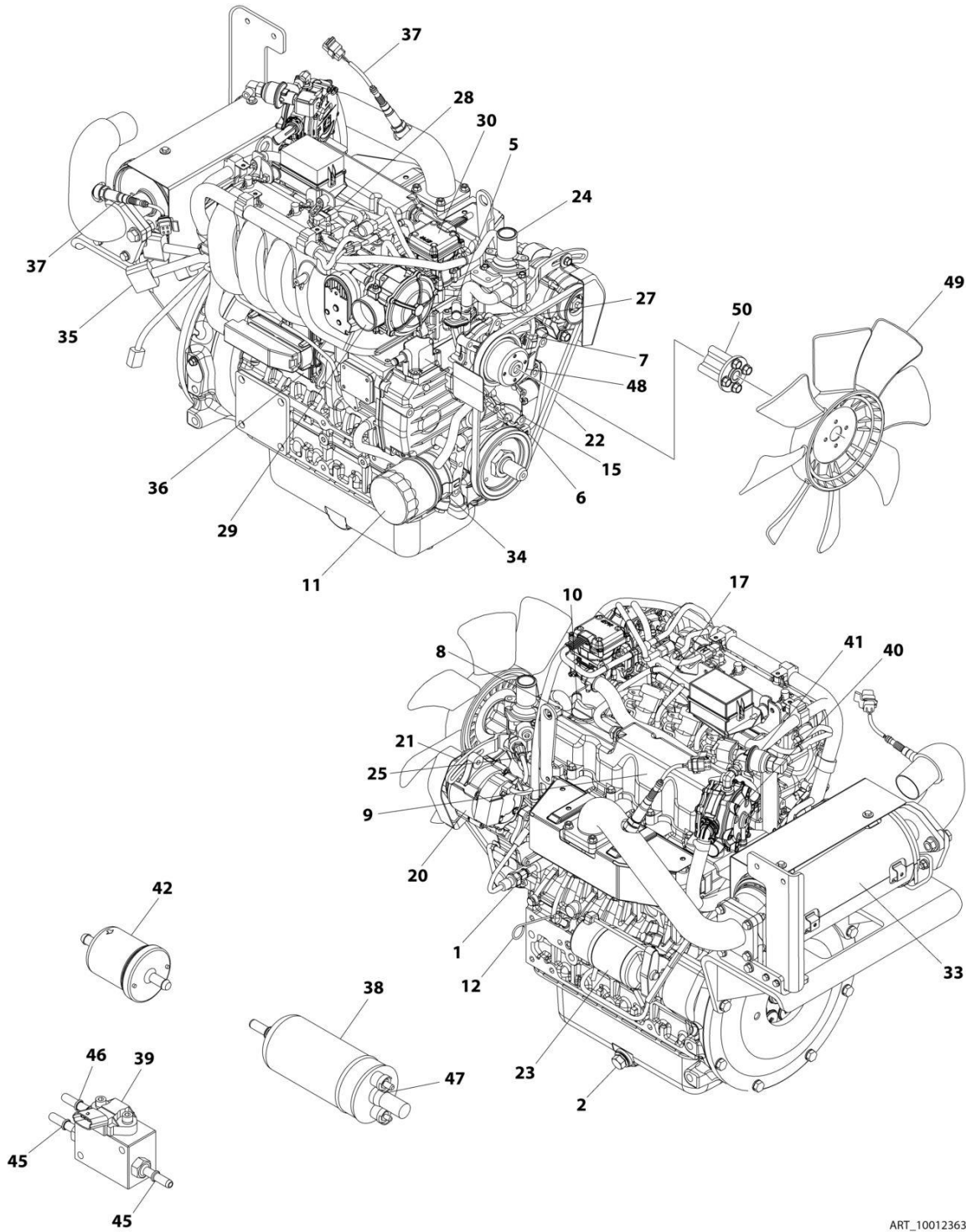
ITEM	PART NUMBER	QTY	DESCRIPTION	REV
50	8405009	4	Clamp	
51	8405102	2	Clamp	
52	8405104	2	Clamp	
53	8405202	1	Clamp	
54	8405203	3	Clamp	
55	8406109	1	Clip	
56	8406110	2	Clip	
57	8406201	3	Clip	
58	8410001	1	Clamp	
59	8410009	6	Clamp	
61	1001138173	1	Support, Service Indicator	
62	1001138175	1	Bracket, Service Indicator	
63	1001141995	1	Fitting, Barbed	
64	1001147812	1	Clamp, Air Cleaner	
65	1001149160	3	Nut M8	
66	1001149639	1	Indicator, Air Intake	
67	1001166718	4	Isolator, Engine Mount	
68	1001168018	4	Washer, Snubbing	
69	1001168166	2	Seal	
70	1001169054	4	Isolator, Radiator	
71	1001169138	4	Washer, Snubbing	
72	1001169967	2	Bracket	
73	1001170035	1	Bracket	
74	1001176330	1	Bracket	
75	1001180620	AR	Adhesive	
76	1001209844	1	Pump Coupling Kit (See Separate Breakdown in this Section)	
77	1001236393	1	Engine, Kubota (See Separate Breakdown in this Section)	
78	1001211794	3	Mount	
79	1001211797	1	Mount	
80	1001212989	1	Pipe, Exhaust (Inlet)	
81	1001212993	1	Pipe, Exhaust (Outlet)	
82	1001213305	1	Plate, Mounting	
83	1001236257	1	Radiator	
84	1001213425	1	Plate, Engine Mount (Left Rear)	
85	1001213426	1	Plate, Engine Mount (Right Rear)	
86	1001213482	1	Bracket	
87	1001213824	1	Insulation	
88	1001214138	1	Bracket	
89	1001214205	1	Support	
90	1001214233	1	Plate (Front Left)	
91	1001214234	1	Plate (Front Right)	
92	1001214269	1	Heater, Block	
93	1001214276	1	Shim	
94	1001214277	1	Shim	
95	1001214278	2	Shim	
96	1001214307	1	Hose	
97	1001214508	1	Support	
98	1001214553	1	Support	
99	1001214555	1	Bracket	
100	1001214556	1	Bracket	
101	1001214558	1	Bracket	

SECTION 3 - ENGINE

ITEM	PART NUMBER	QTY	DESCRIPTION	REV
102	1001214598	1	Tube	
103	1001214599	1	Bracket	
104	1001214664	1	Cover	
105	1001214694	1	Hose	
106	1001214841	1	Bracket	
107	1001215125	1	Fitting, 90	
108	1001215869	1	Hose	
109	1001216825	2	Seal	
110	1001137336	2	Strap	
111	1001138248	2 ft/ 0.6m	Tube	
112	1001147813	1	Air Cleaner Assembly Including Filter Element	
112	70004020	1	Element, Filter (Not Shown)	
113	1001247359	1	Fitting, Street Elbow	
114	2720058	1.8 ft/ 0.5m	Hose	
115	2720271	4 ft/ 1.2m	Hose	
116	2720615	1.2 ft/ 0.4m	Hose	
117	82033995	5.5 ft/ 1.7m	Hose	
118	0700816	4	Bolt M8 x 40	
119	0701016	4	Bolt M10 x 40	
120	2180504	1	Fitting, Barbed	
121	0760816	1	Bolt M8 x 40	
122	4060805	1.94 ft/ 59m	Flex-Trim	
123	0100081	AR	Adhesive	

SECTION 3 - ENGINE

FIGURE 3-40. KUBOTA ENGINE COMPONENTS



ART_1001236393

SECTION 3 - ENGINE

FIGURE 3-40. KUBOTA ENGINE COMPONENTS

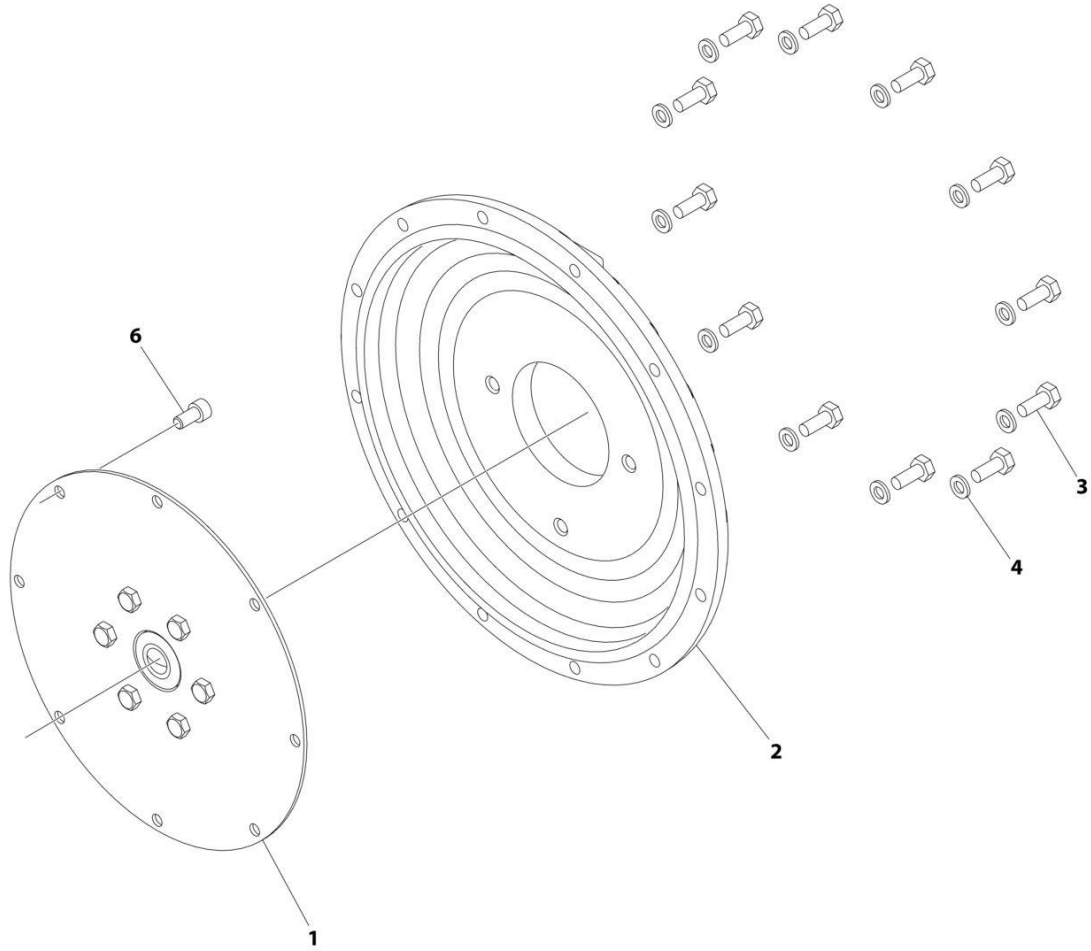
ITEM	PART NUMBER	QTY	DESCRIPTION	REV
	1001236393	Ref	ENGINE COMPONENTS - KUBOTA	D
1	70005745	1	Switch, Oil	
1	70006013	1	Adapter	
2	7023154	1	Plug, Drain	
2	7017904	1	Gasket, Oil Pan Drain	
3	70006014	1	Gasket, Cylinder Head (Not Shown)	
4	70006015	1	Sensor (Knock) (Not Shown - Located on Left Side of Engine)	
5	70006016	1	Flange Assembly (Water Return)	
5	70002316	1	Pipe	
5	70006017	1	Gasket	
6	70005737	1	Sensor Stick Assembly	
7	70006018	1	Sensor	
8	70006019	1	Valve (PCV)	
8	70006020	1	Seal	
9	7017932	3	Element, Breather	
9	70006021	1	Gasket	
10	70002318	1	Oil Filler Cap	
10	70006022	1	O-Ring	
11	70006023	1	Filter, Oil	
12	70006024	1	Dipstick	
13	70006025	1	Pump Assembly, Oil (Not Shown - Located Under Front Cover)	
13	70006026	1	Gasket	
13	70006027	1	Key	
14	70006028	1	Flywheel (Not Shown - Located Behind Coupling Plate)	
14	70006029	1	Ring Gear (Part of Flywheel)	
15	70006030	1	Flange Assembly (Breather)	
15	70002316	1	Pipe	
15	70006031	1	Gasket	
16	70006035	1	Pipe Assembly (Not Shown)	
16	70005727	1	Gasket	
17	70006034	4	Coil	
17	70006033	4	Spark Plug	
18	70006032	1	Gasket (Not Shown)	
19	70005751	4	Injector (Not Shown)	
20	70006036	1	Alternator (Includes Voltage Regulator and Gaskets, Fan and Fan Mounting Hardware)	
21	70006037	1	Bracket	
22	70006038	1	Belt	
23	70006039	1	Starter	
24	70006041	1	Thermostat	
24	70002326	1	Gasket	
25	70005726	1	Sensor	
25	70006042	1	O-Ring	
26	70006040	1	Gasket (Not Shown - Located Between Engine Head and Water Flange)	
27	70006043	1	Water Pump Assembly	
27	70004829	1	Pipe	
27	70006044	1	Gasket	
28	70005746	1	Sensor (TMAP)	
28	70005747	1	O-Ring	

SECTION 3 - ENGINE

ITEM	PART NUMBER	QTY	DESCRIPTION	REV
29	70006049	1	Mixer Assembly	
29	70006050	1	Seal, Rubber	
29	70006045	1	Throttle Body	
29	70006046	1	Gasket	
29	70006047	1	Adapter	
29	70006048	1	O-Ring	
30	70006051	1	Regulator Assembly	
30	70006052	1	Seal, Rubber	
30	70006053	1	Seal, Rubber	
30	70006054	1	Seal, Rubber	
31	70006055	1	Gasket (Not Shown - Located Between Intake Manifold and Engine Head)	
32	70006056	1	Gasket (Not Shown - Located Between Exhaust Manifold and Engine Head)	
33	70006057	1	Muffler	
33	70006065	1	Gasket	
33	70006066	1	Gasket	
33	70006072	1	Gasket	
34	70006058	1	Oil Cooler Assembly	
34	70006059	1	Seal	
34	7017959	2	Clamp	
35	70006060	1	Engine Harness	
36	70006061	1	Module, Engine Control	
37	70006062	2	Sensor (O2)	
38	70006063	1	Pump, Fuel	
39	70006064	1	Manifold (FPM)	
40	70006067	1	Regulator Assembly	
40	70006068	1	Connector	
40	70006069	3	Clip	
40	70006070	2	Connector	
41	70006071	1	Valve, Lockoff	
41	70006078	1	Valve, Lockoff Kit	
42	7017992	1	Filter, Fuel	
43	70006079	1	Gasket Kit (Upper) (Not Shown)	
44	70006080	1	Gasket Kit (Lower) (Not Shown)	
45	70006074	2	Joint (Includes O-Ring)	
46	70006075	1	Joint (Includes O-Ring)	
47	70006076	1	Joint (Includes O-Ring)	
47	70006077	1	Gasket	
48	70006379	1	Pulley	
49	70006639	1	Fan	
50	70006640	1	Collar, Fan	

SECTION 3 - ENGINE

FIGURE 3-41. PUMP COUPLING KIT (DEUTZ ENGINES)



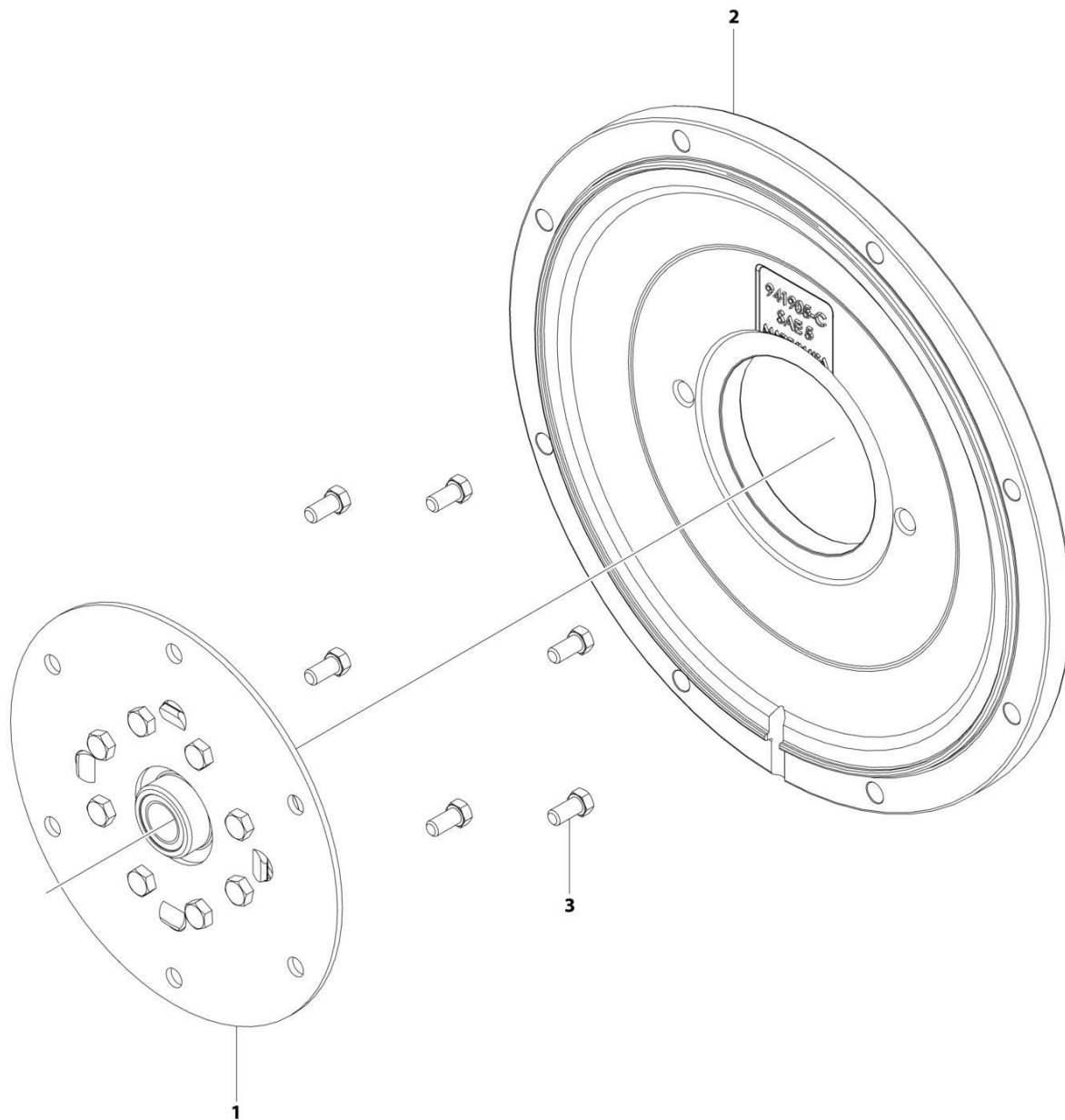
ART_2902065

FIGURE 3-41. PUMP COUPLING KIT (DEUTZ ENGINES)

ITEM	PART NUMBER	QTY	DESCRIPTION	REV
	2902065	Ref	PUMP COUPLING KIT	L
1	70000793	1	Coupling, Hayes	
2	See Note	NSS	Plate, Pump Adapter (Note: Use p/n 2902065)	
3	See Note	NSS	Bolt M10 x 30 Grade 10.9 (Note: Use p/n 2902065)	
4	See Note	NSS	Washer M10 (Note: Use p/n 2902065)	
6	See Note	NSS	Bolt M10 x 20 Grade 10.9 (Note: Use p/n 2902065)	

SECTION 3 - ENGINE

FIGURE 3-42. PUMP COUPLING KIT (KUBOTA ENGINES)



ART_1001209844

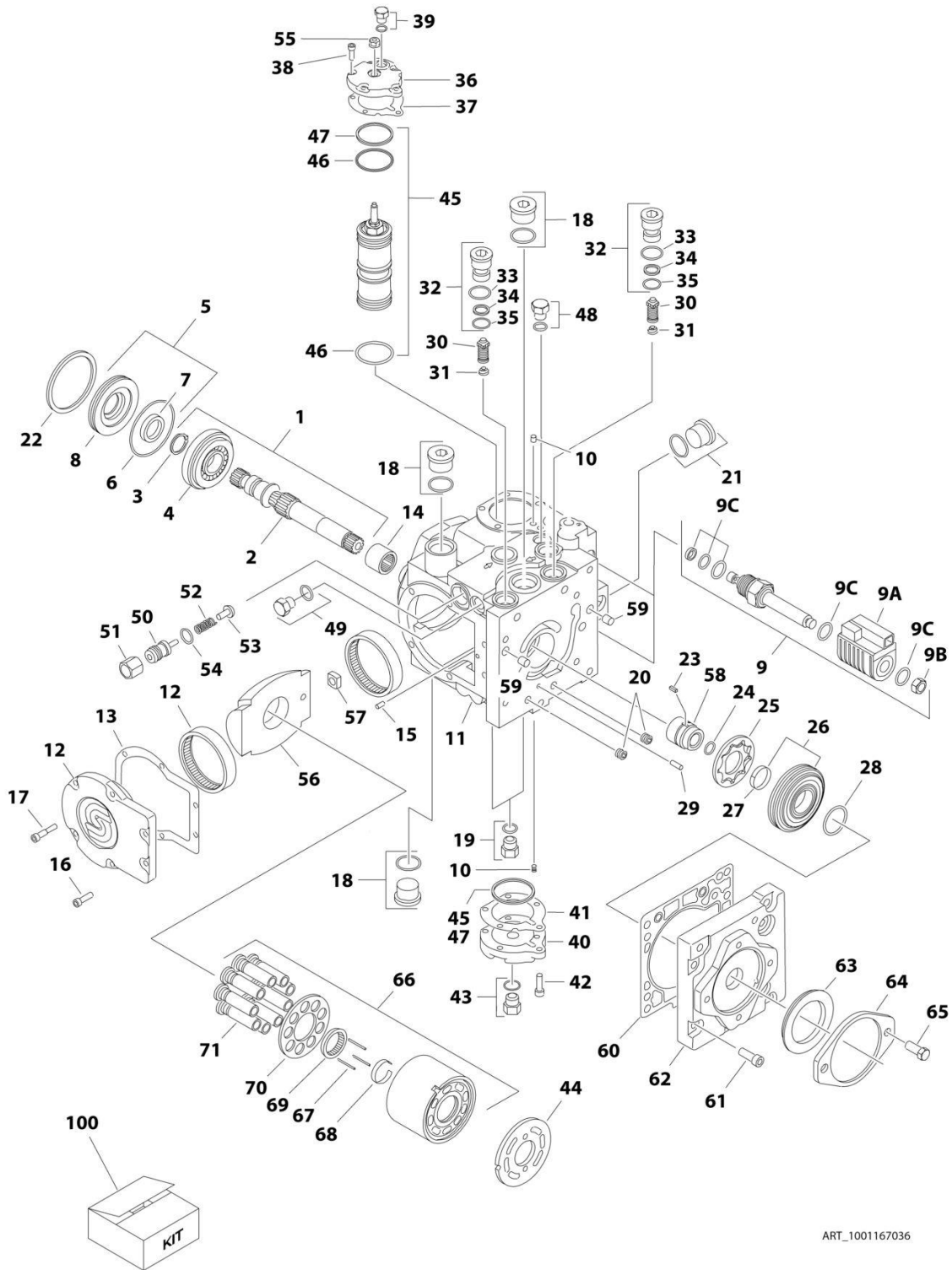
SECTION 3 - ENGINE

FIGURE 3-42. PUMP COUPLING KIT (KUBOTA ENGINES)

ITEM	PART NUMBER	QTY	DESCRIPTION	REV
	1001209844	Ref	PUMP COUPLING KIT - KUBOTA ENGINE	C
1	70006010	1	Coupling Assembly, Hayes	
2	70006011	1	Plate, Pump Adapter	
3	70006012	1	Bolt Kit	

SECTION 3 - ENGINE

FIGURE 3-43. PISTON PUMP ASSEMBLY



ART_1001167036

SECTION 3 - ENGINE

FIGURE 3-43. PISTON PUMP ASSEMBLY

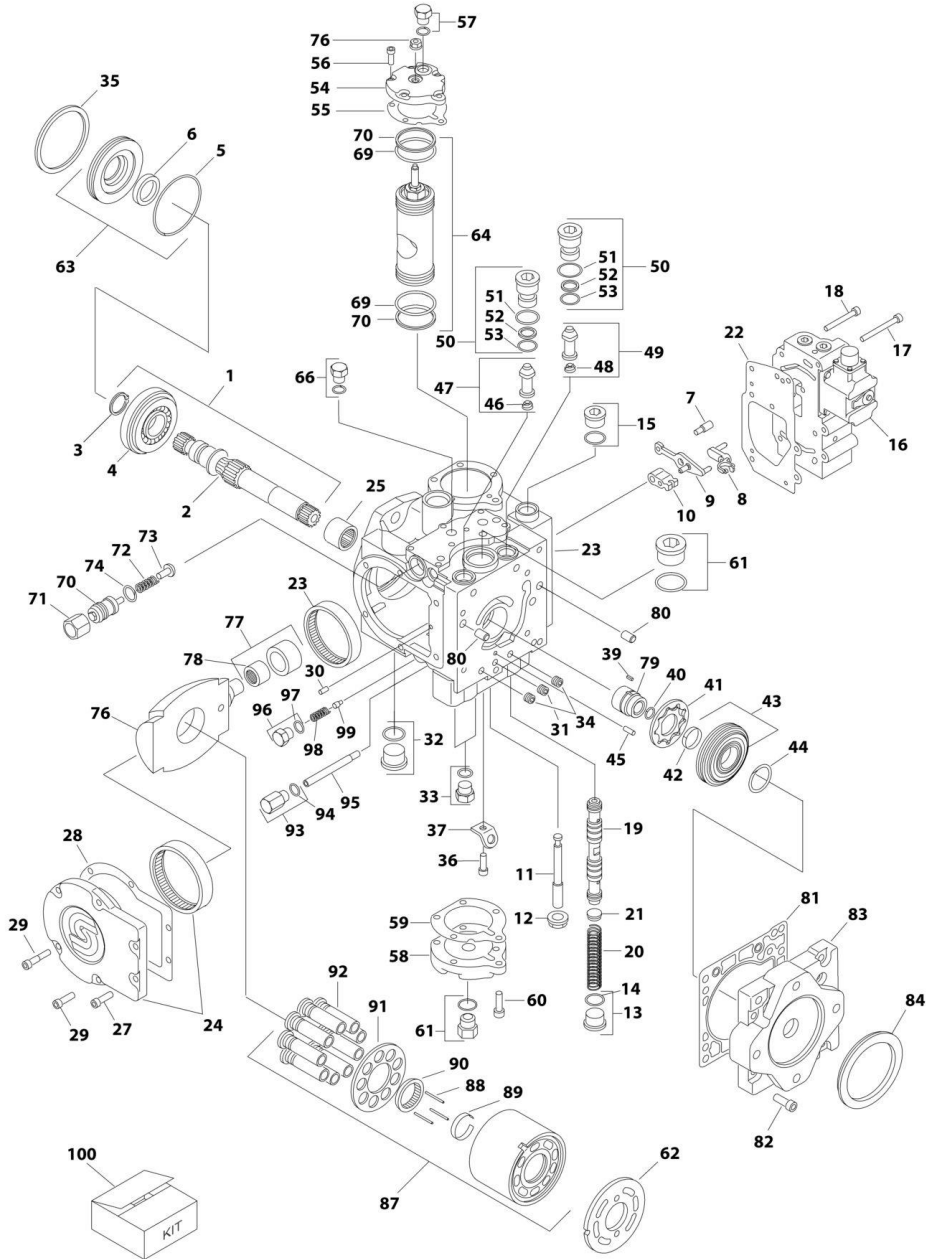
ITEM	PART NUMBER	QTY	DESCRIPTION	REV
	1001167036	Ref	PISTON PUMP ASSEMBLY	B
1	7021240	1	Shaft Assembly (Includes Items 2-4)	
2	7021237	1	Shaft	
3	7021238	1	Ring, Retaining	
4	7021239	1	Bearing, Roller	
5	70004896	1	Shaft Seal Kit (Includes Items 6-8)	
6	7021241	1	O-Ring	
7	7021242	1	Seal, Lip	
8	7021243	1	Carrier, Seal Shaft	
9	7024855	2	Solenoid Assembly	
9A	70004897	2	Coil (1 Per Assembly)	
9B	7024857	2	Nut (1 Per Assembly)	
9C	7024858	2	Seal Kit - 7024855 Cartridge (1 Per Assembly)	
10	70004889	2	Orifice	
11	See Note	NSS	Housing Assembly (Note: Not Available for Purchase)	
12	7021248	1	Side Cover Assembly (Includes Item 13)	
13	70004891	1	Gasket	
14	7021249	1	Bearing, Needle	
15	See Note	NSS	Pin (Note: Not Available for Purchase)	
16	70004890	2	Screw	
17	70004892	4	Screw	
18	7007419	2	Plug Assembly (Includes O-Ring)	
19	7007420	2	Plug Assembly (Includes O-Ring)	
20	See Note	NSS	Plug (Note: Not Available for Purchase)	
21	7007419	1	Plug Assembly (Includes O-Ring)	
22	7021257	1	Ring, Retaining	
23	70004893	1	Key	
24	7022341	1	Ring, Retaining	
25	7021258	1	Gerotor	
26	70004894	1	Gerotor Cover Assembly (Includes Item 27)	
27	7021259	1	Bearing, Journal	
28	7021262	1	O-Ring	
29	See Note	NSS	Pin (Note: Not Available for Purchase)	
30	7021263	2	Bypass Valve Assembly	
31	7024800	2	Spring	
32	7021265	2	Bypass Valve Assembly (Includes Items 32-34)	
33	7007415	2	O-Ring	
34	7021293	2	Ring, Back-up	
35	7022300	2	O-Ring	
36	70004895	1	Cover, Servo	
37	7021253	1	Gasket	
38	70004892	5	Screw	
39	7007420	1	Plug Assembly (Includes O-Ring)	
40	7021268	1	Cover, Servo	
41	7021253	1	Gasket	
42	70004892	5	Screw	
43	7007420	1	Plug Assembly (Includes O-Ring)	
44	7021281	1	Plate, Valve	
45	70004898	1	Servo Piston Kit (Includes Items 46 & 47)	
46	7007495	2	O-Ring	

SECTION 3 - ENGINE

ITEM	PART NUMBER	QTY	DESCRIPTION	REV
47	7007493	2	O-Ring	
48	7007420	1	Plug Assembly (Includes O-Ring)	
49	70004900	1	Plug Assembly (Includes O-Ring)	
50	7022346	1	Adjuster	
51	7021290	1	Nut	
52	7022347	1	Spring	
53	70004901	1	Poppet	
54	7007415	1	O-Ring	
55	70004902	1	Nut, Seal	
56	70004903	1	Swash Plate	
57	70004904	1	Bearing Assembly	
58	70004905	1	Coupling	
59	7001481	2	Pin	
60	70002257	1	Gasket	
61	70004906	8	Screw	
62	70004907	1	Cover, Charge Pump	
63	70004908	1	Seal	
64	7021299	1	Plate, Cover	
65	7007289	2	Screw	
66	70004909	1	Cylinder Block Assembly (Includes Items 67-71)	
67	70004910	3	Pin, Slipper Hold Down	
68	7021276	1	Retainer, Hold Down Pin	
69	7021277	1	Guide, Slipper Retainer	
70	7021278	1	Retainer, Slipper	
71	70004911	1	Piston Assembly	
100	70004899	1	Seal Kit (Includes Items 5-8, 33-35, 37, 41, 46, 47 & 54)	

SECTION 3 - ENGINE

FIGURE 3-44. PISTON PUMP ASSEMBLY (REAR)



ART_1001189236

SECTION 3 - ENGINE

FIGURE 3-44. PISTON PUMP ASSEMBLY (REAR)

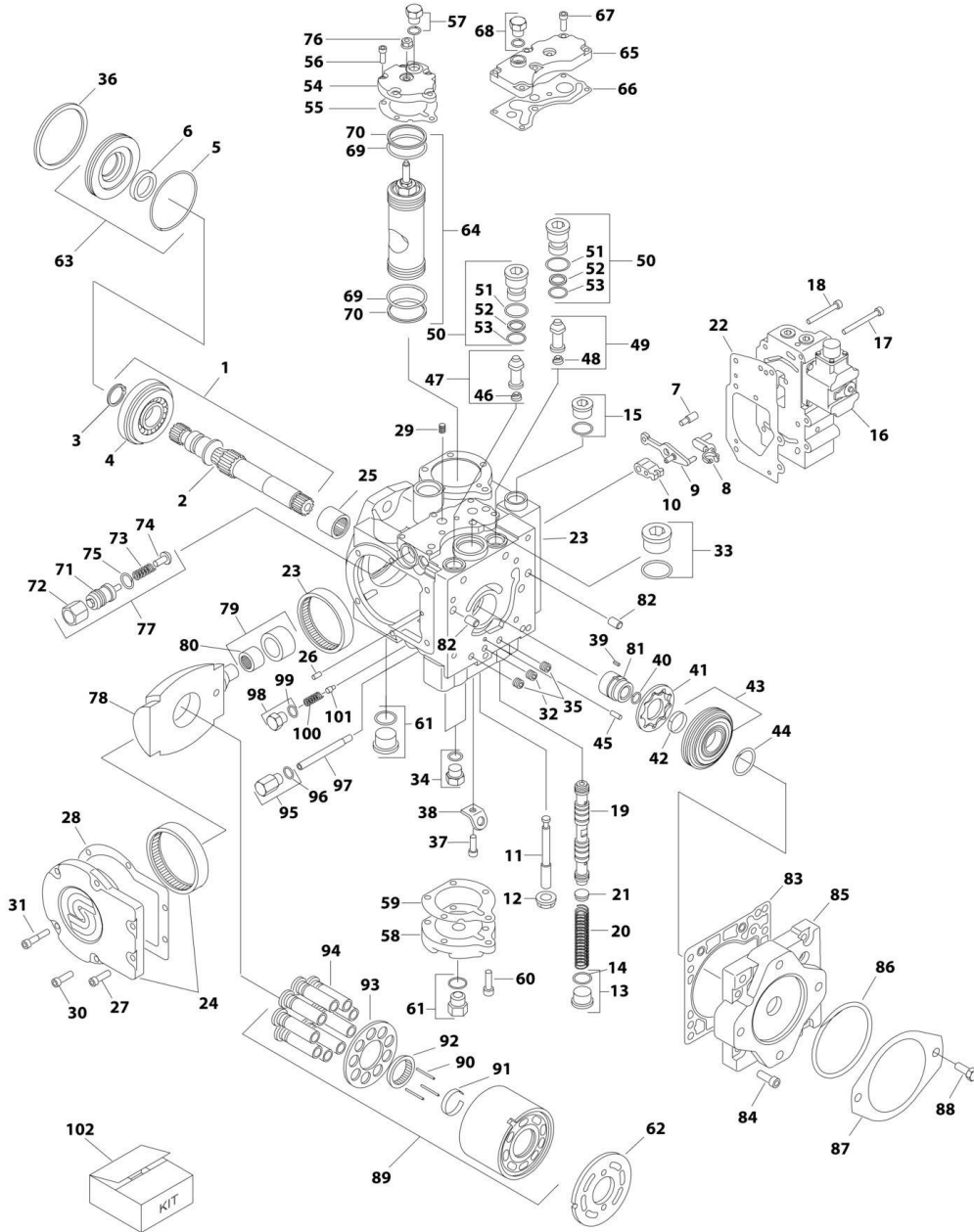
ITEM	PART NUMBER	QTY	DESCRIPTION	REV
	1001189236	Ref	PISTON PUMP ASSEMBLY (REAR)	D
1	7022355	1	Shaft Assembly (Includes Items 2-4)	
2	70005271	1	Shaft	
3	7021238	1	Ring, Retaining	
4	7021239	1	Bearing, Roller	
5	See Note	NSS	O-Ring (Use Item 100)	
6	See Note	NSS	Seal, Lip (Use Item 100)	
7	70005245	1	Screw	
8	7022331	1	Link, Control Summing	
9	7022332	1	Link, Control Feedback	
10	7022333	1	Link, Neutral Adjust	
11	70005246	1	Screw, Neutral Adjust	
12	See Note	NSS	Nut, Seal (Use Item 100)	
13	70005247	1	Plug (Includes Item 14)	
14	7022322	1	O-Ring	
15	7022321	1	Plug Assembly	
16	70005248	1	Controller, Electrical	
17	70005249	4	Screw M6 x 50	
18	70005250	3	Screw M6 x 60	
19	7022336	1	Spool Assembly	
20	70005251	1	Spring	
21	70005252	1	Adapter	
22	7022338	1	Gasket, Control	
23	See Note	1	Housing Assembly (Note: Not Available - Purchase Complete Rear Pump Assembly)	
24	7021248	1	Side Cover Assembly	
25	7021249	1	Bearing, Needle	
26	70005253	1	Pin	
27	70004890	2	Screw M6 x 20	
28	See Note	NSS	Gasket, Side Cover (Use Item 100)	
29	70004892	4	Screw M6 x 30	
30	70005254	1	Screen, Filter	
31	70005255	1	Plug	
32	7007419	2	Plug Assembly	
33	7007420	2	Plug	
34	70005255	2	Plug	
35	7021257	1	Ring, Retaining	
36	70004890	1	Screw	
37	7022340	1	Bracket, Lifting	
38	7007419	2	Plug Assembly (Not Shown)	
39	70004893	1	Key	
40	7022341	1	Ring, Retaining	
41	7022357	1	Spacer	
42	7021259	1	Bearing, Journal	
43	70004894	1	Gerotor Cover Assembly (Includes Item 42)	
44	7021262	1	O-Ring	
45	70005257	1	Pin	
46	7024800	1	Spring	
47	70005258	1	Valve, SCR (Includes Item 46)	
48	7024800	1	Spring	

SECTION 3 - ENGINE

ITEM	PART NUMBER	QTY	DESCRIPTION	REV
49	70005259	1	Valve, SCR (Includes Item 48)	
50	See Note	NSS	Bypass Valve Assembly (Use Item 100)	
51	See Note	NSS	O-Ring (Use Item 100)	
52	See Note	NSS	Ring, Back-up (Use Item 100)	
53	See Note	NSS	O-Ring (Use Item 100)	
54	70005260	1	Cover, Servo	
55	See Note	NSS	Gasket, Servo Cover (Use Item 100)	
56	70004892	5	Screw	
57	7007420	1	Plug Assembly	
58	7021268	1	Cover, Servo	
59	See Note	NSS	Gasket, Servo Cover (Use Item 100)	
60	70004892	5	Screw	
61	7007420	1	Plug Assembly	
62	7021281	1	Plate, Valve	
63	See Note	1	Seal Kit - Shaft (Use Item 100)	
64	See Note	1	Servo Piston Kit (Use Item 100)	
65	7022358	1	Plug Assembly (Not Shown)	
66	7007420	1	Plug Assembly	
67	7007420	1	Plug Assembly (Not Shown)	
68	See Note	NSS	O-Ring (Use Item 100)	
69	See Note	NSS	Ring, Piston (Use Item 100)	
70	7022346	1	Adjuster	
71	7021290	1	Nut	
72	7022347	1	Spring	
73	70004901	1	Poppet	
74	See Note	NSS	O-Ring (Use Item 100)	
75	See Note	NSS	Nut, Seal (Use Item 100)	
76	70005262	1	Swash Plate	
77	7021234	1	Cam Follower Bearing Assembly (Includes Item 78)	
78	70005263	1	Bearing, Needle	
79	70004905	1	Coupling	
80	7001481	2	Pin	
81	See Note	NSS	Gasket, Charge Pump (Use Item 100)	
82	70004906	8	Screw	
83	70004907	1	Cover, Charge Pump	
84	See Note	NSS	Seal (Use Item 100)	
87	70004909	1	Cylinder Block Kit (Includes Items 88-92)	
88	70004910	3	Pin, Slipper Hold Down	
89	7021276	1	Retainer, Pin	
90	7021277	1	Guide, Retainer	
91	7021278	1	Retainer, Slipper	
92	70004911	9	Piston Assembly	
93	70005266	1	Plug (Includes Item 94)	
94	See Note	NSS	O-Ring (Use Item 100)	
95	70005267	1	Spool, Loop Flushing	
96	70005268	1	Plug (Includes Item 97)	
97	See Note	NSS	O-Ring (Use Item 100)	
98	70005269	1	Spring	
99	70005270	1	Poppet	
100	70004899	1	Seal Kit - Complete (Includes Items 5, 6, 12, 28, 50, 52, 53, 55, 59, 63, 64, 68, 69, 74, 75, 81, 84, 94 & 97)	

SECTION 3 - ENGINE

FIGURE 3-45. PISTON PUMP ASSEMBLY (FRONT)



ART_1001189237

SECTION 3 - ENGINE

FIGURE 3-45. PISTON PUMP ASSEMBLY (FRONT)

ITEM	PART NUMBER	QTY	DESCRIPTION	REV
	1001189237	Ref	PISTON PUMP ASSEMBLY (FRONT)	B
1	7021240	1	Shaft Assembly (Includes Items 2-4)	
2	7021237	1	Shaft	
3	7021238	1	Ring, Retaining	
4	7021239	1	Bearing, Roller	
5	See Note	NSS	O-Ring (Use Item 102)	
6	See Note	NSS	Seal, Lip (Use Item 102)	
7	70005245	1	Screw	
8	7022331	1	Link, Control Summing	
9	7022332	1	Link, Control Feedback	
10	7022333	1	Link, Neutral Adjust	
11	70005246	1	Screw, Neutral Adjust	
12	See Note	NSS	Nut, Seal (Use Item 102)	
13	70005247	1	Plug (Includes Item 14)	
14	7022322	1	O-Ring	
15	7022321	1	Plug Assembly	
16	70005248	1	Controller, Electrical	
17	70005249	4	Screw M6 x 50	
18	70005250	3	Screw M6 x 60	
19	7022336	1	Spool Assembly	
20	70005251	1	Spring	
21	70005252	1	Adapter	
22	7022338	1	Gasket, Control	
23	7023999	1	Housing Assembly (Includes Items 25, 29, 32 & 35)	
24	7021248	1	Side Cover Assembly	
25	7021249	1	Bearing, Needle	
26	70005253	1	Pin	
27	70004890	2	Screw M6 x 20	
28	See Note	NSS	Gasket, Side Cover (Use Item 102)	
29	70005254	1	Screen, Filter	
30	70004892	2	Screw M6 x 30	
31	70004892	2	Screw M6 x 30	
32	70005255	1	Plug	
33	7007419	2	Plug Assembly	
34	7007420	2	Plug	
35	70005255	2	Plug	
36	7021257	1	Ring, Retaining	
37	70004890	1	Screw	
38	7022340	1	Bracket, Lifting	
39	70004893	1	Key	
40	7022341	1	Ring, Retaining	
41	7022343	1	Gerotor Assembly	
42	7021259	1	Bearing, Journal	
43	70004894	1	Gerotor Cover Assembly (Includes Item 42)	
44	7021262	1	O-Ring	
45	70005257	1	Pin	
46	7024800	1	Spring	
47	70005258	1	Valve, SCR (Includes Item 46)	
48	7024800	1	Spring	
49	70005259	1	Valve, SCR (Includes Item 48)	

SECTION 3 - ENGINE

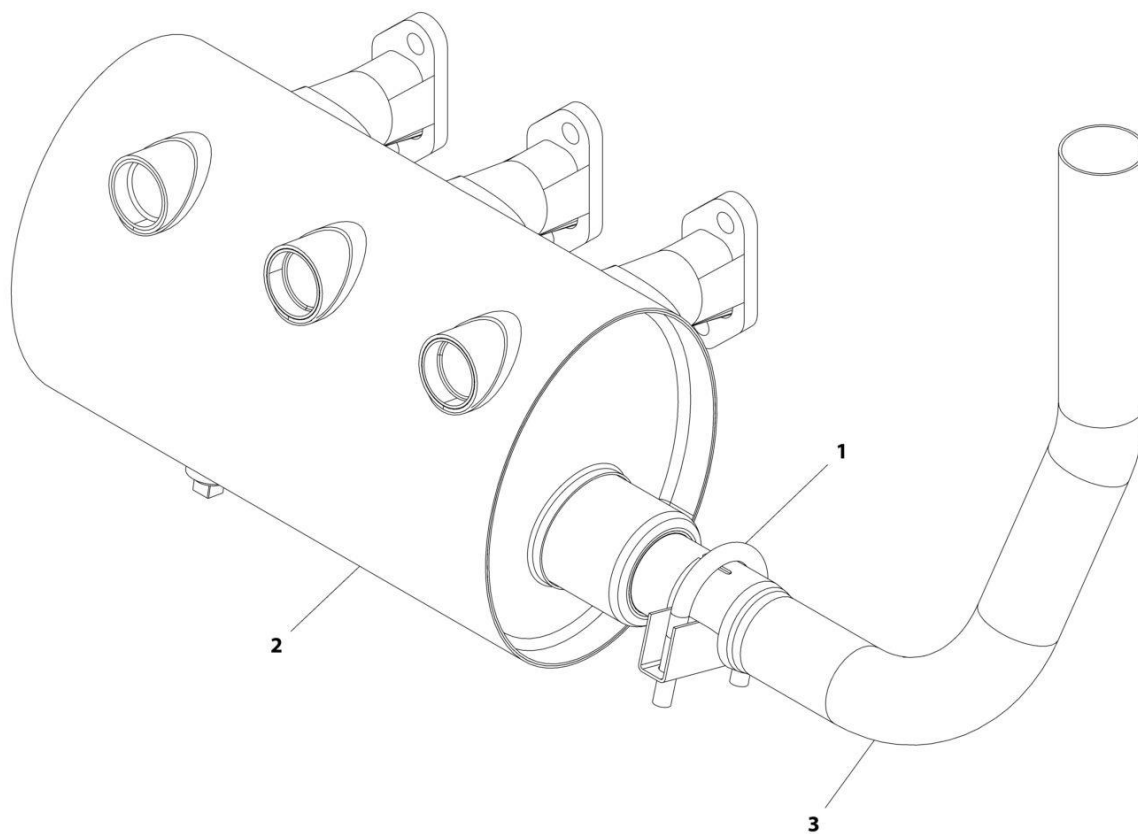
ITEM	PART NUMBER	QTY	DESCRIPTION	REV
50	See Note	NSS	Bypass Valve Assembly (Use Item 102)	
51	See Note	NSS	O-Ring (Use Item 102)	
52	See Note	NSS	Ring, Back-up (Use Item 102)	
53	See Note	NSS	O-Ring (Use Item 102)	
54	70005260	1	Cover, Servo	
55	See Note	NSS	Gasket, Servo Cover (Use Item 102)	
56	70004892	5	Screw	
57	7007420	1	Plug Assembly	
58	7021268	1	Cover, Servo	
59	See Note	NSS	Gasket, Servo Cover (Use Item 102)	
60	70004892	5	Screw	
61	7007420	2	Plug Assembly	
62	7021281	1	Plate, Valve	
63	70004896	1	Seal Kit - Shaft (Includes Items 5 & 6)	
64	7022351	1	Servo Piston Kit (Includes Items 69 & 70)	
65	7021285	1	Adapter, Remote Filter	
66	See Note	NSS	Gasket, Filter Adapter (Use Item 102)	
67	70004892	7	Screw	
68	7007420	1	Plug Assembly	
69	See Note	NSS	O-Ring (Use Item 102)	
70	See Note	NSS	Ring, Piston (Use Item 102)	
71	7022346	1	Adjuster	
72	7021290	1	Nut	
73	7022347	1	Spring	
74	70004901	1	Poppet	
75	See Note	NSS	O-Ring (Use Item 102)	
76	See Note	NSS	Nut, Seal (Use Item 102)	
77	70005261	1	Relief Valve, Charge (Includes Items 71-75)	
78	70005262	1	Swash Plate	
79	7021234	1	Cam Follower Bearing Assembly (Includes Item 80)	
80	70005263	1	Bearing, Needle	
81	70005264	1	Coupling	
82	7001481	2	Pin	
83	See Note	NSS	Gasket, Charge Pump (Use Item 102)	
84	70004906	8	Screw	
85	70005265	1	Cover, Charge Pump	
86	See Note	NSS	Seal (Use Item 102)	
87	7021229	1	Cover, Flange	
88	7024806	2	Screw	
89	70004909	1	Cylinder Block Kit (Includes Items 90-94)	
90	7021275	3	Pin, Slipper Hold Down	
91	7021276	1	Retainer, Pin	
92	7021277	1	Guide, Retainer	
93	7021278	1	Retainer, Slipper	
94	70004911	9	Piston Assembly	
95	70005266	1	Plug (Includes Item 96)	
96	See Note	NSS	O-Ring (Use Item 102)	
97	70005267	1	Spool, Loop Flushing	
98	70005268	1	Plug (Includes Item 99)	
99	See Note	NSS	O-Ring (Use Item 102)	
100	70005269	1	Spring	

SECTION 3 - ENGINE

ITEM	PART NUMBER	QTY	DESCRIPTION	REV
101	70005270	1	Poppet	
102	70004899	1	Seal Kit - Complete (Includes Items 5, 6, 12, 28, 50, 51, 52, 53, 55, 59, 66, 70, 75, 76, 83, 86, 96 & 99)	

SECTION 3 - ENGINE

FIGURE 3-46. SPARK ARRESTOR MUFFLER INSTALLATION - DEUTZ D2011 STAGE 5 ENGINES



ART_1001175071

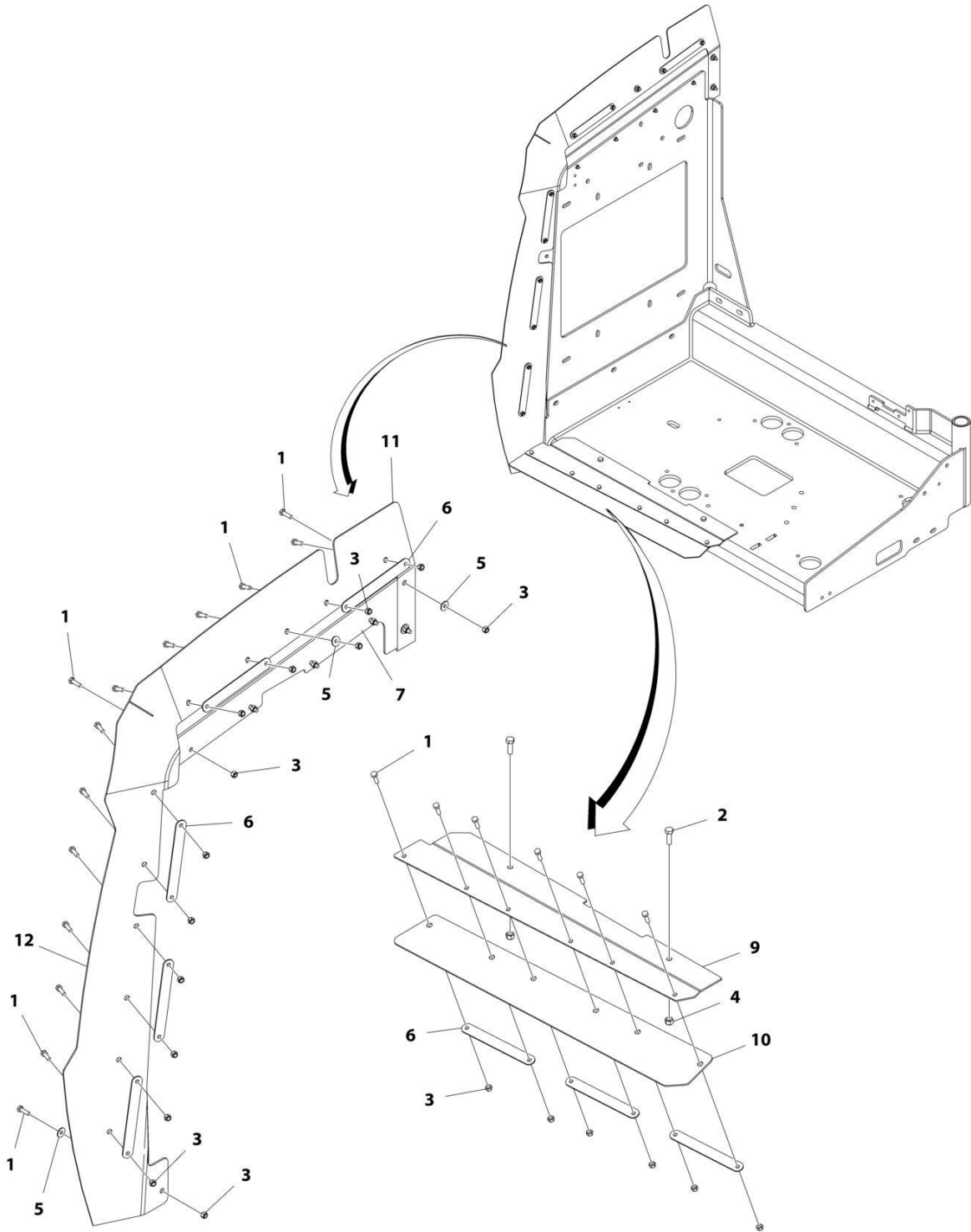
SECTION 3 - ENGINE

FIGURE 3-46. SPARK ARRESTOR MUFFLER INSTALLATION - DEUTZ D2011 STAGE 5 ENGINES

ITEM	PART NUMBER	QTY	DESCRIPTION	REV
	1001175071	Ref	SPARK ARRESTOR INSTALLATION	A
1	1320176	1	Clamp	
2	1001170224	1	Muffler, Spark Arresting	
3	1001175068	1	Pipe, Exhaust	

SECTION 3 - ENGINE

FIGURE 3-47. ENGINE HOOD Baffle INSTALLATION - DEUTZ ENGINES WITH ABS HOODS



ART_1001170662

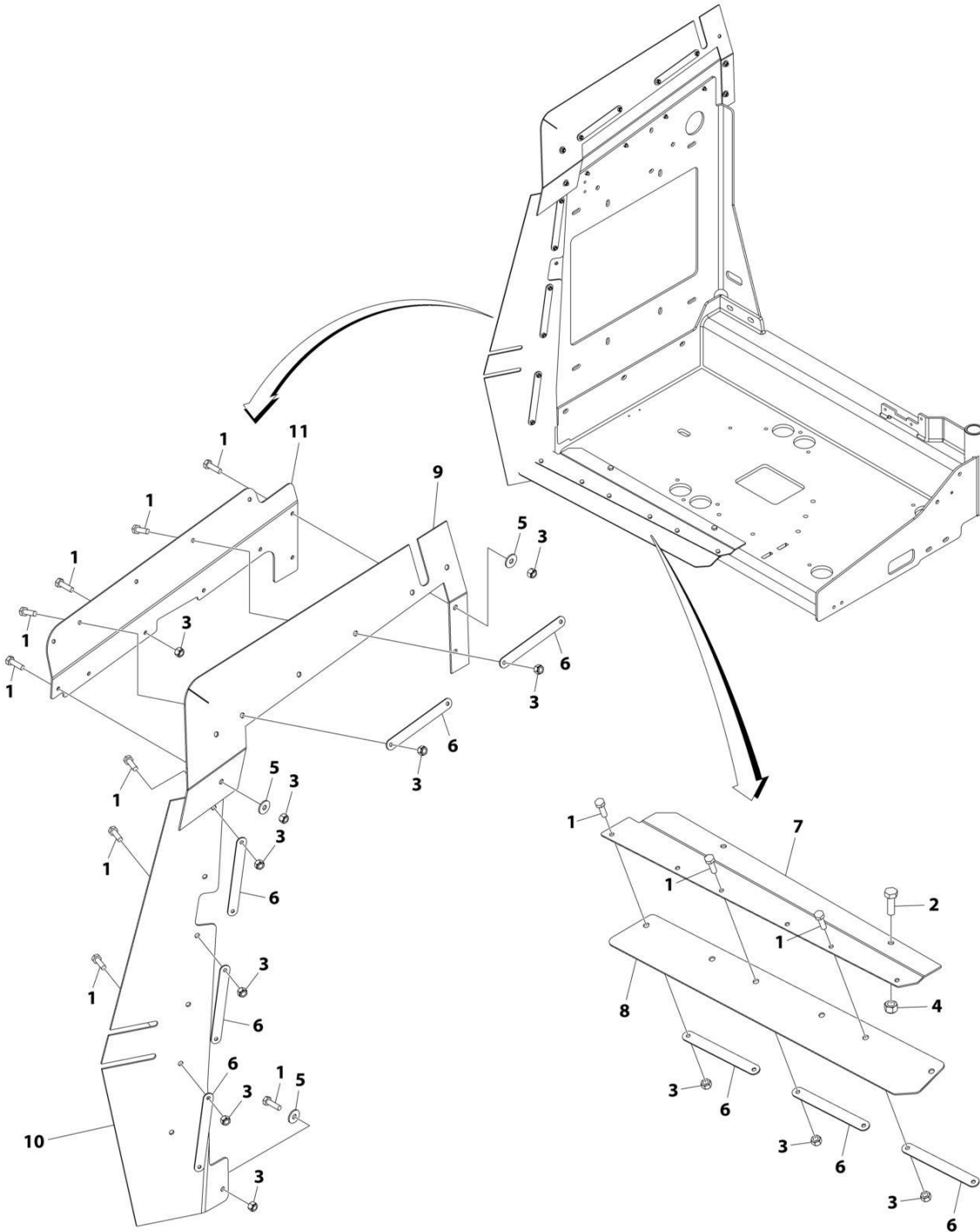
SECTION 3 - ENGINE

FIGURE 3-47. ENGINE HOOD Baffle INSTALLATION - DEUTZ ENGINES WITH ABS HOODS

ITEM	PART NUMBER	QTY	DESCRIPTION	REV
	1001170662	Ref	ENGINE Baffle INSTALLATION	F
1	0760610	24	Bolt M6 x 20	
2	0760812	2	Bolt M8 x 25	
3	3290605	24	Nut M6 x 1	
4	3290805	2	Nut M8 x 1.25	
5	4811702	4	Washer M6	
6	1001167164	8	Plate, Support	
7	1001170650	1	Bracket	
9	1001170663	1	Bracket	
10	1001170664	1	Seal	
11	1001211877	1	Seal	
12	1001211878	1	Seal	

SECTION 3 - ENGINE

FIGURE 3-48. ENGINE HOOD Baffle INSTALLATION - DEUTZ ENGINES WITH STEEL HOODS



ART_1001223454

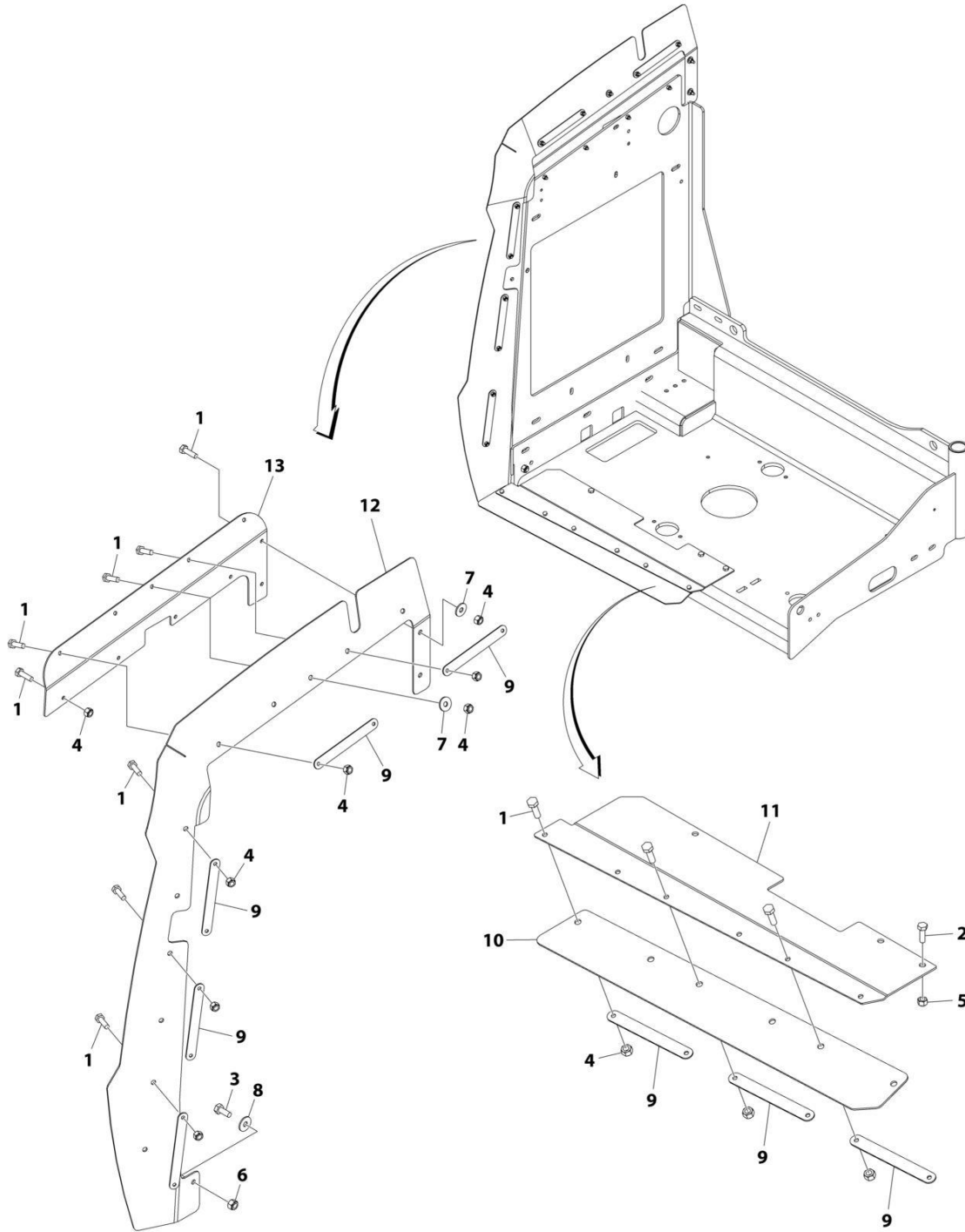
SECTION 3 - ENGINE

FIGURE 3-48. ENGINE HOOD BAFFLE INSTALLATION - DEUTZ ENGINES WITH STEEL HOODS

ITEM	PART NUMBER	QTY	DESCRIPTION	REV
	1001223454	Ref	STEEL HOOD ENGINE BAFFLE INSTALLATION	A
1	0760610	25	Bolt M6 x 20	
2	0760812	2	Bolt M8 x 25	
3	3290605	25	Nut M6 x 1	
4	3290805	2	Nut M8 x 1.25	
5	4811702	5	Washer M6	
6	1001167164	8	Plate, Support	
7	1001170663	1	Bracket	
8	1001170664	1	Seal	
9	1001223309	1	Seal	
10	1001223310	1	Seal	
11	1001223328	1	Bracket	

SECTION 3 - ENGINE

FIGURE 3-49. ENGINE HOOD Baffle INSTALLATION - KUBOTA ENGINES



ART_1001216547

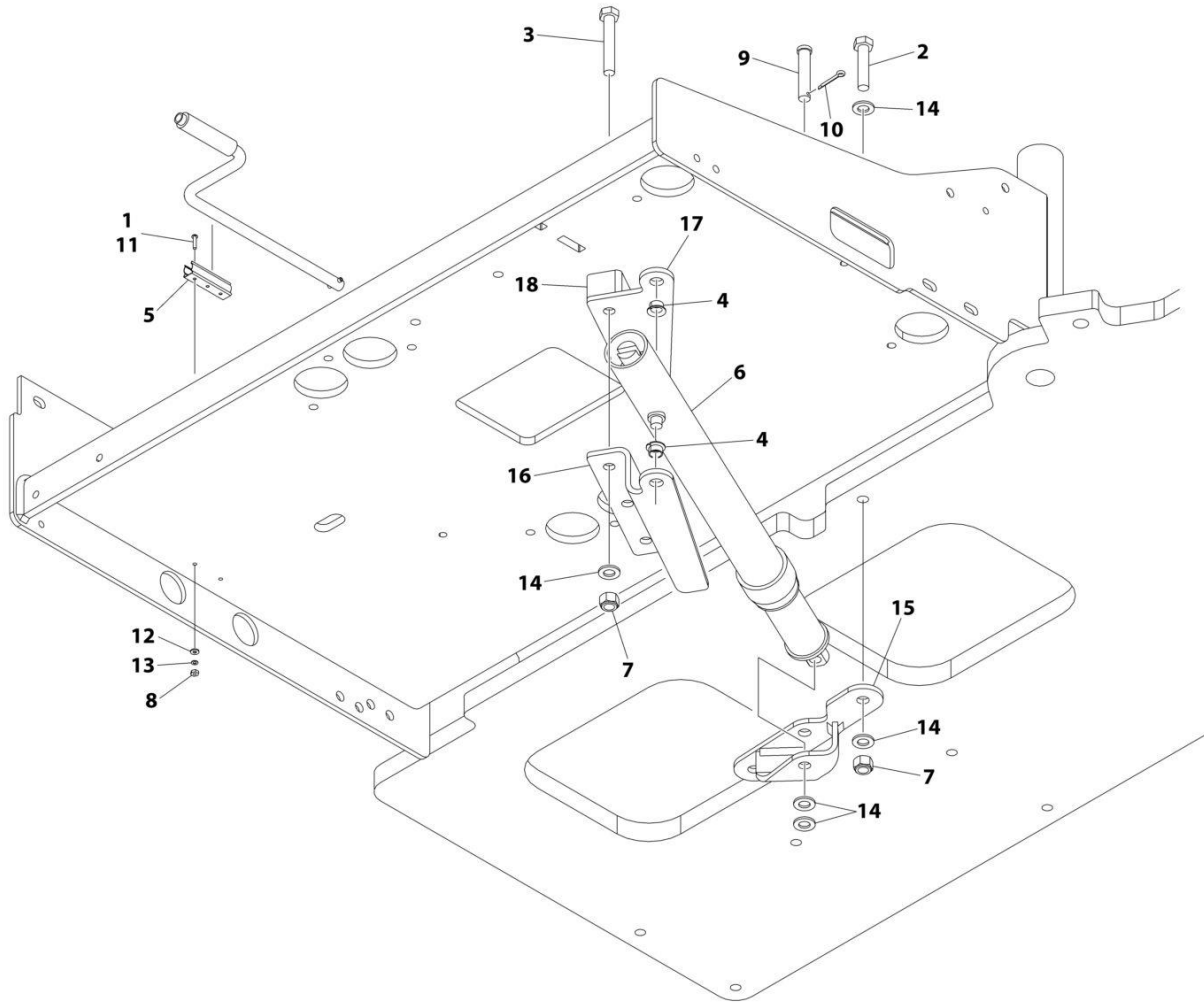
SECTION 3 - ENGINE

FIGURE 3-49. ENGINE HOOD BAFFLE INSTALLATION - KUBOTA ENGINES

ITEM	PART NUMBER	QTY	DESCRIPTION	REV
	1001216547	Ref	KUBOTA ENGINE BAFFLE INSTALLATION	B
1	0760610	24	Bolt M6 x 20	
2	0760812	3	Bolt M8 x 25	
3	0761012	1	Bolt M10 x 25	
4	3290605	23	Nut M6 x 1	
5	3290805	3	Nut M8 x 1.25	
6	3291005	1	Nut M10	
7	4811702	3	Washer M6	
8	4812002	1	Washer M10	
9	1001167164	8	Plate, Support	
10	1001170664	1	Seal	
11	1001216512	1	Bracket	
12	1001216548	1	Seal	
13	1001216549	1	Bracket	

SECTION 3 - ENGINE

FIGURE 3-50. ENGINE TRAY JACK INSTALLATION



ART_1001243870

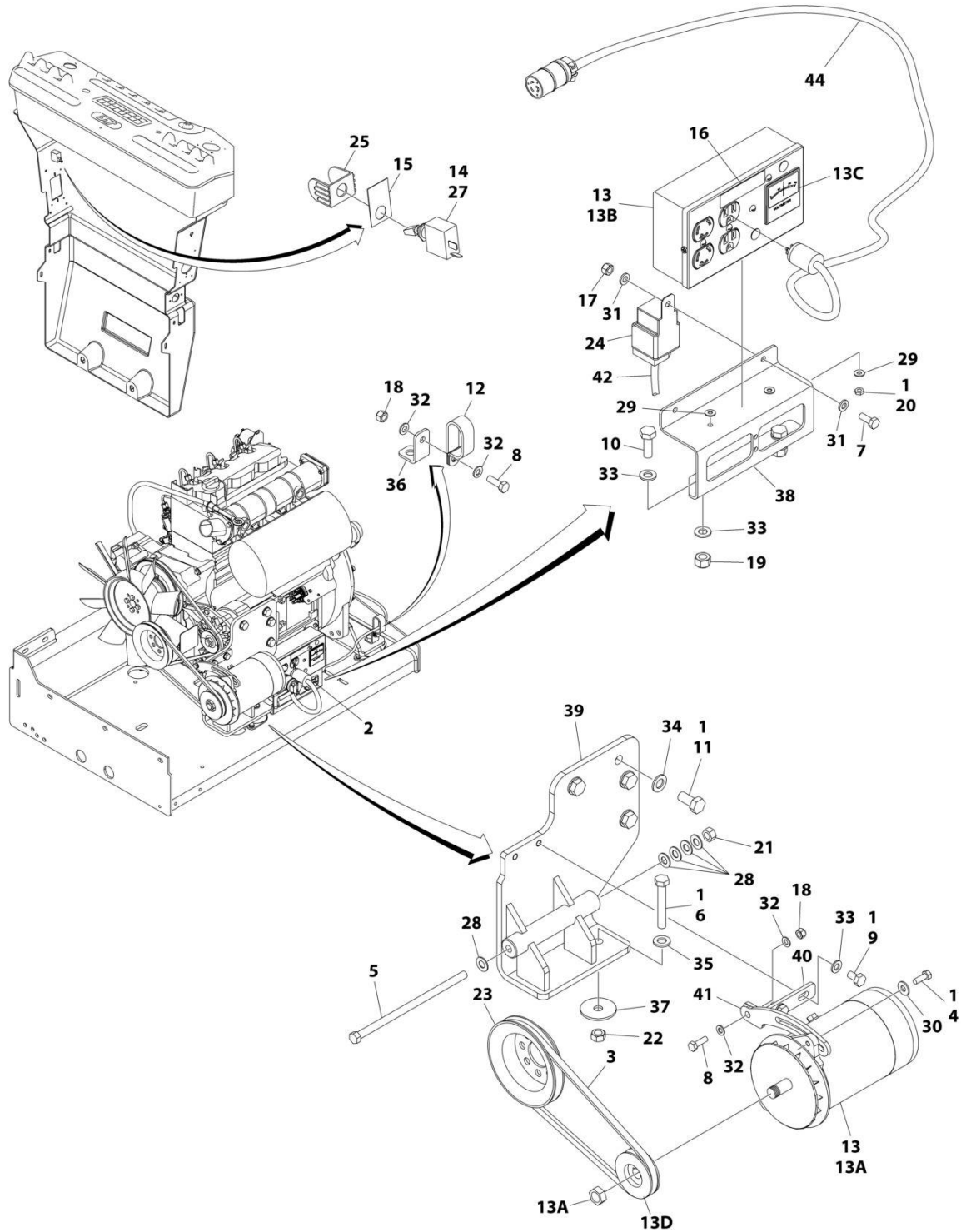
SECTION 3 - ENGINE

FIGURE 3-50. ENGINE TRAY JACK INSTALLATION

ITEM	PART NUMBER	QTY	DESCRIPTION	REV
	1001243870	Ref	ENGINE TRAY JACK	B
1	0100011	AR	Compound, Locking	
2	0701219	2	Bolt M12 x 55	
3	0701223	3	Bolt	
4	0962051	2	Bearing	
5	1380147	1	Clip	
6	2840016	1	Screw Jack Assembly	
6	7024598	1	Handle	
6	7016322	1	Wiper	
7	3291205	5	Nut M12 x 1.75	
8	3310601	2	Nut #6	
9	3430820	1	Pin, Clevis	
10	3450404	1	Pin, Cotter	
11	3910610	2	Screw 6 x 5/8	
12	4750600	2	Washer #6	
13	4770600	2	Washer #6	
14	4812100	9	Washer M12	
15	1001166894	1	Support, Engine Tray Jack	
16	1001175073	1	Support, Engine Tray Jack	
17	1001175074	1	Support, Engine Tray Jack	
18	1001243869	1	Shim	

SECTION 3 - ENGINE

FIGURE 3-51. 2500W/110V/60HZ GENERATOR INSTALLATION - DEUTZ D2011 ENGINES



ART_1001180798

SECTION 3 - ENGINE

FIGURE 3-51. 2500W/110V/60HZ GENERATOR INSTALLATION - DEUTZ D2011 ENGINES

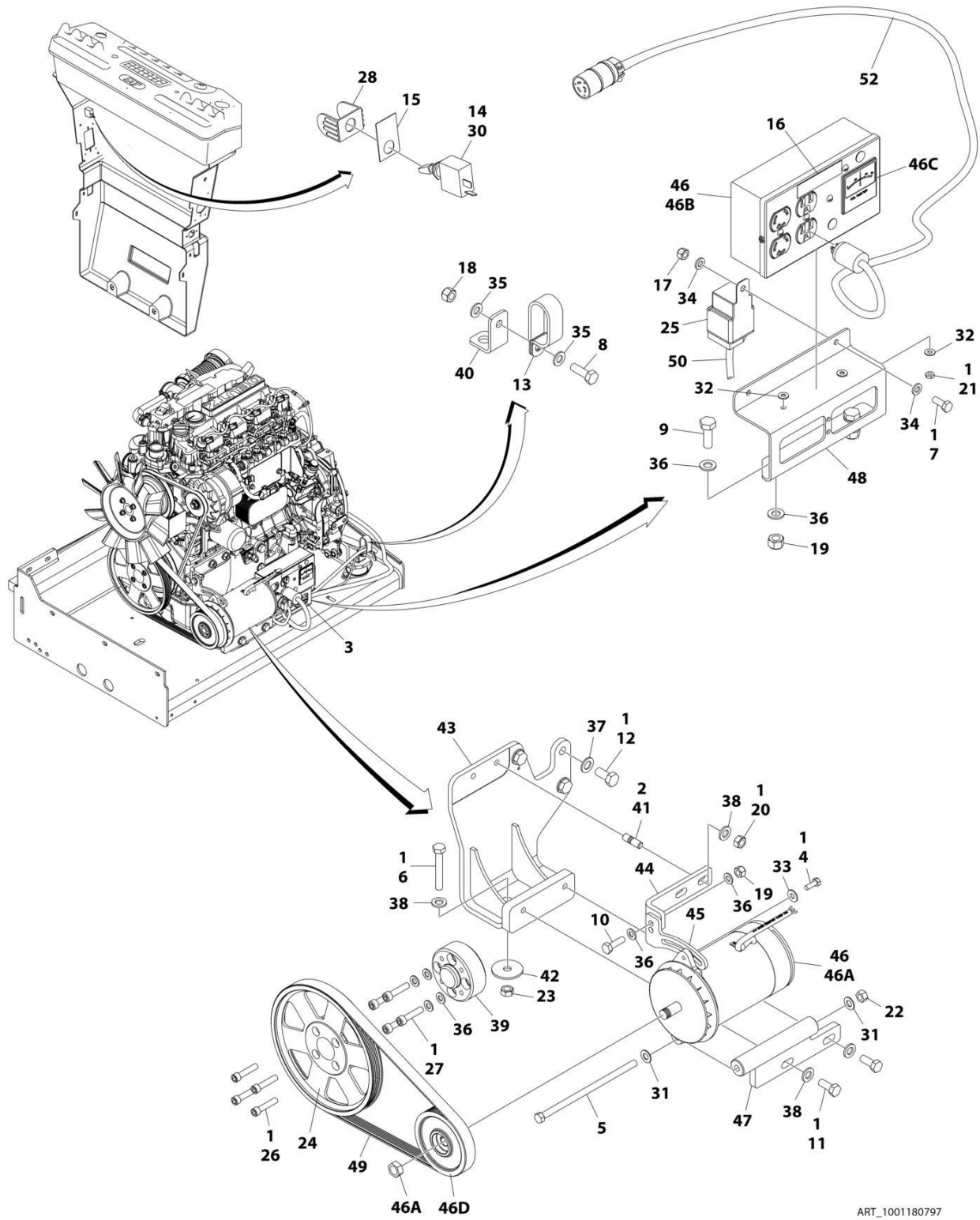
ITEM	PART NUMBER	QTY	DESCRIPTION	REV
	1001180798	Ref	GENERATOR INSTALLATION - 2500W/60HZ (DEUTZ D2011 ENGINE)	B
1	0100011	AR	Compound, Locking	
2	0100048	AR	Grease, Dielectric	
3	0480122	1	Belt	
4	0641507	1	Bolt 5/16 x 7/8	
5	0641772	1	Bolt 7/16 x 9	
6	0711224	1	Bolt M12 x 80 Grade 10.9	
7	0760608	1	Bolt M6 x 16	
8	0760812	2	Bolt M8 x 25	
9	0761009	2	Bolt M10 x 18	
10	0761014	2	Bolt M10 x 30	
11	0771414	4	Bolt M14 x 30 Grade 10.9	
12	1321716	1	Clamp	
13	2460055	1	Generator and Control Box Assembly	
13A	7012558	1	Generator	
	See Note	Ref	Note: Replacement Generators come standard with p/n 3580134 pulley. This pulley may not be correct for all applications. Refer to pulley options below.	
13A	7026199	1	Armature with Slip Rings	
13A	7012513	3	Cap, Brush Holder	
13A	7020108	4	Brush	
13A	7020109	4	Holder, Brush	
13A	7012514	1	Fan	
13A	7020110	1	Bell, Front	
13A	7020111	1	Bell, Rear	
13A	7020190	1	Bearing	
13B	7019680	1	Box, Control	
13B	4460190	1	Receptacle, Standard	
13B	4460027	1	Receptacle, Twistlock	
13B	4360542	1	Breaker, Circuit	
13B	3520028	1	Plug, Hole	
13B	4460961	1	Connector - 4 Position	
13B	4460705	4	Pin, Male	
13B	4460321	1	Connector - 4 Position (Note: Mate to p/n 4460961 Purchase Separately)	
13B	4460268	3	Socket, Female (Note: Mate to p/n 4460705 Purchase Separately)	
13C	2420203	1	Voltmeter	
13D	3580276	1	Pulley	
13D	7027887	1	Key, Woodruff	
14	2820031	AR	Heat Shrink	
15	See Note	1	Nameplate (Note: Not Available for Purchase)	
16	3251243	1	Nameplate 120V-60Hz	
17	3290605	1	Nut M6	
18	3290805	2	Nut M8	
19	3291005	2	Nut M10	
20	3311001	2	Nut #10	
21	3311705	1	Nut 7/16	
22	3331211	1	Nut M12	
23	3580158	1	Pulley	

SECTION 3 - ENGINE

ITEM	PART NUMBER	QTY	DESCRIPTION	REV
24	3740080	1	Relay	
25	4060802	1	Guard, Switch	
26	4240099	AR	Tie-Strap (Not Shown)	
27	4360336	1	Switch, Toggle	
28	4711700	5	Washer 7/16	
29	4751000	4	Washer #10	
30	4751500	1	Washer 5/16	
31	4811700	2	Washer M6	
32	4811900	4	Washer M8	
33	4812000	6	Washer M10	
34	4812200	4	Washer M14	
35	5241200	1	Washer M12 Hardened	
36	1001148641	1	Bracket	
37	1001168018	1	Washer, Snubbing	
38	1001183477	1	Support	
39	1001184637	1	Mount, Engine	
40	1001184644	1	Support	
41	1001184645	1	Bracket	
42	1001187522	1	Harness, Generator (See Separate Breakdown in ELECTRICAL SECTION)	
43	1001188731	1	Wiring Diagram (Not Shown)	
43	4922641	1	Harness, On/Off Switch (Not Shown - Located at Platform)	
44	1001182296	1	Harness, Inverter	
44	1060494	10 ft/3.5m	Cable, Electrical - 12/3	
44	4460134	1	Receptacle, Female	
44	4460138	1	Plug, Male	

SECTION 3 - ENGINE

FIGURE 3-52. 2500W/110V/60HZ GENERATOR INSTALLATION - DEUTZ D2.9L4 ENGINES



ART_1001180797

SECTION 3 - ENGINE

FIGURE 3-52. 2500W/110V/60HZ GENERATOR INSTALLATION - DEUTZ D2.9L4 ENGINES

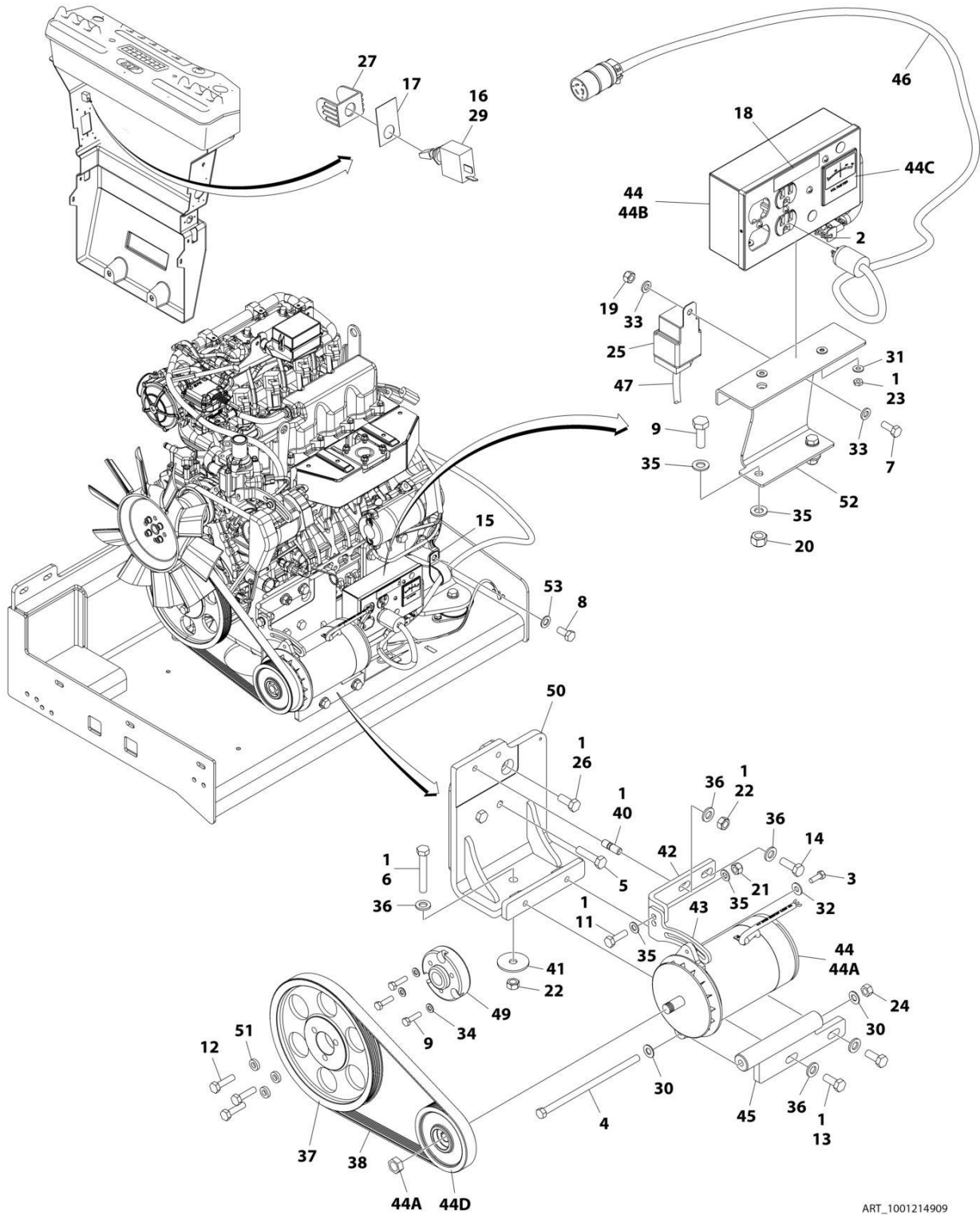
ITEM	PART NUMBER	QTY	DESCRIPTION	REV
	1001180797	Ref	GENERATOR INSTALLATION - 2500W/60HZ (DEUTZ D2.9L4 ENGINE)	F
1	0100011	AR	Compound, Locking	
2	0100019	AR	Compound, Locking	
3	0100048	AR	Grease, Dielectric	
4	0641507	1	Bolt 5/16 x 7/8	
5	0641772	1	Bolt 7/16 x 9	
6	0711224	AR	Bolt M12 x 80 Grade 10.9	
7	0760608	1	Bolt M6 x 16	
8	0760812	1	Bolt M8 x 25	
9	0761014	2	Bolt M10 x 30	
10	0761015	1	Bolt M10 x 35	
11	0761214	2	Bolt M12 x 30	
12	0771414	3	Bolt M14 x 30 Grade 10.9	
13	1321716	1	Clamp	
14	2820031	AR	Heat Shrink	
15	See Note	1	Nameplate (Note: Not Available for Purchase)	
16	3251243	1	Nameplate 120V-60Hz	
17	3290605	1	Nut M6	
18	3290805	1	Nut M8	
19	3291005	3	Nut M10	
20	3291201	2	Nut M12	
21	3311001	2	Nut #10	
22	3311705	1	Nut 7/16	
23	3331211	AR	Nut M12	
24	3580320	1	Pulley	
25	3740080	1	Relay	
26	3931628	4	Capscrew 3/8 x 1-3/4	
27	4032014	4	Bolt M10 x 50	
28	4060802	1	Guard, Switch	
29	4240099	AR	Tie-Strap (Not Shown)	
30	4360336	1	Switch, Toggle	
31	4711700	2	Washer 7/16	
32	4751000	4	Washer #10	
33	4751500	1	Washer 5/16	
34	4811700	2	Washer M6	
35	4811900	2	Washer M8	
36	4812000	AR	Washer M10	
37	4812200	AR	Washer M14	
38	5241200	AR	Washer M12 Hardened	
39	1001135679	1	Adapter	
40	1001148641	1	Bracket	
41	1001155041	2	Stud	
42	1001168018	AR	Washer, Snubbing	
43	1001168207	Ref	Support	
44	1001179836	1	Mount, Upper Generator	
45	1001179837	1	Arm Adjustment	
46	1001180001	1	Generator	
46A	7026199	1	Armature with Slip Rings	
46A	7012513	3	Cap, Brush Holder	

SECTION 3 - ENGINE

ITEM	PART NUMBER	QTY	DESCRIPTION	REV
46A	7020108	4	Brush	
46A	7020109	4	Holder, Brush	
46A	7012514	1	Fan	
46A	7020110	1	Bell, Front	
46A	7020111	1	Bell, Rear	
46A	7020190	1	Bearing	
46B	7019680	1	Box, Control	
46B	4460190	1	Receptacle, Standard	
46B	4460027	1	Receptacle, Twistlock	
46B	4360542	1	Breaker, Circuit	
46B	3520028	1	Plug, Hole	
46B	4460961	1	Connector - 4 Position	
46B	4460705	4	Pin, Male	
46B	4460321	1	Connector - 4 Position (Note: Mate to p/n 4460961 Purchase Separately)	
46B	4460268	3	Socket, Female (Note: Mate to p/n 4460705 Purchase Separately)	
46C	2420203	1	Voltmeter	
46D	1001179893	1	Pulley	
46D	7027887	1	Key, Woodruff	
47	1001181243	1	Mount, Lower Generator	
48	1001183477	1	Support	
49	1001148138	1	Belt	
50	1001187522	1	Harness, Generator (See Separate Breakdown in ELECTRICAL SECTION)	
51	1001188731	1	Wiring Diagram (Not Shown)	
51	4922641	1	Harness, On/Off Switch (Not Shown - Located at Platform)	
52	1001182296	1	Harness, Inverter	
52	1060494	10 ft/3.5m	Cable, Electrical - 12/3	
52	4460134	1	Receptacle, Female	
52	4460138	1	Plug, Male	

SECTION 3 - ENGINE

FIGURE 3-53. 2500W/110V/60HZ GENERATOR INSTALLATION - KUBOTA ENGINES



ART_1001214909

SECTION 3 - ENGINE

FIGURE 3-53. 2500W/110V/60HZ GENERATOR INSTALLATION - KUBOTA ENGINES

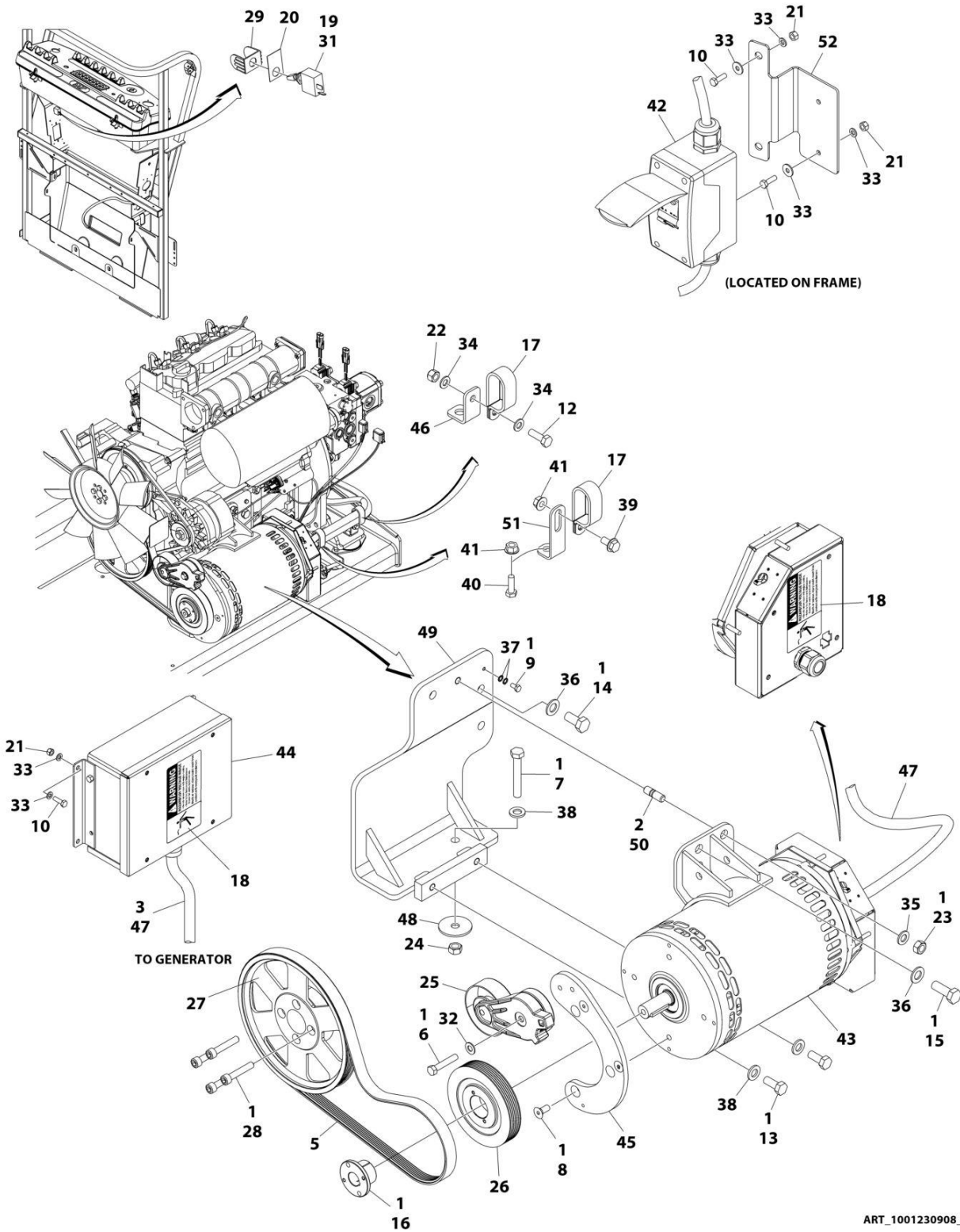
ITEM	PART NUMBER	QTY	DESCRIPTION	REV
	1001214909	Ref	GENERATOR INSTALLATION - 2500W/60Hz (KUBOTA ENGINE)	E
1	0100011	AR	Compound, Locking	
2	0100048	AR	Grease, Dielectric	
3	0641507	1	Bolt 5/16 x 7/8	
4	0641772	1	Bolt 7/16 x 9	
5	1001217344	2	Bolt M12 x 50	
6	0711224	AR	Bolt M12 x 80 Grade 10.9	
6	0701224	AR	Bolt M12 x 80	
7	0760608	1	Bolt M6 x 16	
8	1001217345	1	Bolt M14 x 30	
9	0760814	5	Bolt M8 x 30	
11	0761015	1	Bolt M10 x 35	
12	0761016	3	Bolt M10 x 40	
13	0761214	2	Bolt M12 x 30	
14	0761215	1	Bolt M12 x 35	
15	84521061	1	Clamp	
16	2820031	AR	Heat Shrink	
17	See Note	1	Nameplate (Note: Not Available for Purchase)	
18	3251243	1	Nameplate 120V-60Hz	
19	3290605	1	Nut M6	
20	3290805	2	Nut M8	
21	3291005	1	Nut M10	
22	3291201	2	Nut M12	
23	3311001	2	Nut #10	
24	3311705	1	Nut 7/16	
25	3740080	1	Relay	
26	1001217342	1	Bolt M12 x 30	
27	4060802	1	Guard, Switch	
28	4240099	AR	Tie-Strap (Not Shown)	
29	4360336	1	Switch, Toggle	
30	4711700	2	Washer 7/16	
31	4751000	4	Washer #10	
32	4751500	1	Washer 5/16	
33	4811700	2	Washer M6	
34	4811900	5	Washer M8	
35	4812000	4	Washer M10	
36	5241200	1	Washer M12 Hardened	
37	1001147233	1	Pulley	
38	1001148138	1	Belt	
40	1001155041	1	Stud	
41	1001168018	1	Washer, Snubbing	
42	1001179836	1	Mount, Upper Generator	
43	1001179837	1	Arm Adjustment	
44	1001180001	1	Generator	
44A	7026199	1	Armature with Slip Rings	
44A	7012513	3	Cap, Brush Holder	
44A	7020108	4	Brush	
44A	7020109	4	Holder, Brush	
44A	7012514	1	Fan	
44A	7020110	1	Bell, Front	

SECTION 3 - ENGINE

ITEM	PART NUMBER	QTY	DESCRIPTION	REV
44A	7020111	1	Bell, Rear	
44A	7020190	1	Bearing	
44B	7019680	1	Box, Control	
44B	4460190	1	Receptacle, Standard	
44B	4460027	1	Receptacle, Twistlock	
44B	4360542	1	Breaker, Circuit	
44B	3520028	1	Plug, Hole	
44B	4460961	1	Connector - 4 Position	
44B	4460705	4	Pin, Male	
44B	4460321	1	Connector - 4 Position (Note: Mate to p/n 4460961 Purchase Separately)	
44B	4460268	3	Socket, Female (Note: Mate to p/n 4460705 Purchase Separately)	
44C	2420203	1	Voltmeter	
44D	1001179893	1	Pulley	
44D	7027887	1	Key, Woodruff	
45	1001181243	1	Mount, Lower Generator	
46	1001182296	1	Harness, Inverter	
46	1060494	10 ft/ 3.5m	Cable, Electrical - 12/3	
46	4460134	1	Receptacle, Female	
46	4460138	1	Plug, Male	
47	1001187522	1	Harness, Generator (See Separate Breakdown in ELECTRICAL SECTION)	
48	1001188731	1	Wiring Diagram (Not Shown)	
48	4922641	1	Harness, On/Off Switch (Not Shown - Located at Platform)	
49	1001213029	1	Adapter, Pulley	
50	1001214546	1	Support	
51	1001216805	1	Spacer	
52	1001216840	1	Support	
53	4812200	1	Washer M14	

SECTION 3 - ENGINE

FIGURE 3-54. 4000W/50HZ GENERATOR INSTALLATION - DEUTZ D2011 ENGINES



ART_1001230908_C

SECTION 3 - ENGINE

FIGURE 3-54. 4000W/50HZ GENERATOR INSTALLATION - DEUTZ D2011 ENGINES

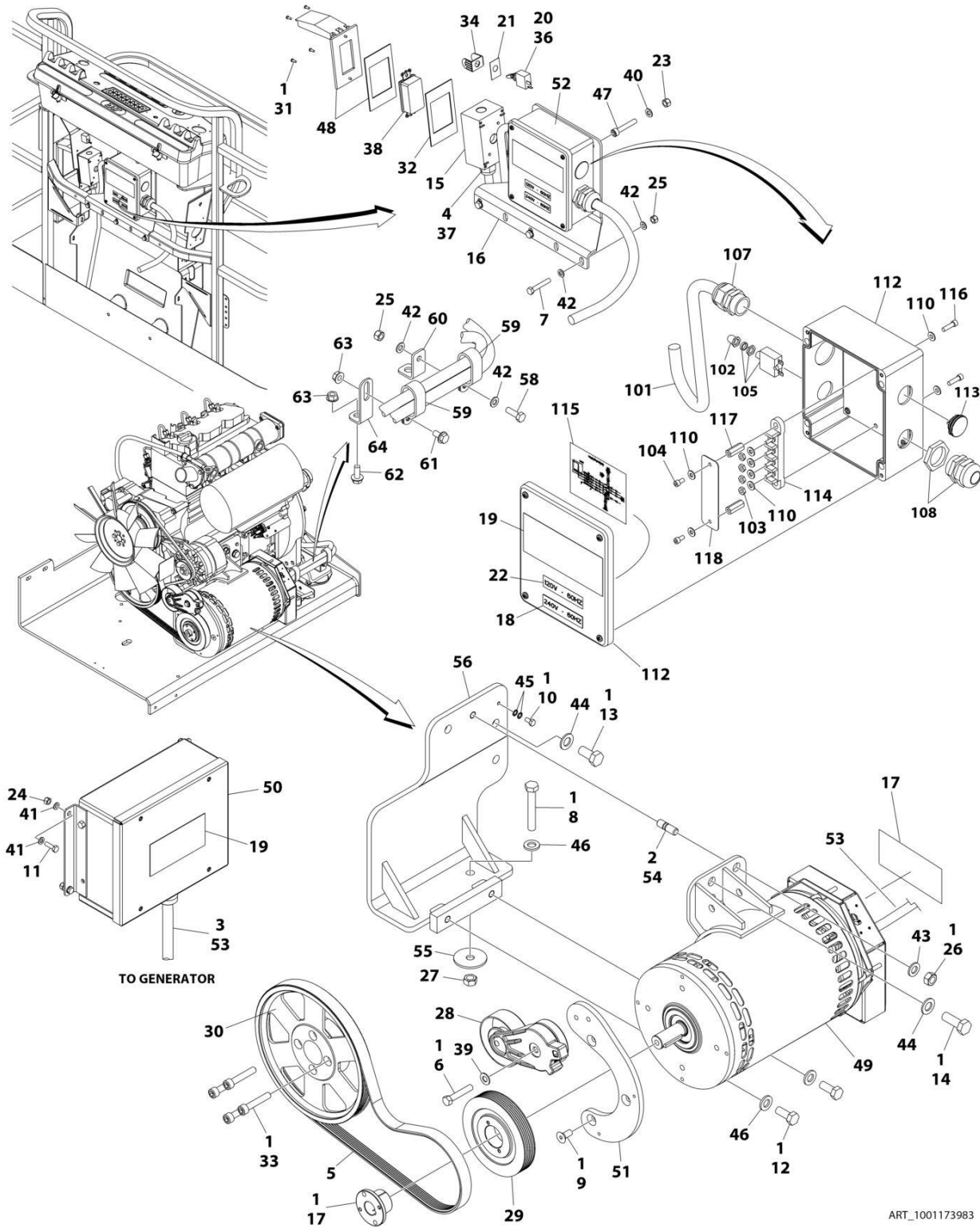
ITEM	PART NUMBER	QTY	DESCRIPTION	REV
	1001230908	Ref	4000W/50Hz GENERATOR INSTALLATION	C
1	0100011	AR	Compound, Locking	
2	0100019	AR	Compound, Locking	
3	0100048	AR	Grease, Dielectric	
4	0100079	AR	Sealant (Not Shown)	
5	0480126	1	Belt	
6	0641616	1	Bolt 3/8 x 2	
7	0711224	1	Bolt M12 x 80 Class 10.9	
8	0741607	3	Screw 3/8 x 7/8	
9	0760606	1	Bolt M6 x 12	
10	0760610	8	Bolt M6 x 20	
12	0760812	1	Bolt M8 x 25	
13	0761214	2	Bolt M12 x 30	
14	0771414	2	Bolt M14 x 30 Class 10.9	
15	0771416	1	Bolt M14 x 40 Class 10.9	
16	0962520	1	Bushing	
17	1321716	2	Clamp	
18	1705489	2	Decal - Hazardous Voltage	
19	2820031	0.3 ft/ 0.1m	Heat Shrink	
20	3251102	1	Nameplate, Generator	
21	3290605	8	Nut M6	
22	3290805	1	Nut M8	
23	3291201	1	Nut M12	
24	3331211	1	Nut M12	
25	3580317	1	Pulley	
26	3580319	1	Pulley	
27	3580320	1	Pulley	
28	4032015	4	Bolt M10 x 55	
29	4060802	1	Guard, Switch	
30	4240099	AR	Tie-Strap (Not Shown)	
31	4360336	1	Switch, Toggle	
32	4711600	1	Washer 3/8	
33	4811700	16	Washer M6	
34	4811900	2	Washer M8	
35	4812100	1	Washer M12	
36	4812200	3	Washer M14	
37	4871700	2	Washer M6	
38	5241200	3	Washer M12 Hardened	
39	5250808	1	Bolt M8 x 16	
40	5250810	1	Bolt M8 x 20	
41	5260800	2	Flange Nut M8	
42	1001096070	1	Breaker Box Kit (50Hz) (See Separate Breakdown in ELECTRICAL Section)	
43	1001138565	1	Generator Assembly	
43	70003709	1	Ring, Retaining (External)	
43	70003708	1	Ring, Retaining (Internal)	
43	70001966	1	Bearing	
43	70004092	1	Endbell (Shaft End)	
43	70004171	1	Key	

SECTION 3 - ENGINE

ITEM	PART NUMBER	QTY	DESCRIPTION	REV
43	70004676	1	Rotor	
43	70004677	1	Stator	
43	70004678	1	Endbell (Rear)	
43	70004679	1	Cover, Endbell (Rear)	
43	70004680	1	Enclosure, Wiring	
43	70004681	1	Cover, Enclosure	
43	70004682	1	Switch, Reset (Located on Enclosure Cover)	
43	70004683	1	Connector, Strain Relief (Located on Enclosure Cover)	
44	1001138566	1	Box, Control	
45	1001139357	1	Mount, Tensioner	
46	1001148641	1	Bracket	
47	1001152532	1	Harness, Generator (See Separate Breakdown in ELECTRICAL Section)	
48	1001168018	1	Washer, Snubbing	
49	1001173925	1	Mount	
50	1001196382	1	Stud	
51	1001223122	1	Support, P-Clamp	
52	1001293086	1	Bracket	
		Ref	ELECTRICAL DIAGRAM COMPONENTS	
101	4922641	1	Generator Switch Harness (Not Shown)	

SECTION 3 - ENGINE

FIGURE 3-55. 4000W/60HZ GENERATOR INSTALLATION - DEUTZ D2011 ENGINES



ART_1001173983

SECTION 3 - ENGINE

FIGURE 3-55. 4000W/60HZ GENERATOR INSTALLATION - DEUTZ D2011 ENGINES

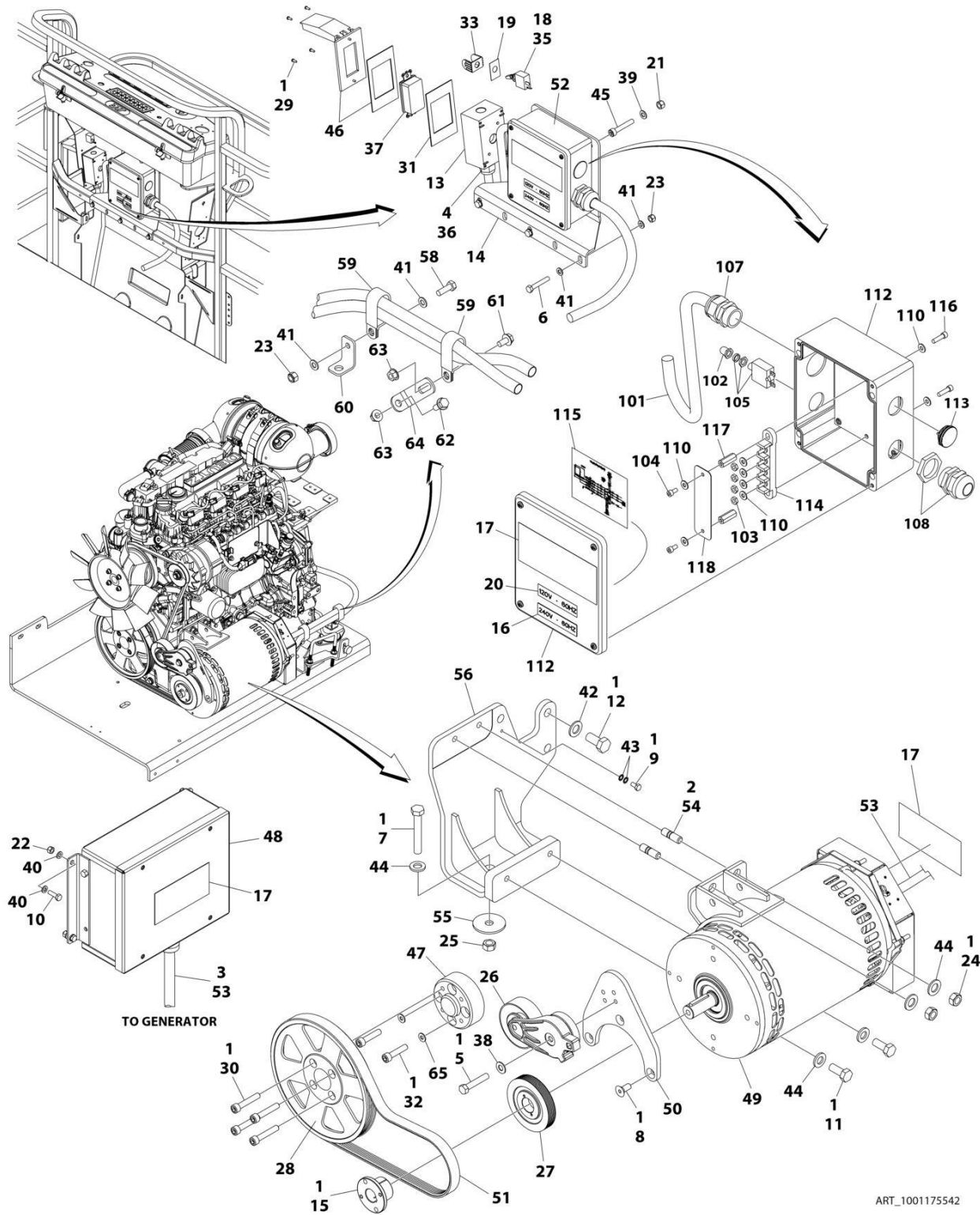
ITEM	PART NUMBER	QTY	DESCRIPTION	REV
	1001173983	Ref	GENERATOR INSTALLATION - 4000W/60HZ (DEUTZ D2011 ENGINE)	F
1	0100011	AR	Compound, Locking	
2	0100019	AR	Compound, Locking	
3	0100048	AR	Grease, Dielectric	
4	0100079	AR	Sealant	
5	0480128	1	Belt	
6	0641616	1	Bolt 3/8 x 2	
7	0700818	3	Bolt M8 x 50	
8	0711224	1	Bolt M12 x 80 Grade 10.9	
9	0741607	3	Screw 3/8 x 7/8	
10	0760606	1	Bolt M6 x 12	
11	0760610	4	Bolt M6 x 20	
12	0761214	2	Bolt M12 x 30	
13	0771414	2	Bolt M14 x 30 Grade 10.9	
14	0771416	1	Bolt M14 x 40	
15	0860038	1	Box, Switch	
16	0902888	1	Bracket	
17	0962520	1	Bushing	
18	1705374	1	Decal - 240V-60Hz	
19	1705387	3	Decal - Hazardous Voltage	
20	2820031	AR	Heat Shrink	
21	See Note	1	Nameplate (Note: Not Available for Purchase)	
22	3251243	1	Nameplate 120V-60Hz	
23	3290505	4	Nut M5	
24	3290605	4	Nut M6	
25	3290805	4	Nut M8	
26	3291201	2	Nut M12	
27	3331211	1	Nut M12	
28	3580317	1	Pulley	
29	3580318	1	Pulley	
30	3580320	1	Pulley	
31	3910606	4	Screw #6 x 3/8	
32	3960422	1	Gasket	
33	4032015	4	Bolt M10 x 55	
34	4060802	1	Guard, Switch	
35	4240099	AR	Tie-Strap (Not Shown)	
36	4360336	1	Switch, Toggle	
37	4460071	1	Connector, Strain Relief	
38	4460346	1	Receptacle	
39	4711600	1	Washer 3/8	
40	4811600	4	Washer M5	
41	4811700	8	Washer M6	
42	4811900	8	Washer M8	
43	4812100	1	Washer M12	
44	4812200	3	Washer M14	
45	4871700	2	Washer M6	
46	5241200	3	Washer M12 Hardened	
47	1001104029	4	Screw M5 x 30	
48	1001110873	1	Shield, Cover	

SECTION 3 - ENGINE

ITEM	PART NUMBER	QTY	DESCRIPTION	REV
49	1001129858	1	Generator	
49	70003709	1	Ring, Retaining (External)	
49	70003708	1	Ring, Retaining (Internal)	
49	70001966	1	Bearing	
49	70004092	1	Endbell (Shaft End)	
49	70004171	1	Key	
49	70004676	1	Rotor	
49	70004684	1	Stator	
49	70004678	1	Endbell (Rear)	
49	70004679	1	Cover, Endbell (Rear)	
49	70004680	1	Enclosure, Wiring	
49	70004685	1	Cover, Enclosure	
49	70004682	1	Switch, Reset (Located on Enclosure Cover)	
49	70004098	1	Connector, Strain Relief (Located on Enclosure Cover)	
50	1001138566	1	Box, Control	
50	70006552	1	Capacitor	
50	70006553	1	Relay	
51	1001139357	1	Mount, Tensioner	
52	1001152457	1	Generator Junction Box Assembly (See Items 101-118 for Breakdown)	
53	1001152532	1	Harness, Generator (See Separate Breakdown in ELECTRICAL SECTION)	
54	1001196382	1	Stud	
55	1001168018	1	Washer, Snubbing	
56	1001173925	1	Mount	
57	1001175631	1	Wiring Diagram (Not Shown)	
57	4922641	1	Harness, On/Off Switch (Not Shown - Located at Platform)	
58	0760812	1	Bolt M8 x 25	
59	1321716	2	Clamp	
60	1001148641	1	Bracket	
61	5250808	1	Bolt M8 x 16	
62	5250810	1	Bolt M8 x 20	
63	5260800	2	Nut M8	
64	1001223122	1	Support	
	1001152457	Ref	GENERATOR JUNCTION BOX COMPONENTS	
101	1001179154	2.5 ft/ 0.8m	Cable, Electrical - 12/3	
102	3300396	1	Cover, Breaker	
103	3311001	4	Nut #10	
104	3900300	2	Screw	
105	4360070	1	Breaker, Circuit - 15Amp	
107	4460425	1	Connector, Strain Relief (LH Side)	
108	4460426	1	Connector, Strain Relief (RH Side)	
110	4711000	8	Washer #10	
112	1001152456	1	Box, Junction	
113	1001152525	1	Plug	
114	1001152530	1	Terminal, Block	
115	1001153260	1	Decal - Wiring Diagram	
116	3900267	2	Screw	
117	1001158008	2	Stand-Off	
118	1001158363	1	Cover, Terminal Block	

SECTION 3 - ENGINE

FIGURE 3-56. 4000W/60HZ GENERATOR INSTALLATION - DEUTZ D2.9L4 ENGINES



ART_1001175542

SECTION 3 - ENGINE

FIGURE 3-56. 4000W/60HZ GENERATOR INSTALLATION - DEUTZ D2.9L4 ENGINES

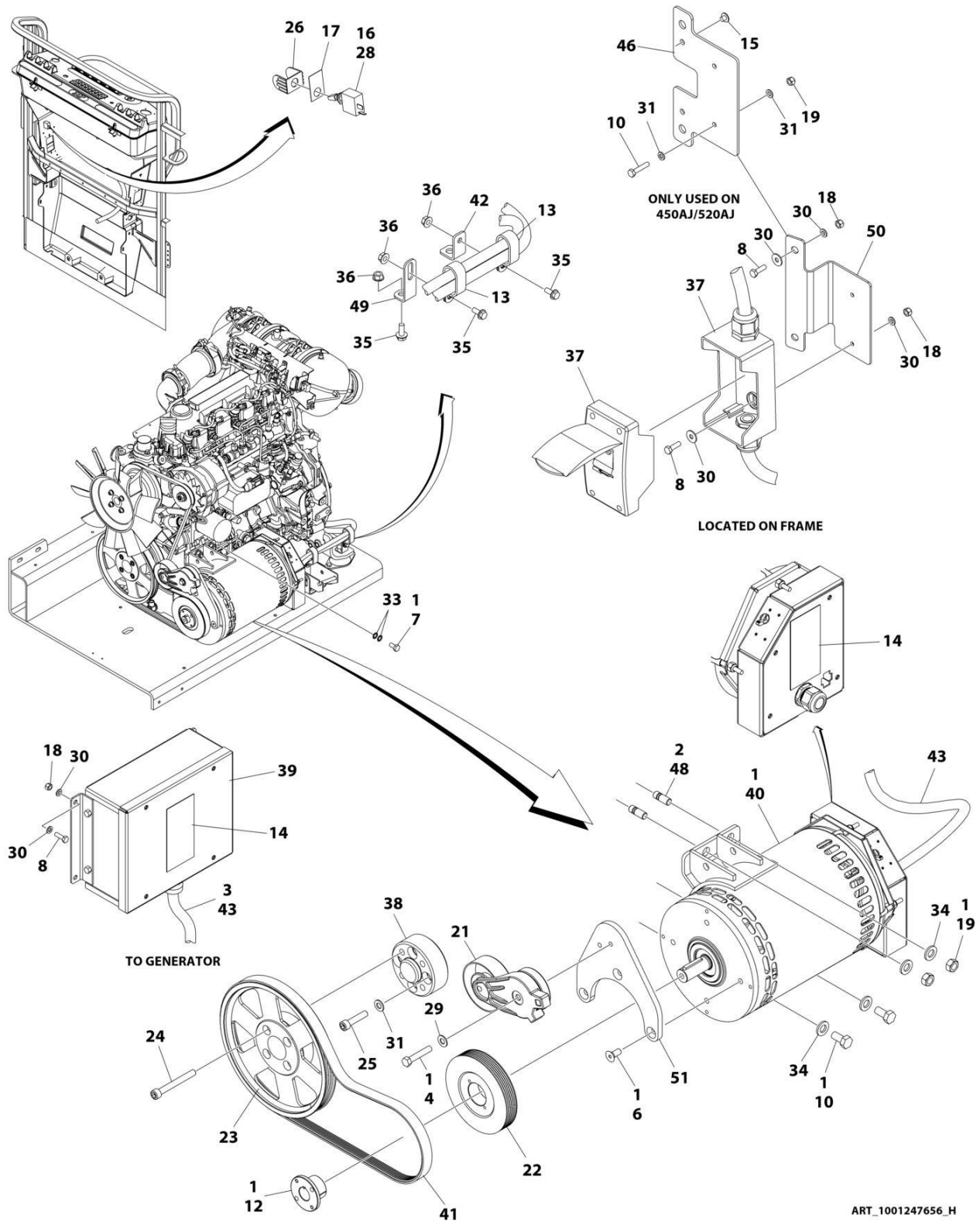
ITEM	PART NUMBER	QTY	DESCRIPTION	REV
	1001175542	Ref	GENERATOR INSTALLATION - 4000W/60HZ (DEUTZ D2.9L4 ENGINE)	J
1	0100011	AR	Compound, Locking	
2	0100019	AR	Compound, Locking	
3	0100048	AR	Grease, Dielectric	
4	0100079	AR	Sealant	
5	0641616	1	Bolt 3/8 x 2	
6	0700818	3	Bolt M8 x 50	
7	0711224	AR	Bolt M12 x 80 Grade 10.9	
8	0741607	3	Screw 3/8 x 7/8	
9	0760606	1	Bolt M6 x 12	
10	0760610	4	Bolt M6 x 20	
11	0761212	2	Bolt M12 x 25	
12	0771414	AR	Bolt M14 x 30 Grade 10.9	
13	0860038	1	Box, Switch	
14	0902888	1	Bracket	
15	0962520	1	Bushing	
16	1705374	1	Decal - 240V-60Hz	
17	1705387	3	Decal - Hazardous Voltage	
18	2820031	AR	Heat Shrink	
19	See Note	1	Nameplate (Note: Not Available for Purchase)	
20	3251243	1	Nameplate 120V-60Hz	
21	3290505	4	Nut M5	
22	3290605	4	Nut M6	
23	3290805	4	Nut M8	
24	3291201	2	Nut M12	
25	3331211	AR	Nut M12	
26	3580317	1	Pulley	
27	3580318	1	Pulley	
28	3580320	1	Pulley	
29	3910606	4	Screw #6 x 3/8	
30	3931628	4	Capscrew 3/8 x 1-3/4	
31	3960422	1	Gasket	
32	4032014	4	Capscrew M10 x 50	
33	4060802	1	Guard, Switch	
34	4240099	AR	Tie-Strap (Not Shown)	
35	4360336	1	Switch, Toggle	
36	4460071	1	Connector, Strain Relief	
37	4460346	1	Receptacle	
38	4711600	1	Washer 3/8	
39	4811600	4	Washer M5	
40	4811700	8	Washer M6	
41	4811900	8	Washer M8	
42	4812200	AR	Washer M14	
43	4871700	2	Washer M6	
44	5241200	AR	Washer M12 Hardened	
45	1001104029	4	Screw M5 x 30	
46	1001110873	1	Shield, Cover	
47	1001135679	1	Adapter	
48	1001138566	1	Box, Control	

SECTION 3 - ENGINE

ITEM	PART NUMBER	QTY	DESCRIPTION	REV
49	1001140346	1	Generator Assembly	
49	70003709	1	Ring, Retaining (External)	
49	70003708	1	Ring, Retaining (Internal)	
49	70001966	1	Bearing	
49	70004092	1	Endbell (Shaft End)	
49	70004099	1	Key	
49	70004676	1	Rotor	
49	70004687	1	Stator	
49	70004678	1	Endbell (Rear)	
49	70004679	1	Cover, Endbell (Rear)	
49	70004680	1	Enclosure, Wiring	
49	70004685	1	Cover, Enclosure	
49	70004682	1	Switch, Reset (Located on Enclosure Cover)	
49	70004098	1	Connector, Strain Relief (Located on Enclosure Cover)	
50	1001142643	1	Support	
51	1001142646	1	Belt	
52	1001152457	1	Generator Junction Box Assembly (See Items 101-118 for Breakdown)	
53	1001152532	1	Harness, Generator (See Separate Breakdown in ELECTRICAL SECTION)	
54	1001196382	2	Stud	
55	1001168018	AR	Washer, Snubbing	
56	1001168207	Ref	Support	
57	1001175631	1	Wiring Diagram (Not Shown)	
57	4922641	1	Harness, On/Off Switch (Not Shown - Located at Platform)	
58	0760812	1	Bolt M8 x 25	
59	1321716	2	Clamp	
60	1001148641	1	Bracket	
61	5250808	1	Bolt M8 x 16	
62	5250810	1	Bolt M8 x 20	
63	5260800	2	Nut M8	
64	1001223122	1	Support	
65	4812000	4	Washer M10	
	1001152457	Ref	GENERATOR JUNCTION BOX COMPONENTS	
101	1001179154	2.5 ft/ 0.8m	Cable, Electrical - 12/3	
102	3300396	1	Cover, Breaker	
103	3311001	4	Nut #10	
104	3900300	2	Screw	
105	4360070	1	Breaker, Circuit - 15Amp	
107	4460425	1	Connector, Strain Relief (LH Side)	
108	4460426	1	Connector, Strain Relief (RH Side)	
110	4711000	8	Washer #10	
112	1001152456	1	Box, Junction	
113	1001152525	1	Plug	
114	1001152530	1	Terminal, Block	
115	1001153260	1	Decal - Wiring Diagram	
116	3900267	2	Screw	
117	1001158008	2	Stand-Off	
118	1001158363	1	Cover, Terminal Block	

SECTION 3 - ENGINE

FIGURE 3-57. 4000W/50HZ GENERATOR INSTALLATION (DEUTZ D2.9L4 (STAGE V) ENGINES)



ART_1001247656_H

SECTION 3 - ENGINE

FIGURE 3-57. 4000W/50HZ GENERATOR INSTALLATION (DEUTZ D2.9L4 (STAGE V) ENGINES)

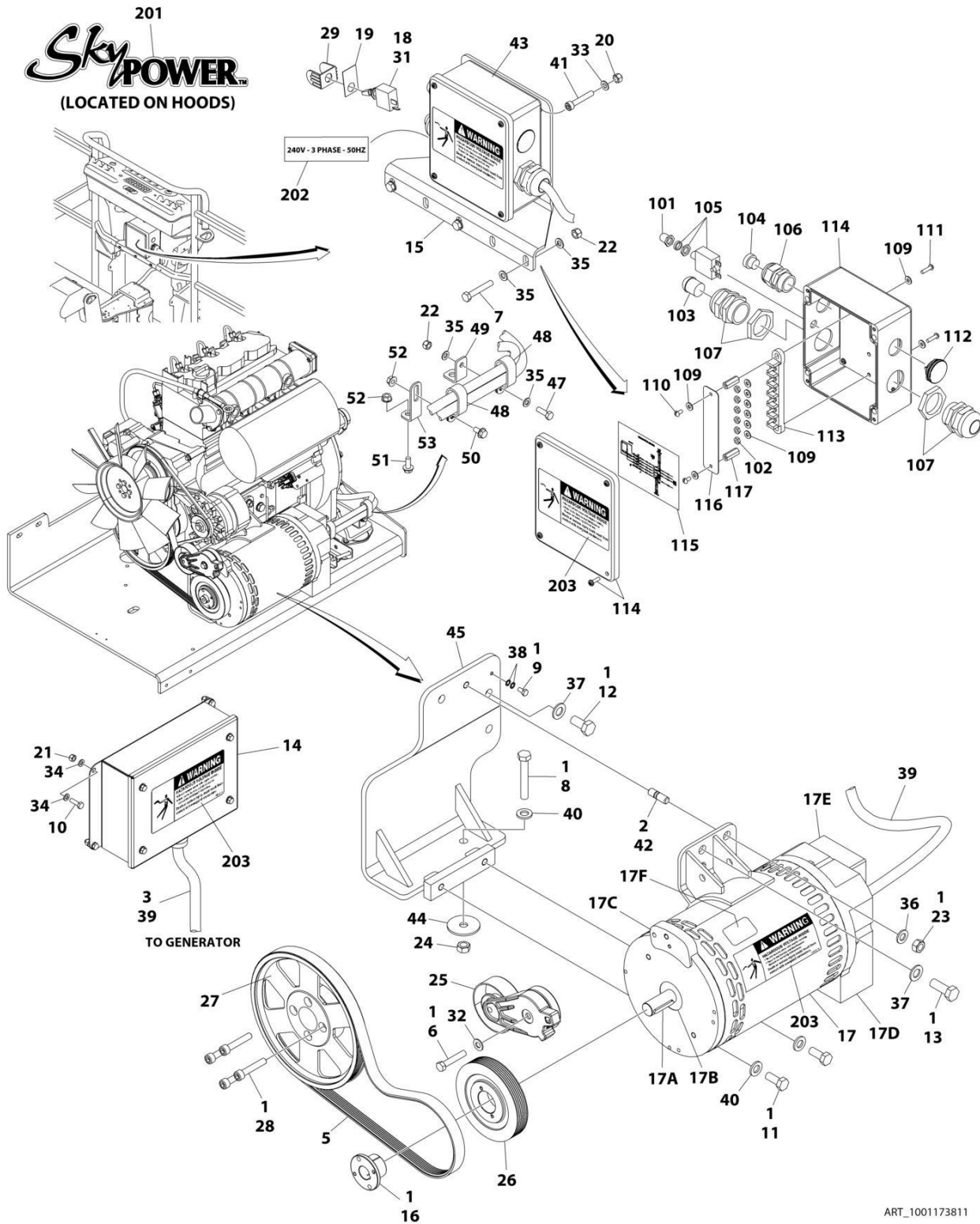
ITEM	PART NUMBER	QTY	DESCRIPTION	REV
	1001247656	Ref	GENERATOR INSTALLATION - 4000W/50HZ	H
1	0100011	AR	Compound, Locking	
2	0100019	AR	Compound, Locking	
3	0100048	AR	Grease, Dielectric	
4	0641616	1	Bolt 3/8 x 2	
6	0741607	3	Screw 3/8 x 7/8	
7	0760606	1	Bolt M6 x 12	
8	0760610	10	Bolt M6 x 20	
10	0761212	2	Bolt M12 x 25	
12	0962520	1	Bushing	
13	1321716	2	Clamp	
14	1705489	2	Decal - Hazardous Voltage	
15	2080040	2	Fastener, Huck	
16	2820031	0.33 ft /0.10m	Heat Shrink	
17	3251102	1	Nameplate, Generator	
18	3290605	10	Nut M6	
19	3291201	2	Nut M12	
21	3580317	1	Pulley	
22	3580319	1	Pulley	
23	1001281192	1	Pulley	
24	1001261085	4	Capscrew M10 x 85	
25	1001261045	4	Capscrew M10 x 45	
26	4060802	1	Guard, Switch	
27	4240099	AR	Tie-Strap (Not Shown)	
28	4360336	1	Switch, Toggle	
29	4711600	1	Washer 3/8	
30	4811700	18	Washer M6	
31	4812000	4	Washer M14	
33	4871700	2	Washer M6	
34	5241200	4	Washer M12 Hardened	
35	5250810	3	Bolt M8 x 20	
36	5260800	3	Nut M8	
37	1001096070	1	Breaker Box Kit (50Hz) (See Separate Breakdown in ELECTRICAL Section)	
38	1001258800	1	Adapter	
39	1001138566	1	Box, Control	
40	1001140347	1	Generator, 4000W/ 50HZ - Deutz Engine	
40	70003709	1	Ring, Retaining (External)	
40	70003708	1	Ring, Retaining (Internal)	
40	70001966	1	Bearing	
40	70004092	1	Endbell (Shaft End)	
40	70004099	1	Key	
40	70004676	1	Rotor	
40	70004686	1	Stator	
40	70004678	1	Endbell (Rear)	
40	70004679	1	Cover, Endbell (Rear)	
40	70004680	1	Enclosure, Wiring	
40	70004681	1	Cover, Enclosure	
40	70004682	1	Switch, Reset (Located on Enclosure Cover)	

SECTION 3 - ENGINE

ITEM	PART NUMBER	QTY	DESCRIPTION	REV
40	70004683	1	Connector, Strain Relief (Located on Enclosure Cover)	
41	1001148059	1	Belt, Generator	
42	1001148641	1	Bracket	
43	1001152532	1	Harness, Generator (See Separate Breakdown in ELECTRICAL Section)	
46	1001174158	1	Mount	
47	1001174675	1	Wiring Diagram (Not Shown)	
48	1001196382	2	Stud	
49	1001223122	1	Support	
50	1001293086	1	Bracket	
51	1001248190	1	Support	
52	4811702	2	Washer M6	
		Ref	ELECTRICAL DIAGRAM COMPONENTS	
101	4922641	1	Generator Switch Harness (Not Shown)	

SECTION 3 - ENGINE

FIGURE 3-58. 7500W/50HZ SKYPOWER GENERATOR INSTALLATION - DEUTZ D2011 ENGINES



ART_1001173811

SECTION 3 - ENGINE

FIGURE 3-58. 7500W/50HZ SKYPOWER GENERATOR INSTALLATION - DEUTZ D2011 ENGINES

ITEM	PART NUMBER	QTY	DESCRIPTION	REV
	1001173811	Ref	GENERATOR INSTALLATION - 7500W/50HZ (DEUTZ D2011 ENGINE)	F
1	0100011	AR	Compound, Locking	
2	0100019	AR	Compound, Locking	
3	0100048	AR	Grease, Dielectric	
4	0100079	AR	Sealant (Not Shown)	
5	0480126	1	Belt	
6	0641616	1	Bolt 3/8 x 2	
7	0700818	3	Bolt M8 x 50	
8	0711224	1	Bolt M12 x 80 Grade 10.9	
9	0760606	1	Bolt M6 x 12	
10	0760610	4	Bolt M6 x 20	
11	0761214	2	Bolt M12 x 30	
12	0771414	2	Bolt M14 x 30 Grade 10.9	
13	0771416	1	Bolt M14 x 40	
14	0861572	1	Control Box Assembly	
14	7024488	1	Card, Circuit - Generator Power	
14	See Note	NSS	Fuse (Note: Not Available - Purchase Locally)	
14	7024489	1	Card, Circuit - Control	
14	70000619	1	Harness, Control Box (Internal)	
15	0902888	1	Bracket	
16	0962520	1	Bushing	
17	2460048	1	Generator Assembly	
17	70001100	1	Rotor (Includes p/n 70001384 & 70000863) (Not Shown)	
17	70001384	1	Bearing, Ball Radial (Not Shown)	
17	70000863	1	Fan (Not Shown)	
17	70002088	1	Stator (Not Shown)	
17	70002297	1	Stud	
17	70003631	1	Brushholder Assembly (Not Shown)	
17A	70004171	1	Key	
17B	70001966	1	Bearing, Ball Radial (Located in Belt Tensioner Endbell)	
17B	70003708	1	Ring, Internal Retaining (Located in Belt Tensioner Endbell)	
17B	70003709	1	Ring, External Retaining (Located in Belt Tensioner Endbell)	
17C	70001953	1	Endbell, Belt Tensioner	
17D	70004169	1	Endbell, Brush Block	
17E	70004169	1	Shroud	
17E	See Note	NSS	Insulator, Endbell (Note: Not Available for Purchase)	
17E	7027799	1	Block, Connector 6 Position (Not Shown)	
17E	70002460	1	Nut, Brass (Attaches p/n 7027799 to Cover) (Not Shown)	
17E	7024485	1	Breaker, Circuit 30Amp (Not Shown)	
17E	70001696	1	Boot, Breaker (Not Shown)	
17E	7026626	1	Connector, 6 Position (Includes Seal) (Not Shown - Plugs into Item 39)	
17E	7026597	1	Connector, with Leads (Not Shown)	
17E	7026188	1	Clamp, Cable Options (Not Shown)	
17E	70004169	1	Plate, End Panel	
17E	70001974	1	Decal - Terminal Connections	
17F	70001973	1	Decal - Warning Moving Parts	
18	2820031	AR	Heat Shrink	
19	3252764	1	Nameplate	

SECTION 3 - ENGINE

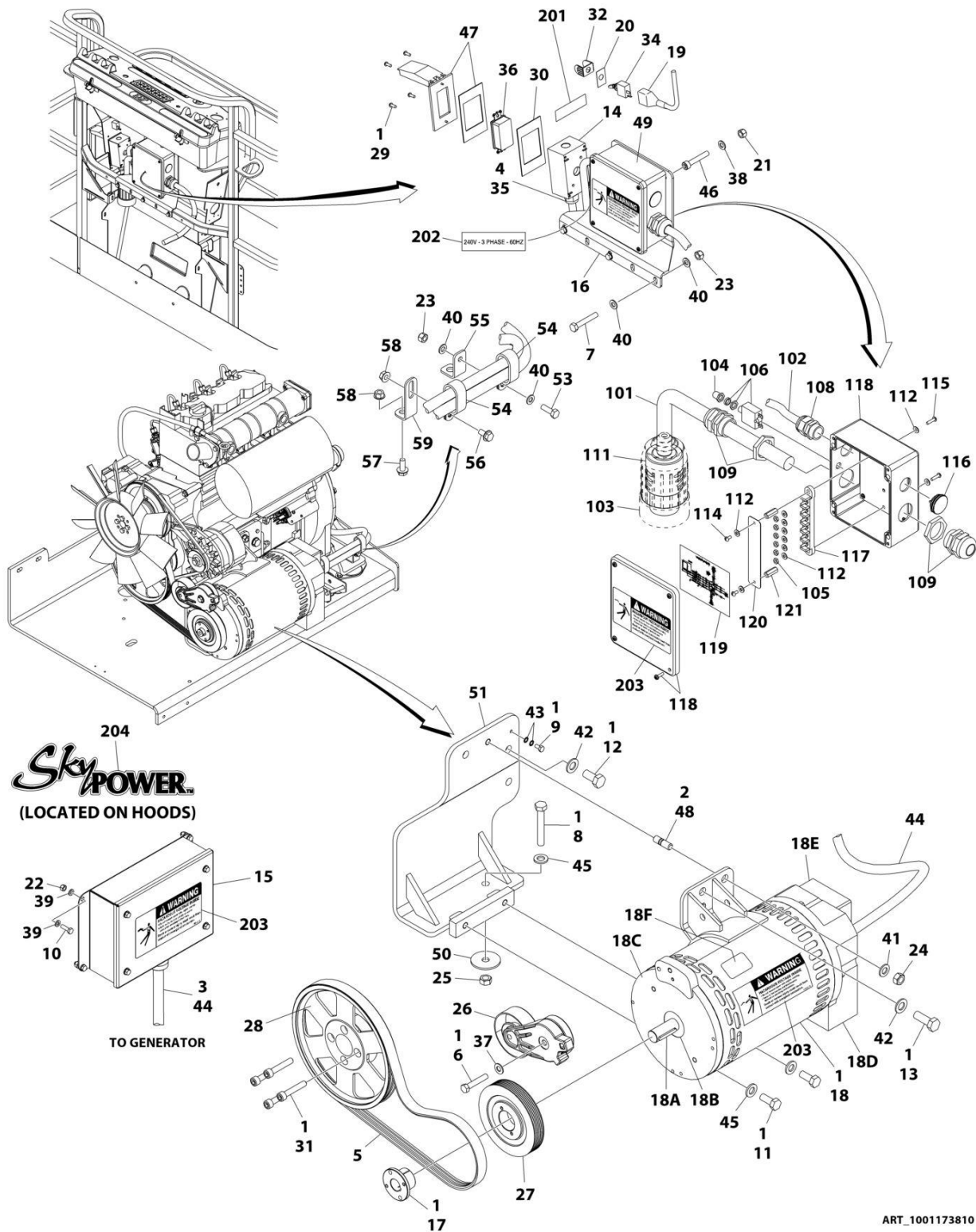
ITEM	PART NUMBER	QTY	DESCRIPTION	REV
20	3290505	4	Nut M5	
21	3290605	4	Nut M6	
22	3290805	4	Nut M8	
23	3291201	1	Nut M12	
24	3331211	1	Nut M12	
25	3580317	1	Pulley	
26	3580319	1	Pulley	
27	3580320	1	Pulley	
28	4032015	4	Bolt M10 x 55	
29	4060802	1	Guard, Switch	
30	4240099	AR	Tie-Strap (Not Shown)	
31	4360336	1	Switch, Toggle	
32	4711600	1	Washer 3/8	
33	4811600	4	Washer M5	
34	4811700	8	Washer M6	
35	4811900	8	Washer M8	
36	4812100	1	Washer M12	
37	4812200	3	Washer M14	
38	4871700	2	Washer M6	
39	4922925	1	Harness, Generator	
39	4460225	1	Plug, Male 6 Position (Plugs into Generator)	
39	See Note	NSS	Socket, Female (Use with 4460225)	
39	See Note	NSS	Seal, Plug (Use with 4460225)	
39	See Note	NSS	Seal, Interface (Use with 4460225)	
40	5241200	3	Washer M12 Hardened	
41	1001104029	4	Screw M5 x 30	
42	1001196382	1	Stud	
43	1001157525	1	Junction Box Assembly (See Items 101-117 for Breakdown)	
44	1001168018	1	Washer, Snubbing	
45	1001173925	1	Mount	
46	1001174675	1	Wiring Diagram (Not Shown)	
46	4922641	1	Harness, On/Off Switch (Not Shown - Located at Platform)	
47	0760812	1	Bolt M8 x 25	
48	1321716	2	Clamp	
49	1001148641	1	Bracket	
50	5250808	1	Bolt M8 x 16	
51	5250810	1	Bolt M8 x 20	
52	5260800	2	Nut M8	
53	1001223122	1	Support	
	1001157525	Ref	JUNCTION BOX ASSEMBLY	B
101	3300396	1	Cover, Fuse	
102	3311001	6	Nut #10	
103	3520189	1	Plug	
104	3520192	1	Plug	
105	4360070	1	Circuit Breaker - 15Amp	
106	4460425	1	Connector, Strain Relief	
107	4460426	2	Connector, Strain Relief	
109	4711000	10	Flatwasher #10	
110	10702077	2	Screw #10 x 3/8	
111	10702082	2	Screw #10 x 3/4	
112	1001152525	1	Plug	

SECTION 3 - ENGINE

ITEM	PART NUMBER	QTY	DESCRIPTION	REV
113	1001157520	1	Block, Terminal	
114	1001157521	1	Box, Junction	
115	1001157528	1	Decal - Wiring Schematic	
116	1001158007	1	Cover, PVC	
117	1001158008	2	Stand-Off	
	0272589	Ref	DECAL INSTALLATION	A
201	1705460	2	Decal - SkyPower	
202	1705461	1	Decal - 240V - 3 Phase - 50Hz	
203	1705489	3	Decal - Hazardous Voltage	

SECTION 3 - ENGINE

FIGURE 3-59. 7500W/60HZ SKYPOWER GENERATOR INSTALLATION - DEUTZ D2011 ENGINES



SECTION 3 - ENGINE

FIGURE 3-59. 7500W/60HZ SKYPOWER GENERATOR INSTALLATION - DEUTZ D2011 ENGINES

ITEM	PART NUMBER	QTY	DESCRIPTION	REV
	1001173810	Ref	GENERATOR INSTALLATION - 7500W/60Hz (DEUTZ D2011 ENGINE)	F
1	0100011	AR	Compound, Locking	
2	0100019	AR	Compound, Locking	
3	0100048	AR	Grease, Dielectric	
4	0100079	AR	Sealant	
5	0480128	1	Belt	
6	0641616	1	Bolt 3/8 x 2	
7	0700818	3	Bolt M8 x 50	
8	0711224	1	Bolt M12 x 80 Grade 10.9	
9	0760606	1	Bolt M6 x 12	
10	0760610	4	Bolt M6 x 20	
11	0761214	2	Bolt M12 x 30	
12	0771414	2	Bolt M14 x 30 Grade 10.9	
13	0771416	1	Bolt M14 x 40	
14	0860038	1	Box, Switch	
15	0861538	1	Control Box Assembly	
15	7024488	1	Card, Circuit - Generator Power	
15	See Note	NSS	Fuse (Note: Not Available - Purchase Locally)	
15	7024489	1	Card, Circuit - Control	
15	70000619	1	Harness, Control Box (Internal)	
16	0902888	1	Bracket	
17	0962520	1	Bushing	
18	2460048	1	Generator Assembly	
18	70001100	1	Rotor (Includes p/n 70001384 & 70000863) (Not Shown)	
18	70001384	1	Bearing, Ball Radial (Not Shown)	
18	70000863	1	Fan (Not Shown)	
18	70002088	1	Stator (Not Shown)	
18	70002297	1	Stud	
18	70003631	1	Brushholder Assembly (Not Shown)	
18A	70004171	1	Key	
18B	70001966	1	Bearing, Ball Radial (Located in Belt Tensioner Endbell)	
18B	70003708	1	Ring, Internal Retaining (Located in Belt Tensioner Endbell)	
18B	70003709	1	Ring, External Retaining (Located in Belt Tensioner Endbell)	
18C	70001953	1	Endbell, Belt Tensioner	
18D	70004169	1	Endbell, Brush Block	
18E	70004169	1	Shroud	
18E	See Note	NSS	Insulator, Endbell (Note: Not Available for Purchase)	
18E	7027799	1	Block, Connector 6 Position (Not Shown)	
18E	70002460	1	Nut, Brass (Attaches p/n 7027799 to Cover) (Not Shown)	
18E	7024485	1	Breaker, Circuit 30Amp (Not Shown)	
18E	70001696	1	Boot, Breaker (Not Shown)	
18E	7026626	1	Connector, 6 Position (Includes Seal) (Not Shown - Plugs into Item 39)	
18E	7026597	1	Connector, with Leads (Not Shown)	
18E	7026188	1	Clamp, Cable Options (Not Shown)	
18E	70004169	1	Plate, End Panel	
18E	70001974	1	Decal - Terminal Connections	
18F	70001973	1	Decal - Warning Moving Parts	
19	2820031	AR	Heat Shrink	

SECTION 3 - ENGINE

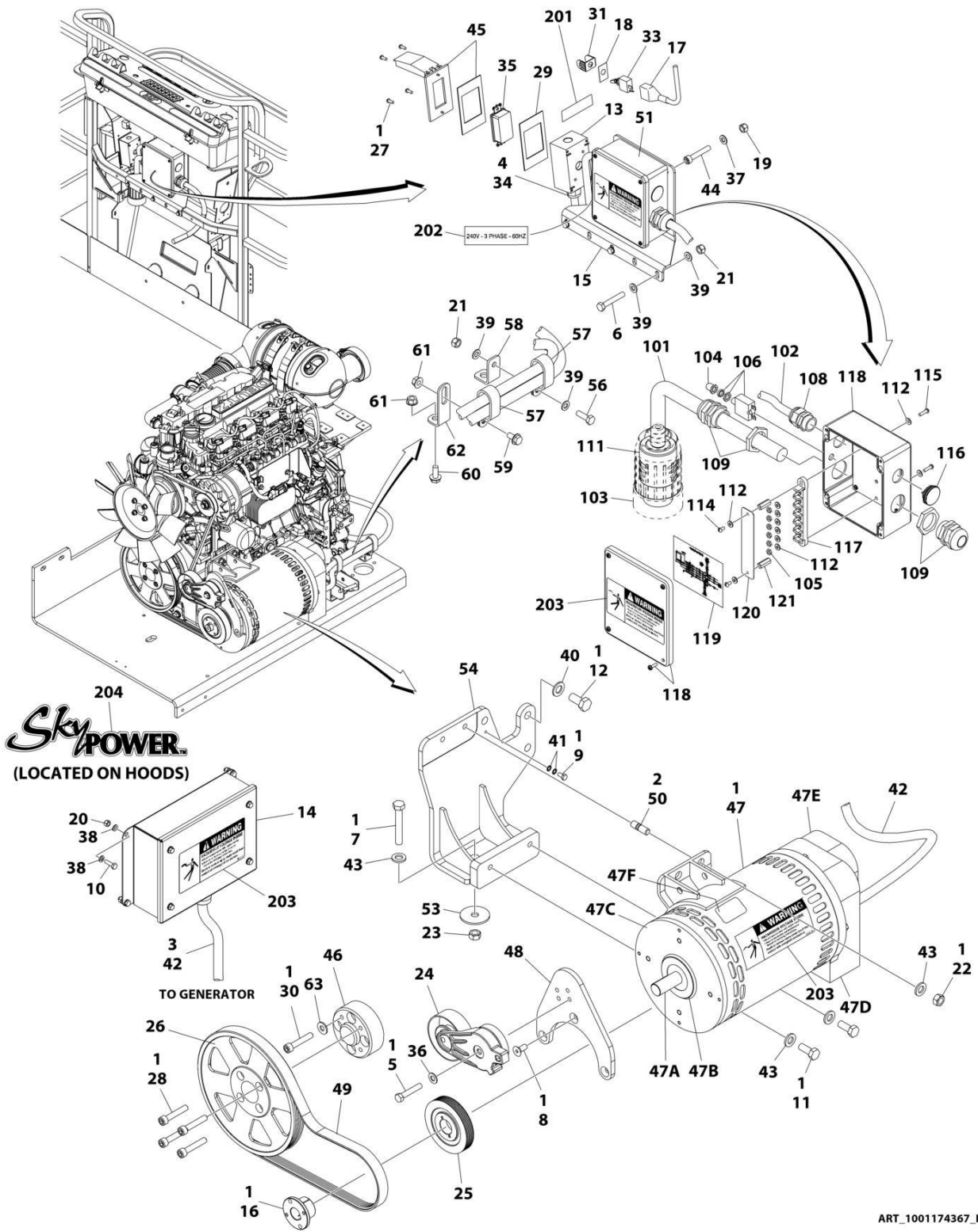
ITEM	PART NUMBER	QTY	DESCRIPTION	REV
20	3252764	1	Nameplate	
21	3290505	4	Nut M5	
22	3290605	4	Nut M6	
23	3290805	4	Nut M8	
24	3291201	1	Nut M12	
25	3331211	1	Nut M12	
26	3580317	1	Pulley	
27	3580318	1	Pulley	
28	3580320	1	Pulley	
29	3910606	4	Screw #6 x 3/8	
30	3960422	1	Gasket	
31	4032015	4	Bolt M10 x 55	
32	4060802	1	Guard, Switch	
33	4240099	AR	Tie-Strap (Not Shown)	
34	4360336	1	Switch, Toggle	
35	4460071	1	Connector, Strain Relief	
36	4460346	1	Receptacle	
37	4711600	1	Washer 3/8	
38	4811600	4	Washer M5	
39	4811700	8	Washer M6	
40	4811900	8	Washer M8	
41	4812100	1	Washer M12	
42	4812200	3	Washer M14	
43	4871700	2	Washer M6	
44	4922925	1	Harness, Generator	
44	4460225	1	Plug, Male 6 Position (Plugs into Generator)	
44	See Note	NSS	Socket, Female (Use with 4460225)	
44	See Note	NSS	Seal, Plug (Use with 4460225)	
44	See Note	NSS	Seal, Interface (Use with 4460225)	
45	5241200	3	Washer M12 Hardened	
46	1001104029	4	Screw M5 x 30	
47	1001110873	1	Shield, Cover	
48	1001196382	1	Stud	
49	1001157592	1	Junction Box Assembly Options (See Items 101-121 for Breakdown)	
50	1001168018	1	Washer, Snubbing	
51	1001173925	1	Mount	
52	1001174675	1	Wiring Diagram (Not Shown)	
52	4922641	1	Harness, On/Off Switch (Not Shown - Located at Platform)	
53	0760812	1	Bolt M8 x 25	
54	1321716	2	Clamp	
55	1001148641	1	Bracket	
56	5250808	1	Bolt M8 x 16	
57	5250810	1	Bolt M8 x 20	
58	5260800	2	Nut M8	
59	1001223122	1	Support	
	1001157592	Ref	JUNCTION BOX ASSEMBLY	C
101	1060343	1.5 ft /0.5m	Cable, Electrical 10/4	
102	1001179154	2.5 ft /0.8m	Cable, Electrical 12/3	
103	1671092	1	Cover	

SECTION 3 - ENGINE

ITEM	PART NUMBER	QTY	DESCRIPTION	REV
104	3300396	1	Cover, Fuse	
105	3311001	6	Nut #10	
106	4360070	1	Circuit Breaker - 15Amp	
108	4460425	1	Connector, Strain Relief	
109	4460426	2	Connector, Strain Relief	
111	4460963	1	Connector	
112	4711000	10	Flatwasher #10	
114	10702077	2	Screw #10 x 3/8	
115	10702082	2	Screw #10 x 3/4	
116	1001152525	1	Plug	
117	1001157520	1	Block, Terminal	
118	1001157521	1	Box, Junction	
119	1001157528	1	Decal - Wiring Schematic	
120	1001158007	1	Cover, PVC	
121	1001158008	2	Stand-Off	
	0272435	Ref	DECAL INSTALLATION	D
	0273380	Ref	DECAL INSTALLATION	B
201	3251243	1	Decal - 120V - 60Hz	
202	1705375	1	Decal - 240V - 3 Phase - 60Hz	
203	1705387	3	Decal - Hazardous Voltage	
204	1705460	2	Decal - SkyPower	

SECTION 3 - ENGINE

FIGURE 3-60. 7500W/60HZ SKYPOWER GENERATOR INSTALLATION - DEUTZ D2.9L4 ENGINES



SECTION 3 - ENGINE

FIGURE 3-60. 7500W/60HZ SKYPOWER GENERATOR INSTALLATION - DEUTZ D2.9L4 ENGINES

ITEM	PART NUMBER	QTY	DESCRIPTION	REV
	1001174367	Ref	GENERATOR INSTALLATION - 7500W/60Hz (DEUTZ D2.9L4 ENGINE)	J
1	0100011	AR	Compound, Locking	
2	0100019	AR	Compound, Locking	
3	0100048	AR	Grease, Dielectric	
4	0100079	AR	Sealant	
5	0641616	1	Bolt 3/8 x 2	
6	0700818	3	Bolt M8 x 50	
7	0711224	Ref	Bolt M12 x 80 Grade 10.9	
8	0741607	3	Screw 3/8 x 7/8	
9	0760606	1	Bolt M6 x 12	
10	0760610	4	Bolt M6 x 20	
11	0761212	2	Bolt M12 x 25	
12	0771414	Ref	Bolt M14 x 30 Grade 10.9	
13	0860038	1	Box, Switch	
14	0861538	1	Control Box Assembly	
14	7024488	1	Card, Circuit - Generator Power	
14	See Note	NSS	Fuse (Note: Not Available - Purchase Locally)	
14	7024489	1	Card, Circuit - Control	
14	70000619	1	Harness, Control Box (Internal)	
15	0902888	1	Bracket	
16	0962520	1	Bushing	
17	2820031	AR	Heat Shrink	
18	3252764	1	Nameplate	
19	3290505	4	Nut M5	
20	3290605	4	Nut M6	
21	3290805	4	Nut M8	
22	3291201	2	Nut M12	
23	3331211	Ref	Nut M12	
24	3580317	1	Pulley	
25	3580318	1	Pulley	
26	3580320	1	Pulley	
27	3910606	4	Screw #6 x 3/8	
28	3931628	4	Capscrew 3/8 x 1-3/4	
29	3960422	1	Gasket	
30	4032014	4	Bolt M10 x 50	
31	4060802	1	Guard, Switch	
32	4240099	AR	Tie-Strap (Not Shown)	
33	4360336	1	Switch, Toggle	
34	4460071	1	Connector, Strain Relief	
35	4460346	1	Receptacle	
36	4711600	1	Washer 3/8	
37	4811600	4	Washer M5	
38	4811700	8	Washer M6	
39	4811900	8	Washer M8	
40	4812200	Ref	Washer M14	
41	4871700	2	Washer M6	
42	4922925	1	Harness, Generator	
42	4460225	1	Plug, Male 6 Position (Plugs into Generator)	
42	See Note	NSS	Socket, Female (Use with 4460225)	

SECTION 3 - ENGINE

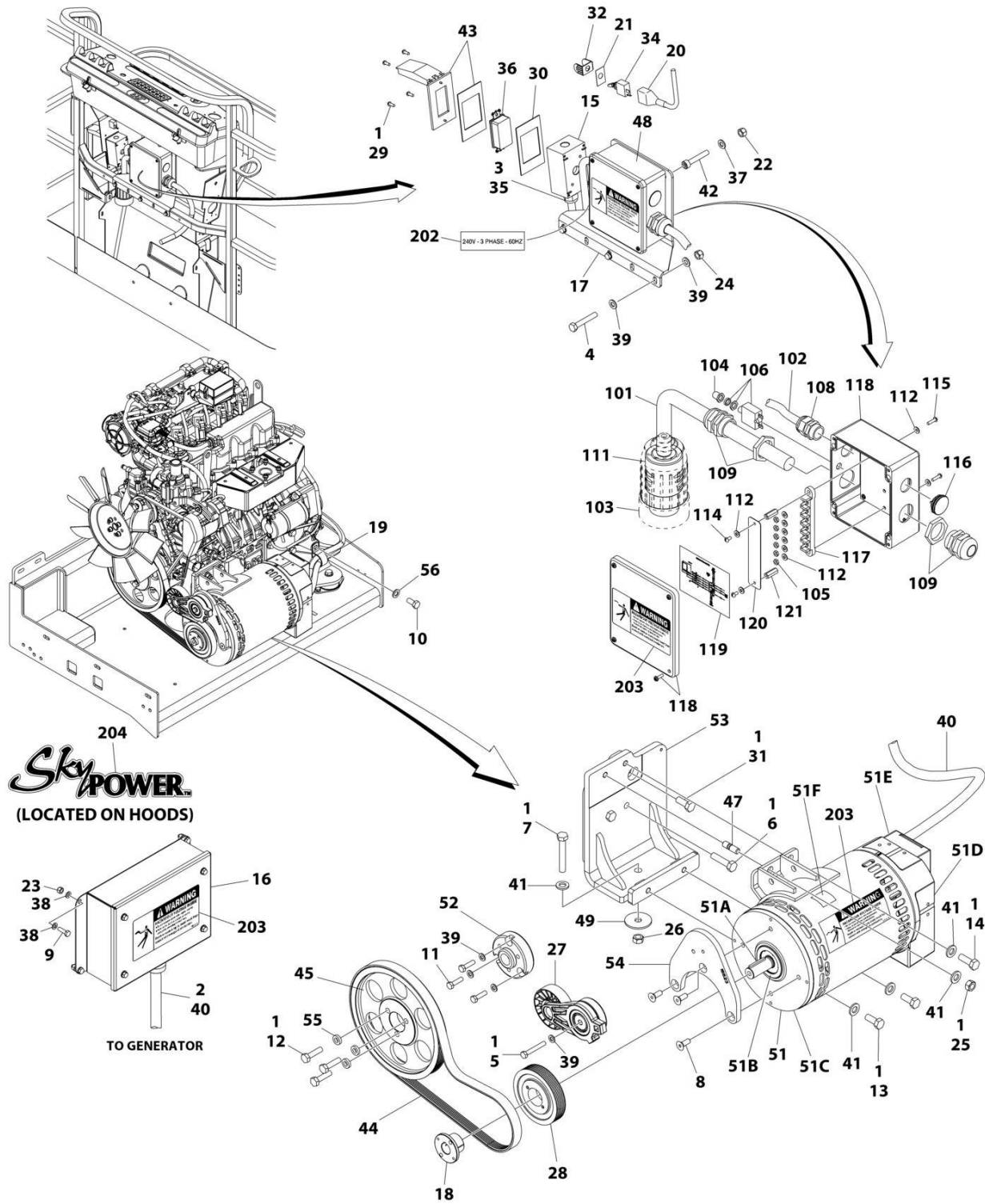
ITEM	PART NUMBER	QTY	DESCRIPTION	REV
42	See Note	NSS	Seal, Plug (Use with 4460225)	
42	See Note	NSS	Seal, Interface (Use with 4460225)	
43	5241200	5	Washer M12 Hardened	
44	1001104029	4	Screw M5 x 30	
45	1001110873	1	Shield, Cover	
46	1001135679	1	Adapter	
47	1001212223	1	Generator Assembly	
47	70001100	1	Rotor (Includes p/n 70001384 & 70000863) (Not Shown)	
47	70001384	1	Bearing, Ball Radial (Not Shown)	
47	70000863	1	Fan (Not Shown)	
47	70006093	1	Stator (Not Shown)	
47	70002297	1	Stud	
47	70003631	1	Brushholder Assembly (Not Shown)	
47A	70004099	1	Key	
47B	70001966	1	Bearing, Ball Radial (Located in Belt Tensioner Endbell)	
47B	70003708	1	Ring, Internal Retaining (Located in Belt Tensioner Endbell)	
47B	70003709	1	Ring, External Retaining (Located in Belt Tensioner Endbell)	
47C	70004092	1	Endbell, Belt Tensioner	
47D	70004094	1	Endbell, Brush Block	
47E	70006094	1	Shroud	
47E	70002291	1	Insulator, Endbell	
47E	7027799	1	Block, Connector 6 Position (Not Shown)	
47E	70002460	1	Nut, Brass (Attaches p/n 7027799 to Cover) (Not Shown)	
47E	70006095	1	Breaker, Circuit 30Amp (Not Shown)	
47E	70006096	1	Guard, Breaker (Not Shown)	
47E	7026626	1	Connector, 6 Position (Includes Seal) (Not Shown - Plugs into Item 36)	
47E	7026597	1	Connector, with Leads (Not Shown)	
47E	70004098	1	Clamp, Cable (Not Shown)	
47E	70006097	1	Plate, End Panel	
47E	70001974	1	Decal - Terminal Connections	
47F	70001973	1	Decal - Warning Moving Parts	
48	1001142643	1	Support	
49	1001142646	1	Belt	
50	1001196382	2	Stud	
51	1001157592	1	Junction Box Assembly Options (See Items 101-121 for Breakdown)	
53	1001168018	Ref	Washer, Snubbing	
54	1001168207	Ref	Support	
55	1001174675	1	Wiring Diagram (Not Shown)	
55	4922641	1	Harness, On/Off Switch (Not Shown - Located at Platform)	
56	0760812	1	Bolt M8 x 25	
57	1321716	2	Clamp	
58	1001148641	1	Bracket	
59	5250808	1	Bolt M8 x 16	
60	5250810	1	Bolt M8 x 20	
61	5260800	2	Nut M8	
62	1001223122	1	Support	
63	4812000	4	Washer M10	
	1001157592	Ref	JUNCTION BOX ASSEMBLY	C
101	1060343	1.5 ft/ 0.5m	Cable, Electrical 10/4	

SECTION 3 - ENGINE

ITEM	PART NUMBER	QTY	DESCRIPTION	REV
102	1001179154	2.5 ft/ 0.8m	Cable, Electrical 12/3	
103	1671092	1	Cover	
104	3300396	1	Cover, Fuse	
105	3311001	6	Nut #10	
106	4360070	1	Circuit Breaker - 15Amp	
108	4460425	1	Connector, Strain Relief	
109	4460426	2	Connector, Strain Relief	
111	4460963	1	Connector	
112	4711000	10	Flatwasher #10	
114	10702077	2	Screw #10 x 3/8	
115	10702082	2	Screw #10 x 3/4	
116	1001152525	1	Plug	
117	1001157520	1	Block, Terminal	
118	1001157521	1	Box, Junction	
119	1001157528	1	Decal - Wiring Schematic	
120	1001158007	1	Cover, PVC	
121	1001158008	2	Stand-Off	
	0272435	Ref	DECAL INSTALLATION	D
	0273380	Ref	DECAL INSTALLATION	B
201	3251243	1	Decal - 120V - 60Hz	
202	1705375	1	Decal - 240V - 3 Phase - 60Hz	
203	1705387	3	Decal - Hazardous Voltage	
204	1705460	2	Decal - SkyPower	

SECTION 3 - ENGINE

FIGURE 3-61. 7500W/60HZ SKYPOWER GENERATOR INSTALLATION - KUBOTA ENGINES



ART_1001214910

SECTION 3 - ENGINE

FIGURE 3-61. 7500W/60HZ SKYPOWER GENERATOR INSTALLATION - KUBOTA ENGINES

ITEM	PART NUMBER	QTY	DESCRIPTION	REV
	1001214910	Ref	GENERATOR INSTALLATION - 7500W/60HZ (KUBOTA ENGINE)	C
1	0100011	AR	Compound, Locking	
2	0100048	AR	Grease, Dielectric	
3	0100079	AR	Sealant	
4	0700818	3	Bolt M8 x 50	
5	0700819	1	Bolt M8 x 55	
6	1001217344	2	Bolt M12 x 50	
7	0711224	AR	Bolt M12 x 80 Grade 10.9	
7	0701224	AR	Bolt M12 x 80	
8	0741608	3	Screw 3/8 x 1	
9	0760610	4	Bolt M6 x 20	
10	1001217345	1	Bolt M14 x 30	
11	0760814	3	Bolt M8 x 30	
12	0701016	3	Bolt M10 x 40	
13	0761214	2	Bolt M12 x 30	
14	0761215	1	Bolt M12 x 35	
15	0860038	1	Box, Switch	
16	0861538	1	Control Box Assembly	
16	7024488	1	Card, Circuit - Generator Power	
16	See Note	NSS	Fuse (Note: Not Available - Purchase Locally)	
16	7024489	1	Card, Circuit - Control	
16	70000619	1	Harness, Control Box (Internal)	
17	0902888	1	Bracket	
18	0962520	1	Bushing	
19	84521062	1	Clamp	
20	2820031	AR	Heat Shrink	
21	3252764	1	Nameplate	
22	3290505	4	Nut M5	
23	3290605	4	Nut M6	
24	3290805	3	Nut M8	
25	3291201	AR	Nut M12	
26	3331211	AR	Nut M12	
27	3580317	1	Pulley	
28	3580318	1	Pulley	
29	3910606	4	Screw #6 x 3/8	
30	3960422	1	Gasket	
31	1001217342	1	Bolt M12 x 30	
32	4060802	1	Guard, Switch	
33	4240099	AR	Tie-Strap (Not Shown)	
34	4360336	1	Switch, Toggle	
35	4460071	1	Connector, Strain Relief	
36	4460346	1	Receptacle	
37	4811600	4	Washer M5	
38	4811700	8	Washer M6	
39	4811900	10	Washer M8	
40	4922925	1	Harness, Generator	
40	4460225	1	Plug, Male - 6 Position (Plugs into Generator)	
40	See Note	NSS	Socket, Female (Use with 4460225)	
40	See Note	NSS	Seal, Plug (Use with 4460225)	
40	See Note	NSS	Seal, Interface (Use with 4460225)	

SECTION 3 - ENGINE

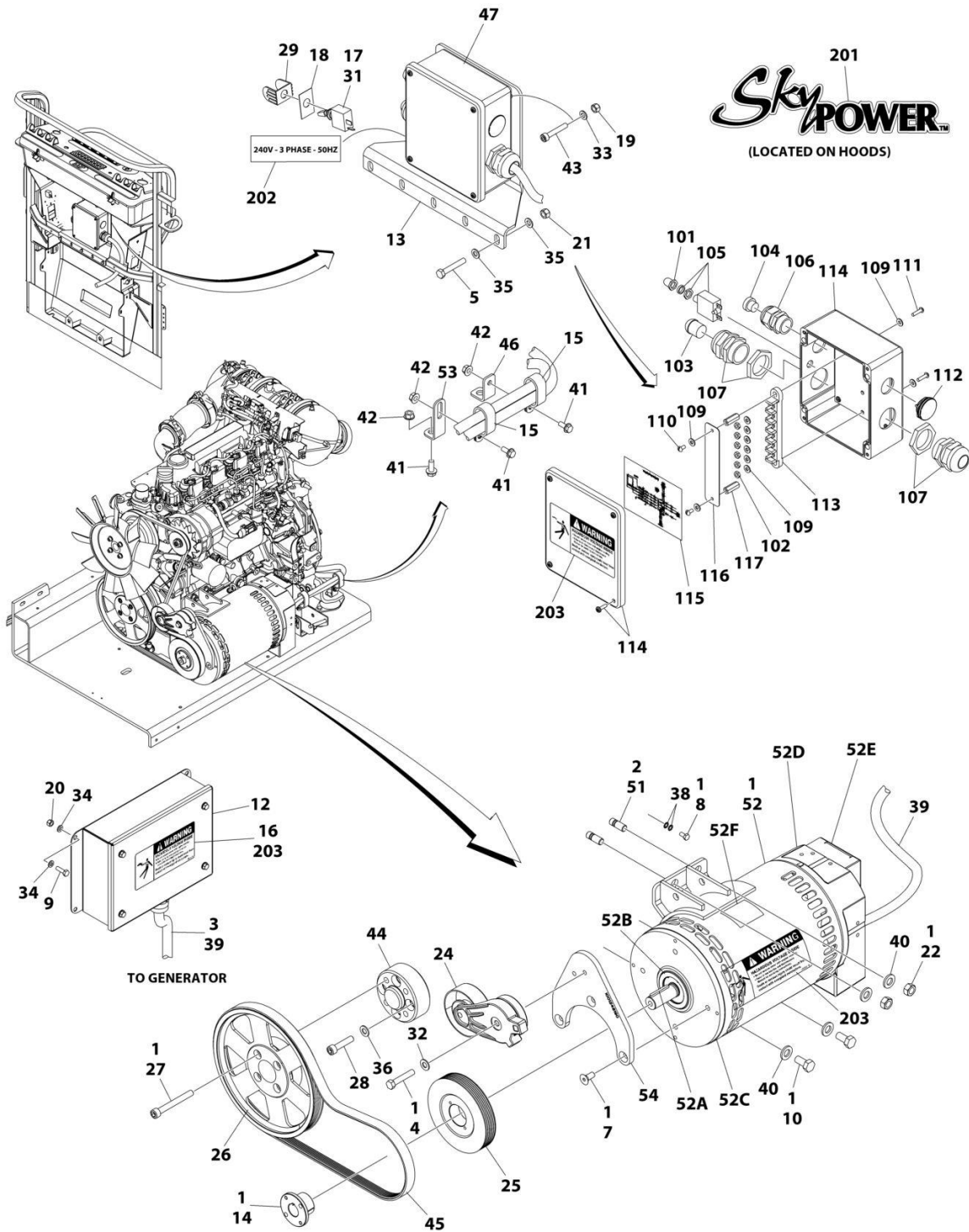
ITEM	PART NUMBER	QTY	DESCRIPTION	REV
41	5241200	5	Washer M12 Hardened	
42	1001104029	4	Screw M5 x 30	
43	1001110873	1	Shield, Cover	
44	0480129	1	Belt	
45	1001147233	1	Pulley	
47	1001155041	1	Stud	
48	1001157592	1	Junction Box Assembly (See Items 101-121 for Breakdown)	
49	1001168018	1	Washer, Snubbing	
50	1001174675	1	Wiring Diagram (Not Shown)	
50	4922641	1	Harness, On/Off Switch (Not Shown - Located at Platform)	
51	1001212223	1	Generator Assembly	
51	70001100	1	Rotor (Includes p/n 70001384 & 70000863) (Not Shown)	
51	70001384	1	Bearing, Ball Radial (Not Shown)	
51	70000863	1	Fan (Not Shown)	
51	70006093	1	Stator (Not Shown)	
51	70002297	1	Stud	
51	70003631	1	Brushholder Assembly (Not Shown)	
51A	70004099	1	Key	
51B	70001966	1	Bearing, Ball Radial (Located in Belt Tensioner Endbell)	
51B	70003708	1	Ring, Internal Retaining (Located in Belt Tensioner Endbell)	
51B	70003709	1	Ring, External Retaining (Located in Belt Tensioner Endbell)	
51C	70004092	1	Endbell, Belt Tensioner	
51D	70004094	1	Endbell, Brush Block	
51E	70006094	1	Shroud	
51E	70002291	1	Insulator, Endbell	
51E	7027799	1	Block, Connector 6 Position (Not Shown)	
51E	70002460	1	Nut, Brass (Attaches p/n 7027799 to Cover) (Not Shown)	
51E	70006095	1	Breaker, Circuit 30Amp (Not Shown)	
51E	70006096	1	Guard, Breaker (Not Shown)	
51E	7026626	1	Connector, 6 Position (Includes Seal) (Not Shown - Plugs into Item 36)	
51E	70004098	1	Clamp, Cable (Not Shown)	
51E	70006097	1	Plate, End Panel	
51E	70001974	1	Decal - Terminal Connections	
51F	70001973	1	Decal - Warning Moving Parts	
52	1001213029	1	Adapter, Pulley	
53	1001214546	1	Support	
54	1001215523	1	Support	
55	1001216805	3	Spacer	
56	4812200	1	Washer M14	
	1001157592	Ref	JUNCTION BOX ASSEMBLY	C
101	1060343	1.5 ft/ 0.5m	Cable, Electrical 10/4	
102	1001179154	2.5 ft/ 0.8m	Cable, Electrical 12/3	
103	1671092	1	Cover	
104	3300396	1	Cover, Fuse	
105	3311001	6	Nut #10	
106	4360070	1	Circuit Breaker - 15Amp	
108	4460425	1	Connector, Strain Relief	
109	4460426	2	Connector, Strain Relief	
111	4460963	1	Connector	

SECTION 3 - ENGINE

ITEM	PART NUMBER	QTY	DESCRIPTION	REV
112	4711000	10	Washer #10	
114	10702077	2	Screw #10 x 3/8	
115	10702082	2	Screw #10 x 3/4	
116	1001152525	1	Plug	
117	1001157520	1	Block, Terminal	
118	1001157521	1	Box, Junction	
119	1001157528	1	Decal - Wiring Schematic	
120	1001158007	1	Cover, PVC	
121	1001158008	2	Stand-Off	
	0272435	Ref	DECAL INSTALLATION	D
	0273380	Ref	DECAL INSTALLATION	B
201	3251243	1	Decal - 120V - 60Hz	
202	1705375	1	Decal - 240V-3 Phase-60Hz	
203	1705387	3	Decal - Hazardous Voltage	
204	1705460	2	Decal - SkyPower	

SECTION 3 - ENGINE

FIGURE 3-62. 7500W/50HZ SKYPOWER GENERATOR INSTALLATION (DEUTZ D2.9L4 (STAGE V) ENGINES)



ART_1001247655_F

SECTION 3 - ENGINE

FIGURE 3-62. 7500W/50HZ SKYPOWER GENERATOR INSTALLATION (DEUTZ D2.9L4 (STAGE V) ENGINES)

ITEM	PART NUMBER	QTY	DESCRIPTION	REV
	1001247655	Ref	GENERATOR INSTALLATION - 7500W/50HZ (DEUTZ D2.9L4 (STAGE V) ENGINE)	F
1	0100011	AR	Compound, Locking	
2	0100019	AR	Compound, Locking	
3	0100048	AR	Grease, Dielectric	
4	0641616	1	Bolt 3/8 x 2	
5	0700818	3	Bolt M8 x 50	
7	0741607	3	Screw 3/8 x 7/8	
8	0760606	1	Bolt M6 x 12	
9	0760610	4	Bolt M6 x 20	
10	0761212	2	Bolt M12 x 25	
12	0861572	1	Control Box Assembly	
13	0902888	1	Bracket	
14	0962520	1	Bushing	
15	1321716	2	Clamp	
16	1705489	1	Decal - Hazardous Voltage	
17	2820031	0.33 ft/ 0.10m	Heat Shrink	
18	3252764	1	Nameplate	
19	3290505	4	Nut M5	
20	3290605	4	Nut M6	
21	3290805	3	Nut M8	
22	3291201	2	Nut M12	
24	3580317	1	Pulley	
25	3580319	1	Pulley	
26	1001281192	1	Pulley	
27	1001261085	4	Capscrew M10 x 85	
28	1001261045	4	Capscrew M10 x 45	
29	4060802	1	Guard, Switch	
30	4240099	AR	Tie-Strap (Not Shown)	
31	4360336	1	Switch, Toggle	
32	4711600	1	Washer 3/8	
33	4811600	4	Washer M5	
34	4811700	8	Washer M6	
35	4811900	6	Washer M8	
36	4812000	4	Washer M10	
38	4871700	2	Washer M6	
39	4922925	1	Harness, Generator	
40	5241200	4	Washer M12 Hardened	
41	5250810	3	Bolt M8 x 20	
42	5260800	3	Nut M8	
43	1001104029	4	Screw M5 x 30	
44	1001258800	1	Adapter	
45	1001148059	1	Belt, Generator	
46	1001148641	1	Bracket	
47	1001157525	1	Junction Box Assembly (See Items 101-117 for Breakdown)	
50	1001174675	1	Wiring Diagram (Not Shown)	
51	1001196382	2	Stud	
52	1001212223	1	Generator Assembly	

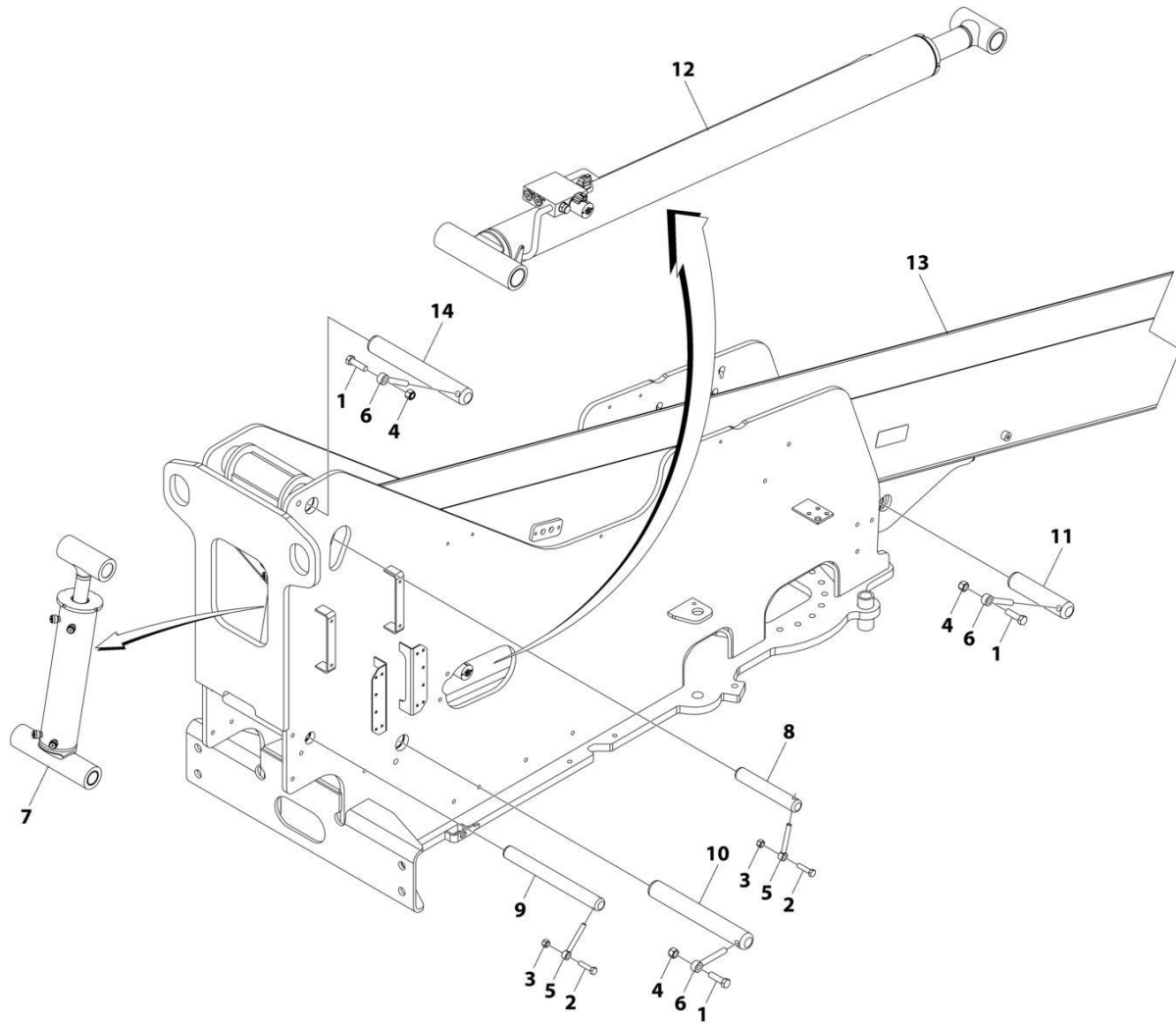
SECTION 3 - ENGINE

ITEM	PART NUMBER	QTY	DESCRIPTION	REV
52	70001100	1	Rotor (Includes p/n 70001384 & 70000863) (Not Shown)	
52	70001384	1	Bearing, Ball Radial (Not Shown)	
52	70000863	1	Fan (Not Shown)	
52	70006093	1	Stator (Not Shown)	
52	70003631	1	Brushholder Assembly (Not Shown)	
52A	70004099	1	Key	
52B	70001966	1	Bearing, Ball Radial (Located in Belt Tensioner Endbell)	
52B	70003708	1	Ring, Internal Retaining (Located in Belt Tensioner Endbell)	
52B	70003709	1	Ring, External Retaining (Located in Belt Tensioner Endbell)	
52C	70004092	1	Endbell, Belt Tensioner	
52D	70004094	1	Endbell, Brush Block	
52E	70006094	1	Shroud	
52E	70002291	1	Insulator, Endbell	
52E	7027799	1	Block, Connector 6 Position (Not Shown)	
52E	70002460	1	Nut, Brass (Attaches p/n 7027799 to Cover) (Not Shown)	
52E	70006095	1	Breaker, Circuit 30Amp	
52E	70006096	1	Boot, Breaker	
52E	7026626	1	Connector, 6 Position (Includes Seal) (Not Shown)	
52E	70006097	1	Plate, End Panel	
52E	70004098	1	Clamp, Cable	
52E	70001974	1	Decal - Terminal Connections	
52F	70001973	1	Decal - Warning Moving Parts	
53	1001223122	1	Support	
54	1001248190	1	Support	
	1001157525	Ref	JUNCTION BOX ASSEMBLY	B
101	3300396	1	Cover, Fuse	
102	3311001	6	Nut #10	
103	3520189	1	Plug	
104	3520192	1	Plug	
105	4360070	1	Circuit Breaker - 15Amp	
106	4460425	1	Connector, Strain Relief	
107	4460426	2	Connector, Strain Relief	
109	4711000	10	Washer #10	
110	10702077	2	Screw #10 x 3/8	
111	10702082	2	Screw #10 x 3/4	
112	1001152525	1	Plug	
113	1001157520	1	Block, Terminal	
114	1001157521	1	Box, Junction	
115	1001157528	1	Decal - Wiring Schematic	
116	1001158007	1	Cover, PVC	
117	1001158008	2	Stand-Off	
	0272589	Ref	DECAL INSTALLATION	A
201	1705460	1	Decal - SkyPower	
202	1705461	1	Decal - 240V - 3 Phase - 50Hz	
203	1705489	1	Decal - Hazardous Voltage	

SECTION 4 - BOOM

SECTION 4 - BOOM

FIGURE 4-1. BOOM INSTALLATION - 400S HC3



ART_1001233896

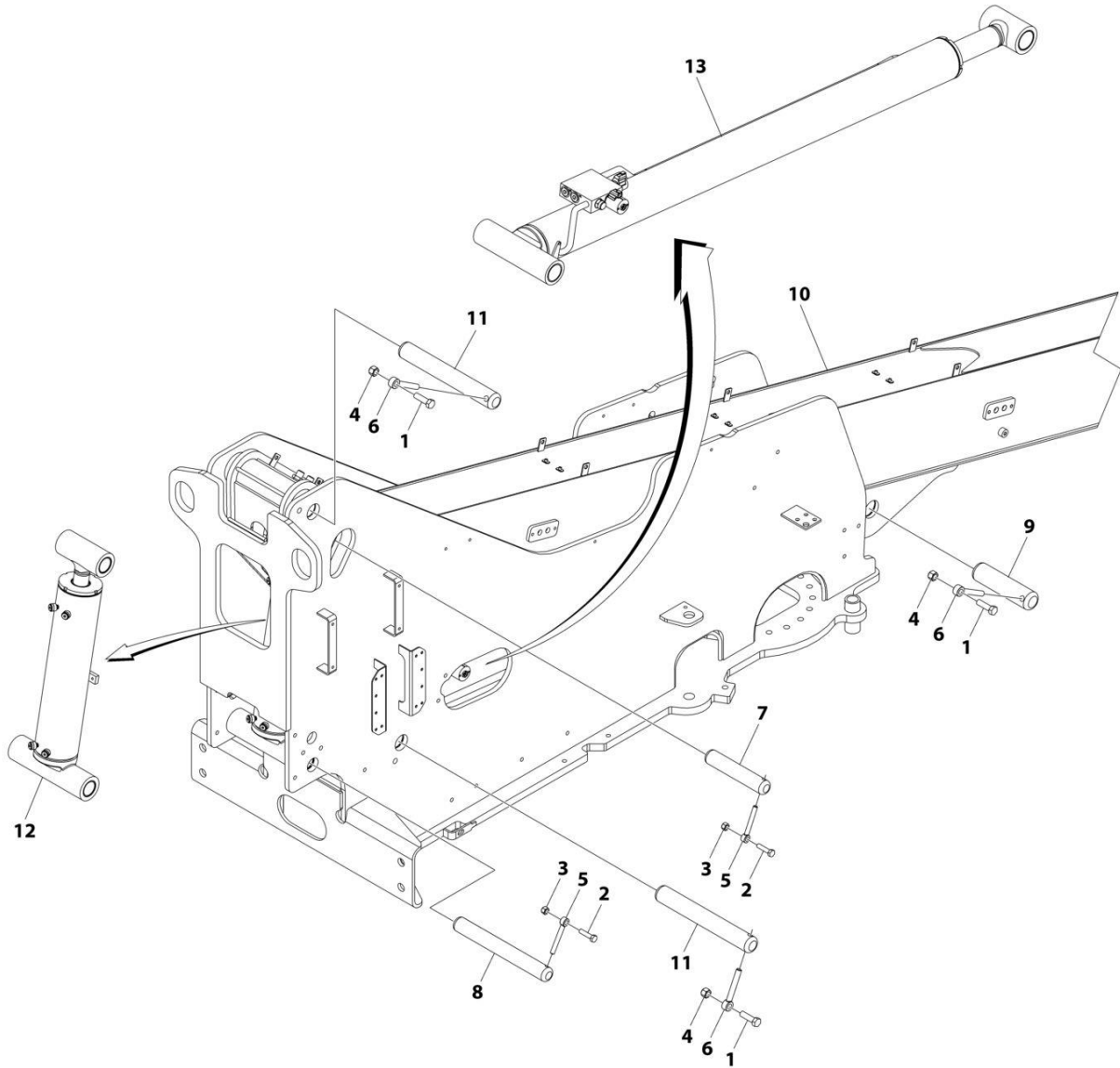
SECTION 4 - BOOM

FIGURE 4-1. BOOM INSTALLATION - 400S HC3

ITEM	PART NUMBER	QTY	DESCRIPTION	REV
	1001233896	Ref	BOOM INSTALLATION - 400S HC3	C
1	0701619	3	Bolt M16 x 55	
2	0761218	2	Bolt M12 x 50	
3	3291205	2	Nut M12	
4	3291605	3	Nut M16	
5	3841203	2	Keeper, Pin	
6	3841258	3	Keeper, Pin	
7	1001163385	1	Master Cylinder Assembly (See Separate Breakdown in CYLINDER SECTION)	
8	1001168843	1	Pin	
9	1001168844	1	Pin	
10	1001168845	1	Pin	
11	1001168854	1	Pin	
12	1001228092	1	Lift Cylinder Assembly (See Separate Breakdown in CYLINDER SECTION)	
13	1001233893	1	Main Boom Assembly (See Separate Breakdown in this Section)	
14	1001237143	1	Pin	

SECTION 4 - BOOM

FIGURE 4-2. BOOM INSTALLATION - 460SJ HC3



ART_1001235833

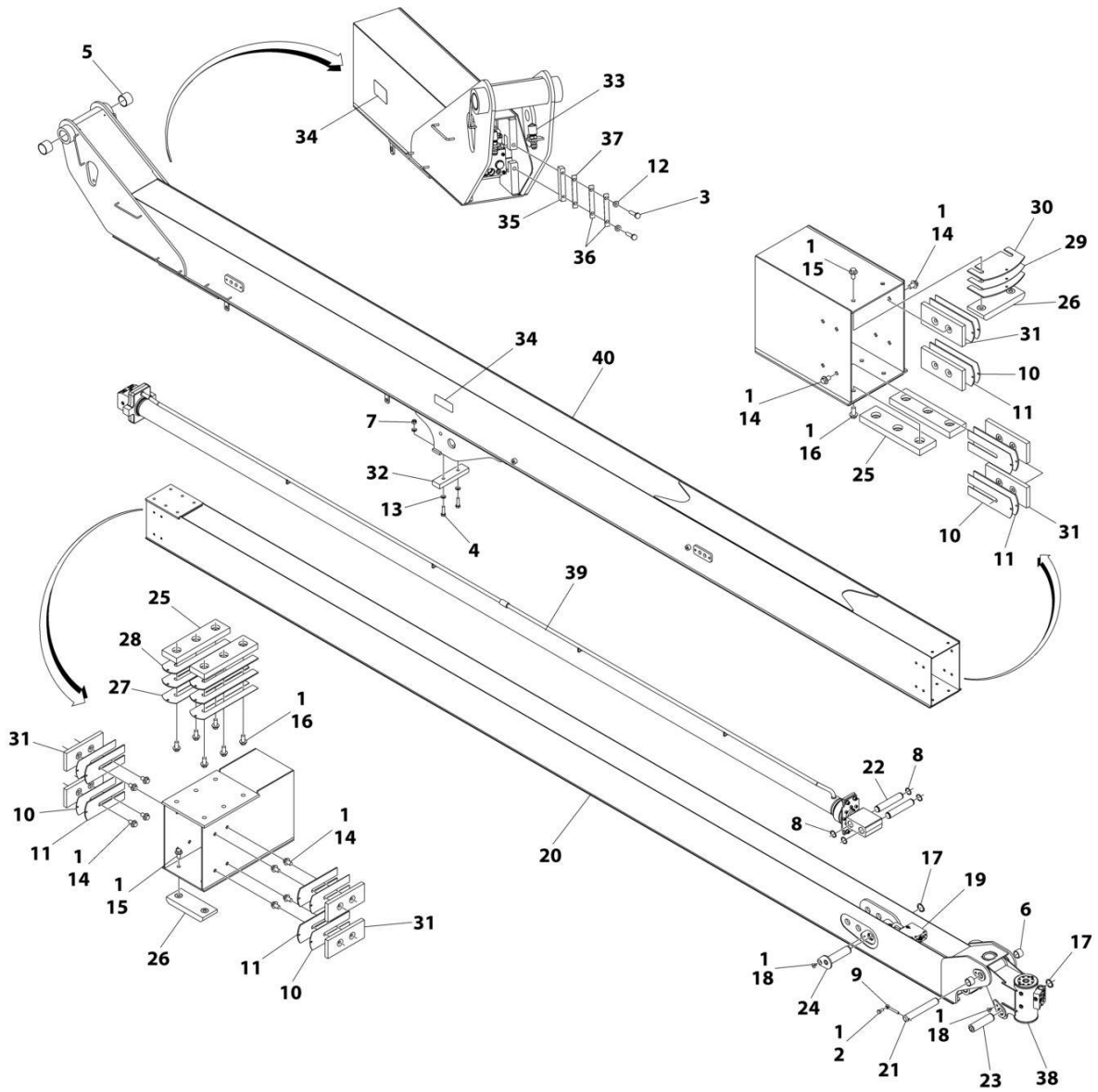
SECTION 4 - BOOM

FIGURE 4-2. BOOM INSTALLATION - 460SJ HC3

ITEM	PART NUMBER	QTY	DESCRIPTION	REV
	1001235833	Ref	BOOM AND CYLINDERS INSTALLATION	C
1	0701619	3	Bolt M16 x 55	
2	0761218	2	Bolt M12 x 50	
3	3291205	2	Nut M12	
4	3291605	3	Nut M16	
5	3841203	2	Keeper, Pin	
6	3841258	3	Keeper, Pin	
7	1001237138	1	Pin	
8	1001237139	1	Pin	
9	1001248396	1	Pin	
10	1001235832	1	Main Boom Assembly (See Separate Breakdown in this Section)	
11	1001237143	2	Pin	
12	1001237698	1	Master Cylinder Assembly (See Separate Breakdown in CYLINDER SECTION)	
13	1001237699	1	Lift Cylinder Assembly (See Separate Breakdown in CYLINDER SECTION)	

SECTION 4 - BOOM

FIGURE 4-3. MAIN BOOM ASSEMBLY - 400S HC3



ART_1001233893

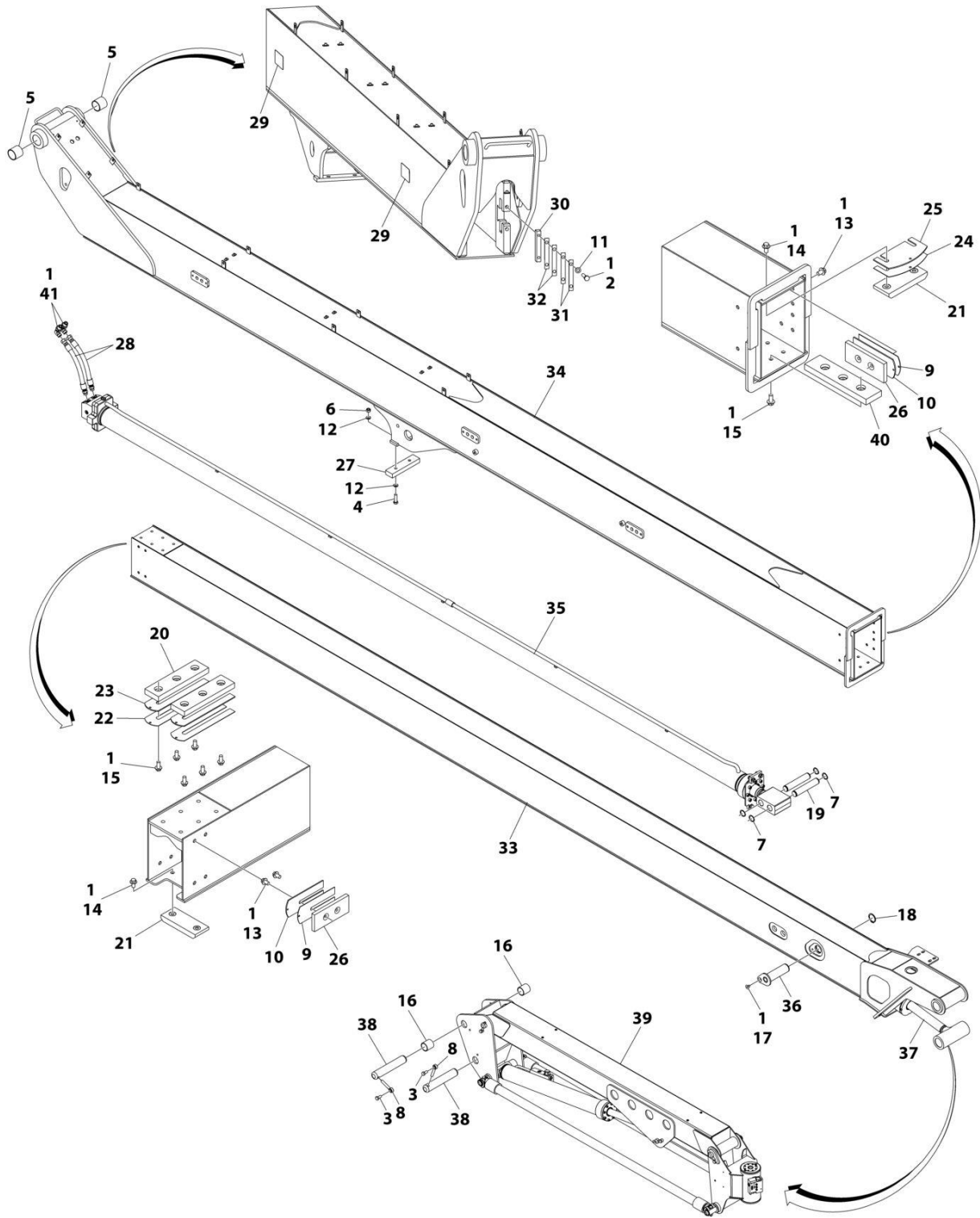
SECTION 4 - BOOM

FIGURE 4-3. MAIN BOOM ASSEMBLY - 400S HC3

ITEM	PART NUMBER	QTY	DESCRIPTION	REV
	1001233893	Ref	MAIN BOOM ASSEMBLY	B
1	0100011	AR	Compound, Locking	
2	0761012	1	Bolt M10 x 25	
3	0761019	4	Bolt M10 x 55	
4	0761217	2	Bolt M12 x 45	
5	0961950	2	Bearing	
6	0961951	2	Bushing	
7	3291205	2	Nut M12	
8	3760133	4	Ring	
9	3841143	1	Keeper, Pin	
10	4070897	AR	Shim 18 Ga	
11	4070898	AR	Shim 11 Ga	
12	4812000	4	Washer M10	
13	4812100	4	Washer M12	
14	5251008	16	Bolt M10 x 16	
15	5251009	4	Bolt M10 x 18	
16	5251011	12	Bolt M10 x 22	
17	1001099560	2	Ring, Retaining	
18	1001137032	2	Screw M10 x 16	
19	1001163386	1	Level (Platform Slave) Cylinder Assembly (See Separate Breakdown in CYLINDER SECTION)	
20	1001163459	1	Fly, Boom	
21	1001168841	1	Pin	
22	1001168842	2	Pin	
23	1001168848	1	Pin	
24	1001168849	1	Pin	
25	1001169284	4	Pad	
26	1001169285	2	Pad	
27	1001169286	AR	Shim	
28	1001169287	AR	Shim	
29	1001169288	AR	Shim	
30	1001169289	AR	Shim	
31	1001169380	8	Pad	
32	1001171067	1	Pad	
33	1001171112	2	Hose	
34	1001171324	3	Cover	
35	1001171667	2	Bar	
36	1001171966	AR	Shim 20Ga	
37	1001171967	AR	Shim 16Ga	
38	1001221927	1	Platform Rotator Assembly (See Separate Breakdown in this Section)	
39	1001251075	1	Telescope Cylinder Assembly (See Separate Breakdown in CYLINDER SECTION)	
40	1001233774	1	Boom	

SECTION 4 - BOOM

FIGURE 4-4. MAIN BOOM ASSEMBLY - 460SJ HC3



ART_1001235832

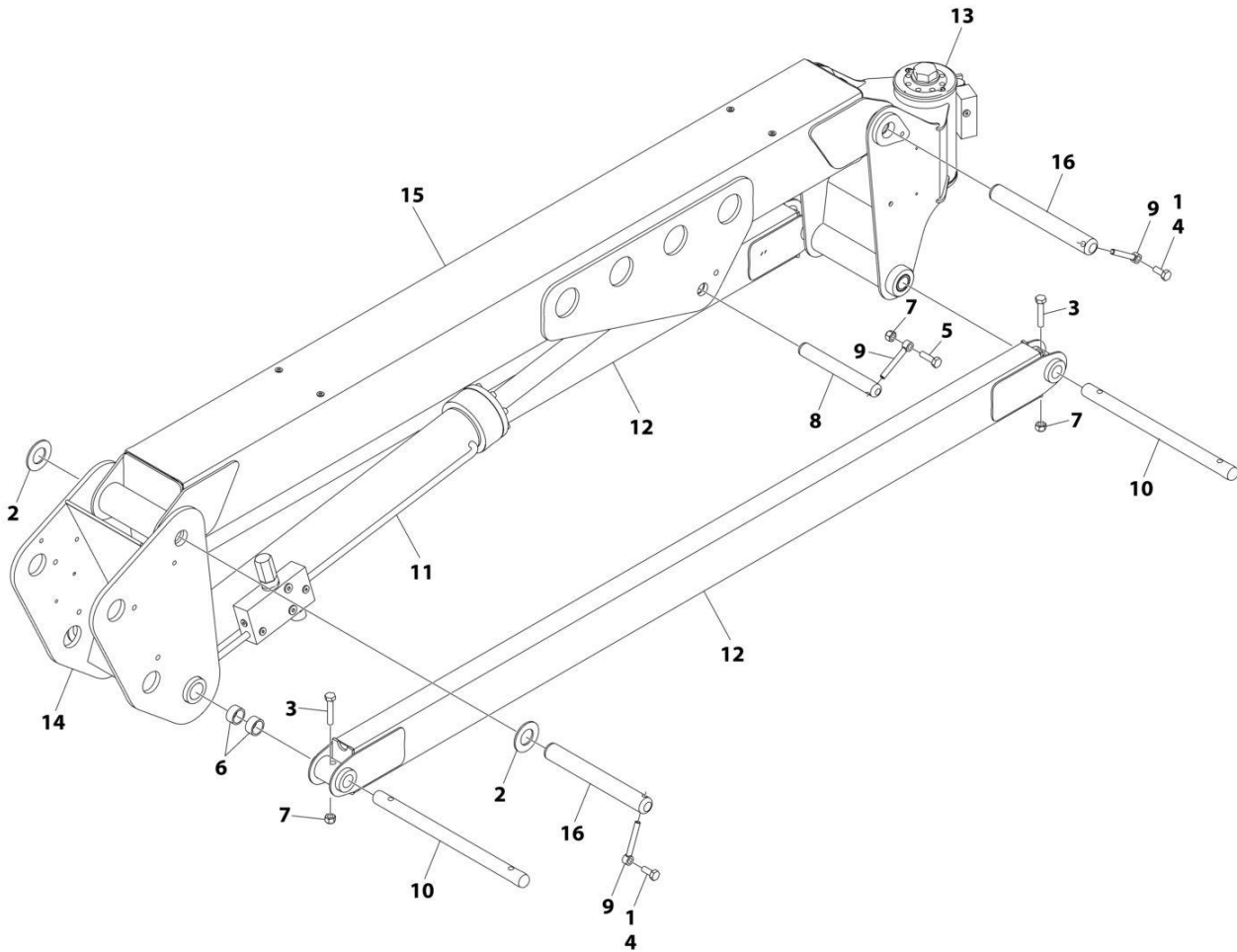
SECTION 4 - BOOM

FIGURE 4-4. MAIN BOOM ASSEMBLY - 460SJ HC3

ITEM	PART NUMBER	QTY	DESCRIPTION	REV
	1001235832	Ref	MAIN BOOM ASSEMBLY	C
1	0100011	AR	Compound, Locking	
2	0761019	4	Bolt M10 x 55	
3	0761212	2	Bolt M12 x 25	
4	0761217	2	Bolt M12 x 45	
5	0962036	2	Bush	
6	3291205	2	Nut M12	
7	3760133	4	Ring	
8	3841203	2	Keeper, Pin	
9	4070897	AR	Shim 18 Ga	
10	4070898	AR	Shim 11 Ga	
11	4812000	4	Washer M10	
12	4812100	4	Washer M12	
13	5251008	16	Bolt M10 x 16	
14	5251009	4	Bolt M10 x 18	
15	5251011	12	Bolt M10 x 22	
16	1001118666	2	Bearing	
17	1001137032	1	Screw M10 x 16	
18	1001138671	1	Ring	
19	1001168842	2	Pin	
20	1001169284	2	Pad	
21	1001169285	2	Pad	
22	1001169286	AR	Shim	
23	1001169287	AR	Shim	
24	1001169288	AR	Shim	
25	1001169289	AR	Shim	
26	1001169380	8	Pad	
27	1001171067	1	Pad	
28	1001250451	2	Hose	
29	1001171324	3	Cover	
30	1001171667	2	Bar	
31	1001171966	AR	Shim 20Ga	
32	1001171967	AR	Shim 16Ga	
33	1001235830	1	Boom, Fly Weldment	
34	1001235831	1	Boom, Base Weldment	
35	1001236653	1	Telescope Cylinder Assembly (See Separate Breakdown in CYLINDER SECTION)	
36	1001237142	1	Pin	
37	1001237697	1	Level Cylinder Assembly - Platform Slave (460SJ HC3) (See Separate Breakdown in CYLINDER SECTION)	
38	1001237949	2	Pin	
39	1001238328	1	Jib Boom Assembly (See Separate Breakdown in this Section)	
40	1001242864	2	Pad	
41	2171208	2	Fitting, 90 ORFS/ORF	

SECTION 4 - BOOM

FIGURE 4-5. JIB BOOM ASSEMBLY - 460SJ HC3



ART_1001238328_G

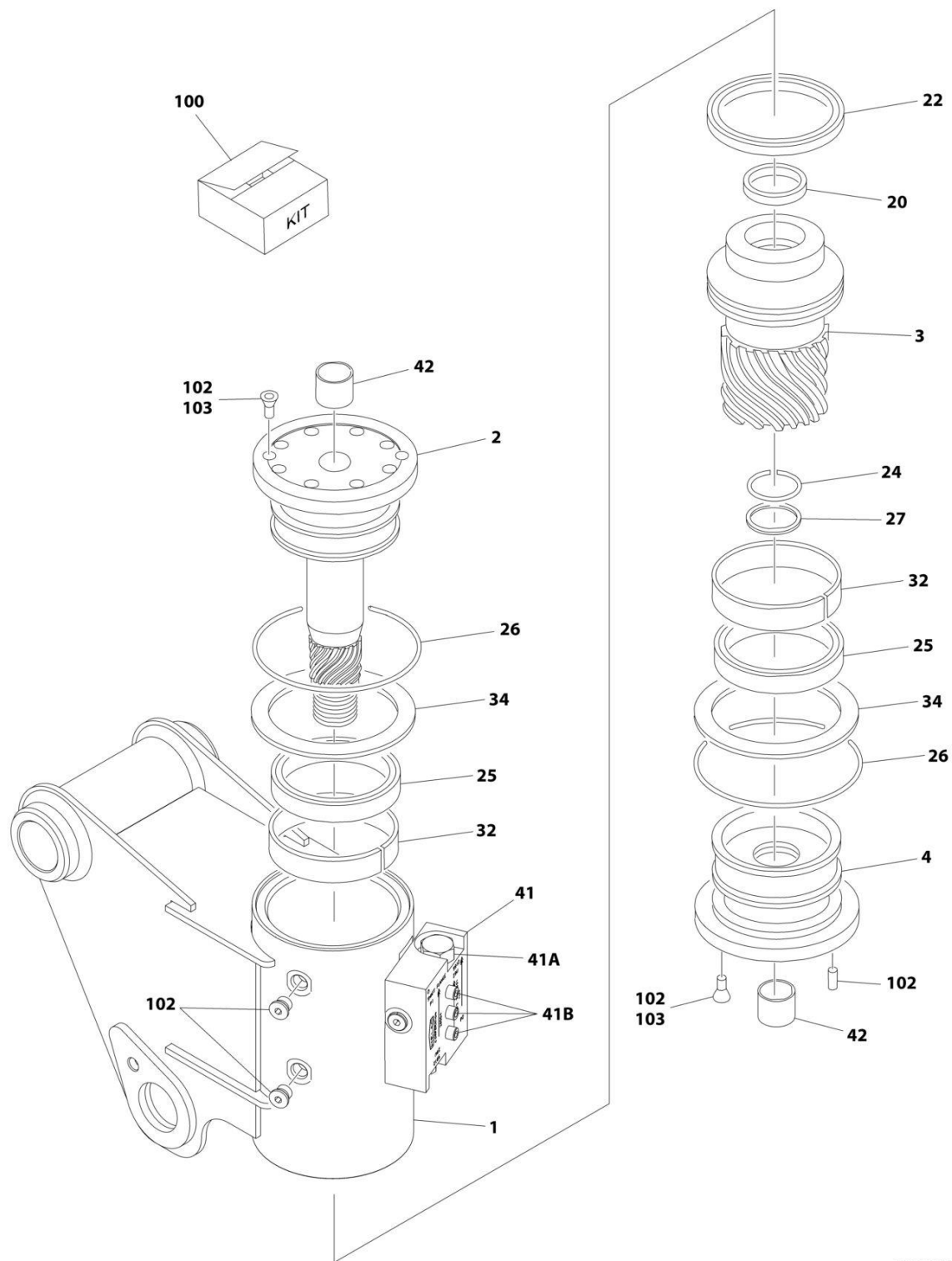
SECTION 4 - BOOM

FIGURE 4-5. JIB BOOM ASSEMBLY - 460SJ HC3

ITEM	PART NUMBER	QTY	DESCRIPTION	REV
	1001238328	Ref	JIB BOOM ASSEMBLY	G
1	0100011	AR	Compound, Locking	
2	0440237	1	Thrustwasher	
3	0701020	1	Bolt M10 x 60	
4	0761012	2	Bolt M10 x 25	
5	0761015	1	Bolt M10 x 35	
6	1001134289	4	Bearing	
7	3291005	5	Nut M10	
8	3422867	1	Pin	
9	3841143	3	Keeper, Pin	
10	3422861	1	Pin	
11	1001264991	1	Lift Cylinder Assembly - Jib (See Separate Breakdown in CYLINDER Section)	
12	4844817	1	Link	
13	1001234811	1	Rotator Assembly (See Separate Breakdown in this Section)	
14	1001238168	1	Pivot	
15	1001238333	1	Tube (Upper)	
16	1001238398	2	Pin	

SECTION 4 - BOOM

FIGURE 4-6. ROTATOR ASSEMBLY - 400S HC3



ART_1001221927

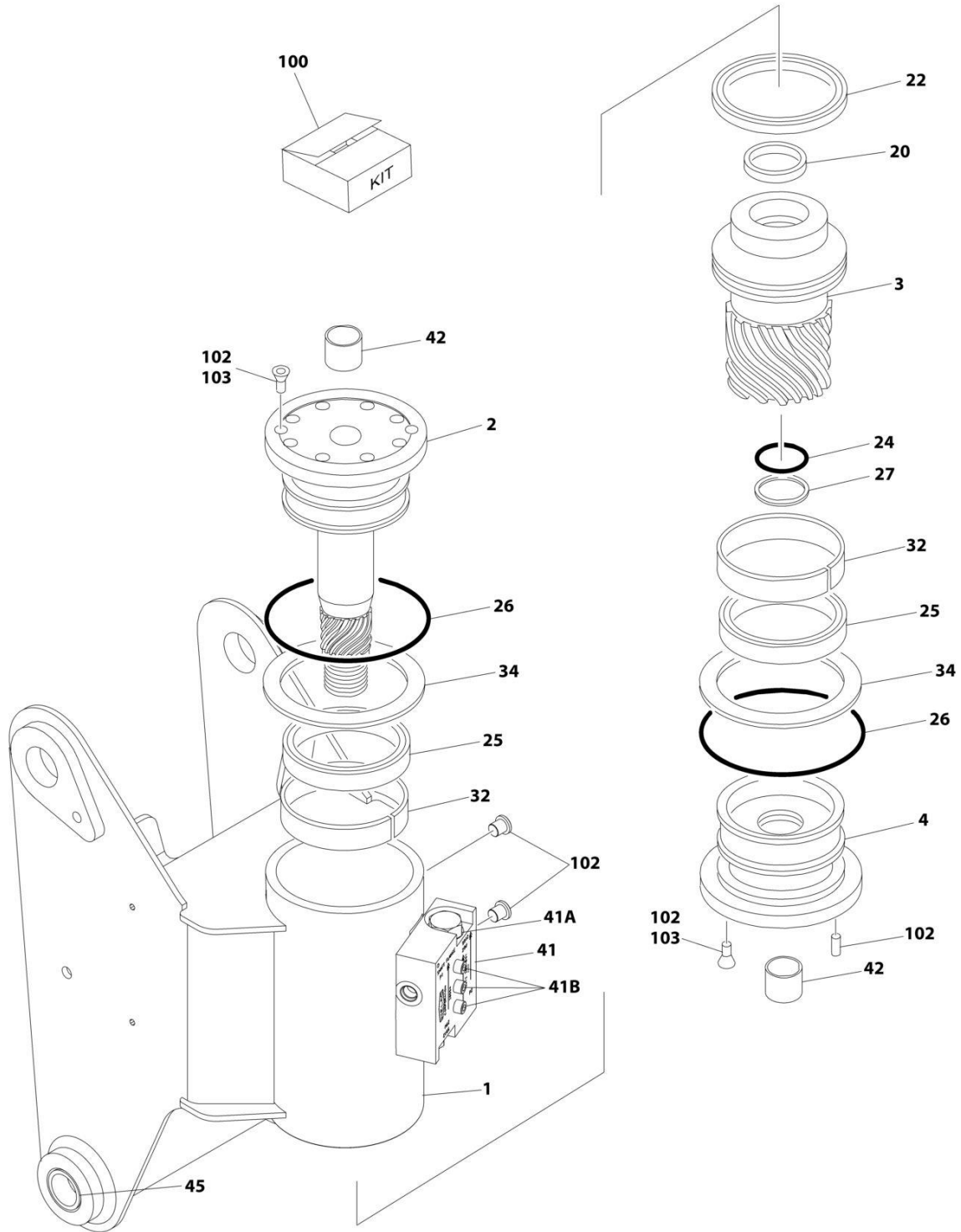
SECTION 4 - BOOM

FIGURE 4-6. ROTATOR ASSEMBLY - 400S HC3

ITEM	PART NUMBER	QTY	DESCRIPTION	REV
	1001221927	Ref	ROTATOR ASSEMBLY - 400SC	A
1	See Note	NSS	Housing/Ring Gear Assembly (Note: Not Available - Purchase Complete Rotator Assembly)	
2	7017162	1	Shaft Weldment	
3	7017163	1	Piston/Sleeve Assembly	
4	7017164	1	Cap, End	
20	See Note	NSS	T-Seal (Note: Use Item 100)	
22	See Note	NSS	T-Seal (Note: Use Item 100)	
24	See Note	NSS	O-Ring (Note: Use Item 100)	
25	See Note	NSS	Seal (Note: Use Item 100)	
26	See Note	NSS	O-Ring (Note: Use Item 100)	
27	See Note	NSS	Ring, Back-up (Note: Use Item 100)	
32	See Note	NSS	Ring, Wear (Note: Use Item 101)	
34	See Note	NSS	Washer, Thrust (Note: Use Item 101)	
40	70006580	1	Tube, Stop (Not Shown)	
41	7017172	AR	Valve Assembly	
41A	7017192	2	Cartridge, Valve	
41A	See Note	NSS	Seal Kit - 7017192 Valve (Note: Not Available for Purchase)	
41B	See Note	3	Bolt 1/4 x 1-1/2 (Grade 8) (Note: Not Available - Purchase Locally)	
42	7017195	2	Bushing	
100	70000342	1	Seal Kit (Includes Items 20, 22, 24, 25, 27)	
101	7017159	1	Bearing Kit (Includes Items 32 & 34)	
102	7017142	1	Hardware Kit	
103	70001697	4	Screw, Countersunk 1/4 x 3/8 Grade 8	

SECTION 4 - BOOM

FIGURE 4-7. ROTATOR ASSEMBLY - 460SJ HC3



ART_1001234811

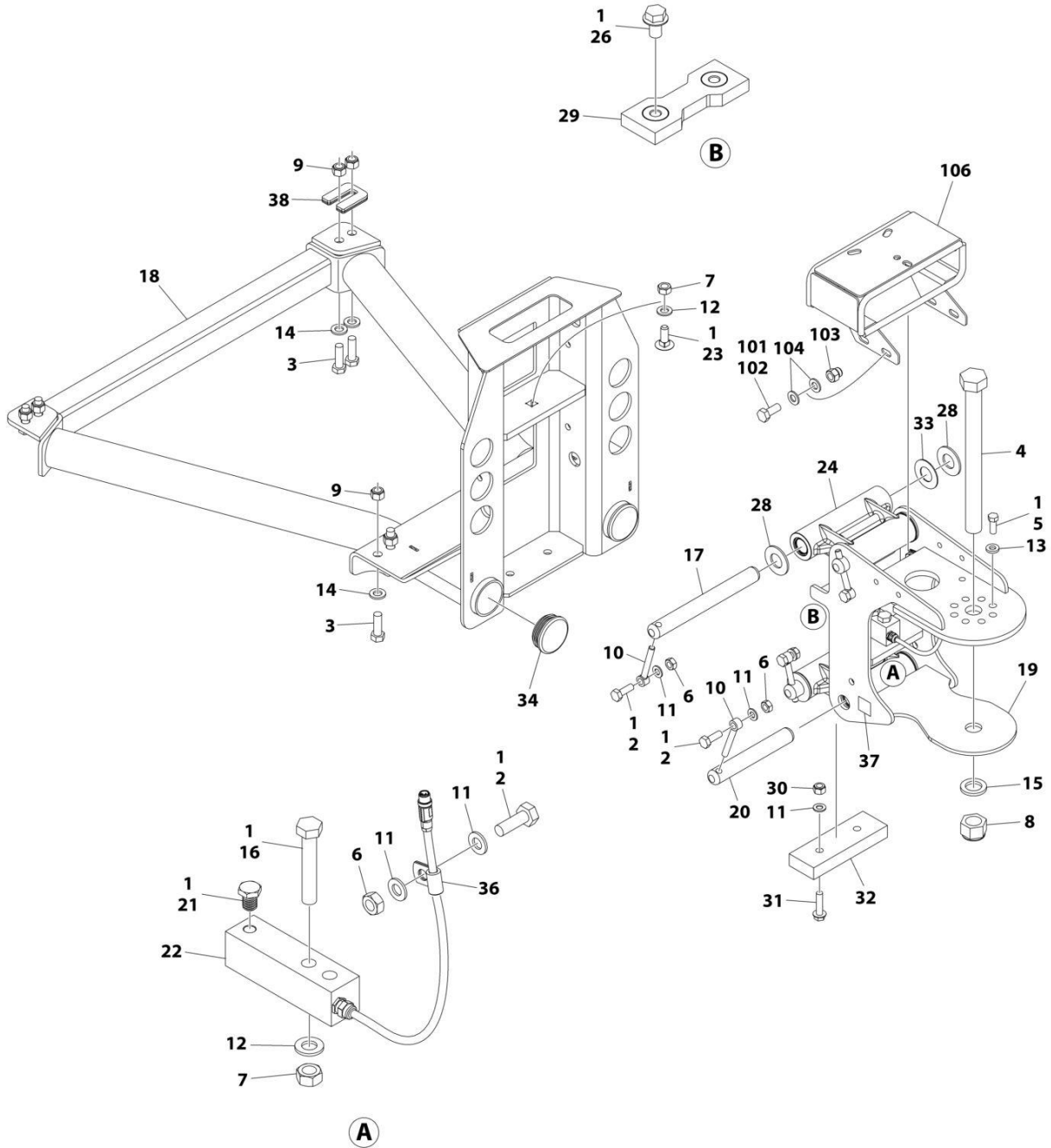
SECTION 4 - BOOM

FIGURE 4-7. ROTATOR ASSEMBLY - 460SJ HC3

ITEM	PART NUMBER	QTY	DESCRIPTION	REV
	1001234811	Ref	ROTATOR ASSEMBLY	B
1	See Note	NSS	Housing/Ring Gear Assembly (Note: Not Available - Purchase Complete Rotator Assembly)	
2	7017162	1	Shaft Weldment	
3	7017163	1	Piston/Sleeve Assembly	
4	7017164	1	Cap, End	
20	See Note	NSS	T-Seal (Note: Use Item 100)	
22	See Note	NSS	T-Seal (Note: Use Item 100)	
24	See Note	NSS	O-Ring (Note: Use Item 100)	
25	See Note	NSS	Seal (Note: Use Item 100)	
26	See Note	NSS	O-Ring (Note: Use Item 100)	
27	See Note	NSS	Ring, Back-up (Note: Use Item 100)	
32	See Note	NSS	Ring, Wear (Note: Use Item 101)	
34	See Note	NSS	Washer, Thrust (Note: Use Item 101)	
41	7017172	AR	Valve Assembly	
41A	7017192	2	Cartridge, Valve	
41A	See Note	NSS	Seal Kit - 7017192 Valve (Note: Not Available for Purchase)	
41B	See Note	3	Bolt 1/4-20NC x 1-1/2 Grade 8 (Note: Not Available - Purchase Locally)	
42	7017195	2	Bushing	
45	0961947	2	Bushing 1IN ID x 1.25IN OD x 5/8IN L	
45	1001134289	2	Bushing 1IN ID x 1.5IN OD x 1IN L	
100	70000342	1	Seal Kit (Includes Items 20, 22, 24, 25, 27 & 33)	
101	7017159	1	Bearing Kit (Includes Items 32 & 34)	
102	7017142	1	Hardware Kit	
103	70001697	4	Screw, Countersunk 1/4 x 3/8 Grade 8	

SECTION 4 - BOOM

FIGURE 4-8. SUPPORT, PLATFORM INSTALLATION



ART_1001167596_N

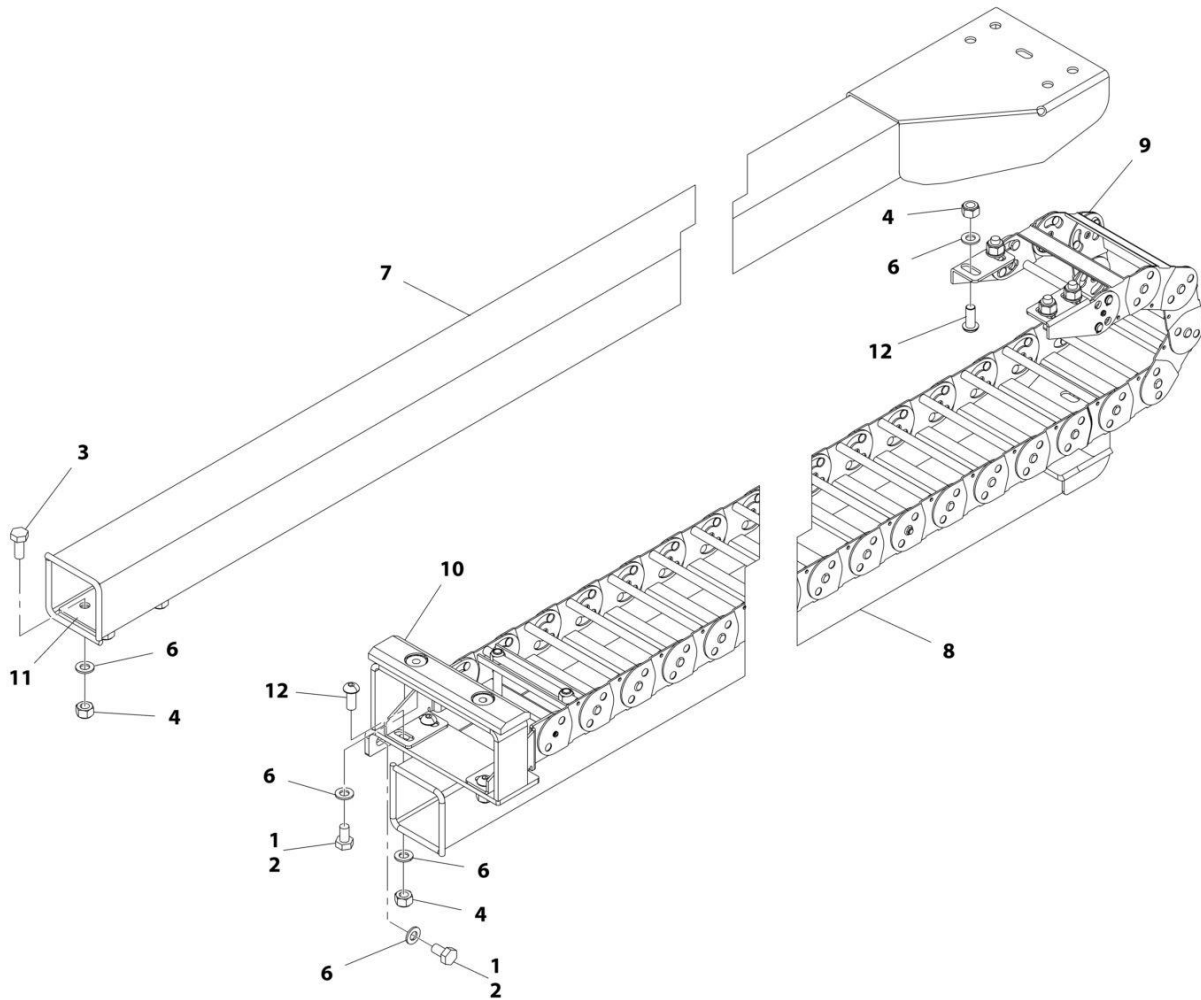
SECTION 4 - BOOM

FIGURE 4-8. SUPPORT, PLATFORM INSTALLATION

ITEM	PART NUMBER	QTY	DESCRIPTION	REV
	1001167596	Ref	PLATFORM SUPPORT INSTALLATION	N
1	0100011	AR	Compound, Locking	
2	0761014	5	Bolt M10 x 30	
3	0761216	8	Bolt M12 x 40	
4	1001255133	1	Bolt 1 x 11 GRD8	
5	0681608	8	Bolt 3/8 x 1 GRD8	
6	3291001	5	Nut M10	
7	3291201	3	Nut M12	
8	1001174040	1	Nut 1	
9	3291205	8	Nut M12	
10	3841143	4	Keeper, Pin	
11	4812000	8	Washer M10	
12	4812100	3	Washer M12	
13	4891600	8	Washer 3/8	
14	5241200	8	Washer M12	
15	4892600001	1	Washer 1	
16	1001098828	2	Bolt M12 x 70 CL10.9	
17	1001167565	2	Pin	
18	1001200494	1	Support, Platform	
19	1001167567	1	Support, Rotator	
20	1001168402	2	Pin	
21	1001188622	1	Screw	
22	1001247468	1	Loadcell	
23	1001188844	1	Bolt M12 x 35	
24	1001201351	2	Link	
24	1001187382	4	Bearing	
24	1001187383	4	Seal	
26	5251008	2	Bolt M10 x 16 CL10.9	
28	1001189002	8	Bearing	
29	1001190985	1	Pad, Wear	
30	3291005	2	Nut M10	
31	5251016	2	Bolt M10 x 40 CL10.9	
32	1001200491	1	Pad, Wear	
33	1001189001	4	Bearing	
34	1001204725	2	Plug	
36	91203039	1	Clamp	
37	1001216630	2	Decal - Tie Down/No Lift	
38	1001238421	Ref	Kit, Platform Leveling (Not Shown)	
	1001202687	Ref	VALVE MOUNT INSTALLATION	B
101	0100011	AR	Compound, Locking	
102	0760810	4	Bolt M8 x 20	
103	3290806	4	Nut M8	
104	4811900	8	Washer M8	
106	1001208994	1	Mount, Valve	

SECTION 4 - BOOM

FIGURE 4-9. POWER TRACK INSTALLATION - 400S HC3



ART_1001165538

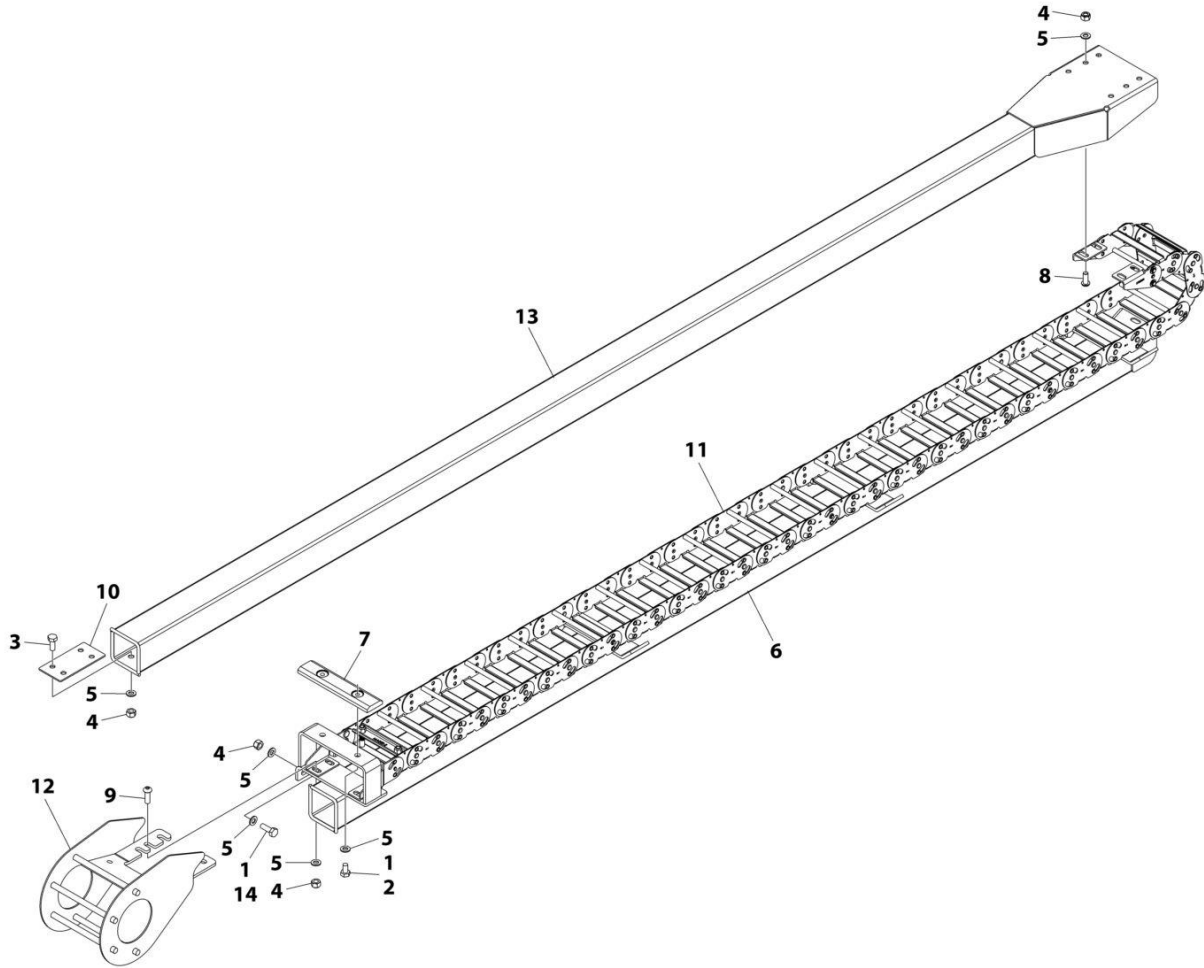
SECTION 4 - BOOM

FIGURE 4-9. POWER TRACK INSTALLATION - 400S HC3

ITEM	PART NUMBER	QTY	DESCRIPTION	REV
	1001165538	Ref	POWER TRACK INSTALLATION	E
1	0100011	AR	Compound, Locking	
2	0761009	10	Bolt M10 x 18	
3	0761012	4	Bolt M10 x 25	
4	3291005	12	Nut M10	
6	4812000	22	Washer M10	
7	1001165531	1	Tube, Push	
8	1001165534	1	Tube, Carrier	
9	1001224888	1	Power Track	
9	70006255	1	Repair Section without Clamp - 10 Links	
9	70006270	1	Feet, Mounting (Includes 1 each Left and Right Mounting Feet)	
10	1001169611	1	Pad, Wear	
11	1001176899	1	Plate, Support	
12	1001173763	8	Screw M10 x 25	

SECTION 4 - BOOM

FIGURE 4-10. POWER TRACK INSTALLATION - 460SJ HC3



ART_1001242177

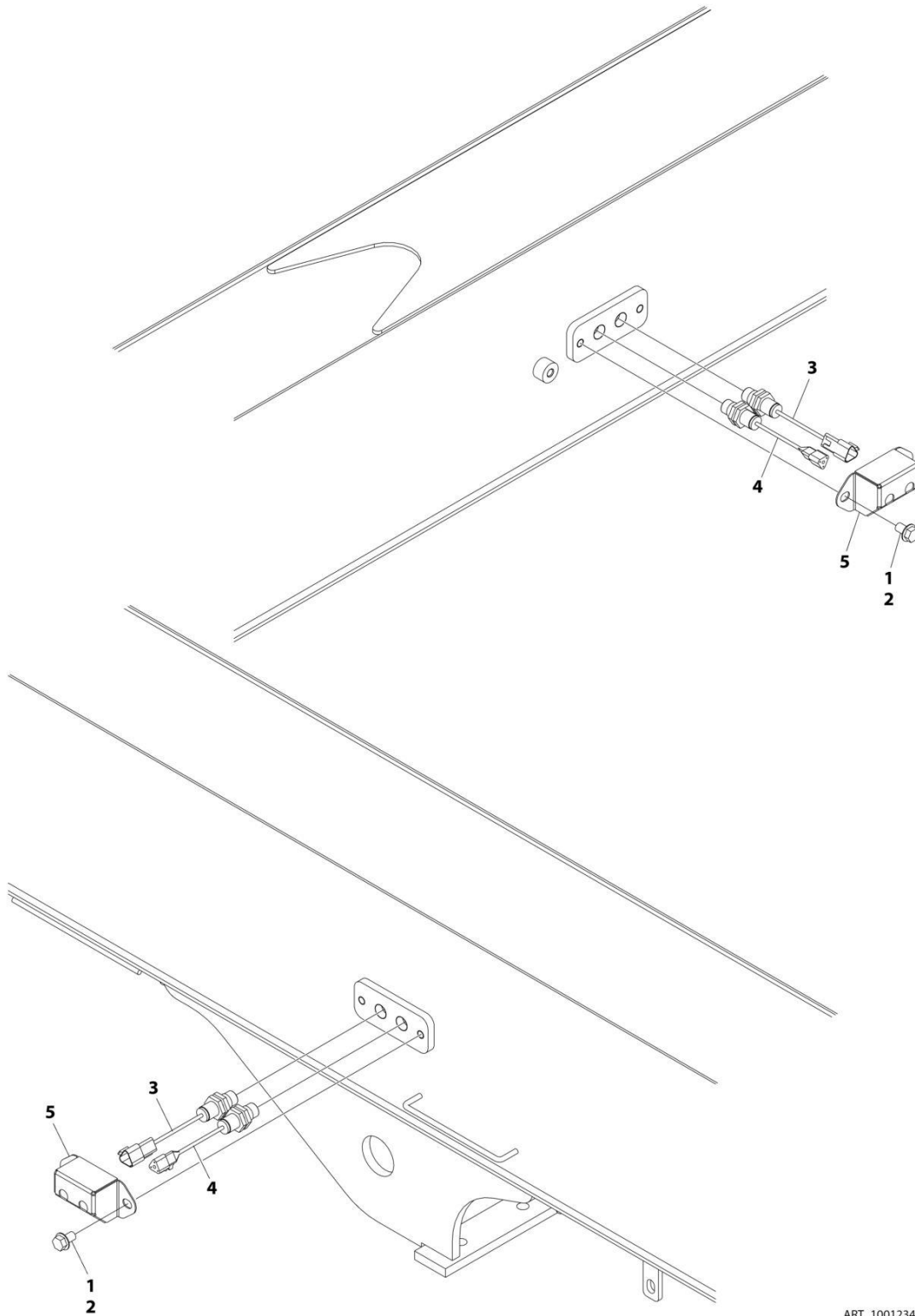
SECTION 4 - BOOM

FIGURE 4-10. POWER TRACK INSTALLATION - 460SJ HC3

ITEM	PART NUMBER	QTY	DESCRIPTION	REV
	1001242177	Ref	POWER TRACK INSTALLATION	C
1	0100011	AR	Compound, Locking	
2	0761009	2	Bolt M10 x 18	
3	0761012	4	Bolt M10 x 25	
4	3291005	20	Nut M10	
5	4812000	30	Washer M10	
6	1001165534	1	Tube, Carrier	
7	1001169611	1	Pad, Wear	
8	1001173763	4	Screw M10 x 25	
9	1001174673	4	Screw M10	
10	1001176899	1	Plate, Support	
11	1001224888	1	Power Track	
11	70006255	1	Repair Section	
11	70006270	1	Fleet, Mounting (Includes 4 Feet and Hardware)	
12	1001243755	1	Mount, Carrier Tube	
13	1001243756	1	Tube	
14	0761014	8	Bolt M10 x 30	

SECTION 4 - BOOM

FIGURE 4-11. CAPACITY SWITCH INSTALLATION - 400S HC3



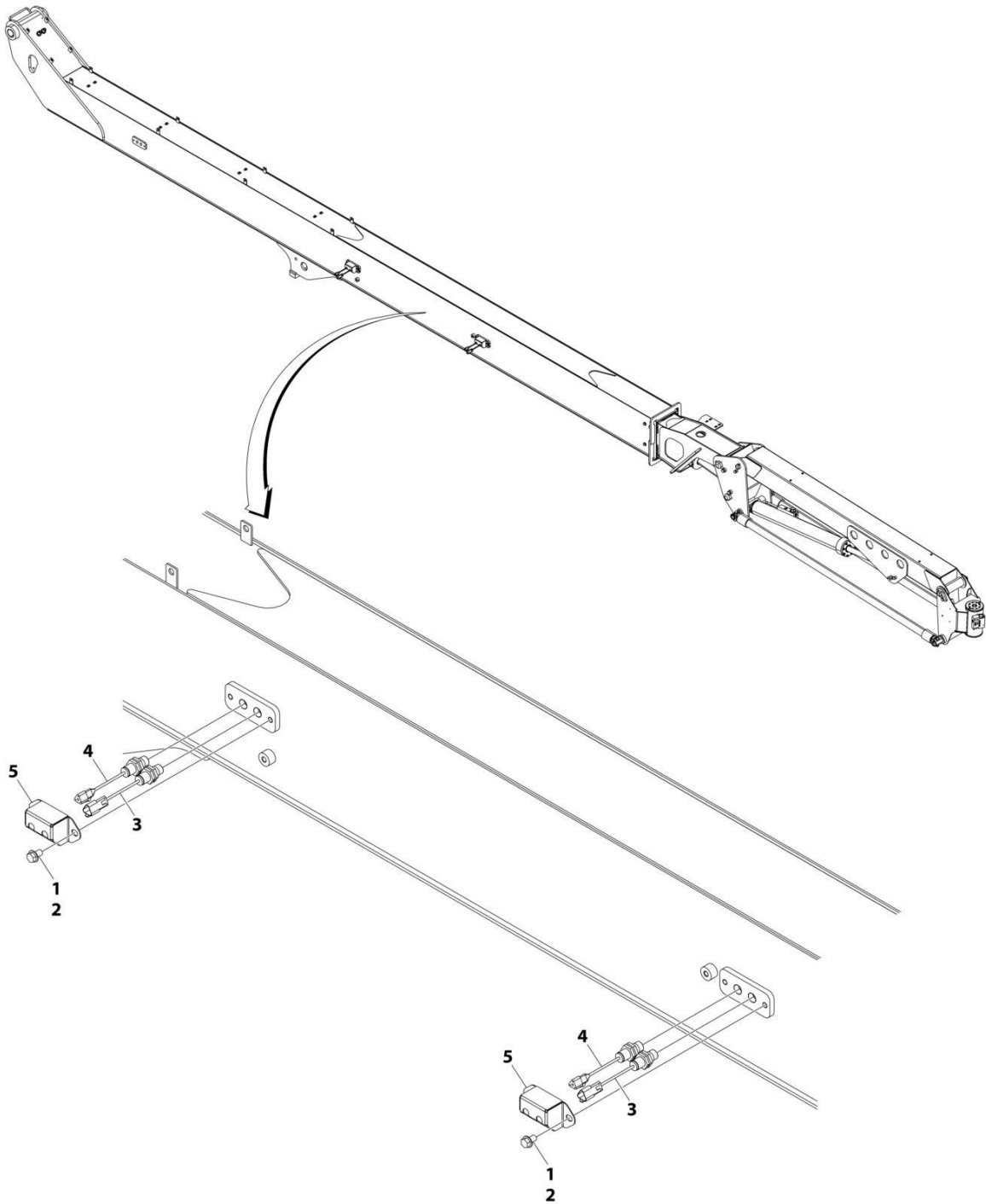
ART_1001234229

SECTION 4 - BOOM**FIGURE 4-11. CAPACITY SWITCH INSTALLATION - 400S HC3**

ITEM	PART NUMBER	QTY	DESCRIPTION	REV
	1001234229	Ref	CAPACITY SWITCH INSTALLATION	C
1	0100011	AR	Compound, Locking	
2	5251008	4	Bolt M10 x 16	
3	1001170847	2	Sensor, Proximity	
3	4460536	1	Connector - 3 Position	
3	4460464	1	Pin, Male	
4	1001182570	2	Sensor, Proximity	
4	4460539	1	Connector 3 Position	
4	4460465	3	Socket, Female	
5	1001204715	2	Bracket, Cover	

SECTION 4 - BOOM

FIGURE 4-12. CAPACITY SWITCH INSTALLATION - 460SJ HC3



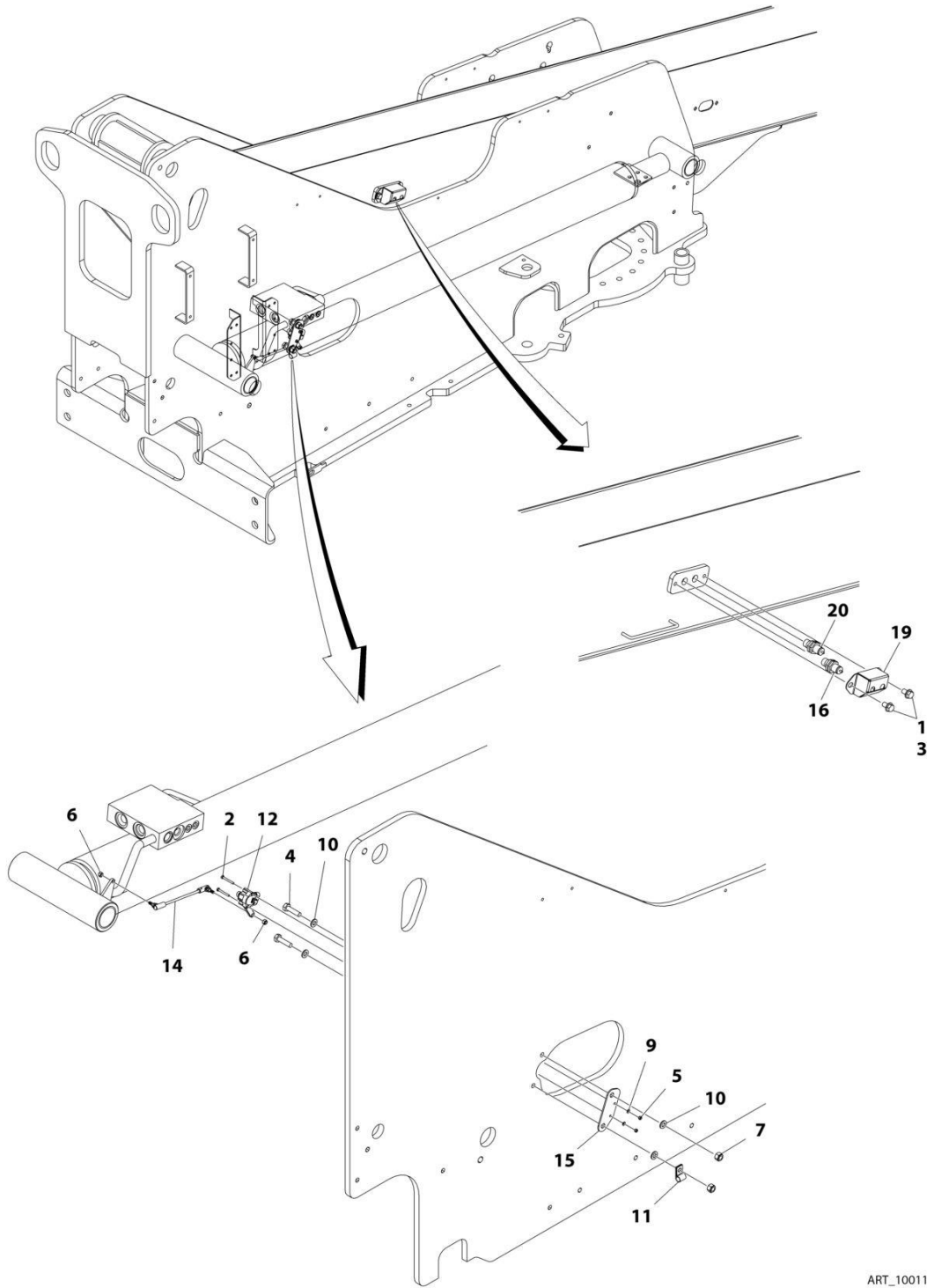
ART_1001246773

FIGURE 4-12. CAPACITY SWITCH INSTALLATION - 460SJ HC3

ITEM	PART NUMBER	QTY	DESCRIPTION	REV
	1001246773	Ref	CAPACITY SWITCH INSTALLATION	C
1	0100011	AR	Compound, Locking	
2	5251008	4	Bolt M10 x 16	
3	1001170847	2	Sensor, Proximity	
3	4460536	1	Connector - 3 Position	
3	4460464	3	Pin, Male	
4	1001182570	2	Sensor, Proximity	
4	4460539	1	Connector 3 Position	
4	4460465	3	Socket, Female	
5	1001204715	2	Bracket, Cover	

SECTION 4 - BOOM

FIGURE 4-13. TRANSPORT POSITION SWITCH INSTALLATION



ART_1001170642

SECTION 4 - BOOM

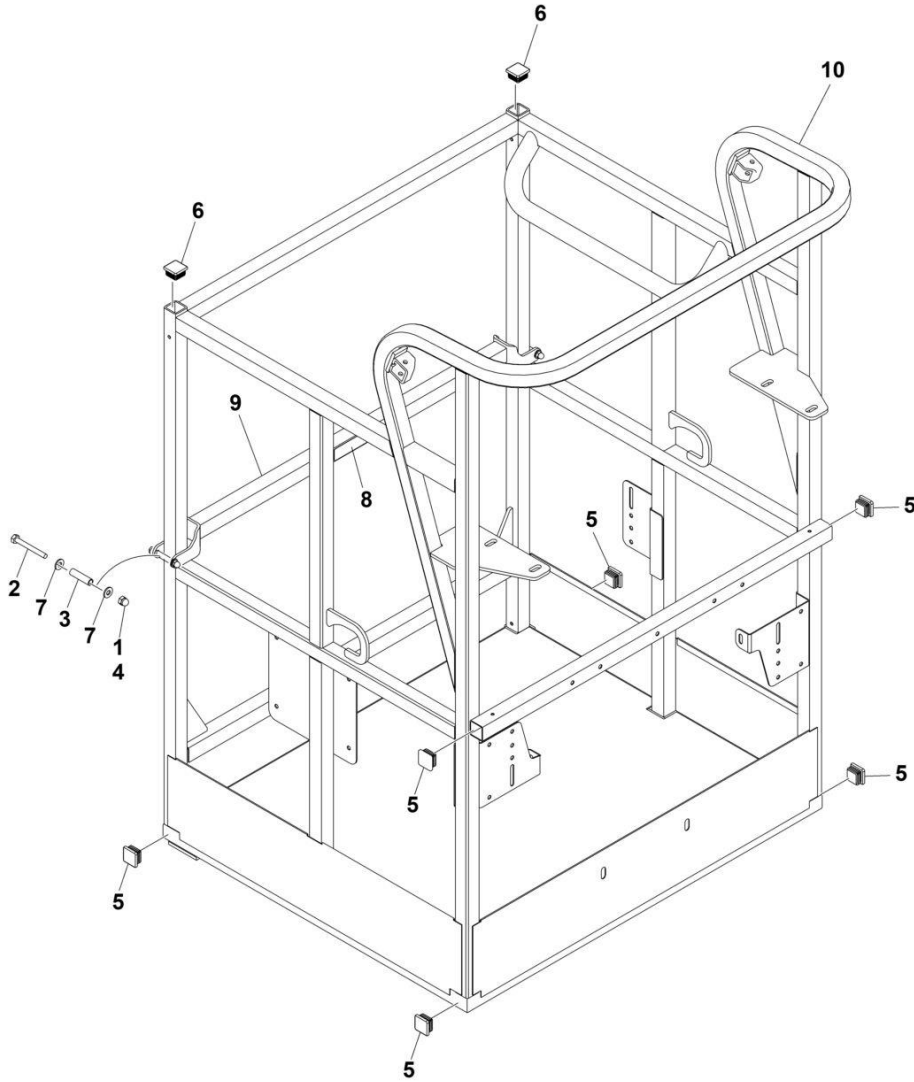
FIGURE 4-13. TRANSPORT POSITION SWITCH INSTALLATION

ITEM	PART NUMBER	QTY	DESCRIPTION	REV
	1001170642	Ref	TRANSPORT SWITCHES INSTALLATION	I
1	0100011	AR	Compound, Locking	
2	0760415	2	Bolt M4 x 35	
3	5251008	2	Bolt M10 x 16	
4	0761016	2	Bolt M10 x 40	
5	3290405	2	Nut M4 x 0.7	
6	3290605	2	Nut M6 x 1	
7	3291005	2	Nut M10 x 1.5	
9	4811400	2	Washer M4	
10	4812000	4	Washer M10	
11	8406110	1	Clip	
12	1001118971	1	Angle, Sensor	
14	1001170564	1	Link, Sensor	
15	1001170565	1	Bracket	
16	1001170847	1	Sensor, Proximity	
16	4460536	1	Connector - 3 Position	
16	4460464	3	Pin, Male	
19	1001204715	1	Bracket, Switch Cover	
20	1001182570	1	Sensor, Proximity	
20	4460539	1	Connector - 3 Position	
20	4460465	3	Socket, Female	
21	1001288195	1	Boom Angle Sensr Jumper Harness	

SECTION 5 - PLATFORM

SECTION 5 - PLATFORM

FIGURE 5-1. PLATFORM ASSEMBLY WITH DROP-BAR - 30IN X 3FT (76CM X .91M)



ART_1001228215

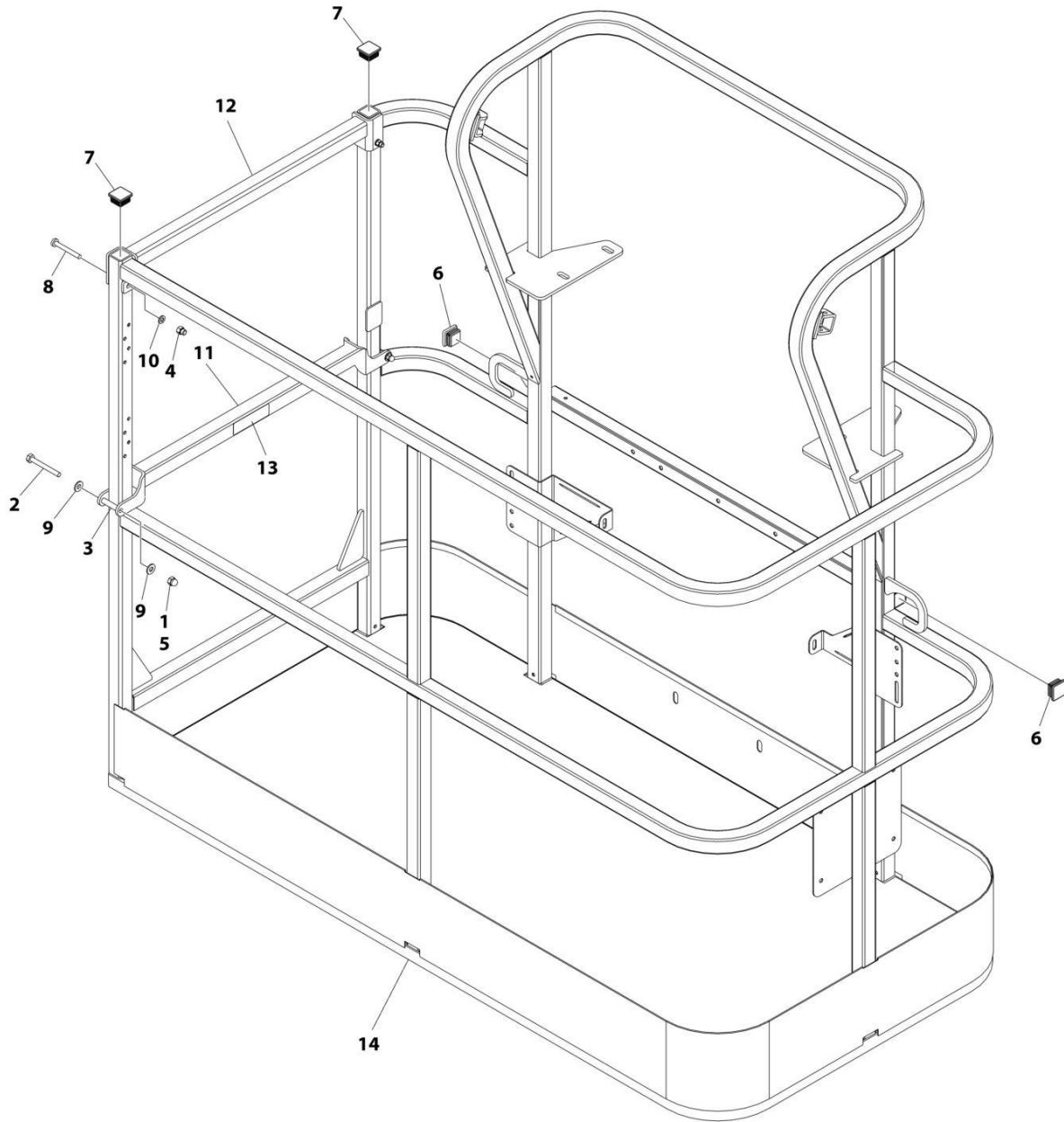
SECTION 5 - PLATFORM

FIGURE 5-1. PLATFORM ASSEMBLY WITH DROP-BAR - 30IN X 3FT (76CM X .91M)

ITEM	PART NUMBER	QTY	DESCRIPTION	REV
	1001228215	Ref	PLATFORM ASSEMBLY	A
	See Note	Ref	Note: Platform and Mesh must be ordered separately for Platforms with Mesh. See SPECIAL OPTIONS SECTION for Mesh Installations.	
	See Note	Ref	Note: Replacement Decals Must be Ordered Separately - See DECAL SECTION.	
1	0100011	AR	Compound, Locking	
2	0641418	2	Bolt 1/4 x 2-1/4	
3	0961845	2	Bushing	
4	3300151	2	Nut 1/4	
5	3520072	6	Cap, Plug	
6	3520198	2	Cap, Plug	
7	4711400	4	Washer 1/4	
8	1001140429	1	Decal - Drop Bar	
9	1001226872	1	Bar, Drop	
10	See Note	NSS	Platform (Note: Not Available - Purchase Platform Assembly)	

SECTION 5 - PLATFORM

FIGURE 5-2. PLATFORM ASSEMBLY WITH DROP-BAR - 30IN X 5FT (76CM X 1.52M)



ART_1001186377

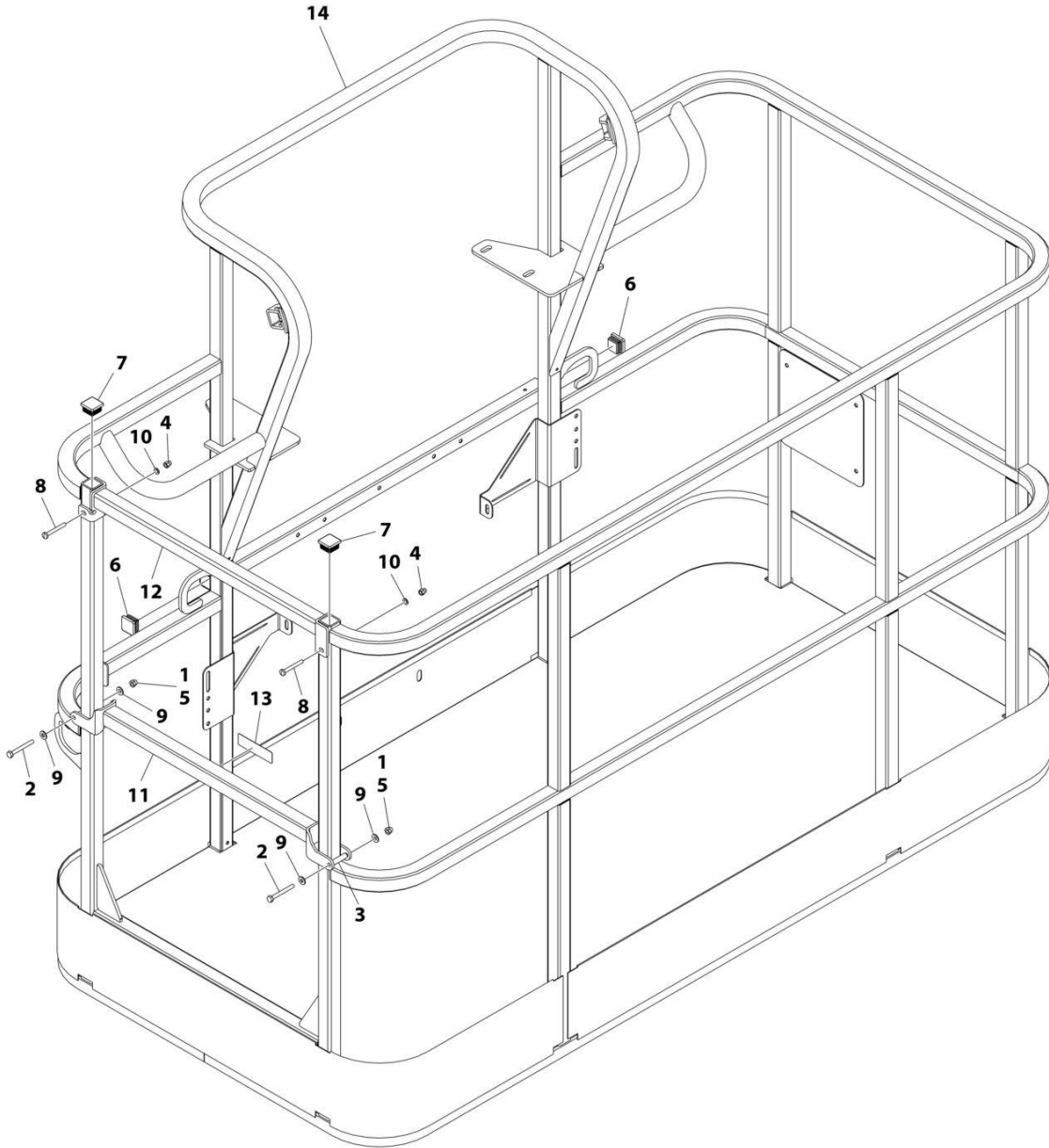
SECTION 5 - PLATFORM

FIGURE 5-2. PLATFORM ASSEMBLY WITH DROP-BAR - 30IN X 5FT (76CM X 1.52M)

ITEM	PART NUMBER	QTY	DESCRIPTION	REV
	1001186377	Ref	PLATFORM ASSEMBLY	C
		Ref	Note: Platform and Mesh must be ordered separately for Platforms with Mesh. See SPECIAL OPTIONS SECTION for Mesh Installations.	
		Ref	Note: Replacement Decals Must be Ordered Separately - See DECALS SECTION.	
1	0100011	AR	Compound, Locking	
2	0641420	2	Bolt 1/4 x 2-1/2	
3	0961845	2	Bushing	
4	3290606	2	Nut M6	
5	3300151	2	Nut 1/4	
6	3520072	2	Plug	
7	3520198	2	Plug	
8	4010618	2	Screw M6 x 50	
9	4711400	4	Washer 1/4	
10	4811700	2	Washer M6	
11	1001138494	1	Bar, Drop	
12	1001138514	1	Rail (Top)	
13	1001140429	1	Decal - Drop Bar	
14	See Note	NSS	Platform (Note: Not Available - Purchase Platform Assembly)	

SECTION 5 - PLATFORM

FIGURE 5-3. PLATFORM ASSEMBLY WITH DROP-BAR - 36IN X 6FT (91.5CM X 1.83M)



ART_1001186379

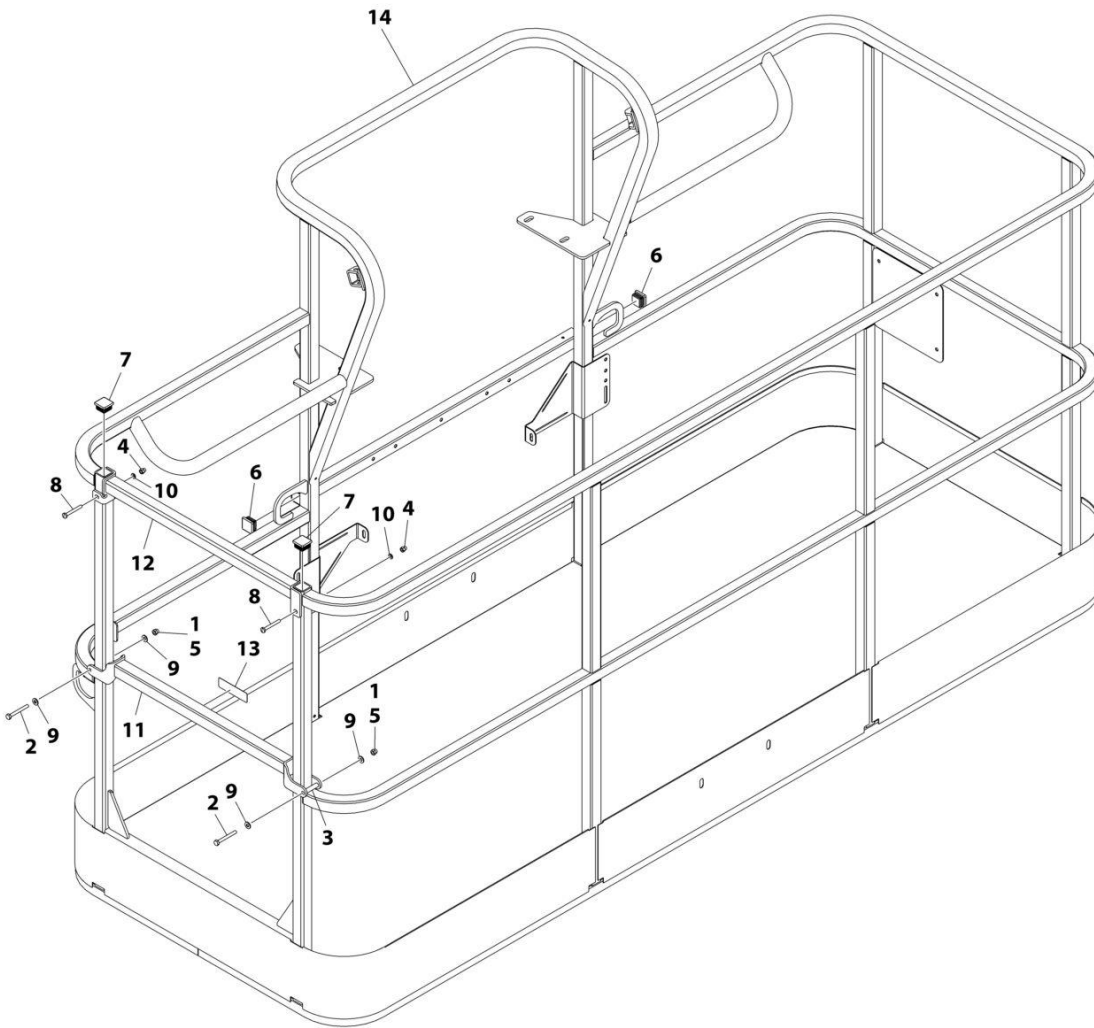
SECTION 5 - PLATFORM

FIGURE 5-3. PLATFORM ASSEMBLY WITH DROP-BAR - 36IN X 6FT (91.5CM X 1.83M)

ITEM	PART NUMBER	QTY	DESCRIPTION	REV
	1001186379	Ref	PLATFORM ASSEMBLY - 36IN X 6FT (91.5CM X 1.83M) WITH DROP BAR	B
		Ref	Note: Platform and Mesh must be ordered separately for Platforms with Mesh. See SPECIAL OPTIONS SECTION for Mesh Installations.	
		Ref	Note: Replacement Decals Must be Ordered Separately - See DECALS SECTION.	
1	0100011	AR	Compound, Locking	
2	0641418	2	Bolt 1/4 x 2-1/4	
3	0961845	2	Bushing	
4	3290606	2	Nut M6	
5	3300151	2	Nut 1/4	
6	3520072	2	Plug	
7	3520198	2	Plug	
8	4010618	2	Screw M6 x 50	
9	4711400	4	Washer 1/4	
10	4811700	2	Washer M6	
11	1001138494	1	Bar, Drop	
12	1001138514	1	Rail (Top)	
13	1001140429	1	Decal - Drop Bar	
14	See Note	NSS	Platform (Note: Not Available - Purchase Platform Assembly)	

SECTION 5 - PLATFORM

FIGURE 5-4. PLATFORM ASSEMBLY WITH DROP-BAR - 36IN X 8FT (91.5CM X 2.44M)



ART_1001186382

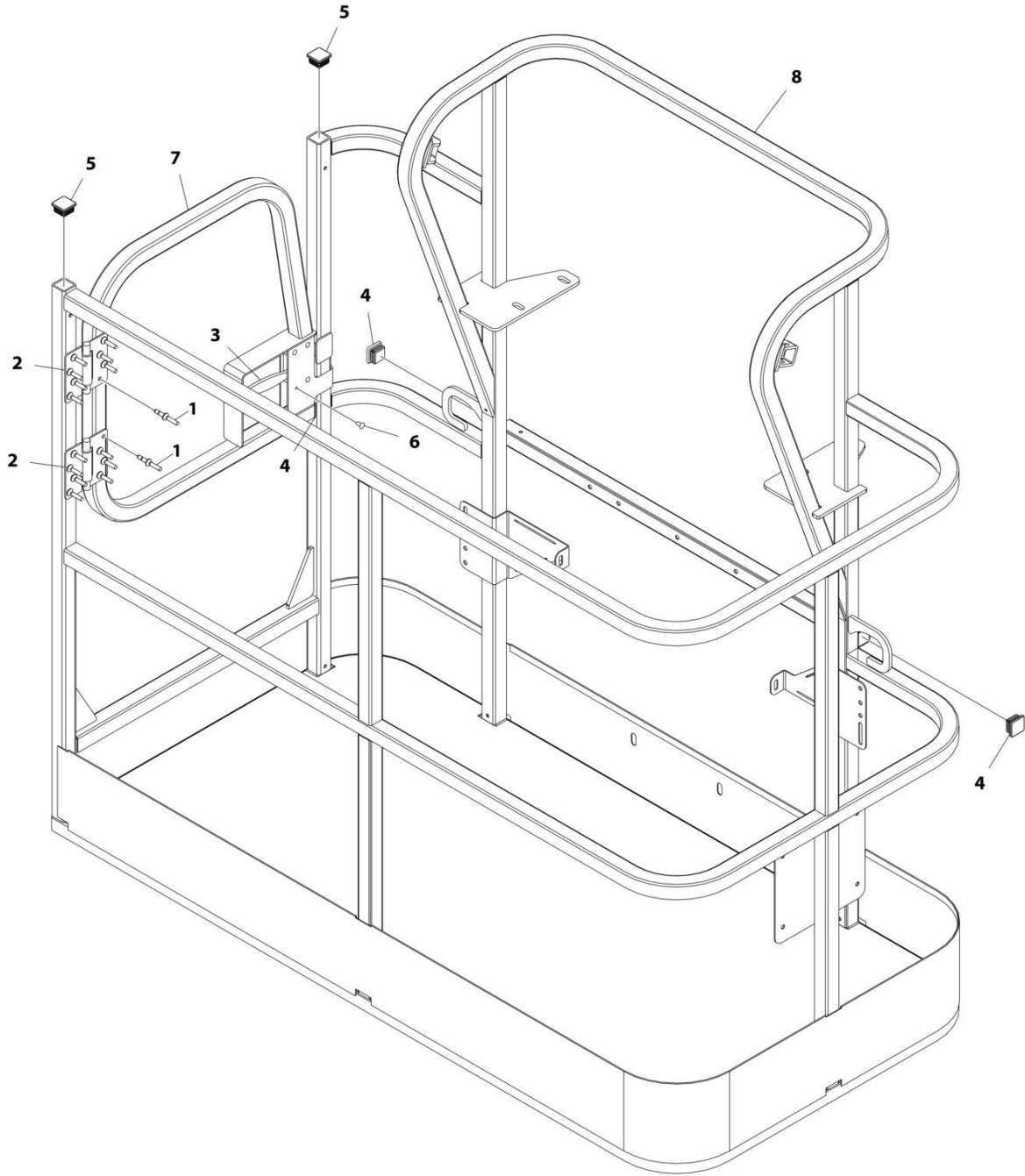
SECTION 5 - PLATFORM

FIGURE 5-4. PLATFORM ASSEMBLY WITH DROP-BAR - 36IN X 8FT (91.5CM X 2.44M)

ITEM	PART NUMBER	QTY	DESCRIPTION	REV
	1001186382	Ref	PLATFORM ASSEMBLY - 36IN X 8FT (91.5CM X 2.44M) WITH DROP BAR	C
		Ref	Note: Platform and Mesh must be ordered separately for Platforms with Mesh. See SPECIAL OPTIONS SECTION for Mesh Installations.	
		Ref	Note: Replacement Decals Must be Ordered Separately - See DECALS SECTION.	
1	0100011	AR	Compound, Locking	
2	0641418	2	Bolt 1/4 x 2-1/4	
3	0961845	2	Bushing	
4	3290606	2	Nut M6	
5	3300151	2	Nut 1/4	
6	3520072	2	Plug	
7	3520198	2	Plug	
8	4010618	2	Screw M6 x 50	
9	4711400	4	Washer 1/4	
10	4811700	2	Washer M6	
11	1001138494	1	Bar, Drop	
12	1001138514	1	Rail (Top)	
13	1001140429	1	Decal - Drop Bar	
14	See Note	NSS	Platform (Note: Not Available - Purchase Platform Assembly)	

SECTION 5 - PLATFORM

FIGURE 5-5. PLATFORM ASSEMBLY WITH GATE - 30IN X 5FT (76CM X 1.52M)



ART_1001186386

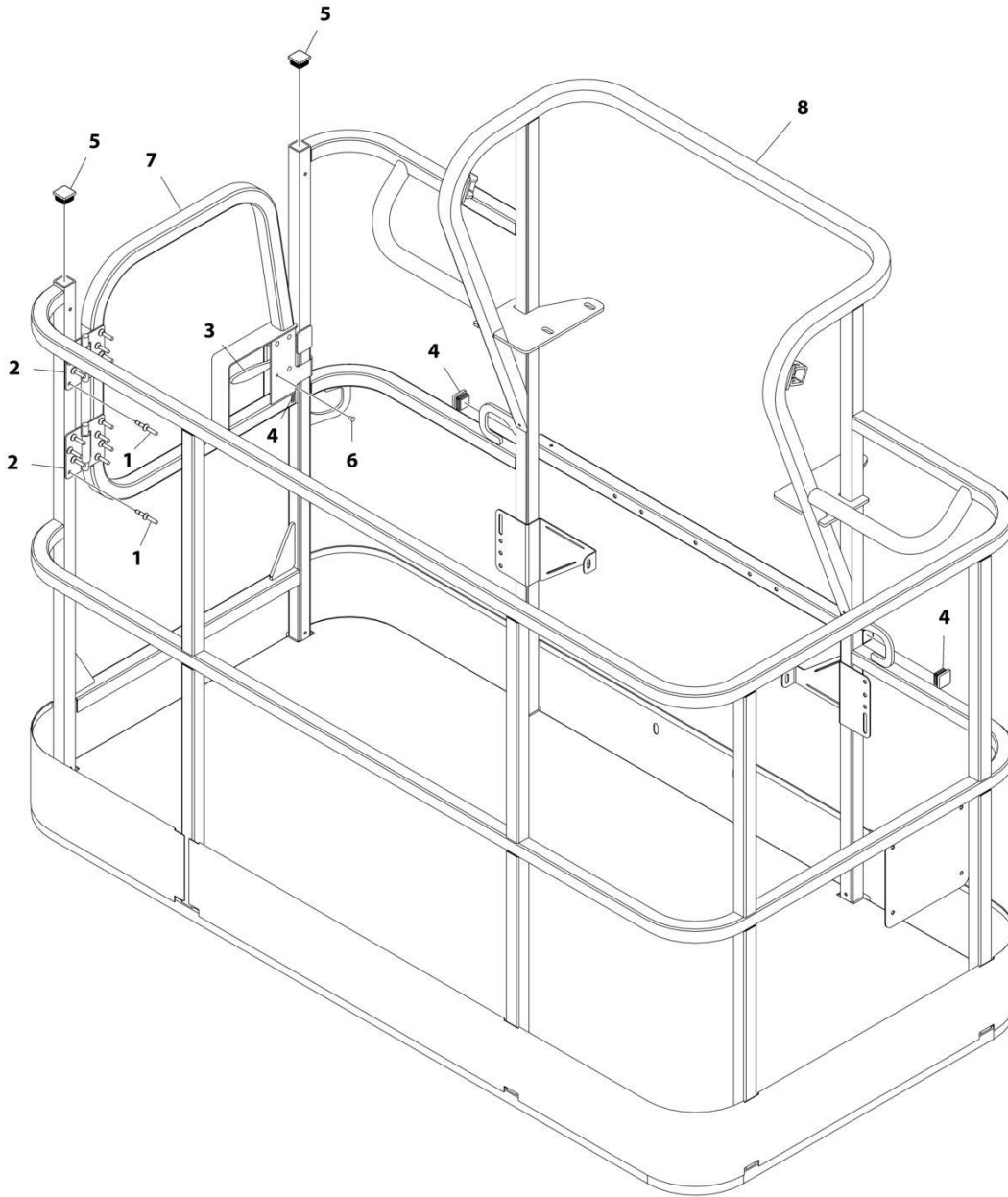
SECTION 5 - PLATFORM

FIGURE 5-5. PLATFORM ASSEMBLY WITH GATE - 30IN X 5FT (76CM X 1.52M)

ITEM	PART NUMBER	QTY	DESCRIPTION	REV
	1001186386	Ref	PLATFORM ASSEMBLY	C
		Ref	Note: Platform and Mesh must be ordered separately for Platforms with Mesh. See SPECIAL OPTIONS SECTION for Mesh Installations.	
		Ref	Note: Replacement Decals Must be Ordered Separately - See DECALS SECTION.	
1	2080040	16	Fastener, Huck	
2	2600281	2	Hinge, Self-Closing	
3	2940074	1	Latch	
4	3520072	3	Plug	
5	3520198	2	Plug	
6	3820020	4	Rivet	
7	1001144629	1	Gate	
8	See Note	NSS	Platform (Note: Not Available - Purchase Platform Assembly)	

SECTION 5 - PLATFORM

FIGURE 5-6. PLATFORM ASSEMBLY WITH GATE- 36IN X 6FT (91.5CM X 1.83M)



ART_1001186384

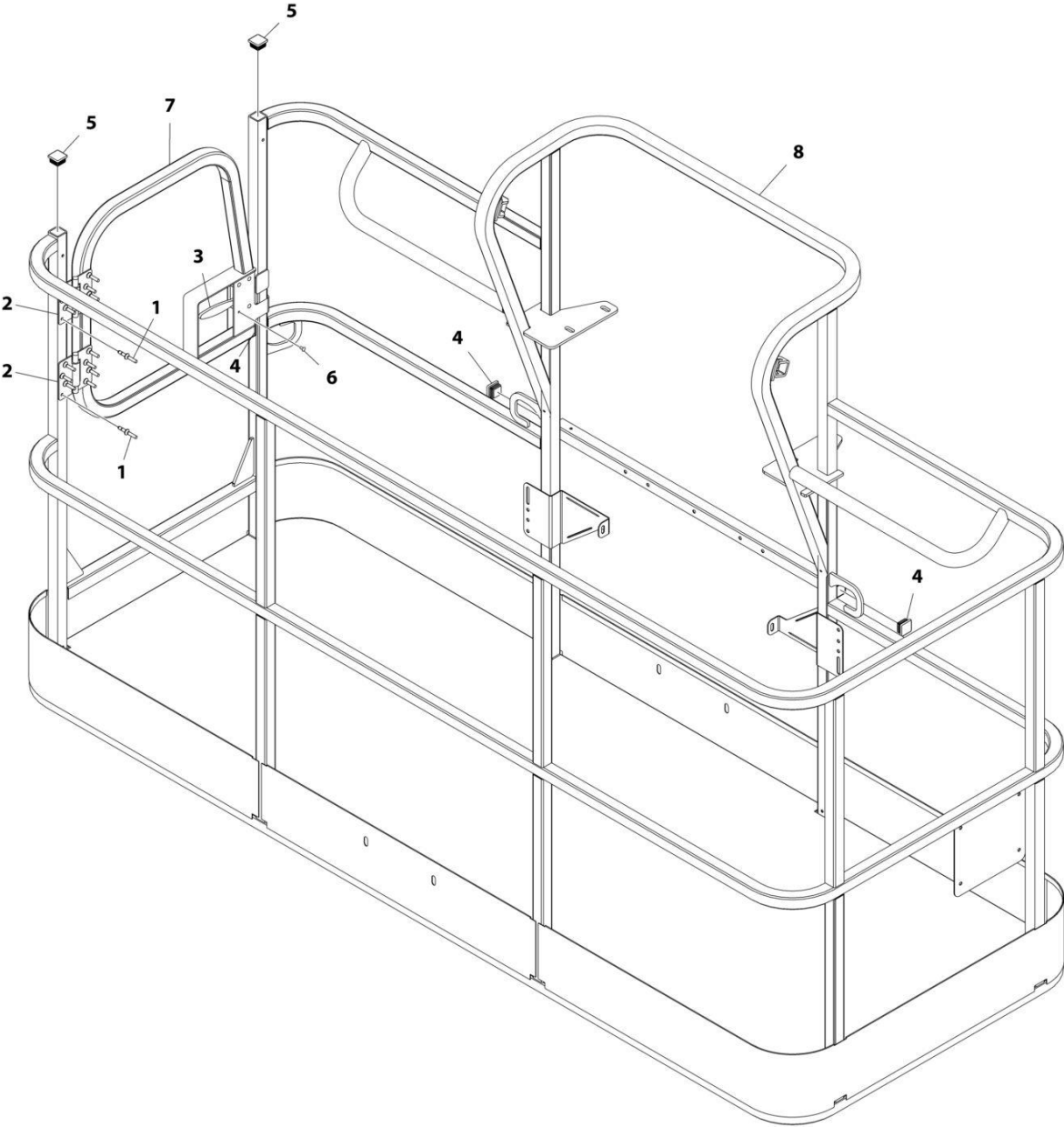
SECTION 5 - PLATFORM

FIGURE 5-6. PLATFORM ASSEMBLY WITH GATE- 36IN X 6FT (91.5CM X 1.83M)

ITEM	PART NUMBER	QTY	DESCRIPTION	REV
	1001186384	Ref	PLATFORM ASSEMBLY - 36IN X 6FT (91.5CM X 1.83M) WITH SWING GATE	C
	See Note	Ref	Note: Platform and Mesh must be ordered separately for Platforms with Mesh. See SPECIAL OPTIONS SECTION for Mesh Installations.	
	See Note	Ref	Note: Replacement Decals Must be Ordered Separately - See DECALS SECTION.	
1	2080040	16	Fastener, Huck	
2	2600281	2	Hinge	
3	2940074	1	Latch	
4	3520072	3	Plug	
5	3520198	2	Plug	
6	3820020	4	Rivet	
7	1001144629	1	Gate	
8	See Note	NSS	Platform (Note: Not Available - Purchase Platform Assembly)	

SECTION 5 - PLATFORM

FIGURE 5-7. PLATFORM ASSEMBLY WITH GATE - 36IN X 8FT (91.5CM X 2.44M)



ART_1001186383

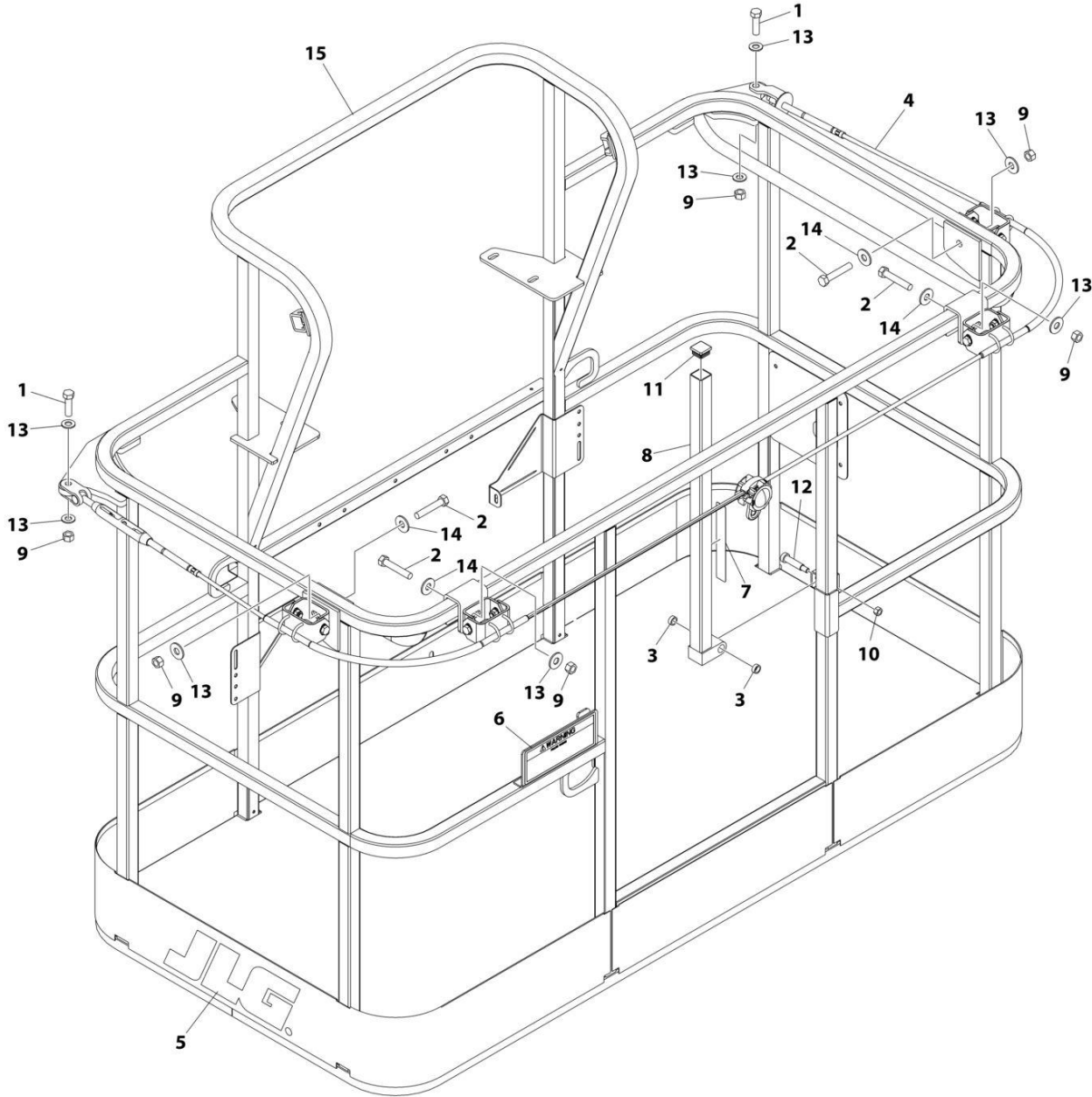
SECTION 5 - PLATFORM

FIGURE 5-7. PLATFORM ASSEMBLY WITH GATE - 36IN X 8FT (91.5CM X 2.44M)

ITEM	PART NUMBER	QTY	DESCRIPTION	REV
	1001186383	Ref	PLATFORM ASSEMBLY - 36IN X 8FT (91.5CM X 2.44M) WITH SWING GATE	D
		Ref	Note: Platform and Mesh must be ordered separately for Platforms with Mesh. See SPECIAL OPTIONS SECTION for Mesh Installations.	
		Ref	Note: Replacement Decals Must be Ordered Separately - See DECALS SECTION.	
1	2080040	16	Fastener, Huck	
2	2600281	2	Hinge	
3	2940074	1	Latch	
4	3520072	3	Plug	
5	3520198	2	Plug	
6	3820020	4	Rivet	
7	1001144629	1	Gate	
8	See Note	NSS	Platform (Note: Not Available - Purchase Platform Assembly)	

SECTION 5 - PLATFORM

FIGURE 5-8. PLATFORM ASSEMBLY WITH FALL ARREST - 36IN X 6FT (91.5CM X 1.83M)



ART_1001186333

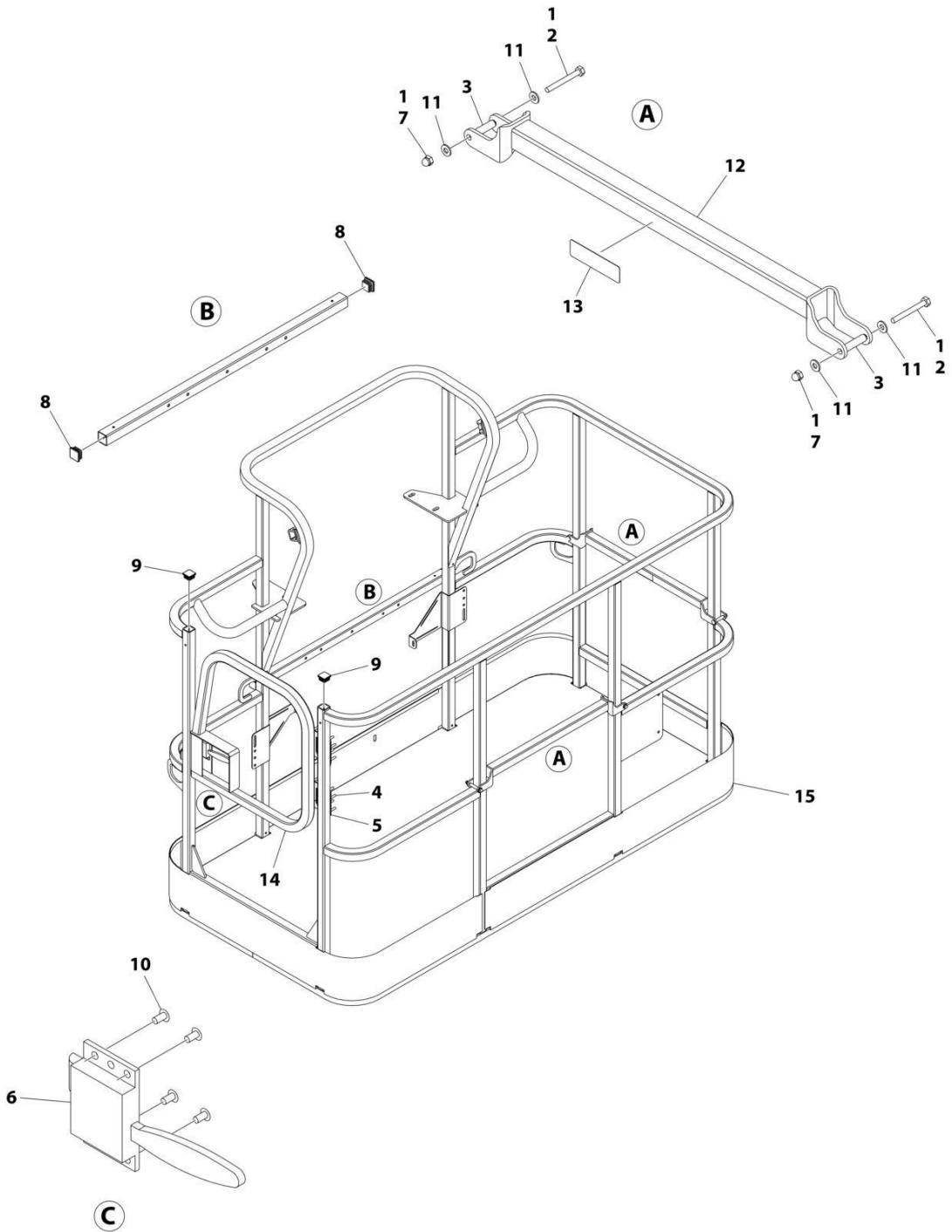
SECTION 5 - PLATFORM

FIGURE 5-8. PLATFORM ASSEMBLY WITH FALL ARREST - 36IN X 6FT (91.5CM X 1.83M)

ITEM	PART NUMBER	QTY	DESCRIPTION	REV
	1001186333	Ref	PLATFORM ASSEMBLY	C
		Ref	Note: Replacement Decals Must be Ordered Separately - See DECALS SECTION.	
1	0681814	2	Bolt 1/2 x 1-3/4 Grade 8	
2	0681822	4	Bolt 1/2 x 2-3/4 Grade 8	
3	0962270	2	Bearing	
4	1001203655	1	Cable	
5	1702773	1	Decal - JLG	
6	1705014	1	Decal - Safety	
7	1706385	1	Decal - Drop Bar	
8	2410014	1	Bar, Drop	
9	3271805	6	Nut 1/2 Grade 8	
10	3311605	1	Nut 3/8	
11	3520072	1	Plug	
12	3900054	1	Bolt 1/2 x 1-3/4	
13	4711800	8	Washer 1/2	
14	4751800	4	Washer 1/2	
15	See Note	NSS	Platform (Note: Not Available - Purchase Platform Assembly)	

SECTION 5 - PLATFORM

FIGURE 5-9. PLATFORM ASSEMBLY WITH TRI-ENTRY (1 GATE / 2 DROP BARS) - 36IN X 6FT (91.5CM X 1.83M)



ART_1001228376

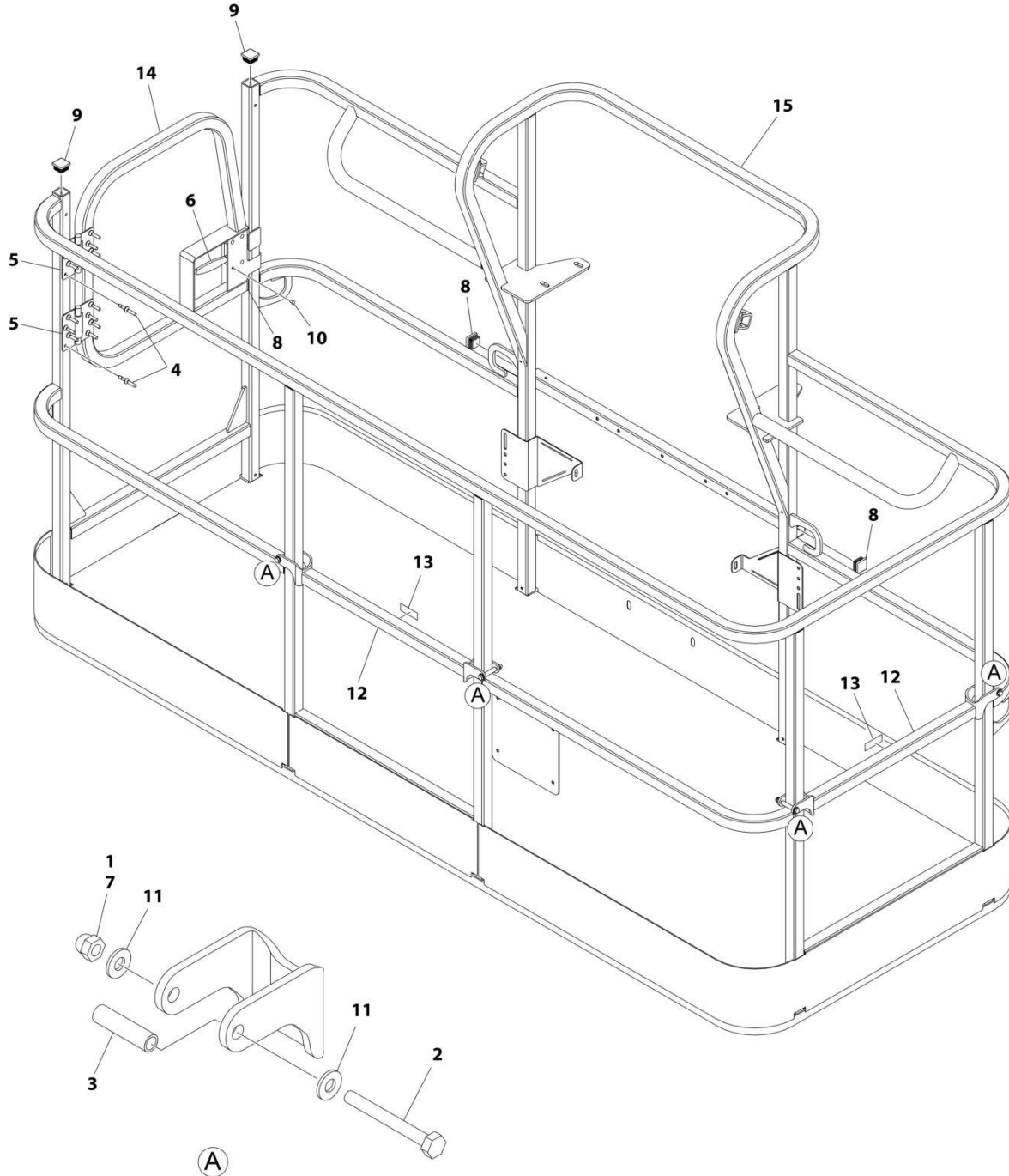
SECTION 5 - PLATFORM

**FIGURE 5-9. PLATFORM ASSEMBLY WITH TRI-ENTRY (1 GATE / 2 DROP BARS) - 36IN X 6FT
(91.5CM X 1.83M)**

ITEM	PART NUMBER	QTY	DESCRIPTION	REV
	1001228376	Ref	PLATFORM ASSEMBLY - 36IN x 6FT (91.5CM x 1.83M)	B
		Ref	Note: Platform and Mesh must be ordered separately for Platforms with Mesh. See SPECIAL OPTIONS SECTION for Mesh Installations.	
		Ref	Note: Replacement Decals Must be Ordered Separately - See DECAL SECTION.	
1	0100011	AR	Compound, Locking	
2	0641418	4	Bolt 1/4 x 2-1/4	
3	0961845	4	Bushing	
4	2080040	16	Fastener	
5	2600281	2	Hinge	
6	2940074	1	Latch	
7	3300151	4	Nut 1/4	
8	3520072	3	Plug	
9	3520198	2	Plug	
10	3820020	4	Rivet	
11	4711400	8	Washer 1/4	
12	1001138494	2	Bar, Drop	
13	1001140429	2	Decal - Drop Bar	
14	1001144629	1	Gate	
15	See Note	NSS	Platform (Note: Not Available - Purchase Platform Assembly)	

SECTION 5 - PLATFORM

FIGURE 5-10. PLATFORM ASSEMBLY WITH TRI-ENTRY (1 GATE/2 DROP BARS) - 36IN X 8FT (91.5CM X 2.44M)



ART_1001228243

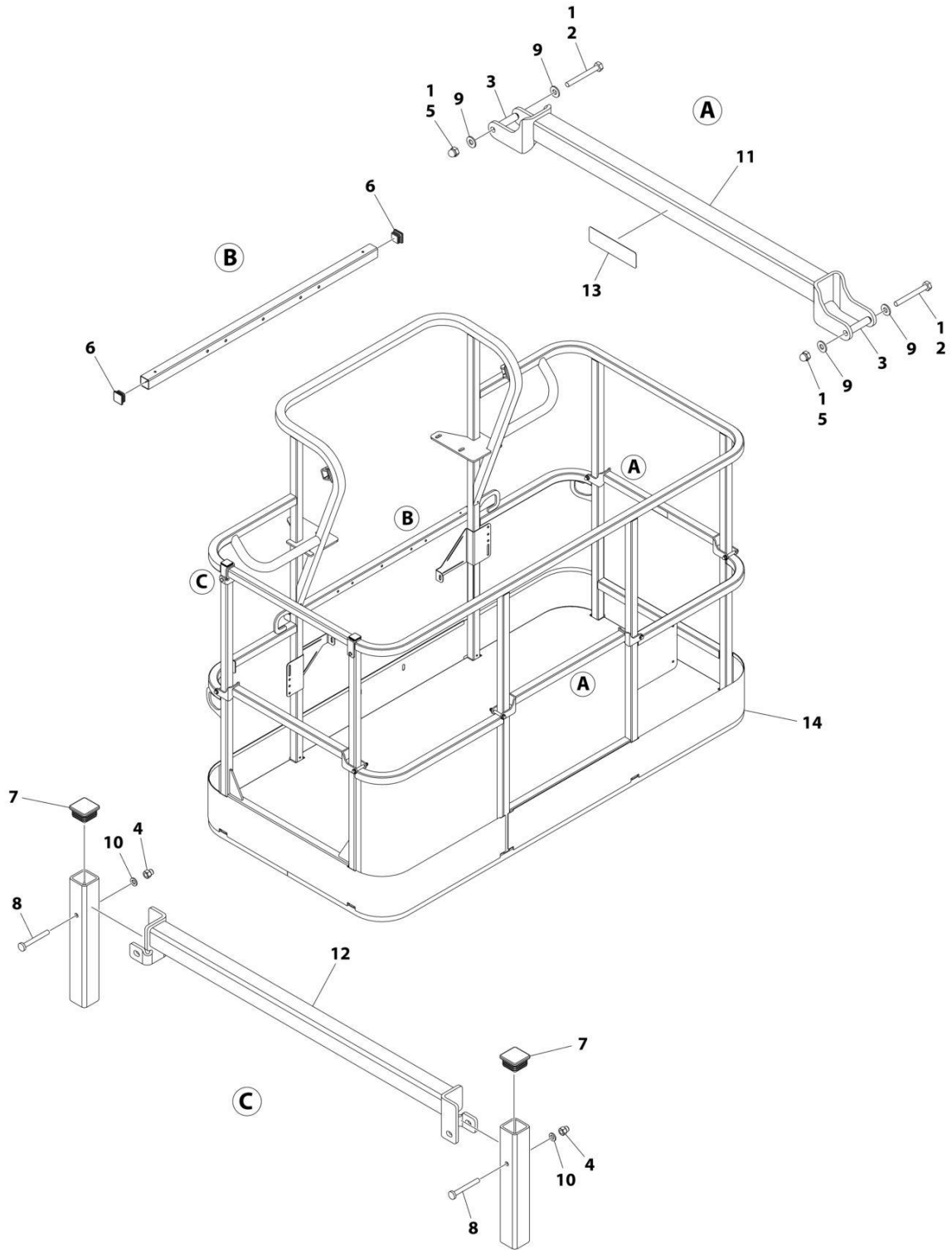
SECTION 5 - PLATFORM

**FIGURE 5-10. PLATFORM ASSEMBLY WITH TRI-ENTRY (1 GATE/2 DROP BARS) - 36IN X 8FT
(91.5CM X 2.44M)**

ITEM	PART NUMBER	QTY	DESCRIPTION	REV
	1001228243	Ref	PLATFORM ASSEMBLY - 36IN X 8FT (91.5CM X 2.44M) WITH TRI-ENTRY	A
		Ref	Note: Platform and Mesh must be ordered separately for Platforms with Mesh. See SPECIAL OPTIONS SECTION for Mesh Installations.	
1	0100011	AR	Compound, Locking	
2	0641418	4	Bolt 1/4 x 2-1/4	
3	0961845	4	Bushing	
4	2080040	16	Fastener, Huck	
5	2600281	2	Hinge, Self-Closing	
6	2940074	1	Latch	
7	3300151	4	Nut 1/4	
8	3520072	3	Cap, Plug	
9	3520198	2	Cap, Plug	
10	3820020	4	Rivet	
11	4711400	8	Washer 1/4	
12	1001138494	2	Bar, Drop	
13	1001140429	2	Decal - Drop Bar	
14	1001144629	1	Gate, Weldment	
15	See Note	1	Platform (Note: Not Available - Purchase Platform Assembly)	

SECTION 5 - PLATFORM

FIGURE 5-11. PLATFORM ASSEMBLY WITH TRI-ENTRY (3 DROP BARS) - 36IN X 6FT (91.5CM X 1.83M)



ART_1001228377

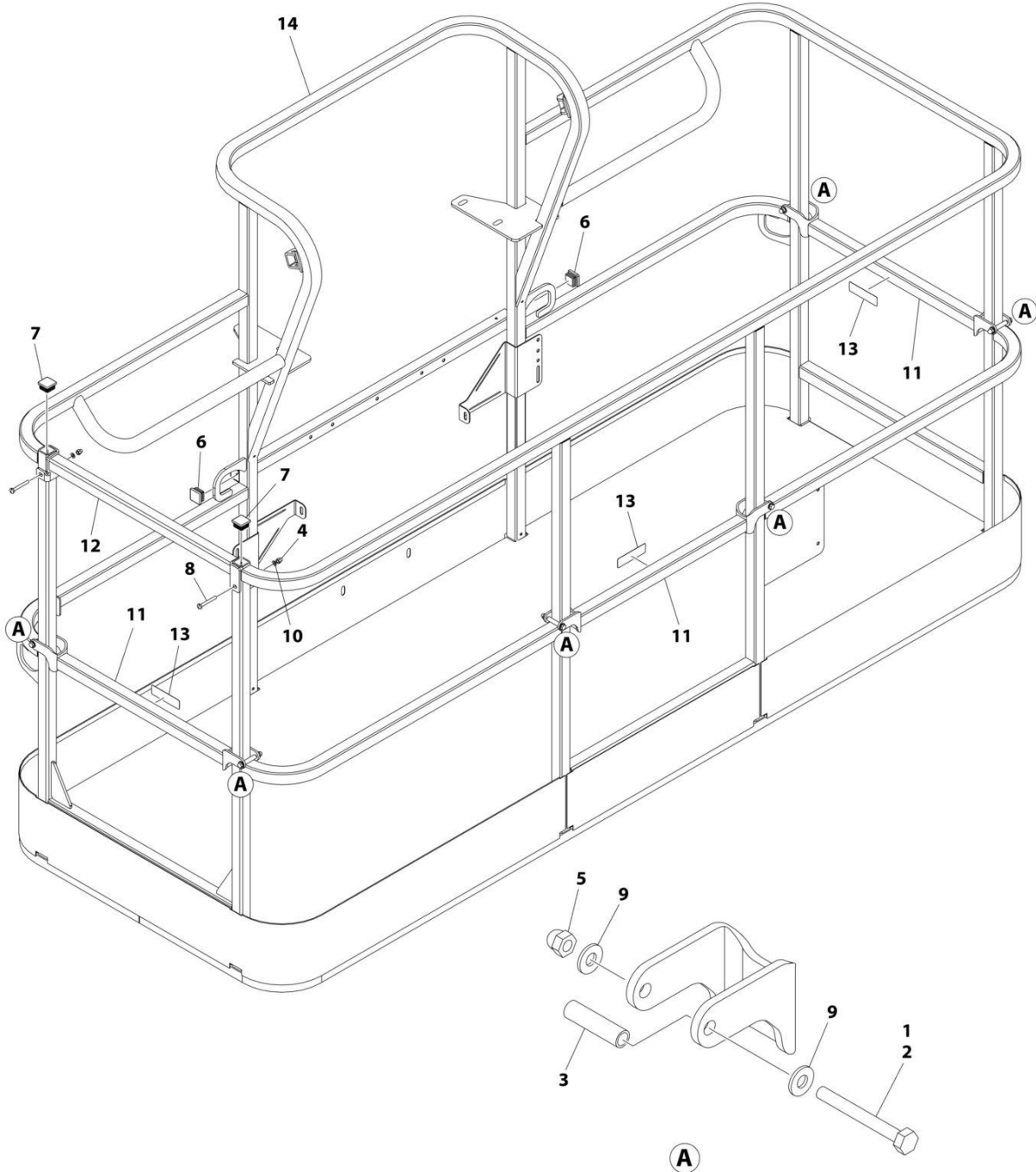
SECTION 5 - PLATFORM

FIGURE 5-11. PLATFORM ASSEMBLY WITH TRI-ENTRY (3 DROP BARS) - 36IN X 6FT (91.5CM X 1.83M)

ITEM	PART NUMBER	QTY	DESCRIPTION	REV
	1001228377	Ref	PLATFORM ASSEMBLY - 36IN x 6FT (91.5CM x 1.83M)	B
		Ref	Note: Platform and Mesh must be ordered separately for Platforms with Mesh. See SPECIAL OPTIONS SECTION for Mesh Installations.	
		Ref	Note: Replacement Decals Must be Ordered Separately - See DECAL SECTION.	
1	0100011	1	Compound, Locking	
2	0641418	6	Bolt 1/4 x 2-1/4	
3	0961845	6	Bushing	
4	3290606	2	Nut M6	
5	3300151	6	Nut 1/4	
6	3520072	2	Plug	
7	3520198	2	Plug	
8	4010618	2	Screw M6 x 50	
9	4711400	12	Washer 1/4	
10	4811700	2	Washer M6	
11	1001138494	3	Bar, Drop	
12	1001138514	1	Rail (Top)	
13	1001140429	3	Decal - Drop Bar	
14	See Note	NSS	Platform, Weldment (Note: Not Available - Purchase Platform Assembly)	

SECTION 5 - PLATFORM

FIGURE 5-12. PLATFORM ASSEMBLY WITH TRI-ENTRY (3 DROP BARS) - 36IN X 8FT (91.5CM X 2.44M)



ART_1001228375

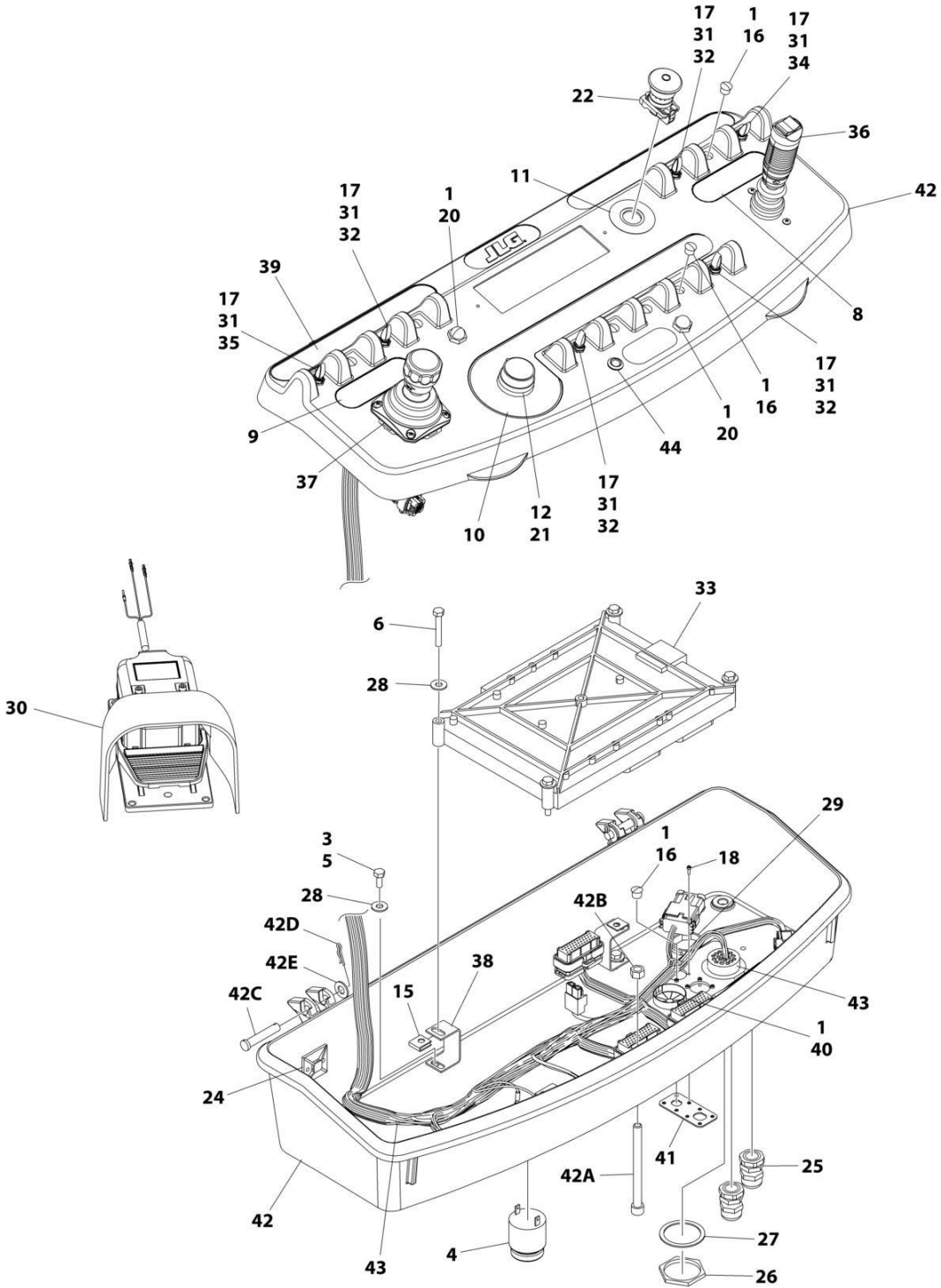
SECTION 5 - PLATFORM

FIGURE 5-12. PLATFORM ASSEMBLY WITH TRI-ENTRY (3 DROP BARS) - 36IN X 8FT (91.5CM X 2.44M)

ITEM	PART NUMBER	QTY	DESCRIPTION	REV
	1001228375	Ref	PLATFORM ASSEMBLY - 36IN X 8FT (91.5CM X 2.44M) WITH TRI-ENTRY	A
		Ref	Note: Platform and Mesh must be ordered separately for Platforms with Mesh. See SPECIAL OPTIONS SECTION for Mesh Installations.	
		Ref	Note: Replacement Decals Must be Ordered Separately - See DECAL SECTION.	
1	0100011	AR	Compound, Locking	
2	0641418	6	Bolt 1/4 x 2-1/4	
3	0961845	6	Bushing	
4	3290606	2	Nut M6 x 1	
5	3300151	6	Nut 1/4	
6	3520072	2	Cap, Plug	
7	3520198	2	Cap, Plug	
8	4010618	2	Screw M6 x 50	
9	4711400	12	Washer 1/4	
10	4811700	2	Washer M6	
11	1001138494	3	Bar, Drop	
12	1001138514	1	Rail (Top)	
13	1001140429	3	Decal - Drop Bar	
14	See Note	1	Platform (Note: Not Available - Purchase Platform Assembly)	

SECTION 5 - PLATFORM

FIGURE 5-13. CONSOLE BOX ASSEMBLY WITH FOOTSWITCH



ART_1001244976_C

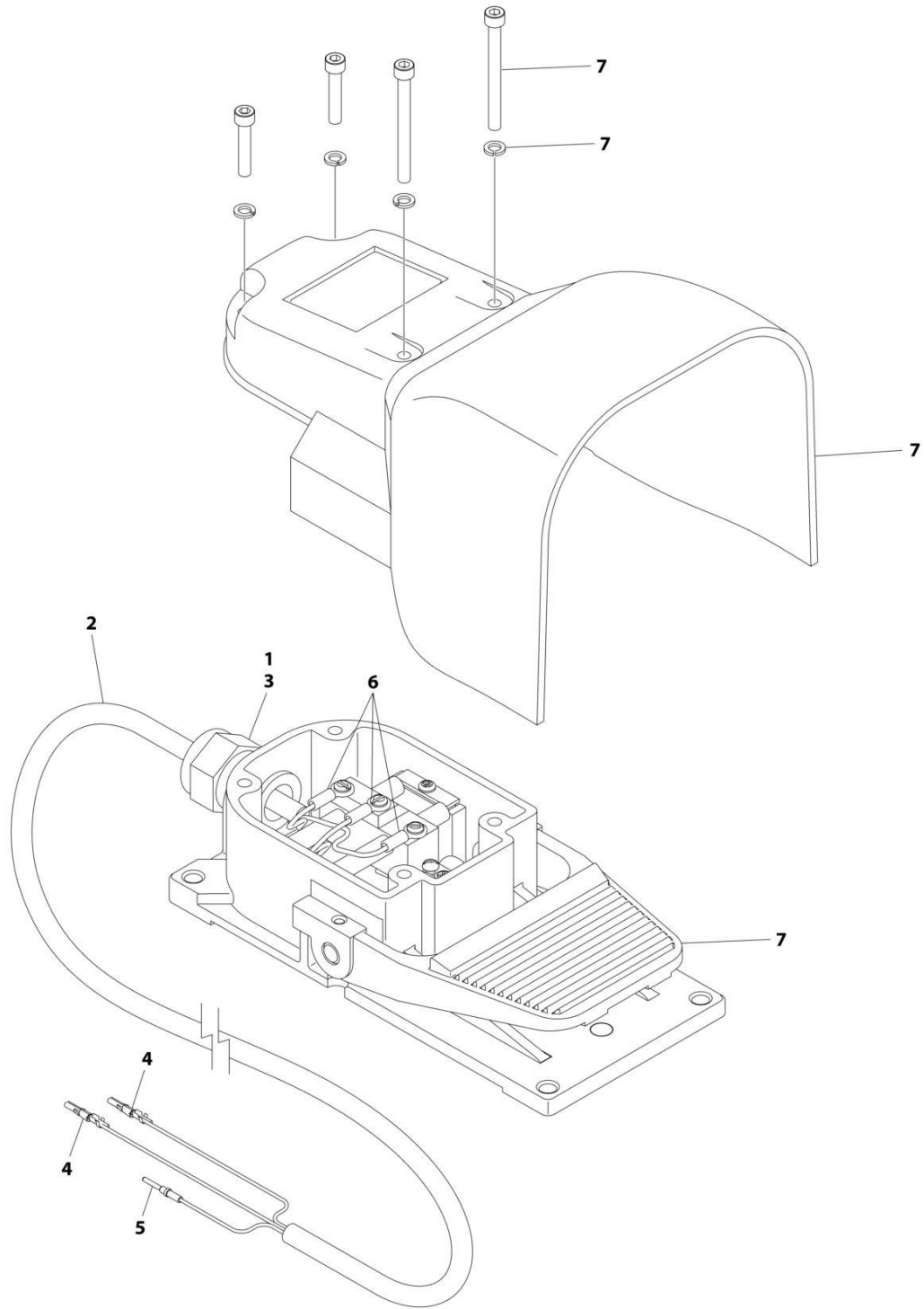
SECTION 5 - PLATFORM

FIGURE 5-13. CONSOLE BOX ASSEMBLY WITH FOOTSWITCH

ITEM	PART NUMBER	QTY	DESCRIPTION	REV
	1001244976	Ref	PLATFORM CONSOLE BOX ASSEMBLY	C
1	0100009	AR	Sealant	
3	0100035	AR	Compound, Locking	
4	0140011	1	Alarm	
5	0641405	4	Bolt 1/4 x 5/8	
6	0641414	4	Bolt 1/4 x 1-3/4	
8	1702565	1	Decal - Drive and Steer	
9	1702566	1	Decal - Lift and Swing	
10	1702567	1	Decal - Function Speed	
11	1704260	1	Decal - EMS	
12	2560136	1	Handle, Knob	
15	3300353	4	Nut, Tinnerman	
16	3520054	7	Plug	
17	3790012	6	O-Ring	
18	3900349	8	Screw M2.5	
19	4240099	AR	Tie-Strap (Not Shown)	
20	4360387	2	Switch, Pushbutton	
21	4360407	1	Switch, Potentiometer	
22	1001274559	1	Switch, Emergency	
24	4460234	6	Terminal	
25	4460428	2	Connector, Strain Relief	
26	4460470	1	Nut, Terminal	
27	4460471	1	Washer	
28	4751400	8	Washer 1/4	
29	1001110434	1	Plug	
30	1001117174	1	Footswitch Assembly (See Separate Breakdown in this Section)	
31	1001155044	6	Nut 15/32	
32	1001155045	4	Switch, Toggle	
33	1001157196	1	Controller, Module (Note: Re-calibration Required when Replaced)	
34	1001159256	1	Switch, Toggle	
35	1001161709	1	Switch, Toggle	
36	1001275628	1	Controller Assembly (Drive and Steer)	
37	1001275629	1	Controller Assembly (Lift and Swing)	
38	1001172760	4	Bracket	
39	1001184626	1	Decal - Horn	
40	1001185281	1	Plug	
41	1001213882	1	Connector Mount	
42	1001215228	1	Platform Console Box	
42A	0630568	1	Capscrew 3/8 x 4-1/2	
42B	3311601	1	Nut 3/8	
42C	3430616	2	Pin	
42D	3470003	2	Hairpin	
42E	4711600	2	Washer 3/8	
43	1001238254	1	Harness, Platform Console Box (See Separate Breakdown in ELECTRICAL Section)	
44	1001206532	1	Lamp, LED Indicator Yellow	

SECTION 5 - PLATFORM

FIGURE 5-14. FOOTSWITCH ASSEMBLY



ART_1001117174

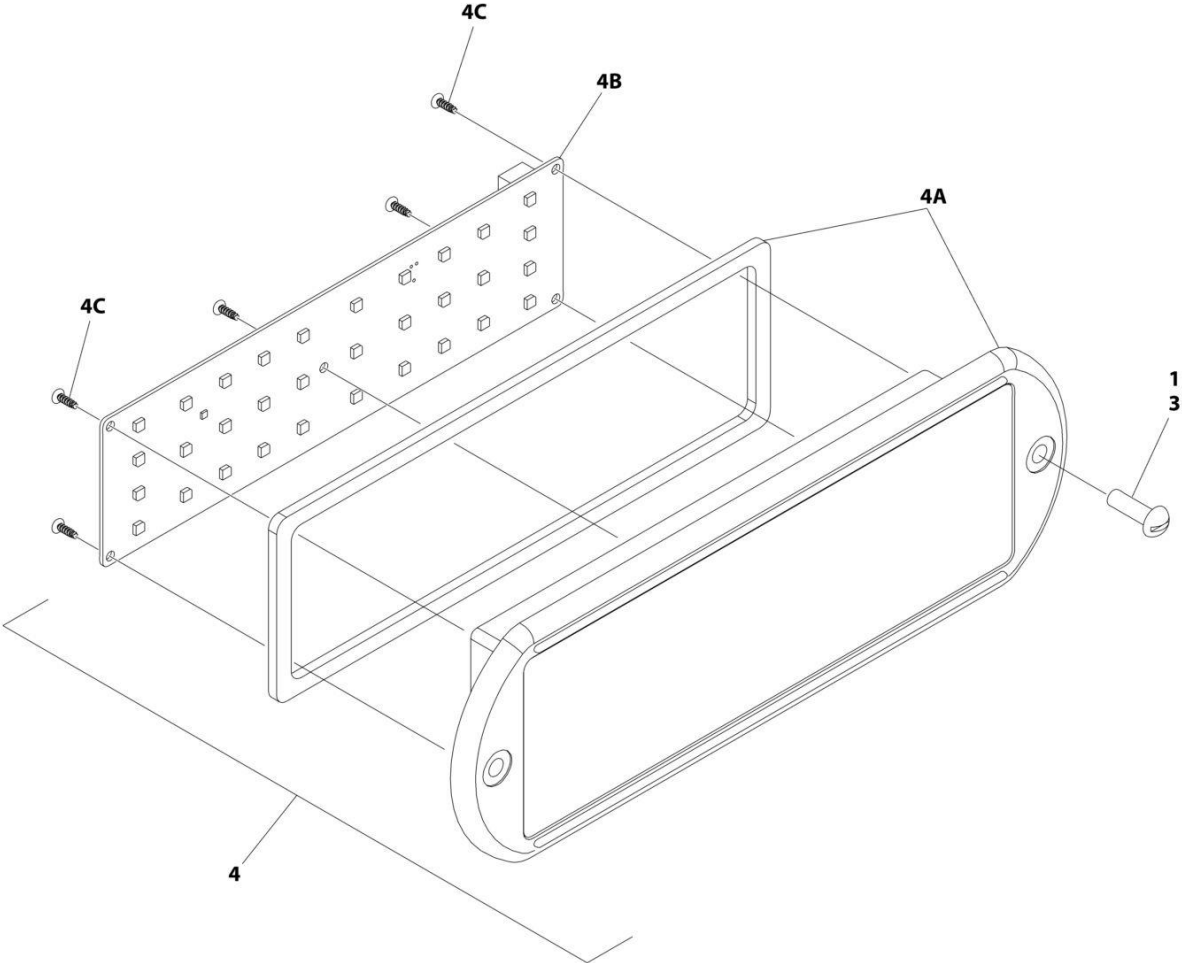
SECTION 5 - PLATFORM

FIGURE 5-14. FOOTSWITCH ASSEMBLY

ITEM	PART NUMBER	QTY	DESCRIPTION	REV
	1001117174	Ref	FOOTSWITCH ASSEMBLY	C
1	0100020	AR	Sealant	
2	1060918	7.5 ft/ 2.3m	Cable, Electrical - 18/3	
3	4460071	1	Connector, Strain Relief	
4	4460226	2	Socket, Female	
5	4460464	1	Pin, Male	
6	1001098122	3	Terminal	
7	1001117172	1	Footswitch	
7	70002902	1	Switch, 20Amp	
7	70002903	1	Gasket	
7	70002905	1	Cover	
7	70002904	1	Kit, Replacement Bolt	

SECTION 5 - PLATFORM

FIGURE 5-15. LIGHT PANEL INSTALLATION



ART_1001233959_20F2

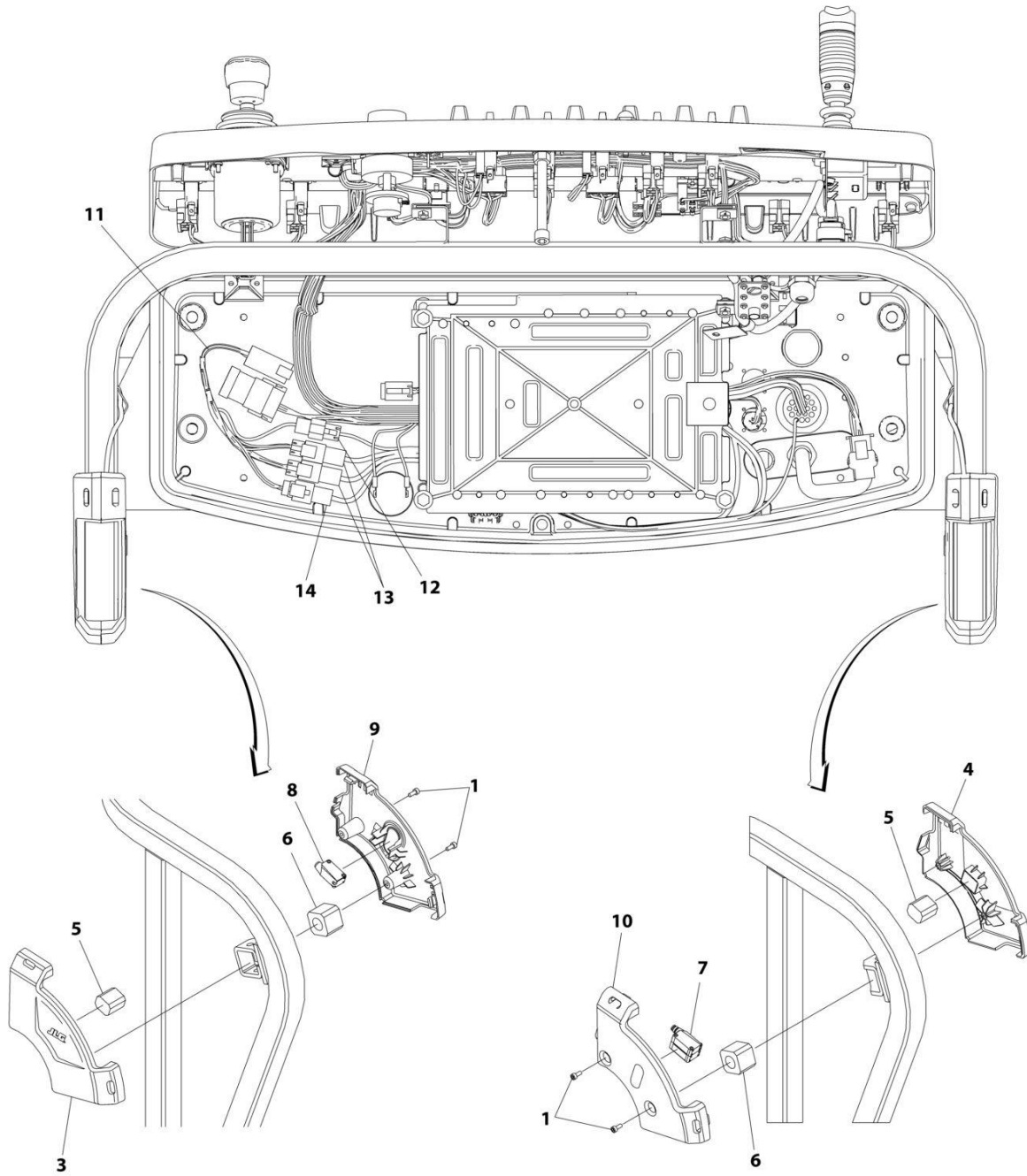
SECTION 5 - PLATFORM

FIGURE 5-15. LIGHT PANEL INSTALLATION

ITEM	PART NUMBER	QTY	DESCRIPTION	REV
	1001233959	Ref	LIGHT PANEL INSTALLATION - PLATFORM CONSOLE	C
1	0100035	AR	Compound, Locking	
3	0630518	2	Screw #10 x 3/4	
4	1001237544	1	Light Panel Assembly	
4A	1001236087	1	Lens, I-Con (Includes Gasket)	
4B	1001187807	1	Panel, LED Light	
4C		Ref	Screw	

SECTION 5 - PLATFORM

FIGURE 5-16. SKYEYE INSTALLATION



ART_1001229341

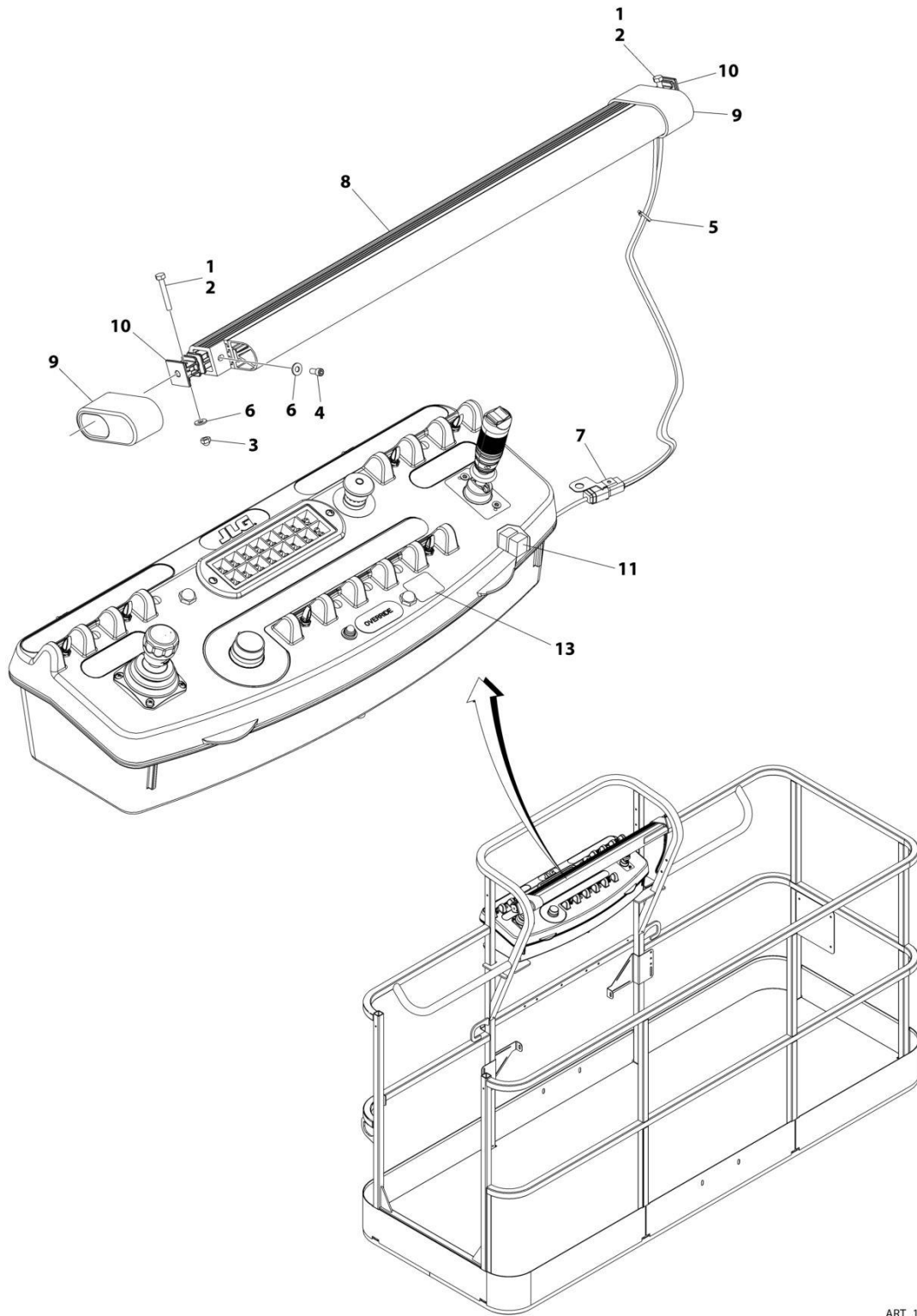
SECTION 5 - PLATFORM

FIGURE 5-16. SKYEYE INSTALLATION

ITEM	PART NUMBER	QTY	DESCRIPTION	REV
	1001229341	Ref	SKYEYE INSTALLATION	B
1	4031505	4	Bolt M4 x 10	
2	4240033	AR	Tie-Strap (Not Shown)	
3	1001227633	1	Housing, LH Outer	
4	1001227634	1	Housing, RH Outer	
5	1001227985	2	Shim	
6	1001227987	2	Shim	
7	1001228224	2	Sensor, Receiver	
8	1001228225	1	Sensor, Emitter	
9	1001232164	1	Housing, LH Inner	
10	1001232165	1	Housing, RH Inner	
11	1001237865	1	Harness, Skyeeye Intermediate (See Separate Breakdown in ELECTRICAL Section)	
12	1001238319	NLA	Harness, Skyeeye Drain Jumper	
12	1001187674	1	Plug, Male - 2 Position	
12	4460942	1	Terminal	
12	4460466	1	Plug, Terminal	
12	4460508	1	Pin, Male	
13	1001237863	2	Harness, Skyeeye Receiver (See Separate Breakdown in ELECTRICAL Section)	
14	1001237864	1	Harness, Skyeeye Emitter (See Separate Breakdown in ELECTRICAL Section)	

SECTION 5 - PLATFORM

FIGURE 5-17. SKYGUARD BAR INSTALLATION



ART_1001238495

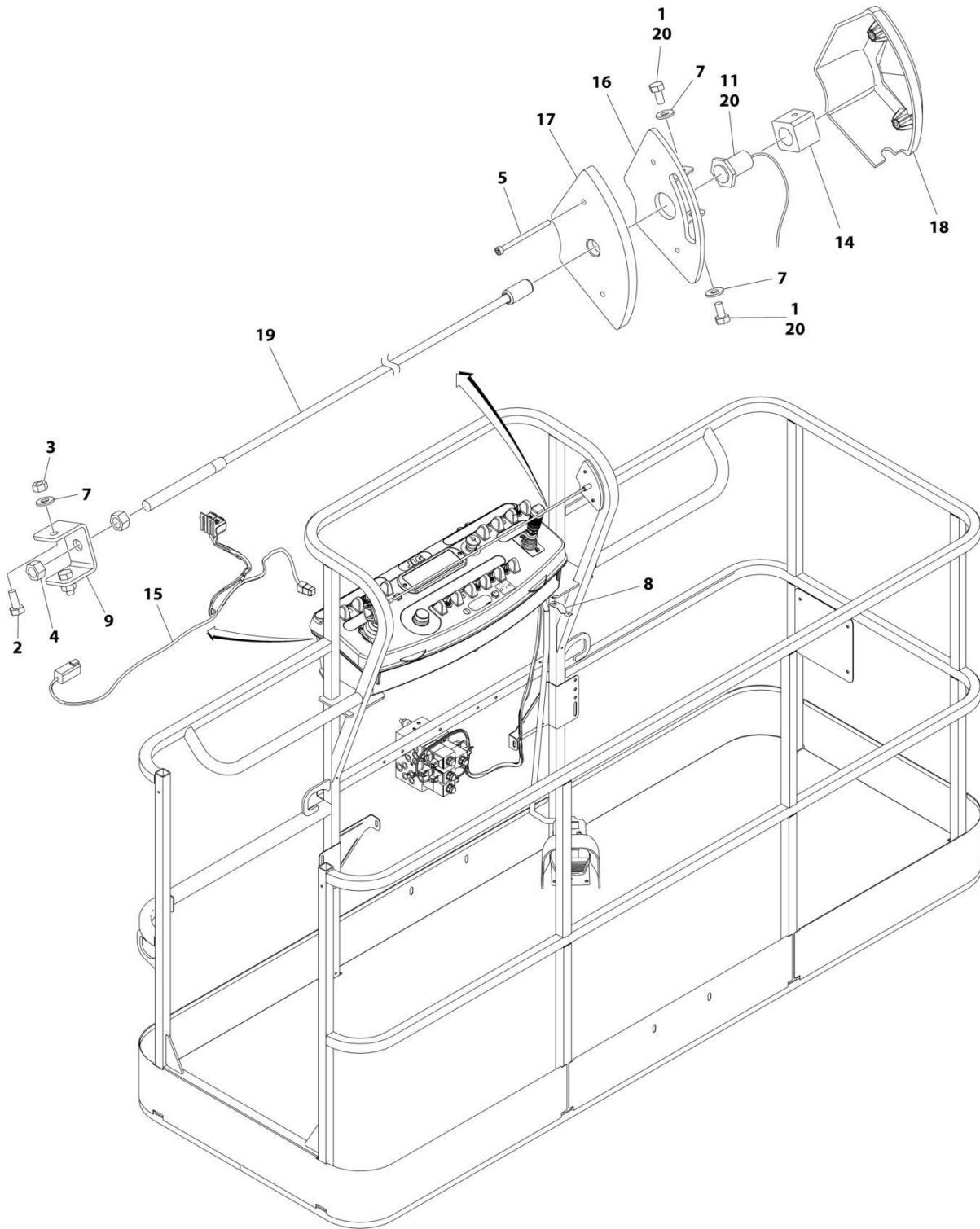
SECTION 5 - PLATFORM

FIGURE 5-17. SKYGUARD BAR INSTALLATION

ITEM	PART NUMBER	QTY	DESCRIPTION	REV
	1001238495	Ref	SKYGUARD BAR INSTALLATION	A
1	0100011	AR	Compound, Locking	
2	0641414	2	Bolt 1/4 x 1-3/4	
3	3300430	2	Nut 1/4	
4	3931408	2	Capscrew 1/4 x 1/2	
5	4240033	8	Tie-Strap	
6	4711400	6	Washer 1/4	
7	1001120328	1	Mount	
8	1001137673	1	SkyGuard Switch Assembly	
9	1001186517	2	Cover, Platform Sensor	
10	1001209664	2	Support, Block	
11	1001186431	2	Relay	
12	1001225580	1	Interface Harness Assembly (Not Shown - Located Inside Console Box) (See Separate Breakdown in ELECTRICAL Section)	
13	1001144433	1	Decal - No Weight SkyGuard	

SECTION 5 - PLATFORM

FIGURE 5-18. SKYLINE INSTALLATION



ART_1001238559_D

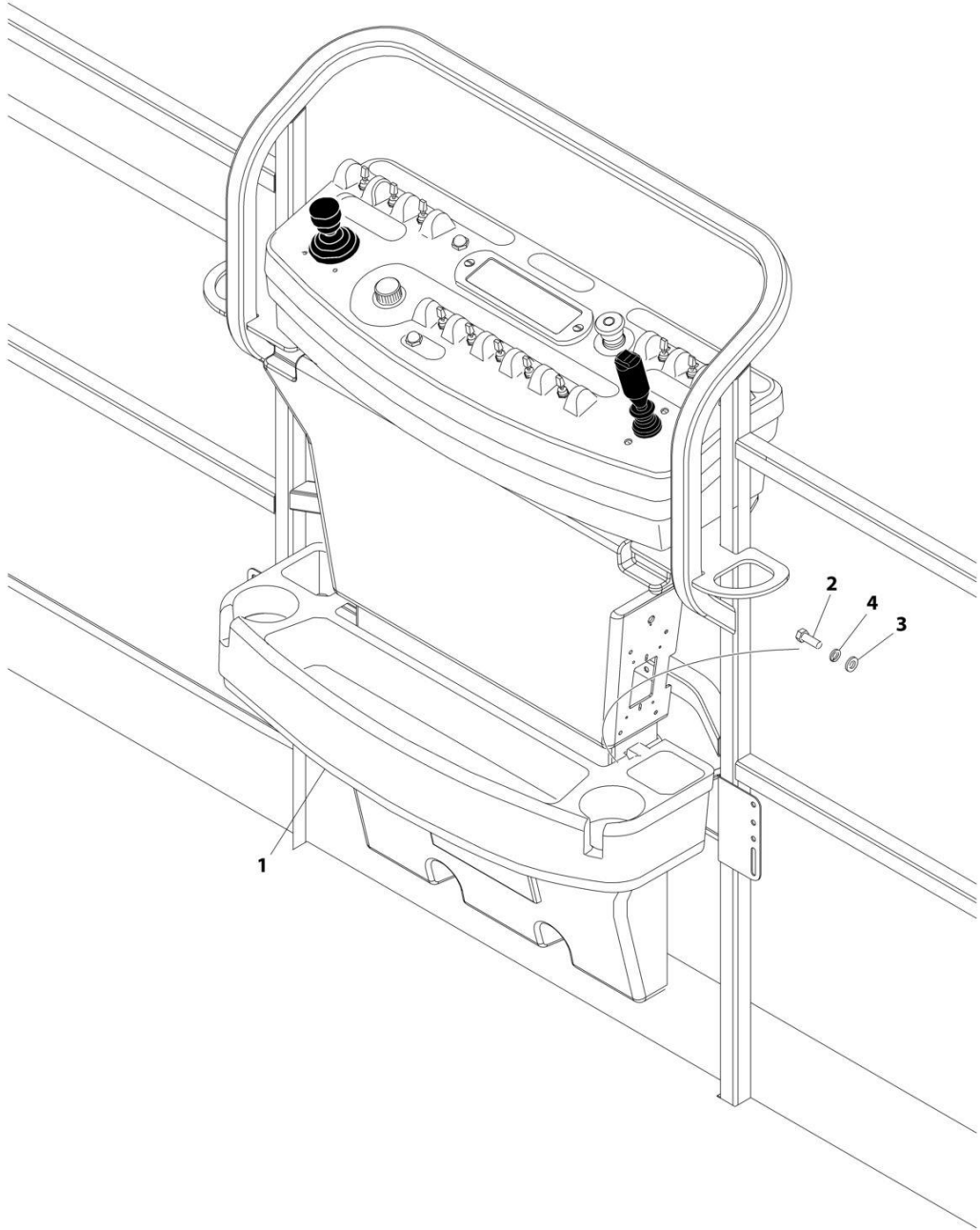
SECTION 5 - PLATFORM

FIGURE 5-18. SKYLINE INSTALLATION

ITEM	PART NUMBER	QTY	DESCRIPTION	REV
	1001238559	Ref	SKYLINE INSTALLATION	D
1	0641404	2	Bolt 1/4 x 1/2	
2	0641405	2	Bolt 1/4 x 5/8	
3	3311405	2	Nut 1/4	
4	3311601	2	Nut 3/8	
5	4031516	2	Capscrew M4 x 60	
6	4240033	AR	Tie-Strap (Not Shown)	
7	4711400	4	Washer 1/4	
8	1001120328	1	Mount	
9	1001232642	1	Bracket	
11	1001232667	1	Sensor, Proximity	
14	1001236552	1	Block	
15	1001238418	1	Harness, Skyline (See Separate Breakdown in ELECTRICAL Section)	
16	1001238472	1	Mount	
17	1001254473	1	Housing, LH	
18	1001241965	1	Housing, RH	
19	1001254472	1	Rod	
20	0100011	AR	Compound, Locking	

SECTION 5 - PLATFORM

FIGURE 5-19. STORAGE TRAY INSTALLATION - CENTER



ART_1580012

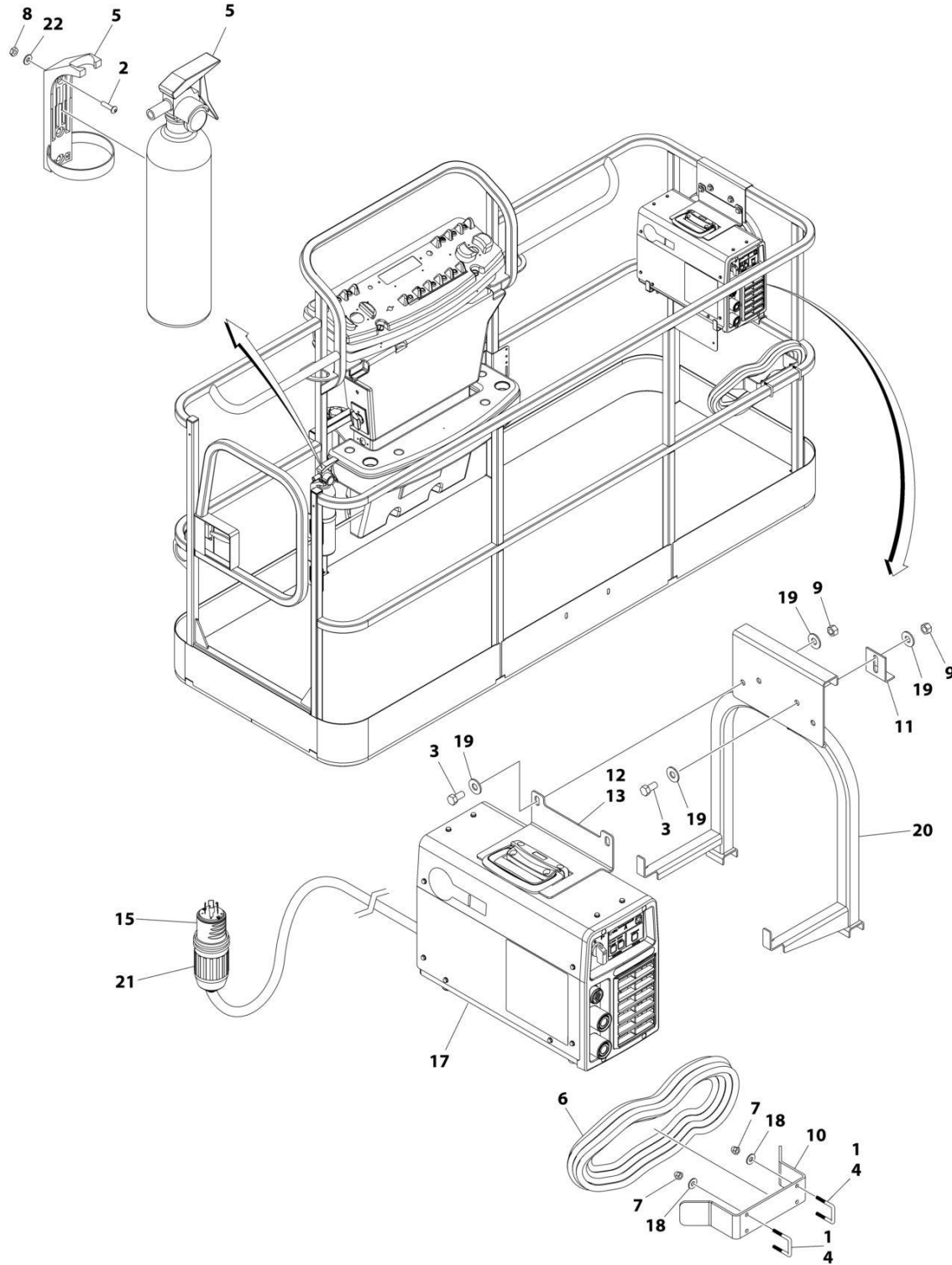
SECTION 5 - PLATFORM

FIGURE 5-19. STORAGE TRAY INSTALLATION - CENTER

ITEM	PART NUMBER	QTY	DESCRIPTION	REV
	1580012	Ref	TRAY ASSEMBLY	C
1	See Note	NSS	Tray, Storage (Center) (Note: Purchase p/n 1580012)	
2	0641406	2	Bolt 1/4 x 3/4	
3	4751400	2	Washer 1/4	
4	4761400	2	Washer 1/4	

SECTION 5 - PLATFORM

FIGURE 5-20. SKYWELDER INSTALLATION (50HZ)



ART_0272254_J

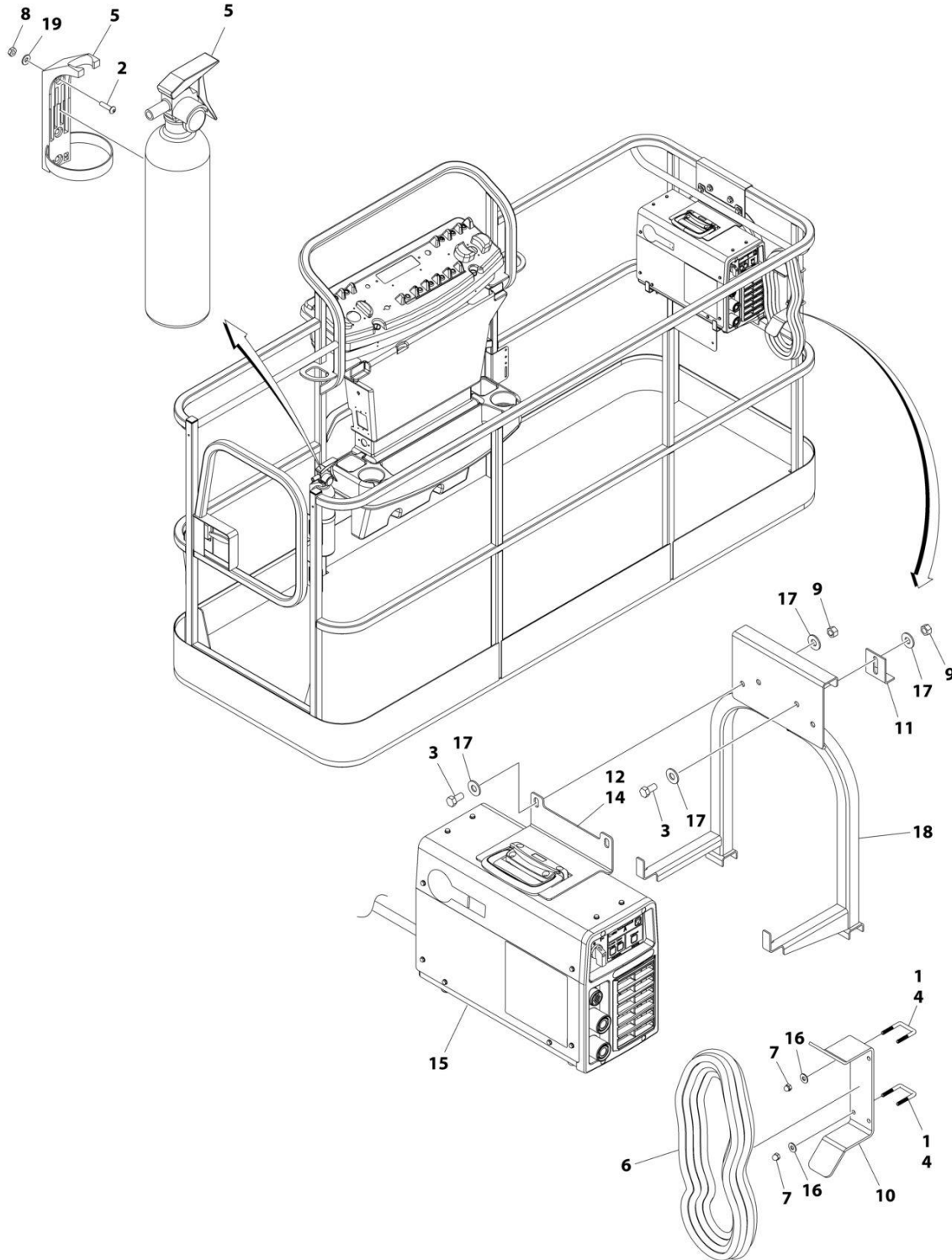
SECTION 5 - PLATFORM

FIGURE 5-20. SKYWELDER INSTALLATION (50HZ)

ITEM	PART NUMBER	QTY	DESCRIPTION	REV
	0272254	Ref	SKYWELDER INSTALLATION	J
1	0100011	AR	Compound, Locking	
2	0630518	2	Screw #10 x 3/4	
3	0641606	4	Bolt 3/8 x 3/4	
4	1320302	2	U-Clamp	
5	2030010	1	Extinguisher, Fire	
6	2902217	1	Weld Leads Kit	
7	3300151	4	Nut 1/4	
8	3311005	2	Nut #10	
9	3311605	4	Nut 3/8	
10	3573400	1	Bracket	
11	3577121	2	Angle	
12	1001269573	1	Plate	
13	4420037	AR	Tape	
14	4240099	AR	Tie-Strap (Not Shown)	
15	4460962	1	Plug, Male Twistlock	
17	1001268820	1	Welder Assembly (See Separate Breakdown in this Section)	
18	4751400	4	Washer 1/4	
19	4751600	8	Washer 3/8	
20	1001269322	1	Support	
21	1671093	1	Cover, Plug	
22	4751000	2	Washer #10	

SECTION 5 - PLATFORM

FIGURE 5-21. SKYWELDER INSTALLATION (60HZ)



ART_0272521_G

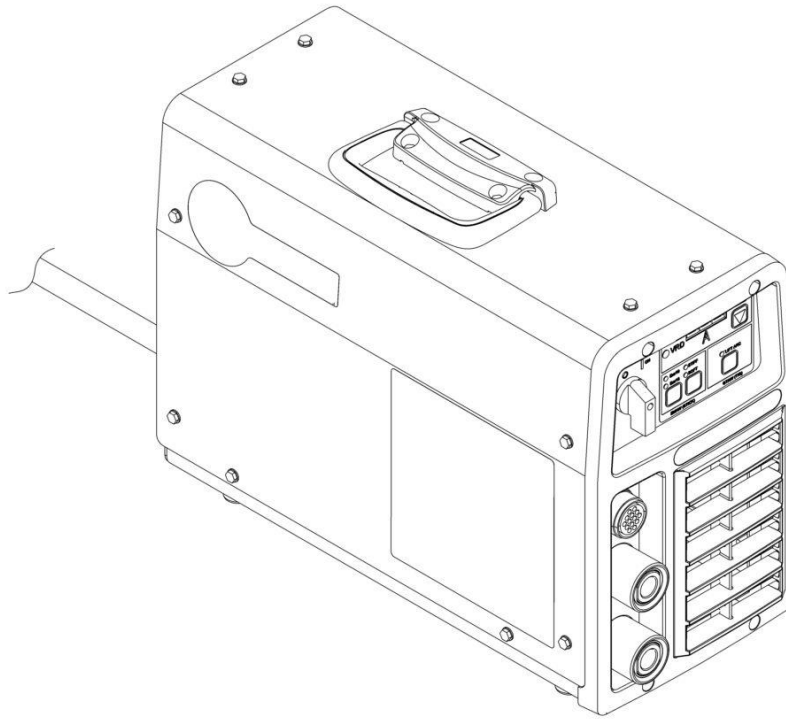
SECTION 5 - PLATFORM

FIGURE 5-21. SKYWELDER INSTALLATION (60HZ)

ITEM	PART NUMBER	QTY	DESCRIPTION	REV
	0272521	Ref	SKYWELDER INSTALLATION	G
1	0100011	AR	Compound, Locking	
2	0630518	2	Screw #10 x 3/4	
3	0641606	4	Bolt 3/8 x 3/4	
4	1320302	2	U-Clamp	
5	2030010	1	Extinguisher, Fire	
6	2902217	1	Weld Leads Kit	
7	3300151	4	Nut 1/4	
8	3311005	2	Nut #10	
9	3311605	4	Nut 3/8	
10	3573400	1	Bracket	
11	3577121	2	Angle	
12	1001269573	1	Plate	
13	4240099	AR	Tie-Strap (Not Shown)	
14	4420037	AR	Tape	
15	1001268820	1	Welder Assembly (See Separate Breakdown in this Section)	
16	4751400	4	Washer 1/4	
17	4751600	8	Washer 3/8	
18	1001269322	1	Support	
19	4751000	2	Washer #10	

SECTION 5 - PLATFORM

FIGURE 5-22. WELDER ASSEMBLY



ART_1001268820

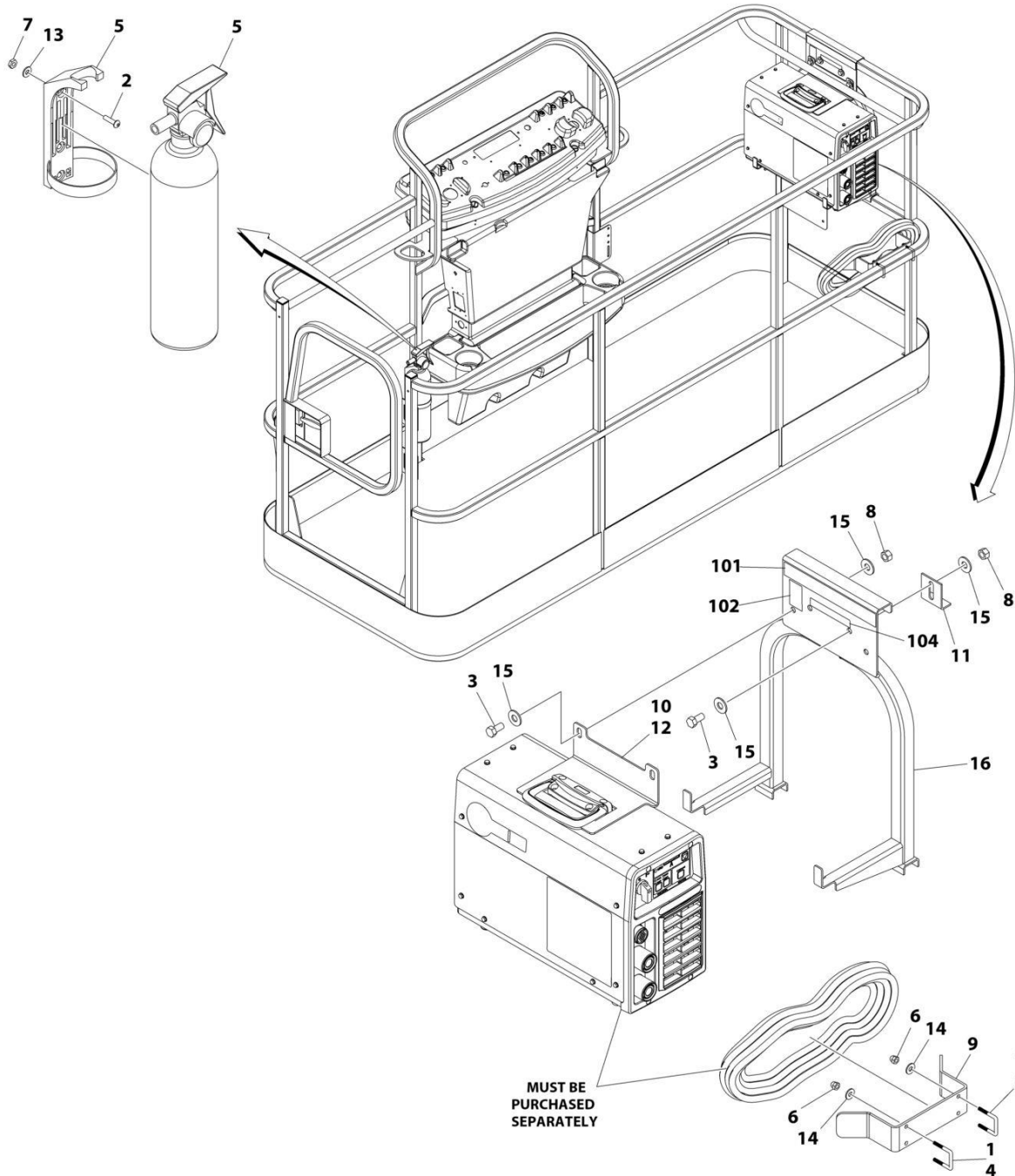
SECTION 5 - PLATFORM

FIGURE 5-22. WELDER ASSEMBLY

ITEM	PART NUMBER	QTY	DESCRIPTION	REV
	1001268820	1 Ref	WELDER ASSEMBLY Note: No Service Parts available at time of Printing.	B

SECTION 5 - PLATFORM

FIGURE 5-23. SKYWELDER PREP PACKAGE (60HZ)



ART_1001128527_C

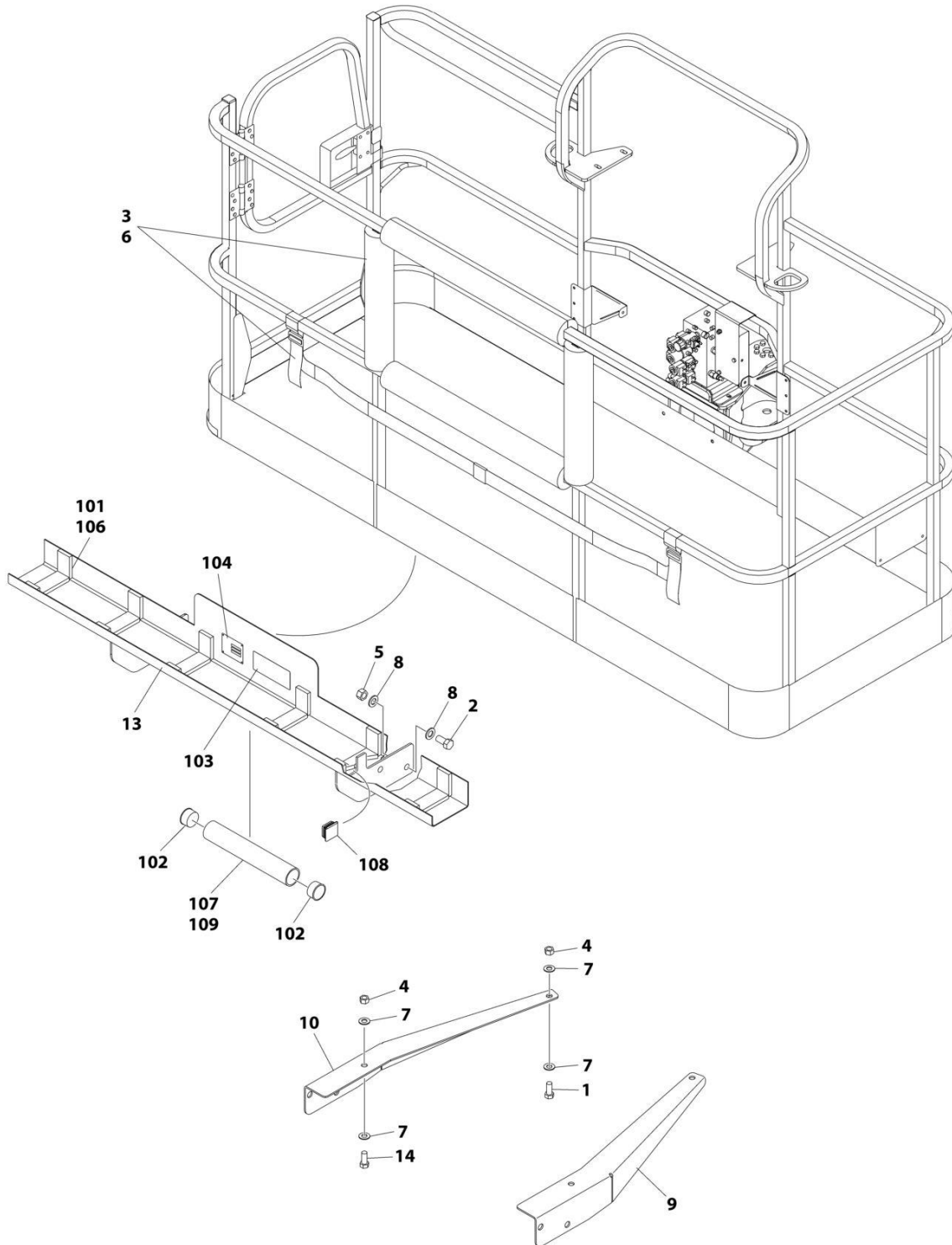
SECTION 5 - PLATFORM

FIGURE 5-23. SKYWELDER PREP PACKAGE (60HZ)

ITEM	PART NUMBER	QTY	DESCRIPTION	REV
	1001128527	Ref	SKYWELDER PREP PACKAGE	C
1	0100011	AR	Compound, Locking	
2	0630518	2	Screw #10 x 3/4	
3	0641606	4	Bolt 3/8 x 3/4	
4	1320302	2	U-Clamp	
5	2030010	1	Extinguisher, Fire	
6	3300151	4	Nut 1/4	
7	3311005	2	Nut #10	
8	3311605	4	Nut 3/8	
9	3573400	1	Bracket	
10	1001269573	1	Plate	
11	3577121	2	Angle	
12	4420037	AR	Tape	
13	4751000	2	Washer #10	
14	4751400	4	Washer 1/4	
15	4751600	8	Washer 3/8	
16	1001269322	1	Support	
	1001128556	Ref	SKYWELDER DECAL INSTALLATION	D
101	1702868	1	Decal - No Hands	
102	1705305	1	Decal - Weld Lead	
104	1001228988	1	Decal - Weight	

SECTION 5 - PLATFORM

FIGURE 5-24. SKYGLAZIER INSTALLATION (400S HC3 ANSI, ANSI EXPORT, CE & CSA SPECS/460SJ HC3 ANSI, AUSTRALIAN & CSA SPECS)



ART_1001172578_C

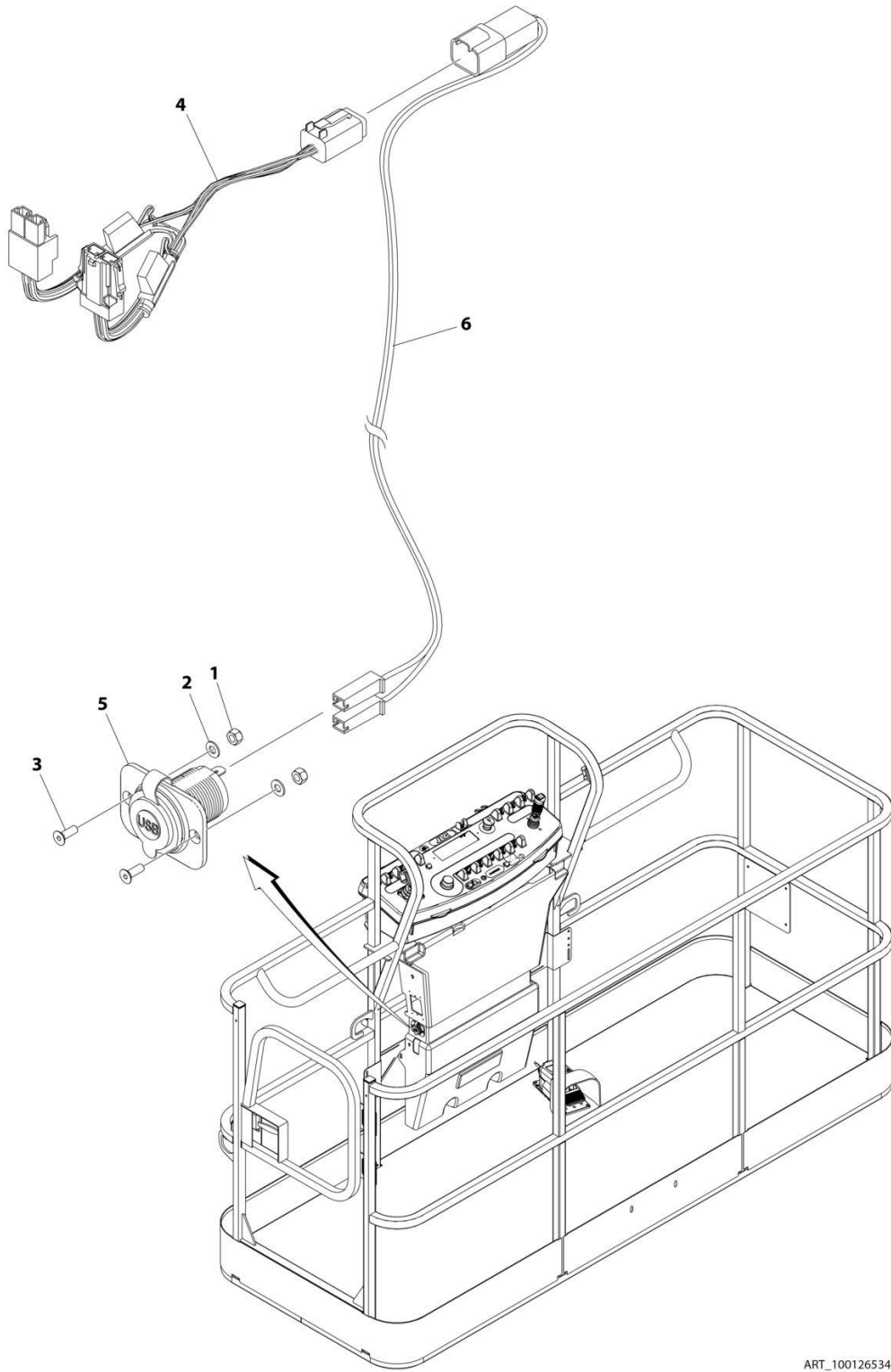
SECTION 5 - PLATFORM

FIGURE 5-24. SKYGLAZIER INSTALLATION (400S HC3 ANSI, ANSI EXPORT, CE & CSA SPECS/460SJ HC3 ANSI, AUSTRALIAN & CSA SPECS)

ITEM	PART NUMBER	QTY	DESCRIPTION	REV
	1001172578	Ref	SKYGLAZIER INSTALLATION	C
1	0642012	2	Bolt 5/8 x 1-1/2	
2	0642212	4	Bolt 3/4 x 1-1/2	
3	2902212	1	Bumpers and Strap Kit	
3	0940102	1	Bumper Only	
3	4240149	1	Strap Only	
4	3312005	1	Nut 5/8	
5	3312205	4	Nut 3/4	
6	4420014	AR	Tape	
7	4712000	6	Washer 5/8	
8	4712200	8	Washer 3/4	
9	1001099366	1	Support	
10	1001099367	1	Support	
13	1001172577	1	Tray Assembly (See Items 101-109 for Breakdown)	
14	8310129	2	Bolt 3/4 x 2-1/2	
	1001172577	Ref	TRAY ASSEMBLY	C
101	0100081	AR	Adhesive	
102	1120555	2	Cap, Tube	
103	1701509	1	Decal - Manual	
104	See Note	NSS	Nameplate - Serial Number (Note: Not Available for Purchase)	
106	3340956	1	Pad Kit	
107	3460334	1	Tube	
108	3520071	2	Plug	
109	4420066	AR	Tape, Double Sided	

SECTION 5 - PLATFORM

FIGURE 5-25. PLATFORM POWER - USB



ART_1001265342

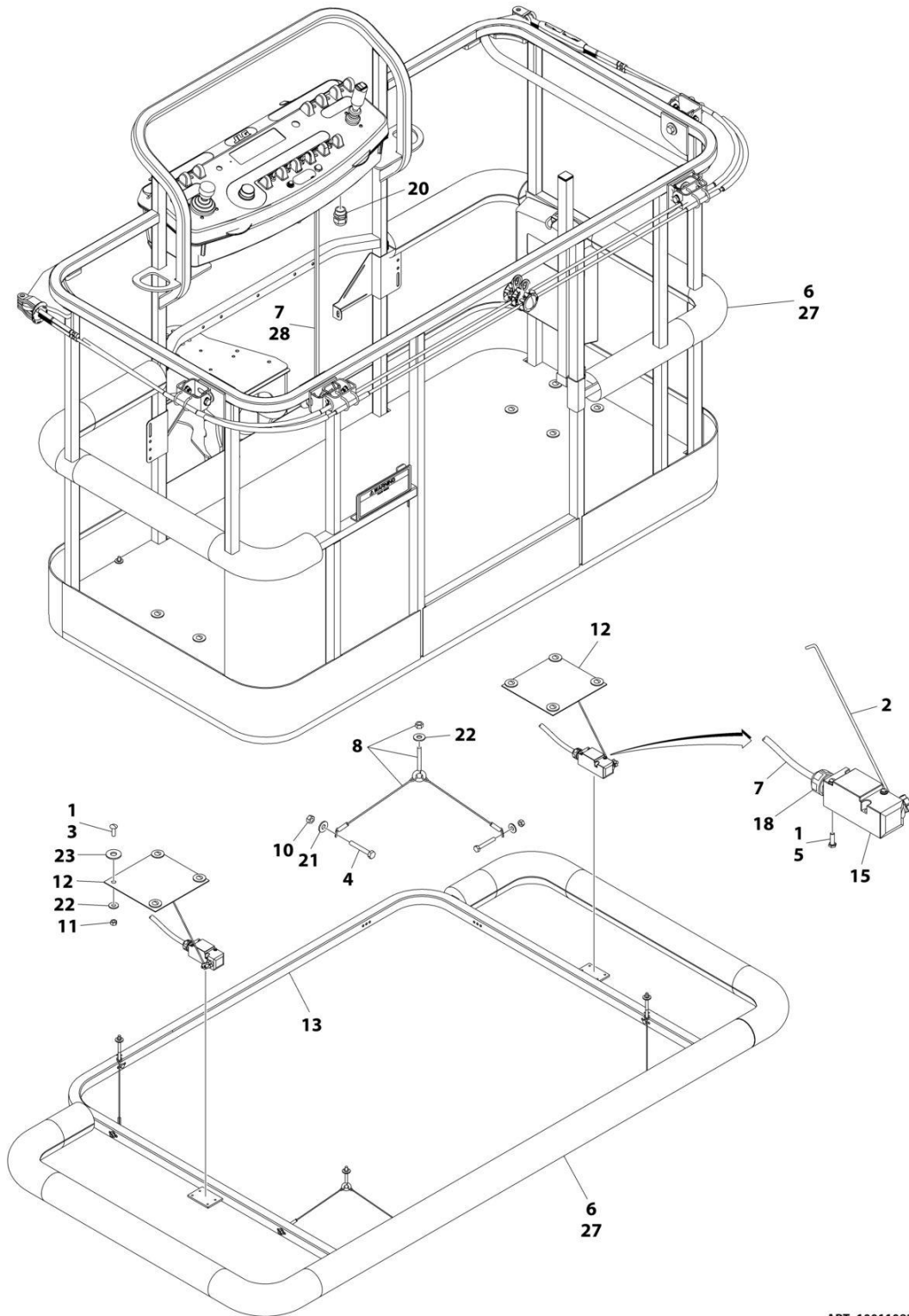
SECTION 5 - PLATFORM

FIGURE 5-25. PLATFORM POWER - USB

ITEM	PART NUMBER	QTY	DESCRIPTION	REV
	1001265342	Ref	USB CHARGER INSTALLATION	A
1	3290405	2	Nut M4	
2	4811400	2	Washer M4	
3	1001097244	2	Screw M4 x 12	
4	1001120484	1	Harness, Work Lights	
4	4460879	1	Plug, Male - 2 Position	
4	4460887	2	Terminal	
4	2400060	2	Fuseholder Includes Cover	
4	8229249	2	Fuse, 3 Amp	
4	4460884	1	Connector - 4 Position	
4	4460465	4	Socket, Female	
4	1001120471	1	Connector - 2 Position	
4	1001120477	2	Terminal	
5	1001210636	1	Receptacle, USB	
6	1001265163	1	Harness, USB	A
6	4460260	2	Cover, Terminal	
6	4460259	2	Terminal	
6	4460932	1	Receptacle, Bussbar - 4 Position	
6	4460464	2	Pin, Male	
6	4460466	2	Plug, Terminal	

SECTION 5 - PLATFORM

FIGURE 5-26. SOFT TOUCH SYSTEM INSTALLATION - 6FT/1.83M FALL ARREST PLATFORM
(MACHINES WITH SN STARTING WITH 03 ONLY)



ART_1001108256_D

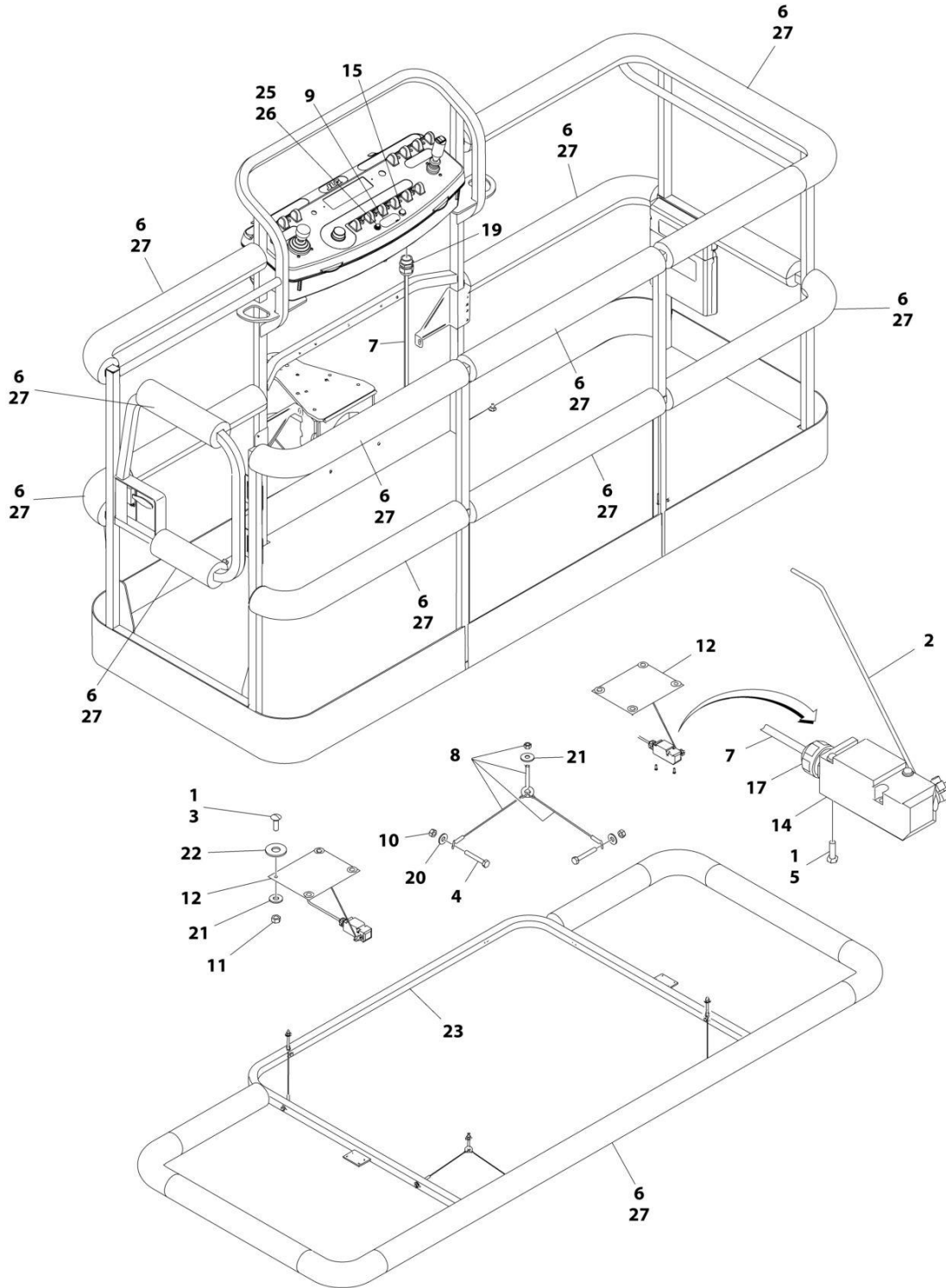
SECTION 5 - PLATFORM

**FIGURE 5-26. SOFT TOUCH SYSTEM INSTALLATION - 6FT/1.83M FALL ARREST PLATFORM
(MACHINES WITH SN STARTING WITH 03 ONLY)**

ITEM	PART NUMBER	QTY	DESCRIPTION	REV
	1001108256	Ref	SOFT TOUCH INSTALLATION	D
1	0100011	AR	Compound, Locking	
2	0200048	2	Arm, Switch	
3	0630462	8	Bolt	
4	0641414	8	Bolt 1/4 x 1-3/4	
5	0731005	4	Bolt #10 x 5/8	
6	0940177	1	Bumper Kit (Includes Corners and Enough Straight Material for One Platform)	
6	0940092	8	Bumper (Corner)	
6	0940094	AR	Bumper (12ft Length)	
7	1060341	23 ft/7m	Cable, Soft Touch - 16/2	
8	1060903	4	Wire Rope and Eyebolt Assembly	
10	3311401	8	Nut 1/4	
11	3311501	8	Nut 5/16	
12	3575359	2	Plate, Switch Strike	
13	3641569	1	Rail, Soft Touch	
14	4240099	7	Tie-Strap (Not Shown)	
15	4360057	2	Switch, Limit	
18	4460049	2	Connector, Strain Relief	
19	4460234	7	Tie-Strap (Not Shown)	
20	4460425	1	Connector, Strain Relief	
21	4751400	8	Washer 1/4	
22	4751500	9	Washer 5/16	
23	4751800	8	Washer 1/2	
27	1001197017	AR	Strap, Cable Tie (Yellow)	
28	4460226	4	Socket	

SECTION 5 - PLATFORM

FIGURE 5-27. SOFT TOUCH SYSTEM INSTALLATION - 8FT/2.44M PLATFORM (MACHINES WITH SN STARTING WITH 03 ONLY)



ART_0272427_G

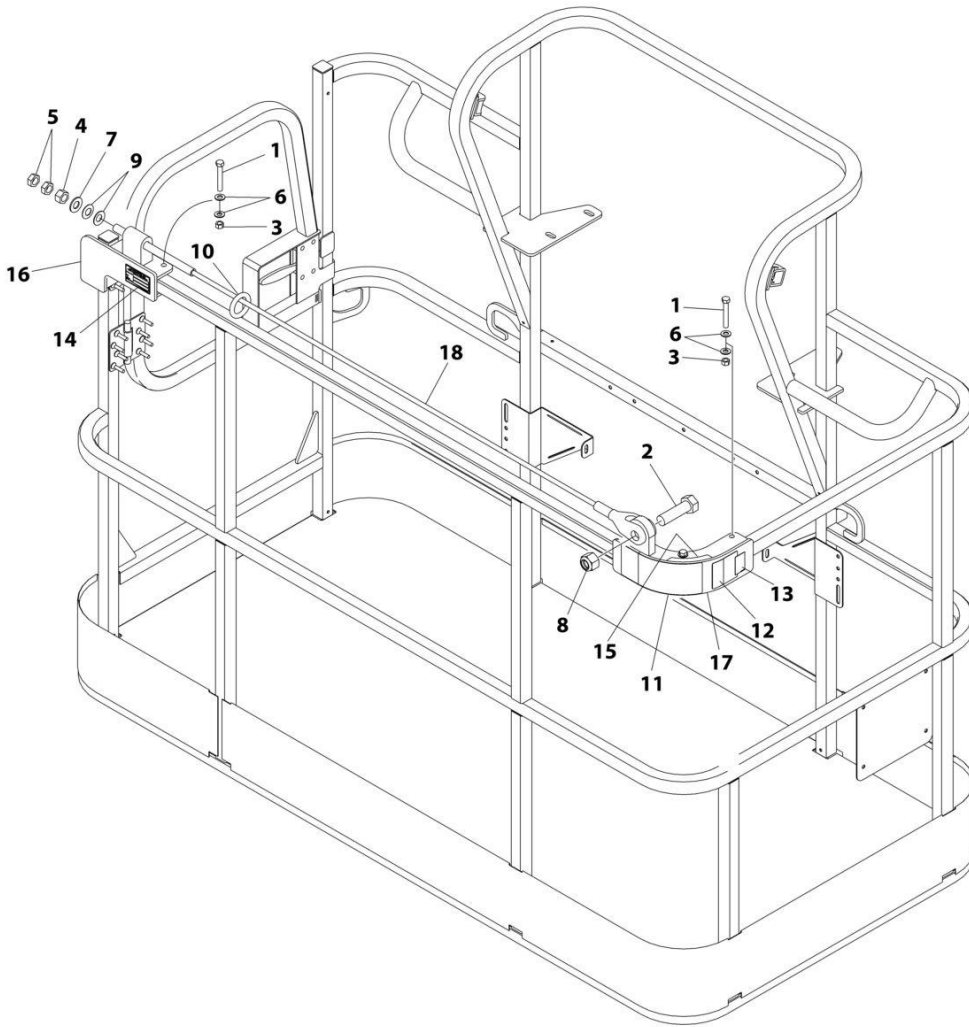
SECTION 5 - PLATFORM

FIGURE 5-27. SOFT TOUCH SYSTEM INSTALLATION - 8FT/2.44M PLATFORM (MACHINES WITH SN STARTING WITH 03 ONLY)

ITEM	PART NUMBER	QTY	DESCRIPTION	REV
	0272427	Ref	SOFT TOUCH INSTALLATION - 36IN X 8FT (91.5CM X 2.44M) PLATFORM (OPTIONAL)	G
1	0100011	AR	Compound, Locking	
2	0200048	2	Arm, Switch	
3	0630462	8	Bolt	
4	0641414	8	Bolt 1/4 x 1-3/4	
5	0721005	4	Bolt #10 x 5/8	
6	0940103	1	Bumper Kit (Includes Corners and Enough Straight Material for One Platform)	
6	0940092	12	Bumper (Corner)	
6	0940094	AR	Bumper (12ft Length)	
7	1060341	23 ft/7m	Cable, Soft Touch - 16/2	
8	1060903	4	Wire Rope and Eyebolt Assembly	
9	1702938	1	Decal - Soft Touch Override	
10	3311401	8	Nut 1/4	
11	3311501	8	Nut 5/16	
12	3574091	2	Plate, Switch Strike	
13	4240099	7	Tie-Strap (Not Shown)	
14	4360057	2	Switch, Limit	
15	4360387	1	Switch, Push Button	
16	4420068	AR	Tape, Adhesive	
16	1001197017	AR	Tie-Strap	
17	4460049	2	Connector, Strain Relief	
18	4460234	7	Tie-Strap (Not Shown)	
19	4460425	1	Connector, Strain Relief	
20	4751400	8	Washer 1/4	
21	4751500	12	Washer 5/16	
22	4751800	8	Washer 1/2	
23	4846673	1	Rail, Soft Touch	
24	4933218	1	Soft Touch Wiring Diagram (Not Shown - Reference Only)	
25	2920028	1	Light, Indicator	
26	2920029	1	Bulb, Light	

SECTION 5 - PLATFORM

FIGURE 5-28. FALL ARREST (BOLT-ON) INSTALLATION - 30IN PLATFORM



ART_1001257275

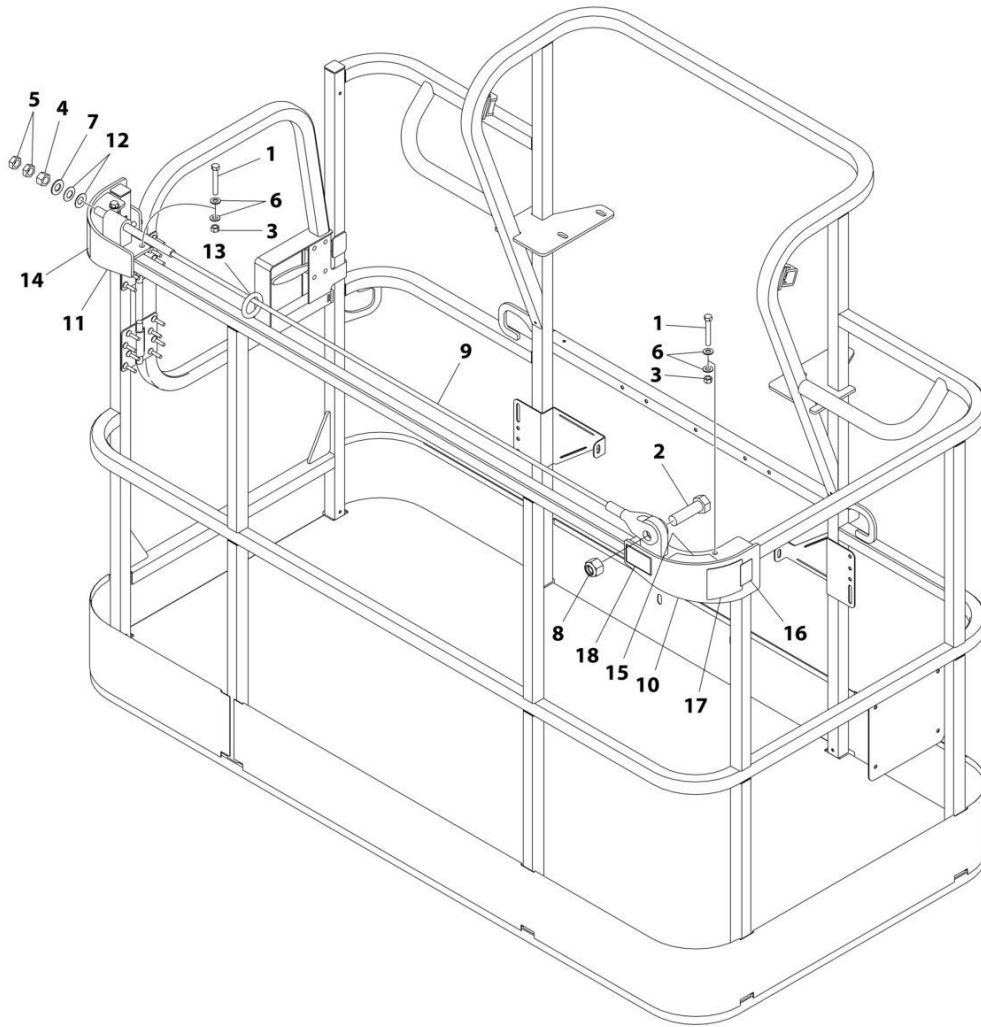
SECTION 5 - PLATFORM

FIGURE 5-28. FALL ARREST (BOLT-ON) INSTALLATION - 30IN PLATFORM

ITEM	PART NUMBER	QTY	DESCRIPTION	REV
	1001257275	Ref	FALL ARREST INSTALLATION (BOLT - ON) 6FT/1.82M PLATFORM	A
1	0681620	6	Bolt 3/8 x 2-1/2	
2	0682424	1	Bolt 7/8 x 3	
3	3271605	6	Nut 3/8	
4	3272001	1	Nut 5/8	
5	3312002	2	Nut 5/8	
6	4711600	12	Washer 3/8	
7	4712000	1	Washer 5/8	
8	88521214	1	Nut 7/8	
9	1001236891	2	Washer	
10	1001236895	1	Ring	
11	1001238263	1	Decal - Warning Falling Hazard	
12	1001248140	1	Decal - Bolt Fall Arrest Re-Cert	
13	1001248141	1	Decal - Incription	
14	See Note	NSS	Nameplate - Manufacturers Serial Number (Note: Not Available for Purchase)	
15	1001252629	1	Decal - Weight	
16	1001257271	1	Bracket (RH)	
17	1001257274	1	Bracket (LH)	
18	1001258005	1	Rope	

SECTION 5 - PLATFORM

FIGURE 5-29. FALL ARREST (BOLT-ON) INSTALLATION - 72IN STANDARD PLATFORM



ART_1001236747

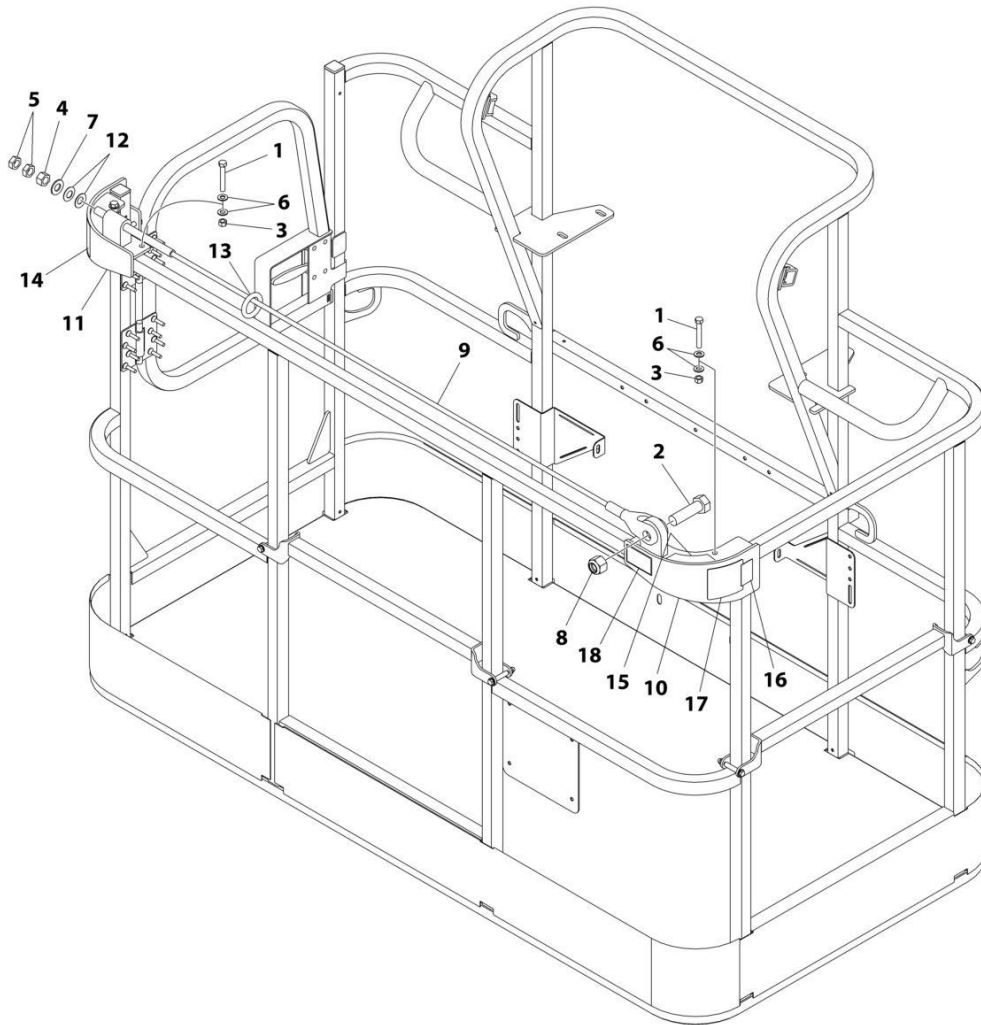
SECTION 5 - PLATFORM

FIGURE 5-29. FALL ARREST (BOLT-ON) INSTALLATION - 72IN STANDARD PLATFORM

ITEM	PART NUMBER	QTY	DESCRIPTION	REV
	1001236747	Ref	FALL ARREST INSTALLATION (BOLT - ON) 6FT/1.82M PLATFORM	C
1	0681620	6	Bolt 3/8 x 2-1/2	
2	0682424	1	Bolt 7/8 x 3	
3	3271605	6	Nut 3/8	
4	3272001	1	Nut 5/8	
5	3312002	2	Nut 5/8	
6	4711600	12	Washer 3/8	
7	4712000	1	Washer 5/8	
8	88521214	1	Nut 7/8	
9	1001231950	1	Rope	
10	1001232010	1	Bracket (RH)	
11	1001232011	1	Bracket (LH)	
12	1001236891	2	Washer	
13	1001236895	1	Ring	
14	1001238263	1	Decal - Warning Falling Hazard	
15	1001252629	1	Decal - Weight	
16	1001248140	1	Decal - Bolt Fall Arrest Re-Cert	
17	1001248141	1	Decal - Inscription	

SECTION 5 - PLATFORM

FIGURE 5-30. FALL ARREST (BOLT-ON) INSTALLATION - 72IN TRI-ENTRY PLATFORM



ART_1001238463

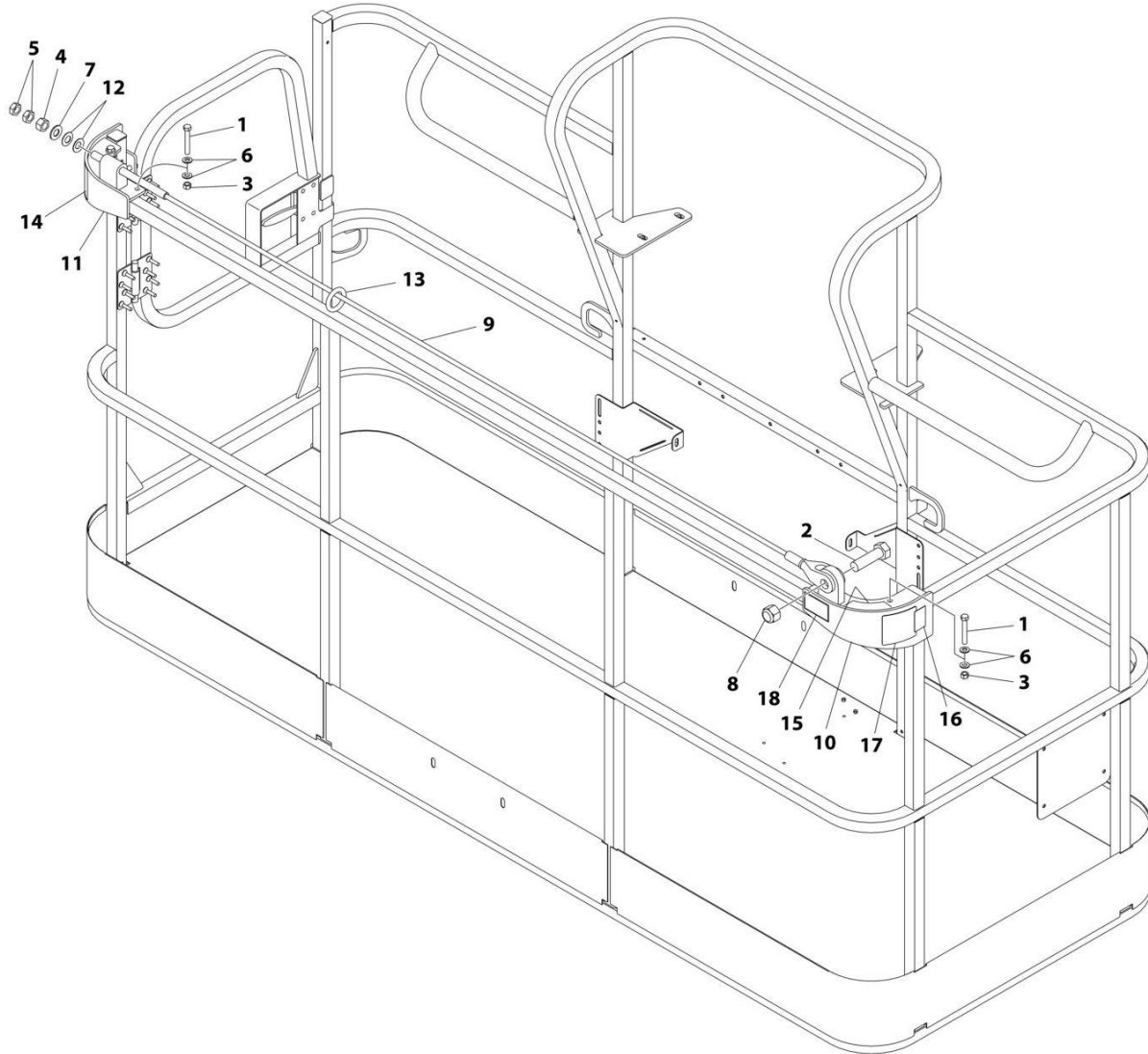
SECTION 5 - PLATFORM

FIGURE 5-30. FALL ARREST (BOLT-ON) INSTALLATION - 72IN TRI-ENTRY PLATFORM

ITEM	PART NUMBER	QTY	DESCRIPTION	REV
	1001238463	Ref	FALL ARREST INSTALLATION (BOLT - ON) 6FT/1.82M PLATFORM	C
1	0681620	6	Bolt 3/8 x 2-1/2	
2	0682424	1	Bolt 7/8 x 3	
3	3271605	6	Nut 3/8	
4	3272001	1	Nut 5/8	
5	3312002	2	Nut 5/8	
6	4711600	12	Washer 3/8	
7	4712000	1	Washer 5/8	
8	88521214	1	Nut 7/8	
9	1001231950	1	Rope	
10	1001232010	1	Bracket (RH)	
11	1001232011	1	Bracket (LH)	
12	1001236891	2	Washer	
13	1001236895	1	Ring	
14	1001238263	1	Decal - Warning Falling Hazard	
15	1001252629	1	Decal - Weight	
16	1001248140	1	Decal - Bolt Fall Arrest Re-Cert	
17	1001248141	1	Decal - Inscription	

SECTION 5 - PLATFORM

FIGURE 5-31. FALL ARREST (BOLT-ON) INSTALLATION - 96IN PLATFORM



ART_1001236746

SECTION 5 - PLATFORM

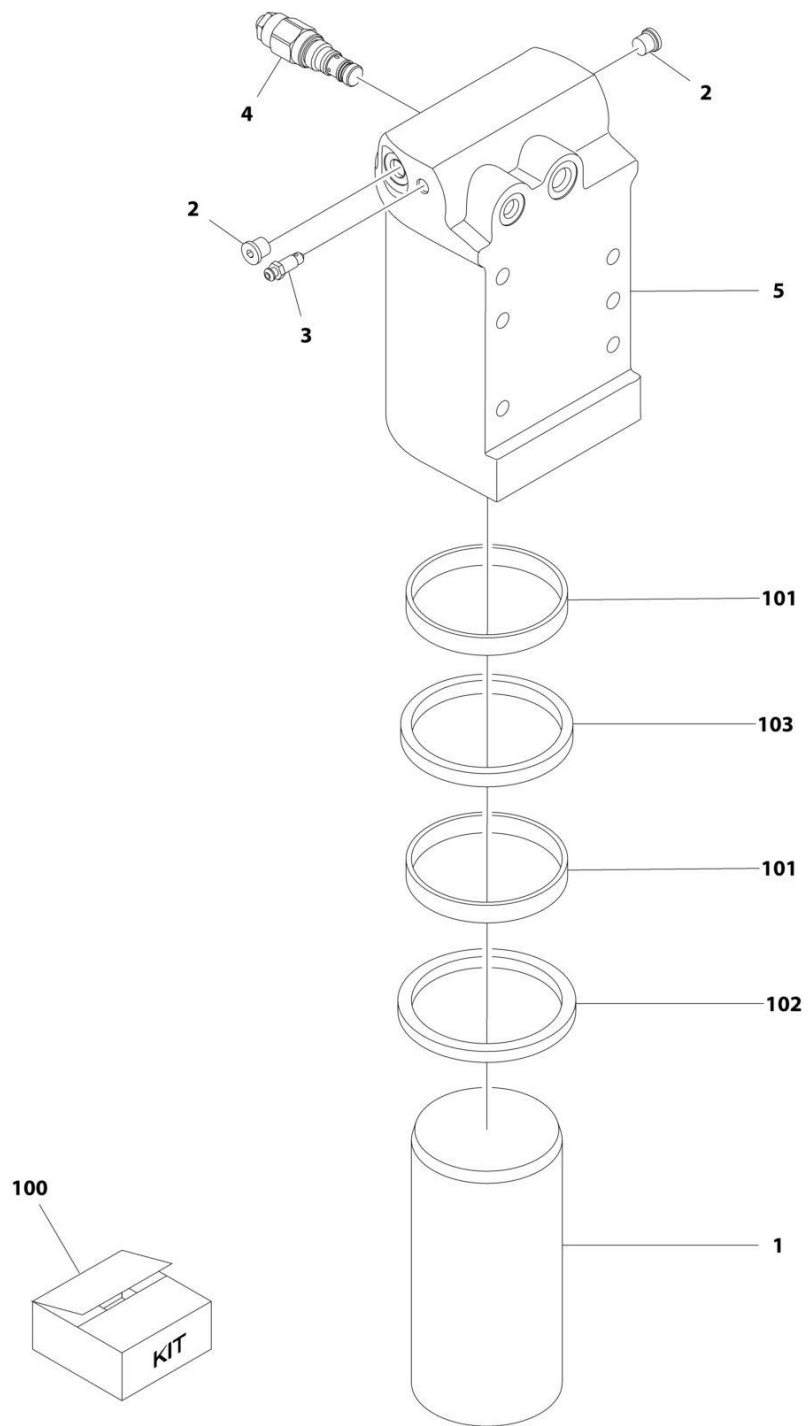
FIGURE 5-31. FALL ARREST (BOLT-ON) INSTALLATION - 96IN PLATFORM

ITEM	PART NUMBER	QTY	DESCRIPTION	REV
	1001236746	Ref	FALL ARREST INSTALLATION (BOLT - ON) 8FT/2.4M PLATFORM	C
1	0681620	6	Bolt 3/8 x 2-1/2	
2	0682424	1	Bolt 7/8 x 3	
3	3271605	6	Nut 3/8	
4	3272001	1	Nut 5/8	
5	3312002	2	Nut 5/8	
6	4711600	12	Washer 3/8	
7	4712000	1	Washer 5/8	
8	88521214	1	Nut 7/8	
9	1001231949	1	Rope	
10	1001232010	1	Bracket (RH)	
11	1001232011	1	Bracket (LH)	
12	1001236891	2	Washer	
13	1001236895	1	Ring	
14	1001238263	1	Decal - Warning Falling Hazard	
15	1001252629	1	Decal - Weight 23LBS/10.4KG	
16	1001248140	1	Decal - Bolt Fall Arrest Re-Cert	
17	1001248141	1	Decal - Inscription	

SECTION 6 - CYLINDER

SECTION 6 - CYLINDER

FIGURE 6-1. AXLE LOCKOUT CYLINDER ASSEMBLY



ART_1001163580

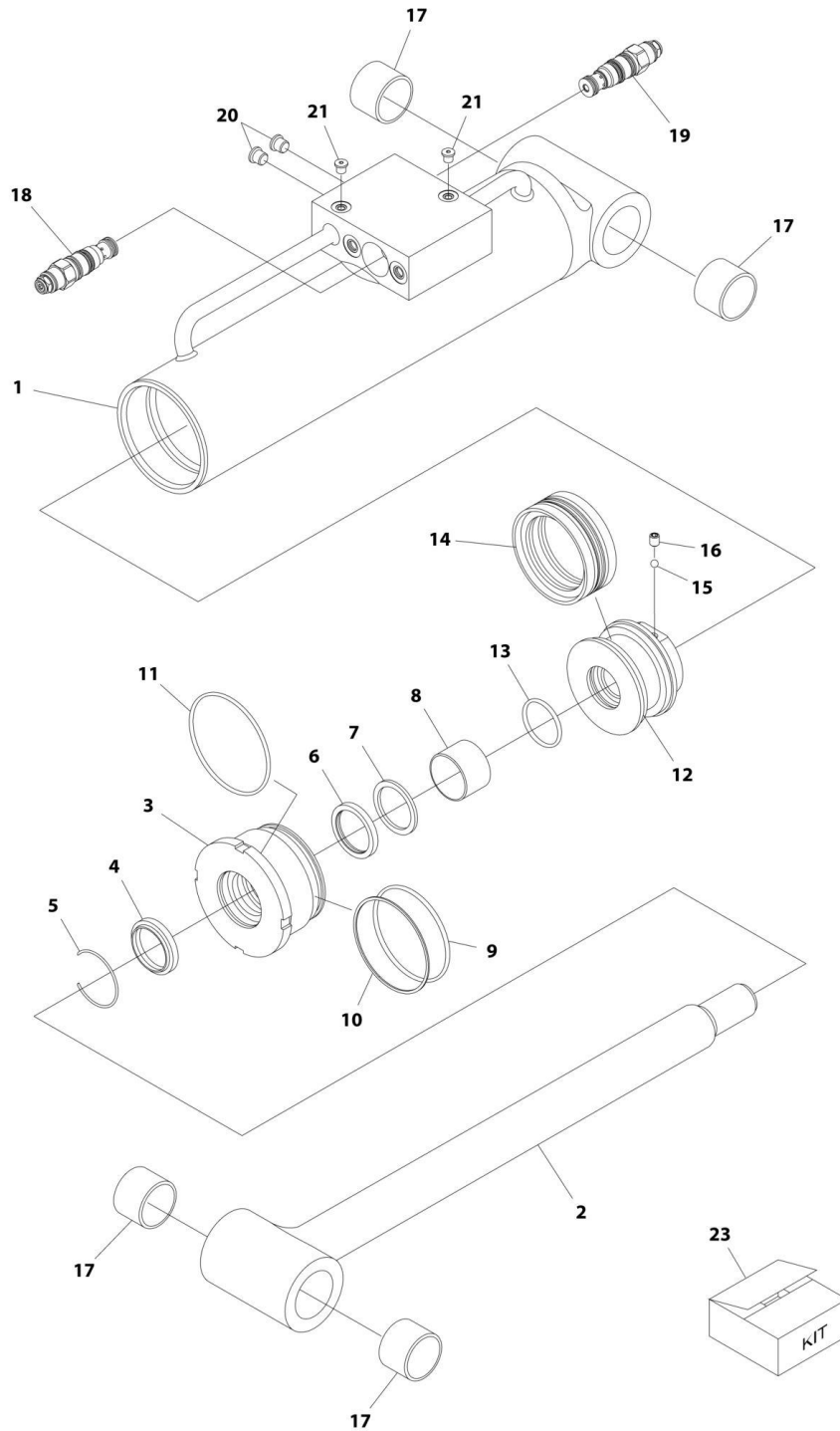
SECTION 6 - CYLINDER

FIGURE 6-1. AXLE LOCKOUT CYLINDER ASSEMBLY

ITEM	PART NUMBER	QTY	DESCRIPTION	REV
	1001163580	Ref	AXLE LOCKOUT CYLINDER ASSEMBLY	I
		Ref	Note: Original Cylinder May Have Been Replaced with Service Replacement. Identify PN Stamped on Cylinder Before Ordering Parts.	
1	1684290	1	Rod	
2	2220883	2	Plug #4	
3	4640858	1	Valve, Bleeder	
4	1001117372	1	Cartridge, Valve	
4	70002842	1	Seal Kit - 1001117372 Valve	
5	1001164817	1	Barrel	
100	2902266	NLA	Seal Kit - 1001163590 Cylinder (Includes Items 101-103)	
101	See Note	NSS	Ring, Wear (Note: Use Item 100)	
102	See Note	NSS	Seal (Note: Use Item 100)	
103	See Note	NSS	Wiper (Note: Use Item 100)	

SECTION 6 - CYLINDER

FIGURE 6-2. LEVEL CYLINDER ASSEMBLY - PLATFORM SLAVE (400S HC3)



ART_1001163386

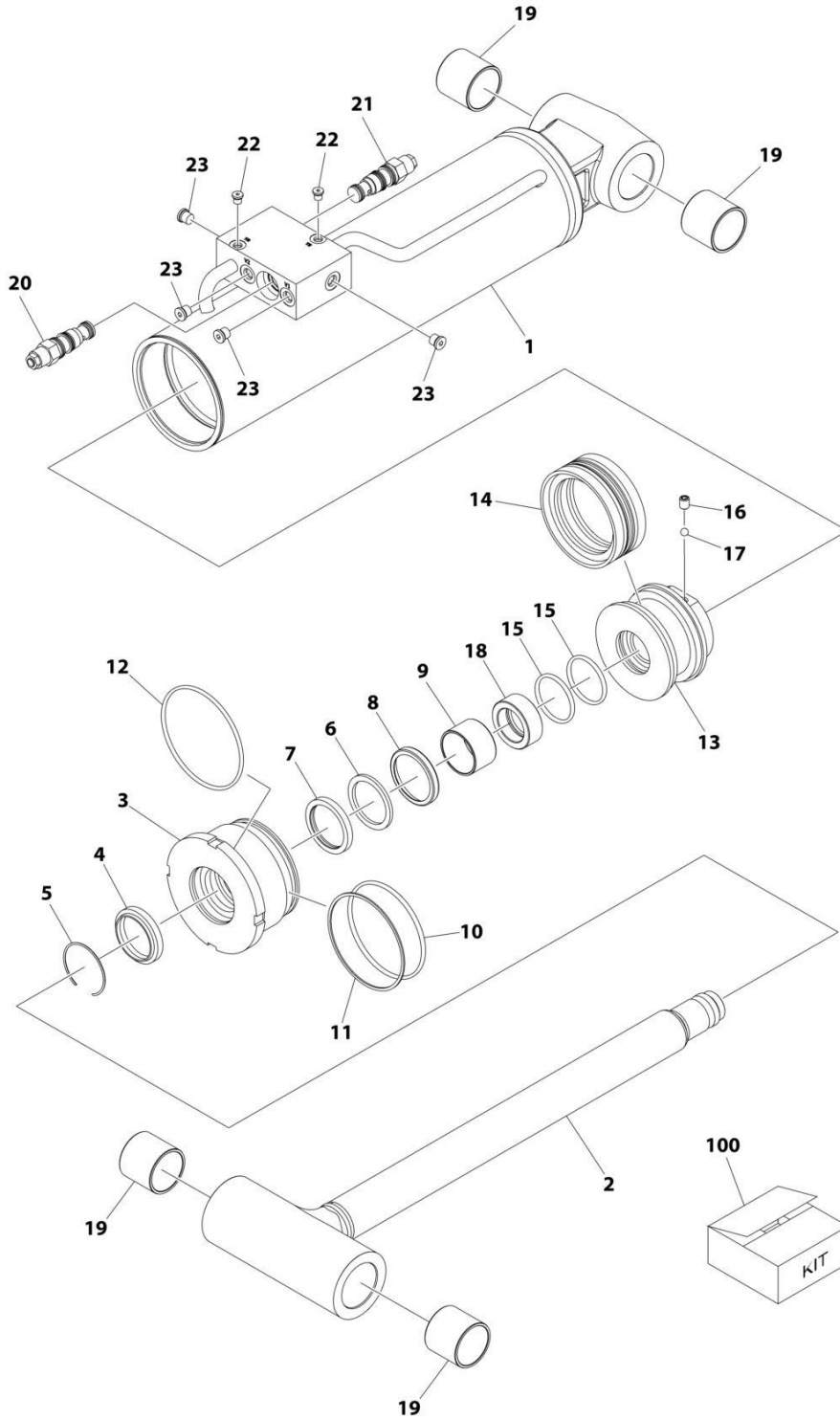
SECTION 6 - CYLINDER

FIGURE 6-2. LEVEL CYLINDER ASSEMBLY - PLATFORM SLAVE (400S HC3)

ITEM	PART NUMBER	QTY	DESCRIPTION	REV
	1001163386	Ref	LEVEL (PLATFORM SLAVE) CYLINDER ASSEMBLY	G
		Ref	Note: Original Cylinder May Have Been Replaced with Service Replacement. Identify PN Stamped on Cylinder Before Ordering Parts.	
1	70005147	1	Barrel	
2	70005148	1	Rod	
3	70005142	1	Head	
4	See Note	NSS	Wiper (Note: Use Item 23)	
5	70002373	1	Ring, Retaining	
6	See Note	NSS	Seal, Rod (Note: Use Item 23)	
7	See Note	NSS	Ring, Back-up (Note: Use Item 23)	
8	70005143	1	Bearing, Dry	
9	See Note	NSS	O-Ring (Note: Use Item 23)	
10	See Note	NSS	Ring, Back-up (Note: Use Item 23)	
11	See Note	NSS	O-Ring (Note: Use Item 23)	
12	70005144	1	Piston	
13	See Note	NSS	O-Ring (Note: Use Item 23)	
14	See Note	NSS	Seal, Piston (Note: Use Item 23)	
15	70022564	1	Ball	
16	70023369	1	Setscrew	
17	70005145	4	Bearing	
18	1001168209	1	Cartridge, Valve	
18	2900770	1	Seal Kit - 1001168209 Valve	
19	1001168210	1	Cartridge, Valve	
19	2900770	1	Seal Kit - 1001168210 Valve	
20	70023370	1	Plug 7/16	
21	2220881	1	Plug, O-Ring 5/16	
23	70005149	1	Seal Kit - 1001163386 Cylinder (Includes Items 4, 6, 7, 9, 10, 11, 13 & 14)	

SECTION 6 - CYLINDER

FIGURE 6-3. LEVEL CYLINDER ASSEMBLY - PLATFORM SLAVE (460S HC3)



ART_1001237697

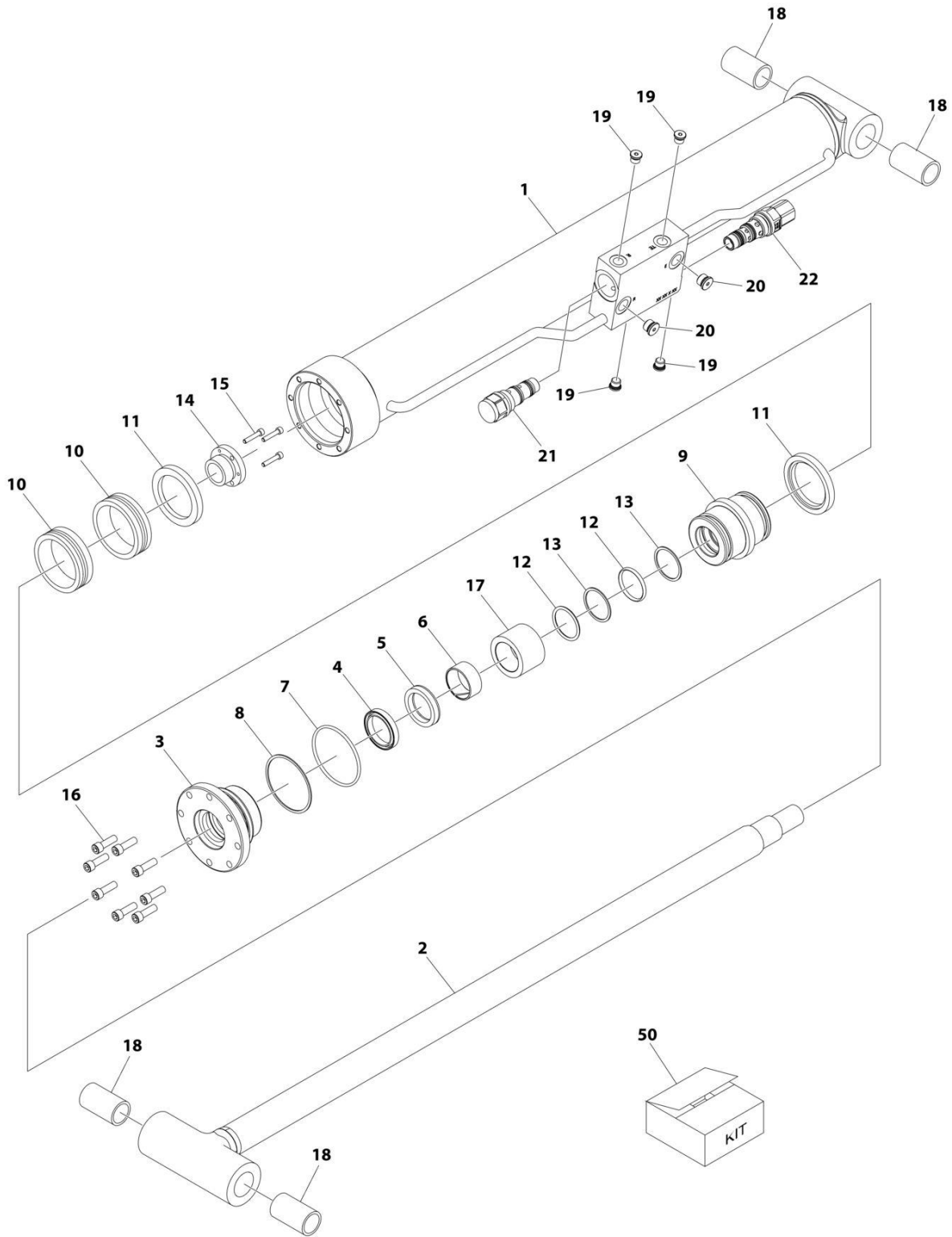
SECTION 6 - CYLINDER

FIGURE 6-3. LEVEL CYLINDER ASSEMBLY - PLATFORM SLAVE (460S HC3)

ITEM	PART NUMBER	QTY	DESCRIPTION	REV
	1001237697	Ref	LEVEL (PLATFORM SLAVE) CYLINDER ASSEMBLY	B
		Ref	Note: Original Cylinder May Have Been Replaced with Service Replacement. Identify PN Stamped on Cylinder Before Ordering Parts.	
1	See Note	NSS	Barrel (Note: Use PN 1001237697)	
2	70007168	1	Rod	
3	70007157	1	Head	
4	See Note	NSS	Wiper (Note: Use Item 100)	
5	70002410	1	Ring, Retaining	
6	See Note	NSS	Seal, Rod (Note: Use Item 100)	
7	See Note	NSS	Ring, Back-up (Note: Use Item 100)	
8	See Note	NSS	Ring (Note: Use Item 100)	
9	70004237	1	Bearing, Dry	
10	See Note	NSS	O-Ring (Note: Use Item 100)	
11	See Note	NSS	Ring, Back-up (Note: Use Item 100)	
12	See Note	NSS	O-Ring (Note: Use Item 100)	
13	70007161	1	Piston	
14	See Note	NSS	Seal, Piston (Note: Use Item 100)	
15	See Note	NSS	O-Ring (Note: Use Item 100)	
16	70023369	1	Setscrew	
17	70022564	1	Ball	
18	70007169	1	Spacer	
19	70007159	4	Bearing	
20	1001168209	1	Cartridge, Valve	
20	2900770	1	Seal Kit - 1001168209 Valve	
21	1001168210	1	Cartridge, Valve	
21	2900770	1	Seal Kit - 1001168210 Valve	
22	2220881	2	Plug, O-Ring 5/16	
23	2220883	4	Plug 7/16	
100	70007160	1	Seal Kit - 1001237697 Cylinder (Includes Items 4, 6, 7, 8, 10, 11, 12, 14 & 15)	

SECTION 6 - CYLINDER

FIGURE 6-4. LIFT CYLINDER ASSEMBLY - JIB (460SJ HC3)



ART_1001264991

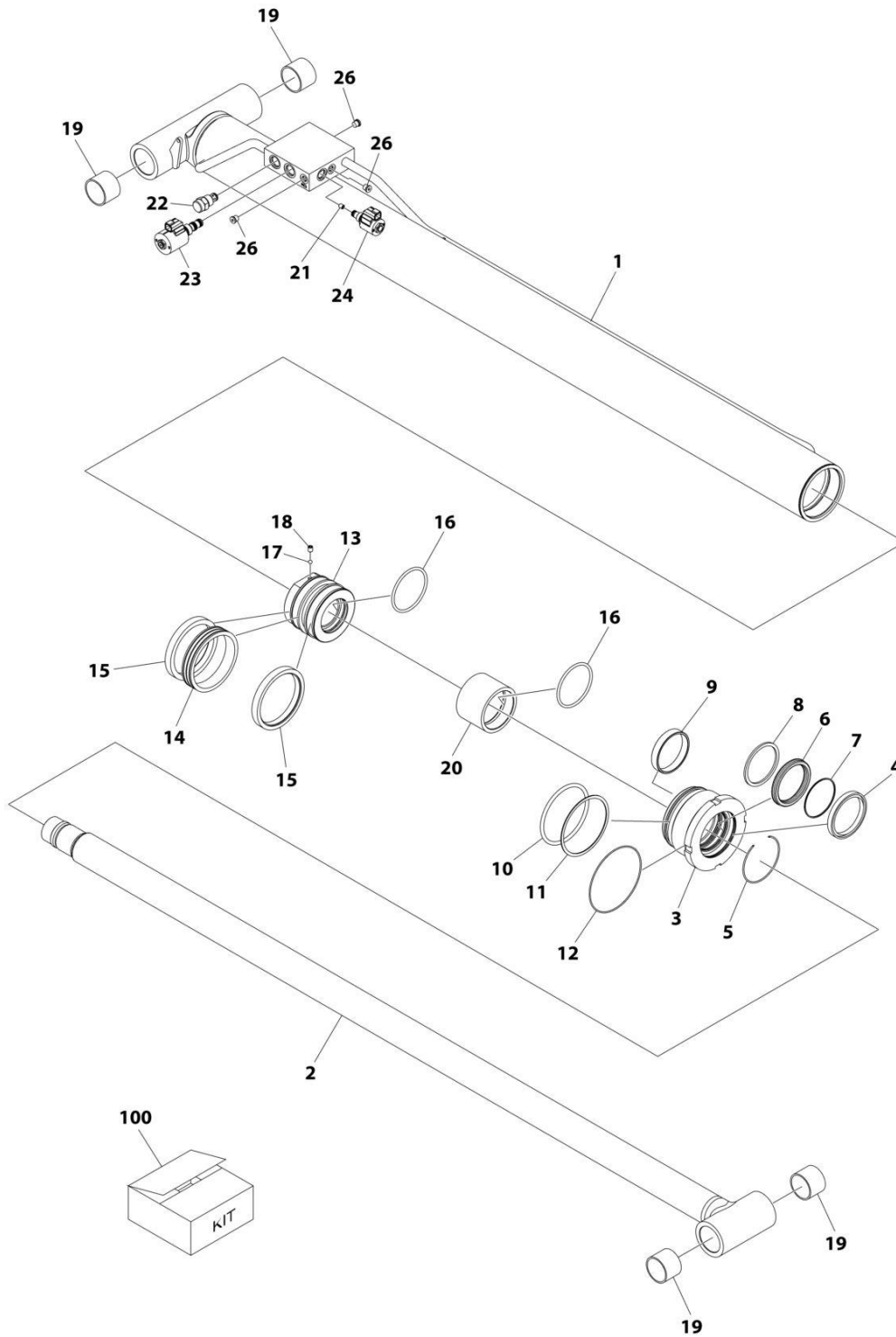
SECTION 6 - CYLINDER

FIGURE 6-4. LIFT CYLINDER ASSEMBLY - JIB (460SJ HC3)

ITEM	PART NUMBER	QTY	DESCRIPTION	REV
	1001264991	Ref	LIFT CYLINDER ASSEMBLY - JIB	B
		Ref	Note: Original Cylinder May Have Been Replaced with Service Replacement. Identify PN Stamped on Cylinder Before Ordering Parts.	
1	See Note	NSS	Barrel (Note: Use PN 1001264991)	
2	70006734	1	Rod	
3	70006649	1	Head	
4	See Note	NSS	Wiper (Note: Use Item 50)	
5	See Note	NSS	Seal, Rod (Note: Use Item 50)	
6	See Note	NSS	Ring, Wear (Note: Use Item 50)	
7	See Note	NSS	O-Ring (Note: Use Item 50)	
8	See Note	NSS	Ring, Back-up (Note: Use Item 50)	
9	70006650	1	Piston	
10	See Note	NSS	Ring, Hydro Lock (Note: Use Item 50)	
11	See Note	NSS	Ring, Guide Lock (Note: Use Item 50)	
12	See Note	NSS	O-Ring (Note: Use Item 50)	
13	See Note	NSS	Ring, Back-up (Note: Use Item 50)	
14	0961893	1	Bushing, Tapered	
15	0630534	3	Capscrew	
16	70006735	8	Capscrew	
17	70006736	1	Spacer	
18	0962336	4	Bearing	
19	70023370	4	Plug	
20	70023371	2	Plug	
21	4640509	1	Cartridge, Counterbalance Valve	
21	2900792	1	Seal Kit - 4640509 Valve	
22	1001263800	1	Cartridge, Counterbalance Valve	
22	70004186	1	Seal Kit - 1001263800 Valve	
50	1001138795	1	Seal Kit - 1001264991 Cylinder (Includes Items 4-8 & 10-13)	

SECTION 6 - CYLINDER

FIGURE 6-5. LIFT CYLINDER ASSEMBLY - BOOM (400S HC3)



ART_1001228092

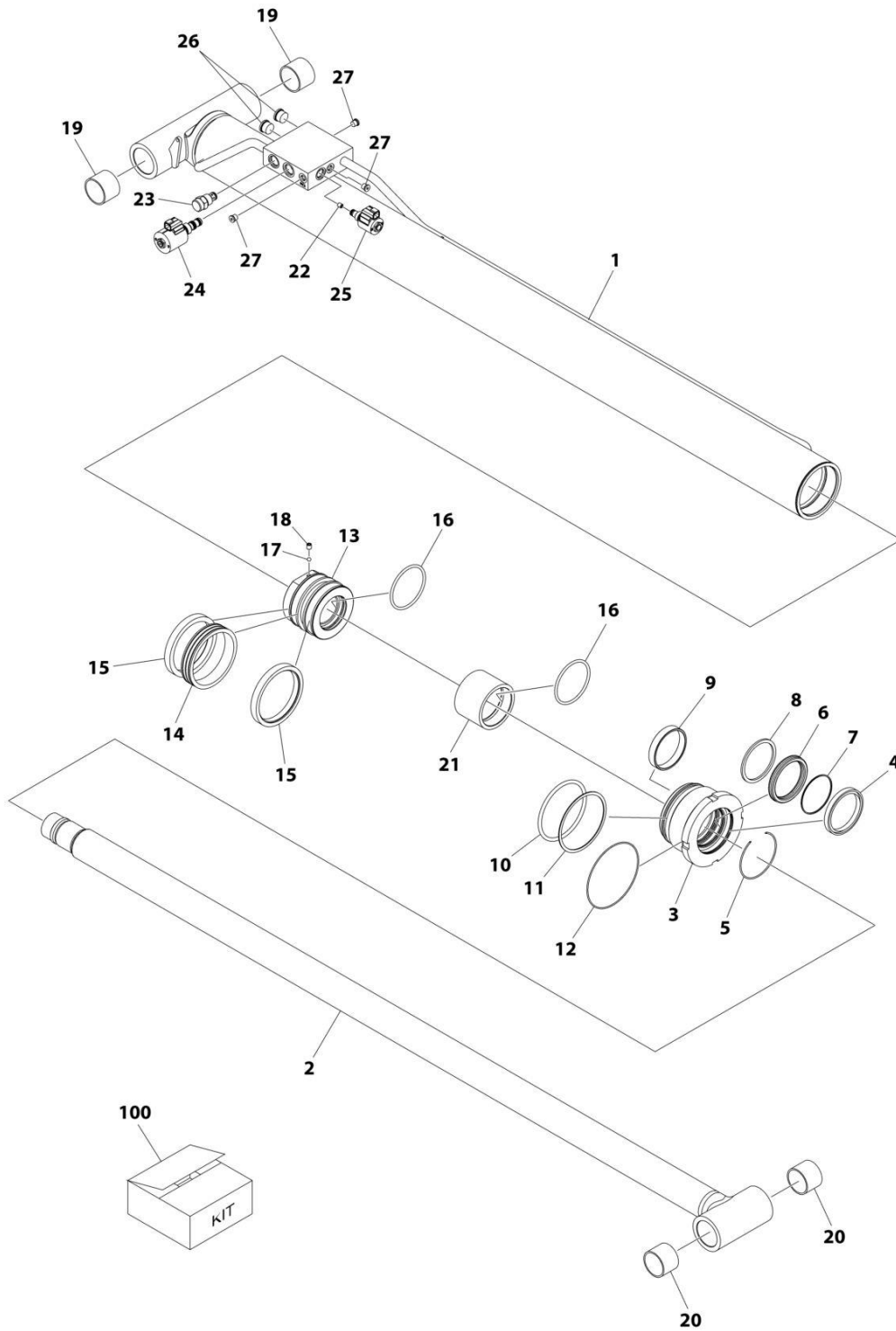
SECTION 6 - CYLINDER

FIGURE 6-5. LIFT CYLINDER ASSEMBLY - BOOM (400S HC3)

ITEM	PART NUMBER	QTY	DESCRIPTION	REV
	1001228092	Ref	LIFT CYLINDER ASSEMBLY - MAIN BOOM	B
		Ref	Note: Original Cylinder May Have Been Replaced with Service Replacement. Identify PN Stamped on Cylinder Before Ordering Parts.	
1	See Note	NSS	Barrel (Use p/n 1001228092)	
2	70006702	1	Rod	
3	70006703	1	Head	
4	See Note	NSS	Wiper (Note: Use Item 100)	
5	70050795	1	Ring, Retainer	
6	See Note	NSS	Seal, Rod (Note: Use Item 100)	
7	See Note	NSS	O-Ring (Note: Use Item 100)	
8	See Note	NSS	Ring (Note: Use Item 100)	
9	70006636	1	Ring, Wear	
10	See Note	NSS	O-Ring (Note: Use Item 100)	
11	See Note	NSS	Ring, Back-up (Note: Use Item 100)	
12	See Note	NSS	O-Ring (Note: Use Item 100)	
13	70006704	1	Piston	
14	See Note	NSS	Seal (Note: Use Item 100)	
15	See Note	NSS	Ring, Wear (Note: Use Item 100)	
16	See Note	NSS	Seal (Note: Use Item 100)	
17	70022564	1	Ball	
18	70023369	1	Setscrew M8 x 10	
19	0961950	4	Bearing	
20	70006705	1	Spacer	
21	70004231	1	Orifice	
22	4641390	1	Cartridge, Check Valve	
22	7017496	1	Seal Kit - 4641390 Valve	
23	1001206625	1	Cartridge, Valve (Includes Coil)	
23	70006104	1	Cartridge, Less Coil	
23	70006105	1	Seal Kit - 70006104 & 1001206625 Cartridges	
23	70003788	1	Coil	
23	7022390	1	Nut, Coil	
24	1001164709	1	Cartridge, Valve (Includes Coil)	
24	7017467	1	Cartridge, Less Coil	
24	7012998	1	Seal Kit - 7017467 & 1001164709 Cartridges	
24	70002386	1	Coil	
26	2220883	3	Plug #4	
100	70006706	1	Seal Kit - 1001228092 Cylinder (Includes Item 4, 6-8, 10-12 & 14-16)	

SECTION 6 - CYLINDER

FIGURE 6-6. LIFT CYLINDER ASSEMBLY - BOOM (460SJ HC3)



ART_1001237699

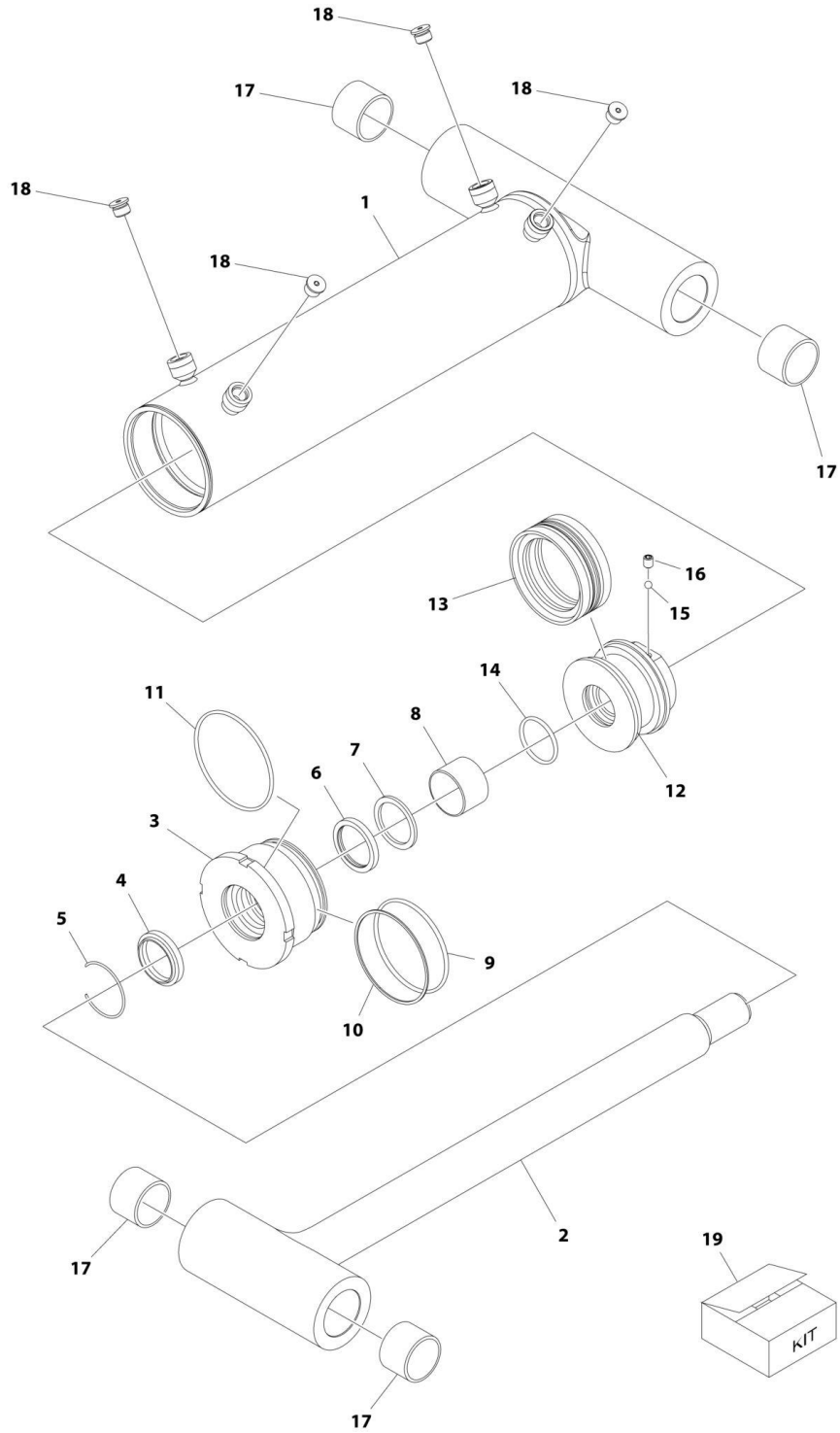
SECTION 6 - CYLINDER

FIGURE 6-6. LIFT CYLINDER ASSEMBLY - BOOM (460SJ HC3)

ITEM	PART NUMBER	QTY	DESCRIPTION	REV
	1001237699	Ref	LIFT CYLINDER ASSEMBLY- MAIN BOOM	C
		Ref	Note: Original Cylinder May Have Been Replaced with Service Replacement. Identify PN Stamped on Cylinder Before Ordering Parts.	
1	See Note	NSS	Barrel (Use p/n 1237699)	
2	70007150	1	Rod	
3	70007151	1	Head	
4	See Note	NSS	Wiper (Note: Use Item 100)	
5	70050795	1	Ring, Retainer	
6	See Note	NSS	Seal, Rod (Note: Use Item 100)	
7	See Note	NSS	Ring (Note: Use Item 100)	
8	See Note	NSS	Ring (Note: Use Item 100)	
9	70006636	1	Ring, Wear	
10	See Note	NSS	O-Ring (Note: Use Item 100)	
11	See Note	NSS	Ring, Back-up (Note: Use Item 100)	
12	See Note	NSS	O-Ring (Note: Use Item 100)	
13	70007152	1	Piston	
14	See Note	NSS	Seal (Note: Use Item 100)	
15	See Note	NSS	Ring, Wear (Note: Use Item 100)	
16	See Note	NSS	O-Ring (Note: Use Item 100)	
17	70022564	1	Ball	
18	70023369	1	Setscrew M8 x 10	
19	0961950	2	Bearing	
20	70007153	2	Bearing	
21	70007154	1	Spacer	
22	70004231	1	Orifice	
23	4641390	1	Cartridge, Check Valve	
23	7017496	1	Seal Kit - 4641390 Valve	
24	1001206625	1	Cartridge, Valve (Includes Coil)	
24	70006104	1	Cartridge, Less Coil	
24	70006105	1	Seal Kit - 70006104 & 1001206625 Cartridges	
24	70003788	1	Coil	
24	7022390	1	Nut, Coil	
25	1001164709	1	Cartridge, Valve (Includes Coil)	
25	7017467	1	Cartridge, Less Coil	
25	7012998	1	Seal Kit - 7017467 & 1001164709 Cartridges	
25	70002386	1	Coil	
26	2220887	2	Plug	
27	2220883	3	Plug #4	
100	70006706	1	Seal Kit - 1001237699 Cylinder (Includes Item 4, 6-8, 10-12 & 14-16)	

SECTION 6 - CYLINDER

FIGURE 6-7. MASTER CYLINDER ASSEMBLY (400S HC3)



ART_1001163385

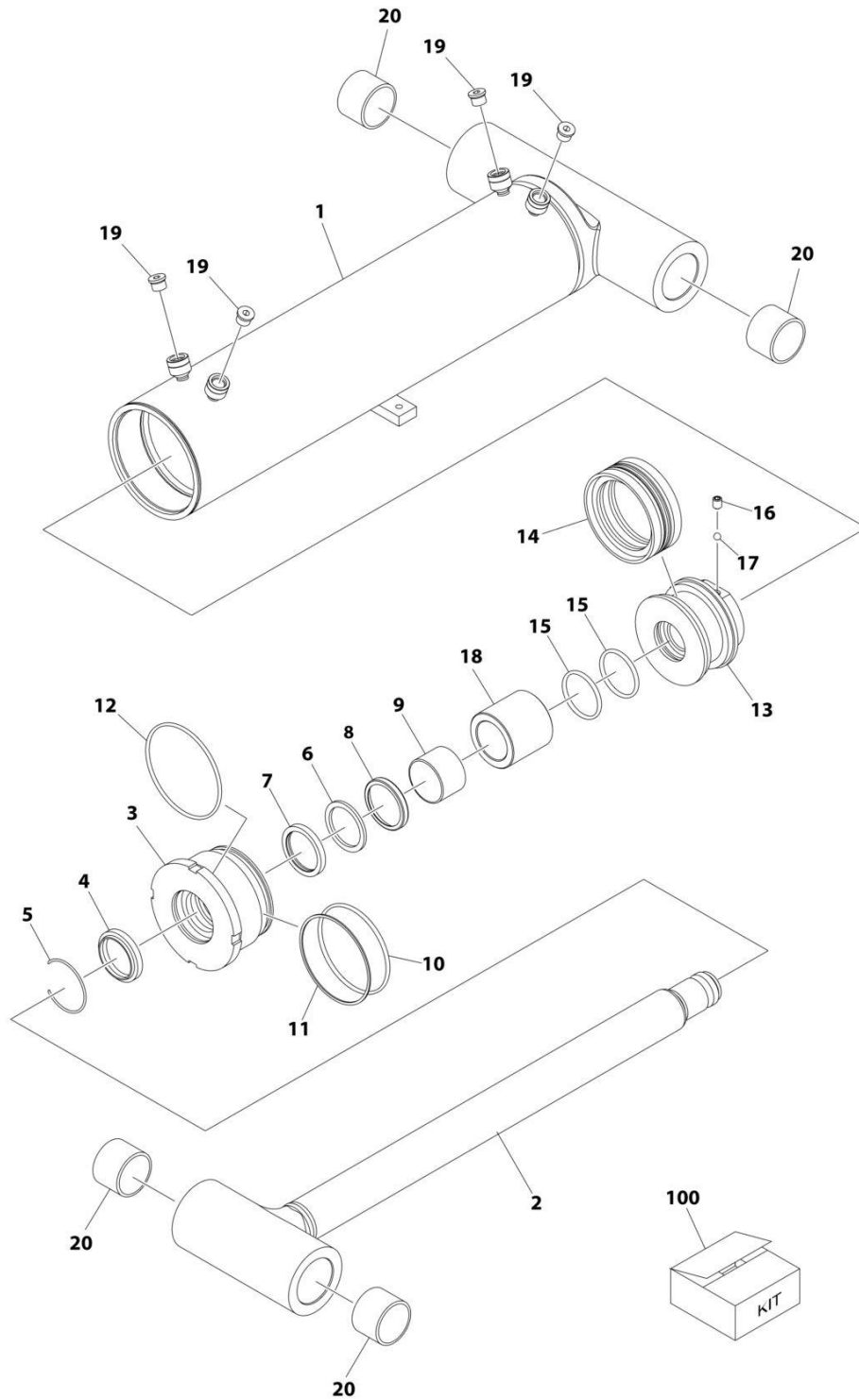
SECTION 6 - CYLINDER

FIGURE 6-7. MASTER CYLINDER ASSEMBLY (400S HC3)

ITEM	PART NUMBER	QTY	DESCRIPTION	REV
	1001163385	Ref	MASTER CYLINDER ASSEMBLY	F
		Ref	Note: Original Cylinder May Have Been Replaced with Service Replacement. Identify PN Stamped on Cylinder Before Ordering Parts.	
1	70005140	1	Barrel	
2	70005141	1	Rod	
3	70005142	1	Head, Cylinder	
4	See Note	NSS	Wiper (Note: Use Item 19)	
5	70002373	1	Ring, Retaining	
6	See Note	NSS	Seal, Rod (Note: Use Item 19)	
7	See Note	NSS	Ring, Back-up (Note: Use Item 19)	
8	70005143	1	Bearing, Dry	
9	See Note	NSS	O-Ring (Note: Use Item 19)	
10	See Note	NSS	Ring, Back-up (Note: Use Item 19)	
11	See Note	NSS	O-Ring (Note: Use Item 19)	
12	70005144	1	Piston	
13	See Note	NSS	Seal, Piston	
14	See Note	NSS	O-Ring (Note: Use Item 19)	
15	70022564	1	Ball	
16	70023369	1	Setscrew M8 x 31.75	
17	70005145	4	Bearing	
18	700023371	4	Plug 9/16	
19	70005146	1	Seal Kit - 1001163385 Cylinder (Includes Items 4, 6, 7, 9, 10, 11, 13 & 14)	

SECTION 6 - CYLINDER

FIGURE 6-8. MASTER CYLINDER ASSEMBLY (460SJ HC3)



ART_1001237698

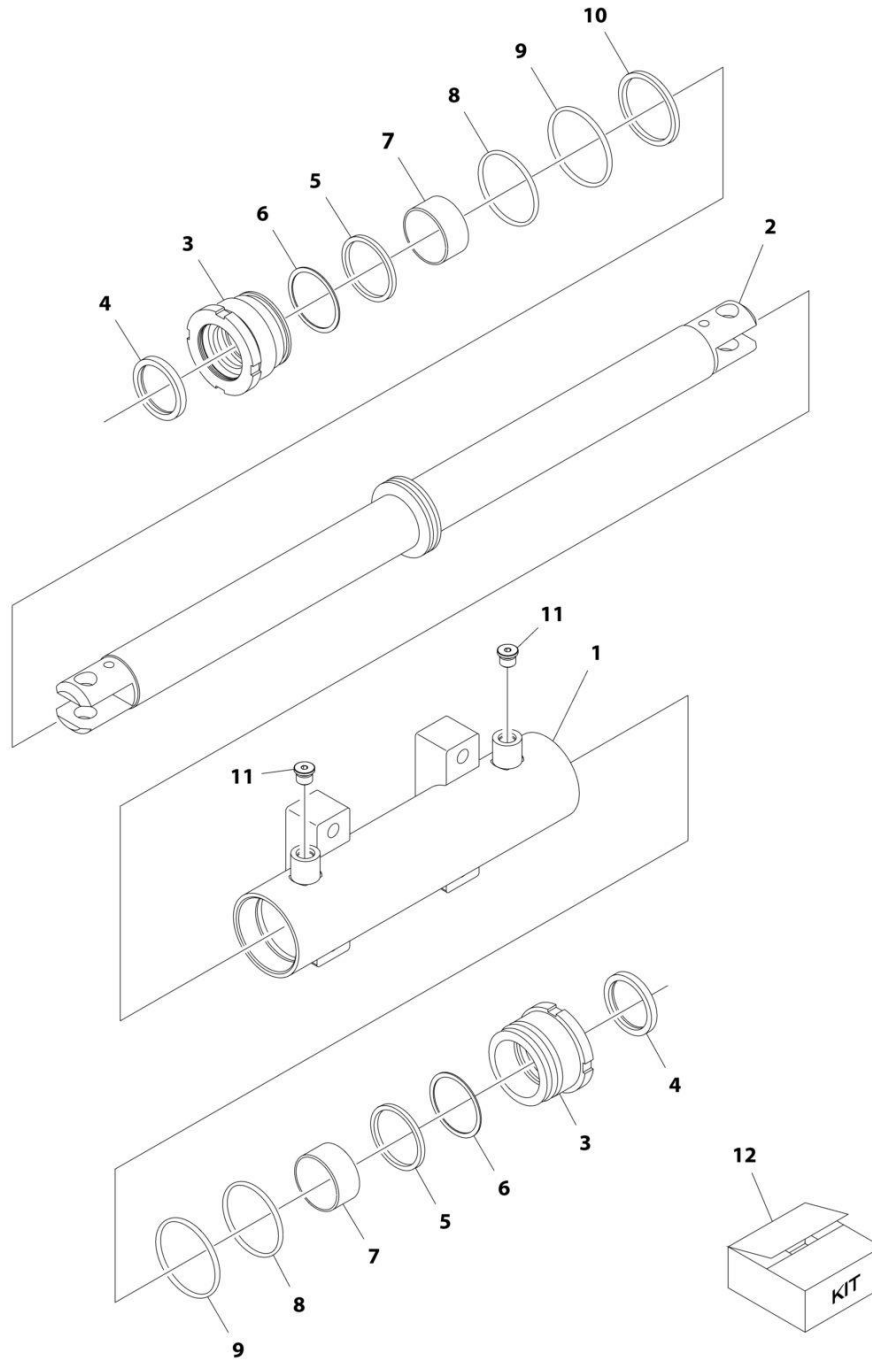
SECTION 6 - CYLINDER

FIGURE 6-8. MASTER CYLINDER ASSEMBLY (460SJ HC3)

ITEM	PART NUMBER	QTY	DESCRIPTION	REV
	1001237698	Ref	MASTER CYLINDER ASSEMBLY	B
		Ref	Note: Original Cylinder May Have Been Replaced with Service Replacement. Identify PN Stamped on Cylinder Before Ordering Parts.	
1	See Note	NSS	Barrel	
2	70007156	1	Rod	
3	70007157	1	Head, Cylinder	
4	See Note	NSS	Wiper (Note: Use Item 100)	
5	70002410	1	Ring, Retaining	
6	See Note	NSS	Seal, Rod (Note: Use Item 100)	
7	See Note	NSS	Ring, Back-up (Note: Use Item 100)	
8	See Note	1	Ring (Note: Use Item 100)	
9	70004237	1	Bearing, Dry	
10	See Note	NSS	O-Ring (Note: Use Item 100)	
11	See Note	NSS	Ring, Back-up (Note: Use Item 100)	
12	See Note	NSS	O-Ring (Note: Use Item 100)	
13	70007161	1	Piston	
14	See Note	NSS	Seal, Piston	
15	See Note	NSS	O-Ring (Note: Use Item 100)	
16	70023369	1	Setscrew M8 x 31.75	
17	70022564	1	Ball	
18	70007158	1	Spacer	
19	2220885	1	Plug 9/16	
20	70005145	4	Bearing	
100	70005146	1	Seal Kit - 1001237698 Cylinder (Includes Items 4, 6, 7, 8, 10, 11, 12, 14 & 15)	

SECTION 6 - CYLINDER

FIGURE 6-9. STEER CYLINDER ASSEMBLY



ART_1001163178

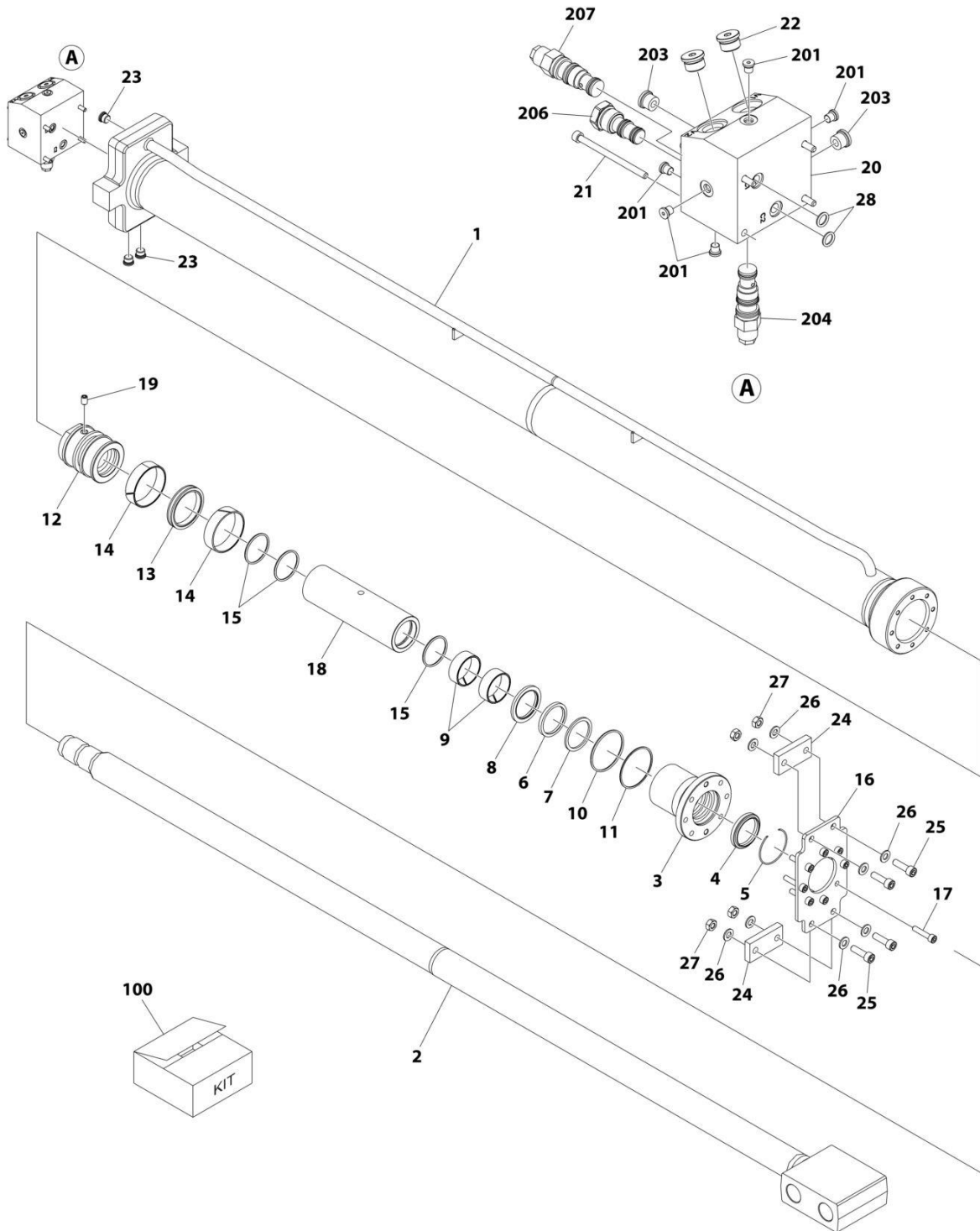
SECTION 6 - CYLINDER

FIGURE 6-9. STEER CYLINDER ASSEMBLY

ITEM	PART NUMBER	QTY	DESCRIPTION	REV
	1001163178	Ref	STEER CYLINDER ASSEMBLY	E
		Ref	Note: Original Cylinder May Have Been Replaced with Service Replacement. Identify PN Stamped on Cylinder Before Ordering Parts.	
1	70005150	1	Barrel	
2	70005151	1	Rod	
3	70005152	2	Head	
4	See Note	NSS	Wiper (Note: Use Item 12)	
5	See Note	NSS	Seal, Rod (Note: Use Item 12)	
6	See Note	NSS	Ring, Back-up (Note: Use Item 12)	
7	70005153	2	Bearing, Dry	
8	See Note	NSS	O-Ring (Note: Use Item 12)	
9	See Note	NSS	O-Ring (Note: Use Item 12)	
10	See Note	NSS	Seal, Piston (Note: Use Item 12)	
11	See Note	2	Plug 9/16 (Note: Not Available for Purchase)	
12	70005154	1	Seal Kit - 1001163178 Cylinder (Includes Items 4-6 & 8-10)	

SECTION 6 - CYLINDER

FIGURE 6-10. TELESCOPE CYLINDER ASSEMBLY (400S HC3)



ART_1001251075

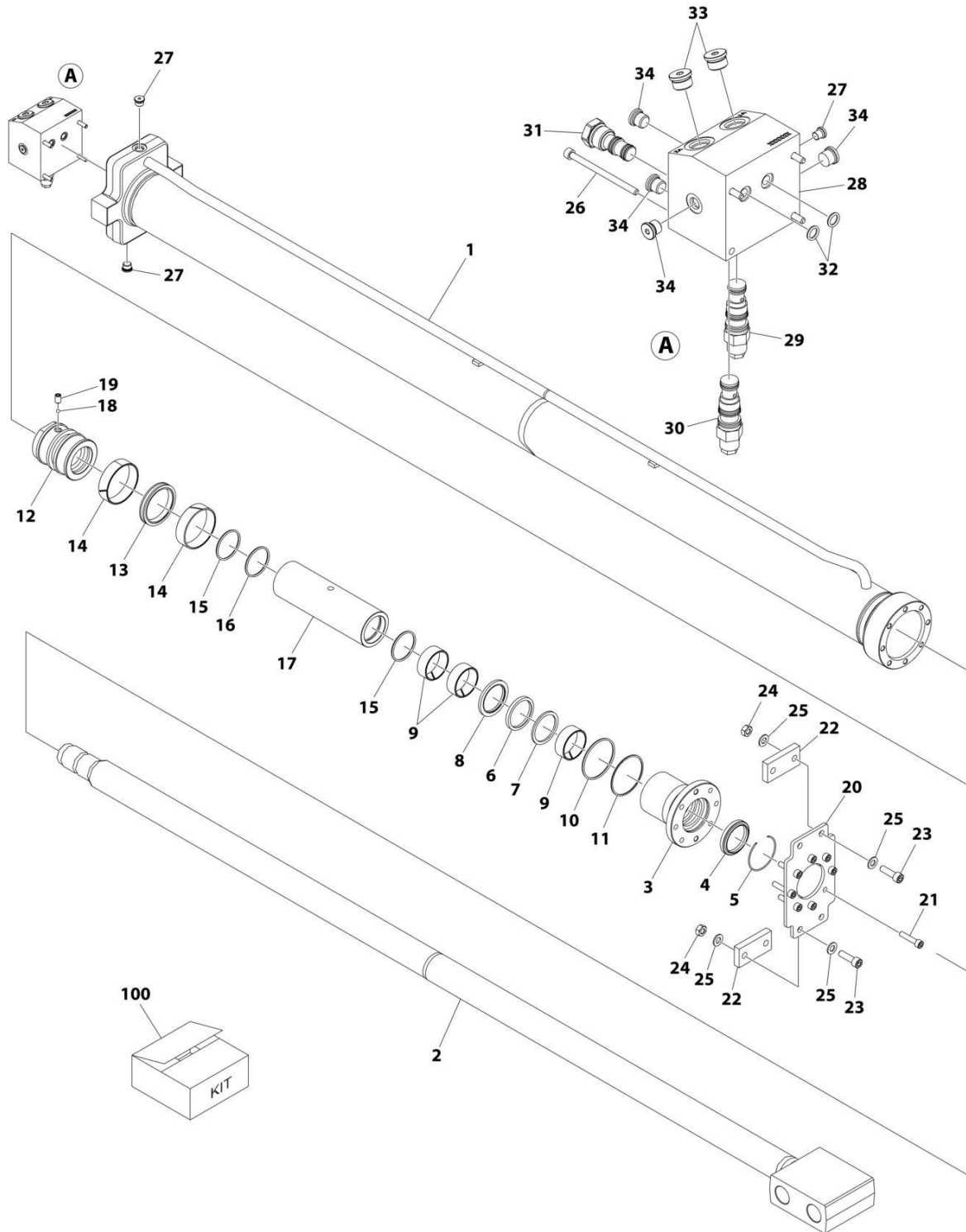
SECTION 6 - CYLINDER

FIGURE 6-10. TELESCOPE CYLINDER ASSEMBLY (400S HC3)

ITEM	PART NUMBER	QTY	DESCRIPTION	REV
	1001251075	Ref	TELESCOPE CYLINDER ASSEMBLY	B
		Ref	Note: Original Cylinder May Have Been Replaced with Service Replacement. Identify PN Stamped on Cylinder Before Ordering Parts.	
1	See Note	NSS	Barrel (Note: Purchase Complete Assembly)	
2	70007062	1	Rod	
3	70007063	1	Head	
4	See Note	NSS	Wiper (Note: Use Item 100)	
5	70002412	1	Ring, Retaining	
6	See Note	NSS	Seal (Note: Use Item 100)	
7	See Note	NSS	Ring, Back-up (Note: Use Item 100)	
8	See Note	NSS	Ring, Wear (Note: Use Item 100)	
9	See Note	NSS	Ring, Wear (Note: Use Item 100)	
10	See Note	NSS	O-Ring (Note: Use Item 100)	
11	See Note	NSS	Ring, Back-up (Note: Use Item 100)	
12	70007064	1	Piston	
13	See Note	NSS	Seal (Note: Use Item 100)	
14	See Note	NSS	Ring, Wear (Note: Use Item 100)	
15	See Note	NSS	O-Ring (Note: Use Item 100)	
16	70007065	1	Plate	
17	70007066	8	Capscrew	
18	70007067	1	Spacer	
19	70006817	1	Set Screw	
20	1001166997	1	Valve Block Assembly (See Items 201-207 for Breakdown)	
21	70007068	4	Capscrew	
22	2220886	2	Plug, O-Ring	
23	2220885	3	Plug	
24	70007069	2	Pad, Wear	
25	70007070	4	Bolt	
26	70006344	8	Washer	
27	70007071	4	Nut	
28	See Note	NSS	O-Ring (Note: Use Item 100)	
100	70007072	1	Seal Kit - 1001251075 Cylinder (Includes Items 4, 6-11, 13-15 & 28)	
	1001166997	Ref	VALVE BLOCK ASSEMBLY	
201	2220881	5	Plug	
203	2220885	2	Plug	
204	4640452	1	Cartridge, Counterbalance Valve	
204	2900770	1	Seal Kit - 4640452 Valve	
206	1001165363	1	Cartridge, Shuttle Valve	
206	7012518	1	Seal Kit - 1001165363 Valve	
207	1001168209	1	Cartridge, Counterbalance Valve	
207	2900770	1	Seal Kit - 1001168209 Valve	

SECTION 6 - CYLINDER

FIGURE 6-11. TELESCOPE CYLINDER ASSEMBLY (460SJ HC3)



ART_1001236653

SECTION 6 - CYLINDER

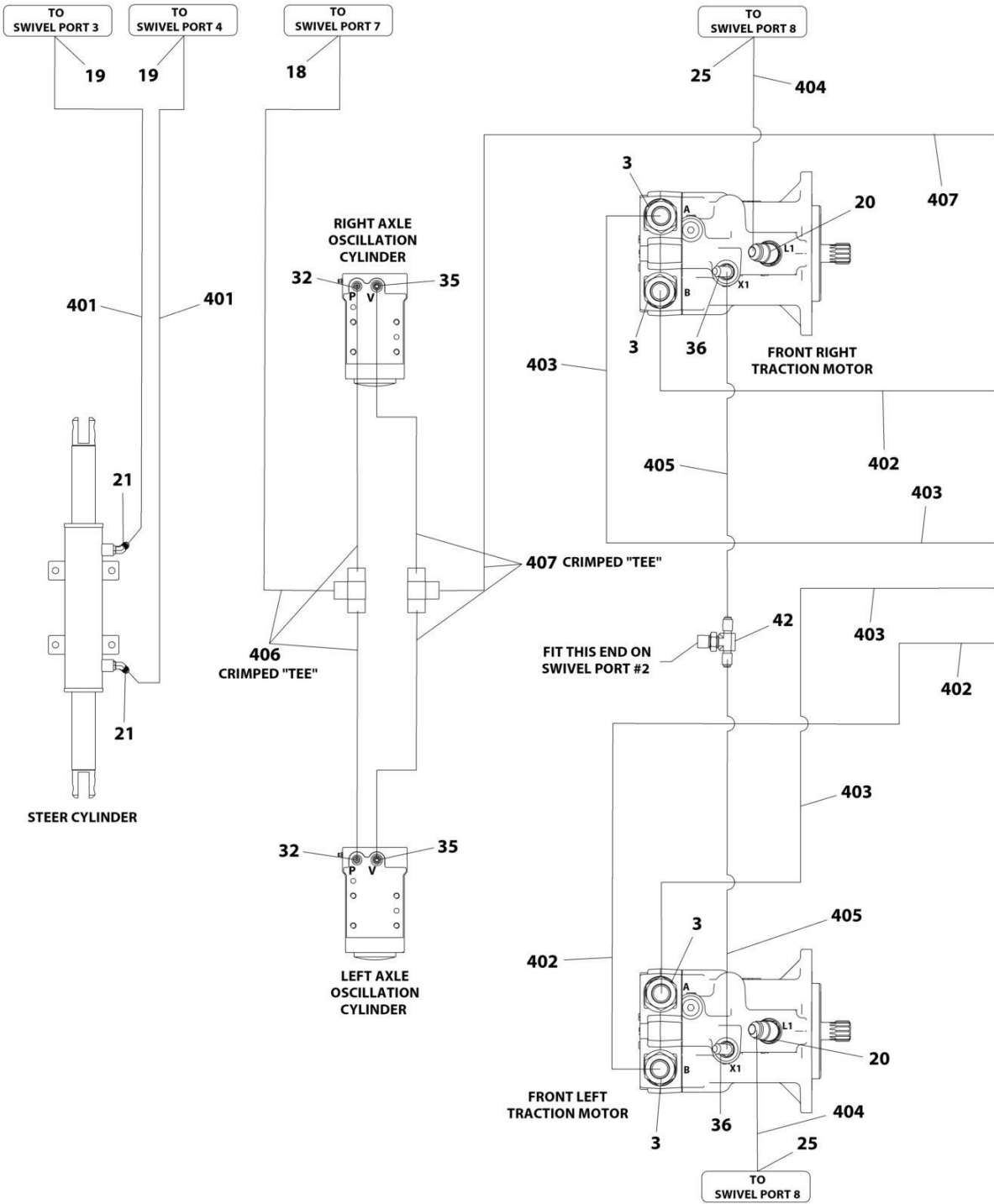
FIGURE 6-11. TELESCOPE CYLINDER ASSEMBLY (460SJ HC3)

ITEM	PART NUMBER	QTY	DESCRIPTION	REV
	1001236653	Ref	TELESCOPE CYLINDER ASSEMBLY	E
		Ref	Note: Original Cylinder May Have Been Replaced with Service Replacement. Identify PN Stamped on Cylinder Before Ordering Parts.	
1	See Note	NSS	Barrel (Note: Purchase Complete Assembly)	
2	70007162	1	Rod	
3	70007163	1	Head	
4	See Note	NSS	Wiper (Note: Use Item 100)	
5	70027244	1	Ring, Retaining	
6	See Note	NSS	Seal (Note: Use Item 100)	
7	See Note	NSS	Ring, Back-up (Note: Use Item 100)	
8	See Note	NSS	Ring (Note: Use Item 100)	
9	See Note	NSS	Ring, Wear (Note: Use Item 100)	
10	See Note	NSS	O-Ring (Note: Use Item 100)	
11	See Note	NSS	Ring, Back-up (Note: Use Item 100)	
12	70007164	1	Piston	
13	See Note	NSS	Seal (Note: Use Item 100)	
14	See Note	NSS	Ring, Wear (Note: Use Item 100)	
15	See Note	NSS	O-Ring (Note: Use Item 100)	
16	See Note	NSS	O-Ring (Note: Use Item 100)	
17	70007165	1	Spacer	
18	7022564	1	Ball	
19	70023369	1	Set Screw	
20	70007166	1	Plate	
21	70006982	8	Capscrew	
22	70007069	2	Pad, Wear	
23	70007070	4	Bolt	
24	70007071	4	Nut	
25	70006344	8	Washer	
26	70007068	4	Capscrew	
27	2220885	3	Plug	
28	See Note	NSS	Block, Valve (Note: Use P/N 1001236653. Not Sold as an Assembly - Purchase Individual Components)	
29	4640452	1	Cartridge, Counterbalance Valve	
29	2900770	1	Seal Kit - 4640452 Valve	
30	1001168209	1	Cartridge, Counterbalance Valve	
30	2900770	1	Seal Kit - 1001168209 Valve	
31	1001165363	1	Cartridge, Shuttle Valve	
31	7012518	1	Seal Kit - 1001165363 Valve	
32	See Note	NSS	O-Ring (Note: Use Item 100)	
33	2220886	2	Plug, O-Ring	
34	2220883	4	Plug	
100	70007072	1	Seal Kit - 1001236653 Cylinder (Includes Items 4, 6-11, 13-15 & 32)	

SECTION 7 - HYDRAULIC

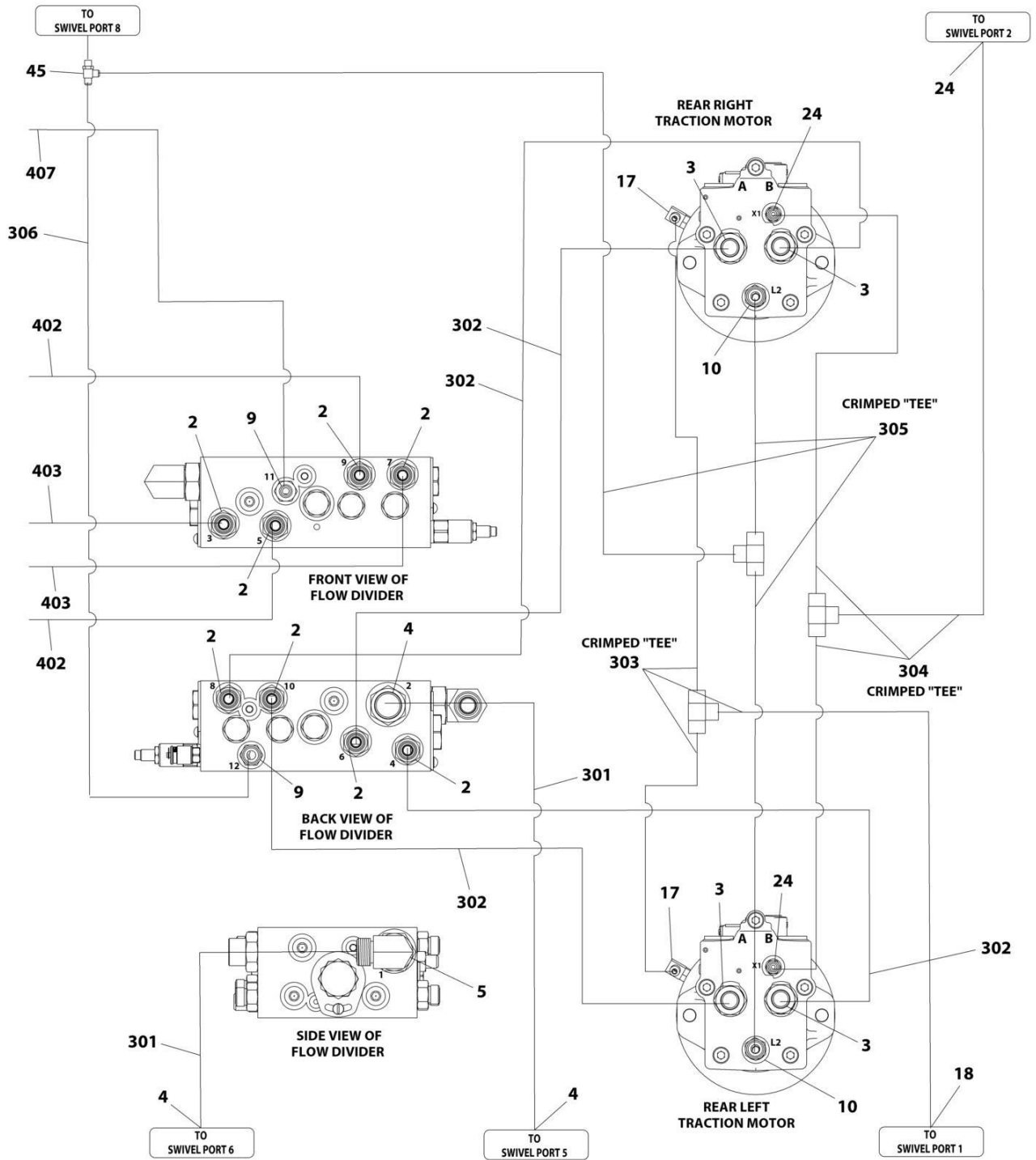
SECTION 7 - HYDRAULIC

FIGURE 7-1. HYDRAULIC DIAGRAM - 400S HC3



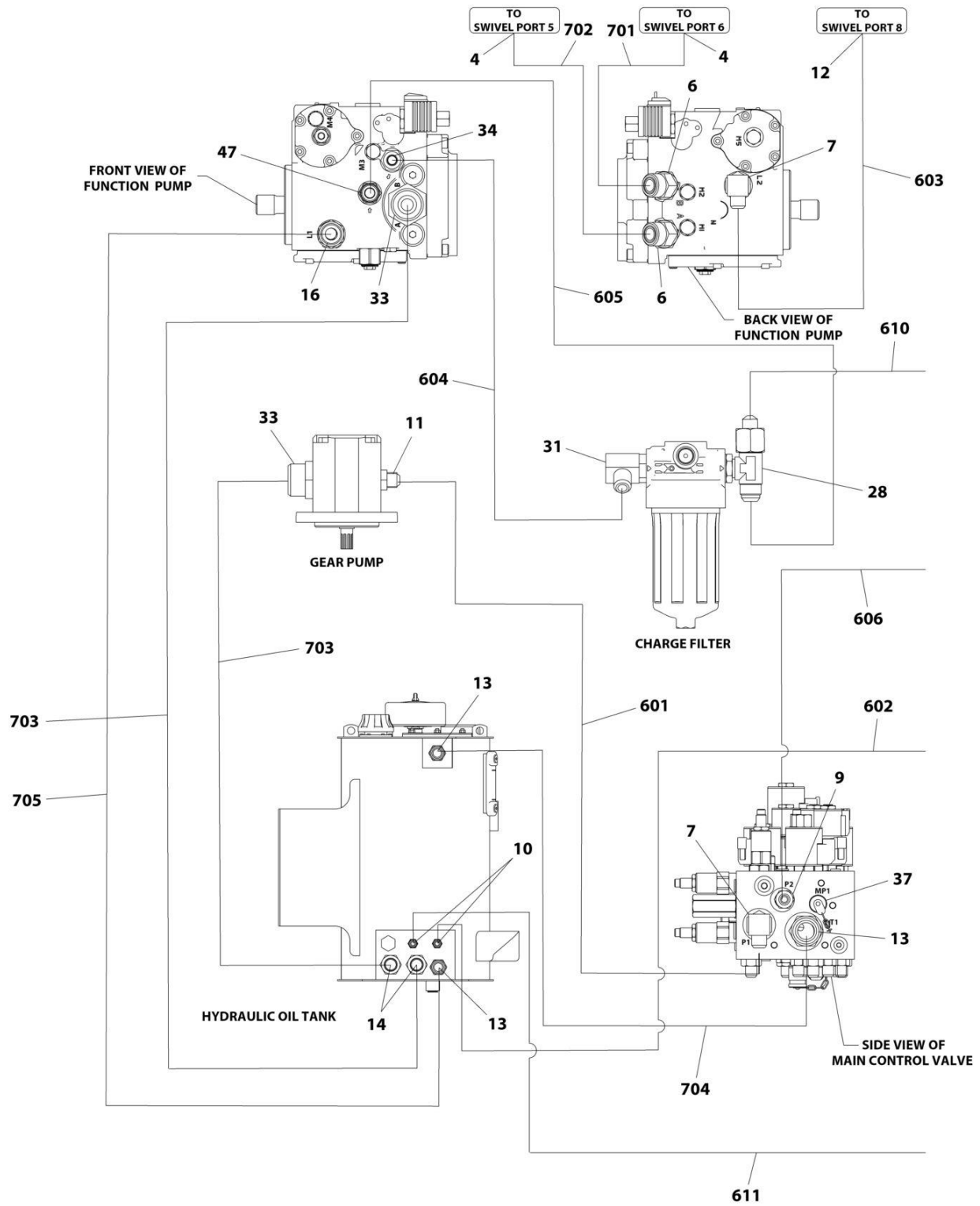
ART_1001207340_I_10F6

SECTION 7 - HYDRAULIC



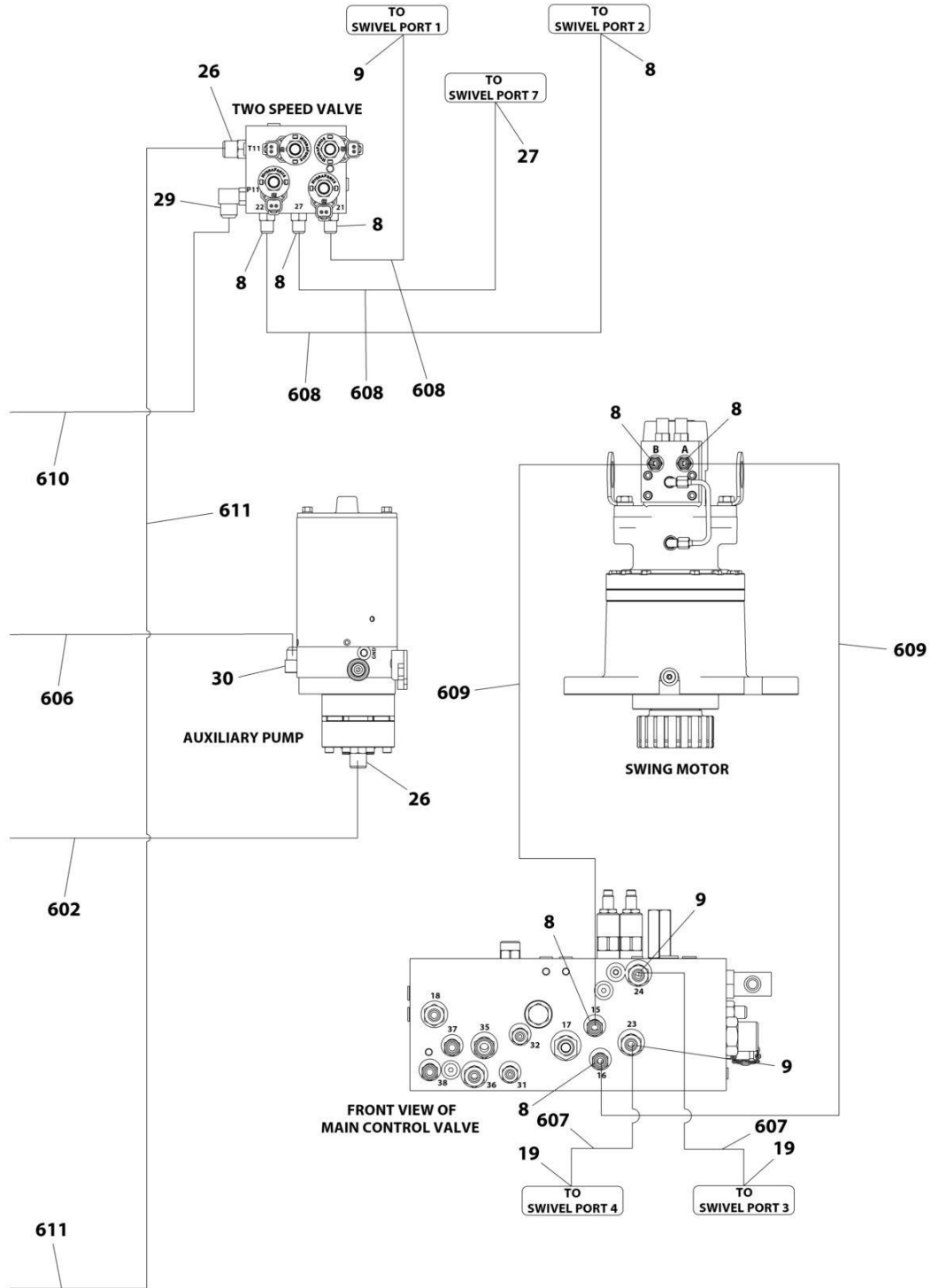
ART_1001207340_I_20F6

SECTION 7 - HYDRAULIC



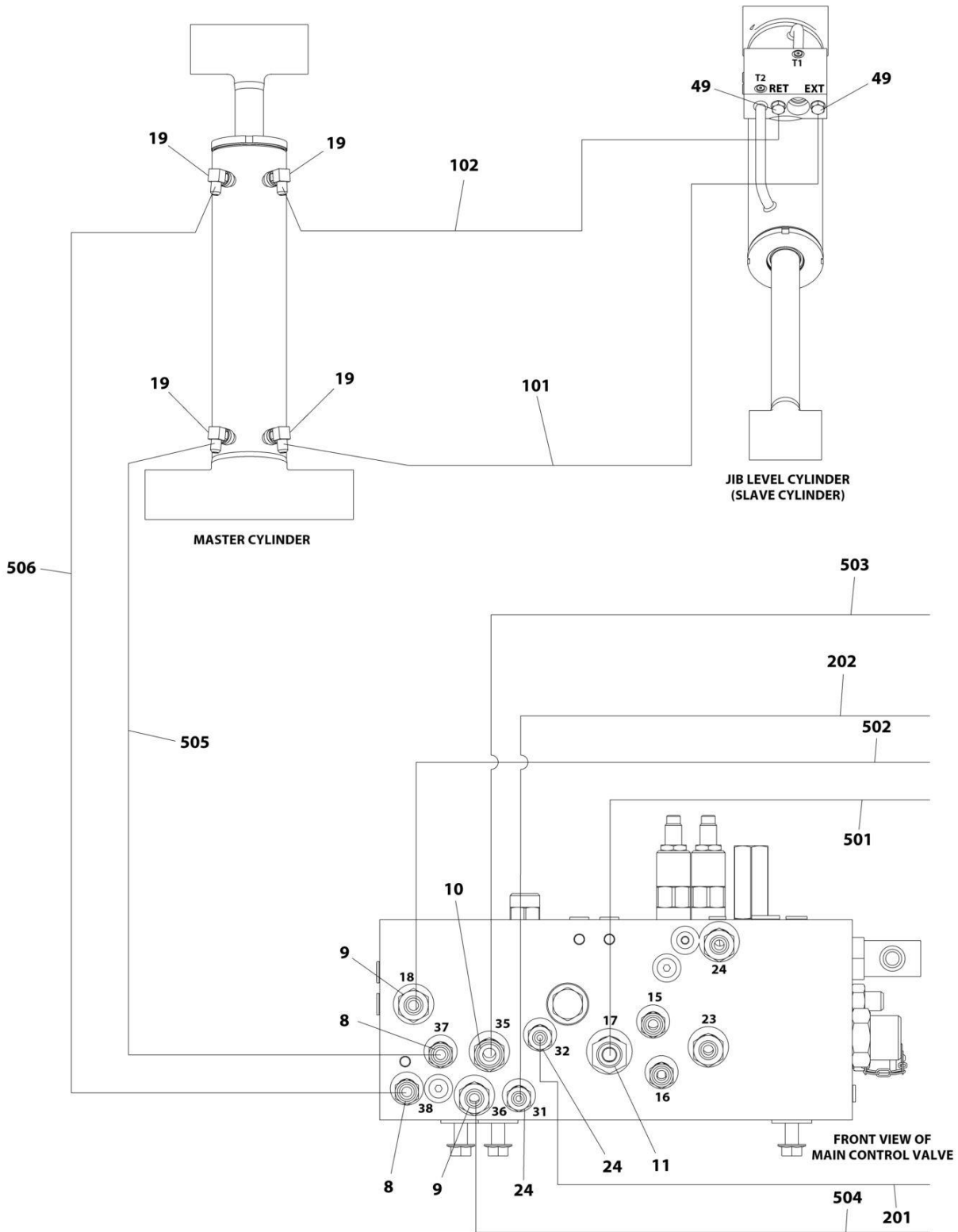
ART_1001207340_I_30F6

SECTION 7 - HYDRAULIC



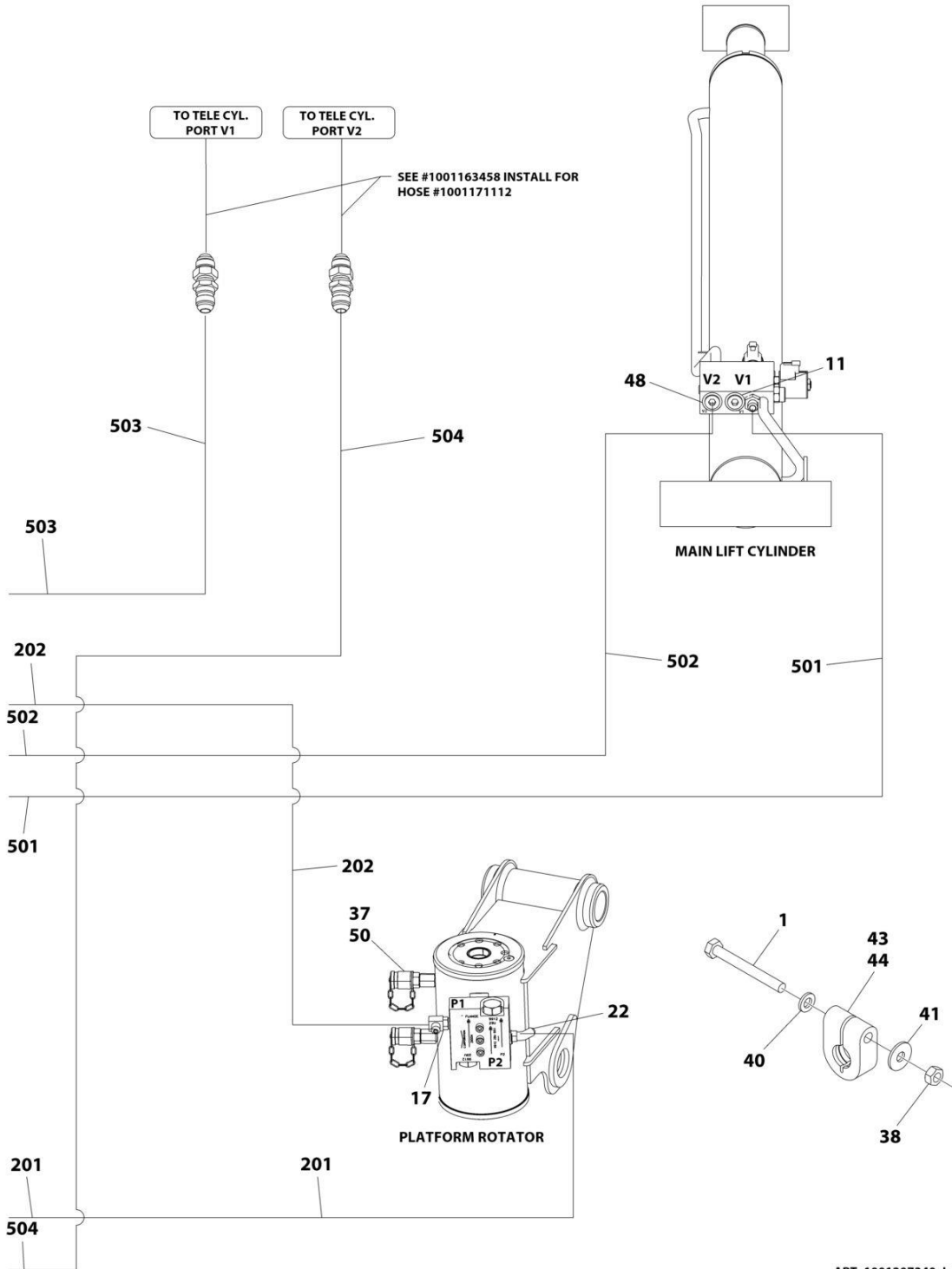
ART_1001207340_I_40F6

SECTION 7 - HYDRAULIC



ART_1001207340_I_50F6

SECTION 7 - HYDRAULIC



ART_1001207340_I_60F6

SECTION 7 - HYDRAULIC

FIGURE 7-1. HYDRAULIC DIAGRAM - 400S HC3

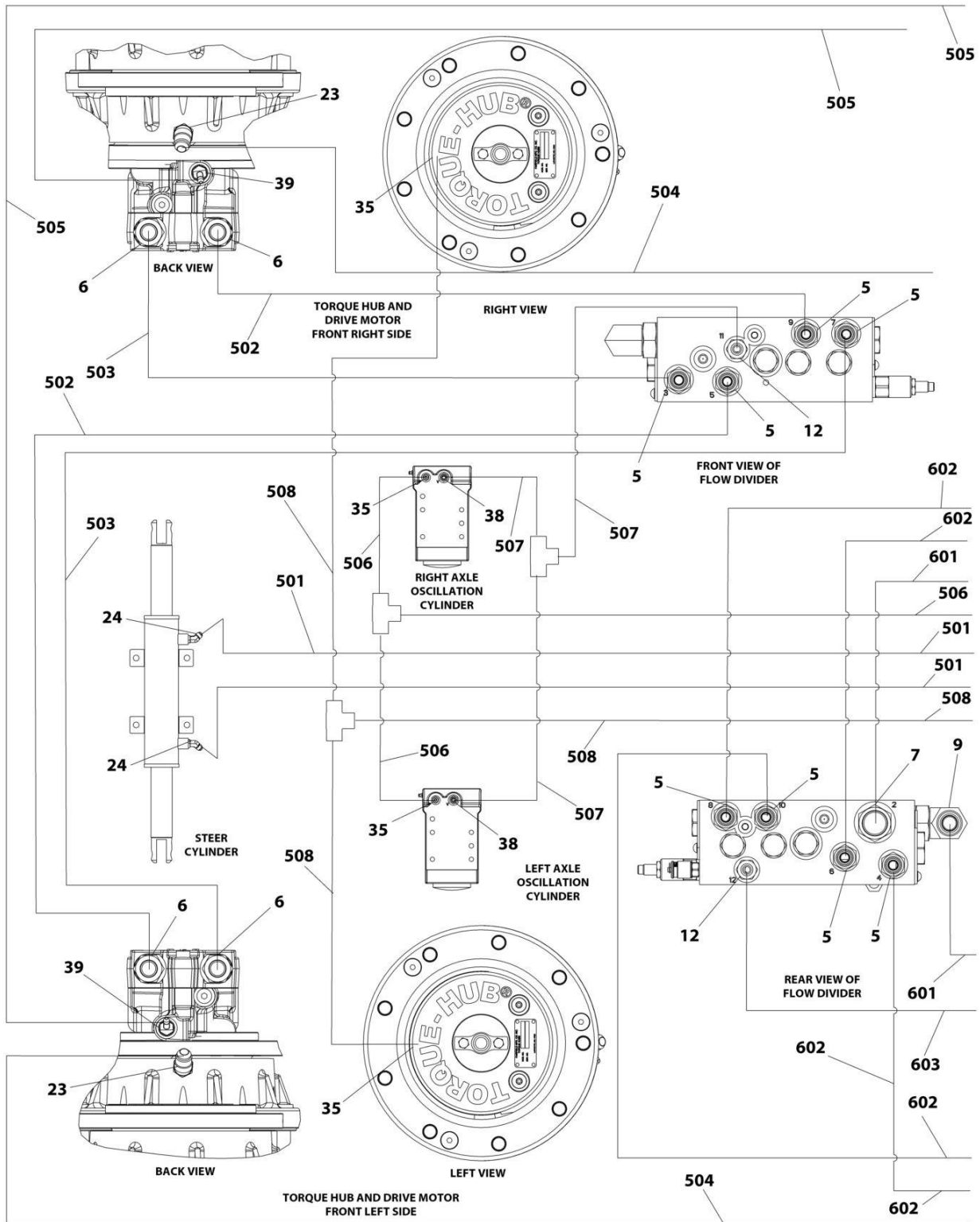
ITEM	PART NUMBER	QTY	DESCRIPTION	REV
	1001207340	Ref	HYDRAULIC SYSTEM INSTALLATION	I
1	0700619	2	Bolt M6 x 55	
2	2110810	8	Fitting, Straight ORFS/ORB	
3	2110812	8	Fitting, Straight ORFS/ORB	
4	2111216	5	Fitting, Straight ORFS/ORB	
5	2131216	1	Fitting, 90 ORFS/ORB	
6	2131212	2	Fitting, 90 ORFS/ORB	
7	2220366	2	Fitting, 90 JIC/ORB	
8	2220371	10	Fitting, Straight JIC/ORB	
9	2220372	8	Fitting, Straight JIC/ORB	
10	2220373	5	Fitting, Straight JIC/ORB	
11	2220374	3	Fitting, Straight JIC/ORB	
12	2220375	1	Fitting, Straight JIC/ORB	
13	2220377	3	Fitting, Straight JIC/ORB	
14	1001202910	2	Fitting, Straight MORB	
16	2220451	1	Fitting, Straight JIC/ORB	
17	2220466	3	Fitting, 90 JIC/ORB	
18	2220468	2	Fitting, Straight JIC/ORB	
19	2220473	8	Fitting, 90 JIC/ORB	
20	2220500	2	Fitting, 45 JIC/ORB	
21	2220501	2	Fitting, 45 JIC/ORB	
22	2220502	1	Fitting, 45 JIC/ORB	
24	2220582	5	Fitting, Straight JIC/ORB	
25	2220596	2	Fitting, 90 JIC/ORB	
26	2220600	2	Fitting, Straight JIC/ORB	
27	2220628	1	Fitting, 90 JIC/ORB	
28	2220695	1	Fitting, Tee JIC/ORB/JIC	
29	2220726	1	Fitting, 90 JIC/ORB	
30	2220775	1	Fitting, 90 JIC/ORB	
31	2220906	1	Fitting, 90 JIC/ORB	
32	2220923	2	Fitting, Straight JIC/ORB	
33	2220946	2	Fitting, Straight JIC/ORB	
34	2220947	1	Fitting, Straight JIC/ORB	
35	2220998	2	Fitting, Straight JIC/ORB	
36	2221040	2	Fitting, 45 JIC/ORB	
37	2221086	3	Fitting, Diagnostic Test Port	
38	3290601	2	Nut M6 x 1	
39	4240018	AR	Tie-Strap (Not Shown)	
40	4811700	2	Washer M6	
41	4811702	2	Washer M6	
42	1001175024	1	Fitting, Tee JIC/JIC/ORB	
43	1001191275	1	Clamp	
44	1001191276	1	Clamp	
45	1001197272	1	Fitting, Tee JIC/ORB/JIC	
46	1001275635	2	Clamp, Hose (Not Shown)	
47	88662037	1	Fitting, Straight JIC/ORB	
48	2220497	1	Fitting, Straight JIC/ORB	
49	2220603	2	Fitting, Straight JIC/ORB	
50	2060404	2	Fitting, Straight FORB/ORB	
100	1001202940	1	Kit, Upper Boom (Not Shown)	

SECTION 7 - HYDRAULIC

ITEM	PART NUMBER	QTY	DESCRIPTION	REV
101	1001173909	1	Hose	
102	1001173937	1	Hose	
200	1001202941	1	Kit, S Boom (Not Shown)	
201	1001172694	1	Hose	
202	1001172696	1	Hose	
300	1001202943	1	Kit, Chassis Rear Hose (Not Shown)	
301	1001172695	2	Hose	
302	1001172697	4	Hose	
303	1001184561	1	Hose	
304	1001184562	1	Hose	
305	1001184563	1	Hose	
306	1001197284	1	Hose	
400	1001202944	1	Kit, Chassis Front Hose (Not Shown)	
401	1001172692	2	Hose	
402	1001172698	2	Hose	
403	1001172699	2	Hose	
404	1001172703	2	Hose	
405	1001172707	2	Hose	
406	1001184542	1	Hose	
407	1001184543	1	Hose	
500	1001202946	1	Kit, Turntable Hosing (Not Shown)	
501	1001173901	1	Hose	
502	1001173902	1	Hose	
503	1001173903	1	Hose	
504	1001173904	1	Hose	
505	1001173907	1	Hose	
506	1001173908	1	Hose	
600	1001252922	1	Kit, Turntable Hosing (Not Shown)	
601	2752500	1	Hose	
602	1001172716	1	Hose	
603	1001172717	1	Hose	
604	1001172718	1	Hose	
605	1001172719	1	Hose	
606	1001172721	1	Hose	
607	1001172722	2	Hose	
608	1001172723	3	Hose	
609	1001173900	2	Hose	
610	1001181075	1	Hose	
611	1001193654	1	Hose	
700	1001252923	1	Kit, Turntable Hosing (Not Shown)	
701	1001173898	1	Hose	
702	1001181074	1	Hose	
703	1001207332	1	Hose	
704	1001207333	1	Hose	
705	1001216655	1	Hose	

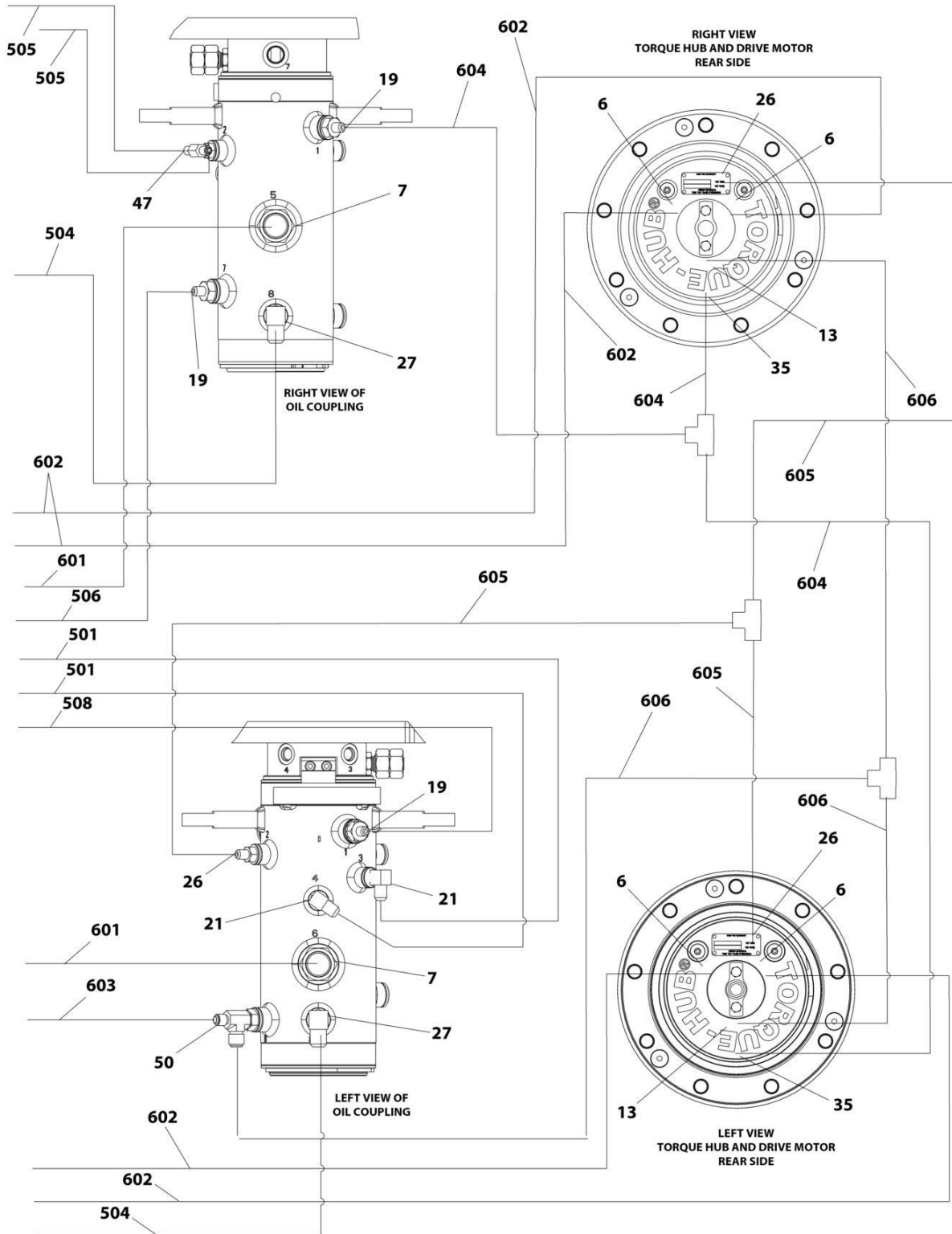
SECTION 7 - HYDRAULIC

FIGURE 7-2. HYDRAULIC DIAGRAM - 460SJ HC3



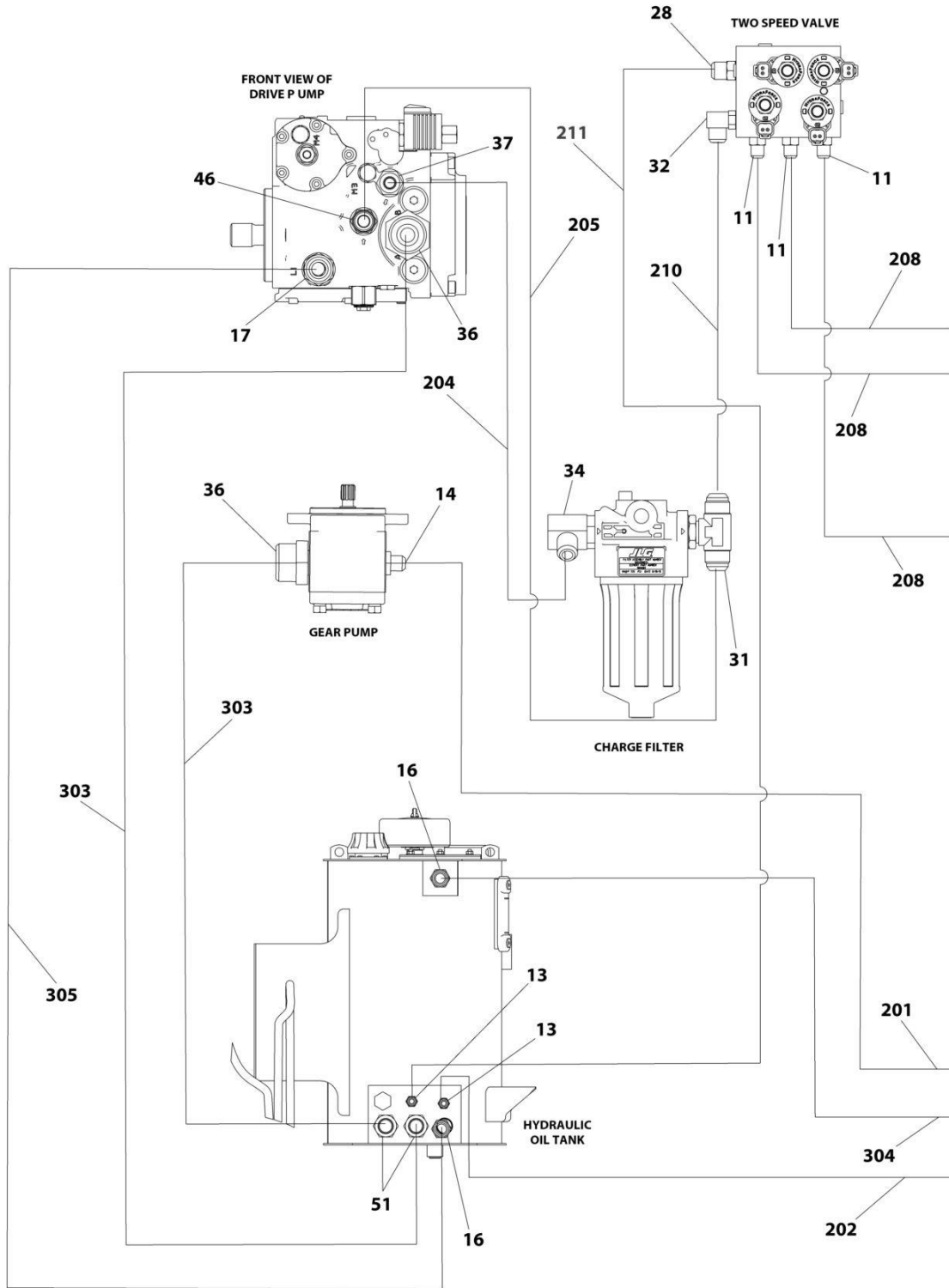
ART_1001242134_I_10F6

SECTION 7 - HYDRAULIC



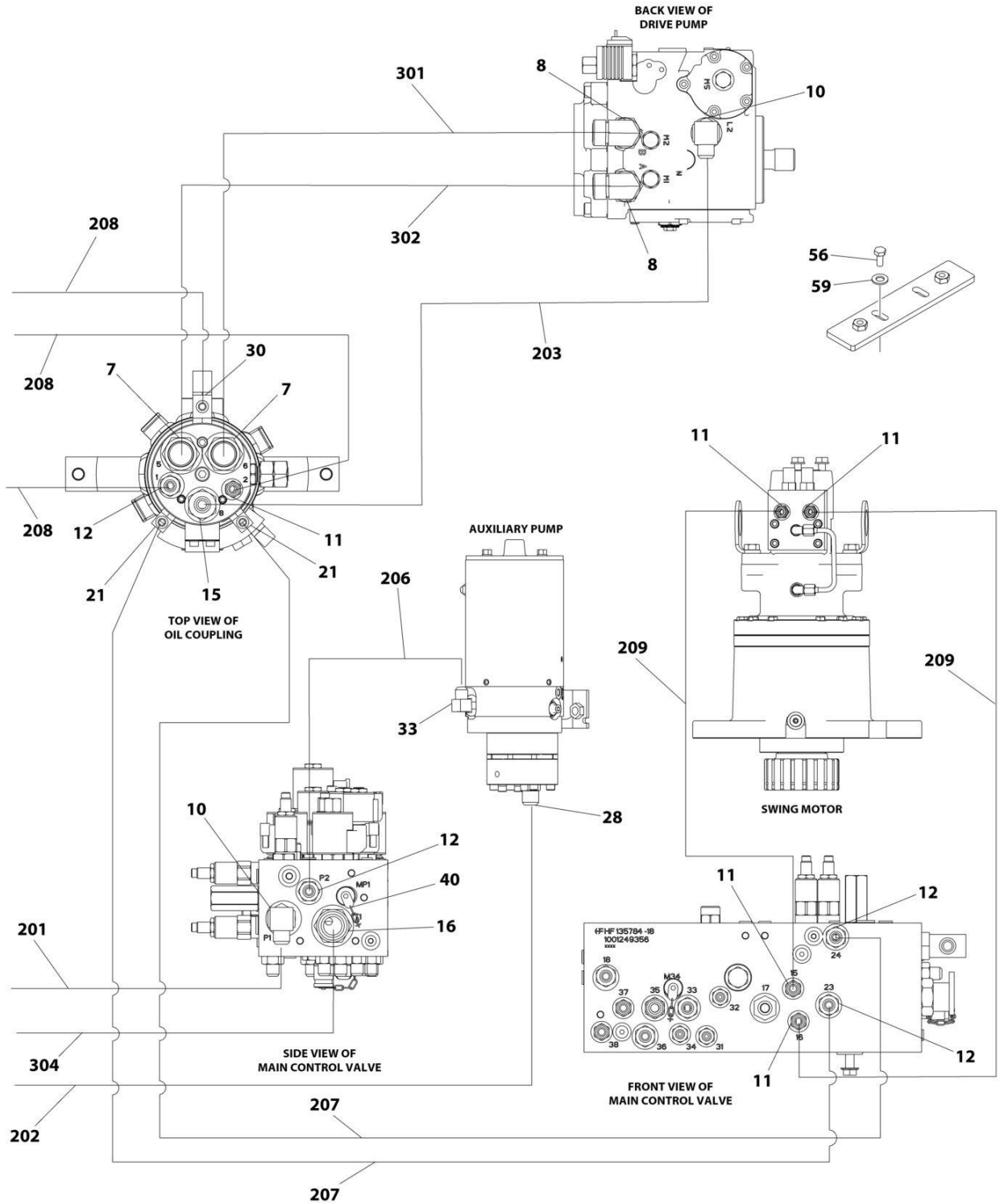
ART_1001242134_I_20F6

SECTION 7 - HYDRAULIC



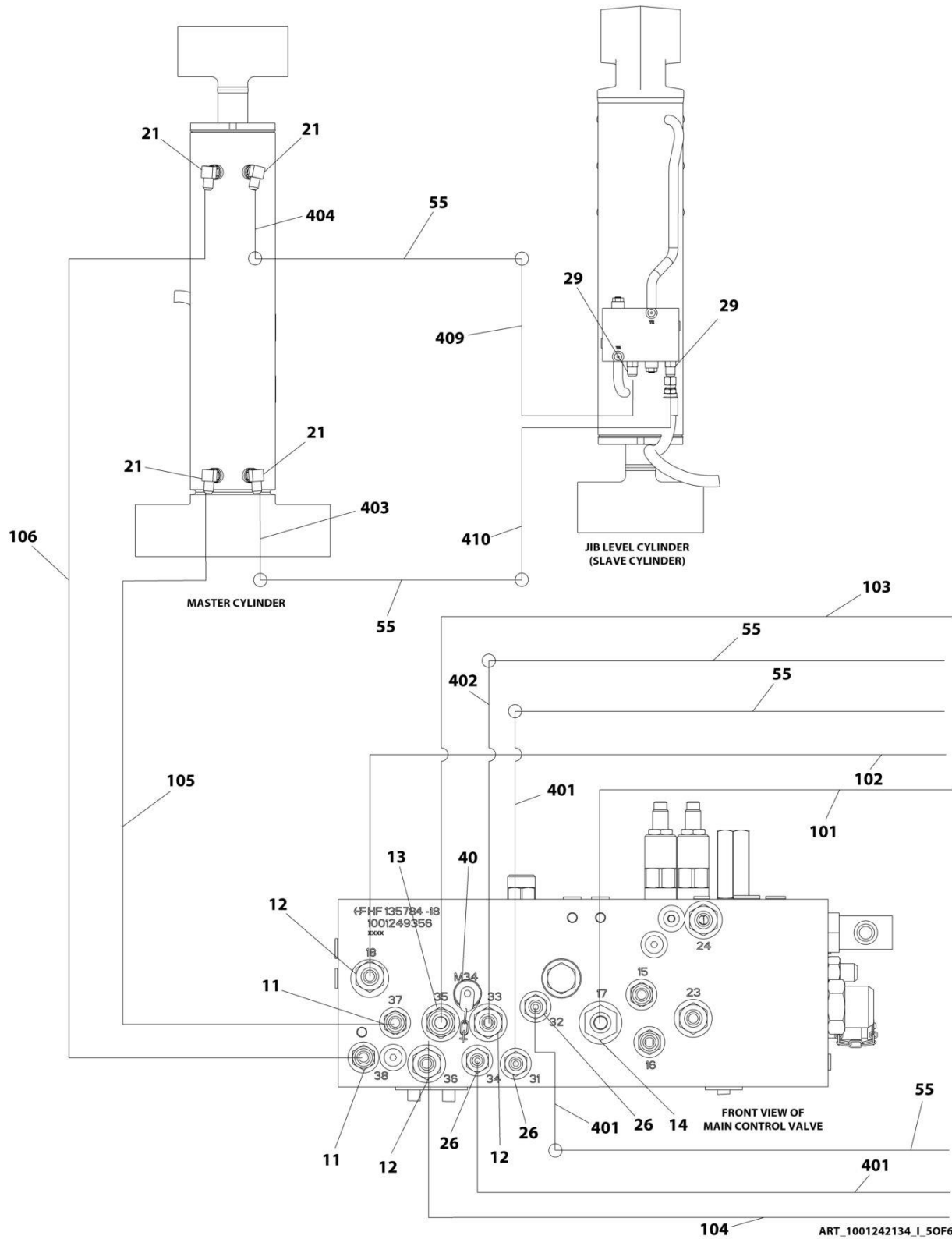
ART_1001242134_I_30F6

SECTION 7 - HYDRAULIC



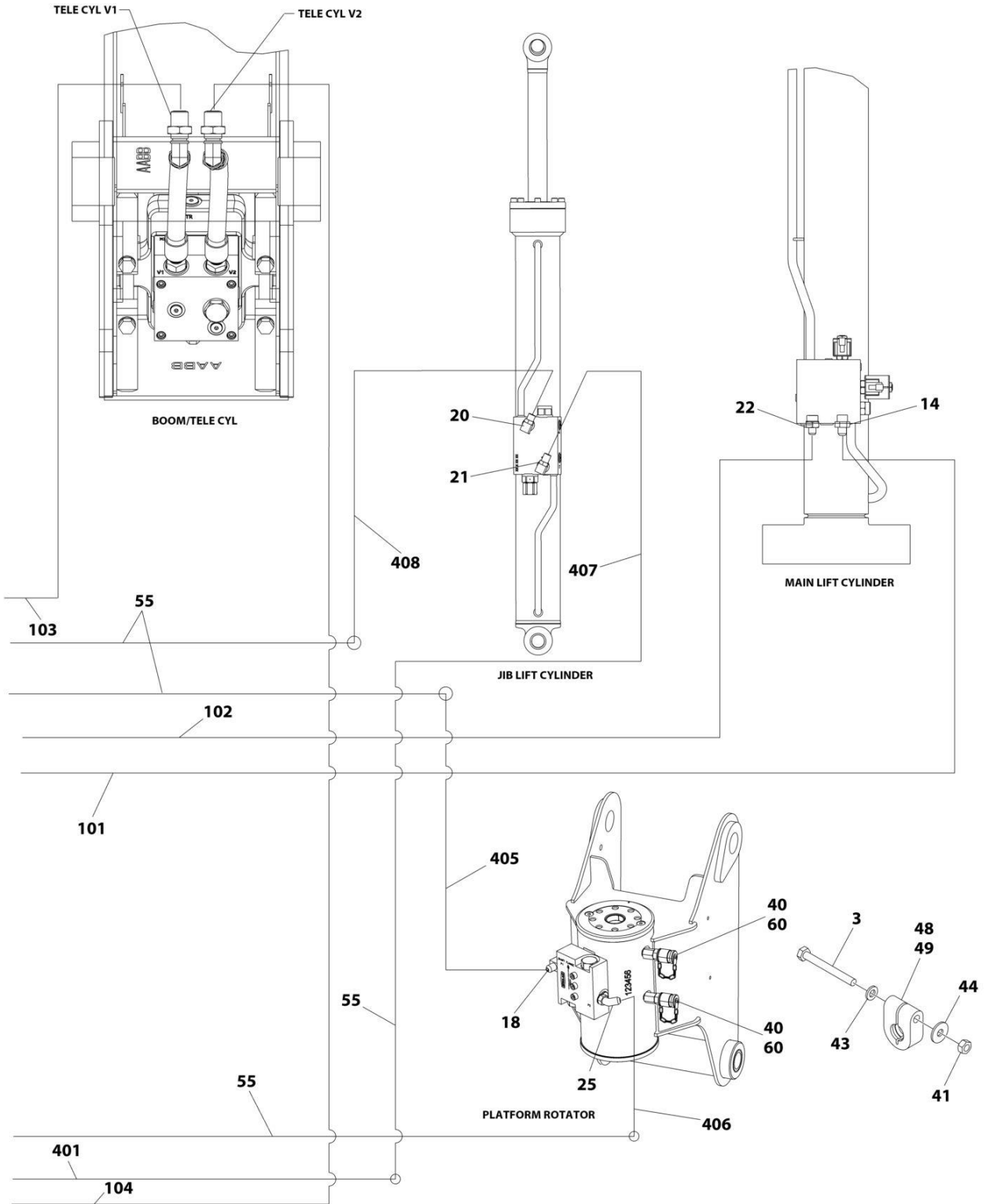
ART_1001242134_L_40F6

SECTION 7 - HYDRAULIC



ART_1001242134_I_50F6

SECTION 7 - HYDRAULIC



ART_1001242134_I_60F6

SECTION 7 - HYDRAULIC

FIGURE 7-2. HYDRAULIC DIAGRAM - 460SJ HC3

ITEM	PART NUMBER	QTY	DESCRIPTION	REV
	1001242134	Ref	DRIVE HYDRAULIC DIAGRAM	I
3	0760619	2	Bolt M6 x 55	
5	2110810	8	Fitting, Straight ORFS/ORB	
6	2110812	8	Fitting, Straight ORFS/ORB	
7	2111216	5	Fitting, Straight ORFS/ORB	
8	2131212	2	Fitting, 90 ORFS/ORB	
9	2131216	1	Fitting, 90 ORFS/ORB	
10	2220366	2	Fitting, 90 JIC/ORB	
11	2220371	10	Fitting, Straight JIC/ORB	
12	2220372	9	Fitting, Straight JIC/ORB	
13	2220373	5	Fitting, Straight JIC/ORB	
14	2220374	3	Fitting, Straight JIC/ORB	
15	2220375	1	Fitting, Straight JIC/ORB	
16	2220377	3	Fitting, Straight JIC/ORB	
17	2220451	1	Fitting, Straight JIC/ORB	
18	2220466	1	Fitting, 90 JIC/ORB	
19	2220468	3	Fitting, Straight JIC/ORB	
20	2220472	1	Fitting, 90 JIC/ORB	
21	2220473	9	Fitting, 90 JIC/ORB	
22	2220497	1	Fitting, Straight JIC/ORB	
23	2220500	2	Fitting, 45 JIC/ORB	
24	2220501	2	Fitting, 45 JIC/ORB	
25	2220502	1	Fitting, 45 JIC/ORB	
26	2220582	6	Fitting, Straight JIC/ORB	
27	2220596	2	Fitting, 90 JIC/ORB	
28	2220600	2	Fitting, Straight JIC/ORB	
29	2220603	2	Fitting, Straight JIC/ORB	
30	2220628	1	Fitting, 90 JIC/ORB	
31	2220695	1	Fitting, Tee JIC/ORB/JIC	
32	2220726	1	Fitting, 90 JIC/ORB	
33	2220775	1	Fitting, 90 JIC/ORB	
34	2220906	1	Fitting, 90 JIC/ORB	
35	2220923	6	Fitting, Straight JIC/ORB	
36	2220946	2	Fitting, Straight JIC/ORB	
37	2220947	1	Fitting, Straight JIC/ORB	
38	2220998	2	Fitting, Straight JIC/ORB	
39	2221040	2	Fitting, 45 JIC/ORB	
40	2221086	4	Fitting, Diagnostic Test Port	
41	3290601	2	Nut M6	
43	4811700	2	Washer M6	
44	4811702	2	Washer M6	
45	1001275635	2	Clamp (Not Shown)	
46	88662037	1	Fitting, Straight JIC/ORB	
47	1001175024	1	Fitting, Tee JIC/JIC/ORB	
48	1001191275	1	Clamp	
49	1001191276	1	Clamp	
50	1001197272	1	Fitting, Tee JIC/ORB/JIC	
51	1001202910	2	Fitting, Straight MORB	
55	1001241994	1	Pipe, Weldment	
56	0760607	8	Bolt M6 x 14	

SECTION 7 - HYDRAULIC

ITEM	PART NUMBER	QTY	DESCRIPTION	REV
57	4240018	25	Tie-Strap (Not Shown)	
58	1001136358	1	Cover, Hose Wrap	
59	4811900	8	Washer M8	
60	2060404	2	Fitting, Straight FORB/ORB	
100	1001250478	1	Kit, Turntable	
101	1001173901	1	Hose	
102	1001173902	1	Hose	
103	1001250474	1	Hose	
104	1001250477	1	Hose	
105	1001173907	1	Hose	
106	1001173908	1	Hose	
200	1001252922	1	Kit, Turntable	
201	2752500	1	Hose	
202	1001172716	1	Hose	
203	1001172717	1	Hose	
204	1001172718	1	Hose	
205	1001172719	1	Hose	
206	1001172721	1	Hose	
207	1001172722	2	Hose	
208	1001172723	3	Hose	
209	1001173900	2	Hose	
210	1001181075	1	Hose	
211	1001193654	1	Hose	
300	1001252923	1	Kit, Turntable	
301	1001173898	1	Hose	
302	1001181074	1	Hose	
303	1001207332	2	Hose	
304	1001207333	1	Hose	
305	1001216655	1	Hose	
400	1001247999	1	Kit, Upper Boom	
401	1001247393	1	Hose	
402	1001247394	1	Hose	
403	1001247395	1	Hose	
404	1001247396	1	Hose	
405	1001247397	1	Hose	
406	1001247398	1	Hose	
407	1001268998	1	Hose	
408	1001268997	1	Hose	
409	1001247402	1	Hose	
410	1001254980	1	Hose	
500	1001248003	1	Kit, Chassis Front Hose	
501	1001172692	2	Hose	
502	1001172698	2	Hose	
503	1001172699	2	Hose	
504	1001172703	2	Hose	
505	1001172707	2	Hose	
506	1001184542	1	Hose	
507	1001184543	1	Hose	
508	1001247577	1	Hose	
600	1001248004	1	Kit, Chassis Rear Hose	
601	1001172695	1	Hose	

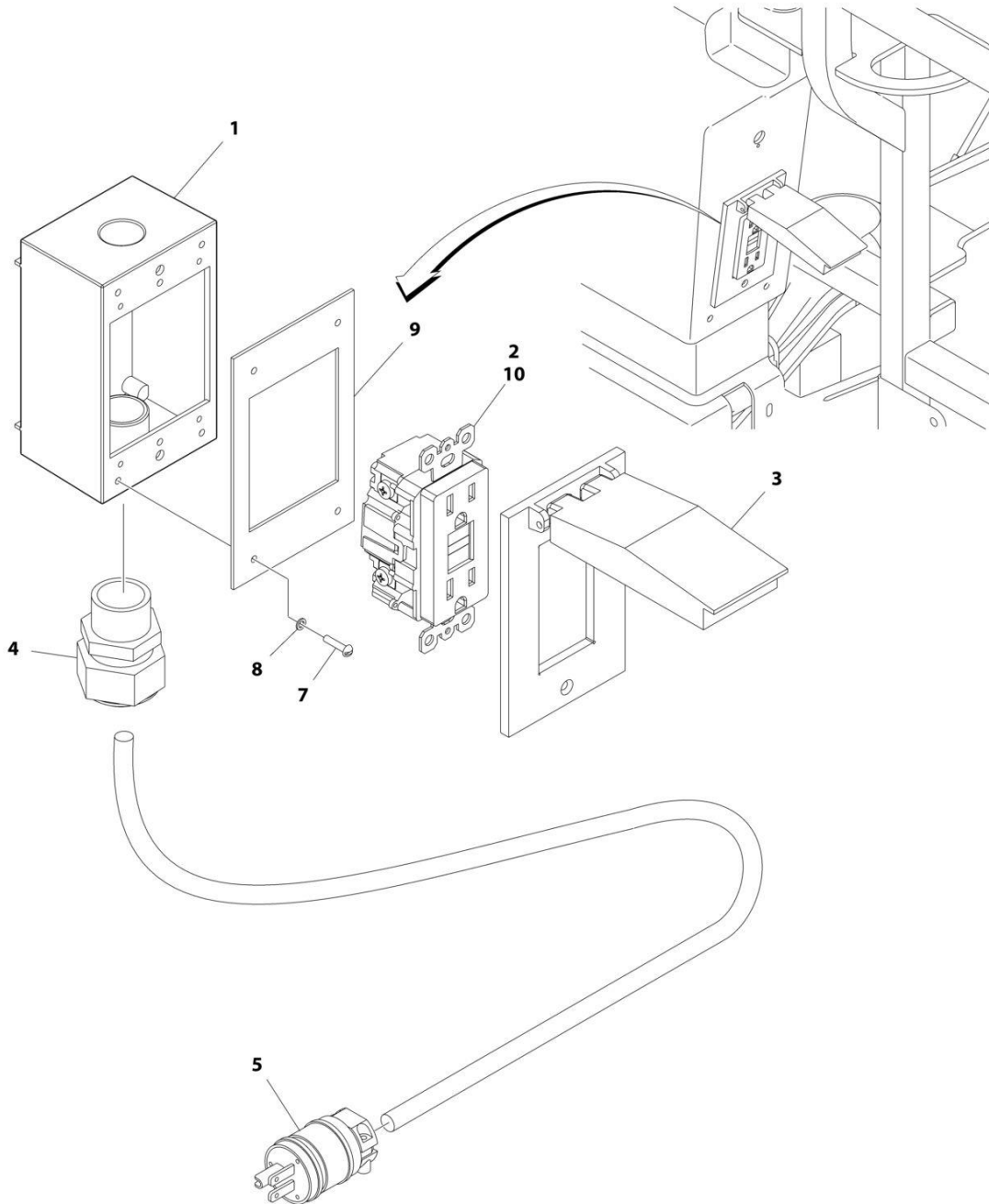
SECTION 7 - HYDRAULIC

ITEM	PART NUMBER	QTY	DESCRIPTION	REV
602	1001172697	4	Hose	
603	1001197284	1	Hose	
604	1001247996	1	Hose	
605	1001247997	1	Hose	
606	1001247998	1	Hose	

SECTION 8 - ELECTRICAL

SECTION 8 - ELECTRICAL

FIGURE 8-1. AC BOX AT PLATFORM INSTALLATION - 110V GFI (MACHINES WITH 2500W GENERATOR/NO GENERATOR OPTIONS) (ANSI AND CSA SPECS)



ART_0270022

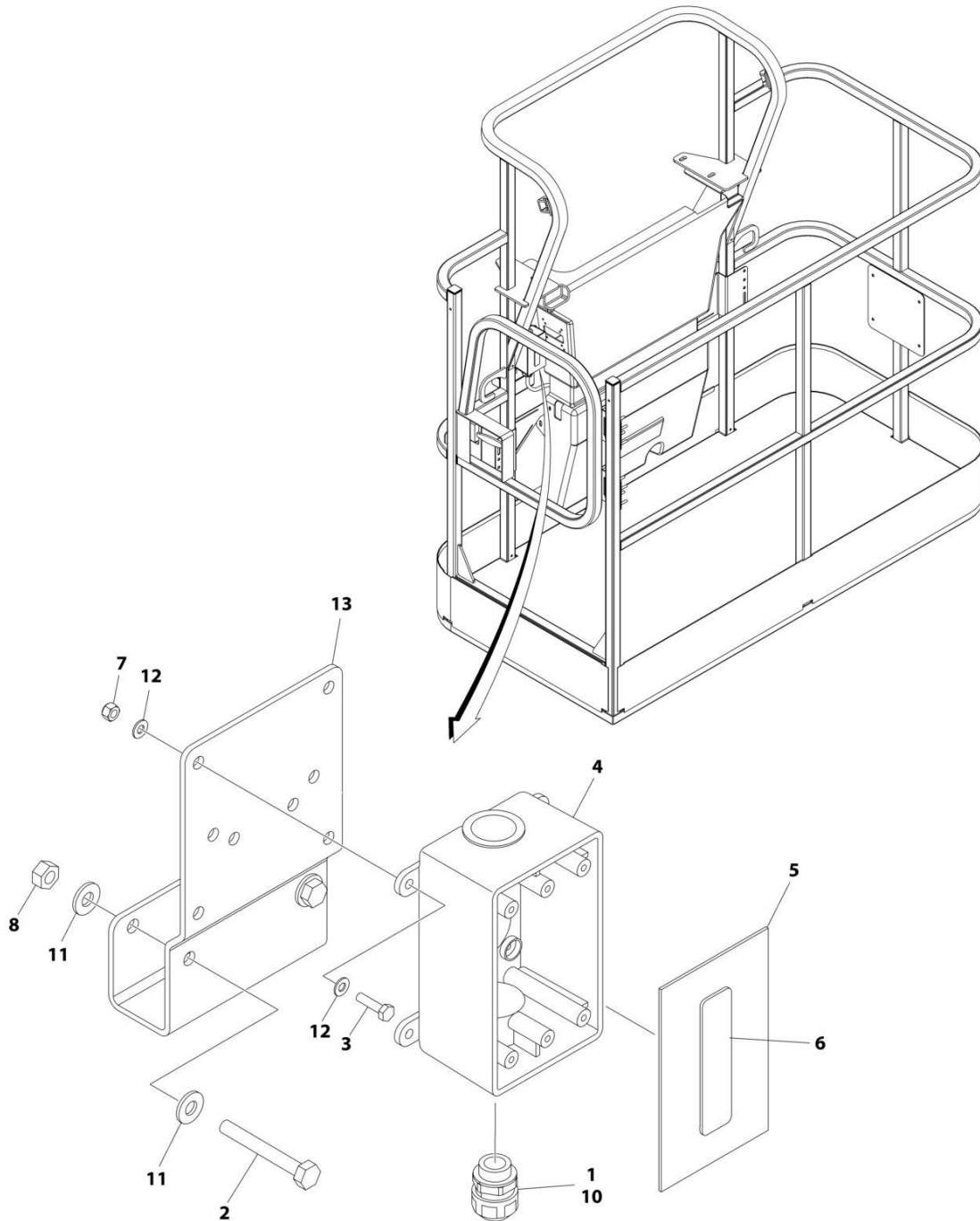
SECTION 8 - ELECTRICAL

FIGURE 8-1. AC BOX AT PLATFORM INSTALLATION - 110V GFI (MACHINES WITH 2500W GENERATOR/NO GENERATOR OPTIONS) (ANSI AND CSA SPECS)

ITEM	PART NUMBER	QTY	DESCRIPTION	REV
	0270022	Ref	AC BOX AT PLATFORM INSTALLATION - 110V	4-B
1	0860038	1	Box, Switch	
2	4460346	1	Receptacle	
3	1001110873	1	Shield, Cover	
4	4460071	1	Connector, Strain Relief	
5	4460205	1	Plug, Male	
7	3910610	4	Screw #6 x 5/8	
8	4760600	4	Washer #6	
9	3960422	1	Gasket	
10	4460315	1	Terminal, Spade	

SECTION 8 - ELECTRICAL

FIGURE 8-2. AC BOX AT PLATFORM INSTALLATION - CUSTOMER SUPPLIED RECEPTACLE (ANSI EXPORT, CE, CHINA & UK CA SPECS)



ART_1001194365

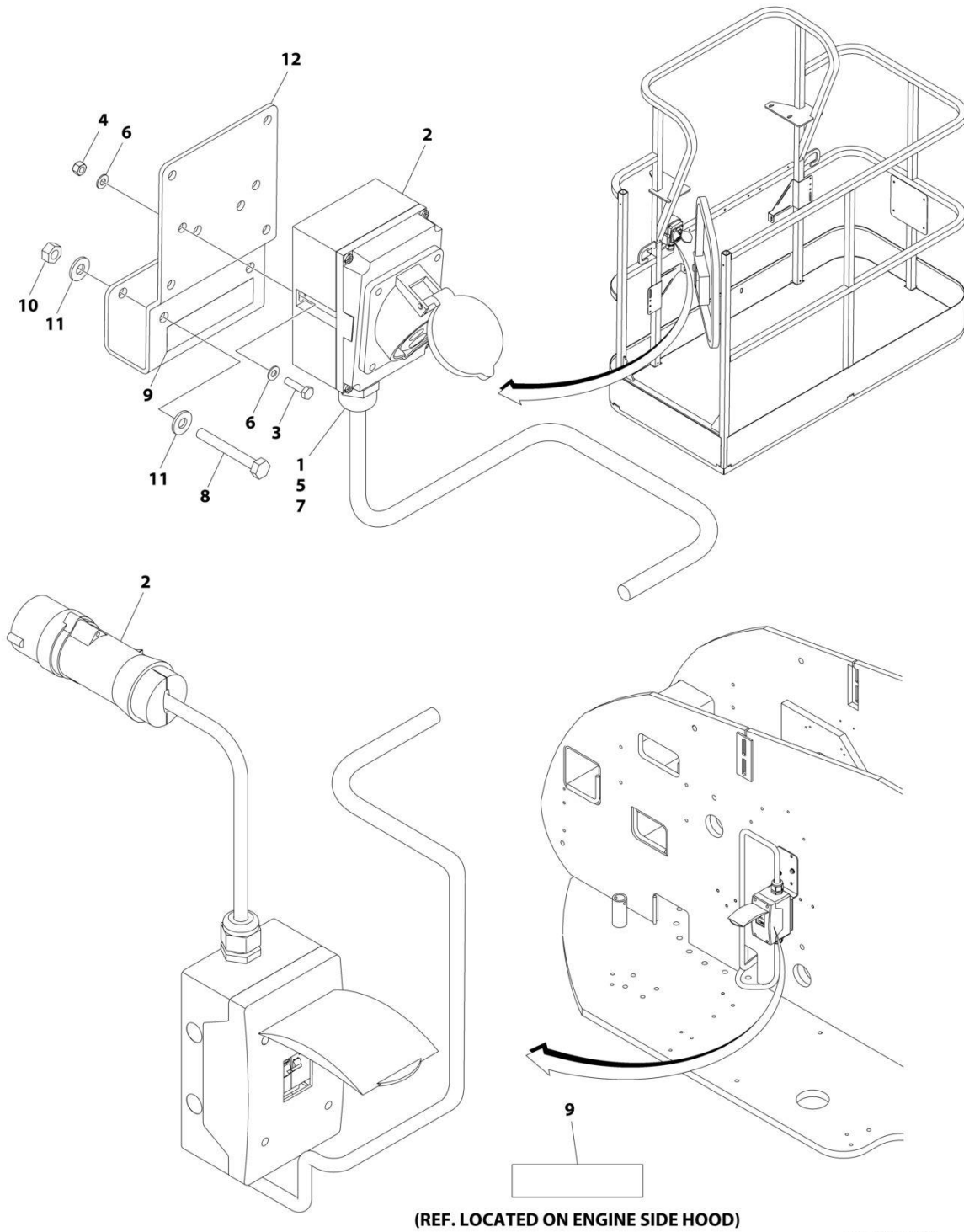
SECTION 8 - ELECTRICAL

FIGURE 8-2. AC BOX AT PLATFORM INSTALLATION - CUSTOMER SUPPLIED RECEPTACLE (ANSI EXPORT, CE, CHINA & UK CA SPECS)

ITEM	PART NUMBER	QTY	DESCRIPTION	REV
	1001194365	Ref	AC BOX AT PLATFORM INSTALLATION - BOX WITH COVER (2X4 BOX)	A
1	0100020	AR	Sealant	
2	0641416	2	Bolt 1/4 x 2	
3	0700408	4	Bolt M4 x 16	
4	0861731	1	Box, Switch	
5	1670603	1	Cover	
6	3251242	1	Decal - 240V/50Hz	
7	3290405	4	Nut M4	
8	3311405	2	Nut 1/4	
9	4460384	3	Terminal (Not Shown)	
10	4460662	1	Connector, Strain Relief	
11	4711400	4	Washer 1/4	
12	4811400	8	Washer M4	
13	1001193018	1	Bracket, AC Receptacle	

SECTION 8 - ELECTRICAL

**FIGURE 8-3. AC BOX AT PLATFORM INSTALLATION - 110V IEC YELLOW (CE & UK CA SPECS)
(2500W AND 7500W SKYPOWER GENERATORS)**



ART_1001091969

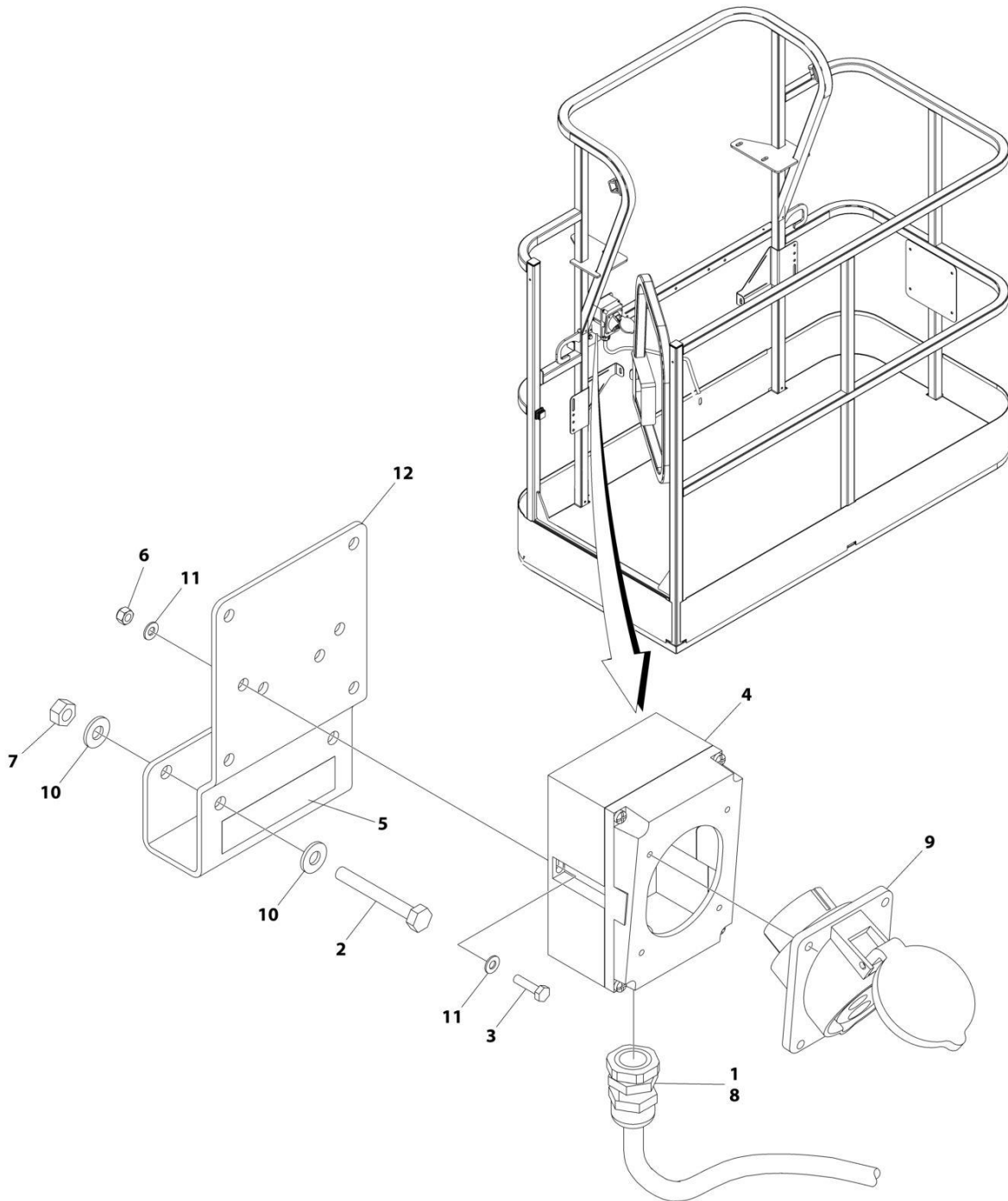
SECTION 8 - ELECTRICAL

**FIGURE 8-3. AC BOX AT PLATFORM INSTALLATION - 110V IEC YELLOW (CE & UK CA SPECS)
(2500W AND 7500W SKYPOWER GENERATORS)**

ITEM	PART NUMBER	QTY	DESCRIPTION	REV
	1001091969	Ref	AC BOX AT PLATFORM INSTALLATION - 110V IEC YELLOW	D
1	0100020	AR	Sealant, Pipe	
2	0275216	1	Receptacle Box Kit (See Separate Breakdown in this Section)	
3	0700408	2	Bolt M4 x 16	
4	3290405	2	Nut M4	
5	1001101196	1	Adapter	
6	4811400	4	Washer M4	
7	1001101191	1	Connector, Strain Relief	
8	0641416	2	Bolt 1/4 x 2	
9	1705325	2	Decal - 110V	
10	3311405	2	Nut 1/4	
11	4711400	4	Washer 1/4	
12	1001193018	1	Bracket	

SECTION 8 - ELECTRICAL

FIGURE 8-4. AC BOX AT PLATFORM INSTALLATION - 110V IEC YELLOW (CE & UK CA SPECS)
(4000W GENERATOR)



ART_1001194203

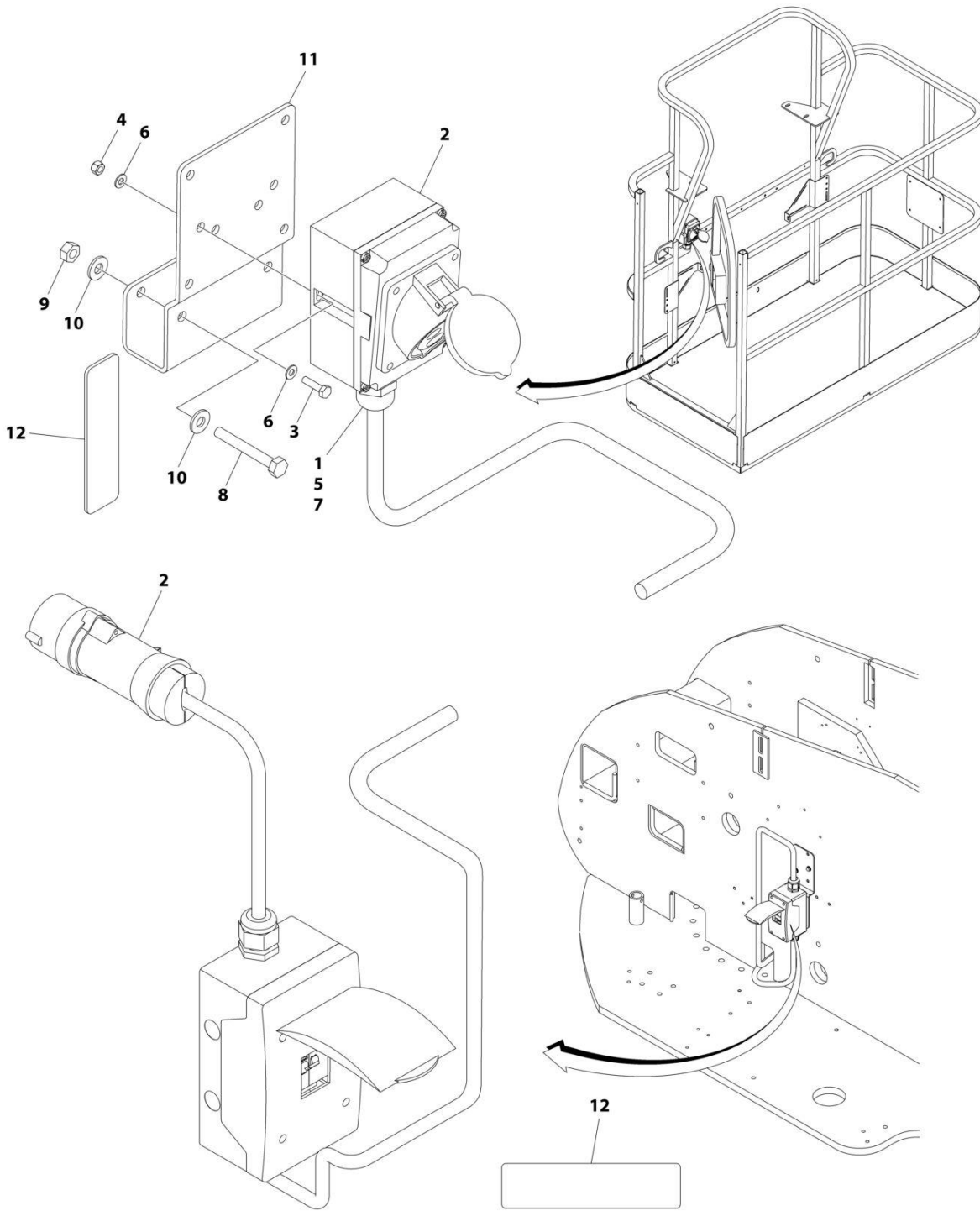
SECTION 8 - ELECTRICAL

**FIGURE 8-4. AC BOX AT PLATFORM INSTALLATION - 110V IEC YELLOW (CE & UK CA SPECS)
(4000W GENERATOR)**

ITEM	PART NUMBER	QTY	DESCRIPTION	REV
	1001194203	Ref	AC BOX AT PLATFORM INSTALLATION	B
1	0100020	AR	Sealant, Pipe	
2	0641416	2	Bolt 1/4 x 2	
3	0700408	2	Bolt M4 x 16	
4	0861781	1	Box, Switch	
5	1705325	1	Decal - 110V	
6	3290405	2	Nut M4	
7	3311405	2	Nut 1/4	
8	4460968	1	Connector, Strain Relief	
9	4461198	1	Receptacle	
10	4711400	4	Washer 1/4	
11	4811400	4	Washer M4	
12	1001193018	1	Bracket, AC Receptacle	

SECTION 8 - ELECTRICAL

FIGURE 8-5. AC BOX AT PLATFORM INSTALLATION - 220V IEC BLUE (CE & UK CA SPECS) (2500W AND 7500W SKYPOWER GENERATORS)



(REF. LOCATED ON ENGINE SIDE HOOD)

ART_1001091970

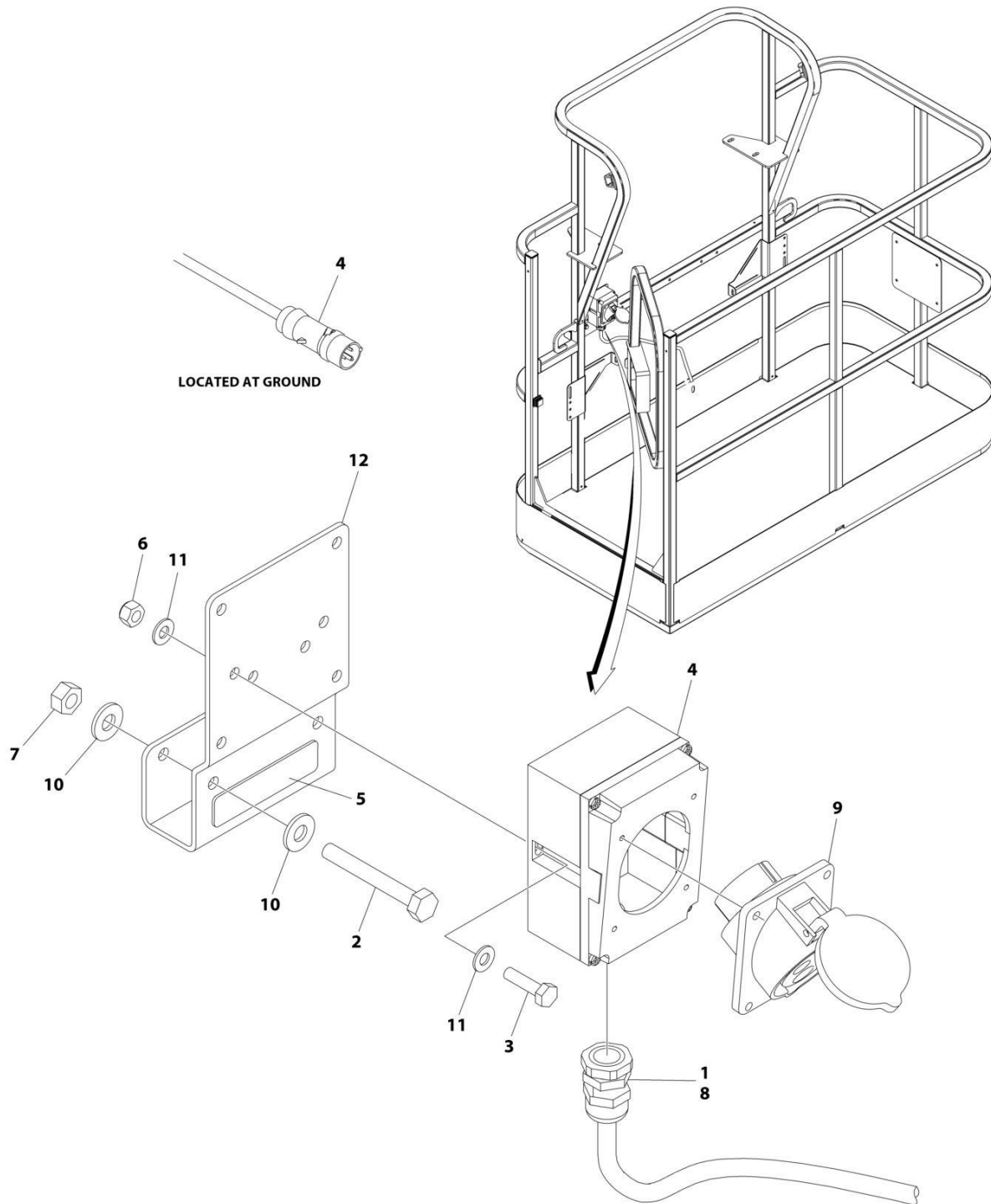
SECTION 8 - ELECTRICAL

FIGURE 8-5. AC BOX AT PLATFORM INSTALLATION - 220V IEC BLUE (CE & UK CA SPECS) (2500W AND 7500W SKYPOWER GENERATORS)

ITEM	PART NUMBER	QTY	DESCRIPTION	REV
	1001091970	Ref	AC BOX AT PLATFORM INSTALLATION - 220V IEC BLUE	D
1	0100020	AR	Sealant, Pipe	
2	0275217	1	Receptacle Box Kit (See Separate Breakdown in this Section)	
3	0700408	2	Bolt M4 x 16	
4	3290405	2	Nut M4	
5	1001101196	1	Adapter	
6	4811400	4	Washer M4	
7	1001101191	1	Connector, Strain Relief	
8	0641416	2	Bolt 1/4 x 2	
9	3311405	2	Nut 1/4	
10	4711400	4	Washer 1/4	
11	1001193018	1	Bracket	
12	3251242	2	Decal - 240V/50Hz	

SECTION 8 - ELECTRICAL

FIGURE 8-6. AC BOX AT PLATFORM INSTALLATION - 220V IEC BLUE (CE & UK CA SPECS) (4000W GENERATOR)



ART_1001194204

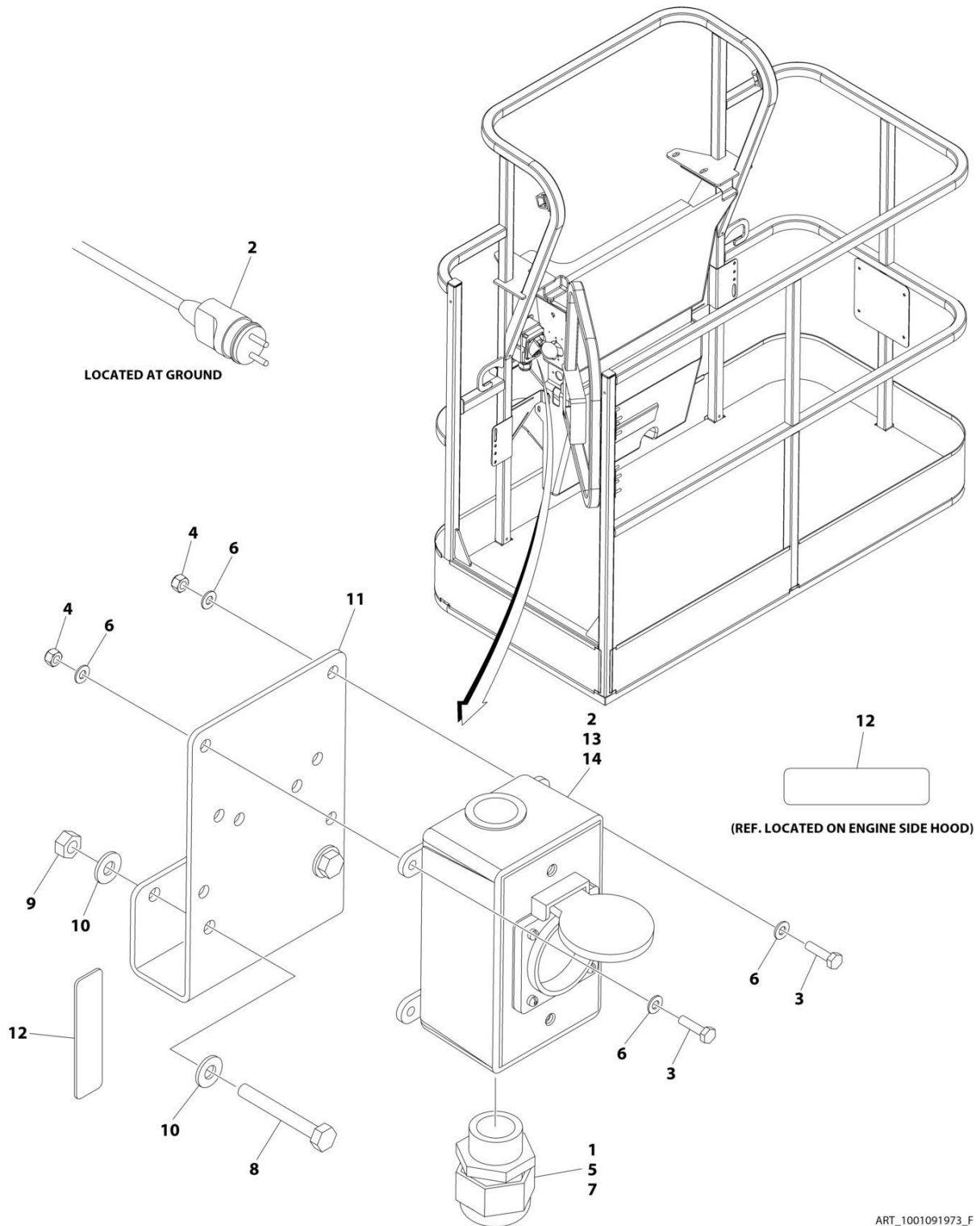
SECTION 8 - ELECTRICAL

FIGURE 8-6. AC BOX AT PLATFORM INSTALLATION - 220V IEC BLUE (CE & UK CA SPECS) (4000W GENERATOR)

ITEM	PART NUMBER	QTY	DESCRIPTION	REV
	1001194204	Ref	AC BOX AT PLATFORM INSTALLATION	B
1	0100020	AR	Sealant, Pipe	
2	0641416	2	Bolt 1/4 x 2	
3	0700408	2	Bolt M4 x 16	
4	0861781	1	Box, Switch	
5	3251242	1	Decal - 240V/50Hz	
6	3290405	2	Nut M4	
7	3311405	2	Nut 1/4	
8	4460968	1	Connector, Strain Relief	
9	4461201	1	Receptacle	
10	4711400	4	Washer 1/4	
11	4811400	4	Washer M4	
12	1001193018	1	Bracket, AC Receptacle	

SECTION 8 - ELECTRICAL

FIGURE 8-7. AC BOX AT PLATFORM INSTALLATION - 220V CEE7 POST GROUND (CE & UK CA SPECS) (WITHOUT GENERATOR)



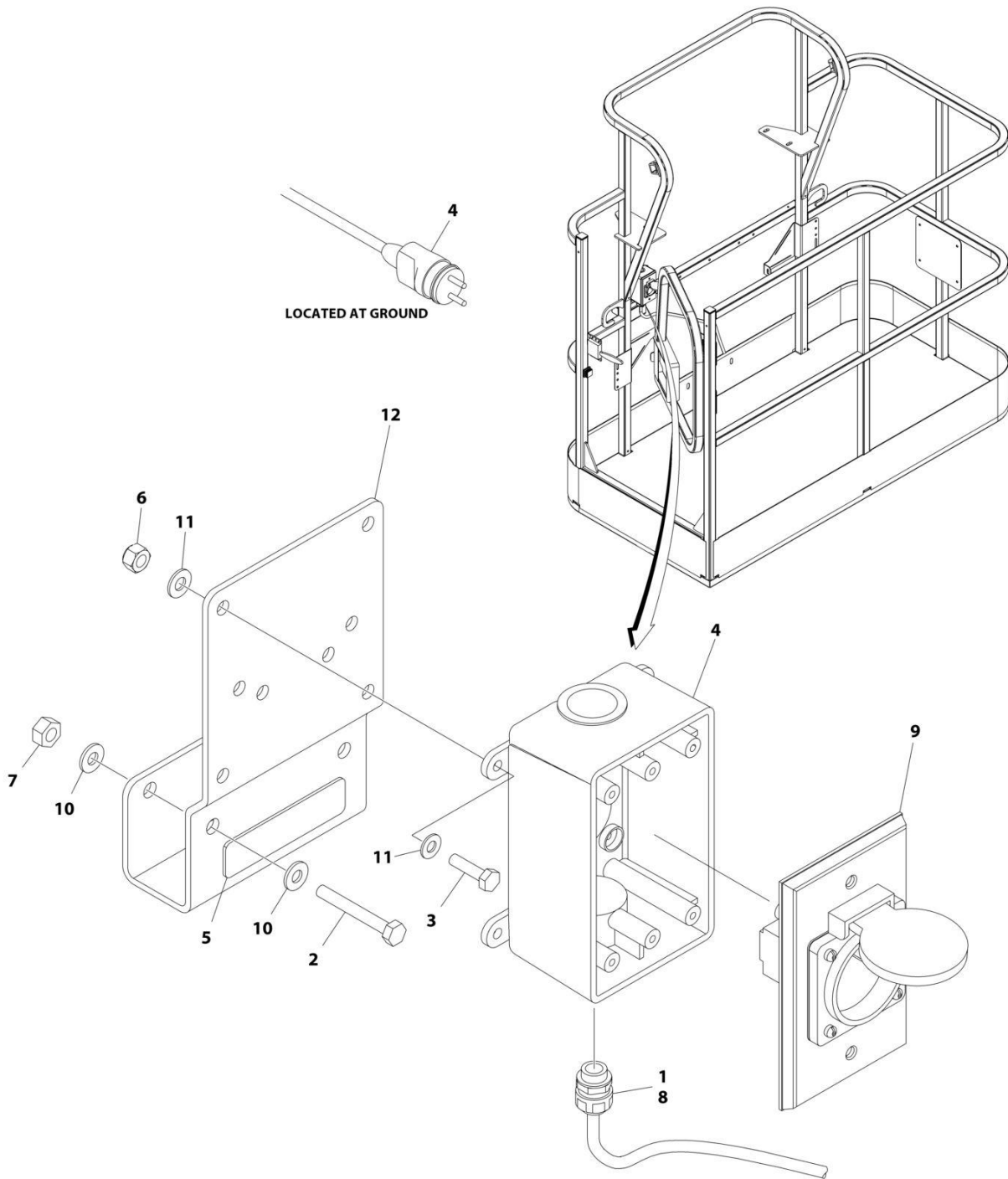
SECTION 8 - ELECTRICAL

FIGURE 8-7. AC BOX AT PLATFORM INSTALLATION - 220V CEE7 POST GROUND (CE & UK CA SPECS) (WITHOUT GENERATOR)

ITEM	PART NUMBER	QTY	DESCRIPTION	REV
	1001091973	Ref	AC BOX AT PLATFORM INSTALLATION - 220V CEE7 2X4 BOX POST GROUND	F
1	0100020	AR	Sealant, Pipe	
2	0275452	1	Receptacle Box Kit (See Separate Breakdown in this Section)	
3	0700408	4	Bolt M4 x 16	
4	3290405	4	Nut M4	
5	1001101197	1	Adapter	
6	4811400	8	Washer M4	
7	1001101191	1	Connector, Strain Relief	
8	0641416	2	Bolt 1/4 x 2	
9	3311405	2	Nut 1/4	
10	4711400	4	Washer 1/4	
11	1001193018	1	Bracket	
12	3251242	2	Decal - 240V/50Hz	
13	4460806	2	Terminal, Fork (Not Shown)	
14	1001205958	1	Terminal (Not Shown)	

SECTION 8 - ELECTRICAL

FIGURE 8-8. AC BOX AT PLATFORM INSTALLATION - 220V CEE7 POST GROUND (CE & UK CA SPECS) (4000W GENERATOR)



ART_1001194197

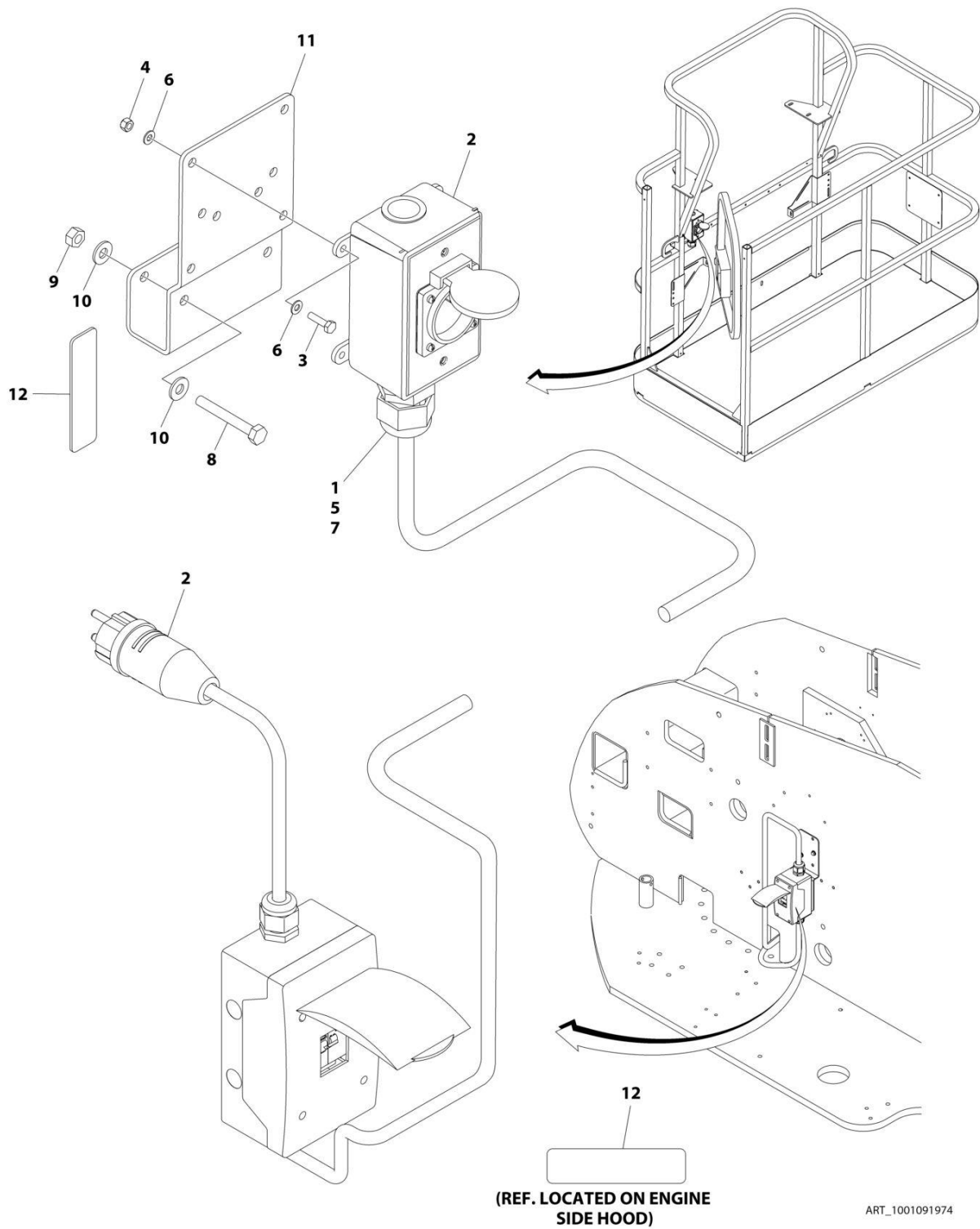
SECTION 8 - ELECTRICAL

FIGURE 8-8. AC BOX AT PLATFORM INSTALLATION - 220V CEE7 POST GROUND (CE & UK CA SPECS) (4000W GENERATOR)

ITEM	PART NUMBER	QTY	DESCRIPTION	REV
	1001194197	Ref	AC BOX AT PLATFORM INSTALLATION	B
1	0100020	AR	Sealant, Pipe	
2	0641416	2	Bolt 1/4 x 2	
3	0700408	4	Bolt M4 x 16	
4	0861731	1	Box, Switch	
5	3251242	1	Decal - 240V/50Hz	
6	3290405	4	Nut M4	
7	3311405	2	Nut 1/4	
8	4460662	1	Connector, Strain Relief	
9	4461244	1	Receptacle	
10	4711400	4	Washer 1/4	
11	4811400	8	Washer M4	
12	1001193018	1	Bracket, AC Receptacle	
13	4460806	2	Terminal, Fork (Not Shown)	
14	1001205958	1	Terminal (Not Shown)	

SECTION 8 - ELECTRICAL

FIGURE 8-9. AC BOX AT PLATFORM INSTALLATION - 220V CEE7 SIDE GROUND (CE & UK CA SPECS) (WITHOUT GENERATOR)



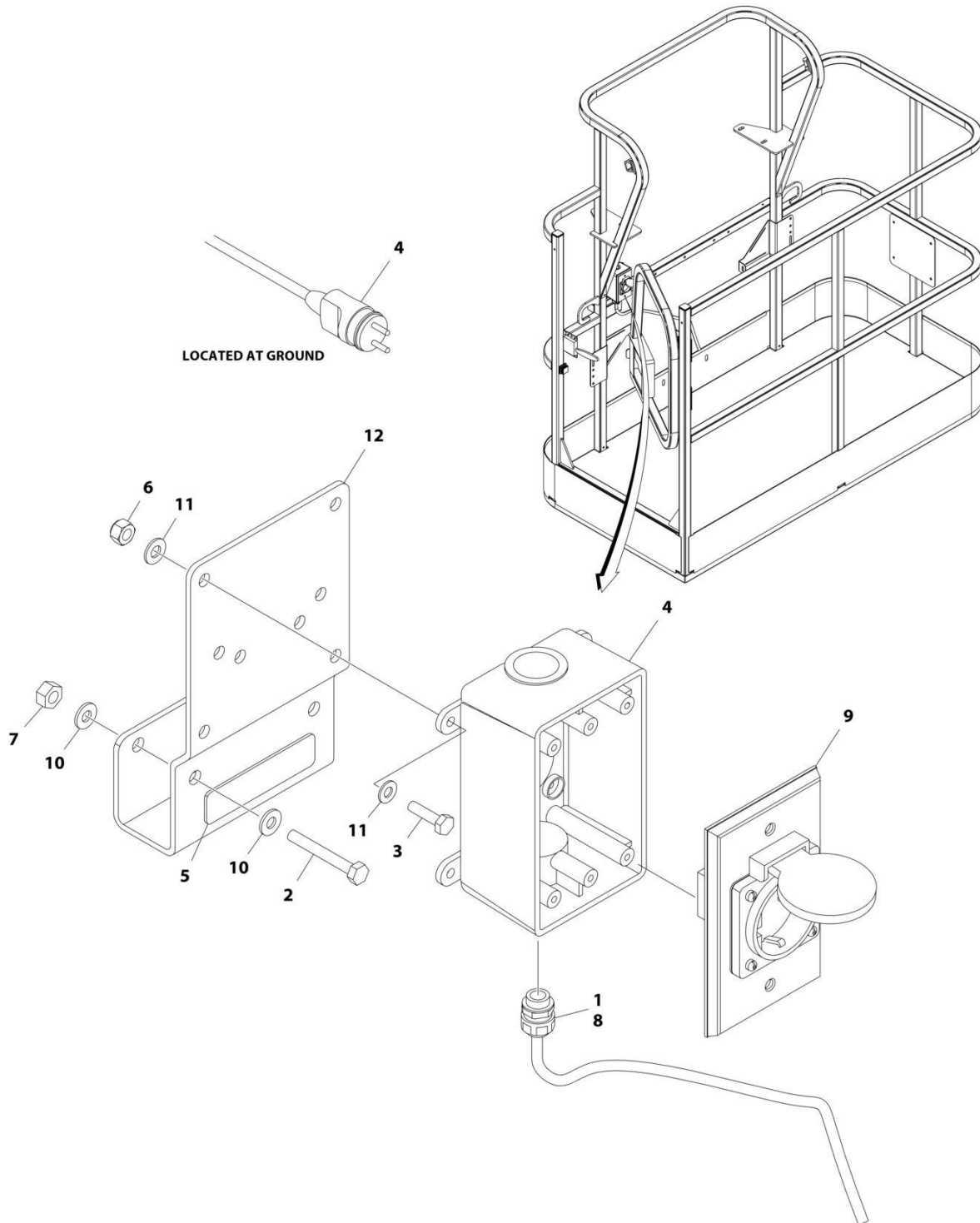
SECTION 8 - ELECTRICAL

FIGURE 8-9. AC BOX AT PLATFORM INSTALLATION - 220V CEE7 SIDE GROUND (CE & UK CA SPECS) (WITHOUT GENERATOR)

ITEM	PART NUMBER	QTY	DESCRIPTION	REV
	1001091974	Ref	AC BOX AT PLATFORM INSTALLATION - 220V CEE7 2X4 BOX SIDE GROUND	F
1	0100020	AR	Sealant, Pipe	
2	0275453	1	Receptacle Box Kit (See Separate Breakdown in this Section)	
3	0700408	4	Bolt M4 x 16	
4	3290405	4	Nut M4	
5	1001101197	1	Adapter	
6	4811400	8	Washer M4	
7	1001101191	1	Connector, Strain Relief	
8	0641416	2	Bolt 1/4 x 2	
9	3311405	2	Nut 1/4	
10	4711400	4	Washer 1/4	
11	1001193018	1	Bracket	
12	3251242	2	Decal - 240V/50Hz	
13	4460806	2	Terminal, Fork (Not Shown)	
14	1001205958	1	Terminal (Not Shown)	

SECTION 8 - ELECTRICAL

FIGURE 8-10. AC BOX AT PLATFORM INSTALLATION - 220V CEE7 SIDE GROUND (CE & UK CA SPECS) (4000W GENERATOR)



ART_1001194198

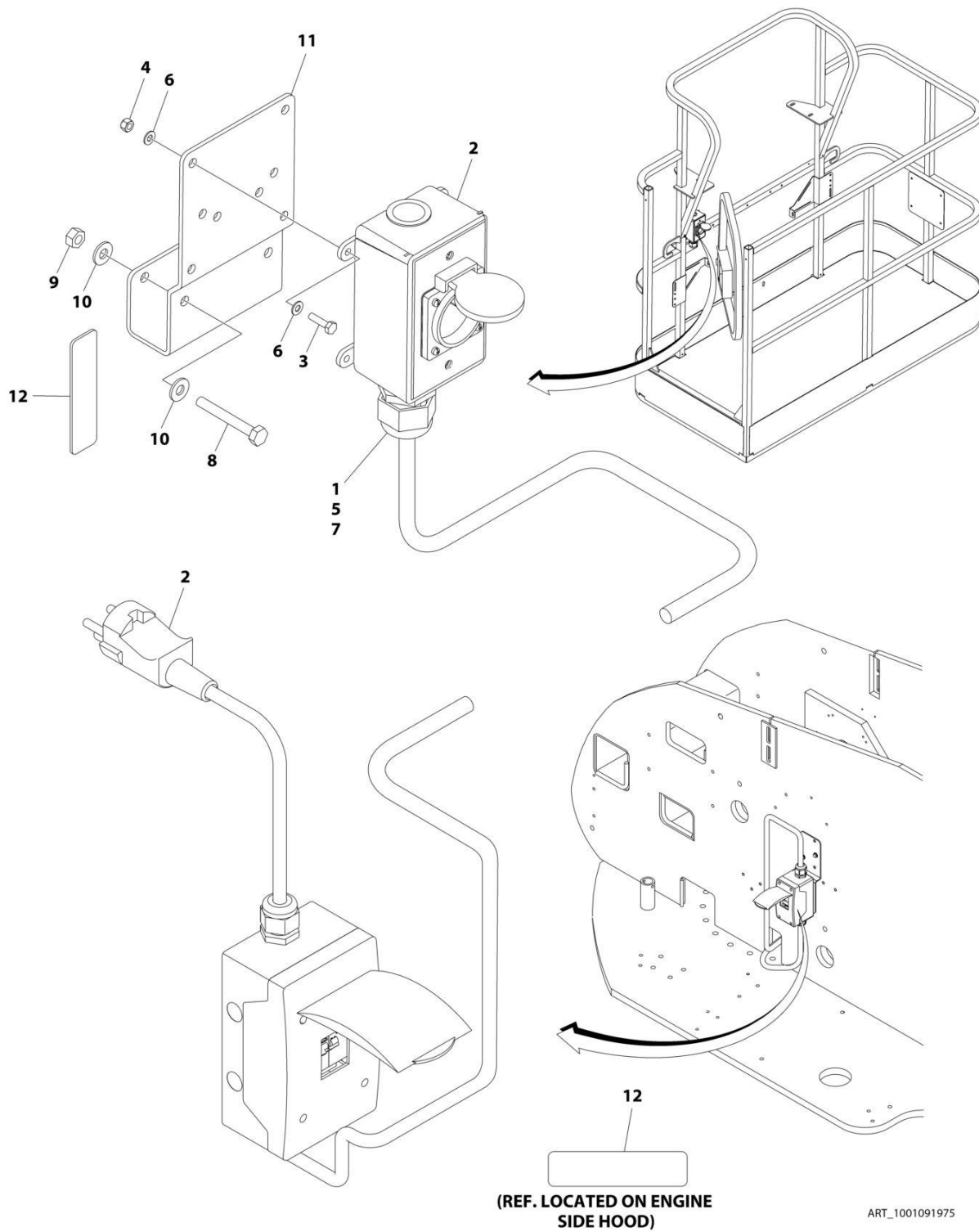
SECTION 8 - ELECTRICAL

FIGURE 8-10. AC BOX AT PLATFORM INSTALLATION - 220V CEE7 SIDE GROUND (CE & UK CA SPECS) (4000W GENERATOR)

ITEM	PART NUMBER	QTY	DESCRIPTION	REV
	1001194198	Ref	AC BOX AT PLATFORM INSTALLATION	B
1	0100020	AR	Sealant, Pipe	
2	0641416	2	Bolt 1/4 x 2	
3	0700408	4	Bolt M4 x 16	
4	0861731	1	Box, Switch	
5	3251242	1	Decal - 240V/50Hz	
6	3290405	4	Nut M4	
7	3311405	2	Nut 1/4	
8	4460662	1	Connector, Strain Relief	
9	4461245	1	Receptacle	
10	4711400	4	Washer 1/4	
11	4811400	8	Washer M4	
12	1001193018	1	Bracket, AC Receptacle	
13	4460806	2	Terminal, Fork (Not Shown)	
14	1001205958	1	Terminal (Not Shown)	

SECTION 8 - ELECTRICAL

FIGURE 8-11. AC BOX AT PLATFORM INSTALLATION - 220V AFSINT 107 (CE & UK CA SPECS) (WITHOUT GENERATOR)



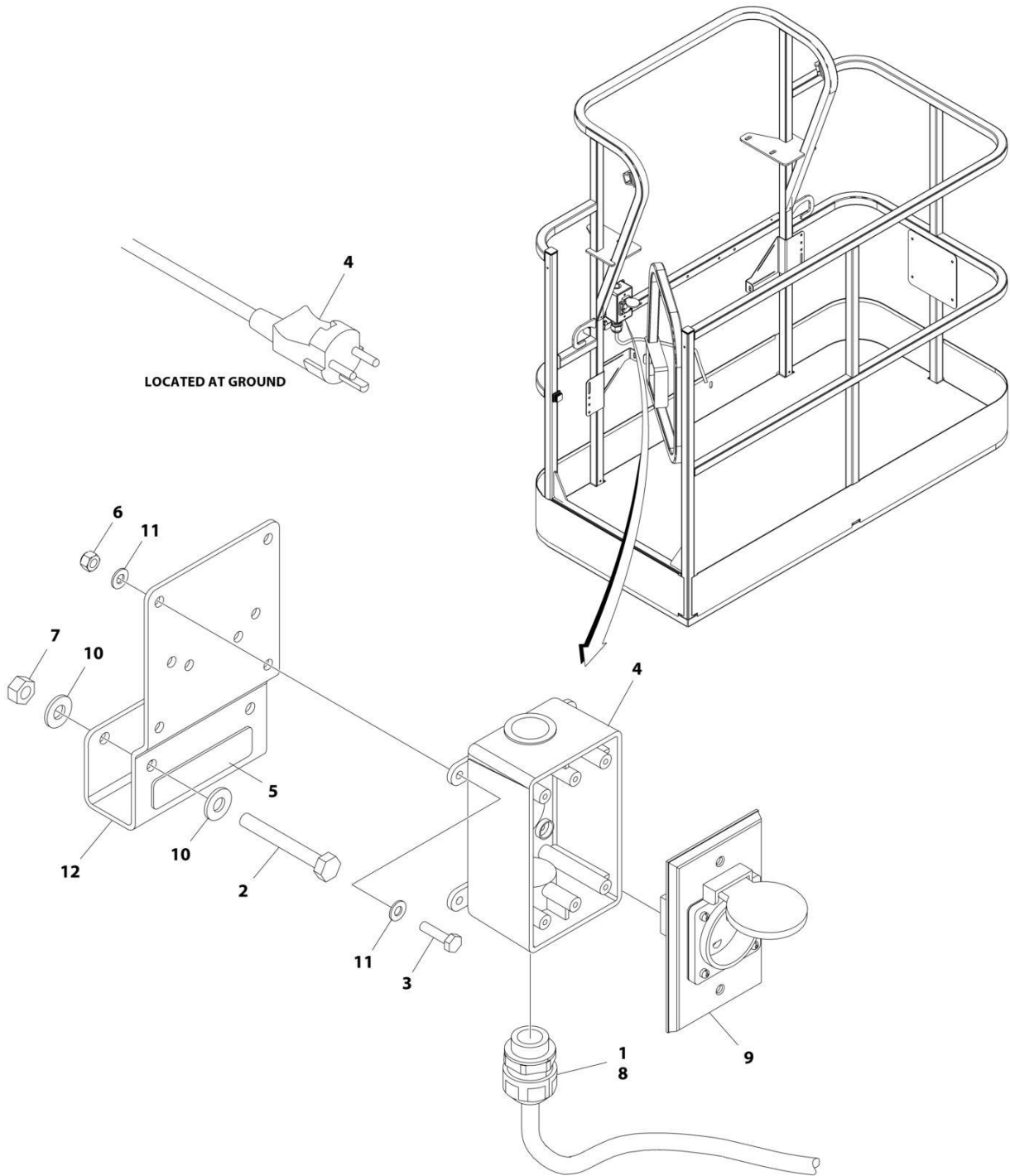
SECTION 8 - ELECTRICAL

**FIGURE 8-11. AC BOX AT PLATFORM INSTALLATION - 220V AFSINT 107 (CE & UK CA SPECS)
(WITHOUT GENERATOR)**

ITEM	PART NUMBER	QTY	DESCRIPTION	REV
	1001091975	Ref	AC BOX AT PLATFORM INSTALLATION - 220V AFSINT 107 2X4 BOX KEYED GROUND	F
1	0100020	AR	Sealant, Pipe	
2	0275454	1	Receptacle Box Kit (See Separate Breakdown in this Section)	
3	0700408	4	Bolt M4 x 16	
4	3290405	4	Nut M4	
5	1001101197	1	Adapter	
6	4811400	8	Washer M4	
7	1001101191	1	Connector, Strain Relief	
8	0641416	2	Bolt 1/4 x 2	
9	3311405	2	Nut 1/4	
10	4711400	4	Washer 1/4	
11	1001193018	1	Bracket	
12	3251242	2	Decal - 240V/50Hz	
13	1001205958	3	Terminal (Not Shown)	

SECTION 8 - ELECTRICAL

FIGURE 8-12. AC BOX AT PLATFORM INSTALLATION - 220V AFSINT 107 (CE & UK CA SPECS)
(4000W GENERATOR)



ART_1001194200

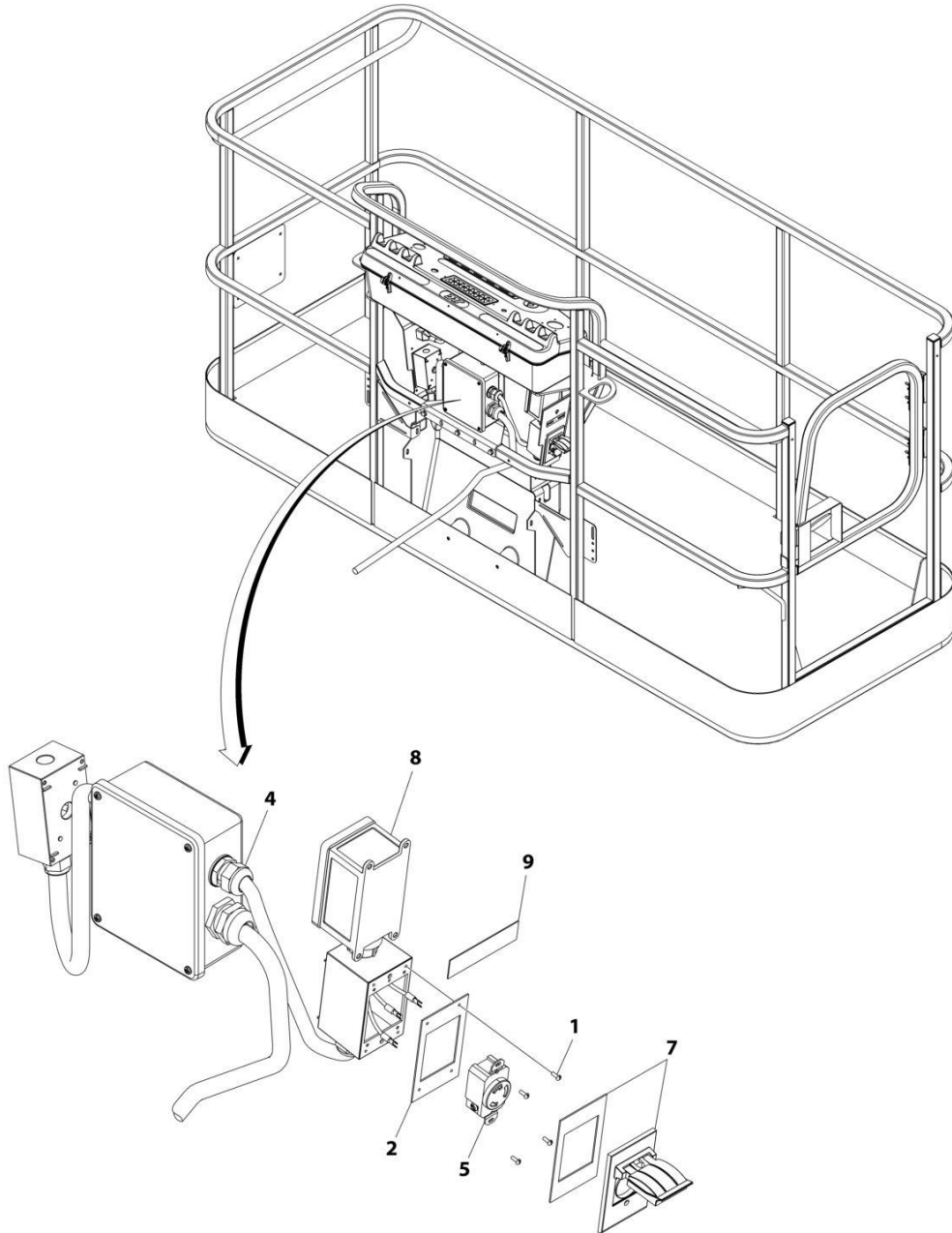
SECTION 8 - ELECTRICAL

**FIGURE 8-12. AC BOX AT PLATFORM INSTALLATION - 220V AFSINT 107 (CE & UK CA SPECS)
(4000W GENERATOR)**

ITEM	PART NUMBER	QTY	DESCRIPTION	REV
	1001194200	Ref	AC BOX AT PLATFORM INSTALLATION	B
1	0100020	AR	Sealant, Pipe	
2	0641416	2	Bolt 1/4 x 2	
3	0700408	4	Bolt M4 x 16	
4	0861731	1	Box, Switch	
5	3251242	1	Decal - 240V/50Hz	
6	3290405	4	Nut M4	
7	3311405	2	Nut 1/4	
8	4460662	1	Connector, Strain Relief	
9	4461246	1	Receptacle	
10	4711400	4	Washer 1/4	
11	4811400	8	Washer M4	
12	1001193018	1	Bracket, AC Receptacle	
13	1001205958	1	Terminal (Not Shown)	

SECTION 8 - ELECTRICAL

FIGURE 8-13. AC BOX AT PLATFORM INSTALLATION - 240V GFCI RECEPTACLE (ANSI, ANSI EXPORT AND CSA SPECS WITH 4000W SKYPOWER GENERATOR)



ART_1001171131

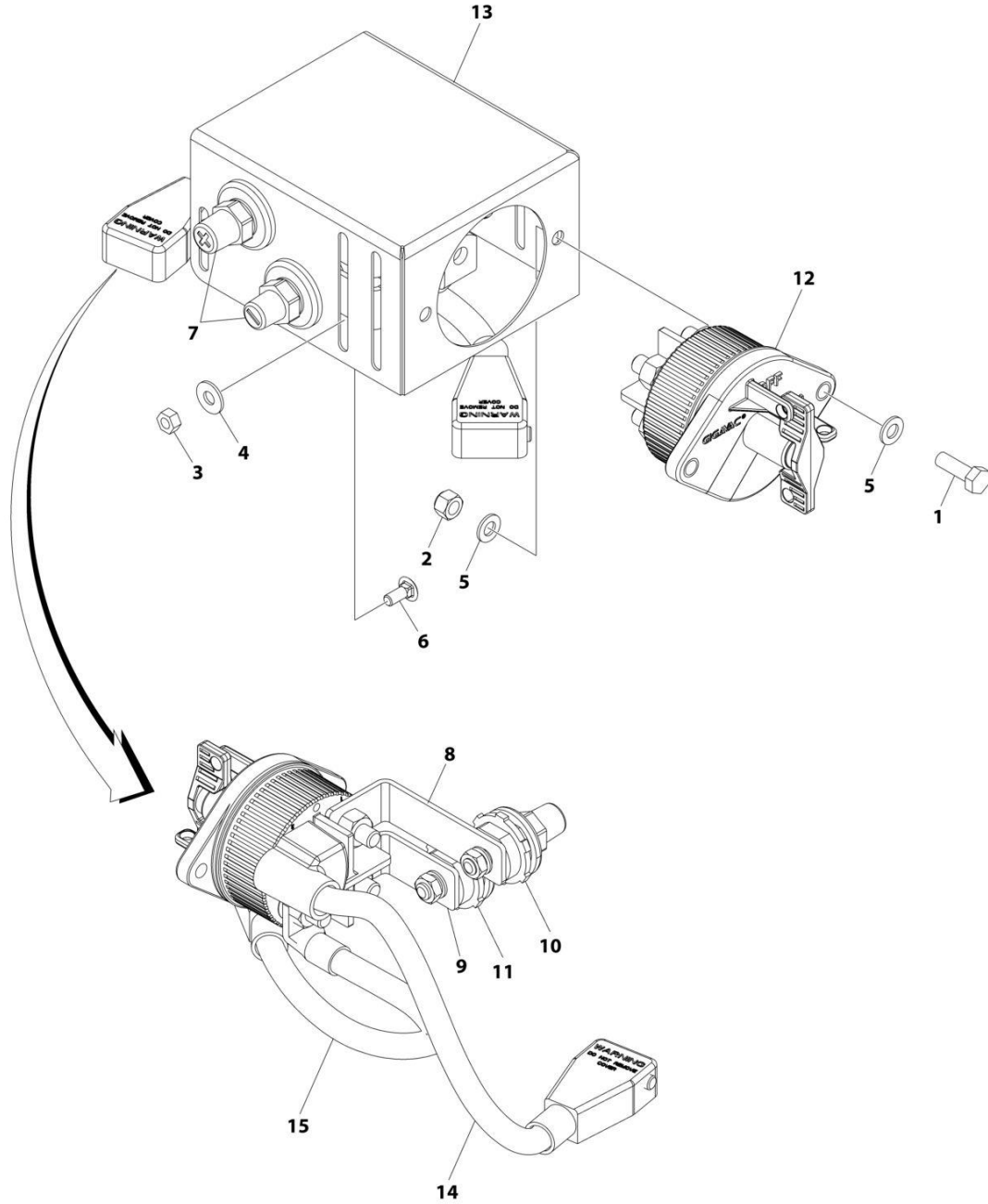
SECTION 8 - ELECTRICAL

FIGURE 8-13. AC BOX AT PLATFORM INSTALLATION - 240V GFCI RECEPTACLE (ANSI, ANSI EXPORT AND CSA SPECS WITH 4000W SKYPOWER GENERATOR)

ITEM	PART NUMBER	QTY	DESCRIPTION	REV
	1001171131	Ref	AC BOX AT PLATFORM INSTALLATION - 240V RECEPTACLE	B
1	3910606	4	Screw 6 x 3/8	
2	3960422	1	Gasket	
3	4240018	AR	Tie-Strap (Not Shown)	
4	4460425	1	Connector, Strain Relief	
5	1001176862	1	Receptacle	
7	1001110872	1	Cover, Receptacle	
8	1001159120	1	Receptacle/Breaker Box Assembly	
8	1001148675	1	Box, Receptacle	
8	1001159118	1	Breaker GFCI 30Amp 240VAC	
8	4460612	1	Connector, Strain Relief	
8	1001159119	1	Connector (Between Boxes)	
9	1705374	1	Decal - 240V/60Hz	

SECTION 8 - ELECTRICAL

FIGURE 8-14. BATTERY DISCONNECT INSTALLATION



ART_1001236304

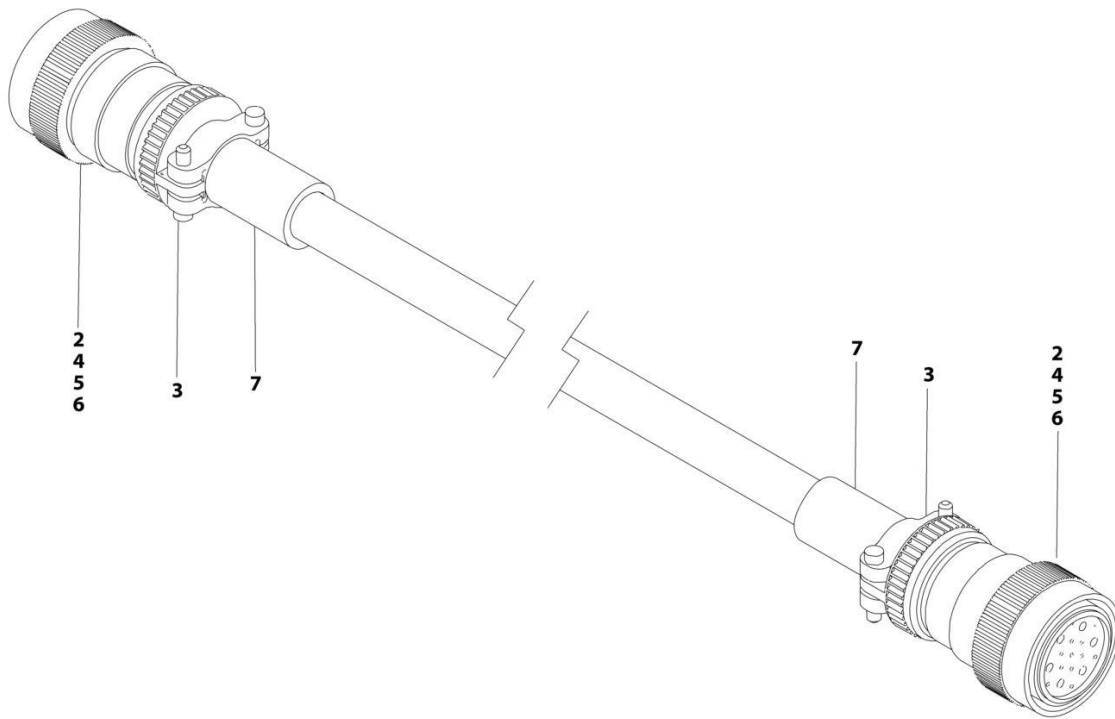
SECTION 8 - ELECTRICAL

FIGURE 8-14. BATTERY DISCONNECT INSTALLATION

ITEM	PART NUMBER	QTY	DESCRIPTION	REV
	1001236304	Ref	BATTERY DISCONNECT SWITCH INSTALLATION	A
1	0760812	2	Bolt M8 x 25	
2	3290805	2	Nut M8	
3	3311405	3	Nut 1/4	
4	4751400	3	Washer 1/4	
5	4811900	4	Washer M8	
6	88411013	3	Bolt 1/4 x 3/4	
7	1001206476	1	Connectors, Post	
8	1001209432	1	Bussbar	
9	1001209474	1	Bussbar	
10	1001214570	1	Connector (Red)	
11	1001214571	1	Connector (Black)	
12	1001225346	1	Switch, Battery	
13	1001226531	1	Mount	
14	1001236504	1	Cable, Battery (+)	
15	1001236505	1	Cable, Battery (-)	

SECTION 8 - ELECTRICAL

FIGURE 8-15. BOOM HARNESS - 400S HC3



ART_1001176952

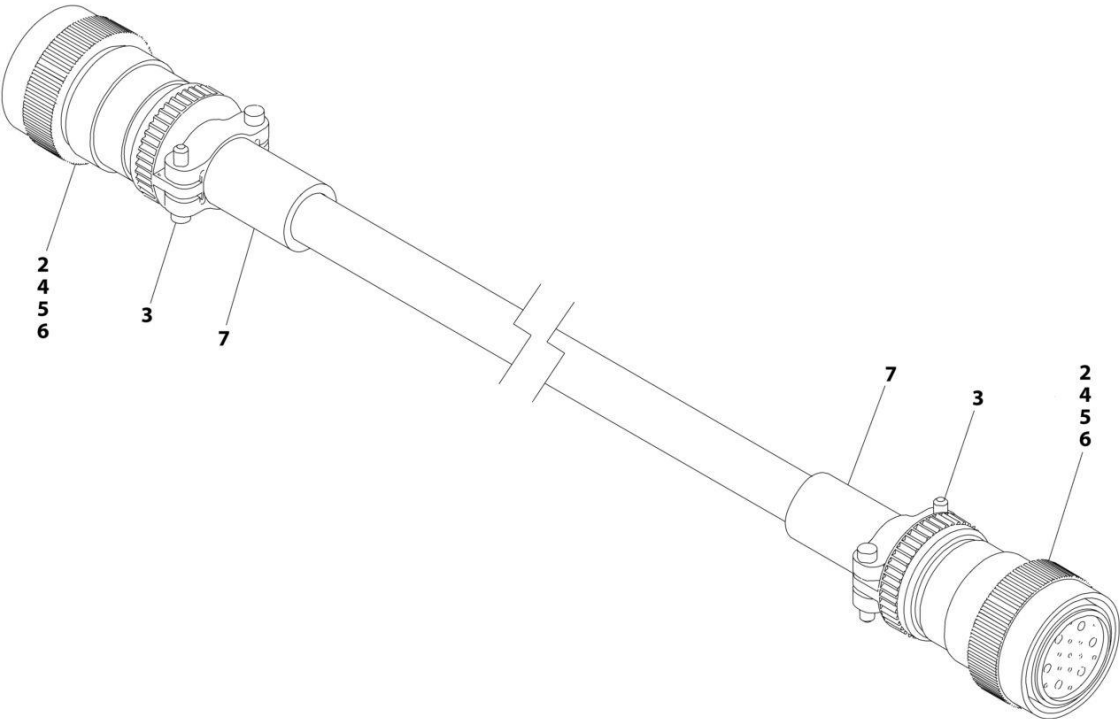
SECTION 8 - ELECTRICAL

FIGURE 8-15. BOOM HARNESS - 400S HC3

ITEM	PART NUMBER	QTY	DESCRIPTION	REV
	1001176952	Ref	BOOM HARNESS	C
2	4460865	2	Connector - 19 Position	
3	4460473	2	Clamp	
4	4460465	20	Socket, Female	
5	4460509	8	Socket, Female	
6	4460466	10	Plug, Socket	
7	1001226400	AR	Heat Shrink	

SECTION 8 - ELECTRICAL

FIGURE 8-16. BOOM HARNESS - 460SJ HC3



ART_1001248180

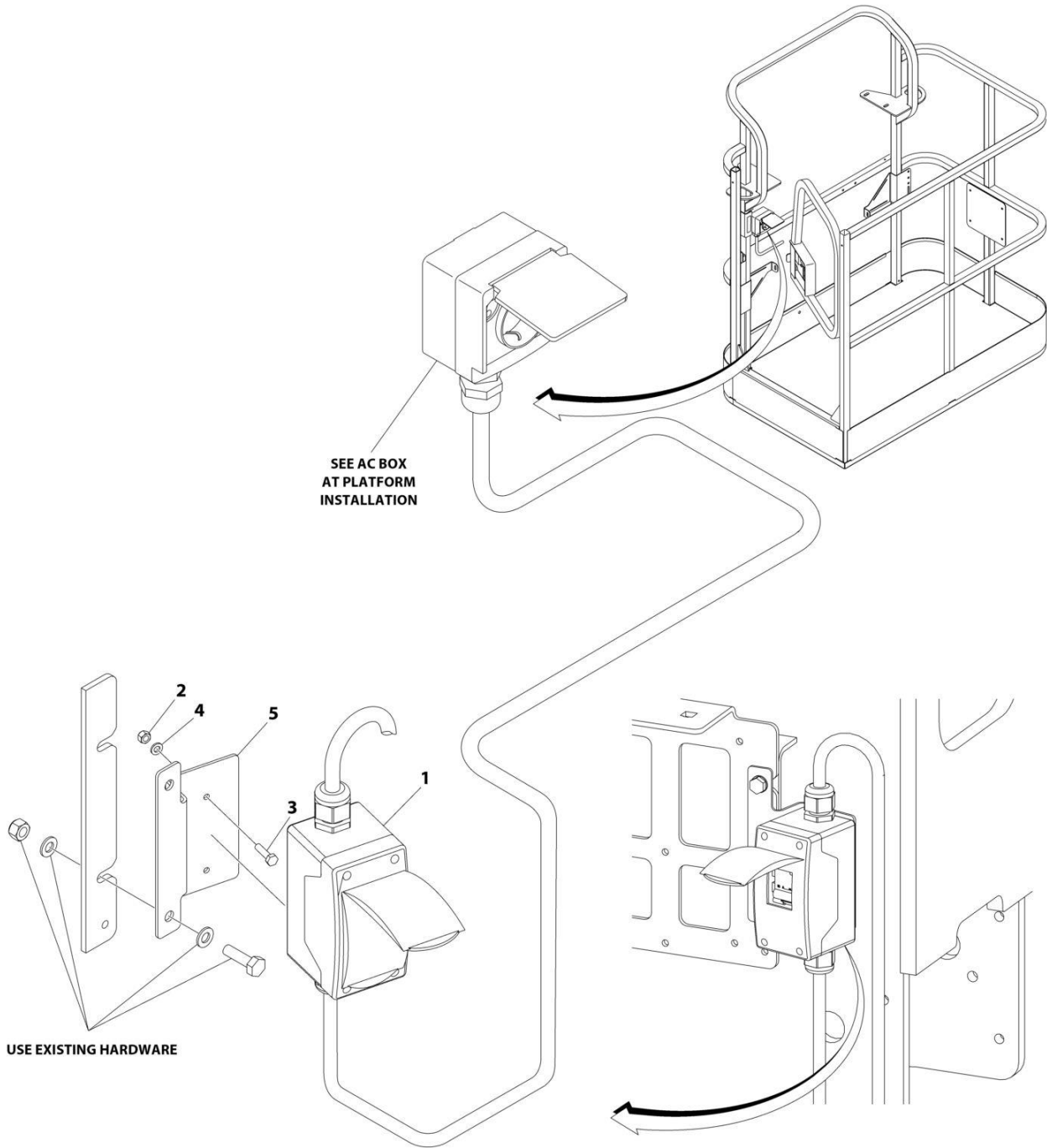
SECTION 8 - ELECTRICAL

FIGURE 8-16. BOOM HARNESS - 460SJ HC3

ITEM	PART NUMBER	QTY	DESCRIPTION	REV
	1001248180	Ref	BOOM HARNESS	A
2	4460865	2	Connector - 19 Position	
3	4460473	2	Clamp	
4	4460465	20	Socket, Female	
5	4460509	8	Socket, Female	
6	4460466	10	Plug, Socket	
7	1001226400	2	Heat Shrink	

SECTION 8 - ELECTRICAL

FIGURE 8-17. BREAKER BOX INSTALLATION - 110V/220V WITH 1 BREAKER (CE & UK CA SPECS)



ART_1001230907_D

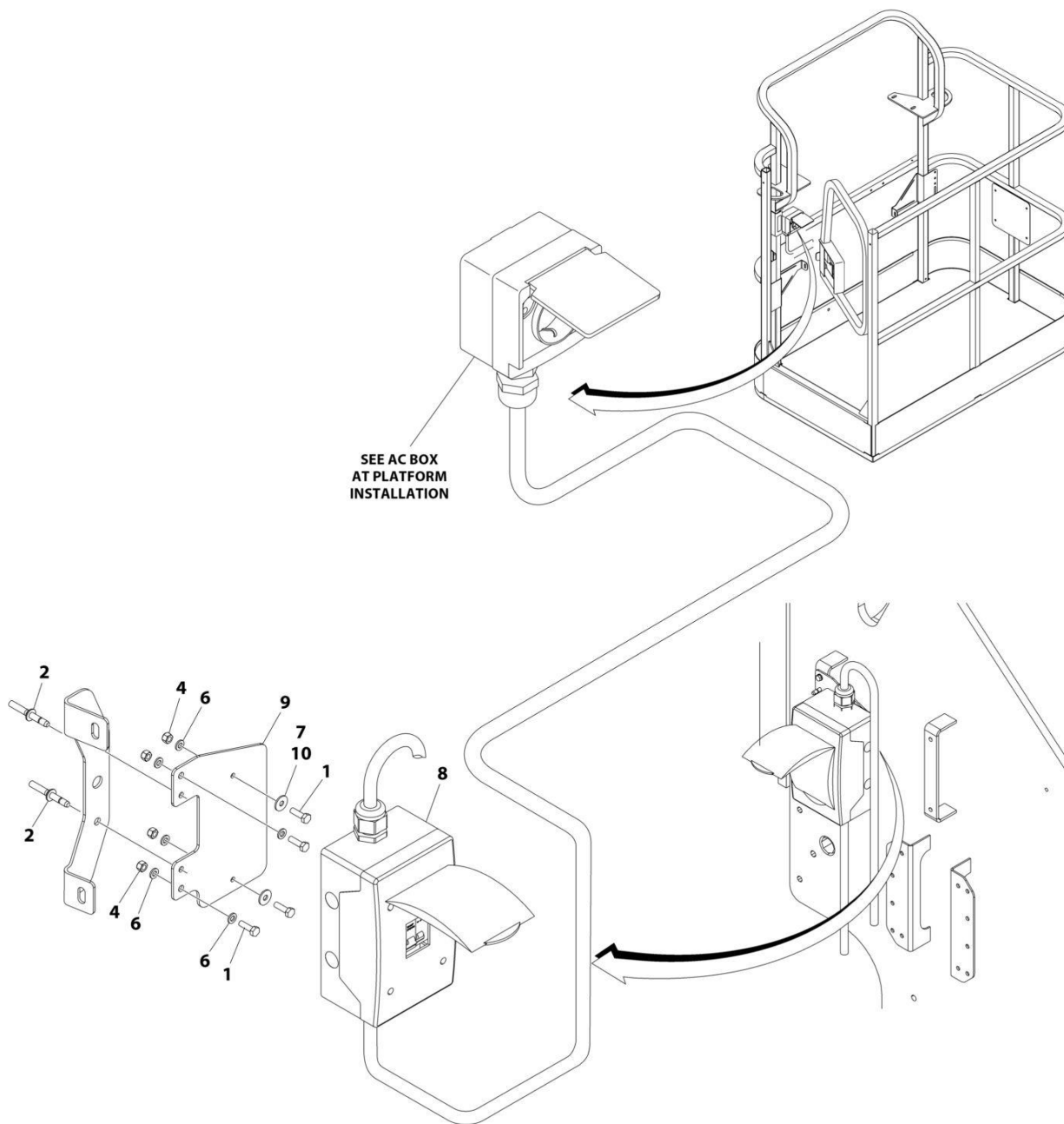
SECTION 8 - ELECTRICAL

FIGURE 8-17. BREAKER BOX INSTALLATION - 110V/220V WITH 1 BREAKER (CE & UK CA SPECS)

ITEM	PART NUMBER	QTY	DESCRIPTION	REV
	1001230907	Ref	BREAKER BOX INSTALLATION - 110/220V 16AMP BREAKER	D
1	2902549	1	Breaker Box Kit (See Separate Breakdown in this Section)	
2	3290605	4	Nut M6	
3	0760610	4	Bolt M6 x 20	
4	4811700	8	Washer M6	
5	1001293086	1	Bracket	

SECTION 8 - ELECTRICAL

FIGURE 8-18. BREAKER BOX INSTALLATION - 110V/220V WITH 3 BREAKERS (CE & UK CA SPECS)



ART_1001209677

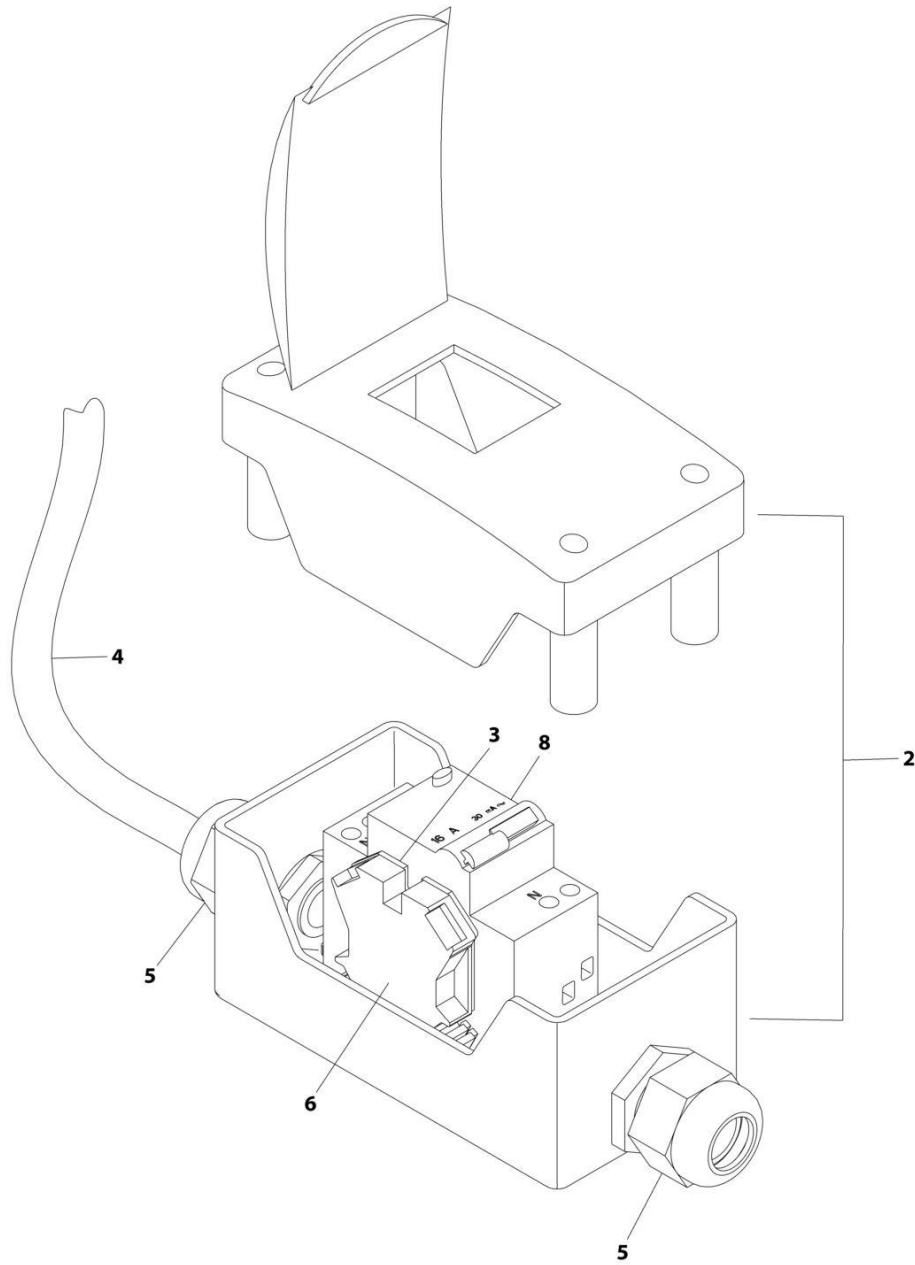
SECTION 8 - ELECTRICAL

FIGURE 8-18. BREAKER BOX INSTALLATION - 110V/220V WITH 3 BREAKERS (CE & UK CA SPECS)

ITEM	PART NUMBER	QTY	DESCRIPTION	REV
	1001209677	Ref	AC CABLE INSTALLATION - WITH THREE BREAKERS	B
1	0760610	AR	Bolt M6 x 20	
1	4010405	AR	Bolt M4 x 10	
2	2080040	AR	Fastener, Huck	
4	3290605	AR	Nut M6	
6	4811700	4	Washer M6	
7	1001091102	AR	Washer M4	
8	1001152485	1	Breaker Box Kit (See Separate Breakdown in this Section)	
9	1001209832	1	Bracket	
10	4811702	AR	Washer M6	

SECTION 8 - ELECTRICAL

FIGURE 8-19. BREAKER BOX KIT - 1 DOUBLE BREAKER (CE & UK CA SPECS)



ART_1001096070

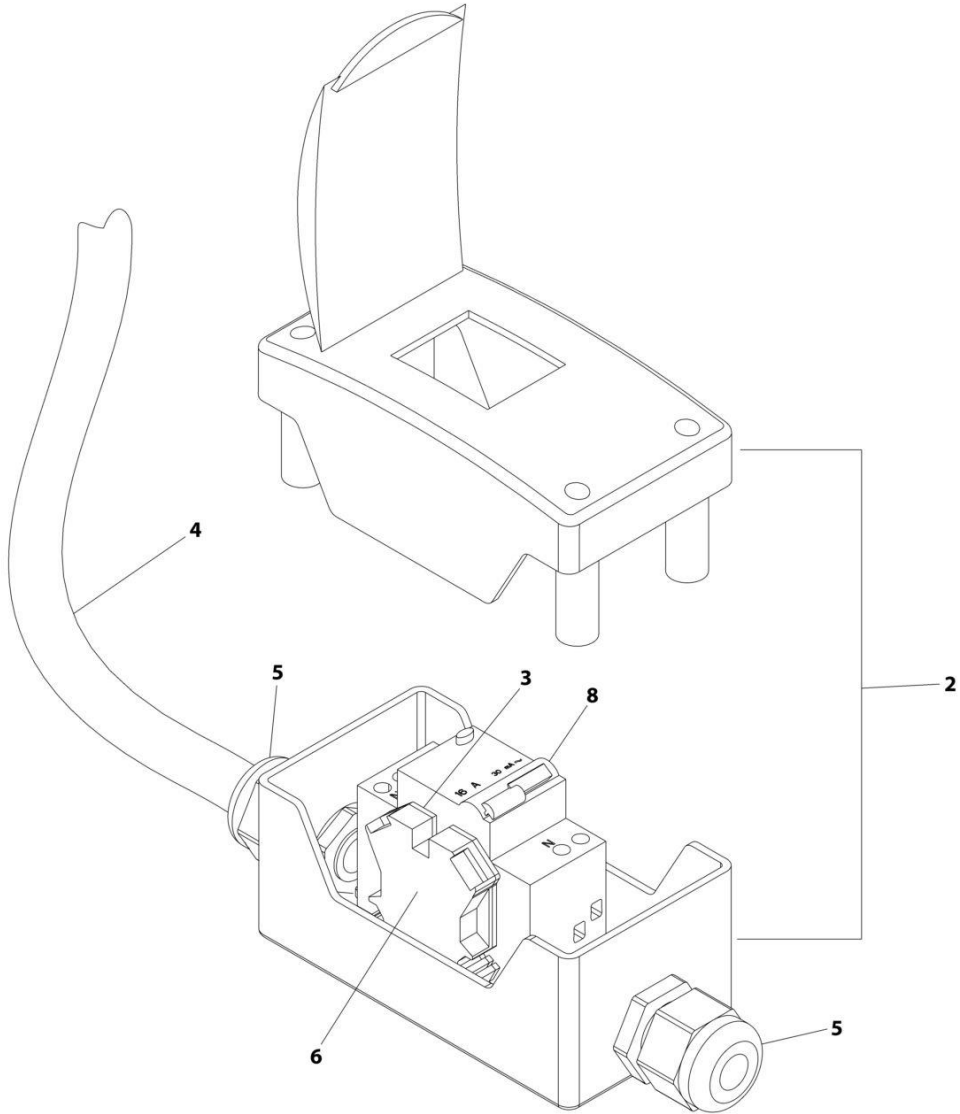
SECTION 8 - ELECTRICAL

FIGURE 8-19. BREAKER BOX KIT - 1 DOUBLE BREAKER (CE & UK CA SPECS)

ITEM	PART NUMBER	QTY	DESCRIPTION	REV
	1001096070	Ref	BREAKER BOX KIT	E
2	0861880	1	Box	
3	4460956	1	Barrier, Terminal Block End	
4	1060908	12 ft/ 3.6m	Cable, 12/3	
5	1001097150	2	Connector, Strain Relief	
6	4460957	1	Block, Terminal	
8	1001181045	1	Breaker, 16Amp	

SECTION 8 - ELECTRICAL

FIGURE 8-20. BREAKER BOX KIT - 1 BREAKER (CE & UK CA SPECS)



ART_2902549_F

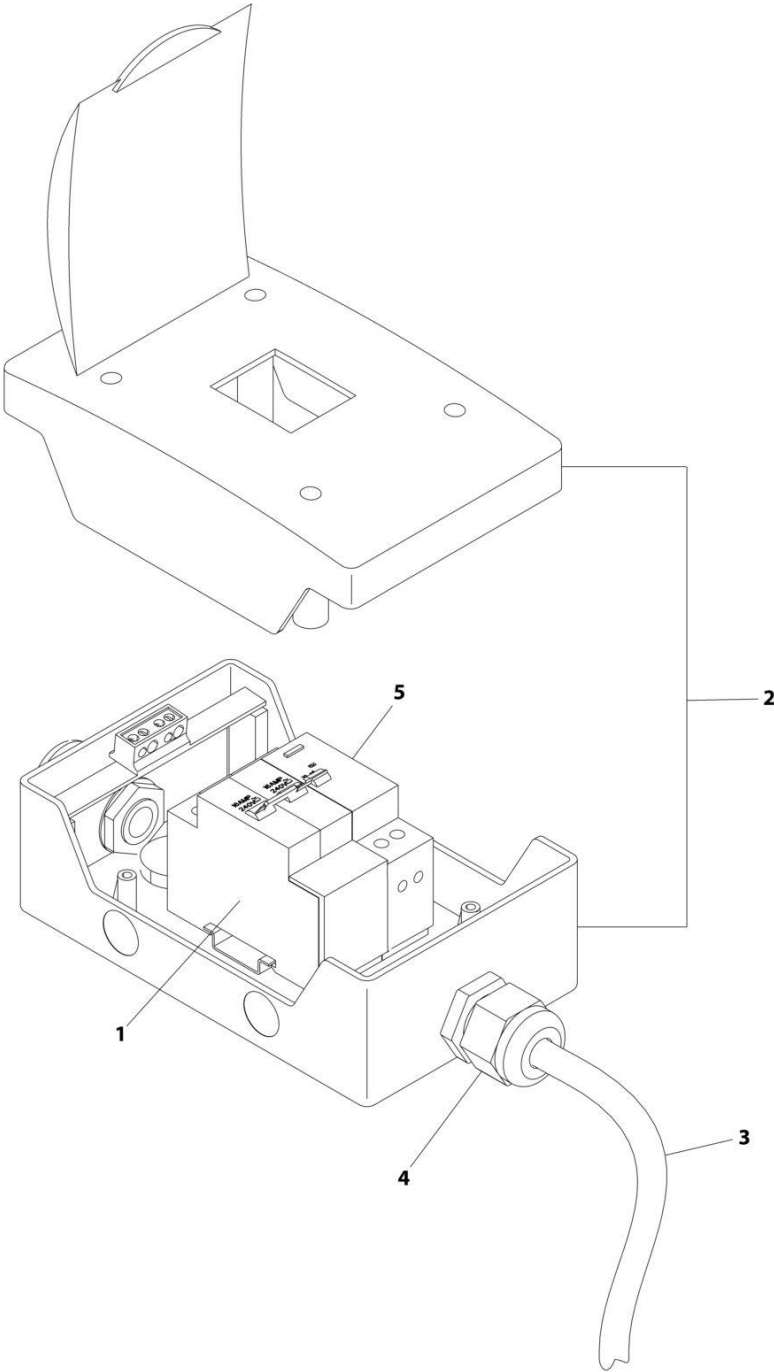
SECTION 8 - ELECTRICAL

FIGURE 8-20. BREAKER BOX KIT - 1 BREAKER (CE & UK CA SPECS)

ITEM	PART NUMBER	QTY	DESCRIPTION	REV
	2902549	Ref	BREAKER BOX KIT	F
2	0861880	1	Box	
3	4460956	1	Barrier, Terminal	
4	1060908	6 ft/1.8m	Cable, 12/3	
5	1001097150	2	Connector, Strain Relief	
6	4460957	1	Block, Terminal	
8	1001181045	1	Breaker, 16Amp	

SECTION 8 - ELECTRICAL

FIGURE 8-21. BREAKER BOX KIT - 3 BREAKERS (CE & UK CA SPECS)



ART_1001152485_F

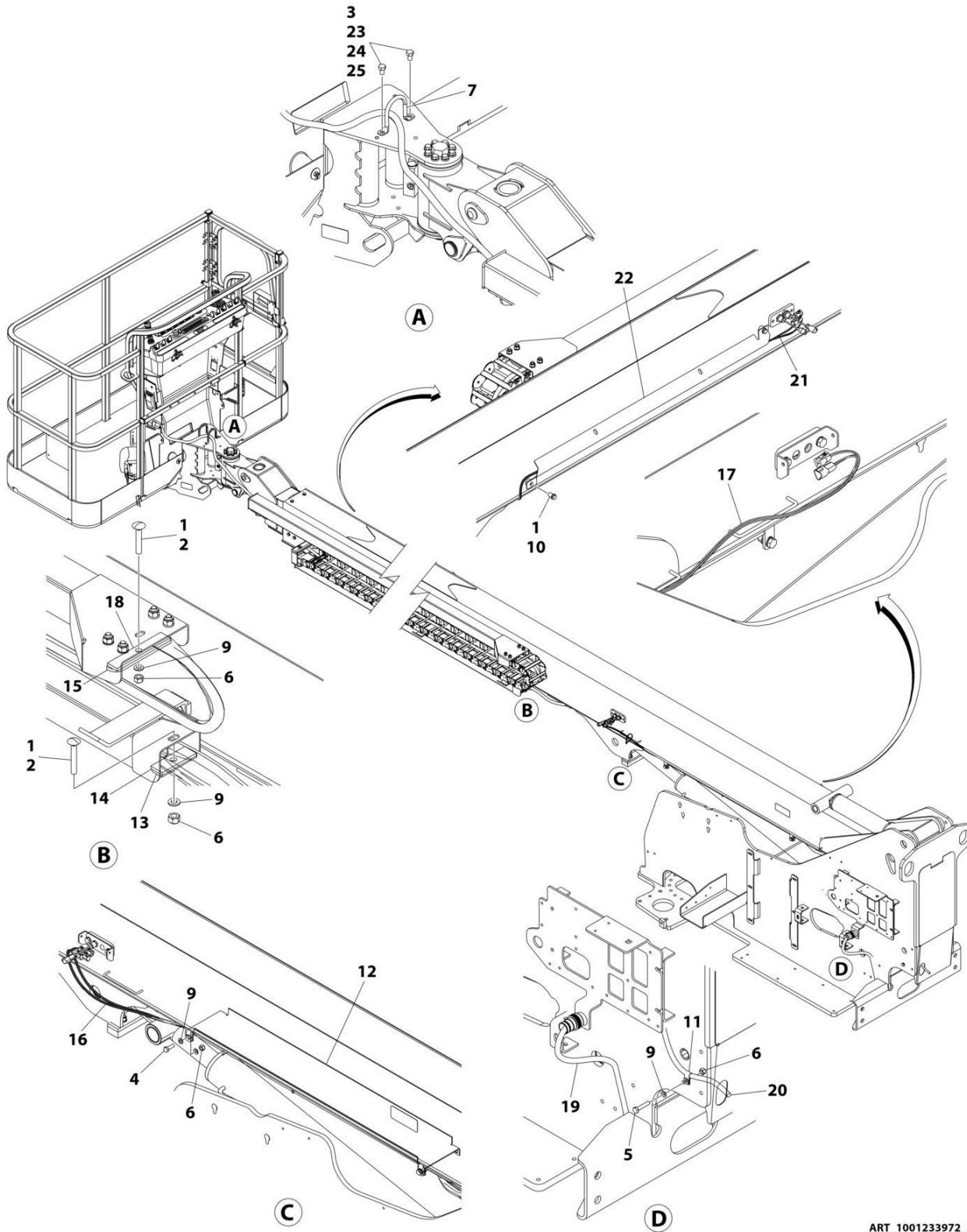
SECTION 8 - ELECTRICAL

FIGURE 8-21. BREAKER BOX KIT - 3 BREAKERS (CE & UK CA SPECS)

ITEM	PART NUMBER	QTY	DESCRIPTION	REV
	1001152485	Ref	BREAKER BOX KIT WITH TWO BREAKERS	F
1	1001189172	1	Breaker 16Amp Double	
2	1001152483	1	Box	
3	1060908	6 ft/1.8m	Cable, 12/3	
4	1001097150	2	Connector, Strain Relief	
5	1001189171	1	Breaker, 30mA	

SECTION 8 - ELECTRICAL

FIGURE 8-22. CABLES AND CLAMPS INSTALLATION - 400S HC3 WITH 2500W GENERATOR OR NO GENERATOR



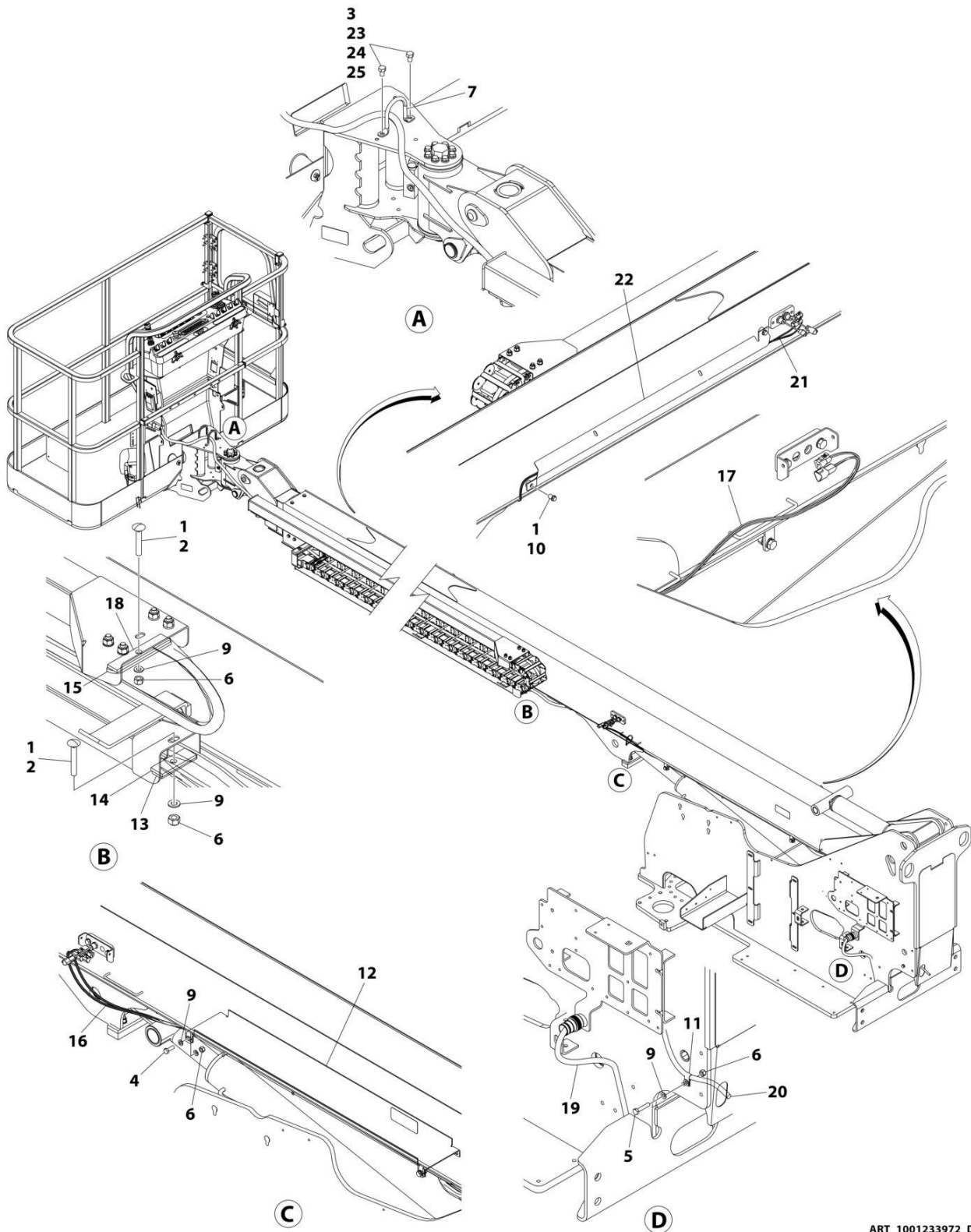
SECTION 8 - ELECTRICAL

FIGURE 8-22. CABLES AND CLAMPS INSTALLATION - 400S HC3 WITH 2500W GENERATOR OR NO GENERATOR

ITEM	PART NUMBER	QTY	DESCRIPTION	REV
	1001233972	Ref	CABLES AND CLAMPS INSTALLATION	D
1	0100081	AR	Adhesive	
2	0630563	2	Bolt M10 x 60	
3	0641504	2	Bolt 5/16 x 1/2	
4	0761014	4	Bolt M10 x 30	
5	0761018	1	Bolt M10 x 50	
6	3291005	7	Nut, Lock M10	
7	3841340	1	Hose Loop	
8	4240033	4	Tie - Strap (Not Shown)	
9	4812000	12	Washer M10	
10	5261008	2	Nut M10 Class 10	
11	8406110	1	Clip	
12	1001172128	1	Bracket, Hose Cover	
13	1001173456	1	Clamp	
14	1001173665	1	Clamp	
15	1001173761	1	Bracket	
16	1001173807	1	Harness, Capacity Switch (See Separate Breakdown in this Section)	
17	1001173808	1	Harness, Telescope In Proximity Sensors (See Separate Breakdown in this Section)	
18	1001173927	1	Clamp	
19	1001176952	1	Harness, Boom (See Separate Breakdown in this Section)	
20	1001203434	1	Cable, Electrical 12/3	
21	1001248183	1	Telescope Out Proximity Sensors Harness (See Separate Breakdown in this Section)	
22	1001238138	1	Angle	
23	0760814	2	Bolt M8 x 30	
24	3290805	2	Nut, Lock M8	
25	4811900	4	Washer M8	

SECTION 8 - ELECTRICAL

FIGURE 8-23. CABLES AND CLAMPS INSTALLATION - 400S HC3 WITH 4000W/50HZ GENERATOR



ART_1001233972_D

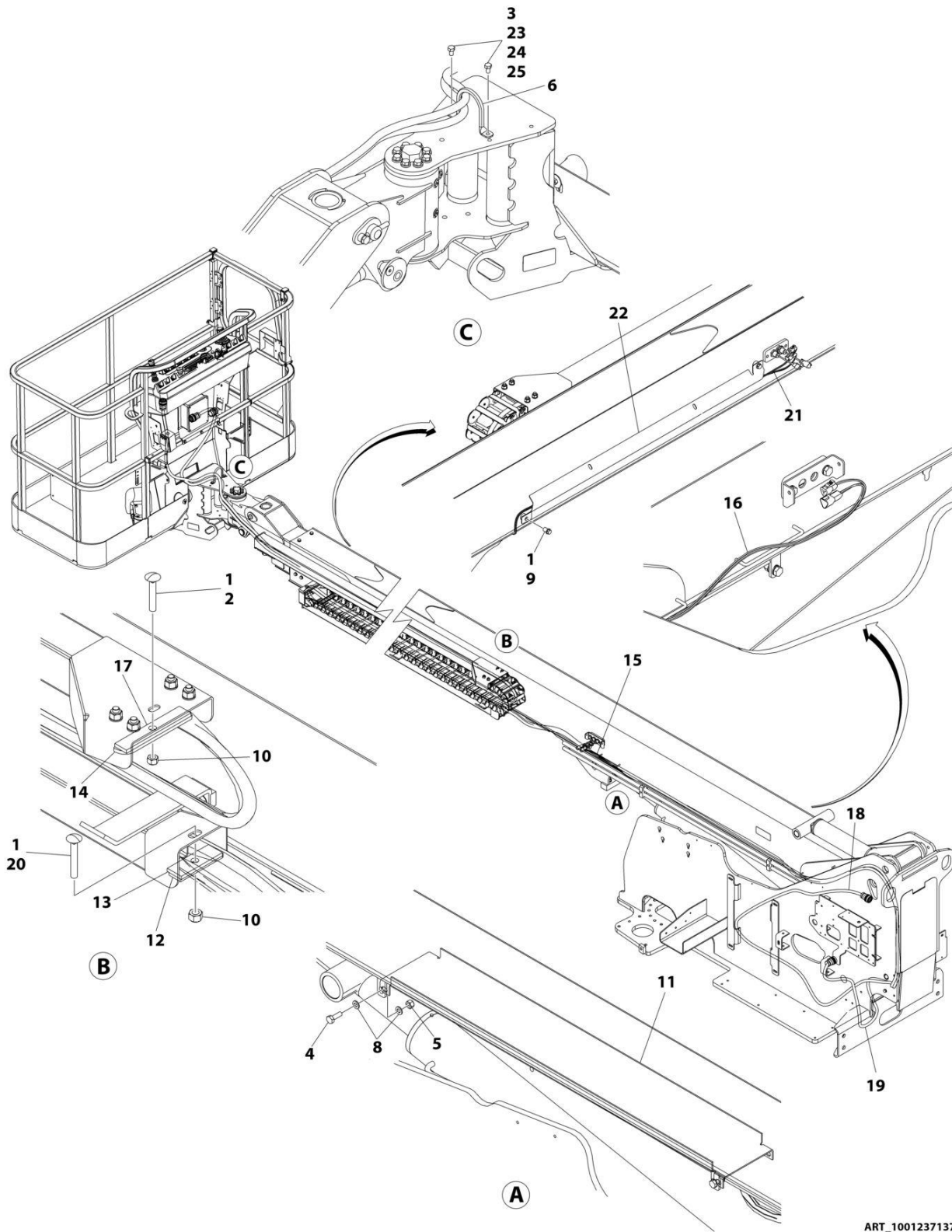
SECTION 8 - ELECTRICAL

FIGURE 8-23. CABLES AND CLAMPS INSTALLATION - 400S HC3 WITH 4000W/50HZ GENERATOR

ITEM	PART NUMBER	QTY	DESCRIPTION	REV
	1001233972	Ref	CABLES AND CLAMPS INSTALLATION	D
1	0100081	AR	Adhesive	
2	0630563	2	Bolt M10 x 60	
3	0641504	2	Bolt 5/16 x 1/2	
4	0761014	4	Bolt M10 x 30	
5	0761018	1	Bolt M10 x 50	
6	3291005	7	Nut, Lock M10	
7	3841340	1	Hose Loop	
8	4240033	4	Tie - Strap (Not Shown)	
9	4812000	12	Washer M10	
10	5261008	2	Nut M10 Class 10	
11	8406110	1	Clip	
12	1001172128	1	Bracket, Hose Cover	
13	1001173456	1	Clamp	
14	1001173665	1	Clamp	
15	1001173761	1	Bracket	
16	1001173807	1	Harness, Capacity Switch (See Separate Breakdown in this Section)	
17	1001173808	1	Harness, Telescope In Proximity Sensors (See Separate Breakdown in this Section)	
18	1001173927	1	Clamp	
19	1001176952	1	Harness, Boom (See Separate Breakdown in this Section)	
20	1001203434	1	Cable, Electrical 12/3	
21	1001248183	1	Telescope Out Proximity Sensors Harness (See Separate Breakdown in this Section)	
22	1001238138	1	Angle	
23	0760814	2	Bolt M8 x 30	
24	3290805	2	Nut, Lock M8	
25	4811900	4	Washer M8	

SECTION 8 - ELECTRICAL

FIGURE 8-24. CABLES AND CLAMPS INSTALLATION - 400S HC3 WITH 4000W/60HZ GENERATOR



ART_1001237137_D

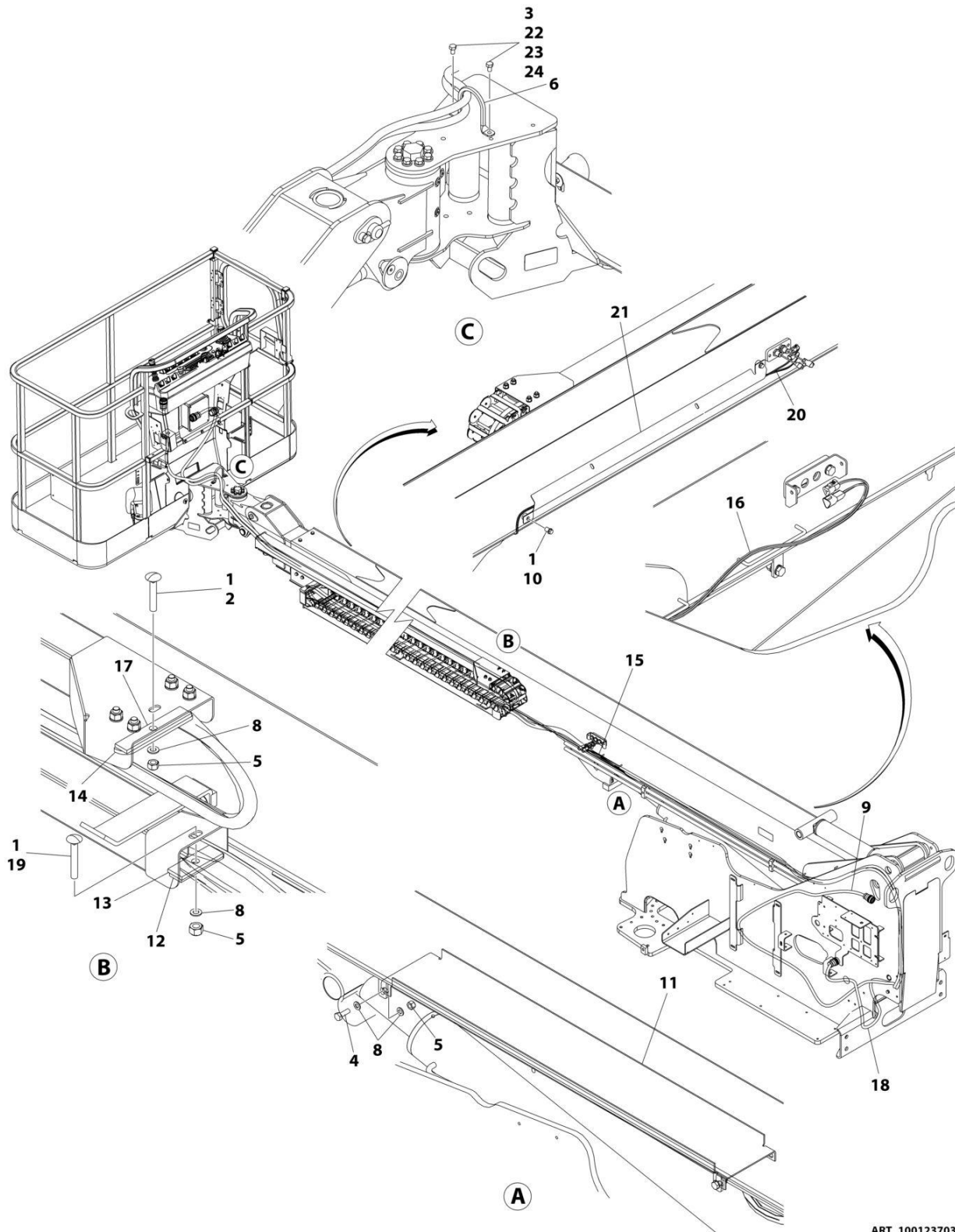
SECTION 8 - ELECTRICAL

FIGURE 8-24. CABLES AND CLAMPS INSTALLATION - 400S HC3 WITH 4000W/60HZ GENERATOR

ITEM	PART NUMBER	QTY	DESCRIPTION	REV
	1001237137	Ref	CABLES AND CLAMPS INSTALLATION	D
1	0100081	AR	Adhesive	
2	0630563	1	Bolt M10 x 60	
3	0641605	2	Bolt 3/8 x 5/8	
4	0761014	4	Bolt M10 x 30	
5	3291005	4	Nut M10	
6	3841340	1	Hose Loop	
7	4240033	4	Tie - Strap (Not Shwon)	
8	4812000	8	Washer M10	
9	5261008	2	Nut M10 Class 10	
10	5261018	2	Nut M10 Class 10	
11	1001172128	1	Bracket, Hose Cover	
12	1001173456	1	Clamp	
13	1001173665	1	Clamp	
14	1001173761	1	Bracket	
15	1001173807	1	Harness, Capacity Switch (See Separate Breakdown in this Section)	
16	1001173808	1	Harness, Telescope In Proximity Sensors (See Separate Breakdown in this Section)	
17	1001173927	1	Clamp	
18	1001175170	1	Cable, Electrical 10/4	
19	1001176952	1	Harness, Boom (See Separate Breakdown in this Section)	
20	1001181329	1	Bolt M10x70	
21	1001248183	1	Telescope Out Proximity Sensor Harness (See Separate Breakdown in this Section)	
22	1001238138	1	Angle	
23	0760814	2	Bolt M8 x 30	
24	3290805	2	Nut, Lock M8	
25	4811900	4	Washer M8	

SECTION 8 - ELECTRICAL

FIGURE 8-25. CABLES AND CLAMPS INSTALLATION - 400S HC3 WITH 7500W GENERATOR



ART_1001237036_D

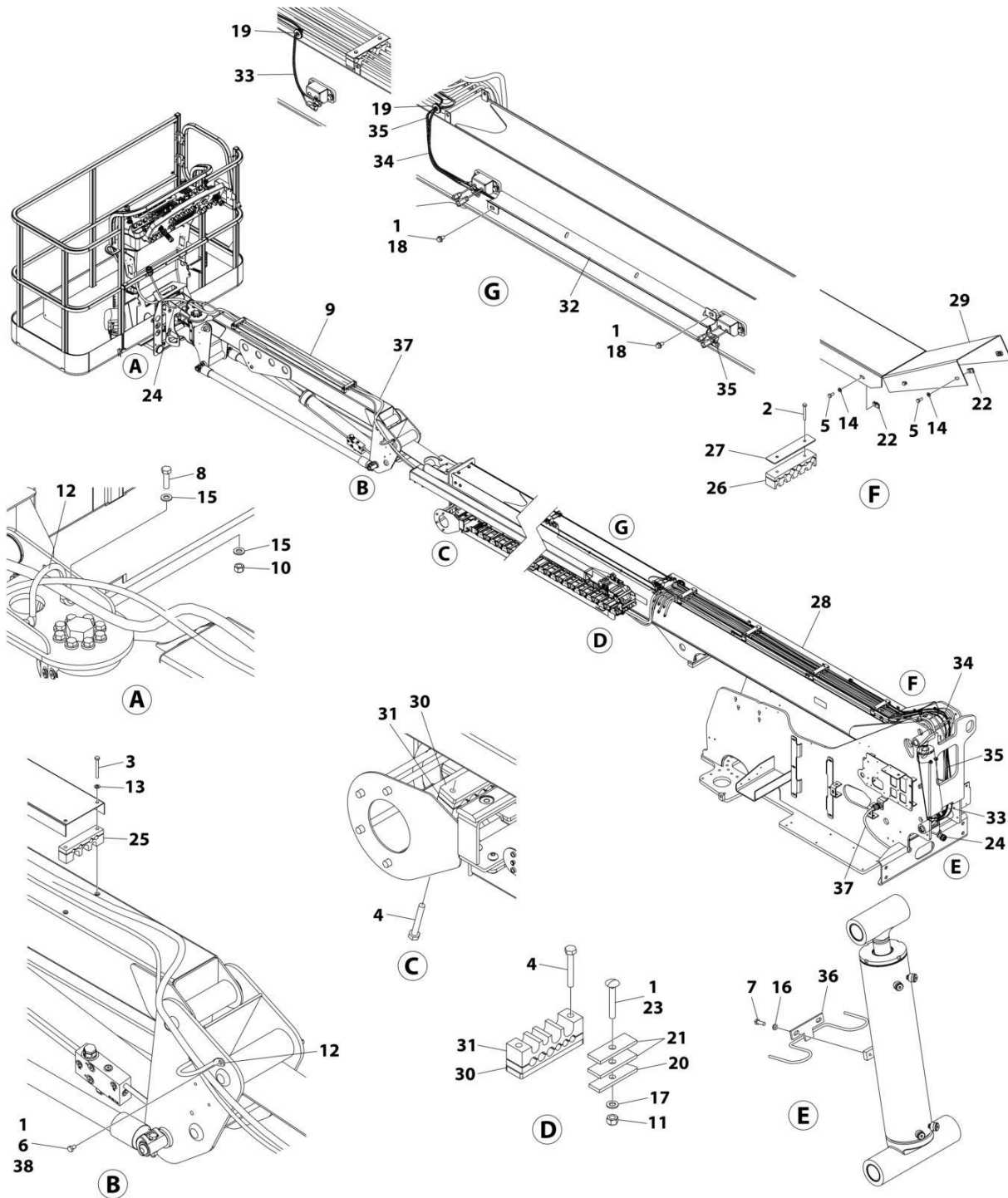
SECTION 8 - ELECTRICAL

FIGURE 8-25. CABLES AND CLAMPS INSTALLATION - 400S HC3 WITH 7500W GENERATOR

ITEM	PART NUMBER	QTY	DESCRIPTION	REV
	1001237036	Ref	CABLES & CLAMPS INSTALLATION	D
1	0100081	AR	Adhesive	
2	0630563	1	Bolt M10 x 60	
3	0641504	2	Bolt 5/16 x 1/2	
4	0761014	4	Bolt M10 x 30	
5	3291005	6	Nut, Lock M10	
6	3841340	1	Loop, Hose	
7	4240033	4	Tie - Strap (Not Shown)	
8	4812000	10	Washer M10	
9	4922802	1	Cable, Electrical 8/5	
10	5251008	2	Bolt M10 x 16 Class 10.9	
11	1001172128	1	Bracket	
12	1001173456	1	Clamp	
13	1001173665	1	Clamp, Rubber	
14	1001173761	1	Bracket	
15	1001173807	1	Capacity Switch Harness (See Separate Breakdown in this Section)	
16	1001173808	1	Telescope In Proximity Sensors Harness (See Separate Breakdown in this Section)	
17	1001173927	1	Clamp	
18	1001176952	1	Boom Harness (See Separate Breakdown in this Section)	
19	1001181329	1	Bolt M10 x 70	
20	1001248183	1	Telescope Out Proximity Sensors Harness (See Separate Breakdown in this Section)	
21	1001238138	1	Angle	
22	0760814	2	Bolt M8 x 30	
23	3290805	2	Nut, Lock M8	
24	4811900	4	Washer M8	

SECTION 8 - ELECTRICAL

FIGURE 8-26. CABLES AND CLAMPS INSTALLATION - 460SJ HC3 WITH 2500W GENERATOR OR NO GENERATOR



ART_1001247436_D

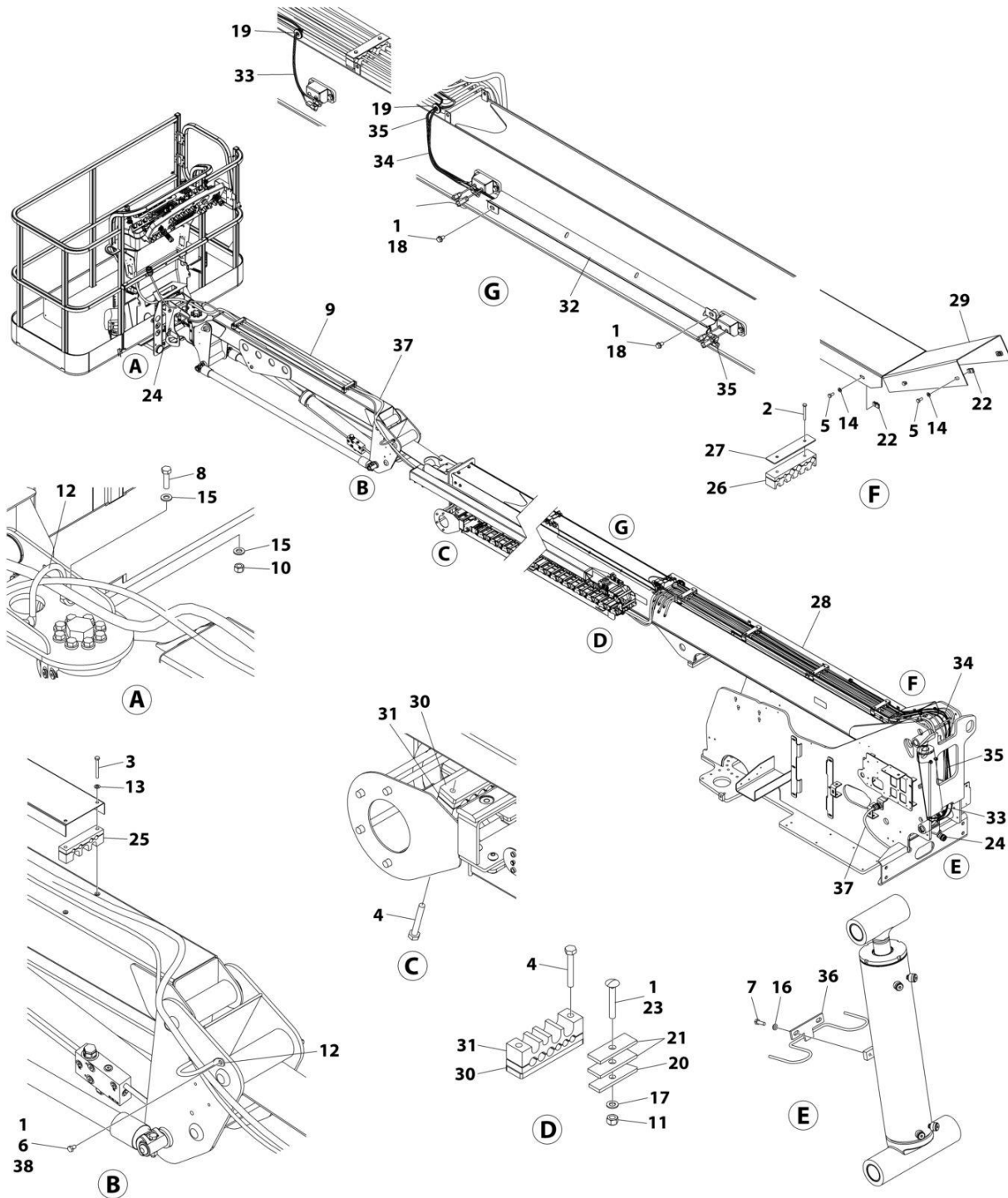
SECTION 8 - ELECTRICAL

FIGURE 8-26. CABLES AND CLAMPS INSTALLATION - 460SJ HC3 WITH 2500W GENERATOR OR NO GENERATOR

ITEM	PART NUMBER	QTY	DESCRIPTION	REV
	1001247436	Ref	CABLES AND CLAMPS INSTALLATION	D
1	0100081	AR	Adhesive	
2	0700618	8	Bolt M6 x 50	
3	0700619	4	Bolt M6 x 55	
4	0701022	4	Bolt M10 x 70	
5	0760608	12	Bolt M6 x 16	
6	0760806	2	Bolt M8 x 12	
7	0760812	2	Bolt M8 x 25	
8	0760814	2	Bolt M8 x 30	
9	1670769	1	Cover	
10	3290805	2	Nut, Lock M8	
11	3291005	1	Nut, Lock M10	
12	3841340	2	Hoose Loop	
13	4811700	4	Washer M6	
14	4811702	12	Washer M6	
15	4811900	4	Washer M8	
16	4811902	2	Washer M8	
17	4812000	1	Washer M10	
18	5251008	2	Bolt M10 x 16 Class 10.9	
19	2540049	2	Grommet	
20	1001173456	1	Clamp	
21	1001173665	2	Clamp	
22	1001176336	12	Fastener M6	
23	1001181329	1	Bolt M10 x 70	
24	1001203435	1	Cable, Electrical 12/3	
25	1001203459	2	Clamp, Block	
26	1001242139	4	Clamp	
27	1001242180	4	Plate	
28	1001242190	1	Shield	
29	1001242191	1	Shield	
30	1001244541	2	Plate	
31	1001244545	2	Block	
32	1001247453	1	Angle	
33	1001248181	1	Telescope IN Proximity Sensors Harness (See Separate Breakdown in this Section)	
34	1001248182	1	Capacity Switch Harness (See Separate Breakdown in this Section)	
35	1001248183	1	Hi Capacity Harness (See Separate Breakdown in this Section)	
36	1001250199	1	Guide, Hose	
37	1001248180	1	Harness, Boom (See Separate Breakdown in this Section)	
38	0761006	2	Bolt M10 x 12	

SECTION 8 - ELECTRICAL

FIGURE 8-27. CABLES AND CLAMPS INSTALLATION - 460SJ HC3 WITH 4000W/50HZ GENERATOR



ART_1001247436_D

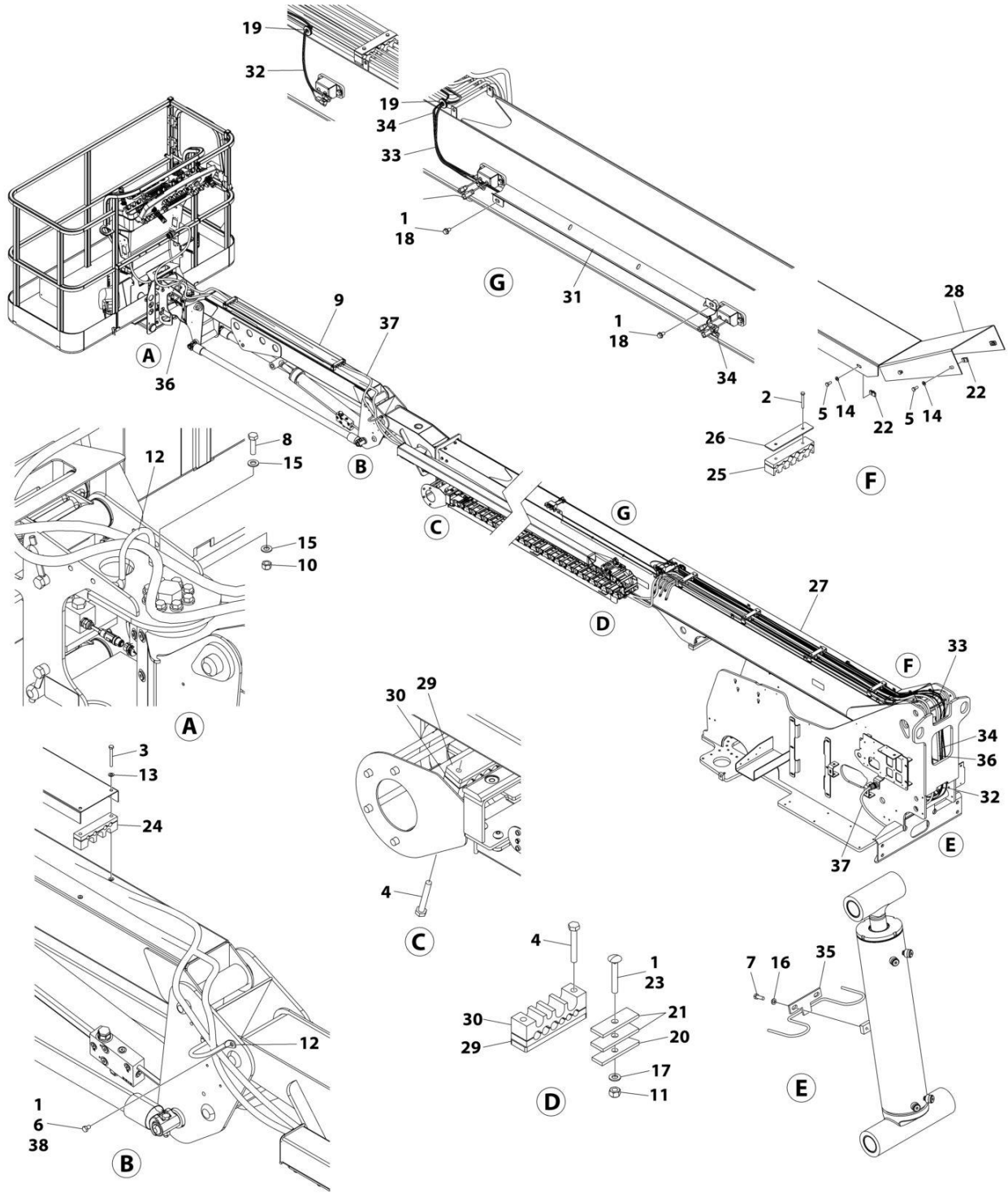
SECTION 8 - ELECTRICAL

FIGURE 8-27. CABLES AND CLAMPS INSTALLATION - 460SJ HC3 WITH 4000W/50HZ GENERATOR

ITEM	PART NUMBER	QTY	DESCRIPTION	REV
	1001247436	Ref	CABLES AND CLAMPS INSTALLATION	D
1	0100081	AR	Adhesive	
2	0700618	8	Bolt M6 x 50	
3	0700619	4	Bolt M6 x 55	
4	0701022	4	Bolt M10 x 70	
5	0760608	12	Bolt M6 x 16	
6	0760806	2	Bolt M8 x 12	
7	0760812	2	Bolt M8 x 25	
8	0760814	2	Bolt M8 x 30	
9	1670769	1	Cover	
10	3290805	2	Nut, Lock M8	
11	3291005	1	Nut, Lock M10	
12	3841340	2	Hoose Loop	
13	4811700	4	Washer M6	
14	4811702	12	Washer M6	
15	4811900	4	Washer M8	
16	4811902	2	Washer M8	
17	4812000	1	Washer M10	
18	5251008	2	Bolt M10 x 16 Class 10.9	
19	2540049	2	Grommet	
20	1001173456	1	Clamp	
21	1001173665	2	Clamp	
22	1001176336	12	Fastener M6	
23	1001181329	1	Bolt M10 x 70	
24	1001203435	1	Cable, Electrical 12/3	
25	1001203459	2	Clamp, Block	
26	1001242139	4	Clamp	
27	1001242180	4	Plate	
28	1001242190	1	Shield	
29	1001242191	1	Shield	
30	1001244541	2	Plate	
31	1001244545	2	Block	
32	1001247453	1	Angle	
33	1001248181	1	Telescope IN Proximity Sensors Harness (See Separate Breakdown in this Section)	
34	1001248182	1	Capacity Switch Harness (See Separate Breakdown in this Section)	
35	1001248183	1	Hi Capacity Harness (See Separate Breakdown in this Section)	
36	1001250199	1	Guide, Hose	
37	1001248180	1	Harness, Boom (See Separate Breakdown in this Section)	
38	0761006	2	Bolt M10 x 12	

SECTION 8 - ELECTRICAL

FIGURE 8-28. CABLES AND CLAMPS INSTALLATION - 460SJ HC3 WITH 4000W/60HZ GENERATOR



ART_1001247438

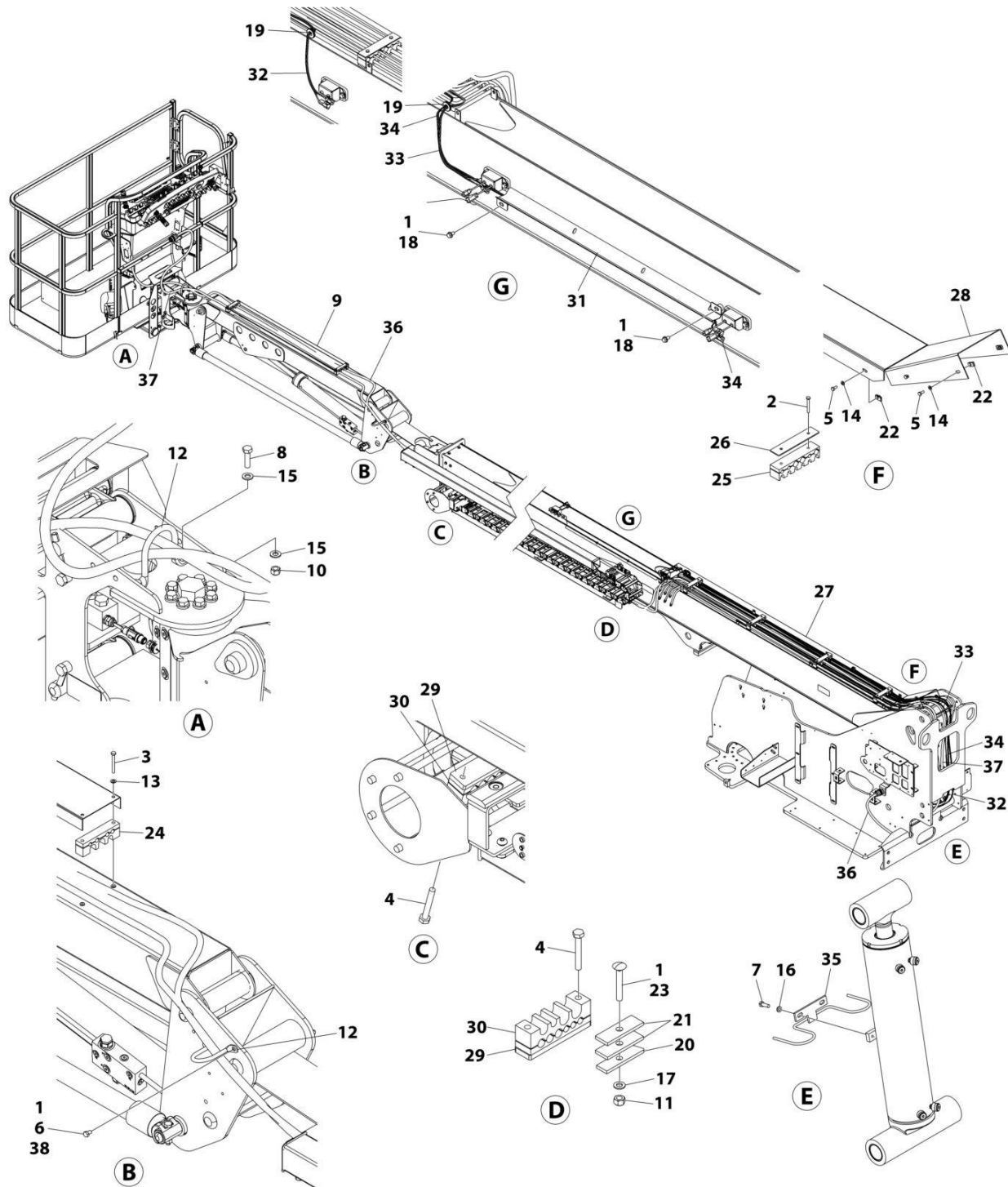
SECTION 8 - ELECTRICAL

FIGURE 8-28. CABLES AND CLAMPS INSTALLATION - 460SJ HC3 WITH 4000W/60HZ GENERATOR

ITEM	PART NUMBER	QTY	DESCRIPTION	REV
	1001247438	Ref	Cables and Clamps Installation	D
1	0100081	AR	Adhesive	
2	0700618	8	Bolt M6 x 50	
3	0700619	4	Bolt M6 x 55	
4	0701022	4	Bolt M10 x 70	
5	0760608	12	Bolt M6 x 16	
6	0760806	2	Bolt M8 x 12	
7	0760812	2	Bolt M8 x 25	
8	0760814	2	Bolt M8 x 30	
9	1670769	1	Cover	
10	3290805	2	Nut, Lock M8	
11	3291005	1	Nut, Lock M10	
12	3841340	2	Loop, Hose	
13	4811700	4	Washer M6	
14	4811702	12	Washer M6	
15	4811900	4	Washer M8	
16	4811902	2	Washer M8	
17	4812000	1	Washer M10	
18	5251008	2	Bolt M10 x 16 Class 10.9	
19	2540049	2	Grommet	
20	1001173456	1	Clamp	
21	1001173665	2	Clamp, Rubber	
22	1001176336	12	Fastener, M6	
23	1001181329	1	Bolt M10 x 70	
24	1001203459	2	Clamp, Block	
25	1001242139	4	Clamp	
26	1001242180	4	Plate	
27	1001242190	1	Shield	
28	1001242191	1	Shield	
29	1001244541	2	Plate	
30	1001244545	2	Block	
31	1001247453	1	Angle	
32	1001248181	1	Telescope in Proximity Senors Harness (See Separate Breakdown in this Section)	
33	1001248182	1	Capacity Switch Harness (See Separate Breakdown in this Section)	
34	1001248183	1	High Capacity Harness (See Separate Breakdown in this Section)	
35	1001250199	1	Guide, Hose	
36	1001175171	1	4000W Gen CBL	
37	1001248180	1	Harness (See Separate Breakdown in this Section)	
38	0761006	2	Bolt M10 x 12	

SECTION 8 - ELECTRICAL

FIGURE 8-29. CABLES AND CLAMPS INSTALLATION - 460SJ HC3 WITH 7500W GENERATOR



ART_1001247437

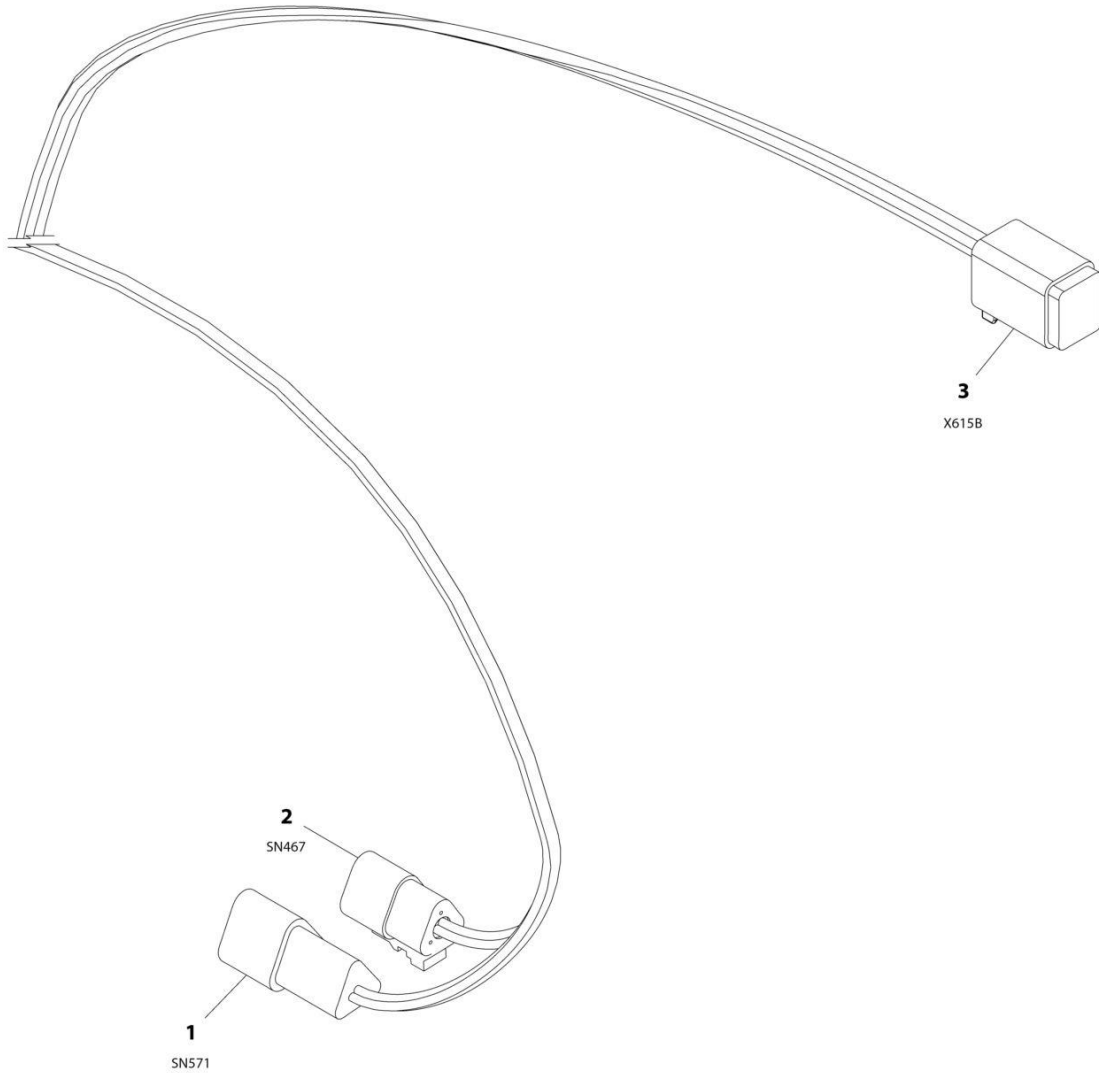
SECTION 8 - ELECTRICAL

FIGURE 8-29. CABLES AND CLAMPS INSTALLATION - 460SJ HC3 WITH 7500W GENERATOR

ITEM	PART NUMBER	QTY	DESCRIPTION	REV
	1001247437	Ref	CABLES AND CLAMPS INSTALLATION	D
1	0100081	AR	Adhesive	
2	0700618	8	Bolt M6 x 50	
3	0700619	4	Bolt M6 x 55	
4	0701022	4	Bolt M10 x 70	
5	0760608	12	Bolt M6 x 16	
6	0760806	2	Bolt M8 x 12	
7	0760812	2	Bolt M8 x 25	
8	0760814	2	Bolt M8 x 30	
9	1670769	1	Cover	
10	3290805	2	Nut, Lock M8	
11	3291005	1	Nut, Lock M10	
12	3841340	2	Loop, Hose	
13	4811700	4	Washer M6	
14	4811702	12	Washer M6	
15	4811900	4	Washer M8	
16	4811902	2	Washer M8	
17	4812000	1	Washer M10	
18	5251008	2	Bolt M10 x 16	
19	2540049	2	Grommet	
20	1001173456	1	Clamp	
21	1001173665	2	Clamp, Rubber	
22	1001176336	12	Fastener, M6	
23	1001181329	1	Bolt M10 x 70	
24	1001203459	2	Clamp, Block	
25	1001242139	4	Clamp	
26	1001242180	4	Plate	
27	1001242190	1	Shield	
28	1001242191	1	Shield	
29	1001244541	2	Plate	
30	1001244545	2	Block	
31	1001247453	1	Angle	
32	1001248181	1	Telescope in Proximity Senors Harness (See Separate Breakdown in this Section)	
33	1001248182	1	Capacity Switch Harness (See Separate Breakdown in this Section)	
34	1001248183	1	High Capacity Harness (See Separate Breakdown in this Section)	
35	1001250199	1	Guide, Hose	
36	1001248180	1	Harness (See Separate Breakdown in this Section)	
37	4922803	1	Cable, Electrical - 8/5	
38	0761006	2	Bolt M10 x 12	

SECTION 8 - ELECTRICAL

FIGURE 8-30. CAPACITY SWITCH HARNESS (400S HC3)



ART_1001173807

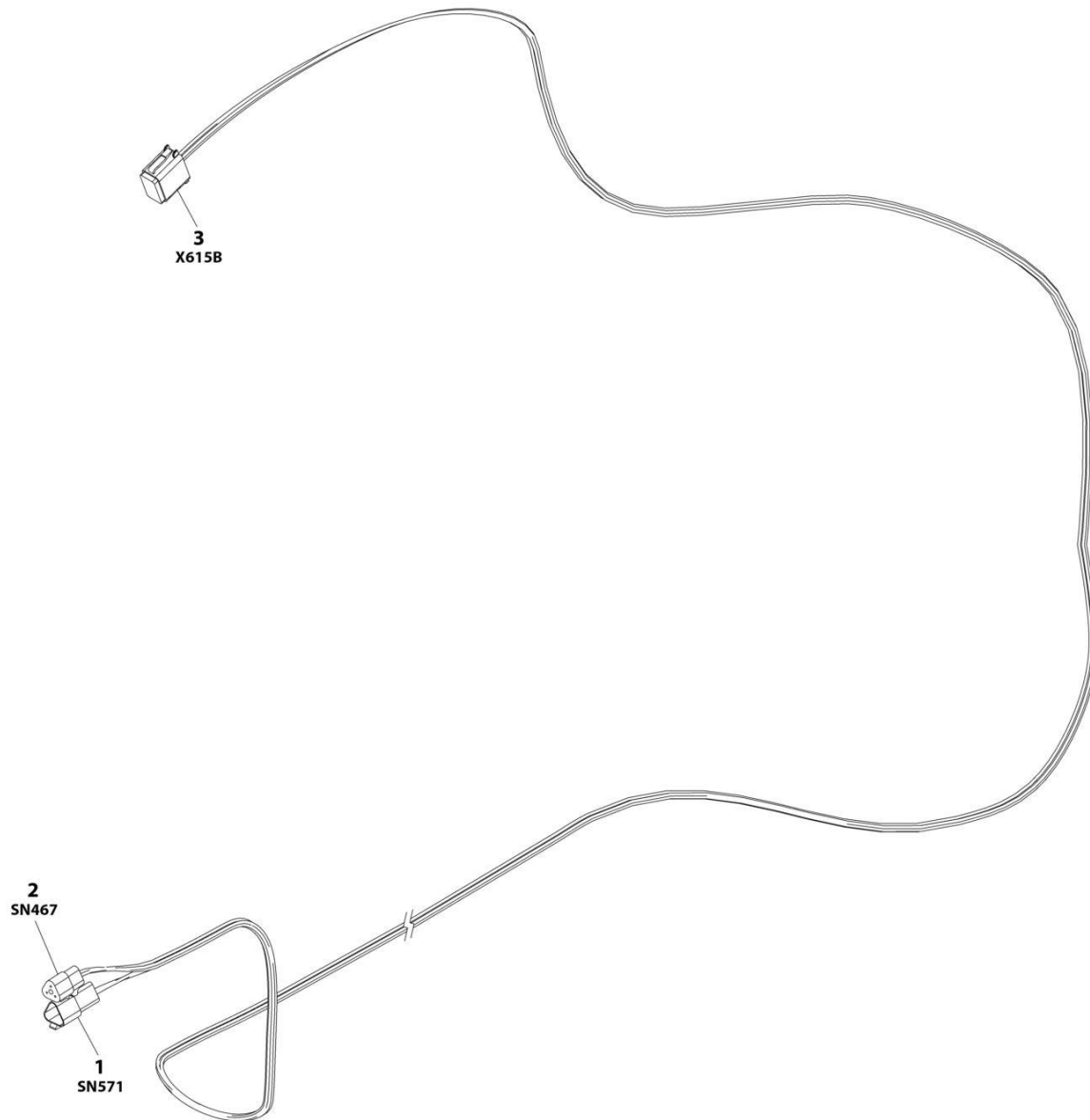
SECTION 8 - ELECTRICAL

FIGURE 8-30. CAPACITY SWITCH HARNESS (400S HC3)

ITEM	PART NUMBER	QTY	DESCRIPTION	REV
	1001173807	Ref	BOOM CAPACITY PROXIMITY SWITCH HARNESS	C
1	4460536	1	Receptacle, Female - 3 Position	
1	4460464	3	Pin, Male	
2	4460539	1	Plug, Male - 3 Position	
2	4460465	1	Socket, Female	
3	4460930	1	Plug, Male - 8 Position	
3	4460465	6	Socket, Female	
3	4460466	2	Plug, Terminal	

SECTION 8 - ELECTRICAL

FIGURE 8-31. CAPACITY SWITCH HARNESS (460SJ HC3)



ART_1001248182

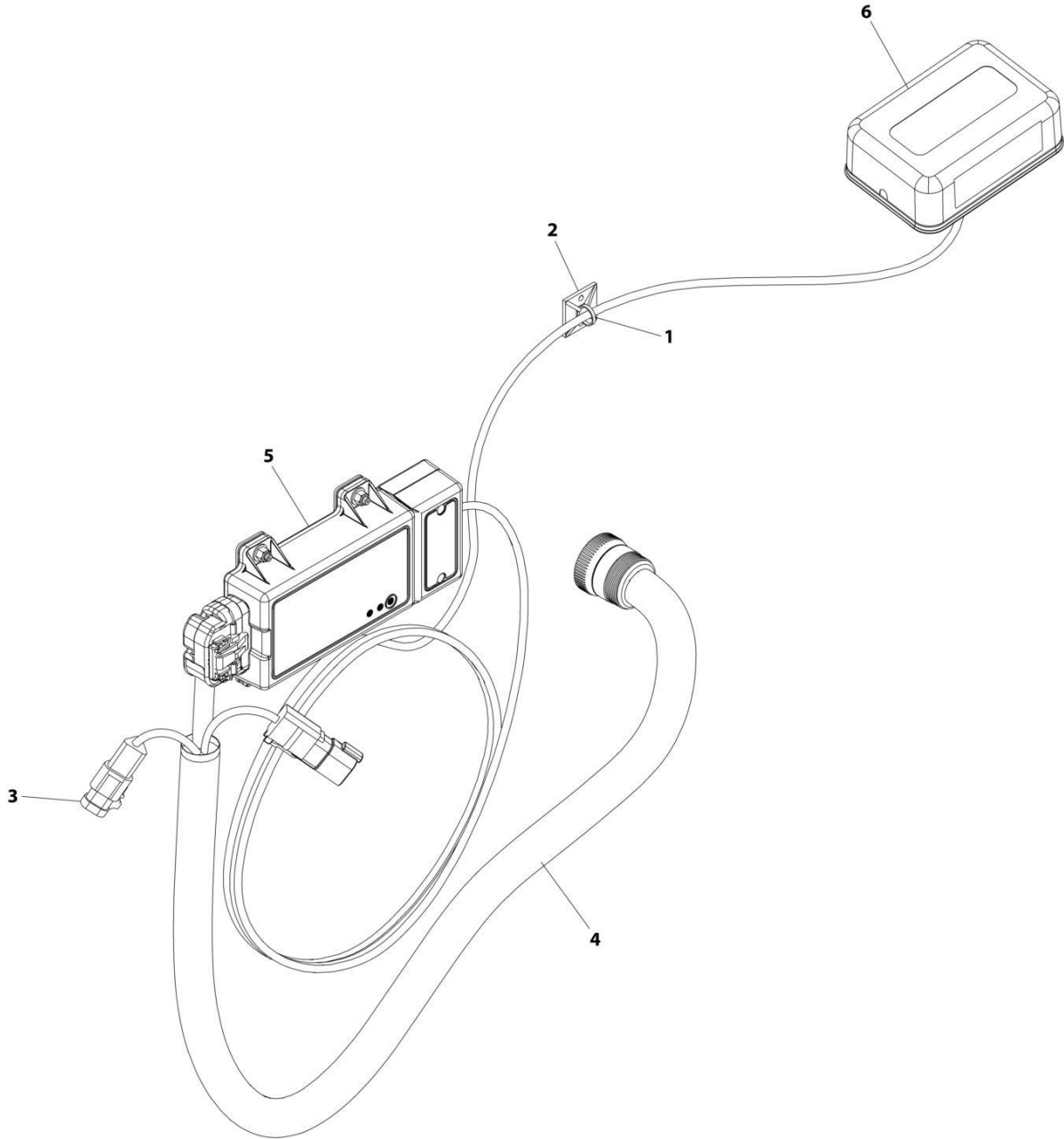
SECTION 8 - ELECTRICAL

FIGURE 8-31. CAPACITY SWITCH HARNESS (460SJ HC3)

ITEM	PART NUMBER	QTY	DESCRIPTION	REV
	1001248182	Ref	BOOM CAPACITY PROXIMITY SWITCH HARNESS	A
1	4460536	1	Receptacle, Female - 3 Position	
1	4460464	3	Pin, Male	
2	4460539	1	Plug, Male - 3 Position	
2	4460465	3	Socket, Female	
3	4460930	1	Plug, Male - 8 Position	
3	4460465	6	Socket, Female	
3	4460466	2	Plug, Terminal	

SECTION 8 - ELECTRICAL

FIGURE 8-32. CLEARSKY INSTALLATION - 4G CANBUS CONNECTION (ALL SPECS EXCEPT CHINA SPECS)



ART_1001227453

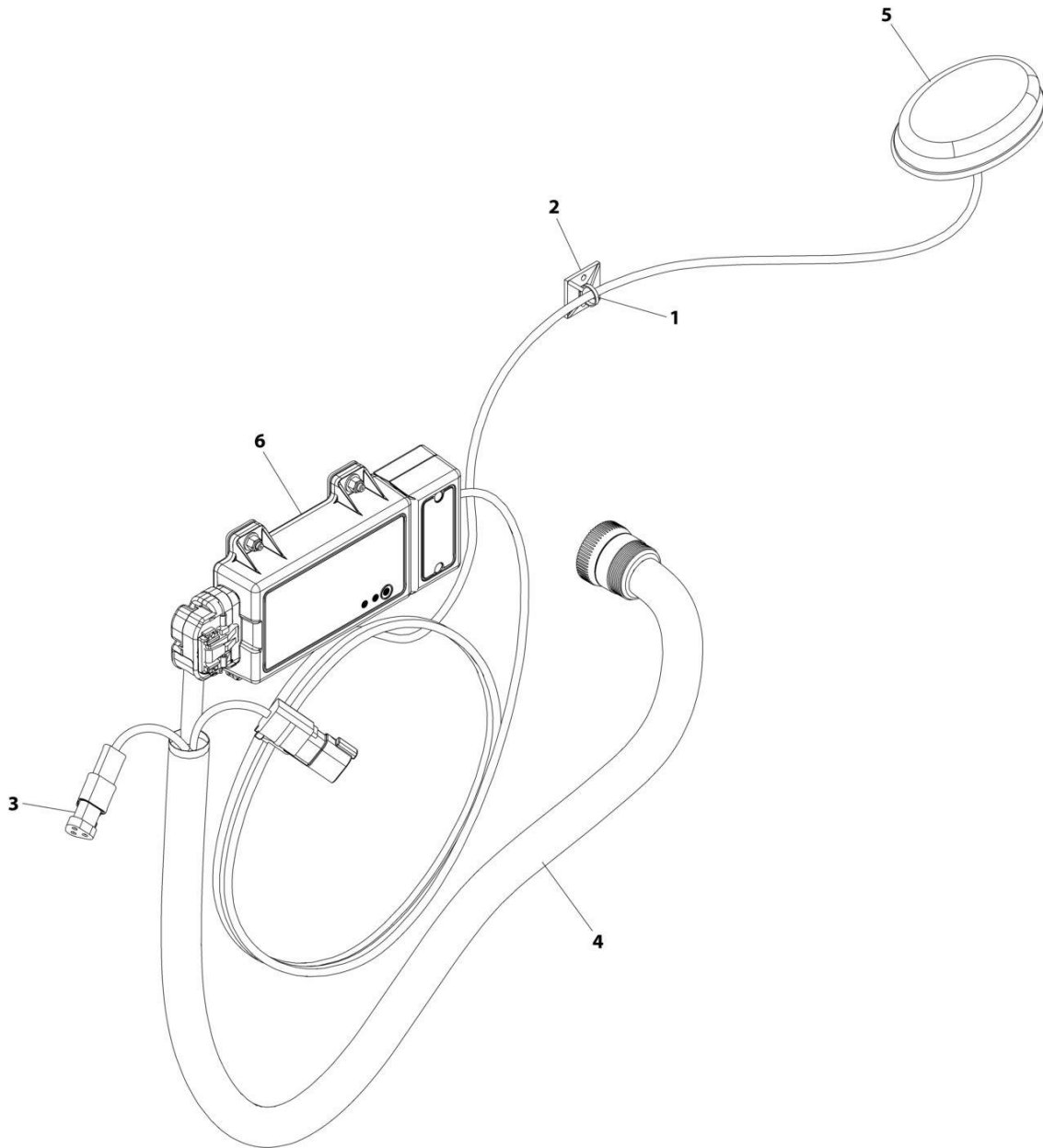
SECTION 8 - ELECTRICAL

FIGURE 8-32. CLEARSKY INSTALLATION - 4G CANBUS CONNECTION (ALL SPECS EXCEPT CHINA SPECS)

ITEM	PART NUMBER	QTY	DESCRIPTION	REV
	1001227453	Ref	CLEARSKY INSTALLATION - CANBUS	C
1	4240032	AR	Tie-Strap	
2	4460234	AR	Cable Tie	
3	1001129408	1	Connector	
4	1001226739	1	ClearSky Harness (See Separate Breakdown in ELECTRICAL Section)	
5	1001262322	1	Telematics Control Module (Note: Re-calibration Required when Replaced)	
6	1001262326	1	Antenna	

SECTION 8 - ELECTRICAL

FIGURE 8-33. CLEARSKY INSTALLATION - 3G CANBUS CONNECTION (ANSI EXPORT, CE, JAPANESE & UK CA SPECS)



ART_1001228955

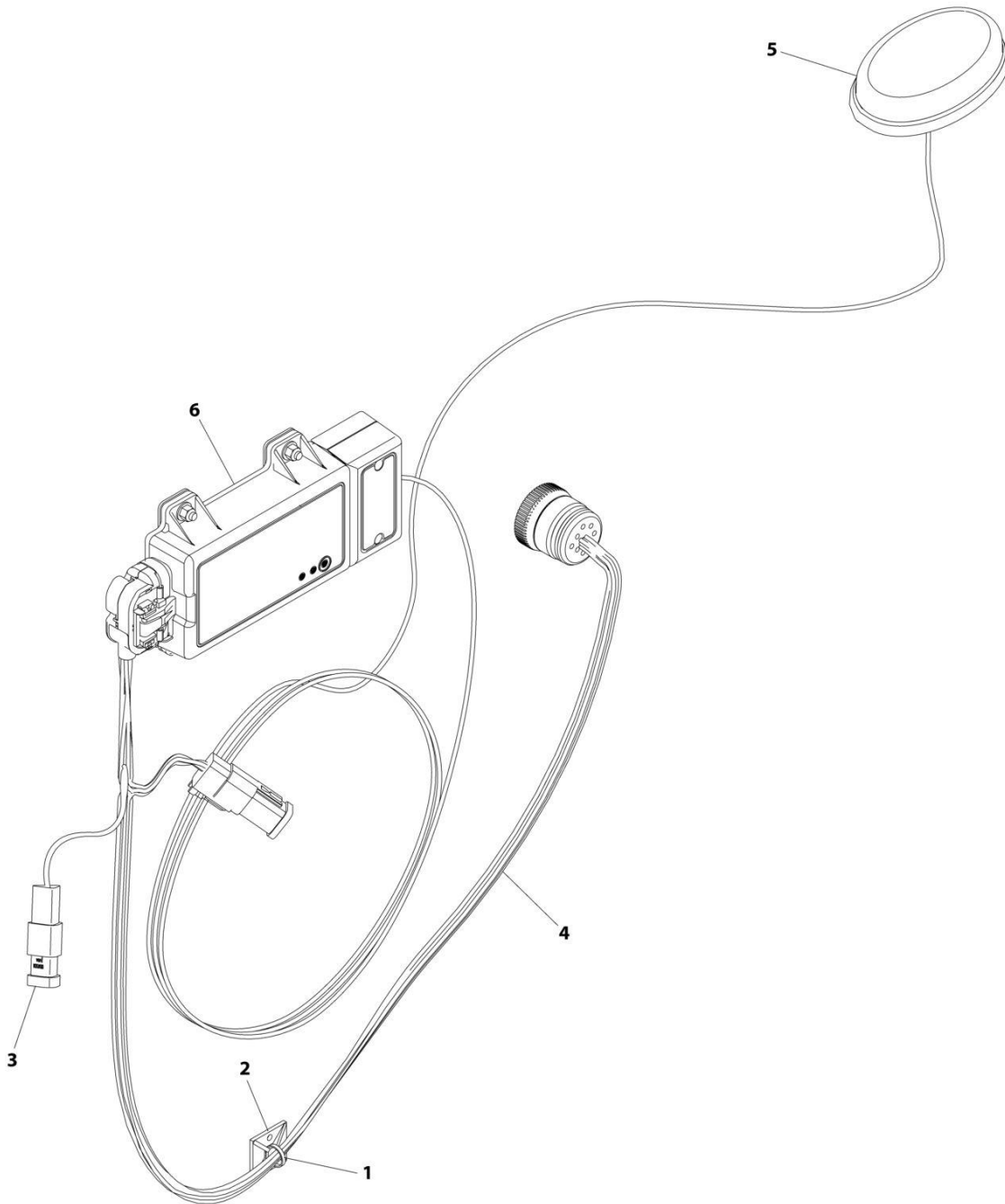
SECTION 8 - ELECTRICAL

FIGURE 8-33. CLEARSKY INSTALLATION - 3G CANBUS CONNECTION (ANSI EXPORT, CE, JAPANESE & UK CA SPECS)

ITEM	PART NUMBER	QTY	DESCRIPTION	REV
	1001228955	Ref	CLEARSKY INSTALLATION - CANBUS	A
1	4240032	AR	Tie-Strap	
2	4460234	AR	Cable Tie	
3	1001116815	1	Connector	
4	1001226739	1	ClearSky Harness (See Separate Breakdown in ELECTRICAL Section)	
5	1001226799	1	Antenna	
6	1001228954	1	Telematics Control Module (Note: Re-calibration Required when Replaced)	

SECTION 8 - ELECTRICAL

FIGURE 8-34. CLEARSKY INSTALLATION - 3G CANBUS CONNECTION (AUSTRALIAN SPECS)



ART_1001246456

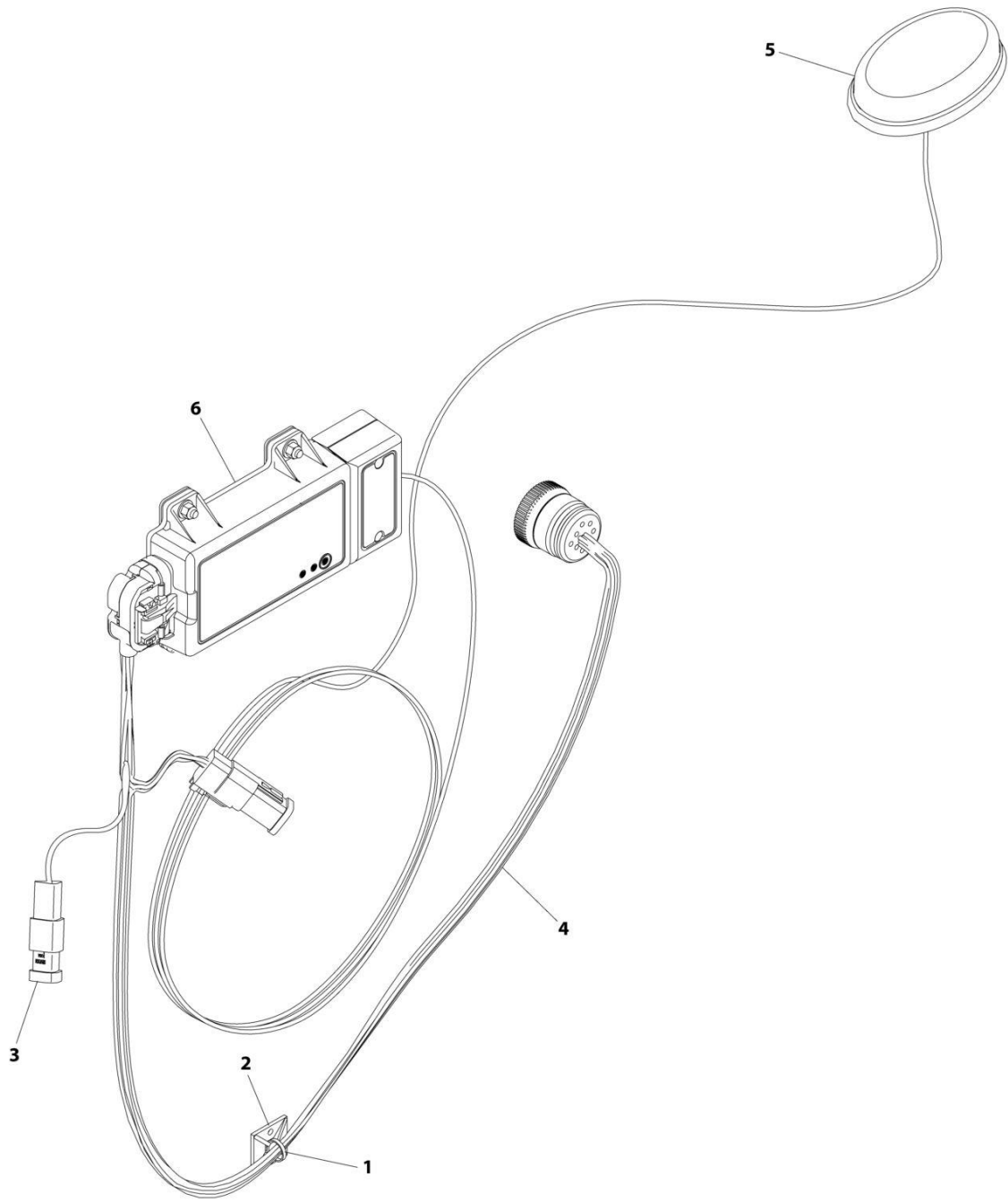
SECTION 8 - ELECTRICAL

FIGURE 8-34. CLEARSKY INSTALLATION - 3G CANBUS CONNECTION (AUSTRALIAN SPECS)

ITEM	PART NUMBER	QTY	DESCRIPTION	REV
	1001246456	Ref	CLEARSKY INSTALLATION - CANBUS	A
1	4240032	AR	Tie-Strap	
2	4460234	AR	Cable Tie	
3	1001116815	1	Connector	
4	1001226739	1	ClearSky Harness (See Separate Breakdown in ELECTRICAL Section)	
5	1001226799	1	Antenna	
6	1001246144	1	Telematics Control Module (Note: Re-calibration Required when Replaced)	

SECTION 8 - ELECTRICAL

FIGURE 8-35. CLEARSKY INSTALLATION - 4G CANBUS CONNECTION (CHINA SPECS)



ART_1001246457

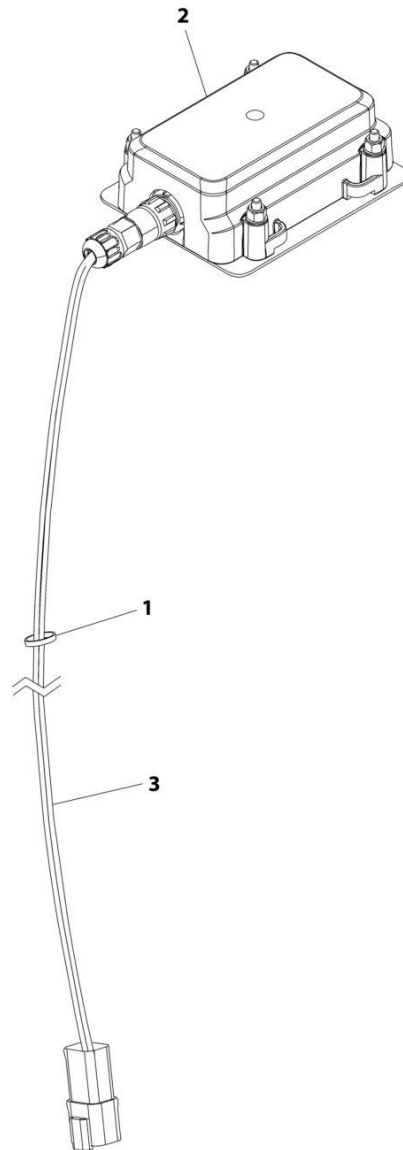
SECTION 8 - ELECTRICAL

FIGURE 8-35. CLEARSKY INSTALLATION - 4G CANBUS CONNECTION (CHINA SPECS)

ITEM	PART NUMBER	QTY	DESCRIPTION	REV
	1001246457	Ref	CLEARSKY INSTALLATION - CANBUS	A
1	4240032	AR	Tie-Strap	
2	4460234	AR	Cable Tie	
3	1001116815	1	Connector	
4	1001226739	1	ClearSky Harness (See Separate Breakdown in ELECTRICAL Section)	
5	1001226799	1	Antenna	
6	1001246145	1	Telematics Control Module (Note: Re-calibration Required when Replaced)	

SECTION 8 - ELECTRICAL

FIGURE 8-36. CLEARSKY INSTALLATION 3-WIRE CONNECTION (ALL SPECS EXCEPT CHINA SPECS)



ART_1001276610

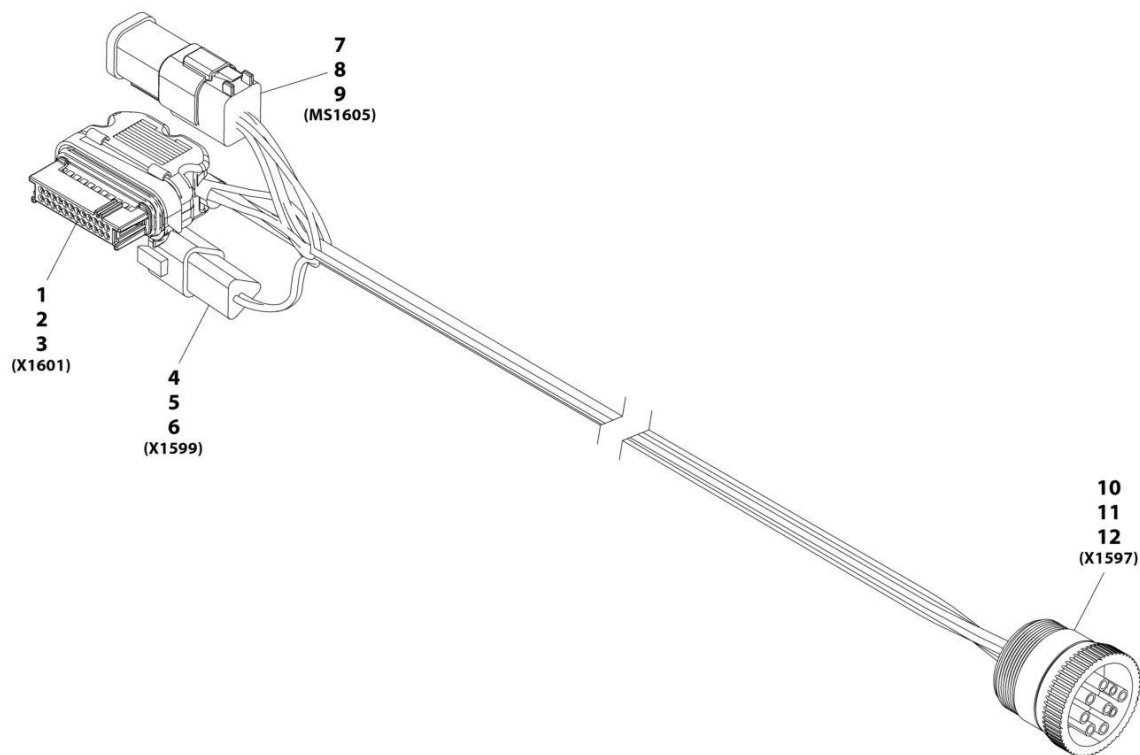
SECTION 8 - ELECTRICAL

FIGURE 8-36. CLEARSKY INSTALLATION 3-WIRE CONNECTION (ALL SPECS EXCEPT CHINA SPECS)

ITEM	PART NUMBER	QTY	DESCRIPTION	REV
	1001276610	Ref	CLEARSKY INSTALLATION 3-WIRE CONNECTION	A
1	4240032	AR	Tie-Strap	
2	1001272659	1	Telematics Control Module Assembly (Note: Re-calibration Required when Replaced)	
3	1001273012	1	ClearSky Harness (See Separate Breakdown in this Section)	

SECTION 8 - ELECTRICAL

FIGURE 8-37. CLEARSKY HARNESS - 3G & 4G CANBUS CONNECTIONS



ART_1001226739-A

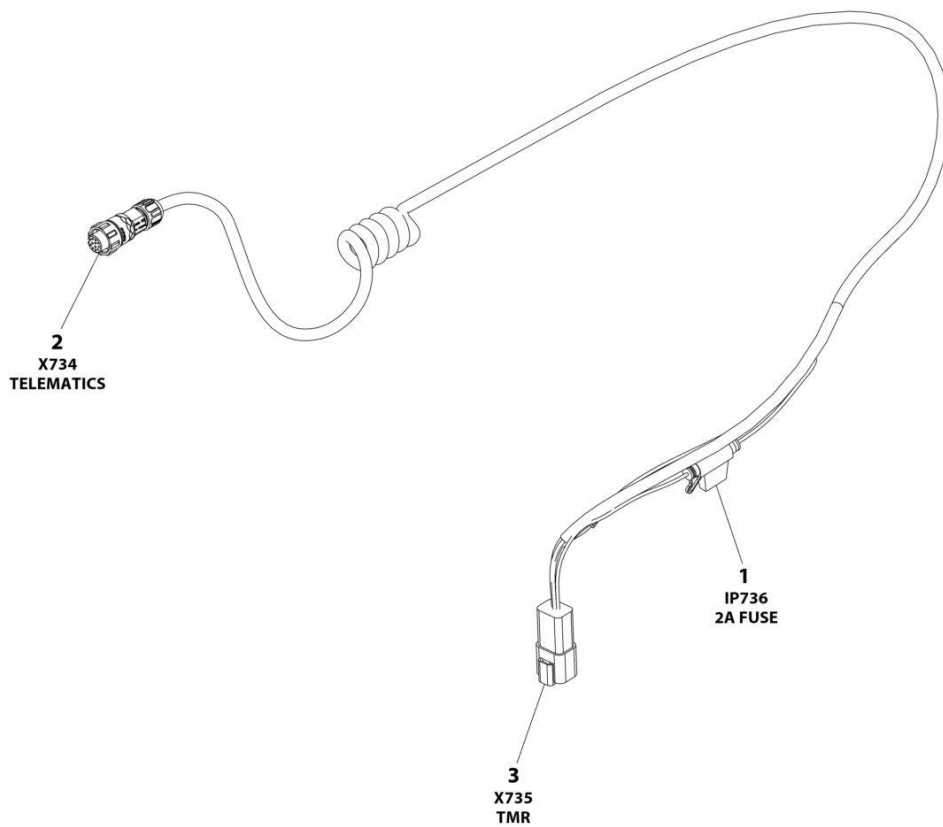
SECTION 8 - ELECTRICAL

FIGURE 8-37. CLEARSKY HARNESS - 3G & 4G CANBUS CONNECTIONS

ITEM	PART NUMBER	QTY	DESCRIPTION	REV
	1001226739	Ref	Clearsky Harness	A
1	1001226636	1	Connector	
2	1001116731	16	Plug, Terminal	
3	1001226637	8	Terminal	
4	1001144147	1	Connector	
5	4460464	2	Terminal	
6	4460466	1	Plug, Terminal	
7	4460894	1	Connector	
8	4460465	6	Terminal	
9	1001226541	1	Connector- 6 Pin Bussbar	
10	1001112796	1	Connector	
11	4460465	8	Terminal	
12	4460466	1	Plug, Terminal	

SECTION 8 - ELECTRICAL

FIGURE 8-38. CLEARSKY HARNESS - 3 WIRE GT1030



ART_1001273012

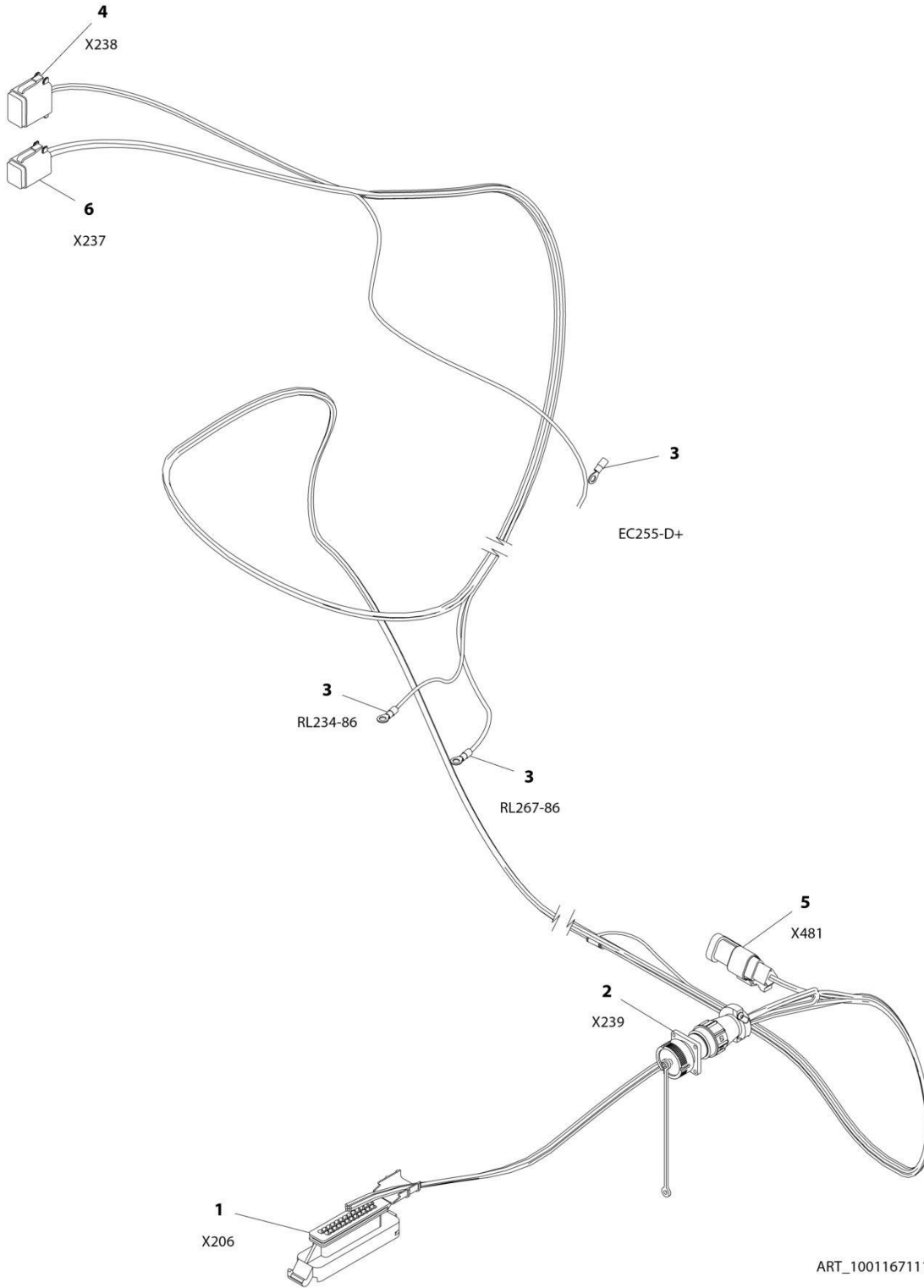
SECTION 8 - ELECTRICAL

FIGURE 8-38. CLEARSKY HARNESS - 3 WIRE GT1030

ITEM	PART NUMBER	QTY	DESCRIPTION	REV
	1001273012	Ref	CLEARSKY TELEMATICS HARNESS - GT1030	D
1	1001255901	1	Fuseholder	
1	1001196634	1	Fuse - 2Amp	
2	1001272997	1	Connector - 12 Position	
2		Ref	Terminal	
3	4460932	1	Receptacle, Female - 4 Position	
3	4460464	4	Pin, Male	

SECTION 8 - ELECTRICAL

FIGURE 8-39. ENGINE HARNESS ASSEMBLY (DEUTZ D2011)



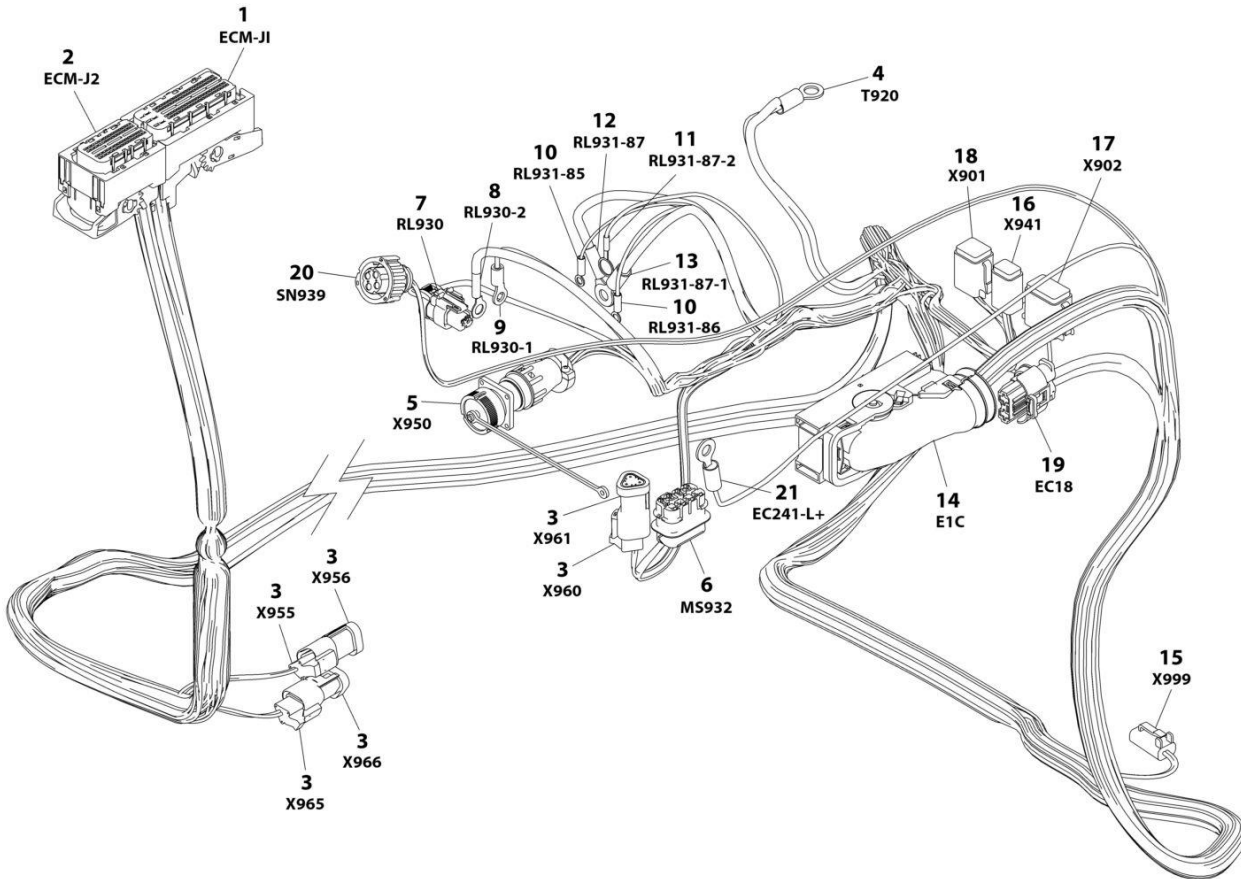
SECTION 8 - ELECTRICAL

FIGURE 8-39. ENGINE HARNESS ASSEMBLY (DEUTZ D2011)

ITEM	PART NUMBER	QTY	DESCRIPTION	REV
	1001167111	Ref	ENGINE HARNESS - DEUTZ D2011	B
1	4461052	1	Connector - 25 Position	
1	4461005	7	Terminal	
1	4461008	18	Plug, Terminal	
2	2902443	1	Receptacle Kit	
2	4461071	8	Socket, Female	
2	4461072	1	Receptacle with Flange - 8 Position	
2	4461073	1	Cap, Dust	
2	4461074	1	Shell, Black	
3	4460313	3	Terminal, Ring	
4	4460930	1	Plug, Male - 8 Position	
4	4460465	2	Socket, Female	
4	4460466	6	Seal, Terminal	
5	4461095	1	Plug, Male - 3 Position	
5	4460465	3	Socket, Female	
6	4460894	1	Plug, Male - 6 Position	
6	4460465	6	Socket, Female	

SECTION 8 - ELECTRICAL

FIGURE 8-40. ENGINE HARNESS - DEUTZ D2.9L4



ART_1001167108_L

SECTION 8 - ELECTRICAL

FIGURE 8-40. ENGINE HARNESS - DEUTZ D2.9L4

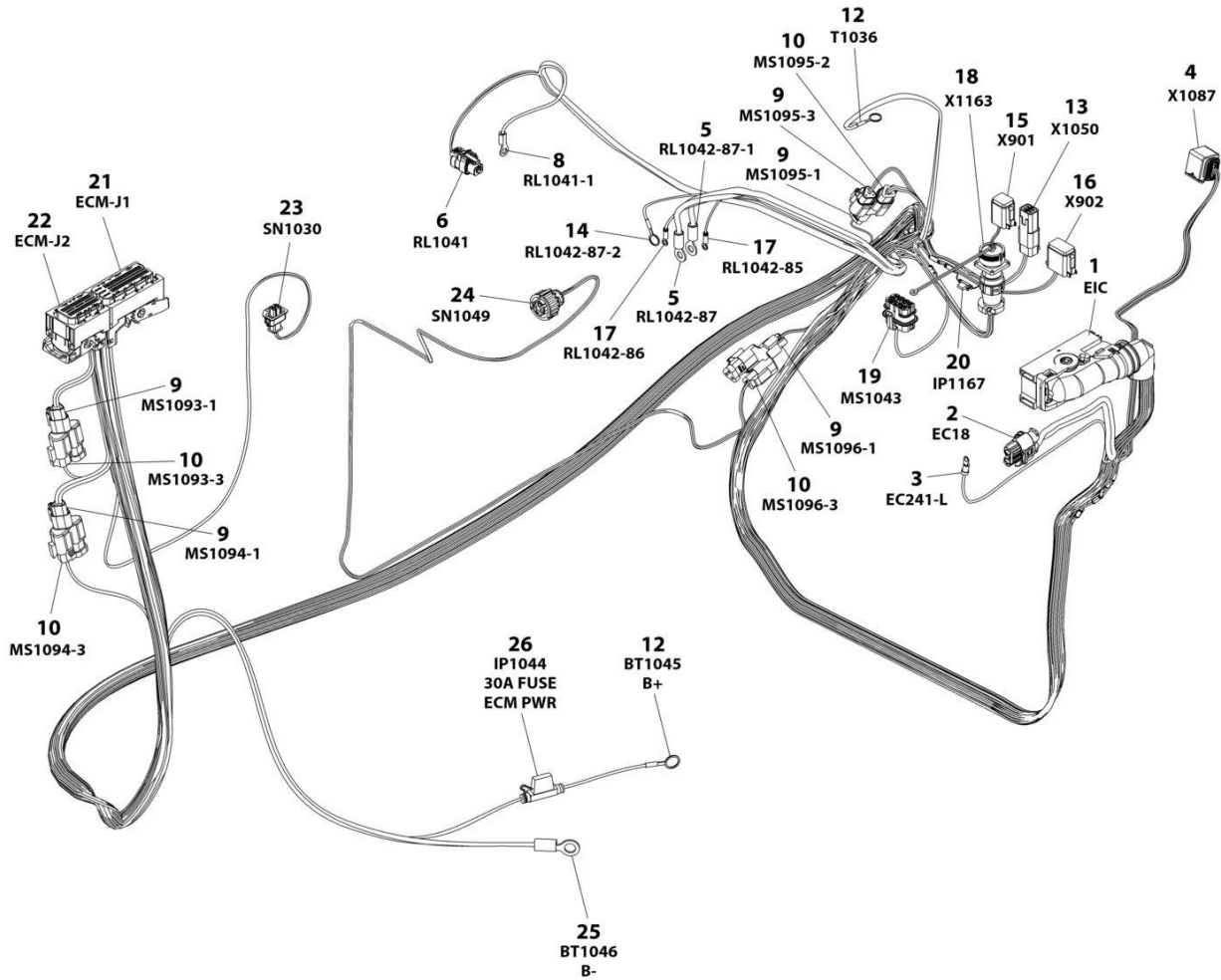
ITEM	PART NUMBER	QTY	DESCRIPTION	REV
	1001167108	Ref	ENGINE HARNESS - DEUTZ D2.9L4	L
1	1001133956	1	Connector, 94 Position	
1	1001182361	6	Terminal	
1	1001126351	2	Terminal	
1	1001230934	17	Terminal	
1	1001230935	63	Plug, Terminal	
1	1001256507	4	Terminal	
1	1001230936	2	Plug, Terminal	
1	1001182365	6	Seal	
2	1001133957	1	Connector - 60 Position	
2	1001230936	11	Plug, Terminal	
2	1001126351	13	Terminal	
2	1001230935	19	Plug, Terminal	
2	1001230934	11	Terminal	
2	1001252527	4	Terminal	
2	1001256507	2	Terminal	
3	4461095	3	Plug, Male - 3 Position	
3	4460944	6	Socket, Female	
3	4460466	3	Plug, Terminal	
3	4461070	3	Connector, Female with Resistor 3 Position	
4	8220115	1	Terminal, Ring	
5	2902443	1	Receptacle Kit	
5	4461071	8	Socket, Female	
5	4461072	1	Receptacle with Flange - 8 Position	
5	4461073	1	Cap, Dust	
5	4461074	1	Shell, Black	
6	80484084	1	Connector - 8 Position	
6	4460746	3	Terminal	
6	1001234800	1	Terminal	
6	4460748	4	Plug, Terminal	
6	4460458	4	Seal	
6	8229242	1	Fuse - 5Amp	
6	80983191	1	Fuse - 10Amp	
6	1001147264	1	Cap	
7	1001116952	1	Plug, Male - 2 Position	
7	4460465	2	Socket, Female	
8	1001117106	1	Terminal, Ring	
9	4460043	1	Terminal, Ring	
10	4460247	2	Terminal, Ring	
11	4460703	1	Terminal, Ring	
12	8220164	1	Terminal, Ring	
13	1001117107	1	Terminal, Ring	
14	1001126362	1	Connector - 62 Position	
14	1001126363	25	Terminal	
14	1001126391	21	Seal, Terminal	
14	1001126392	10	Terminal	
14	4461008	4	Seal, Terminal	
14	1001126365	2	Terminal	
14	1001223459	10	Seal, Terminal	
14	1001126364	23	Seal, Terminal	

SECTION 8 - ELECTRICAL

ITEM	PART NUMBER	QTY	DESCRIPTION	REV
14	1001256506	2	Seal, Terminal	
14	4461054	2	Seal, Terminal	
15	4460891	1	Plug, Male - 2 Position	
15	4460465	2	Socket, Female	
16	1001220379	1	Plug, Male - 4 Position	
16	4460465	2	Socket, Female	
16	4460942	2	Socket, Female	
17	4460930	1	Plug, Male - 8 Position	
17	4460465	1	Socket, Female	
17	4460466	7	Seal, Terminal	
18	4460894	1	Plug, Male - 6 Position	
18	4460465	3	Socket, Female	
18	4460944	2	Socket, Female	
18	4460466	1	Plug, Terminal	
19	1001142938	1	Connector - 2 Position	
19	1001142940	2	Terminal	
19	1001142941	2	Seal, Terminal	
20	1001133714	1	Plug, Male - 4 Position	
20	1001133715	3	Terminal	
20	1001135651	1	Plug, Terminal	
20	1001135650	3	Seal	
21	4460042	1	Terminal, Ring	

SECTION 8 - ELECTRICAL

FIGURE 8-41. ENGINE HARNESS - DEUTZ D2.9L4 (STAGE V) ENGINE



ART_1001276643

SECTION 8 - ELECTRICAL

FIGURE 8-41. ENGINE HARNESS - DEUTZ D2.9L4 (STAGE V) ENGINE

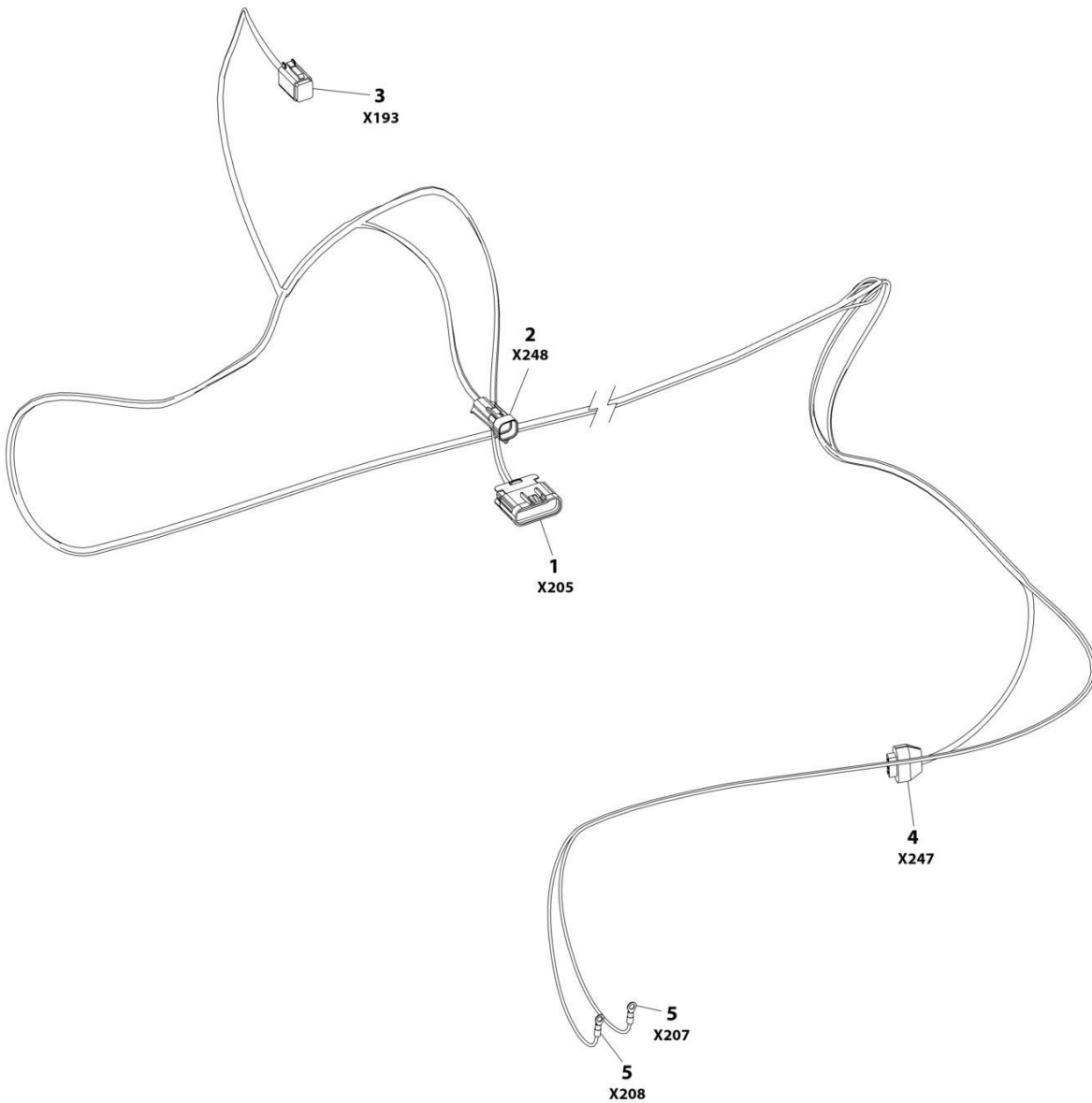
ITEM	PART NUMBER	QTY	DESCRIPTION	REV
	1001276643	Ref	ENGINE HARNESS - DEUTZ D2.9L4 (STAGE V) ENGINE	B
1	1001126362	1	Connector	
1	1001126363	37	Socket	
1	1001126391	7	Plug, Terminal	
1	1001126392	12	Socket	
1	4461008	4	Plug, Terminal	
1	1001167632	2	Socket	
1	1001126364	37	Plug, Terminal	
1	1001223459	12	Seal	
1	4461054	2	Seal	
2	1001142938	1	Connector	
2	1001142940	2	Socket	
2	1001142941	2	Seal	
3	4460042	1	Terminal, Ring	
4	1001239202	1	Connector	
4	1001126363	7	Socket	
4	1001126391	1	Plug, Terminal	
4	1001126364	7	Plug, Terminal	
5	1001117107	2	Terminal, Ring	
6	1001116952	1	Connector	
6	4460465	2	Socket	
8	4460043	1	Terminal, Ring	
9	1001116812	5	Connector	
9	4460944	10	Socket	
9	4460466	5	Plug, Terminal	
10	4460539	4	Connector	
10	4460944	8	Socket	
10	4460466	4	Plug, Terminal	
12	4460019	2	Terminal, Ring	
13	4460884	1	Connector	
13	4460465	2	Socket	
13	4460942	2	Socket	
14	4460703	1	Terminal, Ring	
15	4460894	1	Connector	
15	4460466	2	Plug, Terminal	
15	4460465	2	Socket	
15	4460944	2	Socket	
16	4460930	1	Connector	
16	4460465	1	Socket	
16	4460466	7	Plug, Terminal	
17	4460247	2	Terminal, Ring	
18	2902443	1	Receptacle Kit	
18	4461071	8	Socket	
18	4461072	1	Receptacle with Flange - 8 Position	
18	4461073	1	Cap, Dust	
18	4461074	1	Shell, Black	
19	80484084	1	Connector	
19	4460748	4	Plug, Socket	
19	4460746	3	Socket	
19	1001234800	1	Socket	

SECTION 8 - ELECTRICAL

ITEM	PART NUMBER	QTY	DESCRIPTION	REV
19	4460458	4	Seal	
20	1001170764	1	Holder, Fuse	
20	1001197719	1	Fuse 0.5 Watt	
21	1001133956	1	Connector	
21	1001182361	6	Socket	
21	1001126351	3	Socket	
21	1001230934	23	Socket	
21	1001230935	57	Pin	
21	1001230936	1	Pin	
21	1001252527	4	Socket	
21	1001182365	6	Seal	
22	1001133957	1	Connector	
22	1001230936	11	Pin	
22	1001126351	13	Socket	
22	1001230935	10	Pin	
22	1001230934	26	Socket	
23	1001126487	1	Connector	
23	1001167635	2	Socket	
23	1001126485	2	Seal	
24	1001133714	1	Connector	
24	1001133715	3	Socket	
24	1001135651	1	Plug, Terminal	
24	1001135650	2	Seal	
25	4460115	1	Terminal, Ring	
26	1001172064	1	Fuse Holder (Includes Cover)	
26	1001172065	1	Fuse 30Amp	

SECTION 8 - ELECTRICAL

FIGURE 8-42. ENGINE HARNESS ASSEMBLY (KUBOTA)



ART_1001213599

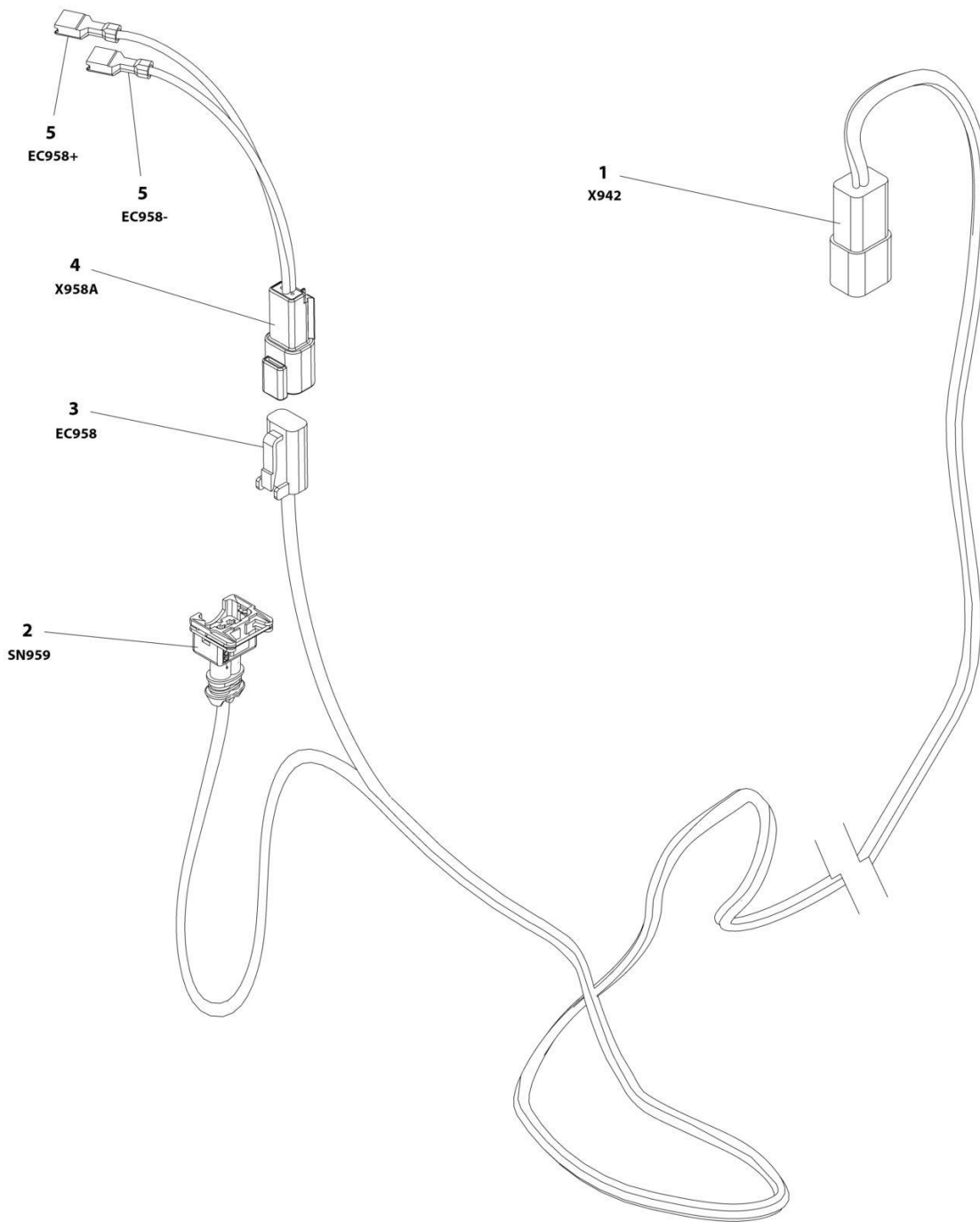
SECTION 8 - ELECTRICAL

FIGURE 8-42. ENGINE HARNESS ASSEMBLY (KUBOTA)

ITEM	PART NUMBER	QTY	DESCRIPTION	REV
	1001213599	Ref	ENGINE HARNESS - KUBOTA	C
1	4461109	1	Plug, Male - 16 Position	
1	4461111	7	Terminal	
1	4461113	9	Plug	
2	4461124	1	Connector - 4 Position	
2	4460693	4	Terminal	
3	4460894	1	Plug, Male - 6 Position	
3	4460465	5	Socket, Female	
3	4460466	1	Plug, Terminal	
4	4461121	1	Plug, Male - 4 Position	
4	4461122	4	Terminal	
4	4461123	4	Seal	
5	4460042	2	Terminal, Ring	

SECTION 8 - ELECTRICAL

FIGURE 8-43. FUEL HARNESS (DEUTZ D2.9L4 ENGINES)



ART_1001173342

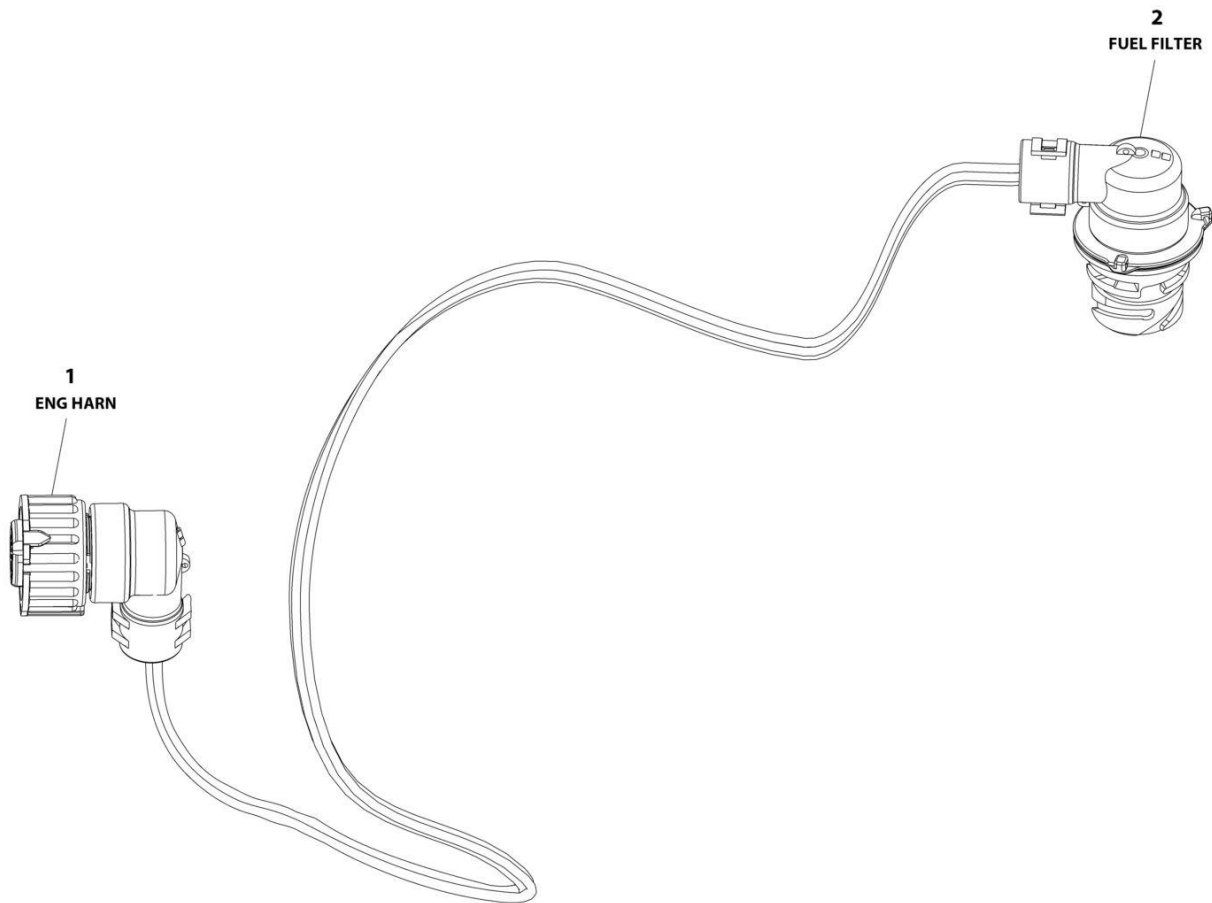
SECTION 8 - ELECTRICAL

FIGURE 8-43. FUEL HARNESS (DEUTZ D2.9L4 ENGINES)

ITEM	PART NUMBER	QTY	DESCRIPTION	REV
	1001173342	Ref	FUEL HARNESS - DEUTZ D2.9L4 ENGINE	C
1	4460932	1	Receptacle, Female - 4 Position	
1	4460464	2	Pin, Male	
1	4460941	2	Pin, Male	
2	1001116983	1	Plug, Male - 2 Position	
2	1001116710	2	Socket, Female	
3	4460891	1	Plug, Male - 2 Position	
3	4460942	2	Socket, Female	
4	4460897	1	Receptacle, Female - 2 Position	
4	4460941	2	Pin, Male	
5	8220051	2	Coupler, Female	

SECTION 8 - ELECTRICAL

FIGURE 8-44. FUEL HARNESS - DEUTZ D2.9L4 (STAGE V) ENGINE



ART_1001245913

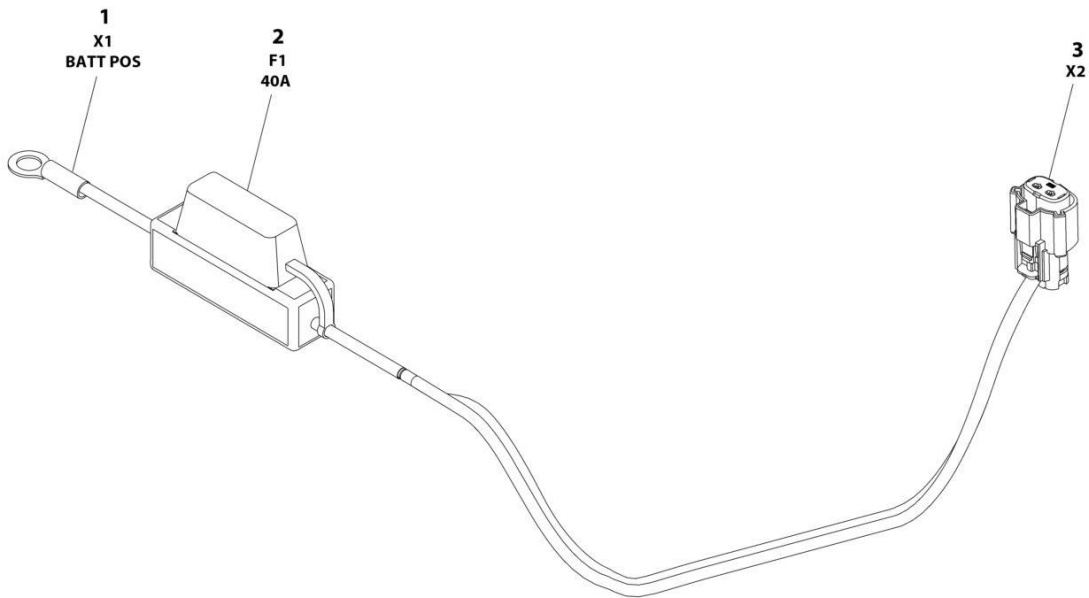
SECTION 8 - ELECTRICAL

FIGURE 8-44. FUEL HARNESS - DEUTZ D2.9L4 (STAGE V) ENGINE

ITEM	PART NUMBER	QTY	DESCRIPTION	REV
	1001245913	Ref	FUEL HARNESS - DEUTZ (STAGE V) ENGINE	D
1	1001148842	1	Connector - 4 Position	
1	1001148841	4	Pin, Male	
1	1001135650	4	Seal	
2	1001133714	1	Plug, Male - 4 Position	
2	1001133715	4	Socket, Female	
2	1001135650	4	Seal	

SECTION 8 - ELECTRICAL

FIGURE 8-45. FUEL HARNESS (KUBOTA ENGINES)



ART_1001229798

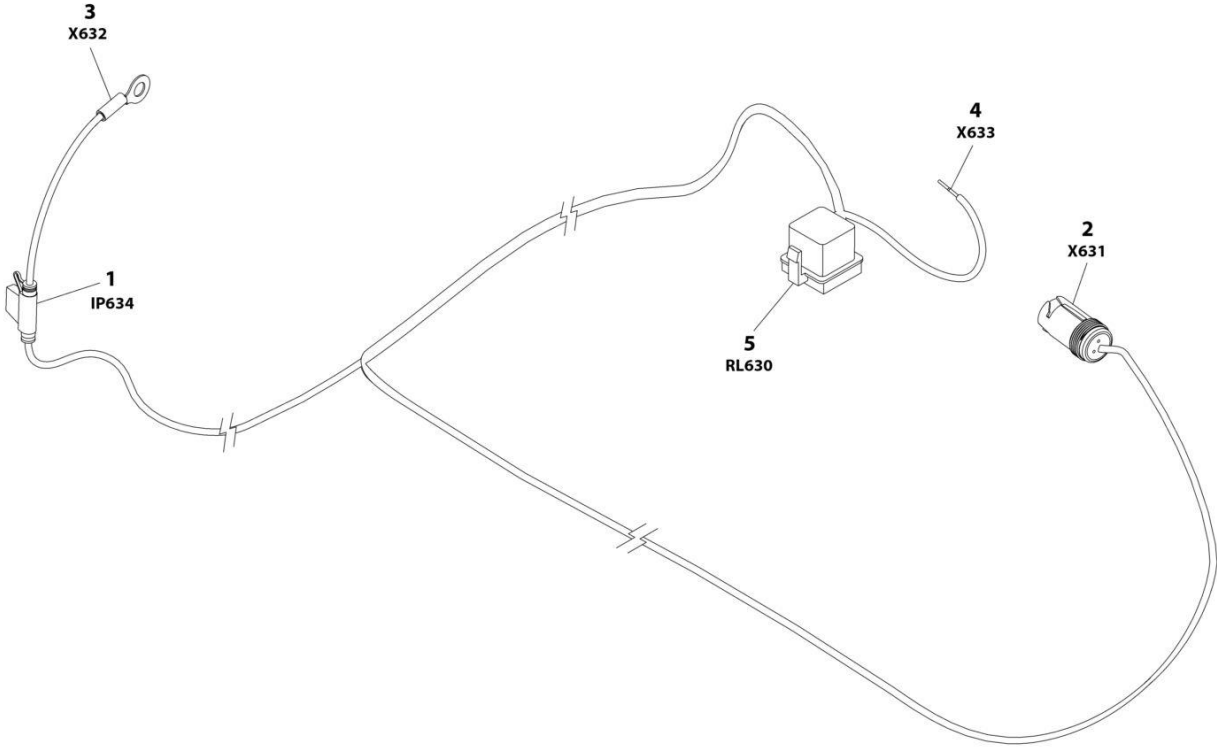
SECTION 8 - ELECTRICAL

FIGURE 8-45. FUEL HARNESS (KUBOTA ENGINES)

ITEM	PART NUMBER	QTY	DESCRIPTION	REV
	1001229798	Ref	FUEL HARNESS - KUBOTA ENGINE	A
1	4460977	1	Terminal, Ring	
2	2400082	1	Fuse 40Amp	
3	1001229795	1	Connector - 2 Position	
3	1001229796	1	Socket, Female	

SECTION 8 - ELECTRICAL

FIGURE 8-46. GENERATOR HARNESS - 2500W GENERATOR



ART_1001187522

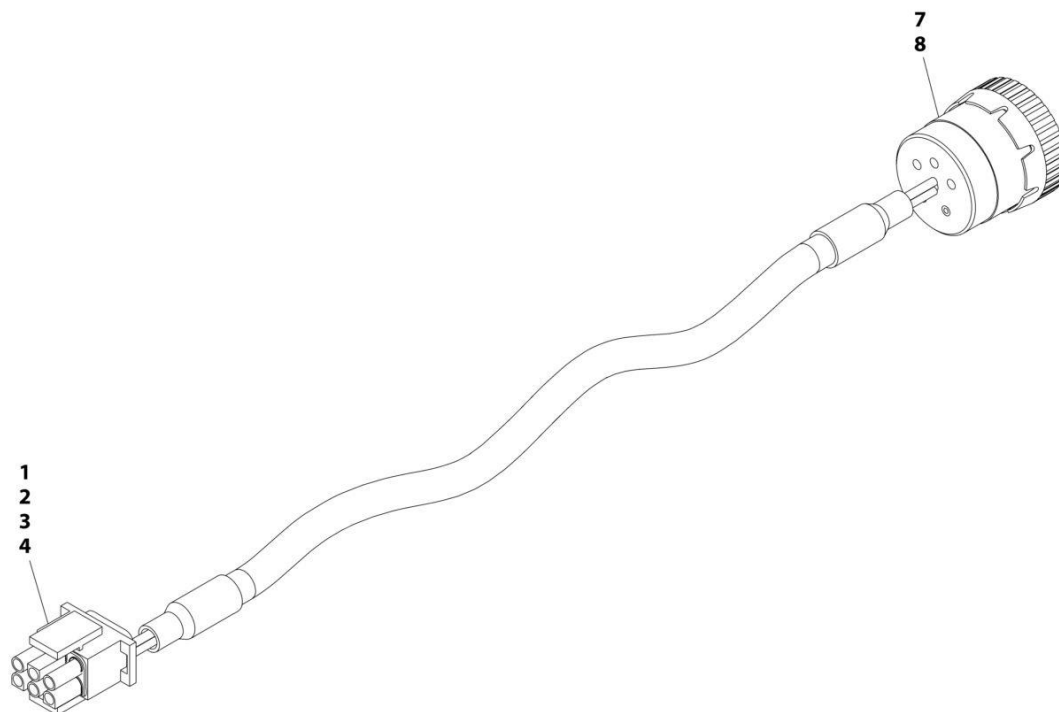
SECTION 8 - ELECTRICAL

FIGURE 8-46. GENERATOR HARNESS - 2500W GENERATOR

ITEM	PART NUMBER	QTY	DESCRIPTION	REV
	1001187522	Ref	GENERATOR HARNESS - 2500W	B
1	2400066	1	Fuseholder - 30Amp (Includes Cover)	
1	8229245	1	Fuse 30Amp	
2	1001154726	1	Receptacle, Female - 3 Position	
2	4460464	2	Pin, Male	
2	4460466	1	Plug, Terminal	
3	8220045	1	Terminal, Ring	
4	4460906	1	Socket, Female	
5	1001117057	1	Connector, Relay	
5	1001116734	2	Terminal	
5	1001116732	2	Terminal	
5	3740080	1	Relay	

SECTION 8 - ELECTRICAL

**FIGURE 8-47. GENERATOR HARNESS - 4000W GENERATOR (CONTROL BOX TO GENERATOR)
(DEUTZ ENGINES)**



ART_1001152532

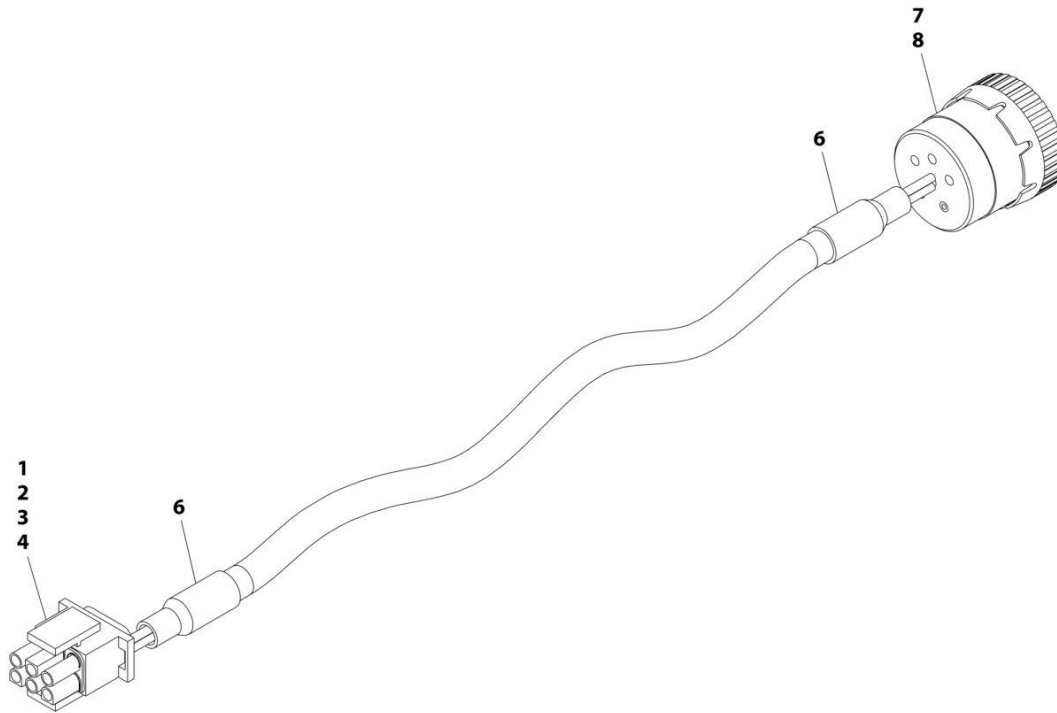
SECTION 8 - ELECTRICAL

**FIGURE 8-47. GENERATOR HARNESS - 4000W GENERATOR (CONTROL BOX TO GENERATOR)
(DEUTZ ENGINES)**

ITEM	PART NUMBER	QTY	DESCRIPTION	REV
	1001152532	Ref	GENERATOR HARNESS	A
1	4460225	1	Connector - 6 Position	
2	4460268	2	Socket, Female	
3	4460807	1	Seal	
4	4460808	1	Seal	
7	4460465	2	Socket, Female	
8	77363233	1	Connector - 6 Position	

SECTION 8 - ELECTRICAL

FIGURE 8-48. GENERATOR HARNESS - 7500W GENERATOR (CONTROL BOX TO GENERATOR)



ART_4922925

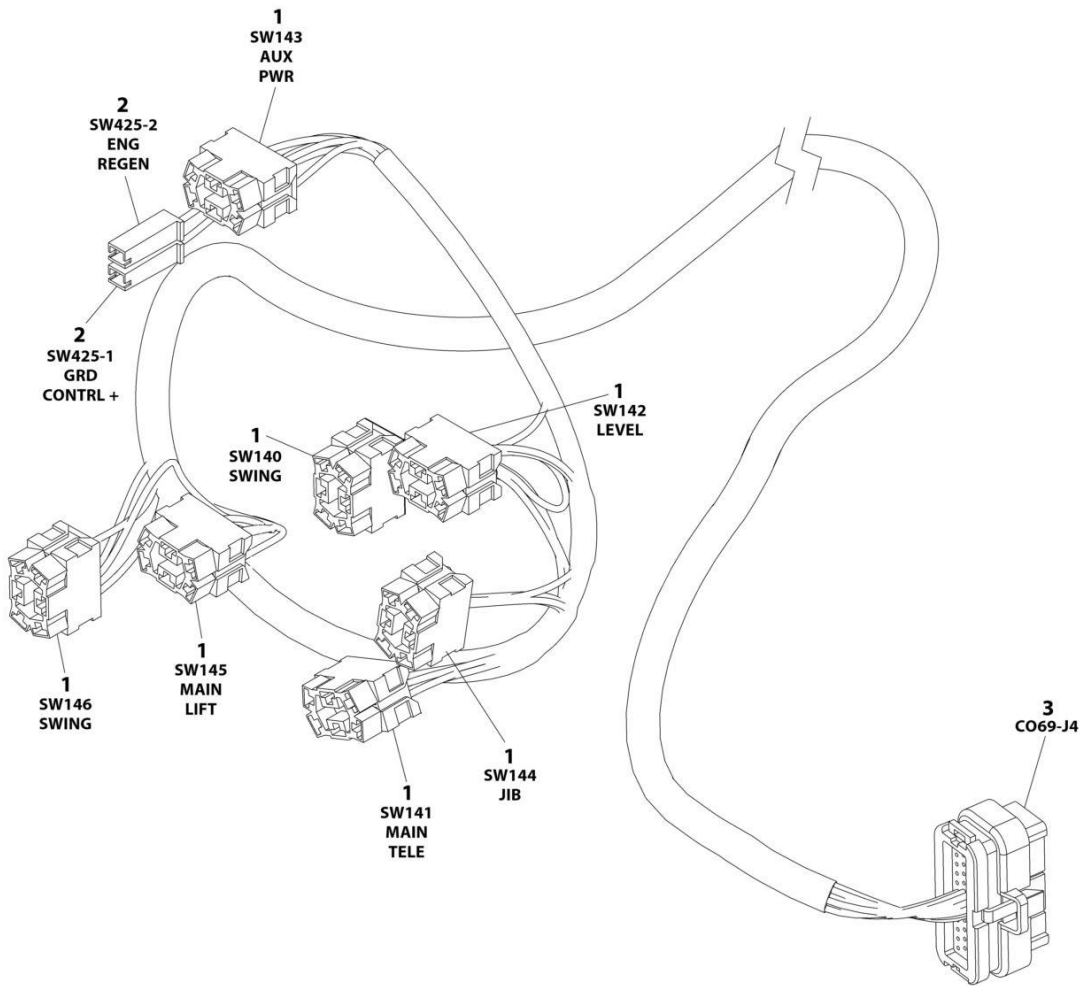
SECTION 8 - ELECTRICAL

FIGURE 8-48. GENERATOR HARNESS - 7500W GENERATOR (CONTROL BOX TO GENERATOR)

ITEM	PART NUMBER	QTY	DESCRIPTION	REV
	4922925	Ref	GENERATOR TO CONTROL BOX HARNESS (7500W GENERATOR)	C
1	4460225	1	Plug, Male - 2 Position	
2	4460268	6	Socket, Female	
3	4460807	1	Seal	
4	4460808	1	Seal	
6	2820019	AR	Heat Shrink	
7	4460465	6	Socket, Female	
8	77363233	1	Connector - 6 Position	

SECTION 8 - ELECTRICAL

FIGURE 8-49. GROUND CONTROL BOX HARNESS



ART_1001238161

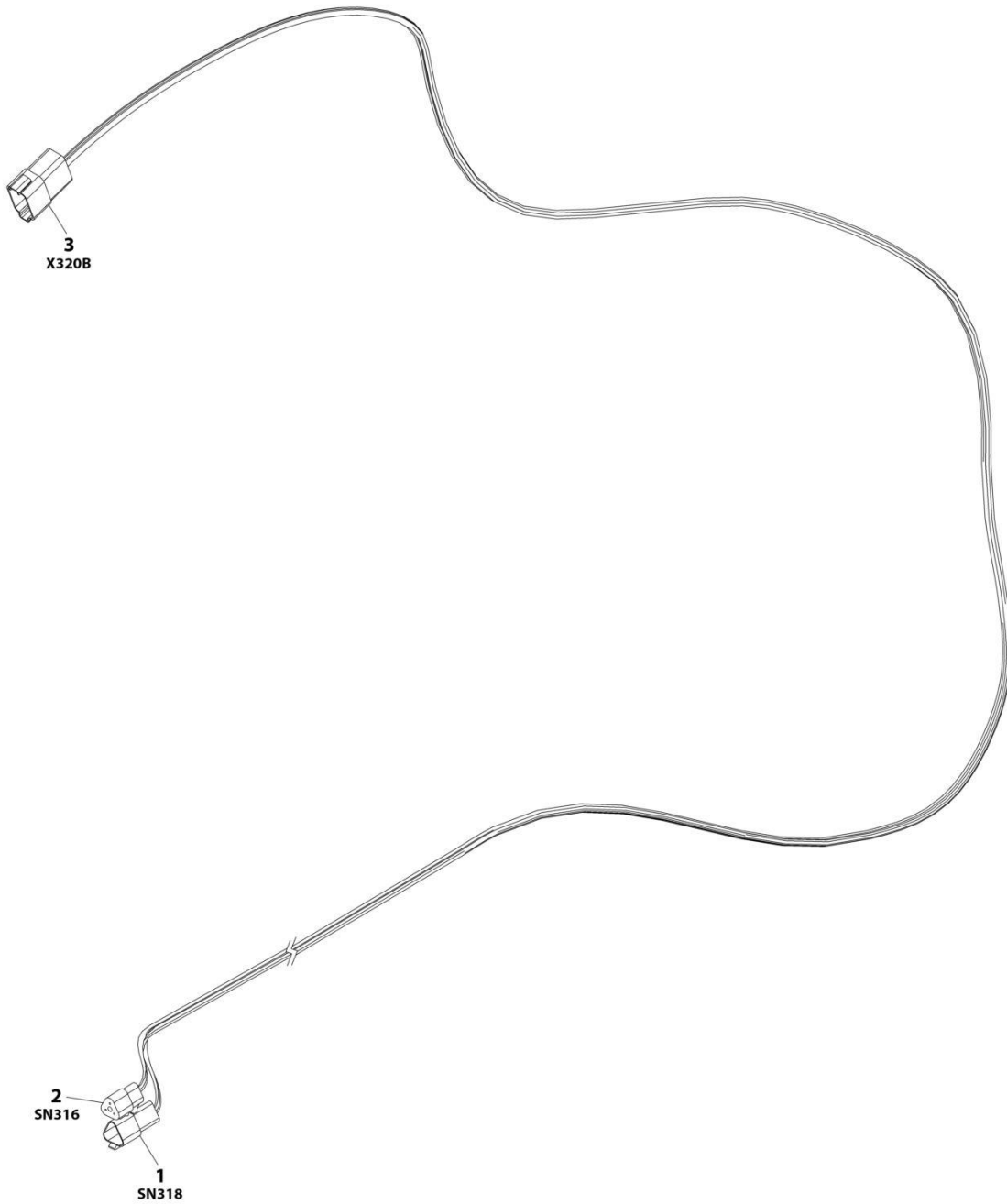
SECTION 8 - ELECTRICAL

FIGURE 8-49. GROUND CONTROL BOX HARNESS

ITEM	PART NUMBER	QTY	DESCRIPTION	REV
	1001238161	Ref	GROUND CONTROL BOX HARNESS	C
1	4460418	7	Connector - 6 Position	
1	4460419	27	Terminal	
2	4460260	2	Housing, Terminal	
2	4460259	2	Terminal	
3	4460876	1	Connector - 35 Position	
3	4460871	16	Socket, Female	
3	4460905	19	Plug, Terminal	

SECTION 8 - ELECTRICAL

FIGURE 8-50. HIGH CAPACITY HARNESS (460SJ HC3)



ART_1001248183

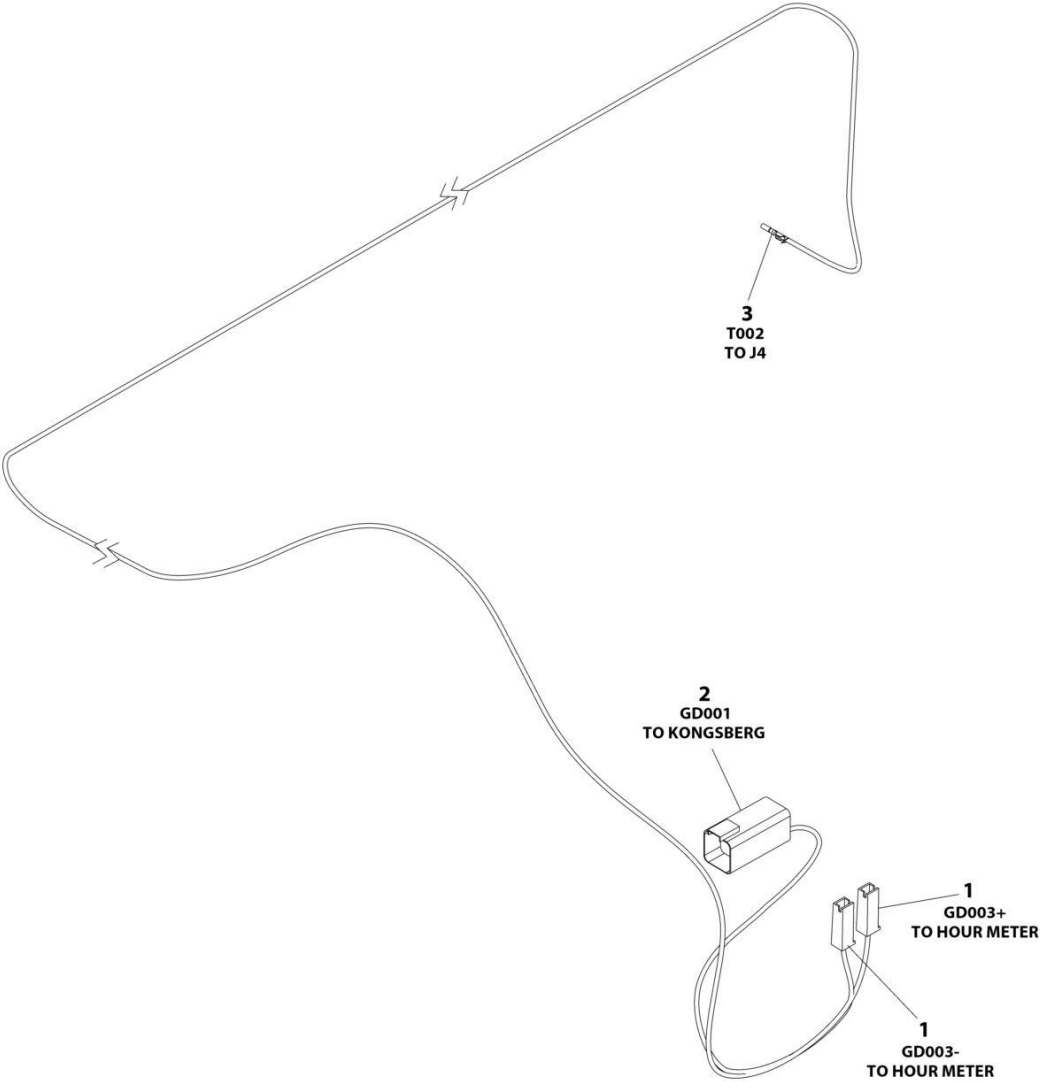
SECTION 8 - ELECTRICAL

FIGURE 8-50. HIGH CAPACITY HARNESS (460SJ HC3)

ITEM	PART NUMBER	QTY	DESCRIPTION	REV
	1001248183	Ref	HIGH CAPACITY HARNESS	B
1	4460536	1	Receptacle, Female - 3 Position	
1	4460464	3	Pin, Male	
2	4460539	1	Plug, Male - 3 Position	
2	4460465	1	Socket, Female	
3	4460931	1	Receptacle, Female - 8 Position	
3	4460464	1	Pin, Male	
3	4460466	2	Plug, Terminal	

SECTION 8 - ELECTRICAL

FIGURE 8-51. HOUR METER JUMPER HARNESS



ART_1001296426

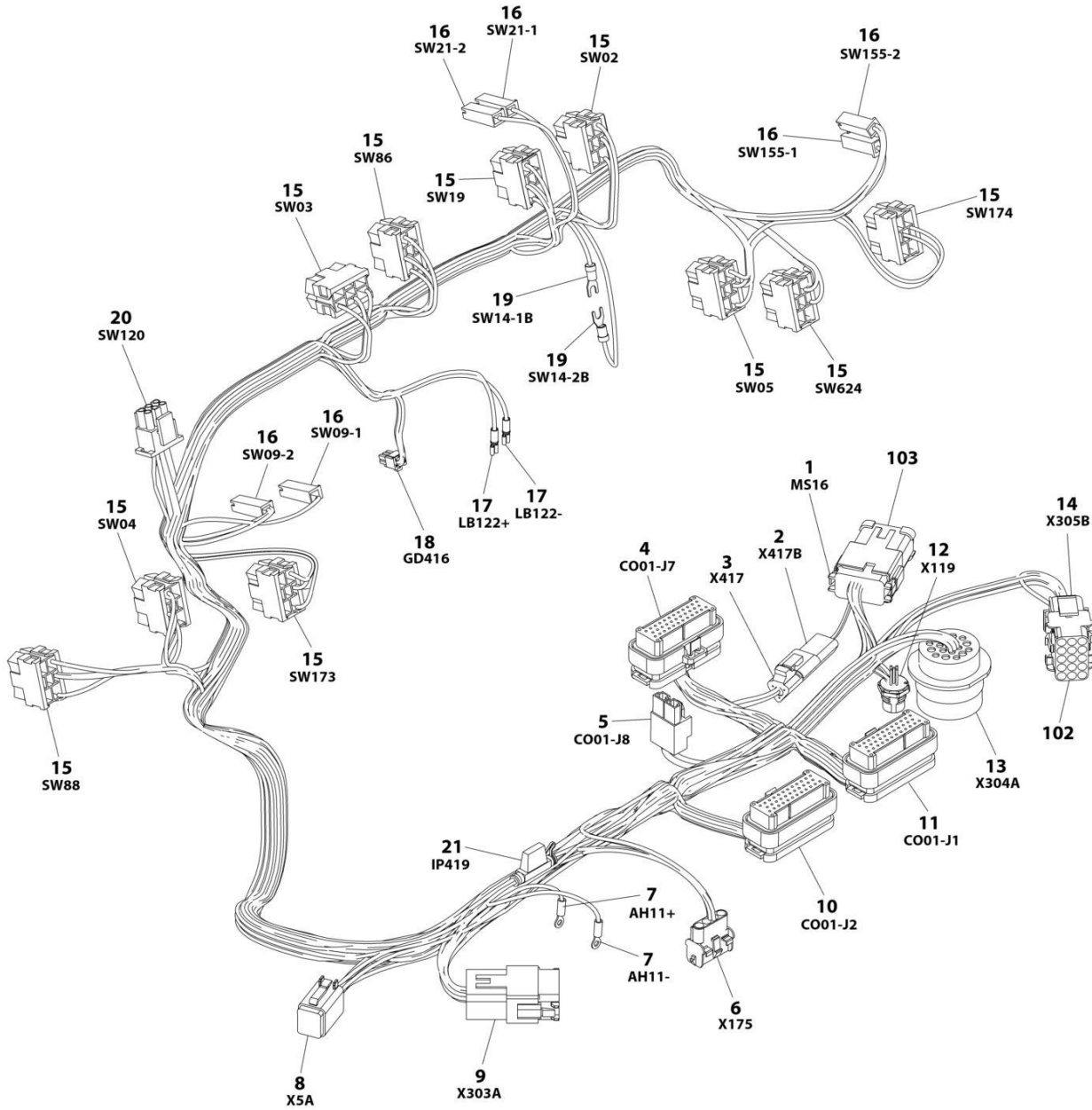
SECTION 8 - ELECTRICAL

FIGURE 8-51. HOUR METER JUMPER HARNESS

ITEM	PART NUMBER	QTY	DESCRIPTION	REV
	1001296426	Ref	HOUR METER JUMPER HARNESS	A
1	4460260	2	Connector	
2	4460899	1	Connector	
3	4460871	1	Socket	

SECTION 8 - ELECTRICAL

FIGURE 8-52. PLATFORM CONSOLE BOX HARNESS



ART_1001238254

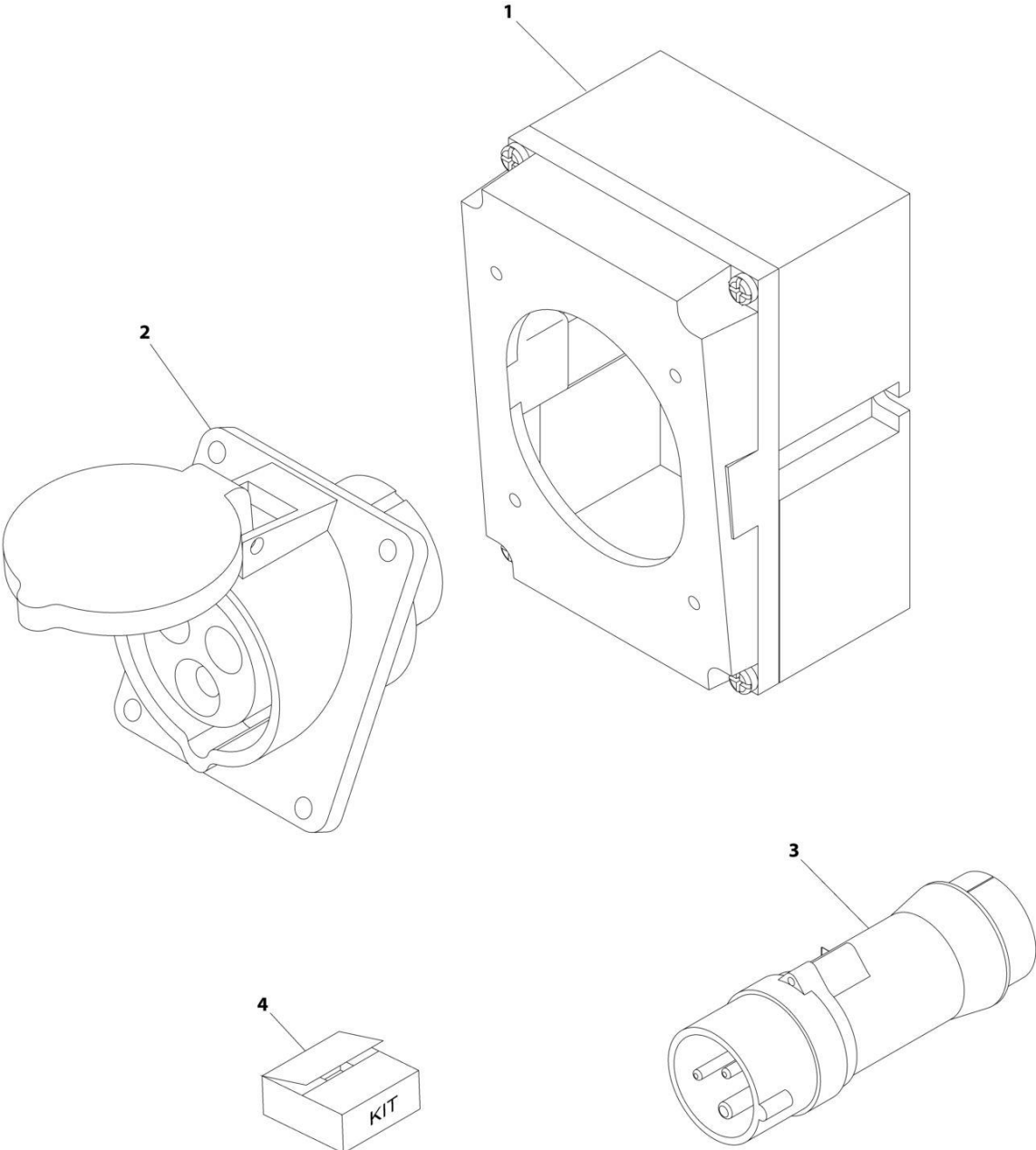
SECTION 8 - ELECTRICAL

FIGURE 8-52. PLATFORM CONSOLE BOX HARNESS

ITEM	PART NUMBER	QTY	DESCRIPTION	REV
	1001238254	Ref	PLATFORM CONSOLE BOX HARNESS	I
1	4460933	1	Plug, Male - 12 Position	
1	4460465	10	Socket, Female	
1	4460466	2	Plug, Terminal	
2	4460536	1	Receptacle, Female - 3 Position	
2	4460464	2	Pin, Male	
2	4460466	1	Plug, Terminal	
3	4460539	1	Plug, Male - 3 Position	
3	4460465	2	Socket, Female	
3	4460466	1	Plug, Terminal	
4	4460873	1	Connector - 35 Position	
4	4460871	21	Socket, Female	
4	4460905	14	Plug, Terminal	
5	4460879	1	Plug, Male - 2 Position	
5	4460887	2	Terminal	
6	4460761	1	Receptacle, Female - 4 Position	
6	4460267	4	Pin, Male	
7	1001098122	2	Terminal, Ring	
8	4460894	1	Plug, Male - 6 Position	
8	4460465	6	Socket, Female	
9	4460970	1	Receptacle, Female - 12 Position	
9	1001116693	11	Pin, Male	
9	4460466	1	Plug, Terminal	
10	4460875	1	Connector - 35 Position	
10	4460871	12	Socket, Female	
10	4460905	23	Plug, Terminal	
11	4460874	1	Connector - 35 Position	
11	4460871	27	Socket, Female	
11	4460905	8	Plug, Terminal	
12	1001213447	1	Connector - 4 Position	
12	See Note	NSS	Terminal (Note: Purchase p/n 1001213447)	
13	4460866	1	Connector - 19 Position	
13	4460464	5	Pin, Male	
13	4460466	11	Plug, Terminal	
13	4460508	1	Pin, Male	
14	4460434	1	Connector - 15 Position	
14	4460267	8	Pin. Male	
15	4460418	10	Connector - 6 Position	
15	4460419	45	Terminal	
16	4460260	6	Housing, Terminal	
16	4460259	8	Terminal	
17	1001271497	2	Terminal	
18	1001237667	1	Plug, Male - 6 Position	
18	1001237668	4	Terminal	
19	4460183	2	Terminal, Fork	
20	4460225	1	Plug, Male - 6 Position	
20	4460227	6	Pin, Male (Note: Used on Pump Potentiometer Connection Only)	
21	2400060	1	Fuse Holder	
102	4460708	1	Connector, Bussbar - 15 Position	
103	1001125677	1	Connector, Bussbar - 12 Position	

SECTION 8 - ELECTRICAL

FIGURE 8-53. RECEPTACLE BOX KIT - 110V IEC YELLOW (CE & UK CA SPEC)



ART_0275216

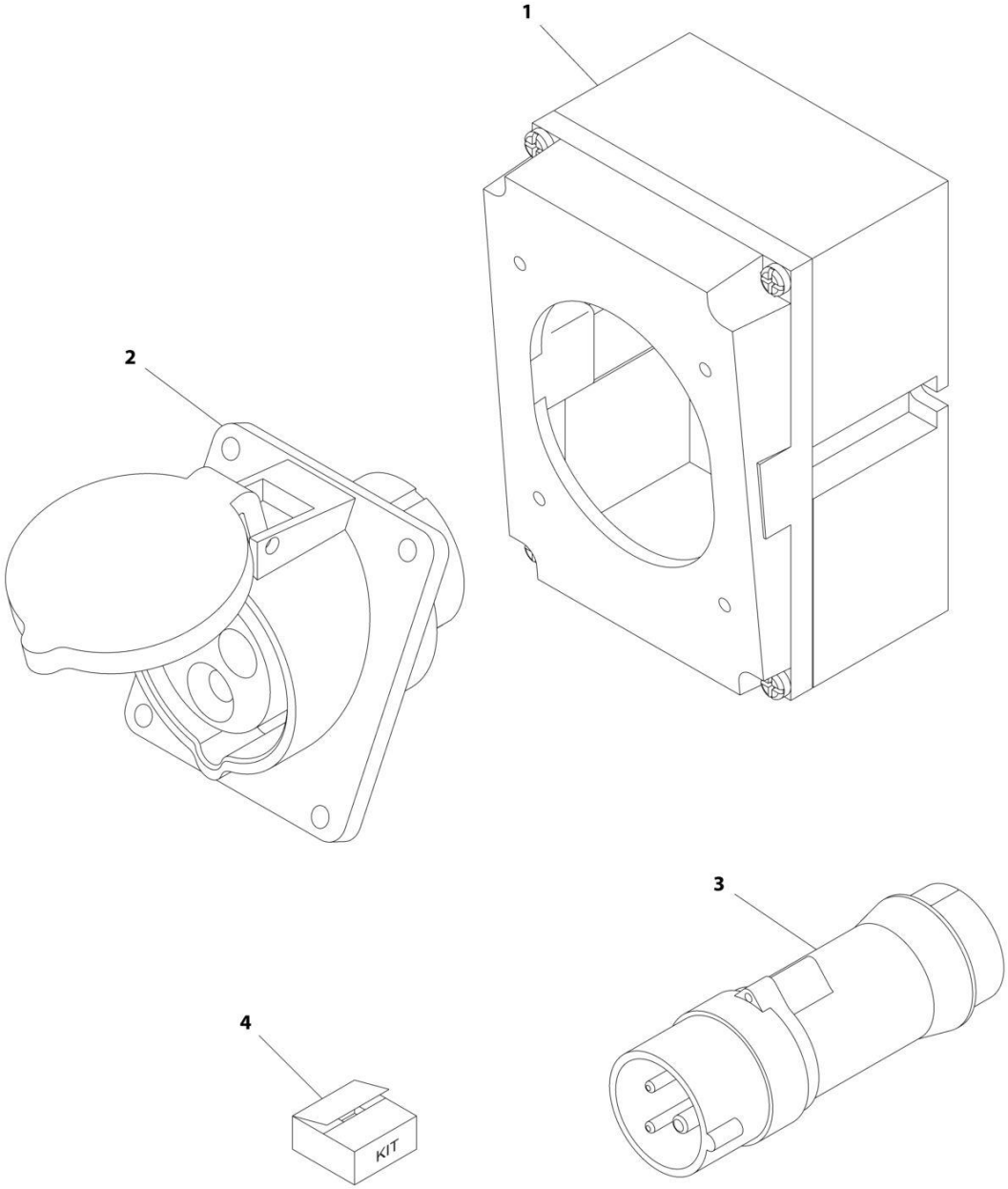
SECTION 8 - ELECTRICAL

FIGURE 8-53. RECEPTACLE BOX KIT - 110V IEC YELLOW (CE & UK CA SPEC)

ITEM	PART NUMBER	QTY	DESCRIPTION	REV
	0275216	Ref	RECEPTACLE BOX KIT - 110V IEC YELLOW	B
1	0861781	1	Box, Switch	
2	4461198	1	Receptacle	
3	4461196	1	Plug, Male	
4	1001100341	1	Plug and Socket Kit (Includes Items 1-3 and Female Plug p/n 4461197)	

SECTION 8 - ELECTRICAL

FIGURE 8-54. RECEPTACLE BOX KIT - 220V IEC BLUE (CE & UK CA SPEC)



ART_0275217

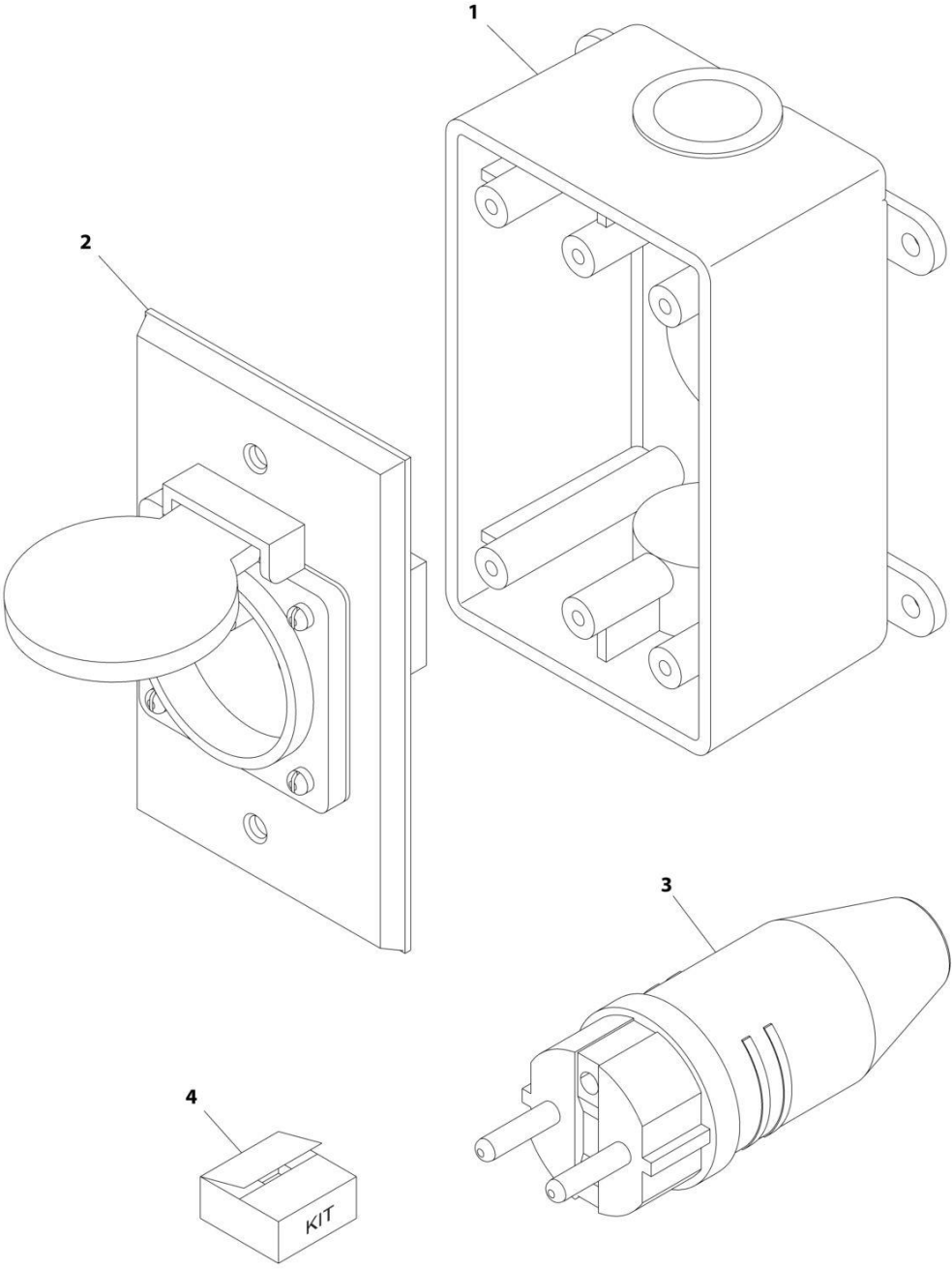
SECTION 8 - ELECTRICAL

FIGURE 8-54. RECEPTACLE BOX KIT - 220V IEC BLUE (CE & UK CA SPEC)

ITEM	PART NUMBER	QTY	DESCRIPTION	REV
	0275217	Ref	RECEPTACLE BOX KIT - 220V IEC BLUE	B
1	0861781	1	Box, Switch	
2	4461201	1	Receptacle	
3	4461199	1	Plug, Male	
4	1001100342	1	Plug and Socket Kit (Includes Items 1-3 and Female Plug p/n 4461200)	

SECTION 8 - ELECTRICAL

FIGURE 8-55. RECEPTACLE BOX KIT - 220V CEE7 POST GROUND (CE & UK CA SPEC)



ART_0275452-C

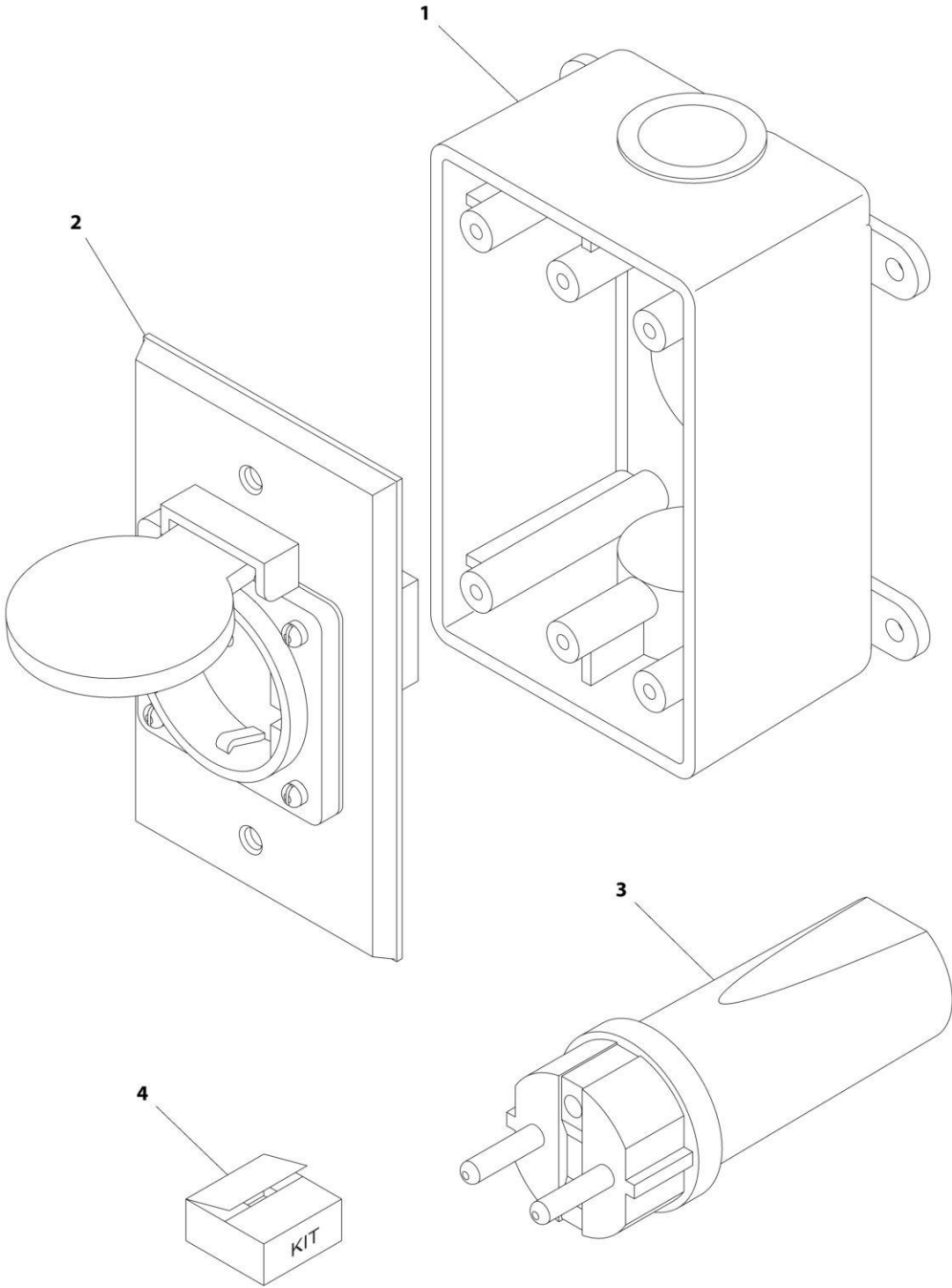
SECTION 8 - ELECTRICAL

FIGURE 8-55. RECEPTACLE BOX KIT - 220V CEE7 POST GROUND (CE & UK CA SPEC)

ITEM	PART NUMBER	QTY	DESCRIPTION	REV
	0275452	Ref	RECEPTACLE BOX KIT - 220V CEE7 POST GROUND 2IN X 4IN BOX	C
1	0861731	1	Box, Switch	
2	4461244	1	Receptacle	
3	4461205	1	Plug, Male	
4	1001100345	1	Plug and Socket Kit (Includes Items 1-3 and Female Plug p/n 4461203)	

SECTION 8 - ELECTRICAL

FIGURE 8-56. RECEPTACLE BOX KIT - 220V CEE7 SIDE GROUND (CE & UK CA SPEC)



ART_0275453

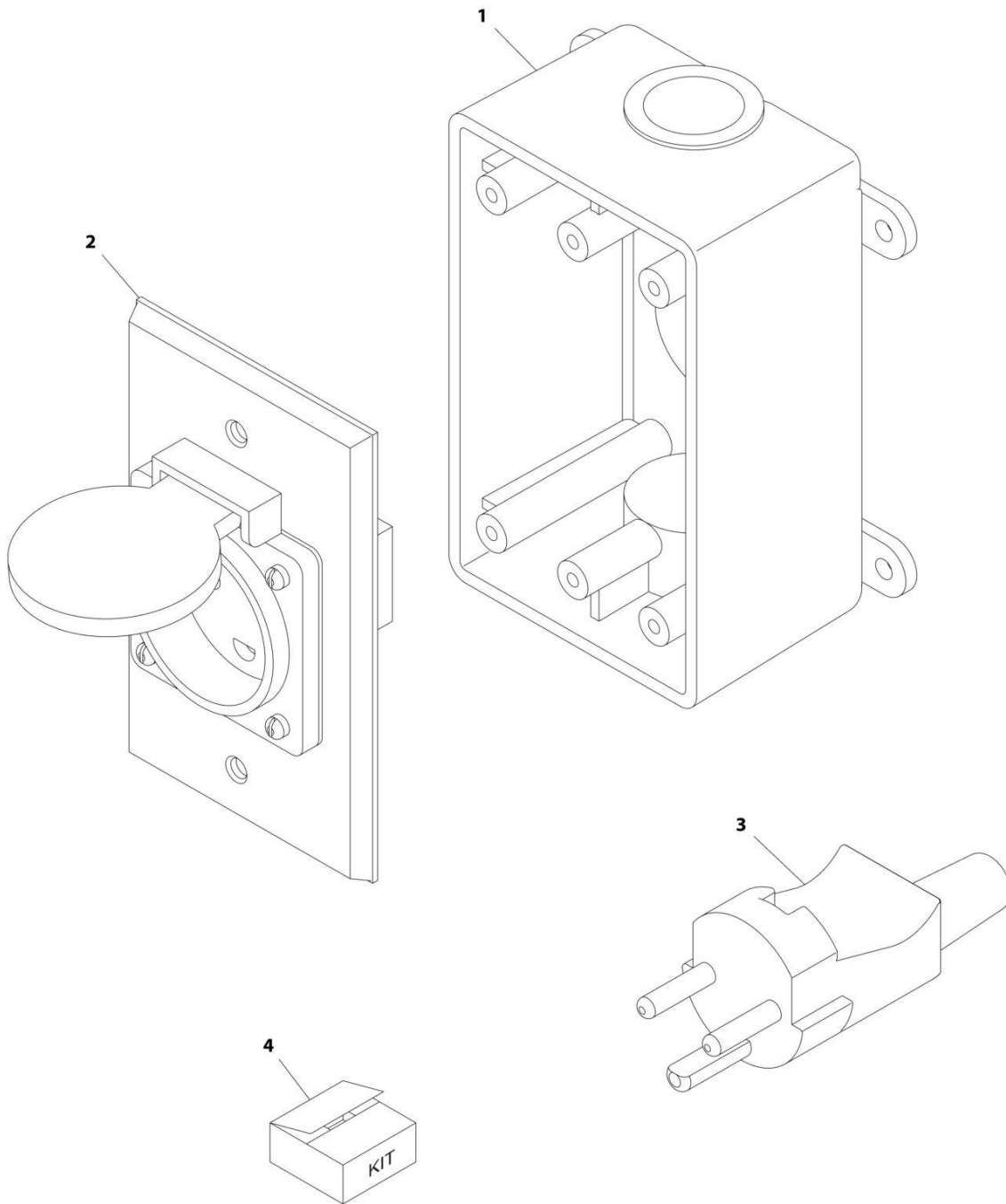
SECTION 8 - ELECTRICAL

FIGURE 8-56. RECEPTACLE BOX KIT - 220V CEE7 SIDE GROUND (CE & UK CA SPEC)

ITEM	PART NUMBER	QTY	DESCRIPTION	REV
	0275453	Ref	RECEPTACLE BOX KIT - 220V CEE7 SIDE GROUND	B
1	0861731	1	Box, Switch	
2	4461245	1	Receptacle	
3	4461205	1	Plug, Male	
4	1001100347	1	Plug and Socket Kit (Includes Items 1-3 and Female Plug p/n 4461206)	

SECTION 8 - ELECTRICAL

FIGURE 8-57. RECEPTACLE BOX KIT - 220V AFSINT 107 (CE & UK CA SPEC)



ART_0275454

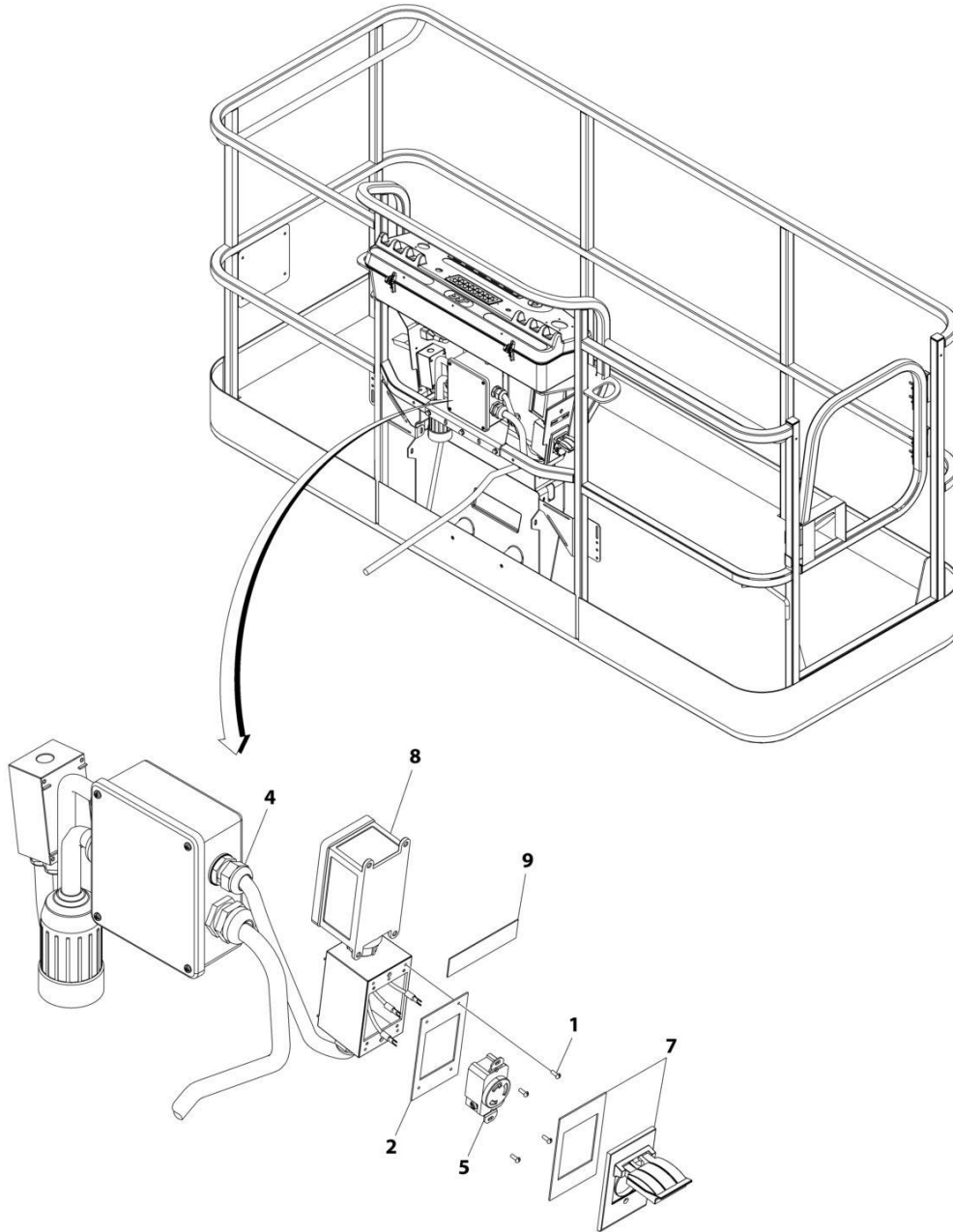
SECTION 8 - ELECTRICAL

FIGURE 8-57. RECEPTACLE BOX KIT - 220V AFSINT 107 (CE & UK CA SPEC)

ITEM	PART NUMBER	QTY	DESCRIPTION	REV
	0275454	Ref	RECEPTACLE BOX KIT - 220V AFSINT 107	B
1	0861731	1	Box, Switch	
2	4461246	1	Receptacle	
3	4461249	1	Plug, Male	
4	1001100346	1	Plug and Socket Kit (Includes Items 1-3 and Female Plug p/n 4461250)	

SECTION 8 - ELECTRICAL

FIGURE 8-58. RECEPTACLE/BREAKER BOX ASSEMBLY - 240V (4000W AND 7500W SKYPOWER GENERATORS) (ANSI, ANSI EXPORT AND CSA SPECS)



ART_1001159121

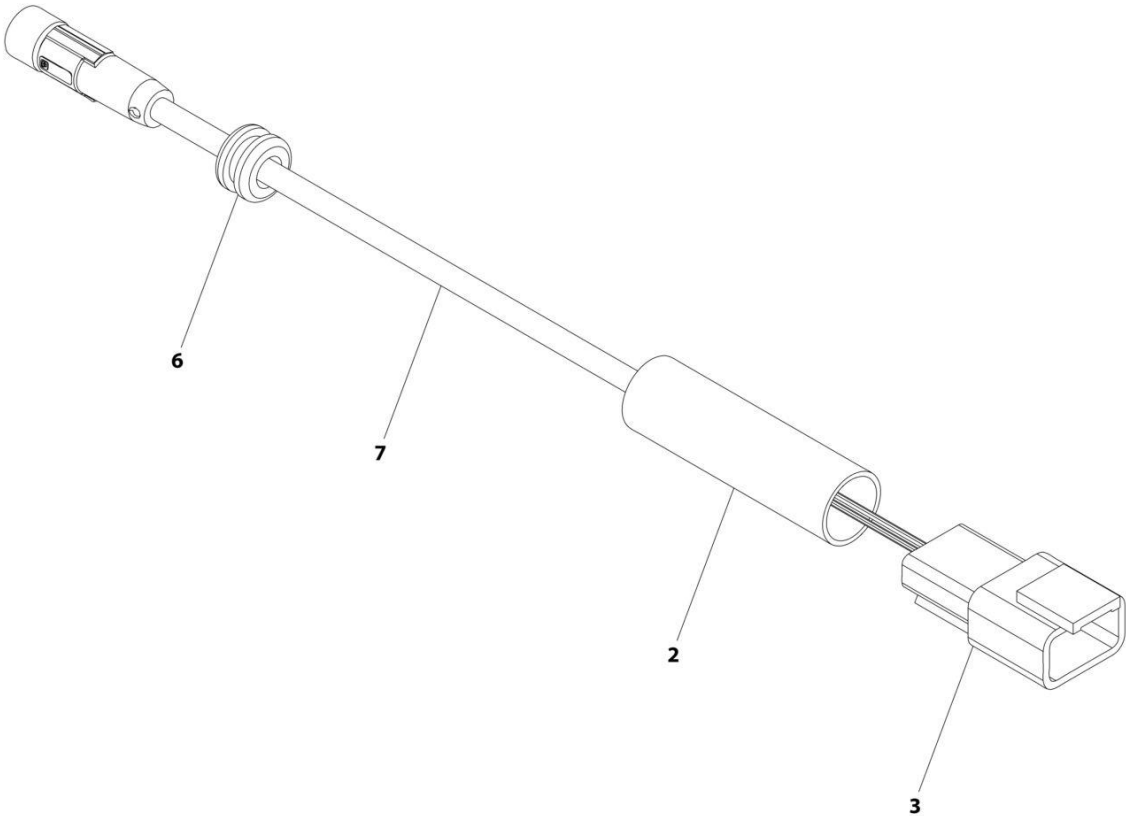
SECTION 8 - ELECTRICAL

FIGURE 8-58. RECEPTACLE/BREAKER BOX ASSEMBLY - 240V (4000W AND 7500W SKYPOWER GENERATORS) (ANSI, ANSI EXPORT AND CSA SPECS)

ITEM	PART NUMBER	QTY	DESCRIPTION	REV
	1001159121	Ref	AC BOX AT PLATFORM INSTALLATION - 240V RECEPTACLE	B
1	3910606	4	Screw 6 x 3/8	
2	3960422	1	Gasket	
3	4240018	AR	Tie-Strap (Not Shown)	
4	4460425	1	Connector, Strain Relief	
5	4460958	1	Receptacle	
7	1001110872	1	Cover, Receptacle	
8	1001159120	1	Receptacle/Breaker Box Assembly	
8	1001148675	1	Box, Receptacle	
8	1001159118	1	Breaker Box Assembly	
8	4460612	1	Connector, Strain Relief	
8	1001159119	1	Connector (Between Boxes)	
9	1705374	1	Decal - 240V/60Hz	

SECTION 8 - ELECTRICAL

FIGURE 8-59. SKYEYE EMITTER HARNESS



ART_1001237864

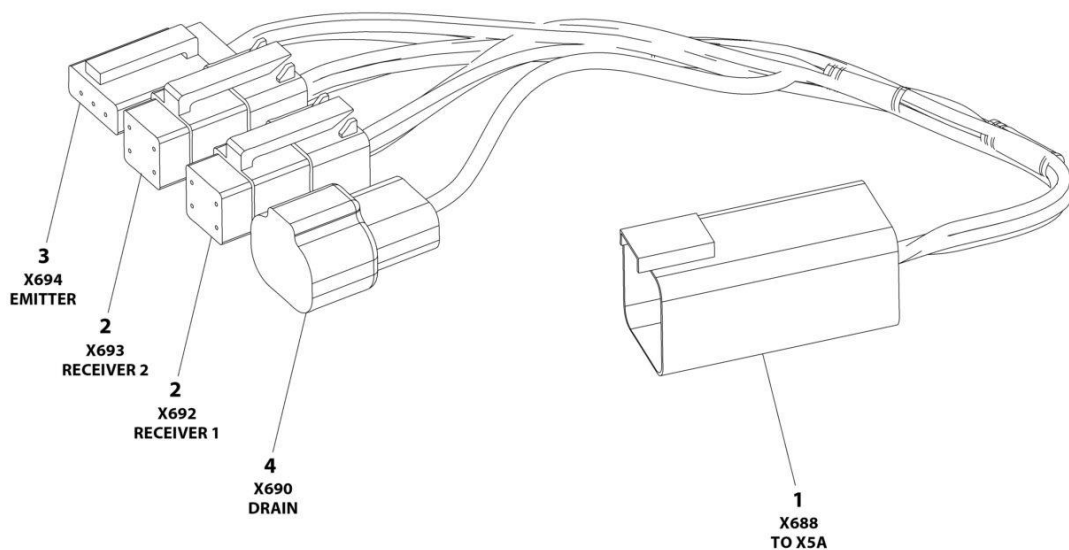
SECTION 8 - ELECTRICAL

FIGURE 8-59. SKYEYE EMITTER HARNESS

ITEM	PART NUMBER	QTY	DESCRIPTION	REV
	1001237864	Ref	SKYEYE EMITTER HARNESS	A
2	2820247	AR	Tubing, Heat Shrink	
3	4460910	1	Connector - 3 Position	
3	1001119620	3	Pin, Male	
6	1001227996	1	Grommet	
7	1001237862	1	Cable, M8 Female Cordset	

SECTION 8 - ELECTRICAL

FIGURE 8-60. SKYEYE INTERMEDIATE HARNESS



ART_1001237865

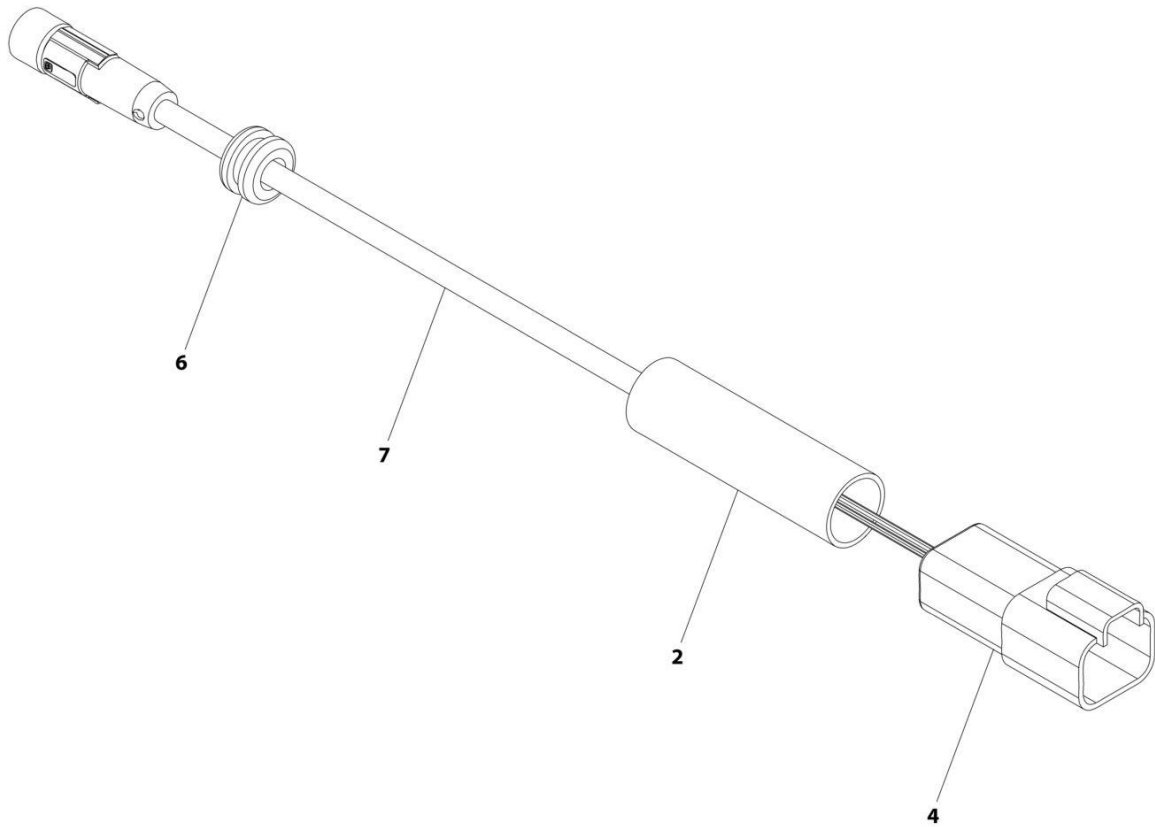
SECTION 8 - ELECTRICAL

FIGURE 8-60. SKYEYE INTERMEDIATE HARNESS

ITEM	PART NUMBER	QTY	DESCRIPTION	REV
	1001237865	Ref	SKYEYE INTERMEDIATE HARNESS	A
1	4460899	1	Connector - 6 Position	
1	4460943	4	Pin, Male	
1	4460466	2	Plug, Terminal	
2	4461077	2	Connector - 4 Position	
2	1001119619	8	Socket, Female	
3	4460911	1	Connector - 3 Position	
3	1001119619	3	Socket, Female	
4	1001187681	1	Connector - 2 Position	
4	4460941	1	Pin, Male	
4	4460466	1	Plug, Terminal	

SECTION 8 - ELECTRICAL

FIGURE 8-61. SKYEYE RECEIVER HARNESS



ART_1001237863

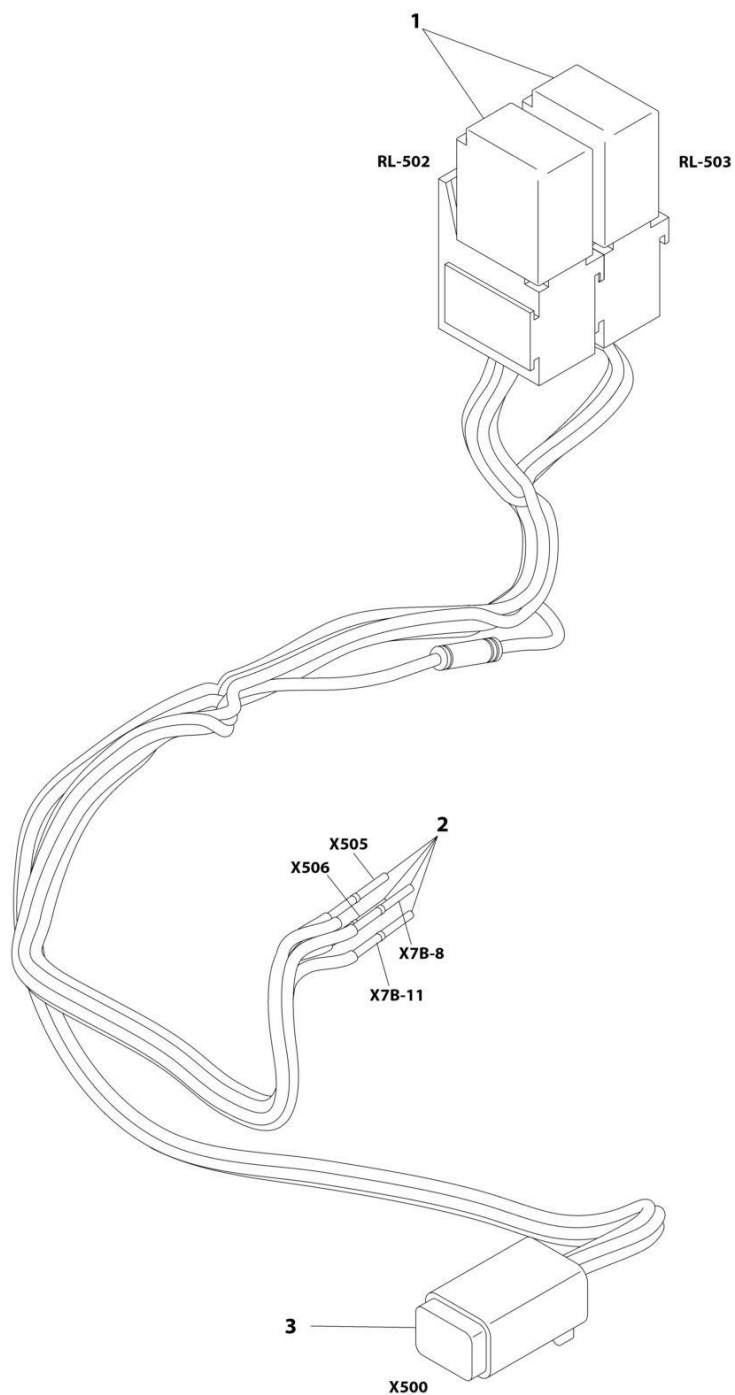
SECTION 8 - ELECTRICAL

FIGURE 8-61. SKYEYE RECEIVER HARNESS

ITEM	PART NUMBER	QTY	DESCRIPTION	REV
	1001237863	Ref	SKYEYE RECEIVER HARNESS	A
2	2820247	AR	Tubing, Heat Shrink	
4	1001097051	1	Connector - 4 Position	
4	1001119620	4	Pin, Male	
6	1001227996	1	Grommet	
7	1001237862	1	Cable, M8 Female Cordset	

SECTION 8 - ELECTRICAL

FIGURE 8-62. SKYGUARD HARNESS



ART_1001192292

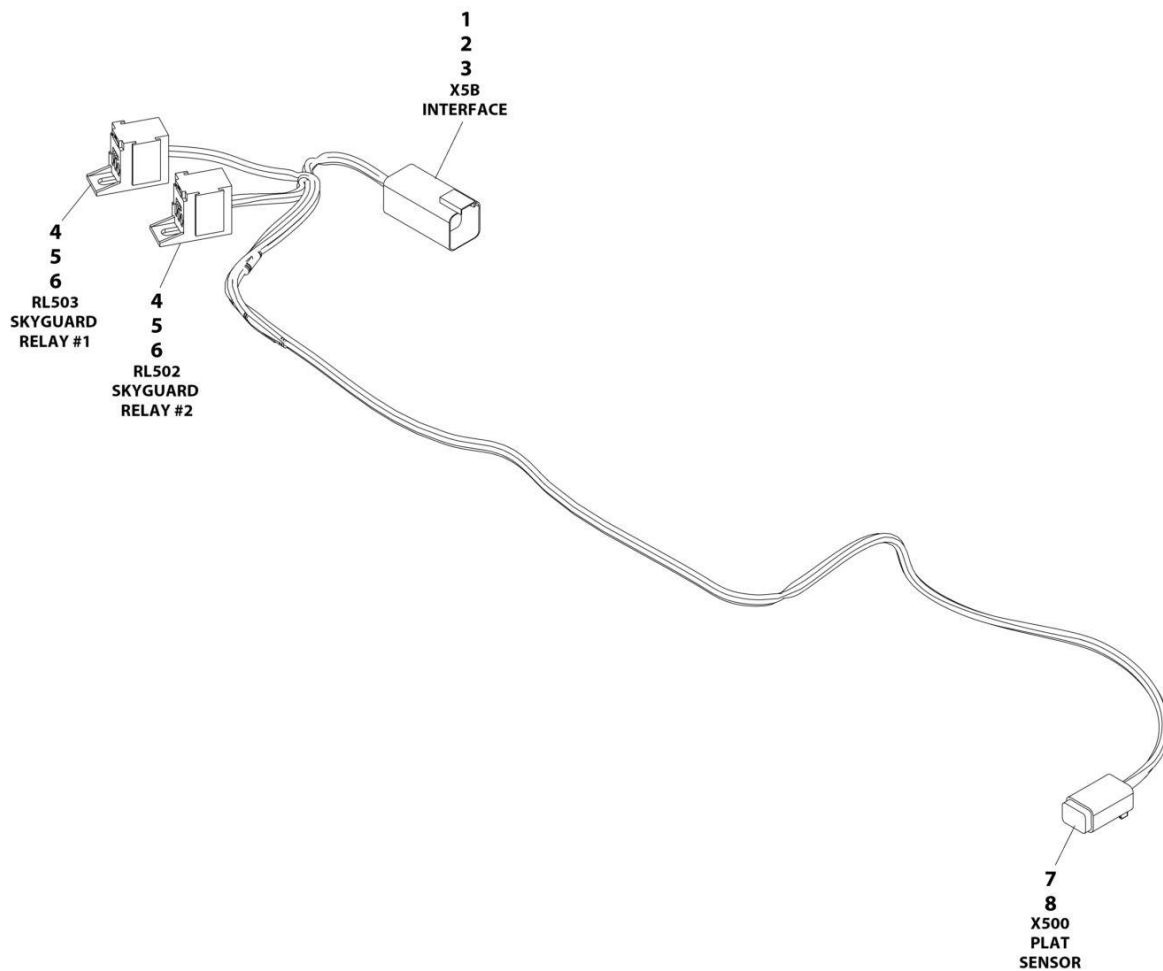
SECTION 8 - ELECTRICAL

FIGURE 8-62. SKYGUARD HARNESS

ITEM	PART NUMBER	QTY	DESCRIPTION	REV
	1001192292	Ref	SKYGUARD HARNESS	B
1	1001186432	2	Holder, Micro Relay	
1	1001186431	2	Relay, Micro 35 Amp	
1	1001116720	11	Terminal	
2	4460226	4	Socket, Female	
3	4460884	1	Plug, Male - 4 Position	
3	4460465	2	Socket, Female	

SECTION 8 - ELECTRICAL

FIGURE 8-63. SKYGUARD INTERFACE HARNESS



ART_1001225580

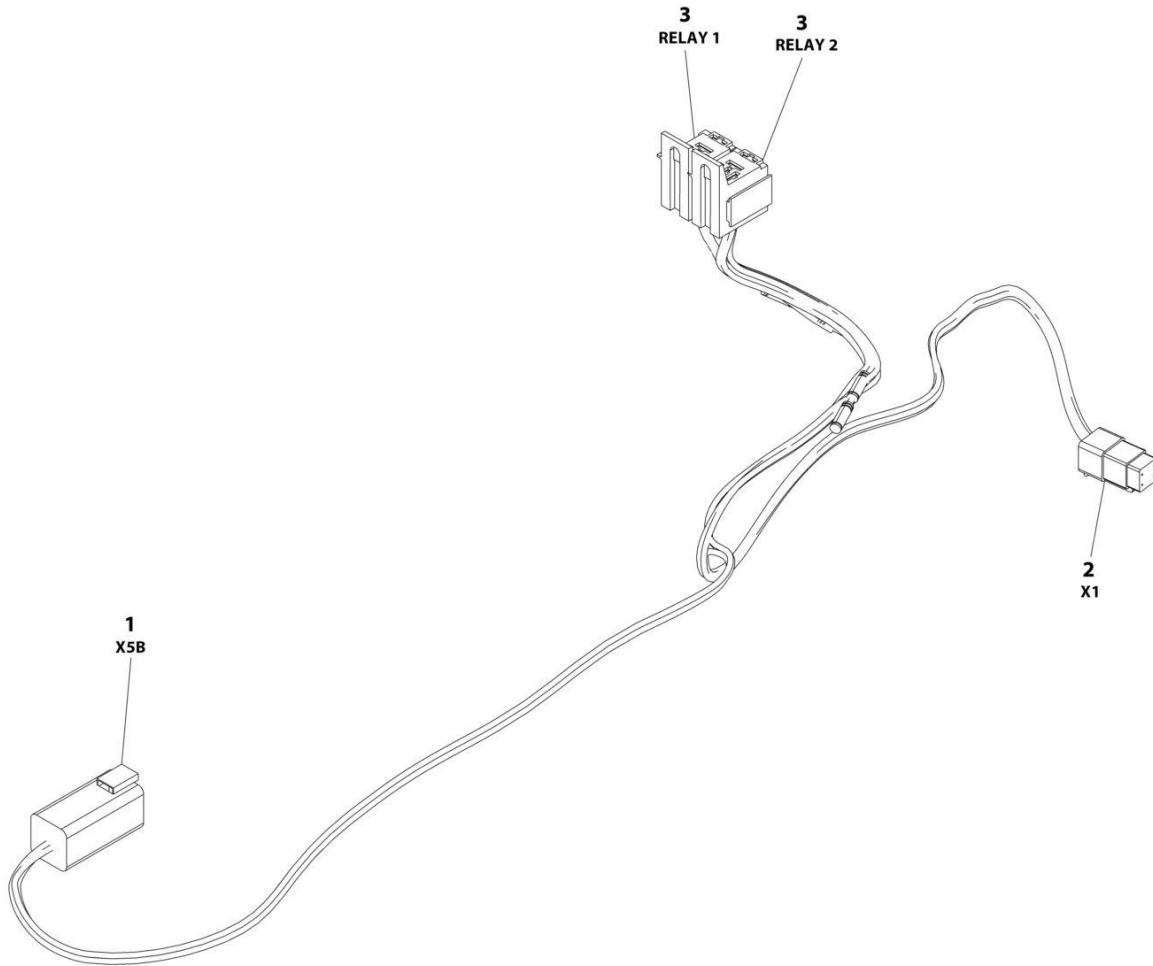
SECTION 8 - ELECTRICAL

FIGURE 8-63. SKYGUARD INTERFACE HARNESS

ITEM	PART NUMBER	QTY	DESCRIPTION	REV
	1001225580	Ref	INTERFACE HARNESS - WITH 1 CELL LSS	D
1	4460899	1	Connector	
2	4460464	4	Terminal	
3	4460466	2	Plug	
4	1001186432	2	Connector	
5	1001116720	4	Terminal	
6	1001118388	4	Terminal	
7	4460884	1	Connector	
8	4460465	4	Terminal	

SECTION 8 - ELECTRICAL

FIGURE 8-64. SKYLINE HARNESS



ART_1001238418

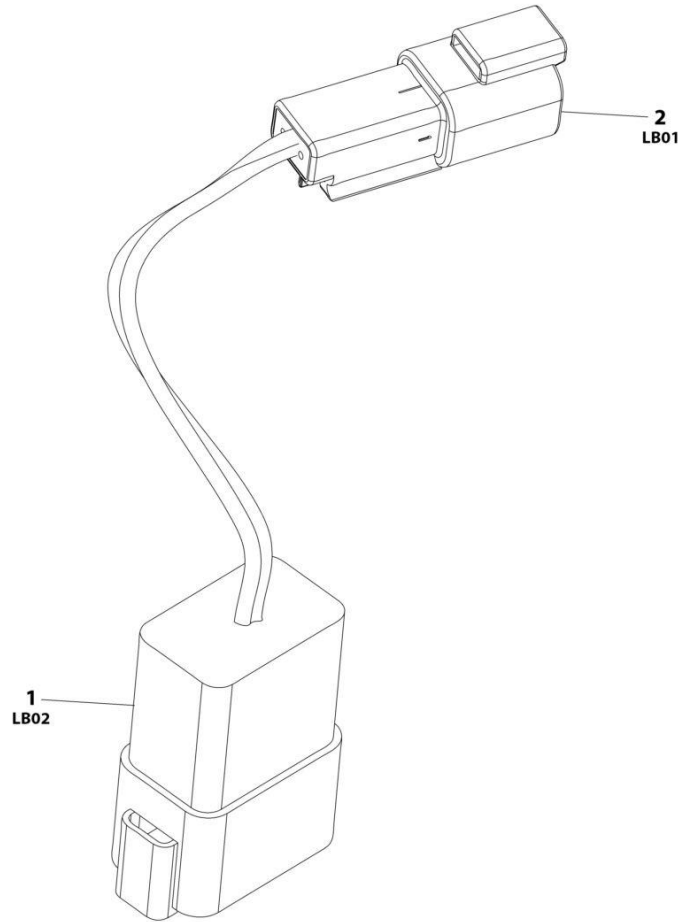
SECTION 8 - ELECTRICAL

FIGURE 8-64. SKYLINE HARNESS

ITEM	PART NUMBER	QTY	DESCRIPTION	REV
	1001238418	Ref	SKYLINE HARNESS	B
1	4460899	1	Connector - 6 Position	
1	4460464	4	Pin, Male	
1	4460466	2	Plug, Terminal	
2	4461077	1	Connector - 4 Position	
2	1001126009	4	Socket, Female	
3	1001186432	2	Plug, Relay	
3	1001118388	5	Terminal	
3	1001118384	3	Terminal	
3	3740086	2	Relay	

SECTION 8 - ELECTRICAL

FIGURE 8-65. STROBE LIGHT HARNESS (AMBER STROBE LIGHT)



ART_1001283776

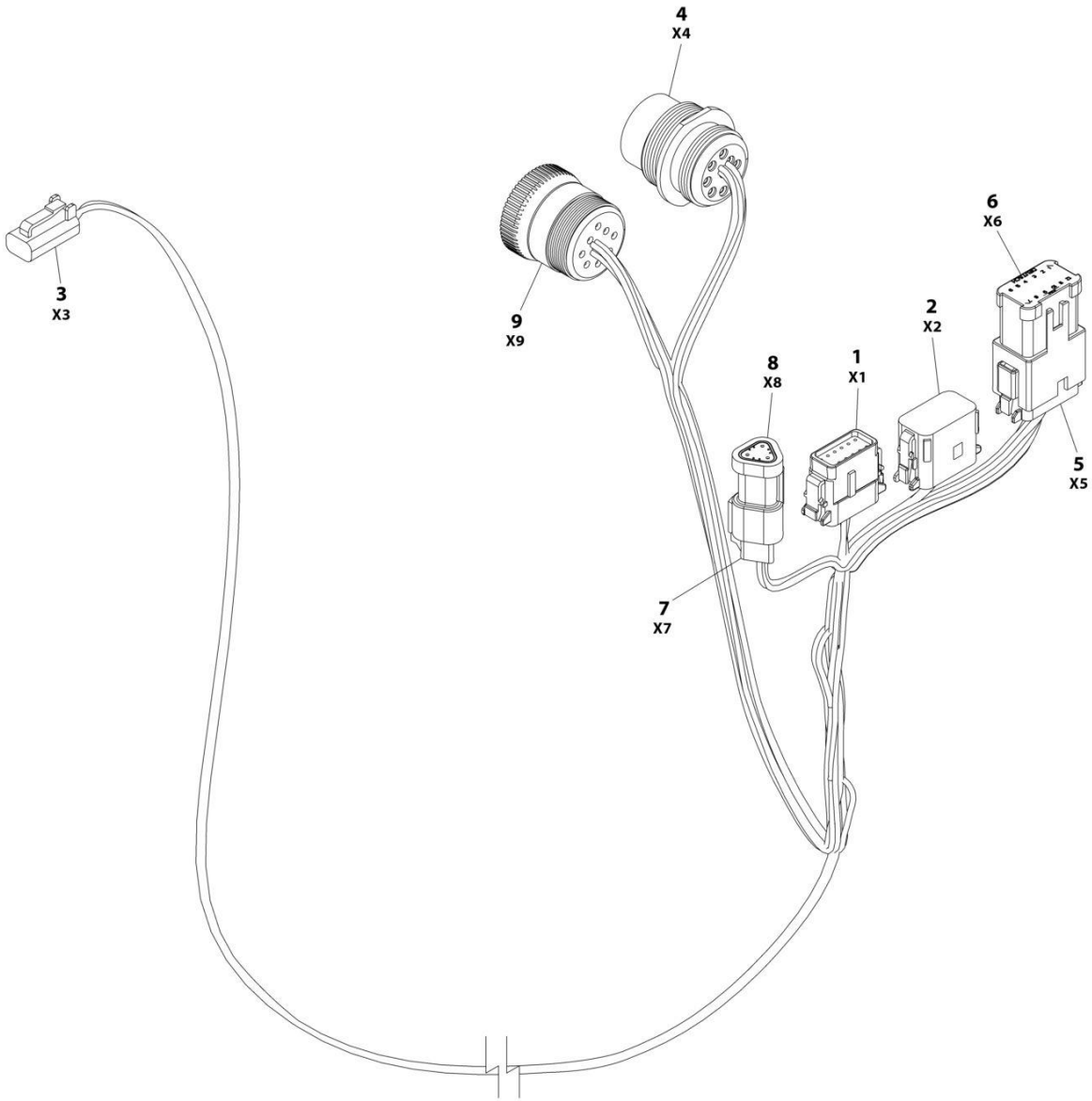
SECTION 8 - ELECTRICAL

FIGURE 8-65. STROBE LIGHT HARNESS (AMBER STROBE LIGHT)

ITEM	PART NUMBER	QTY	DESCRIPTION	REV
	1001283776	Ref	STROBE LIGHT HARNESS (AMBER)	A
1	4460931	1	Connector	
1	4460464	2	Pin	
1	4460466	6	Plug	
2	4460897	1	Connector	
2	4460464	2	Pin	

SECTION 8 - ELECTRICAL

FIGURE 8-66. STROBE LIGHT HARNESS (BLUE AND RED STROBE LIGHTS)



ART_1001142736

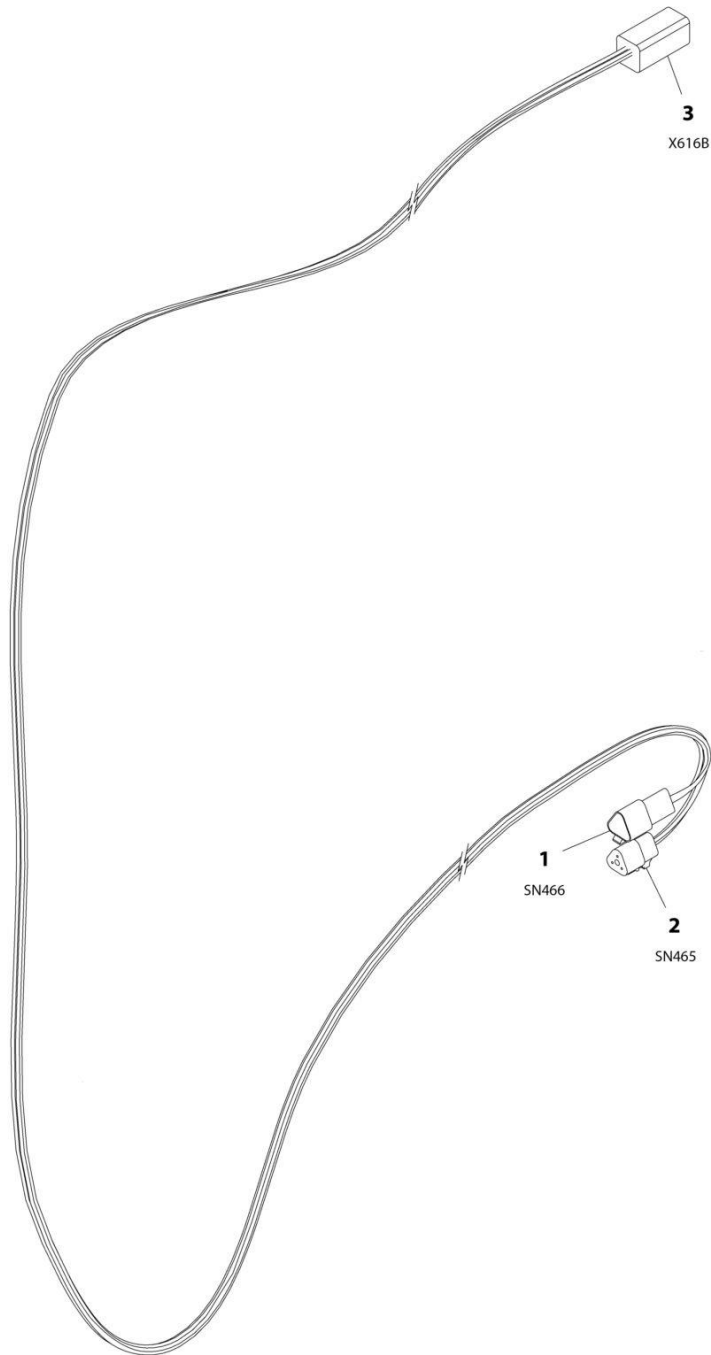
SECTION 8 - ELECTRICAL

FIGURE 8-66. STROBE LIGHT HARNESS (BLUE AND RED STROBE LIGHTS)

ITEM	PART NUMBER	QTY	DESCRIPTION	REV
	1001142736	Ref	STROBE LIGHT HARNESS	F
1	1001116808	1	Plug, Male - 12 Position	
1	4460928	3	Socket, Female	
1	4460518	9	Plug, Terminal	
2	1001116774	1	Plug, Male - 12 Position	
2	4460928	3	Socket, Female	
2	4460518	9	Plug, Terminal	
3	4460891	1	Plug, Male - 2 Position	
3	4460465	2	Socket, Female	
4	1001112612	1	Connector - 9 Position	
4	4460464	6	Pin, Male	
4	4460466	3	Plug, Terminal	
5	4460933	1	Plug, Male - 12 Position	
5	4460465	12	Socket, Female	
6	1001119020	1	Bussbar - 12 Position	
7	4461095	1	Plug, Male - 3 Position	
7	4460465	3	Socket, Female	
8	4461070	1	Bussbar - 3 Position	
9	1001112796	1	Connector - 9 Position	
9	4460465	6	Socket, Female	
9	4460466	3	Plug, Terminal	

SECTION 8 - ELECTRICAL

FIGURE 8-67. TELESCOPE IN PROXIMITY SENSORS HARNESS (400S HC3)



ART_1001173808

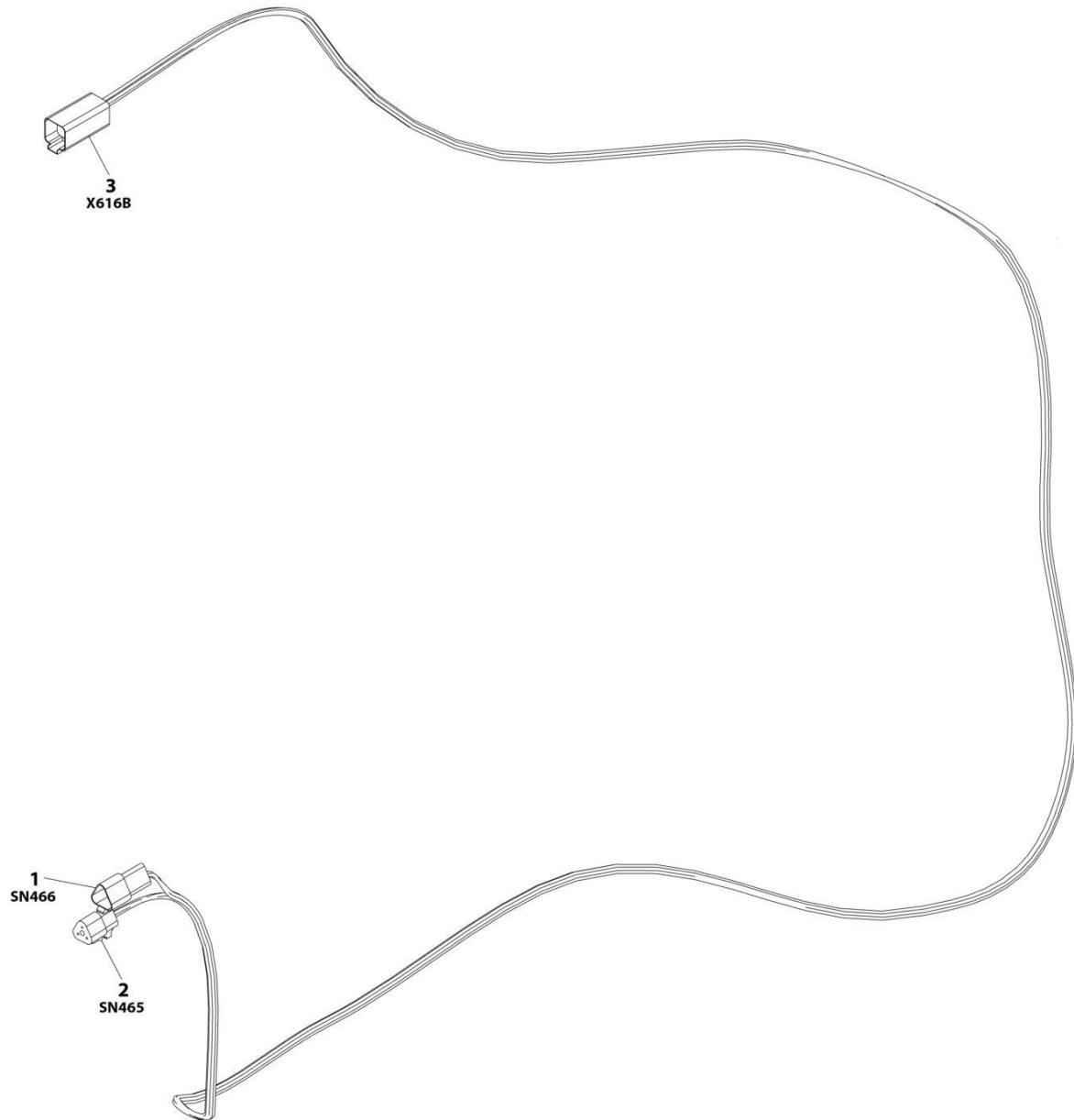
SECTION 8 - ELECTRICAL

FIGURE 8-67. TELESCOPE IN PROXIMITY SENSORS HARNESS (400S HC3)

ITEM	PART NUMBER	QTY	DESCRIPTION	REV
	1001173808	Ref	BOOM TELE IN PROXIMITY SWITCH HARNESS	C
1	4460536	1	Receptacle, Female - 3 Position	
1	4460464	3	Pin, Male	
2	4460539	1	Plug, Male - 3 Position	
2	4460465	1	Socket, Female	
3	4460899	1	Receptacle, Female - 6 Position	
3	4460464	1	Pin, Male	

SECTION 8 - ELECTRICAL

FIGURE 8-68. TELESCOPE IN PROXIMITY SENSORS HARNESS (460SJ HC3)



ART_1001248181

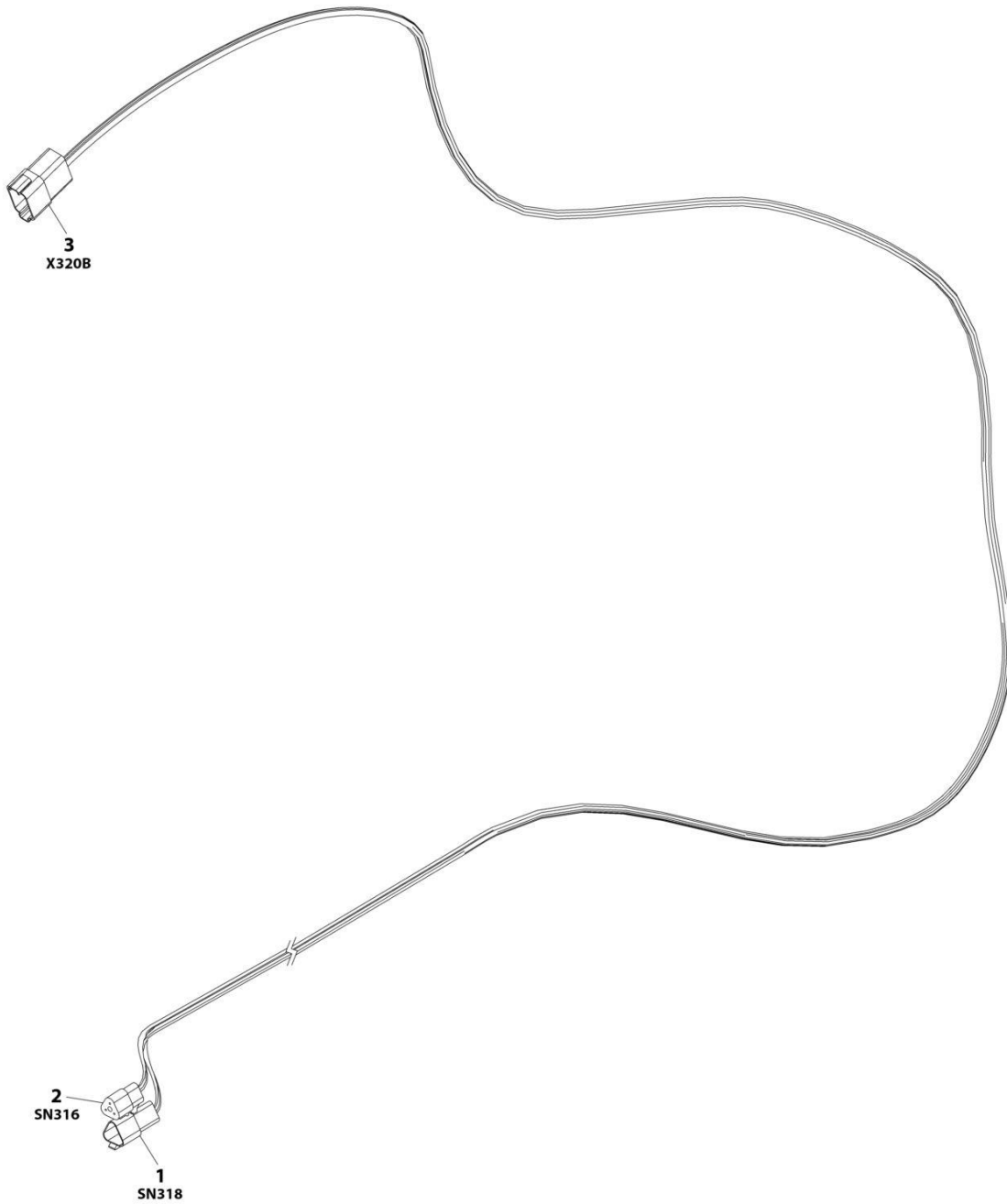
SECTION 8 - ELECTRICAL

FIGURE 8-68. TELESCOPE IN PROXIMITY SENSORS HARNESS (460SJ HC3)

ITEM	PART NUMBER	QTY	DESCRIPTION	REV
	1001248181	Ref	TELESCOPE IN PROXIMITY SWITCH HARNESS	A
1	4460536	1	Receptacle, Female - 3 Position	
1	4460464	3	Pin, Male	
2	4460539	1	Plug, Male - 3 Position	
2	4460465	3	Socket, Female	
3	4460899	1	Receptacle, Female - 6 Position	
3	4460464	6	Pin, Male	

SECTION 8 - ELECTRICAL

FIGURE 8-69. TELESCOPE OUT PROXIMITY SENSORS HARNESS



ART_1001248183_D

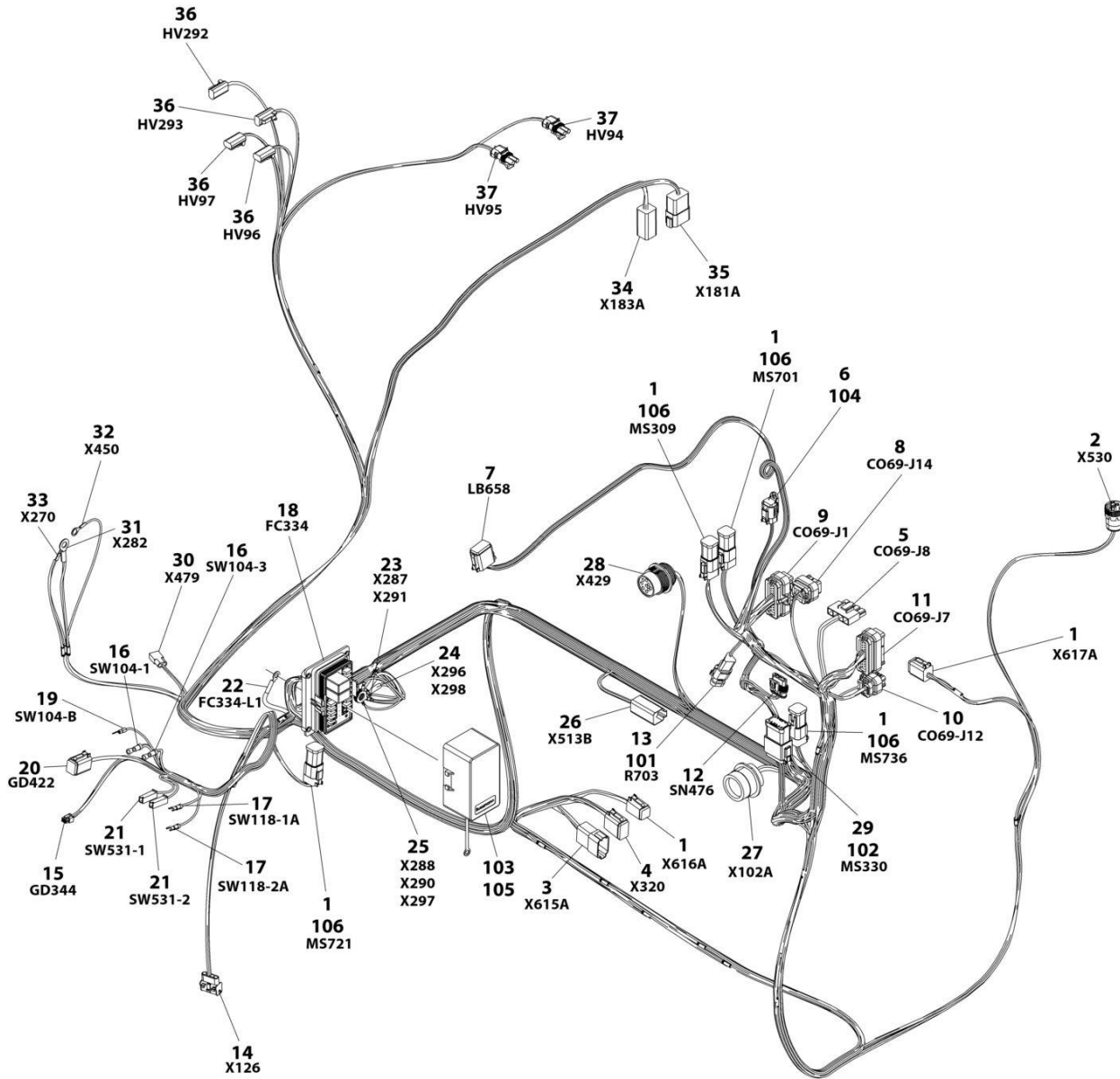
SECTION 8 - ELECTRICAL

FIGURE 8-69. TELESCOPE OUT PROXIMITY SENSORS HARNESS

ITEM	PART NUMBER	QTY	DESCRIPTION	REV
	1001248183	Ref	HIGH CAPACITY HARNESS	D
1	4460536	1	Receptacle, Female - 3 Position	
1	4460464	3	Pin, Male	
2	4460539	1	Plug, Male - 3 Position	
2	4460465	1	Socket, Female	
3	4460931	1	Receptacle, Female - 8 Position	
3	4460464	1	Pin, Male	
3	4460466	2	Plug, Terminal	

SECTION 8 - ELECTRICAL

FIGURE 8-70. TURNTABLE HARNESS



ART_1001301483

SECTION 8 - ELECTRICAL

FIGURE 8-70. TURNTABLE HARNESS

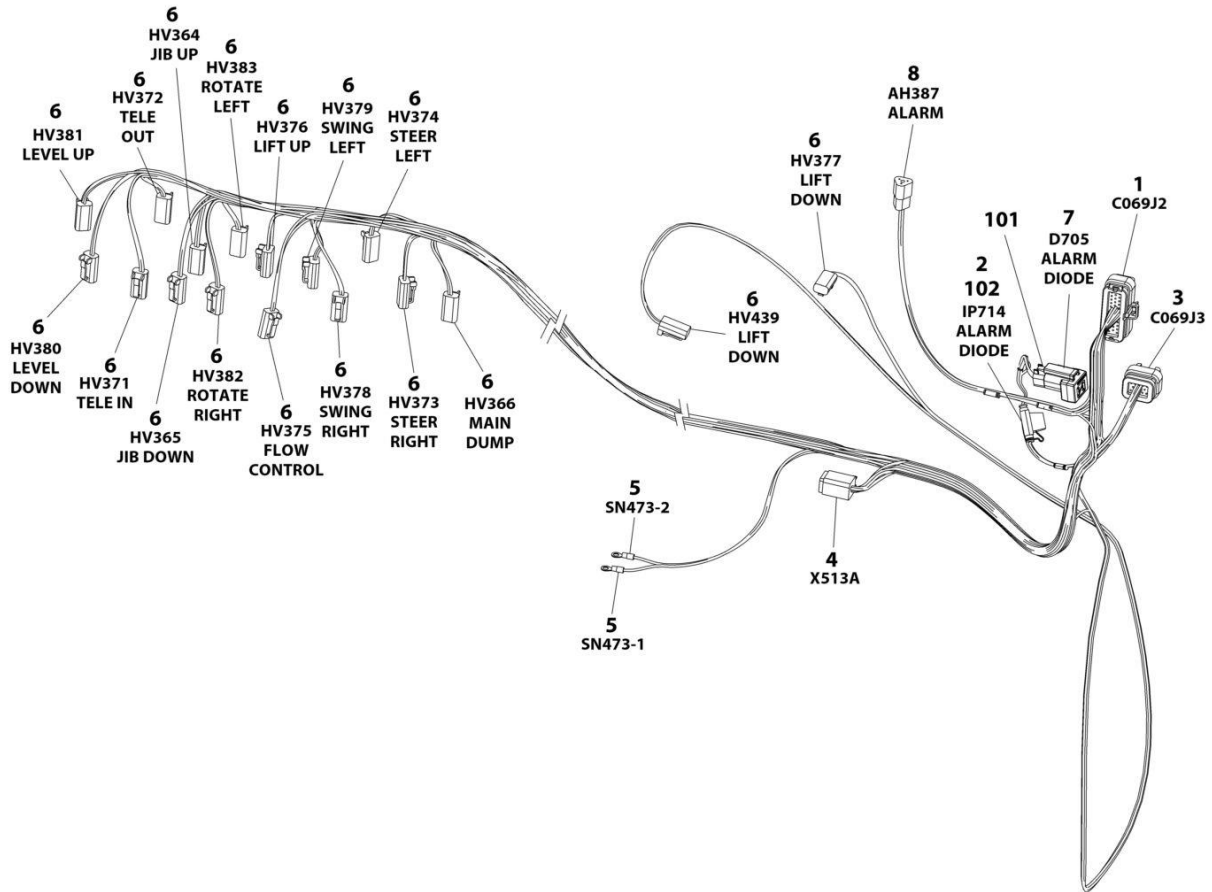
ITEM	PART NUMBER	QTY	DESCRIPTION	REV
	1001301483	Ref	TURNTABLE HARNESS	A
1	4460894	6	Connector	
1	4460465	36	Socket	
2	4460967	1	Connector	
2	4460465	3	Socket	
3	4460931	1	Connector	
3	4460464	6	Socket	
3	4460466	2	Plug	
4	4460930	1	Connector	
4	4460465	6	Socket	
4	4460466	2	Plug	
5	4460878	1	Connector	
5	4460887	2	Socket	
6	4460884	1	Connector	
6	4460465	4	Socket	
7	4460930	1	Connector	
7	4460465	8	Socket	
8	1001246859	1	Connector	
8	4460871	4	Socket	
8	4460905	10	Plug	
9	4460874	1	Connector	
9	4460871	22	Socket	
9	4460905	13	Plug	
10	1001113961	1	Connector	
10	4460871	5	Socket	
10	4460905	3	Plug	
11	4460873	1	Connector	
11	4460871	25	Socket	
11	4460905	10	Plug	
12	1001103012	1	Connector	
12	1001107854	2	Socket	
12	1001196589	2	Socket	
12	1001104498	4	Seal	
13	1001144147	1	Connector	
13	4460943	2	Pin	
13	4460466	1	Plug	
14	1001119032	1	Connector	
14	1001118378	4	Socket	
15	1001237667	1	Connector	
15	1001237668	5	Socket	
16	4460042	2	Terminal, Ring	
17	4460183	2	Terminal, Ring	
18	1001196602	1	Fuse Box Assembly	
18	8229242	7	Fuse 5Amp	
18	8229244	2	Fuse 15AMP	
18	1001095704	2	Relay	
18	1001196634	2	Fuse - 2 Amp	
18	1001196636	2	Connector with Diode	
19	4460313	1	Terminal, Ring	
20	4460894	1	Connector	

SECTION 8 - ELECTRICAL

ITEM	PART NUMBER	QTY	DESCRIPTION	REV
20	4460465	4	Socket	
20	4460466	2	Plug	
21	4460260	2	Connector	
21	4460259	2	Socket	
22	1001117106	1	Terminal, Ring (12AWG)	
23	1001187078	2	Terminal, Ring (18AWG)	
24	1001117110	2	Terminal, Ring (12AWG)	
25	1001187077	3	Terminal, Ring (18AWG)	
26	4460899	1	Connector	
26	4460464	3	Pin	
26	4460466	3	Plug	
27	4460866	1	Connector	
27	4460464	6	Pin (18AWG)	
27	4460508	2	Pin (12AWG)	
27	4460466	11	Plug	
28	1001112612	1	Connector	
28	4460464	5	Pin	
28	4460466	9	Plug	
29	4460933	1	Connector	
29	4460465	8	Socket	
29	4460466	4	Plug	
30	4460424	1	Connector	
30	4460226	2	Socket	
31	8220045	1	Terminal, Ring	
32	4460702	1	Terminal, Ring	
33	4460703	1	Terminal, Ring	
34	4460899	1	Connector	
34	4460464	5	Pin	
34	4460466	6	Plug	
35	4460931	1	Connector	
35	4460464	5	Pin	
35	4460466	3	Plug	
36	4460891	4	Connector	
36	4460465	8	Socket	
37	4460742	2	Connector	
37	4460458	4	Socket	
101	1001116815	1	Connector - 3 Position	
102	1001125677	1	Bussbar - 12 Position	
103	1001190921	1	Seal, Cover	
104	1001192401	1	Cap, Dust	
105	1001196604	1	Cover, Fuse Box	
106	1001226541	1	Bussbar - 6 Position	

SECTION 8 - ELECTRICAL

FIGURE 8-71. VALVE HARNESS - MAIN VALVE



ART_1001282532

SECTION 8 - ELECTRICAL

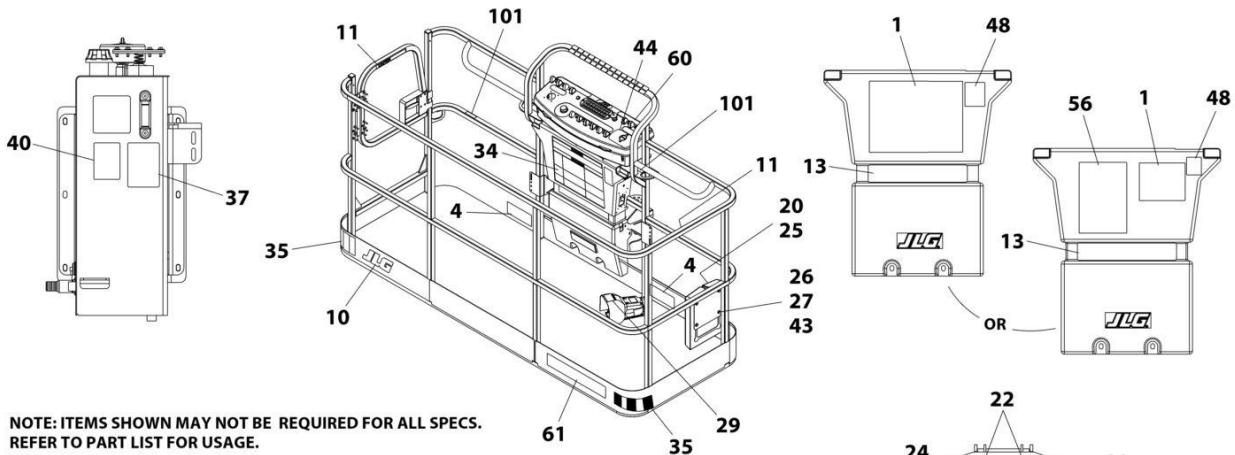
FIGURE 8-71. VALVE HARNESS - MAIN VALVE

ITEM	PART NUMBER	QTY	DESCRIPTION	REV
	1001282532	Ref	VALVE HARNESS - MAIN VALVE	A
1	4460875	1	Connector	
1	4460871	27	Socket	
1	4460905	8	Plug, Terminal	
2	1001170764	1	Fuse Holder	
3	4460872	1	Connector	
3	4460871	8	Socket	
3	4460905	6	Plug, Terminal	
4	4460894	1	Connector	
4	4460465	6	Socket	
5	4460313	2	Terminal, Ring	
6	4460891	17	Connector	
6	4460465	34	Socket	
7	4460884	1	Connector	
7	4460465	4	Socket	
8	4460539	1	Connector	
8	4460465	3	Socket	
101	1001152266	1	Connector, Diode	
102	1001196636	1	Diode	

SECTION 9 - DECALS

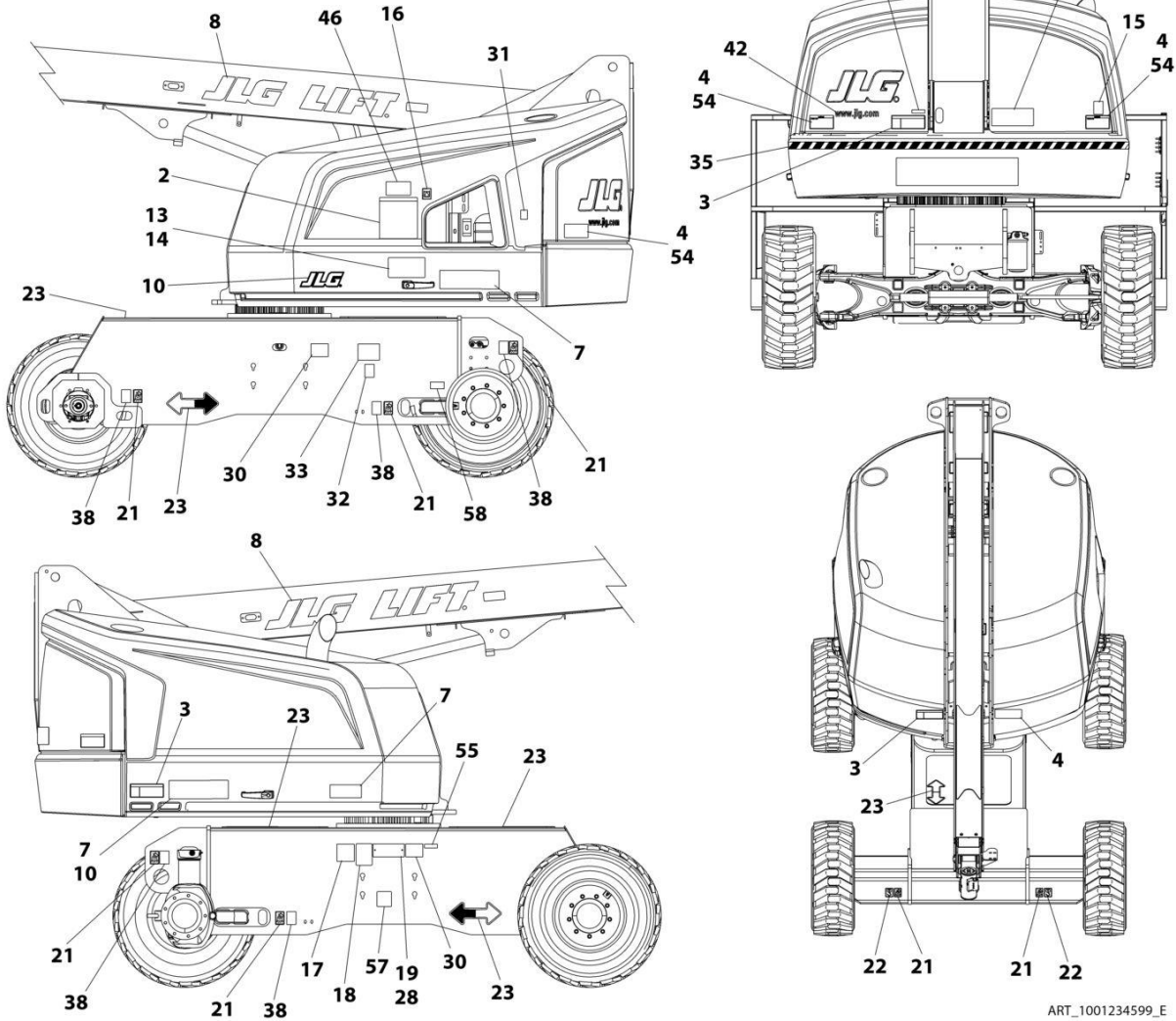
SECTION 9 - DECALS

FIGURE 9-1. DECAL INSTALLATION - ANSI SPECS (DIESEL MACHINES)



NOTE: ITEMS SHOWN MAY NOT BE REQUIRED FOR ALL SPECS. REFER TO PART LIST FOR USAGE.

NOTE: ADDITIONAL DECALS ARE CALLED OUT ON DECALS INSTALLATION - OPTIONS.



ART_1001234599_E

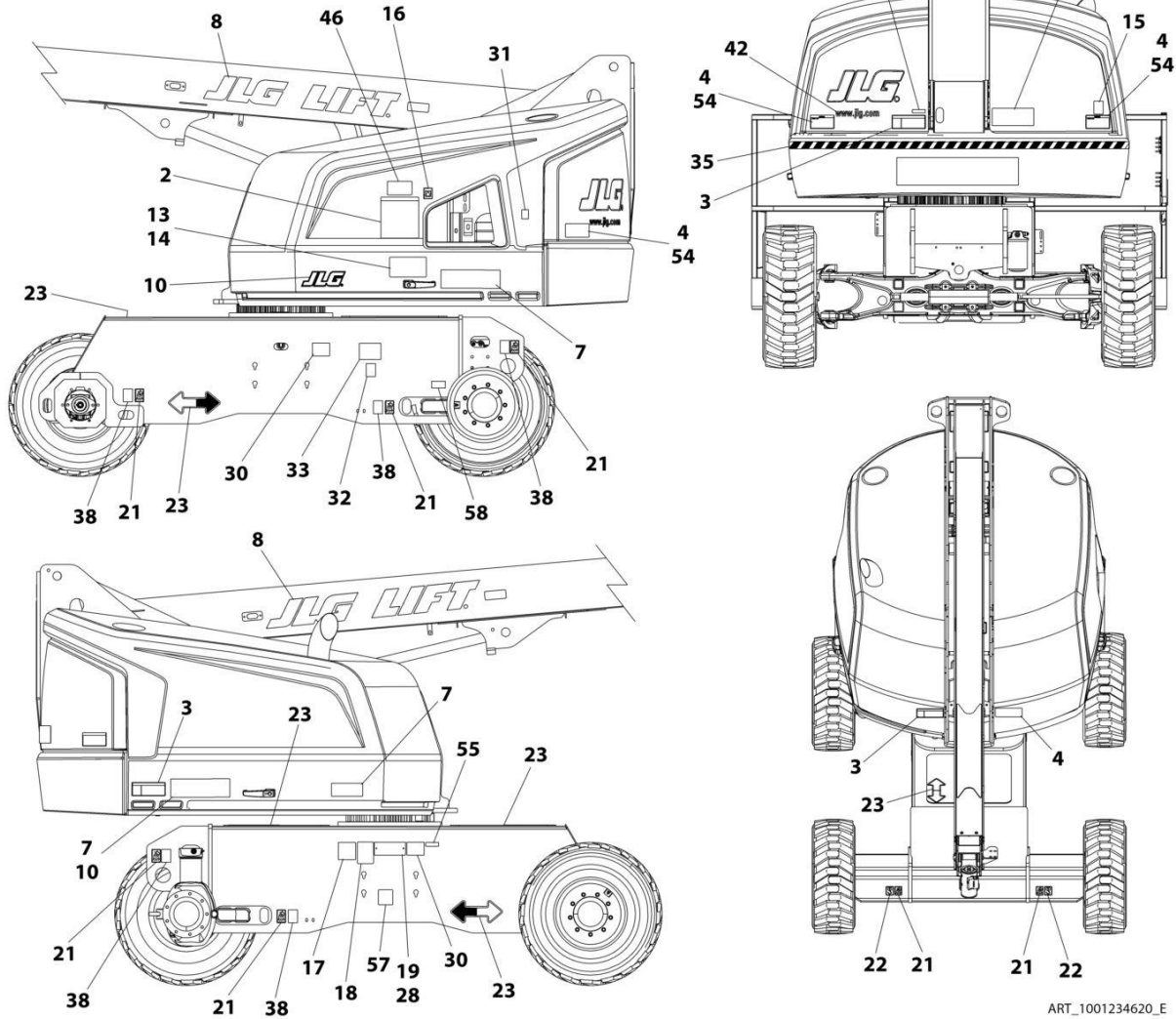
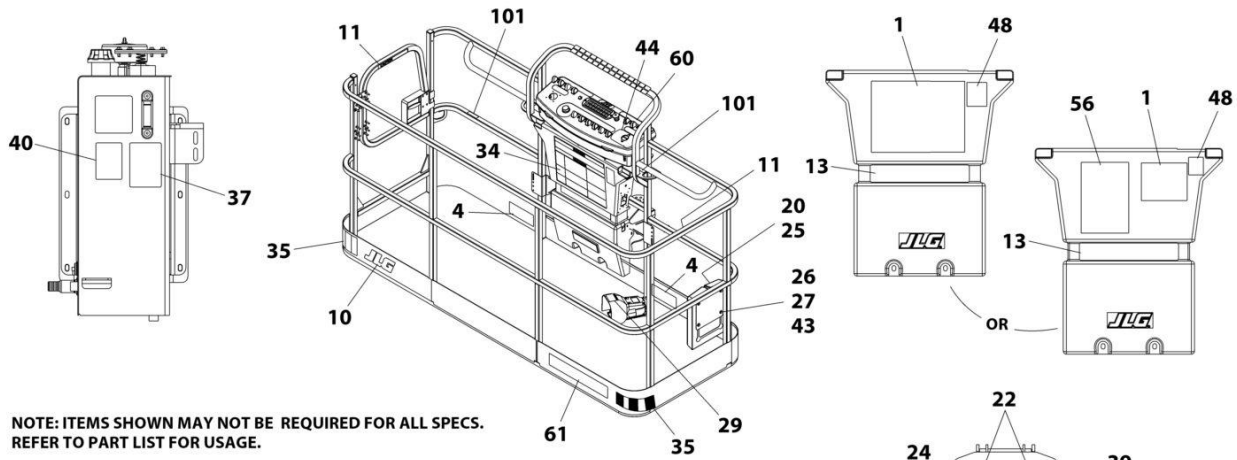
SECTION 9 - DECALS

FIGURE 9-1. DECAL INSTALLATION - ANSI SPECS (DIESEL MACHINES)

ITEM	PART NUMBER	QTY	DESCRIPTION	REV
	1001234599	Ref	DECAL INSTALLATION - ANSI SPECS (ENGLISH LANGUAGE)	E
1	1703797	1	Decal - Danger/Warning	
2	1703798	1	Decal - Danger/Warning	
3	1703805	3	Decal - Danger Electrocutation	
4	1703804	3	Decal - Warning Crushing	
11	1702868	2	Decal - No Hands	
13	1001234425	1	Decal - Warning Tri Cap	
14	1001234426	1	Decal - Warning Tri Cap	
16	1701504	1	Decal - Hydraulic Oil	
17	See Note	NSS	Decal - Bar Code (Note: Not Available for Purchase)	
18	1001131269	1	Decal - Patent	
20	1701509	1	Decal - Manual	
21	1702300	8	Decal - Tie Down	
22	1701500	4	Decal - Lift	
23	1701529	4	Decal - Arrow	
24	3251243	1	Nameplate - 120V - 60Hz	
25	0860520	1	Box, Manual Storage	
26	4751400	4	Washer 1/4	
27	3311405	4	Nut 1/4	
28	3820001	2	Rivet	
29	3252347	1	Nameplate - Footswitch	
38	1701499	6	Decal - No Lifting	
40	1704412	1	Decal - Hydraulic Oil Chart	
43	0641406	4	Bolt 1/4 x 3/4	
44	1705351	1	Decal - Drive/Steer Instructions	
54	1703953	2	Decal - Warning Crushing	
57	1001223055	1	Decal - Yearly Inspection	
58	1001223453	1	Decal - ICES	
60	1001184618	1	Decal - Stop	
100	1001232026	1	Decal - Lanyard Platform Kit (Not Shown)	
101	1704277	3	Decal - Lanyard Attach Graphic	

SECTION 9 - DECALS

FIGURE 9-2. DECAL INSTALLATION - ANSI SPECS (GAS MACHINES)



ART_1001234620_E

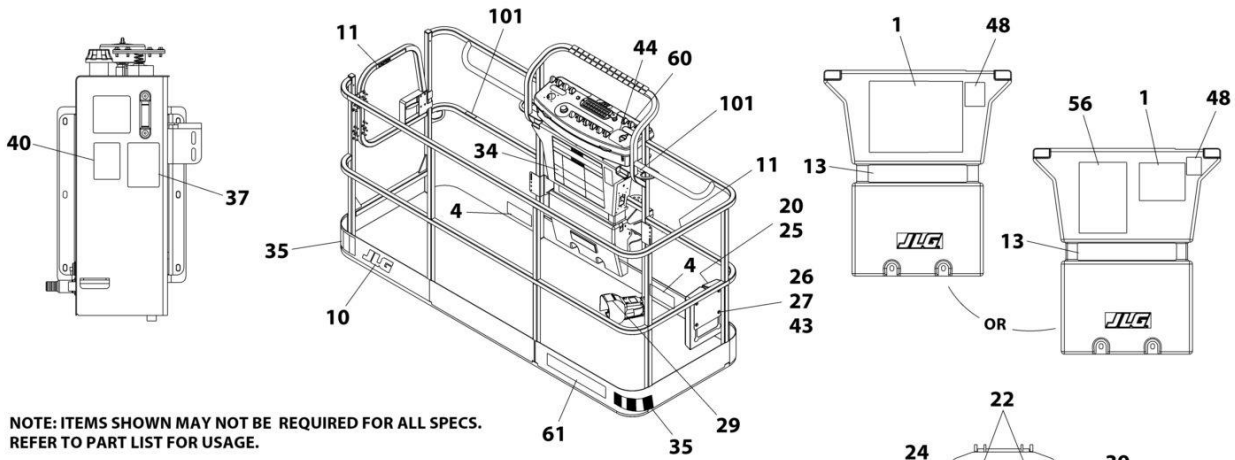
SECTION 9 - DECALS

FIGURE 9-2. DECAL INSTALLATION - ANSI SPECS (GAS MACHINES)

ITEM	PART NUMBER	QTY	DESCRIPTION	REV
	1001234620	Ref	DECAL INSTALLATION - ANSI SPECS (ENGLISH LANGUAGE)	E
1	1703797	1	Decal - Danger/Warning	
2	1703798	1	Decal - Danger/Warning	
3	1703805	3	Decal - Danger Electrocution	
4	1703804	3	Decal - Warning Crushing	
11	1702868	2	Decal - No Hands	
13	1001234425	1	Decal - Warning Tri Cap	
14	1001234426	1	Decal - Warning Tri Cap	
16	1701504	1	Decal - Hydraulic Oil	
17	See Note	NSS	Decal - Bar Code (Note: Not Available for Purchase)	
18	1001131269	1	Decal - Patent	
20	1701509	1	Decal - Manual	
21	1702300	8	Decal - Tie Down	
22	1701500	4	Decal - Lift	
23	1701529	4	Decal - Arrow	
24	3251243	1	Nameplate - 120V - 60Hz	
25	0860520	1	Box, Manual Storage	
26	4751400	4	Washer 1/4	
27	3311405	4	Nut 1/4	
28	3820001	2	Rivet	
29	3252347	1	Nameplate - Footswitch	
38	1701499	6	Decal - No Lifting	
40	1704412	1	Decal - Hydraulic Oil Chart	
43	0641406	4	Bolt 1/4 x 3/4	
44	1705351	1	Decal - Drive/Steer Instructions	
54	1703953	2	Decal - Warning Crushing	
57	1001223055	1	Decal - Yearly Inspection	
60	1001184618	1	Decal - Stop	
100	1001232026	1	Decal - Lanyard Platform Kit (Not Shown)	
101	1704277	3	Decal - Lanyard Attach Graphic	

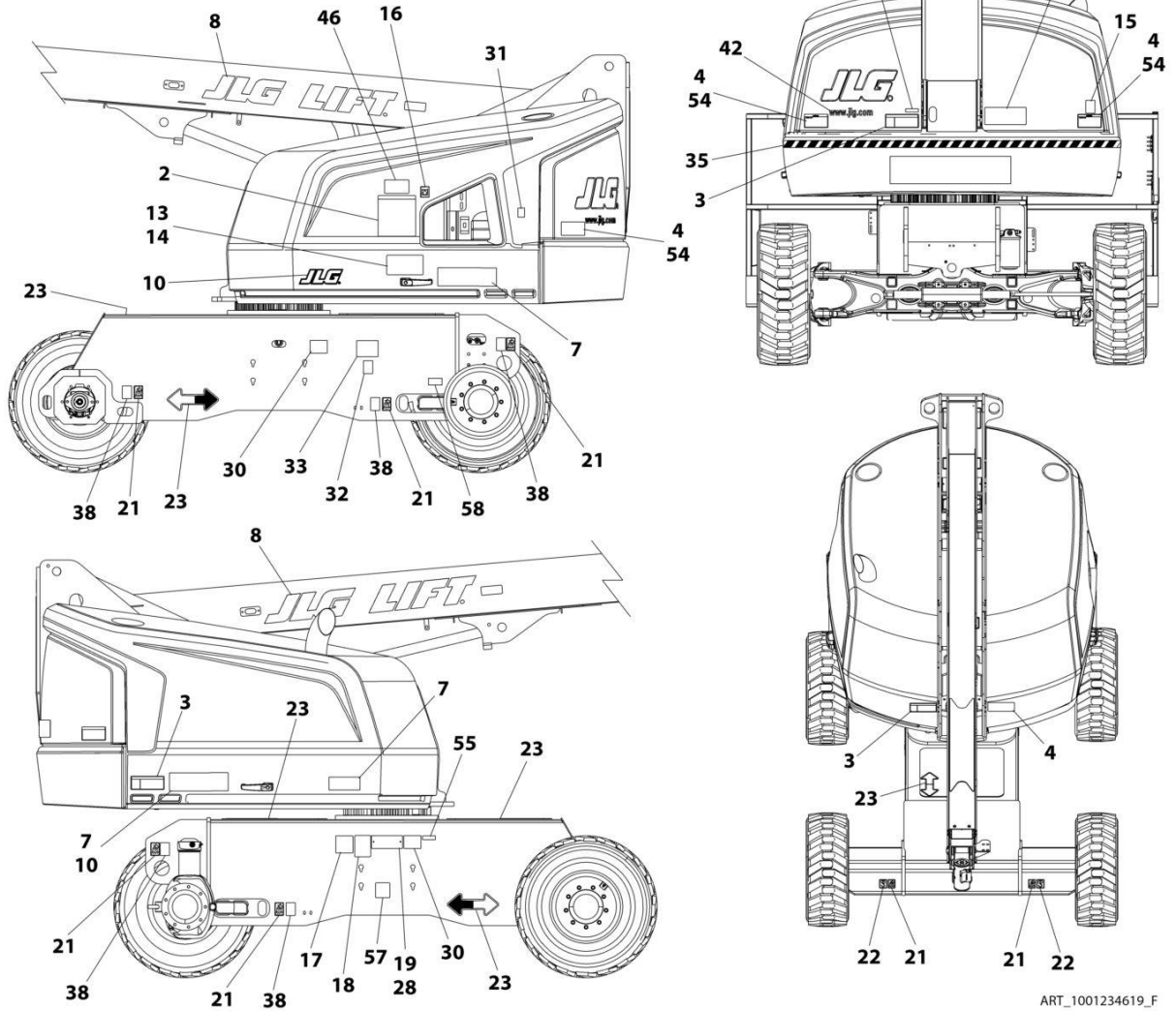
SECTION 9 - DECALS

FIGURE 9-3. DECAL INSTALLATION - AUSTRALIAN SPECS



NOTE: ITEMS SHOWN MAY NOT BE REQUIRED FOR ALL SPECS. REFER TO PART LIST FOR USAGE.

NOTE: ADDITIONAL DECALS ARE CALLED OUT ON DECALS INSTALLATION - OPTIONS.



ART_1001234619_F

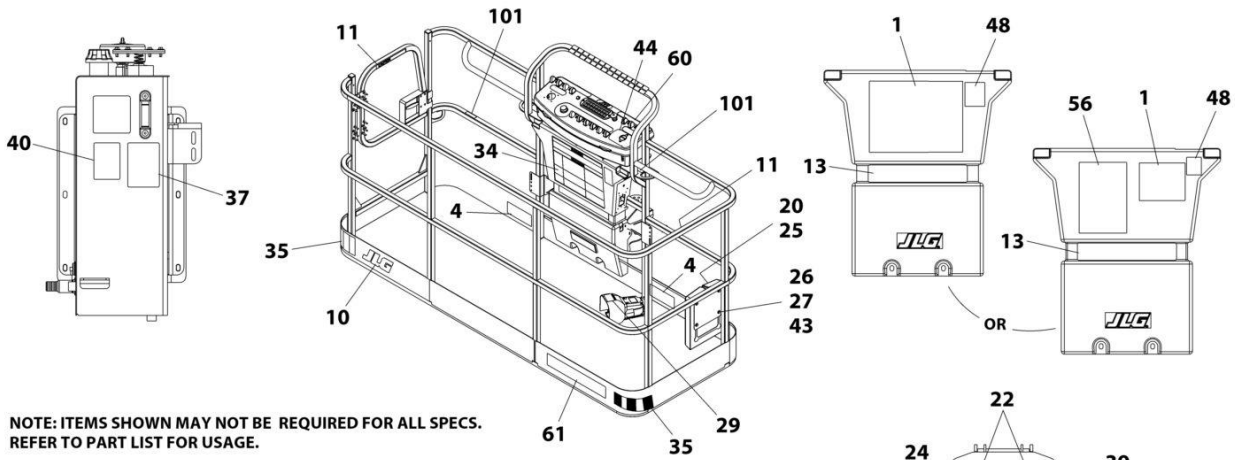
SECTION 9 - DECALS

FIGURE 9-3. DECAL INSTALLATION - AUSTRALIAN SPECS

ITEM	PART NUMBER	QTY	DESCRIPTION	REV
	1001234619	Ref	DECAL INSTALLATION - AUSTRALIAN SPECS (ENGLISH LANGUAGE)	F
1	1705921	1	Decal - Tipping/Electrocution	
2	1705822	1	Decal - Electrocution/Safety Manual	
3	1705961	3	Decal - Electrocution	
4	1701518	5	Decal - Crushing	
13	1001234439	2	Decal - Warning Tri Cap	
15	1001204510	1	Decal - Sound Power Level	
16	1701504	1	Decal - Hydraulic Oil	
17	See Note	NSS	Decal - Bar Code (Note: Not Available for Purchase)	
20	1701509	1	Decal - Manual	
21	1702300	8	Decal - Tie Down	
22	1701500	4	Decal - Lift	
23	1701529	4	Decal - Arrow	
25	0860520	1	Box, Manual Storage	
26	4751400	4	Washer 1/4	
27	3311405	4	Nut 1/4	
28	3820001	2	Rivet	
29	1705828	1	Decal - Footswitch	
38	1701499	6	Decal - No Lift	
40	1704412	1	Decal - Hydraulic Oil Chart	
43	0641406	4	Bolt 1/4 x 3/4	
46	1001112551	1	Decal - Emergency Controls	
59	1001184618	1	Decal - Stop	
100	1001232026	1	Decal - Platform Lanyard Kit (Not Shown)	
101	1704277	3	Decal - Attach Lanyard	

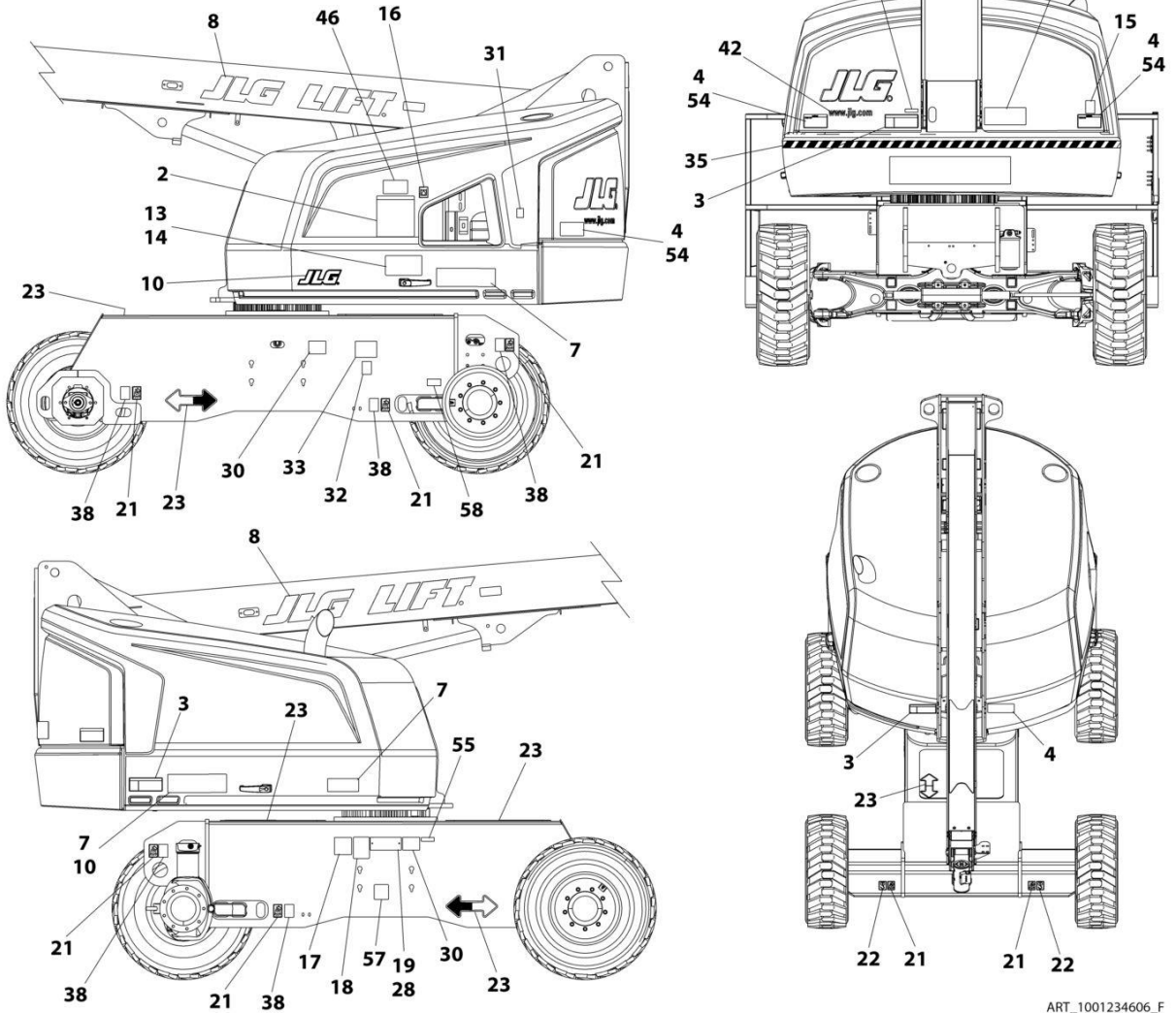
SECTION 9 - DECALS

FIGURE 9-4. DECAL INSTALLATION - BRAZIL SPECS



NOTE: ITEMS SHOWN MAY NOT BE REQUIRED FOR ALL SPECS. REFER TO PART LIST FOR USAGE.

NOTE: ADDITIONAL DECALS ARE CALLED OUT ON DECALS INSTALLATION - OPTIONS.



ART_1001234606_F

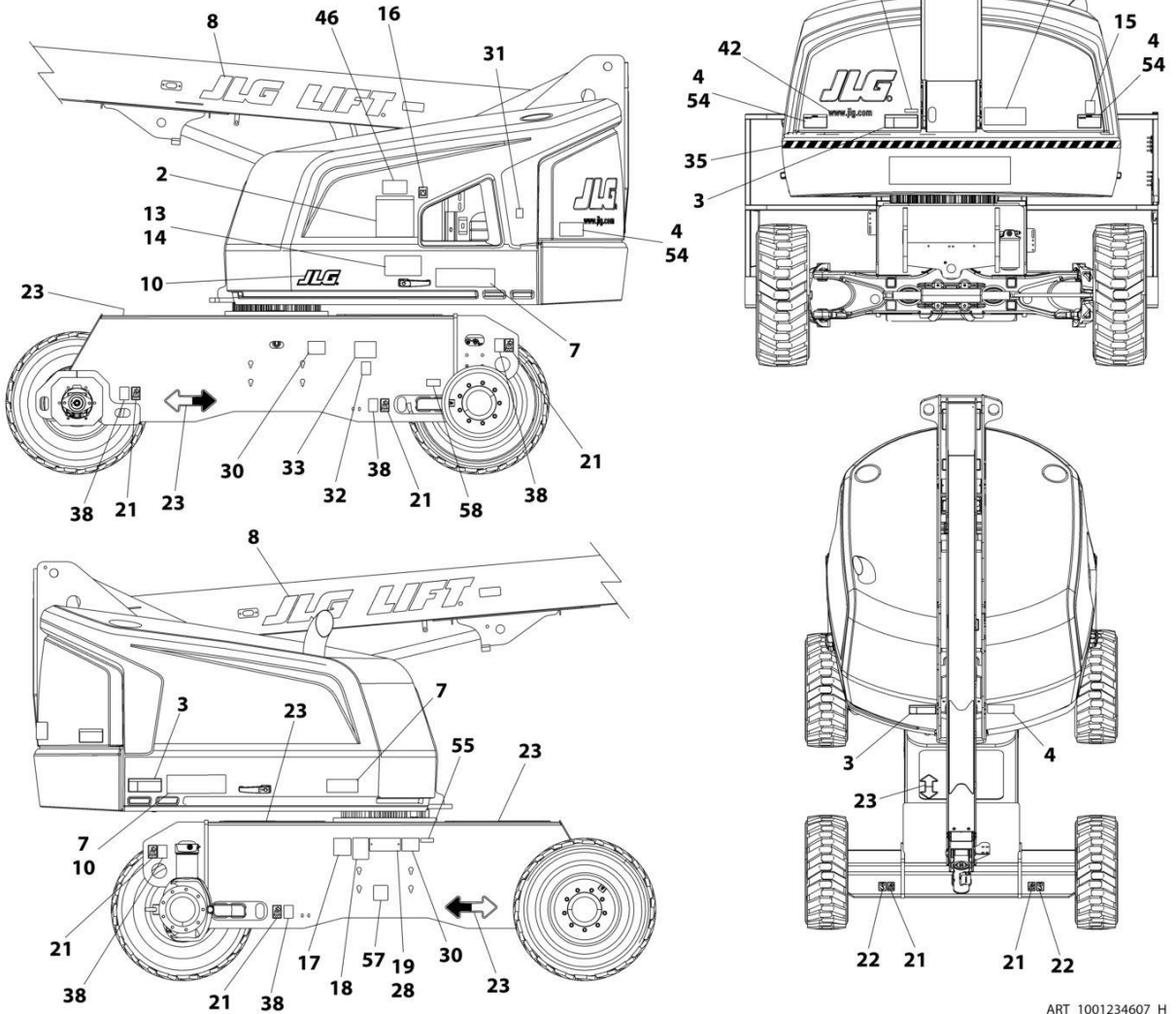
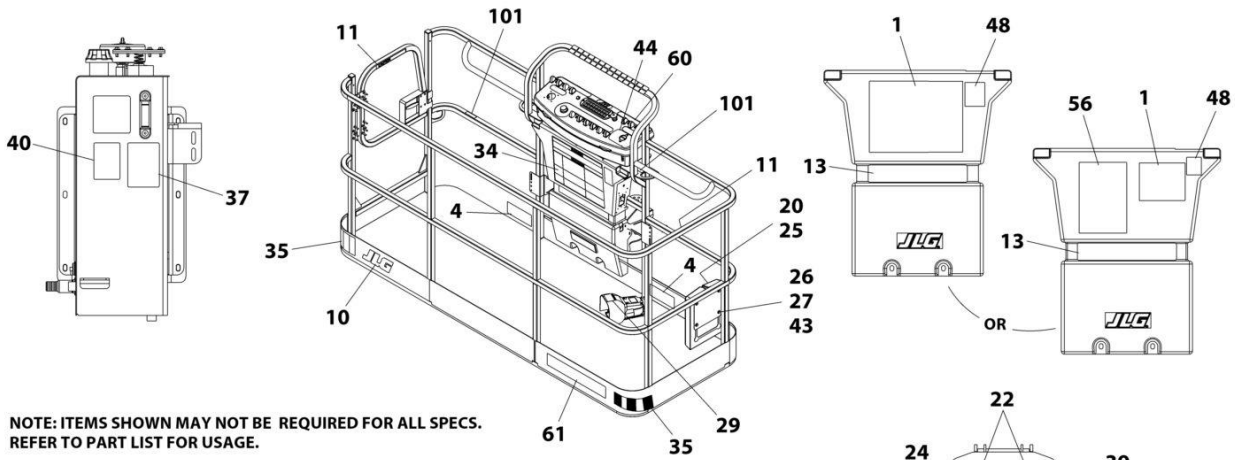
SECTION 9 - DECALS

FIGURE 9-4. DECAL INSTALLATION - BRAZIL SPECS

ITEM	PART NUMBER	QTY	DESCRIPTION	REV
	1001234606	Ref	DECAL INSTALLATION - BRAZIL SPECS (PORTUGUESE/SPANISH LANGUAGES)	F
1	1703928	1	Decal - Danger/Warning	
2	1703934	1	Decal - Danger/Warning	
3	1703940	3	Decal - Electrocutation	
4	1703952	3	Decal - Crushing	
11	1704002	2	Decal - No Hands	
13	1001234437	1	Decal - Warning Tri Cap	
14	1001234438	1	Decal - Warning Tri Cap	
16	1701504	1	Decal - Hydraulic Oil	
17	See Note	NSS	Decal - Bar Code (Note: Not Available for Purchase)	
20	1701509	1	Decal - Manual	
21	1702300	8	Decal - Tie Down	
22	1701500	4	Decal - Lift	
23	1701529	4	Decal - Arrow	
24	3251243	1	Nameplate - 120V - 60Hz	
25	0860520	1	Box, Manual Storage	
26	4751400	4	Washer 1/4	
27	3311405	4	Nut 1/4	
28	3820001	2	Rivet	
29	1703985	1	Decal - Footswitch	
38	1701499	6	Decal - No Lifting	
40	1704412	1	Decal - Hydraulic Oil Chart	
43	0641406	4	Bolt 1/4 x 3/4	
44	1001113680	1	Decal - Drive/Steer Instruction	
54	1703946	2	Decal - Warning Crushing	
57	1001224052	1	Decal - Yearly Inspection (Not Shown)	
60	1001184618	1	Decal - Stop	
100	1001232026	1	Decal - Lanyard Platform Kit (Not Shown)	
101	1704277	3	Decal - Lanyard Attach Graphic	

SECTION 9 - DECALS

FIGURE 9-5. DECAL INSTALLATION - CE SPECS



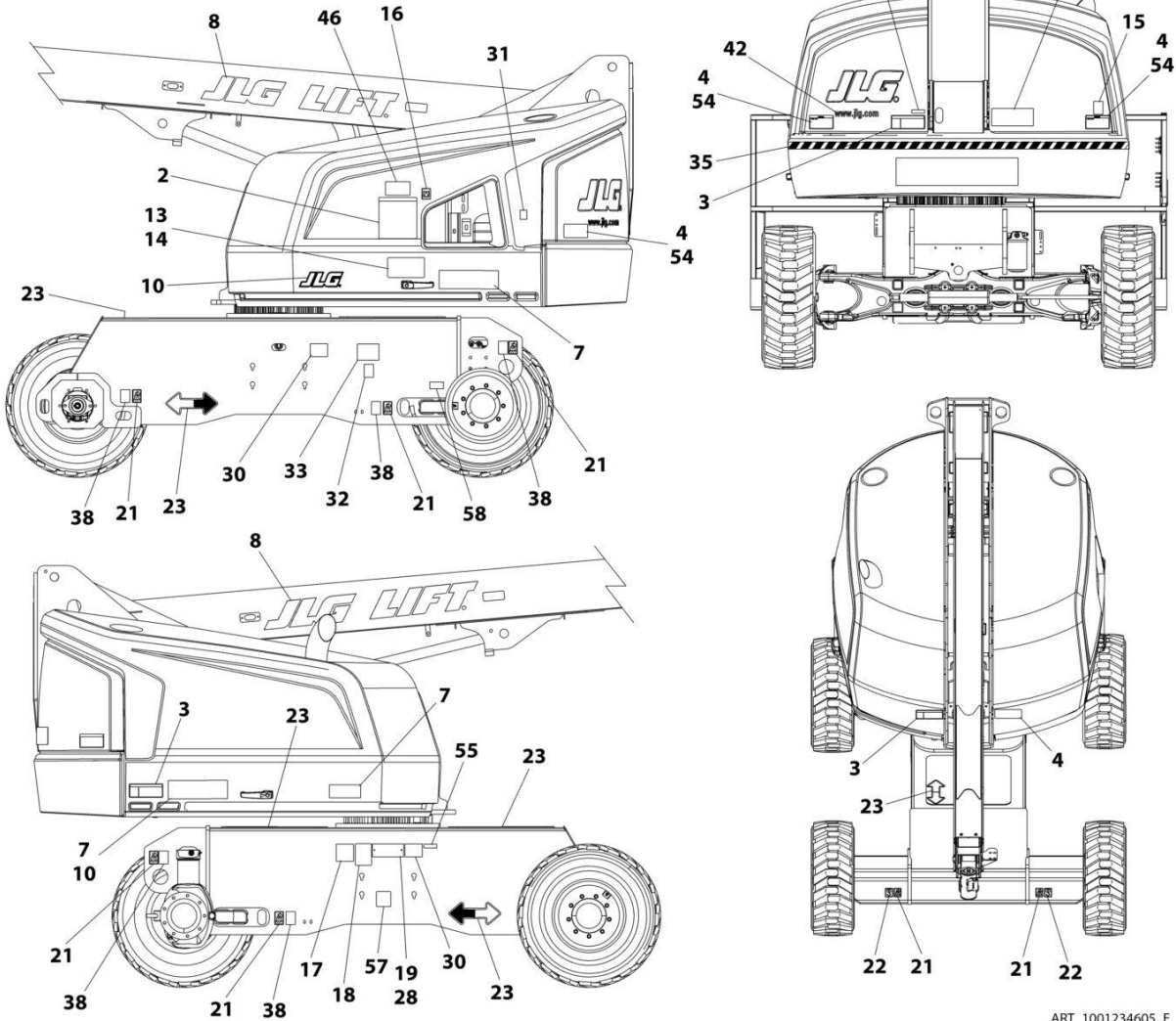
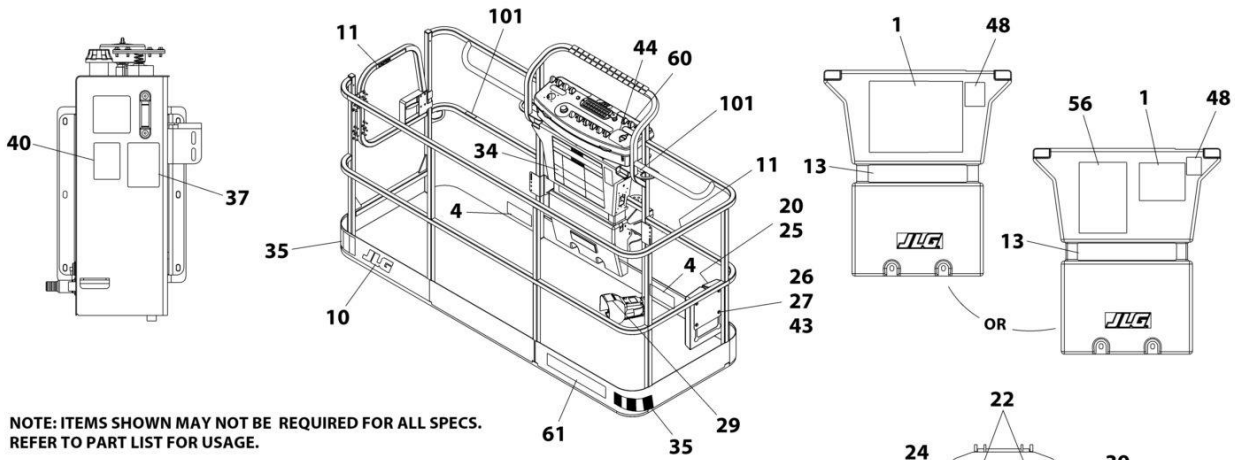
SECTION 9 - DECALS

FIGURE 9-5. DECAL INSTALLATION - CE SPECS

ITEM	PART NUMBER	QTY	DESCRIPTION	REV
	1001234607	Ref	DECAL INSTALLATION - CE SPECS (ENGLISH LANGUAGE)	H
1	1705921	1	Decal - Tipping/Electrocution	
2	1705822	1	Decal - Electrocution/Safety Manual	
3	1705961	3	Decal - Electrocution	
4	1701518	5	Decal - Crushing	
13	1001234439	2	Decal - Warning Tri Cap	
16	1701504	1	Decal - Hydraulic Oil	
17	See Note	NSS	Decal - Bar Code (Note: Not Available for Purchase)	
20	1701509	1	Decal - Manual	
21	1702300	8	Decal - Tie Down	
22	1701500	4	Decal - Lift	
23	1701529	4	Decal - Arrow	
25	0860520	1	Box, Manual Storage	
26	4751400	4	Washer 1/4	
27	3311405	4	Nut 1/4	
28	3820001	2	Rivet	
29	1705828	1	Decal - Footswitch	
38	1701499	6	Decal - No Lift	
40	1704412	1	Decal - Hydraulic Oil Chart	
43	0641406	4	Bolt 1/4 x 3/4	
46	1001197408	1	Decal - MSSO Operation	
60	1001184618	1	Decal - Stop	
100	1001232026	1	Decal - Platform Lanyard Kit (Not Shown)	
101	1704277	3	Decal - Attach Lanyard	

SECTION 9 - DECALS

FIGURE 9-6. DECAL INSTALLATION - CHINESE SPECS



ART_1001234605_E

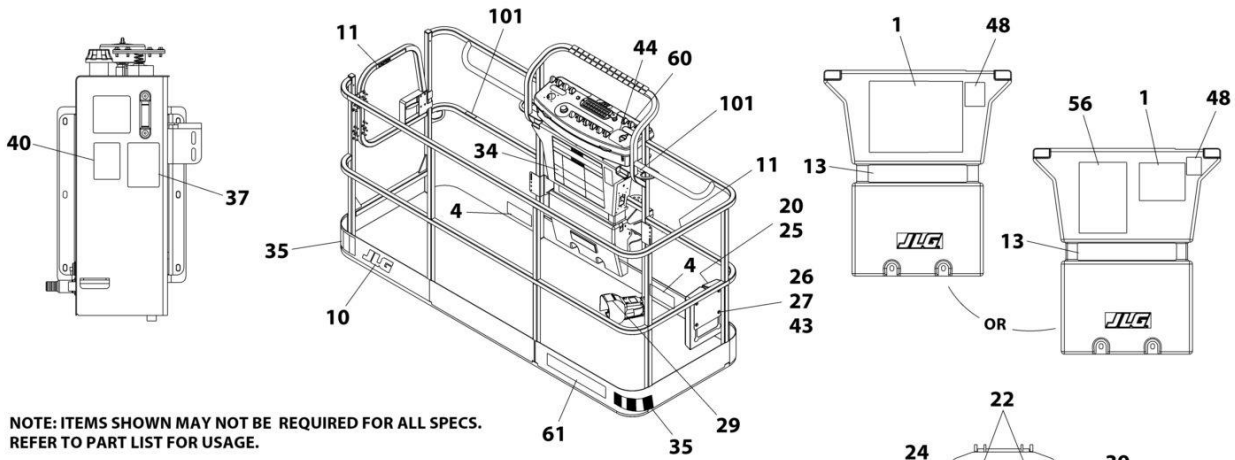
SECTION 9 - DECALS

FIGURE 9-6. DECAL INSTALLATION - CHINESE SPECS

ITEM	PART NUMBER	QTY	DESCRIPTION	REV
	1001234605	Ref	DECAL INSTALLATION - CHINESE SPECS (CHINESE/ENGLISH LANGUAGES)	E
1	1703925	1	Decal - Danger/Warning	
2	1703931	1	Decal - Danger/Warning	
3	1703937	3	Decal - Electrocutation	
4	1703949	3	Decal - Warning Crushing	
13	1001234435	1	Decal - Warning Tri Cap	
14	1001234436	1	Decal - Warning Tri Cap	
16	1701504	1	Decal - Hydraulic Oil	
17	1702631	1	Decal - Hydraulic Oil	
20	1701509	1	Decal - Manual	
21	1702300	8	Decal - Tie Down	
22	1701500	4	Decal - Lift	
23	1701529	4	Decal - Arrow	
25	0860520	1	Box, Manual Storage	
26	4751400	4	Washer 1/4	
27	3311405	4	Nut 1/4	
28	3820001	2	Rivet	
29	1703982	1	Decal - Post Switch	
38	1701499	6	Decal - No Lifting	
40	1704412	1	Decal - Hydraulic Oil Chart	
43	0641406	4	Bolt 1/4 x 3/4	
44	1705430	1	Decal - Drive/Steer Instruction	
54	1703943	2	Decal - Warning Crushing	
60	1001224050	1	Decal - Yearly Inspection (Not Shown)	
60	1001184618	1	Decal - Stop	
100	1001232026	1	Decal - Lanyard Platform Kit (Not Shown)	
101	1704277	3	Decal - Lanyard Attach Graphic	

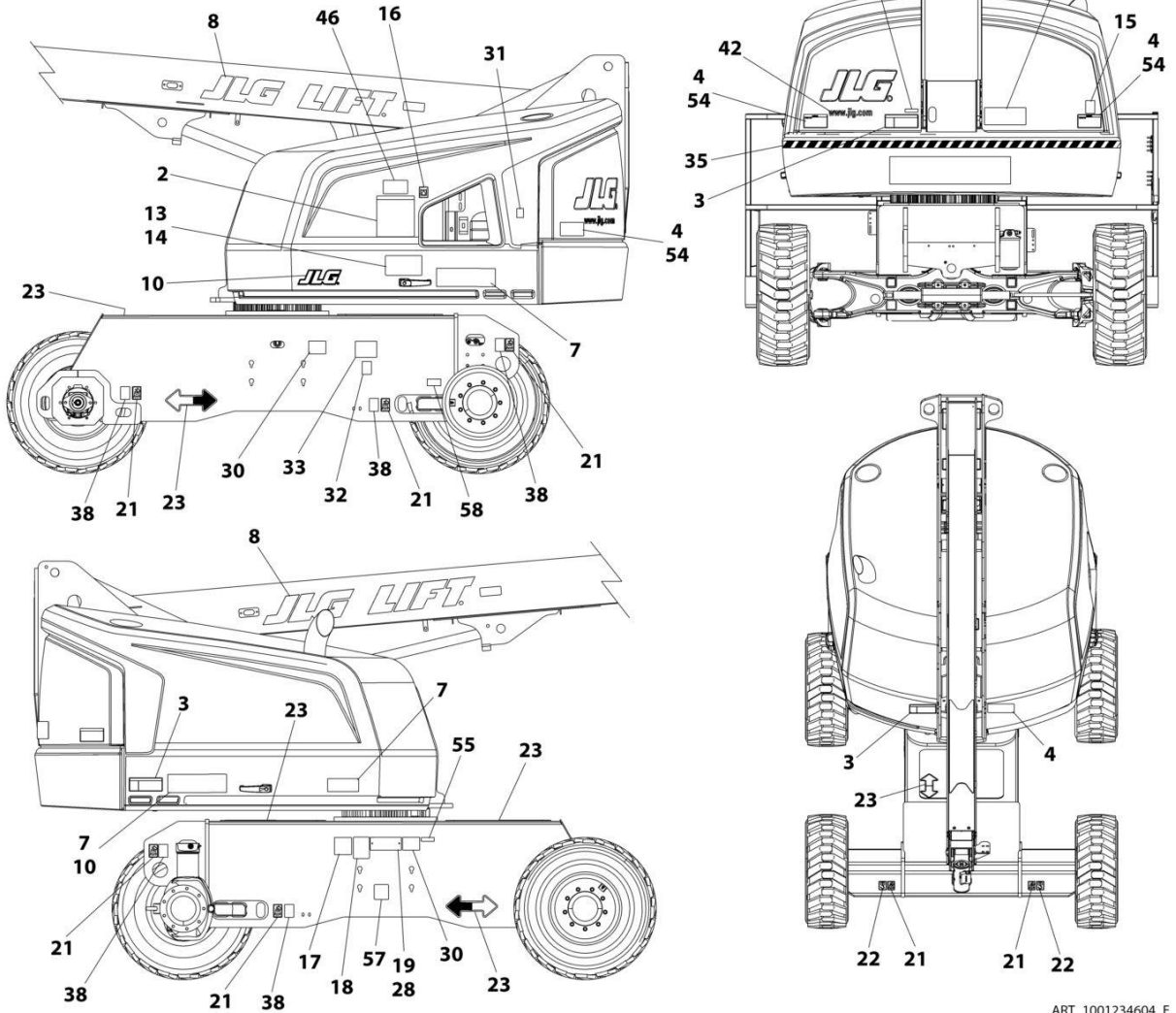
SECTION 9 - DECALS

FIGURE 9-7. DECAL INSTALLATION - CSA SPECS (DIESEL MACHINES)



NOTE: ITEMS SHOWN MAY NOT BE REQUIRED FOR ALL SPECS. REFER TO PART LIST FOR USAGE.

NOTE: ADDITIONAL DECALS ARE CALLED OUT ON DECALS INSTALLATION - OPTIONS.



ART_1001234604_E

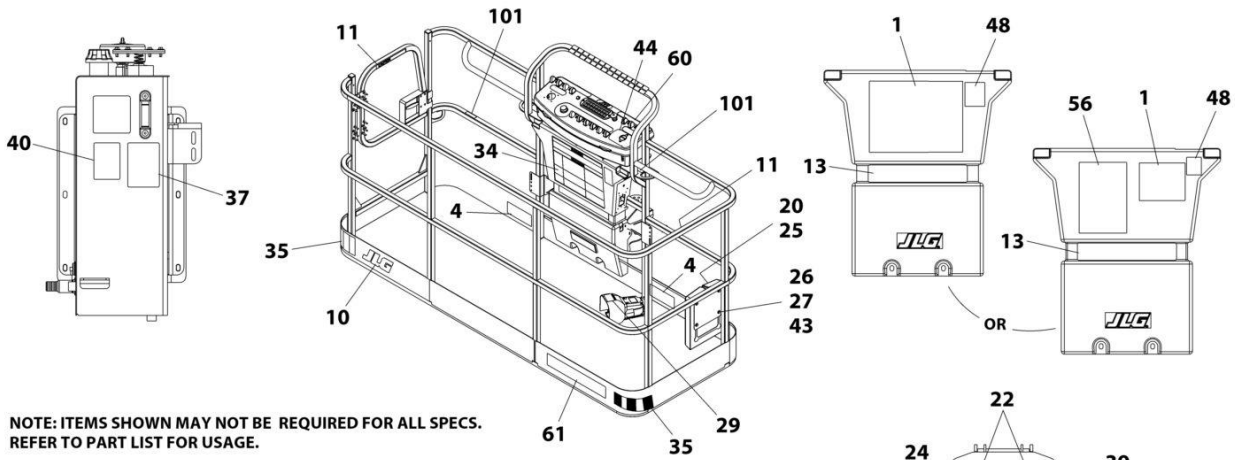
SECTION 9 - DECALS

FIGURE 9-7. DECAL INSTALLATION - CSA SPECS (DIESEL MACHINES)

ITEM	PART NUMBER	QTY	DESCRIPTION	REV
	1001234604	Ref	DECAL INSTALLATION - CSA SPECS (ENGLISH/FRENCH LANGUAGES)	E
1	1703924	1	Decal - Warning/Danger	
2	1703930	1	Decal - Warning/Danger	
3	1703936	3	Decal - Electrocution	
4	1703948	3	Decal - Warning Crushing	
11	1704000	2	Decal - No Hands	
13	1001234433	1	Decal - Warning Tri Cap	
14	1001234434	1	Decal - Warning Tri Cap	
16	1701504	1	Decal - Hydraulic Oil	
17	See Note	NSS	Decal - Bar Code (Note: Not Available for Purchase)	
18	1001131269	1	Decal - Patent	
20	1701509	1	Decal - Manual	
21	1702300	8	Decal - Tie Down	
22	1701500	4	Decal - Lift	
23	1701529	4	Decal - Arrow	
24	3251243	1	Nameplate - 120V - 60Hz	
25	0860520	1	Box - Manual Storage	
26	4751400	4	Washer 1/4	
27	3311405	4	Nut 1/4	
28	3820001	2	Rivet	
29	1703984	1	Decal - Footswitch	
38	1701499	6	Decal - No Lifting	
40	1704412	1	Decal - Hydraulic Oil Chart	
43	0641406	4	Bolt 1/4 x 3/4	
44	1705429	2	Decal - Drive/Steer Instructions	
54	1703942	1	Decal - Warning Crushing	
57	1001223971	1	Decal - Yearly Inspection	
58	1001223453	1	Decal - ICES	
60	1001184618	1	Decal - Stop	
100	1001232026	1	Decal - Lanyard Platform Kit (Not Shown)	
101	1704277	3	Decal - Lanyard Attach Graphic	

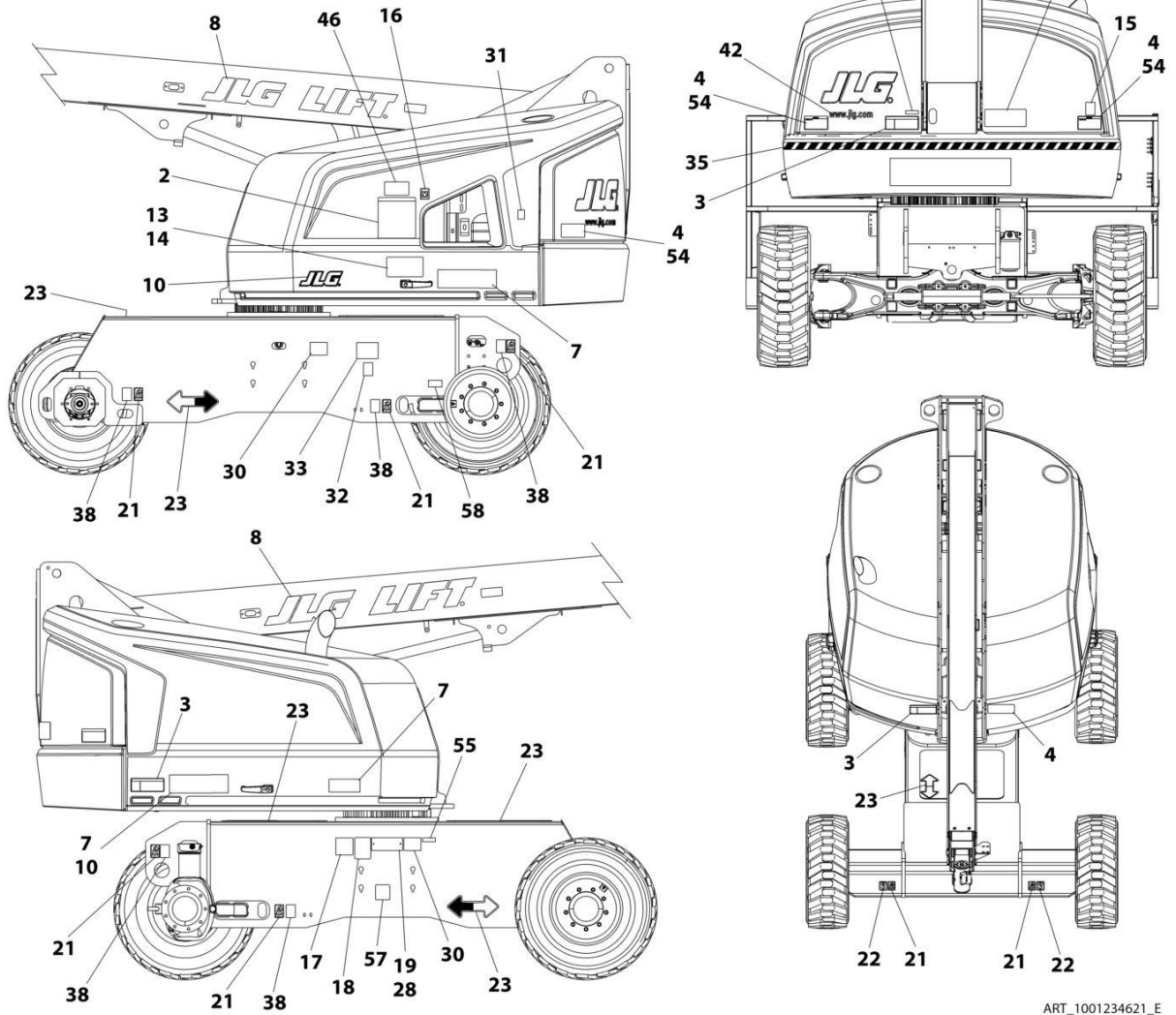
SECTION 9 - DECALS

FIGURE 9-8. DECAL INSTALLATION - CSA SPECS (GAS MACHINES)



NOTE: ITEMS SHOWN MAY NOT BE REQUIRED FOR ALL SPECS. REFER TO PART LIST FOR USAGE.

NOTE: ADDITIONAL DECALS ARE CALLED OUT ON DECALS INSTALLATION - OPTIONS.



ART_1001234621_E

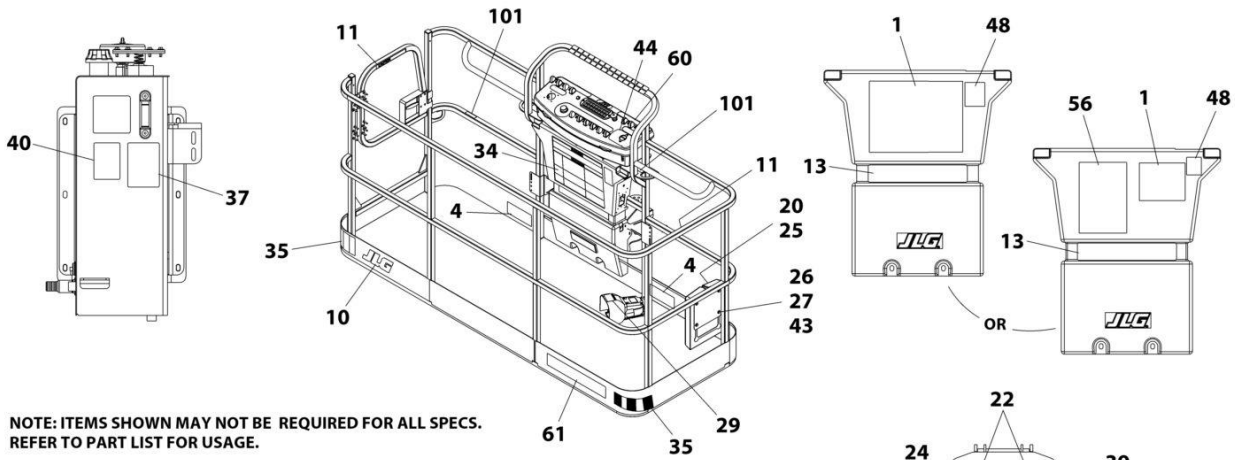
SECTION 9 - DECALS

FIGURE 9-8. DECAL INSTALLATION - CSA SPECS (GAS MACHINES)

ITEM	PART NUMBER	QTY	DESCRIPTION	REV
	1001234621	Ref	DECAL INSTALLTION - CSA SPECS (ENGLISH/FRENCH LANGUAGE)	E
1	1703924	1	Decal - Warning/Danger	
2	1703930	1	Decal - Warning/Danger	
3	1703936	3	Decal - Electrocution	
4	1703948	3	Decal - Warning Crushing	
11	1704000	2	Decal - No Hands	
13	1001234433	1	Decal - Warning Tri Cap	
14	1001234434	1	Decal - Warning Tri Cap	
16	1701504	1	Decal - Hydraulic Oil	
17	See Note	NSS	Decal - Bar Code (Note: Not Available for Purchase)	
18	1001131269	1	Decal - Patent	
20	1701509	1	Decal - Manual	
21	1702300	8	Decal - Tie Down	
22	1701500	4	Decal - Lift	
23	1701529	4	Decal - Arrow	
24	3251243	1	Nameplate - 120V - 60Hz	
25	0860520	1	Box - Manual Storage	
26	4751400	4	Washer 1/4	
27	3311405	4	Nut 1/4	
28	3820001	2	Rivet	
29	1703984	1	Decal - Footswitch	
38	1701499	6	Decal - No Lifting	
40	1704412	1	Decal - Hydraulic Oil Chart	
43	0641406	4	Bolt 1/4 x 3/4	
44	1705429	2	Decal - Drive/Steer Instructions	
54	1703942	1	Decal - Warning Crushing	
57	1001223971	1	Decal - Yearly Inspection	
60	1001184618	1	Decal - Stop	
100	1001232026	1	Decal - Lanyard Platform Kit (Not Shown)	
101	1704277	3	Decal - Lanyard Attach Graphic	

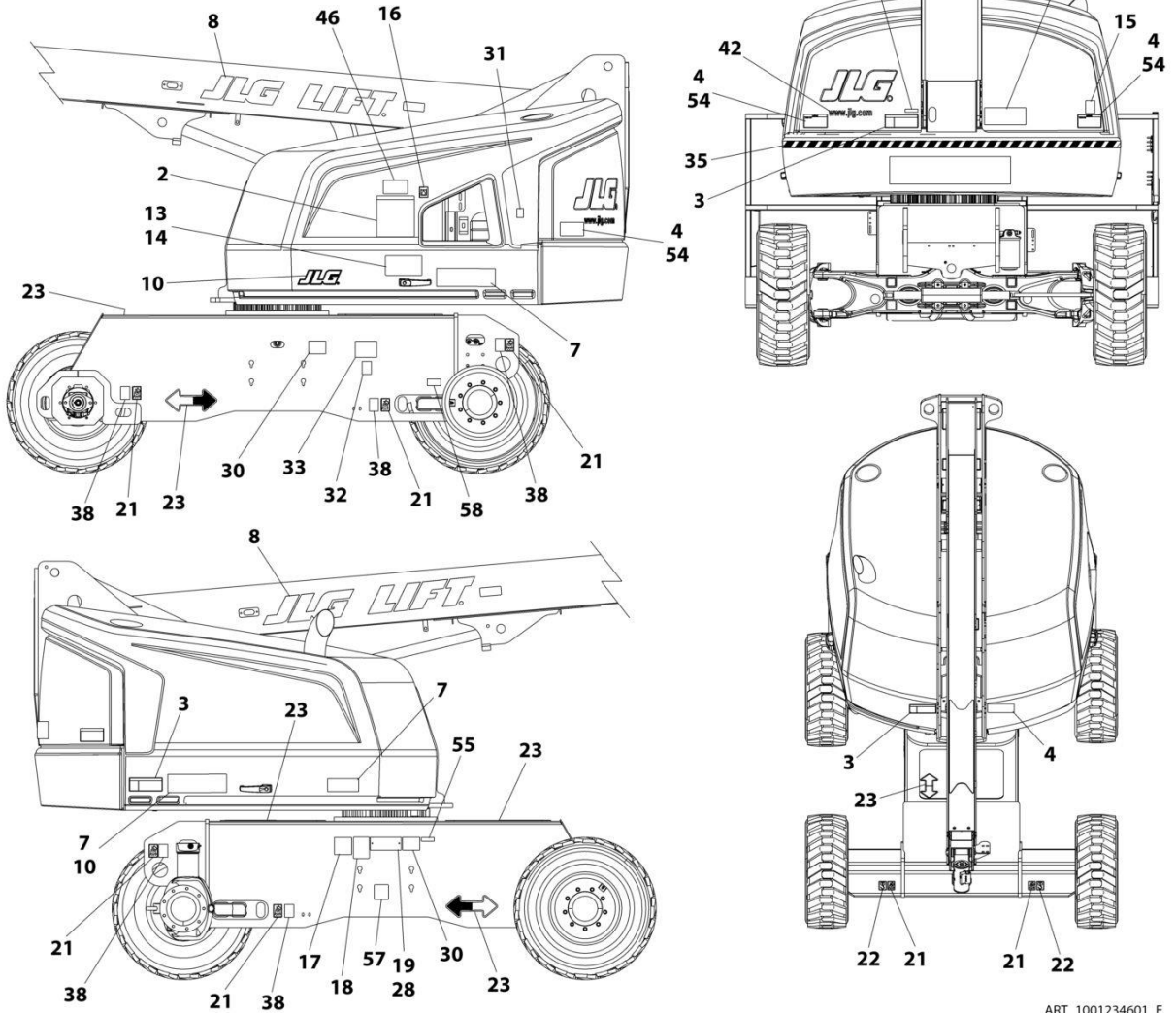
SECTION 9 - DECALS

FIGURE 9-9. DECAL INSTALLATION - JAPANESE SPECS



NOTE: ITEMS SHOWN MAY NOT BE REQUIRED FOR ALL SPECS. REFER TO PART LIST FOR USAGE.

NOTE: ADDITIONAL DECALS ARE CALLED OUT ON DECALS INSTALLATION - OPTIONS.



ART_1001234601_E

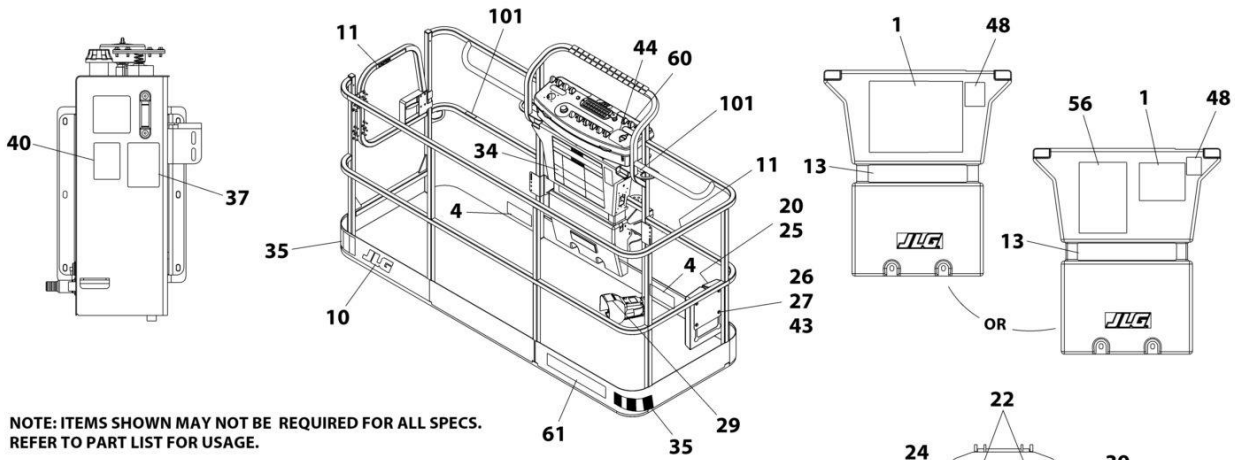
SECTION 9 - DECALS

FIGURE 9-9. DECAL INSTALLATION - JAPANESE SPECS

ITEM	PART NUMBER	QTY	DESCRIPTION	REV
	1001234601	Ref	DECAL INSTALLATION - JAPANESE SPECS(JAPANESE/ENGLISH LANGUAGES)	E
1	1703926	1	Decal - Warning/Danger	
2	1703932	1	Decal - Warning/Danger	
3	1703938	3	Decal - Electrocutation	
4	1703950	3	Decal - Warning Crushing	
13	1001234428	1	Decal - Warning Tri Cap	
14	1001234429	1	Decal - Warning Dual Cap	
19	1701504	1	Decal - Hydraulic Oil	
17	See Note	NSS	Decal - Bar Code (Note: Not Available for Purchase)	
20	1701509	1	Decal - Manual	
21	1702300	8	Decal - Tie Down	
22	1701500	4	Decal - Lift	
23	1701529	4	Decal - Arrow	
25	0860520	1	Box - Manual Storage	
26	4751400	4	Washer 1/4	
27	3311405	4	Nut 1/4	
28	3820001	2	Rivet	
29	1703980	1	Decal - Footswitch	
38	1701499	6	Decal - No Lifting	
40	1704412	1	Decal - Hydraulic Oil Chart	
43	0641406	4	Bolt 1/4 x 3/4	
44	1705426	1	Decal - Drive/Steer Instructions	
54	1703944	2	Decal - Warning Crushing	
57	1001224053	1	Decal - Yearly Inspection	
60	1001184618	1	Decal - Stop	
100	1001232026	1	Decal - Lanyard Platform Kit (Not Shown)	
101	1704277	3	Decal - Lanyard Attach Graphic	

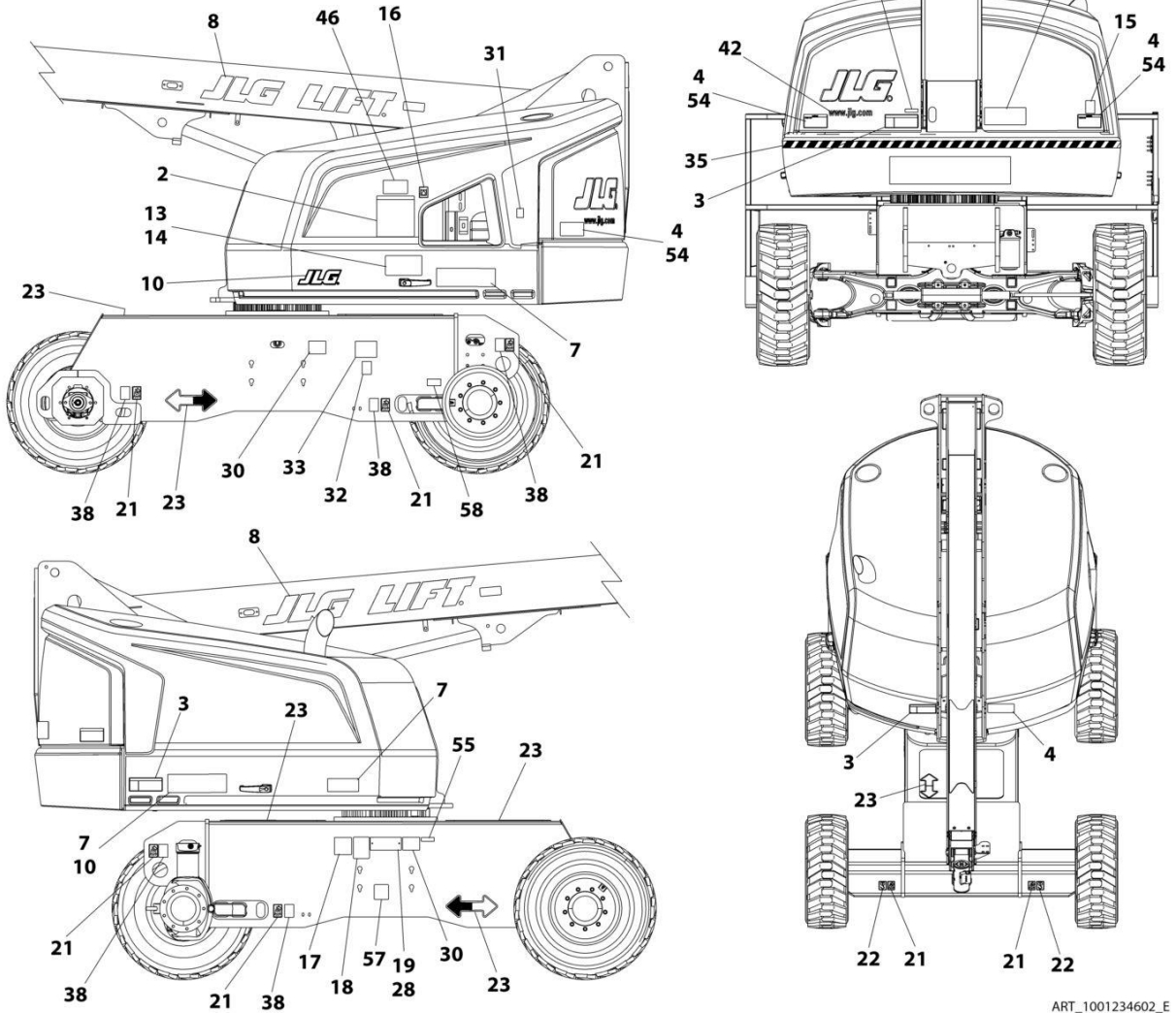
SECTION 9 - DECALS

FIGURE 9-10. DECAL INSTALLATION - KOREAN SPECS



NOTE: ITEMS SHOWN MAY NOT BE REQUIRED FOR ALL SPECS. REFER TO PART LIST FOR USAGE.

NOTE: ADDITIONAL DECALS ARE CALLED OUT ON DECALS INSTALLATION - OPTIONS.



ART_1001234602_E

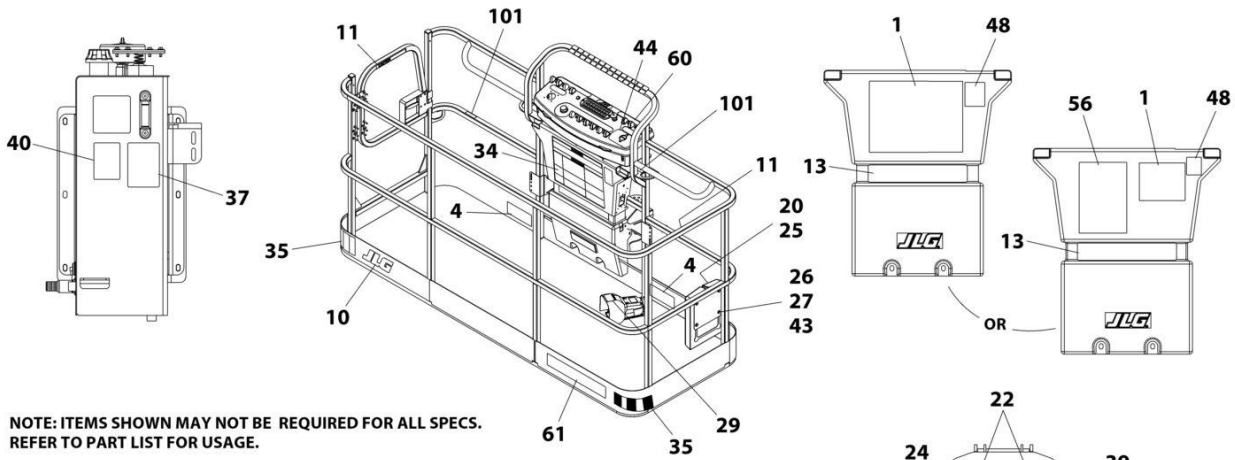
SECTION 9 - DECALS

FIGURE 9-10. DECAL INSTALLATION - KOREAN SPECS

ITEM	PART NUMBER	QTY	DESCRIPTION	REV
	1001234602	Ref	DECAL INSTALLATION - KOREAN SPECS (KOREAN; ENGLISH LANGUAGES)	E
1	1703927	1	Decal - Warning/Danger	
2	1703933	1	Decal - Warning/Danger	
3	1703939	3	Decal - Electrocution	
4	1703951	3	Decal - Warning Crushing	
13	1001234430	1	Decal - Warning Tri Cap	
14	1001235585	1	Decal - Warning Dual Cap	
16	1701504	1	Decal - Hydraulic Oil	
17	See Note	NSS	Decal - Bar Code (Note: Not Available for Purchase)	
20	1701509	1	Decal - Manual	
21	1702300	8	Decal - Tie Down	
22	1701500	4	Decal - Lift	
23	1701529	4	Decal - Arrow	
25	0860520	1	Box - Manual Storage	
26	4751400	4	Washer 1/4	
27	3311405	4	Nut 1/4	
29	1703981	1	Decal - Footswitch	
38	1701499	6	Decal - No Lifting	
40	1704412	1	Decal - Hydraulic Oil Chart	
43	0641406	4	Bolt 1/4 x 3/4	
44	1705427	1	Decal - Drive/Steer Instructions	
54	1703945	2	Decal - Warning Crushing	
57	1001224048	1	Decal - Yearly Inspection	
60	1001184618	1	Decal - Stop	
100	1001232026	1	Decal - Lanyard Platform Kit (Not Shown)	
101	1704277	3	Decal - Lanyard Attach Graphic	

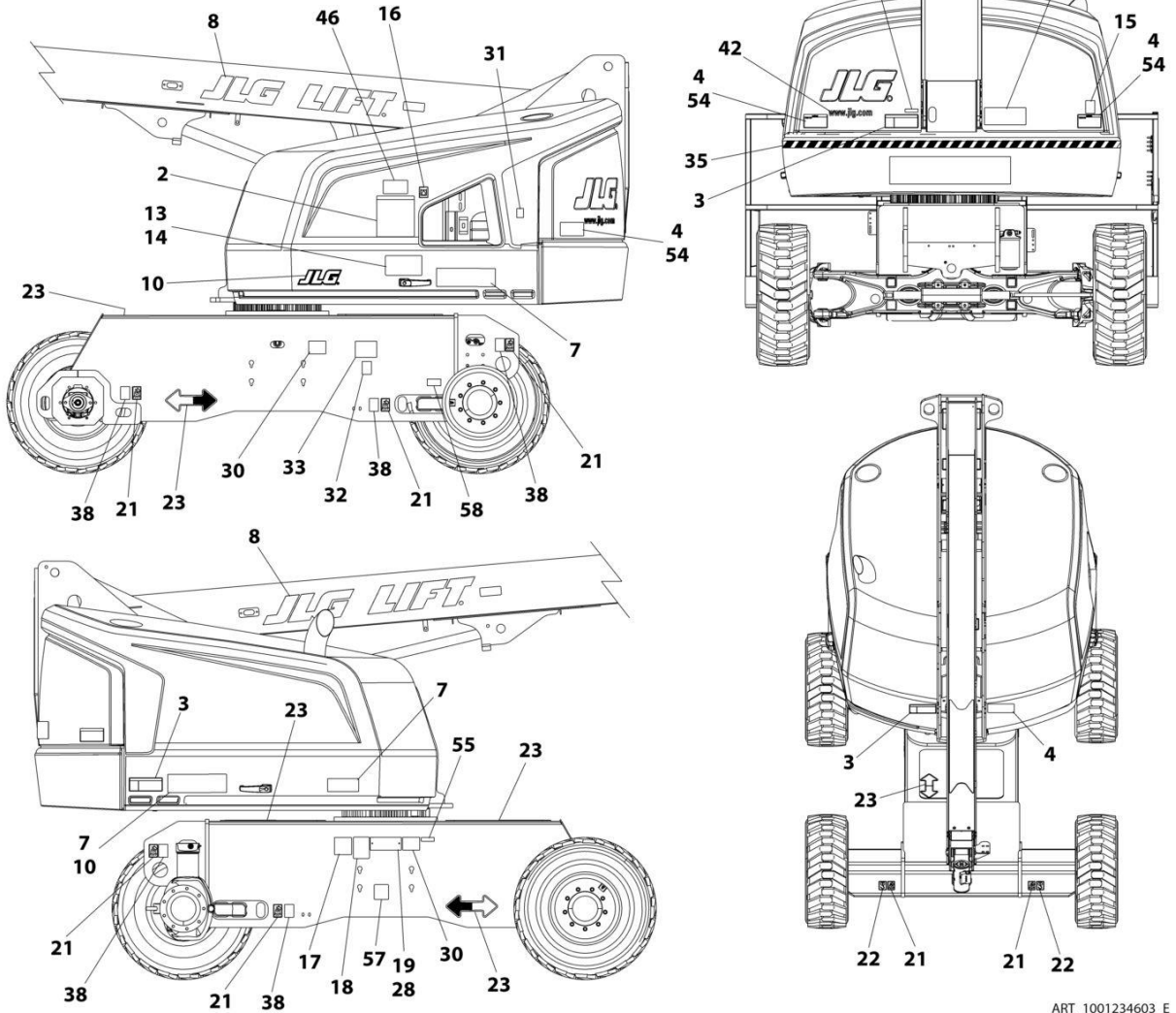
SECTION 9 - DECALS

FIGURE 9-11. DECAL INSTALLATION - LATIN AMERICAN SPECS



NOTE: ITEMS SHOWN MAY NOT BE REQUIRED FOR ALL SPECS. REFER TO PART LIST FOR USAGE.

NOTE: ADDITIONAL DECALS ARE CALLED OUT ON DECALS INSTALLATION - OPTIONS.



ART_1001234603_E

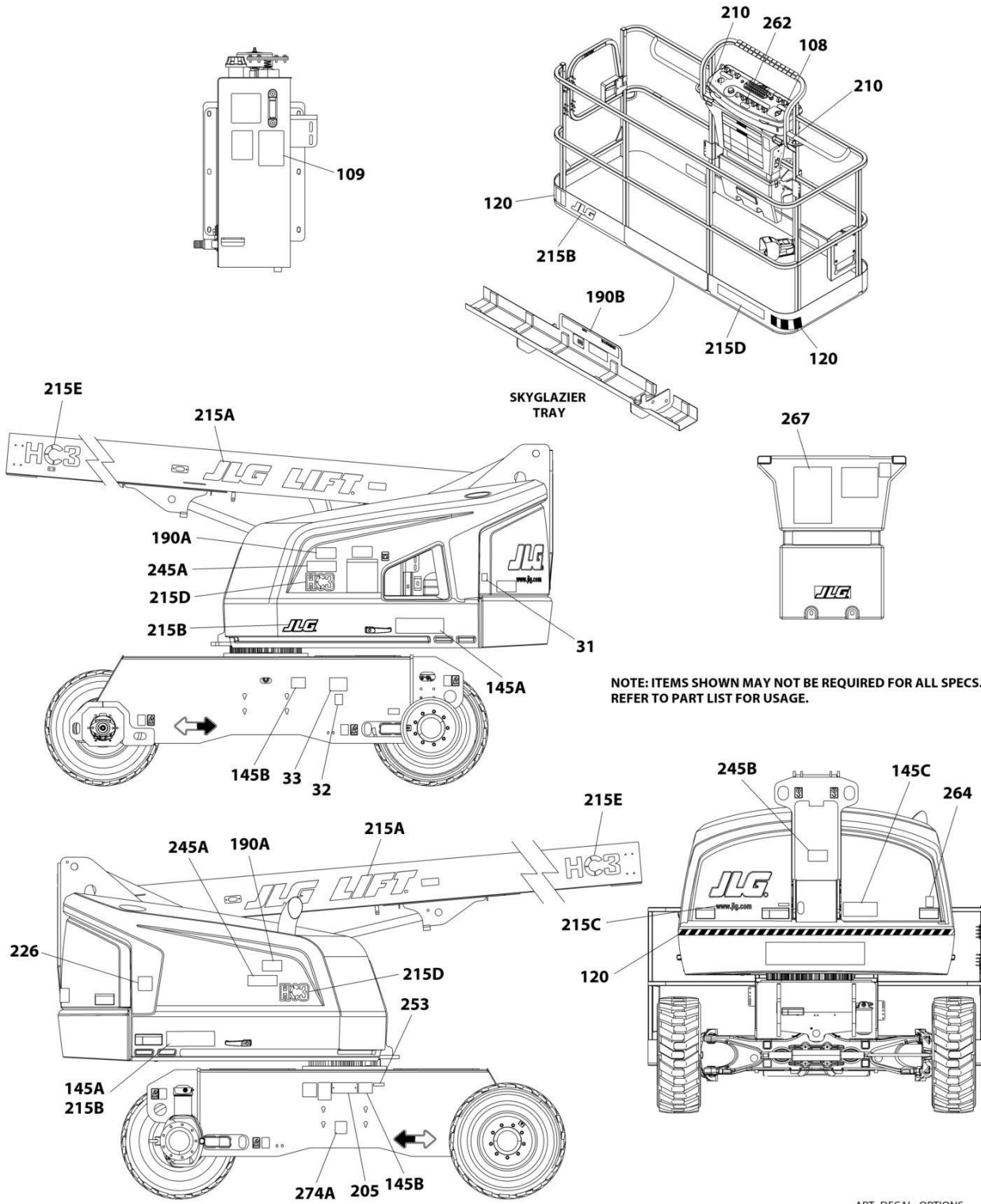
SECTION 9 - DECALS

FIGURE 9-11. DECAL INSTALLATION - LATIN AMERICAN SPECS

ITEM	PART NUMBER	QTY	DESCRIPTION	REV
	1001234603	1	DECAL INSTALLATION - LATIN, AMERICAN SPECS (SPANISH/ENGLISH LANUGUAGES)	E
1	1703923	1	Decal - Warning/Danger	
2	1703229	1	Decal - Warning/Danger	
3	1703935	3	Decal - Electrocution	
4	1703947	3	Decal - Warning Crushing	
11	1704001	2	Decal - Cautions No Hands	
13	1001234431	1	Decal - Warning Tri Cap	
14	1001234432	1	Decal - Warning Tri Cap	
16	1701504	1	Decal - Hydraulic Oil	
17	See Note	NSS	Decal - Bar Code (Note: Not Available for Purchase)	
20	1701509	1	Decal - Manual	
21	1702300	8	Decal - Tie Down	
22	1701500	4	Decal - Lift	
23	1701529	4	Decal - Arrow	
24	3251243	1	Nameplate - 120V - 60Hz	
25	0860520	1	Box - Manual Storage	
26	4751400	4	Washer 1/4	
27	3311405	4	Nut 1/4	
28	3820001	2	Rivet	
29	1703983	1	Decal - Footswitch	
38	1701499	6	Decal - No Lifting	
40	1704412	1	Decal - Hydraulic Oil Chart	
43	0641406	4	Bolt 1/4 x 3/4	
44	1705910	1	Decal - Drive/Steer Instructions	
54	1703941	2	Decal - Warning Crushing	
57	1001224049	1	Decal - Yearly Inspection	
58	1001223453	1	Decal - ICES	
60	1001184618	1	Decal - Stop	
100	1001232026	1	Decal - Lanyard Platform Kit (Not Shown)	
101	1704277	3	Decal - Lanyard Attach Graphic	

SECTION 9 - DECALS

FIGURE 9-12. DECAL INSTALLATION - OPTIONS



SECTION 9 - DECALS

FIGURE 9-12. DECAL INSTALLATION - OPTIONS

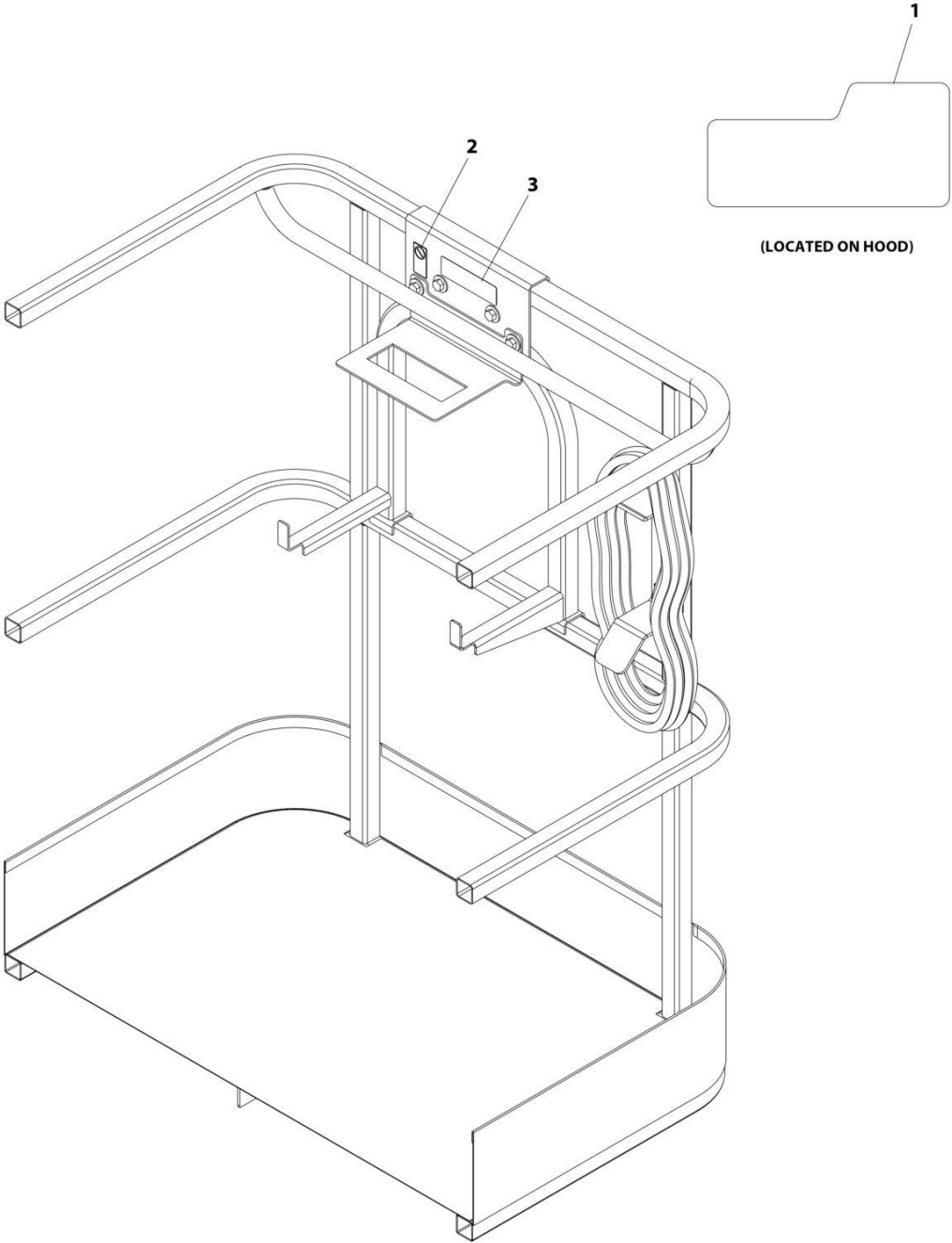
ITEM	PART NUMBER	QTY	DESCRIPTION	REV
	1001234622	Ref	DECAL INSTALLATION - REFERENCE CHART (ALL SPECS EXCEPT CE SPECS)	G
	1001235535	Ref	DECAL INSTALLATION - REFERENCE CHART (CE SPECS)	E
	1001237527	Ref	DECAL INSTALLATION - OPTIONS	B
31	1701505	1	Decal - Diesel Fuel	
31	1701542	1	Decal - Gas	
32	1701543	1	Decal - LPG	
33	1700818	1	Decal - LP Gas Liquid Withdrawal System (ANSI Spec)	
33	1704271	1	Decal - LP Gas Liquid Withdrawal System (CSA Spec)	
108	1001231801	1	Decal - Proposition 65 (Machines with SN Starting with 03)	
109	1702788	1	Decal - Biodegradeable Hydraulic Fluid (All Specs except German Spec)	
109	1703479	1	Decal - Biodegradeable Hydraulic Fluid (German Spec)	
109	1704174	1	Decal - SYN Biodegradeable Hydraulic Fluid (All Specs except German Spec)	
109	1704175	1	Decal - SYN Biodegradeable Hydraulic Fluid (German Spec)	
120	1001178415	Ref	Warning Strip Installation (Not Shown)	
120	4420051	14.5 ft/ 4.42m	Tape, Safety	
145	1001234608	Ref	Decal - Model Designation (400SHC3) (Not Shown)	C
145	1001251723	Ref	Decal - Model Designation (400SJHC3) (Not Shown)	C
145A	1001267304	2	Decal - 400S	
145A	1001267305	2	Decal - 460SJ	
145B	1001236680	2	Decal - Max Tire Load (400SHC3)	
145B	1001251692	2	Decal - Max Tire Load (400SJHC3)	
145C	1001284678	1	Decal - Lift Diagram	
190	1001172570	Ref	Decal, Installation - Skyglazier (English Language) (Not Shown)	
190	1001172571	Ref	Decal, Installation - Skyglazier (ANSI Export Spanish Language) (Not Shown)	
190	1001172572	Ref	Decal, Installation - Skyglazier (Brazil Portuguese Language) (Not Shown)	
190	1001172620	Ref	Decal, Installation - Skyglazier (Australian English Language) (Not Shown)	
190A	1705358	2	Decal - Skygalzier	
190B	1001199035	2	Decal - Skygalzier Capacity (English Language)	
190B	1001172564	2	Decal - Skygalzier Capacity (Ansi Export Spanish Language)	
190B	1001172565	2	Decal - Skygalzier Capacity (Brazil Portuguese Language)	
190B	1001199036	2	Decal - Skygalzier Capacity (Australian English Language) (Not Shown)	
205	See Note	NSS	Name Plate - Manufacturers Serial Number (Note: Not Available For Purchase)	
210	1702868	2	Decal - No Hands (Ansi, Australian & CE Specs)	
210	1704000	2	Decal - No Hands (CSA Specs)	
215	1001245410	Ref	Decal Installation - JLG Logo (Not Shown) (All Specs Except CE Specs)	C
215	1001251612	Ref	Decal Installation - JLG Logo (Not Shown) (CE Specs)	B
215A	1702861	2	Decal - JLG Lift (All Specs Except CE Specs)	
215A	1001159323	2	Decal - JLG (CE Specs)	
215B	1702773	AR	Decal - JLG	
215C	1704885	1	Decal - Website (All except CE Specs)	
215D	1001244212	AR	Decal - HC3	
215E	1001256906	2	Decal - HC3 (SN E300007713 to Present)	

SECTION 9 - DECALS

ITEM	PART NUMBER	QTY	DESCRIPTION	REV
226	1704972	1	Decal - Warning Explosion/Fire (ANSI Spec)	
226	1706064	1	Decal -Warning Explosion/Fire (CSA Spec - Dual Language English/French)	
226	1706098	1	Decal -Warning Explosion/Fire Australian and CE Specs)	
226	1706059	1	Decal -Warning Explosion/Fire (Brazil Spec- Dual Language English/Portuguese)	
226	1706060	1	Decal -Warning Explosion/Fire (Chinese Spec- Dual Language English/Chinese)	
226	1706061	1	Decal - Warning Explosion/Fire (Korean Spec - Dual Language English/Korean)	
226	1706062	1	Decal - Warning Explosion/Fire (Japanese Spec - Dual Language English/Japanese)	
226	1706063	1	Decal -Warning Explosion/Fire (Latin American - Dual Language English/Spanish)	
245	1001178435	Ref	Decal Installation - Clearsky	
245A	1001116208	2	Decal - Clearsky	
245B	1001120989	1	Decal - Radio Frequency	
253	1001143852	1	Decal - Emission Compliance (Machines with Diesel Engines) (ANSI Export, Australian, CE and China Specs)	
262	1001141300	1	Decal - Skyguard Override (Machines Without Soft Touch)	
262	1001141302	1	Decal - Skyguard Override (Machines With Soft Touch)	
264	1001204510	1	Decal - Sound Power (T4i)	
264	1001130492	1	Decal - Sound Power (Stage V)	
274	1001214029	1	Decal - EAC Installation (CIS and Russia Specs)	
274A	1001173703	1	Decal - EAC	
267	1001200128	1	Decal, Quick Start Guide (French)	
267	1001200129	1	Decal, Quick Start Guide (Dutch)	
267	1001200130	1	Decal, Quick Start Guide (German)	
267	1001200131	1	Decal, Quick Start Guide (Danish)	
267	1001200132	1	Decal, Quick Start Guide (Swedish)	
267	1001200133	1	Decal, Quick Start Guide (Spanish)	
267	1001200134	1	Decal, Quick Start Guide (Norwegian)	
267	1001181145	1	Decal, Quick Start Guide (English)	

SECTION 9 - DECALS

FIGURE 9-13. DECAL INSTALLATION - SKYWELDER (50HZ)



(LOCATED ON HOOD)

ART_0272588

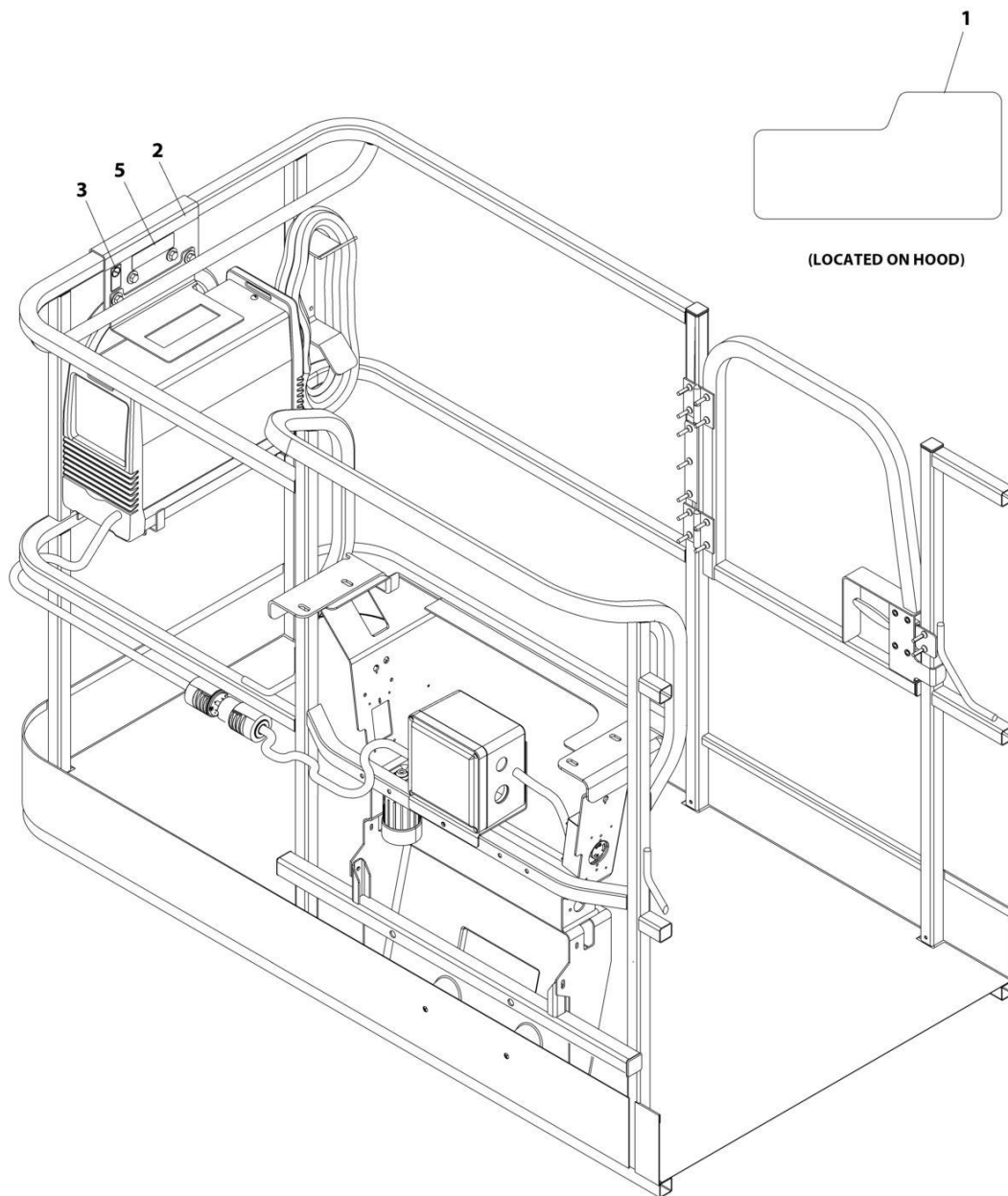
SECTION 9 - DECALS

FIGURE 9-13. DECAL INSTALLATION - SKYWELDER (50HZ)

ITEM	PART NUMBER	QTY	DESCRIPTION	REV
	0272588	Ref	SKYWELDER DECAL INSTALLATION - 50Hz	B
1	1705355	2	Decal - SkyWelder	
2	1705305	1	Decal - Weld Lead	
3	1001228988	1	Decal - Weight	

SECTION 9 - DECALS

FIGURE 9-14. DECAL INSTALLATION - SKYWELDER (60HZ)



(LOCATED ON HOOD)

ART_0272448_D

SECTION 9 - DECALS

FIGURE 9-14. DECAL INSTALLATION - SKYWELDER (60HZ)

ITEM	PART NUMBER	QTY	DESCRIPTION	REV
	0272448	Ref	SKYWELDER DECAL INSTALLATION - 60Hz	D
1	1705355	2	Decal - SkyWelder	
2	1702868	1	Decal - No Hands	
3	1705305	1	Decal - Weld Lead	
5	1001228988	1	Decal - Weight	

SECTION 10 - RECOMMENDED SERVICE PARTS STOCK

SECTION 10 - RECOMMENDED SERVICE PARTS STOCK

SECTION 10 - RECOMMENDED SERVICE PARTS STOCK

FIGURE 10-1. RECOMMENDED SERVICE PARTS STOCK

ITEM	PART NUMBER	QTY	DESCRIPTION	REV
		Ref	Note: The following list will service one machine (built to current production per date on the front cover) with emergency repair parts which can be installed in the field. Parts from the list should be replaced when inventory is depleted to keep service parts stock supplied. For further information, contact your JLG dealer or the JLG Industries Parts Department.	
	1001189172	1	Breaker, 16 Amp	
	1001189171	1	Breaker, 30mA	
	1001181045	1	Breaker, 30mA/16 Amp	
	70003788	1	Coil (Main Valve Assembly - 400S HC3)	
	70005219	1	Coil (Main Valve Assembly - 400S HC3)	
	70002386	1	Coil (Main Valve Assembly - 460SJ HC3)	
	70004897	1	Coil (Piston Pump Assembly)	
	1001275628	1	Controller Assembly (Drive and Steer)	
	1001275629	1	Controller Assembly (Lift and Swing)	
	70010383	1	Element, Filter Charge Pump (Includes O-Ring)	
		Ref	Engine Components (Deutz D2011 Engines)	
	70003783	12	Element, Air Cleaner (Deutz D2011 Engines)	
	7020023	12	Filter, Fuel (Deutz D2011 Engines)	
	70003463	12	Filter, Fuel - RME Resistant (Deutz D2011 Engines)	
	7016331	12	Filter, Oil (Deutz Engines)	
		Ref	Engine Components (Deutz 2.9L4 Engines)	
	70003783	12	Element, Air Cleaner (Deutz 2.9L4 Engines)	
	7016331	12	Filter, Oil (Deutz Engines)	
	1001225431	12	Filter, Fuel (Deutz 2.9L4 Engines)	
	1001225430	12	Filter, Fuel (Deutz 2.9L4 Engines)	
	70029512	1	Module, ECU (Deutz 2.9L4 Engines)	
	70025210	1	Module, ECU (Deutz 2.9L4 Engines)	
		Ref	Engine Components (Kubota Engines)	
	1001147813	12	Element, Air Cleaner (Kubota Engines)	
	7017992	12	Filter, Fuel (Kubota Engines)	
	70006023	12	Filter, Oil (Kubota Engines)	
	70006061	1	Module, ECU (Kubota Engines)	
	70003614	1	Filter Kit (Includes Hydraulic Element, Breather Element and Gasket)	
	80983191	1	Fuse - 10Amp	
	8229244	1	Fuse - 15Amp	
	70023592	1	Fuse - 20Amp	
	1001196634	1	Fuse - 2Amp	
	70023593	1	Fuse - 30Amp	
	2400082	1	Fuse - 40 Amp	
	8229242	1	Fuse - 5Amp	
	2860030	1	Key, Replacement	
	2940074	1	Latch (Machines with Gate)	
	1001142683	1	Module, Beacon Light Control	
	1001280340	1	Module, Ground Control	
	1001157196	1	Module, Platform Control	
	1001138228	1	Module, Power Relay	
	3740067	1	Relay (Auxiliary Pump and Battery Installation)	
	3740140	1	Relay (Deutz D2011 Engine Assembly)	

SECTION 10 - RECOMMENDED SERVICE PARTS STOCK

ITEM	PART NUMBER	QTY	DESCRIPTION	REV
	4360476	1	Switch, Contact Block (Platform Console Box Assembly)	
	1001274559	1	Switch, Emergency Stop (Ground & Platform Controls)	
	1001117174	1	Switch, Foot (Platform Console Box Assembly)	
	4360057	1	Switch, Limit (Soft Touch Option)	
	4360407	1	Switch, Potentiometer (Platform Console Box Assembly)	
	4360387	1	Switch, Push Button (Platform Console Box Assembly)	
	1001137673	1	Switch, SkyGuard Assembly (CE Specs Machines)	
	1001161710	1	Switch, Toggle (Dual Fuel Machines - GM and Kubota Engines)	
	4360328	1	Switch, Toggle (Electrical Installation - 460SJ HC3)	
	4360336	1	Switch, Toggle (Generator Option)	
	1001155045	1	Switch, Toggle (Platform Console Box Assembly)	
	1001159256	1	Switch, Toggle (Platform Console Box Assembly)	
	1001161709	1	Switch, Toggle (Platform Console Box Assembly)	
	4360387	1	Switch, Toggle (Soft Touch Option)	

SECTION 11 - SPECIAL OPTIONS

SECTION 11 - SPECIAL OPTIONS

FIGURE 11-1. SPECIAL OPTIONS/ACCESSORIES/KITS

ITEM	PART NUMBER	QTY	DESCRIPTION	REV
		Ref	Note: This list is to accommodate machines ordered with special equipment. Options may not be applicable to all models. For more specific parts information contact JLG Parts Department.	
		Ref	MISCELLANEOUS SPECIAL OPTIONS/ACCESSORIES/KITS	
	1001174347	Ref	Airline Installation - 400S HC3	
	1001247683	Ref	Airline Installation- 460SJ HC3	
	1001288384	Ref	Angle Sensor Kit	
	1001171499	Ref	Boom and Chassis Bellows Installation (400S HC3)	
	1001249499	Ref	Boom and Chassis Bellows Installation (460SJ HC3)	
	1001206437	Ref	Boom Wear Pad Kit	
	1001172630	Ref	Boom Wiper Installation	
	1001247254	Ref	Boom Wiper Installation (460SJ HC3)	
	1001172045	Ref	Cable Carrier Tray Installation (460SJ HC3 Only) (Australian Specs)	
	1001243183	Ref	ClearSky (Telematics) Added-on-Kit (Dealer Installed) (ANSI, ANSI Export, CSA and CE Specs)	
	1001246142	Ref	ClearSky (Telematics) Added-on-Kit (Dealer Installed) (Australian Specs)	
	1001243184	Ref	ClearSky (Telematics) Added-on-Kit (Dealer Installed) (CE & UK CA Specs)	
	1001276923	Ref	ClearSky (Telematics) GT1030 3 Wire Added-on-Kit (Dealer Installed)	
	1001242639	Ref	ClearSky (Telematics)Access Control Kit (Dealer Installed) (ANSI, ANSI Export, CSA, CE & UK CA Specs)	
	1001183207	Ref	Cold Weather Package - Deutz D2011 Engines (Factory Installed)	
	1001183206	Ref	Cold Weather Package - Deutz D2.9L4 Engines (Factory Installed)	
	1001204996	Ref	Cold Weather Package - Deutz D2.9L4 (400S HC3 Without Sky Power) (Dealer Installed)	
	1001204997	Ref	Cold Weather Package - Deutz D2.9L4 (400S HC3 With Sky Power) (Dealer Installed)	
	1001205008	Ref	Cold Weather Package - Deutz D2.9L4 (460SJ HC3 Without Sky Power) (Dealer Installed)	
	1001205009	Ref	Cold Weather Package - Deutz D2.9L4 (460SJ HC3 With Sky Power) (Dealer Installed)	
	1001216914	Ref	Cold Weather Package - Kubota Engines (Factory Installed)	
	1001255807	Ref	Cold Weather Package – Deutz Stage 5 (CE Specs)	
	1001177840	Ref	Container/Transport Wheels Installation - 12 x 16.5 Tires	
	1001177841	Ref	Container/Transport Wheels Installation - 14 x 17.5 Tires	
	1001247904	Ref	Container/Transport Wheels Installation - 33 x 12 D410 Tires	
	1001276007	Ref	Controller Service Kit - Drive/Steer	
	1001276008	Ref	Controller Service Kit - Lift/Swing	
	1001177524	Ref	Cribbing Switch Installation (ANSI and CSA Specs)	
	1001241340	Ref	Decal Kit - Platform Console Box	
	1001148902	Ref	Electrical Connector Kit - Amp/Tyco Electrical Connectors	
	1001148903	Ref	Electrical Connector Kit - Deutsch DT Electrical Connectors	
	1001148904	Ref	Electrical Connector Kit - Deutsch HD Electrical Connectors	
	1001148905	Ref	Electrical Connector Kit - Packard Electrical Connectors	
	1001148906	Ref	Electrical Connector Kit - Various Electrical Connectors	
	1001214833	Ref	Engine Block Heater - Kubota Engines	

SECTION 11 - SPECIAL OPTIONS

ITEM	PART NUMBER	QTY	DESCRIPTION	REV
	1001269630	Ref	Fall Arrest (Bolt-on) Add-on Kit - 48in Platform (Dealer Installed)	
	1001269629	Ref	Fall Arrest (Bolt-on) Add-on Kit - 60in Platform (Dealer Installed)	
	1001269631	Ref	Fall Arrest (Bolt-on) Add-on Kit - 72in Platform (Dealer Installed)	
	1001237883	Ref	Fall Arrest (Bolt-on) Add-on Kit - 72in Platform (Dealer Installed)	
	1001237882	Ref	Fall Arrest (Bolt-on) Add-on Kit - 96in Platform (Dealer Installed)	
	1001172751	Ref	Fan Cover Installation - Deutz D2.9L4 Engines	
	1001204482	Ref	Filter Kit - Combined (Hydraulic Oil/Air & Engine Air/Fuel Oil) (Deutz D2.9L4)	
	1001204481	Ref	Filter Kit - Combined (Hydraulic Oil/Air & Engine Air/Fuel Oil) (Deutz D2011)	
	1001225794	Ref	Filter Kit - Combined (Hydraulic Oil/Air & Engine Air/Fuel Oil) (Deutz D2.3L3)	
	1001236496	Ref	Filter Kit - Combined (Hydraulic Oil/Air & Engine Air/Fuel Oil) (Deutz D2.9L4) (Wet Stacking)	
	1001117294	Ref	Footswitch Shield Installation	
	1001202749	Ref	Fuel Cap Cover (Lockable) (Black) (Note: Lock Not Included Purchase Separately)	
	1001191395	Ref	Fuel Cap Cover (Lockable) (Green - Diesel Machines) (Note: Lock Not Included Purchase Separately)	
	1001191394	Ref	Fuel Cap Cover (Lockable) (Red - Gas Machines) (Note: Lock Not Included Purchase Separately)	
	1001220004	Ref	Ground Control Module Cover Kit	
	1001206439	Ref	Hose Kit - Power Track (Upper) (400S HC3)	
	1001206440	Ref	Hose Kit - Power Track (Upper) (460SJ HC3)	
	1001241396	Ref	Hostile Environment Kit (460S HC3)	
	1001241402	Ref	Hostile Environment Kit (460SJ HC3)	
	1001281421	Ref	Hostile Environment Kit (460SJ HC3)	
	1001268751	Ref	Jib Lift Cylinder Kit (460SJ HC3)	
	1001174926	Ref	Lights Installation - Chassis Illumination	
	1001174925	Ref	Lights Installation - Headlights and Taillights	
	1001120466	Ref	Lights Installation - Platform Worklights	
	1001183407	Ref	Low Temperature Cutout Installation (Russian Specs)	
	1001173664	Ref	Oil Cooler Installation - Deutz D2011 Engines	
	1001164493	Ref	Oil Cooler Installation - Deutz D2.9L4 Engines/Deutz D2.9L4 Engines (Stage V)	
	1001216552	Ref	Oil Cooler Installation - Kubota Engines	
	1001258230	Ref	Oil Cooler Installation - T4F / Stage V	
	1001272166	Ref	Pipe Racks Add-on Kit (Dealer Installed)	
	1580013	Ref	Platform Corner Storage Tray	
	1001195304	Ref	Platform Cover Installation - Clear	
	1001266290	Ref	Platform Cover Installation - Steel	
	1001274832	Ref	Platform Floormat Add-on Kit - 30x60 Platform (Dealer Installed)	
	1001274830	Ref	Platform Floormat Add-on Kit - 36x72 Platform (Dealer Installed)	
	1001274829	Ref	Platform Floormat Add-on Kit - 36x96 Platform (Dealer Installed)	
	1001238421	Ref	Platform Leveling Kit	
	1001219794	Ref	Platform Hose and Cable Protection (400S HC3)	
	1001258715	Ref	Platform Hose and Cable Protection (460SJ HC3)	
	1001138773	Ref	Platform Mesh to Mid Rail Installation - 36 x 96 Platforms (Factory Installed)	
	1001266489	Ref	Plastic Platform Mesh to Top Rail Installation - 36 x 72 Platforms (Factory Installed)	
	1001266056	Ref	Plastic Platform Mesh to Top Rail Installation - 36 x 96 Platforms (Factory Installed)	

SECTION 11 - SPECIAL OPTIONS

ITEM	PART NUMBER	QTY	DESCRIPTION	REV
	1001266098	Ref	Plastic Platform Mesh to Mid Rail Installation - 36 x 96 Platforms (Factory Installed)	
	1001281461	Ref	Platform Mesh to Mid Rail Kit - 30 x 48 Platforms (Dealer Installed)	
	1001281460	Ref	Platform Mesh to Mid Rail Kit - 30 x 60 Platforms (Dealer Installed)	
	1001281458	Ref	Platform Mesh to Mid Rail Kit - 36 x 72 Platforms (Dealer Installed)	
	1001281457	Ref	Platform Mesh to Mid Rail Kit - 36 x 96 Platforms (Dealer Installed)	
	0273149	Ref	Platform Mesh to Top Rail Installation - 36 x 72 Platforms (Factory Installed)	
	0273145	Ref	Platform Mesh to Top Rail Installation - 36 x 96 Platforms (Factory Installed)	
	1001281456	Ref	Platform Mesh to Top Rail Kit - 30 x 48 Platforms (Dealer Installed)	
	1001281455	Ref	Platform Mesh to Top Rail Kit - 30 x 60 Platforms (Dealer Installed)	
	1001281454	Ref	Platform Mesh to Top Rail Kit - 30 x 72 Platforms (Dealer Installed)	
	1001281453	Ref	Platform Mesh to Top Rail Kit - 36 x 72 Platforms (Dealer Installed)	
	1001281452	Ref	Platform Mesh to Top Rail Kit - 36 x 96 Platforms (Dealer Installed)	
		Ref	Platform Padding Installation Options:	
	1001275644	Ref	Platform Padding Installation - 30 x 60 Platforms	
	1001275643	Ref	Platform Padding Installation - 30 x 72 Platforms	
	1001275642	Ref	Platform Padding Installation - 36 x 72 Platforms	
	1001269655	Ref	Platform Padding Installation - 36 x 96 Platforms	
	0272733	Ref	Platform Rail Extension Installation - 36 x 72 Platforms	
	0272725	Ref	Platform Rail Extension Installation - 36 x 96 Platforms	
	1001282215	Ref	Platform Worklights Kit	
	1001233079	Ref	Pump Rotation Pump	
	1001204963	Ref	Service Kits	X
	1001247073	Ref	SkyEye Retrofit Kit	
	1001241547	Ref	SkyEye LH Housing Kit	
	1001241548	Ref	SkyEye RH Housing Kit	
	1001262102	Ref	SkyGlazier Decal (English)	
	1001262103	Ref	SkyGlazier Decal (Spanish)	
	1001262104	Ref	SkyGlazier Decal (Portuguese)	
	1001262105	Ref	SkyGlazier Decal (Australian)	
	1001203510	Ref	SkyGuard Kit (Without Beacon)	
	1001203512	Ref	SkyGuard Kit (With Blue Beacon)	
	1001210037	Ref	SkyGuard Kit (With Red Beacon)	
	1001262016	Ref	SkyLine Add-on Kit (Dealer Installed)	
	1001289831	Ref	SkySense/Enhanced Detection System (EDS) Level 1 (2 Bar) Installation (Factory Installed)	
	1001289832	Ref	SkySense/Enhanced Detection System (EDS) Level 2 (3 Bar) Installation (Factory Installed)	
	1001289905	Ref	SkySense/Enhanced Detection System (EDS) Level 1 (2 Bar) Add-on Kit (Dealer Installed)	
	1001289906	Ref	SkySense/Enhanced Detection System (EDS) Level 2 (3 Bar) Add-on Kit (Dealer Installed)	
	1001178951	Ref	Strobe Light Installation - Platform Mounted (Amber)	
	1001177570	Ref	Strobe Light Installation - Platform/Ground Mounted (Amber)	

SECTION 11 - SPECIAL OPTIONS

ITEM	PART NUMBER	QTY	DESCRIPTION	REV
	1001231235	Ref	Sky Welder Locking Bracket	
	1001284515	Ref	Telematics Gateway (Dealer Installed)	
	2901443	Ref	Tools - Analyzer Kit	
	1001249695	Ref	Analyzer & Cable Kit	
	1001249941	Ref	Analyzer & Cable Kit (Battery Powered)	
	1001137005	Ref	Tools - Cable Kit, Software	
	7002821	Ref	Tools - Crimper, Wire	
	7002823	Ref	Tools - Pin Extractor - Universal (For Electrical Connectors with Pins and Sockets)	
	4460510	Ref	Tools - Pin Extractor - 12-14 Gauge (For Removal of Pin/Sockets from Deutsch Connectors)	
	4460467	Ref	Tools - Pin Extractor - 16-18 Gauge (For Removal of Pin/Sockets from Deutsch Connectors)	
	7016654	Ref	Tools - Screwdriver, Magnetic	
	7002822	Ref	Tools - Screwdriver, Potentiometer	
	7004275	Ref	Tools - Seal Tool 1 (For Cylinders)	
	7004276	Ref	Tools - Seal Tool 1-1/2 (For Cylinders)	
	2915102	Ref	Turntable Bearing Kit	
	1001274249	Ref	USB Charger Port Add-on Kit (Dealer Installed)	
	1001262959	Ref	Voltage Regulator Relocation Kit	
	1001209059	Ref	Work Surface Installation	
	1001270755	Ref	White Noise Alarm (Ambient) Add-on Kit (Dealer Installed)	
	1001270716	Ref	White Noise Alarm (Constant) Add-on Kit (Dealer Installed)	

PART NUMBER INDEX

SECTION 11 - SPECIAL OPTIONS

0080201.....310, 324	0272733 728	0681814 449	0741608.....399
0080231 192, 202	0273145 728	0681822 449	0760415.....431
0100009.....459	0273149 728	0682014 27, 29	0760605.....310, 324
0100011.... 17, 19, 21, 23, 25, 27, 29, 61, 63, 71, 73, 97, 111, 113, 117, 119, 121, 131, 133, 154, 158, 162, 165, 167, 169, 171, 179, 181, 186, 189, 192, 196, 199, 202, 210, 213, 216, 222, 225, 228, 234, 237, 240, 246, 249, 252, 267, 271, 274, 287, 297, 299, 303, 307, 310, 317, 321, 324, 357, 359, 363, 367, 371, 375, 379, 383, 387, 391, 395, 399, 403, 411, 413, 415, 421, 423, 425, 427, 429, 431, 435, 437, 439, 441, 451, 453, 455, 457, 467, 469, 473, 475, 479, 485, 487	0273380 393, 397, 401	0682026 91	0760606.... 310, 324, 371, 375, 379, 383, 387, 391, 395, 403
0100019....27, 29, 85, 91, 363, 371, 375, 379, 383, 387, 391, 395, 403	0275216 545, 649	0682040 67	0760607....218, 229, 240, 252, 274, 536
0100020.....59, 186, 192, 196, 202, 210, 216, 217, 222, 228, 234, 240, 242, 246, 252, 254, 267, 274, 303, 310, 317, 324, 461, 543, 545, 547, 549, 551, 553, 555, 557, 559, 561, 563	0275217 549, 651	0682424 ... 489, 491, 493, 495	0760608....162, 167, 171, 310, 324, 359, 363, 367, 591, 593, 595, 597
0100035.....99, 101, 103, 105, 135, 289, 459, 463	0275452 553, 653	0700408 ... 543, 545, 547, 549, 551, 553, 555, 557, 559, 561, 563	0760610.... 111, 113, 121, 123, 165, 169, 179, 181, 186, 192, 196, 202, 211, 216, 222, 228, 234, 240, 246, 252, 267, 274, 303, 310, 317, 324, 351, 353, 355, 371, 375, 379, 383, 387, 391, 395, 399, 403, 573, 575
0100048.... 147, 359, 363, 367, 371, 375, 379, 383, 387, 391, 395, 399, 403	0275453 557, 655	0700610 187, 197	0760612.... 117, 119, 123, 310, 324
0100079....371, 375, 379, 387, 391, 395, 399	0275454 561, 657	0700612 121	0760613....210, 222, 234, 246, 267
0100081.... 192, 202, 216, 228, 240, 252, 274, 312, 326, 481, 583, 585, 587, 589, 591, 593, 595, 597	0360406 67	0700614 186, 196	0760614.... 165, 167, 169, 171, 193, 203
0140011 459	0363019 65, 67	0700618 ... 591, 593, 595, 597	0760615..... 149, 151
0140043 123	0400075 111, 113	0700619 ... 528, 591, 593, 595, 597	0760619.....536
0181949..... 59	0440162... 186, 196, 210, 222, 234, 246, 267, 303, 317	0700620 123	0760806.... 591, 593, 595, 597
0200048..... 485, 487	0440237 415	0700810 310, 324	0760808....216, 228, 240, 252, 274, 310, 324
0270022.....541	0440240 91	0700814 310, 324	0760810....218, 230, 240, 252, 274, 421
0270092.....49	0440271 23	0700815 310, 324	0760812....216, 228, 240, 252, 274, 303, 310, 317, 324, 351, 353, 355, 359, 363, 371, 376, 380, 388, 392, 396, 567, 591, 593, 595, 597
0270653.....53	0480122 359	0700816 312, 326	0760814.... 192, 202, 216, 228, 240, 252, 274, 297, 299, 310, 324, 367, 399, 583, 585, 587, 589, 591, 593, 595, 597
0271998.....47	0480126 371, 387	0700817 ... 186, 196, 210, 222, 234, 246, 267, 303, 317	0760815.... 192, 202, 217, 229, 240, 252, 274, 310, 324
0272254.....473	0480128 375, 391	0700818 ... 375, 379, 387, 391, 395, 399, 403	0760816.....65, 154, 158, 162, 312, 326
0272427.....487	0480129 400	0700819 399	0761006....591, 593, 595, 597
0272435.....393, 397, 401	0630462 485, 487	0700821 ... 186, 196, 210, 222, 234, 246	0761009.... 359, 423, 425
0272448.....719	0630518... 145, 463, 473, 475, 479	0700822 267	0761010.....71, 73
0272521475	0630534 505	0701016 312, 326, 399	0761011.... 19, 21, 23, 25
0272588.....717	0630563 ... 583, 585, 587, 589	0701017 ... 210, 222, 234, 246, 267	0761012 27, 29, 111, 113, 154, 158, 162, 165, 169, 355, 411, 415, 423, 425
0272589.....389, 404	0641404 469	0701018 99, 101, 103, 105	0761014.....99, 101, 103, 105, 117, 119, 121, 154, 158, 162, 167, 171, 173, 216, 228, 240, 252, 267, 274,
0272725.....728	0641405 459, 469	0701018 99, 101, 103, 105	
	0641406 ... 471, 691, 693, 695, 697, 699, 701, 703, 705, 707, 709, 711	0701020 99, 101, 103, 105, 415	
	0641410 ... 165, 167, 169, 171	0701022 ... 591, 593, 595, 597	
	0641414 ... 459, 467, 485, 487	0701216 310, 324	
	0641416 ... 543, 545, 547, 549, 551, 553, 555, 557, 559, 561, 563	0701217 17	
	0641418 ... 435, 439, 441, 451, 453, 455, 457	0701219 357	
	0641420 437	0701220 97	
	0641504 65, 186, 196, 211, 222, 234, 246, 267, 303, 317, 583, 585, 589	0701221 357	
	0641507 ... 359, 363, 367	0701224 ... 310, 324, 367, 399	
	0641605 587	0701617 23, 25	
	0641606 ... 473, 475, 479	0701618 85	
	0641610 287, 289	0701619 407, 409	
	0641612 59, 65	0711214 ... 216, 228, 240, 252, 274	
	0641616 ... 371, 375, 379, 383, 387, 391, 395, 403	0711220 ... 19, 21, 23, 25	
	0641772 359, 363, 367	0711224 ... 192, 202, 216, 228, 240, 252, 274, 297, 299, 359, 363, 367, 371, 375, 379, 387, 391, 395, 399	
	0641812 ... 189, 199, 213, 225, 237, 249, 271, 307, 321	0721005 487	
	0642012 481	0721006 287, 289	
	0642212 481	0731005 99, 101, 103, 105, 117, 119, 121, 485	
	0681608 ... 218, 230, 240, 252, 421	0741606 ... 216, 228, 240, 252, 274	
	0681620 ... 489, 491, 493, 495	0741607 ... 371, 375, 379, 383, 395, 403	
	0681810 27, 29		

SECTION 11 - SPECIAL OPTIONS

303, 310, 317, 324, 359, 363, 421, 425, 583, 585, 587, 589	0961950 17, 411, 507, 509	1001116720.....667, 669	1001132195 192, 202
076101571, 73, 186, 192, 196, 202, 210, 216, 222, 228, 234, 240, 246, 252, 267, 274, 303, 310, 317, 324, 363, 367, 415	0961951 ... 192, 202, 216, 228, 240, 252, 274, 310, 324, 411	1001116731.....613	1001132196 192, 202
0761016 93, 117, 119, 121, 216, 228, 240, 252, 274, 310, 324, 367, 431	0962036413	1001116732.....635	1001133714 620, 624, 631
0761018 583, 585	0962051357	1001116734.....635	1001133715 620, 624, 631
0761019 411, 413	0962270449	1001116774.....675	1001133956 619, 624
0761210 65, 216, 228, 240, 252, 274	096229223	1001116808.....675	1001133957 619, 624
0761212 ... 216, 228, 240, 252, 274, 379, 383, 395, 403, 413	0962336505	1001116812.....623	1001134289 415, 419
0761214 ... 291, 363, 367, 371, 375, 387, 391, 399	0962348 23, 25	1001116815.....605, 607, 609, 684	1001134488 217, 229, 242, 254
0761215 97, 367, 399	0962520 ... 371, 375, 379, 383, 387, 391, 395, 399, 403	1001116952.....619, 623	1001134543 85
0761216 421	1001001939.....312	1001116983.....629	1001135196 186, 196, 210, 222, 234, 246, 267, 303, 317
0761217 411, 413	1001091102.59, 175, 575	1001117057.....635	1001135650 620, 624, 631
0761218 407, 409	1001091969.....545	1001117106.....619, 684	1001135651 620, 624
0761615 17	1001091970.....549	1001117107.....619, 623	1001135679 363, 379, 396
0761620 85	1001091973.....553	1001117110.....684	1001136358 537
0771212 ... 211, 223, 234, 246, 267, 274	1001091974.....557	1001117140.....162	1001136834 217, 229, 241, 253, 275
0771414 ... 192, 202, 216, 228, 240, 252, 274, 297, 299, 359, 363, 371, 375, 379, 387, 391, 395	1001091975.....561	1001117172.....461	1001137005 729
0771416 ... 371, 375, 387, 391	1001093382..... 111, 113	1001117294.....727	1001137032 411, 413
0772018 85	1001095704.....683	1001117308.....216, 229, 241, 253, 275	1001137336 312, 326
0860038 ... 375, 379, 391, 395, 399, 541	1001096070.....371, 383, 577	1001117372.....499	1001137673 467, 723
0860520 ... 691, 693, 695, 697, 699, 701, 703, 705, 707, 709, 711	1001097051.....665	1001118274.....312	1001138173 311, 325
0861538 391, 395, 399	1001097150.....577, 579, 581	1001118378.....683	1001138175 311, 325
0861572 387, 403	1001097244.....483	1001118384.....671	1001138228 217, 229, 241, 253, 275, 722
0861731 ... 543, 555, 559, 563, 653, 655, 657	1001098122.....461, 647	1001118388.....669, 671	1001138248 217, 229, 241, 253, 275, 312, 326
0861781 ... 547, 551, 649, 651	1001098828.....421	1001118666.....413	1001138494 437, 439, 441, 451, 453, 455, 457
0861880 577, 579	1001099366.....481	1001118878.....217, 229, 241, 253, 275	1001138514 437, 439, 441, 455, 457
0902733 65	1001099367.....481	1001118971.....431	1001138565 371
0902734 65	1001099560.....411	1001118972....27, 29, 61, 63, 99, 101, 103, 105, 117, 119, 121, 304, 318	1001138566 372, 376, 379, 383
0902888 ... 375, 379, 387, 391, 395, 399, 403	1001100341.....649	1001119020.....675	1001138671 413
0940049 ... 117, 119, 121, 154, 158, 162	1001100342.....651	1001119032.....683	1001138773 727
0940092 485, 487	1001100345.....653	1001119278.....196, 222, 246, 317	1001138795 505
0940094 485, 487	1001100346.....657	1001119619.....663	1001138827 217, 229, 242, 254
0940102 481	1001100347.....655	1001119620.....661, 665	1001139240 217, 229, 241, 253
0940103 487	1001101191.....545, 549, 553, 557, 561	1001120328.....117, 119, 121, 123, 467, 469	1001139357 372, 376
0940177 485	1001101196.....545, 549	1001120466.....727	1001139384 165, 167, 169, 171
0961845 ... 435, 437, 439, 441, 451, 453, 455, 457	1001101197.....553, 557, 561	1001120471.....483	1001139586 23, 25
0961893 505	1001103012.....683	1001120477.....483	1001139654 267
0961947 419	1001104029.....375, 379, 388, 392, 396, 400, 403	1001120484.....483	1001139819 192, 202
0961948 19, 21, 23	1001104498.....683	1001120989.....714	1001140312 229, 253
	1001106736.....123	1001125387.....211, 223, 234, 246	1001140346 380
	1001107854.....683	1001125677.....647, 684	1001140347 383
	1001108256.....485	1001126009.....671	1001140429 435, 437, 439, 441, 451, 453, 455, 457
	1001110434.....459	1001126351.....619, 624	1001140564 217, 229, 242, 254
	1001110872.....565, 659	1001126362.....619, 623	1001141300 714
	1001110873.....375, 379, 392, 396, 400, 541	1001126363.....619, 623	1001141302 714
	1001111424.....111, 113, 192, 202, 217, 229	1001126364.....619, 623	1001141304 217, 229, 241, 253, 275
	1001112551.....695	1001126365.....619	1001141694 192, 202, 217, 229, 241, 253, 275
	1001112612.....675, 684	1001126391.....619, 623	
	1001112796.....613, 675	1001126392.....619, 623	
	1001113047.....162	1001126485.....624	
	1001113680.....697	1001126487.....624	
	1001113961.....683	1001128527.....479	
	100111424.....241, 253	1001128556.....479	
	1001116208.....714	1001129408.....603	
	1001116693.....647	1001129858.....376	
	1001116710.....629	1001130492.....714	
		1001131269.....691, 693, 703, 705	

SECTION 11 - SPECIAL OPTIONS

1001141870.....287, 289	1001152457 376, 380	1001163405 ... 19, 21, 23, 25	1001167036.....189, 199, 213, 225, 237, 271, 307, 321, 337
1001141995.....311, 325	1001152483 581	1001163418 99, 101	1001167038.....186, 196
1001142501211, 222, 234, 246, 267, 287, 289	1001152485 575, 581	1001163459 411	1001167108.....217, 229, 619
1001142643.....380, 396	1001152489 217, 229, 241, 253, 275	1001163580 17, 499	1001167111.....193, 202, 617
1001142646.....380, 396	1001152525 376, 380, 388, 393, 397, 401, 404	1001163671 103, 105	1001167159.....154, 158
1001142683.....149, 151, 722	1001152530 376, 380	1001163715 19, 23	1001167164.....351, 353, 355
1001142736.....149, 151, 675	1001152532 372, 376, 380, 384, 637	1001163716 ... 19, 21, 23	1001167512.....186, 197, 210, 223, 234, 247, 267, 303, 317
1001142938.....620, 623	1001153260 376, 380	1001163717 23, 25	1001167520.....193, 202, 217, 229, 241, 253, 275
1001142940.....620, 623	1001154405 210, 222, 234, 247, 267, 287, 289	1001163722 23, 25	1001167565.....421
1001142941.....620, 623	1001154726 635	1001163724 23, 25	1001167567.....421
1001143390.....192, 202, 217, 229, 241, 253, 275	1001155041 363, 367, 400	1001163726 23, 25	1001167596.....421
1001143797.....217, 229, 241, 253, 275	1001155043 125, 127, 129	1001163959 27, 29	1001167632.....623
1001143852.....714	1001155044 119, 125, 127, 129, 303, 317, 459	1001164092 19	1001167635.....624
1001144116.....217, 229, 241, 253, 275	1001155045 125, 127, 129, 459, 723	1001164094 17	1001167916.....71
1001144147613, 683	1001155743 117, 119, 121	1001164095 23	1001167918.....162
1001144433.....467	1001155823 210, 222, 234, 247, 267	1001164209 ... 19, 21, 23	1001168018.....193, 202, 217, 229, 241, 253, 275, 297, 299, 311, 325, 360, 363, 367, 372, 376, 380, 388, 392, 396, 400
1001144629.....443, 445, 447, 451, 453	1001156107 186, 196, 268	1001164493 727	1001168026.....217, 229, 241, 253, 275
1001146397.....47, 55	1001156819 303, 318	1001164552 17	1001168059.....193, 202
1001146588.....268, 275	1001157196 459, 722	1001164709 507, 509	1001168099.....217, 229, 241, 253, 275
1001147233.....367, 400	1001157520 389, 393, 397, 401, 404	1001164817 499	1001168166.....217, 229, 241, 253, 275, 311, 325
1001147264.....619	1001157521 389, 393, 397, 401, 404	1001165035 210, 223, 234, 247, 267	1001168173.....154, 158
1001147274.....49, 53	1001157525 388, 403, 404	1001165060 154, 158	1001168207.....297, 363, 380, 396
1001147812.....311, 325	1001157528 389, 393, 397, 401, 404	1001165363 517, 519	1001168209.....501, 503, 517, 519
1001147813.....312, 326, 722	1001157592 392, 396, 400	1001165388 192, 203, 217, 229, 241, 253, 275	1001168210.....501, 503
1001148059.....384, 403	1001158007 389, 393, 397, 401, 404	1001165389 192, 202	1001168402.....421
1001148138.....364, 367	1001158008 376, 380, 389, 393, 397, 401, 404	1001165405 217, 229, 241, 253, 275	1001168841.....411
1001148641.....186, 197, 360, 363, 372, 376, 380, 384, 388, 392, 396, 403	1001158363 376, 380	1001165406 217, 229, 241, 253, 275	1001168842.....411, 413
1001148675.....565, 659	1001159118 565, 659	1001165531 423	1001168843.....407
1001148841631	1001159119 565, 659	1001165534 423, 425	1001168844.....407
1001148842631	1001159120 565, 659	1001165538 423	1001168845.....407
1001148865.....49	1001159121 659	1001165721 217, 229, 241, 253	1001168848.....411
1001148866.....49	1001159162 123	1001165722 217, 229, 241, 253, 275	1001168849.....411
1001148869.....53	1001159256 459, 723	1001165849 217, 229, 241, 253, 275	1001168854.....407
1001148870.....53	1001159323 162, 713	1001166000 213, 216	1001168855.....97
1001148875.....47	1001161709 459, 723	1001166001 210, 213	1001168992.....91
1001148876.....47	1001161710 303, 317, 723	1001166002 210	1001169046.....154, 158, 162
1001148902.....726	1001162335 218, 230, 287	1001166003 222	1001169054.....217, 229, 241, 253, 275, 311, 325
1001148903.....726	1001162531 71, 75	1001166020 189, 192	1001169086.....61
1001148904.....726	1001162537 27, 29, 45	1001166021 186, 189	1001169138.....217, 229, 241, 253, 275, 311, 325
1001148905.....726	1001162538 71, 73, 83	1001166022 186	1001169185.....97
1001148906.....726	1001162995 17	1001166023 196	1001169191.....93
1001149160.....154, 158, 162, 311, 325	1001163178 ... 19, 21, 23, 25, 515	1001166478 65	1001169192.....93
1001149639.....311, 325	1001163179 ... 19, 21, 23, 25	1001166563 17	1001169193.....93
1001149953.....47, 49, 53, 55	1001163385 407, 511	1001166710 99, 101, 103, 105	1001169284.....411, 413
1001150324 17, 117, 119, 121	1001163386 411, 501	1001166717 192, 202	1001169285.....411, 413
1001150326.....17		1001166718 193, 202, 217, 229, 241, 253, 275, 297, 299, 311, 325	1001169286.....411, 413
1001150918.....197, 223, 246, 317		1001166894 357	
1001150998.....192, 202		1001166921 217, 229, 241, 253, 275	
1001151393.....137, 139, 141, 143		1001166922 299	
1001152266.....687		1001166924 217, 229, 241, 253, 275	
1001152456.....376, 380		1001166970 210, 223, 234, 247, 267	
		1001166997 517	

SECTION 11 - SPECIAL OPTIONS

1001169287 411, 413	1001172694.....529	1001174675.....384, 388, 392, 396, 400, 403	1001182296 360, 364, 368
1001169288 411, 413	1001172695.....529, 537	1001174777.....225, 228	1001182361 619, 624
1001169289 411, 413	1001172696.....529	1001174778.....223, 225	1001182365 619, 624
1001169380 411, 413	1001172697.....529, 538	1001174783.....199, 202	1001182570 427, 429, 431
1001169496 95	1001172698.....529, 537	1001174784.....197, 199	1001182806 179
1001169582 95	1001172699.....529, 537	1001174925.....727	1001183206 726
1001169611 423, 425	1001172703.....529, 537	1001174926.....727	1001183207 726
1001169761 59	1001172707.....529, 537	1001175024.....528, 536	1001183407 727
1001169823 186, 197, 210, 223, 235, 247, 267	1001172716.....529, 537	1001175068.....349	1001183477 360, 364
1001169955 61, 63	1001172717.....529, 537	1001175071.....349	1001184542 529, 537
1001169967 217, 229, 241, 253, 275, 311, 325	1001172718.....529, 537	1001175073.....357	1001184543 529, 537
1001169973 61	1001172719.....529, 537	1001175074.....357	1001184561 529
1001170035 217, 229, 241, 253, 275, 311, 325	1001172721.....529, 537	1001175170.....587	1001184562 529
1001170145 111	1001172722.....529, 537	1001175171.....595	1001184563 529
1001170224 349	1001172723.....529, 537	1001175542.....379	1001184618 691, 693, 695, 697, 699, 701, 703, 705, 707, 709, 711
1001170551 154, 158, 165	1001172751.....727	1001175631.....376, 380	1001184626 459
1001170564 431	1001172757.....117, 119, 121, 123	1001176330.....311, 325	1001184637 360
1001170565 431	1001172760.....459	1001176336.....591, 593, 595, 597	1001184644 360
1001170642 431	1001172816.....147	1001176469.....141, 143	1001184645 360
1001170650 351	1001173342.....210, 223, 235, 247, 268, 629	1001176848.....19, 21, 23, 25	1001184682 181
1001170662 351	1001173354.....154, 158, 162	1001176862.....565	1001185281 459
1001170663 351, 353	1001173356.....154	1001176899.....423, 425	1001185821 111, 113, 115
1001170664 351, 353, 355	1001173456.....583, 585, 587, 589, 591, 593, 595, 597	1001176952.....569, 583, 585, 587, 589	1001186333 449
1001170693 193, 203, 205	1001173535.....310, 324	1001177359.....217, 230, 241, 253, 275	1001186377 437
1001170736 65	1001173664.....727	1001177524.....726	1001186379 439
1001170764 624, 687	1001173665.....583, 585, 587, 589, 591, 593, 595, 597	1001177570.....728	1001186382 441
1001170847 427, 429, 431	1001173703.....714	1001177840.....726	1001186383 447
1001170850 154, 158	1001173761.....583, 585, 587, 589	1001177841.....726	1001186384 445
1001171067 411, 413	1001173763.....423, 425	1001178415.....713	1001186386 443
1001171112 411	1001173807.....583, 585, 587, 589, 599	1001178435.....714	1001186431 467, 667
1001171131 565	1001173808.....583, 585, 587, 589, 677	1001178788.....217, 229, 241, 253, 275	1001186432 667, 669, 671
1001171324 411, 413	1001173810.....391	1001178859.....193, 203	1001186517 467
1001171499 726	1001173811.....387	1001178876.....217, 230, 241, 253	1001187077 684
1001171667 411, 413	1001173898.....529, 537	1001178951.....728	1001187078 684
1001171953 189, 199, 213, 225, 237, 249, 271, 307, 321	1001173900.....529, 537	1001179154.....376, 380, 392, 397, 400	1001187382 421
1001171954 189, 199, 213, 225, 237, 249, 271, 307, 321	1001173901.....529, 537	1001179836.....363, 367	1001187383 421
1001171966 411, 413	1001173902.....529, 537	1001179837.....363, 367	1001187522 360, 364, 368, 635
1001171967 411, 413	1001173903.....529	1001179893.....364, 368	1001187674 465
1001172045 726	1001173904.....529	1001179903.....218, 230, 241, 254, 275	1001187681 663
1001172064 624	1001173907.....529, 537	1001180001.....363, 367	1001187807 145, 463
1001172065 624	1001173908.....529, 537	1001180620.....218, 230, 242, 254, 275, 311, 325	1001188334 97
1001172128 583, 585, 587, 589	1001173909.....529	1001180797.....363	1001188622 421
1001172195 186, 197	1001173925.....372, 376, 388, 392	1001180798.....359	1001188731 360, 364, 368
1001172564 713	1001173927.....583, 585, 587, 589	1001181045.....577, 579, 722	1001188844 421
1001172565 713	1001173937.....529	1001181074.....529, 537	1001188972 196, 222, 247, 317
1001172570 713	1001173983.....375	1001181075.....529, 537	1001189001 421
1001172571 713	1001174040.....421	1001181145.....714	1001189002 421
1001172572 713	1001174098.....154, 158, 162	1001181243.....364, 368	1001189171 581, 722
1001172577 481	1001174158.....384	1001181249.....587, 589, 591, 593, 595, 597	1001189172 581, 722
1001172578 481	1001174347.....726	1001181895.....230, 254	1001189236 249, 341
1001172594 210, 223, 235, 247	1001174367.....395	1001181913.....65	1001189237 249, 345
1001172620 713	1001174486.....303, 317	1001182155.....65	1001190368 19, 21, 23, 25
1001172630 726	1001174673.....425	1001182245.....63	1001190663 179, 181
1001172692 529, 537		1001182250.....63	1001190921 684
			1001190985 421
			1001191275 528, 536
			1001191276 528, 536

SECTION 11 - SPECIAL OPTIONS

1001191394.....727	1001203510.....728	1001213447.....647	1001217785.....303, 317
1001191395.....727	1001203512.....728	1001213482.....311, 325	1001218538.....177
1001191620.....218, 230, 242, 254, 275	1001203655.....449	1001213599.....303, 317, 627	1001218676.....177
1001192292.....667	1001204481.....727	1001213824.....311, 325	1001219130.....177
1001192401.....684	1001204482.....727	1001213882.....459	1001219134.....162
1001193018.....543, 545, 547, 549, 551, 553, 555, 557, 559, 561, 563	1001204510.....695, 714	1001214029.....714	1001219601.....123
1001193336.....99, 101	1001204715.....427, 429, 431	1001214138.....311, 325	1001219794.....727
1001193654.....529, 537	1001204725.....421	1001214205.....311, 325	1001220004.....727
1001194197.....555	1001204963.....728	1001214207.....189, 199, 213, 225, 237, 271, 307, 321	1001220266.....268
1001194198.....559	1001204996.....726	1001214233.....311, 325	1001220379.....620
1001194200.....563	1001204997.....726	1001214234.....311, 325	1001221402.....137
1001194203.....547	1001205008.....726	1001214269.....325	1001221403.....139
1001194204.....551	1001205009.....726	1001214276.....311, 325	1001221405.....141
1001194365.....543	1001205958.....553, 555, 557, 559, 561, 563	1001214277.....311, 325	1001221927.....411, 417
1001195039.....304, 318	1001206314.....154, 158, 162	1001214278.....311, 325	1001222044.....162
1001195304.....727	1001206402.....162	1001214307.....311, 325	1001222044.....162
1001196382.....372, 376, 380, 384, 388, 392, 396, 403	1001206404.....162, 167	1001214502.....303, 318	1001222139.....137
1001196589.....683	1001206405.....167	1001214508.....311, 325	1001222140.....139
1001196602.....683	1001206437.....726	1001214546.....368, 400	1001222142.....141
1001196604.....684	1001206439.....727	1001214553.....311, 325	1001223055.....691, 693
1001196634.....295, 615, 683, 722	1001206440.....727	1001214555.....311, 325	1001223122.....275, 372, 376, 380, 384, 388, 392, 396, 404
1001196636.....683, 687	1001206476.....567	1001214556.....311, 325	1001223309.....353
1001197017.....485, 487	1001206532.....459	1001214558.....311, 325	1001223310.....353
1001197272.....528, 536	1001206625.....507, 509	1001214570.....567	1001223328.....353
1001197284.....529, 538	1001206917.....99, 103, 107	1001214571.....567	1001223387.....162
1001197408.....699	1001207332.....529, 537	1001214598.....311, 326	1001223453.....691, 703, 711
1001197719.....624	1001207333.....529, 537	1001214599.....312, 326	1001223454.....353
1001199035.....713	1001207340.....528	1001214664.....312, 326	1001223459.....619, 623
1001199036.....713	1001207349.....99	1001214694.....312, 326	1001223971.....703, 705
1001199177.....107, 109	1001207350.....103	1001214833.....726	1001224048.....709
1001199207.....154, 158, 162	1001207726.....171	1001214841.....312, 326	1001224049.....711
1001199901.....154, 158, 162	1001208874.....71, 73	1001214909.....367	1001224050.....701
1001200128.....714	1001208994.....421	1001214910.....399	1001224052.....697
1001200129.....714	1001209059.....729	1001214975.....193, 203	1001224053.....707
1001200130.....714	1001209432.....567	1001215125.....312, 326	1001224888.....423, 425
1001200131.....714	1001209474.....567	1001215228.....459	1001225346.....567
1001200132.....714	1001209618.....179	1001215259.....303, 318	1001225430.....257, 261, 280, 722
1001200133.....714	1001209664.....467	1001215373.....123	1001225431.....261, 280, 722
1001200134.....714	1001209677.....575	1001215523.....400	1001225580.....467, 669
1001200458.....165	1001209832.....575	1001215801.....303, 318	1001225794.....727
1001200491.....421	1001209844.....311, 325, 335	1001215869.....312, 326	1001226400.....569, 571
1001200494.....421	1001210037.....728	1001216080.....318	1001226531.....567
1001201351.....421	1001210636.....483	1001216396.....303, 318	1001226541.....613, 684
1001201633.....169	1001211336.....103, 105	1001216397.....303, 318	1001226636.....613
1001201634.....169	1001211556.....279	1001216399.....304, 318	1001226637.....613
1001201635.....165	1001211633.....162	1001216512.....355	1001226739.....603, 605, 607, 609, 613
1001201636.....165	1001211636.....162	1001216547.....355	1001226799.....605, 607, 609
1001202687.....421	1001211636.....162	1001216548.....355	1001226872.....435
1001202749.....727	1001211794.....311, 325	1001216549.....355	1001227453.....603
1001202910.....528, 536	1001211797.....311, 325	1001216552.....727	1001227633.....465
1001202940.....528	1001211877.....351	1001216598.....158	1001227634.....465
1001202941.....529	1001211878.....351	1001216630.....421	1001227985.....465
1001202943.....529	1001212223.....396, 400, 403	1001216655.....529, 537	1001227987.....465
1001202944.....529	1001212257.....303, 317	1001216805.....368, 400	1001227996.....661, 665
1001202946.....529	1001212819.....162	1001216825.....312, 326	1001228092.....407, 507
1001203434.....583, 585	1001212822.....162	1001216840.....368	1001228215.....435
1001203435.....591, 593	1001212989.....311, 325	1001216914.....726	1001228224.....465
1001203459.....591, 593, 595, 597	1001212993.....311, 325	1001217342.....367, 399	1001228225.....465
	1001213029.....368, 400	1001217343.....310, 324	1001228243.....453
	1001213062.....303, 317	1001217344.....367, 399	1001228375.....457
	1001213305.....311, 325	1001217345.....304, 318, 367, 399	
	1001213425.....311, 325	1001217494.....303, 310, 318, 324	
	1001213426.....311, 325		

SECTION 11 - SPECIAL OPTIONS

1001228376 451	1001234428..... 707	1001237036..... 589	1001242190 591, 593, 595, 597
1001228377 455	1001234429..... 707	1001237137 587	1001242191 591, 593, 595, 597
1001228406 154, 158, 162	1001234430..... 709	1001237138..... 409	1001242639 726
1001228487 85, 88	1001234431..... 711	1001237139..... 409	1001242851 149
1001228492 85	1001234432..... 711	1001237142..... 413	1001242852 151
1001228954 605	1001234433..... 703, 705	1001237143..... 407, 409	1001242864 413
1001228955 605	1001234434..... 703, 705	1001237527 713	1001243183 726
1001228988 479, 717, 719	1001234435..... 701	1001237544 463	1001243184 726
1001229341 465	1001234436..... 701	1001237546 145	1001243414 154, 158, 162
1001229795 633	1001234437..... 697	1001237549 173	1001243755 425
1001229796 633	1001234438..... 697	1001237667 647, 683	1001243756 425
1001229798 304, 318, 633	1001234439..... 695, 699	1001237668 647, 683	1001243869 357
1001230635 217, 229, 242, 254, 275	1001234599..... 691	1001237697 413, 503	1001243870 357
1001230907 573	1001234601..... 707	1001237698 409, 513	1001243895 295
1001230908 371	1001234602..... 709	1001237699 409, 509	1001244019 297
1001230934 619, 624	1001234603..... 711	1001237822 117, 119, 121	1001244024 299
1001230935 619, 624	1001234604..... 703	1001237862 661, 665	1001244212 713
1001230936 619, 624	1001234605..... 701	1001237863 465, 665	1001244283 267
1001231195 99, 101, 103, 105	1001234606..... 697	1001237864 465, 661	1001244462 175
1001231235 729	1001234607..... 699	1001237865 465, 663	1001244541 591, 593, 595, 597
1001231801 713	1001234608..... 713	1001237882 727	1001244545 591, 593, 595, 597
1001231886 179	1001234619..... 695	1001237883 727	1001244976 459
1001231949 495	1001234620..... 693	1001237949 413	1001245195 51
1001231950 491, 493	1001234621..... 705	1001238138 583, 585, 587, 589	1001245196 51
1001232010 491, 493, 495	1001234622..... 713	1001238161 117, 119, 121, 641	1001245197 51
1001232011 491, 493, 495	1001234800..... 619, 623	1001238168 415	1001245198 51
1001232026 691, 693, 695, 697, 699, 701, 703, 705, 707, 709, 711	1001234811..... 415, 419	1001238254 459, 647	1001245211 51
1001232164 465	1001235528..... 131, 133, 135	1001238263 489, 491, 493, 495	1001245305 268
1001232165 465	1001235529..... 131, 133, 135	1001238319 465	1001245379 129, 135
1001232545 283	1001235531..... 125, 131	1001238328 413, 415	1001245380 121, 129
1001232642 469	1001235535..... 713	1001238333 415	1001245410 713
1001232667 469	1001235585..... 709	1001238398 415	1001245759 29, 43
1001232842 295	1001235830..... 413	1001238418 469, 671	1001245827 143
1001232907 173	1001235831..... 413	1001238421 421, 727	1001245831 143
1001232908 173	1001235832..... 409, 413	1001238463 493	1001245913 631
1001232913 173	1001235833..... 409	1001238472 469	1001245993 121
1001232915 173	1001235949..... 242, 254, 275, 289	1001238495 467	1001246087 177
1001232916 173	1001236087..... 463	1001238559 469	1001246142 726
1001232917 173	1001236091..... 145	1001238887 127, 133	1001246144 607
1001233048 173	1001236250..... 303	1001238911 275	1001246145 609
1001233075 173	1001236252..... 317	1001238932 113	1001246374 29
1001233076 173	1001236254..... 303, 307	1001239202 623	1001246456 607
1001233077 173	1001236256..... 307, 310	1001239293 119, 125, 141	1001246457 609
1001233079 728	1001236257..... 311, 325	1001239294 117, 127	1001246520 21
1001233139 19, 21, 25	1001236258..... 318, 321	1001239512 117, 119, 121	1001246551 21, 25
1001233412 173	1001236259..... 321, 324	1001239802 59	1001246773 429
1001233413 173	1001236303..... 113	1001241340 726	1001246859 123, 683
1001233436 173	1001236304..... 567	1001241396 727	1001247073 728
1001233763 223, 247, 295	1001236393..... 311, 325, 329	1001241402 727	1001247254 726
1001233774 411	1001236496..... 727	1001241547 728	1001247358 59
1001233893 407, 411	1001236504..... 567	1001241548 728	1001247359 312, 326
1001233896 407	1001236505..... 567	1001241965 469	1001247393 537
1001233959 145, 463	1001236552..... 469	1001241994 536	1001247394 537
1001233972 583, 585	1001236653..... 413, 519	1001242106 119	1001247395 537
1001234229 427	1001236680..... 713	1001242134 536	1001247396 537
1001234425 691, 693	1001236746..... 495	1001242139 591, 593, 595, 597	1001247397 537
1001234426 691, 693	1001236747..... 491	1001242177 425	1001247398 537
	1001236780..... 275	1001242180 591, 593, 595, 597	1001247402 537
	1001236789..... 489, 491, 493, 495		1001247436 591, 593
	1001236895..... 489, 491, 493, 495		1001247437 597
	1001236965..... 117		1001247438 595

SECTION 11 - SPECIAL OPTIONS

1001247453.....591, 593, 595, 597	1001256906..... 713	1001274830..... 727	1001287536.....291
1001247468.....421	1001257271..... 489	1001274832..... 727	1001287552.....291
1001247577.....537	1001257274..... 489	1001275628..... 459, 722	1001288113.....291
1001247655.....403	1001257275..... 489	1001275629..... 459, 722	1001288195.....431
1001247656.....383	1001258005..... 489	1001275635..... 528, 536	1001288384.....726
1001247683.....726	1001258230..... 727	1001275642..... 728	1001289831.....728
1001247904.....726	1001258715..... 727	1001275643..... 728	1001289832.....728
1001247996.....538	1001258800..... 383, 403	1001275644..... 728	1001289905.....728
1001247997.....538	1001258804..... 275	1001276007..... 726	1001289906.....728
1001247998.....538	1001258895..... 55	1001276008..... 726	1001290385.....293
1001247999.....537	1001258896..... 55	1001276610..... 611	1001291401.....218, 230, 242, 254, 276
1001248003.....537	1001258897..... 55	1001276643..... 242, 254, 275, 623	1001293086.....372, 384, 573
1001248004.....537	1001258898..... 55	1001276923..... 726	1001295060.....293
1001248140.....489, 491, 493, 495	1001260412..... 218, 230, 242, 254, 275	1001277432..... 193, 203, 218, 230, 276	1001295061.....293
1001248141.....489, 491, 493, 495	1001260420..... 217, 229, 242, 254, 275	1001277589..... 276, 279	1001295062.....293
1001248180.....571, 591, 593, 595, 597	1001261045..... 383, 403	1001277594..... 271, 274	1001295063.....293
1001248181.....591, 593, 595, 597, 679	1001261085..... 383, 403	1001277600..... 268, 271	1001295064.....293
1001248182.....591, 593, 595, 597, 601	1001262016..... 728	1001278022..... 27, 41	1001295067.....293
1001248183.....583, 585, 587, 589, 591, 593, 595, 597, 643, 681	1001262102..... 728	1001280340..... 123, 722	1001295068.....293
1001248190.....384, 404	1001262103..... 728	1001281192..... 383, 403	1001296426..... 117, 119, 121, 645
1001248396.....409	1001262104..... 728	1001281298..... 291, 293	1001297092.....293
1001249356.....73, 79	1001262105..... 728	1001281301..... 291, 293	1001297093.....293
1001249357.....73	1001262322..... 603	1001281302..... 293	1001297094.....293
1001249499.....726	1001262326..... 603	1001281304..... 291	1001297094.....293
1001249695.....729	1001262959..... 729	1001281305..... 291	1001297385.....131
1001249941.....729	1001263176..... 181	1001281307..... 291	1001297386.....135
1001249965.....217, 229, 257	1001263800..... 505	1001281309..... 291	1001297390.....133
1001250199.....591, 593, 595, 597	1001264991..... 415, 505	1001281310..... 291, 293	1001301483..... 117, 119, 121, 683
1001250287..... 154, 162	1001265163..... 483	1001281311..... 291, 293	1001302954.....242, 254, 261
1001250288..... 158	1001265342..... 483	1001281359..... 291, 293	1001302955.....237, 240
1001250289..... 154, 158, 162	1001266056..... 727	1001281360..... 291, 293	1001302956.....249, 252
1001250451.....413	1001266098..... 728	1001281380..... 293	1001302961.....235, 237
1001250474.....537	1001266290..... 727	1001281421..... 727	1001302964.....247, 249
1001250477.....537	1001266489..... 727	1001281452..... 728	1001302969.....234
1001250478.....537	1001267304..... 713	1001281453..... 728	1001302973.....246
1001250681..... 117, 119, 121	1001267305..... 713	1001281454..... 728	1060341..... 485, 487
1001251075.....411, 517	1001268751..... 727	1001281455..... 728	1060343..... 392, 396, 400
1001251612.....713	1001268820..... 473, 475, 477	1001281456..... 728	1060494..... 360, 364, 368
1001251692.....713	1001268997..... 537	1001281457..... 728	1060626..... 196, 222, 246, 317
1001251723.....713	1001268998..... 537	1001281458..... 728	1060903.....485, 487
1001252527..... 619, 624	1001269297..... 57	1001281460..... 728	1060908..... 577, 579, 581
1001252541.....29, 37	1001269298..... 57	1001281461..... 728	1060918.....461
1001252629.....489, 491, 493, 495	1001269322..... 473, 475, 479	1001281656..... 291, 293	1062255.....268
1001252922.....529, 537	1001269573..... 473, 475, 479	1001281985..... 242, 254	10702077..388, 393, 397, 401, 404
1001252923.....529, 537	1001269629..... 727	1001281986..... 242, 254	10702082..388, 393, 397, 401, 404
1001254472.....469	1001269630..... 727	1001282215..... 728	10740145.....79
1001254473.....469	1001269631..... 727	1001282532..... 117, 121, 687	10836804... 125, 127, 129
1001254980.....537	1001269655..... 728	1001283776..... 147, 673	1120555.....481
1001255133.....421	1001269661..... 728	1001284515..... 729	1260017.....95
1001255807.....726	1001270594..... 147	1001284678..... 713	1300018.....57
1001255901.....615	1001270716..... 729	1001285010..... 27	1320016..... 192, 202
1001256506.....620	1001270755..... 729	1001285142..... 162, 171	1320061.....267
1001256507.....619	1001271497..... 647	1001285143..... 162	1320176.....349
1001256879.....268	1001272166..... 727	1001285517..... 154, 158, 169	1320187... 186, 196, 210, 222, 234, 246, 267
	1001272659..... 611	1001285518..... 154, 158	1320190... 186, 196, 210, 222, 234, 246, 267
	1001272681..... 149	1001285636..... 291	1320218.....59
	1001272682..... 151	1001285811..... 175	1320220.....59
	1001272997..... 615	1001285891..... 175	
	1001273012..... 611, 615	1001285892..... 175	
	1001274249..... 729	1001286148..... 101, 105, 109	
	1001274559..... 125, 127, 129, 459, 723	1001286149..... 101	
	1001274829..... 727	1001286150..... 105	

SECTION 11 - SPECIAL OPTIONS

1320223 ... 196, 222, 246, 317	1703479 713	1705387....375, 379, 393, 397, 401	2220500 528, 536
1320224 187, 197	1703797 691, 693	1705426.....707	2220501 528, 536
1320302 473, 475, 479	1703798 691, 693	1705427.....709	2220502 528, 536
1321283 303, 317	1703804 691, 693	1705429.....703, 705	2220579 65
1321716 99, 101, 103, 105, 216, 228, 240, 252, 274, 359, 363, 371, 376, 380, 383, 388, 392, 396, 403	1703805 691, 693	1705430.....701	2220582 528, 536
1380147 357	1703923 711	1705460....389, 393, 397, 401, 404	2220596 528, 536
1580011 310, 324	1703924 703, 705	1705461.....389, 404	2220600 528, 536
1580012 471	1703925 701	1705489....371, 383, 389, 403, 404	2220603 528, 536
1580013 727	1703926 707	1705822.....695, 699	2220628 528, 536
1670603 543	1703927 709	1705828.....695, 699	2220648 59
1670769 ... 591, 593, 595, 597	1703928 697	1705910.....711	2220695 528, 536
1671092 392, 397, 400	1703930 703, 705	1705921.....695, 699	2220726 528, 536
1671093 473	1703931 701	1705961.....695, 699	2220767 ... 210, 222, 234, 246
1684290 499	1703932 707	1706059.....714	2220775 528, 536
1700818 713	1703933 709	1706060.....714	2220881 ... 501, 503, 517
1701499 ... 691, 693, 695, 697, 699, 701, 703, 705, 707, 709, 711	1703934 697	1706061.....714	2220883 ... 43, 45, 76, 80, 83, 499, 503, 507, 509, 519
1701500 ... 691, 693, 695, 697, 699, 701, 703, 705, 707, 709, 711	1703935 711	1706062.....714	2220885 ... 513, 517, 519
1701504 ... 691, 693, 695, 697, 699, 701, 703, 705, 707, 709, 711	1703936 703, 705	1706063.....714	2220886 517, 519
1701505 ... 186, 196, 210, 222, 234, 246, 267, 713	1703937 701	1706064.....714	2220887 ... 107, 109, 509
1701509 ... 481, 691, 693, 695, 697, 699, 701, 703, 705, 707, 709, 711	1703938 707	1706098.....714	2220906 528, 536
1701518 695, 699	1703939 709	1706385.....449	2220923 528, 536
1701529 ... 691, 693, 695, 697, 699, 701, 703, 705, 707, 709, 711	1703940 697	2030010....473, 475, 479	2220946 528, 536
1701542 303, 317, 713	1703941 711	2060025.....192, 202	2220947 528, 536
1701543 303, 317, 713	1703942 703, 705	2060404.....528, 537	2220998 528, 536
1702300 ... 691, 693, 695, 697, 699, 701, 703, 705, 707, 709, 711	1703943 701	2080040....383, 443, 445, 447, 451, 453, 575	2221024 59
1702565 459	1703944 707	2110810.....528, 536	2221040 528, 536
1702566 459	1703945 709	2110812.....528, 536	2221052 65
1702567 459	1703946 697	2111216.....528, 536	2221086 45, 528, 536
1702631 701	1703947 711	2131212.....528, 536	2221197 59
1702773 449, 713	1703948 703, 705	2131216.....528, 536	2400060 ... 295, 483, 647
1702788 713	1703949 701	2171208.....413	2400066 635
1702861 713	1703950 707	2180348....186, 196, 303, 317	2400082 633, 722
1702868 ... 479, 691, 693, 713, 719	1703951 709	2180387.....59	2410014 449
1702938 487	1703952 697	2180388.....59	2420203 ... 359, 364, 368
1702941 ... 196, 222, 246, 317	1703953 691, 693	2180389.....59	24431386 304, 318
1702942 ... 196, 222, 246, 317	1703980 707	2180418.....59	2460048 387, 391
1702943 ... 196, 222, 246, 317	1703981 709	2180504.....312, 326	2460055 359
1702944 ... 196, 222, 246, 317	1703982 701	2180832....210, 222, 234, 246, 267	2540020 147, 149, 151
1702968 65	1703983 711	2200261 193, 203, 218, 230, 276	2540049 ... 591, 593, 595, 597
1703162 ... 192, 202, 216, 228, 240, 252, 274, 310, 324	1703984 703, 705	2220124.....93	2560136 459
1703229 711	1703985 697	2220238.....65, 97	2560187 ... 165, 167, 169, 171
	1704000 ... 703, 705, 713	2220261 59, 310, 324	2580024 ... 196, 222, 246, 317
	1704001 711	2220273.....93	2580062 202
	1704002 697	2220313....186, 196, 210, 222, 234, 246, 267	2600281 ... 443, 445, 447, 451, 453
	1704174 713	2220315.....310, 324	2720015 ... 216, 228, 240, 252, 274
	1704175 713	2220366.....528, 536	2720058 ... 186, 196, 312, 326
	1704260 459	2220371.....528, 536	2720144 59
	1704271 713	2220372.....65, 528, 536	2720271 312, 326
	1704277 ... 691, 693, 695, 697, 699, 701, 703, 705, 707, 709, 711	2220373.....528, 536	2720340 ... 216, 228, 240, 252, 274
	1704412 ... 691, 693, 695, 697, 699, 701, 703, 705, 707, 709, 711	2220374.....528, 536	2720392 59
	1704578 65	2220375.....528, 536	2720398 192, 203
	1704885 713	2220377.....528, 536	2720447 192, 203
	1704972 714	2220451 192, 202, 528, 536	2720615 312, 326
	1705014 449	2220466.....528, 536	2720644 310, 324
	1705305 ... 479, 717, 719	2220468.....528, 536	2750532 ... 186, 196, 211, 223, 234, 246, 267
	1705325 545, 547	2220472.....536	2752500 529, 537
	1705351 691, 693	2220473.....528, 536	
	1705355 717, 719	2220497.....528, 536	
	1705358 713		
	1705374 ... 375, 379, 565, 659		
	1705375 393, 397, 401		

SECTION 11 - SPECIAL OPTIONS

2780267.....27, 33	274, 303, 317, 351,	555, 557, 559, 561,	3580320....363, 371, 375,
2780268.....27, 31	353, 355, 359, 363,	563, 567, 691, 693,	379, 388, 392, 395
2820019.....639	367, 371, 375, 379,	695, 697, 699, 701,	3600242.....249
2820031....359, 363, 367,	383, 388, 392, 395,	703, 705, 707, 709, 711	3641569.....485
371, 375, 379, 383,	399, 403, 431, 573, 575	3311501 ... 107, 117, 119,	3740067.... 111, 113, 192,
387, 391, 395, 399, 403	3290606... 437, 439, 441,	121, 154, 158, 162,	202, 722
2820035.....295	455, 457	485, 487	3740080....360, 363, 367,
2820247.....661, 665	3290607 310, 324	3311505 154, 158	635
2840016.....357	3290801 310, 324	3311601 59, 154, 158,	3740086.....671
2860030.... 137, 139, 141,	3290805 65, 186, 192,	162, 459, 469	3740140.... 192, 202, 722
143, 722	196, 202, 210, 216,	3311605 65, 218, 230,	3760133..... 411, 413
2900756.....45	222, 228, 234, 240,	240, 252, 287, 289,	3760170.....67, 95
2900770..75, 79, 80, 501,	246, 252, 267, 274,	449, 473, 475, 479	3790012.... 119, 121, 303,
503, 517, 519	297, 299, 303, 310,	3311705 359, 363, 367	317, 459
2900792.....505	317, 324, 351, 353,	3311801 27	3790045.....249
2901443.....729	355, 359, 363, 367,	3312002 ... 489, 491, 493,	3790152.... 189, 199, 213,
2902065.... 192, 203, 216,	371, 375, 379, 388,	495	225, 237, 249, 271,
228, 240, 252, 274, 333	392, 395, 399, 403,	3312005 67, 481	307, 321
2902212.....481	567, 583, 585, 587,	3312205 481	3820001.....65, 691, 693,
2902217.....473, 475	589, 591, 593, 595, 597	3321001 ... 111, 113, 192,	695, 697, 699, 701,
2902266.....499	3290806 421	202, 217, 229, 241, 253	703, 705, 707, 711
2902443....617, 619, 623	3291001 ... 117, 119, 121,	3331211 ... 297, 299, 359,	3820020.... 443, 445, 447,
2902549.....573, 579	216, 228, 240, 252,	363, 371, 375, 379,	451, 453
2915102.....729	274, 310, 324, 421	388, 392, 395, 399	3841143.. 19, 23, 25, 186,
2920028.....487	329100593, 99, 101, 103,	3331215 ... 192, 202, 216,	196, 210, 222, 234,
2920029.....487	105, 117, 119, 121,	228, 240, 252, 274	246, 267, 303, 317,
2940045.....171	154, 158, 162, 165,	3340956 481	411, 415, 421
2940074....443, 445, 447,	167, 169, 171, 173,	3420352 67	3841203....407, 409, 413
451, 453, 722	186, 192, 196, 202,	3420372 67	3841258..... 17, 407, 409
2940173.... 165, 167, 169,	210, 216, 222, 228,	3421565 95	3841340....583, 585, 587,
171	234, 240, 246, 252,	3422532 ... 186, 196, 210,	589, 591, 593, 595, 597
3020008.....29	267, 274, 303, 310,	222, 234, 246, 267,	3841520.....21, 25
3020039.....17	317, 324, 355, 359,	303, 317	3900054.....449
3250872.....65	363, 367, 415, 421,	3422848 23, 25	3900267.....376, 380
3251102.....371, 383	423, 425, 431, 583,	3422861 415	3900295.....23, 25
3251242....543, 549, 551,	585, 587, 589, 591,	3422867 415	3900300.....376, 380
553, 555, 557, 559,	593, 595, 597	3423304 19, 21, 23, 25	3900332.....59
561, 563	3291201 97, 310, 324,	3430616 459	3900349.....459
3251243....359, 363, 367,	363, 367, 371, 375,	3430820 357	3910408....216, 228, 240,
375, 379, 393, 397,	379, 383, 388, 392,	3450404 357	252
401, 691, 693, 697,	395, 399, 403, 421	3460334 481	3910606....375, 379, 392,
703, 705, 711	3291205 ... 357, 407, 409,	3470003 459	395, 399, 565, 659
3252347.....691, 693	411, 413, 421	3520028 359, 364, 368	3910610.....357, 541
3252764....387, 392, 395,	3291602 85	3520054 ... 192, 202, 217,	3910804.... 137, 139, 141,
399, 403	3291605 407, 409	229, 240, 252, 274, 459	143
3271601 154, 158, 162	3292001 97	3520071 481	3931408.....467
3271605....489, 491, 493,	3300106 27, 29	3520072 ... 435, 437, 439,	3931512....216, 228, 240,
495	3300151 ... 435, 437, 439,	441, 443, 445, 447,	252, 274
3271805.....449	441, 451, 453, 455,	449, 451, 453, 455, 457	3931618.... 189, 199, 213,
3272001....489, 491, 493,	457, 473, 475, 479	3520189 388, 404	225, 237, 271, 307, 321
495	3300220 ... 111, 113, 192,	3520192 388, 404	3931620.....249
3290401.....59	202, 217, 229, 241, 253	3520198 ... 435, 437, 439,	3931628.... 363, 379, 395
3290405.... 147, 149, 151,	3300353 459	441, 443, 445, 447,	3960389.....173
175, 431, 483, 543,	3300396 ... 376, 380, 388,	451, 453, 455, 457	3960407..... 192, 202
545, 547, 549, 551,	393, 397, 400, 404	3573400 473, 475, 479	3960422....375, 379, 392,
553, 555, 557, 559,	3300408 145	3574091 487	395, 399, 541, 565, 659
561, 563	3300430 467	3575359 485	3960526.....27, 29
3290505....375, 379, 388,	3310401 ... 216, 228, 240,	3577121 473, 475, 479	4010405.....575
392, 395, 399, 403	252	3580158 359	4010618.... 437, 439, 441,
3290601.... 165, 167, 169,	3310601 357	3580276 359	455, 457
171, 179, 181, 528, 536	3311001 ... 287, 289, 359,	3580317 ... 371, 375, 379,	4031505.....465
3290605.... 111, 113, 117,	363, 367, 376, 380,	383, 388, 392, 395,	4031507.....175
119, 121, 123, 149,	388, 393, 397, 400, 404	399, 403	4031509.... 147, 149, 151
151, 162, 171, 186,	3311005.... 473, 475, 479	3580318 ... 375, 379, 392,	4031516.....469
192, 196, 202, 210,	3311401 485, 487	395, 399	4031914....216, 228, 240,
216, 222, 228, 234,	3311405 ... 469, 543, 545,	3580319 ... 371, 383, 388,	252, 274
240, 246, 252, 267,	547, 549, 551, 553,	403	4032014....363, 379, 395

SECTION 11 - SPECIAL OPTIONS

4032015 ... 371, 375, 388, 392	4460115 624	4460497..... 117, 119, 121	4460944 619, 620, 623
4060802 ... 360, 363, 367, 371, 375, 379, 383, 388, 392, 395, 399, 403	4460134 360, 364, 368	4460508..... 465, 647, 684	4460956 577, 579
4060805 ... 192, 203, 216, 228, 240, 252, 274, 312, 326	4460138 360, 364, 368	4460509..... 569, 571	4460957 577, 579
4070450 67	4460183 647, 683	4460510..... 729	4460958 659
4070560 67	4460190 ... 359, 364, 368	4460518..... 675	4460961 ... 359, 364, 368
4070561 67	4460205 541	4460536.... 123, 427, 429, 431, 599, 601, 643, 647, 677, 679, 681	4460962 473
4070897 411, 413	4460225 ... 388, 392, 395, 399, 637, 639, 647	4460539.... 427, 429, 431, 599, 601, 623, 643, 647, 677, 679, 681, 687	4460963 393, 397, 400
4070898 411, 413	4460226 ... 461, 485, 667, 684	4460612..... 565, 659	4460967 683
4071009 85	4460227 647	4460662.... 543, 555, 559, 563	4460968 547, 551
4160182 154, 158	4460234 ... 117, 119, 121, 147, 459, 485, 487, 603, 605, 607, 609	4460693..... 627	4460970 647
4240018 ... 528, 537, 565, 659	4460247 619, 623	4460702..... 684	4460977 633
4240032 ... 117, 119, 121, 147, 218, 230, 240, 252, 276, 603, 605, 607, 609, 611	4460259 ... 483, 641, 647, 684	4460703.... 619, 623, 684	4461005 617
4240033 ... 465, 467, 469, 583, 585, 587, 589	4460260 ... 483, 641, 645, 647, 684	4460705.... 359, 364, 368	4461008 617, 619, 623
4240099 ... 117, 119, 121, 149, 151, 186, 192, 196, 202, 210, 216, 222, 228, 234, 240, 246, 252, 274, 295, 303, 310, 317, 324, 360, 363, 367, 371, 375, 379, 383, 388, 392, 395, 399, 403, 459, 473, 475, 485, 487	4460267 647	4460708..... 647	4461052 617
4240149 481	4460268 ... 359, 364, 368, 637, 639	4460722..... 295	4461054 620, 623
4280296 61, 63	4460313 617, 683, 687	4460742..... 684	4461070 619, 675
4360057 485, 487, 723	4460315 541	4460746..... 619, 623	4461071 617, 619, 623
4360070 ... 376, 380, 388, 393, 397, 400, 404	4460321 359, 364, 368	4460748..... 619, 623	4461072 617, 619, 623
4360274 143	4460346 ... 375, 379, 392, 395, 399, 541	4460761..... 647	4461073 617, 619, 623
4360328 119, 121, 723	4460384 543	4460806.... 553, 555, 557, 559	4461074 617, 619, 623
4360336 ... 360, 363, 367, 371, 375, 379, 383, 388, 392, 395, 399, 403, 723	4460418 641, 647	4460807 637, 639	4461077 663, 671
4360387 ... 141, 143, 459, 487, 723	4460419 641, 647	4460808..... 637, 639	4461095 617, 619, 675
4360407 459, 723	4460424 684	4460865..... 569, 571	4461109 627
4360469 ... 137, 139, 141, 143	4460425 ... 376, 380, 388, 393, 397, 400, 404, 485, 487, 565, 659	4460866..... 647, 684	4461111 627
4360476 ... 125, 127, 129, 723	4460426 ... 376, 380, 388, 393, 397, 400, 404	4460871.... 179, 181, 641, 645, 647, 683, 687	4461113 627
4360517 97	4460428 459	4460872..... 687	4461121 627
4360542 359, 364, 368	4460434 647	4460873..... 647, 683	4461122 627
4400275 59	4460458 619, 624, 684	4460874..... 647, 683	4461123 627
4420014 481	4460464 ... 149, 151, 427, 429, 431, 461, 483, 599, 601, 613, 615, 629, 635, 643, 647, 669, 671, 673, 675, 677, 679, 681, 683, 684	4460875..... 647, 687	4461124 627
4420037 473, 475, 479	4460465 ... 147, 179, 181, 427, 429, 431, 483, 569, 571, 599, 601, 613, 617, 619, 620, 623, 627, 637, 639, 643, 647, 667, 669, 675, 677, 679, 681, 683, 684, 687	4460876..... 641	4461196 649
4420051 65, 713	4460466 ... 117, 119, 304, 318, 465, 483, 569, 571, 599, 601, 613, 617, 619, 620, 623, 627, 635, 643, 647, 663, 669, 671, 673, 675, 681, 683, 684	4460877..... 683	4461198 547, 649
4420066 481	4460467 729	4460878..... 683, 647	4461199 651
4420068 487	4460470 ... 117, 119, 121, 459	4460884.... 483, 623, 667, 669, 683, 687	4461201 551, 651
4460019 623	4460471 ... 117, 119, 121, 459	4460887.... 483, 647, 683	4461205 653, 655
4460027 359, 364, 368	4460473 569, 571	4460891.... 147, 179, 181, 620, 629, 675, 684, 687	4461244 555, 653
4460042 ... 620, 623, 627, 683	4460496 117, 119, 121	4460894.... 613, 617, 620, 623, 627, 647, 683, 687	4461245 559, 655
4460043 295, 619, 623		4460897.... 149, 151, 629, 673	4461246 563, 657
4460049 485, 487		4460899.... 645, 663, 669, 671, 677, 679, 684	4461249 657
4460071 ... 375, 379, 392, 395, 399, 461, 541		4460905.... 641, 647, 683, 687	4520216 49
		4460906..... 635	4520240 53
		4460910..... 661	4520259 47
		4460911..... 663	4640261 65
		4460928..... 675	4640452 517, 519
		4460930.... 119, 304, 318, 599, 601, 617, 620, 623, 683	4640509 505
		4460931.... 117, 119, 643, 673, 681, 683, 684	4640751 ... 216, 228, 240, 252, 274
		4460932.... 483, 615, 629	4640858 499
		4460933.... 647, 675, 684	4641122 ... 47, 49, 51, 53, 55, 57
		4460941..... 629, 663	4641390 507, 509
		4460942.... 465, 620, 623, 629	4710400 ... 216, 228, 240, 252
		4460943.... 123, 663, 683	4711000 ... 117, 119, 121, 287, 289, 376, 380, 388, 393, 397, 401, 404
			4711400 ... 165, 167, 169, 171, 435, 437, 439, 441, 451, 453, 455, 457, 467, 469, 543, 545, 547, 549, 551, 553, 555, 557, 559, 561, 563
			4711500 ... 111, 113, 154, 158, 186, 196, 211, 216, 222, 228, 234, 240, 246, 252, 267, 274, 303, 317

SECTION 11 - SPECIAL OPTIONS

4711600....154, 158, 162, 287, 289, 371, 375, 379, 383, 388, 392, 395, 403, 459, 489, 491, 493, 495	363, 367, 371, 375, 379, 388, 392, 395, 399, 403, 421, 537, 567, 583, 585, 587, 589, 591, 593, 595, 597	5241200 ... 17, 19, 21, 23, 25, 192, 202, 216, 228, 241, 253, 274, 297, 299, 310, 324, 360, 363, 367, 371, 375, 379, 383, 388, 392, 396, 400, 403, 421	70001349.....31, 33 70001368.....37 70001384..387, 391, 396, 400, 404 70001423.....205 70001435.....206 70001498.....206 70001654.....205 70001655.....205 70001696.....387, 391 70001697.....417, 419 70001844.....206 70001850.....205 70001866.....206 70001868.....206 70001870..205, 258, 262, 280, 284 70001871.....206 70001872.....206 70001932.....43 70001953.....387, 391 70001966..371, 376, 380, 383, 387, 391, 396, 400, 404 70001973..387, 391, 396, 400, 404 70001974..387, 391, 396, 400, 404 70002057.....88 7000206.....31, 33 70002063.....83 70002070.....37 70002071.....37 70002072.....37 70002073.....37 70002088.....387, 391 70002112.....107, 109 7000216.....37 70002209.....45 70002234.....206 70002257.....338 7000229.....31, 33 70002291...396, 400, 404 70002297..387, 391, 396, 400 7000230.....31, 33 70002316.....329 70002318.....329 7000232.....31, 33 70002326.....329 700023371.....511 70002373.....501, 511 7000238676, 80, 83, 507, 509, 722 70002410.....503, 513 70002412.....517 7000246.....31, 33 70002460..387, 391, 396, 400, 404 7000248.....31, 33 7000253.....31, 33 7000257.....31, 33 7000258.....31, 33 7000261.....31, 33 7000262.....31, 33 7000263.....31, 33
4711700....121, 360, 363, 367	4811902... 154, 158, 186, 196, 210, 222, 234, 246, 267, 274, 310, 324, 591, 593, 595, 597	5241400 310, 324 5241600 23, 25, 85 5242000 85 5250605 310, 324 5250808 ... 371, 376, 380, 388, 392, 396 5250810 ... 217, 229, 241, 253, 371, 376, 380, 383, 388, 392, 396, 403 5251008 ... 411, 413, 421, 427, 429, 431, 589, 591, 593, 595, 597 5251009 411, 413 5251011 411, 413 525101227, 29, 131, 133, 135, 162 5251014 ... 61, 63, 71, 73, 154, 158 5251016 17, 421 5251215 ... 186, 196, 210, 222, 234, 246, 267, 274, 303, 317 5260800 ... 371, 376, 380, 383, 388, 392, 396, 403 5261000 ... 131, 133, 135 5261008 ... 583, 585, 587 5261018 165, 587 5261200 ... 186, 196, 210, 222, 234, 246, 267, 274, 303, 317 70000342 417, 419 70000345 .. 206, 279, 283 700004508 257 70000619 . 387, 391, 395, 399 70000781 45 70000787 206 70000793 333 70000794 43 70000795 43 70000800 205 70000851 206 70000854 43 70000856 43 70000863 . 387, 391, 396, 400, 404 70000912 205 70000913 205 70000914 205 70000915 205 70000916 205 70000917 205 70000918 205 70000919 206 70000931 206 70001002 205 70001100 . 387, 391, 396, 400, 404 70001119 37 70001181 205	4812000 ... 27, 29, 71, 73, 93, 99, 101, 103, 105, 111, 113, 117, 119, 121, 154, 158, 162, 165, 167, 169, 171, 173, 186, 192, 196, 202, 210, 216, 222, 228, 234, 240, 246, 252, 267, 274, 303, 310, 317, 324, 360, 363, 367, 380, 383, 396, 403, 411, 413, 421, 423, 425, 431, 583, 585, 587, 589, 591, 593, 595, 597 4812002 . 71, 73, 99, 101, 103, 105, 117, 119, 121, 154, 158, 162, 274, 355 4812100 97, 186, 196, 210, 216, 222, 228, 234, 240, 246, 252, 267, 274, 291, 303, 317, 357, 371, 375, 388, 392, 411, 413, 421 4812102 65 4812200 ... 192, 202, 216, 228, 241, 253, 274, 297, 299, 304, 318, 360, 363, 368, 371, 375, 379, 388, 392, 395, 400 4844817 415 4846673 487 4860214 57 4871700 ... 111, 113, 371, 375, 379, 383, 388, 392, 395, 403 489160059, 65, 189, 199, 213, 225, 237, 249, 271, 307, 321, 421 489180027, 29, 189, 199, 213, 225, 237, 249, 271, 307, 321 4892000 27, 29, 91 4892600001 421 4922641 ... 360, 364, 368, 372, 376, 380, 384, 388, 392, 396, 400 4922802 589 4922803 597 4922925 ... 388, 392, 395, 399, 403, 639 4923451 193, 202 4933218 487 5240800 ... 186, 196, 210, 222, 234, 246, 267, 303, 310, 317, 324
4711800.....449 4712000....481, 489, 491, 493, 495 4712200.....481 4740086.....19, 21, 23, 25 4740155.....23, 25 4740158.....17 4740397.....119 4740491.....23, 25 4750600.....357 4751000.....99, 101, 103, 105, 360, 363, 367, 473, 475, 479 4751400....107, 109, 459, 471, 473, 475, 479, 485, 487, 567, 691, 693, 695, 697, 699, 701, 703, 705, 707, 709, 711 4751500....360, 363, 367, 485, 487 4751600....218, 230, 240, 252, 473, 475, 479 4751800....449, 485, 487 4752000.....67 4760600.....541 4761000....111, 113, 192, 202, 217, 229, 241, 253 4761400.....471 4770600.....357 4811400....147, 149, 151, 431, 483, 543, 545, 547, 549, 551, 553, 555, 557, 559, 561, 563 4811600....375, 379, 388, 392, 395, 399, 403 4811700....111, 113, 117, 119, 123, 149, 151, 165, 167, 169, 171, 179, 181, 186, 192, 196, 202, 210, 222, 234, 246, 267, 274, 303, 310, 317, 324, 360, 363, 367, 371, 375, 379, 383, 388, 392, 395, 399, 403, 437, 439, 441, 455, 457, 528, 536, 573, 575, 591, 593, 595, 597 4811702....218, 230, 240, 252, 268, 274, 310, 324, 351, 353, 355, 384, 528, 536, 575, 591, 593, 595, 597 4811900.....65, 162, 186, 192, 197, 202, 210, 216, 222, 228, 234, 240, 246, 252, 267, 274, 297, 299, 303, 310, 317, 324, 360,			

SECTION 11 - SPECIAL OPTIONS

70002718 . 205, 257, 261, 280	70004186 505	70004909... 338, 342, 346	70005248 341, 345
70002838 107, 109	70004231 507, 509	70004910..... 338, 342	70005249 341, 345
70002842 499	70004237 503, 513	70004911... 338, 342, 346	70005250 341, 345
70002902 461	70004267 115	70005065 115	70005251 341, 345
70002903 461	70004268 205	70005066 115	70005252 341, 345
70002904 461	70004269 205	70005067 115	70005253 341, 345
70002905 461	70004270 206	70005068 115	70005254 341, 345
70002962 45	70004281 . 257, 261, 280, 283	70005069 75, 79	70005255 341, 345
70002974 75, 79	70004282 257, 261	70005071 75, 79	70005257 341, 345
70002996 37	70004469 88	70005072 75, 79	70005258 341, 345
70002997 38	70004481 88	70005073 75, 79	70005259 342, 345
70003000 37	70004482 88	70005074 75, 79	70005260 342, 346
70003023 75, 79	70004494 88	70005075 75, 79	70005261 346
70003024 75, 79	70004504 280, 283	70005076 75, 79	70005262 342, 346
70003408 75, 79	70004505 280	70005077 75, 79	70005263 342, 346
70003463 205, 722	70004506 280	70005078 75	70005264 346
70003464 205	70004507 280	70005079 75, 79	70005265 346
70003468 206	70004508 .. 261, 280, 284	70005080 75, 79	70005266 342, 346
70003469 206	70004509 280	70005081 75, 79	70005267 342, 346
70003472 205	70004510 280	70005082 75, 79	70005268 342, 346
70003473 205	70004577 45	70005084 75, 79	70005269 342, 346
70003475 205	70004676 . 372, 376, 380, 383	70005085 75, 79	70005270 342, 347
70003479 205	70004677 372	70005086 75, 79	70005271 341
70003480 205	70004678 . 372, 376, 380, 383	70005087 75, 79	70005317 88
70003481 205	70004679 . 372, 376, 380, 383	70005088 75, 79	70005318 88
70003612 115	70004680 . 372, 376, 380, 383	70005089 75, 79	70005504 279, 283
70003614 722	70004681 372, 383	70005090 75, 79	70005505 279
70003628 43	70004682 . 372, 376, 380, 383	70005091 75, 80	70005507 279
70003631 . 387, 391, 396, 400, 404	70004683 372, 384	70005092 75, 79	70005606 37
70003708 . 371, 376, 380, 383, 387, 391, 396, 400, 404	70004684 376	70005093 79	70005613 37
70003709 . 371, 376, 380, 383, 387, 391, 396, 400, 404	70004685 376, 380	70005097 79	70005710 97
70003783 . 192, 203, 217, 229, 722	70004686 383	70005108 75	70005711 97
70003788 76, 80, 507, 509, 722	70004687 380	70005109 75, 79	70005712 97
70003931 206	70004794 ... 99, 101, 103, 105	70005139 115	70005713 97
70003932 206	70004829 329	70005140 511	70005714 97
70003977 75, 79	70004883 83	70005141 511	70005715 97
70004000 115	70004884 45, 83	70005142 501, 511	70005716 97
70004013 115	70004885 45	70005143 501, 511	70005724 76, 80
70004014 115	70004886 45	70005144 501, 511	70005726 329
70004017 45	70004889 337	70005145... 501, 511, 513	70005727 329
70004020 312, 326	70004890 .. 337, 341, 345	70005146 511, 513	70005737 329
70004039 37	70004891 337	70005147 501	70005745 329
70004056 206	70004892 . 337, 341, 342, 345, 346	70005148 501	70005746 329
70004058 206	70004893 .. 337, 341, 345	70005149 501	70005747 329
70004059 206	70004894 .. 337, 341, 345	70005150 515	70005751 329
70004060 206	70004895 337	70005151 515	70005931 . 257, 261, 279, 283
70004062 206	70004896 337, 346	70005152 515	70005938 280
70004092 . 371, 376, 380, 383, 396, 400, 404	70004897 337, 722	70005153 515	70005941 . 258, 262, 280, 284
70004094 .. 396, 400, 404	70004898 337	70005154 515	70005942 . 257, 261, 280, 284
70004098 . 376, 380, 396, 400, 404	70004899 .. 338, 342, 347	70005171... 257, 261, 280	70006010 335
70004099 . 380, 383, 396, 400, 404	70004900 338	70005172.. 258, 262, 280, 284	70006011 335
70004102 206	70004901 .. 338, 342, 346	70005173 257	70006012 335
70004103 206	70004902 338	70005176 280	70006013 329
70004169 387, 391	70004903 338	70005177... 257, 261, 280	70006014 329
70004171 . 371, 376, 387, 391	70004904 338	70005180 261	70006015 329
	70004905 338, 342	70005182 257, 261	70006016 329
	70004906 .. 338, 342, 346	70005183 257	70006017 329
	70004907 338, 342	70005184.. 257, 261, 279, 283	70006018 329
	70004908 338	70005191 279	70006019 329
		70005217 75, 79	70006020 329
		70005218 75, 79	70006021 329
		70005219 76, 80, 722	70006022 329
		70005245 341, 345	70006023 329, 722
		70005246 341, 345	70006024 329
		70005247 341, 345	

SECTION 11 - SPECIAL OPTIONS

70006025.....	329	70006356 .	189, 199, 213, 225, 237, 249, 271, 307, 321	70007158	513	70008547.....	279
70006026.....	329	70006379	330	70007159	503	70008553.....	279
70006027.....	329	70006552	376	70007160	503	70008558.....	279
70006028.....	329	70006553	376	70007161	503, 513	70008559.....	279
70006029.....	329	70006580	417	70007162	519	70008561.....	279
70006030.....	329	70006636	507, 509	70007163	519	70008564.....	280
70006031.....	329	70006639	330	70007164	519	7000857.....	43
70006032.....	329	70006640	330	70007165	519	70009002..	186, 197, 210, 223, 234, 247
70006033.....	329	70006649	505	70007166	519	70009004.....	186, 196
70006034.....	329	70006650	505	70007168	503	70009005.....	186, 196
70006035.....	329	70006652	257	70007169	503	70009006..	210, 223, 234, 247
70006036.....	329	70006702	507	70007170	37	70009007..	210, 223, 234, 247
70006037.....	329	70006703	507	70007171	37	70010383.....	71, 73, 722
70006038.....	329	70006704	507	70007172	37	70012257.....	261
70006039.....	329	70006705	507	70007173	37	7001481.....	338, 342, 346
70006040.....	329	70006706	507, 509	70007174	37	7001913.....	37
70006041.....	329	70006734	505	70007175	37	7001998.....	31, 33
70006042.....	329	70006735	505	70007176	37	70022564..	501, 503, 507, 509, 511, 513
70006043.....	329	70006736	505	70007177	38	70023369..	501, 503, 507, 509, 511, 513, 519
70006044.....	329	70006817	517	7000731	34	70023370.....	501, 505
70006045.....	330	70006982	519	70007325	257, 279	70023371.....	505
70006046.....	330	70006990	88	70007326 ..	257, 261, 279	70023592..	217, 229, 241, 253, 722
70006047.....	330	70006994	88	70007354 ..	257, 261, 279	70023593..	217, 229, 241, 253, 722
70006048.....	330	70006997	88	70007603 .	257, 261, 279, 283	70024494..	258, 262, 284
70006049.....	330	70006998	88	70007784	283	70024502.....	261
70006050.....	330	70006999	88	70007847	41	70024504..	257, 261, 279, 283
70006051.....	330	70007001	88	70007848	41	70024505.....	279
70006052.....	330	70007002	88	70007849	41	70024507.....	257, 261
70006053.....	330	70007003	88	70007850	41	70024513..	257, 261, 279, 283
70006054.....	330	70007004	88	70007851	41	70024904..	258, 262, 280, 284
70006055.....	330	70007006	88	70007852	41	70024905..	257, 261, 262, 280
70006056.....	330	70007022	88	70007853	41	70024906...	257, 261, 280
70006057.....	330	70007023	88	70007854	41	70024913.....	280, 284
70006058.....	330	70007024	88	70007855	41	70024915.....	257
70006059.....	330	70007025	88	70007856	41	70024916.....	283
70006060.....	330	70007026	88	70007857	41	70024917.....	279
70006061.....	330, 722	70007027	88	70007858	41	70024918.....	283
70006062.....	330	70007028	88	70007859	41	70024919.....	261
70006063.....	330	70007029	88	70007860	41	70024920.....	279
70006064.....	330	70007030	88	70007861	41	70024925.....	257, 284
70006065.....	330	70007031	88	70007862	41	70024961...	257, 261, 283
70006066.....	330	70007032	88	70007863	41	70025082.....	205
70006067.....	330	70007033	88	70007864	41	70025084.....	205, 206
70006068.....	330	70007046	88	70007865	41	70025086.....	206
70006069.....	330	70007062	517	70007866	41	70025088.....	205
70006070.....	330	70007063	517	70007867	41	70025091.....	205
70006071.....	330	70007064	517	70007868	41	70025099.....	283
70006072.....	330	70007065	517	70007869	41	70025121.....	206
70006074.....	330	70007066	517	70007870	41	70025123.....	205, 206
70006075.....	330	70007067	517	70007871	41	70025130.....	279, 283
70006076.....	330	70007068	517, 519	70007872	41	70025131.....	206
70006077.....	330	70007069	517, 519	70007873	41	70025135.....	257
70006078.....	330	70007070	517, 519	70007874	41	70025139.....	205
70006079.....	330	70007071	517, 519	70007875	41	70025140.....	280
70006080.....	330	70007072	517, 519	70007876	41	70025142.....	283
70006093...	396, 400, 404	70007142	43	70007877	41	70025144.....	280
70006094...	396, 400, 404	70007143	43	70007878	41		
70006095...	396, 400, 404	70007145	43	70008296	280		
70006096...	396, 400, 404	70007146	43	70008422	280		
70006097...	396, 400, 404	70007150	509	70008431	279		
70006104.....	507, 509	70007151	509	70008435	279		
70006105.....	507, 509	70007152	509	70008537	280		
70006144.....	257, 283	70007153	509	70008538	280		
70006255.....	423, 425	70007154	509	70008543	279		
70006270.....	423, 425	70007156	513	70008544	279		
70006344.....	517, 519	70007157	503, 513	70008545	279		

SECTION 11 - SPECIAL OPTIONS

70025145	280	7012558	359	7021263.....	337	7024712	31, 33
70025152	280	7012941	83	7021265.....	337	7024713	31, 33
70025153	283	7012967	83	7021268.....	337, 342, 346	7024714	31, 33
70025160	283	7012998	507, 509	7021275.....	43, 346	7024715	31, 33
70025161	283	7016322	357	7021276.....	338, 342, 346	7024716	31, 33
70025164	257, 261, 279, 283	7016331	205, 258, 262, 280, 284, 722	7021277.....	338, 342, 346	7024717	33
70025168	283	7016654	729	7021278.....	338, 342, 346	7024718	34
70025200	257	7017022	38	7021281.....	337, 342, 346	7024723	37
70025210	257, 722	7017027	37	7021285.....	346	7024726	37
70025231	257, 261, 279	7017027	37	7021290.....	338, 342, 346	7024729	37
70025235	280	7017059	31, 33	7021293.....	337	7024730	37
70025239	257, 261, 279	7017067	31, 33	7021299.....	338	7024734	37
70025242	279	7017070	31, 33	7021625.....	45	7024735	37
70025667	205	7017072	37	7021639.....	45	7024736	37
70025693	206	7017080	31, 33	7022300.....	337	7024737	38
70025694	206	7017082	37	7022321.....	43, 341, 345	7024738	37
70026210	257, 261, 279, 283	7017093	37	7022322.....	341, 345	7024739	37
70027244	519	7017095	37	7022326.....	43	7024740	37
70027405	279, 283	7017142	417, 419	7022328.....	43	7024741	37
70028185	280	7017159	417, 419	7022331.....	341, 345	7024742	37
7002821	729	7017162	417, 419	7022332.....	341, 345	7024744	38
7002822	729	7017163	417, 419	7022333.....	341, 345	7024800	337, 341, 345
7002823	729	7017164	417, 419	7022336.....	341, 345	7024806	346
70028538	279	7017172	417, 419	7022338.....	341, 345	7024855	337
70028540	257, 261, 279	7017192	417, 419	7022340.....	341, 345	7024857	337
70029015	283	7017195	417, 419	7022341.....	337, 341, 345	7024858	337
70029402	283	7017410	83	7022343.....	345	7024865	43
70029403	283	7017467	507, 509	7022346.....	338, 342, 346	7024871	43
70029404	283	7017496	45, 507, 509	7022347.....	338, 342, 346	7024881	45
70029409	279	7017904	329	7022351.....	346	7026188	387, 391
70029451	257, 261	7017932	329	7022355.....	341	7026199	359, 363, 367
70029512	261, 279, 283, 722	7017959	330	7022357.....	341	7026330	115
70029797	283	7017992	330, 722	7022358.....	342	7026597	387, 391, 396
70030360	257, 261, 279	7019680	359, 364, 368	7022368.....	43	7026626	387, 391, 396, 400, 404
70030381	257, 261, 280	7020023	205, 722	7022371.....	43	7027236	205
70031055	279	7020026	205	7022390.....	75, 79, 507, 509	7027740	43
70031095	258, 261	7020108	359, 364, 367	7022397.....	45	7027790	206
70031136	257, 261, 279	7020109	359, 364, 367	7022399.....	45, 75, 79	7027791	206
70031143	261, 279, 283	7020110	359, 364, 367	7022564.....	519	7027792	206
70031144	261, 279, 283	7020111	359, 364, 368	7023154.....	329	7027796	206
70031145	257	7020190	359, 364, 368	7023900.....	75, 79	7027799	387, 391, 396, 400, 404
70031388	279	7020403	205	7023910.....	43	7027887	359, 364, 368
70031474	279	7020430	205	7023936.....	75, 79	7027903	206
7004275	729	7020460	205	7023999.....	345	77363233	637, 639
7004276	729	7020465	205, 258, 280, 284	7024124.....	37	80484084	619, 623
70050795	507, 509	7020468	205	7024129.....	37	80983191	619, 722
7007289	338	7020471	206	7024134.....	38	82033995	312, 326
7007415	337, 338	7020479	206	7024182.....	33, 34	8220045	635, 684
7007419	43, 337, 341, 345	7020492	205, 206	7024189.....	34	8220051	629
7007420	43, 337, 338, 341, 342, 345, 346	7020492	205, 206	7024190.....	34	8220115	619
7007438	43	7021229	346	7024191.....	34	8220164	619
7007439	43	7021234	342, 346	7024192.....	34	8229242	619, 683, 722
7007446	43	7021237	337, 345	7024193.....	34	8229244	683, 722
7007493	338	7021238	337, 341, 345	7024194.....	34	8229245	635
7007495	337	7021239	337, 341, 345	7024196.....	34	8229249	483
7007601	31, 33	7021240	337, 345	7024197.....	34	8305401	310, 324
7007640	31, 33, 37	7021241	337	7024441.....	107, 109	8307109	310, 324
7010429	31, 33	7021242	337	7024485.....	387, 391	8310129	481
7010543	83	7021243	337	7024488.....	387, 391, 395, 399	8310548	310, 324
7012513	359, 363, 367	7021248	337, 341, 345	7024489.....	387, 391, 395, 399	8405006	210, 222, 234, 246, 267, 287, 289
7012514	359, 364, 367	7021249	43, 337, 341, 345	7024565.....	206	8405007	216, 228, 241, 253, 275
7012518	517, 519	7021253	337	7024579.....	205, 258, 262, 280		
		7021257	337, 341, 345	7024598.....	357		
		7021258	337	7024705.....	33		
		7021259	337, 341, 345				
		7021262	337, 341, 345				

SECTION 11 - SPECIAL OPTIONS

8405009....186, 196, 216, 228, 241, 253, 275, 311, 325	8406101 ... 210, 222, 234, 246, 267	8410011 312	90200755... 154, 158, 162
8405102.....311, 325	8406109 ... 216, 228, 241, 253, 275, 311, 325	8410013 ... 210, 222, 234, 246	91164057.....45, 76, 80
8405104....216, 228, 241, 253, 275, 311, 325	8406110... 217, 229, 241, 253, 275, 311, 325,	8430007 267	91164059.....76, 80
8405202....216, 228, 241, 253, 275, 311, 325	431, 583, 585	84521061 367	91164079.....45, 76, 80
8405203.....311, 325	8406201 ... 218, 230, 241, 253, 275, 311, 325	84521062 399	91203039.....421
8405204....216, 228, 241, 253, 275	8410001 311, 325	88411013 567	91401281 111
	8410009 311, 325	88521205 111, 113	TP_1001282532 119
		88521214 . 489, 491, 493, 495	
		88662037 528, 536	



**Corporate Office
JLG Industries, Inc.
1 JLG Drive
McConnellsburg, PA 17233-9533 USA
☎ (717) 485-5161 (Corporate)
☎ (877) 554-5438 (Customer Support)
📠 (717) 485-6417**

**Visit our website for JLG Worldwide Locations.
www.jlg.com**



OSHKOSH™