



---

# Illustrated Parts Manual

## *Model 520AJ HC3*

PVC  
2307

P/N  
31222404

October 8, 2023 - Rev B

**ANSI**

**CE**



**UK  
CA**

**AS/NZS**



An Oshkosh Corporation Company



## **REVISION LOG**

**July 1, 2023 - A - Original Issue of Manual (Edited to B/M 1001246976 Revision Y)**

**October 8, 2023 - B - Revised Manual (Edited to B/M 1001246976 Revision Y)**

# GENERAL INFORMATION



## 1) MACHINE IDENTIFICATION

Machines are identified by model and in some cases a combination of models, serial number (SN) or regional standard (i.e ANSI, CE, CSA). Components may also be identified by SN or manufacturer. Common components that may be identified by these characteristics are engines and hydraulic components.

## 2) PARTS MANUAL ORGANIZATION

Product information in this manual is organized under section titles. Frame, Cylinder, Hydraulic and Electrical are a few examples. Each section is organized by figure and page number. The information within the Figure is then organized by item number, part number, description and corresponding illustration (s).

## 3) TABLE OF CONTENTS (NOT SHOWN)

A table of contents is found toward the beginning of the manual. Figure number, description and page number are provided for quick reference to the page containing the related information.

## 4) RECOMMENDED SPARE PARTS (NOT SHOWN)

The Recommended Spare Parts List, located near the end of the manual, reference most frequently used maintenance parts.

## 5) PART NUMBER INDEX (NOT SHOWN)

A numerical index listing all part numbers and the corresponding page number(s) appears at the back of the manual.

## GENERAL INFORMATION

### 6) NON-SERVICED PARTS

In some instances, it is necessary to display non-serviced parts, assemblies or installations. In the case of assemblies and installations there will be a Ref in the Qty. column. In case of parts that are not available for service within assemblies or components, there will be a NSS (Not Sold Separately) or NLA (No Longer Available) listed in the Qty. column of the manual.

### 7) PARTS LIST ITEM NUMBERS

Numbers shown in the item# column correspond to numbers used in the associated illustration (s). Item numbers which are missing from the sequence in the parts list are not used on that page.

### 8) INDENTED PARTS DESCRIPTION

An indented part description is included in the item under which it is indented.

### 9) ABBREVIATION AND SYMBOLS

AC.....	Alternating Current	L.....	Liter
ADE.....	Advanced Design Electronics	LB(LBS).....	Pounds
AG.....	Agricultural	LCD.....	Liquid Crystal Display
ANSI.....	American National Standards Institute	LED.....	Light Emitting Diodes
AR.....	As Required	LH.....	Left Hand
ASSY.....	Assembly	LRC.....	Low Rated Countries
AUS.....	Australia	LSS.....	Load Sensing System
AUX.....	Auxiliary	M(m).....	Metric/Meter
AWG.....	American Wire Gauge	MM(mm).....	Milimeter
B/M.....	Bill of Material	mA.....	Miliamps
CAC.....	Charge Air Cooler	NLA.....	No Longer Available
CE.....	European Conformity	NPT.....	National Pipe Threads
CCW.....	Counter Clockwise	NSS.....	Not Sold Separately
CM.....	Centimeter	OD.....	Outside Diameter
CW.....	Clockwise	ORB.....	O-Ring Boss
CSA.....	Canadian Standards Association	ORFS.....	O-Ring Face Seal
CYL.....	Cylinder	OZ (oz).....	Ounces
DIA.....	Diameter	PG.....	Page
DC.....	Direct Current	PN.....	Part Number
DEF.....	Diesel Exhaust Fluid	QT(qt.).....	Quarts
EMS.....	Emergency Stop	QTY.....	Quantity
ENG.....	Engine	REF.....	Reference
FT(ft).....	Feet	REV.....	Revision Level
GA(Ga).....	Gauge	RH.....	Right Hand
HRC.....	High Rated Countries	SAE.....	Society of Automotive Engineers
HVAC.....	Heating, Ventilating, and Air Conditioning	SN.....	Serial Number
HYD.....	Hydraulic	SPEC(S).....	Specifications
Hz.....	Hertz	T/T.....	Turntable
ID.....	Inside Diameter	UGM.....	Universal Ground Module
IN.....	inches	V.....	Volts
ISO.....	International Organization for Standards	W.....	Watts
JIC.....	Joint Industry Council	#.....	Number
KG.....	Kilogram		

### 10) ILLUSTRATION REFERENCE LETTERS

When necessary, illustrations may contain reference letters that are intended to track information (i. e. hoses, harnesses) from one point to another or to track visual enlargement of components to show details that may be located in another area on the illustration.

*Note: Due to continuous product improvements, JLG Industries, Inc. reserves the right to make specification changes without prior notification. Contact JLG Industries, Inc. for updated information.*



# TABLE OF CONTENTS

SECTION 1 - FRAME.....	13
FIGURE 1-1. AXLE INSTALLATION .....	14
FIGURE 1-2. STEER INSTALLATION.....	16
FIGURE 1-3. WHEEL DRIVE INSTALLATION.....	18
FIGURE 1-4. DRIVE MOTOR ASSEMBLY .....	20
FIGURE 1-5. DRIVE HUB ASSEMBLY .....	22
FIGURE 1-6. FRAME SHIELD INSTALLATION .....	26
FIGURE 1-7. TIRE AND WHEEL INSTALLATION - 14 X17.5 FOAM FILLED .....	28
FIGURE 1-8. TIRE AND WHEEL INSTALLATION - 14 X17.5 FOAM FILLED NON-MARKING .....	30
FIGURE 1-9. TIRE AND WHEEL INSTALLATION - 33 X 12-20 FOAM FILLED .....	32
FIGURE 1-10. TIRE AND WHEEL INSTALLATION - 33 X 12-20 SOLID NON-MARKING .....	34
FIGURE 1-11. VALVES INSTALLATION - FRAME MOUNTED.....	36
FIGURE 1-12. TRACTION VALVE ASSEMBLY.....	38
SECTION 2 - TURNTABLE.....	41
FIGURE 2-1. VALVES INSTALLATION - TURNTABLE MOUNTED .....	42
FIGURE 2-2. MAIN VALVE ASSEMBLY .....	44
FIGURE 2-3. AUXILIARY PUMP ASSEMBLY.....	46
FIGURE 2-4. SWING DRIVE AND TURNTABLE BEARING INSTALLATION.....	48
FIGURE 2-5. SWING MOTOR ASSEMBLY .....	50
FIGURE 2-6. TURNTABLE BEARING ASSEMBLY .....	52
FIGURE 2-7. TURNTABLE COVERS INSTALLATION .....	54
FIGURE 2-8. TURNTABLE LOCK INSTALLATION.....	56
FIGURE 2-9. TANKS INSTALLATION (HYDRAULIC TANK WITH 4 INCH BREATHER).....	58
FIGURE 2-10. TANKS INSTALLATION (HYDRAULIC TANK WITH 6 INCH BREATHER).....	60
FIGURE 2-11. HYDRAULIC TANK ASSEMBLY - WITH 4 INCH BREATHER .....	62
FIGURE 2-12. DRIVE ORIENTATION INSTALLATION .....	64
FIGURE 2-13. GROUND CONTROL ASSEMBLY (ANSI EXPORT AND AUSTRALIAN SPECS).....	66
FIGURE 2-14. GROUND CONTROL ASSEMBLY (CE(LRC), CIS/EAC & UK CA SPECS).....	68
FIGURE 2-15. GROUND CONTROL ASSEMBLY (CE & UK CA SPECS).....	70
FIGURE 2-16. LIGHT PANEL INSTALLATION – GROUND CONTROL .....	72
FIGURE 2-17. ELECTRICAL SYSTEM INSTALLATION.....	74
FIGURE 2-18. ELECTRICAL SYSTEM INSTALLATION.....	76
FIGURE 2-19. BATTERY AND CABLE INSTALLATION.....	78
FIGURE 2-20. BEACON LIGHT INSTALLATION - AMBER .....	80
FIGURE 2-21. BEACON LIGHT INSTALLATION - BLUE .....	82
FIGURE 2-22. BEACON LIGHT INSTALLATION - RED .....	84
FIGURE 2-23. HOODS INSTALLATION (ABS).....	86
FIGURE 2-24. HOODS INSTALLATION (STEEL).....	90
FIGURE 2-25. HOOD ASSEMBLY (ABS) - ENGINE SIDE .....	94
FIGURE 2-26. HOOD ASSEMBLY (ABS) - TANK SIDE .....	96
FIGURE 2-27. HOOD ASSEMBLY (STEEL) - ENGINE SIDE .....	98
FIGURE 2-28. HOOD ASSEMBLY (STEEL) - TANK SIDE .....	100
FIGURE 2-29. WHITE NOISE AMBIENT ALARM INSTALLATION.....	102
FIGURE 2-30. WHITE NOISE ALARM INSTALLATION.....	104

# TABLE OF CONTENTS

SECTION 3 - ENGINE .....	107
FIGURE 3-1. ENGINE INSTALLATION - DEUTZ D2011 (WITHOUT ARCTIC PACKAGE) (ANSI EXPORT, AUSTRALIAN, CE (LRC), CIS/EAC & UK CA SPECS).....	108
FIGURE 3-2. ENGINE AND PUMP SUB-ASSEMBLY - DEUTZ D2011 (WITHOUT ARCTIC PACKAGE) (ANSI EXPORT, AUSTRALIAN, CE (LRC), CIS/EAC & UK CA SPECS) .....	112
FIGURE 3-3. ENGINE ASSEMBLY - DEUTZ D2011 (WITHOUT ARCTIC PACKAGE) (ANSI EXPORT, AUSTRALIAN, CE (LRC), CIS/EAC & UK CA SPECS) .....	114
FIGURE 3-4. ENGINE COMPONENTS - DEUTZ D2011.....	118
FIGURE 3-5. ENGINE COMPONENTS - DEUTZ D2.9L4 ERM5 ENGINE (ANSI, ANSI EXPORT AND CSA SPECS) .....	122
FIGURE 3-6. ENGINE INSTALLATION - DEUTZ D2.9L4 ERM5 ENGINE (WITHOUT ARCTIC PACKAGE) (ANSI, ANSI EXPORT, CSA AND JAPANESE SPECS) .....	126
FIGURE 3-7. ENGINE AND PUMP SUB-ASSEMBLY - DEUTZ D2.9L4 ERM5 ENGINE(WITHOUT ARCTIC PACKAGE) (ANSI, ANSI EXPORT AND CSA SPECS) .....	130
FIGURE 3-8. ENGINE AND PUMP SUB-ASSEMBLY - DEUTZ D2.9L4 ERM5 ENGINE(WITH ARCTIC PACKAGE) (ANSI AND CSA SPECS) .....	132
FIGURE 3-9. ENGINE INSTALLATION - DEUTZ D2.9L4 (STAGE V) (CE & UK CA SPECS) .....	134
FIGURE 3-10. ENGINE AND PUMP SUB-ASSEMBLY-DEUTZ (STAGE V) (CE & UK CA SPECS).....	140
FIGURE 3-11. ENGINE ASSEMBLY - DEUTZ STAGE V ENGINE (CE & UK CA SPECS).....	142
FIGURE 3-12. ENGINE ASSEMBLY - DEUTZ STAGE V ENGINE (CE & UK CA SPECS).....	144
FIGURE 3-13. ENGINE COMPONENTS - DEUTZ D2.9L4 (STAGE V) (CE & UK CA SPECS) .....	148
FIGURE 3-14. MOTOR MOUNT INSTALLATION (STAGE V ENGINES WITHOUT GENERATOR).....	152
FIGURE 3-15. MOTOR MOUNT INSTALLATION (STAGE V ENGINES WITH GENERATOR) .....	154
FIGURE 3-16. BRACKET ASSEMBLY - FUEL PUMP AND FILTER (DEUTZ D2.9L4 ENGINE) (STAGE V).....	156
FIGURE 3-17. BREATHER HEATER INSTALLATION - DEUTZ D2.9L4 ENGINES (STAGE V) (CE SPECS) .....	158
FIGURE 3-18. PUMP COUPLING KIT – DEUTZ ENGINES .....	160
FIGURE 3-19. PISTON PUMP ASSEMBLY.....	162
FIGURE 3-20. SPARK ARRESTOR INSTALLATION - DEUTZ D2011 ENGINE .....	166
FIGURE 3-21. ENGINE Baffle INSTALLATION - WITH DEUTZ ENGINES.....	168
FIGURE 3-22. GENERATOR INSTALLATION - 4000W/50HZ (DEUTZ D2011 ENGINE).....	170
FIGURE 3-23. GENERATOR INSTALLATION - 4000W/50HZ (DEUTZ (STAGE V) ENGINE) .....	174
FIGURE 3-24. GENERATOR INSTALLATION - 7500W/50HZ (DEUTZ D2011 ENGINE).....	178
SECTION 4 - BOOM.....	183
FIGURE 4-1. BOOMS AND CYLINDERS INSTALLATION.....	184
FIGURE 4-2. JIB INSTALLATION .....	186
FIGURE 4-3. MAIN BOOM ASSEMBLY .....	188
FIGURE 4-4. TOWER BOOM ASSEMBLY .....	190
FIGURE 4-5. ROTATOR ASSEMBLY.....	192
FIGURE 4-6. PLATFORM SUPPORT INSTALLATION .....	194
FIGURE 4-7. VALVES INSTALLATION - BOOM MOUNTED .....	196
FIGURE 4-8. UPRIGHT VALVE ASSEMBLY.....	198
FIGURE 4-9. BOOM VALVE ASSEMBLY.....	200
SECTION 5 - PLATFORM.....	203
FIGURE 5-1. PLATFORM ASSEMBLY - 30IN X 3FT- SIDE DROP BAR ENTRY .....	204
FIGURE 5-2. PLATFORM ASSEMBLY - 30IN X 4FT- SIDE DROP BAR ENTRY .....	206
FIGURE 5-3. PLATFORM ASSEMBLY - 30IN X 5FT- SIDE DROP BAR ENTRY .....	208
FIGURE 5-4. PLATFORM ASSEMBLY - 30IN X 5FT- SIDE GATE ENTRY .....	210



# TABLE OF CONTENTS

FIGURE 5-5. PLATFORM ASSEMBLY - 30IN X 5FT (76CM X 1.22M) - FALL ARREST REAR ENTRY .....	212
FIGURE 5-6. PLATFORM ASSEMBLY - 30IN X 6FT- SIDE DROP BAR ENTRY .....	214
FIGURE 5-7. PLATFORM ASSEMBLY - 30IN X 6FT- SIDE GATE ENTRY .....	216
FIGURE 5-8. CONSOLE BOX INSTALLATION .....	218
FIGURE 5-9. PLATFORM CONSOLE BOX ASSEMBLY .....	220
FIGURE 5-10. LIGHT PANEL INSTALLATION - PLATFORM CONSOLE .....	222
FIGURE 5-11. FALL ARREST INSTALLATION (BOLT-ON) (5FT/1.52M PLATFORM) .....	224
FIGURE 5-12. FOOTSWITCH ASSEMBLY .....	226
FIGURE 5-13. TRAY ASSEMBLY .....	228
FIGURE 5-14. SKYEYE INSTALLATION .....	230
FIGURE 5-15. SKYGUARD BAR INSTALLATION .....	232
FIGURE 5-16. SKYLINE INSTALLATION .....	234
FIGURE 5-17. SKYGLAZIER INSTALLATION (AUSTRALIAN SPECS) .....	236
FIGURE 5-18. SOFT TOUCH INSTALLATION (WITHOUT FALL ARREST) .....	238
FIGURE 5-19. SOFT TOUCH INSTALLATION (WITH FALL ARREST) .....	240
FIGURE 5-20. USB CHARGER INSTALLATION .....	242
<b>SECTION 6 - CYLINDER .....</b>	<b>245</b>
FIGURE 6-1. AXLE LOCKOUT CYLINDER ASSEMBLY .....	246
FIGURE 6-2. JIB CYLINDER ASSEMBLY .....	248
FIGURE 6-3. LEVEL CYLINDER ASSEMBLY .....	250
FIGURE 6-4. LIFT CYLINDER ASSEMBLY .....	252
FIGURE 6-5. MASTER CYLINDER ASSEMBLY .....	254
FIGURE 6-6. STEER CYLINDER ASSEMBLY .....	256
FIGURE 6-7. TELESCOPE CYLINDER ASSEMBLY .....	258
FIGURE 6-8. TOWER LIFT CYLINDER ASSEMBLY .....	260
<b>SECTION 7 - HYDRAULIC .....</b>	<b>263</b>
FIGURE 7-1. HYDRAULIC SYSTEM INSTALLATION .....	264
<b>SECTION 8 - ELECTRICAL .....</b>	<b>271</b>
FIGURE 8-1. AC BOX AT PLATFORM INSTALLATION - 110V IEC YELLOW (CE, CIS/EAC & UK CA SPECS WITH 4000W/50HZ GENERATOR).....	272
FIGURE 8-2. AC BOX AT PLATFORM INSTALLATION - 110V IEC 60309 YELLOW WITHOUT 2500W GENERATOR (CE, CIS/EAC & UK CA SPECS).....	274
FIGURE 8-3. AC BOX AT PLATFORM INSTALLATION - 220V IEC BLUE (CE, CIS/EAC & UK CA SPECS WITH 4000W/50HZ GENERATOR).....	276
FIGURE 8-4. AC BOX AT PLATFORM INSTALLATION - 220V IEC 60309 BLUE WITHOUT 2500W GENERATOR (CE, CIS/EAC & UK CA SPECS).....	278
FIGURE 8-5. AC BOX AT PLATFORM INSTALLATION - 220V CEE7 POST GROUND (2X4 BOX) WITHOUT 2500W GENERATOR (CE, CIS/EAC & UK CA SPECS).....	280
FIGURE 8-6. AC BOX AT PLATFORM INSTALLATION - 220V CEE7 SIDE GROUND (2X4 BOX) WITHOUT 2500W GENERATOR (CE, CIS/EAC & UK CA SPECS).....	282
FIGURE 8-7. AC BOX AT PLATFORM INSTALLATION - 220V CEE7 2IN X 4IN POST GROUND (CE, CIS/EAC & UK CA SPECS WITH 4000W/50HZ GENERATOR) .....	284
FIGURE 8-8. AC BOX AT PLATFORM INSTALLATION - 220V CEE7 2IN X 4IN SIDE GROUND (CE, CIS/EAC & UK CA SPECS WITH 4000W/50HZ GENERATOR).....	286
FIGURE 8-9. AC BOX AT PLATFORM INSTALLATION - 220V AFSINT107 (CE, CIS/EAC & UK CA SPECS WITH 4000W/50HZ GENERATOR).....	288

# TABLE OF CONTENTS

FIGURE 8-10. AC BOX AT PLATFORM INSTALLATION - 220V AFSINT 107 KEYED GROUND (2X4 BOX) WITHOUT 2500W GENERATOR (CE, CIS/EAC & UK CA SPECS) .....	290
FIGURE 8-11. AC BOX AT PLATFORM INSTALLATION - 220V CUSTOMER SUPPLIED COMPONENTS (ALL SPECS).....	292
FIGURE 8-12. AC CABLE INSTALLATION - WITH TWO BREAKERS (CE, CIS/EAC & UK CA SPECS) .....	294
FIGURE 8-13. AC CABLE INSTALLATION - WITH TWO BREAKERS (MACHINES WITH SN STARTING WITH B3).....	296
FIGURE 8-14. AC CABLE INSTALLATION - WITH THREE BREAKERS (CE, CIS/EAC & UK CA SPECS).....	298
FIGURE 8-15. BATTERY DISCONNECT SWITCH .....	300
FIGURE 8-16. BEACON JUMPER HARNESS .....	302
FIGURE 8-17. BEACON LIGHT HARNESS (BLUE AND RED BEACON LIGHT) .....	304
FIGURE 8-18. BOOM CABLES & CLAMPS INSTALLATION (4000W GENERATOR).....	306
FIGURE 8-19. BOOM CABLES & CLAMPS INSTALLATION (7500W SKYPOWER GENERATOR) .....	310
FIGURE 8-20. BOOM HARNESS - MAIN BOOM .....	314
FIGURE 8-21. BOOM HARNESS - MAIN BOOM (8/5 4000W GENERATOR) .....	316
FIGURE 8-22. BOOM HARNESS - TOWER BOOM.....	318
FIGURE 8-23. BOOM HARNESS - TOWER BOOM (8/5 4000W GENERATOR).....	320
FIGURE 8-24. BOOM SENSORS INSTALLATION.....	322
FIGURE 8-25. BOOM SENSOR HARNESS .....	324
FIGURE 8-26. BREAKER BOX KIT WITH SINGLE DOUBLE POLE BREAKER (CE, CIS/EAC & UK CA SPEC) .....	326
FIGURE 8-27. BREAKER BOX KIT WITH THREE BREAKERS (CE, CIS/EAC & UK CA SPEC) .....	328
FIGURE 8-28. BREAKER BOX KIT - 30MA/16 AMP .....	330
FIGURE 8-29. BREAKER BOX KIT .....	332
FIGURE 8-30. CAPACITY HARNESS .....	334
FIGURE 8-31. CHASSIS SOLENOID HARNESS .....	336
FIGURE 8-32. ENGINE HARNESS - DEUTZ D2011 .....	338
FIGURE 8-33. ENGINE HARNESS.....	340
FIGURE 8-34. FUEL HARNESS - DEUTZ D2.9L4 ENGINE .....	344
FIGURE 8-35. GENERATOR HARNESS - 2500W GENERATOR (50HZ) .....	346
FIGURE 8-36. GENERATOR HARNESS - 4000W GENERATOR .....	348
FIGURE 8-37. GROUND CONTROL PANEL HARNESS .....	350
FIGURE 8-38. HOUR METER JUMPER HARNESS.....	352
FIGURE 8-39. PLATFORM CONSOLE BOX HARNESS.....	354
FIGURE 8-40. PLATFORM INTERFACE HARNESS.....	356
FIGURE 8-41. RECEPTACLE BOX KIT - 110V IEC YELLOW (CE, CIS/EAC & UK CA SPEC).....	358
FIGURE 8-42. RECEPTACLE BOX KIT - 220V IEC BLUE (CE, CIS/EAC & UK CA SPEC) .....	360
FIGURE 8-43. RECEPTACLE BOX KIT - 220V CEE7 POST GROUND 2IN X 4IN BOX (CE, CIS/EAC & UK CA SPEC).....	362
FIGURE 8-44. RECEPTACLE BOX KIT - 220V CEE7 SIDE GROUND 2IN X 4IN BOX (CE, CIS/EAC & UK CA SPEC).....	364
FIGURE 8-45. RECEPTACLE BOX KIT - 220V AFSINT 107 (CE, CIS/EAC & UK CA SPEC).....	366
FIGURE 8-46. SKYEYE INTERMEDIATE HARNESS .....	368
FIGURE 8-47. SKYEYE RECEIVER HARNESS.....	370
FIGURE 8-48. SKYEYE EMITTER HARNESS .....	372
FIGURE 8-49. SKYLINE HARNESS .....	374
FIGURE 8-50. TRANSPORT HARNESS .....	376
FIGURE 8-51. TURNTABLE HARNESS .....	378
FIGURE 8-52. VALVE HARNESS - BOOM VALVE .....	382
FIGURE 8-53. VALVE HARNESS - MAIN VALVE .....	384
FIGURE 8-54. VALVE HARNESS - PLATFORM VALVE.....	386

# TABLE OF CONTENTS

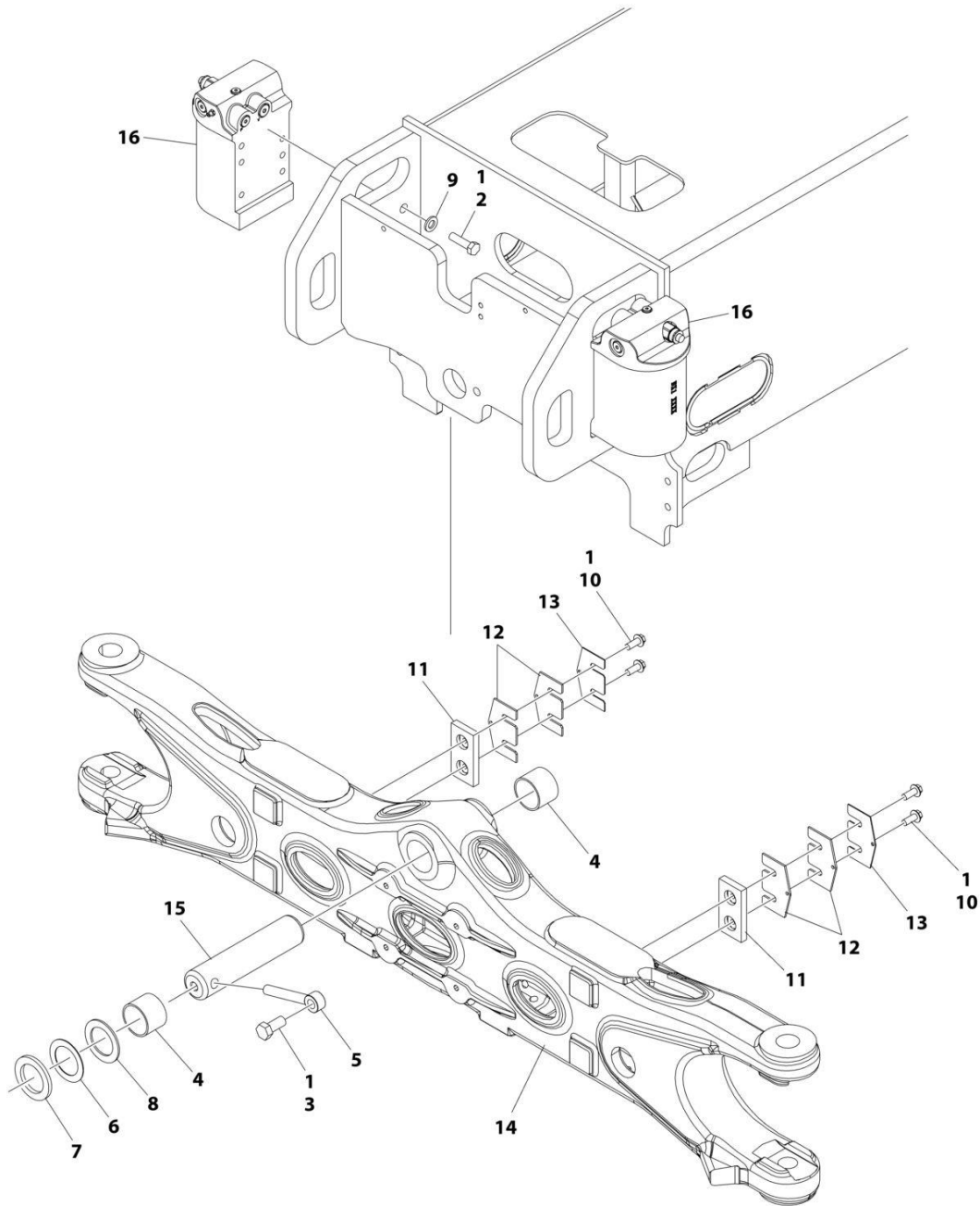
SECTION 9 - DECALS.....	389
FIGURE 9-1. DECAL INSTALLATION - ANSI EXPORT (ENGLISH LANGUAGE) .....	390
FIGURE 9-2. DECAL INSTALLATION - AUSTRALIAN SPEC (ENGLISH LANGUAGE) .....	392
FIGURE 9-3. DECAL INSTALLATION - CE, CIS/EAC & UK CA SPEC (ENGLISH LANGUAGE) .....	394
FIGURE 9-4. DECAL INSTALLATION - ANSI EXPORT (CHINESE/ENGLISH LANGUAGES) .....	396
FIGURE 9-5. DECAL INSTALLATION - OPTIONS .....	398
SECTION 10 - RECOMMENDED SERVICE PARTS STOCK .....	401
FIGURE 10-1. RECOMMENDED SERVICE PARTS STOCK .....	402
SECTION 11 - SPECIAL OPTIONS.....	405
FIGURE 11-1. SPECIAL OPTIONS/ACCESORIES/KITS .....	406
PART NUMBER INDEX .....	409



**SECTION 1 - FRAME**

# SECTION 1 - FRAME

## FIGURE 1-1. AXLE INSTALLATION



ART\_1001264981

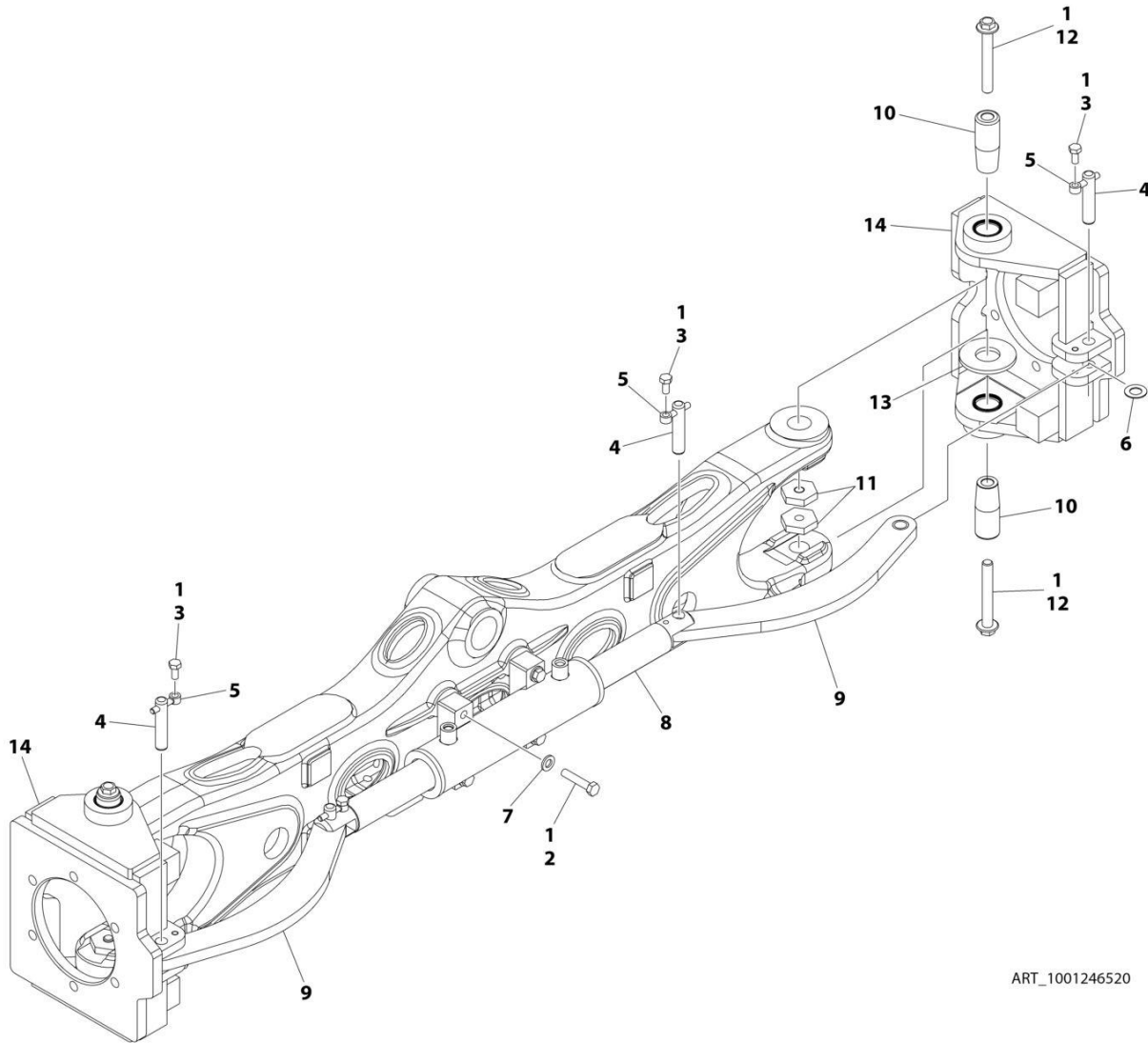
# SECTION 1 - FRAME

## FIGURE 1-1. AXLE INSTALLATION

ITEM	PART NUMBER	QTY	DESCRIPTION	REV
	1001264981	Ref	AXLE INSTALLATION	B
1	0100011	AR	Compound, Locking	
2	0701217	8	Bolt M12 x 45	
3	0761615	1	Bolt M16 x 35	
4	0961950	2	Bearing	
5	3841258	1	Keeper, Pin	
6	4071101	AR	Shim	
7	4740158	AR	Washer	
8	4740229	AR	Washer	
9	5241200	8	Washer M12	
10	5251012	4	Bolt M10 x 25	
11	1001118511	2	Pad, Wear	
12	1001118518	AR	Shim 11Ga	
13	1001118519	AR	Shim 16Ga	
14	1001162995	1	Axle	
15	1001185030	1	Pin	
16	1001256179	2	Axle Lockout Cylinder Assembly (See Separate Breakdown in CYLINDER Section)	

# SECTION 1 - FRAME

## FIGURE 1-2. STEER INSTALLATION



ART\_1001246520



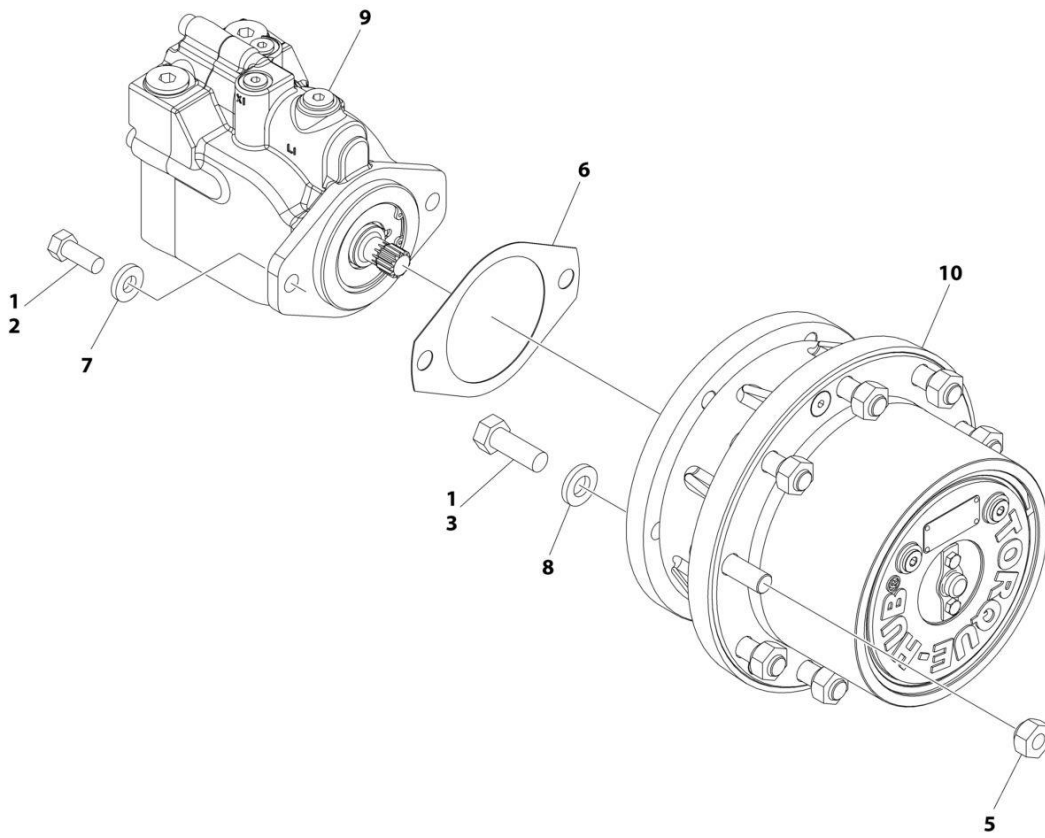
# SECTION 1 - FRAME

## FIGURE 1-2. STEER INSTALLATION

ITEM	PART NUMBER	QTY	DESCRIPTION	REV
	1001246520	Ref	STEER INSTALLATION - WITHOUT TOW PACKAGE	A
1	0100011	AR	Compound, Locking	
2	0711220	4	Bolt M12 x 60 Grade 10.9	
3	0761011	4	Bolt M10 x 22	
4	3423304	4	Pin	
5	3841520	4	Keeper	
6	4740086	4	Washer	
7	5241200	4	Washer M12	
8	1001163178	1	Steer Cylinder Assembly (See Separate Breakdown in CYLINDER Section)	
9	1001163179	2	Link	
9	1001164209	4	Bearing (2 Per Link)	
10	1001163405	4	Kingpin	
11	1001176848	4	Nut M16	
12	1001190368	4	Bolt M16 x 120	
13	1001233139	2	Bearing, Thrust	
14	1001246551	2	Spindle	
14	0961948	4	Bearing (2 Per Spindle)	
14	1001163716	2	Seal (1 Per Spindle)	

# SECTION 1 - FRAME

## FIGURE 1-3. WHEEL DRIVE INSTALLATION



ART\_1001254652

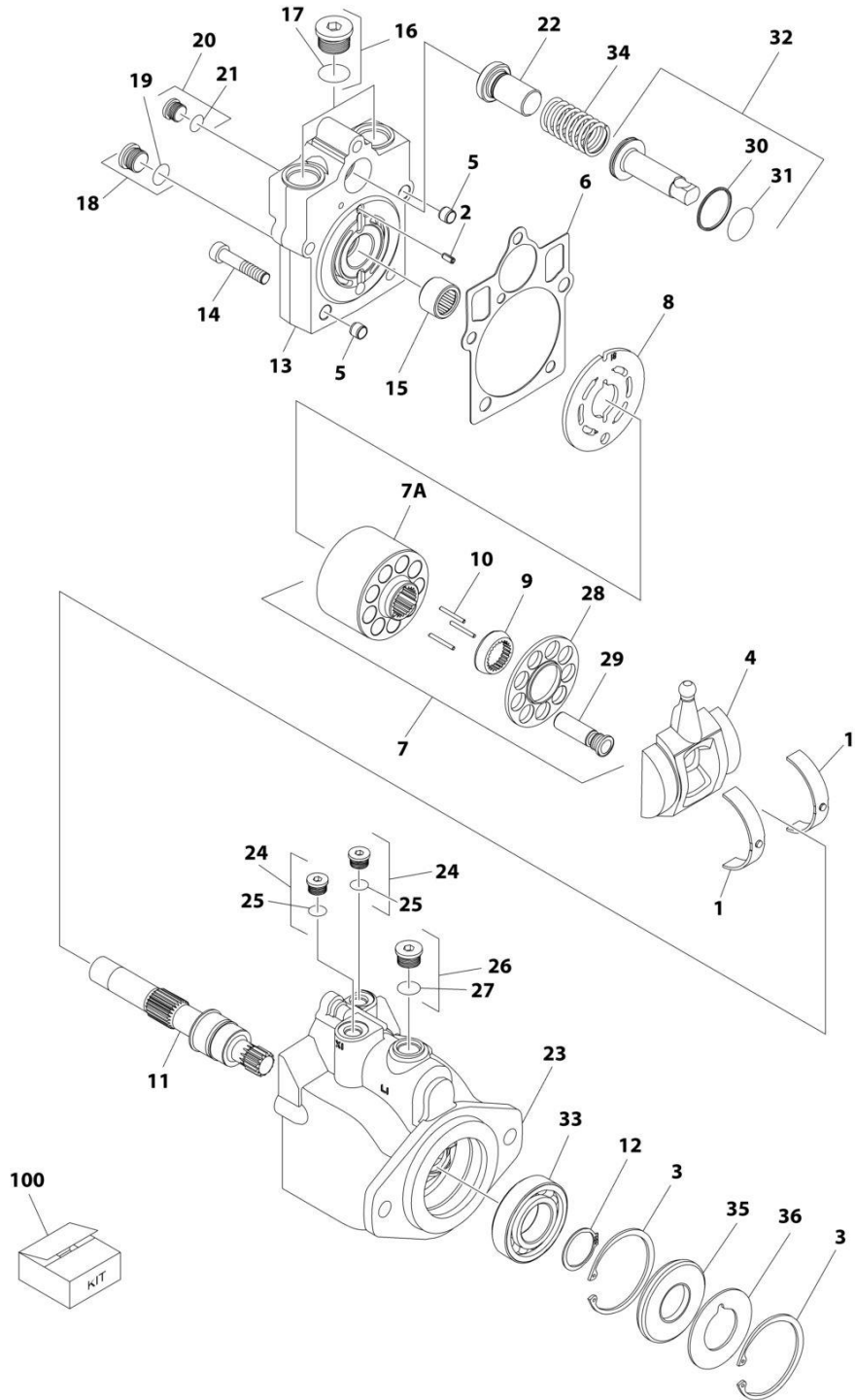
## SECTION 1 - FRAME

### FIGURE 1-3. WHEEL DRIVE INSTALLATION

ITEM	PART NUMBER	QTY	DESCRIPTION	REV
	1001254652	Ref	WHEEL DRIVE INSTALLATION (4WD)	C
1	0100011	AR	Compound, Locking	
2	0681810	8	Bolt 1/2 x 1-1/4 Grade 8	
3	0682013	24	Bolt 5/8 x 1-5/8 Grade 8	
4	3020008	AR	Lubricant, Gear (Not Shown)	
5	3300106	36	Lugnut	
6	3960526	4	Gasket, Brake	
7	4891800	8	Washer 1/2	
8	4892000	24	Washer 5/8	
9	1001245759	4	Drive Motor Assembly (See Separate Breakdown in this Section)	
10	1001252541	4	Drive Hub Assembly (See Separate Breakdown in this Section)	

# SECTION 1 - FRAME

## FIGURE 1-4. DRIVE MOTOR ASSEMBLY



ART\_1001245759

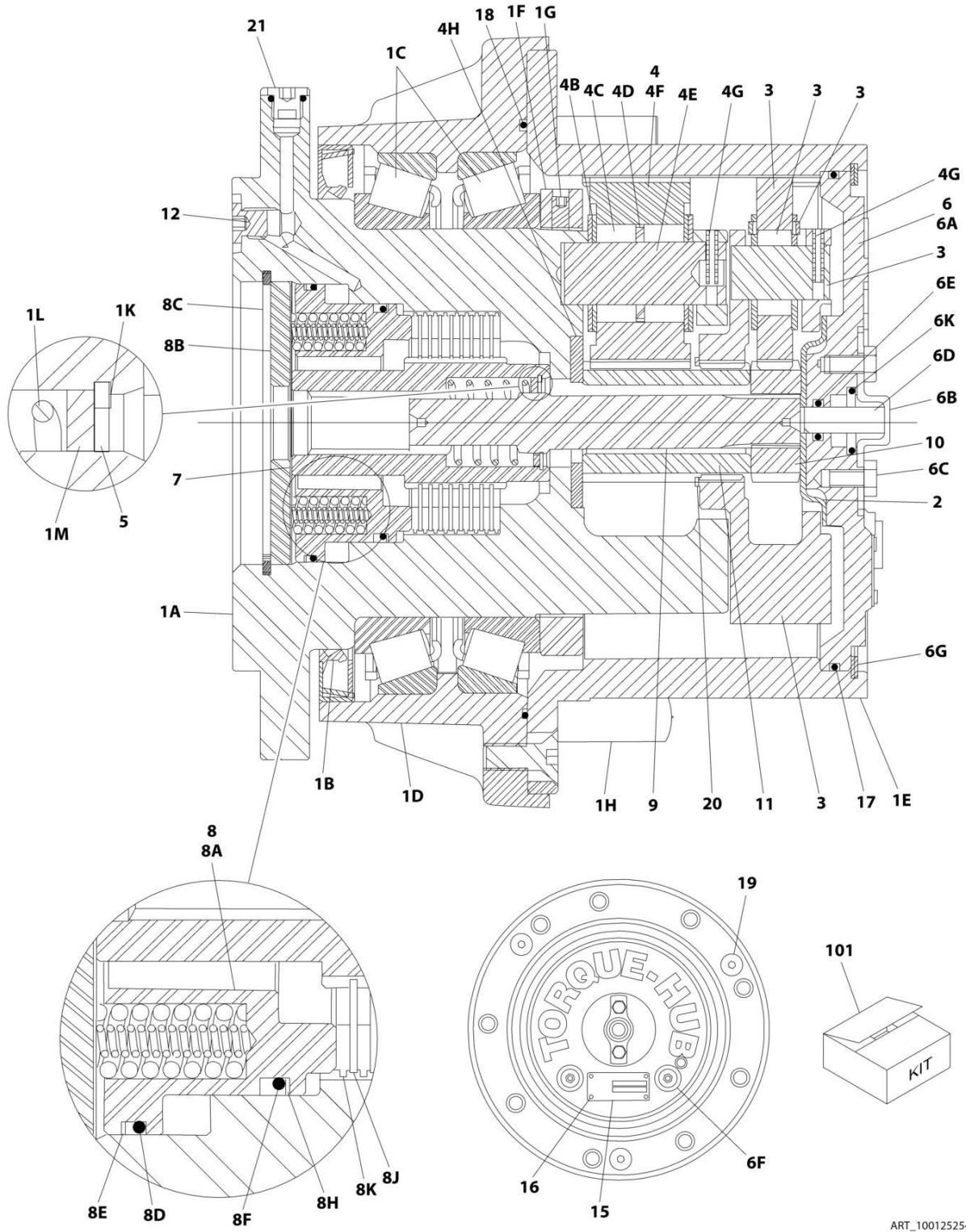
# SECTION 1 - FRAME

## FIGURE 1-4. DRIVE MOTOR ASSEMBLY

ITEM	PART NUMBER	QTY	DESCRIPTION	REV
	1001245759	Ref	DRIVE MOTOR ASSEMBLY	C
1	70007145	1	Bearing Kit	
2	7007446	1	Pin	
3	7007438	2	Ring, Retaining	
4	70000794	1	Swash Plate	
5	70003628	2	Pin	
6	See Note	NSS	Gasket (Note: Use Item 100)	
7	7027740	1	Cylinder Block Kit (Includes Items 7A, 9, 28 & 29)	
7A	70007146	1	Block, Cylinder	
8	70000854	1	Plate, Valve	
9	70000856	1	Guide, Slipper Retainer	
10	7021275	3	Pin, Slipper Hold Down	
11	7023910	1	Shaft	
12	7007439	1	Ring, Retaining	
13	70000795	1	Cap, End - Axial	
14	7022368	5	Screw	
15	7021249	1	Bearing, Needle	
16	7007419	1	Plug (Includes Item 17)	
17	See Note	NSS	O-Ring (Note: Use Item 17 or 100)	
18	7022321	1	Plug (Includes Item 19)	
19	See Note	NSS	O-Ring (Note: Use Item 19 or 100)	
20	2220883	1	Plug (Includes Item 21)	
21	See Note	NSS	O-Ring (Note: Use Item 21 or 100)	
22	70007142	1	Seat, Spring	
23	70001932	1	Housing	
24	7007420	2	Plug (Includes Item 25)	
25	See Note	NSS	O-Ring (Note: Use Item 25 or 100)	
26	7022321	1	Plug (Includes Item 27)	
27	See Note	NSS	O-Ring (Note: Use Item 27 or 100)	
28	7000857	1	Retainer, Slipper	
29	7024865	9	Piston Assembly	
30	See Note	NSS	O-Ring (Note: Use Item 100)	
31	See Note	NSS	Ring, Seal (Note: Use Item 100)	
32	7024871	1	Piston, Servo (Includes Items 30 & 31)	
33	70007143	1	Bearing	
34	7022326	1	Spring	
35	See Note	1	Seal, Lip (Note: Use Item 100)	
36	7022371	1	Washer, Support	
37		Ref	KIT OPTIONS:	
100	7022328	1	Seal Kit (Includes Items 6, 17, 19, 21, 25, 27, 30 & 35)	

# SECTION 1 - FRAME

## FIGURE 1-5. DRIVE HUB ASSEMBLY



ART\_1001252541

# SECTION 1 - FRAME

## FIGURE 1-5. DRIVE HUB ASSEMBLY

ITEM	PART NUMBER	QTY	DESCRIPTION	REV
	1001252541	Ref	DRIVE HUB AND BRAKE ASSEMBLY	C
1	See Note	Ref	Spindle Sub-Assembly (Note : Not Shown - Not Available as Assembly. Purchase Individual Components)	
1A	7024729	1	Spindle	
1B	70001119	1	Seal, Lip	
1C	7024735	2	Bearing, Tapered	
1D	See Note	NSS	Housing (Note: Not Available for Purchase)	
1E	7024730	1	Gear, Ring	
1F	70003000	1	Nut, Bearing	
1G	70002996	2	Screw	
1H	7007640	9	Stud	
1K	70005613	1	Ring, Retaining (Internal)	
1L	7024124	1	Spring	
1M	7024129	1	Thrust washer	
2	7024741	1	Spacer, Thrust	
3	70007171	1	Carrier, Sub-Assembly (Note: Sold as an Assembly Only)	
4	70007172	1	Planet Gear Sub-Assembly	
4B	7024740	12	Thrust washer	
4C	7024734	84	Bearing, Needle	
4D	7024736	3	Spacer, Thrust	
4E	7024726	3	Shaft, Planet	
4F	See Note	NSS	Gear, Planet (Note : Use PN 70007172)	
4G	7001913	3	Pin, Roll	
4H	7024742	1	Thrust washer	
5	7017027	1	Ring, Retaining (External)	
6	70001368	1	Cover Gear Sub-Assembly	
6A	See Note	NSS	Flange, Plate/Cover (Note: Use Item 6)	
6B	7017093	1	Cap, Disengage	
6C	7000216	2	Bolt 1/4 x 1/2	
6D	7024739	1	Pin, Dowel	
6E	7017095	1	O-Ring	
6F	7017072	2	Plug	
6G	7024738	1	Ring, Retaining (Internal)	
6K	See Note	NSS	O-Ring (Note: Not Available for Purchase)	
7	70007170	1	Coupling Sub-Assembly	
8	70007173	1	Brake Sub-Assembly	
8A	See Note	NSS	Housing, Brake (Note: Use PN 70007173)	
8B	See Note	NSS	Spacer	
8C	70004039	1	Ring, Retaining	
8D	70002070	1	O-Ring	
8E	70002071	1	Ring, Back-up	
8F	70002073	1	O-Ring	
8H	70002072	1	Ring, Back-up	
8J	70007175	8	Rotor, Brake	
8K	70007176	9	Stator, Brake	
9	70005606	1	Shaft, Input	
10	70007174	1	Gear, Sun	
11	7024723	1	Gear, Sun	
12	7017082	1	Plug	
15	See Note	NSS	Plate, ID (Note: Not Available for Purchase)	

## SECTION 1 - FRAME

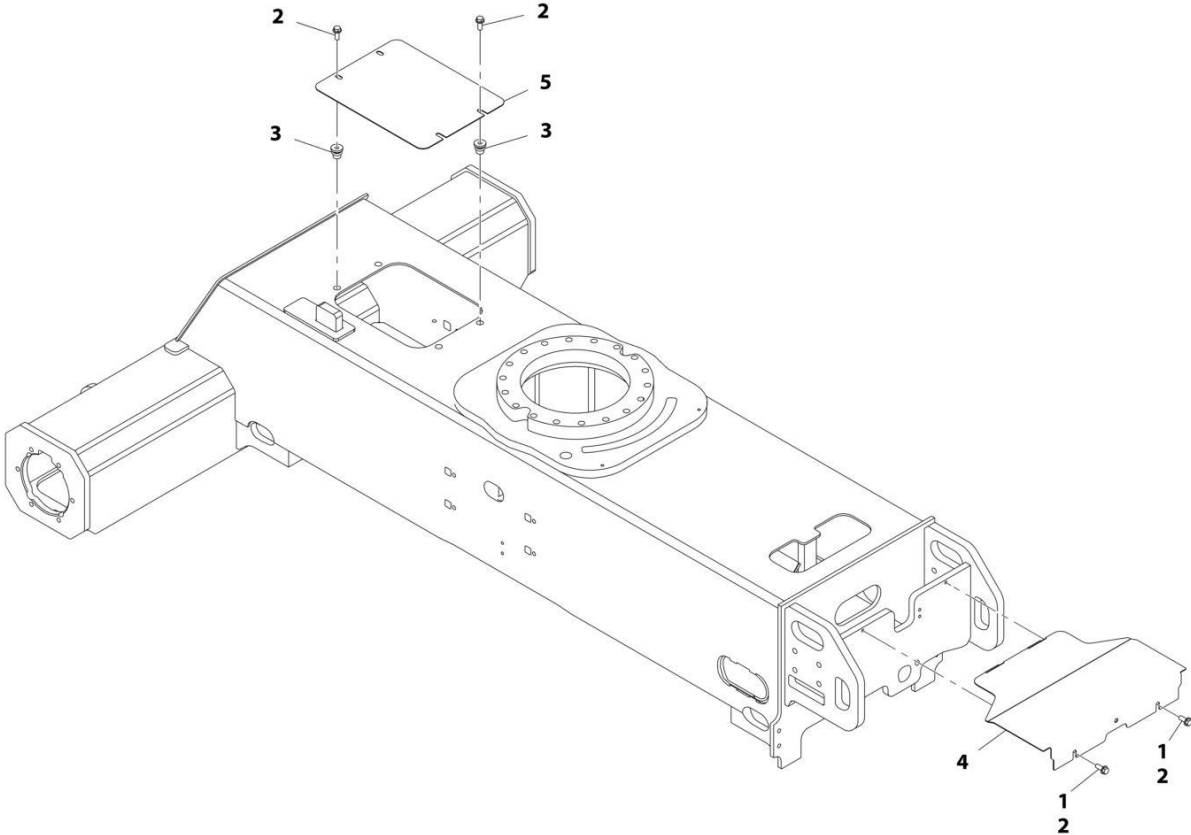
ITEM	PART NUMBER	QTY	DESCRIPTION	REV
16	See Note	NSS	Rivet (Note: Not Available for Purchase)	
17	7024134	1	O-Ring	
18	70002997	1	O-Ring	
19	7017022	5	Bolt (Not Shown)	
20	7024737	1	Ring, Retaining (External)	
21	70007177	1	Plug	
101	7024744	1	Seal Kit (Includes Items 1B, 1F, 1G, 17, 18 & 19)	





**SECTION 1 - FRAME**

**FIGURE 1-6. FRAME SHIELD INSTALLATION**



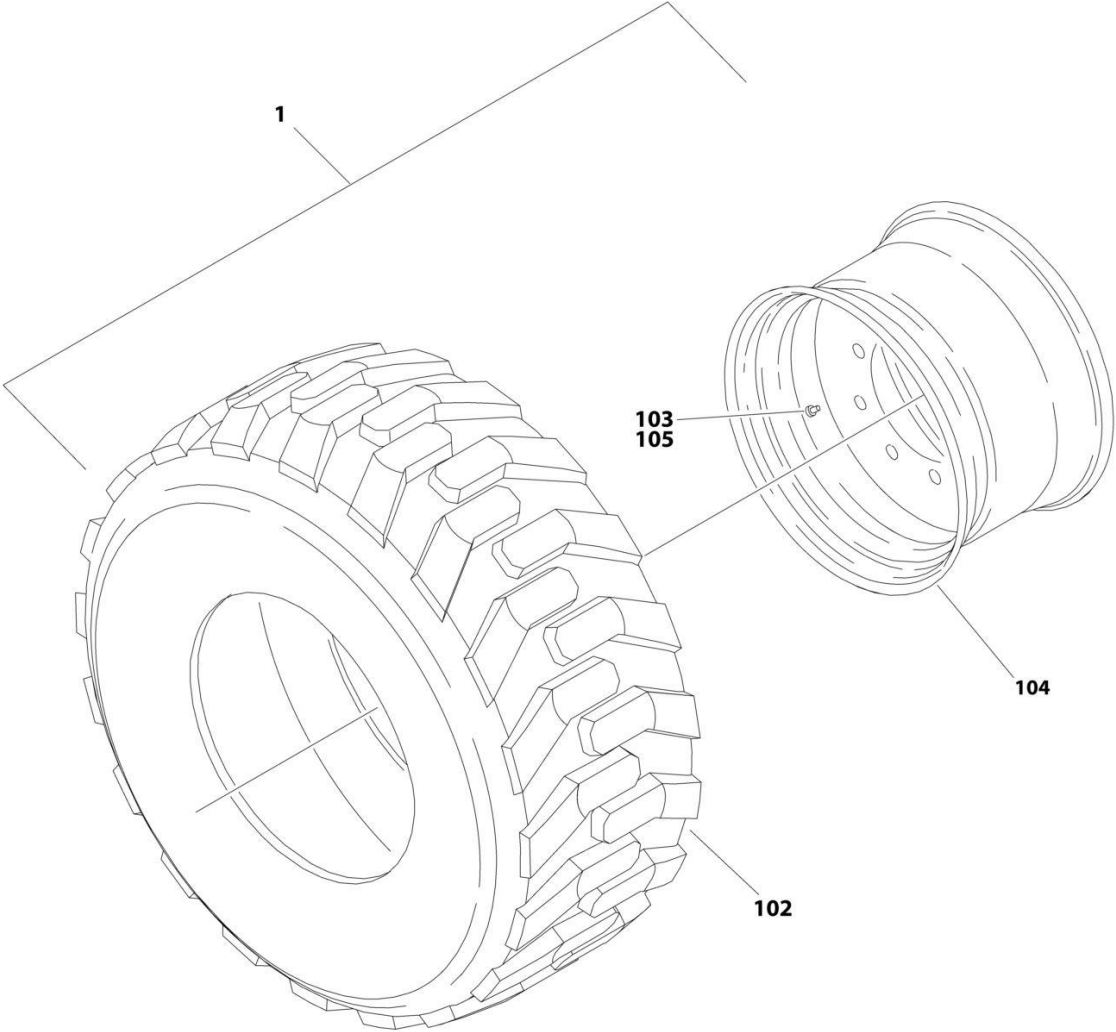
ART\_1001162105

**FIGURE 1-6. FRAME SHIELD INSTALLATION**

<b>ITEM</b>	<b>PART NUMBER</b>	<b>QTY</b>	<b>DESCRIPTION</b>	<b>REV</b>
	1001162105	Ref	FRAME SHIELD INSTALLATION	B
1	0100011	AR	Compound, Locking	
2	5251012	6	Bolt, M10 x 25	
3	1001180916	4	Nut	
4	1001162107	1	Plate, Valve Cover	
5	1001165968	1	Plate, Cover	

**SECTION 1 - FRAME**

**FIGURE 1-7. TIRE AND WHEEL INSTALLATION - 14 X17.5 FOAM FILLED**



ART\_0271998

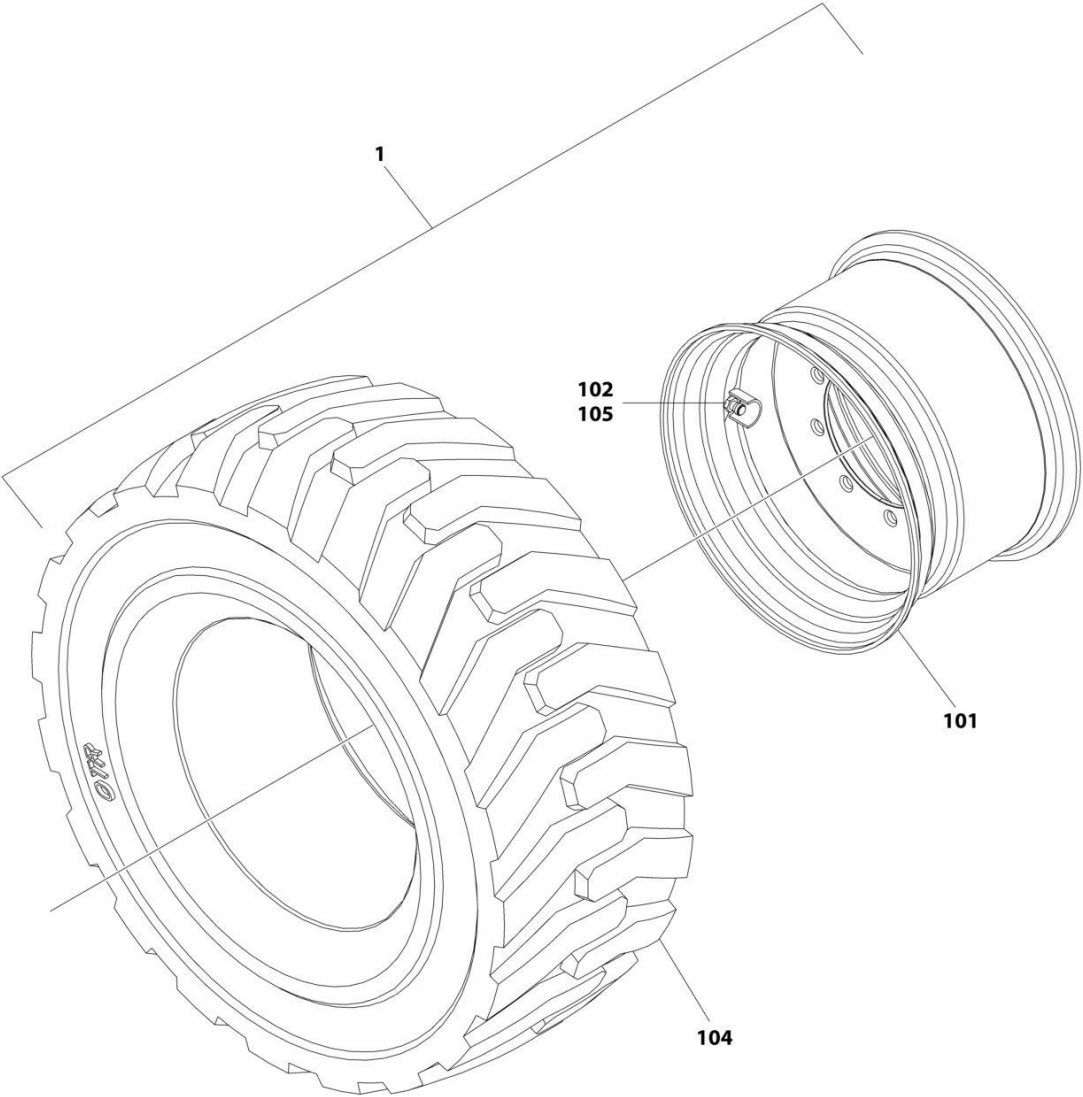
## SECTION 1 - FRAME

**FIGURE 1-7. TIRE AND WHEEL INSTALLATION - 14 X17.5 FOAM FILLED**

ITEM	PART NUMBER	QTY	DESCRIPTION	REV
	0271998	Ref	TIRE AND WHEEL INSTALLATION - 14 X 17.5 FOAM FILLED	B
		Ref	Note: Assemblies may require ballast/foam filling to manufacturer's specifications prior to installing on a machine. Refer to Operation and Safety or Service and Maintenance Manuals. Purchase individual tire and/or rim only if able to foam fill tire and wheel assembly, otherwise, purchase complete assembly.	
1	1001148875	Ref	Tire and Wheel Assembly - 14 x 17.5 (RH Side)	F
1	1001148876	Ref	Tire and Wheel Assembly - 14 x 17.5 (LH Side)	F
102	4520259	4	Tire - 14 x 17.5	
103	4641122	4	Valve	
104	1001146397	4	Rim, Wheel	
105	1001149953	4	Cap, Valve Stem	

**SECTION 1 - FRAME**

**FIGURE 1-8. TIRE AND WHEEL INSTALLATION - 14 X17.5 FOAM FILLED NON-MARKING**



ART\_1001258898

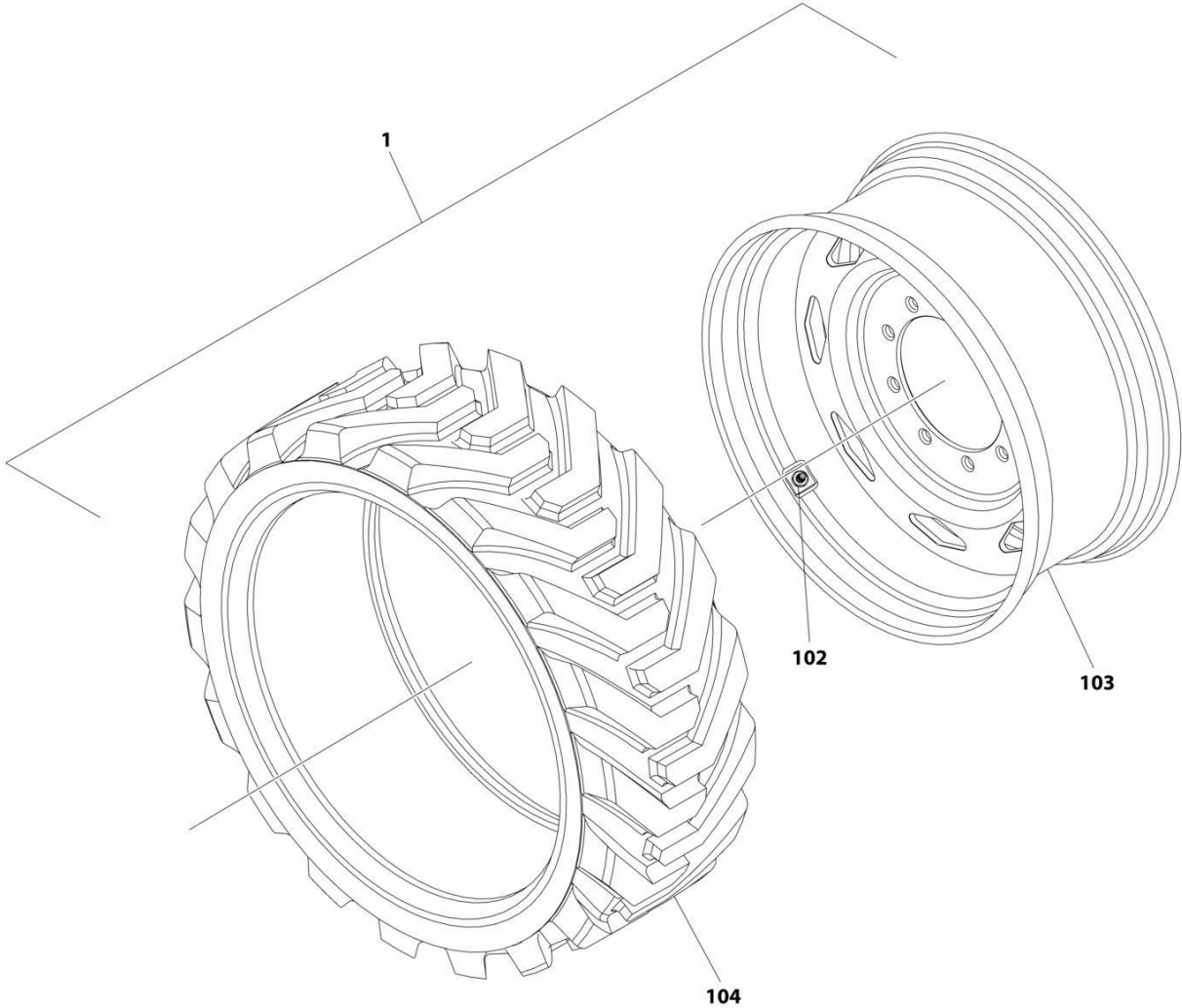
**SECTION 1 - FRAME**

**FIGURE 1-8. TIRE AND WHEEL INSTALLATION - 14 X17.5 FOAM FILLED NON-MARKING**

ITEM	PART NUMBER	QTY	DESCRIPTION	REV
	1001258898	Ref Ref	TIRE AND WHEEL INSTALLATION - 14 X 17.5 FF NON-MARKING  Note: Assemblies may require ballast/foam filling to manufacturer's specifications prior to installing on a machine. Refer to Operation and Safety or Service and Maintenance Manuals. Purchase individual tire and/or rim only if able to foam fill tire and wheel assembly, otherwise, purchase complete assembly.	A
1	1001258896	1	Tire and Wheel Assembly - Right Side	H
1	1001258897	1	Tire and Wheel Assembly - Left Side	H
101	1001146397	1	Rim, Wheel	
102	1001149953	1	Cap, Valve Stem	
104	1001258895	1	Tire 14 x 17.5 Non-Marking	
105	4641122	1	Valve	

**SECTION 1 - FRAME**

**FIGURE 1-9. TIRE AND WHEEL INSTALLATION - 33 X 12-20 FOAM FILLED**



ART\_1001245211



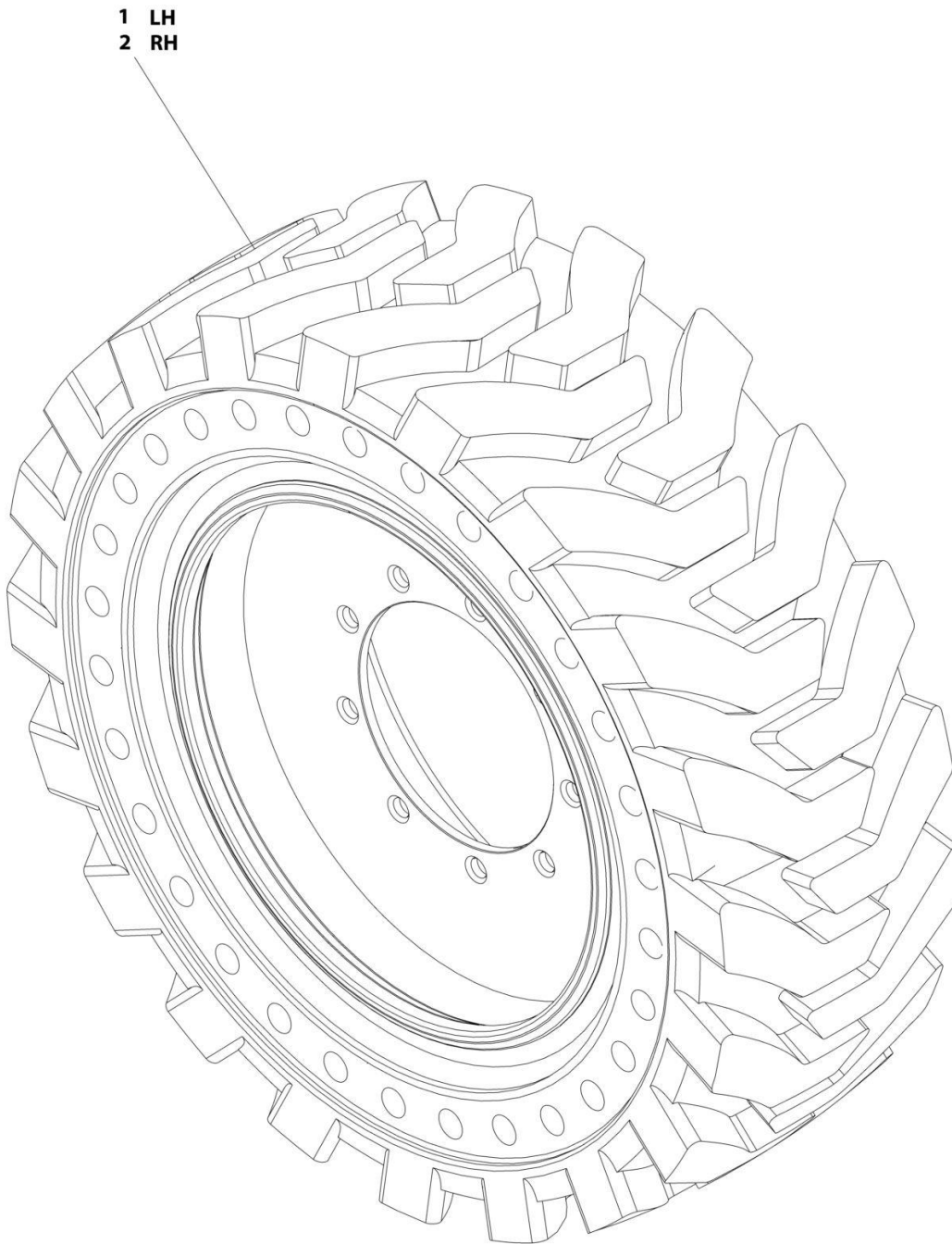
## SECTION 1 - FRAME

**FIGURE 1-9. TIRE AND WHEEL INSTALLATION - 33 X 12-20 FOAM FILLED**

ITEM	PART NUMBER	QTY	DESCRIPTION	REV
	1001245211	Ref	TIRE AND WHEEL INSTALLATION - 33 x 12D610 FOAM-FILLED	A
		Ref	Note: Assemblies may require ballast/foam filling to manufacturer's specifications prior to installing on a machine. Refer to Operation and Safety or Service and Maintenance Manuals.	
		Ref	Note: Purchase individual tire and/or rim only if able to foam fill tire and wheel assembly, otherwise, purchase complete assembly.	
1	1001245197	2	Tire and Wheel Assembly - 33 x 12 (RH Side)	
1	1001245198	2	Tire and Wheel Assembly - 33 x 12 (LH Side)	
102	4641122	1	Valve	
103	1001245195	1	Wheel	
104	1001245196	1	Tire - 33 x 12	

# SECTION 1 - FRAME

FIGURE 1-10. TIRE AND WHEEL INSTALLATION - 33 X 12-20 SOLID NON-MARKING



ART\_1001169062

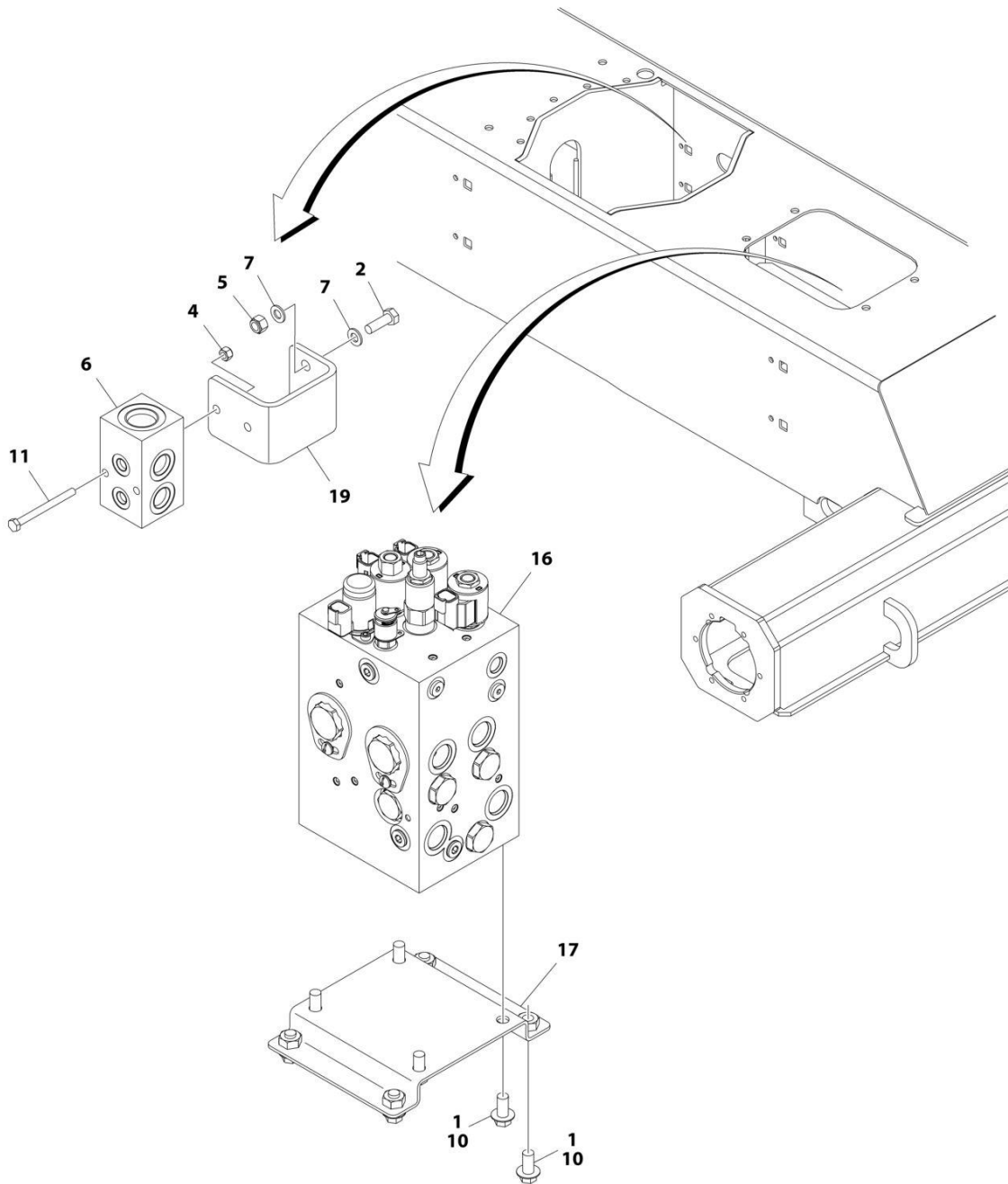
## SECTION 1 - FRAME

**FIGURE 1-10. TIRE AND WHEEL INSTALLATION - 33 X 12-20 SOLID NON-MARKING**

ITEM	PART NUMBER	QTY	DESCRIPTION	REV
	1001169062	Ref	TIRE AND WHEEL INSTALLATION - 33 X 12-20 SOLID NON-MARKING	A
		Ref	Note: Due to critical stable weights, only replace tire and wheel assemblies with like components.	
1	1001170098	2	Tire and Wheel Assembly - 33 x 12-20 Solid Non-Marking (LH Side)	
2	1001170099	2	Tire and Wheel Assembly - 33 x 12-20 Solid Non-Marking (RH Side)	

# SECTION 1 - FRAME

## FIGURE 1-11. VALVES INSTALLATION - FRAME MOUNTED



ART\_1001271795\_10F3

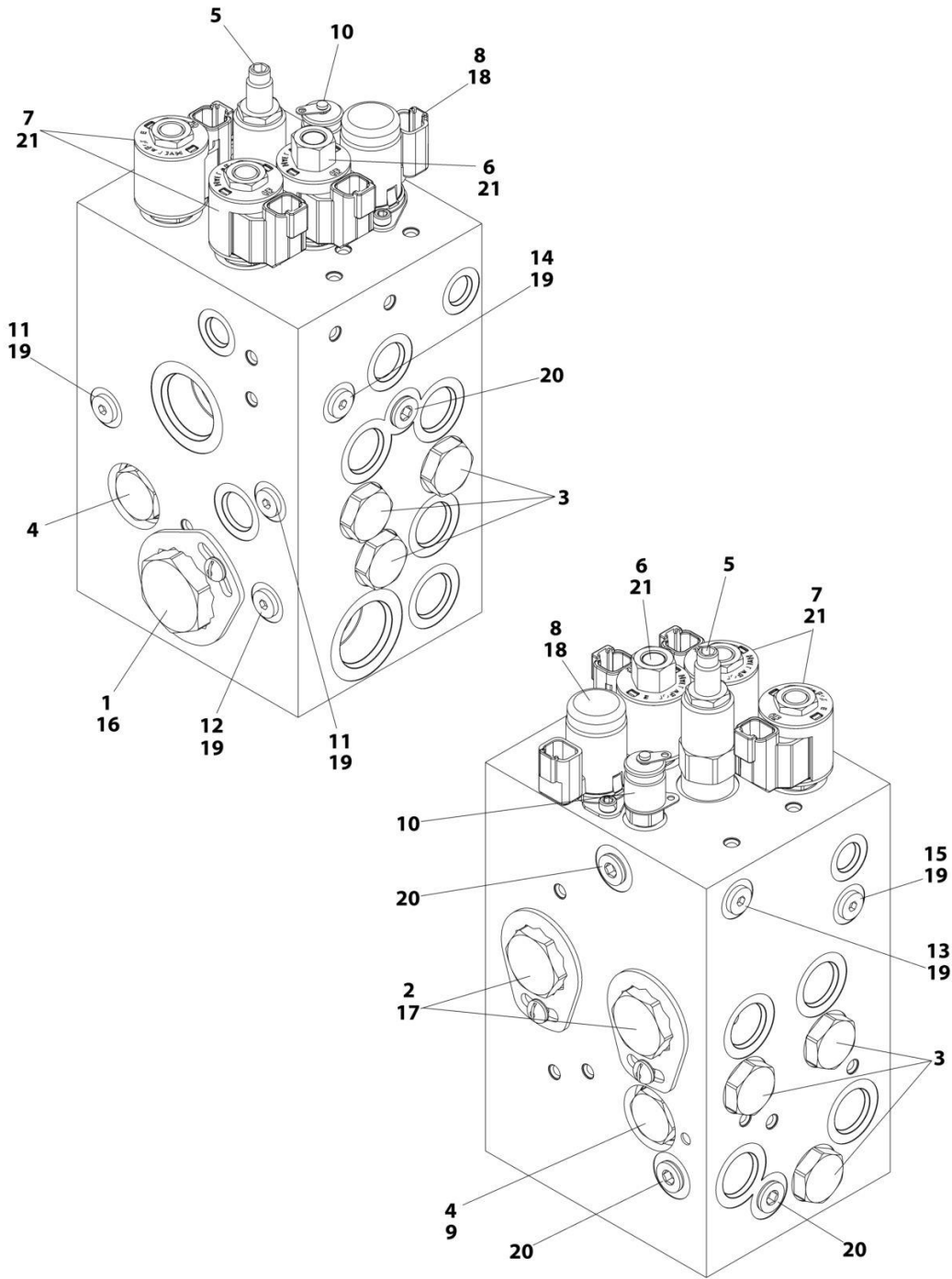
## SECTION 1 - FRAME

### FIGURE 1-11. VALVES INSTALLATION - FRAME MOUNTED

ITEM	PART NUMBER	QTY	DESCRIPTION	REV
	1001271795	Ref	4WD VALVES INSTALLATION - BOOM MOUNTED	B
1	0100011	AR	Compound, Locking	
2	0760812	2	Bolt M8 x 25	
4	3290605	2	Nut M6	
5	3290805	2	Nut M8	
6	4641155	1	Junction Valve Assembly	
7	4811900	4	Washer M8	
10	5251010	15	Bolt M10 x 25	
11	1001096653	2	Bolt M6 x 70	
16	1001162539	1	Traction Valve Assembly (See Separate Breakdown in this Section)	
17	1001179517	1	Bracket	
19	1001197221	1	Bracket	

# SECTION 1 - FRAME

## FIGURE 1-12. TRACTION VALVE ASSEMBLY



ART\_1001162539

FIGURE 1-12. TRACTION VALVE ASSEMBLY

ITEM	PART NUMBER	QTY	DESCRIPTION	REV
	1001162539	Ref	TRACTION VALVE ASSEMBLY - 4WD	D
1	70004017	1	Cartridge, Flow Divider	
1	7021625	1	Seal Kit - 70004017 Valve	
2	70004885	2	Cartridge, Flow Divider	
2	70004577	2	Seal Kit - 70004885 Valve	
3	7022397	6	Cartridge, Check Valve	
3	7022399	6	Seal Kit - 7022397 Valve	
4	7021639	2	Cartridge, Check Valve	
4	2900756	2	Seal Kit - 7021639 Valve	
5	70004886	1	Cartridge, Relief Valve	
5	7017496	1	Seal Kit - 70004886 Valve	
6	7017410	1	Cartridge, Solenoid Less Coil	
6	7012967	1	Seal Kit - 7017410 Valve	
7	7012974	2	Cartridge, Solenoid Less Coil	
7	7010543	2	Seal Kit - 7012974 Valve	
8	70004887	1	Cartridge, Solenoid Less Coil	
8	70023606	1	Seal Kit - 70004887 Valve	
8	7024885	1	Coil	
9	7024881	1	Piston, Pilot	
10	2221086	1	Fitting, Diagnostic	
11	70003975	2	Orifice	
12	70002209	1	Orifice	
13	70002063	1	Orifice	
14	70004884	1	Orifice	
15	70004883	1	Orifice	
16	70000781	1	Locking Kit	
17	70002962	2	Locking Kit	
18	70004888	2	Screw	
19	2220883	6	Plug #4	
20	2220885	5	Plug #6	
21	70002386	3	Coil	

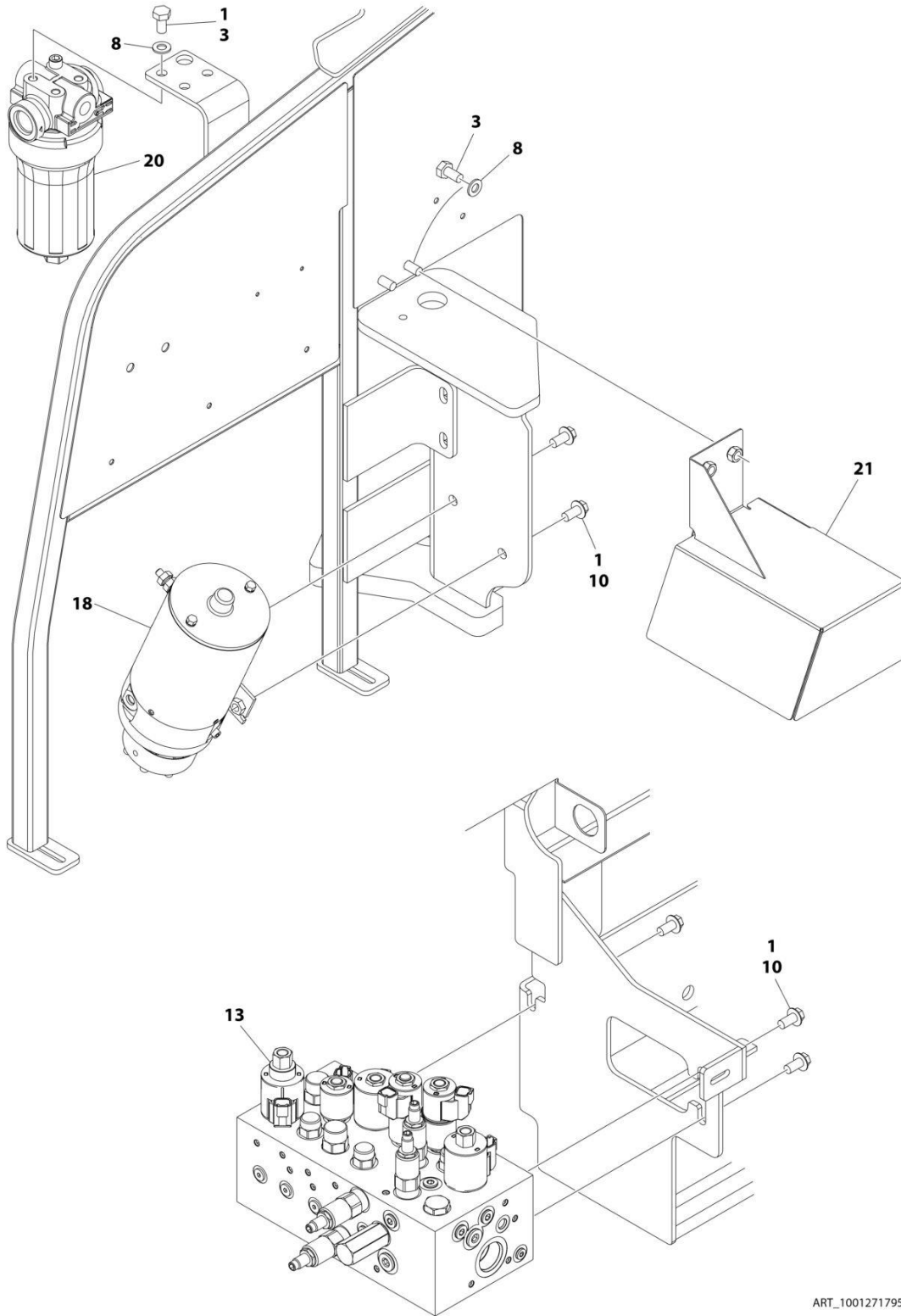




**SECTION 2 - TURNTABLE**

# SECTION 2 - TURNTABLE

## FIGURE 2-1. VALVES INSTALLATION - TURNTABLE MOUNTED



ART\_1001271795\_20F3

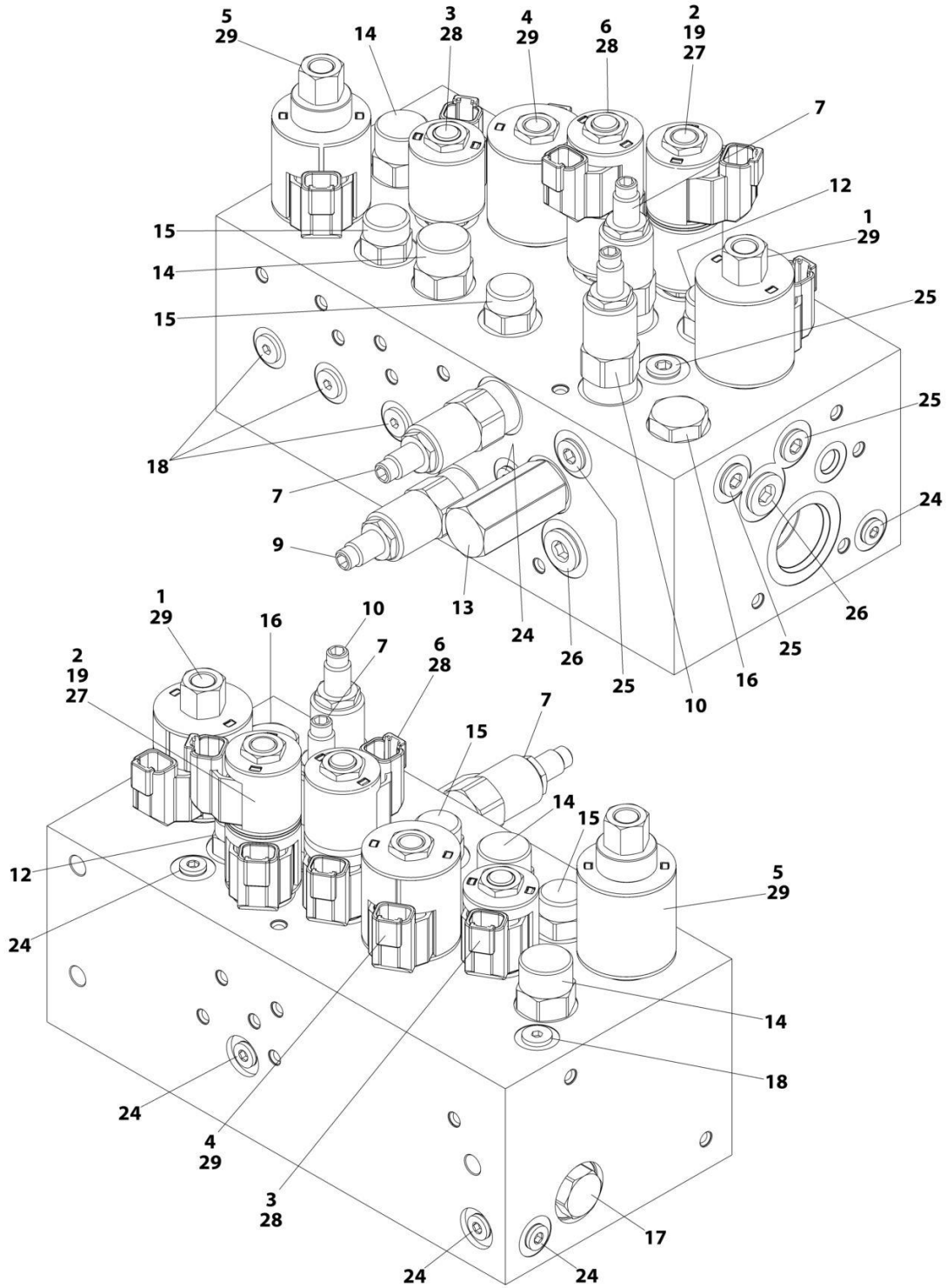
**SECTION 2 - TURNTABLE**

**FIGURE 2-1. VALVES INSTALLATION - TURNTABLE MOUNTED**

ITEM	PART NUMBER	QTY	DESCRIPTION	REV
	1001271795	Ref	4WD VALVES INSTALLATION - BOOM MOUNTED	B
1	0100011	AR	Compound, Locking	
3	0761010	5	Bolt M10 x 20	
8	4812000	5	Washer M10	
10	5251010	15	Bolt M10 x 25	
13	1001162534	1	Main Valve Assembly (See Separate Breakdown in this Section)	
18	1001185821	1	Auxiliary Pump Assembly (See Separate Breakdown in this Section)	
20	1001208874	1	Filter, Charge Pump	
20	70010383	1	Element, Filter (Includes O-Ring)	
21	1001265186	1	Cover	

# SECTION 2 - TURNTABLE

## FIGURE 2-2. MAIN VALVE ASSEMBLY



ART\_1001162534

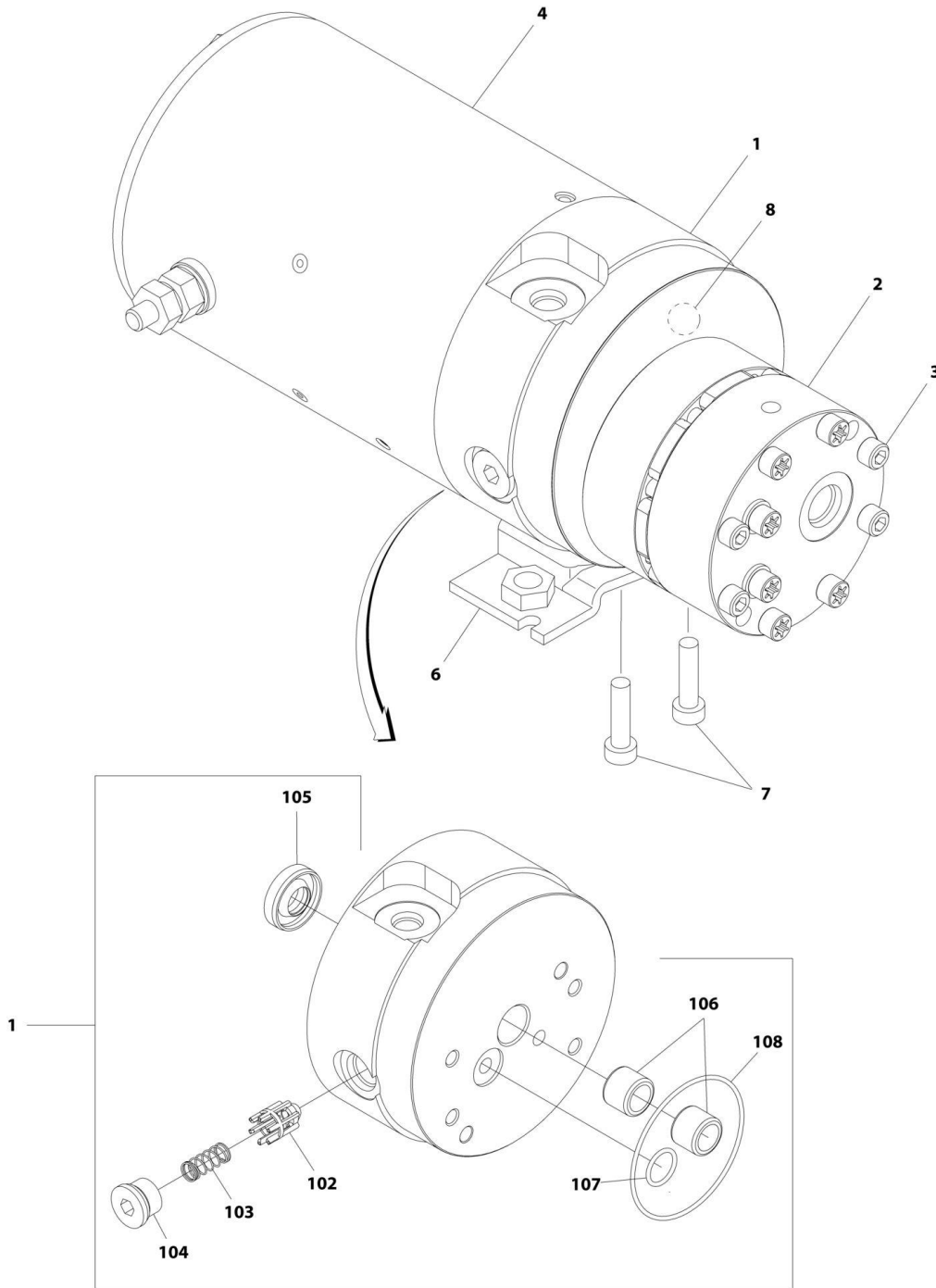
**SECTION 2 - TURNTABLE**

**FIGURE 2-2. MAIN VALVE ASSEMBLY**

ITEM	PART NUMBER	QTY	DESCRIPTION	REV
	1001162534	Ref	MAIN VALVE ASSEMBLY	F
1	70005069	1	Cartridge, Solenoid Less Coil (Main Dump)	
1	7022399	1	Seal Kit - 70005069 Valve	
1	70003977	1	Nut, Coil	
2	70005217	1	Cartridge, Solenoid Less Coil (Steer)	
2	70005071	1	Seal Kit - 70005217 Valve	
2	7022390	1	Nut, Coil	
3	70005094	1	Cartridge, Solenoid Less Coil (Main Lift Up)	
3	7023936	1	Seal Kit - 70005094 Valve	
3	7022390	1	Nut, Coil	
4	70005076	1	Cartridge, Solenoid Less Coil (Tower Lift Up)	
4	7022399	1	Seal Kit - 70005076 Valve	
4	7022390	1	Nut, Coil	
5	70005095	1	Cartridge, Solenoid Less Coil (Flow Control)	
5	7022399	1	Seal Kit - 70005095 Valve	
5	70003977	1	Nut, Coil	
6	70005096	1	Cartridge, Solenoid Less Coil (Swing)	
6	70005071	1	Seal Kit - 70005096 Valve	
7	70005097	1	Cartridge, Solenoid Less Coil	
7	70005082	2	Seal Kit - 70005097 Valve	
9	70005098	1	Cartridge, Relief Valve	
9	7023936	1	Seal Kit - 70005098 Valve	
10	70005080	1	Cartridge, Relief Valve	
10	7022399	1	Seal Kit - 70005080 Valve	
12	70005218	1	Cartridge, Valve	
12	70005082	1	Seal Kit - 70005218 Valve	
13	70005084	1	Cartridge, Valve	
13	70005085	1	Seal Kit - 70005084 Valve	
14	70005099	2	Cartridge, Valve	
14	70005087	2	Seal Kit - 70005099 Valve	
15	70005088	2	Cartridge, Valve	
15	7023900	2	Seal Kit - 70005088 Valve	
16	70005100	1	Cartridge, Check Valve	
16	7022399	1	Seal Kit - 70005100 Valve	
17	70005089	1	Cartridge, Check Valve	
17	7023936	1	Seal Kit - 70005089 Valve	
18	70005090	5	Cartridge, Check Valve	
18	70005092	5	Seal Kit - 70005092 Valve	
19	See Note	1	Disc, Check Valve (Note: Not Available for Purchase)	
24	91164059	7	Plug	
25	91164079	4	Plug	
26	91164057	2	Plug	
27	70005219	2	Coil	
28	70002386	3	Coil	
29	70003788	3	Coil	

# SECTION 2 - TURNTABLE

## FIGURE 2-3. AUXILIARY PUMP ASSEMBLY



ART\_1001185821

**SECTION 2 - TURNTABLE**

**FIGURE 2-3. AUXILIARY PUMP ASSEMBLY**

ITEM	PART NUMBER	QTY	DESCRIPTION	REV
	1001185821	Ref	AUXILIARY PUMP ASSEMBLY	B
1	70005065	1	Base Assembly (See Items 102-108 for Breakdown)	
2	70005066	1	Pump Assembly (Note: No Seal Kit or Internal Components are Available - Purchase Complete Pump Assembly)	
3	70005067	4	Capscrew 1/4 x 2-3/4	
4	70004013	1	Motor Assembly (Note: No Internal Components are Available - Purchase Complete Motor Assembly)	
6	70004014	1	Bracket	
7	70004000	2	Capscrew 3/8 x 1	
8	70005068	1	Relief Valve Assembly	
	70005065	Ref	BASE ASSEMBLY	
102	See Note	NSS	Poppet, Check (Note: Use p/n 70005065)	
103	See Note	NSS	Spring (Note: Use p/n 70005065)	
104	See Note	NSS	Plug (Note: Use p/n 70005065)	
105	7026330	1	Seal, Shaft	
106	70005139	2	Bearing	
107	70003612	1	O-Ring	
108	70004267	1	O-Ring	





# SECTION 2 - TURNTABLE

**FIGURE 2-4. SWING DRIVE AND TURNTABLE BEARING INSTALLATION**

ITEM	PART NUMBER	QTY	DESCRIPTION	REV
	1001294215	Ref	SWING DRIVE AND TURNTABLE BEARING INSTALLATION	A
1	0100019	AR	Compound, Locking	
2	0711628	18	Bolt M16 x 110 Grade 10.9	
3	0711631	23	Bolt M16 x 140	
4	2160001	2	Fitting, Grease 90	
5	5241200	2	Washer M12	
6	5241600	41	Washer M16	
7	5272114	2	Capscrew M12 x 50 Grade 12.9	
8	1001286019	1	Swing Motor Assembly (See Separate Breakdown in this Section)	
9	1001133972	1	Turntable Bearing Assembly (See Separate Breakdown in this Section)	



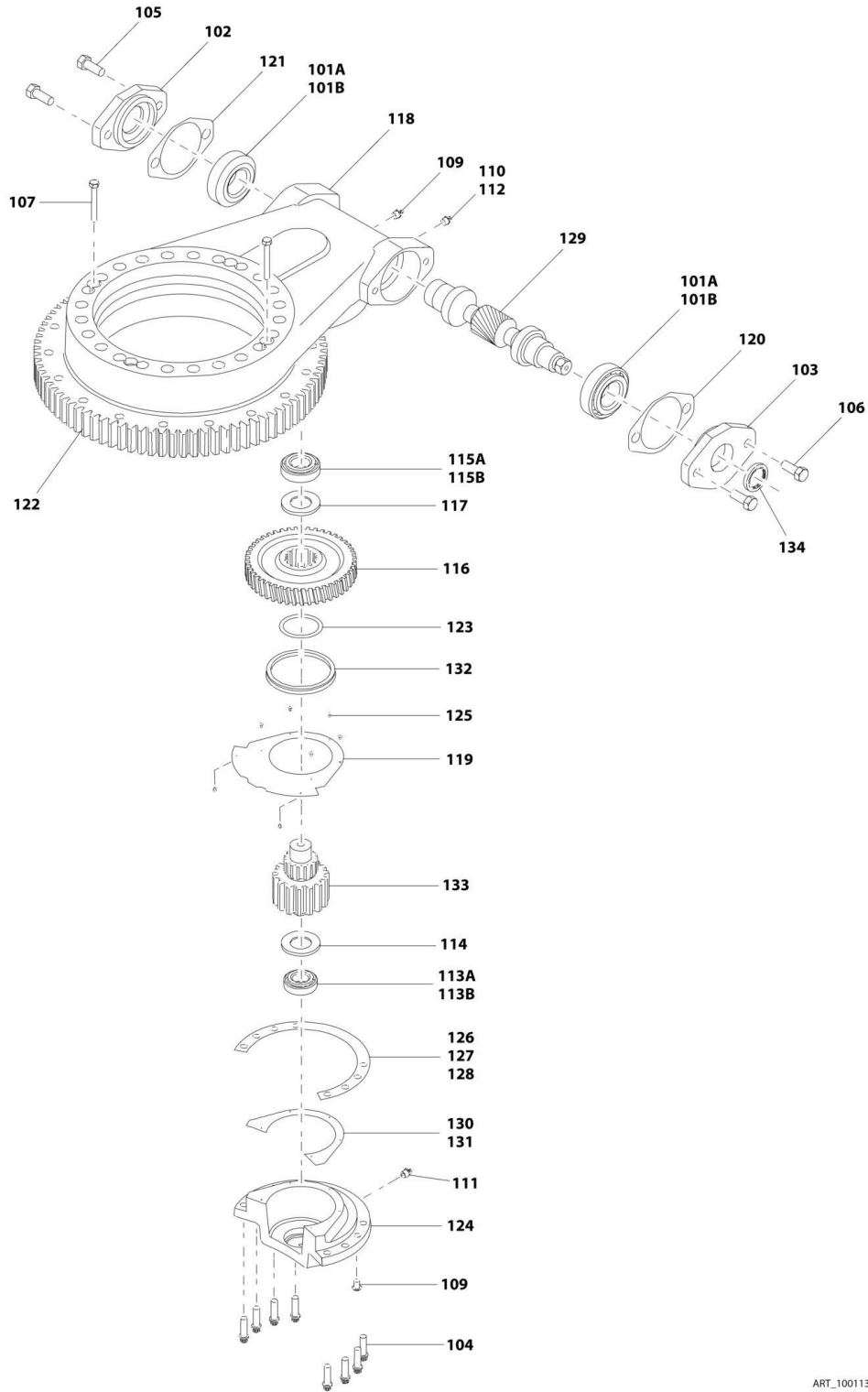
**SECTION 2 - TURNTABLE**

**FIGURE 2-5. SWING MOTOR ASSEMBLY**

ITEM	PART NUMBER	QTY	DESCRIPTION	REV
1	1001286019 See Note	Ref Ref	SWING MOTOR ASSEMBLY Note: No Service Parts Available at Time of Printing	A

# SECTION 2 - TURNTABLE

## FIGURE 2-6. TURNTABLE BEARING ASSEMBLY



ART\_1001133972

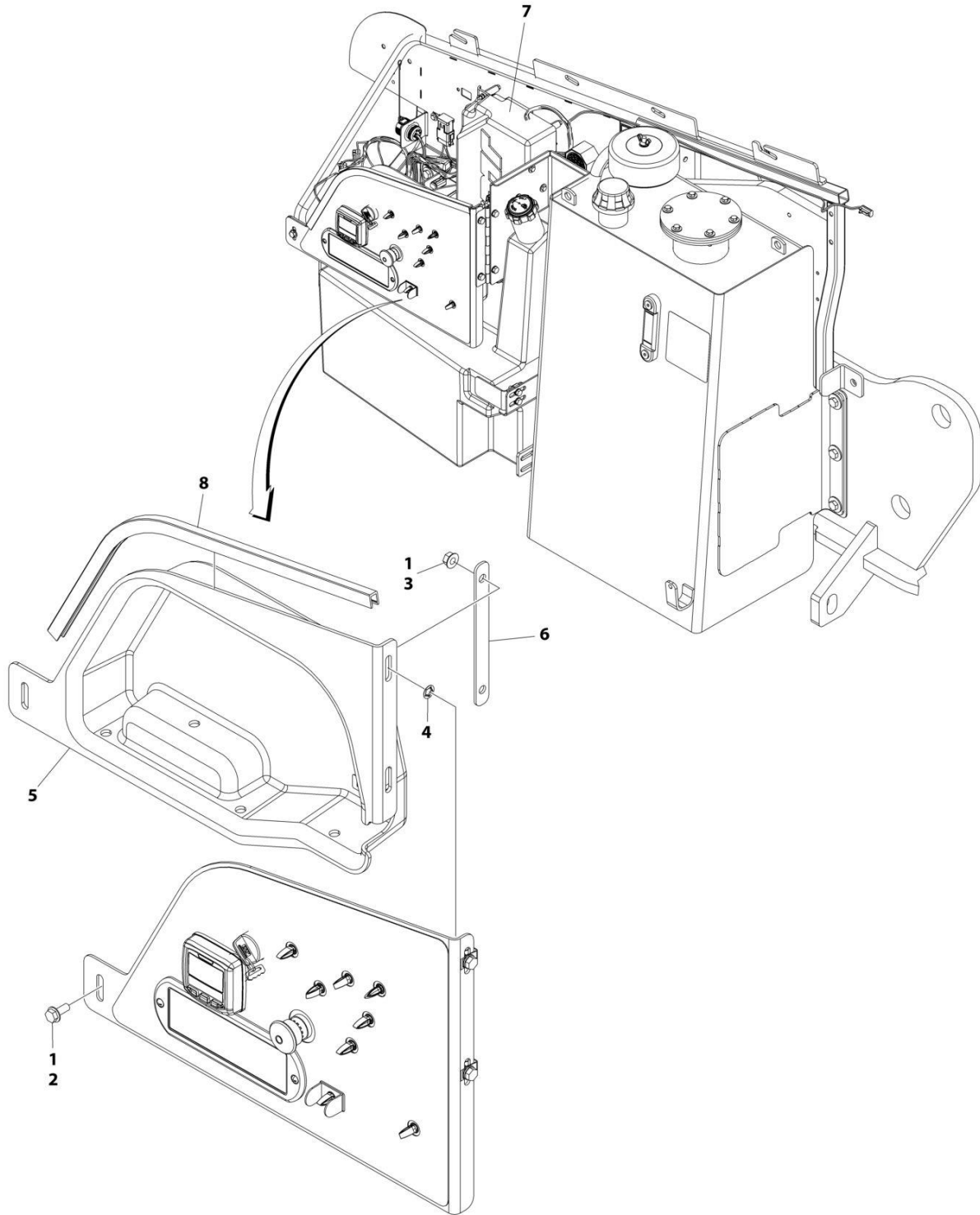
## SECTION 2 - TURNTABLE

**FIGURE 2-6. TURNTABLE BEARING ASSEMBLY**

ITEM	PART NUMBER	QTY	DESCRIPTION	REV
	1001133972	Ref	TURNTABLE BEARING ASSEMBLY	D
101A	7026042	2	Cup, Bearing	
101B	7026043	2	Cone, Bearing	
102	7027356	1	Adapter, Motor	
103	7027354	1	Cap, Worm	
104	70004249	8	Bolt M10 x 35 Grade 10.9	
105	70004250	2	Bolt M12 x 30 Grade 10.9	
106	70004251	2	Bolt M12 x 40 Grade 10.9	
107	70004252	2	Bolt M8 x 65mm	
109	70000865	1	Plug	
110	70002649	1	Vent, Pressure	
111	70002651	1	Fitting, Grease	
112	7026044	1	Bushing, Reducer	
113A	7026045	1	Cup, Bearing	
113B	7026047	1	Cone, Bearing	
114	7026046	1	Ring, Grease	
115A	7026048	1	Cup, Bearing	
115B	7026049	1	Cone, Bearing	
116	7026050	1	Worm-Gear	
117	7026052	1	Spacer, Washer	
118	See Note	1	Housing (Note: Not Available - Purchase Complete Assembly)	
119	7026053	1	Cover, Gear	
120	7027350	AR	Shim, Blue (.005in)	
120	7027351	AR	Shim, Clear (.0075in)	
120	7027352	AR	Shim, Brown (.010in)	
121	7027353		Shim, Yellow (.020in)	
122	70004253	1	Bearing, Turntable	
123	70004254	1	O-Ring	
124	70004255	1	Cap, Gear	
125	70004256	8	Bolt M4 x 8	
126	70004257	AR	Shim, Green (.003)	
127	70004258	AR	Shim, Blue (.005)	
128	70004259	AR	Shim, Natural (.0075)	
129	7026057	1	Gear, Worm	
130	70004260	AR	Shim, Blue (.005)	
131	70004261	AR	Shim, Yellow (.020)	
132	70004262	1	Seal, Oil	
133	7026051	1	Pinion, Output	
134	70004263	1	Seal, Oil	

# SECTION 2 - TURNTABLE

## FIGURE 2-7. TURNTABLE COVERS INSTALLATION



ART\_1001219129

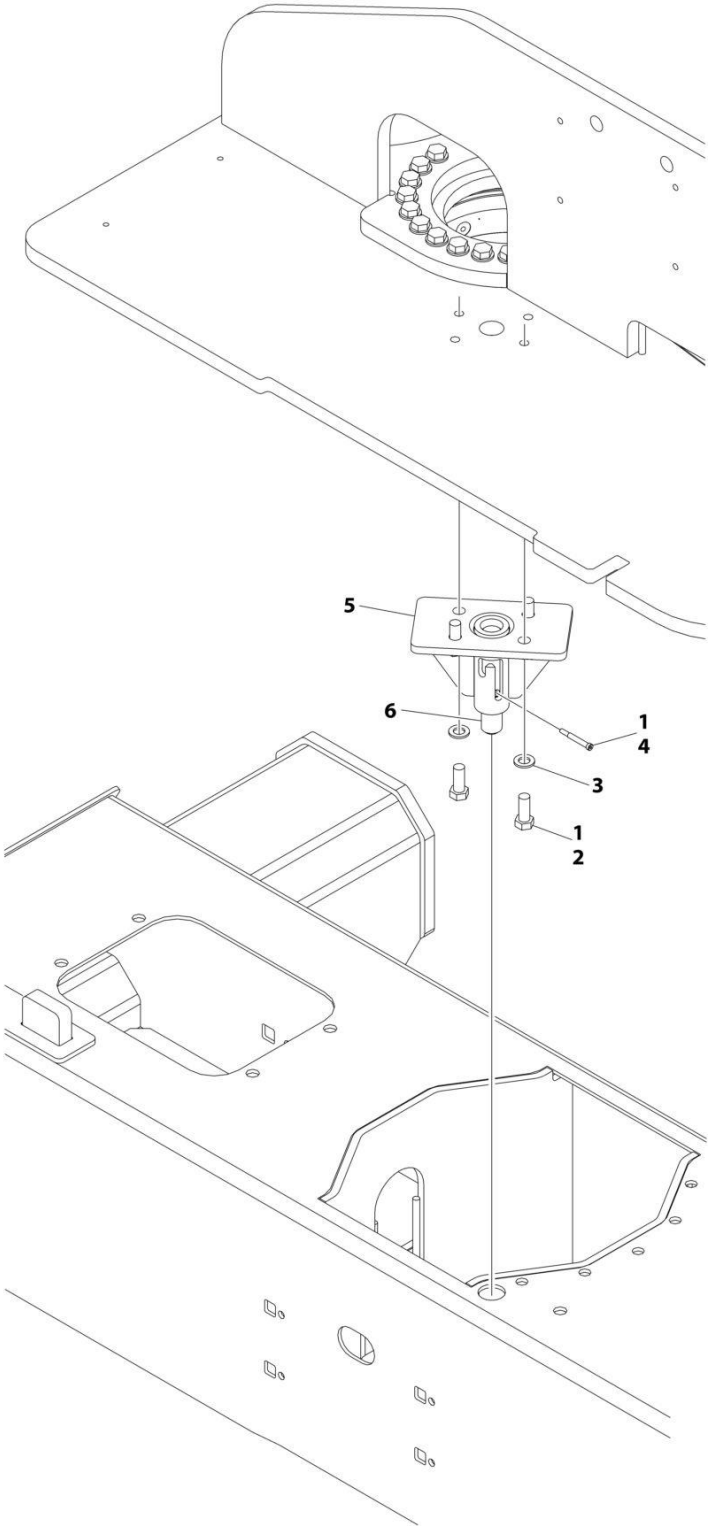
**SECTION 2 - TURNTABLE**

**FIGURE 2-7. TURNTABLE COVERS INSTALLATION**

<b>ITEM</b>	<b>PART NUMBER</b>	<b>QTY</b>	<b>DESCRIPTION</b>	<b>REV</b>
	1001219129	Ref	TURNTABLE COVERS INSTALLATION	A
1	0100011	AR	Compound, Locking	
2	5250812	1	Bolt M8 x 25	
3	5260800	2	Nut M8	
4	1001119228	2	Nut M8	
5	1001218533	1	Cover	
6	1001218535	1	Plate, Mounting	
7	1001218537	1	Cover	
8	4060806	2 ft/0.6m	Shield, Flex	

# SECTION 2 - TURNTABLE

## FIGURE 2-8. TURNTABLE LOCK INSTALLATION



ART\_1001275935



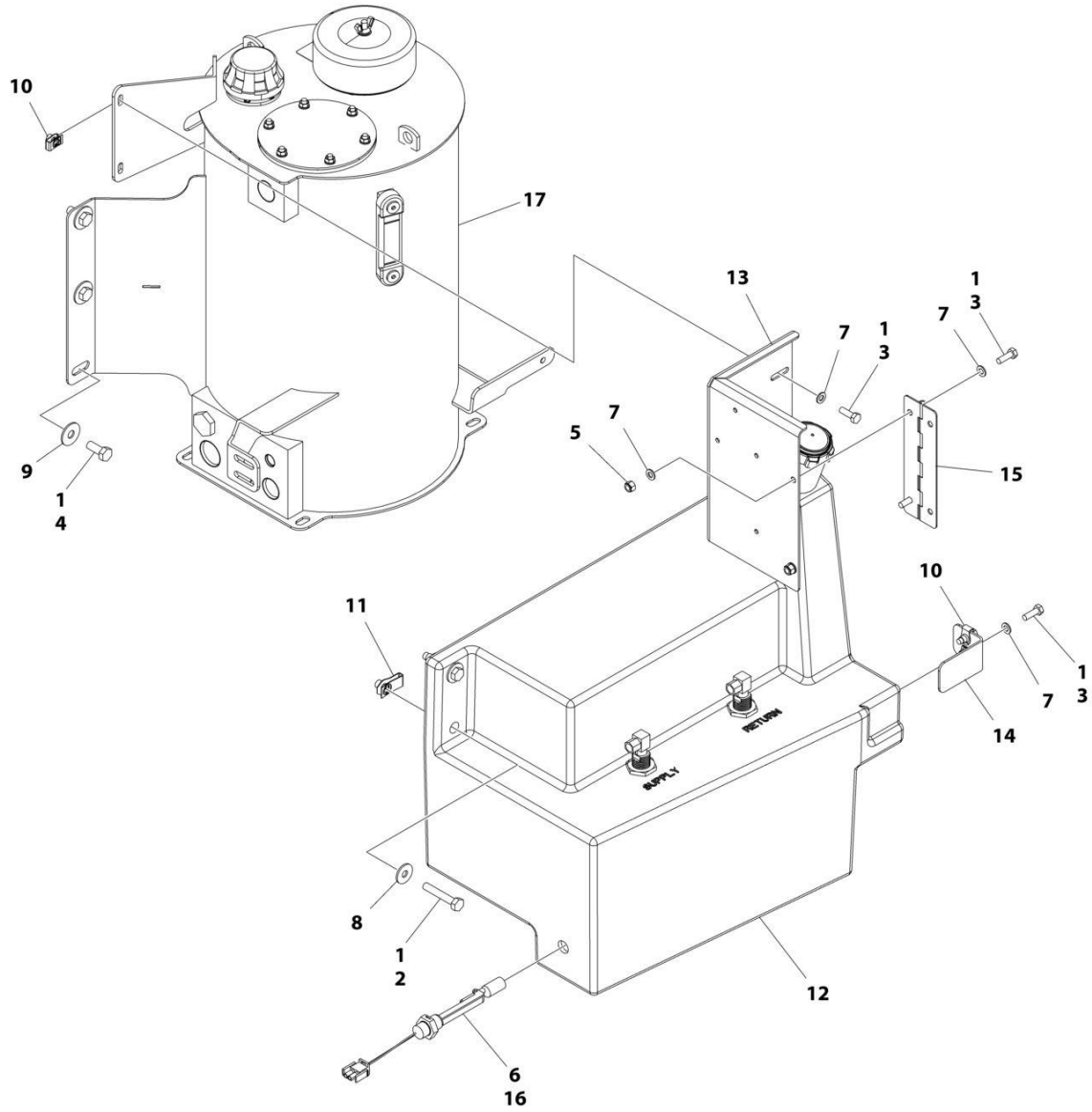
**SECTION 2 - TURNTABLE**

**FIGURE 2-8. TURNTABLE LOCK INSTALLATION**

<b>ITEM</b>	<b>PART NUMBER</b>	<b>QTY</b>	<b>DESCRIPTION</b>	<b>REV</b>
	1001275935	Ref	TURNTABLE LOCK INSTALLATION	A
1	0100011	AR	Compound, Locking	
2	0701616	4	Bolt M16 x 40	
3	4812300	4	Washer M16	
4	1001157466	1	Bolt M10 x 30	
5	1001177821	1	Support, Lock	
6	1001177834	1	Pin, Lock	
7	1001275936	1	Decal - Lift Diagram (Not Shown)	

# SECTION 2 - TURNTABLE

## FIGURE 2-9. TANKS INSTALLATION (HYDRAULIC TANK WITH 4 INCH BREATHER)



ART\_1001282831

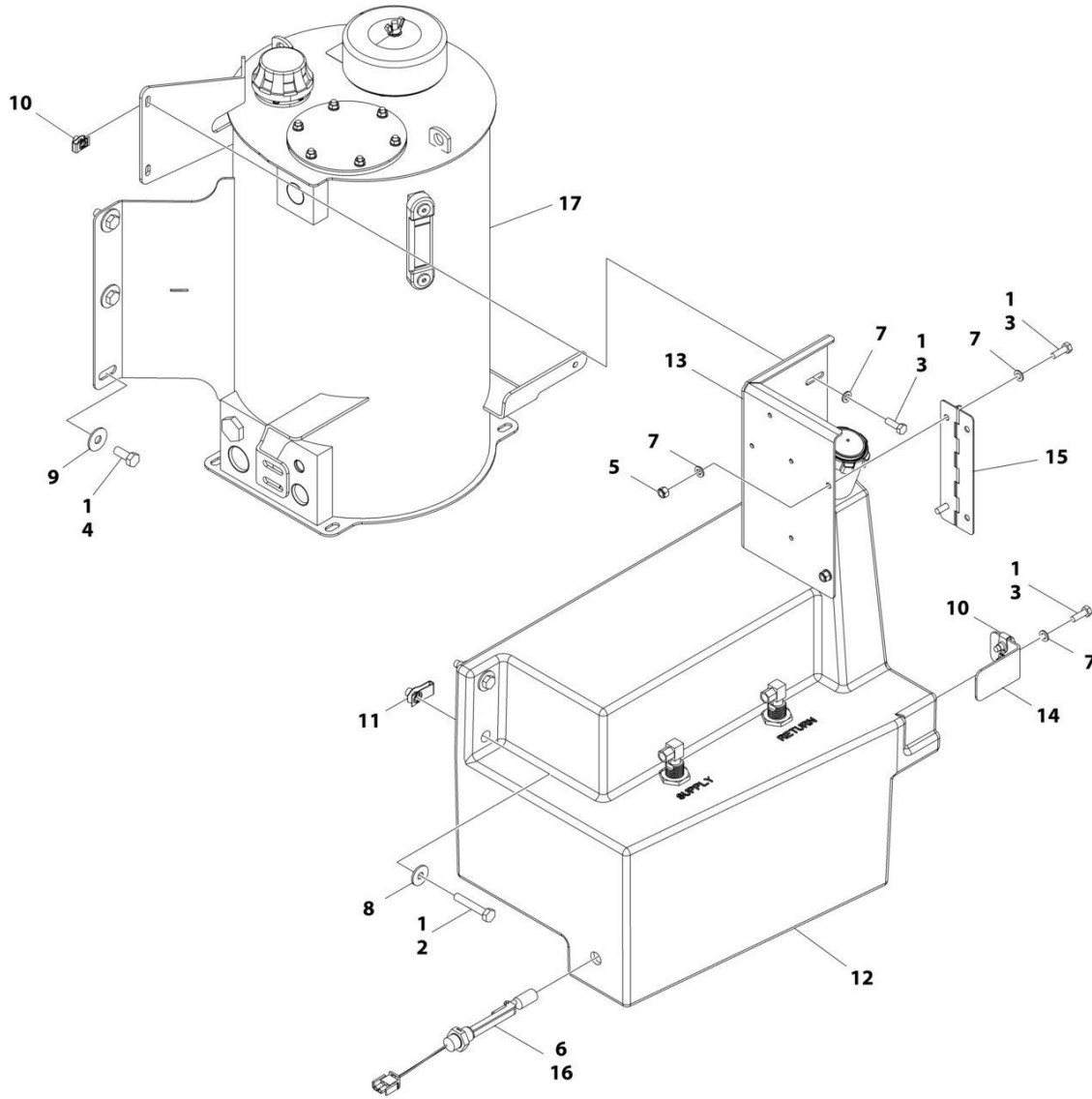
# SECTION 2 - TURNTABLE

**FIGURE 2-9. TANKS INSTALLATION (HYDRAULIC TANK WITH 4 INCH BREATHER)**

ITEM	PART NUMBER	QTY	DESCRIPTION	REV
	1001282831	Ref	TANKS INSTALLATION - DIESEL MACHINES	A
1	0100011	AR	Compound, Locking	
2	0701020	2	Bolt M10 x 60	
3	0760812	6	Bolt M8 x 25	
4	0761214	6	Bolt M12 x 30	
5	3290805	2	Nut M8	
6	4360436	1	Switch, Fuel Level	
6	4460320	1	Plug, Male - 2 Position	
6	4460267	1	Pin, Male	
7	4811900	8	Washer M8	
8	4812002	2	Washer M10	
9	4812102	6	Washer M12	
10	1001118274	4	Nut M8	
11	1001118972	2	Nut M10	
12	1001163061	1	Fuel Tank Assembly	
12	1001193336	1	Cap, Fuel	
12	70004876	2	Tube, Pick-up	
12	0100020	AR	Compound, Locking	
13	1001169898	1	Support, Ground Control	
14	1001170480	1	Support, Tank	
15	1001179339	1	Hinge	
16	1001182997	AR	Adhesive	
17	1001274525	1	Hydraulic Tank Assembly (See Separate Breakdown in this Section)	

# SECTION 2 - TURNTABLE

## FIGURE 2-10. TANKS INSTALLATION (HYDRAULIC TANK WITH 6 INCH BREATHER)



ART\_1001207347

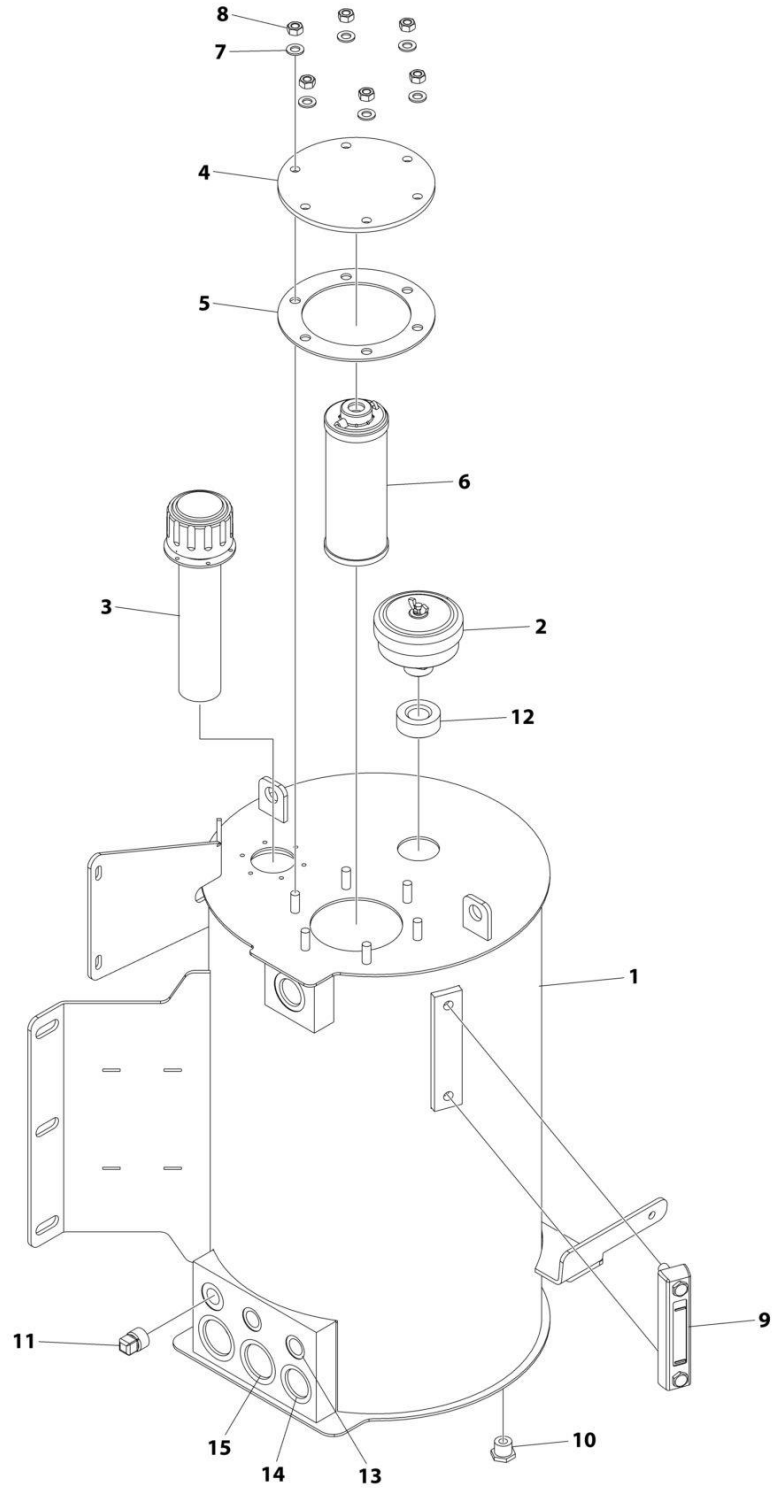
**SECTION 2 - TURNTABLE**

**FIGURE 2-10. TANKS INSTALLATION (HYDRAULIC TANK WITH 6 INCH BREATHER)**

ITEM	PART NUMBER	QTY	DESCRIPTION	REV
	1001207347	Ref	TANKS INSTALLATION - DIESEL MACHINES	B
1	0100011	AR	Compound, Locking	
2	0701020	2	Bolt M10 x 60	
3	0760812	6	Bolt M8 x 25	
4	0761214	6	Bolt M12 x 30	
5	3290805	2	Nut M8	
6	4360436	1	Switch, Fuel Level	
6	4460320	1	Plug, Male - 2 Position	
6	4460267	1	Pin, Male	
7	4811900	8	Washer M8	
8	4812002	2	Washer M10	
9	4812102	6	Washer M12	
10	1001118274	4	Nut M8	
11	1001118972	2	Nut M10	
12	1001163061	1	Fuel Tank Assembly	
12	1001193336	1	Cap, Fuel	
12	70004876	2	Tube, Pick-up	
12	0100020	AR	Compound, Locking	
13	1001169898	1	Support, Ground Control	
14	1001170480	1	Support, Tank	
15	1001179339	1	Hinge	
16	1001182997	AR	Adhesive	
17	1001206916	1	Hydraulic Tank Assembly	
17	70003614	1	Filter Kit (Includes Hydraulic Element, Breather Element and Gasket)	
17	70002838	1	Fill Cap Assembly (Includes Cap, Chain and Fill Basket)	
17	7024441	1	Gauge, Sight	
17	70002112	1	Plug, Drain	

# SECTION 2 - TURNTABLE

## FIGURE 2-11. HYDRAULIC TANK ASSEMBLY - WITH 4 INCH BREATHER



ART\_1001274525

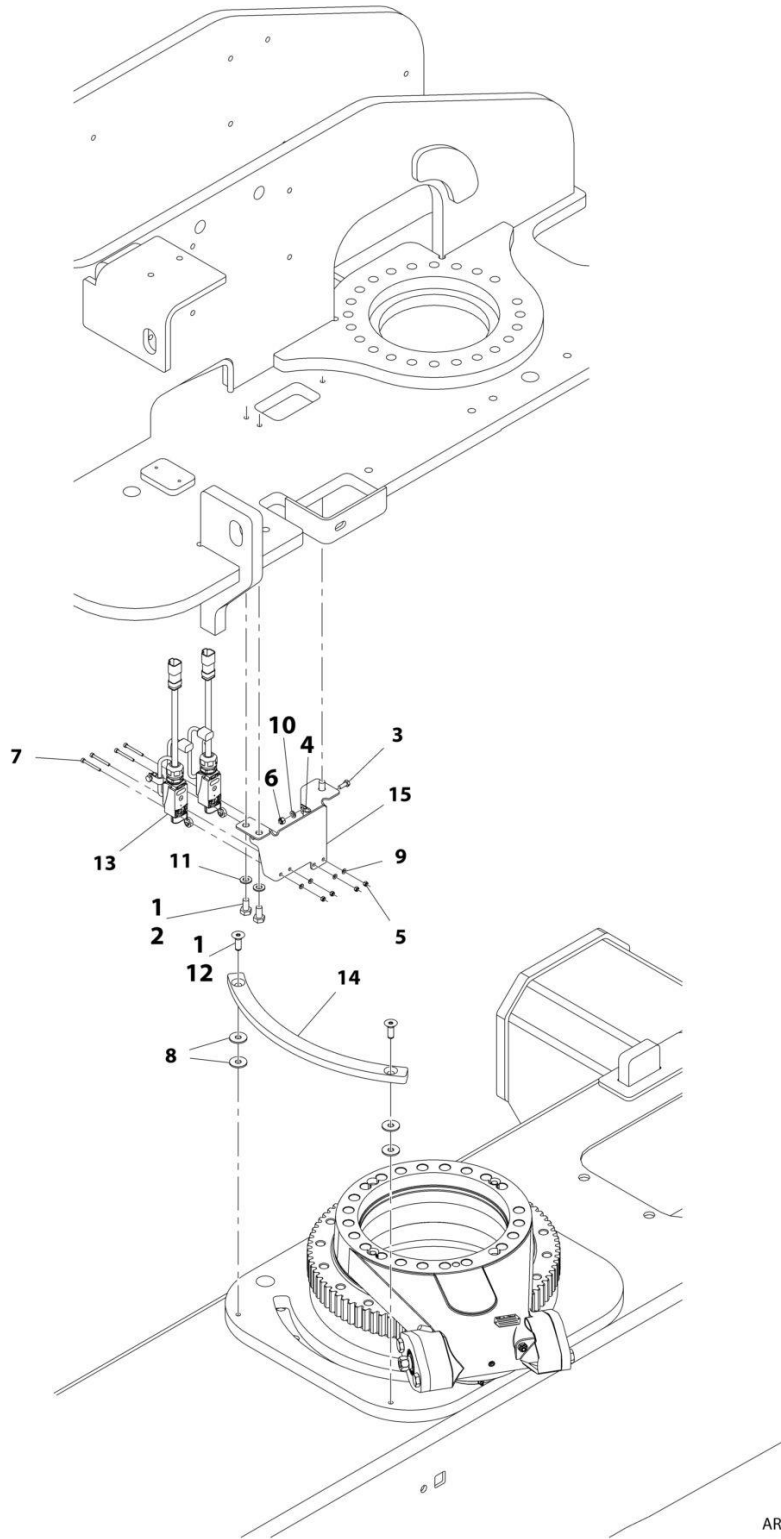
**SECTION 2 - TURNTABLE**

**FIGURE 2-11. HYDRAULIC TANK ASSEMBLY - WITH 4 INCH BREATHER**

ITEM	PART NUMBER	QTY	DESCRIPTION	REV
	1001274525	Ref	HYDRAULIC TANK ASSEMBLY	A
1	See Note	NSS	Tank (Note: Not Available for Purchase)	
2	70008258	1	Breather	
3	70008253	1	Cap, Fill	
4	70008259	1	Cover	
5	70008260	1	Gasket	
6	70008261	1	Filter	
7	70008262	6	Washer	
8	70008263	6	Nut M10	
9	70008264	1	Gauge, Level	
10	70008254	1	Plug 7/8	
11	70008265	1	Plug	
12	70008266	1	O-Ring	
13	70008256	2	Cover 3/4	
14	70008267	2	Cover 1-5/16	
15	70008268	2	Cover 1-5/8	

# SECTION 2 - TURNTABLE

## FIGURE 2-12. DRIVE ORIENTATION INSTALLATION



ART\_1001166767



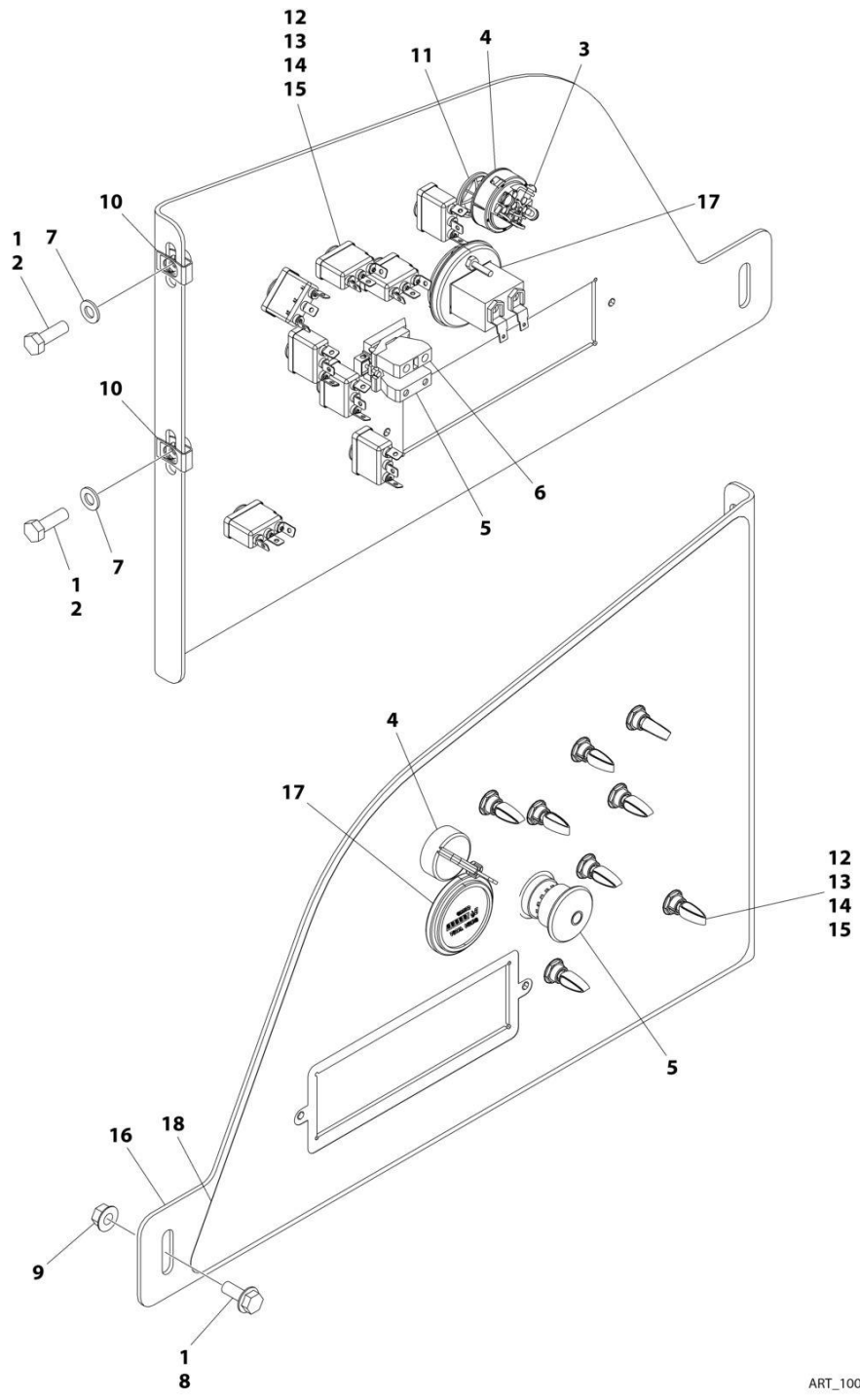
**SECTION 2 - TURNTABLE**

**FIGURE 2-12. DRIVE ORIENTATION INSTALLATION**

ITEM	PART NUMBER	QTY	DESCRIPTION	REV
	1001166767	Ref	DRIVE ORIENTATION INSTALLATION	F
1	0100011	AR	Compound, Locking	
2	0761010	3	Bolt M10 x 20	
3	0760608	2	Bolt M6 x 16	
4	1321293	2	Clamp, Cable	
5	3290405	4	Nut M4	
6	3290605	2	Nut M6	
7	4031512	4	Capscrew M4 x 40	
8	4812002	4	Washer M10	
9	4811400	4	Washer M4	
10	4811700	2	Washer M6	
11	4812000	3	Washer M10	
12	8310614	2	Screw M10 x 30	
13	1001119176	2	Switch, Limit	
13	1001129407	1	Receptacle, Female - 4 Position	
13	4460464	4	Pin, Male	
14	1001162106	1	Cam	
15	1001166768	1	Bracket	
16	8881800	AR	Tie-Strap (Not Shown)	

# SECTION 2 - TURNTABLE

FIGURE 2-13. GROUND CONTROL ASSEMBLY (ANSI EXPORT AND AUSTRALIAN SPECS)



ART\_1001246450\_D

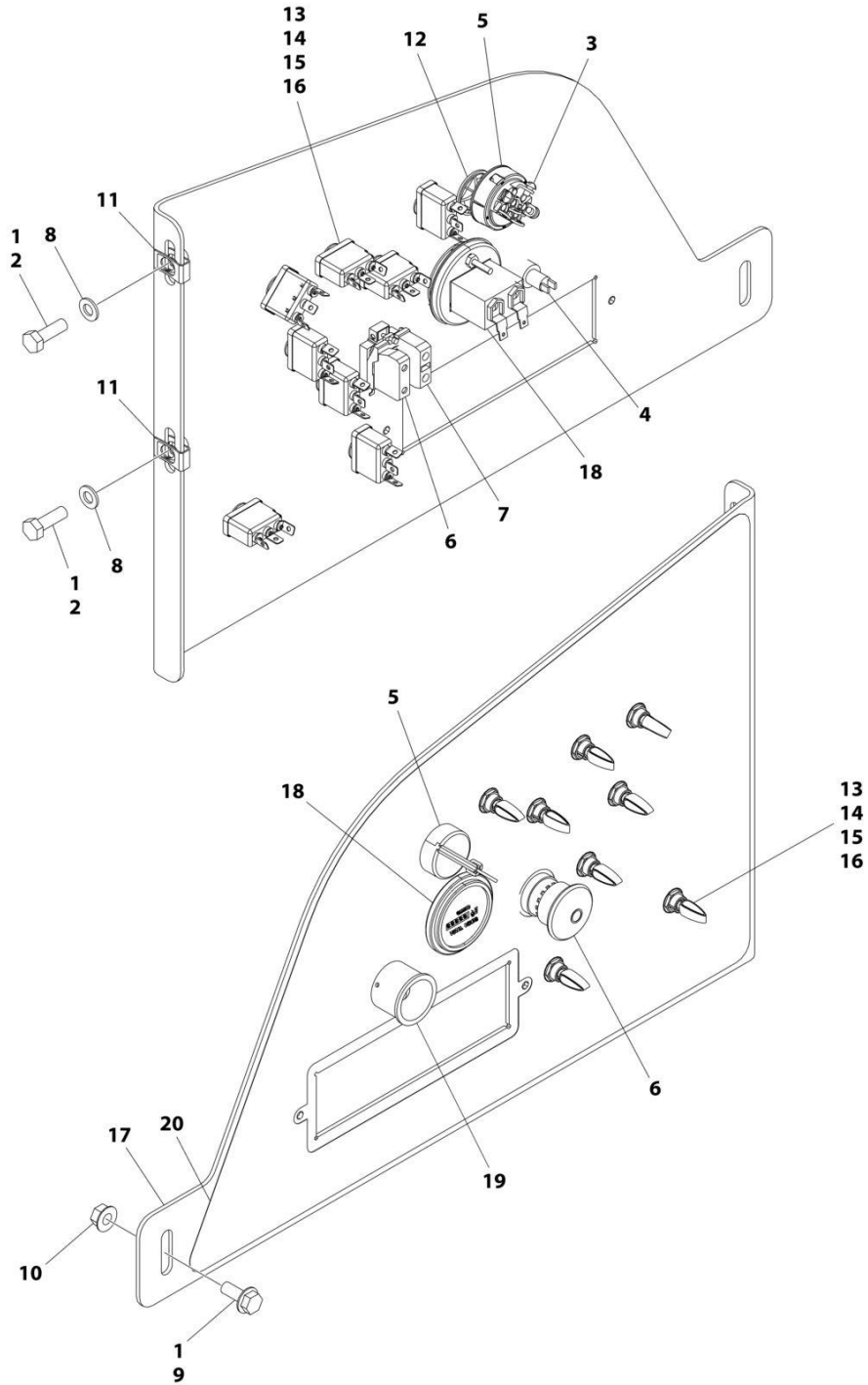
**SECTION 2 - TURNTABLE**

**FIGURE 2-13. GROUND CONTROL ASSEMBLY (ANSI EXPORT AND AUSTRALIAN SPECS)**

ITEM	PART NUMBER	QTY	DESCRIPTION	REV
	1001246450	Ref	GROUND CONTROL ASSEMBLY	D
1	0100011	AR	Compound, Locking	
2	0760812	2	Bolt M8 x 25	
3	3910804	3	Screw M8 x 1/4	
4	4360469	1	Switch, Key	
4	2860030	1	Key, Replacement	
5	1001274559	1	Switch, Emergency	
6	4360476	1	Block, Contact	
7	4811900	2	Washer M8	
8	5250810	1	Bolt M8 x 20	
9	5260800	1	Nut M8	
10	1001118274	2	Nut M8	
11	1001151393	1	Shim .063	
12	1001155043	8	Washer	
13	1001155044	8	Nut, Special 15/32-32	
14	1001155045	8	Switch, Toggle	
15	1001162807	8	Washer	
16	1001297389	1	Panel, Ground Control	
17	10836804	1	Gauge, Display	
18	1001264733	1	Decal - Ground Control	

# SECTION 2 - TURNTABLE

FIGURE 2-14. GROUND CONTROL ASSEMBLY (CE(LRC), CIS/EAC & UK CA SPECS)



ART\_1001246451\_D

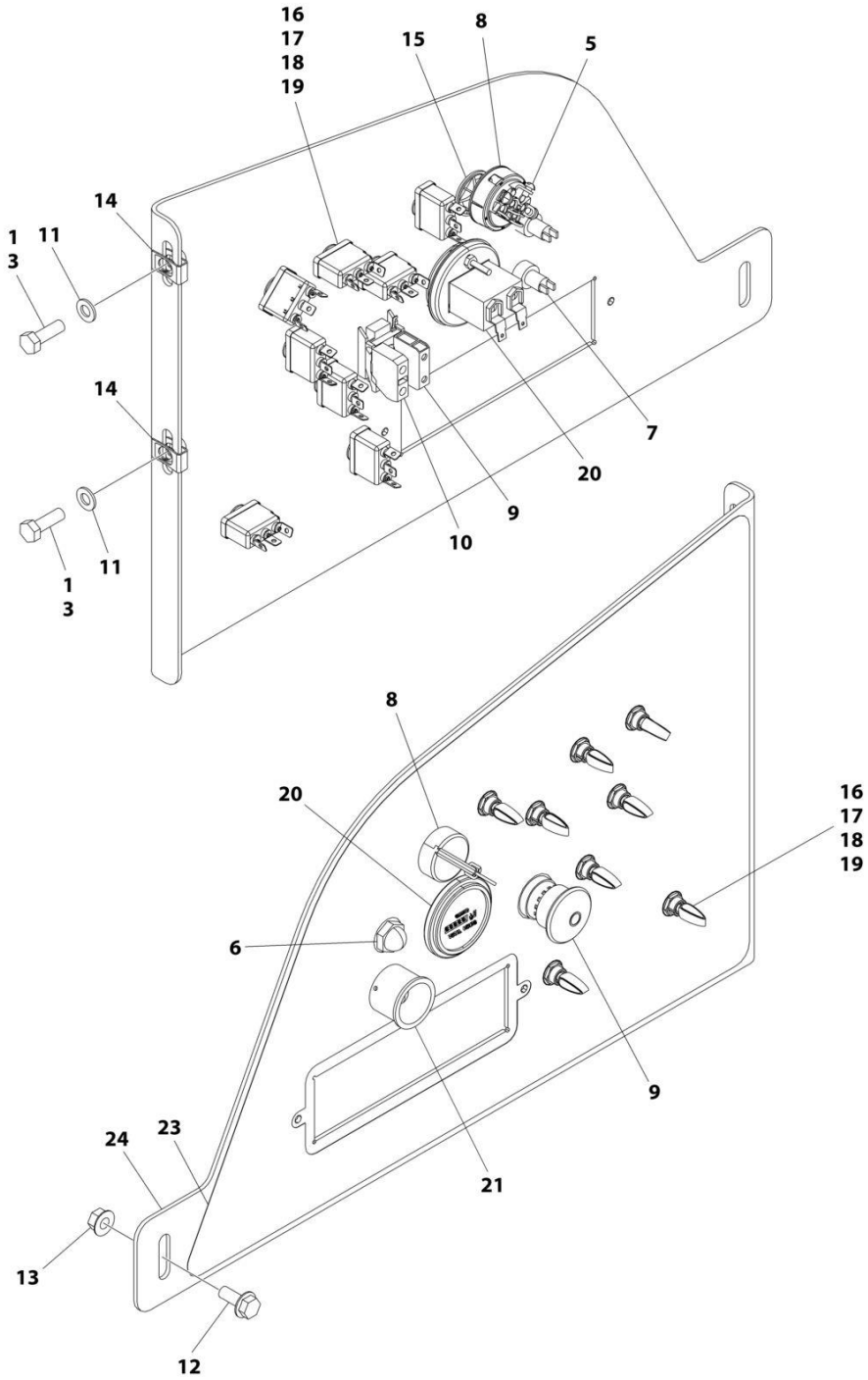
## SECTION 2 - TURNTABLE

**FIGURE 2-14. GROUND CONTROL ASSEMBLY (CE(LRC), CIS/EAC & UK CA SPECS)**

ITEM	PART NUMBER	QTY	DESCRIPTION	REV
	1001246451	Ref	GROUND CONTROL ASSEMBLY	D
1	0100011	AR	Compound, Locking	
2	0760812	2	Bolt M8 x 25	
3	3910804	3	Screw M8 x 1/4	
4	4360387	1	Switch, Push Button	
5	4360469	1	Switch, Key	
5	2860030	1	Key, Replacement	
6	1001274559	1	Switch, Emergency	
7	4360476	1	Block, Contact	
8	4811900	2	Washer M8	
9	5250810	1	Bolt M8 x 20	
10	5260800	1	Nut M8	
11	1001118274	2	Nut M8	
12	1001151393	1	Shim .063	
13	1001155043	8	Washer	
14	1001155044	8	Nut, Special 15/32-32	
15	1001155045	8	Switch, Toggle	
16	1001162807	8	Washer	
17	1001297389	1	Panel, Ground Control	
18	10836804	1	Gauge, Display	
19	1001176469	1	Shroud, Switch	
20	1001264732	1	Decal - Ground Control	

# SECTION 2 - TURNTABLE

## FIGURE 2-15. GROUND CONTROL ASSEMBLY (CE & UK CA SPECS)



ART\_1001245656\_E

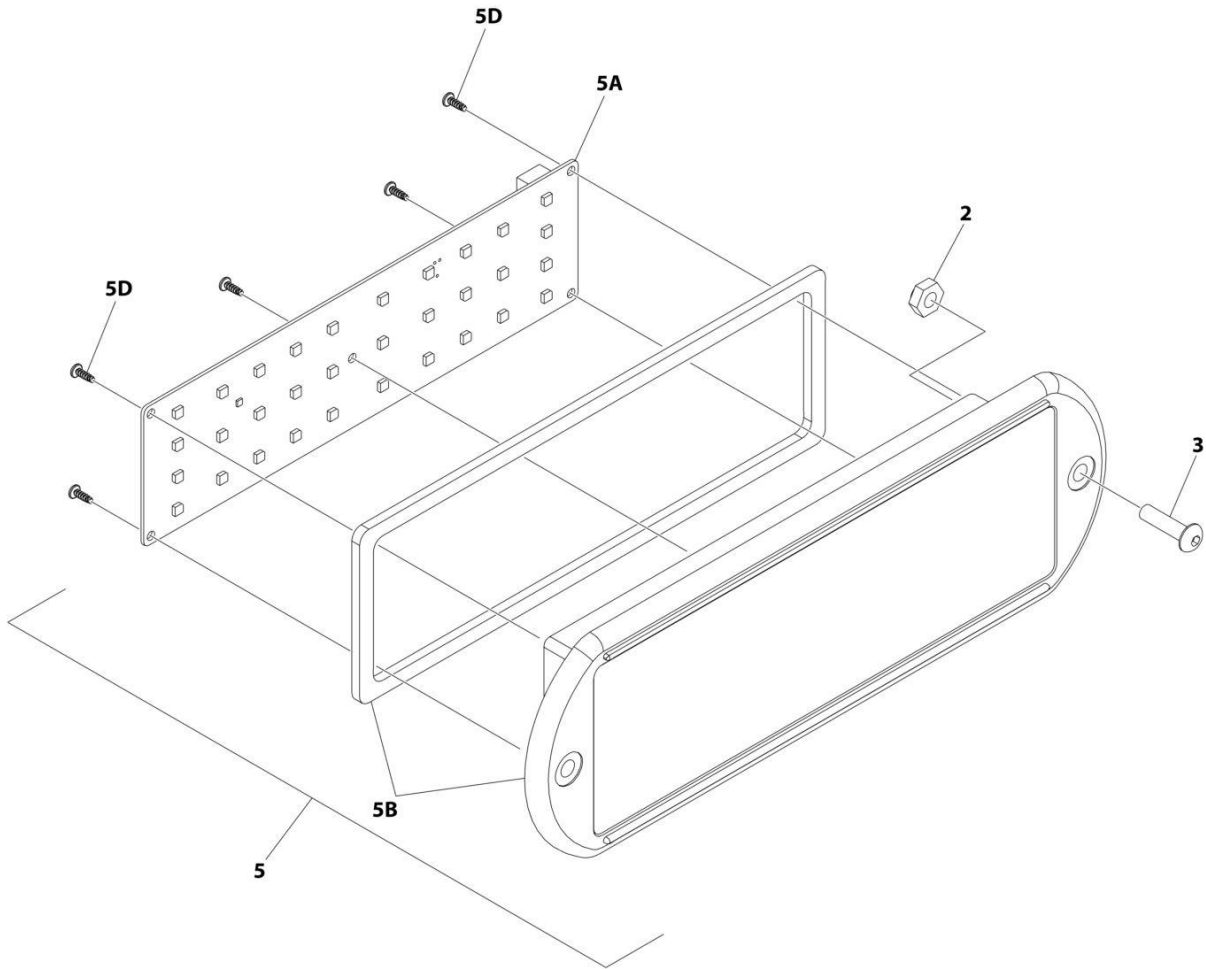
**SECTION 2 - TURNTABLE**

**FIGURE 2-15. GROUND CONTROL ASSEMBLY (CE & UK CA SPECS)**

ITEM	PART NUMBER	QTY	DESCRIPTION	REV
	1001245656	Ref	GROUND CONTROL ASSEMBLY	E
1	0100011	AR	Compound, Locking	
3	0760812	2	Bolt M8 x 25	
5	3910804	3	Screw M8 x 1/4	
6	4360274	1	Switch, Push Button	
7	4360387	1	Switch, Push Button	
8	4360469	1	Switch, Key	
9	1001274559	1	Switch, Emergency	
10	4360476	1	Block, Contact	
11	4811900	2	Washer M8	
12	5250810	1	Bolt M8 x 20	
13	5260800	1	Nut M8	
14	1001118274	2	Nut M8	
15	1001151393	1	Shim .063	
16	1001155043	8	Washer	
17	1001155044	8	Nut, Special 15/32-32	
18	1001155045	8	Switch, Toggle	
19	1001162807	8	Washer	
20	10836804	1	Gauge, Display	
21	1001176469	1	Shroud, Switch	
23	1001264731	1	Decal - Ground Control	
24	1001297389	1	Panel, Ground Control	

# SECTION 2 - TURNTABLE

## FIGURE 2-16. LIGHT PANEL INSTALLATION – GROUND CONTROL



ART\_1001241398\_D\_10F2



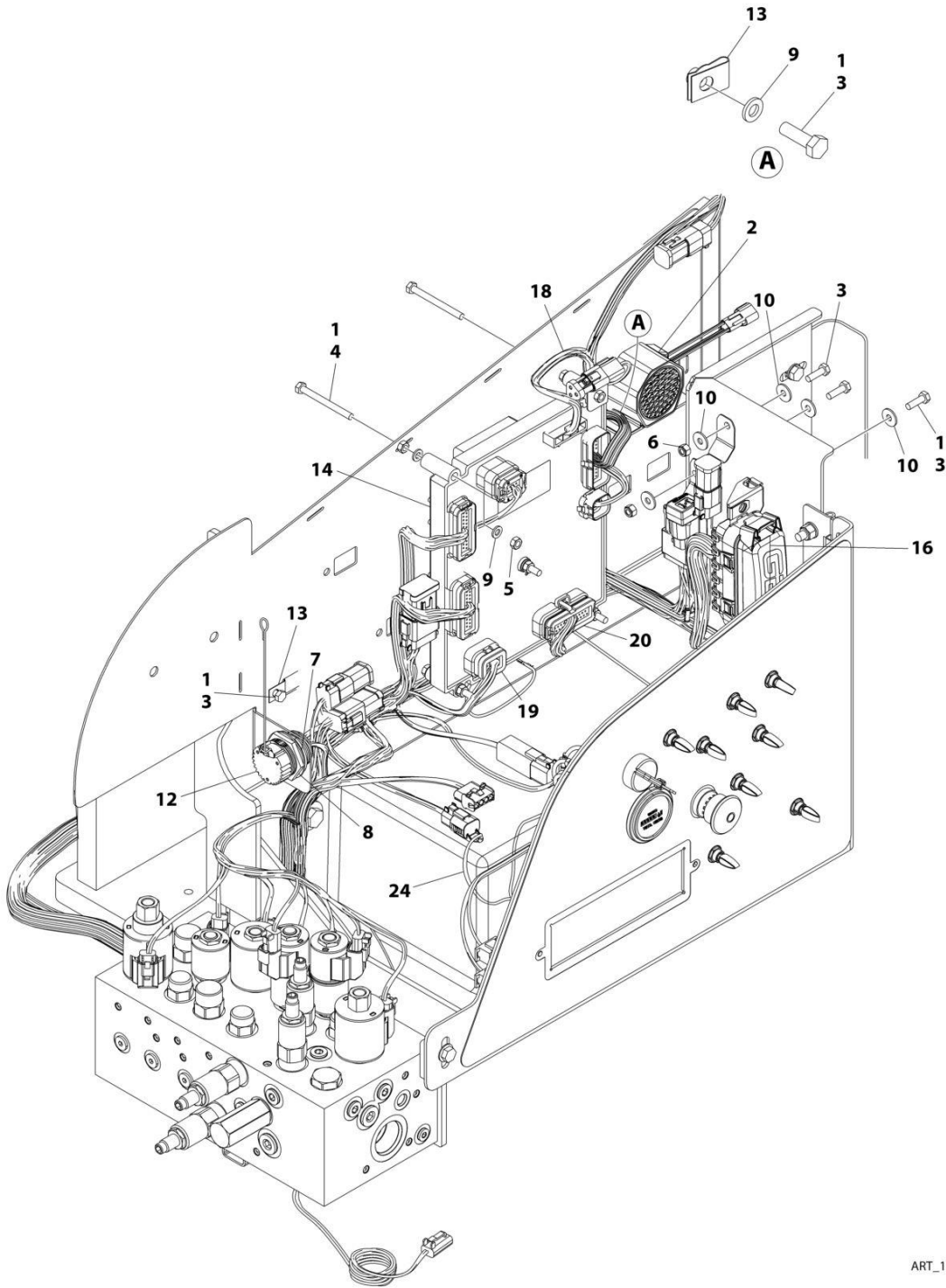
**SECTION 2 - TURNTABLE**

**FIGURE 2-16. LIGHT PANEL INSTALLATION – GROUND CONTROL**

<b>ITEM</b>	<b>PART NUMBER</b>	<b>QTY</b>	<b>DESCRIPTION</b>	<b>REV</b>
	1001241398	Ref	LIGHT PANEL INSTALLATION	D
2	3300408	2	Nut, Nylon Insert	
3	0630518	2	Screw #10 x 3/4	
5	1001237546	1	Light Panel Assembly	J
5A	1001282106	1	Panel, LED Light	
5B	1001236091	1	Lens, Icon (Includes Gasket)	
5D		Ref	Screw	

# SECTION 2 - TURNTABLE

## FIGURE 2-17. ELECTRICAL SYSTEM INSTALLATION

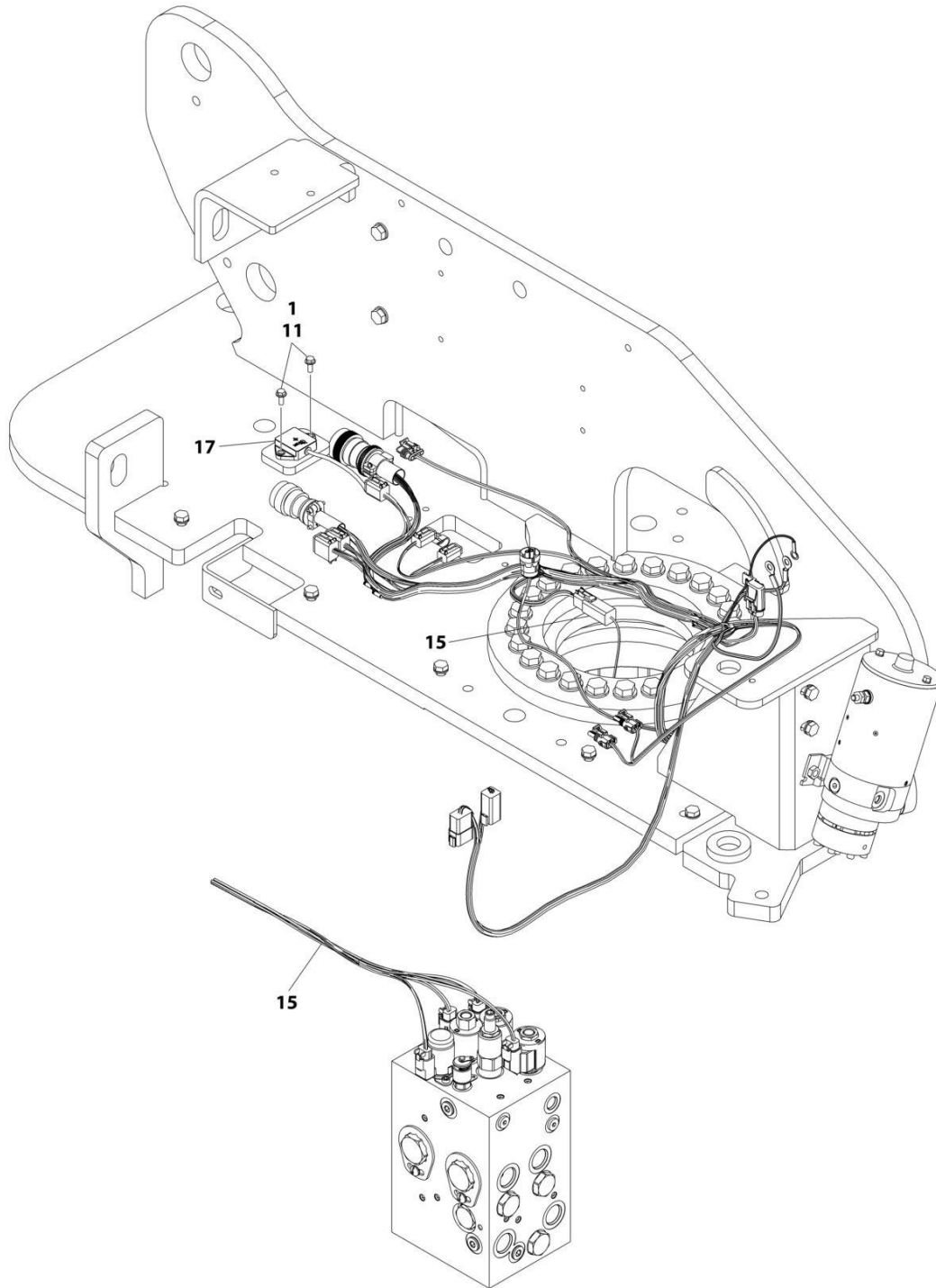


ART\_1001246369\_D\_10F2



# SECTION 2 - TURNTABLE

## FIGURE 2-18. ELECTRICAL SYSTEM INSTALLATION



DETAIL OF TRACTION VALVE

ART\_1001246369\_D\_20F2

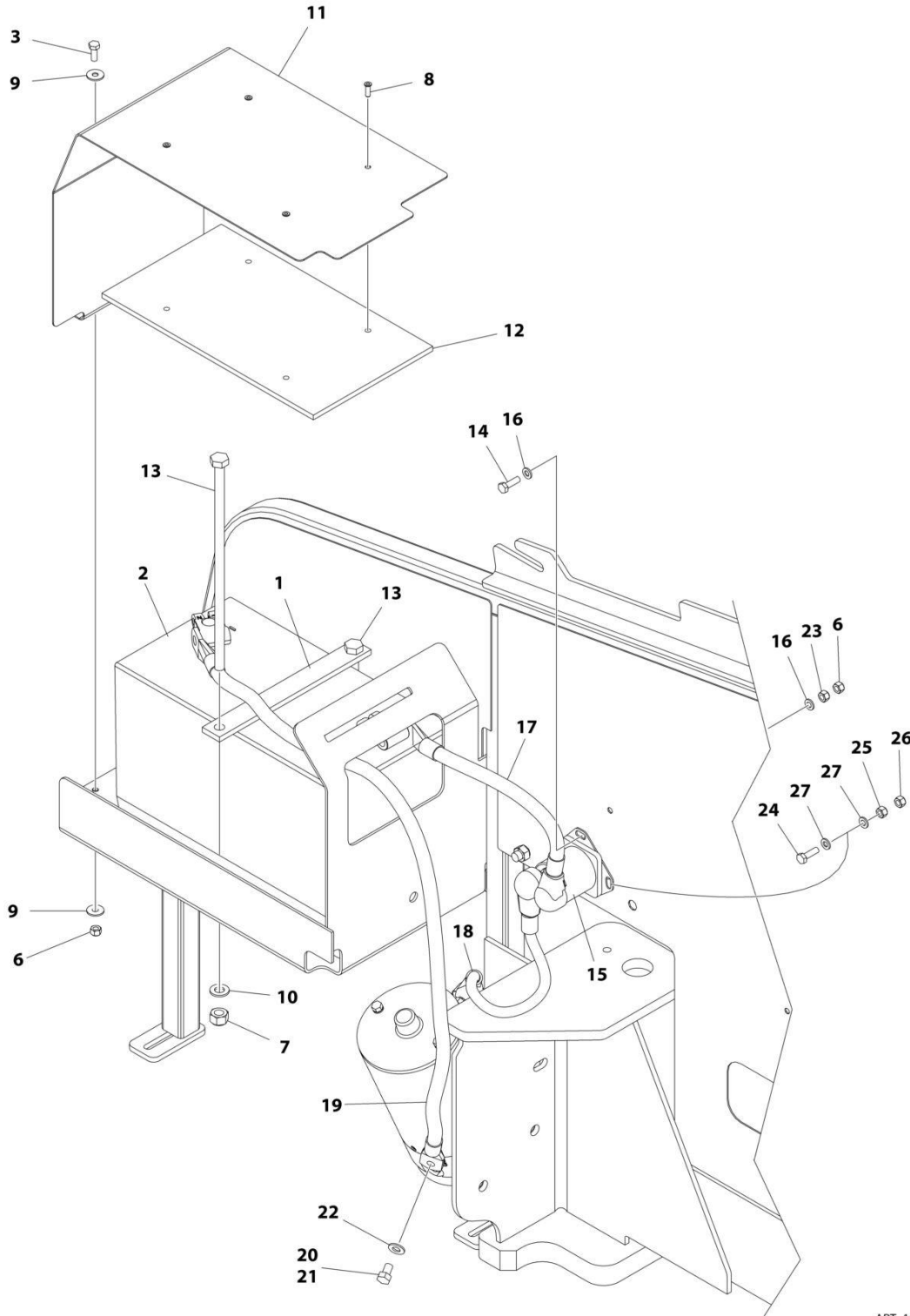
## SECTION 2 - TURNTABLE

**FIGURE 2-18. ELECTRICAL SYSTEM INSTALLATION**

ITEM	PART NUMBER	QTY	DESCRIPTION	REV
	1001246369	Ref	ELECTRICAL SYSTEM INSTALLATION	D
1	0100011	AR	Compound, Locking	
2	0140043	1	Alarm	
3	0760610	7	Bolt M6 x 20	
4	0760621	5	Bolt M6 x 65	
5	3290601	10	Nut M6	
6	3290605	2	Nut, Lock M6	
7	4460496	1	Washer, Terminal	
8	4460497	1	Nut, Terminal	
9	4811700	12	Washer M6	
10	4811702	7	Washer M6	
11	5250608	2	Bolt M6 x 16	
12	1001106736	1	Cap, Dust	
13	1001130220	3	Nut, Tinnerman M6	
14	1001280340	1	Module, Ground Control (Note: Re-calibration Required when Replaced)	
15	1001179236	1	Chassis Solenoid Harness (See Separate Breakdown in ELECTRICAL Section)	
16	1001196637	1	Decal - Fuse Box	
17	1001219601	1	Sensor	
17	1001103013	1	Connector	
18	1001282492	1	Turntable Harness (See Separate Breakdown in ELECTRICAL Section)	
19	1001282533	1	Valve Harness - Main Valve (See Separate Breakdown in ELECTRICAL Section)	
20	1001244295	1	Ground Control Panel Harness (See Separate Breakdown in ELECTRICAL Section)	
22	4240032	AR	Tie-Strap (Not Shown)	
23	4460234	AR	Mount, Tie-Strap (Not Shown)	
24	1001296426	1	Hour Meter Jumper Harness (See Separate Breakdown in ELECTRICAL Section)	

# SECTION 2 - TURNTABLE

## FIGURE 2-19. BATTERY AND CABLE INSTALLATION



ART\_1001166316\_H

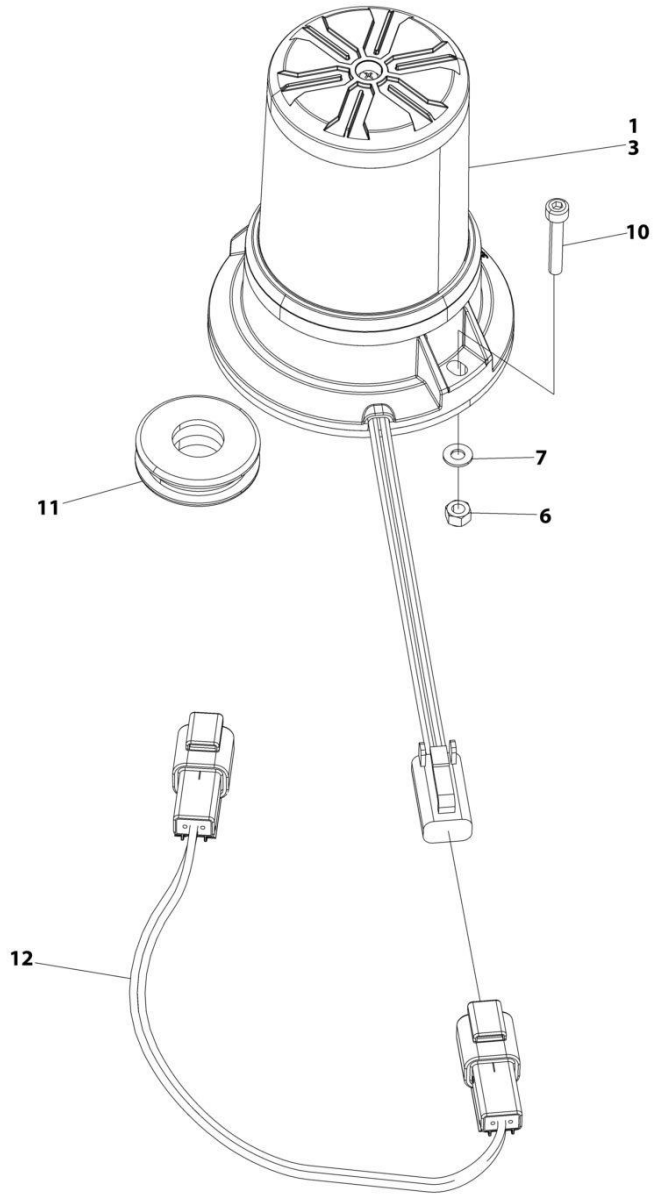
**SECTION 2 - TURNTABLE**

**FIGURE 2-19. BATTERY AND CABLE INSTALLATION**

ITEM	PART NUMBER	QTY	DESCRIPTION	REV
	1001166316	Ref	BATTERY AND CABLE INSTALLATION	H
1	0361810	1	Bar, Hold-down	
2	0400075	1	Battery	
3	0760610	2	Bolt M6 x 20	
6	3290605	3	Nut M6	
7	3291005	2	Nut M10	
8	3820032	4	Rivet	
9	4811702	4	Washer M6	
10	4812000	2	Washer M10	
11	1001117240	1	Cover	
12	1001119278	1	Insulation	
13	1001119280	2	Bolt M16 x 260	
14	0760612	1	Bolt M6 x 25	
15	3740067	1	Relay	
15	3300220	2	Nut 3/8	
15	1001111424	2	Washer 3/8	
15	3321001	1	Nut #10	
15	4761000	1	Washer #10	
16	4811700	2	Washer M6	
17	1001171678	1	Cable, Battery (Positive + to Aux Relay)	
18	1001171679	1	Cable, Battery (Aux Relay to Aux Pump)	
19	1001171680	1	Cable, Battery (Negative – to Aux Pump)	
20	0100011	AR	Compound, Locking	
21	0641504	1	Bolt 5/16 x 1/2	
22	4711500	1	Washer 5/16	
23	3290601	2	Nut M6	
24	0760512	1	Bolt M5 x 25	
25	3290501	1	Nut M5	
26	3290505	1	Nut M5	
27	4811600	2	Washer M5	

# SECTION 2 - TURNTABLE

## FIGURE 2-20. BEACON LIGHT INSTALLATION - AMBER



ART\_1001174976\_F



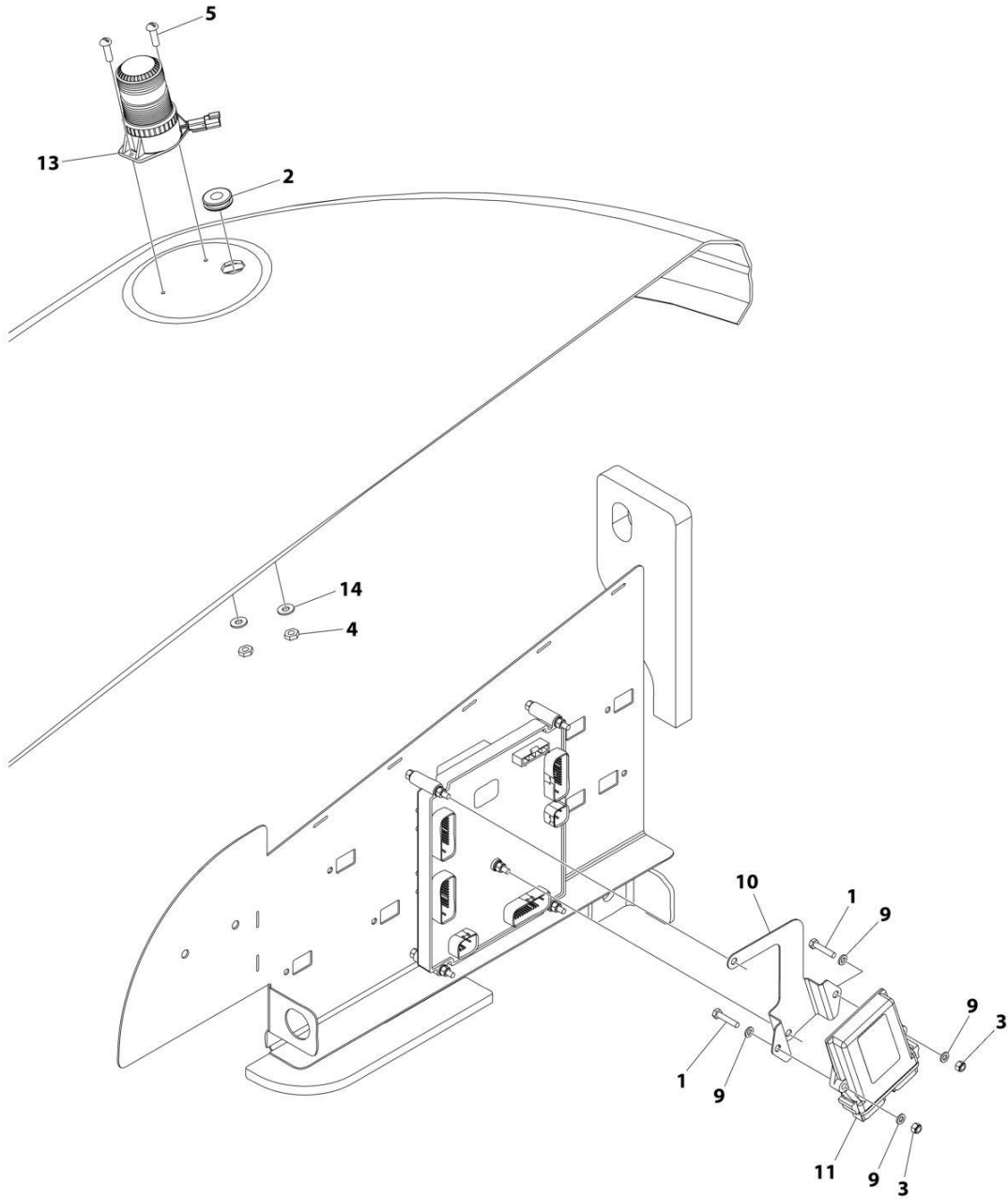
**SECTION 2 - TURNTABLE**

**FIGURE 2-20. BEACON LIGHT INSTALLATION - AMBER**

ITEM	PART NUMBER	QTY	DESCRIPTION	REV
	1001174976	Ref	BEACON LIGHT INSTALLATION - AMBER	F
1	0100048	AR	Compound, Silicone	
3	1001270594	1	Lamp, Strobe	
3	4460891	1	Connector	
3	4460465	2	Socket	
6	3290405	2	Nut, Lock M4	
7	4811400	2	Washer M4	
8	4240032	AR	Tie-Strap (Not Shown)	
9	4460234	AR	Mount, Tie-Strap (Noth Shown)	
10	4031509	1	Capscrew M4 x25	
11	2540020	1	Grommet	
12	1001283776	1	Harness, Beacon Jumper (See Separate Breakdown in ELECTRICAL Section)	

# SECTION 2 - TURNTABLE

## FIGURE 2-21. BEACON LIGHT INSTALLATION - BLUE



ART\_1001242855\_C

**SECTION 2 - TURNTABLE**

**FIGURE 2-21. BEACON LIGHT INSTALLATION - BLUE**

ITEM	PART NUMBER	QTY	DESCRIPTION	REV
	1001242855	Ref	BEACON LIGHT INSTALLATION - BLUE	C
1	0760614	2	Bolt M6 x 30	
2	2540020	1	Grommet	
3	3290605	2	Nut, Lock M6	
4	3290405	2	Nut, Lock M4	
5	4031509	2	Capscrew M4 x 25	
6	4240032	AR	Tie-Strap (Not Shown)	
7	4460488	AR	Mount, Tie-Strap (Not Shown)	
9	4811700	4	Washer M6	
10	1001276626	1	Mount, Module	
11	1001142683	1	Module, Control	
12	1001142736	1	Harness, Beacon (Not Shown - See Separate Breakdown in ELECTRICAL Section)	
13	1001272681	1	Lamp, Strobe	
13	4460897	1	Connector	
13	4460464	2	Pin	
14	4811400	2	Washer M4	



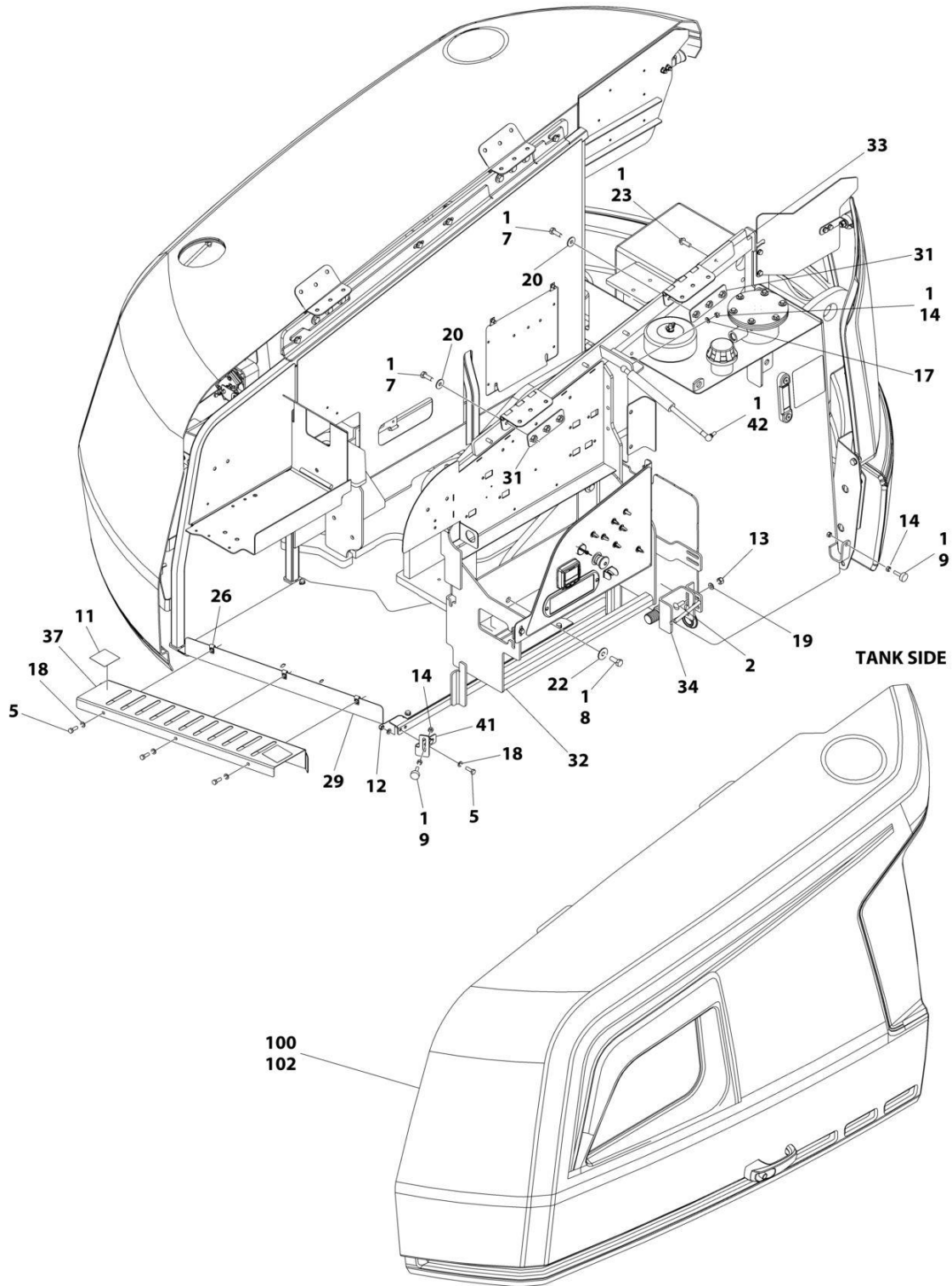
**SECTION 2 - TURNTABLE**

**FIGURE 2-22. BEACON LIGHT INSTALLATION - RED**

ITEM	PART NUMBER	QTY	DESCRIPTION	REV
	1001242856	Ref	BEACON LIGHT INSTALLATION - RED	C
1	0760614	2	Bolt M6 x 30	
2	2540020	1	Grommet	
3	3290605	2	Nut, Lock M6	
4	3290405	2	Nut, Lock M4	
5	4031509	2	Capscrew M4 x 25	
6	4240032	AR	Tie-Strap (Not Shown)	
7	4460488	AR	Mount, Tie-Strap (Not Shown)	
9	4811700	4	Washer M6	
10	1001276626	1	Mount, Module	
11	1001142683	1	Module, Control	
12	1001142736	1	Harness, Beacon (Not Shown - See Separate Breakdown in ELECTRICAL Section)	
13	1001272682	1	Lamp, Strobe	
13	4460897	1	Connector	
13	4460464	2	Pin	
14	4811400	2	Washer M4	

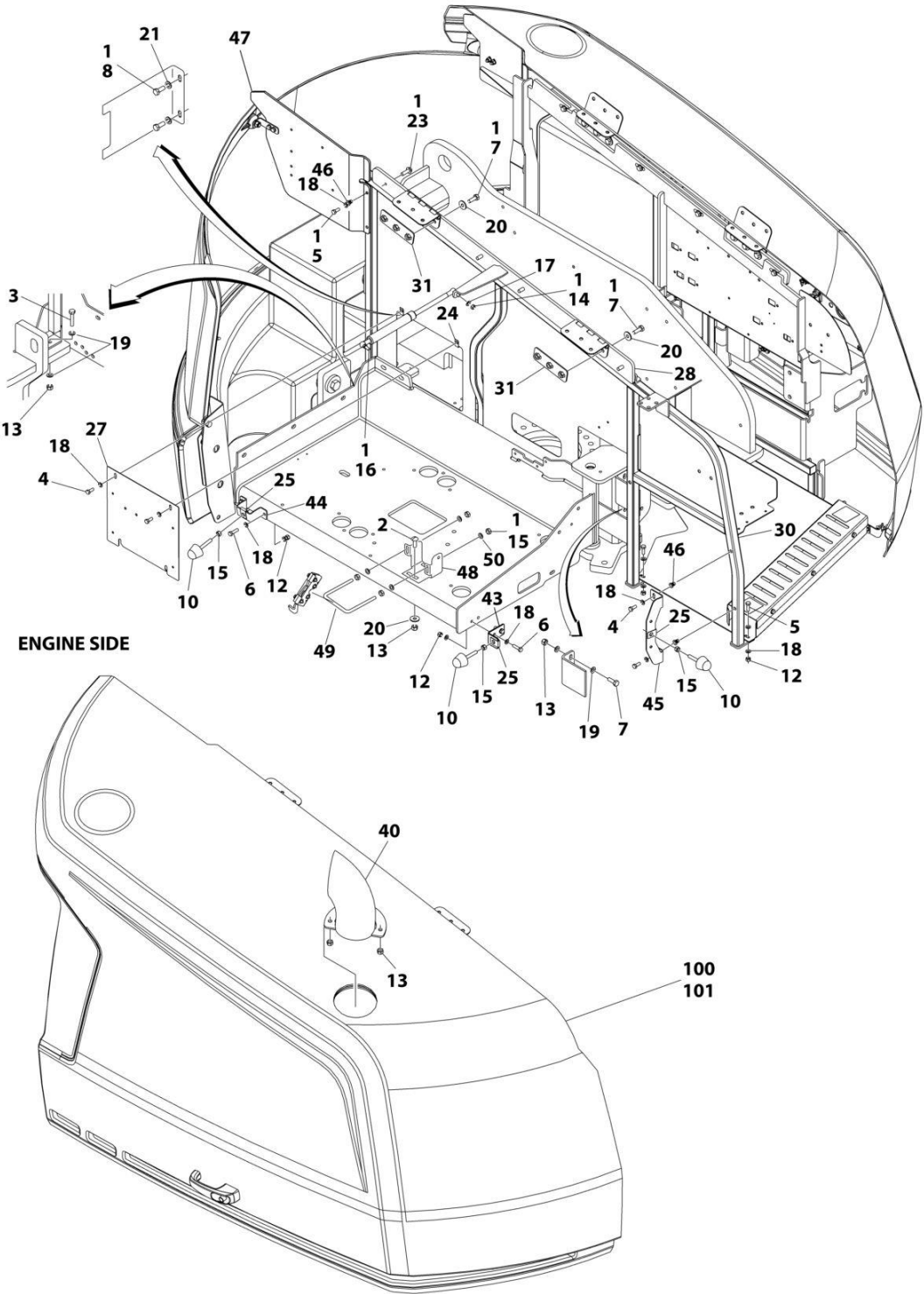
# SECTION 2 - TURNTABLE

## FIGURE 2-23. HOODS INSTALLATION (ABS)



ART\_1001241286\_D\_10F2

SECTION 2 - TURNTABLE



ART\_1001241286\_D\_20F2

## SECTION 2 - TURNTABLE

FIGURE 2-23. HOODS INSTALLATION (ABS)

ITEM	PART NUMBER	QTY	DESCRIPTION	REV
	1001241286	Ref	HOODS INSTALLATION	D
1	0100011	AR	Compound, Locking	
2	0630613	4	Bolt M10 x 30	
3	0701018	5	Bolt M10 x 50	
4	0760810	4	Bolt M8 x 20	
5	0760812	11	Bolt M8 x 25	
6	0760814	4	Bolt M8 x 30	
7	0761014	14	Bolt M10 x 30	
8	0761214	6	Bolt M12 x 30	
9	0940049	2	Bumper	
10	0940071	3	Bumper	
11	1701691	2	Decal - No Step	
12	3290805	10	Nut M8	
13	3291005	14	Nut M10	
14	3311501	6	Nut 5/16	
15	3311601	7	Nut 3/8	
16	4160182	1	Spring, Gas	
17	4711500	2	Washer 5/16	
18	4811900	29	Washer M8	
19	4812000	16	Washer M10	
20	4812002	14	Washer M10	
21	4812100	2	Washer M12	
22	4812102	4	Washer M12	
23	5251014	8	Bolt M10 x 30	
24	8310686	2	Nut, Retainer M8	
25	88662523	3	Nut, Tinnerman	
26	1001118274	3	Nut M8	
27	1001167149	1	Panel, Filler	
28	1001167159	1	Mount	
29	1001167163	1	Tray	
30	1001167169	1	Mount	
31	1001169046	4	Nut	
32	1001211716	1	Support, Hood	
33	1001170018	1	Mount	
34	1001170022	1	Mount	
37	1001171216	1	Cover	
40	1001233899	1	Pipe, Exhaust	
41	1001179904	1	Mount	
42	1001182169	1	Spring, Gas	
43	1001182875	1	Mount	
44	1001182877	1	Mount	
45	1001182879	1	Mount	
46	1001191832	4	Rivnut M8	
47	1001211717	1	Panel, Filler	
48	1001250291	1	Bracket	
49	1001243414	1	U-Bolt	
50	4891600	4	Washer 3/8	
100	1001285789	1	Hood Kit (Includes Items 101-102)	A
101	1001241295	1	Hood Assembly - Engine Side (See Separate Breakdown in this Section)	

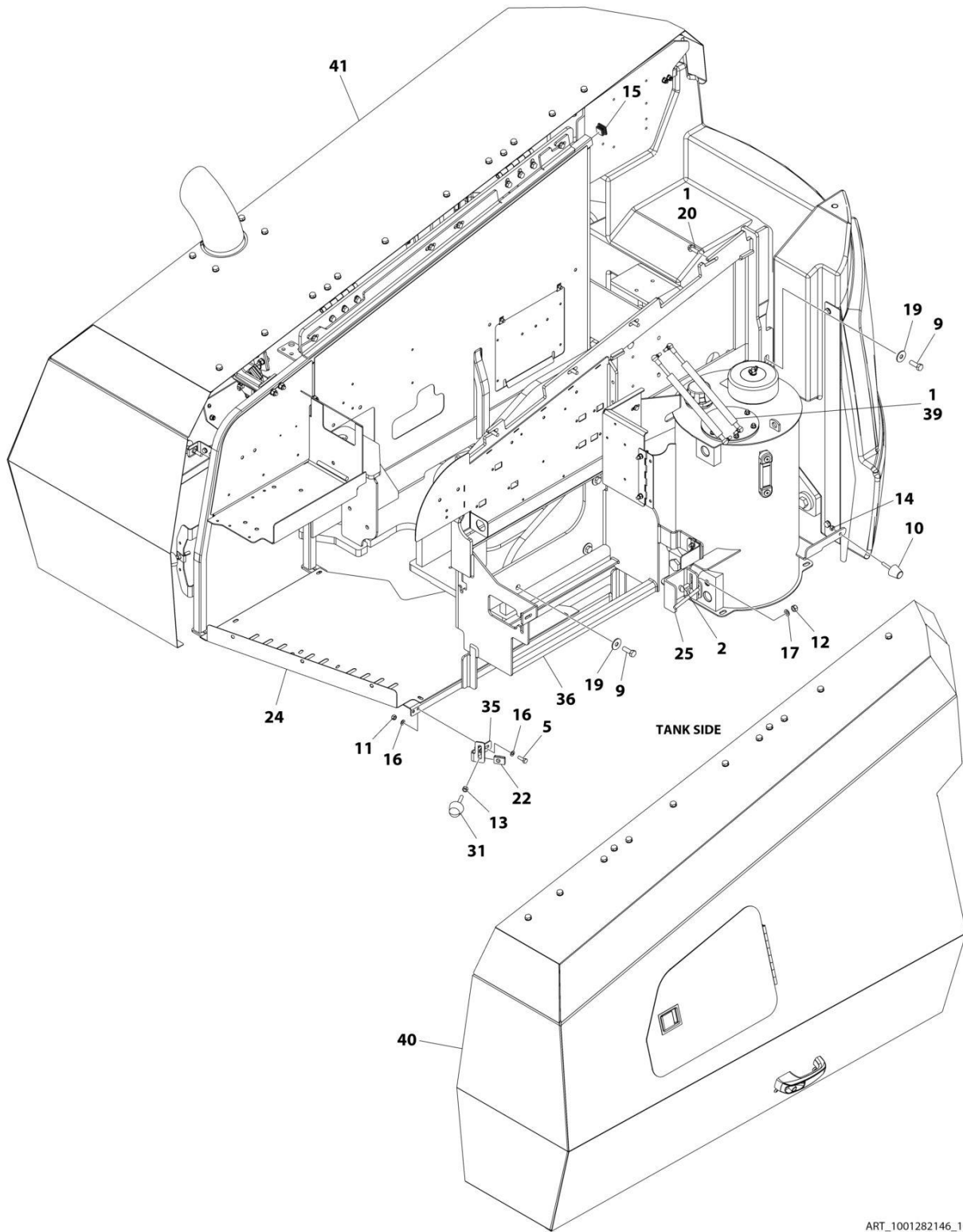


**SECTION 2 - TURNTABLE**

<b>ITEM</b>	<b>PART NUMBER</b>	<b>QTY</b>	<b>DESCRIPTION</b>	<b>REV</b>
102	1001285788	1	Hood Assembly - Tank Side (See Separate Breakdown in this Section)	

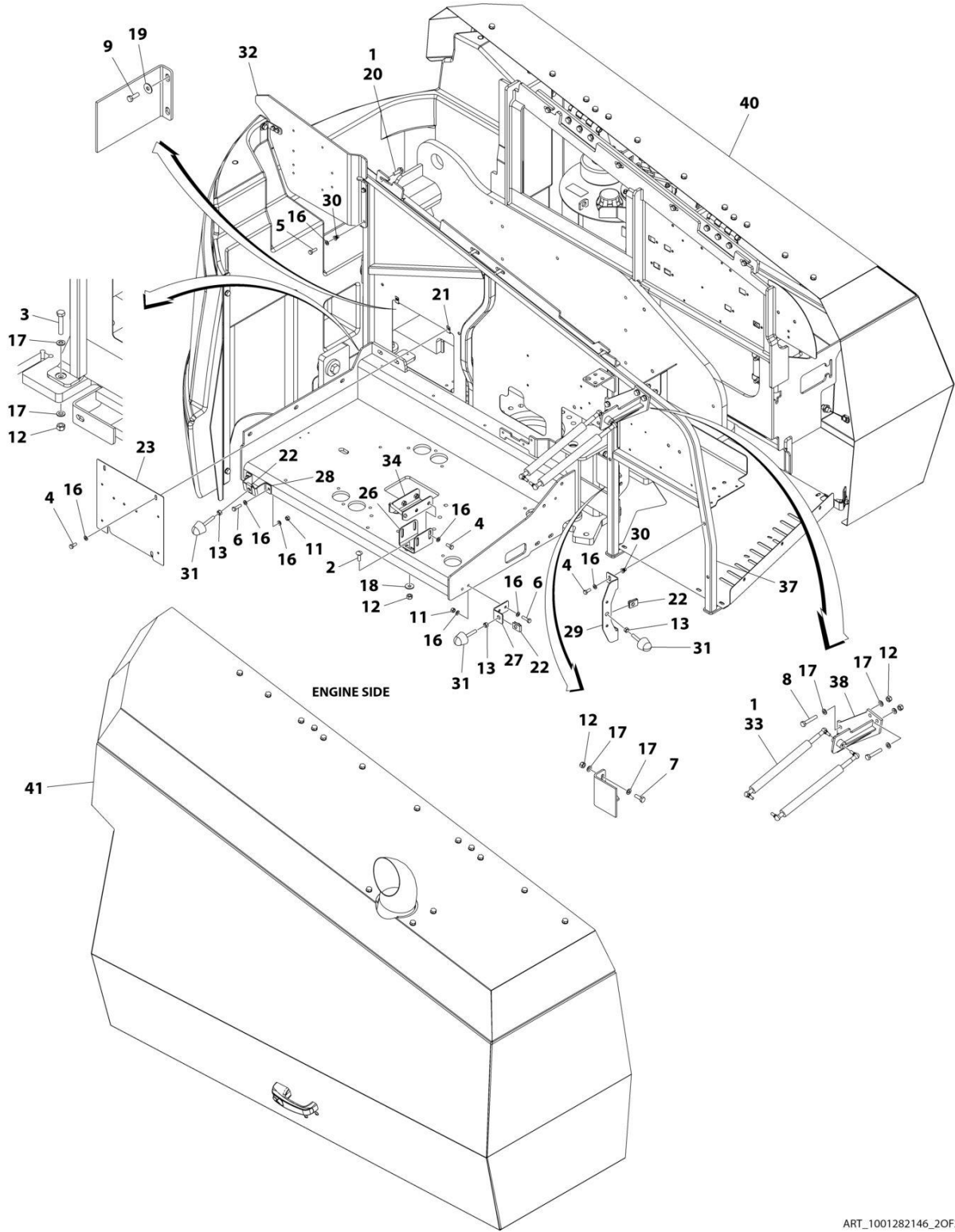
# SECTION 2 - TURNTABLE

## FIGURE 2-24. HOODS INSTALLATION (STEEL)



ART\_1001282146\_1OF2

SECTION 2 - TURNTABLE



ART\_1001282146\_20F2

## SECTION 2 - TURNTABLE

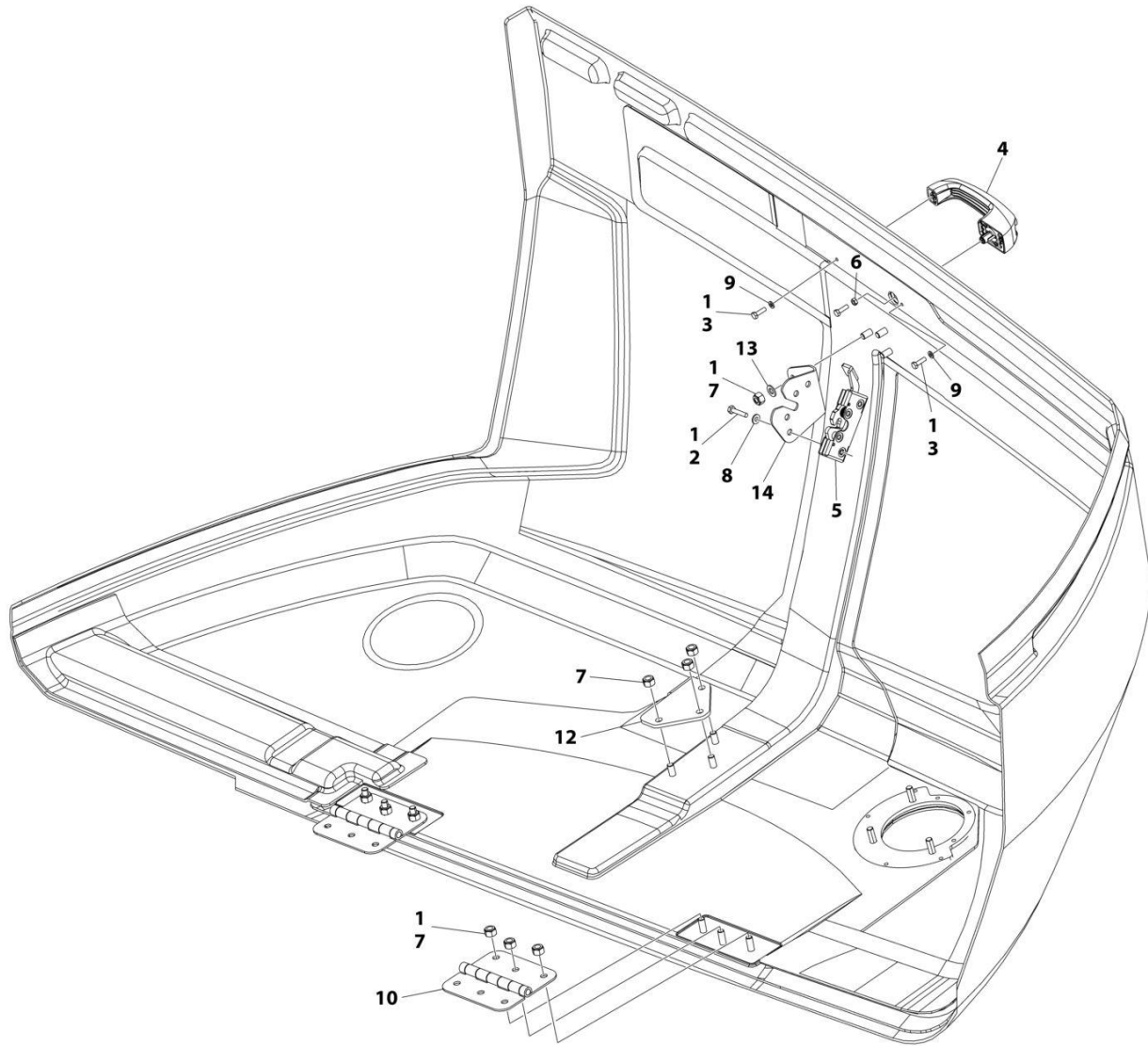
**FIGURE 2-24. HOODS INSTALLATION (STEEL)**

ITEM	PART NUMBER	QTY	DESCRIPTION	REV
	1001282146	Ref	HOODS INSTALLATION (STEEL)	B
1	0100011	AR	Compound, Locking	
2	0630613	4	Bolt M10 x 30	
3	0701019	5	Bolt M10 x 55	
4	0760810	8	Bolt M8 x 20	
5	0760812	4	Bolt M8 x 25	
6	0760814	4	Bolt M8 x 30	
7	0761014	2	Bolt M10 x 30	
8	0761020	4	Bolt M12 x 60	
9	0761215	6	Bolt M12 x 35	
10	0940088	1	Bumper	
11	3290805	6	Nut M8	
12	3291005	15	Nut M10	
13	3311601	4	Nut 3/8	
14	3321501	1	Nut 5/16	
15	3520072	1	Plug	
16	4811900	22	Washer M8	
17	4812000	24	Washer M10	
18	4812002	2	Washer M10	
19	4812102	6	Washer M12	
20	5251014	8	Bolt M10 x 30	
21	8310686	2	Nut, Retainer M8	
22	88662523	4	Nut, Tinnerman	
23	1001167149	1	Panel, Filler	
24	1001167163	1	Tray	
25	1001170022	1	Mount	
26	1001170859	1	Mount	
27	1001182875	1	Mount	
28	1001182877	1	Mount	
29	1001182879	1	Mount	
30	1001191832	4	Rivnut M8	
31	1001206314	4	Bumper	
32	1001211717	1	Panel, Filler	
33	1001213794	2	Spring, Gas	
34	1001223777	1	Support, Striker	
35	1001269476	1	Mount	
36	1001279651	1	Support, Hood	
37	1001280240	1	Mount	
38	1001280242	1	Mount	
39	1001280549	2	Spring, Gas	
40	1001285988	1	Hood Assembly - Tank Side (See Separate Breakdown in this Section)	
41	1001282143	1	Hood Assembly - Engine Side (See Separate Breakdown in this Section)	



# SECTION 2 - TURNTABLE

## FIGURE 2-25. HOOD ASSEMBLY (ABS) - ENGINE SIDE



**NOTE: REPLACEMENT DECALS MUST BE ORDERED SEPARATELY - SEE DECAL SECTION.**

ART\_1001241295

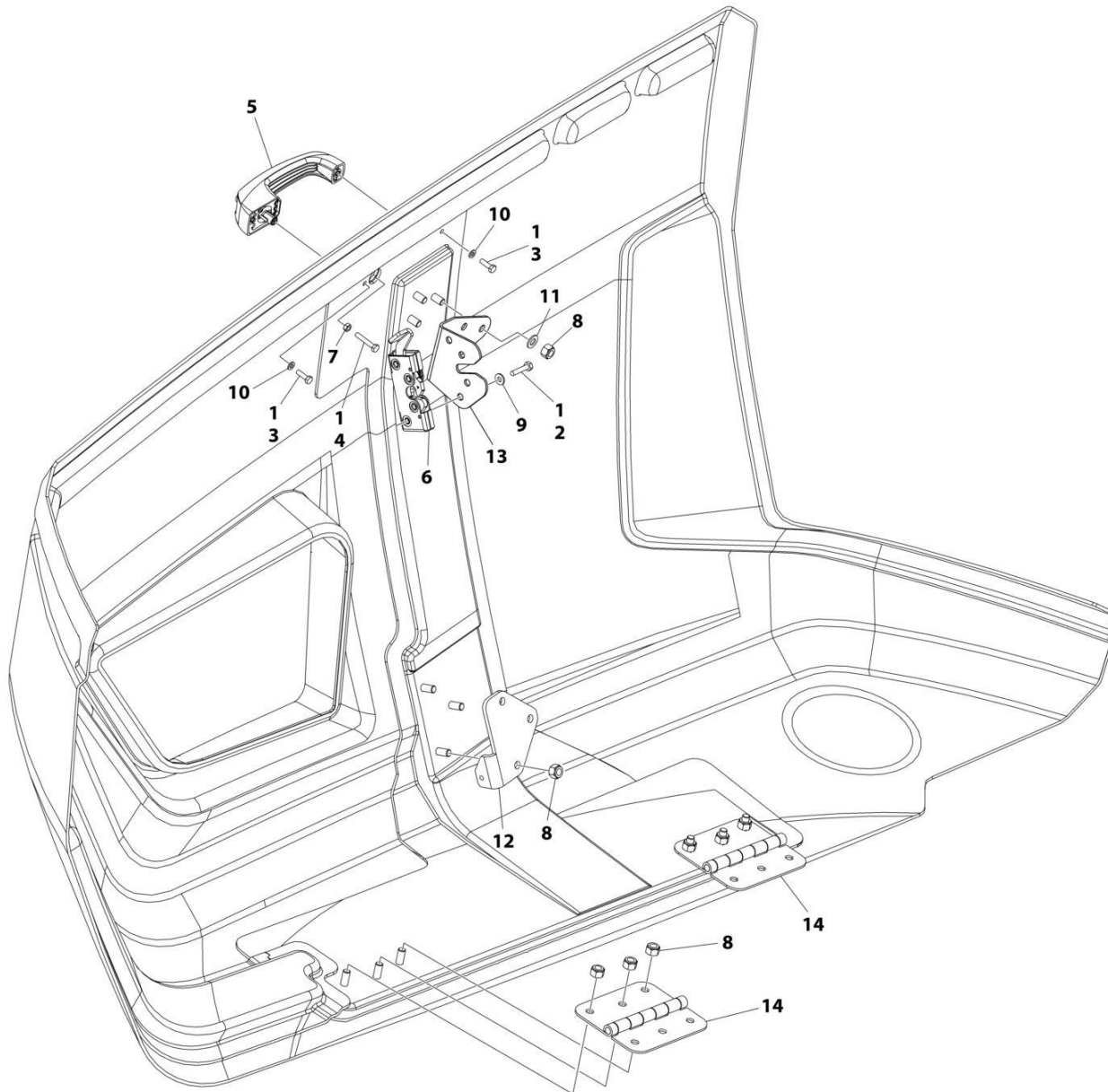
**SECTION 2 - TURNTABLE**

**FIGURE 2-25. HOOD ASSEMBLY (ABS) - ENGINE SIDE**

ITEM	PART NUMBER	QTY	DESCRIPTION	REV
	1001241295	Ref	HOOD ASSEMBLY - ENGINE SIDE	C
1	0100011	AR	Compound, Locking	
2	0641410	4	Bolt 1/4 x 1-1/4	
3	0760610	3	Bolt M6 x 20	
4	2560187	1	Handle	
5	2940173	1	Latch	
6	3290601	1	Nut M6	
7	3291005	12	Nut M10	
8	4711400	4	Washer 1/4	
9	4811700	2	Washer M6	
10	1001259230	2	Hinge	
12	1001178228	1	Bracket	
13	4812000	3	Washer M10	
14	1001202830	1	Support	

## SECTION 2 - TURNTABLE

FIGURE 2-26. HOOD ASSEMBLY (ABS) - TANK SIDE



NOTE: REPLACEMENT DECALS MUST BE ORDERED SEPARATELY - SEE DECAL SECTION.

ART\_1001285788



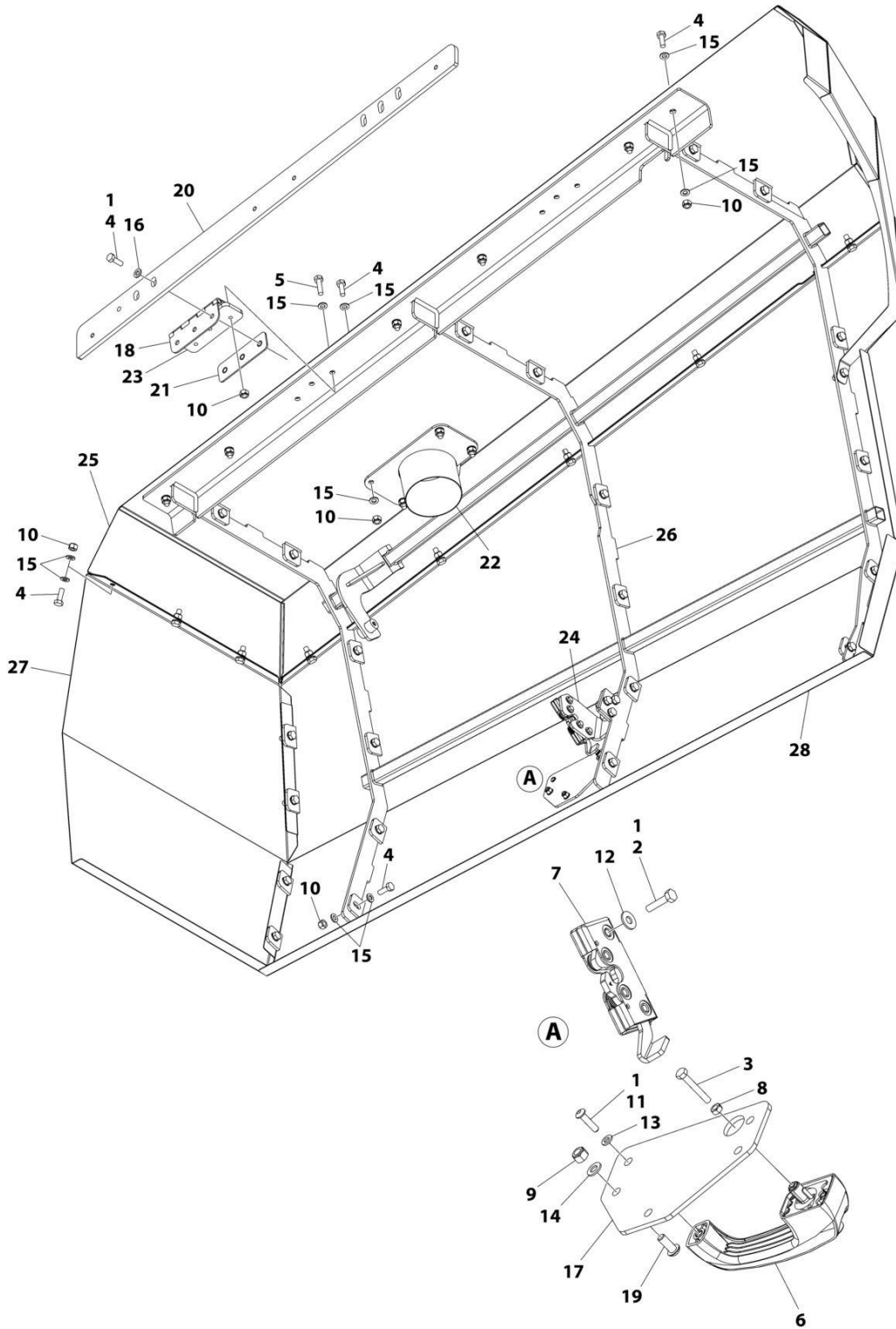
**SECTION 2 - TURNTABLE**

**FIGURE 2-26. HOOD ASSEMBLY (ABS) - TANK SIDE**

ITEM	PART NUMBER	QTY	DESCRIPTION	REV
	1001285788	Ref	HOOD ASSEMBLY - TANK SIDE	A
1	0100011	AR	Compound, Locking	
2	0641410	4	Bolt 1/4 x 1-1/4	
3	0760610	2	Bolt M6 x 20	
4	0760615	1	Bolt M6 x 35	
5	2560187	1	Handle	
6	2940173	1	Latch	
7	3290601	1	Nut M6	
8	3291005	12	Nut, Lock M10	
9	4711400	4	Washer 1/4	
10	4811700	2	Washer M6	
11	4812000	3	Washer M10	
12	1001170475	1	Bracket	
13	1001203322	1	Support	
14	1001259230	2	Hinge	

# SECTION 2 - TURNTABLE

## FIGURE 2-27. HOOD ASSEMBLY (STEEL) - ENGINE SIDE



ART\_1001282143

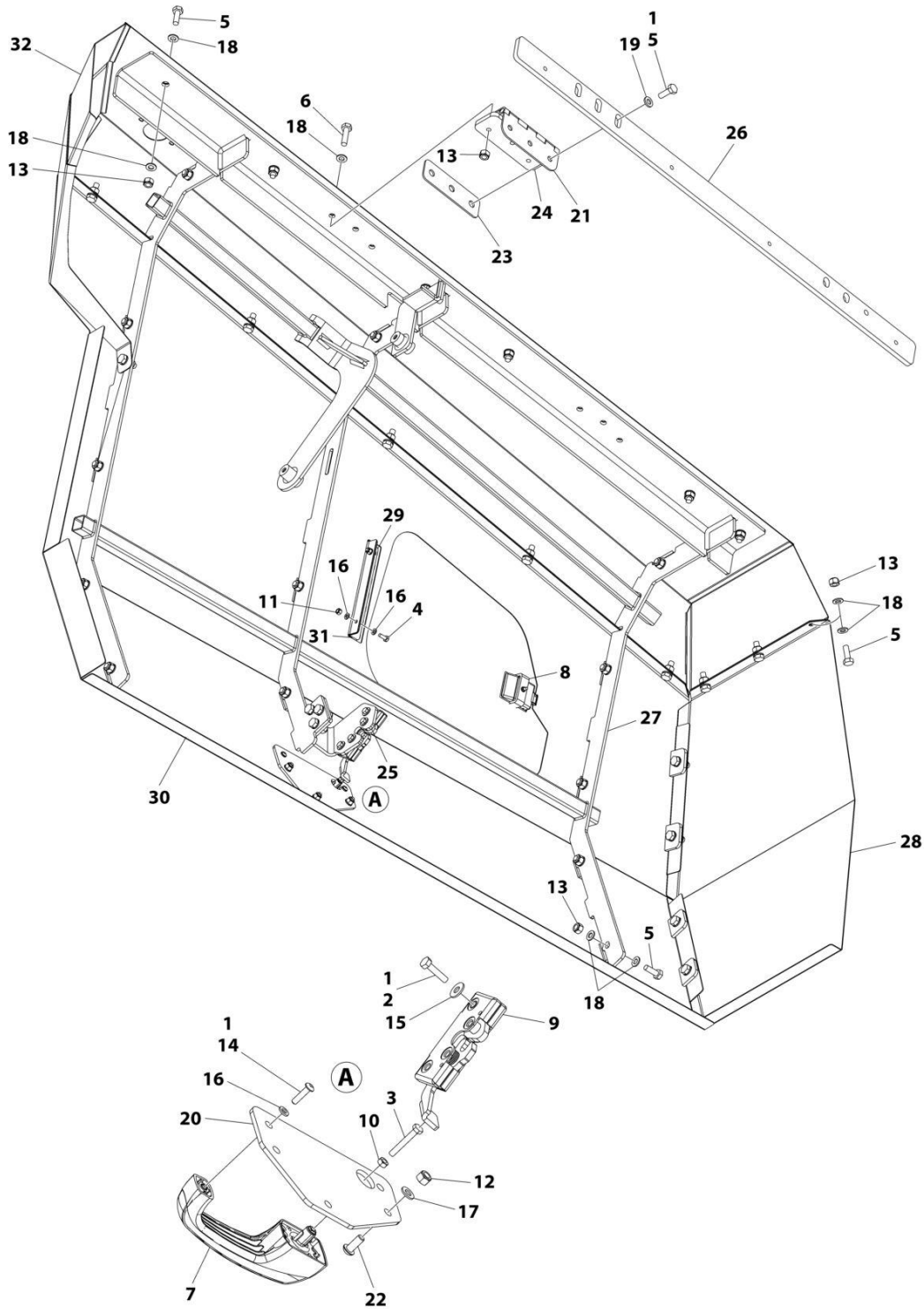
## SECTION 2 - TURNTABLE

**FIGURE 2-27. HOOD ASSEMBLY (STEEL) - ENGINE SIDE**

ITEM	PART NUMBER	QTY	DESCRIPTION	REV
	1001282143	Ref	HOOD ASSEMBLY (STEEL) - ENGINE SIDE	A
1	0100011	AR	Compound, Locking	
2	0641409	4	Bolt 1/4 x 1/8	
3	0700616	1	Bolt M6 x 40	
4	0761014	50	Bolt M10 x 30	
5	0761016	6	Bolt M10 x 40	
6	2560187	1	Handle	
7	2940173	1	Latch	
8	3290601	1	Nut M6	
9	3290805	3	Nut M8 x 1-1/4	
10	3291005	50	Nut M10 x 1-1/2	
11	3900363	2	Screw M6 x 25	
12	4751400	4	Washer 1/4	
13	4811700	2	Washer M6	
14	4811900	3	Washer M8	
15	4812000	94	Washer M10	
16	5241000	6	Washer M10	
17	1001116290	1	Plate	
18	1001139384	2	Hinge	
19	1001164726	3	Screw M8 x 20	
20	1001167157	1	Mount, Hood	
21	1001169046	2	Nut	
22	1001194888	1	Pipe, Exhaust	
23	1001202333	2	Plate, Nut	
24	1001263664	1	Bracket	
25	1001263669	1	Panel (Top)	
26	1001263677	1	Bracket	
27	1001263693	1	Panel (End)	
28	1001265389	1	Panel (Side)	

# SECTION 2 - TURNTABLE

## FIGURE 2-28. HOOD ASSEMBLY (STEEL) - TANK SIDE



ART\_1001285988

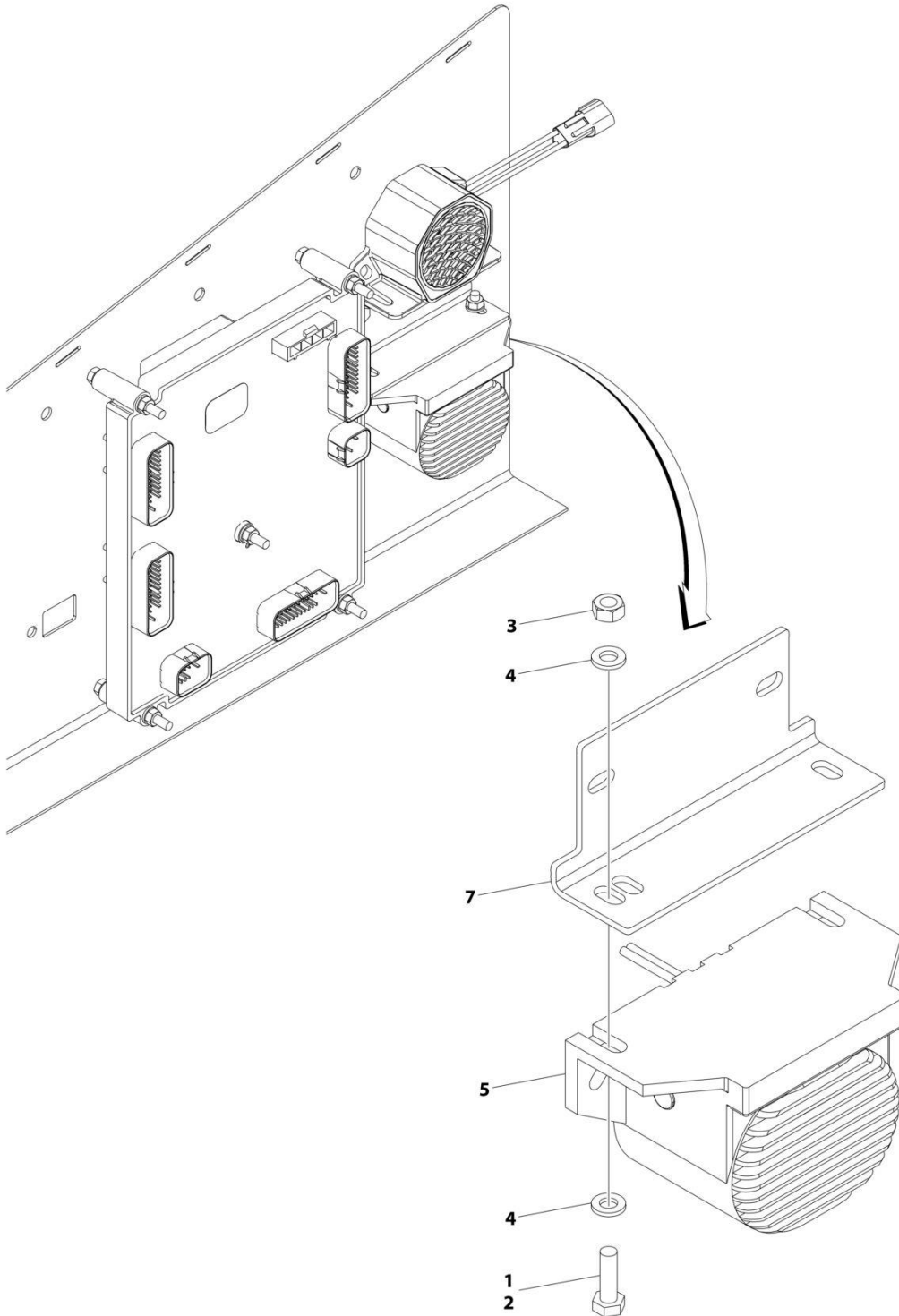
**SECTION 2 - TURNTABLE**

**FIGURE 2-28. HOOD ASSEMBLY (STEEL) - TANK SIDE**

ITEM	PART NUMBER	QTY	DESCRIPTION	REV
	1001285988	Ref	HOOD ASSEMBLY (STEEL) - TANK SIDE	A
1	0100011	AR	Compound, Locking	
2	0641409	4	Bolt 1/4 x 1/8	
3	0700616	1	Bolt M6 x 40	
4	0760608	2	Bolt M6 x 16	
5	0761014	42	Bolt M10 x 30	
6	0761016	6	Bolt M10 x 40	
7	2560187	1	Handle	
8	2940045	1	Latch	
9	2940173	1	Latch	
10	3290601	1	Nut M6	
11	3290605	2	Nut M6	
12	3290805	3	Nut M8 x 1-1/4	
13	3291005	42	Nut M10 x 1-1/2	
14	3900363	2	Screw M6 x 25	
15	4751400	4	Washer 1/4	
16	4811700	6	Washer M6	
17	4811900	3	Washer M8	
18	4812000	78	Washer M10	
19	5241000	6	Washer M10	
20	1001116290	1	Plate	
21	1001139384	2	Hinge	
22	1001164726	3	Screw M8 x 20	
23	1001169046	2	Nut	
24	1001202333	2	Plate, Nut	
25	1001263663	1	Bracket	
26	1001263668	1	Plate, Hinge	
27	1001263678	1	Bracket	
28	1001263694	1	Panel (End)	
29	1001263787	1	Door	
30	1001265390	1	Panel (Side)	
31	1001281623	4.88 ft/1.49m	Seal	
32	1001285640	1	Panel (Top)	

## SECTION 2 - TURNTABLE

FIGURE 2-29. WHITE NOISE AMBIENT ALARM INSTALLATION



ART\_1001209617

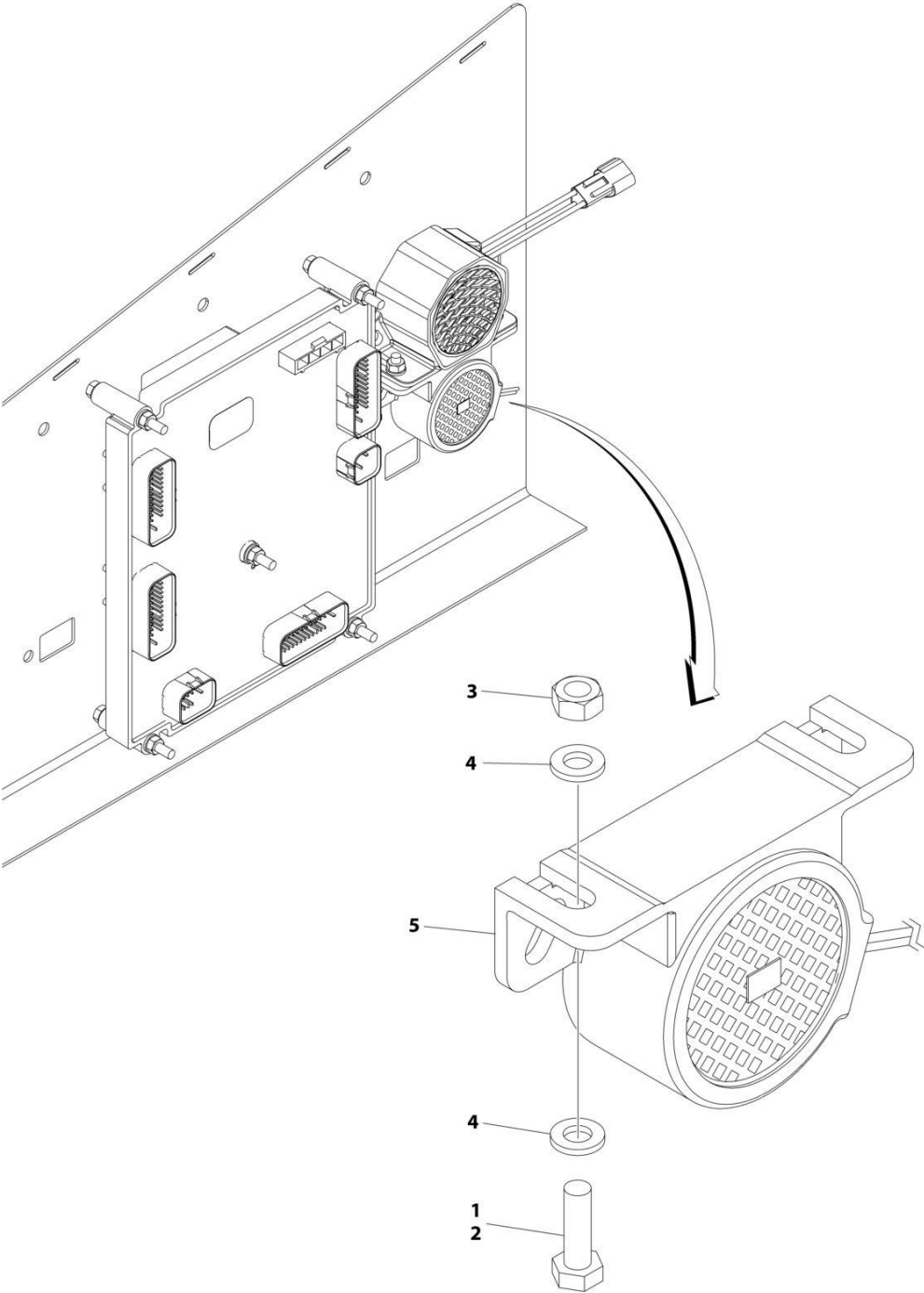
**SECTION 2 - TURNTABLE**

**FIGURE 2-29. WHITE NOISE AMBIENT ALARM INSTALLATION**

<b>ITEM</b>	<b>PART NUMBER</b>	<b>QTY</b>	<b>DESCRIPTION</b>	<b>REV</b>
	1001209617	Ref	WHITE NOISE AMBIENT ALARM INSTALLATION	C
1	0100011	AR	Compound, Locking	
2	0760610	2	Bolt M6 x 20	
3	3290601	2	Nut M6	
4	4811700	4	Washer M6	
5	1001182806	1	Alarm	
6	1001190663	1	Harness, Jumper (Not Shown)	
6	4460891	1	Connector – 2 Position	
6	4460465	2	Socket, Female	
6	4460871	2	Socket, Female	
7	1001231886	1	Plate	

**SECTION 2 - TURNTABLE**

**FIGURE 2-30. WHITE NOISE ALARM INSTALLATION**



ART\_1001263174



**SECTION 2 - TURNTABLE**

**FIGURE 2-30. WHITE NOISE ALARM INSTALLATION**

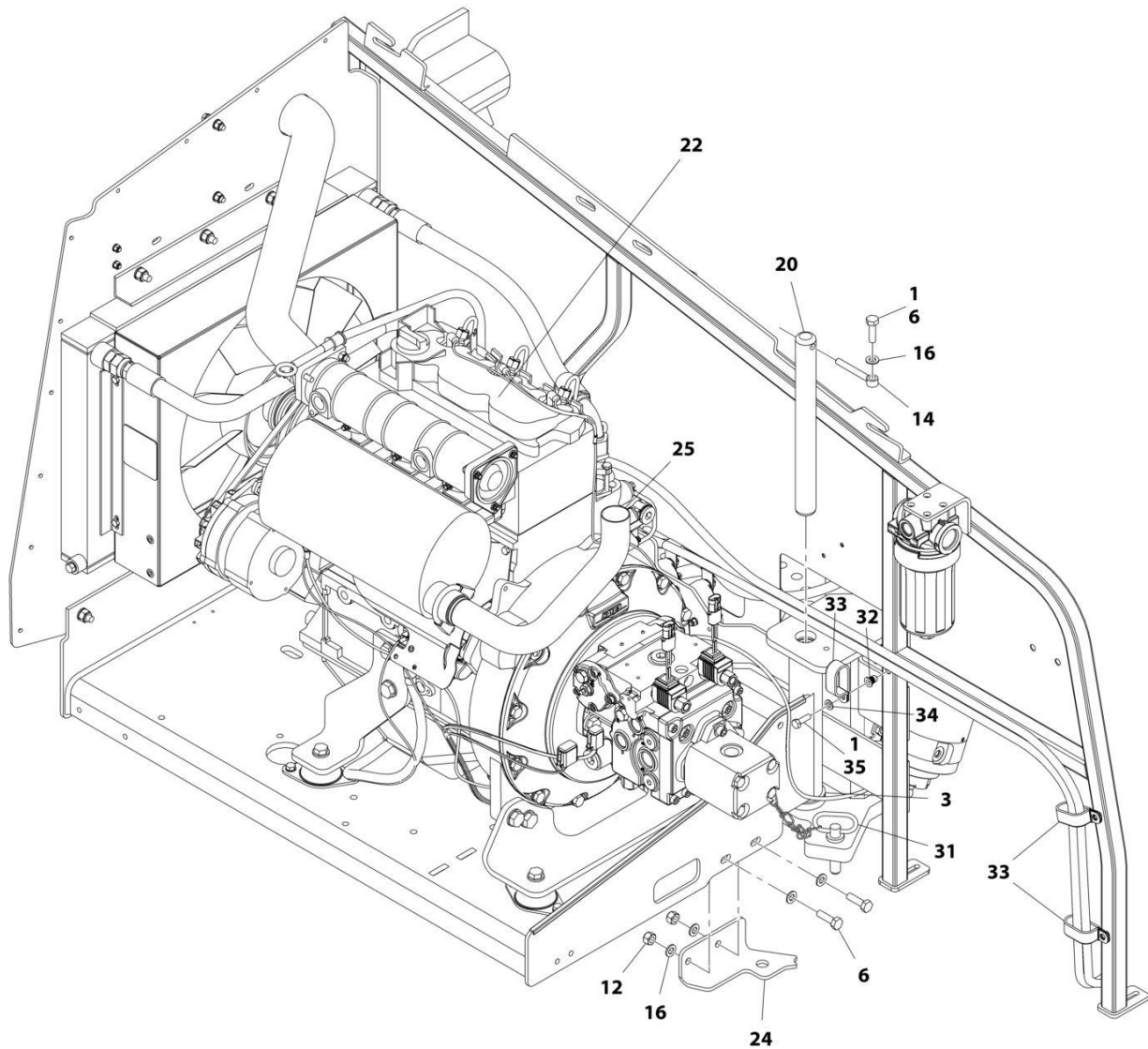
<b>ITEM</b>	<b>PART NUMBER</b>	<b>QTY</b>	<b>DESCRIPTION</b>	<b>REV</b>
	1001263174	Ref	WHITE NOISE ALARM INSTALLATION	A
1	0100011	AR	Compound, Locking	
2	0760610	2	Bolt M6 x 20	
3	3290601	2	Nut M6	
4	4811700	4	Washer M6	
5	1001184682	1	Alarm	
6	1001190663	1	Harness, Jumper (Not Shown)	
6	4460891	1	Connector – 2 Position	
6	4460465	2	Socket, Female	
6	4460871	2	Socket, Female	



**SECTION 3 - ENGINE**

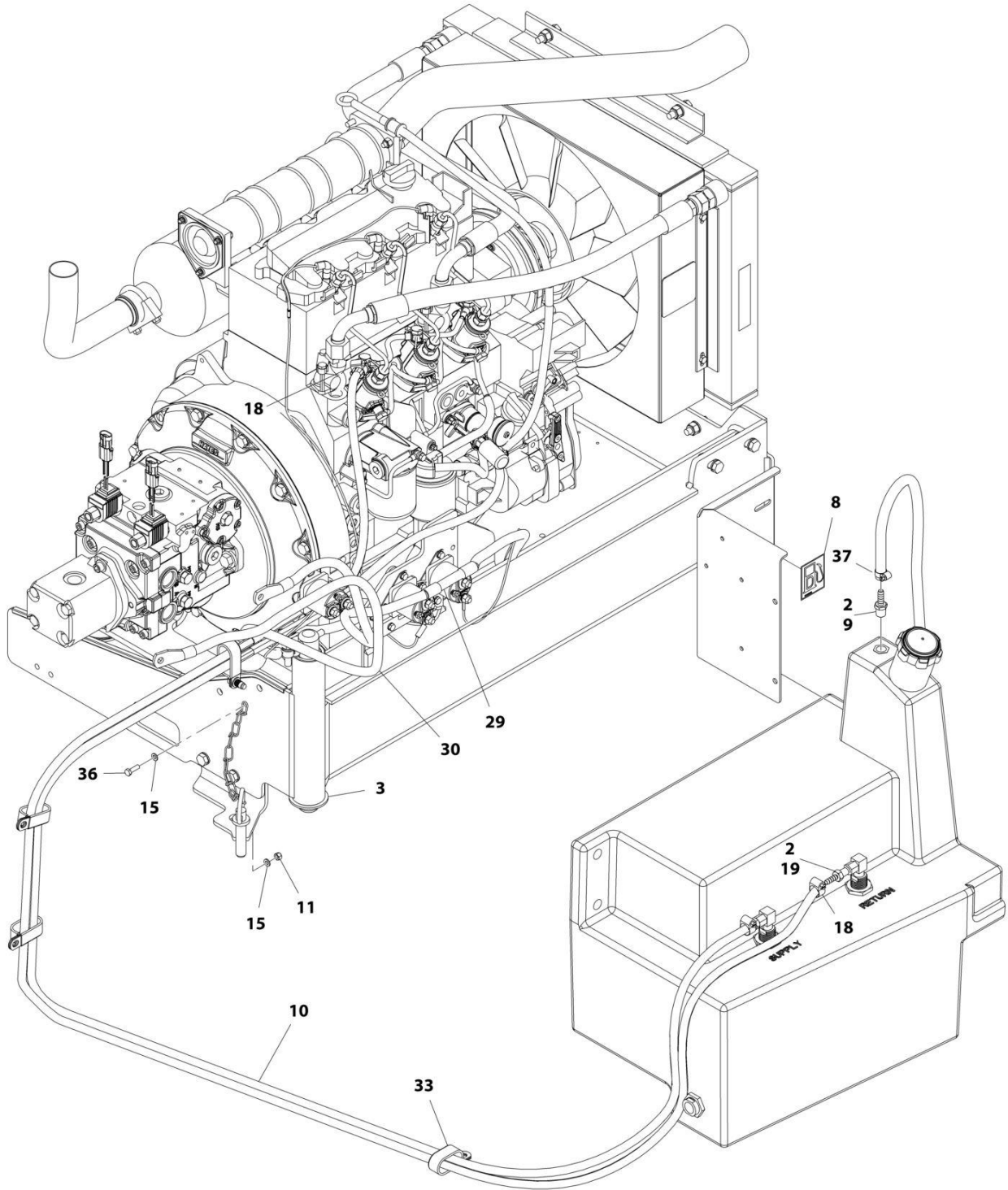
# SECTION 3 - ENGINE

FIGURE 3-1. ENGINE INSTALLATION - DEUTZ D2011 (WITHOUT ARCTIC PACKAGE) (ANSI EXPORT, AUSTRALIAN, CE (LRC), CIS/EAC & UK CA SPECS)



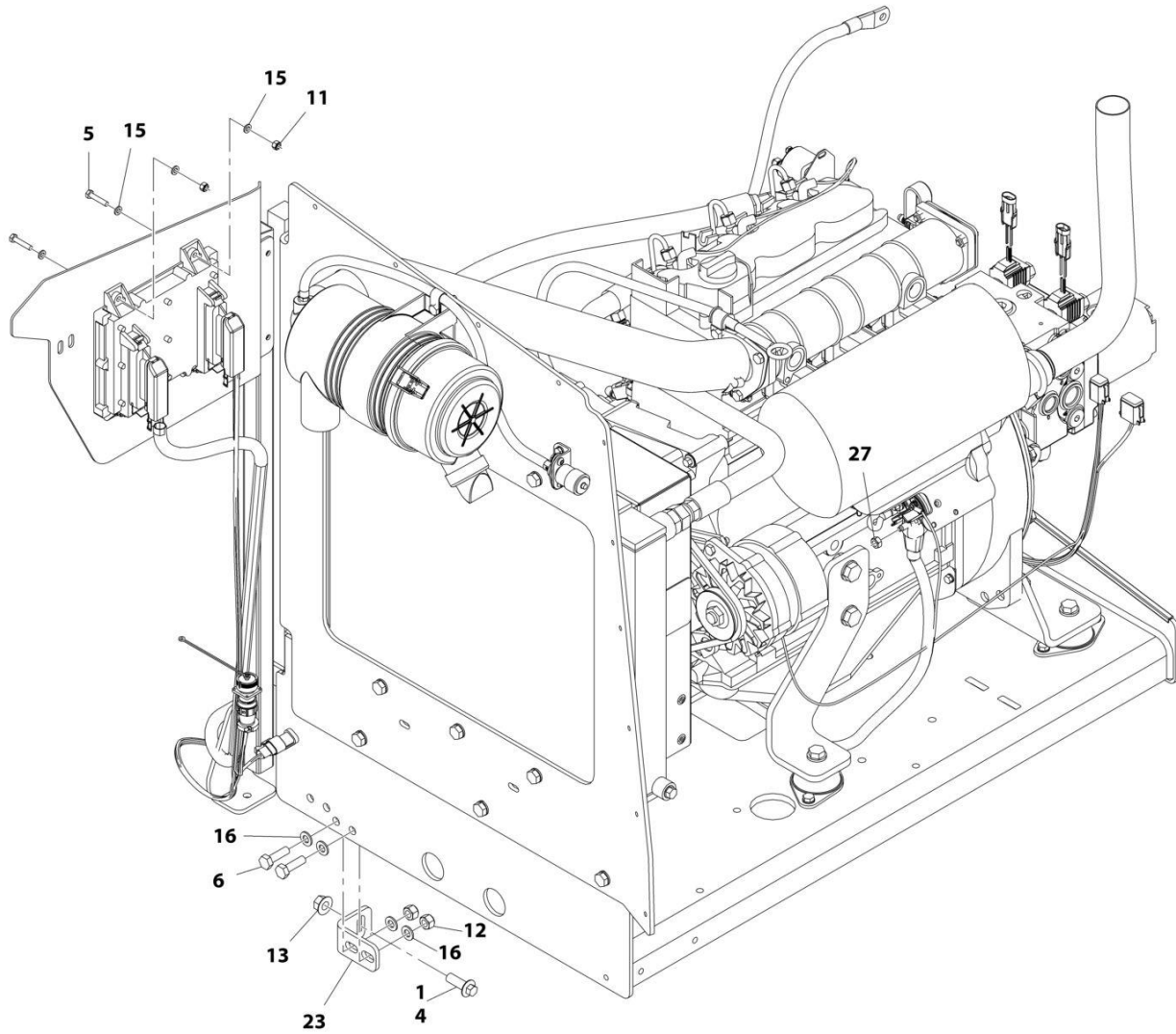
ART\_1001166305\_1OF3

# SECTION 3 - ENGINE



ART\_1001166305\_2OF3

# SECTION 3 - ENGINE



ART\_1001166305\_3OF3

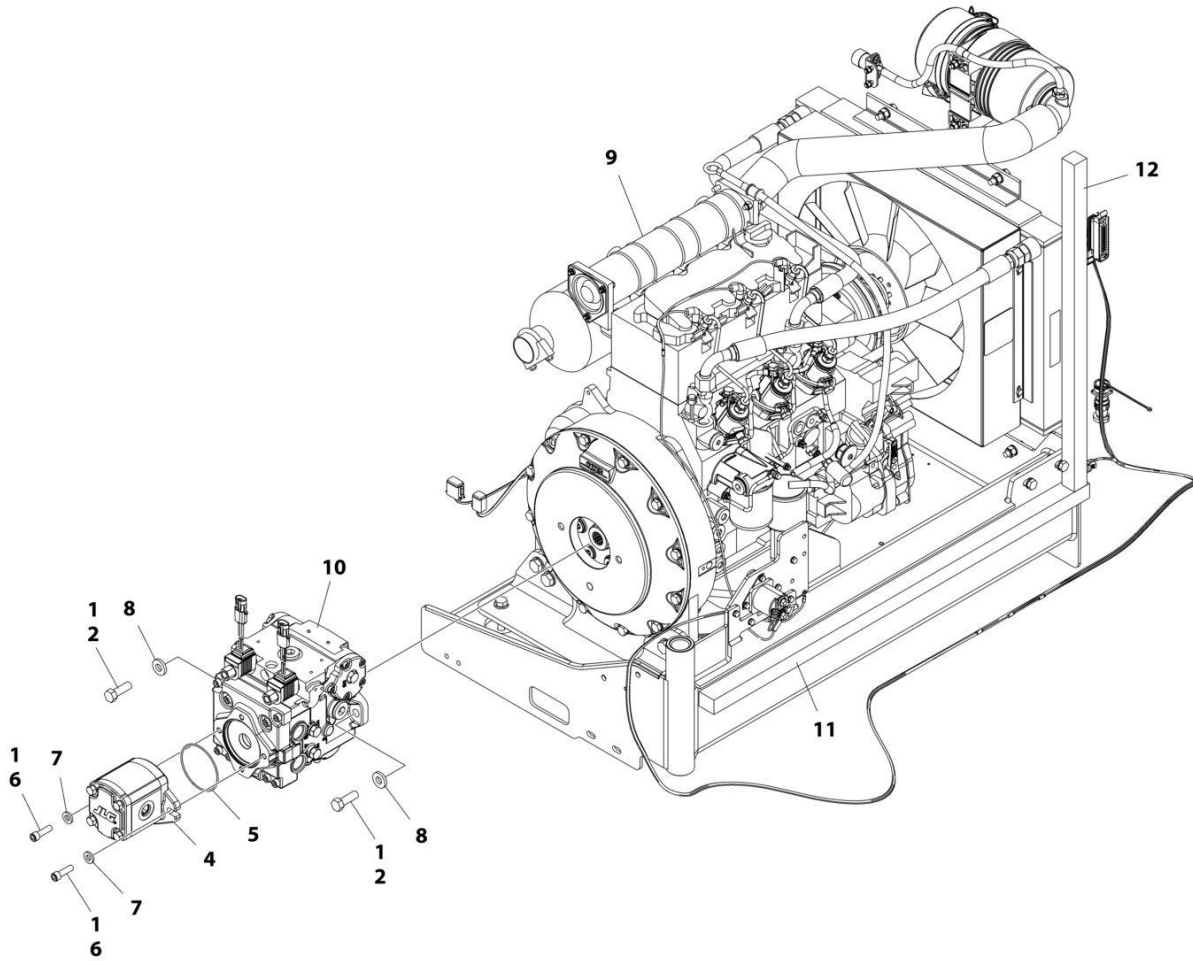
## SECTION 3 - ENGINE

**FIGURE 3-1. ENGINE INSTALLATION - DEUTZ D2011 (WITHOUT ARCTIC PACKAGE) (ANSI EXPORT, AUSTRALIAN, CE (LRC), CIS/EAC & UK CA SPECS)**

ITEM	PART NUMBER	QTY	DESCRIPTION	REV
	1001166305	Ref	ENGINE INSTALLATION - DEUTZ D2011 ENGINE (WITHOUT ARCTIC PACKAGE)	F
1	0100011	AR	Compound, Locking	
2	0100020	AR	Sealant, Pipe	
3	0440162	1	Bearing	
4	5251215	1	Bolt M12 x 35	
5	0760614	4	Bolt M6 x 30	
6	0761015	5	Bolt M10 x 35	
7	1704972	1	Decal - Warning Explosion/Fire	
8	1701505	1	Decal - Diesel Fuel	
9	2180876	1	Fitting, Barbed	
10	2720058	22 ft /6.7m	Hose	
11	3290605	5	Nut M6	
12	3291005	4	Nut M10	
13	5261200	1	Nut, Flange M12 Grade 10.9	
14	3841143	1	Keeper, Pin	
15	4811700	10	Washer M6	
16	4812000	9	Washer M10	
18	8410013	4	Clamp	
19	2180348	2	Fitting, Barbed	
20	1001135196	1	Pin	
22	1001166021	1	Engine and Pump Sub-Assembly - Deutz D2011 (Without Arctic Package) (See Separate Breakdown in this Section)	
23	1001167512	1	Bracket, Engine	
24	1001169823	1	Bracket, Engine	
25	1001172202	1	Pipe, Exhaust	
27	3290801	1	Nut M8	
29	1001171681	1	Cable, Battery (Red) (Battery Positive to Auxiliary Power Relay)	
30	1001171682	1	Cable, Battery (Black) (Battery Negative to Auxiliary Power Pump)	
31	3422532	1	Pin	
32	1001191832	1	Nut, Rivet, M8	
33	1321716	4	Clamp	
34	4811900	1	Washer M8	
35	0760812	1	Bolt M8 x 25	
36	0760610	1	Bolt M6 x 20	
37	1320022	1	Clamp	

# SECTION 3 - ENGINE

**FIGURE 3-2. ENGINE AND PUMP SUB-ASSEMBLY - DEUTZ D2011 (WITHOUT ARCTIC PACKAGE)  
(ANSI EXPORT, AUSTRALIAN, CE (LRC), CIS/EAC & UK CA SPECS)**



ART\_1001166021\_G



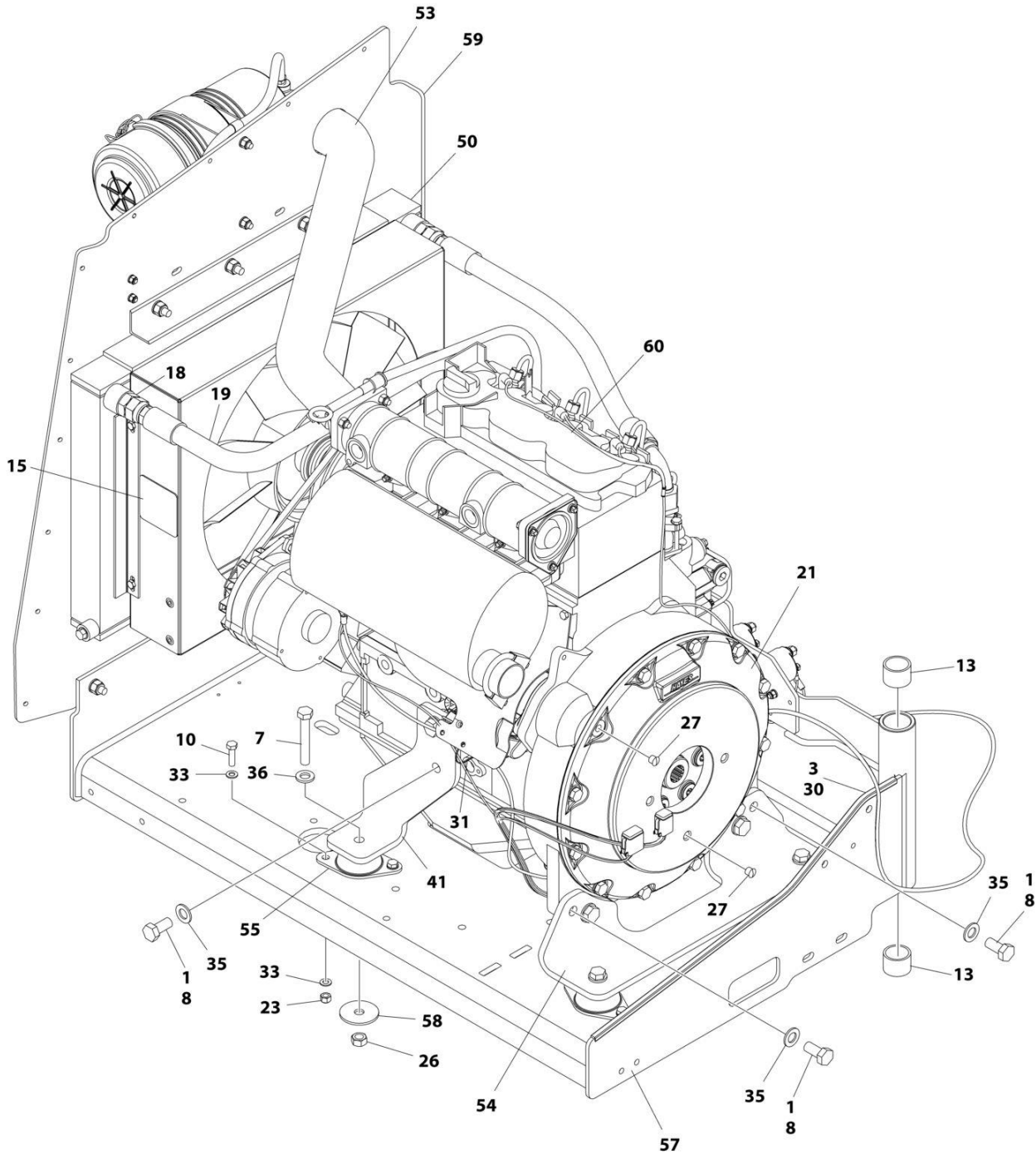
## SECTION 3 - ENGINE

**FIGURE 3-2. ENGINE AND PUMP SUB-ASSEMBLY - DEUTZ D2011 (WITHOUT ARCTIC PACKAGE)  
(ANSI EXPORT, AUSTRALIAN, CE (LRC), CIS/EAC & UK CA SPECS)**

ITEM	PART NUMBER	QTY	DESCRIPTION	REV
	1001166021	Ref	ENGINE AND PUMP SUB-ASSEMBLY - DEUTZ D2011 (WITHOUT ARCTIC PACKAGE)	G
1	0100011	AR	Compound, Locking	
2	0641812	2	Bolt 1/2 x 1-1/2	
4	1001214207	1	Gear Pump Assembly	
4	70006356	1	Seal Kit	
5	3790152	1	O-Ring	
6	3931618	2	Capscrew 3/8 x 1-1/8	
7	4891600	2	Washer 3/8 Hardened	
8	4891800	2	Washer 1/2 Hardened	
9	1001166020	1	Engine Assembly - Deutz D2011 Engine (Without Arctic Package) (See Separate Breakdown in this Section)	
10	1001167036	1	Piston Pump Assembly (See Separate Breakdown in this Section)	
11	1001171953	1	Seal	
12	1001171954	1	Seal	

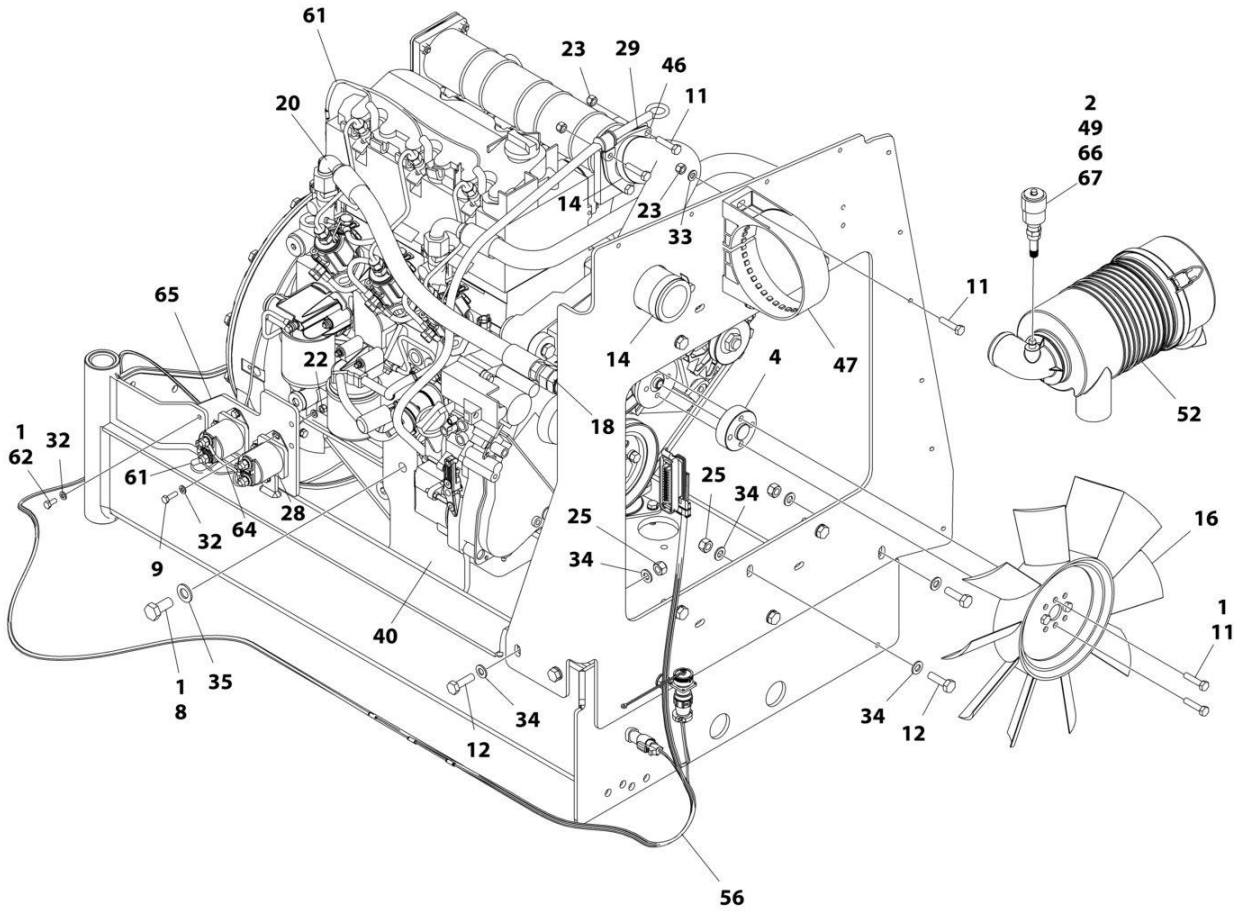
# SECTION 3 - ENGINE

FIGURE 3-3. ENGINE ASSEMBLY - DEUTZ D2011 (WITHOUT ARCTIC PACKAGE) (ANSI EXPORT, AUSTRALIAN, CE (LRC), CIS/EAC & UK CA SPECS)



ART\_1001166020\_P\_10F2

# SECTION 3 - ENGINE



ART\_1001166020\_P\_20F2

## SECTION 3 - ENGINE

**FIGURE 3-3. ENGINE ASSEMBLY - DEUTZ D2011 (WITHOUT ARCTIC PACKAGE) (ANSI EXPORT, AUSTRALIAN, CE (LRC), CIS/EAC & UK CA SPECS)**

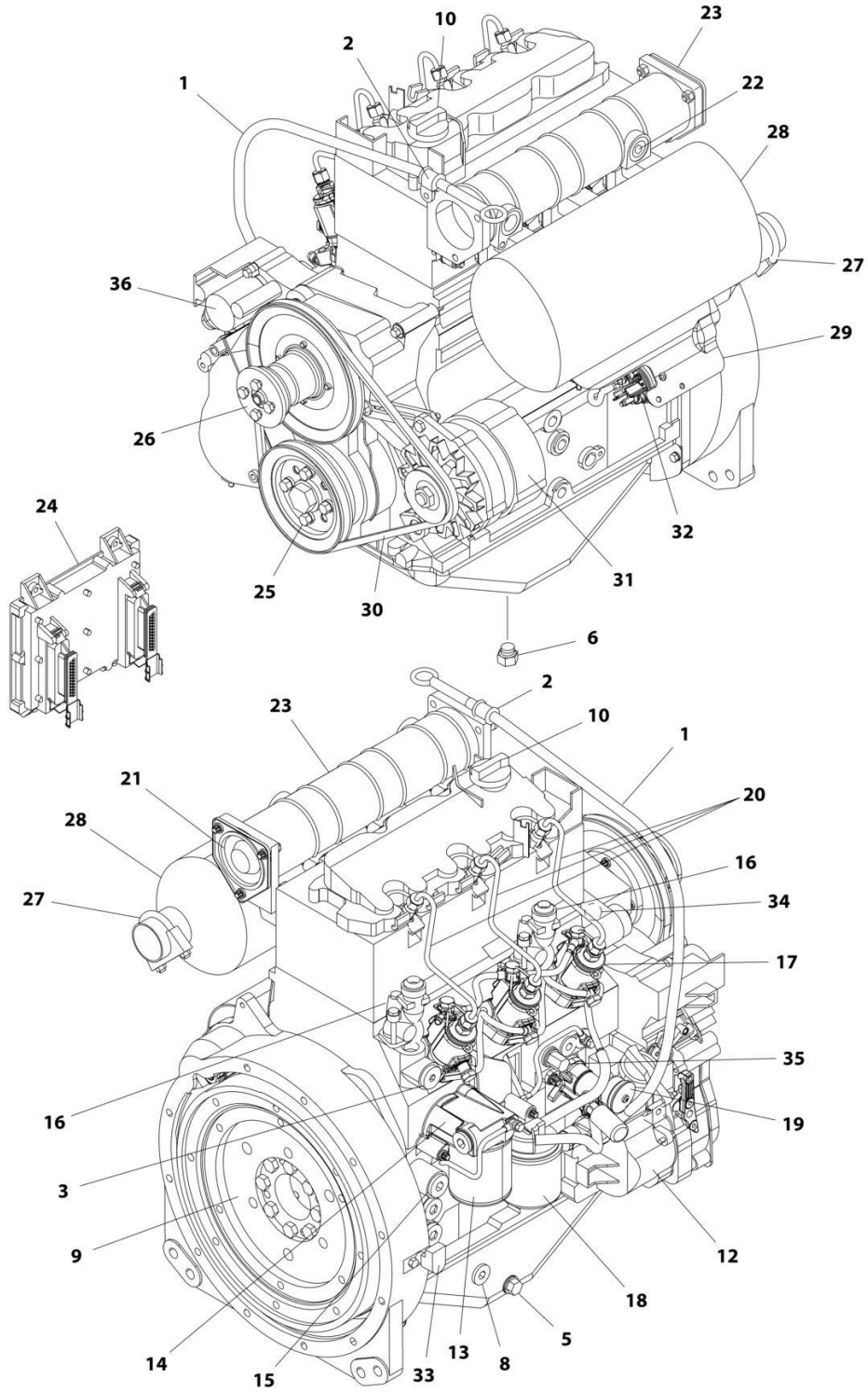
ITEM	PART NUMBER	QTY	DESCRIPTION	REV
	1001166020	Ref	ENGINE ASSEMBLY - DEUTZ D2011 ENGINE (WITHOUT ARCTIC PACKAGE)	P
1	0100011	AR	Compound, Locking	
2	0100020	AR	Sealant, Pipe	
3	0100081	AR	Adhesive	
4	0080231	1	Spacer, Fan	
7	0711224	4	Bolt M12 x 80 Class 10.9	
8	0771414	8	Bolt M14 x 30 Class 10.9	
9	0760610	4	Bolt M6 x 20	
10	0760814	8	Bolt M8 x 30	
11	0760815	9	Bolt M8 x 35	
12	0761015	11	Bolt M10 x 35	
13	0961951	2	Bushing	
14	1320016	2	Clamp	
15	1703162	2	Decal - Caution Fan	
16	2060025	1	Fan	
18	2220451	2	Fitting, Straight JIC/ORB	
19	2720398	1	Hose	
20	2720447	1	Hose	
21	2902065	1	Pump Coupling Kit (See Separate Breakdown in this Section)	
22	3290605	4	Nut M6 x 1	
23	3290805	13	Nut M8 x 1-1/4	
25	3291005	11	Nut M10 x 1-1/2	
26	3331215	4	Nut M12 x 1-3/4	
27	3520054	2	Plug	
28	3740067	2	Relay Assembly	
28	3300220	2	Nut	
28	3321001	1	Nut #10	
28	3740140	1	Relay	
28	4761000	1	Washer #10	
28	1001111424	2	Washer	
29	3960407	1	Gasket	
30	4060805	2.25 ft/ 0.69m	Trim-Flex	
31	4240099	AR	Tie-Strap	
32	4811700	11	Washer M6	
33	4811900	20	Washer M8	
34	4812000	22	Washer M10	
35	4812200	8	Washer M14	
36	5241200	4	Washer M12	
40	1001132195	1	Bracket, Engine Mount	
41	1001132196	1	Bracket, Engine Mount	
46	1001139819	1	Adapter, Air Intake	
47	1001141694	1	Clamp, Air Cleaner	
49	1001143390	1	Indicator	
50	1001150998	1	Radiator	
52	1001165388	1	Air Cleaner Assembly	
52	70003783	1	Element, Air Cleaner	
53	1001165389	1	Hose	

## SECTION 3 - ENGINE

ITEM	PART NUMBER	QTY	DESCRIPTION	REV
54	1001166717	1	Bracket, Engine Mount	
55	1001166718	4	Isolator, Engine Mount	
56	1001167111	1	Harness Engine - Deutz D2011 (See Separate Breakdown in ELECTRICAL Section)	
57	1001167520	1	Tray, Engine	
58	1001168018	4	Washer, Snubbing	
59	1001168059	1	Plate, Radiator Mounting	
60	1001170693	1	Engine, Deutz D2011 (See Separate Breakdown in this Section)	
61	4923451	1	Harness, Glow Plugs	
62	0760614	3	Bolt M6 x 30	
64	1001178859	1	Cable, Alternator	
65	1001214975	1	Bracket	
66	2200261	1	Fitting	
67	1001277432	1	Spacer	

# SECTION 3 - ENGINE

## FIGURE 3-4. ENGINE COMPONENTS - DEUTZ D2011



ART\_1001170693

## SECTION 3 - ENGINE

**FIGURE 3-4. ENGINE COMPONENTS - DEUTZ D2011**

ITEM	PART NUMBER	QTY	DESCRIPTION	REV
	1001170693	Ref	ENGINE COMPONENTS - DEUTZ D2011	C
1	70001002	1	Tube, Dipstick	
1	7020403	1	Seal, Tube	
1	7020026	1	Dipstick	
2	70001654	1	Clamp	
2	70001655	1	Bolt	
3	70003475	1	Thermostat	
3	7020460	1	Spring	
4		Ref	Seal and Gasket Options (Not Shown):	
4	70002718	1	Seal, Rear Main	
4	7020430	1	Gasket, Valve Cover	
4	70003479	1	Gasket, Head - 1 Notch	
4	70003480	1	Gasket, Head - 2 Notch	
4	70003481	1	Gasket, Head - 3 Notch	
5	70025088	1	Plug	
6	70025667	1	Plug	
7	70025123	22	Bolt, Torx (Oil Pan Bolts) (Not Shown)	
8	7020492	1	Seal	
8	70025084	1	Plug	
9	70001870	1	Flywheel	
9	7024579	1	Ring Gear (Part of Flywheel)	
9	70025139	8	Bolt	
10	7020465	1	Cap, Oil Fill	
11	70000800	1	Timing Belt/Idler Kit (Includes Timing Belt, Tensioner and Tensioner Bolt) (Not Shown)	
12	70001850	1	Pump, Lubricating	
12	7020468	1	Seal, Pump to Engine Block (Not Shown)	
13	7016331	1	Filter, Oil	
14	70003472	1	Bracket, Oil Filter (Includes Plug with Seal, Temperature Sensor, Control Valve and Compression Spring)	
14	7027236	1	Sensor, Temperature	
14	70025082	1	Seal, Plug	
14	70025091	1	Plug	
14	70003473	1	Gasket, Bracket to Engine Block (Not Shown)	
15	70001181	1	Valve	
15	70025091	1	Plug	
15	70025082	1	Seal, Plug	
16	70004268	2	Connector, Radiator Neck	
16	70004269	2	Seal, Radiator Neck to Engine Block	
17	70000912	3	Pump, Fuel Injector - A Spec	
17	70000913	3	Pump, Fuel Injector - B Spec	
17	70000914	3	Pump, Fuel Injector - C Spec	
17	70000915	3	Pump, Fuel Injector - D Spec	
17	70003464	3	O-Ring, Pump to Engine Block	
18	7020023	1	Filter, Fuel	
18	70003463	1	Filter, Fuel - RME Resistant	
18	70001423	1	Bracket, Fuel Filter	
19	70000916	1	Pump Fuel Supply	
19	70000917	1	O-Seal Between Fuel Pump and Engine Block	
19	70000918	1	Sealing Ring Between Hand Pump and Supply Pump	

## SECTION 3 - ENGINE

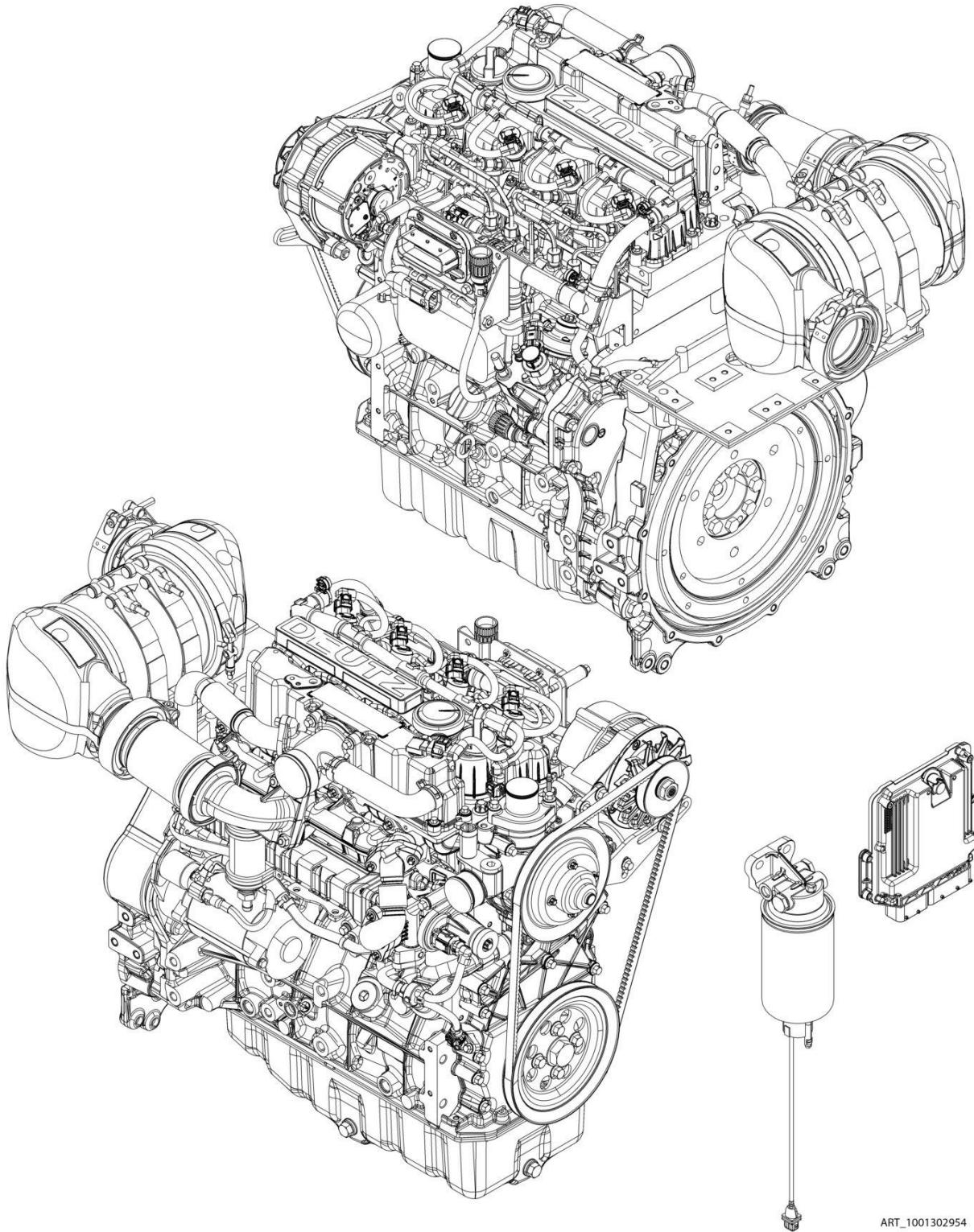
ITEM	PART NUMBER	QTY	DESCRIPTION	REV
19	70000919	1	Pump, Hand	
19	70001435	1	Repair Kit	
19	70025694	2	Bolt, Torx	
20	70000931	3	Pipe, High Pressure	
21	70003469	1	Flange, Intake	
21	70003468	1	Seal	
22	70025084	1	Plug	
22	7020492	1	Seal, Plug	
23	7027903	1	Manifold, Air Intake	
23	70001871	3	Gasket Between Manifold and Engine Block	
24	See Note	1	Module, Engine Control (Note: Not Currently Available)	
24	7027796	1	Cable, Electrical Between Module and Engine Harness (Not Shown)	
24	70001872	1	Harness, Engine (Connects to p/n 70004060) (Not Shown)	
24	70004060	1	Plug, Connector Located on Cable Near Module (Not Shown)	
24	70004059	1	Plug, Analyzer (Not Shown)	
25	70025123	4	Bolt, Torx	
26	70000787	1	Support, Fan (Includes Support, Internal Shaft, Bearings and Circlip)	
27	70001844	1	Clamp	
28	See Note	1	Muffler (Note: See Separate Breakdown in this Section)	
28	7020471	3	Gasket, Exhaust Between Muffler and Engine Block	
28	70004270	6	Stud, Muffler	
29	70001498	1	Shield, Starter	
29	70025693	3	Bolt	
30	70004102	1	V-Belt	
31	70004056	1	Alternator (Includes Voltage Regulator and Gaskets, Fan and Fan Mounting Hardware)	
31	70001868	1	Regulator, Voltage	
31	70001866	1	Gasket Set, Voltage Regulator	
31	70025131	1	Fan	
31	70025086	1	Nut, Fan	
31	70000851	1	Bracket, Alternator Mounting	
31	70002234	1	Bracket, Alternator Adjustment	
31	70004103	1	Harness, Alternator (Not Shown)	
32	7020479	1	Starter	
32	70025121	2	Bolt, Starter Mounting	
32	70004058	1	Relay	
32	70004062	1	Harness, Starter (Not Shown)	
33	7024565	1	Sensor, Speed	
33	70003931	1	Bolt	
33	70003932	1	Spacer, Sleeve	
34	7027791	1	Sensor, Temperature	
35	7027790	1	Sensor, Oil Pressure	
36	7027792	1	Actuator	
37	70000345	3	Plug, Glow (Not Shown)	





## SECTION 3 - ENGINE

FIGURE 3-5. ENGINE COMPONENTS - DEUTZ D2.9L4 ERM5 ENGINE (ANSI, ANSI EXPORT AND CSA SPECS)



ART\_1001302954

## SECTION 3 - ENGINE

**FIGURE 3-5. ENGINE COMPONENTS - DEUTZ D2.9L4 ERM5 ENGINE (ANSI, ANSI EXPORT AND CSA SPECS)**

ITEM	PART NUMBER	QTY	DESCRIPTION	REV
	1001302954	Ref	ENGINE COMPONENTS - DEUTZ D2.9L4 ERM5 ENGINE	A
	See Note	Ref	Note: Contact JLG Customer Service for availability for addition components.	
		Ref	AIR INTAKE SYSTEM	
	70005180	1	Breather Line	
	70005182	1	Charge Air Elbow	
		Ref	COOLING SYSTEM COMPONENTS	
	70030360	1	Pump, Coolant	
	70007603	1	Thermostat	
		Ref	ELECTRICAL COMPONENT	
	70031144	1	Starter	
	NPN	1	Generator	
	70024507	1	Sensor, Pressure (Air Intake)	
	70026210	1	Sensor, Speed	
	70025231	1	Harness, Glow Plug	
	70024919	1	Sensor, Fuel Filter	
	70024504	1	Sensor, Pressure	
	70028540	1	Transmitter, Temperature	
	70029512	1	Module, Engine Control	
	70031143	1	Regulator, Voltage	
		Ref	EXHAUST COMPONENT	
	70004282	1	Exhaust Manifold	
	70031136	1	Pipe, Exhaust	
	70012257	1	Valve, Exhaust	
	70004508	1	Valve, Volume Control	
		Ref	FUEL SYSTEM COMPONENT	
	70030381	1	Pump, High Pressure	
	70004281	1	Injector, Fuel	
	NPN	1	Pump, Fuel Supply (Includes qty 2 Clamps)	
	70024961	1	Filter, Fuel	
	1001225430	1	Filter, Fuel (Pre-Filter)	
	70024513	1	Cable, Sensor	
	70025239	1	Seal	
	70029451	1	Filter, Fuel	
	1001225431	1	Filter, Fuel (Spin-On)	
	70024502	1	Pipe, Fuel	
		Ref	GASKET AND SEAL COMPONENT	
	70024905	2	Seal, Dipstick	
	70005942	1	Seal, Oil Plug	
	70005171	1	Gasket, Valve Cover	
	70024906	1	Gasket, Head	
	70002718	1	Seal, Rear Main	
	70005177	1	Gasket, Charge Air Housing	
	70005184	1	O-Ring, Thermostat	
	70005931	1	Seal, Thermostat	
	70025164	1	Gasket, Exhaust Manifold to Head	
	70007326	1	Gasket, EGR Valve	
	70031095	1	Gasket, Exhaust Return Pipe	
	70007354	1	Gasket, Short Exhaust Pipe	

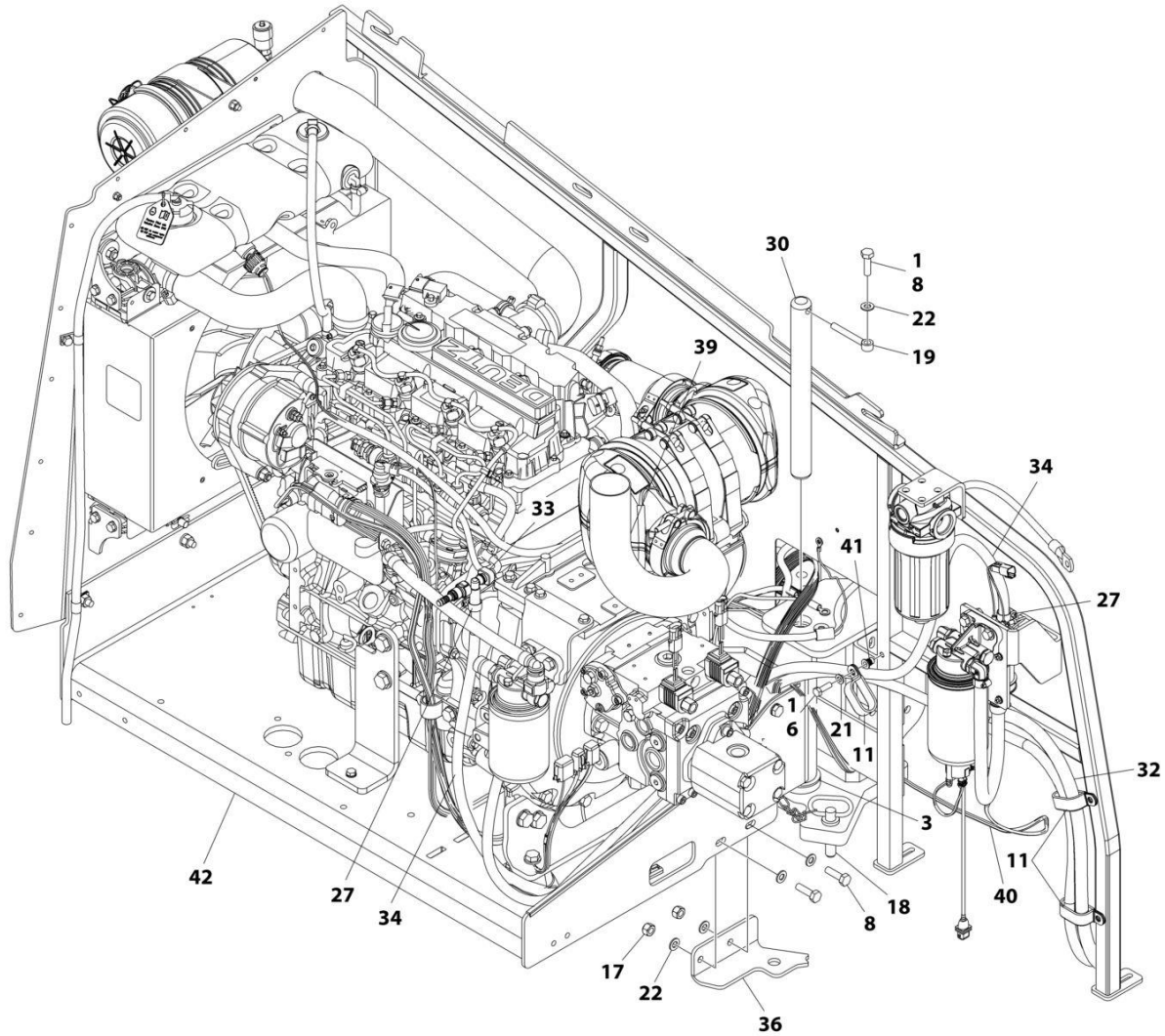
## SECTION 3 - ENGINE

ITEM	PART NUMBER	QTY	DESCRIPTION	REV
		Ref	OTHER COMPONENT	
	70001870	1	Flywheel (Includes Ring Gear)	
	7024579	1	Gear, Ring	
		Ref	OIL LUBE SYSTEM	
	70024904	1	Dipstick	
	70024905	1	Cap, Oil Fill	
	70005941	1	Plug, Oil	
	70005172	1	Pump, Oil Lube	
	7016331	1	Filter, Oil	
	70024494	1	Oil Cooler	



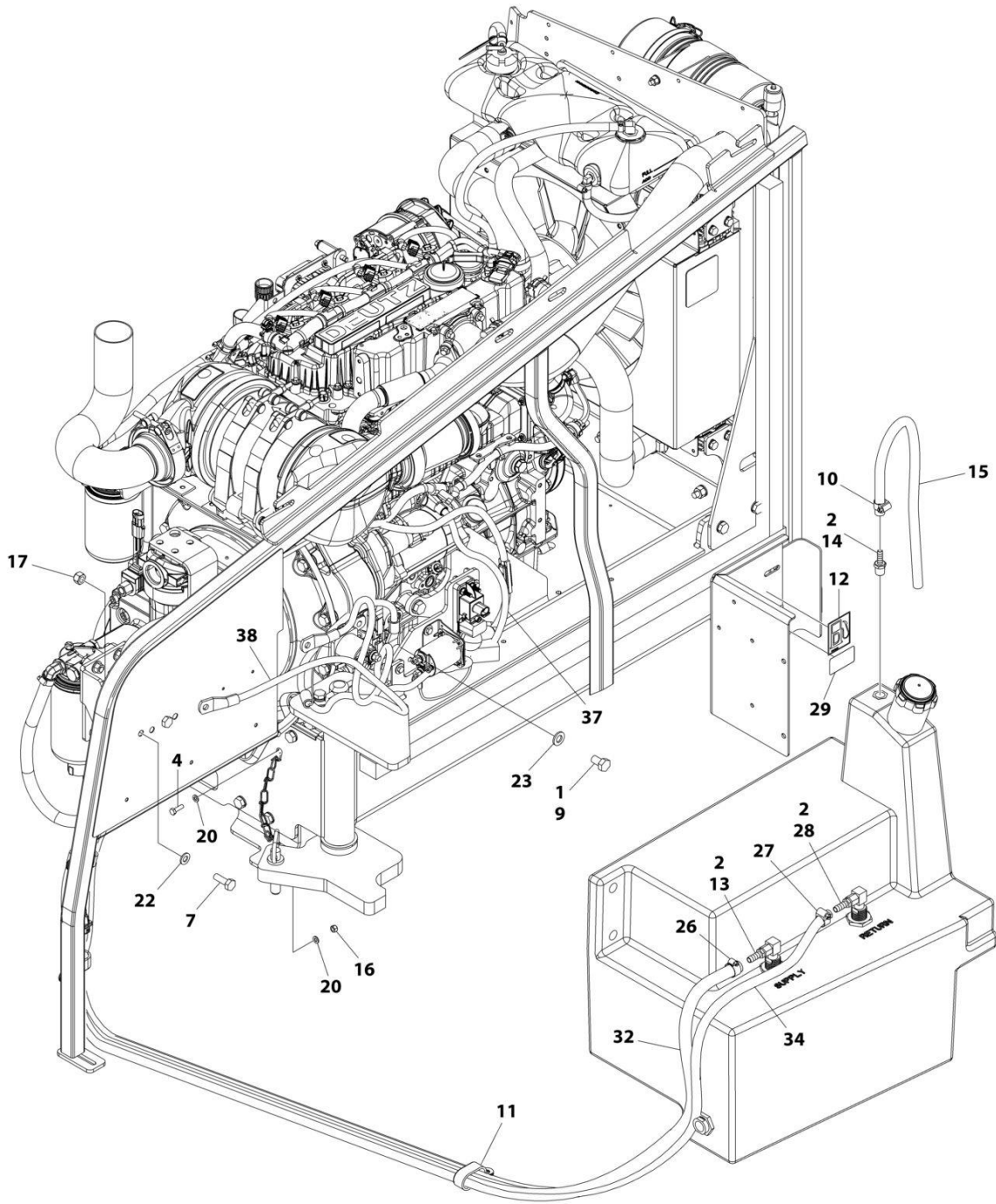
# SECTION 3 - ENGINE

FIGURE 3-6. ENGINE INSTALLATION - DEUTZ D2.9L4 ERM5 ENGINE (WITHOUT ARCTIC PACKAGE)  
(ANSI, ANSI EXPORT, CSA AND JAPANESE SPECS)



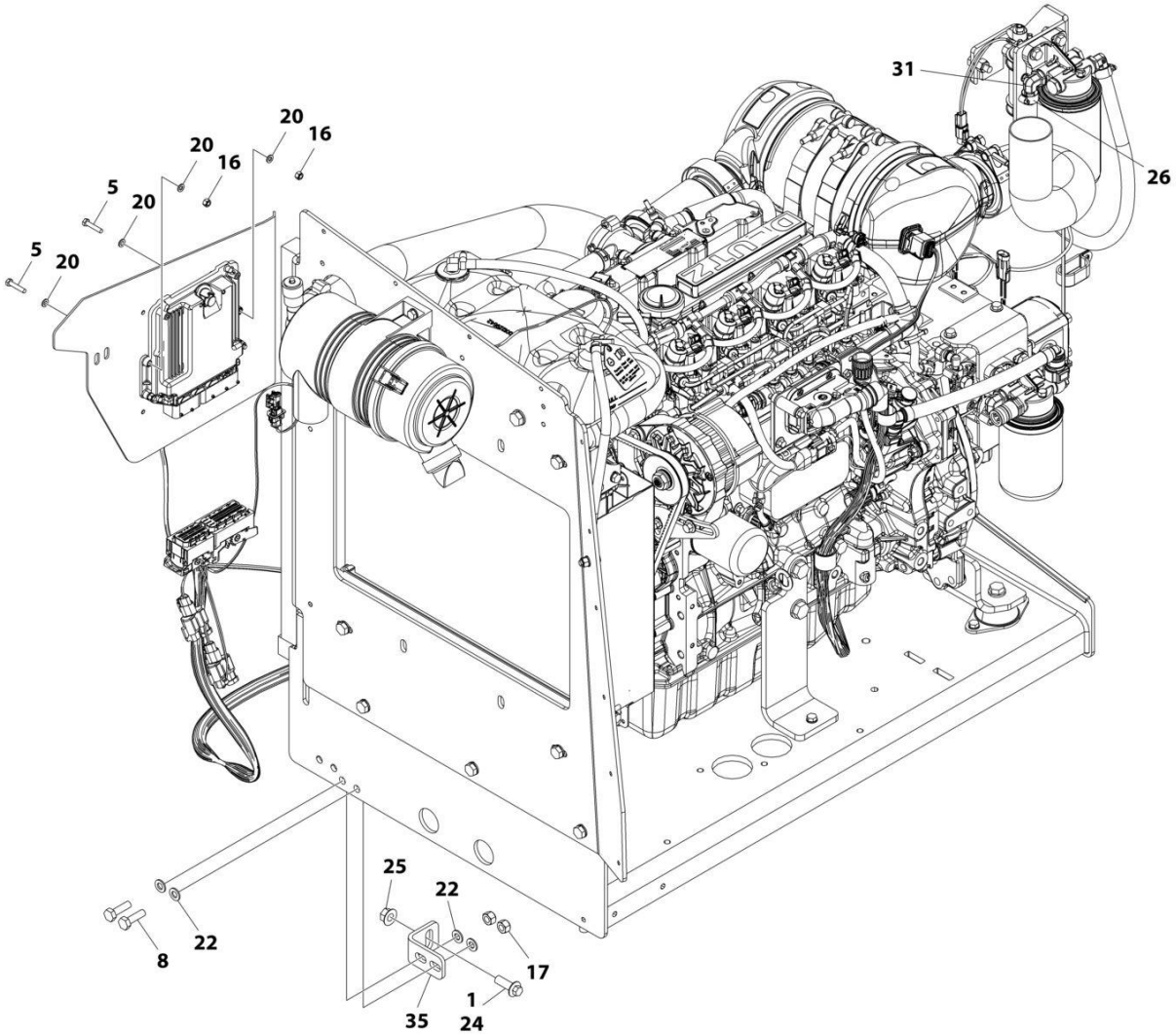
ART\_1001302970\_10F3

# SECTION 3 - ENGINE



ART\_1001302970\_20F3

**SECTION 3 - ENGINE**



ART\_1001302970\_3OF3



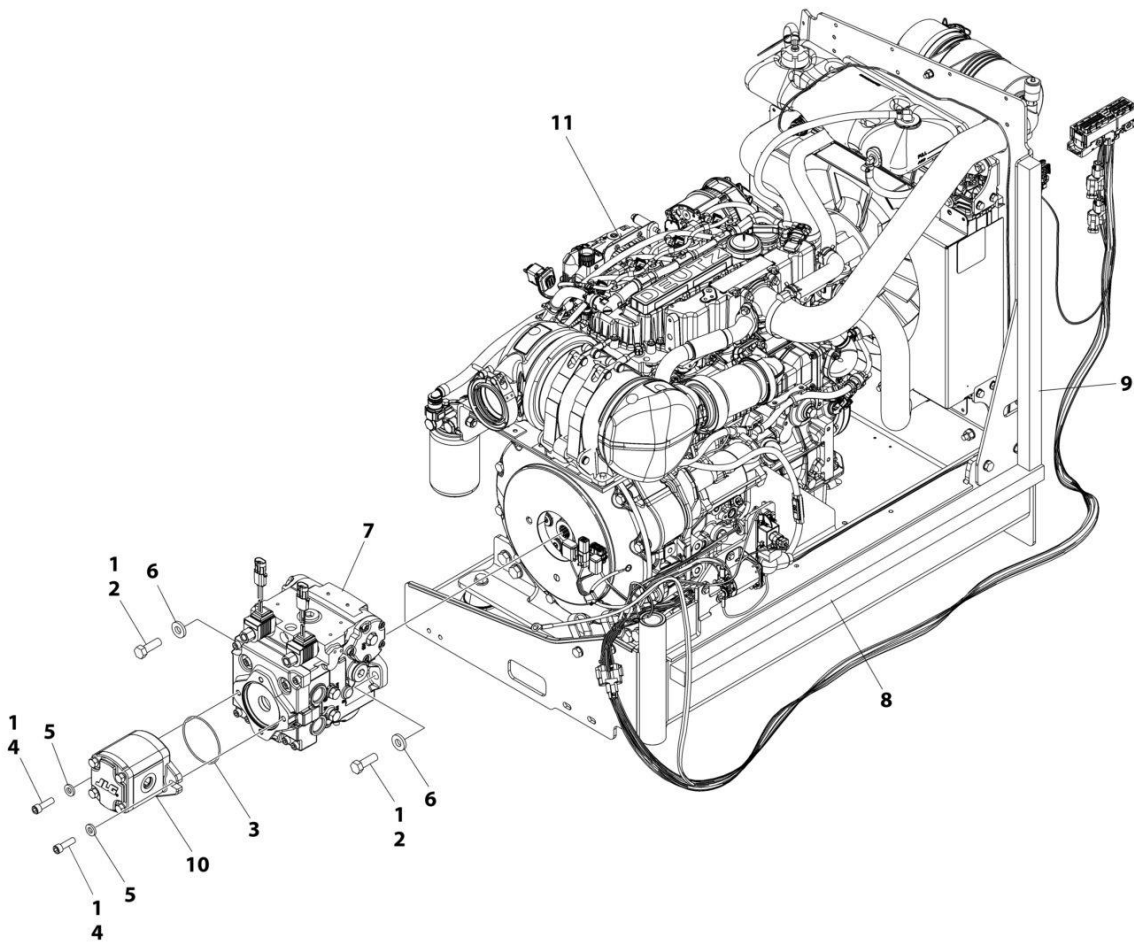
## SECTION 3 - ENGINE

**FIGURE 3-6. ENGINE INSTALLATION - DEUTZ D2.9L4 ERM5 ENGINE (WITHOUT ARCTIC PACKAGE)  
(ANSI, ANSI EXPORT, CSA AND JAPANESE SPECS)**

ITEM	PART NUMBER	QTY	DESCRIPTION	REV
	1001302970	Ref	ENGINE ASSEMBLY - DEUTZ D2.9L4 ERM5 ENGINE	A
1	0100011	AR	Compound, Locking	
2	0100020	AR	Sealant, Pipe	
3	0440162	1	Bearing	
4	0760610	1	Bolt M6 x 20	
5	0760614	4	Bolt M6 x 30	
6	0760812	1	Bolt M8 x 25	
7	0761014	2	Bolt M10 x 30	
8	0761015	5	Bolt M10 x 35	
9	0761210	1	Bolt M12 x 20	
10	1320022	1	Clamp	
11	1321716	4	Clamp	
12	1701505	1	Decal - Diesel	
13	2180832	1	Fitting, Barbed	
14	2180876	1	Fitting, Barbed	
15	2720058	2 ft/0.6 m	Hose	
16	3290605	5	Nut M6	
17	3291005	6	Nut M10	
18	3422532	1	Pin	
19	3841143	1	Keeper, Pin	
20	4811700	10	Washer M6	
21	4811900	1	Washer M8	
22	4812000	11	Washer M10	
23	4812100	1	Washer M12	
24	5251215	1	Bolt M12 x 35	
25	5261200	1	Nut M12	
26	8405006	2	Clamp	
27	8410013	4	Clamp	
28	8430007	1	Coupling	
29	1001125387	1	Decal - Ultra Low Sulfur Diesel	
30	1001135196	1	Pin	
31	1001142501	1	Fitting, Barbed 90	
32	1001154405	7 ft /2 m	Hose	
33	1001155823	1	Plate	
34	1001165035	17 ft /6 m	Hose	
35	1001167512	1	Bracket	
36	1001169823	1	Plate	
37	1001171683	1	Cable, Battery (Red) (Battery Positive to Auxiliary Power Relay)	
38	1001171684	1	Cable, Battery (Black) (Battery Negative to Auxiliary Power Pump)	
39	1001172736	1	Pipe, Exhaust	
40	1001181358	1	Harness, Fuel Pump (See Separate Breakdown in ELECTRICAL Section)	
41	1001191832	1	Rivet	
42	1001302961	1	Engine and Pump Assembly - Deutz D2.9L4 (Without Arctic Package) (See Separate Breakdown in this Section)	

# SECTION 3 - ENGINE

FIGURE 3-7. ENGINE AND PUMP SUB-ASSEMBLY - DEUTZ D2.9L4 ERM5 ENGINE(WITHOUT ARCTIC PACKAGE) (ANSI, ANSI EXPORT AND CSA SPECS)



ART\_1001302961

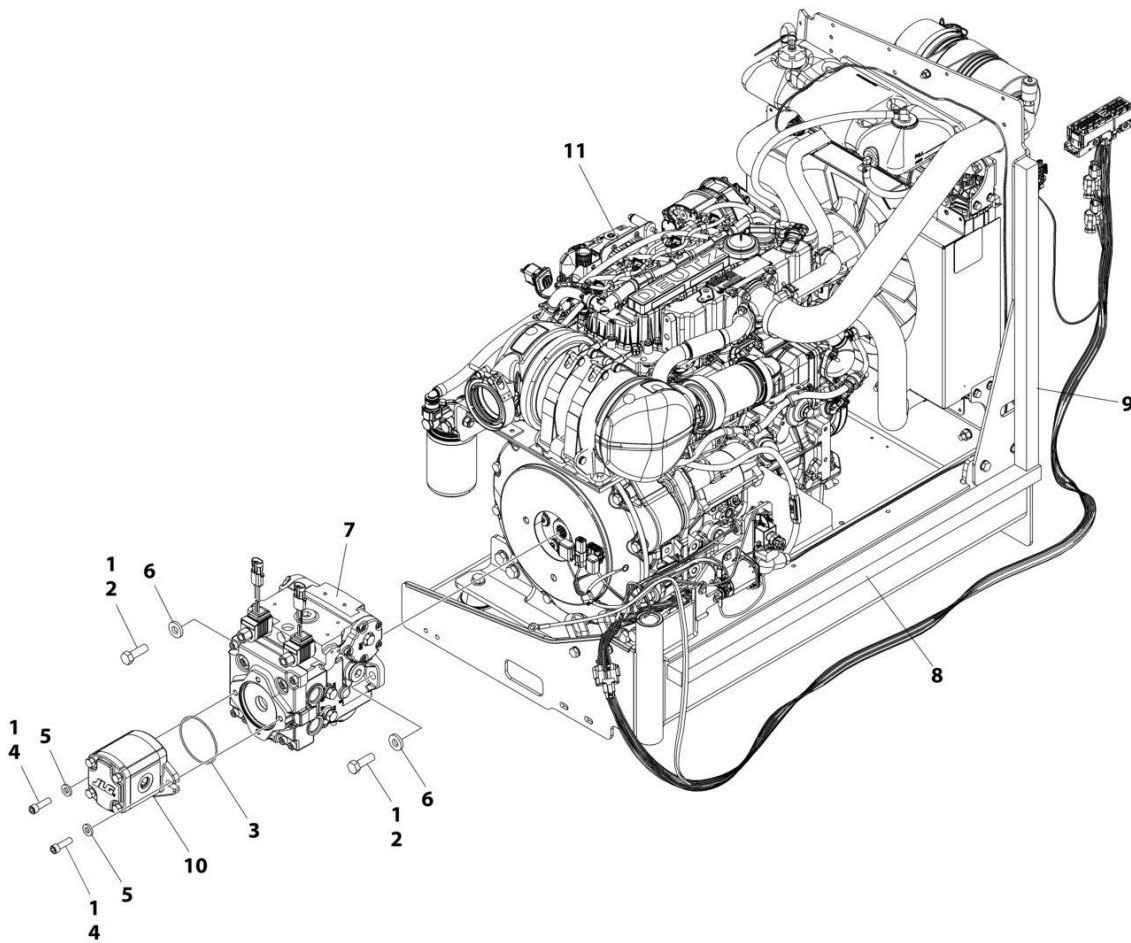
## SECTION 3 - ENGINE

**FIGURE 3-7. ENGINE AND PUMP SUB-ASSEMBLY - DEUTZ D2.9L4 ERM5 ENGINE(WITHOUT ARCTIC PACKAGE) (ANSI, ANSI EXPORT AND CSA SPECS)**

ITEM	PART NUMBER	QTY	DESCRIPTION	REV
	1001302961	Ref	ENGINE AND PUMP SUB-ASSEMBLY - DEUTZ D2.9L4 ERM5	A
1	0100011	AR	Compound, Locking	
2	0641812	2	Bolt 1/2 x 1-1/2	
3	3790152	1	O-Ring	
4	3931618	2	Capscrew 3/8 x 1-1/8	
5	4891600	2	Washer 3/8	
6	4891800	2	Washer 1/2	
7	1001167036	1	Piston Pump Assembly (See Separate Breakdow in this Section)	
8	1001171953	1	Seal	
9	1001171954	1	Seal	
10	1001214207	1	Gear Pump Assembly	
10	70006356	1	Seal Kit - 1001214207 Pump	
11	1001302955	1	Engine Assembly - Deutz D2.9L4 ERM5 Engine (Without Arctic Package) (See Separate Breakdown in this Section)	

# SECTION 3 - ENGINE

FIGURE 3-8. ENGINE AND PUMP SUB-ASSEMBLY - DEUTZ D2.9L4 ERM5 ENGINE(WITH ARCTIC PACKAGE) (ANSI AND CSA SPECS)



ART\_1001302963

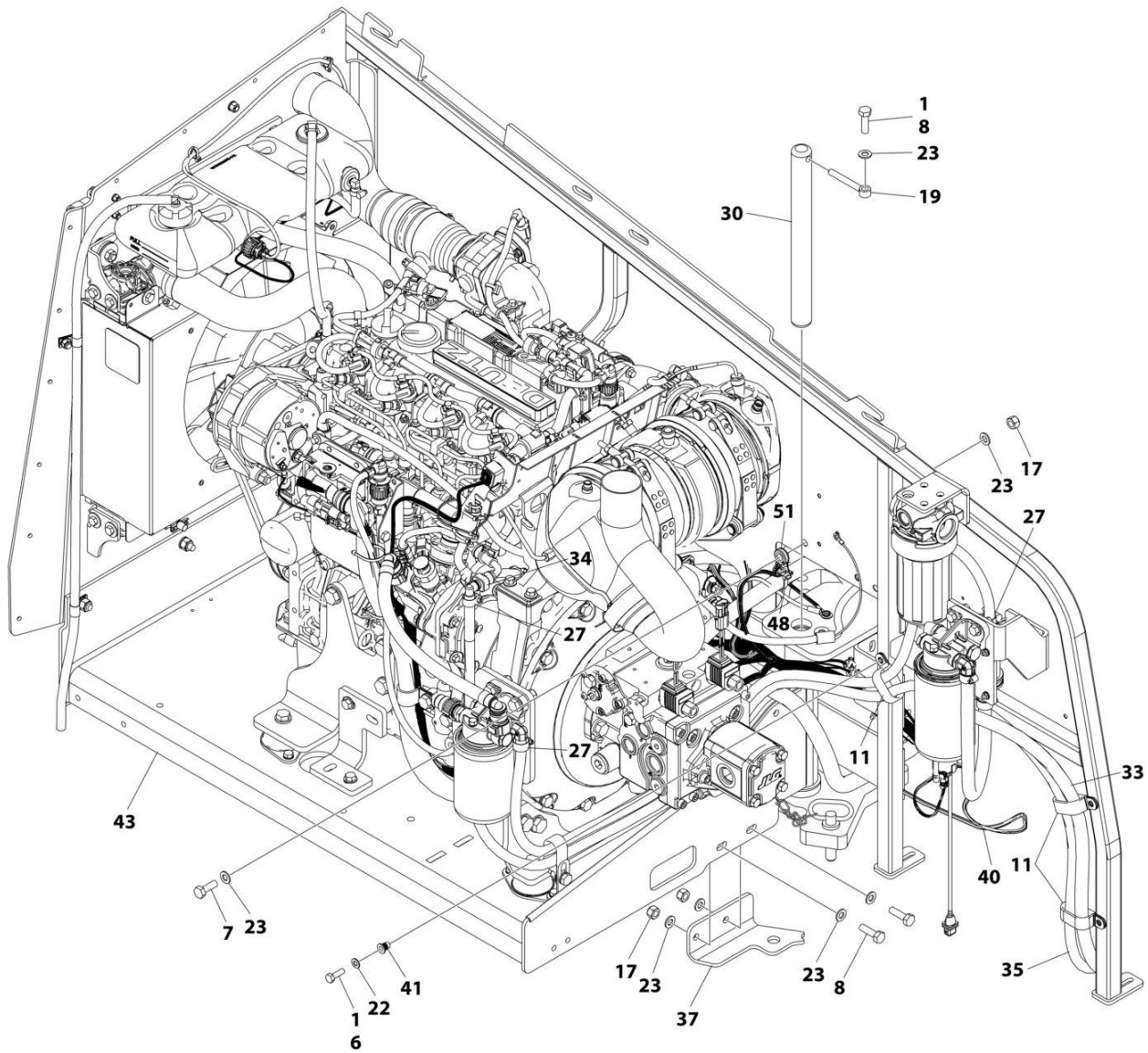
## SECTION 3 - ENGINE

**FIGURE 3-8. ENGINE AND PUMP SUB-ASSEMBLY - DEUTZ D2.9L4 ERM5 ENGINE(WITH ARCTIC PACKAGE) (ANSI AND CSA SPECS)**

ITEM	PART NUMBER	QTY	DESCRIPTION	REV
	1001302963	Ref	ENGINE AND PUMP SUB-ASSEMBLY - DEUTZ D2.9L4 ERM5	A
1	0100011	AR	Compound, Locking	
2	0641812	2	Bolt 1/2 x 1-1/2	
3	3790152	1	O-Ring	
4	3931618	2	Capscrew 3/8 x 1-1/8	
5	4891600	2	Washer 3/8	
6	4891800	2	Washer 1/2	
7	1001167036	1	Piston Pump Assembly (See Separate Breakdown in this Section)	
8	1001171953	1	Seal	
9	1001171954	1	Seal	
10	1001214207	1	Gear Pump Assembly	
10	70006356	1	Seal Kit - 1001214207 Pump	
11	1001302956	1	Engine Assembly - Deutz D2.9L4 ERM5 Engine (With Arctic Package) (See Separate Breakdown in this Section)	

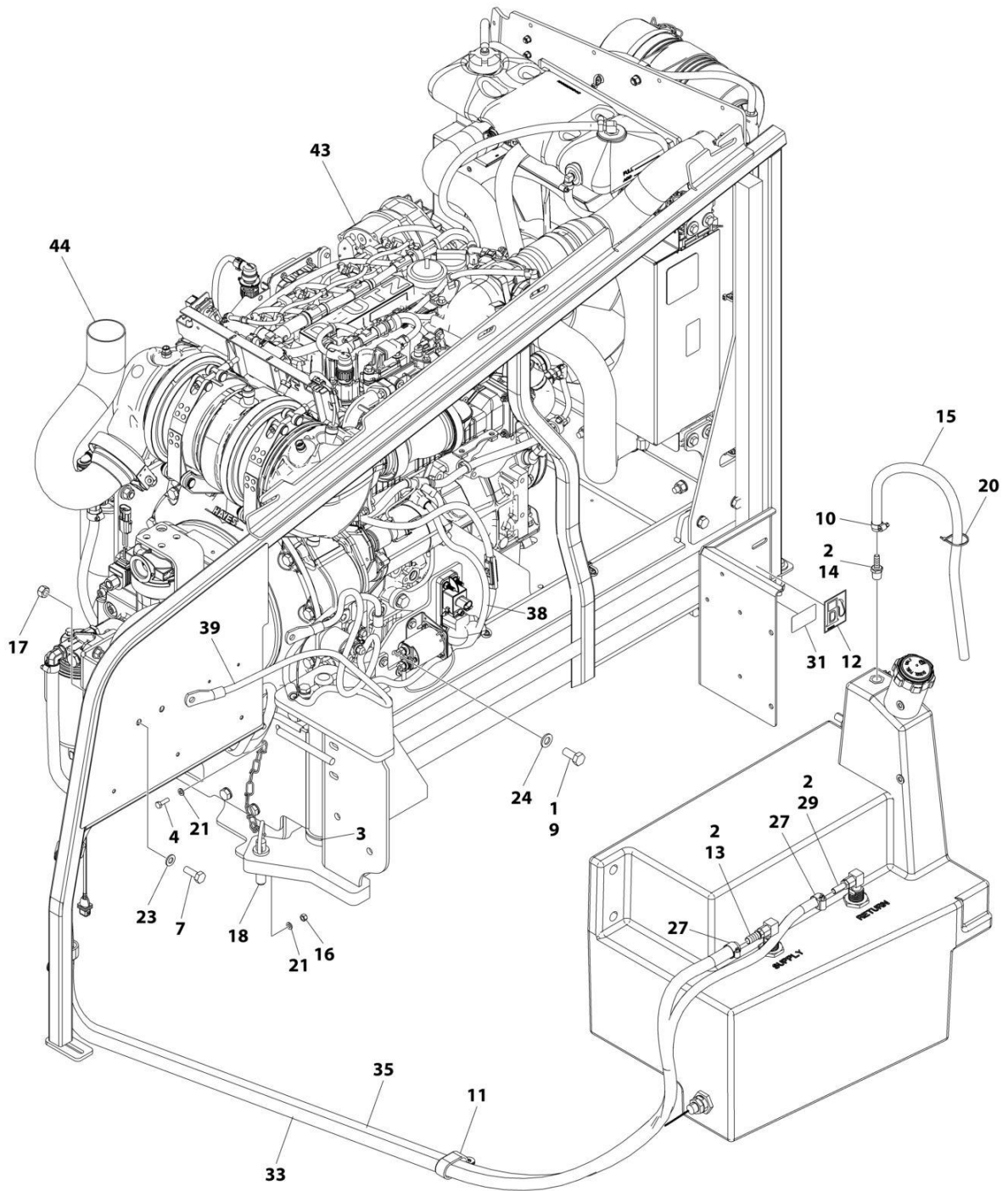
# SECTION 3 - ENGINE

## FIGURE 3-9. ENGINE INSTALLATION - DEUTZ D2.9L4 (STAGE V) (CE & UK CA SPECS)



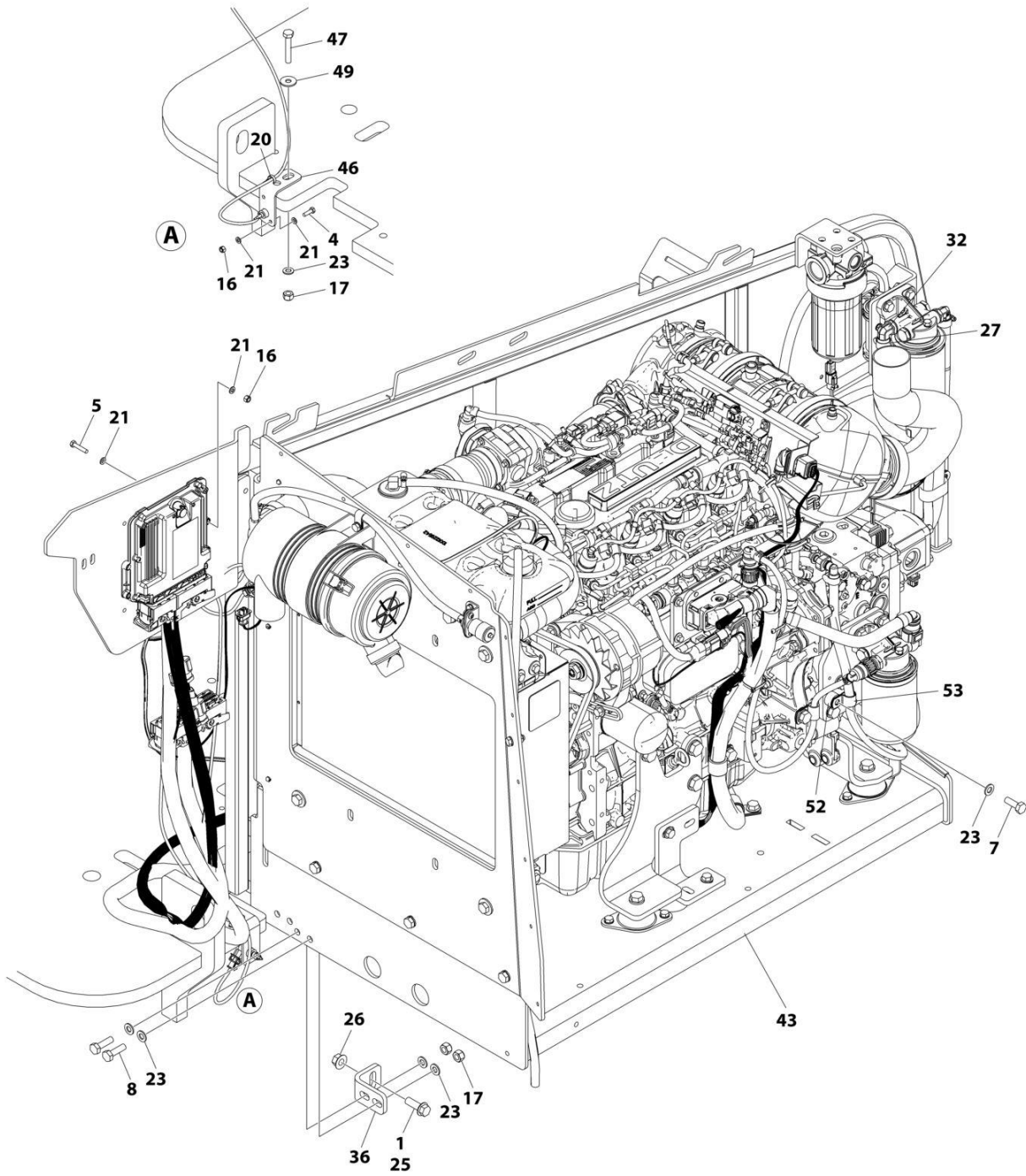
ART\_1001244287\_H\_10F3

# SECTION 3 - ENGINE



ART\_1001244287\_H\_20F3

# SECTION 3 - ENGINE



ART\_1001244287\_H\_30F3



## SECTION 3 - ENGINE

**FIGURE 3-9. ENGINE INSTALLATION - DEUTZ D2.9L4 (STAGE V) (CE & UK CA SPECS)**

ITEM	PART NUMBER	QTY	DESCRIPTION	REV
	1001244287	Ref	ENGINE INSTALLATION - DEUTZ D2.9L4 ENGINE (STAGE V)	H
1	0100011	AR	Compound, Locking	
2	0100020	AR	Sealant, Pipe	
3	0440162	1	Bearing	
4	0760610	2	Bolt M6 x 20	
5	0760614	4	Bolt M6 x 30	
6	0760812	1	Bolt M8 x 25	
7	0761014	4	Bolt M10 x 30	
8	0761015	5	Bolt M10 x 35	
9	0771212	1	Bolt M12 x 25	
10	1320022	1	Clamp	
11	1321716	4	Clamp	
12	1701505	1	Decal - Diesel Fuel	
13	2180832	1	Fitting, Barbed	
14	2180876	1	Fitting, Barbed	
15	2720058	2 ft /0.6m	Hose	
16	3290605	6	Nut M6	
17	3291005	8	Nut M10	
18	3422532	1	Pin	
19	3841143	1	Keeper, Pin	
20	4240099	AR	Tie-Strap	
21	4811700	12	Washer M6	
22	4811900	1	Washer M8	
23	4812000	15	Washer M10	
24	4812100	1	Washer M12	
25	5251215	1	Bolt M12 x 35	
26	5261200	1	Nut, Flange M12 Grade 10.9	
27	8405006	6	Clamp	
29	2220767	AR	Fitting, Barbed 90	
29	8430007	AR	Fitting, Barbed	
30	1001135196	1	Pin	
31	1001139654	1	Decal - Ultra Low Sulfur Diesel	
32	1001142501	1	Fitting, Barbed 90	
33	1001154405	7.25 ft /2.21m	Hose	
34	1001155823	1	Coupling, Quick Disconnect 90	
35	1001165035	17.25 ft /5.26m	Hose	
36	1001167512	1	Bracket	
37	1001169823	1	Plate, Engine Lock	
38	1001171683	1	Cable, Battery (Red) (Battery Positive to Auxiliary Power Relay)	
39	1001171684	1	Cable, Battery (Black) (Battery Negative to Auxiliary Power Pump)	
40	1001181358	1	Harness, Fuel Pump (See Separate Breakdown in ELECTRICAL SECTION)	
41	1001191832	1	Nut, Rivet M8	
43	1001277600	1	Engine and Pump Sub-Assembly - Deutz D2.9L4 (Without Arctic Package) (See Separate Breakdown in this Section)	
44	1001247440	1	Pipe, Exhaust	
46	1001256879	1	Bracket	
47	0701020	1	Bolt M10 x 60	

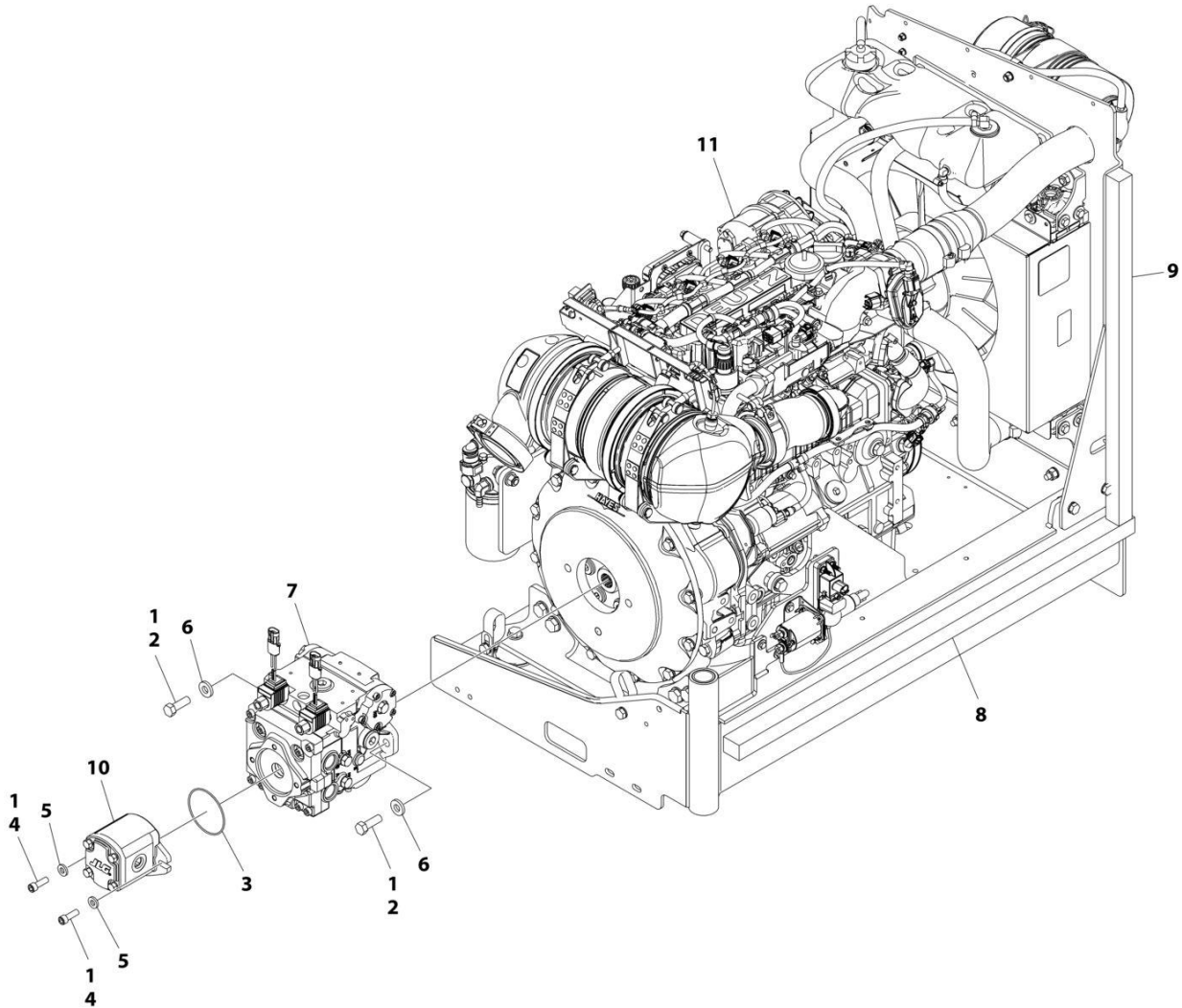
## SECTION 3 - ENGINE

ITEM	PART NUMBER	QTY	DESCRIPTION	REV
48	1062255	1	Tie-Strap	
49	4812002	1	Washer M10	
51	1001156107	1	Holder	
52	1001220266	1	Spacer	
53	1320061	1	Clamp	



# SECTION 3 - ENGINE

FIGURE 3-10. ENGINE AND PUMP SUB-ASSEMBLY-DEUTZ (STAGE V) (CE & UK CA SPECS)



ART\_1001277600

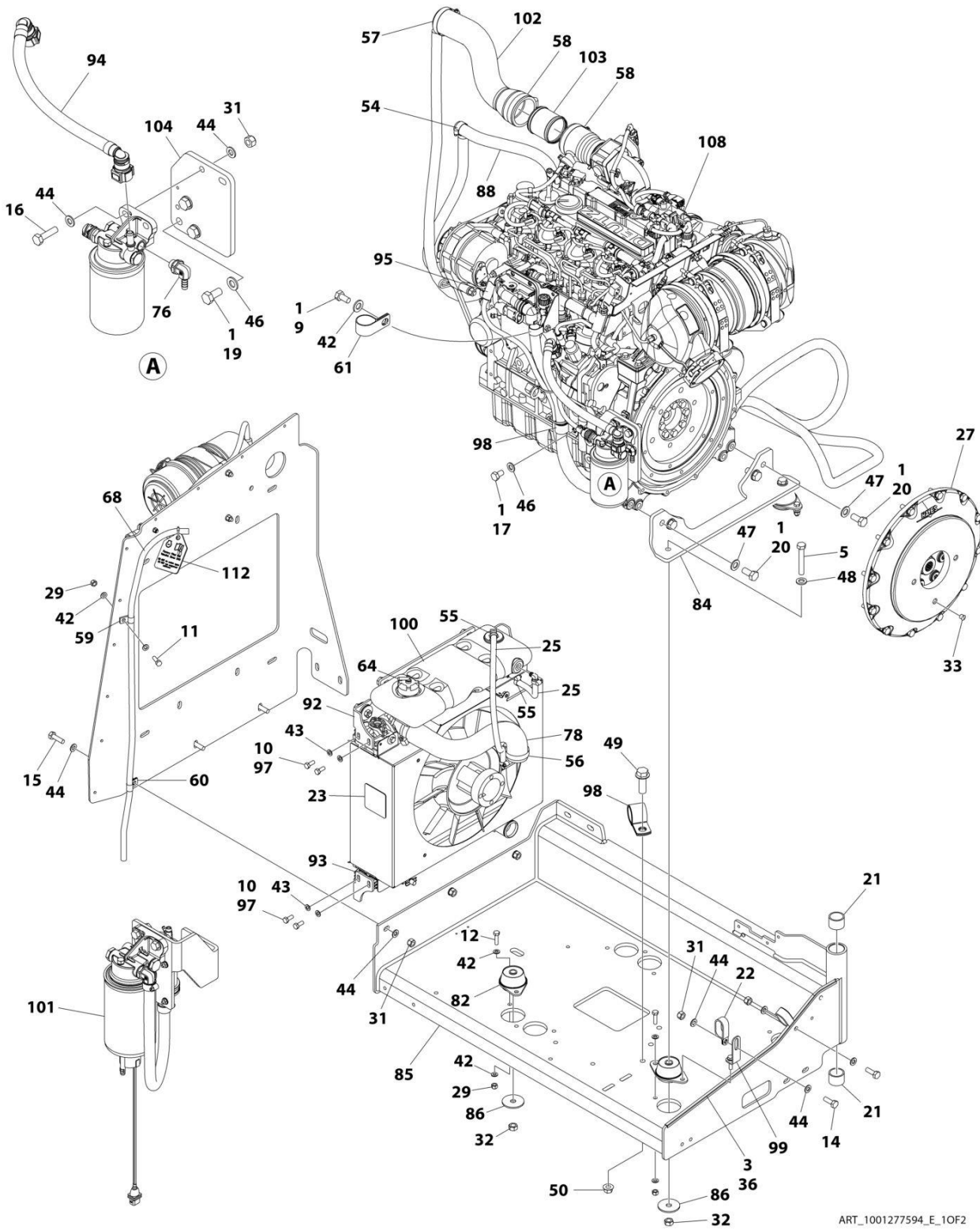
## SECTION 3 - ENGINE

**FIGURE 3-10. ENGINE AND PUMP SUB-ASSEMBLY-DEUTZ (STAGE V) (CE & UK CA SPECS)**

ITEM	PART NUMBER	QTY	DESCRIPTION	REV
	1001277600	Ref	ENGINE AND PUMP SUB-ASSEMBLY - DEUTZ (STAGE V) ENGINE	B
1	0100011	AR	Compound, Locking	
2	0641812	2	Bolt 1/2 x 1-1/2	
3	3790152	1	O-Ring	
4	3931618	2	Capscrew 3/8 x 1-1/8	
5	4891600	2	Washer 3/8 Hardened	
6	4891800	2	Washer 1/2 Hardened	
7	1001167036	1	Piston Pump Assembly (See Separate Breakdown in this Section)	
8	1001171953	1	Seal	
9	1001171954	1	Seal	
10	1001214207	1	Gear Pump Assembly	
10	70006356	1	Seal Kit - 1001214207 Pump	
11	1001277594	1	Engine Assembly, Deutz (Stage V) Engine (See Separate Breakdown in this Section)	

# SECTION 3 - ENGINE

## FIGURE 3-11. ENGINE ASSEMBLY - DEUTZ STAGE V ENGINE (CE & UK CA SPECS)

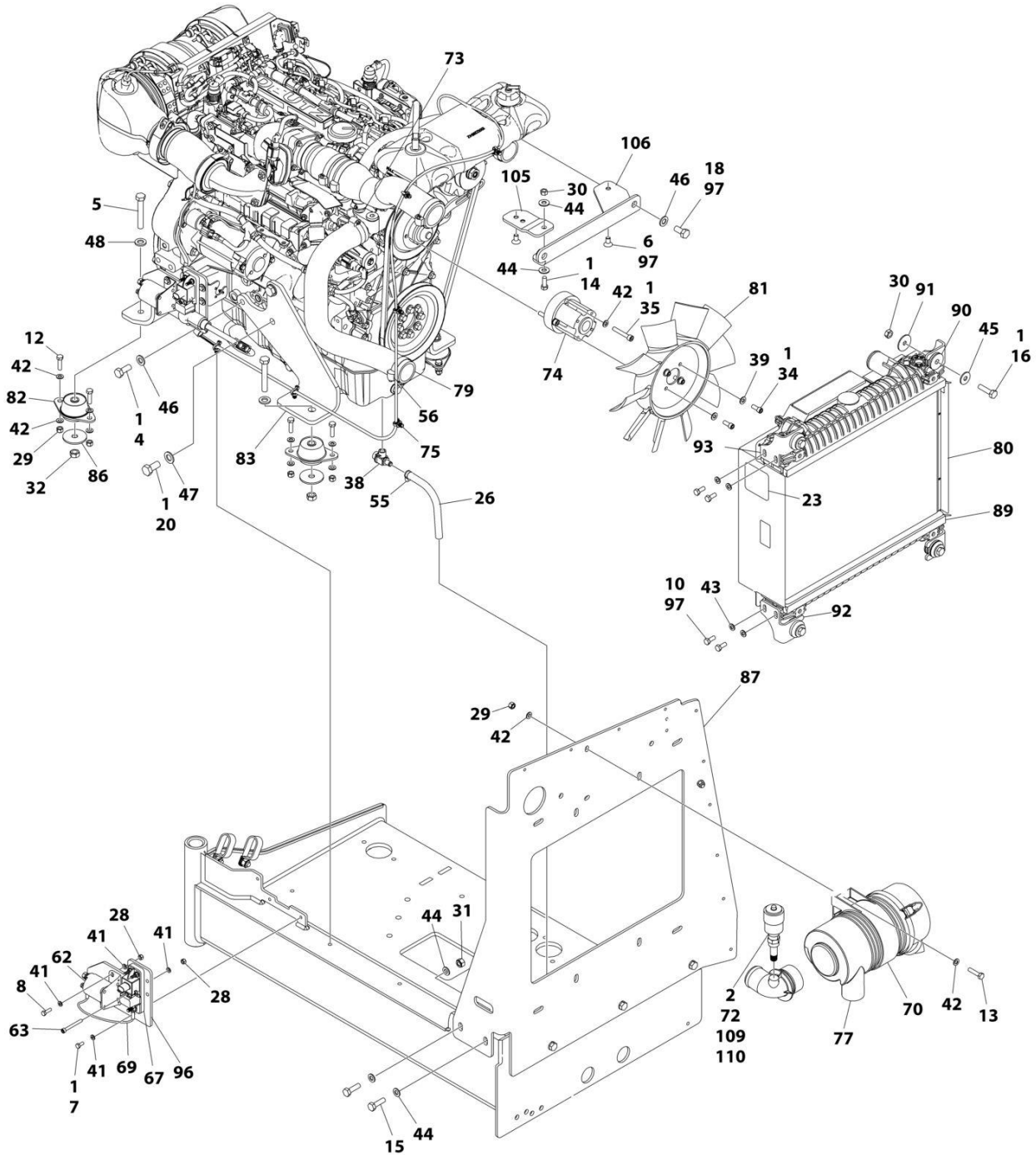


ART\_1001277594\_E\_10F2



# SECTION 3 - ENGINE

## FIGURE 3-12. ENGINE ASSEMBLY - DEUTZ STAGE V ENGINE (CE & UK CA SPECS)



ART\_1001277594\_E\_20F2



## SECTION 3 - ENGINE

**FIGURE 3-12. ENGINE ASSEMBLY - DEUTZ STAGE V ENGINE (CE & UK CA SPECS)**

ITEM	PART NUMBER	QTY	DESCRIPTION	REV
	1001277594	Ref	ENGINE ASSEMBLY - DEUTZ D2.9L4 (STAGE V)	E
1	0100011	AR	Compound, Locking	
2	0100020	AR	Sealant, Pipe	
3	0100081	AR	Adhesive	
4	0711214	1	Bolt M12 x 30 Class 10.9	
5	0711224	3	Bolt M12 x 80 Class 10.9	
6	0741606	2	Screw 3/8 x 3/4	
7	0760607	3	Bolt M6 x 14	
8	0760610	2	Bolt M6 x 20	
9	0760808	1	Bolt M8 x 16	
10	0760810	8	Bolt M8 x 20	
11	0760812	1	Bolt M8 x 25	
12	0760814	6	Bolt M8 x 30	
13	0760815	2	Bolt M8 x 35	
14	0761014	3	Bolt M10 x 30	
15	0761015	5	Bolt M8 x 35	
16	0761016	6	Bolt M10 x 40	
17	0761210	1	Bolt M12 x 20	
18	0761212	2	Bolt M12 x 25	
19	0771212	3	Bolt M12 x 25	
20	0771414	6	Bolt M14 x 30 Class 10.9	
21	0961951	2	Bushing	
22	1321716	2	Clamp	
23	1703162	2	Decal - Caution Fan	
25	2720015	2 ft /1 m	Hose	
26	2720340	1 ft/1 m	Hose	
27	2902065	1	Pump Coupling Kit (See Separate Breakdown in this Section)	
28	3290605	3	Nut M6	
29	3290805	9	Nut M8	
30	3291001	5	Nut M10	
31	3291005	9	Nut M10	
32	3331215	3	Nut M12 x 1.75	
33	3520054	1	Plug	
34	3931512	4	Capscrew, 5/16 x 3/4	
35	4031914	4	Bolt M8 x 50	
36	4060805	3 ft /1 m	Flex-Trim	
37	4240099	AR	Tie-Strap (Not Shown)	
38	4640751	1	Valve, Oil Drain	
39	4711500	4	Washer 5/16	
40	4811700	2	Washer M6	
41	4811702	8	Washer M6	
42	4811900	23	Washer M8	
43	4811902	8	Washer M8	
44	4812000	20	Washer M10	
45	4812002	4	Washer M10	
46	4812100	7	Washer M12	
47	4812200	6	Washer M14	
48	5241200	3	Washer M12	
49	5251215	1	Bolt M12 x 35	
50	5261200	1	Nut, Flange M12 Class10	

## SECTION 3 - ENGINE

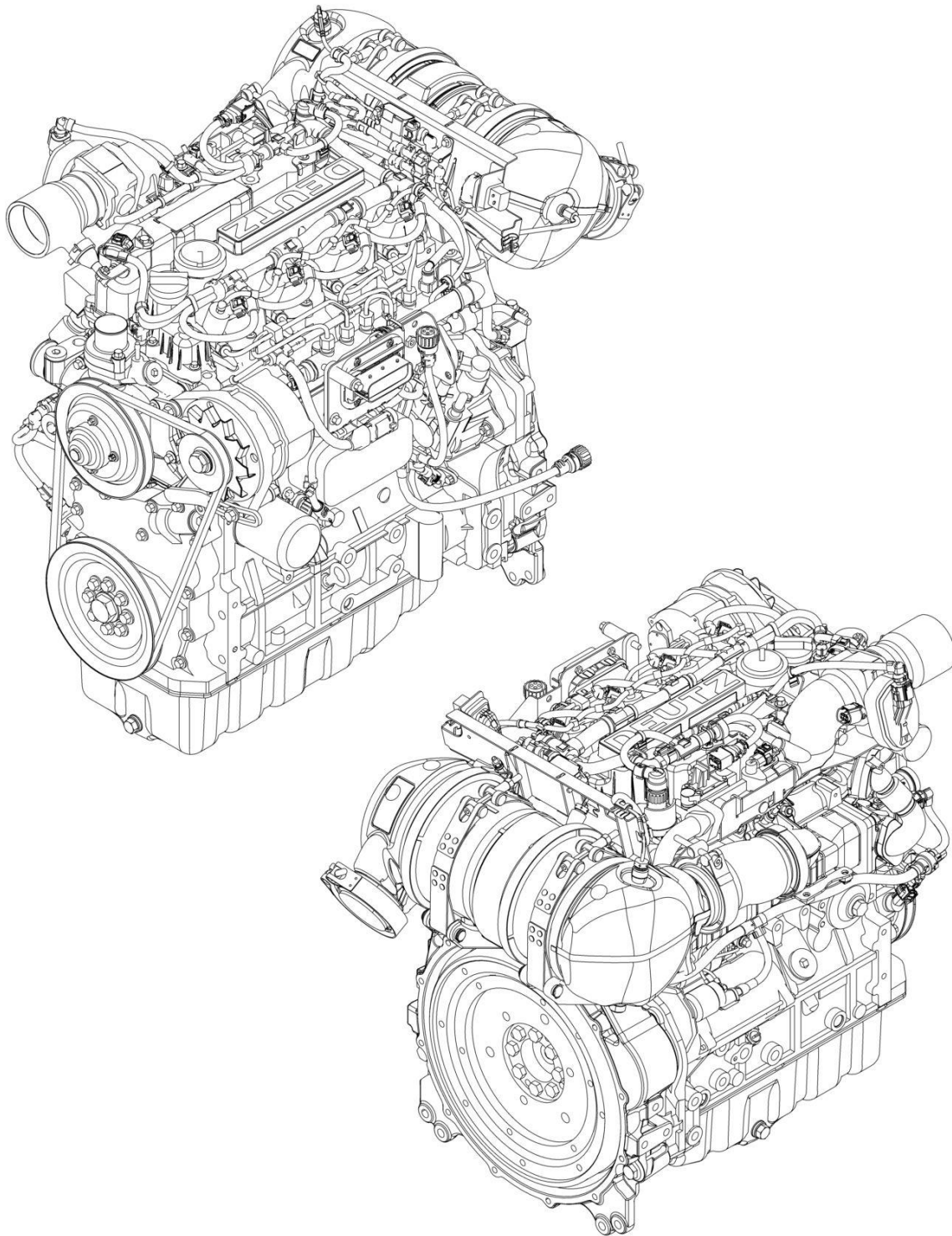
ITEM	PART NUMBER	QTY	DESCRIPTION	REV
54	8405007	2	Clamp	
55	8405009	5	Clamp	
56	8405104	4	Clamp	
57	8405202	1	Clamp	
58	8405204	2	Clamp	
59	8406109	1	Clip	
60	8406110	1	Clip	
61	8406201	1	Clip	
62	1001117308	1	Relay, 200Amp	
63	1001118878	1	Bolt M6 x 55	
64	1001136834	1	Cap, Tank	
67	1001138228	1	Relay, Power Module	
68	1001138248	4 ft/1 m	Tube	
69	1001141304	1	Harness, Glow Plug	
70	1001141694	1	Clamp, Air Cleaner	
72	1001143390	1	Indicator	
73	1001143797	1	Fitting, Barbed	
74	1001144116	1	Spacer, Fan	
75	1001146588	AR	Tie-Strap (Not Shown)	
76	1001152489	1	Fitting, Barbed 90	
77	1001165388	1	Air Cleaner Assembly	
78	1001165405	1	Hose, Upper Radiator	
79	1001165406	1	Hose, Lower Radiator	
80	1001165722	1	Radiator	
81	1001165849	1	Fan	
82	1001166718	3	Mount, Motor	
83	1001166921	1	Plate, Engine Mount	
84	1001166924	1	Plate, Engine Mount	
85	1001167520	1	Tray, Engine	
86	1001168018	3	Washer, Special	
87	1001168026	1	Plate, Radiator Mounting	
88	1001168099	1	Hose	
89	1001168166	2	Seal	
90	1001169054	4	Isolator	
91	1001169138	4	Washer, Snubbing	
92	1001169967	2	Bracket	
93	1001170035	2	Bracket	
94	1001177359	1	Hose	
95	1001178788	1	Cable, Alternator	
96	1001179903	1	Bracket	
97	1001180620	AR	Adhesive	
98	1001191620	2	Clamp	
99	1001223122	1	Support	
100	1001230635	1	Tank, Surge (Includes Items 62, 70, & 73)	
101	1001235949	1	Bracket (See Separate Breakdown in this Section)	
102	1001236780	1	Hose, Air Intake	
103	1001238911	1	Pipe, Air Intake	
104	1001258804	1	Mount, Fuel Filter	
105	1001260412	1	Bracket	
106	1001260420	1	Bracket (note: may require P/N 1001260412)	
107	1001276643	1	Harness, Engine (Not Shown - See Separate Breakdown in ELECTRICAL Section)	

## SECTION 3 - ENGINE

ITEM	PART NUMBER	QTY	DESCRIPTION	REV
108	1001277589	1	Engine, Deutz 2.9L4 (Stage V) (See Separate Breakdown in this Section)	
109	2200261	1	Fitting	
110	1001277432	1	Spacer	
111	4240032	1	Tie-Strap (Not Shown)	
112	1001291401	1	Tag, Coolant	

## SECTION 3 - ENGINE

FIGURE 3-13. ENGINE COMPONENTS - DEUTZ D2.9L4 (STAGE V) (CE & UK CA SPECS)



ART\_1001277589

## SECTION 3 - ENGINE

**FIGURE 3-13. ENGINE COMPONENTS - DEUTZ D2.9L4 (STAGE V) (CE & UK CA SPECS)**

ITEM	PART NUMBER	QTY	DESCRIPTION	REV
	1001277589	Ref	DEUTZ ENGINE COMPONENTS	B
		Ref	<b>COOLING SYSTEM COMPONENTS</b>	
	70031474	1	Cooler, Oil	
	70031388	1	Seal, Oil Cooler	
	70030360	1	Pump, Coolant (Includes Gaskets & Seals)	
	70031055	1	O-Ring, Coolant Pump	
	70007325	1	Gasket	
	70007603	1	Thermostat	
	70005184	1	O-Ring, Thermostat	
	70005931	1	Gasket, Thermostat	
		Ref	<b>ELECTRICAL SYSTEM COMPONENTS</b>	
	70024513	1	Cable, Primary Fuel Filter Sensor (Includes Seal)	
	70025239	1	Seal	
	70028538	1	Sensor, Fuel Pressure (at Filter) (Includes Seal)	
	70024920	1	Seal	
	70029512	1	Module, ECU/ECM	
	70027405	1	Sensor, Exhaust Temperature	
	70031144	1	Starter	
	70008435	1	Generator (includes Regulator)	
	70031143	1	Regulator	
	70000345	4	Plug, Glow	
	70025231	1	Harness, Glow Plug	
	70008553	1	Cable, Interconnect	
	70008558	1	Harness, Engine	
	1001211556	1	Sensor, Temperature (Includes O-Seal)	
	70005507	1	O-Seal	
	70028540	1	Sensor, Temperature (in Cylinder Head)	
	70024504	1	Sensor, Oil Pressure (Side of Block) (Includes Seal)	
	70024920	1	Seal	
	70026210	2	Sensor, Speed (Includes O-Ring/Seal)	
	70005191	1	O-Ring	
	70024917	1	Seal	
	70008559	1	Sensor, Air Pressure (Air Exchange Manifold) (Includes O-Ring)	
	70008561	1	Sensor, Air Pressure (Air Exchange Manifold) (Includes O-Ring)	
	70024505	1	Sender, Exhaust Temperature	
	70029409	1	Sender, Exhaust Temperature	
	70008431	1	Sensor, Exhaust Pressure	
		Ref	<b>EXHAUST SYSTEM COMPONENTS</b>	
	70025130	8	Bolt, Exhaust Manifold	
	70025164	1	Gasket, Exhaust Manifold to Head	
	70005505	2	O-Seal	
	70008543	1	Pipe, Exhaust	
	70008544	1	O-Seal, Exhaust (Venturi Tube to Exhaust Pipe)	
	70008545	1	Gasket, Square Exhaust	
	70005504	1	Sensor, Exhaust Pressure (Includes O-Seals)	
	70031136	1	Gasket, Exhaust (Upper)	
	70007354	1	Gasket, Exhaust (Lower)	
	70008547	1	Module, EGR (Includes Gasket)	
	70007326	1	Gasket	
	70025242	2	Gasket, Compensator	

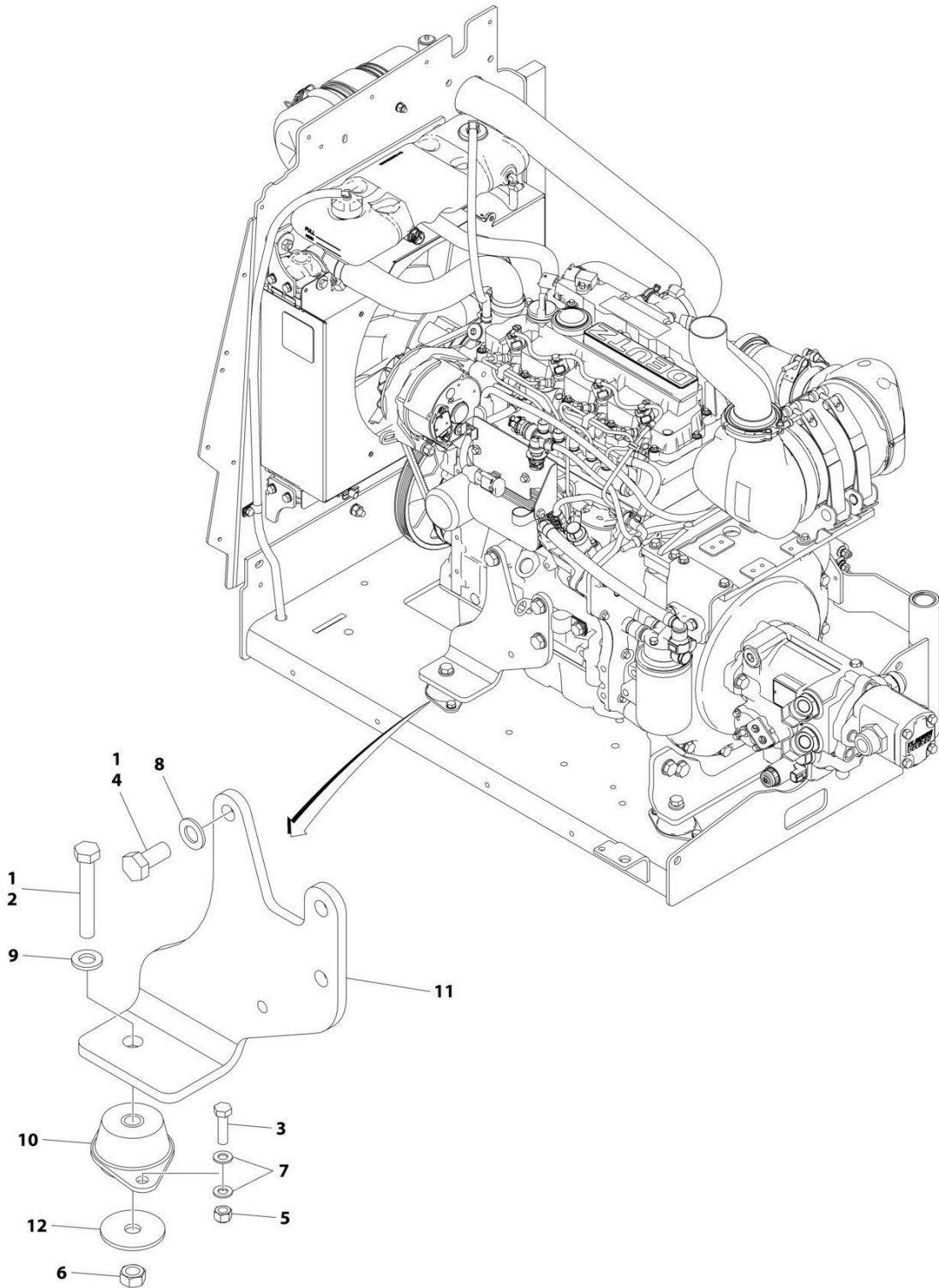
## SECTION 3 - ENGINE

ITEM	PART NUMBER	QTY	DESCRIPTION	REV
	70004504	1	Compensator	
	70008564	1	Catalyst	
		Ref	<b>FUEL SYSTEM COMPONENTS</b>	
	1001225430	1	Filter, Primary Fuel	
	1001225431	1	Filter, Fuel	
	70030381	1	Pump, High Pressure	
	70025152	1	O-Ring (Between Pump AND Spacer)	
	70004505	1	Valve, Overflow (Includes O-Rings)	
	70004506	1	O-Ring	
	70004507	1	O-Ring	
	70004508	1	Valve, Volume Control (Includes O-Ring & Gasket)	
	70004509	1	O-Ring	
	70004510	1	Gasket	
	70004281	4	Injector, Fuel (Includes Sealing Washer & O-Ring)	
	70025140	1	Washer, Sealing	
	70025145	1	O-Rin	
	70008422	1	Pump, Fuel Supply (Includes Clamps)	
	70025144	2	Clamp	
	70008537	1	Valve, Throttle (Includes Gasket)	
	70008538	1	Gasket	
		Ref	<b>GASKETS &amp; SEAL &amp; KITS</b>	
	70024906	1	Gasket, Head	
	70005171	1	Gasket, Valve Cover	
	70002718	1	Seal, Rear Main	
	70028185	1	Gasket, Front Cover	
	70008296	1	Seal, Front Main	
	70025235	1	Kit, Repair - Fuel Rail	
	70005176	1	O-Ring, Charge Exchange Manifold	
	70005177	1	Gasket, Charge Exchange Manifold	
	70005938	1	Gasket Kit	
		Ref	<b>LUBRICATION SYSTEM COMPONENTS</b>	
	7016331	1	Filter, Oil	
	70024904	1	Dipstick (Includes O-Ring)	
	70024905	1	O-Ring, Dipstick	
	7020465	2	Cap, Oil Fill	
	70005941	1	Plug, Oil Drain	
	70005942	1	Washer, Oil Drain Plug	
	70005172	1	Pump, Oil Lube (Includes Gasket & O-Ring)	
		Ref	<b>MECHANICAL COMPONENTS</b>	
	70001870	1	Flywheel (Includes Ring Gear)	
	7024579	1	Gear, Ring	
	70024913	1	V-Belt	



# SECTION 3 - ENGINE

## FIGURE 3-14. MOTOR MOUNT INSTALLATION (STAGE V ENGINES WITHOUT GENERATOR)



ART\_1001244024



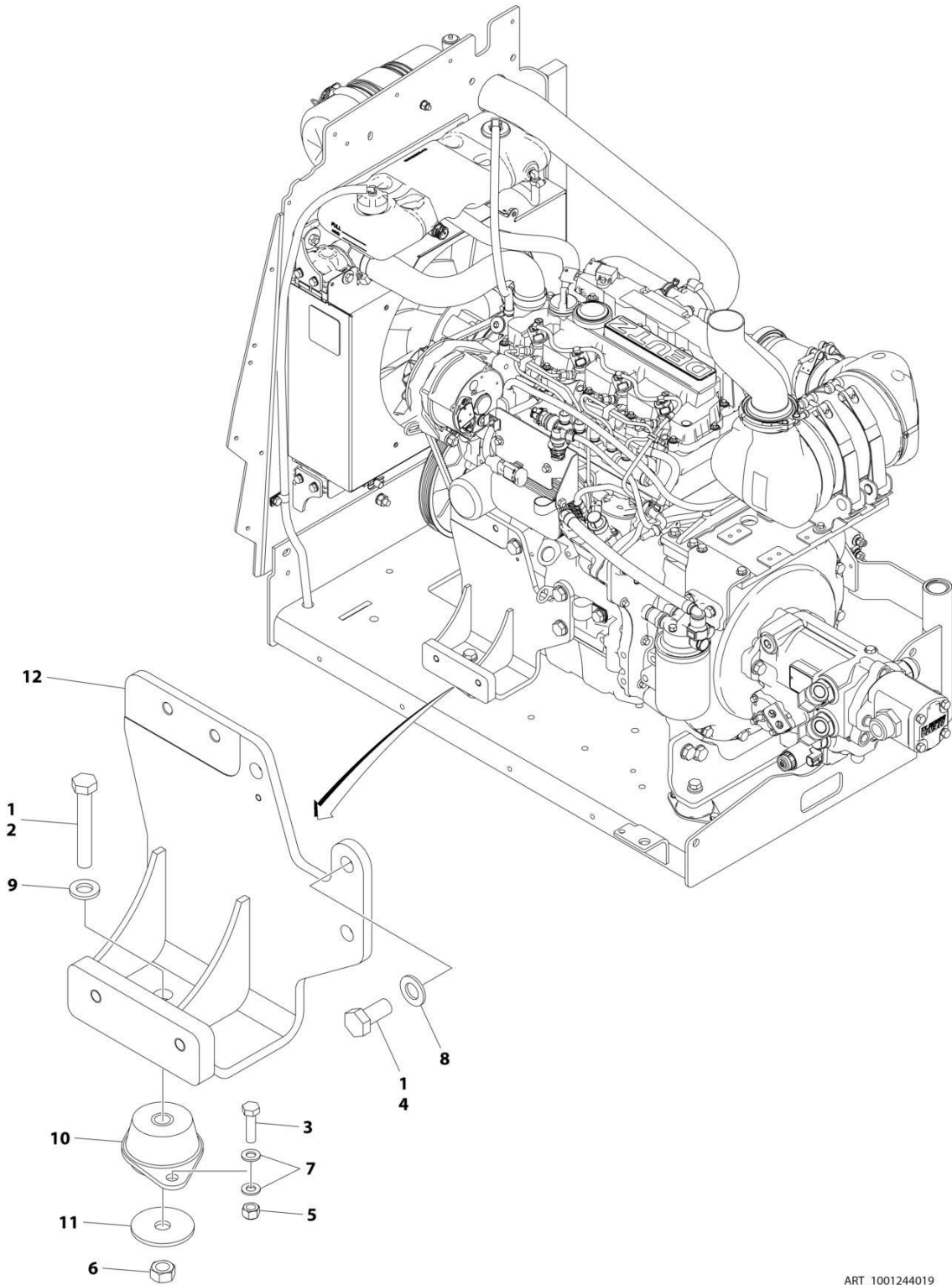
## SECTION 3 - ENGINE

**FIGURE 3-14. MOTOR MOUNT INSTALLATION (STAGE V ENGINES WITHOUT GENERATOR)**

ITEM	PART NUMBER	QTY	DESCRIPTION	REV
	1001244024	Ref	MOTOR MOUNT INSTALLATION	A
1	0100011	AR	Compound, Locking	
2	0711224	1	Bolt M12 x 80	
3	0760814	2	Bolt M8 x 30	
4	0771414	3	Bolt M14 x 30	
5	3290805	2	Nut M8	
6	3331211	1	Nut M12	
7	4811900	4	Washer M8	
8	4812200	3	Washer M14	
9	5241200	1	Washer M12	
10	1001166718	1	Mount, Motor	
11	1001166922	1	Mount	
12	1001168018	1	Washer	

# SECTION 3 - ENGINE

## FIGURE 3-15. MOTOR MOUNT INSTALLATION (STAGE V ENGINES WITH GENERATOR)



ART\_1001244019

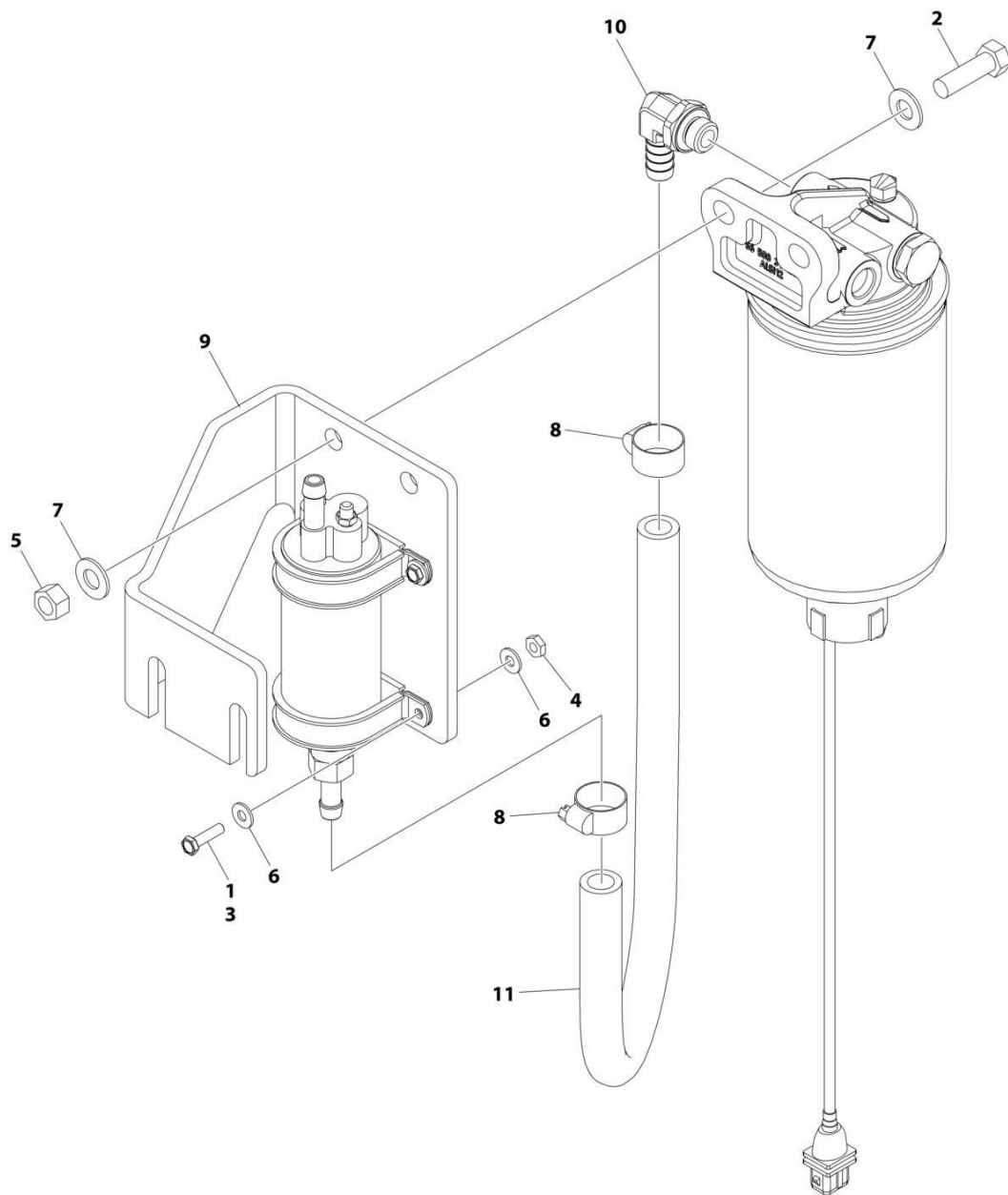
## SECTION 3 - ENGINE

### FIGURE 3-15. MOTOR MOUNT INSTALLATION (STAGE V ENGINES WITH GENERATOR)

ITEM	PART NUMBER	QTY	DESCRIPTION	REV
	1001244019	Ref	MOTOR MOUNT INSTALLATION	A
1	0100011	AR	Compound, Locking	
2	0711224	1	Bolt M12 x 80	
3	0760814	2	Bolt M8 x 30	
4	0771414	3	Bolt M14 x 30	
5	3290805	2	Nut M8	
6	3331211	1	Nut M12	
7	4811900	4	Washer M8	
8	4812200	3	Washer M14	
9	5241200	1	Washer M12	
10	1001166718	1	Mount, Motor	
11	1001168018	1	Washer	
12	1001168207	1	Mount	

## SECTION 3 - ENGINE

FIGURE 3-16. BRACKET ASSEMBLY - FUEL PUMP AND FILTER (DEUTZ D2.9L4 ENGINE) (STAGE V)



ART\_1001235949

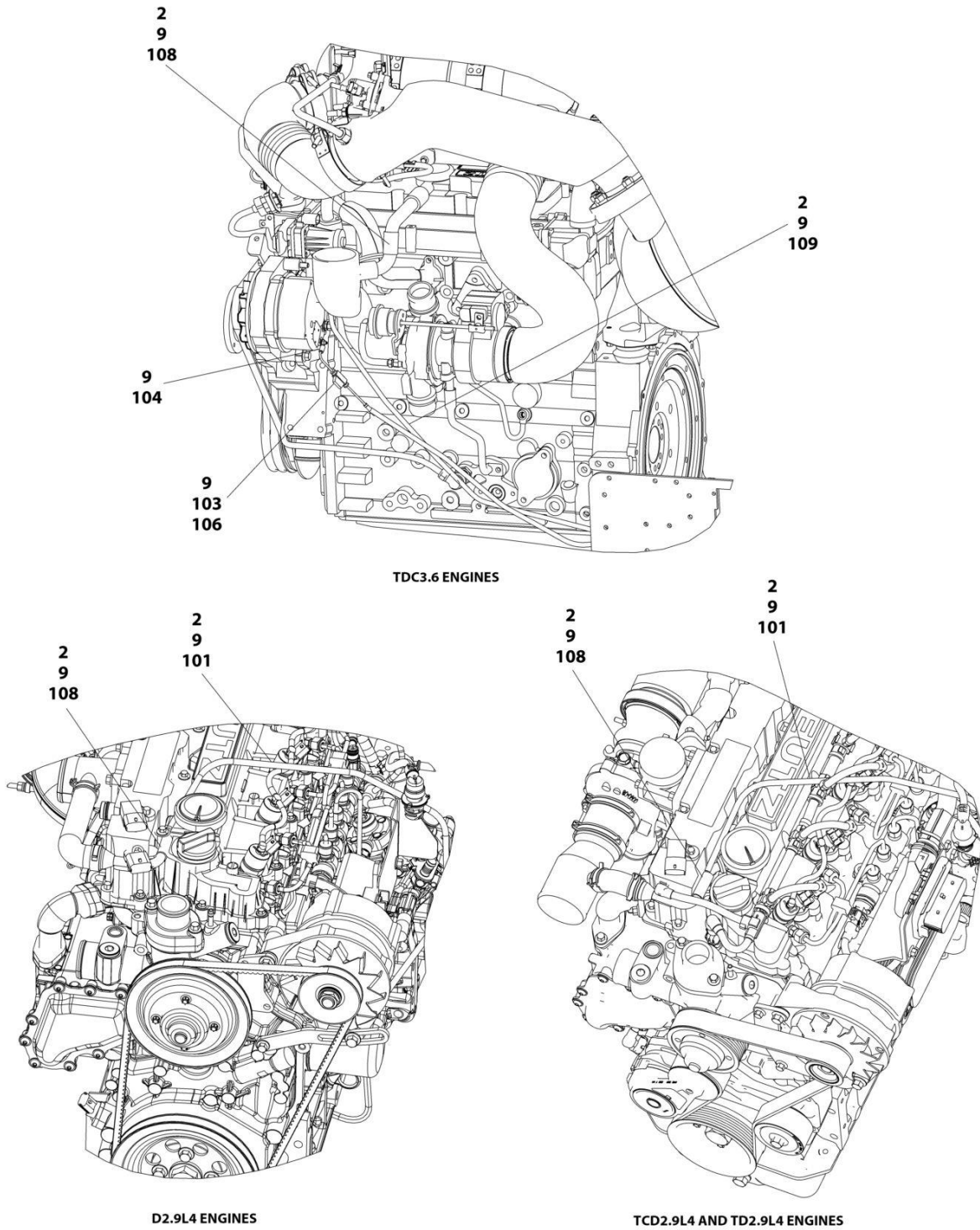
## SECTION 3 - ENGINE

**FIGURE 3-16. BRACKET ASSEMBLY - FUEL PUMP AND FILTER (DEUTZ D2.9L4 ENGINE) (STAGE V)**

ITEM	PART NUMBER	QTY	DESCRIPTION	REV
	1001235949	Ref	BRACKET ASSEMBLY - FUEL PUMP AND FILTER (DEUTZ D2.9L4 (STAGE V) ENGINE)	A
1	0100035	AR	Compound, Locking	
2	0641610	2	Bolt 3/8 x 1-1/4	
3	0721006	4	Bolt #10 x 3/4	
4	3311001	4	Nut #10	
5	3311605	2	Nut 3/8	
6	4711000	8	Washer #10	
7	4711600	4	Washer 3/8	
8	8405006	2	Clamp	
9	1001141870	1	Plate, Fuel Pump Mount	
10	1001142501	1	Fitting, Elbow Barbed	
11	1001154405	1.5 ft /0.4m	Hose	

# SECTION 3 - ENGINE

## FIGURE 3-17. BREATHER HEATER INSTALLATION - DEUTZ D2.9L4 ENGINES (STAGE V) (CE SPECS)



TDC3.6 ENGINES

D2.9L4 ENGINES

TCD2.9L4 AND TD2.9L4 ENGINES

ART\_1001233763

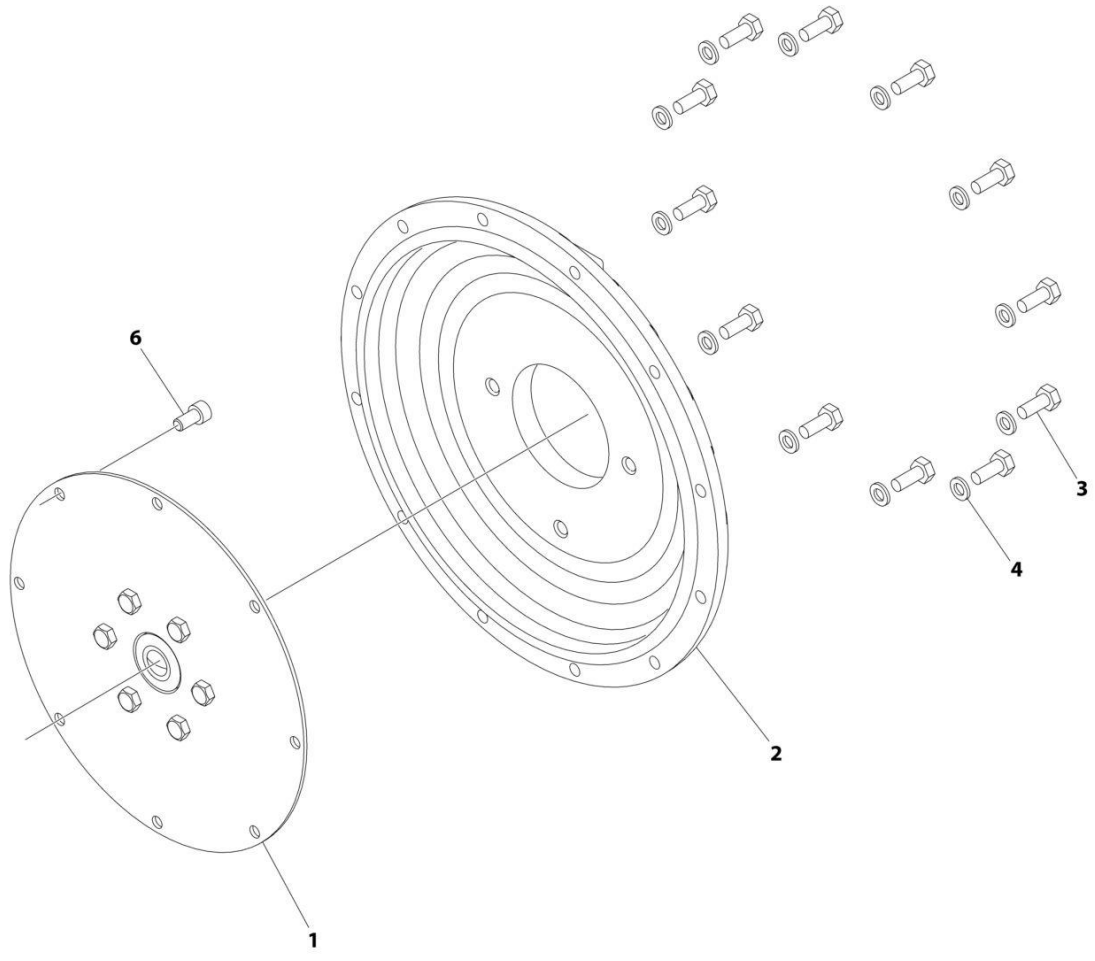
## SECTION 3 - ENGINE

**FIGURE 3-17. BREATHER HEATER INSTALLATION - DEUTZ D2.9L4 ENGINES (STAGE V) (CE SPECS)**

ITEM	PART NUMBER	QTY	DESCRIPTION	REV
	1001233763	Ref	BREATHER HEATER INSTALLATION - DEUTZ ENGINES	D
2	4240099	AR	Tie-Strap	
9	1001243895	1	Breather Heater Harness	C
101	2820035	AR	Insulation	
103	2400060	1	Fuseholder with Cover	
104	4460043	1	Terminal, Ring	
105	4460722	1	Terminal, Ring (Not Shown)	
106	1001196634	1	Fuse - 2 Amp	
108	1001232842	1	Breather Heater Kit	

# SECTION 3 - ENGINE

## FIGURE 3-18. PUMP COUPLING KIT – DEUTZ ENGINES



ART\_2902065



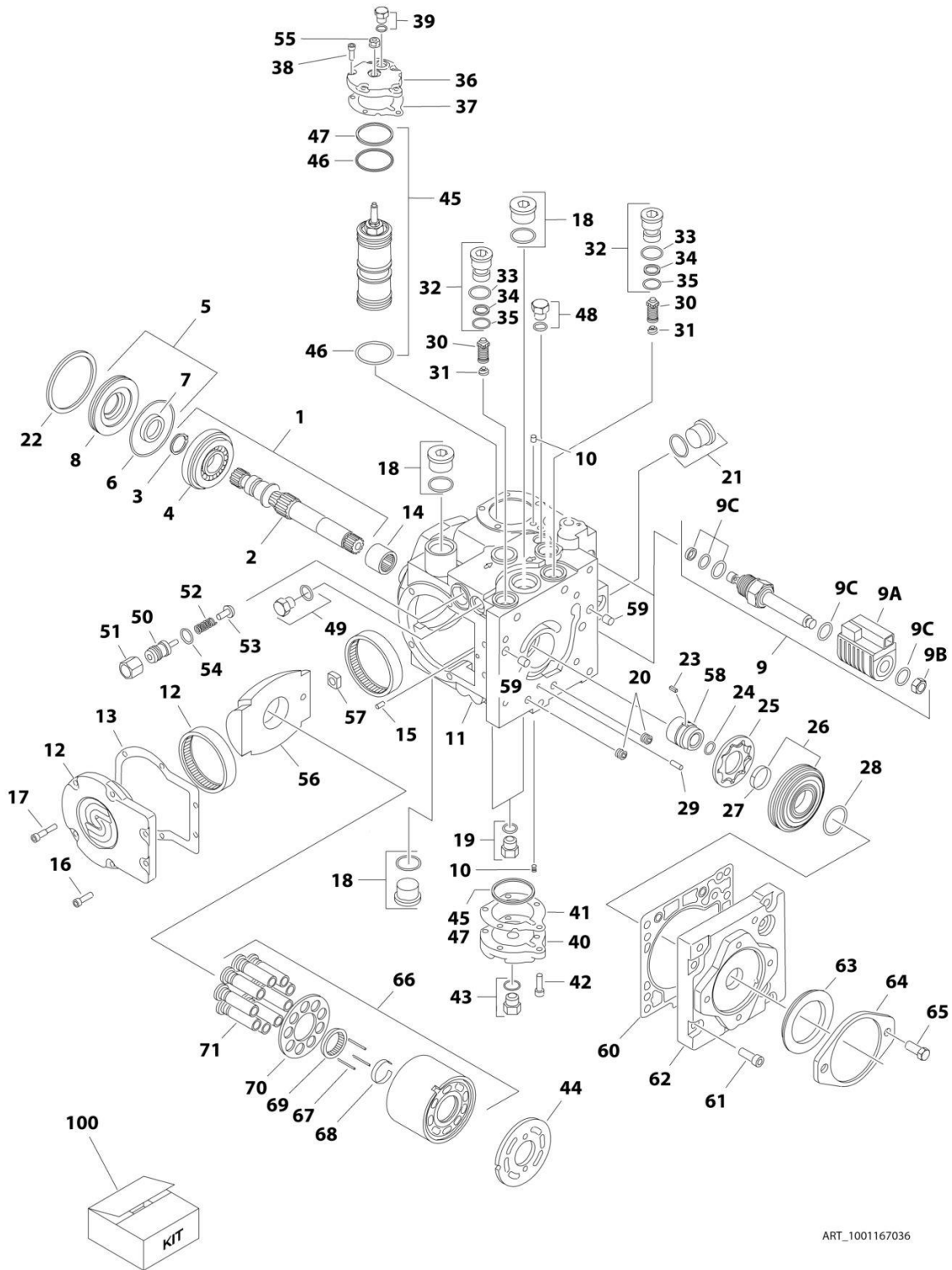
## SECTION 3 - ENGINE

### FIGURE 3-18. PUMP COUPLING KIT – DEUTZ ENGINES

ITEM	PART NUMBER	QTY	DESCRIPTION	REV
	2902065	Ref	PUMP COUPLING KIT	L
1	70000793	1	Coupling, Hayes	
2	See Note	NSS	Plate, Pump Adapter (Note: Use p/n 2902065)	
3	See Note	NSS	Bolt M10 x 30 Grade 10.9 (Note: Use p/n 2902065)	
4	See Note	NSS	Washer M10 (Note: Use p/n 2902065)	
6	See Note	NSS	Bolt M10 x 20 Grade 10.9 (Note: Use p/n 2902065)	

# SECTION 3 - ENGINE

## FIGURE 3-19. PISTON PUMP ASSEMBLY



ART\_1001167036

## SECTION 3 - ENGINE

### FIGURE 3-19. PISTON PUMP ASSEMBLY

ITEM	PART NUMBER	QTY	DESCRIPTION	REV
	1001167036	Ref	PISTON PUMP ASSEMBLY	B
1	7021240	1	Shaft Assembly (Includes Items 2-4)	
2	7021237	1	Shaft	
3	7021238	1	Ring, Retaining	
4	7021239	1	Bearing, Roller	
5	70004896	1	Shaft Seal Kit (Includes Items 6-8)	
6	7021241	1	O-Ring	
7	7021242	1	Seal, Lip	
8	7021243	1	Carrier, Seal Shaft	
9	7024855	2	Solenoid Assembly	
9A	70004897	2	Coil (1 Per Assembly)	
9B	7024857	2	Nut (1 Per Assembly)	
9C	7024858	2	Seal Kit - 7024855 Cartridge (1 Per Assembly)	
10	70004889	2	Orifice	
11	See Note	NSS	Housing Assembly (Note: Not Available for Purchase)	
12	7021248	1	Side Cover Assembly (Includes Item 13)	
13	70004891	1	Gasket	
14	7021249	1	Bearing, Needle	
15	See Note	NSS	Pin (Note: Not Available for Purchase)	
16	70004890	2	Screw	
17	70004892	4	Screw	
18	7007419	2	Plug Assembly (Includes O-Ring)	
19	7007420	2	Plug Assembly (Includes O-Ring)	
20	See Note	NSS	Plug (Note: Not Available for Purchase)	
21	7007419	1	Plug Assembly (Includes O-Ring)	
22	7021257	1	Ring, Retaining	
23	70004893	1	Key	
24	7022341	1	Ring, Retaining	
25	7021258	1	Gerotor	
26	70004894	1	Gerotor Cover Assembly (Includes Item 27)	
27	7021259	1	Bearing, Journal	
28	7021262	1	O-Ring	
29	See Note	NSS	Pin (Note: Not Available for Purchase)	
30	7021263	2	Bypass Valve Assembly	
31	7024800	2	Spring	
32	7021265	2	Bypass Valve Assembly (Includes Items 32-34)	
33	7007415	2	O-Ring	
34	7021293	2	Ring, Back-up	
35	7022300	2	O-Ring	
36	70004895	1	Cover, Servo	
37	7021253	1	Gasket	
38	70004892	5	Screw	
39	7007420	1	Plug Assembly (Includes O-Ring)	
40	7021268	1	Cover, Servo	
41	7021253	1	Gasket	
42	70004892	5	Screw	
43	7007420	1	Plug Assembly (Includes O-Ring)	
44	7021281	1	Plate, Valve	
45	70004898	1	Servo Piston Kit (Includes Items 46 & 47)	
46	7007495	2	O-Ring	

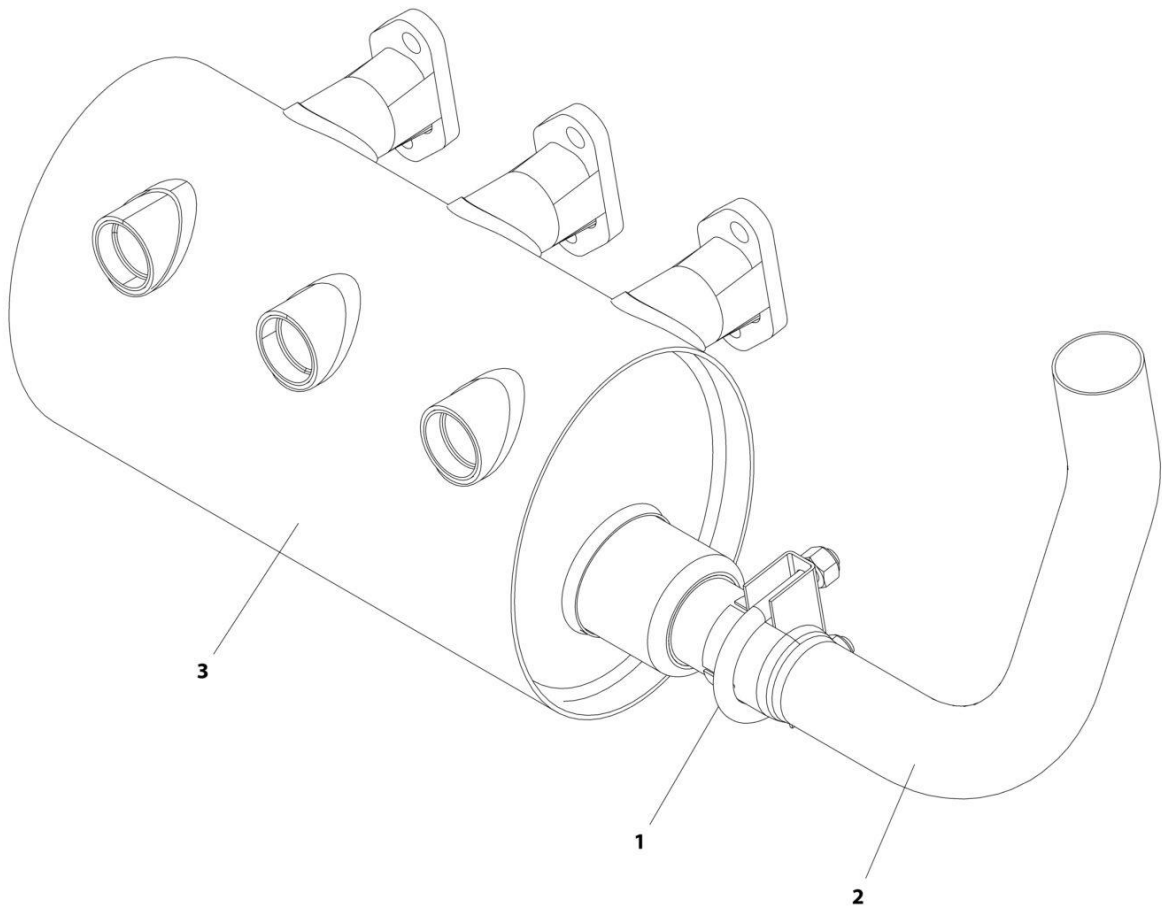
## SECTION 3 - ENGINE

ITEM	PART NUMBER	QTY	DESCRIPTION	REV
47	7007493	2	O-Ring	
48	7007420	1	Plug Assembly (Includes O-Ring)	
49	70004900	1	Plug Assembly (Includes O-Ring)	
50	7022346	1	Adjuster	
51	7021290	1	Nut	
52	7022347	1	Spring	
53	70004901	1	Poppet	
54	7007415	1	O-Ring	
55	70004902	1	Nut, Seal	
56	70004903	1	Swash Plate	
57	70004904	1	Bearing Assembly	
58	70004905	1	Coupling	
59	7001481	2	Pin	
60	70002257	1	Gasket	
61	70004906	8	Screw	
62	70004907	1	Cover, Charge Pump	
63	70004908	1	Seal	
64	7021299	1	Plate, Cover	
65	7007289	2	Screw	
66	70004909	1	Cylinder Block Assembly (Includes Items 67-71)	
67	70004910	3	Pin, Slipper Hold Down	
68	7021276	1	Retainer, Hold Down Pin	
69	7021277	1	Guide, Slipper Retainer	
70	7021278	1	Retainer, Slipper	
71	70004911	1	Piston Assembly	
100	70004899	1	Seal Kit (Includes Items 5-8, 33-35, 37, 41, 46, 47 & 54)	



## SECTION 3 - ENGINE

FIGURE 3-20. SPARK ARRESTOR INSTALLATION - DEUTZ D2011 ENGINE



ART\_1001174378

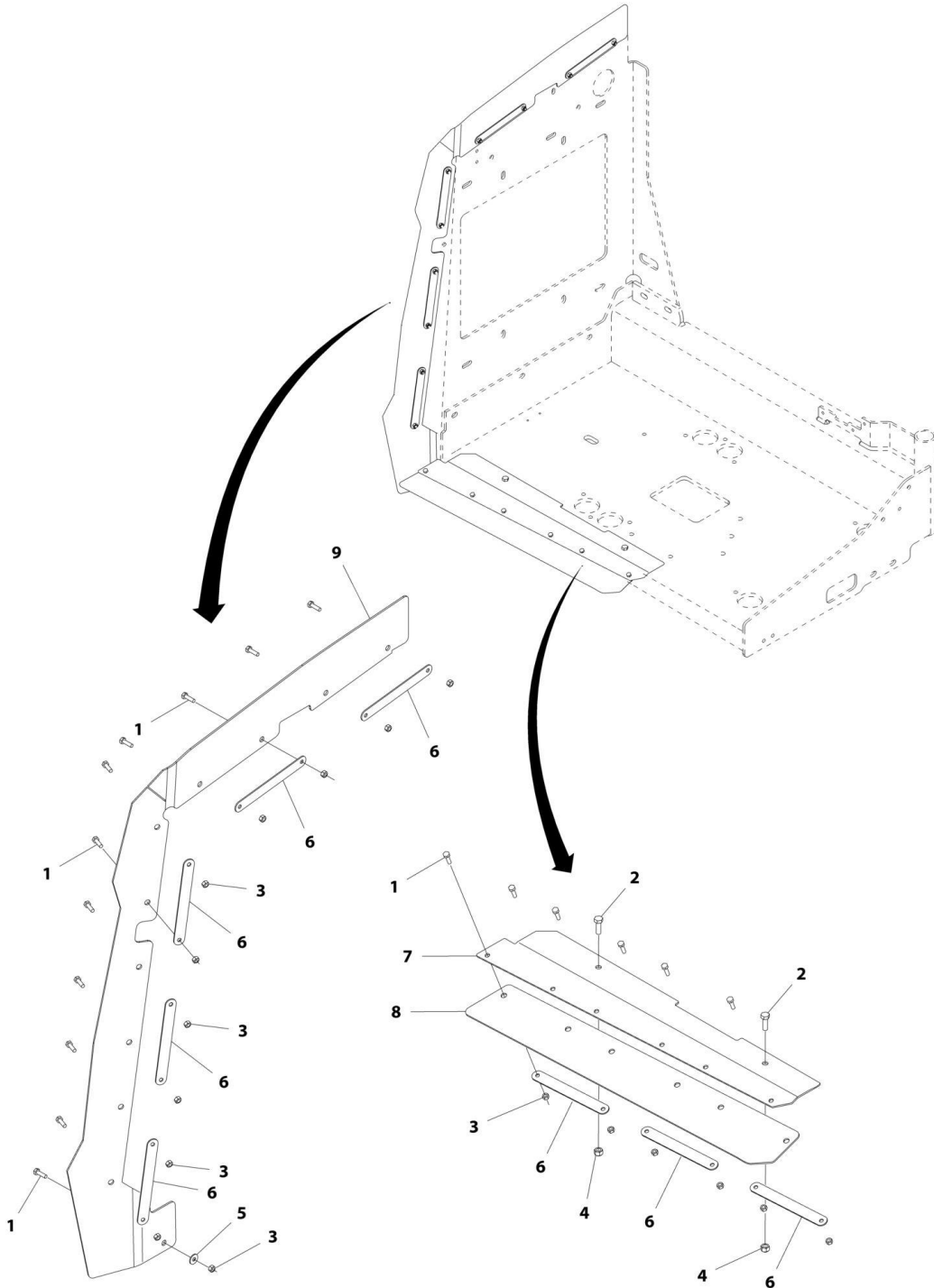
## SECTION 3 - ENGINE

**FIGURE 3-20. SPARK ARRESTOR INSTALLATION - DEUTZ D2011 ENGINE**

ITEM	PART NUMBER	QTY	DESCRIPTION	REV
	1001174378	Ref	SPARK ARRESTOR INSTALLATION - DEUTZ D2011 ENGINE	A
1	1320176	1	Clamp	
2	1001169525	1	Pipe, Exhaust	
3	1001170224	1	Muffler, Spark Arresting	

# SECTION 3 - ENGINE

## FIGURE 3-21. ENGINE Baffle INSTALLATION - WITH DEUTZ ENGINES



ART\_1001172265



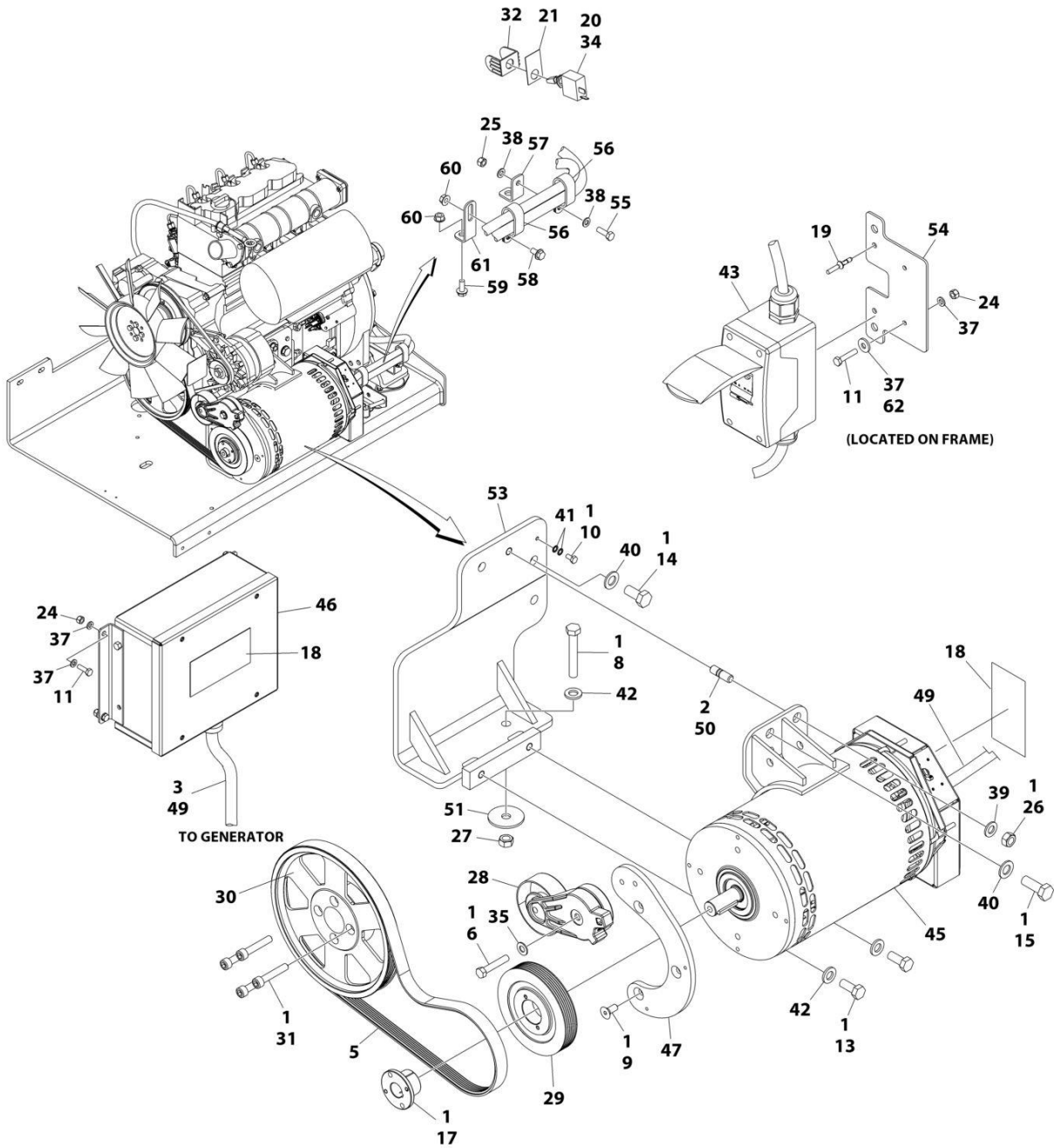
## SECTION 3 - ENGINE

**FIGURE 3-21. ENGINE BAFFLE INSTALLATION - WITH DEUTZ ENGINES**

ITEM	PART NUMBER	QTY	DESCRIPTION	REV
	1001172265	Ref	ENGINE BAFFLE INSTALLATION - WITH DEUTZ/GM ENGINES	B
1	0760610	17	Bolt M6 x 20	
2	0760812	2	Bolt M8 x 25	
3	3290605	17	Nut M6	
4	3290805	2	Nut M8	
5	4811702	1	Washer M6	
6	1001167164	8	Plate, Support	
7	1001170663	1	Bracket	
8	1001170664	1	Seal	
9	1001172264	1	Seal	

# SECTION 3 - ENGINE

## FIGURE 3-22. GENERATOR INSTALLATION - 4000W/50HZ (DEUTZ D2011 ENGINE)



ART\_1001173984

## SECTION 3 - ENGINE

**FIGURE 3-22. GENERATOR INSTALLATION - 4000W/50HZ (DEUTZ D2011 ENGINE)**

ITEM	PART NUMBER	QTY	DESCRIPTION	REV
	1001173984	Ref	GENERATOR INSTALLATION - 4000W/50HZ (DEUTZ D2011 ENGINE)	J
1	0100011	AR	Compound, Locking	
2	0100019	AR	Compound, Locking	
3	0100048	AR	Grease, Dielectric	
4	0100079	AR	Sealant (Not Shown)	
5	0480126	1	Belt	
6	0641616	1	Bolt 3/8 x 2	
8	0711224	1	Bolt M12 x 80 Grade 10.9	
9	0741607	3	Screw 3/8 x 7/8	
10	0760606	1	Bolt M6 x 12	
11	0760610	AR	Bolt M6 x 20	
11	0760614	AR	Bolt M6 x 30	
13	0761214	2	Bolt M12 x 30	
14	0771414	2	Bolt M14 x 30 Grade 10.9	
15	0771416	1	Bolt M14 x 40	
17	0962520	1	Bushing	
18	1705489	AR	Decal - Hazardous Voltage	
19	2080040	2	Fastener, Huck	
20	2820031	AR	Heat Shrink	
21	See Note	1	Nameplate (Note: Not Available for Purchase)	
24	3290605	6	Nut M6	
25	3290805	1	Nut M8	
26	3291201	1	Nut M12	
27	3331211	1	Nut M12	
28	3580317	1	Pulley	
29	3580319	1	Pulley	
30	3580320	1	Pulley	
31	4032015	4	Bolt M10 x 55	
32	4060802	1	Guard, Switch	
33	4240099	AR	Tie-Strap (Not Shown)	
34	4360336	1	Switch, Toggle	
35	4711600	1	Washer 3/8	
37	4811700	AR	Washer M6	
38	4811900	1	Washer M8	
39	4812100	1	Washer M12	
40	4812200	3	Washer M14	
41	4871700	2	Washer M6	
42	5241200	3	Washer M12 Hardened	
43	1001096070	1	Breaker Box Kit (50Hz) (See Separate Breakdown in ELECTRICAL Section)	
45	1001138565	1	Generator Assembly	
45	70003709	1	Ring, Retaining (External)	
45	70003708	1	Ring, Retaining (Internal)	
45	70001966	1	Bearing	
45	70004092	1	Endbell (Shaft End)	
45	70004171	1	Key	
45	70004676	1	Rotor	
45	70004677	1	Stator	
45	70004678	1	Endbell (Rear)	

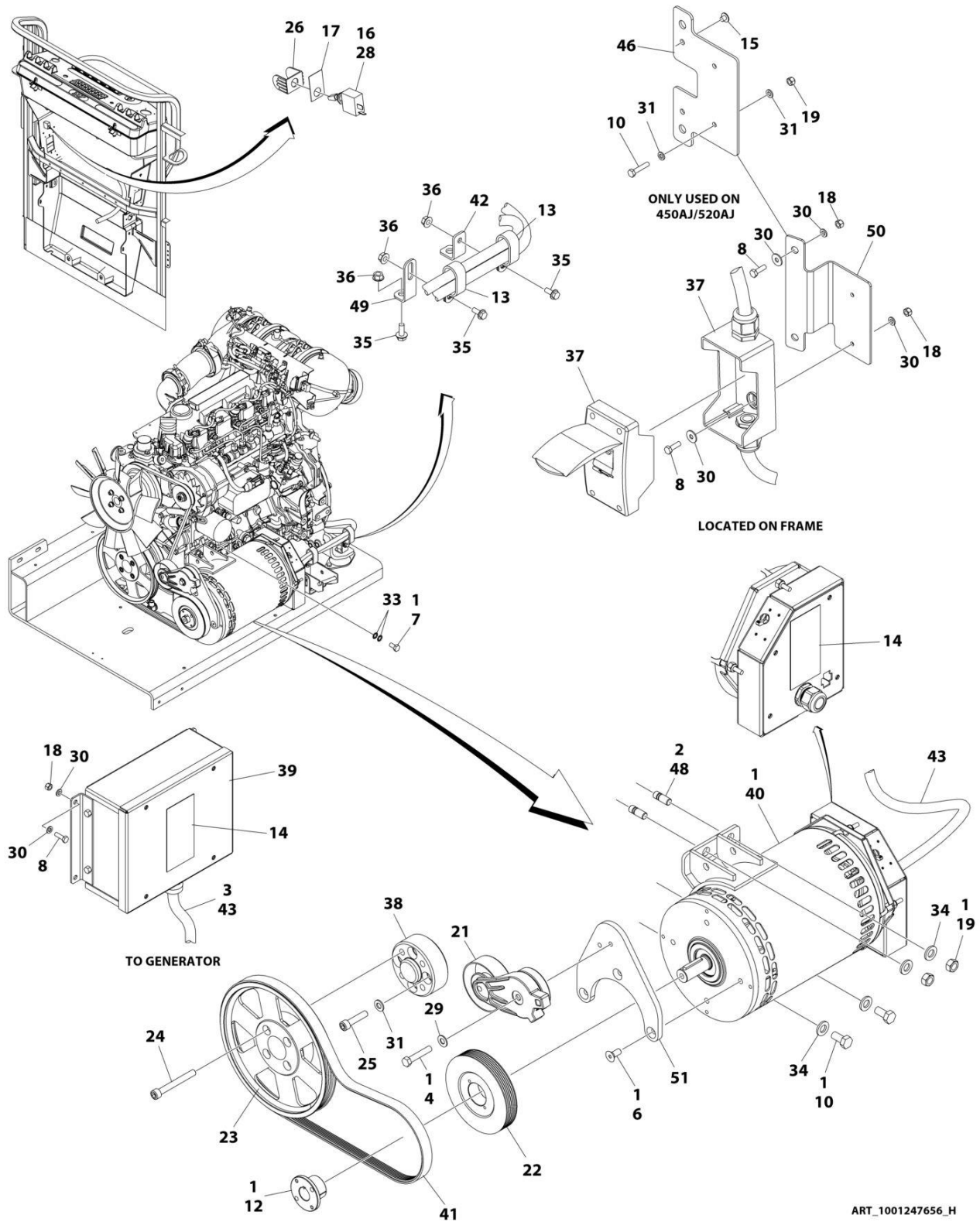
## SECTION 3 - ENGINE

ITEM	PART NUMBER	QTY	DESCRIPTION	REV
45	70004679	1	Cover, Endbell (Rear)	
45	70004680	1	Enclosure, Wiring	
45	70004681	1	Cover, Enclosure	
45	70004682	1	Switch, Reset (Located on Enclosure Cover)	
45	70004683	1	Connector, Strain Relief (Located on Enclosure Cover)	
46	1001138566	1	Box, Control	
46	70006552	1	Capacitor	
46	70006553	1	Relay	
47	1001139357	1	Mount, Tensioner	
49	1001152532	1	Harness, Generator (See Separate Breakdown in ELECTRICAL Section)	
50	1001196382	1	Stud	
51	1001168018	1	Washer, Snubbing	
53	1001173925	1	Mount	
54	1001174158	1	Mount	
55	0760812	1	Bolt M8 x 25	
56	1321716	2	Clamp	
57	1001148641	1	Bracket	
58	5250808	1	Bolt M8 x 16	
59	5250810	1	Bolt M8 x 20	
60	5260800	2	Nut M8	
61	1001223122	1	Support	
62	4811702	AR	Washer M6	



# SECTION 3 - ENGINE

## FIGURE 3-23. GENERATOR INSTALLATION - 4000W/50HZ (DEUTZ (STAGE V) ENGINE)



ART\_1001247656\_H

## SECTION 3 - ENGINE

**FIGURE 3-23. GENERATOR INSTALLATION - 4000W/50HZ (DEUTZ (STAGE V) ENGINE)**

ITEM	PART NUMBER	QTY	DESCRIPTION	REV
	1001247656	Ref	GENERATOR INSTALLATION - 4000W/50HZ	H
1	0100011	AR	Compound, Locking	
2	0100019	AR	Compound, Locking	
3	0100048	AR	Grease, Dielectric	
4	0641616	1	Bolt 3/8 x 2	
6	0741607	3	Screw 3/8 x 7/8	
7	0760606	1	Bolt M6 x 12	
8	0760610	10	Bolt M6 x 20	
10	0761212	2	Bolt M12 x 25	
12	0962520	1	Bushing	
13	1321716	2	Clamp	
14	1705489	2	Decal - Hazardous Voltage	
15	2080040	2	Fastener, Huck	
16	2820031	0.33 ft /0.10m	Heat Shrink	
17	3251102	1	Nameplate, Generator	
18	3290605	10	Nut M6	
19	3291201	2	Nut M12	
21	3580317	1	Pulley	
22	3580319	1	Pulley	
23	1001281192	1	Pulley	
24	1001261085	4	Capscrew M10 x 85	
25	1001261045	4	Capscrew M10 x 45	
26	4060802	1	Guard, Switch	
27	4240099	AR	Tie-Strap (Not Shown)	
28	4360336	1	Switch, Toggle	
29	4711600	1	Washer 3/8	
30	4811700	18	Washer M6	
31	4812000	4	Washer M14	
33	4871700	2	Washer M6	
34	5241200	4	Washer M12 Hardened	
35	5250810	3	Bolt M8 x 20	
36	5260800	3	Nut M8	
37	1001096070	1	Breaker Box Kit (50Hz) (See Separate Breakdown in ELECTRICAL Section)	
38	1001258800	1	Adapter	
39	1001138566	1	Box, Control	
40	1001140347	1	Generator, 4000W/ 50HZ - Deutz Engine	
40	70003709	1	Ring, Retaining (External)	
40	70003708	1	Ring, Retaining (Internal)	
40	70001966	1	Bearing	
40	70004092	1	Endbell (Shaft End)	
40	70004099	1	Key	
40	70004676	1	Rotor	
40	70004686	1	Stator	
40	70004678	1	Endbell (Rear)	
40	70004679	1	Cover, Endbell (Rear)	
40	70004680	1	Enclosure, Wiring	
40	70004681	1	Cover, Enclosure	
40	70004682	1	Switch, Reset (Located on Enclosure Cover)	

## SECTION 3 - ENGINE

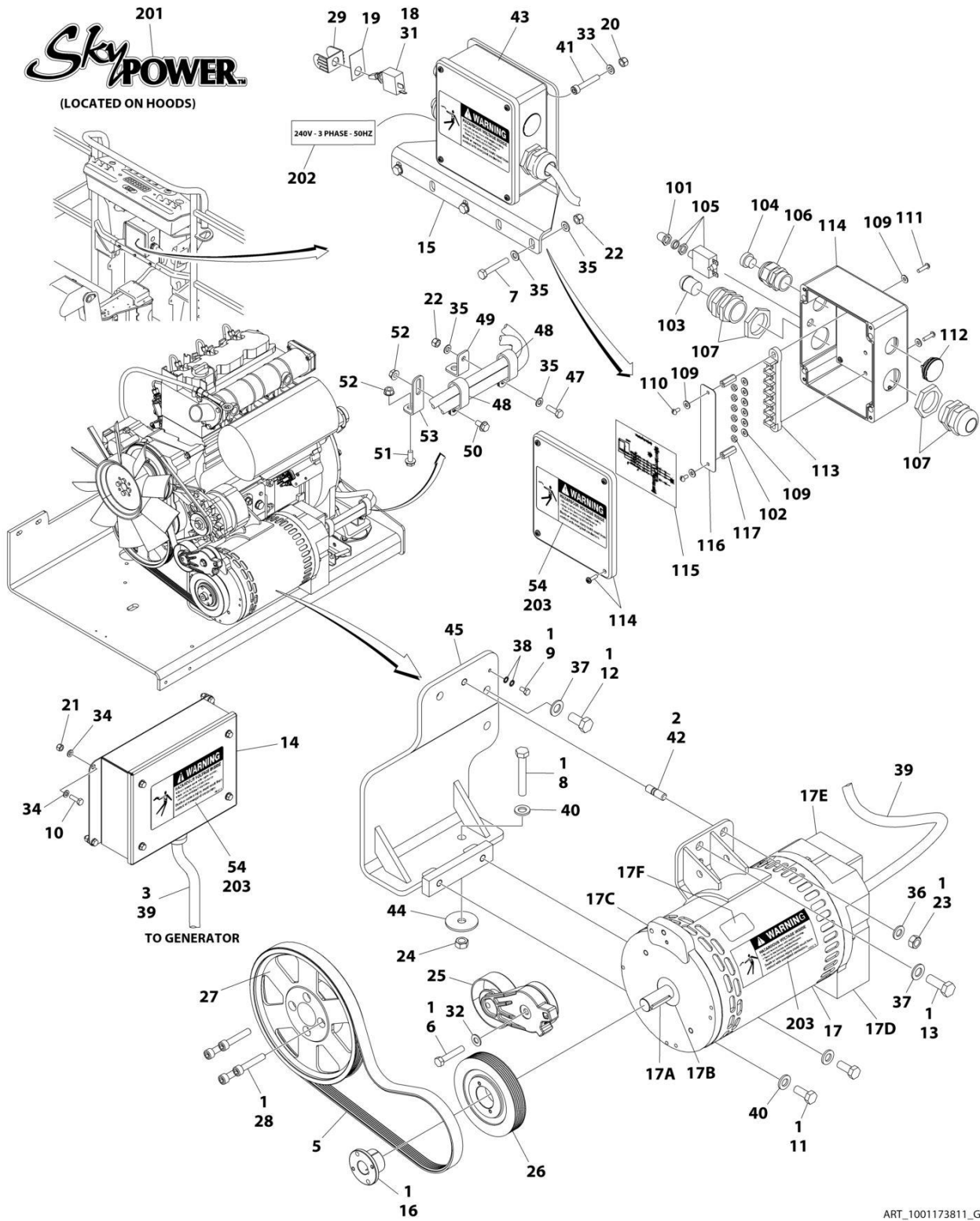
ITEM	PART NUMBER	QTY	DESCRIPTION	REV
40	70004683	1	Connector, Strain Relief (Located on Enclosure Cover)	
41	1001148059	1	Belt, Generator	
42	1001148641	1	Bracket	
43	1001152532	1	Harness, Generator (See Separate Breakdown in ELECTRICAL Section)	
46	1001174158	1	Mount	
47	1001174675	1	Wiring Diagram (Not Shown)	
48	1001196382	2	Stud	
49	1001223122	1	Support	
50	1001293086	1	Bracket	
51	1001248190	1	Support	
52	4811702	2	Washer M6	
		Ref	ELECTRICAL DIAGRAM COMPONENTS	
101	4922641	1	Generator Switch Harness (Not Shown)	





# SECTION 3 - ENGINE

## FIGURE 3-24. GENERATOR INSTALLATION - 7500W/50HZ (DEUTZ D2011 ENGINE)



ART\_1001173811\_G

## SECTION 3 - ENGINE

**FIGURE 3-24. GENERATOR INSTALLATION - 7500W/50HZ (DEUTZ D2011 ENGINE)**

ITEM	PART NUMBER	QTY	DESCRIPTION	REV
	1001173811	Ref	GENERATOR INSTALLATION - 7500W/50HZ (DEUTZ D2011 ENGINE)	G
1	0100011	AR	Compound, Locking	
2	0100019	AR	Compound, Locking	
3	0100048	AR	Grease, Dielectric	
4	0100079	AR	Sealant (Not Shown)	
5	0480126	1	Belt	
6	0641616	1	Bolt 3/8 x 2	
7	0700818	3	Bolt M8 x 50	
8	0711224	1	Bolt M12 x 80 Grade 10.9	
9	0760606	1	Bolt M6 x 12	
10	0760610	4	Bolt M6 x 20	
11	0761214	2	Bolt M12 x 30	
12	0771414	2	Bolt M14 x 30 Grade 10.9	
13	0771416	1	Bolt M14 x 40	
14	0861572	1	Control Box Assembly	
14	7024488	1	Card, Circuit - Generator Power	
14	See Note	NSS	Fuse (Note: Not Available - Purchase Locally)	
14	7024489	1	Card, Circuit - Control	
14	70000619	1	Harness, Control Box (Internal)	
15	0902888	1	Bracket	
16	0962520	1	Bushing	
17	2460048	1	Generator Assembly	
17	70001100	1	Rotor (Includes p/n 70001384 & 70000863) (Not Shown)	
17	70001384	1	Bearing, Ball Radial (Not Shown)	
17	70000863	1	Fan (Not Shown)	
17	70002088	1	Stator (Not Shown)	
17	70002297	1	Stud	
17	70003631	1	Brushholder Assembly (Not Shown)	
17A	70004171	1	Key	
17B	70001966	1	Bearing, Ball Radial (Located in Belt Tensioner Endbell)	
17B	70003708	1	Ring, Internal Retaining (Located in Belt Tensioner Endbell)	
17B	70003709	1	Ring, External Retaining (Located in Belt Tensioner Endbell)	
17C	70001953	1	Endbell, Belt Tensioner	
17D	70004169	1	Endbell, Brush Block	
17E	70004169	1	Shroud	
17E	See Note	NSS	Insulator, Endbell (Note: Not Available for Purchase)	
17E	7027799	1	Block, Connector 6 Position (Not Shown)	
17E	70002460	1	Nut, Brass (Attaches p/n 7027799 to Cover) (Not Shown)	
17E	7024485	1	Breaker, Circuit 30Amp (Not Shown)	
17E	70001696	1	Boot, Breaker (Not Shown)	
17E	7026626	1	Connector, 6 Position (Includes Seal) (Not Shown - Plugs into Item 39)	
17E	7026597	1	Connector, with Leads (Not Shown)	
17E	7026188	1	Clamp, Cable Options (Not Shown)	
17E	70004169	1	Plate, End Panel	
17E	70001974	1	Decal - Terminal Connections	
17F	70001973	1	Decal - Warning Moving Parts	
18	2820031	AR	Heat Shrink	
19	3252764	1	Nameplate	

## SECTION 3 - ENGINE

ITEM	PART NUMBER	QTY	DESCRIPTION	REV
20	3290505	4	Nut M5	
21	3290605	4	Nut M6	
22	3290805	4	Nut M8	
23	3291201	1	Nut M12	
24	3331211	1	Nut M12	
25	3580317	1	Pulley	
26	3580319	1	Pulley	
27	3580320	1	Pulley	
28	4032015	4	Bolt M10 x 55	
29	4060802	1	Guard, Switch	
30	4240099	AR	Tie-Strap (Not Shown)	
31	4360336	1	Switch, Toggle	
32	4711600	1	Washer 3/8	
33	4811600	4	Washer M5	
34	4811700	8	Washer M6	
35	4811900	8	Washer M8	
36	4812100	1	Washer M12	
37	4812200	3	Washer M14	
38	4871700	2	Washer M6	
39	4922925	1	Harness, Generator	
39	4460225	1	Plug, Male 6 Position (Plugs into Generator)	
39	See Note	NSS	Socket, Female (Use with 4460225)	
39	See Note	NSS	Seal, Plug (Use with 4460225)	
39	See Note	NSS	Seal, Interface (Use with 4460225)	
40	5241200	3	Washer M12 Hardened	
41	1001104029	4	Screw M5 x 30	
42	1001196382	1	Stud	
43	1001157525	1	Junction Box Assembly (See Items 101-117 for Breakdown)	
44	1001168018	1	Washer, Snubbing	
45	1001173925	1	Mount	
46	1001174675	1	Wiring Diagram (Not Shown)	
46	4922641	1	Harness, On/Off Switch (Not Shown - Located at Platform)	
47	0760812	1	Bolt M8 x 25	
48	1321716	2	Clamp	
49	1001148641	1	Bracket	
50	5250808	1	Bolt M8 x 16	
51	5250810	1	Bolt M8 x 20	
52	5260800	2	Nut M8	
53	1001223122	1	Support	
54	1705489	2	Decal - Hazardous Voltage	
	1001157525	Ref	JUNCTION BOX ASSEMBLY	B
101	3300396	1	Cover, Fuse	
102	3311001	6	Nut #10	
103	3520189	1	Plug	
104	3520192	1	Plug	
105	4360070	1	Circuit Breaker - 15Amp	
106	4460425	1	Connector, Strain Relief	
107	4460426	2	Connector, Strain Relief	
109	4711000	10	Flatwasher #10	
110	10702077	2	Screw #10 x 3/8	
111	10702082	2	Screw #10 x 3/4	

## SECTION 3 - ENGINE

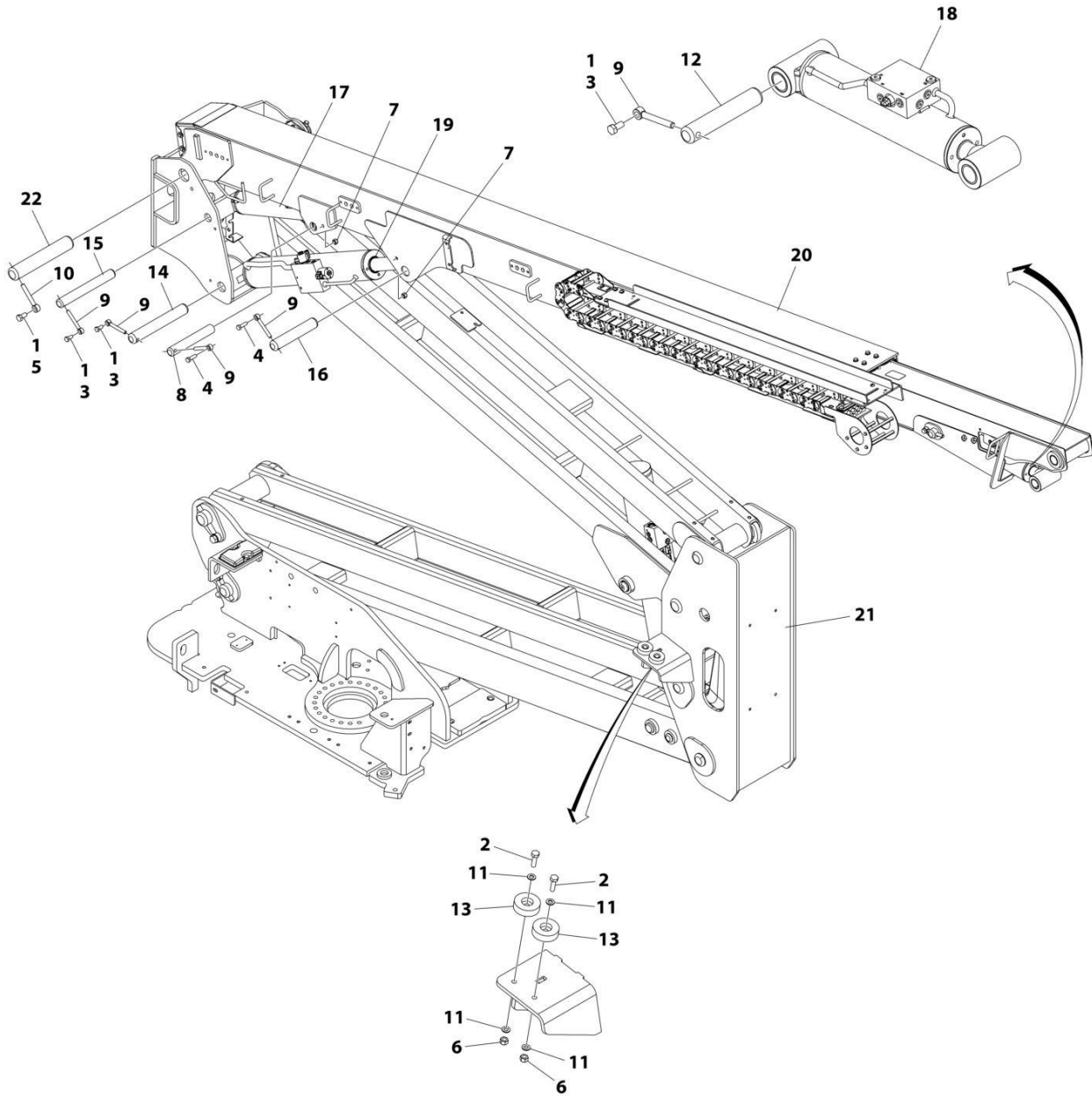
ITEM	PART NUMBER	QTY	DESCRIPTION	REV
112	1001152525	1	Plug	
113	1001157520	1	Block, Terminal	
114	1001157521	1	Box, Junction	
115	1001157528	1	Decal - Wiring Schematic	
116	1001158007	1	Cover, PVC	
117	1001158008	2	Stand-Off	
	0272589	Ref	DECAL INSTALLATION	A
201	1705460	2	Decal - SkyPower	
202	1705461	1	Decal - 240V - 3 Phase - 50Hz	
203	1705489	3	Decal - Hazardous Voltage	



**SECTION 4 - BOOM**

# SECTION 4 - BOOM

## FIGURE 4-1. BOOMS AND CYLINDERS INSTALLATION



ART\_1001256093



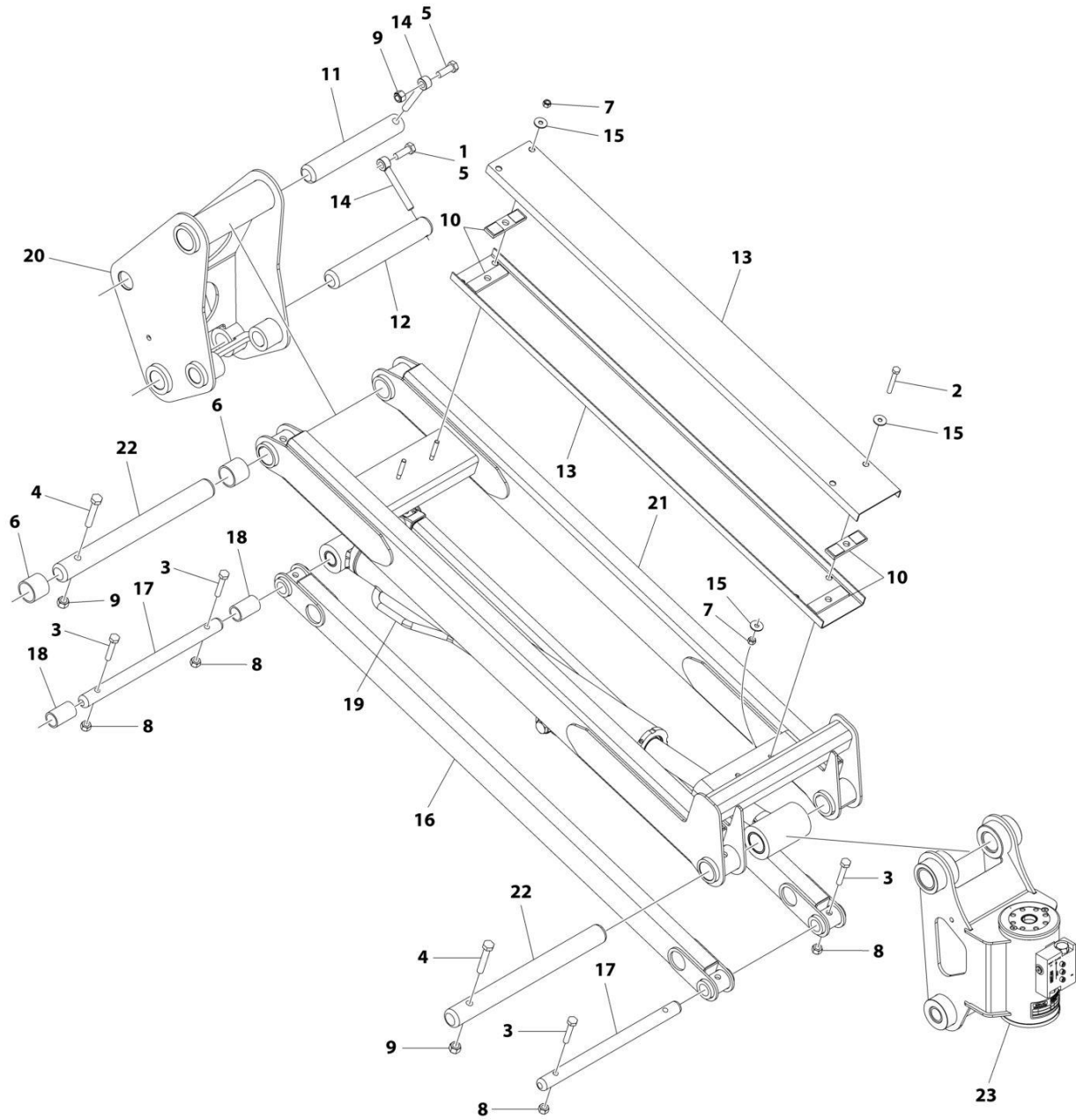
## SECTION 4 - BOOM

**FIGURE 4-1. BOOMS AND CYLINDERS INSTALLATION**

ITEM	PART NUMBER	QTY	DESCRIPTION	REV
	1001256093	Ref	BOOM INSTALLATION	A
1	0100011	AR	Compound, Locking	
2	0761015	2	Bolt M10 x 35	
3	0761212	3	Bolt M12 x 25	
4	0761216	2	Bolt M12 x 40	
5	0761614	1	Bolt M16 x 30	
6	3291005	2	Nut M10	
7	3291205	2	Nut M12	
8	3422793	1	Pin	
9	3841203	5	Keeper, Pin	
10	3841258	1	Keeper, Pin	
11	4812000	4	Washer M10	
12	1001109528	1	Pin	
13	1001112607	2	Block, Boom Rest	
14	1001116546	1	Pin	
15	1001169247	1	Pin	
16	1001237949	1	Pin	
17	1001255970	1	Master Cylinder Assembly (See Separate Breakdown in CYLINDER Section)	
18	1001255971	1	Level Cylinder Assembly (See Separate Breakdown in CYLINDER Section)	
19	1001255973	1	Upper Lift Cylinder Assembly (See Separate Breakdown in CYLINDER Section)	
20	1001256095	1	Main Boom Assembly (See Separate Breakdown in this Section)	
21	1001256096	1	Tower Boom Assembly (See Separate Breakdown in this Section)	
22	1001256910	1	Pin	

# SECTION 4 - BOOM

## FIGURE 4-2. JIB INSTALLATION



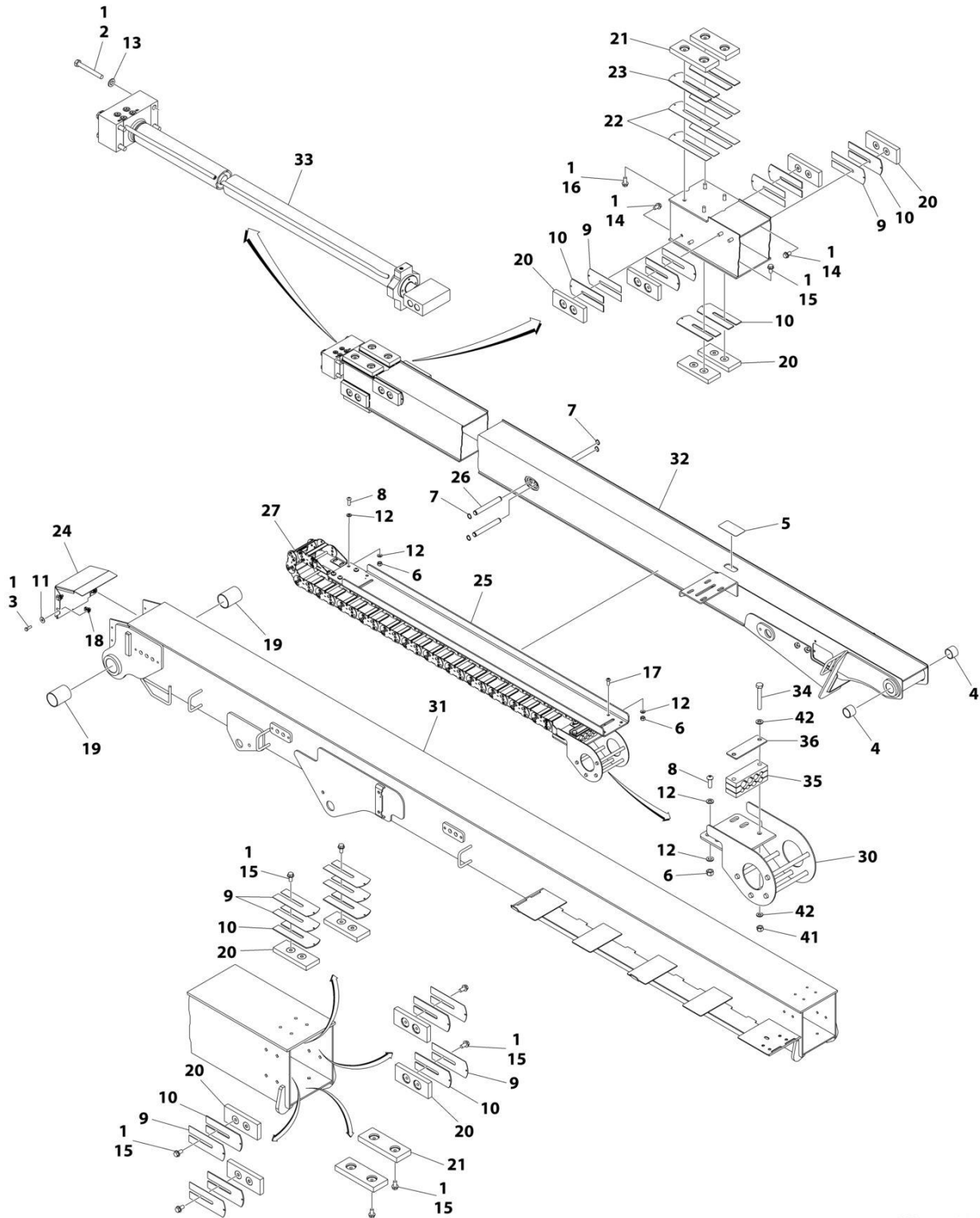
ART\_1001259058

FIGURE 4-2. JIB INSTALLATION

ITEM	PART NUMBER	QTY	DESCRIPTION	REV
	1001259058	Ref	JIB INSTALLATION	B
1	0100011	AR	Compound, Locking	
2	0700820	2	Bolt M8 x 60	
3	0701019	4	Bolt M10 x 55	
4	0701222	2	Bolt M12 x 70	
5	0761215	2	Bolt M12 x 35	
6	0962272	2	Bearing	
7	3290805	4	Nut M8	
8	3291005	4	Nut M10	
9	3291205	3	Nut M12	
10	3340860	4	Pad, Rubber	
11	3422793	1	Pin	
12	3422814	1	Pin	
13	3572551	2	Channel	
14	3841203	2	Keeper, Pin	
15	4811902	6	Washer M8	
16	1001259196	2	Link (Lower)	
17	1001182064	2	Pin	
18	1001182695	2	Bearing, Composite	
19	1001255969	1	Jib Cylinder Assembly (See Separate Breakdown in CYLINDER Section)	
20	1001255991	1	Pivot	
21	1001256002	1	Link (Upper)	
22	1001256790	2	Pin	
23	1001270730	1	Rotator Assembly (See Separate Breakdown in this Section)	

# SECTION 4 - BOOM

## FIGURE 4-3. MAIN BOOM ASSEMBLY



ART\_1001256095

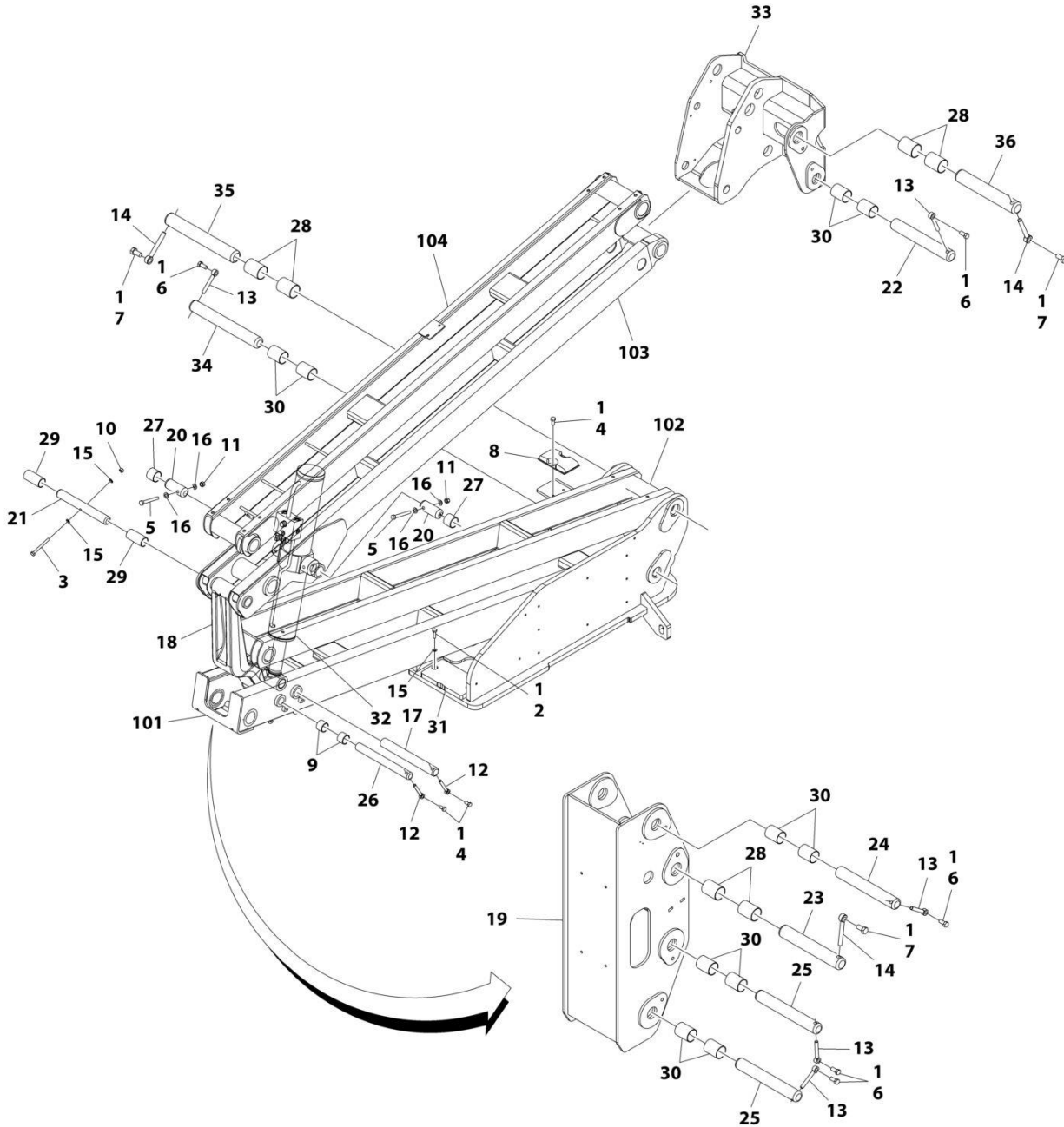
## SECTION 4 - BOOM

### FIGURE 4-3. MAIN BOOM ASSEMBLY

ITEM	PART NUMBER	QTY	DESCRIPTION	REV
	1001256095	Ref	MAIN BOOM ASSEMBLY	E
1	0100011	AR	Compound, Locking	
2	0711227	4	Bolt M12 x 100	
3	0760812	4	Bolt M8 x 25	
4	0961948	2	Bearing	
5	1670836	1	Cover	
6	3291005	10	Nut M10	
7	3760351	4	Ring, Retaining	
8	3900351	8	Bolt M10 x 30	
9	4070897	12	Shim	
10	4070898	12	Shim	
11	4811902	4	Washer M8	
12	4812000	18	Washer M10	
13	5241200	4	Washer M12	
14	5251009	8	Bolt M10 x 18	
15	5251010	20	Bolt M10 x 20	
16	5251012	4	Bolt M10 x 25	
17	8310668	2	Bolt M10 x 25	
18	1001118274	4	Nut M8	
19	1001169302	2	Bearing	
20	1001169304	12	Pad, Wear	
21	1001169305	4	Pad, Wear	
22	1001169402	4	Shim	
23	1001169403	2	Shim	
24	1001170226	1	Cover, Upper Boom	
25	1001170334	1	Push Tube, Hose Cover	
26	1001180541	2	Pin	
27	1001224894	1	Power Track	
30	1001255329	1	Mount, Weldment Carrier Tube	
31	1001256125	1	Boom, Base Weldment	
32	1001256126	1	Boom, Fly Weldment	
33	1001266711	1	Telescopic Cylinder (See Separate Breakdown in CYLINDER Section)	
34	0700822	2	Bolt M8 x 70	
35	1001273302	1	Clamp	
36	1001273303	1	Plate	
41	3290805	2	Nut, Lock M8	
42	4811900	4	Washer M8	

# SECTION 4 - BOOM

## FIGURE 4-4. TOWER BOOM ASSEMBLY



ART\_1001256096

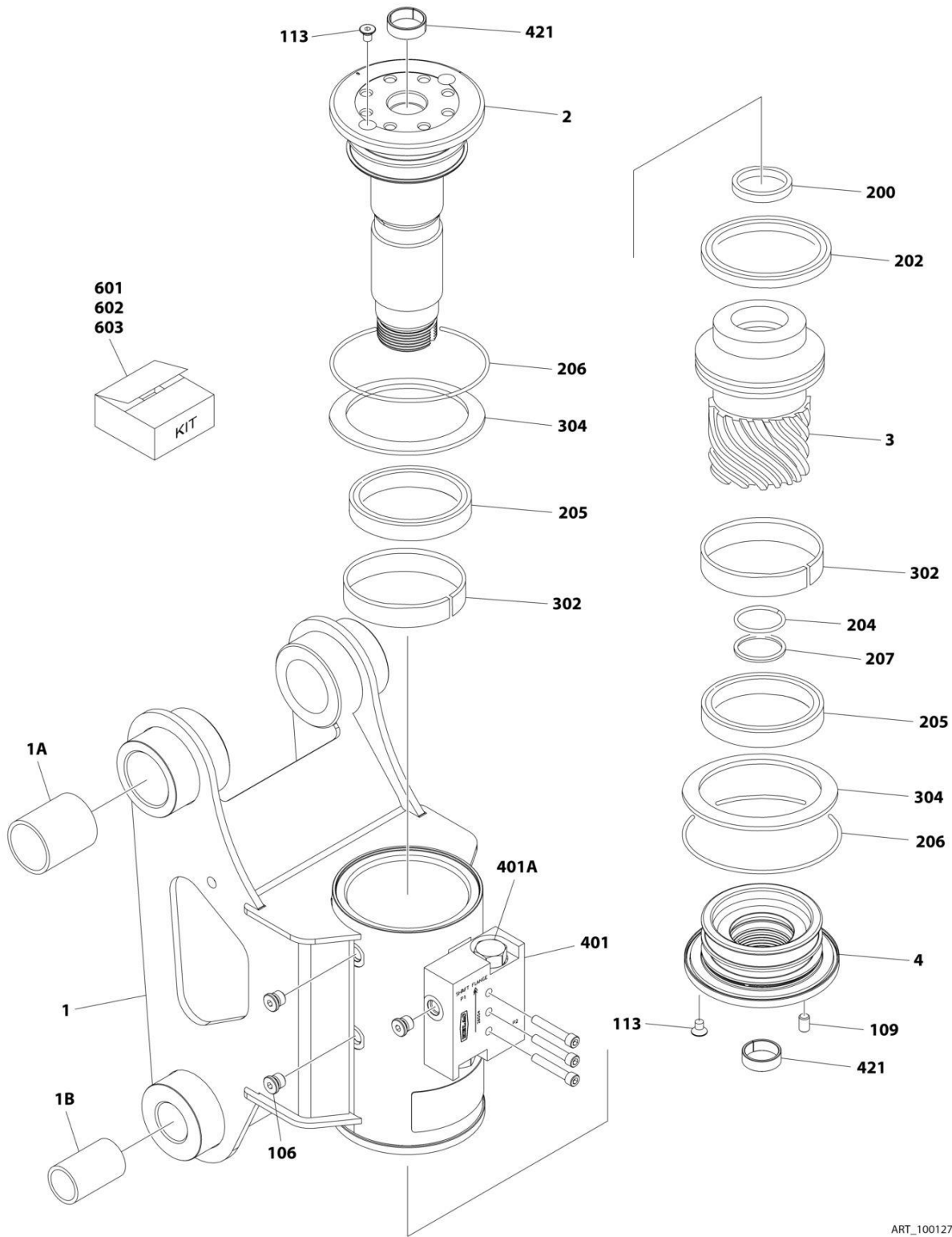
## SECTION 4 - BOOM

### FIGURE 4-4. TOWER BOOM ASSEMBLY

ITEM	PART NUMBER	QTY	DESCRIPTION	REV
	1001256096	Ref	TOWER BOOM ASSEMBLY	A
1	0100011	AR	Compound, Locking	
2	0701015	2	Bolt M10 x 35	
3	0701027	1	Bolt M10 x 100	
4	0761212	4	Bolt M12 x 25	
5	0761227	2	Bolt M12 x 100	
6	0761615	5	Bolt M16 x 35	
7	0762016	3	Bolt M20 x 40	
8	0940048	1	Bumper	
9	0961948	2	Bearing	
10	3291005	1	Nut M10	
11	3291205	2	Nut M12	
12	3841203	2	Keeper, Pin	
13	3841258	5	Keeper, Pin	
14	3841287	3	Keeper, Pin	
15	4812000	4	Washer M10	
16	4812100	4	Washer M12	
17	1001155093	1	Pin	
18	1001166096	1	Link, Timing	
19	1001166853	1	Upright, Lower	
20	1001169240	2	Pin	
21	1001169241	1	Pin	
22	1001169242	1	Pin	
23	1001169295	1	Pin	
24	1001169296	1	Pin	
25	1001169297	2	Pin	
26	1001169298	1	Pin	
27	1001169299	2	Bearing	
28	1001169300	6	Bearing	
29	1001169301	2	Bearing	
30	1001169302	10	Bearing	
31	1001180056	1	Pad, Wear	
32	1001255968	1	Tower Lift Cylinder (See Separate Breakdown in CYLINDER Section)	
33	1001256098	1	Upright, Upper	
34	1001256911	1	Pin	
35	1001258264	1	Pin	
36	1001258265	1	Pin	
100	1001256099	1	Tower Boom Kit (Not Shown - Includes Items 101-104)	
101	1001256100	1	Boom, Lower Tower	
102	1001256101	1	Boom, Lower Link	
103	1001256102	1	Boom, Upper Tower	
104	1001256103	1	Boom, Upper Link	

# SECTION 4 - BOOM

## FIGURE 4-5. ROTATOR ASSEMBLY



ART\_1001270730

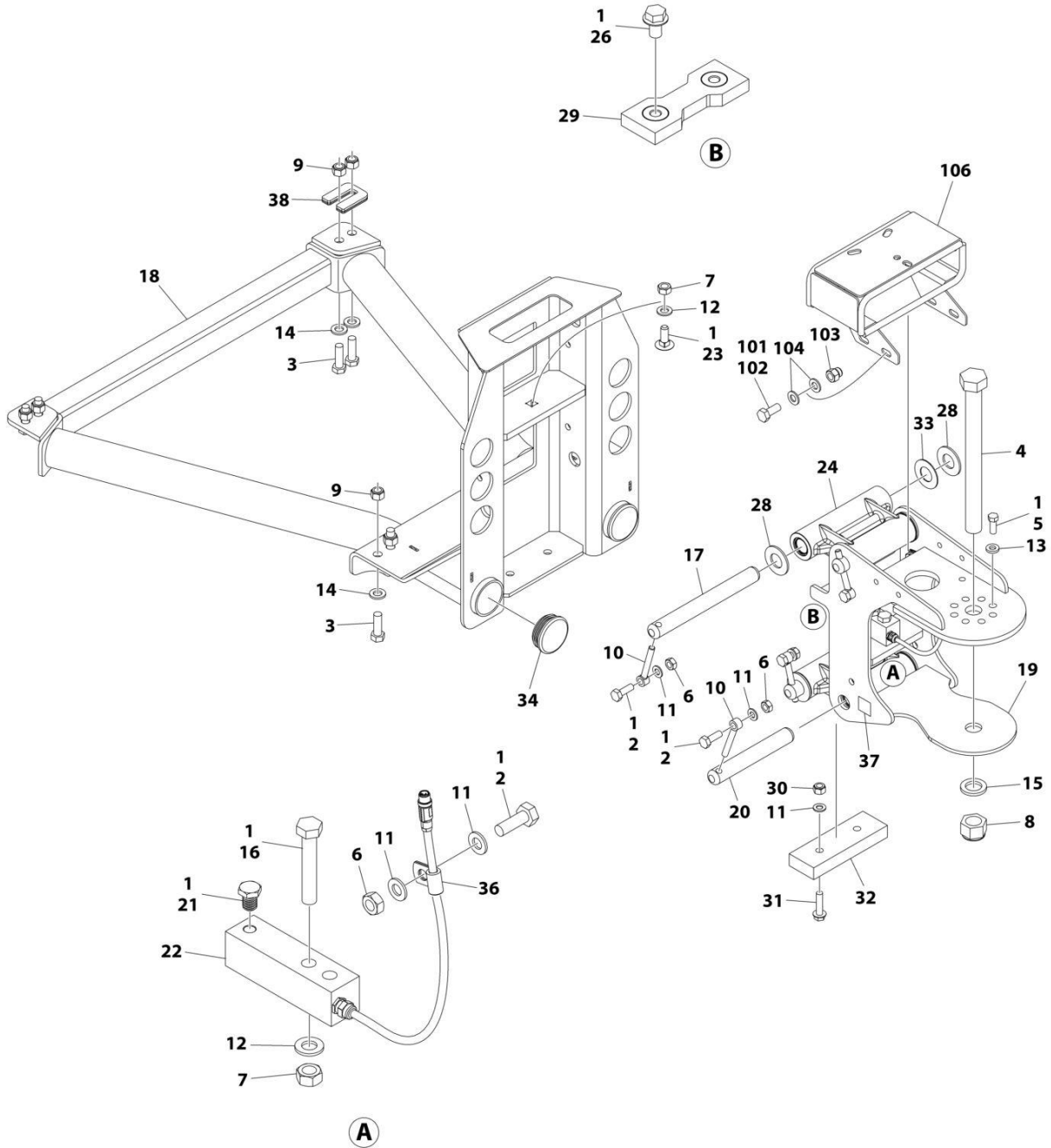


FIGURE 4-5. ROTATOR ASSEMBLY

ITEM	PART NUMBER	QTY	DESCRIPTION	REV
	1001270730	Ref	ROTATOR ASSEMBLY	A
1	See Note	NSS	Housing (Note: Purchase Complete Assembly)	
1A	1001182695	2	Bushing	
1B	0962348	2	Bushing	
2	7017162	1	Shaft	
3	7017163	1	Piston	
4	7017164	1	Cap, End	
106	See Note	NSS	Plug (Note: Purchase P/N 7017142)	
109	See Note	NSS	Pin (Note: Purchase P/N 7017142)	
113	See Note	NSS	Screw (Note: Purchase P/N 7017142)	
200	See Note	NSS	Seal, Piston (Note: Purchase P/N 70000342)	
202	See Note	NSS	Seal, Piston (Note: Purchase P/N 70000342)	
204	See Note	NSS	O-Ring (Note: Use P/N 70000342)	
205	See Note	NSS	Seal, Shaft (Note: Purchase P/N 70000342)	
206	See Note	NSS	O-Ring (Note: Use P/N 70000342)	
207	See Note	NSS	Ring, Back-up (Note: Purchase P/N 70000342)	
302	See Note	NSS	Bearing, Shaft (Note: Purchase P/N 7017159)	
304	See Note	NSS	Washer, Thrust (Note: Purchase P/N 7017159)	
401	7017172	1	Counterbalance Valve Assembly	
401A	7017192	2	Valve Cartridge (No Seal Kit Available)	
421	7017195	2	Bushing	
601	70000342	NSS	Seal Kit (Includes Items 200-207)	
602	7017159	NSS	Bearing Kit (Includes Items 302 & 304)	
603	7017142	NSS	Hardware Kit (Includes Items 106-113)	

# SECTION 4 - BOOM

## FIGURE 4-6. PLATFORM SUPPORT INSTALLATION



ART\_1001167596\_N

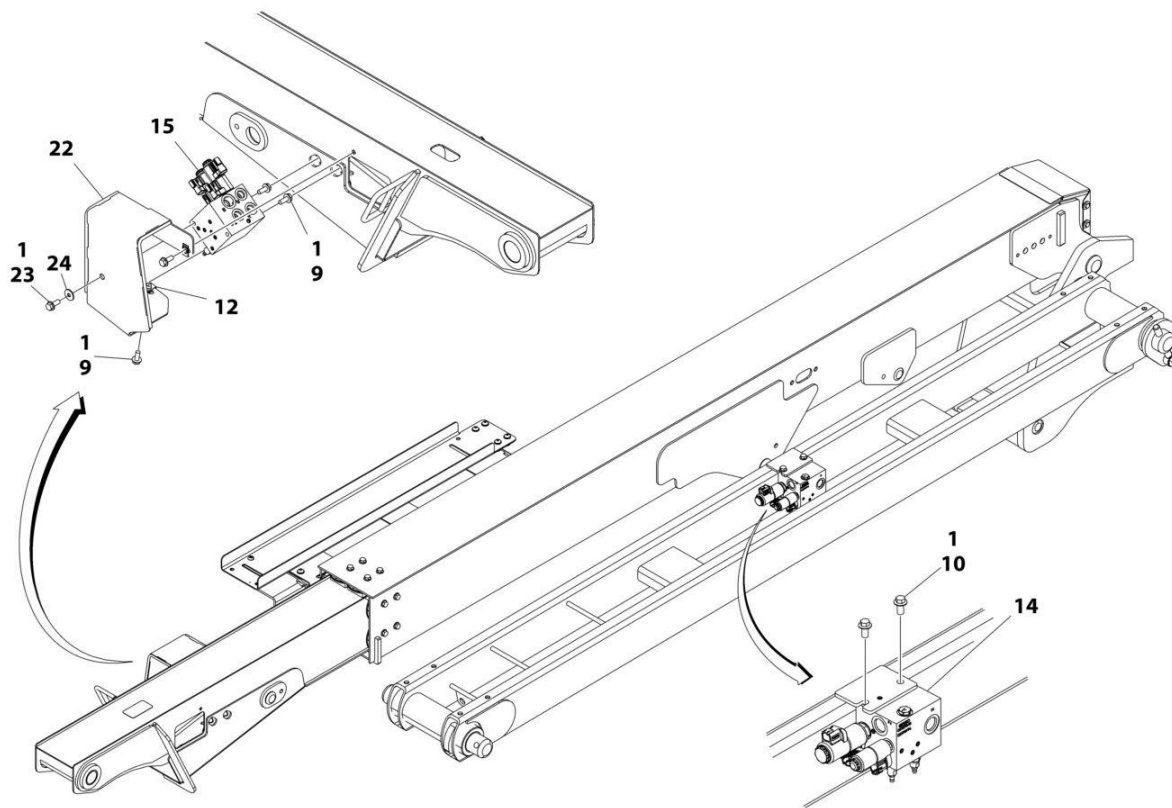
## SECTION 4 - BOOM

**FIGURE 4-6. PLATFORM SUPPORT INSTALLATION**

ITEM	PART NUMBER	QTY	DESCRIPTION	REV
	1001167596	Ref	PLATFORM SUPPORT INSTALLATION	N
1	0100011	AR	Compound, Locking	
2	0761014	5	Bolt M10 x 30	
3	0761216	8	Bolt M12 x 40	
4	1001255133	1	Bolt 1 x 11 GRD8	
5	0681608	8	Bolt 3/8 x 1 GRD8	
6	3291001	5	Nut M10	
7	3291201	3	Nut M12	
8	1001174040	1	Nut 1	
9	3291205	8	Nut M12	
10	3841143	4	Keeper, Pin	
11	4812000	8	Washer M10	
12	4812100	3	Washer M12	
13	4891600	8	Washer 3/8	
14	5241200	8	Washer M12	
15	4892600001	1	Washer 1	
16	1001098828	2	Bolt M12 x 70 CL10.9	
17	1001167565	2	Pin	
18	1001200494	1	Support, Platform	
19	1001167567	1	Support, Rotator	
20	1001168402	2	Pin	
21	1001188622	1	Screw	
22	1001247468	1	Loadcell	
23	1001188844	1	Bolt M12 x 35	
24	1001201351	2	Link	
24	1001187382	4	Bearing	
24	1001187383	4	Seal	
26	5251008	2	Bolt M10 x 16 CL10.9	
28	1001189002	8	Bearing	
29	1001190985	1	Pad, Wear	
30	3291005	2	Nut M10	
31	5251016	2	Bolt M10 x 40 CL10.9	
32	1001200491	1	Pad, Wear	
33	1001189001	4	Bearing	
34	1001204725	2	Plug	
36	91203039	1	Clamp	
37	1001216630	2	Decal - Tie Down/No Lift	
38	1001238421	Ref	Kit, Platform Leveling (Not Shown)	
	1001202687	Ref	VALVE MOUNT INSTALLATION	B
101	0100011	AR	Compound, Locking	
102	0760810	4	Bolt M8 x 20	
103	3290806	4	Nut M8	
104	4811900	8	Washer M8	
106	1001208994	1	Mount, Valve	

# SECTION 4 - BOOM

## FIGURE 4-7. VALVES INSTALLATION - BOOM MOUNTED



ART\_1001271795\_30F3

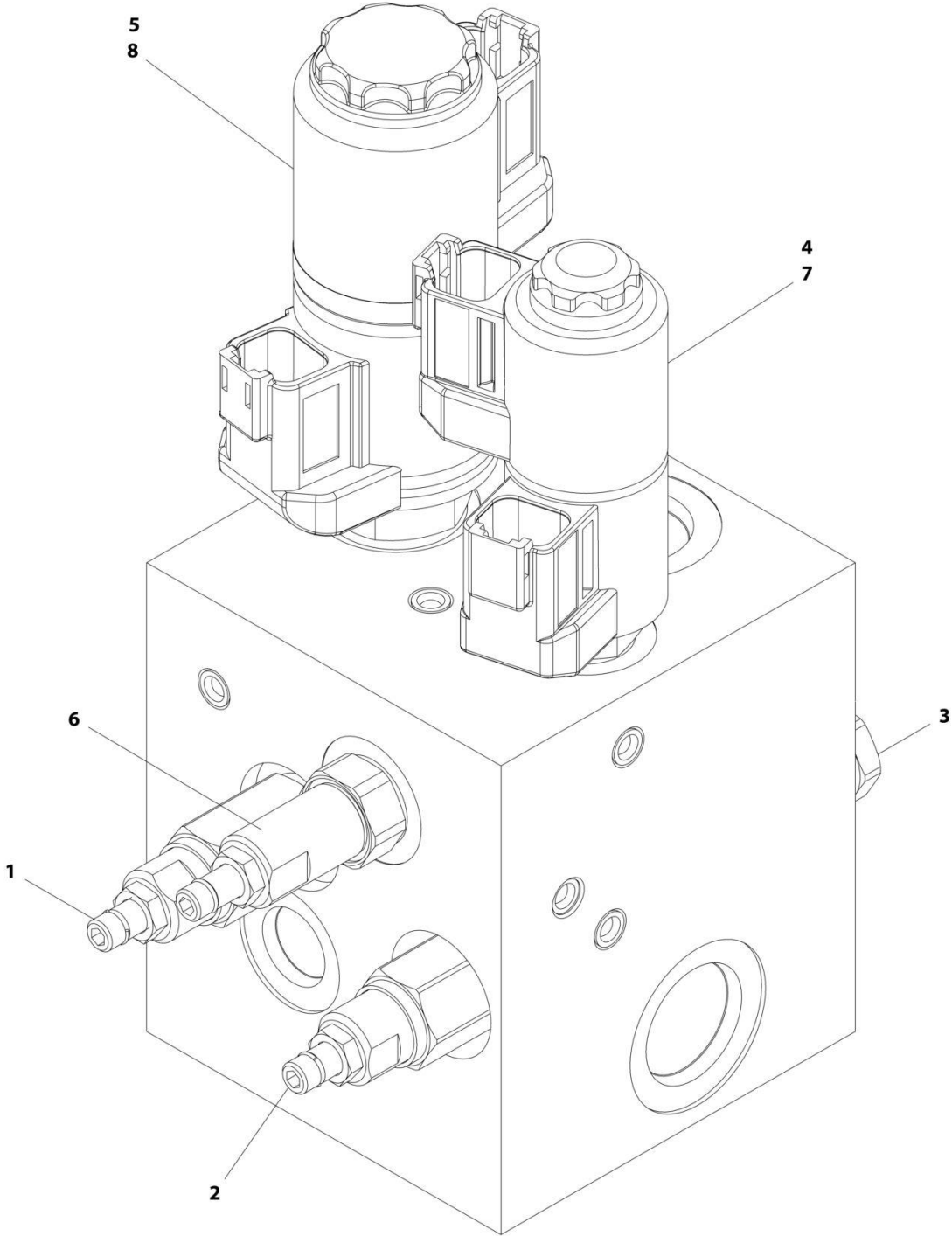
## SECTION 4 - BOOM

### FIGURE 4-7. VALVES INSTALLATION - BOOM MOUNTED

ITEM	PART NUMBER	QTY	DESCRIPTION	REV
	1001271795	Ref	4WD VALVES INSTALLATION - BOOM MOUNTED	B
1	0100011	AR	Compound, Locking	
9	5250810	4	Bolt M8 x 20 Class 10.9	
10	5251010	15	Bolt M10 x 25 Class 10.9	
12	1001118274	2	Nut, Tinnerman M8	
14	1001162535	1	Upright Valve Assembly (See Separate Breakdown in this Section)	
15	1001162536	1	Boom Valve Assembly (See Separate Breakdown in this Section)	
22	1001265186	1	Shield, Fly Boom Valve	
23	0770810	1	Bolt M8 x 20 Class 10.9	
24	4811902	1	Washer M8	

**SECTION 4 - BOOM**

**FIGURE 4-8. UPRIGHT VALVE ASSEMBLY**



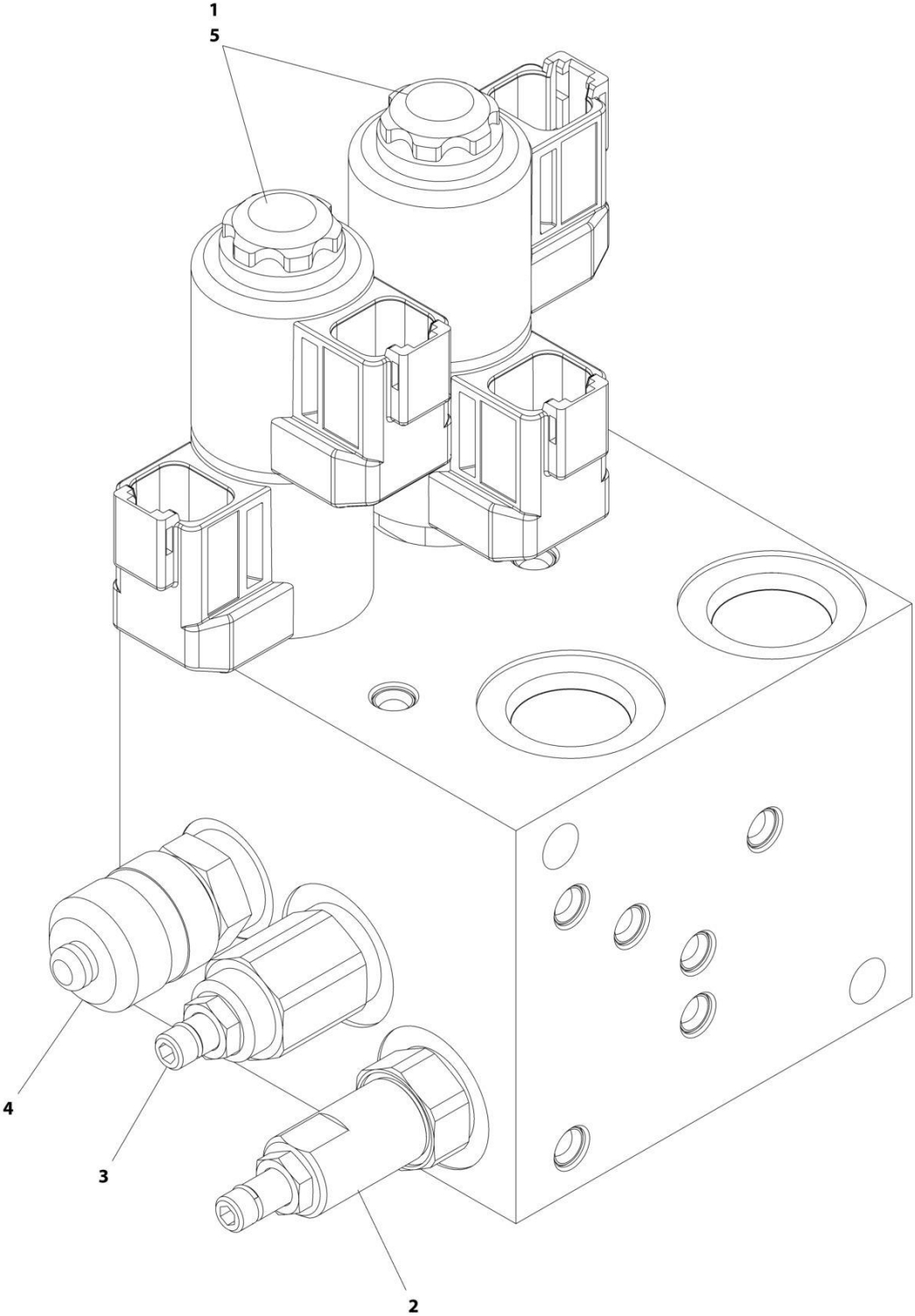
ART\_1001162535

FIGURE 4-8. UPRIGHT VALVE ASSEMBLY

ITEM	PART NUMBER	QTY	DESCRIPTION	REV
	1001162535	Ref	UPRIGHT VALVE ASSEMBLY	D
1	70004864	1	Cartridge, Valve	
1	70004875	1	Seal Kit - 70004864 Valve	
2	70004865	1	Cartridge, Valve	
2	70004875	1	Seal Kit - 70004865 Valve	
3	70004866	1	Cartridge, Relief Valve	
3	70004867	1	Seal Kit - 70004866 Valve	
4	70004868	1	Cartridge, Solenoid Valve Less Coil	
4	70004869	1	Seal Kit - 70004868 Valve	
5	7027625	1	Cartridge, Solenoid Valve Less Coil	
5	70000100	1	Seal Kit - 7027625 Valve	
6	70006660	1	Cartridge, Valve	
6	70004867	1	Seal Kit - 70006660 Valve	
7	70004871	2	Coil	
8	7027628	2	Coil	

**SECTION 4 - BOOM**

**FIGURE 4-9. BOOM VALVE ASSEMBLY**



ART\_1001162536\_G



FIGURE 4-9. BOOM VALVE ASSEMBLY

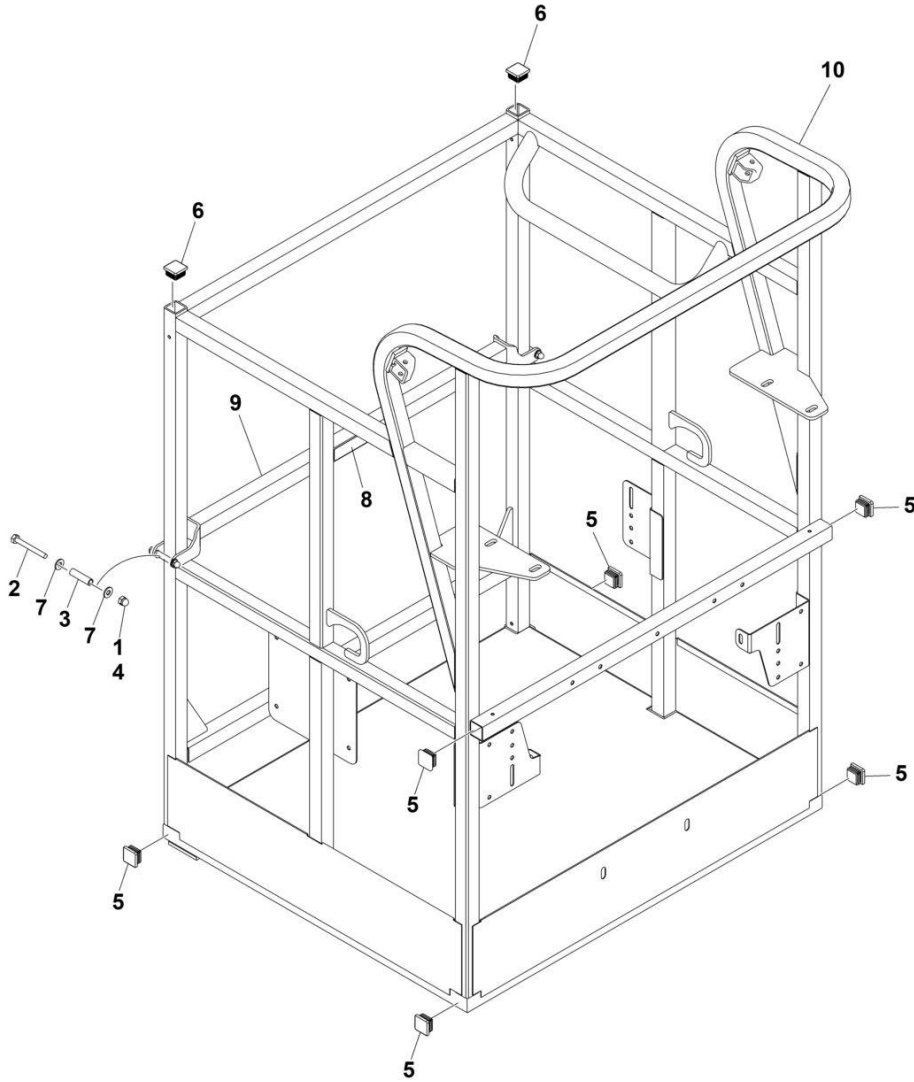
ITEM	PART NUMBER	QTY	DESCRIPTION	REV
	1001162536	Ref	BOOM VALVE ASSEMBLY	G
1	70005243	2	Cartridge, Solenoid Valve Less Coil	
1	70004869	2	Seal Kit - 70005243 Valve	
2	70004873	1	Cartridge, Valve	
2	70004867	1	Seal Kit - 70004873 Valve	
3	70007556	1	Cartridge, Valve	
3	70004867	1	Seal Kit - 70006970 Valve	
4	2221086	1	Fitting, Test	
5	70004871	4	Coil	



**SECTION 5 - PLATFORM**

# SECTION 5 - PLATFORM

## FIGURE 5-1. PLATFORM ASSEMBLY - 30IN X 3FT- SIDE DROP BAR ENTRY



ART\_1001228215

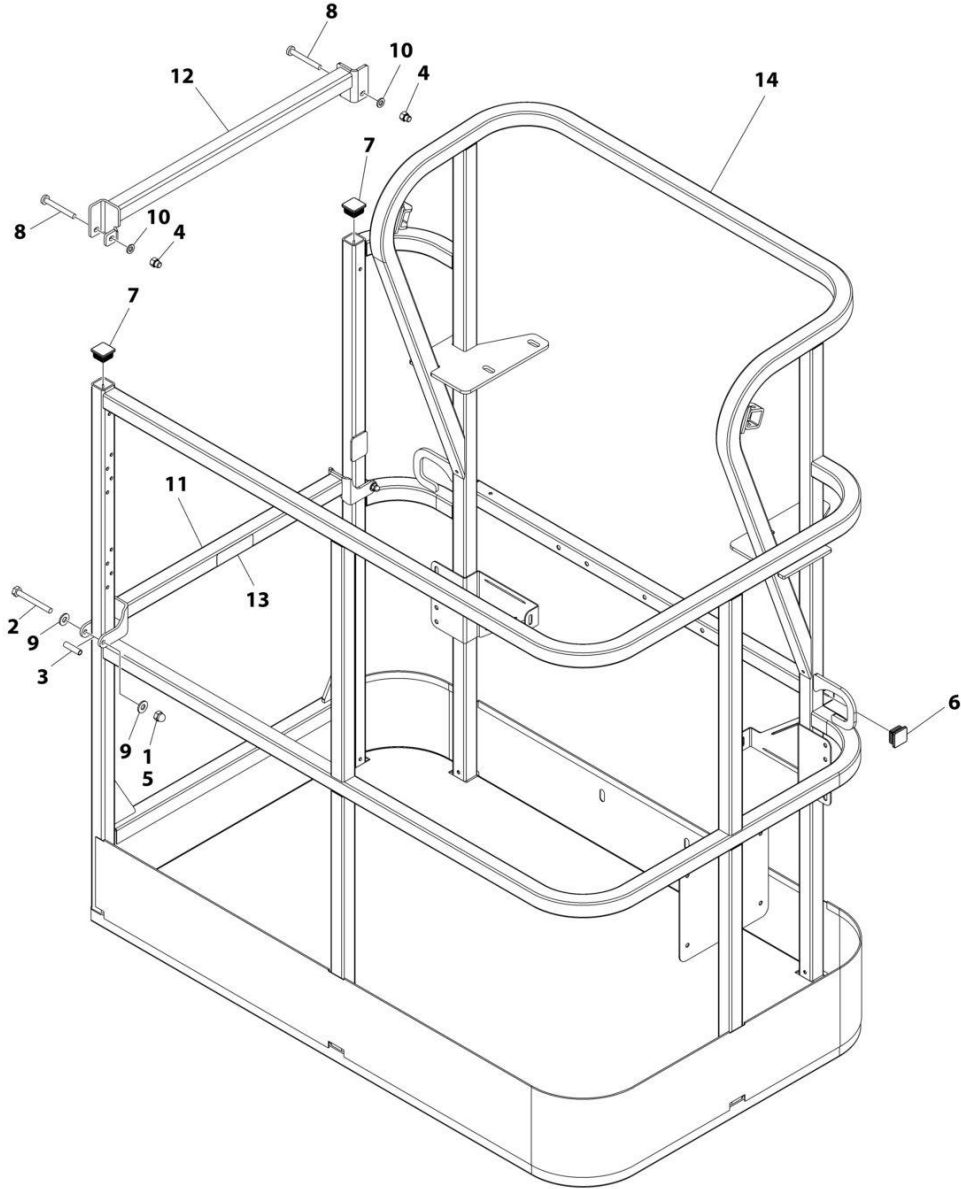
## SECTION 5 - PLATFORM

**FIGURE 5-1. PLATFORM ASSEMBLY - 30IN X 3FT- SIDE DROP BAR ENTRY**

ITEM	PART NUMBER	QTY	DESCRIPTION	REV
	1001228215	Ref	PLATFORM ASSEMBLY	A
	See Note	Ref	Note: Platform and Mesh must be ordered separately for Platforms with Mesh. See SPECIAL OPTIONS SECTION for Mesh Installations.	
	See Note	Ref	Note: Replacement Decals Must be Ordered Separately - See DECAL SECTION.	
1	0100011	AR	Compound, Locking	
2	0641418	2	Bolt 1/4 x 2-1/4	
3	0961845	2	Bushing	
4	3300151	2	Nut 1/4	
5	3520072	6	Cap, Plug	
6	3520198	2	Cap, Plug	
7	4711400	4	Washer 1/4	
8	1001140429	1	Decal - Drop Bar	
9	1001226872	1	Bar, Drop	
10	See Note	NSS	Platform (Note: Not Available - Purchase Platform Assembly)	

# SECTION 5 - PLATFORM

## FIGURE 5-2. PLATFORM ASSEMBLY - 30IN X 4FT- SIDE DROP BAR ENTRY



ART\_1001186375

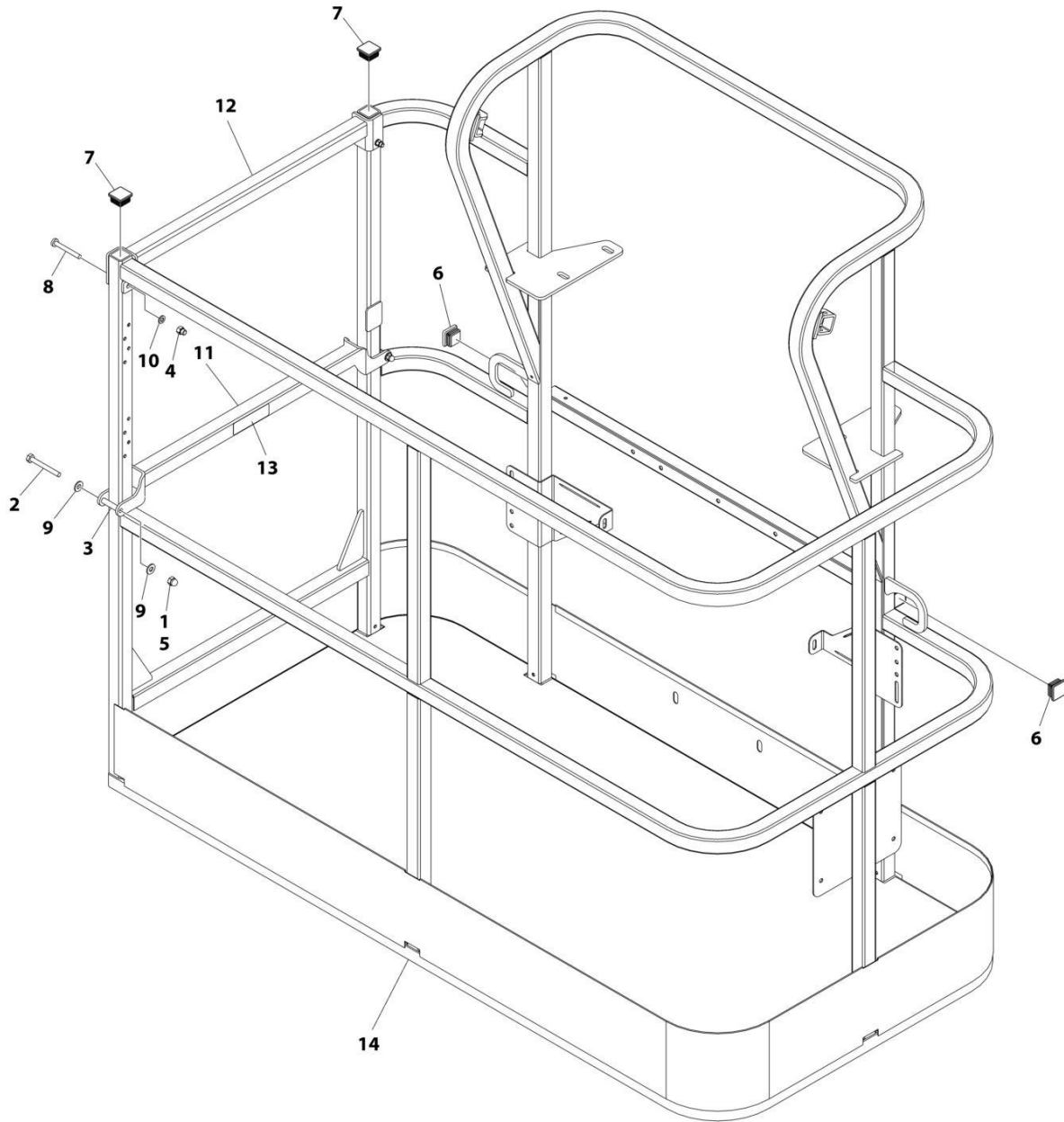
## SECTION 5 - PLATFORM

**FIGURE 5-2. PLATFORM ASSEMBLY - 30IN X 4FT- SIDE DROP BAR ENTRY**

ITEM	PART NUMBER	QTY	DESCRIPTION	REV
	1001186375	Ref	PLATFORM ASSEMBLY	B
		Ref	Note: Platform and Mesh must be ordered separately for Platforms with Mesh. See SPECIAL OPTIONS SECTION for Mesh Installations.	
		Ref	Note: Replacement Decals Must be Ordered Separately - See DECALS SECTION.	
1	0100011	AR	Compound, Locking	
2	0641418	2	Bolt 1/4 x 2-1/4	
3	0961845	2	Bushing	
4	3290606	2	Nut M6	
5	3300151	2	Nut 1/4	
6	3520072	2	Plug	
7	3520198	2	Plug	
8	4010618	2	Screw M6 x 50	
9	4711400	4	Washer 1/4	
10	4811700	2	Washer M6	
11	1001138494	1	Bar, Drop	
12	1001138514	1	Rail - Top	
13	1001140429	1	Decal - Drop Bar	
14	See Note	1	Platform (Note: Not Available - Purchase Platform Assembly)	

# SECTION 5 - PLATFORM

## FIGURE 5-3. PLATFORM ASSEMBLY - 30IN X 5FT- SIDE DROP BAR ENTRY



ART\_1001186377



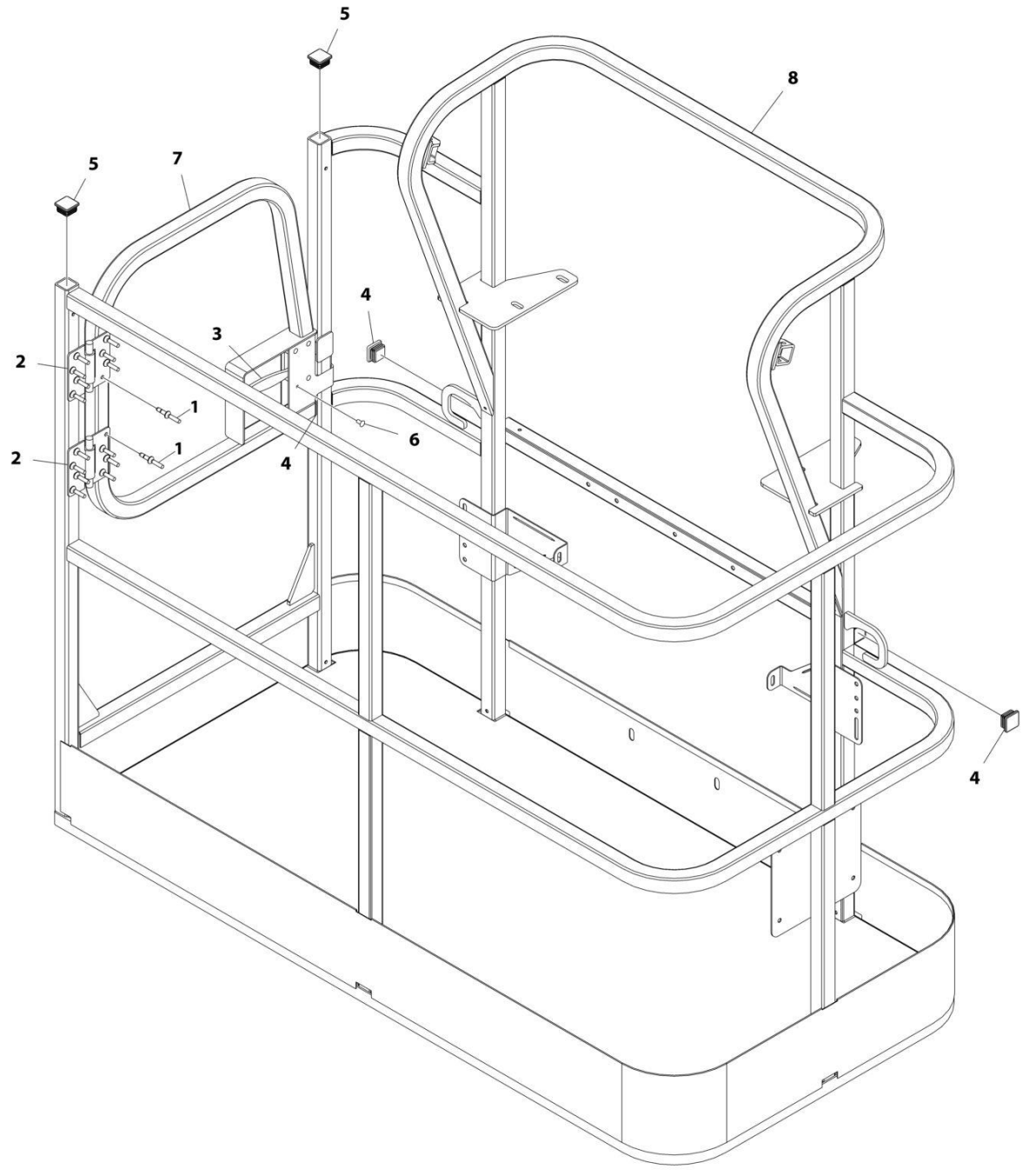
## SECTION 5 - PLATFORM

**FIGURE 5-3. PLATFORM ASSEMBLY - 30IN X 5FT- SIDE DROP BAR ENTRY**

ITEM	PART NUMBER	QTY	DESCRIPTION	REV
	1001186377	Ref	PLATFORM ASSEMBLY	C
		Ref	Note: Platform and Mesh must be ordered separately for Platforms with Mesh. See SPECIAL OPTIONS SECTION for Mesh Installations.	
		Ref	Note: Replacement Decals Must be Ordered Separately - See DECALS SECTION.	
1	0100011	AR	Compound, Locking	
2	0641420	2	Bolt 1/4 x 2-1/2	
3	0961845	2	Bushing	
4	3290606	2	Nut M6	
5	3300151	2	Nut 1/4	
6	3520072	2	Plug	
7	3520198	2	Plug	
8	4010618	2	Screw M6 x 50	
9	4711400	4	Washer 1/4	
10	4811700	2	Washer M6	
11	1001138494	1	Bar, Drop	
12	1001138514	1	Rail (Top)	
13	1001140429	1	Decal - Drop Bar	
14	See Note	NSS	Platform (Note: Not Available - Purchase Platform Assembly)	

# SECTION 5 - PLATFORM

## FIGURE 5-4. PLATFORM ASSEMBLY - 30IN X 5FT- SIDE GATE ENTRY



ART\_1001186386

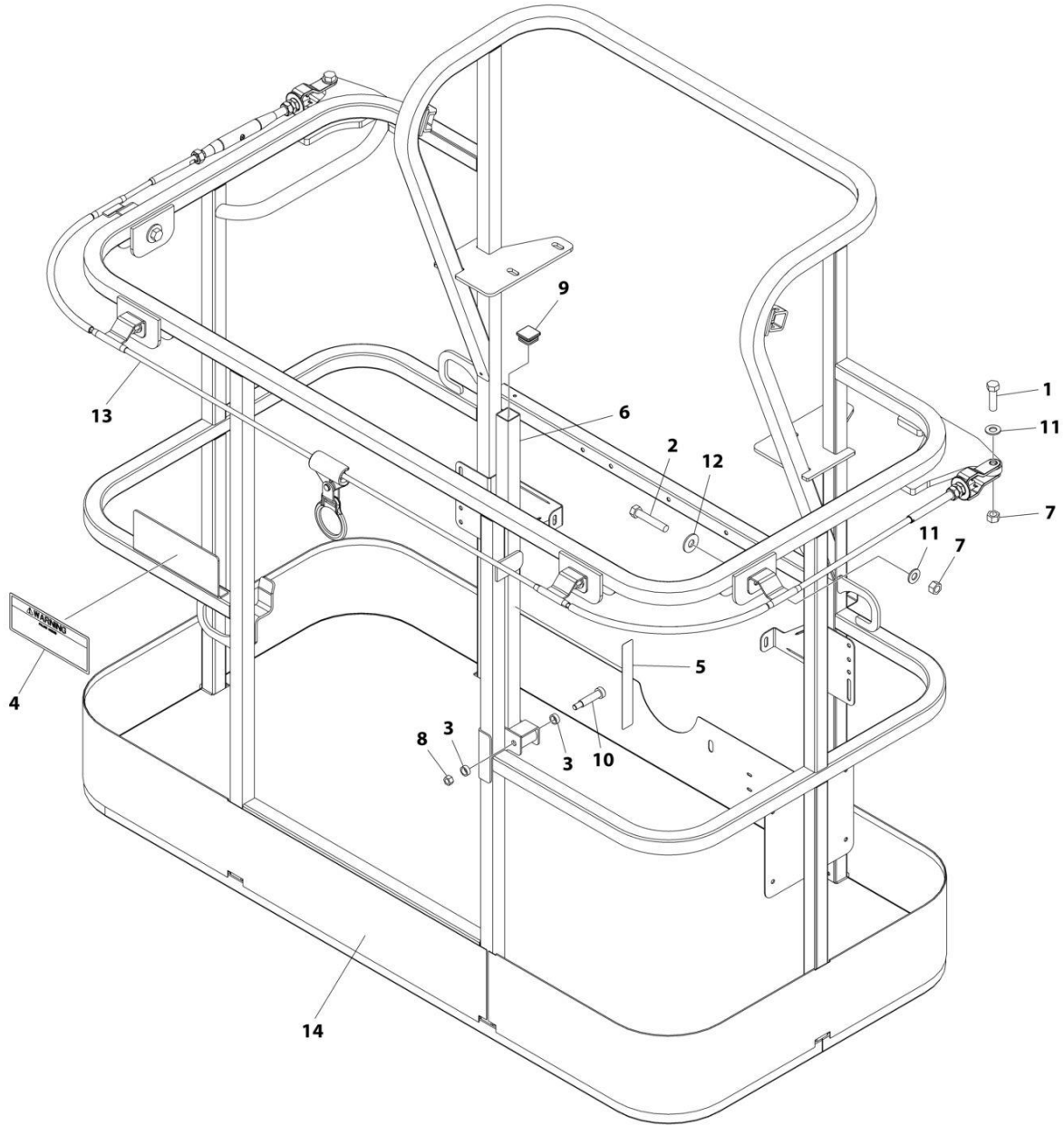
## SECTION 5 - PLATFORM

**FIGURE 5-4. PLATFORM ASSEMBLY - 30IN X 5FT- SIDE GATE ENTRY**

ITEM	PART NUMBER	QTY	DESCRIPTION	REV
	1001186386	Ref	PLATFORM ASSEMBLY	C
		Ref	Note: Platform and Mesh must be ordered separately for Platforms with Mesh. See SPECIAL OPTIONS SECTION for Mesh Installations.	
		Ref	Note: Replacement Decals Must be Ordered Separately - See DECALS SECTION.	
1	2080040	16	Fastener, Huck	
2	2600281	2	Hinge, Self-Closing	
3	2940074	1	Latch	
4	3520072	3	Plug	
5	3520198	2	Plug	
6	3820020	4	Rivet	
7	1001144629	1	Gate	
8	See Note	NSS	Platform (Note: Not Available - Purchase Platform Assembly)	

# SECTION 5 - PLATFORM

FIGURE 5-5. PLATFORM ASSEMBLY - 30IN X 5FT (76CM X 1.22M) - FALL ARREST REAR ENTRY



ART\_1001186388

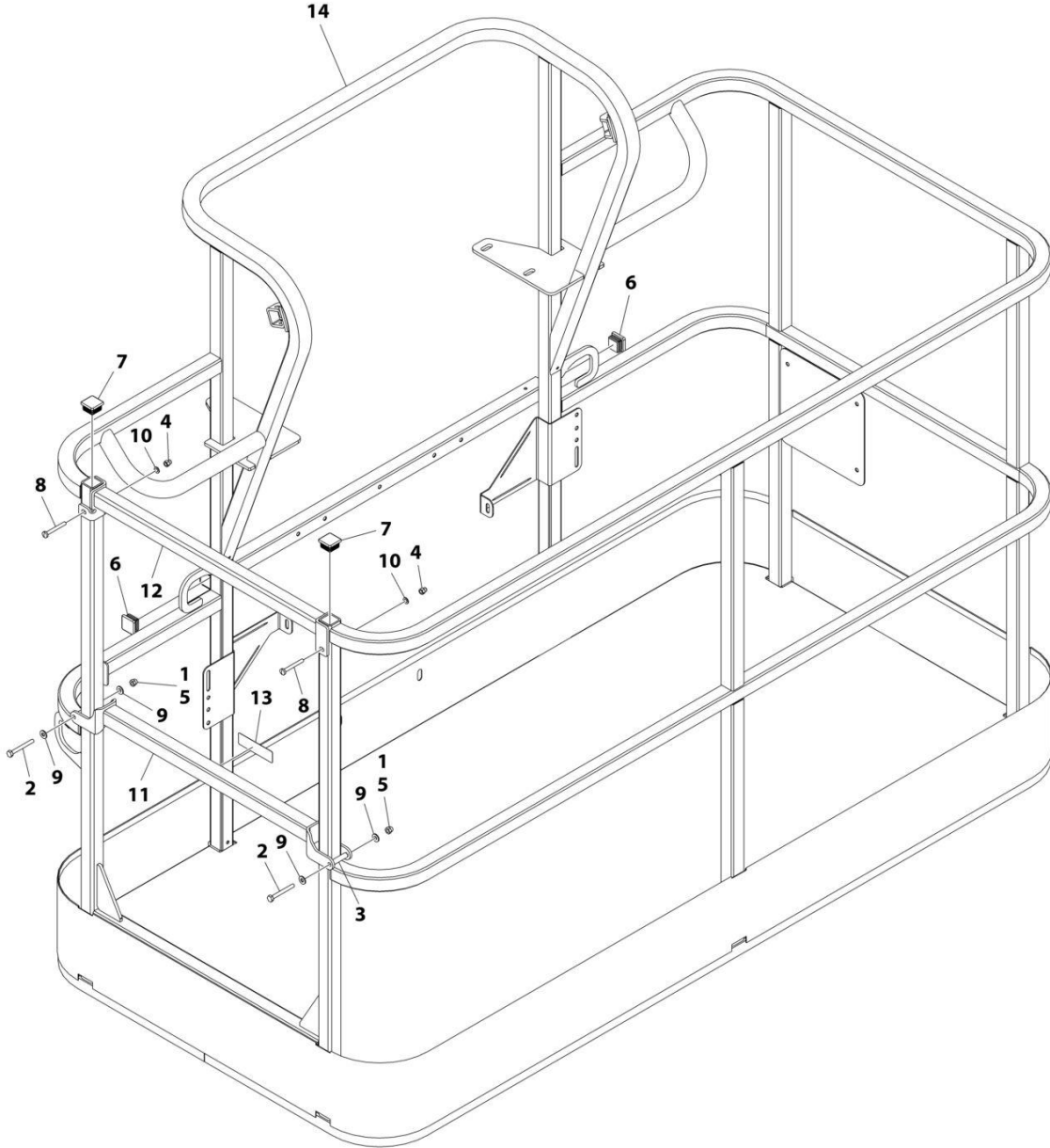
## SECTION 5 - PLATFORM

**FIGURE 5-5. PLATFORM ASSEMBLY - 30IN X 5FT (76CM X 1.22M) - FALL ARREST REAR ENTRY**

ITEM	PART NUMBER	QTY	DESCRIPTION	REV
	1001186388	Ref	PLATFORM ASSEMBLY	C
	See Note	Ref	Note: Replacement Decals Must be Ordered Separately - See DECALS SECTION.	
1	0681814	2	Bolt 1/2 x 1-3/4 (Grade 8)	
2	0681822	4	Bolt 1/2 x 2-3/4 (Grade 8)	
3	0962270	2	Bearing	
4	1705014	1	Decal - Safety	
5	1706385	1	Decal - Drop Bar	
6	2410014	1	Gate, Weldment	
7	3271805	6	Nut 1/2	
8	3311605	1	Nut 3/8	
9	3520072	1	Cap, Plug	
10	3900054	1	Bolt 1/2 x 1-3/4	
11	4711800	6	Washer 1/2	
12	4751800	4	Washer 1/2	
13	1001203654	1	Lanyard	
14	See Note	NSS	Platform (Note: Not Available - Purchase Platform Assembly)	

# SECTION 5 - PLATFORM

FIGURE 5-6. PLATFORM ASSEMBLY - 30IN X 6FT- SIDE DROP BAR ENTRY



ART\_1001186378

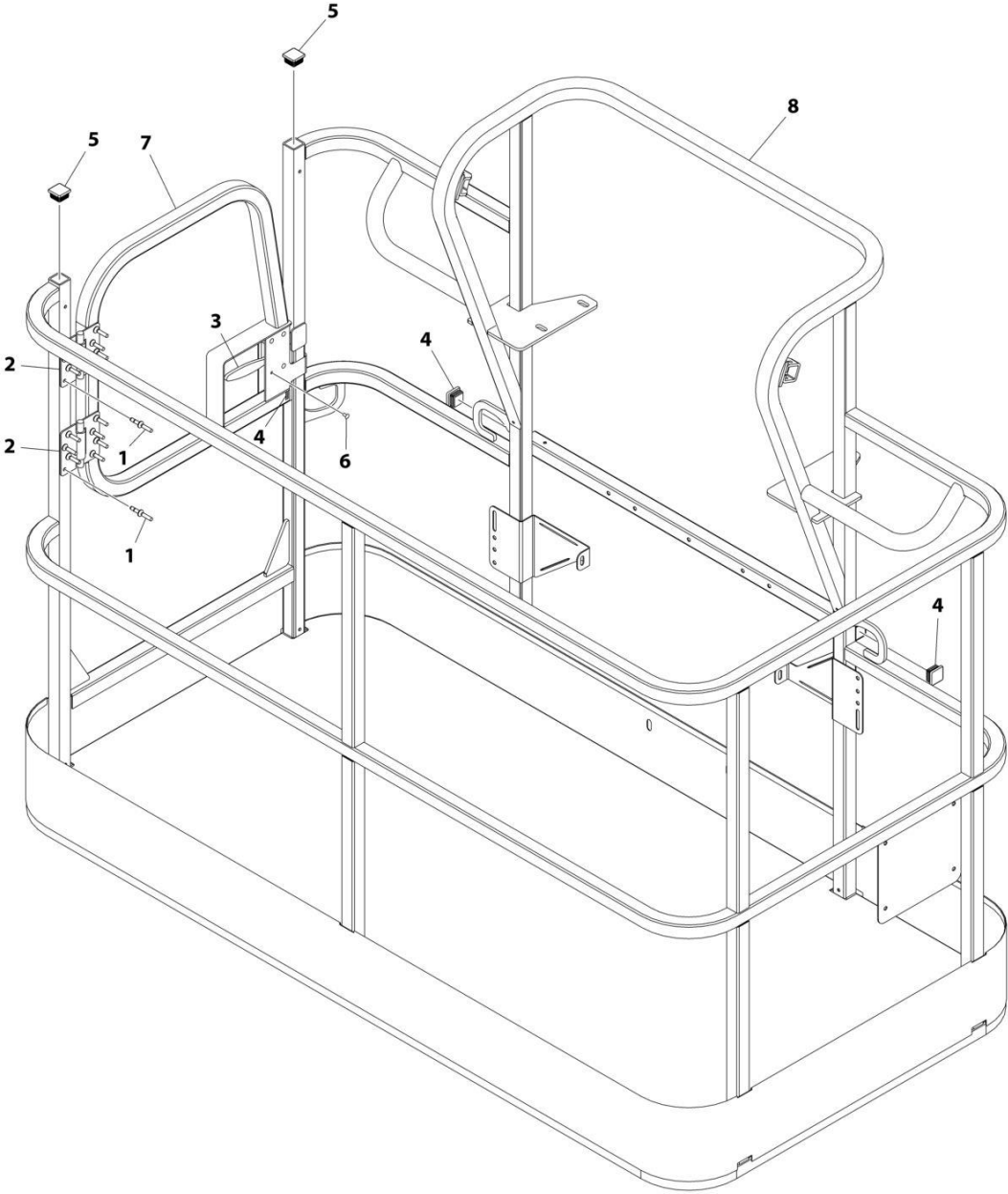
## SECTION 5 - PLATFORM

**FIGURE 5-6. PLATFORM ASSEMBLY - 30IN X 6FT- SIDE DROP BAR ENTRY**

ITEM	PART NUMBER	QTY	DESCRIPTION	REV
	1001186378	Ref	PLATFORM ASSEMBLY	C
		Ref	Note: Platform and Mesh must be ordered separately for Platforms with Mesh. See SPECIAL OPTIONS SECTION for Mesh Installations.	
		Ref	Note: Replacement Decals Must be Ordered Separately - See DECALS SECTION.	
1	0100011	AR	Compound, Locking	
2	0641418	2	Bolt 1/4 x 2-1/4	
3	0961845	2	Bushing	
4	3290606	2	Nut M6	
5	3300151	2	Nut 1/4	
6	3520072	2	Plug	
7	3520198	2	Plug	
8	4010618	2	Screw M6 x 50	
9	4711400	4	Washer 1/4	
10	4811700	2	Washer M6	
11	1001138494	1	Bar, Drop	
12	1001138514	1	Rail (Top)	
13	1001140429	1	Decal - Drop Bar	
14	See Note	NSS	Platform (Note: Not Available - Purchase Platform Assembly)	

**SECTION 5 - PLATFORM**

**FIGURE 5-7. PLATFORM ASSEMBLY - 30IN X 6FT- SIDE GATE ENTRY**



ART\_1001186385



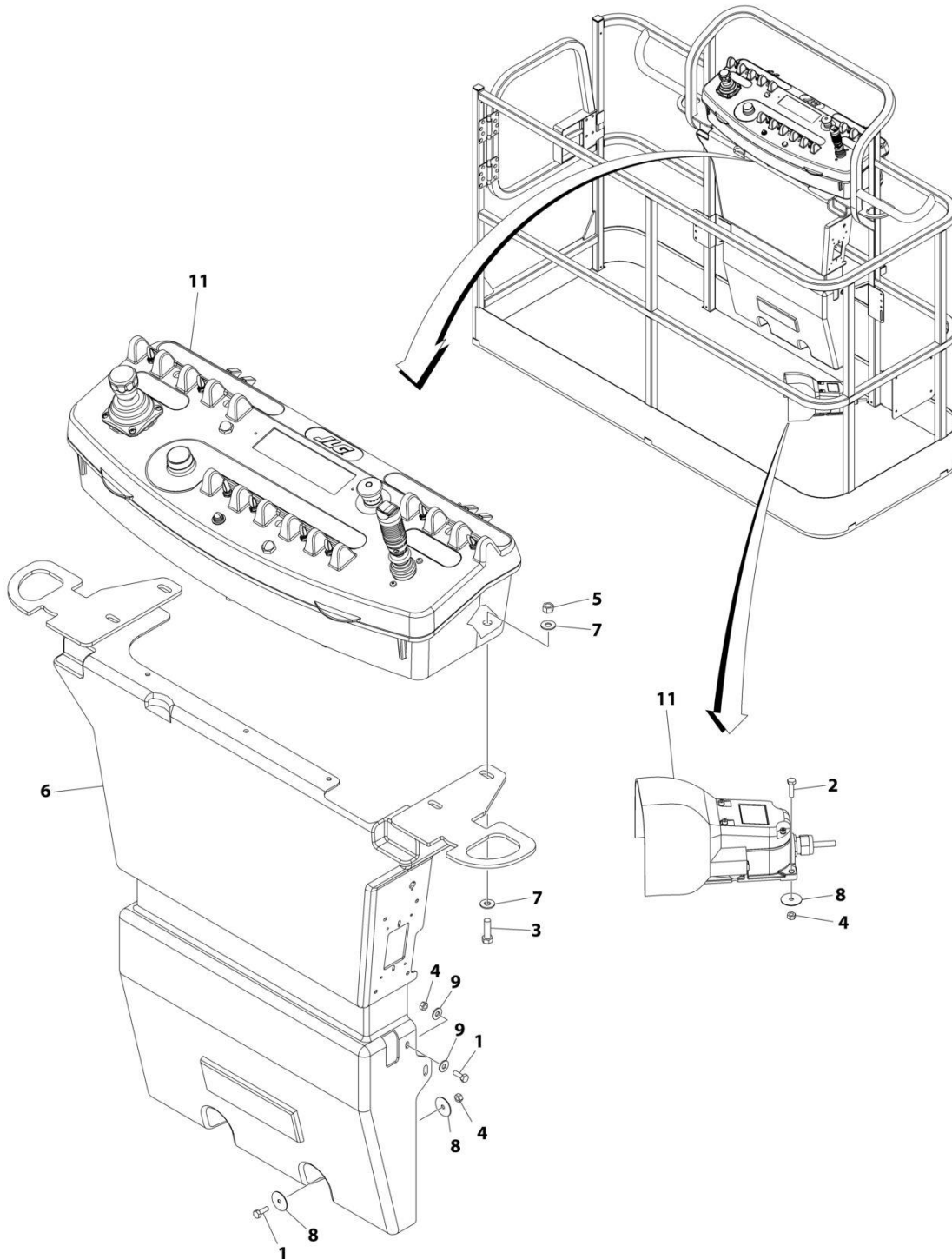
## SECTION 5 - PLATFORM

**FIGURE 5-7. PLATFORM ASSEMBLY - 30IN X 6FT- SIDE GATE ENTRY**

ITEM	PART NUMBER	QTY	DESCRIPTION	REV
	1001186385	Ref	PLATFORM ASSEMBLY	D
		Ref	Note: Platform and Mesh must be ordered separately for Platforms with Mesh. See SPECIAL OPTIONS SECTION for Mesh Installations.	
		Ref	Note: Replacement Decals Must be Ordered Separately - See DECALS SECTION.	
1	2080040	16	Fastener, Huck	
2	2600281	2	Hinge	
3	2940074	1	Latch	
4	3520072	3	Plug	
5	3520198	2	Plug	
6	3820020	4	Rivet	
7	1001144629	1	Gate	
8	See Note	NSS	Platform (Note: Not Available - Purchase Platform Assembly)	

# SECTION 5 - PLATFORM

## FIGURE 5-8. CONSOLE BOX INSTALLATION



ART\_1001246436

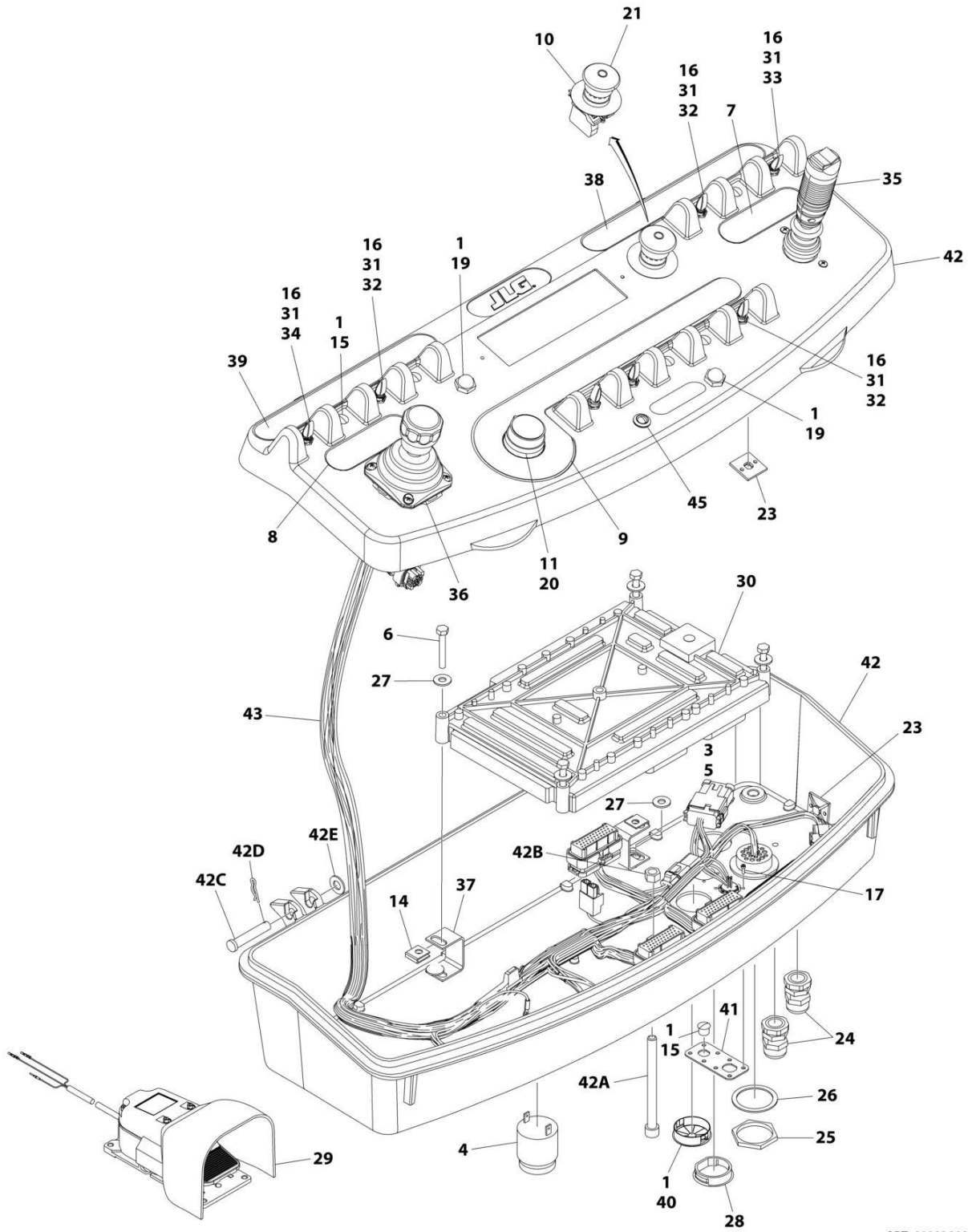
## SECTION 5 - PLATFORM

### FIGURE 5-8. CONSOLE BOX INSTALLATION

ITEM	PART NUMBER	QTY	DESCRIPTION	REV
	1001246436	Ref	CONSOLE BOX INSTALLATION	A
1	0641406	4	Bolt 1/4 x 3/4	
2	0641408	3	Bolt 1/4 x 1	
3	0641610	4	Bolt 3/8 x 1-1/4	
4	3311405	7	Nut Lock 1/4	
5	3311605	4	Nut Lock 3/8	
6	3380434	1	Panel, Decal Mount	
7	4751600	8	Washer 3/8	
8	4740362	7	Washer 1/4	
9	4751400	4	Washer 1/4	
10	1001164728	1	Harness, Platform Valve (Not Shown - See Separate Breakdown in ELECTRICAL SECTION)	
11	1001246435	1	Platform Console Box Assembly (See Separate Breakdown in this Section)	

# SECTION 5 - PLATFORM

## FIGURE 5-9. PLATFORM CONSOLE BOX ASSEMBLY



ART\_1001246435\_D

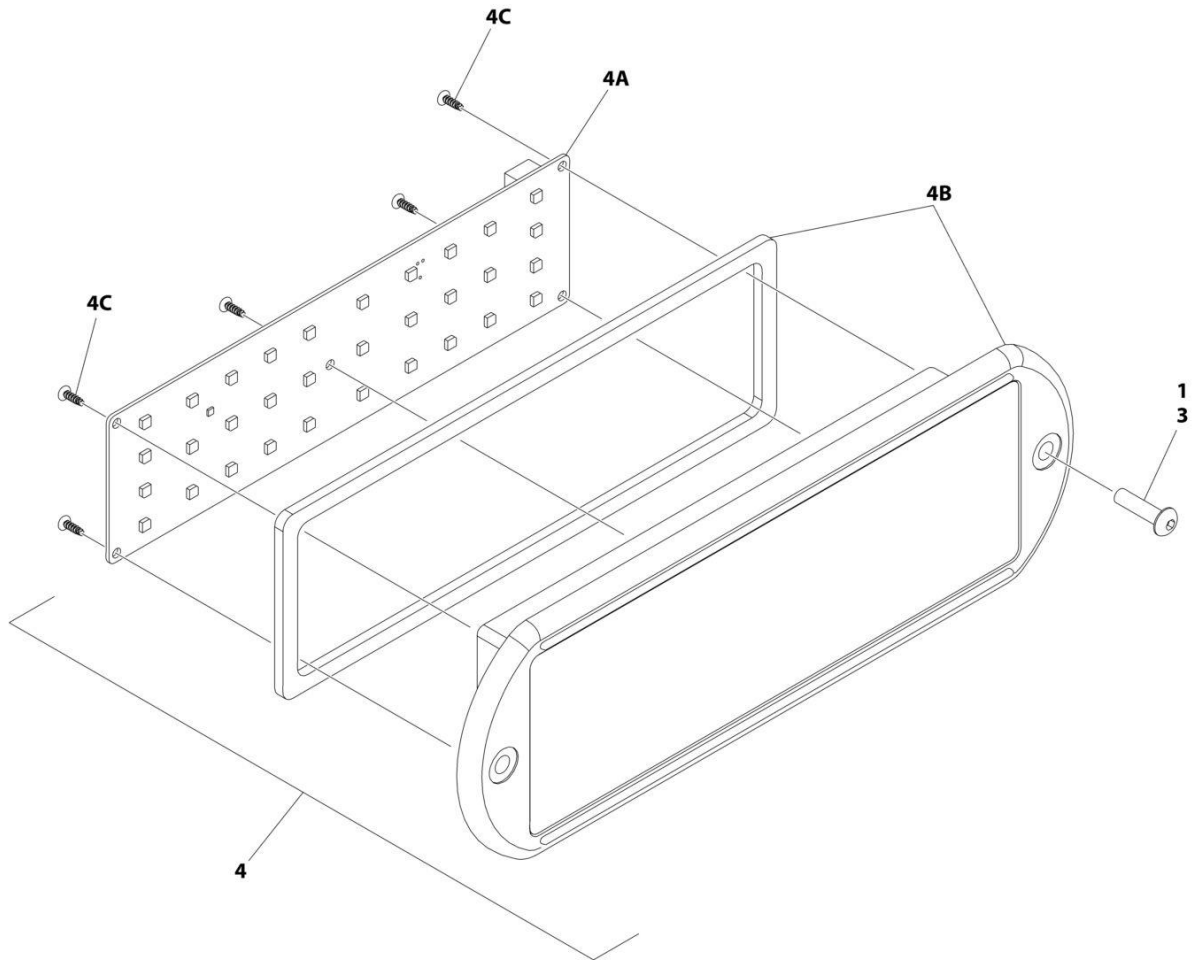
## SECTION 5 - PLATFORM

### FIGURE 5-9. PLATFORM CONSOLE BOX ASSEMBLY

ITEM	PART NUMBER	QTY	DESCRIPTION	REV
	1001246435	Ref	PLATFORM CONSOLE BOX ASSEMBLY	D
1	0100009	AR	Sealant	
3	0100035	AR	Compound, Locking	
4	0140011	1	Alarm	
5	0641405	4	Bolt 1/4 x 5/8	
6	0641414	4	Bolt 1/4 x 1-3/4	
7	1702565	1	Decal - Drive and Steer	
8	1702566	1	Decal - Lift and Swing	
9	1702567	1	Decal - Function Speed	
10	1704260	1	Decal - EMS	
11	2560136	1	Handle, Knob	
14	3300353	4	Nut	
15	3520054	5	Plug	
16	3790012	8	O-Ring	
17	3900349	8	Screw	
18	4240099	AR	Tie-Strap (Not Shown)	
19	4360387	2	Switch, Pushbutton	
20	4360407	1	Switch, Potentiometer	
21	1001274559	1	Switch, Emergency	
23	4460234	6	Mount, Tie-Strap	
24	4460428	2	Connector, Strain Relief	
25	4460470	1	Nut	
26	4460471	1	Washer	
27	4751400	8	Washer 1/4	
28	1001110434	1	Plug	
29	1001117174	1	Footswitch Assembly (See Separate Breakdown in this Section)	
30	1001118412	1	Module, Control	
31	1001155044	8	Nut 15/32	
32	1001155045	6	Switch, Toggle	
33	1001159256	1	Switch, Toggle	
34	1001161709	1	Switch, Toggle	
35	1001275628	1	Controller Assembly (Drive and Steer)	
36	1001275629	1	Controller Assembly (Lift and Swing)	
37	1001172760	4	Bracket	
38	1001184618	1	Decal - Stop	
39	1001184626	1	Decal - Horn	
40	1001185281	1	Plug	
41	1001213882	1	Connector, Mounting	
42	1001215228	1	Platform Console Box	
42A	0630568	1	Capscrew 3/8 x 4-1/2	
42B	3311601	1	Nut 3/8	
42C	3430616	2	Pin, Clevis	
42D	3470003	2	Hairpin	
42E	4711600	2	Washer 3/8	
43	1001238254	1	Harness, Platform Console Box (See Separate Breakdown in ELECTRICAL Section)	
45	1001206532	1	Lamp, Indicator	

# SECTION 5 - PLATFORM

## FIGURE 5-10. LIGHT PANEL INSTALLATION - PLATFORM CONSOLE



ART\_1001241398\_D\_2OF2

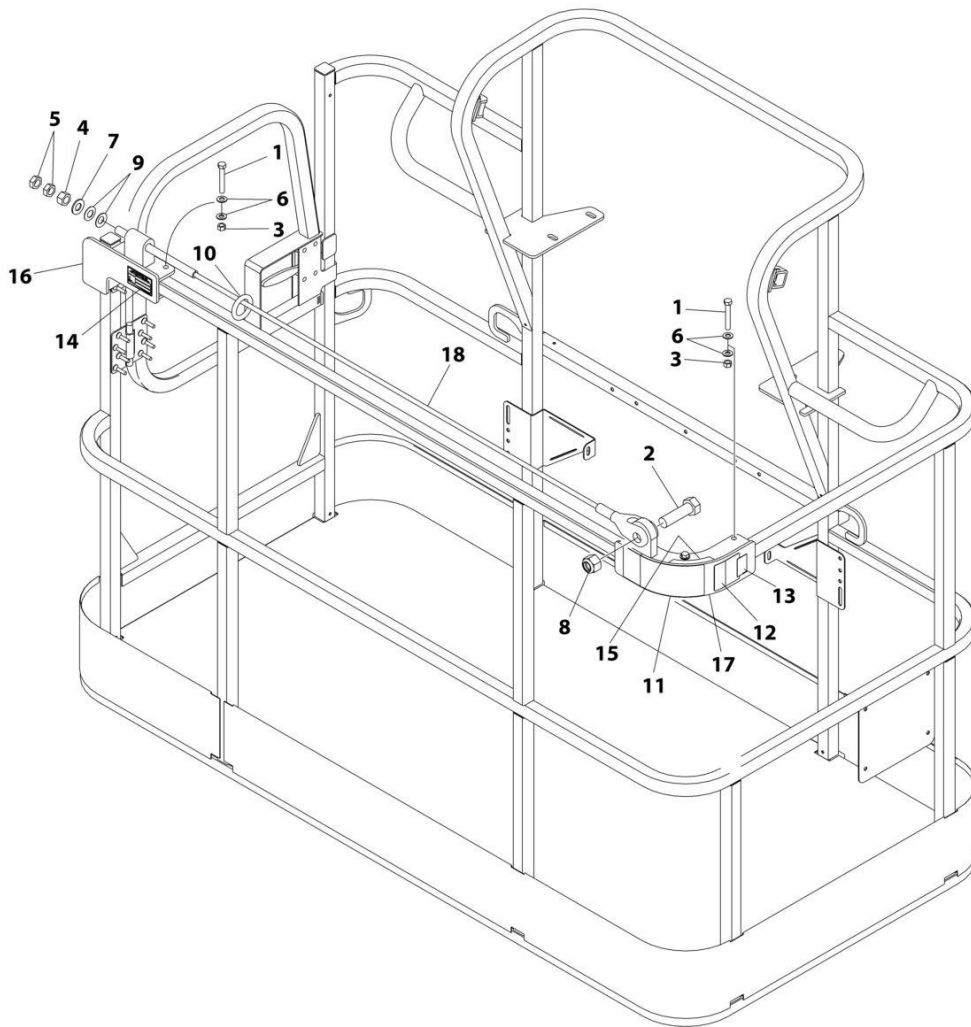
## SECTION 5 - PLATFORM

**FIGURE 5-10. LIGHT PANEL INSTALLATION - PLATFORM CONSOLE**

ITEM	PART NUMBER	QTY	DESCRIPTION	REV
	1001241398	Ref	LIGHT PANEL INSTALLATION - PLATFORM CONSOLE	D
1	0100035	AR	Compound, Locking	
3	0630518	2	Screw #10 x 3/4	
4	1001284583	1	Light Panel Assembly	A
4A	1001282106	1	Panel, LED Light	
4B	1001284582	1	Lens, Icon (Includes Gasket)	
4C		Ref	Screw	

# SECTION 5 - PLATFORM

## FIGURE 5-11. FALL ARREST INSTALLATION (BOLT-ON) (5FT/1.52M PLATFORM)



ART\_1001257275



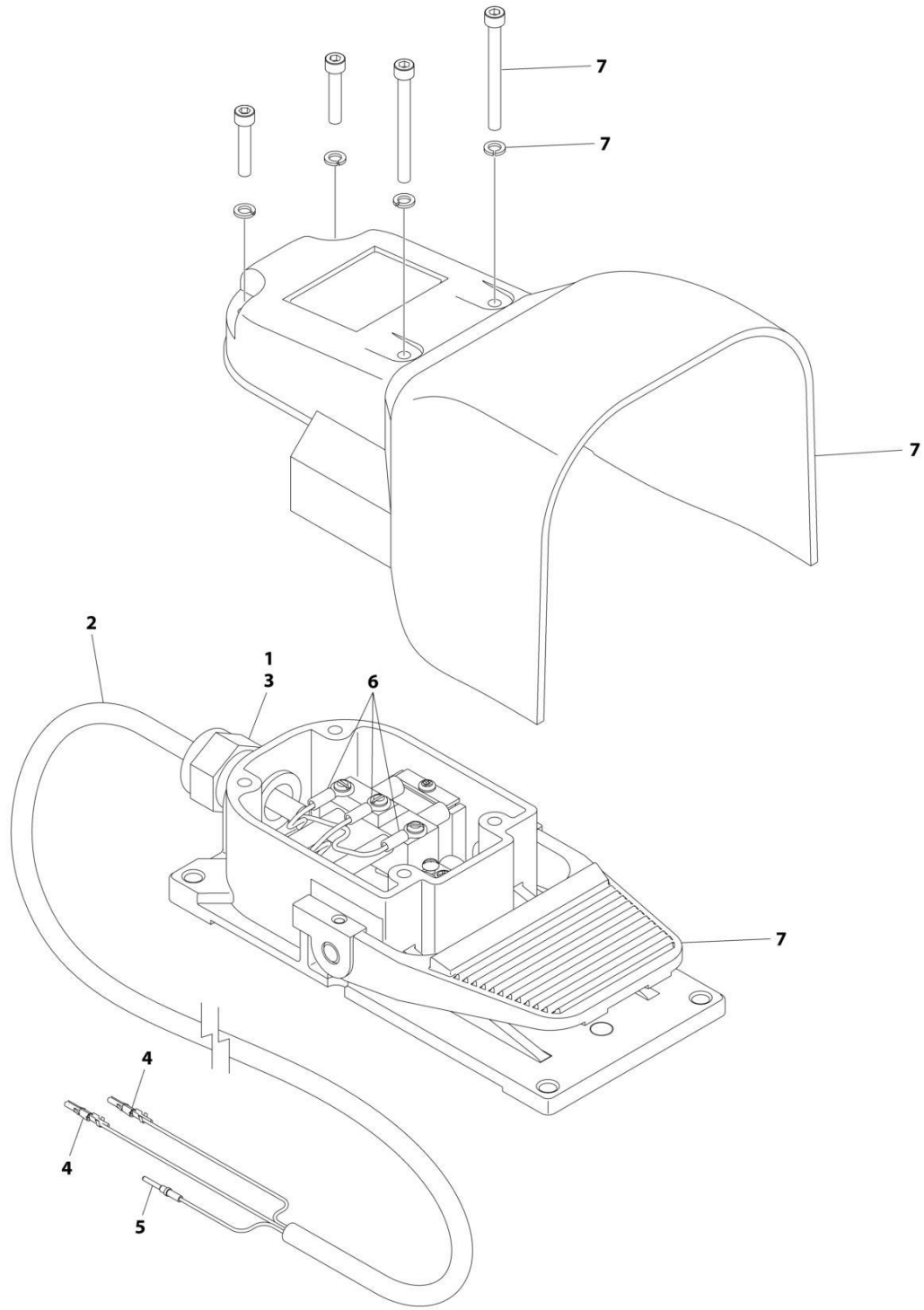
## SECTION 5 - PLATFORM

**FIGURE 5-11. FALL ARREST INSTALLATION (BOLT-ON) (5FT/1.52M PLATFORM)**

ITEM	PART NUMBER	QTY	DESCRIPTION	REV
	1001257275	Ref	FALL ARREST INSTALLATION (BOLT - ON) 6FT/1.82M PLATFORM	A
1	0681620	6	Bolt 3/8 x 2-1/2	
2	0682424	1	Bolt 7/8 x 3	
3	3271605	6	Nut 3/8	
4	3272001	1	Nut 5/8	
5	3312002	2	Nut 5/8	
6	4711600	12	Washer 3/8	
7	4712000	1	Washer 5/8	
8	88521214	1	Nut 7/8	
9	1001236891	2	Washer	
10	1001236895	1	Ring	
11	1001238263	1	Decal - Warning Falling Hazard	
12	1001248140	1	Decal - Bolt Fall Arrest Re-Cert	
13	1001248141	1	Decal - Incription	
14	See Note	NSS	Nameplate - Manufacturers Serial Number (Note: Not Available for Purchase)	
15	1001252629	1	Decal - Weight	
16	1001257271	1	Bracket (RH)	
17	1001257274	1	Bracket (LH)	
18	1001258005	1	Rope	

# SECTION 5 - PLATFORM

## FIGURE 5-12. FOOTSWITCH ASSEMBLY



ART\_100117174

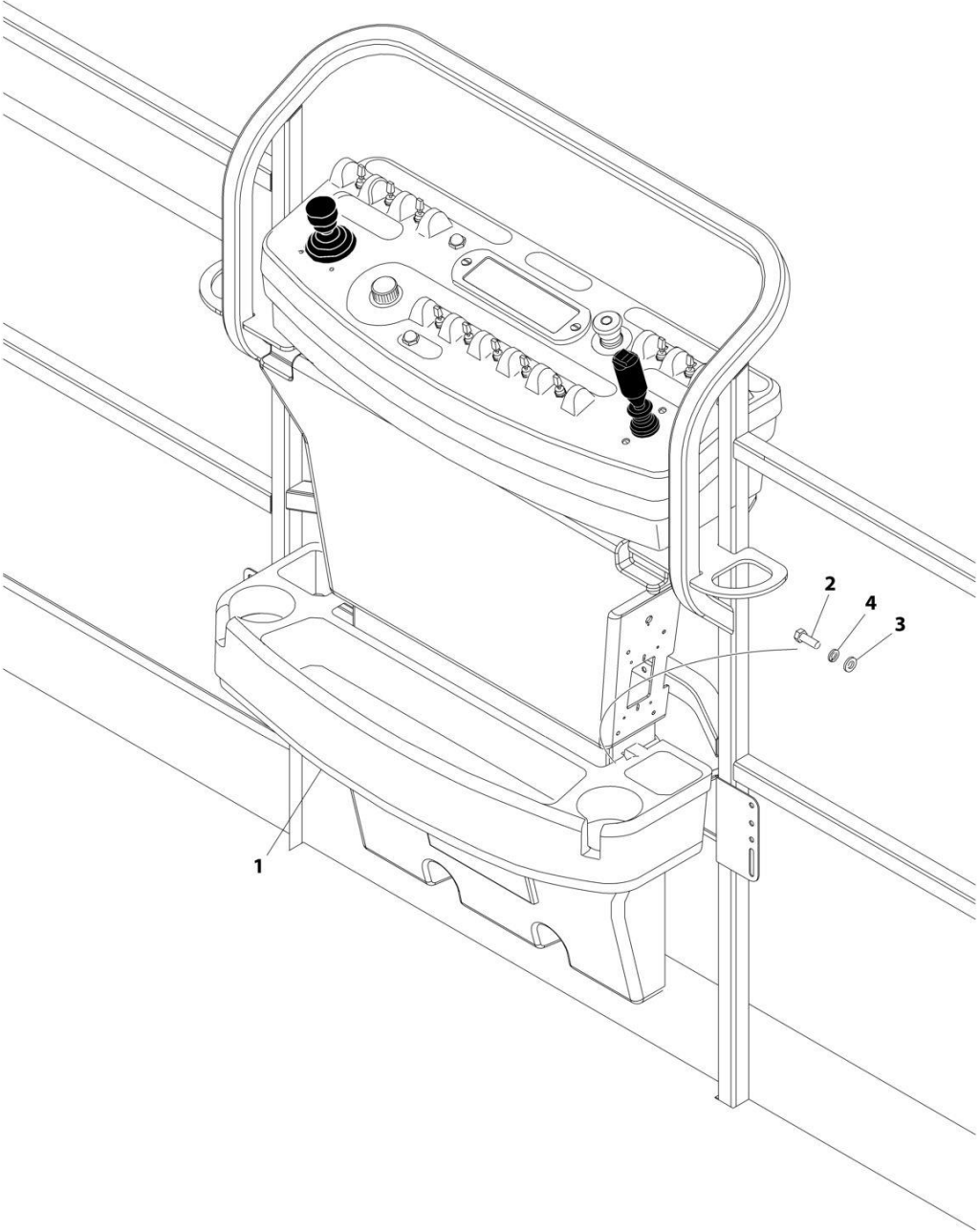
## SECTION 5 - PLATFORM

**FIGURE 5-12. FOOTSWITCH ASSEMBLY**

ITEM	PART NUMBER	QTY	DESCRIPTION	REV
	1001117174	Ref	FOOTSWITCH ASSEMBLY	C
1	0100020	AR	Sealant	
2	1060918	7.5 ft/ 2.3m	Cable, Electrical - 18/3	
3	4460071	1	Connector, Strain Relief	
4	4460226	2	Socket, Female	
5	4460464	1	Pin, Male	
6	1001098122	3	Terminal	
7	1001117172	1	Footswitch	
7	70002902	1	Switch, 20Amp	
7	70002903	1	Gasket	
7	70002905	1	Cover	
7	70002904	1	Kit, Replacement Bolt	

**SECTION 5 - PLATFORM**

**FIGURE 5-13. TRAY ASSEMBLY**



ART\_1580012

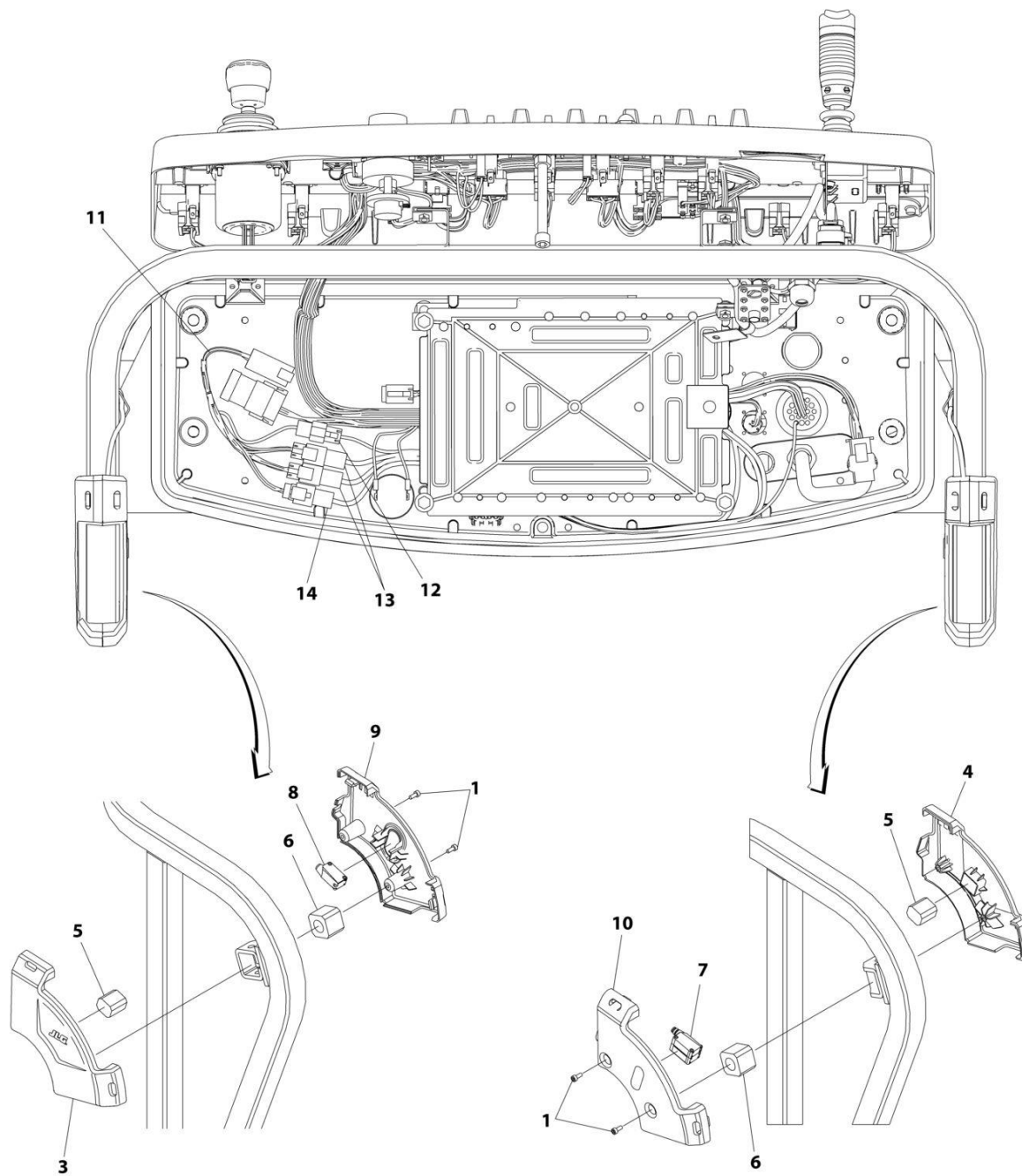
## SECTION 5 - PLATFORM

### FIGURE 5-13. TRAY ASSEMBLY

ITEM	PART NUMBER	QTY	DESCRIPTION	REV
	1580012	Ref	TRAY ASSEMBLY	C
1	See Note	NSS	Tray, Storage (Center) (Note: Purchase p/n 1580012)	
2	0641406	2	Bolt 1/4 x 3/4	
3	4751400	2	Washer 1/4	
4	4761400	2	Washer 1/4	

# SECTION 5 - PLATFORM

## FIGURE 5-14. SKYEYE INSTALLATION



ART\_1001229341

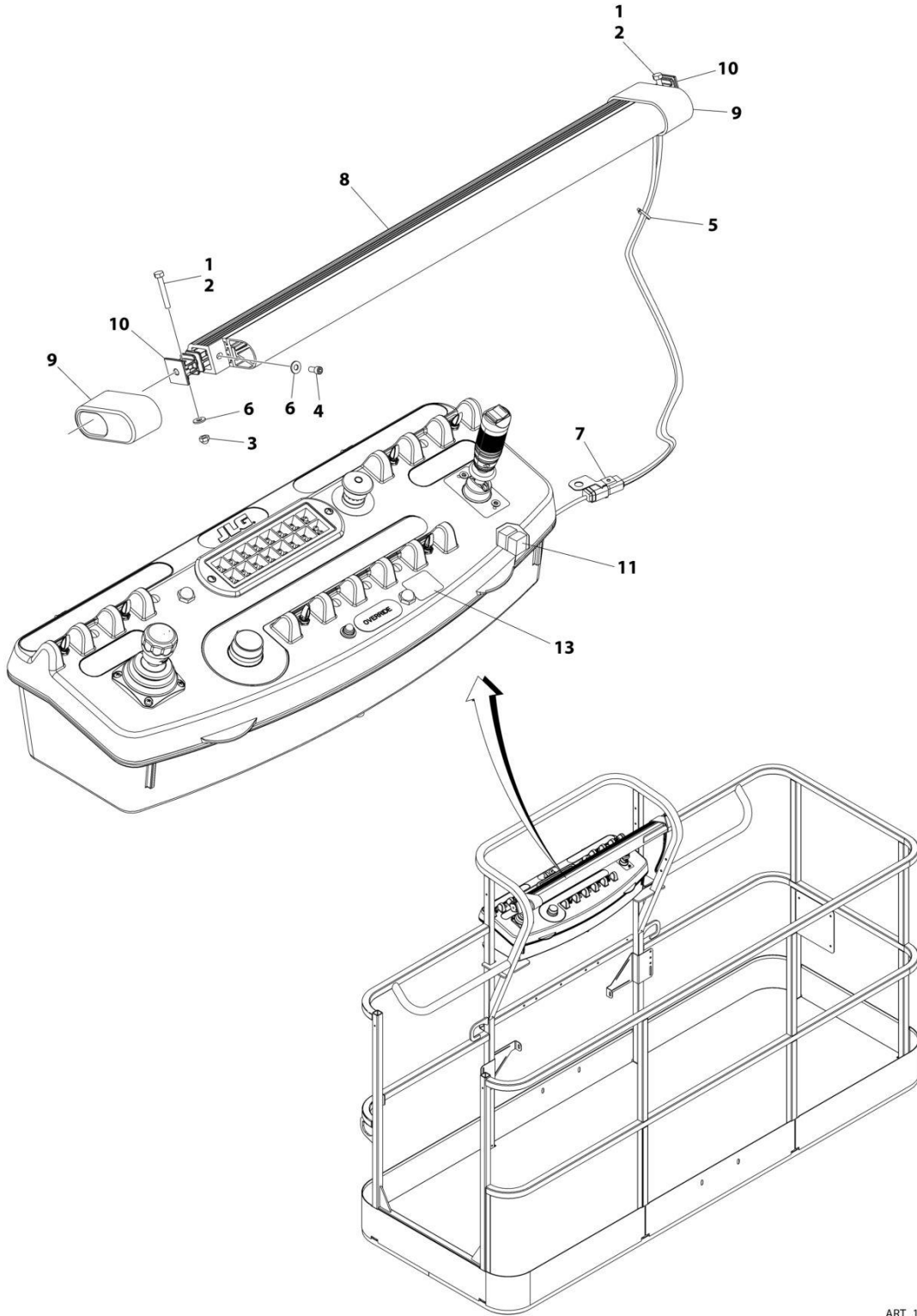
## SECTION 5 - PLATFORM

### FIGURE 5-14. SKYEYE INSTALLATION

ITEM	PART NUMBER	QTY	DESCRIPTION	REV
	1001229341	Ref	SKYEYE INSTALLATION	B
1	4031505	4	Bolt M4 x 10	
2	4240033	AR	Tie-Strap (Not Shown)	
3	1001227633	1	Housing, LH Outer	
4	1001227634	1	Housing, RH Outer	
5	1001227985	2	Shim	
6	1001227987	2	Shim	
7	1001228224	2	Sensor, Receiver	
8	1001228225	1	Sensor, Emitter	
9	1001232164	1	Housing, LH Inner	
10	1001232165	1	Housing, RH Inner	
11	1001237865	1	Harness, Skyeeye Intermediate (See Separate Breakdown in ELECTRICAL Section)	
12	1001238319	NLA	Harness, Skyeeye Drain Jumper	
12	1001187674	1	Plug, Male - 2 Position	
12	4460942	1	Terminal	
12	4460466	1	Plug, Terminal	
12	4460508	1	Pin, Male	
13	1001237863	2	Harness, Skyeeye Receiver (See Separate Breakdown in ELECTRICAL Section)	
14	1001237864	1	Harness, Skyeeye Emitter (See Separate Breakdown in ELECTRICAL Section)	

# SECTION 5 - PLATFORM

## FIGURE 5-15. SKYGUARD BAR INSTALLATION



ART\_1001238495



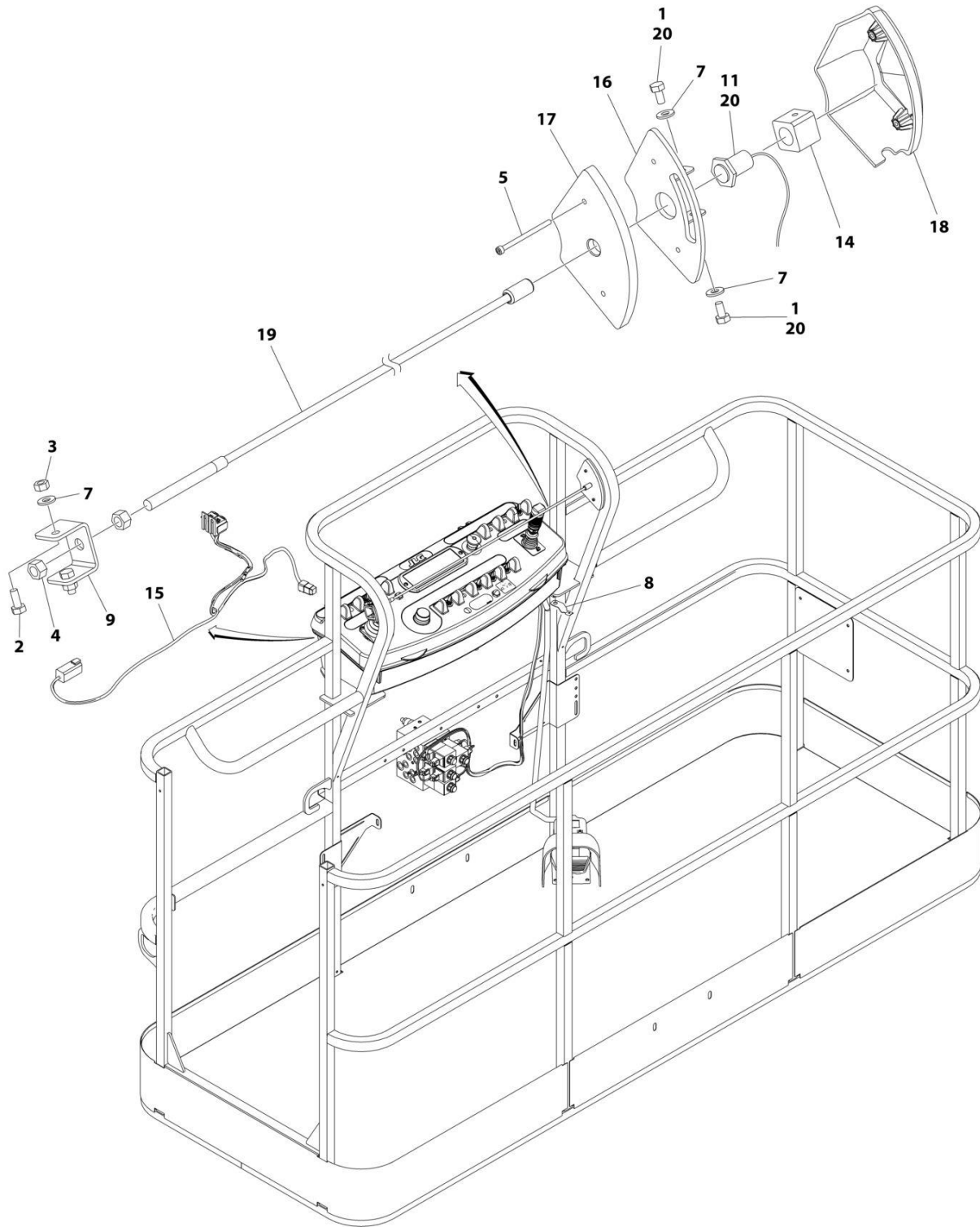
## SECTION 5 - PLATFORM

**FIGURE 5-15. SKYGUARD BAR INSTALLATION**

ITEM	PART NUMBER	QTY	DESCRIPTION	REV
	1001238495	Ref	SKYGUARD BAR INSTALLATION	A
1	0100011	AR	Compound, Locking	
2	0641414	2	Bolt 1/4 x 1-3/4	
3	3300430	2	Nut 1/4	
4	3931408	2	Capscrew 1/4 x 1/2	
5	4240033	8	Tie-Strap	
6	4711400	6	Washer 1/4	
7	1001120328	1	Mount	
8	1001137673	1	SkyGuard Switch Assembly	
9	1001186517	2	Cover, Platform Sensor	
10	1001209664	2	Support, Block	
11	1001186431	2	Relay	
12	1001225580	1	Interface Harness Assembly (Not Shown - Located Inside Console Box) (See Separate Breakdown in ELECTRICAL Section)	
13	1001144433	1	Decal - No Weight SkyGuard	

# SECTION 5 - PLATFORM

## FIGURE 5-16. SKYLINE INSTALLATION



ART\_1001238559\_D

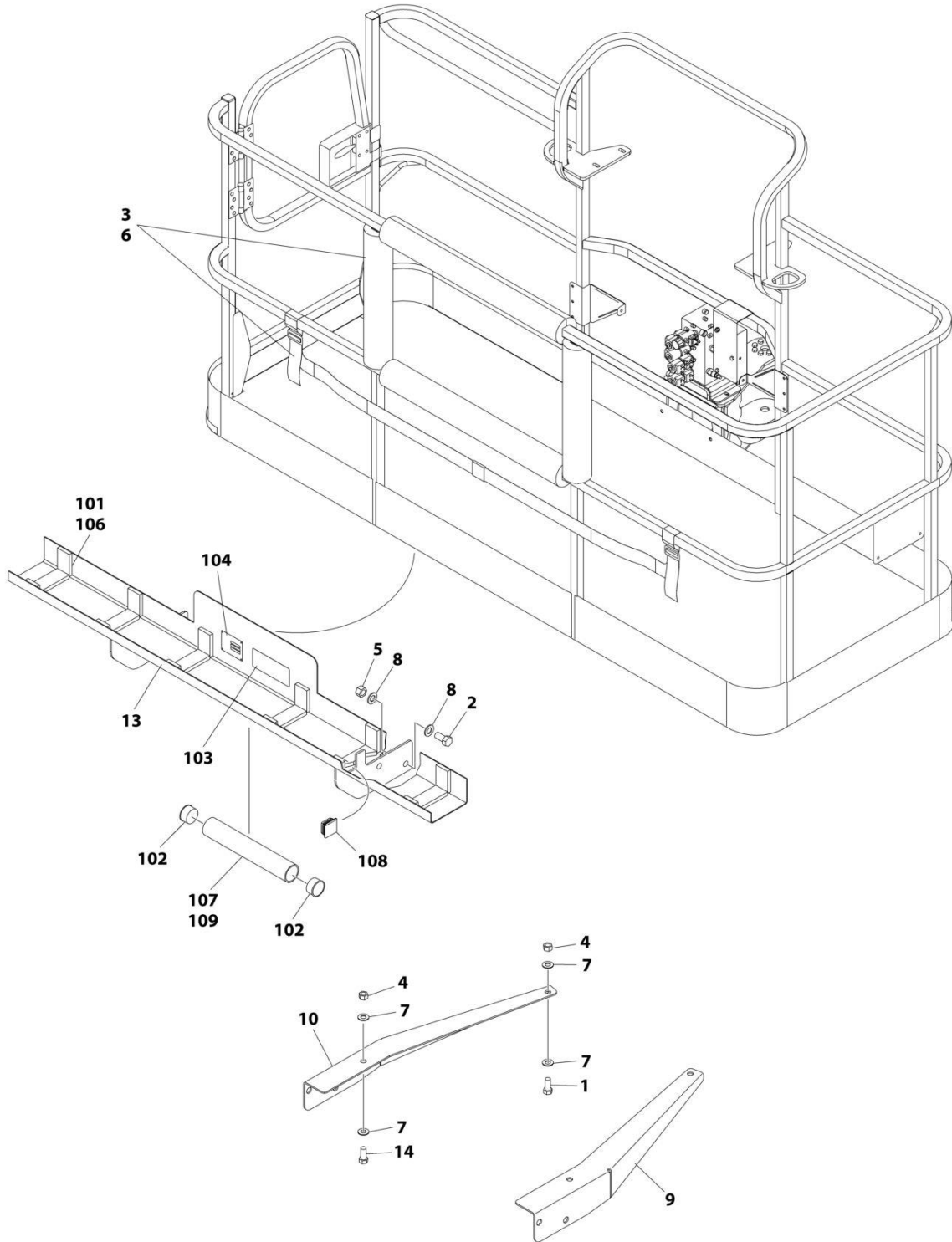
## SECTION 5 - PLATFORM

### FIGURE 5-16. SKYLINE INSTALLATION

ITEM	PART NUMBER	QTY	DESCRIPTION	REV
	1001238559	Ref	SKYLINE INSTALLATION	D
1	0641404	2	Bolt 1/4 x 1/2	
2	0641405	2	Bolt 1/4 x 5/8	
3	3311405	2	Nut 1/4	
4	3311601	2	Nut 3/8	
5	4031516	2	Capscrew M4 x 60	
6	4240033	AR	Tie-Strap (Not Shown)	
7	4711400	4	Washer 1/4	
8	1001120328	1	Mount	
9	1001232642	1	Bracket	
11	1001232667	1	Sensor, Proximity	
14	1001236552	1	Block	
15	1001238418	1	Harness, Skyline (See Separate Breakdown in ELECTRICAL Section)	
16	1001238472	1	Mount	
17	1001254473	1	Housing, LH	
18	1001241965	1	Housing, RH	
19	1001254472	1	Rod	
20	0100011	AR	Compound, Locking	

# SECTION 5 - PLATFORM

## FIGURE 5-17. SKYGLAZIER INSTALLATION (AUSTRALIAN SPECS)



ART\_1001172578\_C

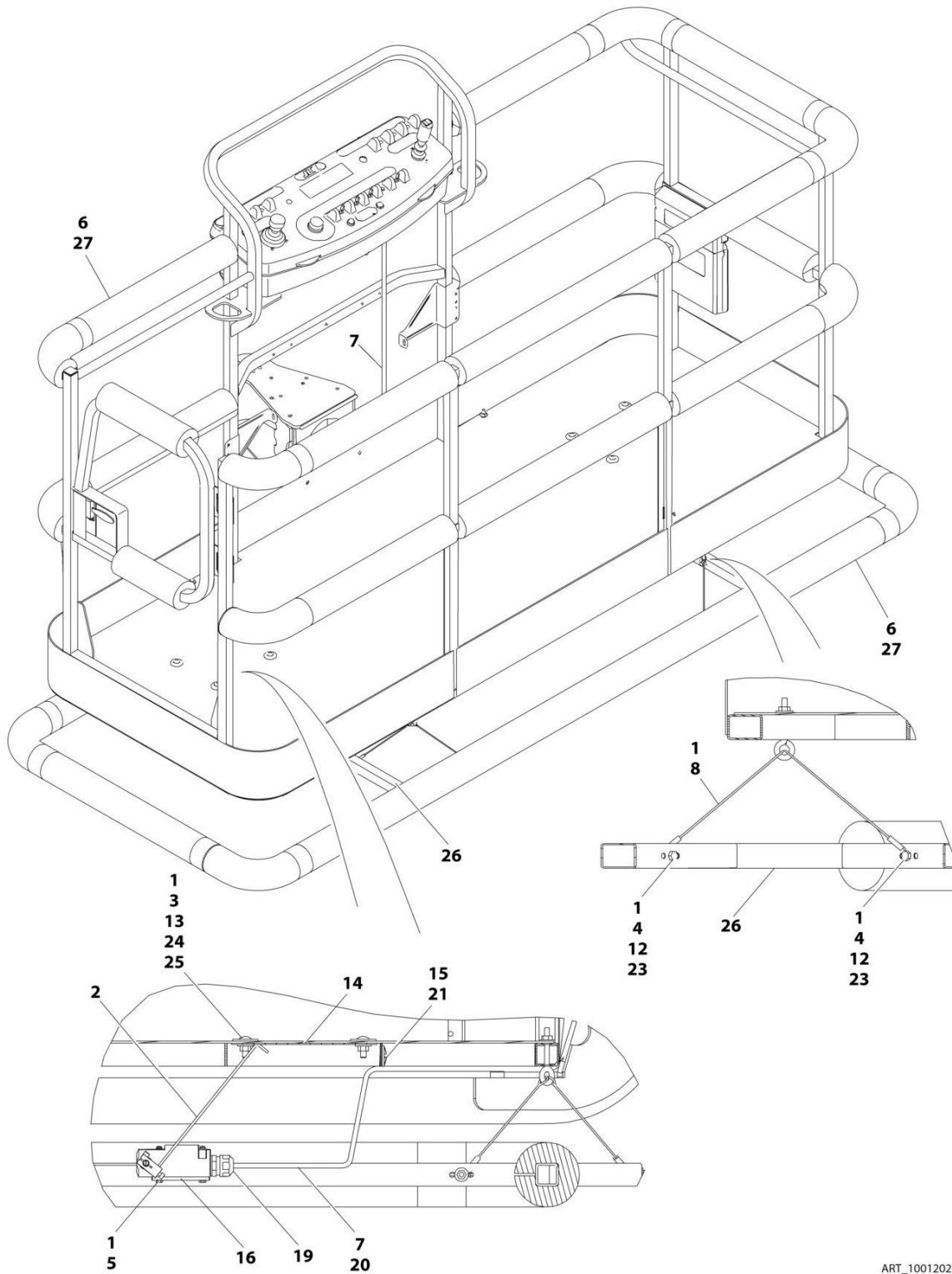
## SECTION 5 - PLATFORM

**FIGURE 5-17. SKYGLAZIER INSTALLATION (AUSTRALIAN SPECS)**

ITEM	PART NUMBER	QTY	DESCRIPTION	REV
	1001172578	Ref	SKYGLAZIER INSTALLATION	C
1	0642012	2	Bolt 5/8 x 1-1/2	
2	0642212	4	Bolt 3/4 x 1-1/2	
3	2902212	1	Bumpers and Strap Kit	
3	0940102	1	Bumper Only	
3	4240149	1	Strap Only	
4	3312005	1	Nut 5/8	
5	3312205	4	Nut 3/4	
6	4420014	AR	Tape	
7	4712000	6	Washer 5/8	
8	4712200	8	Washer 3/4	
9	1001099366	1	Support	
10	1001099367	1	Support	
13	1001172577	1	Tray Assembly (See Items 101-109 for Breakdown)	
14	8310129	2	Bolt 3/4 x 2-1/2	
	1001172577	Ref	TRAY ASSEMBLY	C
101	0100081	AR	Adhesive	
102	1120555	2	Cap, Tube	
103	1701509	1	Decal - Manual	
104	See Note	NSS	Nameplate - Serial Number (Note: Not Available for Purchase)	
106	3340956	1	Pad Kit	
107	3460334	1	Tube	
108	3520071	2	Plug	
109	4420066	AR	Tape, Double Sided	

# SECTION 5 - PLATFORM

FIGURE 5-18. SOFT TOUCH INSTALLATION (WITHOUT FALL ARREST)



ART\_1001202744\_C

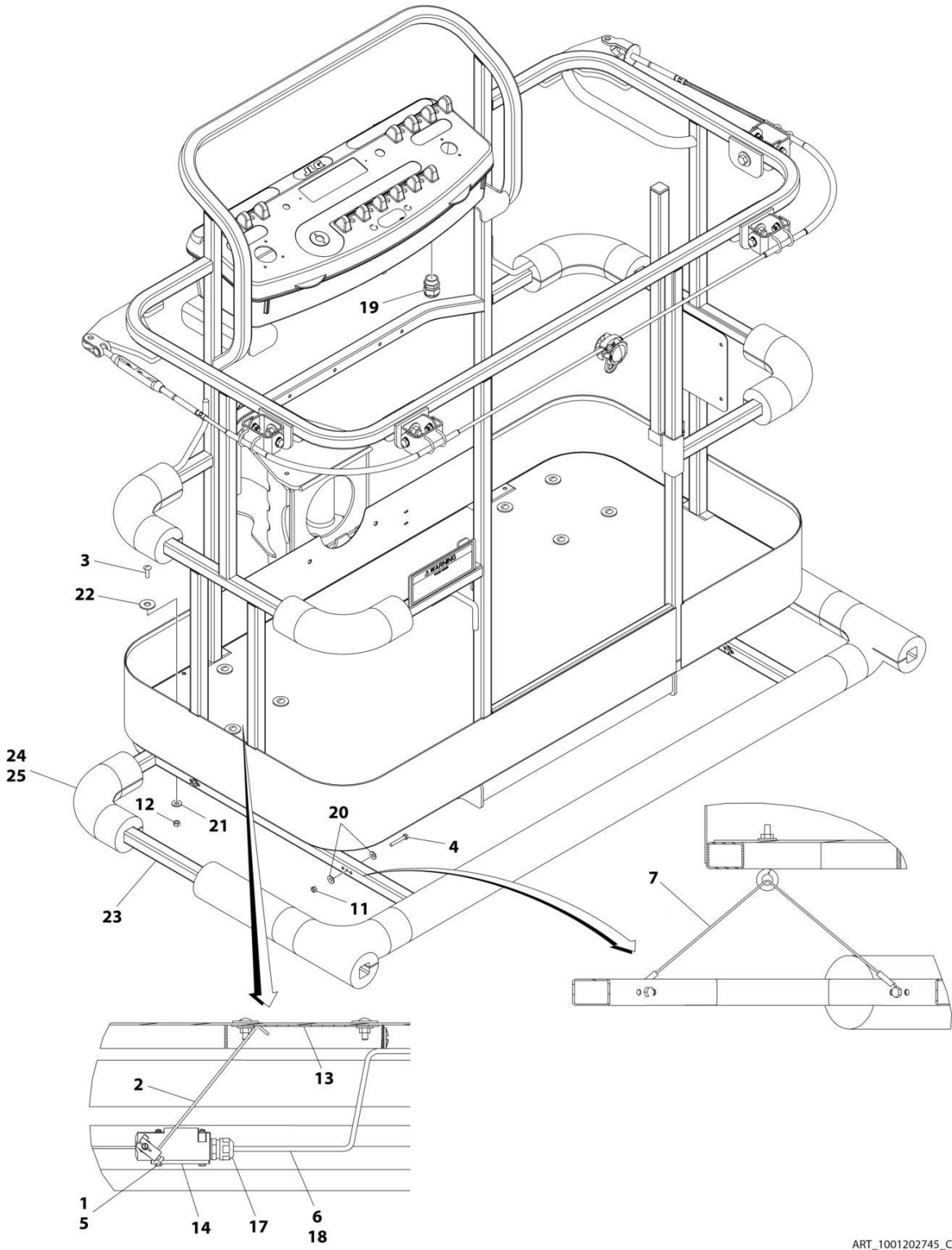
## SECTION 5 - PLATFORM

**FIGURE 5-18. SOFT TOUCH INSTALLATION (WITHOUT FALL ARREST)**

ITEM	PART NUMBER	QTY	DESCRIPTION	REV
	1001202744	Ref	SOFT TOUCH INSTALLATION - 6FT/1.8M PLATFORM	C
1	0100011	AR	Compound, Locking	
2	0200048	2	Arm, Switch	
3	0630462	8	Bolt, Carriage	
4	0641414	8	Bolt 1/4 x 1-3/4	
5	0721005	4	Bolt #10 x 5/8	
6	0940167	1	Bumper Kits (Includes Corners and Enough Straight Material for One Platform)	
7	1060341	15 ft /4.57m	Cable, Electrical - 16/2	
8	1060903	4	Wire Rope and Eyebolt Assembly	
12	3311401	8	Nut 1/4	
13	3311501	8	Nut 5/16	
14	3575705	2	Plate, Switch Strike	
15	4240099	AR	Tie-Strap	
16	4360057	2	Switch, Limit	
19	4460049	2	Connector, Strain Relief	
20	4460226	4	Socket, Female	
21	4460234	2	Tie-Strap Mount	
22	4460425	1	Connector, Strain Relief (Not Shown - Located on bottom of console box)	
23	4751400	16	Washer 1/4	
24	4751500	8	Washer 5/16	
25	4751800	8	Washer 1/2	
26	4846370	1	Rail, Soft Touch	
27	1001197017	AR	Tie-Strap	

# SECTION 5 - PLATFORM

## FIGURE 5-19. SOFT TOUCH INSTALLATION (WITH FALL ARREST)



ART\_1001202745\_C



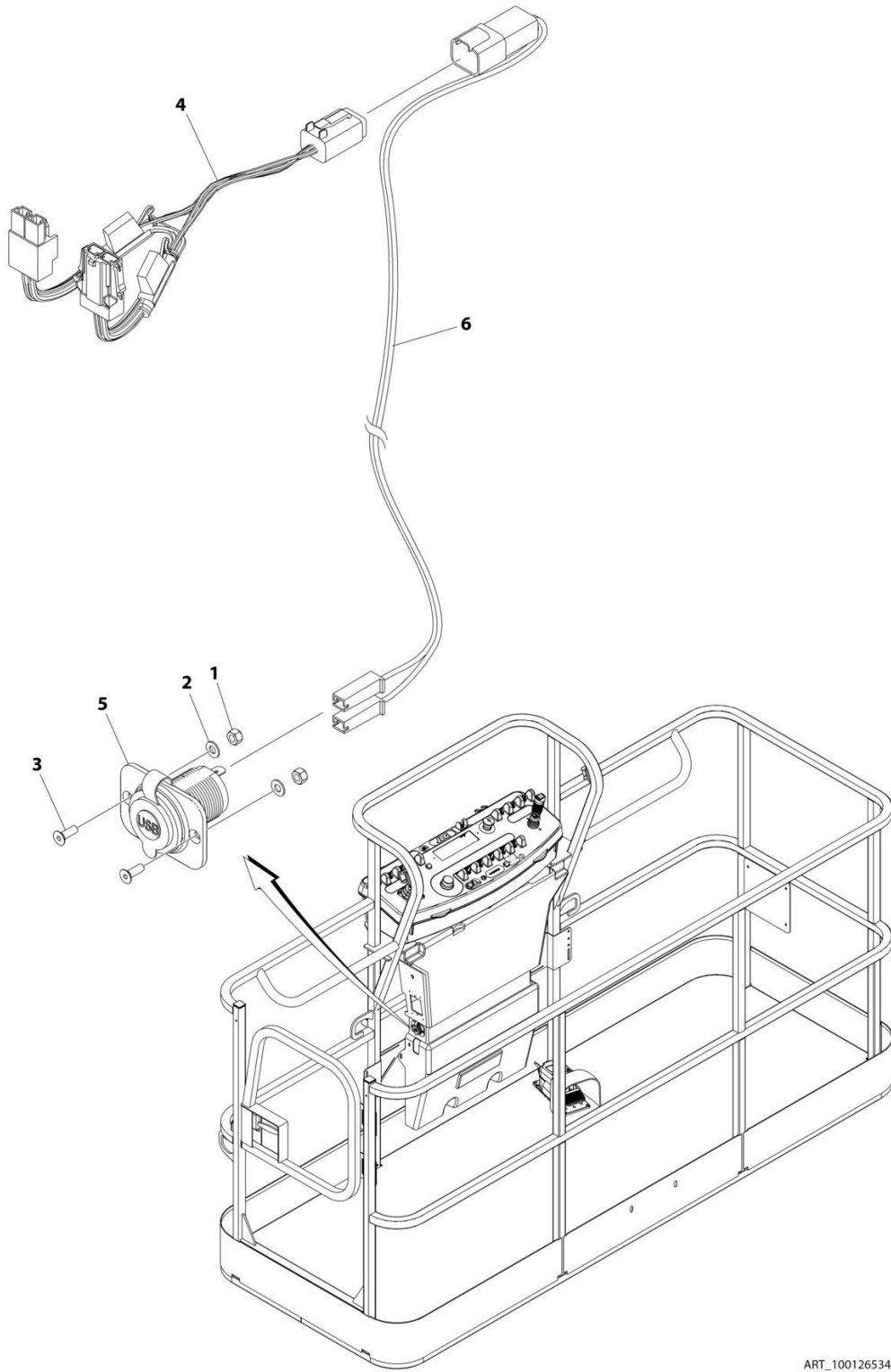
## SECTION 5 - PLATFORM

**FIGURE 5-19. SOFT TOUCH INSTALLATION (WITH FALL ARREST)**

ITEM	PART NUMBER	QTY	DESCRIPTION	REV
	1001202745	Ref	SOFT TOUCH INSTALLATION - 5FT/1.52M PLATFORM WITH FALL ARREST	C
1	0100011	AR	Compound, Locking	
2	0200048	2	Arm, Switch	
3	0630462	8	Bolt, Carriage	
4	0641414	8	Bolt 1/4 x 1-3/4	
5	0721005	4	Bolt #10 x 5/8	
6	1060341	15 ft /4.57m	Cable, Electrical - 16/2	
7	1060903	4	Wire Rope and Eyebolt Assembly	
11	3311405	8	Nut 1/4	
12	3311501	8	Nut 5/16	
13	3575705	2	Plate, Switch Strike	
14	4360057	2	Switch, Limit	
17	4460049	2	Connector, Strain Relief	
18	4460226	4	Socket, Female	
19	4460425	1	Connector, Strain Relief	
20	4751400	16	Washer 1/4	
21	4751500	8	Washer 5/16	
22	4751800	8	Washer 1/2	
23	1001115641	1	Rail, Soft Touch	
24	1001115848	1	Bumper Kits (Includes Corners and Enough Straight Material for One Platform)	
25	1001197017	AR	Tie-Strap	

# SECTION 5 - PLATFORM

## FIGURE 5-20. USB CHARGER INSTALLATION



ART\_1001265342

## SECTION 5 - PLATFORM

**FIGURE 5-20. USB CHARGER INSTALLATION**

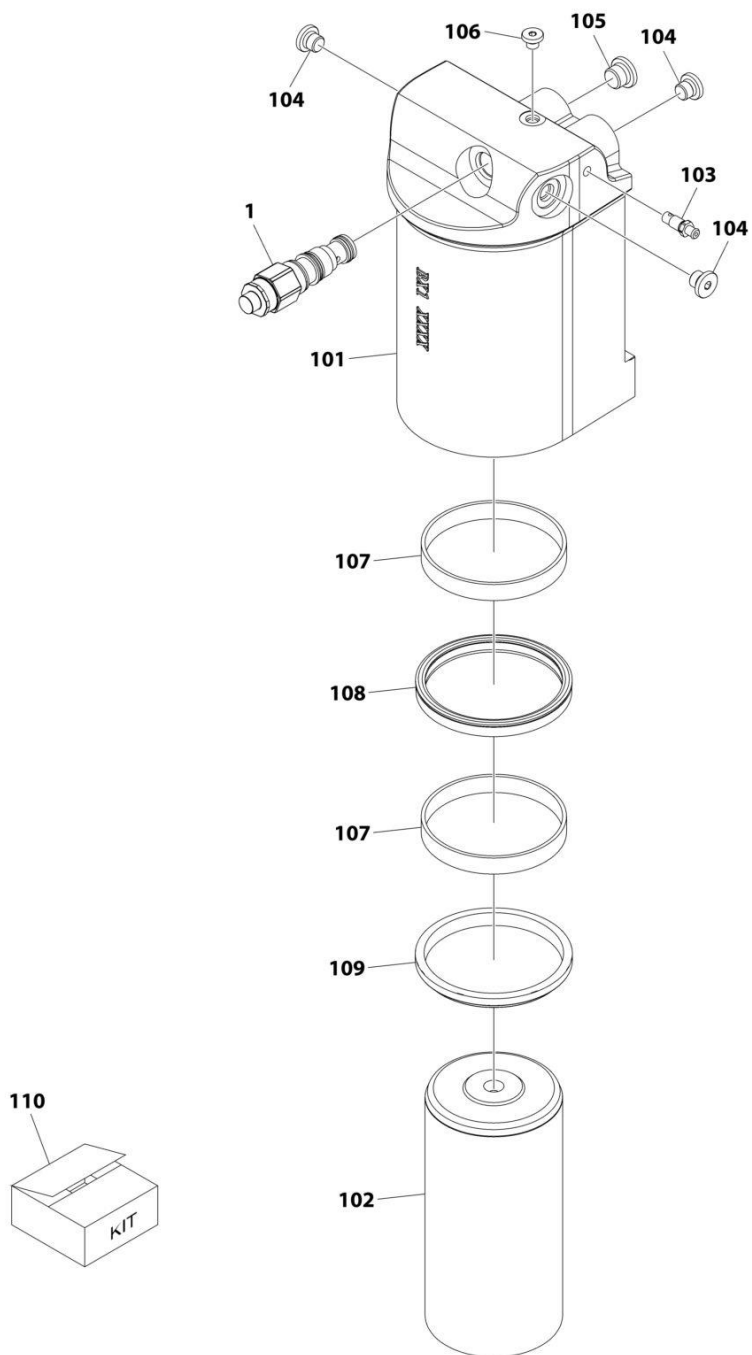
ITEM	PART NUMBER	QTY	DESCRIPTION	REV
	1001265342	Ref	USB CHARGER INSTALLATION	A
1	3290405	2	Nut M4	
2	4811400	2	Washer M4	
3	1001097244	2	Screw M4 x 12	
4	1001120484	1	Harness, Work Lights	
4	4460879	1	Plug, Male - 2 Position	
4	4460887	2	Terminal	
4	2400060	2	Fuseholder Includes Cover	
4	8229249	2	Fuse, 3 Amp	
4	4460884	1	Connector - 4 Position	
4	4460465	4	Socket, Female	
4	1001120471	1	Connector - 2 Position	
4	1001120477	2	Terminal	
5	1001210636	1	Receptacle, USB	
6	1001265163	1	Harness, USB	A
6	4460260	2	Cover, Terminal	
6	4460259	2	Terminal	
6	4460932	1	Receptacle, Bussbar - 4 Position	
6	4460464	2	Pin, Male	
6	4460466	2	Plug, Terminal	



**SECTION 6 - CYLINDER**

# SECTION 6 - CYLINDER

## FIGURE 6-1. AXLE LOCKOUT CYLINDER ASSEMBLY



ART\_1001256179

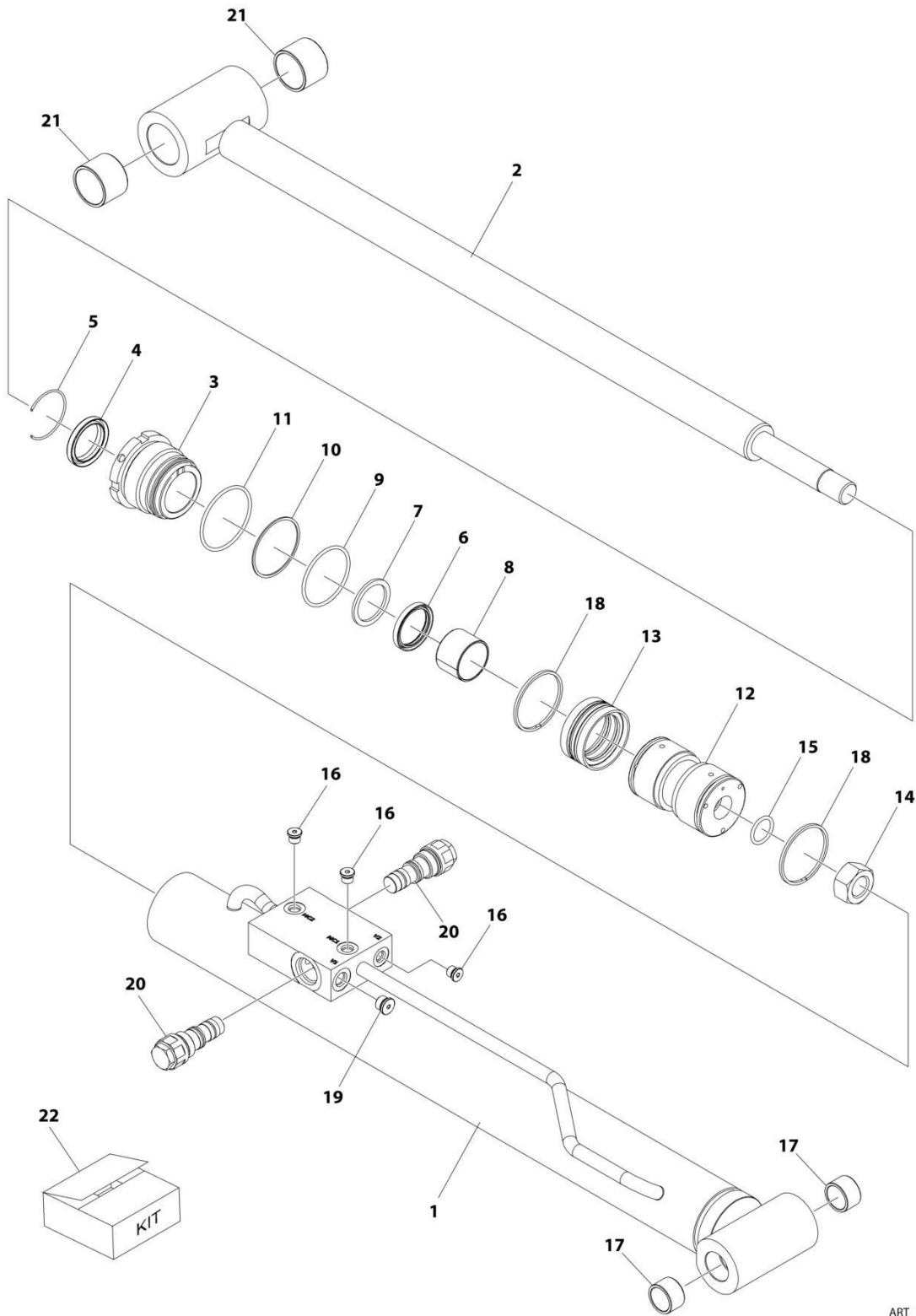
## SECTION 6 - CYLINDER

**FIGURE 6-1. AXLE LOCKOUT CYLINDER ASSEMBLY**

ITEM	PART NUMBER	QTY	DESCRIPTION	REV
	1001256179	Ref	MASTER CYLINDER ASSEMBLY	A
		Ref	Note: Original Cylinder May Have Been Replaced with Service Replacement. Identify PN Stamped on Cylinder Before Ordering Parts.	
1	1001117372	1	Cartridge, Valve	
1	70002842	1	Seal Kit - 1001117372	
101	See Note	NSS	Tube (Note: Not Available for Purchase)	
102	70008244	1	Rod	
103	70008246	1	Plug, Bleeder	
104	2220883	3	Plug 7/16	
105	2220885	1	Plug 9/16	
106	2220881	1	Plug 5/16	
107	See Note	NSS	Ring, Wear (Note: Use Item 110)	
108	See Note	NSS	Seal, Rod (Note: Use Item 110)	
109	See Note	NSS	Wiper, Rod (Note: Use Item 110)	
110	70008247	1	Seal Kit (Includes Items 107-109)	

# SECTION 6 - CYLINDER

## FIGURE 6-2. JIB CYLINDER ASSEMBLY



ART\_1001255969



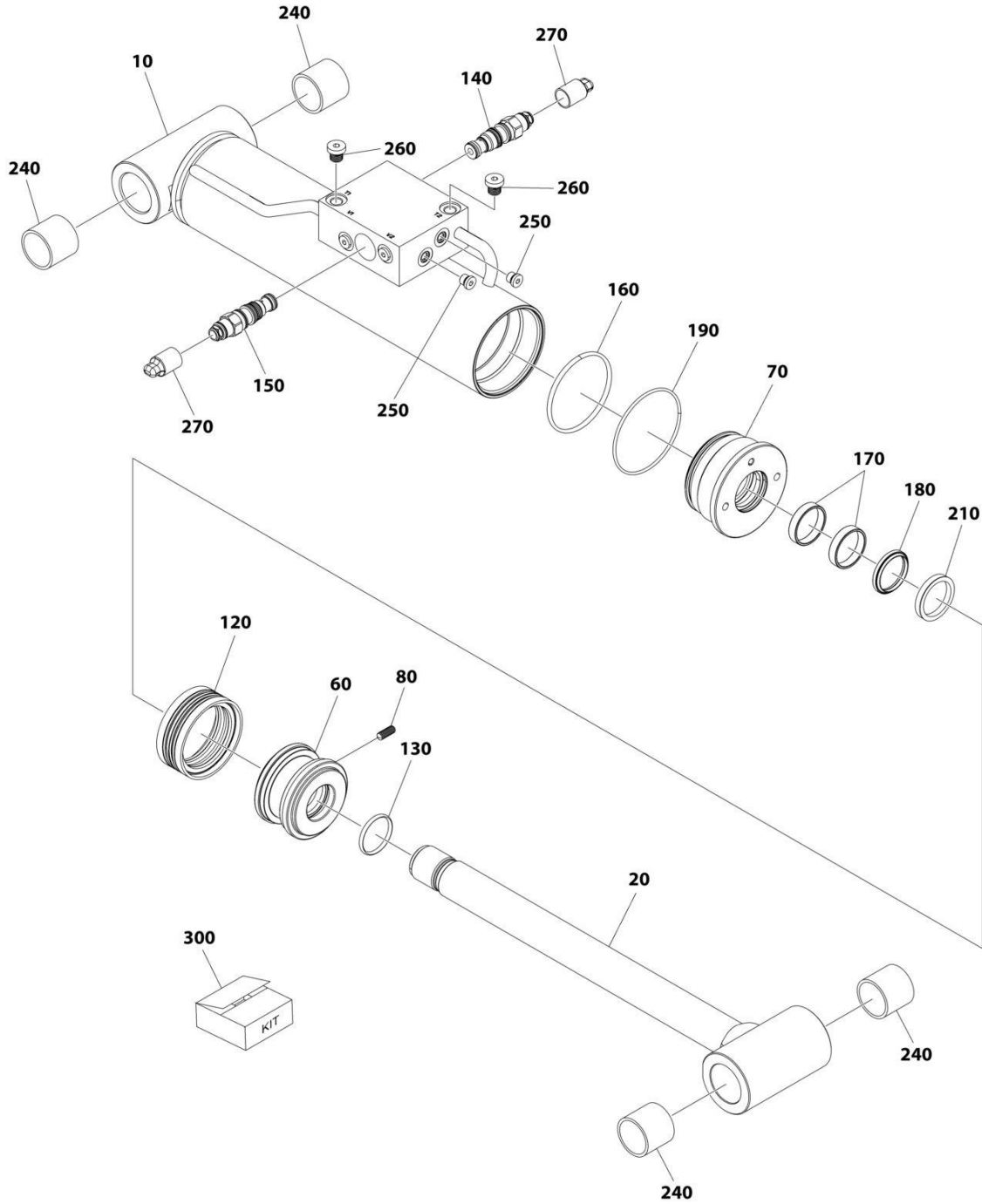
## SECTION 6 - CYLINDER

### FIGURE 6-2. JIB CYLINDER ASSEMBLY

ITEM	PART NUMBER	QTY	DESCRIPTION	REV
	1001255969	Ref	LIFT CYLINDER ASSEMBLY - JIB	B
		Ref	Note: Original Cylinder May Have Been Replaced with Service Replacement. Identify PN Stamped on Cylinder Before Ordering Parts.	
1	NSS	1	Barrel	
2	70007738	1	Rod	
3	70007739	1	Head	
4	See Note	1	Wiper (Note: Use Item 220)	
5	70002373	1	Ring, Retaining	
6	See Note	1	Seal, Rod (Note: Use Item 220)	
7	See Note	1	Ring, Back-up (Note: Use Item 220)	
8	70005143	1	Bearing, Dry	
9	See Note	1	O-Ring (Note: Use Item 220)	
10	See Note	1	Ring, Back-up (Note: Use Item 220)	
11	See Note	1	O-Ring (Note: Use Item 220)	
12	70007740	1	Piston	
13	See Note	1	Seal, Piston (Note: Use Item 220)	
14	70002335	1	Nut	
15	See Note	1	O-Ring (Note: Use Item 220)	
16	2220883	3	Plug	
17	0962292	2	Bearing	
18	70007741	2	Ring, Piston	
19	2220885	1	Plug	
20	4640509	2	Cartridge, Valve	
20	2900792	2	Seal Kit - 4640509 Valve	
21	0961948	2	Bearing	
22	70007742	1	Seal Kit (Includes Items 4,6,7,9-11,13 & 15)	

# SECTION 6 - CYLINDER

## FIGURE 6-3. LEVEL CYLINDER ASSEMBLY



ART\_1001255971

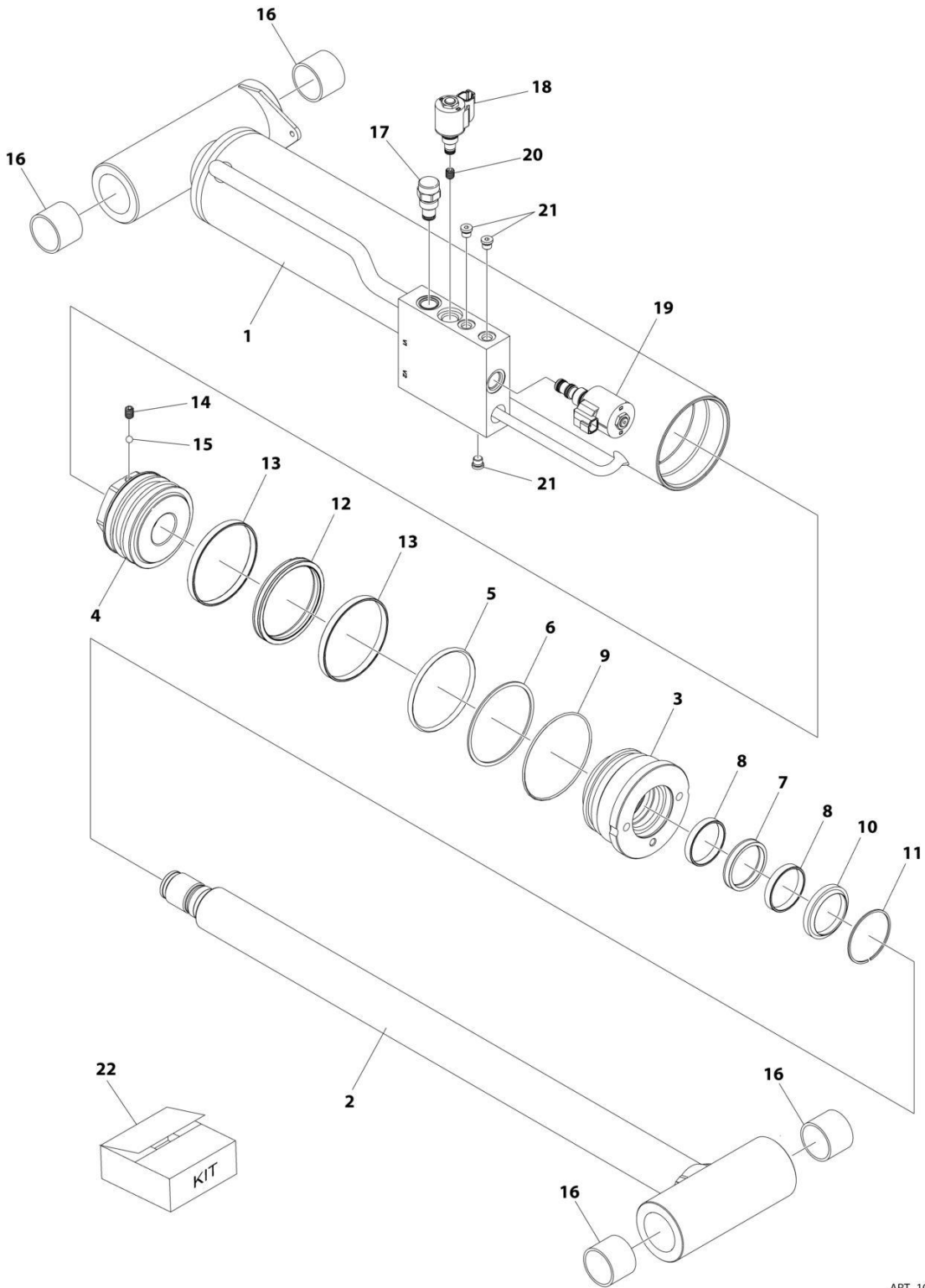
## SECTION 6 - CYLINDER

**FIGURE 6-3. LEVEL CYLINDER ASSEMBLY**

ITEM	PART NUMBER	QTY	DESCRIPTION	REV
	1001255971	Ref	CYLINDER ASSEMBLY	B
		Ref	Note: Original Cylinder May Have Been Replaced with Service Replacement. Identify PN Stamped on Cylinder Before Ordering Parts.	
10	See Note	NSS	Barrel	
20	70007728	1	Rod	
60	70007720	1	Piston Head	
70	70007721	1	Screwed Gland	
80	70007722	1	Screw M8	
120	See Note	NSS	Piston Seal (Note: Use Item 300)	
130	See Note	NSS	O-Ring (Note: Use Item 300)	
140	1001168209	1	Counterbalance, Valve	
140	2900770	1	Seal Kit - 1001168209 Valve	
150	1001168210	1	Counterbalance, Valve	
150	2900770	1	Seal Kit - 1001168210 Valve	
160	See Note	NSS	O-Ring (Note: Use Item 300)	
170	See Note	NSS	Ring (Note: Use Item 300)	
180	See Note	NSS	Seal (Note: Use Item 300)	
190	See Note	NSS	O-Ring (Note: Use Item 300)	
210	See Note	NSS	Wiper (Note: Use Item 300)	
240	70007723	4	Bushing	
250	70025619	2	Plug	
260	70024262	2	Plug	
300	70007729	1	Seal Kit - 1001255971 Cylinder (Includes Items 120 ,130 & 160-210)	

# SECTION 6 - CYLINDER

## FIGURE 6-4. LIFT CYLINDER ASSEMBLY



ART\_1001255973

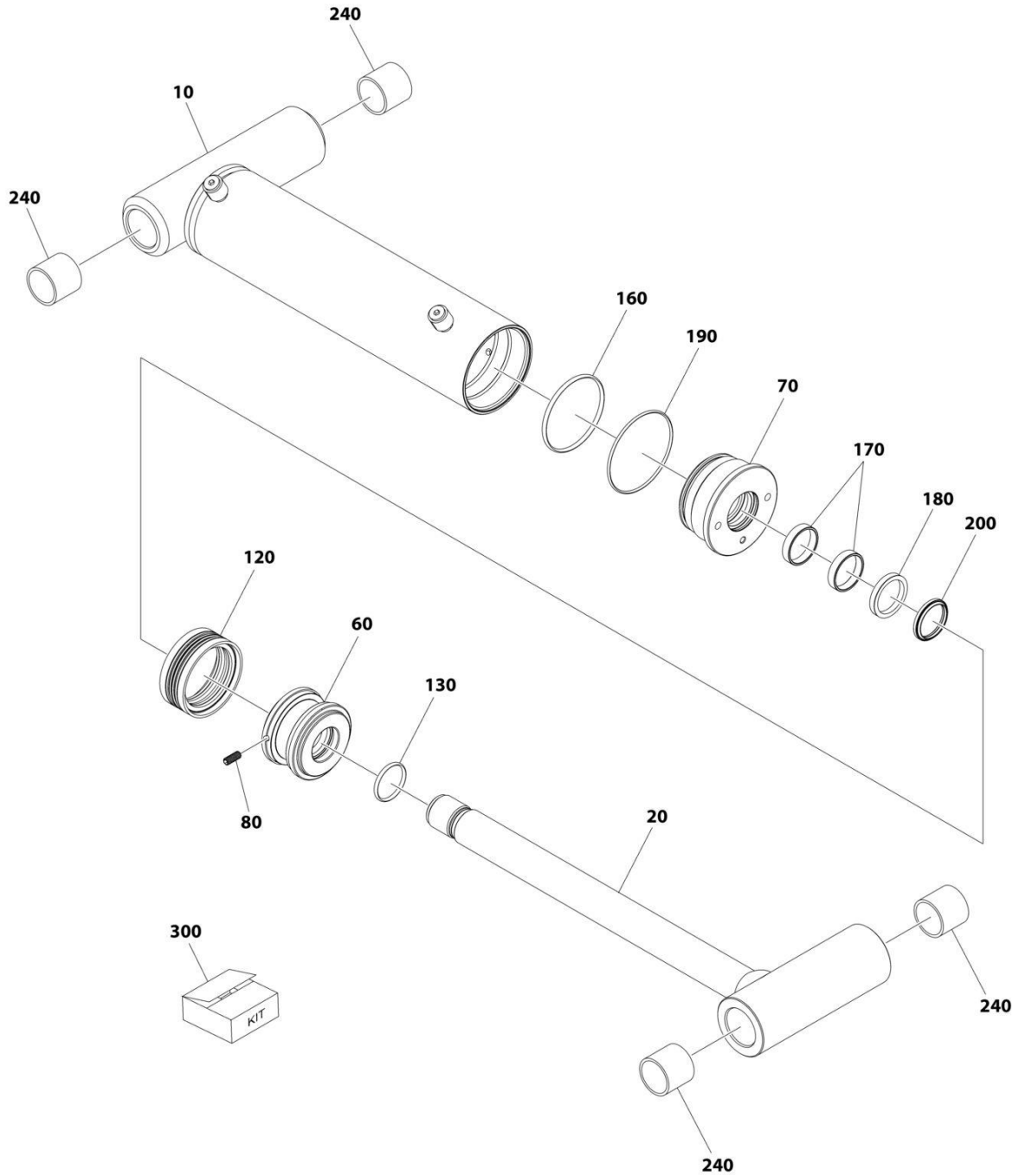
## SECTION 6 - CYLINDER

### FIGURE 6-4. LIFT CYLINDER ASSEMBLY

ITEM	PART NUMBER	QTY	DESCRIPTION	REV
	1001255973	Ref	LIFT CYLINDER ASSEMBLY - UPPER LIFT	B
		Ref	Note: Original Cylinder May Have Been Replaced with Service Replacement. Identify PN Stamped on Cylinder Before Ordering Parts.	
1	NSS	1	Barrel	
2	70007731	1	Rod	
3	70007732	1	Head	
4	70007733	1	Piston	
5	See Note	1	O-Ring (Note: Use Item 22)	
6	See Note	1	Ring, Back-up (Note: Use Item 22)	
7	See Note	1	Seal, Rod (Note: Use Item 22)	
8	See Note	2	Ring, Bearing (Note: Use Item 22)	
9	See Note	1	O-Ring (Note: Use Item 22)	
10	See Note	1	Wiper (Note: Use Item 22)	
11	70025627	1	Ring, Snap	
12	See Note	1	Seal, Piston (Note: Use Item 22)	
13	See Note	2	Ring, Bearing (Note: Use Item 22)	
14	70007734	1	Setscrew	
15	70025614	1	Ball	
16	70007735	4	Bushing	
17	4641390	1	Cartridge, Check Valve	
17	7017496	1	Seal Kit - 4641390 Valve	
18	1001164709	1	Cartridge, Solenoid Valve (Includes Coil)	
18	70002386	1	Coil	
18	7017467	1	Cartridge, Solenoid Valve Less Coil	
18	7012967	1	Seal Kit - 1001164709 & 7017467 Valves	
19	1001206625	1	Cartridge, Solenoid Valve (Includes Coil)	
19	70003788	1	Coil	
19	70006104	1	Cartridge, Solenoid Valve Less Coil	
19	70006105	1	Seal Kit - 1001206625 & 70006104 Valves	
19	7022390	1	Nut, Coil	
20	70007736	1	Plug, Orifice	
21	70025619	3	Plug	
22	70007737	1	Seal Kit (Includes Items 5-10, 12 & 13)	

# SECTION 6 - CYLINDER

## FIGURE 6-5. MASTER CYLINDER ASSEMBLY



ART\_1001255970

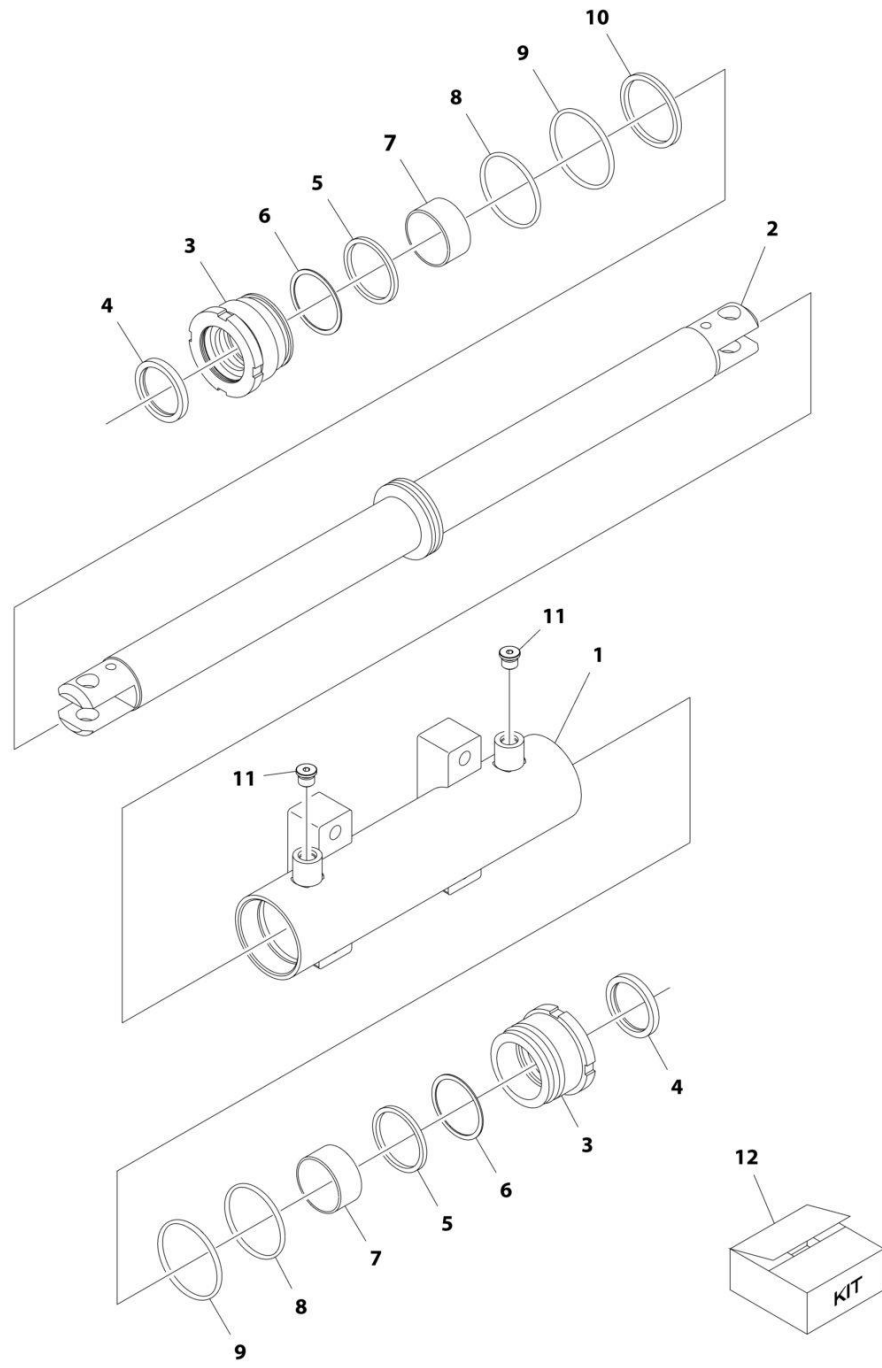
## SECTION 6 - CYLINDER

**FIGURE 6-5. MASTER CYLINDER ASSEMBLY**

ITEM	PART NUMBER	QTY	DESCRIPTION	REV
	1001255970	Ref	CYLINDER ASSEMBLY	B
		Ref	Note: Original Cylinder May Have Been Replaced with Service Replacement. Identify PN Stamped on Cylinder Before Ordering Parts.	
10	See Note	NSS	Barrel	
20	70007719	1	Rod	
60	70007720	1	Piston Head	
70	70007721	1	Screwed Gland	
80	70007722	1	Screw M8	
120	See Note	NSS	Piston Seal (Note: Use Item 300)	
130	See Note	NSS	O-Ring (Note: Use Item 300)	
160	See Note	NSS	O-Ring (Note: Use Item 300)	
170	See Note	NSS	Ring (Note: Use Item 300)	
180	See Note	NSS	Seal (Note: Use Item 300)	
190	See Note	NSS	O-Ring (Note: Use Item 300)	
200	See Note	NSS	Wiper (Note: Use Item 300)	
240	70007723	4	Bushing	
300	70007724	1	Seal Kit - 1001255971 Cylinder (Includes Items 120 ,130 & 160-200)	

# SECTION 6 - CYLINDER

## FIGURE 6-6. STEER CYLINDER ASSEMBLY



ART\_1001163178



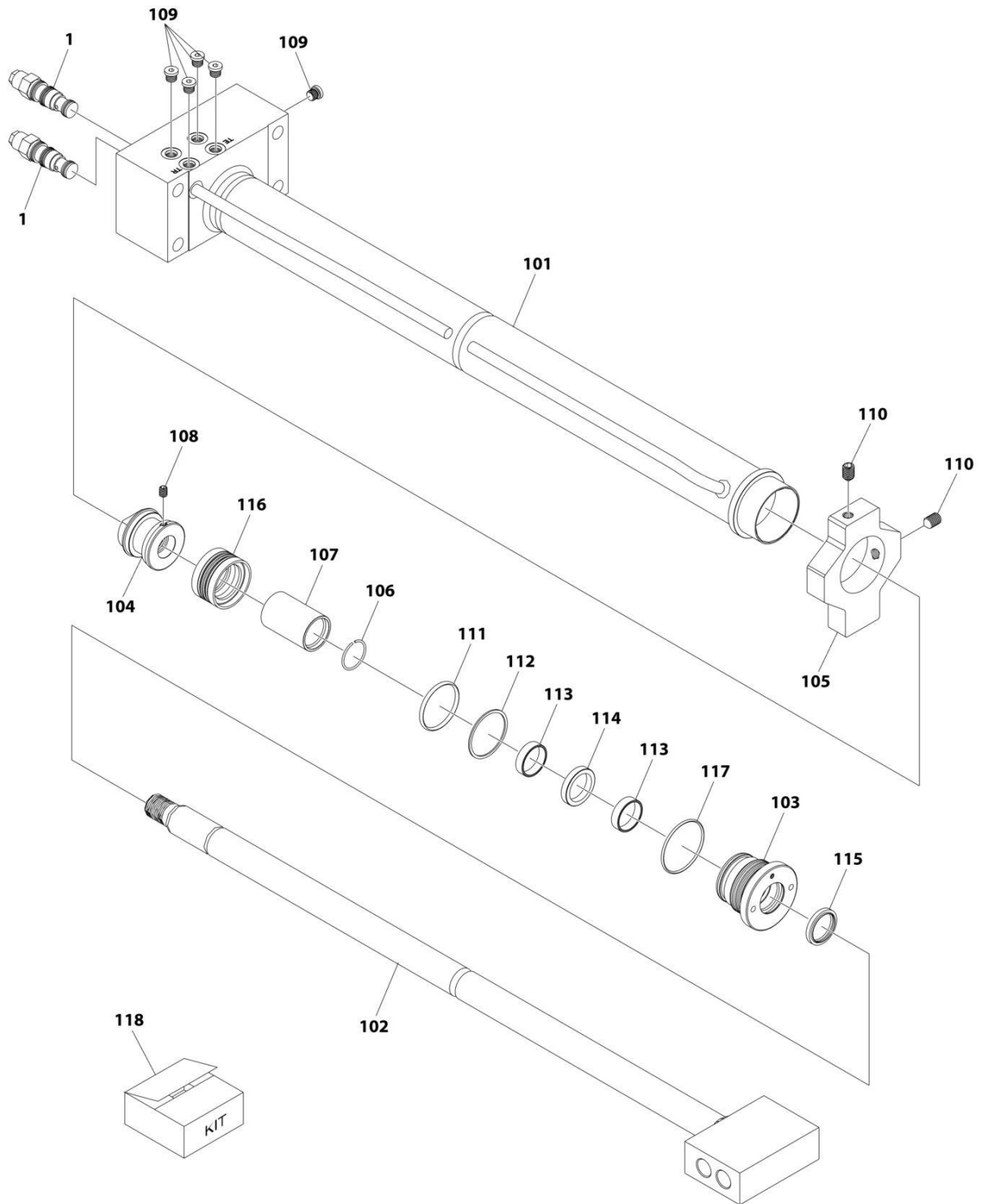
## SECTION 6 - CYLINDER

**FIGURE 6-6. STEER CYLINDER ASSEMBLY**

ITEM	PART NUMBER	QTY	DESCRIPTION	REV
	1001163178	Ref	STEER CYLINDER ASSEMBLY	E
		Ref	Note: Original Cylinder May Have Been Replaced with Service Replacement. Identify PN Stamped on Cylinder Before Ordering Parts.	
1	70005150	1	Barrel	
2	70005151	1	Rod	
3	70005152	2	Head	
4	See Note	NSS	Wiper (Note: Use Item 12)	
5	See Note	NSS	Seal, Rod (Note: Use Item 12)	
6	See Note	NSS	Ring, Back-up (Note: Use Item 12)	
7	70005153	2	Bearing, Dry	
8	See Note	NSS	O-Ring (Note: Use Item 12)	
9	See Note	NSS	O-Ring (Note: Use Item 12)	
10	See Note	NSS	Seal, Piston (Note: Use Item 12)	
11	See Note	2	Plug 9/16 (Note: Not Available for Purchase)	
12	70005154	1	Seal Kit - 1001163178 Cylinder (Includes Items 4-6 & 8-10)	

# SECTION 6 - CYLINDER

## FIGURE 6-7. TELESCOPE CYLINDER ASSEMBLY



ART\_1001266711

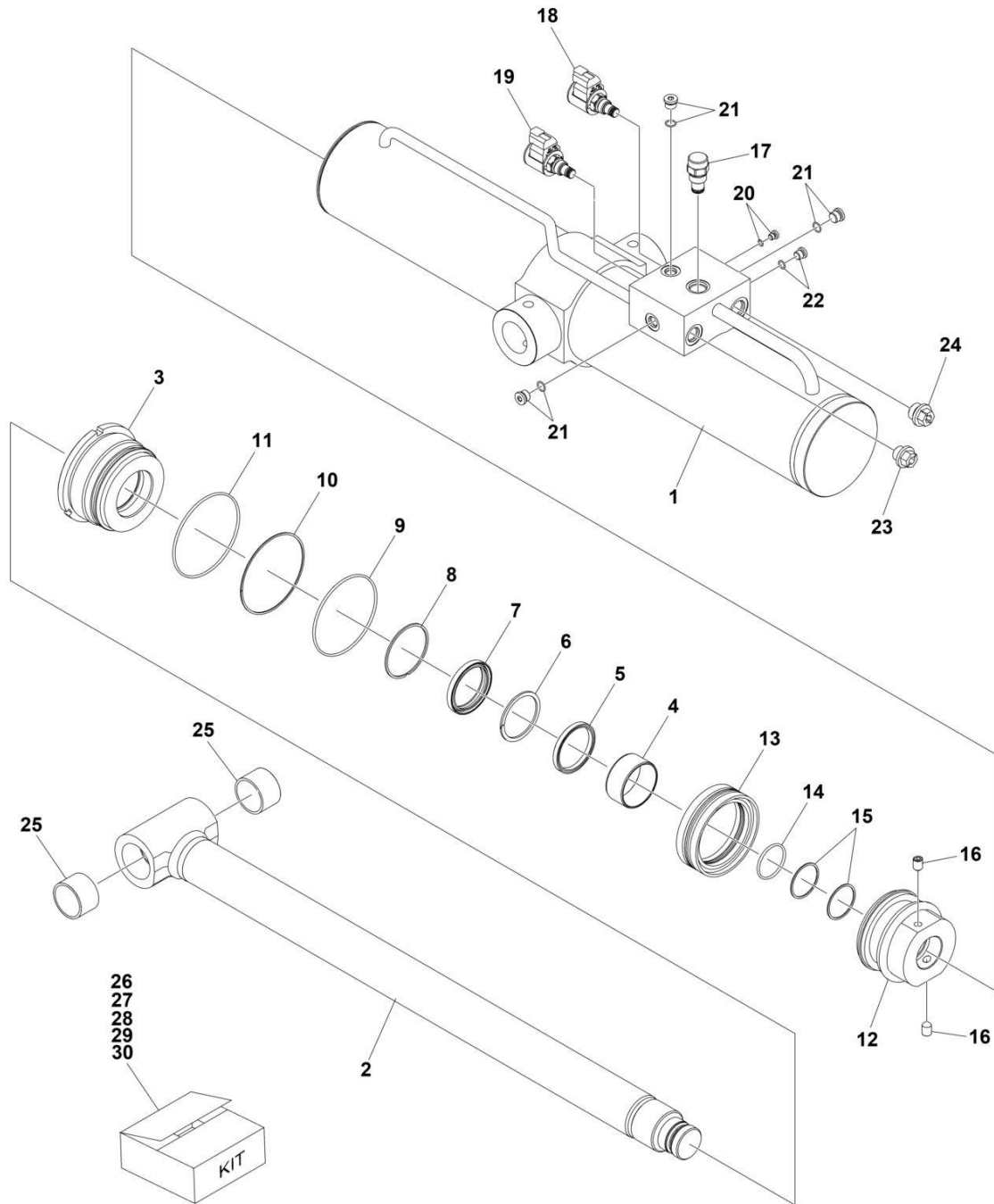
## SECTION 6 - CYLINDER

### FIGURE 6-7. TELESCOPE CYLINDER ASSEMBLY

ITEM	PART NUMBER	QTY	DESCRIPTION	REV
	1001266711	Ref	TELESCOPE CYLINDER ASSEMBLY	B
		Ref	Note: Original Cylinder May Have Been Replaced with Service Replacement. Identify PN Stamped on Cylinder Before Ordering Parts.	
1	4640771	2	Valve, Motor Control	
1	2900770	2	Seal Kit - 4640771 Valve	
101	See Note	NSS	Barrel (Note: Not Available for Purchase)	
102	See Note	NSS	Rod (Note: Not Available for Purchase)	
103	70008135	1	Head	
104	70008136	1	Piston	
105	70008137	1	Mount	
106	70008138	1	Ring, Wire	
107	70008139	1	Spacer	
108	70027088	1	Setscrew	
109	70025619	5	Plug	
110	70008140	2	Setscrew	
111	See Note	NSS	O-Ring (Note: Use Item 118)	
112	See Note	NSS	Ring, Backup (Note: Use Item 118)	
113	See Note	NSS	Ring (Note: Use Item 118)	
114	See Note	NSS	Seal, Head (Note: Use Item 118)	
115	See Note	NSS	Seal, Wiper (Note: Use Item 118)	
116	See Note	NSS	Seal (Note: Use Item 118)	
117	See Note	NSS	O-Ring (Note: Use Item 118)	
118	70008141	1	Seal Kit (Includes Items 111-117)	

# SECTION 6 - CYLINDER

## FIGURE 6-8. TOWER LIFT CYLINDER ASSEMBLY



ART\_1001255968

## SECTION 6 - CYLINDER

### FIGURE 6-8. TOWER LIFT CYLINDER ASSEMBLY

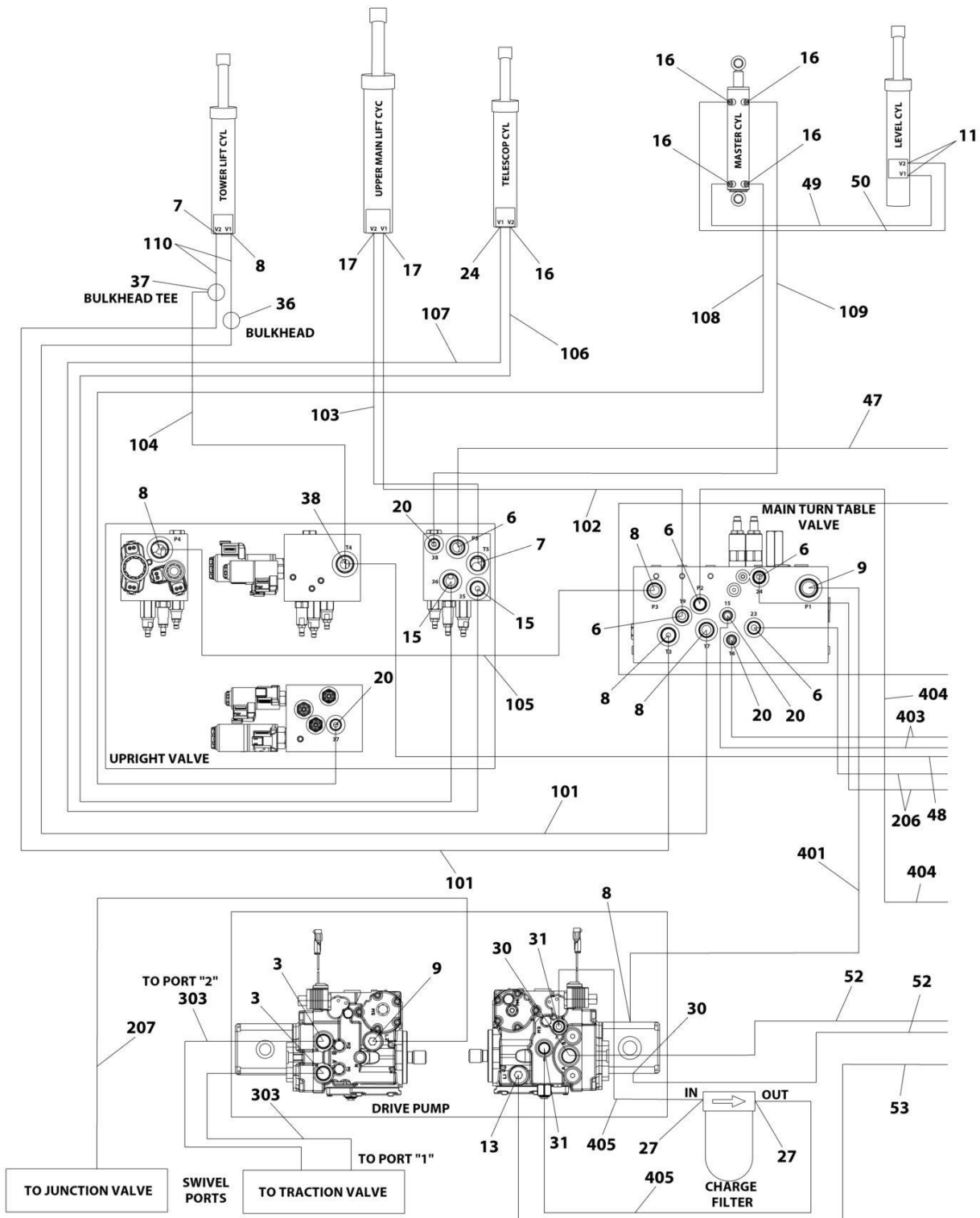
ITEM	PART NUMBER	QTY	DESCRIPTION	REV
	1001255968	Ref	TOWER LIFT CYLINDER	D
1	NSS	1	Barrel	
2	NSS	1	Rod (Note: Use Item 26)	
3	NSS	1	Head (Note: Use Item 27)	
4	NSS	1	Bushing (Note: Use Item 27)	
5	NSS	1	Seal Kit (Note: Use Item 28)	
6	NSS	1	Ring (Note: Use Item 28)	
7	NSS	1	Wiper (Note: Use Item 28)	
8	NSS	1	Ring, Retaining (Note: Use Item 28)	
9	NSS	1	O-Ring (Note: Use Item 28)	
10	NSS	1	Ring, Back-up (Note: Use Item 28)	
11	NSS	1	O-Ring (Note: Use Item 28)	
12	NSS	1	Piston (Note: Use Item 28)	
13	NSS	1	Seal (Note: Use Item 28)	
14	NSS	1	O-Ring (Note: Use Item 28)	
15	NSS	1	Ring, Back-up (Note: Use Item 28)	
16	NSS	1	Setscrew (Note: Use Item 28)	
17	4641390	1	Cartridge, Check Valve	
17	7017496	1	Seal Kit - 4641390 Valve	
18	1001164709	1	Cartridge, Solenoid Valve (Including Coil)	
18	7017467	1	Cartridge, Solenoid Valve (Less Coil)	
18	7012998	1	Seal Kit - 1001164709 & 7017467 Valves	
18	70002386	1	Coil	
19	1001166208	1	Cartridge, Solenoid Valve (Including Coil)	
19	7024884	1	Cartridge, Solenoid Valve (Less Coil)	
19	7012967	1	Seal Kit - 1001166208& 7024884 Valves	
20	NSS	1	Plug + O-Ring (Note: Use Item 30)	
21	NSS	1	Plug + O-Ring (Note: Use Item 30)	
22	NSS	1	Plug + O-Ring (Note: Use Item 30)	
23	NSS	1	Dust Cap	
24	NSS	1	Dust Cap	
25	NSS	1	Bushing (Note: Use Item 26)	
26	70007743	1	Rod Kit (Includes Items 2 & 25)	
27	70007744	1	Head Kit (Includes Items 3 & 4)	
28	70007745	1	Seal Kit (Includes Items 5-11 & 13-15)	
29	70007746	1	Piston Kit (Includes Items 12 & 16)	
30	70007747	1	Plug Kit (Includes Items 20 - 22)	



**SECTION 7 - HYDRAULIC**

# SECTION 7 - HYDRAULIC

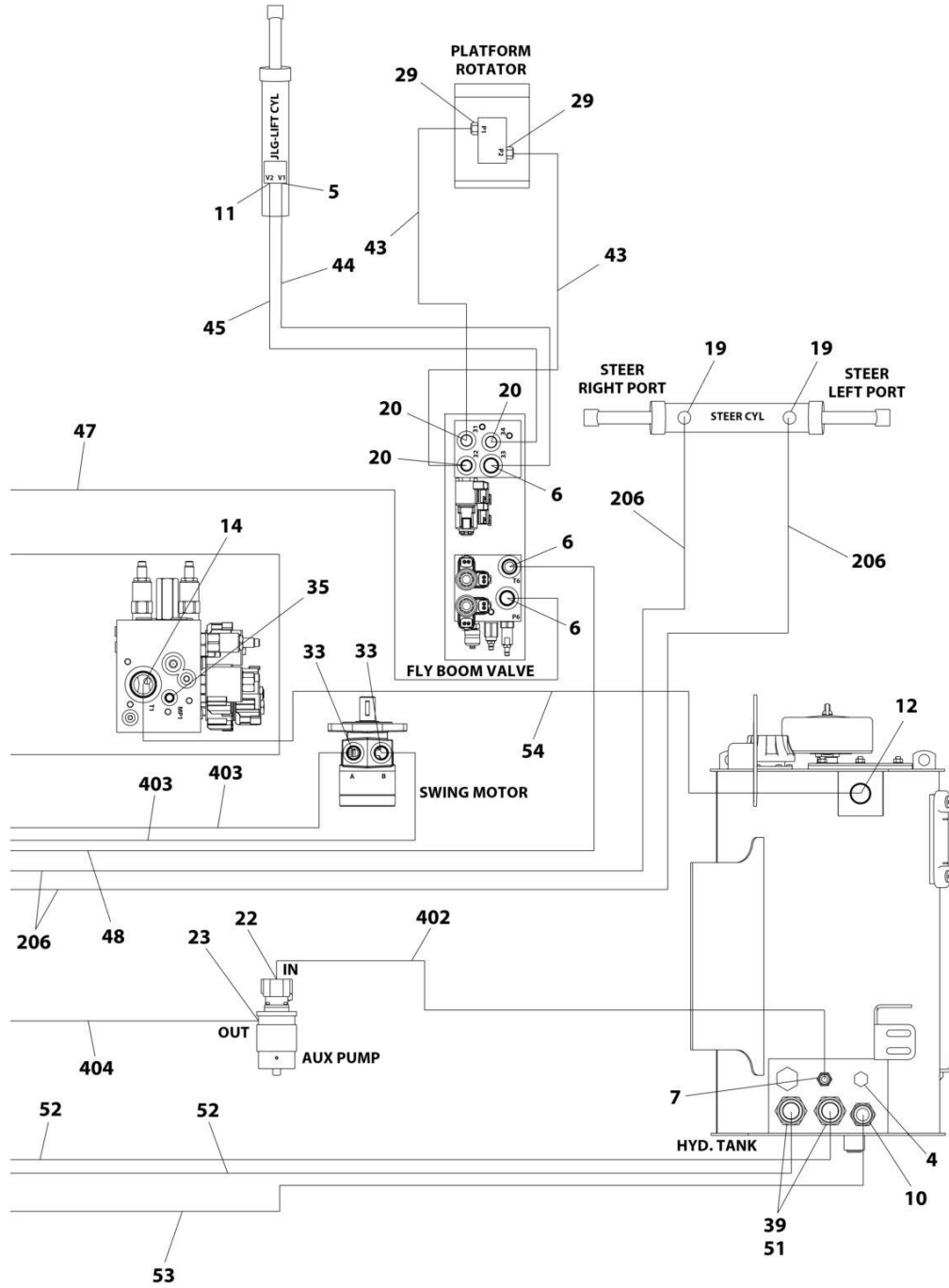
## FIGURE 7-1. HYDRAULIC SYSTEM INSTALLATION



ART\_1001255412\_10F4

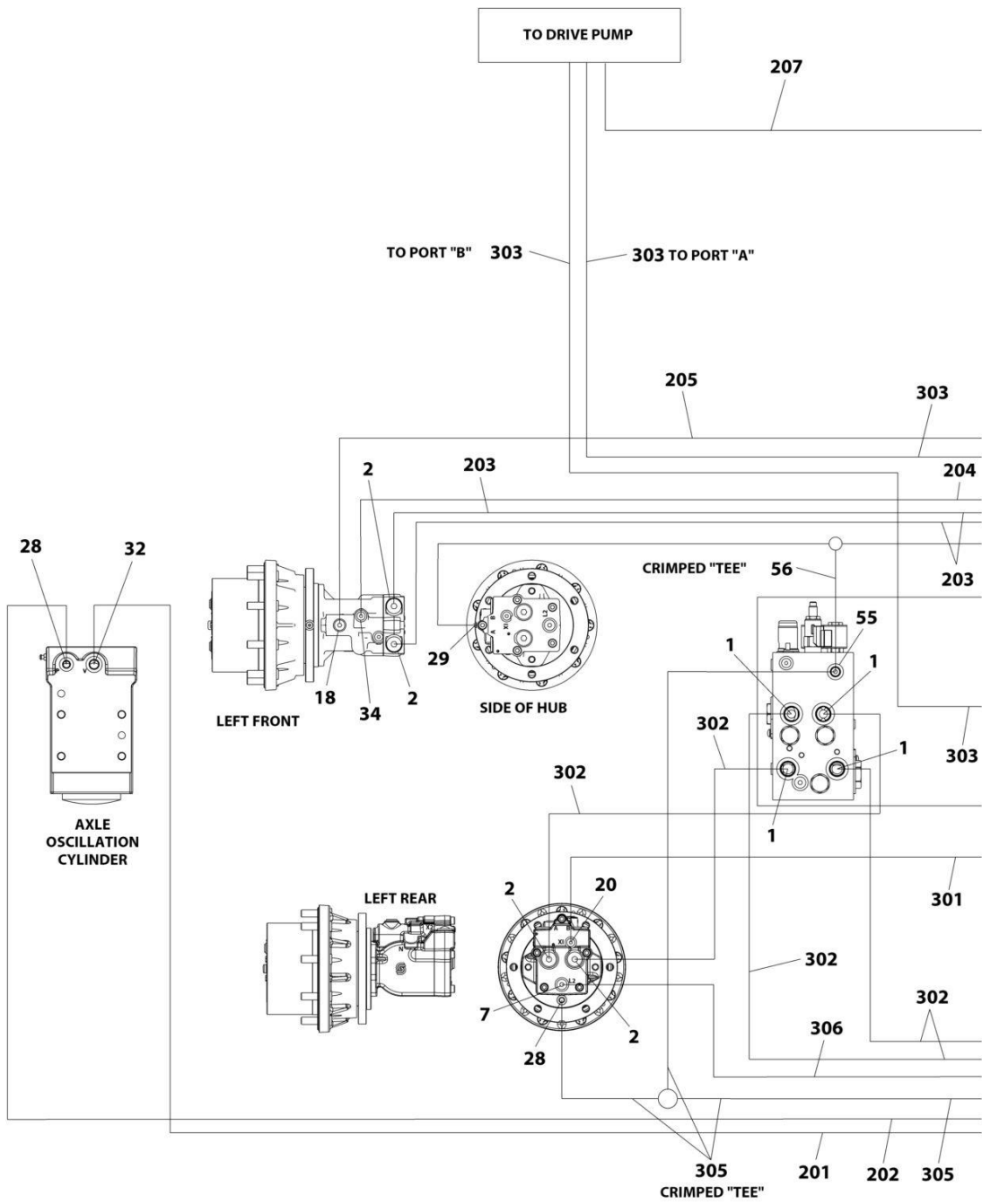


# SECTION 7 - HYDRAULIC



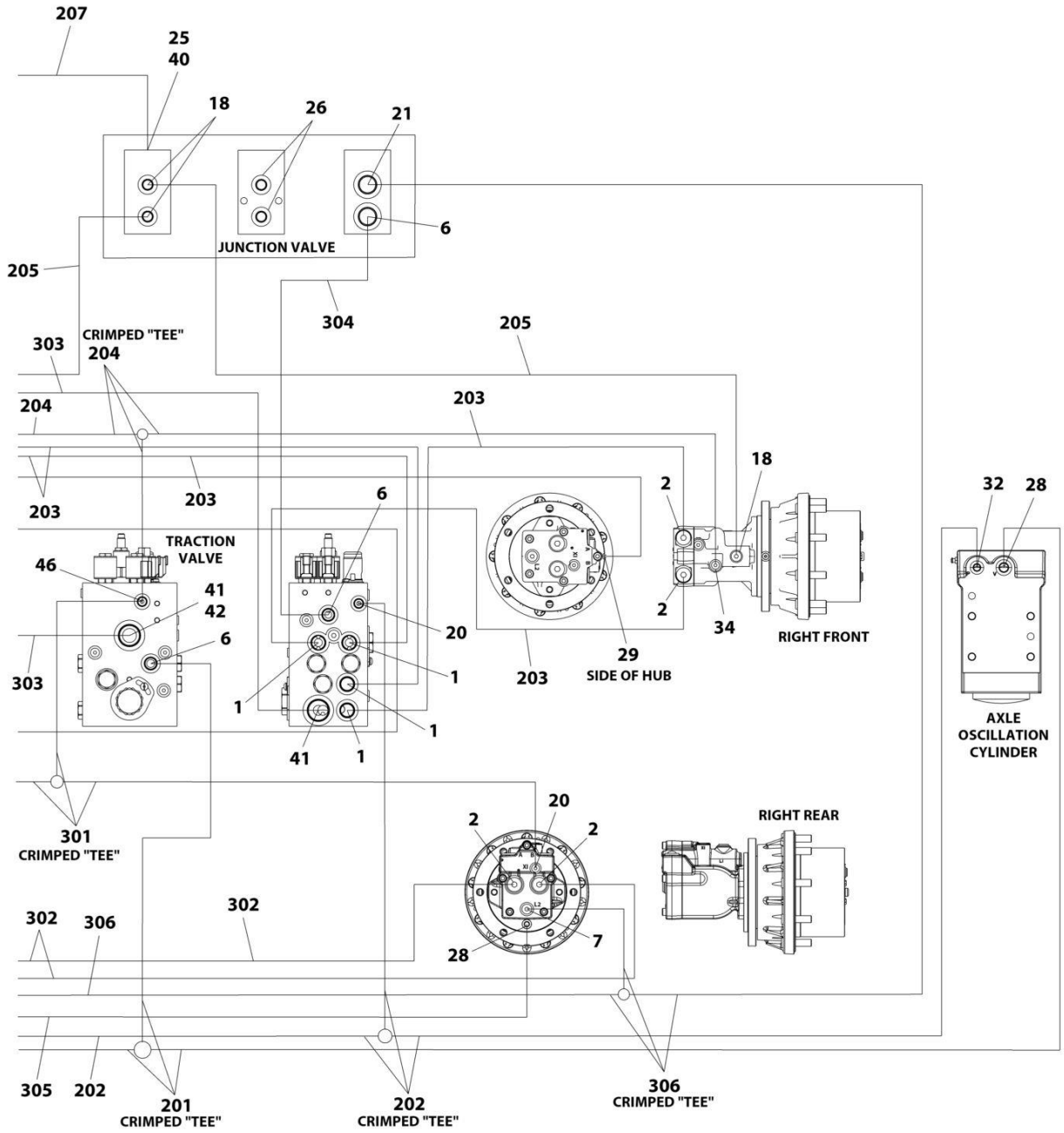
ART\_1001255412\_2OF4

# SECTION 7 - HYDRAULIC



ART\_1001255412\_30F4

# SECTION 7 - HYDRAULIC



ART\_1001255412\_4OF4

# SECTION 7 - HYDRAULIC

## FIGURE 7-1. HYDRAULIC SYSTEM INSTALLATION

ITEM	PART NUMBER	QTY	DESCRIPTION	REV
	1001255412	Ref	HYDRAULIC SYSTEM INSTALLATION	C
1	2110810	8	Fitting, Straight ORFS/ORB	
2	2110812	8	Fitting, Straight ORFS/ORB	
3	2151212	2	Fitting, 45 ORFS/ORB	
4	2220238	1	Plug	
5	2220371	1	Fitting, Straight JIC/ORB	
6	2220372	11	Fitting, Straight JIC/ORB	
7	2220373	5	Fitting, Straight JIC/ORB	
8	2220374	6	Fitting, Straight JIC/ORB	
9	2220375	2	Fitting, Straight JIC/ORB	
10	2220377	1	Fitting, Straight JIC/ORB	
11	2220415	3	Fitting, Straight JIC/ORB	
12	2220435	1	Fitting, Straight JIC/ORB	
13	2220451	1	Fitting, Straight JIC/ORB	
14	2220465	1	Fitting, 90 JIC/ORB	
15	2220468	2	Fitting, Straight JIC/ORB	
16	2220472	5	Fitting, 90 JIC/ORB	
17	2220497	2	Fitting, Straight JIC/ORB	
18	2220500	4	Fitting, 45 JIC/ORB	
19	2220501	2	Fitting, 45 JIC/ORB	
20	2220582	10	Fitting, Straight JIC/ORB	
21	2220596	1	Fitting, 90 JIC/ORB	
22	2220600	1	Fitting, Straight JIC/ORB	
23	2220603	1	Fitting, Straight JIC/ORB	
24	2220628	1	Fitting, 90 JIC/ORB	
25	2220811	1	Fitting, Straight FORB/ORB	
26	2220883	2	Plug #4	
27	2220906	2	Fitting, 90 JIC/ORB	
28	2220923	4	Fitting, Straight JIC/ORB	
29	2220940	4	Fitting, Elbow	
30	2220946	2	Fitting, Straight JIC/ORB	
31	2220947	2	Fitting, Straight JIC/ORB	
32	2220998	2	Fitting, Straight JIC/ORB	
33	2221033	2	Fitting, Straight JIC/ORB	
34	2221040	2	Fitting, 45 JIC/ORB	
35	2221086	1	Fitting, Diagnostic	
36	2230025	1	Fitting, Straight JIC/JIC	
37	8760477	1	Fitting, Tee JIC/JIC/JIC	
38	8770289	1	Fitting, Tee JIC/ORB/JIC	
39	80633030	2	Clamp, Hose	
40	1001119627	1	Fitting, Straight JIC/ORB	
41	1001142679	2	Fitting, Straight ORFS/ORB	
42	1001143936	1	Fitting, 90 FORB/ORB	
43	1001173046	2	Hose	
44	1001173048	1	Hose	
45	1001173049	1	Hose	
46	1001175024	1	Fitting, Tee JIC/JIC/ORB	
47	1001176299	1	Hose	
48	1001176300	1	Hose	
49	1001176301	1	Hose	

## SECTION 7 - HYDRAULIC

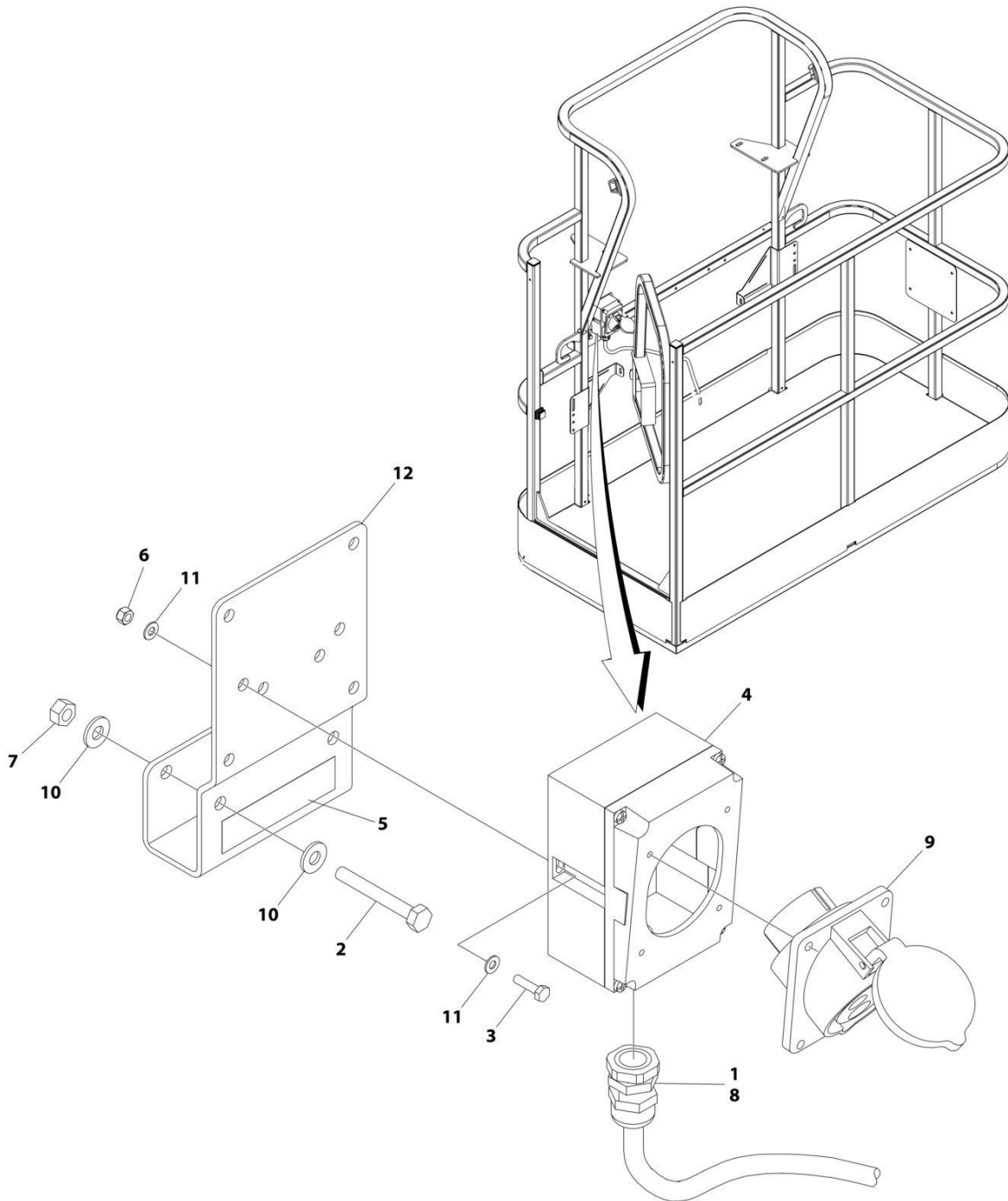
ITEM	PART NUMBER	QTY	DESCRIPTION	REV
50	1001176302	1	Hose	
51	1001202910	2	Fitting, Straight MORB	
52	1001207335	2	Hose	
53	1001207336	1	Hose	
54	1001210356	1	Tube	
55	1001210823	1	Fitting	
56	1001255930	1	Hose	
100	1001194424	1	Hose Kit - Lower (Not Shown)	
101	1001173006	2	Hose	
102	1001173034	1	Hose	
103	1001173035	1	Hose	
104	1001173036	1	Hose	
105	1001173037	1	Hose	
106	1001173038	1	Hose	
107	1001173039	1	Hose	
108	1001173042	1	Hose	
109	1001173043	1	Hose	
110	1001180035	2	Hose	
200	1001194427	1	Hose Kit - Front (Not Shown)	
201	1001173053	1	Hose	
202	1001173054	1	Hose	
203	1001173055	4	Hose	
204	1001173056	1	Hose	
206	1001173057	2	Hose	
206	1001173058	2	Hose	
207	1001173066	1	Hose	
300	1001267278	1	Hose Kit - Rear (Not Shown)	
301	1001173052	1	Hose	
302	1001173059	4	Hose	
303	1001173062	2	Hose	
304	1001197039	1	Hose	
305	1001267275	1	Hose	
306	1001267277	1	Hose	
400	1001252926	1	Hose Kit - Turntable (Not Shown)	
401	2752504	1	Hose	
402	2752519	1	Hose	
403	1001173027	2	Hose	
404	1001173028	1	Hose	
405	1001173029	2	Hose	



**SECTION 8 - ELECTRICAL**

# SECTION 8 - ELECTRICAL

FIGURE 8-1. AC BOX AT PLATFORM INSTALLATION - 110V IEC YELLOW (CE, CIS/EAC & UK CA SPECS WITH 4000W/50HZ GENERATOR)



ART\_1001194203



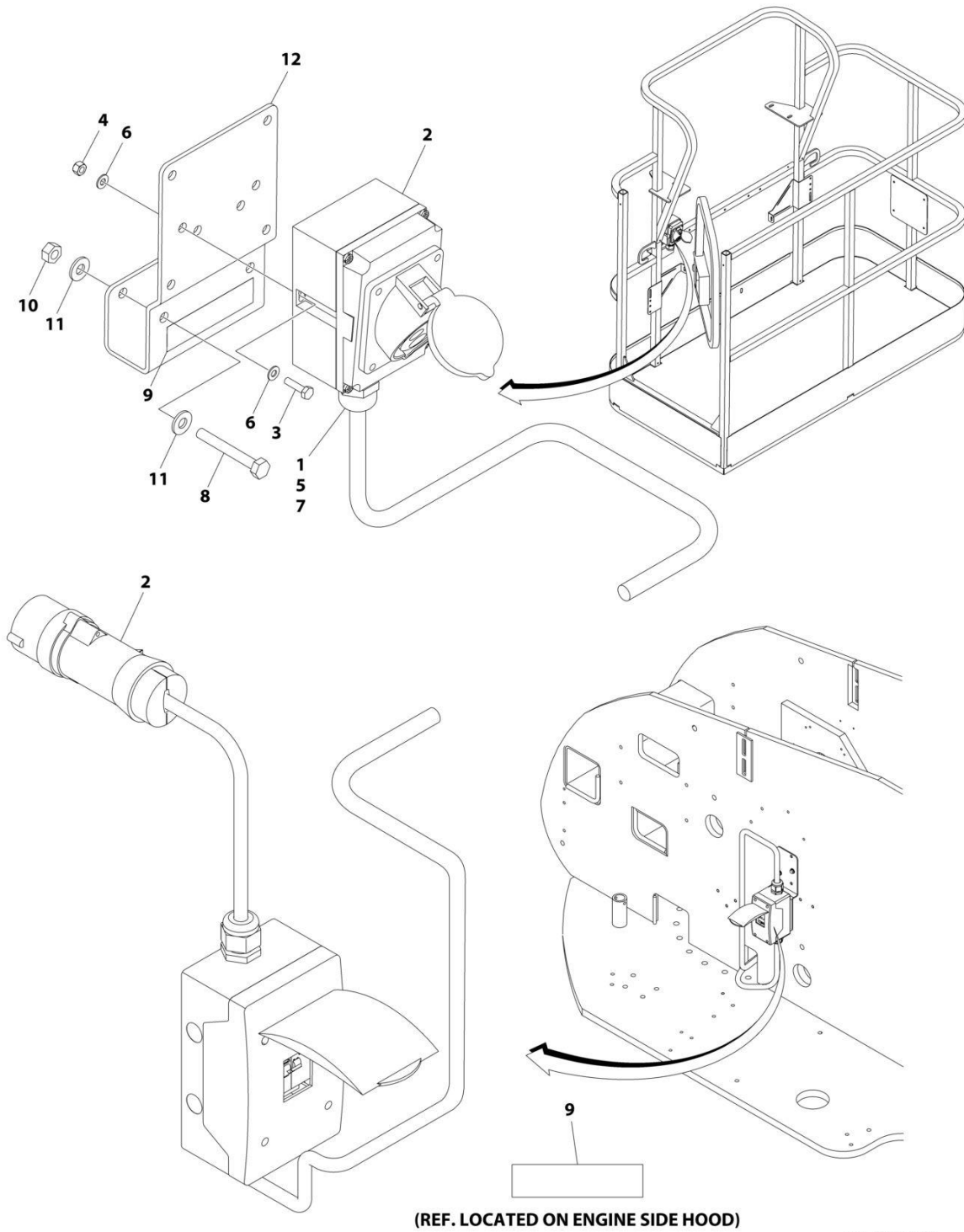
## SECTION 8 - ELECTRICAL

**FIGURE 8-1. AC BOX AT PLATFORM INSTALLATION - 110V IEC YELLOW (CE, CIS/EAC & UK CA SPECS WITH 4000W/50HZ GENERATOR)**

ITEM	PART NUMBER	QTY	DESCRIPTION	REV
	1001194203	Ref	AC BOX AT PLATFORM INSTALLATION	B
1	0100020	AR	Sealant, Pipe	
2	0641416	2	Bolt 1/4 x 2	
3	0700408	2	Bolt M4 x 16	
4	0861781	1	Box, Switch	
5	1705325	1	Decal - 110V	
6	3290405	2	Nut M4	
7	3311405	2	Nut 1/4	
8	4460968	1	Connector, Strain Relief	
9	4461198	1	Receptacle	
10	4711400	4	Washer 1/4	
11	4811400	4	Washer M4	
12	1001193018	1	Bracket, AC Receptacle	

# SECTION 8 - ELECTRICAL

FIGURE 8-2. AC BOX AT PLATFORM INSTALLATION - 110V IEC 60309 YELLOW WITHOUT 2500W GENERATOR (CE, CIS/EAC & UK CA SPECS)



ART\_1001091969

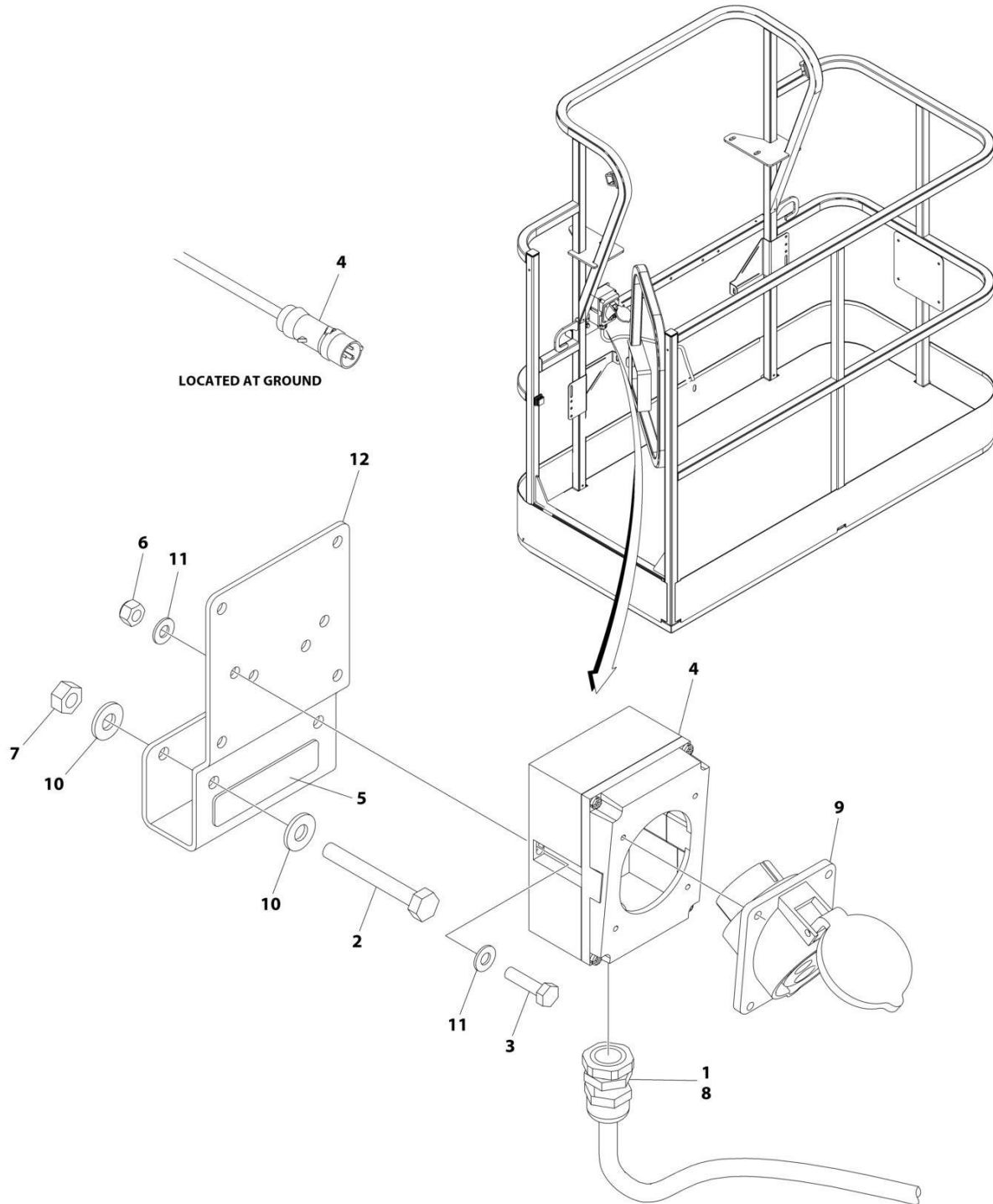
## SECTION 8 - ELECTRICAL

**FIGURE 8-2. AC BOX AT PLATFORM INSTALLATION - 110V IEC 60309 YELLOW WITHOUT 2500W GENERATOR (CE, CIS/EAC & UK CA SPECS)**

ITEM	PART NUMBER	QTY	DESCRIPTION	REV
	1001091969	Ref	AC BOX AT PLATFORM INSTALLATION - 110V IEC YELLOW	D
1	0100020	AR	Sealant, Pipe	
2	0275216	1	Receptacle Box Kit (See Separate Breakdown in this Section)	
3	0700408	2	Bolt M4 x 16	
4	3290405	2	Nut M4	
5	1001101196	1	Adapter	
6	4811400	4	Washer M4	
7	1001101191	1	Connector, Strain Relief	
8	0641416	2	Bolt 1/4 x 2	
9	1705325	2	Decal - 110V	
10	3311405	2	Nut 1/4	
11	4711400	4	Washer 1/4	
12	1001193018	1	Bracket	

# SECTION 8 - ELECTRICAL

FIGURE 8-3. AC BOX AT PLATFORM INSTALLATION - 220V IEC BLUE (CE, CIS/EAC & UK CA SPECS WITH 4000W/50HZ GENERATOR)



ART\_1001194204

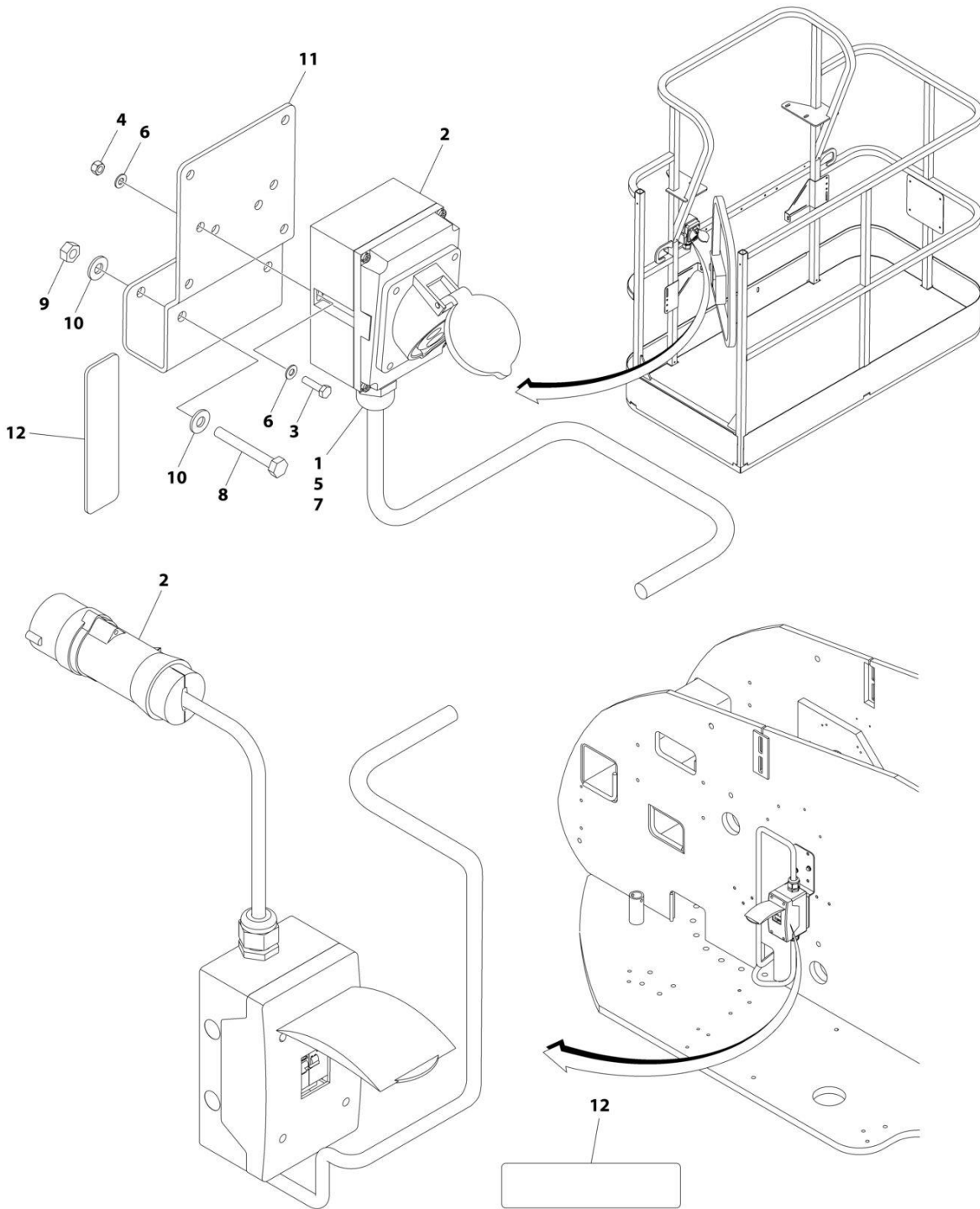
## SECTION 8 - ELECTRICAL

**FIGURE 8-3. AC BOX AT PLATFORM INSTALLATION - 220V IEC BLUE (CE, CIS/EAC & UK CA SPECS WITH 4000W/50HZ GENERATOR)**

ITEM	PART NUMBER	QTY	DESCRIPTION	REV
	1001194204	Ref	AC BOX AT PLATFORM INSTALLATION	B
1	0100020	AR	Sealant, Pipe	
2	0641416	2	Bolt 1/4 x 2	
3	0700408	2	Bolt M4 x 16	
4	0861781	1	Box, Switch	
5	3251242	1	Decal - 240V/50Hz	
6	3290405	2	Nut M4	
7	3311405	2	Nut 1/4	
8	4460968	1	Connector, Strain Relief	
9	4461201	1	Receptacle	
10	4711400	4	Washer 1/4	
11	4811400	4	Washer M4	
12	1001193018	1	Bracket, AC Receptacle	

# SECTION 8 - ELECTRICAL

**FIGURE 8-4. AC BOX AT PLATFORM INSTALLATION - 220V IEC 60309 BLUE WITHOUT 2500W GENERATOR (CE, CIS/EAC & UK CA SPECS)**



ART\_1001091970

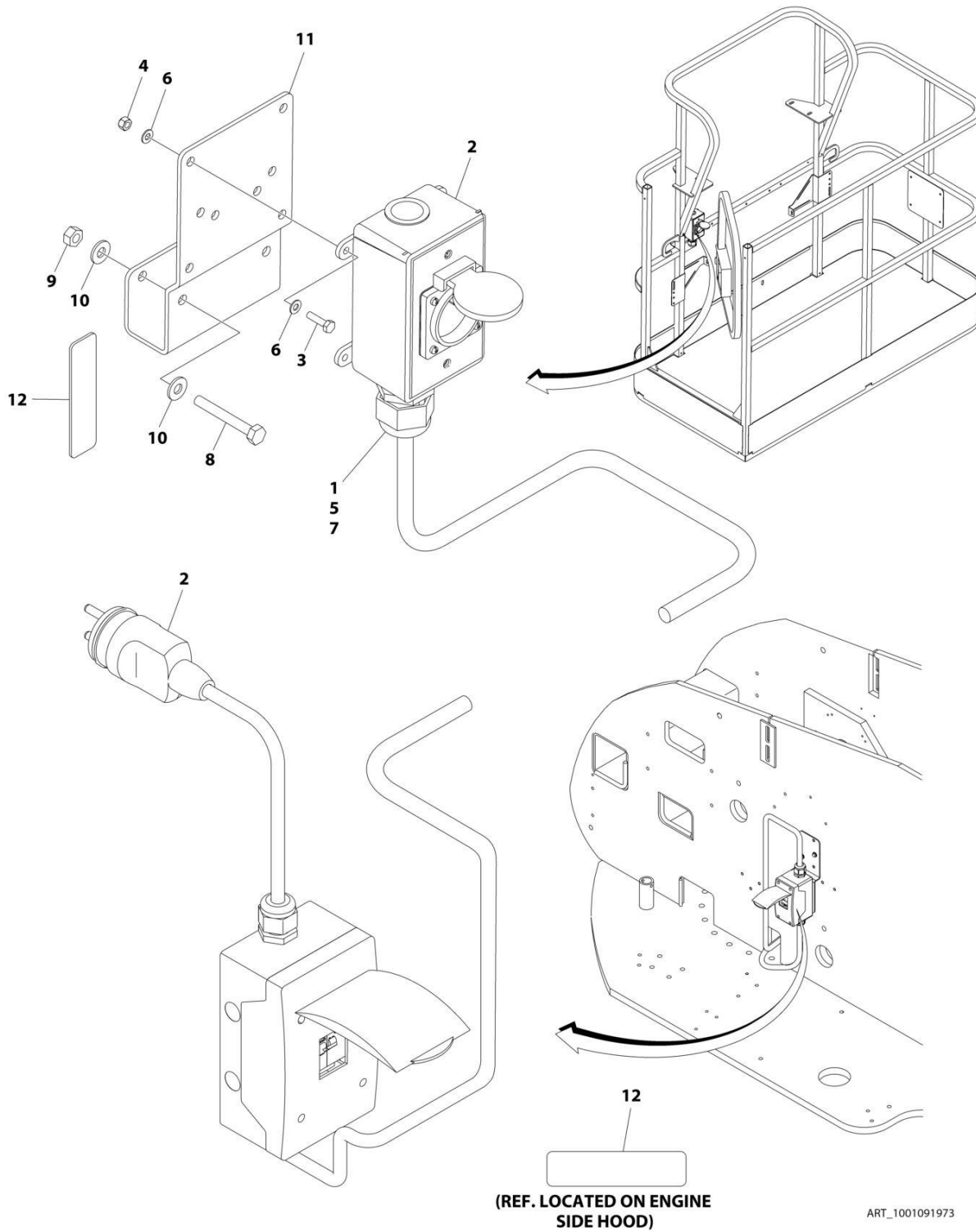
## SECTION 8 - ELECTRICAL

**FIGURE 8-4. AC BOX AT PLATFORM INSTALLATION - 220V IEC 60309 BLUE WITHOUT 2500W GENERATOR (CE, CIS/EAC & UK CA SPECS)**

ITEM	PART NUMBER	QTY	DESCRIPTION	REV
	1001091970	Ref	AC BOX AT PLATFORM INSTALLATION - 220V IEC BLUE	D
1	0100020	AR	Sealant, Pipe	
2	0275217	1	Receptacle Box Kit (See Separate Breakdown in this Section)	
3	0700408	2	Bolt M4 x 16	
4	3290405	2	Nut M4	
5	1001101196	1	Adapter	
6	4811400	4	Washer M4	
7	1001101191	1	Connector, Strain Relief	
8	0641416	2	Bolt 1/4 x 2	
9	3311405	2	Nut 1/4	
10	4711400	4	Washer 1/4	
11	1001193018	1	Bracket	
12	3251242	2	Decal - 240V/50Hz	

# SECTION 8 - ELECTRICAL

**FIGURE 8-5. AC BOX AT PLATFORM INSTALLATION - 220V CEE7 POST GROUND (2X4 BOX)  
WITHOUT 2500W GENERATOR (CE, CIS/EAC & UK CA SPECS)**





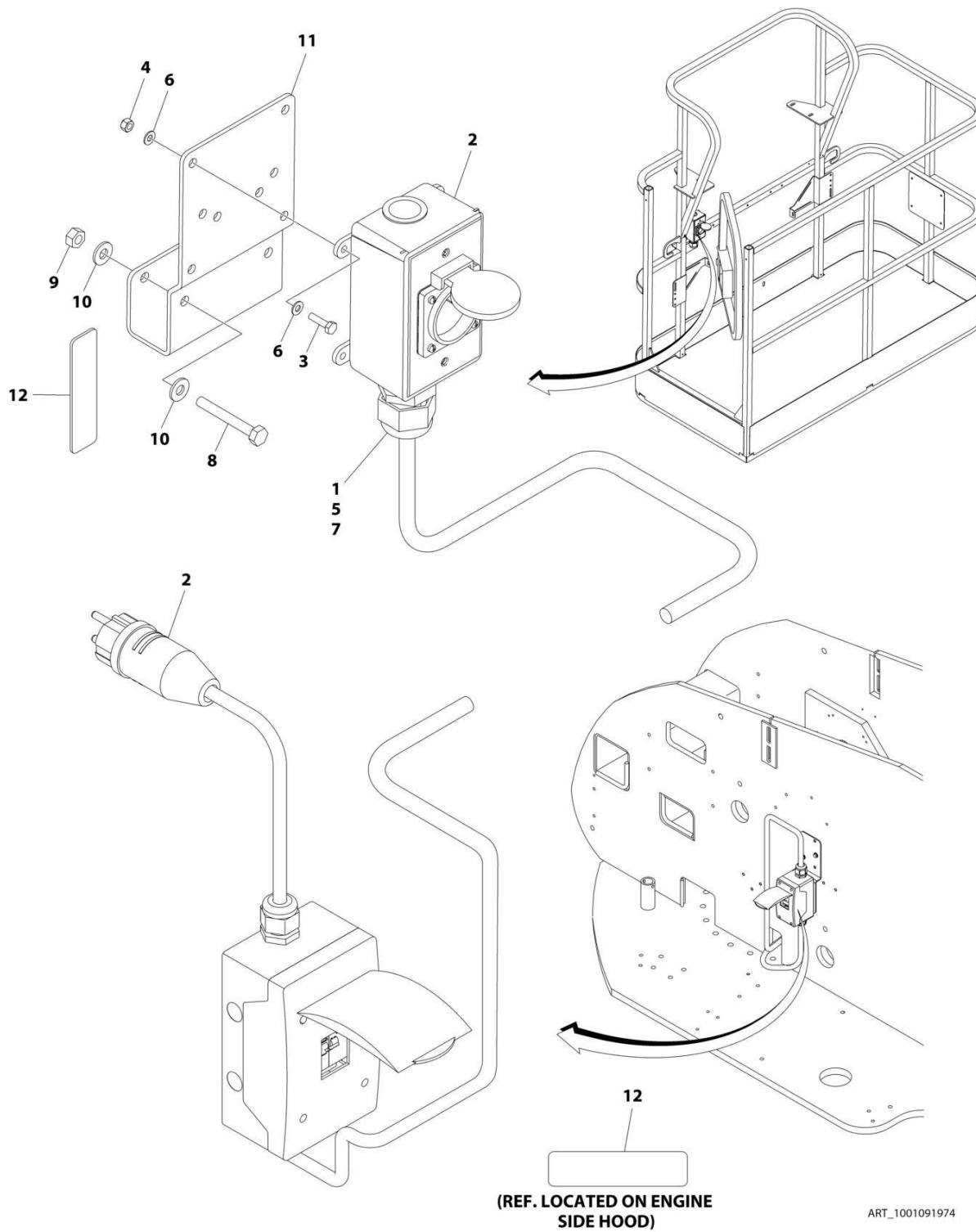
## SECTION 8 - ELECTRICAL

**FIGURE 8-5. AC BOX AT PLATFORM INSTALLATION - 220V CEE7 POST GROUND (2X4 BOX)  
WITHOUT 2500W GENERATOR (CE, CIS/EAC & UK CA SPECS)**

ITEM	PART NUMBER	QTY	DESCRIPTION	REV
	1001091973	Ref	AC BOX AT PLATFORM INSTALLATION - 220V CEE7 2X4 BOX POST GROUND	F
1	0100020	AR	Sealant, Pipe	
2	0275452	1	Receptacle Box Kit (See Separate Breakdown in this Section)	
3	0700408	4	Bolt M4 x 16	
4	3290405	4	Nut M4	
5	1001101197	1	Adapter	
6	4811400	8	Washer M4	
7	1001101191	1	Connector, Strain Relief	
8	0641416	2	Bolt 1/4 x 2	
9	3311405	2	Nut 1/4	
10	4711400	4	Washer 1/4	
11	1001193018	1	Bracket	
12	3251242	2	Decal - 240V/50Hz	
13	4460806	2	Terminal, Fork (Not Shown)	
14	1001205958	1	Terminal (Not Shown)	

# SECTION 8 - ELECTRICAL

**FIGURE 8-6. AC BOX AT PLATFORM INSTALLATION - 220V CEE7 SIDE GROUND (2X4 BOX)  
WITHOUT 2500W GENERATOR (CE, CIS/EAC & UK CA SPECS)**



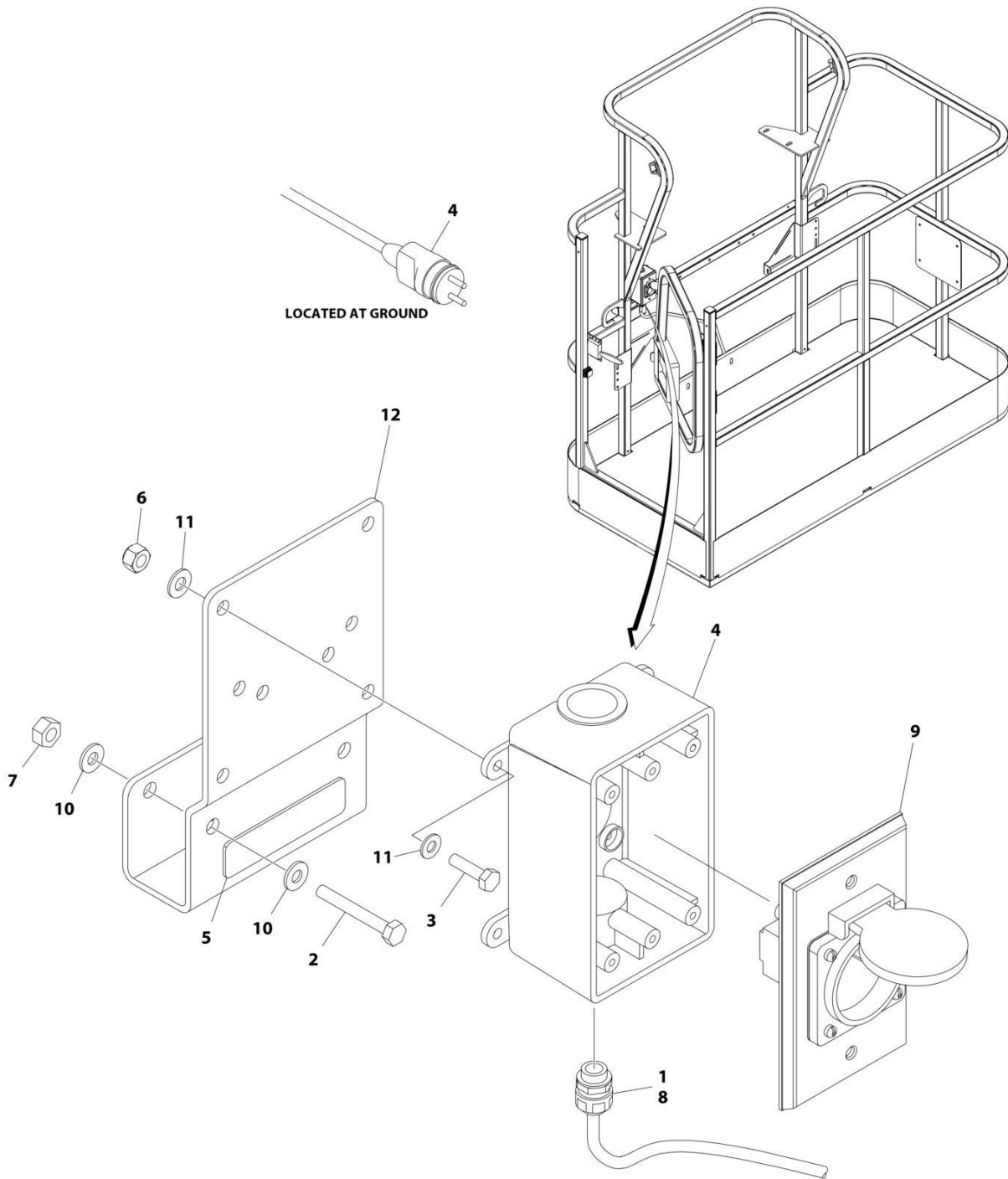
## SECTION 8 - ELECTRICAL

**FIGURE 8-6. AC BOX AT PLATFORM INSTALLATION - 220V CEE7 SIDE GROUND (2X4 BOX)  
WITHOUT 2500W GENERATOR (CE, CIS/EAC & UK CA SPECS)**

ITEM	PART NUMBER	QTY	DESCRIPTION	REV
	1001091974	Ref	AC BOX AT PLATFORM INSTALLATION - 220V CEE7 2X4 BOX SIDE GROUND	F
1	0100020	AR	Sealant, Pipe	
2	0275453	1	Receptacle Box Kit (See Separate Breakdown in this Section)	
3	0700408	4	Bolt M4 x 16	
4	3290405	4	Nut M4	
5	1001101197	1	Adapter	
6	4811400	8	Washer M4	
7	1001101191	1	Connector, Strain Relief	
8	0641416	2	Bolt 1/4 x 2	
9	3311405	2	Nut 1/4	
10	4711400	4	Washer 1/4	
11	1001193018	1	Bracket	
12	3251242	2	Decal - 240V/50Hz	
13	4460806	2	Terminal, Fork (Not Shown)	
14	1001205958	1	Terminal (Not Shown)	

# SECTION 8 - ELECTRICAL

FIGURE 8-7. AC BOX AT PLATFORM INSTALLATION - 220V CEE7 2IN X 4IN POST GROUND (CE, CIS/EAC & UK CA SPECS WITH 4000W/50HZ GENERATOR)



ART\_1001194197

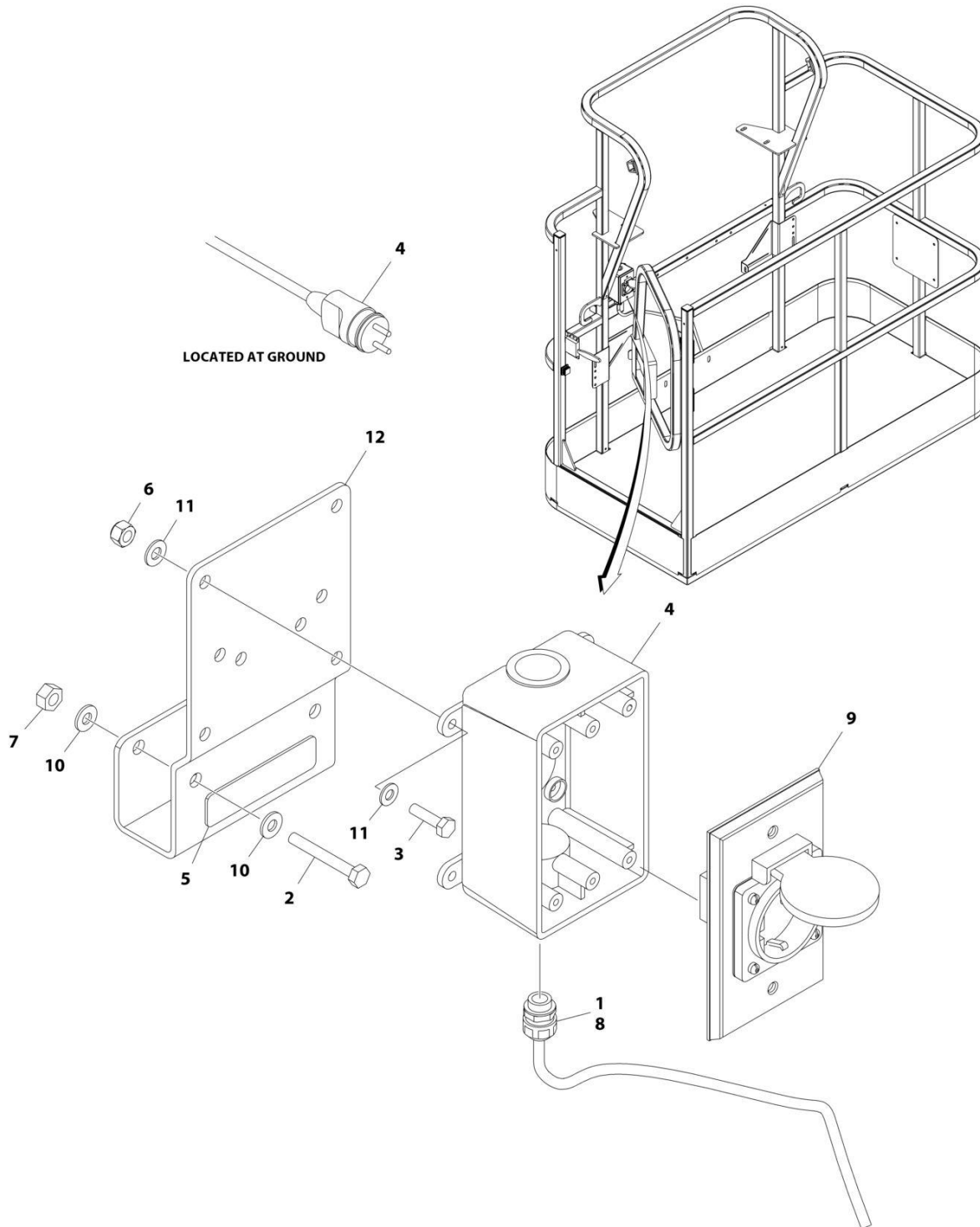
## SECTION 8 - ELECTRICAL

**FIGURE 8-7. AC BOX AT PLATFORM INSTALLATION - 220V CEE7 2IN X 4IN POST GROUND (CE, CIS/EAC & UK CA SPECS WITH 4000W/50HZ GENERATOR)**

ITEM	PART NUMBER	QTY	DESCRIPTION	REV
	1001194197	Ref	AC BOX AT PLATFORM INSTALLATION	B
1	0100020	AR	Sealant, Pipe	
2	0641416	2	Bolt 1/4 x 2	
3	0700408	4	Bolt M4 x 16	
4	0861731	1	Box, Switch	
5	3251242	1	Decal - 240V/50Hz	
6	3290405	4	Nut M4	
7	3311405	2	Nut 1/4	
8	4460662	1	Connector, Strain Relief	
9	4461244	1	Receptacle	
10	4711400	4	Washer 1/4	
11	4811400	8	Washer M4	
12	1001193018	1	Bracket, AC Receptacle	
13	4460806	2	Terminal, Fork (Not Shown)	
14	1001205958	1	Terminal (Not Shown)	

# SECTION 8 - ELECTRICAL

FIGURE 8-8. AC BOX AT PLATFORM INSTALLATION - 220V CEE7 2IN X 4IN SIDE GROUND (CE, CIS/EAC & UK CA SPECS WITH 4000W/50HZ GENERATOR)



ART\_1001194198

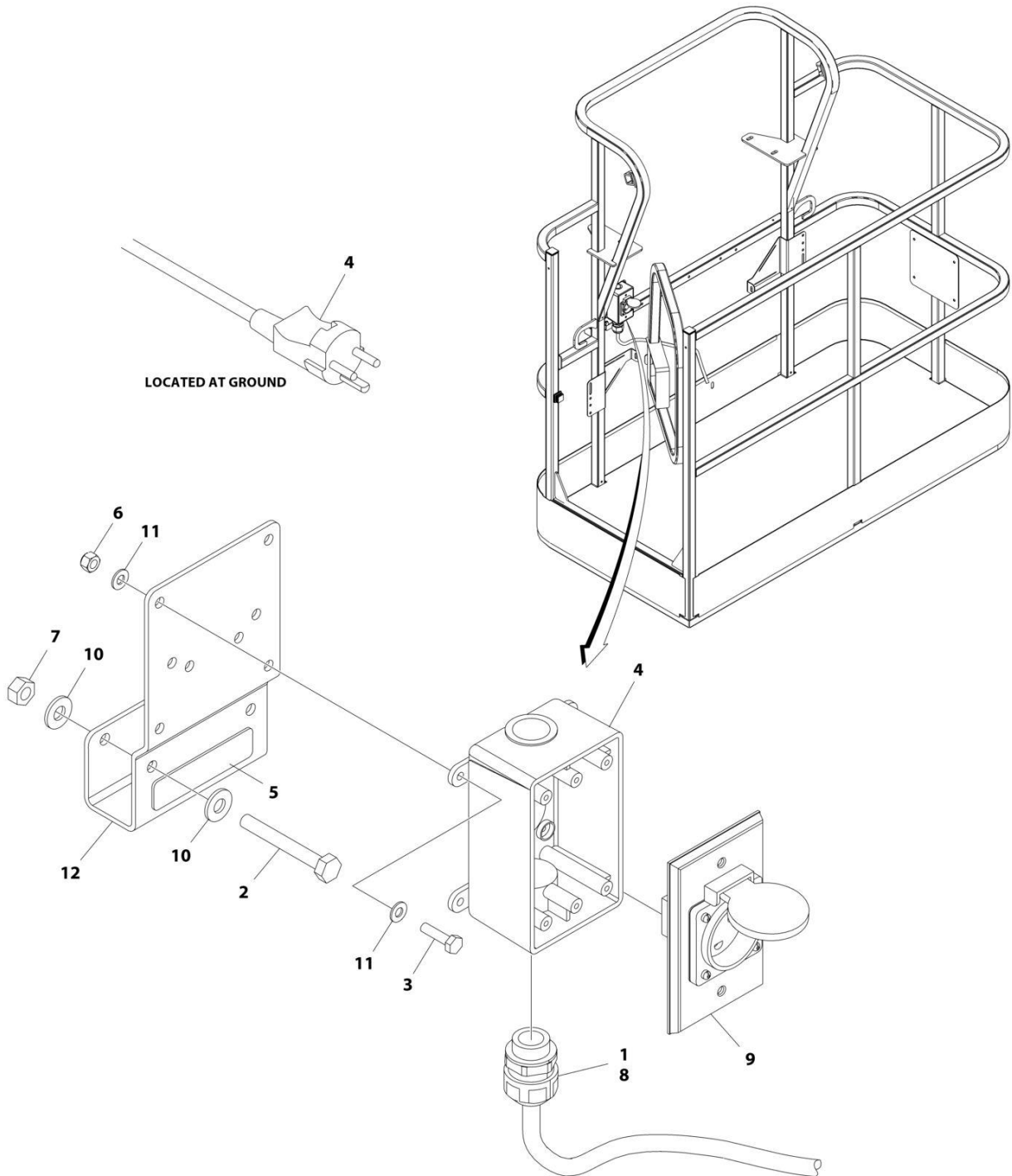
## SECTION 8 - ELECTRICAL

**FIGURE 8-8. AC BOX AT PLATFORM INSTALLATION - 220V CEE7 2IN X 4IN SIDE GROUND (CE, CIS/EAC & UK CA SPECS WITH 4000W/50HZ GENERATOR)**

ITEM	PART NUMBER	QTY	DESCRIPTION	REV
	1001194198	Ref	AC BOX AT PLATFORM INSTALLATION	B
1	0100020	AR	Sealant, Pipe	
2	0641416	2	Bolt 1/4 x 2	
3	0700408	4	Bolt M4 x 16	
4	0861731	1	Box, Switch	
5	3251242	1	Decal - 240V/50Hz	
6	3290405	4	Nut M4	
7	3311405	2	Nut 1/4	
8	4460662	1	Connector, Strain Relief	
9	4461245	1	Receptacle	
10	4711400	4	Washer 1/4	
11	4811400	8	Washer M4	
12	1001193018	1	Bracket, AC Receptacle	
13	4460806	2	Terminal, Fork (Not Shown)	
14	1001205958	1	Terminal (Not Shown)	

# SECTION 8 - ELECTRICAL

FIGURE 8-9. AC BOX AT PLATFORM INSTALLATION - 220V AFSINT107 (CE, CIS/EAC & UK CA SPECS WITH 4000W/50HZ GENERATOR)



ART\_1001194200



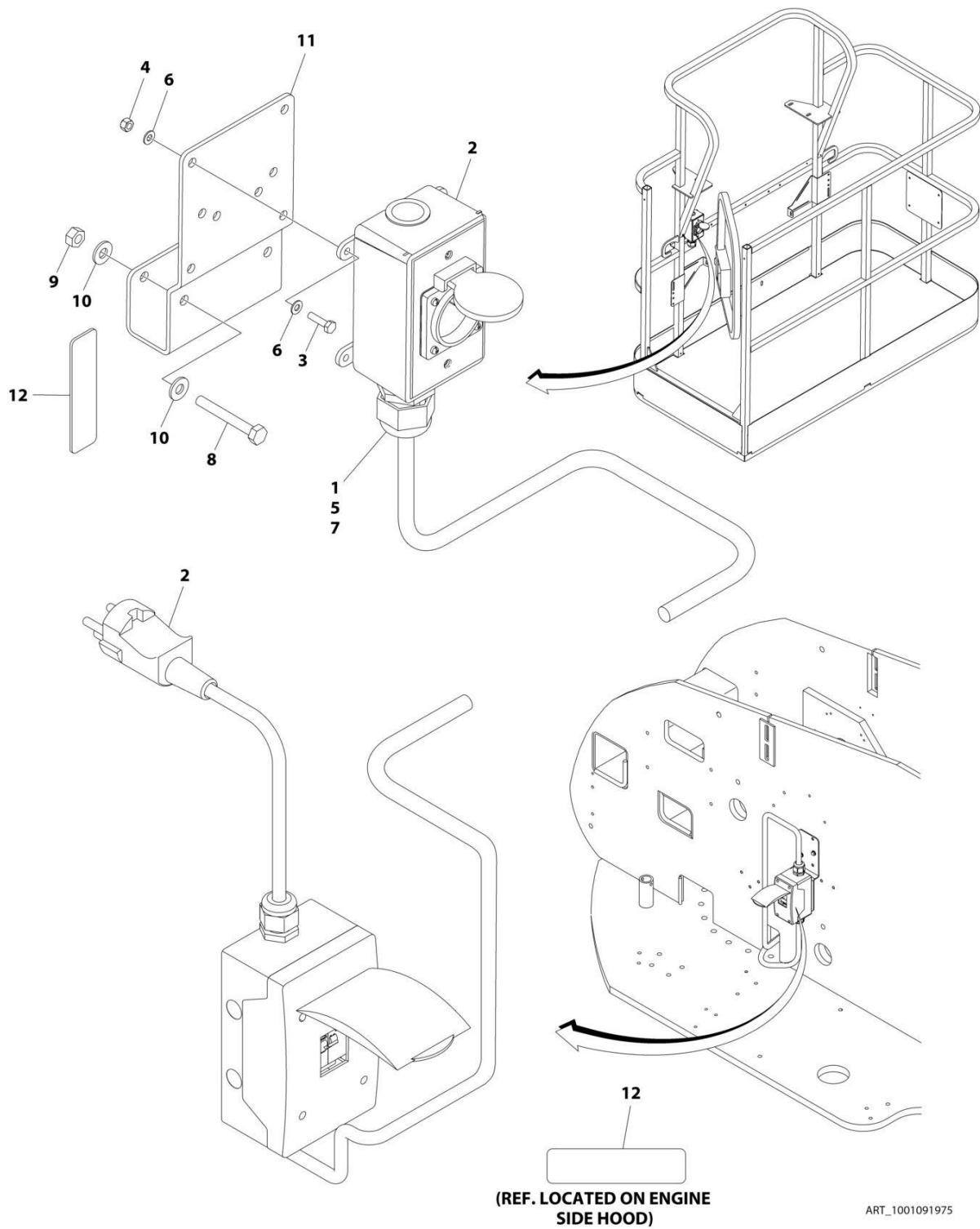
## SECTION 8 - ELECTRICAL

**FIGURE 8-9. AC BOX AT PLATFORM INSTALLATION - 220V AFSINT107 (CE, CIS/EAC & UK CA SPECS WITH 4000W/50HZ GENERATOR)**

ITEM	PART NUMBER	QTY	DESCRIPTION	REV
	1001194200	Ref	AC BOX AT PLATFORM INSTALLATION	B
1	0100020	AR	Sealant, Pipe	
2	0641416	2	Bolt 1/4 x 2	
3	0700408	4	Bolt M4 x 16	
4	0861731	1	Box, Switch	
5	3251242	1	Decal - 240V/50Hz	
6	3290405	4	Nut M4	
7	3311405	2	Nut 1/4	
8	4460662	1	Connector, Strain Relief	
9	4461246	1	Receptacle	
10	4711400	4	Washer 1/4	
11	4811400	8	Washer M4	
12	1001193018	1	Bracket, AC Receptacle	
13	1001205958	1	Terminal (Not Shown)	

# SECTION 8 - ELECTRICAL

**FIGURE 8-10. AC BOX AT PLATFORM INSTALLATION - 220V AFSINT 107 KEYED GROUND (2X4 BOX) WITHOUT 2500W GENERATOR (CE, CIS/EAC & UK CA SPECS)**



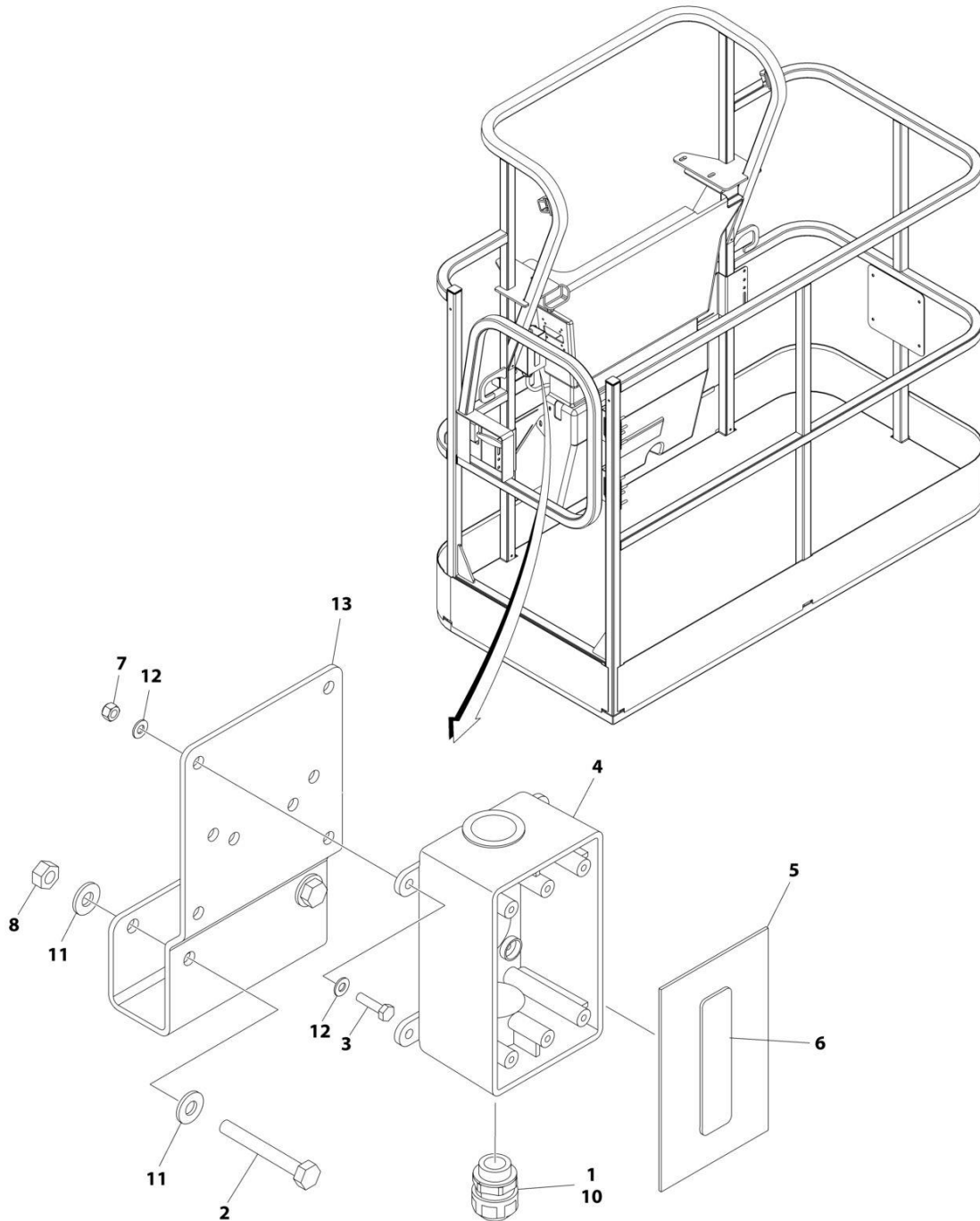
## SECTION 8 - ELECTRICAL

**FIGURE 8-10. AC BOX AT PLATFORM INSTALLATION - 220V AFSINT 107 KEYED GROUND (2X4 BOX) WITHOUT 2500W GENERATOR (CE, CIS/EAC & UK CA SPECS)**

ITEM	PART NUMBER	QTY	DESCRIPTION	REV
	1001091975	Ref	AC BOX AT PLATFORM INSTALLATION - 220V AFSINT 107 2X4 BOX KEYED GROUND	F
1	0100020	AR	Sealant, Pipe	
2	0275454	1	Receptacle Box Kit (See Separate Breakdown in this Section)	
3	0700408	4	Bolt M4 x 16	
4	3290405	4	Nut M4	
5	1001101197	1	Adapter	
6	4811400	8	Washer M4	
7	1001101191	1	Connector, Strain Relief	
8	0641416	2	Bolt 1/4 x 2	
9	3311405	2	Nut 1/4	
10	4711400	4	Washer 1/4	
11	1001193018	1	Bracket	
12	3251242	2	Decal - 240V/50Hz	
13	1001205958	3	Terminal (Not Shown)	

# SECTION 8 - ELECTRICAL

FIGURE 8-11. AC BOX AT PLATFORM INSTALLATION - 220V CUSTOMER SUPPLIED COMPONENTS  
(ALL SPECS)



ART\_1001194365

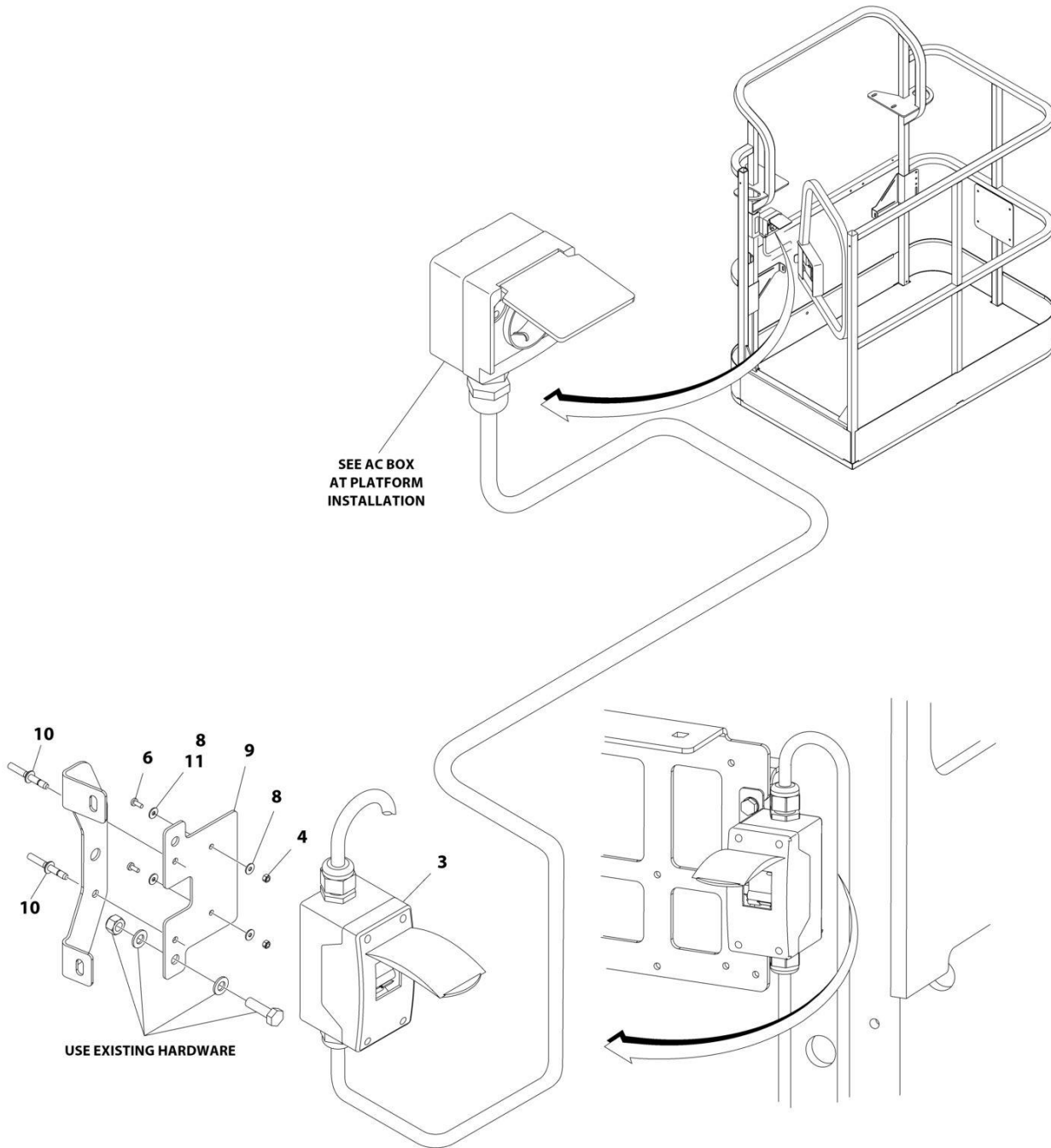
## SECTION 8 - ELECTRICAL

**FIGURE 8-11. AC BOX AT PLATFORM INSTALLATION - 220V CUSTOMER SUPPLIED COMPONENTS  
(ALL SPECS)**

ITEM	PART NUMBER	QTY	DESCRIPTION	REV
	1001194365	Ref	AC BOX AT PLATFORM INSTALLATION - BOX WITH COVER (2X4 BOX)	A
1	0100020	AR	Sealant	
2	0641416	2	Bolt 1/4 x 2	
3	0700408	4	Bolt M4 x 16	
4	0861731	1	Box, Switch	
5	1670603	1	Cover	
6	3251242	1	Decal - 240V/50Hz	
7	3290405	4	Nut M4	
8	3311405	2	Nut 1/4	
9	4460384	3	Terminal (Not Shown)	
10	4460662	1	Connector, Strain Relief	
11	4711400	4	Washer 1/4	
12	4811400	8	Washer M4	
13	1001193018	1	Bracket, AC Receptacle	

# SECTION 8 - ELECTRICAL

FIGURE 8-12. AC CABLE INSTALLATION - WITH TWO BREAKERS (CE, CIS/EAC & UK CA SPECS)



ART\_1001167312

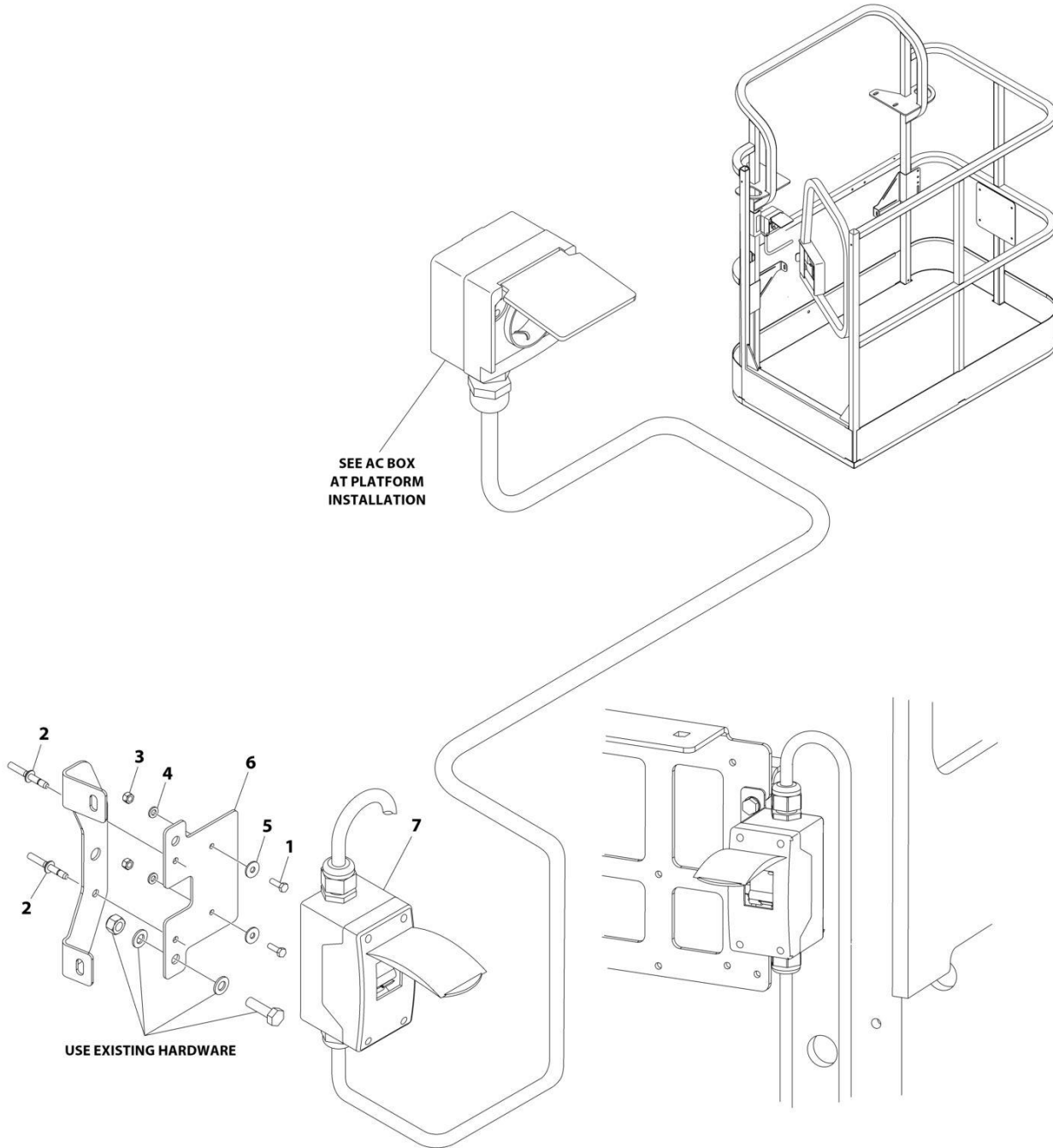
## SECTION 8 - ELECTRICAL

**FIGURE 8-12. AC CABLE INSTALLATION - WITH TWO BREAKERS (CE, CIS/EAC & UK CA SPECS)**

ITEM	PART NUMBER	QTY	DESCRIPTION	REV
	1001167312	Ref	AC CABLE INSTALLATION - WITH TWO BREAKERS	G
3	2902549	1	Breaker Box Kit - CE Spec (See Separate Breakdown in this Section)	
4	3290405	2	Nut M4	
4	3290605	2	Nut M6	
6	4010405	AR	Screw M4 x 10	
6	0760610	AR	Screw M6 x 20	
6	0760614	AR	Screw M6 x 30	
8	1001091102	2	Washer M4	
8	4811700	AR	Washer M6	
9	1001174158	1	Bracket	
10	2080040	2	Fastener, Huck	
11	4811702	2	Washer M6	

# SECTION 8 - ELECTRICAL

## FIGURE 8-13. AC CABLE INSTALLATION - WITH TWO BREAKERS (MACHINES WITH SN STARTING WITH B3)



ART\_1001291599



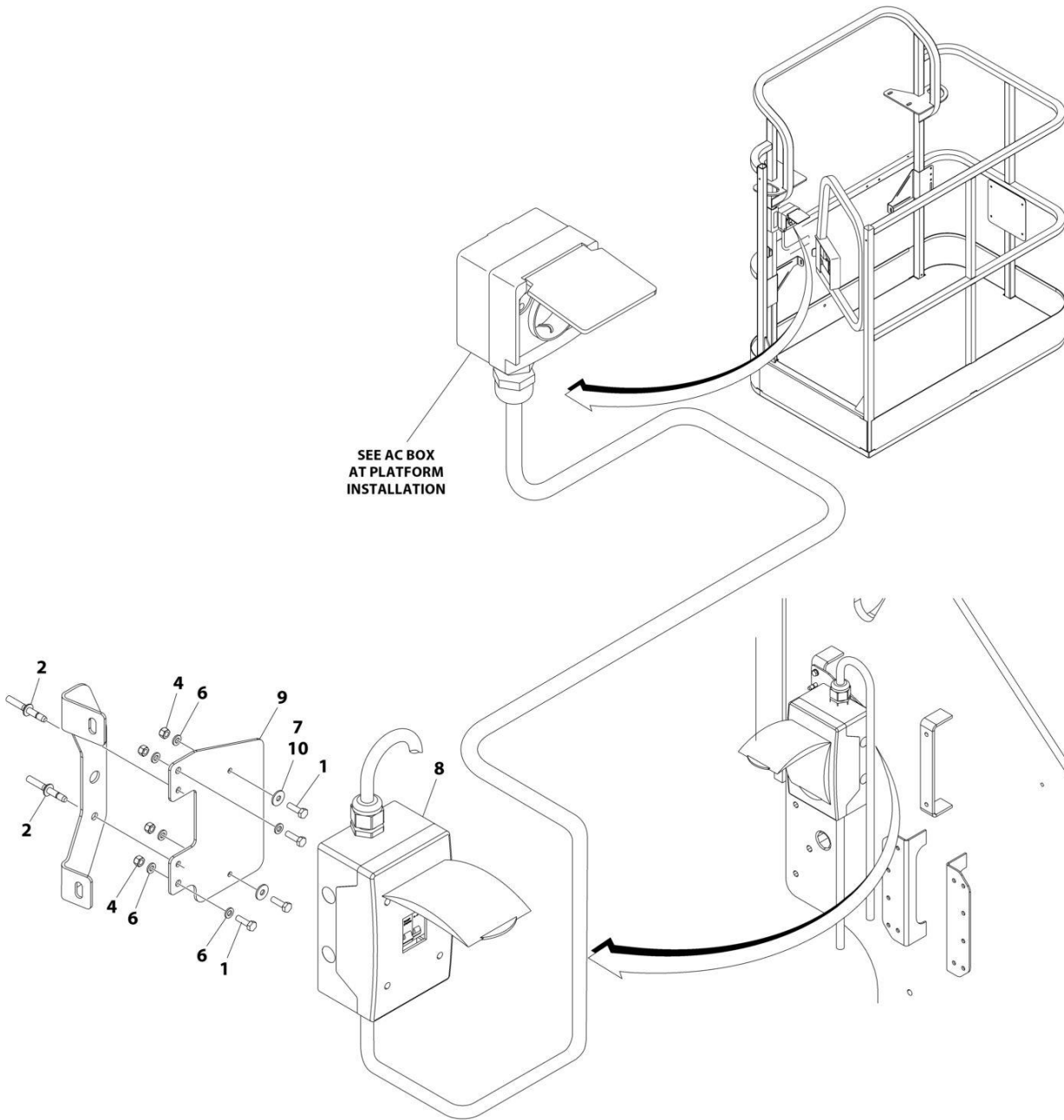
## SECTION 8 - ELECTRICAL

**FIGURE 8-13. AC CABLE INSTALLATION - WITH TWO BREAKERS (MACHINES WITH SN STARTING WITH B3)**

ITEM	PART NUMBER	QTY	DESCRIPTION	REV
	1001291599	Ref	AC CABLE INSTALLATION - WITH TWO BREAKERS	A
1	0760610	2	Screw M6 x 20	
2	2080040	2	Fastener, Huck	
3	3290605	2	Nut M6	
4	4811700	2	Washer M6	
5	4811702	2	Washer M6	
6	1001174158	1	Bracket	
7	1001289592	1	Breaker Box Kit - CE Spec (See Separate Breakdown in this Section)	

# SECTION 8 - ELECTRICAL

## FIGURE 8-14. AC CABLE INSTALLATION - WITH THREE BREAKERS (CE, CIS/EAC & UK CA SPECS)



ART\_1001209677

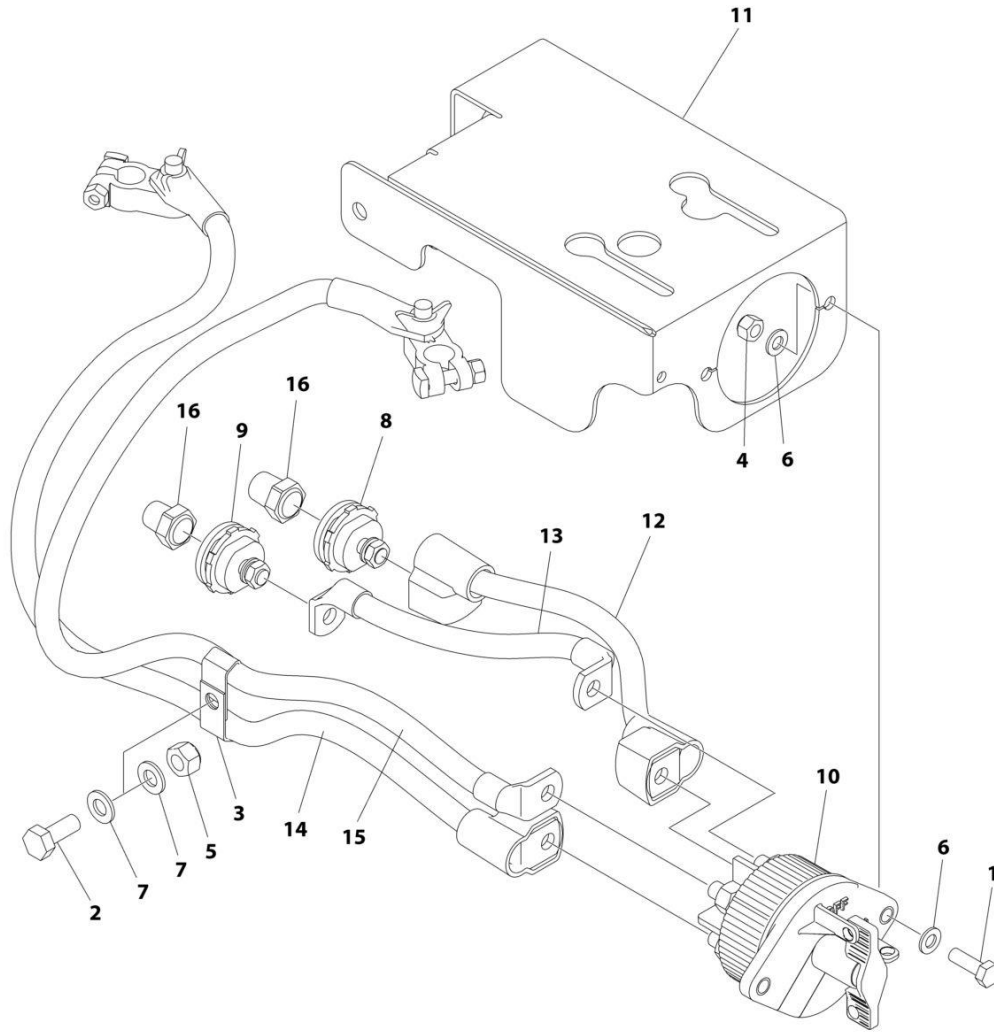
## SECTION 8 - ELECTRICAL

**FIGURE 8-14. AC CABLE INSTALLATION - WITH THREE BREAKERS (CE, CIS/EAC & UK CA SPECS)**

ITEM	PART NUMBER	QTY	DESCRIPTION	REV
	1001209677	Ref	AC CABLE INSTALLATION - WITH THREE BREAKERS	B
1	0760610	AR	Bolt M6 x 20	
1	4010405	AR	Bolt M4 x 10	
2	2080040	AR	Fastener, Huck	
4	3290605	AR	Nut M6	
6	4811700	4	Washer M6	
7	1001091102	AR	Washer M4	
8	1001152485	1	Breaker Box Kit (See Separate Breakdown in this Section)	
9	1001209832	1	Bracket	
10	4811702	AR	Washer M6	

# SECTION 8 - ELECTRICAL

## FIGURE 8-15. BATTERY DISCONNECT SWITCH



ART\_1001214397

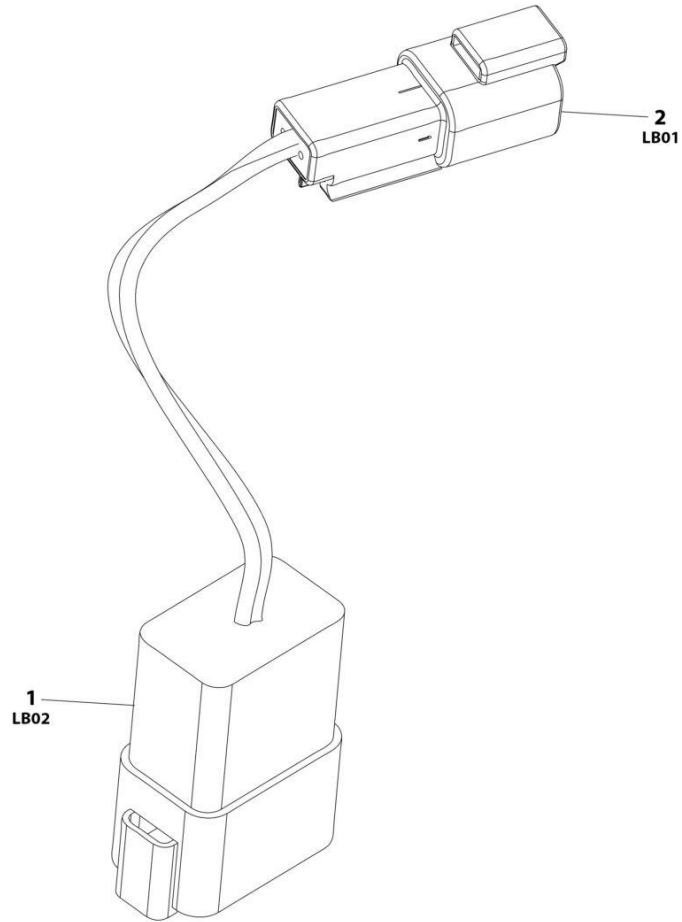
## SECTION 8 - ELECTRICAL

**FIGURE 8-15. BATTERY DISCONNECT SWITCH**

ITEM	PART NUMBER	QTY	DESCRIPTION	REV
	1001214397	Ref	BATTERY DISCONNECT SWITCH	A
1	0760812	2	Bolt M8 x 25	
2	0761012	1	Bolt M10 x 25	
3	1320223	2	Clamp	
4	3290805	2	Nut M8	
5	3291005	1	Nut M10	
6	4811900	4	Washer M8	
7	4812000	2	Washer M10	
8	1001214570	1	Connector (Red)	
9	1001214571	1	Connector (Black)	
10	1001225346	1	Switch	
11	1001226530	1	Mount	
12	1001237878	1	Cable, Battery Disconnect (Positive)	
13	1001237879	1	Cable, Battery Disconnect (Negative)	
14	1001237880	1	Cable (Positive)	
15	1001237881	1	Cable (Negative)	
16	1001206476	1	Connector	

# SECTION 8 - ELECTRICAL

## FIGURE 8-16. BEACON JUMPER HARNESS



ART\_1001283776

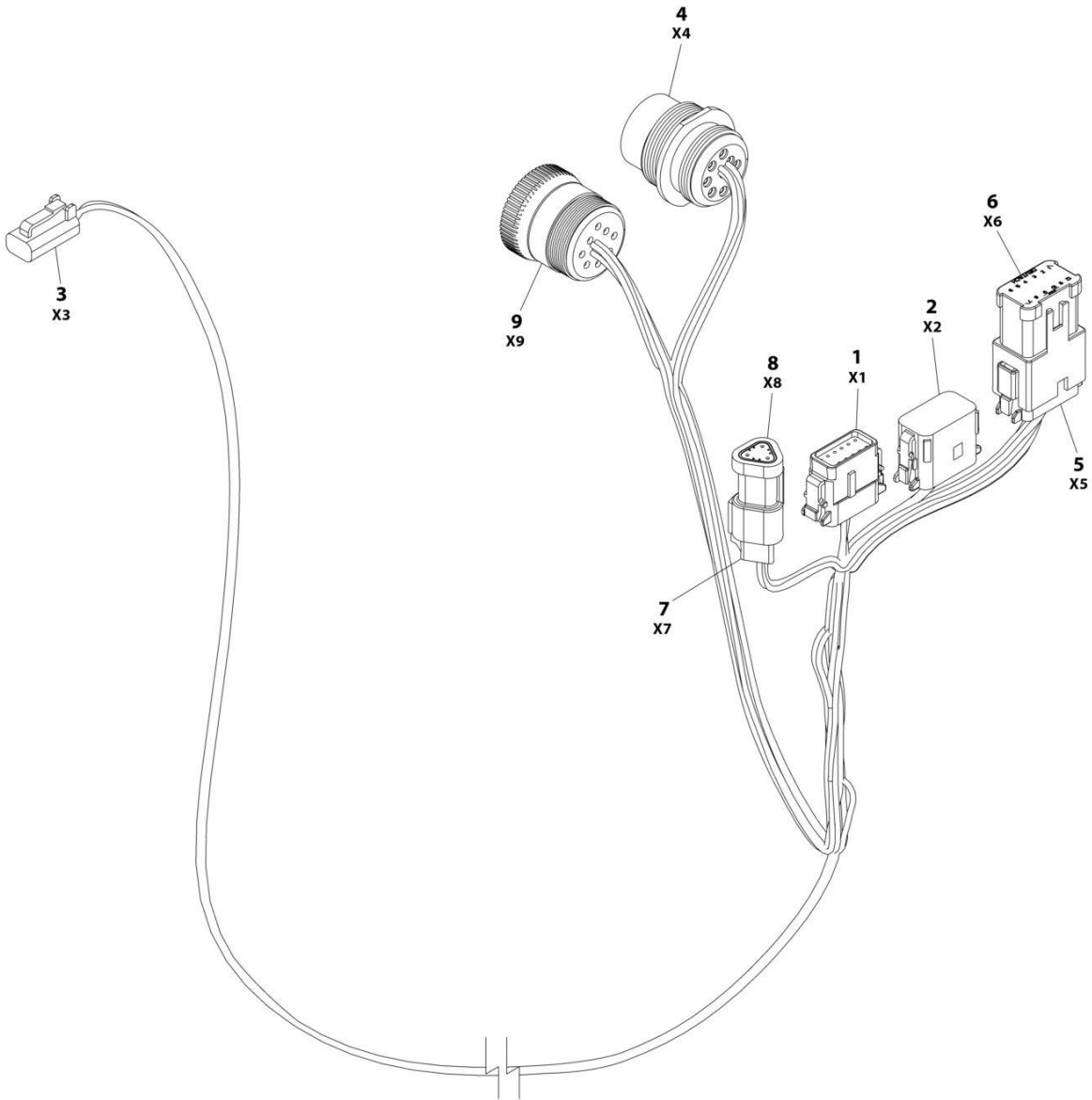
## SECTION 8 - ELECTRICAL

### FIGURE 8-16. BEACON JUMPER HARNESS

ITEM	PART NUMBER	QTY	DESCRIPTION	REV
	1001283776	Ref	STROBE LIGHT HARNESS (AMBER)	A
1	4460931	1	Connector	
1	4460464	2	Pin	
1	4460466	6	Plug	
2	4460897	1	Connector	
2	4460464	2	Pin	

# SECTION 8 - ELECTRICAL

## FIGURE 8-17. BEACON LIGHT HARNESS (BLUE AND RED BEACON LIGHT)



ART\_1001142736



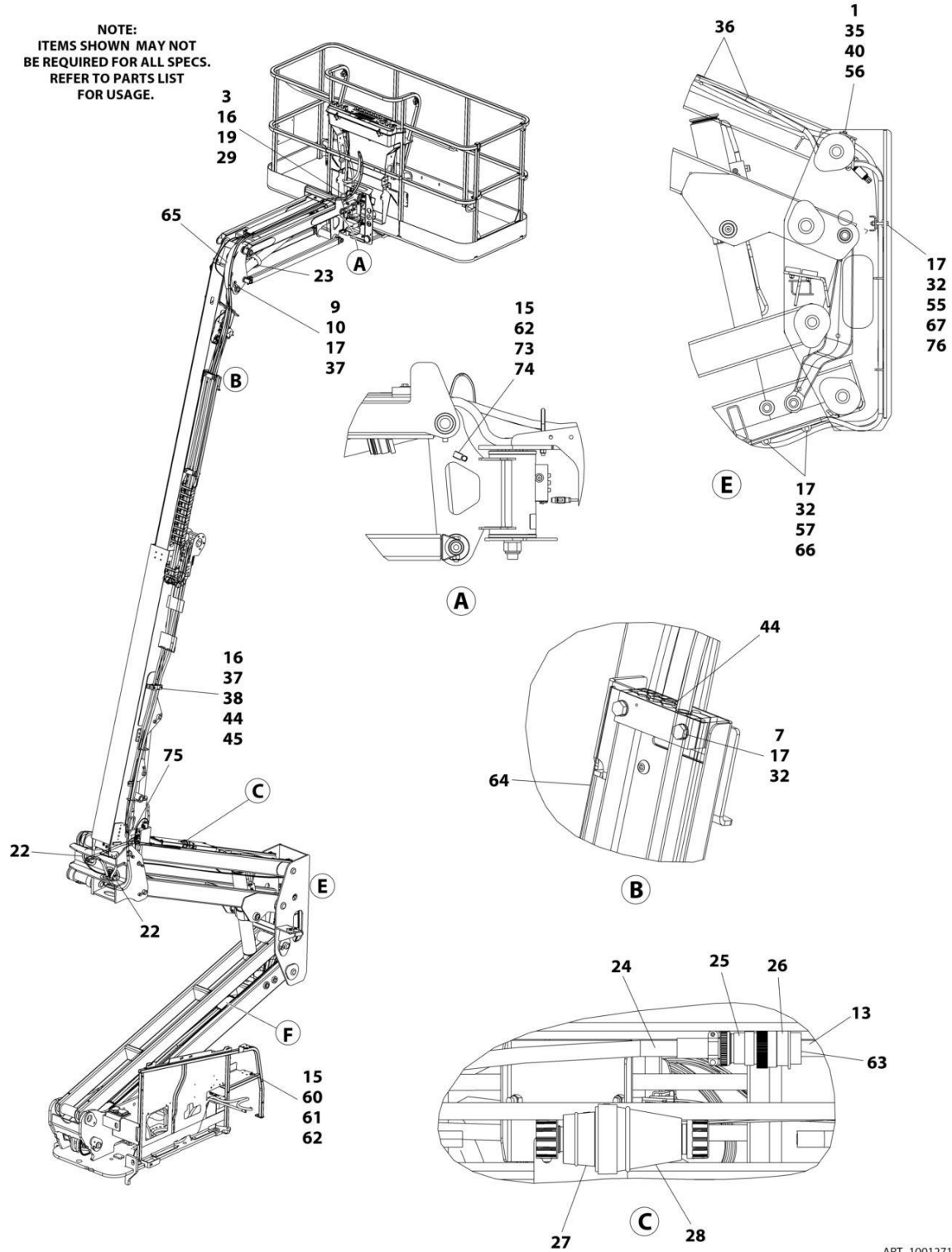
## SECTION 8 - ELECTRICAL

**FIGURE 8-17. BEACON LIGHT HARNESS (BLUE AND RED BEACON LIGHT)**

ITEM	PART NUMBER	QTY	DESCRIPTION	REV
	1001142736	Ref	STROBE LIGHT HARNESS	F
1	1001116808	1	Plug, Male - 12 Position	
1	4460928	3	Socket, Female	
1	4460518	9	Plug, Terminal	
2	1001116774	1	Plug, Male - 12 Position	
2	4460928	3	Socket, Female	
2	4460518	9	Plug, Terminal	
3	4460891	1	Plug, Male - 2 Position	
3	4460465	2	Socket, Female	
4	1001112612	1	Connector - 9 Position	
4	4460464	6	Pin, Male	
4	4460466	3	Plug, Terminal	
5	4460933	1	Plug, Male - 12 Position	
5	4460465	12	Socket, Female	
6	1001119020	1	Bussbar - 12 Position	
7	4461095	1	Plug, Male - 3 Position	
7	4460465	3	Socket, Female	
8	4461070	1	Bussbar - 3 Position	
9	1001112796	1	Connector - 9 Position	
9	4460465	6	Socket, Female	
9	4460466	3	Plug, Terminal	

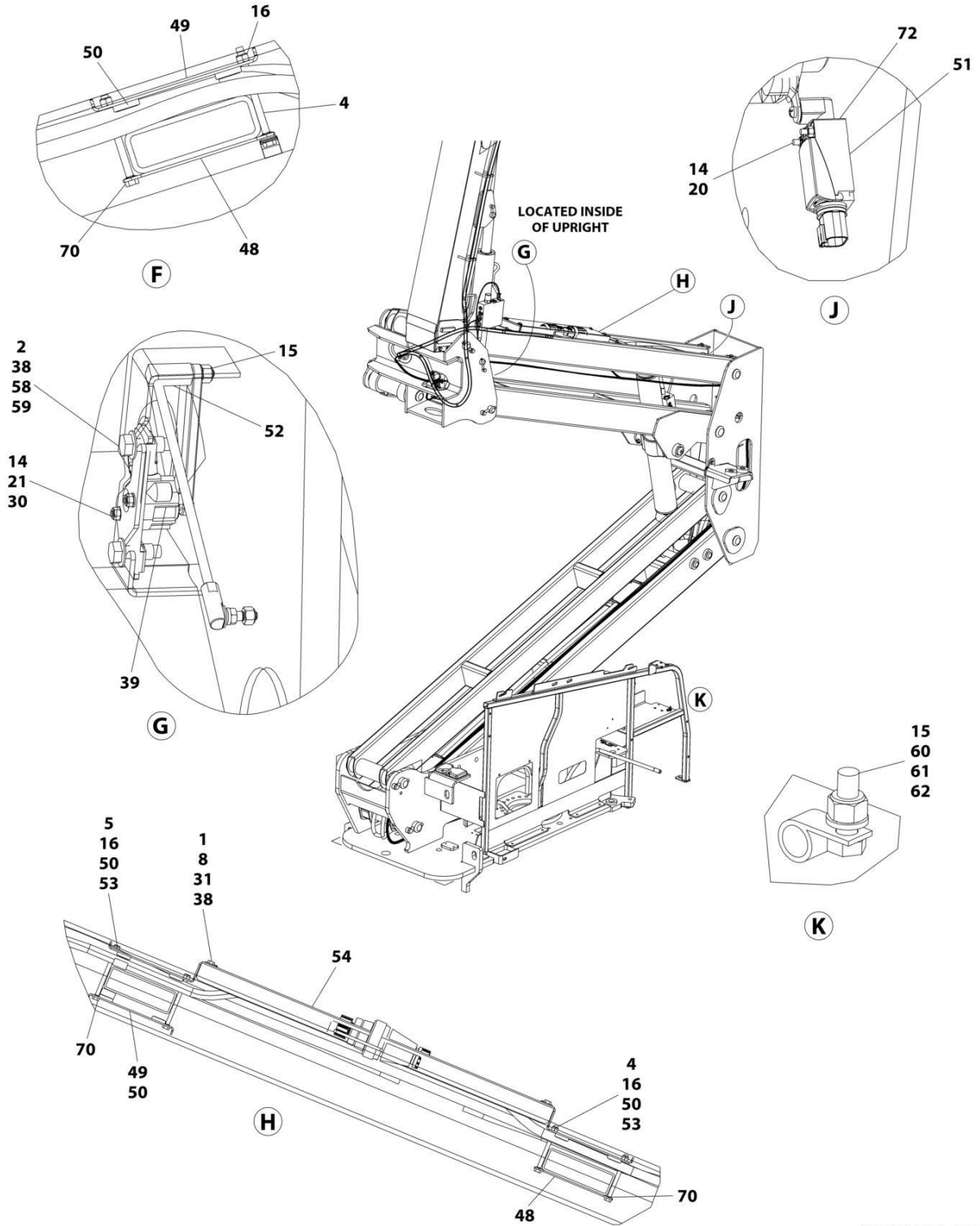
# SECTION 8 - ELECTRICAL

## FIGURE 8-18. BOOM CABLES & CLAMPS INSTALLATION (4000W GENERATOR)



ART\_1001271179\_10F2

# SECTION 8 - ELECTRICAL



ART\_1001271179\_2OF2

## SECTION 8 - ELECTRICAL

**FIGURE 8-18. BOOM CABLES & CLAMPS INSTALLATION (4000W GENERATOR)**

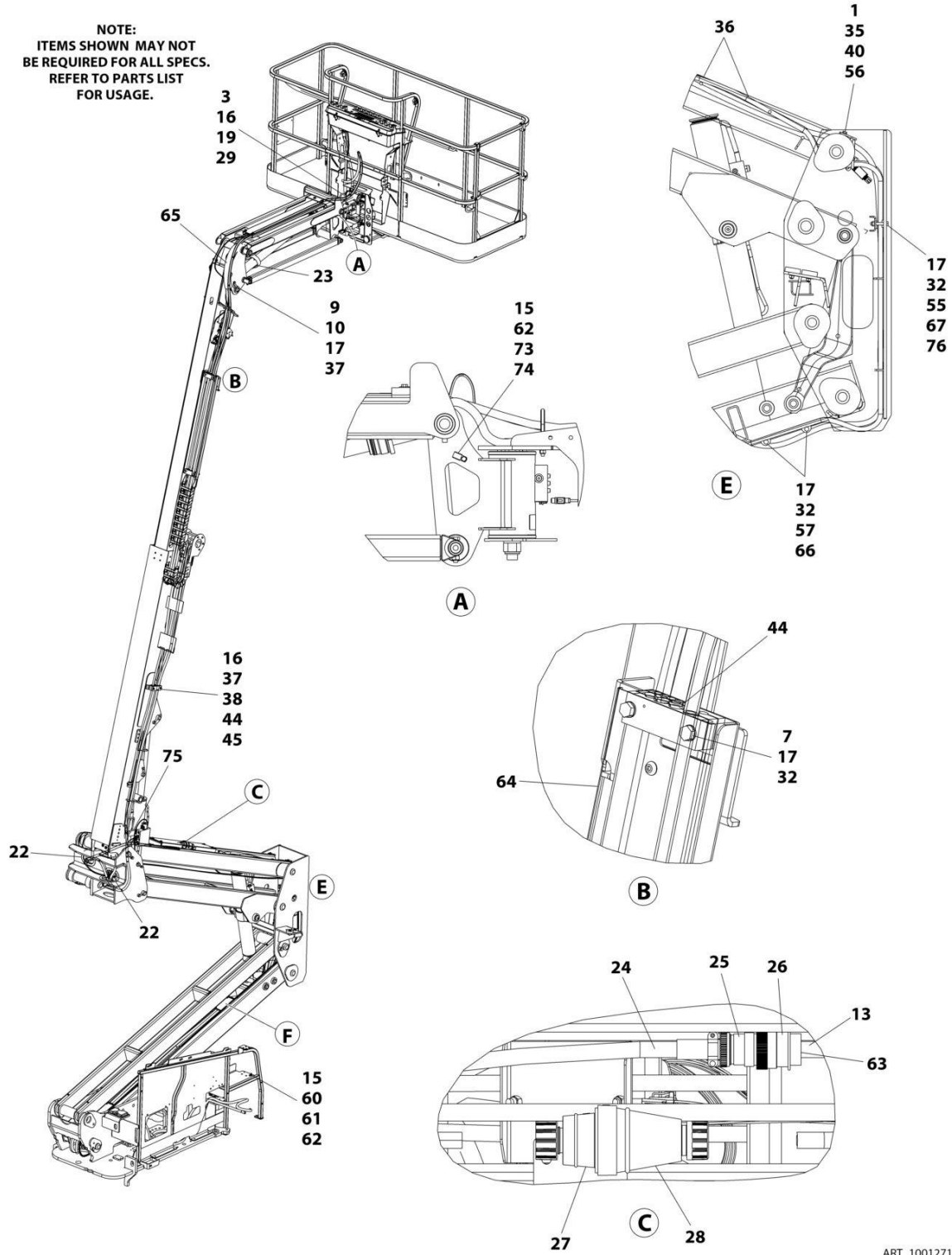
ITEM	PART NUMBER	QTY	DESCRIPTION	REV
	1001271179	1	BOOM CABLES AND CLAMPS INSTALLATION	F
1	0100011	AR	Compound, Locking	
2	0100081	AR	Adhesive	
3	0760814	2	Bolt M8 x 30	
4	0700827	6	Bolt M8 x 100	
5	0700828	2	Bolt M8 x 110	
7	0701024	4	Bolt M10 x 80	
8	0760812	4	Bolt M8 x 25	
9	0761012	1	Bolt M10 x 25	
10	1320130	1	Clamp	
13	2820031	AR	Heat Shrink	
14	3290405	4	Nut M4	
15	3290605	5	Nut M6	
16	3290805	12	Nut M8	
17	3291005	9	Nut M10	
19	3841340	1	Loop, Hose	
20	4010418	2	Screw M4 x 50	
21	4031511	2	Capscrew M4 x 35	
22	4060808	27.5 in /8.4m	Flex-Trim	
23	4240156	1	Strap, Clinch	
24	4460473	AR	Clamp, Cable	
25	4460865	1	Connector - 19 Position	
26	4460866	1	Connector - 19 Position	
29	4811900	4	Washer M8	
30	4811400	2	Washer M4	
31	4811902	4	Washer M8	
32	4812000	13	Washer M10	
33	1001176951	1	Harness, Tower Boom (See Separate Breakdown in this Section)	
34	1001174749	1	Harness, Tower Boom AC Cable (See Separate Breakdown in this Section)	
35	5251014	2	Bolt M10 x 30	
36	8881800	AR	Tie-Strap	
37	5281918	2	Screw M8 x 70	
38	1001118274	AR	Nut M8	
39	1001118971	1	Sensor, Angle	
39	70005667	1	Arm	
40	1001118972	2	Nut M10	
43	1001164738	1	Harness, Boom Valve (See Separate Breakdown in this Section)	
44	1001273302	3	Block, Clamping	
45	1001273303	1	Plate	
48	1001171553	3	Plate, Clamping	
49	1001171555	3	Plate, Clamping	
50	1001171559	10	Pad	
51	1001172271	1	Switch, Limit	
52	1001238466	1	Link, Sensor (Note: Sold as Assembly Only)	
53	1001178448	2	Plate, Clamping	
54	1001178449	1	Cover	
55	1001178644	1	Plate	
56	1001260306	1	Bracket	

## SECTION 8 - ELECTRICAL

ITEM	PART NUMBER	QTY	DESCRIPTION	REV
57	1001182561	2	Roller	
58	5250812	2	Bolt M8 x 25	
59	1001179266	1	Plate, Mounting	
60	0760610	1	Bolt M6 x 20	
61	1320043	1	Clamp	
62	4811700	5	Washer M6	
63	4460466	AR	Plug, Terminal	
64	1001181875	1	Cover	
65	1001181923	1	Shield, Hose	
66	1001119280	2	Bolt M10 x 260	
67	1001185747	2	Pad	
70	1001119228	8	Nut M8	
72	4750800	AR	Washer #8	
73	1320041	2	Clamp	
74	0760612	2	Bolt M6 x 25	
75	1001143645	1	Strap	
76	0701022	AR	Bolt M10 x 70	

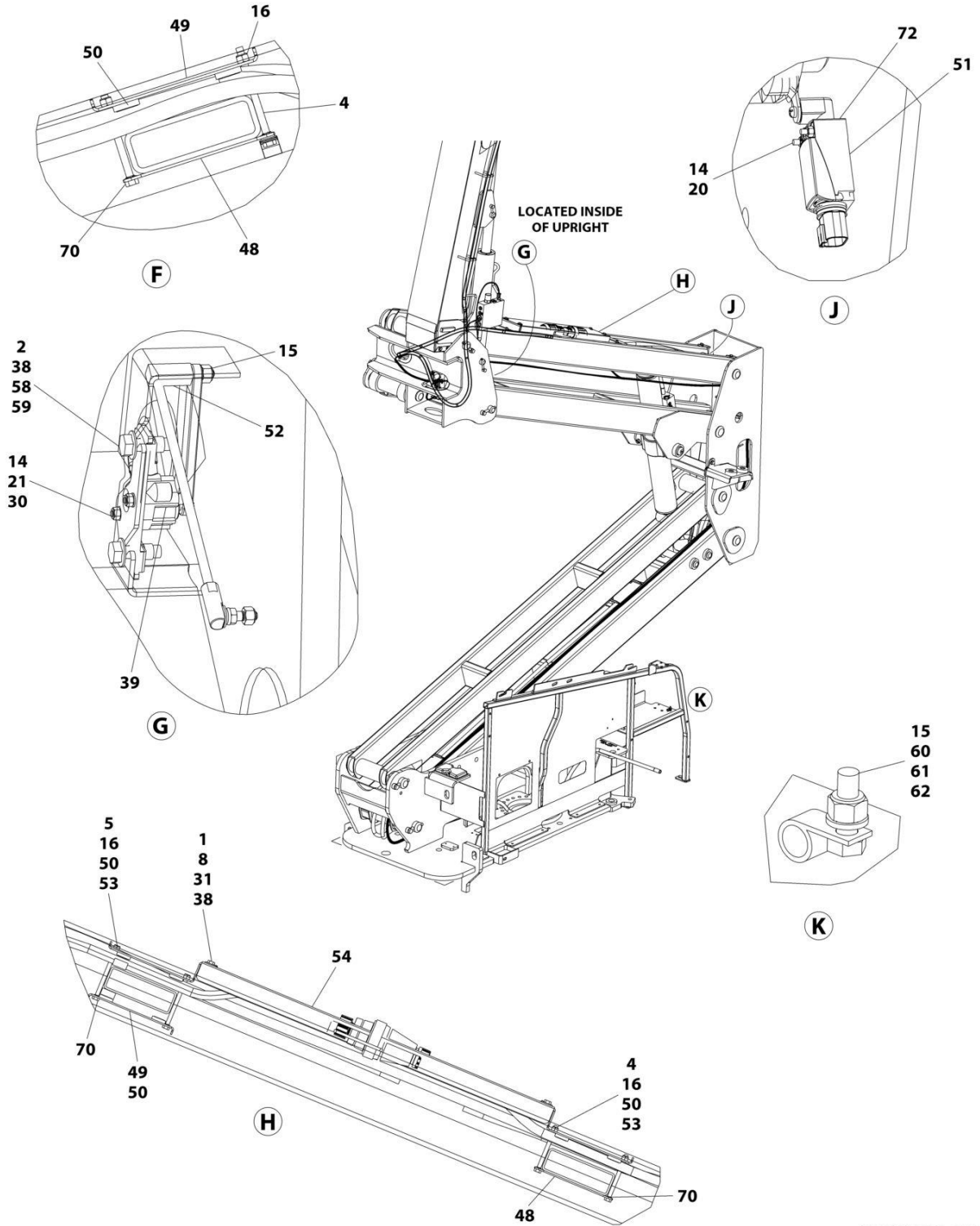
# SECTION 8 - ELECTRICAL

## FIGURE 8-19. BOOM CABLES & CLAMPS INSTALLATION (7500W SKYPOWER GENERATOR)



ART\_1001271180\_10F2

# SECTION 8 - ELECTRICAL



ART\_1001271180\_2OF2

## SECTION 8 - ELECTRICAL

**FIGURE 8-19. BOOM CABLES & CLAMPS INSTALLATION (7500W SKYPOWER GENERATOR)**

ITEM	PART NUMBER	QTY	DESCRIPTION	REV
	1001271180	Ref	BOOM CABLES AND CLAMPS INSTALLATION	F
1	0100011	AR	Compound, Locking	
2	0100081	AR	Adhesive	
3	0760814	2	Bolt M8 x 30	
4	0700827	6	Bolt M8 x 100	
5	0700828	2	Bolt M8 x 110	
7	0701024	4	Bolt M10 x 80	
8	0760812	4	Bolt M8 x 25	
9	0761012	1	Bolt M10 x 25	
10	1320130	1	Clamp	
13	2820031	AR	Heat Shrink	
14	3290405	4	Nut M4	
15	3290605	4	Nut M6	
16	3290805	12	Nut M8	
17	3291005	9	Nut M10	
19	3841340	1	Loop, Hose	
20	4010418	2	Screw M4 x 50	
21	4031511	2	Capscrew M4 x 35	
22	4060808	27.5 in/ 8.38m	Flex-Trim	
23	4240156	1	Strap, Clinch	
24	4460473	AR	Clamp, Cable	
25	4460865	1	Connector - 19 Position	
26	4460866	1	Connector - 19 Position	
27	1001218622	1	Terminal, Turnlock Plug	
28	1001218623	1	Terminal, Turnlock Connector	
29	4811900	4	Washer M8	
30	4811400	2	Washer M4	
31	4811902	4	Washer M8	
32	4812000	13	Washer M10	
33	1001176951	1	Harness, Tower Boom (Not Shown - See Separate Breakdown in this Section)	
34	4922929	1	Harness, Tower Boom – 8/5 – Lower Generator Cable (Not Shown)	
35	5251014	2	Bolt M10 x 30	
36	8881800	AR	Tie-Strap	
37	5281918	2	Screw M8 x 70	
38	1001118274	AR	Nut M8	
39	1001118971	1	Sensor, Angle	
39	70005667	1	Arm	
40	1001118972	2	Nut M10	
41	1001172335	1	Harness, Main Boom (Not Shown - See Separate Breakdown in this Section)	
42	1001172343	1	Harness, Main Boom – 8/5 – Upper Generator Cable (Not Shown)	
43	1001164738	1	Harness, Boom Valve (Not Shown - See Separate Breakdown in this Section)	
44	1001273302	3	Block, Clamping	
45	1001273303	1	Plate	
48	1001171553	3	Plate, Clamping	
49	1001171555	3	Plate, Clamping	
50	1001171559	10	Pad	

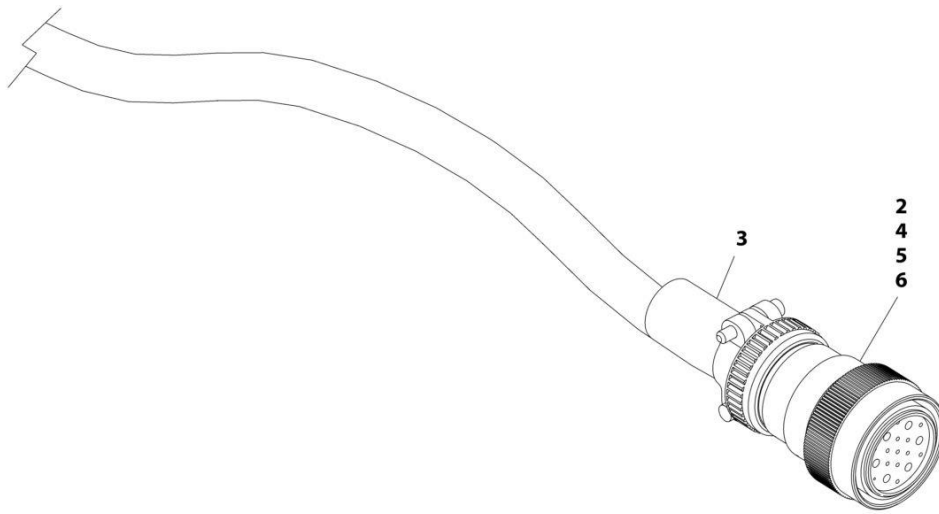


## SECTION 8 - ELECTRICAL

ITEM	PART NUMBER	QTY	DESCRIPTION	REV
51	1001172271	1	Switch, Limit	
52	1001238466	1	Link, Sensor (Note: Sold as Assembly Only)	
53	1001178448	2	Plate, Clamping	
54	1001178449	1	Cover	
55	1001178644	1	Plate	
56	1001260306	1	Bracket	
57	1001182561	2	Roller	
58	5250812	2	Bolt M8 x 25	
59	1001179266	1	Plate, Mounting	
62	4811700	4	Washer M6	
63	4460466	AR	Plug, Terminal	
64	1001181875	1	Cover	
65	1001181923	1	Shield, Hose	
66	1001119280	2	Bolt M10 x 260	
67	1001185747	2	Pad	
70	1001119228	8	Nut M8	
72	4750800	AR	Washer #8	
73	1320041	2	Clamp	
74	0760612	2	Bolt M6 x 25	
75	1001143645	1	Strap	
76	0701022	AR	Bolt M10 x 70	

# SECTION 8 - ELECTRICAL

## FIGURE 8-20. BOOM HARNESS - MAIN BOOM



ART\_1001172335

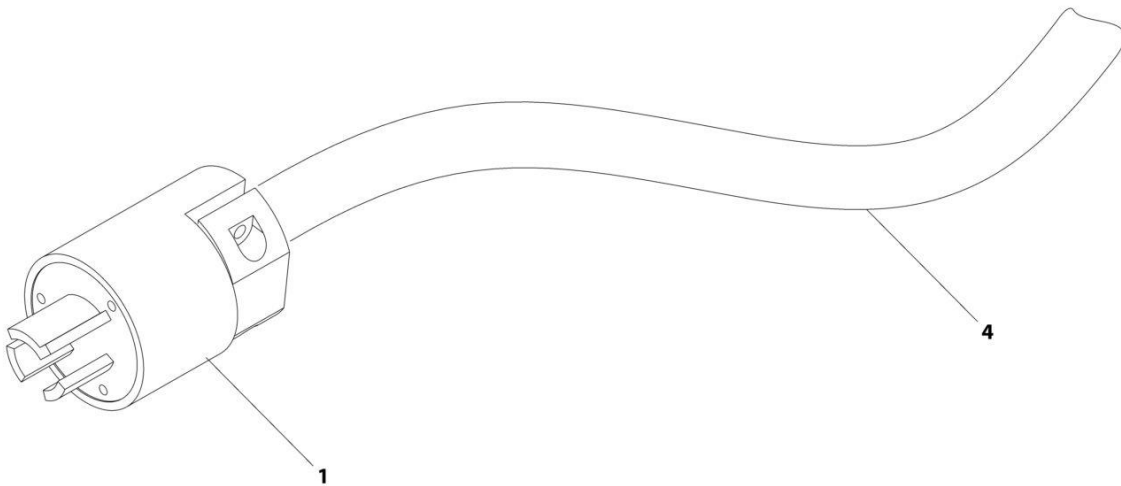
## SECTION 8 - ELECTRICAL

### FIGURE 8-20. BOOM HARNESS - MAIN BOOM

ITEM	PART NUMBER	QTY	DESCRIPTION	REV
	1001172335	Ref	BOOM HARNESS - 450A (MAIN BOOM)	E
2	4460865	1	Connector - 19 Position	
3	4460473	1	Clamp	
4	4460465	20	Socket, Female	
5	4460509	8	Socket, Female	
6	4460466	5	Plug, Socket	

# SECTION 8 - ELECTRICAL

FIGURE 8-21. BOOM HARNESS - MAIN BOOM (8/5 4000W GENERATOR)



ART\_1001172336

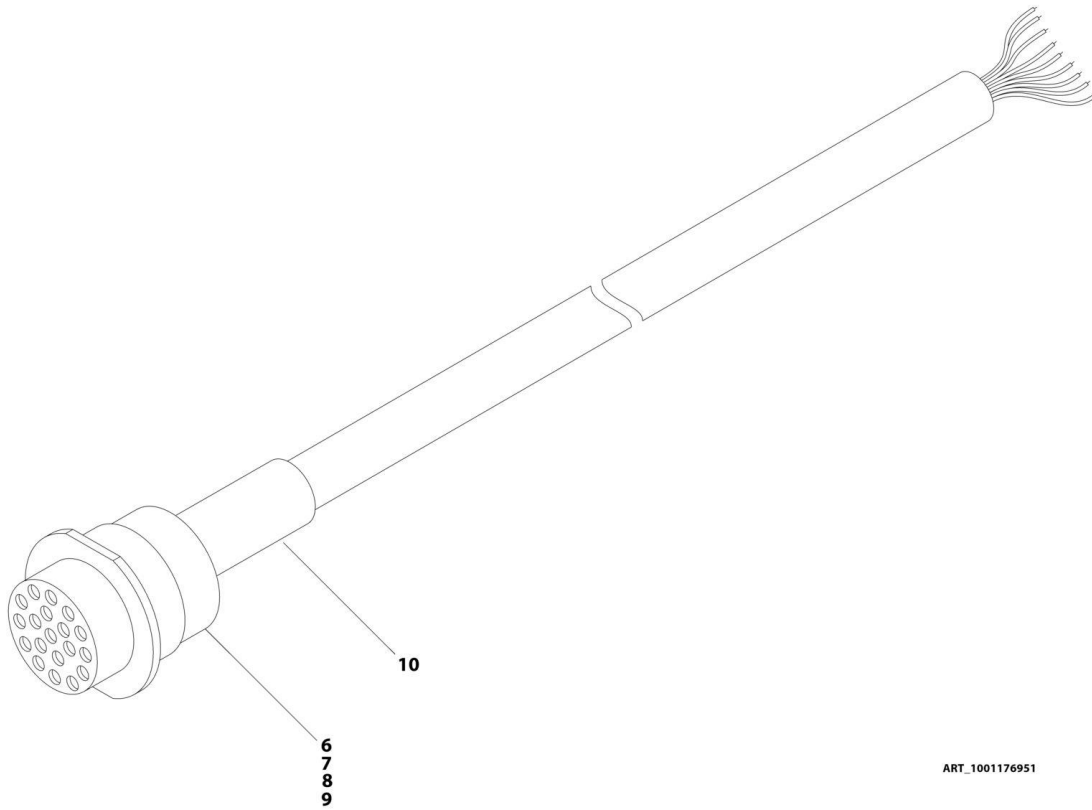
## SECTION 8 - ELECTRICAL

**FIGURE 8-21. BOOM HARNESS - MAIN BOOM (8/5 4000W GENERATOR)**

ITEM	PART NUMBER	QTY	DESCRIPTION	REV
1	1001172336	Ref	BOOM HARNESS - 450A (MAIN BOOM AC CABLE)	C
	1001120204	1	Plug, Male	
4	1060461	494 in /12.6m	Cable, Electrical - 12/3	

# SECTION 8 - ELECTRICAL

## FIGURE 8-22. BOOM HARNESS - TOWER BOOM



ART\_1001176951

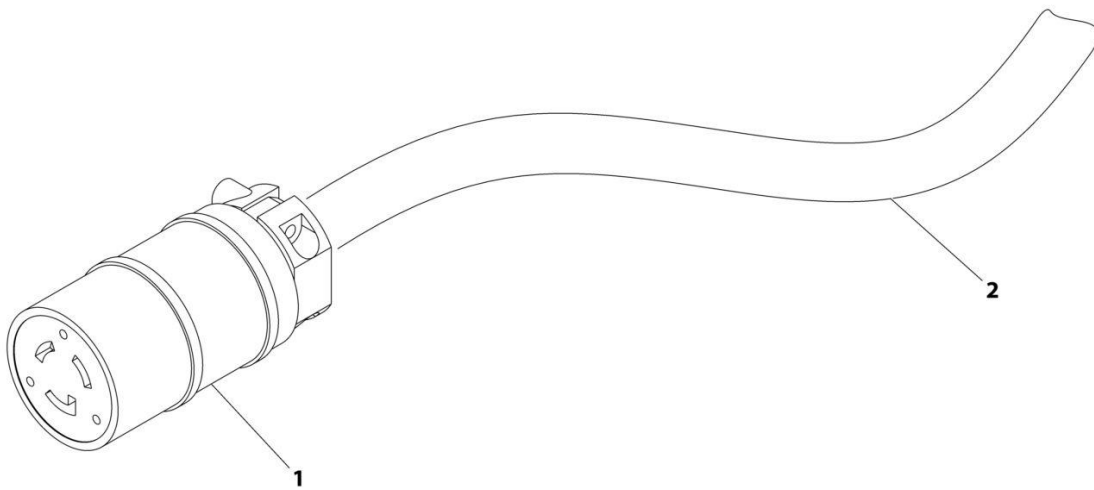
## SECTION 8 - ELECTRICAL

### FIGURE 8-22. BOOM HARNESS - TOWER BOOM

ITEM	PART NUMBER	QTY	DESCRIPTION	REV
	1001176951	Ref	BOOM HARNESS - TOWER BOOM	E
6	4460466	5	Plug, Terminal	
7	4460464	20	Pin, Male	
8	4460508	8	Pin, Male	
9	4460866	1	Connector - 19 Position	
10	2820031	AR	Heat Shrink	

## SECTION 8 - ELECTRICAL

FIGURE 8-23. BOOM HARNESS - TOWER BOOM (8/5 4000W GENERATOR)



ART\_1001174749



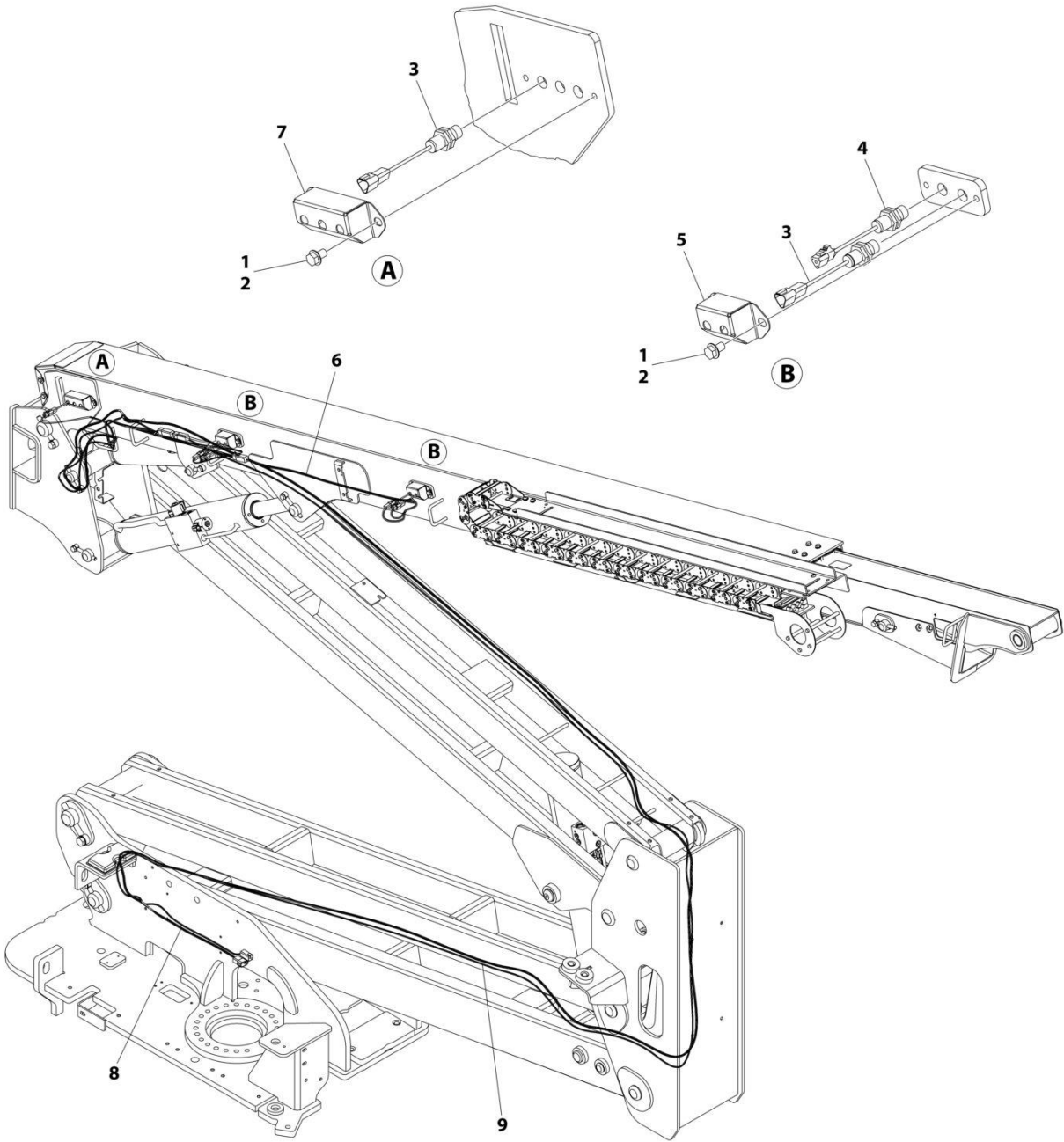
## SECTION 8 - ELECTRICAL

**FIGURE 8-23. BOOM HARNESS - TOWER BOOM (8/5 4000W GENERATOR)**

ITEM	PART NUMBER	QTY	DESCRIPTION	REV
	1001174749	Ref	BOOM HARNESS - TOWER BOOM AC CABLE	C
1	1001120205	1	Connector, Female	
2	1060461	28 ft/ 8.5m	Electrical Cable, 12/3	

# SECTION 8 - ELECTRICAL

FIGURE 8-24. BOOM SENSORS INSTALLATION



ART\_1001266649

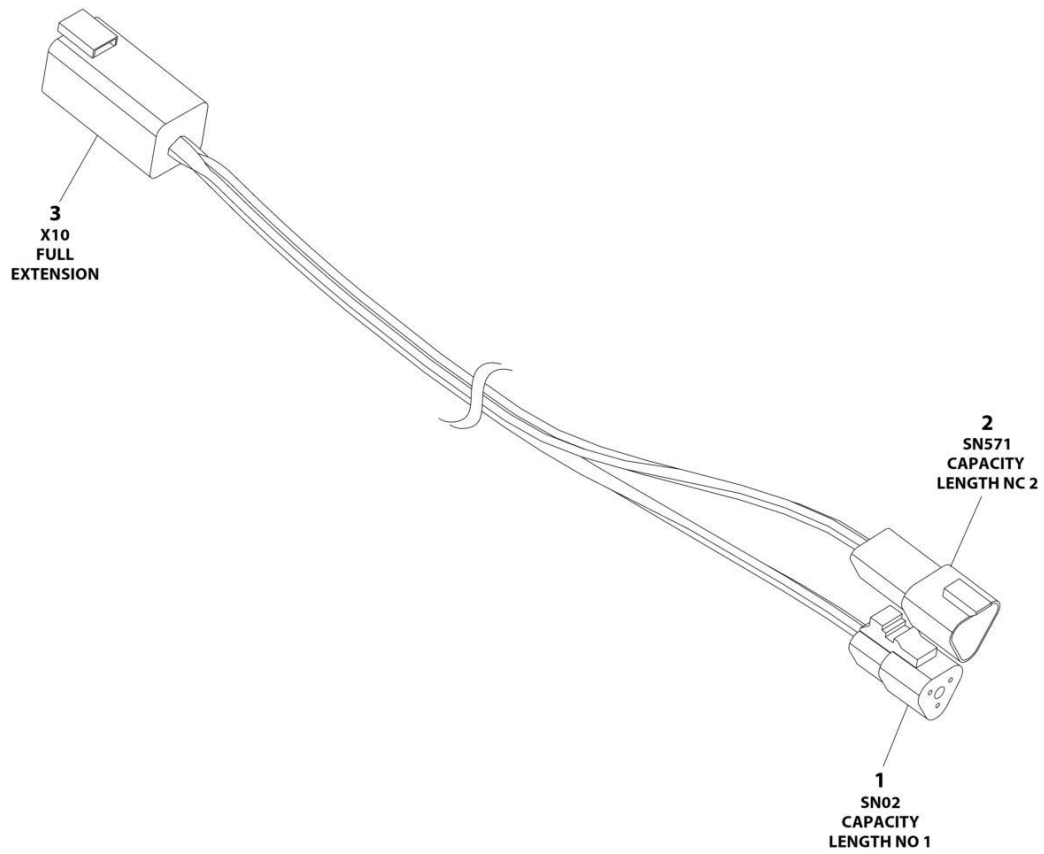
## SECTION 8 - ELECTRICAL

### FIGURE 8-24. BOOM SENSORS INSTALLATION

ITEM	PART NUMBER	QTY	DESCRIPTION	REV
	1001266649	Ref	BOOM SENSORS INSTALLATION	C
1	0100011	AR	Compound, Locking	
2	5251008	6	Bolt M10 x 16	
3	1001170847	3	Sensor, Proximity	
4	1001182570	2	Sensor, Proximity	
5	1001204715	2	Bracket	
6	1001238192	1	Harness, Boom Sensor (See Separate Breakdown in this Section)	
7	1001256527	1	Bracket	
8	1001263007	1	Harness, Capacity (See Separate Breakdown in this Section)	
9	1001263008	1	Harness, Transport (See Separate Breakdown in this Section)	

# SECTION 8 - ELECTRICAL

## FIGURE 8-25. BOOM SENSOR HARNESS



ART\_1001238192

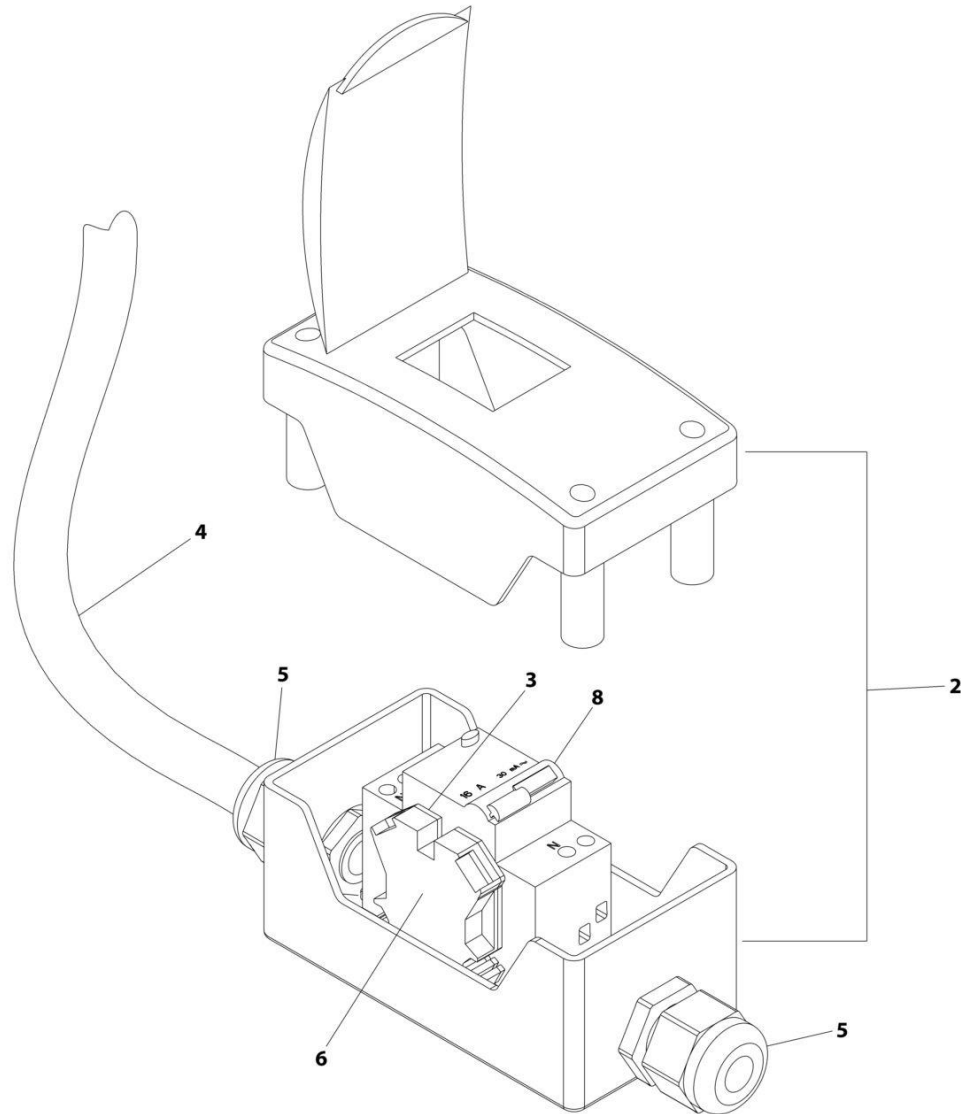
## SECTION 8 - ELECTRICAL

### FIGURE 8-25. BOOM SENSOR HARNESS

ITEM	PART NUMBER	QTY	DESCRIPTION	REV
	1001238192	Ref	BOOM SENSOR / CAPACITY PROXIMITY HARNESS	B
1	4460539	1	Plug, Male - 3 Position	
1	4460465	3	Socket, Female	
2	4460536	1	Receptacle, Female - 3 Position	
2	4640464	3	Pin, Male	
3	4460899	1	Receptacle, Female - 6 Position	
3	4460464	6	Pin, Male	

## SECTION 8 - ELECTRICAL

FIGURE 8-26. BREAKER BOX KIT WITH SINGLE DOUBLE POLE BREAKER (CE, CIS/EAC & UK CA SPEC)



ART\_2902549

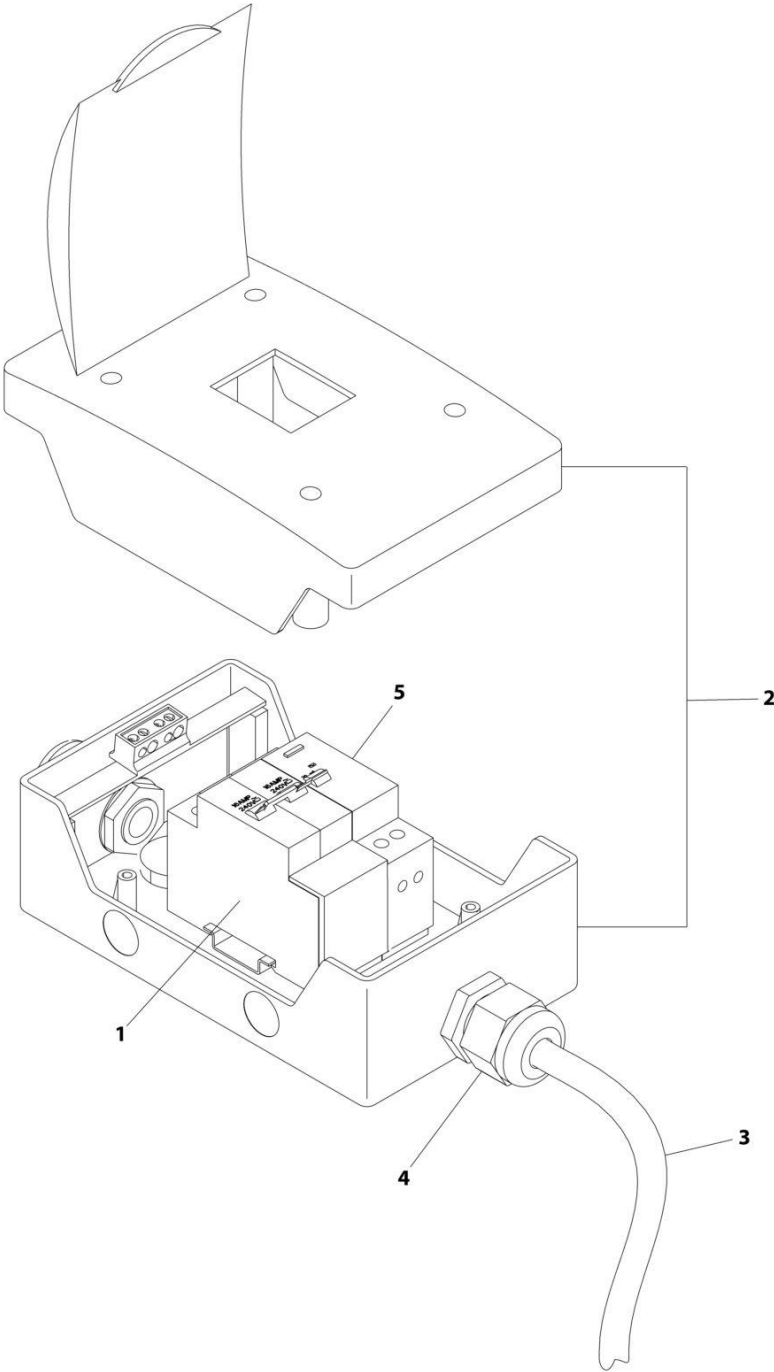
## SECTION 8 - ELECTRICAL

**FIGURE 8-26. BREAKER BOX KIT WITH SINGLE DOUBLE POLE BREAKER (CE, CIS/EAC & UK CA SPEC)**

ITEM	PART NUMBER	QTY	DESCRIPTION	REV
	2902549	Ref	BREAKER BOX KIT - 110/220V 16AMP BREAKER	F
2	0861880	1	Box	
3	4460956	1	Barrier, Terminal	
4	1060908	6 ft/1.8m	Cable, 12/3	
5	1001097150	2	Connector, Strain Relief	
6	4460957	1	Block, Terminal	
8	1001181045	1	Breaker, Combination 16Amp/30mAmp	

**SECTION 8 - ELECTRICAL**

**FIGURE 8-27. BREAKER BOX KIT WITH THREE BREAKERS (CE, CIS/EAC & UK CA SPEC)**



ART\_1001152485\_F



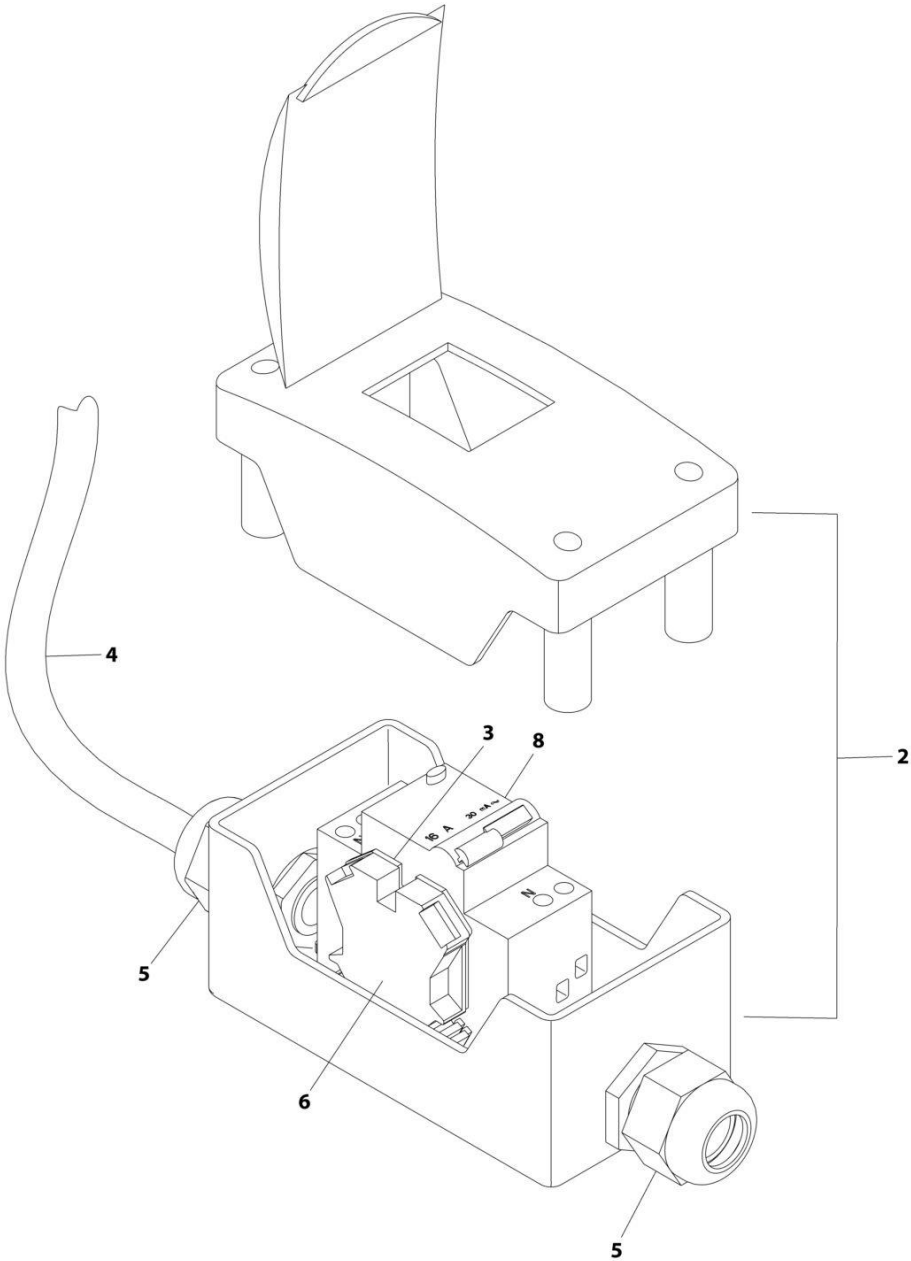
## SECTION 8 - ELECTRICAL

**FIGURE 8-27. BREAKER BOX KIT WITH THREE BREAKERS (CE, CIS/EAC & UK CA SPEC)**

ITEM	PART NUMBER	QTY	DESCRIPTION	REV
	1001152485	Ref	BREAKER BOX KIT WITH TWO BREAKERS	F
1	1001189172	1	Breaker 16Amp Double	
2	1001152483	1	Box	
3	1060908	6 ft/1.8m	Cable, 12/3	
4	1001097150	2	Connector, Strain Relief	
5	1001189171	1	Breaker, 30mA	

**SECTION 8 - ELECTRICAL**

**FIGURE 8-28. BREAKER BOX KIT - 30MA/16 AMP**



ART\_1001096070

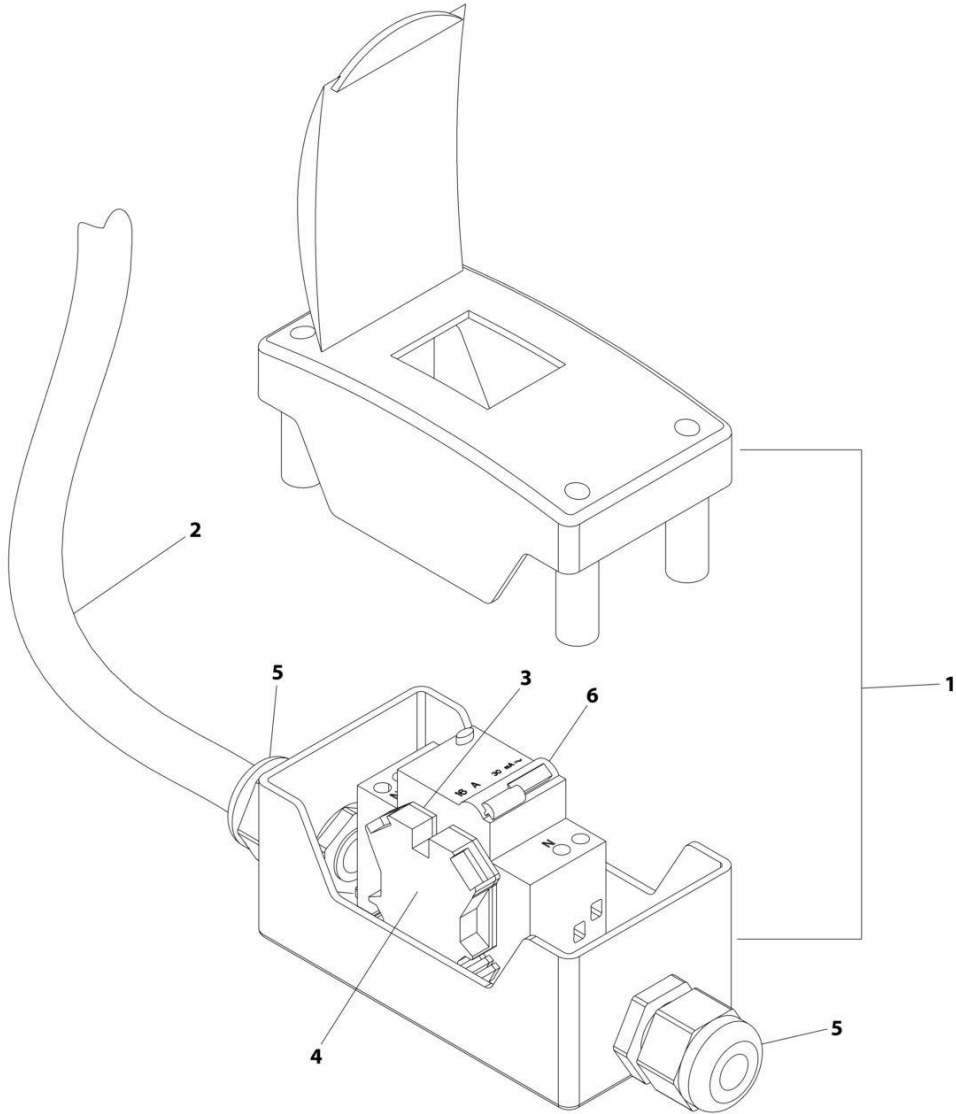
## SECTION 8 - ELECTRICAL

### FIGURE 8-28. BREAKER BOX KIT - 30MA/16 AMP

ITEM	PART NUMBER	QTY	DESCRIPTION	REV
	1001096070	Ref	BREAKER BOX KIT	E
2	0861880	1	Box	
3	4460956	1	Barrier, Terminal Block End	
4	1060908	12 ft/ 3.6m	Cable, 12/3	
5	1001097150	2	Connector, Strain Relief	
6	4460957	1	Block, Terminal	
8	1001181045	1	Breaker, 16Amp	

**SECTION 8 - ELECTRICAL**

**FIGURE 8-29. BREAKER BOX KIT**



ART\_1001289592

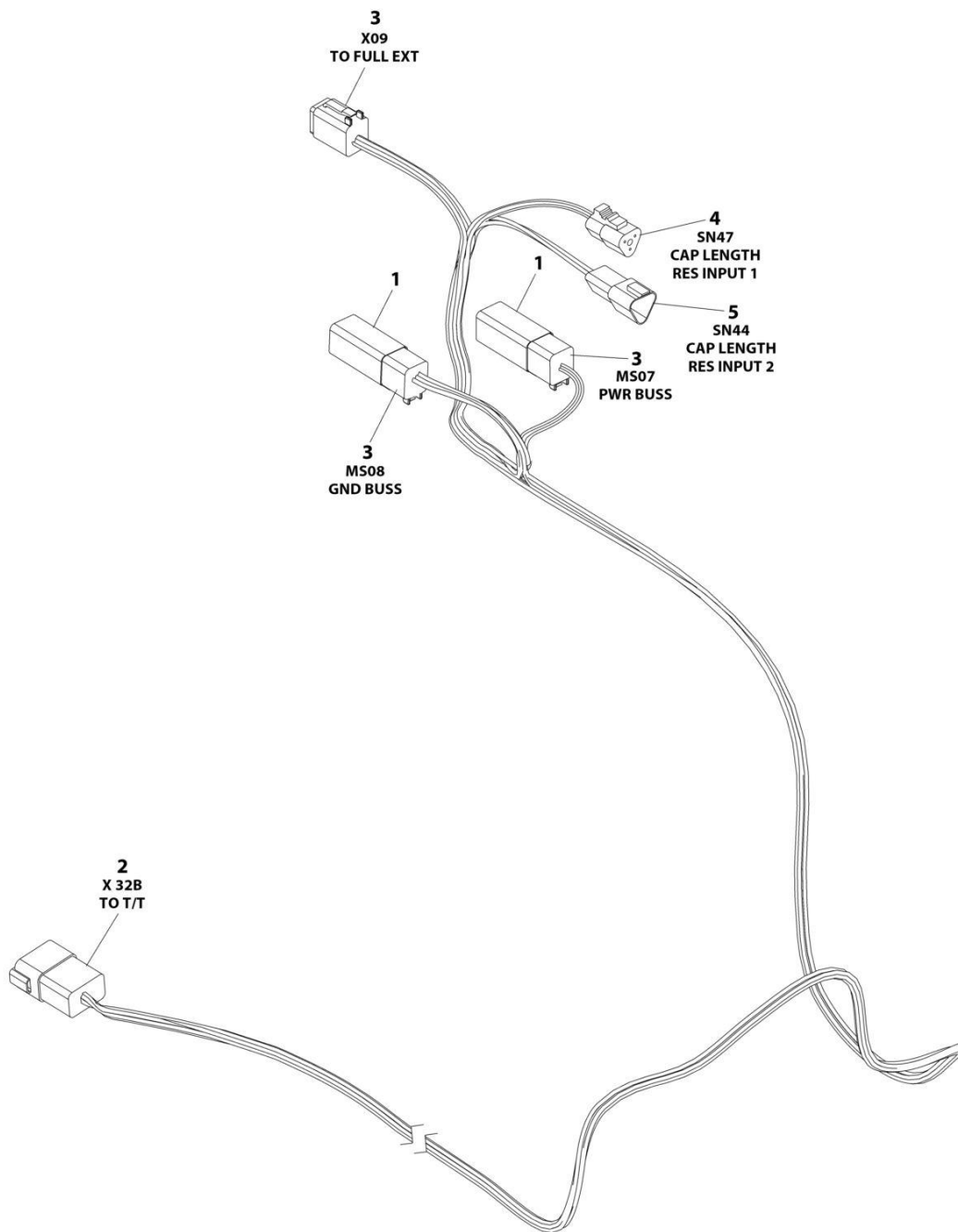
## SECTION 8 - ELECTRICAL

### FIGURE 8-29. BREAKER BOX KIT

ITEM	PART NUMBER	QTY	DESCRIPTION	REV
	1001289592	Ref	BREAKER BOX KIT	A
1	0861880	1	Box	
2	1060908	6 ft/1.8m	Cable 12/3	
3	4460956	1	Barrier, Terminal	
4	4460957	2	Block, Terminal	
5	1001097150	2	Connector, Strain Relief	
6	1001289589	1	Breaker, 16Amp	

# SECTION 8 - ELECTRICAL

## FIGURE 8-30. CAPACITY HARNESS



ART\_1001263007

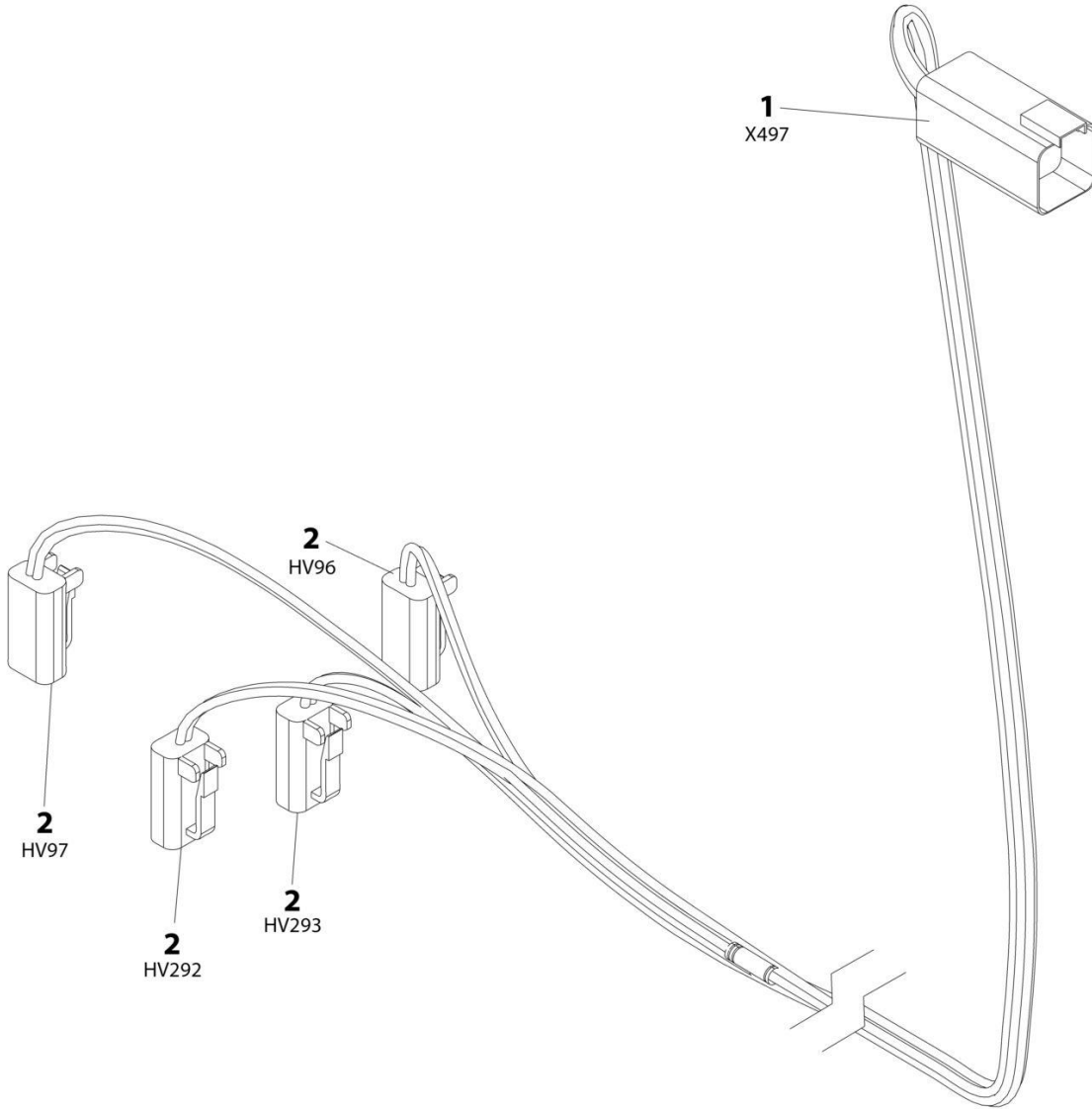
## SECTION 8 - ELECTRICAL

### FIGURE 8-30. CAPACITY HARNESS

ITEM	PART NUMBER	QTY	DESCRIPTION	REV
	1001263007	Ref	CAPACITY HARNESS	C
1	4460892	2	Bussbar - 6 Position	
2	4460931	1	Receptacle, Female - 8 Position	
2	4460464	6	Pin, Male	
2	4460466	2	Plug, Terminal	
3	4460894	3	Plug, Male - 6 Position	
3	4460465	16	Socket, Female	
3	4460466	2	Plug, Terminal	
4	4460539	1	Plug, Male - 3 Position	
4	4460465	3	Socket, Female	
5	4460536	1	Receptacle, Female	
5	4460464	3	Pin, Male	

# SECTION 8 - ELECTRICAL

## FIGURE 8-31. CHASSIS SOLENOID HARNESS



ART\_1001179236



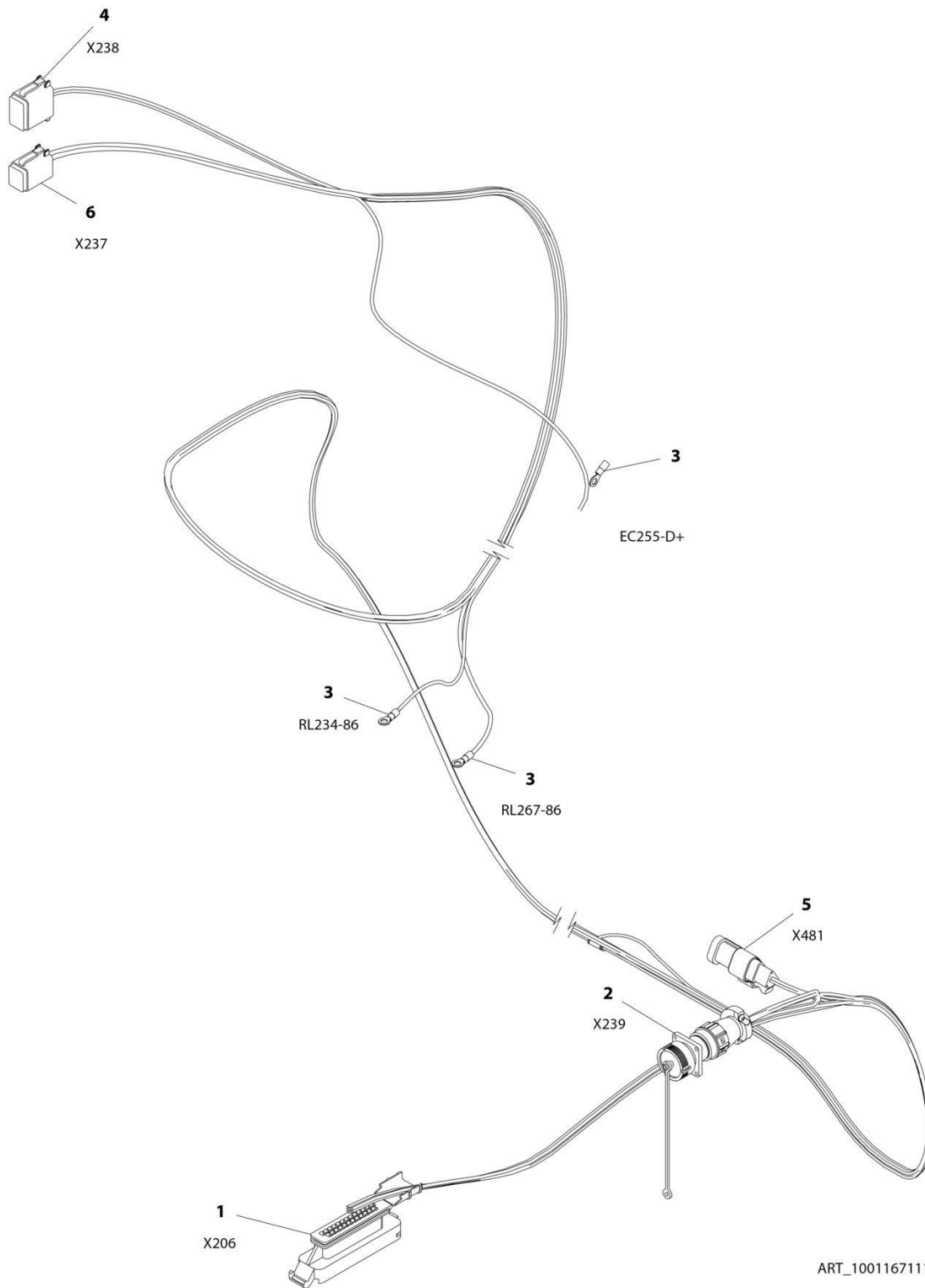
## SECTION 8 - ELECTRICAL

### FIGURE 8-31. CHASSIS SOLENOID HARNESS

ITEM	PART NUMBER	QTY	DESCRIPTION	REV
	1001179236	Ref	CHASSIS SOLENOID HARNESS	A
1	4460899	1	Receptacle, Female - 6 Position	
1	4460464	6	Pin, Male	
2	4460891	4	Plug, Male - 2 Position	
2	4460465	8	Socket, Female	

# SECTION 8 - ELECTRICAL

## FIGURE 8-32. ENGINE HARNESS - DEUTZ D2011



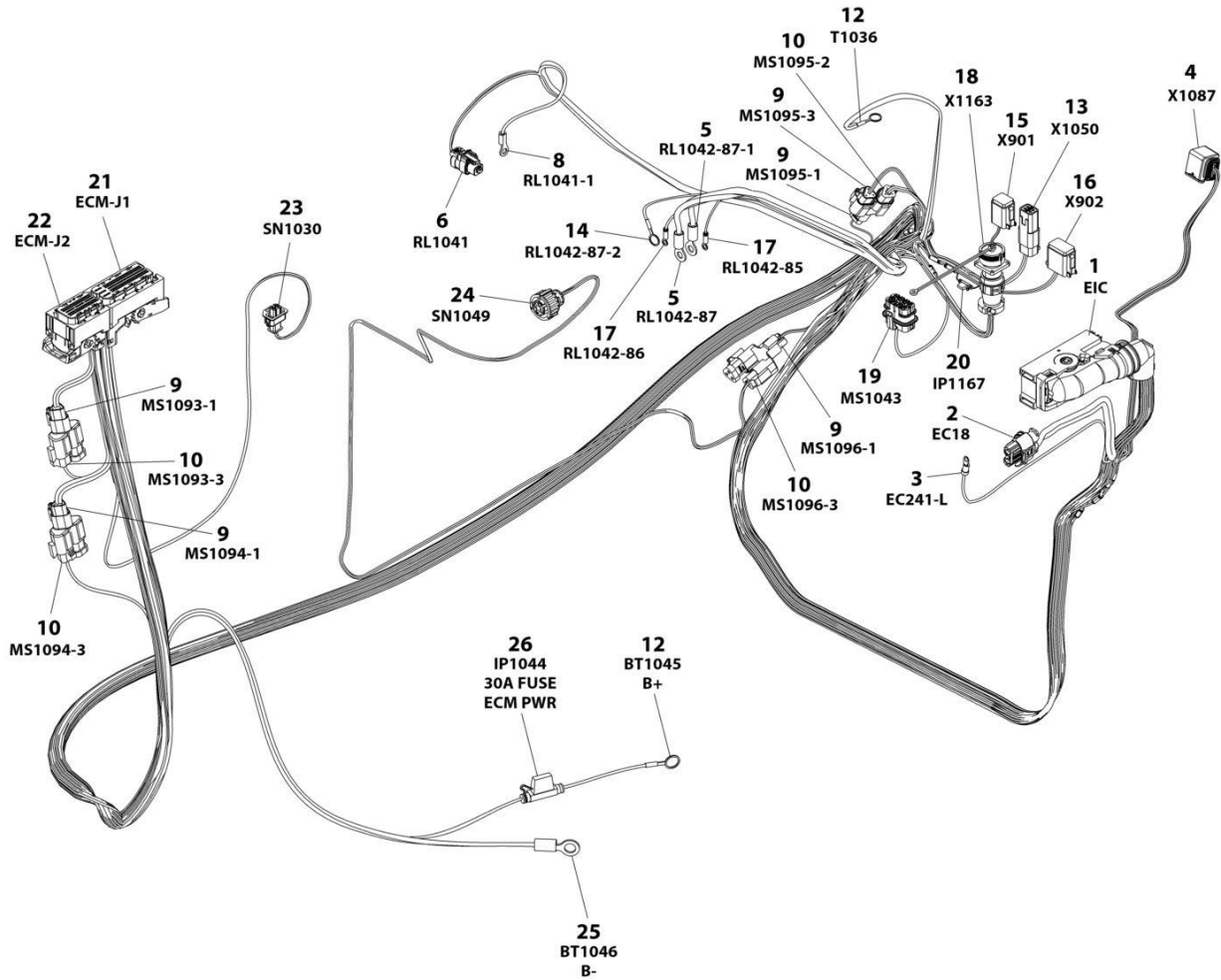
## SECTION 8 - ELECTRICAL

**FIGURE 8-32. ENGINE HARNESS - DEUTZ D2011**

ITEM	PART NUMBER	QTY	DESCRIPTION	REV
	1001167111	Ref	ENGINE HARNESS - DEUTZ D2011	B
1	4461052	1	Connector - 25 Position	
1	4461005	7	Terminal	
1	4461008	18	Plug, Terminal	
2	2902443	1	Receptacle Kit	
2	4461071	8	Socket, Female	
2	4461072	1	Receptacle with Flange - 8 Position	
2	4461073	1	Cap, Dust	
2	4461074	1	Shell, Black	
3	4460313	3	Terminal, Ring	
4	4460930	1	Plug, Male - 8 Position	
4	4460465	2	Socket, Female	
4	4460466	6	Seal, Terminal	
5	4461095	1	Plug, Male - 3 Position	
5	4460465	3	Socket, Female	
6	4460894	1	Plug, Male - 6 Position	
6	4460465	6	Socket, Female	

# SECTION 8 - ELECTRICAL

## FIGURE 8-33. ENGINE HARNESS



ART\_1001276643

## SECTION 8 - ELECTRICAL

### FIGURE 8-33. ENGINE HARNESS

ITEM	PART NUMBER	QTY	DESCRIPTION	REV
	1001276643	Ref	ENGINE HARNESS - DEUTZ D2.9L4 (STAGE V) ENGINE	B
1	1001126362	1	Connector	
1	1001126363	37	Socket	
1	1001126391	7	Plug, Terminal	
1	1001126392	12	Socket	
1	4461008	4	Plug, Terminal	
1	1001167632	2	Socket	
1	1001126364	37	Plug, Terminal	
1	1001223459	12	Seal	
1	4461054	2	Seal	
2	1001142938	1	Connector	
2	1001142940	2	Socket	
2	1001142941	2	Seal	
3	4460042	1	Terminal, Ring	
4	1001239202	1	Connector	
4	1001126363	7	Socket	
4	1001126391	1	Plug, Terminal	
4	1001126364	7	Plug, Terminal	
5	1001117107	2	Terminal, Ring	
6	1001116952	1	Connector	
6	4460465	2	Socket	
8	4460043	1	Terminal, Ring	
9	1001116812	5	Connector	
9	4460944	10	Socket	
9	4460466	5	Plug, Terminal	
10	4460539	4	Connector	
10	4460944	8	Socket	
10	4460466	4	Plug, Terminal	
12	4460019	2	Terminal, Ring	
13	4460884	1	Connector	
13	4460465	2	Socket	
13	4460942	2	Socket	
14	4460703	1	Terminal, Ring	
15	4460894	1	Connector	
15	4460466	2	Plug, Terminal	
15	4460465	2	Socket	
15	4460944	2	Socket	
16	4460930	1	Connector	
16	4460465	1	Socket	
16	4460466	7	Plug, Terminal	
17	4460247	2	Terminal, Ring	
18	2902443	1	Receptacle Kit	
18	4461071	8	Socket	
18	4461072	1	Receptacle with Flange - 8 Position	
18	4461073	1	Cap, Dust	
18	4461074	1	Shell, Black	
19	80484084	1	Connector	
19	4460748	4	Plug, Socket	
19	4460746	3	Socket	
19	1001234800	1	Socket	

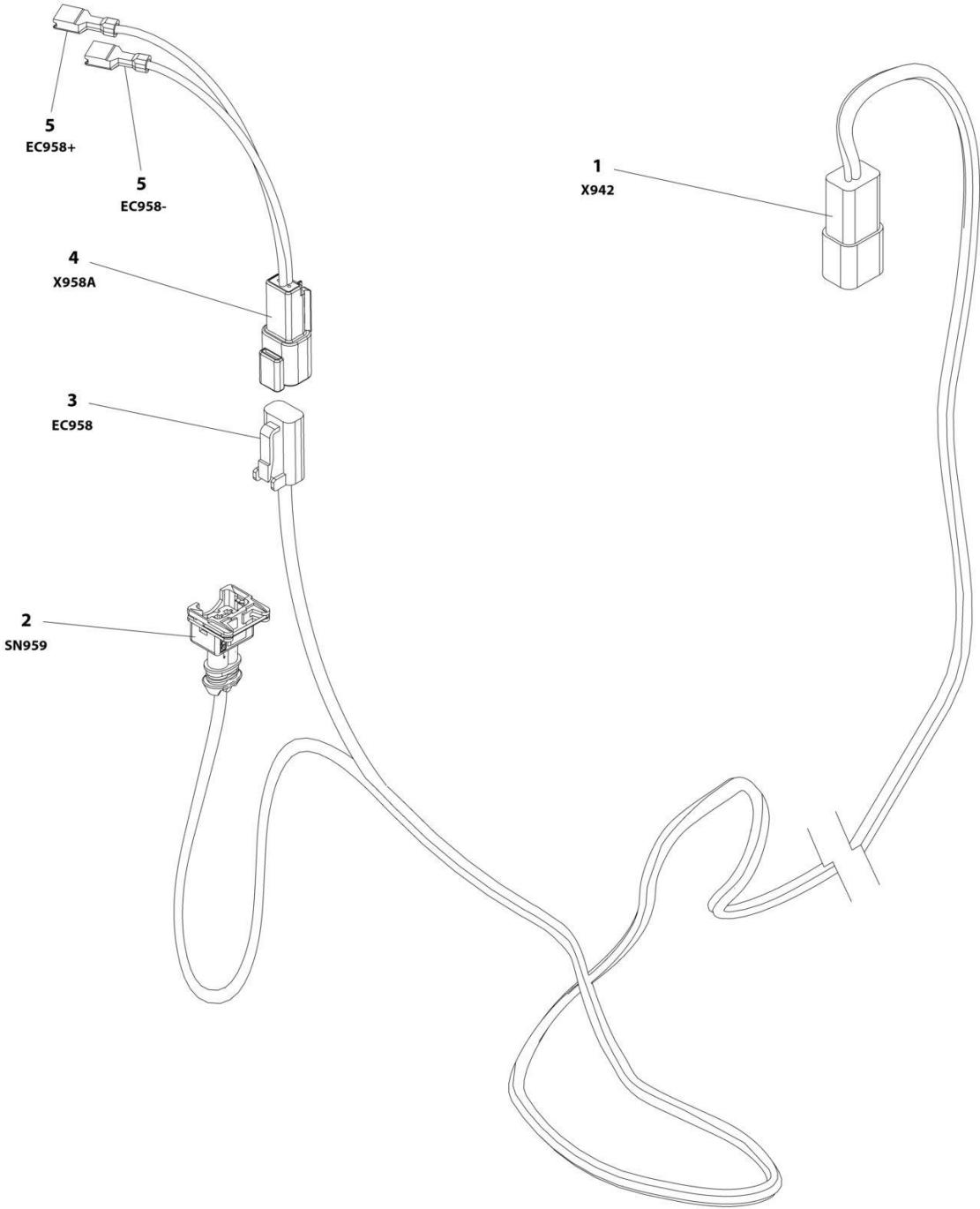
## SECTION 8 - ELECTRICAL

ITEM	PART NUMBER	QTY	DESCRIPTION	REV
19	4460458	4	Seal	
20	1001170764	1	Holder, Fuse	
20	1001197719	1	Fuse 0.5 Watt	
21	1001133956	1	Connector	
21	1001182361	6	Socket	
21	1001126351	3	Socket	
21	1001230934	23	Socket	
21	1001230935	57	Pin	
21	1001230936	1	Pin	
21	1001252527	4	Socket	
21	1001182365	6	Seal	
22	1001133957	1	Connector	
22	1001230936	11	Pin	
22	1001126351	13	Socket	
22	1001230935	10	Pin	
22	1001230934	26	Socket	
23	1001126487	1	Connector	
23	1001167635	2	Socket	
23	1001126485	2	Seal	
24	1001133714	1	Connector	
24	1001133715	3	Socket	
24	1001135651	1	Plug, Terminal	
24	1001135650	2	Seal	
25	4460115	1	Terminal, Ring	
26	1001172064	1	Fuse Holder (Includes Cover)	
26	1001172065	1	Fuse 30Amp	



**SECTION 8 - ELECTRICAL**

**FIGURE 8-34. FUEL HARNESS - DEUTZ D2.9L4 ENGINE**



ART\_1001181358



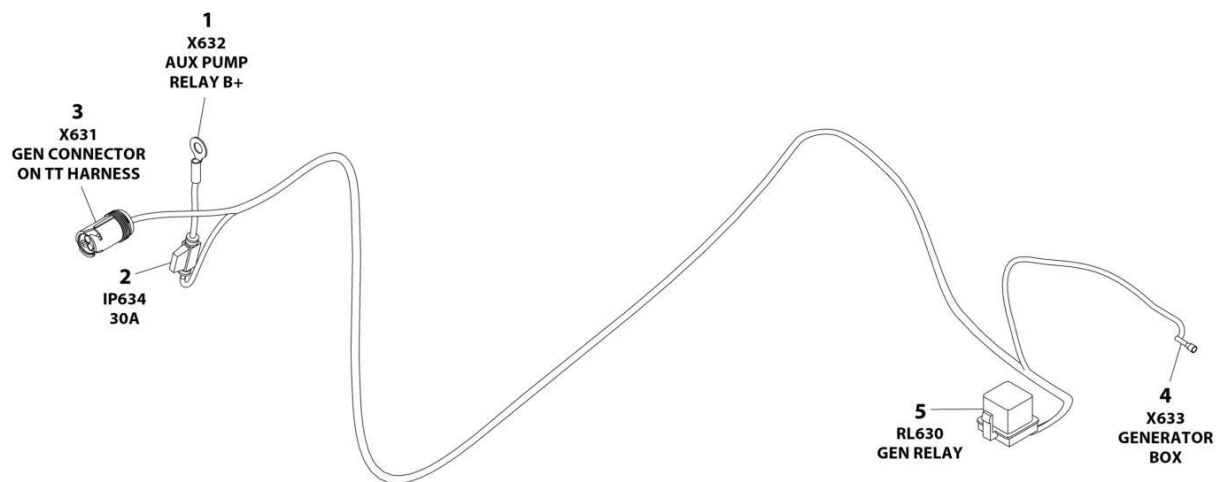
## SECTION 8 - ELECTRICAL

### FIGURE 8-34. FUEL HARNESS - DEUTZ D2.9L4 ENGINE

ITEM	PART NUMBER	QTY	DESCRIPTION	REV
	1001181358	Ref	FUEL HARNESS - DEUTZ D2.9L4 ENGINE	D
1	4460932	1	Receptacle, Female - 4 Position	
1	4460464	2	Pin, Male	
1	4460941	2	Pin, Male	
2	1001116983	1	Plug, Male - 2 Position	
2	4461060	2	Socket, Female	
2	4461054	2	Seal	
3	4460891	1	Plug, Male - 2 Position	
3	4460942	2	Socket, Female	
4	4460897	1	Receptacle, Female - 2 Position	
4	4460941	2	Pin, Male	
5	8220051	2	Coupler, Female	

# SECTION 8 - ELECTRICAL

## FIGURE 8-35. GENERATOR HARNESS - 2500W GENERATOR (50HZ)



ART\_1001187352

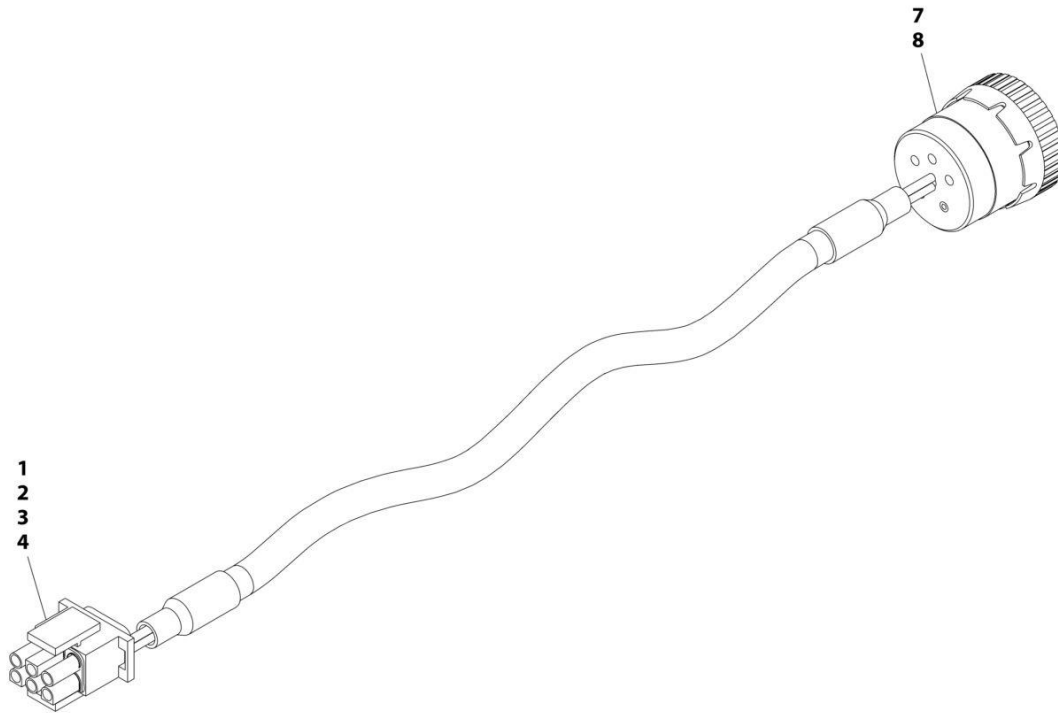
## SECTION 8 - ELECTRICAL

### FIGURE 8-35. GENERATOR HARNESS - 2500W GENERATOR (50HZ)

ITEM	PART NUMBER	QTY	DESCRIPTION	REV
	1001187352	Ref	GENERATOR HARNESS - 2500W GENERATOR (50HZ)	A
1	8220045	1	Terminal, Ring	
2	2400060	1	Holder, Fuse	
2	8229245	1	Fuse 30Amp	
3	1001154726	1	Connector - 3 Position	
3	4460464	2	Pin, Male	
3	4460466	1	Plug, Terminal	
4	1001100231	1	Terminal	
5	1001117057	1	Plug, Relay	
5	1001116734	2	Terminal	
5	1001116732	2	Terminal	

# SECTION 8 - ELECTRICAL

FIGURE 8-36. GENERATOR HARNESS - 4000W GENERATOR



ART\_1001152532

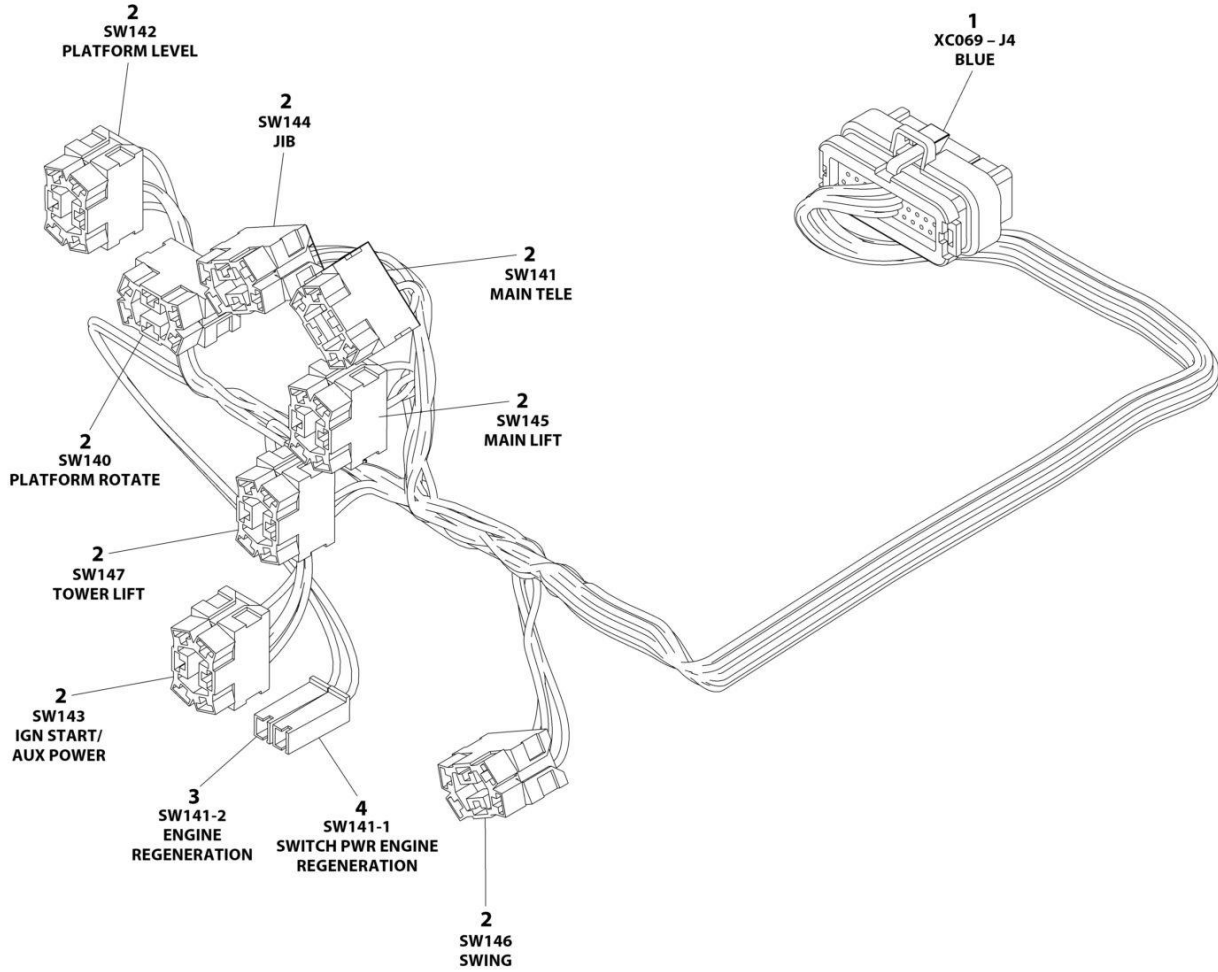
## SECTION 8 - ELECTRICAL

### FIGURE 8-36. GENERATOR HARNESS - 4000W GENERATOR

ITEM	PART NUMBER	QTY	DESCRIPTION	REV
	1001152532	Ref	GENERATOR HARNESS	A
1	4460225	1	Connector - 6 Position	
2	4460268	2	Socket, Female	
3	4460807	1	Seal	
4	4460808	1	Seal	
7	4460465	2	Socket, Female	
8	77363233	1	Connector - 6 Position	

# SECTION 8 - ELECTRICAL

## FIGURE 8-37. GROUND CONTROL PANEL HARNESS



ART\_1001244295

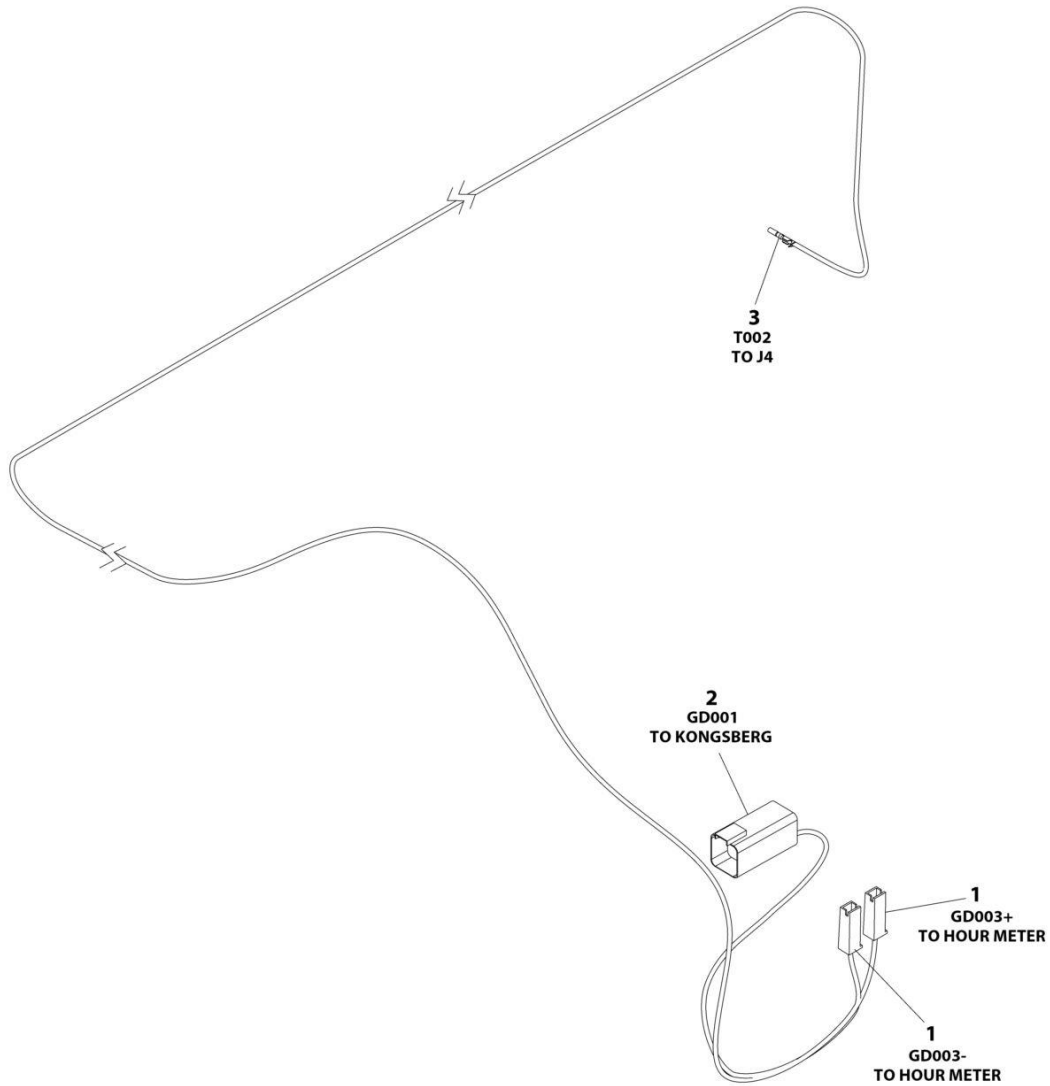
## SECTION 8 - ELECTRICAL

### FIGURE 8-37. GROUND CONTROL PANEL HARNESS

ITEM	PART NUMBER	QTY	DESCRIPTION	REV
	1001244295	Ref	GROUND CONTROL PANEL HARNESS	C
1	4460876	1	Connector - 35 Position	
1	4460871	18	Socket, Female	
1	4460905	17	Plug, Terminal	
2	4460418	8	Connector - 6 Position	
2	4460419	16	Terminal	
2	1001159186	16	Terminal	
3	4460260	2	Housing, Terminal	
3	4460259	2	Terminal	
4	4460260	1	Terminal, Housing	
4	4460259	1	Terminal	

# SECTION 8 - ELECTRICAL

## FIGURE 8-38. HOUR METER JUMPER HARNESS



ART\_1001296426



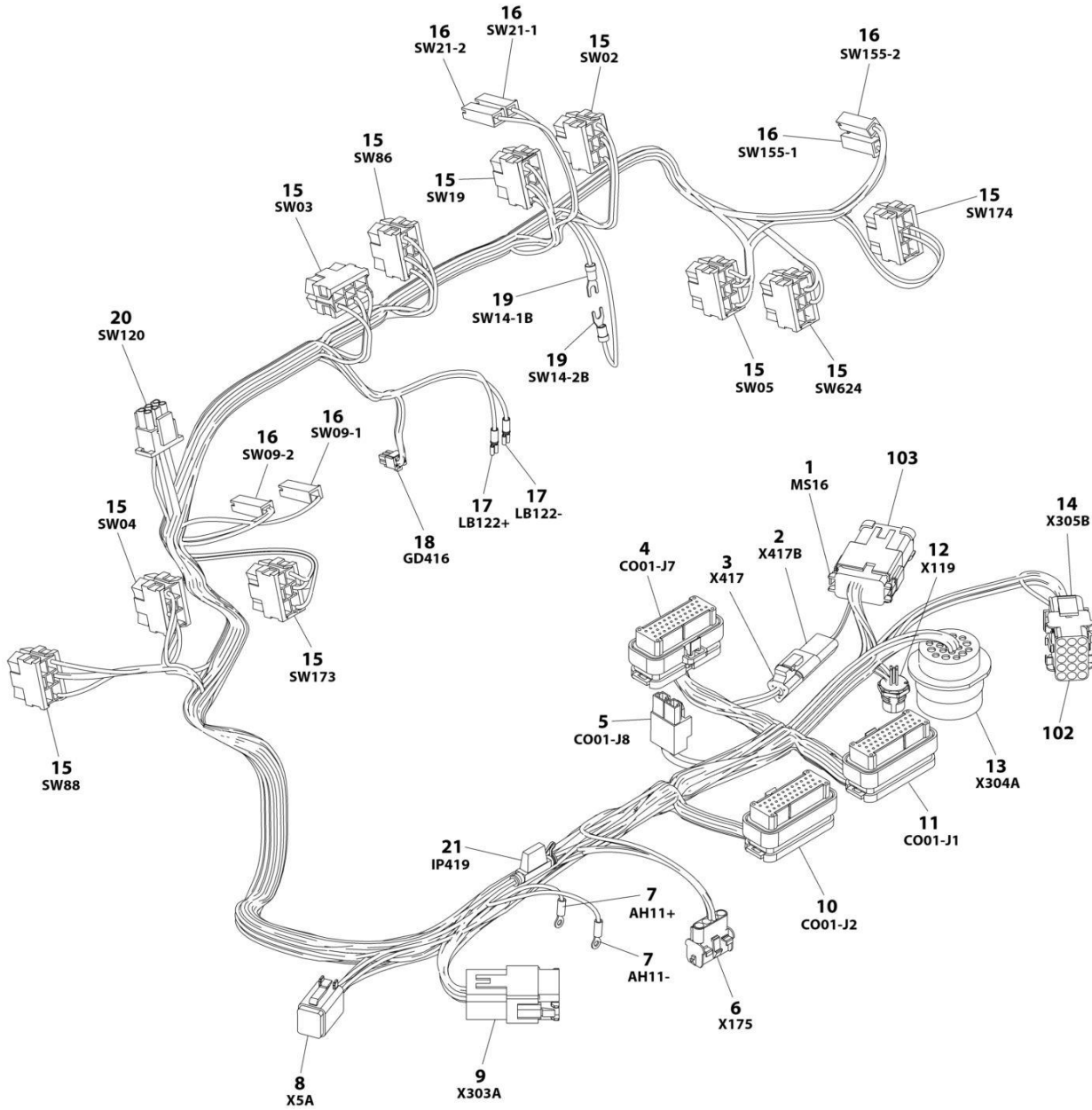
## SECTION 8 - ELECTRICAL

### FIGURE 8-38. HOUR METER JUMPER HARNESS

ITEM	PART NUMBER	QTY	DESCRIPTION	REV
	1001296426	Ref	HOUR METER JUMPER HARNESS	A
1	4460260	2	Connector	
2	4460899	1	Connector	
3	4460871	1	Socket	

# SECTION 8 - ELECTRICAL

## FIGURE 8-39. PLATFORM CONSOLE BOX HARNESS



ART\_1001238254

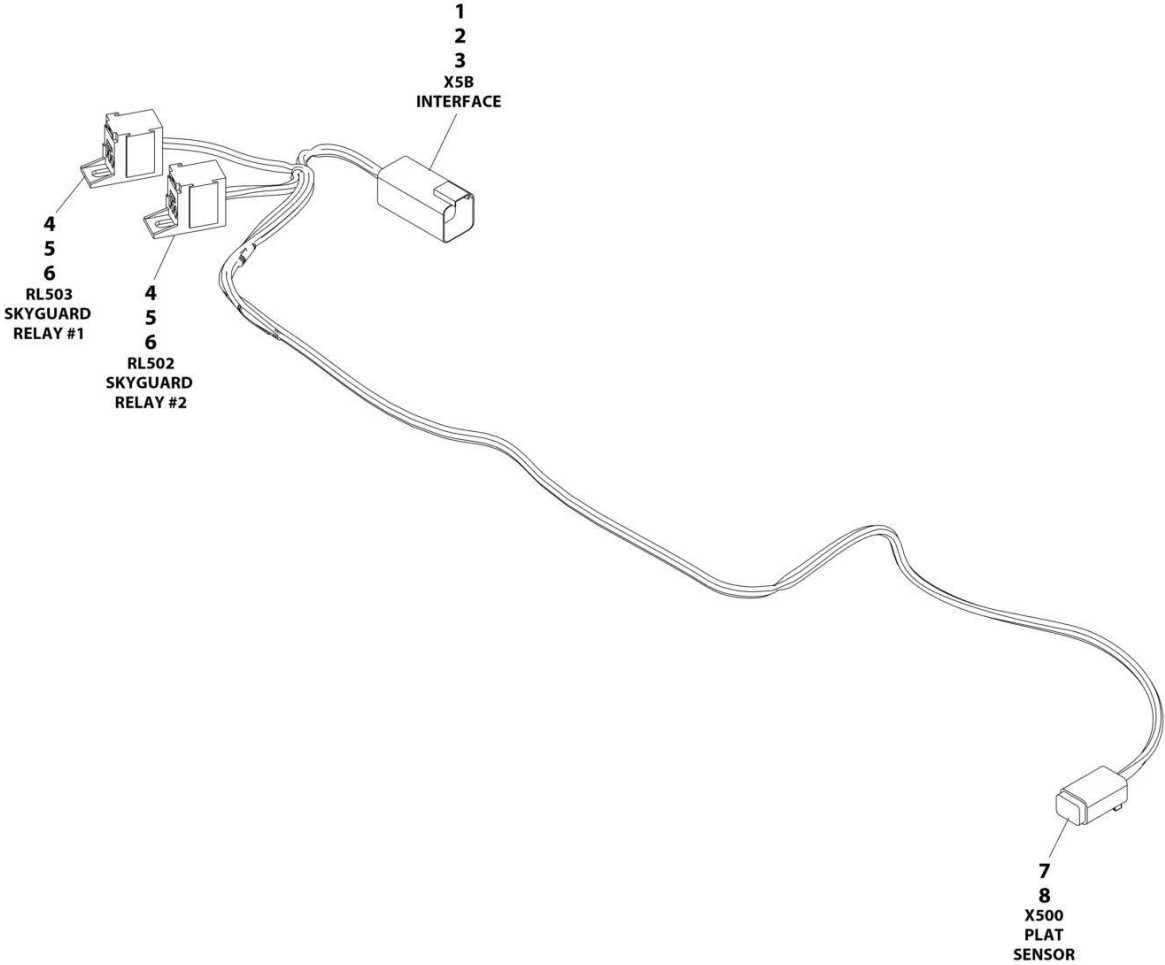
## SECTION 8 - ELECTRICAL

### FIGURE 8-39. PLATFORM CONSOLE BOX HARNESS

ITEM	PART NUMBER	QTY	DESCRIPTION	REV
	1001238254	Ref	PLATFORM CONSOLE BOX HARNESS	I
1	4460933	1	Plug, Male - 12 Position	
1	4460465	10	Socket, Female	
1	4460466	2	Plug, Terminal	
2	4460536	1	Receptacle, Female - 3 Position	
2	4460464	2	Pin, Male	
2	4460466	1	Plug, Terminal	
3	4460539	1	Plug, Male - 3 Position	
3	4460465	2	Socket, Female	
3	4460466	1	Plug, Terminal	
4	4460873	1	Connector - 35 Position	
4	4460871	21	Socket, Female	
4	4460905	14	Plug, Terminal	
5	4460879	1	Plug, Male - 2 Position	
5	4460887	2	Terminal	
6	4460761	1	Receptacle, Female - 4 Position	
6	4460267	4	Pin, Male	
7	1001098122	2	Terminal, Ring	
8	4460894	1	Plug, Male - 6 Position	
8	4460465	6	Socket, Female	
9	4460970	1	Receptacle, Female - 12 Position	
9	1001116693	11	Pin, Male	
9	4460466	1	Plug, Terminal	
10	4460875	1	Connector - 35 Position	
10	4460871	12	Socket, Female	
10	4460905	23	Plug, Terminal	
11	4460874	1	Connector - 35 Position	
11	4460871	27	Socket, Female	
11	4460905	8	Plug, Terminal	
12	1001213447	1	Connector - 4 Position	
12	See Note	NSS	Terminal (Note: Purchase p/n 1001213447)	
13	4460866	1	Connector - 19 Position	
13	4460464	5	Pin, Male	
13	4460466	11	Plug, Terminal	
13	4460508	1	Pin, Male	
14	4460434	1	Connector - 15 Position	
14	4460267	8	Pin. Male	
15	4460418	10	Connector - 6 Position	
15	4460419	45	Terminal	
16	4460260	6	Housing, Terminal	
16	4460259	8	Terminal	
17	1001271497	2	Terminal	
18	1001237667	1	Plug, Male - 6 Position	
18	1001237668	4	Terminal	
19	4460183	2	Terminal, Fork	
20	4460225	1	Plug, Male - 6 Position	
20	4460227	6	Pin, Male (Note: Used on Pump Potentiometer Connection Only)	
21	2400060	1	Fuse Holder	
102	4460708	1	Connector, Bussbar - 15 Position	
103	1001125677	1	Connector, Bussbar - 12 Position	

**SECTION 8 - ELECTRICAL**

**FIGURE 8-40. PLATFORM INTERFACE HARNESS**



ART\_1001225580

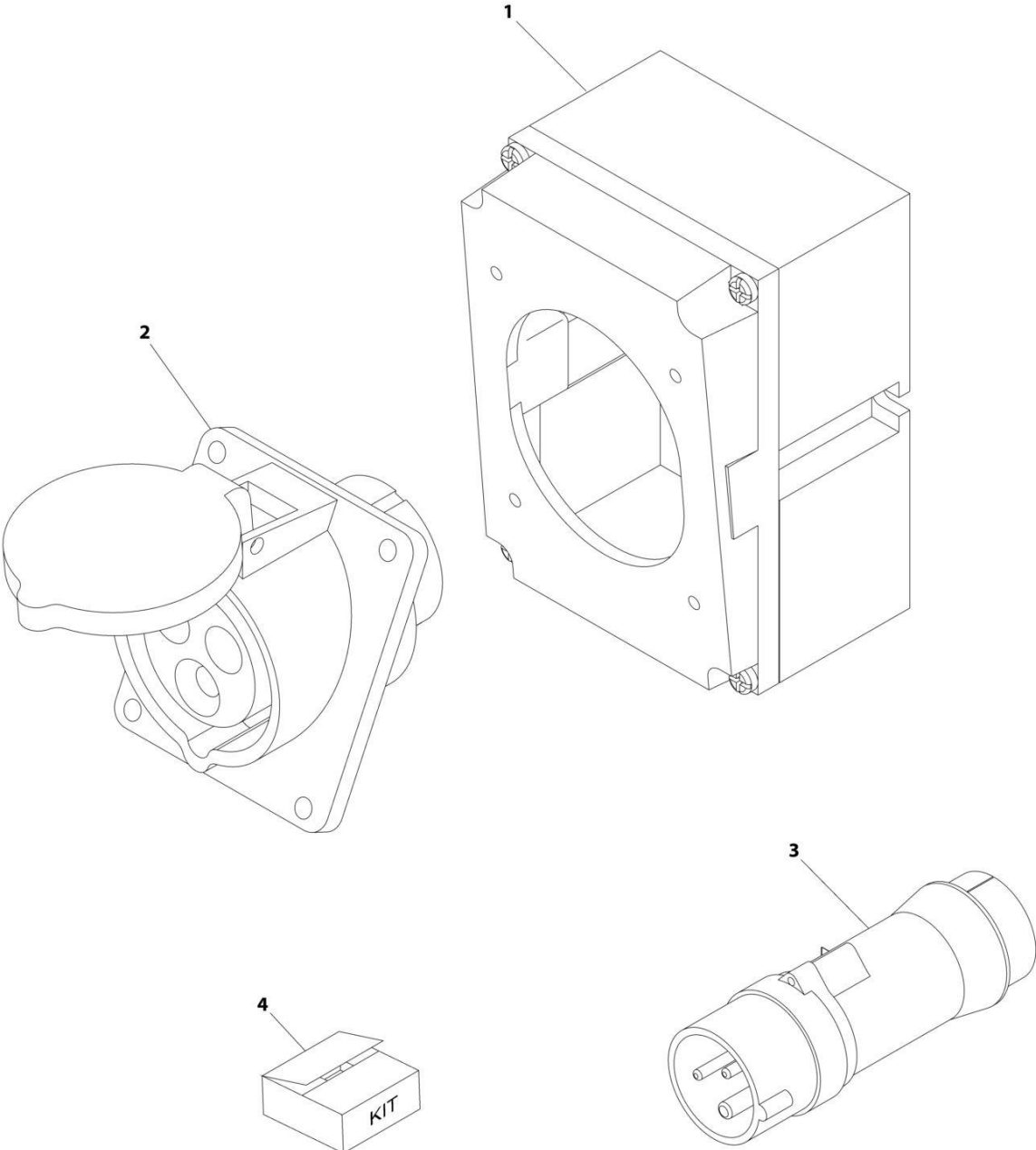
## SECTION 8 - ELECTRICAL

### FIGURE 8-40. PLATFORM INTERFACE HARNESS

ITEM	PART NUMBER	QTY	DESCRIPTION	REV
	1001225580	Ref	INTERFACE HARNESS - WITH 1 CELL LSS	D
1	4460899	1	Connector	
2	4460464	4	Terminal	
3	4460466	2	Plug	
4	1001186432	2	Connector	
5	1001116720	4	Terminal	
6	1001118388	4	Terminal	
7	4460884	1	Connector	
8	4460465	4	Terminal	

**SECTION 8 - ELECTRICAL**

**FIGURE 8-41. RECEPTACLE BOX KIT - 110V IEC YELLOW (CE, CIS/EAC & UK CA SPEC)**



ART\_0275216

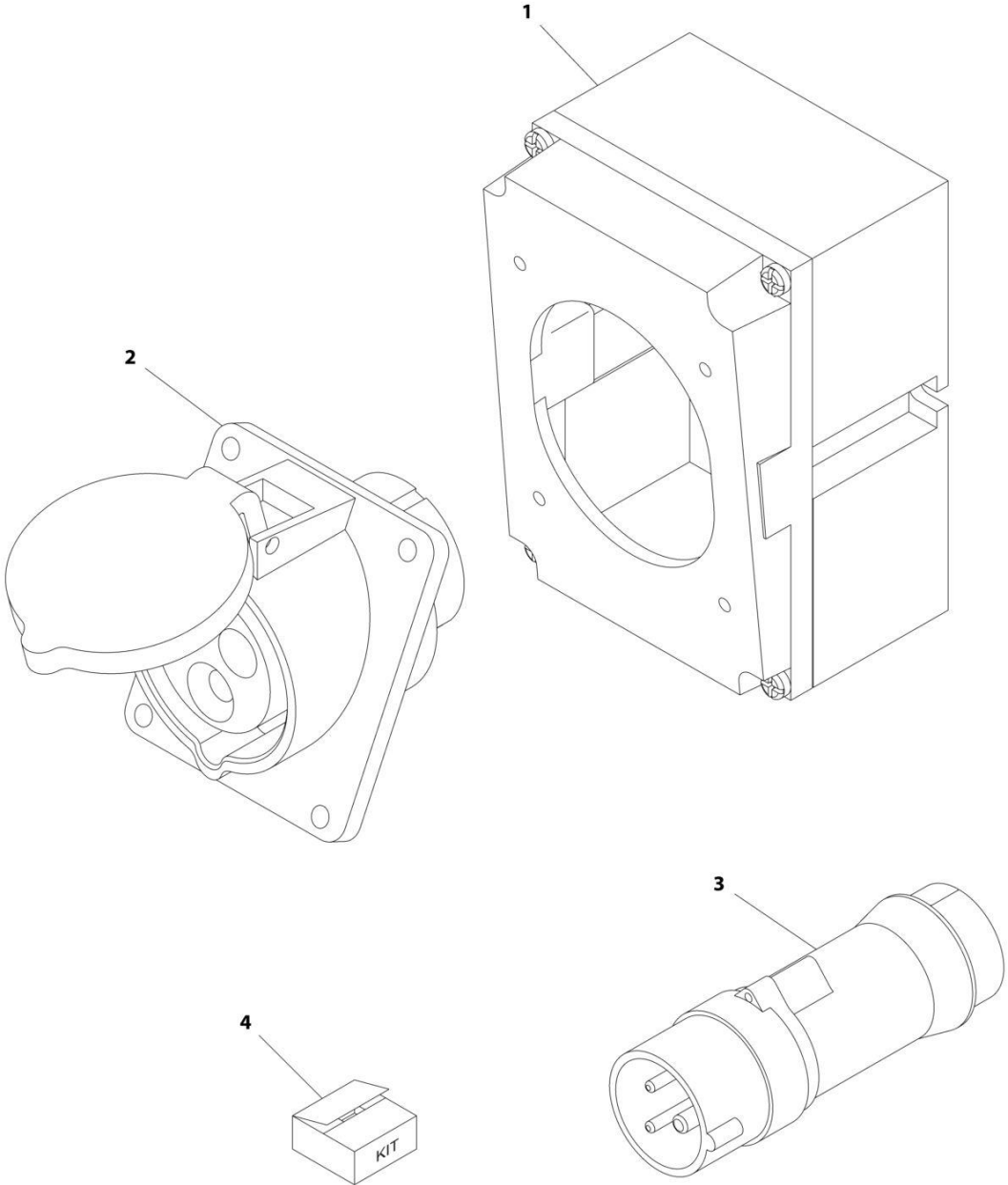
## SECTION 8 - ELECTRICAL

**FIGURE 8-41. RECEPTACLE BOX KIT - 110V IEC YELLOW (CE, CIS/EAC & UK CA SPEC)**

ITEM	PART NUMBER	QTY	DESCRIPTION	REV
	0275216	Ref	RECEPTACLE BOX KIT - 110V IEC YELLOW	B
1	0861781	1	Box, Switch	
2	4461198	1	Receptacle	
3	4461196	1	Plug, Male	
4	1001100341	1	Plug and Socket Kit (Includes Items 1-3 and Female Plug p/n 4461197)	

**SECTION 8 - ELECTRICAL**

**FIGURE 8-42. RECEPTACLE BOX KIT - 220V IEC BLUE (CE, CIS/EAC & UK CA SPEC)**



ART\_0275217



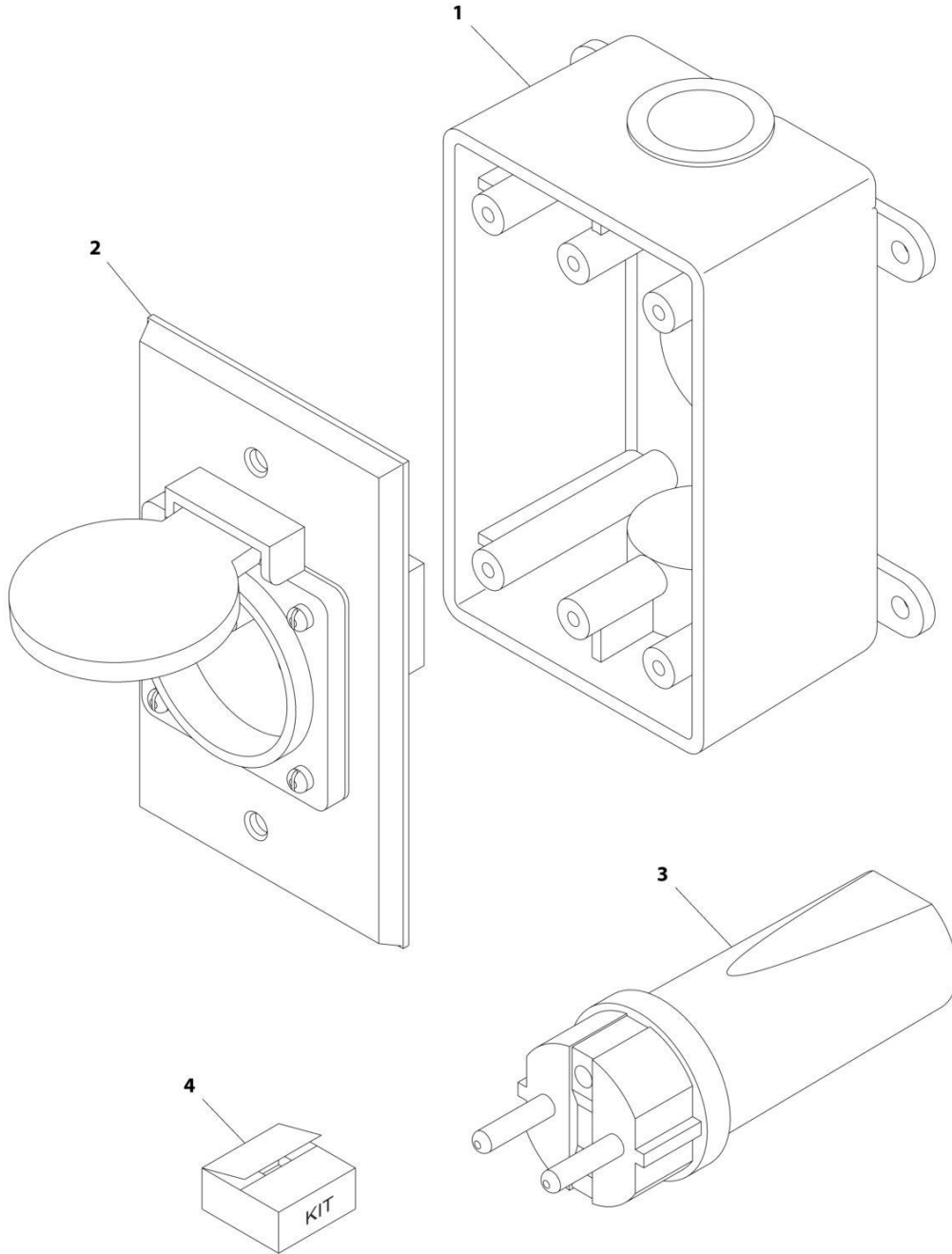
## SECTION 8 - ELECTRICAL

**FIGURE 8-42. RECEPTACLE BOX KIT - 220V IEC BLUE (CE, CIS/EAC & UK CA SPEC)**

ITEM	PART NUMBER	QTY	DESCRIPTION	REV
	0275217	Ref	RECEPTACLE BOX KIT - 220V IEC BLUE	B
1	0861781	1	Box, Switch	
2	4461201	1	Receptacle	
3	4461199	1	Plug, Male	
4	1001100342	1	Plug and Socket Kit (Includes Items 1-3 and Female Plug p/n 4461200)	

## SECTION 8 - ELECTRICAL

FIGURE 8-43. RECEPTACLE BOX KIT - 220V CEE7 POST GROUND 2IN X 4IN BOX (CE, CIS/EAC & UK CA SPEC)



ART\_0275452

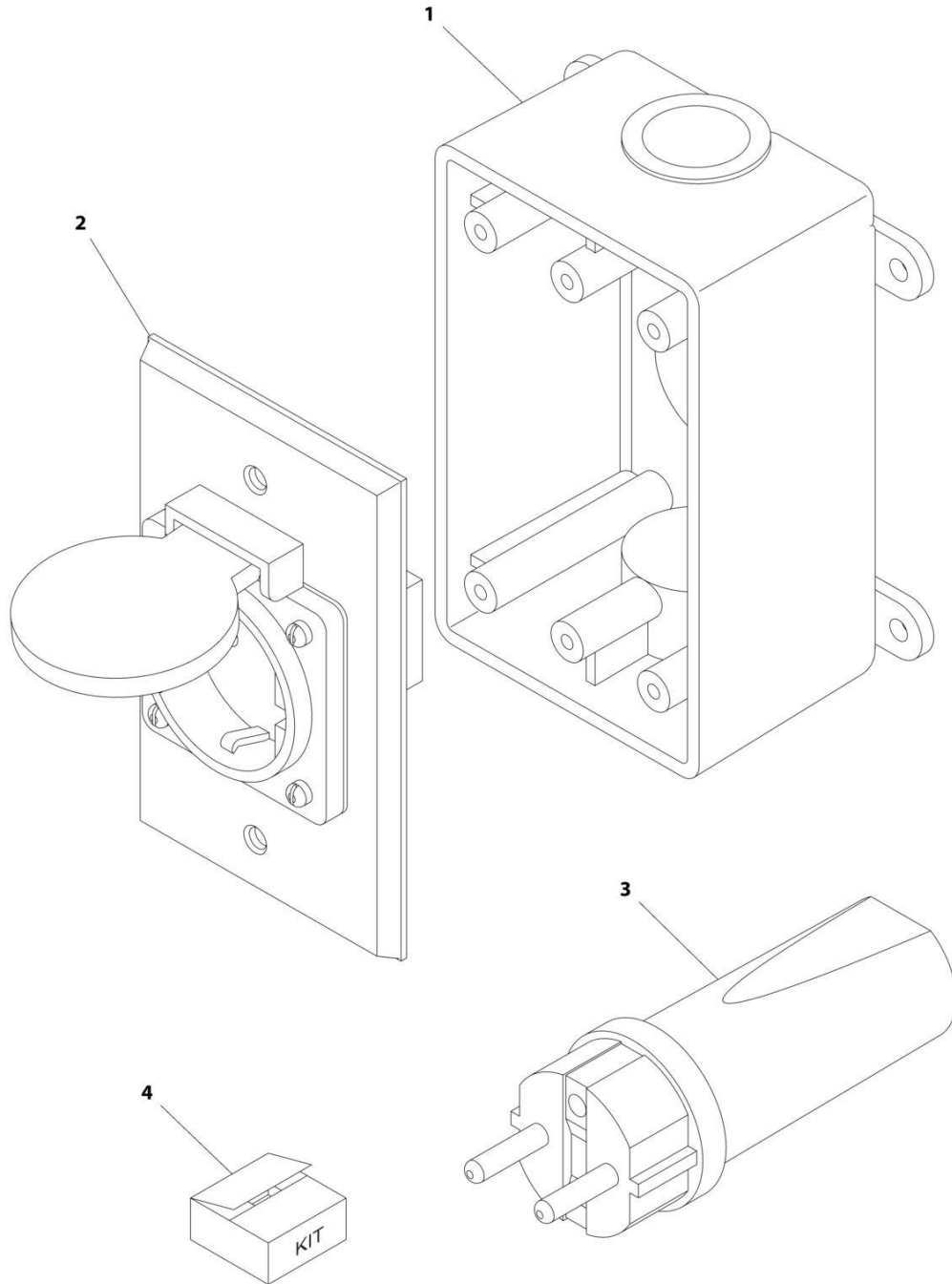
## SECTION 8 - ELECTRICAL

**FIGURE 8-43. RECEPTACLE BOX KIT - 220V CEE7 POST GROUND 2IN X 4IN BOX (CE, CIS/EAC & UK CA SPEC)**

ITEM	PART NUMBER	QTY	DESCRIPTION	REV
	0275452	Ref	RECEPTACLE BOX KIT - 220V CEE7 POST GROUND	C
1	0861731	1	Box, Switch	
2	4461244	1	Receptacle	
3	4461205	1	Plug, Male	
4	1001100345	1	Plug and Socket Kit (Includes Items 1-3 and Female Plug p/n 4461206)	

# SECTION 8 - ELECTRICAL

FIGURE 8-44. RECEPTACLE BOX KIT - 220V CEE7 SIDE GROUND 2IN X 4IN BOX (CE, CIS/EAC & UK CA SPEC)



ART\_0275453

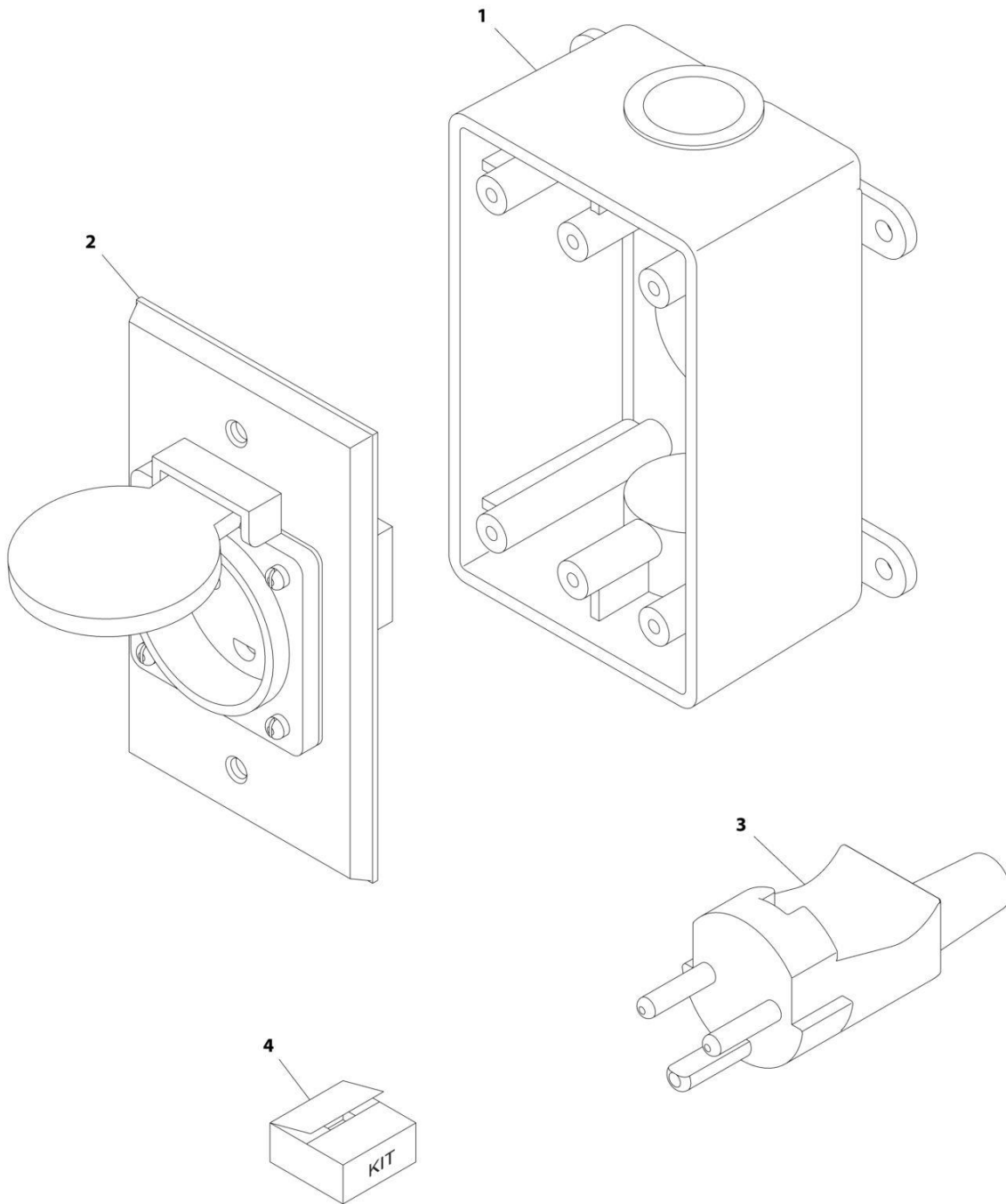
## SECTION 8 - ELECTRICAL

**FIGURE 8-44. RECEPTACLE BOX KIT - 220V CEE7 SIDE GROUND 2IN X 4IN BOX (CE, CIS/EAC & UK CA SPEC)**

ITEM	PART NUMBER	QTY	DESCRIPTION	REV
	0275453	Ref	RECEPTACLE BOX KIT - 220V CEE7 SIDE GROUND	B
1	0861731	1	Box, Switch	
2	4461245	1	Receptacle	
3	4461205	1	Plug, Male	
4	1001100347	1	Plug and Socket Kit (Includes Items 1-3 and Female Plug p/n 4461206)	

# SECTION 8 - ELECTRICAL

FIGURE 8-45. RECEPTACLE BOX KIT - 220V AFSINT 107 (CE, CIS/EAC & UK CA SPEC)



ART\_0275454

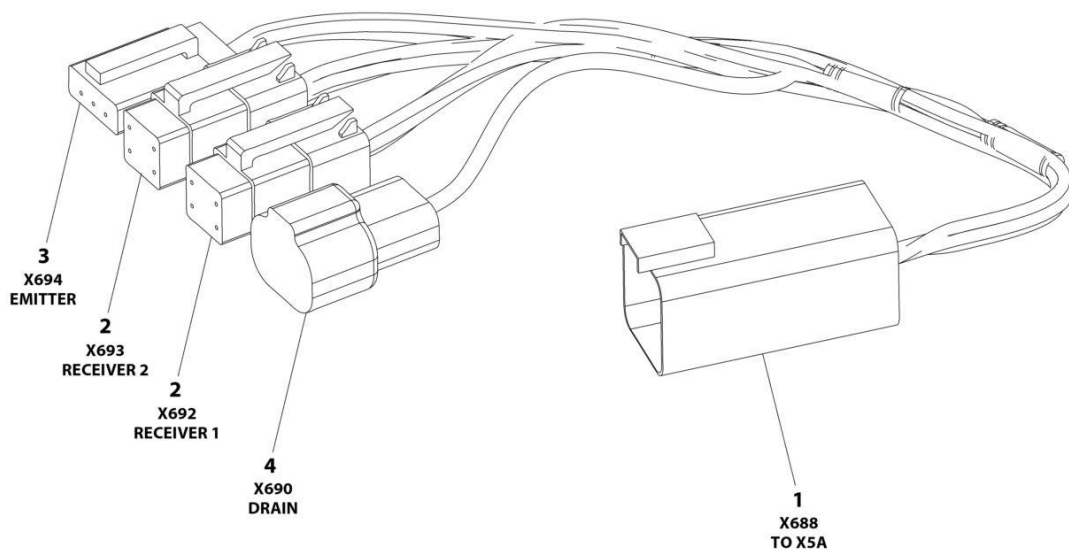
## SECTION 8 - ELECTRICAL

**FIGURE 8-45. RECEPTACLE BOX KIT - 220V AFSINT 107 (CE, CIS/EAC & UK CA SPEC)**

ITEM	PART NUMBER	QTY	DESCRIPTION	REV
	0275454	Ref	RECEPTACLE BOX KIT - 220V AFSINT 107	B
1	0861731	1	Box, Switch	
2	4461246	1	Receptacle	
3	4461249	1	Plug, Male	
4	1001100346	1	Plug and Socket Kit (Includes Items 1-3 and Female Plug p/n 4461250)	

# SECTION 8 - ELECTRICAL

## FIGURE 8-46. SKYEYE INTERMEDIATE HARNESS



ART\_1001237865



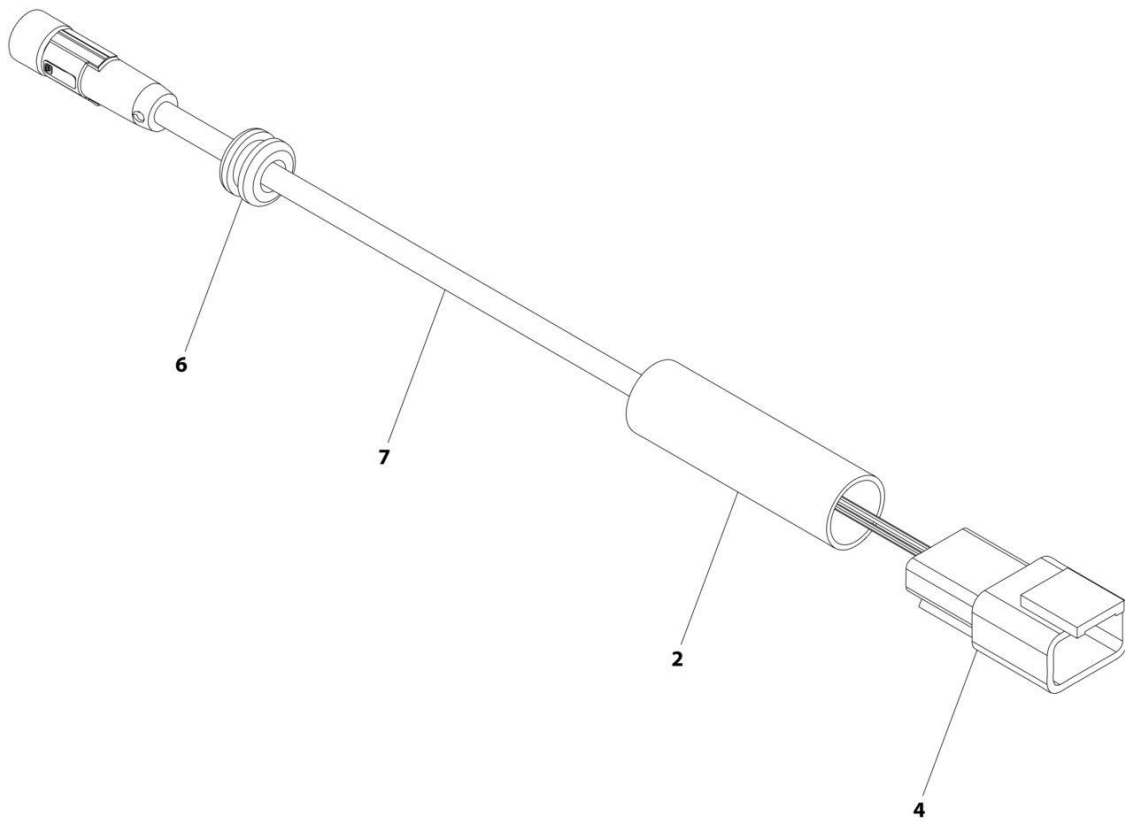
## SECTION 8 - ELECTRICAL

### FIGURE 8-46. SKYEYE INTERMEDIATE HARNESS

ITEM	PART NUMBER	QTY	DESCRIPTION	REV
	1001237865	Ref	SKYEYE INTERMEDIATE HARNESS	A
1	4460899	1	Connector - 6 Position	
1	4460943	4	Pin, Male	
1	4460466	2	Plug, Terminal	
2	4461077	2	Connector - 4 Position	
2	1001119619	8	Socket, Female	
3	4460911	1	Connector - 3 Position	
3	1001119619	3	Socket, Female	
4	1001187681	1	Connector - 2 Position	
4	4460941	1	Pin, Male	
4	4460466	1	Plug, Terminal	

# SECTION 8 - ELECTRICAL

## FIGURE 8-47. SKYEYE RECEIVER HARNESS



ART\_1001237863\_B

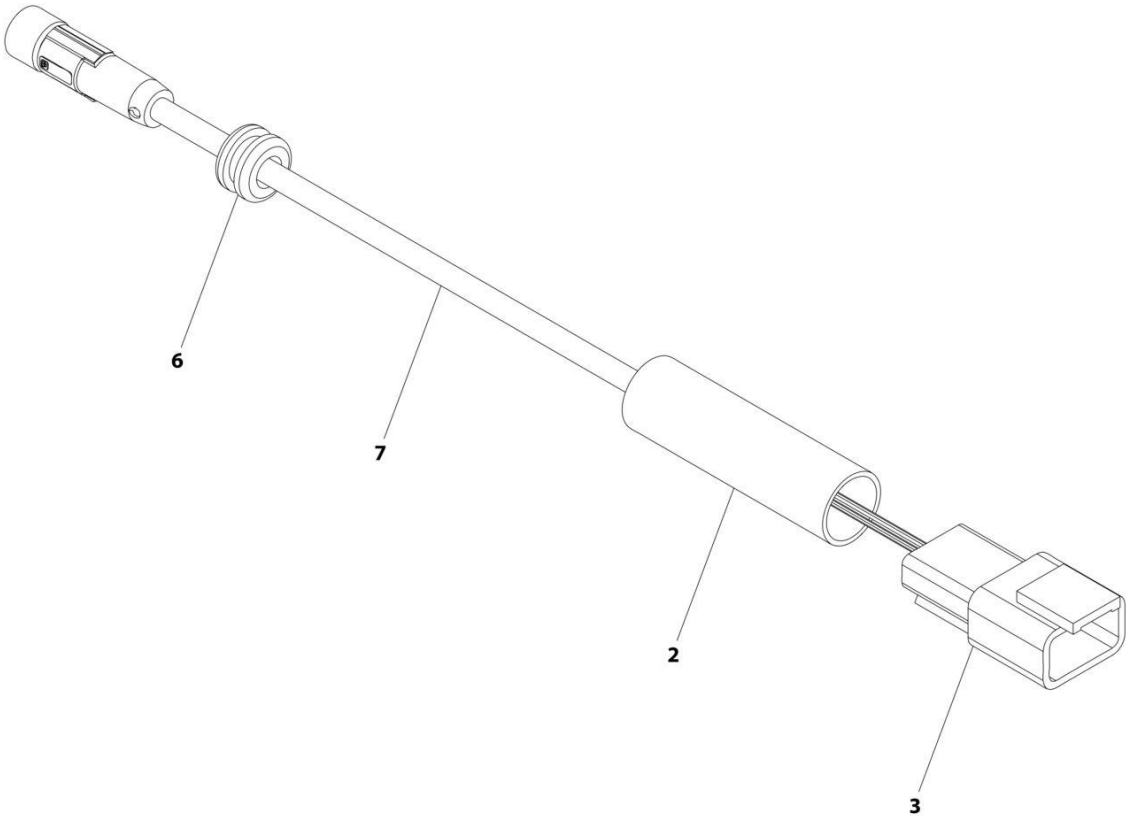
## SECTION 8 - ELECTRICAL

### FIGURE 8-47. SKYEYE RECEIVER HARNESS

ITEM	PART NUMBER	QTY	DESCRIPTION	REV
	1001237863	Ref	SKYEYE RECEIVER HARNESS	B
2	2820247	AR	Tubing, Heat Shrink	
4	1001097051	1	Connector - 4 Position	
4	1001119620	4	Pin, Male	
6	1001227996	1	Grommet	
7	1001258495	1	Cable, M8 Female Cordset	

**SECTION 8 - ELECTRICAL**

**FIGURE 8-48. SKYEYE EMITTER HARNESS**



ART\_1001237864\_B

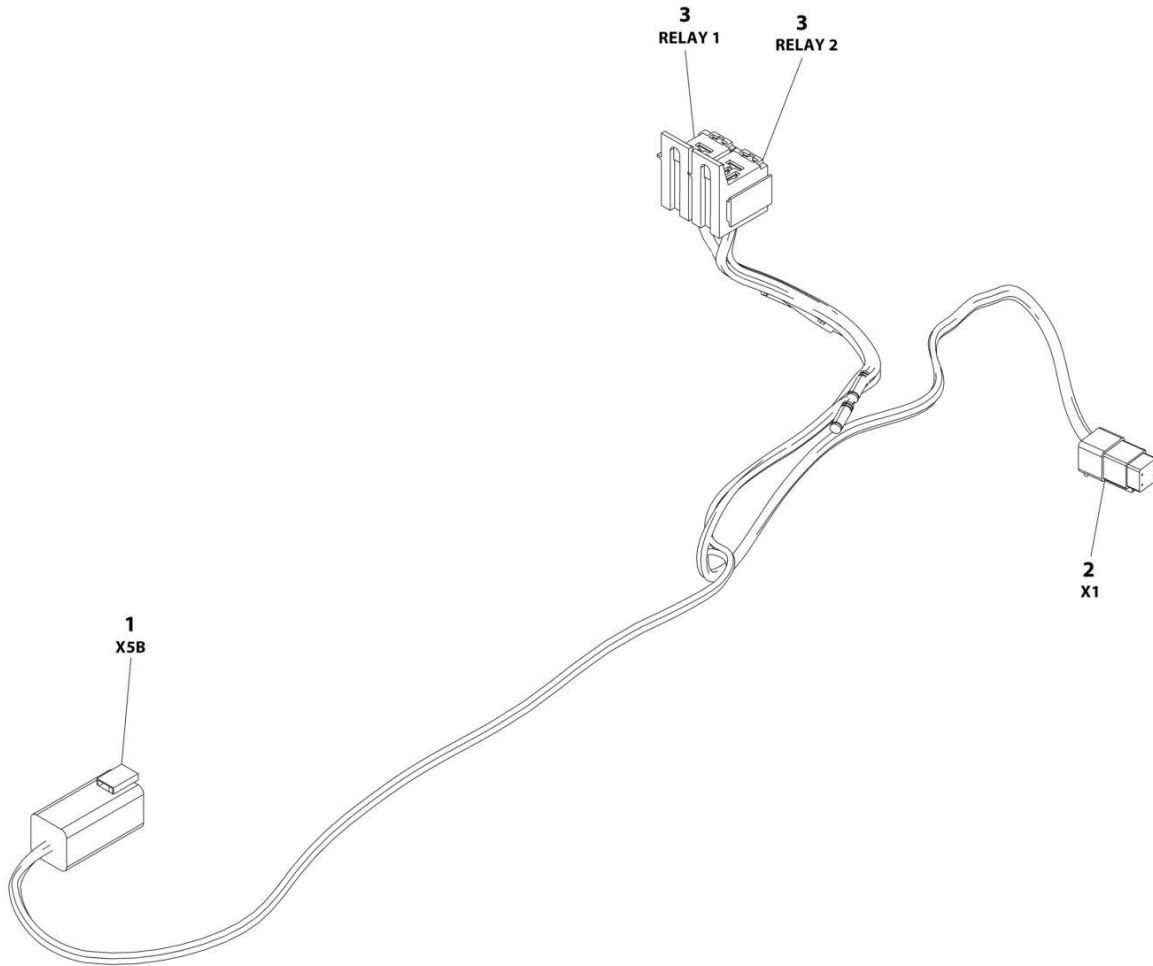
## SECTION 8 - ELECTRICAL

### FIGURE 8-48. SKYEYE EMITTER HARNESS

ITEM	PART NUMBER	QTY	DESCRIPTION	REV
	1001237864	Ref	SKYEYE EMITTER HARNESS	B
2	2820247	AR	Tubing, Heat Shrink	
3	4460910	1	Connector - 3 Position	
3	1001119620	3	Pin, Male	
6	1001227996	1	Grommet	
7	1001258495	1	Cable, M8 Female Cordset	

# SECTION 8 - ELECTRICAL

## FIGURE 8-49. SKYLINE HARNESS



ART\_1001238418

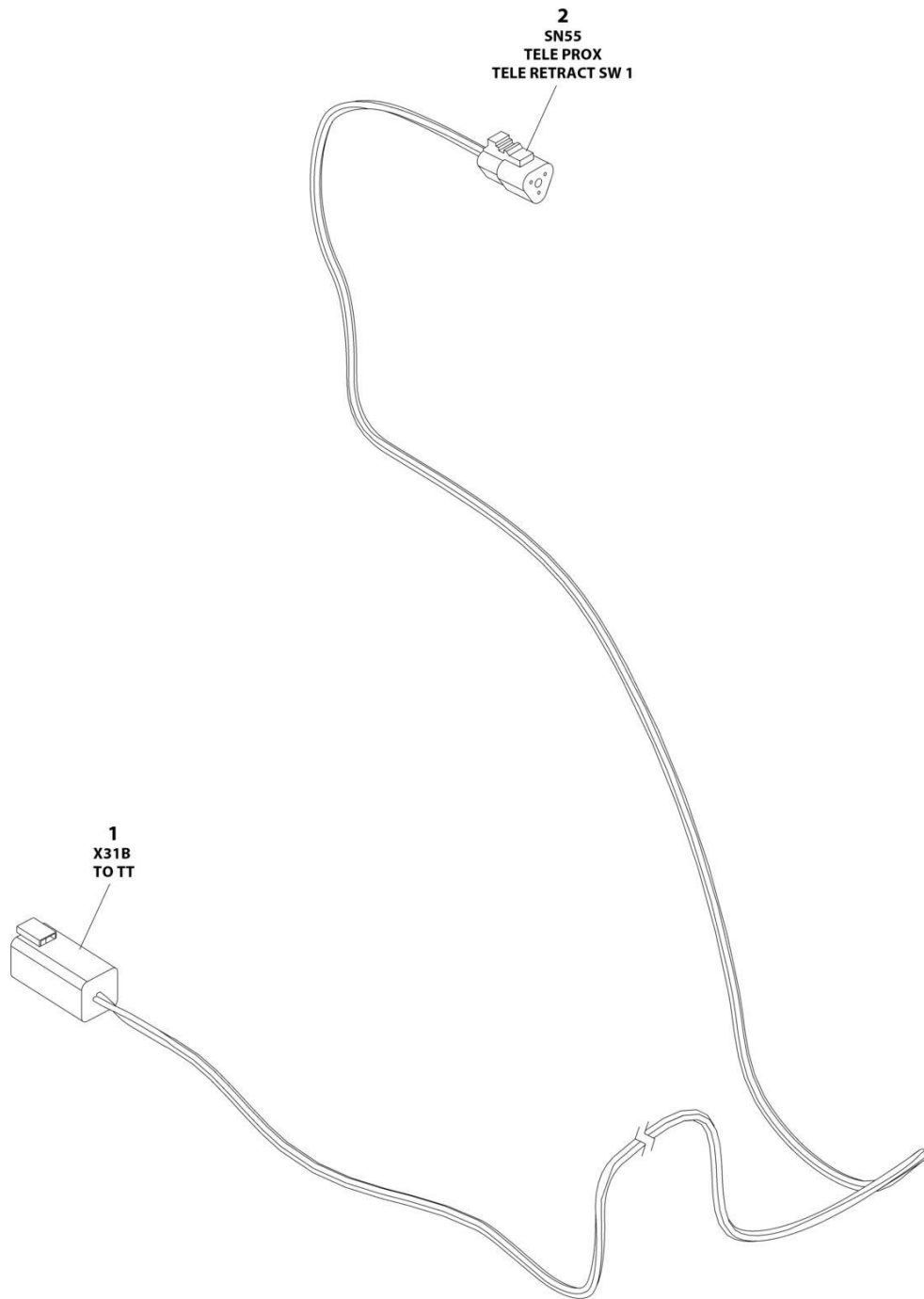
## SECTION 8 - ELECTRICAL

### FIGURE 8-49. SKYLINE HARNESS

ITEM	PART NUMBER	QTY	DESCRIPTION	REV
	1001238418	Ref	SKYLINE HARNESS	B
1	4460899	1	Connector - 6 Position	
1	4460464	4	Pin, Male	
1	4460466	2	Plug, Terminal	
2	4461077	1	Connector - 4 Position	
2	1001126009	4	Socket, Female	
3	1001186432	2	Plug, Relay	
3	1001118388	5	Terminal	
3	1001118384	3	Terminal	
3	3740086	2	Relay	

# SECTION 8 - ELECTRICAL

## FIGURE 8-50. TRANSPORT HARNESS



ART\_1001263008



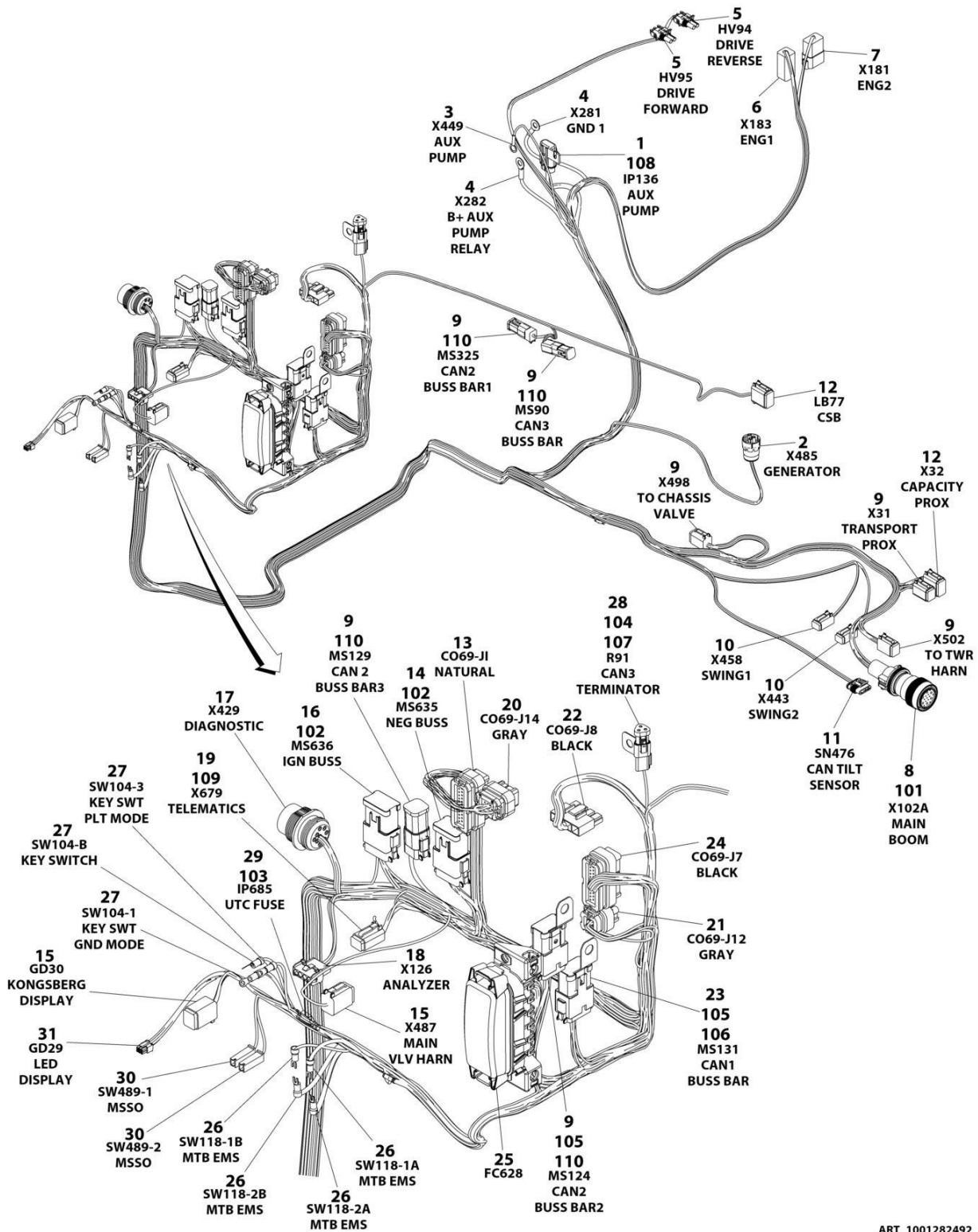
## SECTION 8 - ELECTRICAL

### FIGURE 8-50. TRANSPORT HARNESS

ITEM	PART NUMBER	QTY	DESCRIPTION	REV
	1001263008	Ref	TRANSPORT HARNESS	B
1	4460899	1	Receptacle, Female - 6 Position	
1	4460464	3	Pin, Male	
1	4460466	3	Plug, Terminal	
2	4460539	1	Plug, Male - 3 Position	
2	4460465	3	Socket, Female	

# SECTION 8 - ELECTRICAL

## FIGURE 8-51. TURNTABLE HARNESS



ART\_1001282492

## SECTION 8 - ELECTRICAL

### FIGURE 8-51. TURNTABLE HARNESS

ITEM	PART NUMBER	QTY	DESCRIPTION	REV
	1001282492	Ref	TURNTABLE HARNESS	B
1	1001117070	1	Fuseholder (Includes 30Amp Fuse)	
1	1001116734	2	Socket	
2	4460967	1	Connector	
2	4460465	3	Socket	
3	4460247	1	Terminal, Ring	
4	8220045	2	Terminal, Ring	
5	4460742	2	Connector	
5	4460743	4	Socket	
5	4460458	4	Seal, Terminal	
6	4460899	1	Connector	
6	4460464	5	Pin	
6	4460466	1	Plug	
7	4460931	1	Connecot	
7	4460464	5	Pin	
7	4460466	3	Plug	
8	4460865	1	Connector	
8	4460465	6	Socket (20-16Awg)	
8	4460509	2	Socket (14-12Awg)	
8	4460466	11	Plug	
9	4460894	7	Connector	
9	4460465	42	Socket	
10	4460884	2	Connector	
10	4460465	4	Socket	
10	4460466	4	Plug	
11	1001103012	1	Connector	
11	1001107854	4	Socket	
11	1001104498	4	Seal, Terminal	
12	4460930	2	Connector	
12	4460465	13	Socket	
12	4460466	3	Plug	
13	4460874	1	Connector	
13	4460871	21	Socket	
13	4460905	14	Plug	
14	4460836	1	Connector	
14	4460465	9	Socket	
14	4460466	3	Plug	
15	4460894	2	Connector	
15	4460465	7	Socket	
15	4460466	5	Plug	
16	4460836	1	Connector	
16	1001157890	1	Socket (16-12Awg)	
16	4460465	5	Socket (20-16Awg)	
16	4460466	6	Plug	
17	1001112612	1	Connector	
17	4460464	3	Pin	
17	4460466	4	Plug	
18	4460761	1	Connector	
18	4460267	4	Pin	
19	4460884	1	Connector	

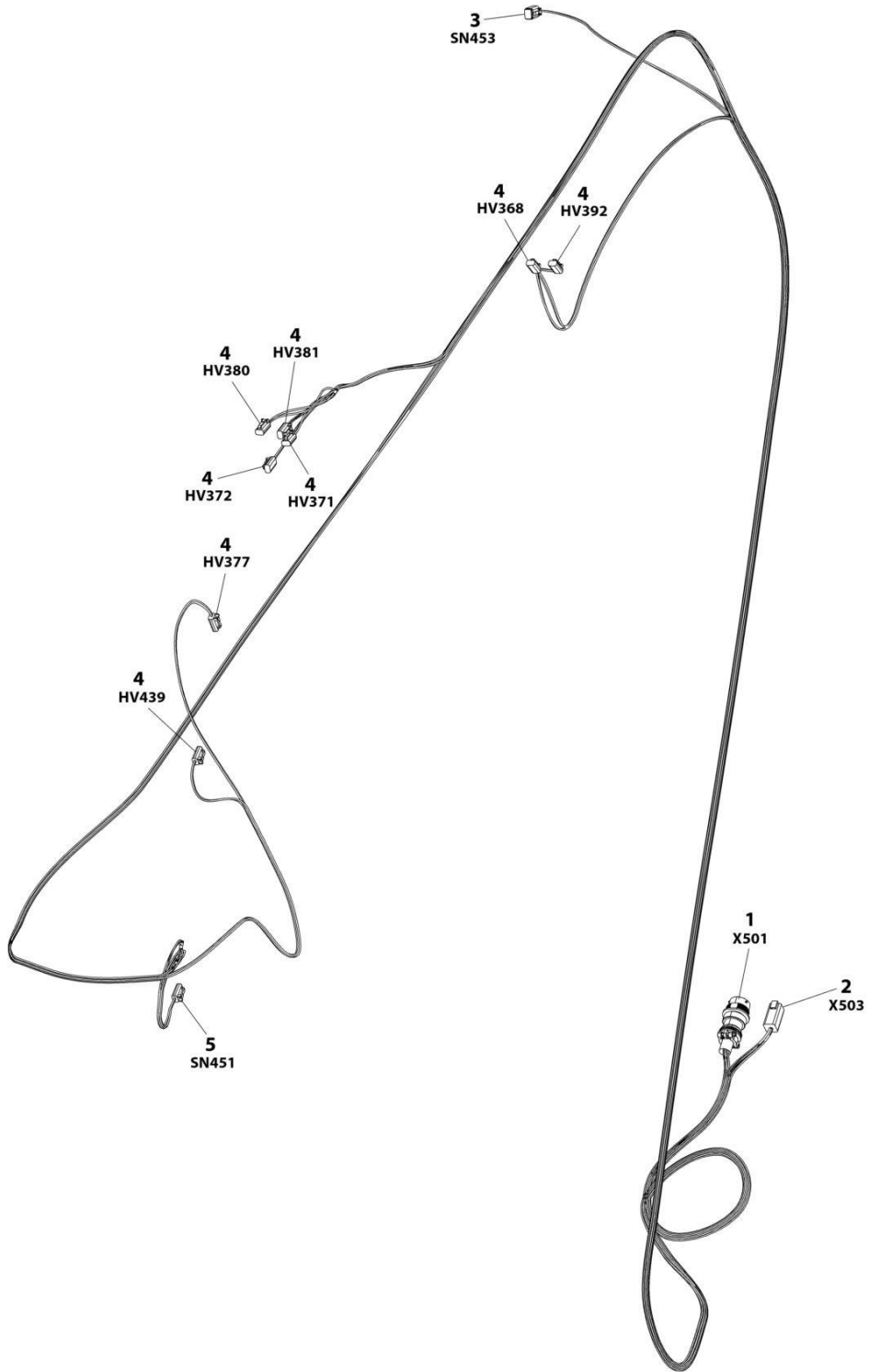
## SECTION 8 - ELECTRICAL

ITEM	PART NUMBER	QTY	DESCRIPTION	REV
19	4460465	4	Socket	
20	1001246859	1	Connector	
20	4460871	4	Socket	
20	4460905	10	Plug	
21	1001113961	1	Connector	
21	4460871	5	Socket	
21	4460905	3	Plug	
22	4460878	1	Connector	
22	1001237383	1	Socket (12-10Awg)	
22	4460887	4	Socket (8Awg)	
23	4460933	1	Connector	
23	4460465	8	Socket	
23	4460466	4	Plug	
24	4460873	1	Connector	
24	4460871	28	Socket	
24	4460905	7	Plug	
25	1001185964	1	Fuse Box Assembly	
25	8229242	4	Fuse 5Amp	
25	8229244	2	Fuse 15Amp	
25	1001095704	1	Relay	
25	1001129285	2	Fuse with Diode	
25	1001196635	1	Fuse 3Amp	
25	1001116728	14	Socket (18-16Awg)	
25	8220125	9	Socket (12-10Awg)	
25	4460748	25	Plug	
25	4460458	14	Seal, Terminal (Use with Socket 1001116728)	
25	80963067	9	Seal, Terminal (Use with Socket 8220125)	
26	4460806	4	Terminal, Fork	
27	4460142	3	Terminal, Ring	
28	1001144147	1	Connector	
28	4460943	2	Pin	
28	4460466	1	Plug	
29	2400060	1	Fuseholder	
30	4460260	2	Connector	
30	4460259	2	Socket	
31	1001237667	1	Connector	
31	1001237668	5	Socket	
101	1321647	1	Clamp	
102	1001271323	2	Connector, Bussbar	
103	8229242	1	Fuse 5Amp	
104	1001116815	1	Connector (Includes Resistor)	
105	1001120328	2	Mount, Connector	
106	1001125677	1	Connector, Bussbar	
107	1001155967	1	Mount, Connector	
108	1001172065	1	Fuse 30Amp	
109	1001192401	1	Cap, Dust	
110	1001226541	4	Connecotr, Bussbar	



# SECTION 8 - ELECTRICAL

## FIGURE 8-52. VALVE HARNESS - BOOM VALVE



ART\_1001164738

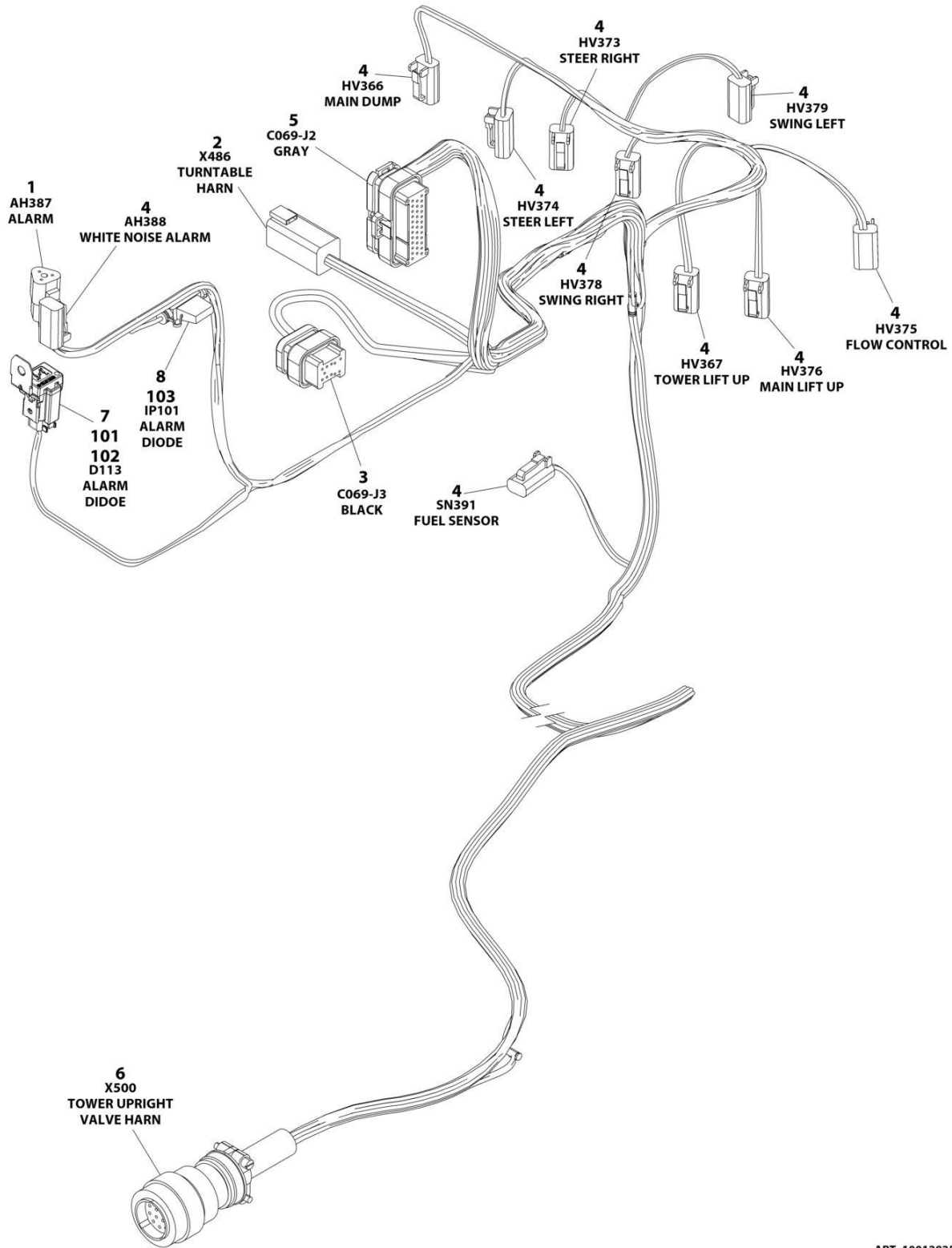
## SECTION 8 - ELECTRICAL

**FIGURE 8-52. VALVE HARNESS - BOOM VALVE**

ITEM	PART NUMBER	QTY	DESCRIPTION	REV
	1001164738	Ref	BOOM VALVE HARNESS	1
1	1001156541	1	Connector - 19 Position	
1	4460464	13	Pin, Male	
1	4460466	1	Plug, Terminal	
2	4460899	1	Connector - 6 Position	
2	4460464	6	Pin, Male	
3	4460884	1	Plug, Male - 4 Position	
3	4460465	2	Socket, Female	
3	4460466	2	Plug, Terminal	
4	4460891	8	Plug, Male - 2 Position	
4	4460465	16	Socket, Female	
5	1001230931	1	Plug, Male - 6 Position	
5	1001116748	6	Terminal	

# SECTION 8 - ELECTRICAL

## FIGURE 8-53. VALVE HARNESS - MAIN VALVE



ART\_1001282533



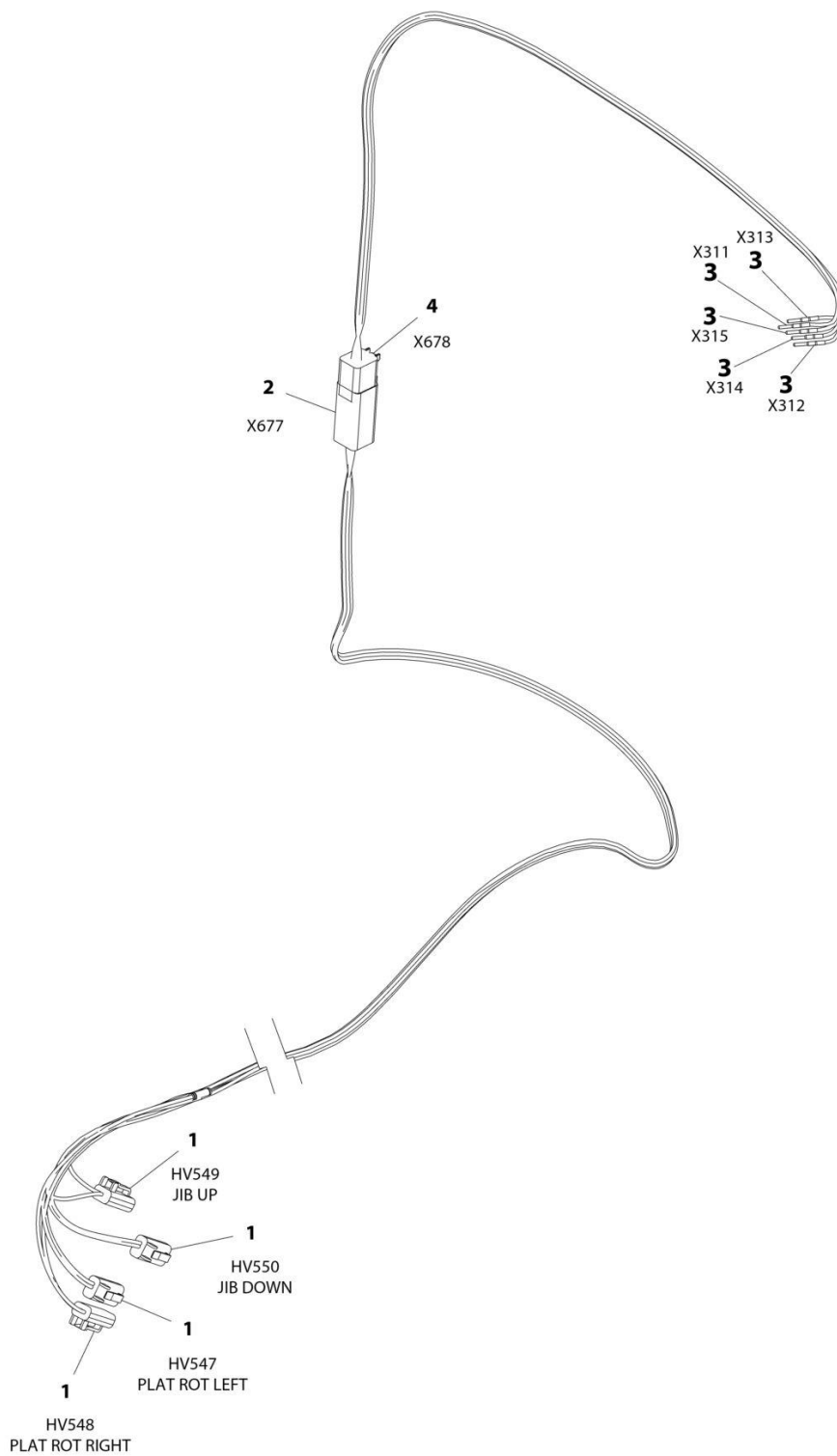
## SECTION 8 - ELECTRICAL

### FIGURE 8-53. VALVE HARNESS - MAIN VALVE

ITEM	PART NUMBER	QTY	DESCRIPTION	REV
	1001282533	Ref	MAIN VALVE HARNESS	A
1	4460539	1	Connector	
1	4460465	3	Socket	
2	4460899	1	Connector	
2	4460464	5	Pin	
2	4460466	1	Plug	
3	4460872	1	Connector	
3	4460871	9	Socket	
3	4460905	5	Plug	
4	4460891	10	Connector	
4	4460465	20	Socket	
5	4460875	1	Connector	
5	4460871	26	Socket	
5	4460905	9	Plug	
6	4460754	1	Connector	
6	4460465	13	Socket	
6	4460466	1	Plug	
7	4460884	1	Connector	
7	4460465	4	Socket	
8	1001170764	1	Fuseholder	
101	1001152266	1	Connector (Includes Diode)	
102	1001155743	1	Mount, Connector	
103	1001196636	1	Diode 1Amp	

# SECTION 8 - ELECTRICAL

## FIGURE 8-54. VALVE HARNESS - PLATFORM VALVE



ART\_1001164728

## SECTION 8 - ELECTRICAL

### FIGURE 8-54. VALVE HARNESS - PLATFORM VALVE

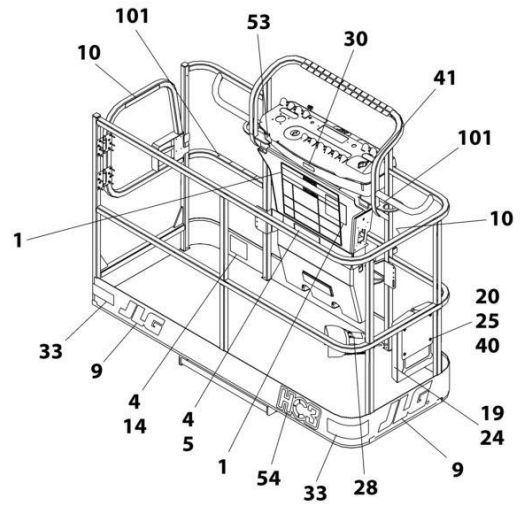
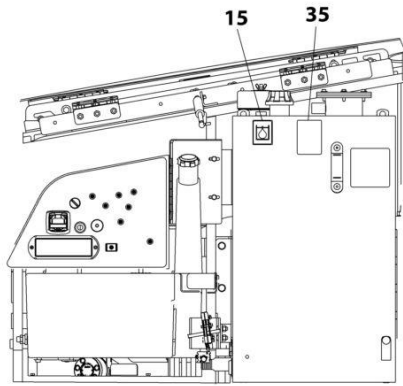
ITEM	PART NUMBER	QTY	DESCRIPTION	REV
	1001164728	Ref	VALVE HARNESS - PLATFORM VALVE	D
1	4460891	4	Plug, Male - 2 Position	
1	4460465	8	Socket, Female	
2	4460899	1	Receptacle, Female - 6 Position	
2	4460464	5	Pin, Male	
2	4460466	1	Plug, Terminal	
3	4460465	5	Socket, Female	
4	4460894	1	Plug, Male - 6 Position	
4	4460465	5	Socket, Female	
4	4460466	1	Plug, Terminal	



**SECTION 9 - DECALS**

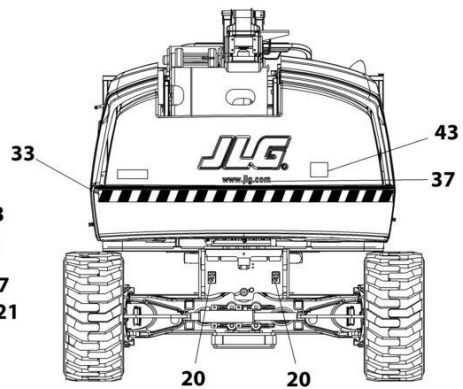
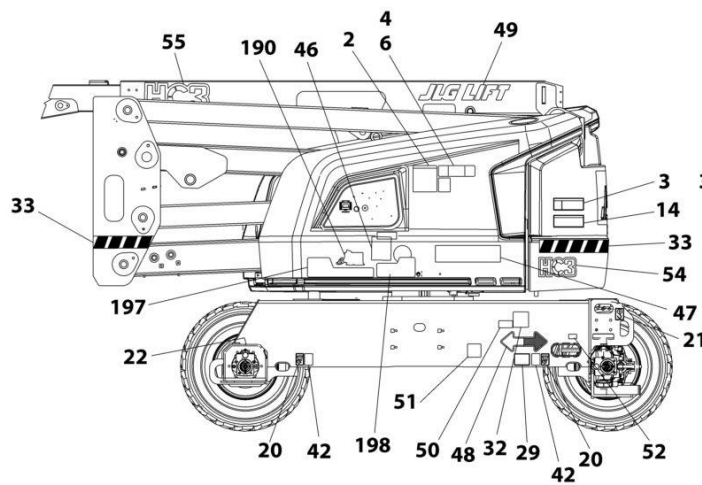
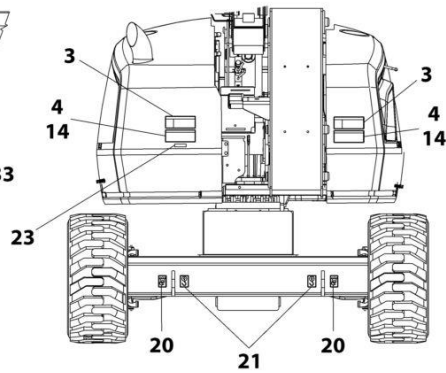
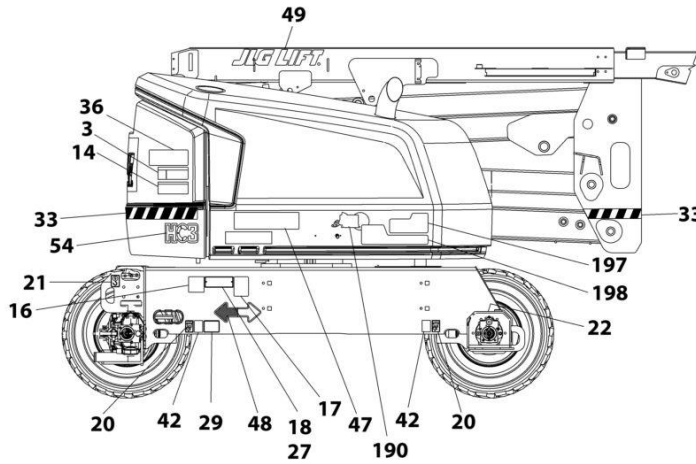
# SECTION 9 - DECALS

## FIGURE 9-1. DECAL INSTALLATION - ANSI EXPORT (ENGLISH LANGUAGE)



NOTE: SOME DECALS ARE CALLED OUT ON DECAL INSTALLATION - OPTIONS.

NOTE: ITEMS SHOWN MAY NOT BE REQUIRED FOR ALL SPECS. REFER TO PARTS LIST FOR USAGE.



ART\_1001254300

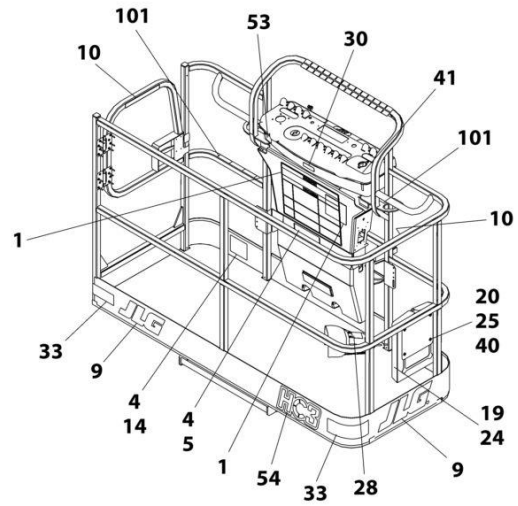
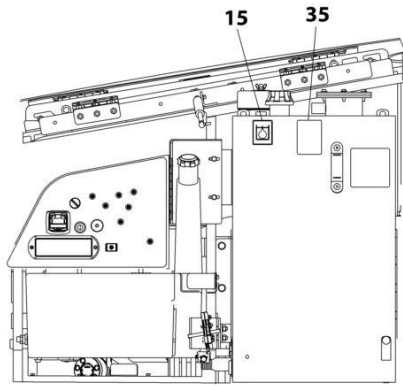
## SECTION 9 - DECALS

**FIGURE 9-1. DECAL INSTALLATION - ANSI EXPORT (ENGLISH LANGUAGE)**

ITEM	PART NUMBER	QTY	DESCRIPTION	REV
	1001254314	Ref	DECAL INSTALLATION - REFERENCE CHART	C
	1001254300	Ref	DECAL INSTALLATION	D
1	1703797	1	Decal - Danger/Warning	
2	1705336	1	Decal - Danger/Warning	
3	1703805	4	Decal - Danger/Electrocution	
4	1703804	4	Decal - Warning/Crushing	
5	1001234425	1	Decal - Warning	
6	1001234426	1	Decal - Warning	
10	1702868	2	Decal - No Hands	
14	1703953	2	Decal - Warning/Crushing	
15	1701504	1	Decal - Hydraulic Oil	
16	See Note	NSS	Decal - Bar Code (Note: Not Available for Purchase)	
17	1001131269	1	Decal - Patent	
18		Ref	Nameplate - Manufacturers Serial Number	
19	1701509	1	Decal - Manual	
20	1702300	8	Decal - Tie Down /Lift	
21	1701500	4	Decal - Tie Down /Lift	
22	1703687	2	Decal - Arrow	
23	3251243	1	Nameplate 120V-60Hz	
24	0860520	1	Box, Manual Storage	
25	4751400	4	Washer 1/4	
26	3311405	4	Nut 1/4	
27	3820001	2	Rivet	
28	3252347	1	Decal - Footswitch	
35	1704412	1	Decal - Hydraulic Fluid	
36	1001274782	1	Decal - Lift Diagram	
37	1704885	1	Decal - Website	
40	0641406	4	Bolt 1/4 x 3/4	
41	1705351	1	Decal - Drive/Steer	
42	1701499	4	Decal - Tie Down /Lift	
43	3251813	1	Decal - USA	
48	1701529	2	Decal - Arrow	
51	1001223055	1	Decal - Yearly Inspection	
52	1001223453	1	Decal - ICES (Canada)	
100	1001232026	1	Decal - Platform Lanyard Kit (Not Shown)	
101	1704277	3	Decal - Attach Lanyard Here	

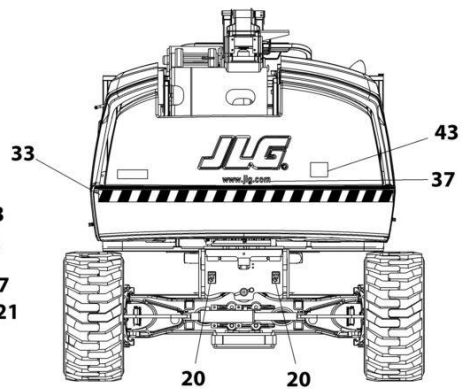
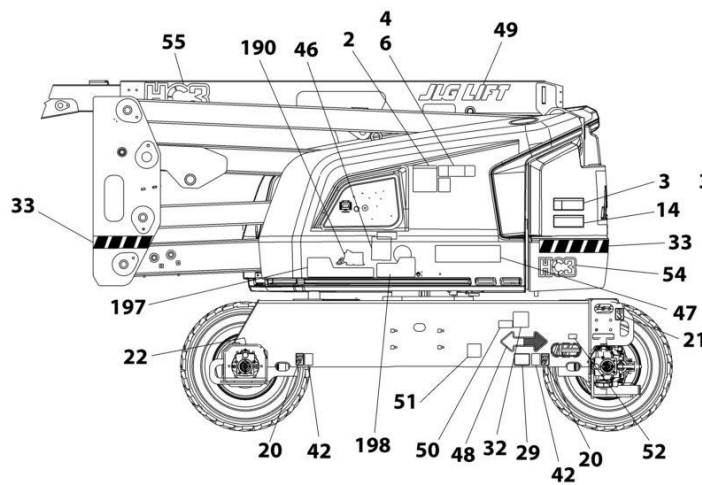
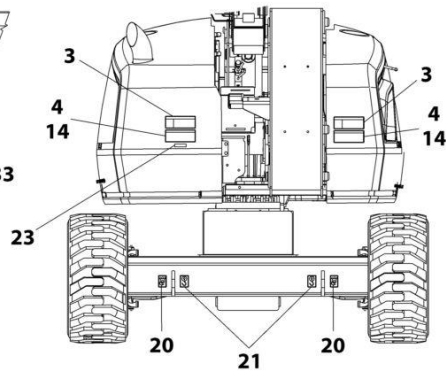
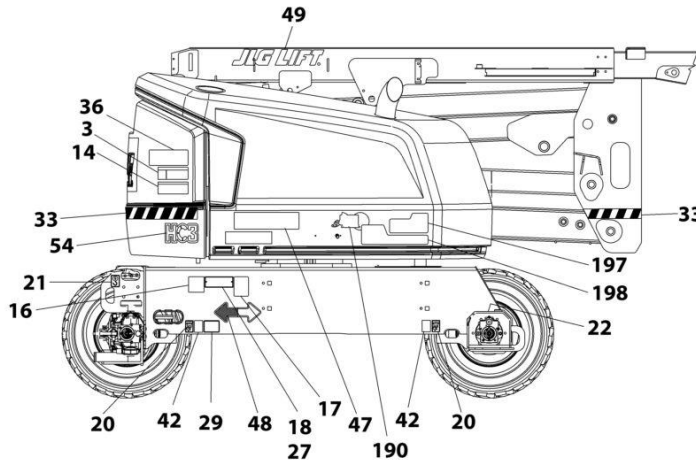
# SECTION 9 - DECALS

## FIGURE 9-2. DECAL INSTALLATION - AUSTRALIAN SPEC (ENGLISH LANGUAGE)



NOTE: SOME DECALS ARE CALLED OUT ON DECAL INSTALLATION - OPTIONS.

NOTE: ITEMS SHOWN MAY NOT BE REQUIRED FOR ALL SPECS. REFER TO PARTS LIST FOR USAGE.



ART\_1001254301



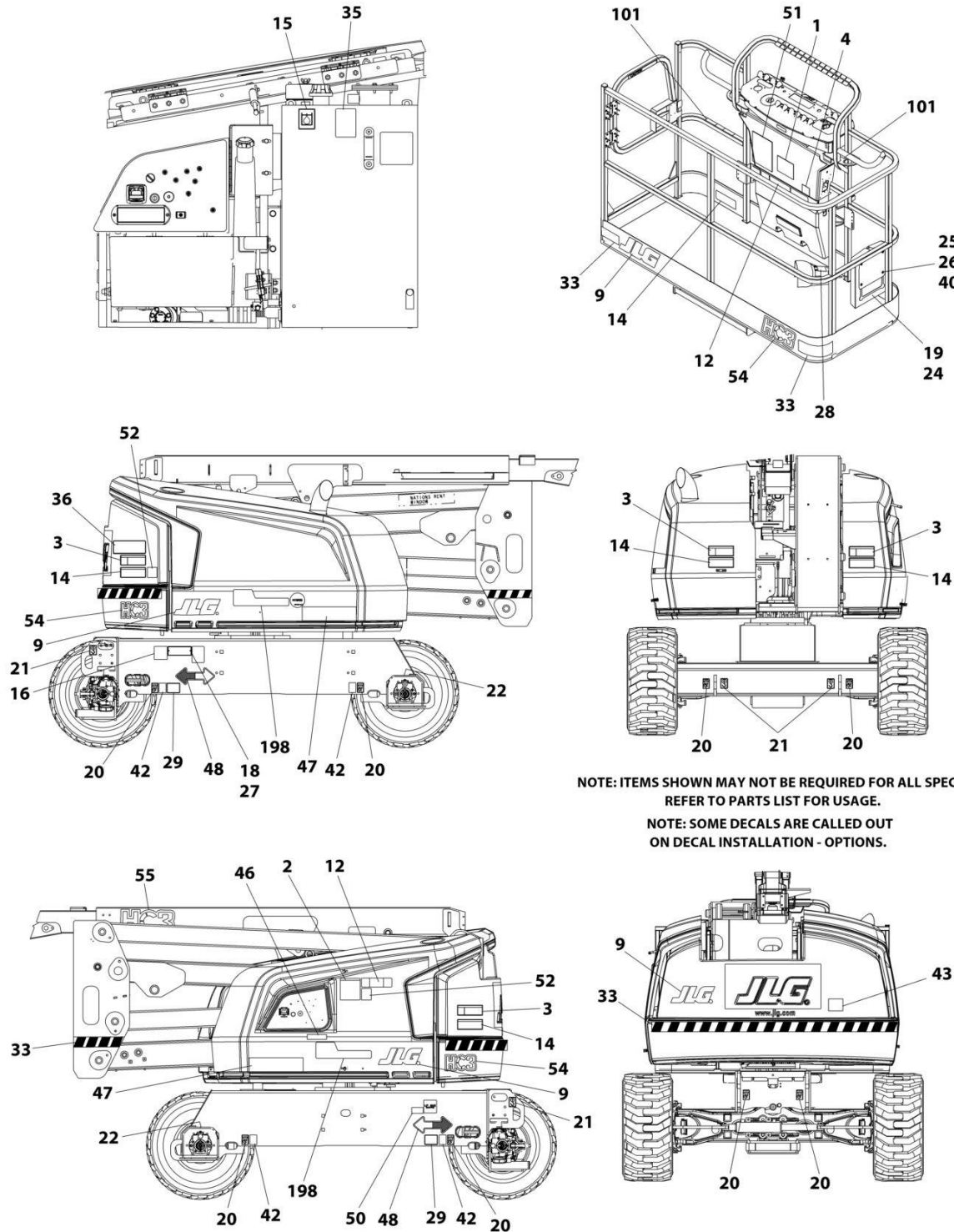
## SECTION 9 - DECALS

**FIGURE 9-2. DECAL INSTALLATION - AUSTRALIAN SPEC (ENGLISH LANGUAGE)**

ITEM	PART NUMBER	QTY	DESCRIPTION	REV
	1001254314	Ref	DECAL INSTALLATION - REFERENCE CHART	C
	1001254301	Ref	DECAL INSTALLATION	E
1	1705921	1	Decal - Tipping/Electrocution	
2	1705822	1	Decal - Electrocution/Safety Manual	
3	1705961	4	Decal - Danger/Electrocution	
4	1001234439	2	Decal - Warning	
14	1701518	6	Decal - Warning/Crushing	
15	1701504	1	Decal - Hydraulic Oil	
16	See Note	NSS	Decal - Bar Code (Note: Not Available for Purchase)	
18		Ref	Nameplate - Manufacturers Serial Number	
19	1701509	1	Decal - Manual	
20	1702300	8	Decal - Tie Down /Lift	
21	1701500	4	Decal - Tie Down /Lift	
22	1703687	2	Decal - Arrow	
24	0860520	1	Box, Manual Storage	
25	4751400	4	Washer 1/4	
26	3311405	4	Nut 1/4	
27	3820001	2	Rivet	
28	1705828	1	Decal - Footswitch	
35	1704412	1	Decal - Hydraulic Fluid	
36	1001274782	1	Decal - Lift Diagram	
37	1704885	1	Decal - Website	
40	0641406	4	Bolt 1/4 x 3/4	
42	1701499	4	Decal - Tie Down /Lift	
43	1001204510	1	Decal - Sound Power Level	
46	1001112551	1	Decal - Emergency Controls	
48	1701529	2	Decal - Arrow	
100	1001232026	1	Decal - Platform Lanyard Kit (Not Shown)	
101	1704277	3	Decal - Attach Lanyard Here	

# SECTION 9 - DECALS

FIGURE 9-3. DECAL INSTALLATION - CE, CIS/EAC & UK CA SPEC (ENGLISH LANGUAGE)



NOTE: ITEMS SHOWN MAY NOT BE REQUIRED FOR ALL SPECS.  
REFER TO PARTS LIST FOR USAGE.  
NOTE: SOME DECALS ARE CALLED OUT  
ON DECAL INSTALLATION - OPTIONS.

ART\_1001254307

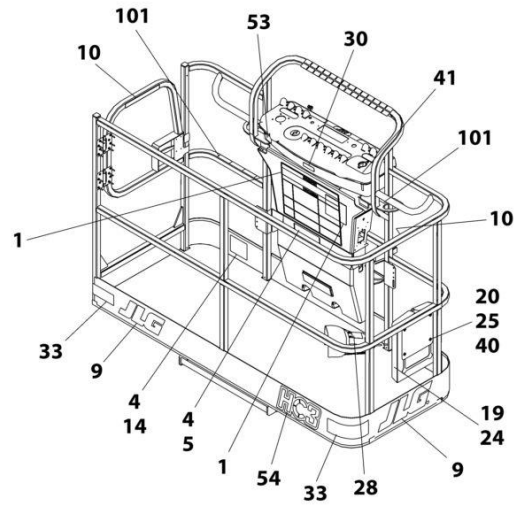
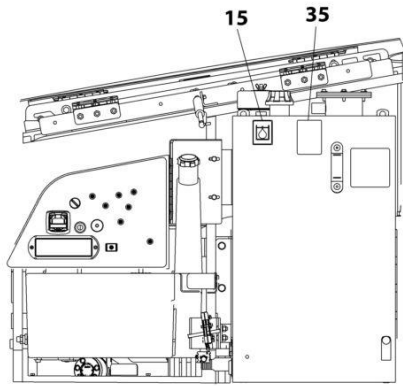
## SECTION 9 - DECALS

**FIGURE 9-3. DECAL INSTALLATION - CE, CIS/EAC & UK CA SPEC (ENGLISH LANGUAGE)**

ITEM	PART NUMBER	QTY	DESCRIPTION	REV
	1001254315	Ref	DECAL INSTALLATION - REFERENCE CHART	B
	1001254307	Ref	DECAL INSTALLATION	E
1	1705921	1	Decal - Tipping/Electrocution	
2	1705822	1	Decal - Electrocution/Safety Manual	
3	1705961	4	Decal - Danger Electrocution	
4	1001244301	1	Decal - No Platform to Ground	
9	1702773	4	Decal - JLG	
12	1001234439	2	Decal - Max Capacity	
14	1701518	6	Decal - Warning/Crushing	
15	1701504	1	Decal - Hydraulic Oil	
16	See Note	NSS	Decal - Bar Code (Note: Not Available for Purchase)	
18		Ref	Nameplate - Manufacturers Serial Number	
19	1701509	1	Decal - Manual	
20	1702300	8	Decal - Tie Down /Lift	
21	1701500	4	Decal - Tie Down /Lift	
22	1703687	2	Decal - Arrow	
24	0860520	1	Box, Manual Storage	
25	4751400	4	Washer 1/4	
26	3311405	4	Nut 1/4	
27	3820001	2	Rivet	
28	1705828	1	Decal - Footswitch	
35	1704412	1	Decal - Hydraulic Fluid	
36	1001274782	1	Decal - Lift Diagram	
40	0641406	4	Bol 1/4 x 3/4	
42	1701499	4	Decal - No Tie Down/Lift	
46	1001189882	1	Decal - MSSO	
48	1701529	2	Decal - Arrow	
52	1001244298	2	Decal - Wechat	
54	1001244212	3	Decal - HC3	
55	1001256906	1	Decal - HC3	
100	1001232026	1	Decal - Platform Lanyard Kit (Not Shown)	
101	1704277	3	Decal - Attach Lanyard Here	

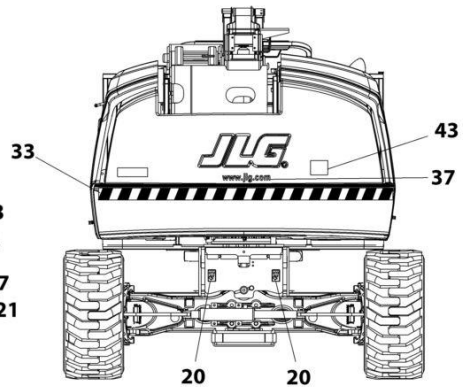
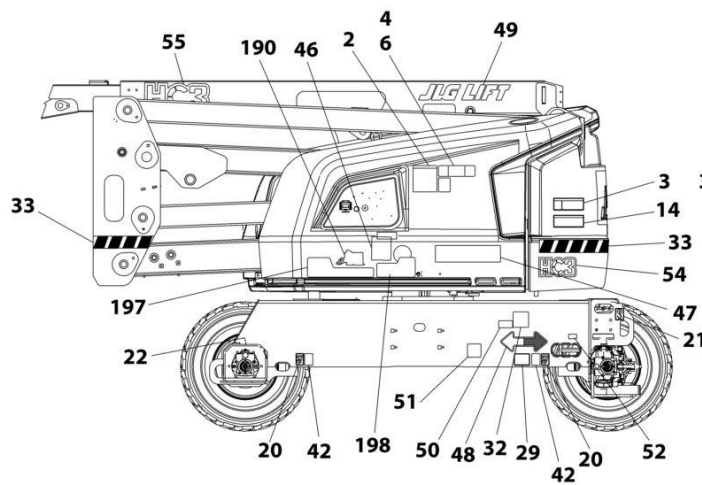
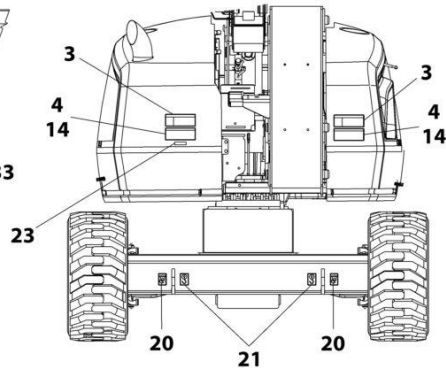
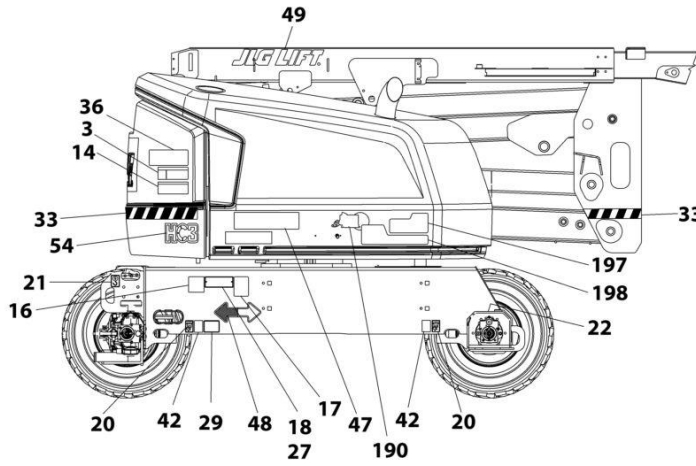
# SECTION 9 - DECALS

## FIGURE 9-4. DECAL INSTALLATION - ANSI EXPORT (CHINESE/ENGLISH LANGUAGES)



NOTE: SOME DECALS ARE CALLED OUT ON DECAL INSTALLATION - OPTIONS.

NOTE: ITEMS SHOWN MAY NOT BE REQUIRED FOR ALL SPECS. REFER TO PARTS LIST FOR USAGE.



ART\_1001254305

## SECTION 9 - DECALS

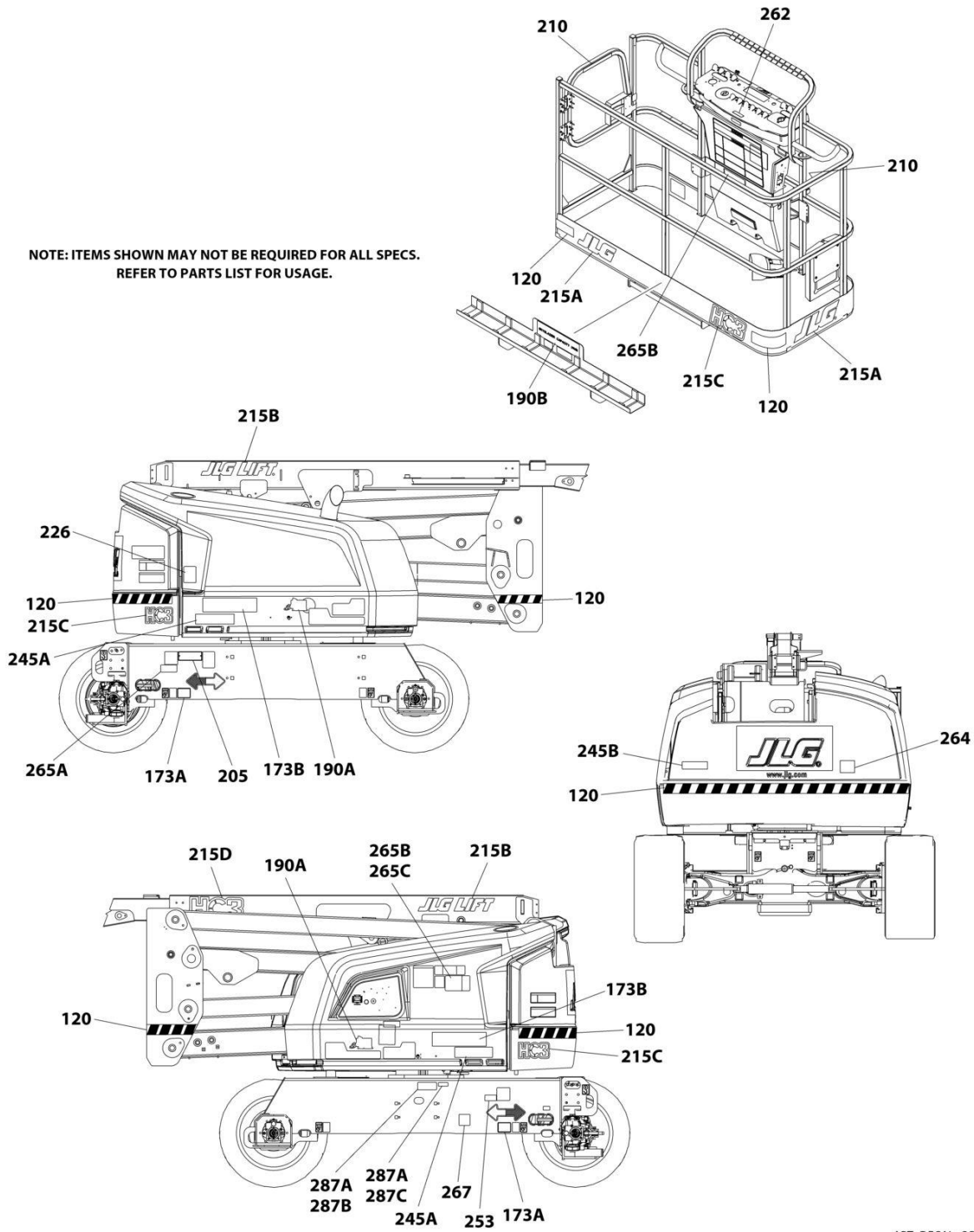
**FIGURE 9-4. DECAL INSTALLATION - ANSI EXPORT (CHINESE/ENGLISH LANGUAGES)**

ITEM	PART NUMBER	QTY	DESCRIPTION	REV
	1001254314	Ref	DECAL INSTALLATION - REFERENCE CHART	C
	1001254305	Ref	DECAL INSTALLATION	D
1	1703925	1	Decal - Danger/Warning	
2	1001116849	1	Decal - Warning Inspection	
3	1703937	4	Decal - Danger Electrocution	
4	1703949	4	Decal - Warning/Crushing	
5	1001234435	1	Decal - Warning	
6	1001234436	1	Decal - Warning	
10	1705968	2	Decal - No Hands	
14	1703943	2	Decal - Warning/Crushing	
15	1701504	1	Decal - Hydraulic Oil	
16	See Note	NSS	Decal - Bar Code (Note: Not Available for Purchase)	
18		Ref	<b>Nameplate - Manufacturers Serial Number</b>	
19	1701509	1	Decal - Manual	
20	1702300	8	Decal - Tie Down /Lift	
21	1701500	4	Decal - Tie Down /Lift	
22	1703687	2	Decal - Arrow	
24	0860520	1	Box, Manual Storage	
25	4751400	4	Washer 1/4	
26	3311405	4	Nut 1/4	
27	3820001	2	Rivet	
28	1703982	1	Decal - Footswitch	
35	1704412	1	Decal - Hydraulic Fluid	
36	1001274782	1	Decal - Lift Diagram	
37	1704885	1	Decal - Website	
40	0641406	4	Bolt 1/4 x 3/4	
41	1705430	1	Decal - Drive/Steer	
42	1701499	4	Decal - No Tie Down/Lift	
48	1701529	2	Decal - Arrow	
51	1001224050	1	Decal - Yearly Inspection	
100	1001232026	1	Decal - Platform Lanyard Kit (Not Shown)	
101	1704277	3	Decal - Attach Lanyard Here	

# SECTION 9 - DECALS

## FIGURE 9-5. DECAL INSTALLATION - OPTIONS

NOTE: ITEMS SHOWN MAY NOT BE REQUIRED FOR ALL SPECS.  
REFER TO PARTS LIST FOR USAGE.



ART\_DECAL\_OPTIONS

## SECTION 9 - DECALS

**FIGURE 9-5. DECAL INSTALLATION - OPTIONS**

ITEM	PART NUMBER	QTY	DESCRIPTION	REV
	1001254314	Ref	DECAL INSTALLATION - REFERENCE CHART (ALL SPECS EXCEPT CE SPECS)	C
	1001254315	Ref	DECAL INSTALLATION - REFERENCE CHART (CE SPECS)	B
	1001246976	Ref	DECAL INSTALLATION - OPTIONS	F
120	1001188883	Ref	Warning Stripes Installation	A
120	4420051	21.5 ft /6.55m	Tape, Safety	
173	1001255846	Ref	Model Decal Installation	C
173A	1001255850	2	Decal - Max Tire Load	
173B	1001267313	2	Decal - 520AJ HC3	
190	1001262105	Ref	SkyGlazier Decal Installaion (Australian Specs)	A
190A	1705358	2	Decal - SkyGlazier	
190B	1001262117	2	Decal - SkyGlazier Capacity	
205	See Note	1	Nameplate - Manufacturers Serial Number (Note: Not Available for Purchase)	
210	1705968	2	Decal - No Hands (China Specs)	
215	1001254311	Ref	JLG Logo Installation	C
215A	1702773	2	Decal - JLG	
215B	1702774	2	Decal - JLG Lift (3in)	
215C	1001244212	3	Decal - HC3	
215D	1001256906	1	Decal - HC3	
226	1706098	1	Decal - Warning Explosion/Fire	
245	1001127096	Ref	Decal - ClearSky	
245A	1001116208	2	Decal - ClearSky	
245B	1001120989	1	Decal - Radio Frequency	
253	1001143852	1	Decal - Emissions Compliance (Deutz D2011 Engines/Deutz D2011 Engines (Stage V)/Deutz D2.9L4 Engines (Stage V))	
262	1001141300	1	Decal - SkyGuard Override	
262	1001141302	1	Decal - SkyGuard Override with Soft Touch	
264	1001204510	1	Decal - Sound Power (102 Db)	
264	1001130492	1	Decal - Sound Power (105 Db)	
265	1001271605	Ref	Soft -Touch Decal Installation (Without Fall Arrest) (Pictograph)	
265	1001271588	Ref	Soft -Touch Decal Installation (Without Fall Arrest) (English Language)	
265	1001276688	Ref	Soft -Touch Decal Installation (Without Fall Arrest) (English/Chinese Languages)	
265	1001276692	Ref	Soft -Touch Decal Installation (Without Fall Arrest) (English/Spanish Languages)	
265	1001276690	Ref	Soft -Touch Decal Installation (Without Fall Arrest) (Spanish/Portuguese Languages)	
265	1001271606	Ref	Soft -Touch Decal Installation (With Fall Arrest) (Pictograph)	
265	1001271589	Ref	Soft -Touch Decal Installation (With Fall Arrest) (English Language)	
265	1001276689	Ref	Soft -Touch Decal Installation (With Fall Arrest) (English/Chinese Languages)	
265	1001276693	Ref	Soft -Touch Decal Installation (With Fall Arrest) (English/Spanish Languages)	
265	1001276691	Ref	Soft -Touch Decal Installation (Without Fall Arrest) (Spanish/Portuguese Languages)	
265A	1001195490	1	Decal - Soft-Touch (Pictograph)	
265A	1001195491	1	Decal - Soft-Touch (English Language)	
265A	1001271708	1	Decal - Soft-Touch (English/Chinese Languages)	

## SECTION 9 - DECALS

ITEM	PART NUMBER	QTY	DESCRIPTION	REV
265A	1001271711	1	Decal - Soft-Touch (English/Spanish Languages)	
265A	1001271707	1	Decal - Soft-Touch (Spanish/Portuguese Languages)	
265B	1001277484	1	Decal - Warning (Without Fall Arrest) (Pictograph)	
265B	1001277481	1	Decal - Warning (Without Fall Arrest) (English Language)	
265B	1001278197	1	Decal - Warning (Without Fall Arrest) (English/Chinese Languages)	
265B	1001278249	1	Decal - Warning (Without Fall Arrest) (English/Spanish Languages)	
265B	1001278209	1	Decal - Warning (Without Fall Arrest) (Spanish/Portuguese Languages)	
265B	1001277485	1	Decal - Warning (With Fall Arrest) (Pictograph)	
265B	1001277483	1	Decal - Warning (With Fall Arrest) (English Language)	
265B	1001278199	1	Decal - Warning (With Fall Arrest) (English/Chinese Languages)	
265B	1001278251	1	Decal - Warning (With Fall Arrest) (English/Spanish Languages)	
265B	1001278216	1	Decal - Warning (With Fall Arrest) (Spanish/Portuguese Languages)	
265C	1001277482	1	Decal - Warning (Without Fall Arrest) (English Language)	
265C	1001278198	1	Decal - Warning (Without Fall Arrest) (English/Chinese Languages)	
265C	1001278250	1	Decal - Warning (Without Fall Arrest) (English/Spanish Languages)	
265C	1001278215	1	Decal - Warning (Without Fall Arrest) (Spanish/Portuguese Languages)	
265C	1001277486	1	Decal - Warning (With Fall Arrest) (English Language)	
265C	1001278208	1	Decal - Warning (With Fall Arrest) (English/Chinese Languages)	
265C	1001278252	1	Decal - Warning (With Fall Arrest) (English/Spanish Languages)	
265C	1001278217	1	Decal - Warning (With Fall Arrest) (Spanish/Portuguese Languages)	
267	1001200131	1	Decal - Quick Start Reference (Loxam Rental) (Danish Spec)	
267	1001200129	1	Decal - Quick Start Reference (Loxam Rental) (Dutch Spec)	
267	1001181145	1	Decal - Quick Start Reference (Loxam Rental) (English Spec)	
267	1001200128	1	Decal - Quick Start Reference (Loxam Rental) (French Spec)	
267	1001200130	1	Decal - Quick Start Reference (Loxam Rental) (German Spec)	
267	1001200134	1	Decal - Quick Start Reference (Loxam Rental) (Norwegians Spec)	
267	1001200133	1	Decal - Quick Start Reference (Loxam Rental) (Spanish Spec)	
267	1001200132	1	Decal - Quick Start Reference (Loxam Rental) (Swedish Spec)	
287	1001239371	Ref	Eco Label Installation (China Specs Only)	A
287A	3820001	8	Rivet	
287B	1001232904	1	Decal - Eco Label	
287C	1001236396	1	Plate, Mein Code	



## **SECTION 10 - RECOMMENDED SERVICE PARTS STOCK**

## **SECTION 10 - RECOMMENDED SERVICE PARTS STOCK**

# SECTION 10 - RECOMMENDED SERVICE PARTS STOCK

## FIGURE 10-1. RECOMMENDED SERVICE PARTS STOCK

ITEM	PART NUMBER	QTY	DESCRIPTION	REV
		Ref	Note: The following list will service one machine (built to current production per date on the front cover) with emergency repair parts which can be installed in the field. Parts from the list should be replaced when inventory is depleted to keep service parts stock supplied. For further information, contact your JLG dealer or the JLG Industries Parts Department.	
	1001181045	1	Breaker, Combination 16Amp/30mAmp (Breaker Box with Single Breaker)	
	1001189172	1	Breaker 16Amp Double (Breaker Box with Three Breakers)	
	1001189171	1	Breaker, 30mA (Breaker Box with Three Breakers)	
	7024485	1	Breaker, Circuit 30Amp (7500W/50HZ Generator)	
	4360070	1	Circuit Breaker - 15Amp (7500W/50HZ Generator)	
	7024885	1	Coil (Traction Valve)	
	70002386	1	Coil (Traction & Main Control Valves)	
	70005219	1	Coil (Main Control Valve)	
	70003788	1	Coil (Main Control Valve)	
	70004897	1	Coil (Piston Pump)	
	70004871	1	Coil (Upright & Boom Valves)	
	7027628	1	Coil (Upright Valve)	
	1001275628	1	Controller Assembly (Drive and Steer)	
	1001275629	1	Controller Assembly (Lift and Swing)	
	4360407	1	Controller, Speed (Platform Controls)	
		Ref	Engine - Deutz D2011	
	70003783	12	Element, Air Cleaner	
	7020023	12	Filter, Fuel	
	70003463	12	Filter, Fuel - RME Resistant	
	7016331	12	Filter, Oil	
	3740140	1	Relay, 100Amp	
	70004058	1	Relay	
		Ref	Engine - Deutz D2.9L4 (Stage V)	
	1001197719	2	Fuse 0.5 Watt	
	1001196634	2	Fuse - 2 Amp	
	1001117308	1	Relay, 200Amp	
	1001138228	1	Relay, Power Module	
	70003614	1	Filter Kit (Includes Hydraulic Element, Breather Element and Gasket) (Hydraulic Tank)	
	70010383	1	Element, Filter (Charge Pump)	
	1001117174	1	Footswitch Assembly	
	1001196635	2	Fuse, 3Amp (Turntable Harness)	
	8229249	2	Fuse, 3 Amp (USB Charger)	
	8229242	2	Fuse, 5Amp (Turntable Harness)	
	8229244	2	Fuse, 15Amp (Turntable Harness)	
	8229245	2	Fuse, 30Amp (2500W/50HZ Generator)	
	1001129285	2	Fuse with Diode (Turntable Harness)	
	2860030	1	Key, Replacement	
	2940074	1	Latch (Platforms with Side Entry)	
	1001170094	1	Module, Ground Control	
	1001142683	1	Module, Control (Blue and Red Beacons)	
	1001118412	1	Module, Control (Platform Console Box)	
	70006553	1	Relay (4000W/50HZ Generator)	

## SECTION 10 - RECOMMENDED SERVICE PARTS STOCK

ITEM	PART NUMBER	QTY	DESCRIPTION	REV
	1001186431	1	Relay (SkyGuard)	
	3740086	1	Relay (SkyLine)	
	1001095704	1	Relay (Turntable Harness)	
	1001219601	1	Sensor (Turntable)	
	1001228225	1	Sensor, Emitter (SkyEye)	
	1001228224	1	Sensor, Receiver (SkyEye)	
	1001232667	1	Sensor, Proximity (SkyLine)	
	1001118971	1	Sensor, Angle (Boom)	
	1001170847	1	Sensor (HC3 Sensor)	
	1001182570	1	Sensor (HC3 Sensor)	
	1001119176	1	Switch, Limit (Drive Orientation)	
	4360469	1	Switch, Key (Ground Controls)	
	4360475	1	Switch, Emergency Stop (Ground & Platform Controls)	
	4360476	1	Switch, Contact Block (Ground & Platform Controls)	
	4360387	1	Switch, Push Button (Ground & Platform Controls)	
	4360274	1	Switch, Push Button (CE Specs) (Ground Controls)	
	4360336	1	Switch, Toggle (Generator)	
	1001159256	1	Switch, Toggle (Platform Controls)	
	1001161709	1	Switch, Toggle (Platform Controls)	
	1001155045	1	Switch, Toggle (Ground & Platform Controls)	



**SECTION 11 - SPECIAL OPTIONS**

# SECTION 11 - SPECIAL OPTIONS

**FIGURE 11-1. SPECIAL OPTIONS/ACCESSORIES/KITS**

ITEM	PART NUMBER	QTY	DESCRIPTION	REV
	Note	Ref	Note: This list is to accommodate machines ordered with special equipment. Options may not be applicable to all models. For more specific parts information contact JLG Parts Department.	
		Ref	MISCELLANEOUS SPECIAL OPTIONS/ACCESSORIES/KITS	
	1001174661	Ref	Airline Installation	
	1001264942	Ref	Bellows Installation	
	1001266660	Ref	Boom Wiper Installation	
	1001236123	Ref	Boom Wiper Cover Installation	
	1001233763	Ref	Breather Heater Installation (Factory Installed)	
	1001233047	Ref	Breather Heater Add-On Kit (Dealer Installed)	
	1001172045	Ref	Cable Carrier Tray Installation	
		Ref	ClearSky Telematics (Factory Installed)	
	1001228960	Ref	ClearSky (Telematics) Installation (Factory Installed) 3G Canbus Connection (ANSI Export, CE & UK CA Specs)	
	1001227278	Ref	ClearSky (Telematics) Installation (Factory Installed) 4G Canbus Connection (All Specs)	
	1001233237	Ref	ClearSky (Telematics) Installation (Factory Installed) 3-Wire Connection ( With Ground Control Module 1001239829) (CE & UK CA Specs)	
	1001276610	Ref	ClearSky (Telematics) Installation (Factory Installed) 3-Wire Connection (With Ground Control Module 1001277695) (All Specs except China)	
	1001246433	Ref	ClearSky (Telematics) Installation (Factory Installed) 3-Wire Connection (Australian Specs)	
	1001246434	Ref	ClearSky (Telematics) Installation (Factory Installed) 3-Wire Connection (China Specs)	
		Ref	ClearSky (Telematics) Installations (Dealer Installed)	
	1001243183	Ref	ClearSky (Telematics) Added-on Kit (Dealer Installed) (ANSI Export, CE & UK CA Specs)	
	1001243184	Ref	ClearSky (Telematics) Added-on Kit (Dealer Installed) (CE & UK CA Specs)	
	1001276923	Ref	ClearSky (Telematics) Add-on Kit (Dealer Installed) (Contact JLG for Approved Countries)	
	1001242639	Ref	ClearSky (Telematics) Access Control Installation Kit (Dealer Installed) (ANSI, ANSI Export, CSA, CE & UK CA Specs)	
	1001246142	Ref	ClearSky (Telematics) Service Kit (Dealer Installed) (Australian Specs)	
	1001255807	Ref	Cold Weather Package - Deutz D2.9L4 Engines (Stage V)	
	1001174767	Ref	Cold Weather Package - Deutz D2011 Engines	
	1001186976	Ref	Cold Weather Transformer Installation (Required with Deutz D2011 Engines)	
	0272031	Ref	Container/Transport Wheels Installation - 33/1550 x 16.5 Tires	
	1001290271	Ref	ECU Power Jumper Kit - Stage V Engines Only	
	1001243331	Ref	Fan Cover Installation - Deutz D2011 Engines	
	1001172751	Ref	Fan Guard Installation - Deutz D2.9L4 Engines (Stage V) (CE & UK CA Specs)	
	1001139099	Ref	Fire Extinguisher Installation	
	1001274833	Ref	Floor Mat Add-on Kit (30x48 Platform) (Dealer Installed)	
	1001274832	Ref	Floor Mat Add-on Kit (30x60 Platform) (Dealer Installed)	
	1001274831	Ref	Floor Mat Add-on Kit (30x72 Platform) (Dealer Installed)	
	1001117294	Ref	Foot Switch Shield Installation	
	1001202749	Ref	Fuel Cap Cover (Black)	

## SECTION 11 - SPECIAL OPTIONS

ITEM	PART NUMBER	QTY	DESCRIPTION	REV
	1001220003	Ref	Ground Control and UGM Covers Add-On Kit (Dealer Installed)	
	1001285811	Ref	Hood Plugs Installation	
	1001266662	Ref	Hostile Weather Package	
	1001296425	Ref	Hostile Environment Kit	
	1001258231	Ref	Hydraulic Load Installation	
	1001265688	Ref	Hydraulic Tank Lock Installation	
	1001172001	Ref	Lights Installation - Headlights and Taillights	
	1001120466	Ref	Lights Installation - Platform Worklights	
	1001183407	Ref	Low Temperature Cutout Installation (Russian Specs)	
	1001253618	Ref	Module Box Assembly Kit (Service Kit for P/N 1001246867)	
	1001253619	Ref	Module Box Assembly Kit (Service Kit for P/N 1001246860)	
	1001173664	Ref	Oil Cooler Installation - Deutz D2011 Engines	
	1001164493	Ref	Oil Cooler Installation - Deutz D2.9L4 Engines (Stage V)	
	1001272166	Ref	Pipe Rack Kit	
	1001110974	Ref	Platform Console Cover Installation	
	1580013	Ref	Platform Corner Storage Tray	
	1001267283	Ref	Platform Hose/Cable Protection	
	1001238421	Ref	Platform Leveling Kit	
	0274095	Ref	Platform Rail Extension Installation - 30in x 72in Platforms	
	1001209059	Ref	Platform Work Surface Installation	
	1001282215	Ref	Platform Worklights Kit	
	1001233080	Ref	Pump Rotation Kit (Re-orient Gear Pump 90 Degrees)	
	1001247800	Ref	Quad Tracks Replacement Kit	
	1001204110	Ref	Service Kits	AA
	1001247073	Ref	SkyEye Retrofit Kit	
	1001241547	Ref	SkyEye LH Housing Retrofit Kit	
	1001241548	Ref	SkyEye RH Retrofit Kit	
	1001250595	Ref	SkyGuard 6 Pin Retrofit Kit	
	1001203510	Ref	SkyGuard - Without Beacon	
	1001203511	Ref	SkyGuard Beacon Kit (Blue Light)	
	1001210036	Ref	SkyGuard Beacon Kit (Red Light)	
	1001250035	Ref	SkyGuard Platform Sensor Kit	
	1001249052	Ref	SkyGuard Retrofit Kit	
	1001262016	Ref	SkyLine Add-On Kit (Dealer Installed)	
	1001289831	Ref	SkySense (EDS) Level 1 Booms Installation (Factory Installed)	
	1001289832	Ref	SkySense (EDS) Level 2 Booms Installation (Factory Installed)	
	1001289905	Ref	SkySense Enhanced Detection System (EDS) Level 1 (2-Bar) Add-on Kit (Dealer Installed)	
	1001289906	Ref	SkySense Enhanced Detection System (EDS) Level 2 (3-Bar) Add-on Kit (Dealer Installed)	
	1001275643	Ref	Platform Bumper Padding (30x72)	
	1001275644	Ref	Platform Bumper Padding (30x60)	
	1001282461	Ref	Platform Bumper Padding (30x48)	
		Ref	Tools:	
	1001249695	Ref	Analyzer and Cable Kit	
	1001249941	Ref	Analyzer and Cable Kit (Battery Powered)	
	1001206436	Ref	Turntable Bearing Kit	
	1001277839	Ref	UGM Retrofit Kit (For Use with 1001170094 Ground Control Module)	
	1001262959	Ref	Voltage Regulator Relocation Kit	
	1001270716	Ref	White Noise Alarm Add-On Kit (Dealer Installed)	
	1001270755	Ref	White Noise Alarm (Ambient) Add-On Kit (Dealer Installed)	





**PART NUMBER INDEX**

## SECTION 11 - SPECIAL OPTIONS

0080231.....116	0642212.....237	0761015 ... 111, 116, 129, 137, 145, 185	1001100345.....363
0100009.....221	0681608.....195	0761016 ..... 99, 101, 145	1001100346.....367
0100011....15, 17, 19, 27, 37, 43, 55, 57, 59, 61, 65, 67, 69, 71, 77, 79, 88, 92, 95, 97, 99, 101, 103, 105, 111, 113, 116, 129, 131, 133, 137, 141, 145, 153, 155, 171, 175, 179, 185, 187, 189, 191, 195, 197, 205, 207, 209, 215, 233, 235, 239, 241, 308, 312, 323	0681620.....225	0761020 ..... 92	1001100347.....365
0100019.....49, 171, 175, 179	0681810.....19	0761210 ..... 129, 145	1001101191.....275, 279, 281, 283, 291
010002059, 61, 111, 116, 129, 137, 145, 227, 273, 275, 277, 279, 281, 283, 285, 287, 289, 291, 293	0681814.....213	0761212 ... 145, 175, 185, 191	1001101196.....275, 279
0100035.....157, 221, 223	0682013.....19	0761214 .59, 61, 88, 171, 179	1001101197.....281, 283, 291
0100048.....81, 171, 175, 179	0682424.....225	0761215 ..... 92, 187	1001103012.....379
0100079.....171, 179	0700408... 273, 275, 277, 279, 281, 283, 285, 287, 289, 291, 293	0761216 ..... 185, 195	1001103013.....77
0100081....116, 145, 237, 308, 312	0700616.....99, 101	0761227 ..... 191	1001104029.....180
0140011.....221	0700818.....179	0761614 ..... 185	1001104498.....379
0140043.....77	0700820.....187	0761615 ..... 15, 191	1001106736.....77
0200048.....239, 241	0700822.....189	0762016 ..... 191	1001107854.....379
0271998.....29	0700827.....308, 312	0770810 ..... 197	1001109528.....185
0272031.....406	0700828.....308, 312	0771212 ..... 137, 145	1001110434.....221
0272589.....181	0701015.....191	0771414 ... 116, 145, 153, 155, 171, 179	1001110974.....407
0274095.....407	0701018.....88	0771416 ..... 171, 179	1001111424.....79, 116
0275216.....275, 359	0701019.....92, 187	0860520 ... 391, 393, 395, 397	1001112551.....393
0275217.....279, 361	0701020.....59, 61, 137	0861572 ..... 179	1001112607.....185
0275452.....281, 363	0701022.....309, 313	0861731 ... 285, 287, 289, 293, 363, 365, 367	1001112612.....305, 379
0275453.....283, 365	0701024.....308, 312	0861781 ... 273, 277, 359, 361	1001112796.....305
0275454.....291, 367	0701027.....191	0861880 .... 327, 331, 333	1001113961.....380
0361810.....79	0701217.....15	0902888 ..... 179	1001115641.....241
0400075.....79	0701222.....187	0940048 ..... 191	1001115848.....241
0440162....111, 129, 137	0701616.....57	0940049 ..... 88	1001116208.....399
0480126.....171, 179	0711214.....145	0940071 ..... 88	1001116290.....99, 101
0630462.....239, 241	0711220.....17	0940088 ..... 92	1001116546.....185
0630518.....73, 223	0711224... 116, 145, 153, 155, 171, 179	0940102 ..... 237	1001116693.....355
0630568.....221	0711227.....189	0940167 ..... 239	1001116720.....357
0630613.....88, 92	0711628.....49	0961845 ... 205, 207, 209, 215	1001116728.....380
0641404.....235	0711631.....49	0961948 .... 17, 189, 191, 249	1001116732.....347
0641405.....221, 235	0721005.....239, 241	0961950 ..... 15	1001116734.....347, 379
0641406....219, 229, 391, 393, 395, 397	0721006.....157	0961951 ..... 116, 145	1001116748.....383
0641408.....219	0741606.....145	0962270 ..... 213	1001116774.....305
0641409.....99, 101	0741607.....171, 175	0962272 ..... 187	1001116808.....305
0641410.....95, 97	0760512.....79	0962292 ..... 249	1001116812.....341
0641414....221, 233, 239, 241	0760606... 171, 175, 179	0962348 ..... 193	1001116815.....380
0641416....273, 275, 277, 279, 281, 283, 285, 287, 289, 291, 293	0760607.....145	0962520 .... 171, 175, 179	1001116849.....397
0641418.....205, 207, 215	0760608.....65, 101	1001091102 ..... 295, 299	1001116952.....341
0641420.....209	0760610... 77, 79, 95, 97, 103, 105, 111, 116, 129, 137, 145, 169, 171, 175, 179, 295, 297, 299, 309	1001091969 ..... 275	1001116983.....345
0641504.....79	0760612 ..... 79, 309, 313	1001091970 ..... 279	1001117057.....347
0641610.....157, 219	076061483, 85, 111, 117, 129, 137, 171, 295	1001091973 ..... 281	1001117070.....379
0641616....171, 175, 179	0760615.....97	1001091974 ..... 283	1001117107.....341
0641812....113, 131, 133, 141	0760621.....77	1001091975 ..... 291	1001117172.....227
0642012.....237	0760808.....145	1001095704 ..... 380, 403	1001117174.....221, 227, 402
	0760810.88, 92, 145, 195	1001096070 .... 171, 175, 331	1001117240.....79
	0760812... 37, 59, 61, 67, 69, 71, 88, 92, 111, 129, 137, 145, 169, 172, 180, 189, 301, 308, 312	1001096653 ..... 37	1001117294.....406
	0760815 ..... 116, 145	1001097051 ..... 371	1001117308.....146, 402
	0761010 ..... 43, 65	1001097150 .... 327, 329, 331, 333	1001117372.....247
	0761011 ..... 17	1001097244 ..... 243	1001118274....59, 61, 67, 69, 71, 88, 189, 197, 308, 312
	0761012.... 301, 308, 312	1001098122 ..... 227, 355	1001118384.....375
	0761014. 88, 92, 99, 101, 129, 137, 145, 195	1001098828 ..... 195	1001118388.....357, 375
		1001099366 ..... 237	1001118412.....221, 402
		1001099367 ..... 237	1001118511.....15
		1001100231 ..... 347	1001118518.....15
		1001100341 ..... 359	1001118519.....15
		1001100342 ..... 361	1001118878.....146
			1001118971.....308, 312, 403
			1001118972..59, 61, 308, 312
			1001119020.....305
			1001119176.....65, 403

## SECTION 11 - SPECIAL OPTIONS

1001119228	55, 309, 313	1001142501	..... 129, 137, 157	1001162995	..... 15	1001169138	..... 146
1001119278	..... 79	1001142679	..... 268	1001163061	..... 59, 61	1001169240	..... 191
1001119280	79, 309, 313	1001142683	... 83, 85, 402	1001163178	..... 17, 257	1001169241	..... 191
1001119619	..... 369	1001142736	... 83, 85, 305	1001163179	..... 17	1001169242	..... 191
1001119620	..... 371, 373	1001142938	..... 341	1001163405	..... 17	1001169247	..... 185
1001119627	..... 268	1001142940	..... 341	1001163716	..... 17	1001169295	..... 191
1001120204	..... 317	1001142941	..... 341	1001164209	..... 17	1001169296	..... 191
1001120205	..... 321	1001143390	..... 116, 146	1001164493	..... 407	1001169297	..... 191
1001120328	..... 233, 235, 380	1001143645	..... 309, 313	1001164709	..... 253, 261	1001169298	..... 191
1001120466	..... 407	1001143797	..... 146	1001164726	..... 99, 101	1001169299	..... 191
1001120471	..... 243	1001143852	..... 399	1001164728	..... 219, 387	1001169300	..... 191
1001120477	..... 243	1001143936	..... 268	1001164738	..... 308, 312, 383	1001169301	..... 191
1001120484	..... 243	1001144116	..... 146	1001165035	..... 129, 137	1001169302	..... 189, 191
1001120989	..... 399	1001144147	..... 380	1001165388	..... 116, 146	1001169304	..... 189
1001125387	..... 129	1001144433	..... 233	1001165389	..... 116	1001169305	..... 189
1001125677	..... 355, 380	1001144629	..... 211, 217	1001165405	..... 146	1001169402	..... 189
1001126009	..... 375	1001146397	..... 29, 31	1001165406	..... 146	1001169403	..... 189
1001126351	..... 342	1001146588	..... 146	1001165722	..... 146	1001169525	..... 167
1001126362	..... 341	1001148059	..... 176	1001165849	..... 146	1001169823	..... 111, 129, 137
1001126363	..... 341	1001148641	..... 172, 176, 180	1001165968	..... 27	1001169898	..... 59, 61
1001126364	..... 341	1001148875	..... 29	1001166020	..... 113, 116	1001169967	..... 146
1001126391	..... 341	1001148876	..... 29	1001166021	..... 111, 113	1001170018	..... 88
1001126485	..... 342	1001149953	..... 29, 31	1001166096	..... 191	1001170022	..... 88, 92
1001126487	..... 342	1001150998	..... 116	1001166208	..... 261	1001170035	..... 146
1001127096	..... 399	1001151393	..... 67, 69, 71	1001166305	..... 111	1001170094	..... 402
1001129285	..... 380, 402	1001151393	..... 67, 69, 71	1001166316	..... 79	1001170098	..... 35
1001129407	..... 65	1001152266	..... 385	1001166717	..... 117	1001170099	..... 35
1001130220	..... 77	1001152483	..... 329	1001166718	..... 117, 146, 153, 155	1001170224	..... 167
1001130492	..... 399	1001152485	..... 299, 329	1001166767	..... 65	1001170226	..... 189
1001131269	..... 391	1001152489	..... 146	1001166768	..... 65	1001170334	..... 189
1001132195	..... 116	1001152525	..... 181	1001166768	..... 65	1001170475	..... 97
1001132196	..... 116	1001152532	..... 172, 176, 349	1001166853	..... 191	1001170480	..... 59, 61
1001133714	..... 342	1001154405	..... 129, 137, 157	1001166921	..... 146	1001170663	..... 169
1001133715	..... 342	1001154726	..... 347	1001166922	..... 153	1001170664	..... 169
1001133956	..... 342	1001155043	..... 67, 69, 71	1001166924	..... 146	1001170693	..... 117, 119
1001133957	..... 342	1001155044	..... 67, 69, 71, 221	1001167036	..... 113, 131, 133, 141, 163	1001170764	..... 342, 385
1001133972	..... 49, 53	1001155045	..... 67, 69, 71, 221, 403	1001167111	..... 117, 339	1001170847	..... 323, 403
1001135196	..... 111, 129, 137	1001155093	..... 191	1001167149	..... 88, 92	1001170859	..... 92
1001135650	..... 342	1001155743	..... 385	1001167157	..... 99	1001171216	..... 88
1001135651	..... 342	1001155823	..... 129, 137	1001167159	..... 88	1001171553	..... 308, 312
1001136834	..... 146	1001155967	..... 380	1001167163	..... 88, 92	1001171555	..... 308, 312
1001137673	..... 233	1001156107	..... 138	1001167164	..... 169	1001171559	..... 308, 312
1001138228	..... 146, 402	1001156541	..... 383	1001167169	..... 88	1001171678	..... 79
1001138248	..... 146	1001157466	..... 57	1001167312	..... 295	1001171679	..... 79
1001138494	..... 207, 209, 215	1001157520	..... 181	1001167512	..... 111, 129, 137	1001171680	..... 79
1001138514	..... 207, 209, 215	1001157521	..... 181	1001167520	..... 117, 146	1001171681	..... 111
1001138565	..... 171	1001157525	..... 180	1001167565	..... 195	1001171682	..... 111
1001138566	..... 172, 175	1001157528	..... 181	1001167567	..... 195	1001171683	..... 129, 137
1001139099	..... 406	1001157890	..... 379	1001167596	..... 195	1001171684	..... 129, 137
1001139357	..... 172	1001158007	..... 181	1001167632	..... 341	1001171953	..... 113, 131, 133, 141
1001139384	..... 99, 101	1001158008	..... 181	1001167635	..... 342	1001171954	..... 113, 131, 133, 141
1001139654	..... 137	1001159186	..... 351	1001168018	..... 117, 146, 153, 155, 172, 180	1001172001	..... 407
1001139819	..... 116	1001159256	..... 221, 403	1001168026	..... 146	1001172045	..... 406
1001140347	..... 175	1001161709	..... 221, 403	1001168059	..... 117	1001172064	..... 342
1001140429	..... 205, 207, 209, 215	1001162105	..... 27	1001168099	..... 146	1001172065	..... 342, 380
1001141300	..... 399	1001162106	..... 65	1001168166	..... 146	1001172202	..... 111
1001141302	..... 399	1001162107	..... 27	1001168207	..... 155	1001172264	..... 169
1001141304	..... 146	1001162534	..... 43, 45	1001168209	..... 251	1001172265	..... 169
1001141694	..... 116, 146	1001162535	..... 197, 199	1001168210	..... 251	1001172271	..... 308, 313
1001141870	..... 157	1001162536	..... 197, 201	1001168402	..... 195	1001172335	..... 312, 315
		1001162539	..... 37, 39	1001169046	..... 88, 99, 101	1001172336	..... 317
		1001162807	..... 67, 69, 71	1001169054	..... 146	1001172343	..... 312
				1001169062	..... 35	1001172577	..... 237
						1001172578	..... 237

## SECTION 11 - SPECIAL OPTIONS

1001172736.....	129	1001180541.....	189	1001194200.....	289	1001211716.....	88
1001172751.....	406	1001180620.....	146	1001194203.....	273	1001211717.....	88, 92
1001172760.....	221	1001180916.....	27	1001194204.....	277	1001213447.....	355
1001173006.....	269	1001181045.....	327, 331, 402	1001194365.....	293	1001213794.....	92
1001173027.....	269	1001181145.....	400	1001194424.....	269	1001213882.....	221
1001173028.....	269	1001181358.....	129, 137, 345	1001194427.....	269	1001214207.....	113, 131, 133, 141
1001173029.....	269	1001181875.....	309, 313	1001194888.....	99	1001214397.....	301
1001173034.....	269	1001181923.....	309, 313	1001195490.....	399	1001214570.....	301
1001173035.....	269	1001182064.....	187	1001195491.....	399	1001214571.....	301
1001173036.....	269	1001182169.....	88	1001196382.....	172, 176, 180	1001214975.....	117
1001173037.....	269	1001182361.....	342	1001196634.....	159, 402	1001215228.....	221
1001173038.....	269	1001182365.....	342	1001196635.....	380, 402	1001216630.....	195
1001173039.....	269	1001182561.....	309, 313	1001196636.....	385	1001218533.....	55
1001173042.....	269	1001182570.....	323, 403	1001196637.....	77	1001218535.....	55
1001173043.....	269	1001182695.....	187, 193	1001197017.....	239, 241	1001218537.....	55
1001173046.....	268	1001182806.....	103	1001197039.....	269	1001218622.....	312
1001173048.....	268	1001182875.....	88, 92	1001197221.....	37	1001218623.....	312
1001173049.....	268	1001182877.....	88, 92	1001197719.....	342, 402	1001219129.....	55
1001173052.....	269	1001182879.....	88, 92	1001200128.....	400	1001219601.....	77, 403
1001173053.....	269	1001182997.....	59, 61	1001200129.....	400	1001220003.....	407
1001173054.....	269	1001183407.....	407	1001200130.....	400	1001220266.....	138
1001173055.....	269	1001184618.....	221	1001200131.....	400	1001223055.....	391
1001173056.....	269	1001184618.....	221	1001200132.....	400	1001223122.....	146, 172, 176, 180
1001173057.....	269	1001184626.....	221	1001200133.....	400	1001223453.....	391
1001173058.....	269	1001184682.....	105	1001200134.....	400	1001223459.....	341
1001173059.....	269	1001185030.....	15	1001200491.....	195	1001223777.....	92
1001173062.....	269	1001185281.....	221	1001200494.....	195	1001224050.....	397
1001173066.....	269	1001185747.....	309, 313	1001201351.....	195	1001224894.....	189
1001173664.....	407	1001185821.....	43, 47	1001202333.....	99, 101	1001225346.....	301
1001173811.....	179	1001185964.....	380	1001202687.....	195	1001225430.....	123, 150
1001173925.....	172, 180	1001186375.....	207	1001202744.....	239	1001225431.....	123, 150
1001173984.....	171	1001186377.....	209	1001202745.....	241	1001225580.....	233, 357
1001174040.....	195	1001186378.....	215	1001202749.....	406	1001226530.....	301
1001174158.....	172, 176, 295, 297	1001186385.....	217	1001202830.....	95	1001226541.....	380
1001174378.....	167	1001186386.....	211	1001202910.....	269	1001226872.....	205
1001174661.....	406	1001186388.....	213	1001203322.....	97	1001227278.....	406
1001174675.....	176, 180	1001186431.....	233, 403	1001203510.....	407	1001227633.....	231
1001174749.....	308, 321	1001186432.....	357, 375	1001203511.....	407	1001227634.....	231
1001174767.....	406	1001186517.....	233	1001203654.....	213	1001227985.....	231
1001174976.....	81	1001186976.....	406	1001204110.....	407	1001227987.....	231
1001175024.....	268	1001187352.....	347	1001204510.....	393, 399	1001227996.....	371, 373
1001176299.....	268	1001187382.....	195	1001204715.....	323	1001228215.....	205
1001176300.....	268	1001187383.....	195	1001204725.....	195	1001228224.....	231, 403
1001176301.....	268	1001187674.....	231	1001205958.....	281, 283, 285, 287, 289, 291	1001228225.....	231, 403
1001176302.....	269	1001187681.....	369	1001206314.....	92	1001228960.....	406
1001176469.....	69, 71	1001188622.....	195	1001206436.....	407	1001229341.....	231
1001176848.....	17	1001188844.....	195	1001206476.....	301	1001230635.....	146
1001176951.....	308, 312, 319	1001188883.....	399	1001206532.....	221	1001230931.....	383
1001177359.....	146	1001189001.....	195	1001206625.....	253	1001230934.....	342
1001177821.....	57	1001189002.....	195	1001206916.....	61	1001230935.....	342
1001177834.....	57	1001189171.....	329, 402	1001207335.....	269	1001230936.....	342
1001178228.....	95	1001189172.....	329, 402	1001207336.....	269	1001231886.....	103
1001178448.....	308, 313	1001189882.....	395	1001207337.....	61	1001232026.....	391, 393, 395, 397
1001178449.....	308, 313	1001190368.....	17	1001207347.....	61	1001232164.....	231
1001178449.....	308, 313	1001190663.....	103, 105	1001208874.....	43	1001232165.....	231
1001178644.....	308, 313	1001190985.....	195	1001208994.....	195	1001232642.....	235
1001178788.....	146	1001191620.....	146	1001209059.....	407	1001232667.....	235, 403
1001178859.....	117	1001191832.....	88, 92, 111, 129, 137	1001209617.....	103	1001232842.....	159
1001179236.....	77, 337	1001192401.....	380	1001209664.....	233	1001232904.....	400
1001179266.....	309, 313	1001193018.....	273, 275, 277, 279, 281, 283, 285, 287, 289, 291, 293	1001209677.....	299	1001233047.....	406
1001179339.....	59, 61	1001193336.....	59, 61	1001209832.....	299	1001233080.....	407
1001179517.....	37	1001194197.....	285	1001210036.....	407	1001233139.....	17
1001179903.....	146	1001194198.....	287	1001210356.....	269	1001233237.....	406
1001179904.....	88			1001210636.....	243	1001233763.....	159, 406
1001180035.....	269			1001210823.....	269		
1001180056.....	191			1001211556.....	149		

## SECTION 11 - SPECIAL OPTIONS

1001233899.....	88	1001245759.....	19, 21	1001256125.....	189	1001269476.....	92
1001234425.....	391	1001246142.....	406	1001256126.....	189	1001270594.....	81
1001234426.....	391	1001246369.....	77	1001256179.....	15, 247	1001270716.....	407
1001234435.....	397	1001246433.....	406	1001256527.....	323	1001270730.....	187, 193
1001234436.....	397	1001246434.....	406	1001256790.....	187	1001270755.....	407
1001234439.....	393, 395	1001246435.....	219, 221	1001256879.....	137	1001271179.....	308
1001234800.....	341	1001246436.....	219	1001256906.....	395, 399	1001271180.....	312
1001235949.....	146, 157	1001246450.....	67	1001256910.....	185	1001271323.....	380
1001236091.....	73	1001246451.....	69	1001256911.....	191	1001271497.....	355
1001236123.....	406	1001246520.....	17	1001257271.....	225	1001271588.....	399
1001236396.....	400	1001246551.....	17	1001257274.....	225	1001271589.....	399
1001236552.....	235	1001246859.....	380	1001257275.....	225	1001271605.....	399
1001236780.....	146	1001246976.....	399	1001258005.....	225	1001271606.....	399
1001236891.....	225	1001247073.....	407	1001258231.....	407	1001271707.....	400
1001236895.....	225	1001247440.....	137	1001258264.....	191	1001271708.....	399
1001237383.....	380	1001247468.....	195	1001258265.....	191	1001271711.....	400
1001237546.....	73	1001247656.....	175	1001258495.....	371, 373	1001271795.....	37, 43, 197
1001237667.....	355, 380	1001247800.....	407	1001258800.....	175	1001272166.....	407
1001237668.....	355, 380	1001248140.....	225	1001258804.....	146	1001272681.....	83
1001237863.....	231, 371	1001248141.....	225	1001258895.....	31	1001272682.....	85
1001237864.....	231, 373	1001248190.....	176	1001258896.....	31	1001273302.....	189, 308, 312
1001237865.....	231, 369	1001249052.....	407	1001258897.....	31	1001273303.....	189, 308, 312
1001237878.....	301	1001249695.....	407	1001258898.....	31	1001274525.....	59, 63
1001237879.....	301	1001249941.....	407	1001259058.....	187	1001274559.....	67, 69, 71, 221
1001237880.....	301	1001250035.....	407	1001259196.....	187	1001274782.....	391, 393, 395, 397
1001237881.....	301	1001250291.....	88	1001259230.....	95, 97	1001274831.....	406
1001237949.....	185	1001250595.....	407	1001260306.....	308, 313	1001274832.....	406
1001238192.....	323, 325	1001252527.....	342	1001260412.....	146	1001274833.....	406
1001238254.....	221, 355	1001252541.....	19, 23	1001260420.....	146	1001275628.....	221, 402
1001238263.....	225	1001252629.....	225	1001261045.....	175	1001275629.....	221, 402
1001238319.....	231	1001252926.....	269	1001261085.....	175	1001275643.....	407
1001238418.....	235, 375	1001253618.....	407	1001262016.....	407	1001275644.....	407
1001238421.....	195, 407	1001253619.....	407	1001262105.....	399	1001275645.....	407
1001238466.....	308, 313	1001254300.....	391	1001262117.....	399	1001275935.....	57
1001238472.....	235	1001254301.....	393	1001262959.....	407	1001275936.....	57
1001238495.....	233	1001254305.....	397	1001263007.....	323, 335	1001276610.....	406
1001238559.....	235	1001254307.....	395	1001263008.....	323, 377	1001276626.....	83, 85
1001238911.....	146	1001254311.....	399	1001263174.....	105	1001276643.....	146, 341
1001239202.....	341	1001254314.....	391, 393, 397, 399	1001263663.....	101	1001276688.....	399
1001239371.....	400	1001254315.....	395, 399	1001263664.....	99	1001276689.....	399
1001241286.....	88	1001254472.....	235	1001263668.....	101	1001276690.....	399
1001241295.....	88, 95	1001254473.....	235	1001263669.....	99	1001276691.....	399
1001241398.....	73, 223	1001254474.....	19	1001263677.....	99	1001276692.....	399
1001241547.....	407	1001254652.....	195	1001263678.....	101	1001276693.....	399
1001241548.....	407	1001255133.....	195	1001263693.....	99	1001276923.....	406
1001241965.....	235	1001255329.....	189	1001263694.....	101	1001277432.....	117, 147
1001242639.....	406	1001255412.....	268	1001263787.....	101	1001277481.....	400
1001242855.....	83	1001255807.....	406	1001264731.....	71	1001277482.....	400
1001242856.....	85	1001255846.....	399	1001264732.....	69	1001277483.....	400
1001243183.....	406	1001255850.....	399	1001264733.....	67	1001277484.....	400
1001243184.....	406	1001255930.....	269	1001264942.....	406	1001277485.....	400
1001243331.....	406	1001255968.....	191, 261	1001264981.....	15	1001277486.....	400
1001243414.....	88	1001255969.....	187, 249	1001265163.....	243	1001277589.....	147, 149
1001243895.....	159	1001255970.....	185, 255	1001265186.....	43, 197	1001277594.....	141, 145
1001244019.....	155	1001255971.....	185, 251	1001265342.....	243	1001277600.....	137, 141
1001244024.....	153	1001255973.....	185, 253	1001265389.....	99	1001277839.....	407
1001244212.....	395, 399	1001255991.....	187	1001265390.....	101	1001278197.....	400
1001244287.....	137	1001256002.....	187	1001265688.....	407	1001278198.....	400
1001244295.....	77, 351	1001256093.....	185	1001266649.....	323	1001278199.....	400
1001244298.....	395	1001256095.....	185, 189	1001266660.....	406	1001278208.....	400
1001244301.....	395	1001256096.....	185, 191	1001266662.....	407	1001278209.....	400
1001245195.....	33	1001256098.....	191	1001266711.....	189, 259	1001278215.....	400
1001245196.....	33	1001256099.....	191	1001267275.....	269	1001278216.....	400
1001245197.....	33	1001256100.....	191	1001267277.....	269	1001278217.....	400
1001245198.....	33	1001256101.....	191	1001267278.....	269		
1001245211.....	33	1001256102.....	191	1001267283.....	407		
1001245656.....	71	1001256103.....	191	1001267313.....	399		

## SECTION 11 - SPECIAL OPTIONS

1001278249.....400	1321293.....65	2080040 ... 171, 175, 211,	2900756.....39
1001278250.....400	1321647.....380	217, 295, 297, 299	2900770.....251, 259
1001278251.....400	1321716 ... 111, 129, 137,	2110810 .....268	2900792.....249
1001278252.....400	145, 172, 175, 180	2110812 .....268	2902065.... 116, 145, 161
1001279651.....92	1580012.....229	2151212 .....268	2902212.....237
1001280240.....92	1580013.....407	2160001 .....49	2902443.....339, 341
1001280242.....92	1670603.....293	2180348 .....111	2902549.....295, 327
1001280340.....77	1670836 .....189	2180832 .....129, 137	2940045.....101
1001280549.....92	1701499 ... 391, 393, 395,	2180876 ... 111, 129, 137	2940074.... 211, 217, 402
1001281192.....175	397	2200261 .....117, 147	2940173...95, 97, 99, 101
1001281623.....101	1701500 ... 391, 393, 395,	2220238 .....268	3020008.....19
1001282106.....73, 223	397	2220371 .....268	3251102.....175
1001282143.....92, 99	1701504 ... 391, 393, 395,	2220372 .....268	3251242.... 277, 279, 281,
1001282146.....92	397	2220373 .....268	283, 285, 287, 289,
1001282215.....407	1701505 ... 111, 129, 137	2220374 .....268	291, 293
1001282461.....407	1701509 ... 237, 391, 393,	2220375 .....268	3251243.....391
1001282492.....77, 379	395, 397	2220377 .....268	3251813.....391
1001282533.....77, 385	1701518 .....393, 395	2220415 .....268	3252347.....391
1001282831.....59	1701529 ... 391, 393, 395,	2220435 .....268	3252764.....179
1001283776.....81, 303	397	2220451 .....116, 268	3271605.....225
1001284582.....223	1701691 .....88	2220465 .....268	3271805.....213
1001284583.....223	1702300 ... 391, 393, 395,	2220468 .....268	3272001.....225
1001285640.....101	397	2220472 .....268	3290405.... 65, 81, 83, 85,
1001285788.....89, 97	1702565 .....221	2220497 .....268	243, 273, 275, 277,
1001285789.....88	1702566 .....221	2220500 .....268	279, 281, 283, 285,
1001285811.....407	1702567 .....221	2220501 .....268	287, 289, 291, 293,
1001285988.....92, 101	1702773 .....395, 399	2220582 .....268	295, 308, 312
1001286019.....49, 51	1702774 .....399	2220596 .....268	3290501.....79
1001289589.....333	1702868 .....391	2220600 .....268	3290505.....79, 180
1001289592.....297, 333	1703162 .....116, 145	2220603 .....268	3290601.... 77, 79, 95, 97,
1001289831.....407	1703687 ... 391, 393, 395,	2220628 .....268	99, 101, 103, 105
1001289832.....407	397	2220767 .....137	3290605.... 37, 65, 77, 79,
1001289905.....407	1703797 .....391	2220811 .....268	83, 85, 101, 111, 116,
1001289906.....407	1703804 .....391	2220881 .....247	129, 137, 145, 169,
1001290271.....406	1703805 .....391	2220883 21, 39, 247, 249,	171, 175, 180, 295,
1001291401.....147	1703925 .....397	268	297, 299, 308, 312
1001291599.....297	1703937 .....397	2220885 .... 39, 247, 249	3290606.... 207, 209, 215
1001293086.....176	1703943 .....397	2220906 .....268	3290801.....111
1001294215.....49	1703949 .....397	2220923 .....268	3290805.... 37, 59, 61, 88,
1001296425.....407	1703953 .....391	2220940 .....268	92, 99, 101, 116, 145,
1001296426.....77, 353	1703982 .....397	2220946 .....268	153, 155, 169, 171,
1001297389.... 67, 69, 71	1704260 .....221	2220947 .....268	180, 187, 189, 301,
1001302954.....123	1704277 ... 391, 393, 395,	2220998 .....268	308, 312
1001302955.....131	397	2221033 .....268	3290806.....195
1001302956.....133	1704412 ... 391, 393, 395,	2221040 .....268	3291001.....145, 195
1001302961.... 129, 131	397	2221086 .... 39, 201, 268	3291005.... 79, 88, 92, 95,
1001302963.....133	1704885 .... 391, 393, 397	2230025 .....268	97, 99, 101, 111, 116,
1001302970.....129	1704972 .....111	2400060 ... 159, 243, 347,	129, 137, 145, 185,
1060341.....239, 241	1705014 .....213	355, 380	187, 189, 191, 195,
1060461.....317, 321	1705325 .....273, 275	2410014 .....213	301, 308, 312
1060903.....239, 241	1705336 .....391	2460048 .....179	3291201.... 171, 175, 180,
1060908.... 327, 329, 331,	1705351 .....391	2540020 .....81, 83, 85	195
333	1705358 .....399	2560136 .....221	3291205.... 185, 187, 191,
1060918.....227	1705430 .....397	2560187 .. 95, 97, 99, 101	195
1062255.....138	1705460 .....181	2600281 .....211, 217	3300106.....19
10702077.....180	1705461 .....181	2720015 .....145	3300151.... 205, 207, 209,
10702082.....180	1705489 ... 171, 175, 180,	2720058 .... 111, 129, 137	215
10836804.... 67, 69, 71	181	2720340 .....145	3300220.....79, 116
1120555.....237	1705822 .....393, 395	2720398 .....116	3300353.....221
1320016.....116	1705828 .....393, 395	2720447 .....116	3300396.....180
1320022.... 111, 129, 137	1705921 .....393, 395	2752504 .....269	3300408.....73
1320041.....309, 313	1705961 .....393, 395	2752519 .....269	3300430.....233
1320043.....309	1705968 .....397, 399	2820031 ... 171, 175, 179,	3311001.....157, 180
1320061.....138	1706098 .....399	308, 312, 319	3311401.....239
1320130.....308, 312	1706385 .....213	2820035 .....159	3311405.... 219, 235, 241,
1320176.....167	2060025 .....116	2820247 .....371, 373	273, 275, 277, 279,
1320223.....301		2860030 .....67, 69, 402	281, 283, 285, 287,

## SECTION 11 - SPECIAL OPTIONS

289, 291, 293, 391, 393, 395, 397	4010618 .... 207, 209, 215	4460464..65, 83, 85, 227, 243, 303, 305, 319, 325, 335, 337, 345, 347, 355, 357, 375, 377, 379, 383, 385, 387	4460899... 325, 337, 353, 357, 369, 375, 377, 379, 383, 385, 387
3311501 ..... 88, 239, 241	4031505 ..... 231	4460465.....81, 103, 105, 243, 305, 315, 325, 335, 337, 339, 341, 349, 355, 357, 377, 379, 380, 383, 385, 387	4460910 ..... 373
3311601 88, 92, 221, 235	4031509 ..... 81, 83, 85	4460471.....221	4460911 ..... 369
3311605 .... 157, 213, 219	4031511 ..... 308, 312	4460473.....308, 312, 315	4460928 ..... 305
3312002 ..... 225	4031512 ..... 65	4460488.....83, 85	4460930 .... 339, 341, 379
3312005 ..... 237	4031516 ..... 235	4460496.....77	4460931 .... 303, 335, 379
3312205 ..... 237	4031914 ..... 145	4460497.....77	4460932 ..... 243, 345
3321001 ..... 79, 116	4032015 ..... 171, 180	4460508.....231, 319, 355	4460933 .... 305, 355, 380
3321501 ..... 92	4060802 .... 171, 175, 180	4460509.....315, 379	4460941 ..... 345, 369
3331211 ... 153, 155, 171, 180	4060805 ..... 116, 145	4460518.....305	4460942 .... 231, 341, 345
3331215 ..... 116, 145	4060806 ..... 55	4460536.....325, 335, 355	4460943 ..... 369, 380
3340860 ..... 187	4060808 ..... 308, 312	4460539.....325, 335, 341, 355, 377, 385	4460944 ..... 341
3340956 ..... 237	4070897 ..... 189	4460662....285, 287, 289, 293	4460956 .... 327, 331, 333
3380434 ..... 219	4070898 ..... 189	4460703.....341	4460957 .... 327, 331, 333
3422532 .... 111, 129, 137	4071101 ..... 15	4460708.....355	4460967 ..... 379
3422793 ..... 185, 187	4160182 ..... 88	4460722.....159	4460968 ..... 273, 277
3422814 ..... 187	4240032 ... 77, 81, 83, 85, 147	4460742.....379	4460970 ..... 355
3423304 ..... 17	4240033 .... 231, 233, 235	4460743.....379	4461005 ..... 339
3430616 ..... 221	4240099 ... 116, 137, 145, 159, 171, 175, 180, 221, 239	4460746.....341	4461008 ..... 339, 341
3460334 ..... 237	4240149 ..... 237	4460748.....341, 380	4461052 ..... 339
3470003 ..... 221	4240156 ..... 308, 312	4460754.....385	4461054 ..... 341, 345
3520054 .... 116, 145, 221	4360057 ..... 239, 241	4460761.....355, 379	4461060 ..... 345
3520071 ..... 237	4360070 ..... 180, 402	4460806....281, 283, 285, 287, 380	4461070 ..... 305
3520072 .... 92, 205, 207, 209, 211, 213, 215, 217	4360274 ..... 71, 403	4460807 ..... 349	4461071 ..... 339, 341
3520189 ..... 180	4360336 ... 171, 175, 180, 403	4460808.....349	4461072 ..... 339, 341
3520192 ..... 180	4360387 69, 71, 221, 403	4460836.....379	4461073 ..... 339, 341
3520198 ... 205, 207, 209, 211, 215, 217	4360407 ..... 221, 402	4460865....308, 312, 315, 379	4461074 ..... 339, 341
3572551 ..... 187	4360436 ..... 59, 61	4460871....308, 312, 319, 355	4461077 ..... 369, 375
3575705 ..... 239, 241	4360469 .. 67, 69, 71, 403	4460875.....355, 385	4461095 ..... 305, 339
3580317 .... 171, 175, 180	4360475 ..... 403	4460876.....351	4461196 ..... 359
3580319 .... 171, 175, 180	4360476 .. 67, 69, 71, 403	4460878.....380	4461198 ..... 273, 359
3580320 ..... 171, 180	4420014 ..... 237	4460879.....243, 355	4461199 ..... 361
3740067 ..... 79, 116	4420051 ..... 399	4460884....243, 341, 357, 379, 383, 385	4461201 ..... 277, 361
3740086 ..... 375, 403	4420066 ..... 237	4460887....243, 355, 380	4461205 ..... 363, 365
3740140 ..... 116, 402	4460019 ..... 341	4460891.....81, 103, 105, 305, 337, 345, 383, 385, 387	4461244 ..... 285, 363
3760351 ..... 189	4460042 ..... 341	4460892.....335	4461245 ..... 287, 365
3790012 ..... 221	4460043 ..... 159, 341	4460894....335, 339, 341, 355, 379, 387	4461246 ..... 289, 367
3790152 ... 113, 131, 133, 141	4460049 ..... 239, 241	4460897.83, 85, 303, 345	4461249 ..... 367
3820001 ... 391, 393, 395, 397, 400	4460071 ..... 227		4520259 ..... 29
3820020 ..... 211, 217	4460115 ..... 342		4640464 ..... 325
3820032 ..... 79	4460142 ..... 380		4640509 ..... 249
3841143 ... 111, 129, 137, 195	4460183 ..... 355		4640751 ..... 145
3841203 .... 185, 187, 191	4460225 .... 180, 349, 355		4640771 ..... 259
3841258 ..... 15, 185, 191	4460226 .... 227, 239, 241		4641122 ..... 29, 31, 33
3841287 ..... 191	4460227 ..... 355		4641155 ..... 37
3841340 ..... 308, 312	4460234 77, 81, 221, 239		4641390 ..... 253, 261
3841520 ..... 17	4460247 ..... 341, 379		4711000 ..... 157, 180
3900054 ..... 213	4460259 ... 243, 351, 355, 380		471140095, 97, 205, 207, 209, 215, 233, 235, 273, 275, 277, 279, 281, 283, 285, 287, 289, 291, 293
3900349 ..... 221	4460260 ... 243, 351, 353, 355, 380		4711500 ..... 79, 88, 145
3900351 ..... 189	4460267 59, 61, 355, 379		4711600... 157, 171, 175, 180, 221, 225
3900363 ..... 99, 101	4460268 ..... 349		4711800 ..... 213
3910804 ..... 67, 69, 71	4460313 ..... 339		4712000 ..... 225, 237
3931408 ..... 233	4460320 ..... 59, 61		4712200 ..... 237
3931512 ..... 145	4460384 ..... 293		4740086 ..... 17
3931618 ... 113, 131, 133, 141	4460418 ..... 351, 355		4740158 ..... 15
3960407 ..... 116	4460419 ..... 351, 355		4740229 ..... 15
3960526 ..... 19	4460425 .... 180, 239, 241		4740362 ..... 219
4010405 ..... 295, 299	4460426 ..... 180		4750800 ..... 309, 313
4010418 ..... 308, 312	4460428 ..... 221		
	4460434 ..... 355		
	4460458 .... 342, 379, 380		

## SECTION 11 - SPECIAL OPTIONS

4751400.....99, 101, 219, 221, 229, 239, 241, 391, 393, 395, 397	5251009 ..... 189	70002112 ..... 61	70004254.....53
4751500.....239, 241	5251010.37, 43, 189, 197	7000216 ..... 23	70004255.....53
4751600.....219	5251012 ..... 15, 27, 189	70002209 ..... 39	70004256.....53
4751800.....213, 239, 241	5251014.88, 92, 308, 312	70002234 ..... 120	70004257.....53
4761000.....79, 116	5251016 ..... 195	70002257 ..... 164	70004258.....53
4761400.....229	5251215... 111, 129, 137, 145	70002297 ..... 179	70004259.....53
4811400....65, 81, 83, 85, 243, 273, 275, 277, 279, 281, 283, 285, 287, 289, 291, 293, 308, 312	5260800 ... 55, 67, 69, 71, 172, 175, 180	70002335 ..... 249	70004260.....53
4811600.....79, 180	5261200 ... 111, 129, 137, 145	70002373 ..... 249	70004261.....53
4811700....65, 77, 79, 83, 85, 95, 97, 99, 101, 103, 105, 111, 116, 129, 137, 145, 171, 175, 180, 207, 209, 215, 295, 297, 299, 309, 313	5272114 ..... 49	70002386 .... 39, 45, 253, 261, 402	70004262.....53
481170277, 79, 145, 169, 172, 176, 295, 297, 299	5281918 ..... 308, 312	70002460 ..... 179	70004263.....53
4811900....37, 59, 61, 67, 69, 71, 88, 92, 99, 101, 111, 116, 129, 137, 145, 153, 155, 171, 180, 189, 195, 301, 308, 312	70000100 ..... 199	70002649 ..... 53	70004267.....47
4811902....145, 187, 189, 197, 308, 312	70000342 ..... 193	70002651 ..... 53	70004268.....119
4812000....43, 65, 79, 88, 92, 95, 97, 99, 101, 111, 116, 129, 137, 145, 175, 185, 189, 191, 195, 301, 308, 312	70000345 ..... 120, 149	70002718 .. 119, 123, 150	70004269.....119
4812002....59, 61, 65, 88, 92, 138, 145	70000619 ..... 179	70002838 ..... 61	70004270.....120
4812100.....88, 129, 137, 145, 171, 180, 191, 195	70000781 ..... 39	70002842 ..... 247	70004281.....123, 150
4812102....59, 61, 88, 92	70000787 ..... 120	70002902 ..... 227	70004282.....123
4812200....116, 145, 153, 155, 171, 180	70000793 ..... 161	70002903 ..... 227	70004504.....150
4812300.....57	70000794 ..... 21	70002904 ..... 227	70004505.....150
4846370.....239	70000795 ..... 21	70002905 ..... 227	70004506.....150
4871700....171, 175, 180	70000800 ..... 119	70002962 ..... 39	70004507.....150
4891600.....88, 113, 131, 133, 141, 195	70000851 ..... 120	70002996 ..... 23	70004508.....123, 150
4891800.....19, 113, 131, 133, 141	70000854 ..... 21	70002997 ..... 24	70004509.....150
4892000.....19	70000856 ..... 21	70003000 ..... 23	70004510.....150
4892600001 ..... 195	70000863 ..... 179	70003463 ..... 119, 402	70004577.....39
4922641 ..... 176, 180	70000865 ..... 53	70003464 ..... 119	70004676.....171, 175
4922925 ..... 180	70000912 ..... 119	70003468 ..... 120	70004677.....171
4922929 ..... 312	70000913 ..... 119	70003469 ..... 120	70004678.....171, 175
4923451 ..... 117	70000914 ..... 119	70003472 ..... 119	70004679.....172, 175
5241000.....99, 101	70000915 ..... 119	70003473 ..... 119	70004680.....172, 175
5241200..15, 17, 49, 116, 145, 153, 155, 171, 175, 180, 189, 195	70000916 ..... 119	70003475 ..... 119	70004681.....172, 175
5241600.....49	70000917 ..... 119	70003479 ..... 119	70004682.....172, 175
5250608.....77	70000918 ..... 119	70003480 ..... 119	70004683.....172, 176
5250808.....172, 180	70000919 ..... 120	70003481 ..... 119	70004686.....175
5250810..67, 69, 71, 172, 175, 180, 197	70000931 ..... 120	70003612 ..... 47	70004864.....199
5250812.....55, 309, 313	70001002 ..... 119	70003614 ..... 61, 402	70004865.....199
5251008.....195, 323	70001100 ..... 179	70003628 ..... 21	70004866.....199
	70001119 ..... 23	70003631 ..... 179	70004867.....199, 201
	70001181 ..... 119	70003708 .. 171, 175, 179	70004868.....199
	70001368 ..... 23	70003709 .. 171, 175, 179	70004869.....199, 201
	70001384 ..... 179	70003783 ..... 116, 402	70004871... 199, 201, 402
	70001423 ..... 119	70003788 .... 45, 253, 402	70004873.....201
	70001435 ..... 120	70003931 ..... 120	70004875.....199
	70001498 ..... 120	70003932 ..... 120	70004876.....59, 61
	70001654 ..... 119	70003975 ..... 39	70004883.....39
	70001655 ..... 119	70003977 ..... 45	70004884.....39
	70001696 ..... 179	70004000 ..... 47	70004885.....39
	70001844 ..... 120	70004013 ..... 47	70004886.....39
	70001850 ..... 119	70004014 ..... 47	70004887.....39
	70001866 ..... 120	70004017 ..... 39	70004888.....39
	70001868 ..... 120	70004039 ..... 23	70004889.....163
	70001870 .. 119, 124, 150	70004056 ..... 120	70004890.....163
	70001871 ..... 120	70004058 ..... 120, 402	70004891.....163
	70001872 ..... 120	70004059 ..... 120	70004892.....163
	70001932 ..... 21	70004060 ..... 120	70004893.....163
	70001953 ..... 179	70004062 ..... 120	70004894.....163
	70001966 .. 171, 175, 179	70004092 ..... 171, 175	70004895.....163
	70001973 ..... 179	70004099 ..... 175	70004896.....163
	70001974 ..... 179	70004102 ..... 120	70004897.....163, 402
	70002063 ..... 39	70004103 ..... 120	70004898.....163
	70002070 ..... 23	70004169 ..... 179	70004899.....164
	70002071 ..... 23	70004171 ..... 171, 179	70004900.....164
	70002072 ..... 23	70004249 ..... 53	70004901.....164
	70002073 ..... 23	70004250 ..... 53	70004902.....164
	70002088 ..... 179	70004251 ..... 53	70004903.....164
		70004252 ..... 53	70004904.....164
		70004253 ..... 53	70004905.....164
			70004906.....164



## SECTION 11 - SPECIAL OPTIONS

70004907 ..... 164	70007146 ..... 21	70008537 ..... 150	70030381 ..... 123, 150
70004908 ..... 164	70007170 ..... 23	70008538 ..... 150	70031055 ..... 149
70004909 ..... 164	70007171 ..... 23	70008543 ..... 149	70031095 ..... 123
70004910 ..... 164	70007172 ..... 23	70008544 ..... 149	70031136 ..... 123, 149
70004911 ..... 164	70007173 ..... 23	70008545 ..... 149	70031143 ..... 123, 149
70005065 ..... 47	70007174 ..... 23	70008547 ..... 149	70031144 ..... 123, 149
70005066 ..... 47	70007175 ..... 23	70008553 ..... 149	70031388 ..... 149
70005067 ..... 47	70007176 ..... 23	70008558 ..... 149	70031474 ..... 149
70005068 ..... 47	70007177 ..... 24	70008559 ..... 149	7007289 ..... 164
70005069 ..... 45	70007325 ..... 149	70008561 ..... 149	7007415 ..... 163, 164
70005071 ..... 45	70007326 ..... 123, 149	70008564 ..... 150	7007419 ..... 21, 163
70005076 ..... 45	70007354 ..... 123, 149	7000857 ..... 21	7007420 ..... 21, 163, 164
70005080 ..... 45	70007556 ..... 201	70010383 ..... 43, 402	7007438 ..... 21
70005082 ..... 45	70007603 ..... 123, 149	70012257 ..... 123	7007439 ..... 21
70005084 ..... 45	70007719 ..... 255	7001481 ..... 164	7007446 ..... 21
70005085 ..... 45	70007720 ..... 251, 255	7001913 ..... 23	7007493 ..... 164
70005087 ..... 45	70007721 ..... 251, 255	70023606 ..... 39	7007495 ..... 163
70005088 ..... 45	70007722 ..... 251, 255	70024262 ..... 251	7007640 ..... 23
70005089 ..... 45	70007723 ..... 251, 255	70024494 ..... 124	7010543 ..... 39
70005090 ..... 45	70007724 ..... 255	70024502 ..... 123	7012967 ..... 39, 253, 261
70005092 ..... 45	70007728 ..... 251	70024504 ..... 123, 149	7012974 ..... 39
70005094 ..... 45	70007729 ..... 251	70024505 ..... 149	7012998 ..... 261
70005095 ..... 45	70007731 ..... 253	70024507 ..... 123	7016331 ... 119, 124, 150, 402
70005096 ..... 45	70007732 ..... 253	70024513 ..... 123, 149	7017022 ..... 24
70005097 ..... 45	70007733 ..... 253	70024904 ..... 124, 150	7017027 ..... 23
70005098 ..... 45	70007734 ..... 253	70024905 ... 123, 124, 150	7017072 ..... 23
70005099 ..... 45	70007735 ..... 253	70024906 ..... 123, 150	7017082 ..... 23
70005100 ..... 45	70007736 ..... 253	70024913 ..... 150	7017093 ..... 23
70005139 ..... 47	70007737 ..... 253	70024917 ..... 149	7017095 ..... 23
70005143 ..... 249	70007738 ..... 249	70024919 ..... 123	7017142 ..... 193
70005150 ..... 257	70007739 ..... 249	70024920 ..... 149	7017159 ..... 193
70005151 ..... 257	70007740 ..... 249	70024961 ..... 123	7017162 ..... 193
70005152 ..... 257	70007741 ..... 249	70025082 ..... 119	7017163 ..... 193
70005153 ..... 257	70007742 ..... 249	70025084 ..... 119, 120	7017164 ..... 193
70005154 ..... 257	70007743 ..... 261	70025086 ..... 120	7017172 ..... 193
70005171 ..... 123, 150	70007744 ..... 261	70025088 ..... 119	7017192 ..... 193
70005172 ..... 124, 150	70007745 ..... 261	70025091 ..... 119	7017195 ..... 193
70005176 ..... 150	70007746 ..... 261	70025121 ..... 120	7017410 ..... 39
70005177 ..... 123, 150	70007747 ..... 261	70025123 ..... 119, 120	7017467 ..... 253, 261
70005180 ..... 123	70008135 ..... 259	70025130 ..... 149	7017496 ..... 39, 253, 261
70005182 ..... 123	70008136 ..... 259	70025131 ..... 120	7020023 ..... 119, 402
70005184 ..... 123, 149	70008137 ..... 259	70025139 ..... 119	7020026 ..... 119
70005191 ..... 149	70008138 ..... 259	70025140 ..... 150	7020403 ..... 119
70005217 ..... 45	70008139 ..... 259	70025144 ..... 150	7020430 ..... 119
70005218 ..... 45	70008140 ..... 259	70025145 ..... 150	7020460 ..... 119
70005219 ..... 45, 402	70008141 ..... 259	70025152 ..... 150	7020465 ..... 119, 150
70005243 ..... 201	70008244 ..... 247	70025164 ..... 123, 149	7020468 ..... 119
70005504 ..... 149	70008246 ..... 247	70025231 ..... 123, 149	7020471 ..... 120
70005505 ..... 149	70008247 ..... 247	70025235 ..... 150	7020479 ..... 120
70005507 ..... 149	70008253 ..... 63	70025239 ..... 123, 149	7020492 ..... 119, 120
70005606 ..... 23	70008254 ..... 63	70025242 ..... 149	7021237 ..... 163
70005613 ..... 23	70008256 ..... 63	70025614 ..... 253	7021238 ..... 163
70005667 ..... 308, 312	70008258 ..... 63	70025619 ... 251, 253, 259	7021239 ..... 163
70005931 ..... 123, 149	70008259 ..... 63	70025627 ..... 253	7021240 ..... 163
70005938 ..... 150	70008260 ..... 63	70025667 ..... 119	7021241 ..... 163
70005941 ..... 124, 150	70008261 ..... 63	70025693 ..... 120	7021242 ..... 163
70005942 ..... 123, 150	70008262 ..... 63	70025694 ..... 120	7021243 ..... 163
70006104 ..... 253	70008263 ..... 63	70026210 ..... 123, 149	7021248 ..... 163
70006105 ..... 253	70008264 ..... 63	70027088 ..... 259	7021249 ..... 21, 163
70006356 . 113, 131, 133, 141	70008265 ..... 63	70027405 ..... 149	7021253 ..... 163
70006552 ..... 172	70008266 ..... 63	70028185 ..... 150	7021257 ..... 163
70006553 ..... 172, 402	70008267 ..... 63	70028538 ..... 149	7021258 ..... 163
70006660 ..... 199	70008268 ..... 63	70028540 ..... 123, 149	7021259 ..... 163
70007142 ..... 21	70008296 ..... 150	70029409 ..... 149	7021262 ..... 163
70007143 ..... 21	70008422 ..... 150	70029451 ..... 123	7021263 ..... 163
70007145 ..... 21	70008431 ..... 149	70029512 ..... 123, 149	7021265 ..... 163
	70008435 ..... 149	70030360 ..... 123, 149	

## SECTION 11 - SPECIAL OPTIONS

7021268.....	163	7024489.....	179	7026048.....	53	8220051.....	345
7021275.....	21	7024565.....	120	7026049.....	53	8220125.....	380
7021276.....	164	7024579....	119, 124, 150	7026050.....	53	8229242.....	380, 402
7021277.....	164	7024723.....	23	7026051.....	53	8229244.....	380, 402
7021278.....	164	7024726.....	23	7026052.....	53	8229245.....	347, 402
7021281.....	163	7024729.....	23	7026053.....	53	8229249.....	243, 402
7021290.....	164	7024730.....	23	7026057.....	53	8310129.....	237
7021293.....	163	7024734.....	23	7026188.....	179	8310614.....	65
7021299.....	164	7024735.....	23	7026330.....	47	8310668.....	189
7021625.....	39	7024736.....	23	7026597.....	179	8310686.....	88, 92
7021639.....	39	7024737.....	24	7026626.....	179	8405006....	129, 137, 157
7022300.....	163	7024738.....	23	7027236.....	119	8405007.....	146
7022321.....	21	7024739.....	23	7027350.....	53	8405009.....	146
7022326.....	21	7024740.....	23	7027351.....	53	8405104.....	146
7022328.....	21	7024741.....	23	7027352.....	53	8405202.....	146
7022341.....	163	7024742.....	23	7027353.....	53	8405204.....	146
7022346.....	164	7024744.....	24	7027354.....	53	8406109.....	146
7022347.....	164	7024800.....	163	7027356.....	53	8406110.....	146
7022368.....	21	7024855.....	163	7027625.....	199	8406201.....	146
7022371.....	21	7024857.....	163	7027628.....	199, 402	8410013.....	111, 129
7022390.....	45, 253	7024858.....	163	7027740.....	21	8430007.....	129, 137
7022397.....	39	7024865.....	21	7027790.....	120	8760477.....	268
7022399.....	39, 45	7024871.....	21	7027791.....	120	8770289.....	268
7023900.....	45	7024881.....	39	7027792.....	120	88521214.....	225
7023910.....	21	7024884.....	261	7027796.....	120	88662523.....	88, 92
7023936.....	45	7024885.....	39, 402	7027799.....	179	8881800.....	65, 308, 312
7024124.....	23	7026042.....	53	7027903.....	120	91164057.....	45
7024129.....	23	7026043.....	53	77363233.....	349	91164059.....	45
7024134.....	24	7026044.....	53	80484084.....	341	91164079.....	45
7024441.....	61	7026045.....	53	80633030.....	268	91203039.....	195
7024485.....	179, 402	7026046.....	53	80963067.....	380		
7024488.....	179	7026047.....	53	8220045.....	347, 379		





**Corporate Office  
JLG Industries, Inc.  
1 JLG Drive  
McConnellsburg, PA 17233-9533 USA  
☎ (717) 485-5161 (Corporate)  
☎ (877) 554-5438 (Customer Support)  
📠 (717) 485-6417**

**Visit our website for JLG Worldwide Locations.  
[www.jlg.com](http://www.jlg.com)**



**OSHKOSH™**