



Illustrated Parts Manual

Models **600S HC3** **660SJ HC3**

PVC
2307

P/N
31222407

January 8, 2024 - Rev B

ANSI

CE



UK
CA

AS/NZS

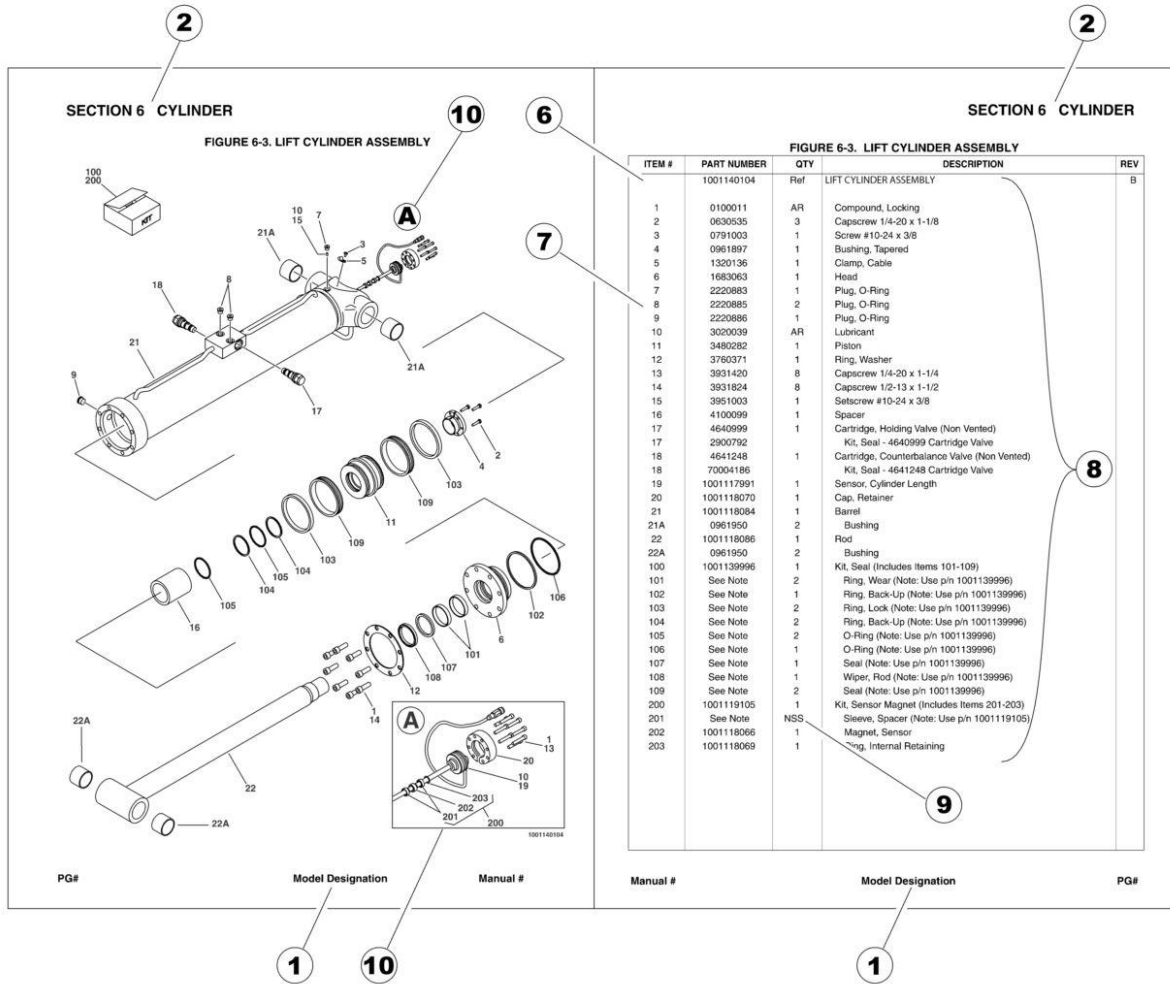


An Oshkosh Corporation Company

REVISION LOG

July 1, 2023 - A - Original Issue of Manual (Edited to B/M 1001246000 Revision AC)
January 8, 2024 - B - Revised Manual (Edited to B/M 1001246000 Revision AC)

GENERAL INFORMATION



1) MACHINE IDENTIFICATION

Machines are identified by model and in some cases a combination of models, serial number (SN) or regional standard (i.e ANSI, CE, CSA). Components may also be identified by SN or manufacturer. Common components that may be identified by these characteristics are engines and hydraulic components.

2) PARTS MANUAL ORGANIZATION

Product information in this manual is organized under section titles. Frame, Cylinder, Hydraulic and Electrical are a few examples. Each section is organized by figure and page number. The information within the Figure is then organized by item number, part number, description and corresponding illustration (s).

3) TABLE OF CONTENTS (NOT SHOWN)

A table of contents is found toward the beginning of the manual. Figure number, description and page number are provided for quick reference to the page containing the related information.

4) RECOMMENDED SPARE PARTS (NOT SHOWN)

The Recommended Spare Parts List, located near the end of the manual, reference most frequently used maintenance parts.

5) PART NUMBER INDEX (NOT SHOWN)

A numerical index listing all part numbers and the corresponding page number(s) appears at the back of the manual.

GENERAL INFORMATION

6) NON-SERVICED PARTS

In some instances, it is necessary to display non-serviced parts, assemblies or installations. In the case of assemblies and installations there will be a Ref in the Qty. column. In case of parts that are not available for service within assemblies or components, there will be a NSS (Not Sold Separately) or NLA (No Longer Available) listed in the Qty. column of the manual.

7) PARTS LIST ITEM NUMBERS

Numbers shown in the item# column correspond to numbers used in the associated illustration (s). Item numbers which are missing from the sequence in the parts list are not used on that page.

8) INDENTED PARTS DESCRIPTION

An indented part description is included in the item under which it is indented.

9) ABBREVIATION AND SYMBOLS

AC.....	Alternating Current	L.....	Liter
ADE.....	Advanced Design Electronics	LB(LBS).....	Pounds
AG.....	Agricultural	LCD.....	Liquid Crystal Display
ANSI.....	American National Standards Institute	LED.....	Light Emitting Diodes
AR.....	As Required	LH.....	Left Hand
ASSY.....	Assembly	LRC.....	Low Rated Countries
AUS.....	Australia	LSS.....	Load Sensing System
AUX.....	Auxiliary	M(m).....	Metric/Meter
AWG.....	American Wire Gauge	MM(mm).....	Milimeter
B/M.....	Bill of Material	mA.....	Miliamps
CAC.....	Charge Air Cooler	NLA.....	No Longer Available
CE.....	European Conformity	NPT.....	National Pipe Threads
CCW.....	Counter Clockwise	NSS.....	Not Sold Separately
CM.....	Centimeter	OD.....	Outside Diameter
CW.....	Clockwise	ORB.....	O-Ring Boss
CSA.....	Canadian Standards Association	ORFS.....	O-Ring Face Seal
CYL.....	Cylinder	OZ (oz).....	Ounces
DIA.....	Diameter	PG.....	Page
DC.....	Direct Current	PN.....	Part Number
DEF.....	Diesel Exhaust Fluid	QT(qt.).....	Quarts
EMS.....	Emergency Stop	QTY.....	Quantity
ENG.....	Engine	REF.....	Reference
FT(ft).....	Feet	REV.....	Revision Level
GA(Ga).....	Gauge	RH.....	Right Hand
HRC.....	High Rated Countries	SAE.....	Society of Automotive Engineers
HVAC.....	Heating, Ventilating, and Air Conditioning	SN.....	Serial Number
HYD.....	Hydraulic	SPEC(S).....	Specifications
Hz.....	Hertz	T/T.....	Turntable
ID.....	Inside Diameter	UGM.....	Universal Ground Module
IN.....	inches	V.....	Volts
ISO.....	International Organization for Standards	W.....	Watts
JIC.....	Joint Industry Council	#.....	Number
KG.....	Kilogram		

10) ILLUSTRATION REFERENCE LETTERS

When necessary, illustrations may contain reference letters that are intended to track information (i. e. hoses, harnesses) from one point to another or to track visual enlargement of components to show details that may be located in another area on the illustration.

Note: Due to continuous product improvements, JLG Industries, Inc. reserves the right to make specification changes without prior notification. Contact JLG Industries, Inc. for updated information.

TABLE OF CONTENTS

SECTION 1 - FRAME.....	17
FIGURE 1-1. AXLE INSTALLATION (MACHINES WITH SN STARTING WITH 03).....	18
FIGURE 1-2. AXLE INSTALLATION (MACHINES WITH SN STARTING WITH B3).....	20
FIGURE 1-3. STEER INSTALLATION - WITHOUT TOW PACKAGE	22
FIGURE 1-4. STEER INSTALLATION - WITH TOW PACKAGE.....	24
FIGURE 1-5. WHEEL DRIVE INSTALLATION - 4WD/2WS (MACHINES WITH SN STARTING WITH 03) (660SJ HC3).....	26
FIGURE 1-6. WHEEL DRIVE INSTALLATION - 4WD/2WS MACHINES WITH SN STARTING WITH 03) (600S HC3).....	28
FIGURE 1-7. WHEEL DRIVE INSTALLATION - 4WD/2WS (660SJ HC3)	30
FIGURE 1-8. DRIVE MOTOR ASSEMBLY (600S HC3).....	32
FIGURE 1-9. DRIVE MOTOR ASSEMBLY (660SJ HC3).....	34
FIGURE 1-10. DRIVE HUB ASSEMBLY (600S HC3)	36
FIGURE 1-11. DRIVE HUB ASSEMBLY (660SJ HC3).....	40
FIGURE 1-12. TRACTION VALVE ASSEMBLY	44
FIGURE 1-13. TRACTION VALVE ASSEMBLY	46
FIGURE 1-14. TIRE & WHEEL INSTALLATION - IN355-55 D625 FOAM FILLED (AVAILABLE ON ALL SPECS)	48
FIGURE 1-15. TIRE & WHEEL INSTALLATION - IN355-55 D625 FOAM FILLED NON-MARKING (AVAILABLE ON ALL SPECS)	50
FIGURE 1-16. TIRE & WHEEL INSTALLATION - 41-18LL X 22.5 FOAM FILLED TURF & SAND (AVAILABLE ON ALL SPECS EXCEPT AUSTRALIAN, RUSSIA, CE & UK CA SPECS)	52
FIGURE 1-17. MATTRACKS INSTALLATION	54
FIGURE 1-18. MATTRACKS INSTALLATION	56
FIGURE 1-19. MATTRACKS INSTALLATION	58
FIGURE 1-20. MATTRACKS INSTALLATION	60
FIGURE 1-21. LP TANKS AND BRACKETS INSTALLATION (FORD ENGINES).....	66
FIGURE 1-22. FRAME COVERS INSTALLATION - 2WS	68
FIGURE 1-23. TOW BAR INSTALLATION (OPTIONAL)	70
SECTION 2 - TURNTABLE.....	73
FIGURE 2-1. VALVE INSTALLATION (600S HC3).....	74
FIGURE 2-2. VALVE INSTALLATION (660SJ HC3)	76
FIGURE 2-3. AXLE VALVE ASSEMBLY	78
FIGURE 2-4. MAIN VALVE ASSEMBLY - 2WS	80
FIGURE 2-5. SWING DRIVE INSTALLATION	84
FIGURE 2-6. SWING MOTOR/HUB ASSEMBLY.....	86
FIGURE 2-7. TURNTABLE BEARING AND LUBE INSTALLATION	90
FIGURE 2-8. TURNTABLE LOCK INSTALLATION.....	92
FIGURE 2-9. ROTARY COUPLING INSTALLATION	94
FIGURE 2-10. ROTARY COUPLING ASSEMBLY	96
FIGURE 2-11. TANKS INSTALLATION - DIESEL MACHINES (POLY FUEL TANK) (HYDRAULIC TANK WITH 6 INCH BREATHER) (600S HC3).....	98
FIGURE 2-12. TANKS INSTALLATION - DIESEL MACHINES (POLY FUEL TANK) (HYDRAULIC TANK WITH 4 INCH BREATHER) (600S HC3).....	100
FIGURE 2-13. TANKS INSTALLATION - DIESEL MACHINES (POLY FUEL TANK) (HYDRAULIC TANK WITH 6 INCH BREATHER) (660SJ HC3)	102
FIGURE 2-14. TANKS INSTALLATION - DIESEL MACHINES (POLY FUEL TANK) (HYDRAULIC TANK WITH 4 INCH BREATHER) (660SJ HC3)	104

TABLE OF CONTENTS

FIGURE 2-15. TANKS INSTALLATION - DIESEL MACHINES (STEEL FUEL TANK) (HYDRAULIC TANK WITH 6 INCH BREATHER) (600S HC3).....	106
FIGURE 2-16. TANKS INSTALLATION - DIESEL MACHINES (STEEL FUEL TANK) (HYDRAULIC TANK WITH 4 INCH BREATHER) (600S HC3).....	108
FIGURE 2-17. TANKS INSTALLATION - DIESEL MACHINES (STEEL FUEL TANK) (HYDRAULIC TANK WITH 6 INCH BREATHER) (660SJ HC3).....	110
FIGURE 2-18. TANKS INSTALLATION - DIESEL MACHINES (STEEL FUEL TANK) (HYDRAULIC TANK WITH 4 INCH BREATHER) (660SJ HC3).....	112
FIGURE 2-19. TANKS INSTALLATION - GAS MACHINES (HYDRAULIC TANK WITH 6 INCH BREATHER) (600S HC3).....	114
FIGURE 2-20. TANKS INSTALLATION - GAS MACHINES (HYDRAULIC TANK WITH 4 INCH BREATHER) (600S HC3).....	116
FIGURE 2-21. TANKS INSTALLATION - GAS MACHINES (HYDRAULIC TANK WITH 6 INCH BREATHER) (660SJ HC3).....	118
FIGURE 2-22. TANKS INSTALLATION - GAS MACHINES (HYDRAULIC TANK WITH 4 INCH BREATHER) (660SJ HC3).....	120
FIGURE 2-23. HYDRAULIC TANK ASSEMBLY (HYDRAULIC TANK WITH 6 INCH BREATHER).....	122
FIGURE 2-24. HYDRAULIC TANK ASSEMBLY (HYDRAULIC TANK WITH 4 INCH BREATHER).....	124
FIGURE 2-25. BATTERY AND AUXILIARY PUMP INSTALLATION (MACHINES WITH SN STARTING WITH 03).....	126
FIGURE 2-26. BATTERY AND AUXILIARY PUMP INSTALLATION (MACHINES WITH SN STARTING WITH B3).....	128
FIGURE 2-27. BATTERY AND AUXILIARY PUMP WITH DISCONNECT SWITCH INSTALLATION (MACHINES WITH SN STARTING WITH 03).....	130
FIGURE 2-28. BATTERY AND AUXILIARY PUMP INSTALLATION WITH DISCONNECT SWITCH (MACHINES WITH SN STARTING WITH B3).....	132
FIGURE 2-29. AUXILIARY MOTOR/PUMP ASSEMBLY (MACHINES WITH SN STARTING WITH B3).....	134
FIGURE 2-30. ELECTRICAL COMPONENTS INSTALLATION (ALL SPECS EXCEPT AUSTRALIAN, CE & UK CA (ULS) SPECS) (600S HC3).....	136
FIGURE 2-31. ELECTRICAL COMPONENTS INSTALLATION (CE & UK CA (ULS) SPECS) (600S HC3).....	138
FIGURE 2-32. ELECTRICAL COMPONENTS INSTALLATION (CE & UK CA (ULS) SPECS) (660SJ HC3).....	140
FIGURE 2-33. GROUND CONTROL ASSEMBLY (MACHINES WITH SN STARTING WITH 03 ALL SPECS EXCEPT AUSTRALIAN, CE & UK CA (ULS) SPECS) (600S HC3).....	142
FIGURE 2-34. GROUND CONTROL ASSEMBLY (MACHINES WITH SN STARTING WITH 03 CE & UK CA (ULS) SPECS) (600S HC3).....	144
FIGURE 2-35. LIGHT PANEL INSTALLATION.....	146
FIGURE 2-36. KEYSWITCH INSTALLATION (ANSI, ANSI EXPORT, CHINA, CSA AND JAPANESE SPECS) (600S HC3).....	148
FIGURE 2-37. KEYSWITCH INSTALLATION (RUSSIA, CE & UK CA SPECS) (600S HC3).....	150
FIGURE 2-38. KEYSWITCH INSTALLATION (ANSI, ANSI EXPORT, AUSTRALIAN, CHINA, CSA AND JAPANESE SPECS) (660SJ HC3).....	152
FIGURE 2-39. KEYSWITCH INSTALLATION (RUSSIA, CE & UK CA SPECS) (660SJ HC3).....	154
FIGURE 2-40. KEYSWITCH INSTALLATION (WITHOUT JIB) (WITH MSSO) (CE & UK CA SPECS) (600S HC3).....	156
FIGURE 2-41. KEYSWITCH INSTALLATION (WITH JIB) (WITH MSSO) (CE & UK CA SPECS) (660SJ HC3).....	158
FIGURE 2-42. HOOD PLUG INSTALLATION - NO STROBE.....	160
FIGURE 2-43. HOODS INSTALLATIONS - ABS - DEUTZ D2011, DEUTZ TD 2.9L4 67HP AND FORD ENGINES.....	162
FIGURE 2-44. HOODS INSTALLATIONS - ABS - DEUTZ TD 2.2L3 AND DEUTZ TD 2.9L4 49HP ENGINES.....	166
FIGURE 2-45. HOOD ASSEMBLY - ENGINE SIDE (ABS).....	170
FIGURE 2-46. HOOD ASSEMBLY - TANK SIDE (ABS).....	172
FIGURE 2-47. HOODS INSTALLATIONS - STEEL - DEUTZ D2011, DEUTZ TD 2.9L4 67HP AND FORD ENGINES (SN STARTING WITH 03).....	174
FIGURE 2-48. HOODS INSTALLATIONS - STEEL - DEUTZ TD 2.2L3 AND DEUTZ TD 2.9L4 49HP ENGINES.....	178
FIGURE 2-49. HOOD ASSEMBLY - ENGINE SIDE (STEEL) - DEUTZ D2011, DEUTZ TD 2.3L3 DEUTZ TD 2.9L4 49HP & 67HP AND FORD ENGINES.....	182
FIGURE 2-50. HOOD ASSEMBLY - TANK SIDE (STEEL) - DEUTZ D2011, DEUTZ TD 2.3L3 DEUTZ TD 2.9L4 49HP & 67HP AND FORD ENGINES.....	184

TABLE OF CONTENTS

FIGURE 2-51. HOODS INSTALLATIONS - STEEL - DEUTZ D2011 WITH ARCTIC AND DEUTZ TD2.2L3 ENGINES (SN STARTING WITH B3) (660SJ HC3)	186
FIGURE 2-52. HOOD ASSEMBLY - ENGINE SIDE (STEEL) - DEUTZ D2011 WITH ARCTIC AND DEUTZ TD2.2L3 ENGINES (660SJ HC3)	190
FIGURE 2-53. HOOD ASSEMBLY - TANK SIDE (STEEL) - DEUTZ D2011 WITH ARCTIC AND DEUTZ TD2.2L3 ENGINES (660SJ HC3)	192
FIGURE 2-54. NOISE REDUCTION PACKAGE (600S HC3)	194
FIGURE 2-55. NOISE REDUCTION PACKAGE (660SJ HC3)	196
FIGURE 2-56. STROBE LIGHT INSTALLATION - AMBER	198
FIGURE 2-57. STROBE LIGHT INSTALLATION - BLUE	200
FIGURE 2-58. STROBE LIGHT INSTALLATION - RED	202
FIGURE 2-59. TURNTABLE COVERS INSTALLATION	204
FIGURE 2-60. WHITE NOISE ALARM INSTALLATION (AMBIENT)	206
FIGURE 2-61. WHITE NOISE ALARM INSTALLATION (CONSTANT)	208
SECTION 3 - ENGINE	211
FIGURE 3-1. DEUTZ D2011 ENGINE INSTALLATION - WITHOUT ARCTIC PACKAGE (MACHINES WITH SN STARTING WITH 03) (600S HC3)	212
FIGURE 3-2. DEUTZ D2011 ENGINE INSTALLATION - WITHOUT ARCTIC PACKAGE (MACHINES WITH SN STARTING WITH 03) (660SJ HC3)	214
FIGURE 3-3. DEUTZ D2011 ENGINE INSTALLATION - WITHOUT ARCTIC PACKAGE (MACHINES WITH SN STARTING WITH B3) (660SJ HC3)	216
FIGURE 3-4. DEUTZ D2011 ENGINE AND PUMPS SUB-ASSEMBLY - WITHOUT ARCTIC PACKAGE (MACHINES WITH SN STARTING WITH 03)	218
FIGURE 3-5. DEUTZ D2011 ENGINE AND PUMPS SUB-ASSEMBLY - WITHOUT ARCTIC PACKAGE (MACHINES WITH SN STARTING WITH B3) (660SJ HC3)	220
FIGURE 3-6. DEUTZ D2011 ENGINE ASSEMBLY - WITHOUT ARCTIC PACKAGE	222
FIGURE 3-7. DEUTZ D2011 ENGINE INSTALLATION - WITH ARCTIC PACKAGE (MACHINES WITH SN STARTING WITH 03) (600S HC3)	226
FIGURE 3-8. DEUTZ D2011 ENGINE INSTALLATION - WITH ARCTIC PACKAGE (MACHINES WITH SN STARTING WITH 03) (660SJ HC3)	230
FIGURE 3-9. DEUTZ D2011 ENGINE INSTALLATION - WITH ARCTIC PACKAGE (MACHINES WITH SN STARTING WITH B3) (660SJ HC3)	234
FIGURE 3-10. DEUTZ D2011 ENGINE AND PUMPS SUB-ASSEMBLY - WITH ARCTIC PACKAGE (MACHINES WITH SN STARTING WITH 03)	238
FIGURE 3-11. DEUTZ D2011 ENGINE AND PUMPS SUB-ASSEMBLY - WITH ARCTIC PACKAGE (MACHINES WITH SN STARTING WITH B3) (660SJ HC3)	240
FIGURE 3-12. DEUTZ D2011 ENGINE ASSEMBLY - WITH ARCTIC PACKAGE	242
FIGURE 3-13. DEUTZ D2011 ENGINE COMPONENTS	246
FIGURE 3-14. DEUTZ TD 2.2L3 (STAGE V) ENGINE INSTALLATION (600S HC3)	250
FIGURE 3-15. DEUTZ TD 2.2L3 (STAGE V) ENGINE INSTALLATION (660SJ HC3)	254
FIGURE 3-16. DEUTZ TD2.2L3 (STAGE V) ENGINE AND PUMPS SUB-ASSEMBLY	258
FIGURE 3-17. DEUTZ TD2.2L3 (STAGE V) ENGINE ASSEMBLY	260
FIGURE 3-18. DEUTZ TD2.2L3 (STAGE V) ENGINE COMPONENTS	264
FIGURE 3-19. DEUTZ TD2.9L4 - 49HP EMR4 ENGINE INSTALLATION - WITHOUT ARCTIC PACKAGE (600S HC3)	266
FIGURE 3-20. DEUTZ D2.9L4 - 49HP EMR4 ENGINE INSTALLATION - WITHOUT ACTIC PACKAGE (660SJ HC3)	270
FIGURE 3-21. DEUTZ D2.9L4 - 49HP EMR4 ENGINE AND PUMPS SUB-ASSEMBLY WITHOUT ARCTIC PACKAGE	274
FIGURE 3-22. DEUTZ TD2.9L4 - 49HP EMR4 ENGINE ASSEMBLY - WITHOUT ARCTIC PACKAGE	276
FIGURE 3-23. DEUTZ D 2.9L4 - 49HP EMR4 ENGINE INSTALLATION - WITH ARCTIC PACKAGE (600S HC3)	282
FIGURE 3-24. DEUTZ D 2.9L4 - 49HP EMR4 ENGINE INSTALLATION - WITH ARCTIC PACKAGE (660SJ HC3)	286

TABLE OF CONTENTS

FIGURE 3-25. DEUTZ TD2.9L4 - 49HP EMR4 ENGINE AND PUMPS SUB-ASSEMBLY - WITH ARCTIC PACKAGE (600S HC3)	290
FIGURE 3-26. DEUTZ TD2.9L4 - 49HP EMR4 ENGINE AND PUMPS SUB-ASSEMBLY - WITH ARCTIC PACKAGE (660SJ HC3)	292
FIGURE 3-27. DEUTZ TD2.9L4 - 49HP EMR4 ENGINE ASSEMBLY - WITH ARCTIC PACKAGE	294
FIGURE 3-28. DEUTZ TD2.9L4 - 49HP EMR4 ENGINE COMPONENTS	300
FIGURE 3-29. DEUTZ TD2.9L4 - 67HP EMR4 ENGINE INSTALLATION - WITHOUT ARCTIC PACKAGE (600S HC3)	304
FIGURE 3-30. DEUTZ TD2.9L4 - 67HP EMR4 ENGINE INSTALLATION - WITHOUT ARCTIC PACKAGE (660SJ HC3)	308
FIGURE 3-31. DEUTZ TD2.9L4 - 67HP EMR4 ENGINE AND PUMPS SUB-ASSEMBLY WITHOUT ARCTIC PACKAGE	312
FIGURE 3-32. DEUTZ TD2.9L4 - 67HP EMR4 ENGINE ASSEMBLY - WITHOUT ARCTIC PACKAGE	314
FIGURE 3-33. DEUTZ TD2.9L4 - 67HP EMR4 ENGINE INSTALLATION - WITH ARCTIC PACKAGE (600S HC3)	320
FIGURE 3-34. DEUTZ TD2.9L4 - 67HP EMR4 ENGINE INSTALLATION - WITH ARCTIC PACKAGE (660SJ HC3)	324
FIGURE 3-35. DEUTZ TD2.9L4 - 67HP EMR4 ENGINE AND PUMPS SUB-ASSEMBLY WITH ARCTIC PACKAGE	328
FIGURE 3-36. DEUTZ TD2.9L4 - 67HP EMR4 ENGINE ASSEMBLY - WITH ARCTIC PACKAGE	330
FIGURE 3-37. DEUTZ TD2.9L4 - 67HP EMR4 ENGINE COMPONENTS	336
FIGURE 3-38. DEUTZ D2.9L4 - EMR5 (49HP) ENGINE INSTALLATION WITHOUT ARCTIC PACKAGE (600S HC3)	342
FIGURE 3-39. DEUTZ D2.9L4 - EMR5 (49HP) ENGINE INSTALLATION WITHOUT ARCTIC PACKAGE (660SJ HC3)	346
FIGURE 3-40. DEUTZ D2.9L4 - EMR5 (49HP) ENGINE AND PUMPS SUB-ASSEMBLY WITHOUT ARCTIC PACKAGE	350
FIGURE 3-41. DEUTZ D2.9L4 - EMR5 (49HP) ENGINE ASSEMBLY WITHOUT ARCTIC PACKAGE	352
FIGURE 3-42. DEUTZ D2.9L4 - EMR5 (49HP) ENGINE INSTALLATION WITH ARCTIC PACKAGE (600S HC3)	358
FIGURE 3-43. DEUTZ D2.9L4 - EMR5 (49HP) ENGINE INSTALLATION WITH ARCTIC PACKAGE (660SJ HC3)	362
FIGURE 3-44. DEUTZ D2.9L4 - EMR5 (49HP) ENGINE AND PUMPS SUB-ASSEMBLY WITH ARCTIC PACKAGE	366
FIGURE 3-45. DEUTZ D2.9L4 - EMR5 (49HP) ENGINE ASSEMBLY WITH ARCTIC PACKAGE	368
FIGURE 3-46. DEUTZ D2.9L4 - EMR5 ENGINE COMPONENTS (ANSI, ANSI EXPORT AND CSA SPECS)	374
FIGURE 3-47. DEUTZ D2.9L4 - EMR5 (67HP) ENGINE INSTALLATION WITH ARCTIC PACKAGE (660SJ HC3)	378
FIGURE 3-48. DEUTZ D2.9L4 - EMR5 (67HP) ENGINE INSTALLATION WITH ARCTIC PACKAGE (600S HC3)	382
FIGURE 3-49. DEUTZ D2.9L4 - EMR5 (67HP) ENGINE AND PUMPS SUB-ASSEMBLY WITH ARCTIC PACKAGE	386
FIGURE 3-50. DEUTZ D2.9L4 - EMR5 (67HP) ENGINE ASSEMBLY WITH ARCTIC PACKAGE	388
FIGURE 3-51. DEUTZ D2.9L4 - EMR5 (67HP) ENGINE INSTALLATION WITHOUT ARCTIC PACKAGE (660SJ HC3)	394
FIGURE 3-52. DEUTZ D2.9L4 - EMR5 (67HP) ENGINE INSTALLATION WITHOUT ARCTIC PACKAGE (600S HC3)	398
FIGURE 3-53. DEUTZ D2.9L4 - EMR5 (67HP) ENGINE AND PUMPS SUB-ASSEMBLY WITHOUT ARCTIC PACKAGE	402
FIGURE 3-54. DEUTZ D2.9L4 - EMR5 (67HP) ENGINE ASSEMBLY WITHOUT ARCTIC PACKAGE	404
FIGURE 3-55. ENGINE COMPONENTS - DEUTZ D2.9L4 EMR5 (67HP) ENGINE	410
FIGURE 3-56. BREATHER HEATER INSTALLATION - DEUTZ D2.9L4 - 49HP AND DEUTZ TD2.9L4 - 67HP ENGINES WITH ARCTIC PACKAGE	412
FIGURE 3-57. FORD ENGINE INSTALLATION - WITHOUT ARCTIC PACKAGE (600S HC3)	414
FIGURE 3-58. FORD ENGINE INSTALLATION - WITHOUT ARCTIC PACKAGE (660SJ HC3)	418
FIGURE 3-59. FORD ENGINE AND PUMPS SUB-ASSEMBLY WITHOUT ARCTIC PACKAGE	422
FIGURE 3-60. FORD ENGINE ASSEMBLY - WITHOUT ARCTIC PACKAGE	424
FIGURE 3-61. FORD ENGINE INSTALLATION – WITH ARCTIC PACKAGE (600S HC3)	430
FIGURE 3-62. FORD ENGINE INSTALLATION - WITH ARCTIC PACKAGE (660SJ HC3)	434
FIGURE 3-63. FORD ENGINE AND PUMPS SUB-ASSEMBLY WITH ARCTIC PACKAGE	438
FIGURE 3-64. FORD ENGINE ASSEMBLY - WITH ARCTIC PACKAGE	440
FIGURE 3-65. FORD ENGINE PREP ASSEMBLY	446
FIGURE 3-66. FORD ENGINE COMPONENTS	448
FIGURE 3-67. PUMP COUPLING KIT (DEUTZ ENGINES)	452

TABLE OF CONTENTS

FIGURE 3-68. PISTON PUMP ASSEMBLY - ALL ENGINES EXCEPT DUETZ D2011 ENGINES ON MACHINES WITH SN STARTING WITH B3.....	454
FIGURE 3-69. PISTON PUMP ASSEMBLY - DUETZ D2011 ENGINES ON MACHINES WITH SN STARTING WITH B3.....	458
FIGURE 3-70. FUEL FILTER INSTALLATION (POLY FUEL TANK).....	460
FIGURE 3-71. FUEL FILTER INSTALLATION (STEEL FUEL TANK) (DEUTZ D2011 ENGINES).....	462
FIGURE 3-72. FUEL FILTER INSTALLATION (STEEL FUEL TANK) (DEUTZ DT2.9L4 ENGINES).....	464
FIGURE 3-73. MUFFLER INSTALLATION - SPARK ARRESTING (DEUTZ D2011 ENGINES).....	466
FIGURE 3-74. EXHAUST PIPE INSTALLATION - (DEUTZ D2011 ENGINES).....	468
FIGURE 3-75. MOTOR MOUNT INSTALLATION - WITHOUT GENERATOR (DEUTZ D2011 ENGINES).....	470
FIGURE 3-76. MOTOR MOUNT INSTALLATION - WITHOUT GENERATOR (DEUTZ TD 2.9L4 ENGINES).....	472
FIGURE 3-77. MOTOR MOUNT INSTALLATION - WITH GENERATOR (DEUTZ D2011 ENGINES).....	474
FIGURE 3-78. MOTOR MOUNT INSTALLATION - WITH GENERATOR (DEUTZ TD 2.9L4 ENGINES).....	476
FIGURE 3-79. MOTOR MOUNT INSTALLATION - WITH GENERATOR (STAGE V) (DEUTZ TD 2.2L3 ENGINES).....	478
FIGURE 3-80. MOTOR MOUNT INSTALLATION - WITHOUT GENERATOR (STAGE V) (DEUTZ TD 2.2L3 ENGINES).....	480
FIGURE 3-81. MOTOR MOUNT INSTALLATION - WITH GENERATOR (DEUTZ TD 2.9L4 49HP ENGINES).....	482
FIGURE 3-82. MOTOR MOUNT INSTALLATION - WITHOUT GENERATOR (DEUTZ TD 2.9L4 49HP ENGINES).....	484
FIGURE 3-83. BELT WITHOUT GENERATOR INSTALLATION (FORD ENGINES).....	486
FIGURE 3-84. TRAY JACK INSTALLATION.....	488
FIGURE 3-85. TRAY JACK INSTALLATION (STAGE V).....	490
FIGURE 3-86. ENGINE HOOD BAFFLES INSTALLATION - ABS HOODS.....	492
FIGURE 3-87. ENGINE HOOD BAFFLES INSTALLATION - STEEL HOODS.....	494
FIGURE 3-88. ENGINE HOOD BAFFLES INSTALLATION - ABS HOODS (DEUTZ TD 2.2L3 ENGINES AND TD 2.9L4 49HP ENGINES).....	496
FIGURE 3-89. ENGINE HOOD BAFFLES INSTALLATION - STEEL HOODS (DEUTZ TD 2.2L3 ENGINES AND TD 2.9L4 49HP ENGINES).....	498
FIGURE 3-90. 2500W GENERATOR INSTALLATION - 110V/60HZ (DEUTZ D2011 ENGINES).....	500
FIGURE 3-91. 2500W GENERATOR INSTALLATION - 110V/60HZ (DEUTZ TD2.9L4 ENGINES).....	502
FIGURE 3-92. 2500W GENERATOR INSTALLATION - 110V/60HZ (FORD ENGINES).....	506
FIGURE 3-93. 2500W GENERATOR INSTALLATION - 220V/50HZ (DEUTZ D2011 ENGINES).....	508
FIGURE 3-94. 2500W GENERATOR INSTALLATION - 120V/60HZ (DEUTZ TD2.9L4 ENGINES).....	510
FIGURE 3-95. 4000W GENERATOR INSTALLATION - 110V/60HZ (DEUTZ D2011 ENGINES).....	514
FIGURE 3-96. 4000W GENERATOR INSTALLATION - 110V/60HZ (DEUTZ TD2.9L4 ENGINES).....	518
FIGURE 3-97. 4000W GENERATOR INSTALLATION - 220V/50HZ (DEUTZ D2011 ENGINES).....	522
FIGURE 3-98. 4000W GENERATOR INSTALLATION - 220V/50HZ (DEUTZ TD2.2L3 ENGINES) (SKYPOWER).....	526
FIGURE 3-99. 4000W GENERATOR INSTALLATION - 220V/60HZ (DEUTZ TD2.9L4 ENGINES) (SKYPOWER).....	528
FIGURE 3-100. 7500W GENERATOR INSTALLATION - 220V/60HZ (DEUTZ TD2.9L4 ENGINES) (SKYPOWER).....	532
FIGURE 3-101. 7500W SKYPOWER GENERATOR INSTALLATION - 110/60HZ (DEUTZ D2011 ENGINES).....	536
FIGURE 3-102. 7500W SKYPOWER GENERATOR INSTALLATION - 110V/60HZ (DEUTZ TD2.9L4 ENGINES).....	540
FIGURE 3-103. 7500W SKYPOWER GENERATOR INSTALLATION - 110V/60HZ (FORD ENGINES).....	544
FIGURE 3-104. 7500W SKYPOWER GENERATOR INSTALLATION - 220V/50HZ (DEUTZ D2011 ENGINES).....	548
FIGURE 3-105. QUICKFIT OIL DRAIN (DEUTZ ENGINES).....	552
SECTION 4 - BOOM.....	555
FIGURE 4-1. BOOM INSTALLATION (600S HC3).....	556
FIGURE 4-2. BOOM INSTALLATION (660SJ HC3).....	560
FIGURE 4-3. BOOM ASSEMBLY (600S HC3).....	564
FIGURE 4-4. BOOM ASSEMBLY (660SJ HC3).....	568

TABLE OF CONTENTS

FIGURE 4-5. JIB ASSEMBLY (660SJ HC3)	572
FIGURE 4-6. PLATFORM ROTATOR ASSEMBLY (600S HC3)	574
FIGURE 4-7. PLATFORM ROTATOR ASSEMBLY (660SJ HC3).....	576
FIGURE 4-8. POWER TRACK INSTALLATION (600S HC3).....	578
FIGURE 4-9. POWER TRACK ASSEMBLY (660SJ HC3).....	580
FIGURE 4-10. VALVE INSTALLATION (600S HC3).....	582
FIGURE 4-11. BOOM VALVES INSTALLATION (660SJ HC3).....	584
FIGURE 4-12. PLATFORM VALVE ASSEMBLY (600S HC3)	586
FIGURE 4-13. PLATFORM VALVE ASSEMBLY (660SJ HC3).....	588
FIGURE 4-14. BOOM SENSORS INSTALLATION (600S HC3).....	590
FIGURE 4-15. BOOM SENSORS INSTALLATION (660SJ HC3)	592
FIGURE 4-16. PLATFORM SUPPORT INSTALLATION	594
SECTION 5 - PLATFORM.....	597
FIGURE 5-1. PLATFORM ASSEMBLY - 30IN X 3FT (76CM X .91M) - DROP BAR ENTRY	598
FIGURE 5-2. PLATFORM ASSEMBLY - 30IN X 4FT (76CM X 1.22M) WITH SWING GATE	600
FIGURE 5-3. PLATFORM ASSEMBLY - 30IN X 4FT (76CM X 1.22M) WITH DROP BAR	602
FIGURE 5-4. PLATFORM ASSEMBLY - 30IN X 5FT (76CM X 1.52M) WITH SWING GATE	604
FIGURE 5-5. PLATFORM ASSEMBLY - 30IN X 5FT (76CM X 1.52M) WITH DROP BAR	606
FIGURE 5-6. PLATFORM ASSEMBLY - 36IN X 6FT (91.5CM X 1.83M) WITH SWING GATE	608
FIGURE 5-7. PLATFORM ASSEMBLY - 36IN X 6FT (91.5CM X 1.83M) WITH DROP BAR	610
FIGURE 5-8. PLATFORM ASSEMBLY - 36IN X 6FT (91.5CM X 1.83M) WITH FALL ARREST (ANSI, ANSI EXPORT, CHINA AND CSA SPECS).....	612
FIGURE 5-9. PLATFORM ASSEMBLY - 36IN X 6FT (91.5CM X 1.83M) TRI-ENTRY WITH SWING GATE	614
FIGURE 5-10. PLATFORM ASSEMBLY - 36IN X 6FT (91.5CM X 1.83M) TRI-ENTRY WITH DROP BAR	616
FIGURE 5-11. PLATFORM ASSEMBLY - 36IN X 8FT (91.5CM X 2.44M) WITH SWING GATE	618
FIGURE 5-12. PLATFORM ASSEMBLY - 36IN X 8FT (91.5CM X 2.44M) WITH DROP BAR	620
FIGURE 5-13. PLATFORM ASSEMBLY - 36IN X 8FT (91.5CM X 2.44M) WITH FALL ARREST (ANSI, ANSI EXPORT, CHINA AND CSA SPECS).....	622
FIGURE 5-14. PLATFORM ASSEMBLY - 36IN X 8FT (91.5CM X 2.44M) TRI-ENTRY WITH SWING GATE	624
FIGURE 5-15. PLATFORM ASSEMBLY - 36IN X 8FT (91.5CM X 2.44M) TRI-ENTRY WITH DROP BAR	626
FIGURE 5-16. PLATFORM POWER USB	628
FIGURE 5-17. TRAY ASSEMBLY	630
FIGURE 5-18. PLATFORM CONSOLE AND FOOTSWITCH INSTALLATION (600S HC3).....	632
FIGURE 5-19. PLATFORM CONSOLE AND FOOTSWITCH INSTALLATION (660SJ HC3).....	634
FIGURE 5-20. CONSOLE BOX ASSEMBLY	636
FIGURE 5-21. FOOTSWITCH ASSEMBLY	640
FIGURE 5-22. LIGHT PANEL INSTALLATION.....	642
FIGURE 5-23. SKYEYE INSTALLATION.....	644
FIGURE 5-24. SKYGUARD BAR INSTALLATION.....	646
FIGURE 5-25. SKYLINE INSTALLATION	648
FIGURE 5-26. SKYWELDER INSTALLATION (50HZ).....	650
FIGURE 5-27. SKYWELDER INSTALLATION (60HZ).....	652
FIGURE 5-28. SKYWELDER PREP PACKAGE (60HZ)	654
FIGURE 5-29. WELDER ASSEMBLY	656
FIGURE 5-30. SKYGLAZIER INSTALLATION.....	658

TABLE OF CONTENTS

FIGURE 5-31. SOFT TOUCH INSTALLATION - 6FT (1.83M) PLATFORM.....	660
FIGURE 5-32. SOFT TOUCH INSTALLATION - 6FT (1.83M) FALL ARREST PLATFORM (600S HC3)	662
FIGURE 5-33. SOFT TOUCH INSTALLATION - 8FT (2.4M) PLATFORM.....	664
FIGURE 5-34. SOFT TOUCH INSTALLATION - 8FT (2.4M) FALL ARREST PLATFORM (600S HC3)	666
FIGURE 5-35. FALL ARREST INSTALLATION (BOLT-ON EXTERNAL) (6FT/1.82M PLATFORM)	668
FIGURE 5-36. FALL ARREST INSTALLATION (BOLT-ON EXTERNAL) (6FT/1.82M TRI-ENTRY PLATFORM)	670
FIGURE 5-37. FALL ARREST INSTALLATION (BOLT-ON EXTERNAL) (2.5FT/1.22M PLATFORM)	672
FIGURE 5-38. FALL ARREST INSTALLATION (BOLT-ON EXTERNAL) (2.5FT/1.52M PLATFORM)	674
FIGURE 5-39. FALL ARREST INSTALLATION (BOLT-ON EXTERNAL) (8FT/2.4M PLATFORM)	676
SECTION 6 - CYLINDER.....	679
FIGURE 6-1. AXLE LOCKOUT CYLINDER ASSEMBLY (MACHINES WITH SN STARTING WITH 03).....	680
FIGURE 6-2. AXLE LOCKOUT CYLINDER ASSEMBLY (MACHINES WITH SN STARTING WITH B3)	682
FIGURE 6-3. LEVEL CYLINDER ASSEMBLY - PLATFORM SLAVE (600S HC3)	684
FIGURE 6-4. LEVEL CYLINDER ASSEMBLY - PLATFORM SLAVE (660SJ HC3).....	686
FIGURE 6-5. LIFT CYLINDER ASSEMBLY BOOM (600S HC3)	688
FIGURE 6-6. LIFT CYLINDER ASSEMBLY BOOM (660SJ HC3).....	690
FIGURE 6-7. LIFT CYLINDER ASSEMBLY - JIB (660SJ HC3)	692
FIGURE 6-8. LIFT CYLINDER ASSEMBLY - JIB (660SJ HC3)	694
FIGURE 6-9. LIFT CYLINDER ASSEMBLY - JIB (660SJ HC3)	696
FIGURE 6-10. STEER CYLINDER ASSEMBLY.....	698
FIGURE 6-11. TELESCOPE CYLINDER ASSEMBLY	700
SECTION 7 - HYDRAULIC	703
FIGURE 7-1. DRIVE HYDRAULIC DIAGRAM (2WS WITHOUT ARCTIC PACKAGE) (600S HC3).....	704
FIGURE 7-2. DRIVE HYDRAULIC DIAGRAM (2WS WITHOUT ARCTIC PACKAGE) (660SJ HC3).....	708
FIGURE 7-3. DRIVE HYDRAULIC DIAGRAM (2WS WITH ARCTIC PACKAGE) (600S HC3)	712
FIGURE 7-4. DRIVE HYDRAULIC DIAGRAM (2WS WITH ARCTIC PACKAGE) (660SJ HC3)	716
FIGURE 7-5. STANDARD HYDRAULIC DIAGRAM (600S HC3)	720
FIGURE 7-6. STANDARD HYDRAULIC DIAGRAM (MACHINES WITH SN STARTING WITH 03) (660SJ HC3).....	726
FIGURE 7-7. STANDARD HYDRAULIC DIAGRAM (MACHINES WITH SN STARTING WITH B3) (660SJ HC3)	732
SECTION 8 - ELECTRICAL.....	739
FIGURE 8-1. ELECTRICAL LAYOUT.....	740
FIGURE 8-2. AC BOX AT PLATFORM INSTALLATION - 110V (ALL SPECS EXCEPT AUSTRALIAN, RUSSIA, CE & UK CA SPECS)	754
FIGURE 8-3. AC BOX AT PLATFORM INSTALLATION - 110V IEC YELLOW (RUSSIA, CE & UK CA SPECS WITHOUT 4000W/50HZ GENERATOR).....	756
FIGURE 8-4. AC BOX AT PLATFORM INSTALLATION - 110V IEC YELLOW (RUSSIA, CE & UK CA SPECS WITH 4000W/50HZ GENERATOR).....	758
FIGURE 8-5. AC BOX AT PLATFORM INSTALLATION - 220V IEC BLUE (RUSSIA, CE & UK CA SPECS WITHOUT 4000W/50HZ GENERATOR).....	760
FIGURE 8-6. AC BOX AT PLATFORM INSTALLATION - 220V IEC BLUE (RUSSIA, CE & UK CA SPECS WITH 4000W/50HZ GENERATOR).....	762
FIGURE 8-7. AC BOX AT PLATFORM INSTALLATION - 220V CEE7 2IN X 4IN POST GROUND (RUSSIA, CE & UK CA SPECS WITHOUT 4000W/50HZ GENERATOR)	764
FIGURE 8-8. AC BOX AT PLATFORM INSTALLATION - 220V CEE7 2IN X 4IN POST GROUND (RUSSIA, CE & UK CA SPECS WITH 4000W/50HZ GENERATOR).....	766

TABLE OF CONTENTS

FIGURE 8-9. AC BOX AT PLATFORM INSTALLATION - 220V CEE7 2IN X 4IN SIDE GROUND (RUSSIA, CE & UK CA SPECS WITHOUT 4000W/50HZ GENERATOR).....	768
FIGURE 8-10. AC BOX AT PLATFORM INSTALLATION - 220V CEE7 2IN X 4IN SIDE GROUND (RUSSIA, CE & UK CA SPECS WITH 4000W/50HZ GENERATOR)	770
FIGURE 8-11. AC BOX AT PLATFORM INSTALLATION - 220V AFSINT107 (RUSSIA, CE & UK CA SPECS WITHOUT 4000W/50HZ GENERATOR)	772
FIGURE 8-12. AC BOX AT PLATFORM INSTALLATION - 220V AFSINT107 (RUSSIA, CE & UK CA SPECS WITH 4000W/50HZ GENERATOR)	774
FIGURE 8-13. AC BOX AT PLATFORM INSTALLATION - 220V CUSTOMER SUPPLIED COMPONENTS (ANSI EXPORT, AUSTRALIAN, RUSSIA, CHINA, CE & UK CA SPECS).....	776
FIGURE 8-14. AC BOX AT PLATFORM INSTALLATION - 240V (WITH 4000W GENERATOR).....	778
FIGURE 8-15. AC BOX AT PLATFORM INSTALLATION - 240V (WITH 7500W SKYPOWER GENERATOR)	780
FIGURE 8-16. AC BREAKER BOX INSTALLATION - SINGLE DOUBLE POLE BREAKER	782
FIGURE 8-17. AC BREAKER BOX INSTALLATION - SINGLE DOUBLE POLE BREAKER (MACHINES WITH SN STARTING WITH B3)	784
FIGURE 8-18. AC BREAKER BOX INSTALLATION - 3 BREAKERS	786
FIGURE 8-19. AC CABLES AND CLAMPS INSTALLATION - WITHOUT GENERATOR (ANSI, CSA & JAPANESE SPECS) (600S HC3)	788
FIGURE 8-20. AC CABLES AND CLAMPS INSTALLATION - WITHOUT GENERATOR (ANSI EXPORT,CE, RUSSIA CIS, CHINA & UK CA SPECS) (600S HC3).....	790
FIGURE 8-21. AC CABLES AND CLAMPS INSTALLATION - WITH 2500W GENERATOR (ANSI, ANSI EXPORT, CHINA, CSA AND JAPANESE SPECS) (600S HC3).....	792
FIGURE 8-22. AC CABLES AND CLAMPS INSTALLATION - WITH 4000W/50HZ GENERATOR (ANSI EXPORT, CE, CHINA, RUSSIAN CIS & UK CA SPECS) (600S HC3).....	794
FIGURE 8-23. AC CABLES AND CLAMPS INSTALLATION - WITH 4000W/60HZ GENERATOR (ANSI, ANSI EXPORT, CSA AND JAPANESE SPECS) (600S HC3).....	796
FIGURE 8-24. AC CABLES AND CLAMPS INSTALLATION - WITH 7500W GENERATOR (ANSI, ANSI EXPORT, CHINA, CSA, RUSSIAN CIS AND JAPANESE SPECS) (600S HC3).....	798
FIGURE 8-25. AC CABLES AND CLAMPS INSTALLATION - WITHOUT GENERATOR (ANSI, CSA AND JAPANESE SPECS) (660SJ HC3)	800
FIGURE 8-26. AC CABLES AND CLAMPS INSTALLATION - WITHOUT GENERATOR (ANSI EXPORT, AUSTRALIAN, RUSSIA CIS, CHINA, CE & UK CA SPECS) (660SJ HC3).....	802
FIGURE 8-27. AC CABLES AND CLAMPS INSTALLATION - WITH 2500W GENERATOR (ANSI, ANSI EXPORT, CHINA, CSA AND JAPANESE SPECS) (660SJ HC3)	804
FIGURE 8-28. AC CABLES AND CLAMPS INSTALLATION - WITH 4000W/50HZ GENERATOR (ANSI EXPORT, AUSTRALIAN, RUSSIA CIS, CHINA, CE & UK CA SPECS) (660SJ HC3).....	806
FIGURE 8-29. AC CABLES AND CLAMPS INSTALLATION - WITH 4000W/60HZ GENERATOR (ANSI, ANSI EXPORT, CSA AND JAPANESE SPECS) (660SJ HC3)	808
FIGURE 8-30. AC CABLES AND CLAMPS INSTALLATION - WITH 7500W GENERATOR (ANSI, ANSI EXPORT, AUSTRALIAN, CHINA, CSA, RUSSIAN CIS, AND JAPANESE SPECS) (660SJ HC3).....	810
FIGURE 8-31. BATTERY DISCONNECT SWITCH INSTALLATION.....	812
FIGURE 8-32. BEACON JUMPER HARNESS	814
FIGURE 8-33. BREAKER BOX KIT - SINGLE DOUBLE POLE BREAKER (WITHOUT 4000W/50HZ GENERATOR)	816
FIGURE 8-34. BREAKER BOX KIT - SINGLE DOUBLE POLE BREAKER (WITH 4000W/50HZ GENERATOR).....	818
FIGURE 8-35. BREAKER BOX KIT - SINGLE DOUBLE POLE BREAKER (WITHOUT 4000W/50HZ GENERATOR) (MACHINES WITH SN STARTING WITH B3)	820
FIGURE 8-36. BREAKER BOX KIT - 3 BREAKERS.....	822
FIGURE 8-37. BOOM ANGLE SENSOR HARNESS	824
FIGURE 8-38. BOOM CABLE - LOWER.....	826
FIGURE 8-39. BOOM CABLE - UPPER (600S HC3).....	828
FIGURE 8-40. BOOM CABLE - UPPER (660SJ HC3).....	830

TABLE OF CONTENTS

FIGURE 8-41. CLEARSKY INSTALLATION - 3G (ANSI EXPORT, RUSSIA, CE & UK CA SPECS).....	832
FIGURE 8-42. CLEARSKY INSTALLATION - 3G (AUSTRALIAN AND RUSSIA SPECS).....	834
FIGURE 8-43. CLEARSKY INSTALLATION - 4G (ALL SPECS EXCEPT AUSTRALIA AND CHINA SPECS).....	836
FIGURE 8-44. CLEARSKY INSTALLATION - 4G (CHINA SPECS).....	838
FIGURE 8-45. CLEARSKY INSTALLATION - 3 WIRE CONNECTION (ALL SPECS EXCEPT CHINA SPECS).....	840
FIGURE 8-46. CLEARSKY HARNESS - 3G & 4G.....	842
FIGURE 8-47. CLEARSKY HARNESS - 3 WIRE.....	844
FIGURE 8-48. CAPACITY PROXIMITY HARNESS (1000LBS).....	846
FIGURE 8-49. CAPACITY PROXIMITY HARNESS (750 LBS).....	848
FIGURE 8-50. ECU POWER JUMPER HARNESS.....	850
FIGURE 8-51. ELECTRICAL COMPONENTS INSTALLATION (ALL SPECS EXCEPT AUSTRALIAN, CE & UK CA (ULS) SPECS) (600S HC3).....	852
FIGURE 8-52. ELECTRICAL COMPONENTS INSTALLATION (CE & UK CA (ULS) SPECS) (600S HC3).....	854
FIGURE 8-53. ELECTRICAL COMPONENTS INSTALLATION (CE & UK CA (ULS) SPECS) (660SJ HC3).....	856
FIGURE 8-54. ENGINE HARNESS - DEUTZ D2011 ENGINES.....	858
FIGURE 8-55. ENGINE HARNESS - DEUTZ TD2.2L3 ENGINES.....	860
FIGURE 8-56. ENGINE HARNESS - DEUTZ D2.9L4 - 49HP AND DEUTZ TD2.9L4 - 67HP ENGINES.....	864
FIGURE 8-57. ENGINE HARNESS - DEUTZ TD2.9L4 (EMR ENGINE).....	868
FIGURE 8-58. ENGINE HARNESS - FORD ENGINES.....	872
FIGURE 8-59. FUEL FILTER HARNESS - DEUTZ TD2.2L3 (STAGE V) ENGINES.....	874
FIGURE 8-60. FUEL PUMP HARNESS - DEUTZ D2.9L4 - 49HP AND DEUTZ TD2.9L4 - 67HP ENGINES.....	876
FIGURE 8-61. GENERATOR HARNESS - 2500W.....	878
FIGURE 8-62. GENERATOR HARNESS - 4000W.....	880
FIGURE 8-63. GENERATOR HARNESS - 7500W SKYPOWER.....	882
FIGURE 8-64. GENERATOR TO ENGINE HARNESS - 7500W SKYPOWER GENERATOR (DEUTZ D2011 ONLY).....	884
FIGURE 8-65. GROUND CONTROL HARNESS.....	886
FIGURE 8-66. GROUND CONTROL HARNESS (CE & UK CA (ULS) SPECS).....	888
FIGURE 8-67. HOUR METER JUMPER HARNESS.....	890
FIGURE 8-68. LIFT CYLINDER HARNESS.....	892
FIGURE 8-69. PLATFORM BOX HARNESS.....	894
FIGURE 8-70. RECEPTACLE BOX KIT - 110V IEC YELLOW (RUSSIA, CE & UK CA SPECS).....	898
FIGURE 8-71. RECEPTACLE BOX KIT - 220V IEC BLUE (RUSSIA, CE & UK CA SPECS).....	900
FIGURE 8-72. RECEPTACLE BOX KIT - 220V CEE7 POST GROUND 2X4 BOX (RUSSIA, CE & UK CA SPECS).....	902
FIGURE 8-73. RECEPTACLE BOX KIT - 220V CEE7 SIDE GROUND (RUSSIA, CE & UK CA SPECS).....	904
FIGURE 8-74. RECEPTACLE BOX KIT - 220V AFSINT 107 (RUSSIA, CE & UK CA SPECS).....	906
FIGURE 8-75. RELAY & FUEL PUMP HARNESS.....	908
FIGURE 8-76. SKYEYE EMITTER HARNESS.....	910
FIGURE 8-77. SKYEYE INTERMEDIATE HARNESS.....	912
FIGURE 8-78. SKYEYE RECEIVER HARNESS.....	914
FIGURE 8-79. SKYGUARD INTERFACE HARNESS.....	916
FIGURE 8-80. SKYLINE HARNESS.....	918
FIGURE 8-81. STROBE LIGHT HARNESS (RED AND BLUE BEACON LIGHTS).....	920
FIGURE 8-82. STROBE LIGHT JUMPER HARNESS.....	922
FIGURE 8-83. TELE PROXIMITY HARNESS.....	924
FIGURE 8-84. TRANSPORT SWITCH HARNESS (660SJ HC3).....	926
FIGURE 8-85. TURNTABLE HARNESS.....	928

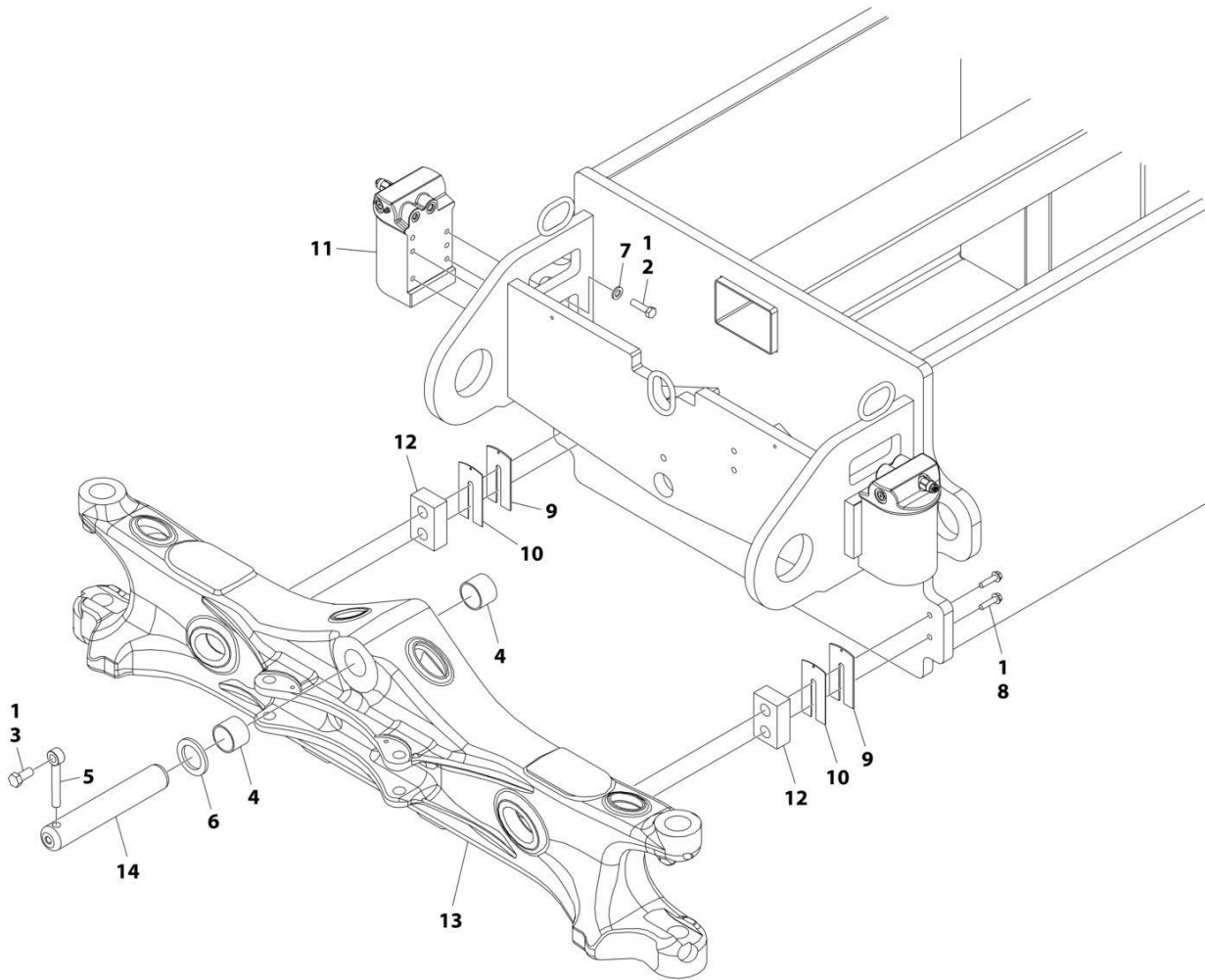
TABLE OF CONTENTS

FIGURE 8-86. VALVE CABLE - PLATFORM VALVE	932
FIGURE 8-87. VALVE HARNESS - MAIN VALVE	934
FIGURE 8-88. VALVE HARNESS - PLATFORM VALVE (600S HC3).....	936
FIGURE 8-89. VALVE HARNESS - PLATFORM VALVE (660SJ HC3).....	938
FIGURE 8-90. WHITE NOISE ALARM HARNESS	940
SECTION 9 - DECALS	943
FIGURE 9-1. DECAL INSTALLATION (ANSI SPECS - ENGLISH LANGUAGE).....	944
FIGURE 9-2. DECAL INSTALLATION (AUSTRALIAN SPECS - ENGLISH LANGUAGE).....	946
FIGURE 9-3. DECAL INSTALLATION (BRAZIL SPECS - PORTUGUESE/SPANISH LANGUAGES).....	948
FIGURE 9-4. DECAL INSTALLATION (CE & UK CA SPECS - ENGLISH LANGUAGE).....	950
FIGURE 9-5. DECAL INSTALLATION (CHINESE SPECS - ENGLISH/SIMPLIFIED CHINESE LANGUAGES)	952
FIGURE 9-6. DECAL INSTALLATION (CHINESE SPECS - ENGLISH/TRADITIONAL CHINESE LANGUAGES)	954
FIGURE 9-7. DECAL INSTALLATION (CSA SPECS - ENGLISH/FRENCH LANGUAGES)	956
FIGURE 9-8. DECAL INSTALLATION (JAPANESE SPECS - ENGLISH/JAPANESE LANGUAGES)	958
FIGURE 9-9. DECAL INSTALLATION (KOREAN SPECS - ENGLISH/KOREAN LANGUAGES)	960
FIGURE 9-10. DECAL INSTALLATION - LATIN AMERICAN SPECS - ENGLISH/SPANISH LANGUAGES).....	962
FIGURE 9-11. DECALS INSTALLATION - OPTIONS.....	964
FIGURE 9-12. DECAL INSTALLATION - SKYWELDER (50HZ)	968
FIGURE 9-13. DECAL INSTALLATION - SKYWELDER (60HZ)	970
FIGURE 9-14. DECAL INSTALLATION - TOW (ANSI SPECS).....	972
FIGURE 9-15. DECAL INSTALLATION - TOW (ANSI EXPORT, RUSSIA, CHINA, CE & UK CA SPECS).....	974
FIGURE 9-16. DECAL INSTALLATION - TOW (CSA SPECS).....	976
SECTION 10 - RECOMMENDED SERVICE PARTS STOCK.....	979
FIGURE 10-1. RECOMMENDED SERVICE PARTS STOCK.....	980
SECTION 11 - SPECIAL OPTIONS/ACCESSORIES/KITS.....	983
FIGURE 11-1. SPECIAL OPTIONS/ACCESSORIES/KITS.....	984
PART NUMBER INDEX.....	989

SECTION 1 - FRAME

SECTION 1 - FRAME

FIGURE 1-1. AXLE INSTALLATION (MACHINES WITH SN STARTING WITH 03)



ART_1001181774

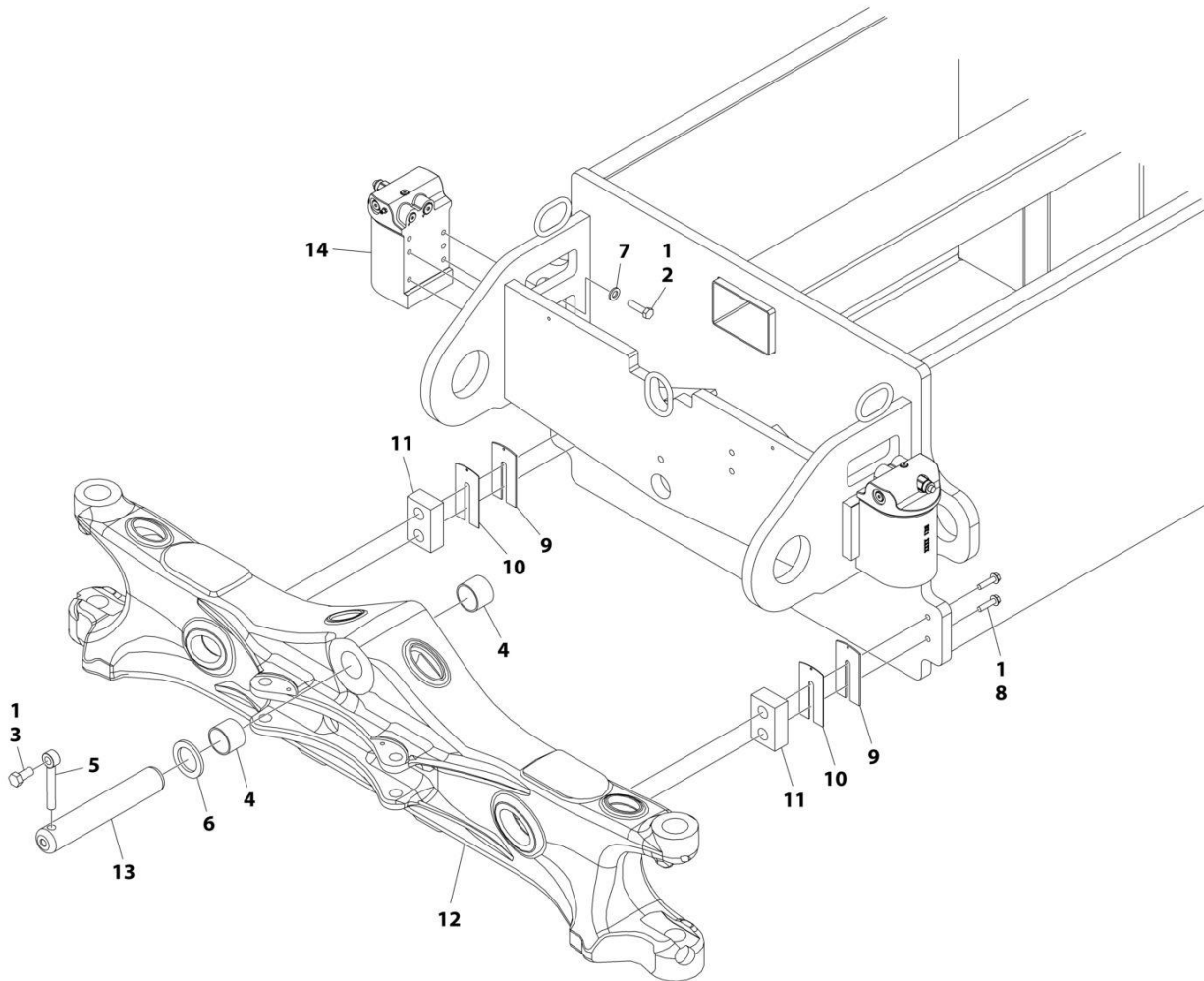
SECTION 1 - FRAME

FIGURE 1-1. AXLE INSTALLATION (MACHINES WITH SN STARTING WITH 03)

ITEM	PART NUMBER	QTY	DESCRIPTION	REV
	1001181774	Ref	AXLE INSTALLATION	B
1	0100011	AR	Compound, Locking	
2	0701217	8	Bolt M12 x 45	
3	0761615	1	Bolt M16 x 35	
4	0961950	2	Bearing	
5	3841258	1	Keeper, Pin	
6	4740158	1	Washer	
7	5241200	8	Washer M12	
8	5251016	4	Bolt M10 x 40	
9	1001150324	2	Shim (3mm)	
10	1001150326	2	Shim (1.2mm)	
11	1001219040	2	Axle Lockout Cylinder (See Separate Breakdown in CYLINDER SECTION)	
12	1001166563	2	Pad, Wear	
13	1001184209	1	Axle	
14	1001185030	1	Pin	

SECTION 1 - FRAME

FIGURE 1-2. AXLE INSTALLATION (MACHINES WITH SN STARTING WITH B3)



ART_1001265535

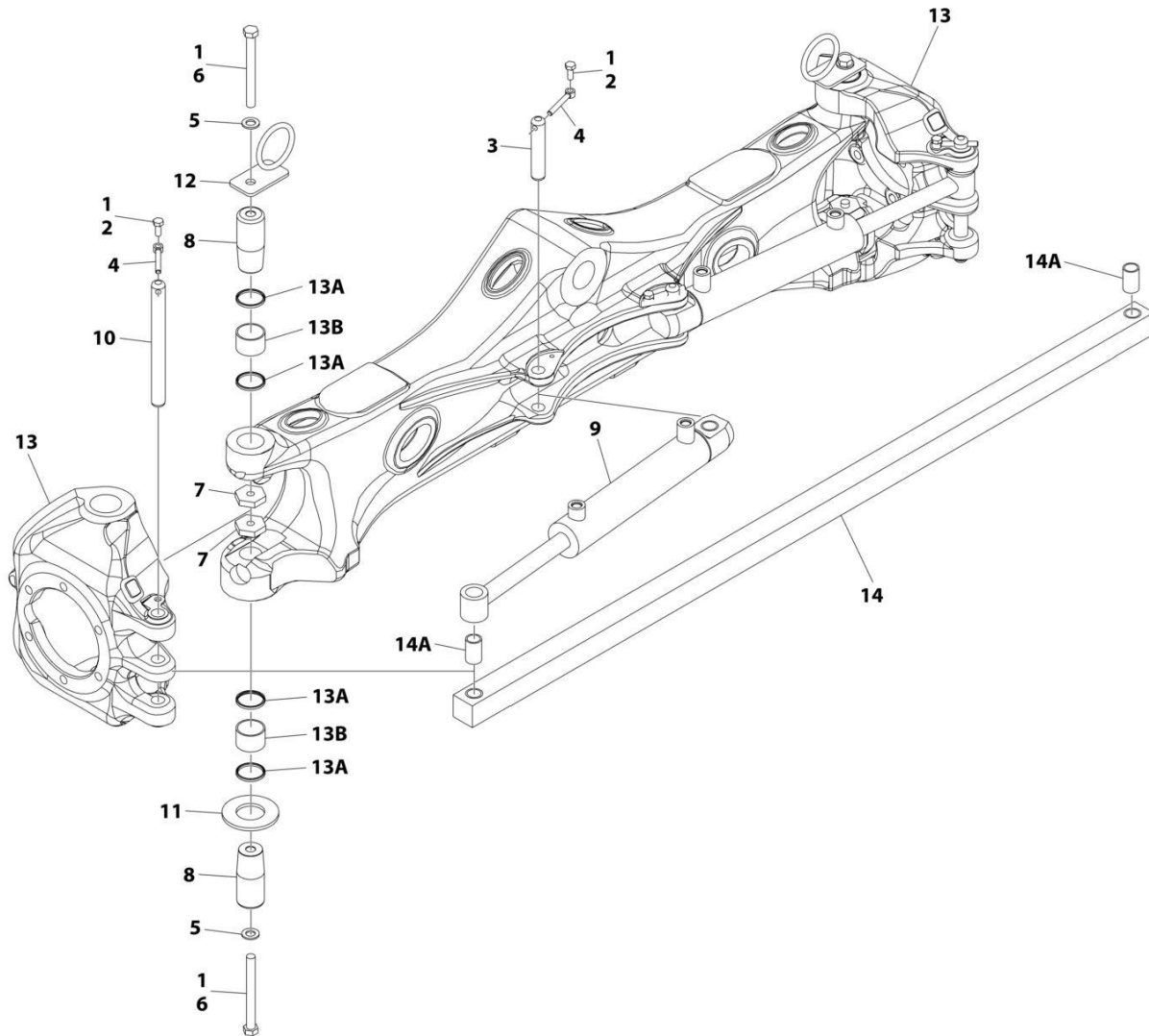
SECTION 1 - FRAME

FIGURE 1-2. AXLE INSTALLATION (MACHINES WITH SN STARTING WITH B3)

ITEM	PART NUMBER	QTY	DESCRIPTION	REV
	1001265535	Ref	AXLE INSTALLATION	A
1	0100011	AR	Compound, Locking	
2	0701217	8	Bolt M12 x 45	
3	0761615	1	Bolt M16 x 35	
4	0961950	2	Bearing	
5	3841258	1	Keeper, Pin	
6	4740158	1	Washer	
7	5241200	8	Washer M12	
8	5251016	4	Bolt M10 x 40	
9	1001150324	AR	Shim (3mm)	
10	1001150326	AR	Shim (1.2mm)	
11	1001166563	2	Pad, Wear	
12	1001184209	1	Axle	
13	1001185030	1	Pin	
14	1001256180	2	Axle Lockout Cylinder (See Separate Breakdown in CYLINDER Section)	

SECTION 1 - FRAME

FIGURE 1-3. STEER INSTALLATION - WITHOUT TOW PACKAGE



ART_1001250106_D

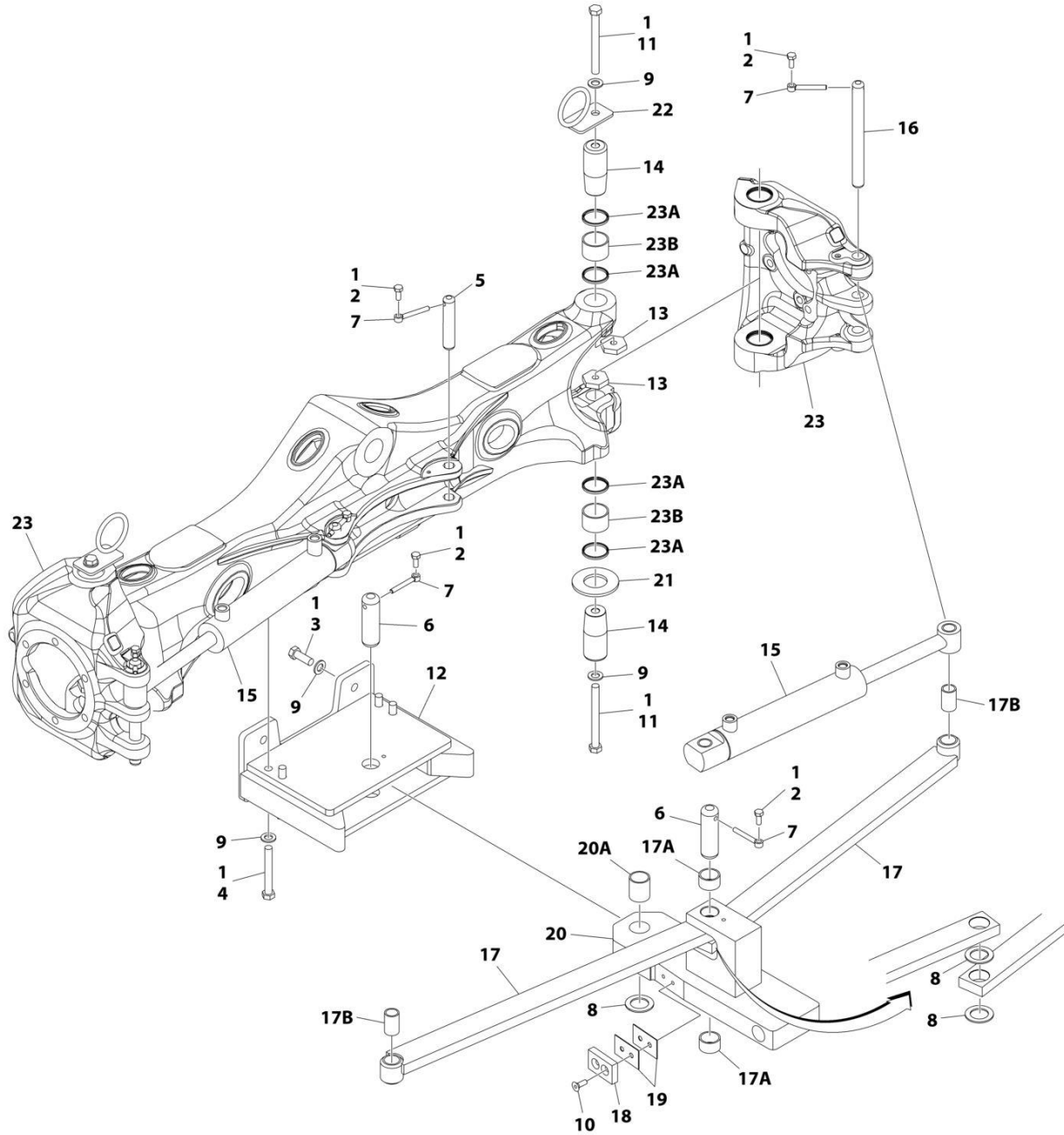
SECTION 1 - FRAME

FIGURE 1-3. STEER INSTALLATION - WITHOUT TOW PACKAGE

ITEM	PART NUMBER	QTY	DESCRIPTION	REV
	1001250106	Ref	STEER INSTALLATION	D
1	0100011	AR	Compound, Locking	
2	0701012	4	Bolt M10 x 25	
3	3422351	2	Pin	
4	3841143	4	Keeper, Pin	
5	5241600	4	Washer M16	
6	1001096456	4	Bolt M16 x 160	
7	1001176848	4	Nut M16	
8	1001181790	4	Kingpin	
9	1001181792	2	Steer Cylinder Assembly (See Separate Breakdown in CYLINDER Section)	
10	1001182697	2	Pin	
11	1001190194	2	Bearing	
12	1001196390	2	Bracket	
13	1001263271	1	Knuckle	
13A	1001181791	8	Seal (4 Per Assembly)	
13B	1001182694	4	Bearing (2 Per Assembly)	
14	1001181793	1	Tie-Rod	
14A	1001182695	2	Bearing	

SECTION 1 - FRAME

FIGURE 1-4. STEER INSTALLATION - WITH TOW PACKAGE



ART_1001250362_D

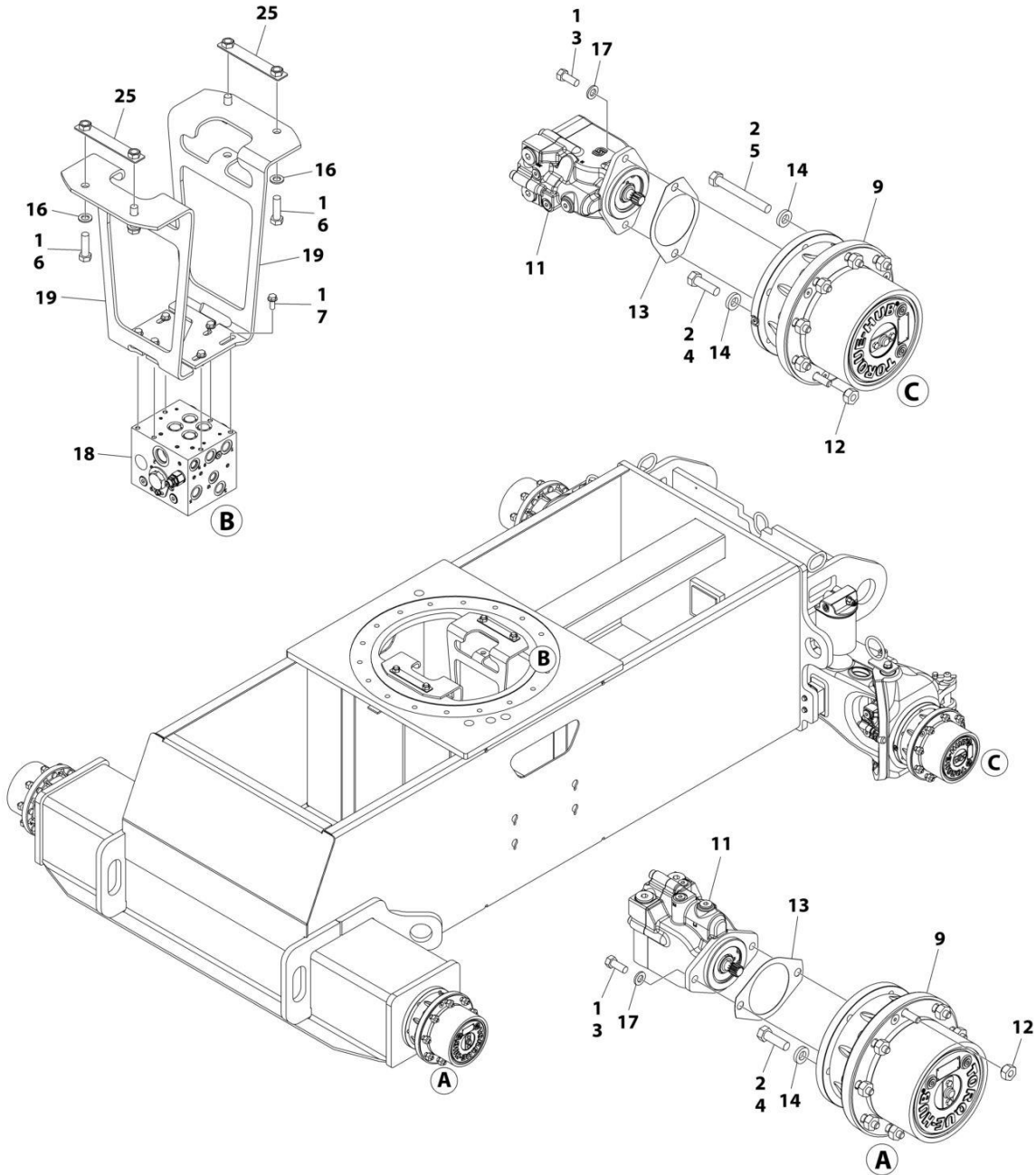
SECTION 1 - FRAME

FIGURE 1-4. STEER INSTALLATION - WITH TOW PACKAGE

ITEM	PART NUMBER	QTY	DESCRIPTION	REV
	1001250362	Ref	STEER INSTALLATION	D
1	0100011	AR	Compound, Locking	
2	0701012	6	Bolt M10 x 25	
3	0701617	2	Bolt M16 x 45	
4	0711629	4	Bolt M16 x 120	
5	3422351	2	Pin	
6	3422848	2	Pin	
7	3841143	6	Keeper, Pin	
8	4740155	3	Washer	
9	5241600	10	Washer M16	
10	8310614	4	Screw M10 x 30	
11	1001096456	4	Bolt M16 x 160	
12	1001163717	1	Bracket	
13	1001176848	4	Nut M16	
14	1001181790	4	Kingpin	
15	1001181792	2	Steer Cylinder Assembly (See Separate Breakdown in CYLINDER Section)	
16	1001182697	2	Pin	
17	1001184213	2	Link	
17A	0962181	2	Bushing 1-1/2in ID	
17B	1001182695	2	Bearing 1in ID	
18	1001185906	2	Block, Stop	
19	1001185907	4	Shim (1.5mm)	
20	1001188503	1	Link	
20A	0962348	1	Bearing	
21	1001190194	2	Bearing	
22	1001196390	2	Bracket	
23	1001263271	1	Knuckle	
23A	1001181791	8	Seal (4 Per Assembly)	
23B	1001182694	4	Bearing (2 Per Assembly)	

SECTION 1 - FRAME

FIGURE 1-5. WHEEL DRIVE INSTALLATION - 4WD/2WS (MACHINES WITH SN STARTING WITH 03)
(660SJ HC3)



ART_1001186443_K

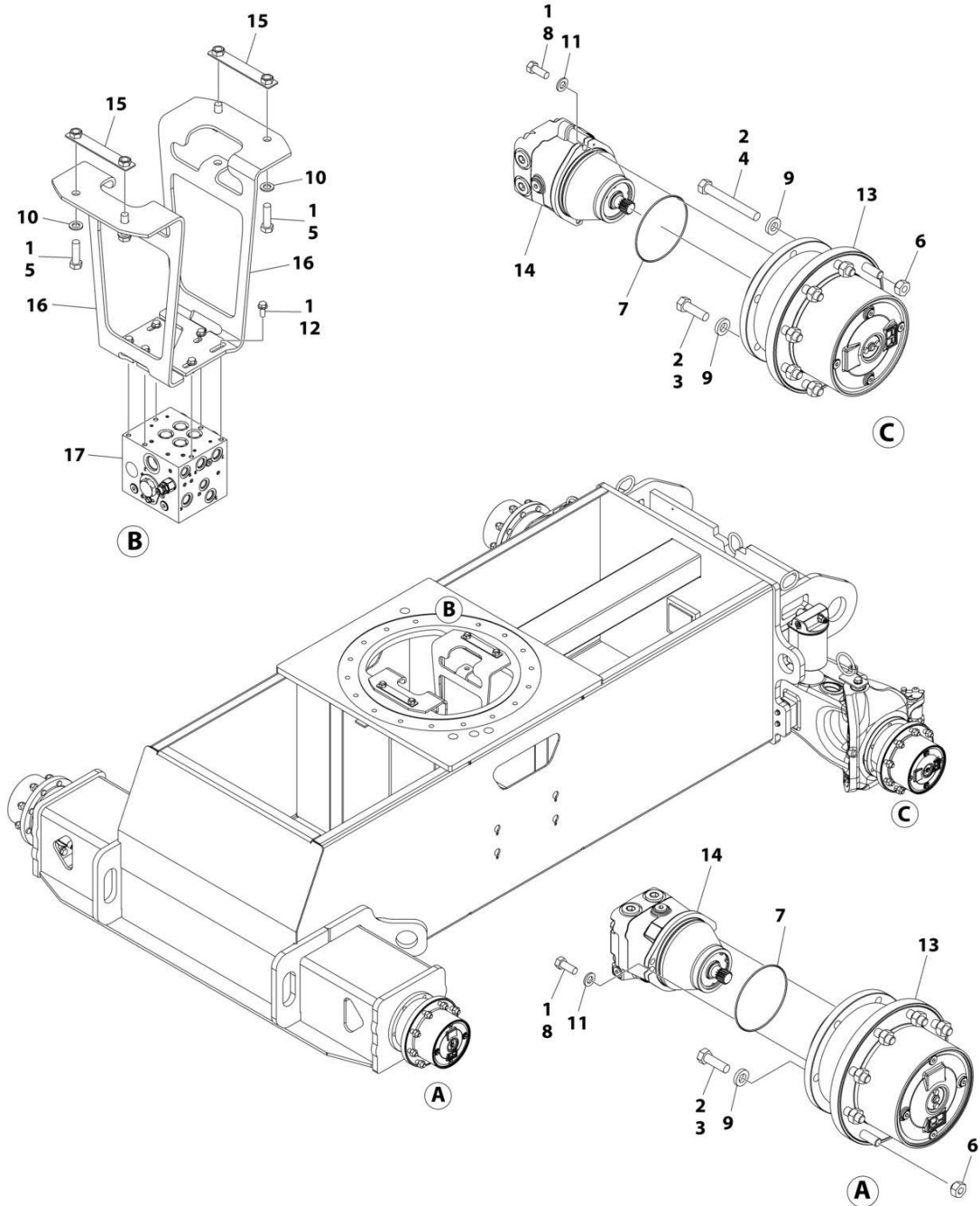
SECTION 1 - FRAME

**FIGURE 1-5. WHEEL DRIVE INSTALLATION - 4WD/2WS (MACHINES WITH SN STARTING WITH 03)
(660SJ HC3)**

ITEM	PART NUMBER	QTY	DESCRIPTION	REV
	1001186443	Ref	WHEEL DRIVE INSTALLATION	K
1	0100011	AR	Compound, Locking	
2	0100019	AR	Compound, Locking	
3	0681810	8	Bolt 1/2 x 1-1/4 Grade 8	
4	0682016	20	Bolt 5/8 x 2 Grade 8	
5	0682040	4	Bolt 5/8 x 5 Grade 8	
5	0682036	4	Bolt 5/8 x 4 Grade 8	
6	0701619	4	Bolt M16 x 55	
7	5251012	6	Bolt M10 x 25	
9	2780269	4	Drive Hub Assembly (See Separate Breakdown in this Section)	
11	3160350	4	Drive Motor Assembly (See Separate Breakdown in this Section)	
12	3300106	36	Lugnut	
13	3960526	4	Gasket	
14	4740393	24	Washer	
16	4812300	4	Washer M16	
17	5241200	8	Washer M12	
18	1001293329	1	Traction Valve Assembly (See Separate Breakdown in this Section)	
19	1001232292	2	Bracket	
25	1001198631	2	Bracket	

SECTION 1 - FRAME

FIGURE 1-6. WHEEL DRIVE INSTALLATION - 4WD/2WS MACHINES WITH SN STARTING WITH 03)
(600S HC3)



ART_1001300550

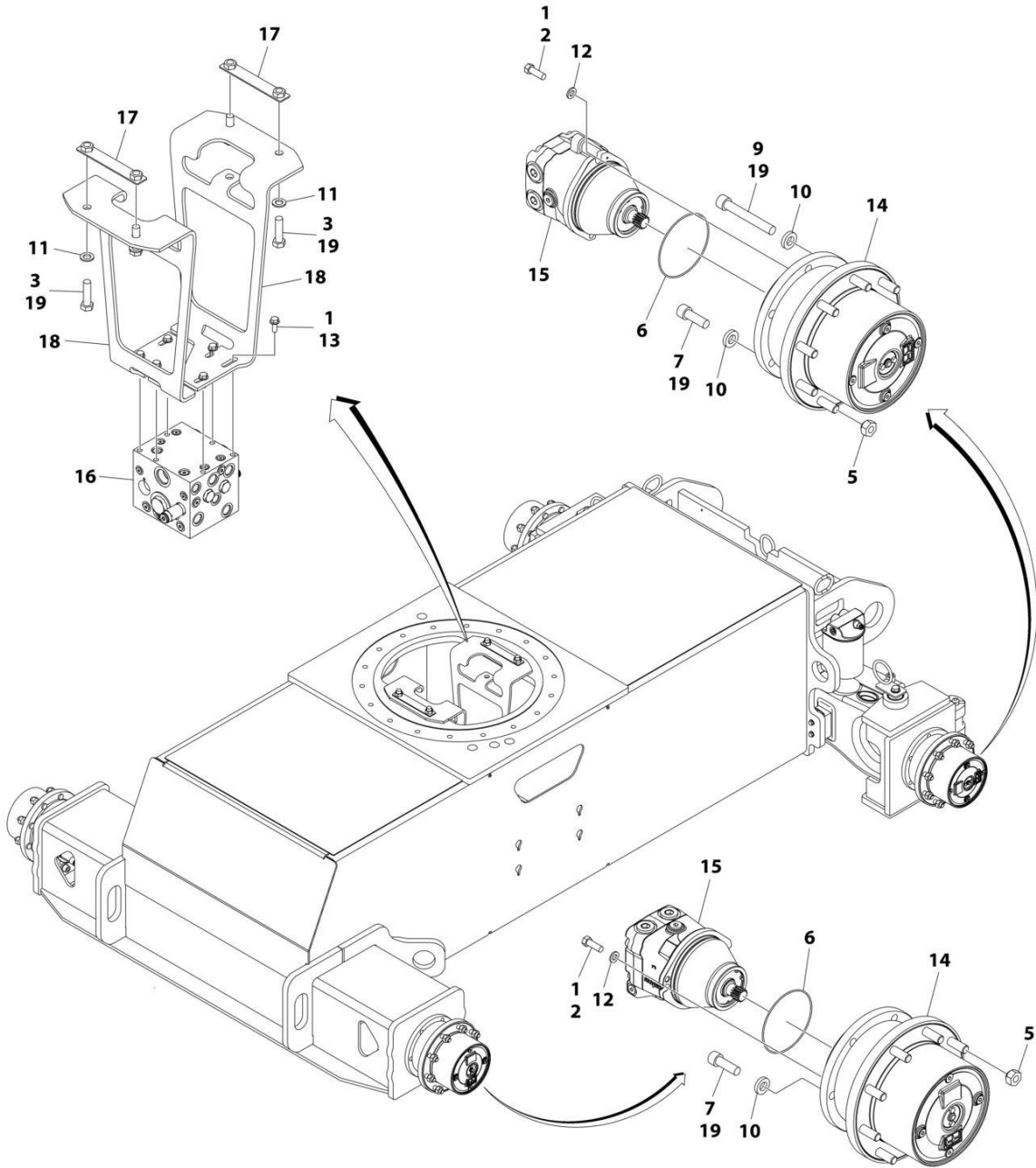
SECTION 1 - FRAME

**FIGURE 1-6. WHEEL DRIVE INSTALLATION - 4WD/2WS MACHINES WITH SN STARTING WITH 03)
(600S HC3)**

ITEM	PART NUMBER	QTY	DESCRIPTION	REV
	1001300550	Ref	WHEEL DRIVE INSTALLATION	A
1	0100011	AR	Compound, Locking	
2	0100019	AR	Compound, Locking	
3	0682015	20	Bolt 5/8 x 1-7/8	
4	0682036	4	Bolt 5/8 x 4-1/2	
5	0701619	4	Bolt M16 x 55	
6	3300106	36	Lugnut	
7	3790158	4	O-Ring	
8	3931720	8	Capscrew 7/16 x 1-1/4	
9	4740393	24	Washer	
10	4812300	4	Washer M16	
11	5241000	8	Washer M10	
12	5251012	6	Bolt M10 x 25	
13	1001113984	4	Drive Hub Assembly (See Separate Breakdown in this Section)	
14	1001135600	4	Drive Motor Assembly (See Separate Breakdown in this Section)	
15	1001198631	2	Bracket	
16	1001232292	2	Bracket	
17	1001293329	1	Traction Valve Assembly (See Separate Breakdown in this Section)	

SECTION 1 - FRAME

FIGURE 1-7. WHEEL DRIVE INSTALLATION - 4WD/2WS (660SJ HC3)



ART_1001249985

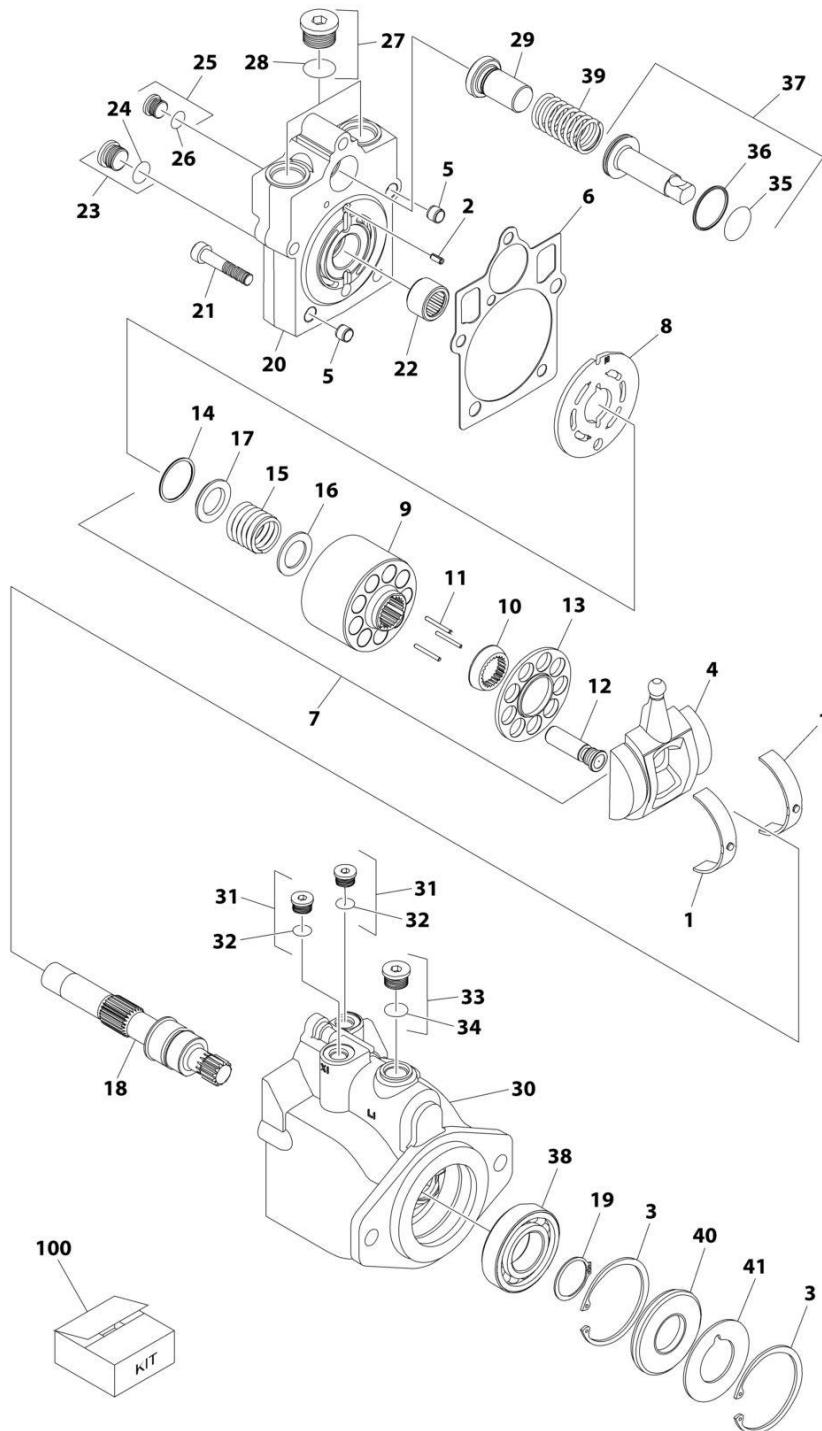
SECTION 1 - FRAME

FIGURE 1-7. WHEEL DRIVE INSTALLATION - 4WD/2WS (660SJ HC3)

ITEM	PART NUMBER	QTY	DESCRIPTION	REV
	1001249985	Ref	WHEEL DRIVE INSTALLATION	E
1	0100011	AR	Compound, Locking	
2	0681710	8	Bolt 7/16 x 1-1/4	
3	0701620	4	Bolt M16 x 60	
5	3300106	36	Lugnut	
6	3790158	4	O-Ring	
7	3932030	20	Capscrew 5/8 x 1-7/8	
8	3932032	8	Capscrew 5/8 x 2	
9	3932072	4	Capscrew 5/8 x 4-1/2	
10	4740393	24	Washer	
11	4812300	4	Washer M16	
12	5241000	8	Washer	
13	5251012	6	Bolt M10 x 25	
14	1001113984	4	Drive Hub Assembly (See Separate Breakdown in this Section)	
15	1001135600	4	Drive Motor Assembly (See Separate Breakdown in this Section)	
16	1001187521	1	Traction Valve Assembly (See Separate Breakdown in this Section)	
17	1001198631	2	Bracket	
18	1001232292	2	Bracket	
19	0100019	AR	Compound, Locking	

SECTION 1 - FRAME

FIGURE 1-8. DRIVE MOTOR ASSEMBLY (600S HC3)



ART_3160350

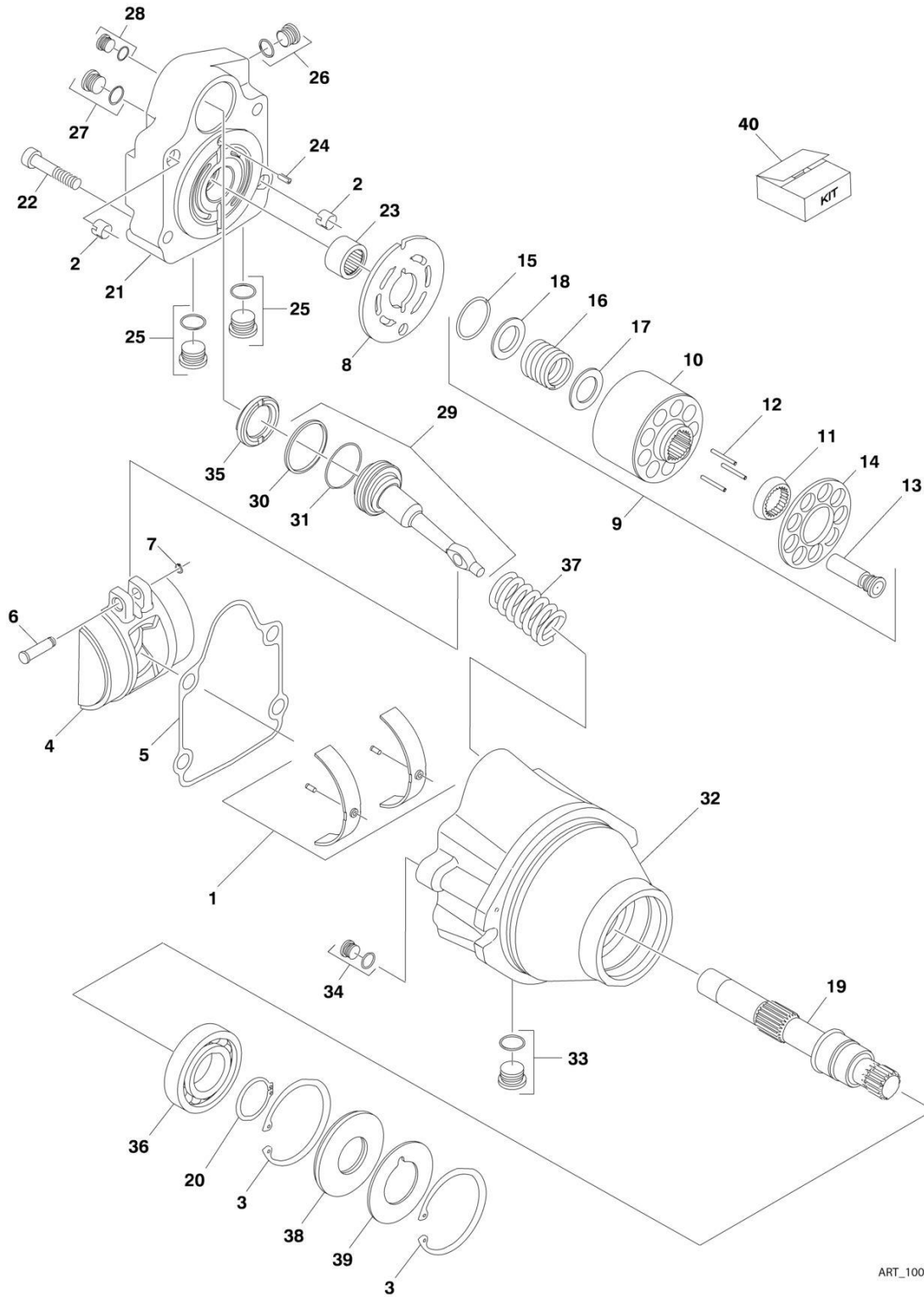
SECTION 1 - FRAME

FIGURE 1-8. DRIVE MOTOR ASSEMBLY (600S HC3)

ITEM	PART NUMBER	QTY	DESCRIPTION	REV
	3160350	Ref	DRIVE MOTOR ASSEMBLY	D
1	7022302	2	Bearing, Journal	
2	7007446	1	Pin	
3	7007438	2	Ring, Retaining	
4	70000794	1	Swash Plate	
5	See Note	NSS	Pin (Note: Not Available for Purchase)	
6	See Note	NSS	Gasket (Note: Use Item 42)	
7	7027740	1	Cylinder Block Kit (Includes Items 9-17)	
8	7024862	1	Plate, Valve	
9	See Note	NSS	Block, Cylinder	
10	See Note	NSS	Guide, Slipper Retainer	
11	7021275	3	Pin, Slipper Hold Down	
12	7024865	9	Piston Assembly	
13	See Note	NSS	Retainer, Slipper	
14	7022311	1	Ring, Retaining	
15	7024867	1	Spring	
16	7022313	1	Washer	
17	7022314	1	Retainer, Spring	
18	7023910	1	Shaft	
19	7007439	1	Ring, Retaining	
20	70000795	1	Cap, End - Axial	
21	7022368	5	Screw	
22	7021249	1	Bearing, Needle	
23	2220886	1	Plug (Includes Item 24)	
24	See Note	NSS	O-Ring (Note: Use Item 23 or 42)	
25	2220883	1	Plug (Includes Item 26)	
26	See Note	NSS	O-Ring (Note: Use Item 25 or 42)	
27	7027419	2	Plug (Includes Item 28)	
28	See Note	NSS	O-Ring (Note: Use Item 27 or 42)	
29	7022372	1	Seat, Spring	
30	See Note	NSS	Housing (Note: Not Available - Purchase Complete Assembly)	
31	2220883	2	Plug (Includes Item 32)	
32	See Note	NSS	O-Ring (Note: Use Item 31 or 42)	
33	2220886	1	Plug (Includes Item 34)	
34	See Note	NSS	O-Ring (Note: Use Item 33 or 42)	
35	See Note	NSS	O-Ring (Note: Use Item 42)	
36	See Note	NSS	Ring, Seal (Note: Use Item 42)	
37	7024871	1	Piston, Servo	
38	7007437	1	Bearing	
39	7022326	1	Spring	
40	See Note	NSS	Seal, Lip (Note: Use Item 42)	
41	7022371	1	Washer, Support	
100	7022328	1	Seal Kit (Includes Items 6, 24, 26, 28, 32, 34, 35, 36 & 40)	

SECTION 1 - FRAME

FIGURE 1-9. DRIVE MOTOR ASSEMBLY (660SJ HC3)



ART_1001135600

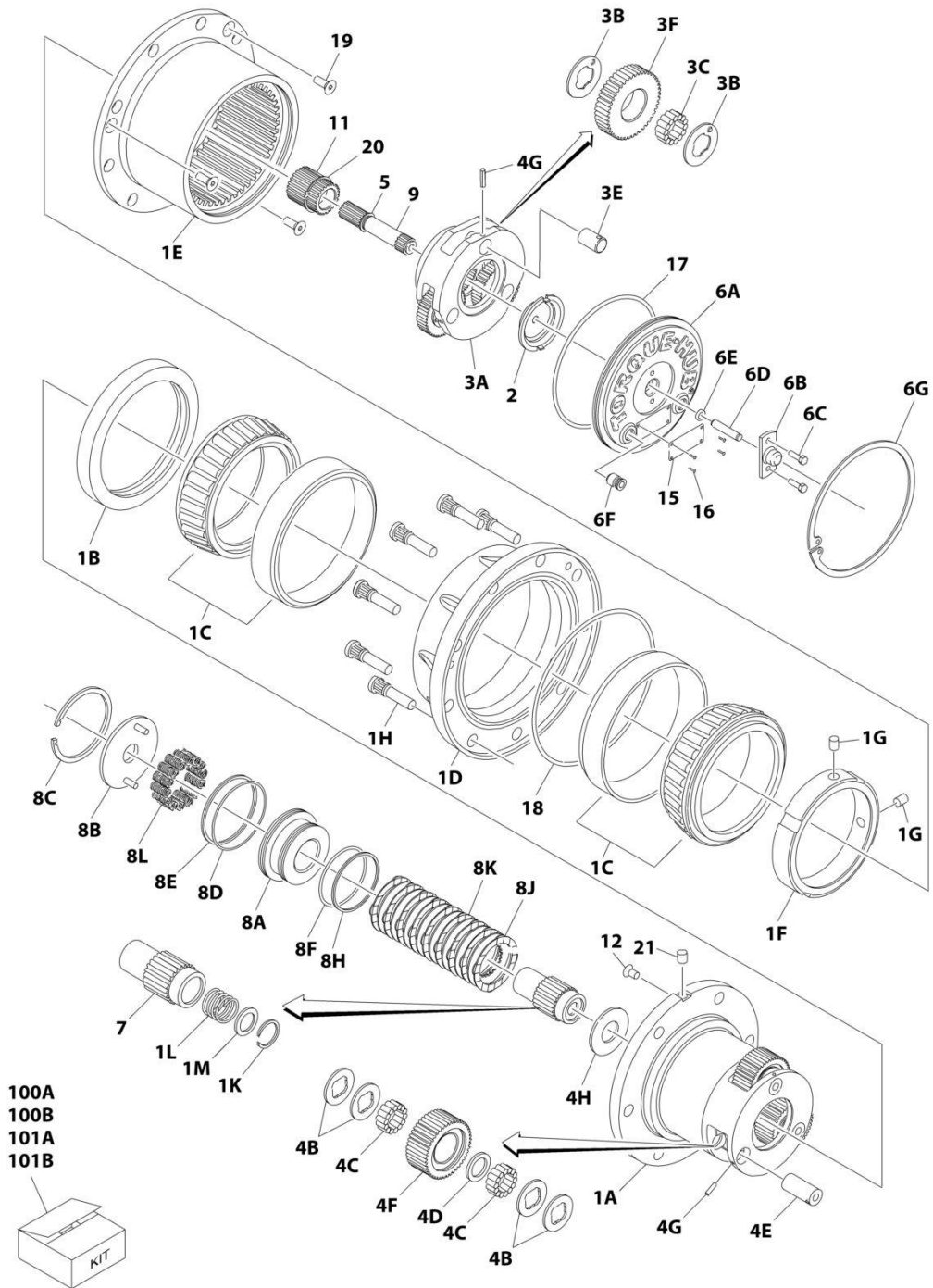
SECTION 1 - FRAME

FIGURE 1-9. DRIVE MOTOR ASSEMBLY (660SJ HC3)

ITEM	PART NUMBER	QTY	DESCRIPTION	REV
	1001135600	Ref	DRIVE MOTOR ASSEMBLY	C
1	70000852	1	Swash Plate Bearing Kit	
2	70003628	2	Pin	
3	70007438	2	Ring, Retaining	
4	70000853	1	Swash Plate	
5	See Note	NSS	Gasket (Note: Use Item 40)	
6	70004201	1	Pin	
7	70004202	1	Ring, Retaining	
8	70000854	1	Plate, Valve	
9	7027740	1	Cylinder Block Kit (Includes Items 10-18)	
10	7027740	1	Block, Cylinder	
11	70000854	1	Guide, Slipper Retainer	
12	7021275	3	Pin, Slipper Hold Down	
13	70004203	9	Piston Assembly	
14	70000857	1	Retainer, Slipper	
15	7022311	1	Ring, Retaining	
16	7024867	1	Spring	
17	7024868	1	Washer	
18	7022314	1	Retainer, Spring	
19	70000858	1	Shaft	
20	7007439	1	Ring, Retaining	
21	70004204	1	Cap, End - Axial	
22	7022368	4	Capscrew	
23	7021249	1	Bearing, Needle	
24	7007446	1	Pin	
25	7007419	2	Plug with O-Ring	
25	See Note	NSS	O-Ring (Note: Not Sold Separately - Purchase Item 25 or 40)	
26	7007420	1	Plug with O-Ring	
26	70000862	1	O-Ring (Note: Not Sold Separately - Purchase Item 26 or 40)	
27	7022321	1	Plug with O-Ring	
27	70000862	1	O-Ring (Note: Not Sold Separately - Purchase Item 27 or 40)	
28	7007420	1	Plug with O-Ring	
28	70000862	1	O-Ring (Note: Not Sold Separately - Purchase Item 28 or 40)	
29	70004205	1	Servo - 4WD	
30	See Note	NSS	Ring, Piston (Note: Not Sold Separately - Purchase Item 29 or 40)	
31	See Note	NSS	O-Ring (Note: Not Sold Separately - Purchase Item 29 or 40)	
32	See Note	NSS	Housing (Note: Not Available - Purchase Complete Motor)	
33	7022321	1	Plug with O-Ring	
33	70000862	1	O-Ring (Note: Not Sold Separately - Purchase Item 33 or 40)	
34	70002133	1	Plug with O-Ring	
34	70000862	1	O-Ring (Note: Not Sold Separately - Purchase Item 34 or 40)	
35	70004205	1	Stop (4WD Motor Only)	
36	70002176	1	Bearing	
37	70000861	1	Spring	
38	See Note	NSS	Seal, Lip (Note: Use Item 40)	
39	7022371	1	Washer, Support	
40	70000862	1	Seal Kit (Includes Items 5, 30, 31, 38 and Plug O-Rings)	

SECTION 1 - FRAME

FIGURE 1-10. DRIVE HUB ASSEMBLY (600S HC3)



ART_2780269

SECTION 1 - FRAME

FIGURE 1-10. DRIVE HUB ASSEMBLY (600S HC3)

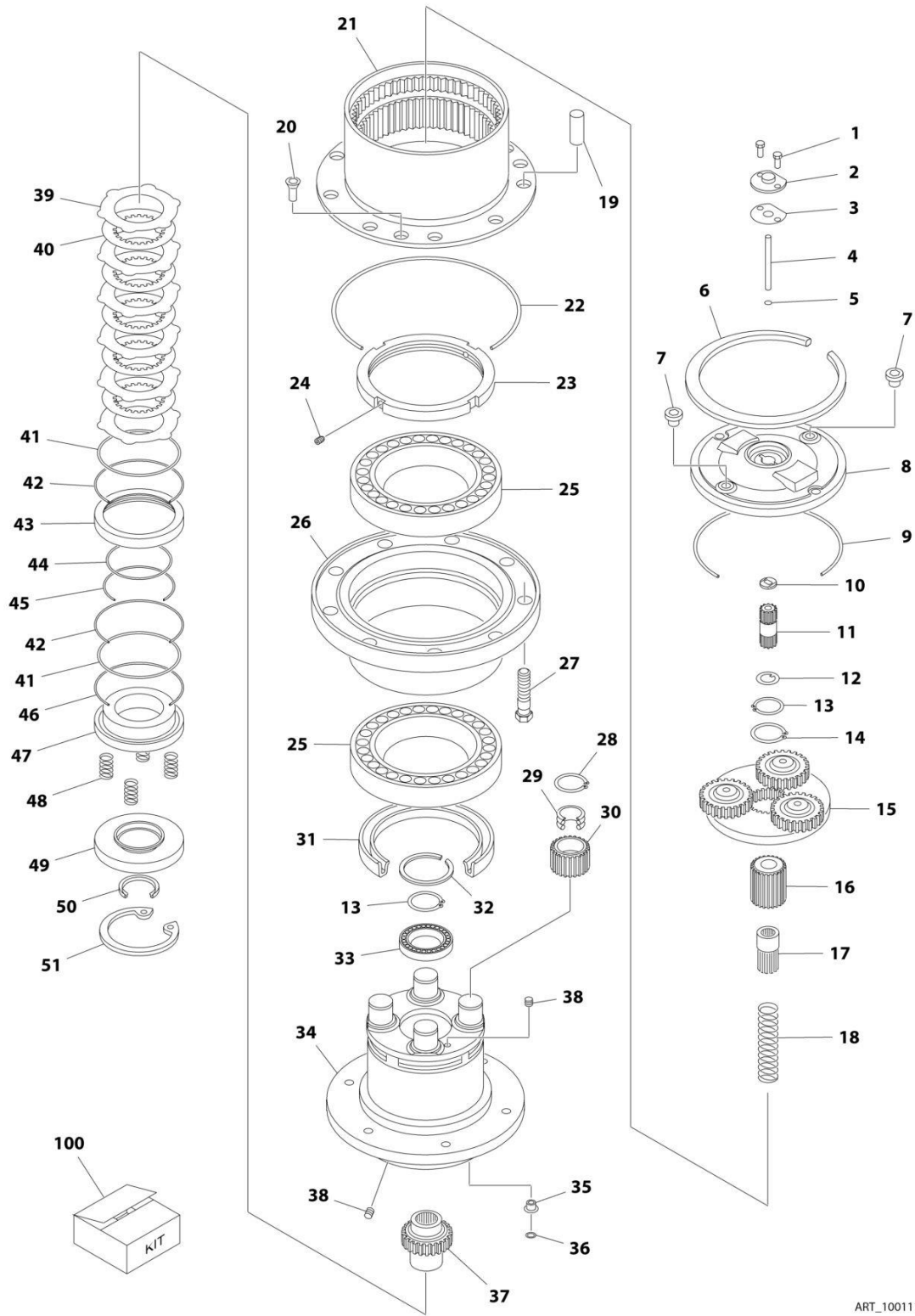
ITEM	PART NUMBER	QTY	DESCRIPTION	REV
	2780269	Ref	DRIVE HUB/BRAKE ASSEMBLY	E
1	See Note	NSS	Spindle/Housing Assembly (Note: Not Available - Purchase Individual Components)	
1A	7024729	1	Spindle	
1B	70001119	1	Seal, Lip	
1C	7024735	2	Bearing (Includes Cup and Cone)	
1D	2780269	1	Housing (Note: Not Available for Purchase)	
1E	7024730	1	Ring, Gear	
1F	7024744	1	Nut, Bearing	
1G	See Note	NSS	Setscrew 1/4 x 1/2 (Note: Use Item 26A, 26B, 27A or 27B)	
1H	7024732	9	Stud, Wheel	
1K	7024125	1	Ring, Retaining	
1L	7024124	1	Spring	
1M	7024129	1	Thrustwasher	
2	7024741	1	Thrustwasher	
3	See Note	NSS	Carrier Assembly (Note: Not Available - Purchase Individual Components)	
3A	7024725	1	Carrier	
3B	7024127	6	Thrustwasher	
3C	7024733	42	Bearing, Needle	
3E	7024724	3	Shaft, Planet	
3F	7024727	3	Gear, Planet	
4	See Note	NSS	Planet Gear Sub-Assembly (Note: Not Available - Purchase Individual Components)	
4B	7024740	12	Thrustwasher	
4C	7024734	84	Bearing, Needle	
4D	7024736	3	Spacer, Thrust	
4E	7024726	3	Shaft, Planet	
4F	7024728	3	Gear, Planet	
4G	7001913	6	Roll Pin	
4H	7024742	1	Thrustwasher	
5	7017027	1	Ring, Retaining	
6	See Note	NSS	Cover Assembly (Note: Not Available - Purchase Individual Components)	
6A	7024731	1	Plate, Cover	
6B	7017093	1	Cap, Disengage	
6C	7000216	2	Bolt 1/2in-20NC x 1/2in	
6D	7024739	1	Pin, Dowel	
6E	7017095	1	O-Ring	
6F	7017072	2	Plug, Pipe	
6G	7024738	1	Ring, Retaining	
7	7024722	1	Coupling	
8	See Note	NSS	Brake, Input (Note: Not Available - Purchase Individual Components)	
8A	70000782	1	Piston, Brake	
8B	7024743	1	Plate, Pressure	
8C	See Note	NSS	Ring, Retaining (Note: Use Item 26B, 27A or 27B)	
8D	See Note	NSS	O-Ring (Note: Use Item 26B or 27A)	
8E	See Note	NSS	Ring, Back-up (Note: Use Item 26B or 27A)	
8F	See Note	NSS	O-Ring (Note: Use Item 26B or 27A)	
8H	See Note	NSS	Ring, Back-up (Note: Use Item 26B or 27A)	

SECTION 1 - FRAME

ITEM	PART NUMBER	QTY	DESCRIPTION	REV
8J	See Note	NSS	Rotor, Brake (Note: Use Item 27A)	
8K	See Note	NSS	Stator, Brake (Note: Use Item 27A)	
8L	See Note	NSS	Spring, Brake (Note: Use Item 27B)	
9	7024721	1	Shaft, Input	
11	7024723	1	Gear, Sun	
12	See Note	NSS	Plug (Note: Not Available for Purchase)	
15	See Note	NSS	Plate, ID (Not Shown) (Note: Not Available for Purchase)	
16	7000281	4	Screw, Drive	
17	7024134	1	O-Ring	
18	See Note	NSS	O-Ring (Note: Use Item 26A)	
19	7017022	3	Screw, Countersunk 3/8in-16NC	
20	7024737	1	Ring, Retaining	
21	See Note	NSS	Plug (Note: Not Available - Purchase Locally)	
26		Ref	Seal Kit Options:	
26A	7024744	1	Hub Seal Kit (Includes Items 1B, 1F, 1G, 17, 18 & 19)	
26B	7024765	1	Brake Seal Kit (Includes Items 1G, 8C, 8D, 8E, 8F & 8H)	
27		Ref	Repair Kit Options:	
27A	7024764	1	Brake Lining Kit (Includes Items 1G, 8C, 8D, 8E, 8F, 8H, 8J & 8K)	
27B	7024766	1	Brake Spring Kit (Includes Items 1G, 8C & 8L)	

SECTION 1 - FRAME

FIGURE 1-11. DRIVE HUB ASSEMBLY (660SJ HC3)



ART_1001113984

SECTION 1 - FRAME

FIGURE 1-11. DRIVE HUB ASSEMBLY (660SJ HC3)

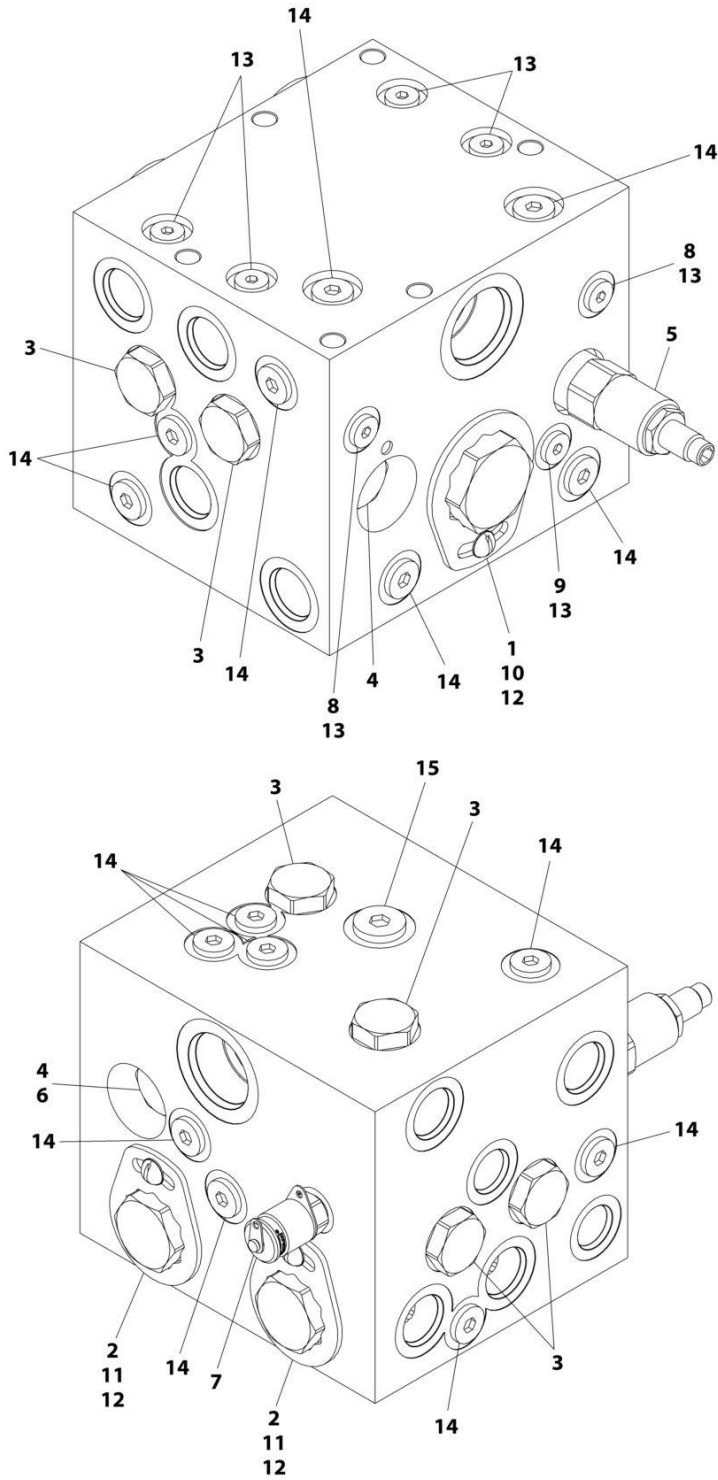
ITEM	PART NUMBER	QTY	DESCRIPTION	REV
	1001113984	Ref	DRIVE HUB ASSEMBLY	E
1	70004353	2	Screw	
2	70005298	1	Cover, Disengagement	
3	70002201	1	Gasket	
4	70002059	1	Pin, Disengagement	
5	See Note	NSS	O-Ring (Note: Use Item 100)	
6	70005299	1	Ring	
7	70002057	4	Plug	
8	70005300	1	Cover	
9	See Note	NSS	O-Ring (Note: Use Item 100)	
10	70002054	1	Shim	
11	70005301	1	Pinion	
12	70005302	1	Shim	
13	70004355	2	Ring, Outer Retention	
14	70004356	1	Ring, Inner Retention	
15	70005303	1	Reduction Gear Assembly	
16	70005304	1	Pinion	
17	70005305	1	Coupling, Disengagement Half	
18	70005306	1	Spring, Disengagement	
19	70005307	9	Plug	
20	70004361	3	Screw	
21	70005308	1	Ring, Planetary	
22	See Note	NSS	O-Ring (Note: Use Item 100)	
23	70005309	1	Nut, Ring	
24	70004363	2	Screw	
25	70005311	2	Bearing	
26	70004365	1	Support, Hub	
27	70005312	9	Column	
28	70004367	4	Ring, Outer Retention	
29	70005313	4	Bearing	
30	70004369	4	Wheel, Planet	
31	See Note	NSS	Seal, Oil (Note: Use Item 100)	
32	70004370	1	Ring	
33	70004371	1	Bearing	
34	70005314	1	Axle, Stub	
35	70005315	1	Plug	
36	See Note	NSS	O-Ring (Note: Use Item 100)	
37	70005316	1	Shaft, Input	
38	70004447	2	Plug	
39	70002027	6	Disc, Steel	
40	70002026	5	Disc, Sintered	
41	See Note	NSS	Seal (Note: Use Item 100)	
42	See Note	NSS	O-Ring (Note: Use Item 100)	
43	70005317	1	Spacer	
44	See Note	NSS	Seal (Note: Use Item 100)	
45	See Note	NSS	O-Ring (Note: Use Item 100)	
46	See Note	NSS	O-Ring (Note: Use Item 100)	
47	70005318	1	Piston	
48	70002020	6	Spring, Brake	
49	70005319	1	Spacer	

SECTION 1 - FRAME

ITEM	PART NUMBER	QTY	DESCRIPTION	REV
50	See Note	NSS	Seal, Oil (Note: Use Item 100)	
51	70005320	1	Ring, Inner Retention	
100	70005321	1	Seal Kit (Includes Items 5, 9, 22, 31, 36, 41, 42, 44, 45, 46 & 50)	

SECTION 1 - FRAME

FIGURE 1-12. TRACTION VALVE ASSEMBLY



ART_1001187521

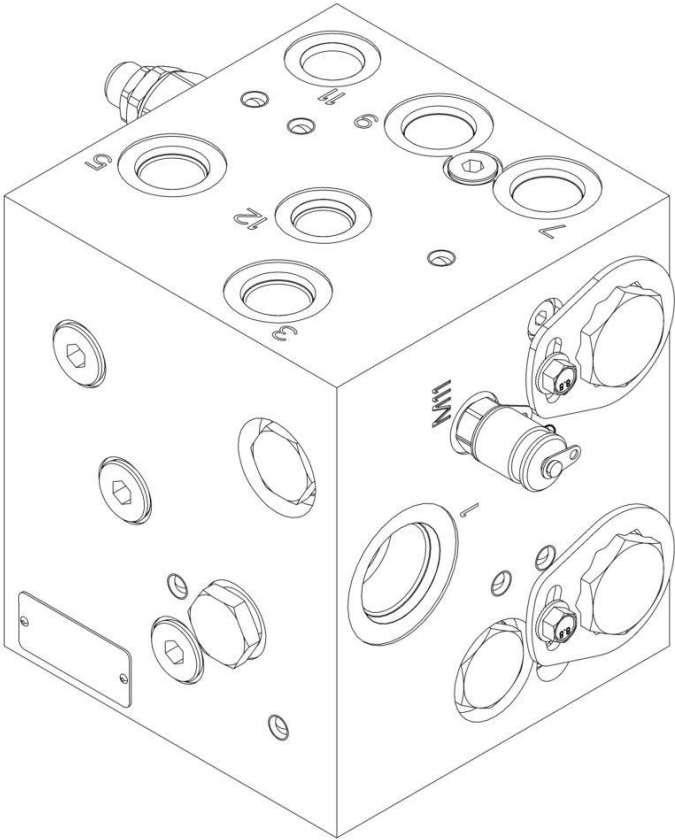
SECTION 1 - FRAME

FIGURE 1-12. TRACTION VALVE ASSEMBLY

ITEM	PART NUMBER	QTY	DESCRIPTION	REV
	1001187521	Ref	TRACTION VALVE ASSEMBLY	H
1	70005668	1	Valve, Flow Divider	
1	7021625	1	Seal Kit - 70005668 Valve	
2	70005669	2	Valve, Flow Divider	
2	70004577	2	Seal Kit - 70005669 Valve	
3	70026444	6	Valve, Check	
3	7022399	6	Seal Kit - 7022397 Valve	
4	70002390	2	Valve, Check	
4	7022399	2	Seal Kit - 70002390 Valve	
5	70007507	1	Valve, Relief	
5	7012998	1	Seal Kit - 70007507 Valve	
6	7024881	1	Piston	
7	2221086	1	Fitting, Test	
8	70003975	2	Orifice	
9	70002209	1	Orifice	
10	70000781	1	Lock Down Kit	
11	70002962	2	Lock Down Kit	
12	70004888	3	Screw	
13	2220883	7	Plug	
14	2220885	15	Plug	
15	2220886	1	Plug	

SECTION 1 - FRAME

FIGURE 1-13. TRACTION VALVE ASSEMBLY



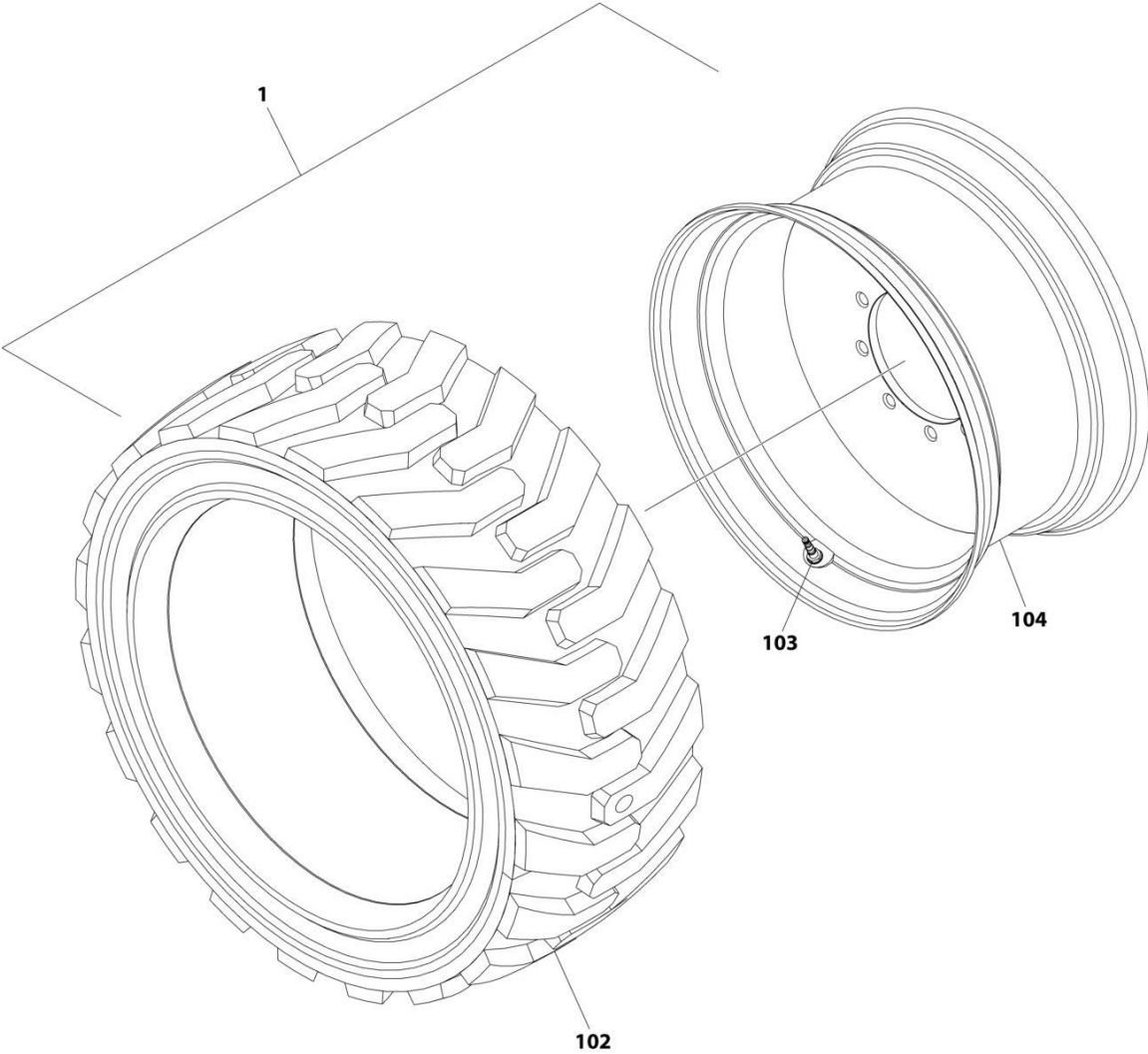
ART_1001293329

FIGURE 1-13. TRACTION VALVE ASSEMBLY

ITEM	PART NUMBER	QTY	DESCRIPTION	REV
	1001293329 See Note	Ref Ref	TRACTION VALVE ASSEMBLY Note: No Service Parts Available at Time of Printing	A

SECTION 1 - FRAME

FIGURE 1-14. TIRE & WHEEL INSTALLATION - IN355-55 D625 FOAM FILLED (AVAILABLE ON ALL SPECS)



ART_1001185596

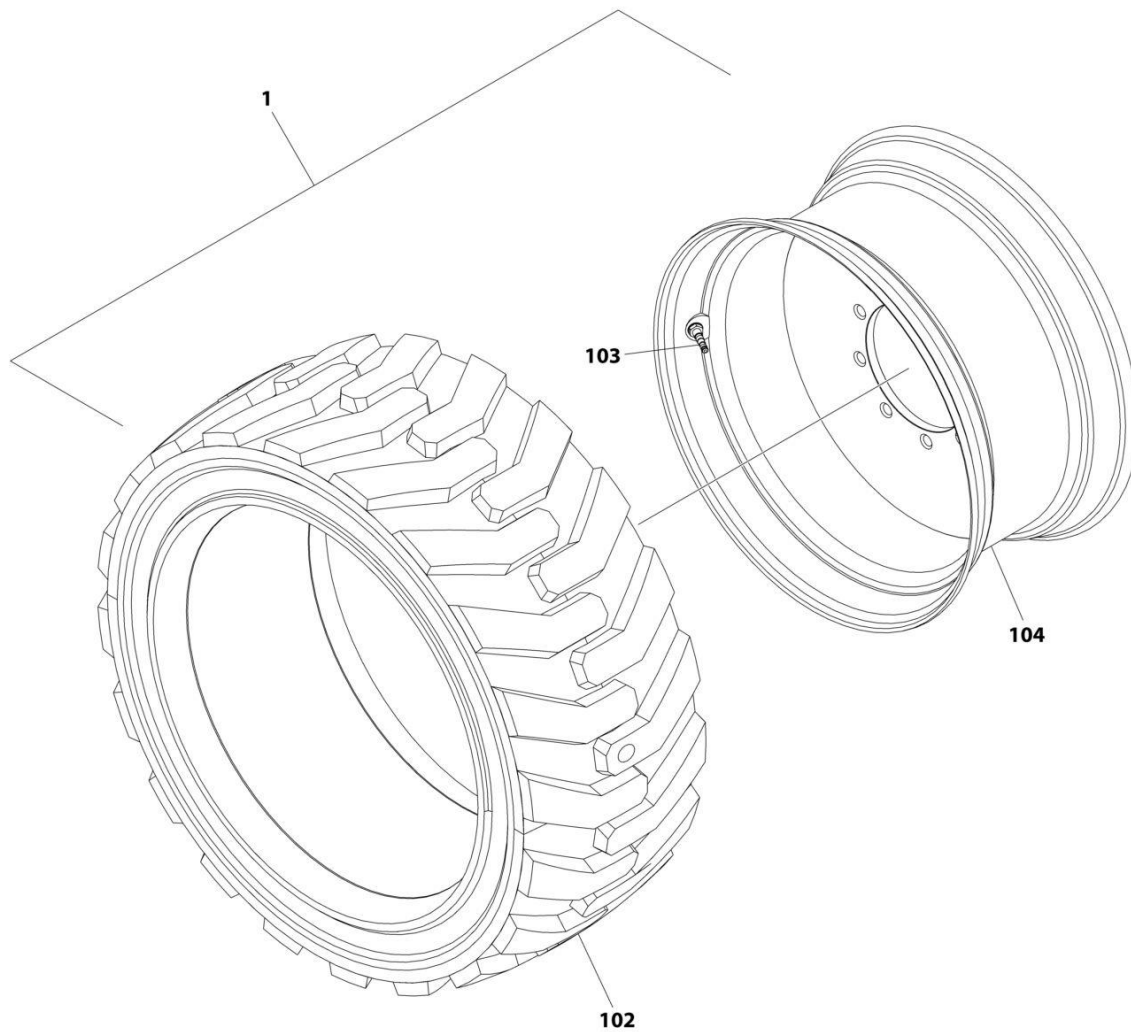
SECTION 1 - FRAME

FIGURE 1-14. TIRE & WHEEL INSTALLATION - IN355-55 D625 FOAM FILLED (AVAILABLE ON ALL SPECS)

ITEM	PART NUMBER	QTY	DESCRIPTION	REV
	1001185596	Ref	TIRE & WHEEL INSTALLATION	A
		Ref	Note: Assemblies may require ballast/foam filling to manufacturer's specifications prior to installing on a machine. Refer to Operation and Safety or Service and Maintenance Manuals.	
		Ref	Note: Purchase individual tire and/or rim only if able to foam fill tire and wheel assembly, otherwise, purchase complete assembly.	
1	1001181795	Ref	Tire and Wheel Assembly (LH Side)	D
1	1001181796	Ref	Tire and Wheel Assembly (RH Side)	D
102	4520288	4	Tire - IN355-55 D625	
103	4641122	4	Valve	
104	1001181797	4	Rim, Wheel	

SECTION 1 - FRAME

FIGURE 1-15. TIRE & WHEEL INSTALLATION - IN355-55 D625 FOAM FILLED NON-MARKING
(AVAILABLE ON ALL SPECS)



ART_1001185597

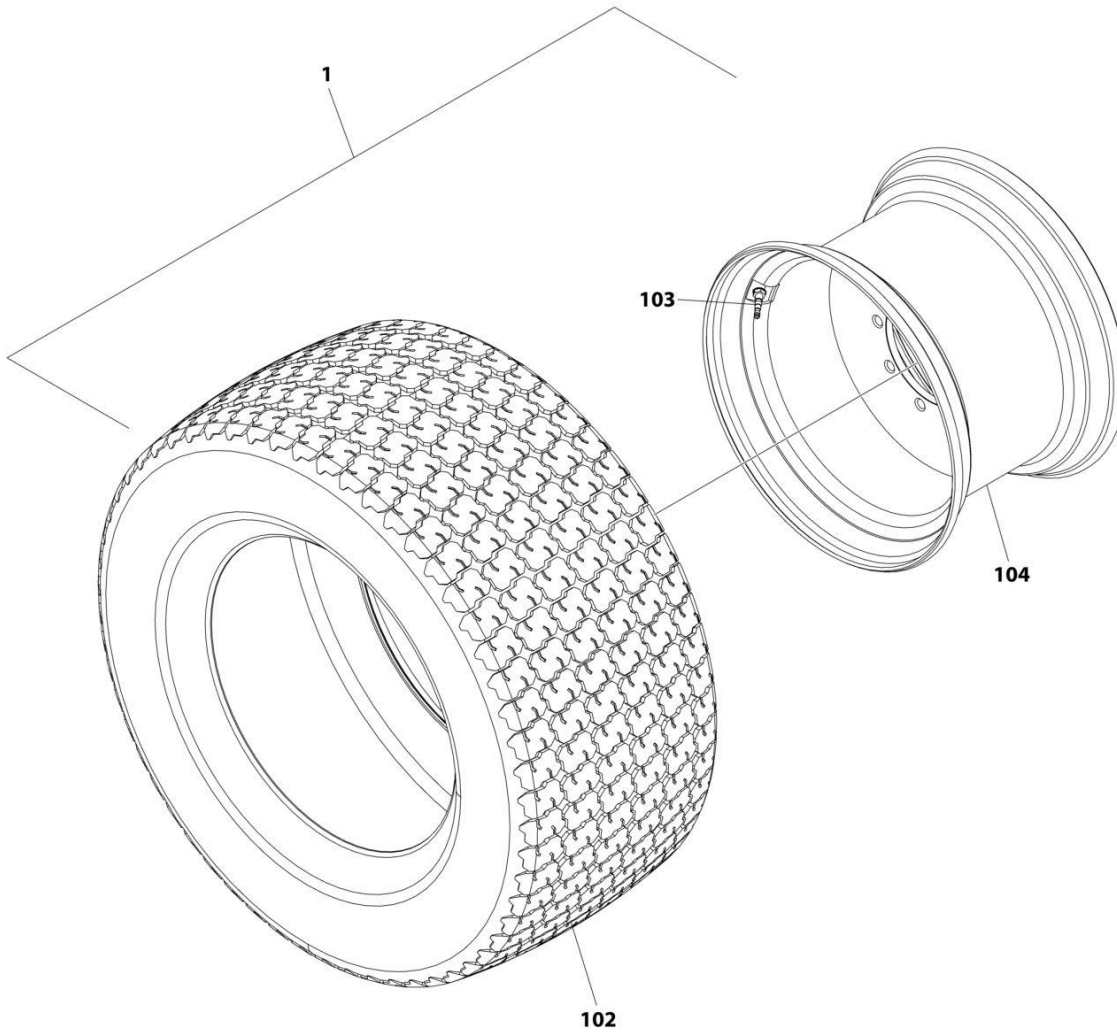
SECTION 1 - FRAME

**FIGURE 1-15. TIRE & WHEEL INSTALLATION - IN355-55 D625 FOAM FILLED NON-MARKING
(AVAILABLE ON ALL SPECS)**

ITEM	PART NUMBER	QTY	DESCRIPTION	REV
	1001185597	Ref	TIRE & WHEEL INSTALLATION	A
		Ref	Note: Assemblies may require ballast/foam filling to manufacturer's specifications prior to installing on a machine. Refer to Operation and Safety or Service and Maintenance Manuals.	
		Ref	Note: Purchase individual tire and/or rim only if able to foam fill tire and wheel assembly, otherwise, purchase complete assembly.	
1	1001184727	Ref	Tire and Wheel Assembly (RH Side)	E
1	1001184728	1	Tire and Wheel Assembly (LH Side)	E
102	1001184881	4	Tire - IN355-55 D625	
103	4641122	4	Valve	
104	1001181797	4	Rim, Wheel	

SECTION 1 - FRAME

**FIGURE 1-16. TIRE & WHEEL INSTALLATION - 41-18LL X 22.5 FOAM FILLED TURF & SAND
(AVAILABLE ON ALL SPECS EXCEPT AUSTRALIAN, RUSSIA, CE & UK CA SPECS)**



ART_1001216195

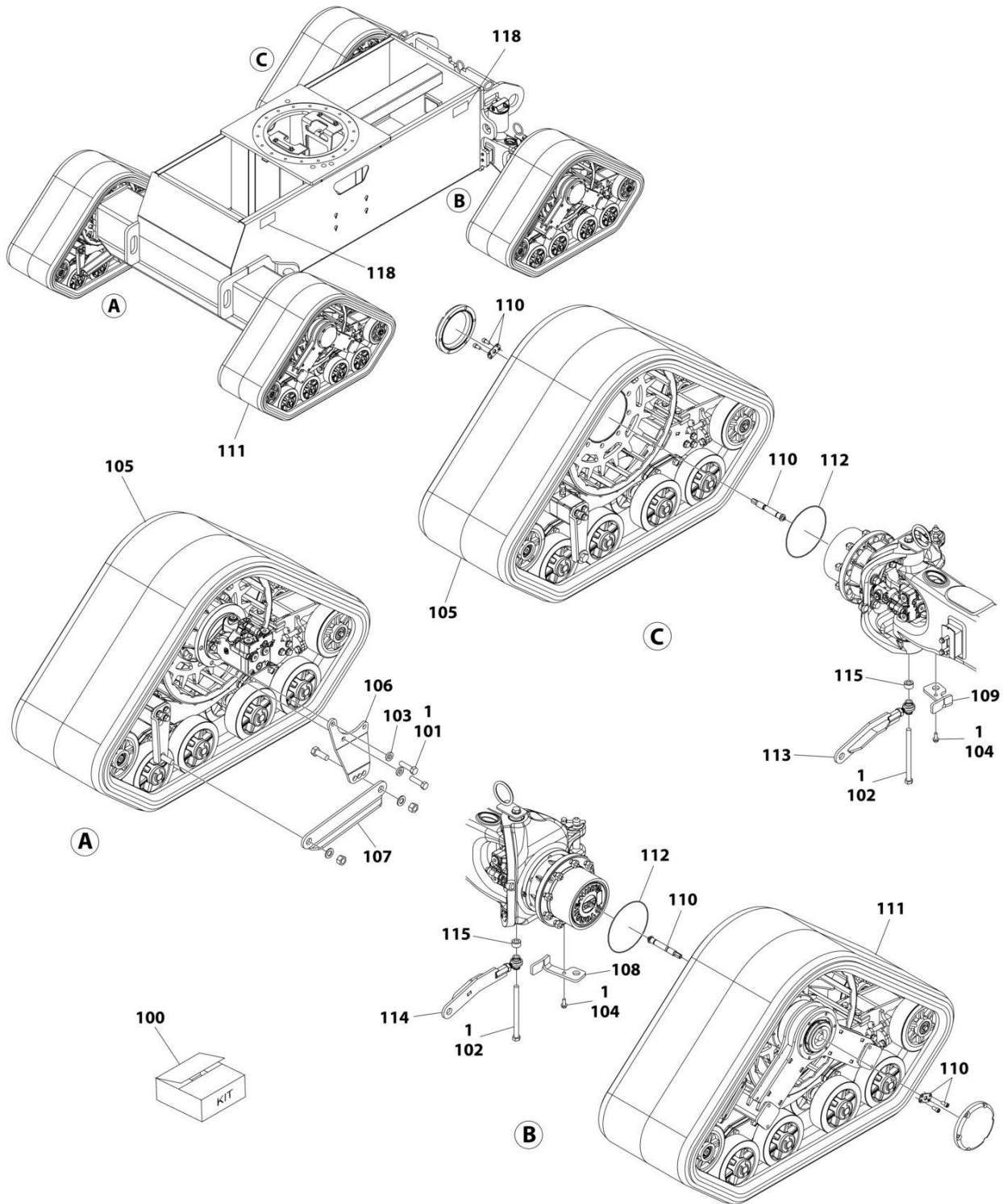
SECTION 1 - FRAME

**FIGURE 1-16. TIRE & WHEEL INSTALLATION - 41-18LL X 22.5 FOAM FILLED TURF & SAND
(AVAILABLE ON ALL SPECS EXCEPT AUSTRALIAN, RUSSIA, CE & UK CA SPECS)**

ITEM	PART NUMBER	QTY	DESCRIPTION	REV
	1001216195	Ref	TIRE & WHEEL INSTALLATION	A
		Ref	Note: Not Available on Shipyard Machines.	
		Ref	Note: Turf/Sand Tires Required Additional Chassis Counterweight. See SPECIAL OPTIONS SECTION Before Installing this Option.	
		Ref	Note: Assemblies may require ballast/foam filling to manufacturer's specifications prior to installing on a machine. Refer to Operation and Safety or Service and Maintenance Manuals.	
		Ref	Note: Purchase individual tire and/or rim only if able to foam fill tire and wheel assembly, otherwise, purchase complete assembly.	
1	1001216196	Ref	Tire and Wheel Assembly - Turf and Sand	C
102	4520256	4	Tire - 41-18LL x 22.5	
103	4641122	4	Valve	
104	1001208017	4	Rim, Wheel	

SECTION 1 - FRAME

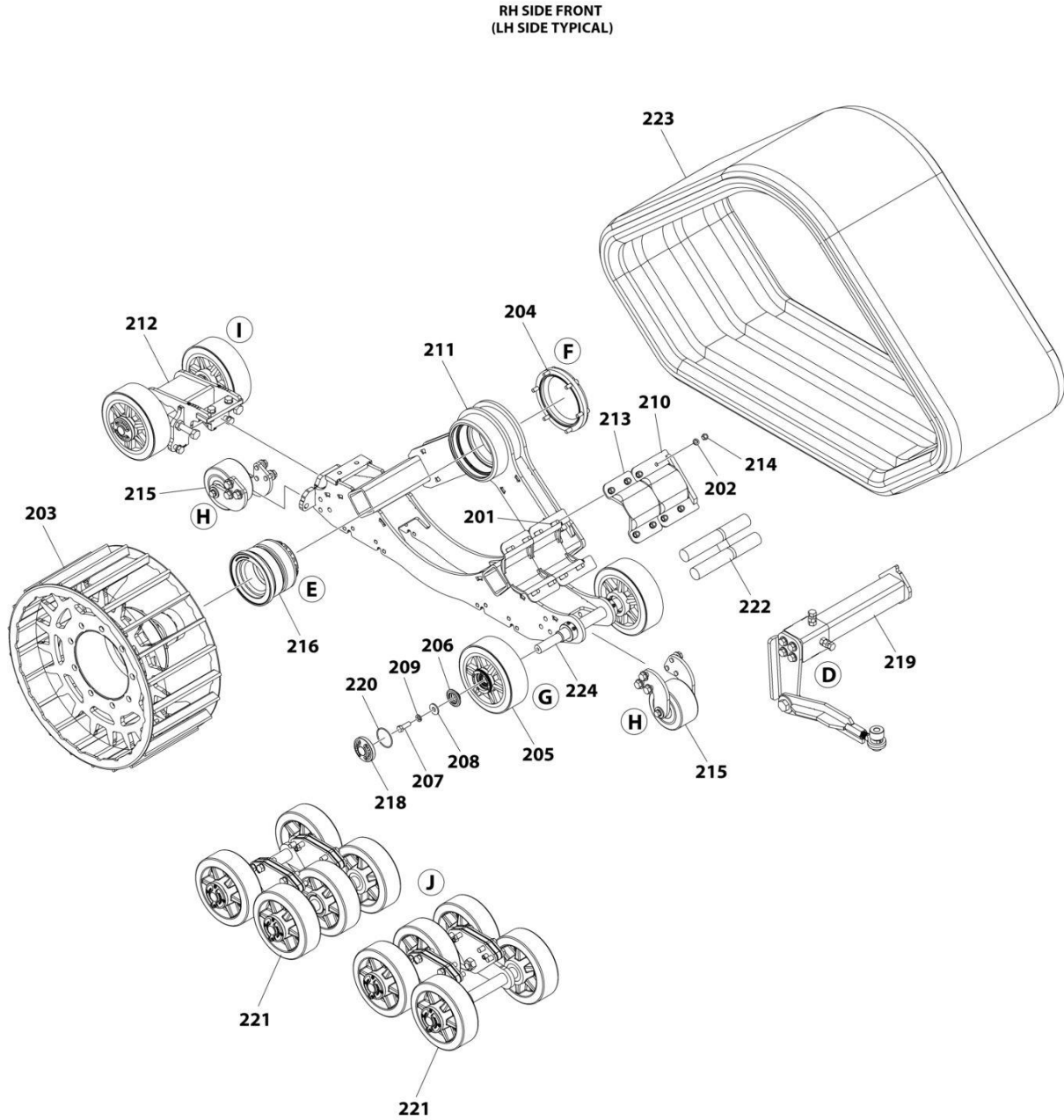
FIGURE 1-17. MATTRACKS INSTALLATION



ART_1001243431_C_10F4

SECTION 1 - FRAME

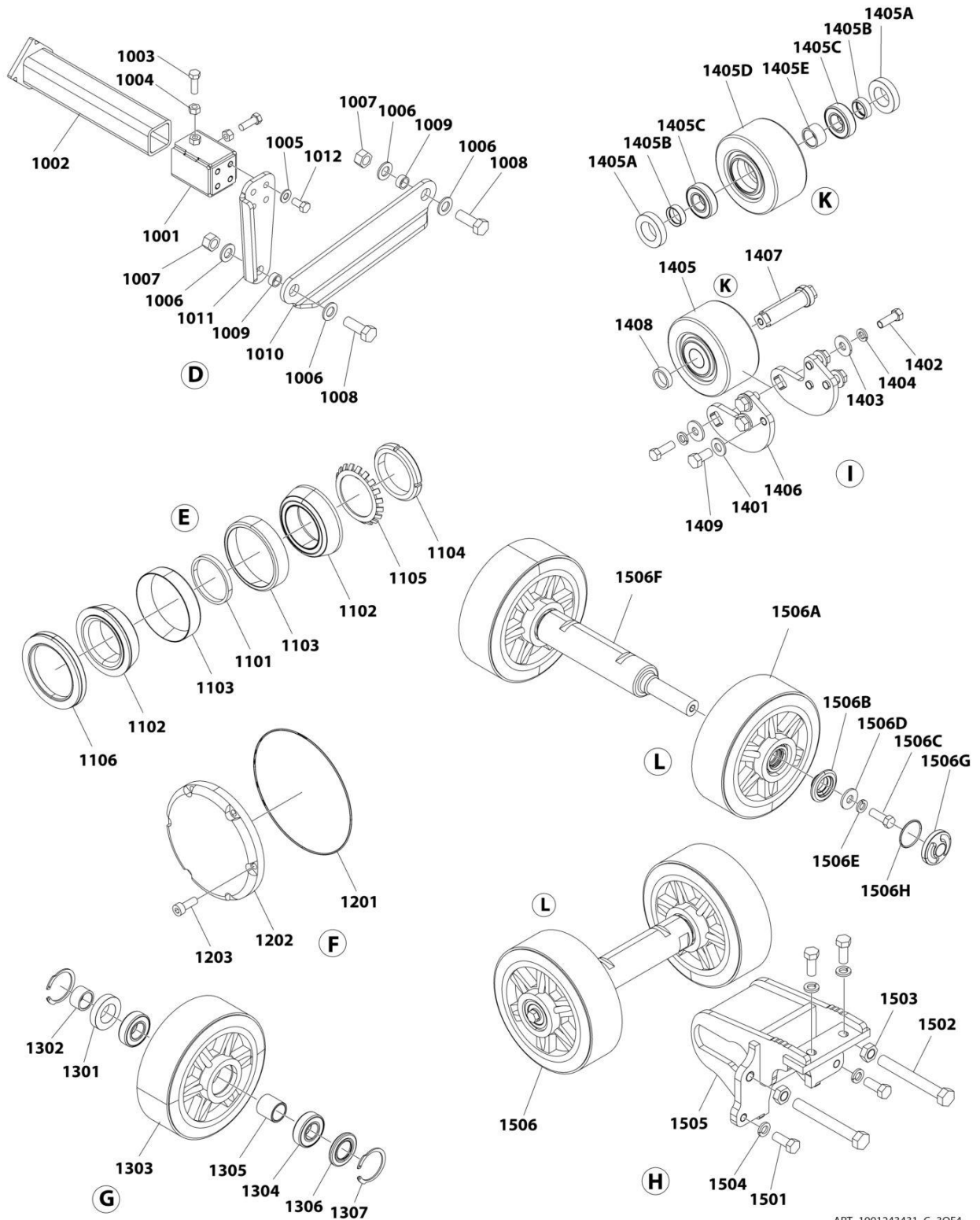
FIGURE 1-18. MATTRACKS INSTALLATION



ART_1001243431_C_20F4

SECTION 1 - FRAME

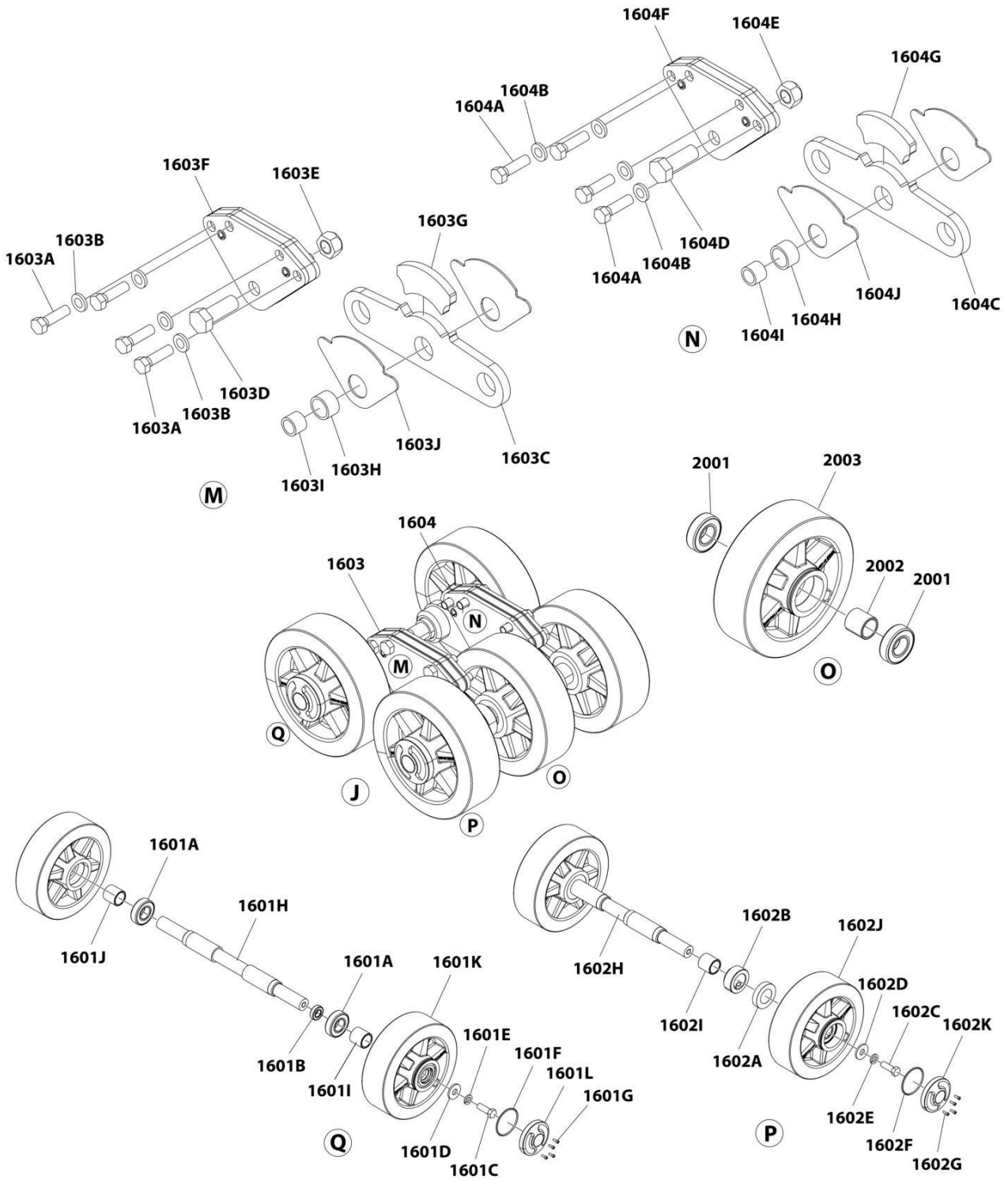
FIGURE 1-19. MATTRACKS INSTALLATION



ART_1001243431_C_30F4

SECTION 1 - FRAME

FIGURE 1-20. MATTRACKS INSTALLATION



ART_1001243431_C_40F4

SECTION 1 - FRAME

FIGURE 1-20. MATTRACKS INSTALLATION

ITEM	PART NUMBER	QTY	DESCRIPTION	REV
	1001243431	Ref	MATTRACKS INSTALLATION	C
1	0100011	AR	Compound, Locking	
100	1001277880	1	Mattracks Kit	B
101	0682019	6	Bolt 5/8 x 2-3/8	
102	0701639	2	Bolt M16 x 220	
103	4740393	6	Washer	
104	5201012	2	Bolt M10 x 25	
105	1001231957	2	Track Assembly (LH) (See Items 201-223)	
106	1001238851	2	Plate, Hub	
107	1001238858	2	Plate	
108	1001239295	1	Plate, Stopper (RH)	
109	1001239296	1	Plate, Stopper (LH)	
110	1001292406	4	Pin	
111	1001242991	2	Track Assembly (RH) (See Items 201-223)	
112	1001248720	4	O-Ring	
113	1001253468	1	Link (LH)	
114	1001253469	1	Link (RH)	
115	1001253470	2	Sleeve	
117	1001293465	1	Manual (Not Shown)	
118	1001293730	4	Decal, Max Track Load	
	1001231957	Ref	TRACK ASSEMBLY (LH)	B
	1001242991	Ref	TRACK ASSEMBLY (RH)	B
		Ref	Note: Quantity Shown is for Quantity 1 Track Assembly.	
201	70007680	8	Screw 3/8 x 1-1/4	
202	70007681	8	Washer 3/8	
203	70007682	1	Spindle/Sprocket	
204	70007683	1	Spindle/Cap Assembly (Includes Items 1201-1203)	
205	70007684	2	Wheel, 8 x 250 (Includes Items 1301-1307)	
206	70007685	2	Washer	
207	70007686	2	Bolt 7/16 x 1-1/4	
208	70007687	2	Washer 1/2	
209	70007688	2	Washer 7/16	
210	70007689	1	Clamp	
211	70007690	1	Frame (LH) (Not Shown)	
211	70007702	1	Frame (RH)	
212	70007691	1	Nose Assembly (Includes Items 1501-1506)	
213	70007692	1	Clamp	
214	70007693	8	Nut 3/8	
215	70007694	2	Guide Wheel Assembly (Includes Items 1401-1408)	
216	70007695	1	Bearing (1 Set) (Includes Items 1101-1106)	
218	70007696	2	Cap, Wheel	
219	70007964	1	Torque/Slide Tube Arm Assembly (LH) (Not Shown) (Includes Items 1001-1012)	
219	70007697	1	Torque/Slide Tube Arm Assembly (RH) (Includes Items 1001-1012)	
220	70007698	2	O-Ring	
221	70007699	2	Rocker Assembly (Includes Items 1601-1604)	
222	70007700	1	Cushions Assembly	
223	70007701	1	Track	
224	70008279	1	Shaft, Frame	

SECTION 1 - FRAME

ITEM	PART NUMBER	QTY	DESCRIPTION	REV
1001	See Note	NSS	Tube (Note: Not Available for Purchase)	
1002	See Note	NSS	Tube (Note: Not Available for Purchase)	
1003	70008297	1	Bolt 1/2 x 1-1/2 Grade 8	
1004	70008298	2	Nut 1/2	
1005	70008299	4	Washer 1/2	
1006	70008300	2	Washer 3/4	
1007	70008301	2	Nut 3/4	
1008	70008302	2	Bolt 3/4 Grade 8	
1009	70008303	2	Bushing	
1010	70008304	1	Link	
1011	70008305	1	Link	
1012	70008306	4	Bolt 1/2 x 1 Grade 8	
1101	70008308	1	Spacer	
1102	70008309	2	Bearing, Cone	
1103	70008310	2	Bearing, Cup	
1104	70008311	1	Nut	
1105	70008312	1	Nut	
1106	70008313	1	Seal	
1201	70008314	1	O-Ring	
1202	See Note	NSS	Cap, Spindle (Note: Not Available for Purchase)	
1203	70008315	6	Bolt 3/8 x 1-1/4	
1301	70008277	1	Seal	
1302	70008282	1	O-Ring	
1303	See Note	1	Wheel	
1304	70008278	2	Bearing	
1305	70008307	1	Spacer	
1306	70008316	1	Seal	
1307	70008317	2	Ring, Snap	
1401	70008341	6	Washer 1/2	
1402	70007686	2	Bolt 7/16 x 1-1/4	
1403	70007687	2	Washer 1/2	
1404	70007688	2	Washer 7/16	
1405	70008318	1	Bearing/ Wheel Guide	
1405A	70008277	2	Seal	
1405B	70008282	2	O-Ring	
1405C	70008278	2	Bearing	
1405D	See Note	1	Guide, Wheel (Note: Not Available for Purchase)	
1405E	70008319	1	Spacer	
1406	See Note	NSS	Plate (Note: Not Available for Purchase)	
1407	70008320	1	Guide, Wheel	
1408	70008321	1	Spacer	
1409	70008306	6	Bolt 1/2 x 1 Grade 8	
1501	70008326	4	Bolt 1/2 x 1-1/4 Grade 8	
1502	70008327	2	Bolt 5/8 x 5	
1503	70008328	2	Nut 5/8 Grade 8	
1504	70008299	4	Washer 1/2	
1505	70008329	1	Housing, Axle	
1506	70008322	1	Axle Wheel Assembly	
1506A	70007684	2	Wheel	
1506B	70007685	2	Washer	
1506C	70007686	2	Bolt 7/16 x 1-1/4	

SECTION 1 - FRAME

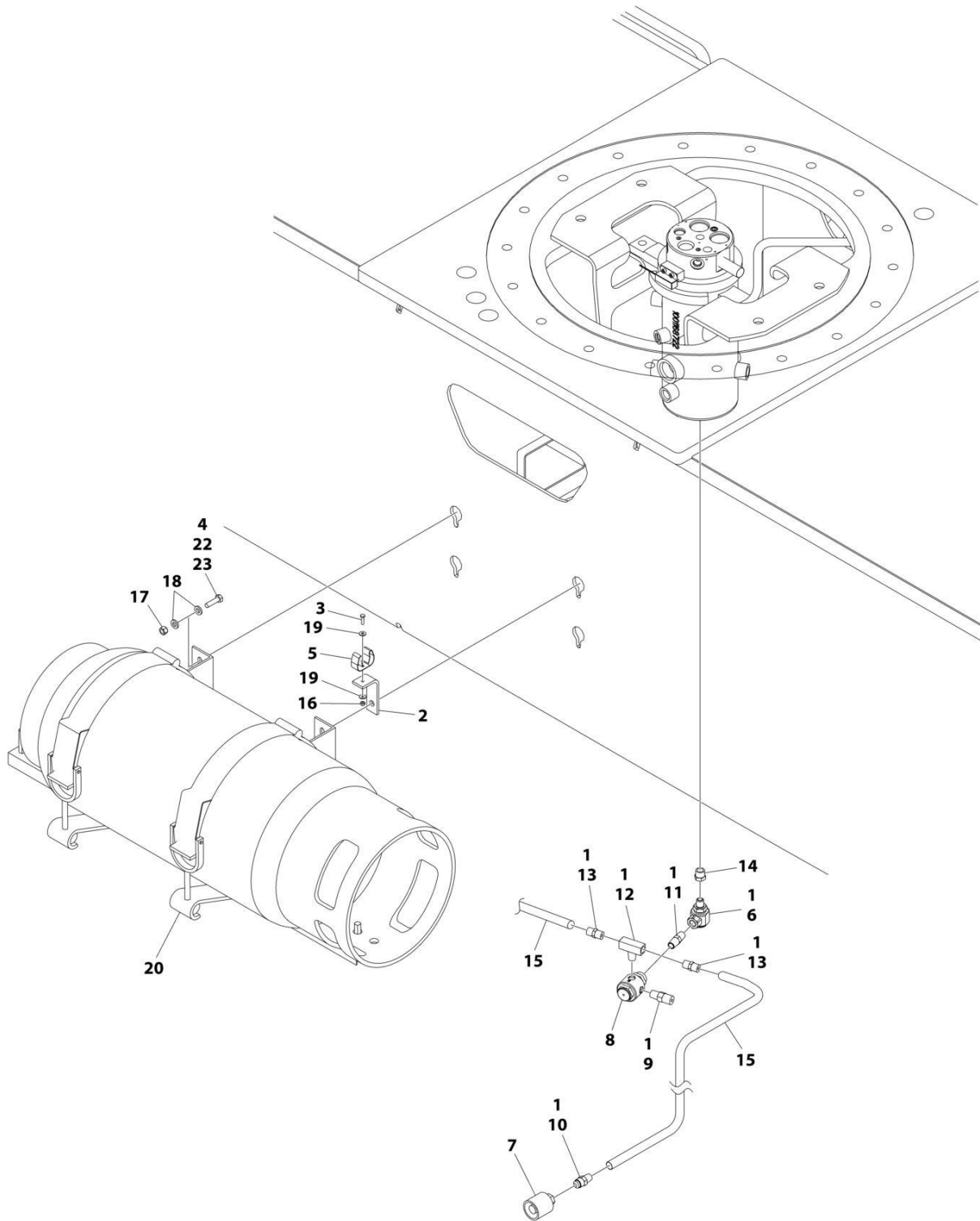
ITEM	PART NUMBER	QTY	DESCRIPTION	REV
1506D	70007687	2	Washer 1/2	
1506E	70007688	2	Washer 7/16	
1506F	70008324	1	Adjuster	
1506G	70007696	2	Cap, Wheel	
1506H	70007698	2	O-Ring	
1601	See Note	NSS	Wheel and Axle (Note: Not Available for Purchase)	
1601A	70008277	4	Seal	
1601B	70008282	4	O-Ring	
1601C	70007686	2	Bolt 7/16 x 1-1/4	
1601D	70007687	2	Washer 1/2	
1601E	70007688	2	Washer 7/16	
1601F	70008283	2	O-Ring	
1601G	70008284	8	Bolt 32 x 1/2	
1601H	70008285	1	Rocker	
1601I	70008286	2	Spacer	
1601J	70008287	1	Spacer	
1601K	70008288	3	Wheel (Includes Items 2001-2003)	
1601L	70007276	2	Cap, Wheel	
1602	70008330	1	Wheel and Axle	
1602A	70008277	2	Cap, Wheel	
1602B	70008282	2	O-Ring	
1602C	70007686	2	Bolt 7/16 x 1-1/4	
1602D	70007687	2	Washer 1/2	
1602E	70007688	2	Washer 7/16	
1602F	70008283	2	O-Ring	
1602G	70008284	8	Bolt 10 x 1/2	
1602H	70008159	1	Axle, Rocker	
1602I	70008286	2	Spacer	
1602J	70008288	2	Wheel (Includes Items 2001-2003)	
1602K	70008276	2	Cap, Wheel	
1603	70008339	1	Rocker, Cushion	
1603A	70008332	4	Bolt 1/2 x 1-3/4	
1603B	70008333	4	Washer 1/2	
1603C	See Note	NSS	Plate (Note: Not Available for Purchase)	
1603D	70008334	1	Bolt 3/4 x 2	
1603E	70008301	1	Nut 3/4	
1603F	See Note	NSS	Rocker (Note: Not Available for Purchase)	
1603G	70008335	1	Cushion, Rocker	
1603H	70008336	1	Bushing	
1603I	70008337	2	Bushing	
1603J	70008338	2	Spacer	
1604	70008331	1	Rocker, Cushion	
1604A	70008332	4	Bolt 1/2 x 1-3/4 Grade 8	
1604B	70008333	4	Washer 1/2	
1604C	See Note	NSS	Plate (Note: Not Available for Purchase)	
1604D	70008334	1	Bolt 3/4 x 2	
1604E	70008301	1	Nut 3/4	
1604F	See Note	NSS	Rocker (Note: Not Available for Purchase)	
1604G	70008335	1	Cushion	
1604H	70008336	1	Bushing	
1604I	70008337	2	Bushing	

SECTION 1 - FRAME

ITEM	PART NUMBER	QTY	DESCRIPTION	REV
1604J	70008338	2	Spacer	
2001	70008278	2	Bearing	
2002	70008307	1	Spacer	
2003	See Note	NSS	Wheel (Note: Not Available for Purchase)	

SECTION 1 - FRAME

FIGURE 1-21. LP TANKS AND BRACKETS INSTALLATION (FORD ENGINES)



ART_1001185598

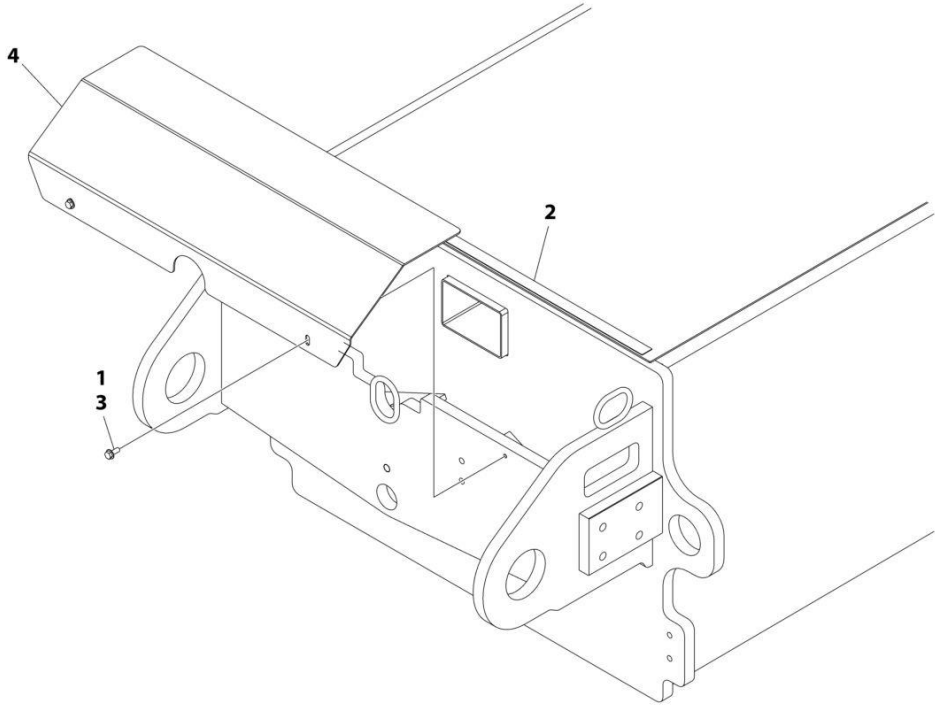
SECTION 1 - FRAME

FIGURE 1-21. LP TANKS AND BRACKETS INSTALLATION (FORD ENGINES)

ITEM	PART NUMBER	QTY	DESCRIPTION	REV
	1001185598	Ref	LP TANK AND BRACKETS INSTALLATION	D
1	0100020	AR	Sealant	
2	0181949	2	Angle	
3	0760408	2	Bolt M4 x 16	
4	0760816	8	Bolt M8 x 40	
5	1320218	2	Clamp	
6	1001247358	1	Fitting, 90	
7	2180387	2	Fitting, Tank Connector	
8	2180388	1	Fitting, Bulkhead	
9	2180389	1	Valve, Relief	
10	2180418	2	Fitting, Straight	
11	2220261	1	Fitting, Nipple	
12	2220418	1	Fitting, Tee	
13	2221024	2	Fitting, Ball Check	
14	2221197	1	Fitting, Straight	
15	2720144	2	Hose	
16	3290405	2	Nut M4	
17	3290805	8	Nut M8	
18	5240800	16	Washer M8	
19	1001091102	4	Washer M4	
20	1001184725	2	Clamp Kit	
20	1320127	2	Clamp, Toggle (1 Per Strap)	
21	4240018	2	Tie-Strap (Not Shown)	
22	0100011	AR	Compound, Locking	
23	0760814	8	Bolt M8 x 30	
100	4400275	2	Tank, LP	

SECTION 1 - FRAME

FIGURE 1-22. FRAME COVERS INSTALLATION - 2WS



ART_1001187864

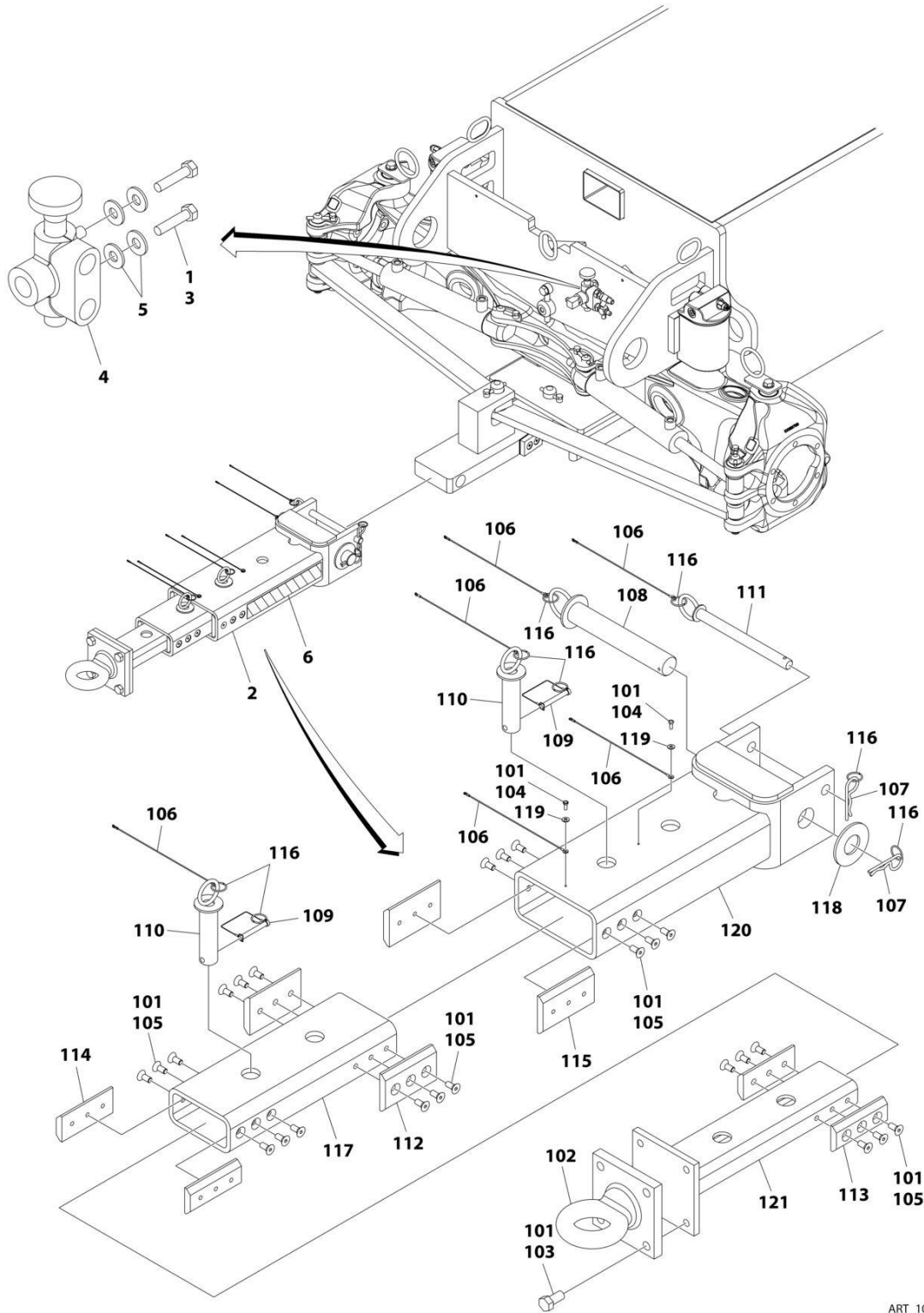
SECTION 1 - FRAME

FIGURE 1-22. FRAME COVERS INSTALLATION - 2WS

ITEM	PART NUMBER	QTY	DESCRIPTION	REV
	1001187864	Ref	FRAME COVERS INSTALLATION	B
1	0100011	AR	Compound, Locking	
2	4280296	32 in/ 80cm	Tape	
3	5250810	2	Bolt M8 x 20	
4	1001187870	1	Cover	

SECTION 1 - FRAME

FIGURE 1-23. TOW BAR INSTALLATION (OPTIONAL)



ART_1001188893

SECTION 1 - FRAME

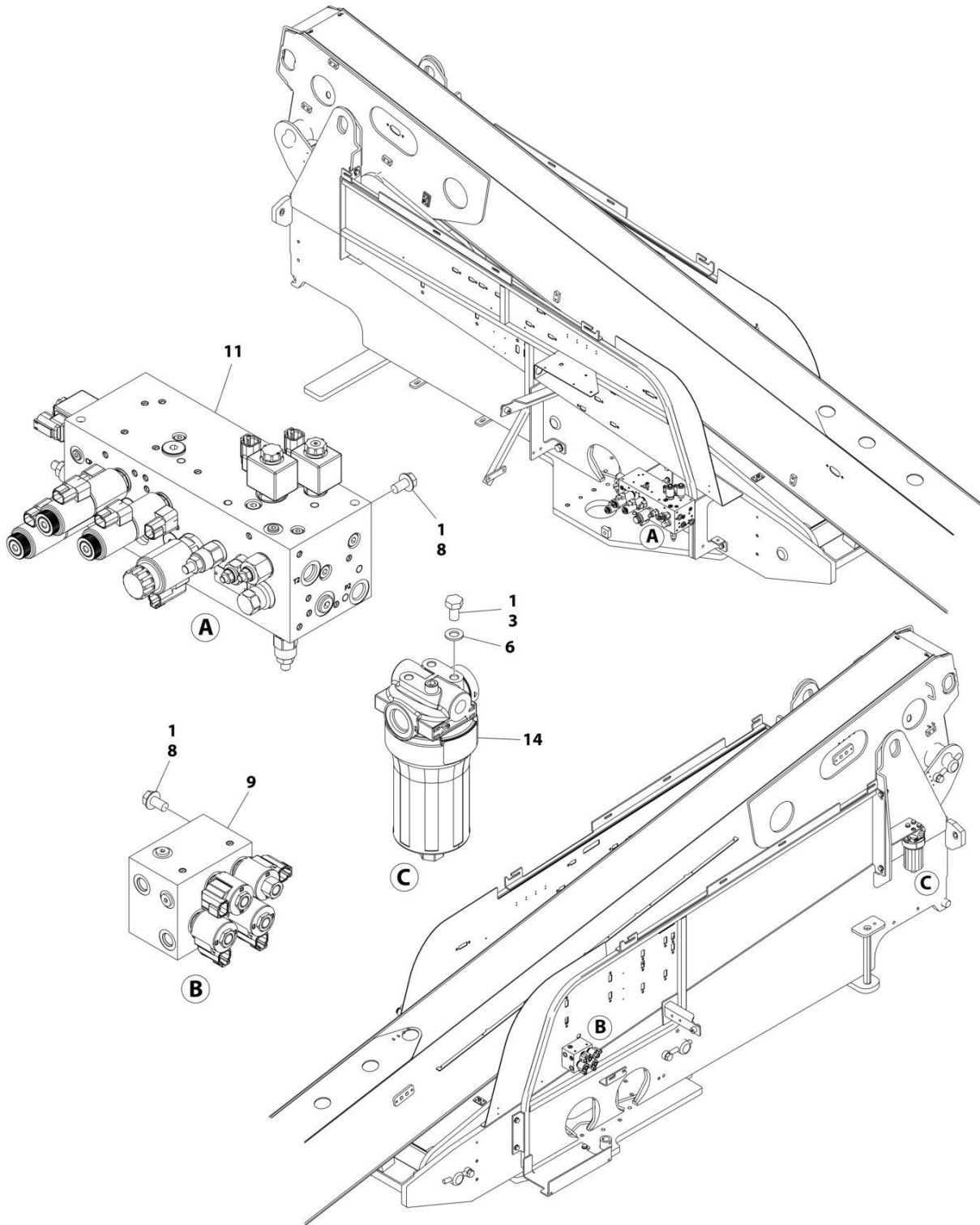
FIGURE 1-23. TOW BAR INSTALLATION (OPTIONAL)

ITEM	PART NUMBER	QTY	DESCRIPTION	REV
	1001188893	Ref	TOW BAR INSTALLATION	B
		Ref	MACHINES WITH SN STARTING WITH 03:	
	1001150571	Ref	ANSI Spec	D
	1001150570	Ref	CSA Spec	D
	1001150569	Ref	CE & UK CA Spec	A
		Ref	MACHINES WITH SN STARTING WITH B3:	
	1001150571	Ref	ANSI Export Spec	D
1	0100011	AR	Compound, Locking	
2	0270528	1	Tow Bar Assembly (See Items 101-121 for Breakdown)	
3	0641511	2	Bolt 5/6 x 1-3/8	
4	4640261	1	Valve, Select	
5	4751500	4	Washer 5/16	
6	4420051	2 ft/.61m	Tape, Safety	
	0270528	Ref	Tow Bar Assembly	B
101	0100011	AR	Compound, Locking	
102	0362910	1	Pintle, Draw Eye	
103	0642010	4	Bolt 5/8 x 1-1/4	
104	0721004	2	Screw	
105	0741607	24	Screw 3/8 x 7/8	
106	1060584	6	Lanyard	
107	3420372	2	Pin, Cotter	
108	3420447	1	Pin	
109	3421565	2	Snap - Pin	
110	3422841	2	Pin	
111	3422847	1	Pin	
112	3572009	2	Plate, Slide Stop	
113	3572010	2	Plate, Slide Stop	
114	3572011	2	Plate, Slide Stop	
115	3572012	2	Plate, Slide Stop	
116	3760170	8	Ring, Split	
117	4568133	1	Tube, Tow Bar	
118	4740036	1	Washer	
119	4751000	2	Washer #10	
120	4846295	1	Tube, Tow Bar Attach	
121	4846296	1	Tube, Pintle Attach	

SECTION 2 - TURNTABLE

SECTION 2 - TURNTABLE

FIGURE 2-1. VALVE INSTALLATION (600S HC3)



ART_1001265701_10F2

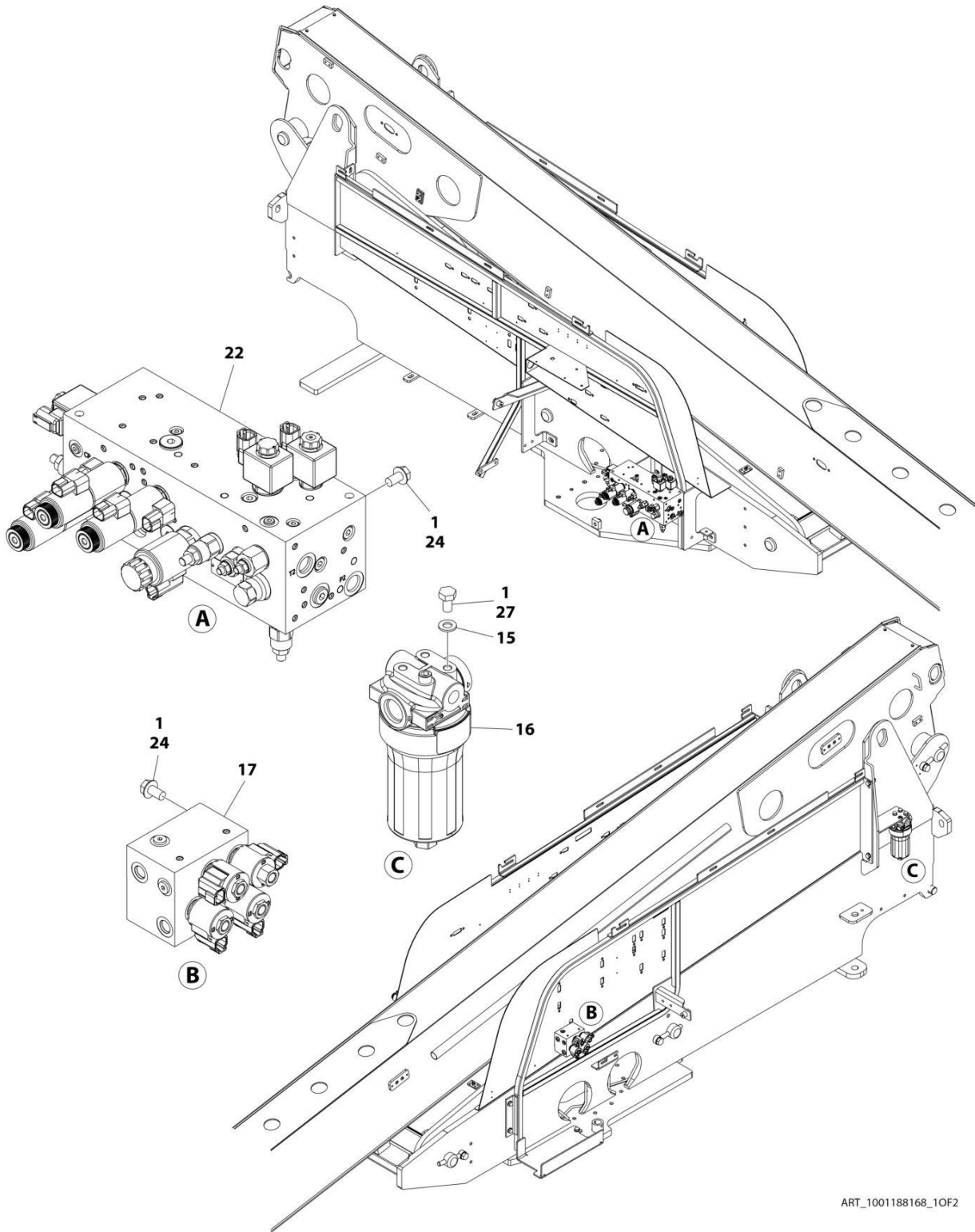
SECTION 2 - TURNTABLE

FIGURE 2-1. VALVE INSTALLATION (600S HC3)

ITEM	PART NUMBER	QTY	DESCRIPTION	REV
	1001265701	Ref	VALVE INSTALLATION	A
1	0100011	AR	Compound, Locking	
3	0761009	6	Bolt M10 x 18	
6	4812000	6	Washer M10	
8	5251009	6	Bolt M10 x 18	
9	1001162538	1	Axle Valve Assembly (See Separate Breakdown in this Section)	
11	1001190169	1	Main Valve Assembly (See Separate Breakdown in this Section)	
14	1001208874	1	Filter, Hydraulic	
14	70010383	1	Element, Filter	

SECTION 2 - TURNTABLE

FIGURE 2-2. VALVE INSTALLATION (660SJ HC3)



ART_1001188168_10F2

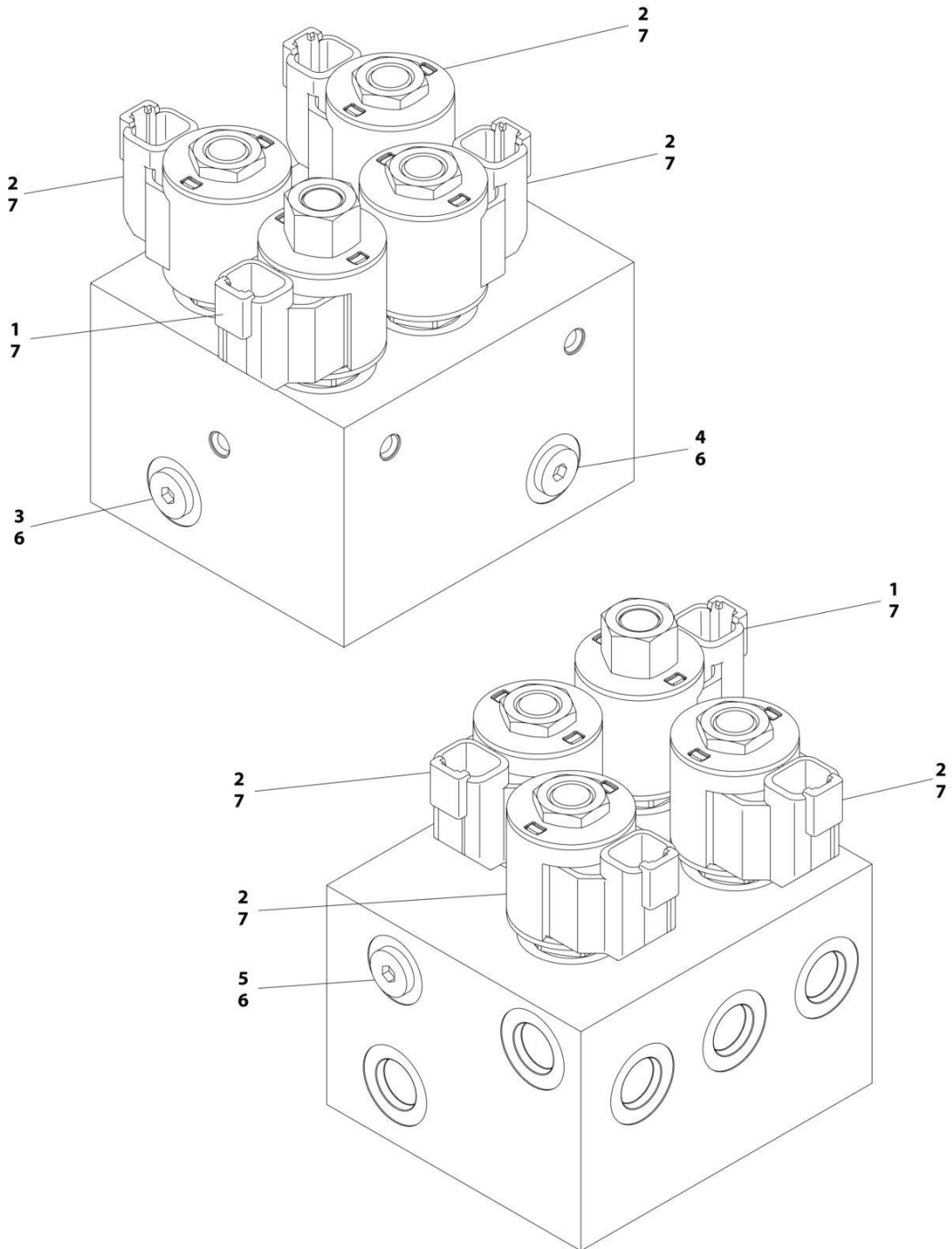
SECTION 2 - TURNTABLE

FIGURE 2-2. VALVE INSTALLATION (660SJ HC3)

ITEM	PART NUMBER	QTY	DESCRIPTION	REV
	1001188168	Ref	VALVE INSTALLATION	G
1	0100011	AR	Compound, Locking	
15	4812000	3	Washer M10	
16	1001208874	1	Filter, Hydraulic	
16	70010383	1	Element, Filter	
17	1001162538	1	Axle Valve Assembly (See Separate Breakdown in this Section)	
22	1001190169	1	Main Valve Assembly (See Separate Breakdown in this Section)	
24	5251009	6	Bolt M10 x 18	
27	0761009	3	Bolt M10 x 18	

SECTION 2 - TURNTABLE

FIGURE 2-3. AXLE VALVE ASSEMBLY



ART_1001162538

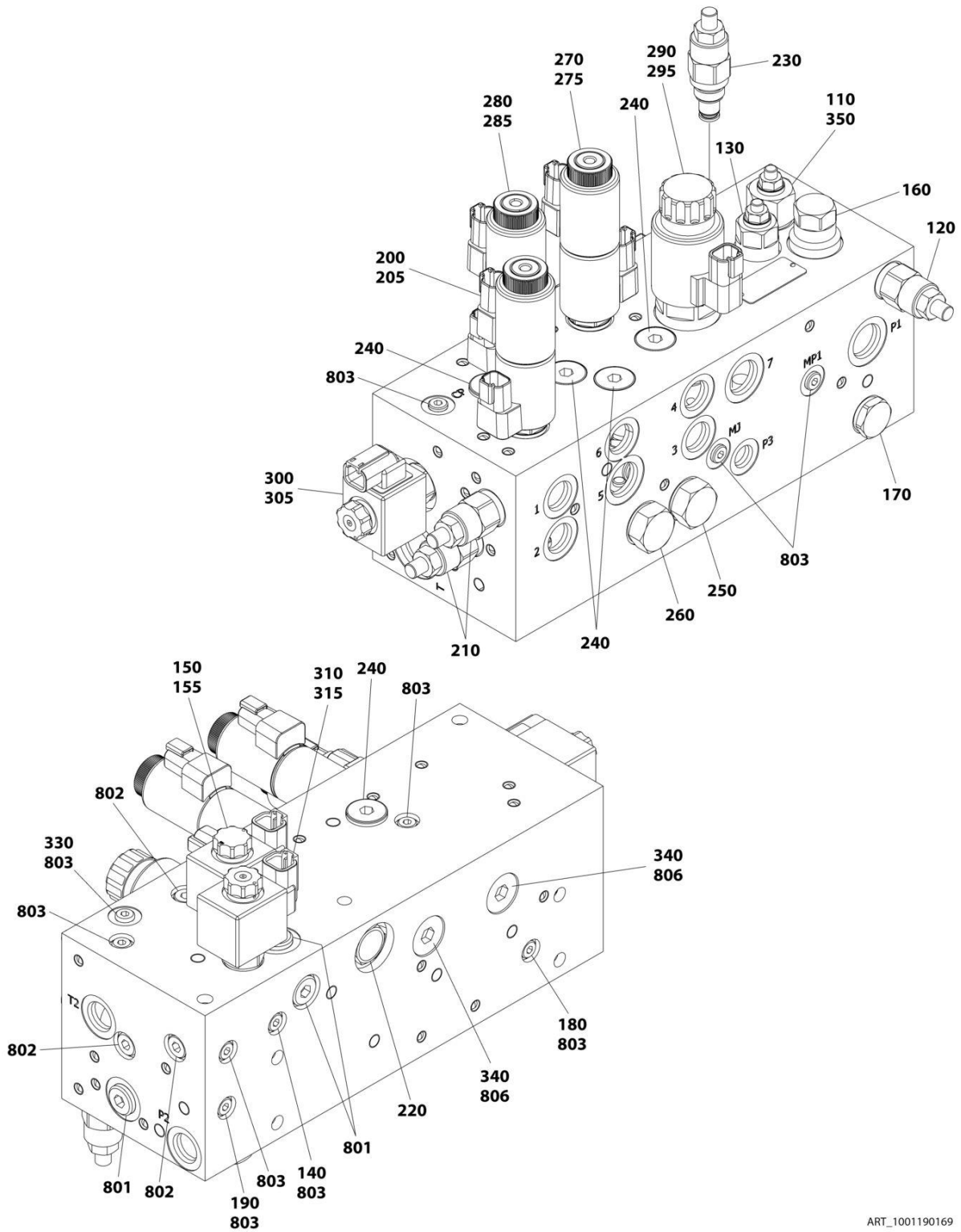
SECTION 2 - TURNTABLE

FIGURE 2-3. AXLE VALVE ASSEMBLY

ITEM	PART NUMBER	QTY	DESCRIPTION	REV
	1001162538	Ref	AXLE VALVE ASSEMBLY	D
1	7017410	1	Cartridge, Solenoid Valve Less Coil (Secondary Axle Release)	
1	7012967	1	Seal Kit - 7017410 Valve	
2	7012941	3	Cartridge, Solenoid Valve Less Coil (Brake Release, Primary Axle Release and 2 Speed)	
2	7010543	3	Seal Kit - 7012941 Valve	
3	70004883	1	Orifice	
4	70004884	1	Orifice	
5	70002063	1	Orifice	
6	2220883	3	Plug, O-Ring #4	
7	70002386	4	Coil	

SECTION 2 - TURNTABLE

FIGURE 2-4. MAIN VALVE ASSEMBLY - 2WS



ART_1001190169

SECTION 2 - TURNTABLE

FIGURE 2-4. MAIN VALVE ASSEMBLY - 2WS

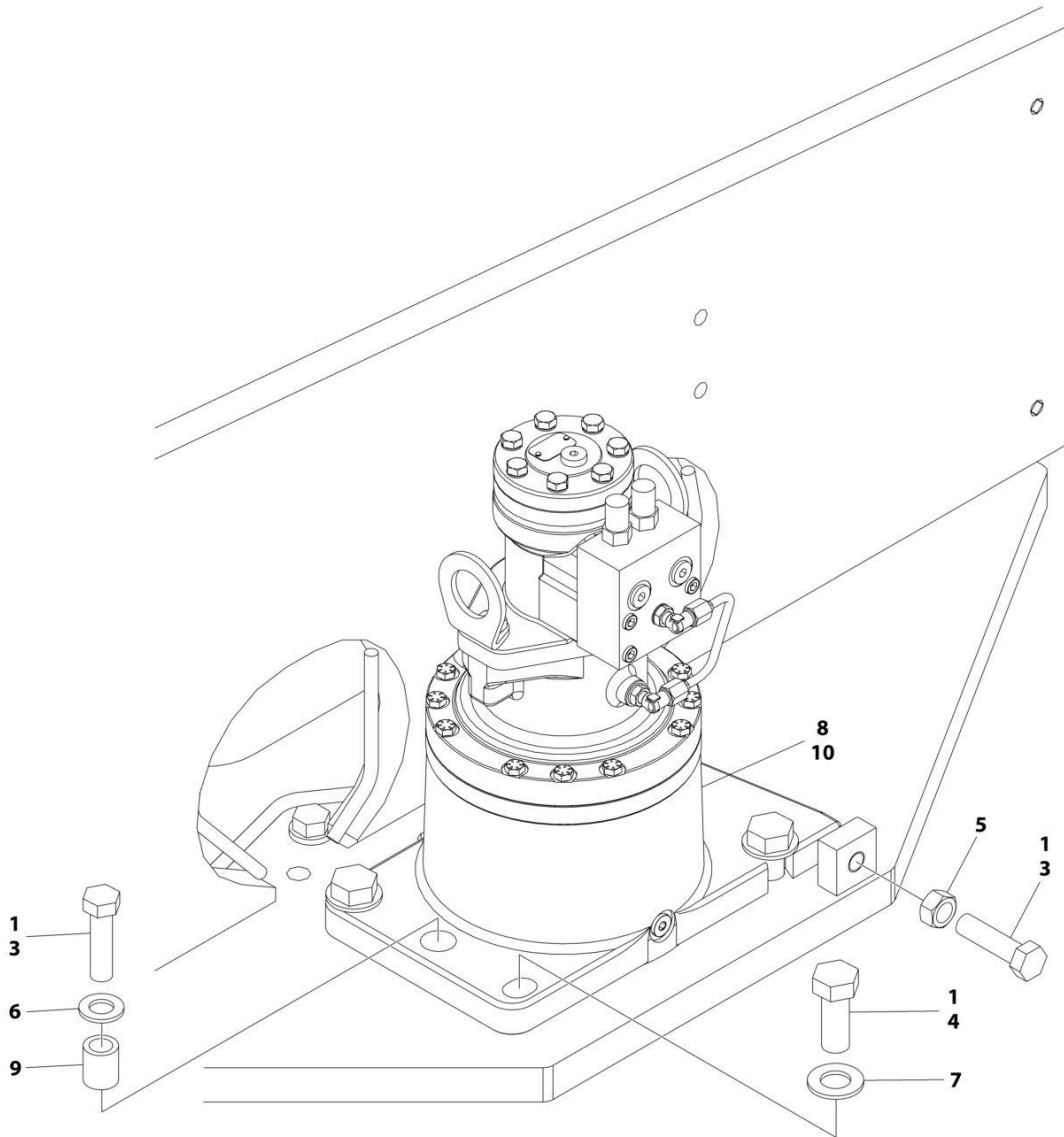
ITEM	PART NUMBER	QTY	DESCRIPTION	REV
	1001190169	Ref	MAIN VALVE ASSEMBLY	F
110	70006109	1	Valve, Flow/Pressure Control	
110	70004656	1	Seal Kit - 70006109 Valve	
120	70003019	1	Valve, Relief	
120	70004052	1	Seal Kit - 70003019 Valve	
130	70004607	1	Valve, Relief	
130	70004602	1	Seal Kit - 70004607 Valve	
140	70004668	1	Orifice	
150	70006111	1	Valve, Solenoid Without Coil	
150	70004584	1	Seal Kit - 70006111 Valve	
150	70004051	1	Coil Nut & Pole Tube O-Ring Kit	
155	70004653	1	Coil	
160	70006112	1	Valve, Load Sense	
160	70006113	1	Seal Kit - 70006112 Valve	
170	70005952	1	Valve, Check	
170	70004052	1	Seal Kit - 70005952 Valve	
180	7022527	1	Orifice 2mm	
190	7022527	1	Orifice 2mm	
200	70004659	1	Valve, Solenoid Without Coil (Steer)	
200	70004660	1	Seal Kit	
200	70004661	1	Nut, Coil	
200	70024457	1	O-Ring at Coil Nut	
200	70004662	1	O-Ring at Bottom of Pole Tube	
205	80434249	2	Coil	
210	70003019	2	Valve, Relief	
210	70004052	2	Seal Kit - 70003019 Valve	
220	70003027	1	Valve, Flow/Pressure Control	
220	70004052	1	Seal Kit - 70003027 Valve	
230	70003019	1	Valve, Relief	
230	70004052	1	Seal Kit - 70003019 Valve	
240	70023859	5	Valve, Relief	
240	70023860	5	Seal Kit - 70023859 Valve	
250	70006114	1	Valve, Pressure Compensator	
250	70004656	1	Seal Kit - 70006114 Valve	
260	70006114	1	Valve, Pressure Compensator	
260	70004656	1	Seal Kit - 70006114 Valve	
270	70006115	1	Valve, Solenoid Without Coil (Swing)	
270	70006116	1	Seal Kit - 70006115 Valve	
270	70004661	1	Nut, Coil	
270	70024457	1	O-Ring at Coil Nut	
270	70004662	1	O-Ring at Bottom of Pole Tube	
275	80434249	2	Coil	
280	70006117	1	Valve, Solenoid Without Coil (Tele)	
280	70006116	1	Seal Kit - 70006117 Valve	
280	70004661	1	Nut, Coil	
280	70024457	1	O-Ring at Coil Nut	
280	70004662	1	O-Ring at Bottom of Pole Tube	
285	80434249	2	Coil	
290	70004657	1	Valve, Solenoid (Lift)	
290	70004594	1	Seal Kit - 70004657 Valve	

SECTION 2 - TURNTABLE

ITEM	PART NUMBER	QTY	DESCRIPTION	REV
290	70004597	1	Nut, Coil	
290	70004596	1	O-Ring at Coil Nut	
295	70004595	1	Coil	
300	70004598	1	Valve, Solenoid (Lift)	
300	70004055	1	Seal Kit - 70004598 Valve	
300	70005947	1	Coil Nut & Pole Tube O-Ring Kit	
305	70004653	1	Coil	
310	70006118	1	Valve, Solenoid (Lift)	
310	70004052	1	Seal Kit - 70006118 Valve	
310	70004051	1	Coil Nut & Pole Tube O-Ring Kit	
315	70004653	1	Coil	
330	7023821	1	Orifice 0.8mm	
340	70006119	2	Valve, Check	
350	70006357	1	Orifice 4mm	
801	70002759	3	Plug	
802	70004617	3	Plug	
803	70002758	10	Plug	
806	70006120	2	Plug	

SECTION 2 - TURNTABLE

FIGURE 2-5. SWING DRIVE INSTALLATION



ART_1001185842

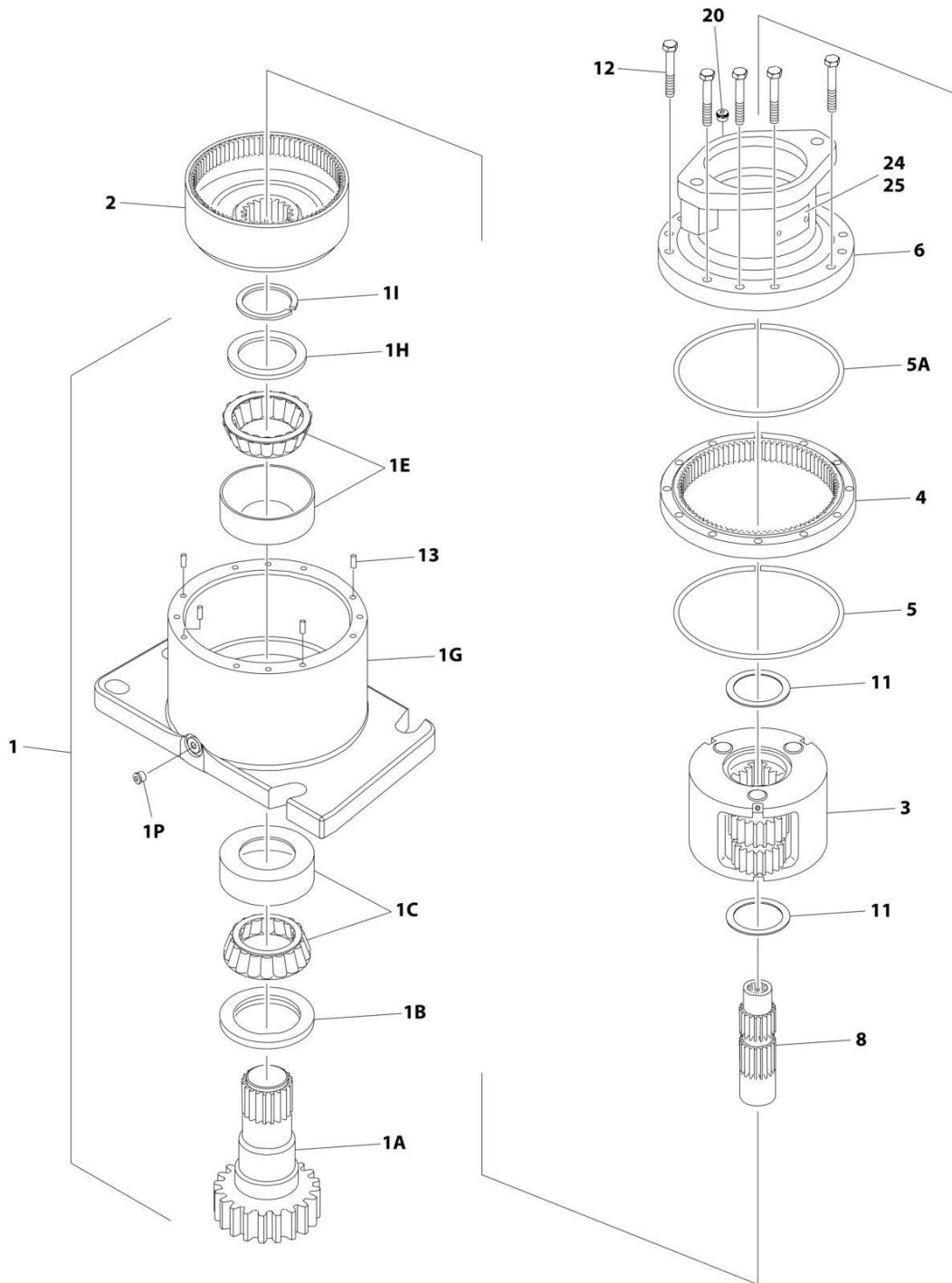
SECTION 2 - TURNTABLE

FIGURE 2-5. SWING DRIVE INSTALLATION

ITEM	PART NUMBER	QTY	DESCRIPTION	REV
	1001185842	Ref	SWING DRIVE INSTALLATION	B
1	0100019	AR	Compound, Locking	
3	0771620	2	Bolt M16 x 60	
4	0772018	4	Bolt M20 x 50	
5	3291601	1	Nut M16	
6	5241600	1	Washer M16	
7	5242000	4	Washer M20	
8	1001125492	1	Shim	
9	1001134543	1	Spacer	
10	1001187855	1	Swing Motor/Hub Assembly (See Separate Breakdown in this Section)	

SECTION 2 - TURNTABLE

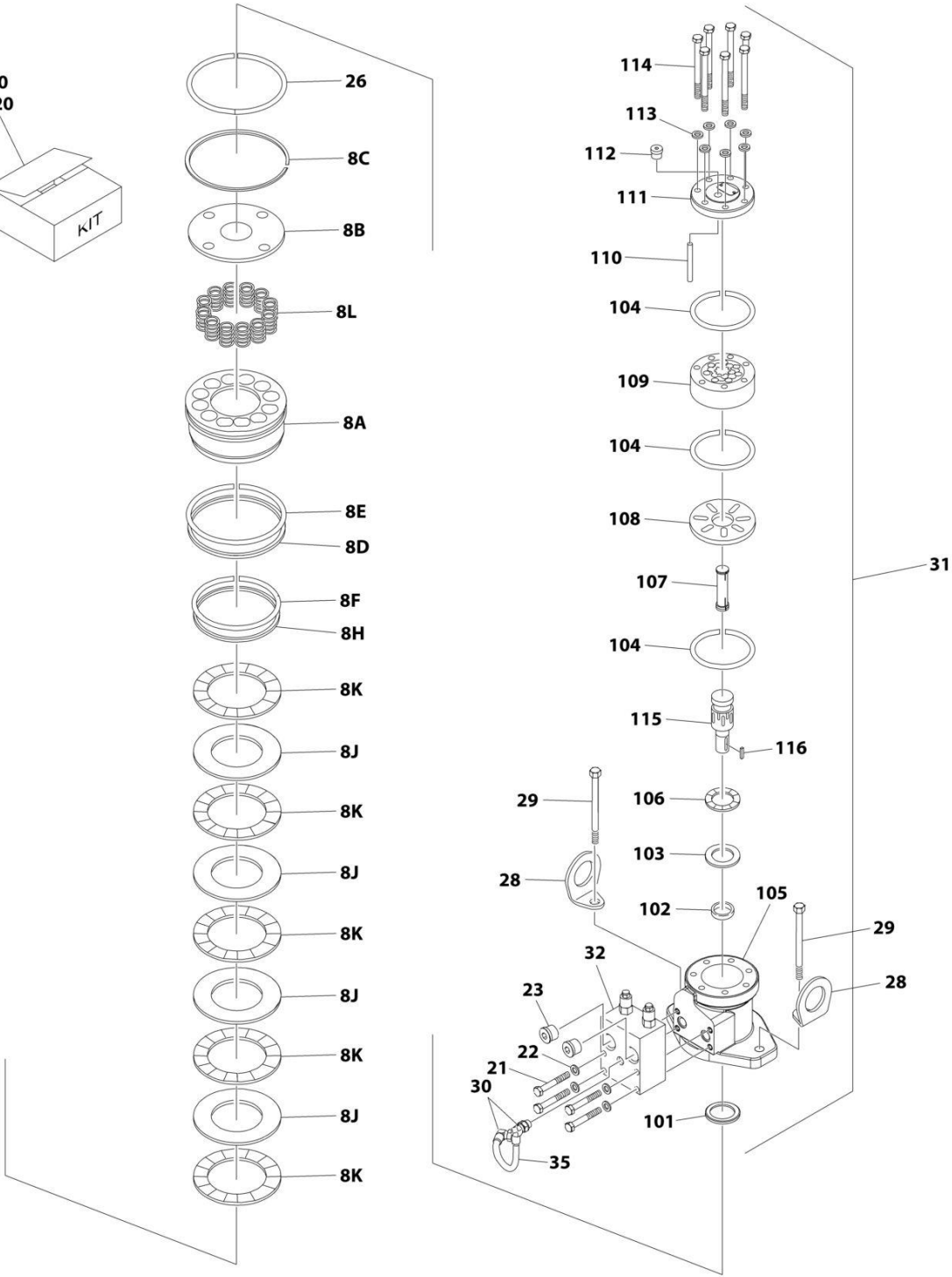
FIGURE 2-6. SWING MOTOR/HUB ASSEMBLY



ART_1001187855_10F2

SECTION 2 - TURNTABLE

40
120



ART_1001187855_2OF2

SECTION 2 - TURNTABLE

FIGURE 2-6. SWING MOTOR/HUB ASSEMBLY

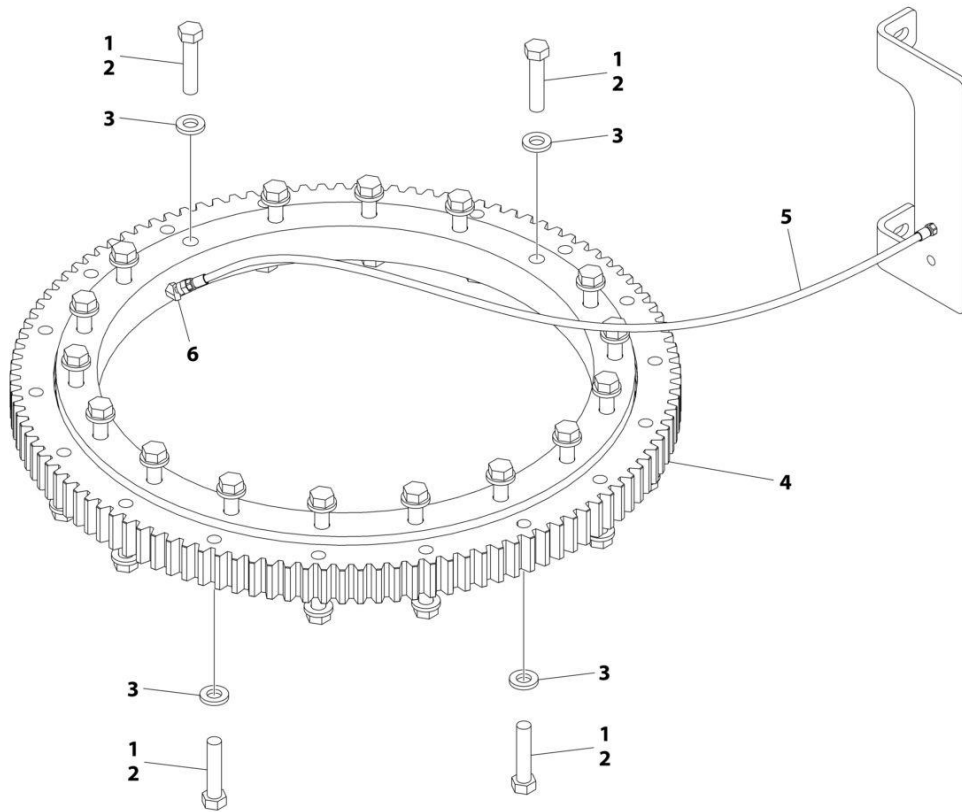
ITEM	PART NUMBER	QTY	DESCRIPTION	REV
	1001187855	Ref	SWING MOTOR/HUB ASSEMBLY	D
1	See Note	NSS	Housing/Shaft Assembly (Note: Not Available - Purchase Complete Swing Motor/Hub Assembly)	
1A	7010492	1	Shaft, Output	
1B	7000228	1	Seal, Lip	
1C	7000255	1	Bearing Kit (Includes Cup and Cone)	
1E	7000257	1	Bearing Kit (Includes Cup and Cone)	
1G	See Note	1	Housing (Note: Not Available for Purchase)	
1H	7007633	1	Thrustwasher	
1I	7000229	1	Ring, Retaining	
1P	7017072	1	Plug, Pipe	
2	7000246	1	Gear, Internal	
3	7000247	1	Carrier Assembly	
3A	7001931	1	Carrier	
3B	7001985	6	Washer, Tanged	
3C	7001909	96	Bearing, Needle	
3D	7000263	3	Thrustwasher	
3E	7001911	3	Shaft, Planet	
3F	7001912	3	Gear, Cluster	
3G	7010474	3	Roll Pin	
4	7000248	1	Gear, Ring	
5	7000230	1	O-Ring (Black)	
5A	7017070	1	O-Ring (White)	
6	See Note	NSS	Housing, Brake (Note: Not Available for Purchase)	
7	70005203	1	Gear, Sun	
8		Ref	Brake Components	
8A	70004037	1	Piston, Brake	
8B	7024743	1	Plate, Pressure	
8C	70004039	1	Ring, Retaining	
8D	70004041	1	O-Ring	
8E	70004044	1	Ring, Back-up	
8F	70004042	1	O-Ring	
8H	70004043	1	Ring, Back-up	
8J	See Note	NSS	Rotor, Brake (Note: Use p/n 70002085)	
8K	See Note	NSS	Stator, Brake (Note: Use p/n 70002085)	
8L	70002066	7	Spring, Brake	
11	7000253	2	Thrustwasher	
12	7000217	12	Bolt, 5/16 x 2-1/4 Grade 8	
13	7017080	4	Pin, Dowel	
20	7017072	1	Plug, Pipe	
21	7024704	4	Bolt 5/16 x 2 Grade 8	
22	70004045	4	Lockwasher	
23	7017023	2	Plug, Pipe	
24	See Note	NSS	Plate, ID (Note: Not Available for Purchase)	
25	See Note	NSS	Rivet	
26	7024763	1	O-Ring	
28	See Note	NSS	Lug, Lifting (Note: Not Available for Purchase)	
29	70004040	2	Bolt 1/2 x 1-1/2 Grade 8	
30	7017085	2	Elbow	
31	70006304	1	Motor Assembly (See Items 101-120 for Breakdown)	

SECTION 2 - TURNTABLE

ITEM	PART NUMBER	QTY	DESCRIPTION	REV
32	7024784	1	Valve (No Serviceable Parts)	
33	7017082	1	Plug, Pipe (Not Shown)	
35	70004047	1	Tube	
40	7024100	1	Seal Kit - Hub (Includes Items 1B, 1I, 5, 5A & 11)	
	70006304	Ref	Motor Assembly	
101	See Note	NSS	Seal, Dust (Note: Use Item 120)	
102	See Note	NSS	Seal, Shaft (Note: Use Item 120)	
103	See Note	NSS	Thrustwasher (Note: Use Item 120)	
104	See Note	NSS	Seal, Ring (Note: Use Item 120)	
105	See Note	NSS	Housing (Note: Purchase Complete Assembly)	
106	70006306	1	Bearing, Thrust	
107	7005889	1	Link, Drive	
108	70006307	1	Plate, Wear	
109	70006310	1	Rotor Set	
110	7005891	1	Pin	
111	70006308	1	Cover, End	
112	See Note	NSS	Plug (Note: Purchase Complete Assembly)	
113	70006309	1	Washer Kit (Includes 7 Washers)	
114	70006313	1	Bolt Kit (Includes 7 Bolts)	
115	See Note	NSS	Shaft (Note: Purchase Complete Assembly)	
116	See Note	NSS	Key (Note: Purchase Complete Assembly)	
120	70006305	1	Seal Kit - Motor (Includes Items 101-104)	

SECTION 2 - TURNTABLE

FIGURE 2-7. TURNTABLE BEARING AND LUBE INSTALLATION



ART_1001185709

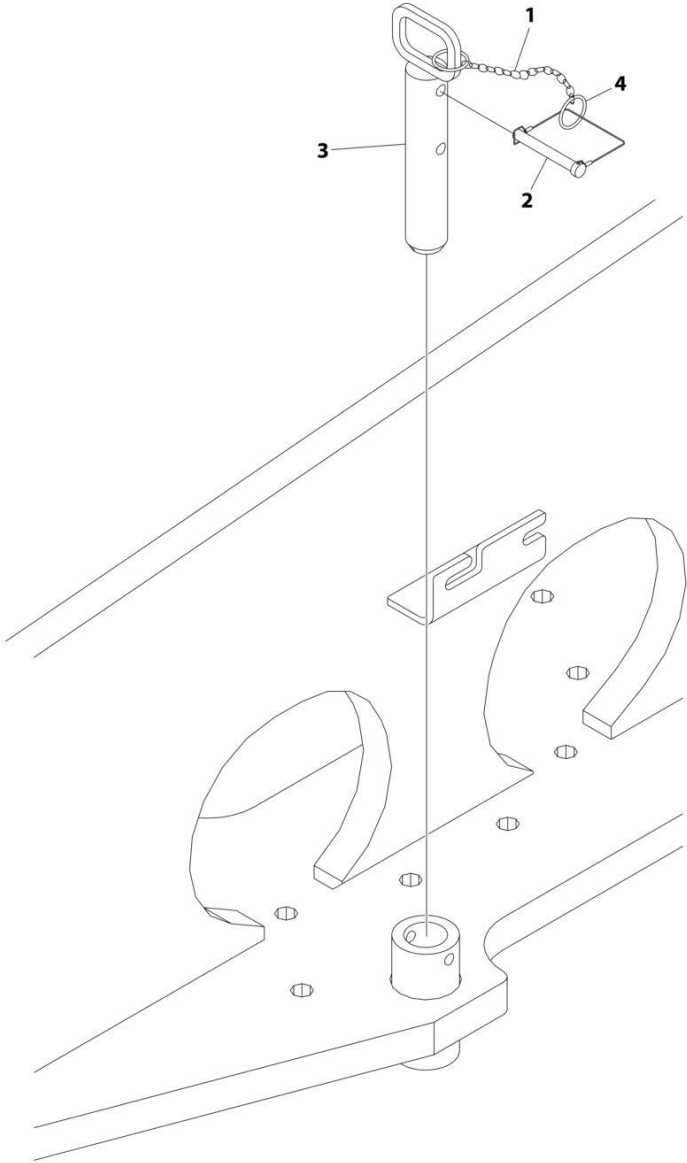
SECTION 2 - TURNTABLE

FIGURE 2-7. TURNTABLE BEARING AND LUBE INSTALLATION

ITEM	PART NUMBER	QTY	DESCRIPTION	REV
	1001185709	Ref	TURNTABLE BEARING AND LUBE INSTALLATION	D
1	0100019	AR	Compound, Locking	
2	0682023	36	Bolt 5/8 x 2-7/8	
3	4892000	36	Washer 5/8	
4	0440233	1	Bearing, Turntable	
5	1001188125	1	Hose	
6	2220124	1	Fitting, 45	

SECTION 2 - TURNTABLE

FIGURE 2-8. TURNTABLE LOCK INSTALLATION



ART_1001187022_B

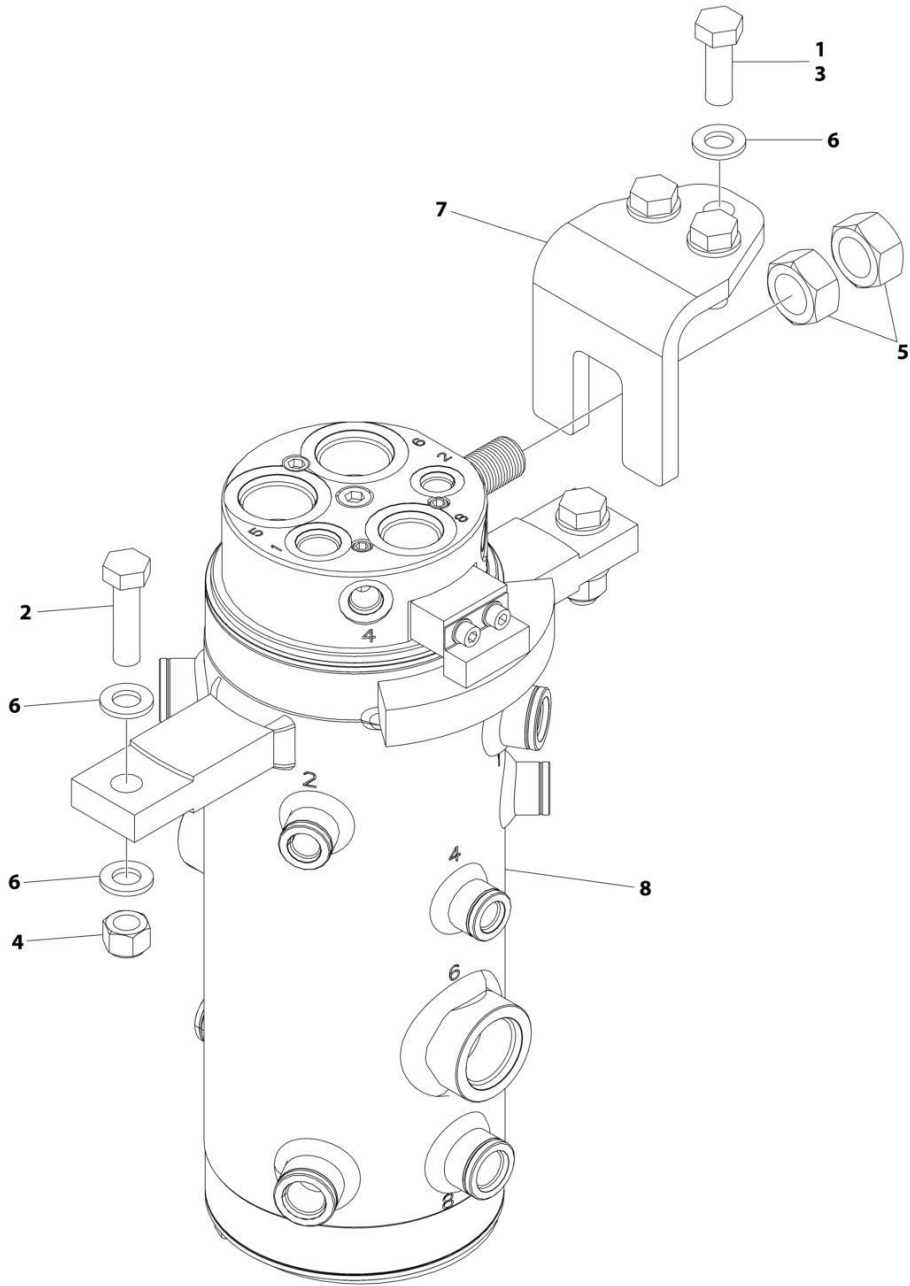
SECTION 2 - TURNTABLE

FIGURE 2-8. TURNTABLE LOCK INSTALLATION

ITEM	PART NUMBER	QTY	DESCRIPTION	REV
	1001187022	Ref	TURNTABLE LOCK INSTALLATION	B
1	1260017	9 in/23cm	Chain	
2	3421565	1	Snap-Pin	
3	1001169582	1	Pin, Lock	
4	3760170	2	Ring	

SECTION 2 - TURNTABLE

FIGURE 2-9. ROTARY COUPLING INSTALLATION



ART_1001188337

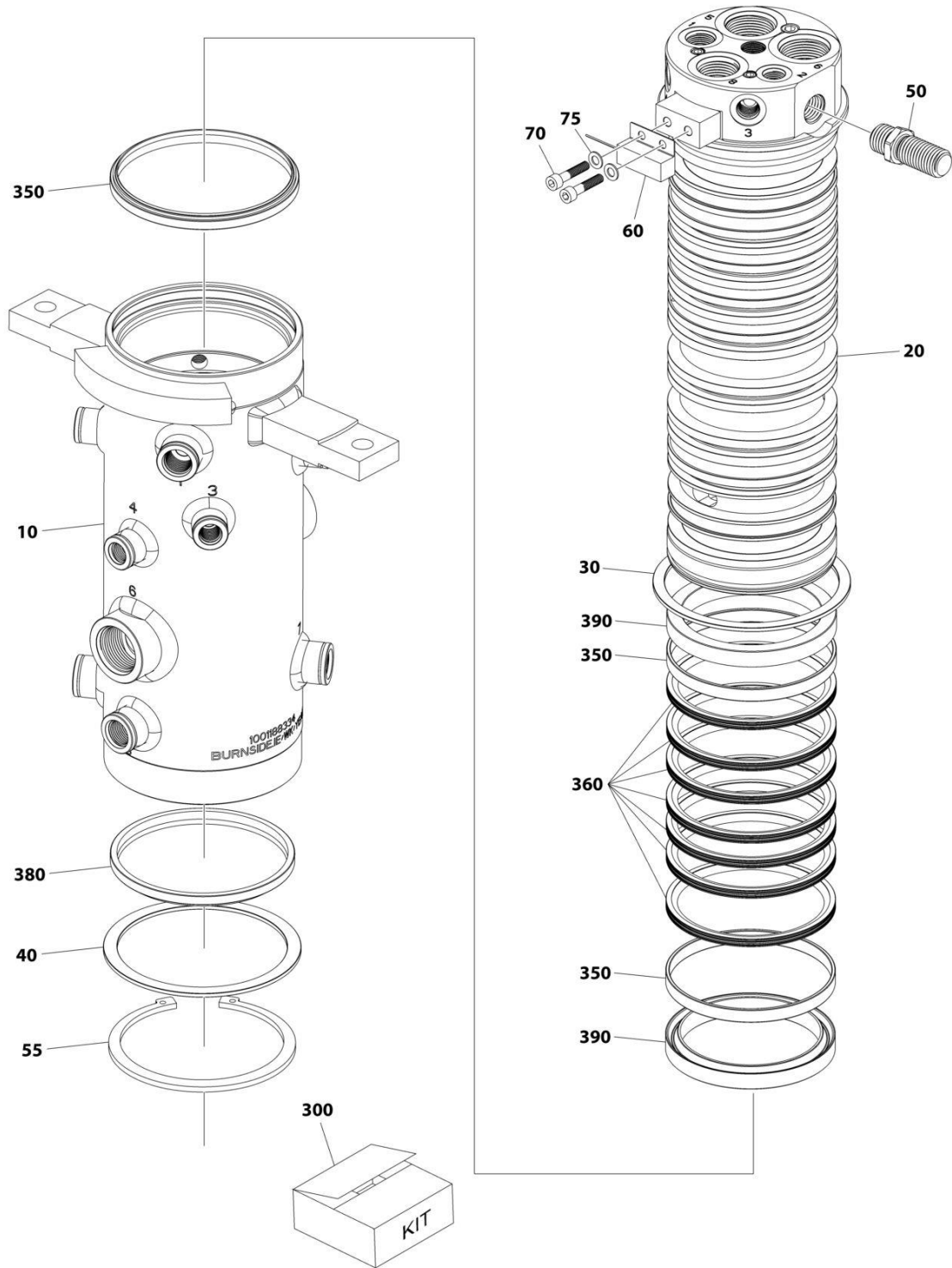
SECTION 2 - TURNTABLE

FIGURE 2-9. ROTARY COUPLING INSTALLATION

ITEM	PART NUMBER	QTY	DESCRIPTION	REV
	1001188337	Ref	ROTARY COUPLING INSTALLATION	B
1	0100011	AR	Compound, Locking	
2	0701217	2	Bolt M12 x 45	
3	0761215	3	Bolt M12 x 35	
4	3291205	2	Nut M12	
5	3292001	2	Nut M20	
6	4812100	7	Washer M12	
7	1001187953	1	Mount	
8	1001188334	1	Rotary Coupling Assembly (See Separate Breakdown in this Section)	

SECTION 2 - TURNTABLE

FIGURE 2-10. ROTARY COUPLING ASSEMBLY



ART_1001188334

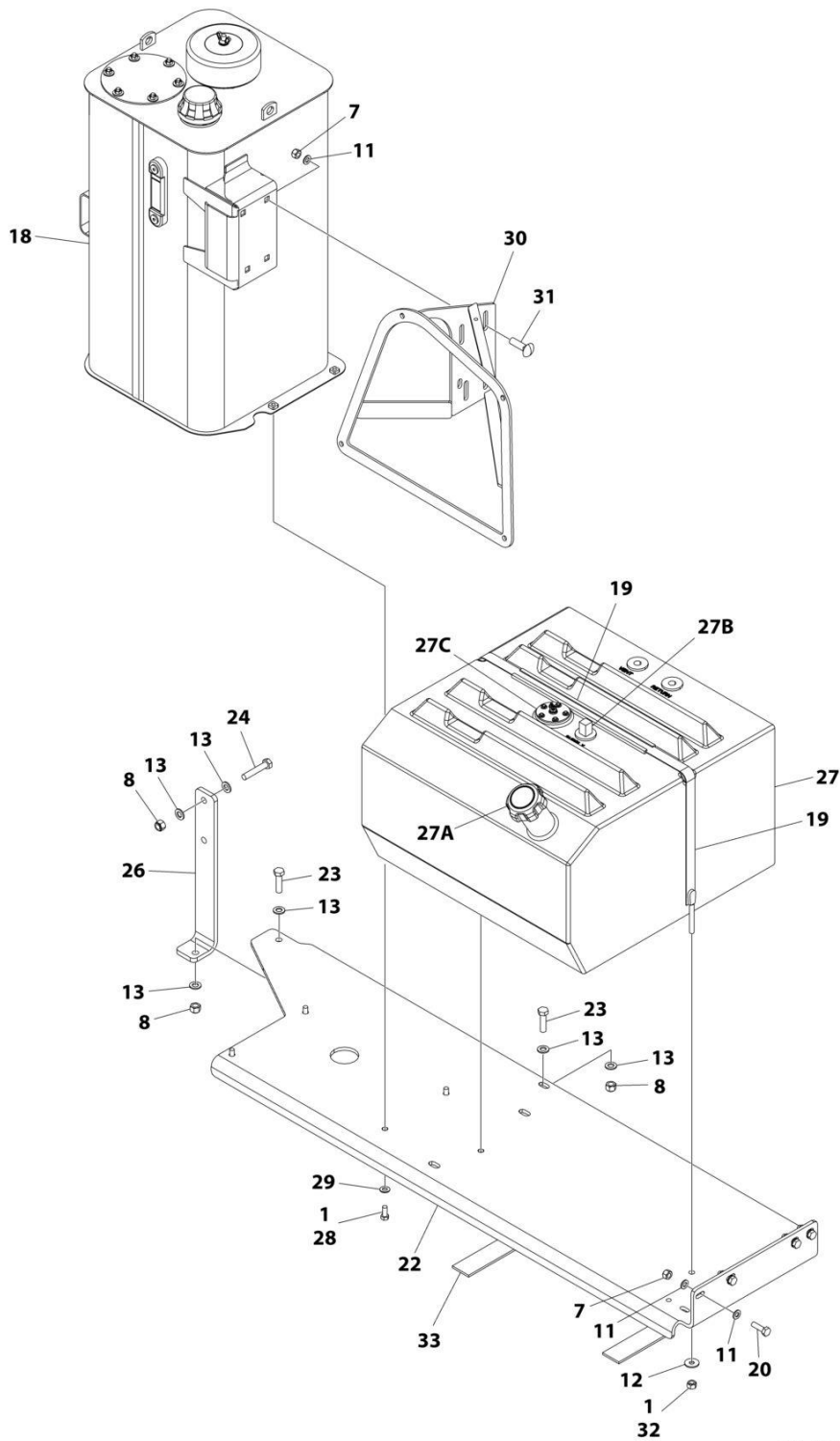
SECTION 2 - TURNTABLE

FIGURE 2-10. ROTARY COUPLING ASSEMBLY

ITEM	PART NUMBER	QTY	DESCRIPTION	REV
	1001188334	Ref	ROTARY COUPLING ASSEMBLY	G
10	See Note	NSS	Housing (Note: Purchase Complete Assembly)	
20	See Note	NSS	Shaft (Note: Purchase Complete Assembly)	
30	70005710	1	Spacer	
40	70005711	1	Spacer	
50	70005712	1	Fitting	
55	70005713	1	Circlip	
60	4360517	1	Sensor	
60	4460320	1	Plug, Male - 2 Position	
60	4460227	2	Socket, Female	
70	70006537	2	Bolt	
75	70006538	2	Washer	
300	70005716	1	Seal Kit (Includes Items 350-390)	
350	See Note	NSS	Ring, Wear (Note: Use Item 300)	
360	See Note	NSS	Seal (Note: Use Item 300)	
370	See Note	NSS	Wiper (Note: Use Item 300) (Not Shown)	
380	See Note	NSS	Wiper (Note: Use Item 300)	
390	See Note	NSS	Seal, Rod (Note: Use Item 300)	

SECTION 2 - TURNTABLE

FIGURE 2-11. TANKS INSTALLATION - DIESEL MACHINES (POLY FUEL TANK) (HYDRAULIC TANK WITH 6 INCH BREATHER) (600S HC3)



ART_1001188257_L

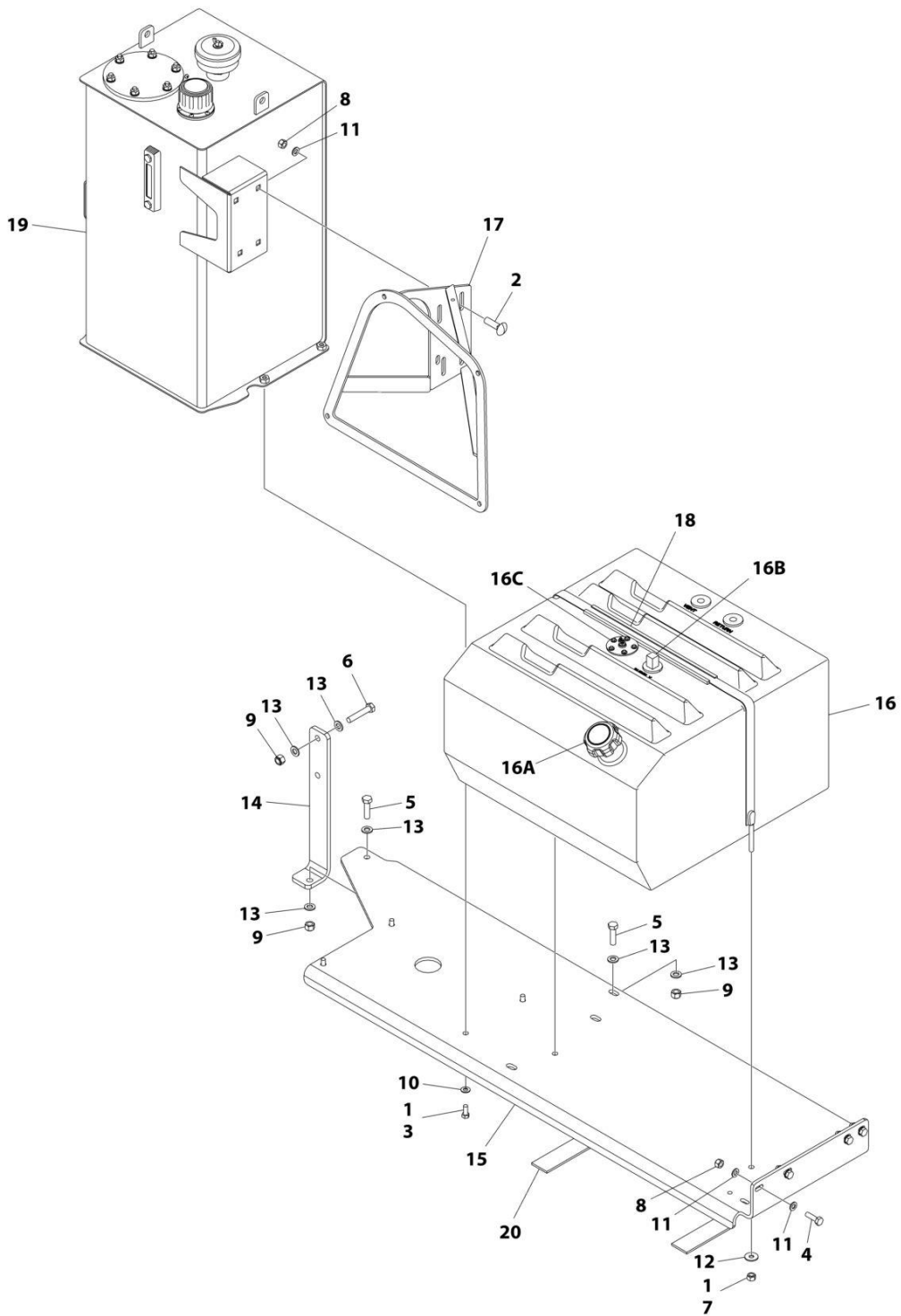
SECTION 2 - TURNTABLE

FIGURE 2-11. TANKS INSTALLATION - DIESEL MACHINES (POLY FUEL TANK) (HYDRAULIC TANK WITH 6 INCH BREATHER) (600S HC3)

ITEM	PART NUMBER	QTY	DESCRIPTION	REV
	1001188257	Ref	TANKS INSTALLATION	L
1	0100011	AR	Compound, Locking	
7	3291005	8	Nut M10	
8	3291205	4	Nut M12	
11	4812000	12	Washer M10	
12	4812002	2	Washer M10	
13	4812100	8	Washer M12	
18	1001178057	1	Hydraulic Tank Assembly (See Separate Breakdown in this Section)	
19	1001238954	1	Strap Assembly	
19	1001189119	1	Strap	
19	4280295	48 in/ 122cm	Strip, Protector	
20	0701015	4	Bolt M10 x 35	
22	1001199933	1	Tray	
23	0701217	2	Bolt M12 x 45	
24	0701221	2	Bolt M12 x 65	
26	1001199883	1	Support	
27	1001201325	1	Tank, Fuel	
27A	70004414	1	Cap, Fill	
27B	7020043	1	Tube, Pickup	
27C	1001148607	1	Sender, Fuel Level	
27C	0731005	5	Screw #10 x 5/8	
27C	4751000	5	Washer #10	
28	0641608	4	Bolt 3/8 x 1	
29	4711600	4	Washer 3/8	
30	1001213251	1	Support, Ground Control	
31	0630613	4	Bolt M10 x 30	
32	3291001	2	Nut M10	
33	4420038	AR	Tape	

SECTION 2 - TURNTABLE

FIGURE 2-12. TANKS INSTALLATION - DIESEL MACHINES (POLY FUEL TANK) (HYDRAULIC TANK WITH 4 INCH BREATHER) (600S HC3)



ART_1001267284

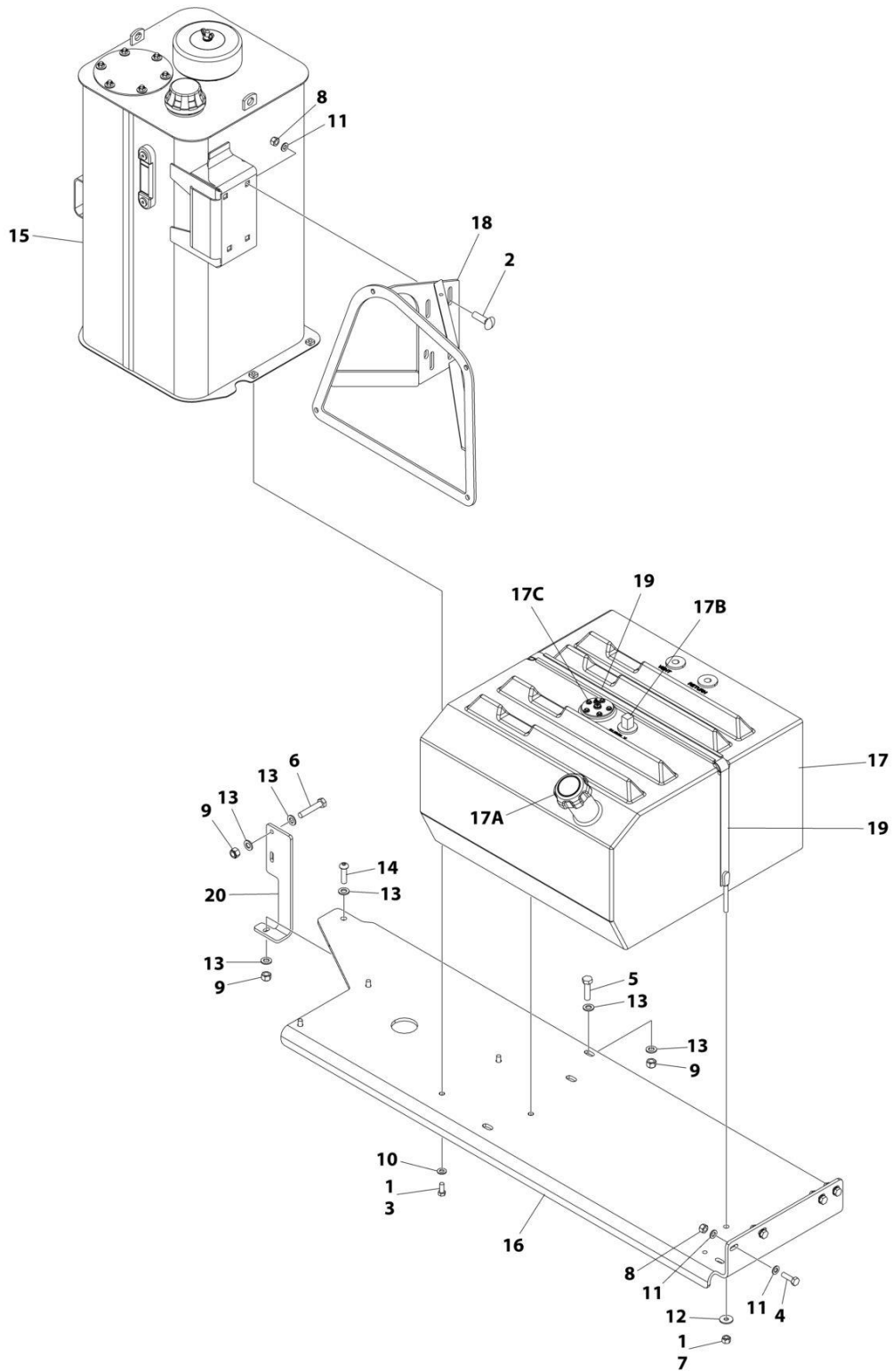
SECTION 2 - TURNTABLE

FIGURE 2-12. TANKS INSTALLATION - DIESEL MACHINES (POLY FUEL TANK) (HYDRAULIC TANK WITH 4 INCH BREATHER) (600S HC3)

ITEM	PART NUMBER	QTY	DESCRIPTION	REV
	1001267284	Ref	TANKS INSTALLATION – DIESEL MACHINES	A
1	0100011	AR	Compound, Locking	
2	0630613	4	Bolt M10 x 30	
3	0641608	4	Bolt 3/8 x 1	
4	0701015	4	Bolt M10 x 35	
5	0701217	2	Bolt M12 x 45	
6	0701221	2	Bolt M12 x 65	
7	3291001	2	Nut M10	
8	3291005	8	Nut M10	
9	3291205	4	Nut M12	
10	4711600	4	Washer 3/8	
11	4812000	12	Washer M10	
12	4812002	2	Washer M10	
13	4812100	8	Washer M12	
14	1001199883	1	Support	
15	1001199933	1	Tray	
16	1001201325	1	Tank, Fuel	
16A	70004414	1	Cap, Fill	
16B	7020043	1	Tube, Pickup	
16C	1001148607	1	Sender, Fuel Level	
16C	0731005	5	Screw #10 x 5/8	
16C	4751000	5	Washer #10	
17	1001213251	1	Support, Ground Control	
18	1001238954	1	Strap Assembly	
18	1001189119	1	Strap	
18	4280295	48 in/ 122 cm	Strip, Protector	
19	1001267678	1	Hydraulic Tank Assembly	
20	4420038	30 in/ 76.2 cm	Tape, Rubber	

SECTION 2 - TURNTABLE

FIGURE 2-13. TANKS INSTALLATION - DIESEL MACHINES (POLY FUEL TANK) (HYDRAULIC TANK WITH 6 INCH BREATHER) (660SJ HC3)



ART_1001258172

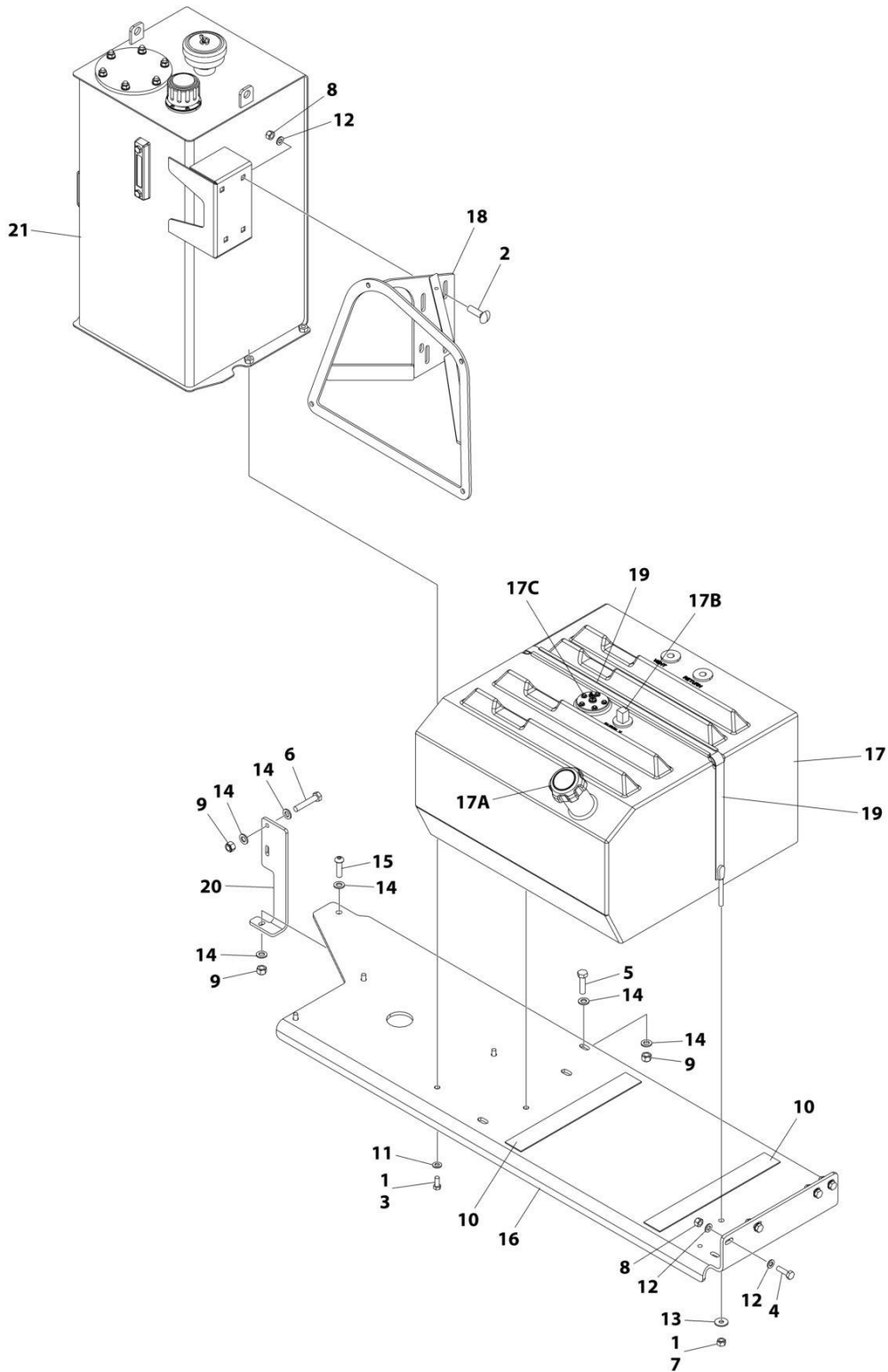
SECTION 2 - TURNTABLE

FIGURE 2-13. TANKS INSTALLATION - DIESEL MACHINES (POLY FUEL TANK) (HYDRAULIC TANK WITH 6 INCH BREATHER) (660SJ HC3)

ITEM	PART NUMBER	QTY	DESCRIPTION	REV
	1001258172	Ref	TANKS INSTALLATION	A
1	0100011	AR	Compound, Locking	
2	0630613	4	Bolt M10 x 30	
3	0641608	4	Bolt 3/8 x 1	
4	0701015	4	Bolt M10 x 35	
5	0701217	1	Bolt M12 x 45	
6	0701221	2	Bolt M12 x 65	
7	3291001	2	Nut M10	
8	3291005	8	Nut, Lock M10	
9	3291205	4	Nut, Lock M12	
10	4711600	4	Washer 3/8	
11	4812000	12	Washer M10	
12	4812002	2	Washer M10	
13	4812100	8	Washer M12	
14	1001102978	1	Screw M12 X 45	
15	1001178057	1	Hydraulic Tank Assembly (See Separate Breakdown in this Section)	
16	1001199933	1	Tray	
17	1001201325	1	Tank, Fuel	
17A	70004414	1	Cap, Fill	
17B	7020043	1	Tube, Pickup	
17C	1001148607	1	Sender, Fuel Level	
17C	0731005	5	Screw #10 x 5/8	
17C	4751000	5	Washer #10	
18	1001213251	1	Support, Ground Control	
19	1001238954	1	Strap Assembly	
19	1001189119	1	Strap	
19	4280295	48 in/ 122cm	Strip, Protector	
20	1001256667	1	Support	

SECTION 2 - TURNTABLE

FIGURE 2-14. TANKS INSTALLATION - DIESEL MACHINES (POLY FUEL TANK) (HYDRAULIC TANK WITH 4 INCH BREATHER) (660SJ HC3)



ART_1001284975

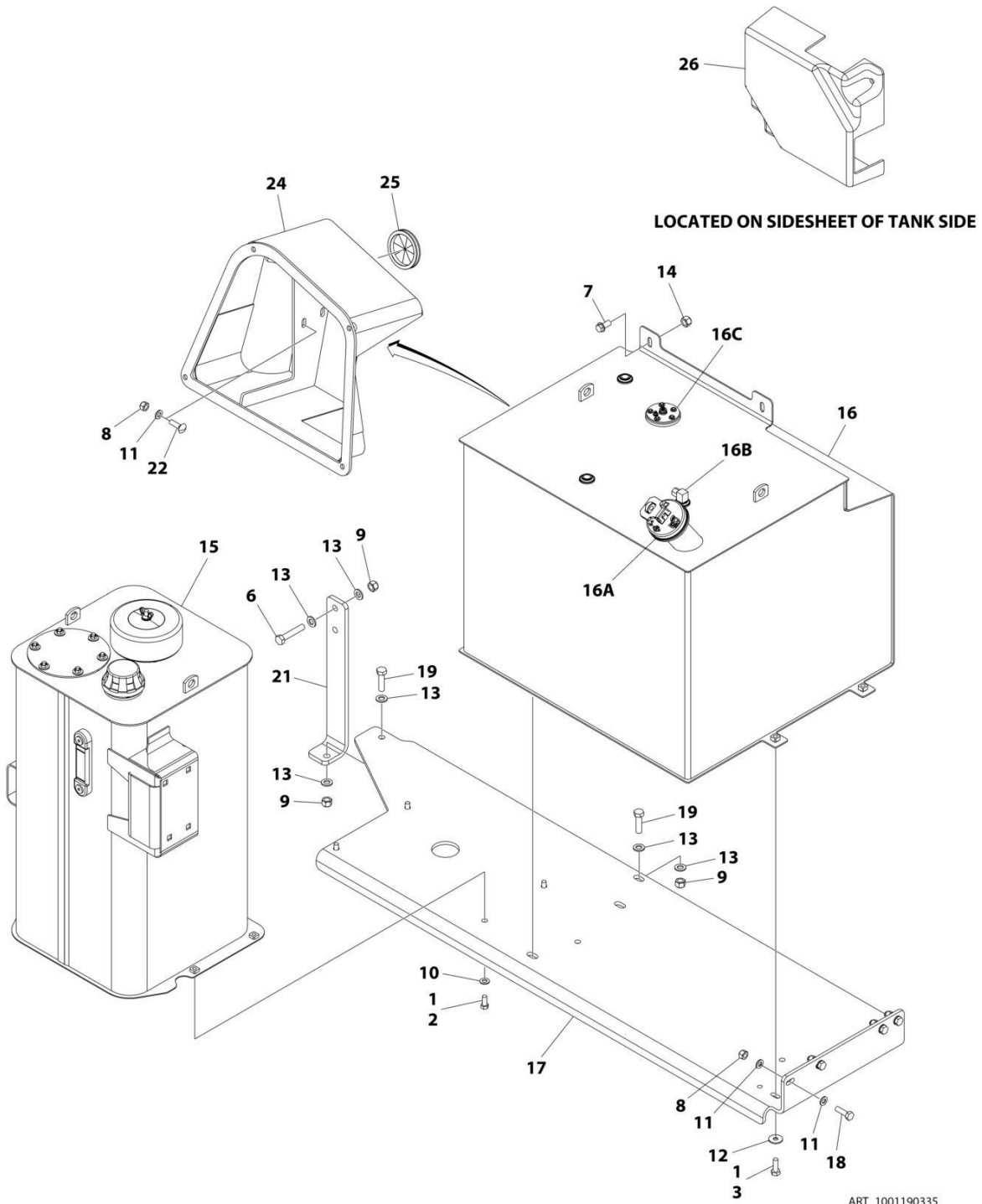
SECTION 2 - TURNTABLE

FIGURE 2-14. TANKS INSTALLATION - DIESEL MACHINES (POLY FUEL TANK) (HYDRAULIC TANK WITH 4 INCH BREATHER) (660SJ HC3)

ITEM	PART NUMBER	QTY	DESCRIPTION	REV
	1001284975	Ref	TANKS INSTALLATION	A
1	0100011	AR	Compound, Locking	
2	0630613	4	Bolt M10 x 30	
3	0641608	4	Bolt 3/8 x 1	
4	0701015	4	Bolt M10 x 35	
5	0701217	1	Bolt M12 x 45	
6	0701221	2	Bolt M12 x 65	
7	3291001	2	Nut M10	
8	3291005	8	Nut, Lock M10	
9	3291205	4	Nut, Lock M12	
10	4420038	AR	Tape	
11	4711600	4	Washer 3/8	
12	4812000	12	Washer M10	
13	4812002	2	Washer M10	
14	4812100	8	Washer M12	
15	1001102978	1	Screw M12 x 45	
16	1001199933	1	Tray	
17	1001201325	1	Tank, Fuel	
17A	70004414	1	Cap, Fill	
17B	7020043	1	Tube, Pickup	
17C	1001148607	1	Sender, Fuel Level	
17C	0731005	5	Screw #10 x 5/8	
17C	4751000	5	Washer #10	
18	1001213251	1	Support, Ground Control	
19	1001238954	1	Strap Assembly	
19	1001189119	1	Strap	
19	4280295	48 in/ 122cm	Strip, Protector	
20	1001256667	1	Support	
21	1001267678	1	Hydraulic Tank Assembly (See Separate Breakdown in this Section)	

SECTION 2 - TURNTABLE

FIGURE 2-15. TANKS INSTALLATION - DIESEL MACHINES (STEEL FUEL TANK) (HYDRAULIC TANK WITH 6 INCH BREATHER) (600S HC3)



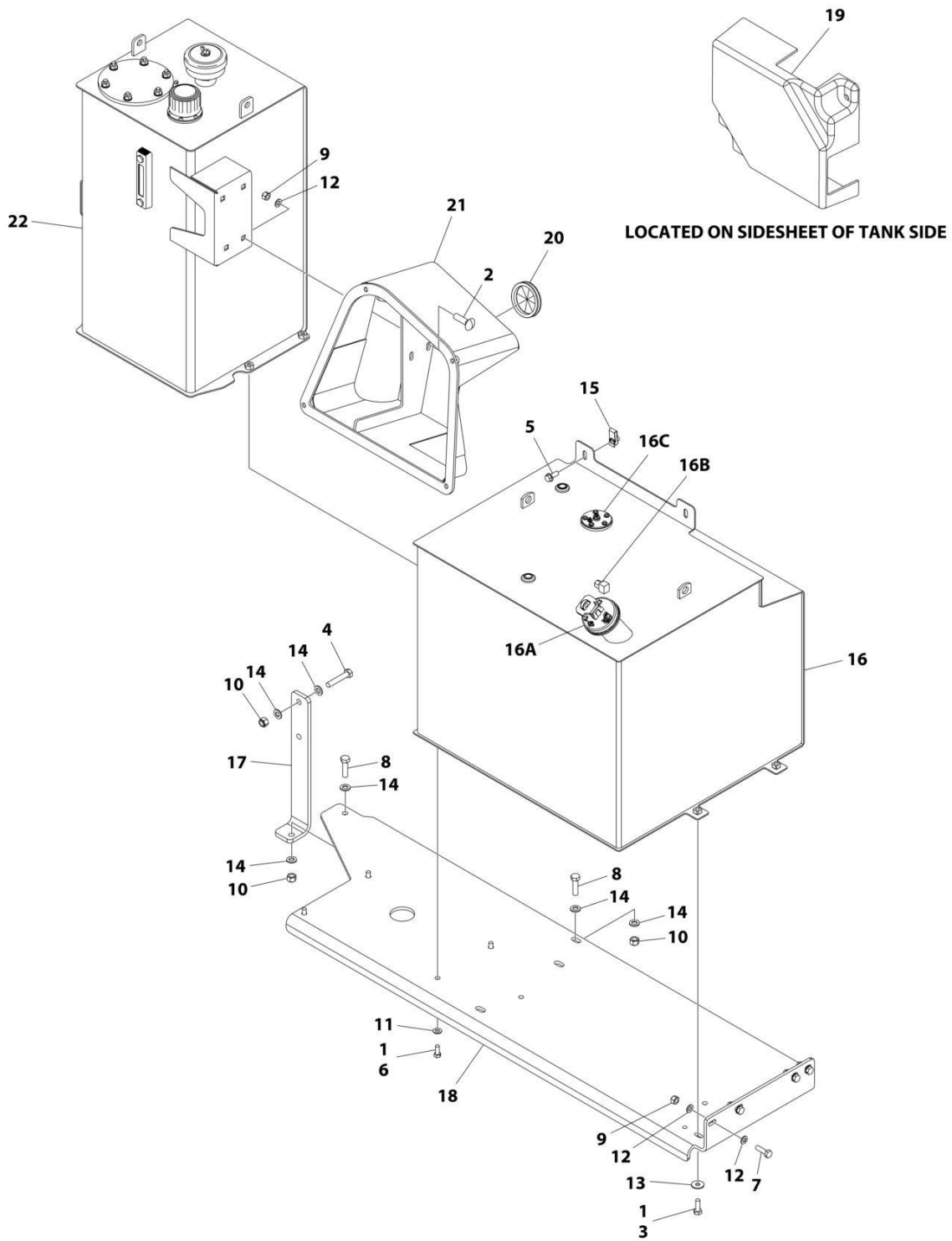
SECTION 2 - TURNTABLE

FIGURE 2-15. TANKS INSTALLATION - DIESEL MACHINES (STEEL FUEL TANK) (HYDRAULIC TANK WITH 6 INCH BREATHER) (600S HC3)

ITEM	PART NUMBER	QTY	DESCRIPTION	REV
	1001190335	Ref	TANKS INSTALLATION	I
1	0100011	AR	Compound, Locking	
2	0641607	4	Bolt 3/8 x 7/8	
2	0641608	4	Bolt 3/8 x 1	
3	0761014	4	Bolt M10 x 30	
6	0701221	2	Bolt M12 x 65	
7	5251012	2	Bolt M10 x 25	
8	3291005	8	Nut M10	
9	3291205	4	Nut M12	
10	4711600	4	Washer 3/8	
11	4812000	12	Washer M10	
12	4812002	4	Washer M10	
13	4812100	8	Washer M12	
14	1001118972	1	Nut, Tinnerman M10	
15	1001178057	1	Hydraulic Tank Assembly (See Separate Breakdown in this Section)	
16	1001189764	1	Tank, Fuel	
16A	1001080707	1	Cap, Fill	
16B	70006314	1	Tube, Pickup	
16C	1001189800	1	Sender, Fuel Level	
16C	0731005	5	Screw #10 x 5/8	
16C	4751000	5	Washer #10	
17	1001199933	1	Tray	
18	0701015	4	Bolt M10 x 35	
19	0701217	2	Bolt M12 x 45	
21	1001199883	1	Support	
22	1001228406	4	Bolt M10 x 35	
22	0630613	4	Bolt M10 x 30	
24	1001229572	1	Mount, Ground Control	
25	1001218676	1	Grommet	
26	1001218539	1	Cover	

SECTION 2 - TURNTABLE

FIGURE 2-16. TANKS INSTALLATION - DIESEL MACHINES (STEEL FUEL TANK) (HYDRAULIC TANK WITH 4 INCH BREATHER) (600S HC3)



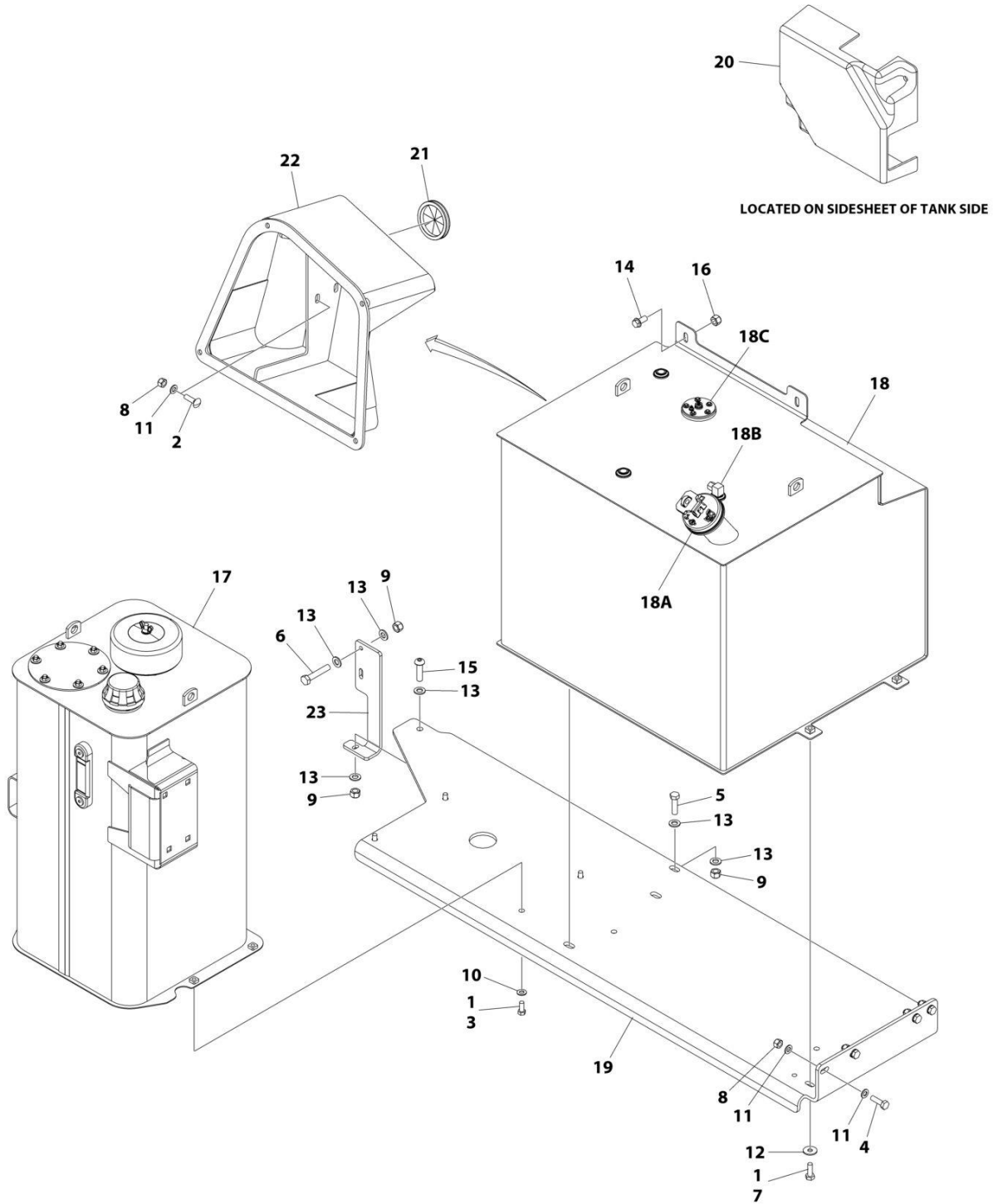
SECTION 2 - TURNTABLE

FIGURE 2-16. TANKS INSTALLATION - DIESEL MACHINES (STEEL FUEL TANK) (HYDRAULIC TANK WITH 4 INCH BREATHER) (600S HC3)

ITEM	PART NUMBER	QTY	DESCRIPTION	REV
	1001267285	Ref	TANKS INSTALLATION – DIESEL MACHINES	A
1	0100011	AR	Compound, Locking	
2	0630613	4	Bolt M10 x 30	
3	0761014	4	Bolt M10 x 30	
4	0701221	2	Bolt M12 x 65	
5	5251012	1	Bolt M10 x 25	
6	0641608	4	Bolt 3/8 x 1	
7	0701015	4	Bolt M10 x 35	
8	0701217	2	Bolt M12 x 45	
9	3291005	8	Nut M10	
10	3291205	4	Nut M12	
11	4711600	4	Washer 3/8	
12	4812000	12	Washer M10	
13	4812002	4	Washer M10	
14	4812100	8	Washer M12	
15	1001118972	1	Nut, Tinnerman M10	
16	1001189764	1	Tank, Fuel	
16A	1001080707	1	Cap, Fill	
16B	70006314	1	Tube, Pickup	
16C	1001189800	1	Sender, Fuel Level	
16C	0731005	5	Screw #10 x 5/8	
16C	4751000	5	Washer #10	
17	1001199883	1	Support	
18	1001199933	1	Tray	
19	1001218539	1	Cover	
20	1001218676	1	Grommet	
21	1001229572	1	Mount, Ground Control	
22	1001267678	1	Hydraulic Tank Assembly	

SECTION 2 - TURNTABLE

FIGURE 2-17. TANKS INSTALLATION - DIESEL MACHINES (STEEL FUEL TANK) (HYDRAULIC TANK WITH 6 INCH BREATHER) (660SJ HC3)



ART_1001258174

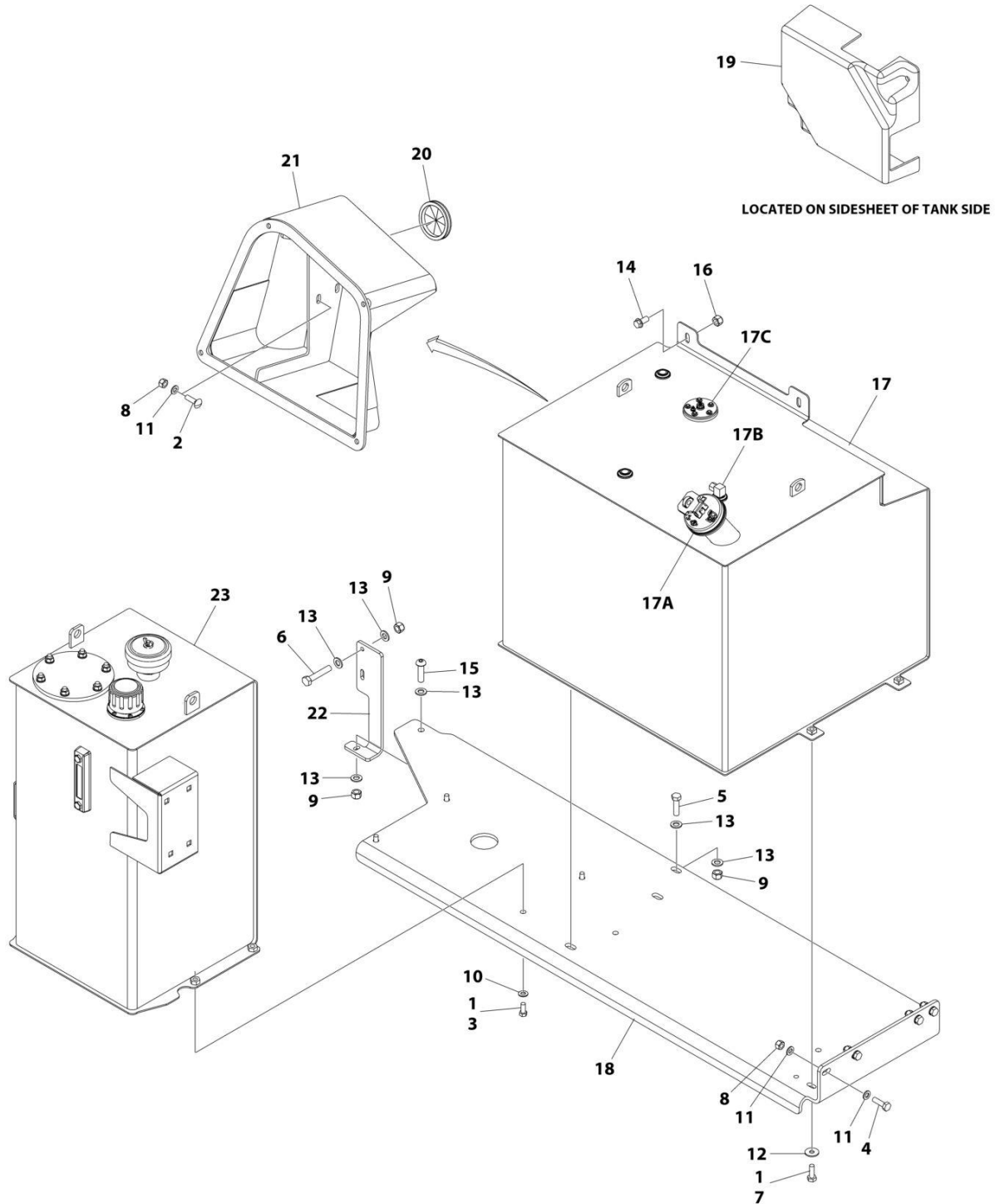
SECTION 2 - TURNTABLE

FIGURE 2-17. TANKS INSTALLATION - DIESEL MACHINES (STEEL FUEL TANK) (HYDRAULIC TANK WITH 6 INCH BREATHER) (660SJ HC3)

ITEM	PART NUMBER	QTY	DESCRIPTION	REV
	1001258174	Ref	TANKS INSTALLATION	A
1	0100011	AR	Compound, Locking	
2	0630613	4	Bolt M10 x 30	
3	0641608	4	Bolt 3/8 x 1	
4	0701015	4	Bolt M10 x 35	
5	0701217	1	Bolt M12 x 45	
6	0701221	2	Bolt M12 x 65	
7	0761014	4	Bolt M10 x 30	
8	3291005	8	Nut M10	
9	3291205	4	Nut M12	
10	4711600	4	Washer 3/8	
11	4812000	12	Washer M10	
12	4812002	4	Washer M10	
13	4812100	8	Washer M12	
14	5251012	1	Bolt M10 x 25	
15	1001102978	1	Screw M12 X 45	
16	1001118972	1	Nut, Tinnerman M10	
17	1001178057	1	Hydraulic Tank Assembly (See Separate Breakdown in this Section)	
18	1001189764	1	Tank, Fuel	
18A	1001080707	1	Cap, Fill	
18B	70006314	1	Tube, Pickup	
18C	1001189800	1	Sender, Fuel Level	
18C	0731005	5	Screw #10 x 5/8	
18C	4751000	5	Washer #10	
19	1001199933	1	Tray	
20	1001218539	1	Cover	
21	1001218676	1	Grommet	
22	1001229572	1	Mount, Ground Control	
23	1001256667	1	Support	

SECTION 2 - TURNTABLE

FIGURE 2-18. TANKS INSTALLATION - DIESEL MACHINES (STEEL FUEL TANK) (HYDRAULIC TANK WITH 4 INCH BREATHER) (660SJ HC3)



ART_1001284977

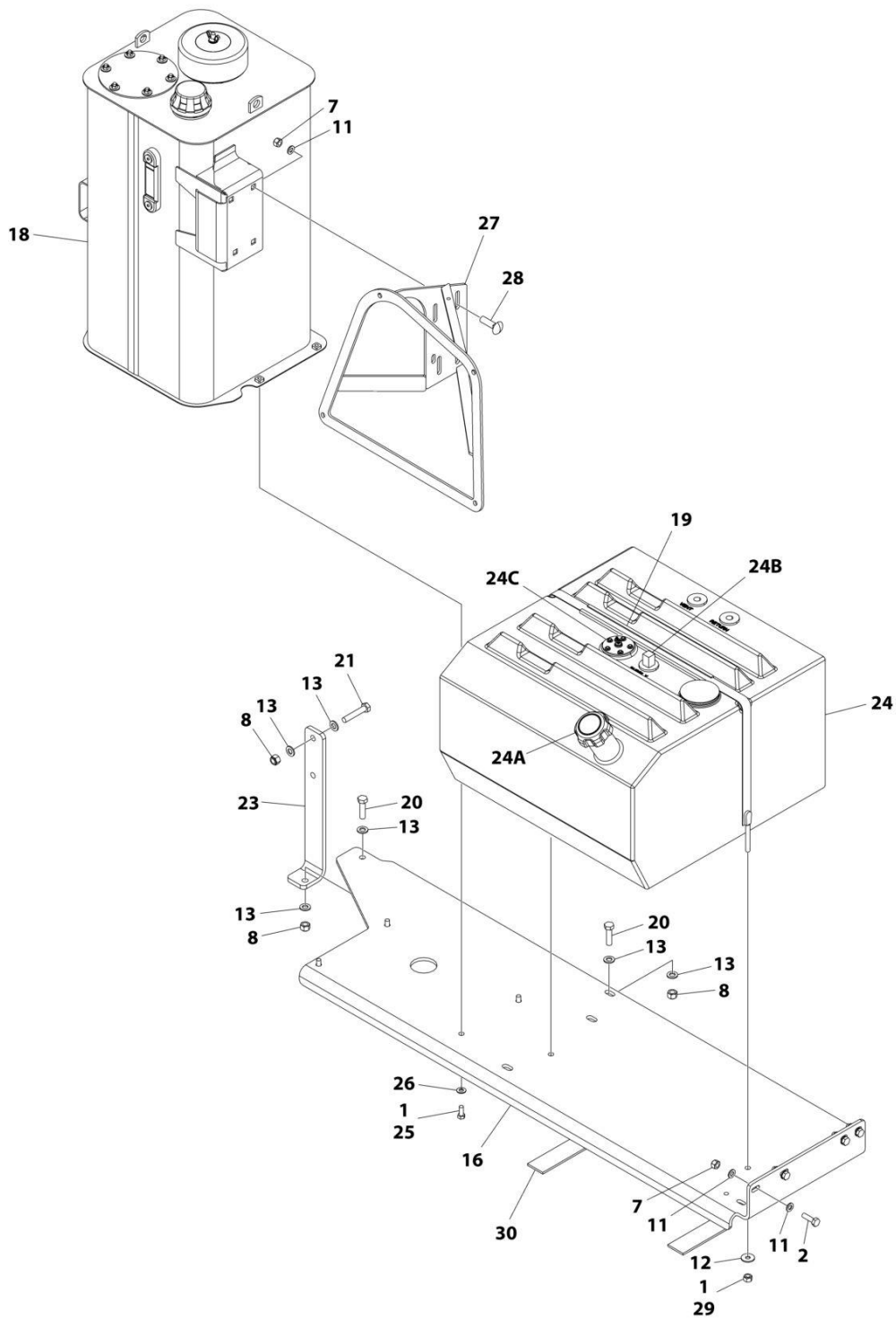
SECTION 2 - TURNTABLE

FIGURE 2-18. TANKS INSTALLATION - DIESEL MACHINES (STEEL FUEL TANK) (HYDRAULIC TANK WITH 4 INCH BREATHER) (660SJ HC3)

ITEM	PART NUMBER	QTY	DESCRIPTION	REV
	1001284977	Ref	TANKS INSTALLATION	A
1	0100011	AR	Compound, Locking	
2	0630613	4	Bolt M10 x 30	
3	0641608	4	Bolt 3/8 x 1	
4	0701015	4	Bolt M10 x 35	
5	0701217	1	Bolt M12 x 45	
6	0701221	2	Bolt M12 x 65	
7	0761014	4	Bolt M10 x 30	
8	3291005	8	Nut, Lock M10	
9	3291205	4	Nut, Lock M12	
10	4711600	4	Washer 3/8	
11	4812000	12	Washer M10	
12	4812002	4	Washer M10	
13	4812100	8	Washer M12	
14	5251012	1	Bolt M10 x 25	
15	1001102978	1	Screw M12 X 45	
16	1001118972	1	Nut, Tinnerman M10	
17	1001189764	1	Tank, Fuel	
17A	1001080707	1	Cap, Fill	
17B	70006314	1	Tube, Pickup	
17C	1001189800	1	Sender, Fuel Level	
17C	0731005	5	Screw #10 x 5/8	
17C	4751000	5	Washer #10	
18	1001199933	1	Tray	
19	1001218539	1	Cover	
20	1001218676	1	Grommet	
21	1001229572	1	Mount, Ground Control	
22	1001256667	1	Support	
23	1001267678	1	Hydraulic Tank Assembly (See Separate Breakdown in this Section)	

SECTION 2 - TURNTABLE

FIGURE 2-19. TANKS INSTALLATION - GAS MACHINES (HYDRAULIC TANK WITH 6 INCH BREATHER) (600S HC3)



ART_1001189228

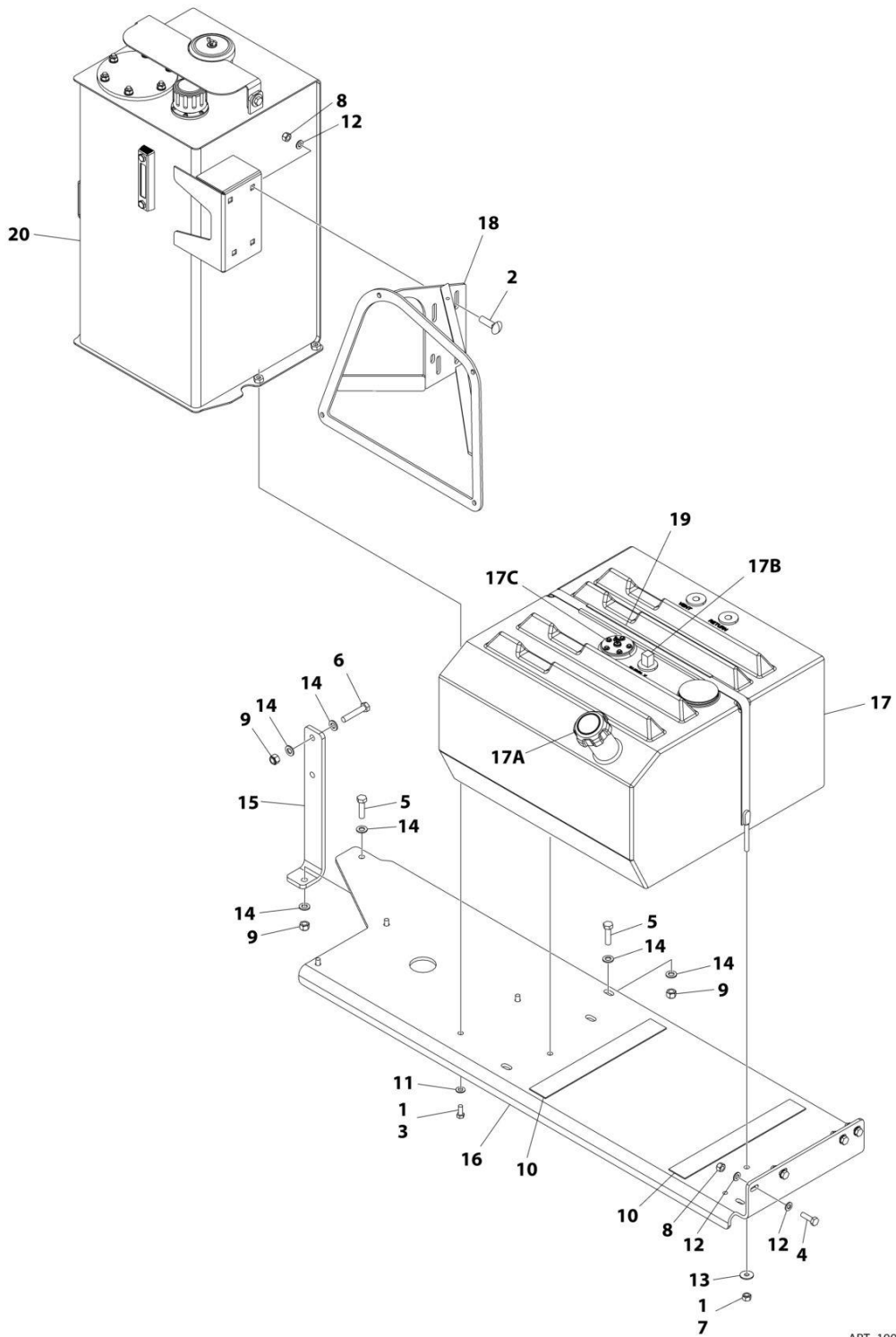
SECTION 2 - TURNTABLE

FIGURE 2-19. TANKS INSTALLATION - GAS MACHINES (HYDRAULIC TANK WITH 6 INCH BREATHER) (600S HC3)

ITEM	PART NUMBER	QTY	DESCRIPTION	REV
	1001189228	Ref	TANKS INSTALLATION	I
1	0100011	AR	Compound, Locking	
2	0701015	4	Bolt M10 x 35	
7	3291005	8	Nut M10	
8	3291205	4	Nut M12	
11	4812000	12	Washer M10	
12	4812002	2	Washer M10	
13	4812100	8	Washer M12	
16	1001199933	1	Tray	
18	1001178057	1	Hydraulic Tank Assembly (See Separate Breakdown in this Section)	
19	1001238954	1	Strap Assembly	
19	1001189119	1	Strap, Tank	
19	4280295	48 in/ 122cm	Strip, Protector	
20	0701217	2	Bolt M12 x 45	
21	0701221	2	Bolt M12 x 65	
23	1001199883	1	Support	
24	1001201326	1	Tank, Fuel	
24A	70001103	1	Cap, Fill	
24B	7020043	1	Tube, Pickup	
24C	1001148607	1	Sender, Fuel Level	
24C	0731005	5	Screw #10 x 5/8	
24C	4751000	5	Washer #10	
25	0641607	4	Bolt 3/8 x 7/8	
25	0641608	4	Bolt 3/8 x 1	
26	4711600	4	Washer 3/8	
27	1001213251	1	Support, Ground Control	
28	1001228406	4	Bolt M10 x 35	
28	0630613	4	Bolt M10 x 30	
29	3291005	2	Nut M10	
29	3291001	2	Nut M10	
30	4420038	30 in/ 76.2 cm	Tape, Rubatex	

SECTION 2 - TURNTABLE

FIGURE 2-20. TANKS INSTALLATION - GAS MACHINES (HYDRAULIC TANK WITH 4 INCH BREATHER) (600S HC3)



ART_1001284974

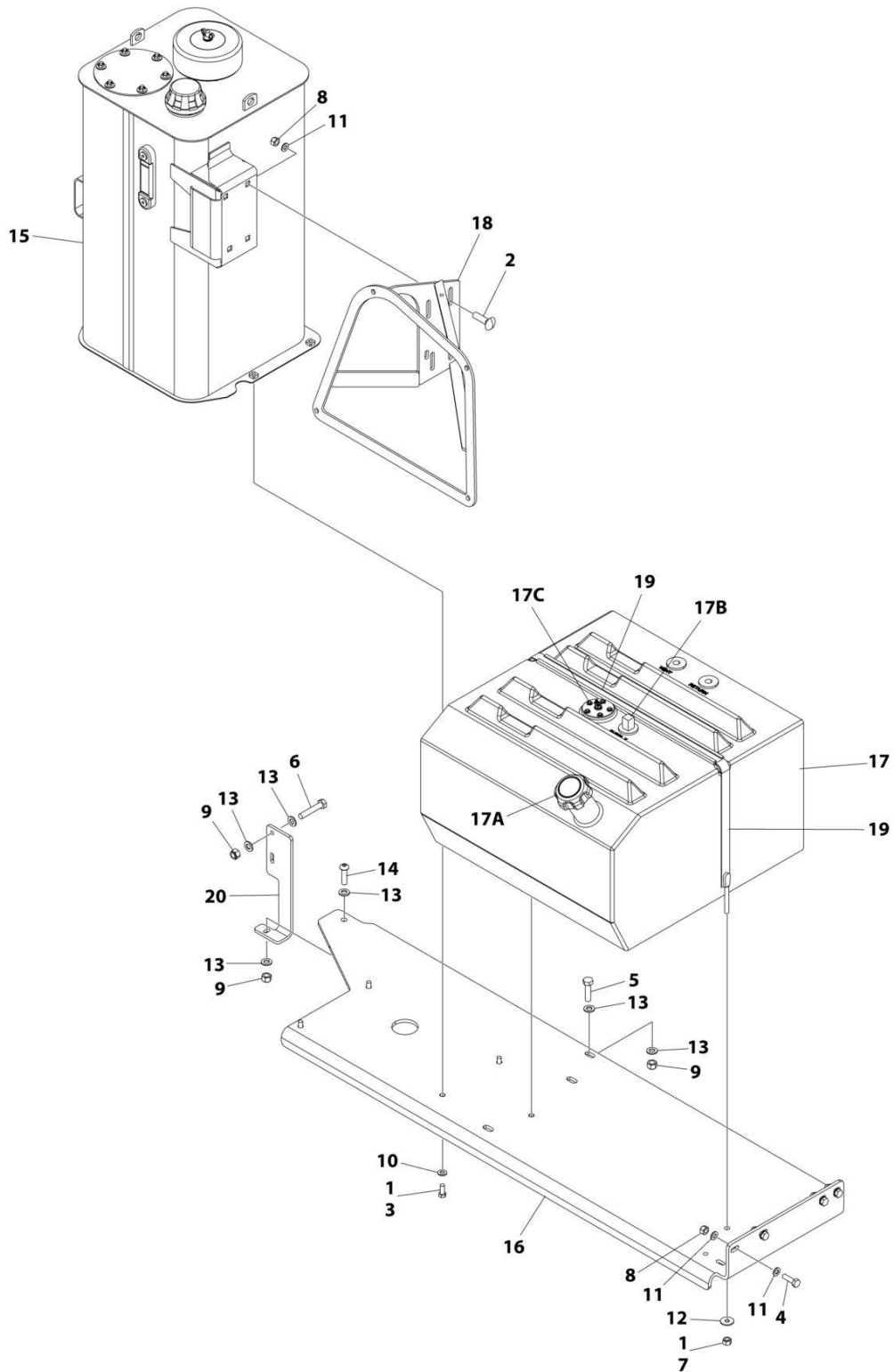
SECTION 2 - TURNTABLE

FIGURE 2-20. TANKS INSTALLATION - GAS MACHINES (HYDRAULIC TANK WITH 4 INCH BREATHER) (600S HC3)

ITEM	PART NUMBER	QTY	DESCRIPTION	REV
	1001284974	Ref	TANKS INSTALLATION	A
1	0100011	AR	Compound, Locking	
2	0630613	4	Bolt M10 x 30	
3	0641608	4	Bolt 3/8 x 1	
4	0701015	4	Bolt M10 x 35	
5	0701217	2	Bolt M12 x 45	
6	0701221	2	Bolt M12 x 65	
7	3291001	2	Nut M10	
8	3291005	8	Nut, Lock M10	
9	3291205	4	Nut, Lock M12	
10	4420038	30 in /76.2 cm	Tape	
11	4711600	4	Washer 3/8	
12	4812000	12	Washer M10	
13	4812002	2	Washer M10	
14	4812100	8	Washer M12	
15	1001199883	1	Support	
16	1001199933	1	Tray	
17	1001201326	1	Tank, Fuel	
17A	70001103	1	Cap, Fill	
17B	7020043	1	Tube, Pickup	
17C	1001148607	1	Sender, Fuel Level	
17C	0731005	5	Screw #10 x 5/8	
17C	4751000	5	Washer #10	
18	1001213251	1	Support, Ground Control	
19	1001238954	1	Strap Assembly	
19	1001189119	1	Strap, Tank	
19	4280295	48 in /122cm	Strip, Protector	
20	1001267678	1	Hydraulic Tank Assembly (See Separate Breakdown in this Section)	

SECTION 2 - TURNTABLE

FIGURE 2-21. TANKS INSTALLATION - GAS MACHINES (HYDRAULIC TANK WITH 6 INCH BREATHER) (660SJ HC3)



ART_1001258173

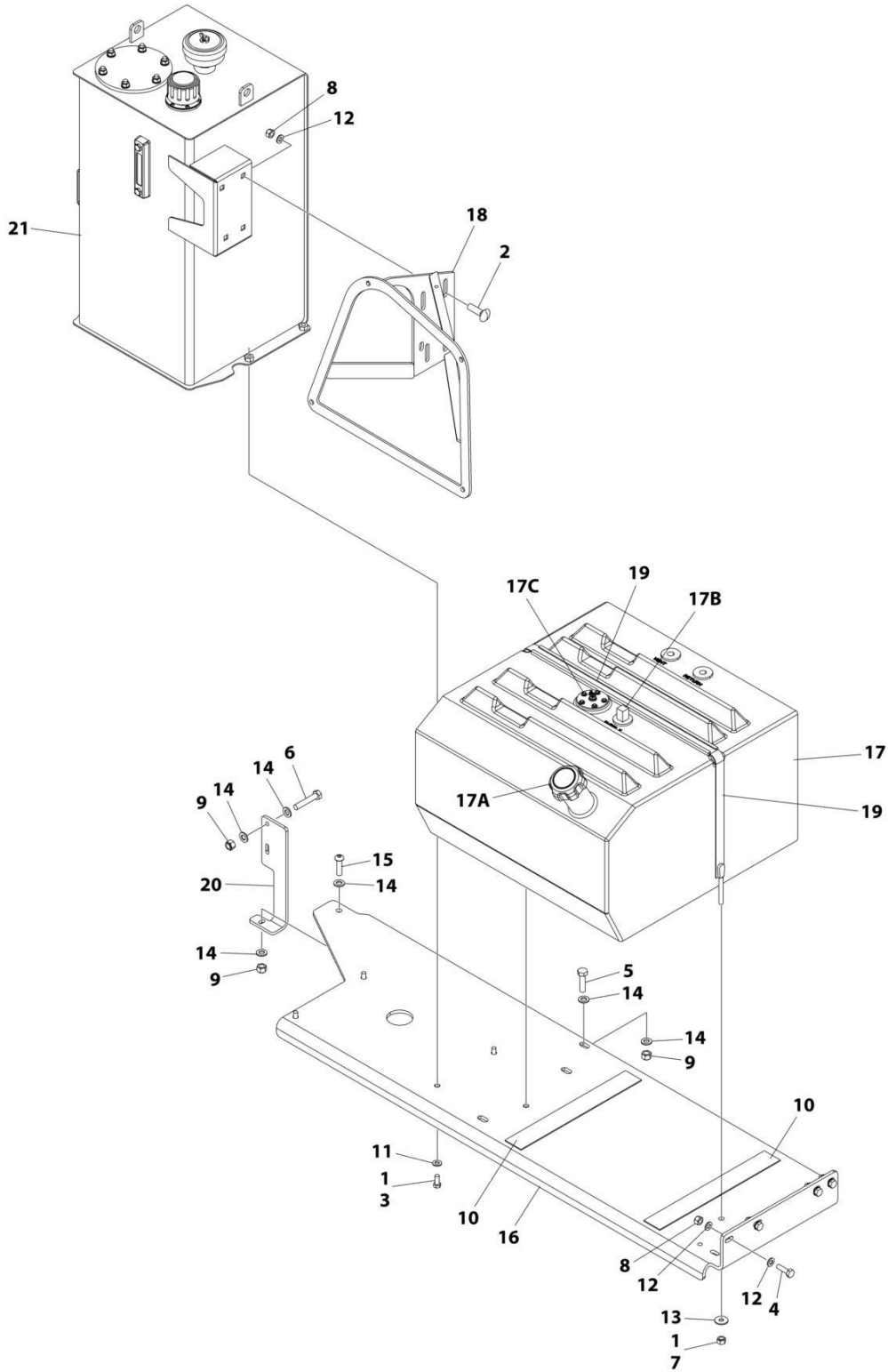
SECTION 2 - TURNTABLE

FIGURE 2-21. TANKS INSTALLATION - GAS MACHINES (HYDRAULIC TANK WITH 6 INCH BREATHER) (660SJ HC3)

ITEM	PART NUMBER	QTY	DESCRIPTION	REV
	1001258173	Ref	TANKS INSTALLATION	A
1	0100011	AR	Compound, Locking	
2	0630613	4	Bolt M10 x 30	
3	0641608	4	Bolt 3/8 x 1	
4	0701015	4	Bolt M10 x 35	
5	0701217	1	Bolt M12 x 45	
6	0701221	2	Bolt M12 x 65	
7	3291001	2	Nut M10	
8	3291005	8	Nut M10	
9	3291205	4	Nut M12	
10	4711600	4	Washer 3/8	
11	4812000	12	Washer M10	
12	4812002	2	Washer M10	
13	4812100	8	Washer M12	
14	1001102978	1	Screw M12 X 45	
15	1001178057	1	Hydraulic Tank Assembly (See Separate Breakdown in this Section)	
16	1001199933	1	Tray	
17	1001201326	1	Tank, Fuel	
17A	70001103	1	Cap, Fill	
17B	7020043	1	Tube, Pickup	
17C	1001148607	1	Sender, Fuel Level	
17C	0731005	5	Screw #10 x 5/8	
17C	4751000	5	Washer #10	
18	1001213251	1	Support, Ground Control	
19	1001238954	1	Strap Assembly	
19	1001189119	1	Strap, Tank	
19	4280295	48 in/ 122cm	Strip, Protector	
20	1001256667	1	Support	

SECTION 2 - TURNTABLE

FIGURE 2-22. TANKS INSTALLATION - GAS MACHINES (HYDRAULIC TANK WITH 4 INCH BREATHER) (660SJ HC3)



ART_1001284976

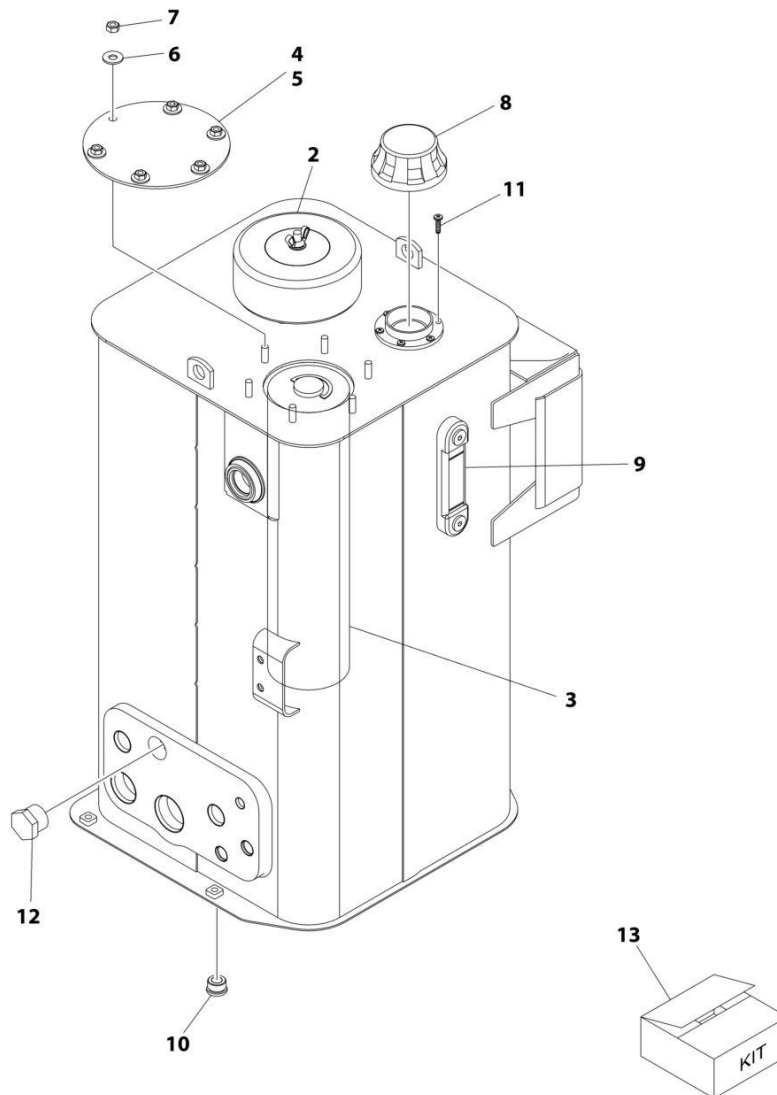
SECTION 2 - TURNTABLE

FIGURE 2-22. TANKS INSTALLATION - GAS MACHINES (HYDRAULIC TANK WITH 4 INCH BREATHER) (660SJ HC3)

ITEM	PART NUMBER	QTY	DESCRIPTION	REV
	1001284976	Ref	TANKS INSTALLATION	A
1	0100011	AR	Compound, Locking	
2	0630613	4	Bolt M10 x 30	
3	0641608	4	Bolt 3/8 x 1	
4	0701015	4	Bolt M10 x 35	
5	0701217	1	Bolt M12 x 45	
6	0701221	2	Bolt M12 x 65	
7	3291001	2	Nut M10	
8	3291005	8	Nut, Lock M10	
9	3291205	4	Nut, Lock M12	
10	4420038	AR	Tape	
11	4711600	4	Washer 3/8	
12	4812000	12	Washer M10	
13	4812002	2	Washer M10	
14	4812100	8	Washer M12	
15	1001102978	1	Bolt M12 x 45 Class 10.9	
16	1001199933	1	Tray	
17	1001201326	1	Tank, Fuel	
17A	70001103	1	Cap, Fill	
17B	7020043	1	Tube, Pickup	
17C	1001148607	1	Sender, Fuel Level	
17C	0731005	5	Screw #10 x 5/8	
17C	4751000	5	Washer #10	
18	1001213251	1	Support, Ground Control	
19	1001238954	1	Strap Assembly	
19	1001189119	1	Strap	
19	4280295	48 in/ 122cm	Strip, Protector	
20	1001256667	1	Support	
21	1001267678	1	Hydraulic Tank Assembly (See Separate Breakdown in this Section)	

SECTION 2 - TURNTABLE

FIGURE 2-23. HYDRAULIC TANK ASSEMBLY (HYDRAULIC TANK WITH 6 INCH BREATHER)



ART_1001178057

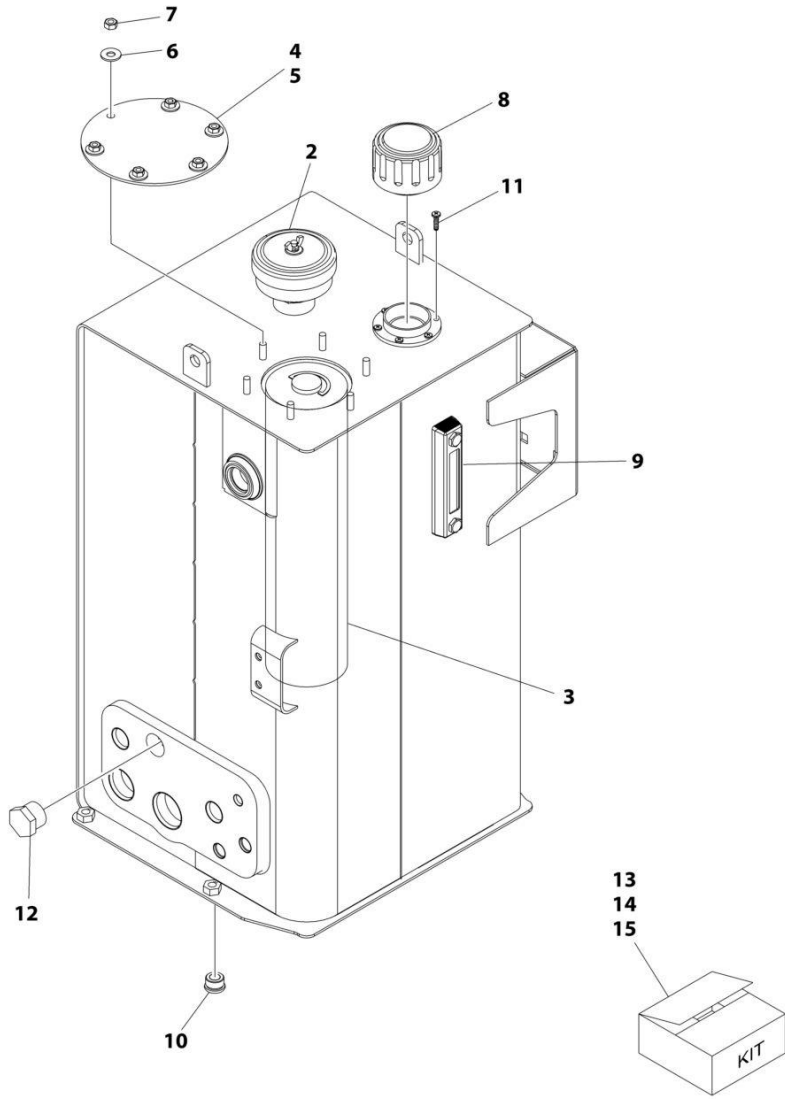
SECTION 2 - TURNTABLE

FIGURE 2-23. HYDRAULIC TANK ASSEMBLY (HYDRAULIC TANK WITH 6 INCH BREATHER)

ITEM	PART NUMBER	QTY	DESCRIPTION	REV
	1001178057	Ref	HYDRAULIC TANK ASSEMBLY	D
2	70005708	1	Breather Assembly (Includes Breather, Element and Wingnut)	
2	See Note	NSS	Element, Breather (Note: Use p/n 70005708 or Item 13)	
3	See Note	NSS	Element, Hydraulic (Note: Use Item 13)	
4	70002839	1	Gasket	
5	See Note	NSS	Cover (Note: Not Available for Purchase)	
6	83304173	6	Washer 5/16	
7	70004199	6	Nut 5/16	
8	70002838	1	Cap, Fill	
9	7024441	1	Gauge, Level	
10	70002112	1	Plug	
11	70004795	6	Screw #10 x 3/4	
12	See Note	NSS	Plug (Note: Not Available - Purchase Locally)	
13	70002814	1	Hydraulic Tank Service Kit (Includes Items 2-4)	

SECTION 2 - TURNTABLE

FIGURE 2-24. HYDRAULIC TANK ASSEMBLY (HYDRAULIC TANK WITH 4 INCH BREATHER)



ART_1001267678

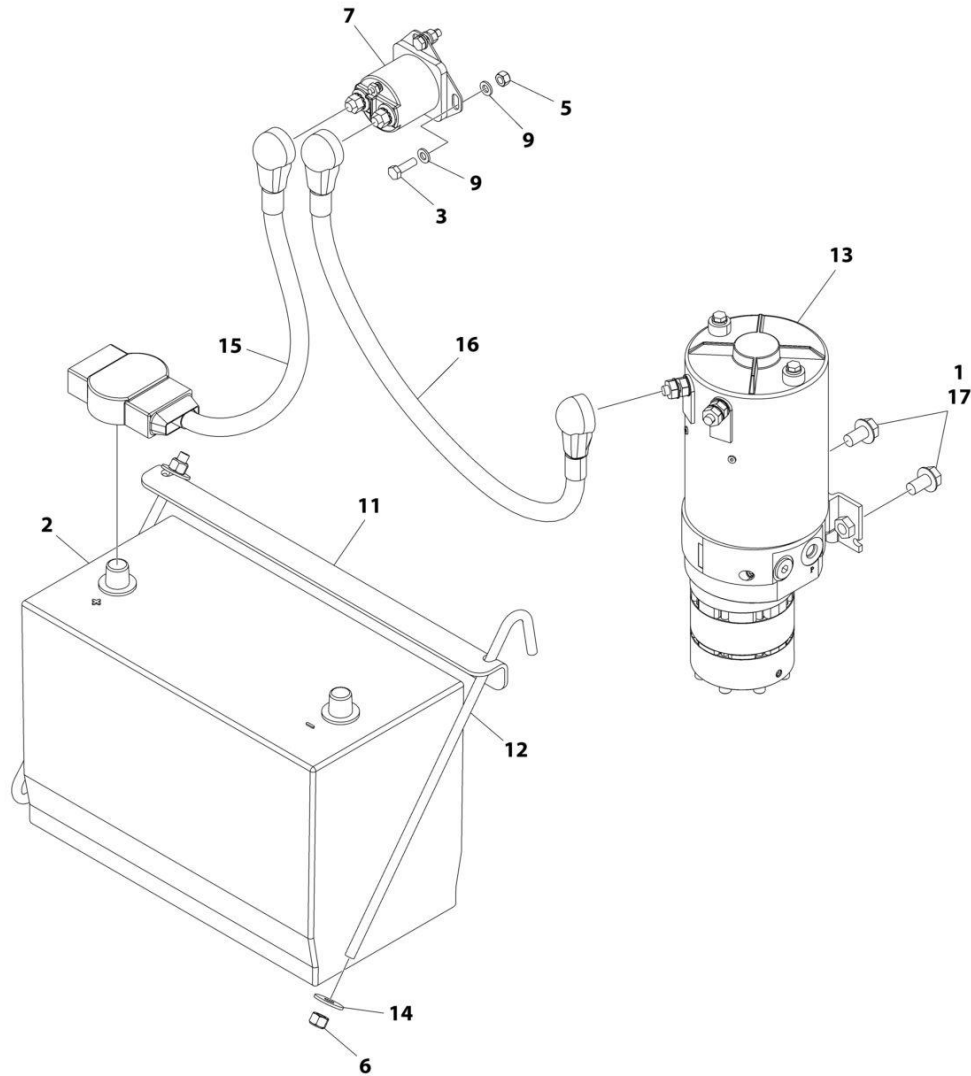
SECTION 2 - TURNTABLE

FIGURE 2-24. HYDRAULIC TANK ASSEMBLY (HYDRAULIC TANK WITH 4 INCH BREATHER)

ITEM	PART NUMBER	QTY	DESCRIPTION	REV
	1001267678	REF	HYDRAULIC TANK ASSEMBLY	A
1	See Note	NSS	Hydraulic Tank Weldment (Not Shown) (Note: Not Available for Purchase)	
2	See Note	NSS	Breather Assembly (Note: Use Item 13)	
3	See Note	NSS	Element, Filter (Note: Use Item Use Item 14)	
4	70002839	1	Gasket	
5	See Note	NSS	Cover (Note: Not Available for Purchase)	
6	83304173	6	Washer 1/4	
7	70004199	6	Nut 5/16	
8	70002838	1	Cap, Fill	
9	70024441	1	Gauge, Level	
10	70002112	1	Plug	
11	70004795	6	Screw 10 x 3/4	
12	See Note	NSS	Plug (Note: Not Available for Purchase)	
13	70007726	1	Breather Kit (Note: Includes Item 2)	
14	70007727	1	Return Filter Kit (Note: Includes Item 3)	
15	70007725	1	Level Gauge Kit	

SECTION 2 - TURNTABLE

FIGURE 2-25. BATTERY AND AUXILIARY PUMP INSTALLATION (MACHINES WITH SN STARTING WITH 03)



ART_1001186346

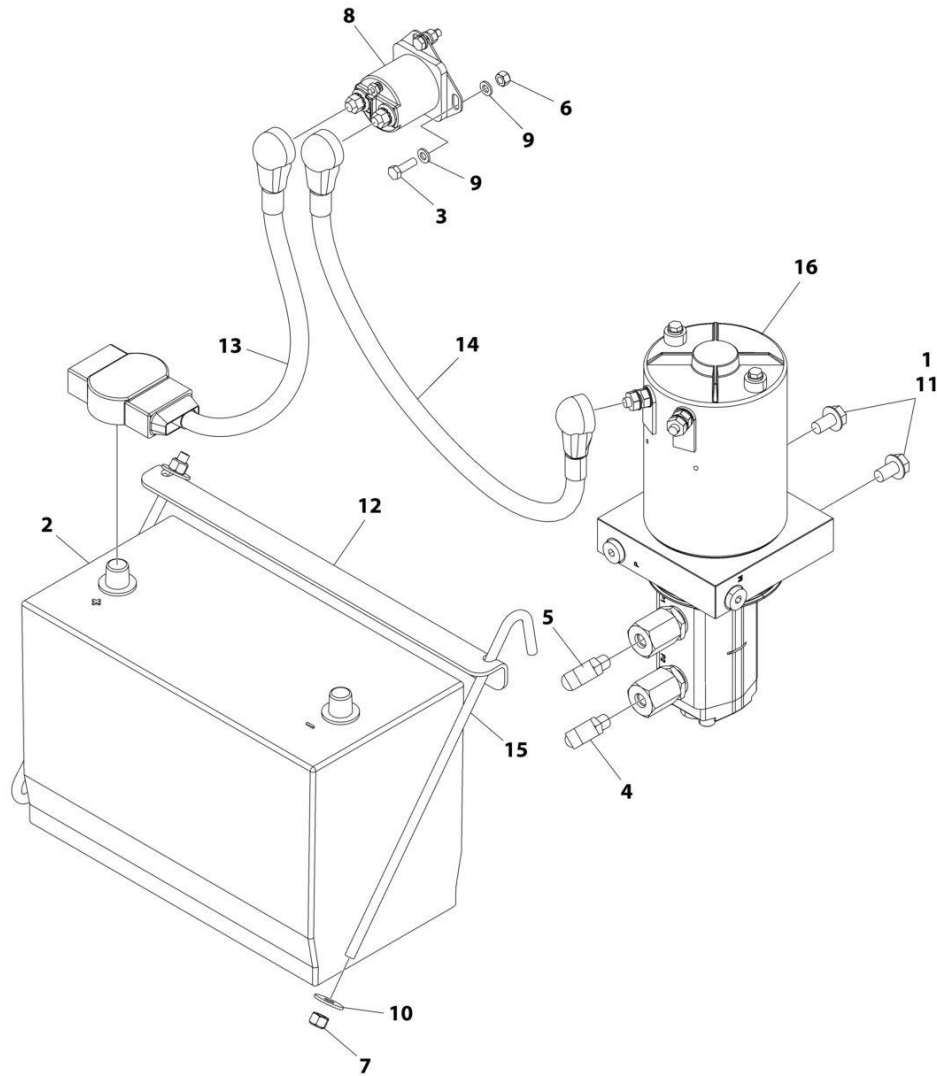
SECTION 2 - TURNTABLE

FIGURE 2-25. BATTERY AND AUXILIARY PUMP INSTALLATION (MACHINES WITH SN STARTING WITH 03)

ITEM	PART NUMBER	QTY	DESCRIPTION	REV
	1001186346	Ref	BATTERY AND AUXILIARY PUMP INSTALLATION	G
1	0100011	AR	Compound, Locking	
2	0400075	1	Battery	
3	0700610	2	Bolt M6 x 20	
5	3290605	2	Nut M6	
6	3290805	2	Nut M8	
7	3740067	1	Relay	
9	4811700	4	Washer M6	
11	91401281	1	Bracket, Hold Down	
12	1001192012	2	J-Bolt	
13	1001187808	1	Auxiliary Pump/Motor Assembly (Note: Replacement Motor is only Service Component Available. For Other Components, Replace Complete Assembly.)	
13	70003998	1	Motor, Replacement	
14	4811902	2	Washer M8	
15	1001188664	1	Cable, Battery (+)	
16	1001188666	1	Cable, Aux Relay to Aux Pump	
17	5251009	2	Bolt M10 x 18	

SECTION 2 - TURNTABLE

FIGURE 2-26. BATTERY AND AUXILIARY PUMP INSTALLATION (MACHINES WITH SN STARTING WITH B3)



ART_1001256239

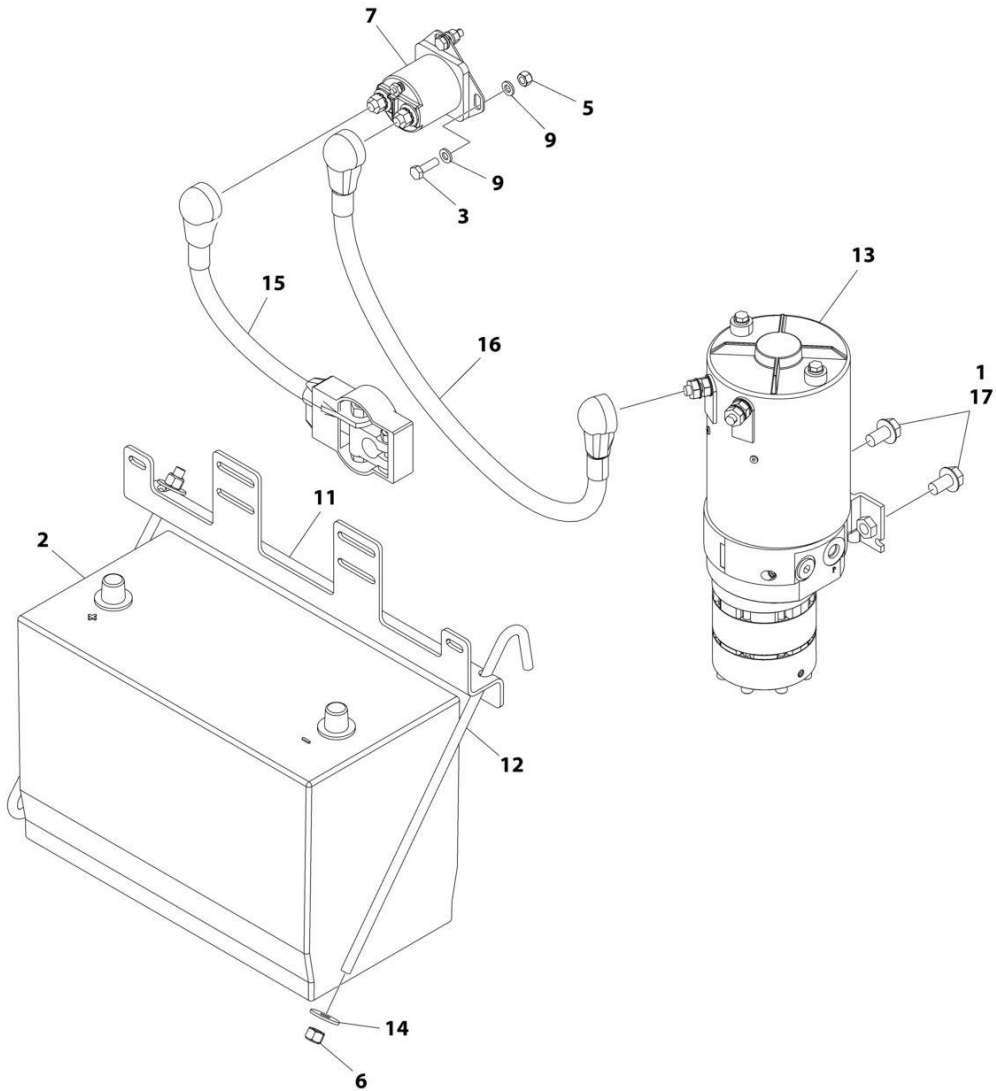
SECTION 2 - TURNTABLE

FIGURE 2-26. BATTERY AND AUXILIARY PUMP INSTALLATION (MACHINES WITH SN STARTING WITH B3)

ITEM	PART NUMBER	QTY	DESCRIPTION	REV
	1001256239	Ref	BATTERY AND AUXILIARY PUMP INSTALLATION	A
1	0100011	AR	Compound, Locking	
2	0400075	1	Battery	
3	0700610	2	Bolt M6 x 20	
4	2220466	1	Fitting, 90 JIC/ORB	
5	2220775	1	Fitting, 90 JIC/ORB	
6	3290605	2	Nut M6	
7	3290805	2	Nut M8	
8	3740067	1	Relay	
9	4811700	4	Washer M6	
10	4811902	2	Washer M8	
11	5251009	2	Bolt M10 x 18	
12	91401281	1	Bracket, Hold Down	
13	1001188664	1	Cable, Battery (+)	
14	1001188666	1	Cable, Aux Relay to Aux Pump	
15	1001192012	2	J-Bolt	
16	1001256238	1	Auxiliary Motor/Pump Assembly (See Separate Breakdown in this Section)	

SECTION 2 - TURNTABLE

FIGURE 2-27. BATTERY AND AUXILIARY PUMP WITH DISCONNECT SWITCH INSTALLATION
(MACHINES WITH SN STARTING WITH 03)



ART_1001238663

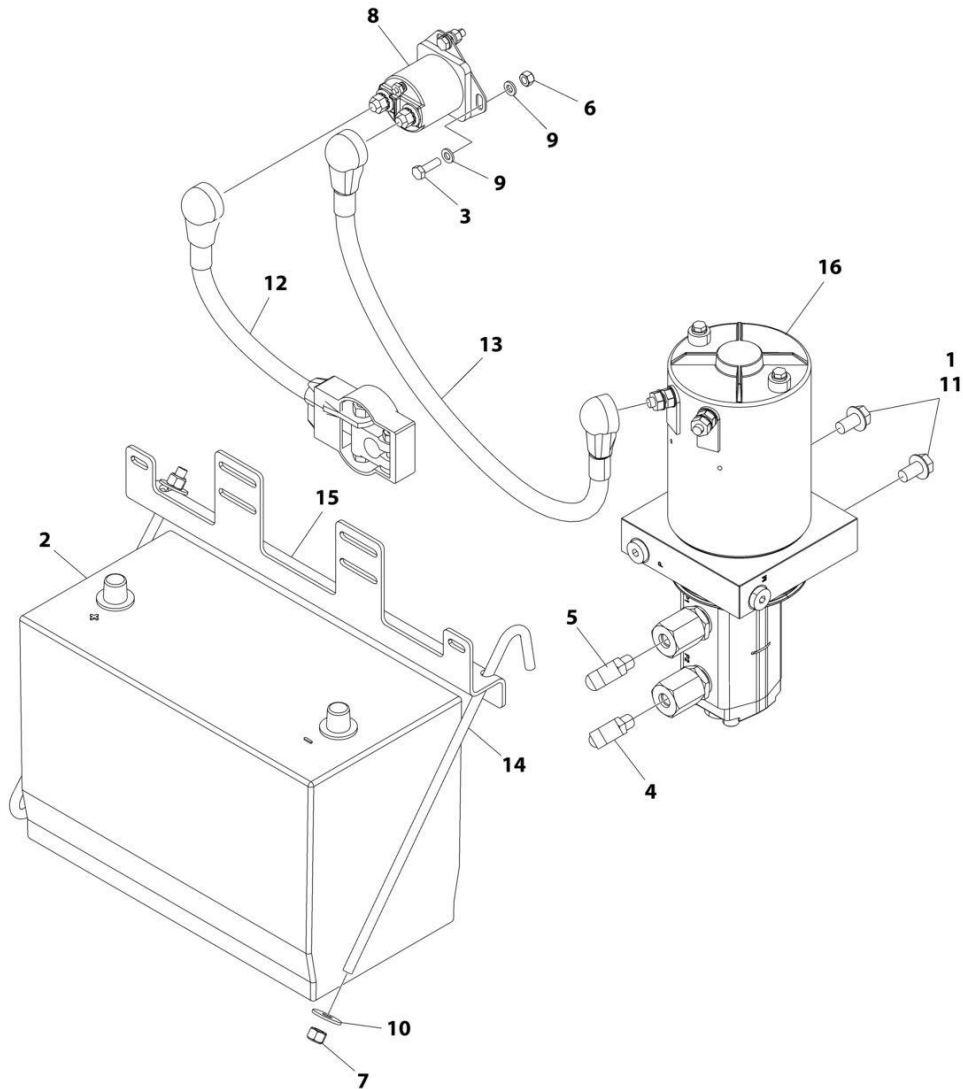
SECTION 2 - TURNTABLE

**FIGURE 2-27. BATTERY AND AUXILIARY PUMP WITH DISCONNECT SWITCH INSTALLATION
(MACHINES WITH SN STARTING WITH 03)**

ITEM	PART NUMBER	QTY	DESCRIPTION	REV
	1001238663	Ref	BATTERY AND AUXILIARY PUMP W/DISCONNECT SWITCH INSTALLATION	B
1	0100011	AR	Compound, Locking	
2	0400075	1	Battery	
3	0700610	2	Bolt M6 x 20	
5	3290605	2	Nut M6	
6	3290805	2	Nut M8	
7	3740067	1	Relay	
9	4811700	4	Washer M6	
11	1001236303	1	Bracket, Hold Down	
12	1001192012	2	J-Bolt	
13	1001187808	1	Auxiliary Pump/Motor Assembly (Note: Replacement Motor is only Service Component Available. For Other Components, Replace Complete Assembly.)	
13	70003998	1	Motor, Replacement	
14	4811902	2	Washer M8	
15	1001188664	1	Cable, Battery (+)	
16	1001188666	1	Cable, Aux Relay to Aux Pump	
17	5251009	2	Bolt M10 x 18	

SECTION 2 - TURNTABLE

FIGURE 2-28. BATTERY AND AUXILIARY PUMP INSTALLATION WITH DISCONNECT SWITCH
(MACHINES WITH SN STARTING WITH B3)



ART_1001263810

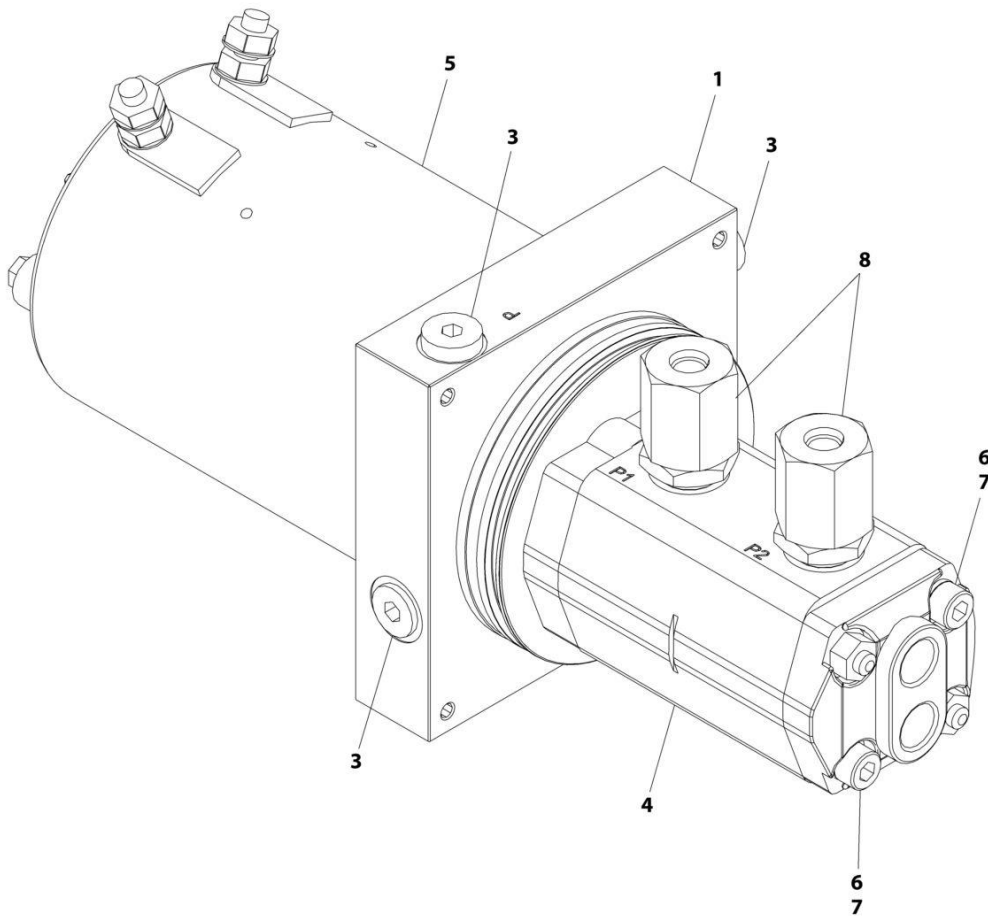
SECTION 2 - TURNTABLE

**FIGURE 2-28. BATTERY AND AUXILIARY PUMP INSTALLATION WITH DISCONNECT SWITCH
(MACHINES WITH SN STARTING WITH B3)**

ITEM	PART NUMBER	QTY	DESCRIPTION	REV
	1001263810	Ref	BATTERY AND AUXILIARY PUMP INSTALLATION	A
1	0100011	AR	Compound, Locking	
2	0400075	1	Battery	
3	0700610	2	Bolt M6 x 20	
4	2220466	1	Fitting, 90 JIC/ORB	
5	2220775	1	Fitting, 90 JIC/ORB	
6	3290605	2	Nut M6	
7	3290805	2	Nut M8	
8	3740067	1	Relay	
9	4811700	4	Washer M6	
10	4811902	2	Washer M8	
11	5251009	2	Bolt M10 x 18	
12	1001188664	1	Cable, Battery (+)	
13	1001188666	1	Cable, Aux Relay to Aux Pump	
14	1001192012	2	J-Bolt	
15	1001236303	1	Bracket, Hold Down	
16	1001256238	1	Auxiliary Motor/Pump Assembly (See Separate Breakdown in this Section)	

SECTION 2 - TURNTABLE

FIGURE 2-29. AUXILIARY MOTOR/PUMP ASSEMBLY (MACHINES WITH SN STARTING WITH B3)



ART_1001256238

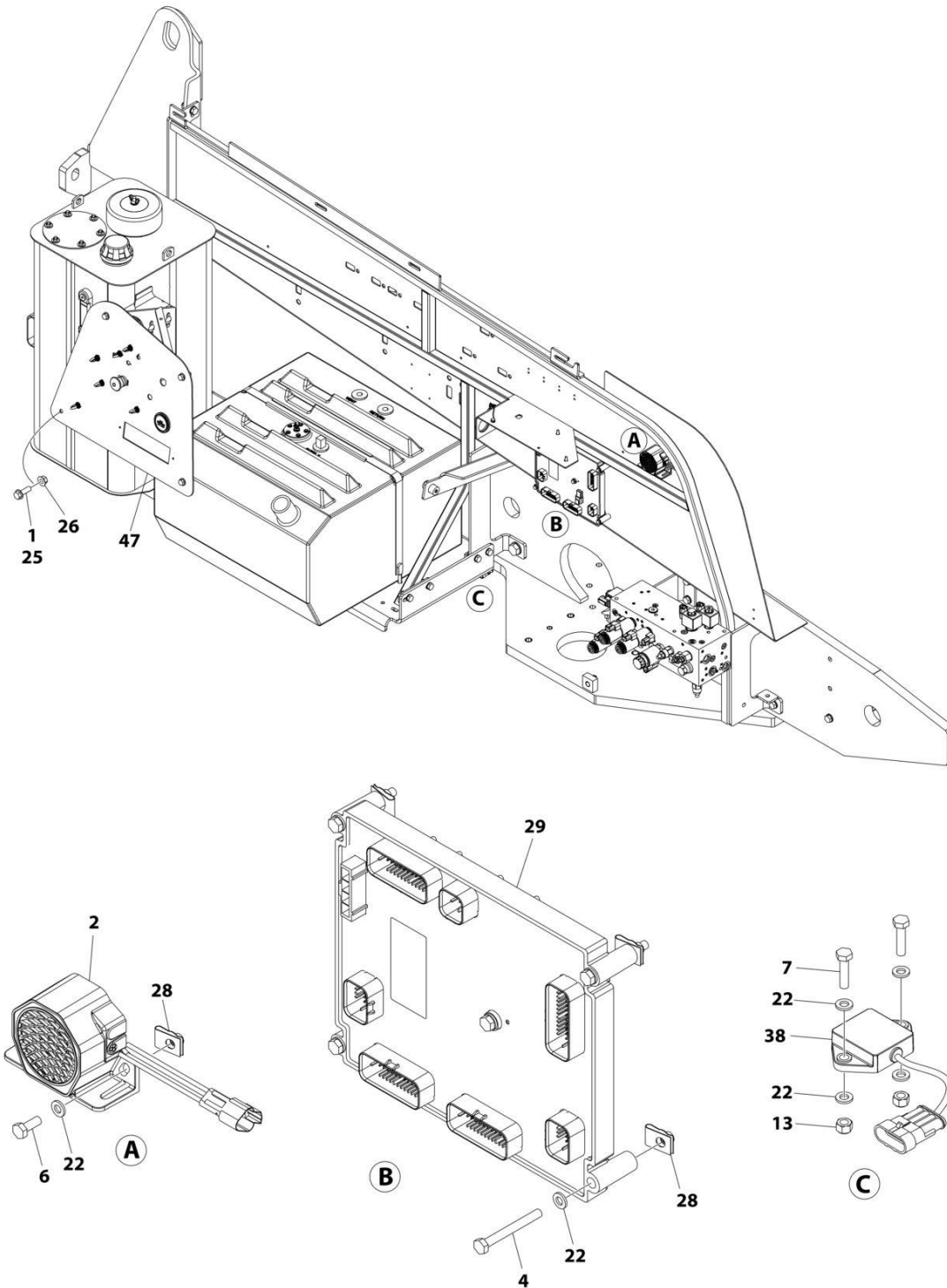
SECTION 2 - TURNTABLE

FIGURE 2-29. AUXILIARY MOTOR/PUMP ASSEMBLY (MACHINES WITH SN STARTING WITH B3)

ITEM	PART NUMBER	QTY	DESCRIPTION	REV
	1001256238	Ref	AUXILIARY MOTOR/PUMP ASSEMBLY	A
1	70008396	1	Block, Valve	
2	70008397	1	Shaft, Connecting (Not Shown)	
3	See Note	NSS	Plug (Note: Not Sold Separately)	
4	70008398	1	Pump	
5	70008399	1	Motor	
6	70008400	2	Washer M8	
7	70008401	2	Capscrew M8 x 140	
8	70008402	2	Valve, One-Way	

SECTION 2 - TURNTABLE

FIGURE 2-30. ELECTRICAL COMPONENTS INSTALLATION (ALL SPECS EXCEPT AUSTRALIAN, CE & UK CA (ULS) SPECS) (600S HC3)



ART_1001235143_G_10F2

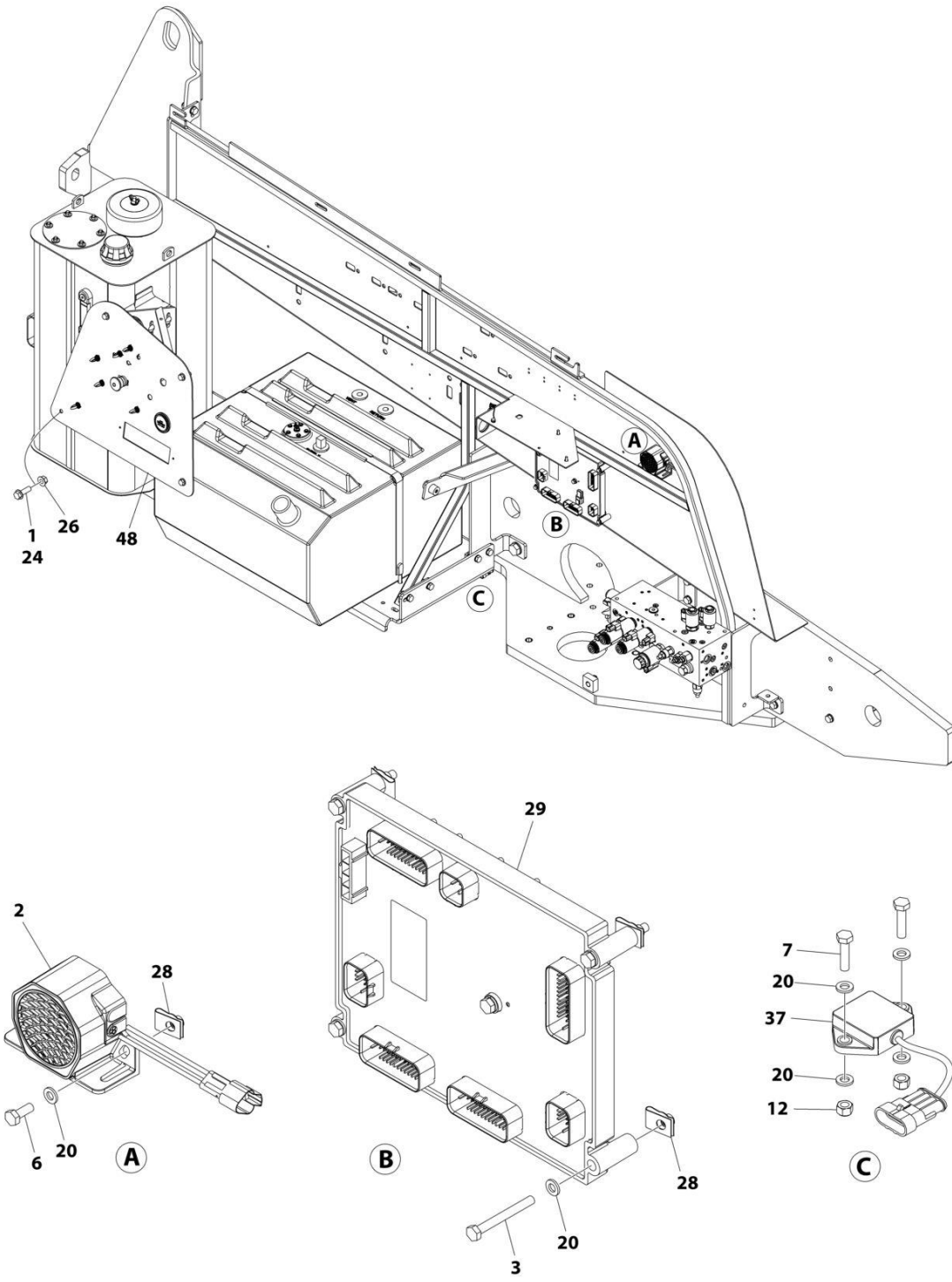
SECTION 2 - TURNTABLE

FIGURE 2-30. ELECTRICAL COMPONENTS INSTALLATION (ALL SPECS EXCEPT AUSTRALIAN, CE & UK CA (ULS) SPECS) (600S HC3)

ITEM	PART NUMBER	QTY	DESCRIPTION	REV
	1001235143	Ref	ELECTRICAL COMPONENTS INSTALLATION	G
1	0100011	AR	Compound, Locking	
2	0140043	1	Alarm	
4	0700619	5	Bolt M6 x 55	
6	0700608	2	Bolt M6 x 16	
7	0760612	2	Bolt M6 x 25	
13	3290605	2	Nut, Lock M6	
22	4811700	6	Washer M6	
25	5251014	4	Bolt M10 x 30	
26	5261000	4	Nut M10 Class 10	
28	1001130220	7	Nut, Tinnerman M6	
29	1001280340	1	Module, Ground Control (Note: Re-calibration Required when Replaced)	
38	1001219601	1	Sensor	
47	1001241588	1	Ground Control Panel Assembly (See Separate Breakdown in this Section)	
58	1001296426	1	Harness, Hourmeter Jumper (Not Shown) (See Separate Breakdown in ELECTRICAL Section)	

SECTION 2 - TURNTABLE

FIGURE 2-31. ELECTRICAL COMPONENTS INSTALLATION (CE & UK CA (ULS) SPECS) (600S HC3)



ART_1001262633_E_10F2

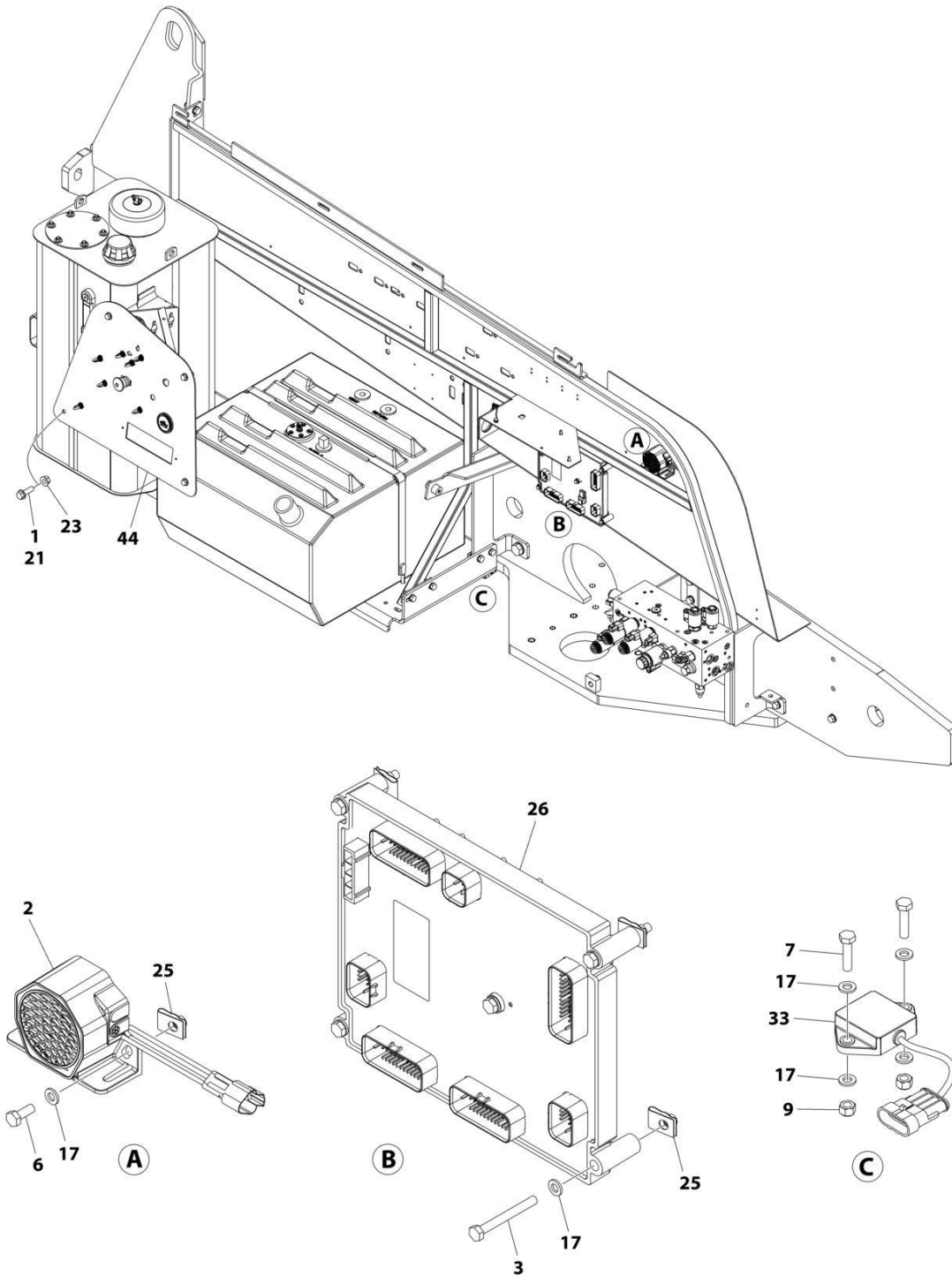
SECTION 2 - TURNTABLE

FIGURE 2-31. ELECTRICAL COMPONENTS INSTALLATION (CE & UK CA (ULS) SPECS) (600S HC3)

ITEM	PART NUMBER	QTY	DESCRIPTION	REV
	1001262633	Ref	ELECTRICAL COMPONENTS INSTALLATION	E
1	0100011	AR	Compound, Locking	
2	0140043	1	Alarm	
3	0700619	5	Bolt M6 x 55	
6	0760608	2	Bolt M6 x 16	
7	0760612	2	Bolt M6 x 25	
12	3290605	2	Nut, Lock M6	
20	4811700	11	Washer M6	
24	5251014	4	Bolt M10 x 30	
26	5261000	5	Nut M10 Class 10	
28	1001130220	7	Nut, Tinnerman M6	
29	1001280340	1	Module, Ground Control (Note: Re-calibration Required when Replaced)	
37	1001219601	1	Sensor	
48	1001245774	1	Ground Control Panel Assembly (See Separate Breakdown in this Section)	
58	1001296426	1	Harness, Hourmeter Jumper (Not Shown) (See Separate Breakdown in ELECTRICAL Section)	

SECTION 2 - TURNTABLE

FIGURE 2-32. ELECTRICAL COMPONENTS INSTALLATION (CE & UK CA (ULS) SPECS) (660SJ HC3)



ART_1001262634_E_1OF2

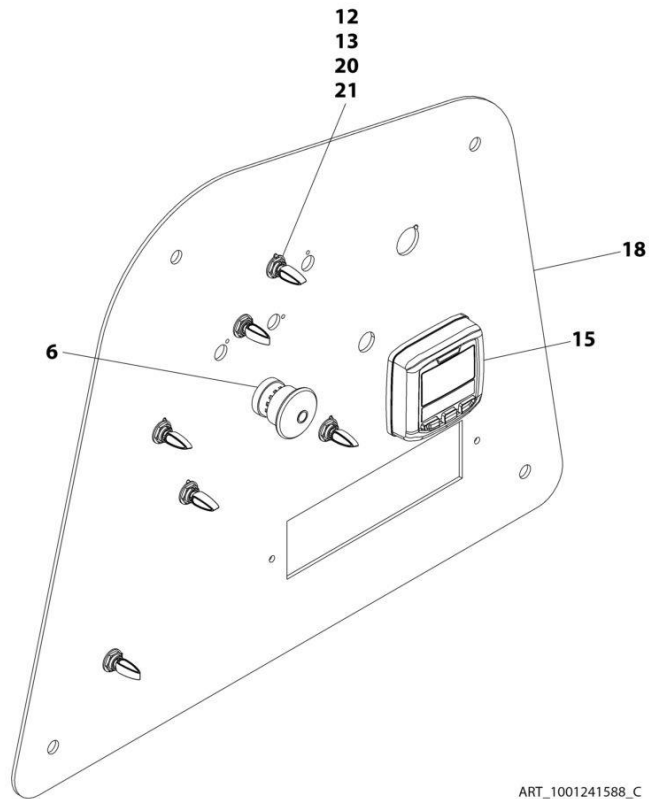
SECTION 2 - TURNTABLE

FIGURE 2-32. ELECTRICAL COMPONENTS INSTALLATION (CE & UK CA (ULS) SPECS) (660SJ HC3)

ITEM	PART NUMBER	QTY	DESCRIPTION	REV
	1001262634	Ref	ELECTRICAL COMPONENTS INSTALLATION	E
1	0100011	AR	Compound, Locking	
2	0140043	1	Alarm	
3	0700619	5	Bolt M6 x 55	
6	0700608	2	Bolt M6 x 16	
7	0760612	2	Bolt M6 x 25	
9	3290605	2	Nut, Lock M6	
17	4811700	11	Washer M6	
21	5251014	4	Bolt M10 x 30	
23	5261000	5	Nut M10 Class 10	
25	1001130220	7	Nut, Tinnerman M6	
26	1001280340	1	Module, Ground Control (Note: Re-calibration Required when Replaced)	
33	1001219601	1	Sensor	
44	1001245775	1	Ground Control Panel Assembly (See Separate Breakdown in this Section)	
49	1001296426	1	Harness, Hourmeter Jumper (Not Shown) (See Separate Breakdown in ELECTRICAL Section)	

SECTION 2 - TURNTABLE

FIGURE 2-33. GROUND CONTROL ASSEMBLY (MACHINES WITH SN STARTING WITH 03 ALL SPECS EXCEPT AUSTRALIAN, CE & UK CA (ULS) SPECS) (600S HC3)



ART_1001241588_C

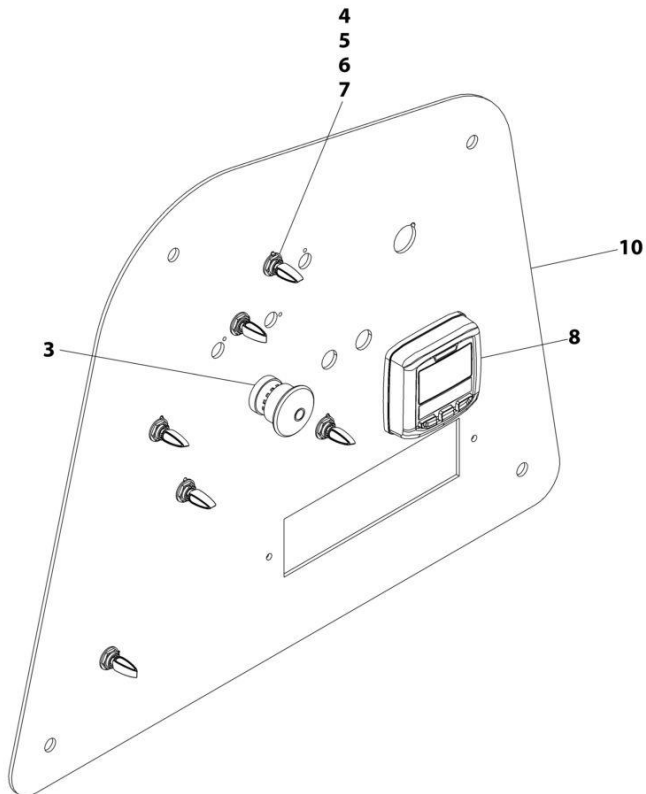
SECTION 2 - TURNTABLE

FIGURE 2-33. GROUND CONTROL ASSEMBLY (MACHINES WITH SN STARTING WITH 03 ALL SPECS EXCEPT AUSTRALIAN, CE & UK CA (ULS) SPECS) (600S HC3)

ITEM	PART NUMBER	QTY	DESCRIPTION	REV
	1001241588	Ref	GROUND CONTROL PANEL ASSEMBLY	C
6	1001274559	1	Switch, Emergency Stop	
12	1001155043	6	Washer	
13	1001155044	6	Nut 15/32	
15	1001171482	1	Gauge	
18	1001191126	1	Plate	
20	4740397	6	Washer	
21	1001155045	6	Switch, Toggle	

SECTION 2 - TURNTABLE

FIGURE 2-34. GROUND CONTROL ASSEMBLY (MACHINES WITH SN STARTING WITH 03 CE & UK CA (ULS) SPECS) (600S HC3)



ART_1001245774

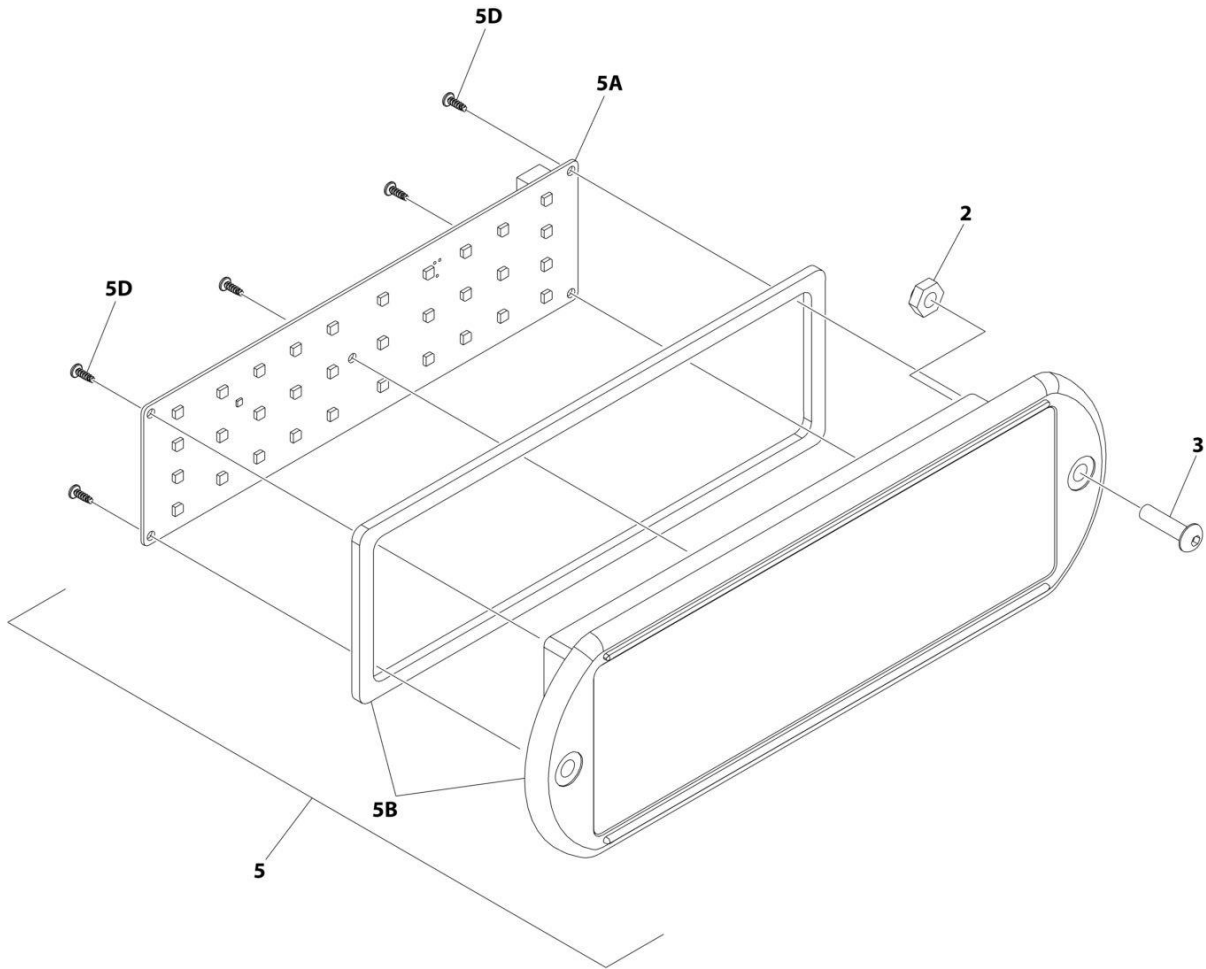
SECTION 2 - TURNTABLE

FIGURE 2-34. GROUND CONTROL ASSEMBLY (MACHINES WITH SN STARTING WITH 03 CE & UK CA (ULS) SPECS) (600S HC3)

ITEM	PART NUMBER	QTY	DESCRIPTION	REV
	1001245774	Ref	GROUND CONTROL PANEL ASSEMBLY	B
3	4360475	1	Switch, Emergency Stop	
3	7020175	1	Cap	
3	7020176	1	Block, Contact	
4	4740397	6	Washer	
5	1001155043	6	Washer	
6	1001155044	6	Nut 15/32	
7	1001155045	6	Switch, Toggle	
8	1001171482	1	Gauge	
10	1001245773	1	Plate	

SECTION 2 - TURNTABLE

FIGURE 2-35. LIGHT PANEL INSTALLATION



ART_1001233959_D_10F2

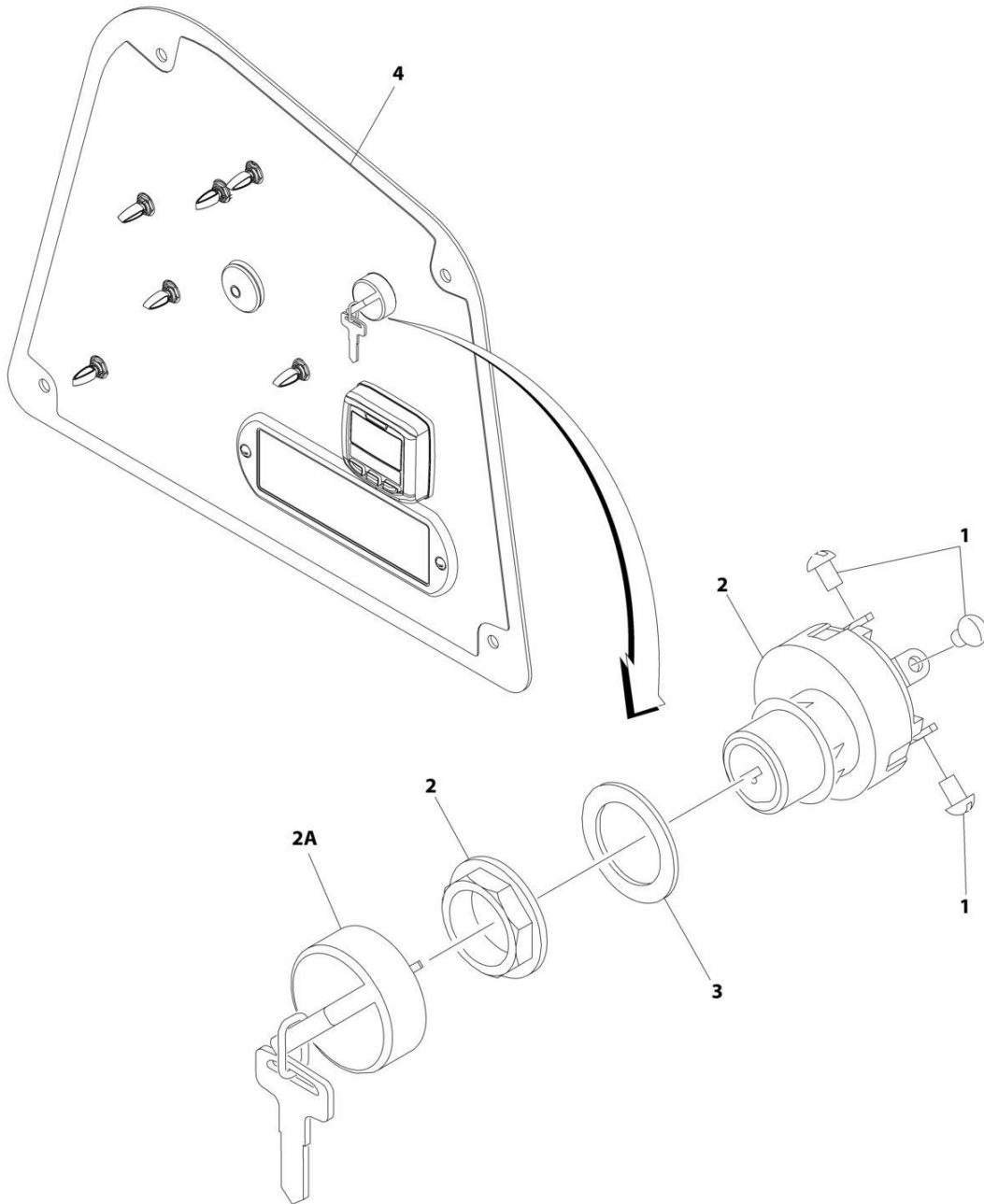
SECTION 2 - TURNTABLE

FIGURE 2-35. LIGHT PANEL INSTALLATION

ITEM	PART NUMBER	QTY	DESCRIPTION	REV
	1001233959	Ref	LIGHT PANEL INSTALLATION	D
2	3300408	2	Nut, Nylon Insert	
3	0630518	2	Screw #10 x 3/4	
5	1001237546	1	Light Panel Assembly	J
5A	1001282106	1	Panel, LED Light	
5B	1001236091	1	Lens, Icon (Includes Gasket)	
5D		Ref	Screw	

SECTION 2 - TURNTABLE

FIGURE 2-36. KEYSWITCH INSTALLATION (ANSI, ANSI EXPORT, CHINA, CSA AND JAPANESE SPECS) (600S HC3)



ART_1001239448

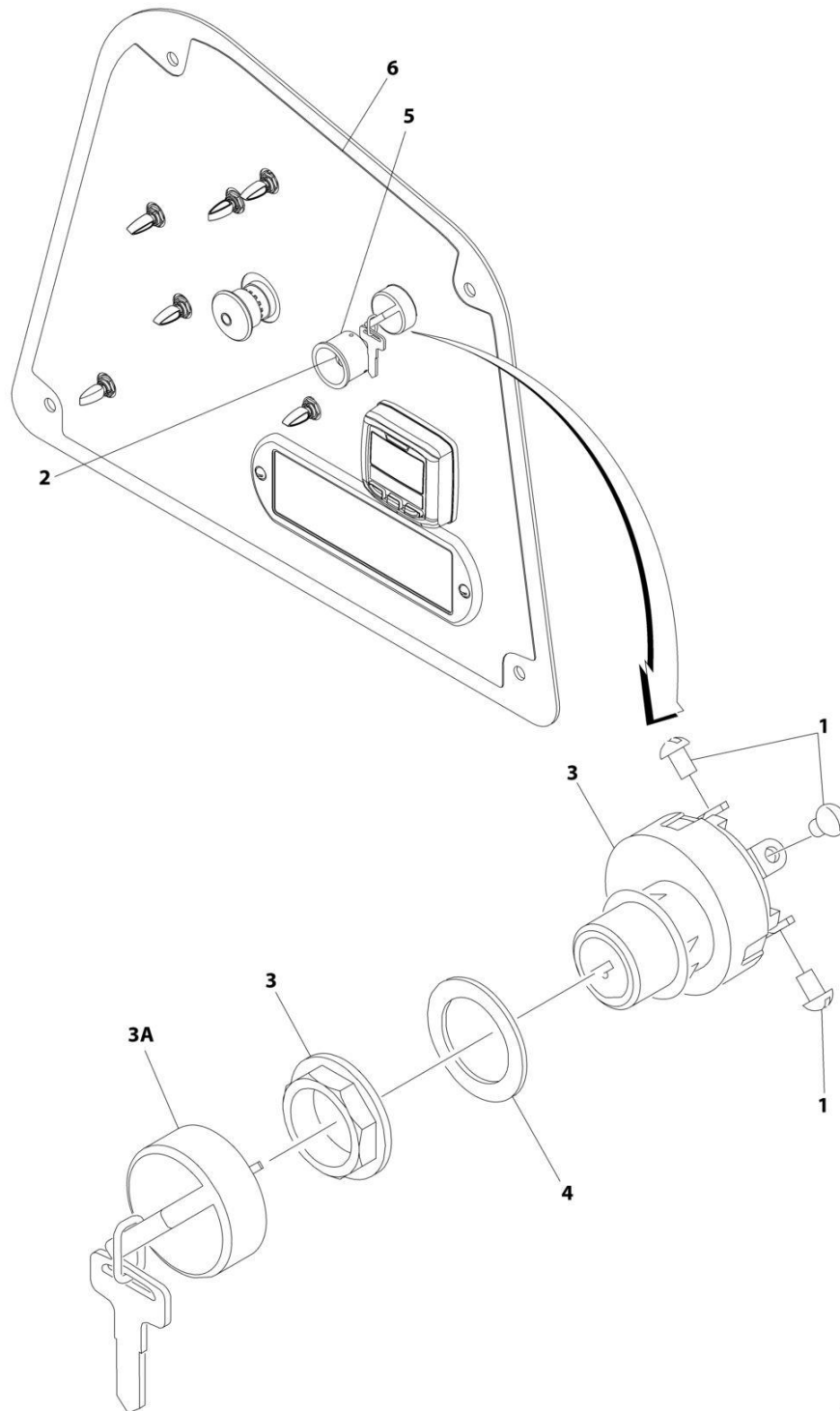
SECTION 2 - TURNTABLE

FIGURE 2-36. KEYSWITCH INSTALLATION (ANSI, ANSI EXPORT, CHINA, CSA AND JAPANESE SPECS) (600S HC3)

ITEM	PART NUMBER	QTY	DESCRIPTION	REV
	1001239448	Ref	KEYSWITCH INSTALLATION	B
1	3910804	6	Screw #8 x 1/4	
2	4360469	1	Switch, Key	
2A	2860030	1 Set	Key, Replacement	
3	1001151393	1	Shim	
4	1001239450	1	Decal - Ground Control Panel	

SECTION 2 - TURNTABLE

FIGURE 2-37. KEYSWITCH INSTALLATION (RUSSIA, CE & UK CA SPECS) (600S HC3)



ART_1001239449

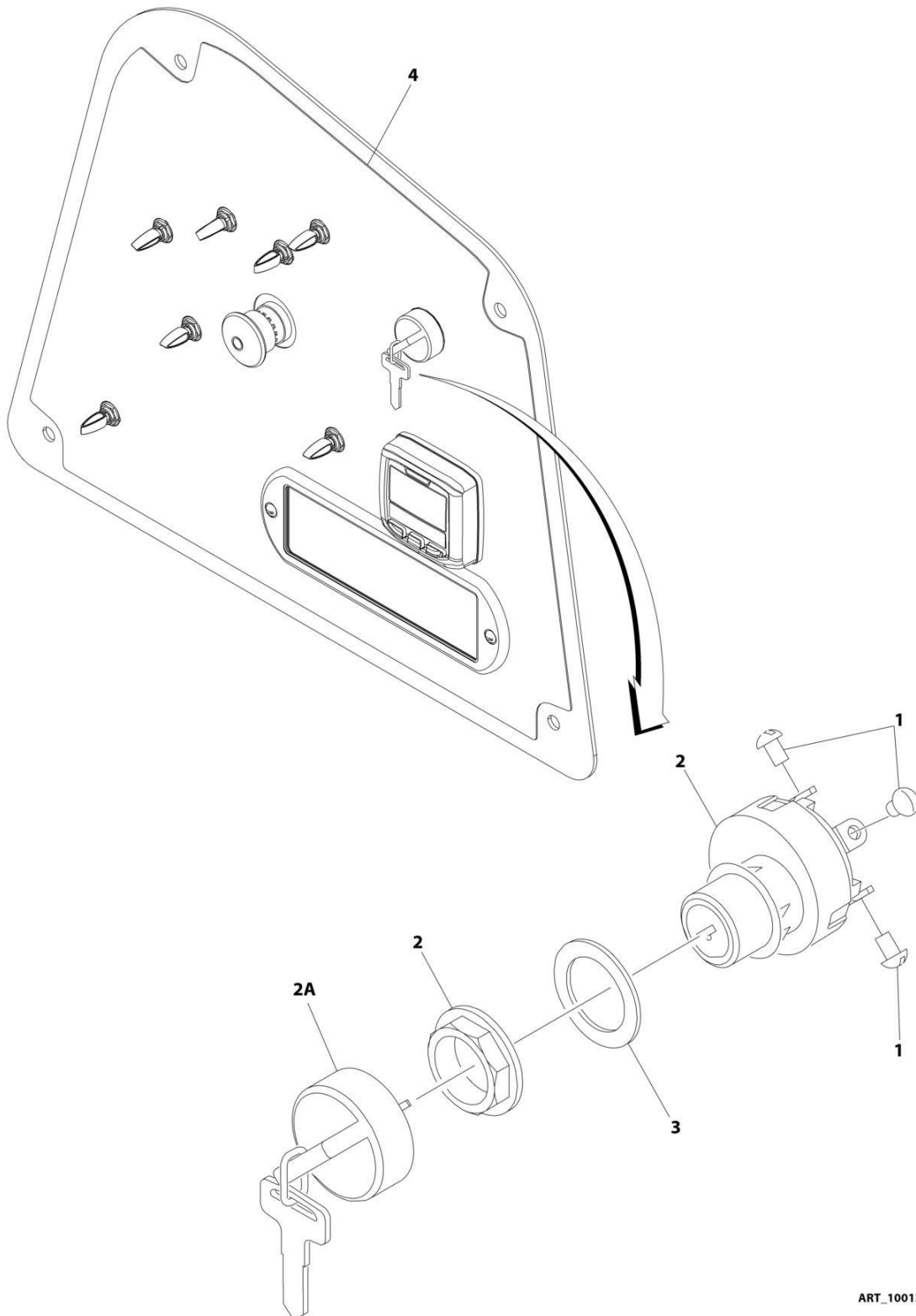
SECTION 2 - TURNTABLE

FIGURE 2-37. KEYSWITCH INSTALLATION (RUSSIA, CE & UK CA SPECS) (600S HC3)

ITEM	PART NUMBER	QTY	DESCRIPTION	REV
	1001239449	Ref	KEYSWITCH INSTALLATION	B
1	3910804	6	Screw #8-32 x 1/4	
2	4360387	1	Switch, Push Button	
3	4360469	1	Switch, Key	
3A	2860030	1 Set	Key, Replacement	
4	1001151393	1	Shim	
5	1001176469	1	Shroud, Switch	
6	1001239451	1	Decal - Ground Control Panel	

SECTION 2 - TURNTABLE

FIGURE 2-38. KEYSWITCH INSTALLATION (ANSI, ANSI EXPORT, AUSTRALIAN, CHINA, CSA AND JAPANESE SPECS) (660SJ HC3)



ART_1001230196

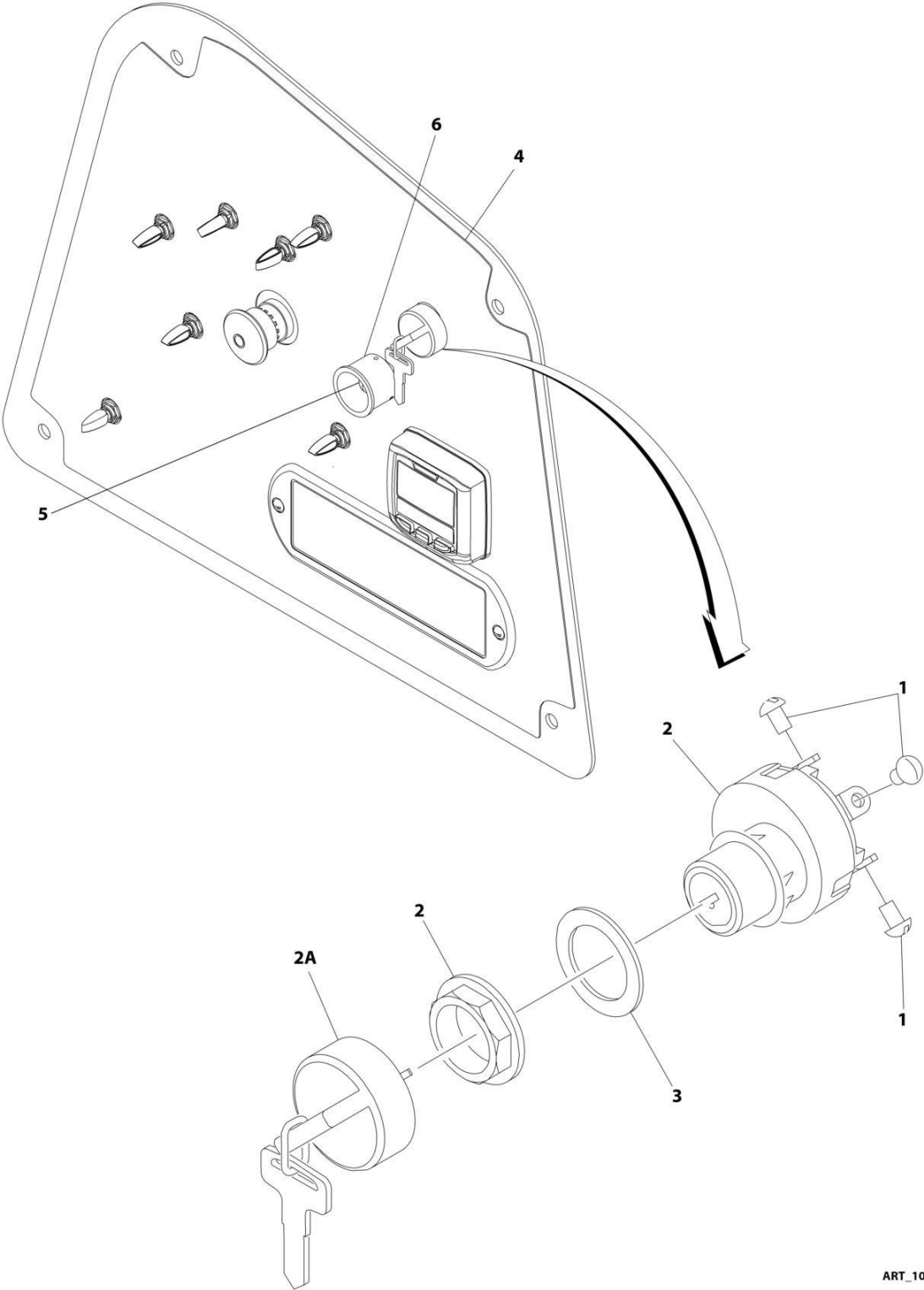
SECTION 2 - TURNTABLE

FIGURE 2-38. KEYSWITCH INSTALLATION (ANSI, ANSI EXPORT, AUSTRALIAN, CHINA, CSA AND JAPANESE SPECS) (660SJ HC3)

ITEM	PART NUMBER	QTY	DESCRIPTION	REV
	1001250196	Ref	KEYSWITCH INSTALLATION	A
1	3910804	6	Screw #8 x 1/4	
2	4360469	1	Switch, Key	
2A	2860030	1 Set	Key, Replacement	
3	1001151393	1	Shim	
4	1001250193	1	Decal - Ground Control Panel	

SECTION 2 - TURNTABLE

FIGURE 2-39. KEYSWITCH INSTALLATION (RUSSIA, CE & UK CA SPECS) (660SJ HC3)



ART_1001250197

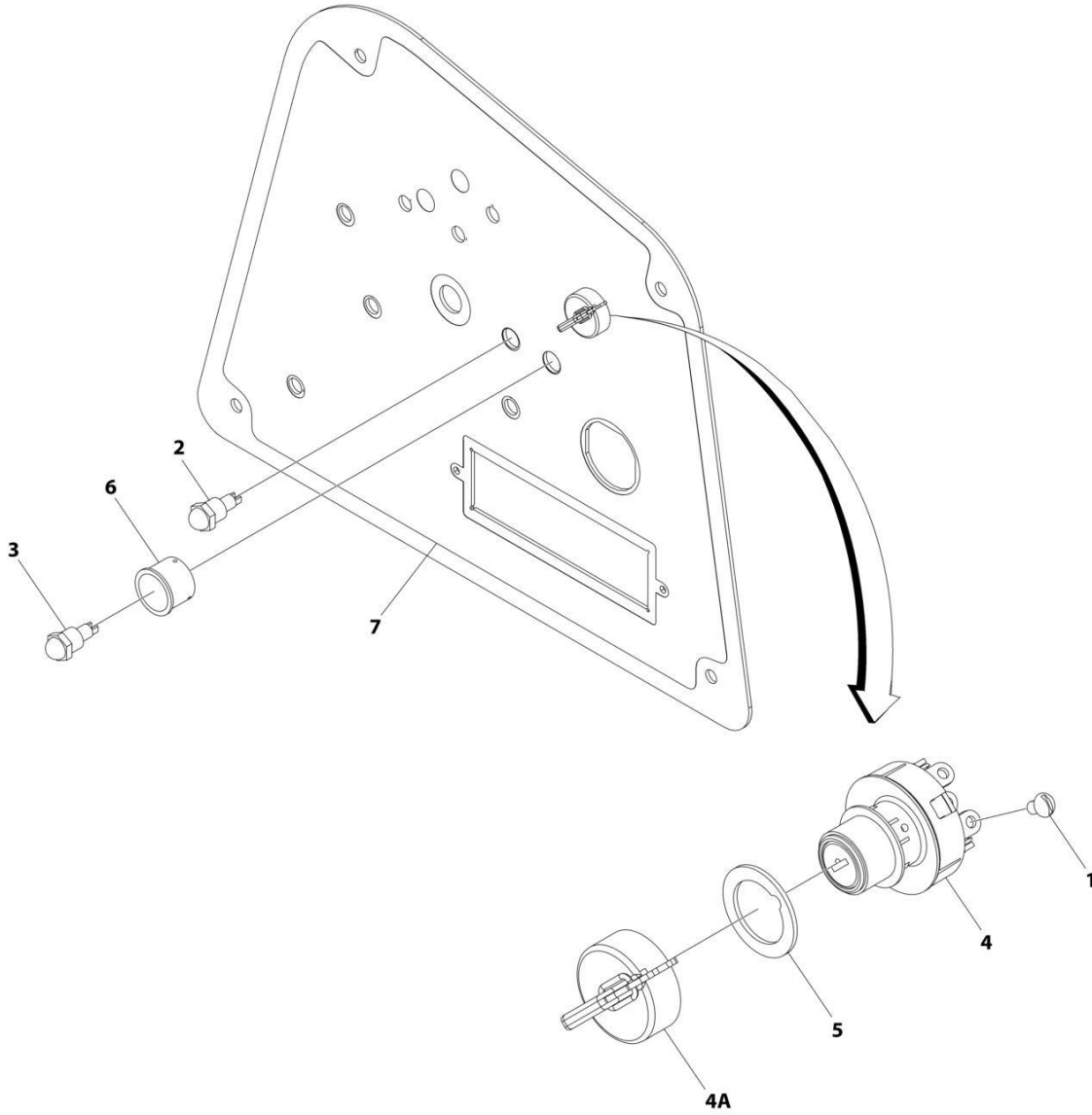
SECTION 2 - TURNTABLE

FIGURE 2-39. KEYSWITCH INSTALLATION (RUSSIA, CE & UK CA SPECS) (660SJ HC3)

ITEM	PART NUMBER	QTY	DESCRIPTION	REV
	1001250197	Ref	KEYSWITCH INSTALLATION	A
1	3910804	6	Screw #8 x 1/4	
2	4360469	1	Switch, Key	
2A	2860030	1 Set	Key, Replacement	
3	1001151393	1	Shim	
4	1001250194	1	Decal - Ground Control Panel	
5	4360387	1	Switch, Push Button	
6	1001176469	1	Shroud, Switch	

SECTION 2 - TURNTABLE

FIGURE 2-40. KEYSWITCH INSTALLATION (WITHOUT JIB) (WITH MSSO) (CE & UK CA SPECS) (600S HC3)



ART_1001245782

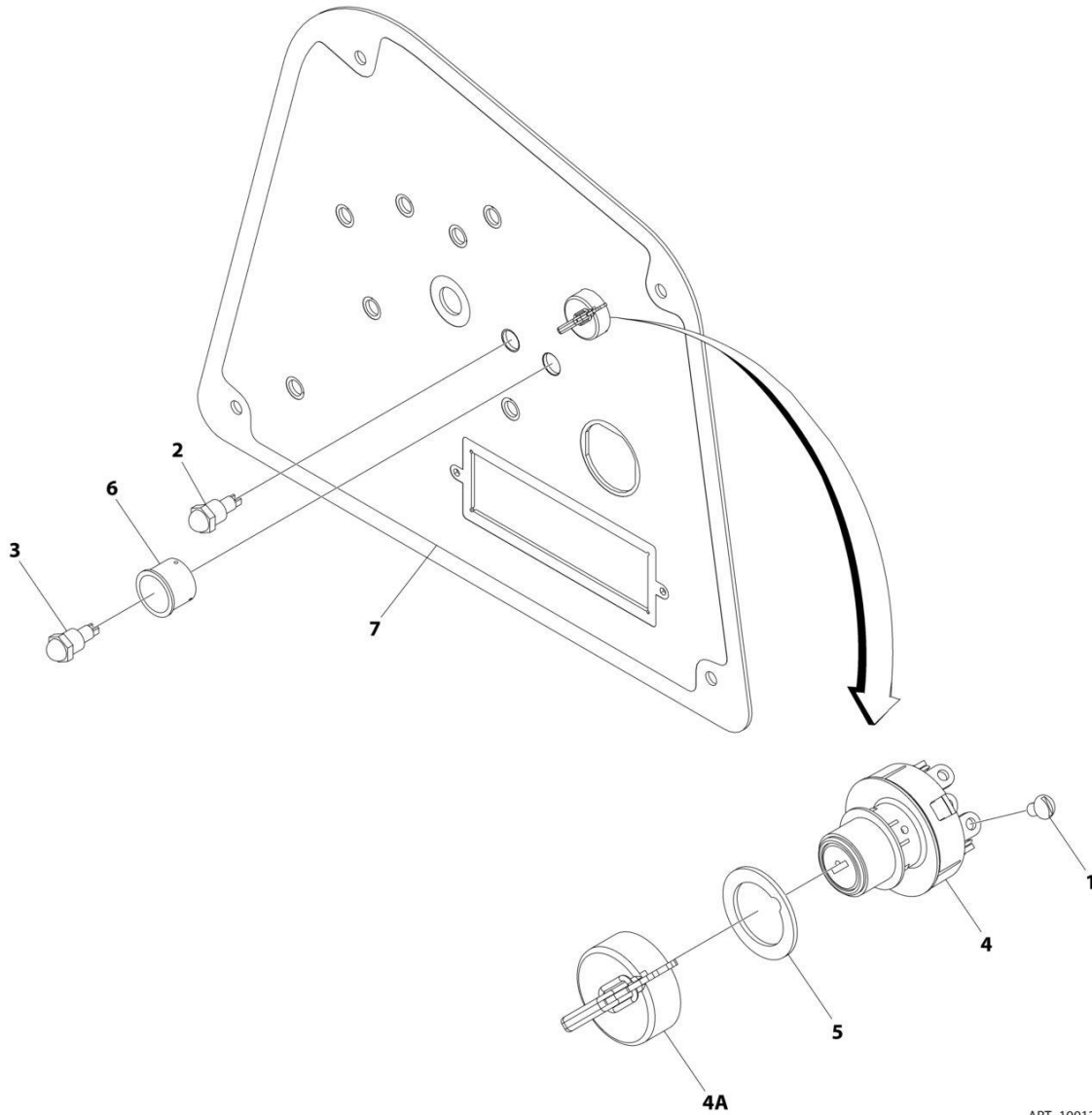
SECTION 2 - TURNTABLE

FIGURE 2-40. KEYSWITCH INSTALLATION (WITHOUT JIB) (WITH MSSO) (CE & UK CA SPECS) (600S HC3)

ITEM	PART NUMBER	QTY	DESCRIPTION	REV
	1001245782	Ref	KEYSWITCH INSTALLATION	B
1	3910804	6	Screw #8 x 1/4	
2	4360274	1	Switch, Push Button	
3	4360387	1	Switch, Push Button	
4	4360469	1	Switch, Key	
4A	2860030	Set	Key, Replacement	
5	1001151393	1	Shim	
6	1001176469	1	Shroud, Switch	
7	1001245769	1	Decal - Ground Control Panel	

SECTION 2 - TURNTABLE

FIGURE 2-41. KEYSWITCH INSTALLATION (WITH JIB) (WITH MSSO) (CE & UK CA SPECS) (660SJ HC3)



ART_1001245783

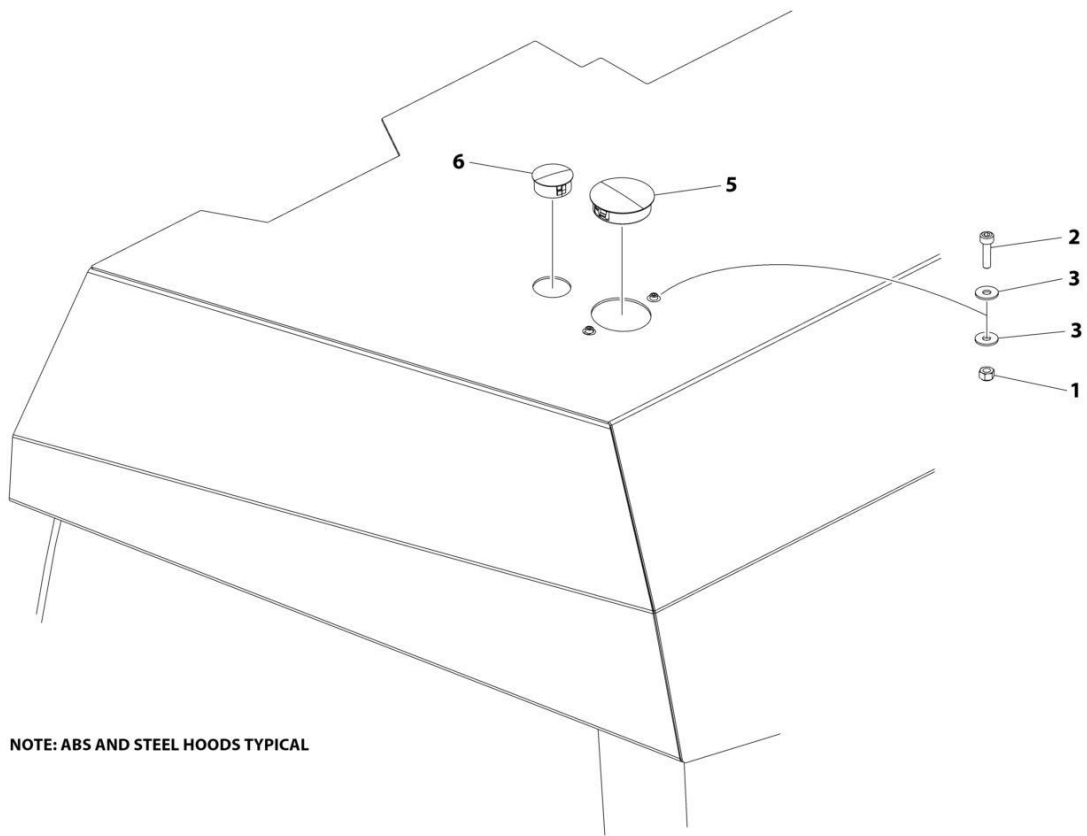
SECTION 2 - TURNTABLE

FIGURE 2-41. KEYSWITCH INSTALLATION (WITH JIB) (WITH MSSO) (CE & UK CA SPECS) (660SJ HC3)

ITEM	PART NUMBER	QTY	DESCRIPTION	REV
	1001245783	Ref	KEYSWITCH INSTALLATION	B
1	3910804	6	Screw #8 x 1/4	
2	4360274	1	Switch, Push Button	
3	4360387	1	Switch, Push Button	
4	4360469	1	Switch, Key	
4A	2860030	1 Set	Key, Replacement	
5	1001151393	1	Shim	
6	1001176469	1	Shroud, Switch	
7	1001245770	1	Decal - Ground Control Panel	

SECTION 2 - TURNTABLE

FIGURE 2-42. HOOD PLUG INSTALLATION - NO STROBE



ART_1001285811

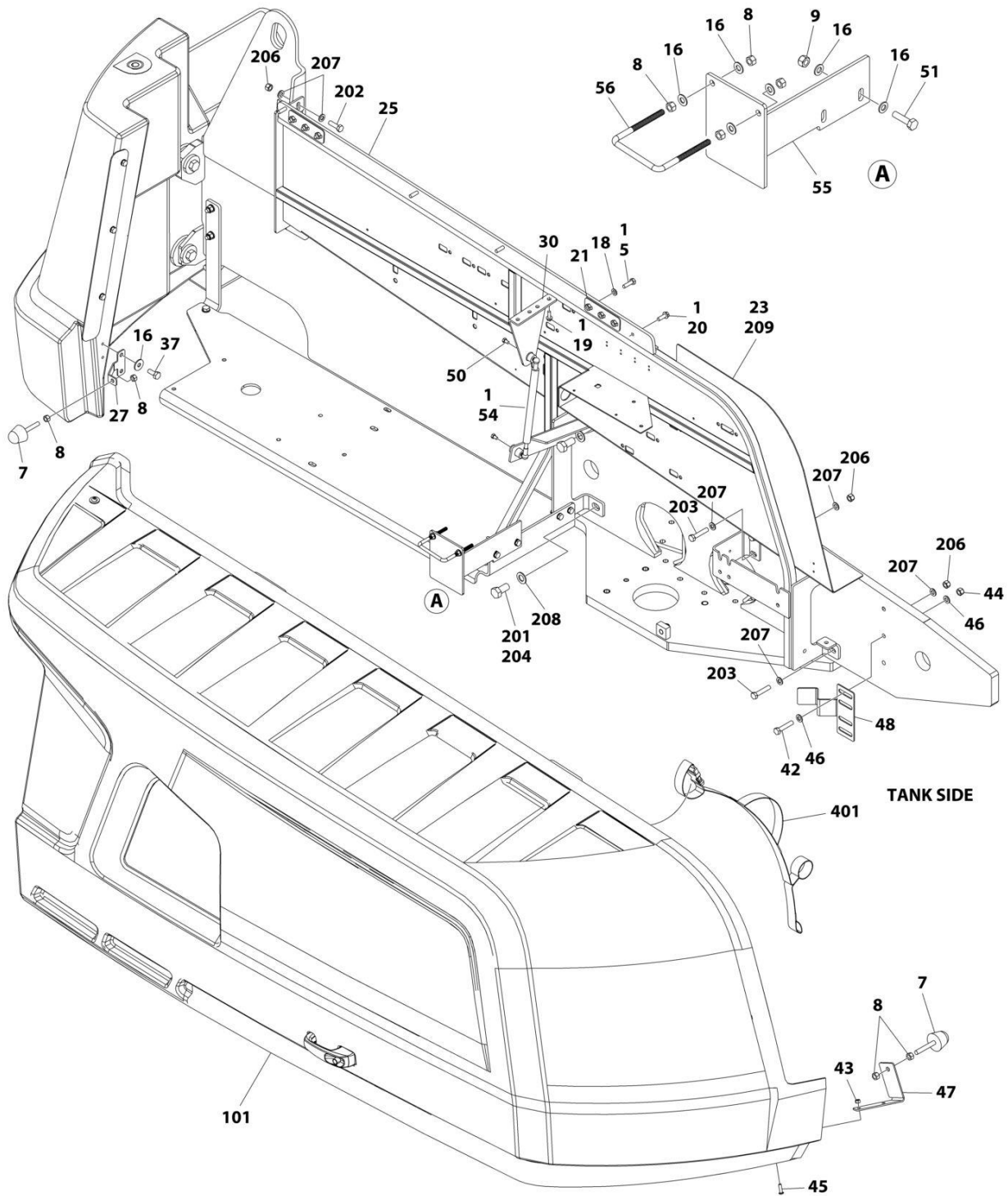
SECTION 2 - TURNTABLE

FIGURE 2-42. HOOD PLUG INSTALLATION - NO STROBE

ITEM	PART NUMBER	QTY	DESCRIPTION	REV
	1001285811	Ref	HOOD PLUGS INSTALLATION	A
1	3290405	2	Nut M4	
2	4031507	2	Capscrew M4 x 16	
3	1001091102	4	Washer M6	
4	1001244462	1	Cap, Dust (Not Shown)	
5	1001285891	1	Plug	
6	1001285892	1	Plug	

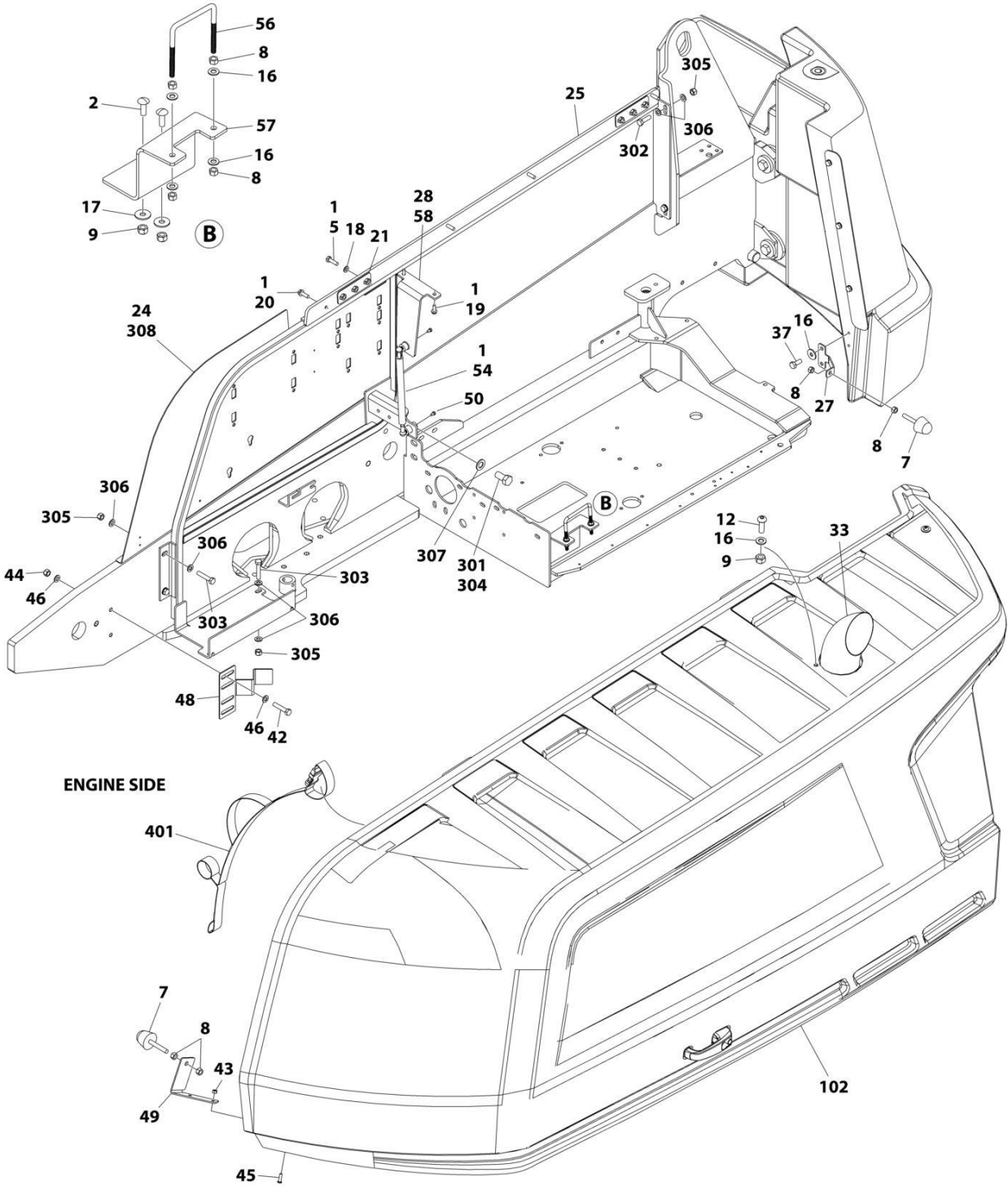
SECTION 2 - TURNTABLE

FIGURE 2-43. HOODS INSTALLATIONS - ABS - DEUTZ D2011, DEUTZ TD 2.9L4 67HP AND FORD ENGINES



ART_1001186186_I_10F2

SECTION 2 - TURNTABLE



ART_1001186186_L_20F2

SECTION 2 - TURNTABLE

FIGURE 2-43. HOODS INSTALLATIONS - ABS - DEUTZ D2011, DEUTZ TD 2.9L4 67HP AND FORD ENGINES

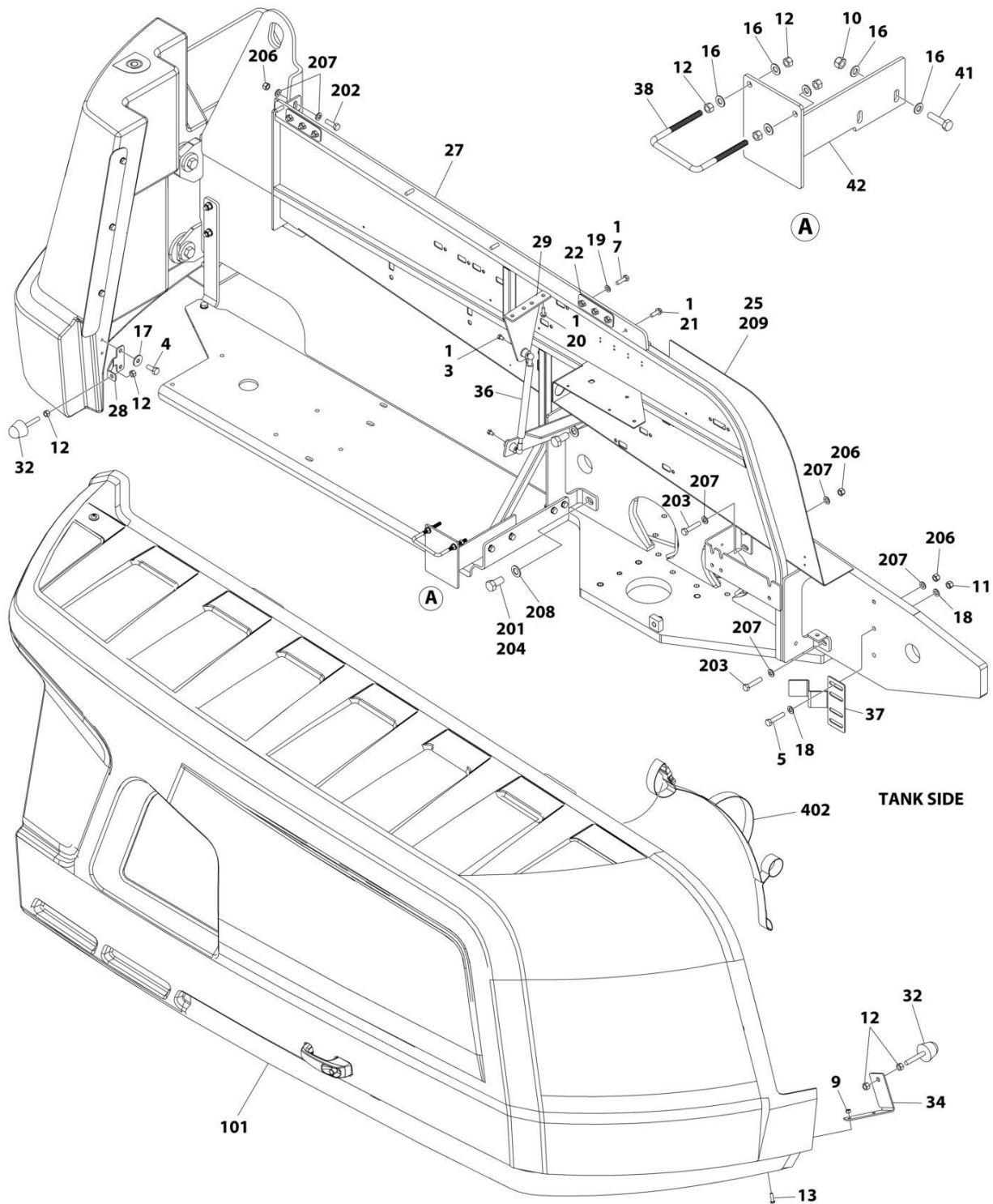
ITEM	PART NUMBER	QTY	DESCRIPTION	REV
	1001186186	Ref	HOODS INSTALLATIONS	I
1	0100011	AR	Compound, Locking	
2	0630613	2	Bolt M10 x 30	
5	0761015	12	Bolt M10 x 35	
7	1001206314	4	Bumper	
8	3311601	16	Nut 3/8	
9	3291005	6	Nut M10	
12	1001174673	2	Screw M10 x 30	
16	4812000	14	Washer M10	
17	4812002	4	Washer M10	
18	5241000	12	Washer M10	
19	5250812	4	Bolt M8 x 25	
20	5251014	8	Bolt M10 x 30	
21	1001169046	4	Nut, Hinge	
23	1001187950	1	Side-Sheet Assembly - Tank Side (See Items 201-209 for Breakdown)	
24	1001187951	1	Side-Sheet Assembly - Engine Side (See Items 301-308 for Breakdown)	
25	1001189067	2	Mount	
27	1001190338	2	Bracket	
30	1001192841	1	Bracket	
33	1001193760	1	Pipe, Exhaust	
37	0701012	2	Bolt M10 x 25	
42	0701220	2	Bolt M12 x 60	
43	3290605	4	Nut M6	
44	3291205	2	Nut M12	
45	3900364	4	Screw M6 x 20	
46	4812100	4	Washer M12	
47	1001213543	1	Bracket	
48	1001231310	2	Bracket	
49	1001213744	1	Bracket	
50	0641504	4	Bolt 5/16 x 1/2	
51	0701016	2	Bolt M10 x 40	
54	1001213794	2	Spring, Gas	
55	1001243171	1	Support	
56	1001243414	2	U-Bolt 3/8	
57	1001243522	1	Bracket	
58	1001243654	1	Bracket	
100	1001285344	1	Hood Kit (Not Shown)	
101	1001285343	1	Hood Assembly - Tank Side (See Separate Breakdown in this Section)	
102	1001195455	1	Hood Assembly - Engine Side (See Separate Breakdown in this Section)	
	1001187950	Ref	SIDE-SHEET ASSEMBLY - TANK SIDE	C
201	0100011	AR	Compound, Locking	
202	0701216	2	Bolt M12 x 40	
203	0701220	4	Bolt M12 x 60	
204	0762016	2	Bolt M20 x 40	
206	3291205	6	Nut M12	
207	4812100	12	Washer M12	

SECTION 2 - TURNTABLE

ITEM	PART NUMBER	QTY	DESCRIPTION	REV
208	4812500	2	Washer M20	
209	1001188194	1	Side-Sheet, Tank Side	
	1001187951	Ref	SIDE-SHEET ASSEMBLY - ENGINE SIDE	B
301	0100011	AR	Compound, Locking	
302	0701216	2	Bolt M12 x 40	
303	0701220	3	Bolt M12 x 60	
304	0762016	1	Bolt M20 x 40	
305	3291205	5	Nut M12	
306	4812100	10	Washer M12	
307	4812500	1	Washer M20	
308	1001188187	1	Side-Sheet, Engine Side	
	1001253940	Ref	STRAP INSTALLATION	A
401	1001160505	2	Strap, Hand	

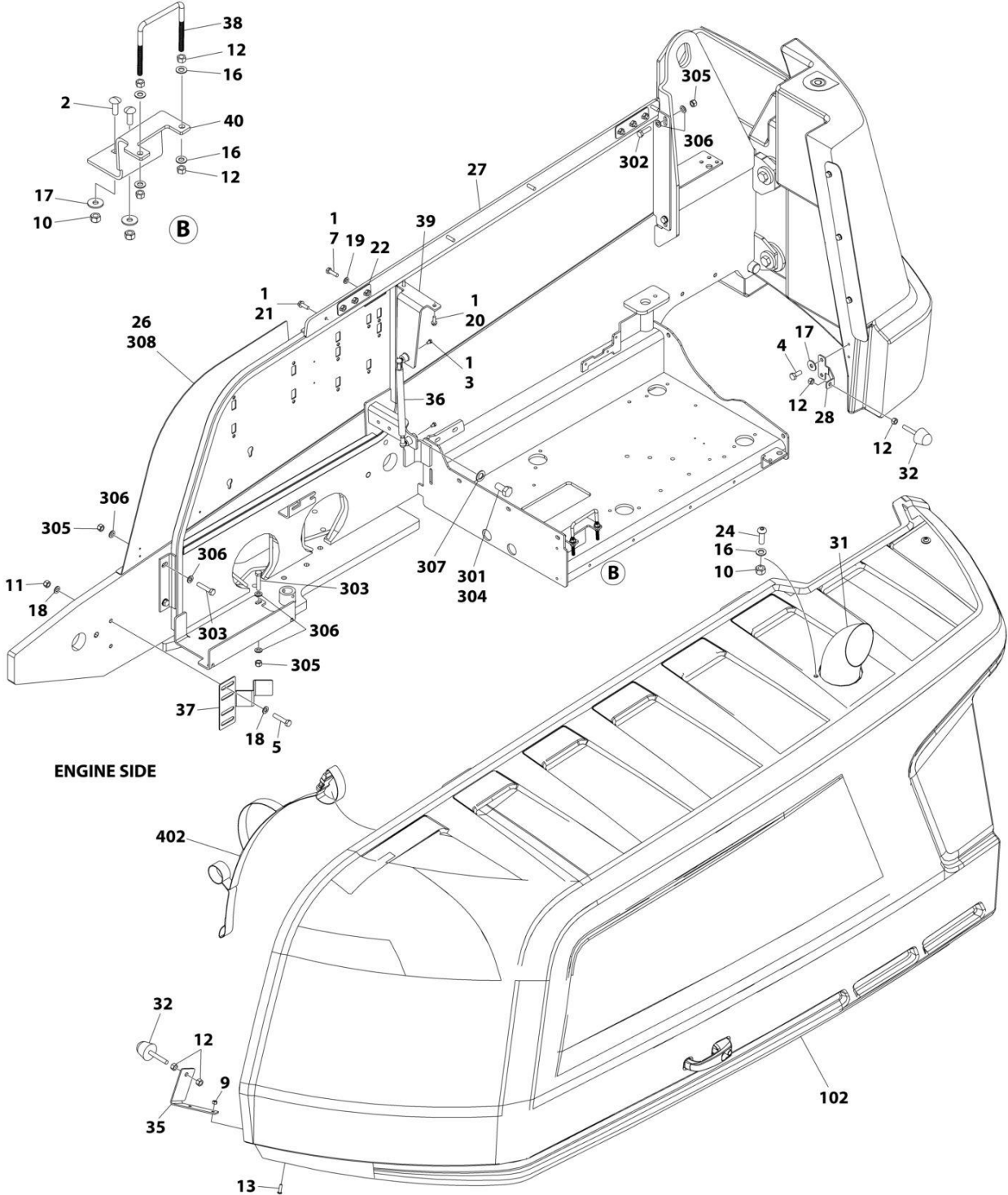
SECTION 2 - TURNTABLE

FIGURE 2-44. HOODS INSTALLATIONS - ABS - DEUTZ TD 2.2L3 AND DEUTZ TD 2.9L4 49HP ENGINES



ART_1001244902_D_10F2

SECTION 2 - TURNTABLE



ART_1001244902_D_2OF2

SECTION 2 - TURNTABLE

FIGURE 2-44. HOODS INSTALLATIONS - ABS - DEUTZ TD 2.2L3 AND DEUTZ TD 2.9L4 49HP ENGINES

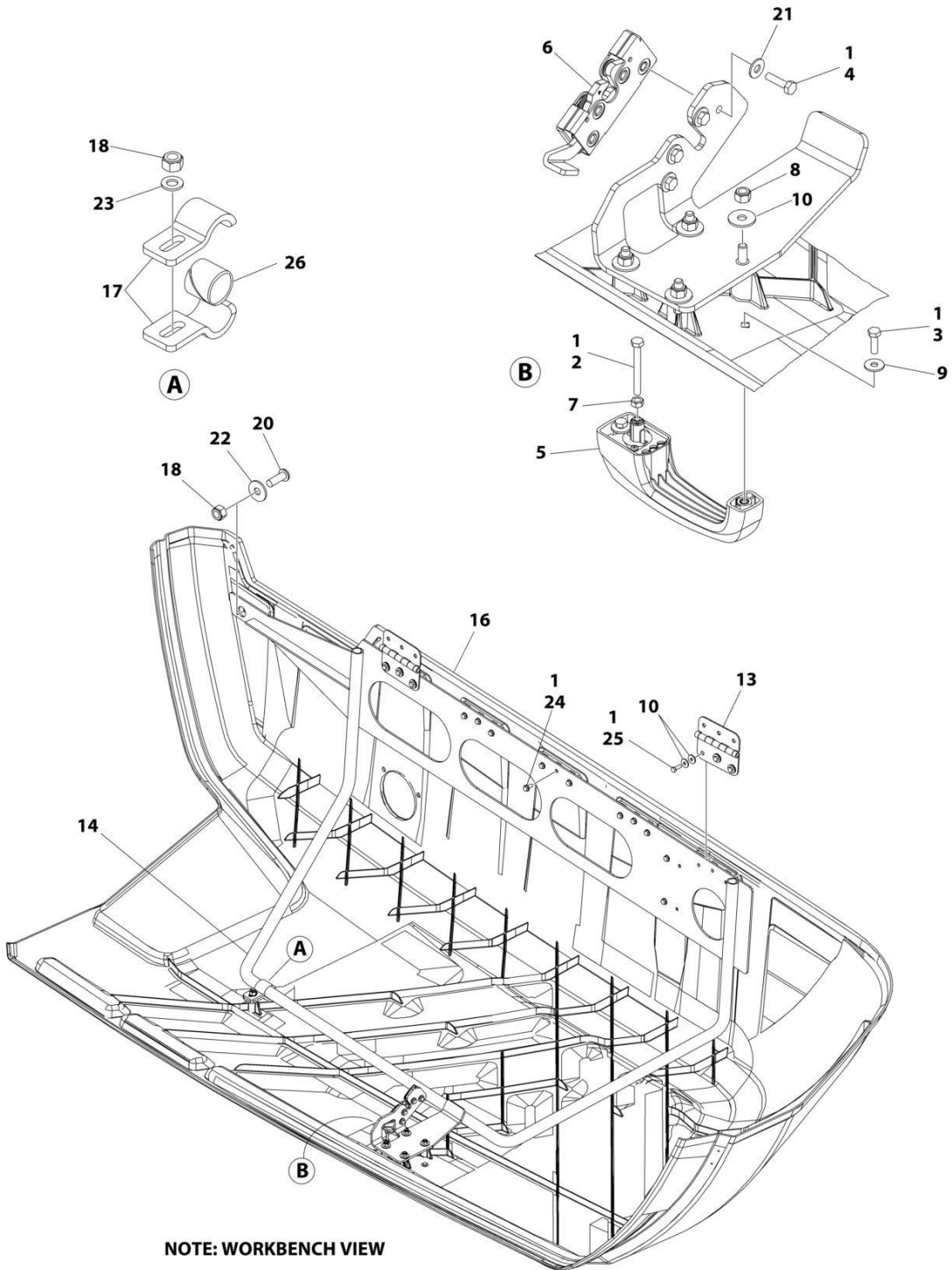
ITEM	PART NUMBER	QTY	DESCRIPTION	REV
	1001244902	Ref	HOODS INSTALLATIONS	D
1	0100011	AR	Compound, Locking	
2	0630613	2	Bolt M10 x 30	
3	0641504	4	Bolt 5/16 x 1/2	
4	0701012	2	Bolt M10 x 25	
5	0701220	2	Bolt M12 x 60	
7	0761015	12	Bolt M10 x 35	
9	3290605	4	Nut M6	
10	3291005	6	Nut M10	
11	3291205	2	Nut M12	
12	3311601	16	Nut 3/8	
13	3900364	4	Screw M6 x 20	
16	4812000	14	Washer M10	
17	4812002	4	Washer M10	
18	4812100	4	Washer M12	
19	5241000	12	Washer M10	
20	5250812	4	Bolt M8 x 25	
21	5251014	8	Bolt M10 x 30	
22	1001169046	4	Nut, Hinge	
24	1001174673	2	Screw M10 x 30	
25	1001187950	1	Side-Sheet Assembly - Tank Side (See Items 201-209 for Breakdown)	
26	1001187951	1	Side-Sheet Assembly - Engine Side (See Items 301-308 for Breakdown)	
27	1001189067	2	Mount	
28	1001190338	2	Bracket	
29	1001192841	1	Bracket	
31	1001193760	1	Pipe, Exhaust	
32	1001206314	4	Bumper	
34	1001213543	1	Bracket	
35	1001213744	1	Bracket	
36	1001213794	2	Spring, Gas	
37	1001231310	2	Bracket	
38	1001243414	2	Bolt, U-Bolt	
39	1001243654	1	Bracket	
40	1001244878	1	Bracket	
41	0701016	2	Bolt M10 x 40	
42	1001243171	1	Support	
100	1001285344	1	Hood Kit (Not Shown)	
101	1001285343	1	Hood Assembly - Tank Side (See Separate Breakdown in this Section)	
102	1001195455	1	Hood Assembly - Engine Side (See Separate Breakdown in this Section)	
	1001187950	Ref	SIDE-SHEET ASSEMBLY - TANK SIDE	C
201	0100011	AR	Compound, Locking	
202	0701216	2	Bolt M12 x 40	
203	0701220	4	Bolt M12 x 60	
204	0762016	2	Bolt M20 x 40	
206	3291205	6	Nut M12	
207	4812100	12	Washer M12	

SECTION 2 - TURNTABLE

ITEM	PART NUMBER	QTY	DESCRIPTION	REV
208	4812500	2	Washer M20	
209	1001188194	1	Side-Sheet, Tank Side	
	1001187951	Ref	SIDE-SHEET ASSEMBLY - ENGINE SIDE	B
301	0100011	AR	Compound, Locking	
302	0701216	2	Bolt M12 x 40	
303	0701220	3	Bolt M12 x 60	
304	0762016	1	Bolt M20 x 40	
305	3291205	5	Nut M12	
306	4812100	10	Washer M12	
307	4812500	1	Washer M20	
308	1001188187	1	Side-Sheet, Engine Side	
	1001270242	Ref	STRAP INSTALLATION	A
402	1001160505	2	Strap, Hand	

SECTION 2 - TURNTABLE

FIGURE 2-45. HOOD ASSEMBLY - ENGINE SIDE (ABS)



ART_1001195455

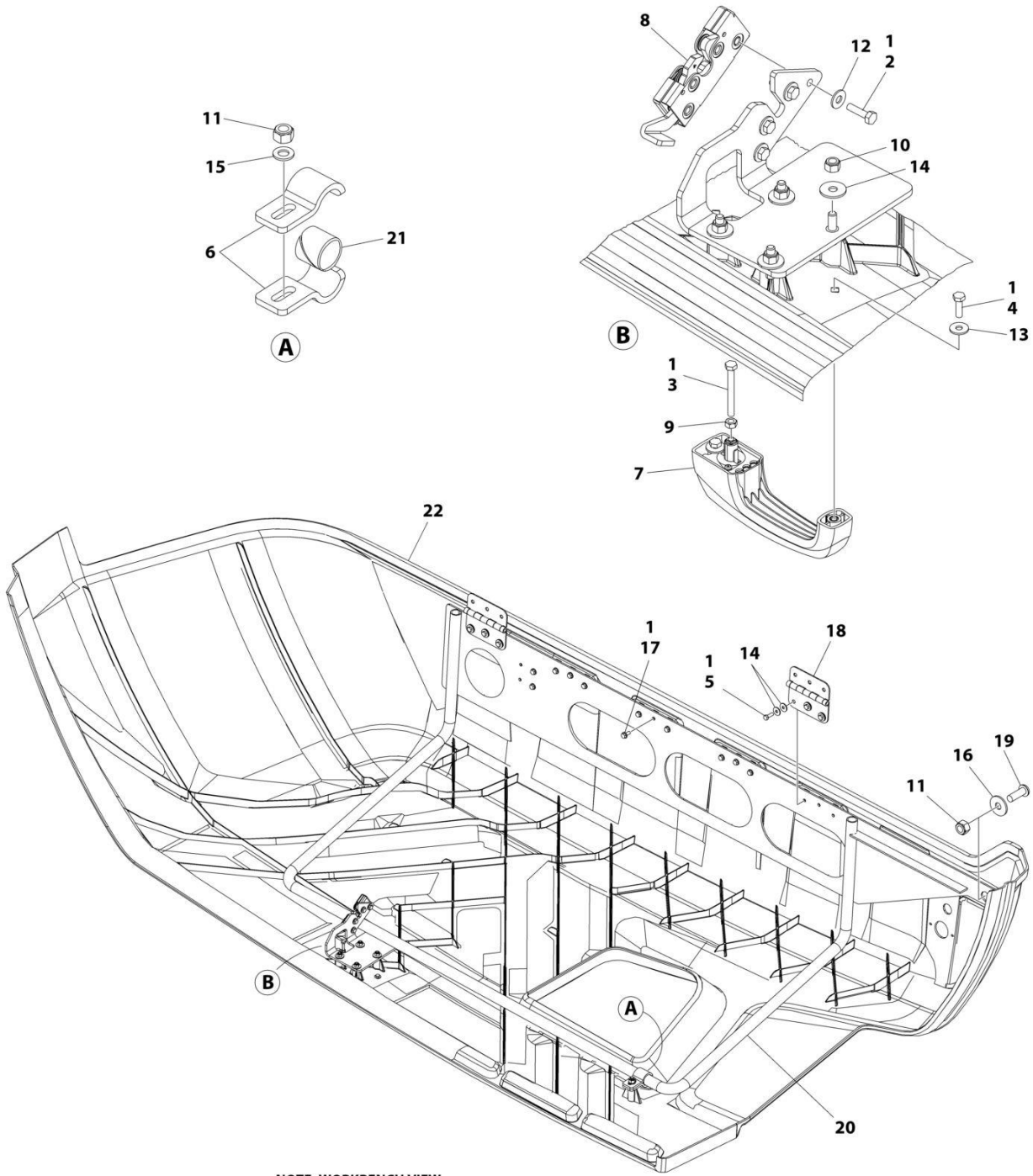
SECTION 2 - TURNTABLE

FIGURE 2-45. HOOD ASSEMBLY - ENGINE SIDE (ABS)

ITEM	PART NUMBER	QTY	DESCRIPTION	REV
	1001195455	Ref	HOOD ASSEMBLY	H
1	0100011	AR	Compound, Locking	
2	0700619	1	Bolt M6 x 55	
3	0760610	2	Bolt M6 x 20	
4	0641408	4	Bolt 1/4 x 1	
5	2560187	1	Handle, Push Button	
6	2940173	1	Latch, Rotary	
7	3290601	1	Nut M6	
8	3290805	4	Nut M8	
9	4811702	2	Washer M6	
10	4811902	16	Washer M8	
13	1001139384	2	Hinge	
14	1001204251	1	Support	
16	1001193169	1	Hood	
17	1321384	2	Clamp	
18	3291005	2	Nut M10	
20	1001174673	1	Screw M10 x 30	
21	4751400	4	Washer 1/4	
22	4812002	1	Washer M10	
23	4812000	1	Washer M10	
24	5250810	11	Bolt M8 x 20	
25	0760812	6	Bolt M8 x 25	
26	1001227367	1	Bearing	

SECTION 2 - TURNTABLE

FIGURE 2-46. HOOD ASSEMBLY - TANK SIDE (ABS)



NOTE: WORKBENCH VIEW

ART_1001285343

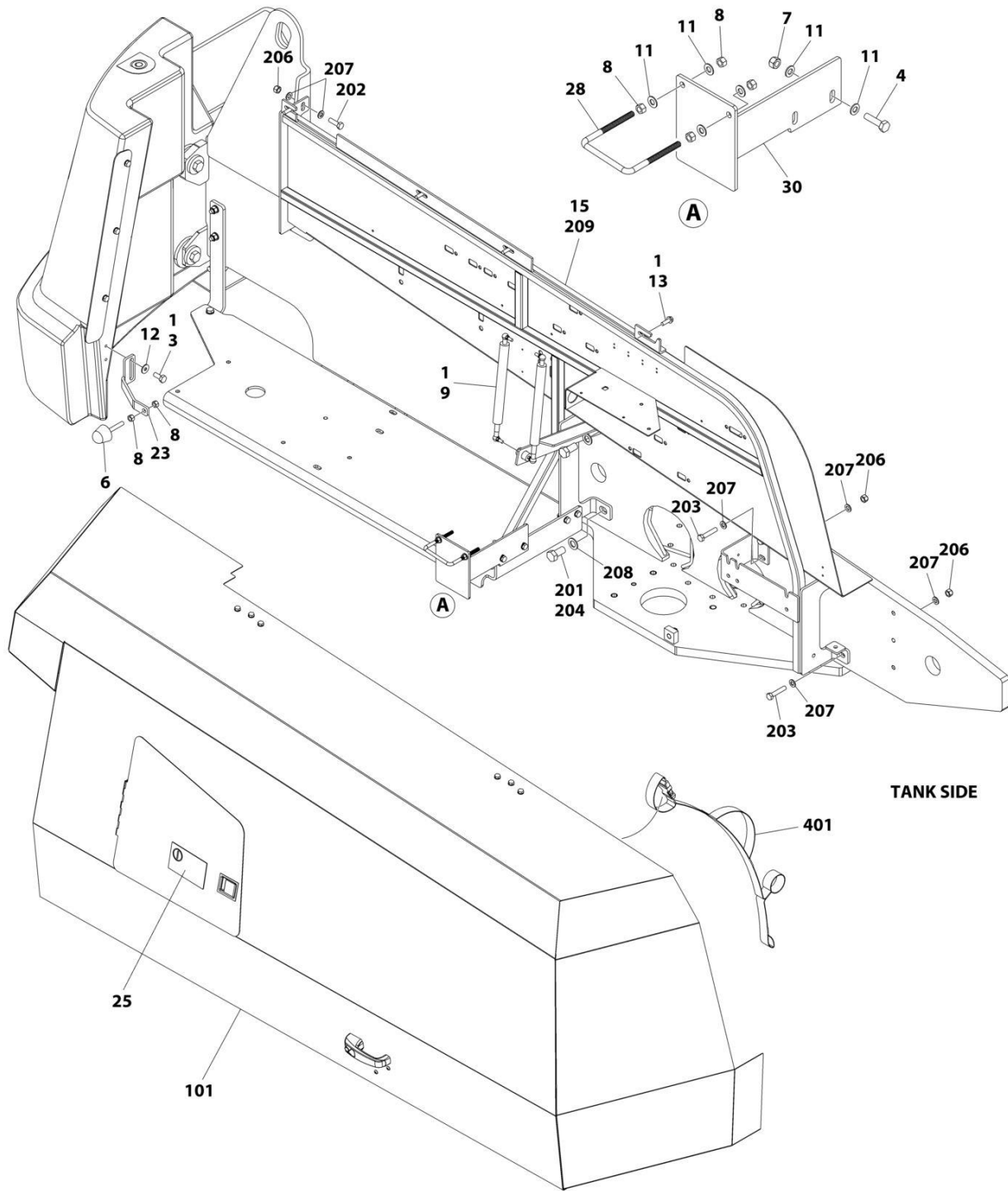
SECTION 2 - TURNTABLE

FIGURE 2-46. HOOD ASSEMBLY - TANK SIDE (ABS)

ITEM	PART NUMBER	QTY	DESCRIPTION	REV
	1001285343	Ref	HOOD ASSEMBLY	A
1	0100011	AR	Compound, Locking	
2	0641408	4	Bolt 1/4 x 1	
3	0700619	1	Bolt M6 x 55	
4	0760610	2	Bolt M6 x 20	
5	0760812	6	Bolt M8 x 25	
6	1321384	2	Clamp	
7	2560187	1	Handle, Push Button	
8	2940173	1	Latch, Rotary	
9	3290601	1	Nut M6	
10	3290805	4	Nut M8	
11	3291005	2	Nut M10	
12	4751400	4	Washer 1/4	
13	4811702	2	Washer M6	
14	4811902	16	Washer M8	
15	4812000	1	Washer M10	
16	4812002	1	Washer M10	
17	5250810	11	Bolt M8 x 20	
18	1001139384	2	Hinge	
19	1001174673	1	Screw M10 x 30	
20	1001204303	1	Support	
21	1001227367	1	Bearing	
22	1001285342	1	Hood	

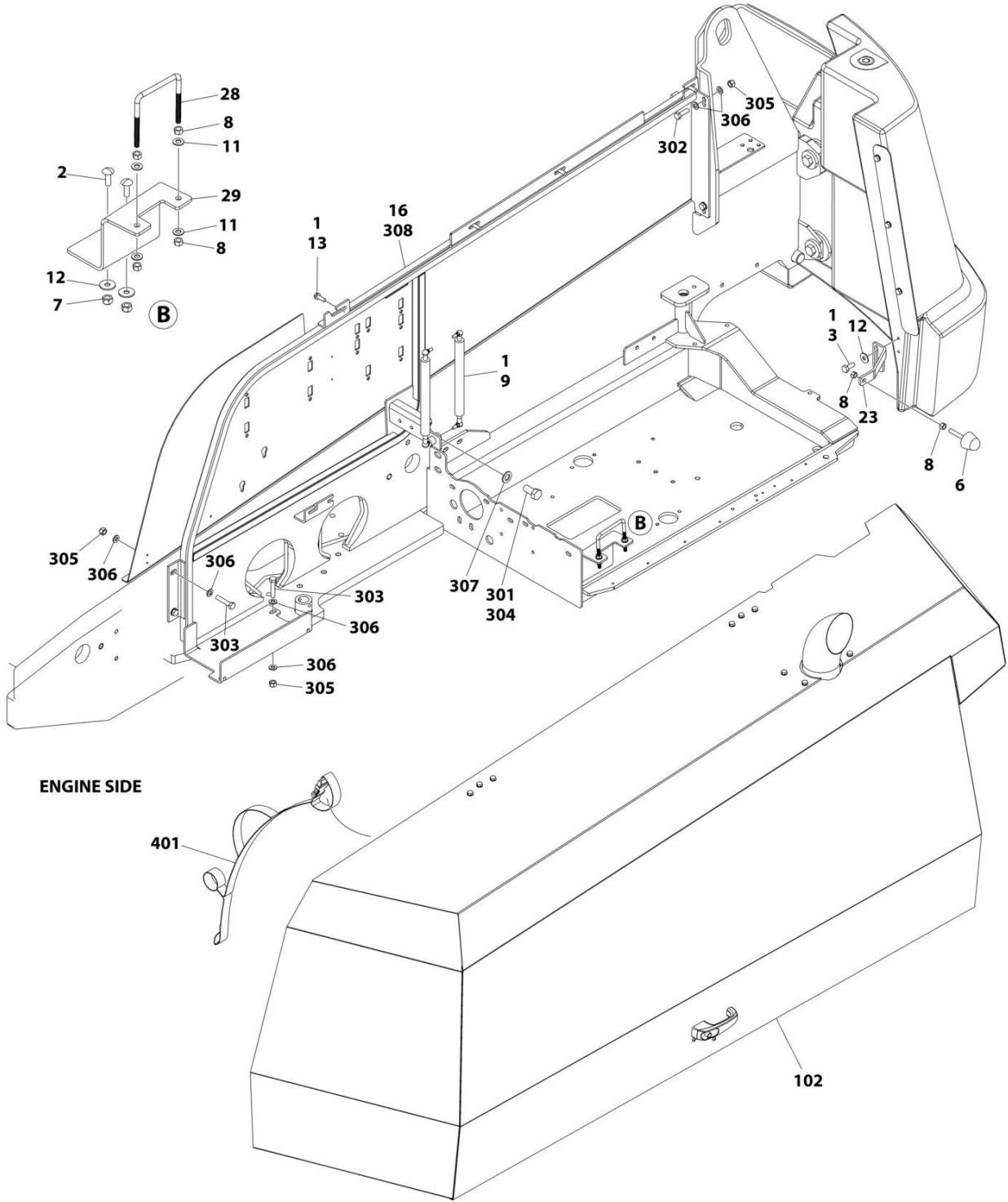
SECTION 2 - TURNTABLE

FIGURE 2-47. HOODS INSTALLATIONS - STEEL - DEUTZ D2011, DEUTZ TD 2.9L4 67HP AND FORD ENGINES (SN STARTING WITH 03)



ART_1001184327_M_10F2

SECTION 2 - TURNTABLE



ART_1001184327_M_20F2

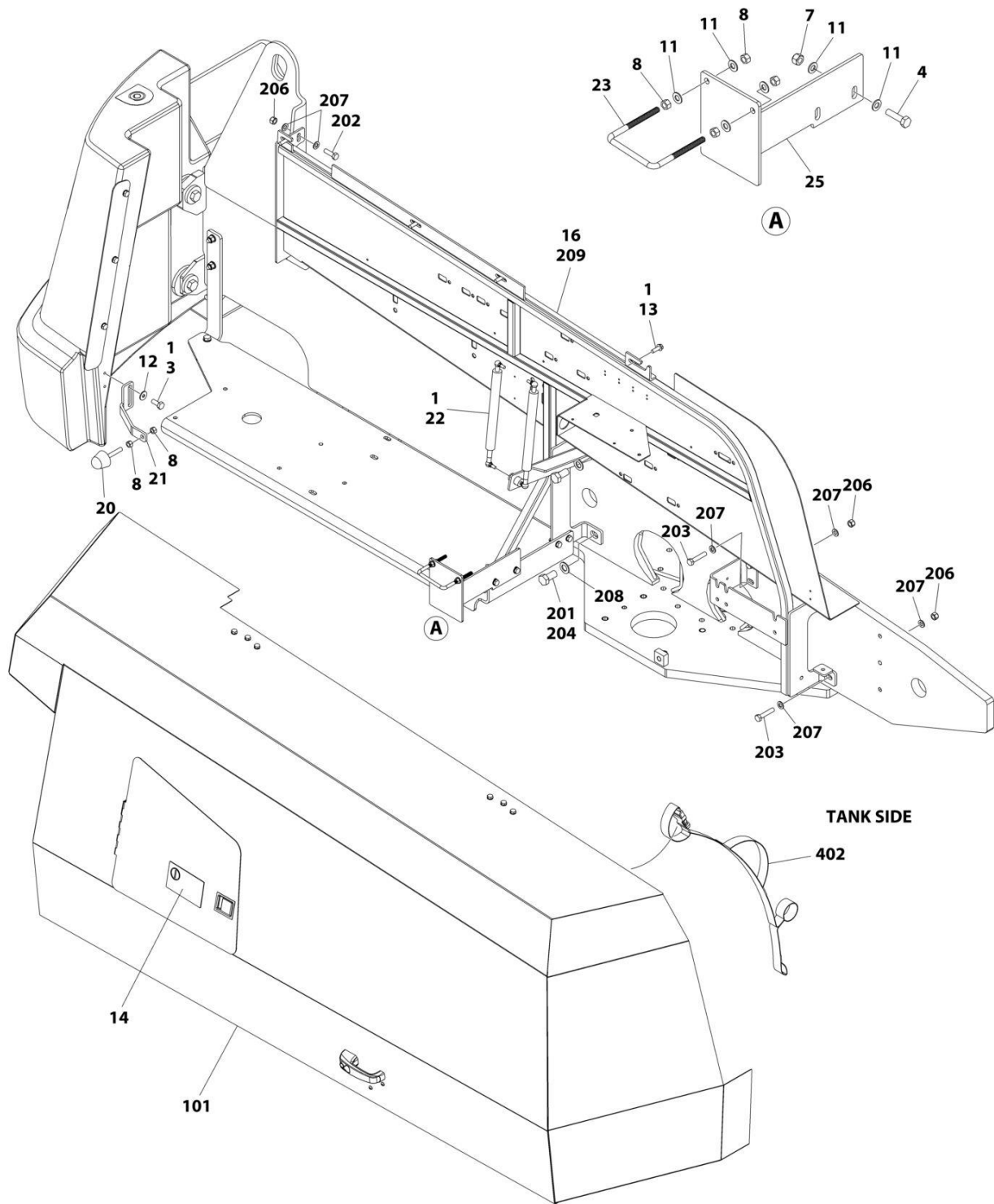
SECTION 2 - TURNTABLE

FIGURE 2-47. HOODS INSTALLATIONS - STEEL - DEUTZ D2011, DEUTZ TD 2.9L4 67HP AND FORD ENGINES (SN STARTING WITH 03)

ITEM	PART NUMBER	QTY	DESCRIPTION	REV
	1001184327	Ref	HOODS INSTALLATIONS	M
1	0100011	AR	Compound, Locking	
2	0630613	2	Bolt M10 x 30	
3	0701012	2	Bolt M10 x 25	
4	0701016	2	Bolt M10 x 40	
6	1001206314	2	Bumper	
7	3291005	4	Nut M10	
8	3311601	12	Nut 3/8	
9	1001219138	4	Spring, Gas	
11	4812000	12	Washer M10	
12	4812002	4	Washer M10	
13	5251014	8	Bolt M10 x 30	
15	1001187950	1	Side-Sheet Assembly - Tank Side (See Items 201-209 for Breakdown)	
16	1001187951	1	Side-Sheet Assembly - Engine Side (See Items 301-308 for Breakdown)	
23	1001212333	2	Bracket	
25	1001117307	1	Decal - Emergency Stop	
28	1001243414	2	U-Bolt 3/8	
29	1001243522	1	Bracket	
30	1001243171	1	Support	
100	1001285146	1	Hood Kit (Not Shown)	
101	1001285145	1	Hood Assembly - Tank Side (See Separate Breakdown in this Section)	
102	1001211774	1	Hood Assembly - Engine Side (See Separate Breakdown in this Section)	
	1001187950	Ref	SIDE-SHEET ASSEMBLY - TANK SIDE	C
201	0100011	AR	Compound, Locking	
202	0701216	2	Bolt M12 x 40	
203	0701220	4	Bolt M12 x 60	
204	0762016	2	Bolt M20 x 40	
206	3291205	6	Nut M12	
207	4812100	12	Washer M12	
208	4812500	2	Washer M20	
209	1001188194	1	Side-Sheet, Tank Side	
	1001187951	Ref	SIDE-SHEET ASSEMBLY - ENGINE SIDE	B
301	0100011	AR	Compound, Locking	
302	0701216	2	Bolt M12 x 40	
303	0701220	3	Bolt M12 x 60	
304	0762016	1	Bolt M20 x 40	
305	3291205	5	Nut M12	
306	4812100	10	Washer M12	
307	4812500	1	Washer M20	
308	1001188187	1	Side-Sheet, Engine Side	
	1001253953	Ref	STRAP INSTALLATION	B
401	1001160505	2	Strap, Hand	

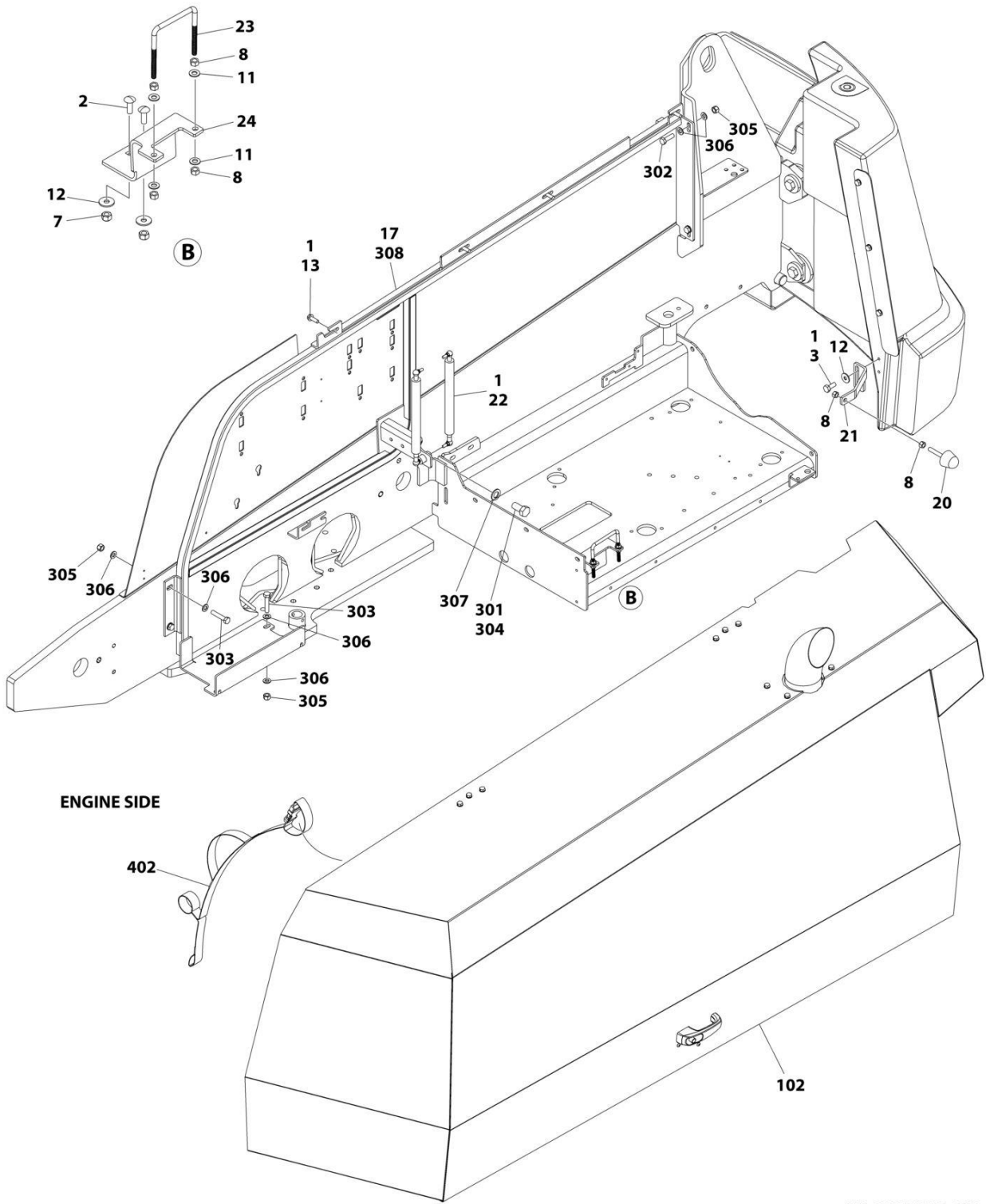
SECTION 2 - TURNTABLE

FIGURE 2-48. HOODS INSTALLATIONS - STEEL - DEUTZ TD 2.2L3 AND DEUTZ TD 2.9L4 49HP ENGINES



ART_1001245076_D_10F2

SECTION 2 - TURNTABLE



ART_1001245076_D_20F2

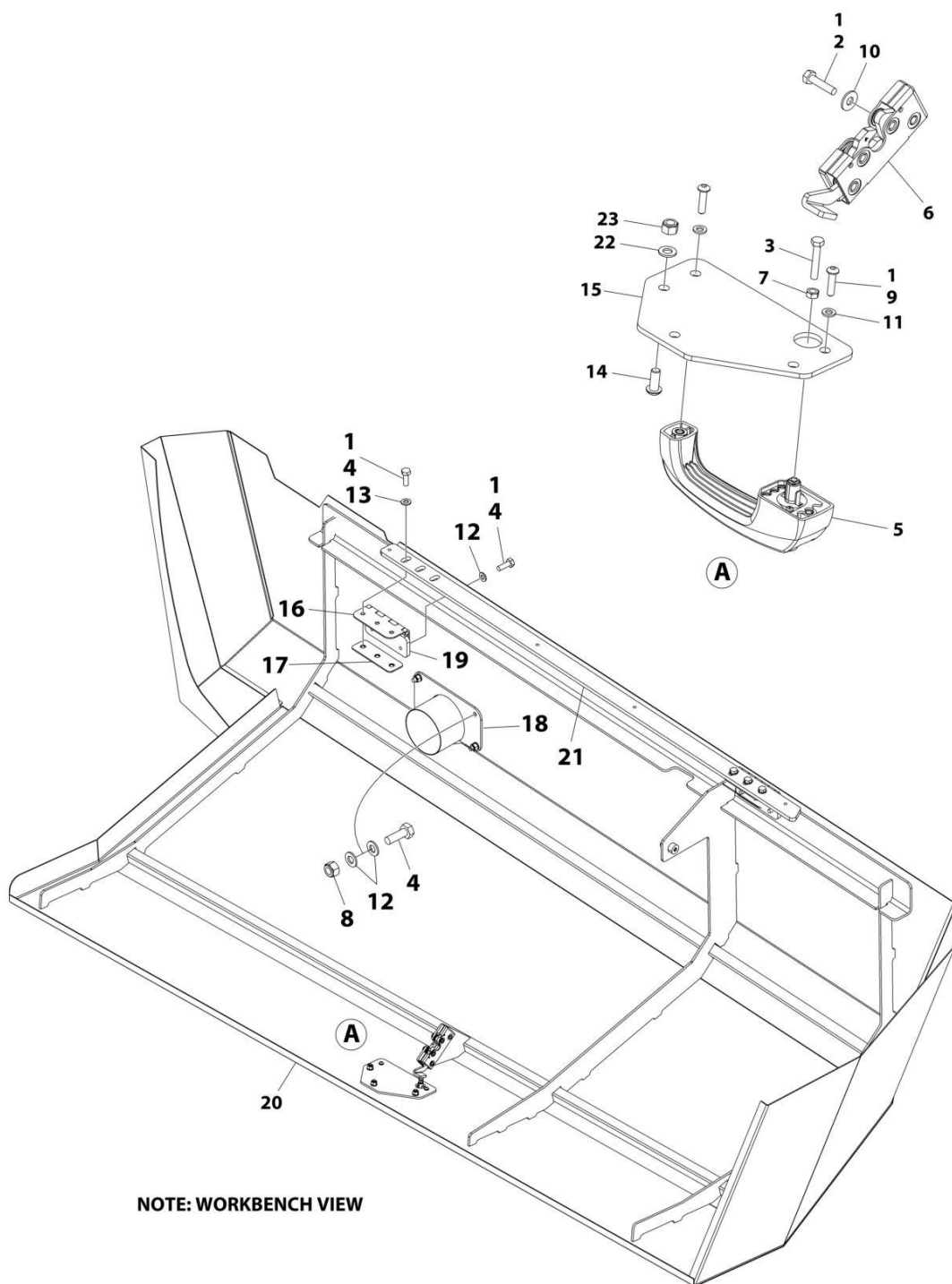
SECTION 2 - TURNTABLE

FIGURE 2-48. HOODS INSTALLATIONS - STEEL - DEUTZ TD 2.2L3 AND DEUTZ TD 2.9L4 49HP ENGINES

ITEM	PART NUMBER	QTY	DESCRIPTION	REV
	1001245076	Ref	HOODS INSTALLATIONS	D
1	0100011	AR	Compound, Locking	
2	0630613	2	Bolt M10 x 30	
3	0701012	2	Bolt M10 x 25	
4	0701016	2	Bolt M10 x 40	
7	3291005	4	Nut M10	
8	3311601	12	Nut 3/8	
11	4812000	12	Washer M10	
12	4812002	4	Washer M10	
13	5251014	8	Bolt M10 x 30	
14	1001117307	1	Decal - Emergency Stop	
16	1001187950	1	Side Sheet Assembly - Tank Side (See Items 201-209 for Breakdown)	
17	1001187951	1	Side Sheet Assembly - Engine Side (See Items 301-308 for Breakdown)	
20	1001206314	2	Bumper	
21	1001212333	2	Bracket	
22	1001219138	4	Spring, Gas	
23	1001243414	2	Bolt, U-Bolt	
24	1001244878	1	Bracket	
25	1001243171	1	Support	
100	1001285146	1	Hood Kit (Not Shown)	
101	1001285145	1	Hood Assembly - Tank Side (See Separate Breakdown in this Section)	
102	1001211774	1	Hood Assembly - Engine Side (See Separate Breakdown in this Section)	
	1001187950	Ref	SIDE-SHEET ASSEMBLY - TANK SIDE	C
201	0100011	AR	Compound, Locking	
202	0701216	2	Bolt M12 x 40	
203	0701220	4	Bolt M12 x 60	
204	0762016	2	Bolt M20 x 40	
206	3291205	6	Nut M12	
207	4812100	12	Washer M12	
208	4812500	2	Washer M20	
209	1001188194	1	Side-Sheet, Tank Side	
	1001187951	Ref	SIDE-SHEET ASSEMBLY - ENGINE SIDE	B
301	0100011	AR	Compound, Locking	
302	0701216	2	Bolt M12 x 40	
303	0701220	3	Bolt M12 x 60	
304	0762016	1	Bolt M20 x 40	
305	3291205	5	Nut M12	
306	4812100	10	Washer M12	
307	4812500	1	Washer M20	
308	1001188187	1	Side-Sheet, Engine Side	
	1001270243	Ref	STRAP INSTALLATION	B
402	1001160505	2	Strap, Hand	

SECTION 2 - TURNTABLE

FIGURE 2-49. HOOD ASSEMBLY - ENGINE SIDE (STEEL) - DEUTZ D2011, DEUTZ TD2.3L3 DEUTZ TD 2.9L4 49HP & 67HP AND FORD ENGINES



ART_1001211774

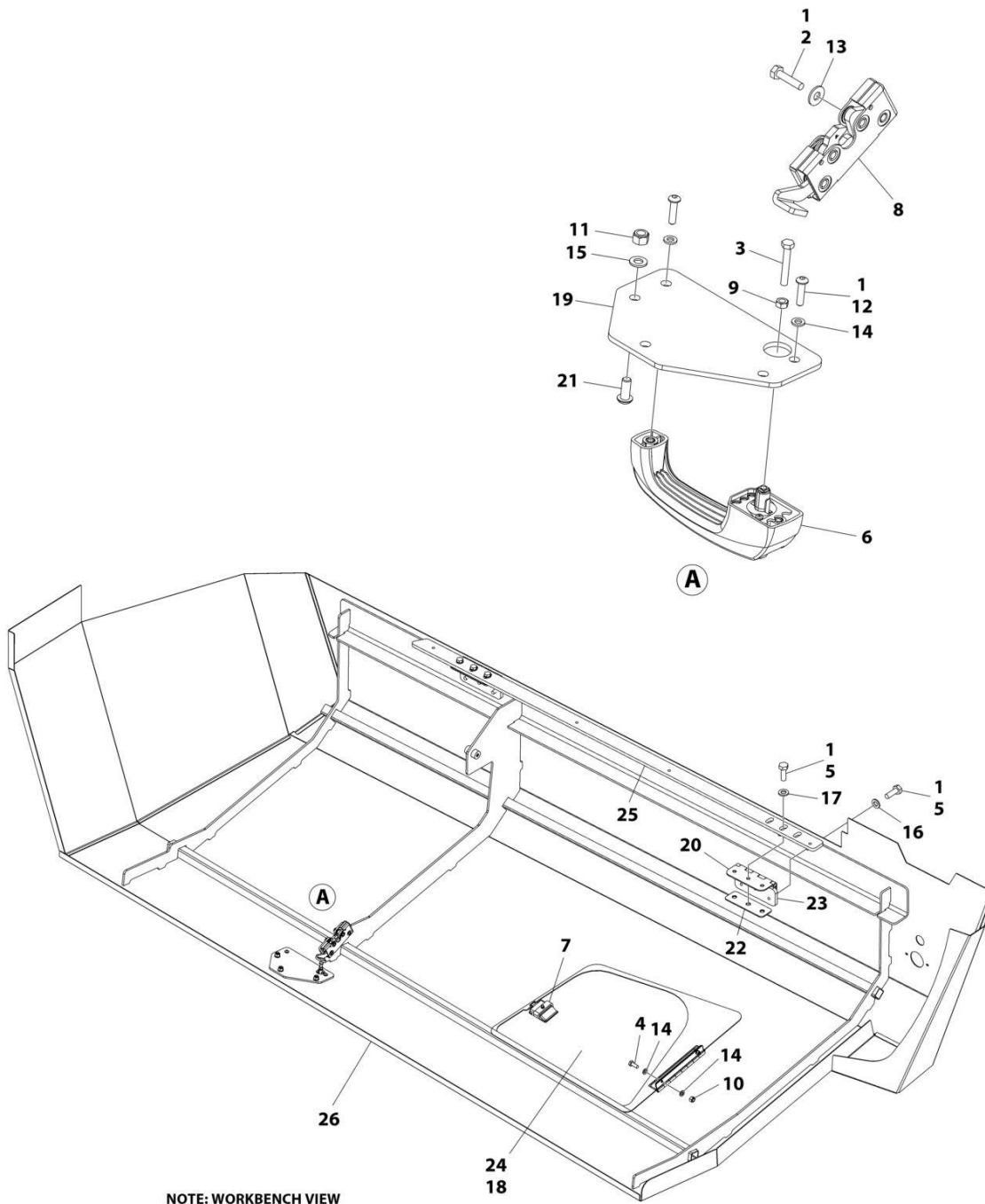
SECTION 2 - TURNTABLE

FIGURE 2-49. HOOD ASSEMBLY - ENGINE SIDE (STEEL) - DEUTZ D2011, DEUTZ TD2.3L3 DEUTZ TD 2.9L4 49HP & 67HP AND FORD ENGINES

ITEM	PART NUMBER	QTY	DESCRIPTION	REV
	1001211774	Ref	HOOD ASSEMBLY	J
1	0100011	AR	Compound, Locking	
2	0641409	4	Bolt 1/4 x 1-1/8	
3	0700615	1	Bolt M6 x 35	
4	0761014	16	Bolt M10 x 30	
5	2560187	1	Handle , Push Button	
6	2940173	1	Latch, Rotary	
7	3290601	1	Nut M6	
8	3291005	4	Nut M10	
9	3900363	2	Screw M6 x 25	
10	4751400	4	Washer 1/4	
11	4811700	2	Washer M6	
12	4812000	14	Washer M10	
13	5241000	6	Washer M10	
14	1001164726	3	Screw M8 x 20	
15	1001116290	1	Plate	
16	1001139384	2	Hinge	
17	1001169046	2	Nut, Hinge	
18	1001194888	1	Pipe, Exhaust	
19	1001202333	2	Plate, Nut	
20	1001211767	1	Hood	
21	1001211773	1	Plate	
22	4811900	3	Washer M8	
23	3290805	3	Nut M8	

SECTION 2 - TURNTABLE

FIGURE 2-50. HOOD ASSEMBLY - TANK SIDE (STEEL) - DEUTZ D2011, DEUTZ TD2.3L3 DEUTZ TD 2.9L4 49HP & 67HP AND FORD ENGINES



ART_1001285145

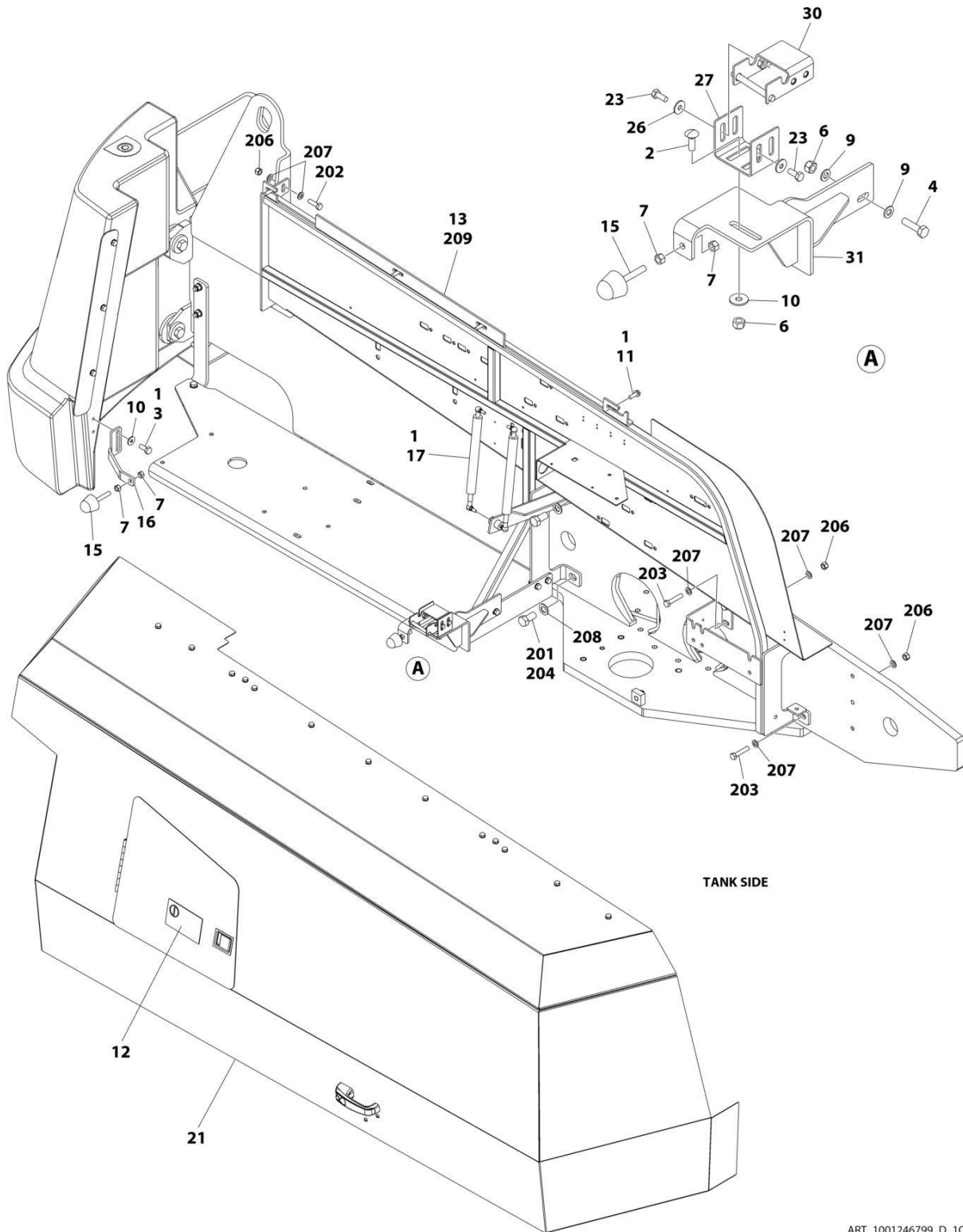
SECTION 2 - TURNTABLE

FIGURE 2-50. HOOD ASSEMBLY - TANK SIDE (STEEL) - DEUTZ D2011, DEUTZ TD2.3L3 DEUTZ TD 2.9L4 49HP & 67HP AND FORD ENGINES

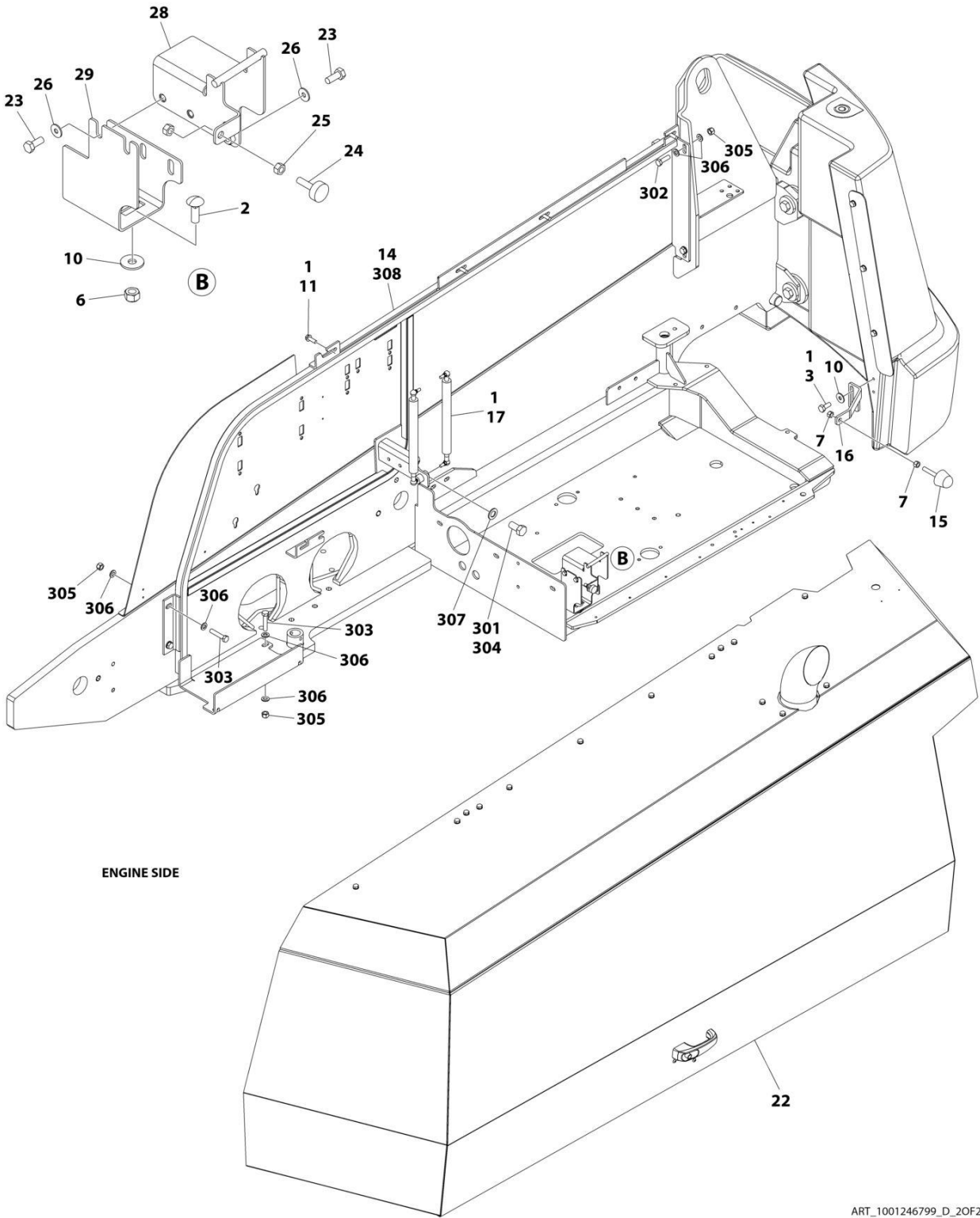
ITEM	PART NUMBER	QTY	DESCRIPTION	REV
	1001285145	Ref	HOOD ASSEMBLY	A
1	0100011	AR	Compound, Locking	
2	0641409	4	Bolt 1/4 x 1-1/8	
3	0700616	1	Bolt M6 x 40	
4	0760608	2	Bolt M6 x 16	
5	0761014	12	Bolt M10 x 30	
6	2560187	1	Handle, Push Button	
7	2940045	1	Latch, Paddle	
8	2940173	1	Latch, Rotary	
9	3290601	1	Nut M6	
10	3290605	2	Nut M6	
11	3290805	3	Nut M8	
12	3900363	2	Screw M6 x 25	
13	4751400	4	Washer 1/4	
14	4811700	6	Washer M6	
15	4811900	3	Washer M8	
16	4812000	6	Washer M10	
17	5241000	6	Washer M10	
18	1001113047	78 in /2 m	Seal	
19	1001116290	1	Plate	
20	1001139384	2	Hinge	
21	1001164726	3	Screw M8 x 20	
22	1001169046	2	Nut, Hinge	
23	1001202333	2	Plate, Nut	
24	1001211760	1	Door	
25	1001211761	1	Plate	
26	1001285144	1	Hood	

SECTION 2 - TURNTABLE

FIGURE 2-51. HOODS INSTALLATIONS - STEEL - DEUTZ D2011 WITH ARCTIC AND DEUTZ TD2.2L3 ENGINES (SN STARTING WITH B3) (660SJ HC3)



SECTION 2 - TURNTABLE



ENGINE SIDE

ART_1001246799_D_20F2

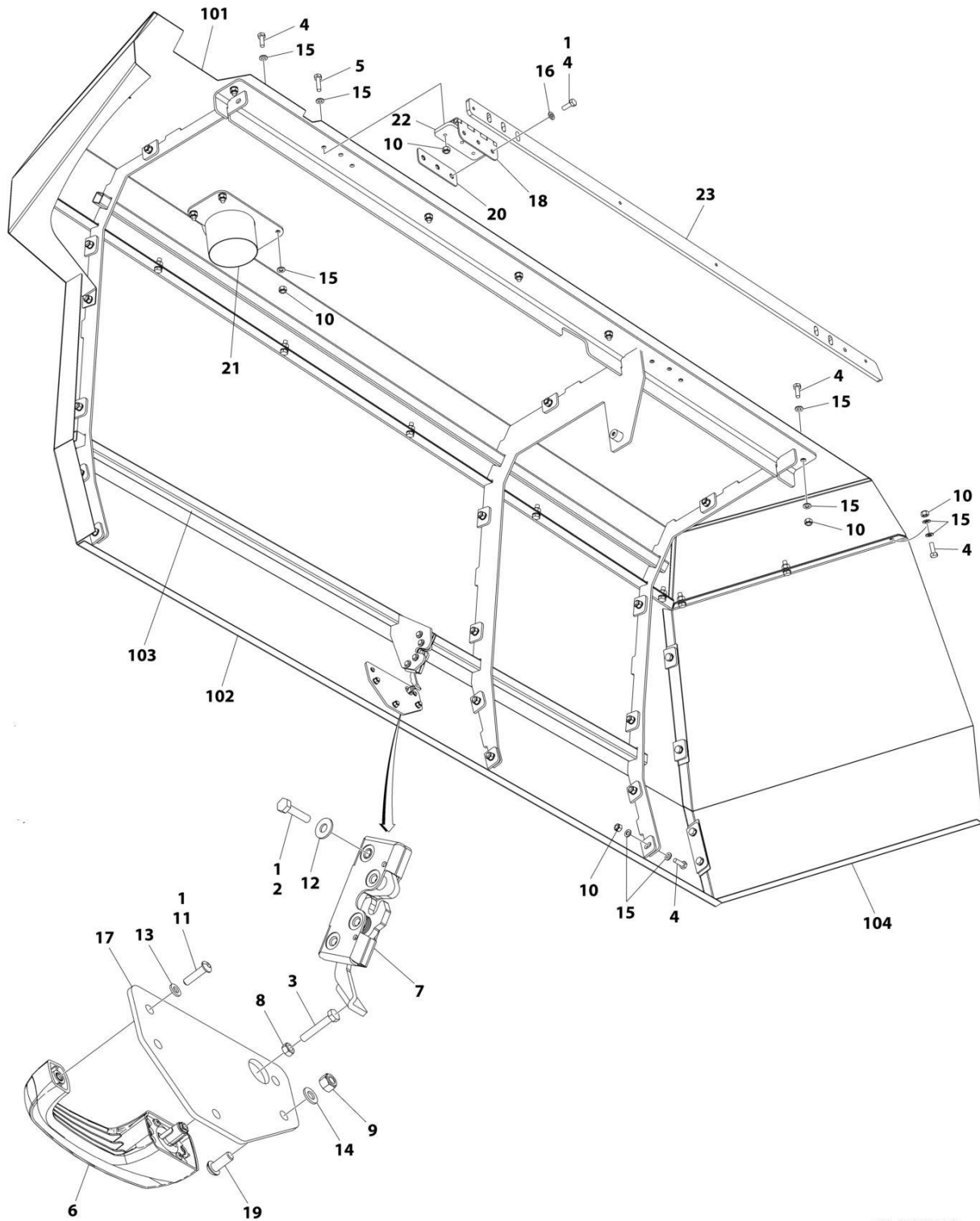
SECTION 2 - TURNTABLE

FIGURE 2-51. HOODS INSTALLATIONS - STEEL - DEUTZ D2011 WITH ARCTIC AND DEUTZ TD2.2L3 ENGINES (SN STARTING WITH B3) (660SJ HC3)

ITEM	PART NUMBER	QTY	DESCRIPTION	REV
	1001246799	Ref	HOODS INSTALLATIONS	D
1	0100011	AR	Compound, Locking	
2	0630613	AR	Bolt M10 x 30	
3	0701012	2	Bolt M10 x 25	
4	0701016	2	Bolt M10 x 40	
6	3291005	AR	Nut M10	
7	3311601	AR	Nut 3/8	
9	4812000	AR	Washer M10	
10	4812002	AR	Washer M10	
11	5251014	8	Bolt M10 x 30	
12	1001117307	1	Decal - Emergency Stop	
13	1001187950	1	Side-Sheet Assembly - Tank Side (See Items 201-209 for Breakdown)	
14	1001187951	1	Side-Sheet Assembly - Engine Side (See Items 301-308 for Breakdown)	
15	1001206314	3	Bumper	
16	1001212333	2	Bracket	
17	1001219138	4	Spring, Gas	
21	1001285355	1	Hood Assembly - Tank Side (See Separate Breakdown in this Section)	
22	1001246798	1	Hood Assembly - Engine Side (See Separate Breakdown in this Section)	
23	0760810	8	Bolt M8 x 20	
24	0940049	1	Stopper, Hood	
25	3311501	2	Nut M8	
26	4811902	AR	Washer M8	
27	1001172615	1	Mount, Hood Latch	
28	1001190756	1	Support, Striker	
29	1001192842	1	Mount, Hood Latch	
30	1001192843	1	Support, Striker	
31	1001270668	1	Support, Striker Mount	
	1001187950	Ref	SIDE-SHEET ASSEMBLY - TANK SIDE	C
201	0100011	AR	Compound, Locking	
202	0701216	2	Bolt M12 x 40	
203	0701220	4	Bolt M12 x 60	
204	0762016	2	Bolt M20 x 40	
206	3291205	6	Nut M12	
207	4812100	12	Washer M12	
208	4812500	2	Washer M20	
209	1001188194	1	Side-Sheet, Tank Side	
	1001187951	Ref	SIDE-SHEET ASSEMBLY - ENGINE SIDE	B
301	0100011	AR	Compound, Locking	
302	0701216	2	Bolt M12 x 40	
303	0701220	3	Bolt M12 x 60	
304	0762016	1	Bolt M20 x 40	
305	3291205	5	Nut M12	
306	4812100	10	Washer M12	
307	4812500	1	Washer M20	
308	1001188187	1	Side-Sheet, Engine Side	

SECTION 2 - TURNTABLE

FIGURE 2-52. HOOD ASSEMBLY - ENGINE SIDE (STEEL) - DEUTZ D2011 WITH ARCTIC AND DEUTZ TD2.2L3 ENGINES (660SJ HC3)



ART_1001246798

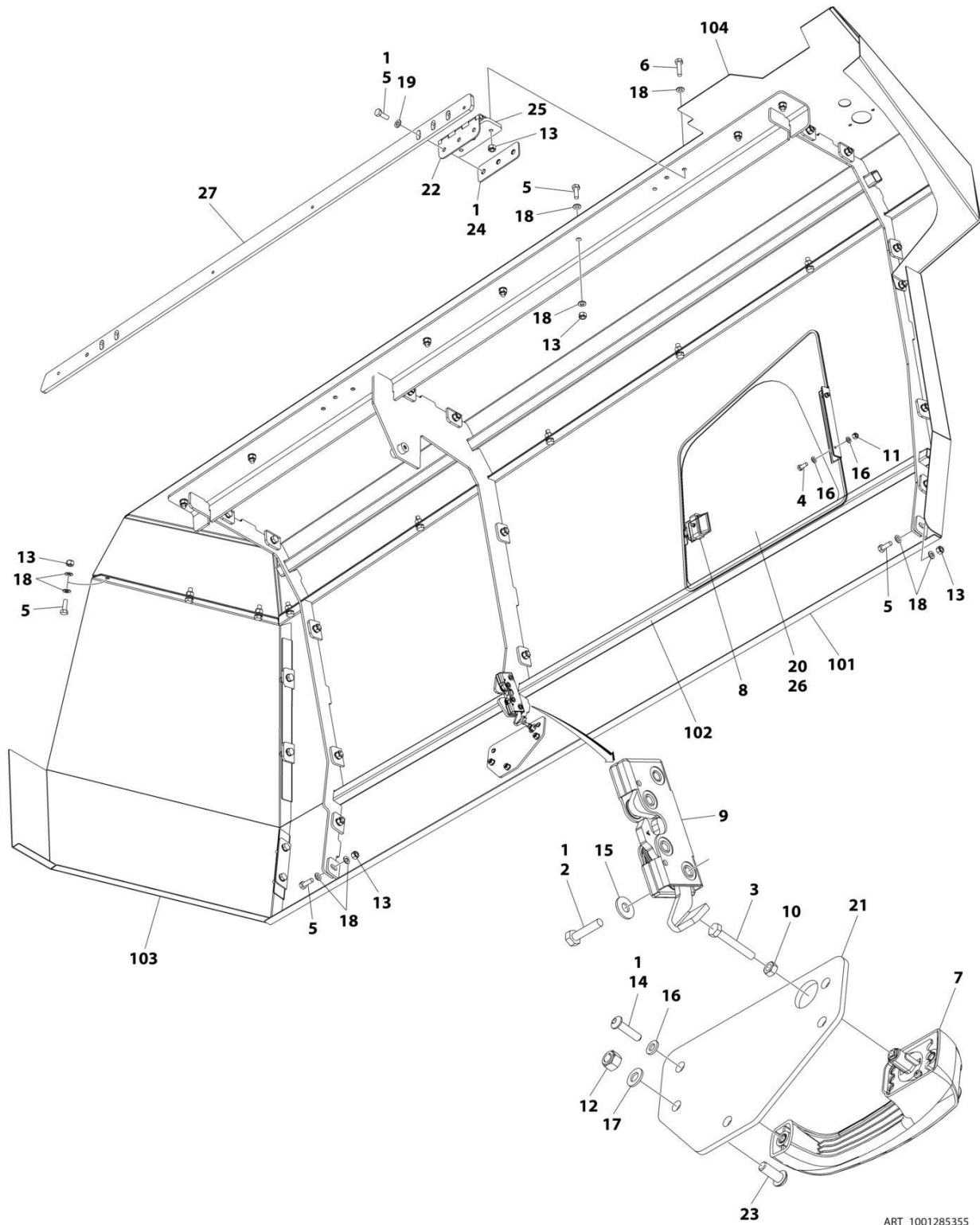
SECTION 2 - TURNTABLE

FIGURE 2-52. HOOD ASSEMBLY - ENGINE SIDE (STEEL) - DEUTZ D2011 WITH ARCTIC AND DEUTZ TD2.2L3 ENGINES (660SJ HC3)

ITEM	PART NUMBER	QTY	DESCRIPTION	REV
	1001246798	Ref	HOOD ASSEMBLY - ENGINE SIDE (STEEL)	A
1	0100011	AR	Compound, Locking	
2	0641409	4	Bolt 1/4 x 1/8	
3	0700615	1	Bolt M6 x 35	
4	0761014	44	Bolt M10 x 30	
5	0761016	6	Bolt M10 x 40	
6	2560187	1	Handle, Push Button	
7	2940173	1	Handle, Rotary	
8	3290601	1	Nut M6	
9	3290805	3	Nut M8	
10	3291005	44	Nut M10	
11	3900363	2	Screw M6 x 25	
12	4751400	4	Washer 1/4	
13	4811700	2	Washer M6	
14	4811900	3	Washer M8	
15	4812000	82	Washer M10	
16	5241000	6	Washer M10	
17	1001116290	1	Plate	
18	1001139384	2	Hinge	
19	1001164726	3	Screw M8 x 20	
20	1001169046	2	Nut	
21	1001194888	1	Pipe, Exhaust	
22	1001202333	2	Plate, Nut	
23	1001211773	1	Plate	
100	1001249313	1	Hood Kit (Engine Side) (Not Shown)	
101	1001246796	1	Panel (Top)	
102	1001246795	1	Panel (Side)	
103	1001246794	1	Bracket	
104	1001246789	1	Panel (End)	

SECTION 2 - TURNTABLE

FIGURE 2-53. HOOD ASSEMBLY - TANK SIDE (STEEL) - DEUTZ D2011 WITH ARCTIC AND DEUTZ TD2.2L3 ENGINES (660SJ HC3)



ART_1001285355

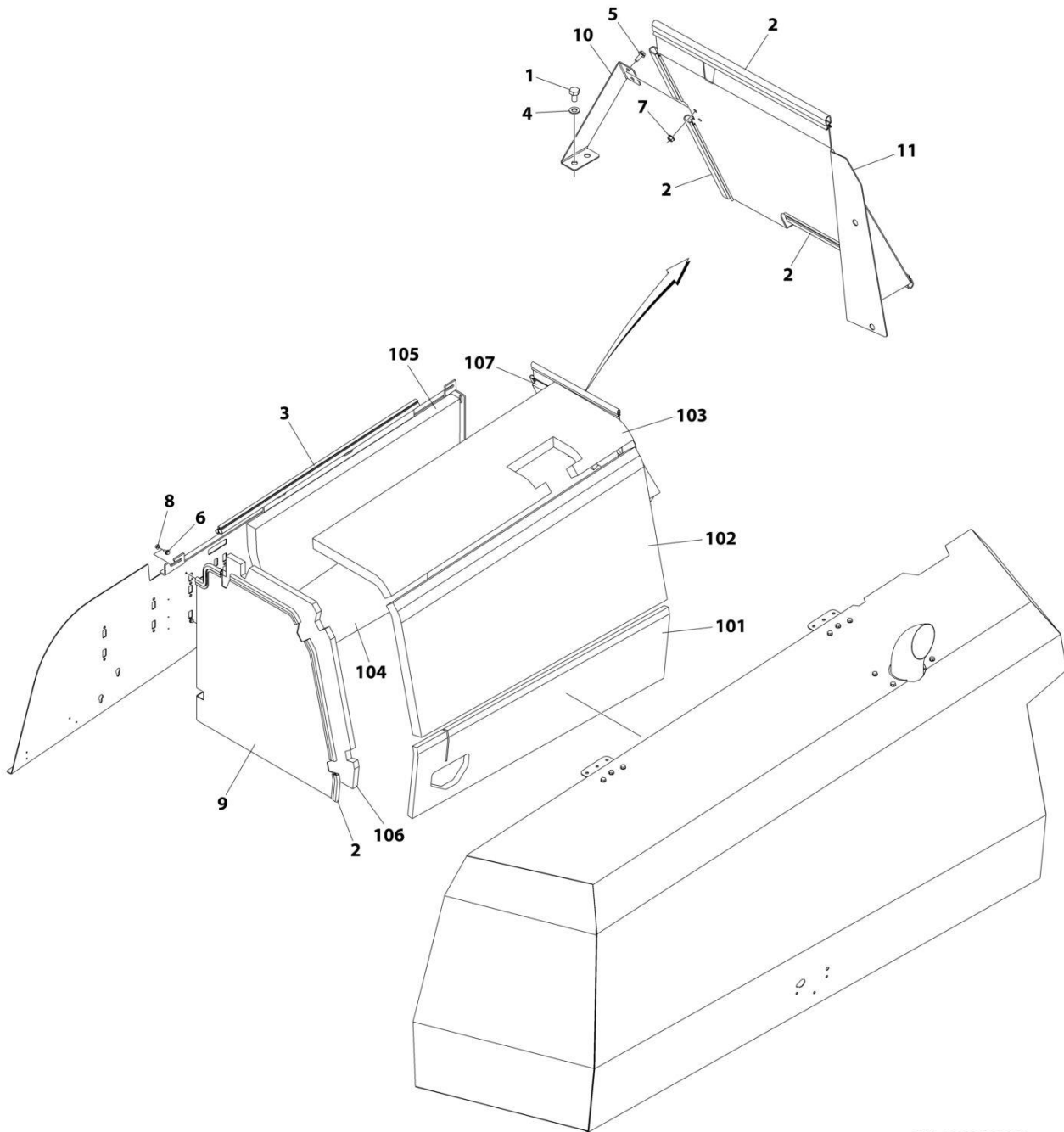
SECTION 2 - TURNTABLE

FIGURE 2-53. HOOD ASSEMBLY - TANK SIDE (STEEL) - DEUTZ D2011 WITH ARCTIC AND DEUTZ TD2.2L3 ENGINES (660SJ HC3)

ITEM	PART NUMBER	QTY	DESCRIPTION	REV
	1001285355	Ref	HOOD ASSEMBLY - TANK SIDE (STEEL)	A
1	0100011	AR	Compound, Locking	
2	0641409	4	Bolt 1/4 x 1/8	
3	0700616	1	Bolt M6 x 40	
4	0760608	2	Bolt M6 x 16	
5	0761014	44	Bolt M10 x 30	
6	0761016	6	Bolt M10 x 40	
7	2560187	1	Handle, Push Button	
8	2940045	1	Latch, Paddle	
9	2940173	1	Latch, Rotary	
10	3290601	1	Nut M6	
11	3290605	2	Nut M6	
12	3290805	3	Nut M8	
13	3291005	44	Nut M10	
14	3900363	2	Screw M6 x 25	
15	4751400	4	Washer 1/4	
16	4811700	6	Washer M6	
17	4811900	3	Washer M8	
18	4812000	82	Washer M10	
19	5241000	6	Washer M10	
20	1001113047	7 ft /2 m	Seal	
21	1001116290	1	Plate	
22	1001139384	2	Hinge	
23	1001164726	3	Capscrew M8 x 20	
24	1001169046	2	Nut	
25	1001202333	2	Plate, Nut	
26	1001211760	1	Door	
27	1001211761	1	Plate	
100	1001285354	1	Hood Kit (Tank Side) (Not Shown)	
101	1001246563	1	Panel (Side)	
102	1001246565	1	Bracket	
103	1001246574	1	Panel (End)	
104	1001285353	1	Panel (Top)	

SECTION 2 - TURNTABLE

FIGURE 2-54. NOISE REDUCTION PACKAGE (600S HC3)



ART_1001234080_B

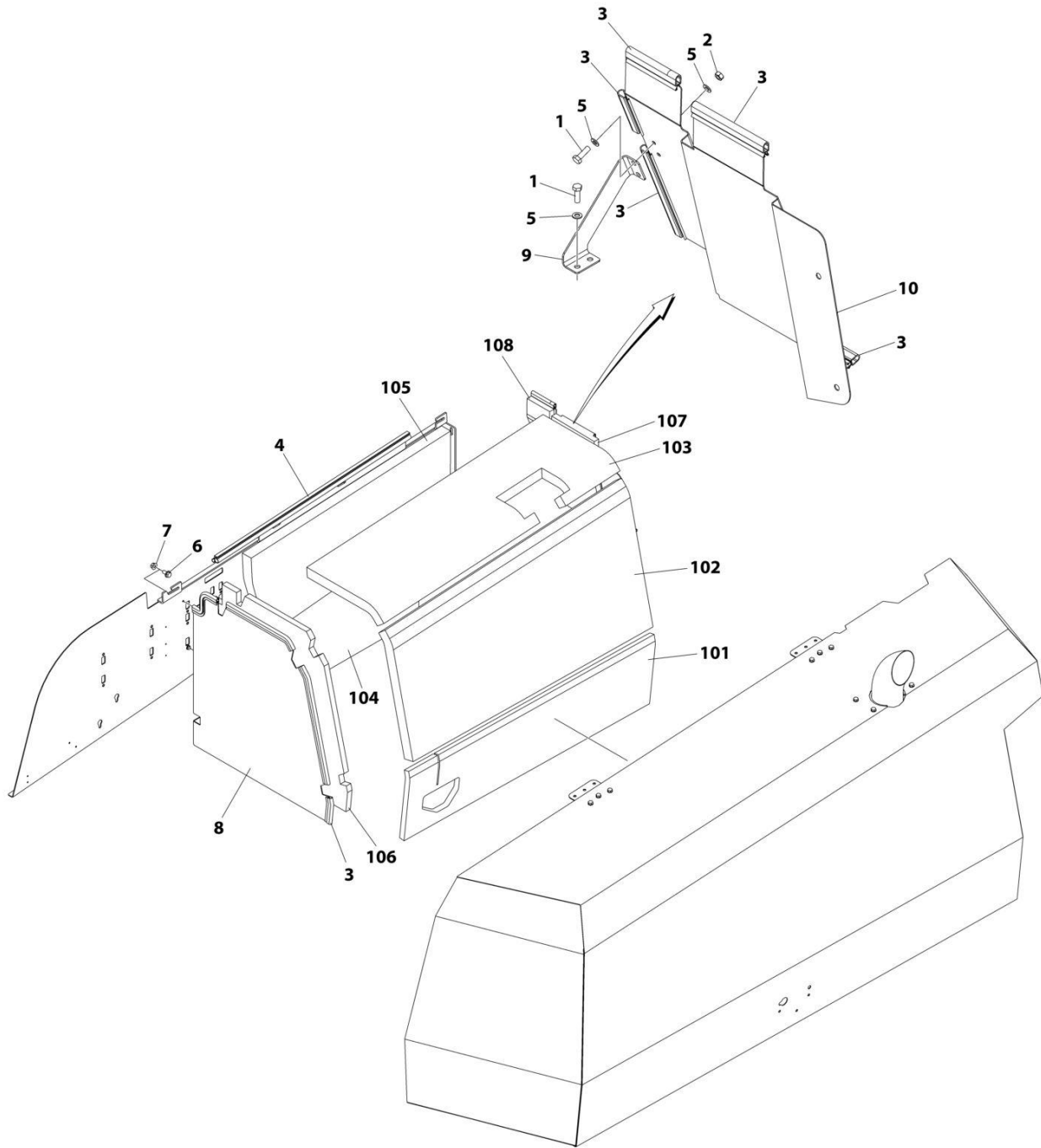
SECTION 2 - TURNTABLE

FIGURE 2-54. NOISE REDUCTION PACKAGE (600S HC3)

ITEM	PART NUMBER	QTY	DESCRIPTION	REV
	1001234080	Ref	SOUND REDUCTION PACKAGE	B
1	0761009	2	Bolt M10 x 18	
2	3960389	8.2 ft/ 2.49m	Seal	
3	3960464	3.6 ft/ 1.10m	Seal	
4	4812000	2	Washer M10	
5	5250608	2	Bolt M6 x 16	
6	5250808	2	Bolt M8 x 16	
7	5260600	2	Nut M6	
8	5260800	2	Nut M8	
9	1001241729	1	Plate	
10	1001233948	1	Bracket	
11	1001233949	1	Plate	
100	1001237550	1	Sound Foam Insulate Kit (Includes Items 101-107)	B
101	1001233953	1	Insulate	
102	1001233954	1	Insulate	
103	1001233955	1	Insulate	
104	1001233966	1	Insulate	
105	1001233967	1	Insulate	
106	1001234269	1	Insulate	
107	1001234270	1	Insulate	

SECTION 2 - TURNTABLE

FIGURE 2-55. NOISE REDUCTION PACKAGE (660SJ HC3)



ART_1001252519

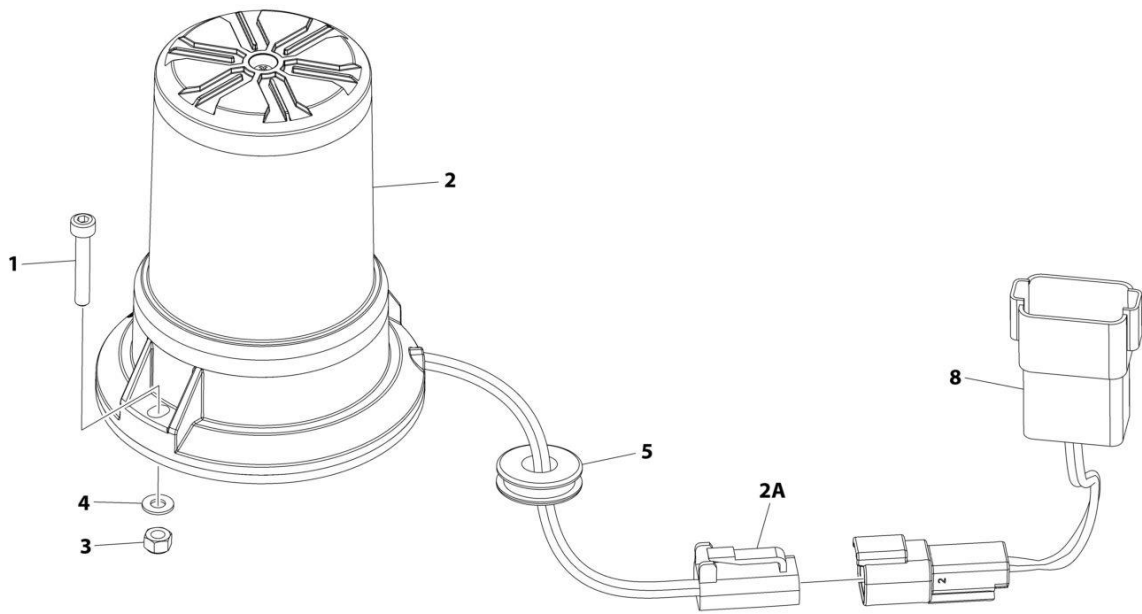
SECTION 2 - TURNTABLE

FIGURE 2-55. NOISE REDUCTION PACKAGE (660SJ HC3)

ITEM	PART NUMBER	QTY	DESCRIPTION	REV
	1001252519	Ref	SOUND REDUCTION PACKAGE	A
1	0760812	4	Bolt M8 x 25	
2	3290801	2	Nut M8	
3	3960389	8 ft /2.44m	Seal	
4	3960464	3.6 ft /1.10m	Seal	
5	4811900	6	Washer M8	
6	5250808	2	Bolt M8 x 16	
7	5260800	2	Nut M8	
8	1001241729	1	Plate	
9	1001253115	1	Bracket	
10	1001253117	1	Plate	
100	1001255619	1	Sound Foam Insulate Kit (Includes Items 101-108)	A
101	1001233953	1	Insulate	
102	1001233954	1	Insulate	
103	1001233955	1	Insulate	
104	1001233966	1	Insulate	
105	1001233967	1	Insulate	
106	1001234269	1	Insulate	
107	1001253116	1	Insulate	
108	1001253459	1	Insulate	

SECTION 2 - TURNTABLE

FIGURE 2-56. STROBE LIGHT INSTALLATION - AMBER



ART_1001191557_F

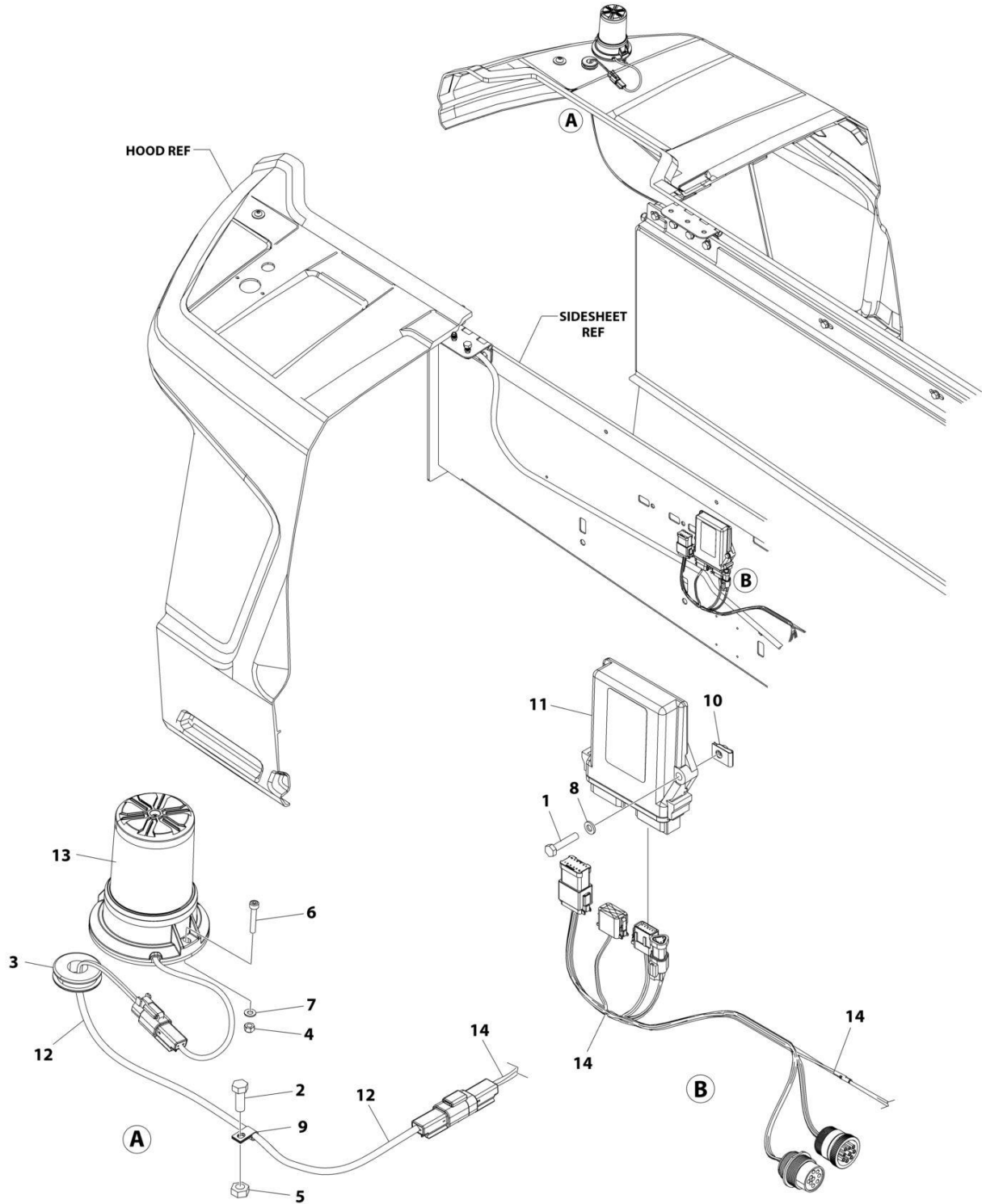
SECTION 2 - TURNTABLE

FIGURE 2-56. STROBE LIGHT INSTALLATION - AMBER

ITEM	PART NUMBER	QTY	DESCRIPTION	REV
	1001191557	Ref	STROBE LIGHT INSTALLATION	F
1	4031509	2	Screw M4 x 25	
2	1001270594	1	Light Strobe (Amber)	
2A	4460891	1	Plug, Male - 2 Position	
2A	4460465	2	Socket, Female	
3	3290405	2	Nut, Lock M4	
4	4811400	2	Washer M4	
5	2540020	1	Grommet	
7	4240099	AR	Tie-Strap (Not Shown)	
8	1001283776	1	Strobe Jumper Harness (See Separate Breakdown in ELECTRICAL Section)	

SECTION 2 - TURNTABLE

FIGURE 2-57. STROBE LIGHT INSTALLATION - BLUE



ART_1001243464_C

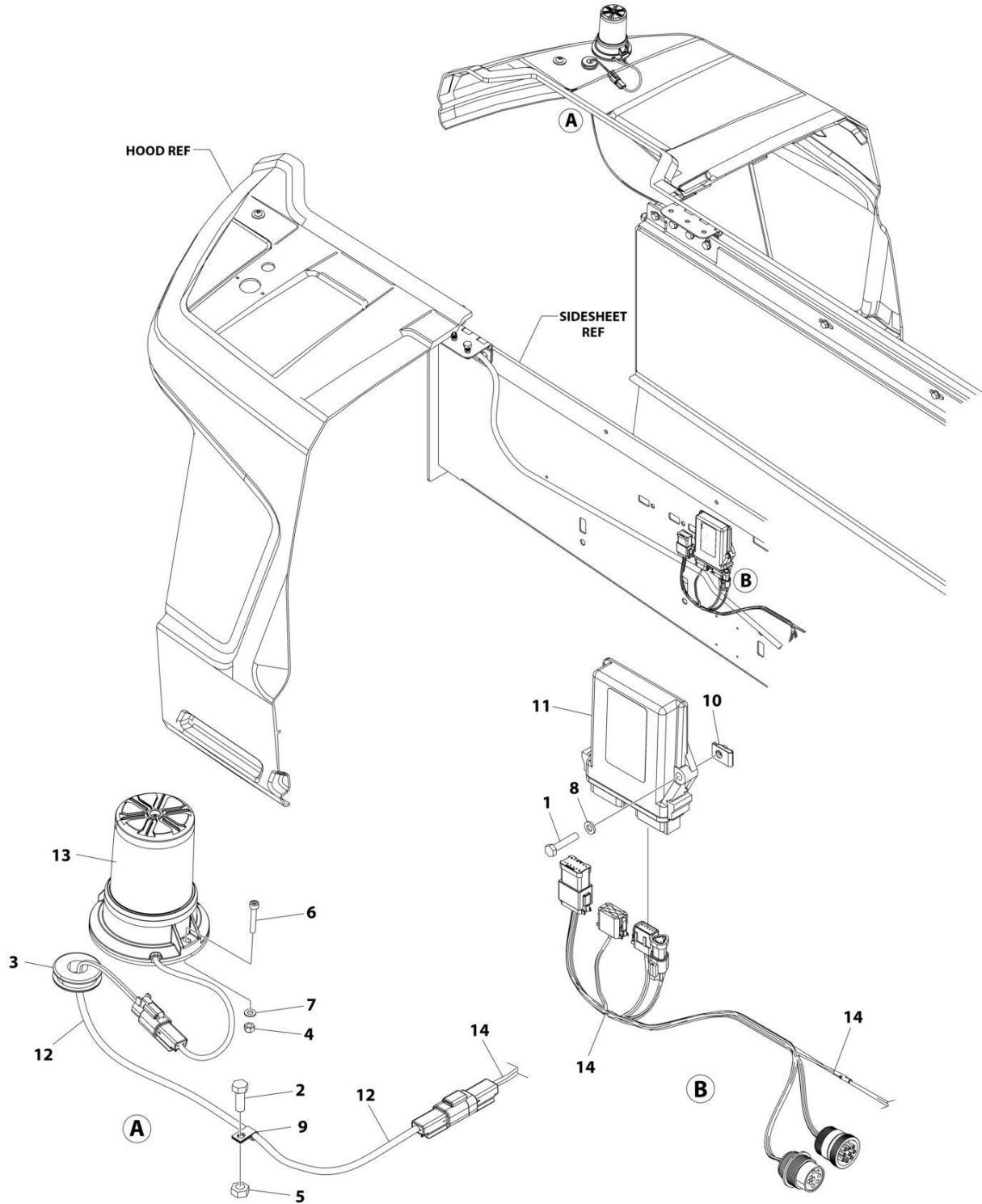
SECTION 2 - TURNTABLE

FIGURE 2-57. STROBE LIGHT INSTALLATION - BLUE

ITEM	PART NUMBER	QTY	DESCRIPTION	REV
	1001243464	Ref	STROBE LIGHT INSTALLATION	C
1	0760614	2	Bolt M6 x 30	
2	0761016	1	Bolt M10 x 40	
3	2540020	1	Grommet	
4	3290405	2	Nut, Lock M4	
5	3291005	1	Nut, Lock M10	
6	4031509	2	Screw M4 x 25	
7	4811400	2	Washer M4	
8	4811700	2	Washer M6	
9	8406110	1	Clip	
10	1001130220	2	Nut, Tinnerman M6	
11	1001142683	1	Module, Beacon Control	
12	1001142736	1	Strobe Light Control Harness (See Separate Breakdown in ELECTRICAL Section)	
13	1001272681	1	Light, Strobe (Blue)	
13	4460897	2	Receptacle, Female - 2 Position	
13	4460464	4	Pin, Male	
14	1001285733	1	Strobe Jumper Harness (See Separate Breakdown in ELECTRICAL Section)	

SECTION 2 - TURNTABLE

FIGURE 2-58. STROBE LIGHT INSTALLATION - RED



ART_1001243465_C

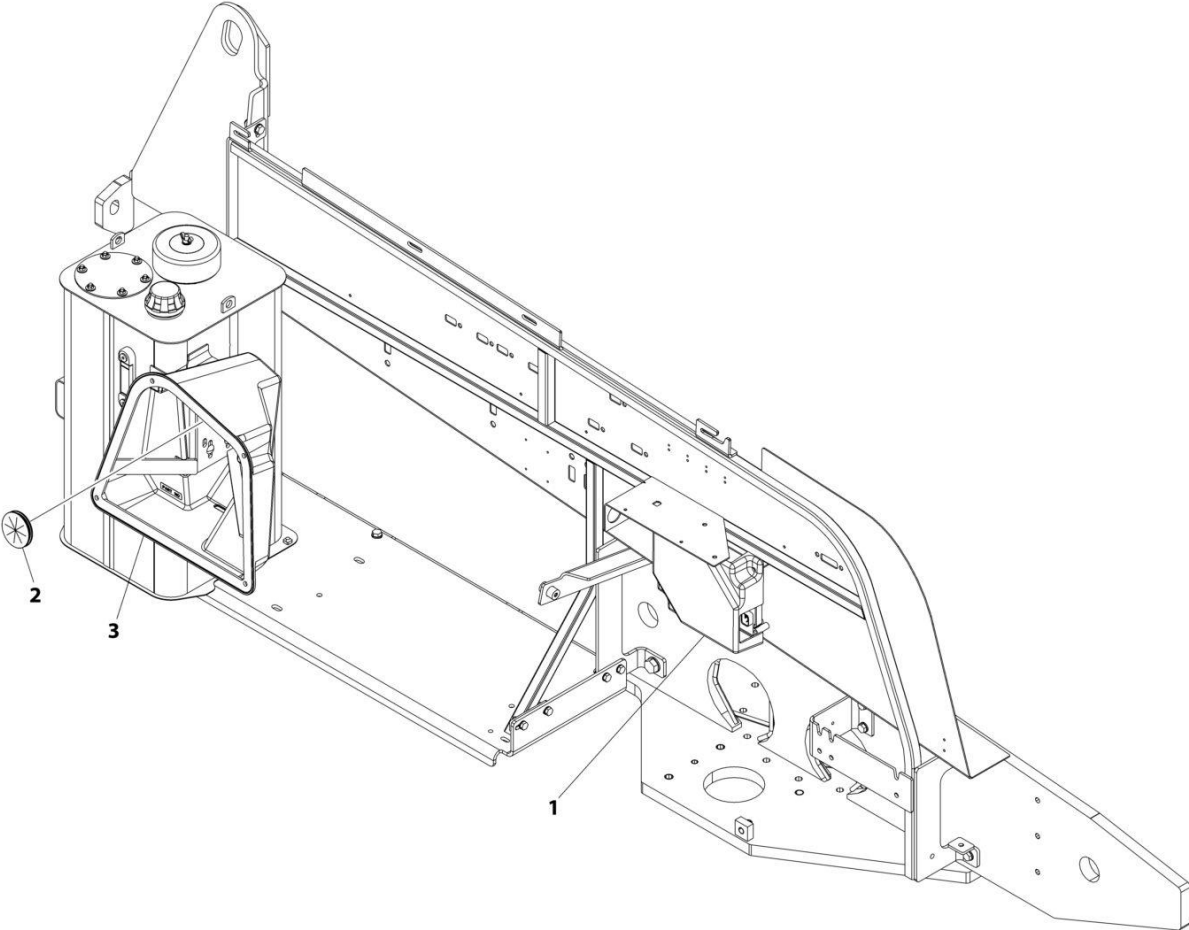
SECTION 2 - TURNTABLE

FIGURE 2-58. STROBE LIGHT INSTALLATION - RED

ITEM	PART NUMBER	QTY	DESCRIPTION	REV
	1001243465	Ref	STROBE LIGHT INSTALLATION	C
1	0760614	2	Bolt M6 x 30	
2	0761016	1	Bolt M10 x 40	
3	2540020	1	Grommet	
4	3290405	2	Nut, Lock M4	
5	3291005	1	Nut, Lock M10	
6	4031509	2	Screw M4 x 25	
7	4811400	2	Washer M4	
8	4811700	2	Washer M6	
9	8406110	1	Clip	
10	1001130220	2	Nut, Tinnerman M6	
11	1001142683	1	Module, Beacon Control	
12	1001142736	1	Strobe Light Control Harness (See Separate Breakdown in ELECTRICAL Section)	
13	1001272682	1	Light, Strobe (Red)	
13	4460897	2	Receptacle, Female - 2 Position	
13	4460464	4	Pin, Male	
14	1001285733	1	Strobe Jumper Harness (See Separate Breakdown in ELECTRICAL Section)	

SECTION 2 - TURNTABLE

FIGURE 2-59. TURNTABLE COVERS INSTALLATION



ART_1001219128

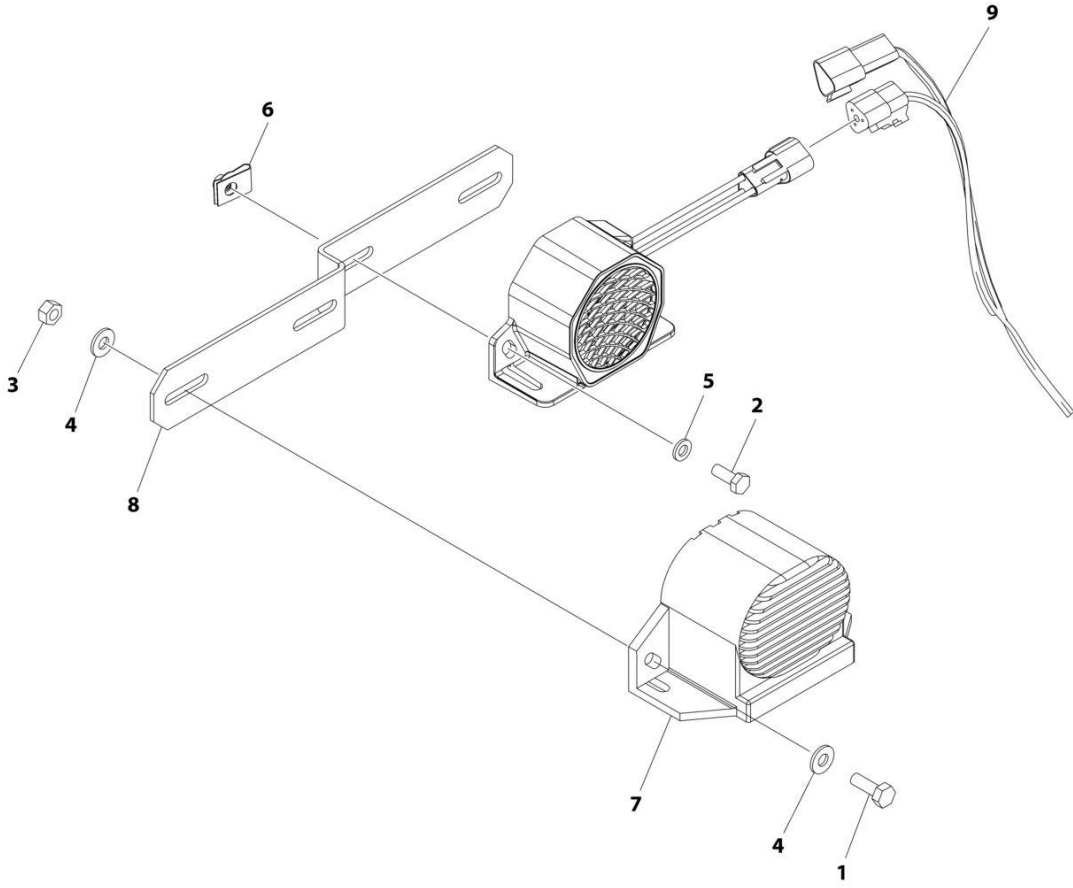
SECTION 2 - TURNTABLE

FIGURE 2-59. TURNTABLE COVERS INSTALLATION

ITEM	PART NUMBER	QTY	DESCRIPTION	REV
	1001219128	Ref	COVERS INSTALLATION	A
1	1001218539	1	Cover, Controller	
2	1001218676	1	Grommet	
3	1001220638	1	Cover, Ground Control	

SECTION 2 - TURNTABLE

FIGURE 2-60. WHITE NOISE ALARM INSTALLATION (AMBIENT)



ART_1001247386

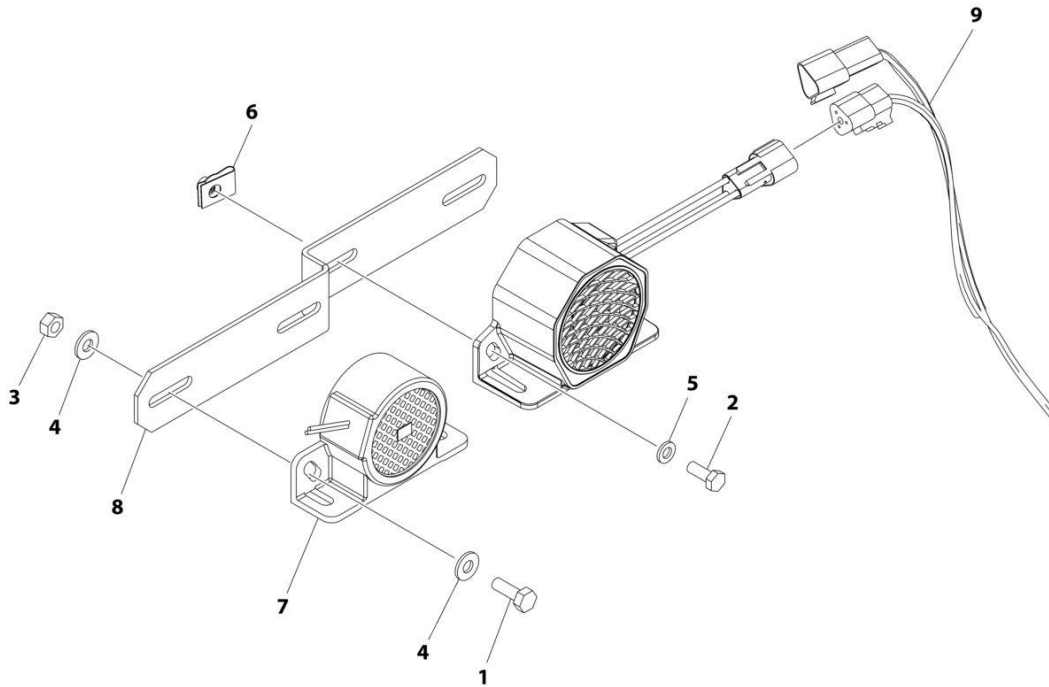
SECTION 2 - TURNTABLE

FIGURE 2-60. WHITE NOISE ALARM INSTALLATION (AMBIENT)

ITEM	PART NUMBER	QTY	DESCRIPTION	REV
	1001247386	Ref	WHITE NOISE ALARM INSTALLATION	A
1	0641406	2	Bolt 1/4 x 3/4	
2	0760608	2	Bolt M6 x 16	
3	3311405	2	Nut 1/4	
4	4711400	4	Washer 1/4	
5	4811700	2	Washer M6	
6	1001130220	2	Nut, Tinnerman M6	
7	1001182806	1	Alarm	
8	1001231711	1	Bracket	
9	1001243682	1	White Noise Alarm Harness (See Separate Breakdown in ELECTRICAL SECTION)	

SECTION 2 - TURNTABLE

FIGURE 2-61. WHITE NOISE ALARM INSTALLATION (CONSTANT)



ART_1001263173

SECTION 2 - TURNTABLE

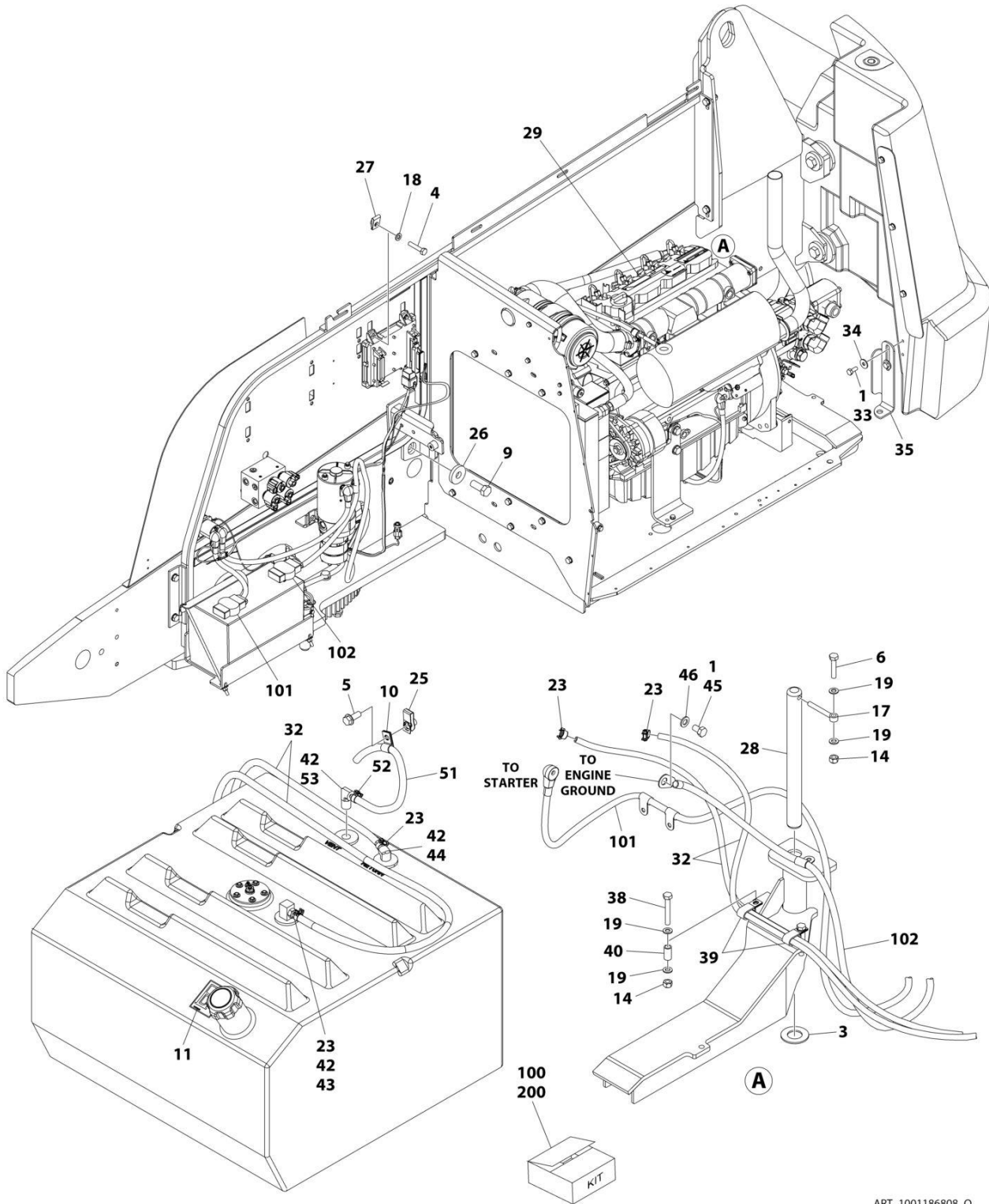
FIGURE 2-61. WHITE NOISE ALARM INSTALLATION (CONSTANT)

ITEM	PART NUMBER	QTY	DESCRIPTION	REV
	1001263173	Ref	WHITE NOISE ALARM (CONSTANT) INSTALLATION	A
1	0641406	2	Bolt 1/4 x 3/4	
2	0760608	2	Bolt M6 x 16	
3	3311405	2	Nut 1/4	
4	4711400	4	Washer 1/4	
5	4811700	2	Washer M6	
6	1001130220	2	Nut, Tinnerman M6	
7	1001184682	1	Alarm	
8	1001231711	1	Bracket	
9	1001243682	1	White Noise Alarm Harness (See Separate Breakdown in ELECTRICAL SECTION)	

SECTION 3 - ENGINE

SECTION 3 - ENGINE

FIGURE 3-1. DEUTZ D2011 ENGINE INSTALLATION - WITHOUT ARCTIC PACKAGE (MACHINES WITH SN STARTING WITH 03) (600S HC3)



ART_1001186808_O

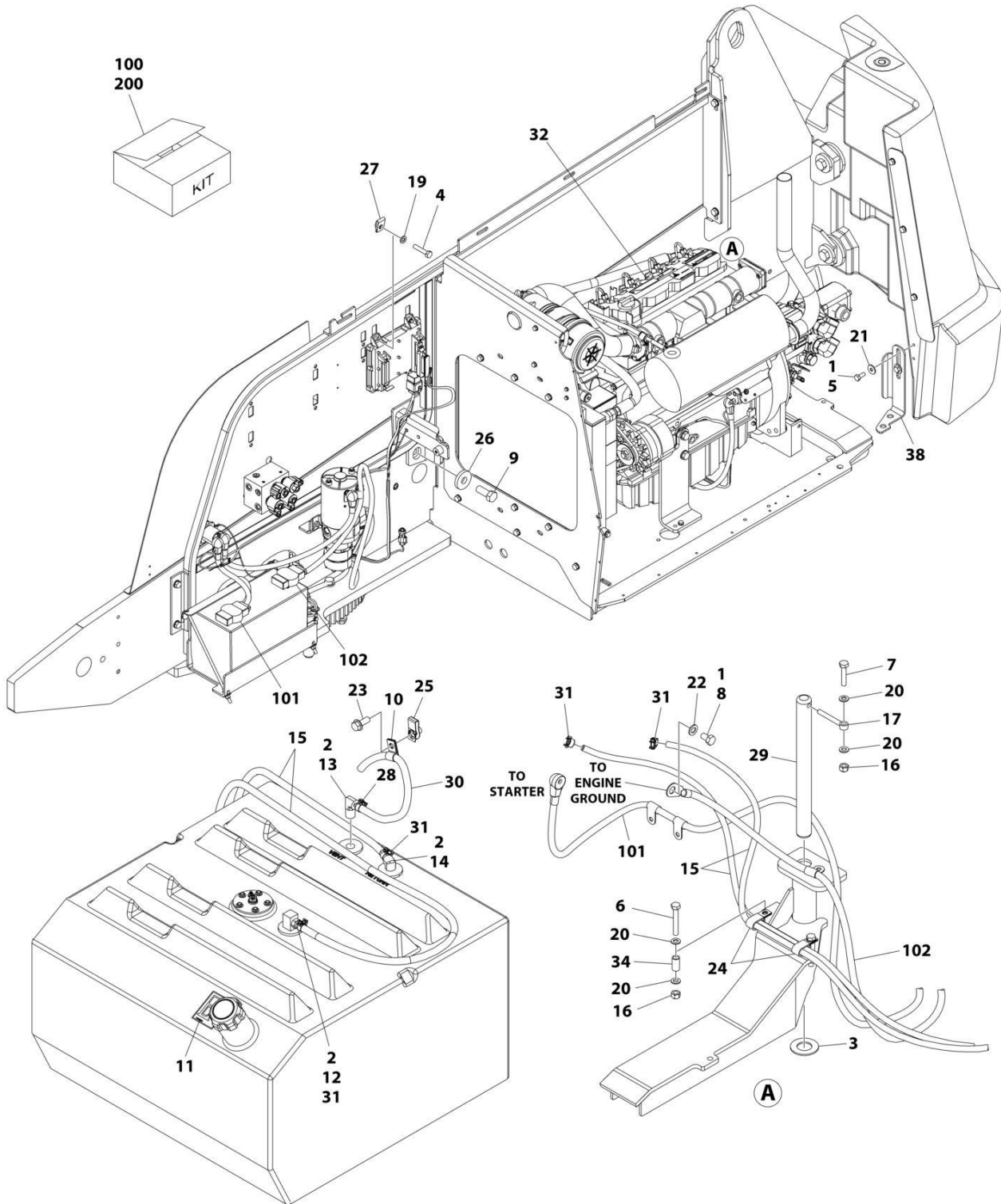
SECTION 3 - ENGINE

FIGURE 3-1. DEUTZ D2011 ENGINE INSTALLATION - WITHOUT ARCTIC PACKAGE (MACHINES WITH SN STARTING WITH 03) (600S HC3)

ITEM	PART NUMBER	QTY	DESCRIPTION	REV
	1001186808	Ref	DEUTZ D2011 ENGINE INSTALLATION	O
1	0100011	AR	Compound, Locking	
3	0440162	1	Bearing	
4	0700614	4	Bolt M6 x 30	
5	5251012	1	Bolt M10 x 25	
6	0711018	1	Bolt M10 x 50	
9	0772018	1	Bolt M20 x 50	
10	1320061	1	Clamp	
11	1701505	1	Decal - Diesel Fuel	
14	3291005	3	Nut M10	
17	3841143	1	Keeper, Pin	
18	4811700	4	Washer M6	
19	4812000	6	Washer M10	
23	1001174486	4	Clamp	
25	1001118972	1	Nut, Tinnerman M10	
26	1001119051	1	Washer	
27	1001130220	4	Nut, Tinnerman M6	
28	1001155094	1	Pin	
29	1001186815	1	Deutz D2011 Engine and Pumps Sub-Assembly (See Separate Breakdown in this Section)	
32	2720058	288 in/ 7.3m	Hose, Fuel	
33	0701012	2	Bolt M10 x 70	
34	4812002	2	Washer M10	
35	1001196398	1	Bracket	
38	0701022	2	Bolt M10 x 70	
39	1001026127	2	Clamp	
40	1001200731	2	Tube	
41	4240099	5	Tie-Strap (Not Shown)	
42	0100020	AR	Sealant	
43	2180348	1	Fitting, Straight NPT x Barb	
44	2221176	1	Fitting, 90 Barbed	
45	0761210	1	Bolt M12 x 20	
46	4812100	1	Washer M12	
51	1001165035	20 in/ 0.5m	Hose	
52	1001136975	1	Clamp	
53	2220313	1	Fitting, 90 NPTF/Barb	
100	1001235699	1	Battery Cable Kit	
101	1001188667	1	Cable, Battery (+) to Aux Relay to Starter	
102	1001188670	1	Cable, Battery (-) to Aux Pump and Ground	
200	1001269919	1	Hose Assembly Kit	
201	1001192690	1	Hose (Case Drain) (Drive Pump Case Gauge Port to Tank) (Not Shown)	
202	1001203431	1	Hose (Case Drain) (Drive Pump Case Outlet Port to Tank) (Not Shown)	
203	1001203432	1	Hose (Function Suction) (Not Shown)	
204	1001203433	1	Hose (Drive Suction) (Not Shown)	

SECTION 3 - ENGINE

FIGURE 3-2. DEUTZ D2011 ENGINE INSTALLATION - WITHOUT ARCTIC PACKAGE (MACHINES WITH SN STARTING WITH 03) (660SJ HC3)



ART_1001258167

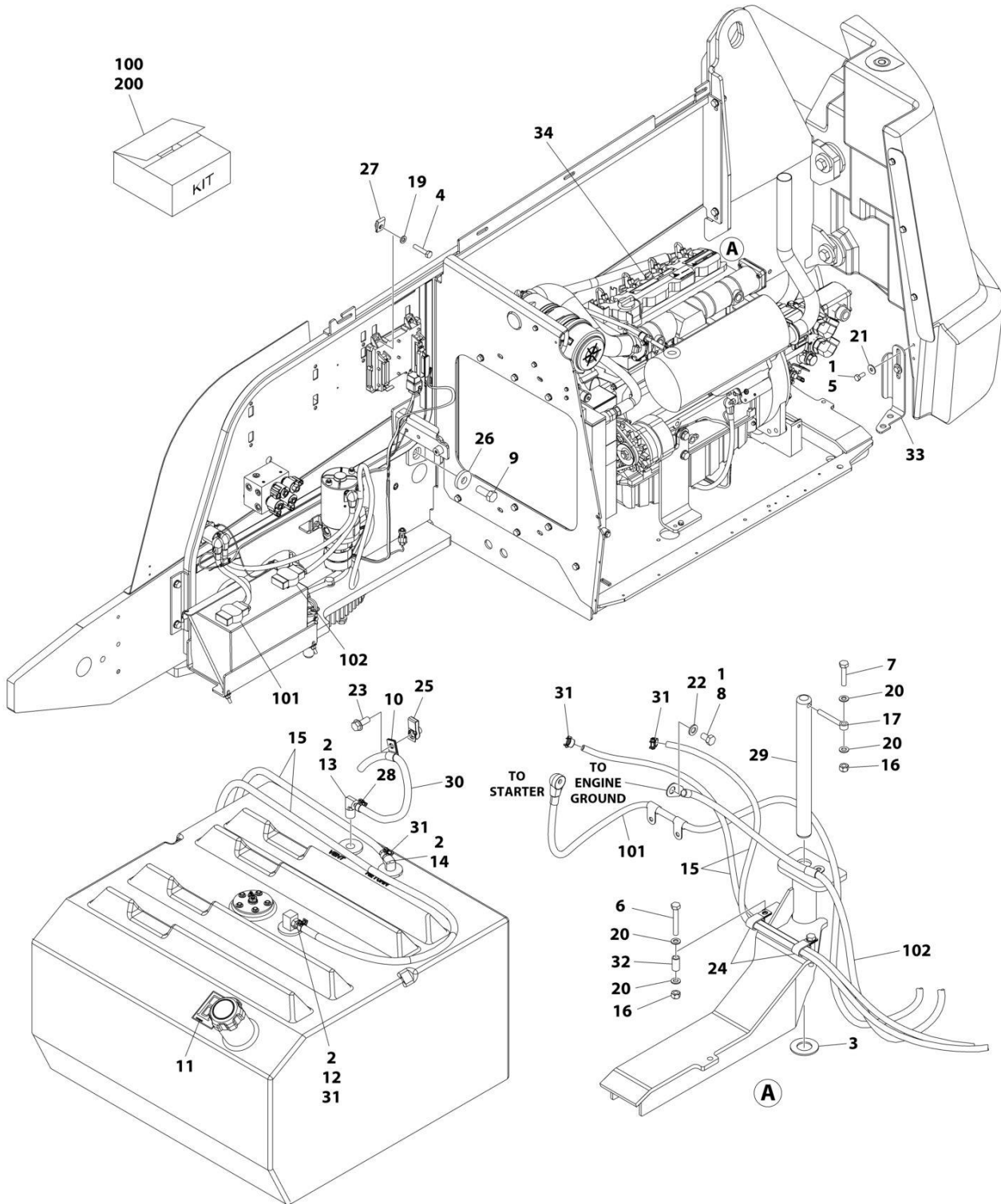
SECTION 3 - ENGINE

FIGURE 3-2. DEUTZ D2011 ENGINE INSTALLATION - WITHOUT ARCTIC PACKAGE (MACHINES WITH SN STARTING WITH 03) (660SJ HC3)

ITEM	PART NUMBER	QTY	DESCRIPTION	REV
	1001258167	Ref	DEUTZ D2011 ENGINE INSTALLATION	B
1	0100011	AR	Compound, Locking	
2	0100020	AR	Sealant	
3	0440162	1	Bearing	
4	0700614	4	Bolt M6 x 30	
5	0701012	2	Bolt M10 x 70	
6	0701022	2	Bolt M10 x 70	
7	0711018	1	Bolt M10 x 50 Class 10.9	
8	0761210	1	Bolt M12 x 20	
9	0772018	1	Bolt M20 x 50	
10	1320061	1	Clamp	
11	1701505	1	Decal - Diesel Fuel	
12	2180348	1	Fitting, Straight NPT x Barb	
13	2220313	1	Fitting, 90 NPTF/Barb	
14	2221176	1	Fitting, 90 Barbed	
15	2720058	288 in/ 7.3m	Hose, Fuel	
16	3291005	3	Nut, Lock M10	
17	3841143	1	Keeper, Pin	
18	4240099	AR	Tie-Strap (Not Shown)	
19	4811700	4	Washer M6	
20	4812000	6	Washer M10	
21	4812002	2	Washer M10	
22	4812100	1	Washer M12	
23	5251012	1	Bolt M10 x 25	
24	1001026127	2	Clamp	
25	1001118972	1	Nut, Tinnerman M10	
26	1001119051	1	Washer	
27	1001130220	4	Nut, Tinnerman M6	
28	1001136975	1	Clamp	
29	1001155094	1	Pin	
30	1001165035	20 in/0.5m	Hose	
31	1001174486	4	Clamp	
32	1001186815	1	Deutz D2011 Engine and Pumps Sub-Assembly (See Separate Breakdown in this Section)	
34	1001200731	2	Tube	
38	1001258175	1	Bracket	
100	1001235699	1	Battery Cable Kit	
101	1001188667	1	Cable, Battery (+) to Aux Relay to Starter	
102	1001188670	1	Cable, Battery (-) to Aux Pump and Ground	
200	1001269920	1	Engine Hose Kit	
201	1001192690	1	Hose (Case Drain) (Drive Pump Case Gauge Port to Tank) (Not Shown)	
202	1001203431	1	Hose (Case Drain) (Drive Pump Case Outlet Port to Tank) (Not Shown)	
203	1001258156	1	Hose (Function Suction) (Not Shown)	
204	1001258157	1	Hose (Drive Suction) (Not Shown)	

SECTION 3 - ENGINE

FIGURE 3-3. DEUTZ D2011 ENGINE INSTALLATION - WITHOUT ARCTIC PACKAGE (MACHINES WITH SN STARTING WITH B3) (660SJ HC3)



ART_1001285082

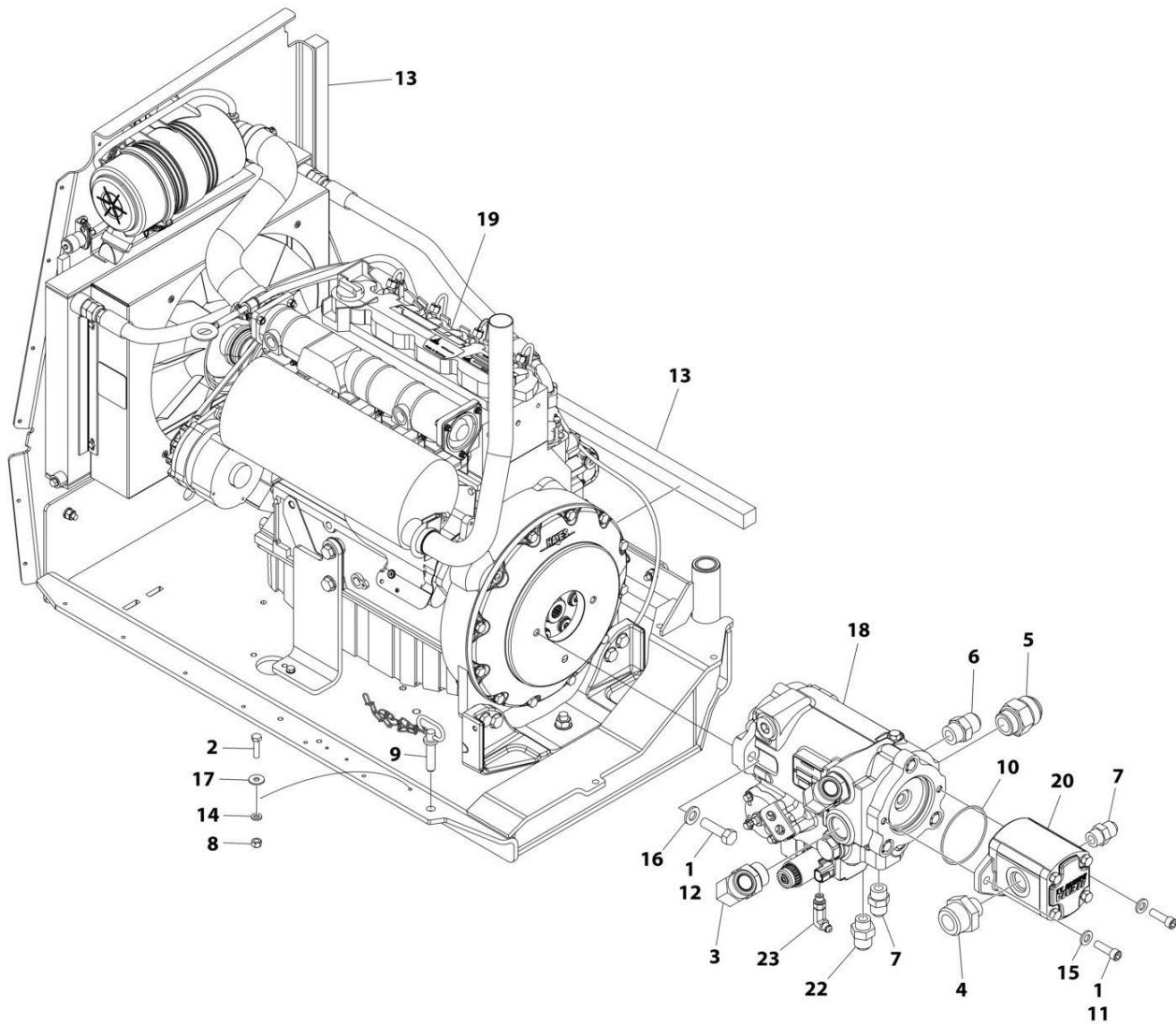
SECTION 3 - ENGINE

FIGURE 3-3. DEUTZ D2011 ENGINE INSTALLATION - WITHOUT ARCTIC PACKAGE (MACHINES WITH SN STARTING WITH B3) (660SJ HC3)

ITEM	PART NUMBER	QTY	DESCRIPTION	REV
	1001285082	Ref	DEUTZ D2011 ENGINE INSTALLATION	A
1	0100011	AR	Compound, Locking	
2	0100020	AR	Sealant	
3	0440162	1	Bearing	
4	0700614	4	Bolt M6 x 30	
5	0701012	2	Bolt M10 x 70	
6	0701022	2	Bolt M10 x 70	
7	0711018	1	Bolt M10 x 50 Class 10.9	
8	0761210	1	Bolt M12 x 20	
9	0772018	1	Bolt M20 x 50	
10	1320061	1	Clamp	
11	1701505	1	Decal - Diesel Fuel	
12	2180348	1	Fitting, Straight NPT x Barb	
13	2220313	1	Fitting, 90 NPTF/Barb	
14	2221176	1	Fitting, 90 Barbed	
15	2720058	288 in/ 7.3m	Hose, Fuel	
16	3291005	3	Nut, Lock M10	
17	3841143	1	Keeper, Pin	
18	4240099	AR	Tie-Strap (Not Shown)	
19	4811700	4	Washer M6	
20	4812000	6	Washer M10	
21	4812002	2	Washer M10	
22	4812100	1	Washer M12	
23	5251012	1	Bolt M10 x 25	
24	1001026127	2	Clamp	
25	1001118972	1	Nut, Tinnerman M10	
26	1001119051	1	Washer	
27	1001130220	4	Nut, Tinnerman M6	
28	1001136975	1	Clamp	
29	1001155094	1	Pin	
30	1001165035	20 in/0.5m	Hose	
31	1001174486	4	Clamp	
32	1001200731	2	Tube	
33	1001258175	1	Bracket	
34	1001285072	1	Deutz D2011 Engine and Pumps Sub-Assembly (See Separate Breakdown in this Section)	
100	1001235699	1	Battery Cable Kit	
101	1001188667	1	Cable, Battery (+) to Aux Relay to Starter	
102	1001188670	1	Cable, Battery (-) to Aux Pump and Ground	
200	1001269920	1	Engine Hose Kit	
201	1001192690	1	Hose (Case Drain) (Drive Pump Case Gauge Port to Tank) (Not Shown)	
202	1001203431	1	Hose (Case Drain) (Drive Pump Case Outlet Port to Tank) (Not Shown)	
203	1001258156	1	Hose (Function Suction) (Not Shown)	
204	1001258157	1	Hose (Drive Suction) (Not Shown)	

SECTION 3 - ENGINE

FIGURE 3-4. DEUTZ D2011 ENGINE AND PUMPS SUB-ASSEMBLY - WITHOUT ARCTIC PACKAGE
(MACHINES WITH SN STARTING WITH 03)



ART_1001186815_G

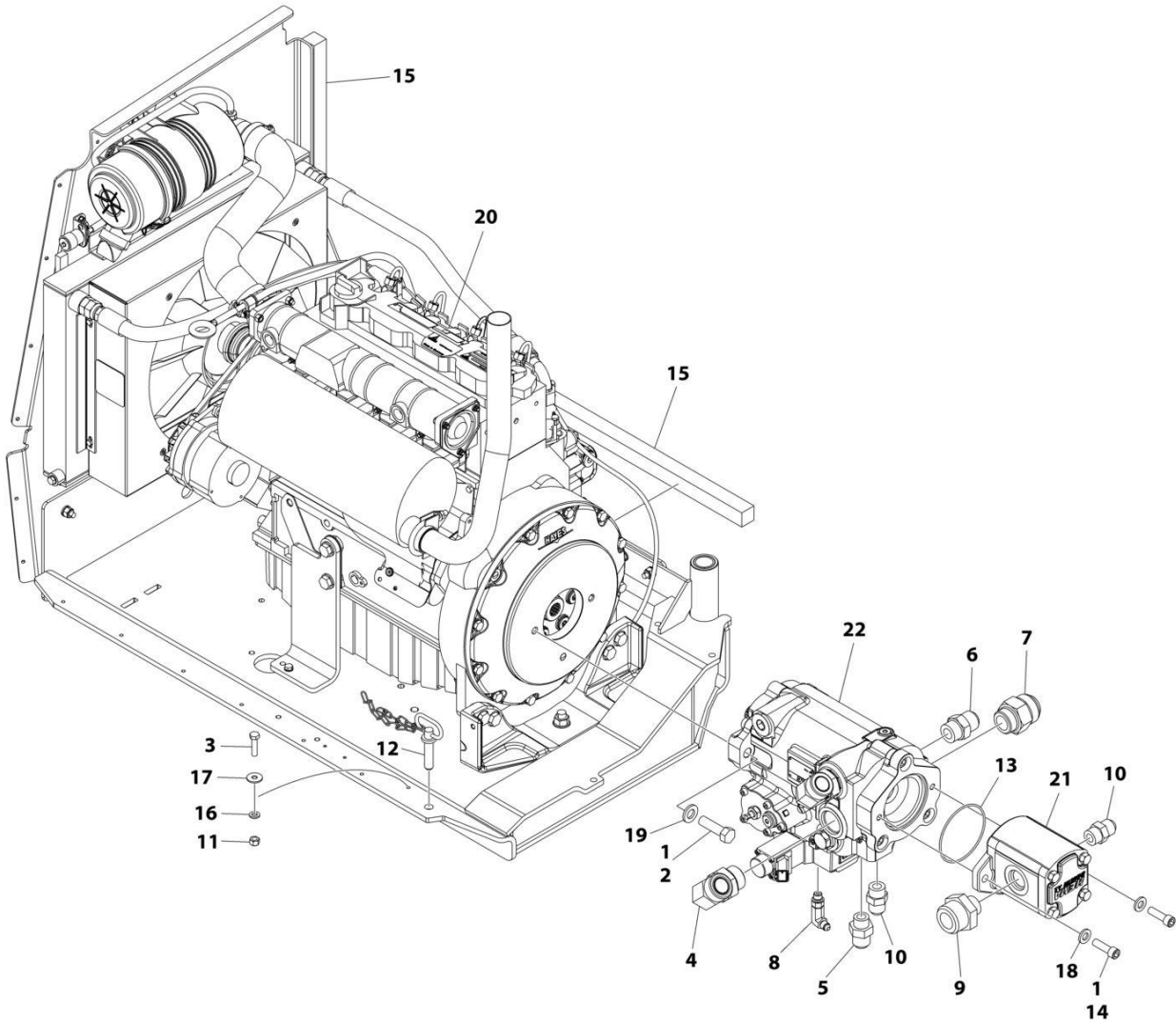
SECTION 3 - ENGINE

**FIGURE 3-4. DEUTZ D2011 ENGINE AND PUMPS SUB-ASSEMBLY - WITHOUT ARCTIC PACKAGE
(MACHINES WITH SN STARTING WITH 03)**

ITEM	PART NUMBER	QTY	DESCRIPTION	REV
	1001186815	Ref	DEUTZ D2011 ENGINE AND PUMPS SUB-ASSEMBLY	G
1	0100011	AR	Compound, Locking	
2	0760612	1	Bolt M6 x 25	
3	2131616	2	Fitting, 90 ORFS/ORB	
4	2220946	1	Fitting, Straight JIC/ORB	
5	2220479	1	Fitting, Straight JIC/ORB	
6	2220451	1	Fitting, Straight JIC/ORB	
7	2220947	2	Fitting, Straight JIC/ORB	
8	3290605	1	Nut M6	
9	3422532	1	Pin	
10	3790152	1	O-Ring	
11	3931620	2	Capscrew 3/8 x 1-1/4	
11	3931618	2	Capscrew 3/8 x 1-1/8	
12	0641814	2	Bolt 1/2 x 1-3/4	
13	3960469	2	Seal	
14	4811700	1	Washer M6	
15	5241000	2	Washer M10	
16	5241200	2	Washer M12	
17	4811702	1	Washer M6	
18	1001184930	1	Piston Pump Assembly (See Separate Breakdown in this Section)	
19	1001186816	1	Deutz D2011 Engine Assembly (See Separate Breakdown in this Section)	
20	1001190143	1	Gear Pump Assembly	
20	70006356	1	Seal Kit - 1001190143 Pump	
22	2220408	1	Fitting, Straight JIC/ORB	
23	2220940	1	Fitting, 90 JIC/ORB	

SECTION 3 - ENGINE

FIGURE 3-5. DEUTZ D2011 ENGINE AND PUMPS SUB-ASSEMBLY - WITHOUT ARCTIC PACKAGE
(MACHINES WITH SN STARTING WITH B3) (660SJ HC3)



ART_1001285072

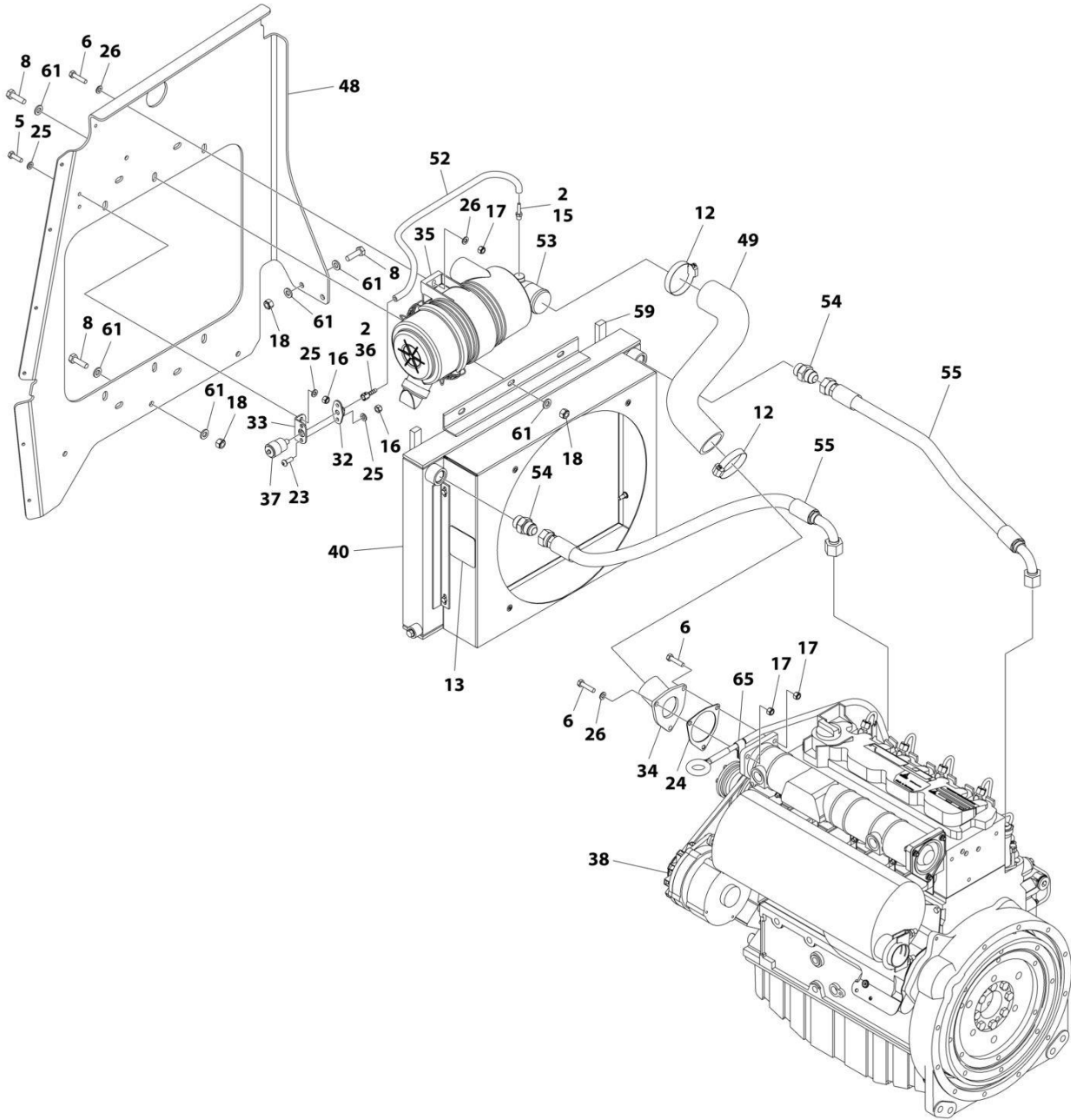
SECTION 3 - ENGINE

**FIGURE 3-5. DEUTZ D2011 ENGINE AND PUMPS SUB-ASSEMBLY - WITHOUT ARCTIC PACKAGE
(MACHINES WITH SN STARTING WITH B3) (660SJ HC3)**

ITEM	PART NUMBER	QTY	DESCRIPTION	REV
	1001285072	Ref	DEUTZ D2011 ENGINE AND PUMPS SUB-ASSEMBLY	B
1	0100011	AR	Compound, Locking	
2	0641814	2	Bolt 1/2 x 1-3/4	
3	0760612	1	Bolt M6 x 25	
4	2131616	2	Fitting, 90 ORFS/ORB	
5	2220408	1	Fitting, Straight JIC/ORB	
6	2220451	1	Fitting, Straight JIC/ORB	
7	2220479	1	Fitting, Straight JIC/ORB	
8	2220940	1	Fitting, 90 JIC/ORB	
9	2220946	1	Fitting, Straight JIC/ORB	
10	2220947	2	Fitting, Straight JIC/ORB	
11	3290605	1	Nut M6	
12	3422532	1	Pin	
13	70007827	1	O-Ring (Part of Item 22)	
14	3931618	2	Capscrew 3/8 x 1-1/8	
15	3960469	2	Seal	
16	4811700	1	Washer M6	
17	4811702	1	Washer M6	
18	5241000	2	Washer M10	
19	5241200	2	Washer M12	
20	1001186816	1	Deutz D2011 Engine Assembly (See Separate Breakdown in this Section)	
21	1001190143	1	Gear Pump Assembly	
21	70006356	1	Seal Kit - 1001190143 Pump	
22	1001284471	1	Piston Pump Assembly (See Separate Breakdown in this Section)	

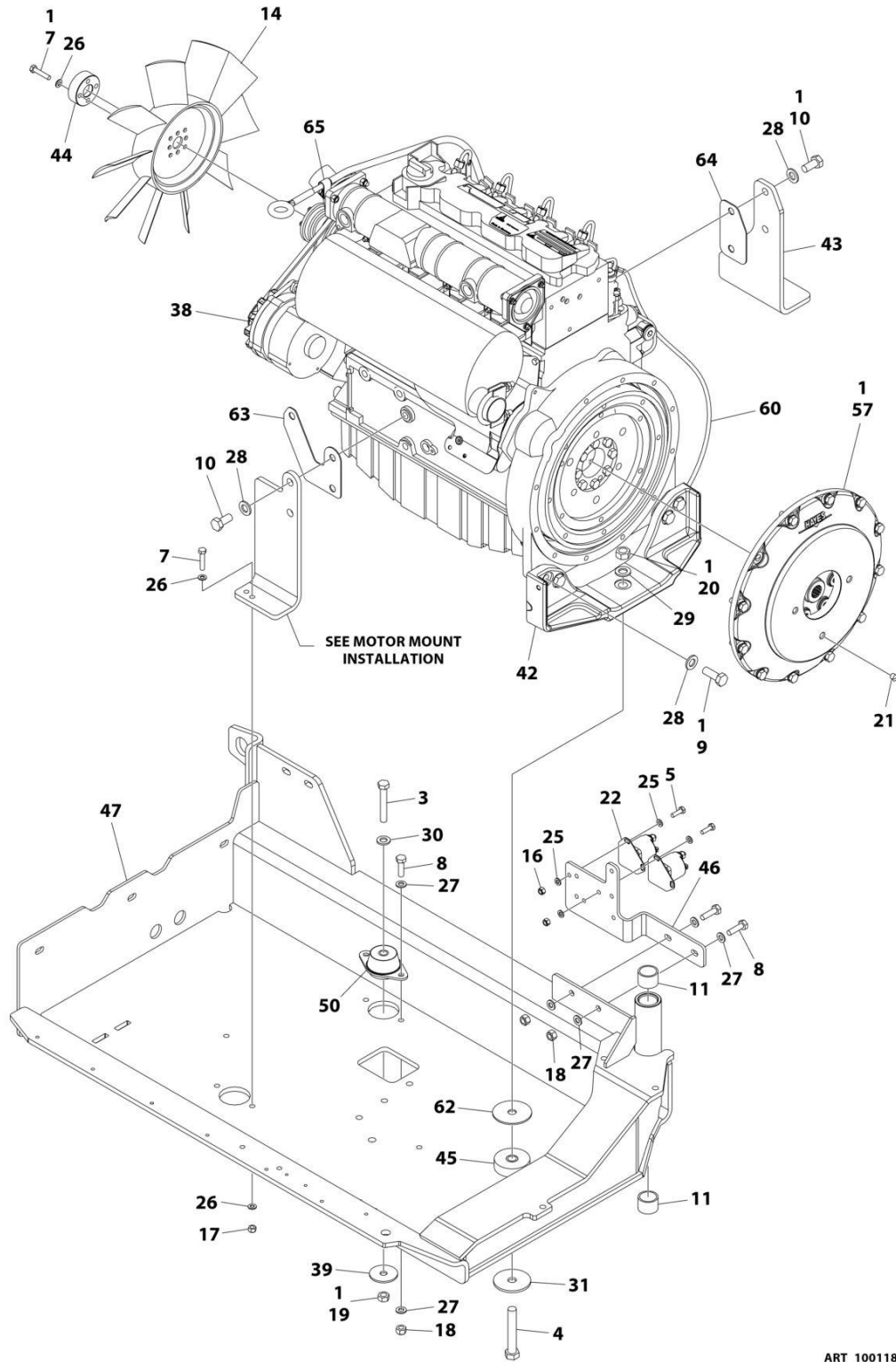
SECTION 3 - ENGINE

FIGURE 3-6. DEUTZ D2011 ENGINE ASSEMBLY - WITHOUT ARCTIC PACKAGE



ART_1001186816_X_10F2

SECTION 3 - ENGINE



ART_1001186816_X_20F2

SECTION 3 - ENGINE

FIGURE 3-6. DEUTZ D2011 ENGINE ASSEMBLY - WITHOUT ARCTIC PACKAGE

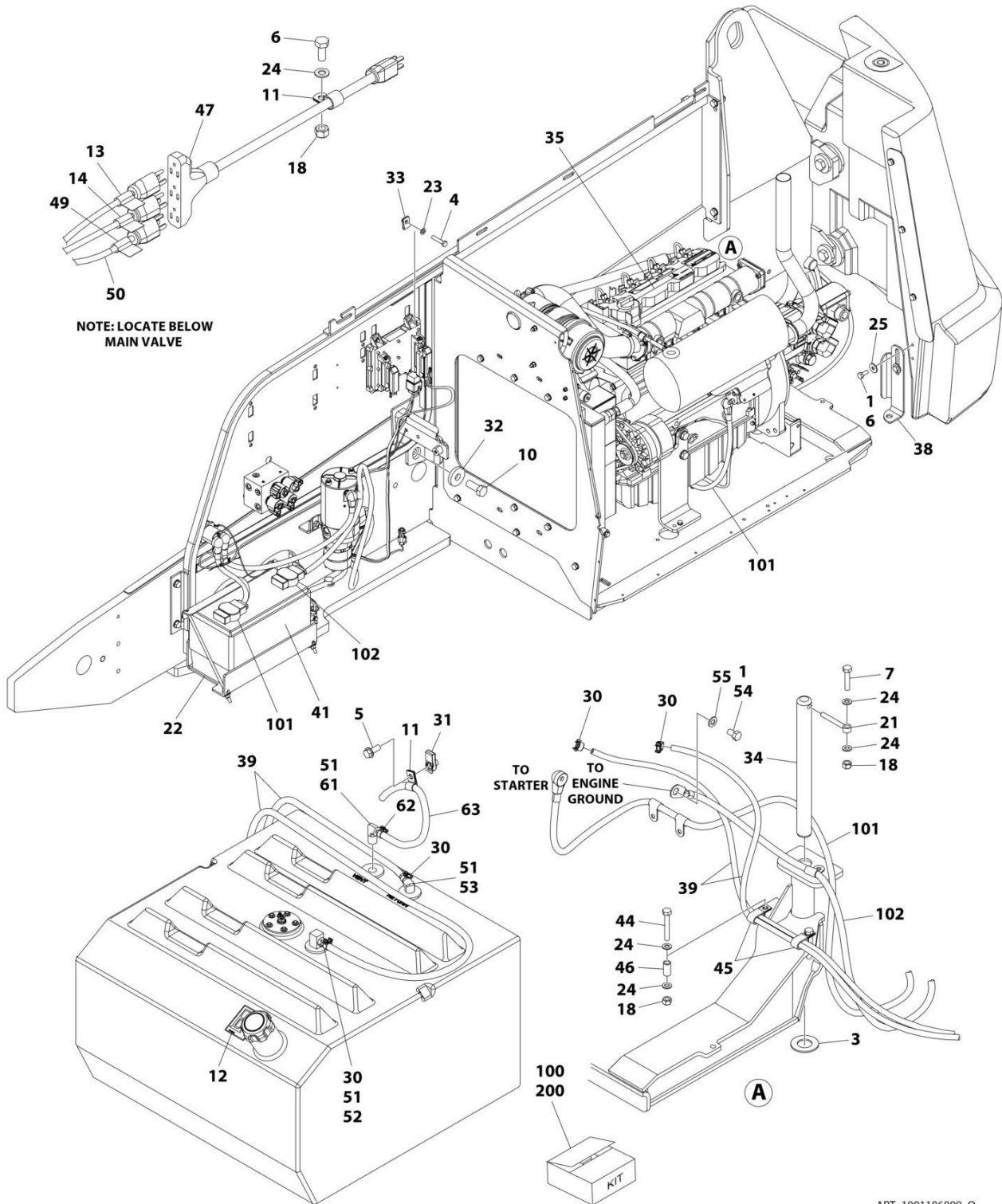
ITEM	PART NUMBER	QTY	DESCRIPTION	REV
	1001186816	Ref	DEUTZ D2011 ENGINE ASSEMBLY	X
1	0100011	AR	Compound, Locking	
2	0100020	AR	Sealant	
3	0711224	1	Bolt M12 x 80	
4	0711627	1	Bolt M16 x 100	
5	0760610	6	Bolt M6 x 20	
6	0760815	5	Bolt M8 x 35	
7	0760816	5	Bolt M8 x 40	
8	0761015	15	Bolt M10 x 35	
9	0771416	4	Bolt M14 x 40	
10	0771414	4	Bolt M14 x 30	
11	0961951	2	Bushing	
12	8405202	2	Clamp	
13	1703162	2	Decal - Fan Blade	
14	2060025	1	Fan	
15	2220315	1	Fitting, Straight Barbed	
16	3290605	8	Nut M6	
17	3290805	6	Nut M8	
18	3291005	15	Nut M10	
19	3331211	1	Nut M12	
20	3331611	1	Nut M16	
21	3520054	2	Plug	
22	3740067	2	Relay	
23	3900357	2	Screw M6 x 16	
24	3960407	1	Gasket, Air Intake Adapter	
25	4811700	14	Washer M6	
26	4811900	11	Washer M8	
27	4812000	8	Washer M10	
28	5241400	8	Washer M14	
29	4812300	1	Washer M16	
30	5241200	1	Washer M12	
31	7300435	1	Washer	
32	1001138173	1	Support	
33	1001138175	1	Bracket	
34	1001139819	1	Adapter	
35	1001141694	1	Clamp, Air Cleaner	
36	1001141995	1	Fitting, Straight NPT/Barbed	
37	1001143390	1	Indicator, Air Filter Service	
38	1001146368	1	Deutz D2011 Engine (See Separate Breakdown in this Section)	
39	1001168018	1	Washer	
40	1001187082	1	Radiator	
41	1001188236	1	Engine Harness - Deutz D2011 Engines (Not Shown) (See Separate Breakdown in ELECTRICAL SECTION)	
42	1001188535	1	Bracket, Engine - Rear	
43	1001189026	1	Bracket, Engine - Right	
44	1001189161	1	Adapter, Fan	
45	1001190164	1	Mount, Motor	
46	1001203885	1	Plate	
47	1001200435	1	Tray	
48	1001236499	1	Support, Radiator	

SECTION 3 - ENGINE

ITEM	PART NUMBER	QTY	DESCRIPTION	REV
49	1001191271	1	Hose	
50	1001191610	1	Mount, Motor	
52	1001138248	21.7 in/ 0.6m	Tube	
53	1001165388	1	Filter, Air	
53	70003783	1	Element, Filter	
54	2220451	2	Fitting, Straight ORB/JIC	
55	2720398	2	Hose	
57	2902065	1	Pump Coupling Kit (See Separate Breakdown in this Section)	
59	1001168166	2	Seal	
60	1001234396	1	Glow Plug Harness	
61	5241000	22	Washer M10	
62	1001197725	1	Spacer	
63	1001201843	1	Shim .079	
64	1001201844	1	Shim .079	
65	1320070	1	Clamp	

SECTION 3 - ENGINE

FIGURE 3-7. DEUTZ D2011 ENGINE INSTALLATION - WITH ARCTIC PACKAGE (MACHINES WITH SN STARTING WITH 03) (600S HC3)



ART_1001186809_O

SECTION 3 - ENGINE

FIGURE 3-7. DEUTZ D2011 ENGINE INSTALLATION - WITH ARCTIC PACKAGE (MACHINES WITH SN STARTING WITH 03) (600S HC3)

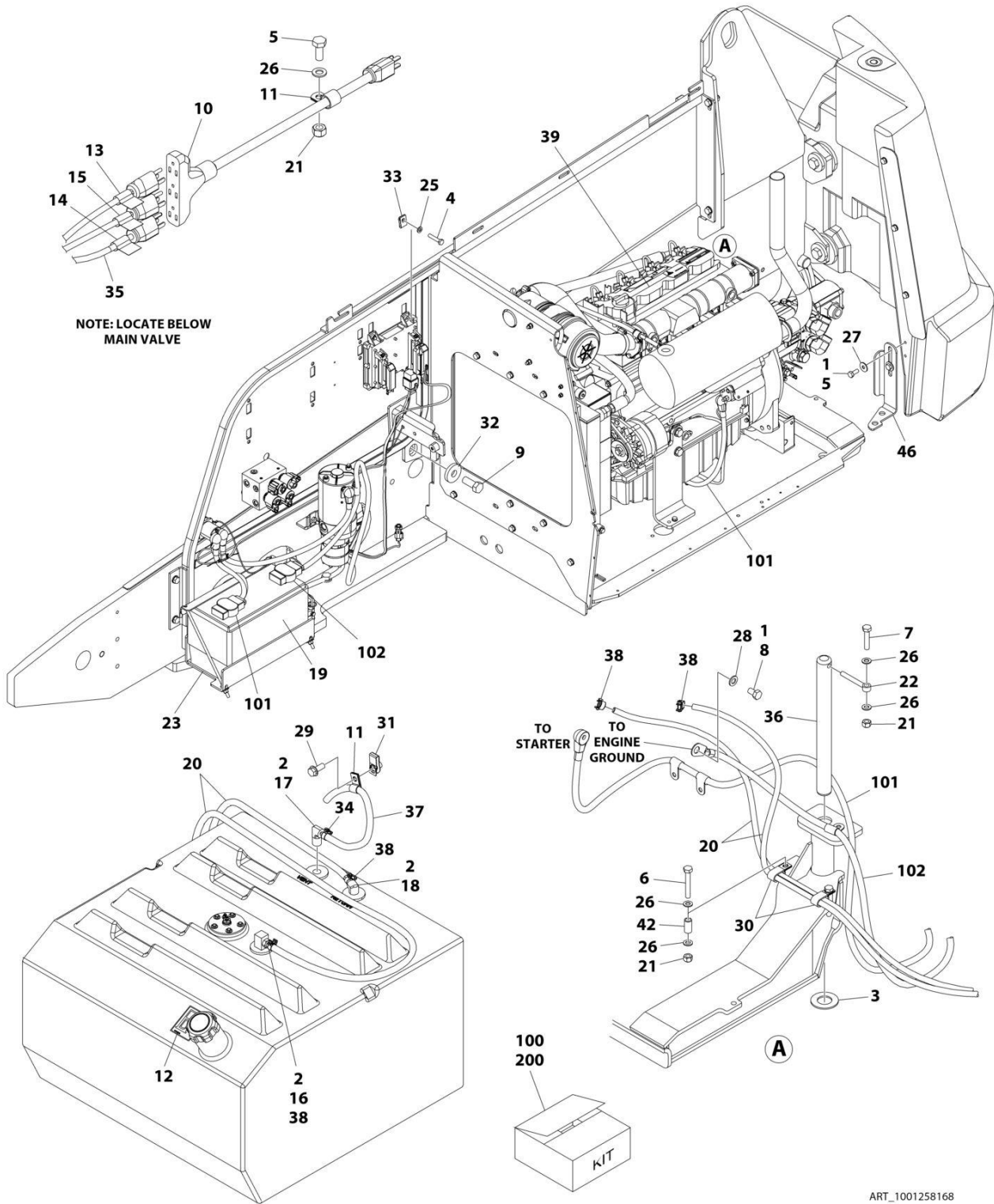
ITEM	PART NUMBER	QTY	DESCRIPTION	REV
	1001186809	Ref	DEUTZ D2011 ENGINE INSTALLATION	O
1	0100011	AR	Compound, Locking	
3	0440162	1	Bearing	
4	0700614	4	Bolt M6 x 30	
5	5251012	1	Bolt M10 x 25	
6	0701012	3	Bolt M10 x 25	
7	0711018	1	Bolt M10 x 50	
10	0772018	1	Bolt M20 x 50	
11	1320061	2	Clamp	
12	1701505	1	Decal - Diesel Fuel	
13	1702941	1	Decal - Battery Heater	
14	1702943	1	Decal - Hydraulic Tank Heater	
17	1001188972	1	Heater, Immersion (Not Shown - Located on Hydraulic Tank)	
18	3291005	4	Nut M10	
21	3841143	1	Keeper, Pin	
22	3980007	1	Seal, Battery	
23	4811700	4	Washer M6	
24	4812000	7	Washer M10	
25	4812002	2	Washer M10	
30	1001174486	4	Clamp	
31	1001118972	1	Nut, Tinnerman M10	
32	1001119051	1	Washer	
33	1001130220	4	Nut, Tinnerman M6	
34	1001155094	1	Pin	
35	1001186817	1	Deutz D2011 Engine and Pumps Sub-Assembly (See Separate Breakdown in this Section)	
38	1001196398	1	Bracket	
39	2720058	208 in/ 7.3m	Hose, Fuel	
41	2580024	1	Heater, Battery	
44	0701022	2	Bolt M10 x 70	
45	1001026127	2	Clamp	
46	1001200731	2	Tube	
47	1060626	1	Plug, 3 Way	
48	4240099	5	Tie-Strap (Not Shown)	
49	1702942	1	Decal - Engine Block Heater	
50	1001150918	1	Cable, Extension	
51	0100020	AR	Sealant	
52	2180348	1	Fitting, Straight NPT/Barbed	
53	2221176	1	Fitting, 90 Barbed	
54	0761210	1	Bolt M12 x 20	
55	4812100	1	Washer M12	
61	2220313	1	Fitting, 90 NPTF/Barb	
62	1001136975	1	Clamp	
63	1001165035	20 in/ 0.5m	Hose	
100	1001235699	1	Battery Cable Kit	
101	1001188667	1	Cable, Battery (+) to Aux Relay to Starter	
102	1001188670	1	Cable, Battery (-) to Aux Pump and Ground	

SECTION 3 - ENGINE

ITEM	PART NUMBER	QTY	DESCRIPTION	REV
200	1001269919	1	Hose Assembly Kit	
201	1001192690	1	Hose (Case Drain) (Drive Pump Case Gauge Port to Tank) (Not Shown)	
202	1001203431	1	Hose (Case Drain) (Drive Pump Case Outlet Port to Tank) (Not Shown)	
203	1001203432	1	Hose (Function Suction) (Not Shown)	
204	1001203433	1	Hose (Drive Suction) (Not Shown)	

SECTION 3 - ENGINE

FIGURE 3-8. DEUTZ D2011 ENGINE INSTALLATION - WITH ARCTIC PACKAGE (MACHINES WITH SN STARTING WITH 03) (660SJ HC3)



SECTION 3 - ENGINE

FIGURE 3-8. DEUTZ D2011 ENGINE INSTALLATION - WITH ARCTIC PACKAGE (MACHINES WITH SN STARTING WITH 03) (660SJ HC3)

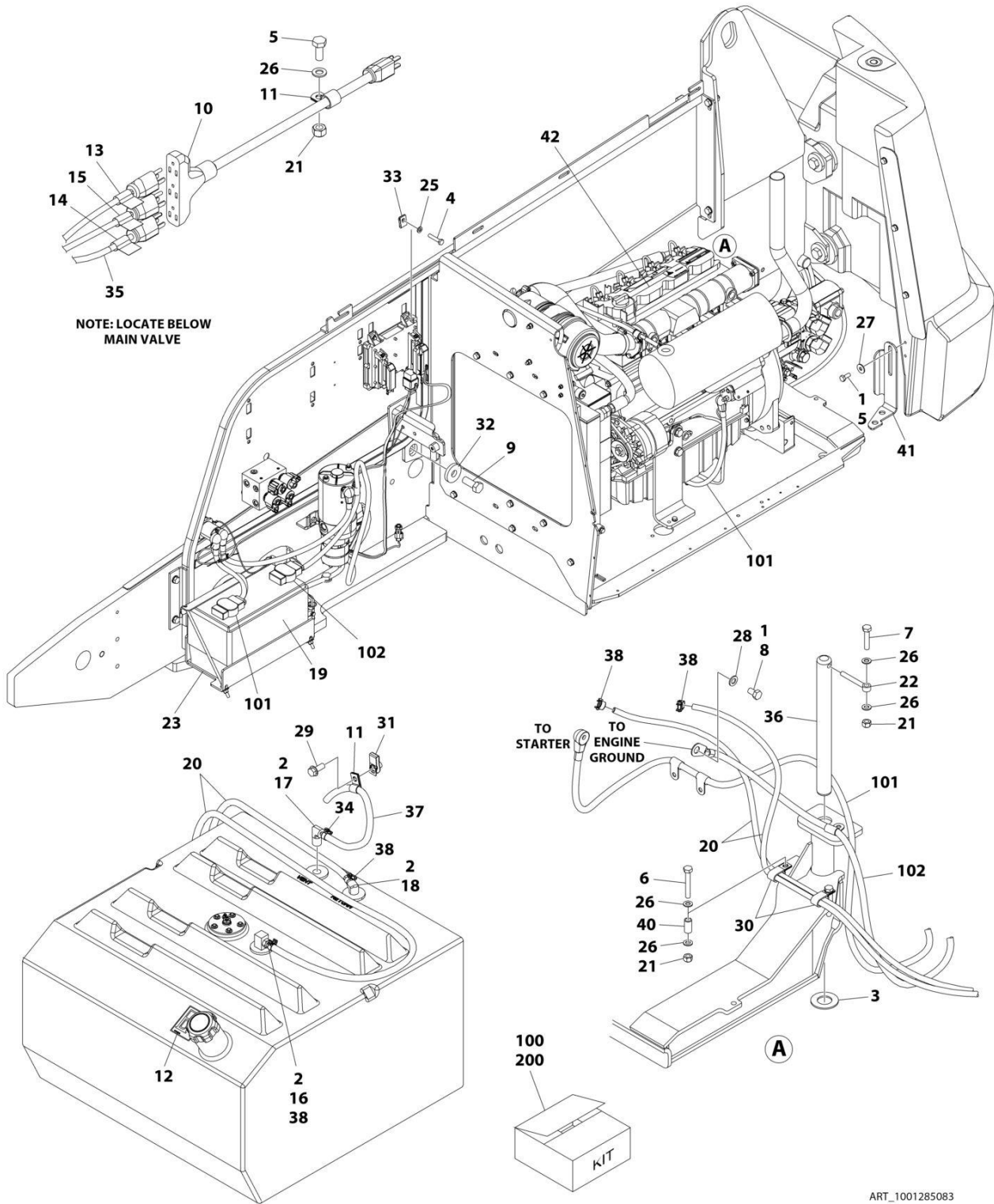
ITEM	PART NUMBER	QTY	DESCRIPTION	REV
	1001258168	Ref	DEUTZ D2011 ENGINE INSTALLATION	B
1	0100011	AR	Compound, Locking	
2	0100020	AR	Sealant	
3	0440162	1	Bearing	
4	0700614	4	Bolt M6 x 30	
5	0701012	3	Bolt M10 x 25	
6	0701022	2	Bolt M10 x 70	
7	0711018	1	Bolt M10 x 50 Class 10.9	
8	0761210	1	Bolt M12 x 20	
9	0772018	1	Bolt M20 x 50	
10	1060626	1	Plug, 3 Way	
11	1320061	2	Clamp	
12	1701505	1	Decal - Diesel Fuel	
13	1702941	1	Decal - Battery Heater	
14	1702942	1	Decal - Engine Block Heater	
15	1702943	1	Decal - Hydraulic Tank Heater	
16	2180348	1	Fitting, Straight NPT/Barbed	
17	2220313	1	Fitting, 90 NPTF/Barb	
18	2221176	1	Fitting, 90 Barbed	
19	2580024	1	Heater, Battery	
20	2720058	208 in/ 7.3m	Hose, Fuel	
21	3291005	4	Nut, Lock M10	
22	3841143	1	Keeper, Pin	
23	3980007	1	Seal, Battery	
24	4240099	AR	Tie-Strap (Not Shown)	
25	4811700	4	Washer M6	
26	4812000	7	Washer M10	
27	4812002	2	Washer M10	
28	4812100	1	Washer M12	
29	5251012	1	Bolt M10 x 25	
30	1001026127	2	Clamp	
31	1001118972	1	Nut, Tinnerman M10	
32	1001119051	1	Washer	
33	1001130220	4	Nut, Tinnerman M6	
34	1001136975	1	Clamp	
35	1001150918	1	Cable, Extension	
36	1001155094	1	Pin	
37	1001165035	20 in/ 0.5m	Hose	
38	1001174486	4	Clamp	
39	1001186817	1	Deutz D2011 Engine and Pumps Sub-Assembly (See Separate Breakdown in this Section)	
40	1001188972	1	Heater, Immersion (Not Shown - Located on Hydraulic Tank)	
42	1001200731	2	Tube	
46	1001258175	1	Bracket	
100	1001235699	1	Battery Cable Kit	
101	1001188667	1	Cable, Battery (+) to Aux Relay to Starter	
102	1001188670	1	Cable, Battery (-) to Aux Pump and Ground	

SECTION 3 - ENGINE

ITEM	PART NUMBER	QTY	DESCRIPTION	REV
200	1001269920	1	Engine Hose Kit	
201	1001192690	1	Hose (Case Drain) (Drive Pump Case Gauge Port to Tank) (Not Shown)	
202	1001203431	1	Hose (Case Drain) (Drive Pump Case Outlet Port to Tank) (Not Shown)	
203	1001258156	1	Hose (Function Suction) (Not Shown)	
204	1001258157	1	Hose (Drive Suction) (Not Shown)	

SECTION 3 - ENGINE

FIGURE 3-9. DEUTZ D2011 ENGINE INSTALLATION - WITH ARCTIC PACKAGE (MACHINES WITH SN STARTING WITH B3) (660SJ HC3)



SECTION 3 - ENGINE

FIGURE 3-9. DEUTZ D2011 ENGINE INSTALLATION - WITH ARCTIC PACKAGE (MACHINES WITH SN STARTING WITH B3) (660SJ HC3)

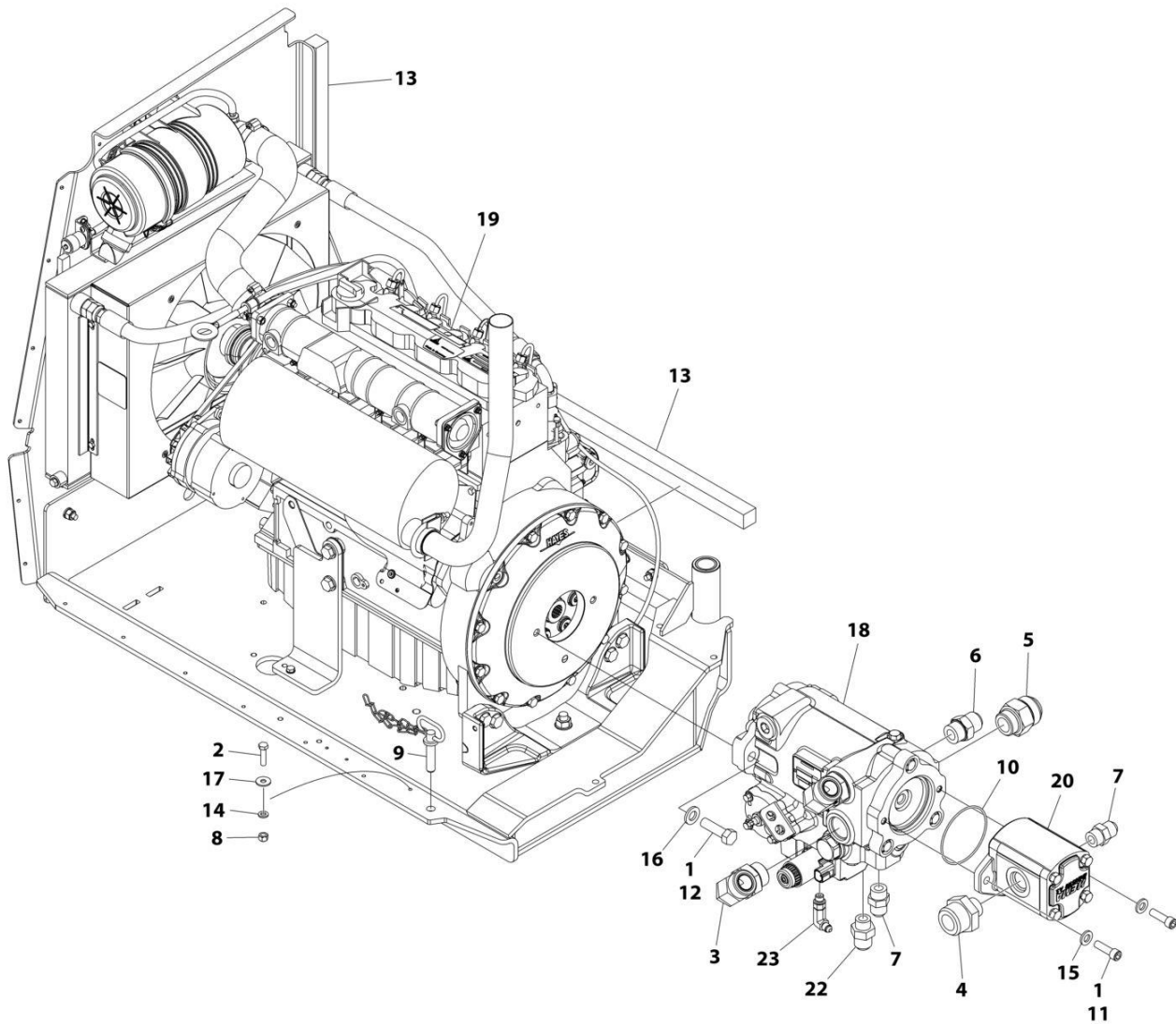
ITEM	PART NUMBER	QTY	DESCRIPTION	REV
	1001285083	Ref	DEUTZ D2011 ENGINE INSTALLATION	A
1	0100011	AR	Compound, Locking	
2	0100020	AR	Sealant	
3	0440162	1	Bearing	
4	0700614	4	Bolt M6 x 30	
5	0701012	3	Bolt M10 x 25	
6	0701022	2	Bolt M10 x 70	
7	0711018	1	Bolt M10 x 50 Class 10.9	
8	0761210	1	Bolt M12 x 20	
9	0772018	1	Bolt M20 x 50	
10	1060626	1	Plug, 3 Way	
11	1320061	2	Clamp	
12	1701505	1	Decal - Diesel Fuel	
13	1702941	1	Decal - Battery Heater	
14	1702942	1	Decal - Engine Block Heater	
15	1702943	1	Decal - Hydraulic Tank Heater	
16	2180348	1	Fitting, Straight NPT/Barbed	
17	2220313	1	Fitting, 90 NPTF/Barb	
18	2221176	1	Fitting, 90 Barbed	
19	2580024	1	Heater, Battery	
20	2720058	208 in/ 7.3m	Hose, Fuel	
21	3291005	4	Nut, Lock M10	
22	3841143	1	Keeper, Pin	
23	3980007	1	Seal, Battery	
24	4240099	AR	Tie-Strap (Not Shown)	
25	4811700	4	Washer M6	
26	4812000	7	Washer M10	
27	4812002	2	Washer M10	
28	4812100	1	Washer M12	
29	5251012	1	Bolt M10 x 25	
30	1001026127	2	Clamp	
31	1001118972	1	Nut, Tinnerman M10	
32	1001119051	1	Washer	
33	1001130220	4	Nut, Tinnerman M6	
34	1001136975	1	Clamp	
35	1001150918	1	Cable, Extension	
36	1001155094	1	Pin	
37	1001165035	20 in/ 0.5m	Hose	
38	1001174486	4	Clamp	
39	1001188972	1	Heater, Immersion (Not Shown - Located on Hydraulic Tank)	
40	1001200731	2	Tube	
41	1001258175	1	Bracket	
42	1001285074	1	Deutz D2011 Engine and Pumps Sub-Assembly (See Separate Breakdown in this Section)	
100	1001235699	1	Battery Cable Kit	
101	1001188667	1	Cable, Battery (+) to Aux Relay to Starter	
102	1001188670	1	Cable, Battery (-) to Aux Pump and Ground	

SECTION 3 - ENGINE

ITEM	PART NUMBER	QTY	DESCRIPTION	REV
200	1001269920	1	Engine Hose Kit	
201	1001192690	1	Hose (Case Drain) (Drive Pump Case Gauge Port to Tank) (Not Shown)	
202	1001203431	1	Hose (Case Drain) (Drive Pump Case Outlet Port to Tank) (Not Shown)	
203	1001258156	1	Hose (Function Suction) (Not Shown)	
204	1001258157	1	Hose (Drive Suction) (Not Shown)	

SECTION 3 - ENGINE

FIGURE 3-10. DEUTZ D2011 ENGINE AND PUMPS SUB-ASSEMBLY - WITH ARCTIC PACKAGE
(MACHINES WITH SN STARTING WITH 03)



ART_1001186817_G

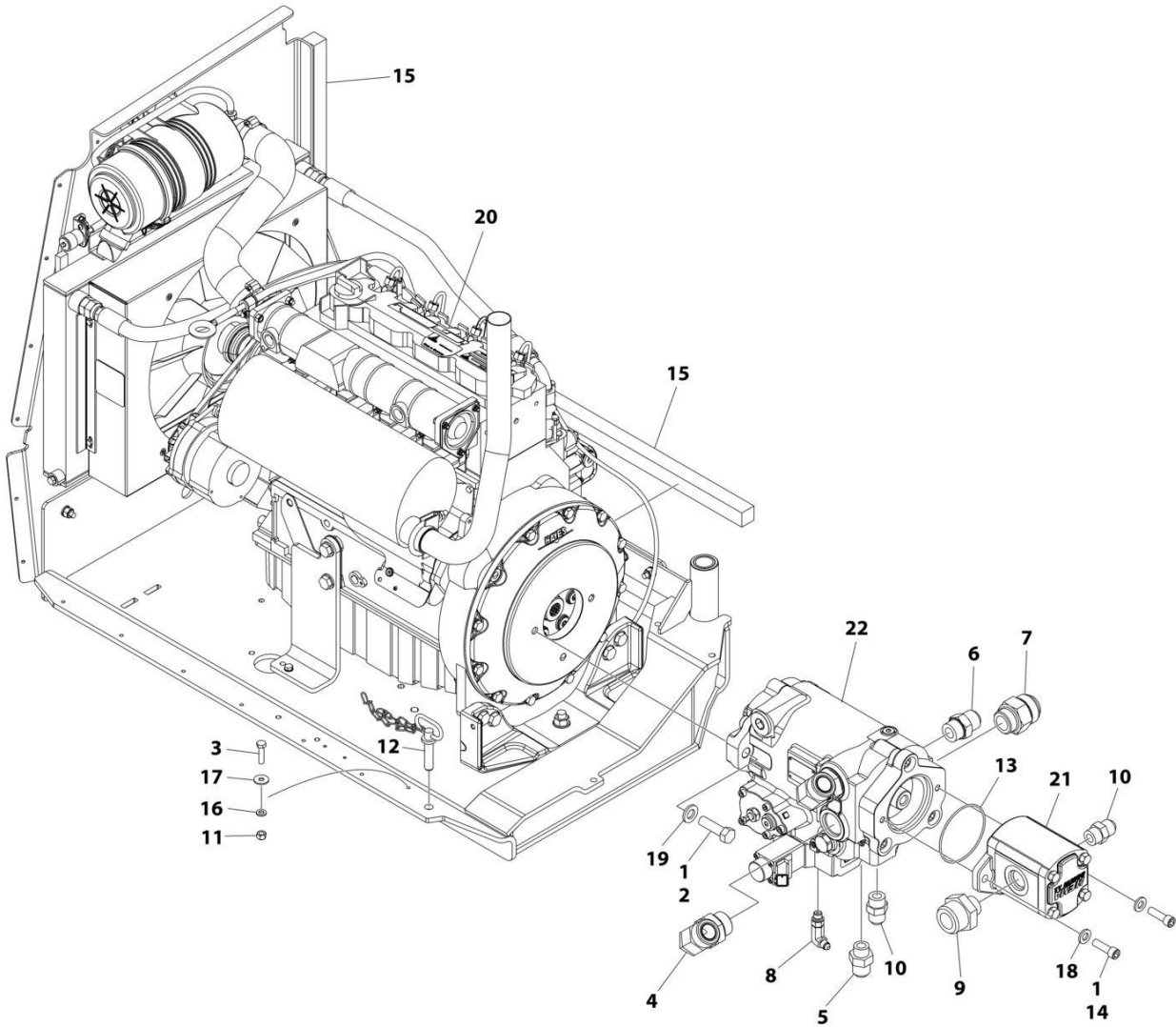
SECTION 3 - ENGINE

**FIGURE 3-10. DEUTZ D2011 ENGINE AND PUMPS SUB-ASSEMBLY - WITH ARCTIC PACKAGE
(MACHINES WITH SN STARTING WITH 03)**

ITEM	PART NUMBER	QTY	DESCRIPTION	REV
	1001186817	Ref	DEUTZ D2011 ENGINE AND PUMPS SUB-ASSEMBLY	G
1	0100011	AR	Compound, Locking	
2	0760612	1	Bolt M6 x 25	
3	2131616	2	Fitting, 90 ORFS/ORB	
4	2220946	1	Fitting, Straight JIC/ORB	
5	2220479	1	Fitting, Straight JIC/ORB	
6	2220451	1	Fitting, Straight JIC/ORB	
7	2220947	2	Fitting, Straight JIC/ORB	
8	3290605	1	Nut M6	
9	3422532	1	Pin	
10	3790152	1	O-Ring	
11	3931620	2	Capscrew 3/8 x 1-1/4	
11	3931618	2	Capscrew 3/8 x 1-1/8	
12	0641814	2	Bolt 1/2 x 1-3/4	
13	3960469	2	Seal	
14	4811700	1	Washer M6	
15	5241000	2	Washer M10	
16	5241200	2	Washer M12	
17	4811702	1	Washer M6	
18	1001184930	1	Piston Pump Assembly (See Separate Breakdown in this Section)	
19	1001186818	1	Deutz D2011 Engine Assembly (See Separate Breakdown in this Section)	
20	1001190143	1	Gear Pump Assembly	
20	70006356	1	Seal Kit - 1001190143 Pump	
22	2220408	1	Fitting, Straight JIC/ORB	
23	2220940	1	Fitting, 90 JIC/ORB	

SECTION 3 - ENGINE

FIGURE 3-11. DEUTZ D2011 ENGINE AND PUMPS SUB-ASSEMBLY - WITH ARCTIC PACKAGE
(MACHINES WITH SN STARTING WITH B3) (660SJ HC3)



ART_1001285074

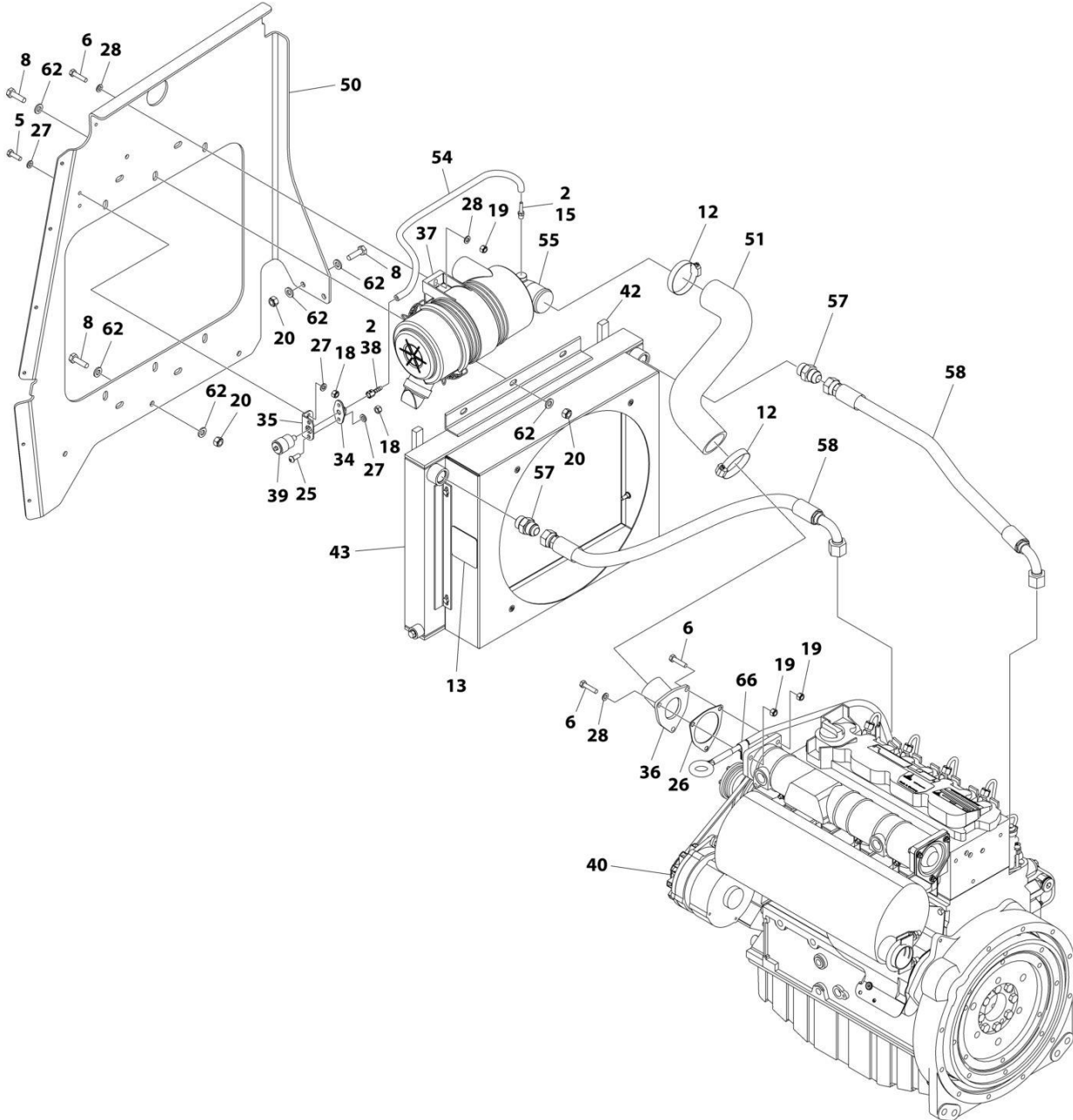
SECTION 3 - ENGINE

**FIGURE 3-11. DEUTZ D2011 ENGINE AND PUMPS SUB-ASSEMBLY - WITH ARCTIC PACKAGE
(MACHINES WITH SN STARTING WITH B3) (660SJ HC3)**

ITEM	PART NUMBER	QTY	DESCRIPTION	REV
	1001285074	Ref	DEUTZ D2011 ENGINE AND PUMPS SUB-ASSEMBLY	B
1	0100011	AR	Compound, Locking	
2	0641814	2	Bolt 1/2 x 1-3/4	
3	0760612	1	Bolt M6 x 25	
4	2131616	2	Fitting, 90 ORFS/ORB	
5	2220408	1	Fitting, Straight JIC/ORB	
6	2220451	1	Fitting, Straight JIC/ORB	
7	2220479	1	Fitting, Straight JIC/ORB	
8	2220940	1	Fitting, 90 JIC/ORB	
9	2220946	1	Fitting, Straight JIC/ORB	
10	2220947	2	Fitting, Straight JIC/ORB	
11	3290605	1	Nut M6	
12	3422532	1	Pin	
14	70007827	1	O-Ring (Part of Item 22)	
14	3931618	2	Capscrew 3/8 x 1-1/8	
15	3960469	2	Seal	
16	4811700	1	Washer M6	
17	4811702	1	Washer M6	
18	5241000	2	Washer M10	
19	5241200	2	Washer M12	
20	1001186818	1	Deutz D2011 Engine Assembly (See Separate Breakdown in this Section)	
21	1001190143	1	Gear Pump Assembly	
21	70006356	1	Seal Kit - 1001190143 Pump	
22	1001284471	1	Piston Pump Assembly (See Separate Breakdown in this Section)	

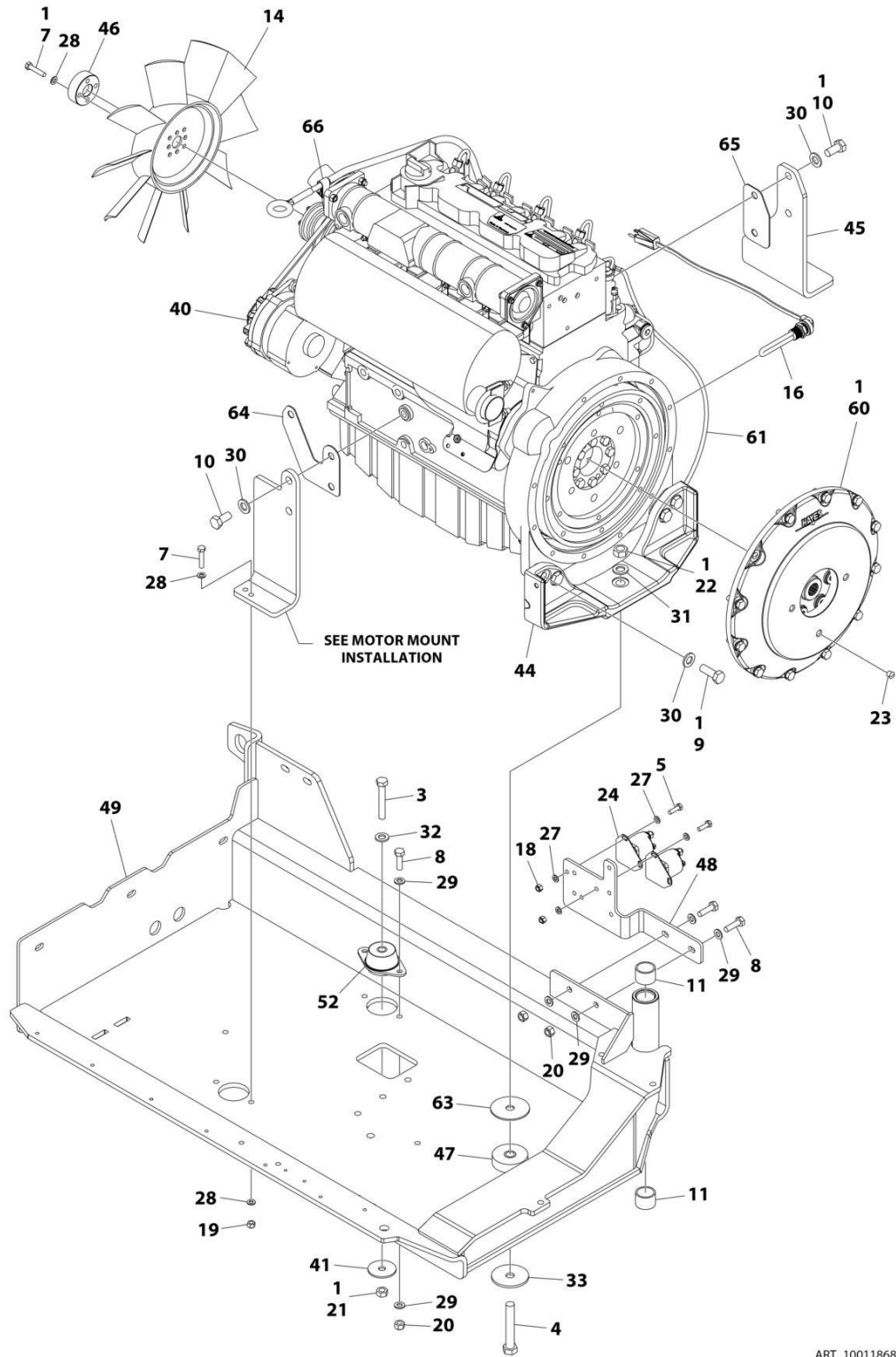
SECTION 3 - ENGINE

FIGURE 3-12. DEUTZ D2011 ENGINE ASSEMBLY - WITH ARCTIC PACKAGE



ART_1001186818_W_10F2

SECTION 3 - ENGINE



ART_1001186818_W_20F2

SECTION 3 - ENGINE

FIGURE 3-12. DEUTZ D2011 ENGINE ASSEMBLY - WITH ARCTIC PACKAGE

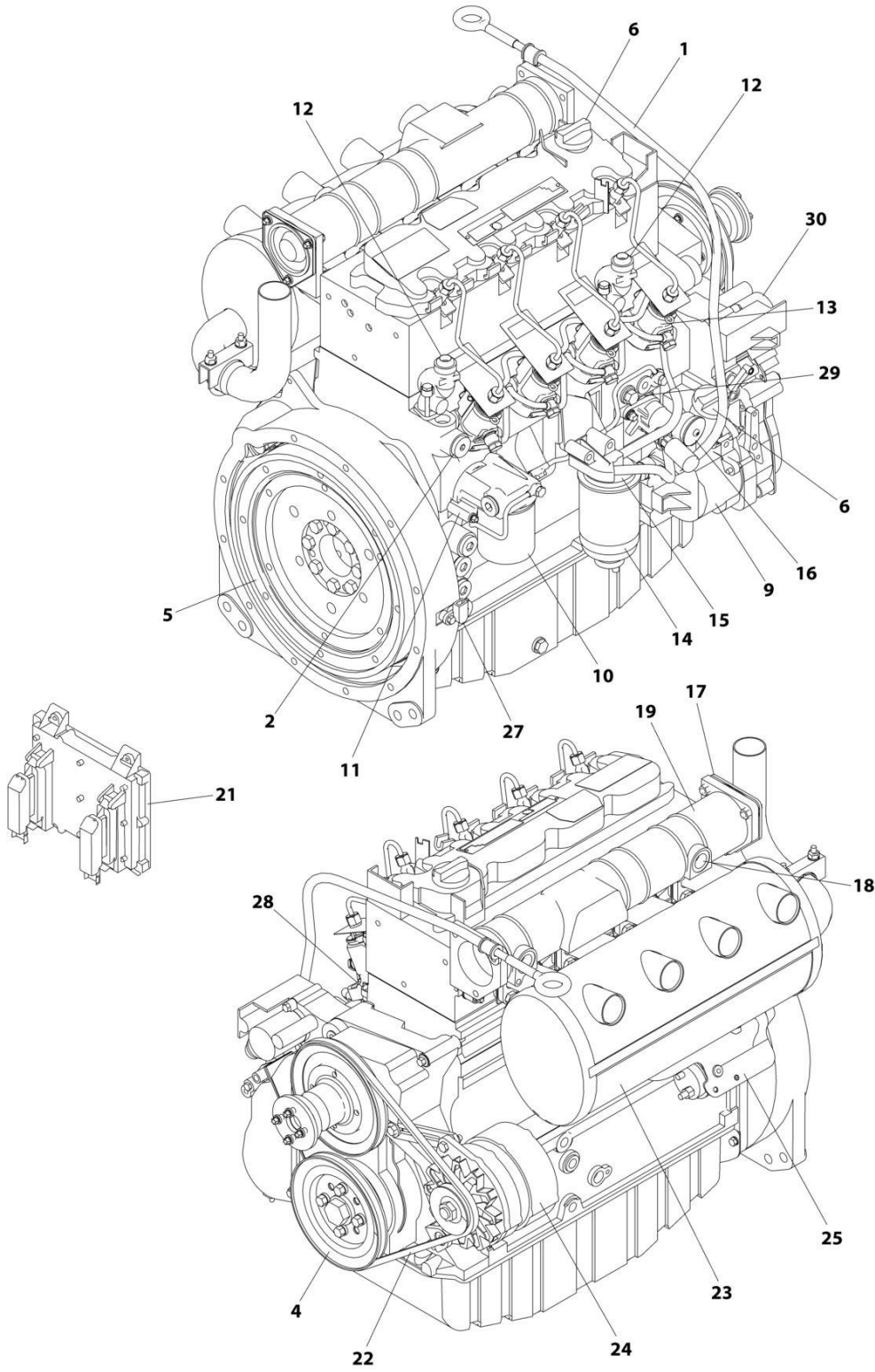
ITEM	PART NUMBER	QTY	DESCRIPTION	REV
	1001186818	Ref	DEUTZ D2011 ENGINE ASSEMBLY	W
1	0100011	AR	Compound, Locking	
2	0100020	AR	Sealant	
3	0711224	1	Bolt M12 x 80	
4	0711627	1	Bolt M16 x 100	
5	0760610	6	Bolt M6 x 20	
6	0760815	5	Bolt M8 x 35	
7	0760816	5	Bolt M8 x 40	
8	0761015	15	Bolt M10 x 35	
9	0771416	4	Bolt M14 x 40	
10	0771414	4	Bolt M14 x 30	
11	0961951	2	Bushing	
12	8405202	2	Clamp	
13	1703162	2	Decal - Fan Blade	
14	2060025	1	Fan	
15	2220315	1	Fitting, Straight Barbed	
16	2580062	1	Heater, Engine Block	
18	3290605	8	Nut M6	
19	3290805	6	Nut M8	
20	3291005	15	Nut M10	
21	3331211	1	Nut M12	
22	3331611	1	Nut M16	
23	3520054	2	Plug	
24	3740067	2	Relay	
25	3900357	2	Screw M6 x 16	
26	3960407	1	Gasket, Air Intake Adapter	
27	4811700	14	Washer M6	
28	4811900	11	Washer M8	
29	4812000	8	Washer M10	
30	5241400	8	Washer M14	
31	4812300	1	Washer M16	
32	5241200	1	Washer M12	
33	7300435	1	Washer	
34	1001138173	1	Support	
35	1001138175	1	Bracket	
36	1001139819	1	Adapter	
37	1001141694	1	Clamp, Air Cleaner	
38	1001141995	1	Fitting, Straight NPT/Barbed	
39	1001143390	1	Indicator, Air Filter Service	
40	1001146368	1	Deutz D2011 Engine (See Separate Breakdown in this Section)	
41	1001168018	1	Washer	
42	1001168166	2	Seal	
43	1001187082	1	Radiator	
44	1001188535	1	Bracket, Engine - Rear	
45	1001189026	1	Bracket, Engine - Right	
46	1001189161	1	Adapter, Fan	
47	1001190164	1	Mount, Motor	
48	1001203885	1	Plate	
49	1001200435	1	Tray	
50	1001236499	1	Support, Radiator	

SECTION 3 - ENGINE

ITEM	PART NUMBER	QTY	DESCRIPTION	REV
51	1001191271	1	Hose	
52	1001191610	1	Mount, Motor	
54	1001138248	2 ft/1 m	Tube	
55	1001165388	1	Filter, Air Cleaner	
55	70003783	1	Element, Filter	
56	1001188236	1	Engine Harness - Deutz D2011 Engines (Not Shown) (See Separate Breakdown in ELECTRICAL Section)	
57	2220451	2	Fitting, Straight ORB/JIC	
58	2720398	2	Hose	
60	2902065	1	Pump Coupling Kit (See Separate Breakdown in this Section)	
61	1001234396	1	Glow Plug Harness	
62	5241000	22	Washer M10	
63	1001197725	1	Spacer	
64	1001201843	1	Shim .079	
65	1001201844	1	Shim .079	
66	1320070	1	Clamp	

SECTION 3 - ENGINE

FIGURE 3-13. DEUTZ D2011 ENGINE COMPONENTS



ART_1001146368

SECTION 3 - ENGINE

FIGURE 3-13. DEUTZ D2011 ENGINE COMPONENTS

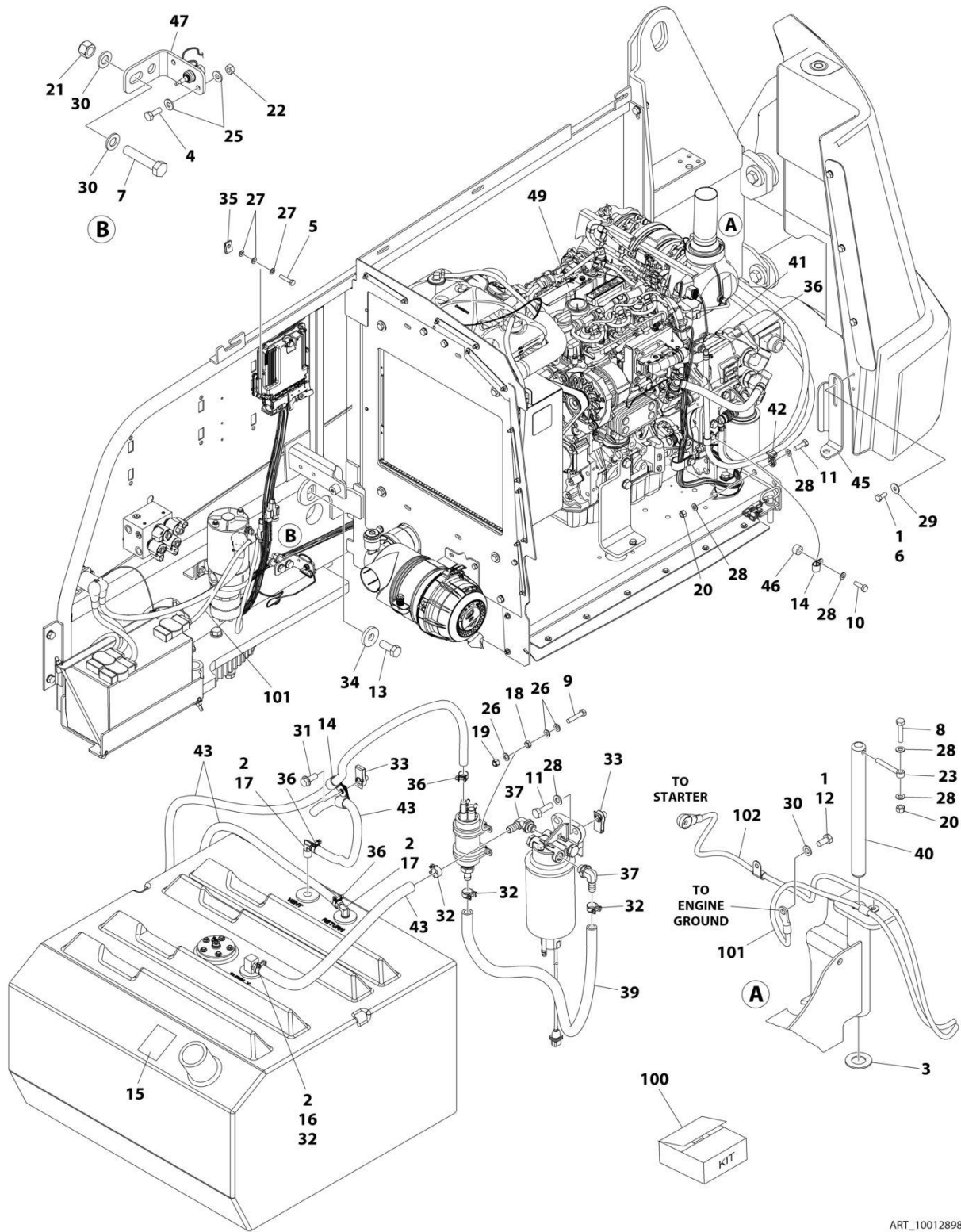
ITEM	PART NUMBER	QTY	DESCRIPTION	REV
	1001146368	Ref	DEUTZ D2011 ENGINE COMPONENTS	E
1	7026631	1	Dipstick	
1	7020487	1	O-Ring, Dipstick	
1	70001002	1	Tube, Dipstick	
1	7020403	1	Seal, Dipstick Tube	
2	70003475	1	Thermostat	
2	7020460	1	Spring, Compression	
3	70002718	1	Seal, Rear Main (Not Shown)	
4	70005479	1	Pulley	
5	70001870	1	Flywheel	
5	7024579	1	Ring Gear	
6	7020465	2	Cap, Filler	
7	70003456	1	Gasket, Head (Not Shown)	
7	70003457	1	Gasket, Head (Not Shown)	
7	70003003	1	Gasket, Head (Not Shown)	
8	7020431	1	Gasket, Valve Cover (Not Shown)	
9	70001850	1	Pump, Oil Lube	
9	7020468	1	Seal Between Oil Pump and Engine Block (Not Shown)	
10	7016331	1	Filter, Oil	
11	70003472	1	Bracket, Oil Filter (Includes Spring, Control Valve, Temperature Sensor, Seal and Plug)	
11	7027236	1	Sensor, Temperature	
11	70003473	1	Gasket, Oil Filter Bracket to Engine Block	
12	70004268	2	Fitting, Radiator Connector (Located Between Item 220 and Engine Block)	
12	70004269	2	Seal for Radiator Connector Fitting	
13	70003478	4	Injector, Fuel	
13	70003136	4	Seal	
13		Ref	Pump, Injector Options:	
13	70000912	1	Series A Injector	
13	70000913	4	Series B Injector	
13	70000914	1	Series C Injector	
13	70000915	1	Series D Injector	
14	7016328	1	Filter, Fuel	
15	70001423	1	Bracket, Fuel Filter	
16	70000916	1	Pump Fuel Supply	
16	70001435	1	Repair Kit for Pump	
16	70000919	1	Hand Pump	
16	70000918	1	Seal, Hand Pump	
16	70000917	1	O-Seal Between Fuel Pump and Engine Block (Not Shown)	
17	70003469	1	Flange	
17	70003468	1	O-Seal	
18	70025084	1	Plug	
19	70003470	1	Manifold, Intake	
19	70001871	4	Gasket, Intake Manifold to Engine Block (Not Shown)	
20	70001847	1	Breather Valve (Not Shown - Located on Front Cover)	
20	70001126	1	Seal, Breather Valve	
21	7027795	1	Module, Control	
22	7020408	1	V-Belt	
23	7000695	1	Muffler (Includes Saddle Clamp)	

SECTION 3 - ENGINE

ITEM	PART NUMBER	QTY	DESCRIPTION	REV
23	7020471	4	Gasket, Exhaust Manifold (Not Shown)	
23	70004270	8	Stud, Exhaust Manifold (Not Shown)	
24	70004056	1	Alternator	
24	70001868	1	Regulator, Voltage Options (Not Shown)	
24	70001866	1	Gasket for Voltage Regulator (Not Shown)	
24	70002234	1	Bracket, Adjusting (Not Shown)	
24	70000851	1	Bracket, Mounting (Not Shown)	
25	7020479	1	Starter	
25	70004058	1	Relay	
25	70001498	1	Shield, Starter Heat	
26	70004059	1	Plug- In Connector for Analyzer (Not Shown)	
26	7027796	1	Harness, Module to Engine Harness (Not Shown)	
26	70004060	1	Plug- In Connector on p/n 7027796 Harness (Not Shown)	
26	70001872	1	Harness, Engine (Not Shown)	
26	70004103	1	Harness, Alternator (Not Shown)	
26	70004271	1	Harness, Starter (Not Shown)	
27	70004272	1	Sensor, Speed	
27	70003932	1	Spacer	
28	7027791	1	Transmitter, Temperature	
29	7027790	1	Sensor, Oil Pressure	
30	7027792	1	Actuator, Throttle	
30	7027276	1	Spring, Actuator	
31	70000345	4	Plug, Glow (Not Shown)	
32	70004273	1	Set, Engine Gasket (Not Shown)	

SECTION 3 - ENGINE

FIGURE 3-14. DEUTZ TD 2.2L3 (STAGE V) ENGINE INSTALLATION (600S HC3)



ART_1001289890

SECTION 3 - ENGINE

FIGURE 3-14. DEUTZ TD 2.2L3 (STAGE V) ENGINE INSTALLATION (600S HC3)

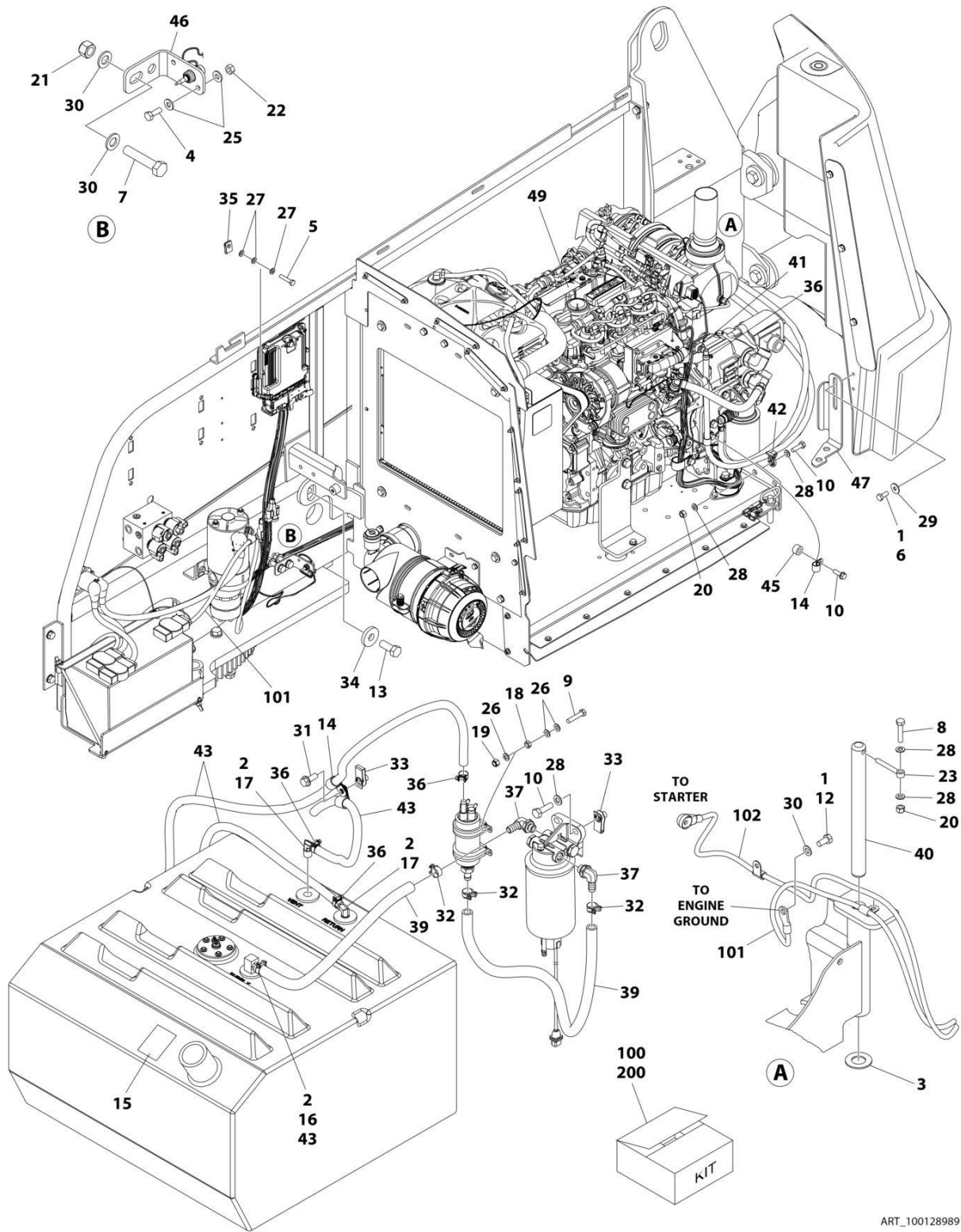
ITEM	PART NUMBER	QTY	DESCRIPTION	REV
	1001289890	Ref	DEUTZ TD2.2L3 (STAGE V) ENGINE INSTALLATION	A
1	0100011	AR	Compound, Locking	
2	0100020	AR	Sealant	
3	0440162	1	Bearing	
4	0641406	1	Bolt 1/4 x 3/4	
5	0700614	4	Bolt M6 x 30	
6	0701012	2	Bolt M10 x 25	
7	0701220	2	Bolt M12 x 60	
8	0711018	1	Bolt M10 x 50	
9	0760512	4	Bolt M5 x 25	
10	0761014	1	Bolt M10 x 30	
11	0761015	3	Bolt M10 x 35	
12	0771212	1	Bolt M12 x 25	
13	0772018	1	Bolt M20 x 50	
14	1320061	3	Clamp	
15	1701505	1	Decal - Diesel Fuel	
16	2180832	1	Fitting, Straight Barbed	
17	2220313	2	Fitting, 90 NPTF/Barb	
18	3290501	4	Nut M5	
19	3290505	4	Nut M5	
20	3291005	2	Nut M10	
21	3291205	2	Nut M12	
22	3311405	1	Nut 1/4	
23	3841143	1	Keeper, Pin	
24	4240099	AR	Tie-Strap (Not Shown)	
25	4711400	2	Washer 1/4	
26	4811600	12	Washer M5	
27	4811700	12	Washer M6	
28	4812000	7	Washer M10	
29	4812002	2	Washer M10	
30	4812100	5	Washer M12	
31	5251012	1	Bolt M10 x 25	
32	8405006	4	Clamp	
33	1001118972	3	Nut M10	
34	1001119051	1	Washer	
35	1001130220	4	Nut, Tinnerman M6	
36	1001136975	5	Clamp	
37	1001142501	2	Fitting, 90 Barbed	
38	1001146588	1	Tie-Strap (Not Shown)	
39	1001154405	3 ft /1 m	Hose	
40	1001155094	1	Pin	
41	1001155823	1	Fitting, 90 Quick Connect	
42	1001156107	1	Holder, Cable	
43	1001165035	27 ft /9 m	Hose	
44	1001190444	1	Fuel Pump Harness - Deutz TD2.2L3 (Stage V) Engine (Not Shown - See Separate Breakdown in ELECTRICAL Section)	
45	1001196398	1	Bracket	
46	1001220266	1	Spacer	
47	1001253879	1	Bracket	

SECTION 3 - ENGINE

ITEM	PART NUMBER	QTY	DESCRIPTION	REV
48	1001289594	1	ECU Power Jumper Harness (Not Shown) (See Separate Breakdown in ELECTRICAL Section)	
49	1001289892	1	Deutz TD2.2L3 (Stage V) Engine and Pump Sub-Assembly (See Separate Breakdown in this Section)	
100	1001235532	1	Battery Cable Kit	
101	1001188668	1	Cable, Battery (-) to Aux Pump and Ground	
102	1001188669	1	Cable, Battery (+) to Aux Relay to Starter	
200	1001269919	1	Hose Kit (Not Shown)	
201	1001192690	1	Hose (Case Drain) (Drive Pump Case Gauge Port to Tank) (Not Shown)	
202	1001203431	1	Hose (Case Drain) (Drive Pump Case Outlet Port to Tank) (Not Shown)	
203	1001203432	1	Hose (Function Suction) (Not Shown)	
204	1001203433	1	Hose (Drive Suction) (Not Shown)	

SECTION 3 - ENGINE

FIGURE 3-15. DEUTZ TD 2.2L3 (STAGE V) ENGINE INSTALLATION (660SJ HC3)



SECTION 3 - ENGINE

FIGURE 3-15. DEUTZ TD 2.2L3 (STAGE V) ENGINE INSTALLATION (660SJ HC3)

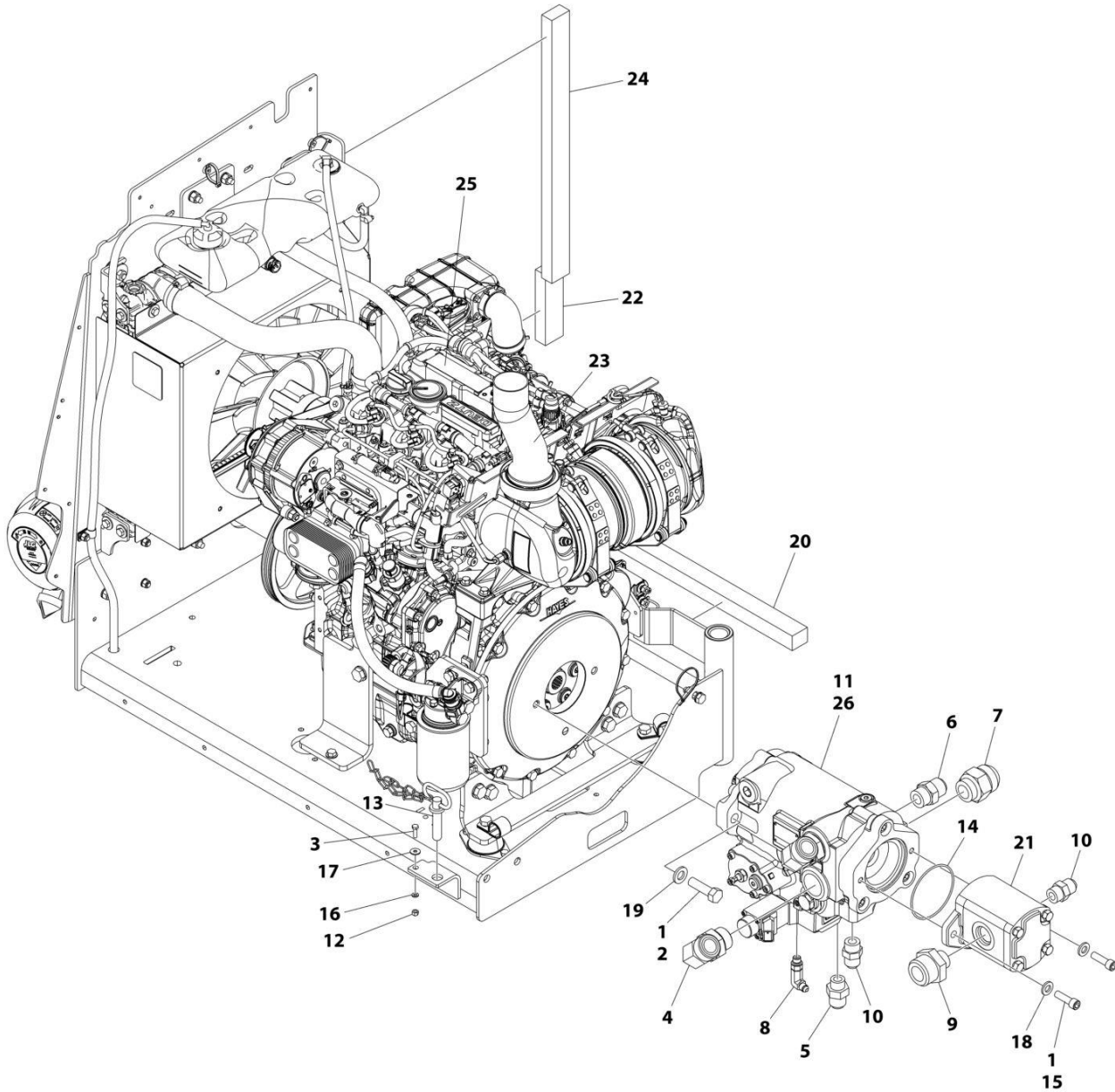
ITEM	PART NUMBER	QTY	DESCRIPTION	REV
	1001289891	Ref	DEUTZ TD2.2L3 (STAGE V) ENGINE INSTALLATION	A
1	0100011	AR	Compound, Locking	
2	0100020	AR	Sealant	
3	0440162	1	Bearing	
4	0641406	1	Bolt 1/4 x 3/4	
5	0700614	4	Bolt M6 x 30	
6	0701012	2	Bolt M10 x 25	
7	0701220	2	Bolt M12 x 60	
8	0711018	1	Bolt M10 x 50	
9	0760512	4	Bolt M5 x 25	
10	0761014	1	Bolt M10 x 30	
11	0761015	3	Bolt M10 x 35	
12	0771212	1	Bolt M12 x 25	
13	0772018	1	Bolt M20 x 50	
14	1320061	3	Clamp	
15	1701505	1	Decal - Diesel	
16	2180832	1	Fitting, Straight Barbed	
17	2220313	2	Fitting, 90 NPTF/Barb	
18	3290501	4	Nut M5	
19	3290505	4	Nut M5	
20	3291005	2	Nut M10	
21	3291205	2	Nut M12	
22	3311405	1	Nut 1/4	
23	3841143	1	Keeper, Pin	
24	4240099	AR	Tie-Strap (Not Shown)	
25	4711400	2	Washer 1/4	
26	4811600	12	Washer M5	
27	4811700	12	Washer M6	
28	4812000	7	Washer M10	
29	4812002	2	Washer M10	
30	4812100	5	Washer M12	
31	5251012	1	Bolt M10 x 25	
32	8405006	4	Clamp	
33	1001118972	3	Nut, Tinnerman M10	
34	1001119051	1	Washer	
35	1001130220	4	Nut, Tinnerman M6	
36	1001136975	5	Clamp	
37	1001142501	2	Fitting, 90 Barbed	
38	1001146588	1	Tie-Strap (Not Shown)	
39	1001154405	3 ft /1 m	Hose	
40	1001155094	1	Pin	
41	1001155823	1	Coupling	
42	1001156107	1	Holder, Cable	
43	1001165035	27 ft /9 m	Hose	
44	1001190444	1	Fuel Pump Harness - Deutz TD2.2L3 (Stage V) Engine (Not Shown) (See Separate Breakdown in ELECTRICAL Section)	
45	1001196398	1	Bracket	
46	1001220266	1	Spacer	
47	1001256879	1	Bracket	

SECTION 3 - ENGINE

ITEM	PART NUMBER	QTY	DESCRIPTION	REV
48	1001289594	1	ECU Power Jumper Harness (Not Shown) (See Separate Breakdown in ELECTRICAL Section)	
49	1001289892	1	Deutz TD2.2L3 (Stage V) Engine and Pump Sub-Assembly (See Separate Breakdown in this Section)	
100	1001235532	1	Battery Cable Kit	
101	1001188668	1	Cable, Battery (-) to Aux Pump and Ground	
102	1001188669	1	Cable, Battery (+) to Aux Relay to Starter	
200	1001269920	1	Hose Kit	
201	1001192690	1	Hose (Case Drain) (Drive Pump Case Gauge Port to Tank) (Not Shown)	
202	1001203431	1	Hose (Case Drain) (Drive Pump Case Outlet Port to Tank) (Not Shown)	
203	1001258156	1	Hose (Function Suction) (Not Shown)	
204	1001258157	1	Hose (Drive Suction) (Not Shown)	

SECTION 3 - ENGINE

FIGURE 3-16. DEUTZ TD2.2L3 (STAGE V) ENGINE AND PUMPS SUB-ASSEMBLY



ART_1001289892

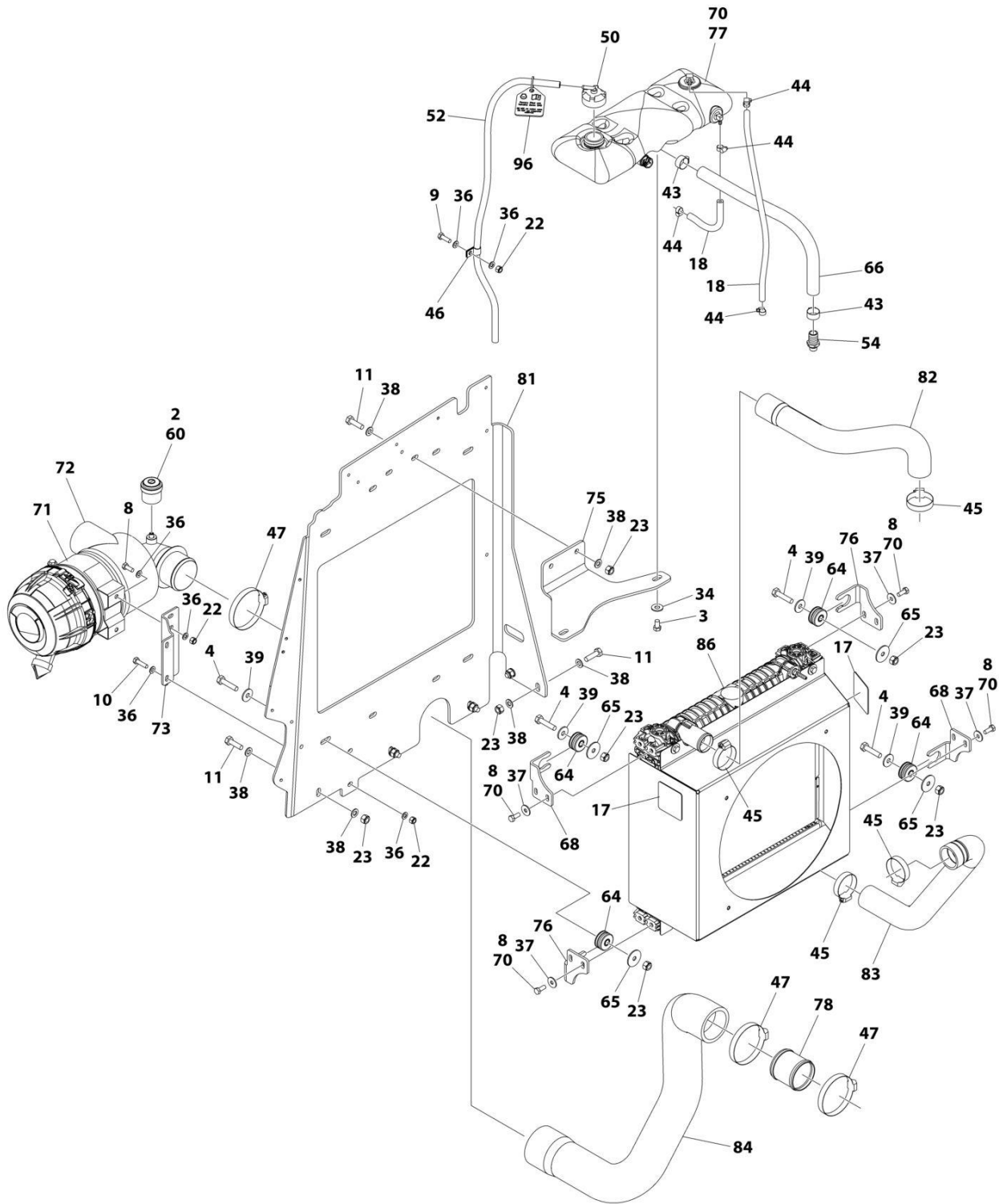
SECTION 3 - ENGINE

FIGURE 3-16. DEUTZ TD2.2L3 (STAGE V) ENGINE AND PUMPS SUB-ASSEMBLY

ITEM	PART NUMBER	QTY	DESCRIPTION	REV
	1001289892	Ref	DEUTZ TD2.2L3 (STAGE V) ENGINE AND PUMPS SUB-ASSEMBLY	C
1	0100011	AR	Compound, Locking	
2	0641814	2	Bolt 1/2 x 1-3/4	
3	0760610	1	Bolt M6 x 20	
4	2131616	2	Fitting, 90 ORFS/ORB	
5	2220408	1	Fitting, Straight JIC/ORB	
6	2220451	1	Fitting, Straight JIC/ORB	
7	2220479	1	Fitting, Straight JIC/ORB	
8	2220940	1	Fitting, 90 JIC/ORB	
9	2220946	1	Fitting, Straight JIC/ORB	
10	2220947	2	Fitting, Straight JIC/ORB	
11	3020037	AR	Lube, Coupling Grease	
12	3290605	1	Nut M6	
13	3422532	1	Pin	
15	3931618	2	Capscrew 3/8 x 1-1/8	
16	4811700	1	Washer M6	
17	4811702	1	Washer M6	
18	5241000	2	Washer M10	
19	5241200	2	Washer M12	
20	1001171953	1	Seal	
21	1001190143	1	Gear Pump Assembly	
21	70006356	1	Seal Kit - 1001190143 Pump	
22	1001244508	1	Seal	
23	1001253906	1	Pipe, Exhaust	
24	1001254279	1	Seal	
25	1001277596	1	Deutz TD2.2L3 Engine Assembly (See Separate Breakdown in this Section)	
26	1001284471	1	Piston Pump Assembly (See Separate Breakdown in this Section)	

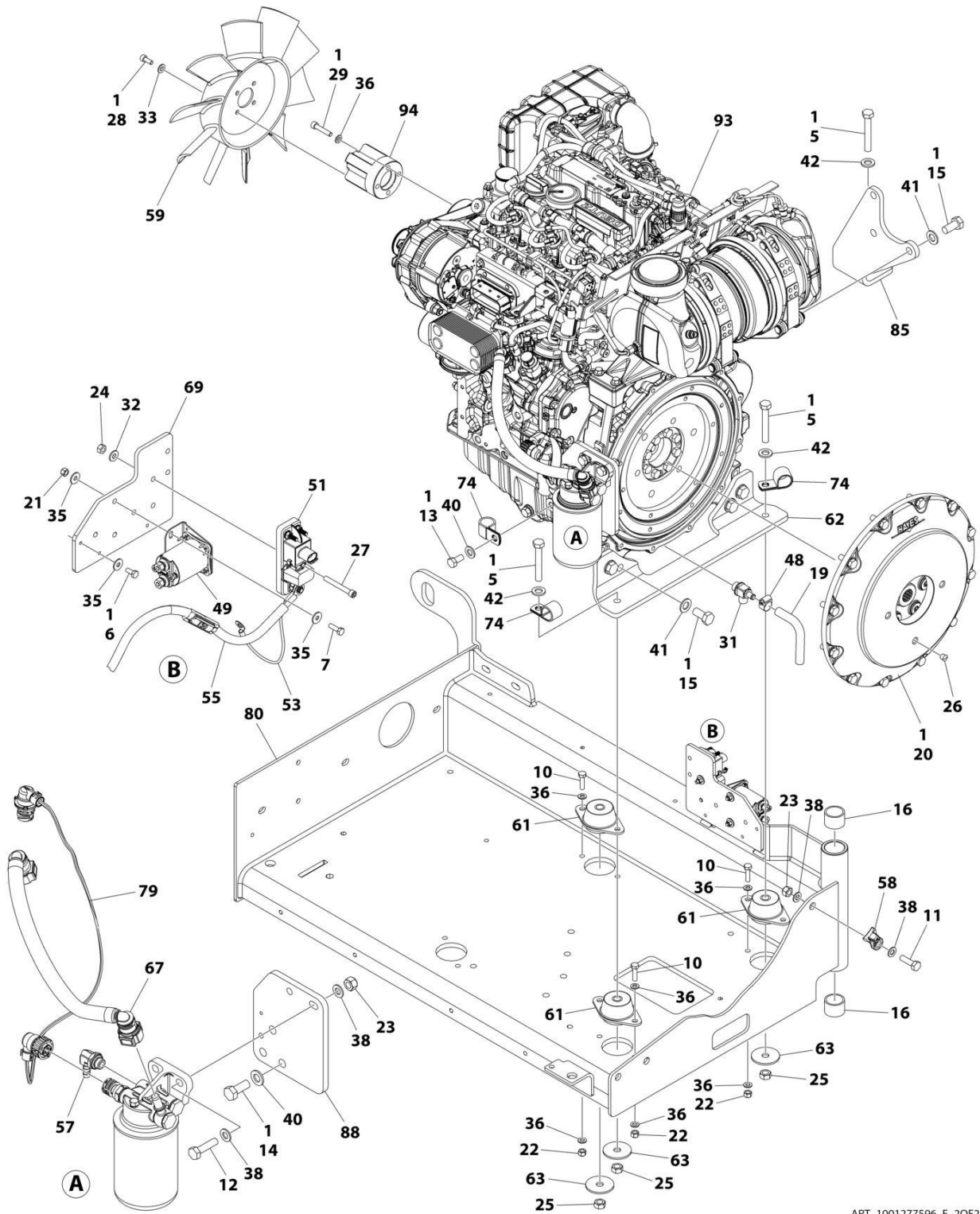
SECTION 3 - ENGINE

FIGURE 3-17. DEUTZ TD2.2L3 (STAGE V) ENGINE ASSEMBLY



ART_1001277596_E_10F2

SECTION 3 - ENGINE



ART_1001277596_E_20F2

SECTION 3 - ENGINE

FIGURE 3-17. DEUTZ TD2.2L3 (STAGE V) ENGINE ASSEMBLY

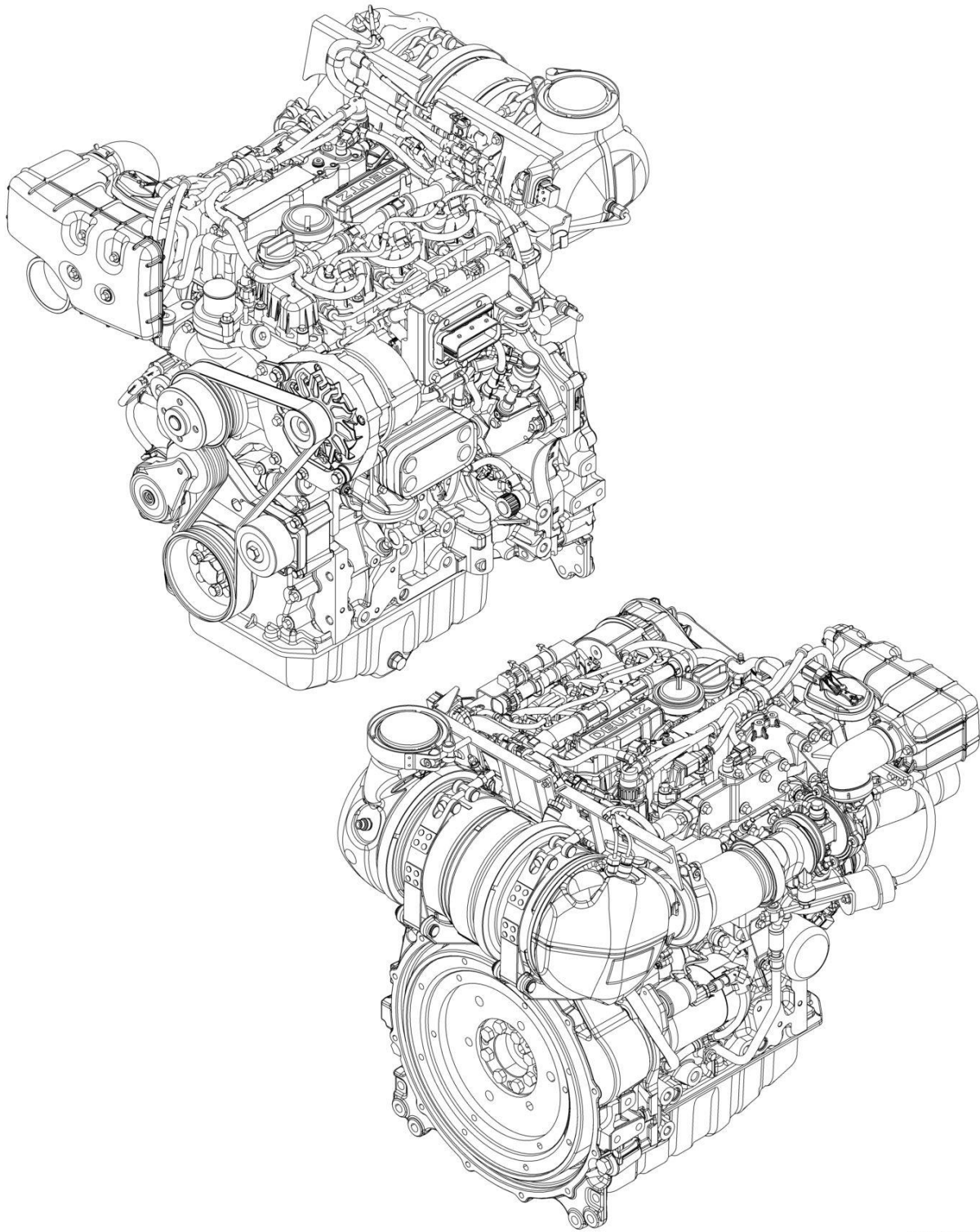
ITEM	PART NUMBER	QTY	DESCRIPTION	REV
	1001277596	Ref	DEUTZ TD2.2L3 (STAGE V) ENGINE ASSEMBLY	E
1	0100011	AR	Compound, Locking	
2	0100020	AR	Sealant	
3	0681605	2	Bolt 3/8 x 5/8	
4	0701017	4	Bolt M10 x 25	
5	0711224	3	Bolt M12 x 80	
6	0760607	3	Bolt M6 x 14	
7	0760610	2	Bolt M6 x 20	
8	0760810	10	Bolt M8 x 20	
9	0760812	1	Bolt M8 x 25	
10	0760814	8	Bolt M8 x 30	
11	0761015	8	Bolt M10 x 35	
12	0761016	2	Bolt M10 x 40	
13	0761212	1	Bolt M12 x 25	
14	0761214	3	Bolt M12 x 30	
15	0771414	7	Bolt M14 x 30	
16	0961951	2	Bushing	
17	1703162	2	Decal - Fan Blade	
18	2720015	3 ft /1 m	Hose	
19	2720340	5 in /12 cm	Hose	
20	2902065	1	Pump Coupling Kit (See Separate Breakdown in this Section)	
21	3290605	2	Nut M6	
22	3290805	11	Nut M8	
23	3291005	14	Nut M10	
24	3311405	1	Nut 1/4	
25	3331211	3	Nut M12	
26	3520054	1	Plug	
27	3931432	1	Bolt 1/4 x 20	
28	4031908	4	Bolt M8 x 20	
29	4031912	4	Bolt M8 x 40	
30	4240099	1	Tie-Strap (Not Shown)	
31	4640751	1	Valve, Oil Drain	
32	4711400	1	Washer 1/4	
33	4711500	4	Washer 5/16	
34	4751600	2	Washer 3/8	
35	4811702	7	Washer M6	
36	4811900	26	Washer M8	
37	4811902	8	Washer	
38	4812000	20	Washer M10	
39	4812002	4	Washer M10	
40	4812100	4	Washer M12	
41	4812200	7	Washer M14	
42	5241200	3	Washer M12	
43	8405007	2	Clamp	
44	8405009	4	Clamp	
45	8405104	4	Clamp	
46	8406109	1	Clip	
47	8410011	3	Clamp	
48	8410013	1	Clamp	

SECTION 3 - ENGINE

ITEM	PART NUMBER	QTY	DESCRIPTION	REV
49	1001117308	1	Contactora	
50	1001136834	1	Cap, Tank	
51	1001138228	1	Relay	
52	1001138248	4 ft /1 m	Tube Nylon	
53	1001141304	1	Wire, Glow Plug Fuse	
54	1001143797	1	Fitting, Straight Barbed	
55	1001143907	1	Cable	
56	1001146588	5	Tie-Strap (Not Shown)	
57	1001152489	1	Fitting, 90 Barbed	
58	1001156107	1	Holder, Cable	
59	1001165849	1	Fan	
60	1001166716	1	Restriction, Indicator	
61	1001166718	3	Isolator	
62	1001166924	1	Bracket, Engine - Rear	
63	1001168018	3	Washer	
64	1001169054	4	Isolator	
65	1001169138	4	Pad, Snubbing	
66	1001176511	1	Hose	
67	1001177359	1	Hose	
68	1001178223	2	Bracket	
69	1001179903	1	Bracket	
70	1001180620	AR	Adhesive	
71	1001186426	1	Clamp	
72	1001189979	1	Filter, Air Cleaner	
72	70005008	1	Element, Filter	
73	1001190942	1	Support	
74	1001191620	3	Clamp	
75	1001192400	1	Bracket	
76	1001204325	2	Bracket	
77	1001230635	1	Tank, Surge	
77	1001134488	1	Fitting, 90 Barbed	
77	1001138827	1	Sensor, Coolant Level	
77	1001140564	1	Fitting, 90 Barbed	
78	1001238911	1	Pipe	
79	1001245913	1	Harness, Fuel Filter (Deutz TD2.2L3 (Stage V) Engine) (See Separate Breakdown in ELECTRICAL Section)	
80	1001248817	1	Support, Engine Tray	
81	1001248819	1	Plate	
82	1001253849	1	Hose, Radiator (Top)	
83	1001253863	1	Hose, Radiator (Bottom)	
84	1001253870	1	Hose	
85	1001254878	1	Bracket, Engine - Right	
86	1001256930	1	Radiator	
88	1001258804	1	Mount, Fuel Filter	
92	1001276645	1	Engine Harness - Deutz TD2.2L3 (Stage V) Engine (Not Shown - See Separate Breakdown in ELECTRICAL Section)	
93	1001277590	1	Deutz TD2.2L3 (Stage V) Engine (See Separate Breakdown in this Section)	
94	1001278329	1	Adapter	
95	4240032	1	Tie-Strap (Not Shown)	
96	1001291401	1	Tag, Coolant	

SECTION 3 - ENGINE

FIGURE 3-18. DEUTZ TD2.2L3 (STAGE V) ENGINE COMPONENTS



ART_1001277590

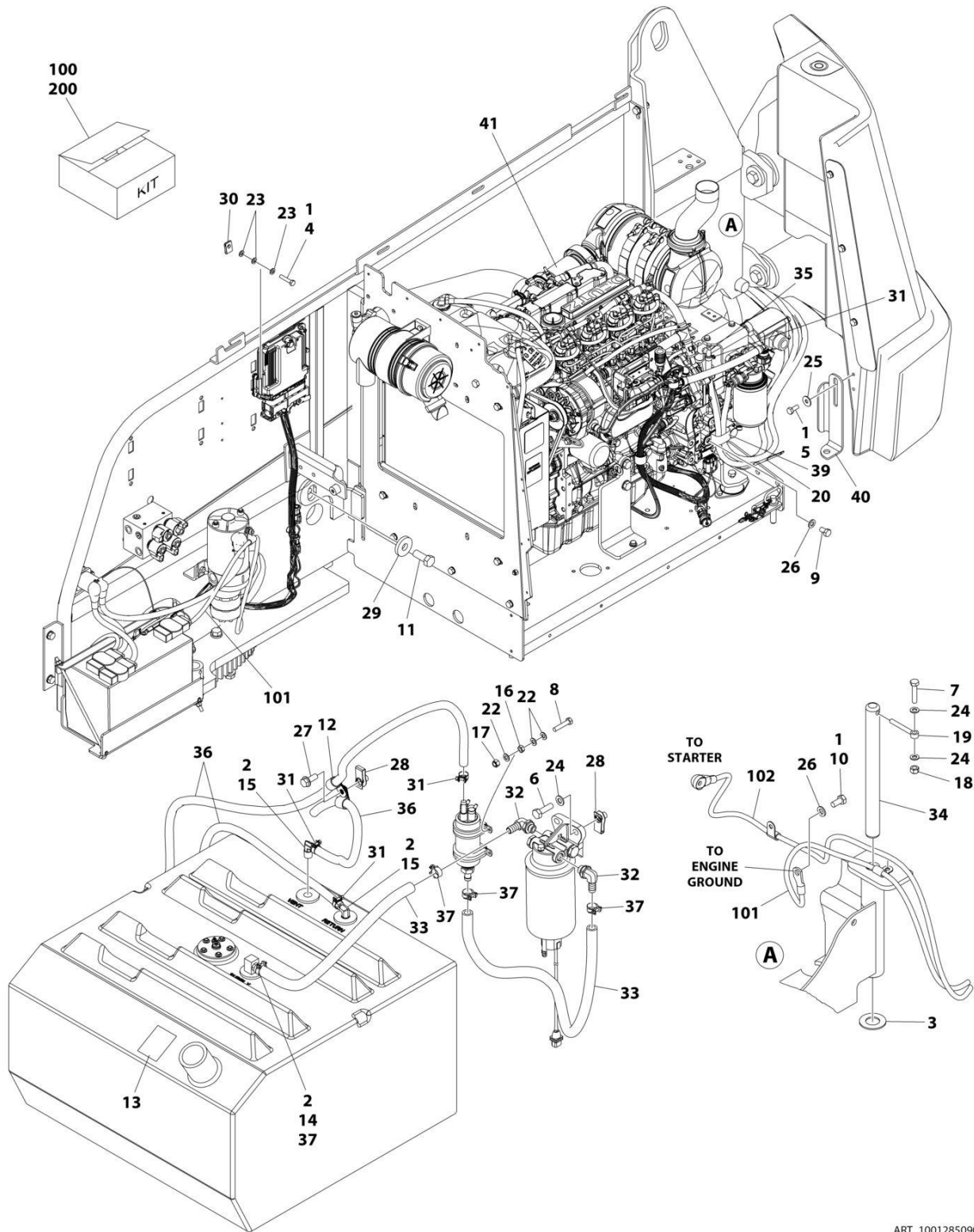
SECTION 3 - ENGINE

FIGURE 3-18. DEUTZ TD2.2L3 (STAGE V) ENGINE COMPONENTS

ITEM	PART NUMBER	QTY	DESCRIPTION	REV
	1001277590	Ref	DEUTZ ENGINE COMPONENTS	A
	See Note	Ref	Note: No Service Parts Available at Time of Printing	

SECTION 3 - ENGINE

FIGURE 3-19. DEUTZ TD2.9L4 - 49HP EMR4 ENGINE INSTALLATION - WITHOUT ARCTIC PACKAGE (600S HC3)



ART_1001285090

SECTION 3 - ENGINE

**FIGURE 3-19. DEUTZ TD2.9L4 - 49HP EMR4 ENGINE INSTALLATION - WITHOUT ARCTIC PACKAGE
(600S HC3)**

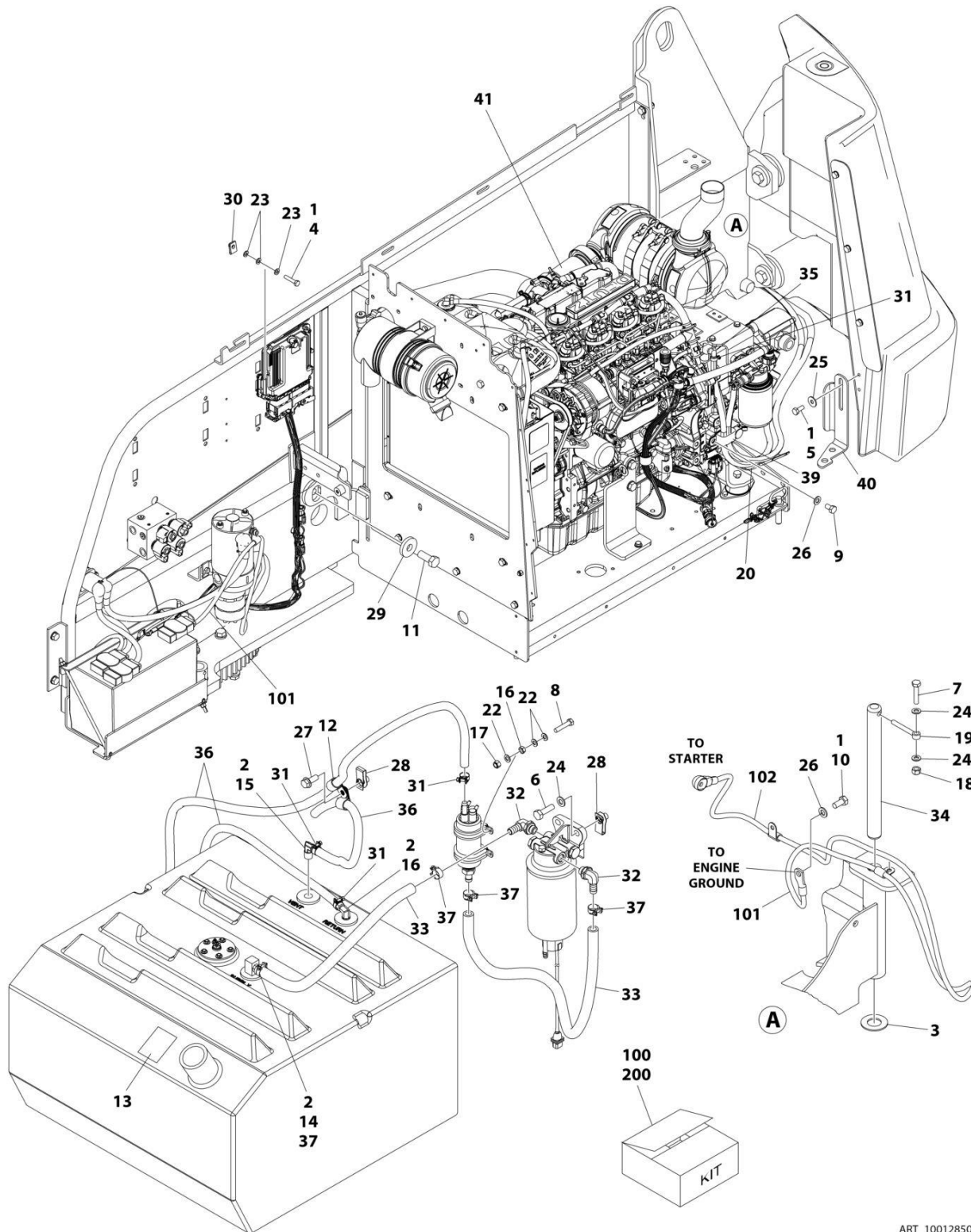
ITEM	PART NUMBER	QTY	DESCRIPTION	REV
	1001285090	Ref	DEUTZ TD2.9L4 - 49HP ENGINE INSTALLATION	A
1	0100011	AR	Compound, Locking	
2	0100020	AR	Sealant	
3	0440162	1	Bearing	
4	0700614	4	Bolt M6 x 30	
5	0701012	2	Bolt M10 x 25	
6	0701015	2	Bolt M10 x 35	
7	0711018	1	Bolt M10 x 50	
8	0760512	4	Bolt M5 x 25	
9	0761210	1	Bolt M12 x 20	
10	0771212	1	Bolt M12 x 25	
11	0772018	1	Bolt M20 x 50	
12	1320061	2	Clamp	
13	1701505	1	Decal - Diesel Fuel	
14	2180832	1	Fitting, Straight Barbed	
15	2220313	2	Fitting, 90 NPTF/Barb	
16	3290501	4	Nut M5	
17	3290505	4	Nut M5	
18	3291005	1	Nut M10	
19	3841143	1	Keeper, Pin	
20	4061032	1	Shield	
21	4240099	AR	Tie-Strap (Not Shown)	
22	4811600	12	Washer M5	
23	4811700	12	Washer M6	
24	4812000	4	Washer M10	
25	4812002	2	Washer M10	
26	4812100	2	Washer M12	
27	5251012	1	Bolt M10 x 25	
28	1001118972	3	Nut M10	
29	1001119051	1	Washer	
30	1001130220	4	Nut, Tinnerman M6	
31	1001136975	5	Clamp	
32	1001142501	2	Fitting, 90 Barbed	
33	1001154405	3 ft / 1 m	Hose	
34	1001155094	1	Pin	
35	1001155823	1	Fitting, 90 Quick Connect	
36	1001165035	27 ft / 9 m	Hose	
37	1001175568	4	Clip	
38	1001190444	1	Fuel Pump Harness - Deutz D2.9L4 - 49HP and Deutz TD2.9L4 - 67HP Engines (Not Shown - See Separate Breakdown in ELECTRICAL Section)	
39	1001195039	1	Clamp	
40	1001196398	1	Bracket	
41	1001285086	1	Deutz TD2.9L4 - 67HP Engine and Pump Sub-Assembly (See Separate Breakdown in this Section)	
100	1001235532	1	Battery Cable Kit	
101	1001188668	1	Cable, Battery (-) to Aux Pump and Ground	
102	1001188669	1	Cable, Battery (+) to Aux Relay to Starter	
200	1001269919	1	Hose Assembly Kit	

SECTION 3 - ENGINE

ITEM	PART NUMBER	QTY	DESCRIPTION	REV
201	1001192690	1	Hose (Case Drain) (Drive Pump Case Gauge Port to Tank) (Not Shown)	
202	1001203431	1	Hose (Case Drain) (Drive Pump Case Outlet Port to Tank) (Not Shown)	
203	1001203432	1	Hose (Function Suction) (Not Shown)	
204	1001203433	1	Hose (Drive Suction) (Not Shown)	

SECTION 3 - ENGINE

FIGURE 3-20. DEUTZ D2.9L4 - 49HP EMR4 ENGINE INSTALLATION - WITHOUT ACTIC PACKAGE (660SJ HC3)



ART_1001285099

SECTION 3 - ENGINE

**FIGURE 3-20. DEUTZ D2.9L4 - 49HP EMR4 ENGINE INSTALLATION - WITHOUT ACTIC PACKAGE
(660SJ HC3)**

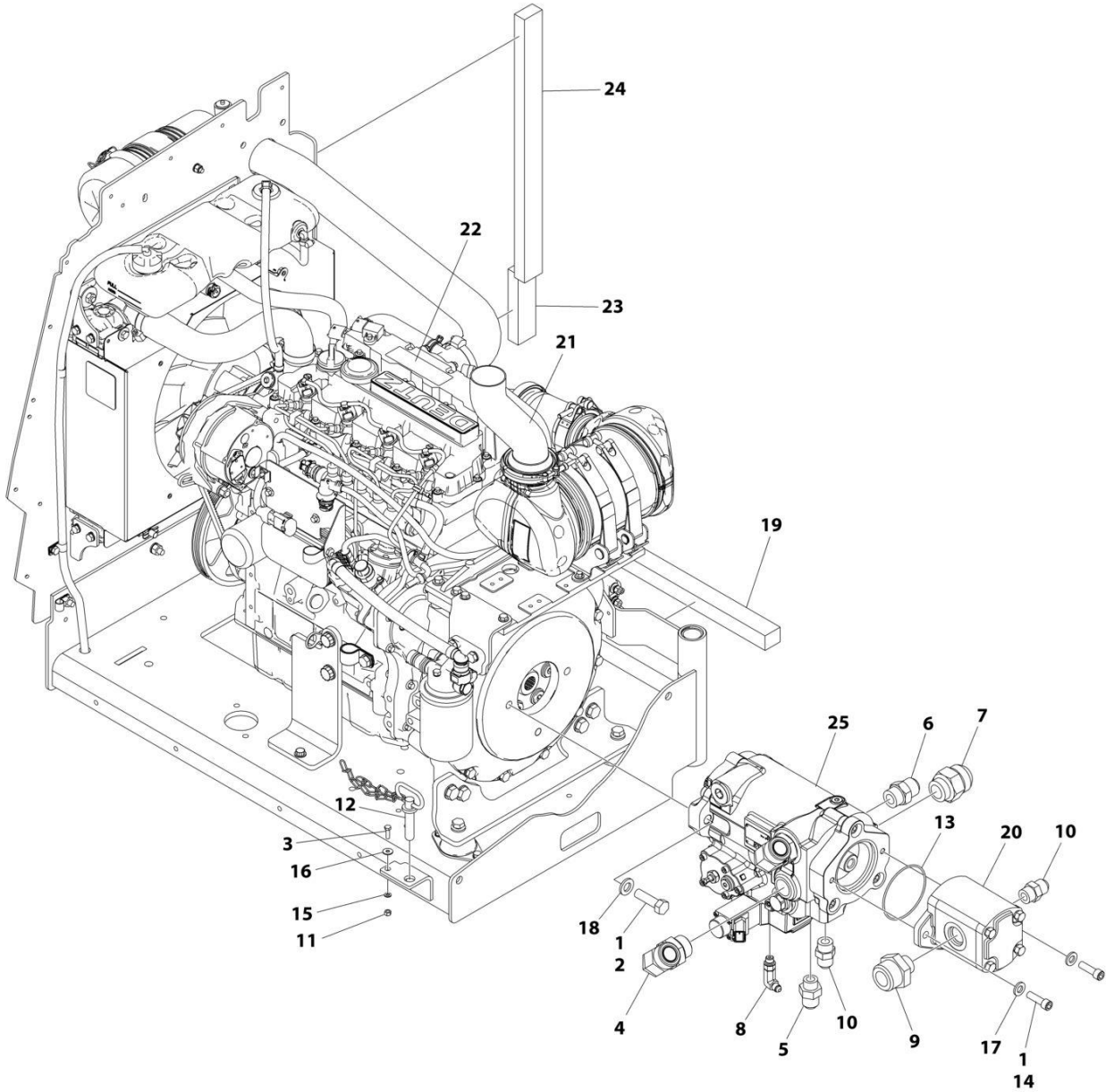
ITEM	PART NUMBER	QTY	DESCRIPTION	REV
	1001285099	Ref	DEUTZ D2.9L4 - 49HP ENGINE INSTALLATION	A
1	0100011	AR	Compound, Locking	
2	0100020	AR	Sealant	
3	0440162	1	Bearing	
4	0700614	4	Bolt M6 x 30	
5	0701012	2	Bolt M10 x 25	
6	0701015	2	Bolt M10 x 35	
7	0711018	1	Bolt M10 x 50	
8	0760512	4	Bolt M5 x 25	
9	0761210	1	Bolt M12 x 20	
10	0771212	1	Bolt M12 x 25	
11	0772018	1	Bolt M20 x 50	
12	1320061	2	Clamp	
13	1701505	1	Decal - Diesel	
14	2180832	1	Fitting, Straight Barbed	
15	2220313	2	Fitting, 90 NPTF/Barb	
16	3290501	4	Nut M5	
17	3290505	4	Nut M5	
18	3291005	1	Nut M10	
19	3841143	1	Keeper, Pin	
20	4061032	1	Hose	
21	4240099	AR	Tie-Strap (Not Shown)	
22	4811600	12	Washer M5	
23	4811700	12	Washer M6	
24	4812000	4	Washer M10	
25	4812002	2	Washer M10	
26	4812100	2	Washer M12	
27	5251012	1	Bolt M10 x 25	
28	1001118972	3	Nut M10	
29	1001119051	1	Washer	
30	1001130220	4	Nut, Tinnerman M6	
31	1001136975	5	Clamp	
32	1001142501	2	Fitting, 90 Barbed	
33	1001154405	3 ft / 1 m	Hose	
34	1001155094	1	Pin	
35	1001155823	1	Coupling	
36	1001165035	27 ft / 9 m	Hose	
37	1001175568	4	Clip	
38	1001190444	1	Fuel Pump Harness - Deutz D2.9L4 - 49HP and Deutz TD2.9L4 - 67HP Engines (Not Shown) (See Separate Breakdown in ELECTRICAL Section)	
39	1001195039	1	Clamp	
40	1001258175	1	Bracket	
41	1001285068	1	Deutz D2.9L4 - 49HP Engine and Pump Sub-Assembly (See Separate Breakdown in this Section)	
100	1001235532	1	Battery Cable Kit	
101	1001188668	1	Cable, Battery (-) to Aux Pump and Ground	
102	1001188669	1	Cable, Battery (+) to Aux Relay to Starter	
200	1001269920	1	Hose Assembly Kit	

SECTION 3 - ENGINE

ITEM	PART NUMBER	QTY	DESCRIPTION	REV
201	1001192690	1	Hose (Case Drain) (Drive Pump Case Gauge Port to Tank) (Not Shown)	
202	1001203431	1	Hose (Case Drain) (Drive Pump Case Outlet Port to Tank) (Not Shown)	
203	1001258156	1	Hose (Function Suction) (Not Shown)	
204	1001258157	1	Hose (Drive Suction) (Not Shown)	

SECTION 3 - ENGINE

FIGURE 3-21. DEUTZ D2.9L4 - 49HP EMR4 ENGINE AND PUMPS SUB-ASSEMBLY WITHOUT ARCTIC PACKAGE



ART_1001285086

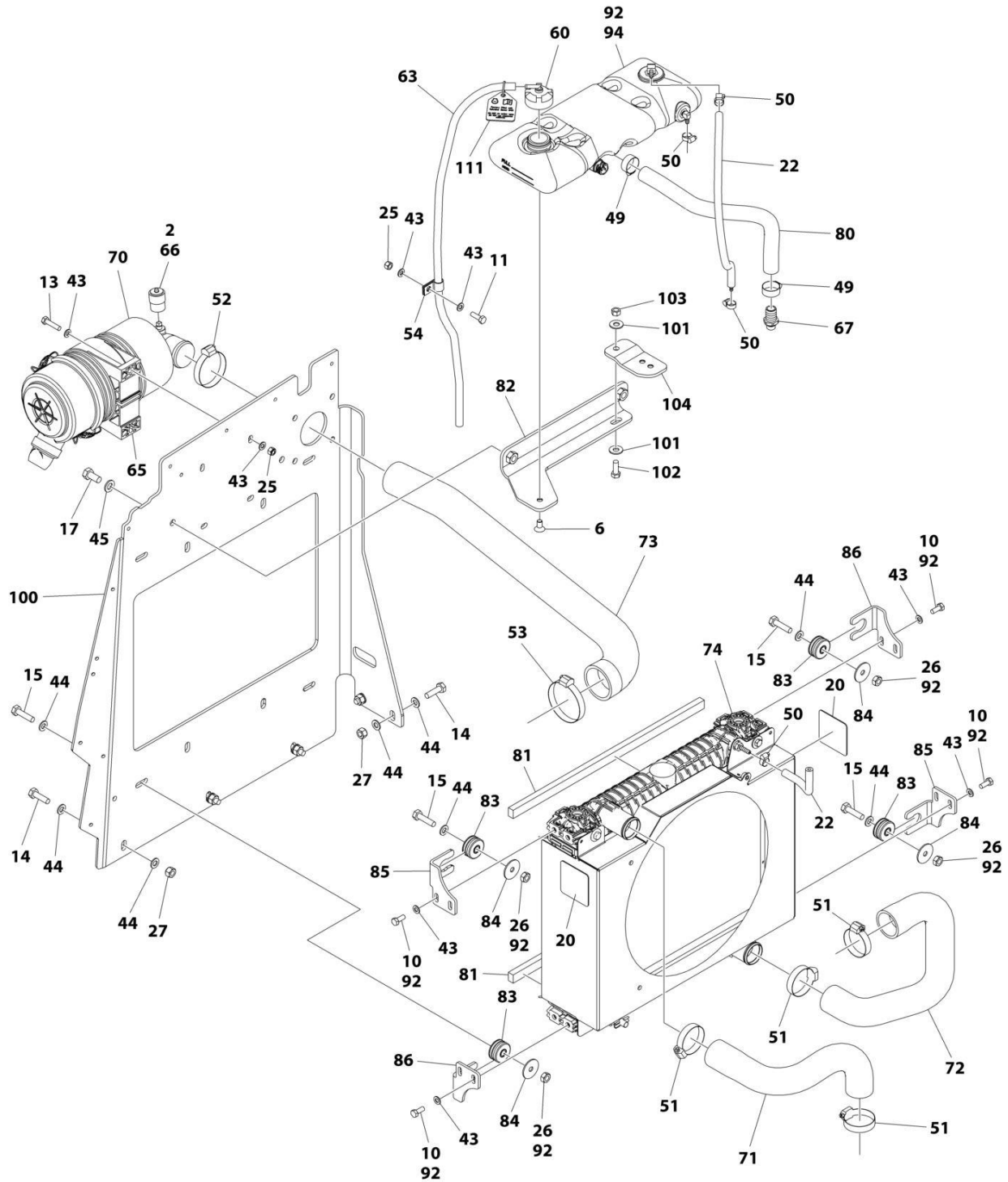
SECTION 3 - ENGINE

FIGURE 3-21. DEUTZ D2.9L4 - 49HP EMR4 ENGINE AND PUMPS SUB-ASSEMBLY WITHOUT ARCTIC PACKAGE

ITEM	PART NUMBER	QTY	DESCRIPTION	REV
	1001285086	Ref	FORD ENGINE AND PUMPS SUB-ASSEMBLY	A
1	0100011	AR	Compound, Locking	
2	0641814	2	Bolt 1/2 x 1-3/4	
3	0760610	1	Bolt M6 x 20	
4	2131616	2	Fitting, 90 ORFS/ORB	
5	2220408	1	Fitting, Straight JIC/ORB	
6	2220451	1	Fitting, Straight JIC/ORB	
7	2220479	1	Fitting, Straight JIC/ORB	
8	2220940	1	Fitting, 90 JIC/ORB	
9	2220946	1	Fitting, Straight JIC/ORB	
10	2220947	2	Fitting, Straight JIC/ORB	
11	3290605	1	Nut M6	
12	3422532	1	Pin	
13	3790152	1	O-Ring	
14	3931618	2	Capscrew 3/8 x 1-1/8	
15	4811700	1	Washer M6	
16	4811702	1	Washer M6	
17	5241000	2	Washer M10	
18	5241200	2	Washer M12	
19	1001171953	1	Seal	
20	1001190143	1	Gear Pump Assembly	
20	70006356	1	Seal Kit - 1001190143 Pump	
21	1001241366	1	Pipe, Exhaust	
22	1001243742	1	Deutz D2.9L4 - 49HP Engine Assembly (See Separate Breakdown in this Section)	
23	1001244508	1	Seal	
24	1001254279	1	Seal	
25	1001284471	1	Piston Pump Assembly (See Separate Breakdown in this Section)	

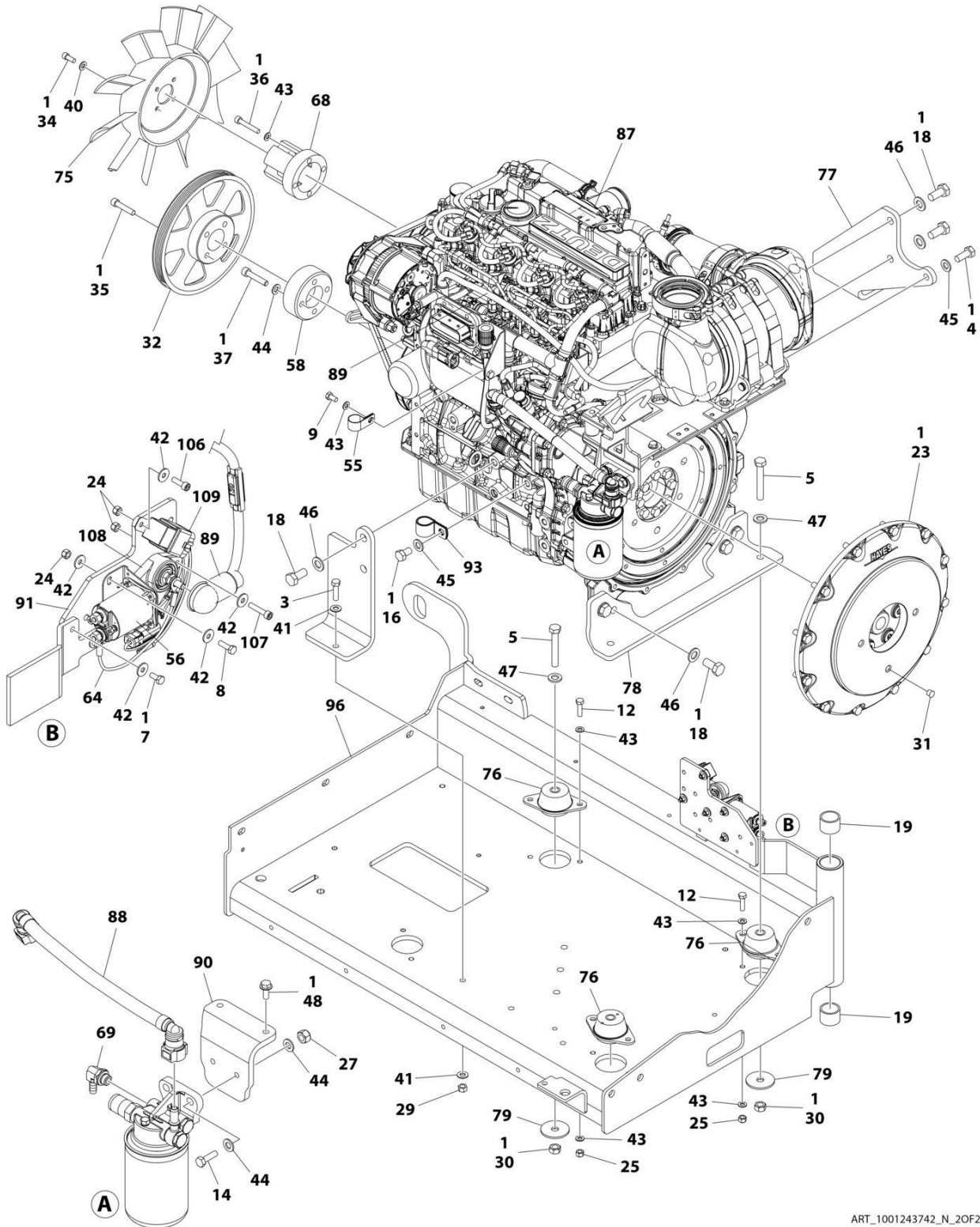
SECTION 3 - ENGINE

FIGURE 3-22. DEUTZ TD2.9L4 - 49HP EMR4 ENGINE ASSEMBLY - WITHOUT ARCTIC PACKAGE



ART_1001243742_N_10F2

SECTION 3 - ENGINE



ART_1001243742_N_20F2

SECTION 3 - ENGINE

FIGURE 3-22. DEUTZ TD2.9L4 - 49HP EMR4 ENGINE ASSEMBLY - WITHOUT ARCTIC PACKAGE

ITEM	PART NUMBER	QTY	DESCRIPTION	REV
	1001243742	Ref	DEUTZ D2.9L4 - 49HP ENGINE ASSEMBLY	N
1	0100011	AR	Compound, Locking	
2	0100020	AR	Sealant	
3	0641611	1	Bolt 3/8 x 1-3/8	
4	0711214	1	Bolt M12 x 30	
5	0711224	3	Bolt M12 x 80	
6	0741606	2	Screw 3/8 x 7/8	
7	0760607	3	Bolt M6 x 14	
8	0760610	2	Bolt M6 x 20	
9	0760808	1	Bolt M8 x 16	
10	0760810	8	Bolt M8 x 20	
11	0760812	1	Bolt M8 x 25	
12	0760814	AR	Bolt M8 x 30	
13	0760815	2	Bolt M8 x 35	
14	0761015	7	Bolt M10 x 35	
15	0761016	4	Bolt M10 x 40	
16	0761210	1	Bolt M12 x 20	
17	0761212	2	Bolt M12 x 25	
18	0771414	8	Bolt M14 x 30	
19	0961951	2	Bushing	
20	1703162	2	Decal - Fan Blade	
22	2720015	24 in /60 cm	Hose	
23	2902065	1	Pump Coupling Kit (See Separate Breakdown in this Section)	
24	3290605	5	Nut M6	
25	3290805	9	Nut M8	
26	3291001	4	Nut M10	
27	3291005	7	Nut M10	
29	3311601	1	Nut 3/8	
30	3331211	3	Nut M12	
31	3520054	1	Plug	
32	3580320	1	Pulley	
34	3931512	4	Capscrew 5/16 x 3/4	
35	3931628	4	Capscrew 3/8 x 1-3/4	
36	4031914	4	Capscrew M8 x 50	
37	4032014	4	Capscrew M10 x 50	
38	4240099	AR	Tie-Strap (Not Shown)	
40	4711500	4	Washer 5/16	
41	4711600	2	Washer 3/8	
42	4811702	10	Washer M6	
43	4811900	31	Washer M8	
44	4812000	22	Washer M10	
45	4812100	4	Washer M12	
46	4812200	8	Washer M14	
47	5241200	3	Washer M12	
48	5250810	2	Bolt M8 x 20	
49	8405007	2	Clamp	
50	8405009	4	Clamp	
51	8405104	4	Clamp	
52	8405202	1	Clamp	

SECTION 3 - ENGINE

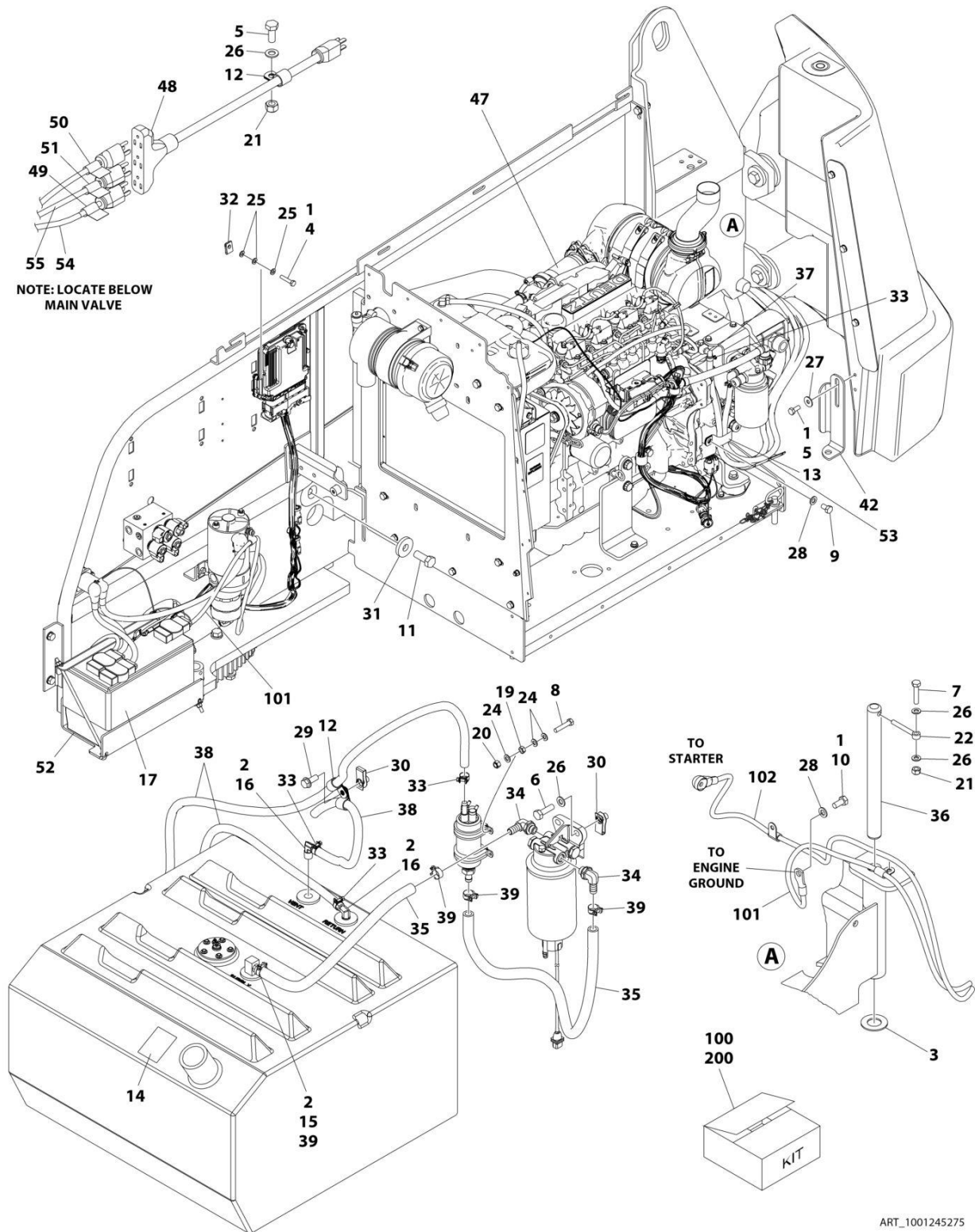
ITEM	PART NUMBER	QTY	DESCRIPTION	REV
53	8405204	1	Clamp	
54	8406109	1	Clip	
55	8406201	1	Clip	
56	1001117308	1	Contactora	
58	1001135679	1	Adapter	
60	1001136834	1	Cap, Tank	
63	1001138248	4 ft /2 m	Tube	
64	1001141304	1	Harness, Glow Fuse	
65	1001141694	1	Clamp	
66	1001143390	1	Indicator, Air Filter Service	
67	1001143797	1	Fitting, Straight Barbed	
68	1001144116	1	Adapter	
69	1001152489	1	Fitting, 90 Barbed	
70	1001165388	1	Filter, Air Cleaner	
70	70003783	1	Element, Filter	
71	1001165405	1	Hose, Radiator (Top)	
72	1001165406	1	Hose, Radiator (Bottom)	
73	1001165721	1	Hose	
74	1001165722	1	Radiator	
75	1001165849	1	Fan	
76	1001166718	3	Isolator	
77	1001166921	1	Bracket, Engine - Right	
78	1001166924	1	Bracket, Engine - Rear	
79	1001168018	3	Washer	
80	1001168099	1	Hose	
81	1001168166	2	Seal	
82	1001260420	1	Bracket	
83	1001169054	4	Isolator	
84	1001169138	4	Pad, Snubbing	
85	1001169967	2	Bracket	
86	1001170035	2	Bracket	
87	1001249965	1	Deutz D2.9L4-49HP Engine (See Separate Breakdown in this Section)	
88	1001177359	1	Hose	
89	1001178788	1	Cable, Alternator Power	
90	1001178876	1	Mount, Fuel Filter	
91	1001292628	1	Bracket	
92	1001180620	AR	Adhesive	
93	1001191620	1	Clamp	
94	1001230635	1	Tank, Surge	
94	1001134488	1	Fitting, 90 Barbed	
94	1001138827	1	Sensor, Coolant Level	
94	1001140564	1	Fitting, 90 Barbed	
95	1001233895	1	Engine Harness - Deutz D2.9L4 - 49HP and Deutz TD2.9L4 - 67HP Engines (Not Shown) (See Separate Breakdown in ELECTRICAL Section)	
96	1001243656	1	Support, Engine Tray	
100	1001243850	1	Support, Radiator	
101	4751600	2	Washer 3/8	
102	0681608	1	Bolt 3/8 x 1	
103	3311605	1	Nut 3/8	
104	1001260412	1	Bracket	

SECTION 3 - ENGINE

ITEM	PART NUMBER	QTY	DESCRIPTION	REV
105	2820152	1	Heat Shrink (Not Shown)	
106	4031708	1	Bolt M6 x 20	
107	4031710	2	Bolt M6 x 30	
108	1001212359	1	Stud	
109	1001291079	1	Harness, Relay & Fuel Pump (See Separate Breakdown in ELECTRICAL Section)	
110	4240032	1	Tie-Strap (Not Shown)	
111	1001291401	1	Tag, Coolant	

SECTION 3 - ENGINE

FIGURE 3-23. DEUTZ D 2.9L4 - 49HP EMR4 ENGINE INSTALLATION - WITH ARCTIC PACKAGE (600S HC3)



SECTION 3 - ENGINE

FIGURE 3-23. DEUTZ D 2.9L4 - 49HP EMR4 ENGINE INSTALLATION - WITH ARCTIC PACKAGE (600S HC3)

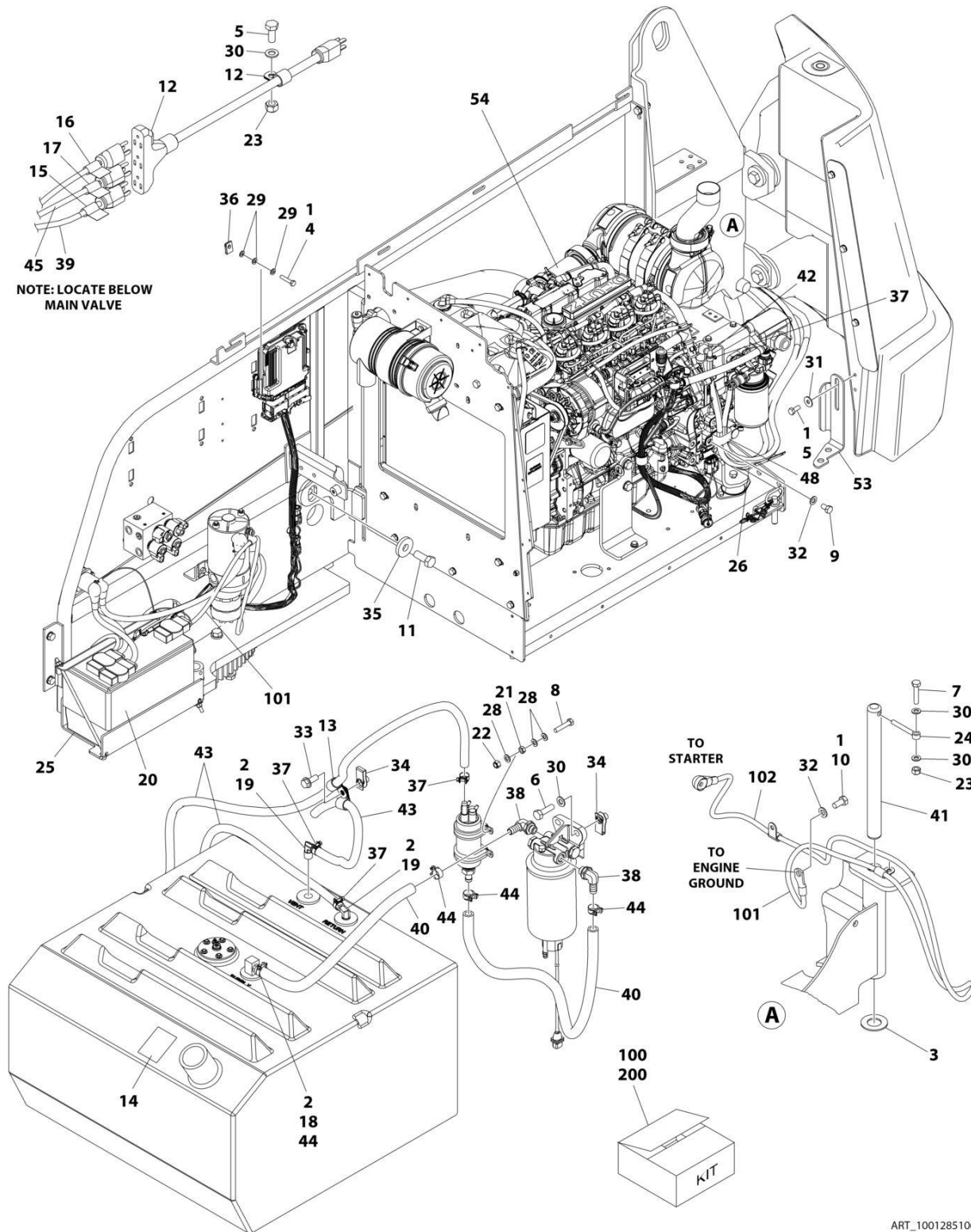
ITEM	PART NUMBER	QTY	DESCRIPTION	REV
	1001245275	Ref	DEUTZ D2.9L4 - 49HP ENGINE INSTALLATION	C
1	0100011	AR	Compound, Locking	
2	0100020	AR	Sealant	
3	0440162	1	Bearing	
4	0700614	4	Bolt M6 x 30	
5	0701012	3	Bolt M10 x 25	
6	0701015	2	Bolt M10 x 35	
7	0711018	1	Bolt M10 x 50	
8	0760512	4	Bolt M5 x 25	
9	0761210	1	Bolt M12 x 20	
10	0771212	1	Bolt M12 x 25	
11	0772018	1	Bolt M20 x 50	
12	1320061	3	Clamp	
13	1001195039	1	Clamp	
14	1701505	1	Decal - Diesel Fuel	
15	2180832	1	Fitting, Straight Barbed	
16	2220313	2	Fitting, 90 NPTF/Barb	
17	2580024	1	Heater, Battery	
19	3290501	4	Nut M5	
20	3290505	4	Nut M5	
21	3291005	2	Nut M10	
22	3841143	1	Keeper, Pin	
23	4240099	7	Tie-Strap (Not Shown)	
24	4811600	12	Washer M5	
25	4811700	12	Washer M6	
26	4812000	5	Washer M10	
27	4812002	2	Washer M10	
28	4812100	2	Washer M12	
29	5251012	1	Bolt M10 x 25	
30	1001118972	3	Nut, Tinnerman M10	
31	1001119051	1	Washer	
32	1001130220	4	Nut, Tinnerman M6	
33	1001136975	5	Clamp	
34	1001142501	2	Fitting, 90 Barbed	
35	1001154405	34 in/ 86.36cm	Hose	
36	1001155094	1	Pin	
37	1001155823	1	Fitting, 90 Quick Connect	
38	1001165035	27 ft/ 8.23m	Hose	
39	1001175568	4	Clip	
40	1001190444	1	Fuel Pump Harness - Deutz D2.9L4 – 49HP and Deutz TD2.9L4 – 67HP Engines (Not Shown) (See Separate Breakdown in ELECTRICAL Section)	
42	1001196398	1	Bracket	
46	1001233763	1	Deutz Breather Heater Installation (Not Shown) (See Separate Breakdown in this Section)	
46	4240099	AR	Tie-Strap	
46	1001196634	1	Fuse 2amp	
46	1001232842	1	Heater, Deutz Breather Kit	

SECTION 3 - ENGINE

ITEM	PART NUMBER	QTY	DESCRIPTION	REV
46	2400060	1	Fuse, Holder	
47	1001245274	1	Deutz D2.9L4 – 49HP Engine and Pump Sub-Assembly (See Separate Breakdown in this Section)	
48	1060626	1	Plug, 3 Way	
49	1702941	1	Decal - Battery Heater	
50	1702942	1	Decal - Engine Block Heater	
51	1702943	1	Decal - Hydraulic Tank Heater	
52	3980007	1	Seat, Battery	
53	4061032	1	Shield	
54	1001150918	1	Cable, Extension	
55	1001188972	1	Heater, Immersion	
100	1001235532	1	Battery Cable Kit	
101	1001188668	1	Cable, Battery (-) to Aux Pump and Ground	
102	1001188669	1	Cable, Battery (+) to Aux Relay to Starter	
200	1001269919	1	Hose Assembly Kit	
201	1001192690	1	Hose (Case Drain) (Drive Pump Case Gauge Port to Tank) (Not Shown)	
202	1001203431	1	Hose (Case Drain) (Drive Pump Case Outlet Port to Tank) (Not Shown)	
203	1001203432	1	Hose (Function Suction) (Not Shown)	
204	1001203433	1	Hose (Drive Suction) (Not Shown)	

SECTION 3 - ENGINE

FIGURE 3-24. DEUTZ D 2.9L4 - 49HP EMR4 ENGINE INSTALLATION - WITH ARCTIC PACKAGE (660SJ HC3)



SECTION 3 - ENGINE

**FIGURE 3-24. DEUTZ D 2.9L4 - 49HP EMR4 ENGINE INSTALLATION - WITH ARCTIC PACKAGE
(660SJ HC3)**

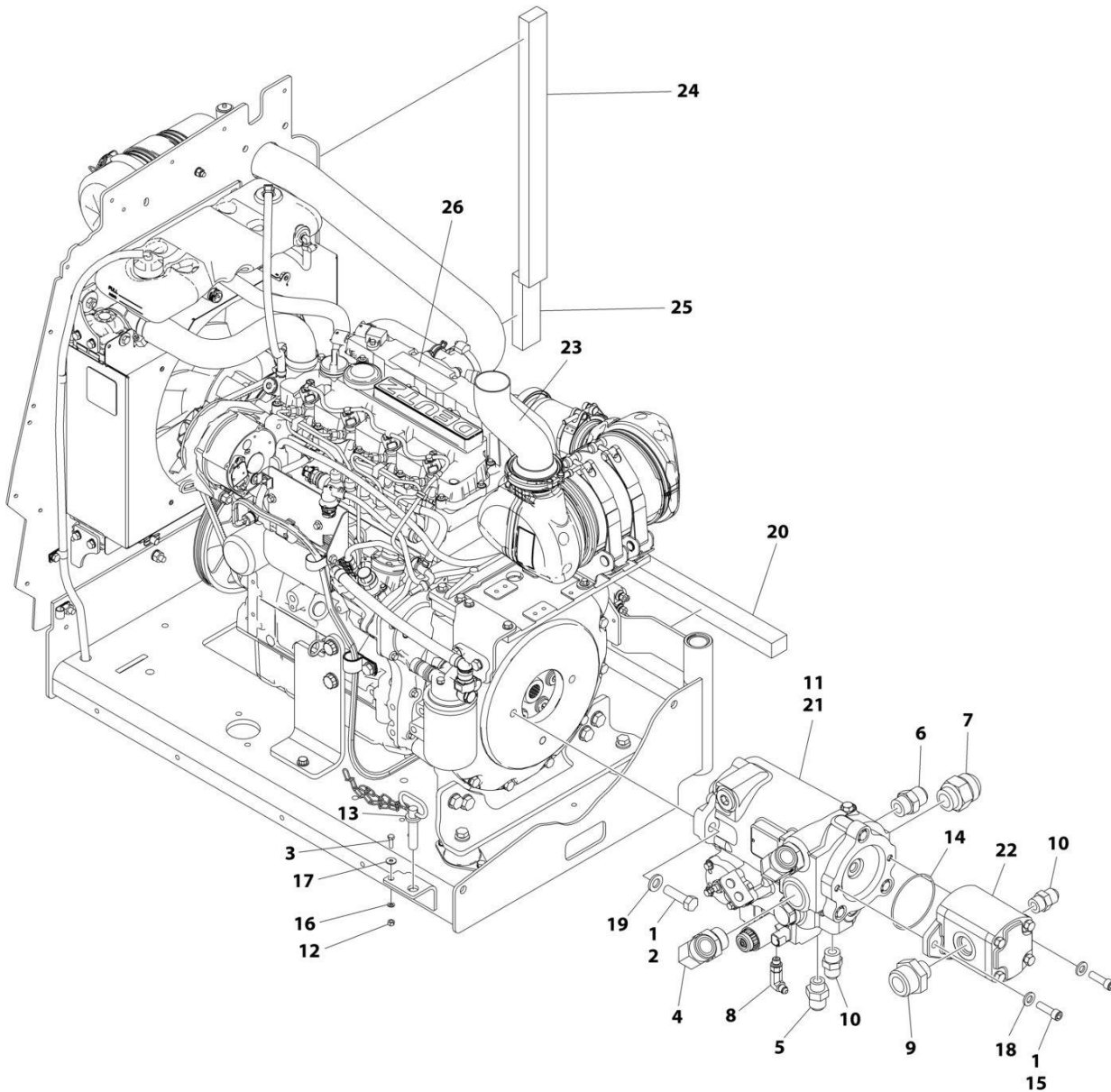
ITEM	PART NUMBER	QTY	DESCRIPTION	REV
	1001285106	Ref	DEUTZ TD2.9L4 - 49HP ENGINE INSTALLATION	A
1	0100011	AR	Compound, Locking	
2	0100020	AR	Sealant	
3	0440162	1	Bearing	
4	0700614	4	Bolt M6 x 30	
5	0701012	3	Bolt M10 x 25	
6	0701015	2	Bolt M10 x 35	
7	0711018	1	Bolt M10 x 50	
8	0760512	4	Bolt M5 x 25	
9	0761210	1	Bolt M12 x 20	
10	0771212	1	Bolt M12 x 25	
11	0772018	1	Bolt M20 x 50	
12	1060626	1	Plug, 3 Way	
13	1320061	3	Clamp	
14	1701505	1	Decal - Diesel	
15	1702941	1	Decal - Battery Heater	
16	1702942	1	Decal - Engine Block Heater	
17	1702943	1	Decal - Hydraulic Tank Heater	
18	2180832	1	Fitting, Straight Barbed	
19	2220313	2	Fitting, 90 NPTF/Barb	
20	2580024	1	Heater, Battery	
21	3290501	4	Nut M5	
22	3290505	4	Nut M5	
23	3291005	2	Nut M10	
24	3841143	1	Keeper, Pin	
25	3980007	1	Seat, Battery	
26	4061032	1	Hose	
27	4240099	AR	Tie-Strap (Not Shown)	
28	4811600	12	Washer M5	
29	4811700	12	Washer M6	
30	4812000	5	Washer M10	
31	4812002	2	Washer M10	
32	4812100	2	Washer M12	
33	5251012	1	Bolt M10 x 25	
34	1001118972	3	Nut M10	
35	1001119051	1	Washer	
36	1001130220	4	Nut, Tinnerman M6	
37	1001136975	5	Clamp	
38	1001142501	2	Fitting, 90 Barbed	
39	1001150918	1	Cable, Extension	
40	1001154405	3 ft /1 m	Hose	
41	1001155094	1	Pin	
42	1001155823	1	Fitting, 90 Quick Connect	
43	1001165035	27 ft /9 m	Hose	
44	1001175568	4	Clip	
45	1001188972	1	Heater, Immersion	
46	1001190444	1	Fuel Pump Harness - Deutz D2.9L4 – 49HP and Deutz TD2.9L4 – 67HP Engines (Not Shown) (See Separate Breakdown in ELECTRICAL Section)	

SECTION 3 - ENGINE

ITEM	PART NUMBER	QTY	DESCRIPTION	REV
47	1001192690	1	Hose (Case Drain) (Drive Pump Case Gauge Port to Tank) (Not Shown)	
48	1001195039	1	Clamp	
49	1001203431	1	Hose (Case Drain) (Drive Pump Case Outlet Port to Tank) (Not Shown)	
50	1001233763	1	Deutz Breather Heater Installation (Not Shown) (See Separate Breakdown in this Section)	
51	1001258156	1	Hose (Function Suction) (Not Shown)	
52	1001258157	1	Hose (Drive Suction) (Not Shown)	
53	1001258175	1	Bracket	
54	1001285092	1	Deutz D2.9L4 – 49HP Engine and Pump Sub-Assembly (See Separate Breakdown in this Section)	
100	1001235532	1	Battery Cable Kit	
101	1001188668	1	Cable, Battery (-) to Aux Pump and Ground	
102	1001188669	1	Cable, Battery (+) to Aux Relay to Starter	

SECTION 3 - ENGINE

FIGURE 3-25. DEUTZ TD2.9L4 - 49HP EMR4 ENGINE AND PUMPS SUB-ASSEMBLY - WITH ARCTIC PACKAGE (600S HC3)



ART_1001245274_C

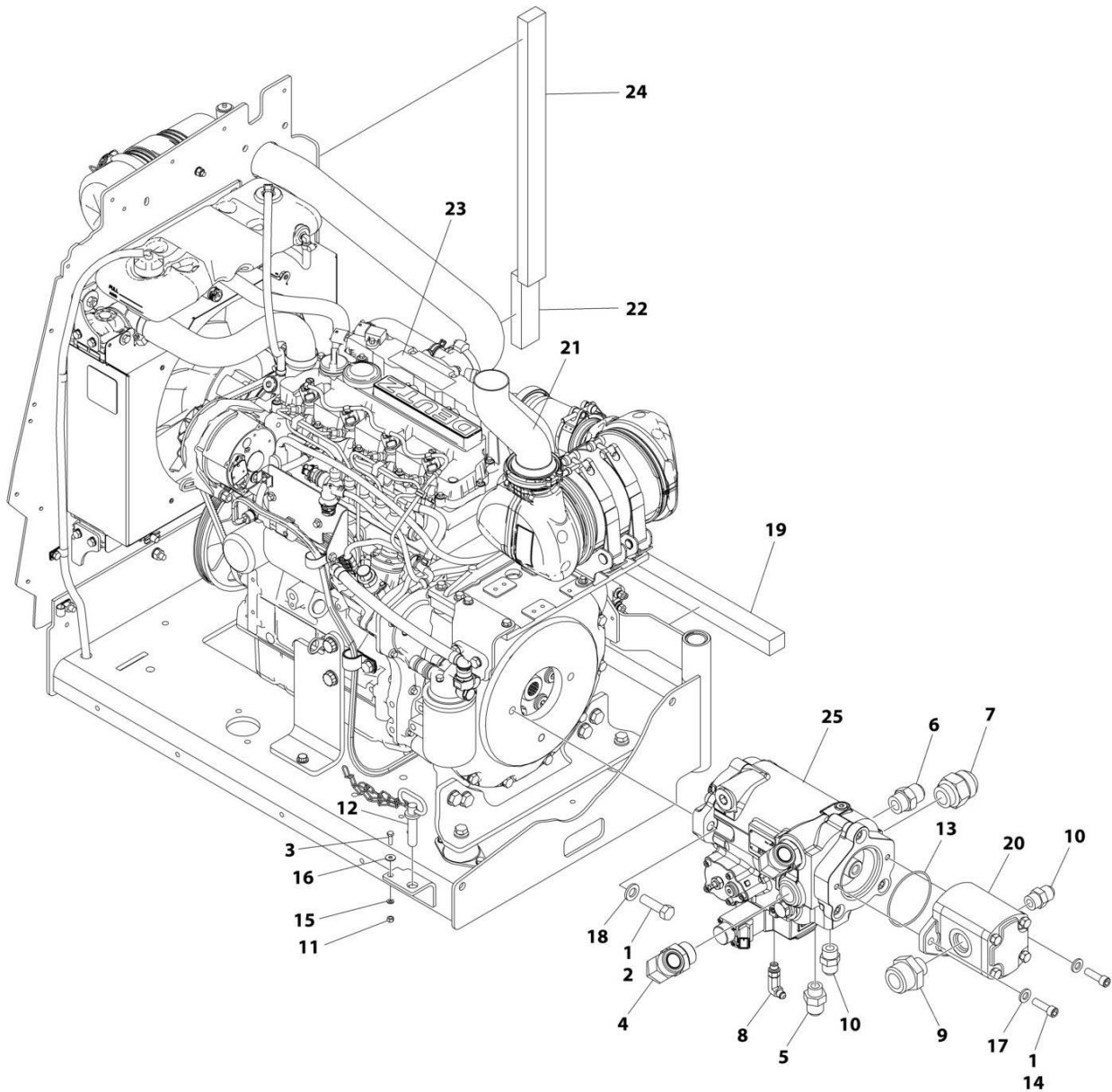
SECTION 3 - ENGINE

FIGURE 3-25. DEUTZ TD2.9L4 - 49HP EMR4 ENGINE AND PUMPS SUB-ASSEMBLY - WITH ARCTIC PACKAGE (600S HC3)

ITEM	PART NUMBER	QTY	DESCRIPTION	REV
	1001245274	Ref	DEUTZ D2.9L4 – 49HP ENGINE AND PUMPS SUB-ASSEMBLY	C
1	0100011	AR	Compound, Locking	
2	0641814	2	Bolt 1/2 x 1-3/4	
3	0760610	1	Bolt M6 x 20	
4	2131616	2	Fitting, 90 ORFS/ORB	
5	2220408	1	Fitting, Straight JIC/ORB	
6	2220451	1	Fitting, Straight JIC/ORB	
7	2220479	1	Fitting, Straight JIC/ORB	
8	2220940	1	Fitting, 90 JIC/ORB	
9	2220946	1	Fitting, Straight JIC/ORB	
10	2220947	2	Fitting, Straight JIC/ORB	
11	3020037	AR	Lube, Coupling Grease	
12	3290605	1	Nut M6	
13	3422532	1	Pin	
14	3790152	1	O-Ring	
15	3931618	2	Capscrew 3/8 x 1-1/8	
16	4811700	1	Washer M6	
17	4811702	1	Washer M6	
18	5241000	2	Washer M10	
19	5241200	2	Washer M12	
20	1001171953	1	Seal	
21	1001184930	1	Piston Pump Assembly (See Separate Breakdown in this Section)	
22	1001190143	1	Gear Pump Assembly	
22	70006356	1	Seal Kit - 1001190143 Pump	
23	1001241366	1	Pipe, Exhaust	
24	1001254279	1	Seal	
25	1001244508	1	Seal	
26	1001245257	1	Deutz D2.9L4 – 49HP Engine Assembly (See Separate Breakdown in this Section)	

SECTION 3 - ENGINE

FIGURE 3-26. DEUTZ TD2.9L4 - 49HP EMR4 ENGINE AND PUMPS SUB-ASSEMBLY - WITH ARCTIC PACKAGE (660SJ HC3)



ART_1001285092

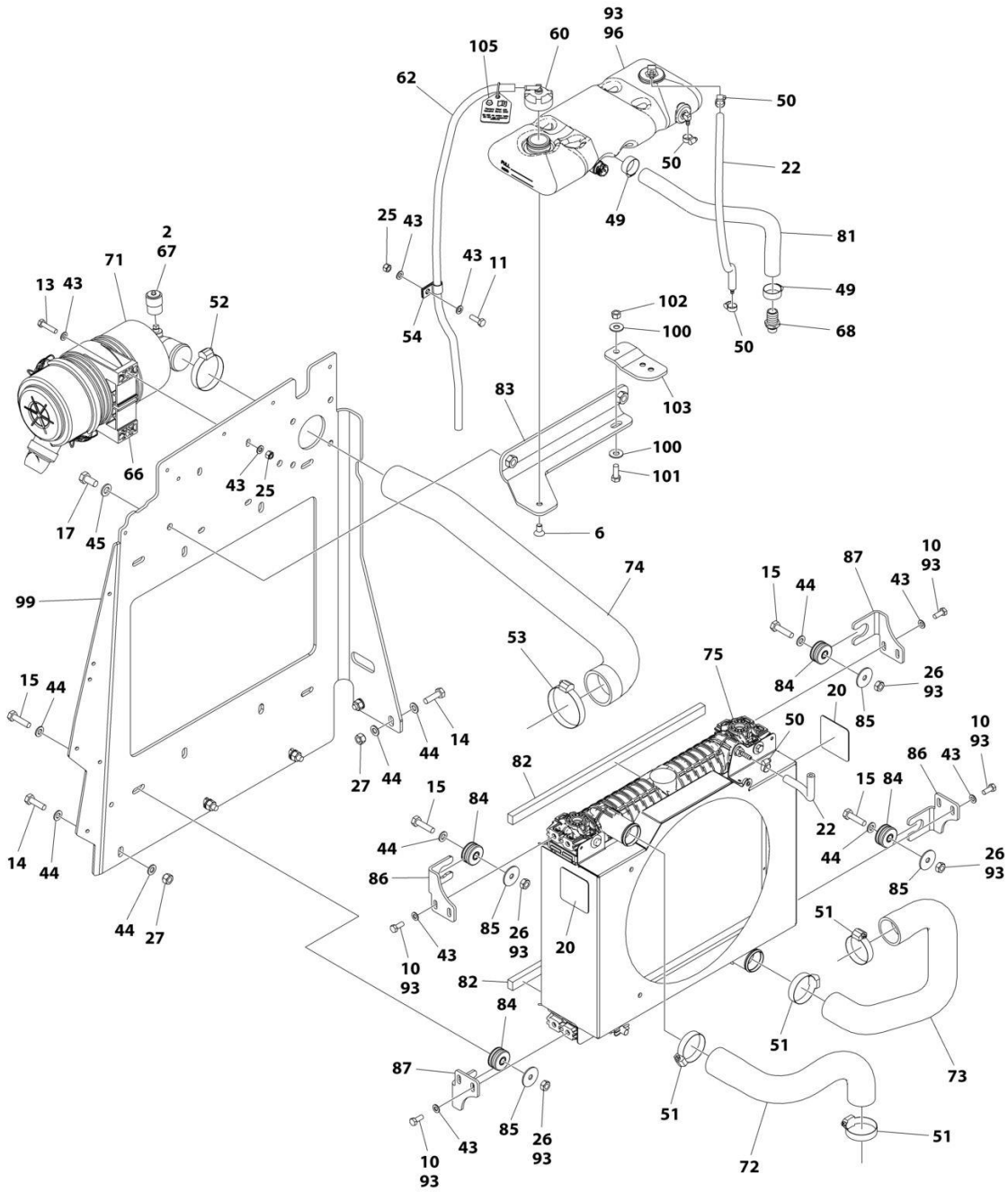
SECTION 3 - ENGINE

FIGURE 3-26. DEUTZ TD2.9L4 - 49HP EMR4 ENGINE AND PUMPS SUB-ASSEMBLY - WITH ARCTIC PACKAGE (660SJ HC3)

ITEM	PART NUMBER	QTY	DESCRIPTION	REV
	1001285092	Ref	FORD ENGINE AND PUMPS SUB-ASSEMBLY	A
1	0100011	AR	Compound, Locking	
2	0641814	2	Bolt 1/2 x 1-3/4	
3	0760610	1	Bolt M6 x 20	
4	2131616	2	Fitting, 90 ORFS/ORB	
5	2220408	1	Fitting, Straight JIC/ORB	
6	2220451	1	Fitting, Straight JIC/ORB	
7	2220479	1	Fitting, Straight JIC/ORB	
8	2220940	1	Fitting, 90 JIC/ORB	
9	2220946	1	Fitting, Straight JIC/ORB	
10	2220947	2	Fitting, Straight JIC/ORB	
11	3290605	1	Nut M6	
12	3422532	1	Pin	
13	3790152	1	O-Ring	
14	3931618	2	Capscrew 3/8 x 1-1/8	
15	4811700	1	Washer M6	
16	4811702	1	Washer M6	
17	5241000	2	Washer M10	
18	5241200	2	Washer M12	
19	1001171953	1	Seal	
20	1001190143	1	Gear Pump Assembly	
20	70006356	1	Seal Kit - 1001190143 Pump	
21	1001241366	1	Pipe, Exhaust	
22	1001244508	1	Seal	
23	1001245257	1	Deutz D2.9L4 - 49HP Engine Assembly (See Separate Breakdown in this Section)	
24	1001254279	1	Seal	
25	1001284471	1	Piston Pump Assembly (See Separate Breakdown in this Section)	

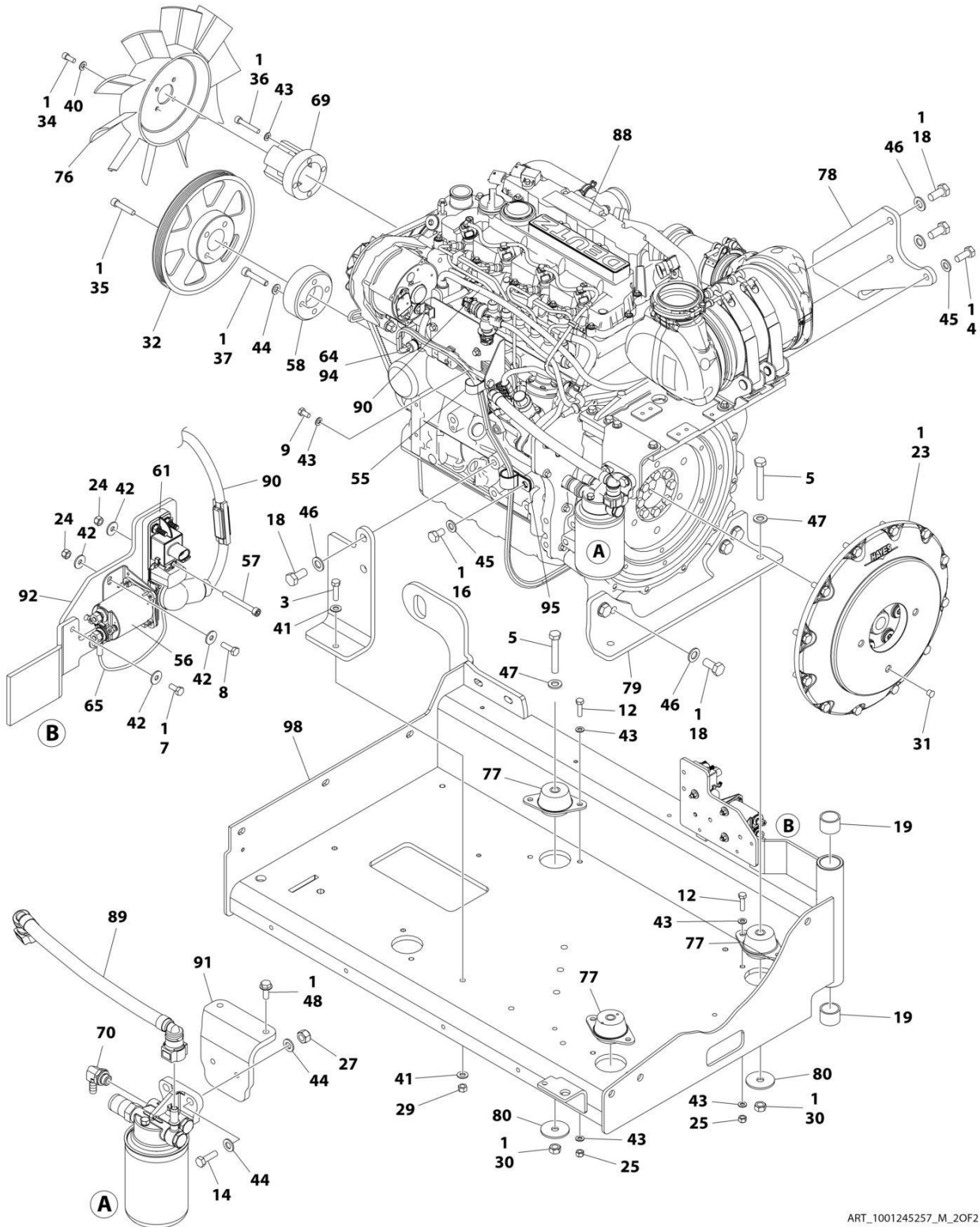
SECTION 3 - ENGINE

FIGURE 3-27. DEUTZ TD2.9L4 - 49HP EMR4 ENGINE ASSEMBLY - WITH ARCTIC PACKAGE



ART_1001245257_M_10F2

SECTION 3 - ENGINE



ART_1001245257_M_20F2

SECTION 3 - ENGINE

FIGURE 3-27. DEUTZ TD2.9L4 - 49HP EMR4 ENGINE ASSEMBLY - WITH ARCTIC PACKAGE

ITEM	PART NUMBER	QTY	DESCRIPTION	REV
	1001245257	Ref	DEUTZ D2.9L4 - 49HP ENGINE ASSEMBLY	M
1	0100011	AR	Compound, Locking	
2	0100020	AR	Sealant	
3	0641611	1	Bolt 3/8 x 1-3/8	
4	0711214	1	Bolt M12 x 30	
5	0711224	3	Bolt M12 x 80	
6	0741606	2	Screw 3/8 x 7/8	
7	0760607	3	Bolt M6 x 14	
8	0760610	2	Bolt M6 x 20	
9	0760808	1	Bolt M8 x 16	
10	0760810	8	Bolt M8 x 20	
11	0760812	1	Bolt M8 x 25	
12	0760814	AR	Bolt M8 x 30	
13	0760815	2	Bolt M8 x 35	
14	0761015	7	Bolt M10 x 35	
15	0761016	4	Bolt M10 x 40	
16	0761210	1	Bolt M12 x 20	
17	0761212	2	Bolt M12 x 25	
18	0771414	8	Bolt M14 x 30	
19	0961951	2	Bushing	
20	1703162	2	Decal - Fan Blade	
22	2720015	AR	Hose	
23	2902065	1	Pump Coupling Kit (See Separate Breakdown in this Section)	
24	3290605	3	Nut M6	
25	3290805	9	Nut M8	
26	3291001	4	Nut M10	
27	3291005	7	Nut M10	
29	3311601	1	Nut 3/8	
30	3331211	1	Nut M12	
31	3520054	1	Plug	
32	3580320	1	Pulley	
34	3931512	4	Capscrew 5/16 x 3/4	
35	3931628	4	Capscrew 3/8 x 1-3/4	
36	4031914	4	Capscrew M8 x 50	
37	4032014	4	Capscrew M10 x 50	
38	4240099	AR	Tie-Strap (Not Shown)	
40	4711500	4	Washer 5/16	
41	4711600	2	Washer 3/8	
42	4811702	8	Washer M6	
43	4811900	31	Washer M8	
44	4812000	22	Washer M10	
45	4812100	4	Washer M12	
46	4812200	8	Washer M14	
47	5241200	3	Washer M12	
48	5250810	2	Bolt M8 x 20	
49	8405007	2	Clamp	
50	8405009	4	Clamp	
51	8405104	4	Clamp	
52	8405202	1	Clamp	
53	8405204	1	Clamp	

SECTION 3 - ENGINE

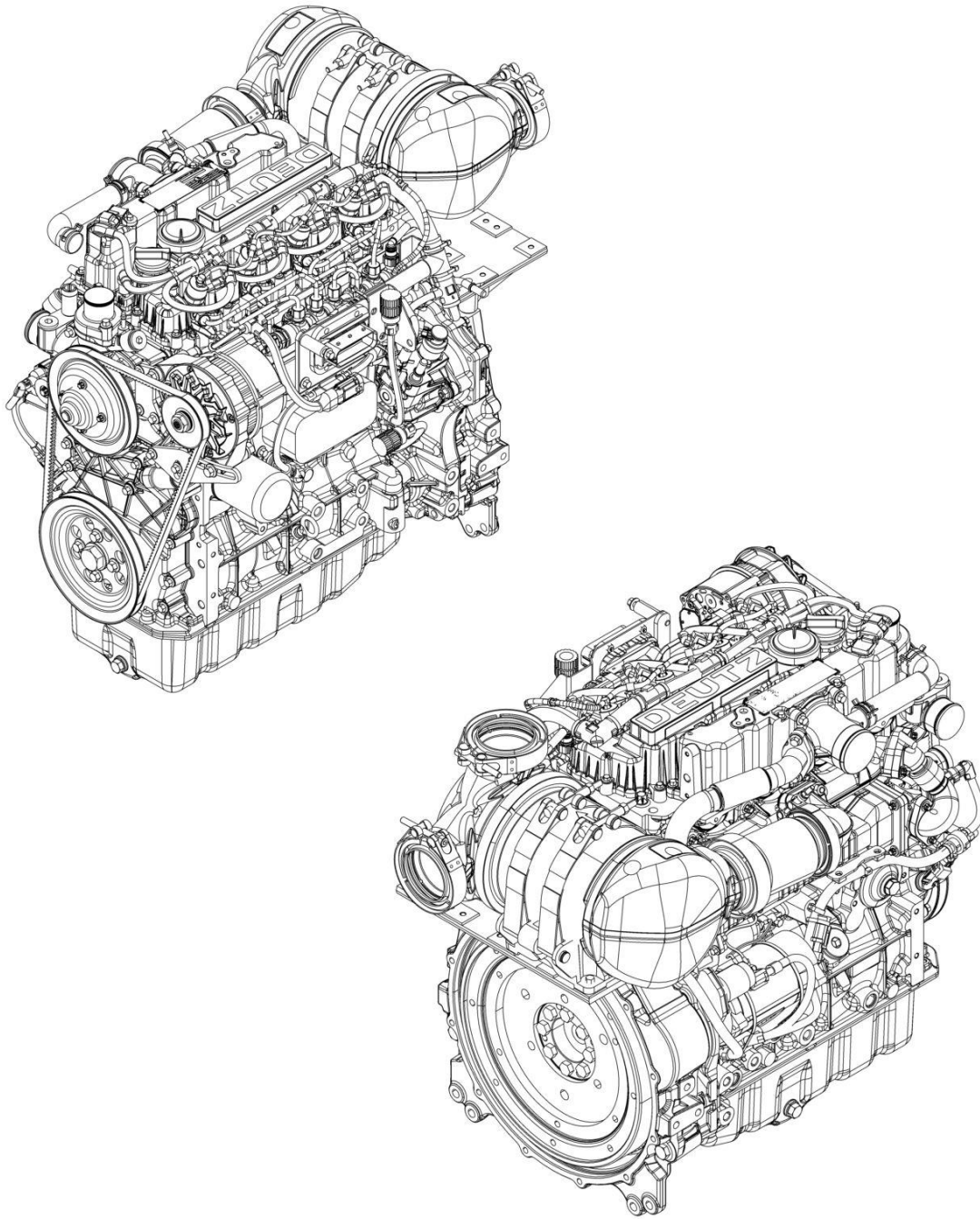
ITEM	PART NUMBER	QTY	DESCRIPTION	REV
54	8406109	1	Clip	
55	8406201	1	Clip	
56	1001117308	1	Contactora	
57	1001118878	1	Bolt M6 x 55	
58	1001135679	1	Adapter	
60	1001136834	1	Cap, Tank	
61	1001138228	1	Relay	
62	1001138248	3.5 ft/ 1.067m	Tube	
64	1001140312	1	Heater, Engine Block	
65	1001141304	1	Harness, Glow Fuse	
66	1001141694	1	Clamp	
67	1001143390	1	Indicator, Air Filter Service	
68	1001143797	1	Fitting, Straight Barbed	
69	1001144116	1	Adapter	
70	1001152489	1	Fitting, 90 Barbed	
71	1001165388	1	Filter, Air Cleaner	
71	70003783	1	Element, Filter	
72	1001165405	1	Hose, Radiator (Top)	
73	1001165406	1	Hose, Radiator (Bottom)	
74	1001165721	1	Hose	
75	1001165722	1	Radiator	
76	1001165849	1	Fan	
77	1001166718	3	Isolator	
78	1001166921	1	Bracket, Engine - Right	
79	1001166924	1	Bracket, Engine - Rear	
80	1001168018	3	Washer	
81	1001168099	1	Hose	
82	1001168166	2	Seal	
83	1001260420	1	Bracket	
84	1001169054	4	Isolator	
85	1001169138	4	Pad, Snubbing	
86	1001169967	2	Bracket	
87	1001170035	2	Bracket	
88	1001249965	1	Deutz D2.9L4 - 49HP Engine (See Separate Breakdown in this Section)	
89	1001177359	1	Hose	
90	1001178788	1	Cable, Alternator Power	
91	1001178876	1	Mount, Fuel Filter	
92	1001179903	1	Bracket	
93	1001180620	AR	Adhesive	
94	1001181895	AR	Adhesive	
95	1001191620	1	Clamp	
96	1001230635	1	Tank, Surge	
96	1001134488	1	Fitting, 90 Barbed (Part of Item 58)	
96	1001138827	1	Sensor, Coolant Level (Part of Item 58)	
96	1001140564	1	Fitting, 90 Barbed	
97	1001233895	1	Engine Harness - Deutz D2.9L4 - 49HP and Deutz TD2.9L4 - 67HP Engines (Not Shown) (See Separate Breakdown in ELECTRICAL Section)	
98	1001243656	1	Support, Engine Tray	
99	1001243850	1	Support, Radiator	

SECTION 3 - ENGINE

ITEM	PART NUMBER	QTY	DESCRIPTION	REV
100	4751600	2	Washer 3/8	
101	0681608	1	Bolt 3/8 x 1	
102	3311605	1	Nut 3/8	
103	1001260412	1	Bracket	
104	4240032	1	Tie-Strap (Not Shown)	
105	1001291401	1	Tag, Coolant	

SECTION 3 - ENGINE

FIGURE 3-28. DEUTZ TD2.9L4 - 49HP EMR4 ENGINE COMPONENTS



ART_1001249965

SECTION 3 - ENGINE

FIGURE 3-28. DEUTZ TD2.9L4 - 49HP EMR4 ENGINE COMPONENTS

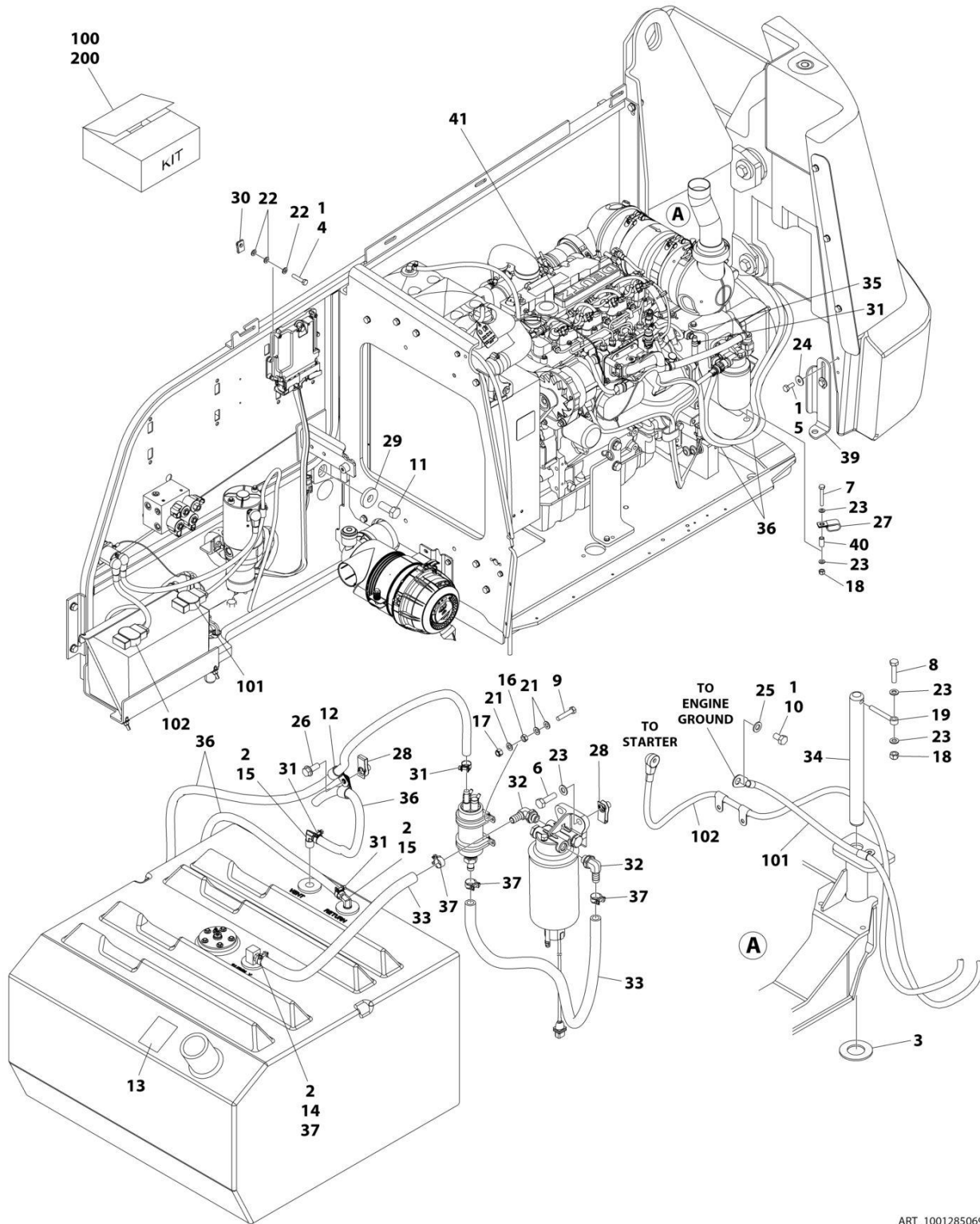
ITEM	PART NUMBER	QTY	DESCRIPTION	REV
	1001249965	Ref	DEUTZ D2.9L4 - EMR4 (49HP) ENGINE COMPONENTS	B
	See Note	Ref	Note: Contact JLG Customer Service for Availability of Additional Components.	
		Ref	Air Intake System	
	70005182	1	Charge Air Elbow	
	70005183	1	Breather Line	
		Ref	Cooling System Components	
	70030360	1	Pump, Coolant	
	70007603	1	Thermostat	
		Ref	Electrical Components	
	70025210	1	Module, Engine Control (ECM/ECU)	
	70024513	1	Harness, Fuel Filter Sensor	
	70024504	1	Sensor, Fuel Pressure	
	70006652	1	Generator	
	70024915	1	Starter	
	70025231	1	Harness, Glow Plug	
	70028540	1	Sensor, Temperature	
	70026210	1	Sensor, Speed	
	70024507	1	Sensor, Pressure (Air Intake)	
	70031145	4	Plug, Glow	
		Ref	Exhaust Components	
	70031136	1	Pipe, Exhaust	
	70004282	1	Exhaust Manifold	
		Ref	Fuel System Components	
	70030381	1	Pump, High Pressure	
	700004508	1	Valve, Volume Control	
	70004281	1	Injector, Fuel	
	70006144	1	Pump, Fuel Supply (Includes Qty 2 Mounting Clamps)	
	1001225430	1	Filter, Fuel (Pre-Filter) Assembly	
	70024961	1	Filter, Fuel	
	70025239	1	Seal	
	70024513	1	Cable, Sensor	
	70029451	1	Filter, Fuel	
		Ref	Gasket & Seal Components	
	70024905	1	Seal, Dipstick	
	70005942	2	Seal, Oil Plug	
	70024906	1	Gasket, Head	
	70005171	1	Gasket, Valve Cover	
	70002718	1	Seal, Rear Main	
	70025135	1	O-Ring, Oil Lube Pump	
	70005173	1	Gasket, Oil Lube Pump	
	70024925	1	Seal, Oil Cooler	
	70005177	1	Gasket, Charge Air Housing	
	70025200	1	O-Ring, Coolant Pump	
	70007325	1	Seal, Coolant Pump	
	70005184	1	O-Ring, Thermostat	
	70005931	1	Seal, Thermostat	
	70025164	1	Gasket, Exhaust Manifold to Head	
	70007354	1	Gasket, Short Exhaust Pipe to JLG supplied Exhaust	
	70007326	1	Gasket EGR Valve	

SECTION 3 - ENGINE

ITEM	PART NUMBER	QTY	DESCRIPTION	REV
	70031095	1	Gasket, Exhaust Return Pipe (to Air Intake Housing)	
		Ref	Other Components	
	70001870	1	Flywheel	
	7024579	1	Gear, Ring	
		Ref	Oil Lube System	
	7020465	1	Cap, Oil Fill	
	70024904	1	Dipstick	
	70005941	2	Plug, Oil (Includes Seal)	
	70005172	1	Pump, Oil Lube (Includes O-Ring & Gasket)	
	70024494	1	Oil Cooler	
	7016331	1	Filter, Oil	

SECTION 3 - ENGINE

FIGURE 3-29. DEUTZ TD2.9L4 - 67HP EMR4 ENGINE INSTALLATION - WITHOUT ARCTIC PACKAGE (600S HC3)



ART_1001285069

SECTION 3 - ENGINE

**FIGURE 3-29. DEUTZ TD2.9L4 - 67HP EMR4 ENGINE INSTALLATION - WITHOUT ARCTIC PACKAGE
(600S HC3)**

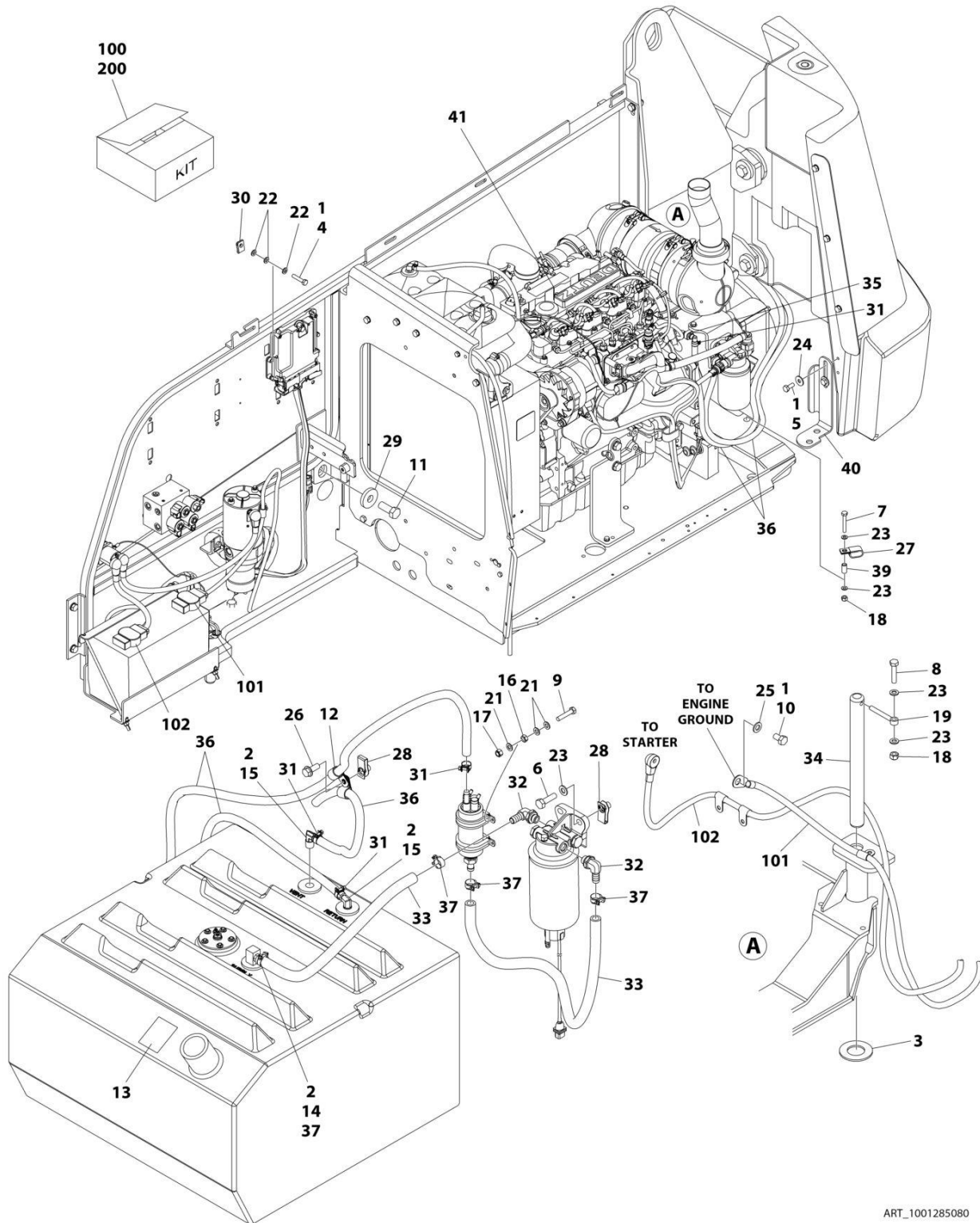
ITEM	PART NUMBER	QTY	DESCRIPTION	REV
	1001285069	Ref	DEUTZ TD2.9L4 - 67HP ENGINE INSTALLATION	A
1	0100011	AR	Compound, Locking	
2	0100020	AR	Sealant	
3	0440162	1	Bearing	
4	0700614	4	Bolt M6 x 30	
5	5251012	2	Bolt M10 x 25	
6	0701015	2	Bolt M10 x 35	
7	0701022	1	Bolt M10 x 70	
8	0711018	1	Bolt M10 x 50	
9	0760512	4	Bolt M5 x 25	
10	0761210	1	Bolt M12 x 20	
11	0772018	1	Bolt M20 x 50	
12	1320061	2	Clamp	
13	1701505	1	Decal - Diesel Fuel	
14	2180832	1	Fitting, Straight Barbed	
15	2220313	2	Fitting, 90 NPTF/Barb	
16	3290501	4	Nut M5	
17	3290505	4	Nut M5	
18	3291005	2	Nut M10	
19	3841143	1	Keeper, Pin	
20	4240099	AR	Tie-Strap (Not Shown)	
21	4811600	12	Washer M5	
22	4811700	12	Washer M6	
23	4812000	6	Washer M10	
24	4812002	2	Washer M10	
25	4812100	1	Washer M12	
26	0701012	1	Bolt M10 x 25	
27	1001026127	1	Clamp	
28	1001118972	3	Nut M10	
29	1001119051	1	Washer	
30	1001130220	4	Nut, Tinnerman M6	
31	1001136975	5	Clamp	
32	1001142501	2	Fitting, 90 Barbed	
33	1001154405	3 ft / 1 m	Hose	
34	1001155094	1	Pin	
35	1001155823	1	Fitting, 90 Quick Connect	
36	1001165035	27 ft / 9 m	Hose	
37	1001175568	4	Clip	
38	1001190444	1	Fuel Pump Harness - Deutz TD2.9L4 - 67HP Engine (Not Shown - See Separate Breakdown in ELECTRICAL Section)	
39	1001196398	1	Bracket	
40	1001200731	1	Tube	
41	1001285068	1	Deutz TD2.9L4 - 67HP Engine and Pump Sub-Assembly (See Separate Breakdown in this Section)	
100	1001235532	1	Battery Cable Kit	
101	1001188668	1	Cable, Battery (-) to Aux Pump and Ground	
102	1001188669	1	Cable, Battery (+) to Aux Relay to Starter	
200	1001269919	1	Hose Assembly Kit	

SECTION 3 - ENGINE

ITEM	PART NUMBER	QTY	DESCRIPTION	REV
201	1001192690	1	Hose (Case Drain) (Drive Pump Case Gauge Port to Tank) (Not Shown)	
202	1001203431	1	Hose (Case Drain) (Drive Pump Case Outlet Port to Tank) (Not Shown)	
203	1001203432	1	Hose (Function Suction) (Not Shown)	
204	1001203433	1	Hose (Drive Suction) (Not Shown)	

SECTION 3 - ENGINE

FIGURE 3-30. DEUTZ TD2.9L4 - 67HP EMR4 ENGINE INSTALLATION - WITHOUT ARCTIC PACKAGE (660SJ HC3)



ART_1001285080

SECTION 3 - ENGINE

**FIGURE 3-30. DEUTZ TD2.9L4 - 67HP EMR4 ENGINE INSTALLATION - WITHOUT ARCTIC PACKAGE
(660SJ HC3)**

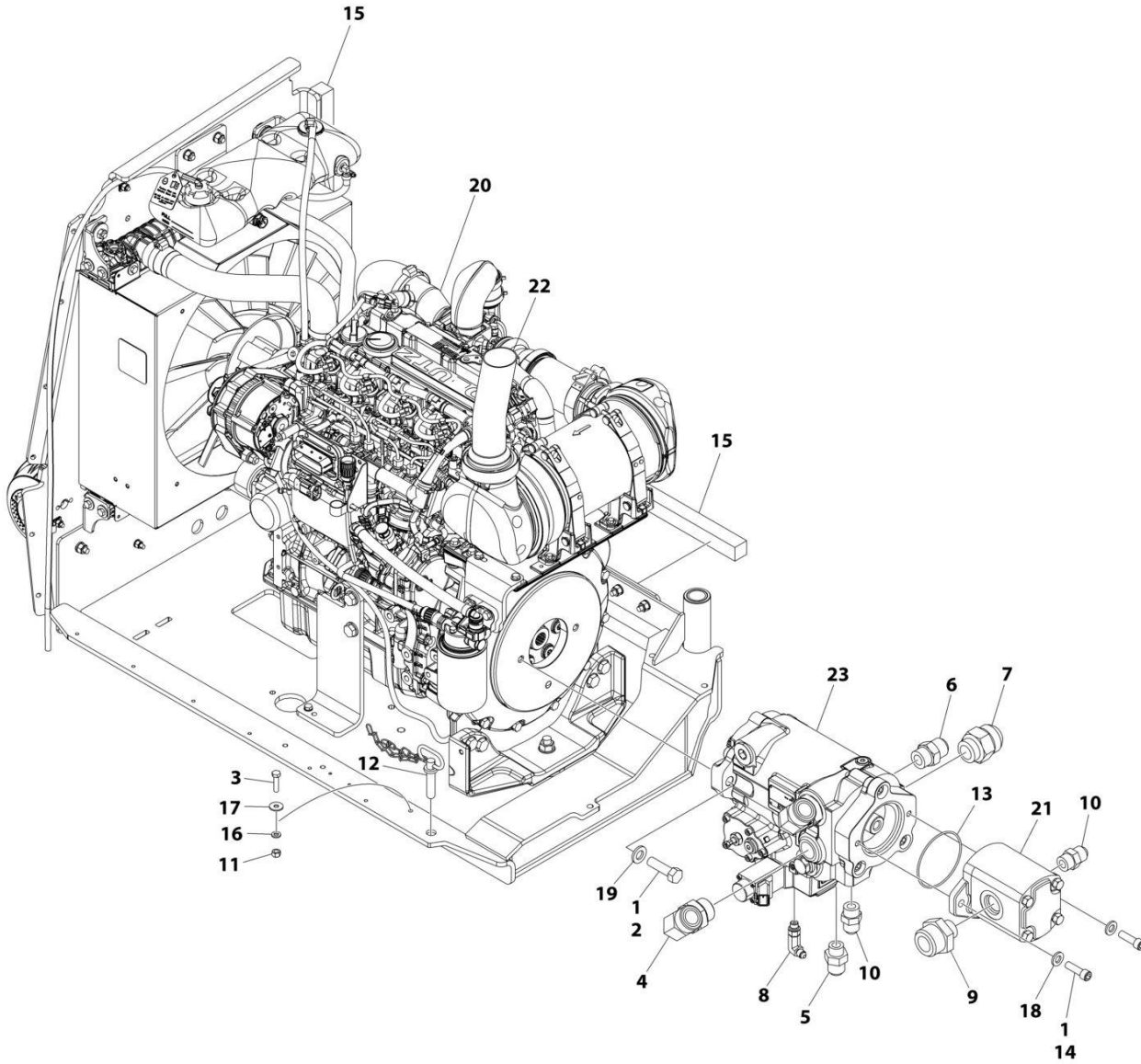
ITEM	PART NUMBER	QTY	DESCRIPTION	REV
	1001285080	Ref	DEUTZ TD2.9L4 - 67HP ENGINE INSTALLATION	A
1	0100011	AR	Compound, Locking	
2	0100020	AR	Sealant	
3	0440162	1	Bearing	
4	0700614	4	Bolt M6 x 30	
5	0701012	2	Bolt M10 x 25	
6	0701015	2	Bolt M10 x 35	
7	0701022	1	Bolt M10 x 70	
8	0711018	1	Bolt M10 x 50	
9	0760512	4	Bolt M5 x 25	
10	0761210	1	Bolt M12 x 20	
11	0772018	1	Bolt M20 x 50	
12	1320061	2	Clamp	
13	1701505	1	Decal - Diesel	
14	2180832	1	Fitting, Straight Barbed	
15	2220313	2	Fitting, 90 NPTF/Barb	
16	3290501	4	Nut M5	
17	3290505	4	Nut M5	
18	3291005	2	Nut M10	
19	3841143	1	Keeper, Pin	
20	4240099	7	Tie-Strap (Not Shown)	
21	4811600	12	Washer M5	
22	4811700	12	Washer M6	
23	4812000	6	Washer M10	
24	4812002	2	Washer M10	
25	4812100	1	Washer M12	
26	5251012	1	Bolt M10 x 25	
27	1001026127	1	Clamp	
28	1001118972	3	Nut M10	
29	1001119051	1	Washer	
30	1001130220	4	Nut, Tinnerman M6	
31	1001136975	5	Clamp	
32	1001142501	2	Fitting, 90 Barbed	
33	1001154405	3 ft /1 m	Hose	
34	1001155094	1	Pin	
35	1001155823	1	Coupling	
36	1001165035	27 ft /9 m	Hose	
37	1001175568	4	Clip	
38	1001190444	1	Fuel Pump Harness - Deutz TD2.9L4 - 67HP Engine (Not Shown) (See Separate Breakdown in ELECTRICAL SECTION)	
39	1001200731	1	Tube	
40	1001258175	1	Bracket	
41	1001285068	1	Deutz TD2.9L4 - 67HP Engine and Pump Sub-Assembly (See Separate Breakdown in this Section)	
100	1001235532	1	Battery Cable Kit	
101	1001188668	1	Cable, Battery (-) to Aux Pump and Ground	
102	1001188669	1	Cable, Battery (+) to Aux Relay to Starter	
200	1001269919	1	Hose Assembly Kit	

SECTION 3 - ENGINE

ITEM	PART NUMBER	QTY	DESCRIPTION	REV
201	1001192690	1	Hose (Case Drain) (Drive Pump Case Gauge Port to Tank) (Not Shown)	
202	1001203431	1	Hose (Case Drain) (Drive Pump Case Outlet Port to Tank) (Not Shown)	
203	1001203432	1	Hose (Function Suction) (Not Shown)	
204	1001203433	1	Hose (Drive Suction) (Not Shown)	

SECTION 3 - ENGINE

FIGURE 3-31. DEUTZ TD2.9L4 - 67HP EMR4 ENGINE AND PUMPS SUB-ASSEMBLY WITHOUT ARCTIC PACKAGE



ART_1001285068

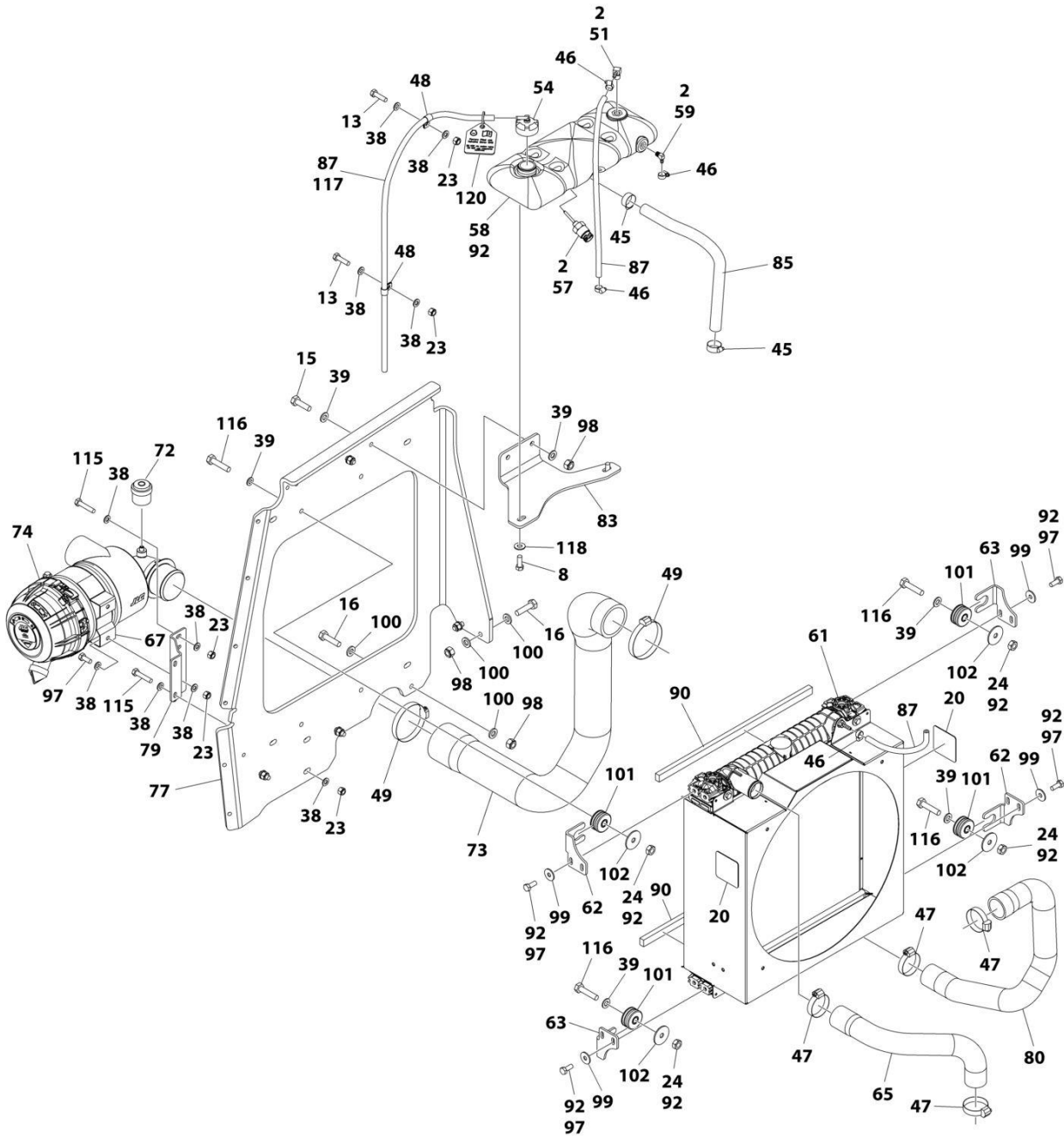
SECTION 3 - ENGINE

FIGURE 3-31. DEUTZ TD2.9L4 - 67HP EMR4 ENGINE AND PUMPS SUB-ASSEMBLY WITHOUT ARCTIC PACKAGE

ITEM	PART NUMBER	QTY	DESCRIPTION	REV
	1001285068	Ref	DEUTZ TD2.9L4 - 67HP ENGINE AND PUMPS SUB-ASSEMBLY	A
1	0100011	AR	Compound, Locking	
2	0641814	2	Bolt 1/2 x 1/4	
3	0760612	1	Bolt M6 x 25	
4	2131616	2	Fitting, 90 ORFS/ORB	
5	2220408	1	Fitting, Straight JIC/ORB	
6	2220451	1	Fitting, Straight JIC/ORB	
7	2220479	1	Fitting, Straight JIC/ORB	
8	2220940	1	Fitting, 90 JIC/ORB	
9	2220946	1	Fitting, Straight JIC/ORB	
10	2220947	2	Fitting, Straight JIC/ORB	
11	3290605	1	Nut M6	
12	3422532	1	Pin	
13	3790152	1	O-Ring	
14	3931618	2	Capscrew 3/8 x 1-1/8	
15	3960469	2	Seal	
16	4811700	1	Washer M6	
17	4811702	1	Washer M6	
18	5241000	2	Washer M10	
19	5241200	2	Washer M12	
20	1001186812	1	Deutz TD2.9L4 - 67HP Engine Assembly (See Separate Breakdown in this Section)	
21	1001190143	1	Gear Pump Assembly	
21	70006356	1	Seal Kit - 1001190143 Pump	
22	1001239207	1	Pipe, Exhaust	
23	1001284471	1	Piston Pump Assembly (See Separate Breakdown in this Section)	

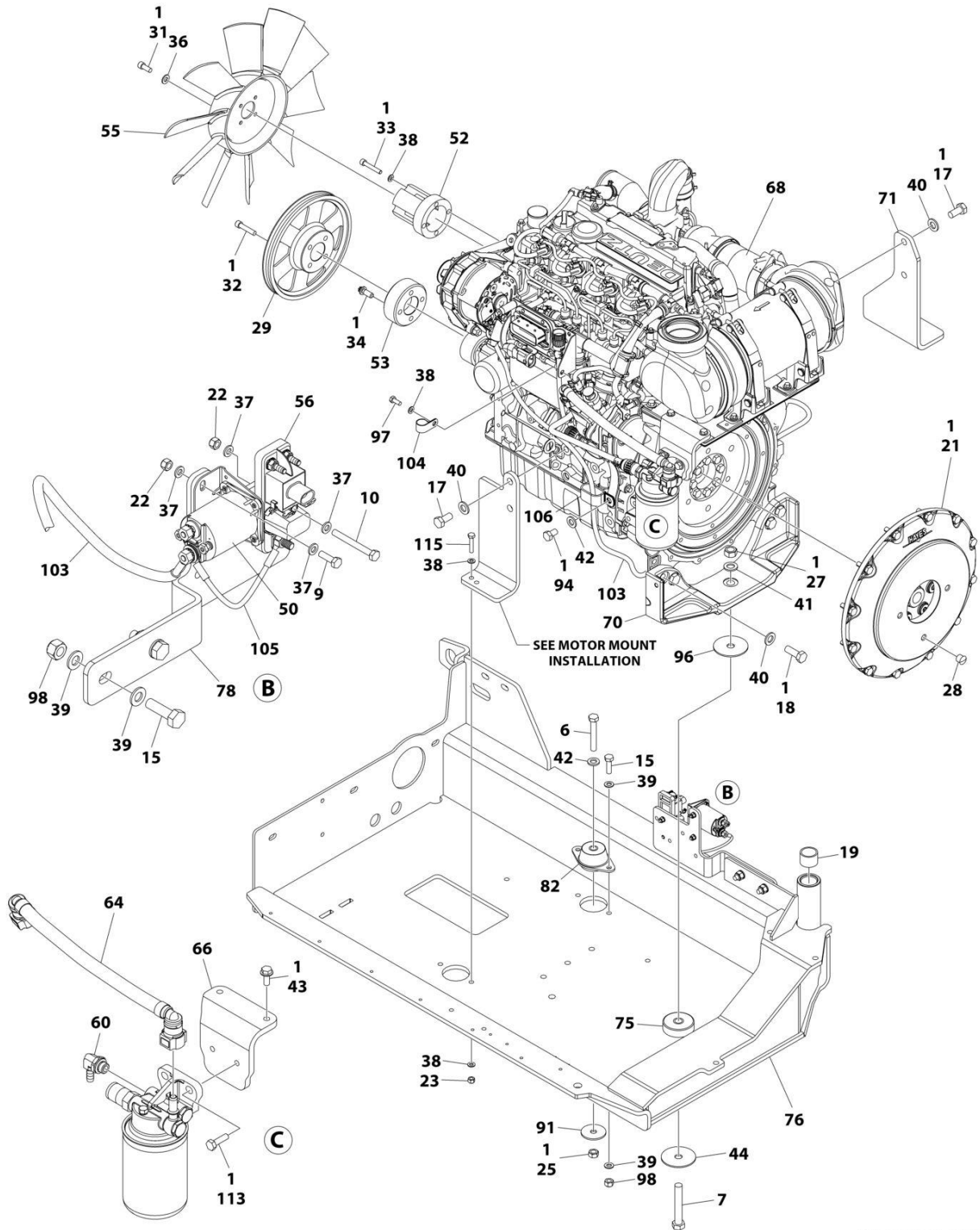
SECTION 3 - ENGINE

FIGURE 3-32. DEUTZ TD2.9L4 - 67HP EMR4 ENGINE ASSEMBLY - WITHOUT ARCTIC PACKAGE



ART_1001186812_AA_10F2

SECTION 3 - ENGINE



ART_1001186812_AA_20F2

SECTION 3 - ENGINE

FIGURE 3-32. DEUTZ TD2.9L4 - 67HP EMR4 ENGINE ASSEMBLY - WITHOUT ARCTIC PACKAGE

ITEM	PART NUMBER	QTY	DESCRIPTION	REV
	1001186812	Ref	DEUTZ TD2.9L4 - 67HP ENGINE ASSEMBLY	AA
1	0100011	AR	Compound, Locking	
2	0100020	AR	Sealant	
6	0711224	1	Bolt M12 x 80	
7	0711627	1	Bolt M16 x 100	
8	0681608	2	Bolt 3/8 x 1	
9	0760610	2	Bolt M6 x 20	
10	0760619	1	Bolt M6 x 55	
13	0760814	AR	Bolt M8 x 30	
15	0761015	6	Bolt M10 x 35	
16	0761016	5	Bolt M10 x 40	
17	0771414	4	Bolt M14 x 30	
18	0771416	4	Bolt M14 x 40	
19	0961951	2	Bushing	
20	1703162	2	Decal - Fan Blade	
21	2902065	1	Pump Coupling Kit (See Separate Breakdown in this Section)	
22	3290605	AR	Nut M6	
23	3290805	AR	Nut M8	
24	3291001	4	Nut M10	
25	3331211	1	Nut M12	
27	3331611	1	Nut M16	
28	3520054	1	Plug	
29	3580320	1	Pulley	
31	3931512	4	Capscrew 5/16 x 3/4	
32	3931628	4	Capscrew 3/8 x 1-3/4	
33	4031914	4	Capscrew M8 x 50	
34	4032014	4	Capscrew M10 x 50	
36	4711500	4	Washer 5/16	
37	4811700	AR	Washer M6	
38	4811900	AR	Washer M8	
39	4812000	20	Washer M10	
40	5241400	8	Washer M14	
41	4812300	1	Washer M16	
42	5241200	2	Washer M12	
43	5250810	2	Bolt M8 x 20	
44	7300435	1	Washer	
45	8405007	2	Clamp	
46	8405009	4	Clamp	
47	8405104	4	Clamp	
48	8406109	AR	Clip	
49	8410011	2	Clamp	
50	1001117308	1	Contactora	
51	1001134488	1	Fitting, 90 Barbed (Part of Item 58)	
52	1001135138	1	Adapter, Fan	
53	1001135679	1	Adapter	
54	1001136834	1	Cap, Tank	
55	1001137276	1	Fan	
56	1001138228	1	Relay	
57	1001138827	1	Sensor, Coolant Level (Part of Item 58)	
58	1001230635	1	Tank, Surge (Include Items 51, 57 & 59)	

SECTION 3 - ENGINE

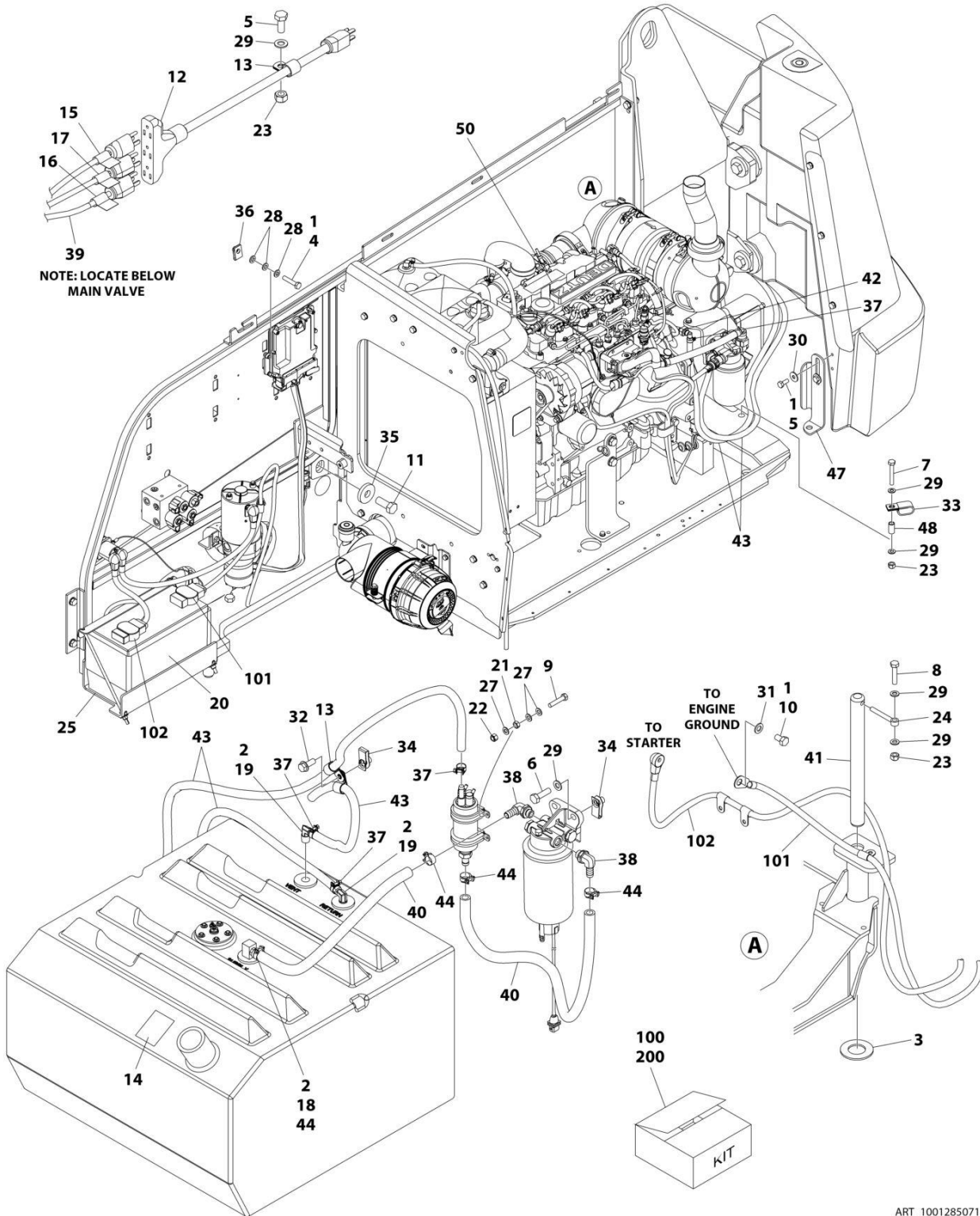
ITEM	PART NUMBER	QTY	DESCRIPTION	REV
59	1001140564	1	Fitting, 90 Barbed (Part of Item 58)	
60	1001152489	1	Fitting, 90 Barbed	
61	1001167042	1	Radiator	
62	1001169967	2	Bracket	
63	1001170035	2	Bracket	
64	1001177359	1	Hose	
65	1001177844	1	Hose, Radiator (Top)	
66	1001231805	1	Mount	
67	1001186426	1	Clamp, Air Cleaner	
68	1001249943	1	Deutz TD2.9L4 - 67HP Engine (See Separate Breakdown in this Section)	
69	1001233895	1	Engine Harness - Deutz TD2.9L4 - 67HP Engines (Not Shown - See Separate Breakdown in ELECTRICAL Section)	
70	1001188535	1	Bracket, Engine - Rear	
71	1001189026	1	Bracket, Engine - Right	
72	1001166716	1	Restriction, Indicator	
73	1001189913	1	Hose	
74	1001189979	1	Filter, Air	
74	70005008	1	Element, Filter	
75	1001190164	1	Mount, Motor	
76	1001200745	1	Tray	
77	1001229091	1	Support, Radiator	
78	1001203885	1	Plate	
79	1001190942	1	Support	
80	1001191025	1	Hose, Radiator (Bottom)	
82	1001191610	1	Mount, Motor	
83	1001192400	1	Bracket	
85	1001193049	1	Hose	
87	2720015	AR	Hose	
90	1001168166	2	Seal	
91	1001168018	1	Washer	
92	1001180620	AR	Adhesive	
94	0761210	1	Bolt M12 x 20	
96	1001197725	1	Spacer	
97	0760810	11	Bolt M8 x 20	
98	3291005	11	Nut M10	
99	4811902	8	Washer M8	
100	5241000	10	Washer M10	
101	1001169054	4	Isolator	
102	1001169138	4	Pad, Snubbing	
103	1001190442	1	Harness, Alternator Power	
103	1001098764	1	Boot - Red	
104	1320202	1	Clamp	
105	1001141304	1	Harness, Glow Fuse	
106	1001181899	1	Clamp	
108	4240099	1	Tie-Strap (Not Shown)	
113	5251012	2	Bolt M10 x 25	
115	0760816	3	Bolt M8 x 40	
116	0761017	4	Bolt M10 x 45	
117	1001138248	4 ft /2 m	Tube	
118	4751600	2	Washer 3/8	
119	4240032	1	Tie-Strap (Not Shown)	

SECTION 3 - ENGINE

ITEM	PART NUMBER	QTY	DESCRIPTION	REV
120	1001291401	1	Tag, Coolant	

SECTION 3 - ENGINE

FIGURE 3-33. DEUTZ TD2.9L4 - 67HP EMR4 ENGINE INSTALLATION - WITH ARCTIC PACKAGE (600S HC3)



SECTION 3 - ENGINE

**FIGURE 3-33. DEUTZ TD2.9L4 - 67HP EMR4 ENGINE INSTALLATION - WITH ARCTIC PACKAGE
(600S HC3)**

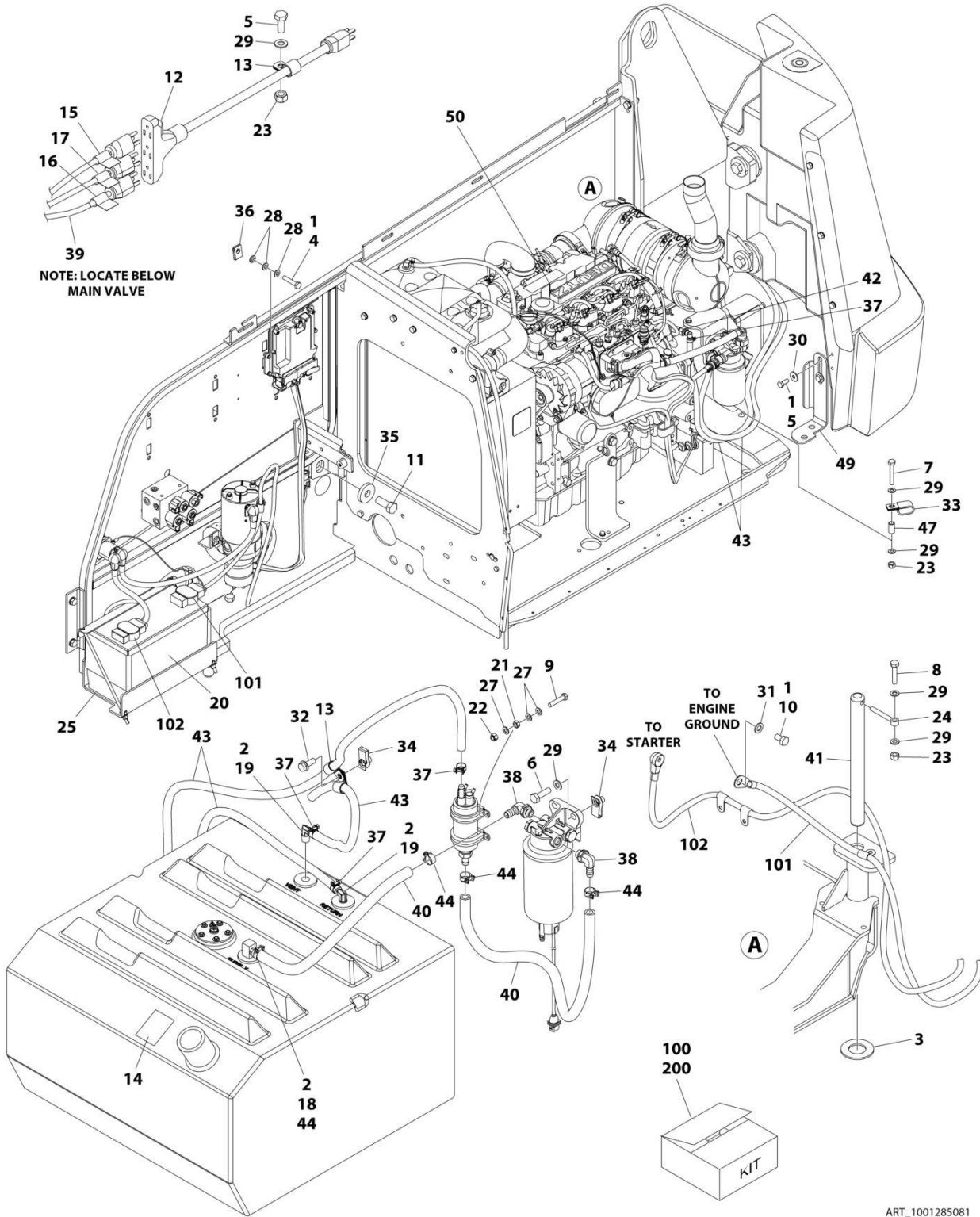
ITEM	PART NUMBER	QTY	DESCRIPTION	REV
	1001285071	Ref	DEUTZ TD2.9L4 - 67HP ENGINE INSTALLATION	A
1	0100011	AR	Compound, Locking	
2	0100020	AR	Sealant	
3	0440162	1	Bearing	
4	0700614	4	Bolt M6 x 30	
5	0701012	3	Bolt M10 x 25	
6	0701015	2	Bolt M10 x 35	
7	0701022	1	Bolt M10 x 70	
8	0711018	1	Bolt M10 x 50	
9	0760512	4	Bolt M5 x 25	
10	0761210	1	Bolt M12 x 20	
11	0772018	1	Bolt M20 x 50	
12	1060626	1	Plug, 3 Way	
13	1320061	3	Clamp	
14	1701505	1	Decal - Diesel Fuel	
15	1702941	1	Decal - Battery Heater	
16	1702942	1	Decal - Engine Block Heater	
17	1702943	1	Decal - Hydraulic Tank Heater	
18	2180832	1	Fitting, Straight Barbed	
19	2220313	2	Fitting, 90 NPTF/Barb	
20	2580024	1	Heater, Battery	
21	3290501	4	Nut M5	
22	3290505	4	Nut M5	
23	3291005	3	Nut M10	
24	3841143	1	Keeper, Pin	
25	3980007	1	Seat, Battery	
26	4240099	AR	Tie-Strap (Not Shown)	
27	4811600	12	Washer M5	
28	4811700	12	Washer M6	
29	4812000	7	Washer M10	
30	4812002	2	Washer M10	
31	4812100	1	Washer M12	
32	5251012	1	Bolt M10 x 25	
33	1001026127	1	Clamp	
34	1001118972	3	Nut M10	
35	1001119051	1	Washer	
36	1001130220	4	Nut, Tinnerman M6	
37	1001136975	5	Clamp	
38	1001142501	2	Fitting, 90 Barbed	
39	1001150918	1	Cable, Extension	
40	1001154405	3 ft /1 m	Hose	
41	1001155094	1	Pin	
42	1001155823	1	Fitting, 90 Quick Connect	
43	1001165035	27 ft /9 m	Hose	
44	1001175568	4	Clip	
45	1001188972	1	Heater, Immersion (Not Shown - Located on Hydraulic Tank)	
46	1001190444	1	Fuel Pump Harness - Deutz TD2.9L4 - 67HP Engines (Not Shown - See Separate Breakdown in ELECTRICAL Section)	
47	1001196398	1	Bracket	

SECTION 3 - ENGINE

ITEM	PART NUMBER	QTY	DESCRIPTION	REV
48	1001200731	1	Tube	
49	1001233763	1	Deutz Breather Heater Installation (Not Shown) (See Separate Breakdown in this Section)	
49	4240099	AR	Tie-Strap	
49	1001196634	1	Fuse 2Amp	
49	1001232842	1	Heater, Deutz Breather Kit	
49	2400060	1	Fuse, Holder	
50	1001285070	1	Deutz TD2.9L4 - 67HP Engine and Pumps Sub-Assembly (See Separate Breakdown in this Section)	
100	1001235532	1	Battery Cable Kit	
101	1001188668	1	Cable, Battery (-) to Aux Pump and Ground	
102	1001188669	1	Cable, Battery (+) to Aux Relay to Starter	
200	1001269919	1	Hose Assembly Kit	
201	1001192690	1	Hose (Case Drain) (Drive Pump Case Gauge Port to Tank) (Not Shown)	
202	1001203431	1	Hose (Case Drain) (Drive Pump Case Outlet Port to Tank) (Not Shown)	
203	1001203432	1	Hose (Function Suction) (Not Shown)	
204	1001203433	1	Hose (Drive Suction) (Not Shown)	

SECTION 3 - ENGINE

FIGURE 3-34. DEUTZ TD2.9L4 - 67HP EMR4 ENGINE INSTALLATION - WITH ARCTIC PACKAGE (660SJ HC3)



SECTION 3 - ENGINE

**FIGURE 3-34. DEUTZ TD2.9L4 - 67HP EMR4 ENGINE INSTALLATION - WITH ARCTIC PACKAGE
(660SJ HC3)**

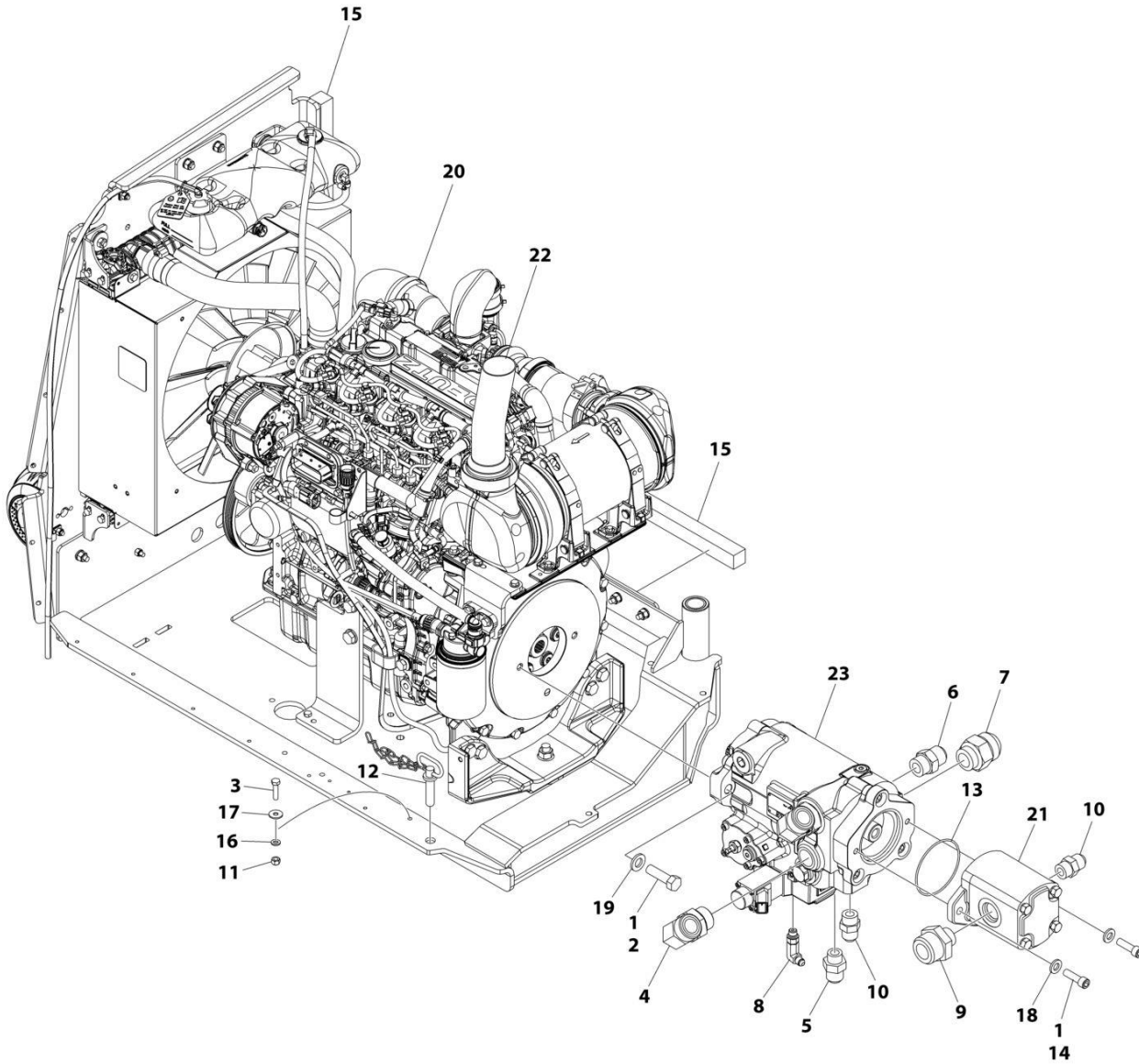
ITEM	PART NUMBER	QTY	DESCRIPTION	REV
	1001285081	Ref	DEUTZ TD2.9L4 - 67HP ENGINE INSTALLATION	A
1	0100011	AR	Compound, Locking	
2	0100020	AR	Sealant	
3	0440162	1	Bearing	
4	0700614	4	Bolt M6 x 30	
5	0701012	3	Bolt M10 x 25	
6	0701015	2	Bolt M10 x 35	
7	0701022	1	Bolt M10 x 70	
8	0711018	1	Bolt M10 x 50	
9	0760512	4	Bolt M5 x 25	
10	0761210	1	Bolt M12 x 20	
11	0772018	1	Bolt M20 x 50	
12	1060626	1	Plug, 3-Way	
13	1320061	3	Clamp	
14	1701505	1	Decal - Diesel	
15	1702941	1	Decal - Battery Heater	
16	1702942	1	Decal - Engine Block Heater	
17	1702943	1	Decal - Hydraulic Tank Heater	
18	2180832	1	Fitting, Straight Barbed	
19	2220313	2	Fitting, 90 NPTF/Barb	
20	2580024	1	Heater, Battery	
21	3290501	4	Nut M5	
22	3290505	4	Nut M5	
23	3291005	3	Nut M10	
24	3841143	1	Keeper, Pin	
25	3980007	1	Seat, Battery	
26	4240099	1	Tie-Strap (Not Shown)	
27	4811600	12	Washer M5	
28	4811700	12	Washer M6	
29	4812000	7	Washer M10	
30	4812002	2	Washer M10	
31	4812100	1	Washer M12	
32	5251012	1	Bolt M10 x 25	
33	1001026127	1	Clamp, Double	
34	1001118972	3	Nut M10	
35	1001119051	1	Washer	
36	1001130220	4	Nut, Tinnerman M6	
37	1001136975	5	Clamp	
38	1001142501	2	Fitting, 90 Barbed	
39	1001150918	1	Cable, Extension	
40	1001154405	3 ft /1 m	Hose	
41	1001155094	1	Pin	
42	1001155823	1	Coupling	
43	1001165035	27 ft /9 m	Hose	
44	1001175568	4	Clip	
45	1001188972	1	Heater, Immersion (Not Shown - Located on Hydraulic Tank)	
46	1001190444	1	Engine Harness - Deutz TD2.9L4 - 67HP Engines (Not Shown) (See Separate Breakdown in ELECTRICAL Section)	
47	1001200731	1	Tube	

SECTION 3 - ENGINE

ITEM	PART NUMBER	QTY	DESCRIPTION	REV
48	1001233763	1	Deutz Breather Heater Installation (Not Shown) (See Separate Breakdown in this Section)	
49	1001258175	1	Bracket	
50	1001285070	1	Deutz TD2.9L4 - 67HP Engine and Pumps Sub-Assembly (See Separate Breakdown in this Section)	
100	1001235532	1	Battery Cable Kit	
101	1001188668	1	Cable, Battery (-) to Aux Pump and Ground	
102	1001188669	1	Cable, Battery (+) to Aux Relay to Starter	
200	1001269920	1	Hose Assembly Kit	
201	1001192690	1	Hose (Case Drain) (Drive Pump Case Gauge Port to Tank) (Not Shown)	
202	1001203431	1	Hose (Case Drain) (Drive Pump Case Outlet Port to Tank) (Not Shown)	
203	1001258156	1	Hose (Function Suction) (Not Shown)	
204	1001258157	1	Hose (Drive Suction) (Not Shown)	

SECTION 3 - ENGINE

FIGURE 3-35. DEUTZ TD2.9L4 - 67HP EMR4 ENGINE AND PUMPS SUB-ASSEMBLY WITH ARCTIC PACKAGE



ART_1001285070

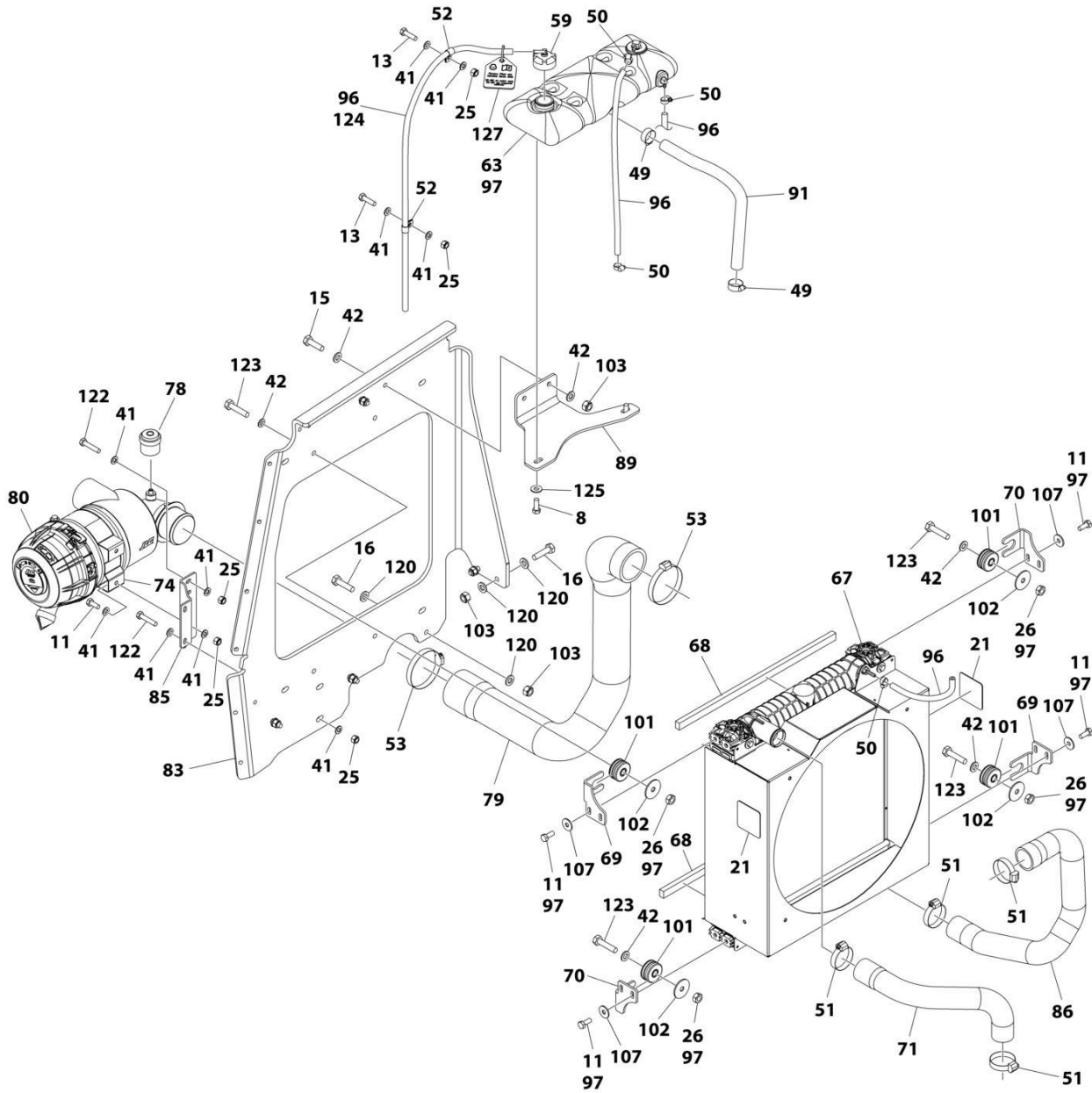
SECTION 3 - ENGINE

FIGURE 3-35. DEUTZ TD2.9L4 - 67HP EMR4 ENGINE AND PUMPS SUB-ASSEMBLY WITH ARCTIC PACKAGE

ITEM	PART NUMBER	QTY	DESCRIPTION	REV
	1001285070	Ref	DEUTZ TD2.9L4 - 67HP ENGINE AND PUMPS SUB-ASSEMBLY	A
1	0100011	AR	Compound, Locking	
2	0641814	2	Bolt 1/2 x 1-3/4	
3	0760612	1	Bolt M6 x 25	
4	2131616	2	Fitting, 90 ORFS/ORB	
5	2220408	1	Fitting, Straight JIC/ORB	
6	2220451	1	Fitting, Straight JIC/ORB	
7	2220479	1	Fitting, Straight JIC/ORB	
8	2220940	1	Fitting, 90 JIC/ORB	
9	2220946	1	Fitting, Straight JIC/ORB	
10	2220947	2	Fitting, Straight JIC/ORB	
11	3290605	1	Nut M6	
12	3422532	1	Pin	
13	3790152	1	O-Ring	
14	3931618	2	Capscrew 3/8 x 1-1/8	
15	3960469	2	Seal	
16	4811700	1	Washer M6	
17	4811702	1	Washer M6	
18	5241000	2	Washer M10	
19	5241200	2	Washer M12	
20	1001186814	1	Deutz TD2.9L4 - 67HP Engine Assembly (See Separate Breakdown in this Section)	
21	1001190143	1	Gear Pump Assembly	
21	70006356	1	Seal Kit - 1001190143 Pump	
22	1001239207	1	Pipe, Exhaust	
23	1001284471	1	Piston Pump Assembly (See Separate Breakdown in this Section)	

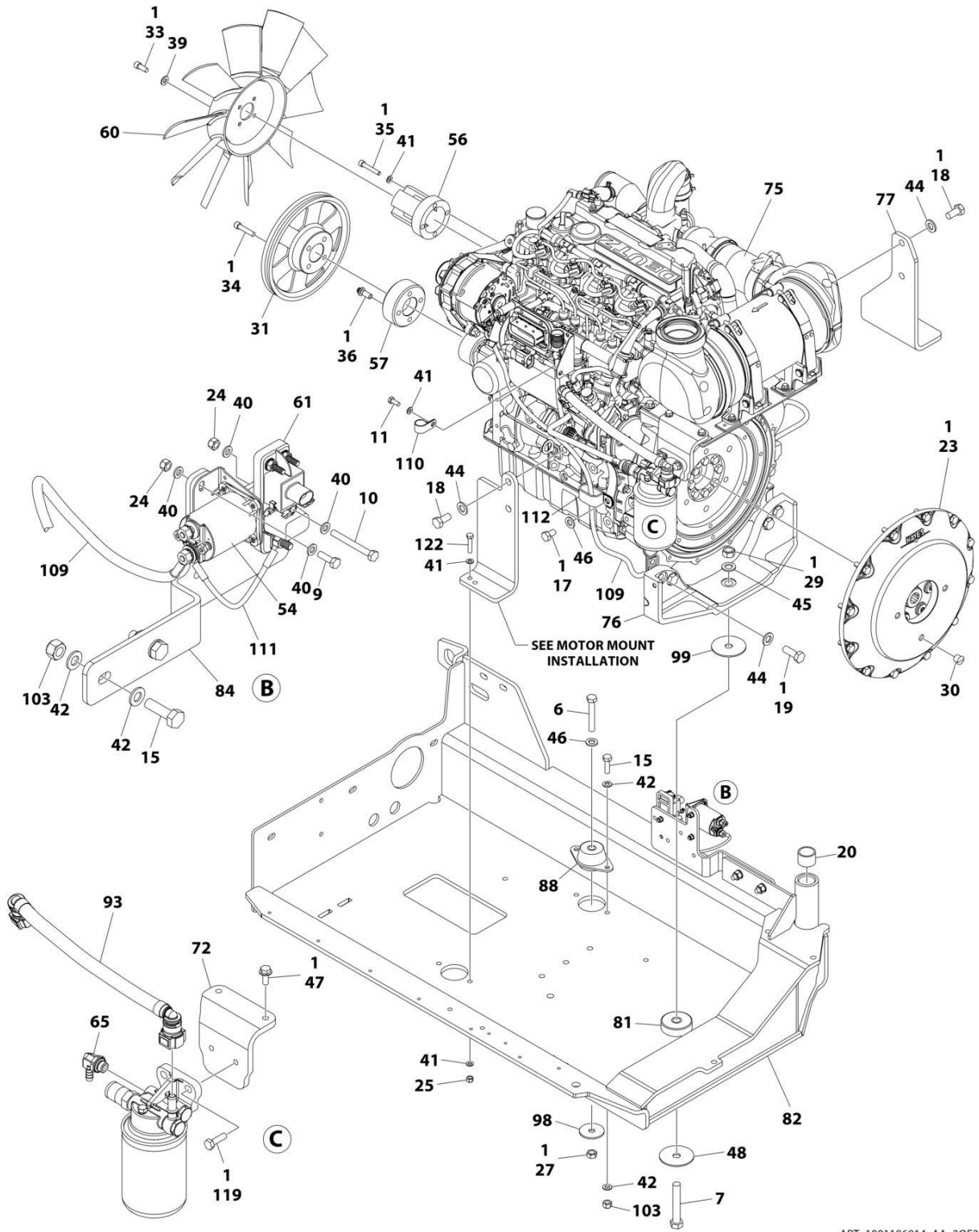
SECTION 3 - ENGINE

FIGURE 3-36. DEUTZ TD2.9L4 - 67HP EMR4 ENGINE ASSEMBLY - WITH ARCTIC PACKAGE



ART_1001186814_AA_10F2

SECTION 3 - ENGINE



ART_1001186814_AA_20F2

SECTION 3 - ENGINE

FIGURE 3-36. DEUTZ TD2.9L4 - 67HP EMR4 ENGINE ASSEMBLY - WITH ARCTIC PACKAGE

ITEM	PART NUMBER	QTY	DESCRIPTION	REV
	1001186814	Ref	DEUTZ TD2.9L4 - 67HP ENGINE ASSEMBLY	AA
1	0100011	AR	Compound, Locking	
2	0100020	AR	Sealant	
6	0711224	1	Bolt M12 x 80	
7	0711627	1	Bolt M16 x 100	
8	0681608	2	Bolt 3/8 x 1	
9	0760610	2	Bolt M6 x 20	
10	0760619	1	Bolt M6 x 55	
11	0760810	11	Bolt M8 x 20	
13	0760814	AR	Bolt M8 x 30	
15	0761015	6	Bolt M10 x 35	
16	0761016	5	Bolt M10 x 40	
17	0761210	1	Bolt M12 x 20	
18	0771414	4	Bolt M14 x 30	
19	0771416	4	Bolt M14 x 40	
20	0961951	2	Bushing	
21	1703162	2	Decal - Fan Blade	
23	2902065	1	Pump Coupling Kit (See Separate Breakdown in this Section)	
24	3290605	AR	Nut M6	
25	3290805	AR	Nut M8	
26	3291001	4	Nut M10	
27	3331211	1	Nut M12	
29	3331611	1	Nut M16	
30	3520054	1	Plug	
31	3580320	1	Pulley	
33	3931512	4	Capscrew 5/16 x 3/4	
34	3931628	4	Capscrew 3/8 x 1-3/4	
35	4031914	4	Capscrew M8 x 50	
36	4032014	4	Capscrew M10 x 50	
39	4711500	4	Washer 5/16	
40	4811700	AR	Washer M6	
41	4811900	AR	Washer M8	
42	4812000	20	Washer M10	
44	5241400	8	Washer M14	
45	4812300	1	Washer M16	
46	5241200	2	Washer M12	
47	5250810	2	Bolt M8 x 20	
48	7300435	1	Washer	
49	8405007	2	Clamp	
50	8405009	4	Clamp	
51	8405104	4	Clamp	
52	8406109	AR	Clip	
53	8410011	2	Clamp	
54	1001117308	1	Contactactor	
55	1001134488	1	Fitting, 90 Barbed (Part of Item 63)	
56	1001135138	1	Adapter	
57	1001135679	1	Adapter	
59	1001136834	1	Cap, Tank	
60	1001137276	1	Fan	
61	1001138228	1	Relay	

SECTION 3 - ENGINE

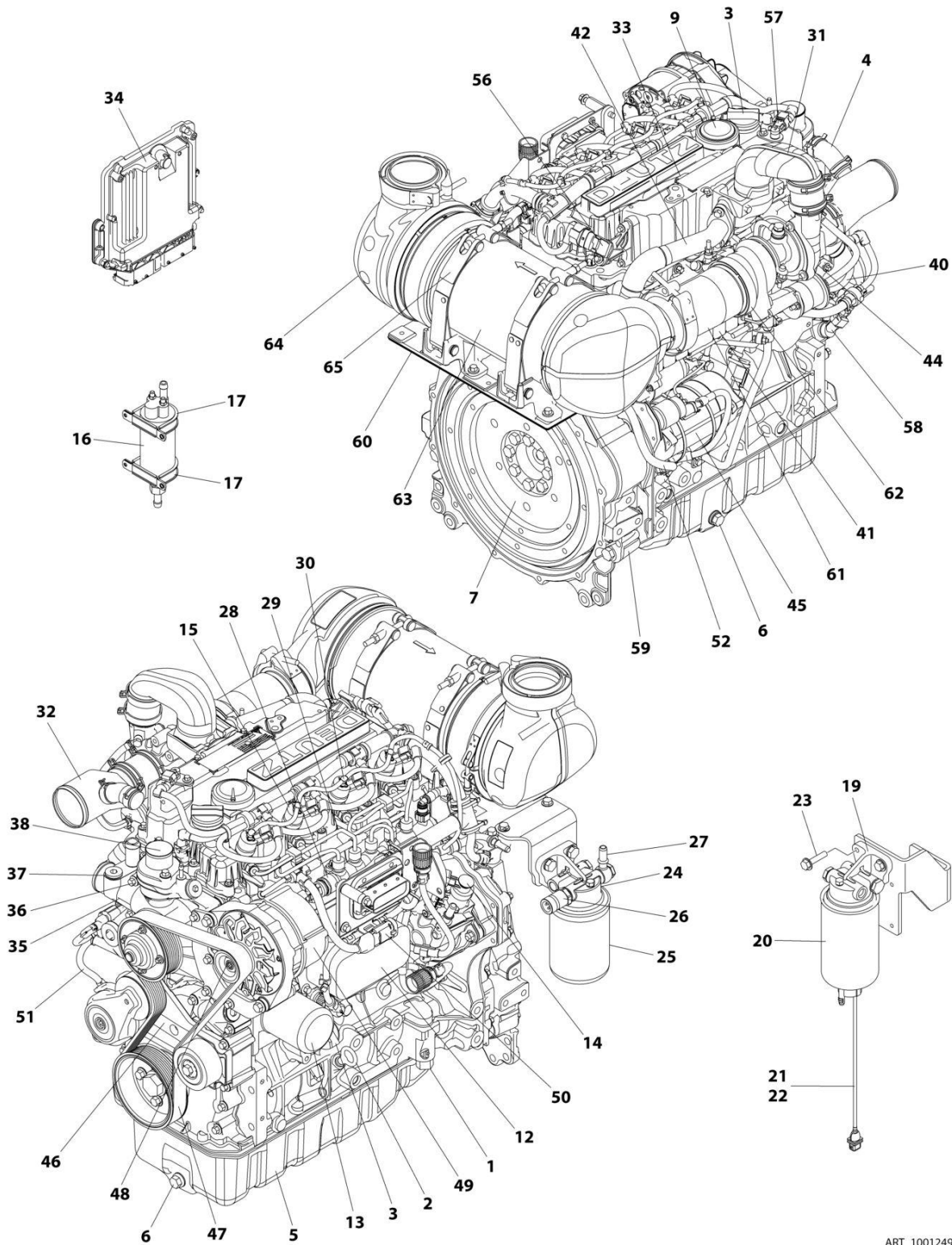
ITEM	PART NUMBER	QTY	DESCRIPTION	REV
62	1001138827	1	Sensor, Coolant Level (Part of Item 63)	
63	1001230635	1	Tank, Surge (Includes Items 55, 62 & 64)	
64	1001140564	1	Fitting, 90 Barbed (Part of Item 63)	
65	1001152489	1	Fitting, 90 Pipe/Barbed	
67	1001167042	1	Radiator	
68	1001168166	2	Seal	
69	1001169967	2	Bracket	
70	1001170035	2	Bracket	
71	1001177844	1	Hose, Radiator (Top)	
72	1001231805	1	Mount	
74	1001186426	1	Clamp, Air Cleaner	
75	1001249943	1	Deutz TD2.9L4 - 67HP Engine (See Separate Breakdown in this Section)	
76	1001188535	1	Bracket, Engine - Rear	
77	1001189026	1	Bracket, Engine - Right	
78	1001166716	1	Restriction, Indicator	
79	1001189913	1	Hose	
80	1001189979	1	Filter, Air	
80	70005008	1	Element, Filter	
81	1001190164	1	Mount, Motor	
82	1001200745	1	Tray	
83	1001229091	1	Support, Radiator	
84	1001203885	1	Plate	
85	1001190942	1	Support	
86	1001191025	1	Hose, Radiator (Bottom)	
88	1001191610	1	Mount, Motor	
89	1001192400	1	Bracket	
91	1001193049	1	Hose	
92	1001140312	1	Heater, Engine Block	
93	1001177359	1	Hose	
96	2720015	AR	Hose	
97	1001180620	AR	Adhesive	
98	1001168018	1	Washer	
99	1001197725	1	Spacer	
101	1001169054	4	Isolator	
102	1001169138	4	Pad, Snubbing	
103	3291005	11	Nut M10	
107	4811902	8	Washer M8	
108	1001181895	AR	Adhesive	
109	1001190442	1	Harness, Alternator Power	
109	1001098764	1	Boot - Red	
110	1320202	1	Clamp	
111	1001141304	1	Harness, Glow Fuse	
112	1001181899	1	Clamp	
114	4240099	1	Tie-Strap (Not Shown)	
119	5251012	2	Bolt M10 x 25	
120	5241000	10	Washer M10	
122	0760816	3	Bolt M8 x 40	
123	0761017	4	Bolt M10 x 45	
124	1001138248	4 ft /2 m	Tube	
125	4751600	2	Washer 3/8	
126	4240032	1	Tie-Strap (Not Shown)	

SECTION 3 - ENGINE

ITEM	PART NUMBER	QTY	DESCRIPTION	REV
127	1001291401	1	Tag, Coolant	

SECTION 3 - ENGINE

FIGURE 3-37. DEUTZ TD2.9L4 - 67HP EMR4 ENGINE COMPONENTS



ART_1001249943

SECTION 3 - ENGINE

FIGURE 3-37. DEUTZ TD2.9L4 - 67HP EMR4 ENGINE COMPONENTS

ITEM	PART NUMBER	QTY	DESCRIPTION	REV
	1001249943	Ref	ENGINE ASSEMBLY	A
1	70006265	1	Spring	
1	70006266	1	Seal	
1	70025660	1	Plug	
1	70006264	1	Valve, Plunger	
2	70024904	1	Dipstick	
2	70024905	2	Seal	
3	7020465	1	Cap, Fill	
4	70005920	1	Line, Breather	
4	70025111	2	Clamp	
5	70025162	1	Oil Pan	
6	70005942	1	Seal	
6	70005941	1	Plug	
7	70001870	1	Flywheel	
7	7024579	1	Ring Gear	
7	70025139	8	Bolt	
8	70024906	1	Gasket, Cylinder Head (Not Shown)	
9	70005921	1	Valve Cover	
9	70025205	1	Gasket	
10		Ref	Gasket & Seal Options (Not Shown)	
10	70005938	1	Gasket Kit	
10	70005171	1	Gasket	
10	70002718	1	Seal, Rear Main	
10	70028185	1	Gasket, Front Cover	
10	70004280	1	Seal, Front Main	
11	70005172	1	Pump, Lube (Not Shown - Located RH Rear)	
11	70025125	4	Bolt	
11	70025135	1	O-Seal	
11	70005173	1	Gasket	
12	70024494	1	Cooler, Oil	
12	70024925	1	Gasket, Oil Filter	
12	70025125	6	Bolt	
13	70025137	1	Bushing, Oil Filter	
13	7016331	1	Filter, Oil	
14	70024924	1	Pump, High Pressure	
14	70024517	1	Gasket (Spacer to Block)	
14	70025104	3	Nut	
14	70025152	1	Gasket (Spacer to Pump)	
14	70004505	1	Valve, Overflow	
14	70004506	1	Gasket, Overflow	
14	70004507	1	Gasket, Overflow	
14	70004508	1	Valve, Volume Control	
14	70004509	1	Seal, Ring	
14	70004510	1	Gasket	
14	70027415	2	Bolt	
15	70025181	4	Injector	
15	70025140	4	Washer, Sealing	
15	70025146	4	Clamp	
15	70025145	4	O-Seal	
15	70025154	4	Shoe/Pad, Clamping	

SECTION 3 - ENGINE

ITEM	PART NUMBER	QTY	DESCRIPTION	REV
15	70025147	4	Bolt	
16	70006144	1	Pump, Fuel Supply	
17	70025144	2	Clip, Clamp	
18	70029393	2	Receptacle Plug (Not Shown)	
19	70024961	1	Fuel Filter Assembly	
20	1001225430	1	Element, Filter	
21	70024513	1	Cable, Sensor	
22	70025239	1	Seal, Ring	
23	70025121	4	Bolt	
24	70029451	1	Fuel Filter Assembly	
25	1001225431	1	Element, Filter	
26	70028538	1	Cable, Sensor	
26	70024920	1	O-Seal	
27	70004513	2	Seal (at Hollow Bolt)	
28	70025151	1	Rail, Fuel	
28	70028186	2	Bolt	
28	70025235	1	Repair Kit - Fuel Rail	
28	70025240	1	O-Ring	
29	70025182	1	Tube, Fuel - Cylinders 1 & 2	
29	70025183	1	Tube, Fuel - Cylinders 3 & 4	
29	70025184	1	Tube, Fuel	
30	70024502	1	Pipe, Fuel Leakage	
30	70025185	1	Hose, Fuel	
30	70025158	1	Manifold	
30	70025109	2	Clamp, Spring	
30	70025115	1	Clamp	
30	70001655	1	Bolt	
30	70025101	2	Clamp	
30	70025148	1	Connector, Plug-in	
31	70005928	1	Elbow, Air Charge	
31	70025122	2	Bolt	
32	70004501	1	Sleeve, Rubber	
32	70025112	2	Clamp	
32	70005926	1	Elbow	
33	70005176	1	O-Ring	
33	70005177	1	Gasket, Charger Air Manifold	
33	70005178	2	Bolt	
33	70005179	9	Bolt	
34	70025210	1	Module, ECU	
35	70029797	1	Pump, Coolant	
35	70025200	1	Ring, Sealing (Pump to Block)	
35	70007325	1	Gasket, Coolant Pump	
36	70025129	4	Bolt	
37	7020492	2	Ring, Sealing	
38	70005929	1	Thermostat	
38	70005184	1	O-Seal (Thermostat to Housing)	
38	70025142	1	Cover, Thermostat	
38	70025124	2	Bolt	
38	70005931	1	O-Seal (Thermostat to Pump)	
39	70004282	1	Manifold, Exhaust (Not Shown)	
39	70025130	8	Bolt, Manifold (Not Shown)	

SECTION 3 - ENGINE

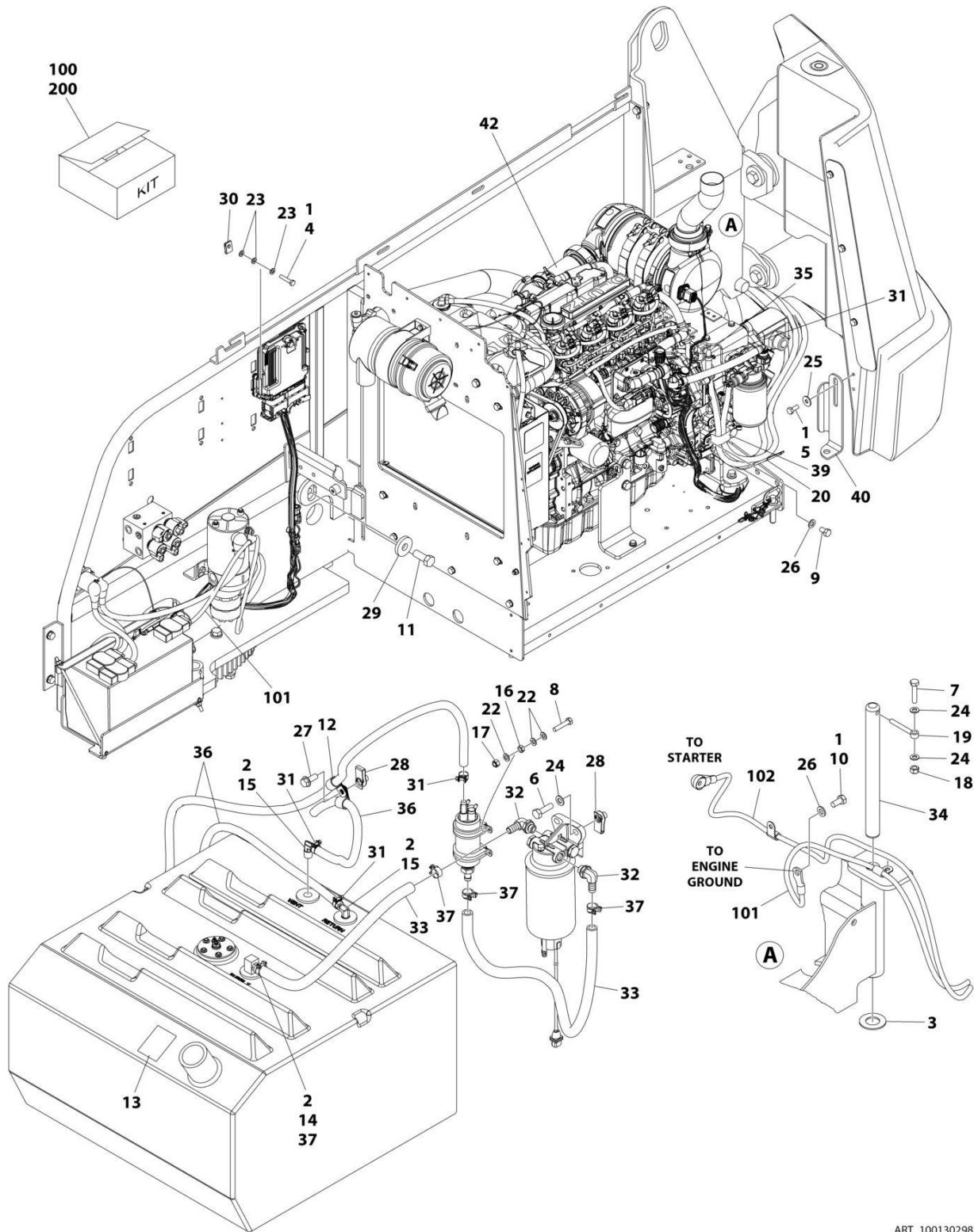
ITEM	PART NUMBER	QTY	DESCRIPTION	REV
39	70025164	1	Gasket, Manifold to Head (Not Shown)	
40	70025179	1	Gasket, Manifold to Elbow	
40	70007354	1	Gasket, Elbow End	
41	70007326	1	Gasket, EGR	
41	70007327	1	Valve, EGR Control	
41	70027428	4	Bolt	
41	70025106	4	Bolt, EGR Module	
41	70025155	2	Plug, EGR	
41	70025696	2	Bolt, EGR Valve Housing	
42	70029557	2	Gasket, Exhaust Pipe	
42	70025098	4	Bolt, Exhaust Pipe	
43	70024912	1	Gasket, Exhaust Manifold (Not Shown)	
43	70025676	4	Bolt, Exhaust Manifold (Not Shown)	
44	70004276	1	Turbocharger	
44	70024509	1	Gasket (Turbocharger to Oil Return Tube Housing)	
44	70025095	2	Bolt, Turbocharger	
44	70006294	1	O-Seal	
45	70024915	1	Starter	
45	70005647	1	Switch, Solenoid	
45	70005648	1	Relay	
45	70025099	2	Starter Bolt	
46	70028699	1	Belt Tensioner	
47	70004277	1	Belt	
48	70025733	1	Pulley, Alternator	
49	70006652	1	Generator	
49	70006653	1	Voltage, Regulator	
49	70029015	1	Fan	
49	70029402	1	Nut, Pulley	
49	70029403	1	Nut	
49	70029404	1	Washer	
50	70025231	1	Harness, Glow Plug	
50	70025233	1	Connector, Plug-in	
50	70000345	4	Glow Plug (Not Shown)	
51	70025226	1	Plug-In Connector	
51	70007086	4	Plug-In Connector	
51	70007087	5	Plug-In Connector	
51	70007088	1	Plug-In Connector	
51	70007089	1	Plug-In Connector	
51	70027440	1	Plug-In Connector	
51	70025221	2	Plug-In Connector	
51	70025327	1	Plug-In Connector	
51	70025216	1	Adapter	
51	70025215	1	Fixing, Bracket	
51	70025134	4	Screw	
51	70025165	1	Retaining Plate	
51	70025228	2	Bracket	
51	70025229	1	Wire Fastener	
51	70025217	4	Clamping Band	
51	70025224	3	Clamping Band	
51	70025225	2	Support, Cable	
51	70027446	1	Clamp, Support	

SECTION 3 - ENGINE

ITEM	PART NUMBER	QTY	DESCRIPTION	REV
51	70025214	1	Cover, Cap	
52	70025166	1	Angle, Support	
52	70001655	1	Bolt	
52	70025126	6	Bolt	
53	70028540	1	Sender, Temperature (Not Shown)	
54	70028538	1	Sensor, Pressure (Not Shown)	
54	70024920	1	O-Seal	
55	70026210	1	Tacho-Generator (Not Shown)	
55	70005191	1	Ring, Seal	
56	70005179	2	Bolt	
56	70005933	1	Adapter	
56	70005934	1	O-Seal	
56	70024507	1	Sensor, Pressure	
56	70025120	1	O-Seal	
56	70001655	2	Bolt	
57	70024922	1	Sender, Temperature	
57	70025212	1	O-Seal	
58	70025128	1	Bolt	
58	70026210	1	Sensor, Speed	
58	70024917	1	O-Seal	
59	70025192	1	Housing	
59	70025113	2	Straight, Pin	
59	70025108	4	Bolt	
60	70005935	1	Bracket	
60	70005936	4	Bolt	
61	70004504	1	Compensator	
61	70025242	1	Gasket	
62	70005527	1	Clip	
62	70029433	1	Clip	
62	70025788	1	Nut, Clip	
63	70007355	1	Inlet, Muffler	
63	70029517	1	Clip	
63	70029250	1	Gasket, Inlet	
64	70007331	1	Outlet, Muffler	
64	70029517	1	Clip	
64	70029250	1	Gasket, Outlet	
65	70029415	2	Bracket, Muffler	
65	70025098	8	Bolt	

SECTION 3 - ENGINE

FIGURE 3-38. DEUTZ D2.9L4 - EMR5 (49HP) ENGINE INSTALLATION WITHOUT ARCTIC PACKAGE (600S HC3)



ART_1001302985

SECTION 3 - ENGINE

**FIGURE 3-38. DEUTZ D2.9L4 - EMR5 (49HP) ENGINE INSTALLATION WITHOUT ARCTIC PACKAGE
(600S HC3)**

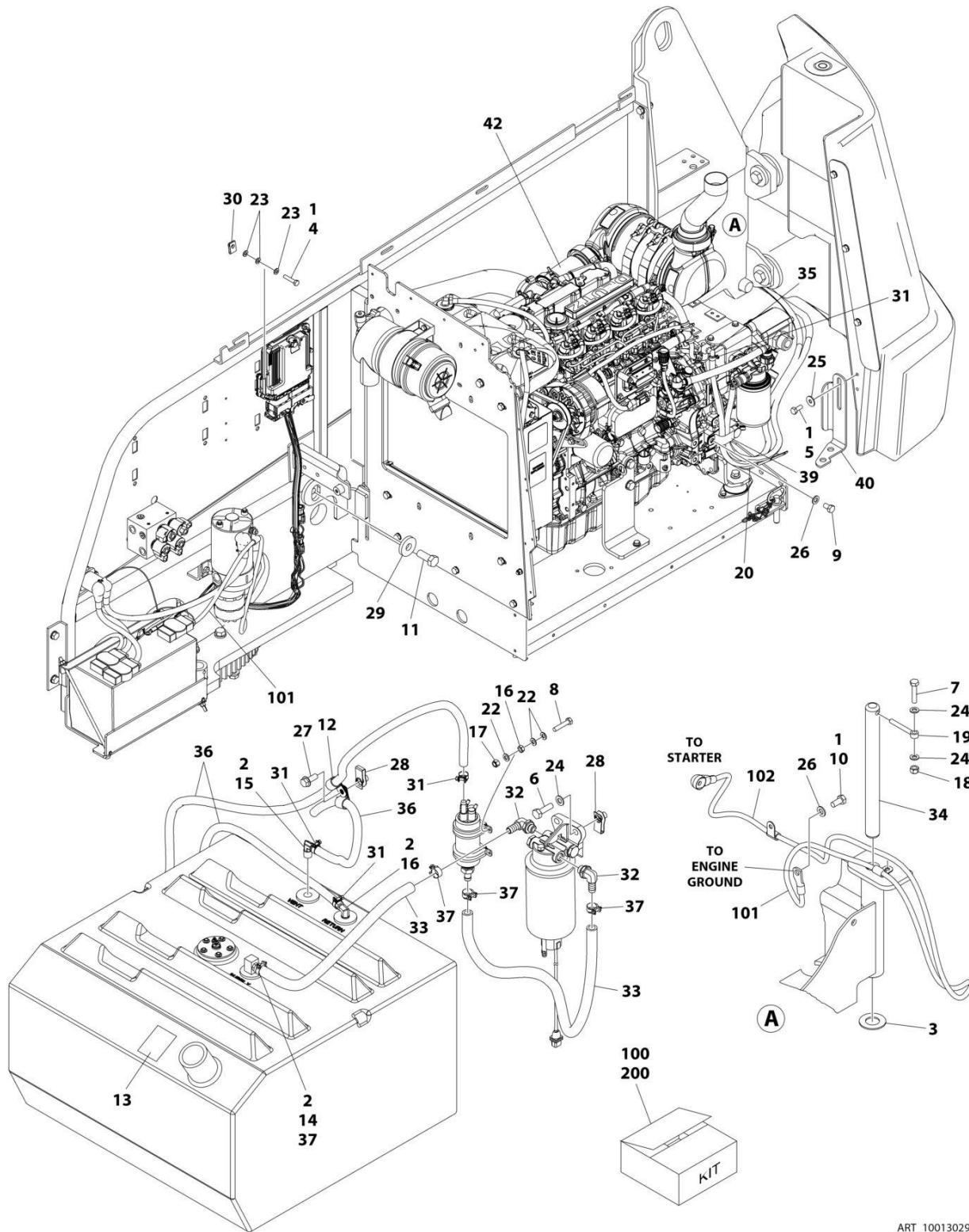
ITEM	PART NUMBER	QTY	DESCRIPTION	REV
	1001302985	Ref	ENGINE INSTALLATION EMR5 (49HP) W/O ARCTIC	A
1	0100011	AR	Compound, Locking	
2	0100020	AR	Sealant, Pipe	
3	0440162	1	Bearing	
4	0700614	4	Bolt M6 x 30	
5	0701012	2	Bolt M10 x 25	
6	0701015	2	Bolt M10 x 35	
7	0711018	1	Bolt M10 x 50	
8	0760512	4	Bolt M5 x 25	
9	0761210	1	Bolt M12 x 20	
10	0771212	1	Bolt M12 x 25	
11	0772018	1	Bolt M20 x 50	
12	1320061	2	Clamp	
13	1701505	1	Decal - Diesel	
14	2180832	1	Fitting, Straight Barbed	
15	2220313	2	Fitting, 90 NPTF/Barbed	
16	3290501	4	Nut M5	
17	3290505	4	Nut M5	
18	3291005	1	Nut M10	
19	3841143	1	Keeper, Pin	
20	4061032	1	Shield	
21	4240099	AR	Tie-Strap (Not Shown)	
22	4811600	12	Washer M5	
23	4811700	12	Washer M6	
24	4812000	4	Washer M10	
25	4812002	2	Washer M10	
26	4812100	2	Washer M12	
27	5251012	1	Bolt M10 x 25	
28	1001118972	3	Nut M10	
29	1001119051	1	Washer	
30	1001130220	4	Nut, Tinnerman M6	
31	1001136975	5	Clamp	
32	1001142501	2	Fitting, 90 Barbed	
33	1001154405	3 ft / 1 m	Hose	
34	1001155094	1	Pin	
35	1001155823	1	Fitting, 90 Quick Connect	
36	1001165035	27 ft / 9 m	Hose	
37	1001175568	4	Clip	
38	1001190444	1	Fuel Pump Harness (Not Shown) (See Separate Breakdown in ELECTRICAL Section)	
39	1001195039	1	Clamp, Double	
40	1001196398	1	Bracket	
41	1001289594	1	ECU Power Jumper Harness (Not Shown) (See Separate Breakdown in ELECTRICAL Section)	
42	1001302965	1	Deutz D2.9L4 - EMR5 (49HP) Engine and Pump Sub-Assembly (See Separate Breakdown in this Section)	
100	1001235532	1	Battery Cable Kit	
101	1001188668	1	Cable, Battery (-) to Aux Pump and Ground	
102	1001188669	1	Cable, Battery (+) to Aux Relay to Starter	

SECTION 3 - ENGINE

ITEM	PART NUMBER	QTY	DESCRIPTION	REV
200	1001269919	1	Hose Assembly Kit	
201	1001192690	1	Hose (Case Drain) (Drive Pump Case Gauge Port to Tank) (Not Shown)	
202	1001203431	1	Hose (Case Drain) (Drive Pump Case Outlet Port to Tank) (Not Shown)	
203	1001203432	1	Hose (Function Suction) (Not Shown)	
204	1001203433	1	Hose (Drive Suction) (Not Shown)	

SECTION 3 - ENGINE

FIGURE 3-39. DEUTZ D2.9L4 - EMR5 (49HP) ENGINE INSTALLATION WITHOUT ARCTIC PACKAGE (660SJ HC3)



ART_1001302975

SECTION 3 - ENGINE

**FIGURE 3-39. DEUTZ D2.9L4 - EMR5 (49HP) ENGINE INSTALLATION WITHOUT ARCTIC PACKAGE
(660SJ HC3)**

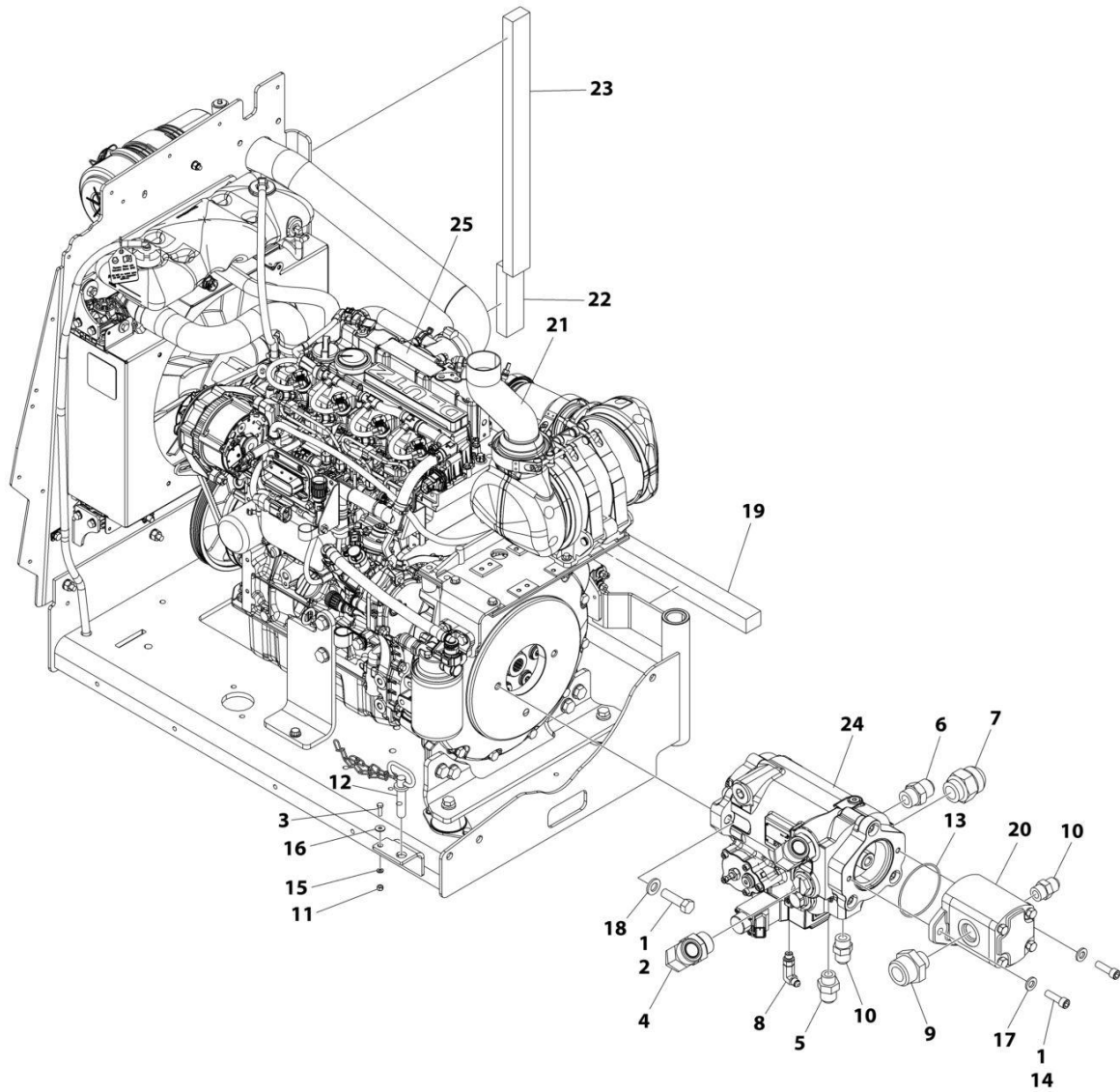
ITEM	PART NUMBER	QTY	DESCRIPTION	REV
	1001302975	Ref	ENGINE INSTALLATION EMR5 (49HP) W/O ARCTIC	A
1	0100011	AR	Compound, Locking	
2	0100020	AR	Sealant	
3	0440162	1	Bearing	
4	0700614	4	Bolt M6 x 30	
5	0701012	2	Bolt M10 x 25	
6	0701015	2	Bolt M10 x 35	
7	0711018	1	Bolt M10 x 50	
8	0760512	4	Bolt M5 x 25	
9	0761210	1	Bolt M12 x 20	
10	0771212	1	Bolt M12 x 25	
11	0772018	1	Bolt M20 x 50	
12	1320061	2	Clamp	
13	1701505	1	Decal - Diesel	
14	2180832	1	Fitting, Straight Barbed	
15	2220313	2	Fitting, 90 NPTF/Barb	
16	3290501	4	Nut M5	
17	3290505	4	Nut M5	
18	3291005	1	Nut M10	
19	3841143	1	Keeper, Pin	
20	4061032	1	Shield	
21	4240099	AR	Tie-Strap (Not Shown)	
22	4811600	12	Washer M5	
23	4811700	12	Washer M6	
24	4812000	4	Washer M10	
25	4812002	2	Washer M10	
26	4812100	2	Washer M12	
27	5251012	1	Bolt M10 x 25	
28	1001118972	3	Nut M10	
29	1001119051	1	Washer	
30	1001130220	4	Nut, Tinnerman M6	
31	1001136975	5	Clamp	
32	1001142501	2	Fitting, 90 Barbed	
33	1001154405	3 ft / 1 m	Hose	
34	1001155094	1	Pin	
35	1001155823	1	Fitting, 90 Quick Connect	
36	1001165035	27 ft / 9 m	Hose	
37	1001175568	4	Clip	
38	1001190444	1	Fuel Pump Harness (Not Shown) (See Separate Breakdown in ELECTRICAL Section)	
39	1001195039	1	Clamp	
40	1001258175	1	Bracket	
41	1001289594	1	ECU Power Jumper Harness (Not Shown) (See Separate Breakdown in ELECTRICAL Section)	
42	1001302965	1	Deutz D2.9L4 - EMR5 (49HP) Engine and Pump Sub-Assembly (See Separate Breakdown in this Section)	
100	1001235532	1	Battery Cable Kit	
101	1001188668	1	Cable, Battery (-) to Aux Pump and Ground	
102	1001188669	1	Cable, Battery (+) to Aux Relay to Starter	

SECTION 3 - ENGINE

ITEM	PART NUMBER	QTY	DESCRIPTION	REV
200	1001269920	1	Hose Assembly Kit	
201	1001192690	1	Hose (Case Drain) (Drive Pump Case Gauge Port to Tank) (Not Shown)	
202	1001203431	1	Hose (Case Drain) (Drive Pump Case Outlet Port to Tank) (Not Shown)	
203	1001258156	1	Hose (Function Suction) (Not Shown)	
204	1001258157	1	Hose (Drive Suction) (Not Shown)	

SECTION 3 - ENGINE

FIGURE 3-40. DEUTZ D2.9L4 - EMR5 (49HP) ENGINE AND PUMPS SUB-ASSEMBLY WITHOUT ARCTIC PACKAGE



ART_1001302965

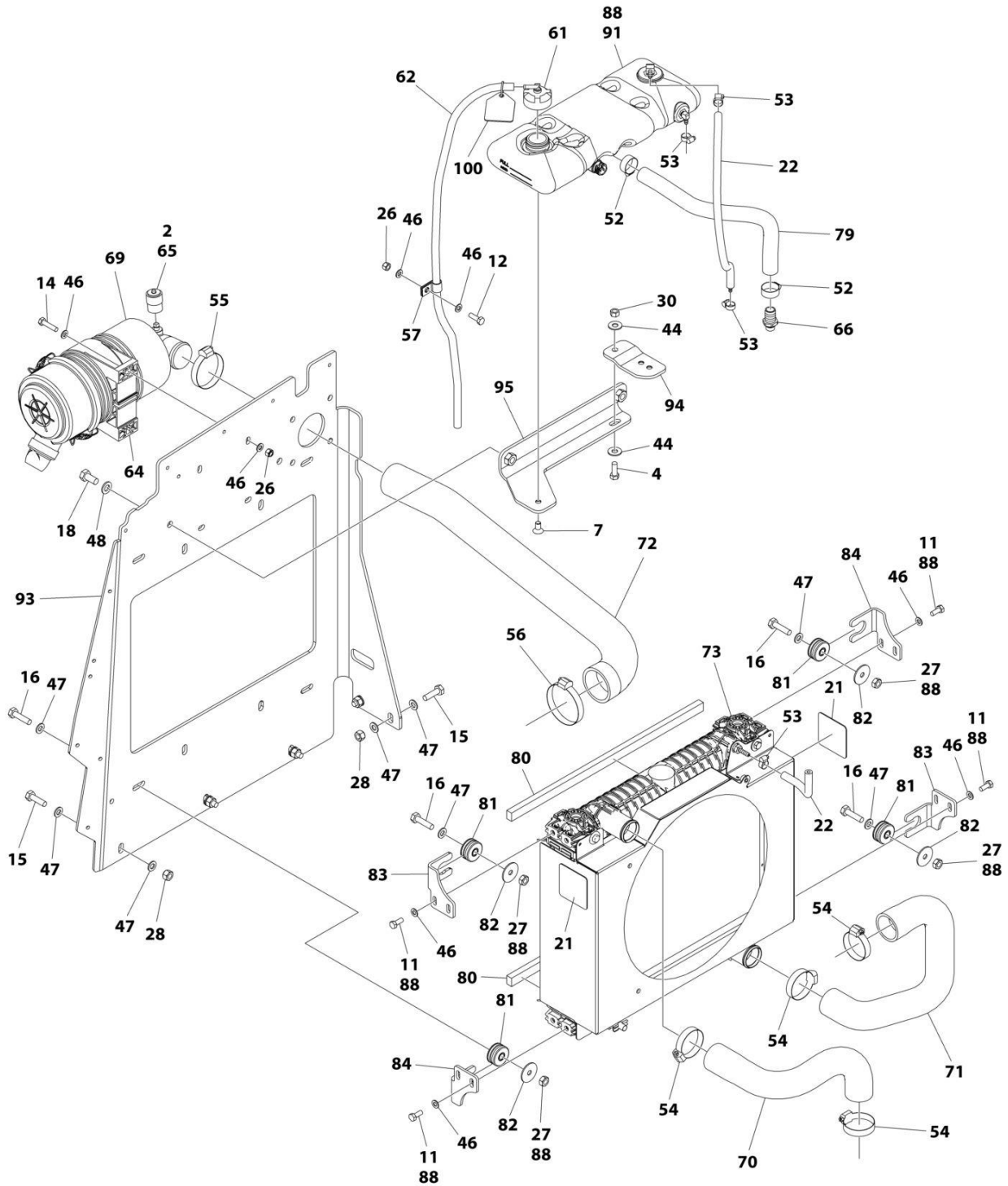
SECTION 3 - ENGINE

FIGURE 3-40. DEUTZ D2.9L4 - EMR5 (49HP) ENGINE AND PUMPS SUB-ASSEMBLY WITHOUT ARCTIC PACKAGE

ITEM	PART NUMBER	QTY	DESCRIPTION	REV
	1001302965	Ref	ENGINE AND PUMPS SUB-ASSEMBLY - EMR5 (49HP)	B
1	0100011	AR	Compound, Locking	
2	0641814	2	Bolt 1/2 x 1-3/4	
3	0760610	1	Bolt M6 x 20	
4	2131616	2	Fitting, 90 ORFS/ORB	
5	2220408	1	Fitting, Straight JIC/ORB	
6	2220451	1	Fitting, Straight JIC/ORB	
7	2220479	1	Fitting, Straight JIC/ORB	
8	2220940	1	Fitting, 90 JIC/ORB	
9	2220946	1	Fitting, Straight JIC/ORB	
10	2220947	2	Fitting, Straight JIC/ORB	
11	3290605	1	Nut M6	
12	3422532	1	Pin	
14	3931618	2	Capscrew 3/8 x 1-1/8	
15	4811700	1	Washer M6	
16	4811702	1	Washer M6	
17	5241000	2	Washer M10	
18	5241200	2	Washer M12	
19	1001171953	1	Seal	
20	1001190143	1	Gear Pump Assembly	
20	70006356	1	Seal Kit - 1001190143 Pump	
21	1001241366	1	Pipe, Exhaust	
22	1001244508	1	Seal	
23	1001254279	1	Seal	
24	1001284471	1	Piston Pump Assembly (See Separate Breakdown in this Section)	
25	1001302957	1	Deutz D2.9L4 - EMR5 (49HP) Engine Assembly (See Separate Breakdown in this Section)	

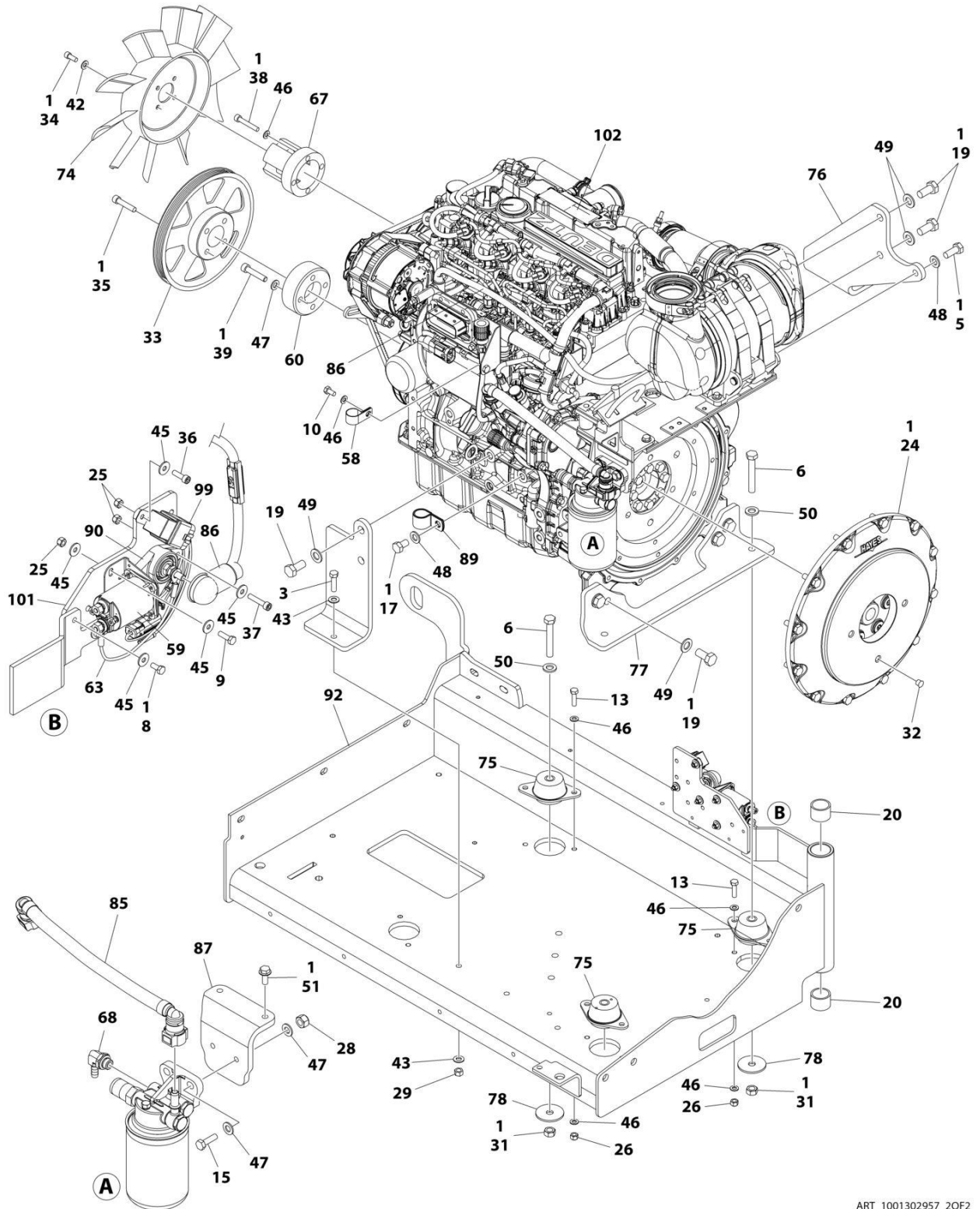
SECTION 3 - ENGINE

FIGURE 3-41. DEUTZ D2.9L4 - EMR5 (49HP) ENGINE ASSEMBLY WITHOUT ARCTIC PACKAGE



ART_1001302957_1OF2

SECTION 3 - ENGINE



ART_1001302957_20F2

SECTION 3 - ENGINE

FIGURE 3-41. DEUTZ D2.9L4 - EMR5 (49HP) ENGINE ASSEMBLY WITHOUT ARCTIC PACKAGE

ITEM	PART NUMBER	QTY	DESCRIPTION	REV
	1001302957	Ref	ENGINE AND PUMPS SUB-ASSEMBLY - EMR5 (49HP)	A
1	0100011	AR	Compound, Locking	
2	0100020	AR	Sealant, Pipe	
3	0641611	1	Bolt 3/8 x 1-3/8	
4	0681608	1	Bolt 3/8 x 1	
5	0711214	1	Bolt M12 x 30	
6	0711224	3	Bolt M12 x 80	
7	0741606	2	Screw 3/8 x 7/8	
8	0760607	3	Bolt M6 x 14	
9	0760610	2	Bolt M6 x 20	
10	0760808	1	Bolt M8 x 16	
11	0760810	8	Bolt M8 x 20	
12	0760812	1	Bolt M8 x 25	
13	0760814	6	Bolt M8 x 30	
14	0760815	2	Bolt M8 x 35	
15	0761015	7	Bolt M10 x 35	
16	0761016	4	Bolt M10 x 40	
17	0761210	1	Bolt M12 x 20	
18	0761212	2	Bolt M12 x 25	
19	0771414	8	Bolt M14 x 30	
20	0961951	2	Bushing	
21	1703162	2	Decal - Fan Blade	
22	2720015	24 in /60 cm	Hose	
23	2820152	1	Heat Shrink (Not Shown)	
24	2902065	1	Pump Coupling Kit (See Separate Breakdown in this Section)	
25	3290605	5	Nut M6	
26	3290805	9	Nut M8	
27	3291001	4	Nut M10	
28	3291005	7	Nut M10	
29	3311601	1	Nut 3/8	
30	3311605	1	Nut 3/8	
31	3331211	3	Nut M12	
32	3520054	1	Plug	
33	3580320	1	Pulley	
34	3931512	4	Capscrew 5/16 x 3/4	
35	3931628	4	Capscrew 3/8 x 1-3/4	
36	4031708	1	Capscrew M6 x 20	
37	4031710	2	Capscrew M6 x 30	
38	4031914	4	Capscrew M8 x 50	
39	4032014	4	Capscrew M10 x 50	
40	4240032	1	Tie-Strap (Not Shown)	
41	4240099	AR	Tie-Strap (Not Shown)	
42	4711500	4	Washer 5/16	
43	4711600	2	Washer 3/8	
44	4751600	2	Washer 3/8	
45	4811702	10	Washer M6	
46	4811900	31	Washer M8	
47	4812000	22	Washer M10	
48	4812100	4	Washer M12	

SECTION 3 - ENGINE

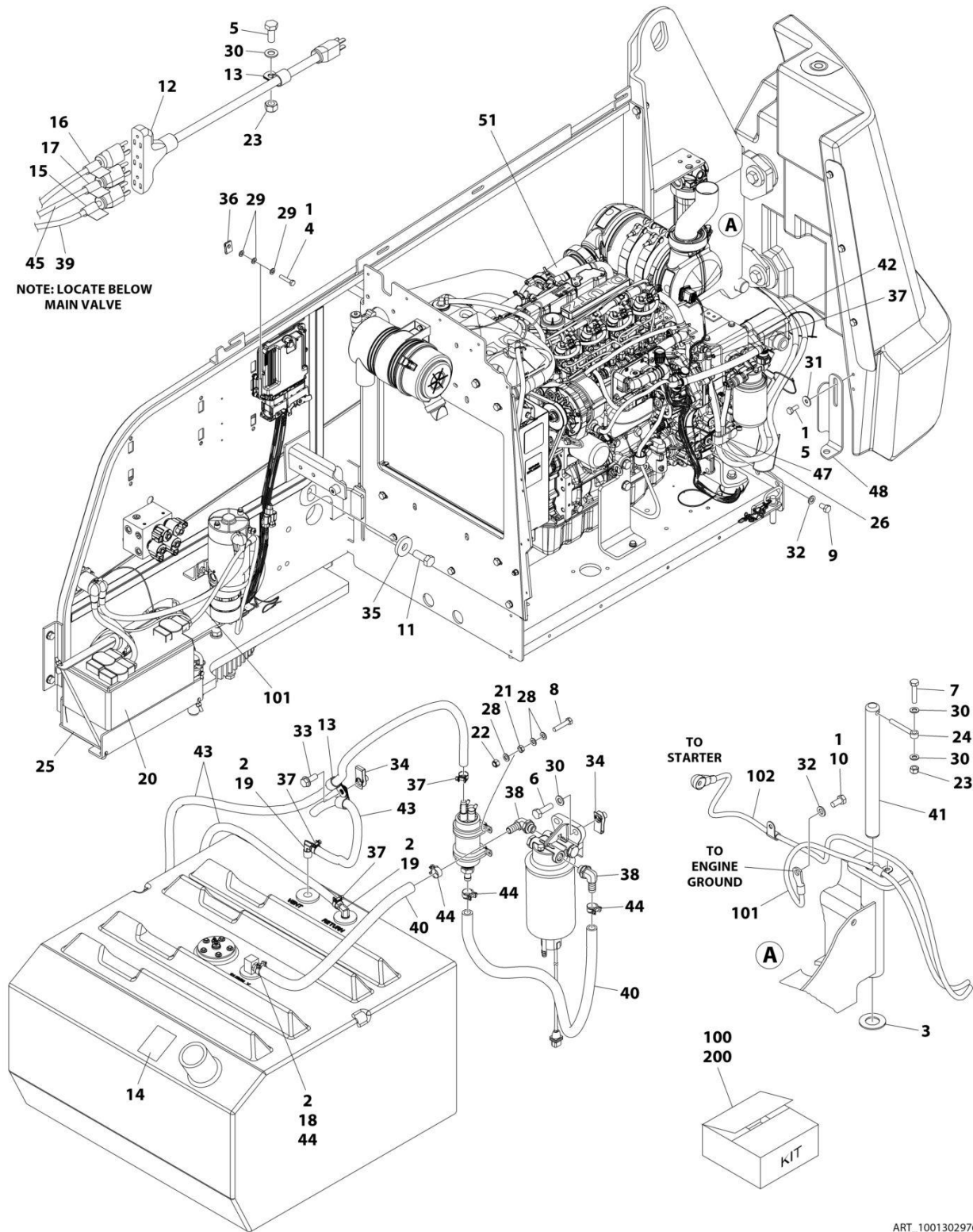
ITEM	PART NUMBER	QTY	DESCRIPTION	REV
49	4812200	8	Washer M14	
50	5241200	3	Washer M12	
51	5250810	2	Bolt M8 x 20	
52	8405007	2	Clamp	
53	8405009	4	Clamp	
54	8405104	4	Clamp	
55	8405202	1	Clamp	
56	8405204	1	Clamp	
57	8406109	1	Clip	
58	8406201	1	Clip	
59	1001117308	1	Contactora	
60	1001135679	1	Adapter	
61	1001136834	1	Cap, Tank	
62	1001138248	4 ft /1.2 m	Hose	
63	1001141304	1	Harness, Glow Fuse	
64	1001141694	1	Clamp	
65	1001143390	1	Indicator	
66	1001143797	1	Fitting, Straight Barbed	
67	1001144116	1	Adapter	
68	1001152489	1	Fitting, 90 Barbed	
69	1001165388	1	Filter	
70	1001165405	1	Hose, Upper Radiator	
71	1001165406	1	Hose, Lower Radiator	
72	1001165721	1	Hose	
73	1001165722	1	Radiator	
74	1001165849	1	Fan	
75	1001166718	3	Mount	
76	1001166921	1	Plate	
77	1001166924	1	Plate	
78	1001168018	3	Washer	
79	1001168099	1	Hose	
80	1001168166	2	Seal	
81	1001169054	4	Isolator	
82	1001169138	4	Pad	
83	1001169967	2	Bracket	
84	1001170035	2	Bracket	
85	1001177359	1	Hose	
86	1001178788	1	Cable, Alternator Power	
87	1001178876	1	Mount	
88	1001180620	AR	Adhesive	
89	1001191620	1	Clamp	
90	1001212359	1	Stud	
91	1001230635	1	Tank	
91	1001134488	1	Fitting, 90 Barbed	
91	1001138827	1	Sensor, Coolant Level	
91	1001140564	1	Fitting, 90 Barbed	
92	1001243656	1	Support	
93	1001243850	1	Support, Radiator	
94	1001260412	1	Bracket	
95	1001260420	1	Bracket	
96	1001276644	1	Engine Harness (Not Shown) (See Separate Breakdown in ELECTRICAL Section)	

SECTION 3 - ENGINE

ITEM	PART NUMBER	QTY	DESCRIPTION	REV
97	1001281985	1	Connector (Not Shown)	
98	1001281986	1	Connector (Not Shown)	
99	1001291079	1	Relay & Fuel Pump Harness (See Separate Breakdown in ELECTRICAL Section)	
100	1001291401	1	Tag, Coolant	
101	1001292628	1	Bracket	
102	1001302954	1	Deutz D2.9L4 - EMR5 (49HP) Engine (See Separate Breakdown in this Section)	

SECTION 3 - ENGINE

FIGURE 3-42. DEUTZ D2.9L4 - EMR5 (49HP) ENGINE INSTALLATION WITH ARCTIC PACKAGE (600S HC3)



SECTION 3 - ENGINE

FIGURE 3-42. DEUTZ D2.9L4 - EMR5 (49HP) ENGINE INSTALLATION WITH ARCTIC PACKAGE (600S HC3)

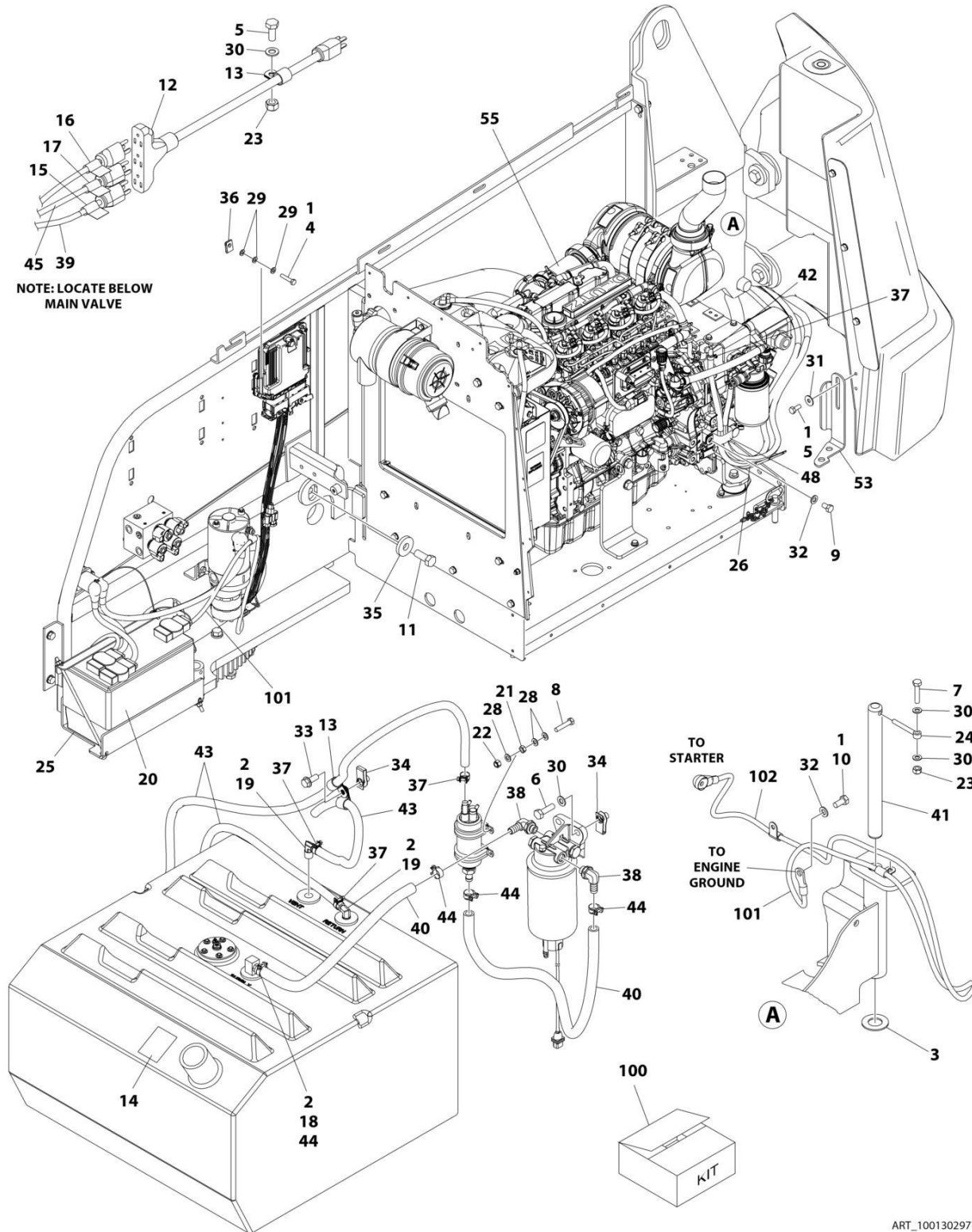
ITEM	PART NUMBER	QTY	DESCRIPTION	REV
	1001302976	Ref	ENGINE INSTALLATION EMR5 (49HP) W/ ARCTIC	A
1	0100011	AR	Compound, Locking	
2	0100020	AR	Sealant, Pipe	
3	0440162	1	Bearing	
4	0700614	4	Bolt M6 x 30	
5	0701012	3	Bolt M10 x 25	
6	0701015	2	Bolt M10 x 35	
7	0711018	1	Bolt M10 x 50	
8	0760512	4	Bolt M5 x 25	
9	0761210	1	Bolt M12 x 20	
10	0771212	1	Bolt M12 x 25	
11	0772018	1	Bolt M20 x 50	
12	1060626	1	Plug, 3-Way	
13	1320061	3	Clamp	
14	1701505	1	Decal - Diesel	
15	1702941	1	Decal - Battery Heater	
16	1702942	1	Decal - Engine Block Heater	
17	1702943	1	Decal - Hydraulic Tank Heater	
18	2180832	1	Fitting, Straight Barbed	
19	2220313	2	Fitting, 90 NPTF/Barb	
20	2580024	1	Heater, Battery	
21	3290501	4	Nut M5	
22	3290505	4	Nut M5	
23	3291005	2	Nut M10	
24	3841143	1	Keeper, Pin	
25	3980007	1	Seat, Battery	
26	4061032	1	Shield	
27	4240099	AR	Tie-Strap (Not Shown)	
28	4811600	12	Washer M5	
29	4811700	12	Washer M6	
30	4812000	5	Washer M10	
31	4812002	2	Washer M10	
32	4812100	2	Washer M12	
33	5251012	1	Bolt M10 x 25	
34	1001118972	3	Nut M10	
35	1001119051	1	Washer	
36	1001130220	4	Nut, Tinnerman M6	
37	1001136975	5	Clamp	
38	1001142501	2	Fitting, 90 Barbed	
39	1001150918	1	Cord, Extension	
40	1001154405	33 in /84 cm	Hose	
41	1001155094	1	Pin	
42	1001155823	1	Fitting, 90 Quick Connect	
43	1001165035	27 ft /8.3 m	Hose	
44	1001175568	4	Clip	
45	1001188972	1	Heater, Immersion	

SECTION 3 - ENGINE

ITEM	PART NUMBER	QTY	DESCRIPTION	REV
46	1001190444	1	Fuel Pump Harness (Not Shown) (See Separate Breakdown in ELECTRICAL Section)	
47	1001195039	1	Clamp, Double	
48	1001196398	1	Bracket	
49	1001233763	1	Breather Heater Installation (Not Shown) (See Separate Breakdown in this Section)	
50	1001289594	1	ECU Power Jumper Harness (Not Shown) (See Separate Breakdown in ELECTRICAL Section)	
51	1001302966	1	Deutz D2.9L4 - EMR5 (49HP) Engine and Pump Sub-Assembly (See Separate Breakdown in this Section)	
100	1001235532	1	Battery Cable Kit	
101	1001188668	1	Cable, Battery (-) to Aux Pump and Ground	
102	1001188669	1	Cable, Battery (+) to Aux Relay to Starter	
200	1001269919	1	Hose Assembly Kit	
201	1001192690	1	Hose (Case Drain) (Drive Pump Case Gauge Port to Tank) (Not Shown)	
202	1001203431	1	Hose (Case Drain) (Drive Pump Case Outlet Port to Tank) (Not Shown)	
203	1001203432	1	Hose (Function Suction) (Not Shown)	
204	1001203433	1	Hose (Drive Suction) (Not Shown)	

SECTION 3 - ENGINE

FIGURE 3-43. DEUTZ D2.9L4 - EMR5 (49HP) ENGINE INSTALLATION WITH ARCTIC PACKAGE (660SJ HC3)



ART_1001302977

SECTION 3 - ENGINE

**FIGURE 3-43. DEUTZ D2.9L4 - EMR5 (49HP) ENGINE INSTALLATION WITH ARCTIC PACKAGE
(660SJ HC3)**

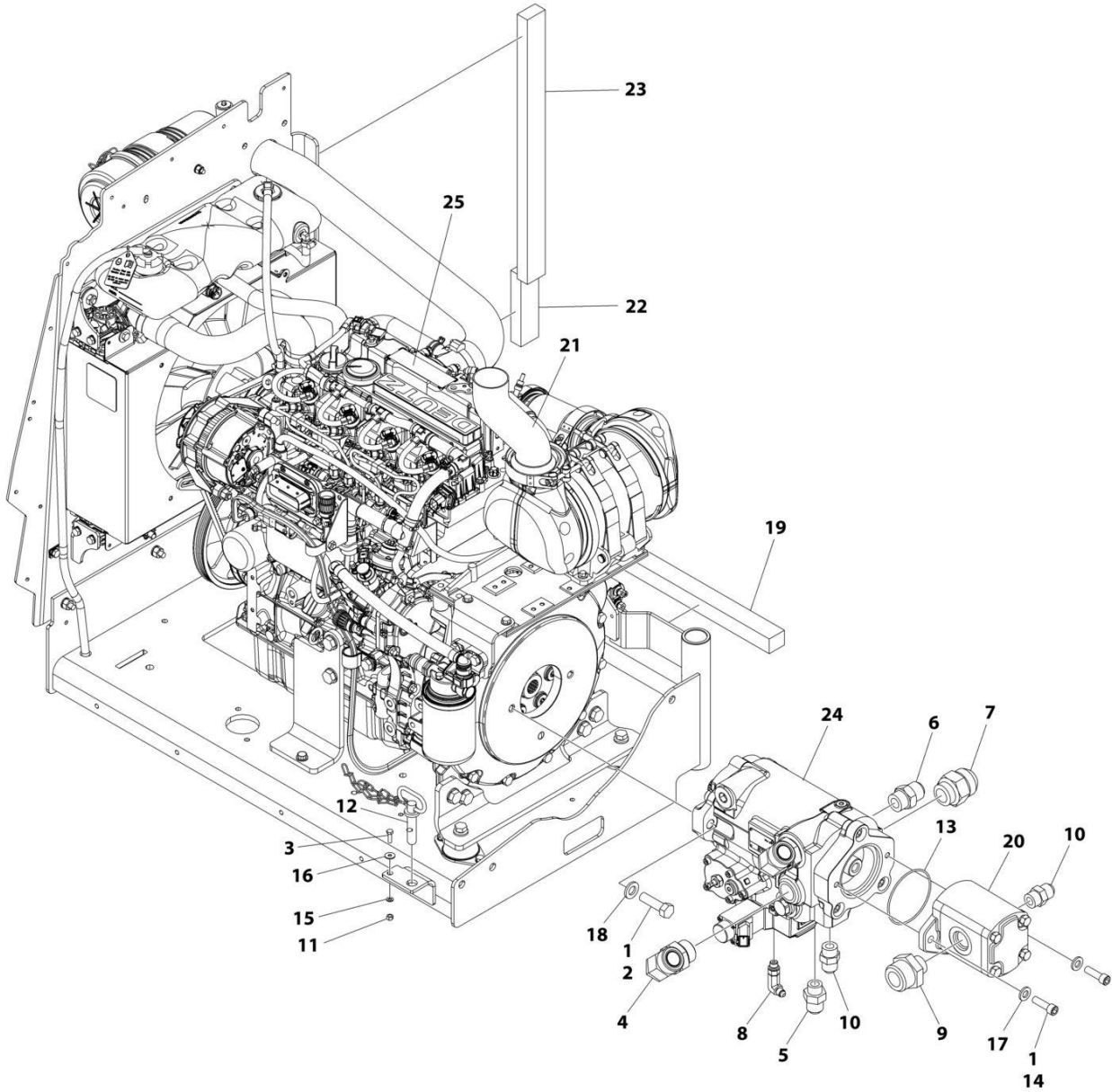
ITEM	PART NUMBER	QTY	DESCRIPTION	REV
	1001302977	Ref	ENGINE INSTALLATION EMR5 (49HP) W/ ARCTIC	A
1	0100011	AR	Compound, Locking	
2	0100020	AR	Sealant	
3	0440162	1	Bearing	
4	0700614	4	Bolt M6 x 30	
5	0701012	3	Bolt M10 x 25	
6	0701015	2	Bolt M10 x 35	
7	0711018	1	Bolt M10 x 50	
8	0760512	4	Bolt M5 x 25	
9	0761210	1	Bolt M12 x 20	
10	0771212	1	Bolt M12 x 25	
11	0772018	1	Bolt M20 x 50	
12	1060626	1	Plug, 3-Way	
13	1320061	3	Clamp	
14	1701505	1	Decal - Diesel	
15	1702941	1	Decal - Battery Heater	
16	1702942	1	Decal - Engine Block Heater	
17	1702943	1	Decal - Hydraulic Tank Heater	
18	2180832	1	Fitting, Straight Barbed	
19	2220313	2	Fitting, 90 NPTF/Barbed	
20	2580024	1	Heater, Battery	
21	3290501	4	Nut M5	
22	3290505	4	Nut M5	
23	3291005	2	Nut M10	
24	3841143	1	Keeper, Pin	
25	3980007	1	Seat, Battery	
26	4061032	1	Shield	
27	4240099	AR	Tie-Strap (Not Shown)	
28	4811600	12	Washer M5	
29	4811700	12	Washer M6	
30	4812000	5	Washer M10	
31	4812002	2	Washer M10	
32	4812100	2	Washer M12	
33	5251012	1	Bolt M10 x 25	
34	1001118972	3	Nut M10	
35	1001119051	1	Washer	
36	1001130220	4	Nut, Tinnerman M6	
37	1001136975	5	Clamp	
38	1001142501	2	Fitting, 90 Barbed	
39	1001150918	1	Cable, Extension	
40	1001154405	3 ft /1 m	Hose	
41	1001155094	1	Pin	
42	1001155823	1	Fitting, 90 Quick Connect	
43	1001165035	27 ft /9 m	Hose	
44	1001175568	4	Clip	
45	1001188972	1	Heater, Immersion	
46	1001190444	1	Fuel Pump Harness (Not Shown) (See Separate Breakdown in ELECTRICAL Section)	

SECTION 3 - ENGINE

ITEM	PART NUMBER	QTY	DESCRIPTION	REV
47	1001192690	1	Hose (Case Drain) (Drive Pump Case Gauge Port to Tank) (Not Shown)	
48	1001195039	1	Clamp	
49	1001203431	1	Hose (Case Drain) (Drive Pump Case Outlet Port to Tank) (Not Shown)	
50	1001233763	1	Breather Heater Installation (Not Shown) (See Separate Breakdown in this Section)	
51	1001258156	1	Hose (Function Suction) (Not Shown)	
52	1001258157	1	Hose (Drive Suction) (Not Shown)	
53	1001258175	1	Bracket	
54	1001289594	1	ECU Power Jumper Harness (Not Shown) (See Separate Breakdown in ELECTRICAL Section)	
55	1001302966	1	Deutz D 2.9L4 - EMR5 (49HP) Engine and Pump Sub-Assembly (See Separate Breakdown in this Section)	
100	1001235532	1	Battery Cable Kit	
101	1001188668	1	Cable, Battery (-) to Aux Pump and Ground	
102	1001188669	1	Cable, Battery (+) to Aux Relay to Starter	

SECTION 3 - ENGINE

FIGURE 3-44. DEUTZ D2.9L4 - EMR5 (49HP) ENGINE AND PUMPS SUB-ASSEMBLY WITH ARCTIC PACKAGE



ART_1001302966

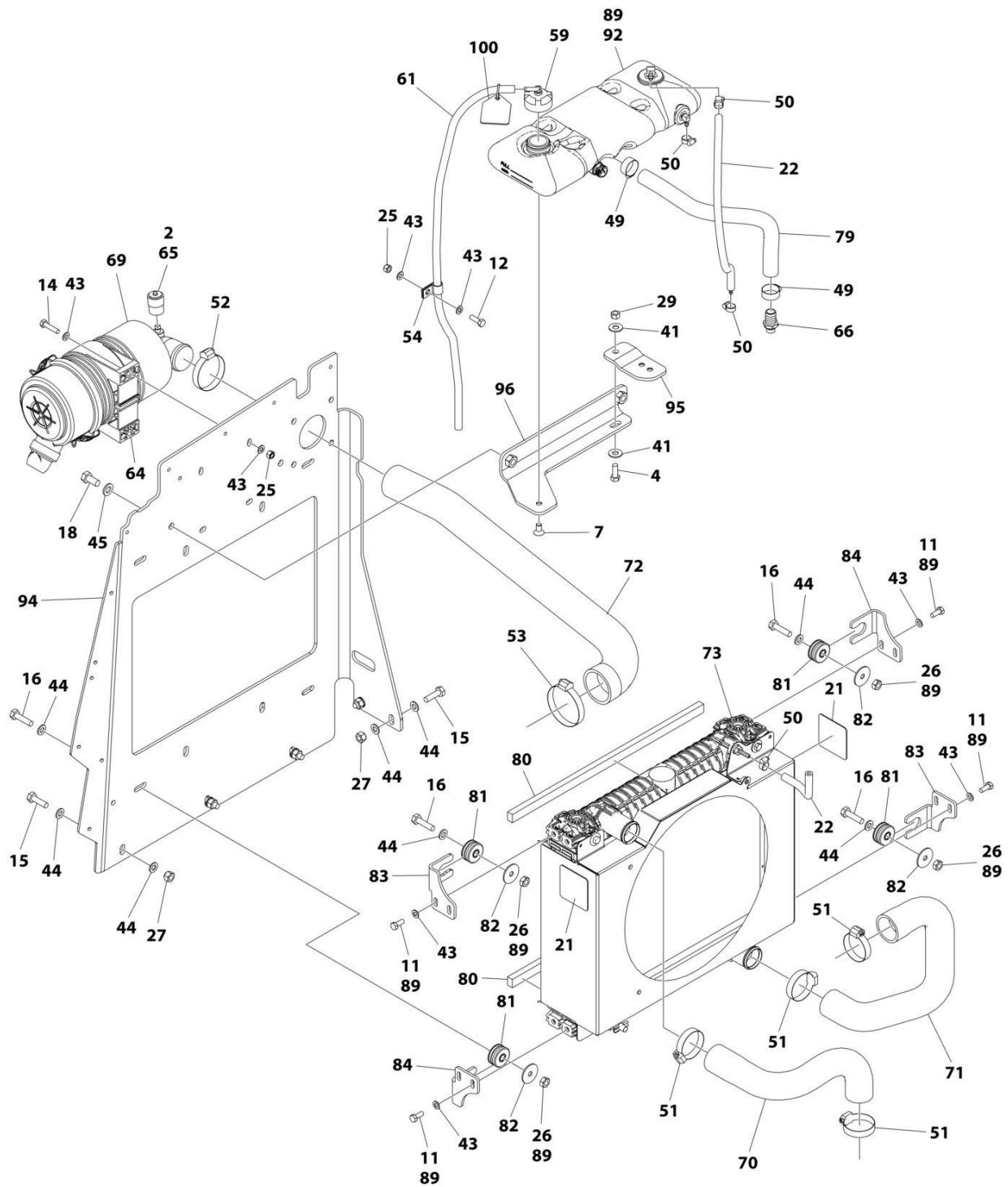
SECTION 3 - ENGINE

FIGURE 3-44. DEUTZ D2.9L4 - EMR5 (49HP) ENGINE AND PUMPS SUB-ASSEMBLY WITH ARCTIC PACKAGE

ITEM	PART NUMBER	QTY	DESCRIPTION	REV
	1001302966	Ref	ENGINE AND PUMPS SUB-ASSEMBLY - EMR5 (49HP)	B
1	0100011	AR	Compound, Locking	
2	0641814	2	Bolt 1/2 x 1-3/4	
3	0760610	1	Bolt M6 x 20	
4	2131616	2	Fitting, 90 ORFS/ORB	
5	2220408	1	Fitting, Straight JIC/ORB	
6	2220451	1	Fitting, Straight JIC/ORB	
7	2220479	1	Fitting, Straight JIC/ORB	
8	2220940	1	Fitting, 90 JIC/ORB	
9	2220946	1	Fitting, Straight JIC/ORB	
10	2220947	2	Fitting, Straight JIC/ORB	
11	3290605	1	Nut M6	
12	3422532	1	Pin	
14	3931618	2	Capscrew 3/8 x 1-1/8	
15	4811700	1	Washer M6	
16	4811702	1	Washer M6	
17	5241000	2	Washer M10	
18	5241200	2	Washer M12	
19	1001171953	1	Seal	
20	1001190143	1	Gear Pump Assembly	
20	70006356	1	Seal Kit - 1001190143 Pump	
21	1001241366	1	Pipe, Exhaust	
22	1001244508	1	Seal	
23	1001254279	1	Seal	
24	1001284471	1	Piston Pump Assembly (See Separate Breakdown in this Section)	
25	1001302958	1	Deutz D2.9L4 - EMR5 (49HP) Engine Assembly (See Separate Breakdown in this Section)	

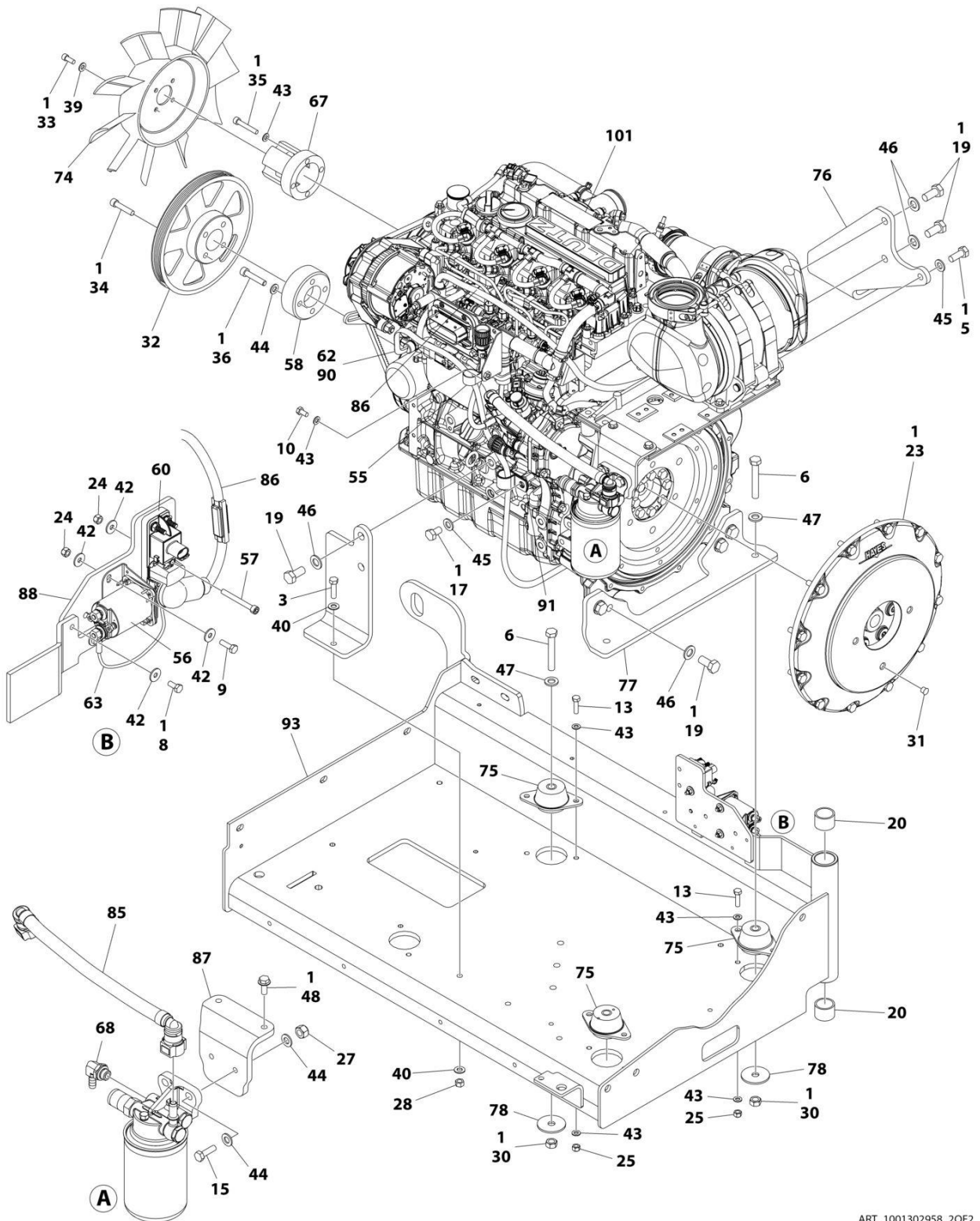
SECTION 3 - ENGINE

FIGURE 3-45. DEUTZ D2.9L4 - EMR5 (49HP) ENGINE ASSEMBLY WITH ARCTIC PACKAGE



ART_1001302958_1OF2

SECTION 3 - ENGINE



ART_1001302958_2OF2

SECTION 3 - ENGINE

FIGURE 3-45. DEUTZ D2.9L4 - EMR5 (49HP) ENGINE ASSEMBLY WITH ARCTIC PACKAGE

ITEM	PART NUMBER	QTY	DESCRIPTION	REV
	1001302958	Ref	ENGINE AND PUMPS SUB-ASSEMBLY - EMR5 (49HP)	A
1	0100011	AR	Compound, Locking	
2	0100020	AR	Sealant, Pipe	
3	0641611	1	Bolt 3/8 x 1-3/8	
4	0681608	1	Bolt 3/8 x 1	
5	0711214	1	Bolt M12 x 30	
6	0711224	3	Bolt M12 x 80	
7	0741606	2	Screw 3/8 x 3/4	
8	0760607	3	Bolt M6 x 14	
9	0760610	2	Bolt M6 x 20	
10	0760808	1	Bolt M8 x 16	
11	0760810	8	Bolt M8 x 20	
12	0760812	1	Bolt M8 x 25	
13	0760814	6	Bolt M8 x 30	
14	0760815	2	Bolt M8 x 35	
15	0761015	7	Bolt M10 x 35	
16	0761016	4	Bolt M10 x 40	
17	0761210	1	Bolt M12 x 20	
18	0761212	2	Bolt M12 x 25	
19	0771414	8	Bolt M14 x 30	
20	0961951	2	Bushing	
21	1703162	2	Decal - Fan Blade	
22	2720015	24 in /60 cm	Hose	
23	2902065	1	Pump Coupling Kit (See Separate Breakdown in this Section)	
24	3290605	3	Nut M6	
25	3290805	9	Nut M8	
26	3291001	4	Nut M10	
27	3291005	7	Nut M10	
28	3311601	1	Nut 3/8	
29	3311605	1	Nut 3/8	
30	3331211	3	Nut M12	
31	3520054	1	Plug	
32	3580320	1	Pulley	
33	3931512	4	Capscrew 5/16 x 3/4	
34	3931628	4	Capscrew 3/8 x 1-3/4	
35	4031914	4	Capscrew M8 x 50	
36	4032014	4	Capscrew M10 x 50	
37	4240032	AR	Tie-Strap (Not Shown)	
38	4240099	AR	Tie-Strap (Not Shown)	
39	4711500	4	Washer 5/16	
40	4711600	2	Washer 3/8	
41	4751600	2	Washer 3/8	
42	4811702	8	Washer M6	
43	4811900	31	Washer M8	
44	4812000	22	Washer M10	
45	4812100	4	Washer M12	
46	4812200	8	Washer M14	
47	5241200	3	Washer M12	
48	5250810	2	Bolt M8 x 20	

SECTION 3 - ENGINE

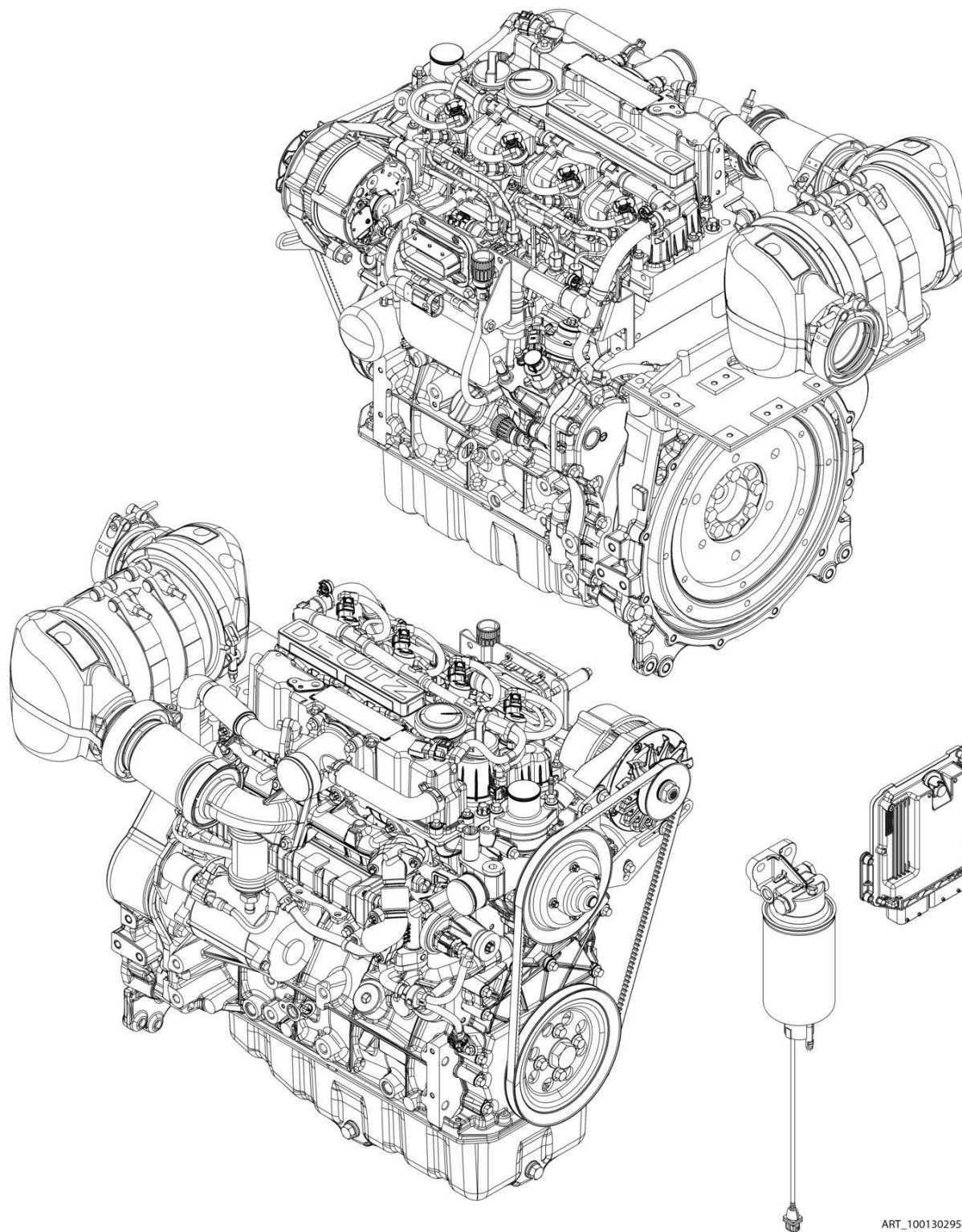
ITEM	PART NUMBER	QTY	DESCRIPTION	REV
49	8405007	2	Clamp	
50	8405009	4	Clamp	
51	8405104	4	Clamp	
52	8405202	1	Clamp	
53	8405204	1	Clamp	
54	8406109	1	Clip	
55	8406201	1	Clip	
56	1001117308	1	Contactora	
57	1001118878	1	Bolt M6 x 55	
58	1001135679	1	Adapter	
59	1001136834	1	Cap, Tank	
60	1001138228	1	Relay	
61	1001138248	4 ft /1.2 m	Hose	
62	1001140312	1	Heater, Engine Block	
63	1001141304	1	Harness, Glow Fuse	
64	1001141694	1	Clamp	
65	1001143390	1	Indicator	
66	1001143797	1	Fitting, Straight Barbed	
67	1001144116	1	Adapter	
68	1001152489	1	Fitting, 90 Barbed	
69	1001165388	1	Filter	
70	1001165405	1	Hose, Upper	
71	1001165406	1	Hose, Lower	
72	1001165721	1	Hose	
73	1001165722	1	Radiator	
74	1001165849	1	Fan	
75	1001166718	3	Isolator, Mount	
76	1001166921	1	Plate	
77	1001166924	1	Plate	
78	1001168018	3	Washer	
79	1001168099	1	Hose	
80	1001168166	2	Seal	
81	1001169054	4	Isolator	
82	1001169138	4	Pad	
83	1001169967	2	Bracket	
84	1001170035	2	Bracket	
85	1001177359	1	Hose	
86	1001178788	1	Cable, Alternator Power	
87	1001178876	1	Mount	
88	1001179903	1	Bracket	
89	1001180620	AR	Adhesive	
90	1001181895	AR	Adhesive	
91	1001191620	1	Clamp	
92	1001230635	1	Tank, Surge	
92	1001134488	1	Fitting, 90 Barbed	
92	1001138827	1	Sensor, Coolant Level	
92	1001140564	1	Fitting, 90 Barbed	
93	1001243656	1	Support	
94	1001243850	1	Support, Radiator	
95	1001260412	1	Bracket	
96	1001260420	1	Bracket	

SECTION 3 - ENGINE

ITEM	PART NUMBER	QTY	DESCRIPTION	REV
97	1001276644	1	Engine Harness (Not Shown) (See Separate Breakdown in ELECTRICAL Section)	
98	1001281985	1	Connector (Not Shown)	
99	1001281986	1	Connector (Not Shown)	
100	1001291401	1	Tag, Coolant	
101	1001302954	1	Deutz D2.9L4 - EMR5 (49HP) Engine (See Separate Breakdown in this Section)	

SECTION 3 - ENGINE

FIGURE 3-46. DEUTZ D2.9L4 - EMR5 ENGINE COMPONENTS (ANSI, ANSI EXPORT AND CSA SPECS)



ART_1001302954

SECTION 3 - ENGINE

FIGURE 3-46. DEUTZ D2.9L4 - EMR5 ENGINE COMPONENTS (ANSI, ANSI EXPORT AND CSA SPECS)

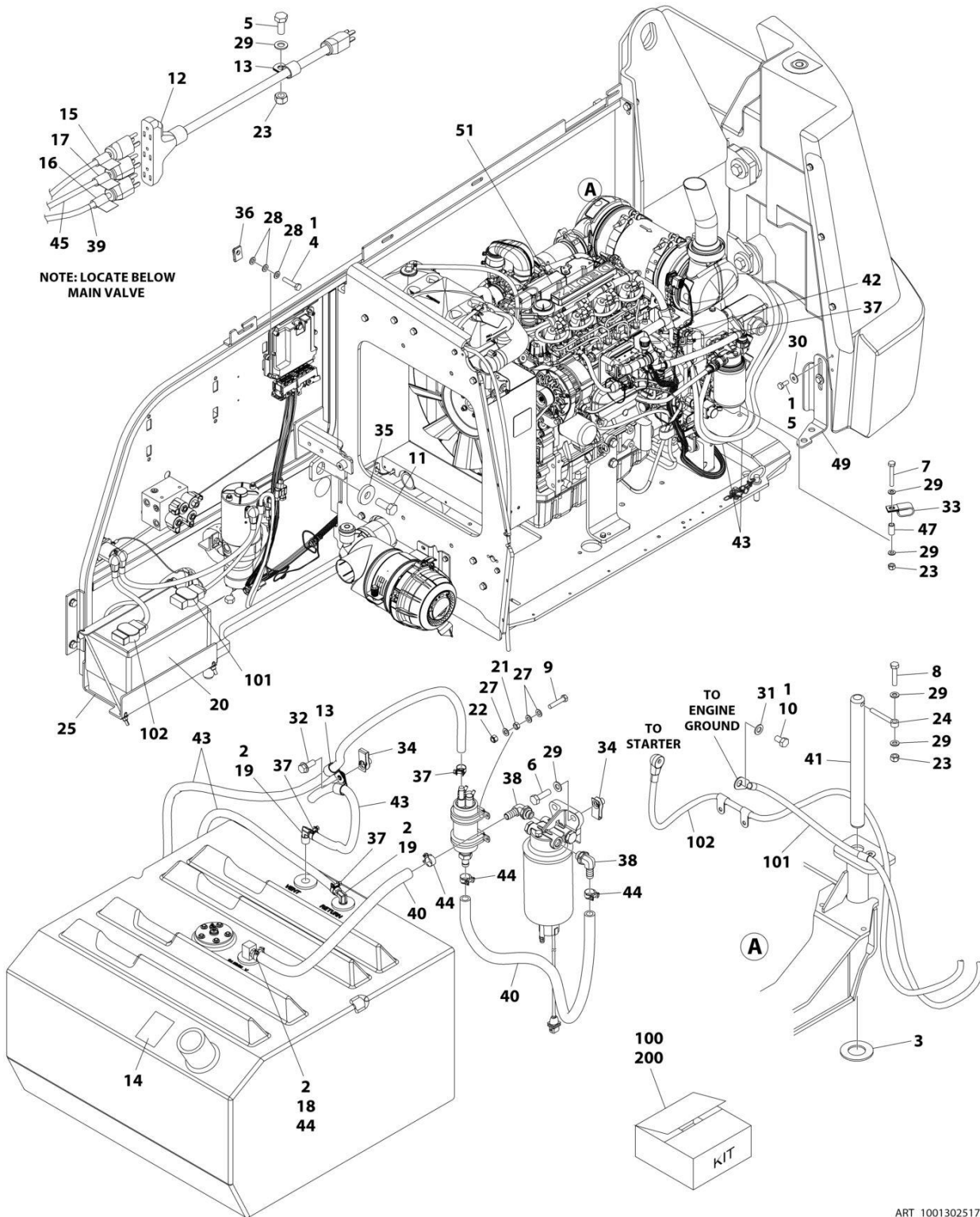
ITEM	PART NUMBER	QTY	DESCRIPTION	REV
	1001302954	Ref	ENGINE COMPONENTS - DEUTZ D2.9L4 EMR5 ENGINE	A
	See Note	Ref	Note: Contact JLG Customer Service for availability for addition components.	
		Ref	AIR INTAKE SYSTEM	
	70005180	1	Breather Line	
	70005182	1	Charge Air Elbow	
		Ref	COOLING SYSTEM COMPONENTS	
	70030360	1	Pump, Coolant	
	70007603	1	Thermostat	
		Ref	ELECTRICAL COMPONENT	
	70031144	1	Starter	
	NPN	1	Generator	
	70024507	1	Sensor, Pressure (Air Intake)	
	70026210	1	Sensor, Speed	
	70025231	1	Harness, Glow Plug	
	70024919	1	Sensor, Fuel Filter	
	70024504	1	Sensor, Pressure	
	70028540	1	Transmitter, Temperature	
	70029512	1	Module, Engine Control	
	70031143	1	Regulator, Voltage	
		Ref	EXHAUST COMPONENT	
	70004282	1	Exhaust Manifold	
	70031136	1	Pipe, Exhaust	
	70012257	1	Valve, Exhaust	
	70004508	1	Valve, Volume Control	
		Ref	FUEL SYSTEM COMPONENT	
	70030381	1	Pump, High Pressure	
	70004281	1	Injector, Fuel	
	NPN	1	Pump, Fuel Supply (Includes qty 2 Clamps)	
	70024961	1	Filter, Fuel	
	1001225430	1	Filter, Fuel (Pre-Filter)	
	70024513	1	Cable, Sensor	
	70025239	1	Seal	
	70029451	1	Filter, Fuel	
	1001225431	1	Filter, Fuel (Spin-On)	
	70024502	1	Pipe, Fuel	
		Ref	GASKET AND SEAL COMPONENT	
	70024905	2	Seal, Dipstick	
	70005942	1	Seal, Oil Plug	
	70005171	1	Gasket, Valve Cover	
	70024906	1	Gasket, Head	
	70002718	1	Seal, Rear Main	
	70005177	1	Gasket, Charge Air Housing	
	70005184	1	O-Ring, Thermostat	
	70005931	1	Seal, Thermostat	
	70025164	1	Gasket, Exhaust Manifold to Head	
	70007326	1	Gasket, EGR Valve	
	70031095	1	Gasket, Exhaust Return Pipe	
	70007354	1	Gasket, Short Exhaust Pipe	

SECTION 3 - ENGINE

ITEM	PART NUMBER	QTY	DESCRIPTION	REV
		Ref	OTHER COMPONENT	
	70001870	1	Flywheel (Includes Ring Gear)	
	7024579	1	Gear, Ring	
		Ref	OIL LUBE SYSTEM	
	70024904	1	Dipstick	
	70024905	1	Cap, Oil Fill	
	70005941	1	Plug, Oil	
	70005172	1	Pump, Oil Lube	
	7016331	1	Filter, Oil	
	70024494	1	Oil Cooler	

SECTION 3 - ENGINE

FIGURE 3-47. DEUTZ D2.9L4 - EMR5 (67HP) ENGINE INSTALLATION WITH ARCTIC PACKAGE (660SJ HC3)



SECTION 3 - ENGINE

**FIGURE 3-47. DEUTZ D2.9L4 - EMR5 (67HP) ENGINE INSTALLATION WITH ARCTIC PACKAGE
(660SJ HC3)**

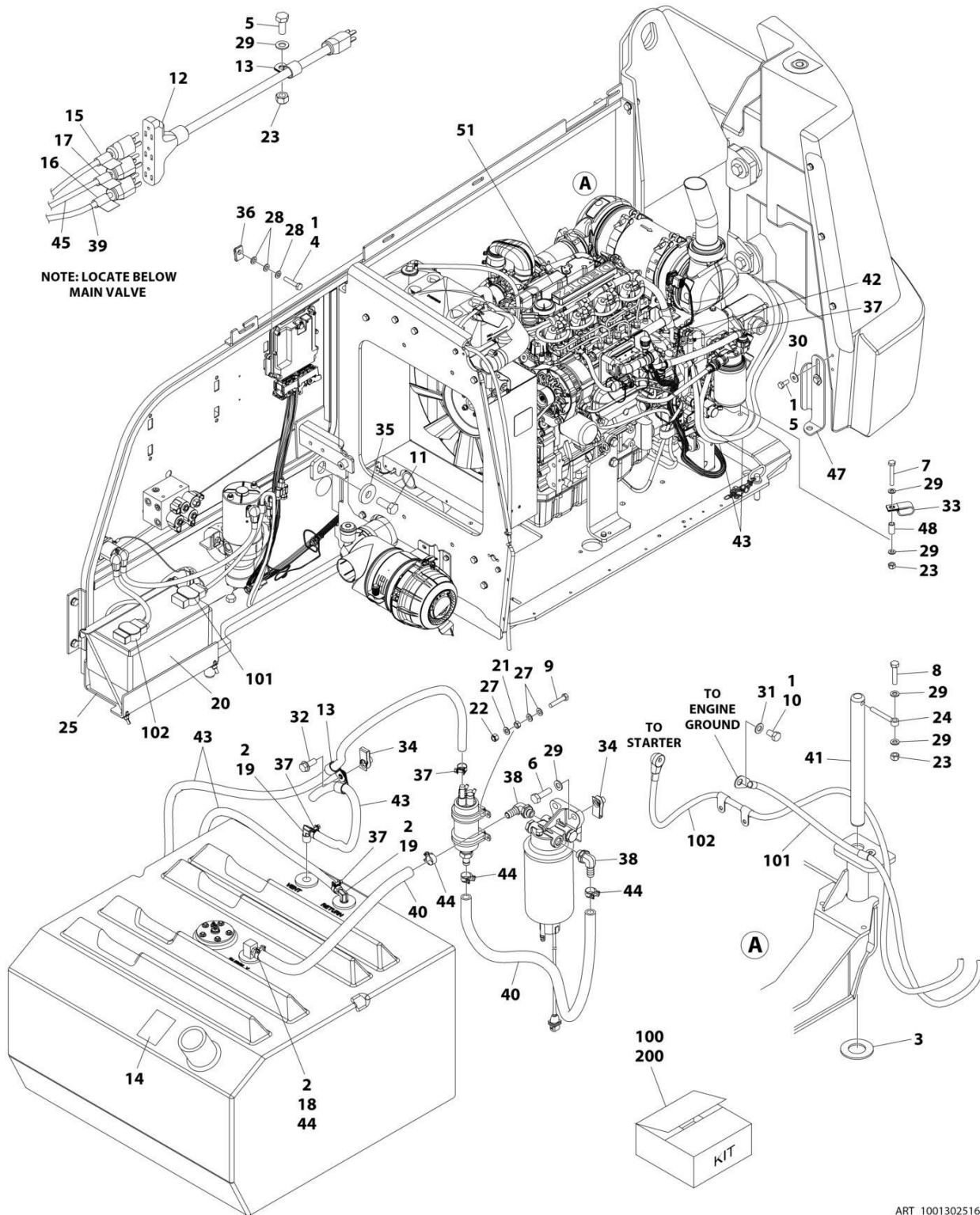
ITEM	PART NUMBER	QTY	DESCRIPTION	REV
	1001302517	Ref	ENGINE INSTALLATION EMR5 (67HP) W/ ARCTIC	A
1	0100011	AR	Compound, Locking	
2	0100020	AR	Sealant, Pipe	
3	0440162	1	Bearing	
4	0700614	4	Bolt M6 x 30	
5	0701012	3	Bolt M10 x 25	
6	0701015	2	Bolt M10 x 35	
7	0701022	1	Bolt M10 x 70	
8	0711018	1	Bolt M10 x 50	
9	0760512	4	Bolt M5 x 25	
10	0761210	1	Bolt M12 x 20	
11	0772018	1	Bolt M20 x 50	
12	1060626	1	Plug, 3-Way	
13	1320061	3	Clamp	
14	1701505	1	Decal - Diesel	
15	1702941	1	Decal - Battery Heater	
16	1702942	1	Decal - Engine Block Heater	
17	1702943	1	Decal - Hydraulic Tank Heater	
18	2180832	1	Fitting, Straight Barbed	
19	2220313	2	Fitting, 90 NPTF/Barbed	
20	2580024	1	Heater, Battery	
21	3290501	4	Nut M5	
22	3290505	4	Nut M5	
23	3291005	3	Nut M10	
24	3841143	1	Keeper, Pin	
25	3980007	1	Seat, Battery	
26	4240099	AR	Tie-Strap (Not Shown)	
27	4811600	12	Washer M5	
28	4811700	12	Washer M6	
29	4812000	7	Washer M10	
30	4812002	2	Washer M10	
31	4812100	1	Washer M12	
32	5251012	1	Bolt M10 x 25	
33	1001026127	1	Clamp	
34	1001118972	3	Nut M10	
35	1001119051	1	Washer	
36	1001130220	4	Nut, Tinnerman M6	
37	1001136975	5	Clamp	
38	1001142501	2	Fitting, 90 Barbed	
39	1001150918	1	Cable, Extension	
40	1001154405	3 ft /1 m	Hose	
41	1001155094	1	Pin	
42	1001155823	1	Fitting, 90 Quick Connect	
43	1001165035	27 ft /9 m	Hose	
44	1001175568	4	Clip	
45	1001188972	1	Heater, Immersion (Not Shown)	
46	1001190444	1	Fuel Pump Harness (Not Shown) (See Separate Breakdown in ELECTRICAL Section)	
47	1001200731	1	Tube	

SECTION 3 - ENGINE

ITEM	PART NUMBER	QTY	DESCRIPTION	REV
48	1001233763	1	Breather Heater Installation (Not Shown) (See Separate Breakdown in this Section)	
49	1001258175	1	Bracket	
50	1001289594	1	ECU Power Jumper Harness (Not Shown) (See Separate Breakdown in ELECTRICAL Section)	
51	1001302446	1	Deutz D2.9L4 - EMR5 (67HP) Engine and Pump Sub-Assembly (See Separate Breakdown in this Section)	
100	1001235532	1	Battery Cable Kit	
101	1001188668	1	Cable, Battery (-) to Aux Pump and Ground	
102	1001188669	1	Cable, Battery (+) to Aux Relay to Starter	
200	1001269920	1	Hose Assembly Kit	
201	1001192690	1	Hose (Case Drain) (Drive Pump Case Gauge Port to Tank) (Not Shown)	
202	1001203431	1	Hose (Case Drain) (Drive Pump Case Outlet Port to Tank) (Not Shown)	
203	1001258156	1	Hose (Function Suction) (Not Shown)	
204	1001258157	1	Hose (Drive Suction) (Not Shown)	

SECTION 3 - ENGINE

FIGURE 3-48. DEUTZ D2.9L4 - EMR5 (67HP) ENGINE INSTALLATION WITH ARCTIC PACKAGE (600S HC3)



SECTION 3 - ENGINE

FIGURE 3-48. DEUTZ D2.9L4 - EMR5 (67HP) ENGINE INSTALLATION WITH ARCTIC PACKAGE (600S HC3)

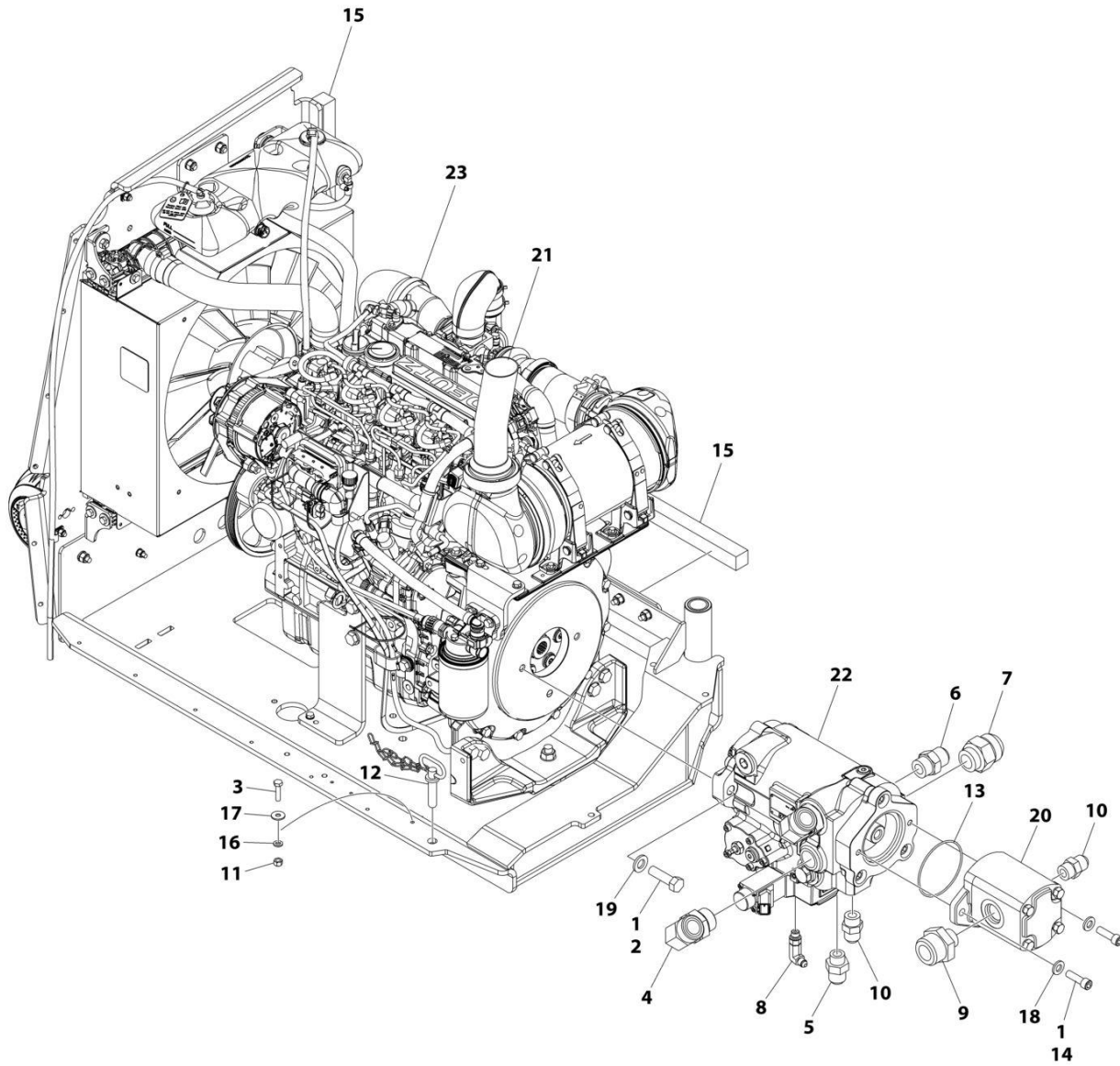
ITEM	PART NUMBER	QTY	DESCRIPTION	REV
	1001302516	Ref	ENGINE INSTALLATION EMR5 (67HP) W/ ARCTIC	A
1	0100011	AR	Compound, Locking	
2	0100020	AR	Sealant, Pipe	
3	0440162	1	Bearing	
4	0700614	4	Bolt M6 x 30	
5	0701012	3	Bolt M10 x 25	
6	0701015	2	Bolt M10 x 35	
7	0701022	1	Bolt M10 x 70	
8	0711018	1	Bolt M10 x 50	
9	0760512	4	Bolt M5 x 25	
10	0761210	1	Bolt M12 x 20	
11	0772018	1	Bolt M20 x 50	
12	1060626	1	Plug, 3-Way	
13	1320061	3	Clamp	
14	1701505	1	Decal - Diesel	
15	1702941	1	Decal - Battery Heater	
16	1702942	1	Decal - Engine Block Heater	
17	1702943	1	Decal - Hydraulic Tank Heater	
18	2180832	1	Fitting, Straight Barbed	
19	2220313	2	Fitting, 90 NPTF/Barb	
20	2580024	1	Heater, Battery	
21	3290501	4	Nut M5	
22	3290505	4	Nut M5	
23	3291005	3	Nut M10	
24	3841143	1	Keeper, Pin	
25	3980007	1	Seat, Battery	
26	4240099	AR	Tie-Strap (Not Shown)	
27	4811600	12	Washer M5	
28	4811700	12	Washer M6	
29	4812000	7	Washer M10	
30	4812002	2	Washer M10	
31	4812100	1	Washer M12	
32	5251012	1	Bolt M10 x 25	
33	1001026127	1	Clamp	
34	1001118972	3	Nut M10	
35	1001119051	1	Washer	
36	1001130220	4	Nut, Tinnerman M6	
37	1001136975	5	Clamp	
38	1001142501	2	Fitting, 90 Barbed	
39	1001150918	1	Cable, Extension	
40	1001154405	3 ft /1 m	Hose	
41	1001155094	1	Pin	
42	1001155823	1	Fitting, 90 Quick Connect	
43	1001165035	27 ft /9 m	Hose	
44	1001175568	4	Clip	
45	1001188972	1	Heater, Immersion	
46	1001190444	1	Fuel Pump Harness (Not Shown) (See Separate Breakdown in ELECTRICAL Section)	
47	1001196398	1	Bracket	

SECTION 3 - ENGINE

ITEM	PART NUMBER	QTY	DESCRIPTION	REV
48	1001200731	1	Tube	
49	1001233763	1	Breather Heater Installation (Not Shown) (See Separate Breakdown in this Section)	
50	1001289594	1	ECU Power Jumper Harness (Not Shown) (See Separate Breakdown in ELECTRICAL Section)	
51	1001302446	1	Deutz D2.9L4 - EMR5 (67HP) Engine and Pump Sub-Assembly (See Separate Breakdown in this Section)	
100	1001235532	1	Battery Cable Kit	
101	1001188668	1	Cable, Battery (-) to Aux Pump and Ground	
102	1001188669	1	Cable, Battery (+) to Aux Relay to Starter	
200	1001269919	1	Hose Assembly Kit	
201	1001192690	1	Hose (Case Drain) (Drive Pump Case Gauge Port to Tank) (Not Shown)	
202	1001203431	1	Hose (Case Drain) (Drive Pump Case Outlet Port to Tank) (Not Shown)	
203	1001203432	1	Hose (Function Suction) (Not Shown)	
204	1001203433	1	Hose (Drive Suction) (Not Shown)	

SECTION 3 - ENGINE

FIGURE 3-49. DEUTZ D2.9L4 - EMR5 (67HP) ENGINE AND PUMPS SUB-ASSEMBLY WITH ARCTIC PACKAGE



ART_1001302446

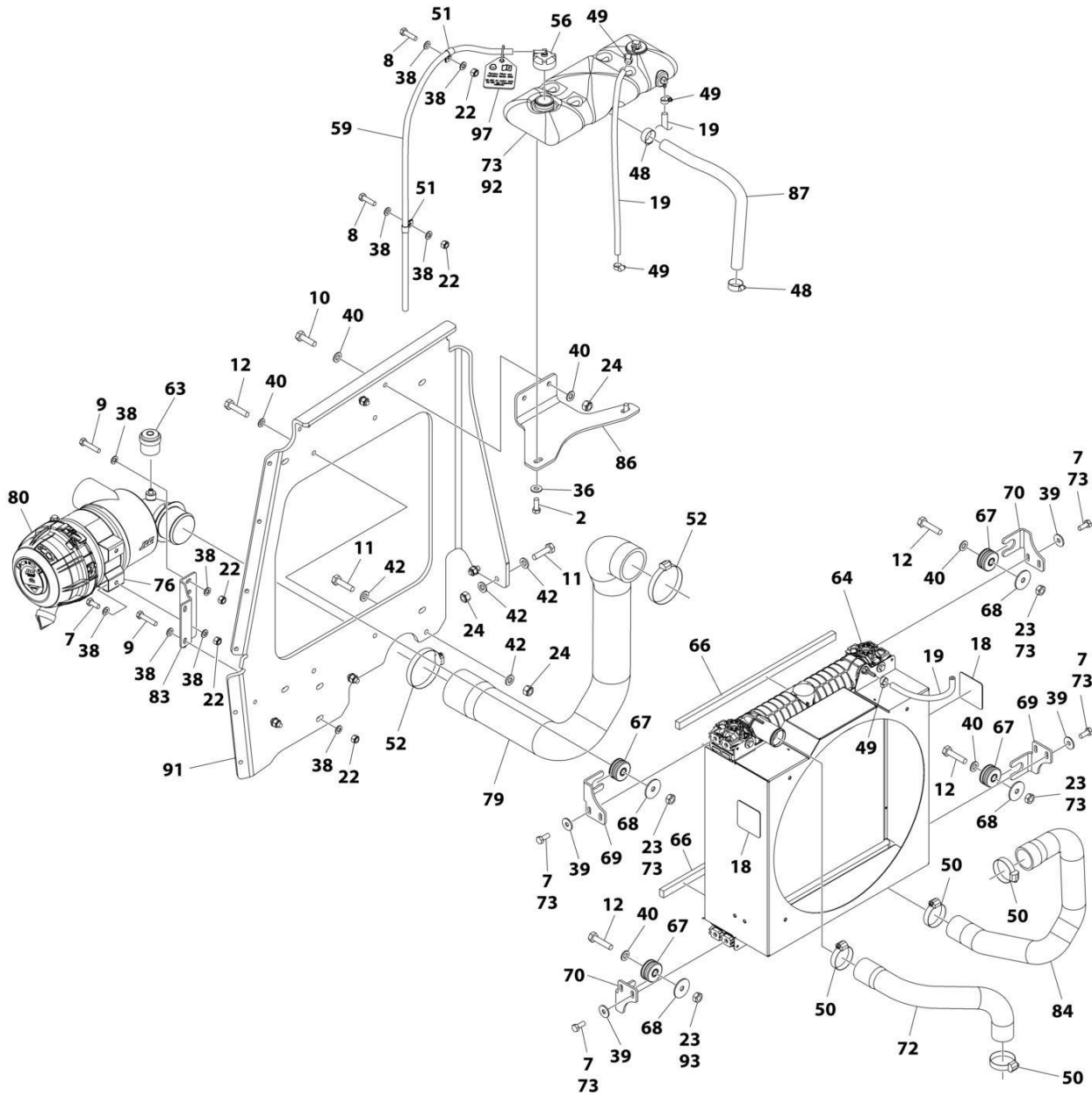
SECTION 3 - ENGINE

FIGURE 3-49. DEUTZ D2.9L4 - EMR5 (67HP) ENGINE AND PUMPS SUB-ASSEMBLY WITH ARCTIC PACKAGE

ITEM	PART NUMBER	QTY	DESCRIPTION	REV
	1001302446	Ref	ENGINE AND PUMPS SUB-ASSEMBLY - EMR5 (67HP)	B
1	0100011	AR	Compound, Locking	
2	0641814	2	Bolt 1/2 x 1-3/4	
3	0760612	1	Bolt M6 x 25	
4	2131616	2	Fitting, 90 ORFS/ORB	
5	2220408	1	Fitting, Straight JIC/ORB	
6	2220451	1	Fitting, Straight JIC/ORB	
7	2220479	1	Fitting, Straight JIC/ORB	
8	2220940	1	Fitting, 90 JIC/ORB	
9	2220946	1	Fitting, Straight JIC/ORB	
10	2220947	2	Fitting, Straight JIC/ORB	
11	3290605	1	Nut M6	
12	3422532	1	Pin	
14	3931618	2	Capscrew 3/8 x 1-1/8	
15	3960469	2	Seal	
16	4811700	1	Washer M6	
17	4811702	1	Washer M6	
18	5241000	2	Washer M10	
19	5241200	2	Washer M12	
20	1001190143	1	Gear Pump Assembly	
20	70006356	1	Seal Kit - 1001190143 Pump	
21	1001239207	1	Pipe, Exhaust	
22	1001284471	1	Piston Pump Assembly (See Separate Breakdown in this Section)	
23	1001302437	1	Deutz D2.9L4 - EMR5 (67HP) Engine Assembly (See Separate Breakdown in this Section)	

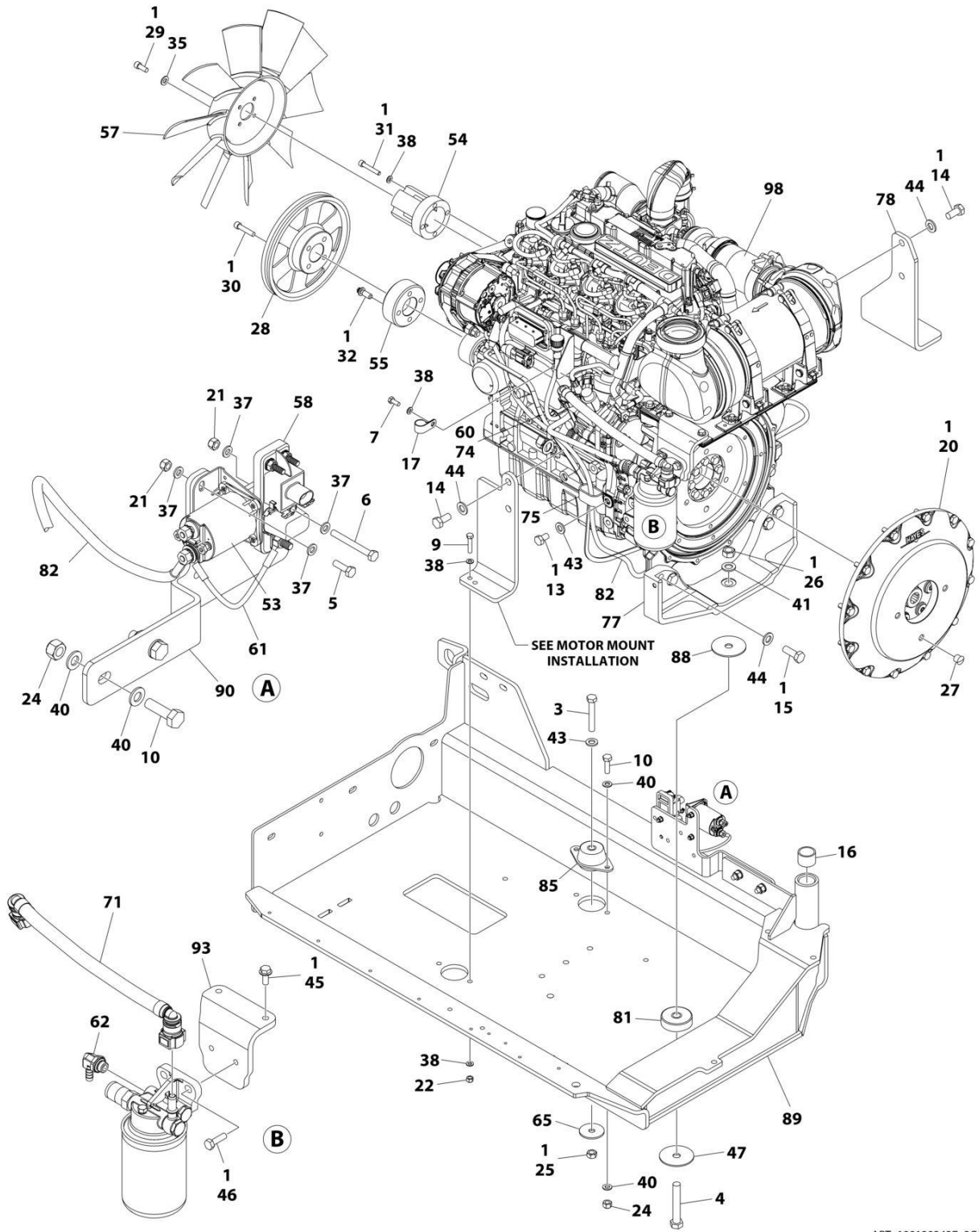
SECTION 3 - ENGINE

FIGURE 3-50. DEUTZ D2.9L4 - EMR5 (67HP) ENGINE ASSEMBLY WITH ARCTIC PACKAGE



ART_1001302437_10F2

SECTION 3 - ENGINE



ART_1001302437_20F2

SECTION 3 - ENGINE

FIGURE 3-50. DEUTZ D2.9L4 - EMR5 (67HP) ENGINE ASSEMBLY WITH ARCTIC PACKAGE

ITEM	PART NUMBER	QTY	DESCRIPTION	REV
	1001302437	Ref	ENGINE AND PUMPS SUB-ASSEMBLY - EMR5 (67HP)	A
1	0100011	AR	Compound, Locking	
2	0681608	2	Bolt 3/8 x 1	
3	0711224	1	Bolt M12 x 80	
4	0711627	1	Bolt M16 x 100	
5	0760610	2	Bolt M6 x 20	
6	0760619	1	Bolt M6 x 55	
7	0760810	11	Bolt M8 x 20	
8	0760814	2	Bolt M8 x 30	
9	0760816	3	Bolt M8 x 40	
10	0761015	6	Bolt M10 x 35	
11	0761016	5	Bolt M10 x 40	
12	0761017	4	Bolt M10 x 45	
13	0761210	1	Bolt M12 x 20	
14	0771414	4	Bolt M14 x 30	
15	0771416	4	Bolt M14 x 40	
16	0961951	2	Bushing	
17	1320202	1	Clamp	
18	1703162	2	Decal - Fan Blade	
19	2720015	30 in /77 cm	Hose	
20	2902065	1	Pump Coupling Kit (See Separate Breakdown in this Section)	
21	3290605	3	Nut M6	
22	3290805	7	Nut M8	
23	3291001	4	Nut M10	
24	3291005	11	Nut M10	
25	3331211	1	Nut M12	
26	3331611	1	Nut M16	
27	3520054	1	Plug	
28	3580320	1	Pulley	
29	3931512	4	Capscrew 5/16 x 3/4	
30	3931628	4	Capscrew 3/8 x 1-3/4	
31	4031914	4	Capscrew M8 x 50	
32	4032014	4	Capscrew M10 x 50	
33	4240032	AR	Tie-Strap (Not Shown)	
34	4240099	AR	Tie-Strap (Not Shown)	
35	4711500	4	Washer 5/16	
36	4751600	2	Washer 3/8	
37	4811700	6	Washer M6	
38	4811900	19	Washer M8	
39	4811902	8	Washer M8	
40	4812000	20	Washer M10	
41	4812300	1	Washer M16	
42	5241000	10	Washer M10	
43	5241200	2	Washer M12	
44	5241400	8	Washer M14	
45	5250810	2	Bolt M8 x 20	
46	5251012	2	Bolt M10 x 25	
47	7300435	1	Washer	
48	8405007	2	Clamp	

SECTION 3 - ENGINE

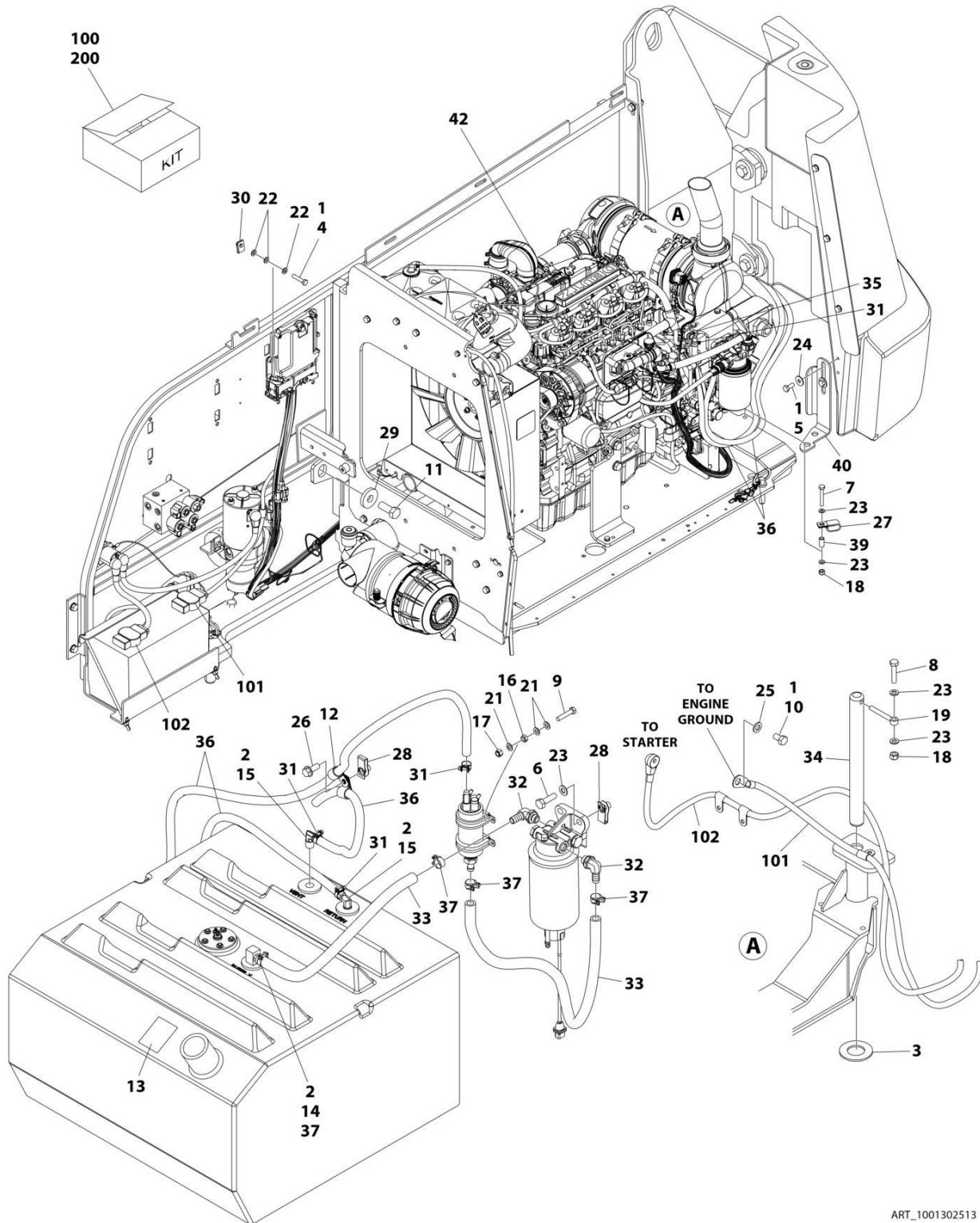
ITEM	PART NUMBER	QTY	DESCRIPTION	REV
49	8405009	4	Clamp	
50	8405104	4	Clamp	
51	8406109	1	Clip	
52	8410011	2	Clamp	
53	1001117308	1	Contactora	
54	1001135138	1	Adapter	
55	1001135679	1	Adapter	
56	1001136834	1	Cap, Tank	
57	1001137276	1	Fan	
58	1001138228	1	Relay	
59	1001138248	4 ft /1.3 m	Hose	
60	1001140312	1	Heater, Engine Block	
61	1001141304	1	Harness, Glow Fuse	
62	1001152489	1	Fitting, 90 Barbed	
63	1001166716	1	Indicator	
64	1001167042	1	Radiator	
65	1001168018	1	Washer	
66	1001168166	2	Seal	
67	1001169054	4	Isolator	
68	1001169138	4	Pad	
69	1001169967	2	Bracket	
70	1001170035	2	Bracket	
71	1001177359	1	Hose	
72	1001177844	1	Hose, Radiator (Upper)	
73	1001180620	AR	Adhesive	
74	1001181895	AR	Adhesive	
75	1001181899	1	Clamp, Double	
76	1001186426	1	Clamp	
77	1001188535	1	Bracket	
78	1001189026	1	Bracket	
79	1001189913	1	Hose	
80	1001189979	1	Filter, Air	
81	1001190164	1	Mount	
82	1001190442	1	Cable, Alternator Power	
83	1001190942	1	Support	
84	1001191025	1	Hose, Radiator (Bottom)	
85	1001191610	1	Mount	
86	1001192400	1	Bracket	
87	1001193049	1	Hose	
88	1001197725	1	Spacer	
89	1001200745	1	Tray	
90	1001203885	1	Plate	
91	1001229091	1	Support	
92	1001230635	1	Tank	
92	1001134488	1	Fitting, 90 Barbed	
92	1001138827	1	Sensor, Coolant Level	
92	1001140564	1	Fitting, 90 Barbed	
93	1001231805	1	Bracket	
94	1001276644	1	Engine Harness (Not Shown) (See Separate Breakdown in ELECTRICAL Section)	
95	1001281985	1	Connector (Not Shown)	
96	1001281986	1	Connector (Not Shown)	

SECTION 3 - ENGINE

ITEM	PART NUMBER	QTY	DESCRIPTION	REV
97	1001291401	1	Tag, Coolant	
98	1001301727	1	Deutz D2.9L4 - EMR5 Engine (See Separate Breakdown in this Section)	

SECTION 3 - ENGINE

FIGURE 3-51. DEUTZ D2.9L4 - EMR5 (67HP) ENGINE INSTALLATION WITHOUT ARCTIC PACKAGE (660SJ HC3)



ART_1001302513

SECTION 3 - ENGINE

**FIGURE 3-51. DEUTZ D2.9L4 - EMR5 (67HP) ENGINE INSTALLATION WITHOUT ARCTIC PACKAGE
(660SJ HC3)**

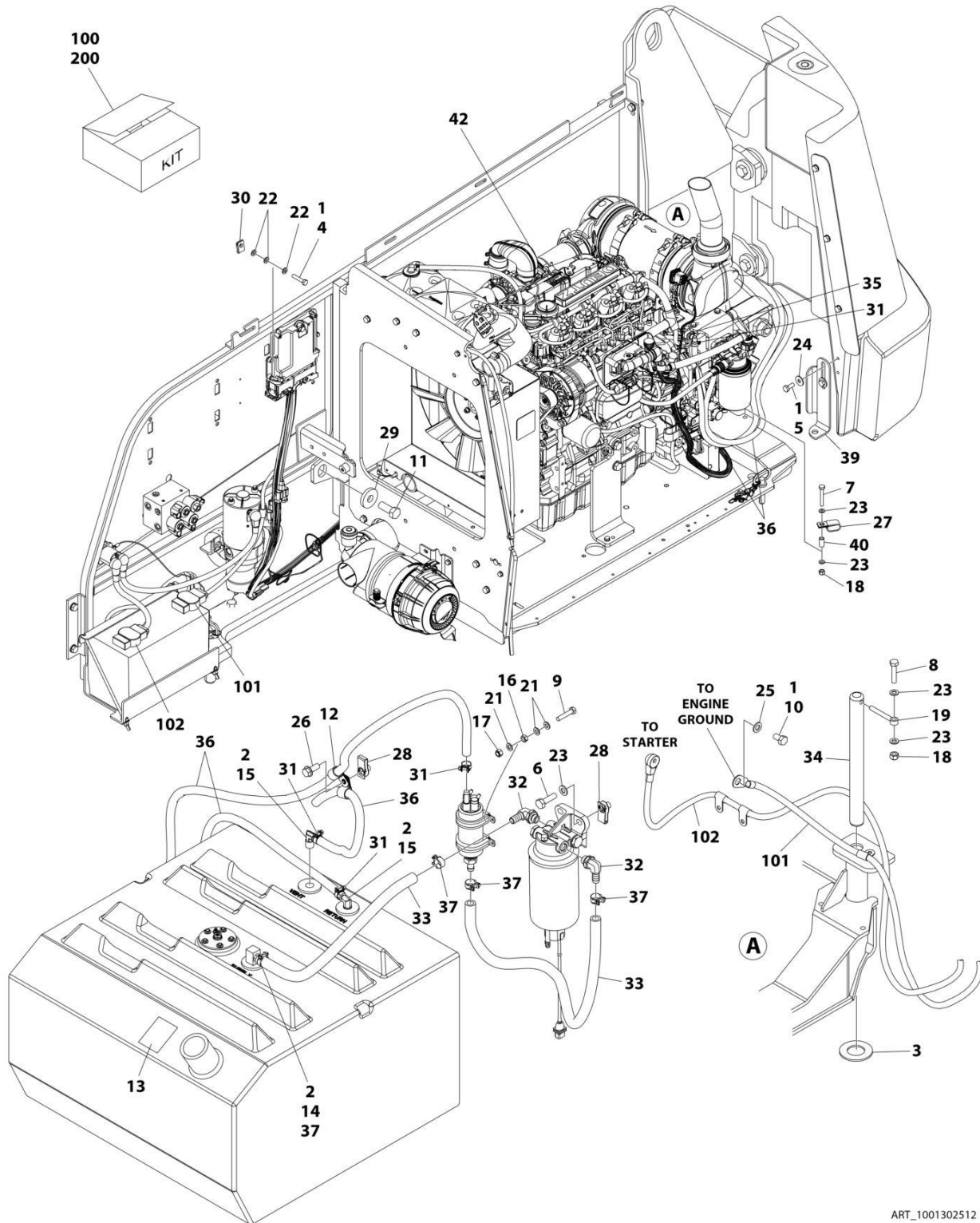
ITEM	PART NUMBER	QTY	DESCRIPTION	REV
	1001302513	Ref	ENGINE INSTALLATION EMR5 (67HP) W/O ARCTIC	A
1	0100011	AR	Compound, Locking	
2	0100020	AR	Sealant	
3	0440162	1	Bearing	
4	0700614	4	Bolt M6 x 30	
5	0701012	2	Bolt M10 x 25	
6	0701015	2	Bolt M10 x 35	
7	0701022	1	Bolt M10 x 70	
8	0711018	1	Bolt M10 x 50	
9	0760512	4	Bolt M5 x 25	
10	0761210	1	Bolt M12 x 20	
11	0772018	1	Bolt M20 x 50	
12	1320061	2	Clamp	
13	1701505	1	Decal - Diesel	
14	2180832	1	Fitting, Straight Barbed	
15	2220313	2	Fitting, 90 NPTF/Barb	
16	3290501	4	Nut M5	
17	3290505	4	Nut M5	
18	3291005	2	Nut M10	
19	3841143	1	Keeper, Pin	
20	4240099	AR	Tie-Strap (Not Shown)	
21	4811600	12	Washer M5	
22	4811700	12	Washer M6	
23	4812000	6	Washer M10	
24	4812002	2	Washer M10	
25	4812100	1	Washer M12	
26	5251012	1	Bolt M10 x 25	
27	1001026127	1	Clamp	
28	1001118972	3	Nut M10	
29	1001119051	1	Washer	
30	1001130220	4	Nut, Tinnerman M6	
31	1001136975	5	Clamp	
32	1001142501	2	Fitting, 90 Barbed	
33	1001154405	3 ft / 1 m	Hose	
34	1001155094	1	Pin	
35	1001155823	1	Coupling	
36	1001165035	27 ft / 9 m	Hose	
37	1001175568	4	Clip	
38	1001190444	1	Fuel Pump Harness - Deutz TD2.9L4 - 67HP Engine (Not Shown) (See Separate Breakdown in ELECTRICAL SECTION)	
39	1001200731	1	Tube	
40	1001258175	1	Bracket	
41	1001289594	1	ECU Power Jumper Harness (Not Shown) (See Separate Breakdown in ELECTRICAL Section)	
42	1001302394	1	Deutz D2.9L4 - EMR5 (67HP) Engine and Pump Sub-Assembly (See Separate Breakdown in this Section)	
100	1001235532	1	Battery Cable Kit	
101	1001188668	1	Cable, Battery (-) to Aux Pump and Ground	
102	1001188669	1	Cable, Battery (+) to Aux Relay to Starter	

SECTION 3 - ENGINE

ITEM	PART NUMBER	QTY	DESCRIPTION	REV
200	1001269920	1	Hose Assembly Kit	
201	1001192690	1	Hose (Case Drain) (Drive Pump Case Gauge Port to Tank) (Not Shown)	
202	1001203431	1	Hose (Case Drain) (Drive Pump Case Outlet Port to Tank) (Not Shown)	
203	1001258156	1	Hose (Function Suction) (Not Shown)	
204	1001258157	1	Hose (Drive Suction) (Not Shown)	

SECTION 3 - ENGINE

FIGURE 3-52. DEUTZ D2.9L4 - EMR5 (67HP) ENGINE INSTALLATION WITHOUT ARCTIC PACKAGE (600S HC3)



ART_1001302512

SECTION 3 - ENGINE

**FIGURE 3-52. DEUTZ D2.9L4 - EMR5 (67HP) ENGINE INSTALLATION WITHOUT ARCTIC PACKAGE
(600S HC3)**

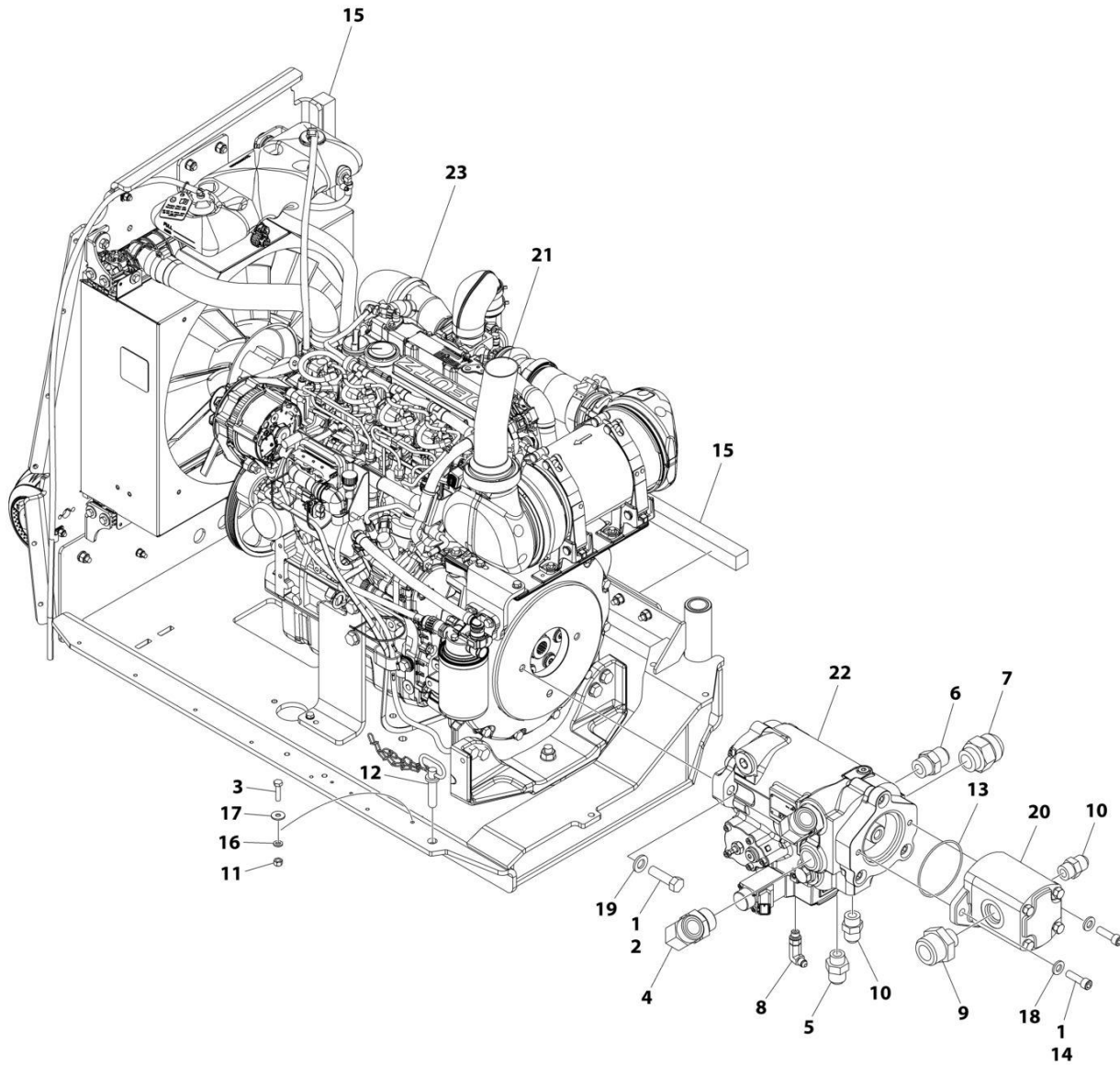
ITEM	PART NUMBER	QTY	DESCRIPTION	REV
	1001302512	Ref	ENGINE INSTALLATION EMR5 (67HP) W/O ARCTIC	A
1	0100011	AR	Compound, Locking	
2	0100020	AR	Sealant, Pipe	
3	0440162	1	Bearing	
4	0700614	4	Bolt M6 x 30	
5	0701012	2	Bolt M10 x 25	
6	0701015	2	Bolt M10 x 35	
7	0701022	1	Bolt M10 x 70	
8	0711018	1	Bolt M10 x 50	
9	0760512	4	Bolt M5 x 25	
10	0761210	1	Bolt M12 x 20	
11	0772018	1	Bolt M20 x 50	
12	1320061	2	Clamp	
13	1701505	1	Decal - Diesel	
14	2180832	1	Fitting, Straight Barbed	
15	2220313	2	Fitting, 90 NPTF/Barb	
16	3290501	4	Nut M5	
17	3290505	4	Nut M5	
18	3291005	2	Nut M10	
19	3841143	1	Keeper, Pin	
20	4240099	AR	Tie-Strap (Not Shown)	
21	4811600	12	Washer M5	
22	4811700	12	Washer M6	
23	4812000	6	Washer M10	
24	4812002	2	Washer M10	
25	4812100	1	Washer M12	
26	5251012	1	Bolt M10 x 25	
27	1001026127	1	Clamp, Double	
28	1001118972	3	Nut M10	
29	1001119051	1	Washer	
30	1001130220	4	Nut, Tinnerman M6	
31	1001136975	5	Clamp	
32	1001142501	2	Fitting, 90 Barbed	
33	1001154405	33 in /84 cm	Hose	
34	1001155094	1	Pin	
35	1001155823	1	Fitting, 90 Quick Connect	
36	1001165035	27 ft /8.3 m	Hose	
37	1001175568	4	Clip	
38	1001190444	1	Fuel Pump Harness (Not Shown) (See Separate Breakdown in ELECTRICAL Section)	
39	1001196398	1	Bracket	
40	1001200731	1	Tube	
41	1001289594	1	ECU Power Jumper Harness (Not Shown) (See Separate Breakdown in ELECTRICAL Section)	
42	1001302394	1	Deutz D2.9L4 - EMR5 (67HP) Engine and Pump Sub-Assembly (See Separate Breakdown in this Section)	
100	1001235532	1	Battery Cable Kit	
101	1001188668	1	Cable, Battery (-) to Aux Pump and Ground	

SECTION 3 - ENGINE

ITEM	PART NUMBER	QTY	DESCRIPTION	REV
102	1001188669	1	Cable, Battery (+) to Aux Relay to Starter	
200	1001269919	1	Hose Assembly Kit	
201	1001192690	1	Hose (Case Drain) (Drive Pump Case Gauge Port to Tank) (Not Shown)	
202	1001203431	1	Hose (Case Drain) (Drive Pump Case Outlet Port to Tank) (Not Shown)	
203	1001203432	1	Hose (Function Suction) (Not Shown)	
204	1001203433	1	Hose (Drive Suction) (Not Shown)	

SECTION 3 - ENGINE

FIGURE 3-53. DEUTZ D2.9L4 - EMR5 (67HP) ENGINE AND PUMPS SUB-ASSEMBLY WITHOUT ARCTIC PACKAGE



ART_1001302394

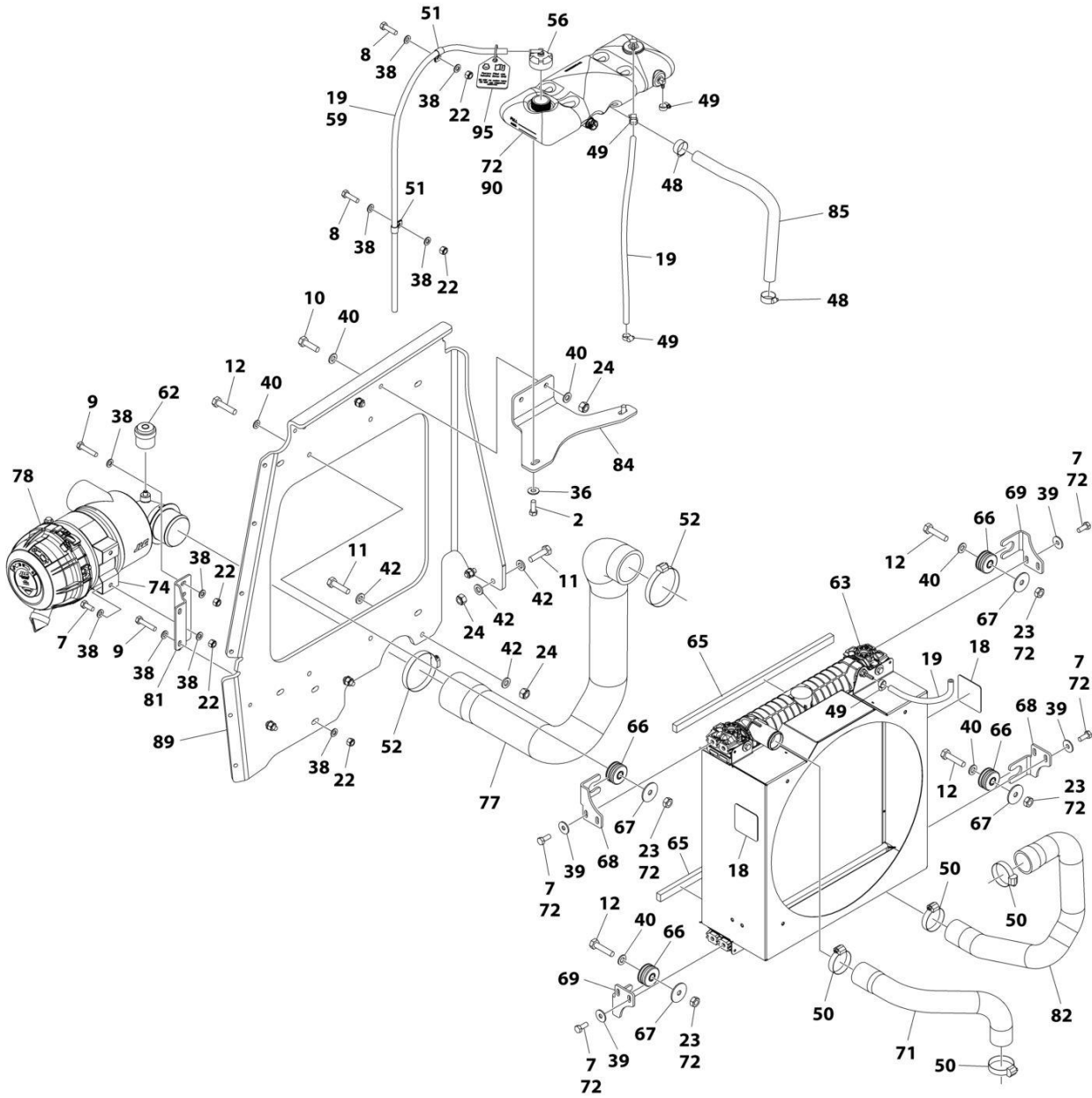
SECTION 3 - ENGINE

FIGURE 3-53. DEUTZ D2.9L4 - EMR5 (67HP) ENGINE AND PUMPS SUB-ASSEMBLY WITHOUT ARCTIC PACKAGE

ITEM	PART NUMBER	QTY	DESCRIPTION	REV
	1001302394	Ref	ENGINE AND PUMPS SUB-ASSEMBLY - EMR5 (67HP)	B
1	0100011	AR	Compound, Locking	
2	0641814	2	Bolt 1/2 x 1-3/4	
3	0760612	1	Bolt M6 x 25	
4	2131616	2	Fitting, 90 ORFS/ORB	
5	2220408	1	Fitting, Straight JIC/ORB	
6	2220451	1	Fitting, Straight JIC/ORB	
7	2220479	1	Fitting, Straight JIC/ORB	
8	2220940	1	Fitting, 90 JIC/ORB	
9	2220946	1	Fitting, Straight JIC/ORB	
10	2220947	2	Fitting, Straight JIC/ORB	
11	3290605	1	Nut M6	
12	3422532	1	Pin	
14	3931618	2	Capscrew 3/8 x 1-1/8	
15	3960469	2	Seal	
16	4811700	1	Washer M6	
17	4811702	1	Washer M6	
18	5241000	2	Washer M10	
19	5241200	2	Washer M12	
20	1001190143	1	Gear Pump Assembly	
20	70006356	1	Seal Kit - 1001190143 Pump	
21	1001239207	1	Pipe, Exhaust	
22	1001284471	1	Piston Pump Assembly (See Separate Breakdown in this Section)	
23	1001302381	1	Deutz D2.9L4 - EMR5 (67HP) Engine Assembly (See Separate Breakdown in this Section)	

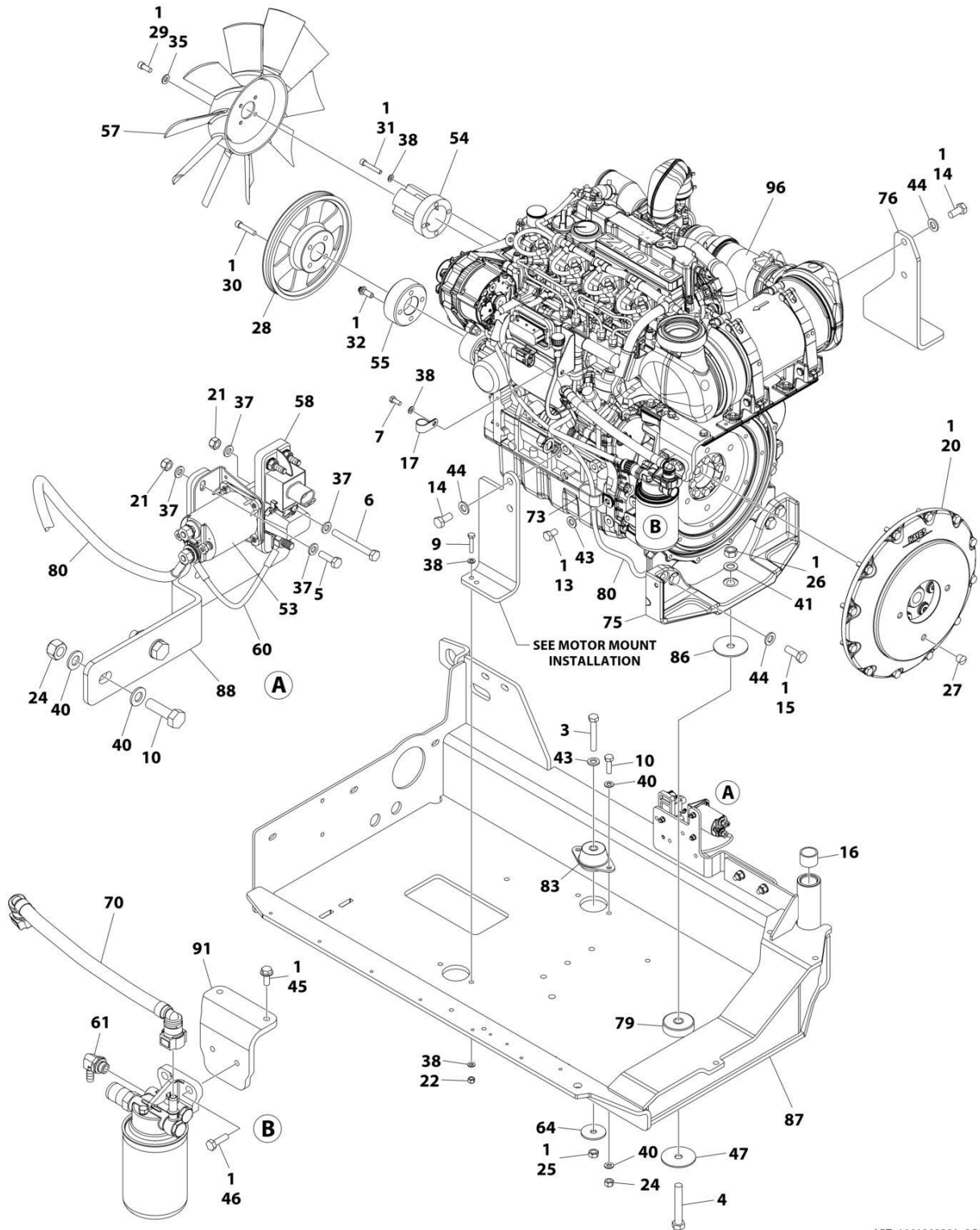
SECTION 3 - ENGINE

FIGURE 3-54. DEUTZ D2.9L4 - EMR5 (67HP) ENGINE ASSEMBLY WITHOUT ARCTIC PACKAGE



ART_1001302381_10F2

SECTION 3 - ENGINE



ART_1001302381_20F2

SECTION 3 - ENGINE

FIGURE 3-54. DEUTZ D2.9L4 - EMR5 (67HP) ENGINE ASSEMBLY WITHOUT ARCTIC PACKAGE

ITEM	PART NUMBER	QTY	DESCRIPTION	REV
	1001302381	Ref	ENGINE AND PUMPS SUB-ASSEMBLY - EMR5 (67HP)	A
1	0100011	AR	Compound, Locking	
2	0681608	2	Bolt 3/8 x 1	
3	0711224	1	Bolt M12 x 80	
4	0711627	1	Bolt M16 x 100	
5	0760610	2	Bolt M6 x 20	
6	0760619	1	Bolt M6 x 55	
7	0760810	11	Bolt M8 x 20	
8	0760814	2	Bolt M8 x 30	
9	0760816	3	Bolt M8 x 40	
10	0761015	6	Bolt M10 x 35	
11	0761016	5	Bolt M10 x 40	
12	0761017	4	Bolt M10 x 45	
13	0761210	1	Bolt M12 x 20	
14	0771414	4	Bolt M14 x 30	
15	0771416	4	Bolt M14 x 40	
16	0961951	2	Bushing	
17	1320202	1	Clamp	
18	1703162	2	Decal - Fan Blade	
19	2720015	3 ft /1 m	Hose	
20	2902065	1	Pump Coupling Kit (See Separate Breakdown in this Section)	
21	3290605	3	Nut M6	
22	3290805	7	Nut M8	
23	3291001	4	Nut M10	
24	3291005	11	Nut M10	
25	3331211	1	Nut M12	
26	3331611	1	Nut M16	
27	3520054	1	Plug	
28	3580320	1	Pulley	
29	3931512	4	Capscrew 5/16 x 3/4	
30	3931628	4	Capscrew 3/8 x 1-3/4	
31	4031914	4	Capscrew M8 x 50	
32	4032014	4	Capscrew M10 x 50	
33	4240032	AR	Tie-Strap (Not Shown)	
34	4240099	AR	Tie-Strap (Not Shown)	
35	4711500	4	Washer 5/16	
36	4751600	2	Washer 3/8	
37	4811700	6	Washer M6	
38	4811900	19	Washer M8	
39	4811902	8	Washer M8	
40	4812000	20	Washer M10	
41	4812300	1	Washer M16	
42	5241000	10	Washer M10	
43	5241200	2	Washer M12	
44	5241400	8	Washer M14	
45	5250810	2	Bolt M8 x 20	
46	5251012	2	Bolt M10 x 25	
47	7300435	1	Washer	
48	8405007	2	Clamp	
49	8405009	4	Clamp	

SECTION 3 - ENGINE

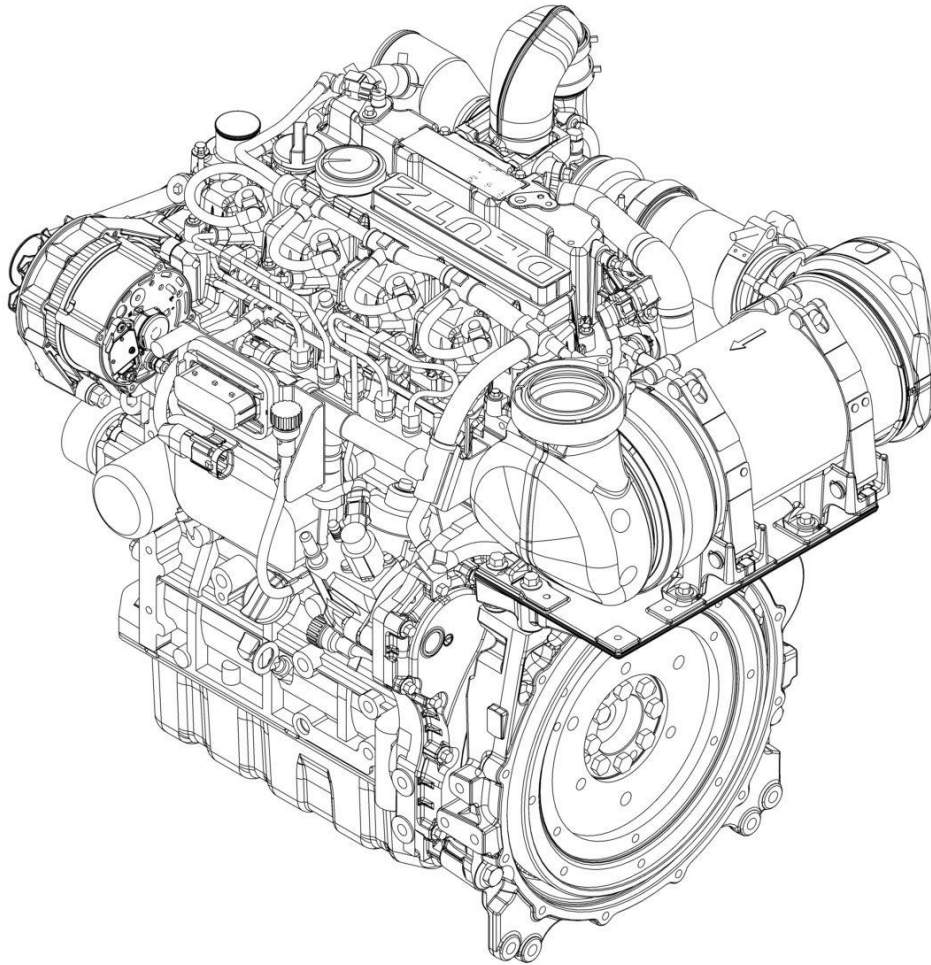
ITEM	PART NUMBER	QTY	DESCRIPTION	REV
50	8405104	4	Clamp	
51	8406109	2	Clip	
52	8410011	2	Clamp	
53	1001117308	1	Contactora	
54	1001135138	1	Adapter, Fan	
55	1001135679	1	Adapter	
56	1001136834	1	Cap, Tank	
57	1001137276	1	Fan	
58	1001138228	1	Relay	
59	1001138248	4 ft /2 m	Tube	
60	1001141304	1	Harness, Glow Fuse	
61	1001152489	1	Fitting, 90 Barbed	
62	1001166716	1	Restriction, Indicator	
63	1001167042	1	Radiator	
64	1001168018	1	Washer	
65	1001168166	2	Seal	
66	1001169054	4	Isolator	
67	1001169138	4	Pad, Snubbing	
68	1001169967	2	Bracket	
69	1001170035	2	Bracket	
70	1001177359	1	Hose	
71	1001177844	1	Hose, Upper Radiator	
72	1001180620	AR	Adhesive	
73	1001181899	1	Clamp, Double	
74	1001186426	1	Clamp	
75	1001188535	1	Bracket, Engine - Rear	
76	1001189026	1	Bracket, Engine - Right	
77	1001189913	1	Hose	
78	1001189979	1	Filter, Air	
78	70005008	1	Element, Filter	
79	1001190164	1	Mount	
80	1001190442	1	Cable, Alternator Power	
81	1001190942	1	Support	
82	1001191025	1	Hose, Radiator (Bottom)	
83	1001191610	1	Mount	
84	1001192400	1	Bracket	
85	1001193049	1	Hose	
86	1001197725	1	Spacer	
87	1001200745	1	Tray	
88	1001203885	1	Plate	
89	1001229091	1	Support	
90	1001230635	1	Tank	
90	1001134488	1	Fitting, 90 Barbed	
90	1001138827	1	Sensor, Coolant Level	
90	1001140564	1	Fitting, 90 Barbed	
91	1001231805	1	Bracket	
92	1001276644	1	Engine Harness (Not Shown - See Separate Breakdown in ELECTRICAL Section)	
93	1001281985	1	Connector (Not Shown)	
94	1001281986	1	Connector (Not Shown)	
95	1001291401	1	Tag, Coolant	

SECTION 3 - ENGINE

ITEM	PART NUMBER	QTY	DESCRIPTION	REV
96	1001301727	1	Deutz D2.9L4 - EMR5 (67HP) Engine (See Separate Breakdown in this Section)	

SECTION 3 - ENGINE

FIGURE 3-55. ENGINE COMPONENTS - DEUTZ D2.9L4 EMR5 (67HP) ENGINE



ART_1001301727

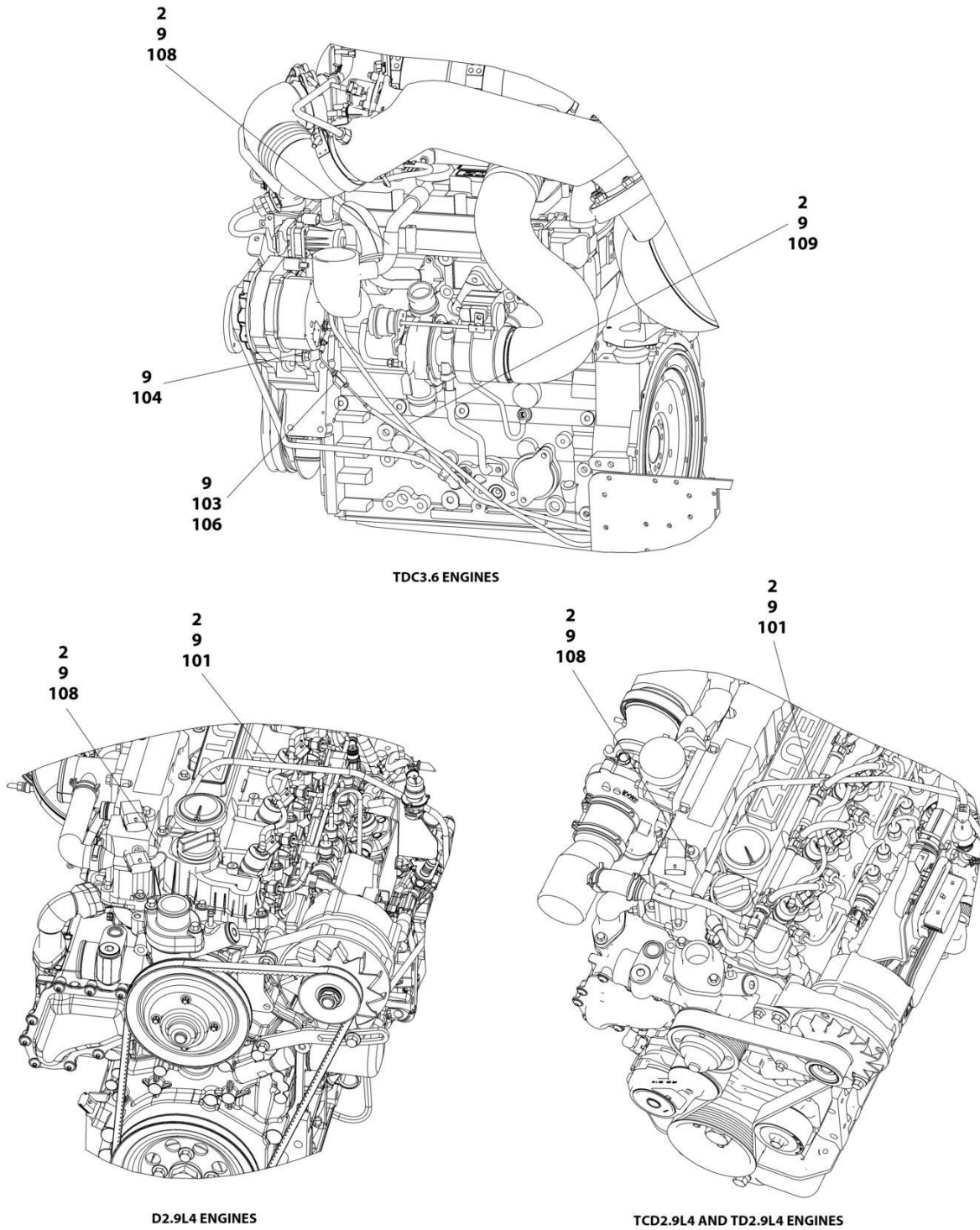
SECTION 3 - ENGINE

FIGURE 3-55. ENGINE COMPONENTS - DEUTZ D2.9L4 EMR5 (67HP) ENGINE

ITEM	PART NUMBER	QTY	DESCRIPTION	REV
	1001301727	Ref	ENGINE COMPONENTS - DEUTZ D2.9L4 EMR5 ENGINE	A
	See Note	Ref	Note: No Service Parts Available at Time of Printing	

SECTION 3 - ENGINE

FIGURE 3-56. BREATHER HEATER INSTALLATION - DEUTZ D2.9L4 - 49HP AND DEUTZ TD2.9L4 - 67HP ENGINES WITH ARCTIC PACKAGE



ART_1001233763

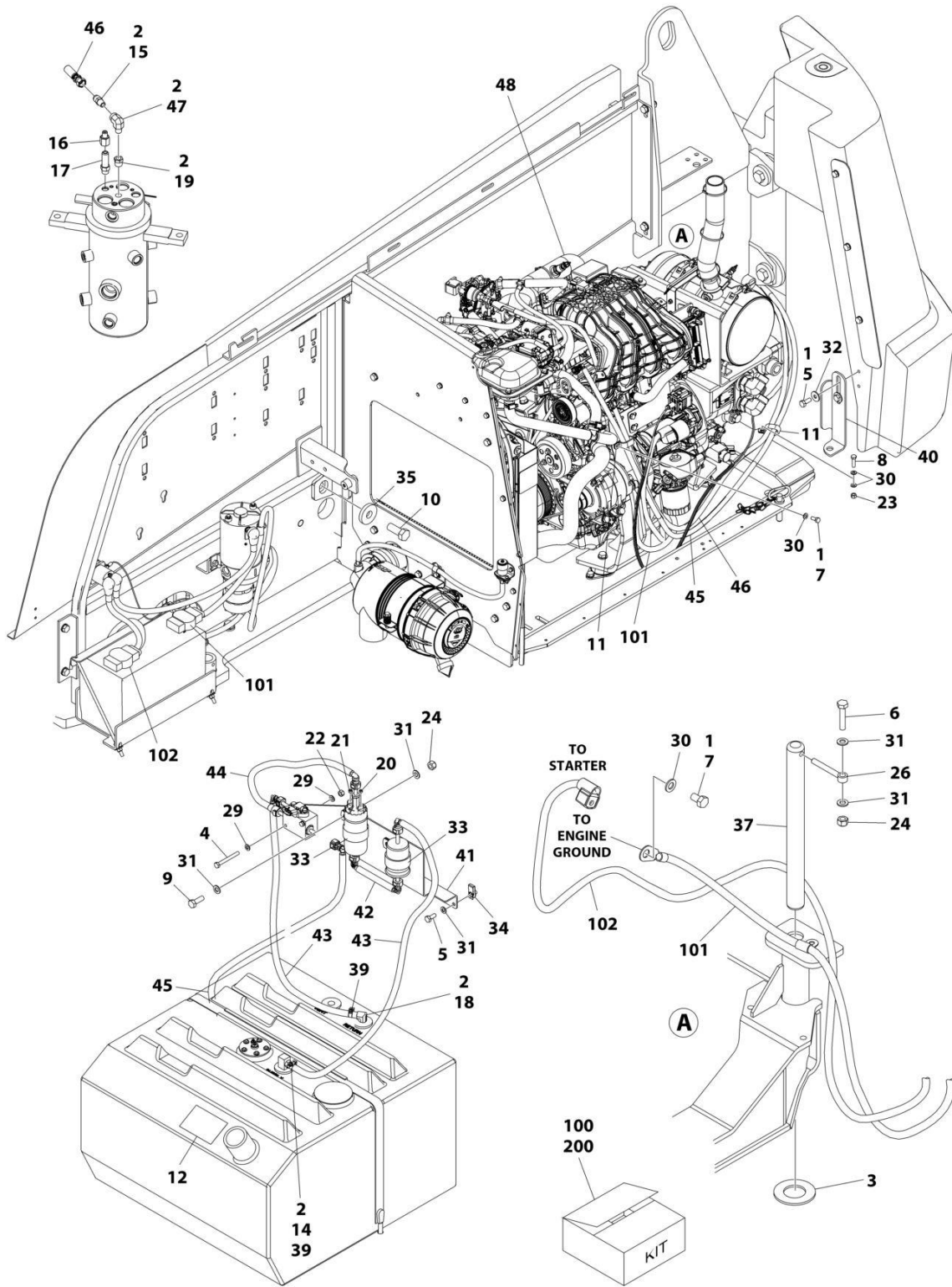
SECTION 3 - ENGINE

FIGURE 3-56. BREATHER HEATER INSTALLATION - DEUTZ D2.9L4 - 49HP AND DEUTZ TD2.9L4 - 67HP ENGINES WITH ARCTIC PACKAGE

ITEM	PART NUMBER	QTY	DESCRIPTION	REV
	1001233763	Ref	BREATHER HEATER INSTALLATION - DEUTZ ENGINES	D
2	4240099	AR	Tie-Strap	
9	1001243895	1	Breather Heater Harness	C
101	2820035	AR	Insulation	
103	2400060	1	Fuseholder with Cover	
104	4460043	1	Terminal, Ring	
105	4460722	1	Terminal, Ring (Not Shown)	
106	1001196634	1	Fuse - 2 Amp	
108	1001232842	1	Breather Heater Kit	

SECTION 3 - ENGINE

FIGURE 3-57. FORD ENGINE INSTALLATION - WITHOUT ARCTIC PACKAGE (600S HC3)



ART_1001285077

SECTION 3 - ENGINE

FIGURE 3-57. FORD ENGINE INSTALLATION - WITHOUT ARCTIC PACKAGE (600S HC3)

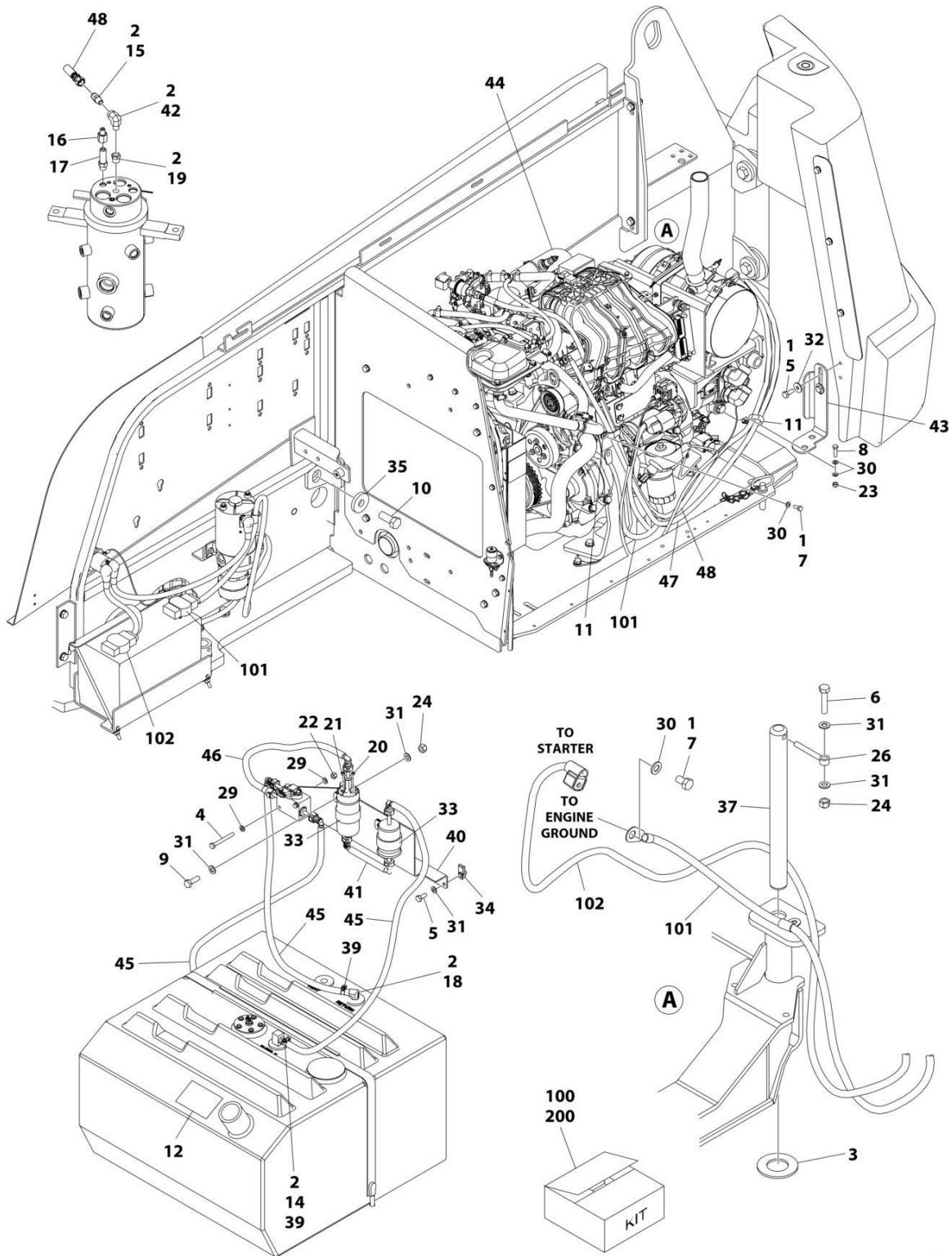
ITEM	PART NUMBER	QTY	DESCRIPTION	REV
	1001285077	Ref	FORD ENGINE INSTALLATION	B
1	0100011	AR	Compound, Locking	
2	0100020	AR	Sealant	
3	0440162	1	Bearing	
4	0700619	2	Bolt M6 x 55	
5	0701012	4	Bolt M10 x 25	
6	0711018	1	Bolt M10 x 50	
7	0760810	2	Bolt M8 x 20	
8	0760814	1	Bolt M8 x 30	
9	0761014	2	Bolt M10 x 30	
10	0772018	1	Bolt M20 x 50	
11	1321283	2	Clamp	
12	1701542	1	Decal - Gas	
13	1701543	2	Decal - LPG (Not Shown - See DECALS INSTALLATION - OPTIONS for Locations)	
14	2180348	1	Fitting, Straight NPT/BARB	
15	1001239802	1	Fitting, Straight	
16	2220609	1	Fitting, Straight JIC/FSJIC	
17	2220998	1	Fitting, Straight JIC/ORB	
18	2221176	1	Fitting, 90	
19	2221197	1	Fitting, Straight NPT	
20	3290405	1	Nut M4	
21	3290505	1	Nut M5	
22	3290605	2	Nut M6	
23	3290805	1	Nut M8	
24	3291005	3	Nut M10	
25	3790012	1	O-Ring (Not Shown - Located on Platform Console)	
26	3841143	1	Keeper, Pin	
27	4240099	AR	Tie-Strap (Not Shown)	
28	4740397	1	Spacer (Not Shown - Located on Platform Console)	
29	4811700	4	Washer M6	
30	4811900	4	Washer M8	
31	4812000	8	Washer M10	
32	4812002	2	Washer M10	
33	85941018	2	Clamp	
34	1001118972	2	Nut M10	
35	1001119051	1	Washer	
36	1001115044	1	Nut 15/32 (Not Shown - Located on Platform Console)	
37	1001155094	1	Pin	
38	1001161710	1	Switch, Toggle (Not Shown - Located on Platform Console)	
39	1001174486	2	Clamp	
40	1001196398	1	Bracket	
41	1001219005	1	Bracket	
42	1001219015	1	Hose	
43	1001219021	2	Hose	
44	1001219022	1	Hose	
45	1001219024	1	Hose	
46	1001222133	1	Hose	
48	1001285076	1	Ford Engine and Pumps Sub-Assembly (See Separate Breakdown in this Section)	

SECTION 3 - ENGINE

ITEM	PART NUMBER	QTY	DESCRIPTION	REV
100	1001236136	1	Battery Cable Kit	
101	1001215219	1	Cable, Battery (+) to Aux Ready to Starter	
102	1001215220	1	Cable, Battery (-) to Aux Pump to Ground	
200	1001269921	1	Engine Hose Kit	
201	1001203432	1	Hose (Drive Suction) (Not Shown)	
202	1001221942	1	Hose (Function Suction) (Not Shown)	
203	1001221943	1	Hose (Case Drain) (Drive Pump Case Outlet Port to Tank) (Not Shown)	
204	1001221944	1	Hose (Case Drain) (Drive Pump Case Gauge Port to Tank) (Not Shown)	

SECTION 3 - ENGINE

FIGURE 3-58. FORD ENGINE INSTALLATION - WITHOUT ARCTIC PACKAGE (660SJ HC3)



ART_1001285084

SECTION 3 - ENGINE

FIGURE 3-58. FORD ENGINE INSTALLATION - WITHOUT ARCTIC PACKAGE (660SJ HC3)

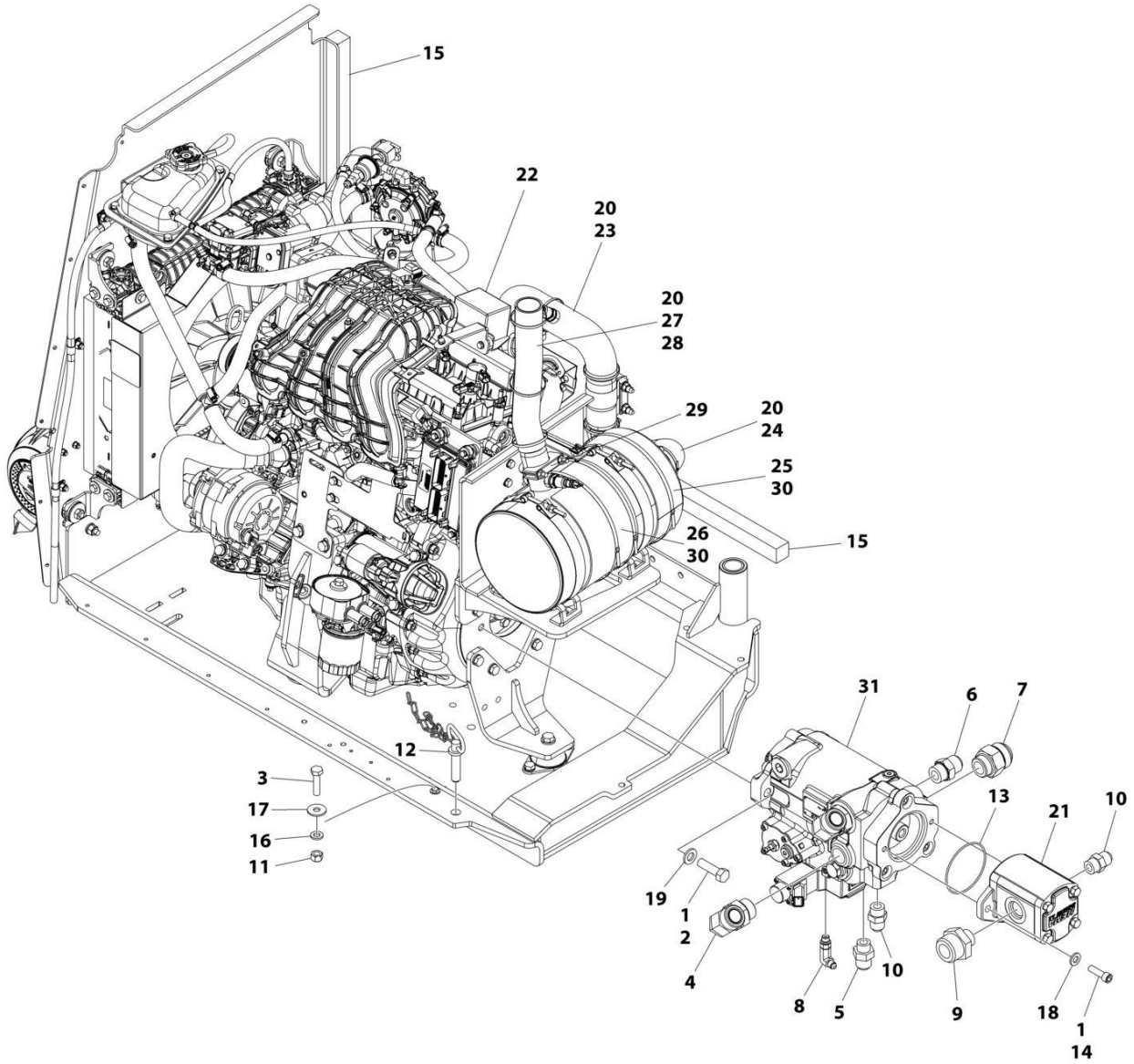
ITEM	PART NUMBER	QTY	DESCRIPTION	REV
	1001285084	Ref	FORD ENGINE INSTALLATION	B
1	0100011	AR	Compound, Locking	
2	0100020	AR	Sealant	
3	0440162	1	Bearing	
4	0700619	2	Bolt M6 x 55	
5	0701012	4	Bolt M10 x 25	
6	0711018	1	Bolt M10 x 50	
7	0760810	2	Bolt M8 x 20	
8	0760814	1	Bolt M8 x 30	
9	0761014	2	Bolt M10 x 30	
10	0772018	1	Bolt M20 x 50	
11	1321283	2	Clamp	
12	1701542	1	Decal - Gas	
13	1701543	2	Decal - LPG (Not Shown - See DECALS INSTALLATION - OPTIONS for Locations)	
14	2180348	1	Fitting, Straight NPT/BARB	
15	1001239802	1	Fitting, Straight	
16	2220609	1	Fitting, Straight JIC/FSJIC	
17	2220998	1	Fitting, Straight JIC/ORB	
18	2221176	1	Fitting, 90	
19	2221197	1	Fitting, Straight NPT	
20	3290405	1	Nut M4	
21	3290505	1	Nut M5	
22	3290605	2	Nut M6	
23	3290805	1	Nut M8	
24	3291005	3	Nut M10	
25	3790012	1	O-Ring (Not Shown - Located on Platform Console)	
26	3841143	1	Keeper, Pin	
27	4240099	1	Tie-Strap (Not Shown)	
28	4740397	1	Spacer (Not Shown - Located on Platform Console)	
29	4811700	4	Washer M6	
30	4811900	4	Washer M8	
31	4812000	8	Washer M10	
32	4812002	2	Washer M10	
33	85941018	2	Clamp	
34	1001118972	2	Nut M10	
35	1001119051	1	Washer	
36	1001115044	1	Nut 15/32 (Not Shown - Located on Platform Console)	
37	1001155094	1	Pin	
38	1001161710	1	Switch, Toggle (Not Shown - Located on Platform Console)	
39	1001174486	2	Clamp	
40	1001219005	1	Bracket	
41	1001219015	1	Hose	
43	1001258175	1	Bracket	
44	1001285076	1	Ford Engine and Pumps Sub-Assembly (See Separate Breakdown in this Section)	
45	1001219021	2	Hose	
46	1001219022	1	Hose	
47	1001219024	1	Hose	
48	1001222133	1	Hose	

SECTION 3 - ENGINE

ITEM	PART NUMBER	QTY	DESCRIPTION	REV
100	1001236136	1	Battery Cable Kit	
101	1001215219	1	Cable, Battery (+) to Aux Ready to Starter	
102	1001215220	1	Cable, Battery (-) to Aux Pump to Ground	
200	1001269922	1	Engine Hose Kit	
201	1001221942	1	Hose (Function Suction) (Not Shown)	
202	1001221943	1	Hose (Case Drain) (Drive Pump Case Outlet Port to Tank) (Not Shown)	
203	1001221944	1	Hose (Case Drain) (Drive Pump Case Gauge Port to Tank) (Not Shown)	
204	1001258263	1	Hose (Function Suction) (Not Shown)	

SECTION 3 - ENGINE

FIGURE 3-59. FORD ENGINE AND PUMPS SUB-ASSEMBLY WITHOUT ARCTIC PACKAGE



ART_1001285076

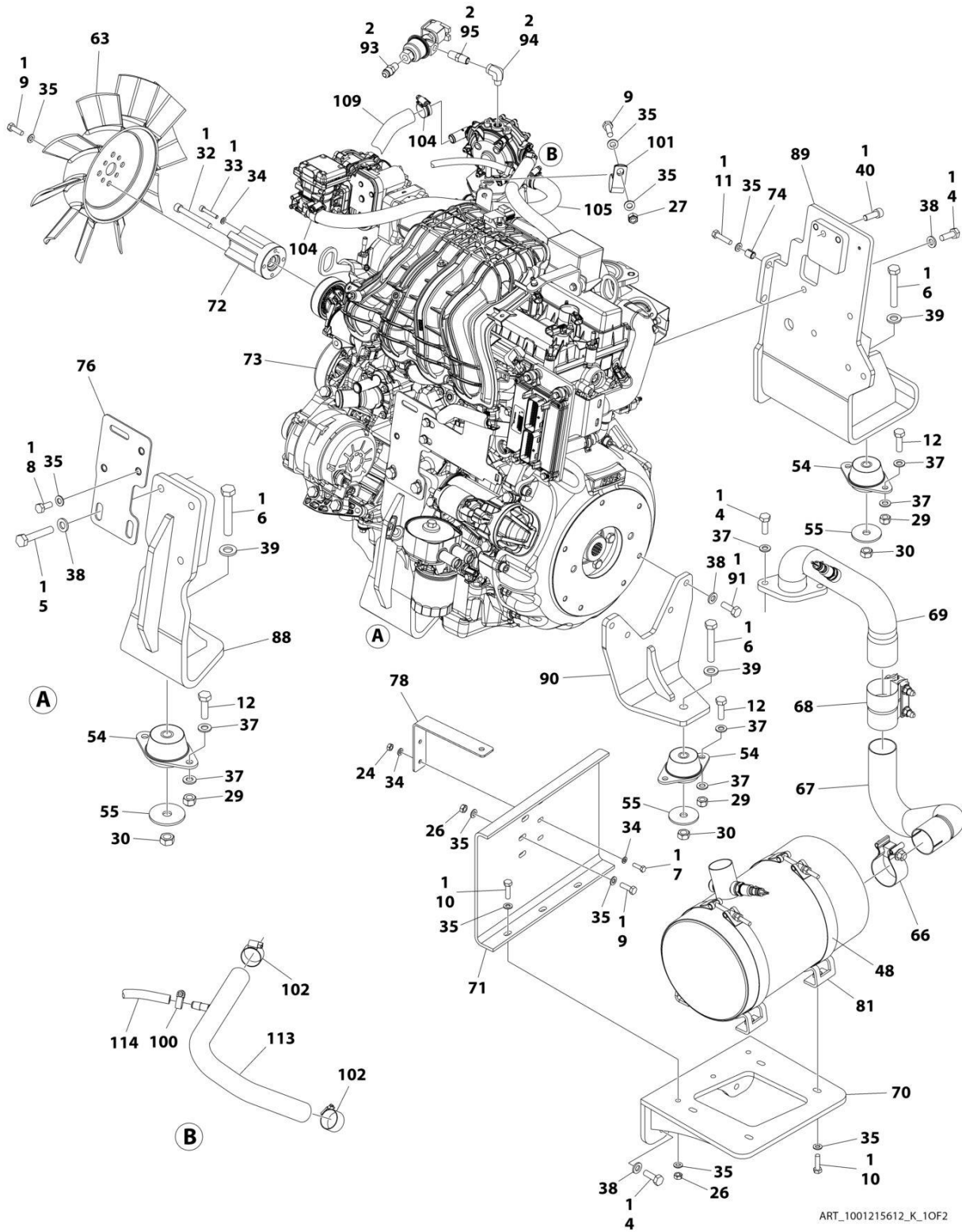
SECTION 3 - ENGINE

FIGURE 3-59. FORD ENGINE AND PUMPS SUB-ASSEMBLY WITHOUT ARCTIC PACKAGE

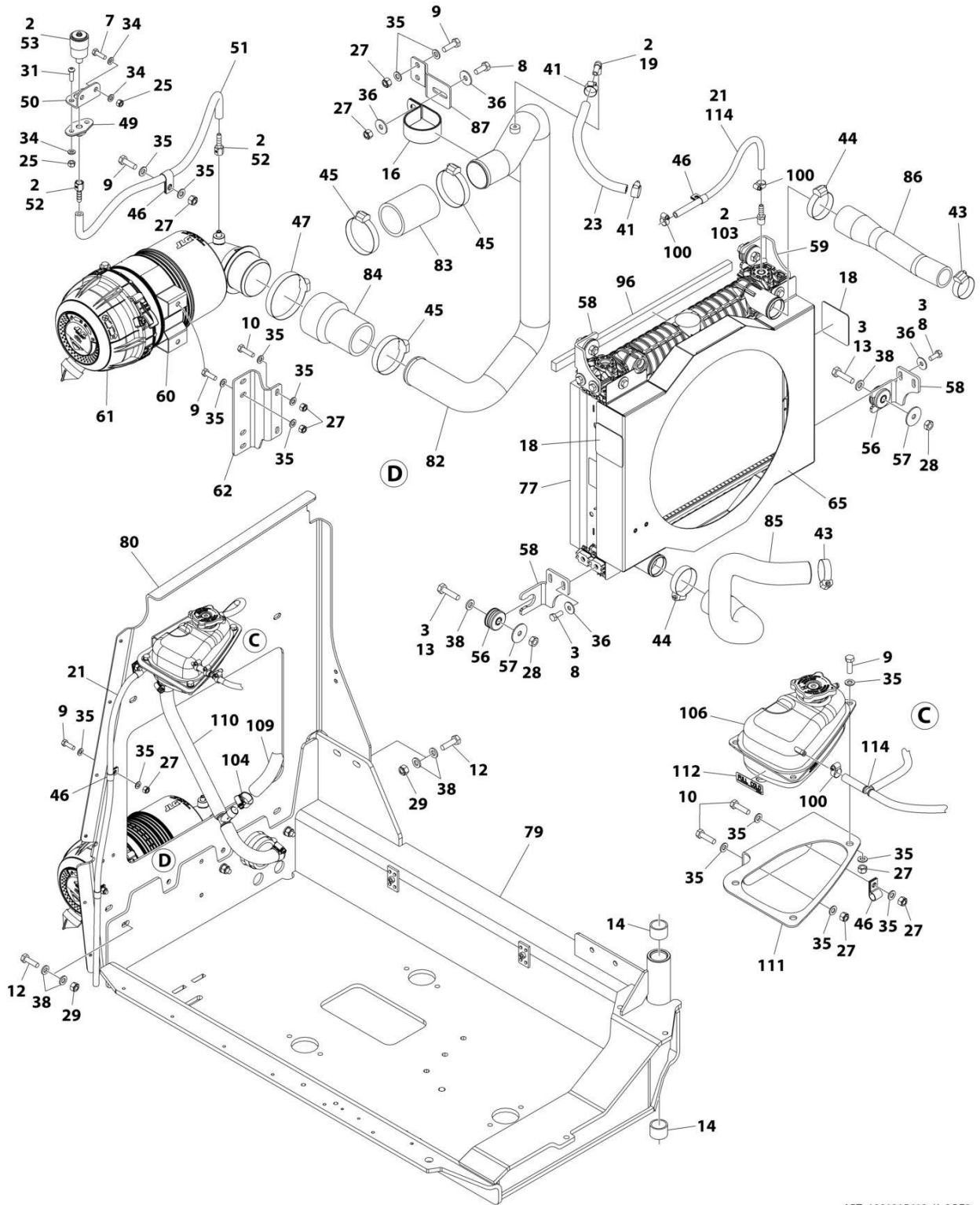
ITEM	PART NUMBER	QTY	DESCRIPTION	REV
	1001285076	Ref	FORD ENGINE AND PUMPS SUB-ASSEMBLY	B
1	0100011	AR	Compound, Locking	
2	0641814	2	Bolt 1/2 x 1-3/4	
3	0760612	1	Bolt M6 x 25	
4	2131616	2	Fitting, 90 ORFS/ORB	
5	2220408	1	Fitting, Straight JIC/ORB	
6	2220451	1	Fitting, Straight ORB/JIC	
7	2220479	1	Fitting, Straight JIC/ORB	
8	2220940	1	Fitting, 90 JIC/ORB	
9	2220946	1	Fitting, Straight JIC/ORB	
10	2220947	2	Fitting, Straight JIC/ORB	
11	3290605	1	Nut M6	
12	3422532	1	Pin	
14	3931618	2	Capscrew 3/8 x 1-1/8	
15	3960469	2	Seal	
16	4811700	1	Washer M6	
17	4811702	1	Washer M6	
18	5241000	2	Washer M10	
19	5241200	2	Washer M12	
20	1001100825	9	Strap	
21	1001190143	1	Gear Pump Assembly	
21	70006356	1	Seal Kit - 1001190143 Pump	
22	1001215612	1	Ford Engine Assembly (See Separate Breakdown in this Section)	
23	1001216532	1	Insulate, Exhaust	
24	1001216533	1	Insulate, Exhaust	
25	1001216534	1	Insulate, Muffler	
26	1001216535	1	Insulate, Muffler	
27	1001216947	1	Pipe, Exhaust	
28	1001217563	1	Insulate, Exhaust	
29	1001221397	1	Clamp	
30	1001221464	3	Strap	
31	1001284471	1	Piston Pump Assembly (See Separate Breakdown in this Section)	

SECTION 3 - ENGINE

FIGURE 3-60. FORD ENGINE ASSEMBLY - WITHOUT ARCTIC PACKAGE



SECTION 3 - ENGINE



ART_1001215612_K_20F2

SECTION 3 - ENGINE

FIGURE 3-60. FORD ENGINE ASSEMBLY - WITHOUT ARCTIC PACKAGE

ITEM	PART NUMBER	QTY	DESCRIPTION	REV
	1001215612	Ref	FORD ENGINE ASSEMBLY	K
1	0100011	AR	Compound, Locking	
2	0100020	AR	Sealant	
3	1001180620	AR	Adhesive	
4	0711014	10	Bolt M10 x 30	
5	0711020	3	Bolt M10 x 60	
6	0711223	3	Bolt M12 x 75	
7	0760610	4	Bolt M6 x 20	
8	0760810	11	Bolt M8 x 20	
9	0760812	18	Bolt M8 x 25	
10	0760814	11	Bolt M8 x 30	
11	0760815	2	Bolt M8 x 35	
12	0761015	11	Bolt M10 x 35	
13	0761016	4	Bolt M10 x 40	
14	0961951	2	Bushing	
16	1320110	1	Clamp	
18	1703162	2	Decal - Fan Blade	
19	2180467	1	Fitting, Straight NPT/Barb	
21	2720058	AR	Hose, Fuel	
23	1001165035	11 in/ 28cm	Hose	
24	3290601	2	Nut M6	
25	3290605	4	Nut M6	
26	3290801	5	Nut M8	
27	3290805	17	Nut M8	
28	3291001	4	Nut M10	
29	3291005	11	Nut M10	
30	3331211	3	Nut M12	
31	3900364	2	Capscrew M6 x 20	
32	3931648	1	Capscrew 3/8 x 3	
33	4031711	1	Capscrew M6 x 35	
34	4811700	14	Washer M6	
35	4811900	54	Washer M8	
36	4811902	10	Washer M8	
37	4812000	14	Washer M10	
38	5241000	30	Washer M10	
39	5241200	3	Washer M12	
40	5272010	1	Capscrew M10 x 30	
41	8405006	2	Clamp	
43	8405102	2	Clamp	
44	8405104	2	Clamp	
45	8405203	3	Clamp	
46	8406109	AR	Clip	
47	8410011	1	Clamp	
48	1001128901	2	Strap	
49	1001138173	1	Support	
50	1001138175	1	Bracket	
51	1001138248	23 in/.6m	Hose	
52	1001141995	2	Fitting, Straight NPT/Barbed	
53	1001149639	1	Indicator, Restriction	

SECTION 3 - ENGINE

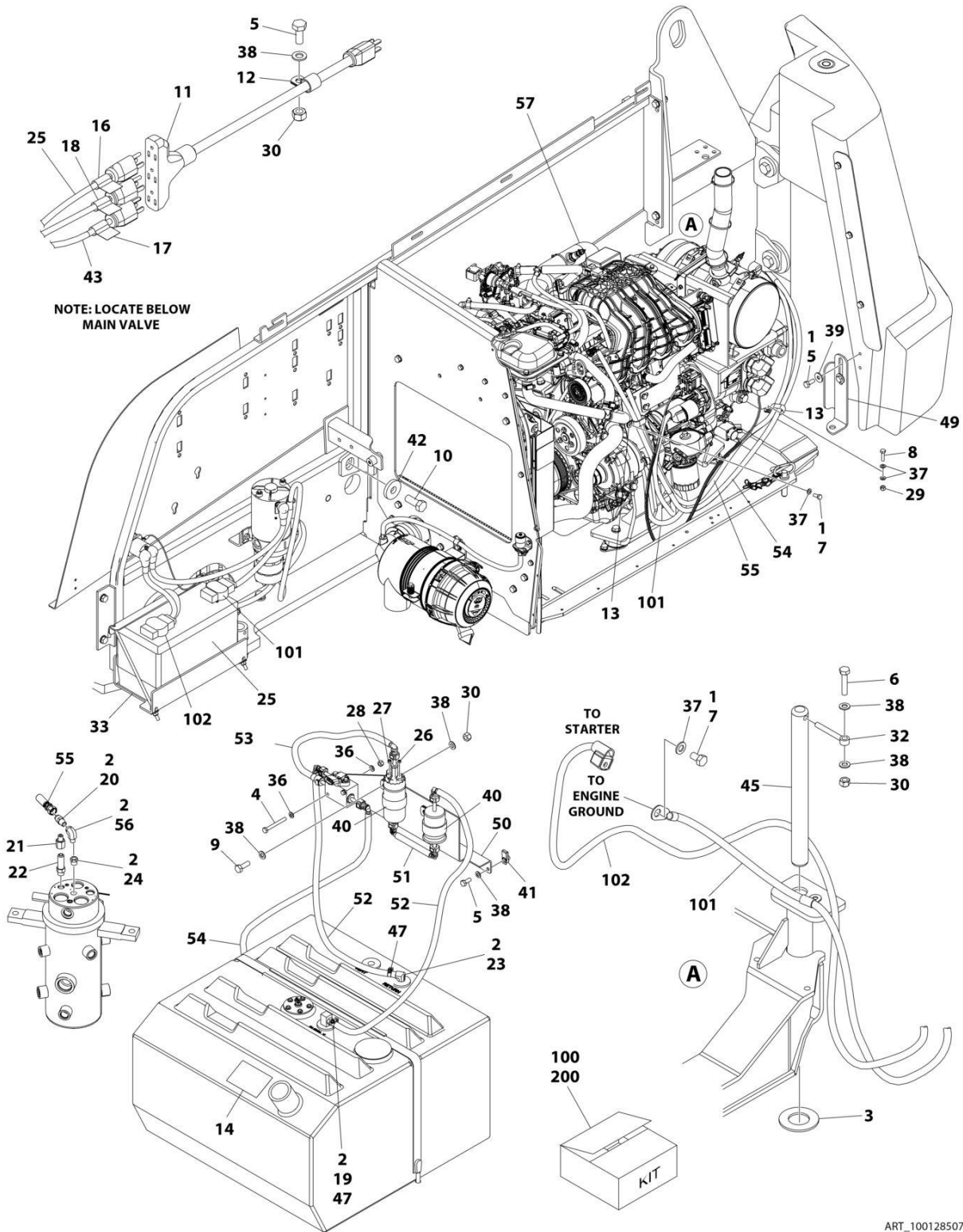
ITEM	PART NUMBER	QTY	DESCRIPTION	REV
54	1001191610	3	Mount, Motor	
55	1001168018	3	Washer	
56	1001169054	4	Isolator	
57	1001169138	4	Pad, Snubbing	
58	1001169967	3	Bracket	
59	1001170035	1	Bracket	
60	1001186426	1	Clamp	
61	1001189979	1	Filter, Air	
61	70005008	1	Element, Filter	
62	1001190942	1	Support	
63	1001223042	1	Fan	
64	1001215218	1	Engine Harness - Ford Engines (Not Shown) (See Separate Breakdown in ELECTRICAL SECTION)	
65	1001223923	1	Radiator	
66	1001215681	1	Clamp	
67	1001215899	1	Pipe, Exhaust	
68	1001215974	1	Clamp	
69	1001216075	1	Pipe, Exhaust	
70	1001216086	1	Bracket	
71	1001216092	1	Shield, Heat	
72	1001216201	1	Adapter	
73	1001216910	1	Ford Engine Prep Assembly (See Separate Breakdown in this Section)	
74	1001216919	2	Sleeve	
76	1001222033	1	Plate	
77	1001217185	2	Seal	
78	1001217186	1	Support	
79	1001217450	1	Tray	
80	1001217453	1	Support, Radiator	
81	1001217543	2	Mount	
82	1001217593	1	Pipe, Air Intake	
83	1001217594	1	Pipe, Air Intake	
84	1001217595	1	Pipe, Air Intake	
85	1001217647	1	Hose, Radiator (Lower)	
86	1001217648	1	Hose, Radiator (Upper)	
87	1001218471	1	Bracket	
88	1001218559	1	Mount, Engine (RH Front)	
89	1001218565	1	Mount, Engine (LH Front)	
90	1001218575	1	Mount, Engine (Rear)	
91	0761014	4	Bolt M10 x 30	
92	1001187781	1	Tie-Strap (Not Shown)	
93	2180418	1	Fitting	
94	1001247359	1	Fitting, 90	
95	2220261	1	Fitting	
96	1001217183	2	Seal	
100	8405009	AR	Gear	
101	8406201	1	Clip	
102	8410009	AR	Clamp	
103	8420231	1	Fitting, Barb	
104	1001173535	6	Clamp	
105	1001216531	25 in/ 63cm	Hose	

SECTION 3 - ENGINE

ITEM	PART NUMBER	QTY	DESCRIPTION	REV
106	1001223584	1	Tank, Surge	
109	1001224486	1	Hose	
110	1001224489	1	Hose	
111	1001225442	1	Bracket	
112	1001225510	1	Decal - Full Cold, Surge Tank	
113	1001227666	1	Hose	
114	1001227667	1	Hose	

SECTION 3 - ENGINE

FIGURE 3-61. FORD ENGINE INSTALLATION – WITH ARCTIC PACKAGE (600S HC3)



ART_1001285079

SECTION 3 - ENGINE

FIGURE 3-61. FORD ENGINE INSTALLATION – WITH ARCTIC PACKAGE (600S HC3)

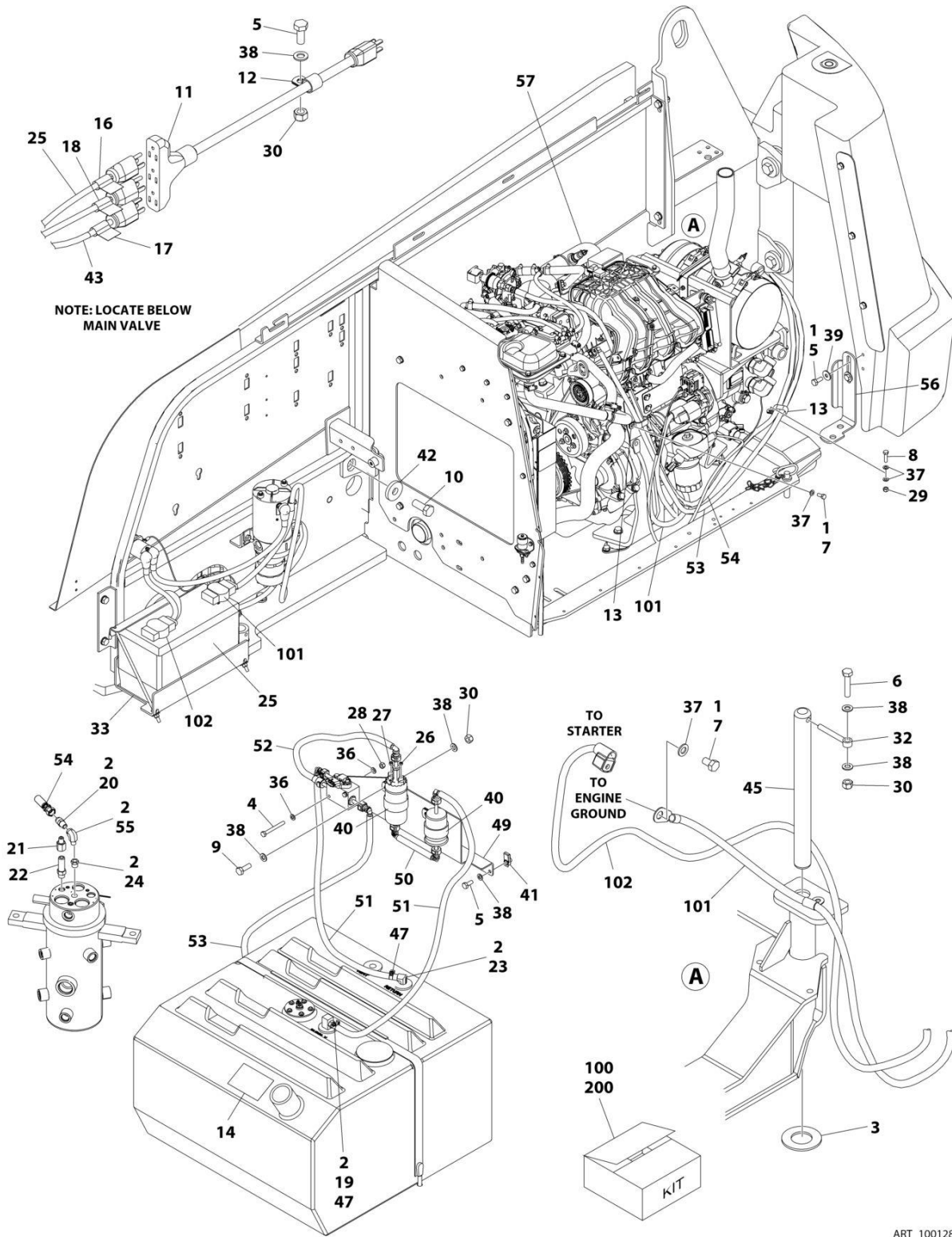
ITEM	PART NUMBER	QTY	DESCRIPTION	REV
	1001285079	Ref	FORD ENGINE INSTALLATION	B
1	0100011	AR	Compound, Locking	
2	0100020	AR	Sealant	
3	0440162	1	Bearing	
4	0700619	2	Bolt M6 x 55	
5	0701012	5	Bolt M10 x 25	
6	0711018	1	Bolt M10 x 50	
7	0760810	2	Bolt M8 x 20	
8	0760814	1	Bolt M8 x 30	
9	0761014	2	Bolt M10 x 30	
10	0772018	1	Bolt M20 x 50	
11	1060626	1	Plug, 3 Way	
12	1320061	1	Clamp	
13	1321283	2	Clamp	
14	1701542	1	Decal - Gas	
15	1701543	2	Decal - LPG (Not Shown - See DECALS INSTALLATION - OPTIONS for Locations)	
16	1702941	1	Decal - Battery Heater	
17	1702942	1	Decal - Engine Block Heater	
18	1702943	1	Decal - Hydraulic Tank Heater	
19	2180348	1	Fitting, Straight NPT/BARB	
20	2180418	1	Fitting, Straight	
20	1001239802	1	Fitting, Straight	
21	2220609	1	Fitting, Straight JIC/FSJIC	
22	2220998	1	Fitting, Straight JIC/ORB	
23	2221176	1	Fitting, 90	
24	2221197	1	Fitting, Straight NPT	
25	2580024	1	Heater, Battery	
26	3290405	1	Nut M4	
27	3290505	1	Nut M5	
28	3290605	2	Nut M6	
29	3290805	1	Nut M8	
30	3291005	4	Nut M10	
31	3790012	1	O-Ring (Not Shown - Located on Platform Console)	
32	3841143	1	Keeper, Pin	
33	3980007	1	Seat, Battery	
34	4240099	AR	Tie-Strap (Not Shown)	
35	4740397	1	Spacer (Not Shown - Located on Platform Console)	
36	4811700	4	Washer M6	
37	4811900	4	Washer M8	
38	4812000	9	Washer M10	
39	4812002	2	Washer M10	
40	85941018	2	Clamp	
41	1001118972	2	Nut M10	
42	1001119051	1	Washer	
43	1001150918	1	Cable, Extension Cord	
44	1001115044	1	Nut 15/32 (Not Shown - Located on Platform Console)	
45	1001155094	1	Pin	
46	1001161710	1	Switch, Toggle (Not Shown - Located on Platform Console)	
47	1001174486	2	Clamp	

SECTION 3 - ENGINE

ITEM	PART NUMBER	QTY	DESCRIPTION	REV
48	1001188972	1	Heater, Immersion (Not Shown - Located on Hydraulic Tank)	
49	1001196398	1	Bracket	
50	1001219005	1	Bracket	
51	1001219015	1	Hose	
52	1001219021	2	Hose	
53	1001219022	1	Hose	
54	1001219024	1	Hose	
55	1001222133	1	Hose	
57	1001285078	1	Ford Engine and Pumps Sub-Assembly (See Separate Breakdown in this Section)	
100	1001236136	1	Battery Cable Kit	
101	1001215219	1	Cable, Battery (+) to Aux Ready to Starter	
102	1001215220	1	Cable, Battery (-) to Aux Pump to Ground	
200	1001269921	1	Engine Hose Kit	
201	1001203432	1	Hose (Drive Suction) (Not Shown)	
202	1001221942	1	Hose (Function Suction) (Not Shown)	
203	1001221943	1	Hose (Case Drain) (Drive Pump Case Outlet Port to Tank) (Not Shown)	
204	1001221944	1	Hose (Case Drain) (Drive Pump Case Gauge Port to Tank) (Not Shown)	

SECTION 3 - ENGINE

FIGURE 3-62. FORD ENGINE INSTALLATION - WITH ARCTIC PACKAGE (660SJ HC3)



ART_1001285085

SECTION 3 - ENGINE

FIGURE 3-62. FORD ENGINE INSTALLATION - WITH ARCTIC PACKAGE (660SJ HC3)

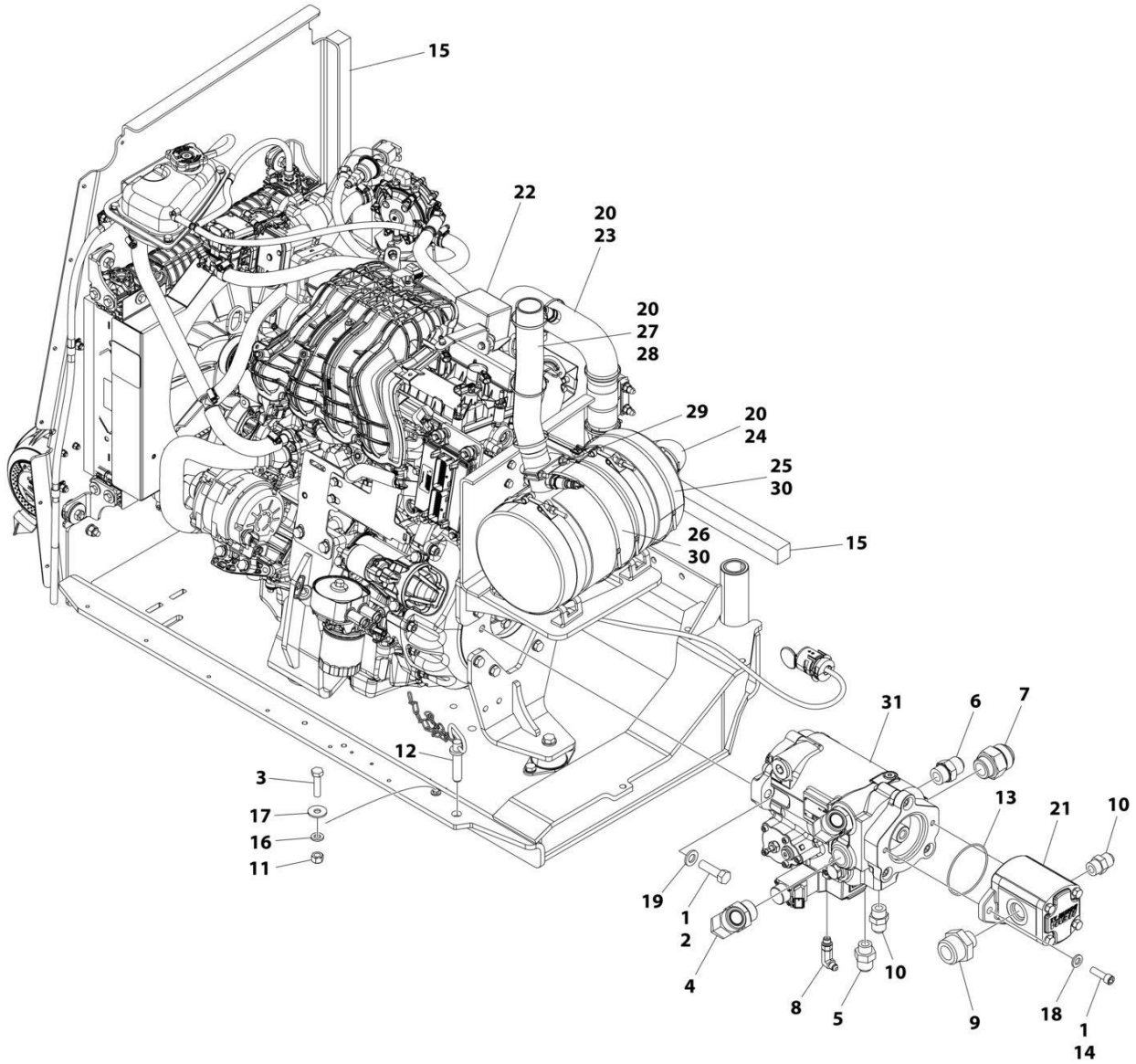
ITEM	PART NUMBER	QTY	DESCRIPTION	REV
	1001285085	Ref	FORD ENGINE INSTALLATION	B
1	0100011	AR	Compound, Locking	
2	0100020	AR	Sealant	
3	0440162	1	Bearing	
4	0700619	2	Bolt M6 x 55	
5	0701012	5	Bolt M10 x 25	
6	0711018	1	Bolt M10 x 50	
7	0760810	2	Bolt M8 x 20	
8	0760814	1	Bolt M8 x 30	
9	0761014	2	Bolt M10 x 30	
10	0772018	1	Bolt M20 x 50	
11	1060626	1	Cord, 3-Way	
12	1320061	1	Clamp	
13	1321283	2	Clamp	
14	1701542	1	Decal - Gas	
15	1701543	2	Decal - LPG (Not Shown - See DECALS INSTALLATION - OPTIONS for Locations)	
16	1702941	1	Decal - Battery Heater	
17	1702942	1	Decal - Engine Block Heater	
18	1702943	1	Decal - Hydraulic Tank Heater	
19	2180348	1	Fitting, Straight NPT/BARB	
20	1001239802	1	Fitting, Straight	
21	2220609	1	Fitting, Straight JIC/FSJIC	
22	2220998	1	Fitting, Straight JIC/ORB	
23	2221176	1	Fitting, 90	
24	2221197	1	Fitting, Straight NPT	
25	2580024	1	Heater, Battery	
26	3290405	1	Nut M4	
27	3290505	1	Nut M5	
28	3290605	2	Nut M6	
29	3290805	1	Nut M8	
30	3291005	4	Nut M10	
31	3790012	1	O-Ring (Not Shown - Located on Platform Console)	
32	3841143	1	Keeper, Pin	
33	3980007	1	Seat, Battery	
34	4240099	2	Tie-Strap (Not Shown)	
35	4740397	1	Spacer (Not Shown - Located on Platform Console)	
36	4811700	4	Washer M6	
37	4811900	4	Washer M8	
38	4812000	9	Washer M10	
39	4812002	2	Washer M10	
40	85941018	2	Clamp	
41	1001118972	2	Nut M10	
42	1001119051	1	Washer	
43	1001150918	1	Cable, Extension	
44	1001115044	1	Nut 15/32 (Not Shown - Located on Platform Console)	
45	1001155094	1	Pin	
46	1001161710	1	Switch, Toggle (Not Shown - Located on Platform Console)	
47	1001174486	2	Clamp	
48	1001188972	1	Heater, Immersion (Not Shown - Located on Hydraulic Tank)	

SECTION 3 - ENGINE

ITEM	PART NUMBER	QTY	DESCRIPTION	REV
49	1001219005	1	Bracket	
50	1001219015	1	Hose	
51	1001219021	2	Hose	
52	1001219022	1	Hose	
53	1001219024	1	Hose	
54	1001222133	1	Hose	
56	1001258175	1	Bracket	
57	1001285078	1	Ford Engine and Pumps Sub-Assembly (See Separate Breakdown in this Section)	
100	1001236136	1	Battery Cable Kit	
101	1001215219	1	Cable, Battery (+) to Aux Ready to Starter	
102	1001215220	1	Cable, Battery (-) to Aux Pump to Ground	
200	1001269922	1	Engine Hose Kit	
201	1001221942	1	Hose (Function Suction) (Not Shown)	
202	1001221943	1	Hose (Case Drain) (Drive Pump Case Outlet Port to Tank) (Not Shown)	
203	1001221944	1	Hose (Case Drain) (Drive Pump Case Gauge Port to Tank) (Not Shown)	
204	1001258263	1	Hose (Function Suction) (Not Shown)	

SECTION 3 - ENGINE

FIGURE 3-63. FORD ENGINE AND PUMPS SUB-ASSEMBLY WITH ARCTIC PACKAGE



ART_1001285078

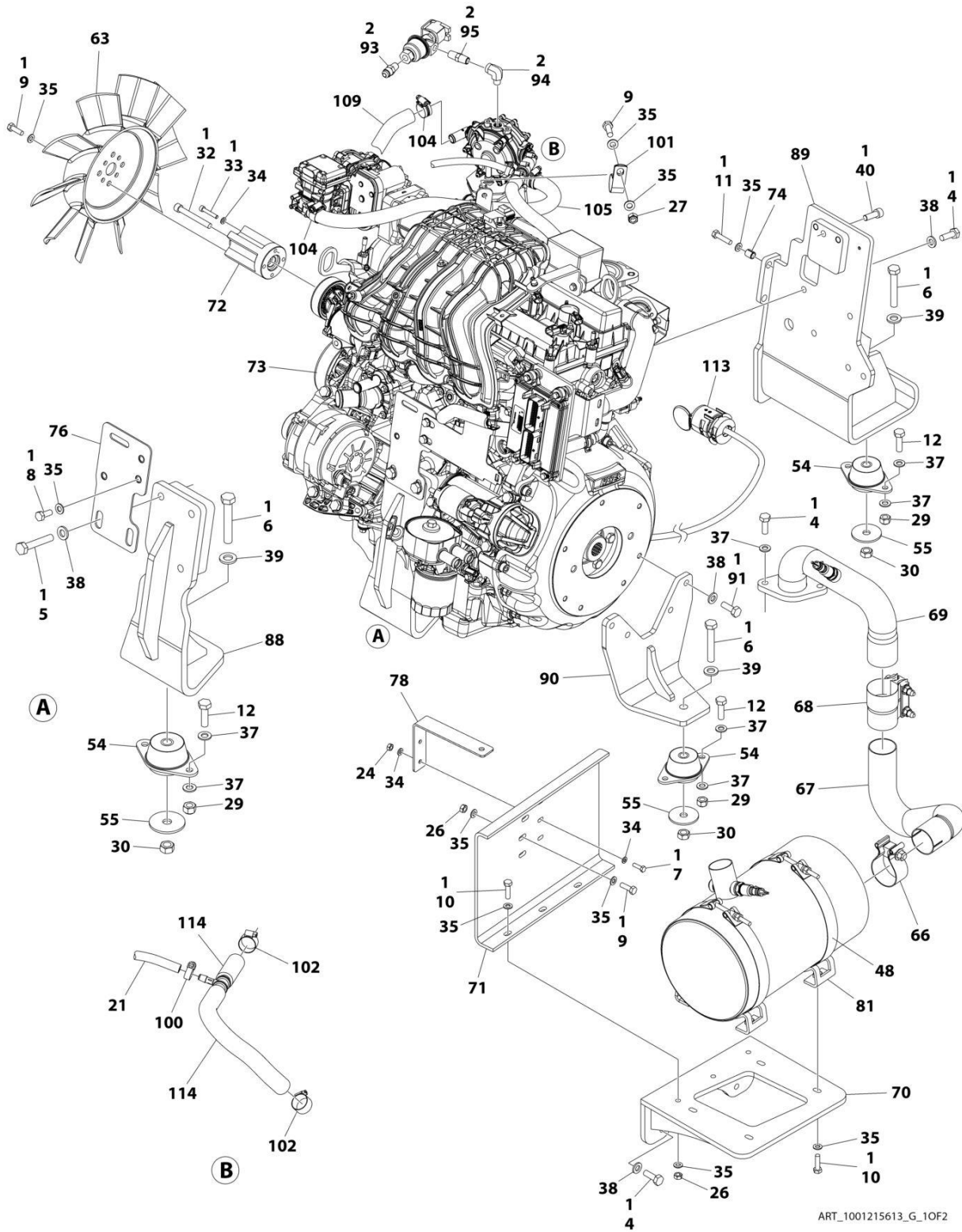
SECTION 3 - ENGINE

FIGURE 3-63. FORD ENGINE AND PUMPS SUB-ASSEMBLY WITH ARCTIC PACKAGE

ITEM	PART NUMBER	QTY	DESCRIPTION	REV
	1001285078	Ref	FORD ENGINE AND PUMPS SUB-ASSEMBLY	B
1	0100011	AR	Compound, Locking	
2	0641814	2	Bolt 1/2 x 1-3/4	
3	0760612	1	Bolt M6 x 25	
4	2131616	2	Fitting, 90 ORFS/ORB	
5	2220408	1	Fitting, Straight JIC/ORB	
6	2220451	1	Fitting, Straight ORB/JIC	
7	2220479	1	Fitting, Straight JIC/ORB	
8	2220940	1	Fitting, 90 JIC/ORB	
9	2220946	1	Fitting, Straight JIC/ORB	
10	2220947	2	Fitting, Straight JIC/ORB	
11	3290605	1	Nut M6	
12	3422532	1	Pin	
14	3931618	2	Capscrew 3/8 x 1-1/8	
15	3960469	2	Seal	
16	4811700	1	Washer M6	
17	4811702	1	Washer M6	
18	5241000	2	Washer M10	
19	5241200	2	Washer M12	
20	1001100825	9	Strap	
21	1001190143	1	Gear Pump Assembly	
21	70006356	1	Seal Kit - 1001190143 Pump	
22	1001215613	1	Ford Engine Assembly (See Separate Breakdown in this Section)	
23	1001216532	1	Insulate, Exhaust	
24	1001216533	1	Insulate, Exhaust	
25	1001216534	1	Insulate, Muffler	
26	1001216535	1	Insulate, Muffler	
27	1001216947	1	Pipe, Exhaust	
28	1001217563	1	Insulate, Exhaust	
29	1001221397	1	Clamp	
30	1001221464	3	Strap	
31	1001284471	1	Piston Pump Assembly (See Separate Breakdown in this Section)	

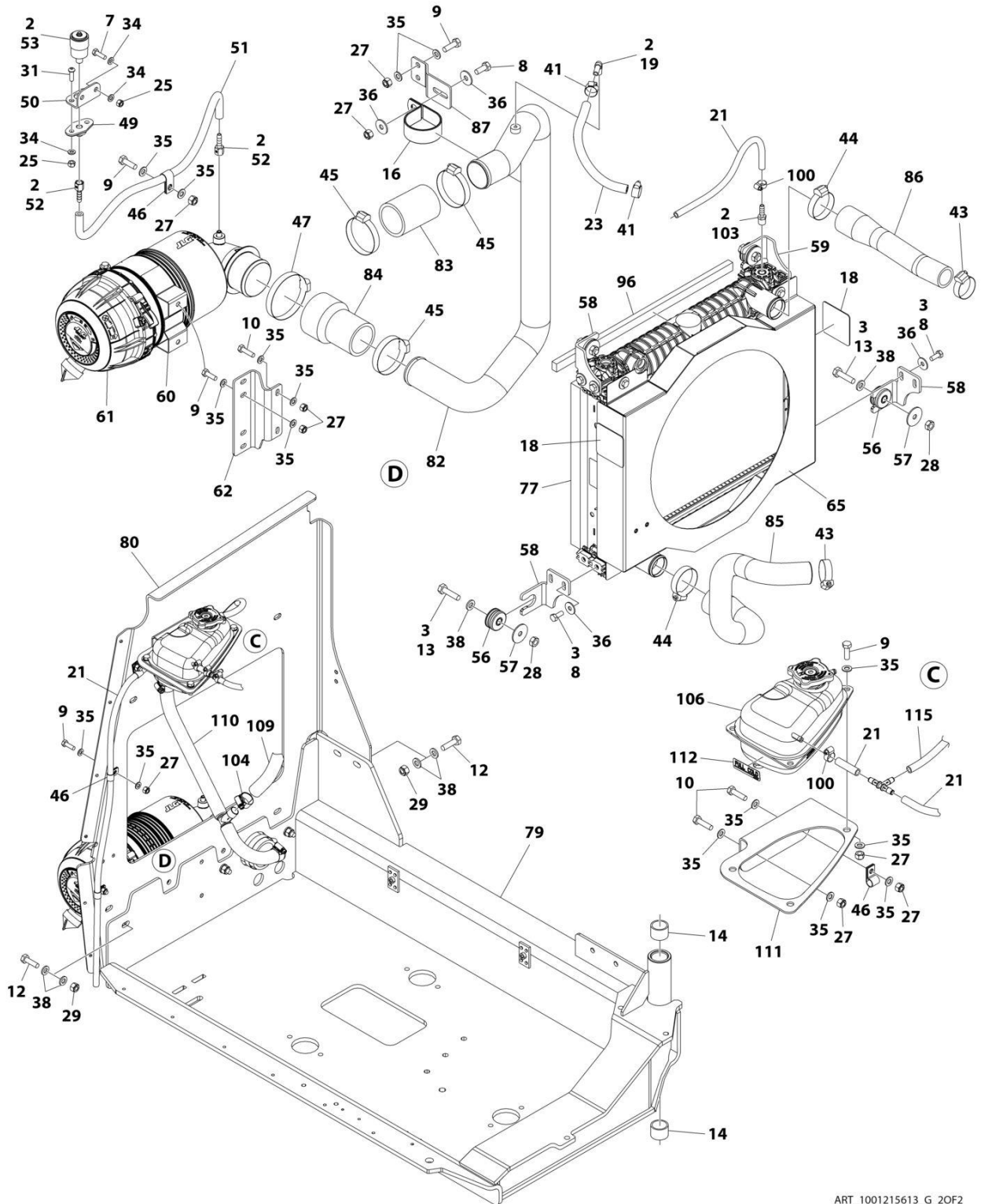
SECTION 3 - ENGINE

FIGURE 3-64. FORD ENGINE ASSEMBLY - WITH ARCTIC PACKAGE



ART_1001215613_G_10F2

SECTION 3 - ENGINE



ART_1001215613_G_20F2

SECTION 3 - ENGINE

FIGURE 3-64. FORD ENGINE ASSEMBLY - WITH ARCTIC PACKAGE

ITEM	PART NUMBER	QTY	DESCRIPTION	REV
	1001215613	Ref	FORD ENGINE ASSEMBLY	G
1	0100011	AR	Compound, Locking	
2	0100020	AR	Sealant	
3	1001180620	AR	Adhesive	
4	0711014	10	Bolt M10 x 30	
5	0711020	3	Bolt M10 x 60	
6	0711223	3	Bolt M12 x 75	
7	0760610	4	Bolt M6 x 20	
8	0760810	11	Bolt M8 x 20	
9	0760812	18	Bolt M8 x 25	
10	0760814	11	Bolt M8 x 30	
11	0760815	2	Bolt M8 x 35	
12	0761015	11	Bolt M10 x 35	
13	0761016	4	Bolt M10 x 40	
14	0961951	2	Bushing	
16	1320110	1	Clamp	
18	1703162	2	Decal - Fan Blade	
19	2180467	1	Fitting, Straight NPT/Barb	
21	2720058	95 in/2.5m	Hose, Fuel	
23	1001165035	1	Hose	
24	3290601	2	Nut M6	
25	3290605	4	Nut M6	
26	3290801	5	Nut M8	
27	3290805	17	Nut M8	
28	3291001	4	Nut M10	
29	3291005	11	Nut M10	
30	3331211	3	Nut M12	
31	3900364	2	Capscrew M6 x 20	
32	3931648	1	Capscrew 3/8 x 3	
33	4031711	4	Capscrew M6 x 35	
34	4811700	14	Washer M6	
35	4811900	54	Washer M8	
36	4811902	10	Washer M8	
37	4812000	14	Washer M10	
38	5241000	30	Washer M10	
39	5241200	3	Washer M12	
40	5272010	1	Capscrew M10 x 30	
41	8405006	2	Clamp	
43	8405102	2	Clamp	
44	8405104	2	Clamp	
45	8405203	3	8405203	
46	8406109	6	Clip	
47	8410011	1	Clamp	
48	1001128901	2	Strap	
49	1001138173	1	Support	
50	1001138175	1	Bracket	
51	1001138248	23 in/.6m	Hose	
52	1001141995	2	Fitting, Straight NPT/Barbed	
53	1001149639	1	Indicator, Restriction	
54	1001191610	3	Mount, Motor	

SECTION 3 - ENGINE

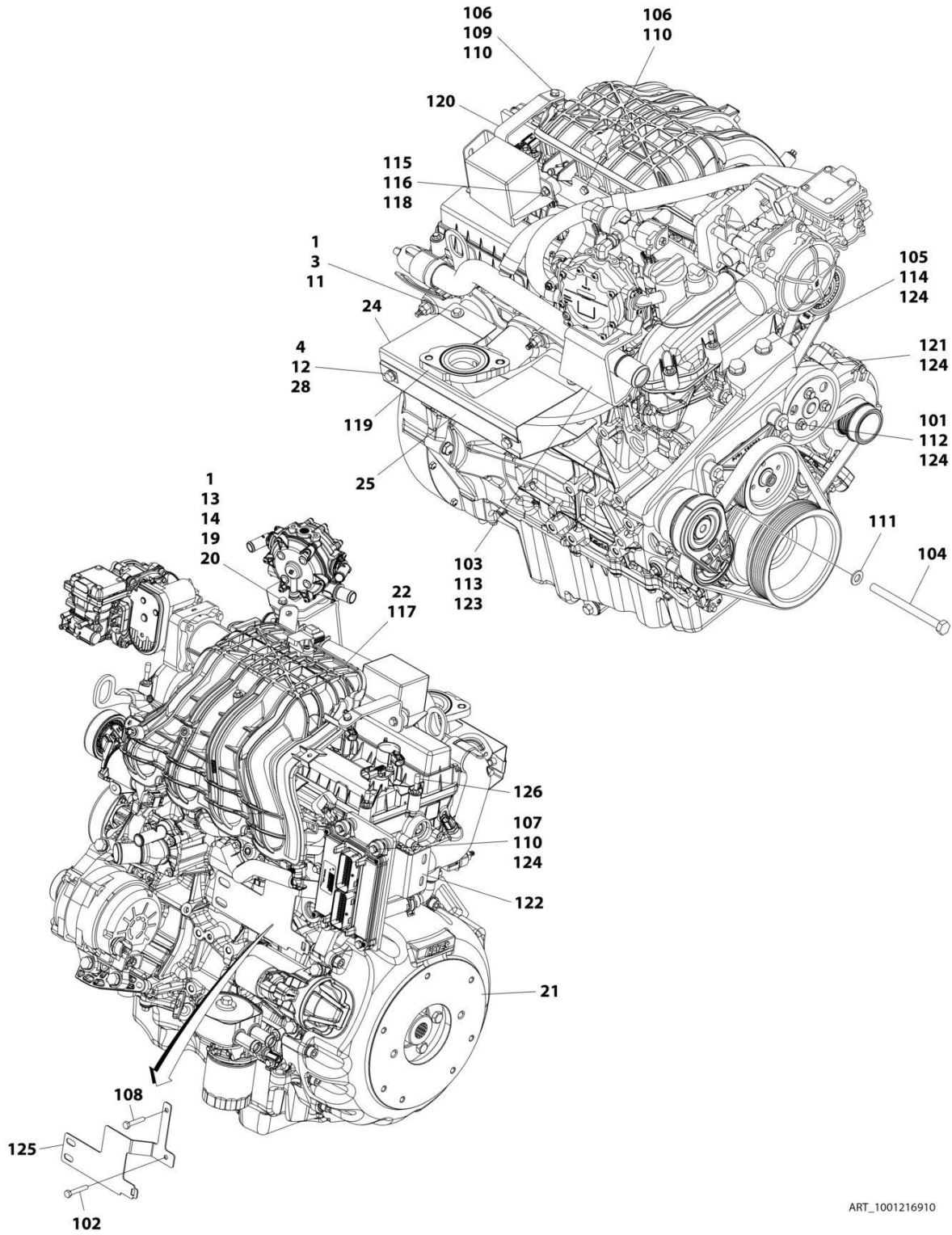
ITEM	PART NUMBER	QTY	DESCRIPTION	REV
55	1001168018	3	Washer	
56	1001169054	4	Isolator	
57	1001169138	4	Pad, Snubbing	
58	1001169967	3	Bracket	
59	1001170035	1	Bracket	
60	1001186426	1	Clamp	
61	1001189979	1	Filter, Air	
61	70005008	1	Element, Filter	
62	1001190942	1	Support	
63	1001223042	1	Fan	
64	1001215218	1	Engine Harness - Ford Engines (Not Shown) (See Separate Breakdown in ELECTRICAL SECTION)	
65	1001223923	1	Radiator	
66	1001215681	1	Clamp	
67	1001215899	1	Pipe, Exhaust	
68	1001215974	1	Clamp	
69	1001216075	1	Pipe, Exhaust	
70	1001216086	1	Bracket	
71	1001216092	1	Shield, Heat	
72	1001216201	1	Adapter	
73	1001216910	1	Ford Engine Prep Assembly (See Separate Breakdown in this Section)	
74	1001216919	2	Sleeve	
76	1001222033	1	Plate	
77	1001217185	2	Seal	
78	1001217186	1	Support	
79	1001217450	1	Tray	
80	1001217453	1	Support, Radiator	
81	1001217543	2	Mount	
82	1001217593	1	Pipe, Air Intake	
83	1001217594	1	Pipe, Air Intake	
84	1001217595	1	Pipe, Air Intake	
85	1001217647	1	Hose, Radiator (Lower)	
86	1001217648	1	Hose, Radiator (Upper)	
87	1001218471	1	Bracket	
88	1001218559	1	Mount, Engine (RH Front)	
89	1001218565	1	Mount, Engine (LH Front)	
90	1001218575	1	Mount, Engine (Rear)	
91	0761014	4	Bolt M10 x 30	
92	1001187781	1	Tie-Strap (Not Shown)	
93	2180418	1	Fitting	
94	1001247359	1	Fitting, 90	
95	2220261	1	Fitting	
96	1001217183	2	Seal	
100	8405009	3	Gear	
101	8406201	1	Clip	
102	8410009	2	Clamp	
103	8420231	1	Fitting, Barb	
104	1001173535	6	Clamp	
105	1001216531	25 in/ 63cm	Hose	
106	1001223584	1	Tank, Surge	

SECTION 3 - ENGINE

ITEM	PART NUMBER	QTY	DESCRIPTION	REV
109	1001224486	1	Hose	
110	1001224489	1	Hose	
111	1001225442	1	Bracket	
112	1001225510	1	Decal - Full Cold, Surge Tank	
113	1001216393	1	Heater, Block	
114	1001227666	1	Hose	
115	1001227667	1	Hose	

SECTION 3 - ENGINE

FIGURE 3-65. FORD ENGINE PREP ASSEMBLY



ART_1001216910

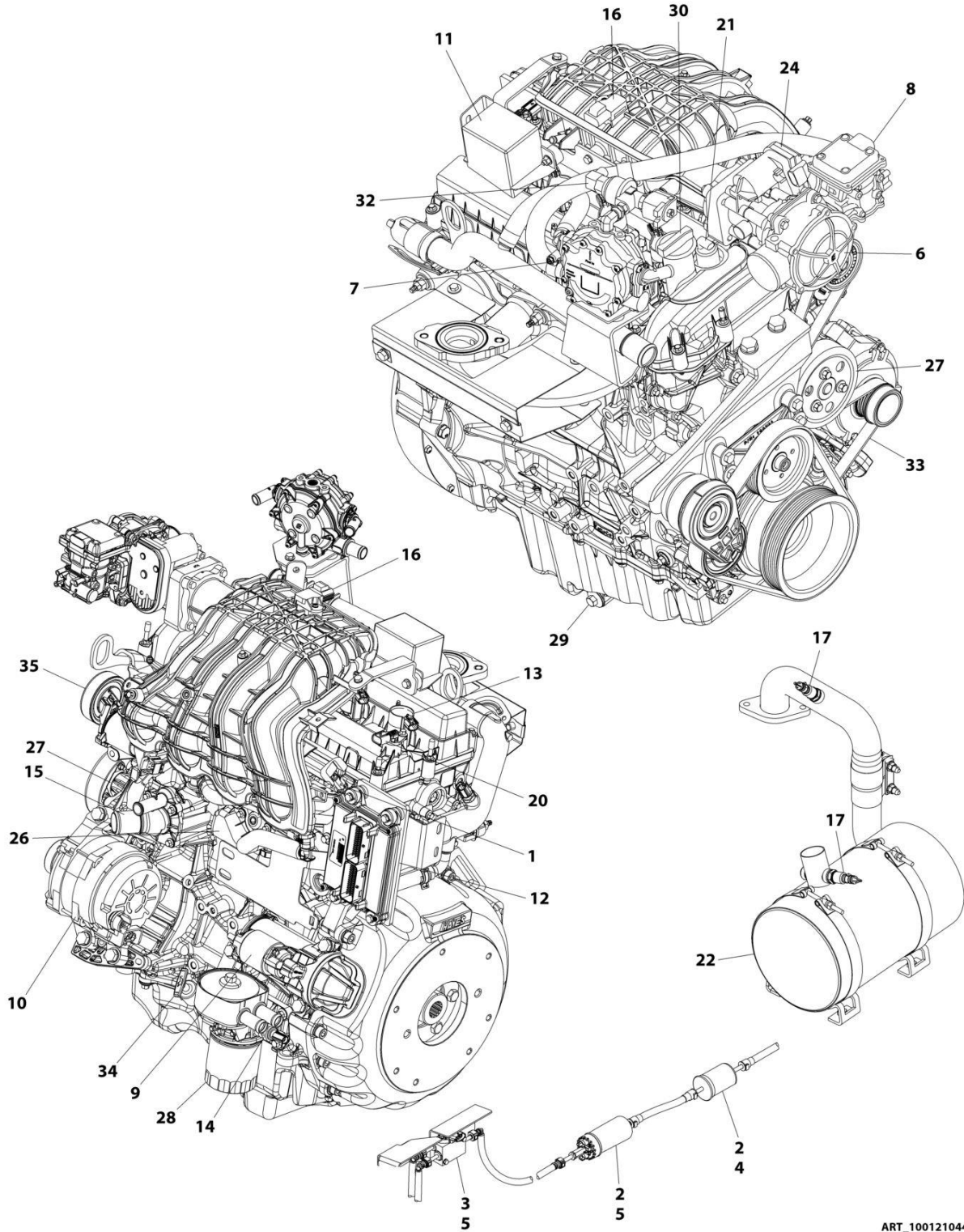
SECTION 3 - ENGINE

FIGURE 3-65. FORD ENGINE PREP ASSEMBLY

ITEM	PART NUMBER	QTY	DESCRIPTION	REV
	1001216910	Ref	FORD ENGINE PREP ASSEMBLY	F
1	0100011	AR	Compound, Locking	
3	0760605	4	Bolt M6 x 10	
4	0760807	2	Bolt M8 x 14	
11	4811702	4	Washer M6	
12	4811900	2	Washer M8	
13	5250605	3	Bolt M6 x 10	
14	5260600	1	Nut M6 Class 10	
19	1001211794	3	Mount, Isolator	
20	1001227769	1	Plate	
21	1001213810	1	Pump Coupling Kit	
21	70006134	1	Coupling	
21	70006135	1	Housing	
21	70006136	1	Hardware Kit	
22	1001216065	1	Ford Engine Assembly (See Items 101-126 for Breakdown)	
24	1001216768	1	Bracket	
25	1001216769	1	Bracket	
28	1001149160	2	Nut, Tinnerman M8	
	1001216065	Ref	FORD ENGINE PREP ASSEMBLY - BRACKETS/EXHAUST MANIFOLD	M
101	0700816	4	Bolt M8 x 40	
102	0700818	1	Bolt M8 x 50	
103	0701014	2	Bolt M10 x 30	
104	0710827	1	Bolt M8 x 100 Grade 10.9	
105	0711216	2	Bolt M12 x 40	
106	0760610	3	Bolt M6 x 20	
107	0760615	4	Bolt M6 x 35	
108	0760817	1	Bolt M8 x 45	
109	3290601	1	Nut M6	
110	4811700	8	Washer M6	
111	4811900	1	Washer M8	
112	4811902	4	Washer M8	
113	4812000	1	Washer M10	
114	4812100	2	Washer M12	
115	5250605	2	Bolt M6 x 10	
116	5260600	2	Nut M6 Class 10	
117	1001210448	1	Engine, Ford 2.5L (See Separate Breakdown in this Section)	
118	1001211794	2	Mount	
119	1001214827	1	Manifold, Exhaust	
120	1001215384	1	Bracket	
121	1001216071	1	Bracket	
122	1001216144	1	Support, Muffler	
123	1001227772	1	Mount, Vaporizer	
124	0100011	AR	Compound, Locking	
125	1001221545	1	Plate	
126	1001222641	6	Cap	

SECTION 3 - ENGINE

FIGURE 3-66. FORD ENGINE COMPONENTS



ART_1001210448

SECTION 3 - ENGINE

FIGURE 3-66. FORD ENGINE COMPONENTS

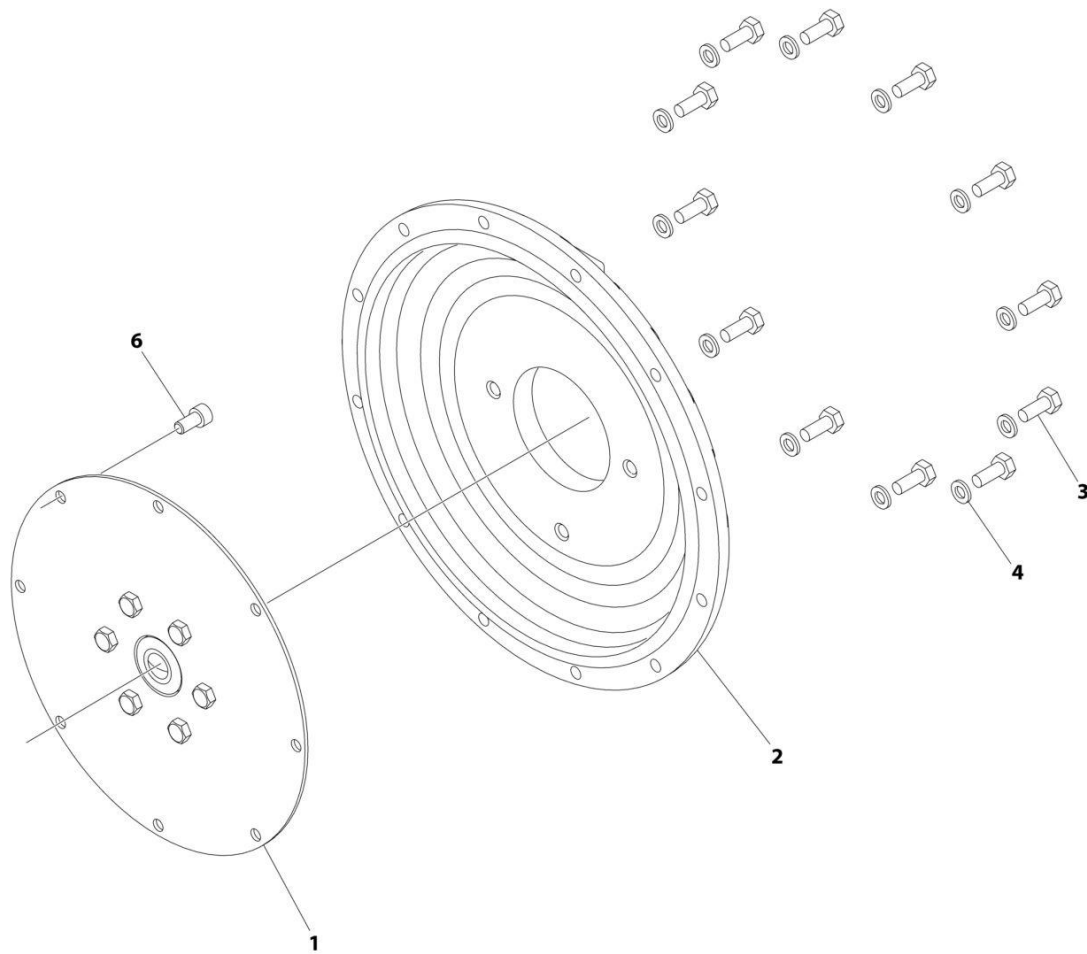
ITEM	PART NUMBER	QTY	DESCRIPTION	REV
	1001210448	Ref	FORD ENGINE COMPONENTS	H
1	70006145	4	Injector, Fuel	
1	70006147	1	Rail, Fuel	
2	70006150	1	Pump, Fuel	
2	70006154	1	Fitting M10	
3	70006151	1	Block, Fuel	
3	70006152	2	Fitting SAE6	
3	70006153	1	Fitting SAE3	
3	70006189	1	Harness, Fuel Block	
4	70006155	1	Filter, Fuel	
5	7022162	8	Clamp	
5	70006157	8	Clip, Fuel Quick Disconnect	
6	70006158	1	Mixer, LP	
6	70006168	1	Mixer Diaphragm Replacement Kit	
6	70006159	1	Adapter, Mixer to Governor	
6	70006160	1	O-Ring, Mixer to Adapter	
6	70006161	1	Seal, Mixer to Adapter	
7	70006162	1	Regulator, LP Vapor	
7	70006166	2	Fitting	
7	70006167	1	Fitting, Straight	
7	70006165	2	Isolator, Rubber	
8	70006163	1	Regulator, Direct Electronic Pressure	
8	70006164	1	Adapter, Fitting 90	
9	70006169	1	Starter	
9	70006233	1	Harness, Alternator/Starter	
10	70006170	1	Alternator	
11	70006173	1	Cover, Relay Box	
11	70006171	2	Relay (Fuel Pump & Power)	
11	70006172	1	Relay (Starter)	
11	70006175	1	Fuse - 20Amp (Starter)	
11	70006174	1	Decal - Relay Box Cover	
11	70006188	1	Harness, Engine	
11	70006165	2	Isolator, Rubber	
12	70006176	1	Module - Engine Control Unit (ECU/GCP)	
12	70006191	1	Software & Diagnostic Cable	
13	70006177	4	Coil and Boot Assembly	
13	70006178	4	Plug, Spark	
14	70006179	1	Switch, Oil Pressure	
15	70006180	1	Sensor, Knock	
16	70006181	1	Sensor, TMAP	
17	70006182	2	Sensor, O2	
18	70006183	1	Sensor, Coolant Temperature (Not Shown - Located Rear of Engine Block)	
19	70006184	1	Sensor, Crank Position (Not Shown - Located at Front RH Side of Block)	
20	70006185	1	Sensor, Cam Position	
21	70006186	1	Solenoid, Timing	
21	70006187	1	Grommet, Rubber	
22	70006194	1	Muffler	
22	70006195	1	Plug (Located at Muffler Outlet)	

SECTION 3 - ENGINE

ITEM	PART NUMBER	QTY	DESCRIPTION	REV
23		Ref	Gasket Options (Not Shown)	
23	70006196	1	Gasket, Exhaust Manifold to Head	
23	70006197	1	Gasket, Exhaust Manifold Outlet	
23	70006200	1	Gasket, Intake Manifold to Head	
23	70006219	1	Gasket Set - Camshaft Cover	
23	70006225	1	Gasket, Cylinder Head	
24	70006198	1	Governor	
24	7027404	1	Gasket, Governor Actuator	
24	70006199	1	Gasket, Governor to Intake Manifold Adapter	
25	70006203	1	Flywheel (Not Shown)	
26	70006205	1	Thermostat (Includes Housing)	
26	70006206	1	Gasket, Water Inlet	
27	70006207	1	Pump, Water	
27	70006208	1	O-Ring, Water Pump	
27	See Note	NSS	Pulley, Water Pump (Note: Not Available for Purchase at This Time)	
28	70006213	1	Filter, Oil	
29	70006215	1	Plug, Oil Drain	
29	70006217	1	Gasket, Oil Drain Plug	
30	70006221	1	Cap, Oil Fill	
31	70006232	1	Sensor, Crank (Not Shown)	
32	70006235	1	Valve, Lock-Off (Includes Filter)	
33	70006202	1	Belt	
34	70006236	1	Dipstick	
35	70007108	1	Belt Tensioner	

SECTION 3 - ENGINE

FIGURE 3-67. PUMP COUPLING KIT (DEUTZ ENGINES)



ART_2902065

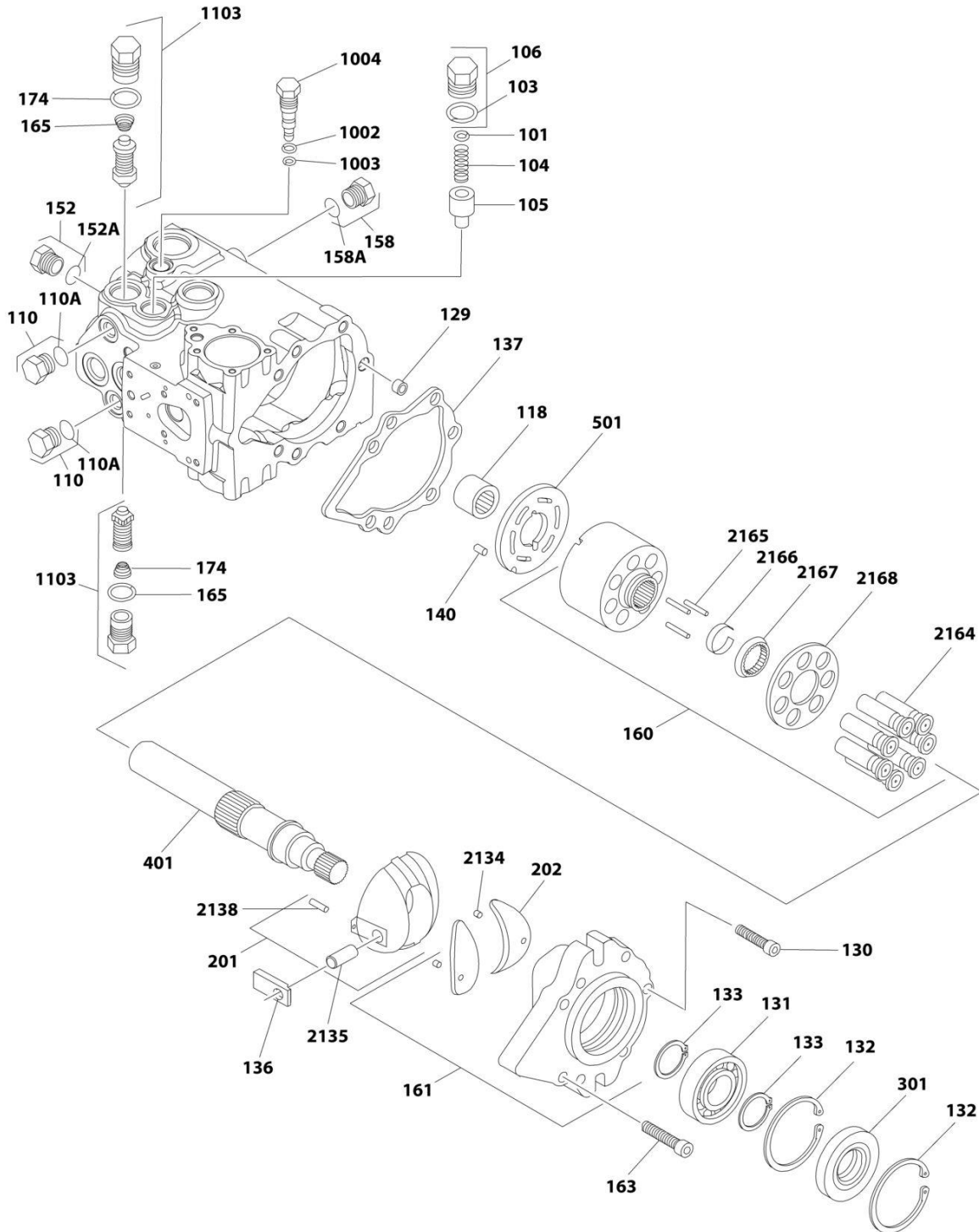
SECTION 3 - ENGINE

FIGURE 3-67. PUMP COUPLING KIT (DEUTZ ENGINES)

ITEM	PART NUMBER	QTY	DESCRIPTION	REV
	2902065	Ref	PUMP COUPLING KIT	L
1	70000793	1	Coupling, Hayes	
2	See Note	NSS	Plate, Pump Adapter (Note: Use p/n 2902065)	
3	See Note	NSS	Bolt M10 x 30 Grade 10.9 (Note: Use p/n 2902065)	
4	See Note	NSS	Washer M10 (Note: Use p/n 2902065)	
6	See Note	NSS	Bolt M10 x 20 Grade 10.9 (Note: Use p/n 2902065)	

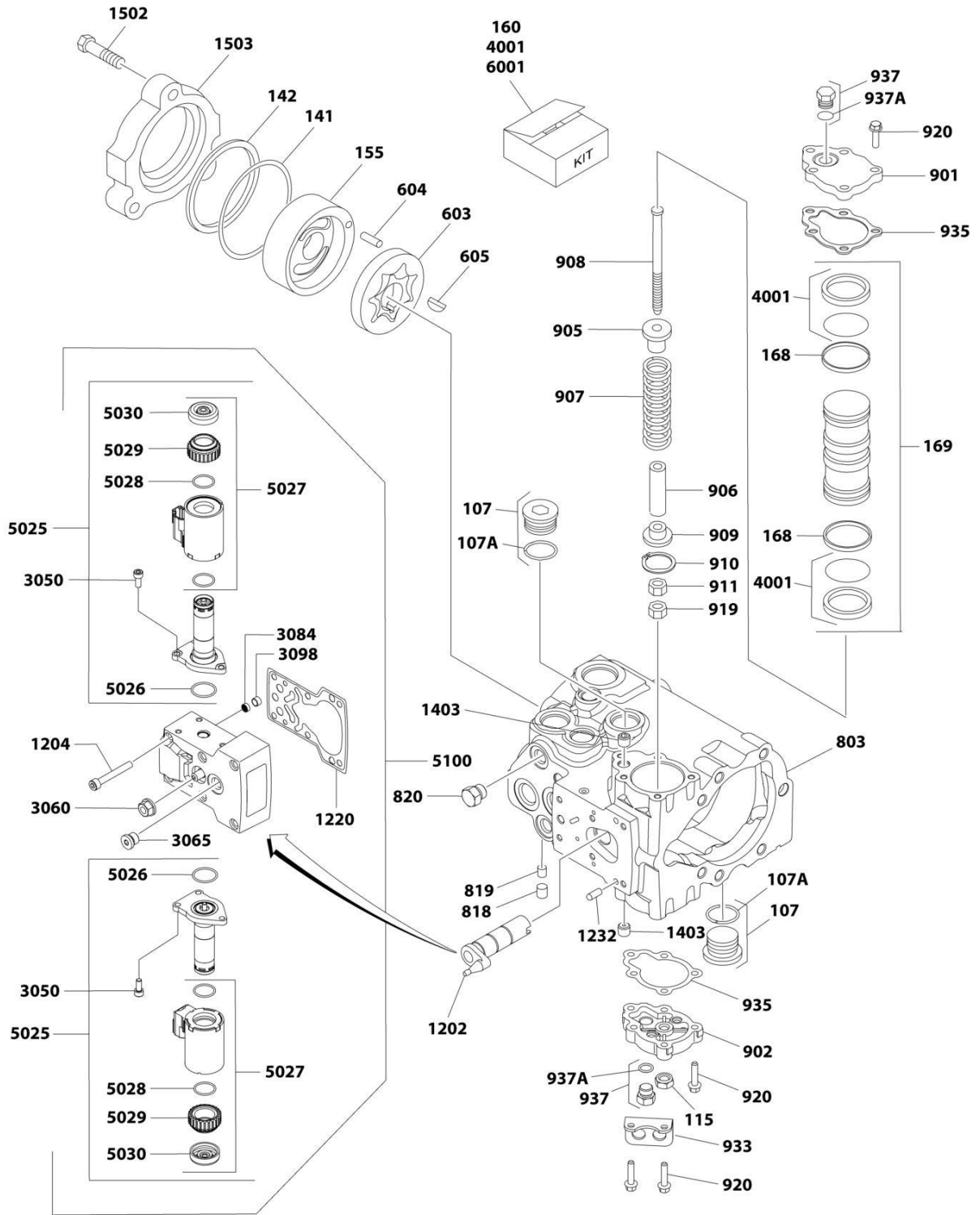
SECTION 3 - ENGINE

FIGURE 3-68. PISTON PUMP ASSEMBLY - ALL ENGINES EXCEPT DUETZ D2011 ENGINES ON MACHINES WITH SN STARTING WITH B3



ART_1001184930_10F2

SECTION 3 - ENGINE



ART_1001184930_20F2

SECTION 3 - ENGINE

FIGURE 3-68. PISTON PUMP ASSEMBLY - ALL ENGINES EXCEPT DUETZ D2011 ENGINES ON MACHINES WITH SN STARTING WITH B3

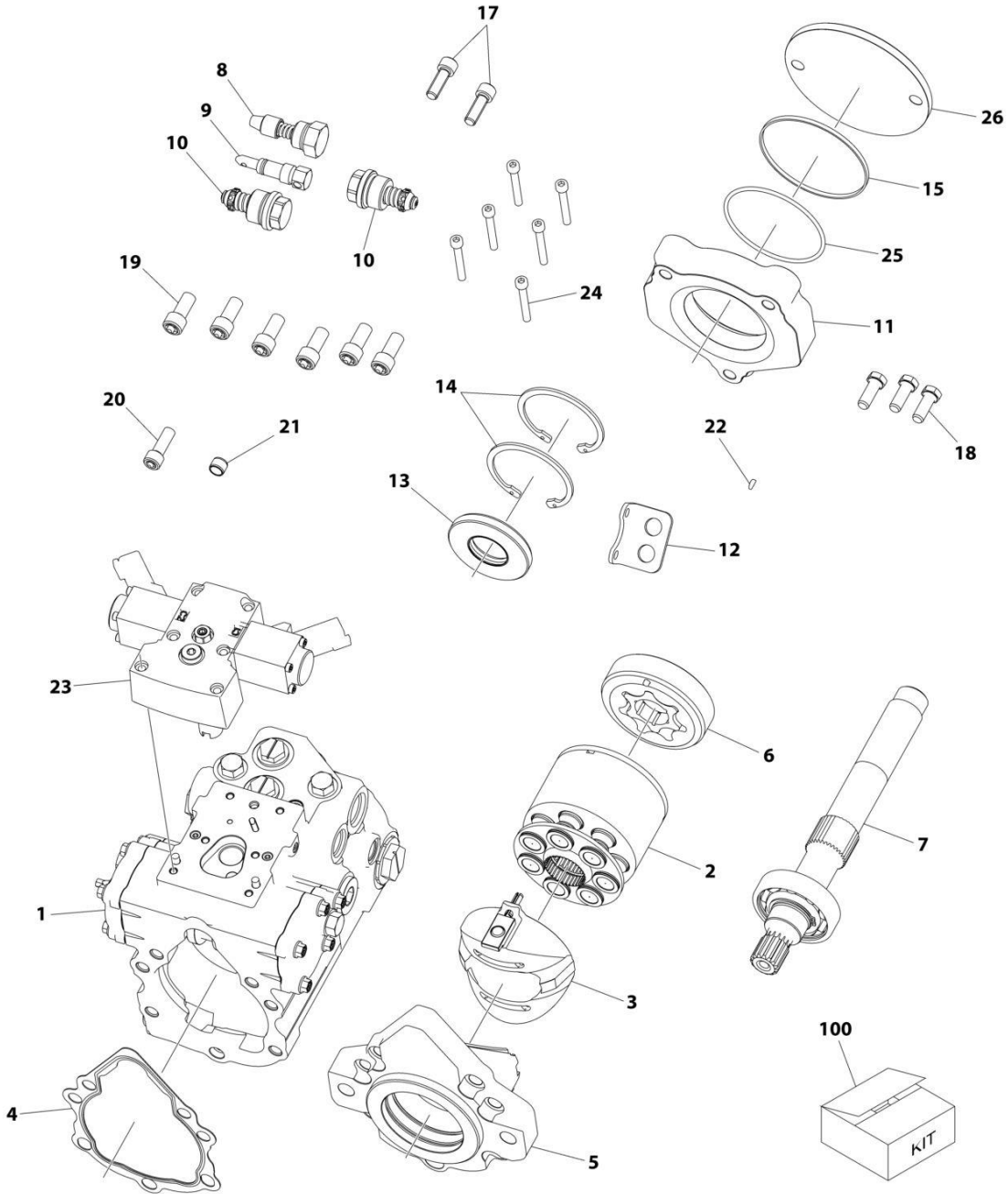
ITEM	PART NUMBER	QTY	DESCRIPTION	REV
	1001184930	Ref	PISTON PUMP ASSEMBLY	C
101	7007413	1	Shim Kit	
103	7007415	1	O-Ring (Part of Item 106)	
104	7021200	1	Spring, Relief Valve	
105	7007417	1	Valve, Relief	
106	7024874	2	Plug (Includes Item 103)	
107	7007419	2	Plug	
107A	7007418	2	O-Ring	
110	7007420	2	Plug	
110A	7021256	2	O-Ring	
115	7007423	1	Nut, Special	
118	7007425	1	Bearing, Needle	
129	7007435	1	Pin, Spring	
130	7021202	1	Screw	
131	70002176	1	Bearing, Ball	
132	7007438	2	Ring, Retainer	
133	7007439	2	Ring	
136	7007442	1	Sleeve, Bearing	
137	7007443	1	Gasket, Front Cover	
140	7007446	1	Pin	
141	7021233	1	O-Ring	
142	7007448	1	Ring, Load Temper	
152	7007420	1	Plug, Assembly	
152A	7021256	1	O-Ring	
155	70005466	1	Cover, Gerotor	
158	7007208	1	Plug	
158A	7007207	1	O-Ring	
160	7010116	1	Cylinder Block Kit (Includes Items 2164-2168)	
161	7024875	1	Cover Assembly - Front (Includes Items 202 & 2134)	
163	7021207	6	Screw	
165	70005467	2	Spring	
168	7021210	2	Bearing	
169	70005468	1	Servo Piston Assembly (Includes Items 168 & QB)	
174	7007418	2	O-Ring	
201	7007457	1	Swash Plate Assembly (Includes Items 2135 & 2138)	
202	7021212	1	Journal, Bearing	
301	7007459	1	Seal, Lip	
401	7010121	1	Shaft, Main Pump	
501	7021214	1	Plate, Valve	
603	7007463	1	Gerotor Assembly	
604	7007464	1	Pin	
605	7007465	1	Key, Woodruff	
803	See Note	NSS	Housing, Pump (Note: Use p/n 1001184930)	
818	70005469	1	Plug	
819	70005470	1	Plug	
820	70005469	1	Plug	
901	7021219	1	Cover, Servo (With Adjuster)	
902	7021220	1	Cover, Servo (Without Adjuster)	
905	7023979	1	Guide, Spring	

SECTION 3 - ENGINE

ITEM	PART NUMBER	QTY	DESCRIPTION	REV
906	7007484	1	Stop, Servo	
907	7007485	1	Spring	
908	7021221	1	Screw	
909	7007487	1	Guide, Spring	
910	7007488	1	Ring, Retaining	
911	7021222	1	Locknut	
919	7021206	1	Nut	
920	7021223	10	Screw	
933	7021201	1	Bracket, Lifting	
935	7007422	2	Gasket, Servo Cover	
937	7007420	2	Plug	
937A	7021256	2	O-Ring	
1002	7007450	1	Ring, Back-up	
1003	70005471	1	O-Ring	
1004	7024877	1	Valve, Bypass	
1103	7024851	2	Valve, Pressure Relief (Includes Items 165 & 174)	
1202	70005472	1	Sleeve	
1204	70002156	6	Screw	
1220	70002154	1	Gasket	
1232	70002157	2	Pin	
1403	7007477	2	Plug, Orifice	
1502	7007453	3	Bolt, Hex	
1503	7007476	1	Adapter, Auxiliary Pump	
2134	7021203	2	Pin, Spring	
2135	7007441	1	Handle, Pin	
2138	7007444	1	Pin	
2164	7010117	7	Piston Assembly	
2165	7007431	3	Pin, Slipper Holddown	
2166	7007430	1	Retainer	
2167	7007434	1	Guide, Retainer	
2168	7010119	1	Retainer, Slipper	
3050	70002150	6	Screw	
3060	7022301	1	Nut, Seal	
3065	70002151	1	Plug	
3084	70002134	1	Screen	
3098	70002153	1	Ring	
4001	7007412	1	Seal Kit - Servo Piston	
5025	70002147	2	Solenoid Assembly (Includes Items 5026-5030)	
5026	70002148	2	O-Ring	
5027	70002149	2	Coil Assembly (Includes Items 5028-5030)	
5028	70005474	2	O-Ring	
5029	70005475	2	Screw	
5030	70005476	2	Cap	
5100	70002146	1	EDC Assembly (Includes Items 1204, 1220, 3050-3098 & 5025-5030)	
6001	7021232	1	Seal Kit - Complete (Includes Items 103, 137, 141, 142, 168, 174, 301, 935, 1002, 1003, 4001 and Plug O-Ring)	

SECTION 3 - ENGINE

FIGURE 3-69. PISTON PUMP ASSEMBLY - DUETZ D2011 ENGINES ON MACHINES WITH SN STARTING WITH B3



ART_1001284471

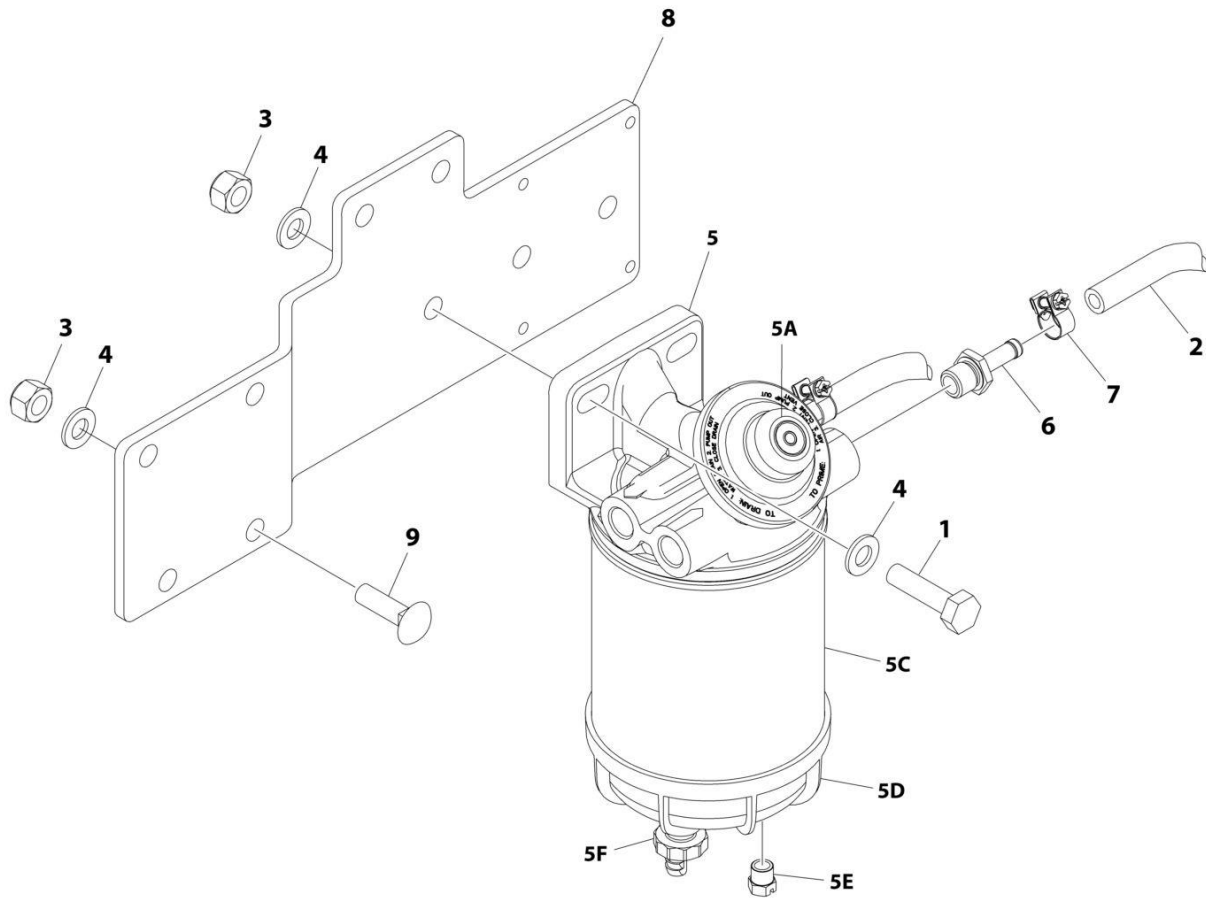
SECTION 3 - ENGINE

FIGURE 3-69. PISTON PUMP ASSEMBLY - DUETZ D2011 ENGINES ON MACHINES WITH SN STARTING WITH B3

ITEM	PART NUMBER	QTY	DESCRIPTION	REV
	1001284471	Ref	PISTON PUMP ASSEMBLY	A
1	70007804	1	Housing, Pump	
2	70007805	1	Block, Cylinder	
3	70007806	1	Swash Plate	
4	70007807	1	Gasket	
5	70007808	1	Cover, Front	
6	70007809	1	Pump, Charge	
7	70007810	1	Shaft	
8	70007811	1	Valve, Relief	
9	70007812	1	Valve, Bypass	
10	70007813	2	Valve, Relief	
11	70007814	1	Plate, Adapter	
12	70007815	1	Bracket, Lifting	
13	70007816	1	Seal	
14	70007817	2	Seal, Ring	
15	70007818	1	Ring	
17	70007819	2	Bolt 3/8 x 1-1/4	
18	70007820	3	Bolt M10 x 25	
19	70007821	6	Bolt M12 x 25	
20	70007822	3	Bolt M10 x 30	
21	70007823	1	Pin	
22	70007824	1	Key	
23	70007825	1	Valve, Control	
24	70007826	6	Bolt M6 x 45	
25	70007827	1	O-Ring	
26	70007828	1	Plate, Cover	
100	70007829	1	Seal Kit	

SECTION 3 - ENGINE

FIGURE 3-70. FUEL FILTER INSTALLATION (POLY FUEL TANK)



ART_1001224200

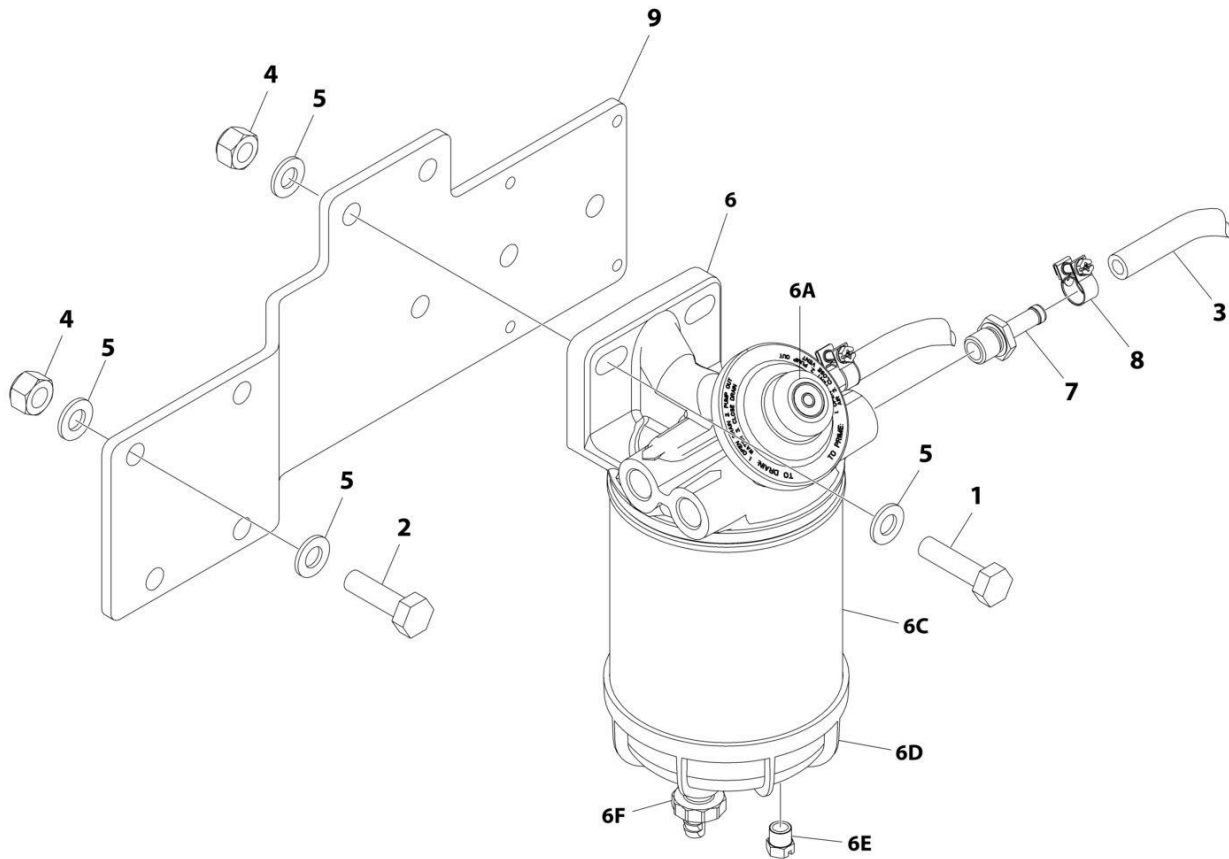
SECTION 3 - ENGINE

FIGURE 3-70. FUEL FILTER INSTALLATION (POLY FUEL TANK)

ITEM	PART NUMBER	QTY	DESCRIPTION	REV
	1001224200	Ref	FUEL FILTER INSTALLATION	B
1	0761016	2	Bolt M10 x 40	
2	2720058	46 in/1.2m	Hose, Fuel Line	
3	3291005	4	Nut M10	
4	4812000	6	Washer M10	
5	1001149452	1	Fuel Filter/Water Separator Assembly	
5A	See Note	NSS	Indicator, Restriction (Note: Use p/n 1001149452)	
5B	70004064	1	Bypass Valve Kit (Not Shown)	
5C	70004065	1	Gasket, Head to Element	
5C	70004066	1	Element, Filter	
5D	70004067	1	Gasket Element to Bowl	
5D	70004068	1	Bowl Kit (Includes Bowl, Element and Plug)	
5E	70004069	1	Plug	
5F	70004070	1	Drain	
6	1001149469	2	Fitting, Straight Barbed	
7	1001174486	2	Clamp	
8	1001224967	1	Bracket	
9	1001228406	2	Bolt M10 x 35	

SECTION 3 - ENGINE

FIGURE 3-71. FUEL FILTER INSTALLATION (STEEL FUEL TANK) (DEUTZ D2011 ENGINES)



ART_1001225054

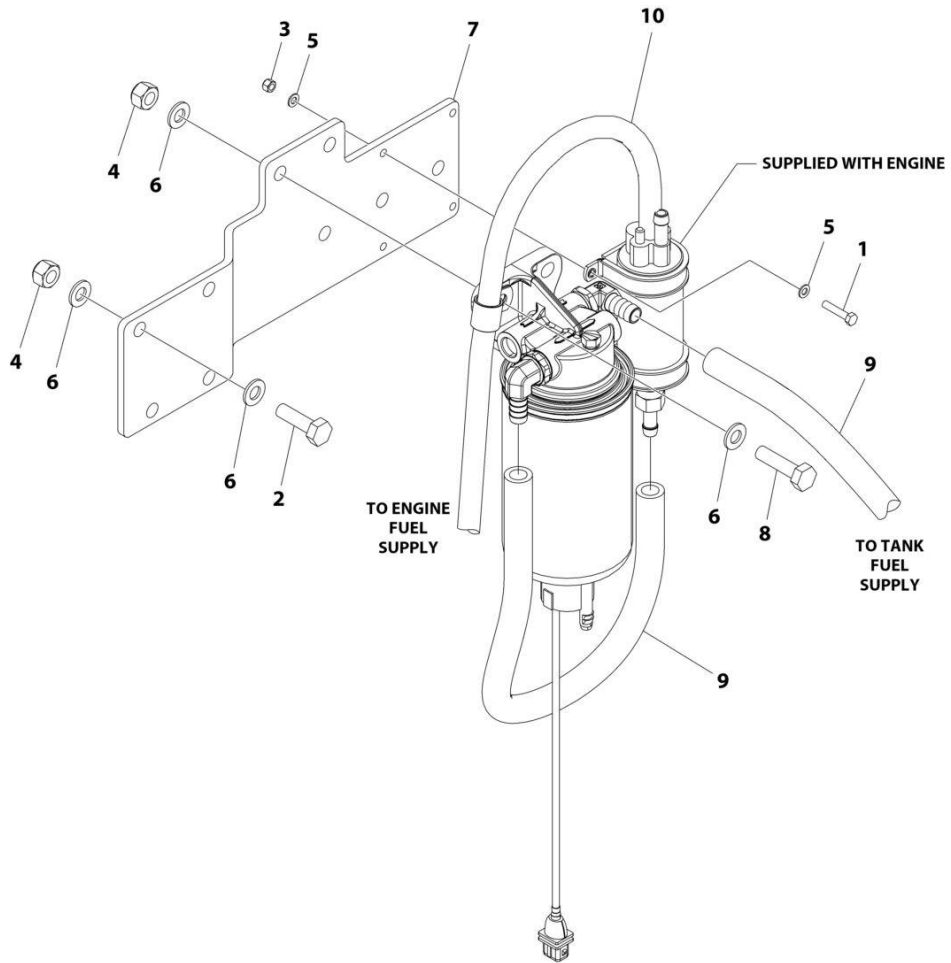
SECTION 3 - ENGINE

FIGURE 3-71. FUEL FILTER INSTALLATION (STEEL FUEL TANK) (DEUTZ D2011 ENGINES)

ITEM	PART NUMBER	QTY	DESCRIPTION	REV
	1001225054	Ref	FUEL FILTER INSTALLATION	B
1	0761016	2	Bolt M10 x 40	
2	0761015	2	Bolt M10 x 35	
2	1001228406	2	Bolt M10 x 35	
3	2720058	32 in/ 80cm	Hose, Fuel Line	
4	3291005	4	Nut M10	
5	4812000	AR	Washer M10	
6	1001149452	1	Fuel Filter/Water Separator Assembly	
6A	See Note	NSS	Indicator, Restriction (Note: Use p/n 1001149452)	
6B	70004064	1	Bypass Valve Kit (Not Shown)	
6C	70004065	1	Gasket, Head to Element	
6C	70004066	1	Element, Filter	
6D	70004067	1	Gasket, Element to Bowl	
6D	70004068	1	Bowl Kit (Includes Bowl, Element and Plug)	
6E	70004069	1	Plug	
6F	70004070	1	Drain	
7	1001149469	2	Fitting, Straight Barbed	
8	1001174486	2	Clamp	
9	1001224967	1	Bracket	

SECTION 3 - ENGINE

FIGURE 3-72. FUEL FILTER INSTALLATION (STEEL FUEL TANK) (DEUTZ DT2.9L4 ENGINES)



ART_1001204902

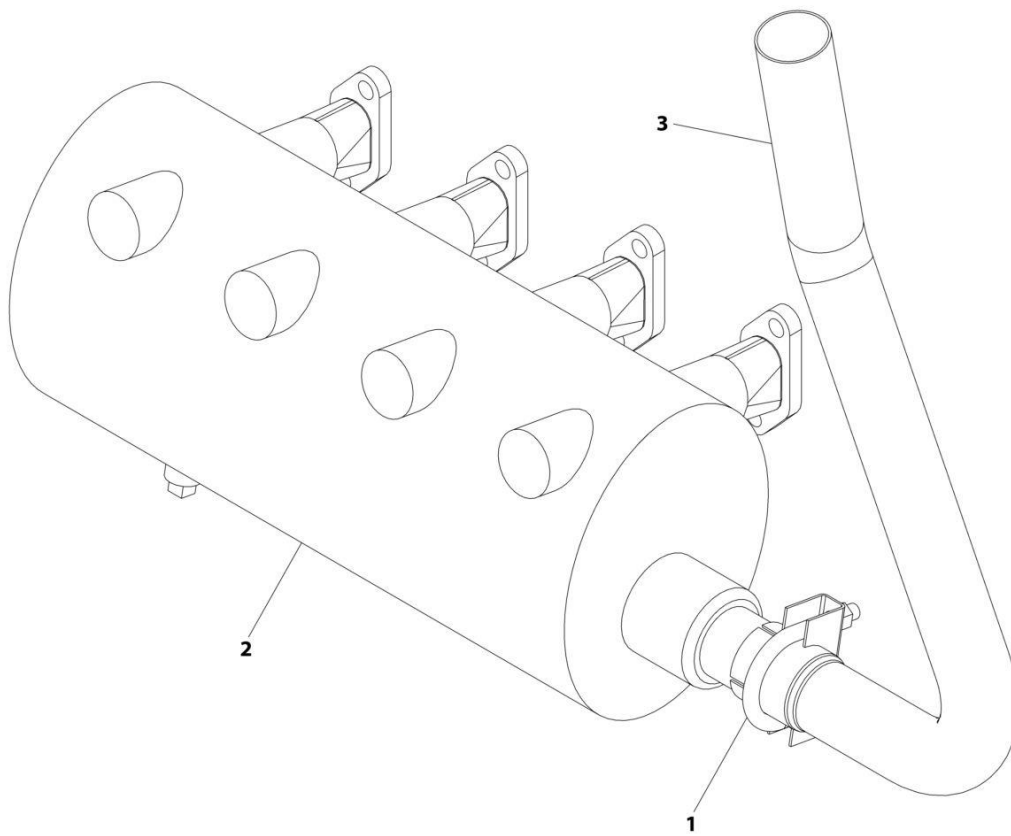
SECTION 3 - ENGINE

FIGURE 3-72. FUEL FILTER INSTALLATION (STEEL FUEL TANK) (DEUTZ DT2.9L4 ENGINES)

ITEM	PART NUMBER	QTY	DESCRIPTION	REV
	1001204902	Ref	FUEL PUMP AND FILTER INSTALLATION	D
1	0760512	4	Bolt M5 x 25	
2	0761015	2	Bolt M10 x 35	
2	1001228406	2	Bolt M10 x 35	
3	3290505	4	Nut M5	
4	3291005	4	Nut M10	
5	4811600	8	Washer M5	
6	4812000	AR	Washer M10	
7	1001224967	1	Bracket	
8	0701016	2	Bolt M10 x 40	
9	1001154405	2.3 ft/ 70cm	Hose	
10	1001165035	2.5 ft/ 75cm	Hose	

SECTION 3 - ENGINE

FIGURE 3-73. MUFFLER INSTALLATION - SPARK ARRESTING (DEUTZ D2011 ENGINES)



ART_1001192284

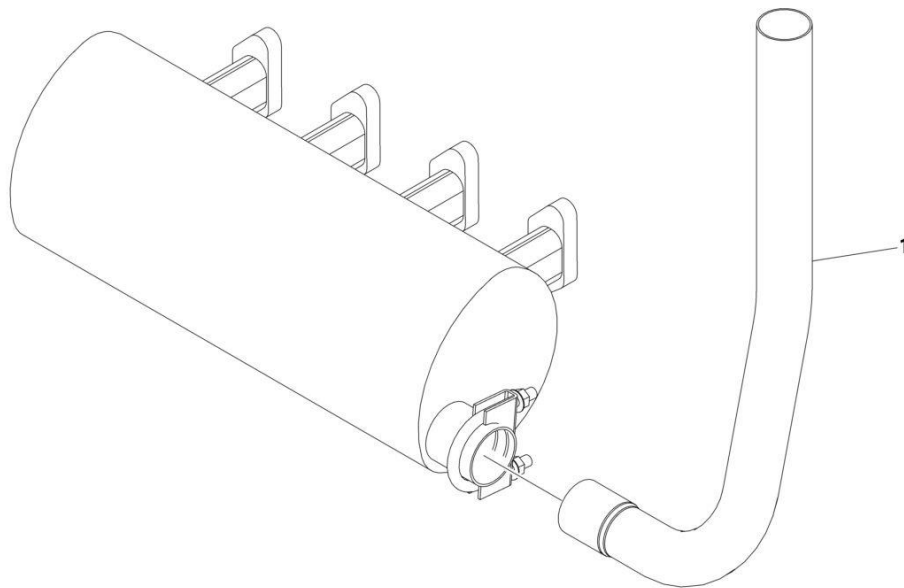
SECTION 3 - ENGINE

FIGURE 3-73. MUFFLER INSTALLATION - SPARK ARRESTING (DEUTZ D2011 ENGINES)

ITEM	PART NUMBER	QTY	DESCRIPTION	REV
	1001192284	Ref	MUFFLER INSTALLATION	B
1	1320176	1	Clamp	
2	1001191156	1	Muffler, Spark Arresting	
3	1001195763	1	Pipe, Exhaust	

SECTION 3 - ENGINE

FIGURE 3-74. EXHAUST PIPE INSTALLATION - (DEUTZ D2011 ENGINES)



ART_1001239563

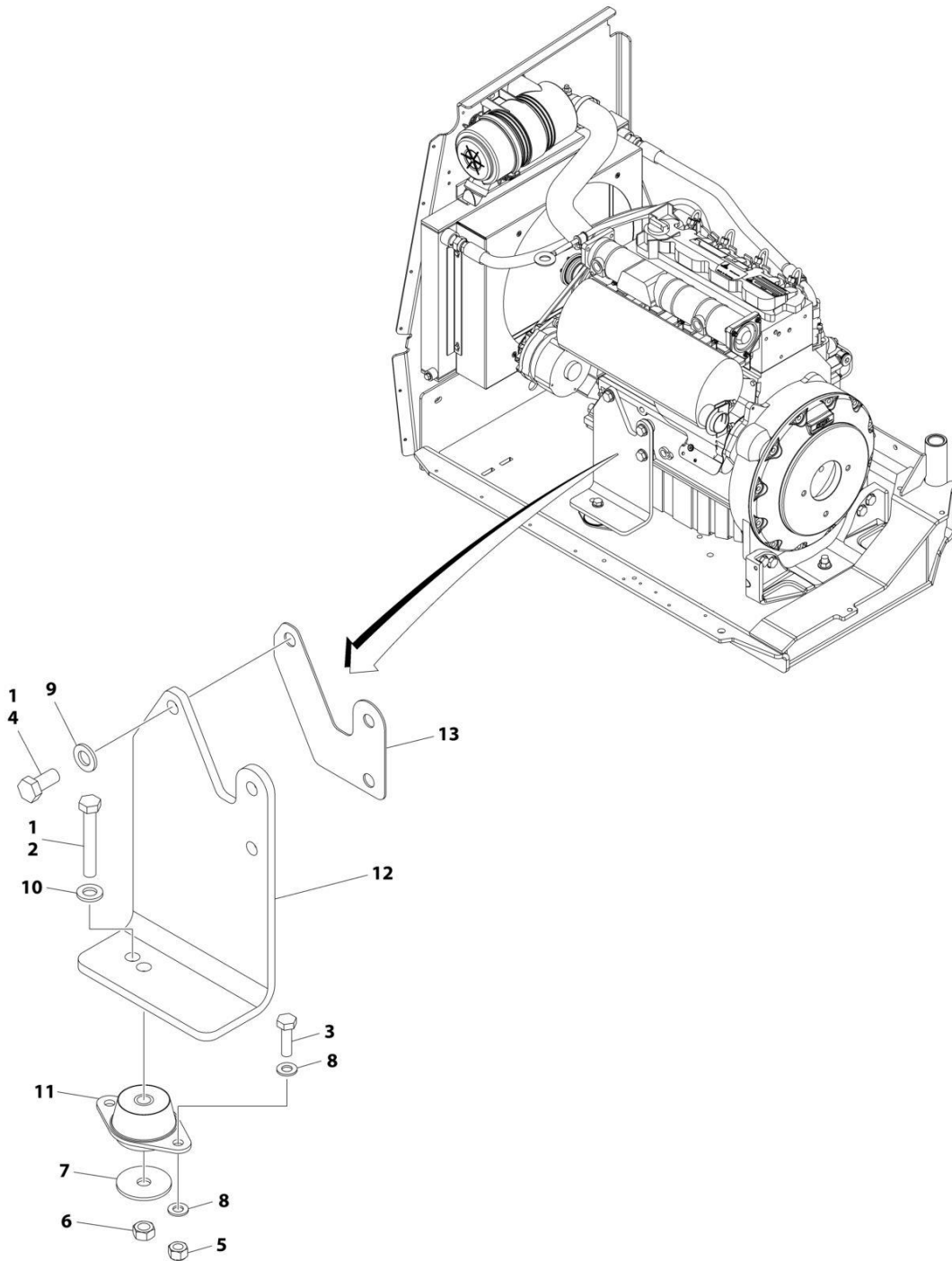
SECTION 3 - ENGINE

FIGURE 3-74. EXHAUST PIPE INSTALLATION - (DEUTZ D2011 ENGINES)

ITEM	PART NUMBER	QTY	DESCRIPTION	REV
1	1001239563 1001191273	Ref 1	MUFFLER INSTALLATION Pipe, Exhaust	A

SECTION 3 - ENGINE

FIGURE 3-75. MOTOR MOUNT INSTALLATION - WITHOUT GENERATOR (DEUTZ D2011 ENGINES)



ART_1001192443

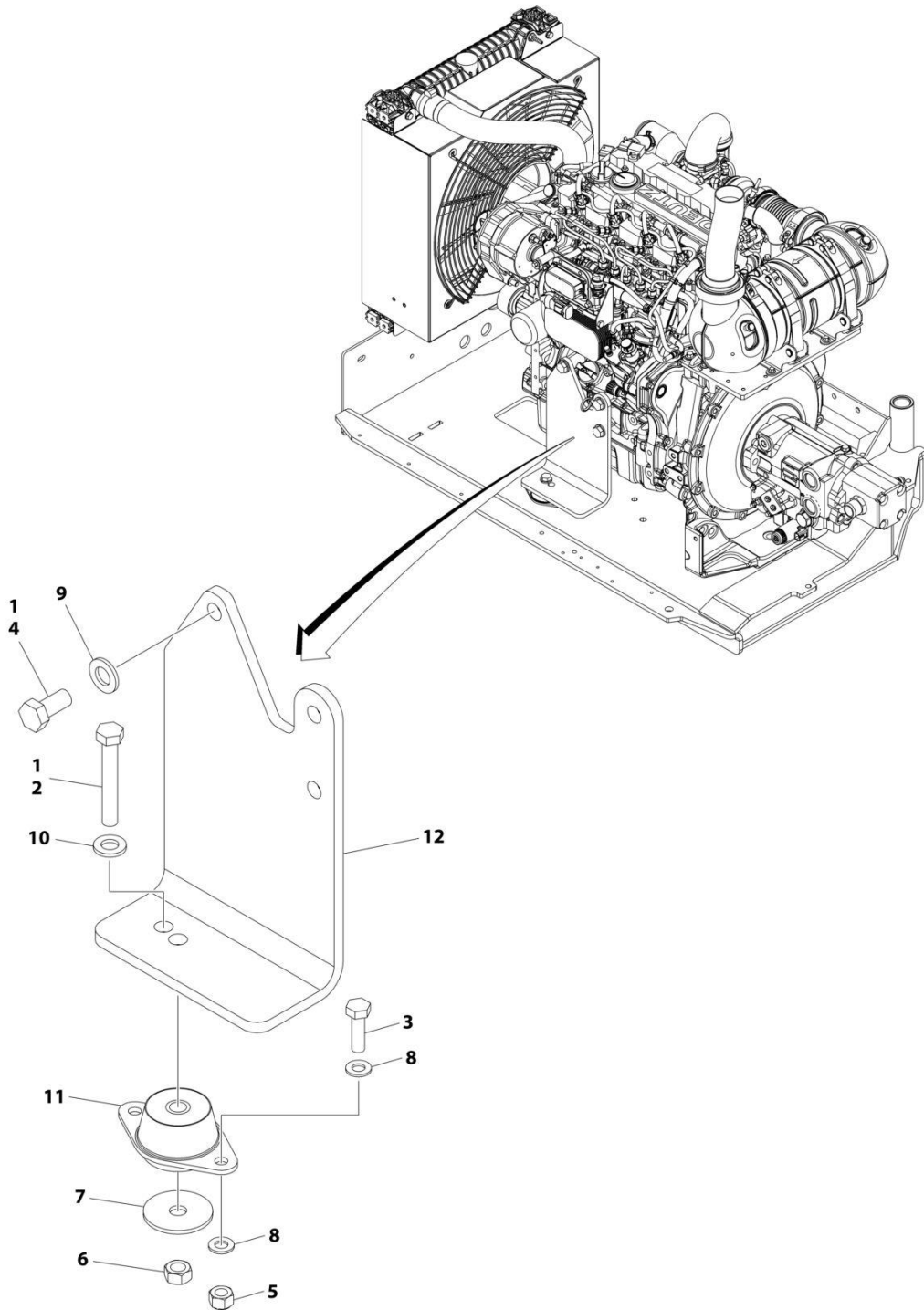
SECTION 3 - ENGINE

FIGURE 3-75. MOTOR MOUNT INSTALLATION - WITHOUT GENERATOR (DEUTZ D2011 ENGINES)

ITEM	PART NUMBER	QTY	DESCRIPTION	REV
	1001192443	Ref	MOTOR MOUNT INSTALLATION	D
1	0100011	AR	Compound, Locking	
2	0711224	1	Bolt M12 x 80	
3	0761015	2	Bolt M10 x 35	
4	0771414	3	Bolt M14 x 30	
5	3291005	2	Nut M10	
6	3331211	1	Nut M12	
7	1001168018	1	Washer	
8	4812000	4	Washer M10	
9	5241400	3	Washer M14	
10	5241200	1	Washer M12	
11	1001191610	1	Mount, Motor	
12	1001189227	1	Mount	
13	1001201843	1	Shim	

SECTION 3 - ENGINE

FIGURE 3-76. MOTOR MOUNT INSTALLATION - WITHOUT GENERATOR (DEUTZ TD 2.9L4 ENGINES)



ART_1001192442

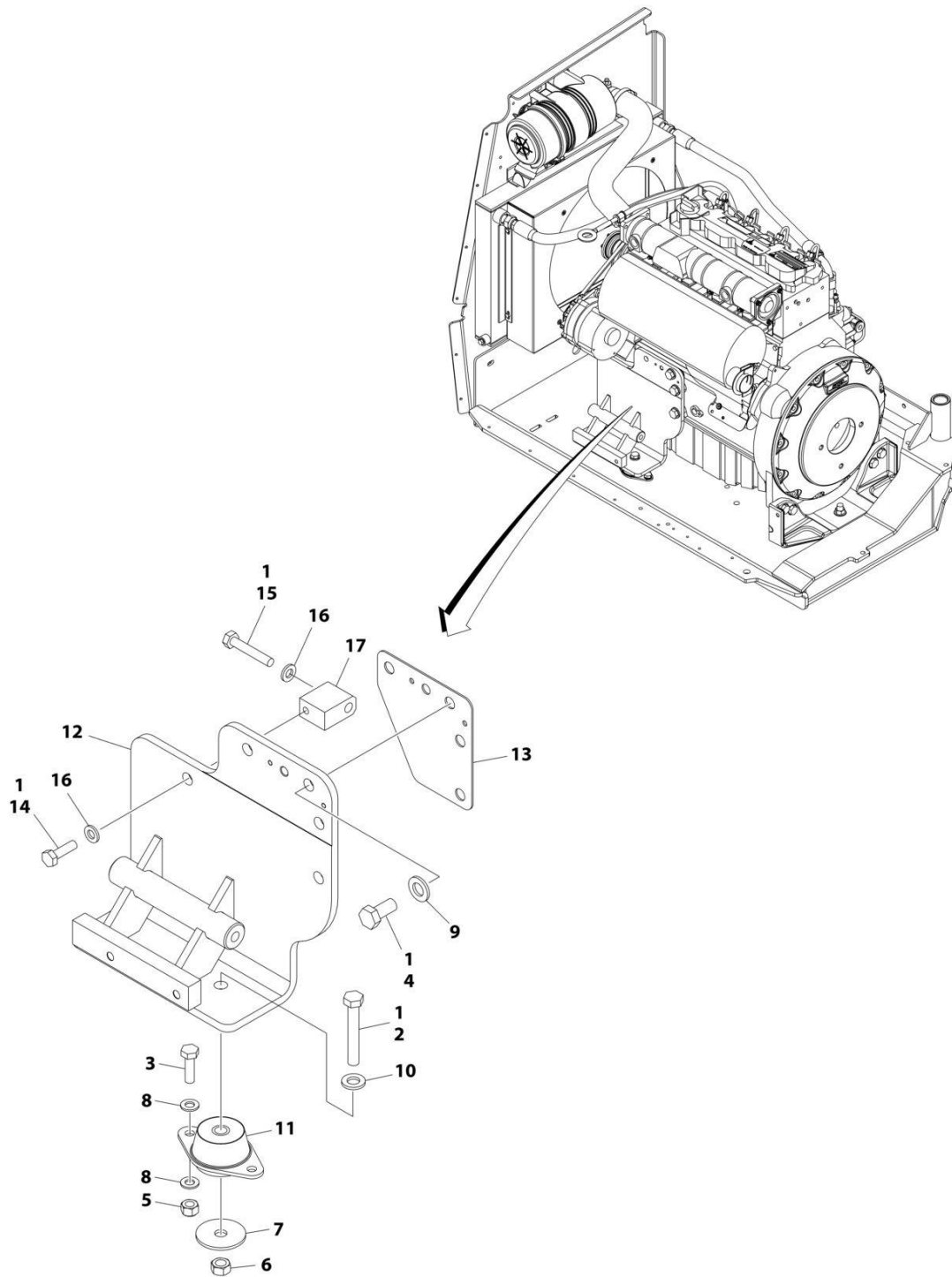
SECTION 3 - ENGINE

FIGURE 3-76. MOTOR MOUNT INSTALLATION - WITHOUT GENERATOR (DEUTZ TD 2.9L4 ENGINES)

ITEM	PART NUMBER	QTY	DESCRIPTION	REV
	1001192442	Ref	MOTOR MOUNT INSTALLATION	D
1	0100011	AR	Compound, Locking	
2	0711224	1	Bolt M12 x 80	
3	0761015	2	Bolt M10 x 35	
4	0771414	3	Bolt M14 x 30	
5	3291005	2	Nut M10	
6	3331211	1	Nut M12	
7	1001168018	1	Washer	
8	4812000	4	Washer M10	
9	5241400	3	Washer M14	
10	5241200	1	Washer M12	
11	1001191610	1	Mount, Motor	
12	1001189227	1	Mount	

SECTION 3 - ENGINE

FIGURE 3-77. MOTOR MOUNT INSTALLATION - WITH GENERATOR (DEUTZ D2011 ENGINES)



ART_1001191856

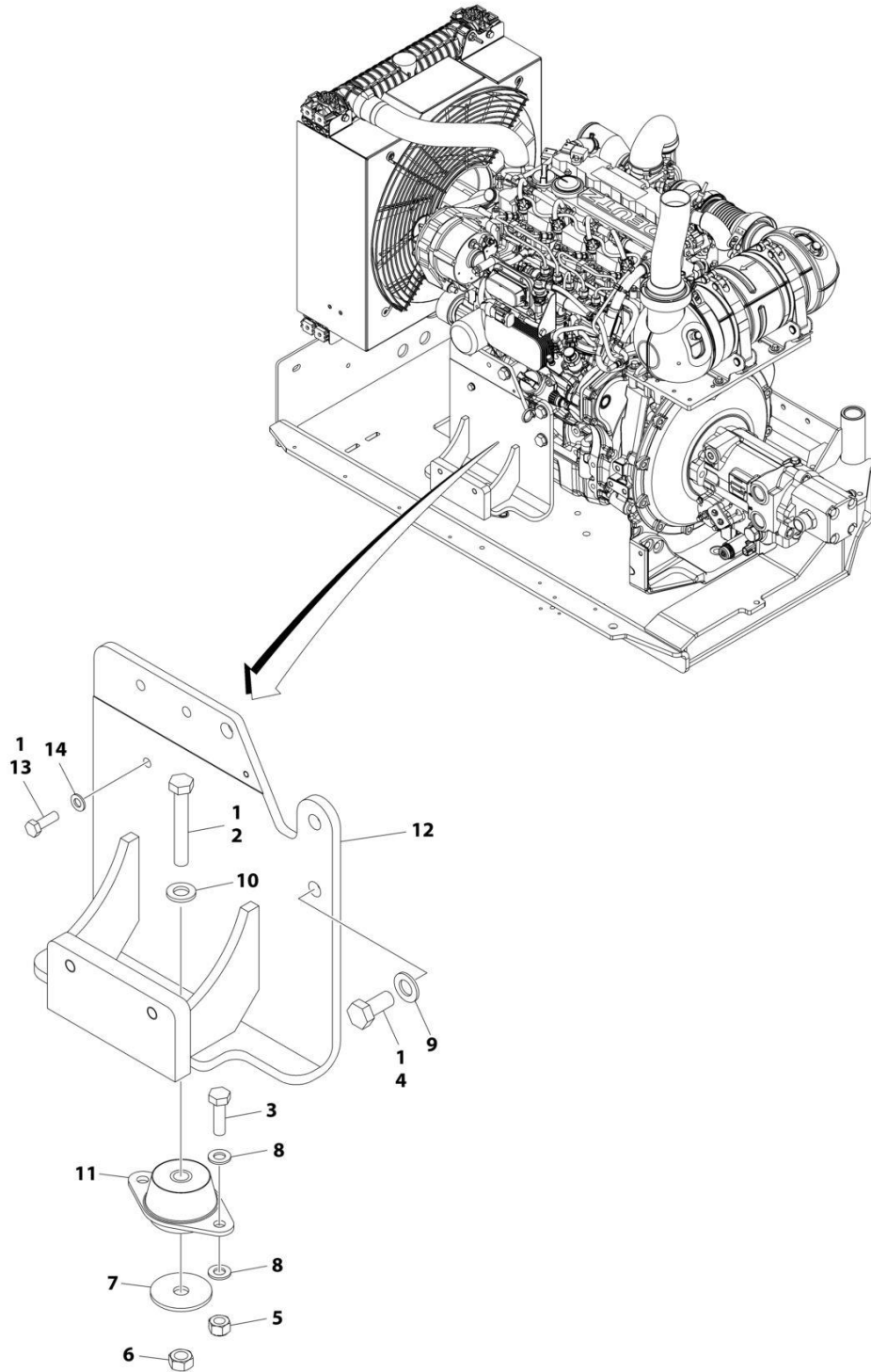
SECTION 3 - ENGINE

FIGURE 3-77. MOTOR MOUNT INSTALLATION - WITH GENERATOR (DEUTZ D2011 ENGINES)

ITEM	PART NUMBER	QTY	DESCRIPTION	REV
	1001191856	Ref	MOTOR MOUNT INSTALLATION	F
1	0100011	AR	Compound, Locking	
2	0711224	1	Bolt M12 x 80	
3	0761015	2	Bolt M10 x 35	
4	0771415	3	Bolt M14 x 35	
5	3291005	2	Nut M10	
6	3331211	1	Nut M12	
7	1001168018	1	Washer	
8	4812000	4	Washer M10	
9	5241400	3	Washer M14	
10	5241200	1	Washer M12	
11	1001191610	1	Mount, Engine	
12	1001239710	1	Bracket	
13	1001205957	1	Shim	
14	0711015	1	Bolt M10 x 35	
15	0711020	1	Bolt M10 x 60	
16	5241000	2	Washer M10	
17	1001239715	1	Block	

SECTION 3 - ENGINE

FIGURE 3-78. MOTOR MOUNT INSTALLATION - WITH GENERATOR (DEUTZ TD 2.9L4 ENGINES)



ART_1001192008

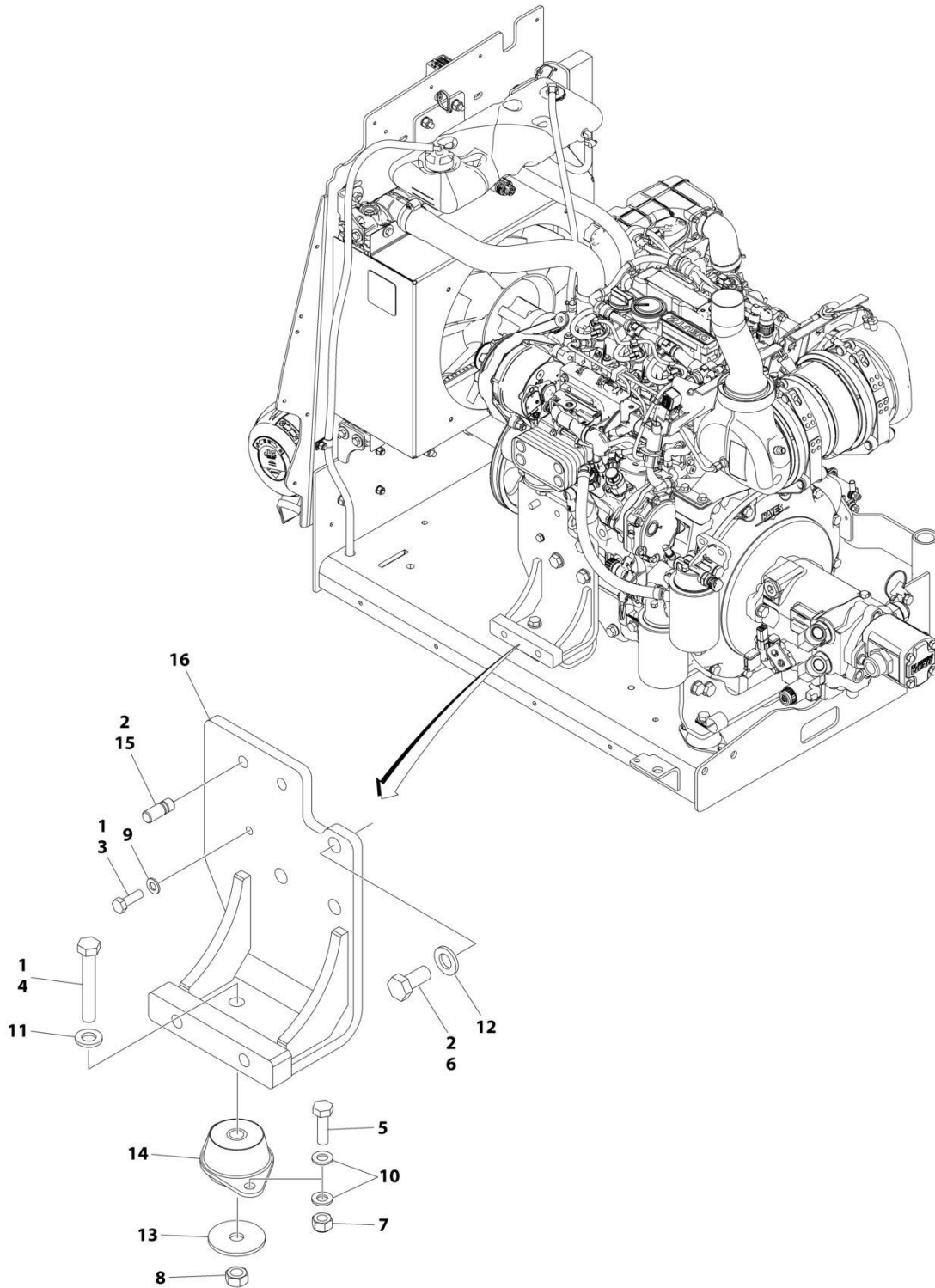
SECTION 3 - ENGINE

FIGURE 3-78. MOTOR MOUNT INSTALLATION - WITH GENERATOR (DEUTZ TD 2.9L4 ENGINES)

ITEM	PART NUMBER	QTY	DESCRIPTION	REV
	1001192008	Ref	MOTOR MOUNT INSTALLATION	F
1	0100011	AR	Compound, Locking	
2	0711224	1	Bolt M12 x 80	
3	0761015	2	Bolt M10 x 35	
4	0771415	3	Bolt M14 x 35	
5	3291005	2	Nut M10	
6	3331211	1	Nut M12	
7	1001168018	1	Washer	
8	4812000	4	Washer M10	
9	5241400	3	Washer M14	
10	5241200	1	Washer M12	
11	1001191610	1	Mount, Motor	
12	1001209016	1	Mount	
13	0770814	1	Bolt M8 x 30	
14	5240800	1	Washer M8	

SECTION 3 - ENGINE

FIGURE 3-79. MOTOR MOUNT INSTALLATION - WITH GENERATOR (STAGE V) (DEUTZ TD 2.2L3 ENGINES)



ART_1001255280

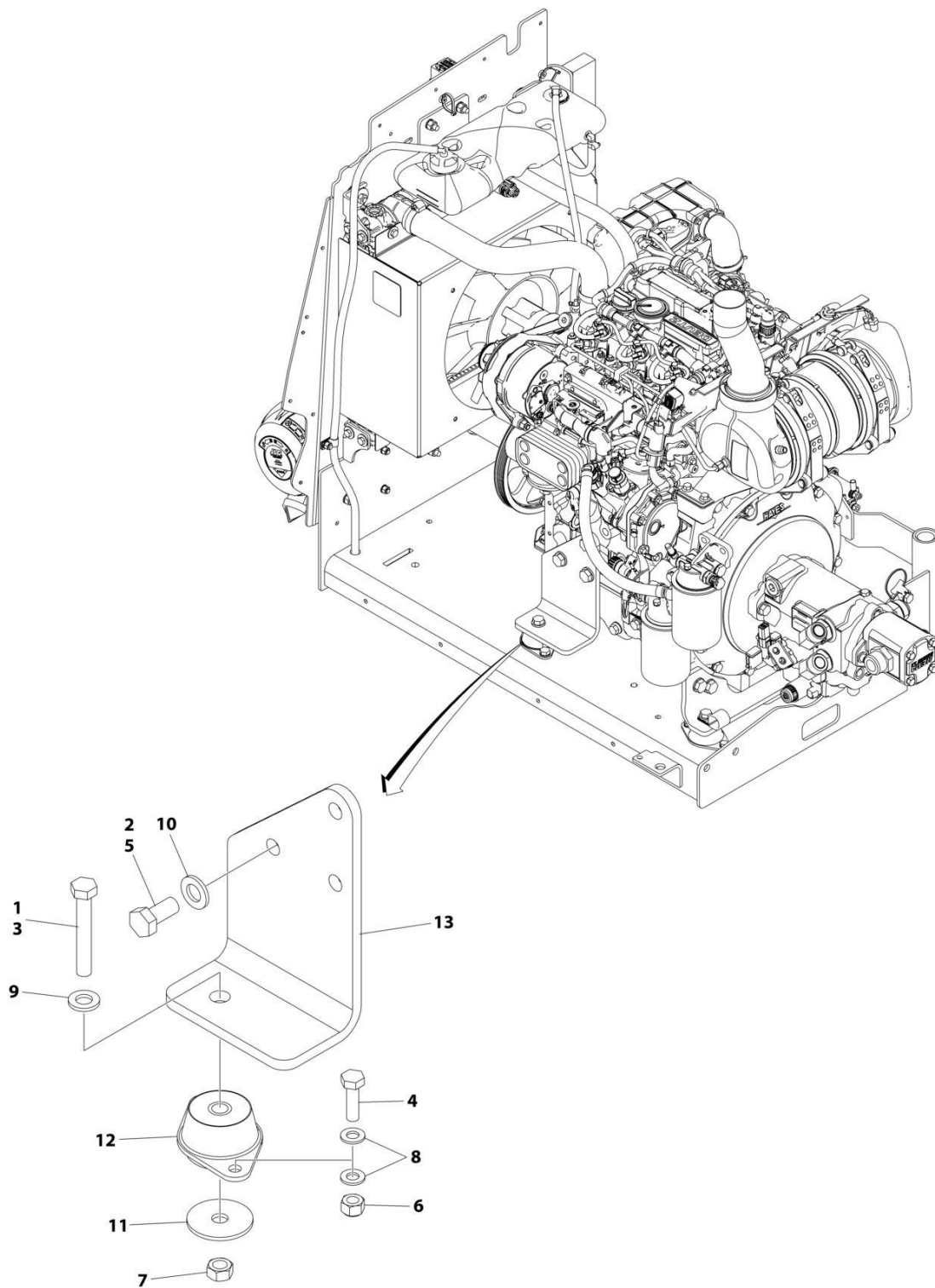
SECTION 3 - ENGINE

FIGURE 3-79. MOTOR MOUNT INSTALLATION - WITH GENERATOR (STAGE V) (DEUTZ TD 2.2L3 ENGINES)

ITEM	PART NUMBER	QTY	DESCRIPTION	REV
	1001255280	Ref	MOTOR MOUNT INSTALLATION	C
1	0100011	AR	Compound, Locking	
2	0100019	AR	Compound, Locking	
3	0700812	1	Bolt M8 x 25	
4	0711224	1	Bolt M12 x 80	
5	0761015	2	Bolt M10 x 35	
6	0771414	3	Bolt M14 x 30	
7	3291005	2	Nut M10	
8	3331211	1	Nut M12	
9	4811900	1	Washer M8	
10	4812000	4	Washer M10	
11	5241200	1	Washer M12	
12	5241400	1	Washer M14	
13	1001168018	1	Washer	
14	1001166718	1	Mount, Motor	
15	1001196382	1	Stud	
16	1001254899	1	Mount	

SECTION 3 - ENGINE

FIGURE 3-80. MOTOR MOUNT INSTALLATION - WITHOUT GENERATOR (STAGE V) (DEUTZ TD 2.2L3 ENGINES)



ART_1001255281

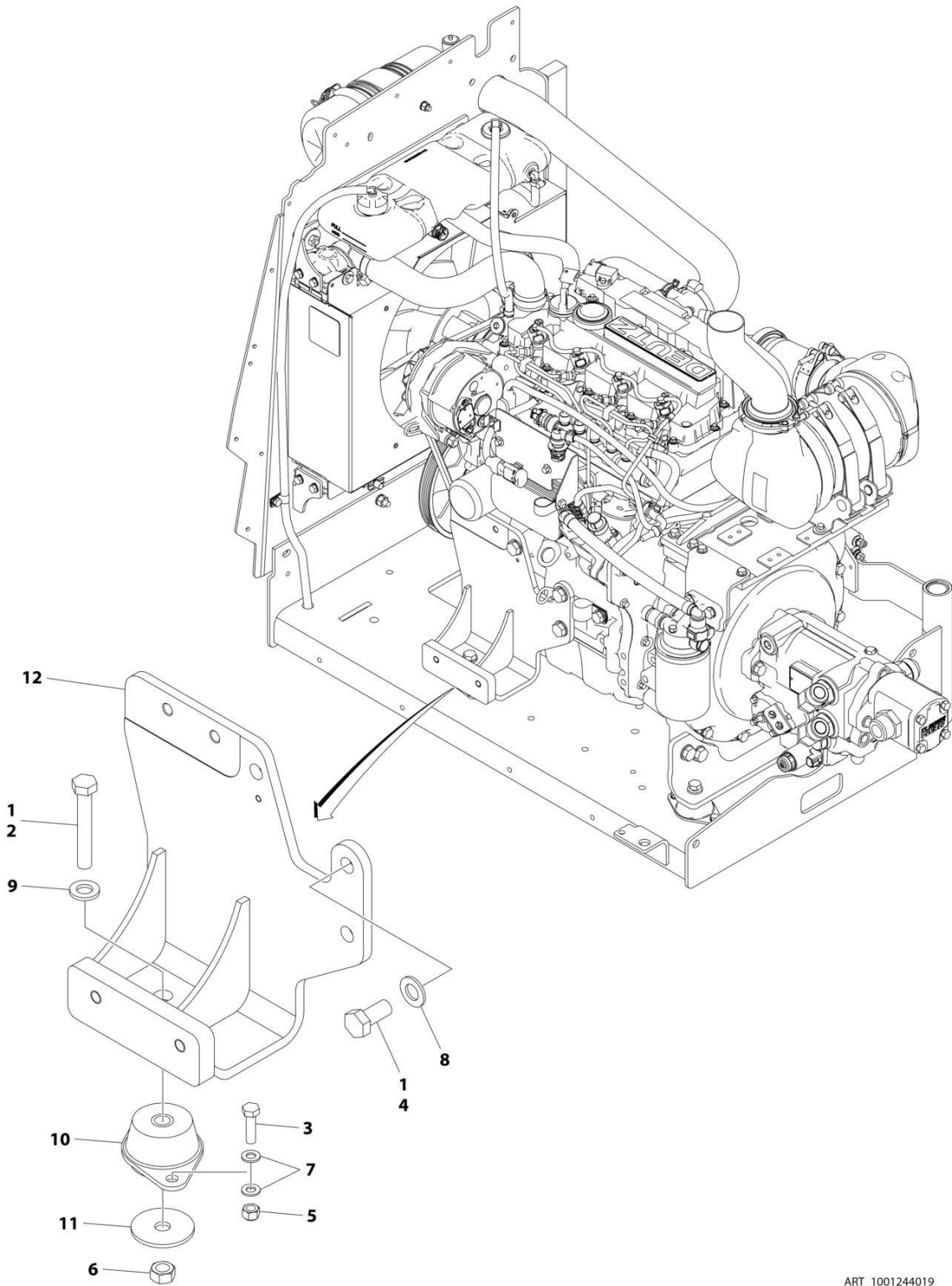
SECTION 3 - ENGINE

FIGURE 3-80. MOTOR MOUNT INSTALLATION - WITHOUT GENERATOR (STAGE V) (DEUTZ TD 2.2L3 ENGINES)

ITEM	PART NUMBER	QTY	DESCRIPTION	REV
	1001255281	Ref	MOTOR MOUNT INSTALLATION	C
1	0100011	AR	Compound, Locking	
2	0100019	AR	Compound, Locking	
3	0711224	1	Bolt M12 x 80	
4	0761015	2	Bolt M10 x 35	
5	0771414	3	Bolt M14 x 30	
6	3291005	2	Nut M10	
7	3331211	1	Nut M12	
8	4812000	4	Washer M10	
9	5241200	1	Washer M12	
10	5241400	3	Washer M14	
11	1001168018	1	Washer	
12	1001166718	1	Mount, Motor	
13	1001254423	1	Mount	

SECTION 3 - ENGINE

FIGURE 3-81. MOTOR MOUNT INSTALLATION - WITH GENERATOR (DEUTZ TD 2.9L4 49HP ENGINES)



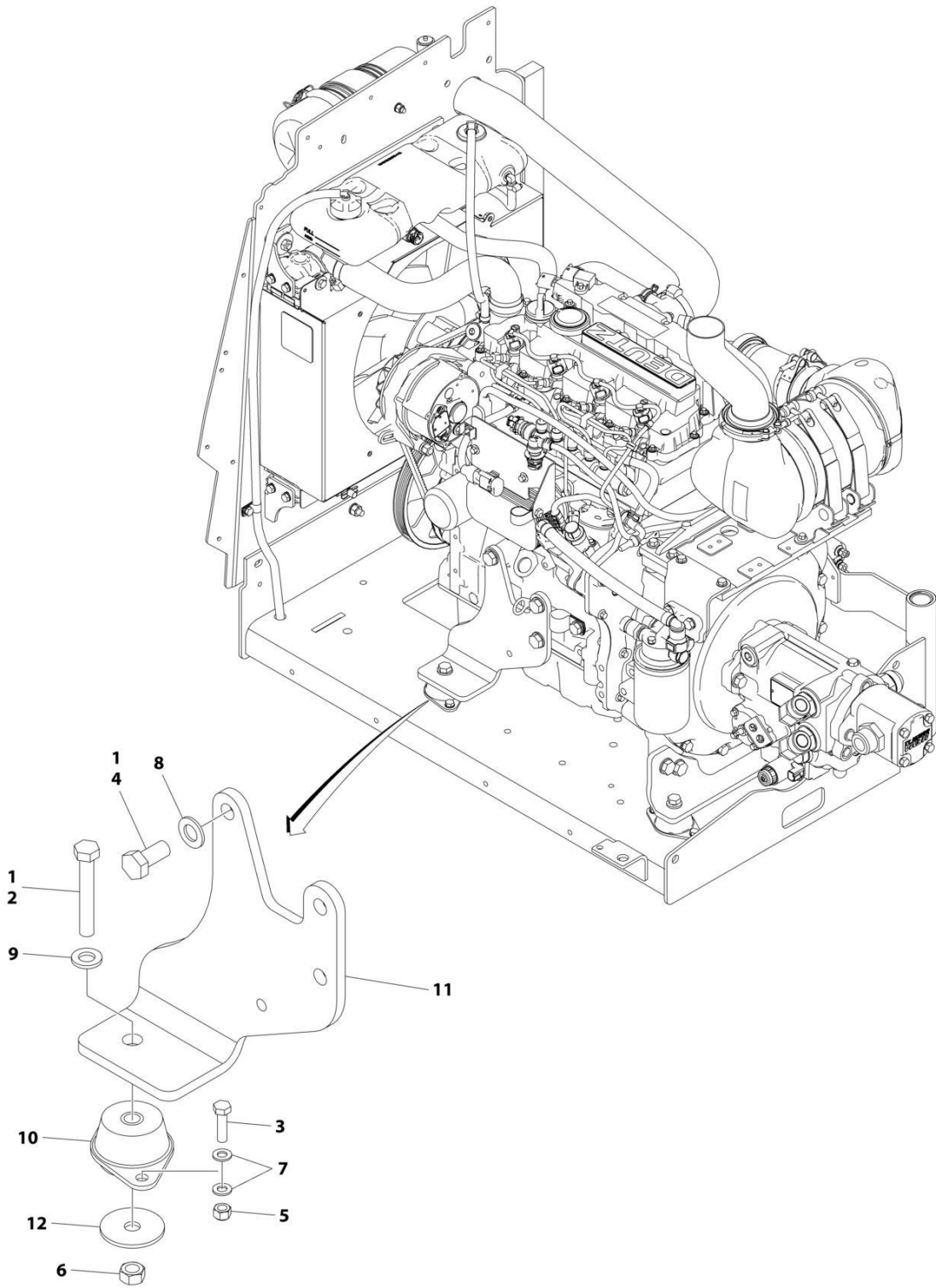
SECTION 3 - ENGINE

FIGURE 3-81. MOTOR MOUNT INSTALLATION - WITH GENERATOR (DEUTZ TD 2.9L4 49HP ENGINES)

ITEM	PART NUMBER	QTY	DESCRIPTION	REV
	1001244019	Ref	MOTOR MOUNT INSTALLATION	A
1	0100011	AR	Compound, Locking	
2	0711224	1	Bolt M12 x 80	
3	0760814	2	Bolt M8 x 30	
4	0771414	3	Bolt M14 x 30	
5	3290805	2	Nut M8	
6	3331211	1	Nut M12	
7	4811900	4	Washer M8	
8	4812200	3	Washer M14	
9	5241200	1	Washer M12	
10	1001166718	1	Mount, Motor	
11	1001168018	1	Washer	
12	1001168207	1	Mount	

SECTION 3 - ENGINE

FIGURE 3-82. MOTOR MOUNT INSTALLATION - WITHOUT GENERATOR (DEUTZ TD 2.9L4 49HP ENGINES)



ART_1001244024

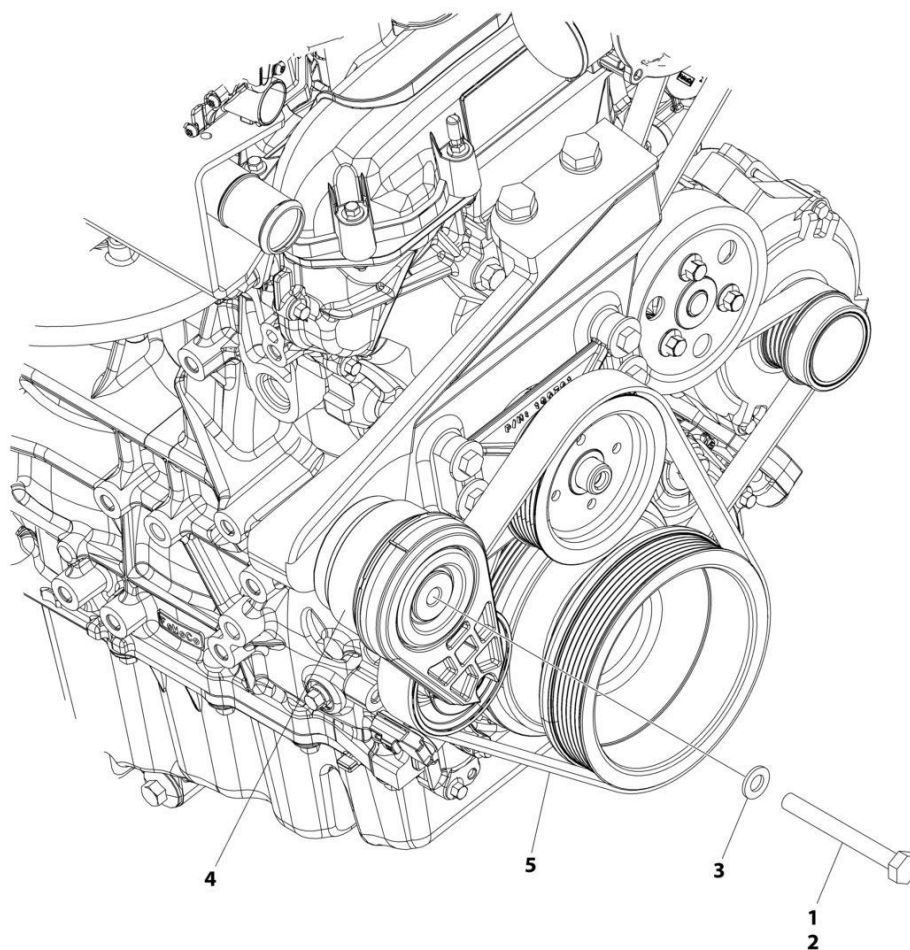
SECTION 3 - ENGINE

FIGURE 3-82. MOTOR MOUNT INSTALLATION - WITHOUT GENERATOR (DEUTZ TD 2.9L4 49HP ENGINES)

ITEM	PART NUMBER	QTY	DESCRIPTION	REV
	1001244024	Ref	MOTOR MOUNT INSTALLATION	A
1	0100011	AR	Compound, Locking	
2	0711224	1	Bolt M12 x 80	
3	0760814	2	Bolt M8 x 30	
4	0771414	3	Bolt M14 x 30	
5	3290805	2	Nut M8	
6	3331211	1	Nut M12	
7	4811900	4	Washer M8	
8	4812200	3	Washer M14	
9	5241200	1	Washer M12	
10	1001166718	1	Mount, Motor	
11	1001166922	1	Mount	
12	1001168018	1	Washer	

SECTION 3 - ENGINE

FIGURE 3-83. BELT WITHOUT GENERATOR INSTALLATION (FORD ENGINES)



ART_1001220404

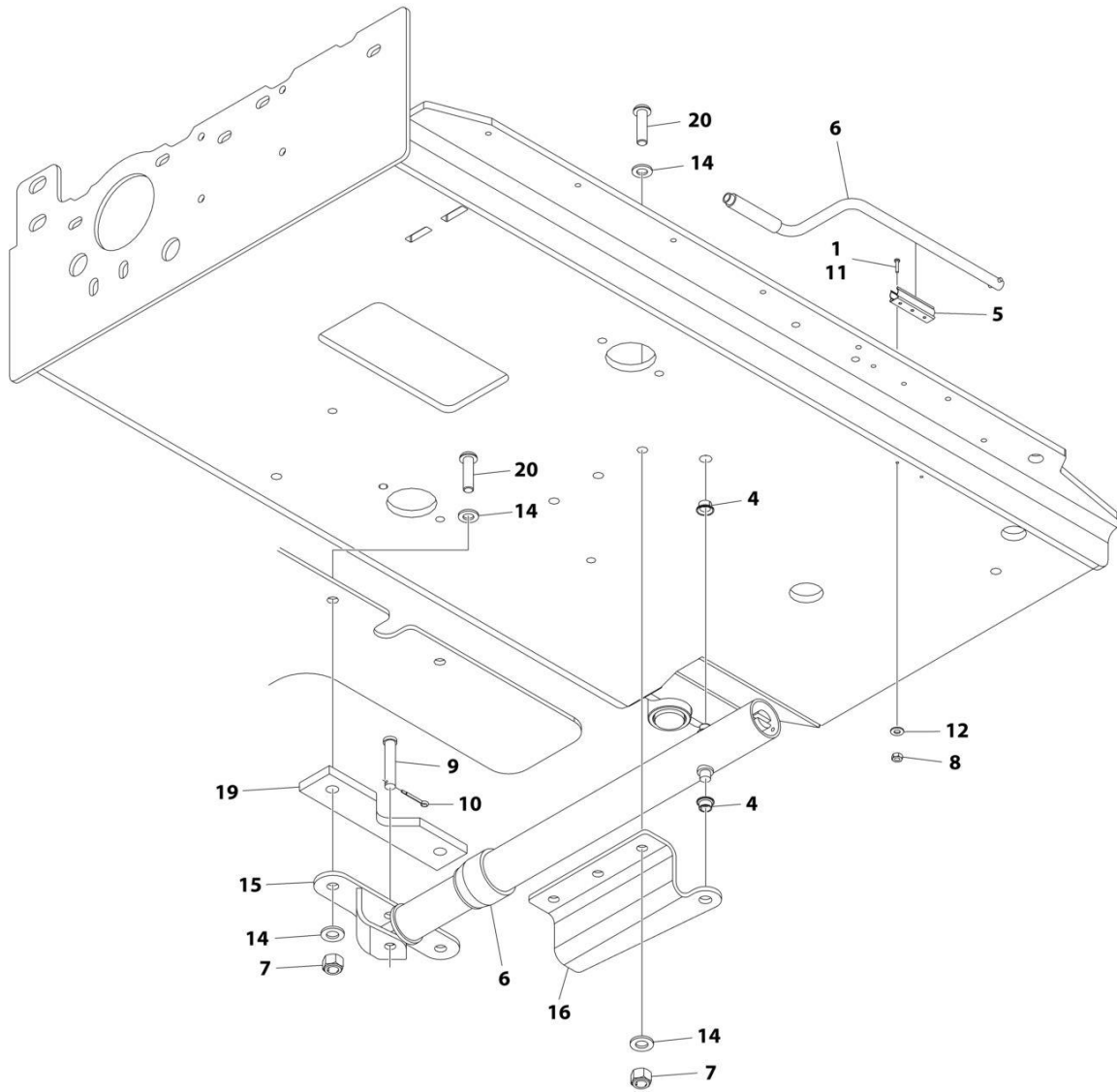
SECTION 3 - ENGINE

FIGURE 3-83. BELT WITHOUT GENERATOR INSTALLATION (FORD ENGINES)

ITEM	PART NUMBER	QTY	DESCRIPTION	REV
	1001220404	Ref	DRIVE BELT INSTALLATION	C
1	0100011	AR	Compound, Locking	
2	0701026	1	Bolt M10 x 90	
3	4812002	1	Washer M10	
4	1001216300	1	Pulley	
5	1001216619	1	V-Belt	

SECTION 3 - ENGINE

FIGURE 3-84. TRAY JACK INSTALLATION



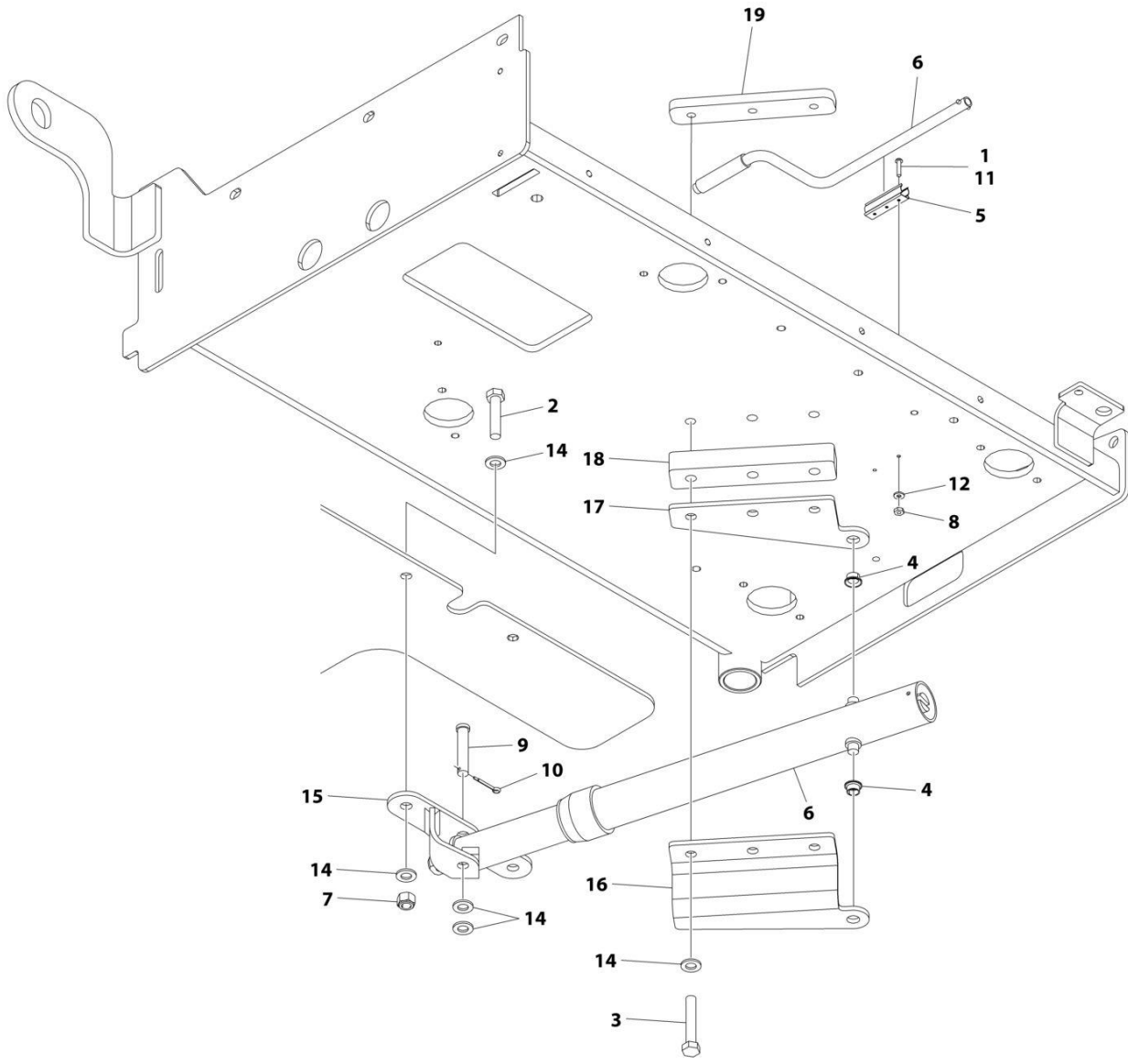
ART_1001186980_E

FIGURE 3-84. TRAY JACK INSTALLATION

ITEM	PART NUMBER	QTY	DESCRIPTION	REV
	1001186980	Ref	TRAY JACK INSTALLATION	E
1	0100011	AR	Compound, Locking	
4	0962051	2	Bearing	
5	1380147	1	Clip	
6	2840016	1	Jack and Handle Assembly	
6	7024598	1	Handle	
7	3291205	5	Nut M12	
8	3290301	2	Nut M3	
9	3430820	1	Pin	
10	1001236121	1	Pin	
11	4010308	2	Screw M3 x 16	
12	4811400	2	Washer M4	
14	4812100	10	Washer M12	
15	1001166894	1	Support	
16	1001175073	1	Support	
19	1001186981	1	Plate	
20	1001102978	5	Screw M12 x 45 Grade 10.9	

SECTION 3 - ENGINE

FIGURE 3-85. TRAY JACK INSTALLATION (STAGE V)



ART_1001244023_C

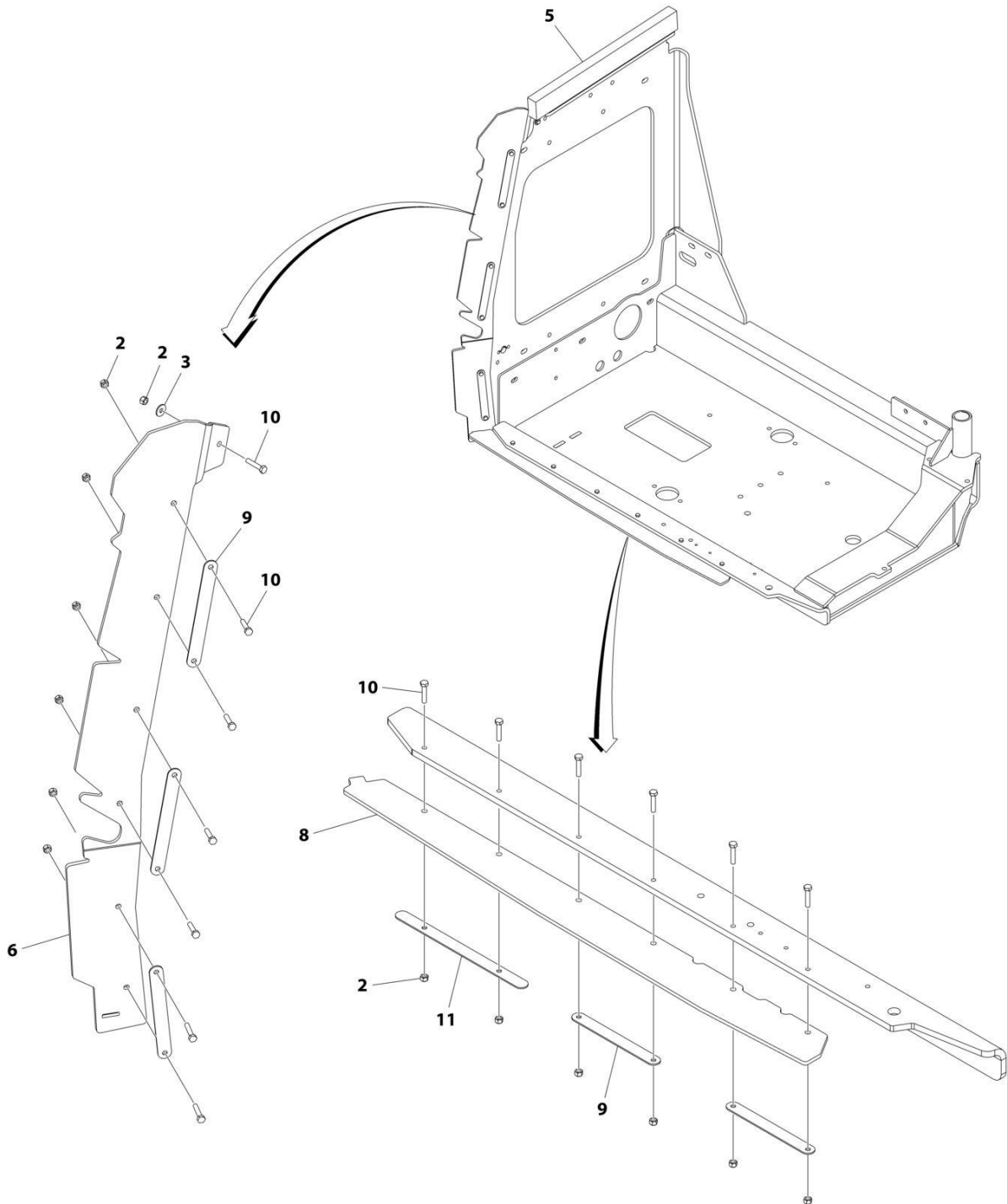
SECTION 3 - ENGINE

FIGURE 3-85. TRAY JACK INSTALLATION (STAGE V)

ITEM	PART NUMBER	QTY	DESCRIPTION	REV
	1001244023	Ref	TRAY JACK INSTALLATION	C
1	0100011	AR	Compound, Locking	
2	1001102978	2	Bolt M12 x 45	
3	0701222	3	Bolt M12 x 70	
4	0962051	2	Bearing	
5	1380147	1	Clip	
6	2840016	1	Jack and Handle Assembly	
6	7024598	1	Handle	
7	3291205	2	Nut M12	
8	3290301	2	Nut M3	
9	3430820	1	Pin	
10	1001236121	1	Pin	
11	4010308	2	Screw M3 x 16	
12	4811400	1	Washer M4	
14	4812100	9	Washer M12	
15	1001166894	1	Support	
16	1001175073	1	Support	
17	1001175074	1	Support	
18	1001244025	1	Shim	
19	1001254719	1	Plate, Nut	

SECTION 3 - ENGINE

FIGURE 3-86. ENGINE HOOD Baffles INSTALLATION - ABS HOODS



ART_1001197268_G

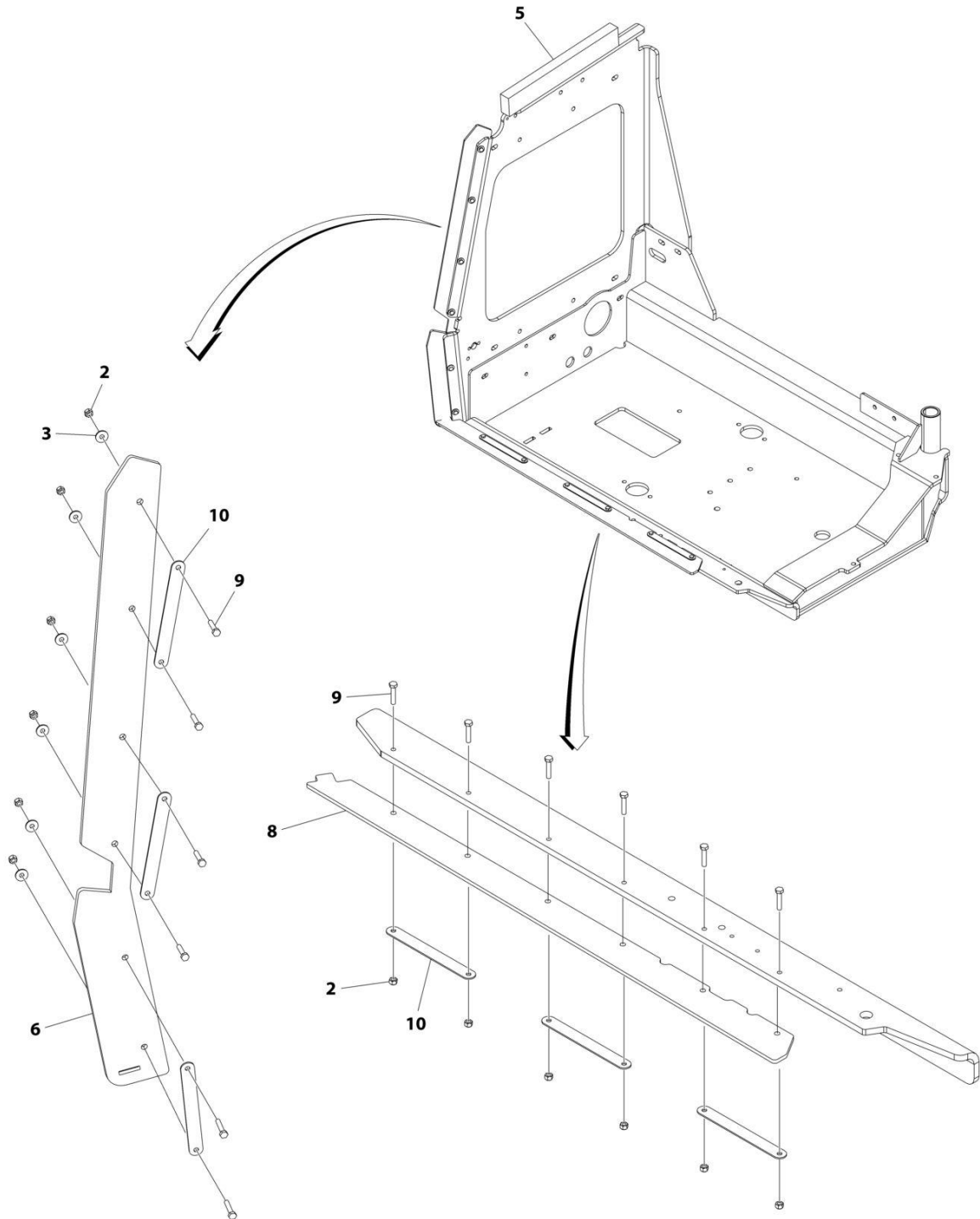
SECTION 3 - ENGINE

FIGURE 3-86. ENGINE HOOD BAFFLES INSTALLATION - ABS HOODS

ITEM	PART NUMBER	QTY	DESCRIPTION	REV
	1001197268	Ref	ENGINE HOOD BAFFLES INSTALLATION	G
2	3290605	13	Nut M6	
3	4811702	8	Washer M6	
5	1001197389	1	Seal	
6	1001234370	1	Seal	
8	1001234371	1	Seal	
9	1001167164	5	Support	
10	0760614	13	Bolt M6 x 30	
11	1001233429	1	Support	

SECTION 3 - ENGINE

FIGURE 3-87. ENGINE HOOD Baffles INSTALLATION - STEEL HOODS



ART_1001197269_F

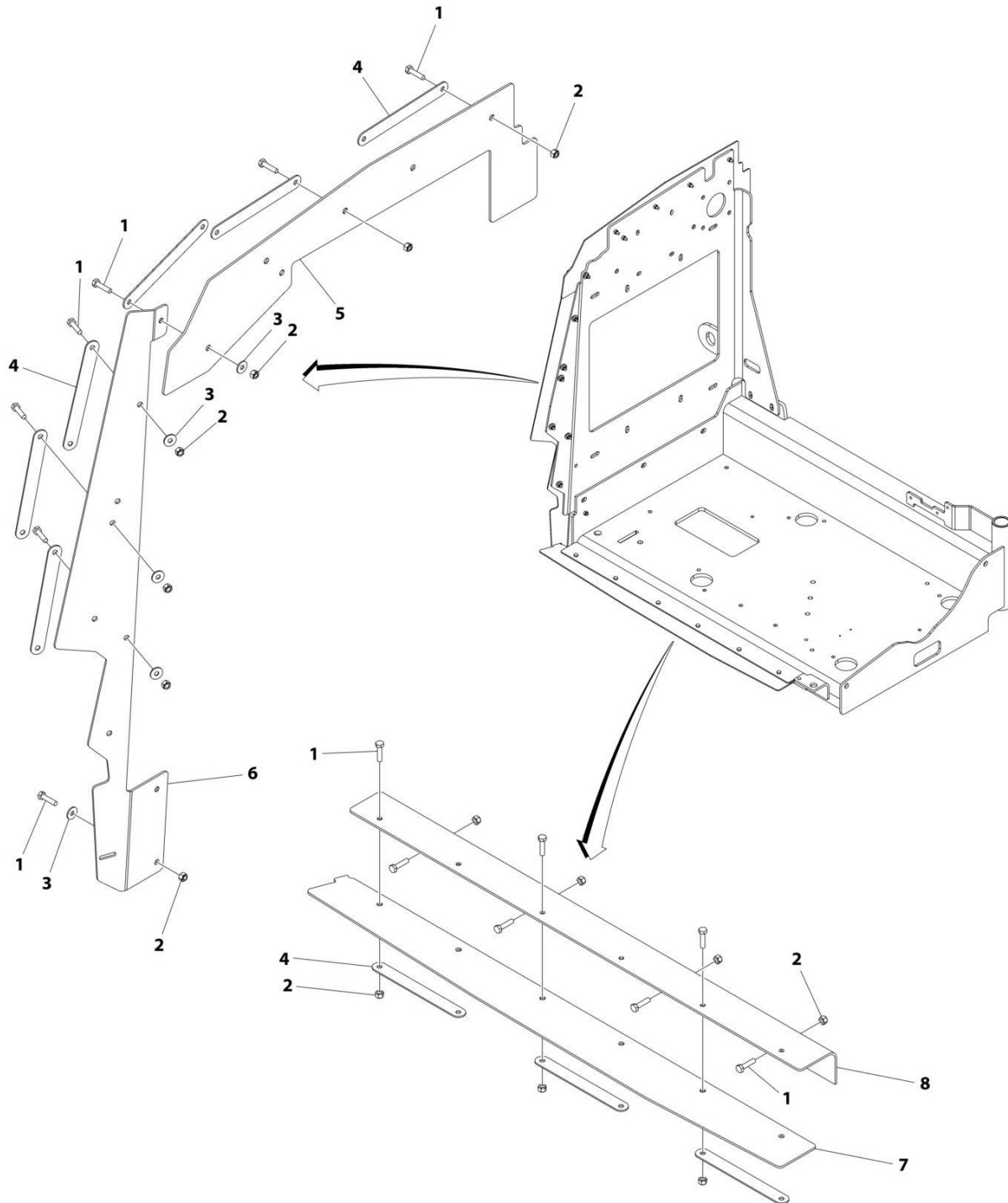
SECTION 3 - ENGINE

FIGURE 3-87. ENGINE HOOD BAFFLES INSTALLATION - STEEL HOODS

ITEM	PART NUMBER	QTY	DESCRIPTION	REV
	1001197269	Ref	ENGINE HOOD BAFFLES INSTALLATION	F
2	3290605	AR	Nut M6	
3	4811702	AR	Washer M6	
5	1001234281	1	Seal	
6	1001234299	1	Seal	
8	1001234283	1	Seal	
9	0760614	AR	Bolt M6 x 30	
10	1001167164	6	Support	

SECTION 3 - ENGINE

FIGURE 3-88. ENGINE HOOD Baffles INSTALLATION - ABS HOODS (DEUTZ TD 2.2L3 ENGINES AND TD 2.9L4 49HP ENGINES)



ART_1001244119

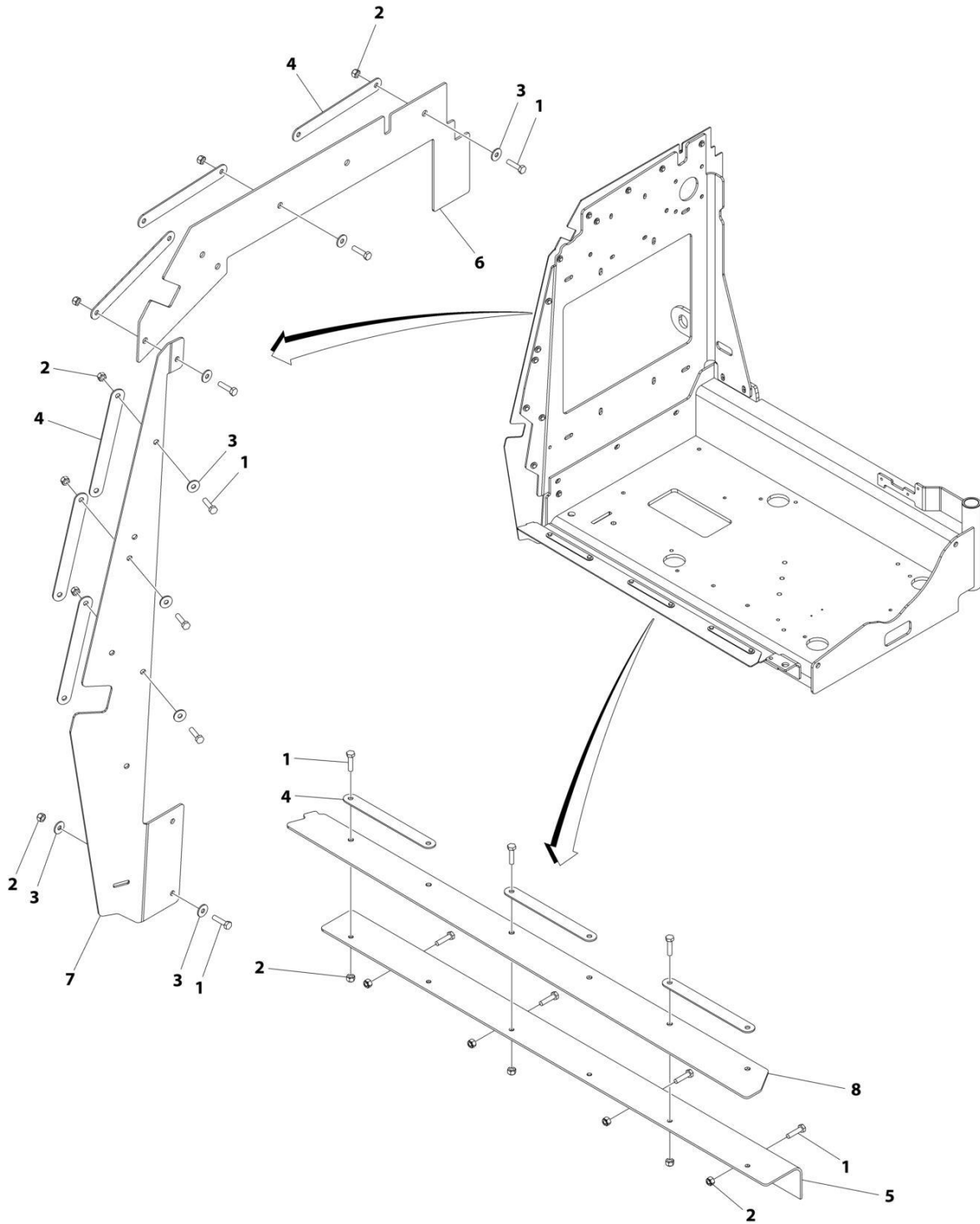
SECTION 3 - ENGINE

FIGURE 3-88. ENGINE HOOD BAFFLES INSTALLATION - ABS HOODS (DEUTZ TD 2.2L3 ENGINES AND TD 2.9L4 49HP ENGINES)

ITEM	PART NUMBER	QTY	DESCRIPTION	REV
	1001244119	Ref	ENGINE HOOD BAFFLES INSTALLATION	B
1	0760612	24	Bolt M6 x 25	
2	3290605	24	Nut M6	
3	4811702	30	Washer M6	
4	1001167164	9	Support	
5	1001244120	1	Seal	
6	1001244121	1	Seal	
7	1001244122	1	Seal	
8	1001244123	1	Plate	

SECTION 3 - ENGINE

FIGURE 3-89. ENGINE HOOD Baffles INSTALLATION - STEEL HOODS (DEUTZ TD 2.2L3 ENGINES AND TD 2.9L4 49HP ENGINES)



ART_1001244464

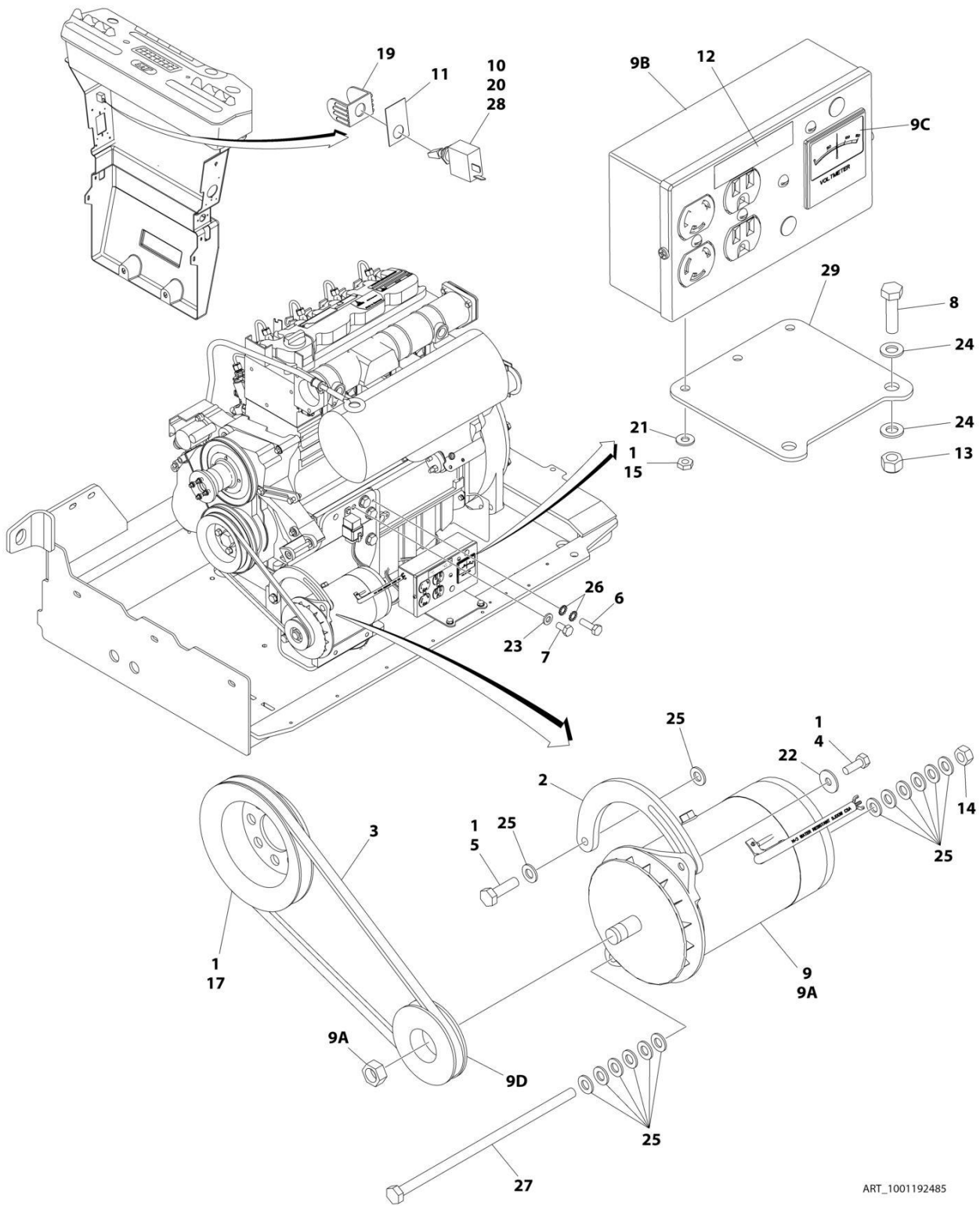
SECTION 3 - ENGINE

FIGURE 3-89. ENGINE HOOD BAFFLES INSTALLATION - STEEL HOODS (DEUTZ TD 2.2L3 ENGINES AND TD 2.9L4 49HP ENGINES)

ITEM	PART NUMBER	QTY	DESCRIPTION	REV
	1001244464	Ref	ENGINE HOOD BAFFLES INSTALLATION	B
1	0760612	24	Bolt M6 x 25	
2	3290605	24	Nut M6	
3	4811702	30	Washer M6	
4	1001167164	9	Support	
5	1001244123	1	Plate	
6	1001244468	1	Seal	
7	1001244469	1	Seal	
8	1001244470	1	Seal	

SECTION 3 - ENGINE

FIGURE 3-90. 2500W GENERATOR INSTALLATION - 110V/60HZ (DEUTZ D2011 ENGINES)



ART_1001192485

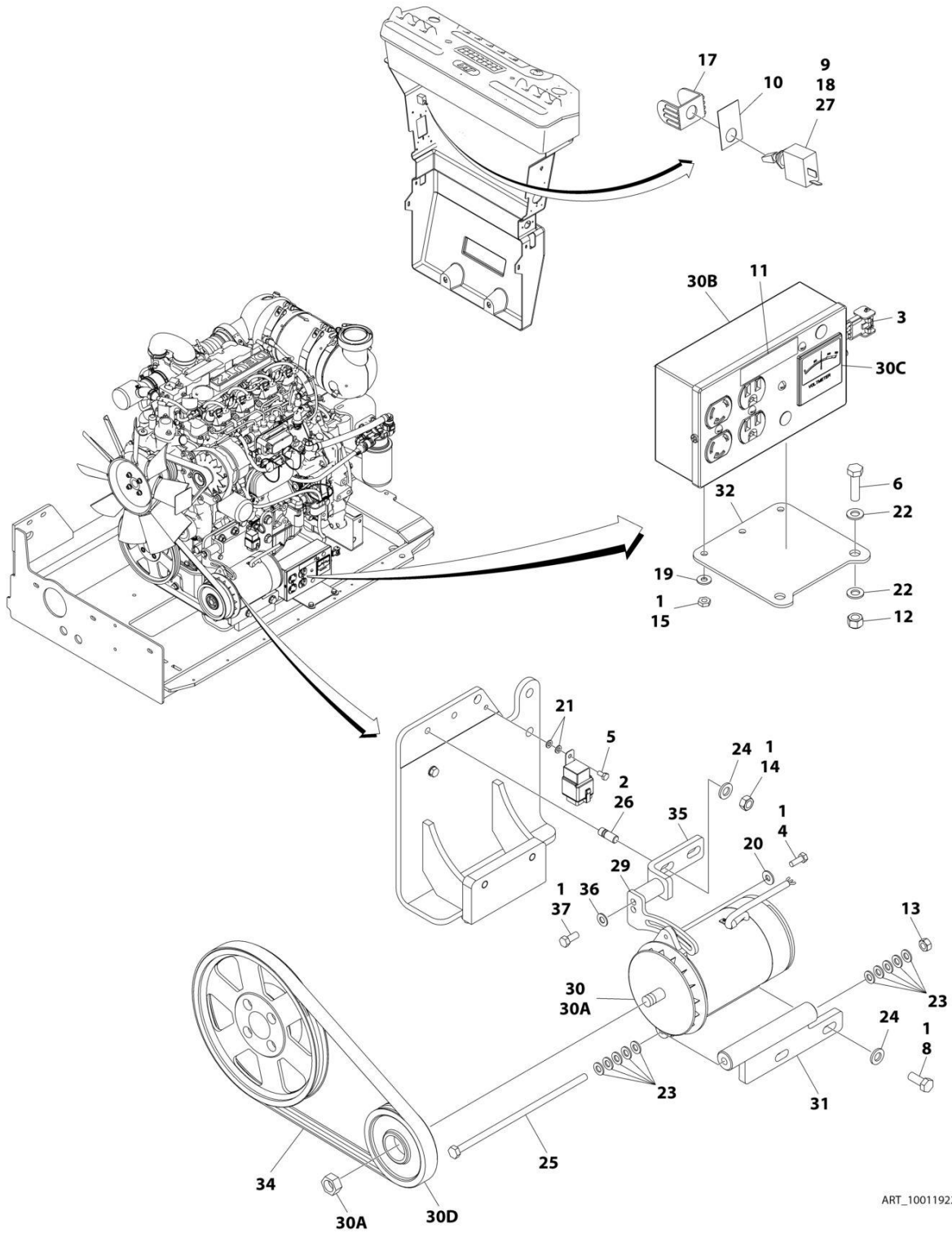
SECTION 3 - ENGINE

FIGURE 3-90. 2500W GENERATOR INSTALLATION - 110V/60HZ (DEUTZ D2011 ENGINES)

ITEM	PART NUMBER	QTY	DESCRIPTION	REV
	1001192485	Ref	2500W GENERATOR INSTALLATION	F
1	0100011	AR	Compound, Locking	
2	1001239716	1	Arm, Adjusting	
3	0480124	1	Belt	
4	0641508	1	Bolt 5/16 x 1	
5	0761012	1	Bolt M10 x 25	
6	0700610	1	Bolt M6 x 20	
7	0760606	1	Bolt M6 x 12	
8	0760814	2	Bolt M8 x 30	
9	2460055	1	Generator and Control Box Assembly	
9A	7012558	1	Generator, Replacement	
9A		Ref	Note: Replacement Generators come standard with p/n 3580134 pulley. This pulley may not be correct for all applications. Refer to pulley options below.	
9A	7012513	4	Cap, Brush Holder	
9A	7020108	4	Brush	
9A	7020109	4	Holder, Brush	
9A	7012514	1	Fan	
9A	7020190	2	Bearing	
9A	7020110	1	Bell, Front	
9A	7020111	1	Bell, Rear	
9B	7019680	1	Box, Control	
9B	4360542	1	Breaker, Circuit	
9B	4460190	AR	Receptacle, Standard	
9B	4460027	AR	Receptacle, Twistlock	
9C	2420203	1	Voltmeter	
9D	3580276	1	Pulley	
9D	7027887	1	Key, Woodruff	
10	2820031	AR	Heat Shrink	
11	3251102	1	Nameplate - Generator On/Off	
12	3251243	1	Decal - 120V-60Hz	
13	3290805	2	Nut M8	
14	3291007	1	Nut M10	
15	3311001	2	Nut #10	
17	3580158	1	Pulley	
19	4060802	1	Guard, Switch	
20	4360336	1	Switch, Toggle	
21	4751000	1	Washer #10	
22	4811902	1	Washer M8	
23	4811700	1	Washer M6	
24	4811900	4	Washer M8	
25	4812000	14	Washer M10	
26	4871700	2	Washer M6	
27	1001119280	1	Bolt M10 x 260	
28	4922641	1	Generator Switch Harness	
29	1001193167	1	Plate, Mounting	
30	1001194114	1	Generator Harness - 2500W (Not Shown) (See Separate Breakdown in ELECTRICAL SECTION)	

SECTION 3 - ENGINE

FIGURE 3-91. 2500W GENERATOR INSTALLATION - 110V/60HZ (DEUTZ TD2.9L4 ENGINES)



ART_1001192280

SECTION 3 - ENGINE

FIGURE 3-91. 2500W GENERATOR INSTALLATION - 110V/60HZ (DEUTZ TD2.9L4 ENGINES)

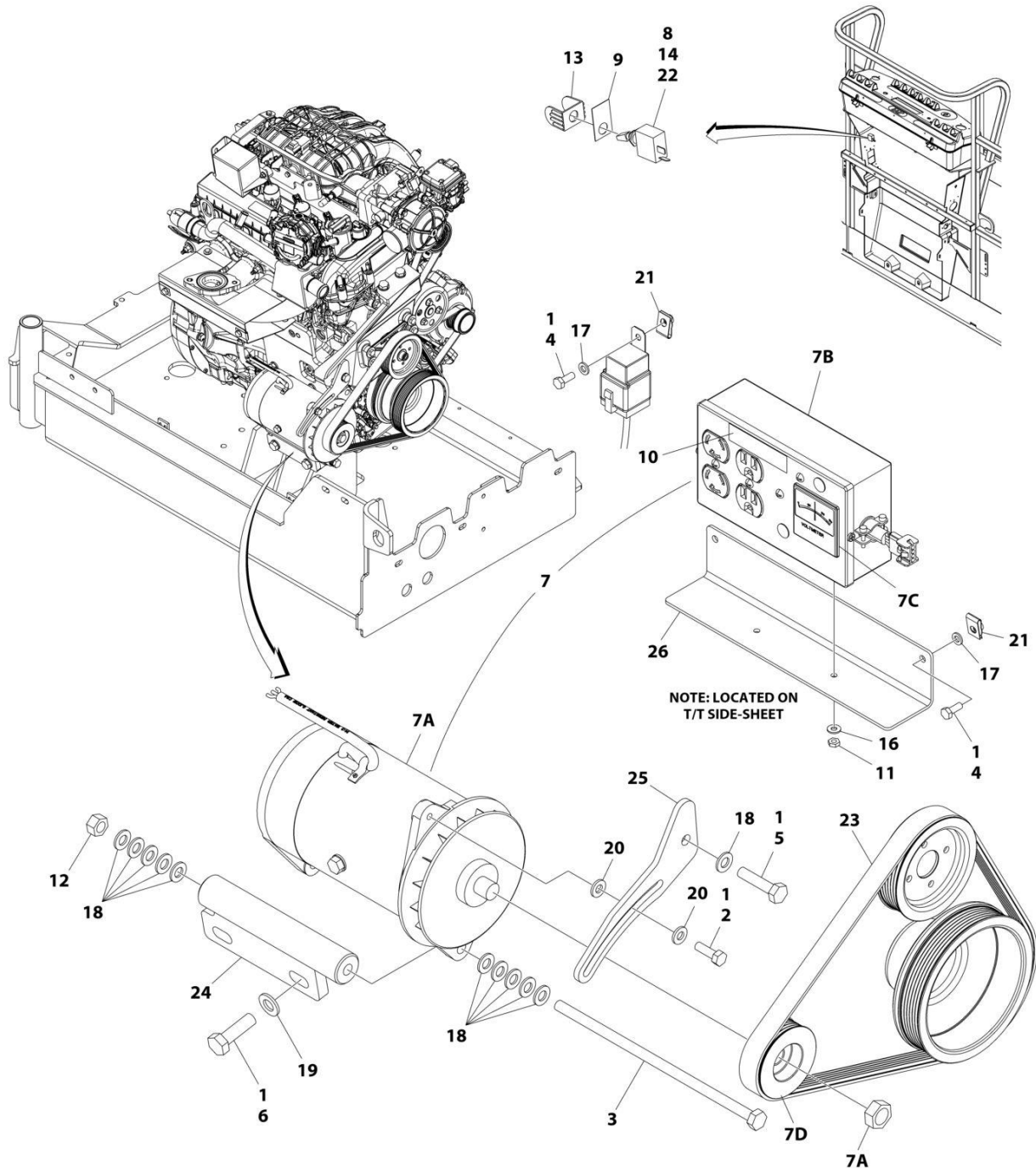
ITEM	PART NUMBER	QTY	DESCRIPTION	REV
	1001192280	Ref	2500W GENERATOR INSTALLATION	F
1	0100011	AR	Compound, Locking	
2	0100019	AR	Compound, Locking	
3	0100048	AR	Silicone	
4	0641507	1	Bolt 5/16 x 7/8	
5	0760606	1	Bolt M6 x 12	
6	0760814	2	Bolt M8 x 30	
8	0761214	2	Bolt M12 x 30	
9	2820031	AR	Heat Shrink	
10	3251102	1	Nameplate - Generator On/Off	
11	3251243	1	Decal - 120V-60Hz	
12	3290805	2	Nut M8	
13	3291007	1	Nut M10	
14	3291201	2	Nut M12	
15	3311001	2	Nut #10	
17	4060802	1	Guard, Switch	
18	4360336	1	Switch, Toggle	
19	4751000	2	Washer #10	
20	4751500	1	Washer 5/16	
21	4811700	2	Washer M6	
22	4811900	4	Washer M8	
23	4812000	10	Washer M10	
24	5241200	4	Washer M12	
25	1001119280	1	Bolt M10 x 260	
26	1001196382	2	Stud	
27	4922641	1	Generator Switch Harness	
29	1001179837	1	Arm, Adjusting	
30	1001180001	1	Generator and Control Box Assembly	
30A	7012558	1	Generator, Replacement	
30A		Ref	Note: Replacement Generators come standard with p/n 3580134 pulley. This Pulley may not be correct for all applications. Refer to Pulley options below.	
30A	7026199	1	Armature with Slip Rings	
30A	7012513	4	Cap, Brush Holder	
30A	7020108	4	Brush	
30A	7020109	4	Holder, Brush	
30A	7012514	1	Fan	
30A	7020110	1	Bell, Front	
30A	7020111	1	Bell, Rear	
30A	7020190	2	Bearing	
30B	7019680	1	Box, Control	
30B		Ref	Receptacle Options:	
30B	4460190	1	Receptacle, Standard	
30B	4460027	1	Receptacle, Twistlock	
30B	4360542	1	Breaker, Circuit	
30B	3520028	1	Plug, Hole	
30C	2420203	1	Voltmeter	
30D	3580276	1	Pulley	
30D	7027887	1	Key, Woodruff	
31	1001181243	1	Mount (Lower)	

SECTION 3 - ENGINE

ITEM	PART NUMBER	QTY	DESCRIPTION	REV
32	1001193167	1	Plate	
33	1001194114	1	Generator Harness - 2500W (Not Shown) (See Separate Breakdown in ELECTRICAL SECTION)	
34	1001148138	1	Belt	
35	1001216015	1	Mount (Upper)	
36	4711600	1	Washer 3/8	
37	0641607	1	Bolt 3/8 x 7/8	

SECTION 3 - ENGINE

FIGURE 3-92. 2500W GENERATOR INSTALLATION - 110V/60HZ (FORD ENGINES)



ART_1001219853

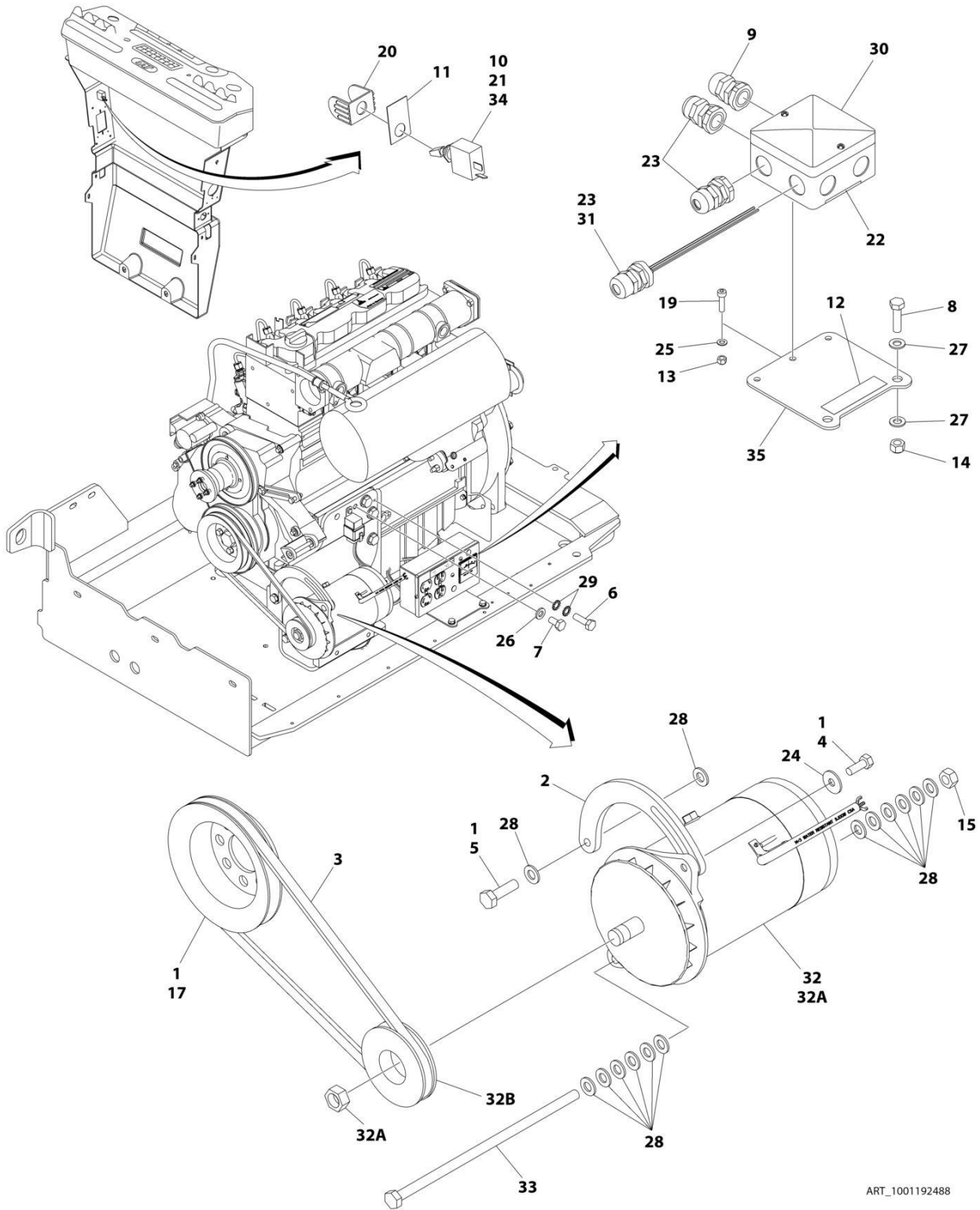
SECTION 3 - ENGINE

FIGURE 3-92. 2500W GENERATOR INSTALLATION - 110V/60HZ (FORD ENGINES)

ITEM	PART NUMBER	QTY	DESCRIPTION	REV
	1001219853	Ref	2500W GENERATOR INSTALLATION	D
1	0100011	AR	Compound, Locking	
2	0641508	1	Bolt 5/16 x 1	
3	1001119280	1	Bolt M10 x 260	
4	0760608	3	Bolt M6 x 16	
5	0761016	1	Bolt M10 x 40	
6	0761216	2	Bolt M12 x 40	
7	2460051	1	Generator and Control Box Assembly	
7A	7012558	1	Generator, Replacement	
		Ref	Note: Replacement Generators come standard with p/n 3580134 pulley. This pulley may not be correct for all applications. Refer to pulley options below.	
7A	7026199	1	Armature with Slip Rings	
7A	7012513	4	Cap, Brush Holder	
7A	7020108	4	Brush	
7A	7020109	4	Holder, Brush	
7A	7012514	1	Fan	
7A	7020110	1	Bell, Front	
7A	7020111	1	Bell, Rear	
7A	7020190	2	Bearing	
7B	7019680	1	Box, Control	
7B		Ref	Receptacle Options:	
7B	4460190	1	Receptacle, Standard	
7B	4460027	1	Receptacle, Twistlock	
7B	4360542	1	Breaker, Circuit	
7B	3520028	1	Plug, Hole	
7C	2420203	1	Voltmeter	
7D	3580324	1	Pulley	
7D	7027887	1	Key, Woodruff	
8	2820031	AR	Heat Shrink	
9	3251102	1	Nameplate - Generator On/Off	
10	3251243	1	Decal - 120V-60Hz	
11	3311005	2	Nut #10	
12	3291007	1	Nut M10	
13	4060802	1	Guard, Switch	
14	4360336	1	Switch, Toggle	
16	4751000	2	Washer #10	
17	4811700	3	Washer M6	
18	4812000	11	Washer M10	
19	4812100	2	Washer M12	
20	4891500	2	Washer 5/16	
21	1001130220	3	Nut, Tinnerman M6	
22	4922641	1	Generator Switch Harness	
23	1001216391	1	Belt	
24	1001219630	1	Mount (Lower)	
25	1001219632	1	Arm, Adjusting	
26	1001220728	1	Bracket	
27	1001194114	1	Generator Harness - 2500W (Not Shown) (See Separate Breakdown in ELECTRICAL SECTION)	

SECTION 3 - ENGINE

FIGURE 3-93. 2500W GENERATOR INSTALLATION - 220V/50HZ (DEUTZ D2011 ENGINES)



ART_1001192488

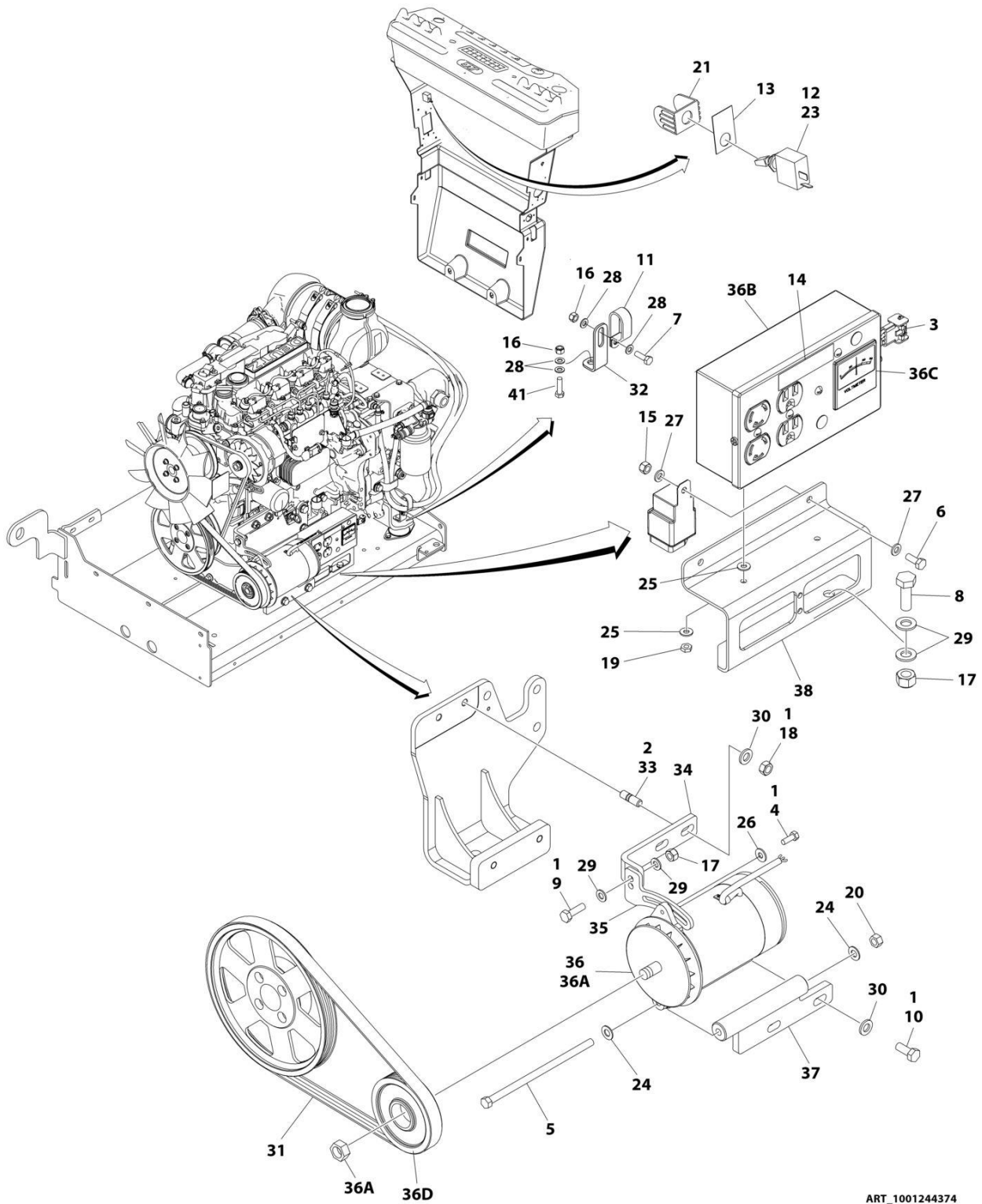
SECTION 3 - ENGINE

FIGURE 3-93. 2500W GENERATOR INSTALLATION - 220V/50HZ (DEUTZ D2011 ENGINES)

ITEM	PART NUMBER	QTY	DESCRIPTION	REV
	1001192488	Ref	2500W GENERATOR INSTALLATION	F
1	0100011	AR	Compound, Locking	
2	1001239716	1	Arm, Adjusting	
3	0480124	1	Belt, Generator	
4	0641508	1	Bolt 5/16 x 1	
5	0761012	1	Bolt M10 x 25	
6	0700610	1	Bolt M6 x 20	
7	0760606	1	Bolt M6 x 12	
8	0760814	2	Bolt M8 x 30	
9	0962449	1	Bushing	
10	2820031	AR	Heat Shrink	
11	3251102	1	Nameplate - Generator On/Off	
12	3252507	1	Decal - 220 Volt	
13	3290505	1	Nut M5	
14	3290805	2	Nut M8	
15	3291007	1	Nut M10	
17	3580158	1	Pulley	
19	4031608	1	Capscrew M5 x 20	
20	4060802	1	Guard, Switch	
21	4360336	1	Switch, Toggle	
22	4420060	1	Tape	
23	4460968	3	Connector, Strain Relief	
24	4811902	1	Washer M8	
25	4811600	1	Washer M5	
26	4811700	1	Washer M6	
27	4811900	4	Washer M8	
28	4812000	14	Washer M10	
29	4871700	2	Washer M6	
30	1001099869	1	Box, Junction	
31	1001100234	1	Lamp, Red	
32	1001100321	1	Generator Assembly	
32A		Ref	Note: Replacement Generators come standard with p/n 3580134 pulley. This pulley may not be correct for all applications. Refer to pulley options below.	
32A	70000123	1	Armature with Slip Rings	
32A	7012513	4	Cap, Brush Holder	
32A	7020108	4	Brush	
32A	7020109	4	Holder, Brush	
32A	7012514	1	Fan	
32A	7020110	1	Bell, Front	
32A	7020111	1	Bell, Rear	
32A	7020190	2	Bearing	
32B	3580134	1	Pulley	
32B	7027887	1	Key, Woodruff	
33	1001119280	1	Bolt M10 x 260	
34	4922641	1	Generator Switch Harness	
35	1001193167	1	Plate	
36	1001194114	1	Generator Harness - 2500W (Not Shown) (See Separate Breakdown in ELECTRICAL SECTION)	

SECTION 3 - ENGINE

FIGURE 3-94. 2500W GENERATOR INSTALLATION - 120V/60HZ (DEUTZ TD2.9L4 ENGINES)



ART_1001244374

SECTION 3 - ENGINE

FIGURE 3-94. 2500W GENERATOR INSTALLATION - 120V/60HZ (DEUTZ TD2.9L4 ENGINES)

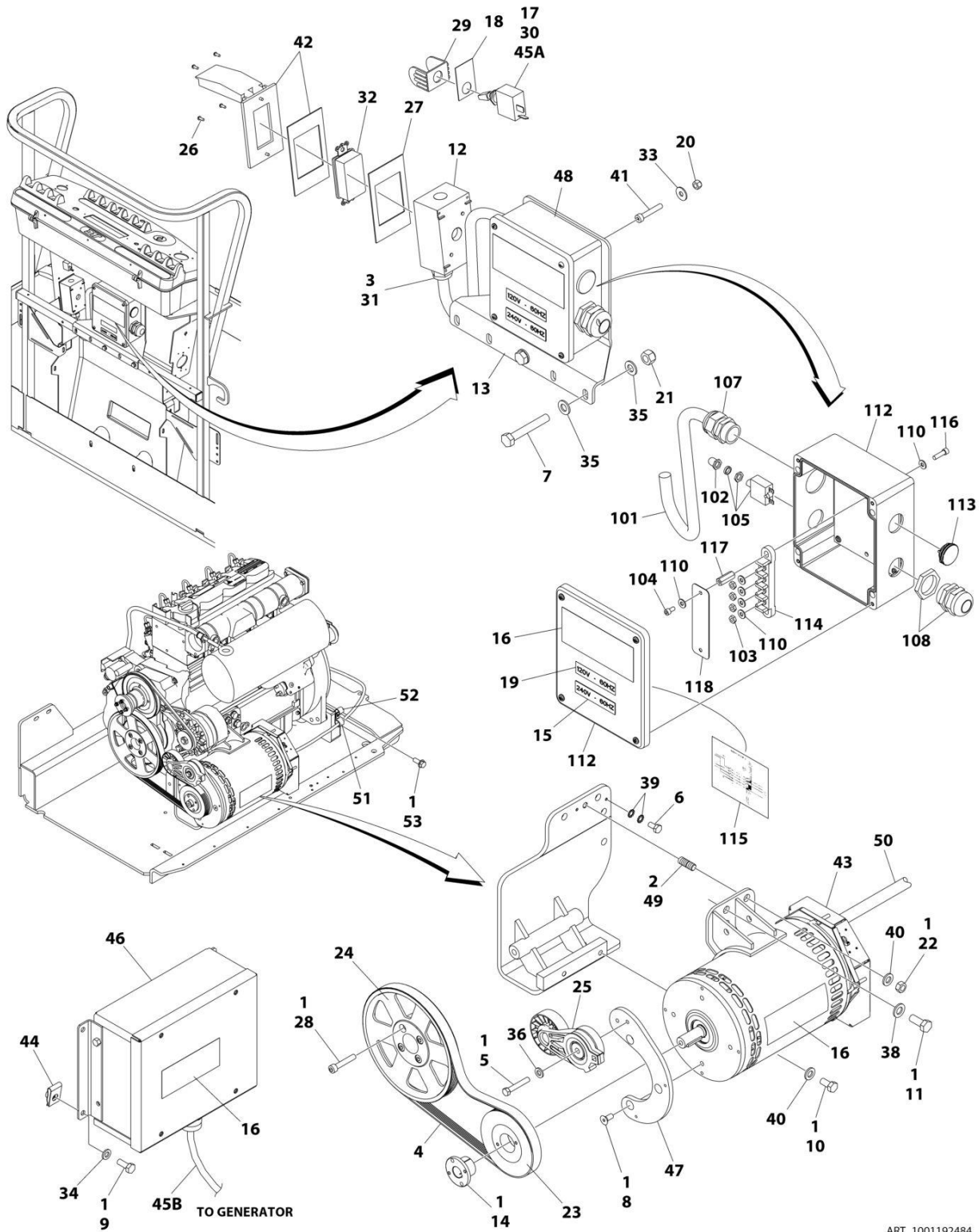
ITEM	PART NUMBER	QTY	DESCRIPTION	REV
	1001244374	Ref	2500W GENERATOR INSTALLATION	B
1	0100011	AR	Compound, Locking	
2	0100019	AR	Compound, Locking	
3	0100048	AR	Silicone	
4	0641507	1	Bolt 5/16 x 7/8	
5	0641772	1	Bolt 7/16 x 9	
6	0760608	1	Bolt M6 x 16	
7	0760812	1	Bolt M8 x 25	
8	0761014	2	Bolt M10 x 30	
9	0761015	1	Bolt M10 x 35	
10	0761214	2	Bolt M12 x 30	
11	1321716	1	Clamp	
12	2820031	AR	Heat Shrink	
13	3251102	1	Nameplate - Generator On/Off	
14	3251243	1	Decal - 120V-60Hz	
15	3290605	1	Nut M6	
16	3290805	2	Nut M8	
17	3291005	3	Nut M10	
18	3291201	2	Nut M12	
19	3311001	2	Nut #10	
20	3311705	1	Nut 7/16	
21	4060802	1	Guard, Switch	
22	4240099	AR	Tie-Strap (Not Shown)	
23	4360336	1	Switch, Toggle	
24	4711700	2	Washer 7/16	
25	4751000	4	Washer #10	
26	4751500	1	Washer 5/16	
27	4811700	2	Washer M6	
28	4811900	4	Washer M8	
29	4812000	6	Washer M10	
30	5241200	4	Washer M12	
31	1001148138	1	Belt	
32	1001223122	1	Bracket	
33	1001155041	2	Stud	
34	1001179836	1	Mount (Upper)	
35	1001179837	1	Arm, Adjusting	
36	1001180001	1	Generator and Control Box Assembly	
36A	7012558	1	Generator, Replacement	
36A		Ref	Note: Replacement Generators come standard with p/n 3580134 pulley. This Pulley may not be correct for all applications. Refer to Pulley options below.	
36A	7026199	1	Armature with Slip Rings	
36A	7012513	4	Cap, Brush Holder	
36A	7020108	4	Brush	
36A	7020109	4	Holder, Brush	
36A	7012514	1	Fan	
36A	7020110	1	Bell, Front	
36A	7020111	1	Bell, Rear	
36A	7020190	2	Bearing	
36B	7019680	1	Box, Control	

SECTION 3 - ENGINE

ITEM	PART NUMBER	QTY	DESCRIPTION	REV
36B		Ref	Receptacle Options:	
36B	4460190	1	Receptacle, Standard	
36B	4460027	1	Receptacle, Twistlock	
36B	4360542	1	Breaker, Circuit	
36B	3520028	1	Plug, Hole	
36C	2420203	1	Voltmeter	
36D	3580276	1	Pulley	
36D	7027887	1	Key, Woodruff	
37	1001181243	1	Mount (Lower)	
38	1001183477	1	Support	
40	1001194114	1	Generator Harness - 2500W (Not Shown) (See Separate Breakdown in ELECTRICAL SECTION)	
41	0760814	1	Bolt M8 x 30	

SECTION 3 - ENGINE

FIGURE 3-95. 4000W GENERATOR INSTALLATION - 110V/60HZ (DEUTZ D2011 ENGINES)



ART_1001192484

SECTION 3 - ENGINE

FIGURE 3-95. 4000W GENERATOR INSTALLATION - 110V/60HZ (DEUTZ D2011 ENGINES)

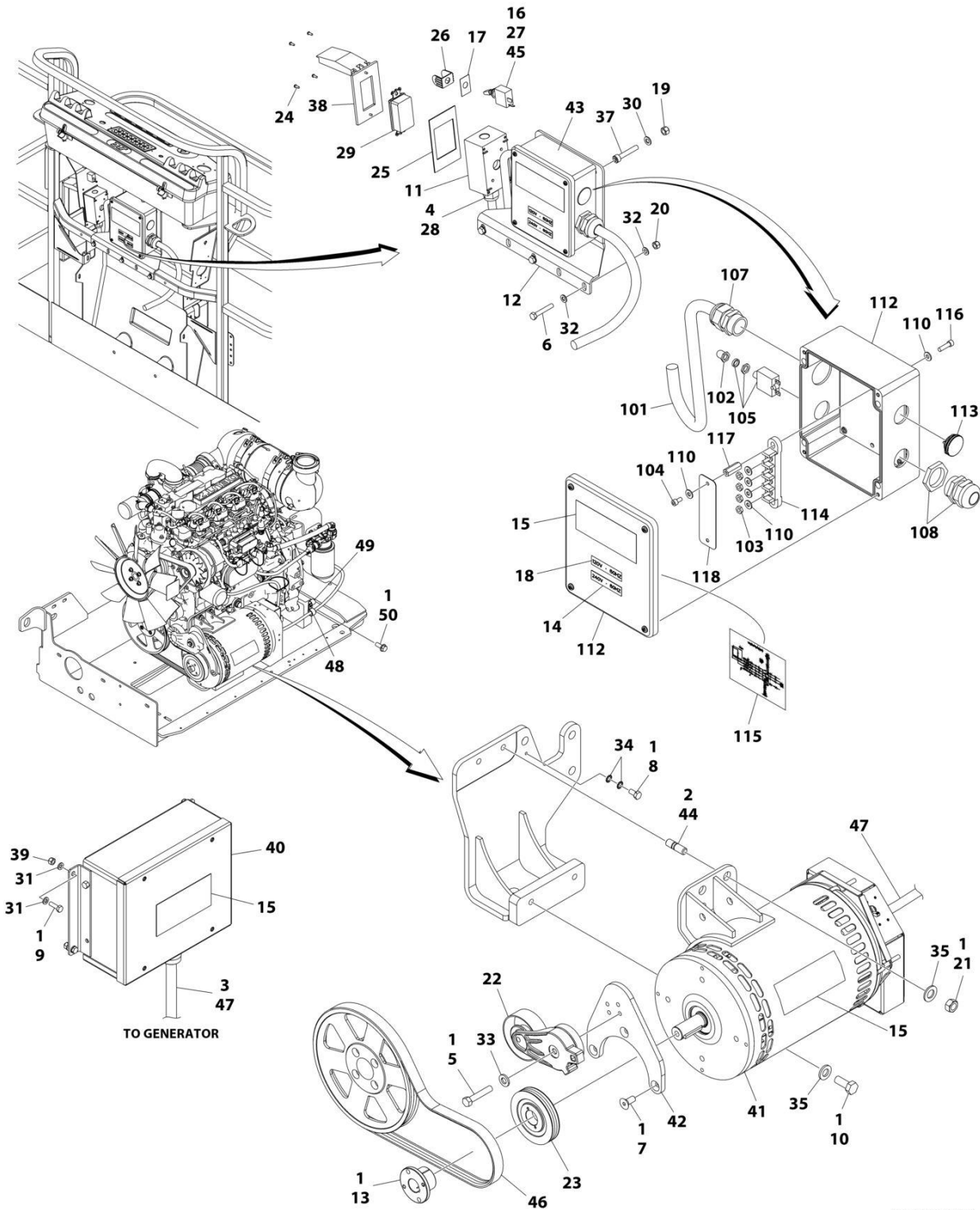
ITEM	PART NUMBER	QTY	DESCRIPTION	REV
	1001192484	Ref	4000W GENERATOR INSTALLATION	H
1	0100011	AR	Compound, Locking	
2	0100019	AR	Compound, Locking	
3	0100079	AR	Sealant	
4	1001136356	1	Belt	
5	0641618	1	Bolt 3/8 x 2-1/4	
6	0760606	1	Bolt M6 x 12	
7	0700819	1	Bolt M8 x 55	
8	0741607	3	Screw 3/8 x 7/8	
9	0760608	4	Bolt M6 x 16	
10	0761212	2	Bolt M12 x 25	
11	0771415	1	Bolt M14 x 35	
12	0860038	1	Box, Receptacle	
13	0902888	1	Bracket	
14	0962520	1	Bushing, Split	
15	1705374	1	Decal - 240V-60Hz	
16	1705387	3	Decal - Hazardous Voltage	
17	2820031	AR	Heat Shrink	
18	3251102	1	Nameplate - Generator On/Off	
19	3251243	1	Decal - 120V-60Hz	
20	3290505	4	Nut M5	
21	3290805	2	Nut M8	
22	3291201	1	Nut M12	
23	3580318	1	Pulley	
24	3580320	1	Pulley	
25	3580317	1	Tensioner, Belt	
26	3910606	4	Screw #6 x 3/8	
27	3960422	1	Gasket	
28	4032015	4	Capscrew M10 x 55	
29	4060802	1	Guard, Switch	
30	4360336	1	Switch, Toggle	
31	4460071	1	Connector, Strain Relief	
32	4460346	1	Receptacle	
33	4811602	4	Washer M5	
34	4811700	4	Washer M6	
35	4811900	4	Washer M8	
36	5241000	1	Washer M10	
38	5241400	1	Washer M14	
39	4871700	2	Washer M6	
40	5241200	3	Washer M12	
41	1001104029	4	Capscrew M5 x 30 Grade 12.9	
42	1001110873	1	Cover, Receptacle	
43	1001129858	1	Generator Assembly (60Hz)	
43	70003709	1	Ring, Retaining (External)	
43	70003708	1	Ring, Retaining (Internal)	
43	70001966	1	Bearing	
43	70004092	1	Endbell (Shaft End)	
43	70004171	1	Key	
43	70004676	1	Rotor	
43	70004684	1	Stator	

SECTION 3 - ENGINE

ITEM	PART NUMBER	QTY	DESCRIPTION	REV
43	70004678	1	Endbell (Rear)	
43	70004679	1	Cover, Endbell (Rear)	
43	70004680	1	Enclosure, Wiring	
43	70004685	1	Cover, Enclosure	
43	70004682	1	Switch, Reset (Located on Enclosure Cover)	
43	70004098	1	Connector, Strain Relief (Located on Enclosure Cover)	
44	1001130220	4	Nut, Tinnerman M6	
45A	4922641	1	Generator Switch Harness	
45B	1001153197	1	Generator to Engine Harness	
45B	4460967	1	Connector - 3 Position	
45B	4460465	2	Socket, Female	
46	1001138566	1	Box, Control	
46	70006552	1	Capacitor	
46	70006553	1	Relay	
47	1001139357	1	Mount	
48	1001152457	1	Junction Box Assembly (See Items 101-118 for Breakdown)	
49	1001196382	1	Stud	
50	1001152532	1	Generator Harness (See Separate Breakdown in ELECTRICAL SECTION)	
51	7274000040	1	Clamp	
52	1320061	1	Clamp	
53	5251012	1	Bolt M10 x 25	
	1001152457	Ref	JUNCTION BOX ASSEMBLY	
101	1001179154	2.5 ft/ 0.8m	Cable, Electrical - 12/3	
102	3300396	1	Cover, Breaker	
103	3311001	4	Nut #10	
104	3900300	2	Screw	
105	4360070	1	Breaker, Circuit - 15Amp	
107	4460425	1	Connector, Strain Relief (LH Side)	
108	4460426	1	Connector, Strain Relief (RH Side)	
110	4711000	8	Washer #10	
112	1001152456	1	Box, Junction	
113	1001152525	1	Plug	
114	1001152530	1	Terminal, Block	
115	1001153260	1	Decal - Wiring Diagram	
116	3900267	2	Screw	
117	1001158008	2	Stand-Off	
118	1001158363	1	Cover, Terminal Block	

SECTION 3 - ENGINE

FIGURE 3-96. 4000W GENERATOR INSTALLATION - 110V/60HZ (DEUTZ TD2.9L4 ENGINES)



ART_1001192279

SECTION 3 - ENGINE

FIGURE 3-96. 4000W GENERATOR INSTALLATION - 110V/60HZ (DEUTZ TD2.9L4 ENGINES)

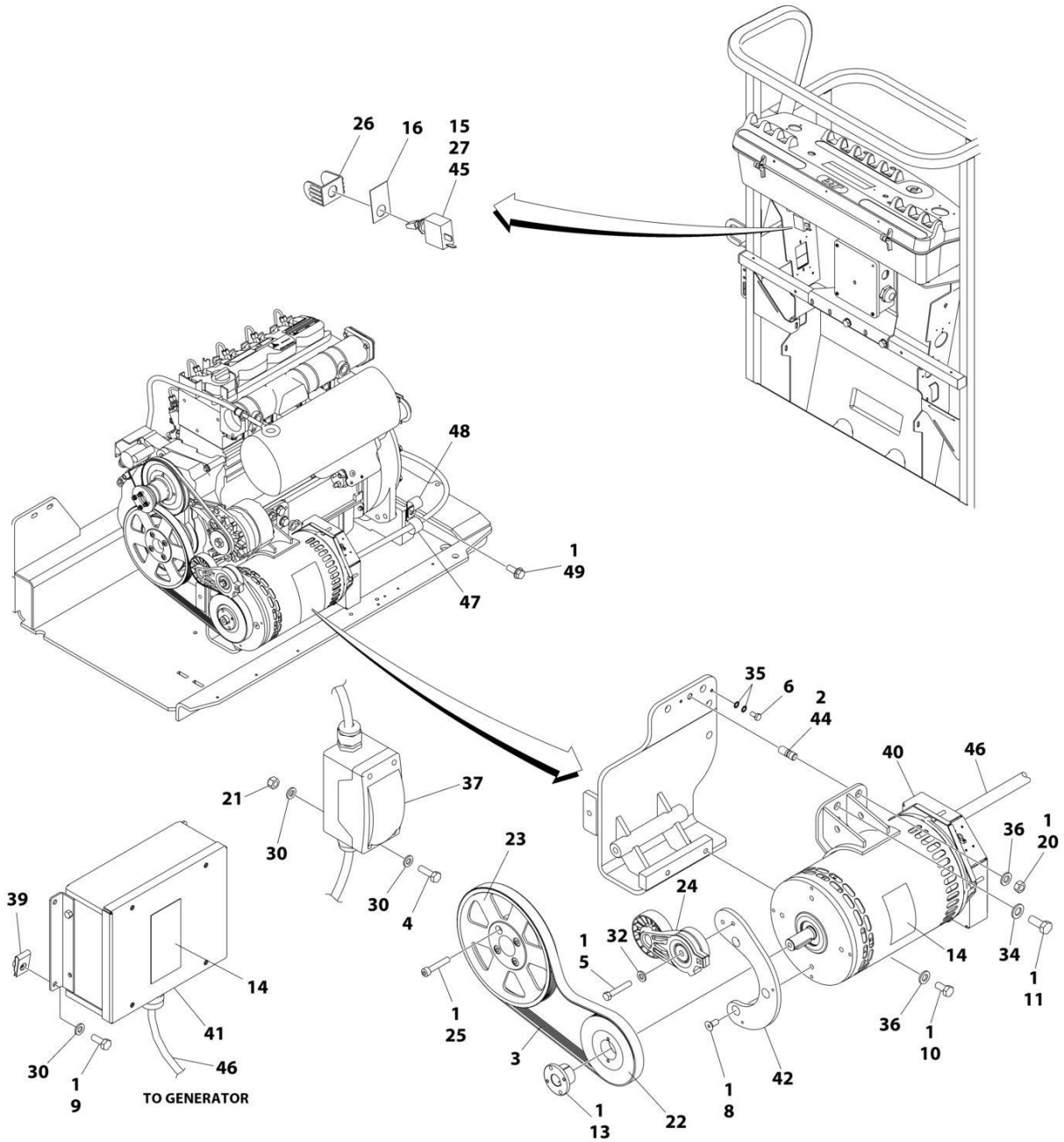
ITEM	PART NUMBER	QTY	DESCRIPTION	REV
	1001192279	Ref	4000W GENERATOR INSTALLATION	F
1	0100011	AR	Compound, Locking	
2	0100019	AR	Compound, Locking	
3	0100048	AR	Compound, Locking	
4	0100079	AR	Sealant	
5	0641616	1	Bolt 3/8 x 2	
6	0700819	2	Bolt M8 x 55	
7	0741607	3	Screw 3/8 x 7/8	
8	0760606	1	Bolt M6 x 12	
9	0760608	4	Bolt M6 x 16	
10	0761212	2	Bolt M12 x 25	
11	0860038	1	Box, Receptacle	
12	0902888	1	Bracket	
13	0962520	1	Bushing, Split	
14	1705374	1	Decal - 240V-60Hz	
15	1705387	3	Decal - Hazardous Voltage	
16	2820031	AR	Heat Shrink	
17	3251102	1	Nameplate - Generator On/Off	
18	3251243	1	Decal - 120V-60Hz	
19	3290505	4	Nut M5	
20	3290805	2	Nut M8	
21	3291201	2	Nut M12	
22	3580317	1	Tensioner, Belt	
23	3580318	1	Pulley	
24	3910606	4	Screw #6 x 3/8	
25	3960422	1	Gasket	
26	4060802	1	Guard, Switch	
27	4360336	1	Switch, Toggle	
28	4460071	1	Connector, Strain Relief	
29	4460346	1	Receptacle	
30	4811602	4	Washer M5	
31	4811700	4	Washer M6	
32	4811900	4	Washer M8	
33	5241000	1	Washer M10	
34	4871700	2	Washer M6	
35	5241200	4	Washer M12	
37	1001104029	4	Capscrew M5 x 30 Grade 12.9	
38	1001110873	1	Cover	
39	1001130220	4	Nut, Tinnerman M6	
40	1001138566	1	Box, Control	
40	70006552	1	Capacitor	
40	70006553	1	Relay	
41	1001140346	1	Generator Assembly (60Hz)	
41	70003709	1	Ring, Retaining (External)	
41	70003708	1	Ring, Retaining (Internal)	
41	70001966	1	Bearing	
41	70004092	1	Endbell (Shaft End)	
41	70004099	1	Key	
41	70004676	1	Rotor	
41	70004687	1	Stator	

SECTION 3 - ENGINE

ITEM	PART NUMBER	QTY	DESCRIPTION	REV
41	70004678	1	Endbell (Rear)	
41	70004679	1	Cover, Endbell (Rear)	
41	70004680	1	Enclosure, Wiring	
41	70004685	1	Cover, Enclosure	
41	70004682	1	Switch, Reset (Located on Enclosure Cover)	
41	70004098	1	Connector, Strain Relief (Located on Enclosure Cover)	
42	1001142643	1	Support	
43	1001152457	1	Junction Box Assembly (See Items 101-118 for Breakdown)	
44	1001196382	2	Stud	
45	4922641	1	Generator Switch Harness	
46	1001142646	1	Belt	
47	1001152532	1	Generator Harness (See Separate Breakdown in ELECTRICAL SECTION)	
48	7274000040	1	Clamp	
49	1320061	1	Clamp	
50	5251012	1	Bolt M10 x 25	
	1001152457	Ref	JUNCTION BOX ASSEMBLY	
101	1001179154	2.5 ft/ 0.8m	Cable, Electrical - 12/3	
102	3300396	1	Cover, Breaker	
103	3311001	4	Nut #10	
104	3900300	2	Screw	
105	4360070	1	Breaker, Circuit - 15Amp	
107	4460425	1	Connector, Strain Relief (LH Side)	
108	4460426	1	Connector, Strain Relief (RH Side)	
110	4711000	8	Washer #10	
112	1001152456	1	Box, Junction	
113	1001152525	1	Plug	
114	1001152530	1	Terminal, Block	
115	1001153260	1	Decal - Wiring Diagram	
116	3900267	2	Screw	
117	1001158008	2	Stand-Off	
118	1001158363	1	Cover, Terminal Block	

SECTION 3 - ENGINE

FIGURE 3-97. 4000W GENERATOR INSTALLATION - 220V/50HZ (DEUTZ D2011 ENGINES)



ART_1001192487

SECTION 3 - ENGINE

FIGURE 3-97. 4000W GENERATOR INSTALLATION - 220V/50HZ (DEUTZ D2011 ENGINES)

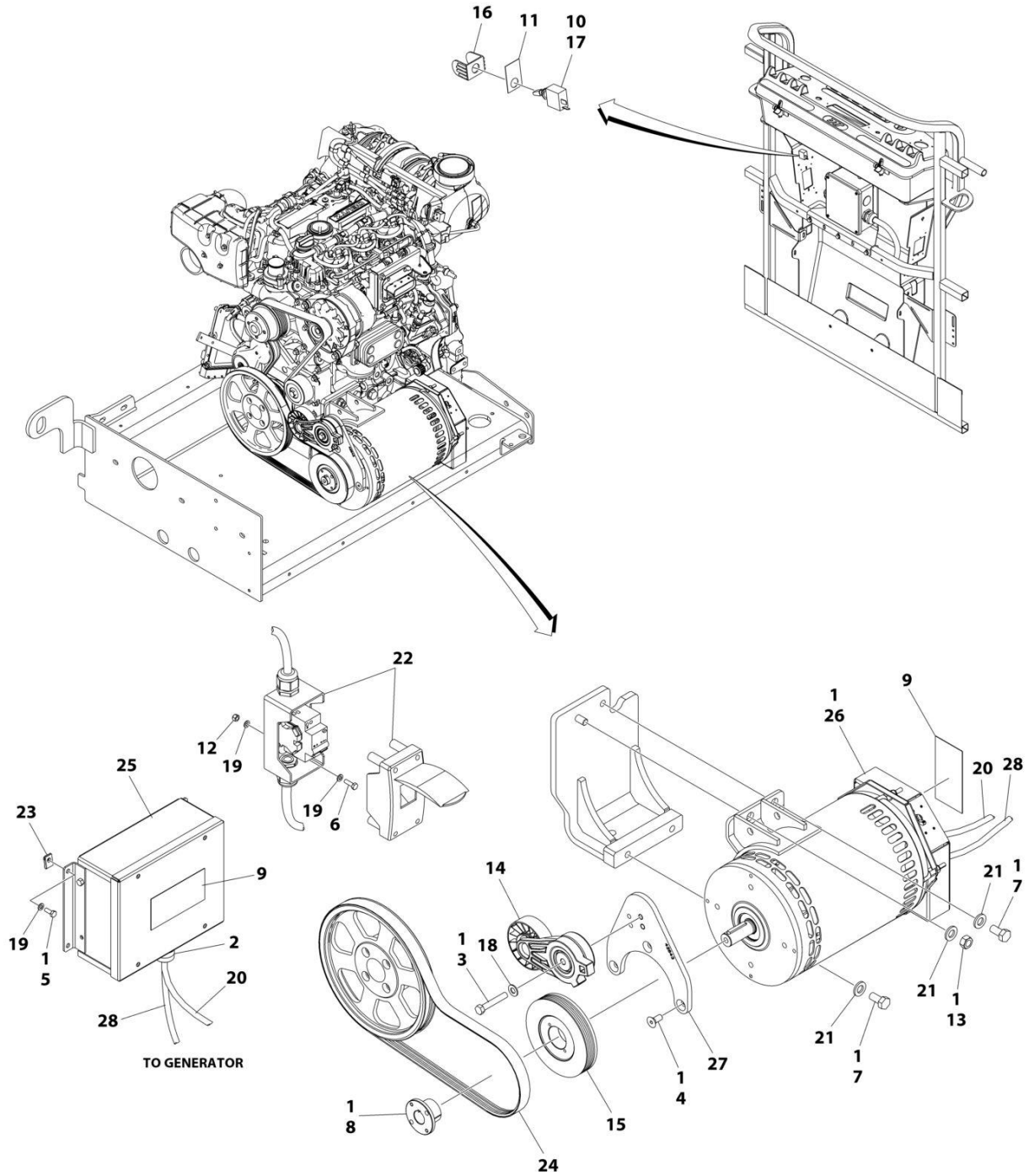
ITEM	PART NUMBER	QTY	DESCRIPTION	REV
	1001192487	Ref	4000W GENERATOR INSTALLATION	H
1	0100011	AR	Compound, Locking	
2	0100019	AR	Compound, Locking	
3	1001141814	1	Belt	
4	0760610	2	Bolt M6 x 20	
5	0641618	1	Bolt 3/8 x 2-1/4	
6	0760606	1	Bolt M6 x 12	
8	0741607	3	Screw 3/8 x 7/8	
9	0760608	4	Bolt M6 x 16	
10	0761212	2	Bolt M12 x 25	
11	0771415	1	Bolt 14 x 35	
13	0962520	1	Bushing, Split	
14	1705489	2	Decal - Hazardous Voltage	
15	2820031	AR	Heat Shrink	
16	3251102	1	Nameplate - Generator On/Off	
20	3291201	1	Nut M12	
21	3290605	2	Nut M6	
22	3580319	1	Pulley	
23	3580320	1	Pulley	
24	3580317	1	Tensioner, Belt	
25	4032015	4	Capscrew M10 x 55	
26	4060802	1	Guard, Switch	
27	4360336	1	Switch, Toggle	
30	4811700	8	Washer M6	
32	5241000	1	Washer M10	
34	5241400	1	Washer M14	
35	4871700	2	Washer M6	
36	5241200	3	Washer M12	
37	1001096070	1	Breaker Box Kit (See Separate Breakdown in ELECTRICAL SECTION)	
39	1001130220	4	Nut, Tinnerman M6	
40	1001138565	1	Generator Assembly (50Hz)	
40	70003709	1	Ring, Retaining (External)	
40	70003708	1	Ring, Retaining (Internal)	
40	70001966	1	Bearing	
40	70004092	1	Endbell (Shaft End)	
40	70004171	1	Key	
40	70004676	1	Rotor	
40	70004677	1	Stator	
40	70004678	1	Endbell (Rear)	
40	70004679	1	Cover, Endbell (Rear)	
40	70004680	1	Enclosure, Wiring	
40	70004681	1	Cover, Enclosure	
40	70004682	1	Switch, Reset (Located on Enclosure Cover)	
40	70004683	1	Connector, Strain Relief (Located on Enclosure Cover)	
41	1001138566	1	Box, Control	
41	70006552	1	Capacitor	
41	70006553	1	Relay	
42	1001139357	1	Mount	
44	1001196382	1	Stud	

SECTION 3 - ENGINE

ITEM	PART NUMBER	QTY	DESCRIPTION	REV
45	4922641	1	Generator Switch Harness	
46	1001152532	1	Generator Harness (See Separate Breakdown in ELECTRICAL SECTION)	
47	7274000040	1	Clamp	
48	1320061	1	Clamp	
49	5251012	1	Bolt M10 x 25	

SECTION 3 - ENGINE

FIGURE 3-98. 4000W GENERATOR INSTALLATION - 220V/50HZ (DEUTZ TD2.2L3 ENGINES) (SKYPOWER)



ART_1001255871

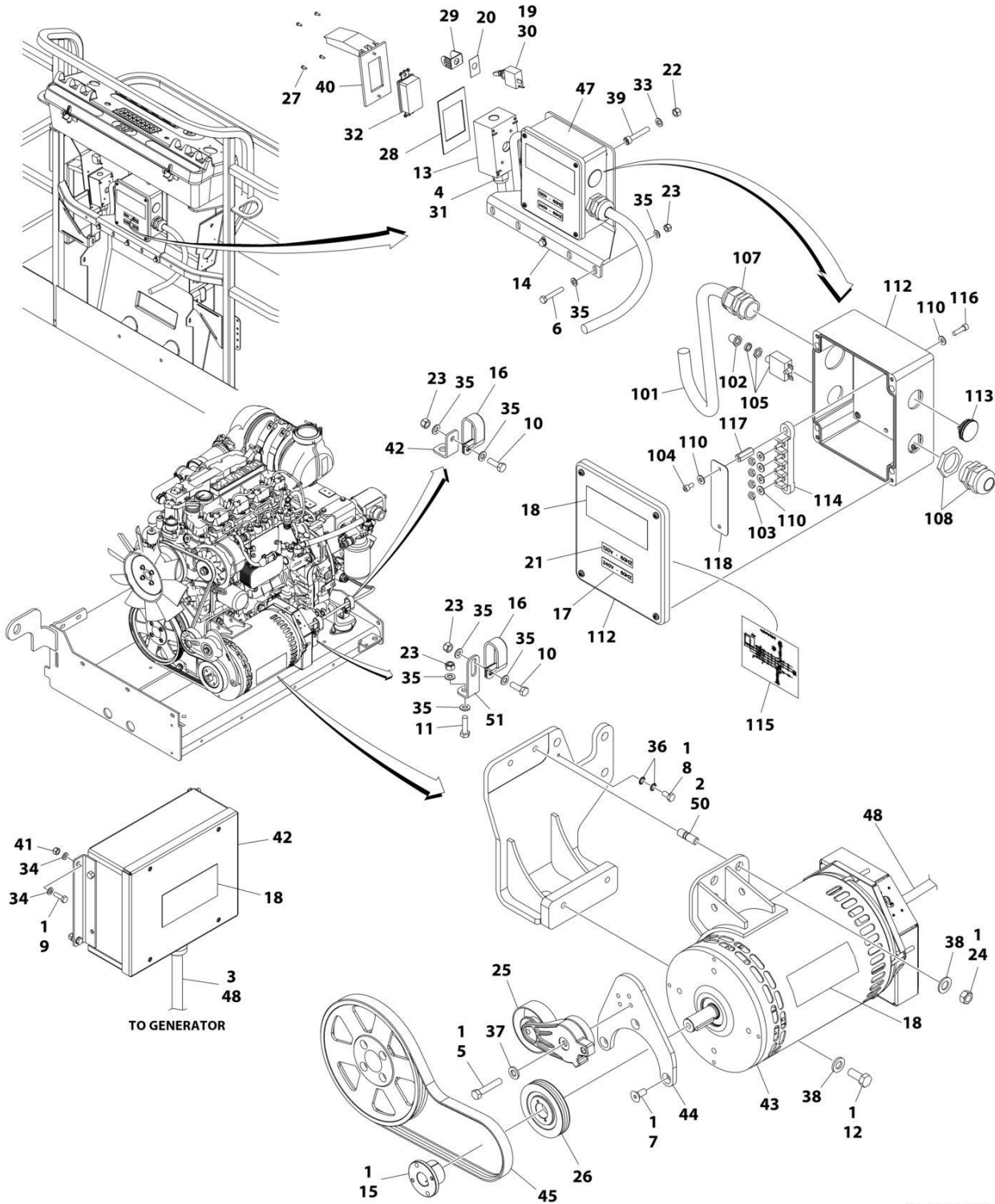
SECTION 3 - ENGINE

**FIGURE 3-98. 4000W GENERATOR INSTALLATION - 220V/50HZ (DEUTZ TD2.2L3 ENGINES)
(SKYPOWER)**

ITEM	PART NUMBER	QTY	DESCRIPTION	REV
	1001255871	Ref	4000W GENERATOR INSTALLATION	B
1	0100011	AR	Compound, Locking	
2	0100048	AR	Grease, Terminal	
3	0641618	1	Bolt 3/8 x 2-1/4	
4	0741607	3	Screw 3/8 x 7/8	
5	0760608	4	Bolt M6 x 16	
6	0760610	2	Bolt M6 x 20	
7	0761212	3	Bolt M12 x 25	
8	0962520	1	Bushing, Split	
9	1705489	2	Decal - Hazardous Voltage	
10	2820031	AR	Heatshrink	
11	3252764	1	Nameplate - AC & Weld	
12	3290605	2	Nut M6	
13	3291201	1	Nut M12	
14	3580317	1	Tensioner, Belt	
15	3580319	1	Pulley	
16	4060802	1	Guard, Switch	
17	4360336	1	Switch, Toggle	
18	4711600	1	Washer 3/8	
19	4811700	8	Washer M6	
20	4922925	1	Generator Harness (See Separate Breakdown in ELECTRICAL SECTION)	
21	5241200	4	Washer M12	
22	1001096070	1	Box & Breaker Kit (See Separate Breakdown in ELECTRICAL SECTION)	
23	1001130220	4	Nut, Tinnerman M6	
24	1001136356	1	Belt	
25	1001138566	1	Box, Control	
25	70006552	1	Capacitor	
25	70006553	1	Relay	
26	1001140347	1	Generator Assembly - 50Hz	
26	70003709	1	Ring, Retaining (External)	
26	70003708	1	Ring, Retaining (Internal)	
26	70001966	1	Bearing	
26	70004092	1	Endbell (Shaft End)	
26	70004099	1	Key	
26	70004676	1	Rotor	
26	70004686	1	Stator	
26	70004678	1	Endbell (Rear)	
26	70004679	1	Cover, Endbell (Rear)	
26	70004680	1	Enclosure, Wiring	
26	70004681	1	Cover, Enclosure	
26	70004682	1	Switch, Reset (Located on Enclosure Cover)	
26	70004683	1	Connector, Strain Relief (Located on Enclosure Cover)	
26	4460224	1	Connector - 6 Position (Located on Enclosure Cover)	
26	4460294	1	Pin, Male (Located on Enclosure Cover)	
27	1001142643	1	Support	
28	1001152532	1	Generator Harness (See Separate Breakdown in ELECTRICAL SECTION)	

SECTION 3 - ENGINE

FIGURE 3-99. 4000W GENERATOR INSTALLATION - 220V/60HZ (DEUTZ TD2.9L4 ENGINES) (SKYPOWER)



ART_1001244410

SECTION 3 - ENGINE

**FIGURE 3-99. 4000W GENERATOR INSTALLATION - 220V/60HZ (DEUTZ TD2.9L4 ENGINES)
(SKYPOWER)**

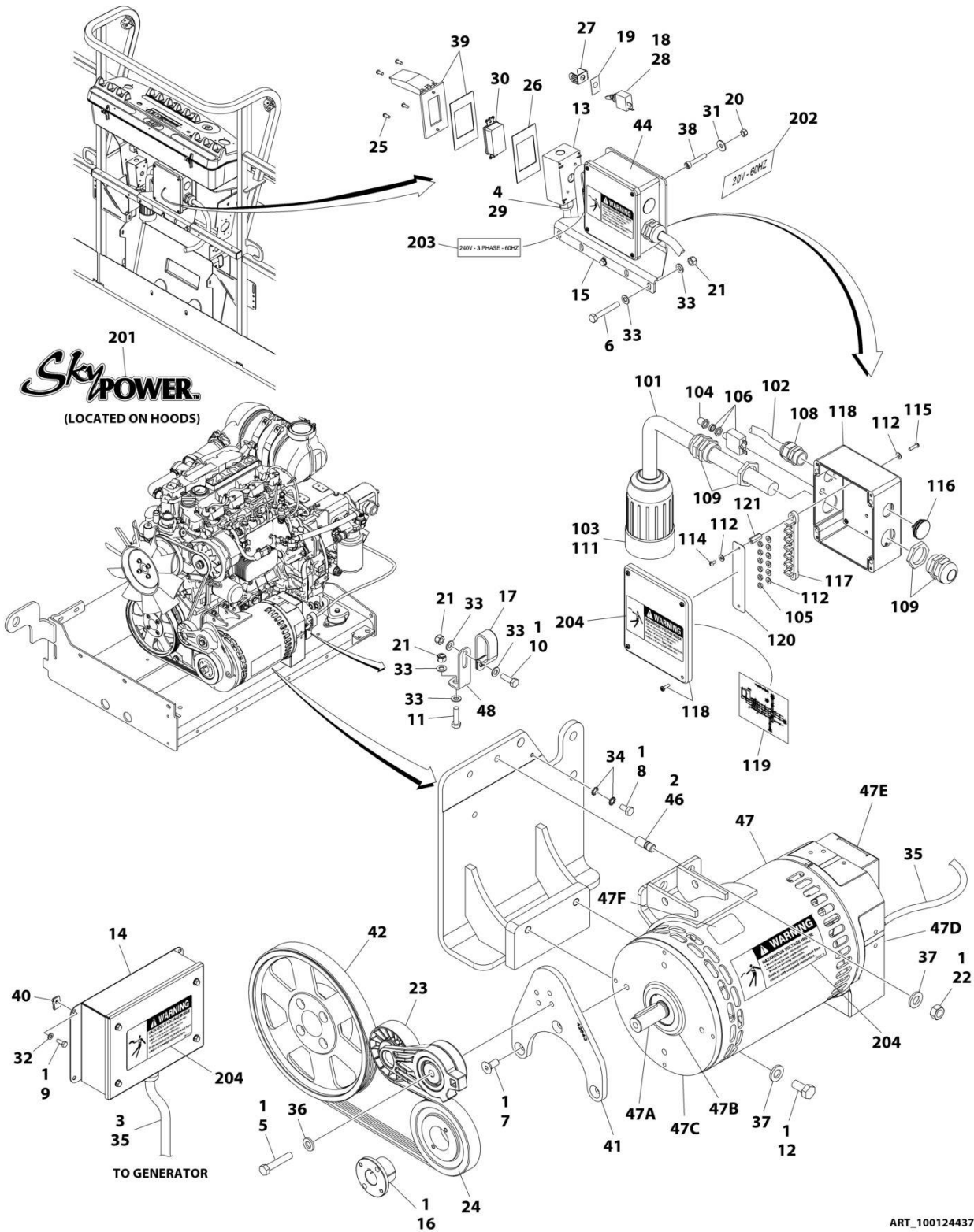
ITEM	PART NUMBER	QTY	DESCRIPTION	REV
	1001244410	Ref	4000W GENERATOR INSTALLATION	B
1	0100011	AR	Compound, Locking	
2	0100019	AR	Compound, Locking	
3	0100048	AR	Compound, Locking	
4	0100079	AR	Sealant	
5	0641616	1	Bolt 3/8 x 2	
6	0700819	2	Bolt M8 x 55	
7	0741607	3	Screw 3/8 x 7/8	
8	0760606	1	Bolt M6 x 12	
9	0760608	4	Bolt M6 x 16	
10	0760812	1	Bolt M8 x 25	
11	0760814	1	Bolt M8 x 30	
12	0761212	2	Bolt M12 x 25	
13	0860038	1	Box, Receptacle	
14	0902888	1	Bracket	
15	0962520	1	Bushing, Split	
16	1321716	1	Clamp	
17	1705374	1	Decal - 240V-60Hz	
18	1705387	3	Decal - Hazardous Voltage	
19	2820031	AR	Heat Shrink	
20	3251102	1	Nameplate - Generator On/Off	
21	3251243	1	Decal - 120V-60Hz	
22	3290505	4	Nut M5	
23	3290805	4	Nut M8	
24	3291201	2	Nut M12	
25	3580317	1	Tensioner, Belt	
26	3580318	1	Pulley	
27	3910606	4	Screw #6 x 3/8	
28	3960422	1	Gasket	
29	4060802	1	Guard, Switch	
30	4360336	1	Switch, Toggle	
31	4460071	1	Connector, Strain Relief	
32	4460346	1	Receptacle	
33	4811602	4	Washer M5	
34	4811700	4	Washer M6	
35	4811900	8	Washer M8	
36	4871700	2	Washer M6	
37	5241000	1	Washer M10	
38	5241200	4	Washer M12	
39	1001104029	4	Capscrew M5 x 30 Grade 12.9	
40	1001110873	1	Cover	
41	1001130220	4	Nut, Tinnerman M6	
42	1001138566	1	Box, Control	
42	70006552	1	Capacitor	
42	70006553	1	Relay	
43	1001140346	1	Generator Assembly (60Hz)	
43	70003709	1	Ring, Retaining (External)	
43	70003708	1	Ring, Retaining (Internal)	
43	70001966	1	Bearing	

SECTION 3 - ENGINE

ITEM	PART NUMBER	QTY	DESCRIPTION	REV
43	70004092	1	Endbell (Shaft End)	
43	70004099	1	Key	
43	70004676	1	Rotor	
43	70004687	1	Stator	
43	70004678	1	Endbell (Rear)	
43	70004679	1	Cover, Endbell (Rear)	
43	70004680	1	Enclosure, Wiring	
43	70004685	1	Cover, Enclosure	
43	70004682	1	Switch, Reset (Located on Enclosure Cover)	
43	70004098	1	Connector, Strain Relief (Located on Enclosure Cover)	
44	1001142643	1	Support	
45	1001142646	1	Belt	
47	1001152457	1	Junction Box Assembly (See Items 101-118 for Breakdown)	
48	1001152532	1	Generator Harness (See Separate Breakdown in ELECTRICAL SECTION)	
50	1001196382	2	Stud	
51	1001223122	1	Support	
	1001152457	Ref	JUNCTION BOX ASSEMBLY	
101	1001179154	2.5 ft/ 0.8m	Cable, Electrical - 12/3	
102	3300396	1	Cover, Breaker	
103	3311001	4	Nut #10	
104	3900300	2	Screw	
105	4360070	1	Breaker, Circuit - 15Amp	
107	4460425	1	Connector, Strain Relief (LH Side)	
108	4460426	1	Connector, Strain Relief (RH Side)	
110	4711000	8	Washer #10	
112	1001152456	1	Box, Junction	
113	1001152525	1	Plug	
114	1001152530	1	Terminal, Block	
115	1001153260	1	Decal - Wiring Diagram	
116	3900267	2	Screw	
117	1001158008	2	Stand-Off	
118	1001158363	1	Cover, Terminal Block	

SECTION 3 - ENGINE

FIGURE 3-100. 7500W GENERATOR INSTALLATION - 220V/60HZ (DEUTZ TD2.9L4 ENGINES)
(SKYPOWER)



SECTION 3 - ENGINE

**FIGURE 3-100. 7500W GENERATOR INSTALLATION - 220V/60HZ (DEUTZ TD2.9L4 ENGINES)
(SKYPOWER)**

ITEM	PART NUMBER	QTY	DESCRIPTION	REV
	1001244375	Ref	7500W SKYPOWER GENERATOR INSTALLATION	B
1	0100011	AR	Compound, Locking	
2	0100019	AR	Compound, Locking	
3	0100048	AR	Compound Terminal	
4	0100079	AR	Sealant	
5	0641616	1	Bolt 3/8 x 2	
6	0700819	2	Bolt M8 x 55	
7	0741607	3	Screw 3/8 x 7/8	
8	0760606	1	Bolt M6 x 12	
9	0760608	4	Bolt M6 x 16	
10	0760812	1	Bolt M8 x 25	
11	0760814	1	Bolt M8 x 30	
12	0761212	2	Bolt M12 x 25	
13	0860038	1	Box, Receptacle	
14	0861538	1	Control Box Assembly	
14	7024488	1	Card, Circuit - Generator Power	
14	See Note	NSS	Fuse (Note: Not Available - Purchase Locally)	
14	7024489	1	Card, Circuit - Control	
14	70000619	1	Harness, Control Box (Internal)	
		Ref	Note: Same Circuit Card (P/N 7024489) is used for both 60Hz and 50Hz. When replacing card, rocker switch on card must be set for required application.	
15	0902888	1	Bracket	
16	0962520	1	Bushing, Split	
17	1321716	1	Clamp	
18	2820031	AR	Heat Shrink	
19	3252764	1	Nameplate - AC & Weld	
20	3290505	4	Nut M5	
21	3290805	4	Nut M8	
22	3291201	2	Nut M12	
23	3580317	1	Tensioner, Belt	
24	3580318	1	Pulley	
25	3910606	4	Screw #6 x 3/8	
26	3960422	1	Gasket	
27	4060802	1	Guard, Switch	
28	4360336	1	Switch, Toggle	
29	4460071	1	Connector, Strain Relief	
30	4460346	1	Receptacle	
31	4811602	4	Washer M5	
32	4811700	4	Washer M6	
33	4811900	8	Washer M8	
34	4871700	2	Washer M6	
35	4922925	1	Generator Harness (See Separate Breakdown in ELECTRICAL SECTION)	
36	5241000	1	Washer M10	
37	5241200	4	Washer M12	
38	1001104029	4	Capscrew M5 x 30 Grade 12.9	
39	1001110873	1	Cover	
40	1001130220	4	Nut, Tinnerman M6	

SECTION 3 - ENGINE

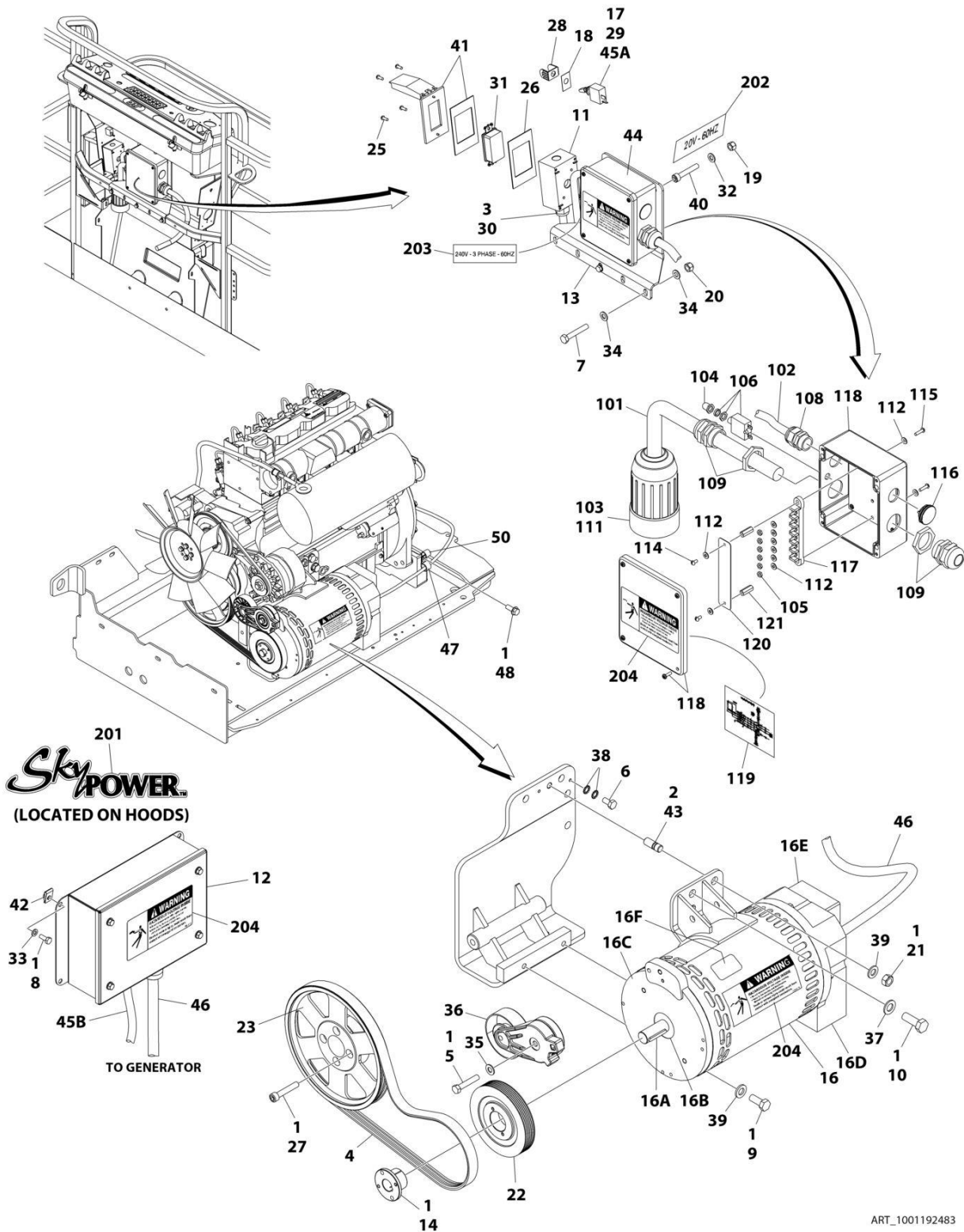
ITEM	PART NUMBER	QTY	DESCRIPTION	REV
41	1001142643	1	Support	
42	1001142646	1	Belt	
44	1001157592	1	Junction Box Assembly (See Items 101-121 for Breakdown)	
46	1001196382	2	Stud	
47	1001212223	1	Generator Assembly	
47	70001100	1	Rotor (Includes p/n 70001384 & 70000863) (Not Shown)	
47	70001384	1	Bearing, Ball Radial (Not Shown)	
47	70000863	1	Fan (Not Shown)	
47	70006093	1	Stator (Not Shown)	
47	70002297	1	Stud	
47	70003631	1	Brushholder Assembly (Not Shown) (was p/n 7024484)	
47A	70004099	1	Key	
47B	70001966	1	Bearing, Ball Radial (Located in Belt Tensioner Endbell)	
47B	70003708	1	Ring, Internal Retaining (Located in Belt Tensioner Endbell)	
47B	70003709	1	Ring, External Retaining (Located in Belt Tensioner Endbell)	
47C	70004092	1	Endbell, Belt Tensioner	
47D	70004094	1	Endbell, Brush Block	
47E	70006094	1	Shroud	
47E	70002291	1	Insulator, Endbell	
47E	7027799	1	Block, Connector - 6 Position (Not Shown)	
47E	70002460	1	Nut, Brass (Attaches p/n 7027799 to Cover) (Not Shown)	
47E	70006095	1	Breaker, Circuit 30Amp (Not Shown)	
47E	70006096	1	Boot, Breaker (Not Shown)	
47E	7026626	1	Connector, 6 Position (Includes Seal) (Not Shown - Plugs into Item 45)	
47E	7026597	1	Connector with Leads (Not Shown)	
47E	70004098	1	Clamp, Cable (Not Shown)	
47E	70006097	1	Plate, End Panel	
47E	70001974	1	Decal - Terminal Connections	
47F	70001973	1	Decal - Warning Moving Parts	
48	1001223122	1	Support	
	1001157592	Ref	JUNCTION BOX ASSEMBLY	C
101	1060343	1.5 ft/ 0.5m	Cable, Electrical 10/4	
102	1001179154	2.5 ft/ 76cm	Cable, Electrical 12/3	
103	1671092	1	Cover, Connector	
104	3300396	1	Cover, Fuse	
105	3311001	6	Nut #10	
106	4360070	1	Circuit Breaker - 15Amp	
108	4460425	1	Connector, Strain Relief	
109	4460426	2	Connector, Strain Relief	
111	4460963	1	Connector	
112	4711000	4	Washer #10	
114	10702077	2	Screw #10 x 3/8	
115	10702082	2	Screw #10 x 3/4	
116	1001152525	1	Plug	
117	1001157520	1	Block, Terminal	
118	1001157521	1	Box, Junction	
119	1001157528	1	Decal - Wiring Schematic	
120	1001158007	1	Cover, PVC	
121	1001158008	1	Stand-Off	

SECTION 3 - ENGINE

ITEM	PART NUMBER	QTY	DESCRIPTION	REV
	0272435	Ref	DECAL INSTALLATION	D
201	1705460	2	Decal - SkyPower	
202	3251243	1	Decal - 120V-60Hz	
203	1705375	1	Decal - 240V - 3 Phase - 60Hz	
204	1705387	3	Decal - Hazardous Voltage	

SECTION 3 - ENGINE

FIGURE 3-101. 7500W SKYPOWER GENERATOR INSTALLATION - 110/60HZ (DEUTZ D2011 ENGINES)



ART_1001192483

SECTION 3 - ENGINE

FIGURE 3-101. 7500W SKYPOWER GENERATOR INSTALLATION - 110/60HZ (DEUTZ D2011 ENGINES)

ITEM	PART NUMBER	QTY	DESCRIPTION	REV
	1001192483	Ref	7500W SKYPOWER GENERATOR INSTALLATION	I
1	0100011	AR	Compound, Locking	
2	0100019	AR	Compound, Locking	
3	0100079	AR	Sealant	
4	1001136356	1	Belt	
5	0641618	1	Bolt 3/8 x 2-1/4	
6	0760606	1	Bolt M6 x 12	
7	0700819	2	Bolt M8 x 55	
8	0760608	4	Bolt M6 x 16	
9	0761212	2	Bolt M12 x 25	
10	0771415	1	Bolt M14 x 35	
11	0860038	1	Box, Receptacle	
12	0861538	1	Control Box Assembly	
12	7024488	1	Card, Circuit - Generator Power	
12	See Note	NSS	Fuse (Note: Not Available - Purchase Locally)	
12	7024489	1	Card, Circuit - Control	
12	70000619	1	Harness, Control Box (Internal)	
13	0902888	1	Bracket	
14	0962520	1	Bushing, Split	
16	2460048	1	Generator Assembly	
16	70001100	1	Rotor (Includes p/n 70001384 & 70000863) (Not Shown)	
16	70001384	1	Bearing, Ball Radial (Not Shown)	
16	70000863	1	Fan (Not Shown)	
16	70002088	1	Stator (Not Shown)	
16	70002297	1	Stud	
16	70003631	1	Brushholder Assembly (Not Shown)	
16A	70004171	1	Key	
16B	70001966	1	Bearing, Ball Radial (Located in Belt Tensioner Endbell)	
16B	70003708	1	Ring, Internal Retaining (Located in Belt Tensioner Endbell)	
16B	70003709	1	Ring, External Retaining (Located in Belt Tensioner Endbell)	
16C	70001953	1	Endbell, Belt Tensioner	
16D	70004169	1	Endbell, Brush Block	
16E	70004169	1	Shroud	
16E	See Note	NSS	Insulator, Endbell (Note: Not Available for Purchase)	
16E	7027799	1	Block, Connector - 6 Position (Not Shown)	
16E	70002460	1	Nut, Brass (Attaches p/n 7027799 to Cover) (Not Shown)	
16E	7024485	1	Breaker, Circuit 30Amp (Not Shown)	
16E	70001696	1	Boot, Breaker (Not Shown)	
16E	7026626	1	Connector, 6 Position (Includes Seal) (Not Shown - Plugs into Item 39)	
16E	7026597	1	Connector, with Leads (Not Shown)	
16E	7026188	1	Clamp, Cable Options (Not Shown)	
16E	70004169	1	Plate, End Panel	
16E	70001974	1	Decal - Terminal Connections	
16F	70001973	1	Decal - Warning Moving Parts	
17	2820031	AR	Heat Shrink	
18	3252764	1	Nameplate - AC & Weld	
19	3290505	4	Nut M5	
20	3290805	2	Nut M8	

SECTION 3 - ENGINE

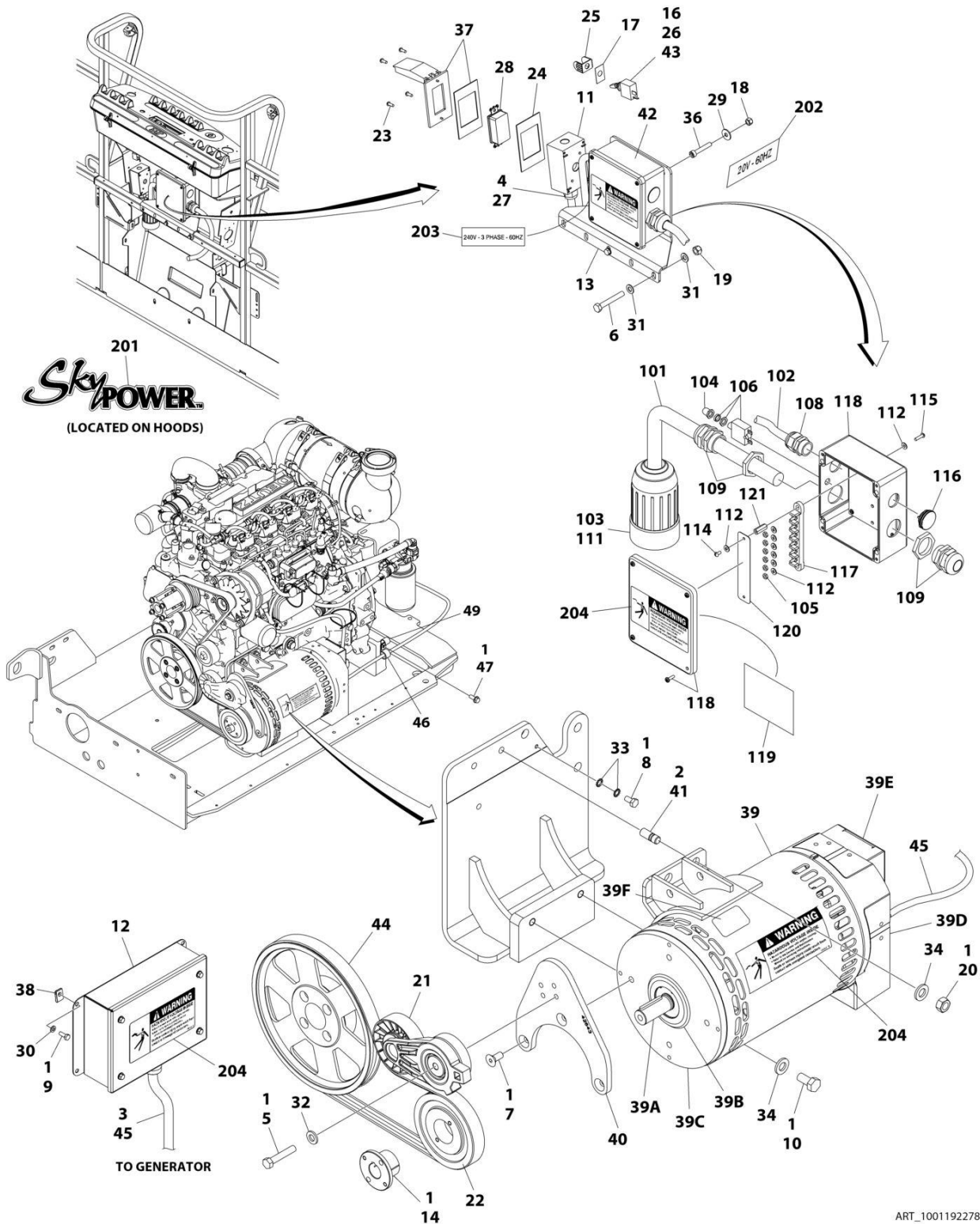
ITEM	PART NUMBER	QTY	DESCRIPTION	REV
21	3291201	1	Nut M12	
22	3580318	1	Pulley	
23	3580320	1	Pulley	
25	3910606	4	Screw #6 x 3/8	
26	3960422	1	Gasket	
27	4032015	4	Capscrew M10 x 55	
28	4060802	1	Guard, Switch	
29	4360336	1	Switch, Toggle	
30	4460071	1	Connector, Strain Relief	
31	4460346	1	Receptacle	
32	4811602	4	Washer M5	
33	4811700	4	Washer M6	
34	4811900	4	Washer M8	
35	5241000	1	Washer M10	
36	3580317	1	Tensioner, Belt	
37	5241400	1	Washer M14	
38	4871700	2	Washer M6	
39	5241200	3	Washer M12	
40	1001104029	4	Capscrew M5 x 30 Grade 12.9	
41	1001110873	1	Cover	
42	1001130220	4	Nut, Tinnerman M6	
43	1001196382	1	Stud	
44	1001157592	1	Junction Box Assembly (See Items 101-121 for Breakdown)	
45A	4922641	1	Generator Switch Harness	
45B	1001152429	1	Generator to Engine Harness (See Separate Breakdown in ELECTRICAL SECTION)	
46	4922925	1	Generator Harness (See Separate Breakdown in ELECTRICAL SECTION)	
47	7274000040	1	Clamp	
48	5251012	1	Bolt M10 x 25	
50	1320061	1	Clamp	
	1001157592	Ref	JUNCTION BOX ASSEMBLY	C
101	1060343	1.5 ft/ 0.5m	Cable, Electrical 10/4	
102	1001179154	2.5 ft/ 0.8m	Cable, Electrical 12/3	
103	1671092	1	Cover	
104	3300396	1	Cover, Fuse	
105	3311001	6	Nut #10	
106	4360070	1	Circuit Breaker - 15Amp	
108	4460425	1	Connector, Strain Relief	
109	4460426	2	Connector, Strain Relief	
111	4460963	1	Connector	
112	4711000	10	Washer #10	
114	10702077	2	Screw #10 x 3/8	
115	10702082	2	Screw #10 x 3/4	
116	1001152525	1	Plug	
117	1001157520	1	Block, Terminal	
118	1001157521	1	Box, Junction	
119	1001157528	1	Decal - Wiring Schematic	
120	1001158007	1	Cover, PVC	
121	1001158008	2	Stand-Off	

SECTION 3 - ENGINE

ITEM	PART NUMBER	QTY	DESCRIPTION	REV
	0272435	Ref	DECAL INSTALLATION	D
201	1705460	2	Decal - SkyPower	
202	3251243	1	Decal - 120V-60Hz	
203	1705375	1	Decal - 240V - 3 Phase - 60Hz	
204	1705387	3	Decal - Hazardous Voltage	

SECTION 3 - ENGINE

FIGURE 3-102. 7500W SKYPOWER GENERATOR INSTALLATION - 110V/60HZ (DEUTZ TD2.9L4 ENGINES)



SECTION 3 - ENGINE

FIGURE 3-102. 7500W SKYPOWER GENERATOR INSTALLATION - 110V/60HZ (DEUTZ TD2.9L4 ENGINES)

ITEM	PART NUMBER	QTY	DESCRIPTION	REV
	1001192278	Ref	7500W SKYPOWER GENERATOR INSTALLATION	G
1	0100011	AR	Compound, Locking	
2	0100019	AR	Compound, Locking	
3	0100048	AR	Compound Terminal	
4	0100079	AR	Sealant	
5	0641616	1	Bolt 3/8 x 2	
6	0700819	2	Bolt M8 x 55	
7	0741607	3	Screw 3/8 x 7/8	
8	0760606	1	Bolt M6 x 12	
9	0760608	4	Bolt M6 x 16	
10	0761212	2	Bolt M12 x 25	
11	0860038	1	Box, Receptacle	
12	0861538	1	Control Box Assembly	
12	7024488	1	Card, Circuit - Generator Power	
12	See Note	NSS	Fuse (Note: Not Available - Purchase Locally)	
12	7024489	1	Card, Circuit - Control	
12	70000619	1	Harness, Control Box (Internal)	
		Ref	Note: Same Circuit Card (P/N 7024489) is used for both 60Hz and 50Hz. When replacing card, rocker switch on card must be set for required application.	
13	0902888	1	Bracket	
14	0962520	1	Bushing, Split	
16	2820031	AR	Heat Shrink	
17	3252764	1	Nameplate - AC & Weld	
18	3290505	4	Nut M5	
19	3290805	2	Nut M8	
20	3291201	2	Nut M12	
21	3580317	1	Tensioner, Belt	
22	3580318	1	Pulley	
23	3910606	4	Screw #6 x 3/8	
24	3960422	1	Gasket	
25	4060802	1	Guard, Switch	
26	4360336	1	Switch, Toggle	
27	4460071	1	Connector, Strain Relief	
28	4460346	1	Receptacle	
29	4811602	4	Washer M5	
30	4811700	4	Washer M6	
31	4811900	4	Washer M8	
32	5241000	1	Washer M10	
33	4871700	2	Washer M6	
34	5241200	4	Washer M12	
36	1001104029	1	Capscrew M5 x 30 Grade 12.9	
37	1001110873	1	Cover	
38	1001130220	4	Nut, Tinnerman M6	
39	1001212223	1	Generator Assembly	
39	70001100	1	Rotor (Includes p/n 70001384 & 70000863) (Not Shown)	
39	70001384	1	Bearing, Ball Radial (Not Shown)	
39	70000863	1	Fan (Not Shown)	

SECTION 3 - ENGINE

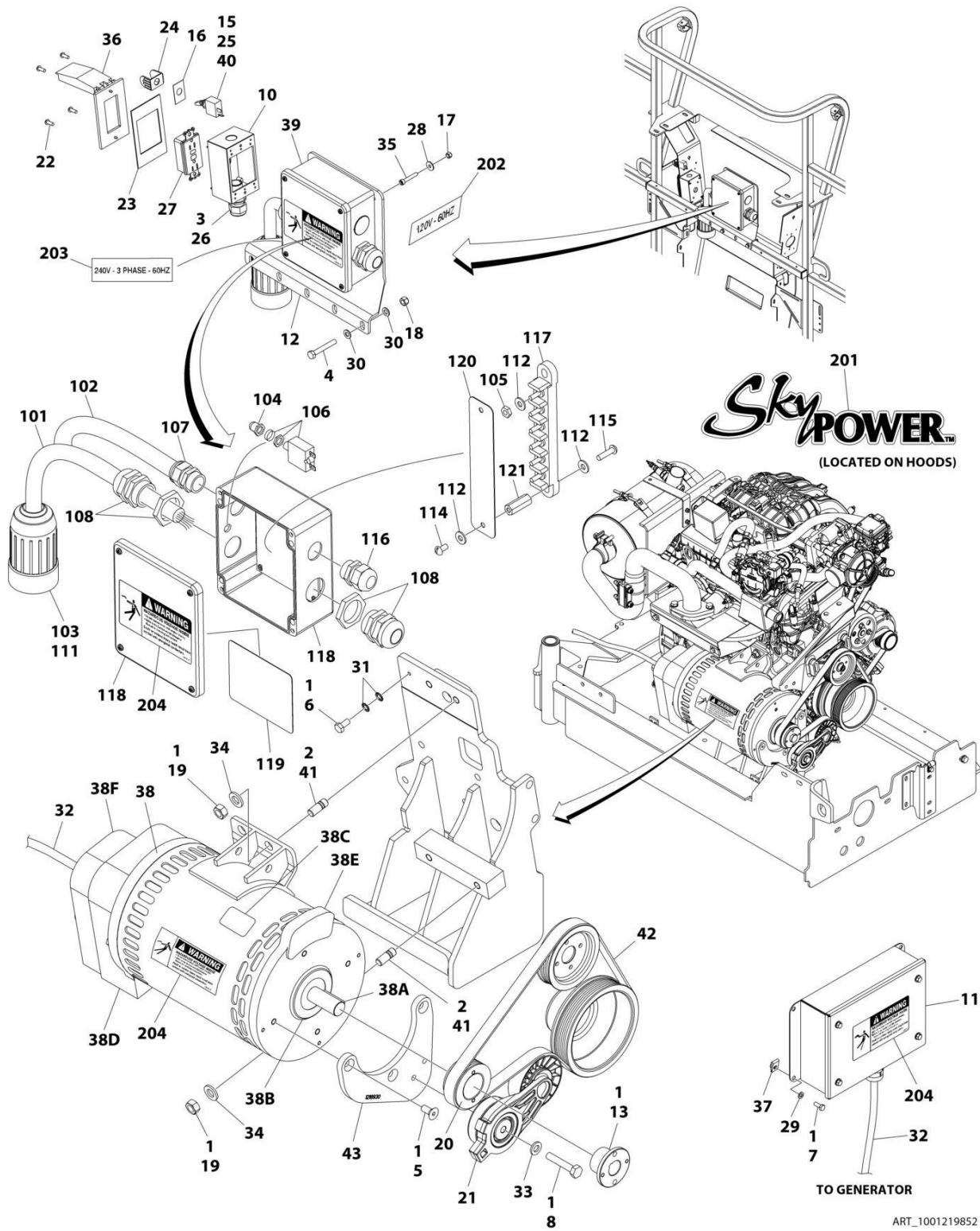
ITEM	PART NUMBER	QTY	DESCRIPTION	REV
39	70006093	1	Stator (Not Shown)	
39	70002297	1	Stud	
39	70003631	1	Brushholder Assembly (Not Shown) (was p/n 7024484)	
39A	70004099	1	Key	
39B	70001966	1	Bearing, Ball Radial (Located in Belt Tensioner Endbell)	
39B	70003708	1	Ring, Internal Retaining (Located in Belt Tensioner Endbell)	
39B	70003709	1	Ring, External Retaining (Located in Belt Tensioner Endbell)	
39C	70004092	1	Endbell, Belt Tensioner	
39D	70004094	1	Endbell, Brush Block	
39E	70006094	1	Shroud	
39E	70002291	1	Insulator, Endbell	
39E	7027799	1	Block, Connector - 6 Position (Not Shown)	
39E	70002460	1	Nut, Brass (Attaches p/n 7027799 to Cover) (Not Shown)	
39E	70006095	1	Breaker, Circuit 30Amp (Not Shown)	
39E	70006096	1	Boot, Breaker (Not Shown)	
39E	7026626	1	Connector, 6 Position (Includes Seal) (Not Shown - Plugs into Item 45)	
39E	7026597	1	Connector with Leads (Not Shown)	
39E	70004098	1	Clamp, Cable (Not Shown)	
39E	70006097	1	Plate, End Panel	
39E	70001974	1	Decal - Terminal Connections	
39F	70001973	1	Decal - Warning Moving Parts	
40	1001142643	1	Support	
41	1001196382	2	Stud	
42	1001157592	1	Junction Box Assembly (See Items 101-121 for Breakdown)	
43	4922641	1	Generator Switch Harness	
44	1001142646	1	Belt	
45	4922925	1	Generator Harness (See Separate Breakdown in ELECTRICAL SECTION)	
46	7274000040	1	Clamp	
47	5251012	1	Bolt M10 x 25	
49	1320061	1	Clamp	
	1001157592	Ref	JUNCTION BOX ASSEMBLY	C
101	1060343	1.5 ft/ 0.5m	Cable, Electrical 10/4	
102	1001179154	2.5 ft/ 76cm	Cable, Electrical 12/3	
103	1671092	1	Cover, Connector	
104	3300396	1	Cover, Fuse	
105	3311001	6	Nut #10	
106	4360070	1	Circuit Breaker - 15Amp	
108	4460425	1	Connector, Strain Relief	
109	4460426	2	Connector, Strain Relief	
111	4460963	1	Connector	
112	4711000	4	Washer #10	
114	10702077	2	Screw #10 x 3/8	
115	10702082	2	Screw #10 x 3/4	
116	1001152525	1	Plug	
117	1001157520	1	Block, Terminal	
118	1001157521	1	Box, Junction	
119	1001157528	1	Decal - Wiring Schematic	
120	1001158007	1	Cover, PVC	

SECTION 3 - ENGINE

ITEM	PART NUMBER	QTY	DESCRIPTION	REV
121	1001158008	1	Stand-Off	D
	0272435	Ref	DECAL INSTALLATION	
201	1705460	2	Decal - SkyPower	
202	3251243	1	Decal - 120V-60Hz	
203	1705375	1	Decal - 240V - 3 Phase - 60Hz	
204	1705387	3	Decal - Hazardous Voltage	

SECTION 3 - ENGINE

FIGURE 3-103. 7500W SKYPOWER GENERATOR INSTALLATION - 110V/60HZ (FORD ENGINES)



ART_1001219852

SECTION 3 - ENGINE

FIGURE 3-103. 7500W SKYPOWER GENERATOR INSTALLATION - 110V/60HZ (FORD ENGINES)

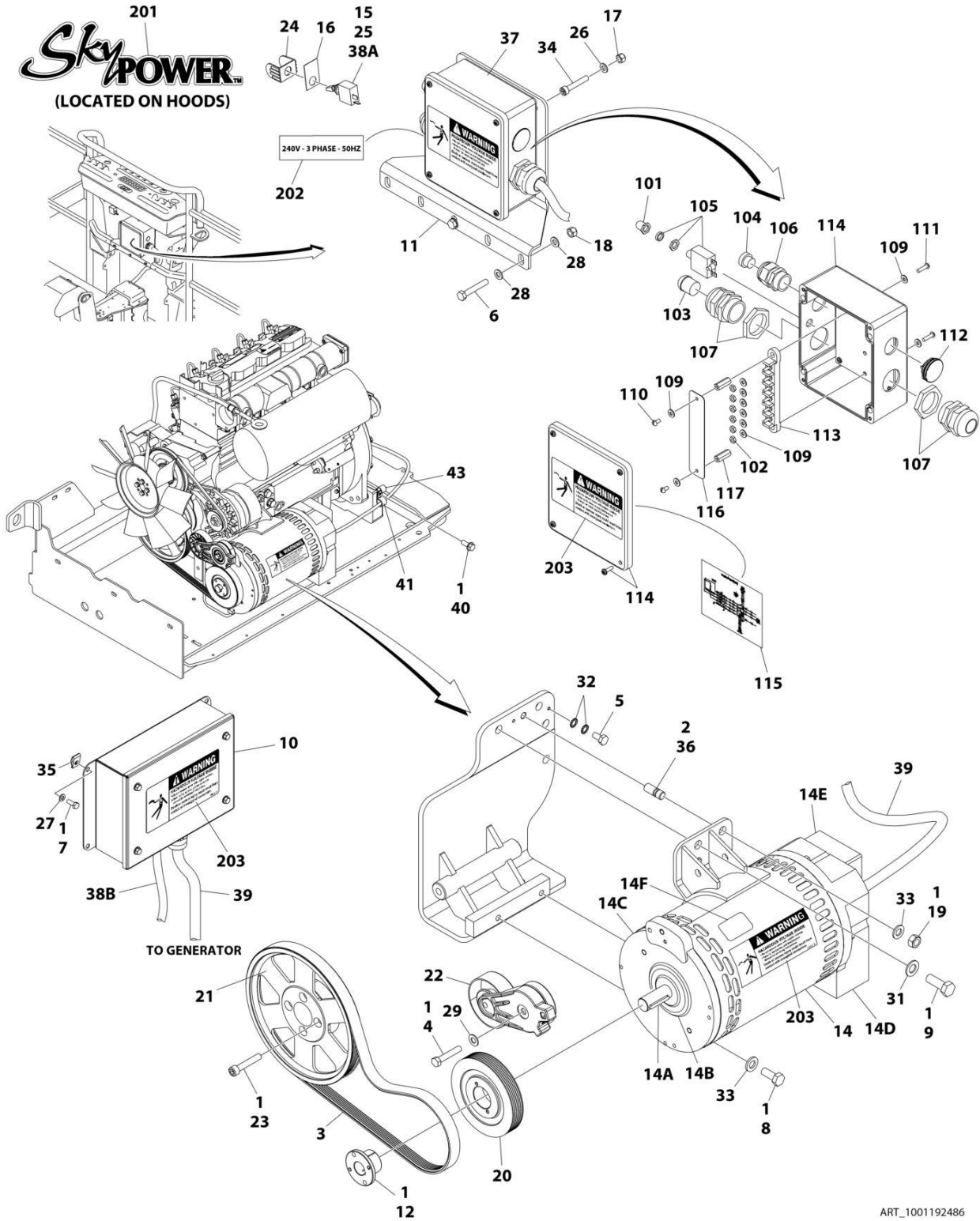
ITEM	PART NUMBER	QTY	DESCRIPTION	REV
	1001219852	Ref	7500W SKYPOWER GENERATOR INSTALLATION	C
1	0100011	AR	Compound, Locking	
2	0100019	AR	Compound, Locking	
3	0100079	AR	Sealant	
4	0700819	2	Bolt M8 x 55	
5	0741607	3	Screw 3/8 x 7/8	
6	0760606	1	Bolt M6 x 12	
7	0760608	4	Bolt M6 x 16	
8	0761019	1	Bolt M10 x 55	
10	0860038	1	Box, Receptacle	
11	0861538	1	Control Box Assembly	
11	7024488	1	Card, Circuit - Generator Power	
11	See Note	NSS	Fuse (Note: Not Available - Purchase Locally)	
11	7024489	1	Card, Circuit - Control	
11	70000619	1	Harness, Control Box (Internal)	
12	0902888	1	Bracket	
13	0962520	1	Bushing, Split	
15	2820031	AR	Heat Shrink	
16	3252764	1	Nameplate - AC & Weld	
17	3290505	4	Nut M5	
18	3290805	2	Nut M8	
19	3291201	4	Nut M12	
20	3580314	1	Pulley	
21	3580317	1	Tensioner, Belt	
22	3910606	4	Screw #6 x 3/8	
23	3960422	1	Gasket	
24	4060802	1	Guard, Switch	
25	4360336	1	Switch, Toggle	
26	4460071	1	Connector, Strain Relief	
27	4460346	1	Receptacle	
28	4811602	4	Washer M5	
29	4811700	4	Washer M6	
30	4811900	4	Washer M8	
31	4871700	2	Washer M6	
32	4922925	1	Generator Harness (See Separate Breakdown in ELECTRICAL SECTION)	
33	5241000	1	Washer M10	
34	5241200	4	Washer M12	
35	1001104029	4	Capscrew M5 x 30 Grade 12.9	
36	1001110873	1	Cover	
37	1001130220	4	Nut, Tinnerman M6	
38	1001136104	1	Generator Assembly	
38	70003631	1	Brushholder Assembly (Not Shown) (was p/n 7024484)	
38	7024485	1	Breaker, Circuit 30Amp (Not Shown)	
38	70001696	1	Boot, Breaker (was p/n 7024486 - Not Shown)	
38	70001966	1	Bearing, Ball Radial (Located in Belt Tensioner Endbell - Not Shown)	
38	7027799	1	Block, Connector - 6 Position (Not Shown)	
38	70002460	6	Nut, Brass (Attaches p/n 7027799 to Cover) (Not Shown)	
38	7026188	1	Clamp, Cable (Not Shown)	

SECTION 3 - ENGINE

ITEM	PART NUMBER	QTY	DESCRIPTION	REV
38	7026597	1	Connector, with Leads (Not Shown)	
38	7026626	1	Connector - 6 Position with Seal (Not Shown)	
38	70002088	1	Stator (Not Shown)	
38	70004169	1	Panel, End (Not Shown) (was p/n 70002255)	
38	70001974	1	Decal - Terminal Connections (Not Shown)	
38	70000863	1	Fan (Not Shown)	
38	70002297	4	Stud (Not Shown)	
38A	70004171	1	Key (was p/n 7024561)	
38A	70001100	1	Armature, Generator (Includes Radial Ball Bearing on End with Brushes and Fan)	
38A	70001384	1	Bearing, Ball Radial	
38B	70001966	1	Bearing, Radial Ball	
38B	70003708	1	Ring, Internal Retaining (Located in Belt Tensioner Endbell)	
38B	70003709	1	Ring, External Retaining (Located in Belt Tensioner Endbell)	
38C	70001973	1	Decal - Warning Moving Parts	
38D	70004169	1	Endbell, Brush Block (was p/n 70001385)	
38E	70001953	1	Endbell, Belt Tensioner	
38F	70004169	1	Endbell, Shroud Assembly (was p/n 70002290)	
39	1001157592	1	Junction Box Assembly (See Items 101-121 for Breakdown)	
40	4922641	1	Generator Switch Harness	
41	1001196382	4	Stud	
42	1001216390	1	Belt	
43	1001218930	1	Mount	
	1001157592	Ref	JUNCTION BOX ASSEMBLY	C
101	1060343	1.5 ft/ 0.5m	Cable, Electrical - 10/4	
102	1001179154	2.5 ft/ 0.8m	Cable, Electrical - 12/3	
103	1671092	1	Cover, Connector	
104	3300396	1	Cover, Fuse	
105	3311001	6	Nut #10	
106	4360070	1	Breaker, Circuit 15Amp	
107	4460425	1	Connector, Strain Relief	
108	4460426	2	Connector, Strain Relief	
111	4460963	1	Receptacle	
112	4711000	10	Washer #10	
114	10702077	2	Screw #10 x 3/8	
115	10702082	2	Screw #10 x 3/4	
116	1001152525	1	Plug, Hole	
117	1001157520	1	Block, Terminal Pole	
118	1001157521	1	Box, Junction	
119	1001157528	1	Decal - Box Junction	
120	1001158007	1	Cover	
121	1001158008	2	Stand-Off	
	0272435	Ref	DECAL INSTALLATION	D
201	1705460	2	Decal - SkyPower	
202	3251243	1	Decal - 120V/60Hz (Located on Opposite Side)	
203	1705375	1	Decal - 240V - 3 Phase	
204	1705387	3	Decal - Hazardous Voltage	

SECTION 3 - ENGINE

FIGURE 3-104. 7500W SKYPOWER GENERATOR INSTALLATION - 220V/50HZ (DEUTZ D2011 ENGINES)



SECTION 3 - ENGINE

FIGURE 3-104. 7500W SKYPOWER GENERATOR INSTALLATION - 220V/50HZ (DEUTZ D2011 ENGINES)

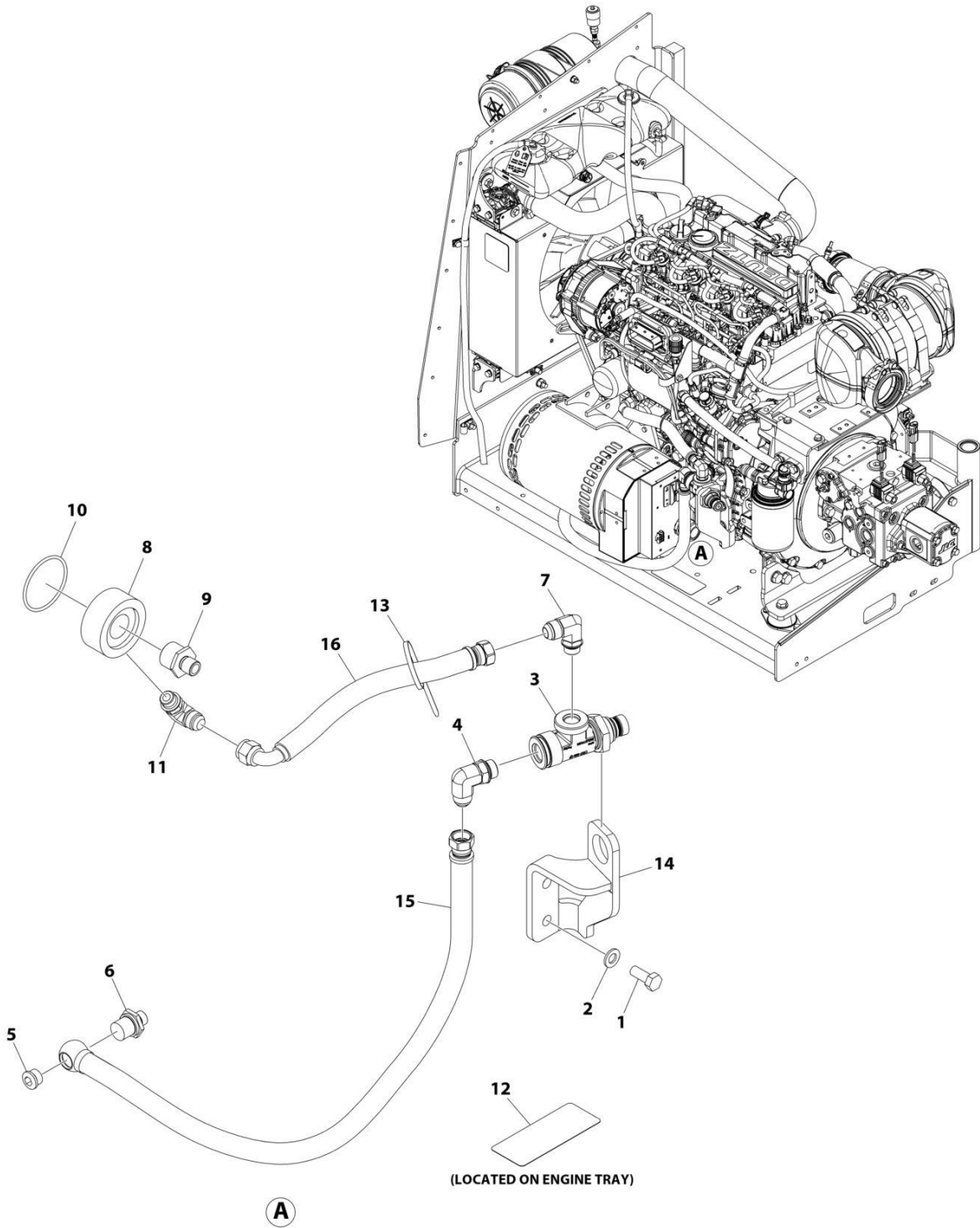
ITEM	PART NUMBER	QTY	DESCRIPTION	REV
	1001192486	Ref	7500W SKYPOWER GENERATOR INSTALLATION	I
1	0100011	AR	Compound, Locking	
2	0100019	AR	Compound, Locking	
3	1001141814	1	Belt	
4	0641618	1	Bolt 3/8 x 2-1/4	
5	0760606	1	Bolt M6 x 12	
6	0700819	2	Bolt M8 x 55	
7	0760608	4	Bolt M6 x 16	
8	0761212	2	Bolt M12 x 25	
9	0771415	1	Bolt M14 x 35	
10	0861572	1	Control Box Assembly	
10	7024488	1	Card, Circuit - Generator Power	
10	See Note	NSS	Fuse (Note: Not Available - Purchase Locally)	
10	7024489	1	Card, Circuit - Control	
10	70000619	1	Harness, Control Box (Internal)	
11	0902888	1	Bracket	
12	0962520	1	Bushing, Split	
14	2460048	1	Generator Assembly	
14	70001100	1	Rotor (Includes p/n 70001384 & 70000863) (Not Shown)	
14	70001384	1	Bearing, Ball Radial (Not Shown)	
14	70000863	1	Fan (Not Shown)	
14	70002088	1	Stator (Not Shown)	
14	70002297	1	Stud	
14	70003631	1	Brushholder Assembly (Not Shown)	
14A	70004171	1	Key	
14B	70001966	1	Bearing, Ball Radial (Located in Belt Tensioner Endbell)	
14B	70003708	1	Ring, Internal Retaining (Located in Belt Tensioner Endbell)	
14B	70003709	1	Ring, External Retaining (Located in Belt Tensioner Endbell)	
14C	70001953	1	Endbell, Belt Tensioner	
14D	70004169	1	Endbell, Brush Block	
14E	70004169	1	Shroud	
14E	See Note	NSS	Insulator, Endbell (Note: Not Available for Purchase)	
14E	7027799	1	Block, Connector 6 Position (Not Shown)	
14E	70002460	1	Nut, Brass (Attaches p/n 7027799 to Cover) (Not Shown)	
14E	7024485	1	Breaker, Circuit 30Amp (Not Shown)	
14E	70001696	1	Boot, Breaker (Not Shown)	
14E	7026626	1	Connector, 6 Position (Includes Seal) (Not Shown - Plugs into Item 39)	
14E	7026597	1	Connector, with Leads (Not Shown)	
14E	7026188	1	Clamp, Cable Options (Not Shown)	
14E	70004169	1	Plate, End Panel	
14E	70001974	1	Decal - Terminal Connections	
14F	70001973	1	Decal - Warning Moving Parts	
15	2820031	AR	Heat Shrink	
16	3252764	1	Nameplate - AC & Weld	
17	3290505	4	Nut M5	
18	3290805	2	Nut M8	
19	3291201	1	Nut M12	
20	3580319	1	Pulley	

SECTION 3 - ENGINE

ITEM	PART NUMBER	QTY	DESCRIPTION	REV
21	3580320	1	Pulley	
22	3580317	1	Tensioner, Belt	
23	4032015	4	Capscrew M10 x 55	
24	4060802	1	Guard, Switch	
25	4360336	1	Switch, Toggle	
26	4811602	4	Washer M5	
27	4811700	4	Washer M6	
28	4811900	4	Washer M8	
29	5241000	1	Washer M10	
31	5241400	1	Washer M14	
32	4871700	2	Washer M6	
33	5241200	3	Washer M12	
34	1001104029	4	Capscrew M5 x 30 Grade 12.9	
35	1001130220	4	Nut, Tinnerman M6	
36	1001196382	1	Stud	
37	1001157525	1	Junction Box Assembly (See Items 101-117 for Breakdown)	
38A	4922641	1	Generator Switch Harness	
38B	1001152429	1	Generator to Engine Harness (See Separate Breakdown in ELECTRICAL SECTION)	
39	4922925	1	Generator Harness (See Separate Breakdown in ELECTRICAL SECTION)	
40	5251012	1	Bolt M10 x 25	
41	7274000040	1	Clamp	
43	1320061	1	Clamp	
	1001157525	Ref	JUNCTION BOX ASSEMBLY	B
101	3300396	1	Cover, Fuse	
102	3311001	6	Nut #10	
103	3520189	1	Plug	
104	3520192	1	Plug	
105	4360070	1	Circuit Breaker - 15Amp	
106	4460425	1	Connector, Strain Relief	
107	4460426	2	Connector, Strain Relief	
109	4711000	10	Washer #10	
110	10702077	2	Screw #10 x 3/8	
111	10702082	2	Screw #10 x 3/4	
112	1001152525	1	Plug	
113	1001152520	1	Block, Terminal	
114	1001157521	1	Box, Junction	
115	1001157528	1	Decal - Wiring Schematic	
116	1001158007	1	Cover, PVC	
117	1001158008	2	Stand-Off	
	0272589	Ref	DECAL INSTALLATION	A
201	1705460	2	Decal - SkyPower	
202	1705461	1	Decal - 240V - 3 Phase - 50Hz	
203	1705489	3	Decal - Hazardous Voltage	

SECTION 3 - ENGINE

FIGURE 3-105. QUICKFIT OIL DRAIN (DEUTZ ENGINES)



ART_1001285636

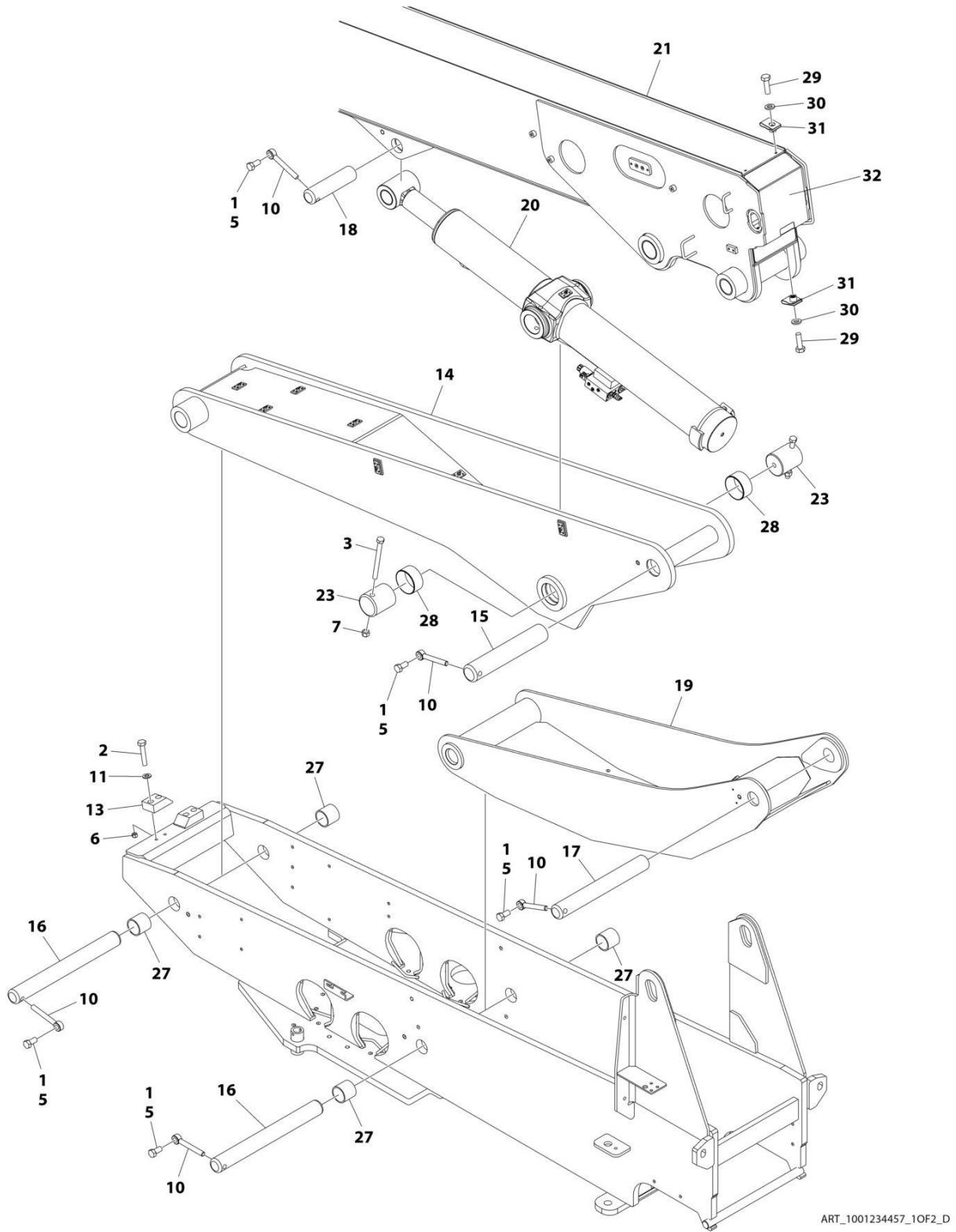
SECTION 3 - ENGINE**FIGURE 3-105. QUICKFIT OIL DRAIN (DEUTZ ENGINES)**

ITEM	PART NUMBER	QTY	DESCRIPTION	REV
	1001285636	Ref	QUICKFIT OIL DRAIN INSTALLATION	A
1	0761214	2	Bolt M12 x 30	
2	4812100	2	Washer M12	
3	1001281298	1	Valve, Quickfit	
4	1001281301	1	Fitting, 90	
5	1001281304	1	Plug	
6	1001281305	1	Fitting, Banjo	
7	1001281307	1	Fitting, 90	
8	1001281309	1	Filter, Ring	
9	1001281310	1	Fitting, Straight	
10	1001281311	1	O-Ring	
11	1001281359	1	Valve, Check	
12	1001281360	1	Decal - RPM Quickfit	
13	1001281656	1	Tie-Strap	
14	1001287536	1	Bracket	
15	1001287552	1	Hose	
16	1001288113	1	Hose	

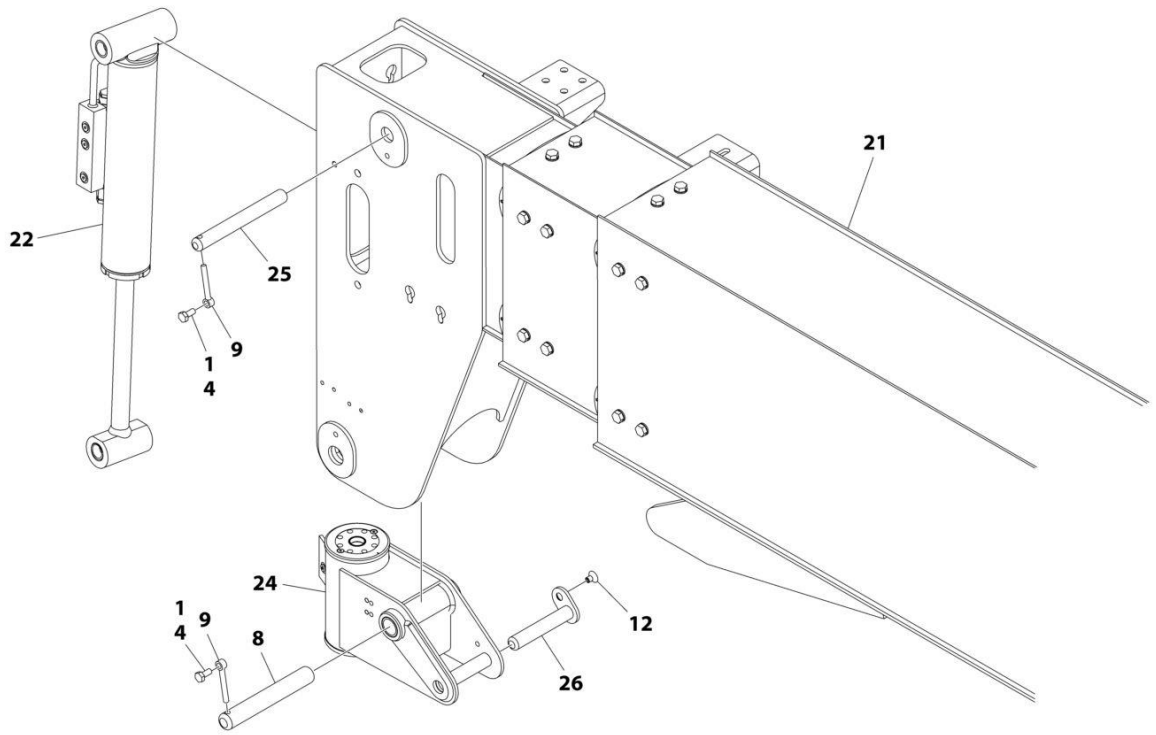
SECTION 4 - BOOM

SECTION 4 - BOOM

FIGURE 4-1. BOOM INSTALLATION (600S HC3)



SECTION 4 - BOOM



ART_1001234457_20F2_D

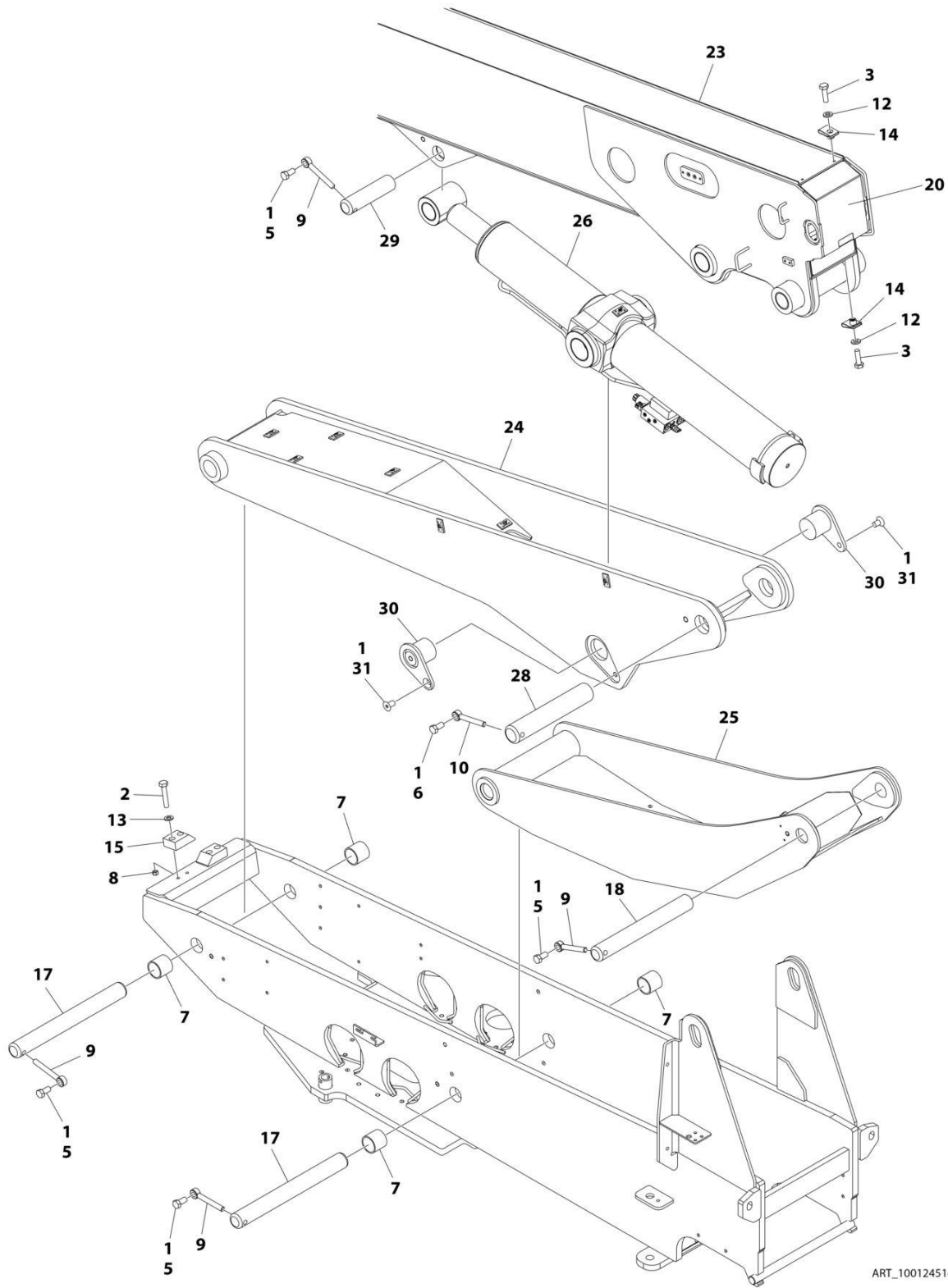
SECTION 4 - BOOM

FIGURE 4-1. BOOM INSTALLATION (600S HC3)

ITEM	PART NUMBER	QTY	DESCRIPTION	REV
	1001234457	Ref	BOOM INSTALLATION	D
1	0100011	AR	Compound, Locking	
2	0701019	4	Bolt M10 x 55	
3	0711635	2	Bolt M16 x 180	
4	0761011	2	Bolt M10 x 22	
5	0762016	5	Bolt M20 x 40	
6	3291005	4	Nut M10	
7	3291605	2	Nut M16	
8	3422582	1	Pin	
9	3841143	2	Keeper, Pin	
10	3841287	5	Keeper, Pin	
11	4812000	4	Washer M10	
12	1001137032	1	Screw M10 x 16	
13	1001138459	2	Pad	
14	1001174231	1	Link	
15	1001174250	1	Pin	
16	1001174252	2	Pin	
17	1001174253	1	Pin	
18	1001174254	1	Pin	
19	1001174256	1	Link	
20	1001272076	1	Lift Cylinder Assembly (See Separate Breakdown in CYLINDER Section)	
21	1001234458	1	Boom Assembly (See Separate Breakdown in this Section)	
22	1001184954	1	Level Cylinder Assembly - Platform Slave (See Separate Breakdown in CYLINDER Section)	
23	1001183926	2	Pin	
24	1001187348	1	Platform Rotator Assembly (See Separate Breakdown in this Section)	
25	1001192910	1	Pin	
26	1001192991	1	Pin	
27	0962423	4	Bearing	
28	1001174251	2	Bearing	
29	0760610	4	Bolt M6 x 20	
30	4811700	4	Washer M6	
31	1001130220	4	Nut, Tinnerman M6	
32	1001228177	1	Cover	

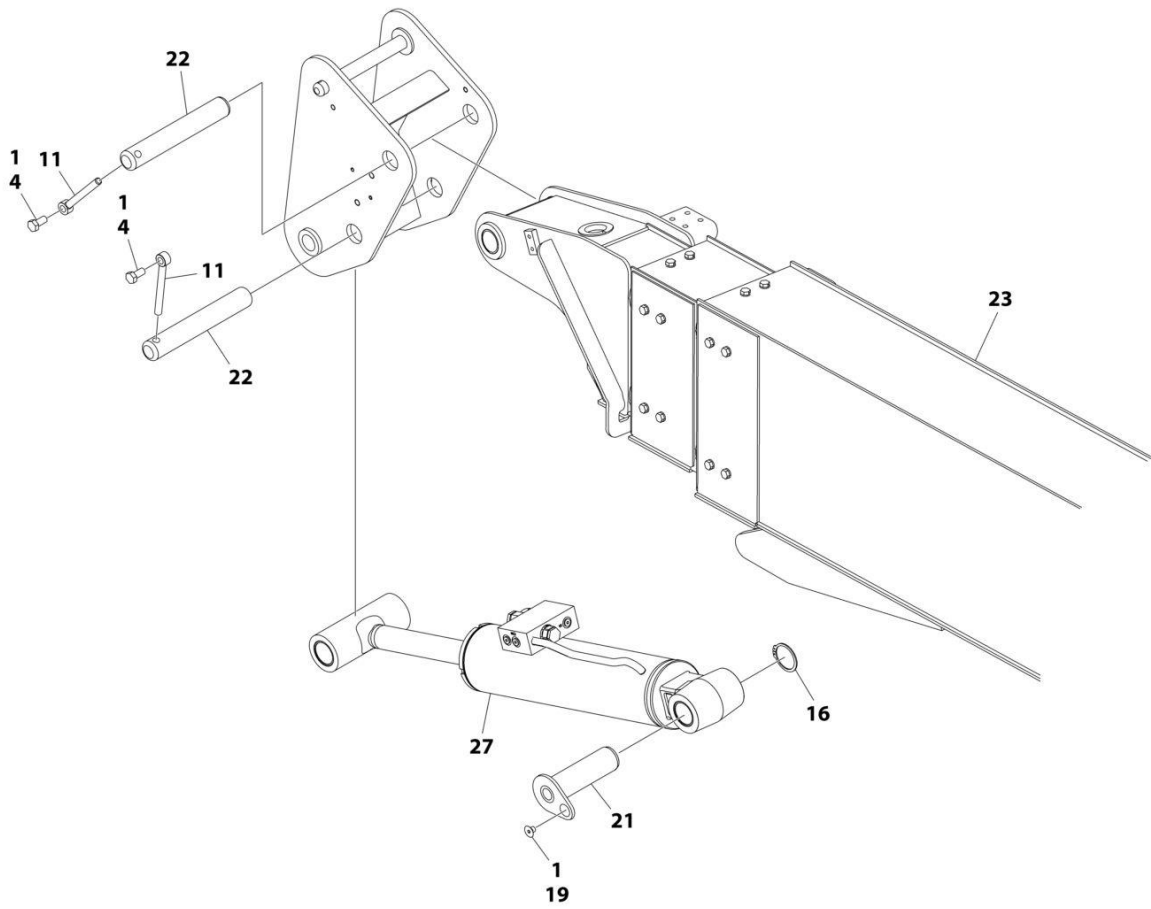
SECTION 4 - BOOM

FIGURE 4-2. BOOM INSTALLATION (660SJ HC3)



ART_1001245145_10F2_D

SECTION 4 - BOOM



ART_1001245145_20F2_D

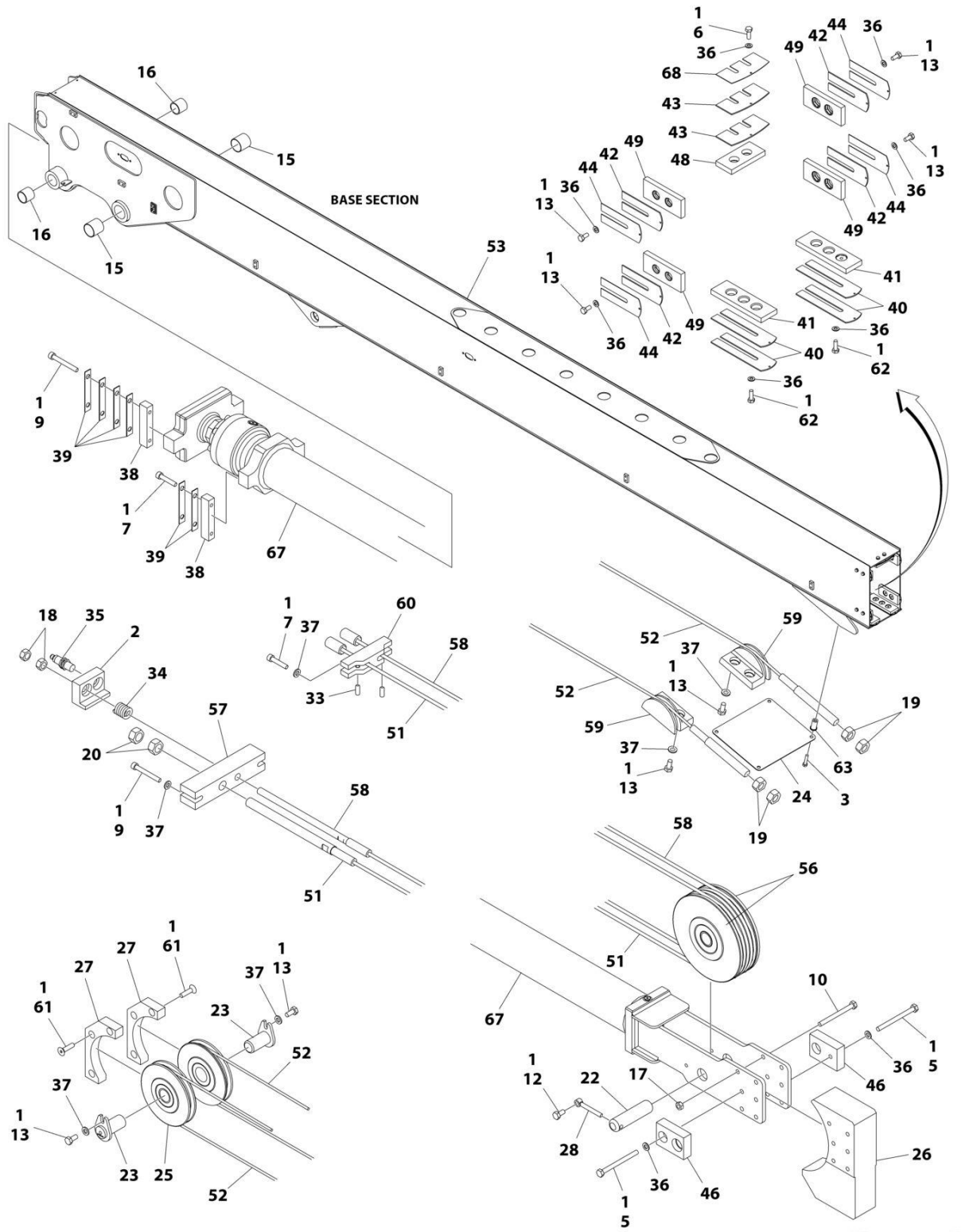
SECTION 4 - BOOM

FIGURE 4-2. BOOM INSTALLATION (660SJ HC3)

ITEM	PART NUMBER	QTY	DESCRIPTION	REV
	1001245145	Ref	BOOM INSTALLATION	D
1	0100011	AR	Compound, Locking	
2	0701019	4	Bolt M10 x 55	
3	0760610	4	Bolt M6 x 20	
4	0761212	2	Bolt M12 x 25	
5	0762016	4	Bolt M20 x 40	
6	0762418	1	Bolt M24 x 50	
7	0962423	4	Bearing	
8	3291005	4	Nut M10	
9	3841287	4	Keeper, Pin	
10	3841356	1	Keeper, Pin	
11	3841203	2	Keeper, Pin	
12	4811700	4	Washer M6	
13	4812000	4	Washer M10	
14	1001130220	4	Nut - Tinnerman M6	
15	1001138459	2	Pad	
16	1001138671	1	Ring, Retaining	
17	1001174252	2	Pin	
18	1001174253	1	Pin	
19	1001192027	1	Screw M10 x 12	
20	1001228177	1	Cover	
21	1001237142	1	Pin	
22	1001237949	2	Pin	
23	1001244771	1	Boom assembly (See separate Breakdown in this Section)	
24	1001246502	1	Link	
25	1001247260	1	Link	
26	1001272100	1	Lift Cylinder Assembly (See Separate Breakdown in CYLINDER Section)	
27	1001247466	1	Level Cylinder Assembly Platform Slave (See Separate Breakdown in CYLINDER Section)	
28	1001249454	1	Pin	
29	1001249455	1	Pin	
30	1001249458	2	Pin	
31	1001249774	2	Bolt M20 x 35	

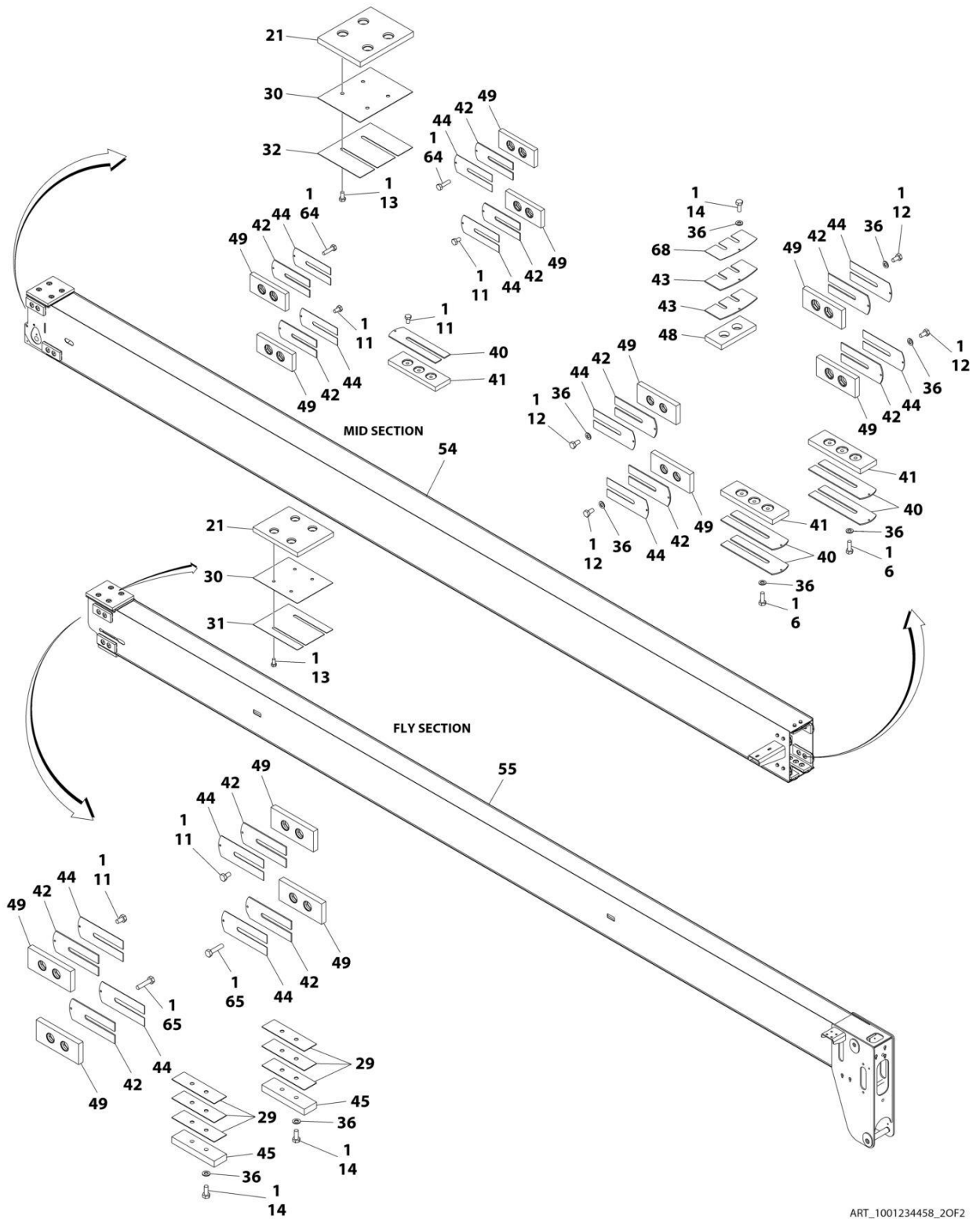
SECTION 4 - BOOM

FIGURE 4-3. BOOM ASSEMBLY (600S HC3)



ART_1001234458_10F2

SECTION 4 - BOOM



ART_1001234458_20F2

SECTION 4 - BOOM

FIGURE 4-3. BOOM ASSEMBLY (600S HC3)

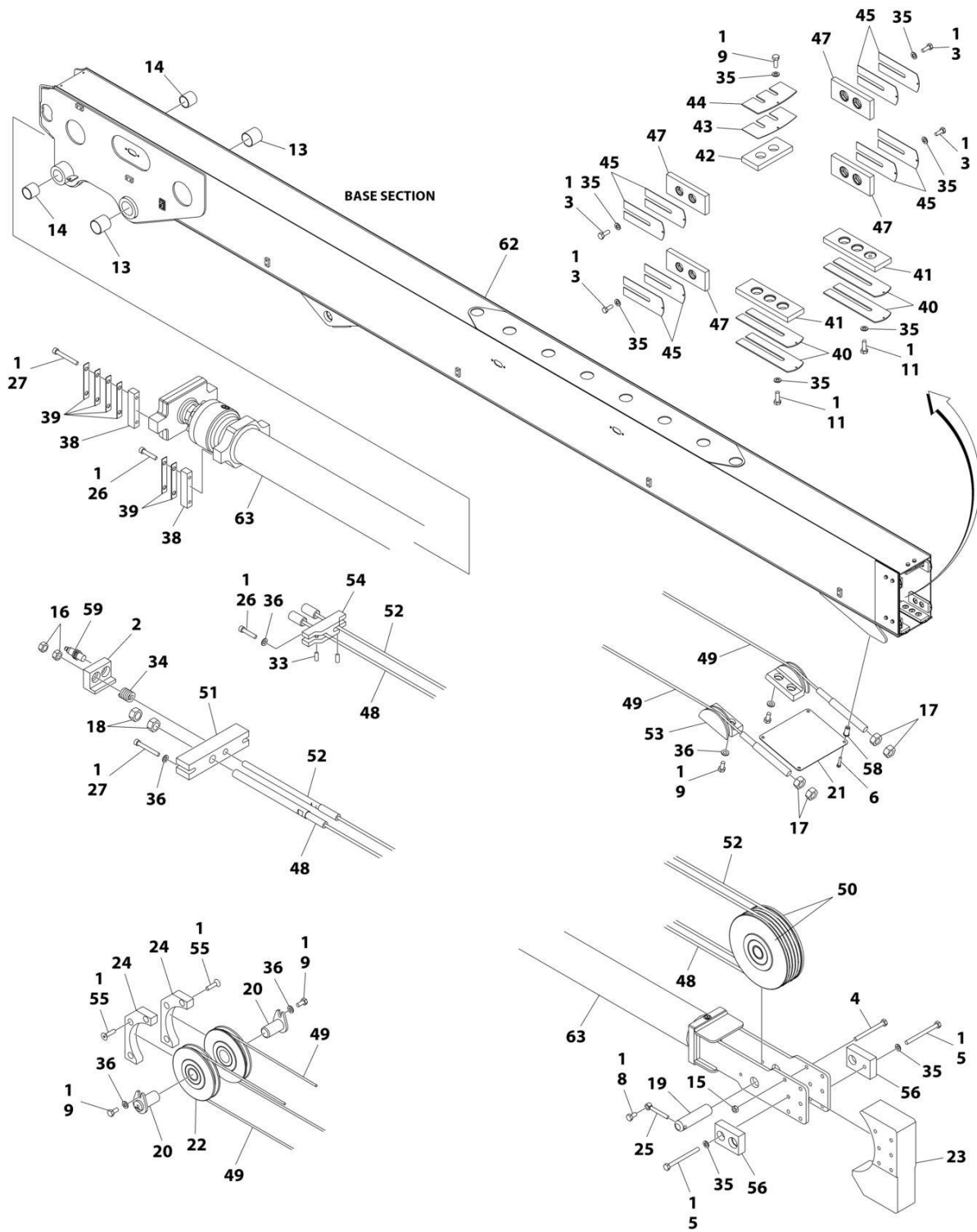
ITEM	PART NUMBER	QTY	DESCRIPTION	REV
	1001234458	Ref	BOOM ASSEMBLY	F
1	0100011	AR	Compound, Locking	
2	0561508	1	Block	
3	0760614	4	Bolt M6 x 30	
5	0701029	2	Bolt M10 x 120	
6	0701013	8	Bolt M10 x 28	
7	4032014	6	Capscrew M10 x 50	
9	4032020	6	Capscrew M10 x 80	
10	0701028	4	Bolt M10 x 110	
11	0761009	10	Bolt M10 x 18	
12	0761010	9	Bolt M10 x 20	
13	0761011	22	Bolt M10 x 22	
14	0761012	6	Bolt M10 x 25	
15	0962033	2	Bushing	
16	0962423	2	Bearing	
17	3291001	4	Nut M10	
18	3291601	2	Nut M16	
19	3292001	4	Nut M20	
20	3292201	2	Nut M22	
21	1001191385	2	Pad, Wear	
22	3422417	1	Pin	
23	3422424	2	Pin	
24	3539622	1	Cover	
25	3580243	2	Sheave, Retract	
25	0961951	2	Bushing (1 Per Sheave)	
26	3580248	1	Guard, Sheave (Extend)	
27	3580249	2	Guard, Sheave (Retract)	
28	3841143	1	Keeper, Pin	
29	4070895	6	Shim 16Ga	
30	4070896	2	Shim .06	
31	4070939	1	Shim 16Ga	
32	4070940	1	Shim 16Ga	
33	4092009	2	Setscrew M10 x 25	
34	4160149	1	Spring	
35	1001285877	1	Switch, Proximity	
36	4812000	38	Washer M10	
37	5241000	10	Washer M10	
38	1001135488	4	Block	
39	1001136571	12	Shim 16Ga	
40	1001136575	9	Shim 11Ga	
41	1001136583	5	Pad, Wear	
42	4070898	16	Shim 11Ga	
43	1001138436	4	Shim 11Ga	
44	4070897	16	Shim 18Ga	
45	1001148650	2	Pad, Wear	
46	1001191384	2	Pad, Wear	
48	1001136587	2	Pad, Wear	
49	1001153398	16	Pad, Wear	
51	1001175998	1	Rope, Wire (Extend)	
52	1001175999	2	Rope, Wire (Retract)	

SECTION 4 - BOOM

ITEM	PART NUMBER	QTY	DESCRIPTION	REV
53	1001234459	1	Base Boom	
54	1001176212	1	Mid, Boom	
55	1001180882	1	Fly, Boom	
56	1001184913	2	Sheave, Extend	
56	1001184918	2	Bushing (1 Per Sheave)	
56	1001184917	2	Sleeve, Bronze (1 Per Sheave)	
56	1001184915	2	Ring, Retaining (1 Per Sheave)	
57	1001186541	1	Block	
58	1001189859	1	Rope, Wire (Extend)	
59	1001191048	2	Sheave, Block	
60	1001191202	1	Block	
61	1001191205	6	Screw M10 x 40	
62	0761014	6	Bolt M10 x 30	
63	1001203719	4	Wellnut M6	
64	0761016	4	Bolt M10 x 40	
65	0761017	4	Bolt M10 x 45	
67	1001251079	1	Telescope Cylinder Assembly (See Separate Breakdown in CYLINDER SECTION)	
68	1001136590	2	Shim	

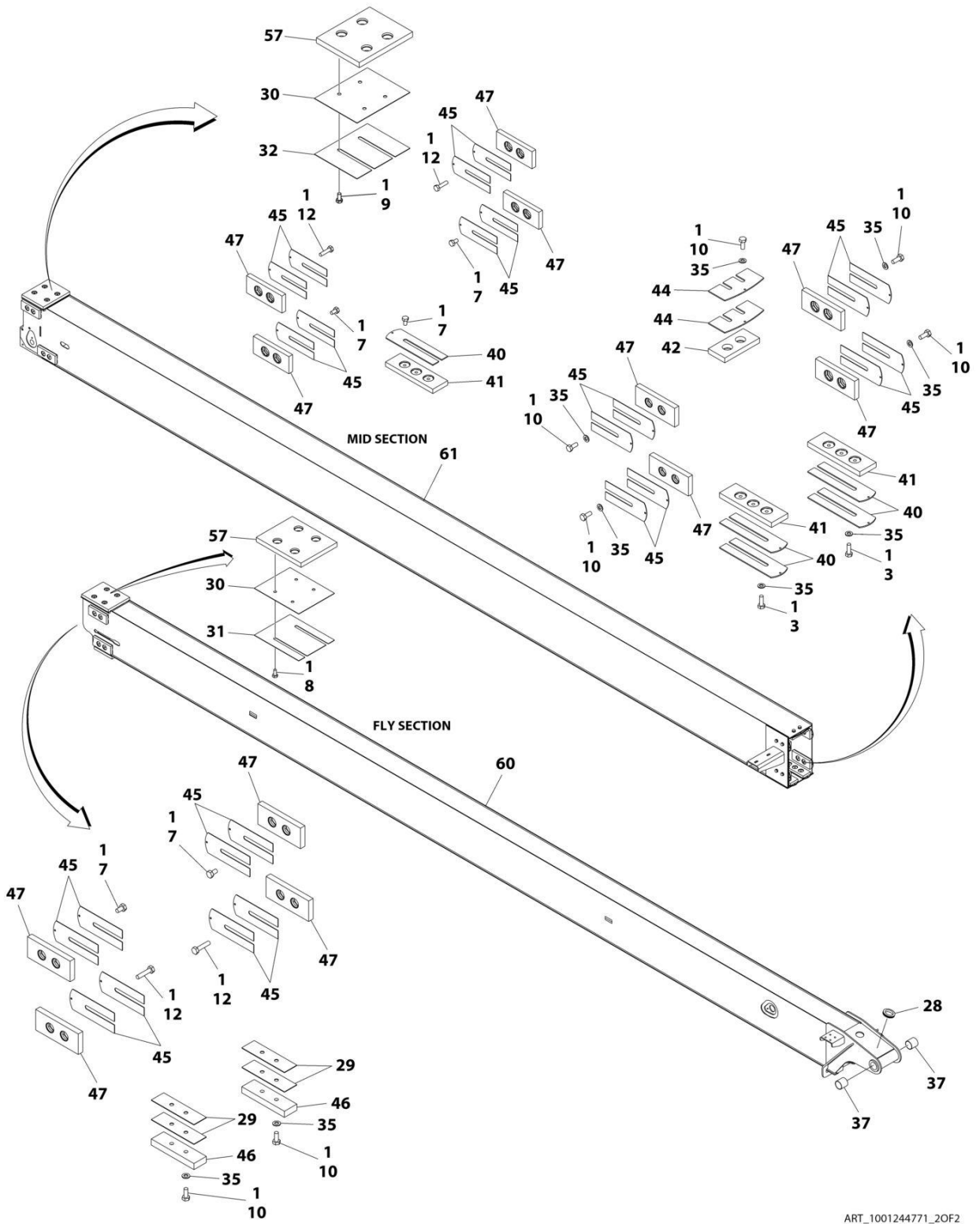
SECTION 4 - BOOM

FIGURE 4-4. BOOM ASSEMBLY (660SJ HC3)



ART_1001244771_10F2

SECTION 4 - BOOM



ART_1001244771_20F2

SECTION 4 - BOOM

FIGURE 4-4. BOOM ASSEMBLY (660SJ HC3)

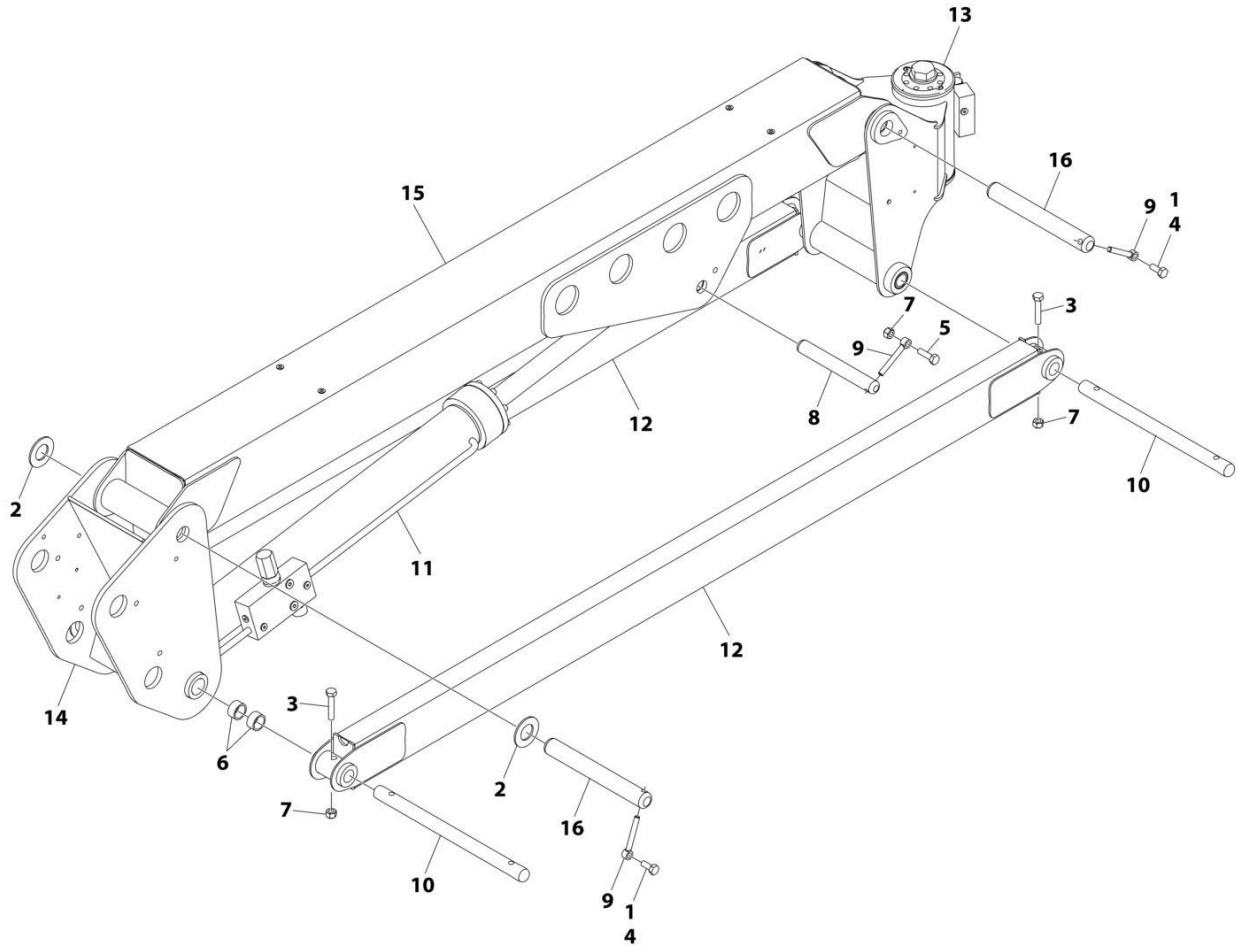
ITEM	PART NUMBER	QTY	DESCRIPTION	REV
	1001244771	Ref	BOOM ASSEMBLY	D
1	0100011	AR	Compound, Locking	
2	0561508	1	Block	
3	0701013	14	Bolt M10 x 28	
4	0701028	4	Bolt M10 x 110	
5	0701029	2	Bolt M10 x 120	
6	0760614	4	Bolt M6 x 30	
7	0761009	10	Bolt M10 x 18	
8	0761010	5	Bolt M10 x 20	
9	0761011	12	Bolt M10 x 22	
10	0761012	14	Bolt M10 x 25	
11	0761014	6	Bolt M10 x 30	
12	0761016	8	Bolt M10 x 40	
13	0962033	2	Bushing	
14	0962423	2	Bearing	
15	3291001	4	Nut M10	
16	3291601	2	Nut M16	
17	3292001	4	Nut M20	
18	3292201	2	Nut M22	
19	3422417	1	Pin	
20	3422424	2	Pin	
21	3539622	1	Cover	
22	3580243	2	Sheave, Retract	
22	0961951	2	Bushing (1 Per Sheave)	
23	3580248	1	Guard, Sheave (Extend)	
24	3580249	2	Guard, Sheave (Retract)	
25	3841143	1	Keeper, Pin	
26	4032014	6	Capscrew M10 x 50	
27	4032020	6	Capscrew M10 x 80	
28	4060805	6 in/ 16cm	Flex - Trim	
29	4070895	4	Shim 16Ga	
30	4070896	2	Shim .06	
31	4070939	1	Shim 16Ga	
32	4070940	1	Shim 16Ga	
33	4092009	2	Setscrew M10 x 25	
34	4160149	1	Spring	
35	4812000	38	Washer M10	
36	5241000	10	Washer M10	
37	1001118666	2	Bushing	
38	1001135488	4	Block	
39	1001136571	12	Shim 16Ga	
40	1001136575	9	Shim 11Ga	
41	1001136583	5	Pad, Wear	
42	1001136587	2	Pad, Wear	
43	1001136590	1	Shim	
44	1001138436	3	Shim 11Ga	
45	4070897	32	Shim 18Ga	
46	1001148650	2	Pad, Wear	
47	1001153398	16	Pad, Wear	
48	1001175998	1	Rope, Wire (Extend)	

SECTION 4 - BOOM

ITEM	PART NUMBER	QTY	DESCRIPTION	REV
49	1001175999	2	Rope, Wire (Retract)	
50	1001184913	2	Sheave, Extend	
50	1001184918	2	Bushing (1 per Sheave)	
50	1001184915	2	Ring, Retaining (1 per Sheave)	
50	1001184917	2	Sleeve, Bronze (1 per Sheave)	
51	1001186541	1	Block	
52	1001189859	1	Rope, Wire (Extend)	
53	1001191048	2	Sheave, Block	
54	1001191202	1	Block	
55	1001191205	6	Screw M10 x 40	
56	1001191384	2	Pad, Wear	
57	1001191385	2	Pad, Wear	
58	1001203719	4	Wellnut M6	
59	1001285877	1	Switch, Proximity	
60	1001244747	1	Fly, Boom	
61	1001244762	1	Mid, Boom	
62	1001244770	1	Base, Boom	
63	1001251079	1	Telescope Cylinder Assembly (See Separate Breakdown in CYLINDER SECTION)	

SECTION 4 - BOOM

FIGURE 4-5. JIB ASSEMBLY (660SJ HC3)



ART_1001238328_F

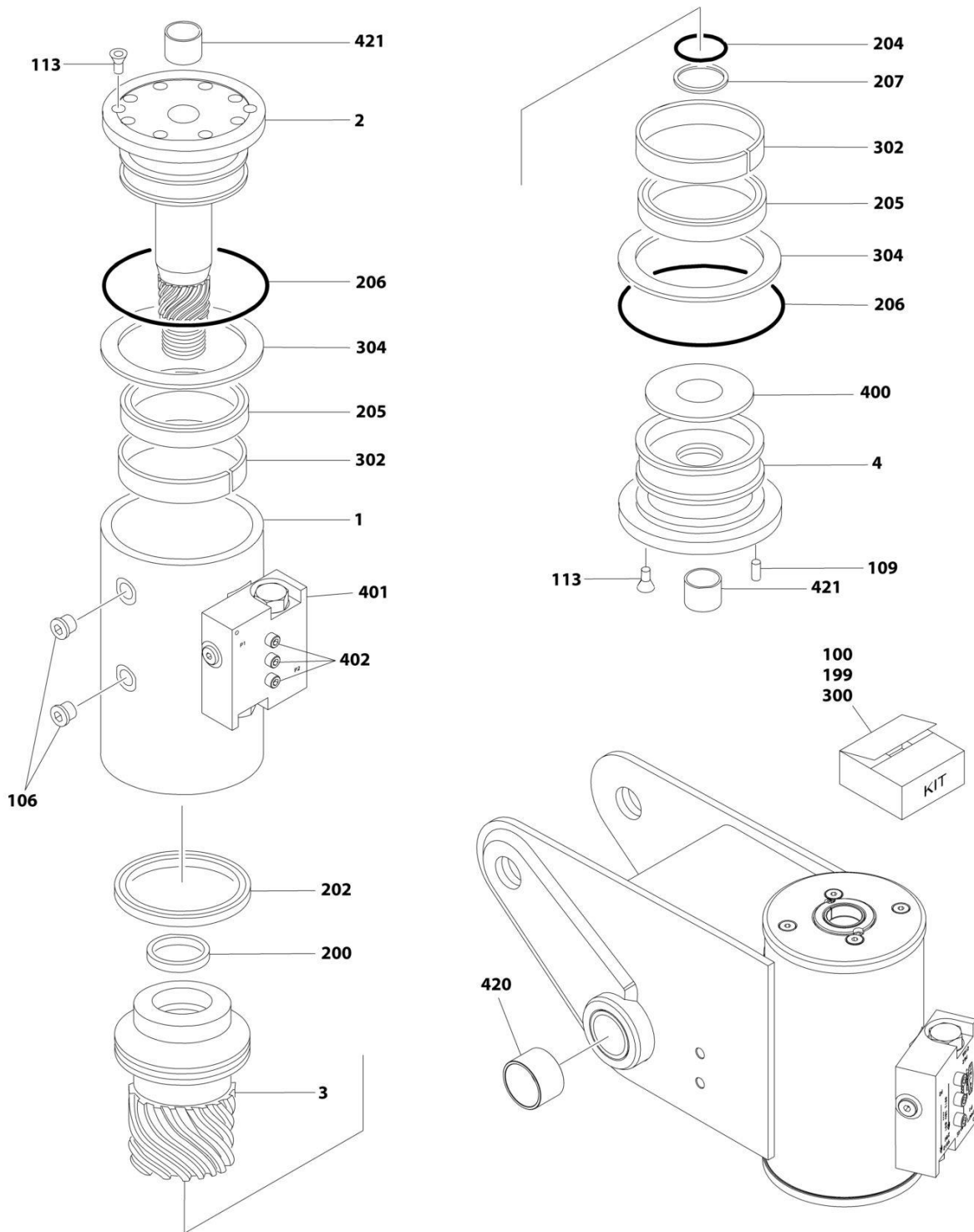
SECTION 4 - BOOM

FIGURE 4-5. JIB ASSEMBLY (660SJ HC3)

ITEM	PART NUMBER	QTY	DESCRIPTION	REV
	1001238328	Ref	JIB BOOM ASSEMBLY	F
1	0100011	AR	Compound, Locking	
2	0440162	2	Thrustwasher 0.188IN Thick	
2	0440237	1	Thrustwasher 0.125IN Thick	
3	0701020	1	Bolt M10 x 60	
4	0761012	2	Bolt M10 x 25	
5	0761015	1	Bolt M10 x 35	
6	0961947	4	Bearing 1IN ID x 1.25IN OD x 5/8IN L	
6	1001134289	4	Bearing 1IN ID x 1.5IN OD x 1IN L	
7	3291005	5	Nut M10	
8	3422867	1	Pin	
9	3841143	3	Keeper, Pin	
10	3422861	1	Pin	
11	1001264991	1	Lift Cylinder Assembly - Jib (See Separate Breakdown in CYLINDER SECTION)	
12	4844817	1	Link	
13	1001234811	1	Rotator Assembly (See Separate Breakdown in this Section)	
14	1001238168	1	Pivot	
15	1001238333	1	Tube (Upper)	
15	0962155	1	Bushing	
16	1001238398	2	Pin	

SECTION 4 - BOOM

FIGURE 4-6. PLATFORM ROTATOR ASSEMBLY (600S HC3)



ART_1001187348

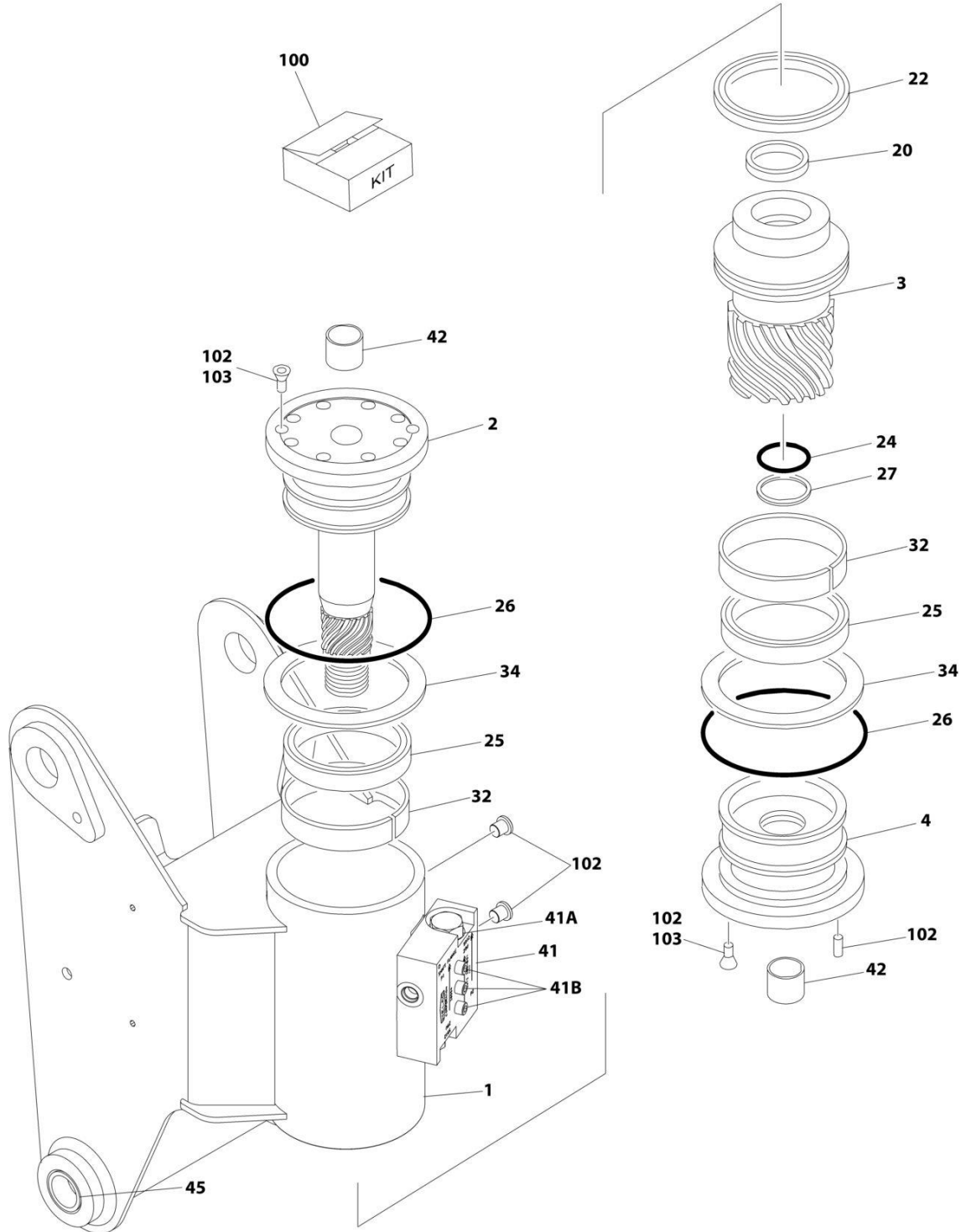
SECTION 4 - BOOM

FIGURE 4-6. PLATFORM ROTATOR ASSEMBLY (600S HC3)

ITEM	PART NUMBER	QTY	DESCRIPTION	REV
	1001187348	Ref	PLATFORM ROTATOR ASSEMBLY	E
1	See Note	NSS	Housing/Ring Gear (Note: Purchase Complete Assembly)	
2	7017162	1	Shaft	
3	7017163	1	Piston	
4	7017164	1	Cap	
100	7017142	1	Hardware Kit (Includes Items 106-109)	
106	See Note	NSS	Plug (Note: Use Item 100)	
109	See Note	NSS	Pin, Dowel (Note: Use Item 100)	
113	70001697	6	Screw 1/4 x 3/8	
199	70000342	1	Seal Kit - Low Temperature (Includes Items 200-207)	
200	See Note	NSS	T-Seal (Note: Use Item 199)	
202	See Note	NSS	T-Seal (Note: Use Item 199)	
204	See Note	NSS	O-Ring (Note: Use Item 199)	
205	See Note	NSS	Seal (Note: Use Item 199)	
206	See Note	NSS	O-Ring (Note: Use Item 199)	
207	See Note	NSS	Ring, Back-up (Note: Use Item 199)	
300	7017159	1	Bearing Kit (Includes Items 302-304)	
302	See Note	NSS	Bearing (Note: Use Item 300)	
304	See Note	NSS	Washer, Thrust (Note: Use Item 300)	
400	70005671	1	Stop	
401	7017172	1	Valve, Control (Note: Sold as Assembly Only)	
401	7017192	2	Cartridge, Valve - Counterbalance (Seal Kit Not Available)	
401	See Note	1	Cartridge, Valve - Check (Seal Kit Not Available) (Note: Use p/n 7017172)	
402	See Note	1	Bolt 1/4 x 1-1/2 Grade 8 (Note: Purchase Locally)	
420	0961951	2	Bushing	
421	7017195	2	Bushing	

SECTION 4 - BOOM

FIGURE 4-7. PLATFORM ROTATOR ASSEMBLY (660SJ HC3)



ART_1001234811

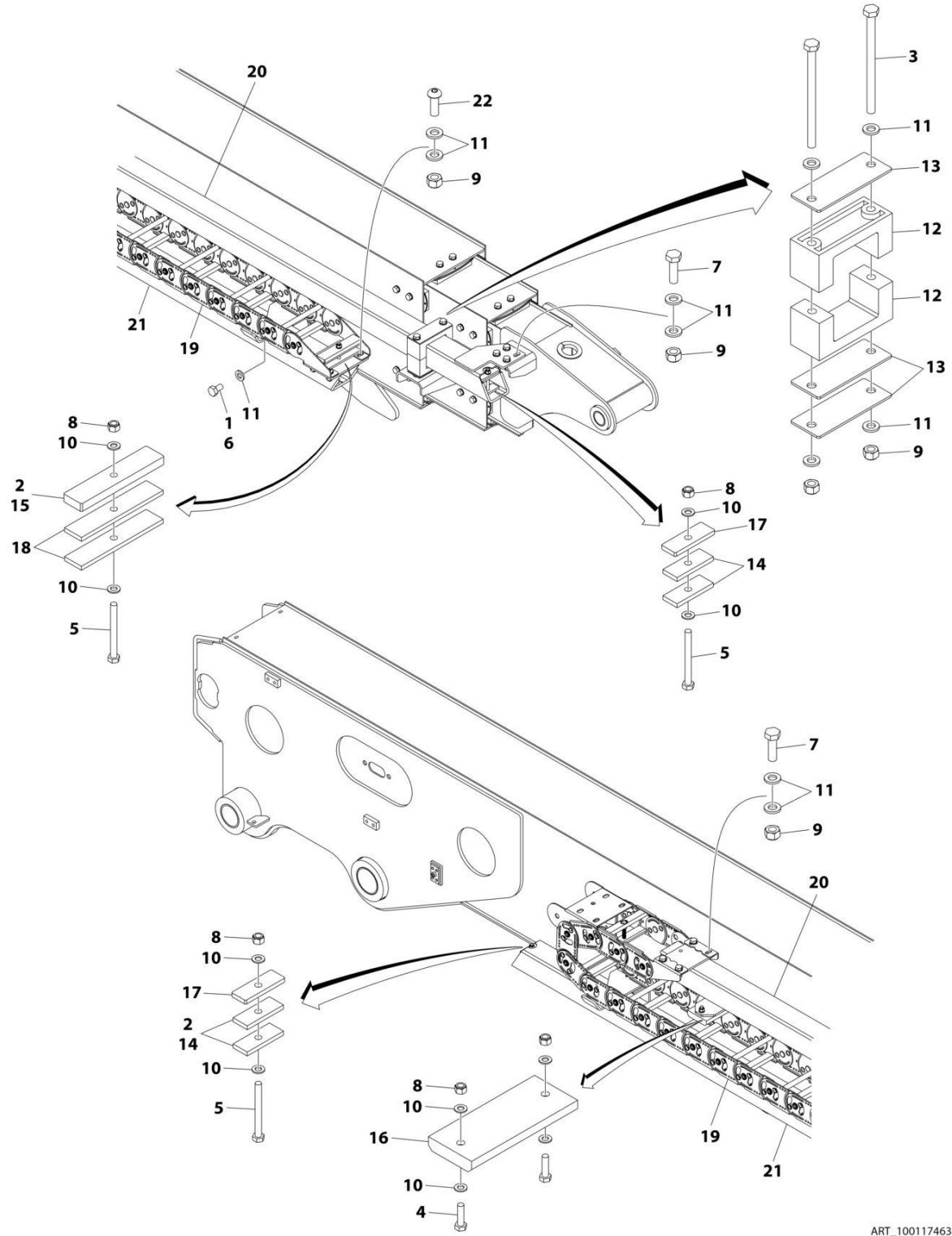
SECTION 4 - BOOM

FIGURE 4-7. PLATFORM ROTATOR ASSEMBLY (660SJ HC3)

ITEM	PART NUMBER	QTY	DESCRIPTION	REV
	1001234811	Ref	ROTATOR ASSEMBLY	B
1	See Note	NSS	Housing/Ring Gear Assembly (Note: Not Available - Purchase Complete Rotator Assembly)	
2	7017162	1	Shaft Weldment	
3	7017163	1	Piston/Sleeve Assembly	
4	7017164	1	Cap, End	
20	See Note	NSS	T-Seal (Note: Use Item 100)	
22	See Note	NSS	T-Seal (Note: Use Item 100)	
24	See Note	NSS	O-Ring (Note: Use Item 100)	
25	See Note	NSS	Seal (Note: Use Item 100)	
26	See Note	NSS	O-Ring (Note: Use Item 100)	
27	See Note	NSS	Ring, Back-up (Note: Use Item 100)	
32	See Note	NSS	Ring, Wear (Note: Use Item 101)	
34	See Note	NSS	Washer, Thrust (Note: Use Item 101)	
41	7017172	AR	Valve Assembly	
41A	7017192	2	Cartridge, Valve	
41A	See Note	NSS	Seal Kit - 7017192 Valve (Note: Not Available for Purchase)	
41B	See Note	3	Bolt 1/4-20NC x 1-1/2 Grade 8 (Note: Not Available - Purchase Locally)	
42	7017195	2	Bushing	
45	0961947	2	Bushing 1IN ID x 1.25IN OD x 5/8IN L	
45	1001134289	2	Bushing 1IN ID x 1.5IN OD x 1IN L	
100	70000342	1	Seal Kit (Includes Items 20, 22, 24, 25, 27 & 33)	
101	7017159	1	Bearing Kit (Includes Items 32 & 34)	
102	7017142	1	Hardware Kit	
103	70001697	4	Screw, Countersunk 1/4 x 3/8 Grade 8	

SECTION 4 - BOOM

FIGURE 4-8. POWER TRACK INSTALLATION (600S HC3)



ART_1001174630_H

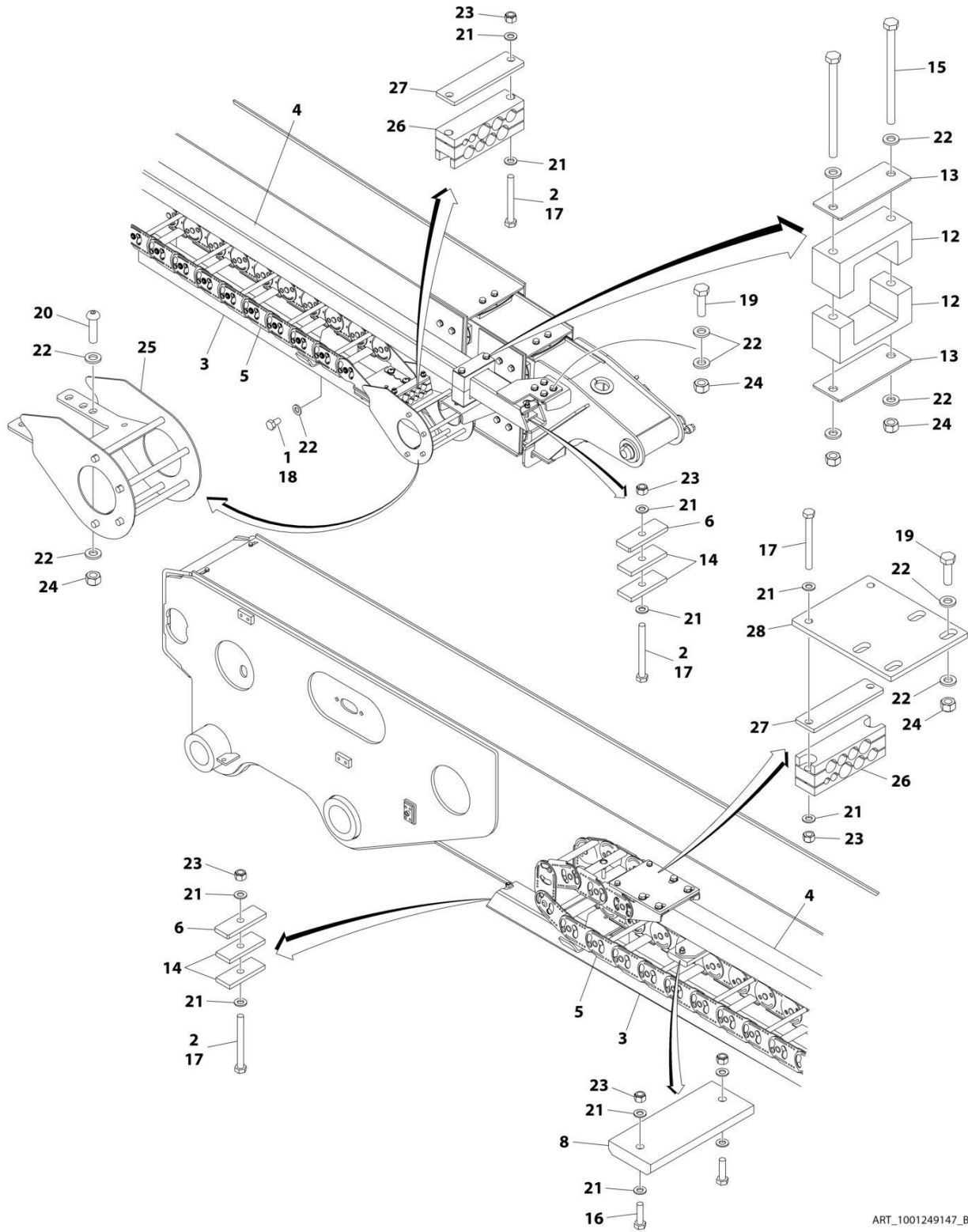
SECTION 4 - BOOM

FIGURE 4-8. POWER TRACK INSTALLATION (600S HC3)

ITEM	PART NUMBER	QTY	DESCRIPTION	REV
	1001174630	Ref	POWER TRACK INSTALLATION	H
1	0100011	AR	Compound, Locking	
2	0100081	AR	Adhesive	
3	0701032	2	Bolt M10 x 150	
4	0760814	2	Bolt M8 x 30	
5	0700823	3	Bolt M8 x 75	
6	0761009	8	Bolt M10 x 18	
7	0761015	8	Bolt M10 x 35	
8	3290805	5	Nut M8	
9	3291005	14	Nut M10	
10	4811900	10	Washer M8	
11	5241000	36	Washer M10	
12	3340764	2	Pad	
13	1001136400	AR	Plate	
14	1001136402	4	Pad	
15	1001136461	1	Plate	
16	3340787	1	Pad, Wear	
17	1001139078	2	Plate	
18	1001151192	2	Pad	
19	1001174631	1	Powertrack Assembly	
19	70005683	AR	Repair Section - Power Track	
19	70005684	1	Mounting Kit - Power Track (Includes Mounting Feet and Hardware)	
20	1001174632	1	Tube, Push	
21	1001174636	1	Support	
22	1001174673	4	Screw M10 x 30	

SECTION 4 - BOOM

FIGURE 4-9. POWER TRACK ASSEMBLY (660SJ HC3)



ART_1001249147_B

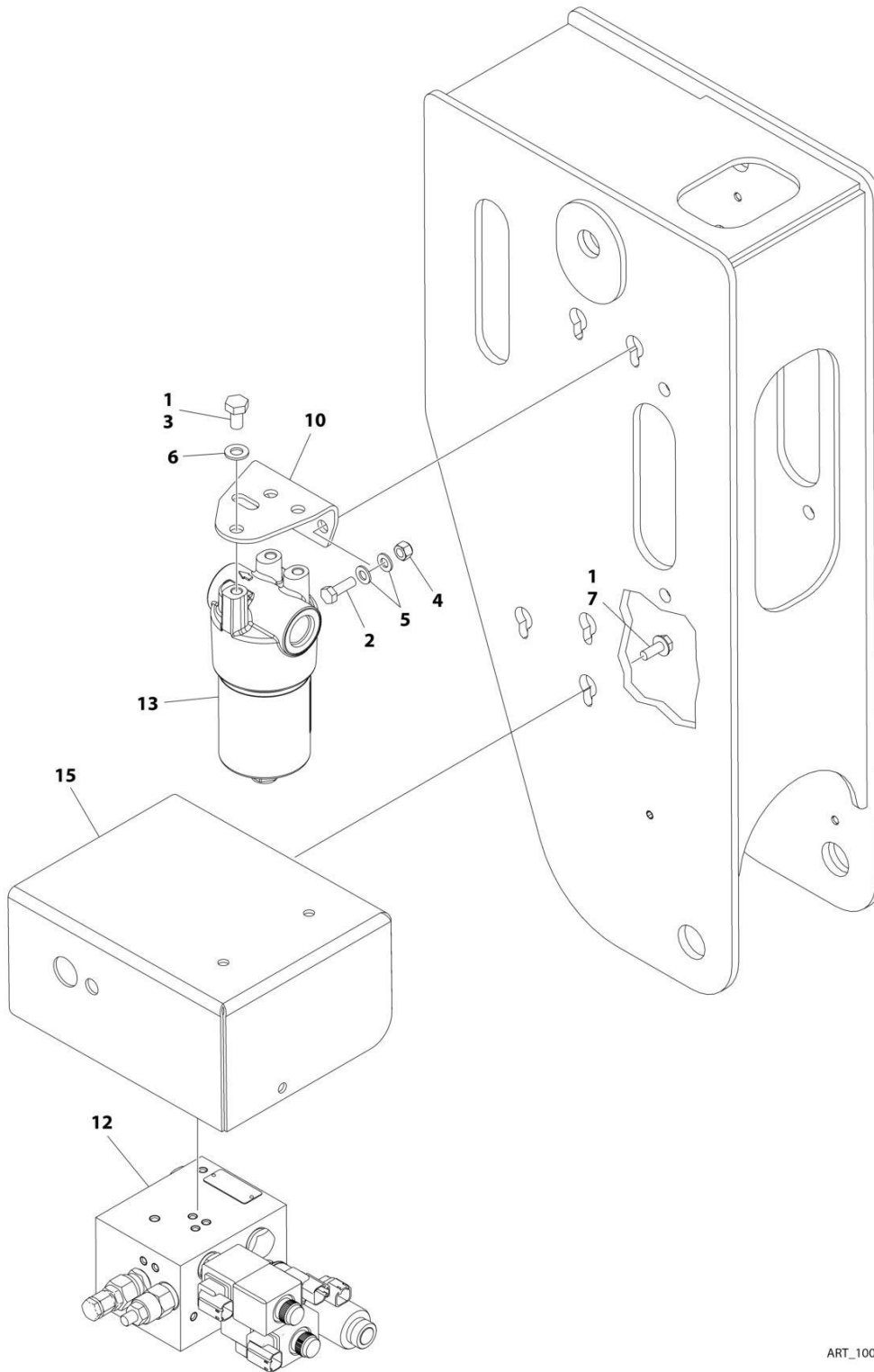
SECTION 4 - BOOM

FIGURE 4-9. POWER TRACK ASSEMBLY (660SJ HC3)

ITEM	PART NUMBER	QTY	DESCRIPTION	REV
	1001249147	Ref	POWER TRACK INSTALLATION	B
1	0100011	AR	Compound, Locking	
2	0100081	AR	Adhesive	
3	1001174636	1	Support	
4	1001174632	1	Tube, Push	
5	1001174631	1	Powertrack Assembly	
5	70005683	AR	Repair Section - Power Track	
5	70005684	1	Mounting Kit - Power Track (Includes Mounting Feet and Hardware)	
6	1001139078	2	Plate	
8	3340787	1	Pad, Wear	
12	1001136398	2	Pad	
13	1001136400	2	Plate	
14	1001136402	4	Pad	
15	0701032	2	Bolt M10 x 150	
16	0760814	2	Bolt M8 x 30	
17	0760824	6	Bolt M8 x 80	
18	0761009	8	Bolt M10 x 18	
19	0761015	8	Bolt M10 x 35	
20	3900394	4	Bolt M10 x 40	
21	4811900	18	Washer M8	
22	5241000	36	Washer M10	
23	3290805	10	Nut M8	
24	3291005	14	Nut M10	
25	1001243755	1	Mount	
26	1001249823	2	Clamp	
27	1001249824	2	Plate, Clamp Block	
28	1001249825	1	Plate	

SECTION 4 - BOOM

FIGURE 4-10. VALVE INSTALLATION (600S HC3)



ART_1001265701_20F2

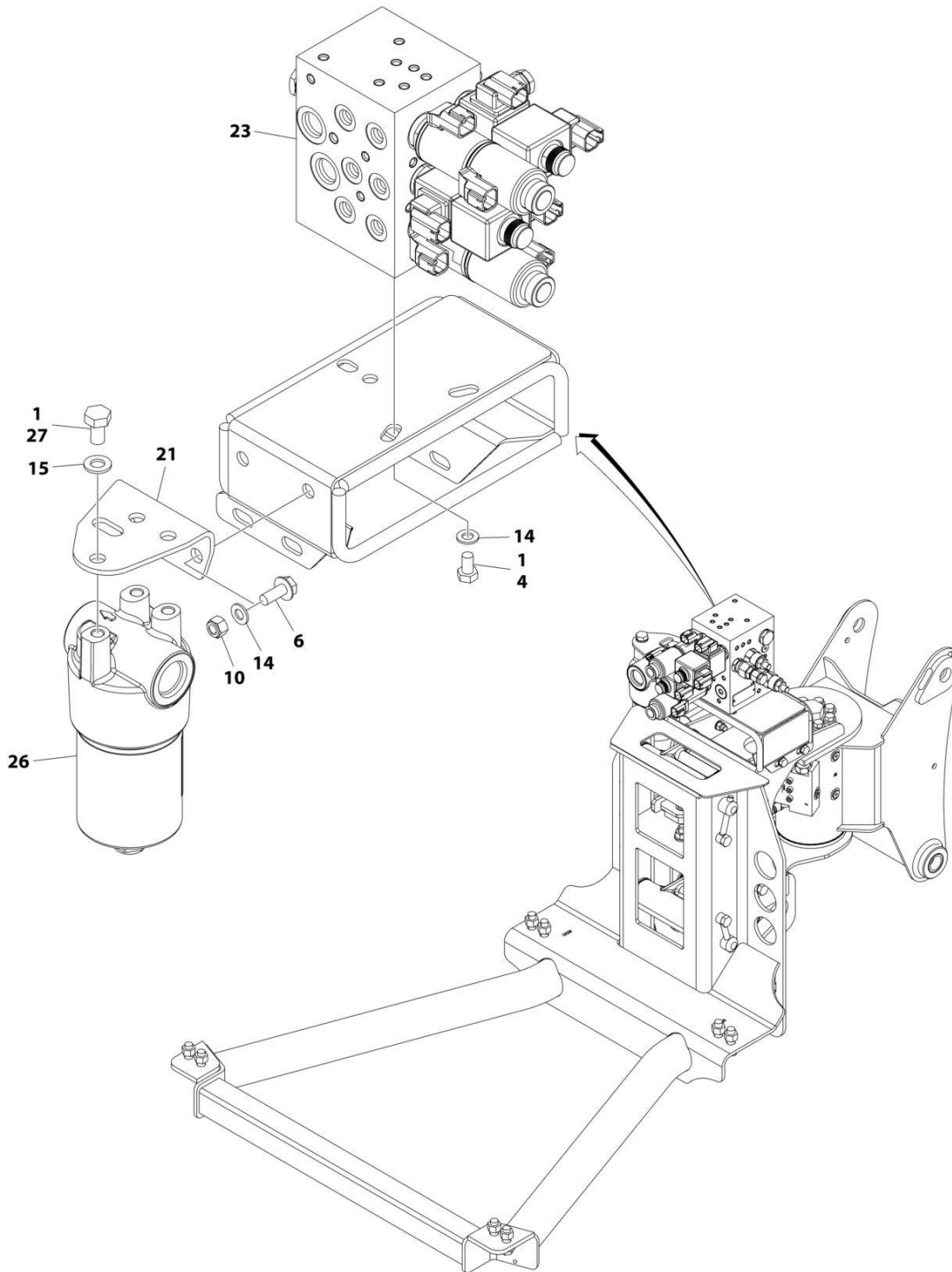
SECTION 4 - BOOM

FIGURE 4-10. VALVE INSTALLATION (600S HC3)

ITEM	PART NUMBER	QTY	DESCRIPTION	REV
	1001265701	Ref	BOOM VALVES INSTALLATION	A
1	0100011	AR	Compound, Locking	
2	0760814	2	Bolt M8 x 30	
3	0761009	6	Bolt M10 x 18	
4	3290805	2	Nut M8	
5	4811900	4	Washer M8	
6	4812000	6	Washer M10	
7	5250810	3	Bolt M8 x 20	
10	1001188302	1	Plate	
12	1001190287	1	Platform Valve Assembly (See Separate Breakdown in this Section)	
13	1001201511	1	Filter, High Pressure	
13	70005335	1	Element, Filter	
13	70005682	1	Repair Kit (Includes Element O-Ring, Bowl O-Ring & Back-up Ring)	
15	1001260460	1	Cover, Valve Weldment	

SECTION 4 - BOOM

FIGURE 4-11. BOOM VALVES INSTALLATION (660SJ HC3)



ART_1001188168_2OF2

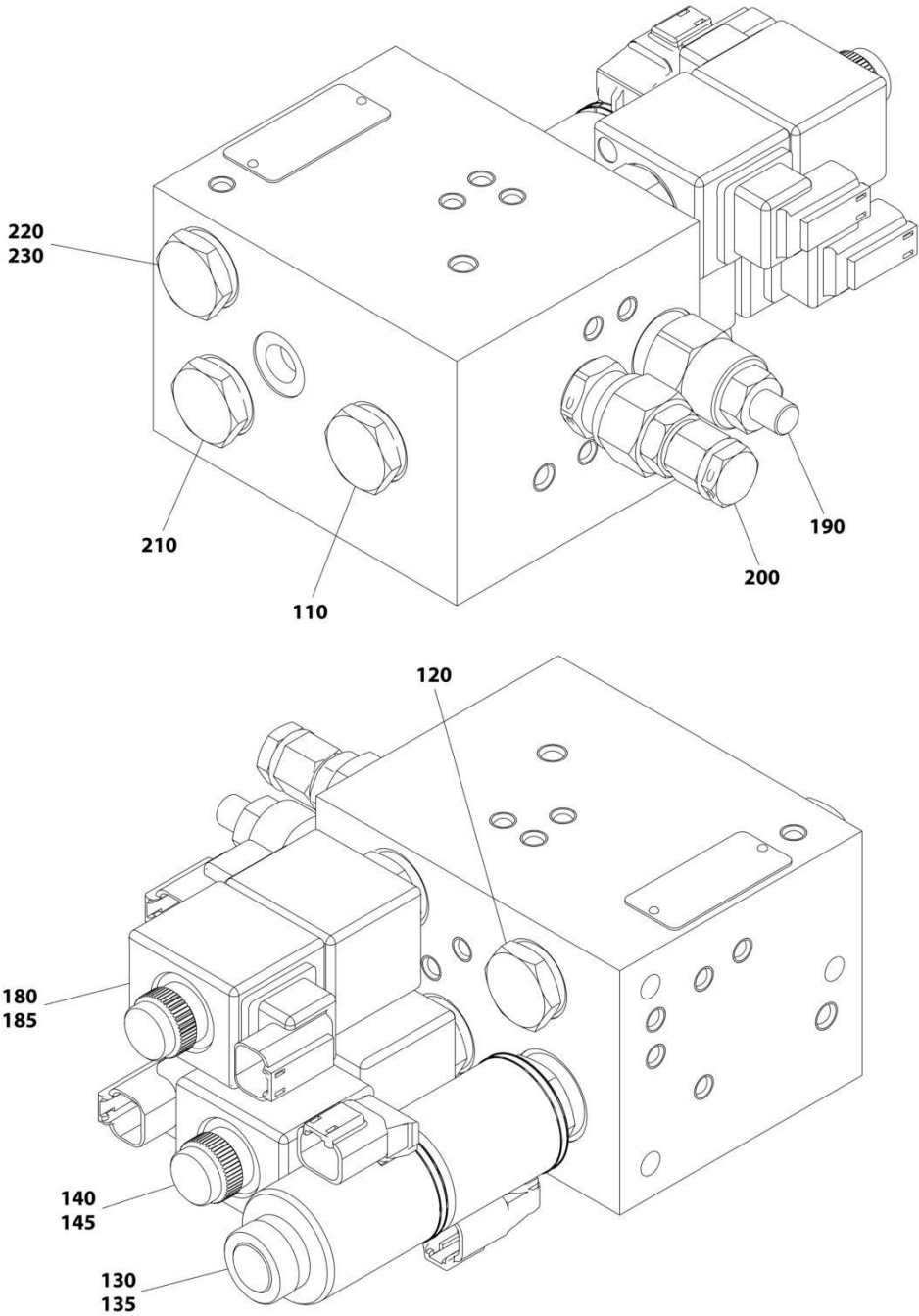
SECTION 4 - BOOM

FIGURE 4-11. BOOM VALVES INSTALLATION (660SJ HC3)

ITEM	PART NUMBER	QTY	DESCRIPTION	REV
	1001188168	Ref	BOOM VALVES INSTALLATION	G
1	0100011	AR	Compound, Locking	
4	0760807	3	Bolt M8 x 14	
6	5250810	2	Bolt M8 x 20	
10	3290805	2	Nut M8	
14	4811900	5	Washer M8	
15	4812000	3	Washer M10	
21	1001188302	1	Plate	
23	1001190286	1	Platform Valve Assembly (See Separate Breakdown in this Section)	
26	1001201511	1	Filter, High Pressure	
26	70005335	1	Element, Filter	
26	70005682	1	Repair Kit (Includes Element O-Ring, Bowl O-Ring & Back-up Ring)	
27	0761009	3	Bolt M10 x 18	

SECTION 4 - BOOM

FIGURE 4-12. PLATFORM VALVE ASSEMBLY (600S HC3)



ART_1001190287

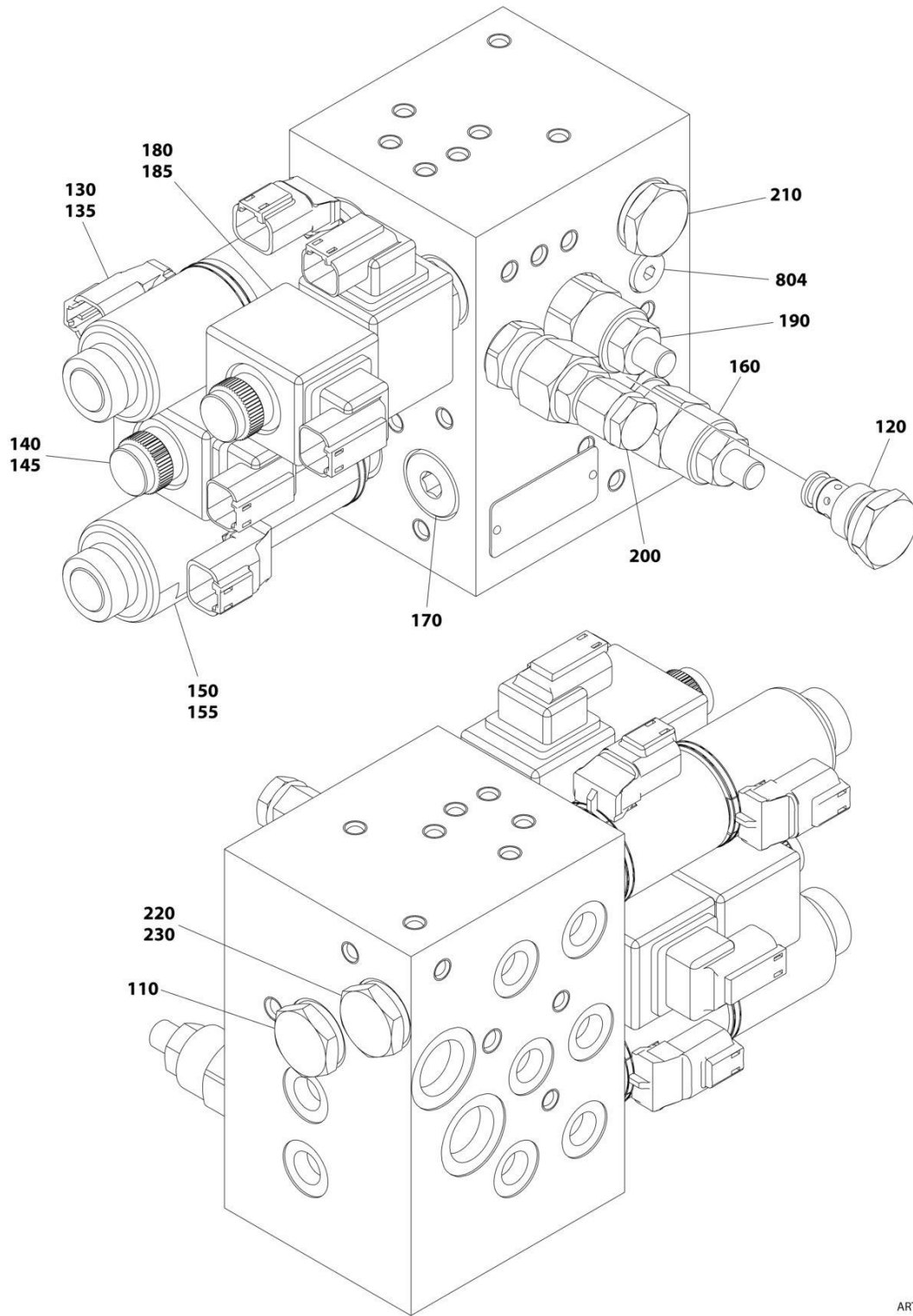
SECTION 4 - BOOM

FIGURE 4-12. PLATFORM VALVE ASSEMBLY (600S HC3)

ITEM	PART NUMBER	QTY	DESCRIPTION	REV
	1001190287	Ref	PLATFORM VALVE ASSEMBLY	E
110	70005951	1	Valve, Check	
110	70004052	1	Seal Kit - 70005951 Valve	
120	70003027	1	Valve, Flow/Pressure Control	
120	70004052	1	Seal Kit - 70003027 Valve	
130	70006121	1	Valve, Solenoid (Platform Level)	
130	70006116	1	Seal Kit - 70006121 Valve	
135	70006122	2	Coil	
140	70005627	1	Valve, Solenoid (Platform Swing)	
140	70004053	1	Seal Kit - 70005627 Valve	
140	70006123	1	Coil Nut & Pole Tube O-Ring Kit	
145	70004653	2	Coil	
180	70006124	1	Valve, Solenoid	
180	70023862	1	Seal Kit - 70006124 Valve	
180	70006123	1	Coil Nut & Pole Tube O-Ring Kit	
185	70004653	2	Coil	
190	70003019	1	Valve, Relief	
190	70004052	1	Seal Kit - 70003019 Valve	
200	70006125	1	Valve, Relief	
200	70006126	1	Seal Kit - 70006125 Valve	
210	70005952	1	Valve, Check	
210	70004052	1	Seal Kit - 70005952 Valve	
220	7022524	1	Orifice 0.5mm	
230	70005952	1	Valve, Check	
230	70004052	1	Seal Kit - 70005952 Valve	

SECTION 4 - BOOM

FIGURE 4-13. PLATFORM VALVE ASSEMBLY (660SJ HC3)



ART_1001190286

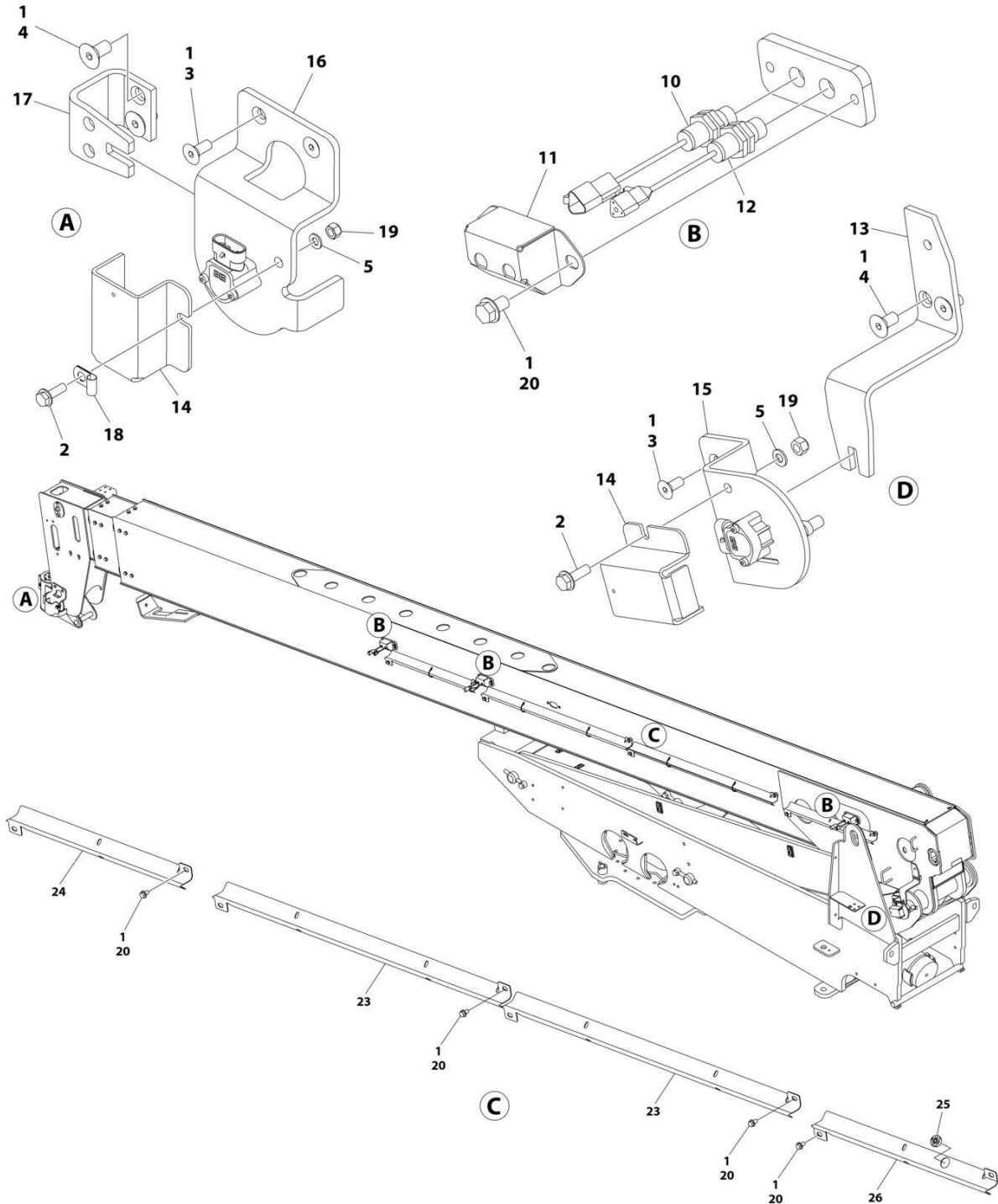
SECTION 4 - BOOM

FIGURE 4-13. PLATFORM VALVE ASSEMBLY (660SJ HC3)

ITEM	PART NUMBER	QTY	DESCRIPTION	REV
	1001190286	Ref	PLATFORM VALVE ASSEMBLY	D
110	70005951	1	Valve, Check	
110	70004052	1	Seal Kit - 70005951 Valve	
120	70003027	1	Valve, Flow/Pressure Control	
120	70004052	1	Seal Kit - 70003027 Valve	
130	70006121	1	Valve, Solenoid (Platform Level)	
130	70006116	1	Seal Kit - 70006121 Valve	
135	70006122	2	Coil	
140	70005627	1	Valve, Solenoid (Platform Swing)	
140	70004053	1	Seal Kit - 70005627 Valve	
140	70006123	1	Coil Nut & Pole Tube O-Ring Kit	
145	70004653	2	Coil	
150	70006121	1	Valve, Solenoid (JIB Up/Down)	
150	70006116	1	Seal Kit - 70006121 Valve	
155	70006122	2	Coil	
160	70003019	1	Valve, Relief	
160	70004052	1	Seal Kit - 70003019 Valve	
170	70004613	1	Valve, Relief	
170	70023860	1	Seal Kit - 70004613 Valve	
180	70006124	1	Valve, Solenoid	
180	70023862	1	Seal Kit - 70006124 Valve	
180	70006123	1	Coil Nut & Pole Tube O-Ring Kit	
185	70004653	2	Coil	
190	70003019	1	Valve, Relief	
190	70004052	1	Seal Kit - 70003019 Valve	
200	70006125	1	Valve, Relief	
200	70006126	1	Seal Kit - 70006125 Valve	
210	70005952	1	Valve, Check	
210	70004052	1	Seal Kit - 70003019 Valve	
220	7022524	1	Orifice 0.5mm	
230	70005952	1	Valve, Check	
230	70004052	1	Seal Kit - 70005952 Valve	
804	70005200	1	Plug	

SECTION 4 - BOOM

FIGURE 4-14. BOOM SENSORS INSTALLATION (600S HC3)



ART_1001234585_E

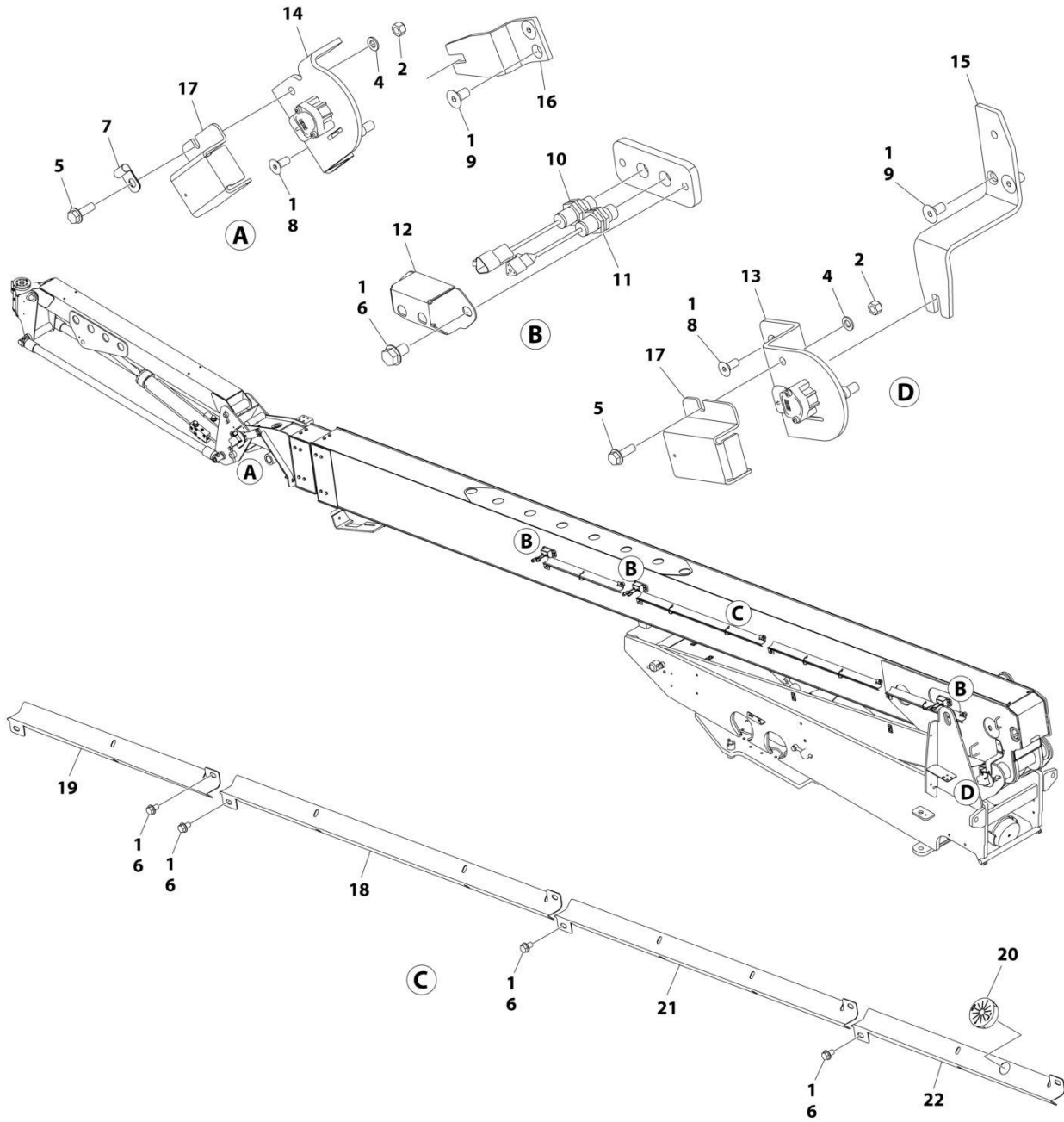
SECTION 4 - BOOM

FIGURE 4-14. BOOM SENSORS INSTALLATION (600S HC3)

ITEM	PART NUMBER	QTY	DESCRIPTION	REV
	1001234585	Ref	BOOM SENSORS INSTALLATION	E
1	0100011	AR	Compound, Locking	
2	5250812	2	Bolt M8 x 25	
3	1001137125	4	Screw M8 x 20	
4	1001155441	4	Screw M10 x 20 Grade 10.9	
5	4811900	2	Washer M8	
10	1001170847	3	Sensor, Proximity	
11	1001204715	3	Bracket	
12	1001182570	3	Sensor, Proximity	
13	1001211585	1	Plate	
14	1001211588	2	Shield	
15	1001211577	1	Sensor (Lower)	
15	4010303	1	Screw Posi-drive M3 x 6	
15	1001204939	1	Sensor, Angle	
15	1001211580	1	Bracket	
15	1001211582	1	Link, Angle Sensor Arm	
16	1001211578	1	Sensor (Upper)	
16	4010303	1	Screw Posi-drive M3 x 6	
16	1001191020	1	Sensor, Angle	
16	1001211581	1	Bracket	
16	1001211583	1	Link, Angle Sensor Arm	
17	1001211586	1	Plate	
18	8406003	1	Clip	
19	3290805	2	Nut M8	
20	5251008	14	Bolt M10 x 16	
21	4240033	7	Tie-Strap (Not Shown)	
23	1001238138	2	Angle	
24	1001238327	1	Angle	
25	1001169085	1	Grommet	
26	1001257436	1	Shield, Sensor Cable	

SECTION 4 - BOOM

FIGURE 4-15. BOOM SENSORS INSTALLATION (660SJ HC3)



ART_1001245308

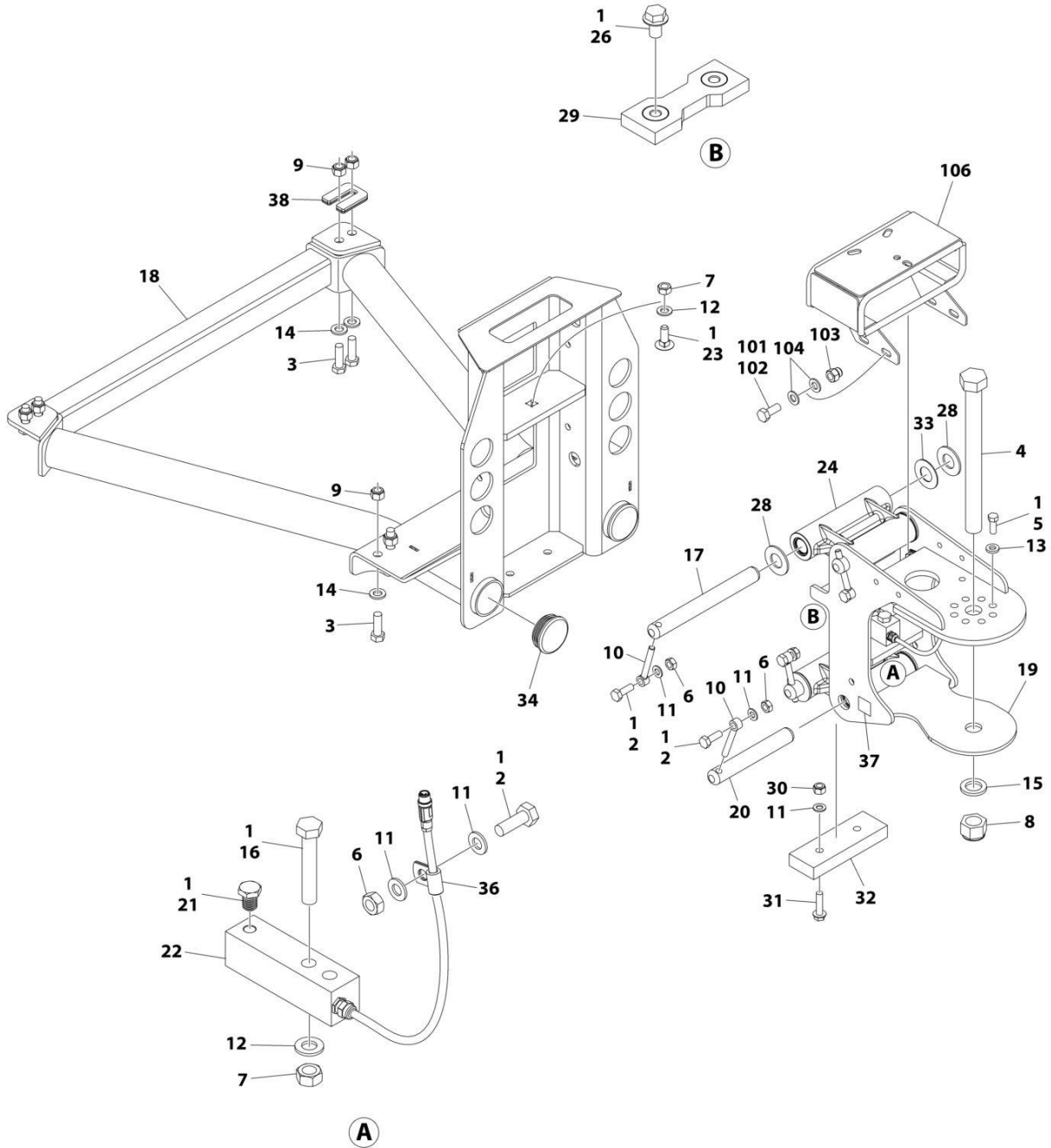
SECTION 4 - BOOM

FIGURE 4-15. BOOM SENSORS INSTALLATION (660SJ HC3)

ITEM	PART NUMBER	QTY	DESCRIPTION	REV
	1001245308	Ref	BOOM SENSORS INSTALLATION	C
1	0100011	AR	Compound, Locking	
2	3290805	2	Nut M8	
3	4240033	7	Tie-Strap (Not Shown)	
4	4811900	2	Washer M8	
5	5250812	2	Bolt M8 x 25	
6	5251008	14	Bolt M10 x 16	
8	1001137125	4	Screw M8 x 20	
7	8406003	1	Clip	
9	1001155441	4	Screw M10 x 20 Grade 10.9	
10	1001170847	3	Sensor, Proximity	
11	1001182570	3	Sensor, Proximity	
12	1001204715	3	Bracket	
13	1001211577	1	Sensor (Lower)	
13	4010303	1	Screw Posi-drive M3 x 6	
13	1001204939	1	Sensor angle	
13	1001211580	1	Bracket	
13	1001211582	1	Link, Angle Sensor Arm	
14	1001211579	1	Sensor (Upper)	
14	4010303	1	Screw Posi-drive M3 x 6	
14	1001191020	1	Sensor angle	
14	1001211581	1	Bracket	
14	1001211584	1	Link, Angle Sensor Arm	
15	1001211585	1	Plate	
16	1001211587	1	Plate	
17	1001211588	2	Shield	
18	1001238138	1	Angle	
19	1001238327	1	Angle	
20	1001169085	1	Grommet	
21	1001247453	1	Angle	
22	1001257436	1	Shield	

SECTION 4 - BOOM

FIGURE 4-16. PLATFORM SUPPORT INSTALLATION



ART_1001167596_N

SECTION 4 - BOOM

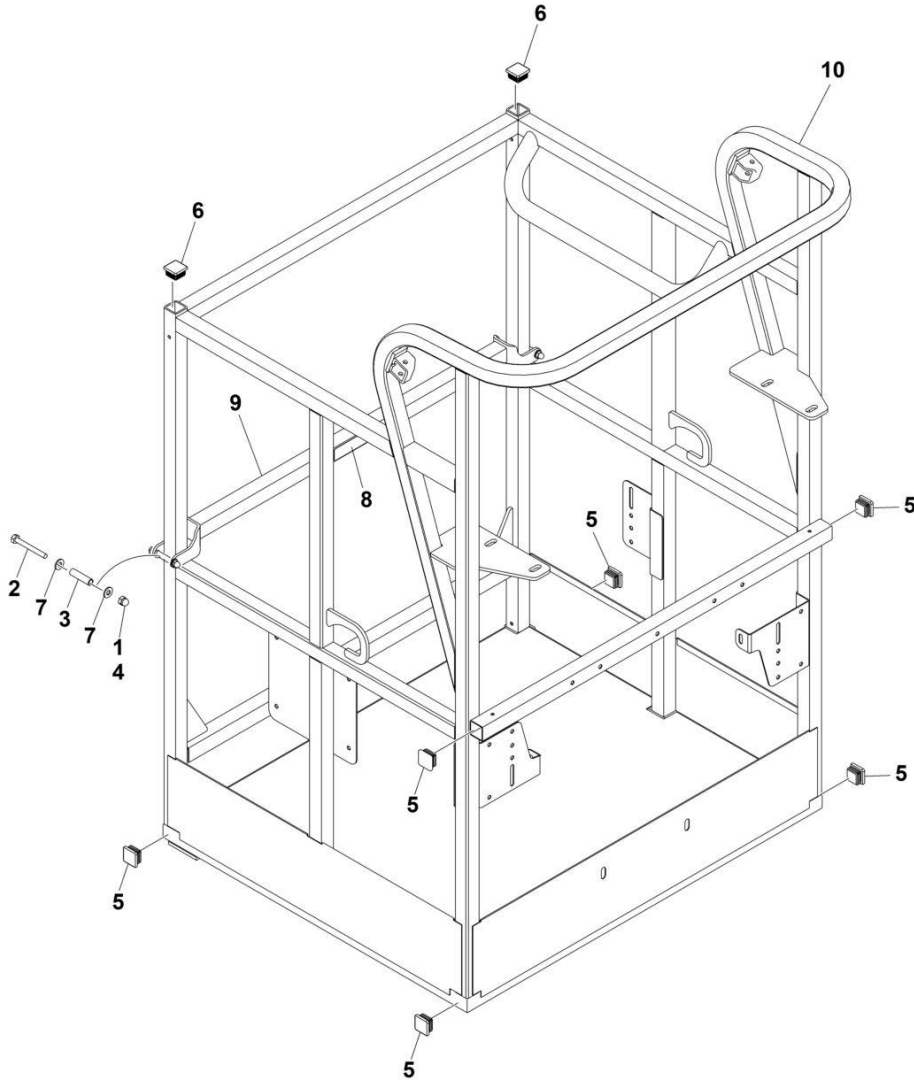
FIGURE 4-16. PLATFORM SUPPORT INSTALLATION

ITEM	PART NUMBER	QTY	DESCRIPTION	REV
	1001167596	Ref	PLATFORM SUPPORT INSTALLATION	N
1	0100011	AR	Compound, Locking	
2	0761014	5	Bolt M10 x 30	
3	0761216	8	Bolt M12 x 40	
4	1001255133	1	Bolt 1 x 11 GRD8	
5	0681608	8	Bolt 3/8 x 1 GRD8	
6	3291001	5	Nut M10	
7	3291201	3	Nut M12	
8	1001174040	1	Nut 1	
9	3291205	8	Nut M12	
10	3841143	4	Keeper, Pin	
11	4812000	8	Washer M10	
12	4812100	3	Washer M12	
13	4891600	8	Washer 3/8	
14	5241200	8	Washer M12	
15	4892600001	1	Washer 1	
16	1001098828	2	Bolt M12 x 70 CL10.9	
17	1001167565	2	Pin	
18	1001200494	1	Support, Platform	
19	1001167567	1	Support, Rotator	
20	1001168402	2	Pin	
21	1001188622	1	Screw	
22	1001247468	1	Loadcell	
23	1001188844	1	Bolt M12 x 35	
24	1001201351	2	Link	
24	1001187382	4	Bearing	
24	1001187383	4	Seal	
26	5251008	2	Bolt M10 x 16 CL10.9	
28	1001189002	8	Bearing	
29	1001190985	1	Pad, Wear	
30	3291005	2	Nut M10	
31	5251016	2	Bolt M10 x 40 CL10.9	
32	1001200491	1	Pad, Wear	
33	1001189001	4	Bearing	
34	1001204725	2	Plug	
36	91203039	1	Clamp	
37	1001216630	2	Decal - Tie Down/No Lift	
38	1001238421	Ref	Kit, Platform Leveling (Not Shown)	
	1001202687	Ref	VALVE MOUNT INSTALLATION	B
101	0100011	AR	Compound, Locking	
102	0760810	4	Bolt M8 x 20	
103	3290806	4	Nut M8	
104	4811900	8	Washer M8	
106	1001208994	1	Mount, Valve	

SECTION 5 - PLATFORM

SECTION 5 - PLATFORM

FIGURE 5-1. PLATFORM ASSEMBLY - 30IN X 3FT (76CM X .91M) - DROP BAR ENTRY



ART_1001228215

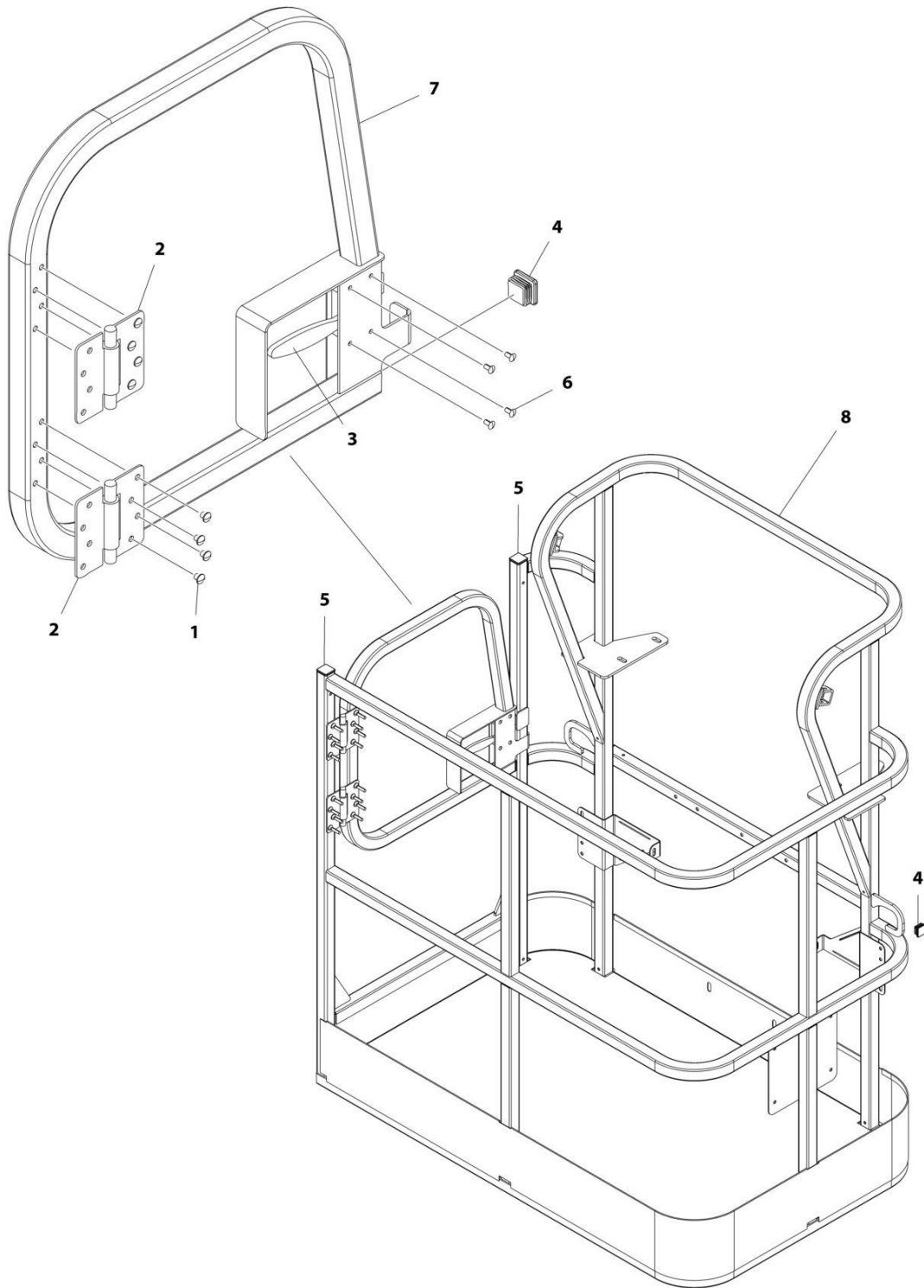
SECTION 5 - PLATFORM

FIGURE 5-1. PLATFORM ASSEMBLY - 30IN X 3FT (76CM X .91M) - DROP BAR ENTRY

ITEM	PART NUMBER	QTY	DESCRIPTION	REV
	1001228215	Ref	PLATFORM ASSEMBLY	A
	See Note	Ref	Note: Platform and Mesh must be ordered separately for Platforms with Mesh. See SPECIAL OPTIONS SECTION for Mesh Installations.	
	See Note	Ref	Note: Replacement Decals Must be Ordered Separately - See DECAL SECTION.	
1	0100011	AR	Compound, Locking	
2	0641418	2	Bolt 1/4 x 2-1/4	
3	0961845	2	Bushing	
4	3300151	2	Nut 1/4	
5	3520072	6	Cap, Plug	
6	3520198	2	Cap, Plug	
7	4711400	4	Washer 1/4	
8	1001140429	1	Decal - Drop Bar	
9	1001226872	1	Bar, Drop	
10	See Note	NSS	Platform (Note: Not Available - Purchase Platform Assembly)	

SECTION 5 - PLATFORM

FIGURE 5-2. PLATFORM ASSEMBLY - 30IN X 4FT (76CM X 1.22M) WITH SWING GATE



ART_1001186387

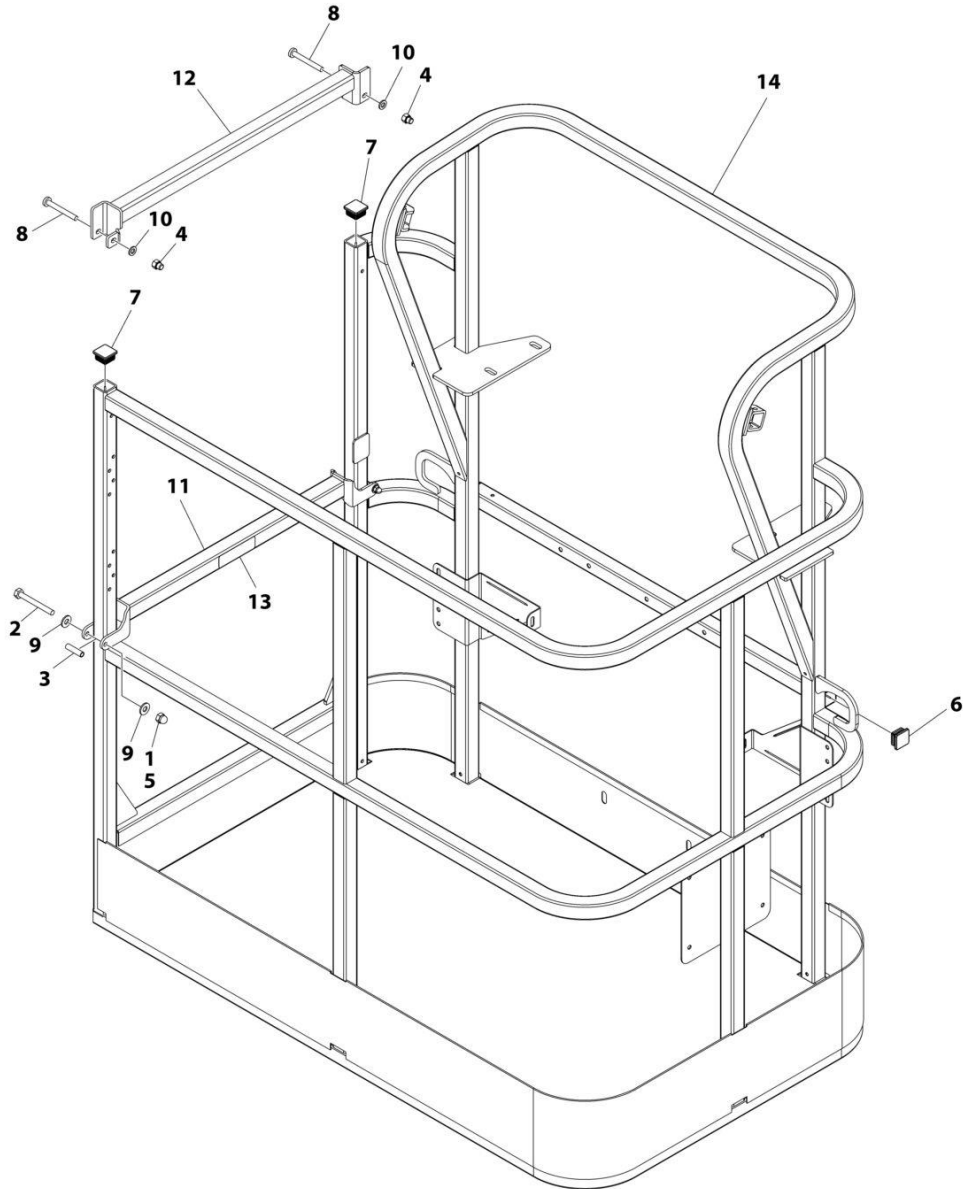
SECTION 5 - PLATFORM

FIGURE 5-2. PLATFORM ASSEMBLY - 30IN X 4FT (76CM X 1.22M) WITH SWING GATE

ITEM	PART NUMBER	QTY	DESCRIPTION	REV
	1001186387	Ref	PLATFORM ASSEMBLY	C
		Ref	Note: Platform and Mesh must be ordered separately for Platforms with Mesh. See SPECIAL OPTIONS SECTION for Mesh Installations.	
		Ref	Note: Replacement Decals Must be Ordered Separately - See DECALS SECTION.	
1	2080040	16	Fastener, Huck	
2	2600281	2	Hinge, Self-Closing	
3	2940074	1	Latch	
4	3520072	3	Plug	
5	3520198	2	Plug	
6	3820020	4	Rivet	
7	1001144629	1	Gate	
8	See Note	1	Platform (Note: Not Available - Purchase Platform Assembly)	

SECTION 5 - PLATFORM

FIGURE 5-3. PLATFORM ASSEMBLY - 30IN X 4FT (76CM X 1.22M) WITH DROP BAR



ART_1001186375

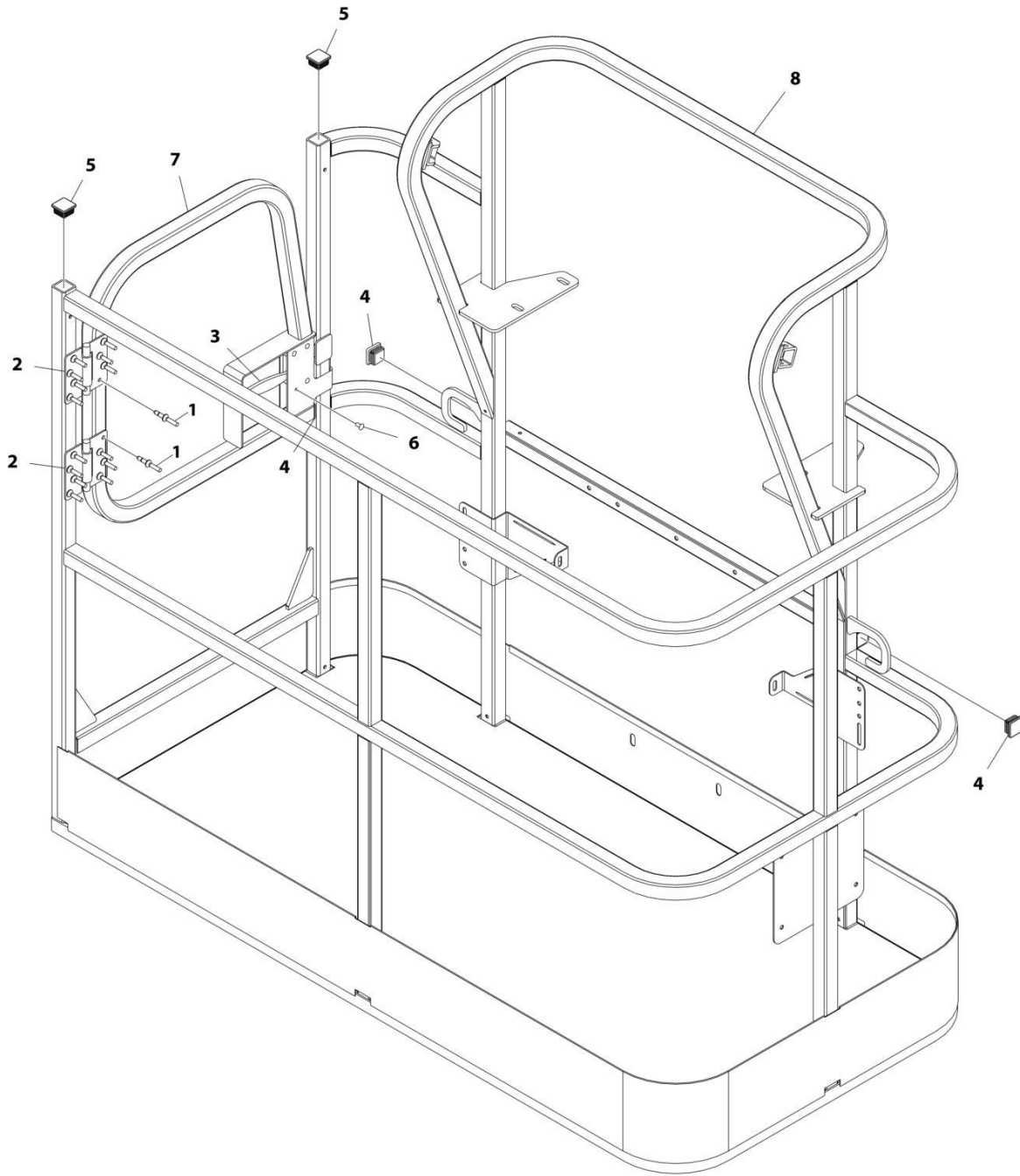
SECTION 5 - PLATFORM

FIGURE 5-3. PLATFORM ASSEMBLY - 30IN X 4FT (76CM X 1.22M) WITH DROP BAR

ITEM	PART NUMBER	QTY	DESCRIPTION	REV
	1001186375	Ref	PLATFORM ASSEMBLY	B
		Ref	Note: Platform and Mesh must be ordered separately for Platforms with Mesh. See SPECIAL OPTIONS SECTION for Mesh Installations.	
		Ref	Note: Replacement Decals Must be Ordered Separately - See DECALS SECTION.	
1	0100011	AR	Compound, Locking	
2	0641418	2	Bolt 1/4 x 2-1/4	
3	0961845	2	Bushing	
4	3290606	2	Nut M6	
5	3300151	2	Nut 1/4	
6	3520072	2	Plug	
7	3520198	2	Plug	
8	4010618	2	Screw M6 x 50	
9	4711400	4	Washer 1/4	
10	4811700	2	Washer M6	
11	1001138494	1	Bar, Drop	
12	1001138514	1	Rail - Top	
13	1001140429	1	Decal - Drop Bar	
14	See Note	1	Platform (Note: Not Available - Purchase Platform Assembly)	

SECTION 5 - PLATFORM

FIGURE 5-4. PLATFORM ASSEMBLY - 30IN X 5FT (76CM X 1.52M) WITH SWING GATE



ART_1001186386

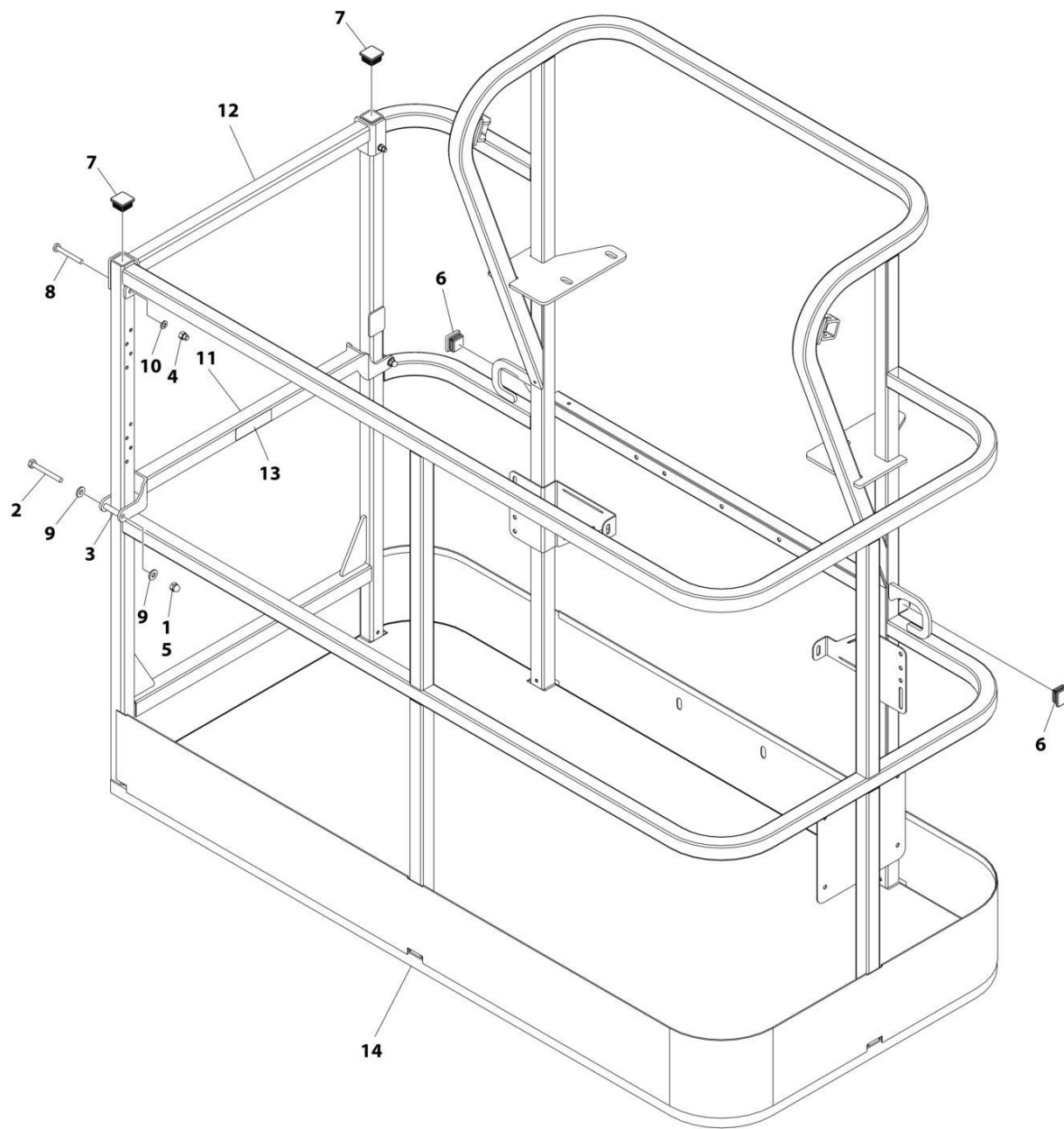
SECTION 5 - PLATFORM

FIGURE 5-4. PLATFORM ASSEMBLY - 30IN X 5FT (76CM X 1.52M) WITH SWING GATE

ITEM	PART NUMBER	QTY	DESCRIPTION	REV
	1001186386	Ref	PLATFORM ASSEMBLY	C
		Ref	Note: Platform and Mesh must be ordered separately for Platforms with Mesh. See SPECIAL OPTIONS SECTION for Mesh Installations.	
		Ref	Note: Replacement Decals Must be Ordered Separately - See DECALS SECTION.	
1	2080040	16	Fastener, Huck	
2	2600281	2	Hinge, Self-Closing	
3	2940074	1	Latch	
4	3520072	3	Plug	
5	3520198	2	Plug	
6	3820020	4	Rivet	
7	1001144629	1	Gate	
8	See Note	NSS	Platform (Note: Not Available - Purchase Platform Assembly)	

SECTION 5 - PLATFORM

FIGURE 5-5. PLATFORM ASSEMBLY - 30IN X 5FT (76CM X 1.52M) WITH DROP BAR



ART_1001186377

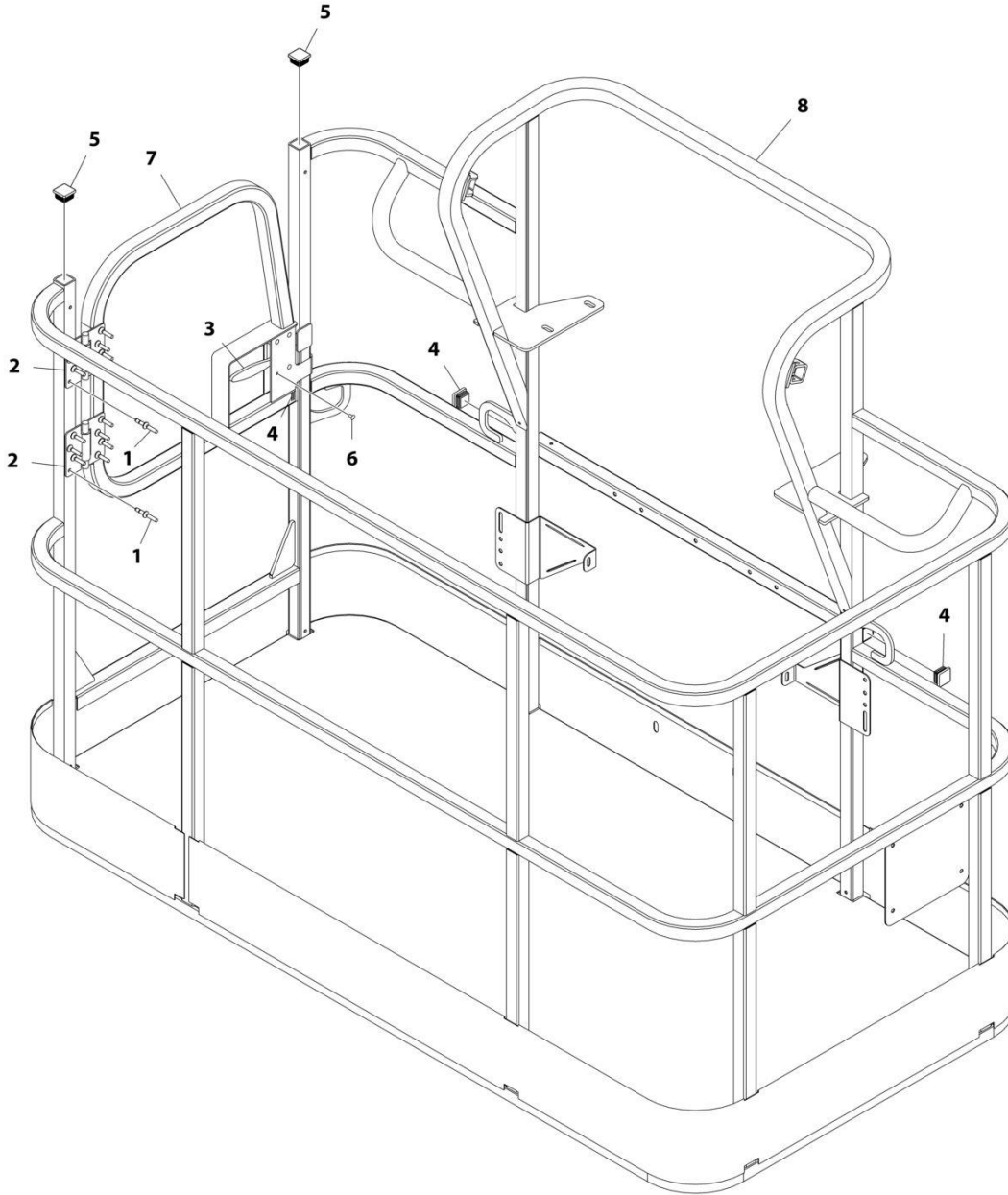
SECTION 5 - PLATFORM

FIGURE 5-5. PLATFORM ASSEMBLY - 30IN X 5FT (76CM X 1.52M) WITH DROP BAR

ITEM	PART NUMBER	QTY	DESCRIPTION	REV
	1001186377	Ref	PLATFORM ASSEMBLY	C
		Ref	Note: Platform and Mesh must be ordered separately for Platforms with Mesh. See SPECIAL OPTIONS SECTION for Mesh Installations.	
		Ref	Note: Replacement Decals Must be Ordered Separately - See DECALS SECTION.	
1	0100011	AR	Compound, Locking	
2	0641420	2	Bolt 1/4 x 2-1/2	
3	0961845	2	Bushing	
4	3290606	2	Nut M6	
5	3300151	2	Nut 1/4	
6	3520072	2	Plug	
7	3520198	2	Plug	
8	4010618	2	Screw M6 x 50	
9	4711400	4	Washer 1/4	
10	4811700	2	Washer M6	
11	1001138494	1	Bar, Drop	
12	1001138514	1	Rail (Top)	
13	1001140429	1	Decal - Drop Bar	
14	See Note	NSS	Platform (Note: Not Available - Purchase Platform Assembly)	

SECTION 5 - PLATFORM

FIGURE 5-6. PLATFORM ASSEMBLY - 36IN X 6FT (91.5CM X 1.83M) WITH SWING GATE



ART_1001186384

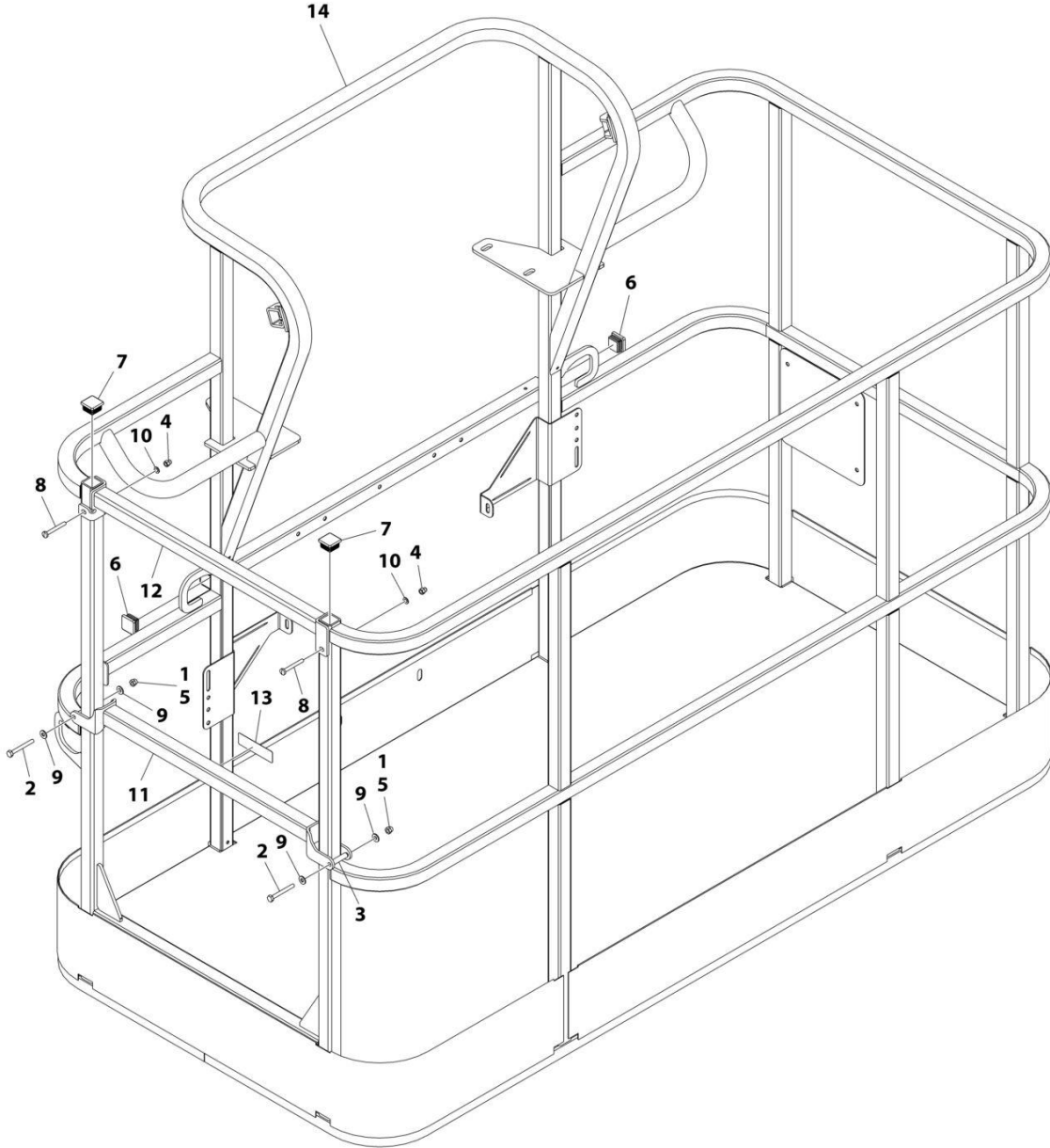
SECTION 5 - PLATFORM

FIGURE 5-6. PLATFORM ASSEMBLY - 36IN X 6FT (91.5CM X 1.83M) WITH SWING GATE

ITEM	PART NUMBER	QTY	DESCRIPTION	REV
	1001186384	Ref	PLATFORM ASSEMBLY - 36IN X 6FT (91.5CM X 1.83M) WITH SWING GATE	C
	See Note	Ref	Note: Platform and Mesh must be ordered separately for Platforms with Mesh. See SPECIAL OPTIONS SECTION for Mesh Installations.	
	See Note	Ref	Note: Replacement Decals Must be Ordered Separately - See DECALS SECTION.	
1	2080040	16	Fastener, Huck	
2	2600281	2	Hinge	
3	2940074	1	Latch	
4	3520072	3	Plug	
5	3520198	2	Plug	
6	3820020	4	Rivet	
7	1001144629	1	Gate	
8	See Note	NSS	Platform (Note: Not Available - Purchase Platform Assembly)	

SECTION 5 - PLATFORM

FIGURE 5-7. PLATFORM ASSEMBLY - 36IN X 6FT (91.5CM X 1.83M) WITH DROP BAR



ART_1001186379

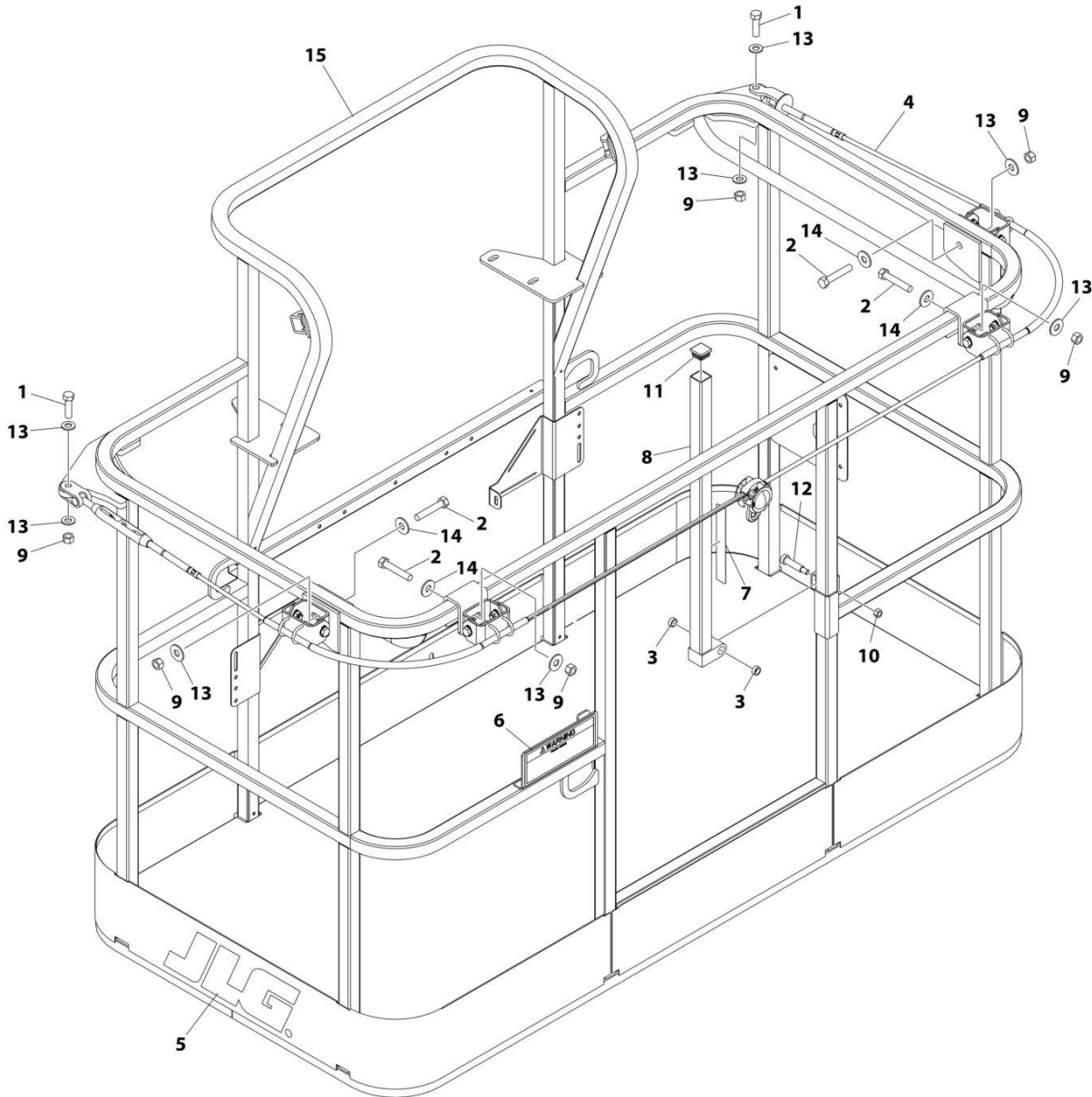
SECTION 5 - PLATFORM

FIGURE 5-7. PLATFORM ASSEMBLY - 36IN X 6FT (91.5CM X 1.83M) WITH DROP BAR

ITEM	PART NUMBER	QTY	DESCRIPTION	REV
	1001186379	Ref	PLATFORM ASSEMBLY - 36IN X 6FT (91.5CM X 1.83M) WITH DROP BAR	B
		Ref	Note: Platform and Mesh must be ordered separately for Platforms with Mesh. See SPECIAL OPTIONS SECTION for Mesh Installations.	
		Ref	Note: Replacement Decals Must be Ordered Separately - See DECALS SECTION.	
1	0100011	AR	Compound, Locking	
2	0641418	2	Bolt 1/4 x 2-1/4	
3	0961845	2	Bushing	
4	3290606	2	Nut M6	
5	3300151	2	Nut 1/4	
6	3520072	2	Plug	
7	3520198	2	Plug	
8	4010618	2	Screw M6 x 50	
9	4711400	4	Washer 1/4	
10	4811700	2	Washer M6	
11	1001138494	1	Bar, Drop	
12	1001138514	1	Rail (Top)	
13	1001140429	1	Decal - Drop Bar	
14	See Note	NSS	Platform (Note: Not Available - Purchase Platform Assembly)	

SECTION 5 - PLATFORM

FIGURE 5-8. PLATFORM ASSEMBLY - 36IN X 6FT (91.5CM X 1.83M) WITH FALL ARREST (ANSI, ANSI EXPORT, CHINA AND CSA SPECS)



ART_1001186333

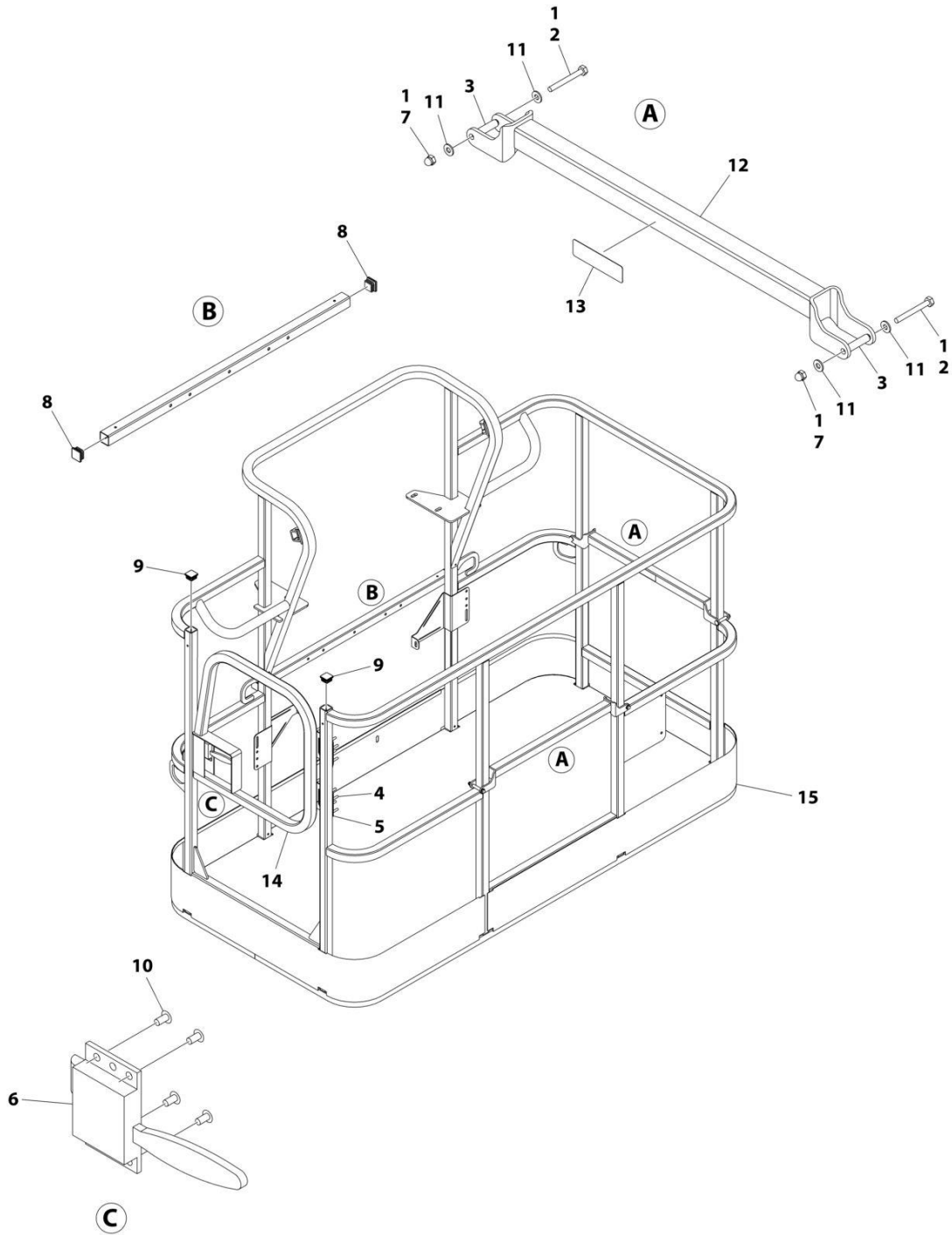
SECTION 5 - PLATFORM

FIGURE 5-8. PLATFORM ASSEMBLY - 36IN X 6FT (91.5CM X 1.83M) WITH FALL ARREST (ANSI, ANSI EXPORT, CHINA AND CSA SPECS)

ITEM	PART NUMBER	QTY	DESCRIPTION	REV
	1001186333	Ref	PLATFORM ASSEMBLY	C
		Ref	Note: Replacement Decals Must be Ordered Separately - See DECALS SECTION.	
1	0681814	2	Bolt 1/2 x 1-3/4 Grade 8	
2	0681822	4	Bolt 1/2 x 2-3/4 Grade 8	
3	0962270	2	Bearing	
4	1001203655	1	Cable	
5	1702773	1	Decal - JLG	
6	1705014	1	Decal - Safety	
7	1706385	1	Decal - Drop Bar	
8	2410014	1	Bar, Drop	
9	3271805	6	Nut 1/2 Grade 8	
10	3311605	1	Nut 3/8	
11	3520072	1	Plug	
12	3900054	1	Bolt 1/2 x 1-3/4	
13	4711800	8	Washer 1/2	
14	4751800	4	Washer 1/2	
15	See Note	NSS	Platform (Note: Not Available - Purchase Platform Assembly)	

SECTION 5 - PLATFORM

FIGURE 5-9. PLATFORM ASSEMBLY - 36IN X 6FT (91.5CM X 1.83M) TRI-ENTRY WITH SWING GATE



ART_1001228376

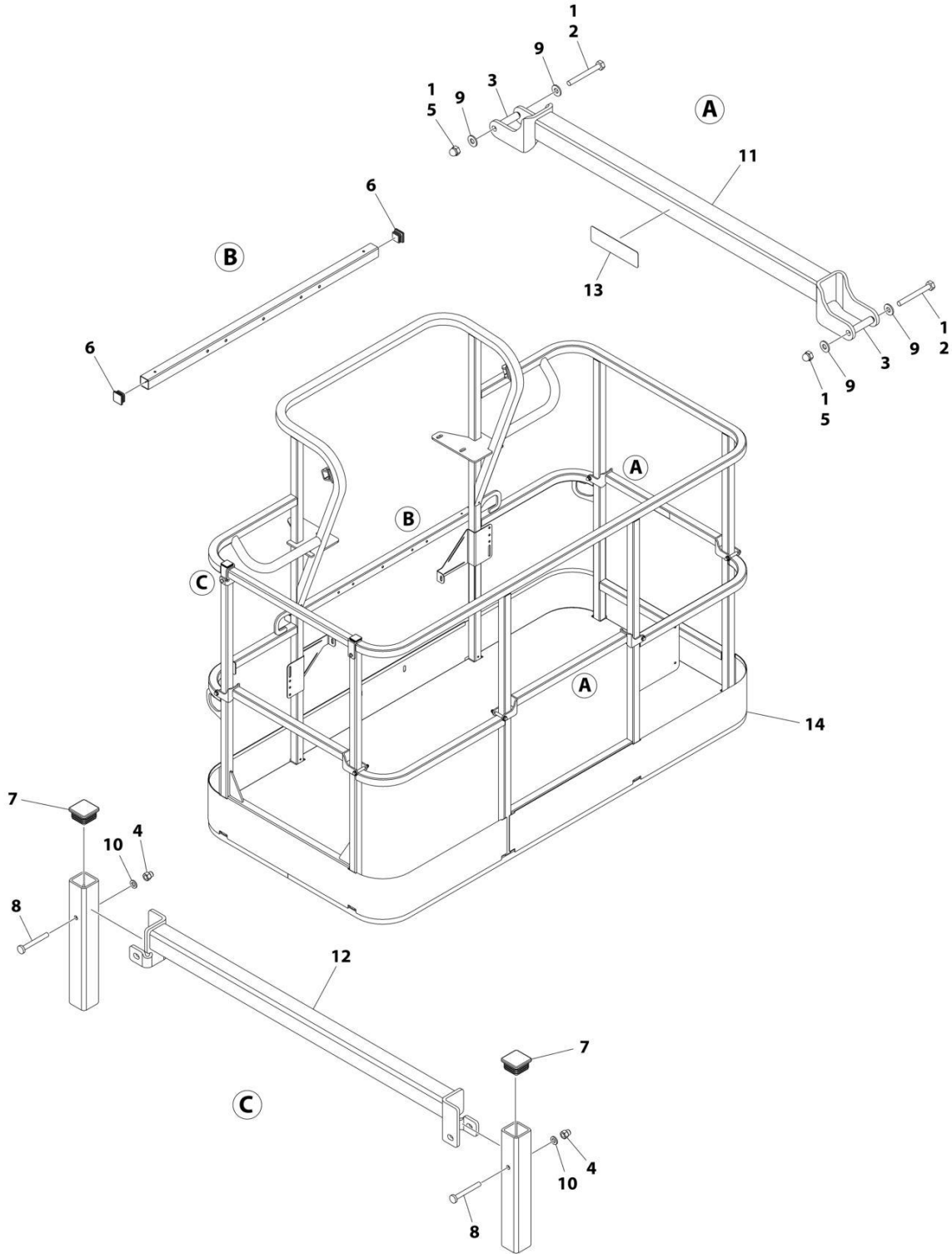
SECTION 5 - PLATFORM

FIGURE 5-9. PLATFORM ASSEMBLY - 36IN X 6FT (91.5CM X 1.83M) TRI-ENTRY WITH SWING GATE

ITEM	PART NUMBER	QTY	DESCRIPTION	REV
	1001228376	Ref	PLATFORM ASSEMBLY - 36IN x 6FT (91.5CM x 1.83M)	B
		Ref	Note: Platform and Mesh must be ordered separately for Platforms with Mesh. See SPECIAL OPTIONS SECTION for Mesh Installations.	
		Ref	Note: Replacement Decals Must be Ordered Separately - See DECAL SECTION.	
1	0100011	AR	Compound, Locking	
2	0641418	4	Bolt 1/4 x 2-1/4	
3	0961845	4	Bushing	
4	2080040	16	Fastener	
5	2600281	2	Hinge	
6	2940074	1	Latch	
7	3300151	4	Nut 1/4	
8	3520072	3	Plug	
9	3520198	2	Plug	
10	3820020	4	Rivet	
11	4711400	8	Washer 1/4	
12	1001138494	2	Bar, Drop	
13	1001140429	2	Decal - Drop Bar	
14	1001144629	1	Gate	
15	See Note	NSS	Platform (Note: Not Available - Purchase Platform Assembly)	

SECTION 5 - PLATFORM

FIGURE 5-10. PLATFORM ASSEMBLY - 36IN X 6FT (91.5CM X 1.83M) TRI-ENTRY WITH DROP BAR



ART_1001228377

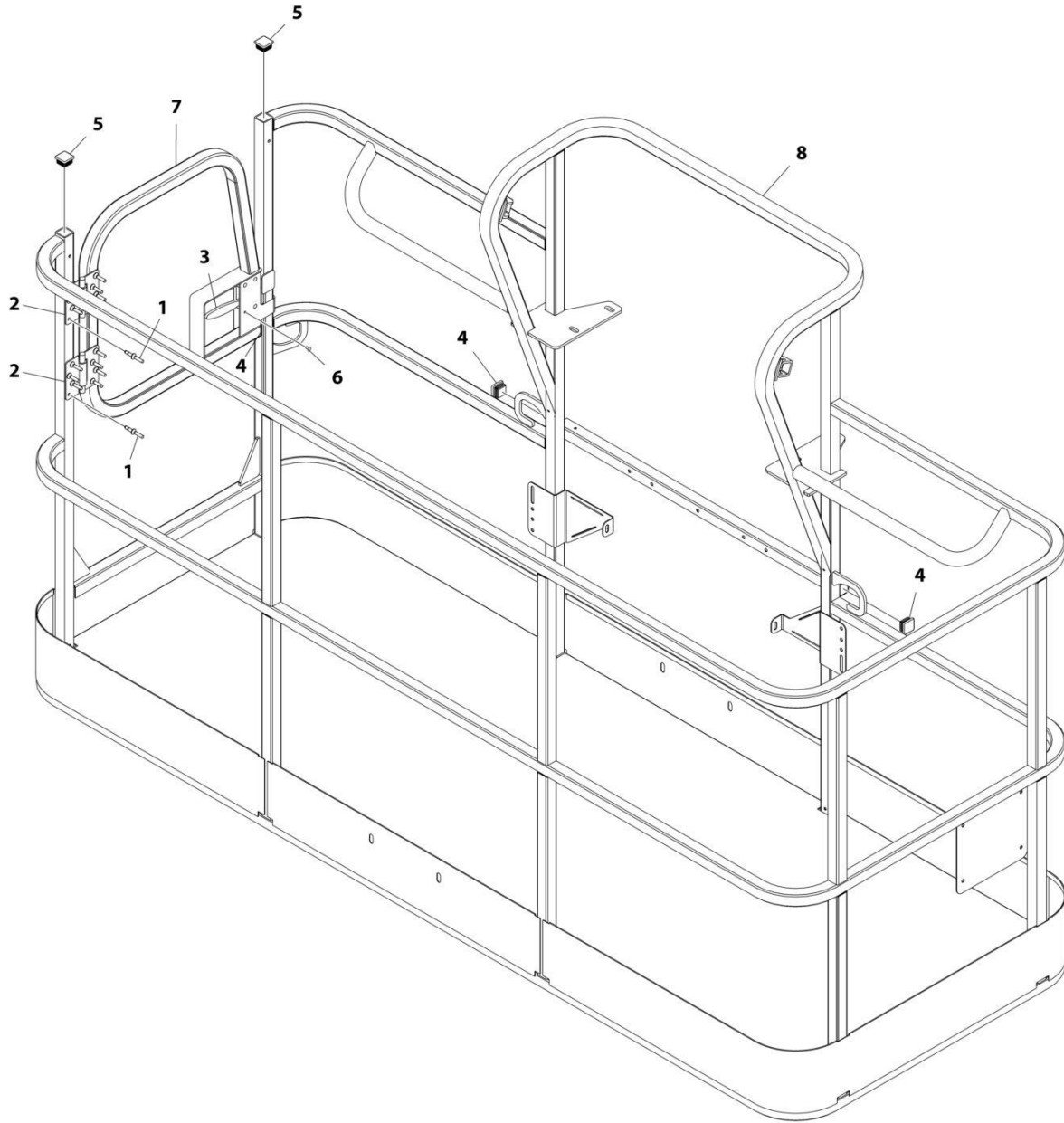
SECTION 5 - PLATFORM

FIGURE 5-10. PLATFORM ASSEMBLY - 36IN X 6FT (91.5CM X 1.83M) TRI-ENTRY WITH DROP BAR

ITEM	PART NUMBER	QTY	DESCRIPTION	REV
	1001228377	Ref	PLATFORM ASSEMBLY - 36IN x 6FT (91.5CM x 1.83M)	B
		Ref	Note: Platform and Mesh must be ordered separately for Platforms with Mesh. See SPECIAL OPTIONS SECTION for Mesh Installations.	
		Ref	Note: Replacement Decals Must be Ordered Separately - See DECAL SECTION.	
1	0100011	1	Compound, Locking	
2	0641418	6	Bolt 1/4 x 2-1/4	
3	0961845	6	Bushing	
4	3290606	2	Nut M6	
5	3300151	6	Nut 1/4	
6	3520072	2	Plug	
7	3520198	2	Plug	
8	4010618	2	Screw M6 x 50	
9	4711400	12	Washer 1/4	
10	4811700	2	Washer M6	
11	1001138494	3	Bar, Drop	
12	1001138514	1	Rail (Top)	
13	1001140429	3	Decal - Drop Bar	
14	See Note	NSS	Platform, Weldment (Note: Not Available - Purchase Platform Assembly)	

SECTION 5 - PLATFORM

FIGURE 5-11. PLATFORM ASSEMBLY - 36IN X 8FT (91.5CM X 2.44M) WITH SWING GATE



ART_1001186383

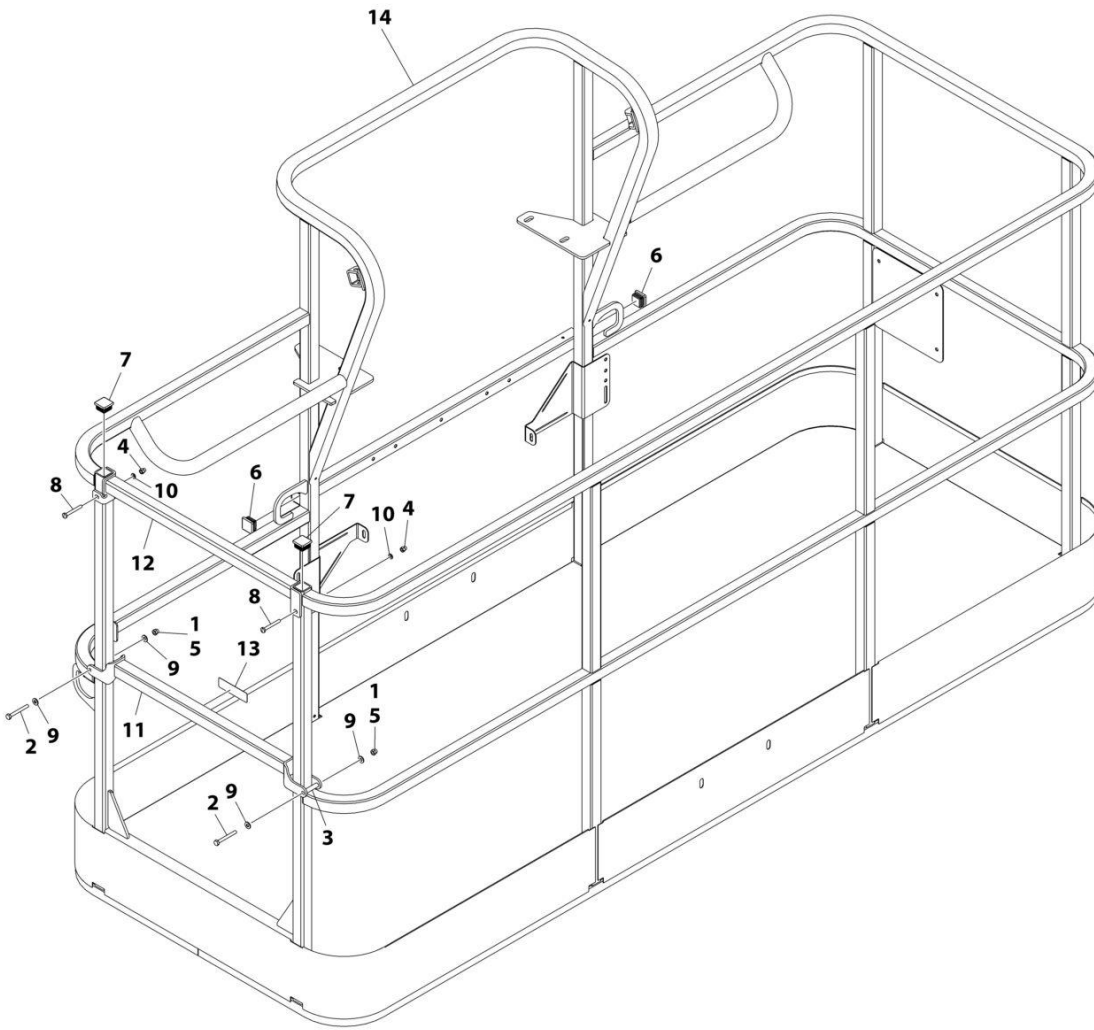
SECTION 5 - PLATFORM

FIGURE 5-11. PLATFORM ASSEMBLY - 36IN X 8FT (91.5CM X 2.44M) WITH SWING GATE

ITEM	PART NUMBER	QTY	DESCRIPTION	REV
	1001186383	Ref	PLATFORM ASSEMBLY - 36IN X 8FT (91.5CM X 2.44M) WITH SWING GATE	D
		Ref	Note: Platform and Mesh must be ordered separately for Platforms with Mesh. See SPECIAL OPTIONS SECTION for Mesh Installations.	
		Ref	Note: Replacement Decals Must be Ordered Separately - See DECALS SECTION.	
1	2080040	16	Fastener, Huck	
2	2600281	2	Hinge	
3	2940074	1	Latch	
4	3520072	3	Plug	
5	3520198	2	Plug	
6	3820020	4	Rivet	
7	1001144629	1	Gate	
8	See Note	NSS	Platform (Note: Not Available - Purchase Platform Assembly)	

SECTION 5 - PLATFORM

FIGURE 5-12. PLATFORM ASSEMBLY - 36IN X 8FT (91.5CM X 2.44M) WITH DROP BAR



ART_1001186382

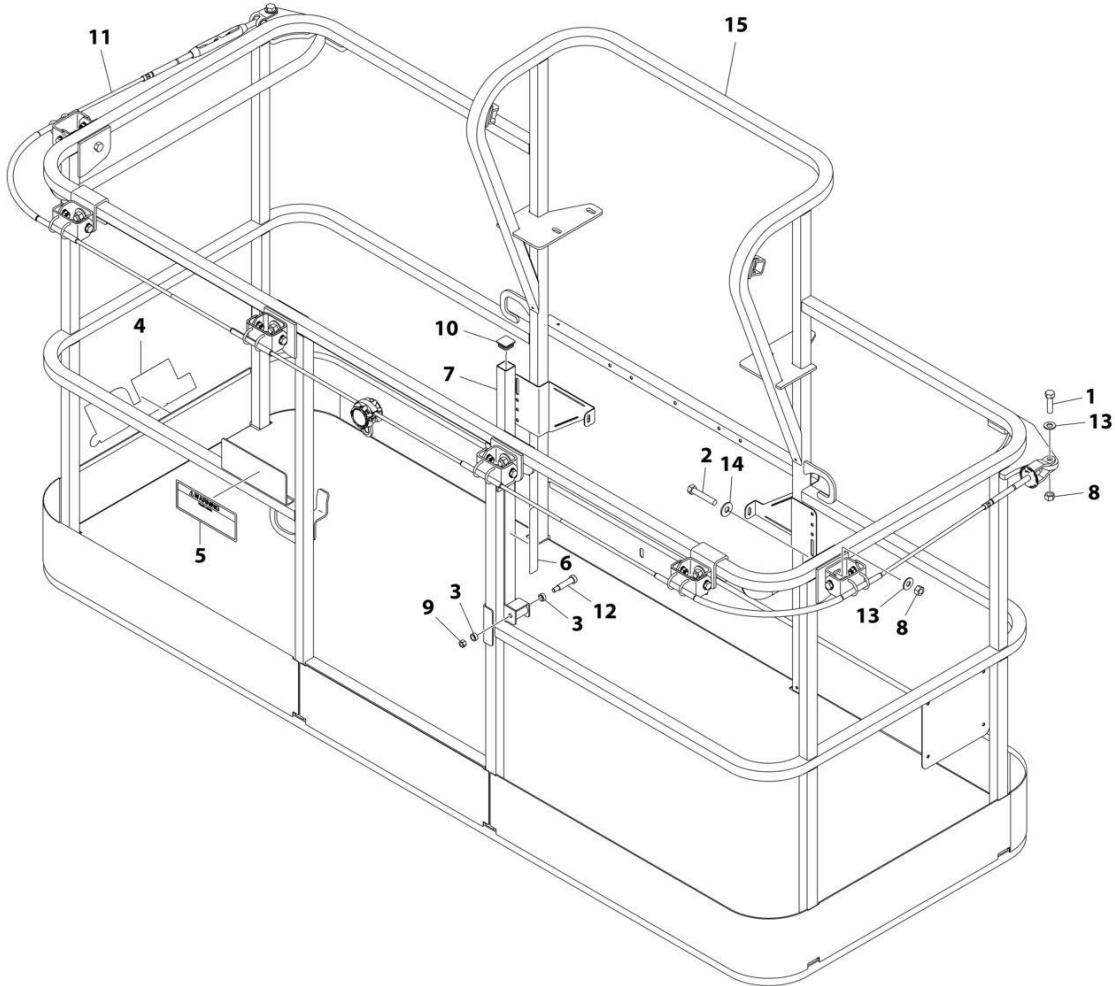
SECTION 5 - PLATFORM

FIGURE 5-12. PLATFORM ASSEMBLY - 36IN X 8FT (91.5CM X 2.44M) WITH DROP BAR

ITEM	PART NUMBER	QTY	DESCRIPTION	REV
	1001186382	Ref	PLATFORM ASSEMBLY - 36IN X 8FT (91.5CM X 2.44M) WITH DROP BAR	C
		Ref	Note: Platform and Mesh must be ordered separately for Platforms with Mesh. See SPECIAL OPTIONS SECTION for Mesh Installations.	
		Ref	Note: Replacement Decals Must be Ordered Separately - See DECALS SECTION.	
1	0100011	AR	Compound, Locking	
2	0641418	2	Bolt 1/4 x 2-1/4	
3	0961845	2	Bushing	
4	3290606	2	Nut M6	
5	3300151	2	Nut 1/4	
6	3520072	2	Plug	
7	3520198	2	Plug	
8	4010618	2	Screw M6 x 50	
9	4711400	4	Washer 1/4	
10	4811700	2	Washer M6	
11	1001138494	1	Bar, Drop	
12	1001138514	1	Rail (Top)	
13	1001140429	1	Decal - Drop Bar	
14	See Note	NSS	Platform (Note: Not Available - Purchase Platform Assembly)	

SECTION 5 - PLATFORM

FIGURE 5-13. PLATFORM ASSEMBLY - 36IN X 8FT (91.5CM X 2.44M) WITH FALL ARREST (ANSI, ANSI EXPORT, CHINA AND CSA SPECS)



ART_1001186334

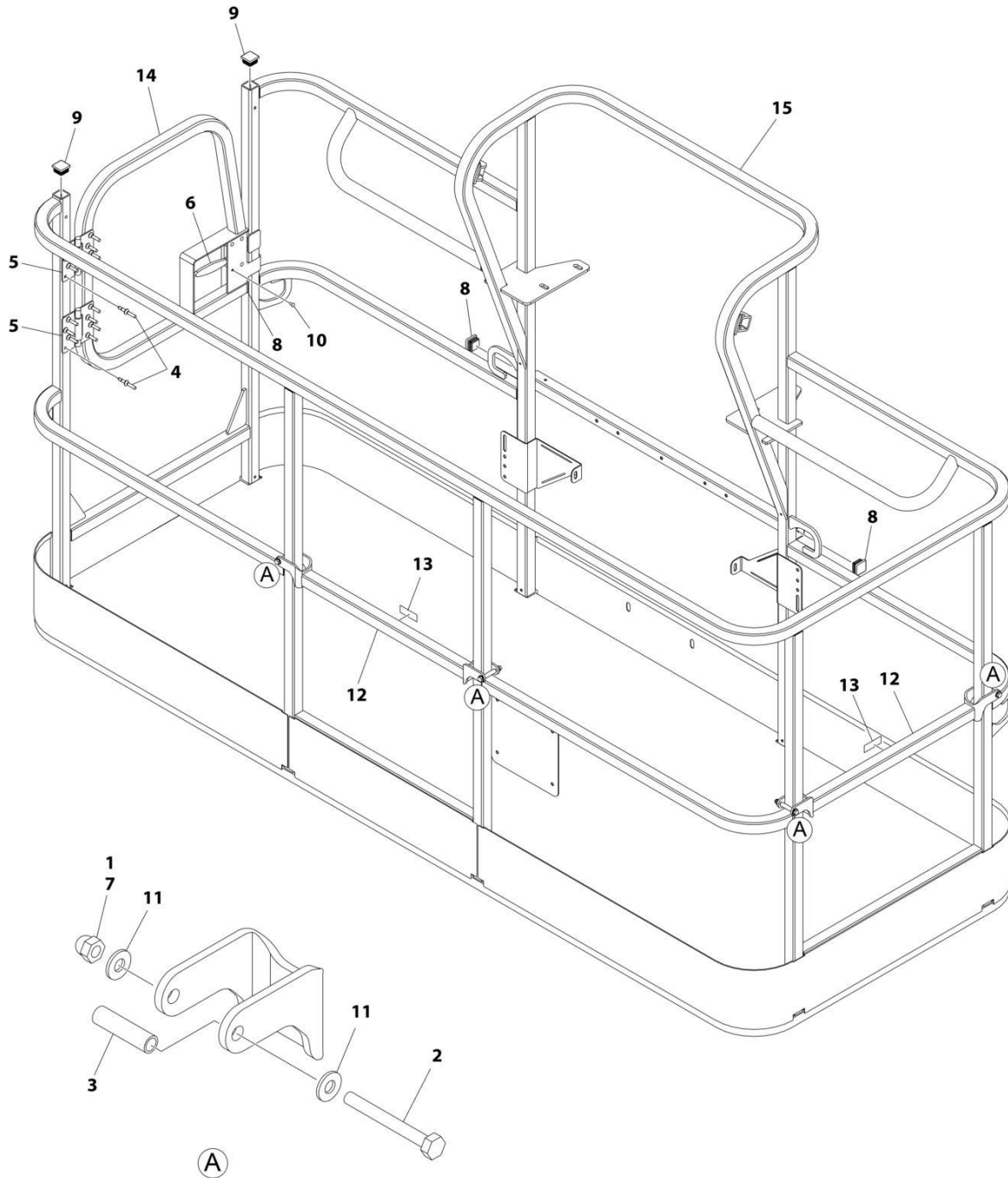
SECTION 5 - PLATFORM

FIGURE 5-13. PLATFORM ASSEMBLY - 36IN X 8FT (91.5CM X 2.44M) WITH FALL ARREST (ANSI, ANSI EXPORT, CHINA AND CSA SPECS)

ITEM	PART NUMBER	QTY	DESCRIPTION	REV
	1001186334	Ref	PLATFORM ASSEMBLY	D
		Ref	Note: Replacement Decals Must be Ordered Separately - See DECALS SECTION.	
1	0681814	2	Bolt 1/2 x 1-3/4 Grade 8	
2	0681822	6	Bolt 1/2 x 2-3/4 Grade 8	
3	0962270	2	Bearing	
4	1702773	1	Decal - JLG	
5	1705014	1	Decal - Safety	
6	1706385	1	Decal - Drop Bar	
7	2410014	1	Bar, Drop	
8	3271805	8	Nut 1/2 Grade 8	
9	3311605	1	Nut 3/8	
10	3520072	1	Plug	
11	1001203656	1	Cable	
12	3900054	1	Bolt 1/2 x 1-3/4	
13	4711800	2	Washer 1/2	
14	4751800	6	Washer 1/2	
15	See Note	NSS	Platform (Note: Purchase Platform Assembly)	

SECTION 5 - PLATFORM

FIGURE 5-14. PLATFORM ASSEMBLY - 36IN X 8FT (91.5CM X 2.44M) TRI-ENTRY WITH SWING GATE



ART_1001228243

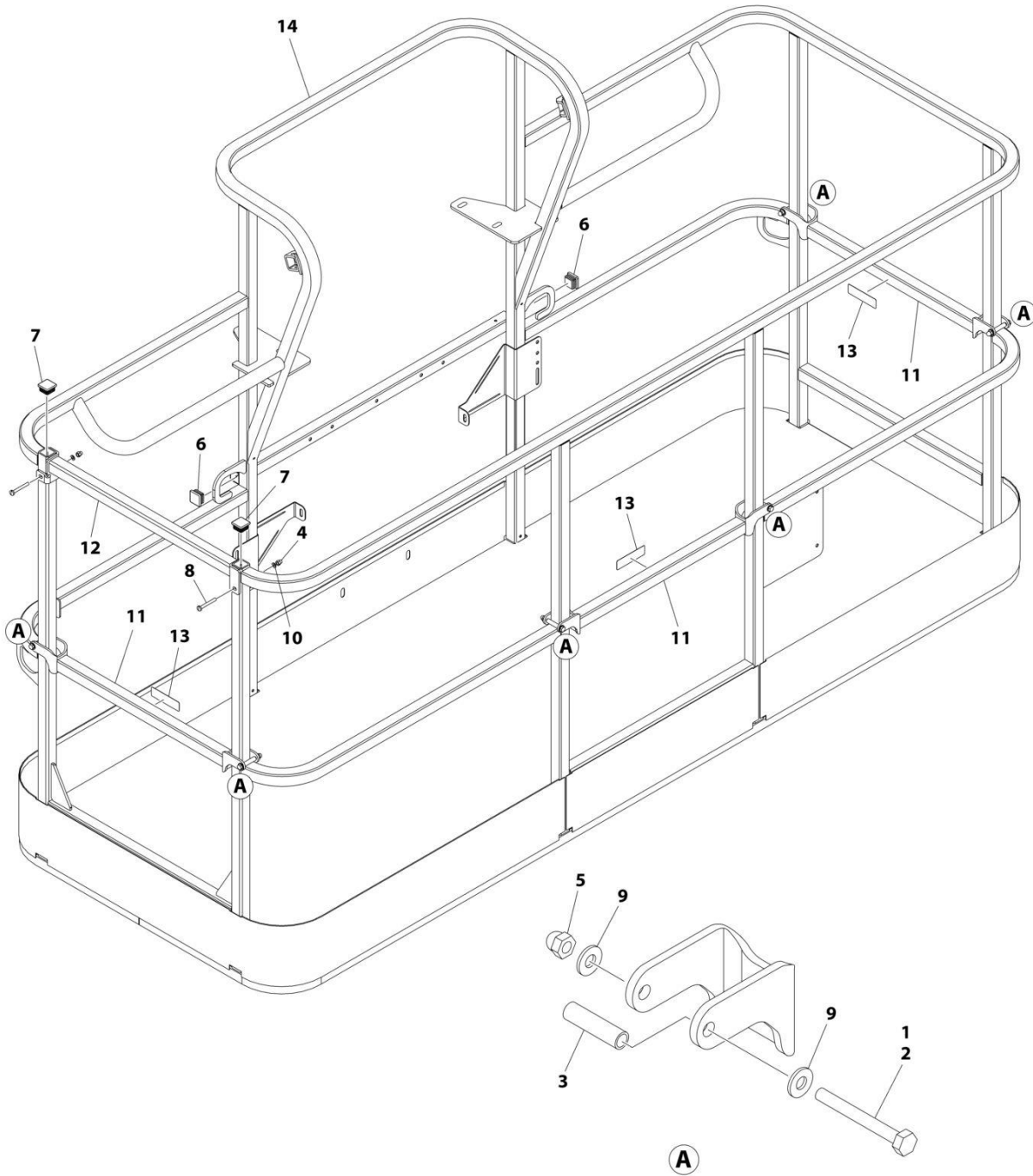
SECTION 5 - PLATFORM

FIGURE 5-14. PLATFORM ASSEMBLY - 36IN X 8FT (91.5CM X 2.44M) TRI-ENTRY WITH SWING GATE

ITEM	PART NUMBER	QTY	DESCRIPTION	REV
	1001228243	Ref	PLATFORM ASSEMBLY - 36IN X 8FT (91.5CM X 2.44M) WITH TRI-ENTRY	A
		Ref	Note: Platform and Mesh must be ordered separately for Platforms with Mesh. See SPECIAL OPTIONS SECTION for Mesh Installations.	
1	0100011	AR	Compound, Locking	
2	0641418	4	Bolt 1/4 x 2-1/4	
3	0961845	4	Bushing	
4	2080040	16	Fastener, Huck	
5	2600281	2	Hinge, Self-Closing	
6	2940074	1	Latch	
7	3300151	4	Nut 1/4	
8	3520072	3	Cap, Plug	
9	3520198	2	Cap, Plug	
10	3820020	4	Rivet	
11	4711400	8	Washer 1/4	
12	1001138494	2	Bar, Drop	
13	1001140429	2	Decal - Drop Bar	
14	1001144629	1	Gate, Weldment	
15	See Note	1	Platform (Note: Not Available - Purchase Platform Assembly)	

SECTION 5 - PLATFORM

FIGURE 5-15. PLATFORM ASSEMBLY - 36IN X 8FT (91.5CM X 2.44M) TRI-ENTRY WITH DROP BAR



ART_1001228375

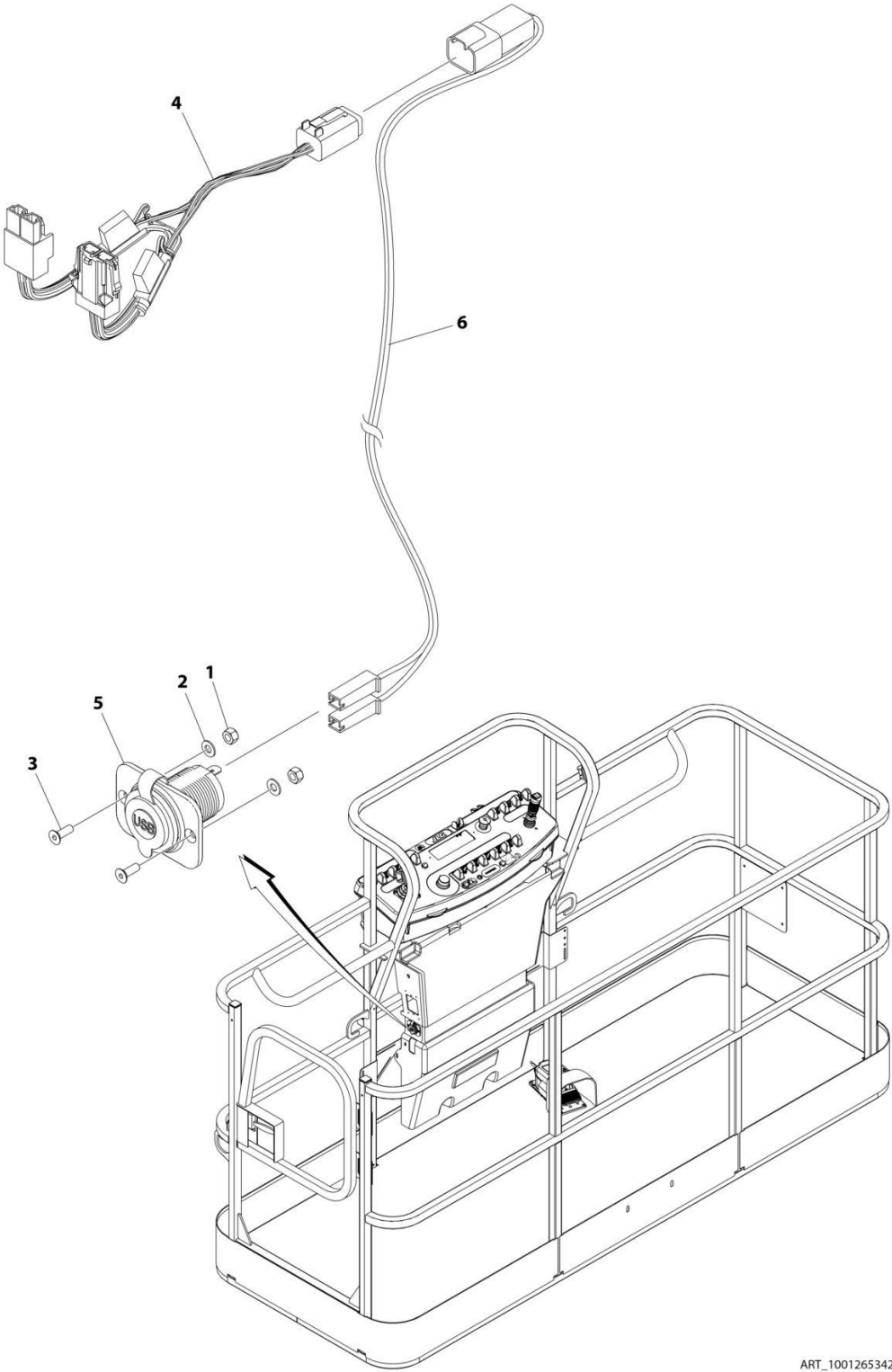
SECTION 5 - PLATFORM

FIGURE 5-15. PLATFORM ASSEMBLY - 36IN X 8FT (91.5CM X 2.44M) TRI-ENTRY WITH DROP BAR

ITEM	PART NUMBER	QTY	DESCRIPTION	REV
	1001228375	Ref	PLATFORM ASSEMBLY - 36IN X 8FT (91.5CM X 2.44M) WITH TRI-ENTRY	A
		Ref	Note: Platform and Mesh must be ordered separately for Platforms with Mesh. See SPECIAL OPTIONS SECTION for Mesh Installations.	
		Ref	Note: Replacement Decals Must be Ordered Separately - See DECAL SECTION.	
1	0100011	AR	Compound, Locking	
2	0641418	6	Bolt 1/4 x 2-1/4	
3	0961845	6	Bushing	
4	3290606	2	Nut M6 x 1	
5	3300151	6	Nut 1/4	
6	3520072	2	Cap, Plug	
7	3520198	2	Cap, Plug	
8	4010618	2	Screw M6 x 50	
9	4711400	12	Washer 1/4	
10	4811700	2	Washer M6	
11	1001138494	3	Bar, Drop	
12	1001138514	1	Rail (Top)	
13	1001140429	3	Decal - Drop Bar	
14	See Note	1	Platform (Note: Not Available - Purchase Platform Assembly)	

SECTION 5 - PLATFORM

FIGURE 5-16. PLATFORM POWER USB



ART_1001265342

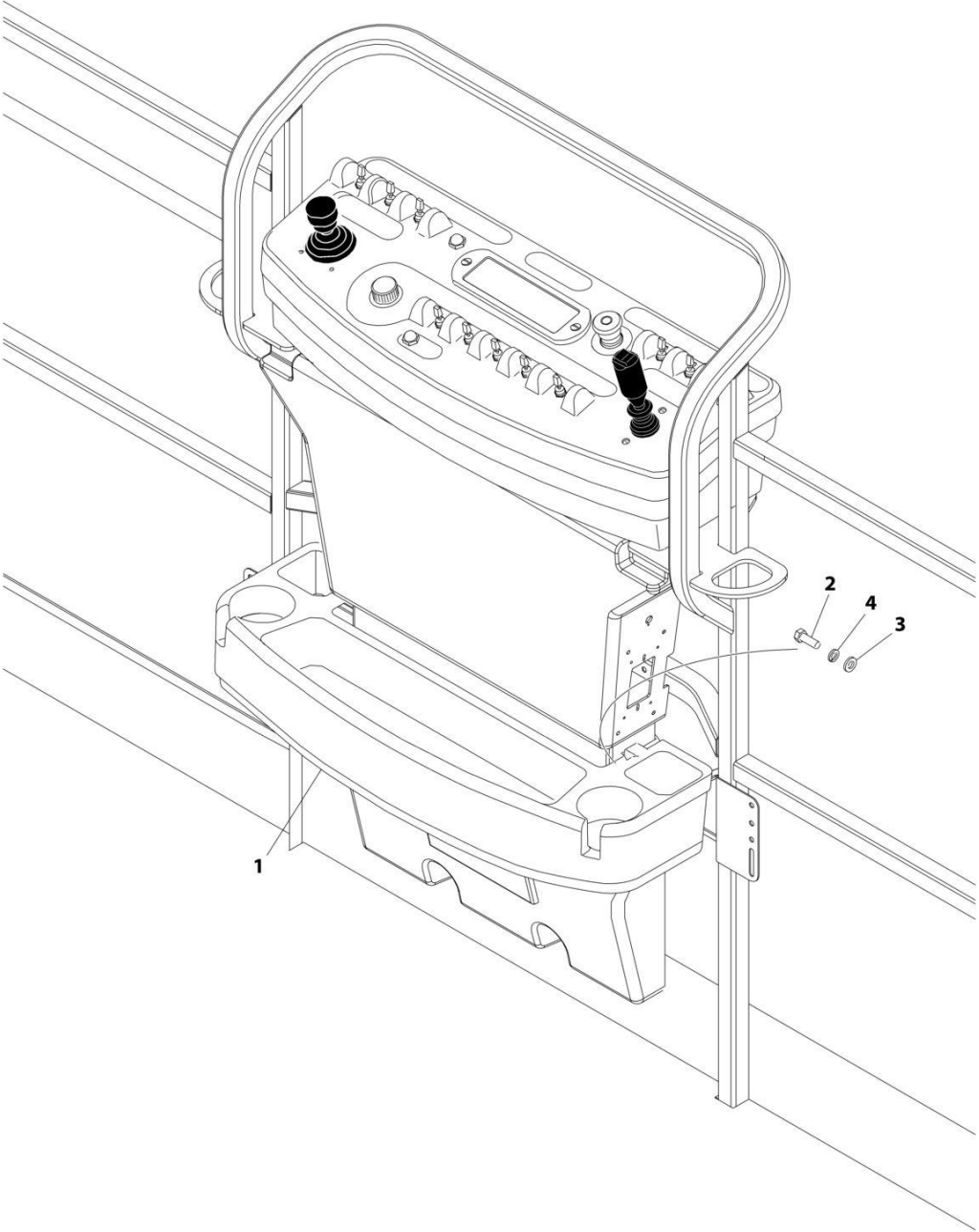
SECTION 5 - PLATFORM

FIGURE 5-16. PLATFORM POWER USB

ITEM	PART NUMBER	QTY	DESCRIPTION	REV
	1001265342	Ref	USB CHARGER INSTALLATION	A
1	3290405	2	Nut M4	
2	4811400	2	Washer M4	
3	1001097244	2	Screw M4 x 12	
4	1001120484	1	Harness, Work Lights	
4	4460879	1	Plug, Male - 2 Position	
4	4460887	2	Terminal	
4	2400060	2	Fuseholder Includes Cover	
4	8229249	2	Fuse, 3 Amp	
4	4460884	1	Connector - 4 Position	
4	4460465	4	Socket, Female	
4	1001120471	1	Connector - 2 Position	
4	1001120477	2	Terminal	
5	1001210636	1	Receptacle, USB	
6	1001265163	1	Harness, USB	A
6	4460260	2	Cover, Terminal	
6	4460259	2	Terminal	
6	4460932	1	Receptacle, Bussbar - 4 Position	
6	4460464	2	Pin, Male	
6	4460466	2	Plug, Terminal	

SECTION 5 - PLATFORM

FIGURE 5-17. TRAY ASSEMBLY



ART_1580012

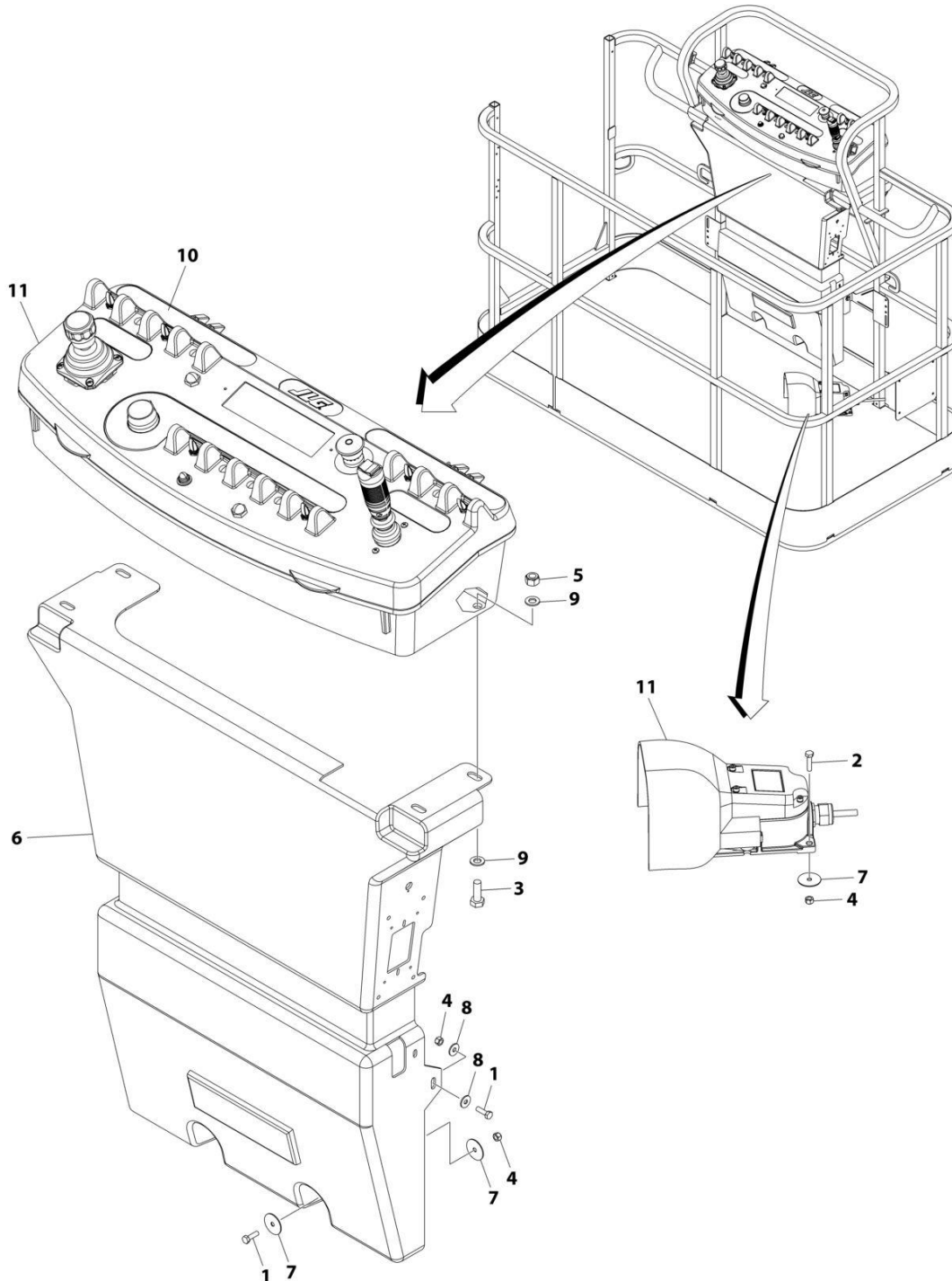
SECTION 5 - PLATFORM

FIGURE 5-17. TRAY ASSEMBLY

ITEM	PART NUMBER	QTY	DESCRIPTION	REV
	1580012	Ref	TRAY ASSEMBLY	C
1	See Note	NSS	Tray, Storage (Center) (Note: Purchase p/n 1580012)	
2	0641406	2	Bolt 1/4 x 3/4	
3	4751400	2	Washer 1/4	
4	4761400	2	Washer 1/4	

SECTION 5 - PLATFORM

FIGURE 5-18. PLATFORM CONSOLE AND FOOTSWITCH INSTALLATION (600S HC3)



ART_1001250953

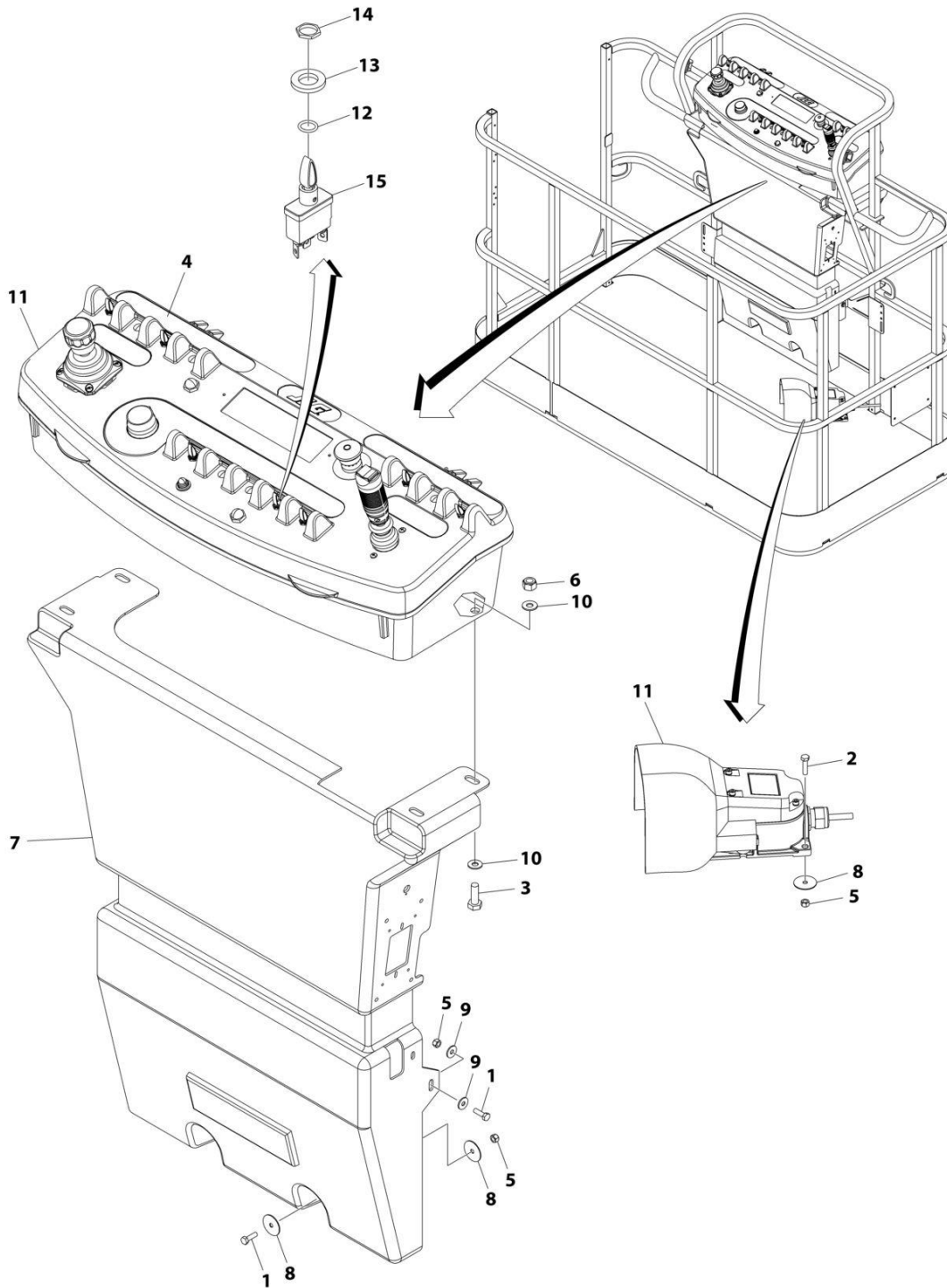
SECTION 5 - PLATFORM

FIGURE 5-18. PLATFORM CONSOLE AND FOOTSWITCH INSTALLATION (600S HC3)

ITEM	PART NUMBER	QTY	DESCRIPTION	REV
	1001250953	Ref	PLATFORM CONSOLE AND FOOTSWITCH INSTALLATION	B
1	0700610	4	Bolt M6 x 20	
2	0700612	3	Bolt M6 x 25	
3	0701015	4	Bolt M10 x 35	
4	3290605	7	Nut M6	
5	3291005	4	Nut M10	
6	3380434	1	Panel	
7	4740362	7	Washer	
8	4811702	4	Washer M6	
9	4751600	8	Washer 3/8	
10	1001184626	1	Decal - Horn	
11	1001250952	1	Platform Console Assembly (See Separate Breakdown in this Section)	

SECTION 5 - PLATFORM

FIGURE 5-19. PLATFORM CONSOLE AND FOOTSWITCH INSTALLATION (660SJ HC3)



ART_1001250011

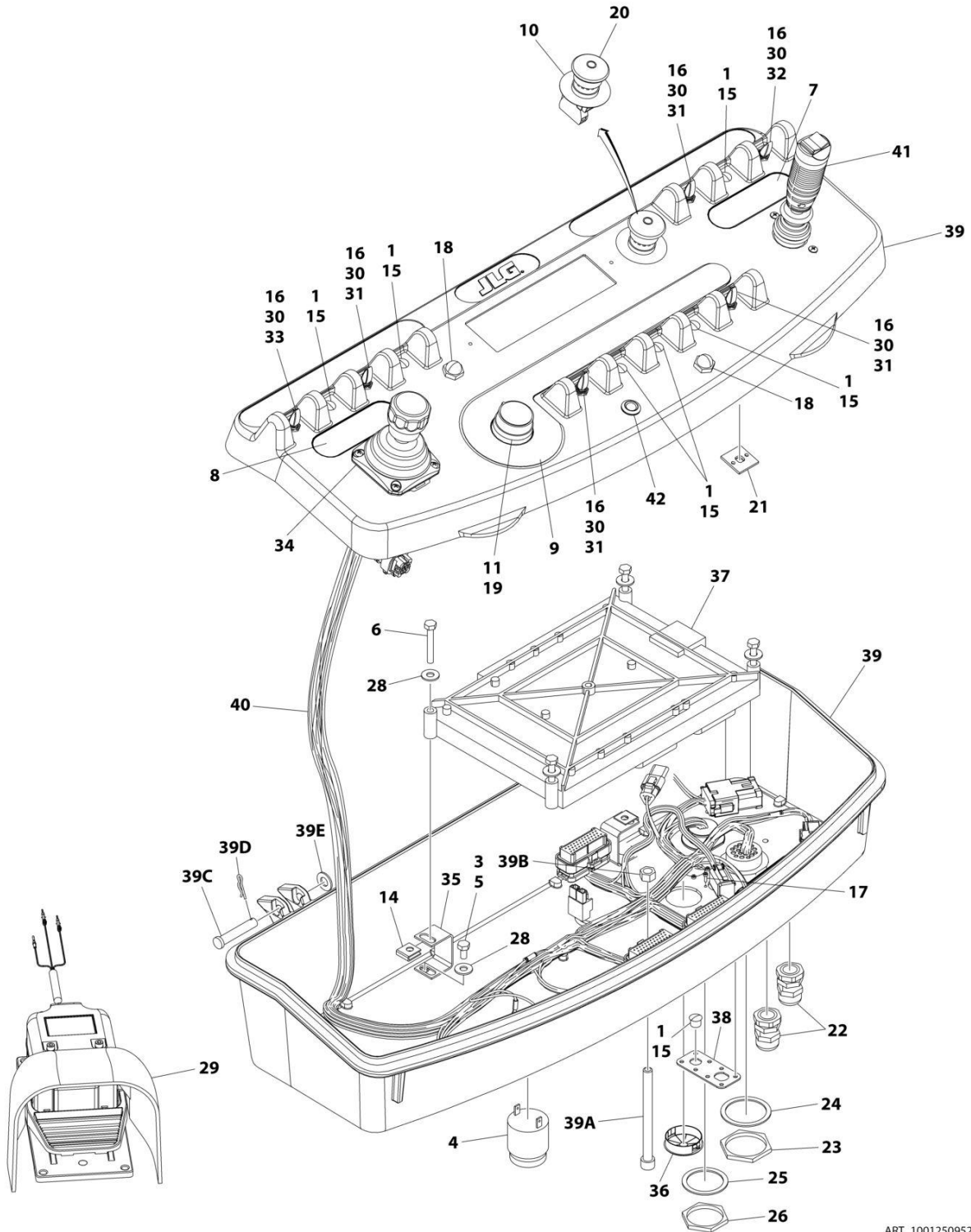
SECTION 5 - PLATFORM

FIGURE 5-19. PLATFORM CONSOLE AND FOOTSWITCH INSTALLATION (660SJ HC3)

ITEM	PART NUMBER	QTY	DESCRIPTION	REV
	1001250011	Ref	PLATFORM CONSOLE AND FOOTSWITCH INSTALLATION	C
1	0700610	4	Bolt M6 x 20	
2	0700612	3	Bolt M6 x 25	
3	0701014	4	Bolt M10 x 30	
4	1001184626	1	Decal - Horn	
5	3290605	7	Nut M6	
6	3291005	4	Nut M10	
7	3380434	1	Panel	
8	4740362	7	Washer	
9	4811702	4	Washer M6	
10	4751600	8	Washer 3/8	
11	1001250952	1	Platform Console Assembly (See Separate Breakdown in this Section)	
12	3790012	1	O-Ring	
13	4740397	1	Washer	
14	1001155044	1	Nut	
15	1001155045	1	Switch, Toggle	

SECTION 5 - PLATFORM

FIGURE 5-20. CONSOLE BOX ASSEMBLY



ART_1001250952_E

SECTION 5 - PLATFORM

FIGURE 5-20. CONSOLE BOX ASSEMBLY

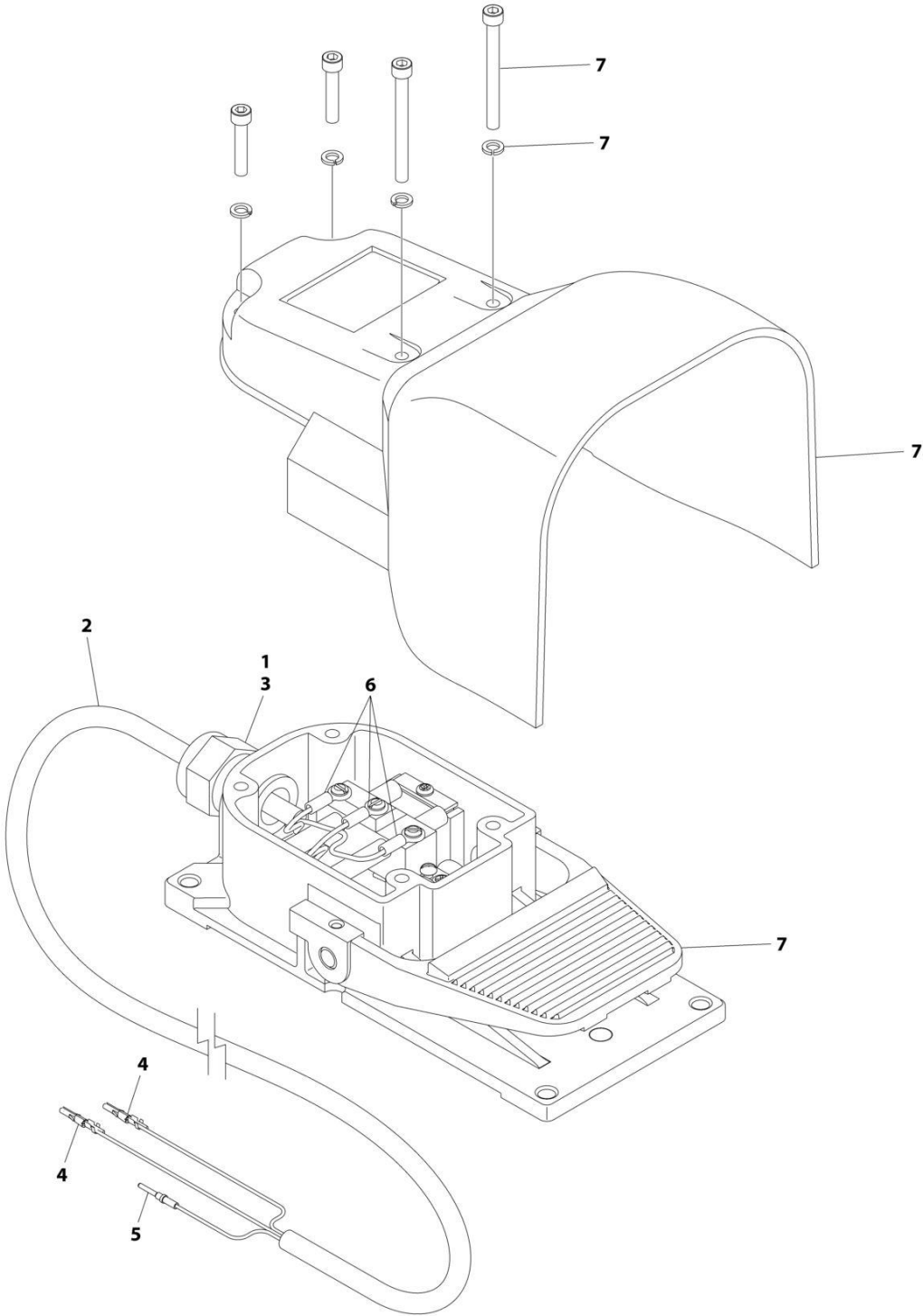
ITEM	PART NUMBER	QTY	DESCRIPTION	REV
	1001250952	Ref	CONSOLE BOX ASSEMBLY	E
1	0100009	AR	Sealant	
3	0100035	AR	Compound, Locking	
4	0140011	1	Alarm	
5	0641405	1	Bolt 1/4 x 5/8	
6	0641414	4	Bolt 1/4 x 1-3/4	
7	1702565	1	Decal - Drive and Steer	
8	1702566	1	Decal - Lift and Swing	
9	1702567	1	Decal - Function Speed	
10	1704260	1	Decal - Emergency Stop	
11	2560136	1	Handle, Knob	
14	3300353	4	Nut, Tinnerman	
15	3520054	7	Plug	
16	3790012	6	O-Ring	
17	3900349	8	Capscrew M2.5 x 8	
18	4360387	2	Switch, Push Button	
19	4360407	1	Controller, Speed	
19	4460224	1	Receptacle, Female - 6 Position	
19	4460226	6	Socket, Female	
19	See Note	1	Gasket "Top Hat" (Included with Switch) (Note: Not Available - Purchase Complete Controller)	
19	70003784	1	Seal	
20	1001274559	1	Switch, Emergency Stop	
21	4460234	6	Mount, Tie-Strap	
22	4460428	2	Connector, Strain Relief	
23	4460470	1	Nut, Terminal	
24	4460471	1	Washer, Terminal	
25	4460496	1	Washer, Terminal	
26	4460497	1	Nut, Terminal	
28	4751400	8	Washer 1/4	
29	1001117174	1	Footswitch Assembly (See Separate Breakdown in this Section)	
30	1001155044	6	Nut 15/32	
31	1001155045	4	Switch, Toggle	
32	1001159256	1	Switch, Toggle	
33	1001161709	1	Switch, Toggle	
34	1001275629	1	Controller Assembly (Lift and Swing)	
35	1001172760	4	Bracket	
36	1001185281	1	Plug	
37	1001185726	1	Module, Platform (Note: Re-calibration Required when Replaced)	
38	1001213882	1	Mount, Connector	
39	1001215228	1	Console Box Assembly	
39A	0630568	1	Capscrew 3/8 x 4-1/2	
39B	3311601	1	Nut 3/8	
39C	3430616	2	Pin	
39D	3470003	2	Hairpin	
39E	4711600	2	Washer 3/8	
40	1001238409	1	Platform Console Harness (See Separate Breakdown in ELECTRICAL Section)	
41	1001275628	1	Controller Assembly (Drive and Steer)	
42	1001206532	1	Lamp, LED Indicator Yellow	

SECTION 5 - PLATFORM

ITEM	PART NUMBER	QTY	DESCRIPTION	REV
43	4240099	AR	Tie-Strap (Not Shown)	

SECTION 5 - PLATFORM

FIGURE 5-21. FOOTSWITCH ASSEMBLY



ART_100117174

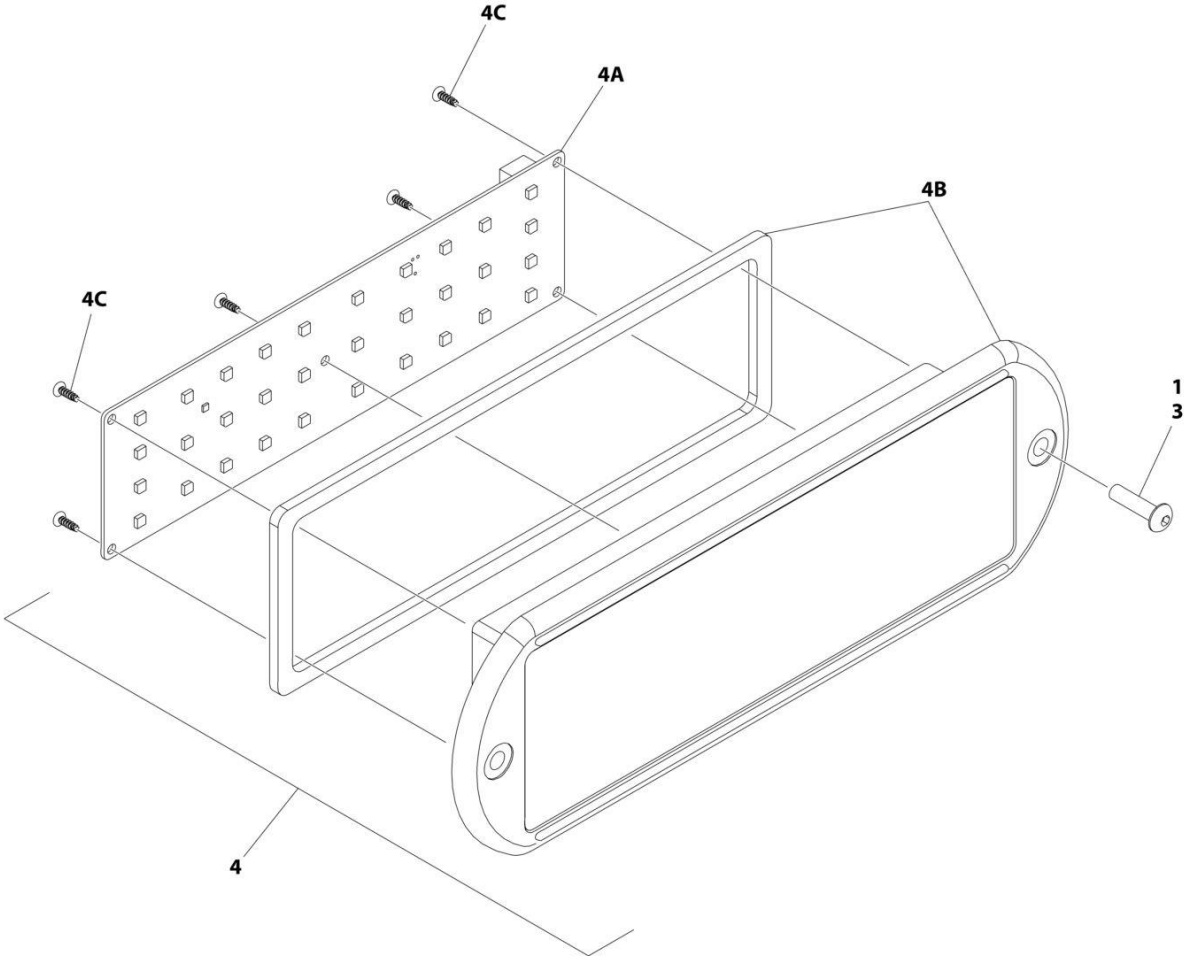
SECTION 5 - PLATFORM

FIGURE 5-21. FOOTSWITCH ASSEMBLY

ITEM	PART NUMBER	QTY	DESCRIPTION	REV
	1001117174	Ref	FOOTSWITCH ASSEMBLY	C
1	0100020	AR	Sealant	
2	1060918	7.5 ft/ 2.3m	Cable, Electrical - 18/3	
3	4460071	1	Connector, Strain Relief	
4	4460226	2	Socket, Female	
5	4460464	1	Pin, Male	
6	1001098122	3	Terminal	
7	1001117172	1	Footswitch	
7	70002902	1	Switch, 20Amp	
7	70002903	1	Gasket	
7	70002905	1	Cover	
7	70002904	1	Kit, Replacement Bolt	

SECTION 5 - PLATFORM

FIGURE 5-22. LIGHT PANEL INSTALLATION



ART_1001233959_D_20F2

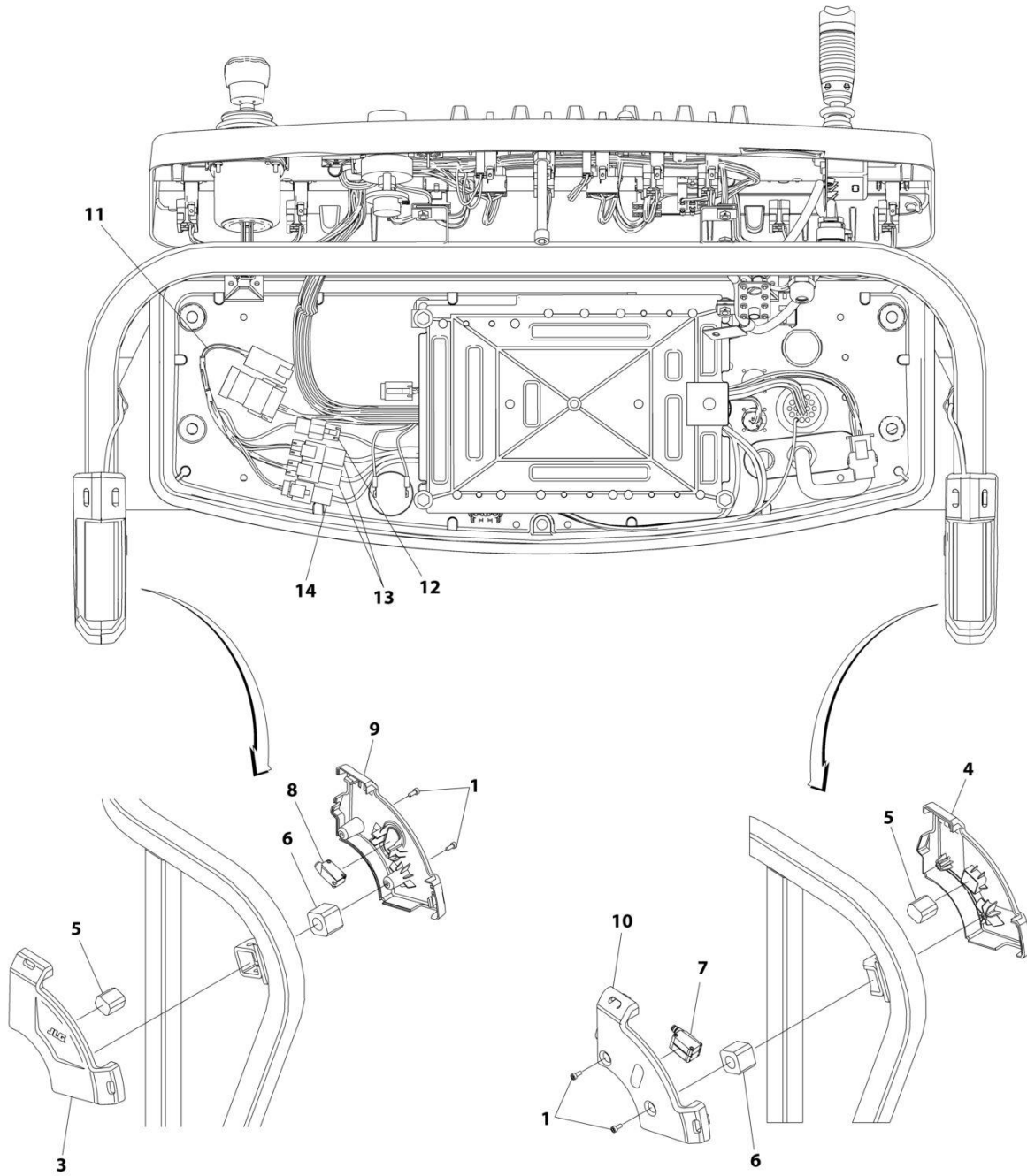
SECTION 5 - PLATFORM

FIGURE 5-22. LIGHT PANEL INSTALLATION

ITEM	PART NUMBER	QTY	DESCRIPTION	REV
	1001233959	Ref	LIGHT PANEL INSTALLATION - PLATFORM CONSOLE	D
1	0100035	AR	Compound, Locking	
3	0630518	2	Screw #10 x 3/4	
4	1001284583	1	Light Panel Assembly	A
4A	1001282106	1	Panel, LED Light	
4B	1001284582	1	Lens, Icon (Includes Gasket)	
4C		Ref	Screw	

SECTION 5 - PLATFORM

FIGURE 5-23. SKYEYE INSTALLATION



ART_1001229341

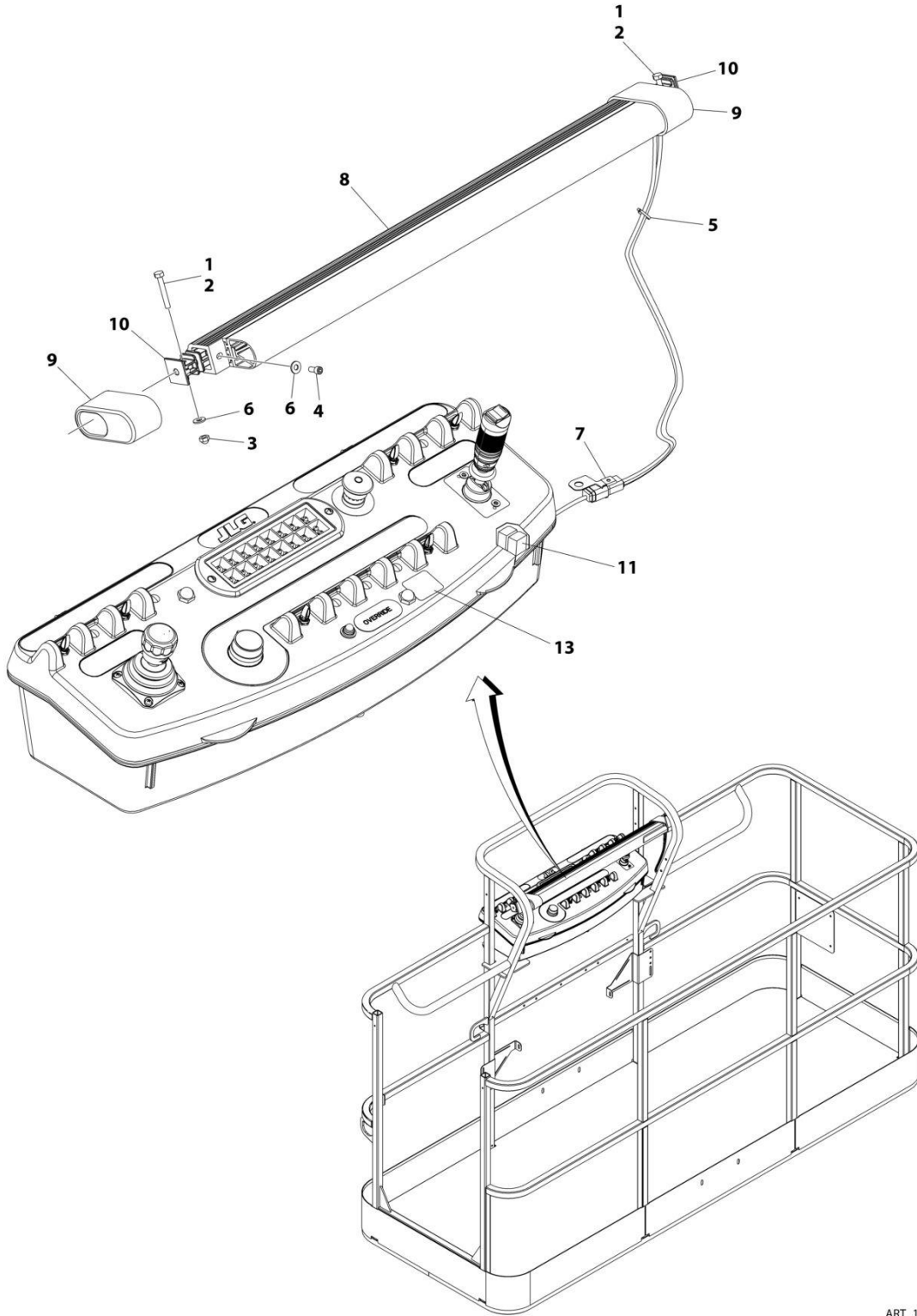
SECTION 5 - PLATFORM

FIGURE 5-23. SKYEYE INSTALLATION

ITEM	PART NUMBER	QTY	DESCRIPTION	REV
	1001229341	Ref	SKYEYE INSTALLATION	B
1	4031505	4	Bolt M4 x 10	
2	4240033	AR	Tie-Strap (Not Shown)	
3	1001227633	1	Housing, LH Outer	
4	1001227634	1	Housing, RH Outer	
5	1001227985	2	Shim	
6	1001227987	2	Shim	
7	1001228224	2	Sensor, Receiver	
8	1001228225	1	Sensor, Emitter	
9	1001232164	1	Housing, LH Inner	
10	1001232165	1	Housing, RH Inner	
11	1001237865	1	Harness, Skyeeye Intermediate (See Separate Breakdown in ELECTRICAL Section)	
12	1001238319	NLA	Harness, Skyeeye Drain Jumper	
12	1001187674	1	Plug, Male - 2 Position	
12	4460942	1	Terminal	
12	4460466	1	Plug, Terminal	
12	4460508	1	Pin, Male	
13	1001237863	2	Harness, Skyeeye Receiver (See Separate Breakdown in ELECTRICAL Section)	
14	1001237864	1	Harness, Skyeeye Emitter (See Separate Breakdown in ELECTRICAL Section)	

SECTION 5 - PLATFORM

FIGURE 5-24. SKYGUARD BAR INSTALLATION



ART_1001238495

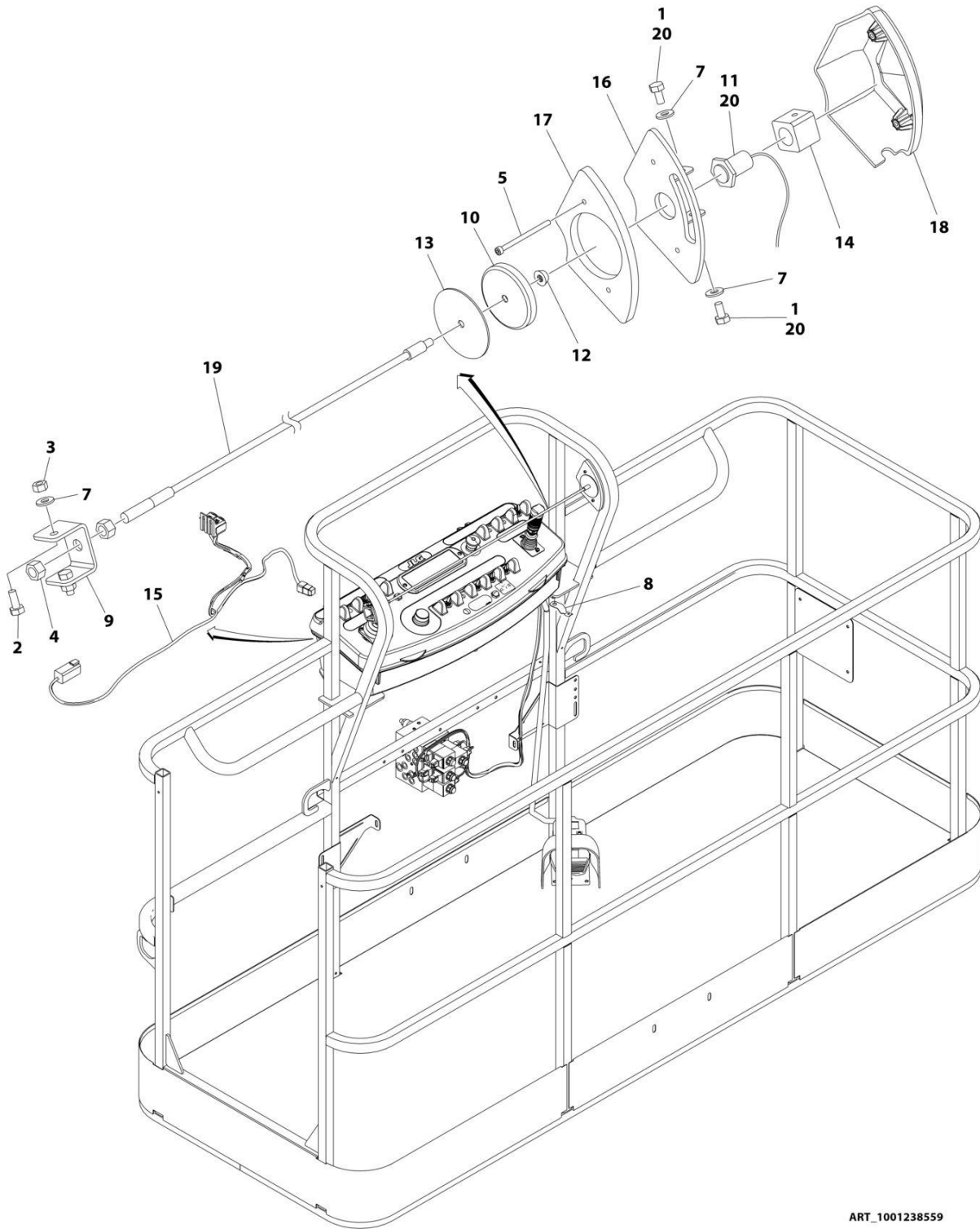
SECTION 5 - PLATFORM

FIGURE 5-24. SKYGUARD BAR INSTALLATION

ITEM	PART NUMBER	QTY	DESCRIPTION	REV
	1001238495	Ref	SKYGUARD BAR INSTALLATION	A
1	0100011	AR	Compound, Locking	
2	0641414	2	Bolt 1/4 x 1-3/4	
3	3300430	2	Nut 1/4	
4	3931408	2	Capscrew 1/4 x 1/2	
5	4240033	8	Tie-Strap	
6	4711400	6	Washer 1/4	
7	1001120328	1	Mount	
8	1001137673	1	SkyGuard Switch Assembly	
9	1001186517	2	Cover, Platform Sensor	
10	1001209664	2	Support, Block	
11	1001186431	2	Relay	
12	1001225580	1	Interface Harness Assembly (Not Shown - Located Inside Console Box) (See Separate Breakdown in ELECTRICAL Section)	
13	1001144433	1	Decal - No Weight SkyGuard	

SECTION 5 - PLATFORM

FIGURE 5-25. SKYLINE INSTALLATION



ART_1001238559

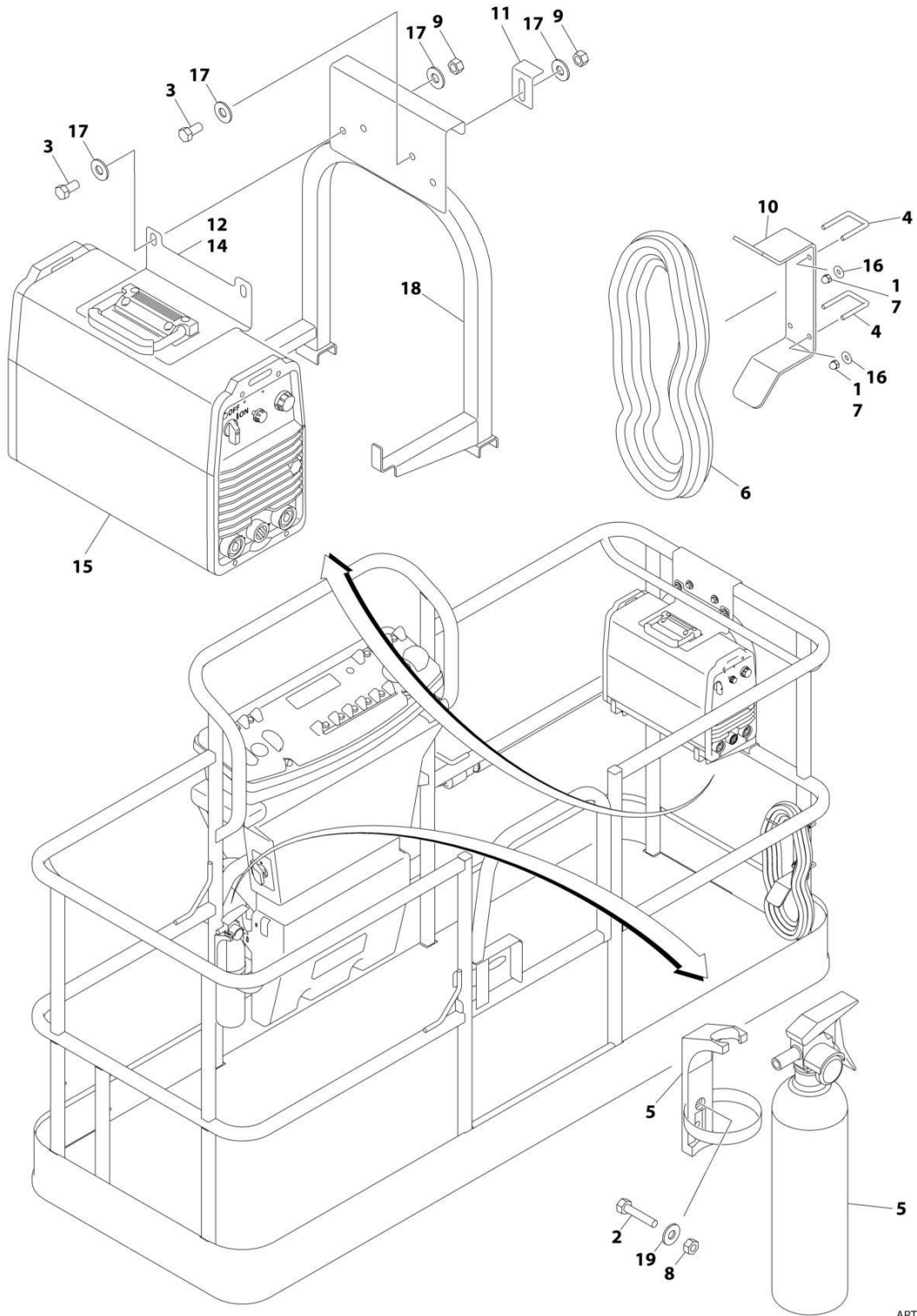
SECTION 5 - PLATFORM

FIGURE 5-25. SKYLINE INSTALLATION

ITEM	PART NUMBER	QTY	DESCRIPTION	REV
	1001238559	Ref	SKYLINE INSTALLATION	B
1	0641404	2	Bolt 1/4 x 1/2	
2	0641405	2	Bolt 1/4 x 5/8	
3	3311405	2	Nut 1/4	
4	3311601	2	Nut 3/8	
5	4031516	2	Capscrew M4 x 60	
6	4240033	AR	Tie-Strap (Not Shown)	
7	4711400	4	Washer 1/4	
8	1001120328	1	Mount	
9	1001232642	1	Bracket	
10	1001232650	1	Magnet	
11	1001232667	1	Sensor, Proximity	
12	1001235011	1	Nut	
13	1001235013	1	Washer	
14	1001236552	1	Block	
15	1001238418	1	Harness, Skyline (See Separate Breakdown in ELECTRICAL Section)	
16	1001238472	1	Mount	
17	1001238477	1	Housing, LH	
18	1001241965	1	Housing, RH	
19	1001238824	1	Rope	
20	0100011	AR	Compound, Locking	

SECTION 5 - PLATFORM

FIGURE 5-26. SKYWELDER INSTALLATION (50HZ)



ART_0272521_F

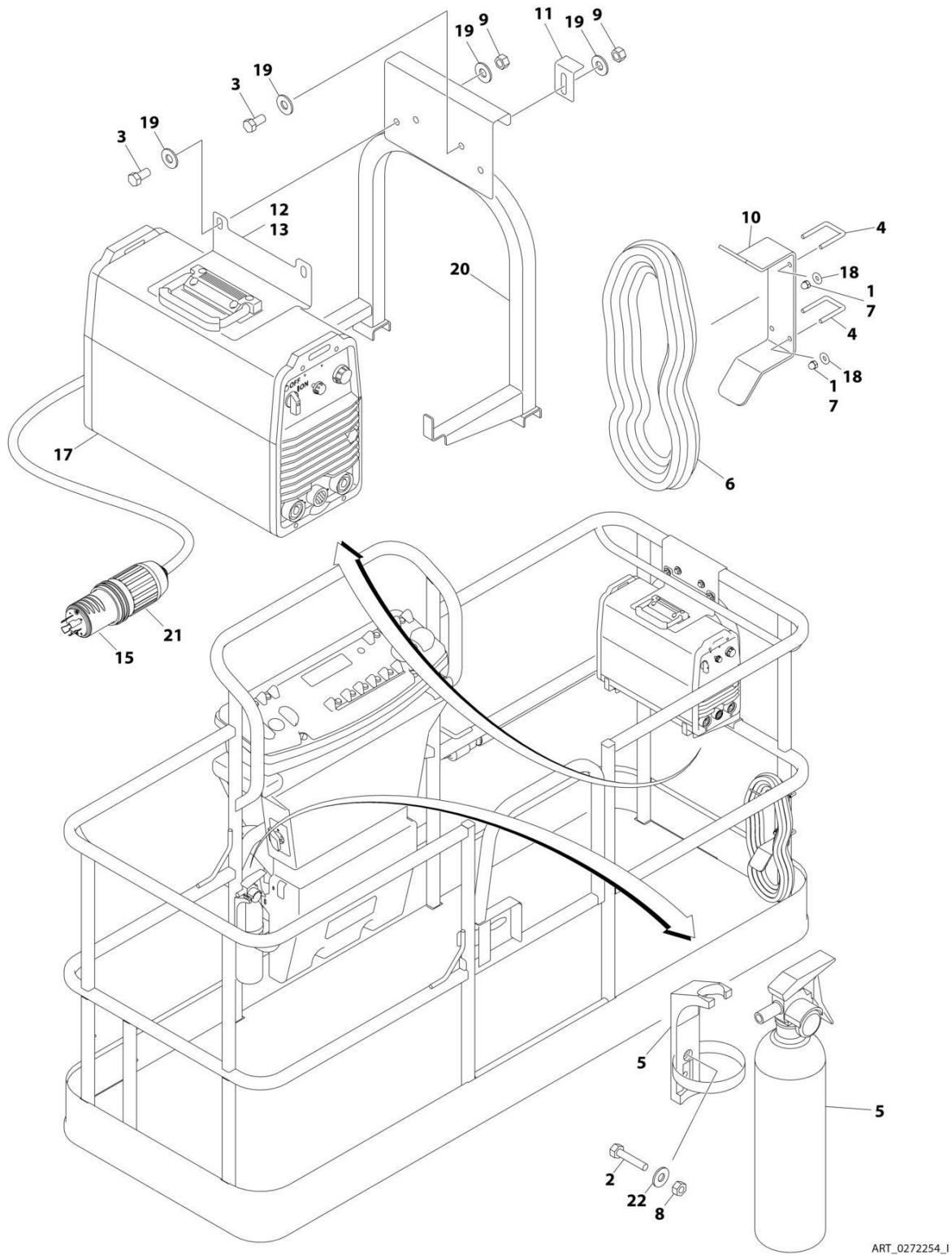
SECTION 5 - PLATFORM

FIGURE 5-26. SKYWELDER INSTALLATION (50HZ)

ITEM	PART NUMBER	QTY	DESCRIPTION	REV
	0272521	Ref	SKYWELDER INSTALLATION	F
1	0100011	AR	Compound, Locking	
2	0630518	2	Screw #10 x 3/4	
3	0641606	4	Bolt 3/8 x 3/4	
4	1320302	2	U-Clamp	
5	2030010	1	Extinguisher, Fire	
6	2902217	1	Weld Leads Kit	
7	3300151	4	Nut 1/4	
8	3311005	2	Nut #10	
9	3311605	4	Nut 3/8	
10	3573400	1	Bracket	
11	3577121	2	Angle	
12	3573642	1	Plate	
13	4240099	AR	Tie-Strap (Not Shown)	
14	4420037	AR	Tape	
15	4530028	1	Welder Assembly (See Separate Breakdown in this Section)	
16	4751400	4	Washer 1/4	
17	4751600	8	Washer 3/8	
18	4846627	1	Support	
19	4751000	2	Washer #10	

SECTION 5 - PLATFORM

FIGURE 5-27. SKYWELDER INSTALLATION (60HZ)



ART_0272254_I

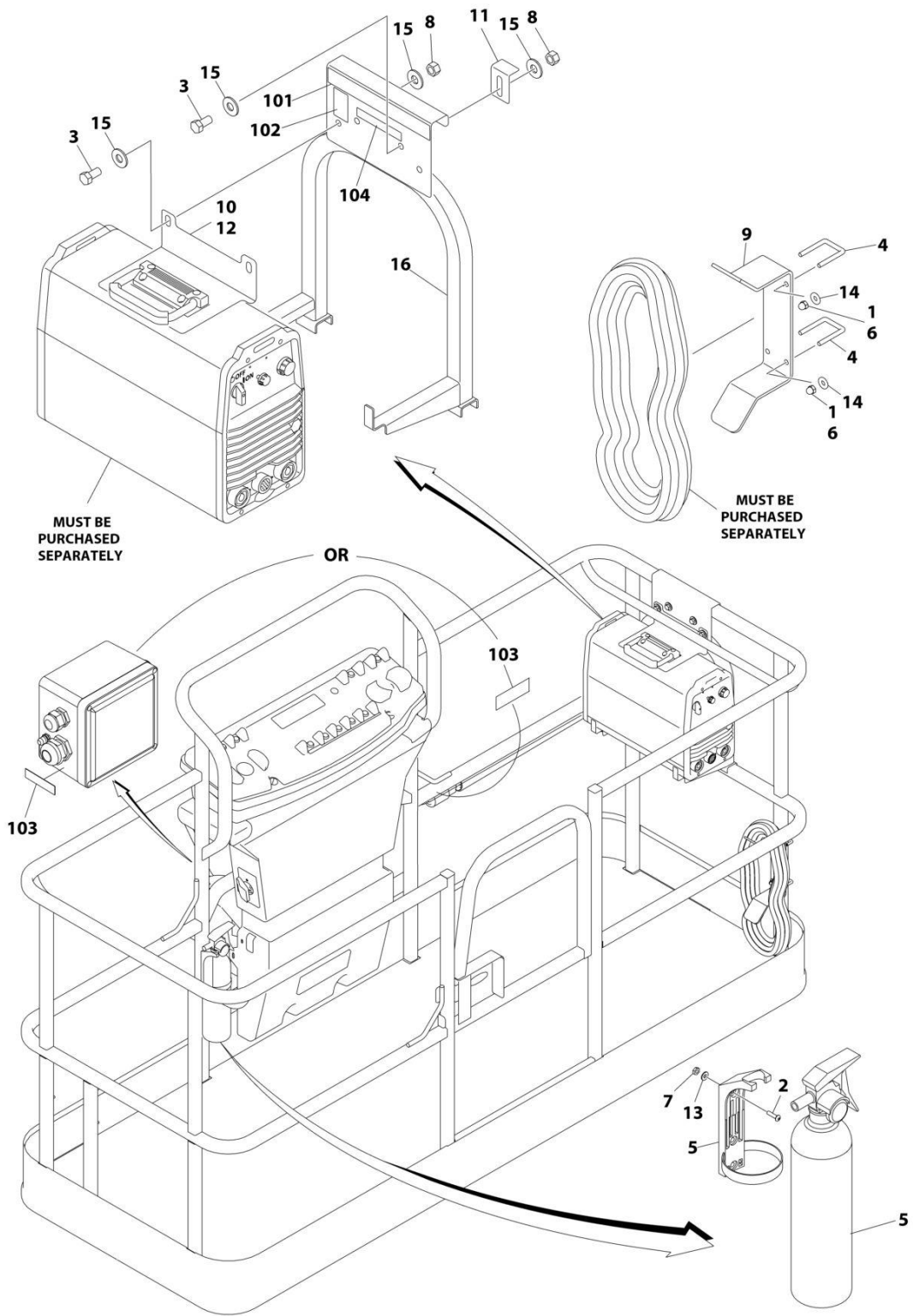
SECTION 5 - PLATFORM

FIGURE 5-27. SKYWELDER INSTALLATION (60HZ)

ITEM	PART NUMBER	QTY	DESCRIPTION	REV
	0272254	Ref	SKYWELDER INSTALLATION	1
1	0100011	AR	Compound, Locking	
2	0630518	2	Screw #10 x 3/4	
3	0641606	4	Bolt 3/8 x 3/4	
4	1320302	2	U-Clamp	
5	2030010	1	Extinguisher, Fire	
6	2902217	1	Weld Leads Kit	
7	3300151	4	Nut 1/4	
8	3311005	2	Nut #10	
9	3311605	4	Nut 3/8	
10	3573400	1	Bracket	
11	3577121	2	Angle	
12	3573642	1	Plate	
13	4420037	AR	Tape	
14	4240099	AR	Tie-Strap (Not Shown)	
15	4460962	1	Plug, Male Twistlock	
17	4530028	1	Welder Assembly (See Separate Breakdown in this Section)	
18	4751400	4	Washer 1/4	
19	4751600	8	Washer 3/8	
20	4846627	1	Support	
21	1671093	1	Cover, Plug	
22	4751000	2	Washer #10	

SECTION 5 - PLATFORM

FIGURE 5-28. SKYWELDER PREP PACKAGE (60HZ)



ART_1001128527_B

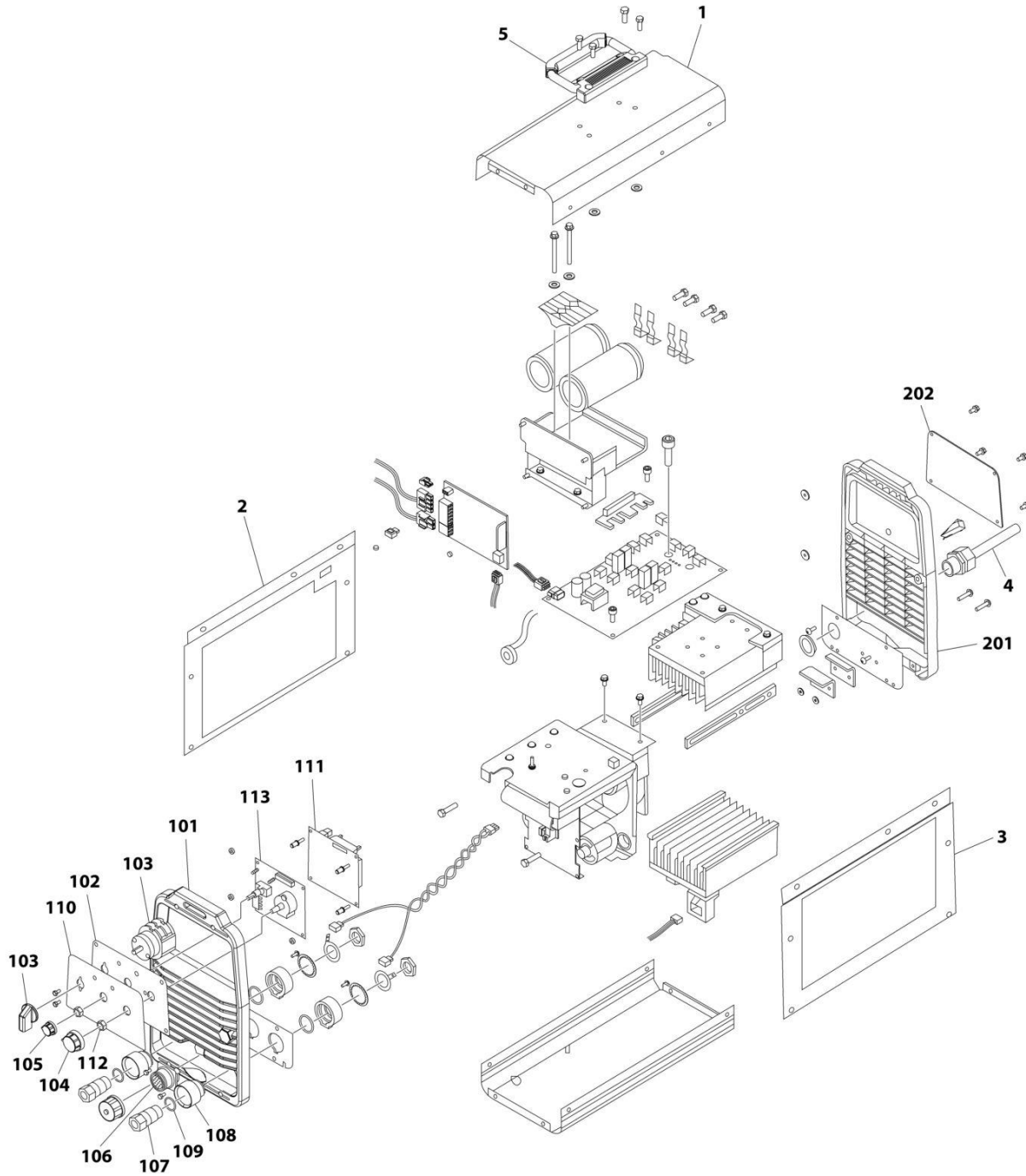
SECTION 5 - PLATFORM

FIGURE 5-28. SKYWELDER PREP PACKAGE (60HZ)

ITEM	PART NUMBER	QTY	DESCRIPTION	REV
	1001128527	Ref	SKYWELDER PREP PACKAGE	B
1	0100011	AR	Compound, Locking	
2	0630518	2	Screw #10 x 3/4	
3	0641606	4	Bolt 3/8 x 3/4	
4	1320302	2	U-Clamp	
5	2030010	1	Extinguisher, Fire	
6	3300151	4	Nut 1/4	
7	3311005	2	Nut #10	
8	3311605	4	Nut 3/8	
9	3573400	1	Bracket	
10	3573642	1	Plate	
11	3577121	2	Angle	
12	4420037	AR	Tape	
13	4751000	2	Washer #10	
14	4751400	4	Washer 1/4	
15	4751600	8	Washer 3/8	
16	4846627	1	Support	
	1001128556	Ref	SKYWELDER DECAL INSTALLATION	C
101	1702868	1	Decal - No Hands	
102	1705305	1	Decal - Weld Lead	
103	1705375	1	Decal - 240V - 3 Phase - 60Hz	
104	1001228988	1	Decal - Weight	

SECTION 5 - PLATFORM

FIGURE 5-29. WELDER ASSEMBLY



ART_4530028

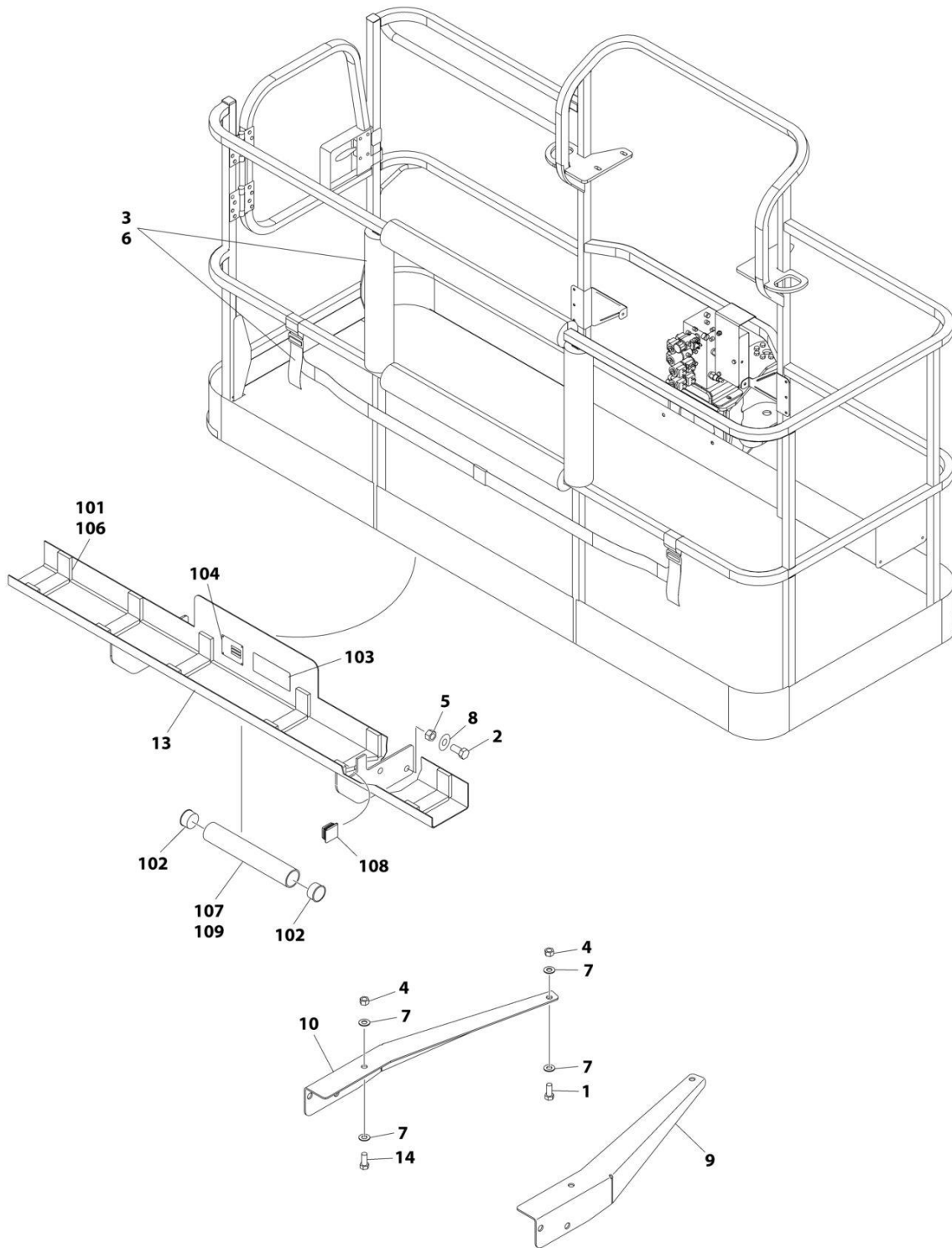
SECTION 5 - PLATFORM

FIGURE 5-29. WELDER ASSEMBLY

ITEM	PART NUMBER	QTY	DESCRIPTION	REV
	4530028	Ref	WELDER ASSEMBLY	B
		Ref	Note: For Other Components, contact your Miller Welder Dealer.	
1	7027773	1	Cover, Top	
1	7027774	1	Decal - Static Precautionary Warning	
2	See Note	NSS	Panel, LH Side (Note: Part of Item 1. Purchase Item 1)	
3	See Note	NSS	Panel, RH Side (Note: Part of Item 1. Purchase Item 1)	
4	7024467	1	Cable, Power	
4	7027775	1	Decal - Electrical Shock Warning (Not Shown)	
5	7027776	1	Handle, Carrying	
101	7024462	1	Panel, Front	
102	7024463	1	Panel, Console	
103	7024469	1	Switch with Lead	
104	7024470	1	Knob	
105	7024471	1	Knob	
106	7024472	1	Receptacle with Leads and Plugs	
107	7024473	2	Receptacle, Twistlock Female	
108	7024474	2	Insulator	
109	7024475	2	O-Ring	
110	7027777	1	Nameplate	
111	7027779	1	Circuit Card Assembly (Process Control)	
112	7024478	2	Nut	
113	7027778	1	Circuit Card Assembly (Operator Interface)	
201	7024462	1	Panel, Rear	
202	7027780	1	Panel, Cover	

SECTION 5 - PLATFORM

FIGURE 5-30. SKYGLAZIER INSTALLATION



ART_1001172578

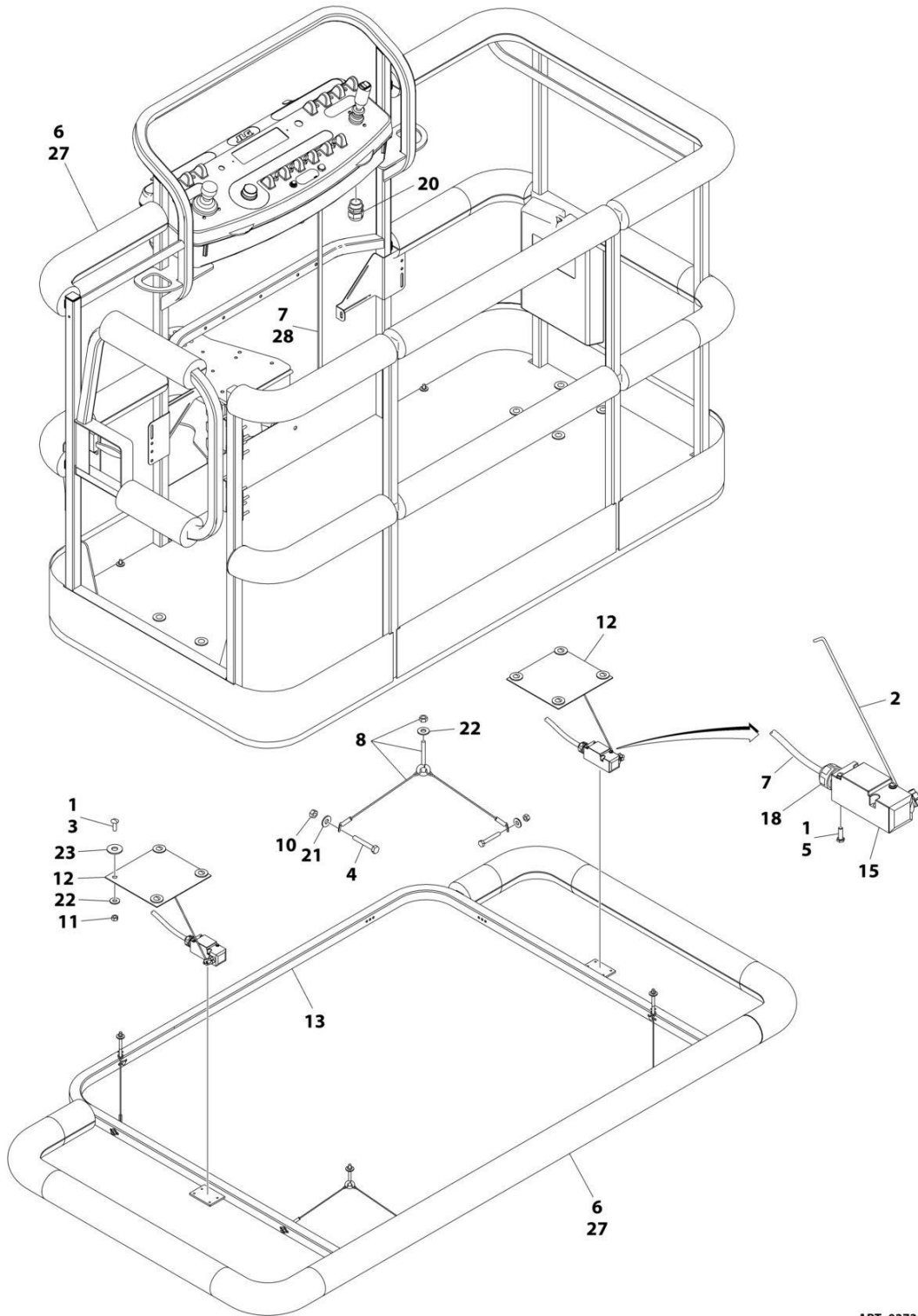
SECTION 5 - PLATFORM

FIGURE 5-30. SKYGLAZIER INSTALLATION

ITEM	PART NUMBER	QTY	DESCRIPTION	REV
	1001172578	Ref	SKYGLAZIER INSTALLATION	C
1	0642012	2	Bolt 5/8 x 1-1/2	
2	0642212	4	Bolt 3/4 x 1-1/2	
3	2902212	1	Bumpers and Strap Kit	
3	0940102	1	Bumper Only	
3	4240149	1	Strap Only	
4	3312005	1	Nut 5/8	
5	3312205	4	Nut 3/4	
6	4420014	AR	Tape	
7	4712000	6	Washer 5/8	
8	4712200	8	Washer 3/4	
9	1001099366	1	Support	
10	1001099367	1	Support	
13	1001172577	1	Tray Assembly (See Items 101-111 for Breakdown)	
14	8310129	2	Bolt 3/4 x 2-1/2	
	1001172577	Ref	TRAY ASSEMBLY	C
101	0100081	AR	Adhesive	
102	1120555	2	Cap, Tube	
103	1701509	1	Decal - Manual	
104	See Note	NSS	Nameplate - Serial Number (Note: Not Available for Purchase)	
106	3340956	1	Pad Kit	
107	3460334	1	Tube	
108	3520071	2	Plug	
109	4420066	AR	Tape, Double Sided	

SECTION 5 - PLATFORM

FIGURE 5-31. SOFT TOUCH INSTALLATION - 6FT (1.83M) PLATFORM



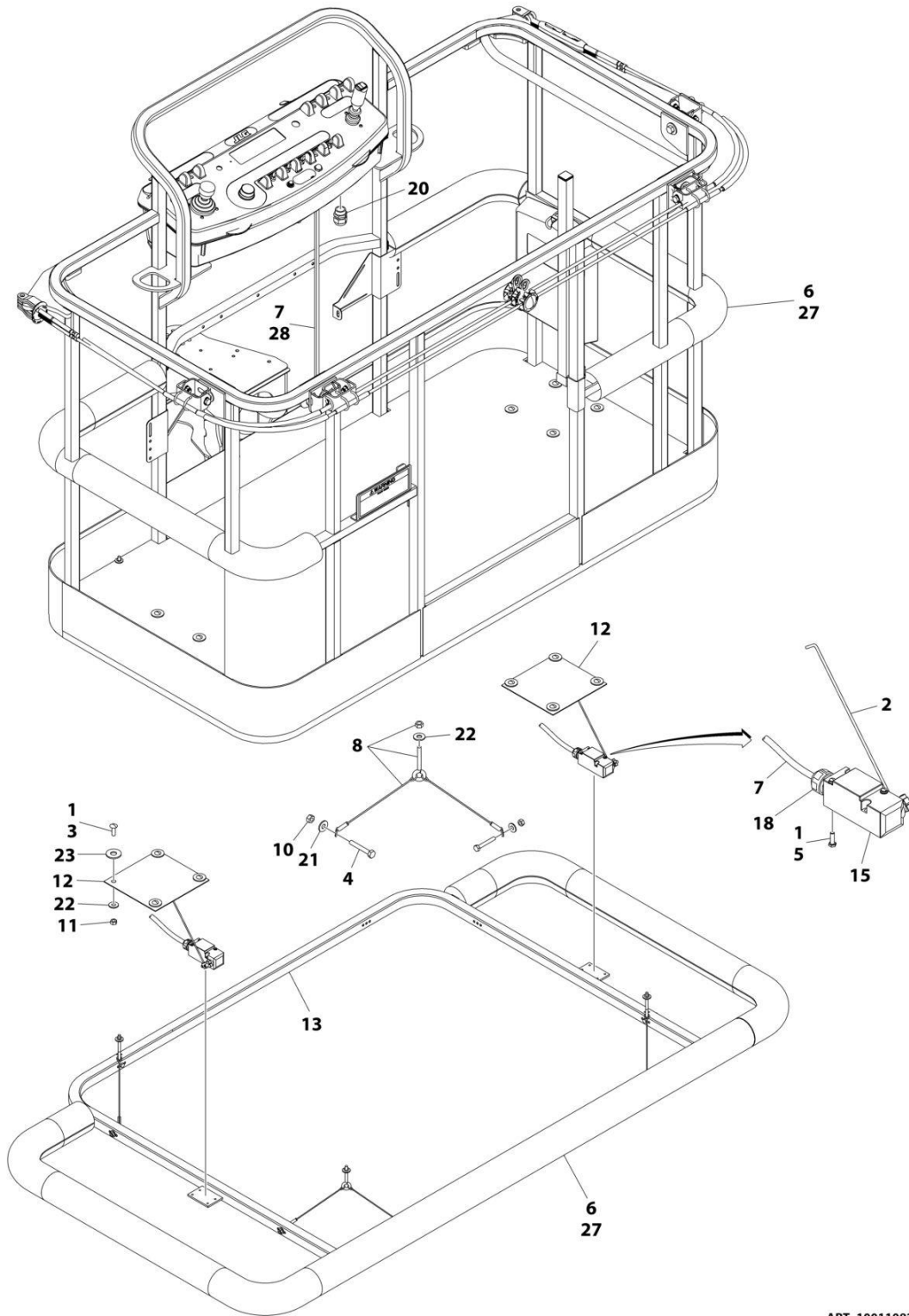
SECTION 5 - PLATFORM

FIGURE 5-31. SOFT TOUCH INSTALLATION - 6FT (1.83M) PLATFORM

ITEM	PART NUMBER	QTY	DESCRIPTION	REV
	0273824	Ref	SOFT TOUCH SYSTEM INSTALLATION	E
1	0100011	AR	Compound, Locking	
2	0200048	2	Arm, Switch	
3	0630462	8	Bolt	
4	0641414	8	Bolt 1/4 x 1-3/4	
5	0731005	4	Bolt #10 x 5/8	
6	0940134	1	Bumper Kit (Includes Corners and Enough Straight Material for One Platform)	
6	0940092	AR	Bumper (Corner)	
6	0940094	AR	Bumper (12ft Length)	
7	1060341	23 ft/7m	Cable, Soft Touch - 16/2	
8	1060903	4	Wire Rope and Eyebolt Assembly	
10	3311401	8	Nut 1/4	
11	3311501	8	Nut 5/16	
12	3575359	2	Plate, Switch Strike	
13	3641569	1	Rail, Soft Touch	
14	4240099	7	Tie-Strap (Not Shown)	
15	4360057	2	Switch, Limit	
18	4460049	2	Connector, Strain Relief	
19	4460234	7	Tie-Strap (Not Shown)	
20	4460425	1	Connector, Strain Relief	
21	4751400	8	Washer 1/4	
22	4751500	12	Washer 5/16	
23	4751800	8	Washer 1/2	
27	1001197017	AR	Tie-Strap	
28	4460226	4	Socket	

SECTION 5 - PLATFORM

FIGURE 5-32. SOFT TOUCH INSTALLATION - 6FT (1.83M) FALL ARREST PLATFORM (600S HC3)



ART_1001108256_D

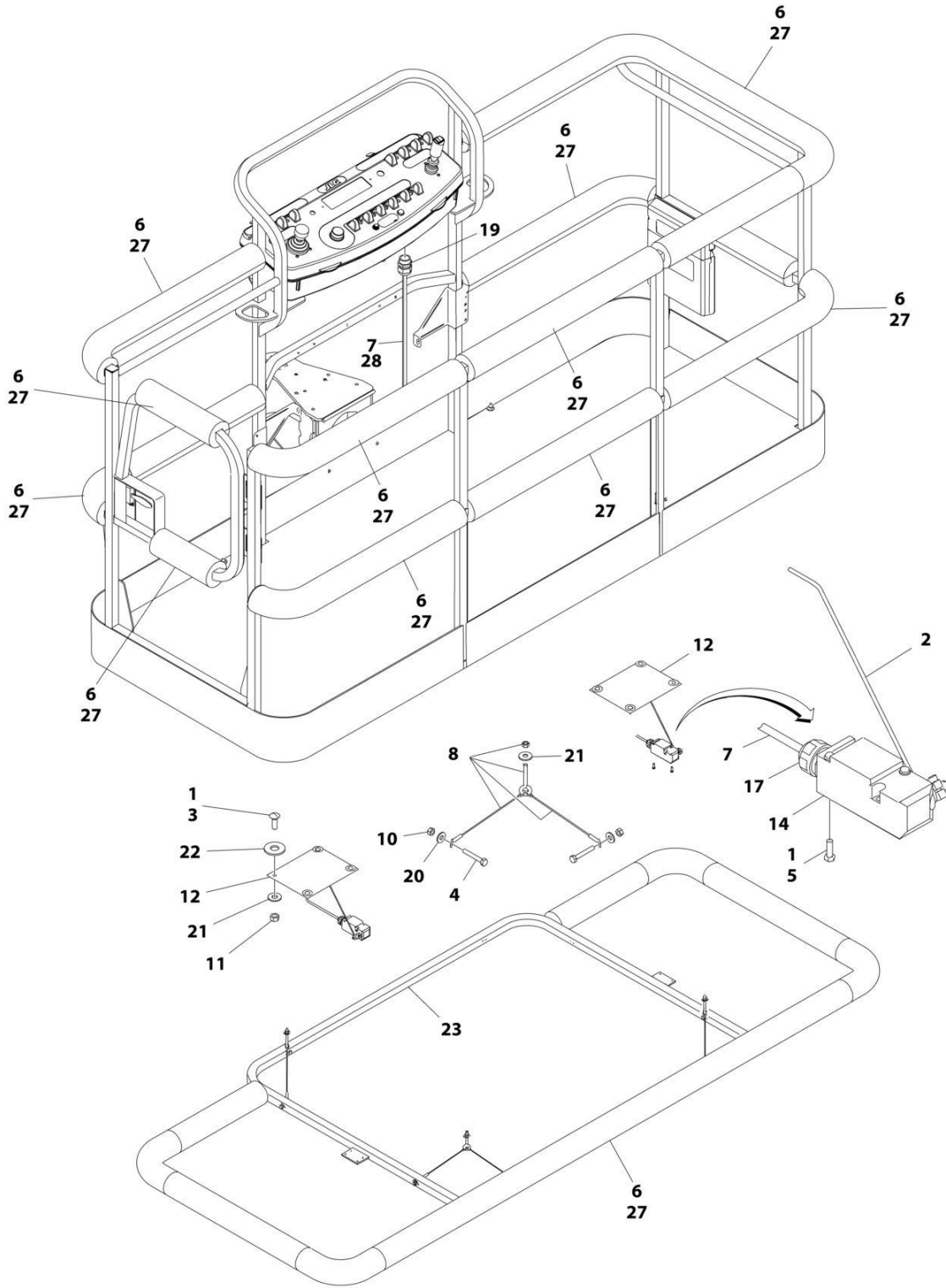
SECTION 5 - PLATFORM

FIGURE 5-32. SOFT TOUCH INSTALLATION - 6FT (1.83M) FALL ARREST PLATFORM (600S HC3)

ITEM	PART NUMBER	QTY	DESCRIPTION	REV
	1001108256	Ref	SOFT TOUCH INSTALLATION	D
1	0100011	AR	Compound, Locking	
2	0200048	2	Arm, Switch	
3	0630462	8	Bolt	
4	0641414	8	Bolt 1/4 x 1-3/4	
5	0731005	4	Bolt #10 x 5/8	
6	0940177	1	Bumper Kit (Includes Corners and Enough Straight Material for One Platform)	
6	0940092	8	Bumper (Corner)	
6	0940094	AR	Bumper (12ft Length)	
7	1060341	23 ft/7m	Cable, Soft Touch - 16/2	
8	1060903	4	Wire Rope and Eyebolt Assembly	
10	3311401	8	Nut 1/4	
11	3311501	8	Nut 5/16	
12	3575359	2	Plate, Switch Strike	
13	3641569	1	Rail, Soft Touch	
14	4240099	7	Tie-Strap (Not Shown)	
15	4360057	2	Switch, Limit	
18	4460049	2	Connector, Strain Relief	
19	4460234	7	Tie-Strap (Not Shown)	
20	4460425	1	Connector, Strain Relief	
21	4751400	8	Washer 1/4	
22	4751500	9	Washer 5/16	
23	4751800	8	Washer 1/2	
27	1001197017	AR	Strap, Cable Tie (Yellow)	
28	4460226	4	Socket	

SECTION 5 - PLATFORM

FIGURE 5-33. SOFT TOUCH INSTALLATION - 8FT (2.4M) PLATFORM



ART_0272427_H

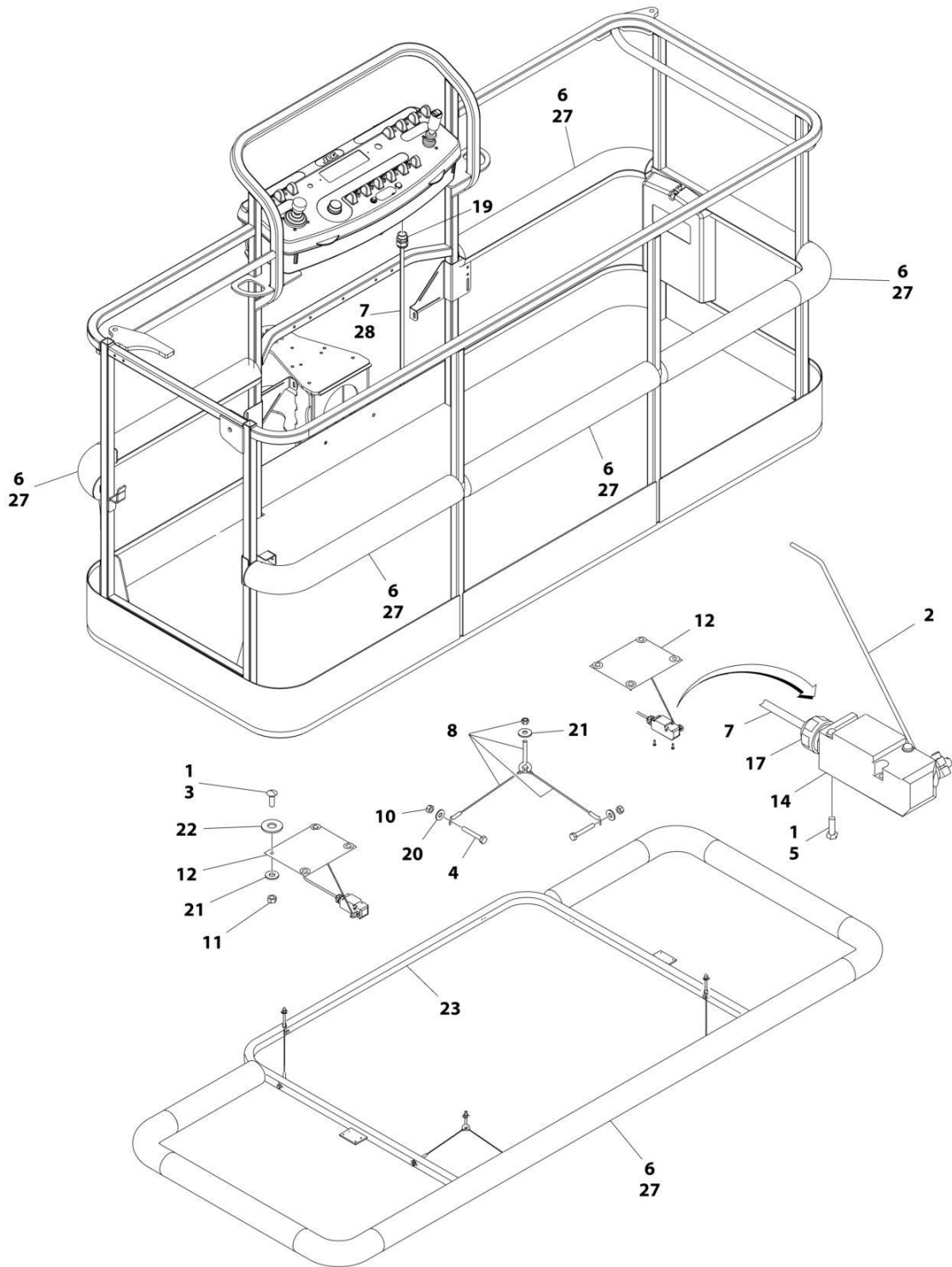
SECTION 5 - PLATFORM

FIGURE 5-33. SOFT TOUCH INSTALLATION - 8FT (2.4M) PLATFORM

ITEM	PART NUMBER	QTY	DESCRIPTION	REV
	0272427	Ref	SOFT TOUCH INSTALLATION - 36IN X 8FT (91.5CM X 2.44M) PLATFORM	H
1	0100011	AR	Compound, Locking	
2	0200048	2	Arm, Switch	
3	0630462	8	Bolt	
4	0641414	8	Bolt 1/4 x 1-3/4	
5	0721005	4	Bolt #10 x 5/8	
6	0940103	1	Bumper Kit (Includes Corners and Enough Straight Material for One Platform)	
6	0940092	12	Bumper (Corner)	
6	0940094	AR	Bumper (12ft Length)	
7	1060341	23 ft/7m	Cable, Soft Touch - 16/2	
8	1060903	4	Wire Rope and Eyebolt Assembly	
10	3311401	8	Nut 1/4	
11	3311501	8	Nut 5/16	
12	3574091	2	Plate, Switch Strike	
13	4240099	7	Tie-Strap (Not Shown)	
14	4360057	2	Switch, Limit	
17	4460049	2	Connector, Strain Relief	
18	4460234	7	Tie-Strap (Not Shown)	
19	4460425	1	Connector, Strain Relief	
20	4751400	8	Washer 1/4	
21	4751500	12	Washer 5/16	
22	4751800	8	Washer 1/2	
23	4846673	1	Rail, Soft Touch	
27	1001197017	AR	Tie-Strap	
28	4460226	1	Socket	

SECTION 5 - PLATFORM

FIGURE 5-34. SOFT TOUCH INSTALLATION - 8FT (2.4M) FALL ARREST PLATFORM (600S HC3)



ART_0273706_E

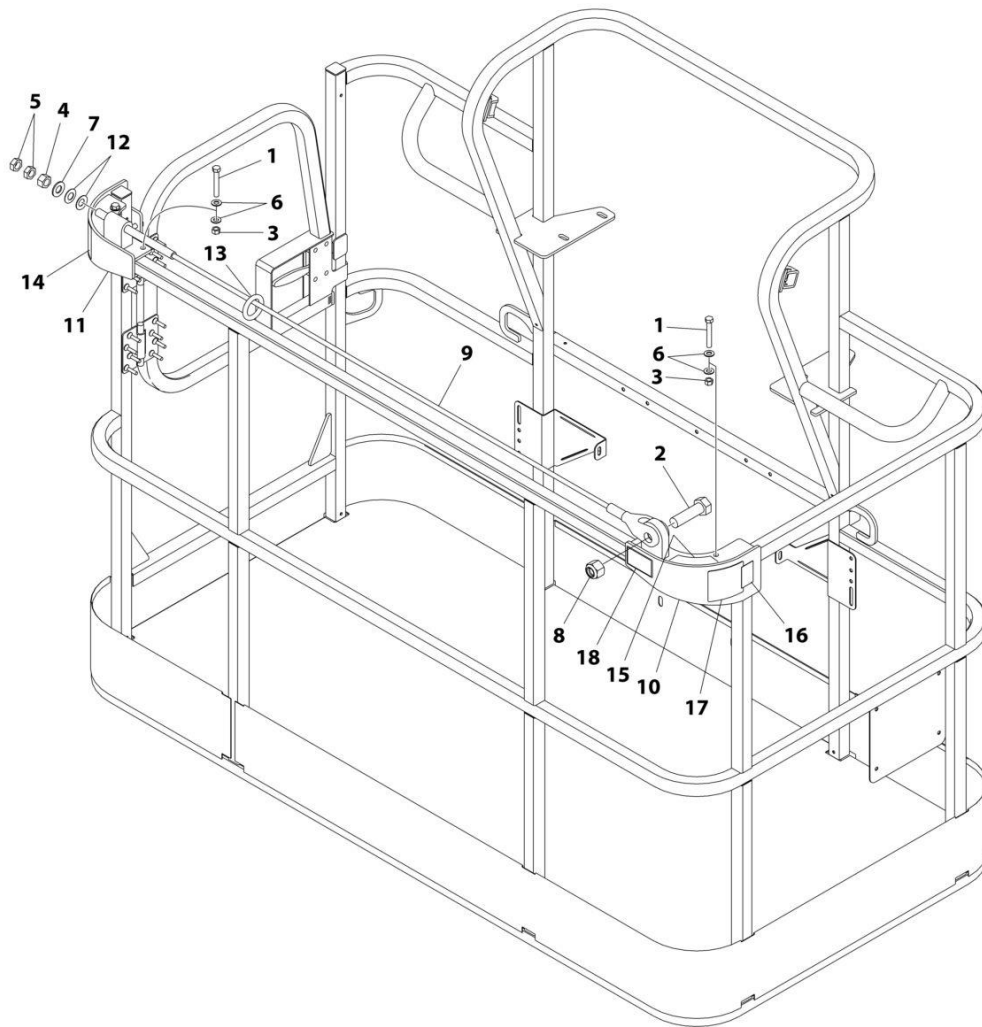
SECTION 5 - PLATFORM

FIGURE 5-34. SOFT TOUCH INSTALLATION - 8FT (2.4M) FALL ARREST PLATFORM (600S HC3)

ITEM	PART NUMBER	QTY	DESCRIPTION	REV
	0273706	Ref	SOFT TOUCH INSTALLATION	E
1	0100011	AR	Compound, Locking	
2	0200048	2	Arm, Switch	
3	0630462	8	Bolt	
4	0641414	8	Bolt 1/4 x 1-3/4	
5	0721005	4	Bolt #10 x 5/8	
6	0940133	1	Bumper Kit (Includes Corners and Enough Straight Material for One Platform)	
6	0940092	8	Bumper (Corner)	
6	0940094	AR	Bumper (12ft Length)	
7	1060341	23 ft/7m	Cable, Soft Touch - 16/2	
8	1060903	4	Wire Rope and Eyebolt Assembly	
10	3311401	8	Nut 1/4	
11	3311501	8	Nut 5/16	
12	3574091	2	Plate, Switch Strike	
13	4240099	7	Tie-Strap (Not Shown)	
14	4360057	2	Switch, Limit	
17	4460049	2	Connector, Strain Relief	
18	4460234	7	Tie-Strap (Not Shown)	
19	4460425	1	Connector, Strain Relief	
20	4751400	8	Washer 1/4	
21	4751500	12	Washer 5/16	
22	4751800	8	Washer 1/2	
23	4846673	1	Rail, Soft Touch	
27	1001197017	AR	Tie-Strap	
28	4460226	4	Socket	

SECTION 5 - PLATFORM

FIGURE 5-35. FALL ARREST INSTALLATION (BOLT-ON EXTERNAL) (6FT/1.82M PLATFORM)



ART_1001236747

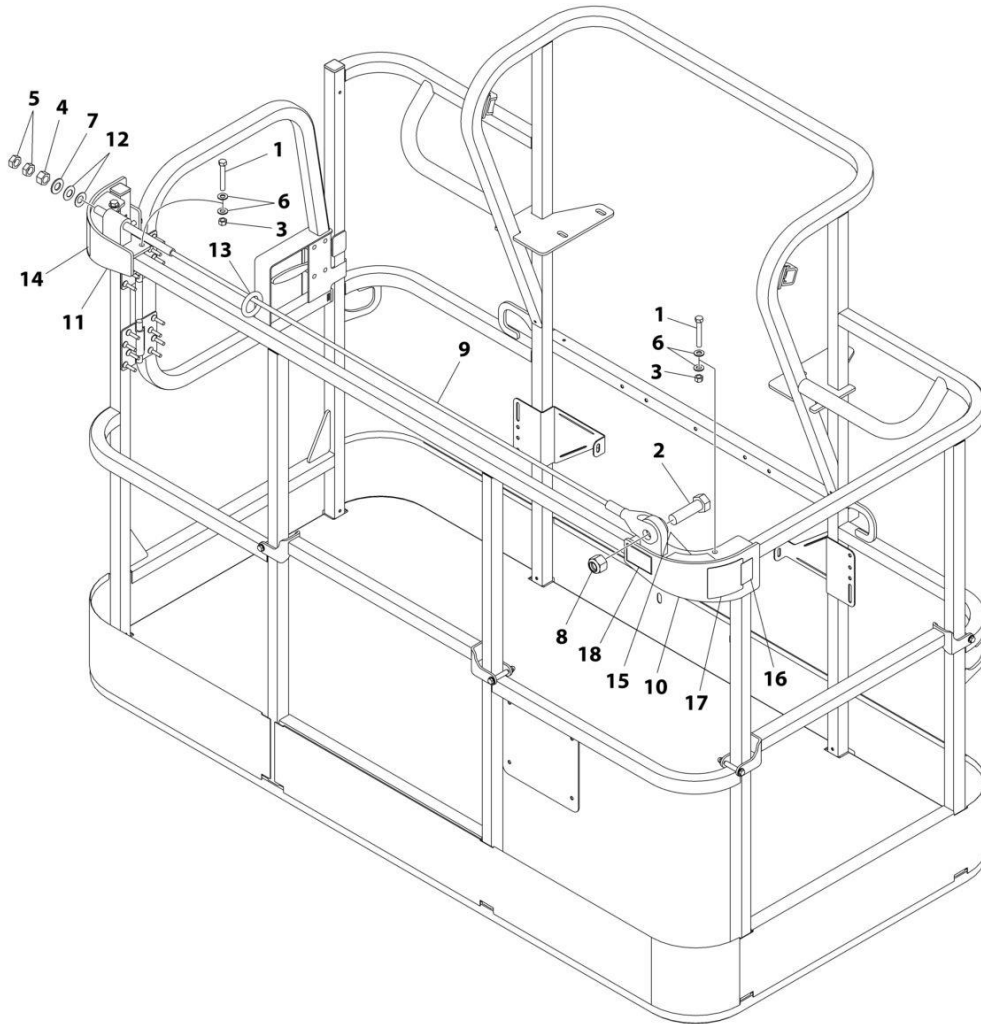
SECTION 5 - PLATFORM

FIGURE 5-35. FALL ARREST INSTALLATION (BOLT-ON EXTERNAL) (6FT/1.82M PLATFORM)

ITEM	PART NUMBER	QTY	DESCRIPTION	REV
	1001236747	Ref	FALL ARREST INSTALLATION (BOLT - ON) 6FT/1.82M PLATFORM	C
1	0681620	6	Bolt 3/8 x 2-1/2	
2	0682424	1	Bolt 7/8 x 3	
3	3271605	6	Nut 3/8	
4	3272001	1	Nut 5/8	
5	3312002	2	Nut 5/8	
6	4711600	12	Washer 3/8	
7	4712000	1	Washer 5/8	
8	88521214	1	Nut 7/8	
9	1001231950	1	Rope	
10	1001232010	1	Bracket (RH)	
11	1001232011	1	Bracket (LH)	
12	1001236891	2	Washer	
13	1001236895	1	Ring	
14	1001238263	1	Decal - Warning Falling Hazard	
15	1001252629	1	Decal - Weight	
16	1001248140	1	Decal - Bolt Fall Arrest Re-Cert	
17	1001248141	1	Decal - Inscription	

SECTION 5 - PLATFORM

FIGURE 5-36. FALL ARREST INSTALLATION (BOLT-ON EXTERNAL) (6FT/1.82M TRI-ENTRY PLATFORM)



ART_1001238463

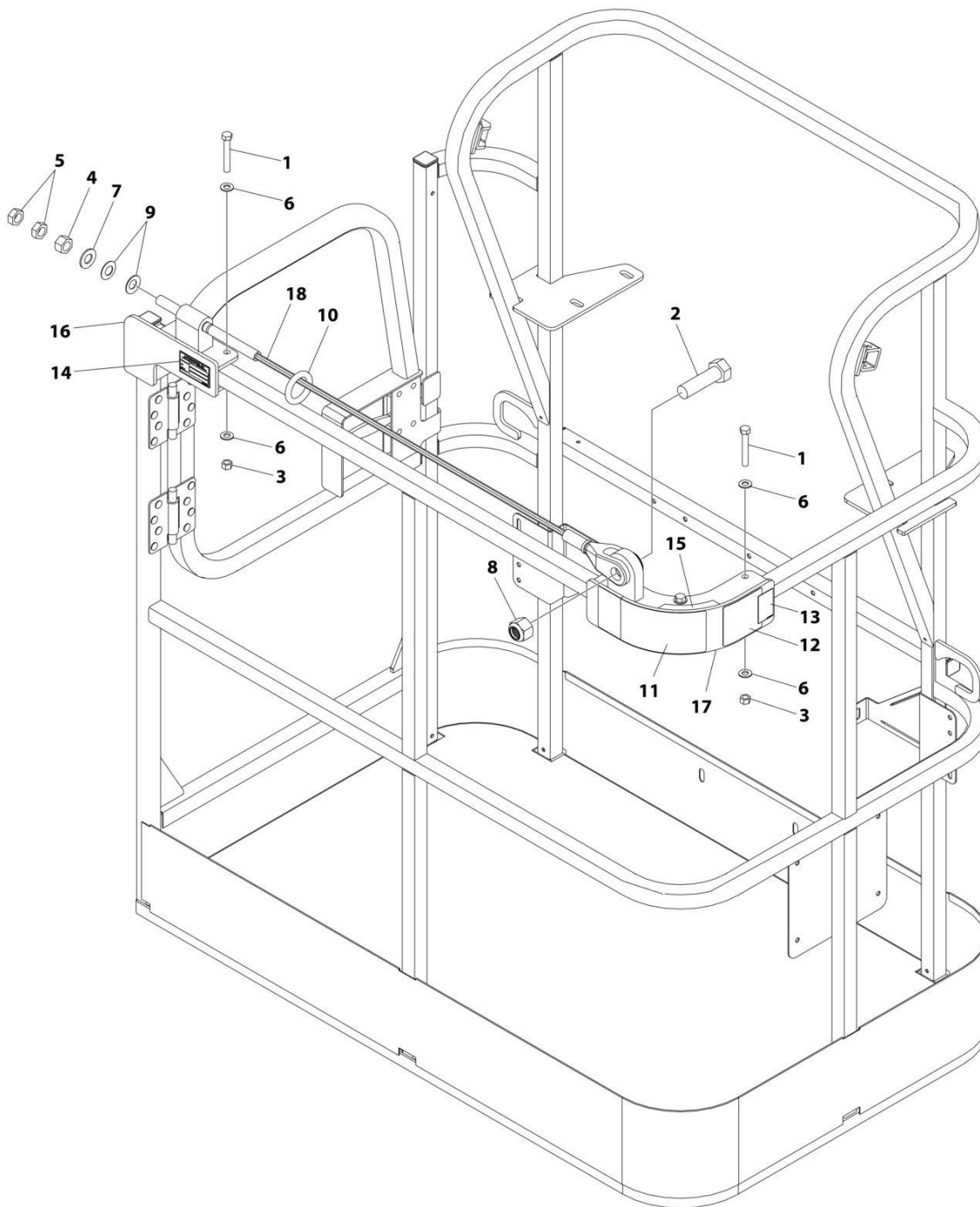
SECTION 5 - PLATFORM

FIGURE 5-36. FALL ARREST INSTALLATION (BOLT-ON EXTERNAL) (6FT/1.82M TRI-ENTRY PLATFORM)

ITEM	PART NUMBER	QTY	DESCRIPTION	REV
	1001238463	Ref	FALL ARREST INSTALLATION (BOLT - ON) 6FT/1.82M PLATFORM	C
1	0681620	6	Bolt 3/8 x 2-1/2	
2	0682424	1	Bolt 7/8 x 3	
3	3271605	6	Nut 3/8	
4	3272001	1	Nut 5/8	
5	3312002	2	Nut 5/8	
6	4711600	12	Washer 3/8	
7	4712000	1	Washer 5/8	
8	88521214	1	Nut 7/8	
9	1001231950	1	Rope	
10	1001232010	1	Bracket (RH)	
11	1001232011	1	Bracket (LH)	
12	1001236891	2	Washer	
13	1001236895	1	Ring	
14	1001238263	1	Decal - Warning Falling Hazard	
15	1001252629	1	Decal - Weight	
16	1001248140	1	Decal - Bolt Fall Arrest Re-Cert	
17	1001248141	1	Decal - Inscription	

SECTION 5 - PLATFORM

FIGURE 5-37. FALL ARREST INSTALLATION (BOLT-ON EXTERNAL) (2.5FT/1.22M PLATFORM)



ART_1001261338

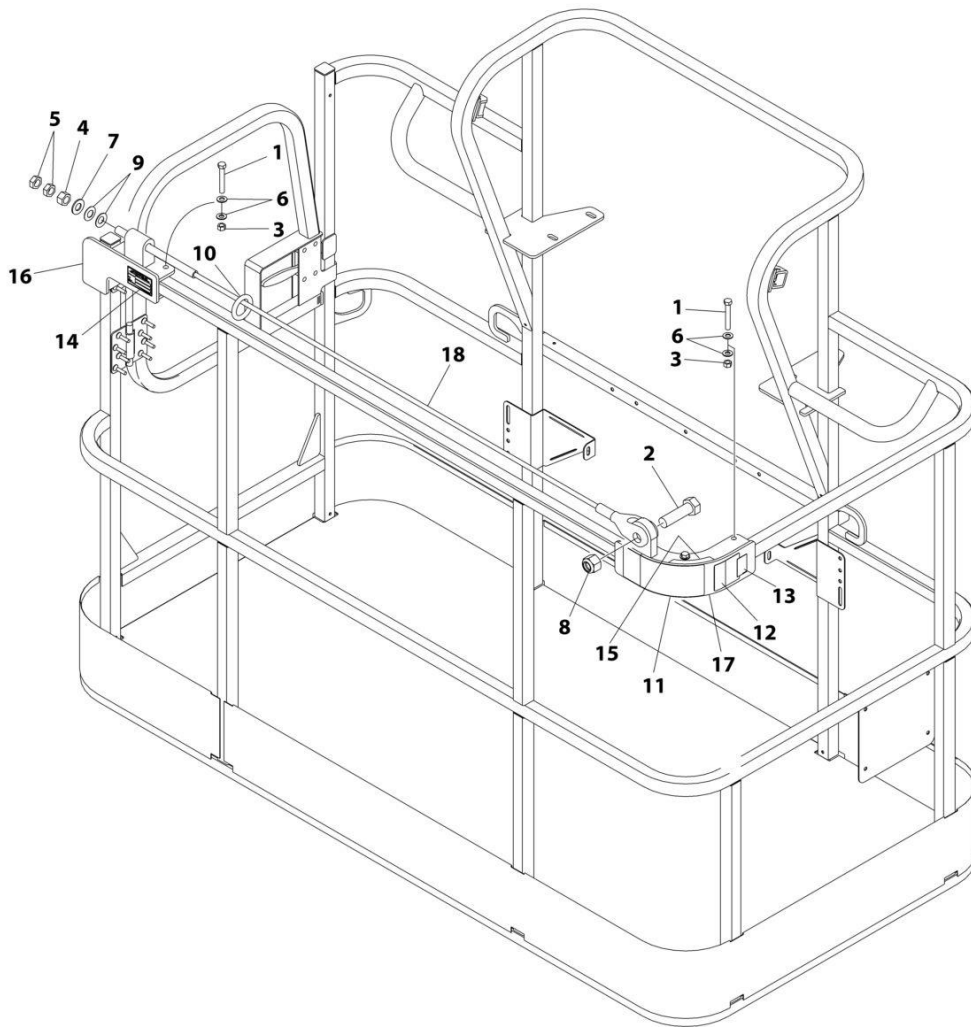
SECTION 5 - PLATFORM

FIGURE 5-37. FALL ARREST INSTALLATION (BOLT-ON EXTERNAL) (2.5FT/1.22M PLATFORM)

ITEM	PART NUMBER	QTY	DESCRIPTION	REV
	1001261338	Ref	FALL ARREST INSTALLATION	A
1	0681620	6	Bolt 3/8 x 2-1/2	
2	0682424	1	Bolt 7/8 x 3	
3	3271605	6	Nut 3/8	
4	3272001	1	Nut 5/8	
5	3312002	2	Nut 5/8	
6	4711600	12	Washer 3/8	
7	4712000	1	Washer 5/8	
8	88521214	1	Nut 7/8	
9	1001236891	2	Washer	
10	1001236895	1	Ring	
11	1001238263	1	Decal - Warning Falling Hazard	
12	1001248140	1	Decal - Bolt Fall Arrest Re-Cert	
13	1001248141	1	Decal - Incription	
14	See Note	NSS	Nameplate - Manufacturers Serial Number (Note: Not Available for Purchase)	
15	1001252629	1	Decal - Weight	
16	1001257271	1	Bracket (RH)	
17	1001257274	1	Bracket (LH)	
18	1001261335	1	Rope	

SECTION 5 - PLATFORM

FIGURE 5-38. FALL ARREST INSTALLATION (BOLT-ON EXTERNAL) (2.5FT/1.52M PLATFORM)



ART_1001257275

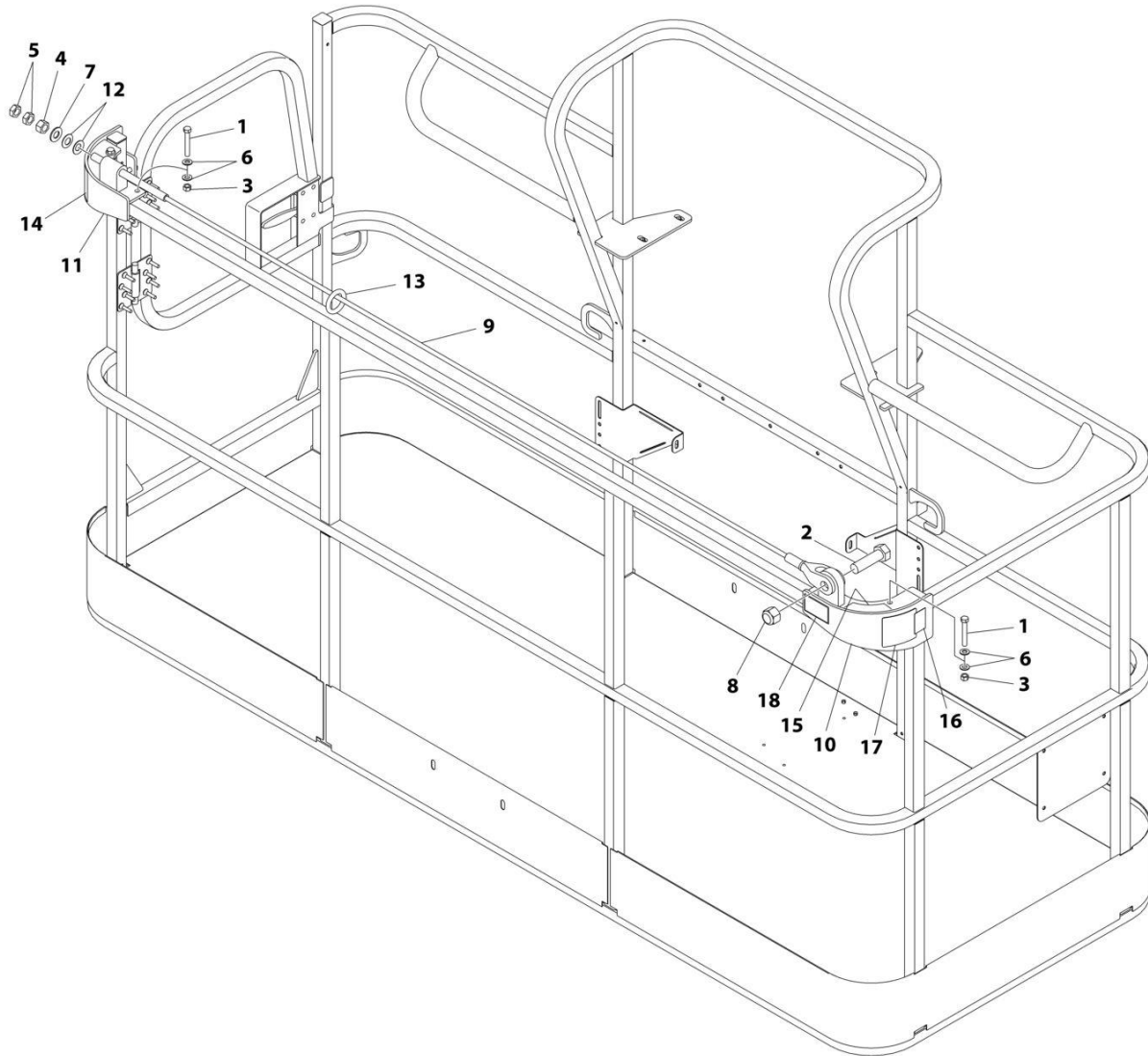
SECTION 5 - PLATFORM

FIGURE 5-38. FALL ARREST INSTALLATION (BOLT-ON EXTERNAL) (2.5FT/1.52M PLATFORM)

ITEM	PART NUMBER	QTY	DESCRIPTION	REV
	1001257275	Ref	FALL ARREST INSTALLATION (BOLT - ON) 6FT/1.82M PLATFORM	A
1	0681620	6	Bolt 3/8 x 2-1/2	
2	0682424	1	Bolt 7/8 x 3	
3	3271605	6	Nut 3/8	
4	3272001	1	Nut 5/8	
5	3312002	2	Nut 5/8	
6	4711600	12	Washer 3/8	
7	4712000	1	Washer 5/8	
8	88521214	1	Nut 7/8	
9	1001236891	2	Washer	
10	1001236895	1	Ring	
11	1001238263	1	Decal - Warning Falling Hazard	
12	1001248140	1	Decal - Bolt Fall Arrest Re-Cert	
13	1001248141	1	Decal - Incription	
14	See Note	NSS	Nameplate - Manufacturers Serial Number (Note: Not Available for Purchase)	
15	1001252629	1	Decal - Weight	
16	1001257271	1	Bracket (RH)	
17	1001257274	1	Bracket (LH)	
18	1001258005	1	Rope	

SECTION 5 - PLATFORM

FIGURE 5-39. FALL ARREST INSTALLATION (BOLT-ON EXTERNAL) (8FT/2.4M PLATFORM)



ART_1001236746

SECTION 5 - PLATFORM

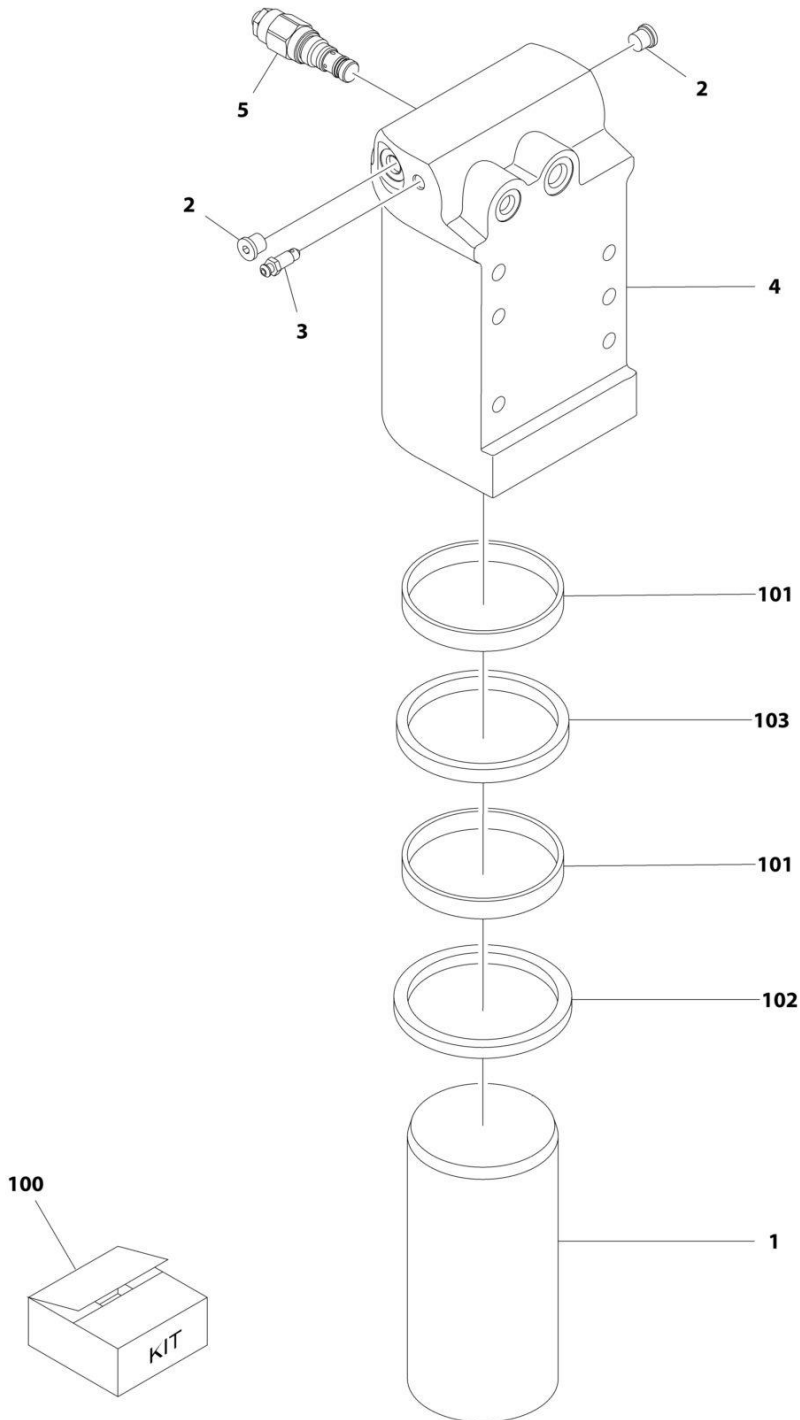
FIGURE 5-39. FALL ARREST INSTALLATION (BOLT-ON EXTERNAL) (8FT/2.4M PLATFORM)

ITEM	PART NUMBER	QTY	DESCRIPTION	REV
	1001236746	Ref	FALL ARREST INSTALLATION (BOLT - ON) 8FT/2.4M PLATFORM	C
1	0681620	6	Bolt 3/8 x 2-1/2	
2	0682424	1	Bolt 7/8 x 3	
3	3271605	6	Nut 3/8	
4	3272001	1	Nut 5/8	
5	3312002	2	Nut 5/8	
6	4711600	12	Washer 3/8	
7	4712000	1	Washer 5/8	
8	88521214	1	Nut 7/8	
9	1001231949	1	Rope	
10	1001232010	1	Bracket (RH)	
11	1001232011	1	Bracket (LH)	
12	1001236891	2	Washer	
13	1001236895	1	Ring	
14	1001238263	1	Decal - Warning Falling Hazard	
15	1001252629	1	Decal - Weight 23LBS/10.4KG	
16	1001248140	1	Decal - Bolt Fall Arrest Re-Cert	
17	1001248141	1	Decal - Inscription	

SECTION 6 - CYLINDER

SECTION 6 - CYLINDER

FIGURE 6-1. AXLE LOCKOUT CYLINDER ASSEMBLY (MACHINES WITH SN STARTING WITH 03)



ART_1001219040

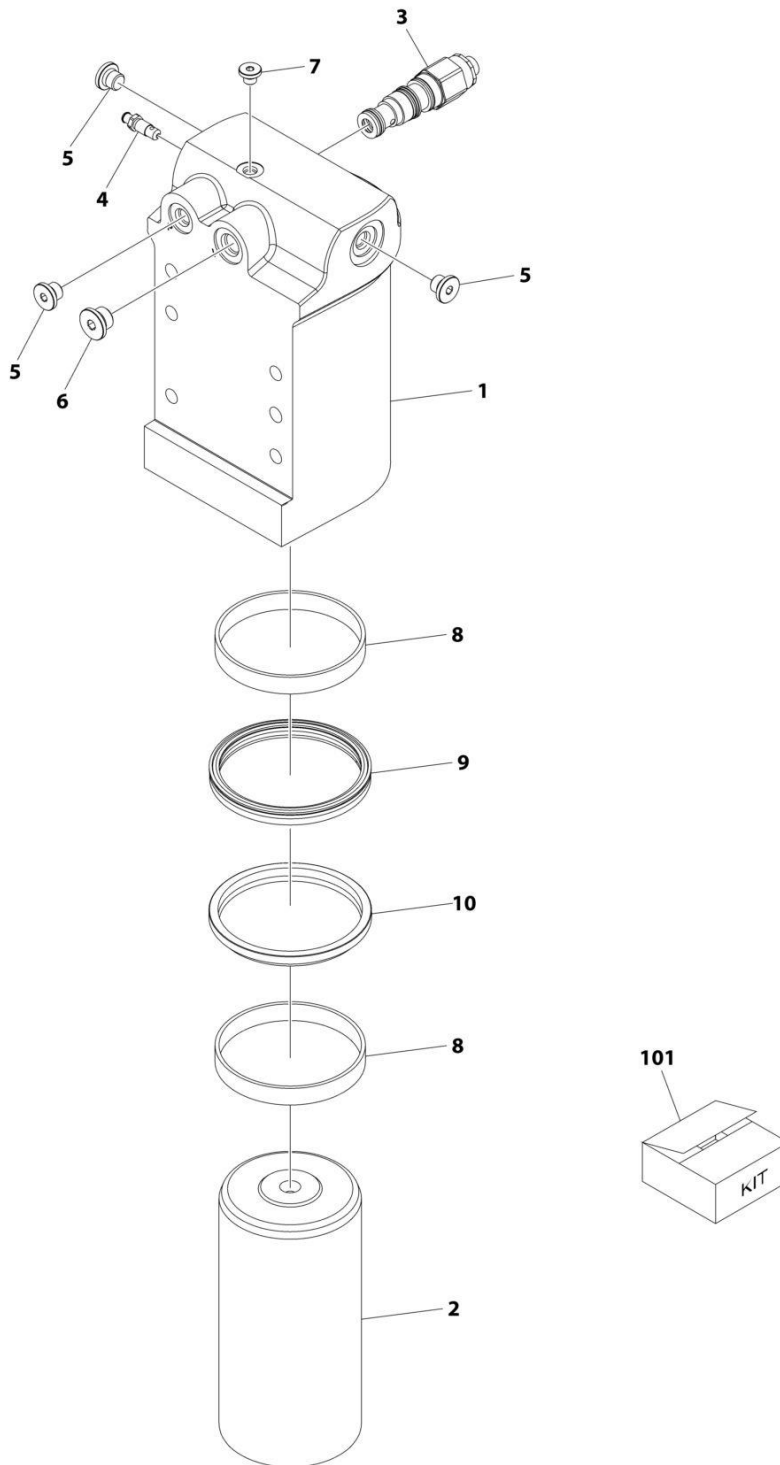
SECTION 6 - CYLINDER

FIGURE 6-1. AXLE LOCKOUT CYLINDER ASSEMBLY (MACHINES WITH SN STARTING WITH 03)

ITEM	PART NUMBER	QTY	DESCRIPTION	REV
	1001219040	Ref	AXLE LOCKOUT CYLINDER ASSEMBLY	A
1	1684290	1	Rod	
2	2220883	2	Plug #4	
3	4640858	1	Valve, Bleeder	
4	1001164817	1	Barrel	
5	1001218594	1	Cartridge, Valve	
5	70002842	1	Seal Kit - 1001218594 Valve	
100	2902266	1	Seal Kit - 1001219040 Cylinder (Includes Items 101-103)	
101	See Note	NSS	Ring, Wear	
102	See Note	NSS	Seal	
103	See Note	NSS	Wiper	

SECTION 6 - CYLINDER

FIGURE 6-2. AXLE LOCKOUT CYLINDER ASSEMBLY (MACHINES WITH SN STARTING WITH B3)



ART_1001256180

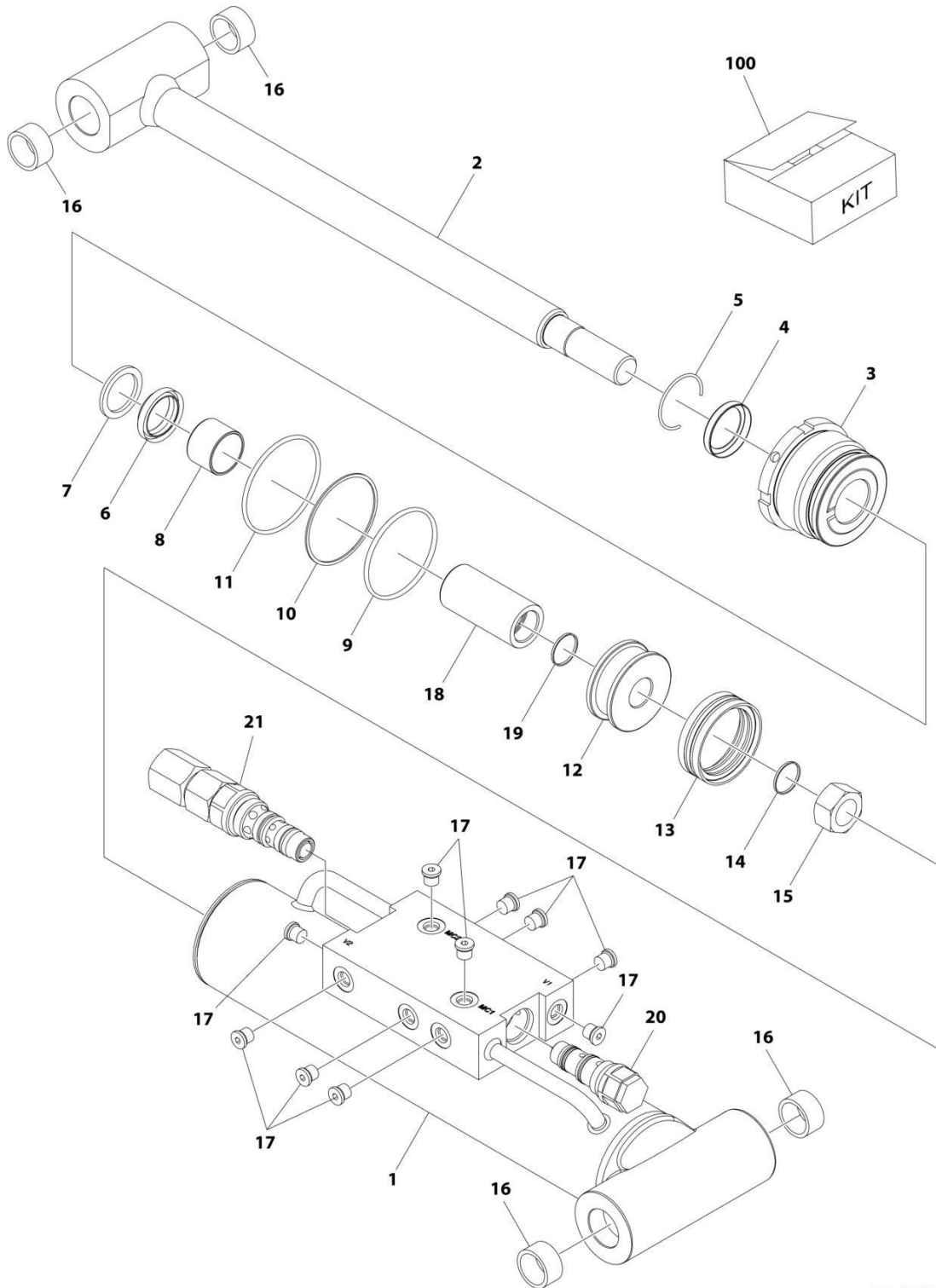
SECTION 6 - CYLINDER

FIGURE 6-2. AXLE LOCKOUT CYLINDER ASSEMBLY (MACHINES WITH SN STARTING WITH B3)

ITEM	PART NUMBER	QTY	DESCRIPTION	REV
	1001256180	Ref	AXLE LOCKOUT CYLINDER ASSEMBLY	A
		Ref	Note: Original Cylinder May Have Been Replaced with Service Replacement. Identify PN Stamped on Cylinder Before Ordering Parts.	
1	See Note	NSS	Tube (Note: Not Available for Purchase)	
2	70008244	1	Rod	
3	1001218594	1	Valve	
4	70008246	1	Plug, Bleeder	
5	2220883	3	Plug 7/16	
6	2220885	1	Plug 9/16	
7	2220881	1	Plug 5/16	
8	See Note	NSS	Ring, Wear (Note: Use Item 101)	
9	See Note	NSS	Seal, Rod (Note: Use Item 101)	
10	See Note	NSS	Wiper, Rod (Note: Use Item 101)	
101	70008274	1	Seal Kit (Includes Items 8-10)	

SECTION 6 - CYLINDER

FIGURE 6-3. LEVEL CYLINDER ASSEMBLY - PLATFORM SLAVE (600S HC3)



ART_1001184954

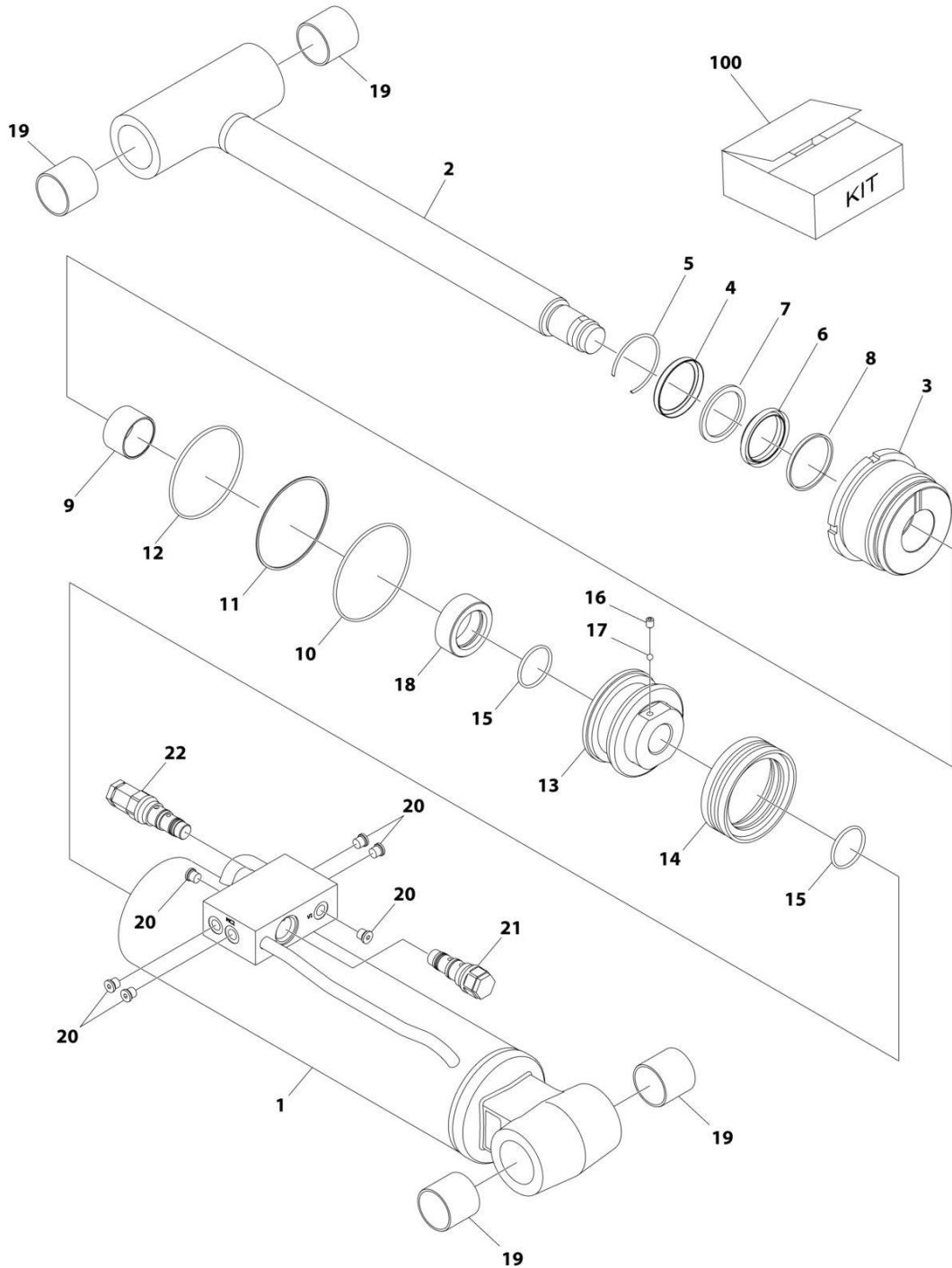
SECTION 6 - CYLINDER

FIGURE 6-3. LEVEL CYLINDER ASSEMBLY - PLATFORM SLAVE (600S HC3)

ITEM	PART NUMBER	QTY	DESCRIPTION	REV
	1001184954	Ref	LEVEL CYLINDER ASSEMBLY	E
		Ref	Note: Original Cylinder may have been replaced with Service Replacement. Identify PN Stamped on Cylinder Before Ordering Parts.	
1	70005693	1	Barrel	
2	70005694	1	Rod	
3	70003085	1	Head	
4	See Note	NSS	Wiper (Note: Use Item 100)	
5	70002366	1	Ring, Retaining	
6	See Note	NSS	Seal, Rod (Note: Use Item 100)	
7	See Note	NSS	Ring, Back-up (Note: Use Item 100)	
8	70005695	1	Bearing	
9	See Note	NSS	O-Ring (Note: Use Item 100)	
10	See Note	NSS	Ring, Back-up (Note: Use Item 100)	
11	See Note	NSS	O-Ring (Note: Use Item 100)	
12	70002381	1	Piston	
13	See Note	NSS	Seal, Piston (Note: Use Item 100)	
14	See Note	NSS	O-Ring (Note: Use Item 100)	
15	70002335	1	Nut	
16	0961947	4	Bearing	
17	2220883	10	Plug	
18	70005696	1	Spacer	
19	See Note	NSS	O-Ring (Note: Use Item 100)	
20	4640999	1	Valve, Counterbalance	
20	2900792	1	Seal Kit - 4640999 Valve	
21	1001232117	1	Valve, Counterbalance	
21	7011112	1	Seal Kit - 1001232117 Valve	
100	70005697	1	Seal Kit - 1001184954 Cylinder (Includes Items 4, 6, 7, 9, 10, 11, 13, 14 & 19)	

SECTION 6 - CYLINDER

FIGURE 6-4. LEVEL CYLINDER ASSEMBLY - PLATFORM SLAVE (660SJ HC3)



ART_1001247466

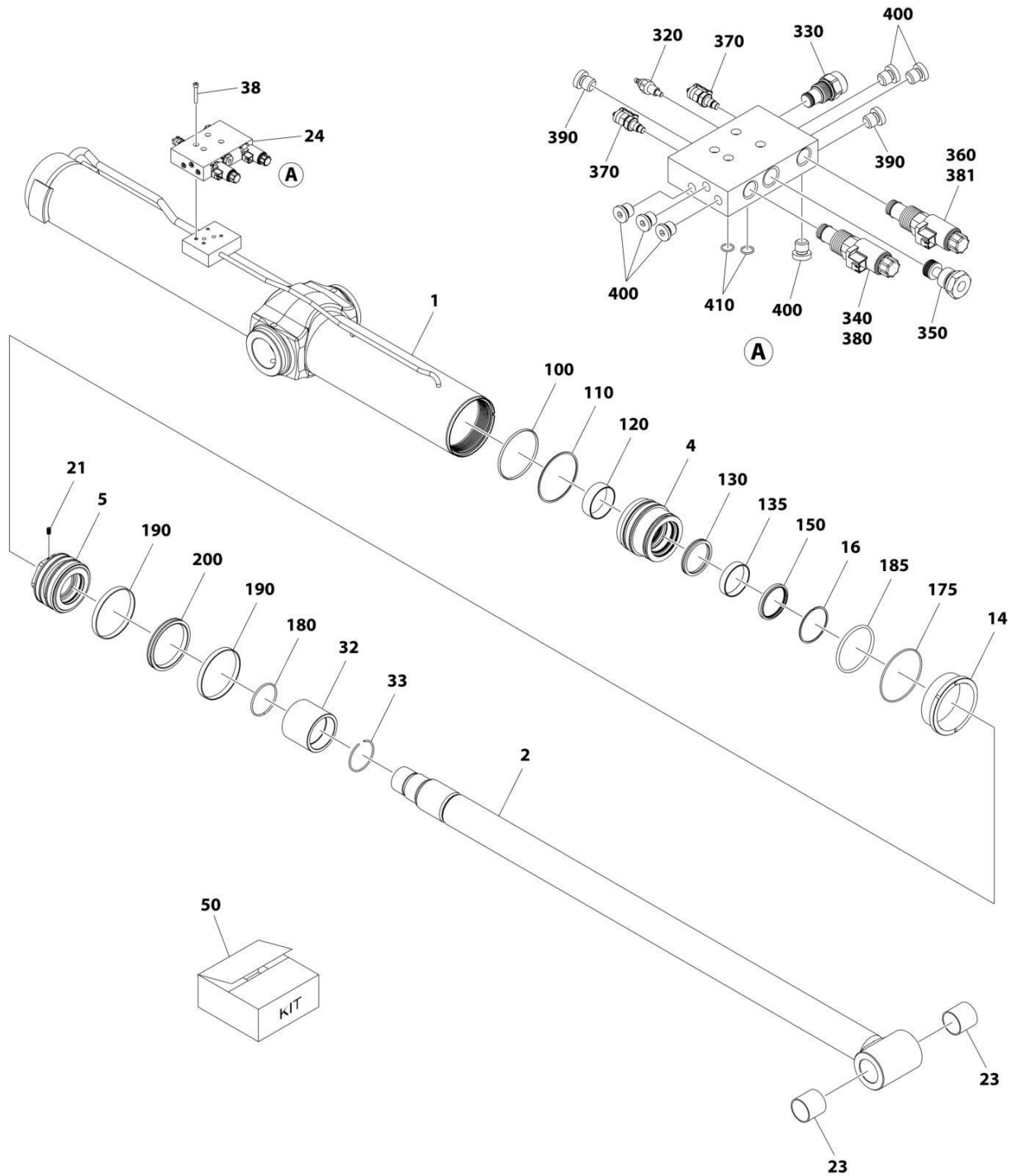
SECTION 6 - CYLINDER

FIGURE 6-4. LEVEL CYLINDER ASSEMBLY - PLATFORM SLAVE (660SJ HC3)

ITEM	PART NUMBER	QTY	DESCRIPTION	REV
	1001247466	Ref	LEVEL CYLINDER ASSEMBLY	C
		Ref	Note: Original Cylinder May Have Been Replaced with Service Replacement. Identify PN Stamped on Cylinder Before Ordering Parts.	
1	See Note	NSS	Barrel (Note: Use P/N 1001247466)	
2	70007168	1	Rod	
3	70007157	1	Head	
4	See Note	NSS	Wiper (Use Item:100)	
5	70002410	1	Ring, Retaining	
6	See Note	NSS	Seal, Rod (Use Item:100)	
7	See Note	NSS	Ring, Back Up (Use Item:100)	
8	See Note	NSS	Ring, Buffer (Use Item:100)	
9	70004237	1	Ring, Wear (Use Item:100)	
10	See Note	NSS	O-Ring (Use Item:100)	
11	See Note	NSS	Ring, Back up (Use Item:100)	
12	See Note	NSS	O-Ring (Use Item:100)	
13	70007161	1	Piston	
14	See Note	NSS	Seal, Piston (Use Item:100)	
15	See Note	NSS	O-Ring (Use Item:100)	
16	70006596	1	Setscrew	
17	70022564	1	Ball	
18	70007169	1	Spacer	
19	70007159	4	Bearing	
20	2220883	6	Plug	
21	4640999	1	Valve, Counterbalance	
21	2900792	1	Seal Kit - 4640999 Valve	
22	4640932	1	Valve, Counterbalance	
22	7011112	1	Seal Kit - 4640932 Valve	
100	70007251	1	Seal Kit, Cylinder (Include items : 4,6,7,8,10,11,12,14 & 15)	

SECTION 6 - CYLINDER

FIGURE 6-5. LIFT CYLINDER ASSEMBLY BOOM (600S HC3)



ART_1001272076

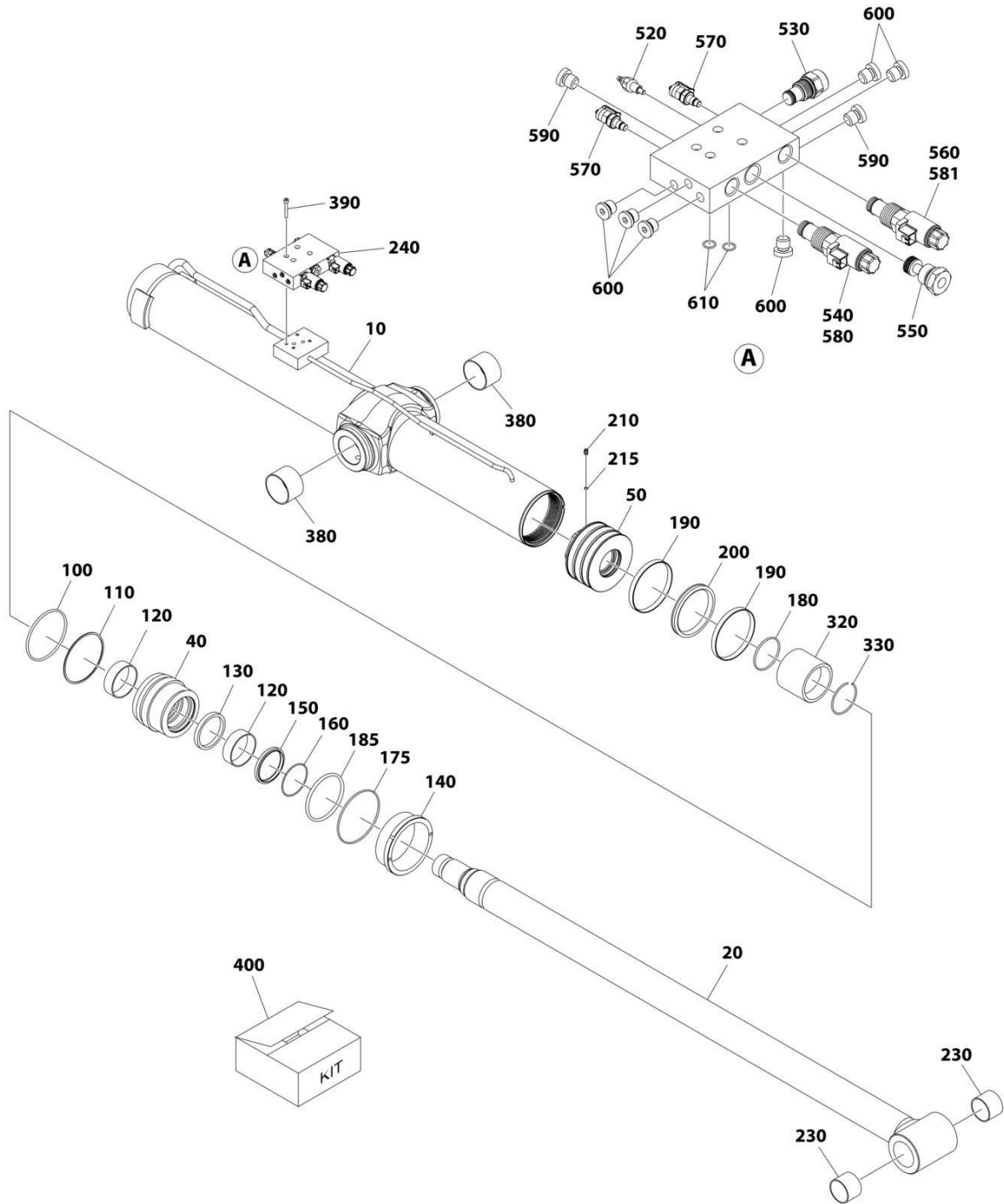
SECTION 6 - CYLINDER

FIGURE 6-5. LIFT CYLINDER ASSEMBLY BOOM (600S HC3)

ITEM	PART NUMBER	QTY	DESCRIPTION	REV
	1001272076	Ref	LIFT CYLINDER ASSEMBLY	B
		Ref	Note: Original Cylinder May Have Been Replaced with Service Replacement. Identify PN Stamped on Cylinder Before Ordering Parts.	
1	See Note	NSS	Barrel (Note: Use PN 1001272076)	
2	See Note	NSS	Rod (Note: Use PN 1001272076)	
4	70005572	1	Head	
5	70025580	1	Piston	
14	70026164	1	Lock	
16	70000699	1	Ring, Retaining	
21	70025582	1	Set Screw M10 x 20	
23	70007838	2	Bushing	
24	See Note	NSS	Valve Assembly (Note: Complete Assembly Not Available - Purchase Individual Components) (See Items 320-410)	
32	70006260	1	Spacer	
33	70005575	1	Ring, Retaining	
38	70007334	4	Capscrew M8 x 55	
50	70005563	1	Seal Kit - 1001272076 Cylinder (Includes Items 100-200)	
100	See Note	NSS	O-Ring (Note: Use Item 50)	
110	See Note	NSS	Ring, Back-Up (Note: Use Item 50)	
120	See Note	NSS	Ring, Wear (Note: Use Item 50)	
130	See Note	NSS	Seal (Note: Use Item 50)	
135	See Note	NSS	Ring, Wear (Note: Use Item 50)	
150	See Note	NSS	Wiper (Note: Use Item 50)	
175	See Note	NSS	O-Ring (Note: Use Item 50)	
180	See Note	NSS	O-Ring (Note: Use Item 50)	
185	See Note	NSS	O-Ring (Note: Use Item 50)	
190	See Note	NSS	Ring (Note: Use Item 50)	
200	See Note	NSS	Seal (Note: Use Item 50)	
320	70007341	1	Cartridge	
320	70004867	1	Seal Kit - 70007341 Valve	
330	70007342	1	Cartridge, Relief	
330	7024502	1	Seal Kit - 70007342 Valve	
340	70007343	1	Cartridge, Solenoid	
350	1001271454	1	Plug	
360	70007345	1	Cartridge, Solenoid	
360	7024503	1	Seal Kit - 70007345 Valve	
370	2221086	2	Fitting, Test	
380	70007323	1	Coil	
381	70006004	1	Coil	
390	70007346	2	Orifice	
400	70026973	6	Plug 1/8	
410	70007347	2	O-Ring	

SECTION 6 - CYLINDER

FIGURE 6-6. LIFT CYLINDER ASSEMBLY BOOM (660SJ HC3)



ART_1021072100

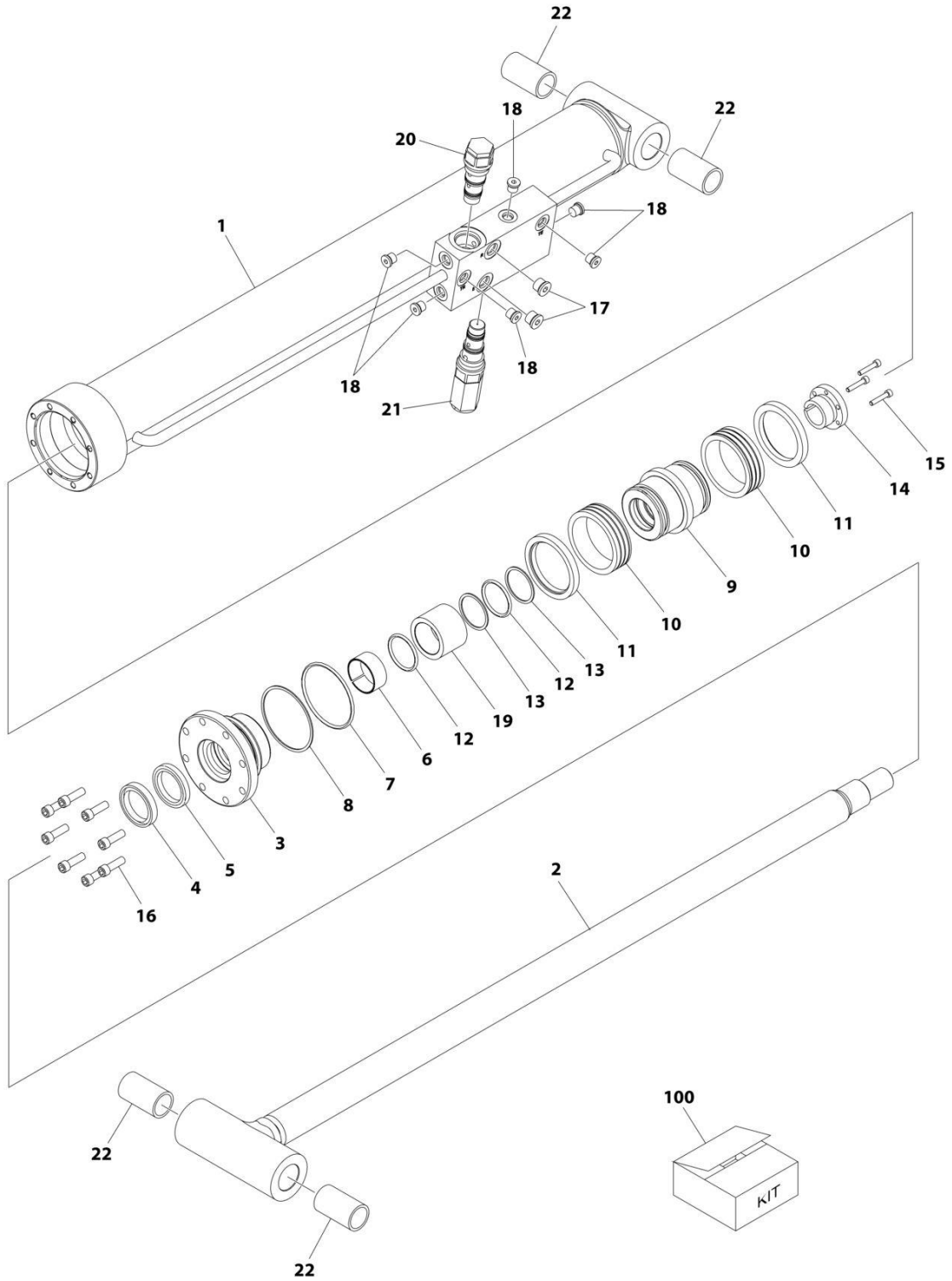
SECTION 6 - CYLINDER

FIGURE 6-6. LIFT CYLINDER ASSEMBLY BOOM (660SJ HC3)

ITEM	PART NUMBER	QTY	DESCRIPTION	REV
	1001272100	Ref	CYLINDER ASSEMBLY	B
		Ref	Note: Original Cylinder May Have Been Replaced with Service Replacement. Identify PN Stamped on Cylinder Before Ordering Parts.	
10	See Note	NSS	Barrel (Note: Use PN 1001272100)	
20	See Note	NSS	Rod (Note: Use PN 1001272100)	
40	70007336	1	Head	
50	70007337	1	Piston	
100	See Note	NSS	O-Ring	
110	See Note	NSS	Ring, Back-up (Note: Use Item 400)	
120	See Note	NSS	Ring, Wear (Note: Use Item 400)	
130	See Note	NSS	Seal, Head (Note: Use Item 400)	
140	70026179	1	Lock	
150	See Note	NSS	Wiper (Note: Use Item 400)	
160	70000699	1	Ring, Retaining	
175	See Note	NSS	O-Ring (Note: Use Item 400)	
180	See Note	NSS	O-Ring (Note: Use Item 400)	
185	See Note	NSS	O-Ring (Note: Use Item 400)	
190	See Note	NSS	Ring, Bearing (Note: Use Item 400)	
200	See Note	NSS	Seal, Piston (Note: Use Item 400)	
210	70025613	1	Screw M10 x 16	
215	70025614	1	Ball	
230	70007338	2	Bushing	
240	NPN	Ref	Valve Assembly (See Items 520-610)	
320	70006260	1	Spacer	
330	70005575	1	Ring	
380	70007339	2	Bushing	
390	70007334	4	Screw M8 x 55	
400	70008132	1	Seal Kit (Includes Items 100-130, 150 & 175-200)	
520	70007341	1	Cartridge	
520	70004867	1	Seal Kit - 70007341 Valve	
530	70007342	1	Cartridge, Relief	
530	7024502	1	Seal Kit - 70007342 Valve	
540	70007343	1	Cartridge, Solenoid	
550	1001271454	1	Plug	
560	70007345	1	Cartridge, Solenoid	
560	7024503	1	Seal Kit - 70007345 Valve	
570	2221086	2	Fitting, Test	
580	70007323	1	Coil	
581	70006004	1	Coil	
590	70007346	2	Orifice	
600	70008133	7	Plug	
610	70008134	2	O-Ring	

SECTION 6 - CYLINDER

FIGURE 6-7. LIFT CYLINDER ASSEMBLY - JIB (660SJ HC3)



ART_1001259137

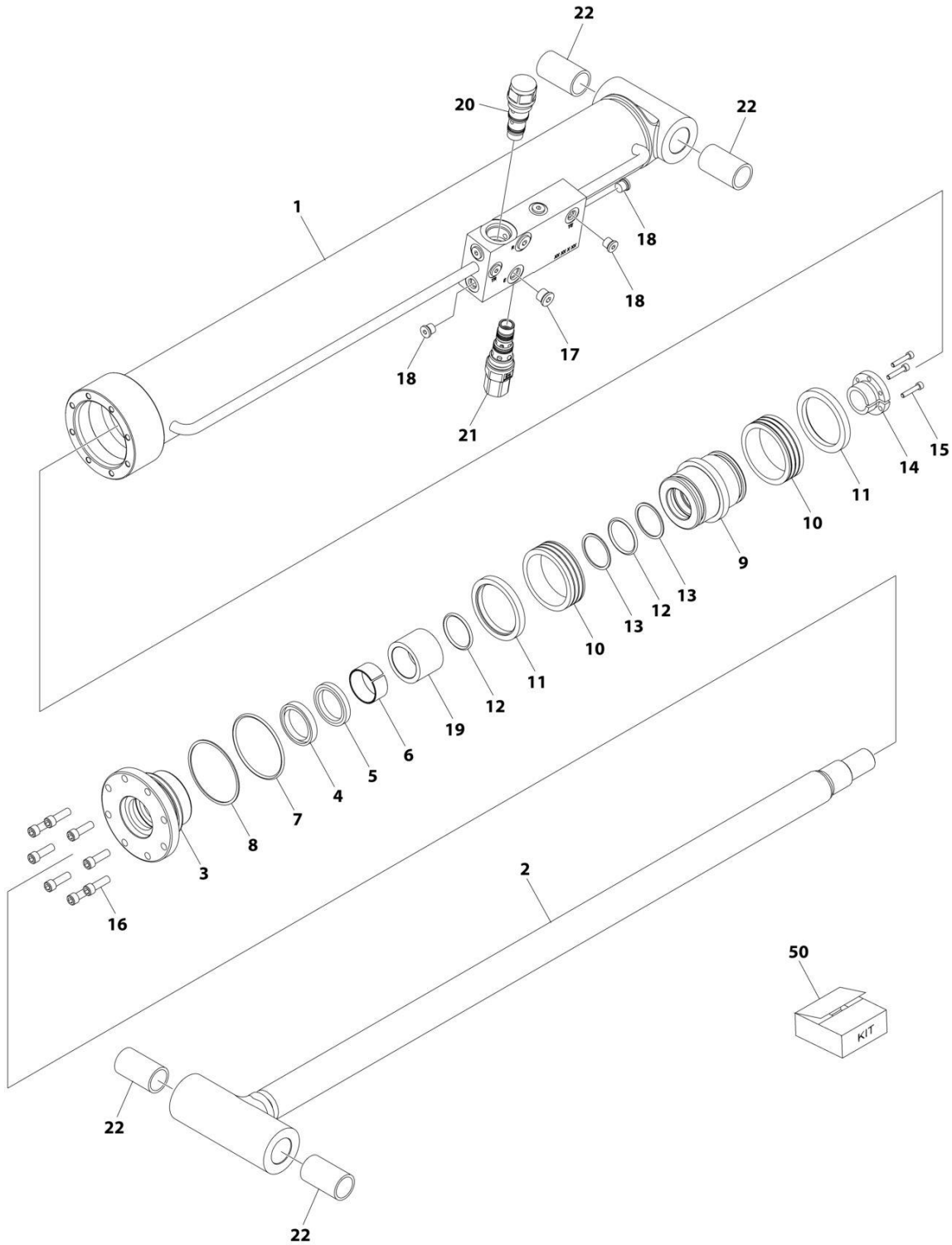
SECTION 6 - CYLINDER

FIGURE 6-7. LIFT CYLINDER ASSEMBLY - JIB (660SJ HC3)

ITEM	PART NUMBER	QTY	DESCRIPTION	REV
	1001259137	Ref	LIFT CYLINDER ASSEMBLY - JIB	B
		Ref	Note: Original Cylinder May Have Been Replaced with Service Replacement. Identify PN Stamped on Cylinder Before Ordering Parts.	
1	See Note	NSS	Barrel (Note: Not Available for Purchase)	
2	70006734	1	Rod	
3	70006649	1	Head	
4	See Note	NSS	Wiper (Note: Use Item 100)	
5	See Note	NSS	Seal, Rod (Note: Use Item 100)	
6	See Note	NSS	Ring, Wear (Note: Use Item 100)	
7	See Note	NSS	O-Ring (Note: Use Item 100)	
8	See Note	NSS	Ring, Back-up (Note: Use Item 100)	
9	70006650	1	Piston	
10	See Note	NSS	Seal (Note: Use Item 100)	
11	See Note	NSS	Ring, Lock (Note: Use Item 100)	
12	See Note	NSS	O-Ring (Note: Use Item 100)	
13	See Note	NSS	Ring, Back-up (Note: Use Item 100)	
14	0961893	1	Bushing, Tapered	
15	0630534	3	Capscrew, Socket Head #10 x 1	
16	70006735	8	Capscrew 5/16	
17	2220885	2	Plug, O-Ring	
18	2220883	6	Plug, O-Ring	
19	70006736	1	Spacer	
20	4640509	1	Cartridge, Valve	
20	2900792	1	Seal Kit - 4640509 Valve	
21	1001259138	1	Cartridge, Valve	
21	70004186	1	Seal Kit - 1001259138 Valve	
22	0962336	4	Bushing	
100	1001138795	1	Seal Kit (Includes Items 4-8 & 10-13)	

SECTION 6 - CYLINDER

FIGURE 6-8. LIFT CYLINDER ASSEMBLY - JIB (660SJ HC3)



ART_1001264302

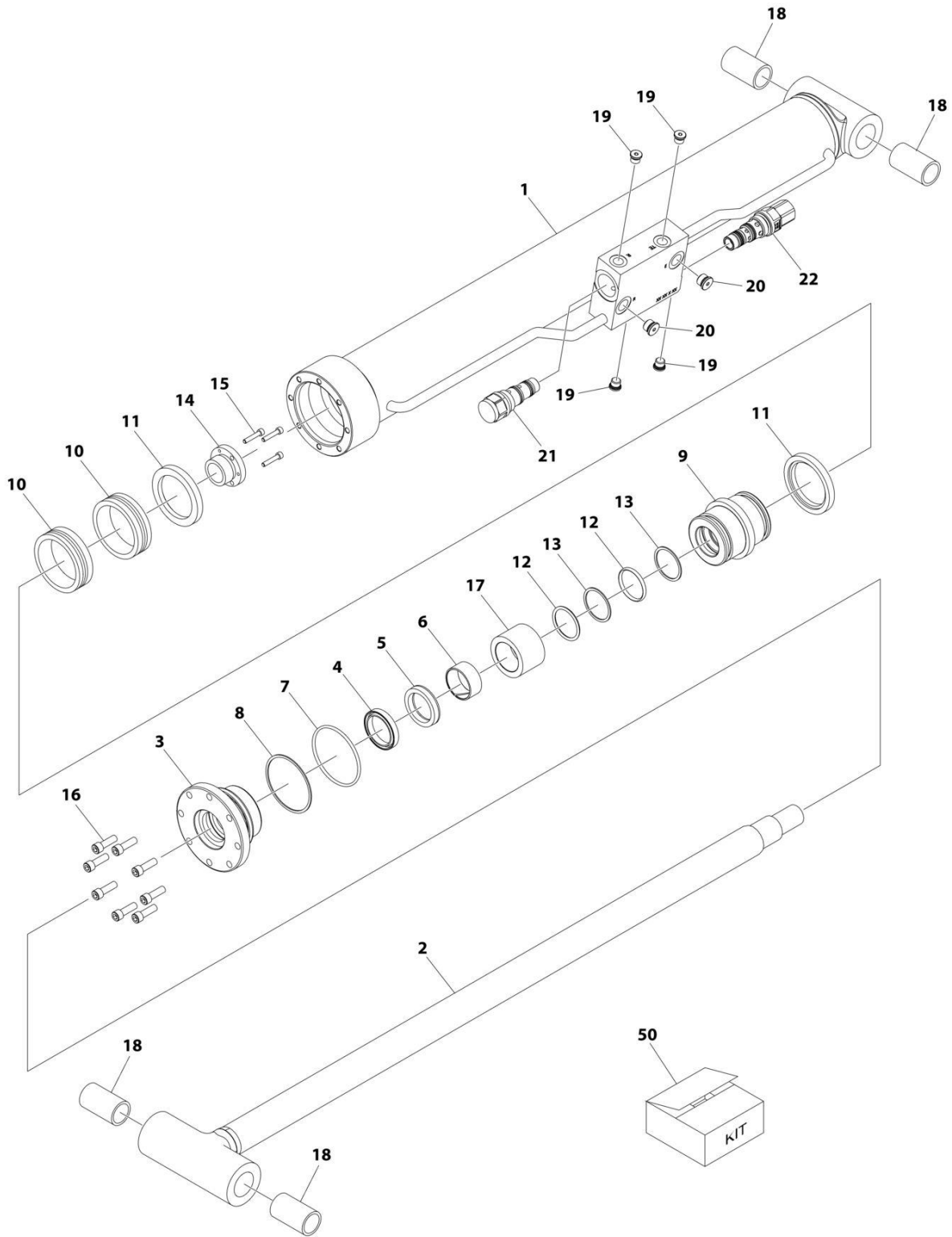
SECTION 6 - CYLINDER

FIGURE 6-8. LIFT CYLINDER ASSEMBLY - JIB (660SJ HC3)

ITEM	PART NUMBER	QTY	DESCRIPTION	REV
	1001264302	Ref	LIFT CYLINDER ASSEMBLY - JIB	B
		Ref	Note: Original Cylinder May Have Been Replaced with Service Replacement. Identify PN Stamped on Cylinder Before Ordering Parts.	
1	See Note	NSS	Barrel	
2	70006734	1	Rod	
3	70006649	1	Head	
4	See Note	NSS	Wiper (Note: Use Item 50)	
5	See Note	NSS	Seal, Rod (Note: Use Item 50)	
6	See Note	NSS	Ring, Wear (Note: Use Item 50)	
7	See Note	NSS	O-Ring (Note: Use Item 50)	
8	See Note	NSS	Ring, Back-up (Note: Use Item 50)	
9	70006650	1	Piston	
10	See Note	NSS	Seal (Note: Use Item 50)	
11	See Note	NSS	Ring, Lock (Note: Use Item 50)	
12	See Note	NSS	O-Ring (Note: Use Item 50)	
13	See Note	NSS	Ring, Back-up (Note: Use Item 50)	
14	0961893	1	Bushing, Tapered	
15	0630534	3	Capscrew	
16	70006735	8	Capscrew	
17	2220885	2	Plug	
18	2220883	6	Plug	
19	70006736	1	Spacer	
20	4640509	1	Cartridge, Counterbalance Valve	
20	2900792	1	Seal Kit - 4640509 Valve	
21	1001263800	1	Cartridge, Counterbalance Valve	
21	70004186	1	Seal Kit - 1001263800 Valve	
22	0962336	4	Bushing	
50	1001138795	1	Seal Kit (Includes Items 4-8 & 10-13)	

SECTION 6 - CYLINDER

FIGURE 6-9. LIFT CYLINDER ASSEMBLY - JIB (660SJ HC3)



ART_1001264991

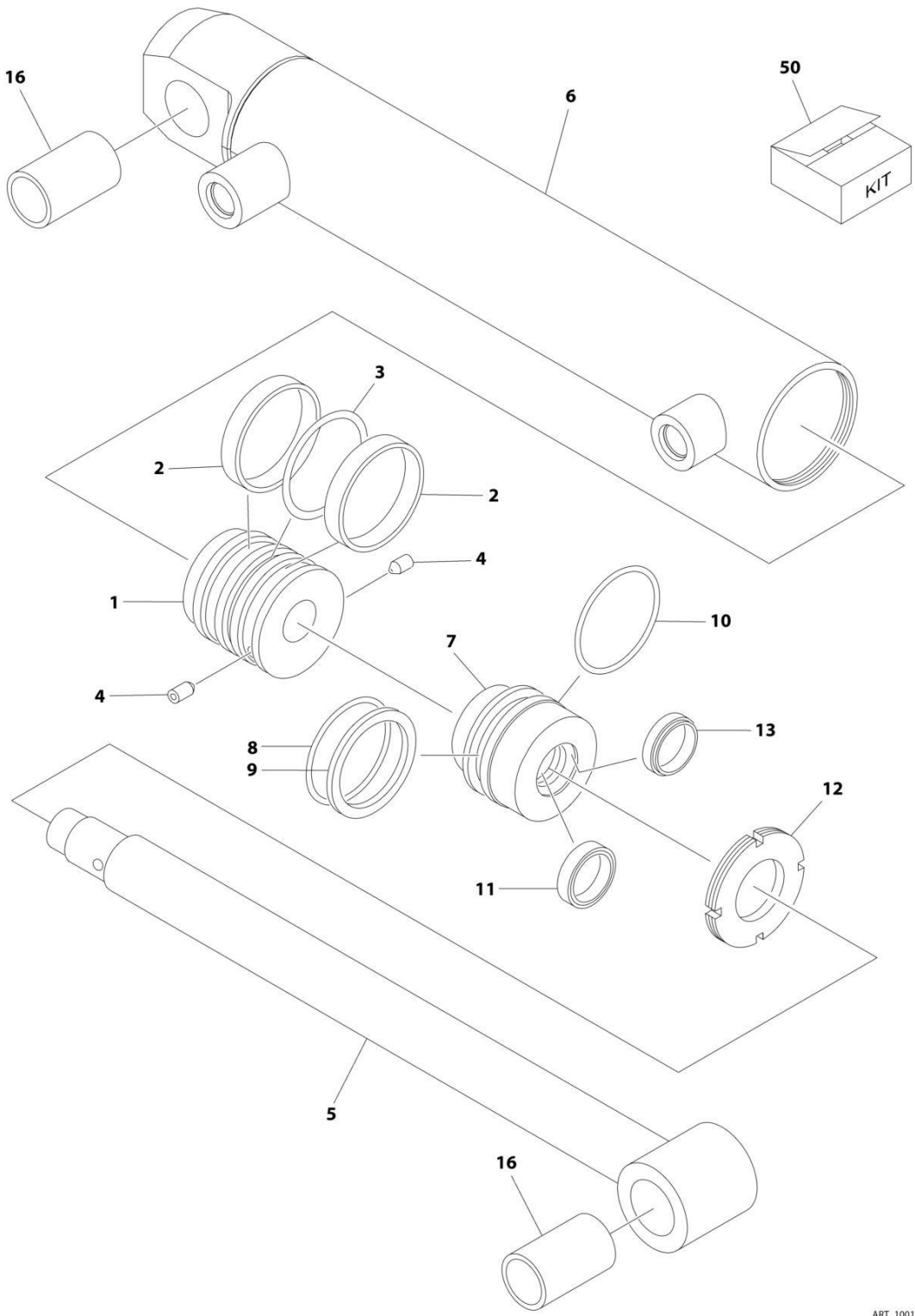
SECTION 6 - CYLINDER

FIGURE 6-9. LIFT CYLINDER ASSEMBLY - JIB (660SJ HC3)

ITEM	PART NUMBER	QTY	DESCRIPTION	REV
	1001264991	Ref	LIFT CYLINDER ASSEMBLY - JIB	B
		Ref	Note: Original Cylinder May Have Been Replaced with Service Replacement. Identify PN Stamped on Cylinder Before Ordering Parts.	
1	See Note	NSS	Barrel (Note: Use PN 1001264991)	
2	70006734	1	Rod	
3	70006649	1	Head	
4	See Note	NSS	Wiper (Note: Use Item 50)	
5	See Note	NSS	Seal, Rod (Note: Use Item 50)	
6	See Note	NSS	Ring, Wear (Note: Use Item 50)	
7	See Note	NSS	O-Ring (Note: Use Item 50)	
8	See Note	NSS	Ring, Back-up (Note: Use Item 50)	
9	70006650	1	Piston	
10	See Note	NSS	Ring, Hydro Lock (Note: Use Item 50)	
11	See Note	NSS	Ring, Guide Lock (Note: Use Item 50)	
12	See Note	NSS	O-Ring (Note: Use Item 50)	
13	See Note	NSS	Ring, Back-up (Note: Use Item 50)	
14	0961893	1	Bushing, Tapered	
15	0630534	3	Capscrew	
16	70006735	8	Capscrew	
17	70006736	1	Spacer	
18	0962336	4	Bearing	
19	70023370	4	Plug	
20	70023371	2	Plug	
21	4640509	1	Cartridge, Counterbalance Valve	
21	2900792	1	Seal Kit - 4640509 Valve	
22	1001263800	1	Cartridge, Counterbalance Valve	
22	70004186	1	Seal Kit - 1001263800 Valve	
50	1001138795	1	Seal Kit - 1001264991 Cylinder (Includes Items 4-8 & 10-13)	

SECTION 6 - CYLINDER

FIGURE 6-10. STEER CYLINDER ASSEMBLY



ART_1001181792

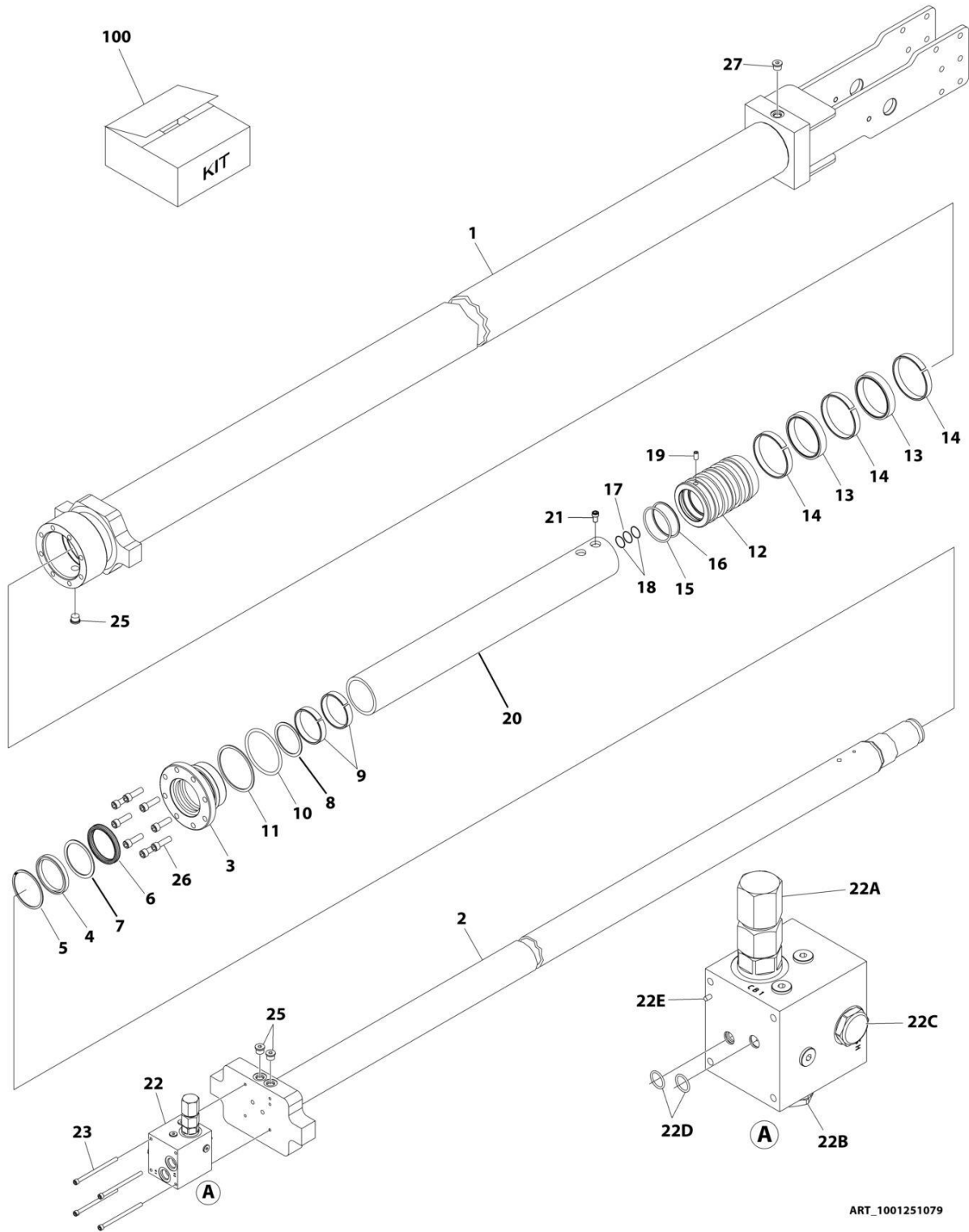
SECTION 6 - CYLINDER

FIGURE 6-10. STEER CYLINDER ASSEMBLY

ITEM	PART NUMBER	QTY	DESCRIPTION	REV
	1001181792	Ref	STEER CYLINDER ASSEMBLY	F
		Ref	Note: Original Cylinder may have been replaced with Service Replacement. Identify PN Stamped on Cylinder Before Ordering Parts.	
1	70006106	1	Piston	
2	See Note	NSS	Ring, Wear (Note: Use Item 50)	
3	See Note	NSS	Seal, Piston (Note: Use Item 50)	
4	70002745	2	Setscrew	
5	70006107	1	Rod	
6	See Note	NSS	Barrel	
7	70002755	1	Head	
8	See Note	1	O-Ring (Note: Use Item 50)	
9	See Note	NSS	Ring, Back-up (Note: Use Item 50)	
10	See Note	NSS	Ring (Note: Use Item 50)	
11	See Note	NSS	Seal, Rod (Note: Use Item 50)	
12	70002756	1	Nut, Spanner (Note: Use Item 50)	
13	See Note	NSS	Wiper (Note: Use Item 50)	
16	1001182695	2	Bearing	
50	70006108	1	Seal Kit - 1001181792 (Includes Items 2, 3, 8-11 & 13)	

SECTION 6 - CYLINDER

FIGURE 6-11. TELESCOPE CYLINDER ASSEMBLY



ART_1001251079

SECTION 6 - CYLINDER

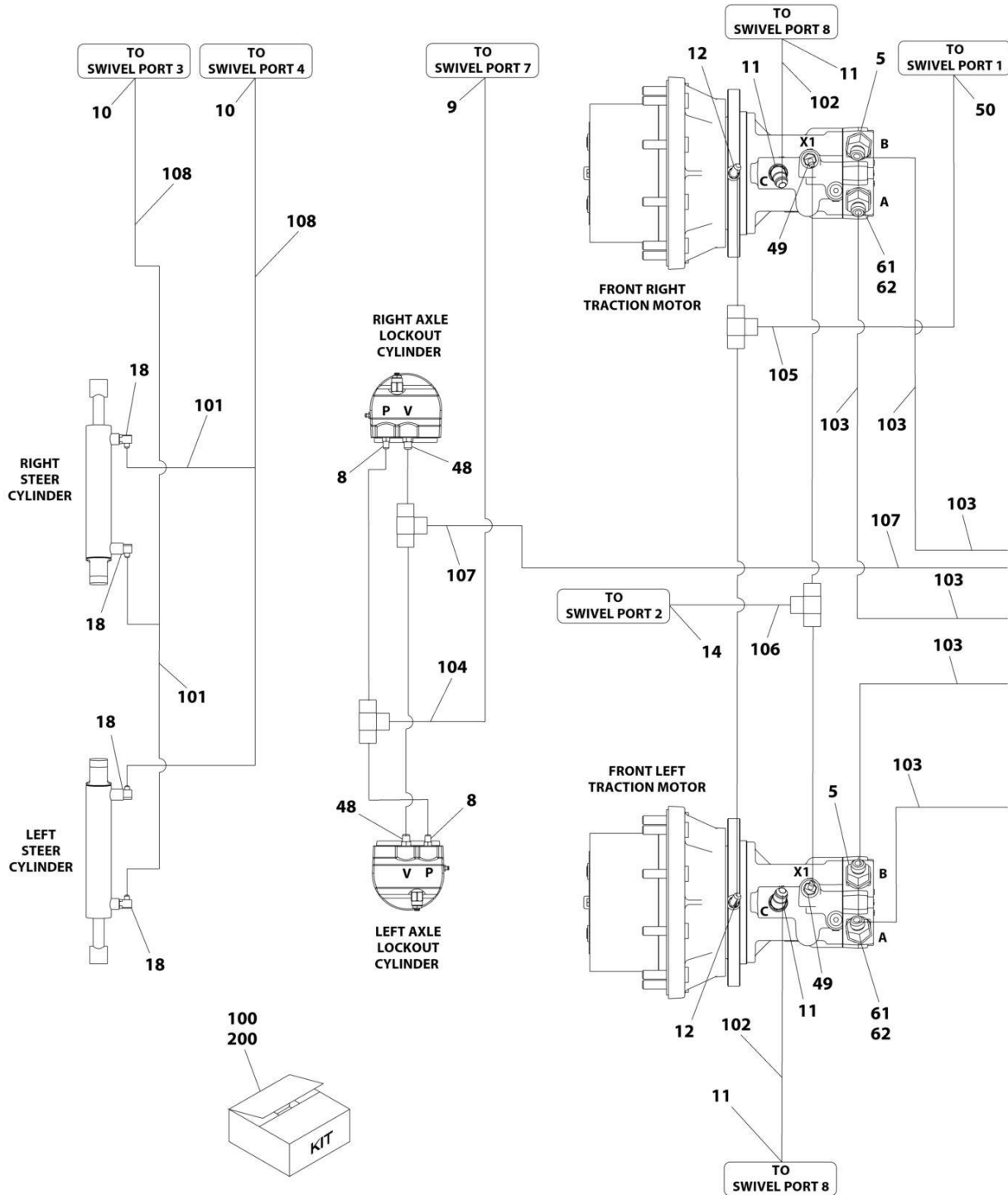
FIGURE 6-11. TELESCOPE CYLINDER ASSEMBLY

ITEM	PART NUMBER	QTY	DESCRIPTION	REV
	1001251079	Ref	TELESCOPE CYLINDER ASSEMBLY	B
	See Note	Ref	Note: Original Cylinder may have been replaced with Service Replacement. Identify PN Stamped on Cylinder Before Ordering Parts.	
1	See Note	NSS	Barrel (Note: Use PN 1001251079)	
2	70006978	1	Rod	
3	70006979	1	Head	
4	See Note	NSS	Wiper (Note: Use Item 100)	
5	70050795	1	Ring, Retaining	
6	See Note	NSS	Seal, Rod (Note: Use Item 100)	
7	See Note	NSS	Ring, Back-up (Note: Use Item 100)	
8	See Note	NSS	Ring, Buffer (Note: Use Item 100)	
9	See Note	NSS	Ring, Wear (Note: Use Item 100)	
10	See Note	NSS	O-Ring (Note: Use Item 100)	
11	See Note	NSS	Ring, Back-up (Note: Use Item 100)	
12	70006980	1	Piston	
13	See Note	NSS	Seal, Piston (Note: Use Item 100)	
14	See Note	NSS	Ring, Wear (Note: Use Item 100)	
15	See Note	NSS	O-Ring (Note: Use Item 100)	
16	See Note	NSS	Ring, Back-up (Note: Use Item 100)	
17	See Note	NSS	O-Ring (Note: Use Item 100)	
18	See Note	NSS	Ring, Back-up (Note: Use Item 100)	
19	70005839	1	Setscrew M8 x 12	
20	70006981	1	Spacer	
21	70006731	1	Bolt M8 x 12	
22	1001133245	1	Valve Assembly	
22A	70003926	1	Cartridge, Valve	
22A	70004186	1	Seal Kit - 70003926 Valve	
22B	70004155	1	Cartridge, Valve	
22B	70004186	1	Seal Kit - 70004155 Valve	
22C	70003928	1	Cartridge, Valve	
22C	70003929	1	Seal Kit - 70003928 Valve	
22D	70003982	2	Seal	
22E	70003930	1	Roll Pin	
23	70005595	4	Bolt M6 x 100	
25	2220885	3	Plug 9/16	
26	70006982	8	Bolt M10 x 45	
27	2220883	1	Plug 7/16	
100	70006983	1	Seal Kit - 1001251079 Cylinder (Includes Items 4, 6-11 & 13-18)	

SECTION 7 - HYDRAULIC

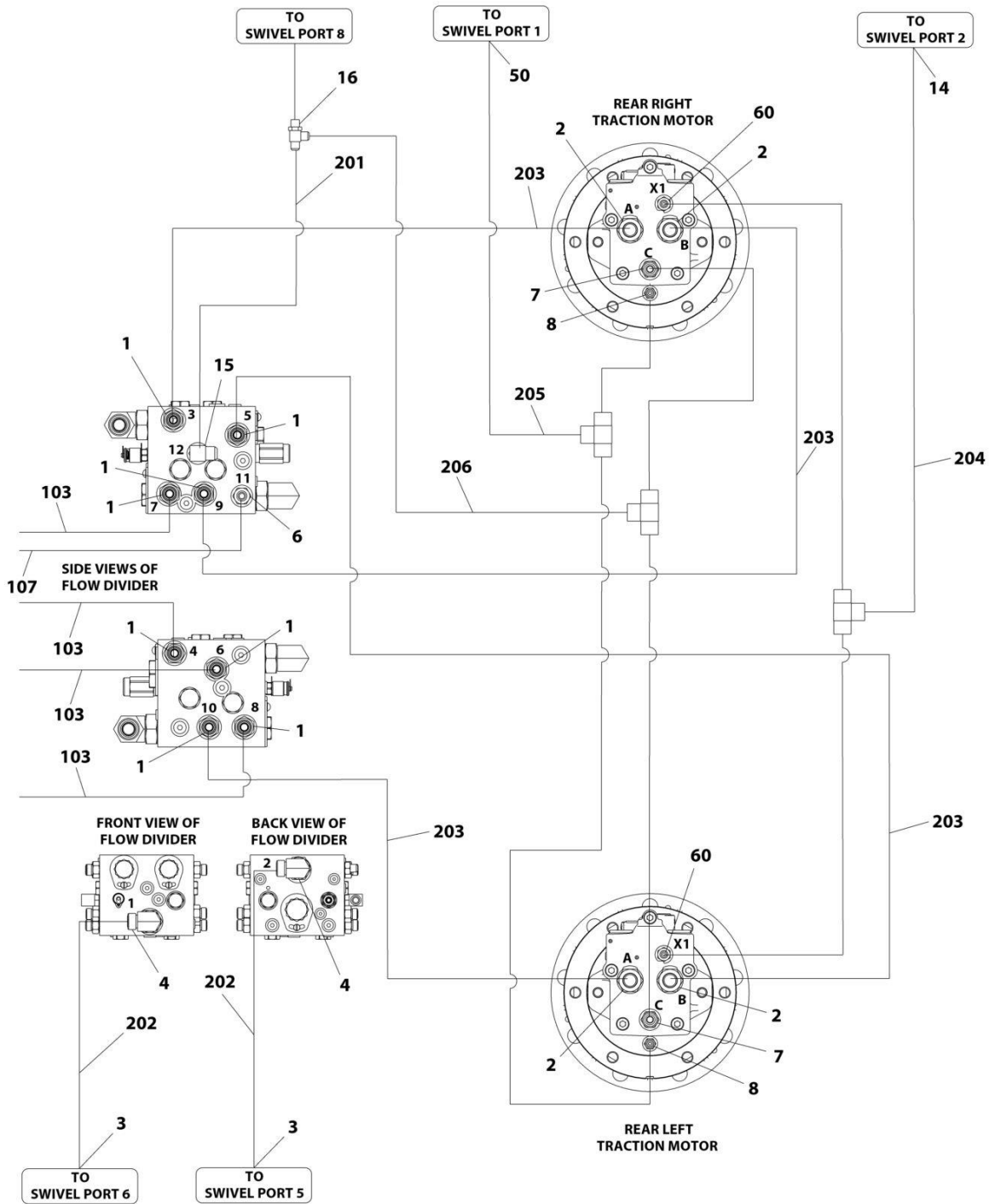
SECTION 7 - HYDRAULIC

FIGURE 7-1. DRIVE HYDRAULIC DIAGRAM (2WS WITHOUT ARCTIC PACKAGE) (600S HC3)



ART_1001188342_G_10F2

SECTION 7 - HYDRAULIC



ART_1001188342_G_2OF2

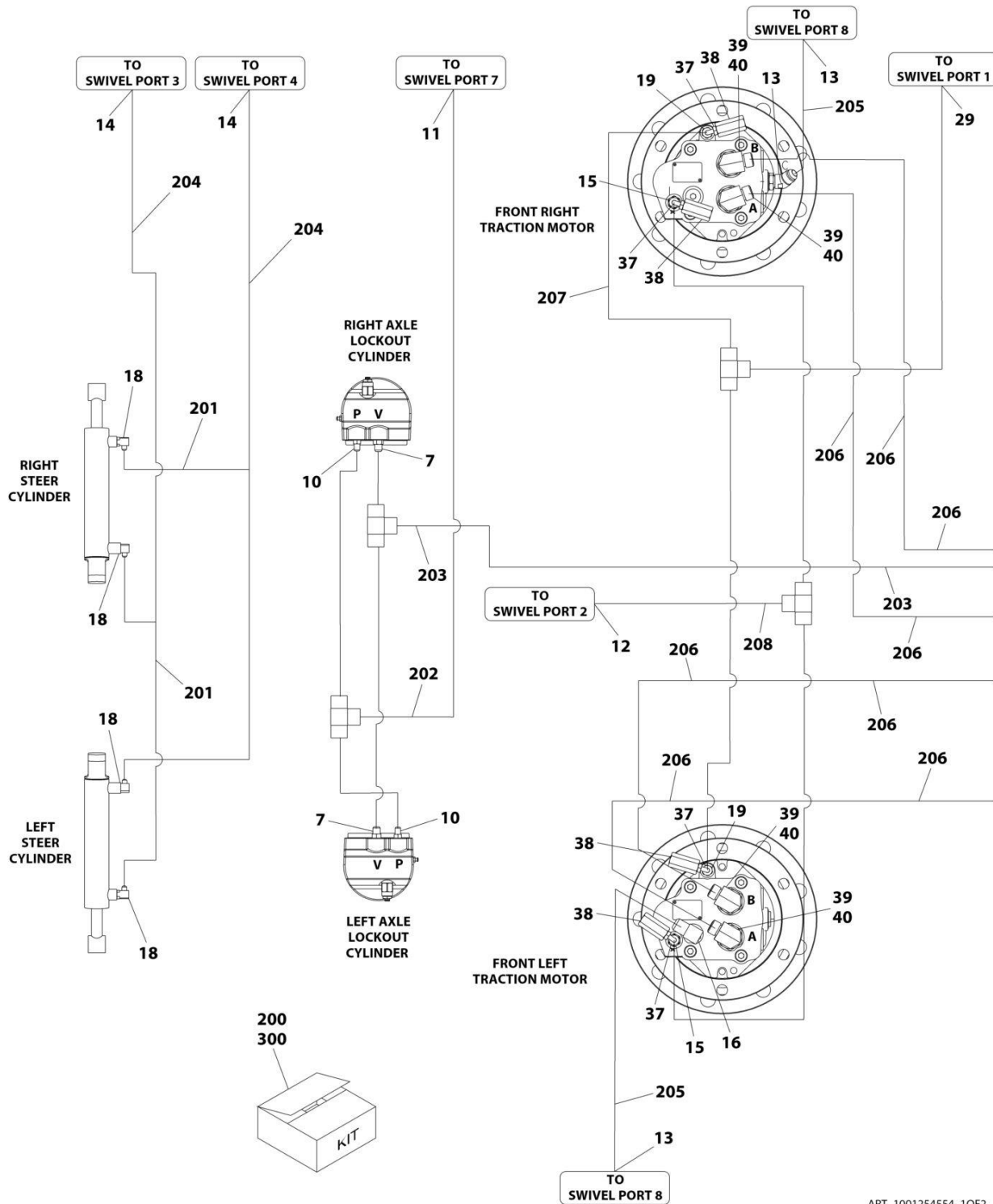
SECTION 7 - HYDRAULIC

FIGURE 7-1. DRIVE HYDRAULIC DIAGRAM (2WS WITHOUT ARCTIC PACKAGE) (600S HC3)

ITEM	PART NUMBER	QTY	DESCRIPTION	REV
	1001188342	Ref	DRIVE HYDRAULIC DIAGRAM	G
1	2110810	8	Fitting, Straight ORFS/ORB	
2	2110812	4	Fitting, Straight ORFS/ORB	
3	2111216	2	Fitting, Straight ORFS/ORB	
4	2131216	2	Fitting, 90 ORFS/ORB	
5	2150812	2	Fitting, 45 ORFS/ORB	
6	2220372	1	Fitting, Straight JIC ORB	
7	2220373	2	Fitting, Straight JIC/ORB	
8	2220415	4	Fitting, Straight JIC/ORB	
9	2220468	1	Fitting, Straight JIC/ORB	
10	2220501	2	Fitting, 45 JIC/ORB	
11	2220500	4	Fitting, 45 JIC/ORB	
12	2220502	2	Fitting, 45 JIC/ORB	
14	2220472	2	Fitting, 90 JIC/ORB	
15	2220596	1	Fitting, 90 JIC/ORB	
16	2220602	1	Fitting, Tee JIC/ORB/JIC	
18	2220628	4	Fitting, 90 JIC/ORB	
23	4240018	21	Tie-Strap (Not Shown)	
48	2220371	2	Fitting, Straight JIC/ORB	
49	2221040	2	Fitting, 45 JIC/ORB	
50	1001197045	2	Fitting, 90 JIC/ORB	
59	4240033	2	Tie-Strap (Not Shown)	
60	2220582	2	Fitting, Straight JIC/ORB	
61	2150808	2	Fitting, 45 ORFS/ORB	
62	2220811	2	Fitting, Straight FORB/ORB	
100	1001269909	1	Front Hose Kit	
101	1001187308	2	Hose	
102	1001187311	2	Hose	
103	1001187317	4	Hose	
104	1001199654	1	Hose	
105	1001199655	1	Hose	
106	1001199656	1	Hose	
107	1001199661	1	Hose	
108	1001200432	2	Hose	
200	1001269908	1	Rear Hose Kit	
201	1001187312	1	Hose	
202	1001187318	2	Hose	
203	1001188763	4	Hose	
204	1001199657	1	Hose	
205	1001199658	1	Hose	
206	1001199662	1	Hose	

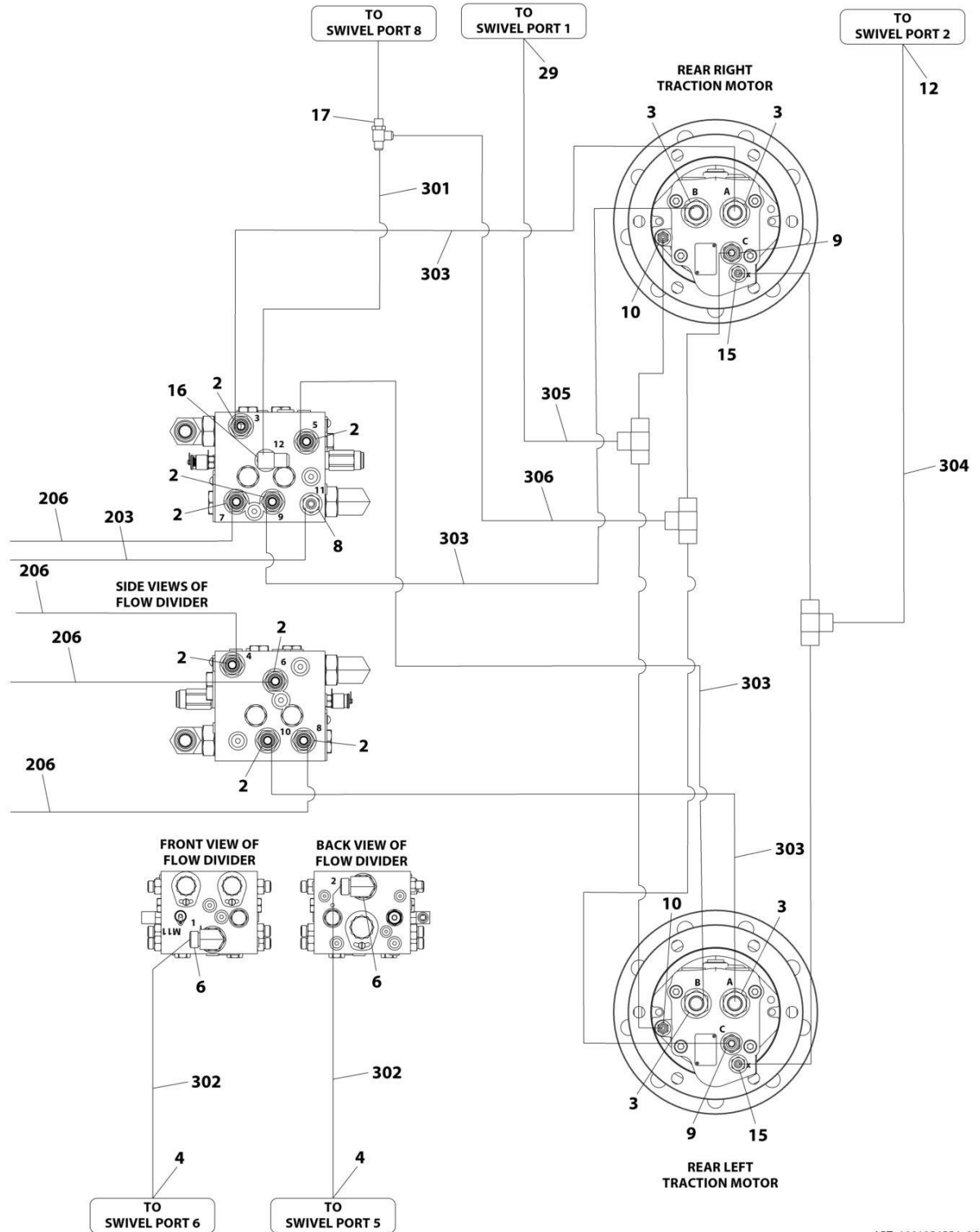
SECTION 7 - HYDRAULIC

FIGURE 7-2. DRIVE HYDRAULIC DIAGRAM (2WS WITHOUT ARCTIC PACKAGE) (660SJ HC3)



ART_1001254554_10F2

SECTION 7 - HYDRAULIC



ART_1001254554_2OF2

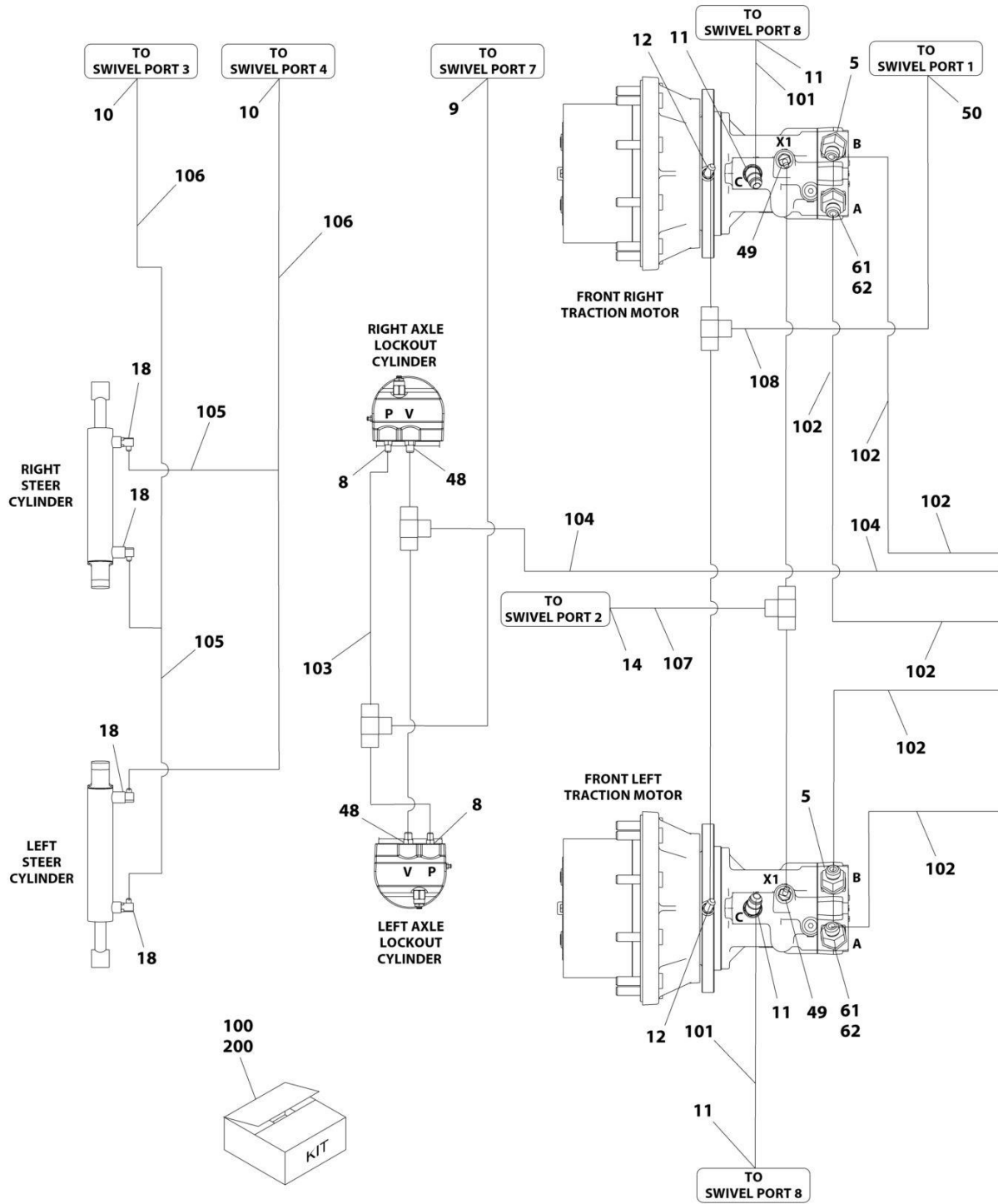
SECTION 7 - HYDRAULIC

FIGURE 7-2. DRIVE HYDRAULIC DIAGRAM (2WS WITHOUT ARCTIC PACKAGE) (660SJ HC3)

ITEM	PART NUMBER	QTY	DESCRIPTION	REV
	1001254554	Ref	DRIVE HYDRAULIC DIAGRAM	F
2	2110810	8	Fitting, Straight ORFS/ORB	
3	2110812	4	Fitting, Straight ORFS/ORB	
4	2111216	2	Fitting, Straight ORFS/ORB	
6	2131216	2	Fitting, 90 ORFS/ORB	
7	2220371	2	Fitting, Straight JIC/ORB	
8	2220372	1	Fitting, Straight JIC ORB	
9	2220373	2	Fitting, Straight JIC/ORB	
10	2220415	4	Fitting, Straight JIC/ORB	
11	2220468	1	Fitting, Straight JIC/ORB	
12	2220472	2	Fitting, 90 JIC/ORB	
13	2220500	3	Fitting, 45 JIC/ORB	
14	2220501	2	Fitting, 45 JIC/ORB	
15	2220582	4	Fitting, Straight JIC/ORB	
16	2220596	2	Fitting, 90 JIC/ORB	
17	2220602	1	Fitting, Tee JIC/ORB/JIC	
18	2220628	4	Fitting, 90 JIC/ORB	
19	2220923	2	Fitting, Straight JIC/ORB	
21	4240018	21	Tie-Strap (Not Shown)	
22	4240033	2	Tie-Strap (Not Shown)	
29	1001197045	2	Fitting, 90 JIC/ORB	
37	1001260286	4	Fitting, 90 JIC/FSJIC	
38	1001260644	4	Fitting, FQL/FJIC	
39	2220811	4	Fitting, Straight FORB/ORB	
40	2130808	4	Fitting, 90 ORFS/ORB	
200	1001269907	1	Front Hose Kit	
201	1001187308	2	Hose	
202	1001199654	1	Hose	
203	1001199661	1	Hose	
204	1001200432	2	Hose	
205	1001256429	2	Hose	
206	1001256430	4	Hose	
207	1001260077	1	Hose	
208	1001260078	1	Hose	
300	1001269908	1	Rear Hose Kit	
301	1001187312	1	Hose	
302	1001187318	2	Hose	
303	1001188763	4	Hose	
304	1001199657	1	Hose	
305	1001199658	1	Hose	
306	1001199662	1	Hose	

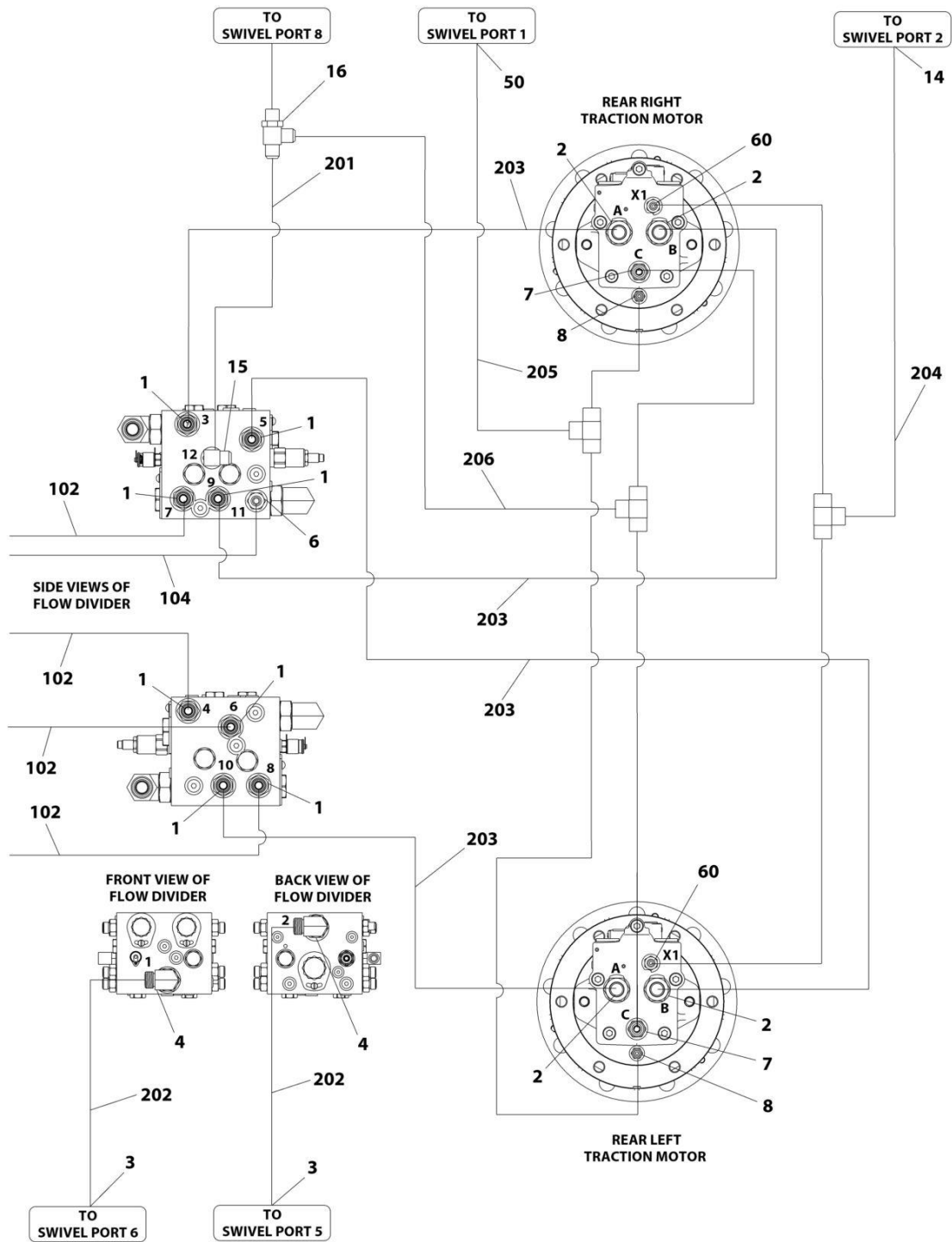
SECTION 7 - HYDRAULIC

FIGURE 7-3. DRIVE HYDRAULIC DIAGRAM (2WS WITH ARCTIC PACKAGE) (600S HC3)



ART_1001192265_F_10F2

SECTION 7 - HYDRAULIC



ART_1001192265_F_2OF2

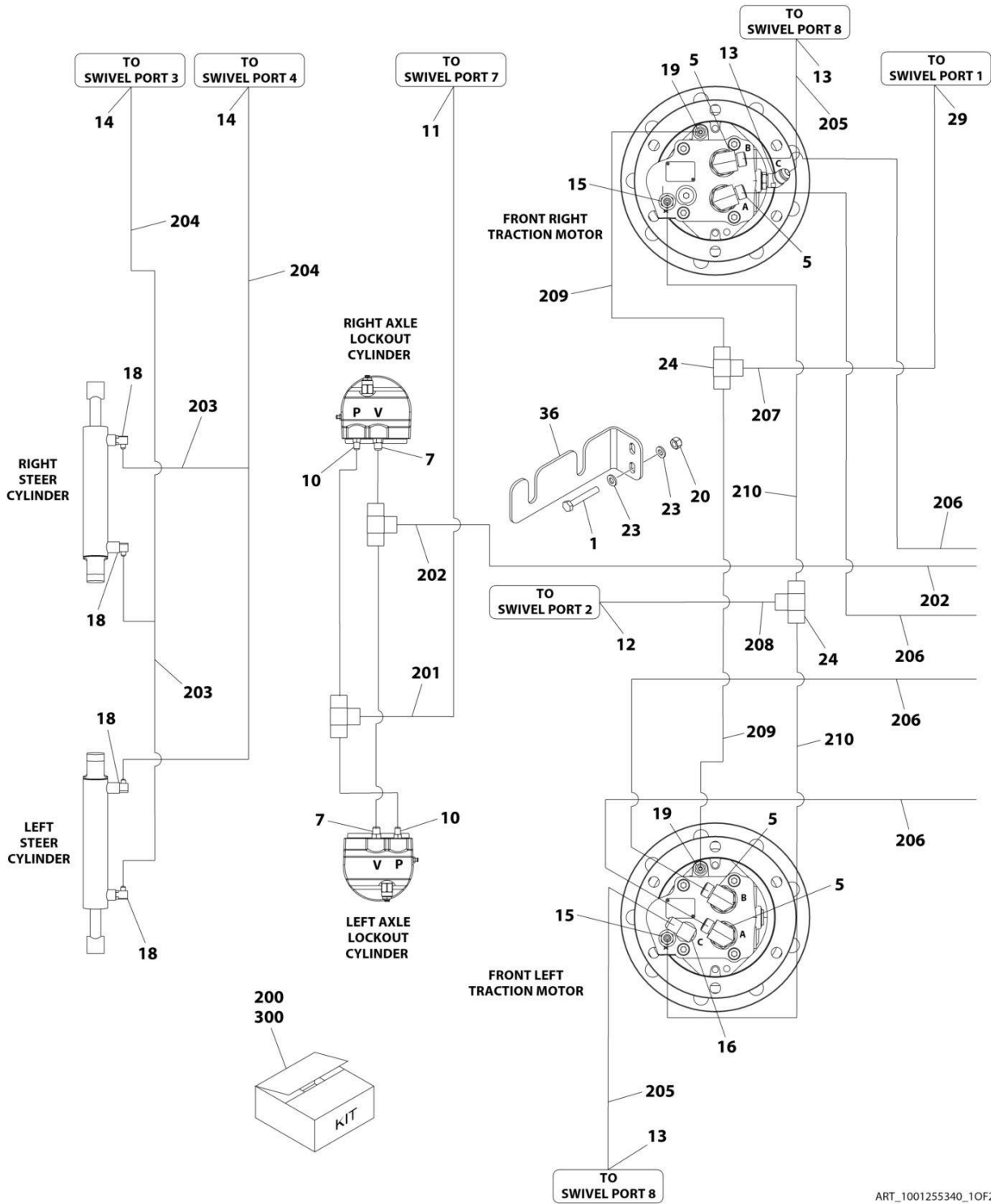
SECTION 7 - HYDRAULIC

FIGURE 7-3. DRIVE HYDRAULIC DIAGRAM (2WS WITH ARCTIC PACKAGE) (600S HC3)

ITEM	PART NUMBER	QTY	DESCRIPTION	REV
	1001192265	Ref	DRIVE HYDRAULIC DIAGRAM	F
1	2110810	8	Fitting, Straight ORFS/ORB	
2	2110812	4	Fitting, Straight ORFS/ORB	
3	2111216	2	Fitting, Straight ORFS/ORB	
4	2131216	2	Fitting, 90 ORFS/ORB	
5	2150812	2	Fitting, 45 ORFS/ORB	
6	2220372	1	Fitting, Straight JIC/ORB	
7	2220373	2	Fitting, Straight JIC/ORB	
8	2220415	4	Fitting, Straight JIC/ORB	
9	2220468	1	Fitting, Straight JIC/ORB	
10	2220501	2	Fitting, 45 JIC/ORB	
11	2220500	4	Fitting, 45 JIC/ORB	
12	2220502	2	Fitting, 45 JIC/ORB	
14	2220472	2	Fitting, 90 JIC/ORB	
15	2220596	1	Fitting, 90 JIC/ORB	
16	2220602	1	Fitting, Tee JIC/ORB/JIC	
18	2220628	4	Fitting, 90 JIC/ORB	
23	4240018	21	Tie-Strap (Not Shown)	
48	2220371	2	Fitting, Straight JIC/ORB	
49	2221040	2	Fitting, 45 JIC/ORB	
50	1001197045	2	Fitting, 90 JIC/ORB	
59	4240033	2	Tie-Strap (Not Shown)	
60	2220582	2	Fitting, Straight JIC/ORB	
61	2150808	2	Fitting, 45 ORFS/ORB	
62	2220811	2	Fitting, Straight FORB/ORB	
100	1001269910	1	Arctic Front Hose Kit	
101	1001193610	2	Hose	
102	1001193611	4	Hose	
103	1001199654	1	Hose	
104	1001169661	1	Hose	
105	1001203853	2	Hose	
106	1001203854	2	Hose	
107	1001203859	1	Hose	
108	1001203860	1	Hose	
200	1001269908	1	Rear Hose Kit	
201	1001187312	1	Hose	
202	1001187318	2	Hose	
203	1001188763	4	Hose	
204	1001199657	1	Hose	
205	1001199658	1	Hose	
206	1001199662	1	Hose	

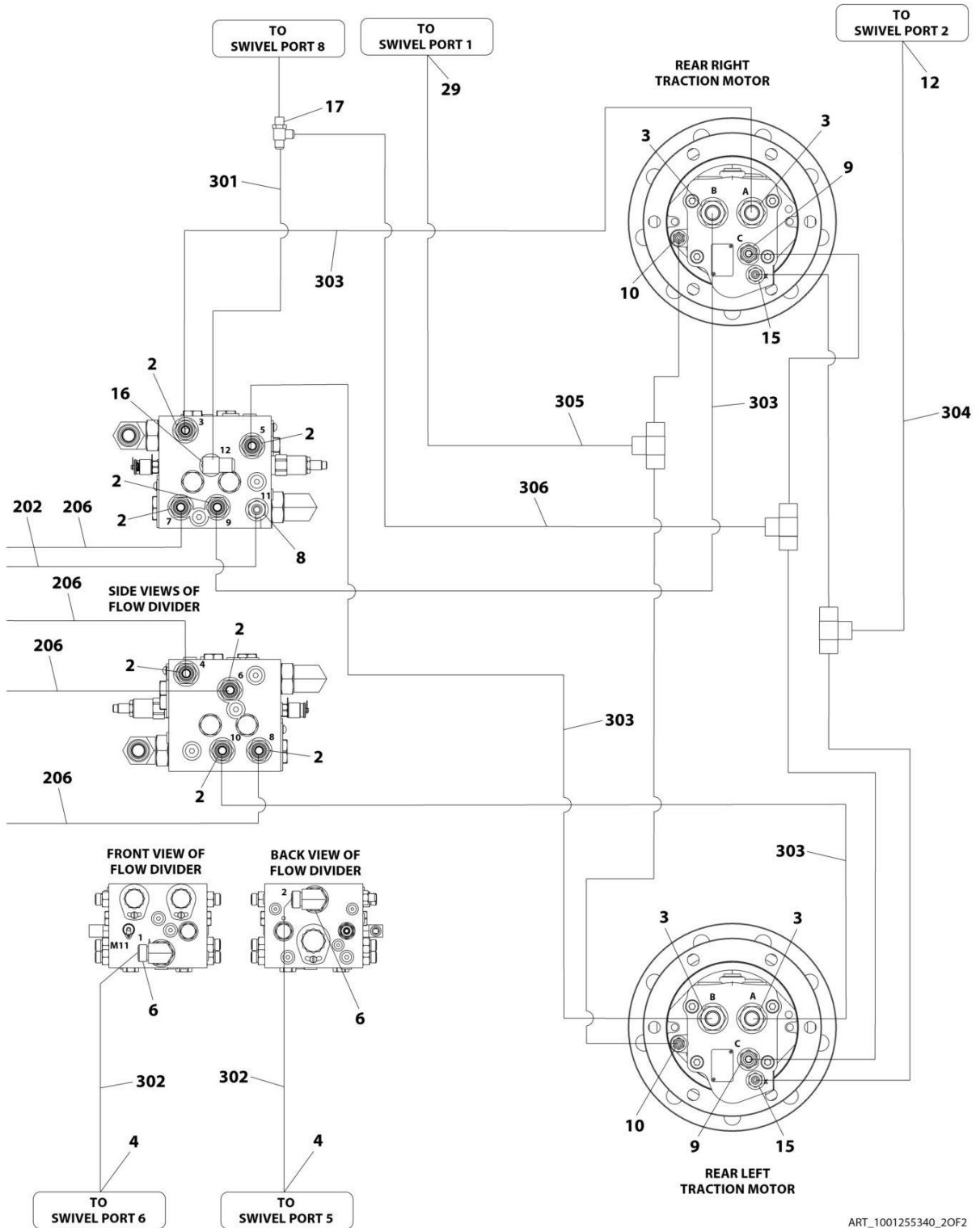
SECTION 7 - HYDRAULIC

FIGURE 7-4. DRIVE HYDRAULIC DIAGRAM (2WS WITH ARCTIC PACKAGE) (660SJ HC3)



ART_1001255340_1OF2

SECTION 7 - HYDRAULIC



ART_1001255340_20F2

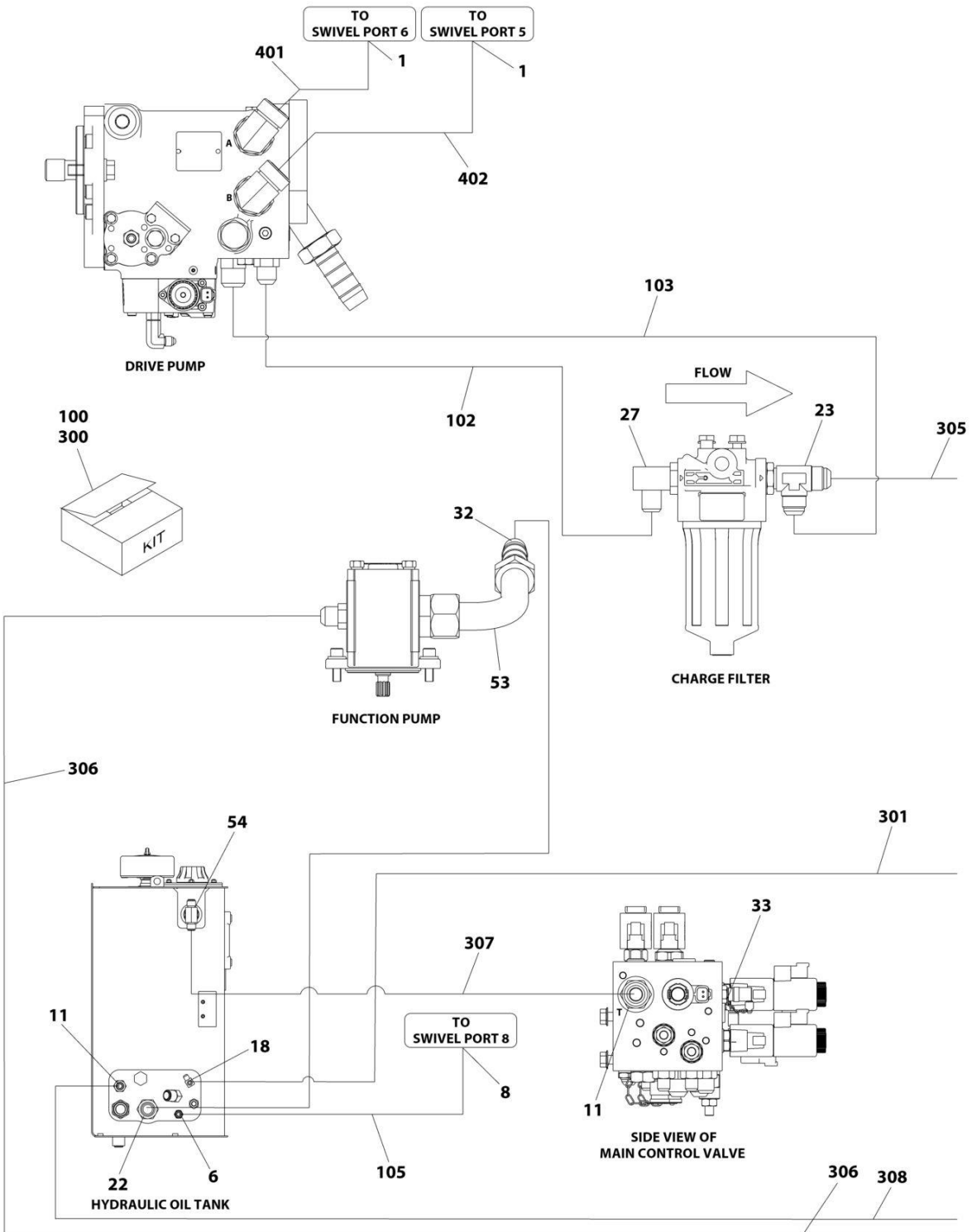
SECTION 7 - HYDRAULIC

FIGURE 7-4. DRIVE HYDRAULIC DIAGRAM (2WS WITH ARCTIC PACKAGE) (660SJ HC3)

ITEM	PART NUMBER	QTY	DESCRIPTION	REV
	1001255340	Ref	DRIVE HYDRAULIC DIAGRAM	D
1	0700616	2	Bolt M6 x 40	
2	2110810	8	Fitting, Straight ORFS/ORB	
3	2110812	4	Fitting, Straight ORFS/ORB	
4	2111216	2	Fitting, Straight ORFS/ORB	
5	2130812	4	Fitting, 90 ORFS/ORB	
6	2131216	2	Fitting, 90 ORFS/ORB	
7	2220371	2	Fitting, Straight JIC/ORB	
8	2220372	1	Fitting, Straight JIC/ORB	
9	2220373	2	Fitting, Straight JIC/ORB	
10	2220415	4	Fitting, Straight JIC/ORB	
11	2220468	1	Fitting, Straight JIC/ORB	
12	2220472	2	Fitting, 90 JIC/ORB	
13	2220500	3	Fitting, 45 JIC/ORB	
14	2220501	2	Fitting, 45 JIC/ORB	
15	2220582	4	Fitting, Straight JIC/ORB	
16	2220596	2	Fitting, 90 JIC/ORB	
17	2220602	1	Fitting, Tee JIC/ORB/JIC	
18	2220628	4	Fitting, 90 JIC/ORB	
19	2220923	2	Fitting, Straight JIC/ORB	
20	3290605	2	Nut M6	
21	4240018	21	Tie-Strap (Not Shown)	
22	4240033	2	Tie-Strap (Not Shown)	
23	4811700	4	Washer M6	
24	10728823	2	Fitting, Tee JIC/JIC/JIC	
29	1001197045	2	Fitting, 90 JIC/ORB	
36	1001256311	1	Bracket	
200	1001269912	1	Arctic Front Hose Kit	
201	1001199654	1	Hose	
202	1001169661	1	Hose	
203	1001203853	2	Hose	
204	1001203854	2	Hose	
205	1001257048	2	Hose	
206	1001257049	4	Hose	
207	1001257050	1	Hose	
208	1001257051	1	Hose	
209	1001257052	2	Hose	
210	1001257053	2	Hose	
300	1001269908	1	Rear Hose Kit	
301	1001187312	1	Hose	
302	1001187318	2	Hose	
303	1001188763	4	Hose	
304	1001199657	1	Hose	
305	1001199658	1	Hose	
306	1001199662	1	Hose	

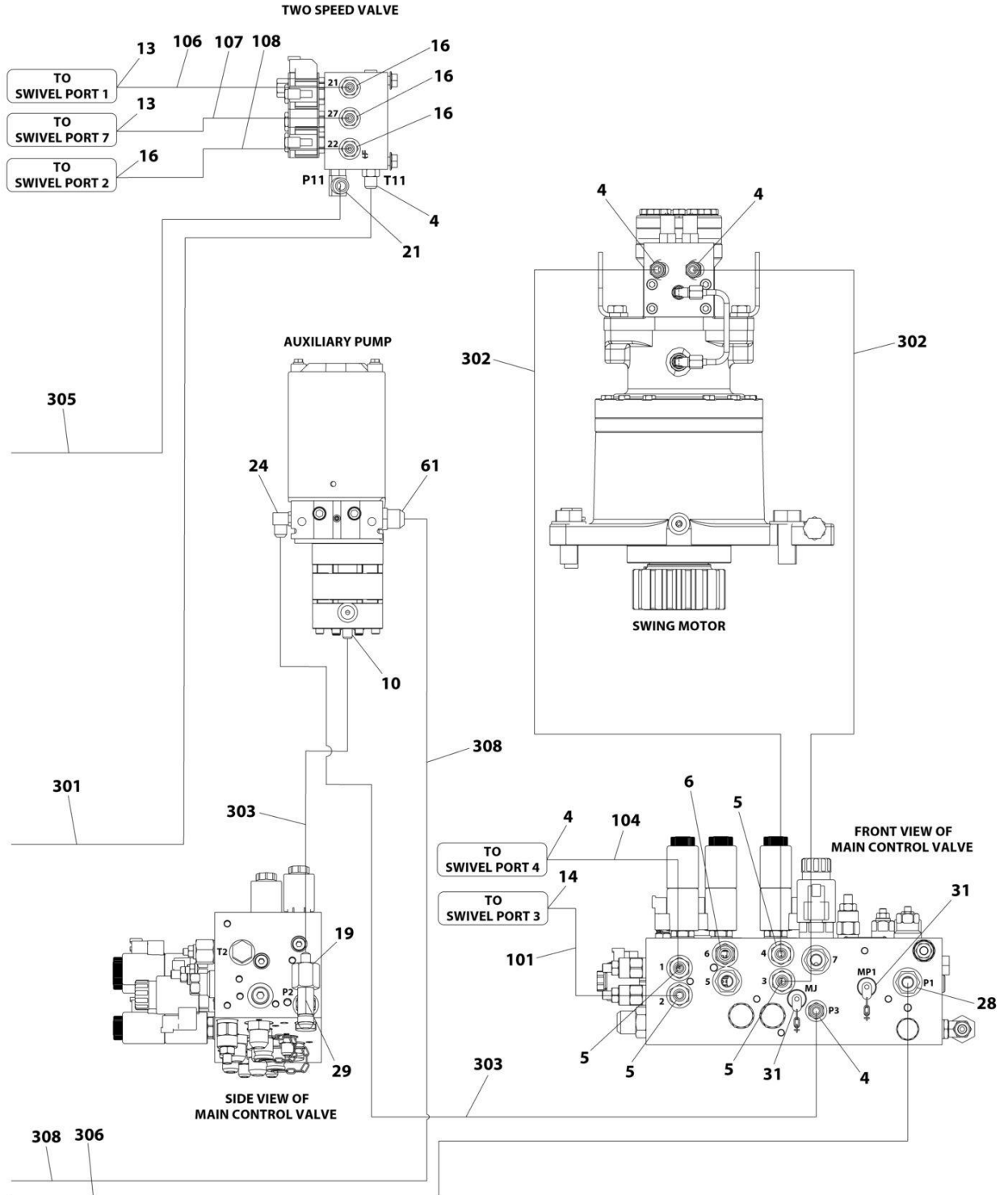
SECTION 7 - HYDRAULIC

FIGURE 7-5. STANDARD HYDRAULIC DIAGRAM (600S HC3)



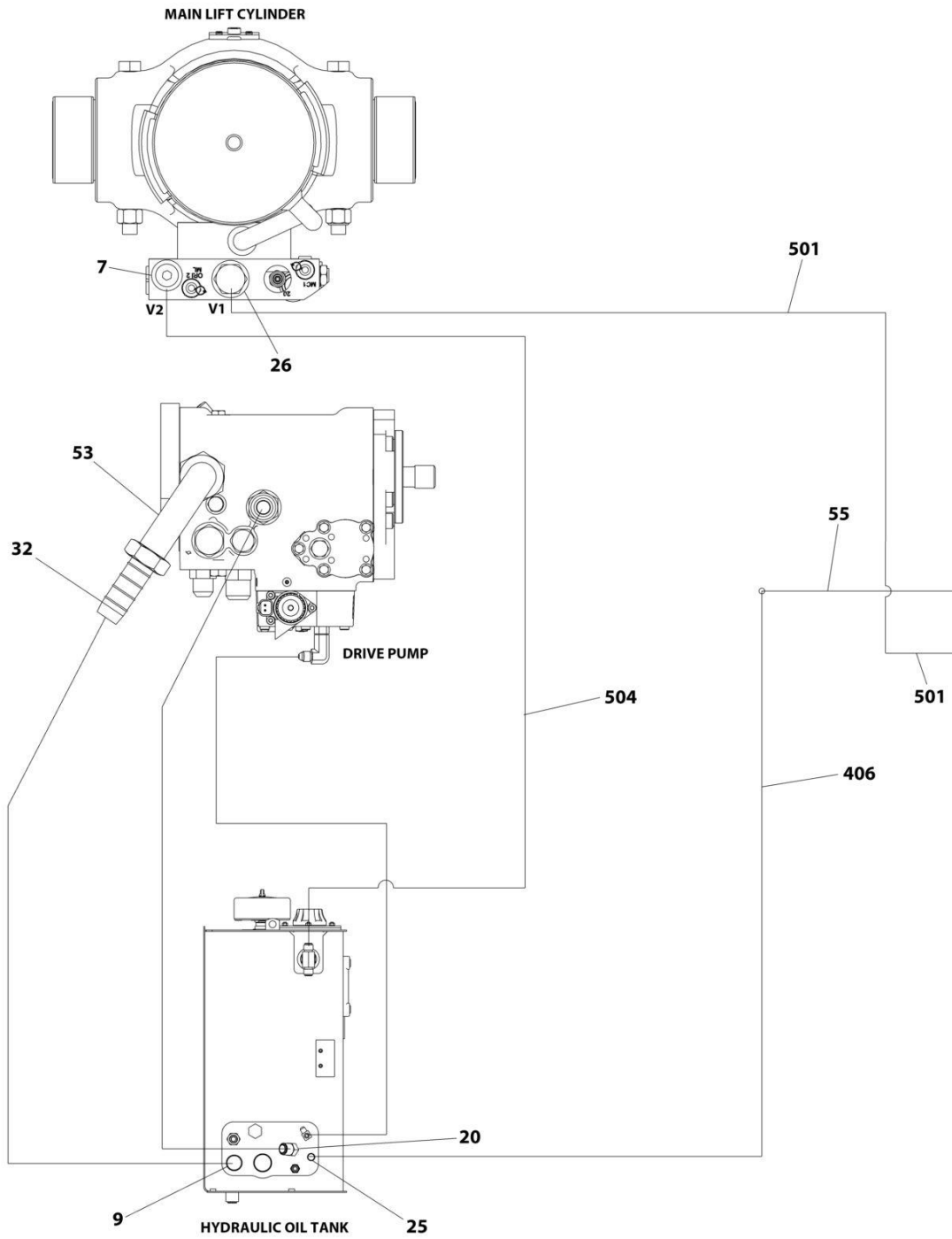
ART_1001265771_1OF4

SECTION 7 - HYDRAULIC



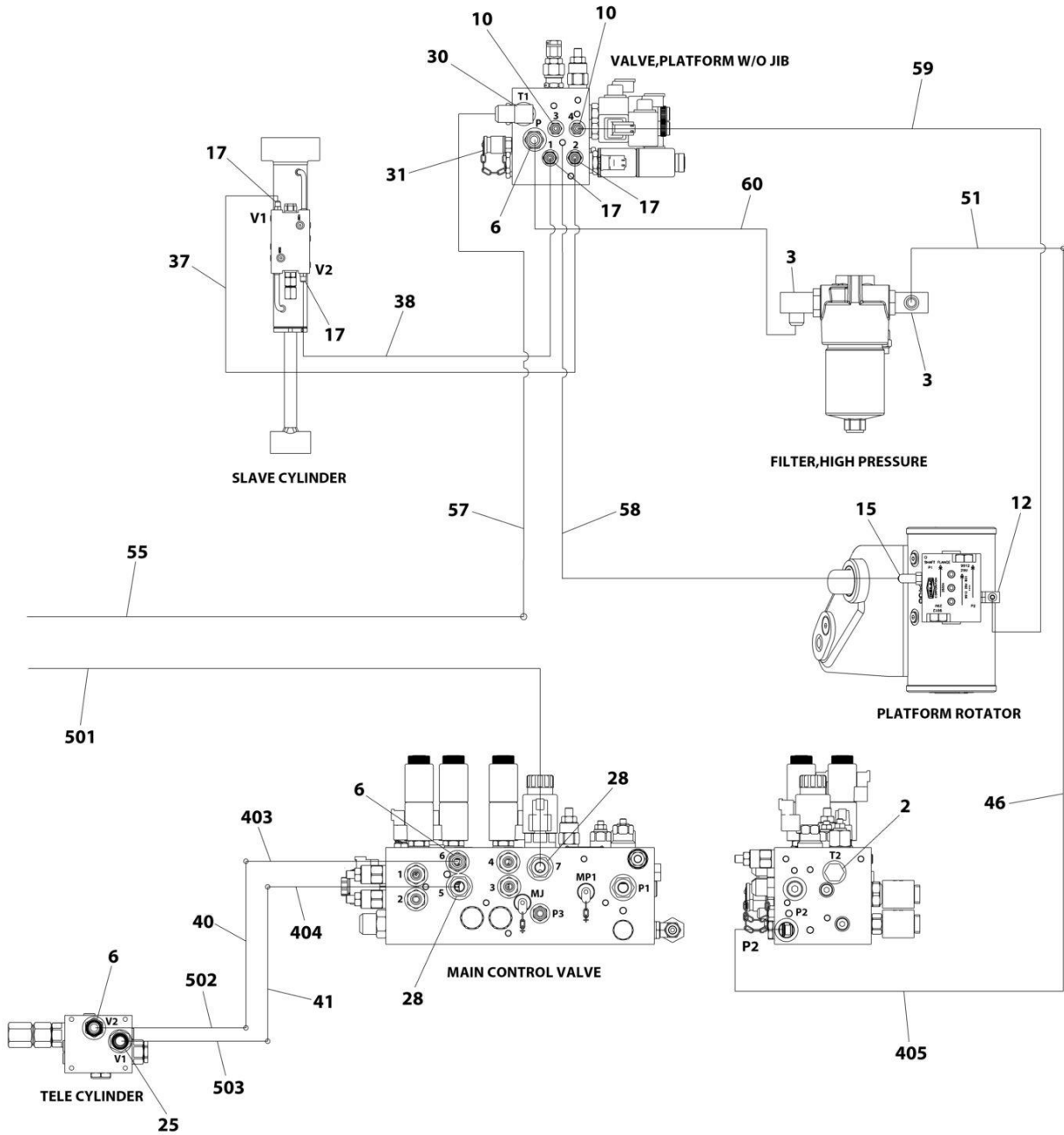
ART_1001265771_20F4

SECTION 7 - HYDRAULIC



ART_1001265771_30F4

SECTION 7 - HYDRAULIC



ART_1001265771_40F4

SECTION 7 - HYDRAULIC

FIGURE 7-5. STANDARD HYDRAULIC DIAGRAM (600S HC3)

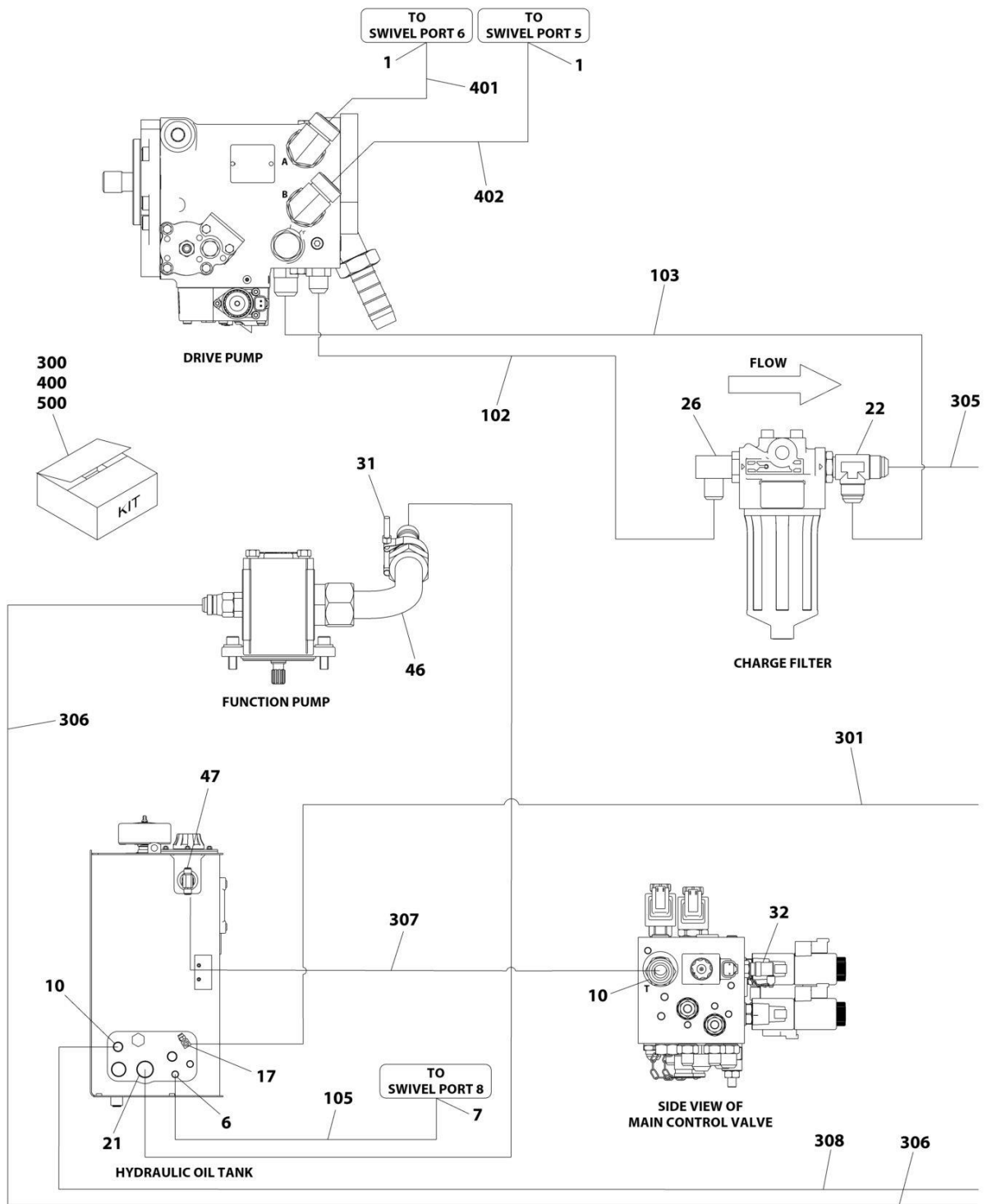
ITEM	PART NUMBER	QTY	DESCRIPTION	REV
	1001265771	Ref	STANDARD HYDRAULIC DIAGRAM	C
1	2111616	2	Fitting, Straight ORFS/ORB	
2	2220238	1	Plug	
3	2220366	2	Fitting, 90 JIC/ORB	
4	2220371	5	Fitting, Straight JIC/ORB	
5	2220372	4	Fitting, Straight JIC/ORB	
6	2220373	4	Fitting, Straight JIC/ORB	
7	2220374	1	Fitting, Straight JIC/ORB	
8	2220375	1	Fitting, Straight JIC/ORB	
9	2220380	1	Fitting, Straight JIC/ORB	
10	2220415	3	Fitting, Straight JIC/ORB	
11	2220451	2	Fitting, Straight JIC/ORB	
12	2220466	1	Fitting, 90 JIC/ORB	
13	2220468	2	Fitting, Straight JIC/ORB	
14	2220473	1	Fitting, 90 JIC/ORB	
15	2220502	1	Fitting, 45 JIC/ORB	
16	2220582	4	Fitting, Straight JIC/ORB	
17	2220603	4	Fitting, Straight JIC/ORB	
18	2220606	1	Fitting, Tee JIC/ORB/JIC	
19	2220618	1	Fitting, Straight JIC/FSJIC	
20	2220637	1	Fitting, 45 JIC/ORB	
21	2220726	1	Fitting, 90 JIC/ORB	
22	2220733	1	Fitting, Straight JIC/ORB	
23	2220738	1	Fitting, Tee JIC/ORB/JIC	
24	2220775	1	Fitting, 90 JIC/ORB	
25	2220852	2	Fitting, Straight JIC/ORB	
26	2220865	1	Fitting, Straight JIC/ORB	
27	2220906	1	Fitting, 90 JIC/ORB	
28	2220947	3	Fitting, Straight JIC/ORB	
29	2220999	1	Fitting, Tee JIC/ORB/JIC	
30	2221042	1	Fitting, 90 JIC/ORB	
31	2221086	3	Fitting, Test	
32	80633030	2	Clamp	
33	1001119455	1	Valve, Oil Sampling	
37	1001192684	1	Hose	
38	1001192685	1	Hose	
40	1001192693	1	Pipe	
41	1001192694	1	Pipe	
46	1001201255	1	Pipe	
51	1001204389	1	Hose	
53	1001205824	2	Fitting, 90 Barb	
54	1001214408	1	Fitting, Tee JIC/ORB/JIC	
55	1001220903	1	Pipe	
57	1001220941	1	Hose	
58	1001259019	1	Hose	
59	1001259020	1	Hose	
60	1001260486	1	Hose	
61	2220408	1	Fitting, Straight JIC/ORB	
100	1001250981	1	Engine Side Hose Kit	
101	1001247876	1	Hose	

SECTION 7 - HYDRAULIC

ITEM	PART NUMBER	QTY	DESCRIPTION	REV
102	1001247871	1	Hose	
103	1001247872	1	Hose	
104	1001247877	1	Hose	
105	1001247881	1	Hose	
106	1001247878	1	Hose	
107	1001247879	1	Hose	
108	1001247994	1	Hose	
300	1001274127	1	Tank Side Hose Kit	
301	1001247865	1	Hose	
302	1001247866	2	Hose	
303	1001247868	1	Hose	
304	1001247869	1	Hose	
305	1001247873	1	Hose	
306	1001247875	1	Hose	
307	1001247882	1	Hose	
308	1001274114	1	Hose	
400	1001269913	1	Hose Kit - Turntable (Not Shown)	
401	1001192661	1	Hose	
402	1001192663	1	Hose	
403	1001192695	1	Hose	
404	1001192698	1	Hose	
405	1001203424	1	Hose	
406	1001220912	1	Hose	
500	1001269914	1	Hose Kit - Boom (Not Shown)	
501	1001192641	1	Hose	
502	1001192696	1	Hose	
503	1001192699	1	Hose	
504	1001204645	1	Hose	

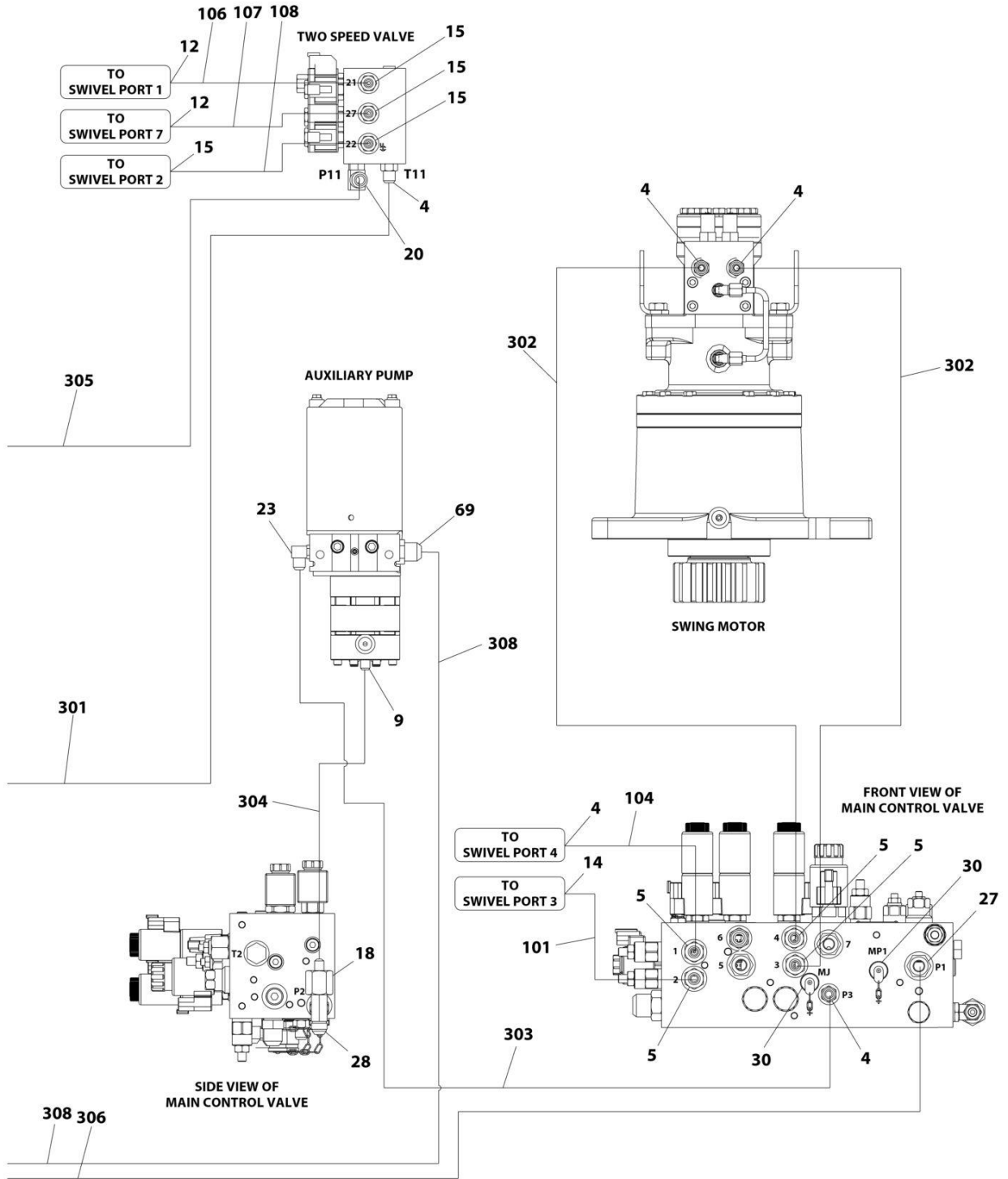
SECTION 7 - HYDRAULIC

FIGURE 7-6. STANDARD HYDRAULIC DIAGRAM (MACHINES WITH SN STARTING WITH 03) (660SJ HC3)



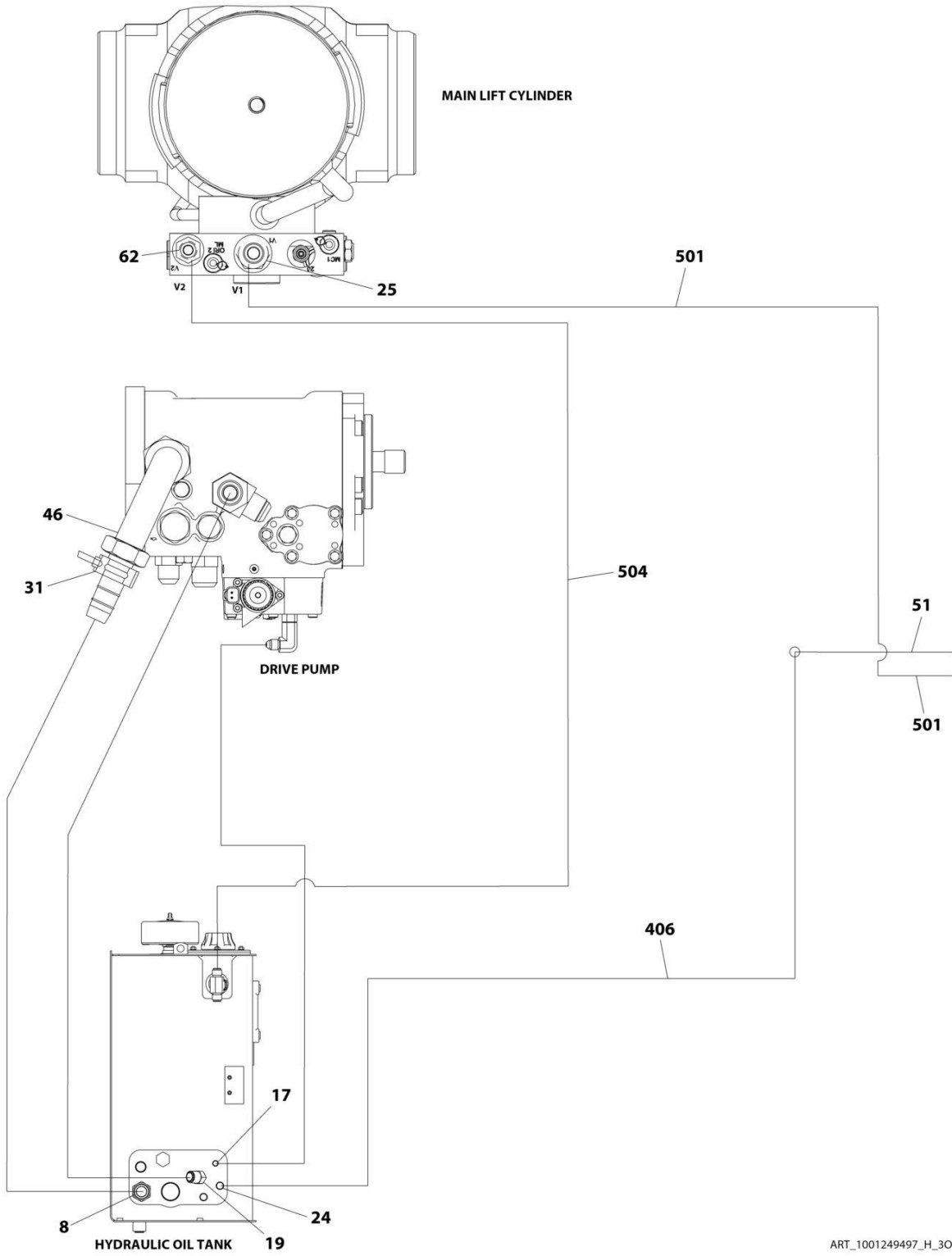
ART_1001249497_H_10F4

SECTION 7 - HYDRAULIC



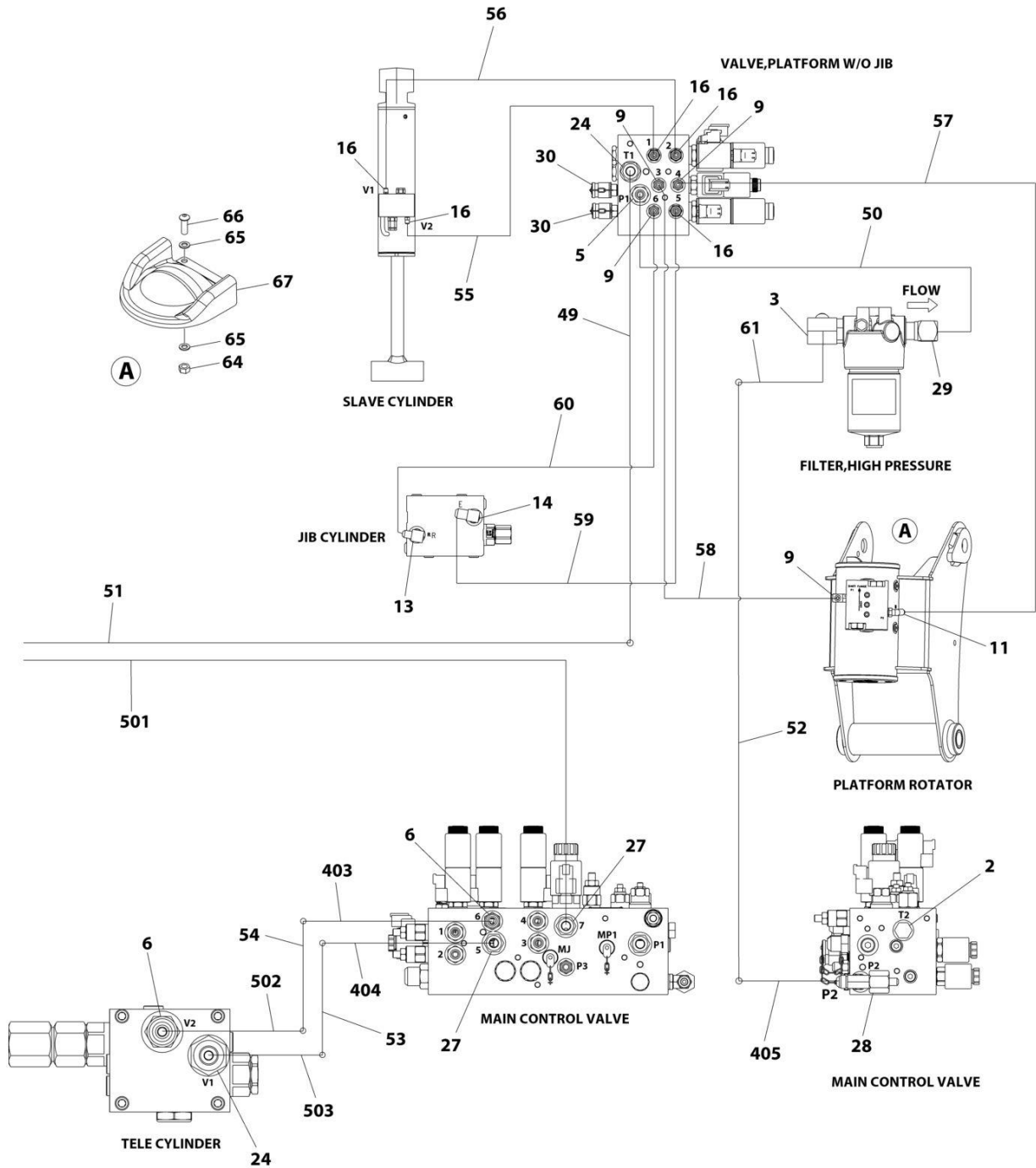
ART_1001249497_H_20F4

SECTION 7 - HYDRAULIC



ART_1001249497_H_3OF4

SECTION 7 - HYDRAULIC



ART_1001249497_H_40F4

SECTION 7 - HYDRAULIC

FIGURE 7-6. STANDARD HYDRAULIC DIAGRAM (MACHINES WITH SN STARTING WITH 03) (660SJ HC3)

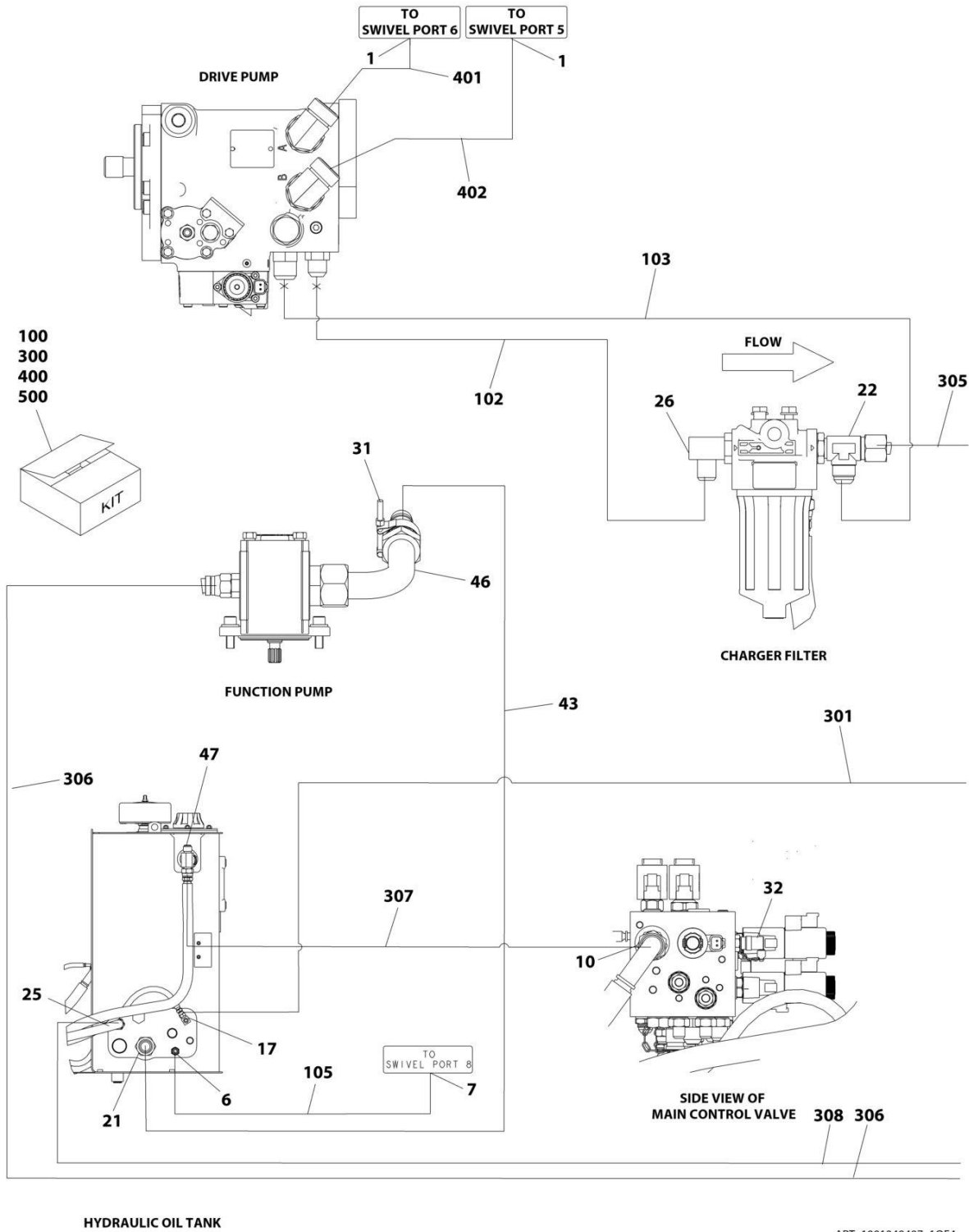
ITEM	PART NUMBER	QTY	DESCRIPTION	REV
	1001249497	Ref	STANDARD HYDRAULIC DIAGRAM	H
1	2111616	2	Fitting, Straight ORFS/ORB	
2	2220238	1	Plug	
3	2220366	1	Fitting, 90 JIC/ORB	
4	2220371	5	Fitting, Straight JIC/ORB	
5	2220372	5	Fitting, Straight JIC/ORB	
6	2220373	3	Fitting, Straight JIC/ORB	
7	2220375	1	Fitting, Straight JIC/ORB	
8	2220380	1	Fitting, Straight JIC/ORB	
9	2220415	5	Fitting, Straight JIC/ORB	
10	2220451	2	Fitting, Straight JIC/ORB	
11	2220466	1	Fitting, 90 JIC/ORB	
12	2220468	2	Fitting, Straight JIC/ORB	
13	2220472	1	Fitting, 90 JIC/ORB	
14	2220473	2	Fitting, 90 JIC/ORB	
15	2220582	4	Fitting, Straight JIC/ORB	
16	2220603	5	Fitting, Straight JIC/ORB	
17	2220606	1	Fitting, Tee JIC/ORB/JIC	
18	2220618	1	Fitting, Straight JIC/FSJIC	
19	2220637	1	Fitting, 45 JIC/ORB	
20	2220726	1	Fitting, 90 JIC/ORB	
21	2220733	1	Fitting, Straight JIC/ORB	
22	2220738	1	Fitting, Tee JIC/ORB/JIC	
23	2220775	1	Fitting, 90 JIC/ORB	
24	2220852	3	Fitting, Straight JIC/ORB	
25	2220865	1	Fitting, Straight JIC/ORB	
26	2220906	1	Fitting, 90 JIC/ORB	
27	2220947	3	Fitting, Straight JIC/ORB	
28	2220999	1	Fitting, Tee JIC/ORB/JIC	
29	2221048	1	Fitting, 90 JIC/ORB	
30	2221086	4	Fitting, Test	
31	80633030	2	Clamp	
32	1001119455	1	Valve, Oil Sampling	
46	1001205824	2	Fitting, 90 Barb	
47	1001214408	1	Fitting, Tee JIC/ORB/JIC	
49	1001221016	1	Hose	
50	1001222522	1	Hose	
51	1001249492	1	Pipe	
52	1001249493	1	Pipe	
53	1001249494	1	Pipe	
54	1001249495	1	Pipe	
55	1001193927	1	Hose	
56	1001193928	1	Hose	
57	1001193929	1	Hose	
58	1001193930	1	Hose	
59	1001269096	1	Hose	
60	1001269097	1	Hose	
61	1001203426	1	Hose	
62	2220374	1	Fitting, Straight JIC/ORB	

SECTION 7 - HYDRAULIC

ITEM	PART NUMBER	QTY	DESCRIPTION	REV
63	4240156	2	Strap (Not Shown)	
64	3311505	2	Nut 5/16	
65	4711500	4	Washer 5/16	
66	88261024	2	Bolt 5/16 x 1	
67	1001207969	1	Cover	
68	1001136358	1	Sleeve (Not Shown)	
69	2220408	1	Fitting, Straight JIC/ORB	
100	1001250981	1	Engine Side Hose Kit	
101	1001247876	1	Hose	
102	1001247871	1	Hose	
103	1001247872	1	Hose	
104	1001247877	1	Hose	
105	1001247881	1	Hose	
106	1001247878	1	Hose	
107	1001247879	1	Hose	
108	1001247994	1	Hose	
300	1001274127	1	Tank Side Hose Kit	
301	1001247865	1	Hose	
302	1001247866	2	Hose	
303	1001247868	1	Hose	
304	1001247869	1	Hose	
305	1001247873	1	Hose	
306	1001247875	1	Hose	
307	1001247882	1	Hose	
308	1001274114	1	Hose	
400	1001269913	1	Turntable Hose Kit	
401	1001192661	1	Hose	
402	1001192663	1	Hose	
403	1001192695	1	Hose	
404	1001192698	1	Hose	
405	1001203424	1	Hose	
406	1001220912	1	Hose	
500	1001269914	1	Boom Hose Kit	
501	1001192641	1	Hose	
502	1001192696	1	Hose	
503	1001192699	1	Hose	
504	1001204645	1	Hose	

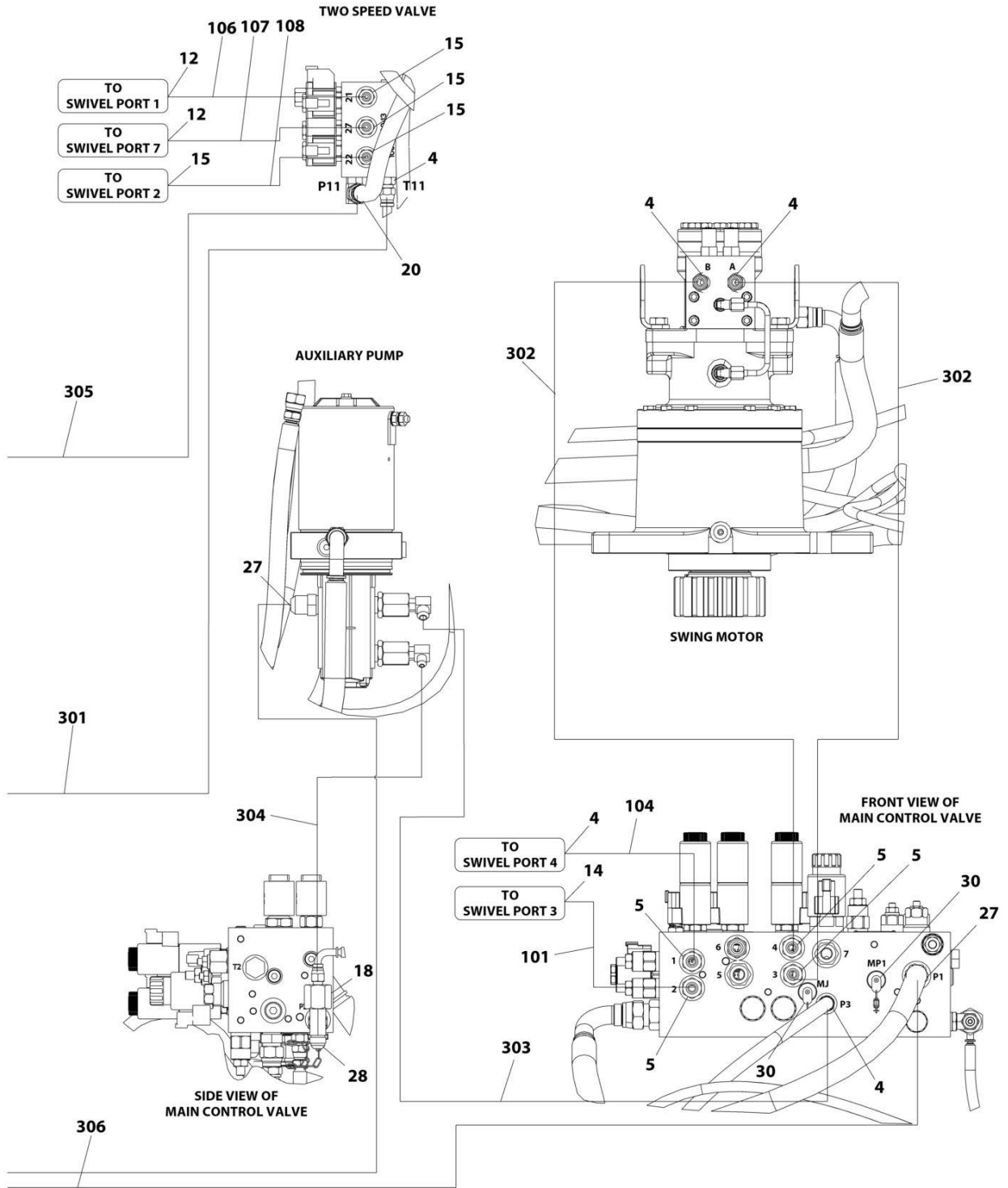
SECTION 7 - HYDRAULIC

FIGURE 7-7. STANDARD HYDRAULIC DIAGRAM (MACHINES WITH SN STARTING WITH B3) (660SJ HC3)



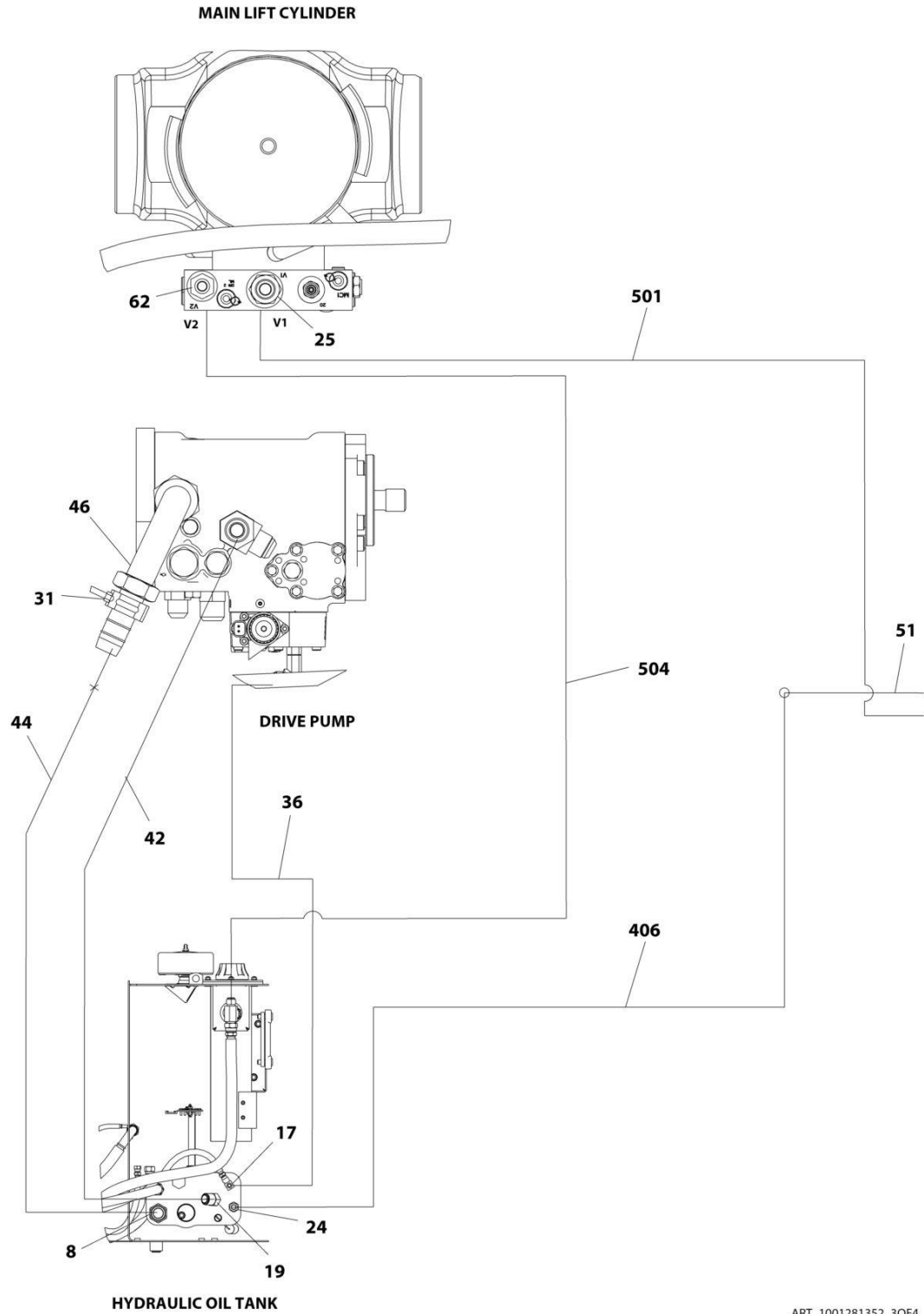
ART_1001249497_10F4

SECTION 7 - HYDRAULIC



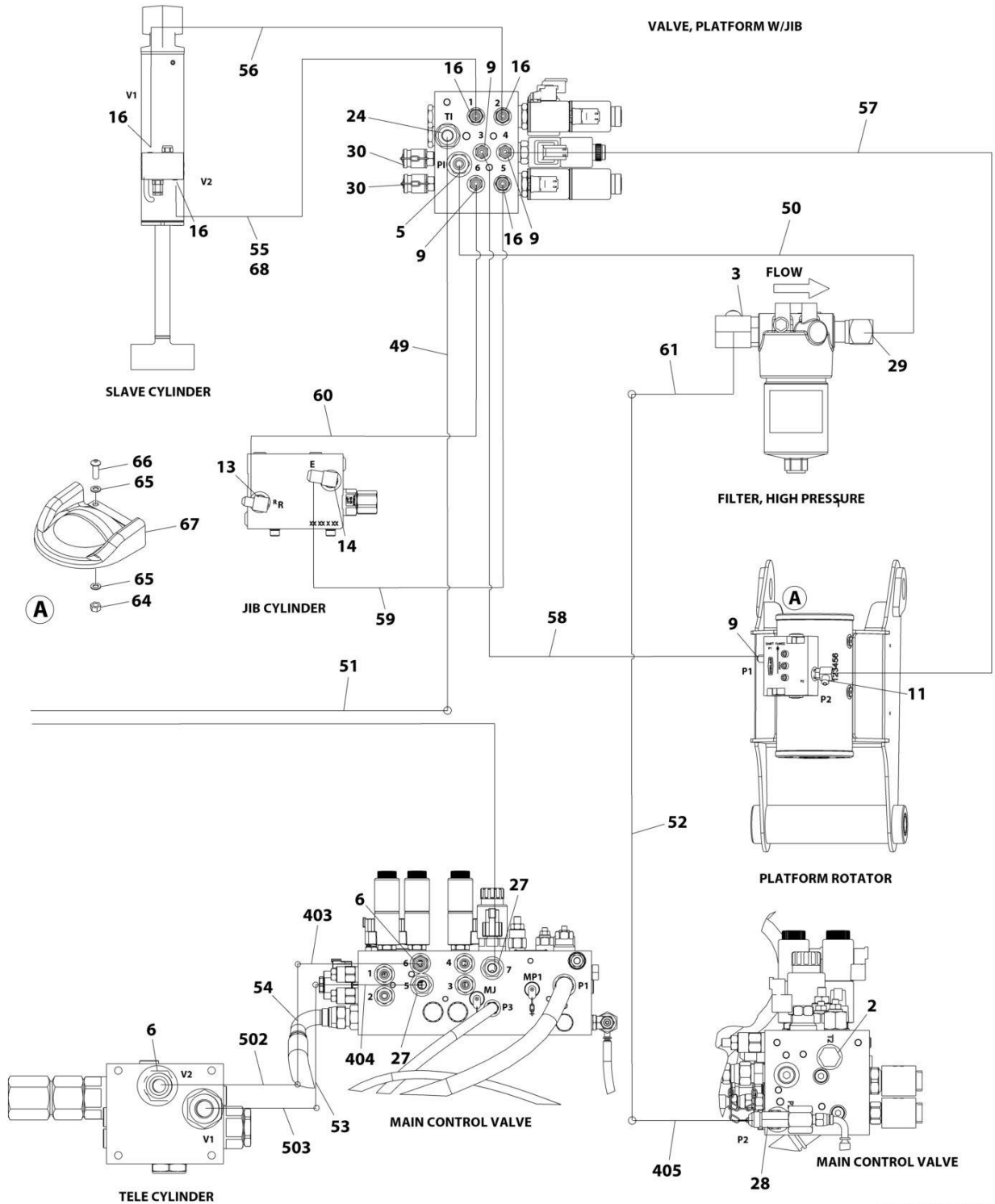
ART_1001281352_20F4

SECTION 7 - HYDRAULIC



ART_1001281352_30F4

SECTION 7 - HYDRAULIC



ART_1001281352_4OF4

SECTION 7 - HYDRAULIC

FIGURE 7-7. STANDARD HYDRAULIC DIAGRAM (MACHINES WITH SN STARTING WITH B3) (660SJ HC3)

ITEM	PART NUMBER	QTY	DESCRIPTION	REV
	1001281352	Ref	STANDARD HYDRAULIC DIAGRAM	B
1	2111616	2	Fitting, Straight ORFS/ORB	
2	2220238	1	Plug	
3	2220366	1	Fitting, 90 JIC/ORB	
4	2220371	5	Fitting, Straight JIC/ORB	
5	2220372	5	Fitting, Straight JIC/ORB	
6	2220373	3	Fitting, Straight JIC/ORB	
7	2220375	1	Fitting, Straight JIC/ORB	
8	2220380	1	Fitting, Straight JIC/ORB	
9	2220415	4	Fitting, Straight JIC/ORB	
10	2220451	1	Fitting, Straight JIC/ORB	
11	2220466	1	Fitting, 90 JIC/ORB	
12	2220468	2	Fitting, Straight JIC/ORB	
13	2220472	1	Fitting, 90 JIC/ORB	
14	2220473	2	Fitting, 90 JIC/ORB	
15	2220582	4	Fitting, Straight JIC/ORB	
16	2220603	5	Fitting, Straight JIC/ORB	
17	2220606	1	Fitting, Tee JIC/ORB/JIC	
18	2220618	1	Fitting, Straight JIC/FSJIC	
19	2220637	1	Fitting, 45 JIC/ORB	
20	2220726	1	Fitting, 90 JIC/ORB	
21	2220733	1	Fitting, Straight JIC/ORB	
22	2220738	1	Fitting, Tee JIC/ORB/JIC	
24	2220852	3	Fitting, Straight JIC/ORB	
25	2220865	2	Fitting, Straight JIC/ORB	
26	2220906	1	Fitting, 90 JIC/ORB	
27	2220947	4	Fitting, Straight JIC/ORB	
28	2220999	1	Fitting, Tee JIC/ORB/JIC	
29	2221048	1	Fitting, 90 JIC/ORB	
30	2221086	4	Fitting, Test	
31	80633030	2	Clamp	
32	1001119455	1	Valve, Oil Sampling	
36	1001192690	1	Hose	
42	1001203431	1	Hose	
43	1001258157	1	Hose	
44	1001258156	1	Hose	
46	1001205824	2	Fitting, 90 Barb	
47	1001214408	1	Fitting, Tee JIC/ORB/JIC	
49	1001221016	1	Hose	
50	1001222522	1	Hose	
51	1001249492	1	Pipe	
52	1001249493	1	Pipe	
53	1001249494	1	Pipe	
54	1001249495	1	Pipe	
55	1001193927	1	Hose	
56	1001193928	1	Hose	
57	1001193929	1	Hose	
58	1001193930	1	Hose	
59	1001269096	1	Hose	

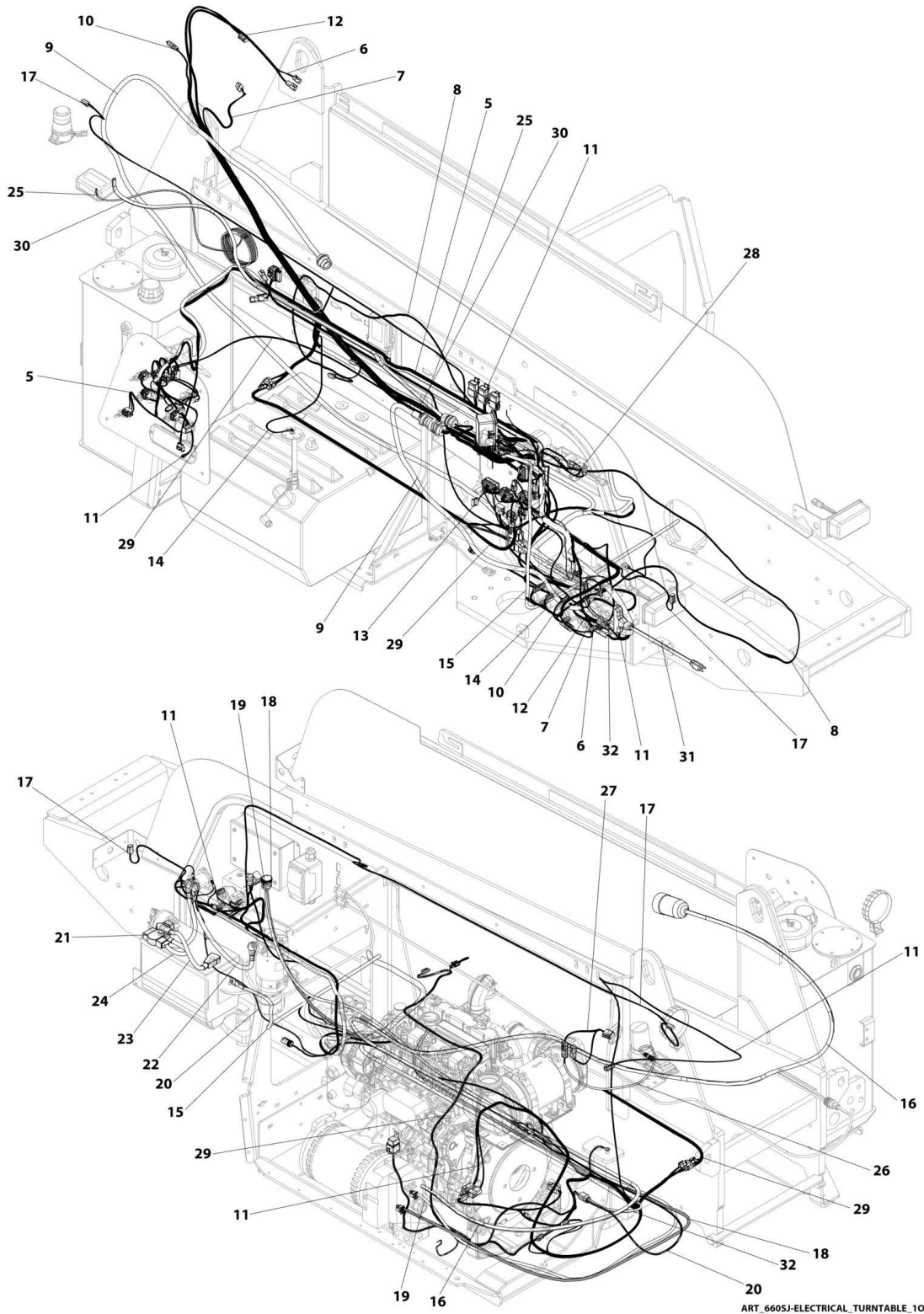
SECTION 7 - HYDRAULIC

ITEM	PART NUMBER	QTY	DESCRIPTION	REV
60	1001269097	1	Hose	
61	1001203426	1	Hose	
62	2220374	1	Fitting, Straight JIC/ORB	
63	4240156	2	Strap (Not Shown)	
64	3311505	2	Nut 5/16	
65	4711500	4	Washer 5/16	
66	88261024	2	Bolt 5/16 x 1	
67	1001207969	1	Cover	
68	1001136358	1	Sleeve (Not Shown)	
100	1001250981	1	Engine Side Hose Kit	
101	1001247876	1	Hose	
102	1001247871	1	Hose	
103	1001247872	1	Hose	
104	1001247877	1	Hose	
105	1001247881	1	Hose	
106	1001247878	1	Hose	
107	1001247879	1	Hose	
108	1001247994	1	Hose	
300	1001250982	1	Tank Side Hose Kit	
301	1001247865	1	Hose	
302	1001247866	2	Hose	
303	1001247868	1	Hose	
304	1001247869	1	Hose	
305	1001247873	1	Hose	
306	1001247875	1	Hose	
307	1001247882	1	Hose	
308	1001247867	1	Hose	
400	1001269913	1	Turntable Hose Kit	
401	1001192661	1	Hose	
402	1001192663	1	Hose	
403	1001192695	1	Hose	
404	1001192698	1	Hose	
405	1001203424	1	Hose	
406	1001220912	1	Hose	
500	1001269914	1	Boom Hose Kit	
501	1001192641	1	Hose	
502	1001192696	1	Hose	
503	1001192699	1	Hose	
504	1001204645	1	Hose	

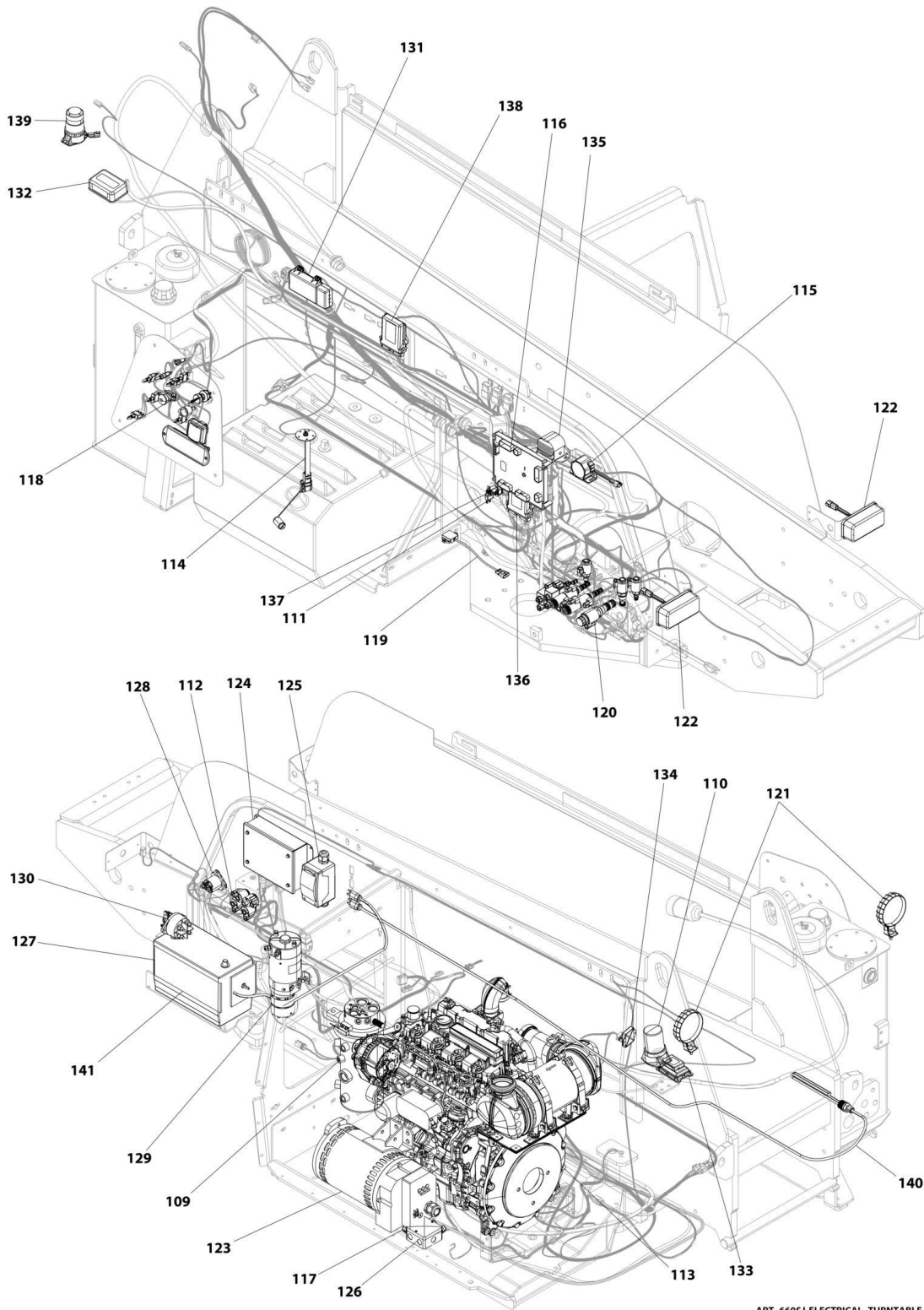
SECTION 8 - ELECTRICAL

SECTION 8 - ELECTRICAL

FIGURE 8-1. ELECTRICAL LAYOUT

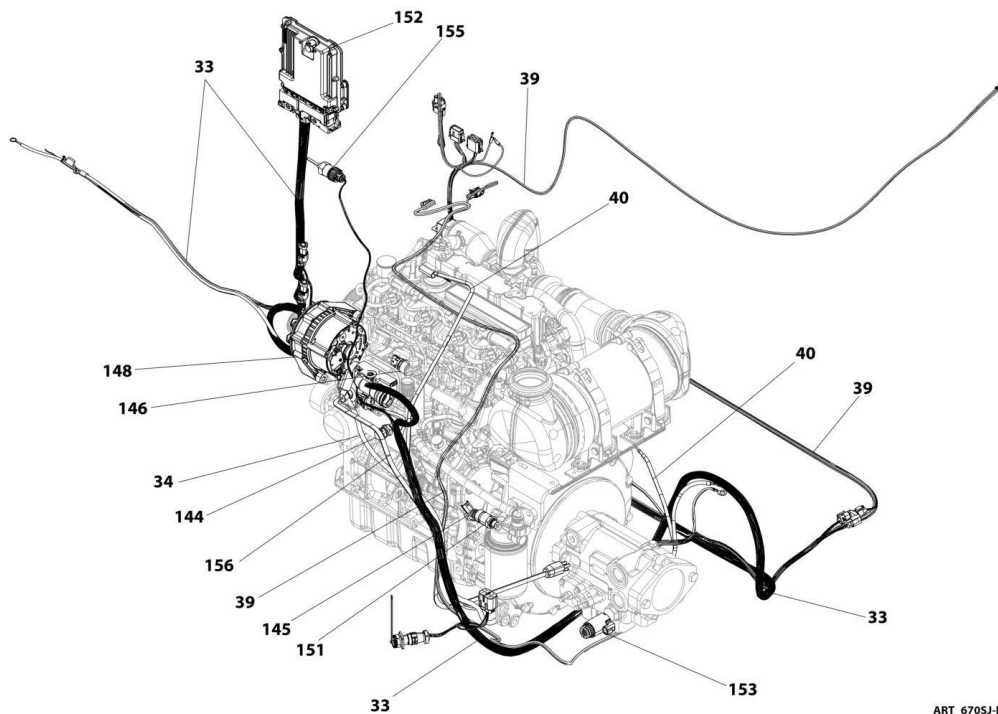
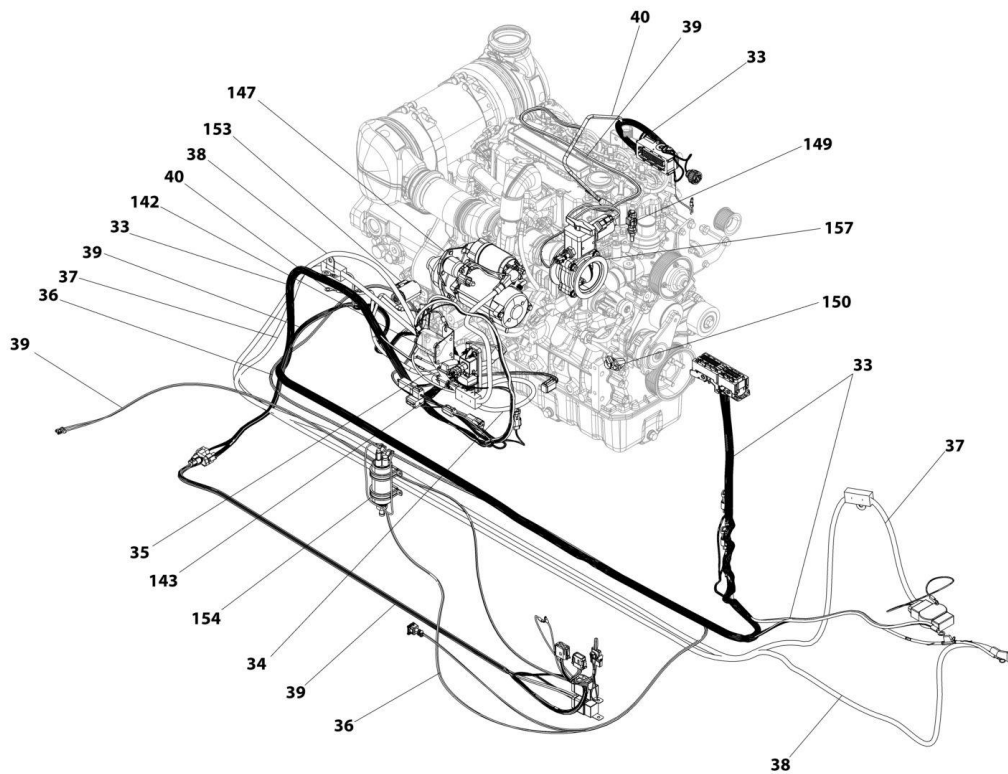


SECTION 8 - ELECTRICAL



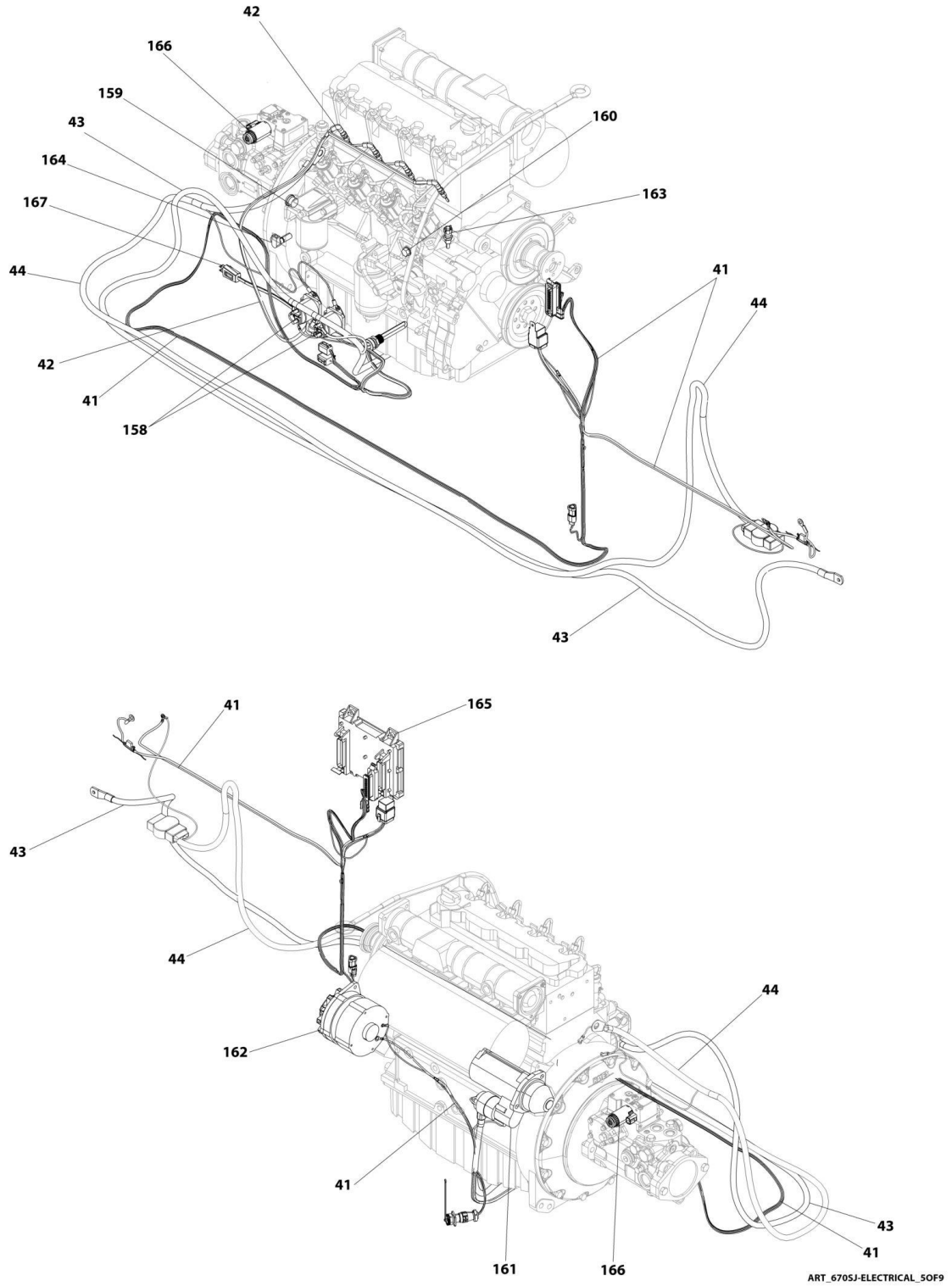
ART_660SJ-ELECTRICAL_TURNTABLE_20F2

SECTION 8 - ELECTRICAL



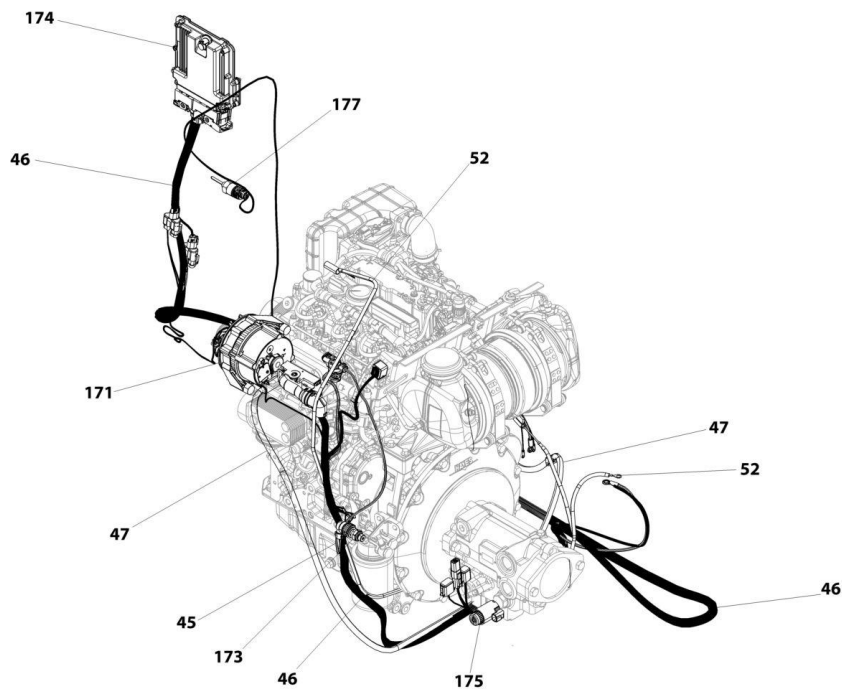
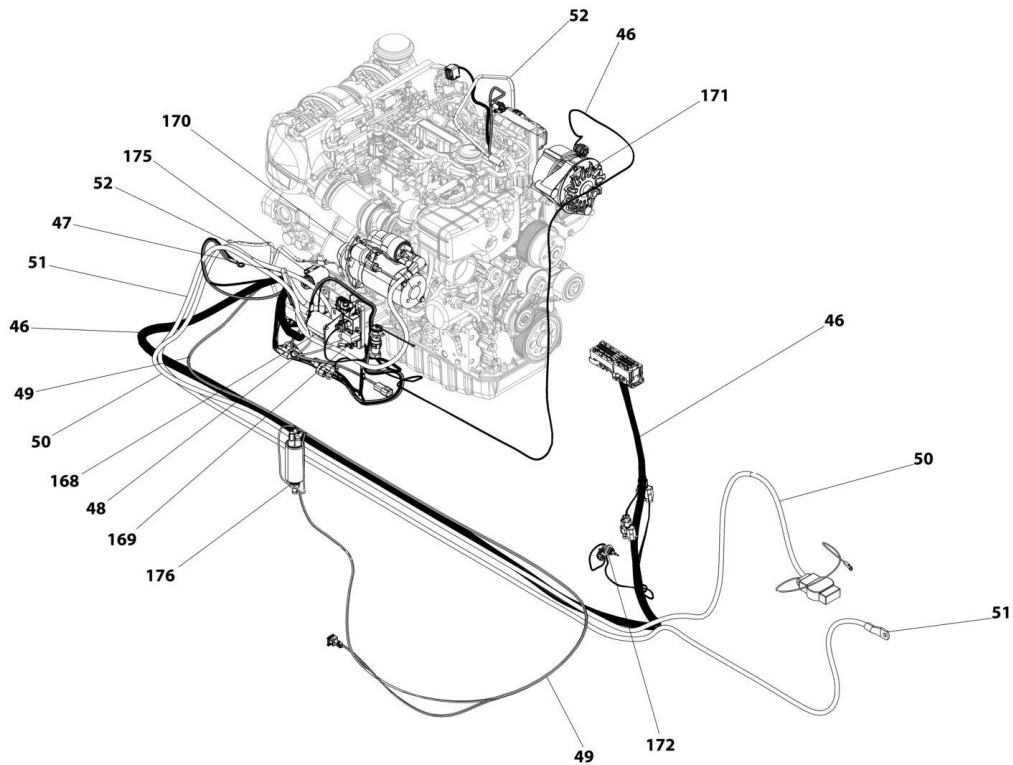
ART_6705J-ELECTRICAL_40F9

SECTION 8 - ELECTRICAL



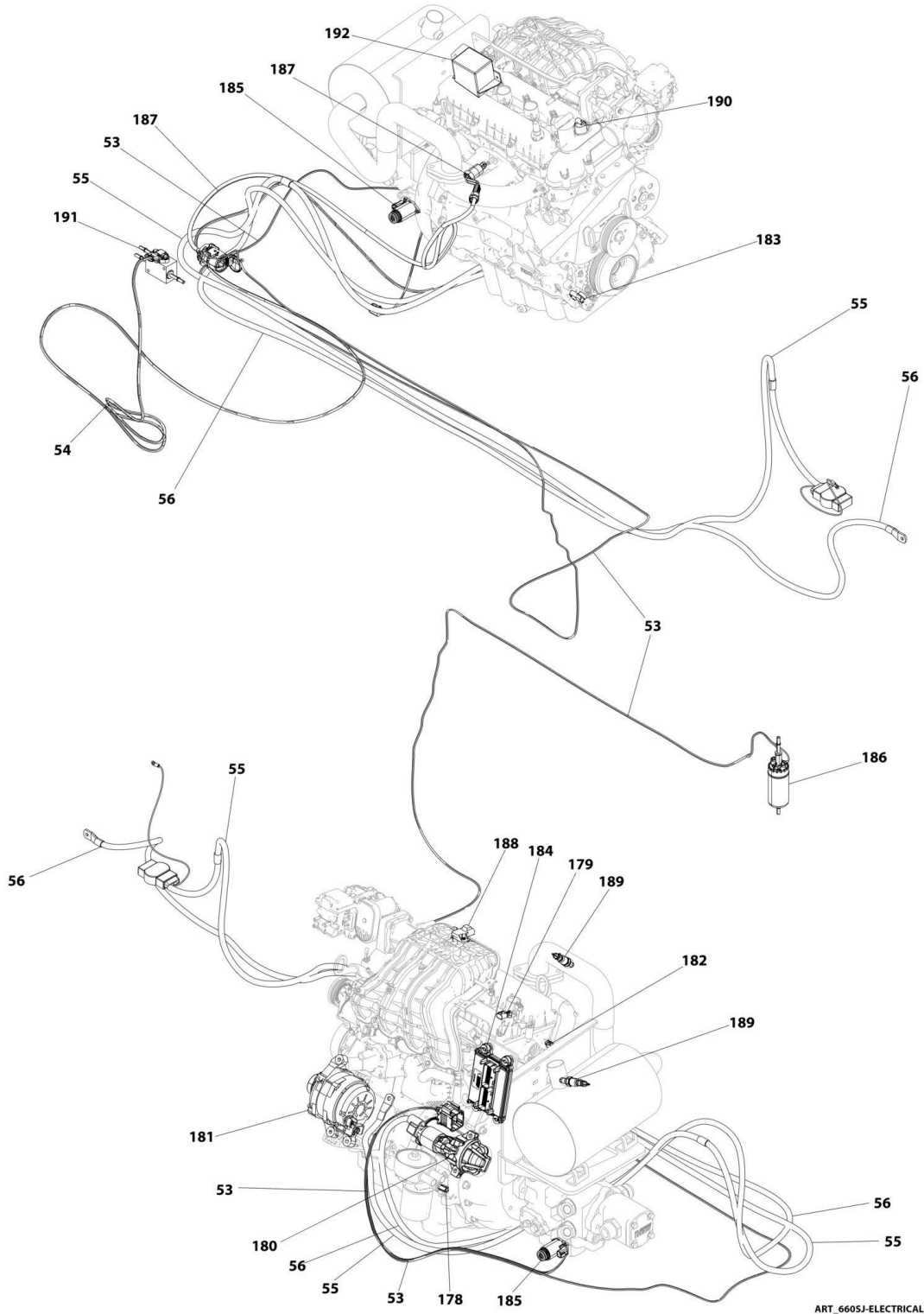
ART_6705J-ELECTRICAL_50F9

SECTION 8 - ELECTRICAL



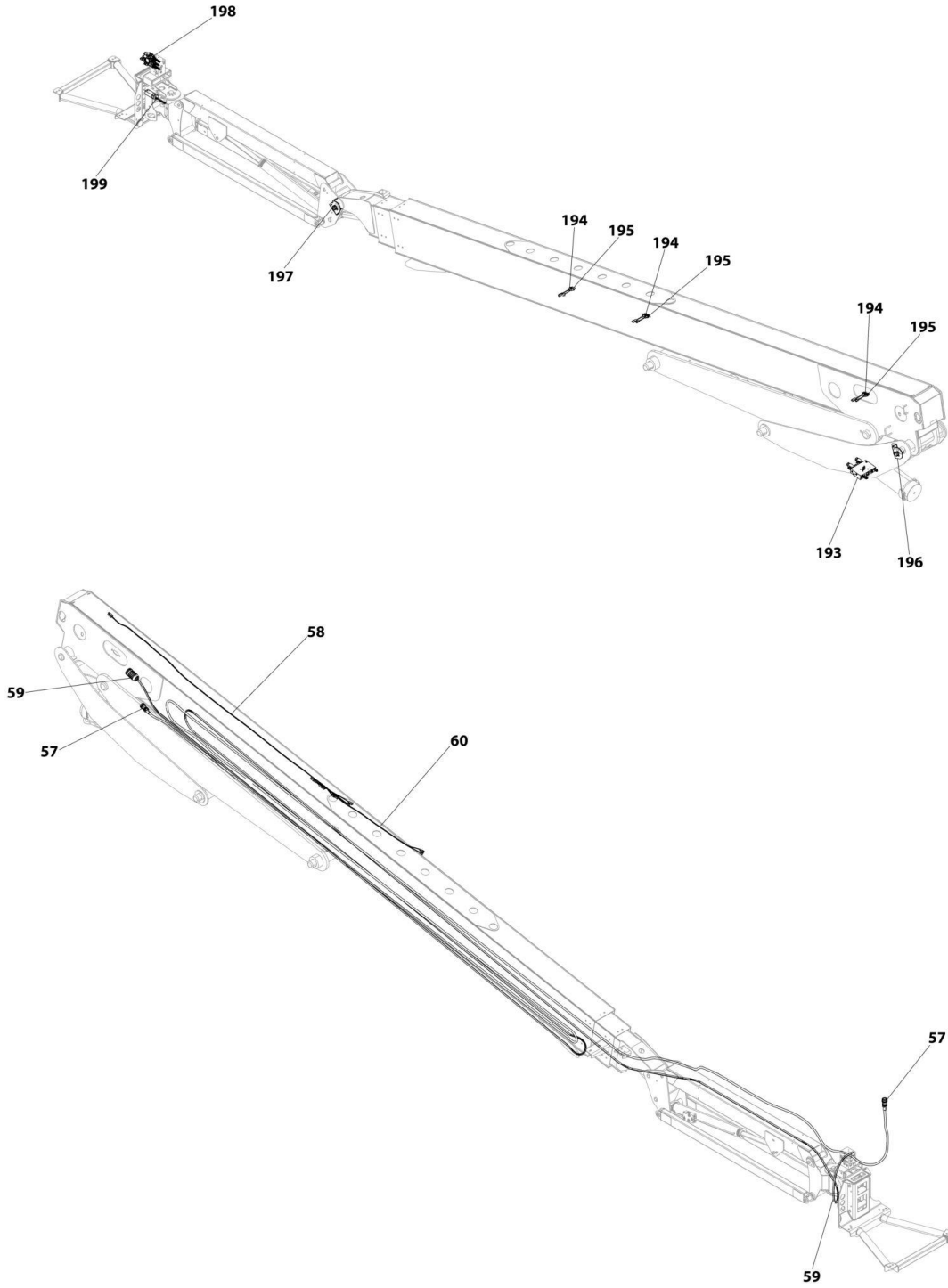
ART_6705J-ELECTRICAL_60F9

SECTION 8 - ELECTRICAL



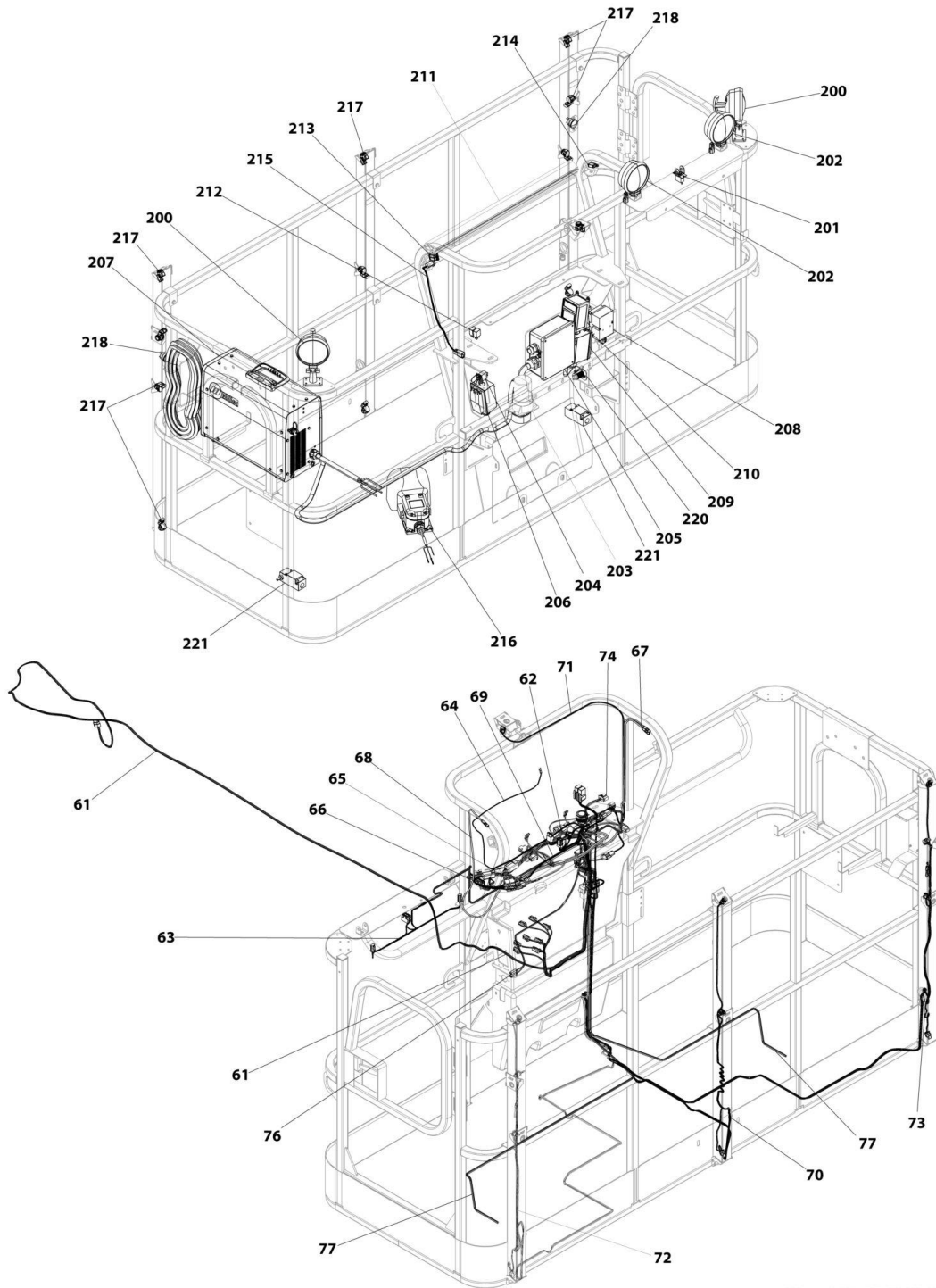
ART_660SJ-ELECTRICAL_FORD_DF

SECTION 8 - ELECTRICAL



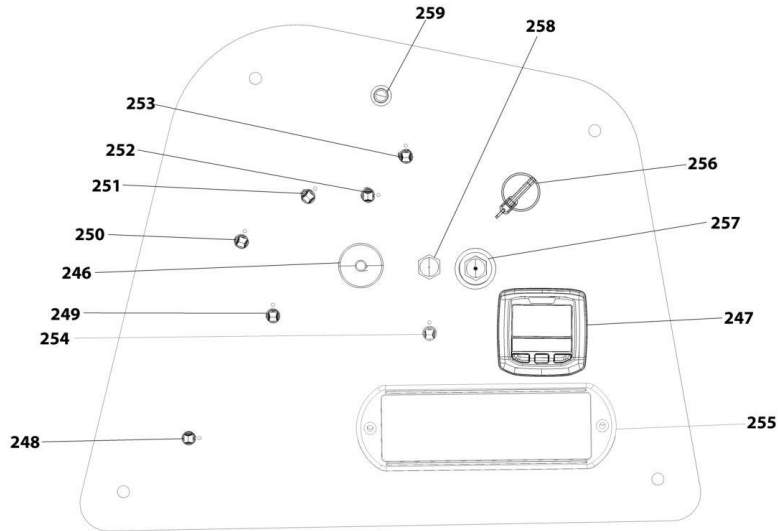
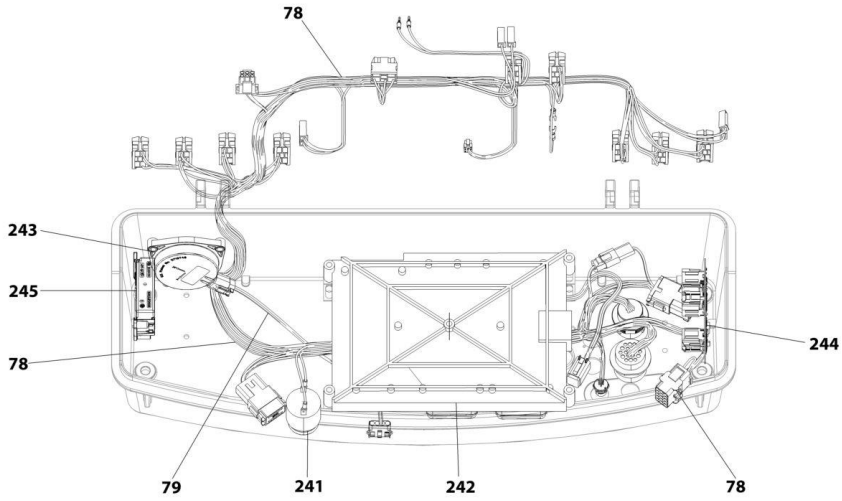
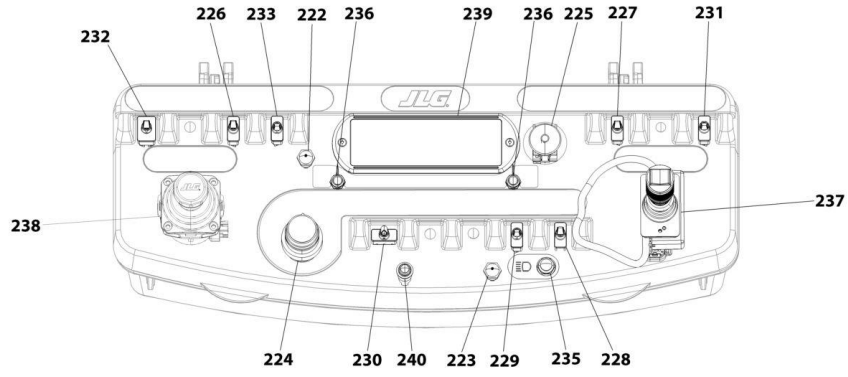
ART_660SJ_HC3-ELECTRICAL_BOOM

SECTION 8 - ELECTRICAL



ART_660SJ_HC3-ELECTRICAL_PLATFORM

SECTION 8 - ELECTRICAL



ART_660SJ_HC3-ELECTRICAL_CONTROLS

SECTION 8 - ELECTRICAL

FIGURE 8-1. ELECTRICAL LAYOUT

ITEM	PART NUMBER	QTY	DESCRIPTION	REV
		Ref	HARNESS LIST	
		Ref	Note: This figure is for part identification only.	
5		Ref	Harness, Ground Control	
6		Ref	Harness, Tele Retract	
7		Ref	Harness, Boom Angle Sensor	
8		Ref	Harness, Lift Cylinder	
9		Ref	Cable, Boom (Lower)	
10		Ref	Harness, Boom Cable Service	
11		Ref	Harness, Turntable	
12		Ref	Harness, Capacity (Lower)	
13		Ref	Harness, Cribbing	
14		Ref	Harness, Main Valve	
15		Ref	Harness, Ground Module	
16		Ref	Cable, AC Ground to Platform	
17		Ref	Harness, Head and Tail Light	
18		Ref	Harness, 7500W Generator	
19		Ref	Harness, 4000W Generator	
20		Ref	Harness, 2500W Generator	
21		Ref	Cable, Battery (+) to Aux Relay	
22		Ref	Cable, Aux Relay to Aux Pump	
23		Ref	Cable, Battery (+) to Disconnect	
24		Ref	Cable, Battery (-) to Disconnect	
25		Ref	Harness, Clearsky	
26		Ref	Harness, Telematics	
27		Ref	Harness, Xirgo Jumper	
28		Ref	Harness, White Noise Alarm	
29		Ref	Harness, ASOV	
30		Ref	Harness, Strobe Light Control	
31		Ref	3-Way Plug	
32		Ref	Cable, Extension	
33		Ref	Harness, Engine	
34		Ref	Harness, Alternator Power	
35		Ref	Harness, Glow Plug Fuse	
36		Ref	Harness, Fuel Pump	
37		Ref	Cable, Battery (-) to Aux Pump to Ground	
38		Ref	Cable, Battery (+) to Relay to Starter	
39		Ref	Harness, ASOV	
40		Ref	Breather Tube Heater	
41		Ref	Harness, Engine	
42		Ref	Harness, Glow Plug Fuse	
43		Ref	Cable, Battery (+) to Relay to Starter	
44		Ref	Cable, Battery (-) to Aux Pump to Ground	
45		Ref	Harness, Fuel Filter	
46		Ref	Harness, Engine	
47		Ref	Harness, Alternator Power	
48		Ref	Harness, Glow Plug Fuse	
49		Ref	Harness, Fuel Pump	
50		Ref	Cable, Battery (-) to Aux Pump to Ground	
51		Ref	Cable, Battery (+) to Relay to Starter	
52		Ref	Breather Tube Heater	

SECTION 8 - ELECTRICAL

ITEM	PART NUMBER	QTY	DESCRIPTION	REV
53		Ref	Harness, Engine	
54		Ref	Harness, Fuel Pump	
55		Ref	Cable, Battery (-) to Aux Pump to Ground	
56		Ref	Cable, Battery (+) to Relay to Starter	
57		Ref	Cable, Boom (Upper)	
58		Ref	Harness, Capacity (Upper)	
59		Ref	Cable, AC Ground to Platform	
60	1001238192	Ref	Harness, Capacity Proximity (Upper)	
61		Ref	Harness, Platform Valve	
62		Ref	Harness, Platform Work Light	
63		Ref	Harness, Platform Flood Light	
64		Ref	Harness, Platform Strobe Light	
65		Ref	Harness, SkyGuard	
66		Ref	Harness, SkyEye Intermediate	
67		Ref	Harness, SkyEye Receiver	
68		Ref	Harness, SkyEye Emitter	
69		Ref	Harness, SkyLine	
70		Ref	Harness, SkySense Mid Tube	
71		Ref	Harness SkySense Overhead Sensor	
72		Ref	Harness, SkySense Left Tube	
73		Ref	Harness, SkySense Right Tube	
74		Ref	Harness, SkySense Main	
76		Ref	Harness, USB	
77		Ref	Cable, Soft Touch	
78		Ref	Harness, Platform Console	
79		Ref	Harness, Tilt Sensor	
		Ref	COMPONENT LIST	
109		Ref	Rotary Coupling	
110		Ref	Light, Strobe (Amber)	
111		Ref	Switch, Cribbing	
112		Ref	Solenoids, Axle Valve	
113		Ref	Engine	
114		Ref	Sensor, Fuel Level	
115		Ref	Alarm	
116		Ref	Module, Ground Control	
117		Ref	Light, Generator	
118		Ref	Ground Control Panel	
119		Ref	Sensor, Tilt	
120		Ref	Solenoids, Main Control Valve	
121		Ref	Headlight	
122		Ref	Taillight	
123		Ref	Generator	
124		Ref	Box, Generator Control	
125		Ref	AC Breaker Box	
126		Ref	Generator Junction Box	
127		Ref	Battery	
128		Ref	Relay	
129		Ref	Auxiliary Pump/Motor	
130		Ref	Switch, Battery Disconnect	
131		Ref	Module, ClearSky Telematics CANBUS	
132		Ref	Antenna, ClearSky Telematics	

SECTION 8 - ELECTRICAL

ITEM	PART NUMBER	QTY	DESCRIPTION	REV
133		Ref	Module, ClearSky Telematics 3-Wire	
134		Ref	Voltage Regulator, ClearSky Telematics	
135		Ref	Alarm, White Noise	
136		Ref	Module, ASOV Control	
137		Ref	Switch, ASOV	
138		Ref	Module, Strobe Control	
139		Ref	Light, Strobe	
140		Ref	Heater, Immersion	
141		Ref	Heater, Battery	
142		Ref	Contactactor	
143		Ref	Relay	
144		Ref	Sensor, Oil Pressure	
145		Ref	Sensor, Speed	
146		Ref	Sensor, Fuel Rail Pressure	
147		Ref	Starter	
148		Ref	Alternator	
149		Ref	Engine Coolant Temperature Sensor	
150		Ref	Sensor, Speed	
151		Ref	Sensor, Fuel Pressure	
152		Ref	Module, Engine Control	
153		Ref	Solenoids, Piston Pump	
154		Ref	Fuel Pump	
155		Ref	Sensor, Coolant Level	
156		Ref	Heater, Engine Block	
157		Ref	Air Shut Off Valve (ASOV)	
158		Ref	Relay	
159		Ref	Sensor, Temperature	
160		Ref	Sensor, Oil Pressure	
161		Ref	Starter	
162		Ref	Alternator	
163		Ref	Engine Coolant Temperature Sensor	
164		Ref	Sensor, Speed	
165		Ref	Module, Engine Control	
166		Ref	Solenoids, Gear Pump	
167		Ref	Heater, Engine Block	
168		Ref	Contactactor	
169		Ref	Relay	
170		Ref	Starter	
171		Ref	Alternator	
172		Ref	Sensor, Ambient Air Temperature	
173		Ref	Sensor, Fuel Pressure	
174		Ref	Module, Engine Control	
175		Ref	Solenoids, Variable Pump	
176		Ref	Fuel Pump	
177		Ref	Sensor, Coolant Level	
178		Ref	Sensor, Oil Pressure	
179		Ref	Sensor, Speed	
180		Ref	Starter	
181		Ref	Alternator	
182		Ref	Engine Coolant Temperature Sensor	
183		Ref	Sensor, Speed	

SECTION 8 - ELECTRICAL

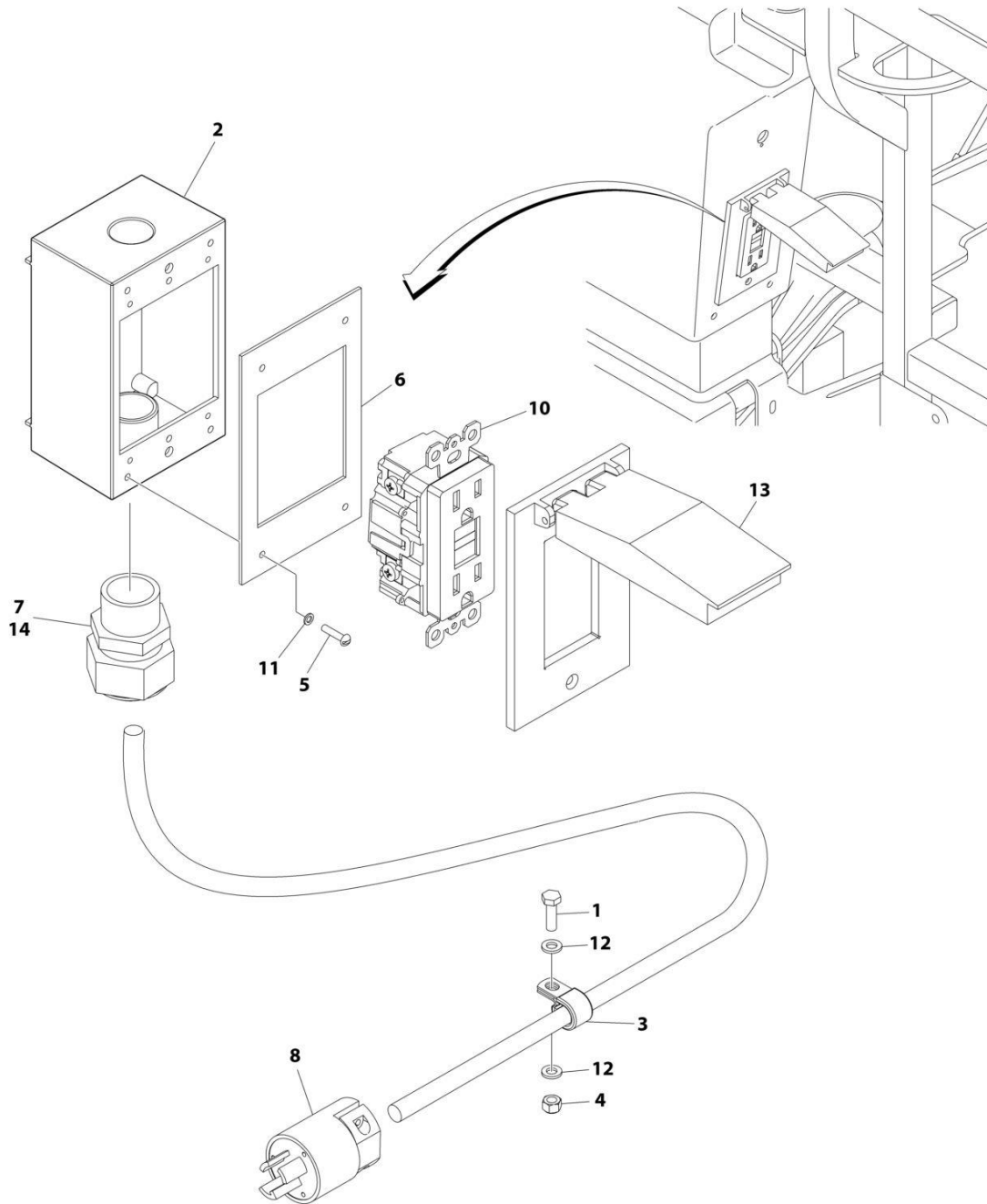
ITEM	PART NUMBER	QTY	DESCRIPTION	REV
184		Ref	Module, Engine Control	
185		Ref	Solenoids, Piston Pump	
186		Ref	Fuel Pump	
187		Ref	Heater, Engine Block	
188		Ref	Sensor, TMAP	
189		Ref	Sensor, O2	
190		Ref	Solenoid, Timing	
191		Ref	Fuel Block	
192		Ref	Fuse Box	
193		Ref	Solenoid, Lift Cylinder	
194		Ref	Sensor, Proximity	
195		Ref	Sensor, Proximity	
196		Ref	Sensor, Lower Angle	
197		Ref	Sensor, Upper Angle	
198		Ref	Solenoids, Platform Valve	
199		Ref	Cell, Load Sensing	
200		Ref	Platform Work Light	
201		Ref	Switch, Platform Flood Light	
202		Ref	Platform Flood Light	
203		Ref	Light, Platform Strobe	
204		Ref	Switch, Generator	
205		Ref	Junction Box	
206		Ref	AC Receptacle	
207		Ref	Welding Machine	
208		Ref	AC Receptacle	
209		Ref	AC Receptacle	
210		Ref	AC Receptacle/Breaker Box	
211		Ref	Switch, SkyGuard	
212		Ref	Relay	
213		Ref	Sensor, SkyEye Receiver	
214		Ref	Sensor, SkyEye Emitter	
215		Ref	Sensor, SkyLine Proximity	
216		Ref	Footswitch	
217		Ref	Sensor, SkySense	
218		Ref	Alarm	
220		Ref	USB Receptacle	
221		Ref	Switch, Soft Touch Limit	
222		Ref	Switch, Horn	
223		Ref	Switch, Soft Touch/SkyGuard/SkySense Override	
224		Ref	Switch, Function Speed Control	
225		Ref	Switch, Power/Emergency Stop	
226		Ref	Switch, Platform Leveling Override	
227		Ref	Switch, Start/Auxilliary Power	
228		Ref	Switch, Boom Telescope	
229		Ref	Switch, Jib Up/Down	
230		Ref	Switch, Platform Rotate	
231		Ref	Switch, Drive Orientation Override	
232		Ref	Switch, Drive Speed/ Torque Select	
233		Ref	Switch, Fuel Select	
235		Ref	Switch, Lights	
236		Ref	Light, SkySense Indicator	

SECTION 8 - ELECTRICAL

ITEM	PART NUMBER	QTY	DESCRIPTION	REV
237		Ref	Controller, Drive/Steer	
238		Ref	Controller, Main Lift/Swing	
239		Ref	Display, Platform	
240		Ref	Light, Soft Touch/SkyGuard/SkySense Indicator	
241		Ref	Alarm	
242		Ref	Module, Platform	
243		Ref	Sensor, Tilt	
244		Ref	Module, SkySense Control	
245		Ref	Module, SkySense Sensor	
246		Ref	Switch, Emergency Stop	
247		Ref	Display, Ground	
248		Ref	Switch, Turntable Swing	
249		Ref	Switch, Boom Lift	
250		Ref	Switch, Boom Telescope	
251		Ref	Switch, Jib Up/Down	
252		Ref	Switch, Platform Rotate	
253		Ref	Switch, Platform Leveling Override	
254		Ref	Switch, Engine Start/ Auxiliary Power	
255		Ref	Indicator Panel	
256		Ref	Switch, Key	
257		Ref	Switch, Machine Safety System Override (MSSO)	
258		Ref	Switch, Diesel Particulate Filter (DPF)	
259		Ref	Light, ASOV	

SECTION 8 - ELECTRICAL

FIGURE 8-2. AC BOX AT PLATFORM INSTALLATION - 110V (ALL SPECS EXCEPT AUSTRALIAN, RUSSIA, CE & UK CA SPECS)



ART_1001190773

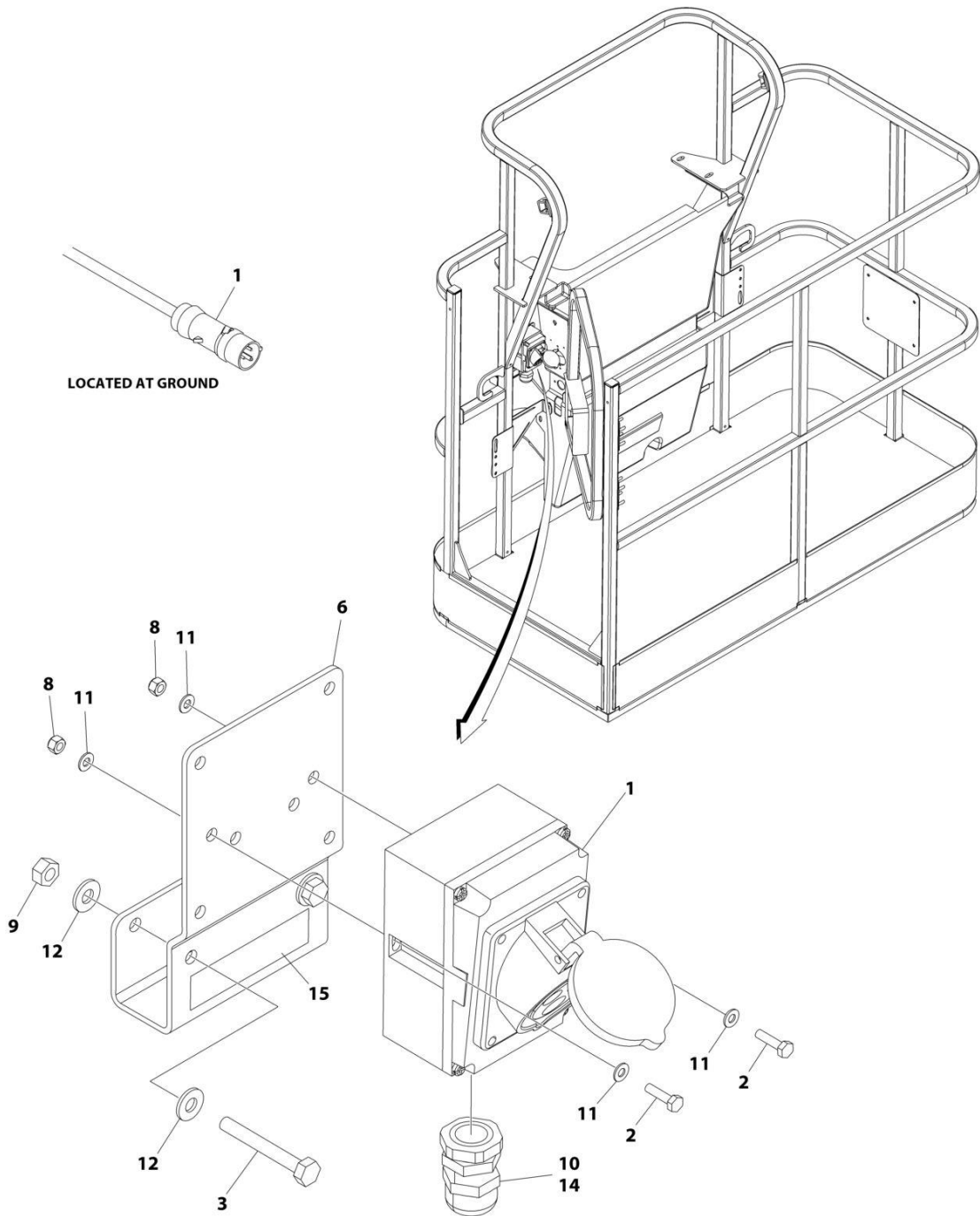
SECTION 8 - ELECTRICAL

FIGURE 8-2. AC BOX AT PLATFORM INSTALLATION - 110V (ALL SPECS EXCEPT AUSTRALIAN, RUSSIA, CE & UK CA SPECS)

ITEM	PART NUMBER	QTY	DESCRIPTION	REV
	1001190773	Ref	AC BOX AT PLATFORM INSTALLATION	C
1	0760610	1	Bolt M6 x 20	
2	0860038	1	Box, Switch	
3	1320041	1	Clamp	
4	3290605	1	Nut M6	
5	3910610	4	Screw #6 x 5/8	
6	3960422	1	Gasket	
7	4460071	1	Connector, Strain Relief	
8	4460205	1	Plug, Male	
9	4460315	1	Terminal, Spade (Not Shown)	
10	4460346	1	Receptacle	
11	4760600	4	Washer #6	
12	4811700	2	Washer M6	
13	1001110873	1	Shield, Cover	
14	0100079	AR	Sealant	

SECTION 8 - ELECTRICAL

FIGURE 8-3. AC BOX AT PLATFORM INSTALLATION - 110V IEC YELLOW (RUSSIA, CE & UK CA SPECS WITHOUT 4000W/50HZ GENERATOR)



ART_1001190493

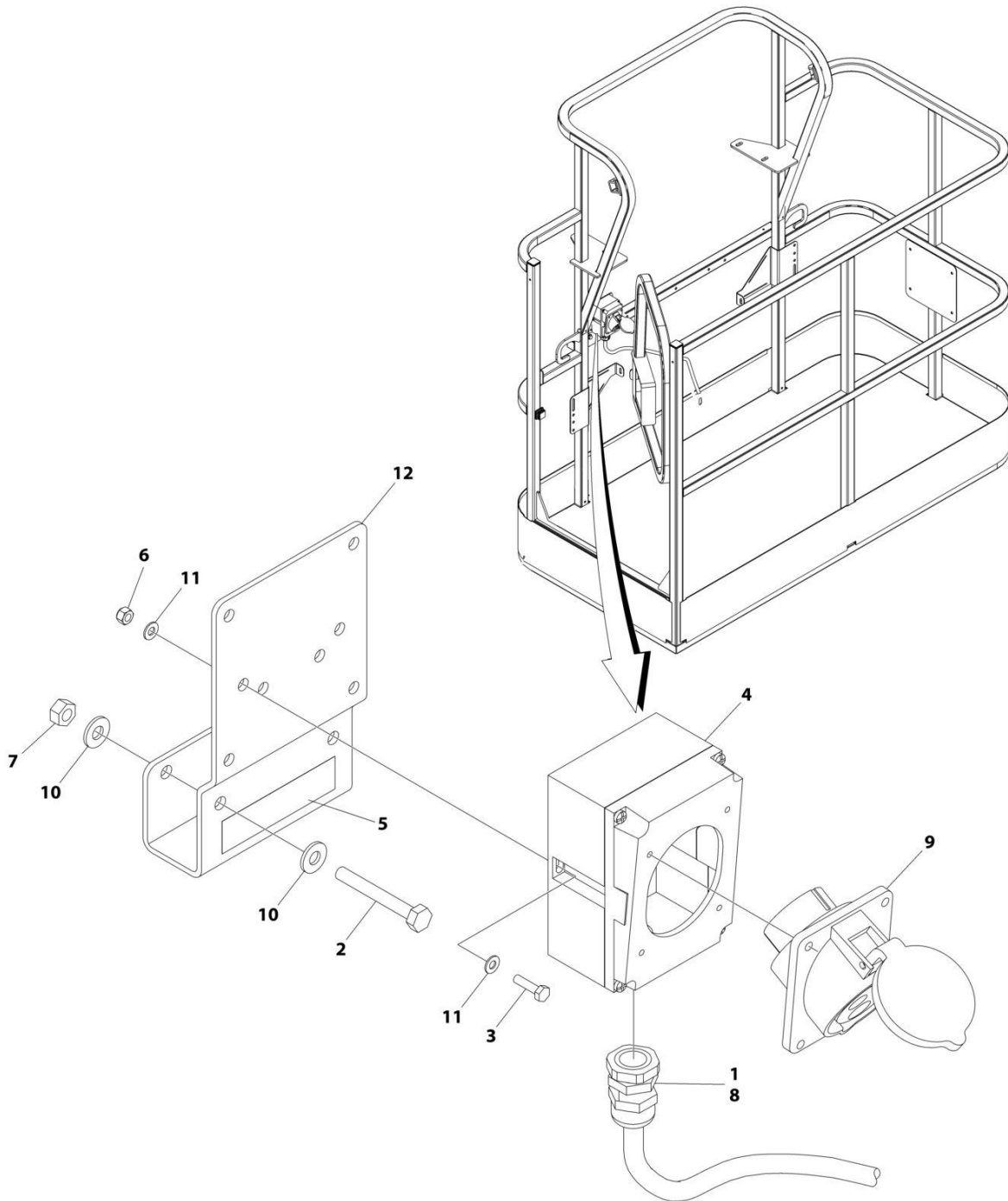
SECTION 8 - ELECTRICAL

FIGURE 8-3. AC BOX AT PLATFORM INSTALLATION - 110V IEC YELLOW (RUSSIA, CE & UK CA SPECS WITHOUT 4000W/50HZ GENERATOR)

ITEM	PART NUMBER	QTY	DESCRIPTION	REV
	1001190493	Ref	AC BOX AT PLATFORM INSTALLATION	C
1	0275216	1	Receptacle Box Kit - 110V IEC Yellow (See Separate Breakdown in this Section)	
2	0700408	2	Bolt M4 x 16	
3	0700618	2	Bolt M6 x 50	
6	1001193018	1	Bracket	
8	3290405	2	Nut M4	
9	3290605	2	Nut M6	
10	4460968	1	Connector, Strain Relief	
11	4811400	4	Washer M4	
12	4811700	4	Washer M6	
14	0100079	AR	Sealant	
15	1705325	1	Decal - 110V	

SECTION 8 - ELECTRICAL

FIGURE 8-4. AC BOX AT PLATFORM INSTALLATION - 110V IEC YELLOW (RUSSIA, CE & UK CA SPECS WITH 4000W/50HZ GENERATOR)



ART_1001194203

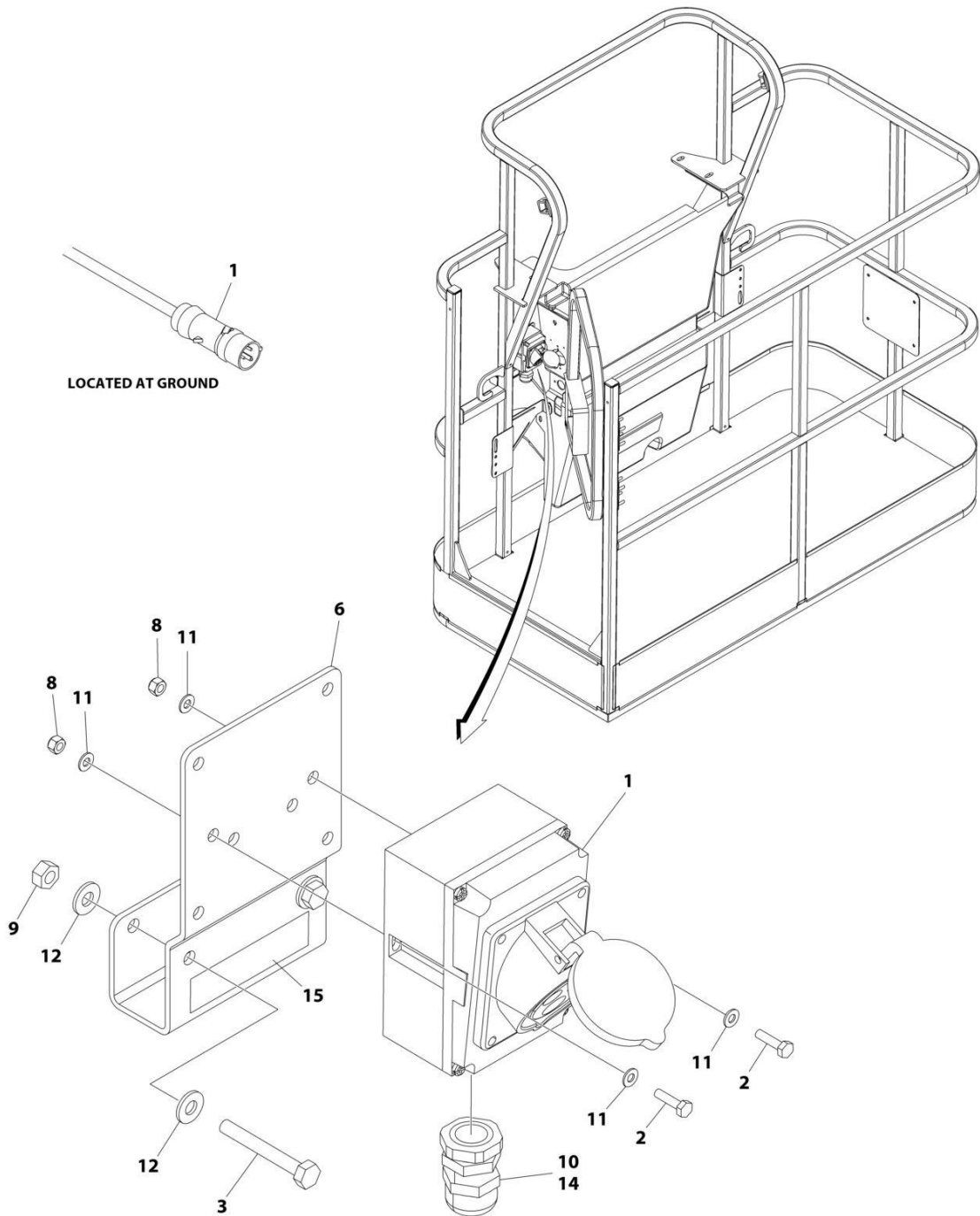
SECTION 8 - ELECTRICAL

FIGURE 8-4. AC BOX AT PLATFORM INSTALLATION - 110V IEC YELLOW (RUSSIA, CE & UK CA SPECS WITH 4000W/50HZ GENERATOR)

ITEM	PART NUMBER	QTY	DESCRIPTION	REV
	1001194203	Ref	AC BOX AT PLATFORM INSTALLATION	B
1	0100020	AR	Sealant, Pipe	
2	0641416	2	Bolt 1/4 x 2	
3	0700408	2	Bolt M4 x 16	
4	0861781	1	Box, Switch	
5	1705325	1	Decal - 110V	
6	3290405	2	Nut M4	
7	3311405	2	Nut 1/4	
8	4460968	1	Connector, Strain Relief	
9	4461198	1	Receptacle	
10	4711400	4	Washer 1/4	
11	4811400	4	Washer M4	
12	1001193018	1	Bracket, AC Receptacle	

SECTION 8 - ELECTRICAL

FIGURE 8-5. AC BOX AT PLATFORM INSTALLATION - 220V IEC BLUE (RUSSIA, CE & UK CA SPECS WITHOUT 4000W/50HZ GENERATOR)



ART_1001190495

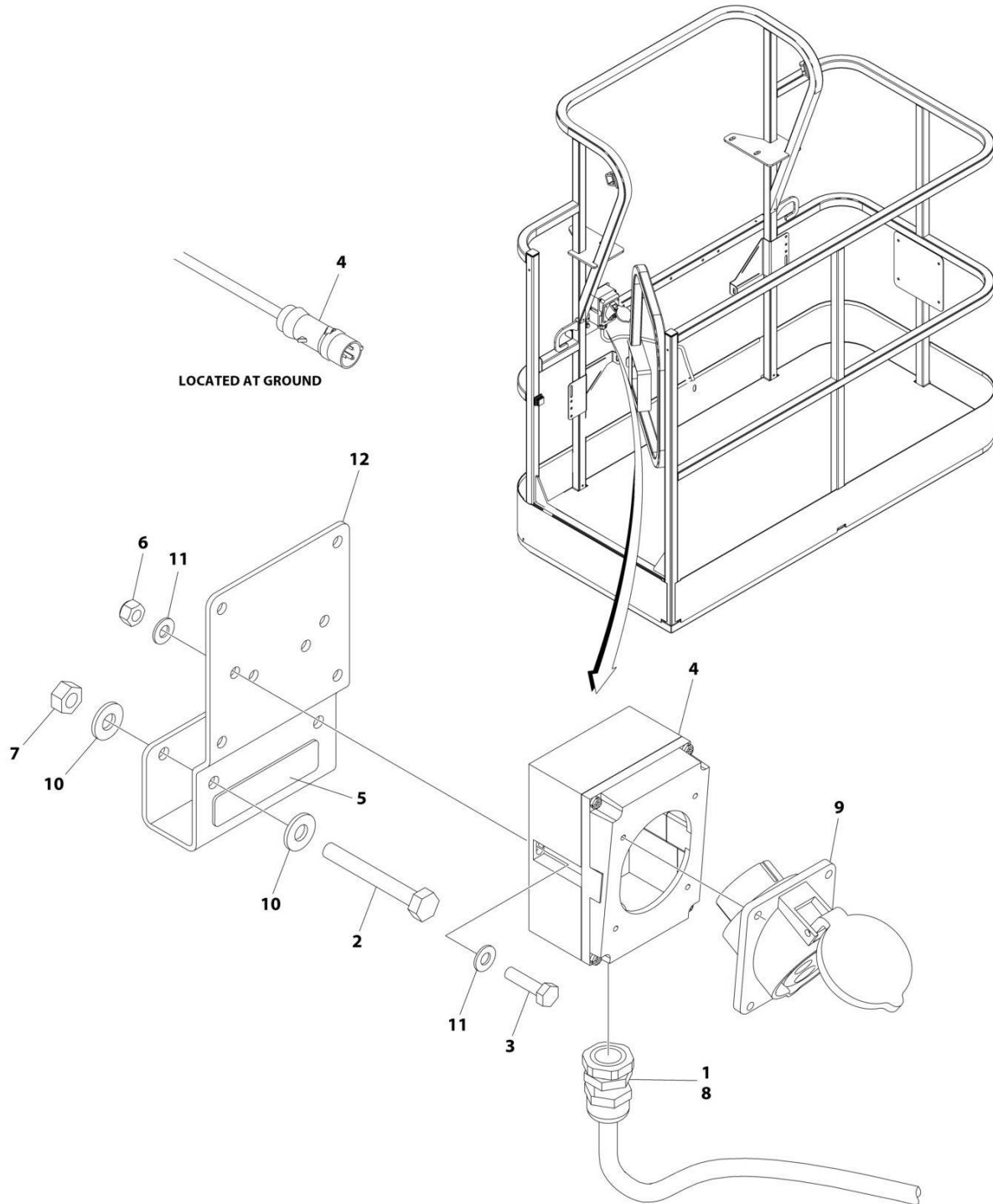
SECTION 8 - ELECTRICAL

FIGURE 8-5. AC BOX AT PLATFORM INSTALLATION - 220V IEC BLUE (RUSSIA, CE & UK CA SPECS WITHOUT 4000W/50HZ GENERATOR)

ITEM	PART NUMBER	QTY	DESCRIPTION	REV
	1001190495	Ref	AC BOX AT PLATFORM INSTALLATION	C
1	0275217	1	Receptacle Box Kit - 220V IEC Blue (See Separate Breakdown in this Section)	
2	0700408	2	Bolt M4 x 16	
3	0700618	2	Bolt M6 x 50	
6	1001193018	1	Bracket	
8	3290405	2	Nut M4	
9	3290605	2	Nut M6	
10	4460968	1	Connector, Strain Relief	
11	4811400	4	Washer M4	
12	4811700	4	Washer M6	
14	0100079	AR	Sealant	
15	3252507	1	Decal - 220 Volt	

SECTION 8 - ELECTRICAL

FIGURE 8-6. AC BOX AT PLATFORM INSTALLATION - 220V IEC BLUE (RUSSIA, CE & UK CA SPECS WITH 4000W/50HZ GENERATOR)



ART_1001194204

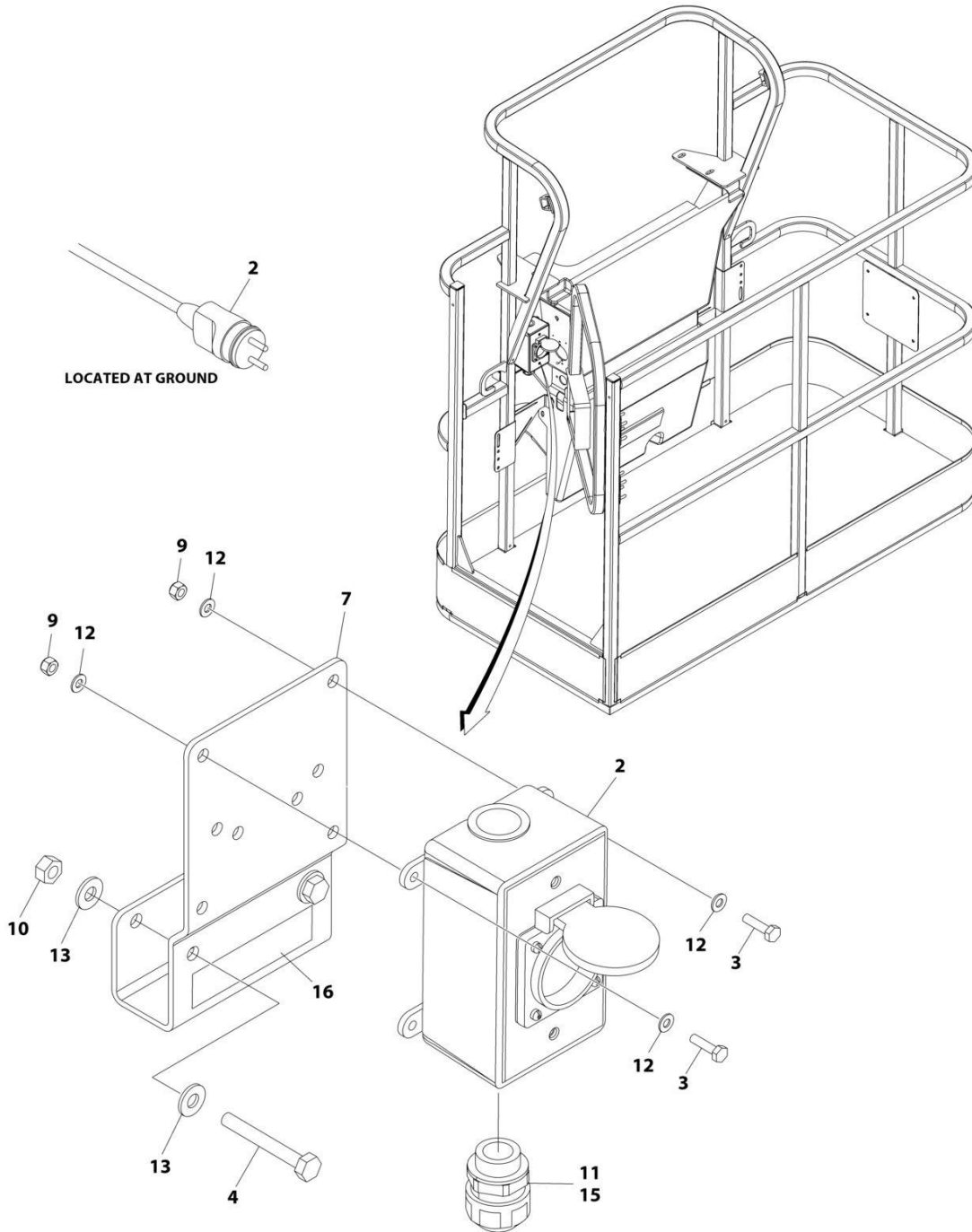
SECTION 8 - ELECTRICAL

FIGURE 8-6. AC BOX AT PLATFORM INSTALLATION - 220V IEC BLUE (RUSSIA, CE & UK CA SPECS WITH 4000W/50HZ GENERATOR)

ITEM	PART NUMBER	QTY	DESCRIPTION	REV
	1001194204	Ref	AC BOX AT PLATFORM INSTALLATION	B
1	0100020	AR	Sealant, Pipe	
2	0641416	2	Bolt 1/4 x 2	
3	0700408	2	Bolt M4 x 16	
4	0861781	1	Box, Switch	
5	3251242	1	Decal - 240V/50Hz	
6	3290405	2	Nut M4	
7	3311405	2	Nut 1/4	
8	4460968	1	Connector, Strain Relief	
9	4461201	1	Receptacle	
10	4711400	4	Washer 1/4	
11	4811400	4	Washer M4	
12	1001193018	1	Bracket, AC Receptacle	

SECTION 8 - ELECTRICAL

FIGURE 8-7. AC BOX AT PLATFORM INSTALLATION - 220V CEE7 2IN X 4IN POST GROUND
(RUSSIA, CE & UK CA SPECS WITHOUT 4000W/50HZ GENERATOR)



ART_1001190441

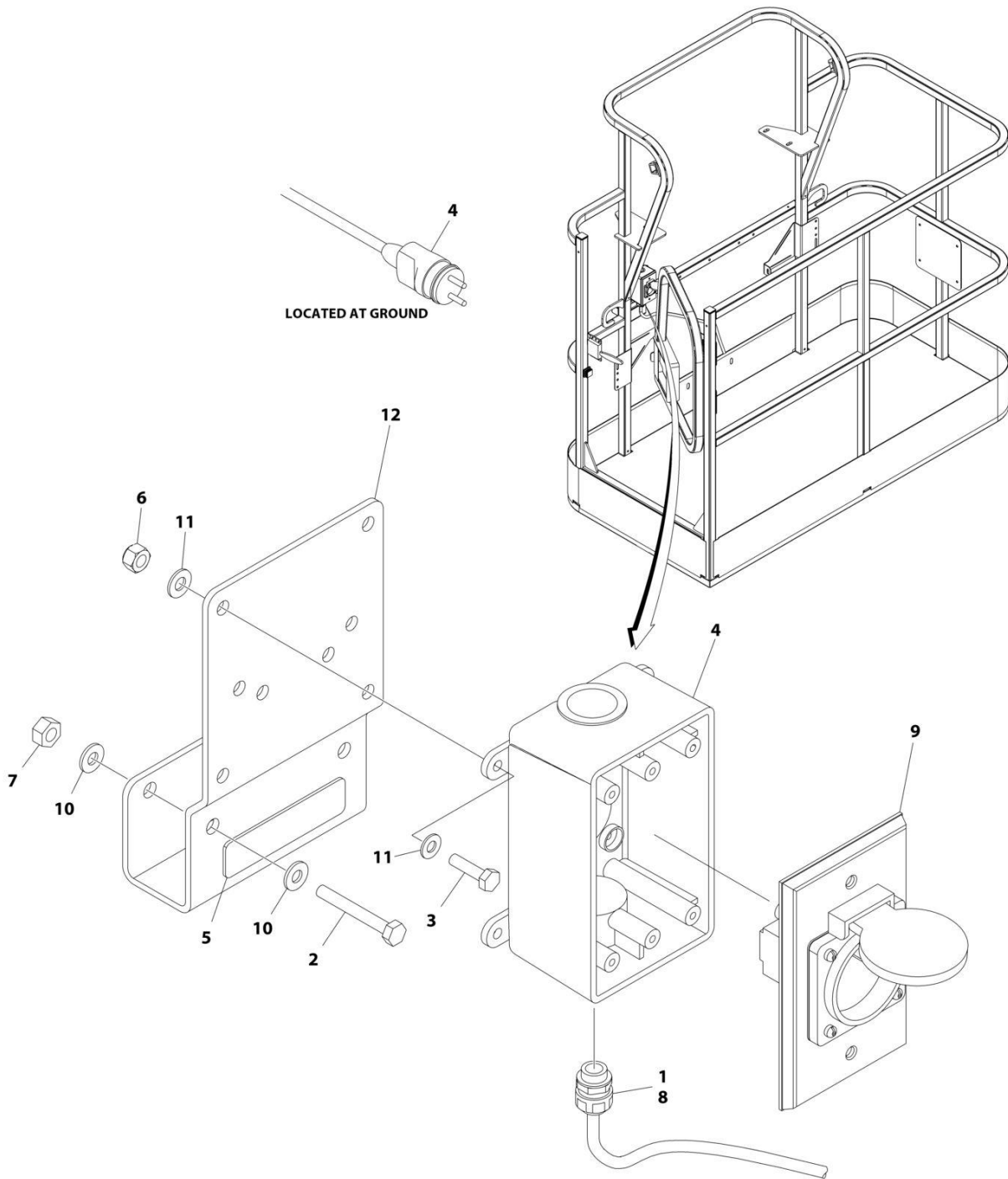
SECTION 8 - ELECTRICAL

**FIGURE 8-7. AC BOX AT PLATFORM INSTALLATION - 220V CEE7 2IN X 4IN POST GROUND
(RUSSIA, CE & UK CA SPECS WITHOUT 4000W/50HZ GENERATOR)**

ITEM	PART NUMBER	QTY	DESCRIPTION	REV
	1001190441	Ref	AC BOX AT PLATFORM INSTALLATION	D
2	0275452	1	Receptacle Box Kit - 220V CEE7 Post Ground 2in x 4in (See Separate Breakdown in this Section)	
3	0700408	4	Bolt M4 x 16	
4	0700618	2	Bolt M6 x 50	
7	1001193018	1	Bracket	
9	3290405	4	Nut M4	
10	3290605	2	Nut M6	
11	4460662	1	Connector, Strain Relief	
12	4811400	8	Washer M4	
13	4811700	4	Washer M6	
15	0100079	AR	Sealant	
16	3252507	1	Decal - 220 Volt	

SECTION 8 - ELECTRICAL

**FIGURE 8-8. AC BOX AT PLATFORM INSTALLATION - 220V CEE7 2IN X 4IN POST GROUND
(RUSSIA, CE & UK CA SPECS WITH 4000W/50HZ GENERATOR)**



ART_1001194197

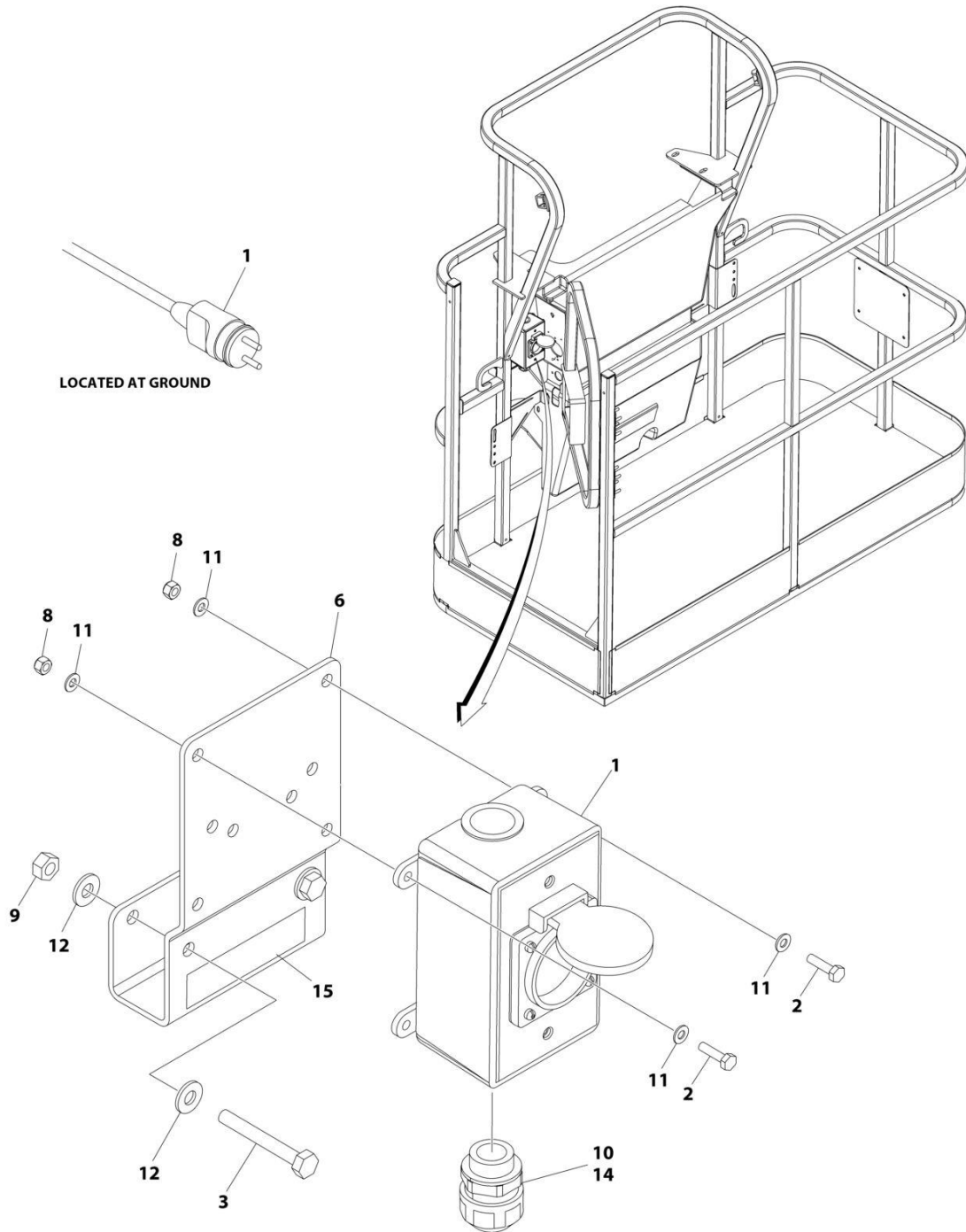
SECTION 8 - ELECTRICAL

**FIGURE 8-8. AC BOX AT PLATFORM INSTALLATION - 220V CEE7 2IN X 4IN POST GROUND
(RUSSIA, CE & UK CA SPECS WITH 4000W/50HZ GENERATOR)**

ITEM	PART NUMBER	QTY	DESCRIPTION	REV
	1001194197	Ref	AC BOX AT PLATFORM INSTALLATION	B
1	0100020	AR	Sealant, Pipe	
2	0641416	2	Bolt 1/4 x 2	
3	0700408	4	Bolt M4 x 16	
4	0861731	1	Box, Switch	
5	3251242	1	Decal - 240V/50Hz	
6	3290405	4	Nut M4	
7	3311405	2	Nut 1/4	
8	4460662	1	Connector, Strain Relief	
9	4461244	1	Receptacle	
10	4711400	4	Washer 1/4	
11	4811400	8	Washer M4	
12	1001193018	1	Bracket, AC Receptacle	
13	4460806	2	Terminal, Fork (Not Shown)	
14	1001205958	1	Terminal (Not Shown)	

SECTION 8 - ELECTRICAL

FIGURE 8-9. AC BOX AT PLATFORM INSTALLATION - 220V CEE7 2IN X 4IN SIDE GROUND (RUSSIA, CE & UK CA SPECS WITHOUT 4000W/50HZ GENERATOR)



ART_1001190484

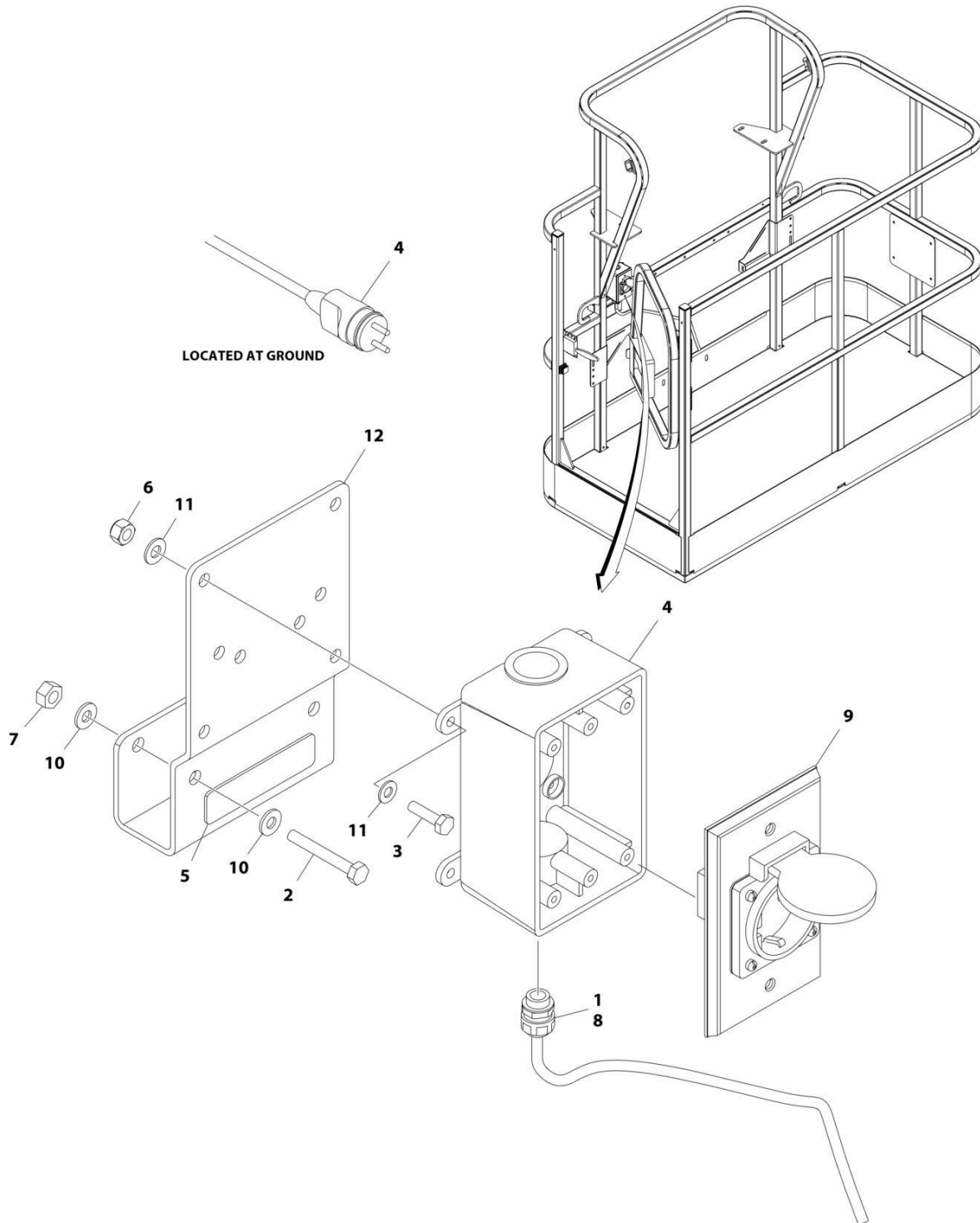
SECTION 8 - ELECTRICAL

FIGURE 8-9. AC BOX AT PLATFORM INSTALLATION - 220V CEE7 2IN X 4IN SIDE GROUND (RUSSIA, CE & UK CA SPECS WITHOUT 4000W/50HZ GENERATOR)

ITEM	PART NUMBER	QTY	DESCRIPTION	REV
	1001190484	Ref	AC BOX AT PLATFORM INSTALLATION	D
1	0275453	1	Receptacle Box Kit - 220V CEE7 Side Ground 2in x 4in (See Separate Breakdown in this Section)	
2	0700408	4	Bolt M4 x 16	
3	0700618	2	Bolt M6 x 50	
6	1001193018	1	Bracket	
8	3290405	4	Nut M4	
9	3290605	2	Nut M6	
10	4460662	1	Connector, Strain Relief	
11	4811400	8	Washer M4	
12	4811700	4	Washer M6	
14	0100079	AR	Sealant	
15	3252507	1	Decal - 220 Volt	

SECTION 8 - ELECTRICAL

**FIGURE 8-10. AC BOX AT PLATFORM INSTALLATION - 220V CEE7 2IN X 4IN SIDE GROUND
(RUSSIA, CE & UK CA SPECS WITH 4000W/50HZ GENERATOR)**



ART_1001194198

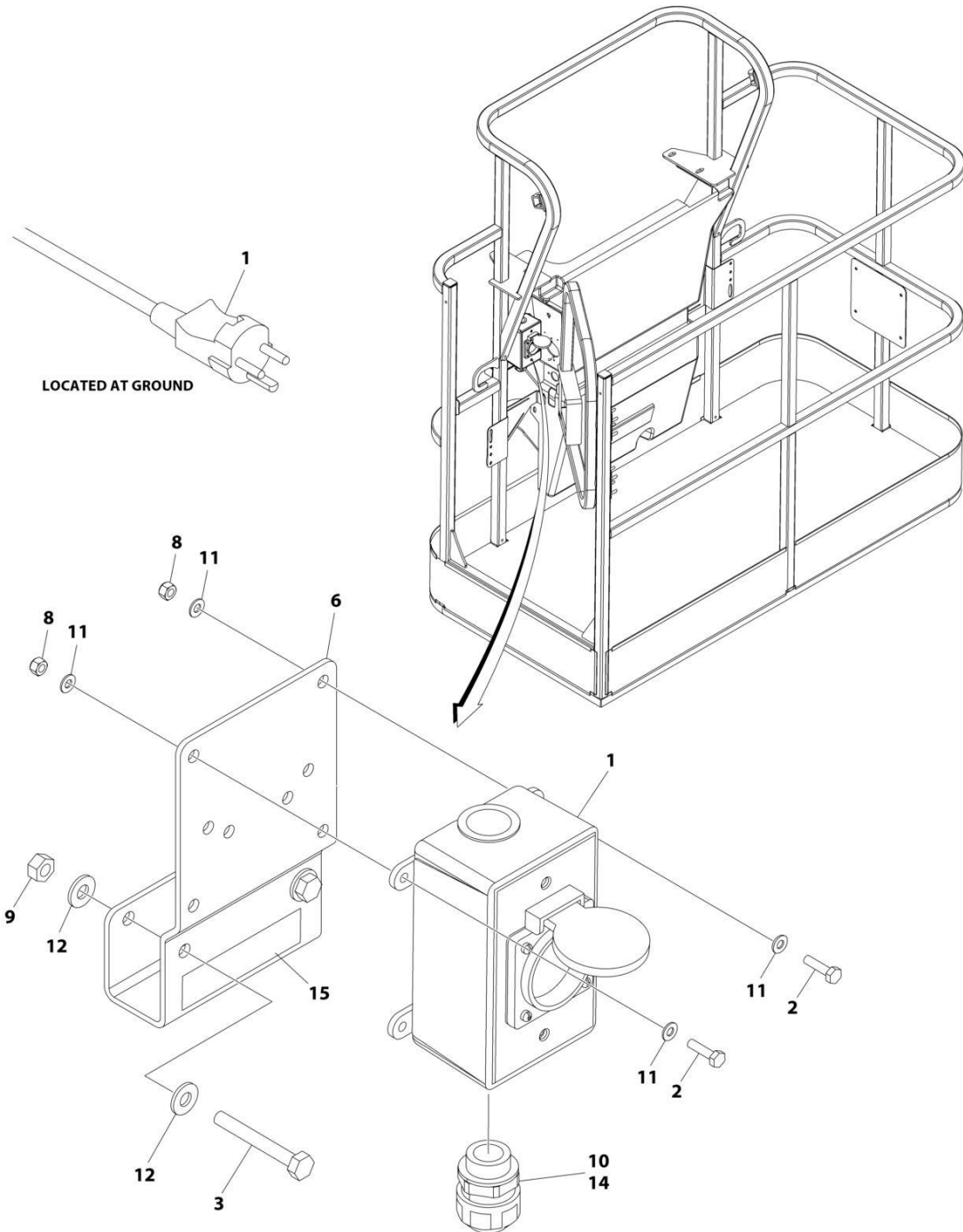
SECTION 8 - ELECTRICAL

**FIGURE 8-10. AC BOX AT PLATFORM INSTALLATION - 220V CEE7 2IN X 4IN SIDE GROUND
(RUSSIA, CE & UK CA SPECS WITH 4000W/50HZ GENERATOR)**

ITEM	PART NUMBER	QTY	DESCRIPTION	REV
	1001194198	Ref	AC BOX AT PLATFORM INSTALLATION	B
1	0100020	AR	Sealant, Pipe	
2	0641416	2	Bolt 1/4 x 2	
3	0700408	4	Bolt M4 x 16	
4	0861731	1	Box, Switch	
5	3251242	1	Decal - 240V/50Hz	
6	3290405	4	Nut M4	
7	3311405	2	Nut 1/4	
8	4460662	1	Connector, Strain Relief	
9	4461245	1	Receptacle	
10	4711400	4	Washer 1/4	
11	4811400	8	Washer M4	
12	1001193018	1	Bracket, AC Receptacle	
13	4460806	2	Terminal, Fork (Not Shown)	
14	1001205958	1	Terminal (Not Shown)	

SECTION 8 - ELECTRICAL

FIGURE 8-11. AC BOX AT PLATFORM INSTALLATION - 220V AFSINT107 (RUSSIA, CE & UK CA SPECS WITHOUT 4000W/50HZ GENERATOR)



ART_1001190485

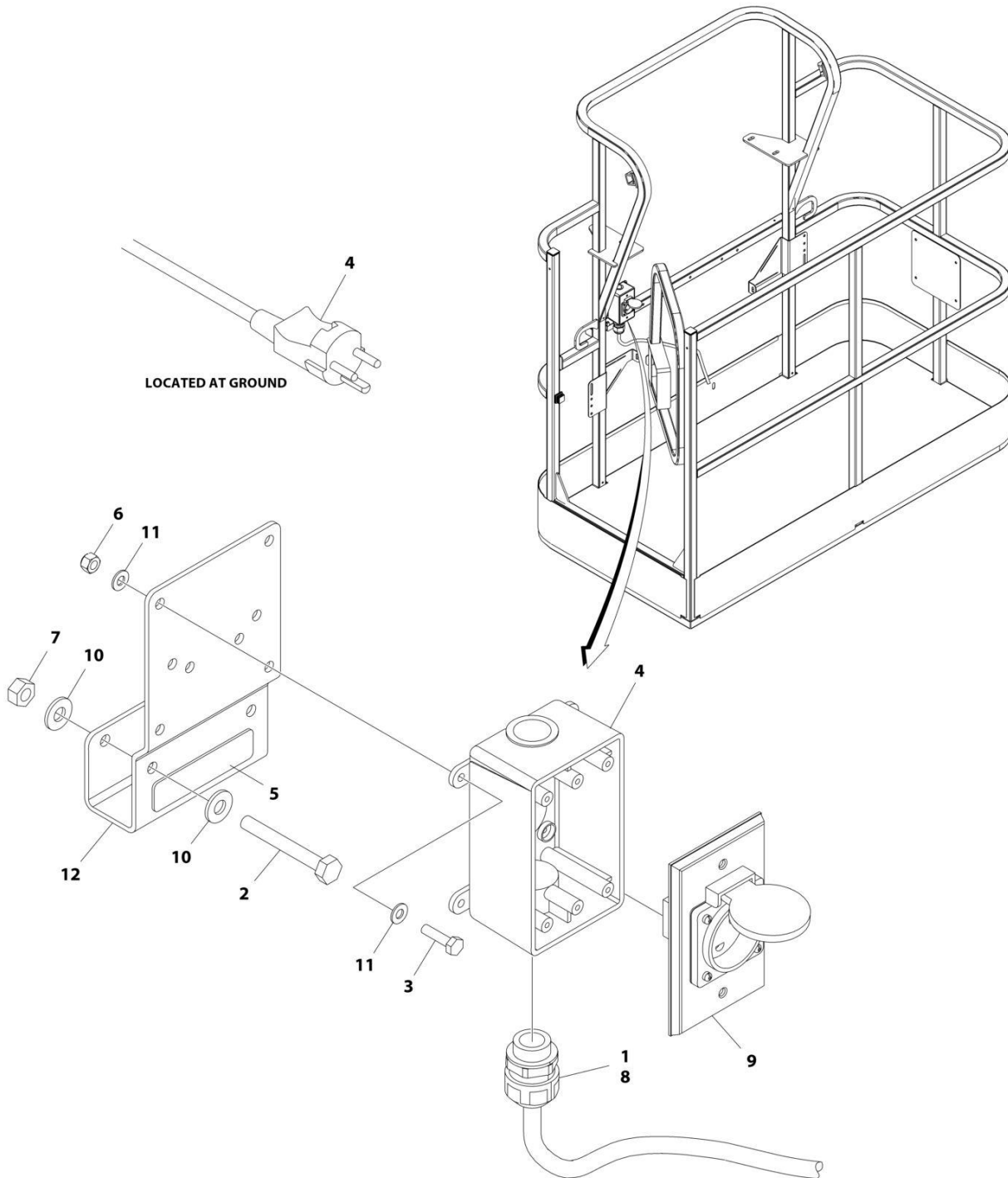
SECTION 8 - ELECTRICAL

FIGURE 8-11. AC BOX AT PLATFORM INSTALLATION - 220V AFSINT107 (RUSSIA, CE & UK CA SPECS WITHOUT 4000W/50HZ GENERATOR)

ITEM	PART NUMBER	QTY	DESCRIPTION	REV
	1001190485	Ref	AC BOX AT PLATFORM INSTALLATION	C
1	0275454	1	Receptacle Box Kit - 220V AFSINT107 (See Separate Breakdown in this Section)	
2	0700408	4	Bolt M4 x 16	
3	0700618	2	Bolt M6 x 50	
6	1001193018	1	Bracket	
8	3290405	4	Nut M4	
9	3290605	2	Nut M6	
10	4460662	1	Connector, Strain Relief	
11	4811400	8	Washer M4	
12	4811700	4	Washer M6	
14	0100079	AR	Sealant	
15	3252507	1	Decal - 220 Volt	

SECTION 8 - ELECTRICAL

FIGURE 8-12. AC BOX AT PLATFORM INSTALLATION - 220V AFSINT107 (RUSSIA, CE & UK CA SPECS WITH 4000W/50HZ GENERATOR)



ART_1001194200

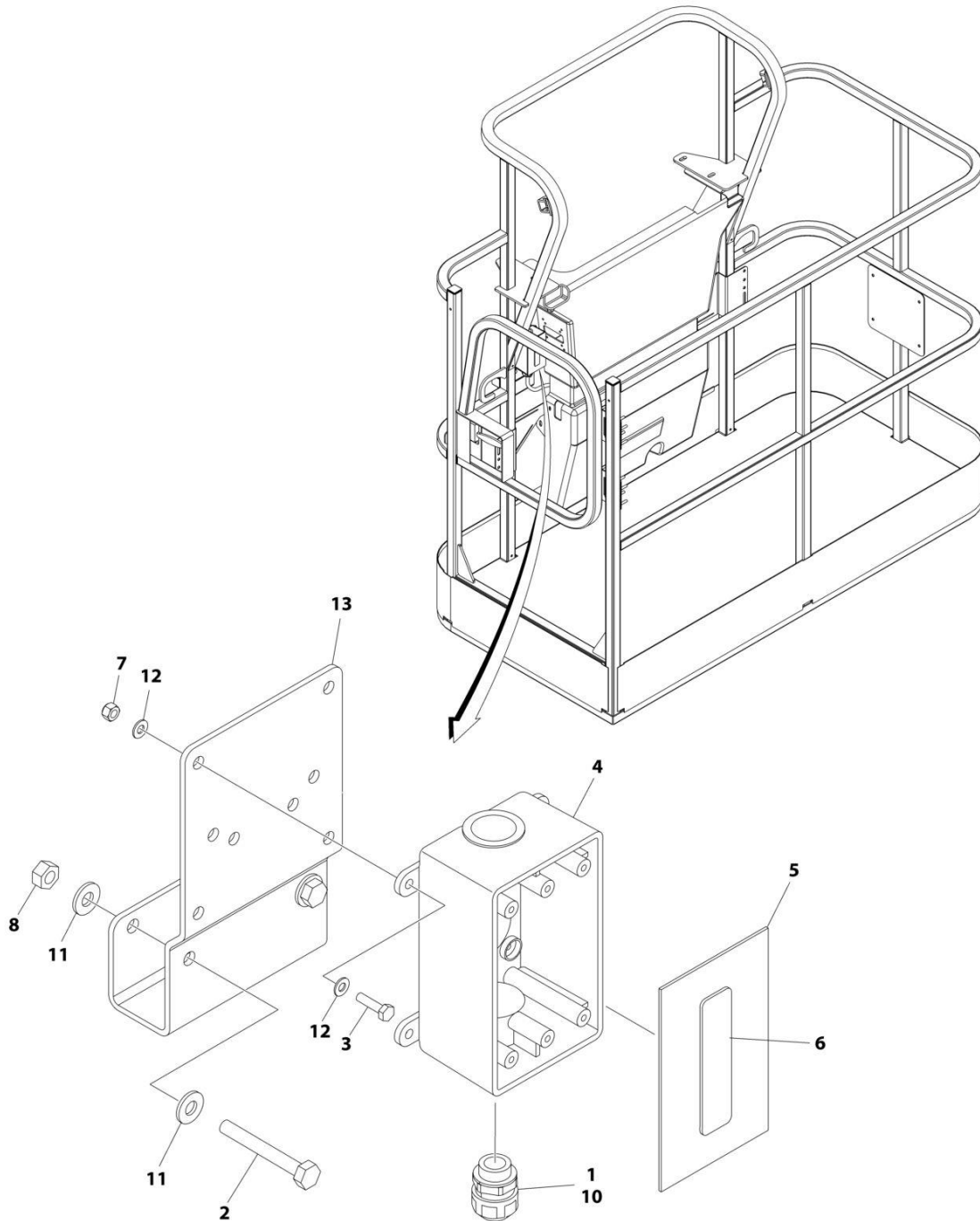
SECTION 8 - ELECTRICAL

FIGURE 8-12. AC BOX AT PLATFORM INSTALLATION - 220V AFSINT107 (RUSSIA, CE & UK CA SPECS WITH 4000W/50HZ GENERATOR)

ITEM	PART NUMBER	QTY	DESCRIPTION	REV
	1001194200	Ref	AC BOX AT PLATFORM INSTALLATION	B
1	0100020	AR	Sealant, Pipe	
2	0641416	2	Bolt 1/4 x 2	
3	0700408	4	Bolt M4 x 16	
4	0861731	1	Box, Switch	
5	3251242	1	Decal - 240V/50Hz	
6	3290405	4	Nut M4	
7	3311405	2	Nut 1/4	
8	4460662	1	Connector, Strain Relief	
9	4461246	1	Receptacle	
10	4711400	4	Washer 1/4	
11	4811400	8	Washer M4	
12	1001193018	1	Bracket, AC Receptacle	
13	1001205958	1	Terminal (Not Shown)	

SECTION 8 - ELECTRICAL

FIGURE 8-13. AC BOX AT PLATFORM INSTALLATION - 220V CUSTOMER SUPPLIED COMPONENTS
(ANSI EXPORT, AUSTRALIAN, RUSSIA, CHINA, CE & UK CA SPECS)



ART_1001194365

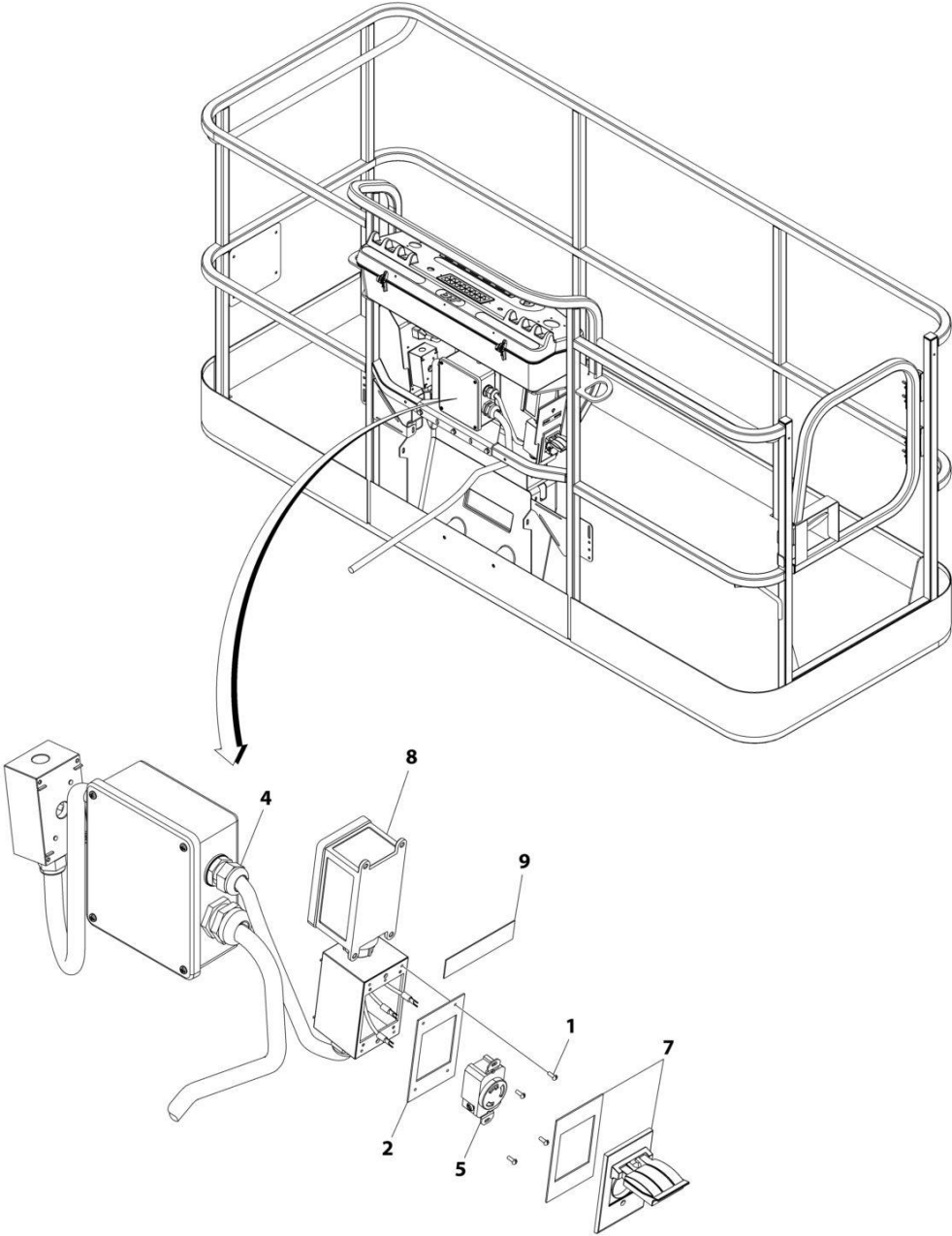
SECTION 8 - ELECTRICAL

**FIGURE 8-13. AC BOX AT PLATFORM INSTALLATION - 220V CUSTOMER SUPPLIED COMPONENTS
(ANSI EXPORT, AUSTRALIAN, RUSSIA, CHINA, CE & UK CA SPECS)**

ITEM	PART NUMBER	QTY	DESCRIPTION	REV
	1001194365	Ref	AC BOX AT PLATFORM INSTALLATION - BOX WITH COVER (2X4 BOX)	A
1	0100020	AR	Sealant	
2	0641416	2	Bolt 1/4 x 2	
3	0700408	4	Bolt M4 x 16	
4	0861731	1	Box, Switch	
5	1670603	1	Cover	
6	3251242	1	Decal - 240V/50Hz	
7	3290405	4	Nut M4	
8	3311405	2	Nut 1/4	
9	4460384	3	Terminal (Not Shown)	
10	4460662	1	Connector, Strain Relief	
11	4711400	4	Washer 1/4	
12	4811400	8	Washer M4	
13	1001193018	1	Bracket, AC Receptacle	

SECTION 8 - ELECTRICAL

FIGURE 8-14. AC BOX AT PLATFORM INSTALLATION - 240V (WITH 4000W GENERATOR)



ART_1001171131

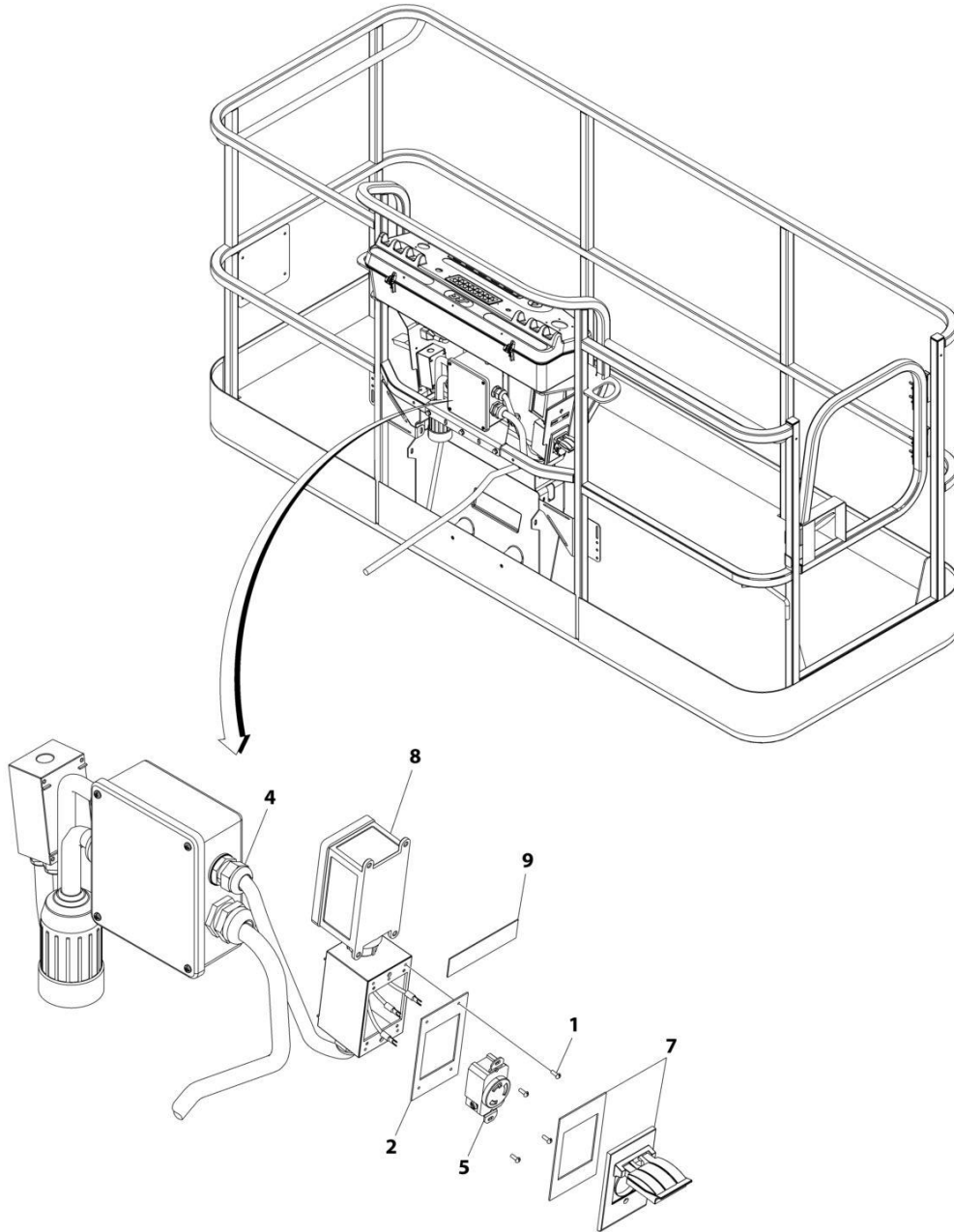
SECTION 8 - ELECTRICAL

FIGURE 8-14. AC BOX AT PLATFORM INSTALLATION - 240V (WITH 4000W GENERATOR)

ITEM	PART NUMBER	QTY	DESCRIPTION	REV
	1001171131	Ref	AC BOX AT PLATFORM INSTALLATION - 240V RECEPTACLE	B
1	3910606	4	Screw 6 x 3/8	
2	3960422	1	Gasket	
3	4240018	AR	Tie-Strap (Not Shown)	
4	4460425	1	Connector, Strain Relief	
5	1001176862	1	Receptacle	
7	1001110872	1	Cover, Receptacle	
8	1001159120	1	Receptacle/Breaker Box Assembly	
8	1001148675	1	Box, Receptacle	
8	1001159118	1	Breaker GFCI 30Amp 240VAC	
8	4460612	1	Connector, Strain Relief	
8	1001159119	1	Connector (Between Boxes)	
9	1705374	1	Decal - 240V/60Hz	

SECTION 8 - ELECTRICAL

FIGURE 8-15. AC BOX AT PLATFORM INSTALLATION - 240V (WITH 7500W SKYPOWER GENERATOR)



ART_1001159121

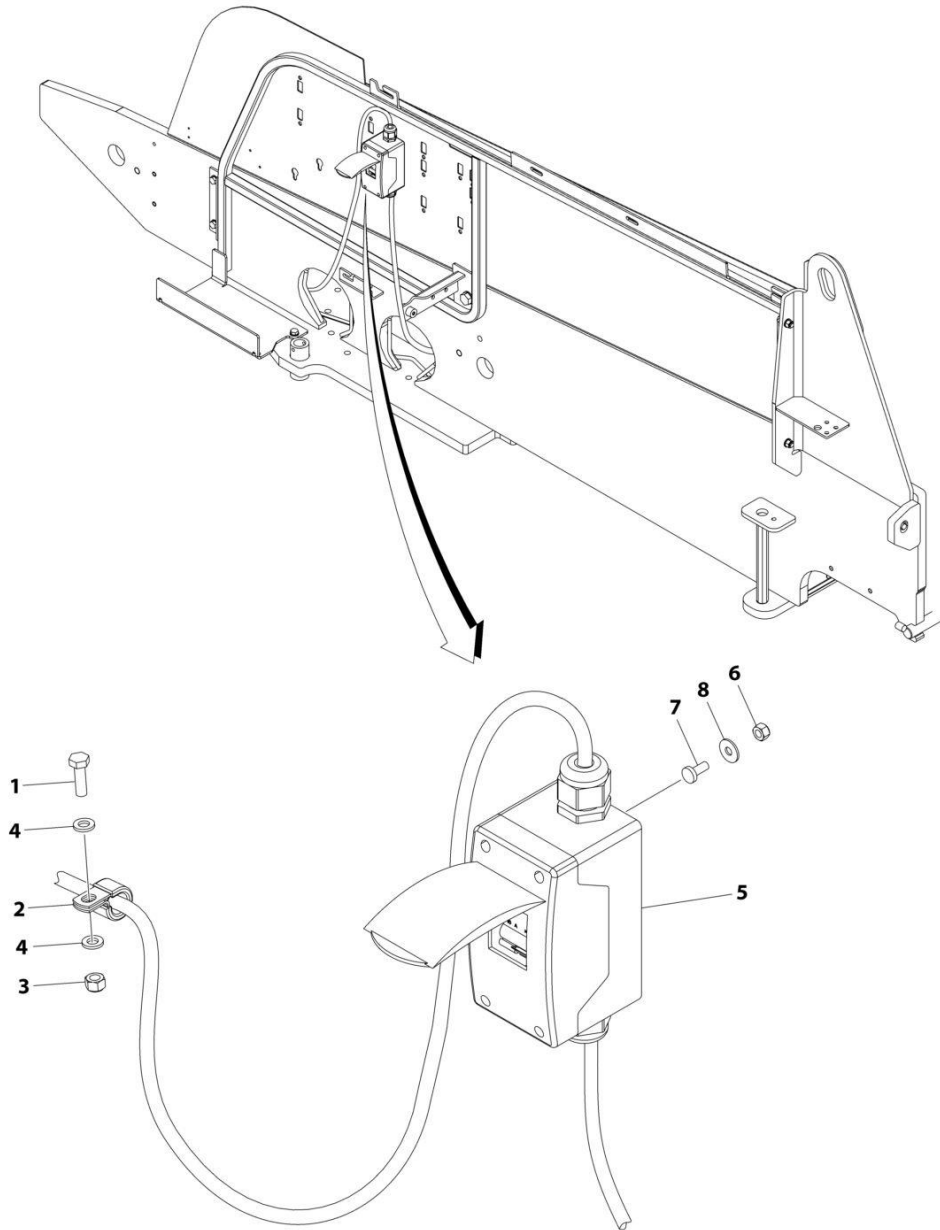
SECTION 8 - ELECTRICAL

FIGURE 8-15. AC BOX AT PLATFORM INSTALLATION - 240V (WITH 7500W SKYPOWER GENERATOR)

ITEM	PART NUMBER	QTY	DESCRIPTION	REV
	1001159121	Ref	AC BOX AT PLATFORM INSTALLATION - 240V RECEPTACLE	B
1	3910606	4	Screw 6 x 3/8	
2	3960422	1	Gasket	
3	4240018	AR	Tie-Strap (Not Shown)	
4	4460425	1	Connector, Strain Relief	
5	4460958	1	Receptacle	
7	1001110872	1	Cover, Receptacle	
8	1001159120	1	Receptacle/Breaker Box Assembly	
8	1001148675	1	Box, Receptacle	
8	1001159118	1	Breaker Box Assembly	
8	4460612	1	Connector, Strain Relief	
8	1001159119	1	Connector (Between Boxes)	
9	1705374	1	Decal - 240V/60Hz	

SECTION 8 - ELECTRICAL

FIGURE 8-16. AC BREAKER BOX INSTALLATION - SINGLE DOUBLE POLE BREAKER



ART_1001190774

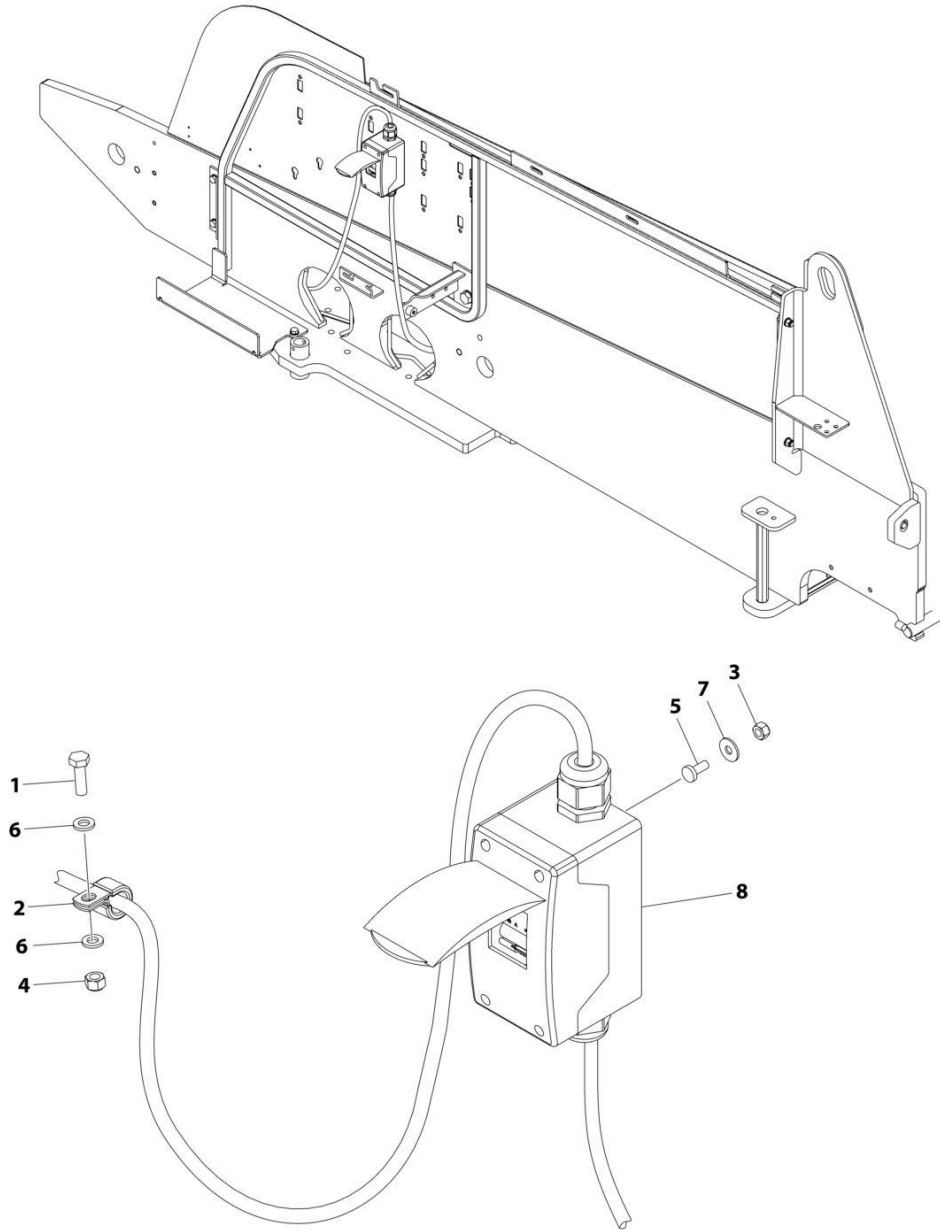
SECTION 8 - ELECTRICAL

FIGURE 8-16. AC BREAKER BOX INSTALLATION - SINGLE DOUBLE POLE BREAKER

ITEM	PART NUMBER	QTY	DESCRIPTION	REV
	1001190774	Ref	AC BREAKER BOX INSTALLATION	C
1	0760610	1	Bolt M6 x 20	
2	1320041	1	Clamp	
3	3290605	1	Nut M6	
4	4811700	2	Washer M6	
5	2902549	1	Breaker Box Kit - Single Double Pole Breaker (See Separate Breakdown in this Section)	
6	3290405	2	Nut M4	
7	4010405	2	Screw M4 x 10	
8	1001091102	2	Washer M4	

SECTION 8 - ELECTRICAL

FIGURE 8-17. AC BREAKER BOX INSTALLATION - SINGLE DOUBLE POLE BREAKER (MACHINES WITH SN STARTING WITH B3)



ART_1001291605

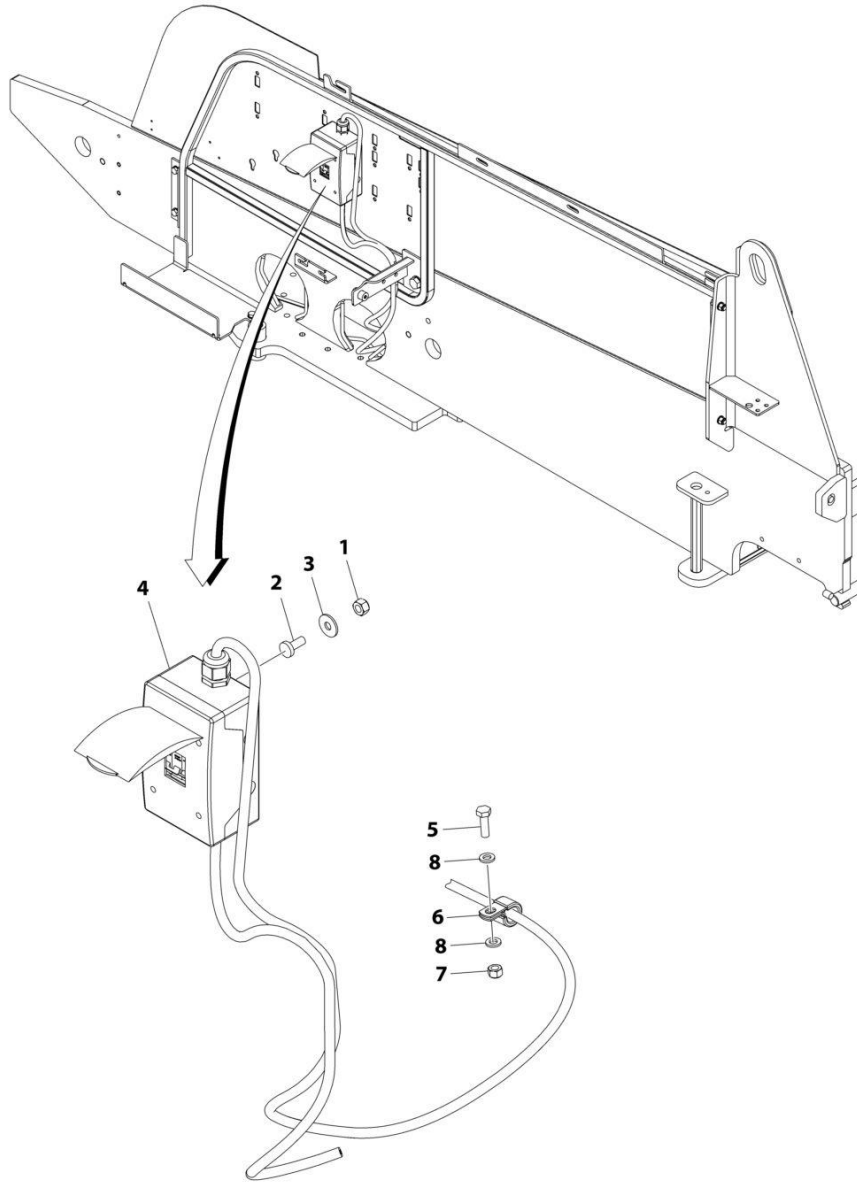
SECTION 8 - ELECTRICAL

FIGURE 8-17. AC BREAKER BOX INSTALLATION - SINGLE DOUBLE POLE BREAKER (MACHINES WITH SN STARTING WITH B3)

ITEM	PART NUMBER	QTY	DESCRIPTION	REV
	1001291605	Ref	AC BREAKER BOX INSTALLATION	A
1	0760610	1	Bolt M6 x 20	
2	1320041	1	Clamp	
3	3290405	2	Nut M4	
4	3290605	1	Nut M6	
5	4010405	2	Screw M4 x 10	
6	4811700	2	Washer M6	
7	1001091102	2	Washer M4	
8	1001289592	1	Breaker Box Kit - Single Double Pole Breaker (See Separate Breakdown in this Section)	

SECTION 8 - ELECTRICAL

FIGURE 8-18. AC BREAKER BOX INSTALLATION - 3 BREAKERS



ART_1001211049_C

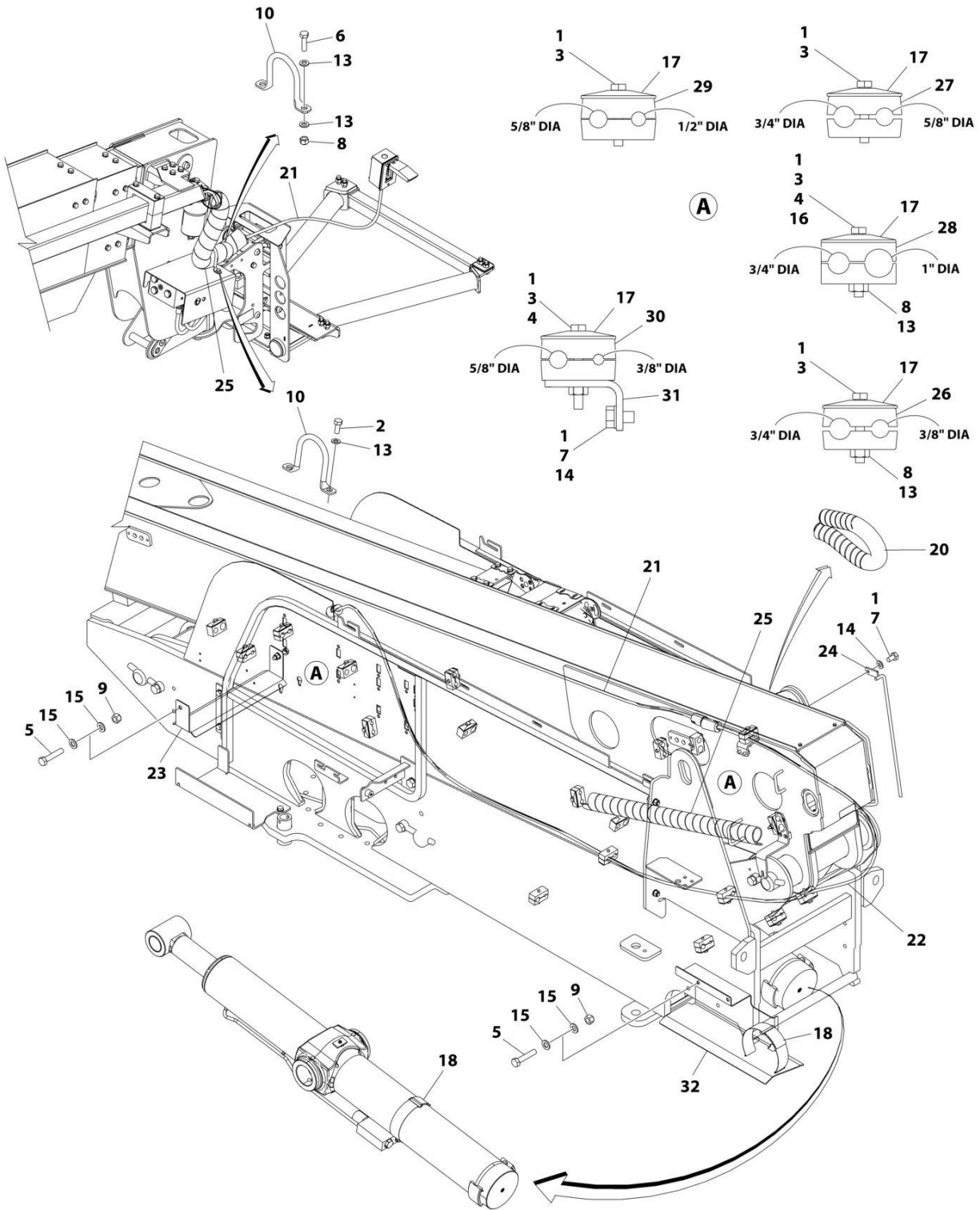
SECTION 8 - ELECTRICAL

FIGURE 8-18. AC BREAKER BOX INSTALLATION - 3 BREAKERS

ITEM	PART NUMBER	QTY	DESCRIPTION	REV
	1001211049	Ref	AC BREAKER BOX INSTALLATION	C
1	3290405	2	Nut M4	
2	4010405	2	Screw M4 x 10	
3	1001091102	2	Washer M4	
4	1001152486	1	Breaker Box Kit - 3 Breakers (See Separate Breakdown in this Section)	
5	0760610	1	Bolt M6 x 20	
6	1320041	1	Clamp	
7	3290605	1	Nut M6	
8	4811700	2	Washer M6	

SECTION 8 - ELECTRICAL

FIGURE 8-19. AC CABLES AND CLAMPS INSTALLATION - WITHOUT GENERATOR (ANSI, CSA & JAPANESE SPECS) (600S HC3)



ART_1001265756

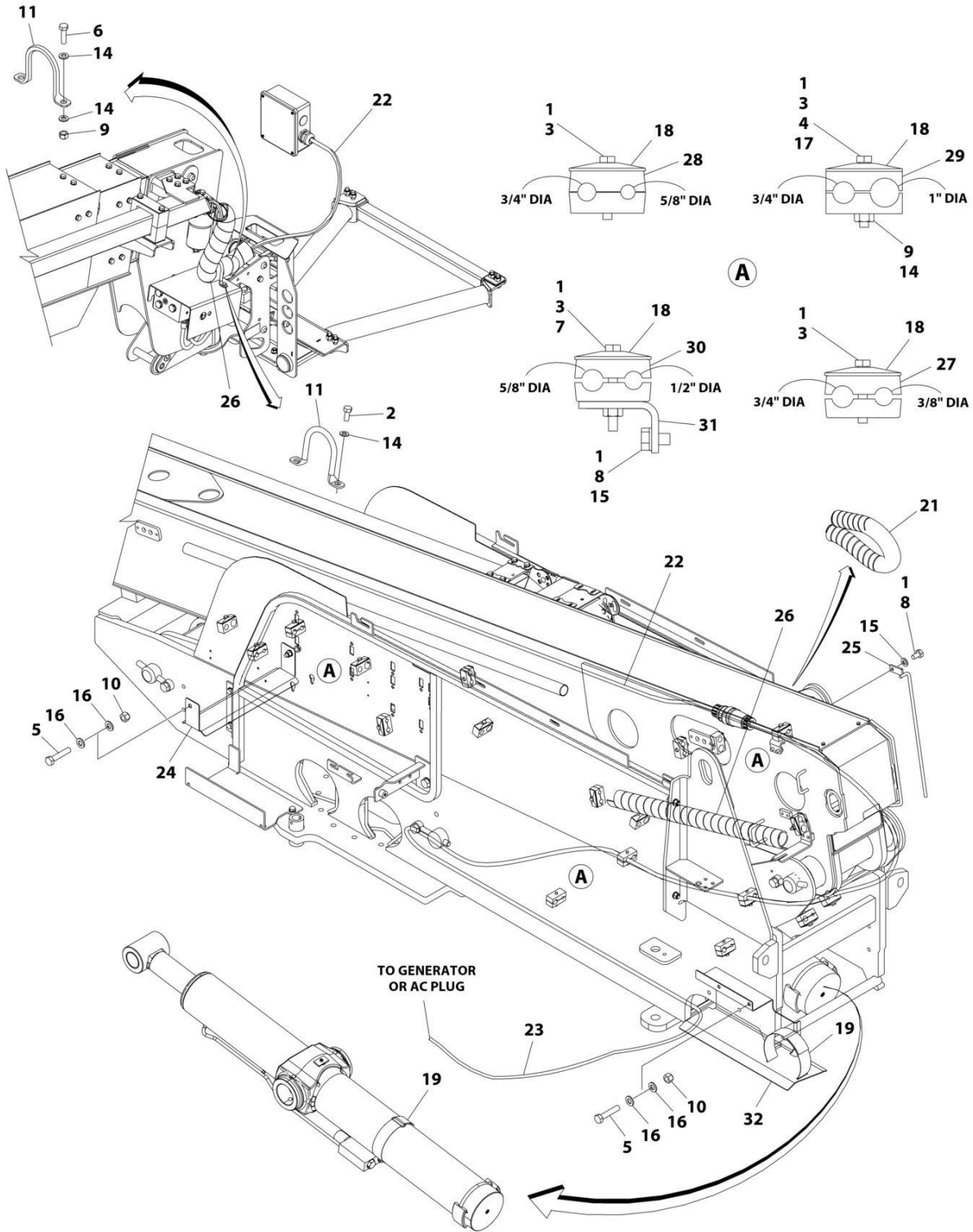
SECTION 8 - ELECTRICAL

FIGURE 8-19. AC CABLES AND CLAMPS INSTALLATION - WITHOUT GENERATOR (ANSI, CSA & JAPANESE SPECS) (600S HC3)

ITEM	PART NUMBER	QTY	DESCRIPTION	REV
	1001265756	Ref	AC CABLES AND CLAMPS INSTALLATION	A
1	0100011	AR	Compound, Locking	
2	0641506	2	Bolt 5/16 x 3/4	
3	0700818	16	Bolt M8 x 50	
4	0700822	2	Bolt M8 x 70	
5	0701220	4	Bolt M12 x 60	
6	0760814	2	Bolt M8 x 30	
7	0761009	3	Bolt M10 x 18	
8	3290805	4	Nut M8	
9	3291205	4	Nut M12	
10	3841340	2	Loop, Hose	
11	4240018	3	Tie-Strap (Not Shown)	
12	4240099	3	Tie-Strap (Not Shown)	
13	4811900	7	Washer M8	
14	4812000	3	Washer M10	
15	4812100	8	Washer M12	
16	5281918	1	Capscrew M8 x 70	
17	77133137	19	Cover, Clamp	
18	1001143645	2	Strap, Cinch	
19	1001146588	4	Tie-Strap (Not Shown)	
20	1001181923	1	Shield, Tube	
21	1001195227	1	AC Ground to Platform Cable (Upper)	
21	1001120204	1	Plug, Male	
22	1001195525	1	AC Ground to Platform Cable (Lower)	
22	1001120205	1	Receptacle, Female	
23	1001201342	1	Support	
24	1001202936	1	Guide	
25	1001204690	2	Shield, Tube	
26	1001209948	3	Clamp	
27	1001209949	3	Clamp	
28	1001209951	6	Clamp	
29	1001209953	3	Clamp	
30	1001228809	4	Clamp	
31	1001229637	1	Bracket	
32	1001252945	1	Support	

SECTION 8 - ELECTRICAL

FIGURE 8-20. AC CABLES AND CLAMPS INSTALLATION - WITHOUT GENERATOR (ANSI EXPORT,CE, RUSSIA CIS, CHINA & UK CA SPECS) (600S HC3)



ART_1001265758

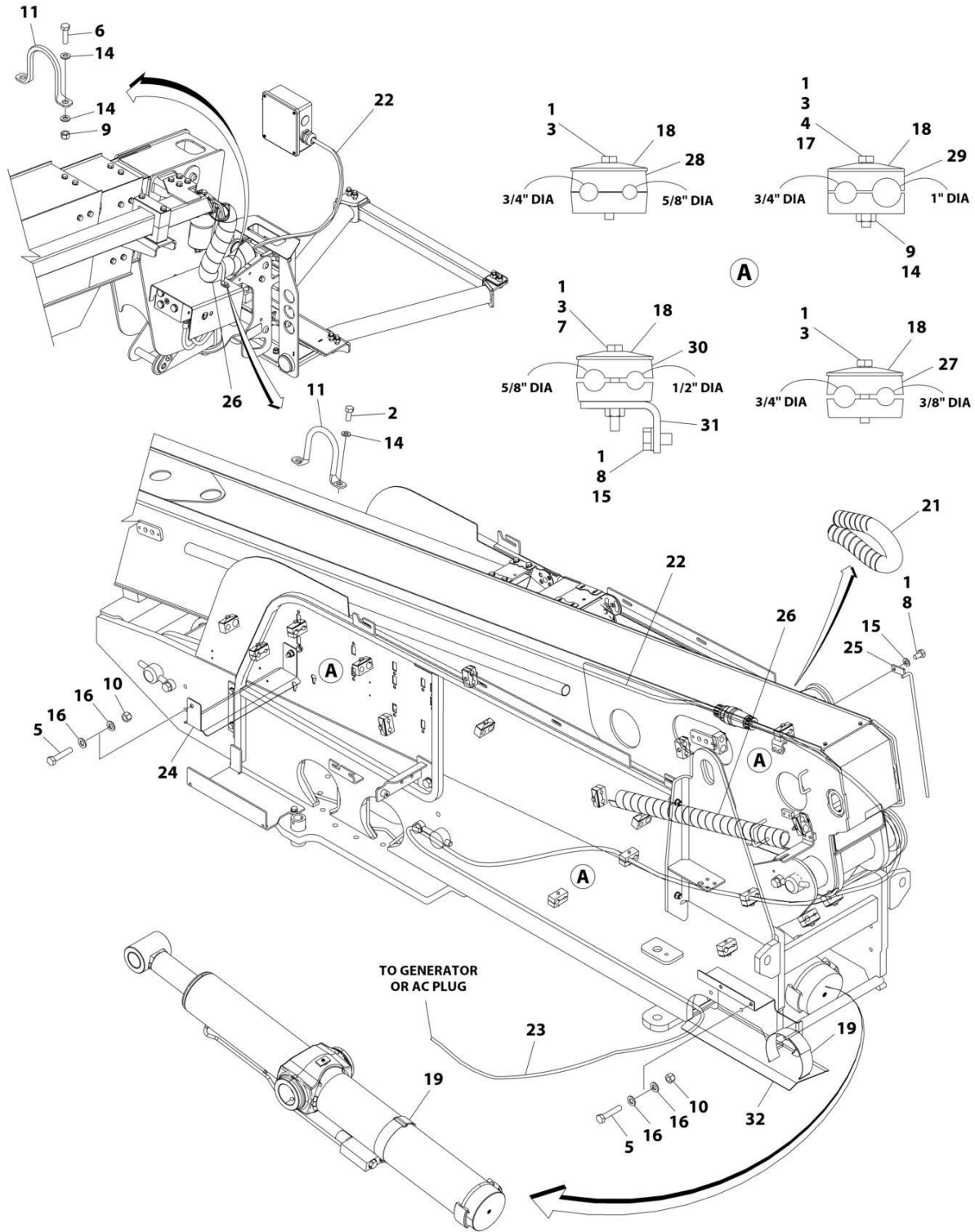
SECTION 8 - ELECTRICAL

FIGURE 8-20. AC CABLES AND CLAMPS INSTALLATION - WITHOUT GENERATOR (ANSI EXPORT,CE, RUSSIA CIS, CHINA & UK CA SPECS) (600S HC3)

ITEM	PART NUMBER	QTY	DESCRIPTION	REV
	1001265758	Ref	AC CABLES AND CLAMPS INSTALLATION	A
1	0100011	AR	Compound, Locking	
2	0641506	2	Bolt 5/16 x 3/4	
3	0700818	16	Bolt M8 x 50	
4	0700822	1	Bolt M8 x 70	
5	0701220	4	Bolt M12 x 60	
6	0760814	2	Bolt M8 x 30	
7	0760822	1	Bolt M8 x 70	
8	0761009	3	Bolt M10 x 18	
9	3290805	4	Nut M8	
10	3291205	4	Nut M12	
11	3841340	2	Loop, Hose	
12	4240018	3	Tie-Strap (Not Shown)	
13	4240099	3	Tie-Strap (Not Shown)	
14	4811900	7	Washer M8	
15	4812000	3	Washer M10	
16	4812100	8	Washer M12	
17	5281918	1	Capscrew M8 x 70	
18	77133137	19	Cover, Clamp	
19	1001143645	2	Strap, Cinch	
20	1001146588	4	Tie-Strap (Not Shown)	
21	1001181923	1	Shield, Tube	
22	1001195225	1	AC Ground to Platform Cable (Upper)	
22	1001214095	1	Plug, Male	
23	1001196368	1	AC Ground to Platform Cable (Lower)	
23	1001214096	1	Receptacle, Female	
24	1001201342	1	Support	
25	1001202936	1	Guide	
26	1001204690	2	Shield, Tube	
27	1001209948	3	Clamp	
28	1001209949	3	Clamp	
29	1001209951	6	Clamp	
30	1001209953	7	Clamp	
31	1001229637	1	Bracket	
32	1001252945	1	Support	

SECTION 8 - ELECTRICAL

FIGURE 8-21. AC CABLES AND CLAMPS INSTALLATION - WITH 2500W GENERATOR (ANSI, ANSI EXPORT, CHINA, CSA AND JAPANESE SPECS) (600S HC3)



ART_1001265758

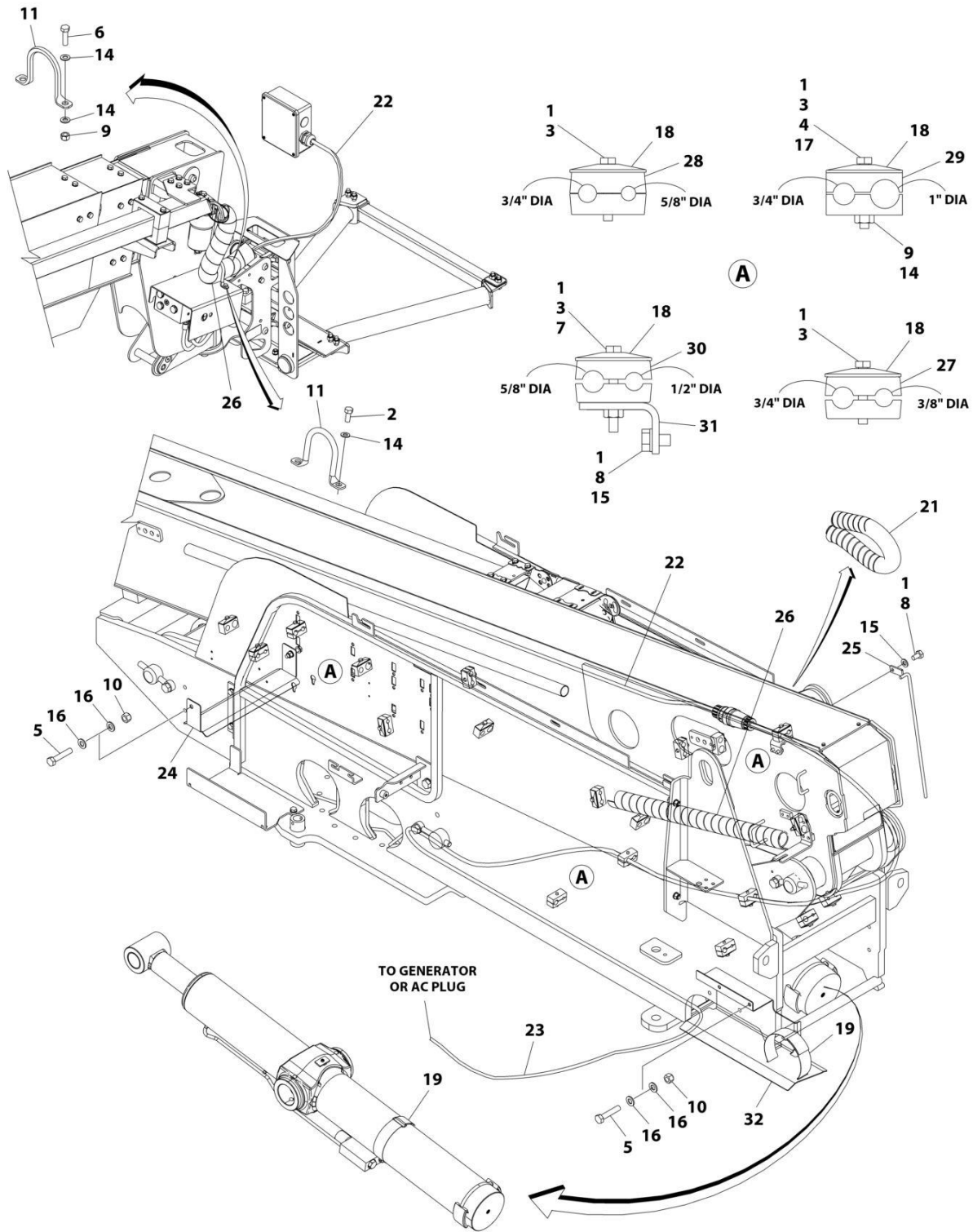
SECTION 8 - ELECTRICAL

FIGURE 8-21. AC CABLES AND CLAMPS INSTALLATION - WITH 2500W GENERATOR (ANSI, ANSI EXPORT, CHINA, CSA AND JAPANESE SPECS) (600S HC3)

ITEM	PART NUMBER	QTY	DESCRIPTION	REV
	1001265758	Ref	AC CABLES AND CLAMPS INSTALLATION	A
1	0100011	AR	Compound, Locking	
2	0641506	2	Bolt 5/16 x 3/4	
3	0700818	16	Bolt M8 x 50	
4	0700822	1	Bolt M8 x 70	
5	0701220	4	Bolt M12 x 60	
6	0760814	2	Bolt M8 x 30	
7	0760822	1	Bolt M8 x 70	
8	0761009	3	Bolt M10 x 18	
9	3290805	4	Nut M8	
10	3291205	4	Nut M12	
11	3841340	2	Loop, Hose	
12	4240018	3	Tie-Strap (Not Shown)	
13	4240099	3	Tie-Strap (Not Shown)	
14	4811900	7	Washer M8	
15	4812000	3	Washer M10	
16	4812100	8	Washer M12	
17	5281918	1	Capscrew M8 x 70	
18	77133137	19	Cover, Clamp	
19	1001143645	2	Strap, Cinch	
20	1001146588	4	Tie-Strap (Not Shown)	
21	1001181923	1	Shield, Tube	
22	1001195225	1	AC Ground to Platform Cable (Upper)	
22	1001214095	1	Plug, Male	
23	1001196368	1	AC Ground to Platform Cable (Lower)	
23	1001214096	1	Receptacle, Female	
24	1001201342	1	Support	
25	1001202936	1	Guide	
26	1001204690	2	Shield, Tube	
27	1001209948	3	Clamp	
28	1001209949	3	Clamp	
29	1001209951	6	Clamp	
30	1001209953	7	Clamp	
31	1001229637	1	Bracket	
32	1001252945	1	Support	

SECTION 8 - ELECTRICAL

FIGURE 8-22. AC CABLES AND CLAMPS INSTALLATION - WITH 4000W/50HZ GENERATOR (ANSI EXPORT, CE, CHINA, RUSSIAN CIS & UK CA SPECS) (600S HC3)



ART_1001265758

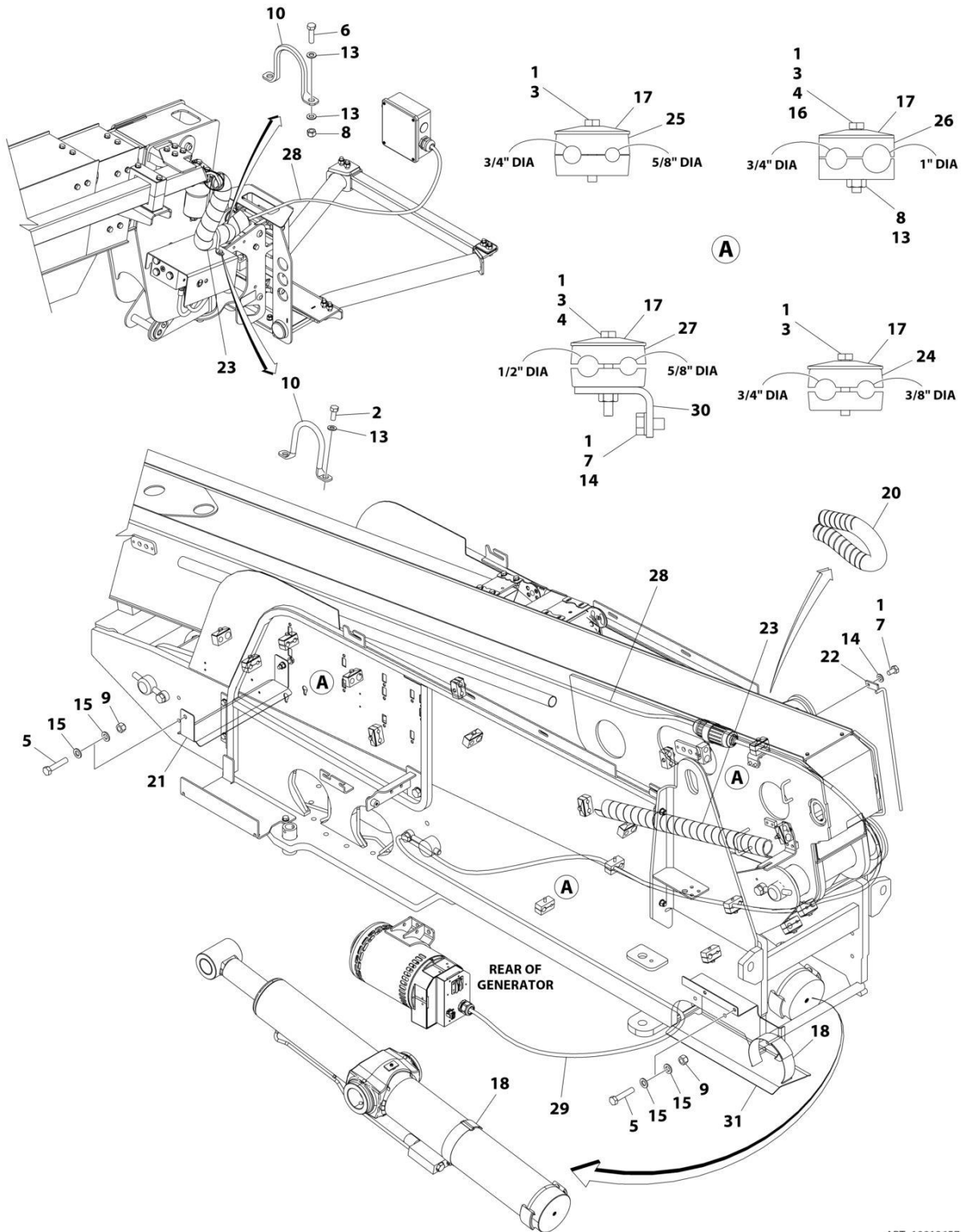
SECTION 8 - ELECTRICAL

FIGURE 8-22. AC CABLES AND CLAMPS INSTALLATION - WITH 4000W/50HZ GENERATOR (ANSI EXPORT, CE, CHINA, RUSSIAN CIS & UK CA SPECS) (600S HC3)

ITEM	PART NUMBER	QTY	DESCRIPTION	REV
	1001265758	Ref	AC CABLES AND CLAMPS INSTALLATION	A
1	0100011	AR	Compound, Locking	
2	0641506	2	Bolt 5/16 x 3/4	
3	0700818	16	Bolt M8 x 50	
4	0700822	1	Bolt M8 x 70	
5	0701220	4	Bolt M12 x 60	
6	0760814	2	Bolt M8 x 30	
7	0760822	1	Bolt M8 x 70	
8	0761009	3	Bolt M10 x 18	
9	3290805	4	Nut M8	
10	3291205	4	Nut M12	
11	3841340	2	Loop, Hose	
12	4240018	3	Tie-Strap (Not Shown)	
13	4240099	3	Tie-Strap (Not Shown)	
14	4811900	7	Washer M8	
15	4812000	3	Washer M10	
16	4812100	8	Washer M12	
17	5281918	1	Capscrew M8 x 70	
18	77133137	19	Cover, Clamp	
19	1001143645	2	Strap, Cinch	
20	1001146588	4	Tie-Strap (Not Shown)	
21	1001181923	1	Shield, Tube	
22	1001195225	1	AC Ground to Platform Cable (Upper)	
22	1001214095	1	Plug, Male	
23	1001196368	1	AC Ground to Platform Cable (Lower)	
23	1001214096	1	Receptacle, Female	
24	1001201342	1	Support	
25	1001202936	1	Guide	
26	1001204690	2	Shield, Tube	
27	1001209948	3	Clamp	
28	1001209949	3	Clamp	
29	1001209951	6	Clamp	
30	1001209953	7	Clamp	
31	1001229637	1	Bracket	
32	1001252945	1	Support	

SECTION 8 - ELECTRICAL

FIGURE 8-23. AC CABLES AND CLAMPS INSTALLATION - WITH 4000W/60HZ GENERATOR (ANSI, ANSI EXPORT, CSA AND JAPANESE SPECS) (600S HC3)



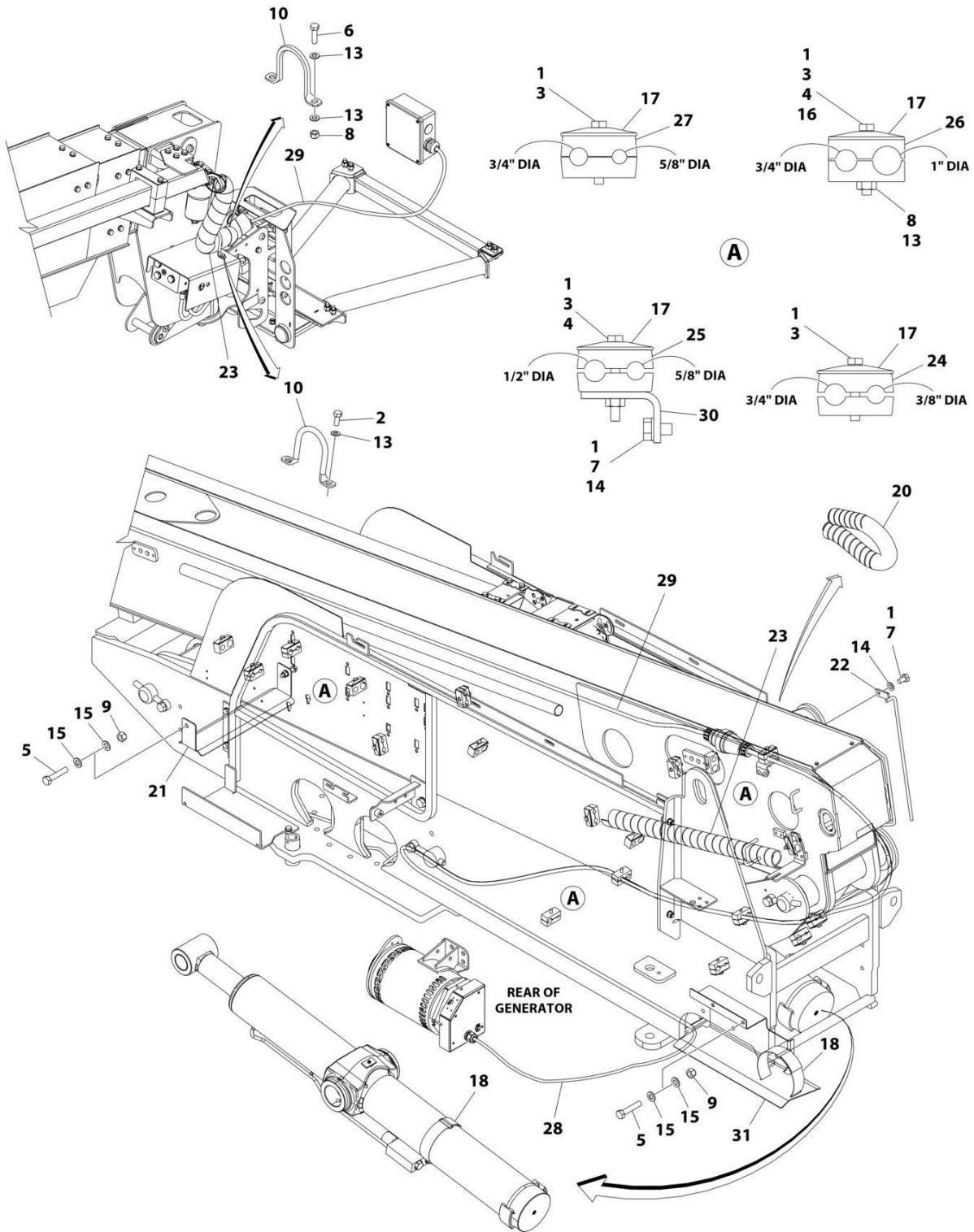
SECTION 8 - ELECTRICAL

FIGURE 8-23. AC CABLES AND CLAMPS INSTALLATION - WITH 4000W/60HZ GENERATOR (ANSI, ANSI EXPORT, CSA AND JAPANESE SPECS) (600S HC3)

ITEM	PART NUMBER	QTY	DESCRIPTION	REV
	1001265757	Ref	AC CABLES AND CLAMPS INSTALLATION	A
1	0100011	AR	Compound, Locking	
2	0641506	2	Bolt 5/16 x 3/4	
3	0700818	16	Bolt M8 x 50	
4	0700822	2	Bolt M8 x 70	
5	0701220	4	Bolt M12 x 60	
6	0760814	2	Bolt M8 x 30	
7	0761009	3	Bolt M10 x 18	
8	3290805	4	Nut M8	
9	3291205	4	Nut M12	
10	3841340	2	Loop, Hose	
11	4240018	3	Tie-Strap (Not Shown)	
12	4240099	3	Tie-Strap (Not Shown)	
13	4811900	7	Washer M8	
14	4812000	3	Washer M10	
15	4812100	8	Washer M12	
16	5281918	1	Capscrew M8 x 70	
17	77133137	19	Cover, Clamp	
18	1001143645	2	Strap, Cinch	
19	1001146588	4	Tie-Strap (Not Shown)	
20	1001181923	1	Shield, Tube	
21	1001201342	1	Support	
22	1001202936	1	Guide	
23	1001204690	2	Shield, Tube	
24	1001209948	3	Clamp	
25	1001209949	3	Clamp	
26	1001209951	6	Clamp	
27	1001209953	7	Clamp	
28	1001228186	1	AC Ground to Platform Cable (Upper)	
28	4460959	1	Plug, Male	
28	1671093	1	Cover, Plug	
29	1001228188	1	AC Ground to Platform Cable (Lower)	
29	4460960	1	Receptacle, Female	
29	1671092	1	Cover, Receptacle	
30	1001229637	1	Bracket	
31	1001252945	1	Support	

SECTION 8 - ELECTRICAL

FIGURE 8-24. AC CABLES AND CLAMPS INSTALLATION - WITH 7500W GENERATOR (ANSI, ANSI EXPORT, CHINA, CSA, RUSSIAN CIS AND JAPANESE SPECS) (600S HC3)



ART_1001265759

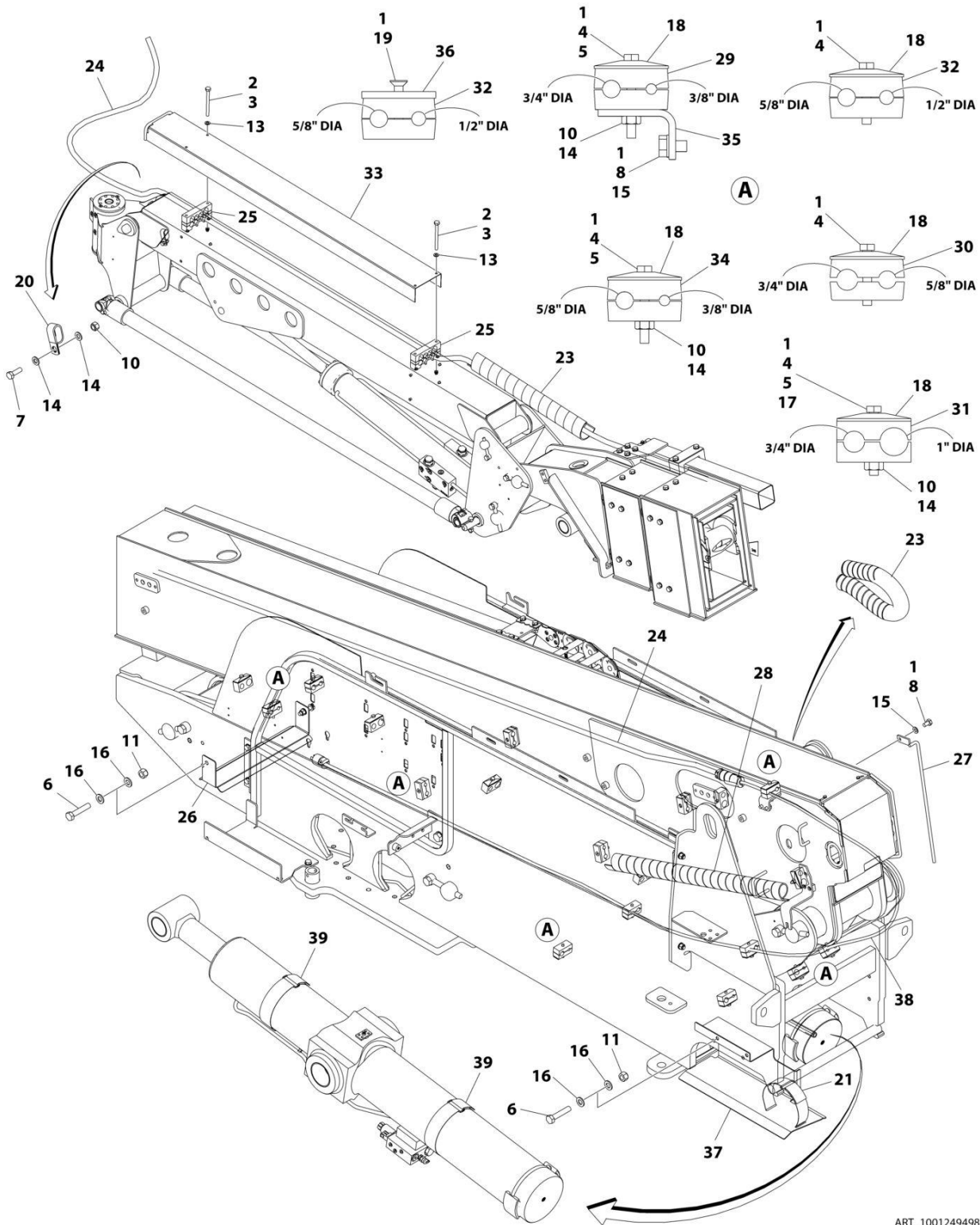
SECTION 8 - ELECTRICAL

FIGURE 8-24. AC CABLES AND CLAMPS INSTALLATION - WITH 7500W GENERATOR (ANSI, ANSI EXPORT, CHINA, CSA, RUSSIAN CIS AND JAPANESE SPECS) (600S HC3)

ITEM	PART NUMBER	QTY	DESCRIPTION	REV
	1001265759	Ref	AC CABLES AND CLAMPS INSTALLATION	A
1	0100011	AR	Compound, Locking	
2	0641506	2	Bolt 5/16 x 3/4	
3	0700818	16	Bolt M8 x 50	
4	0700822	2	Bolt M8 x 70	
5	0701220	4	Bolt M12 x 60	
6	0760814	2	Bolt M8 x 30	
7	0761009	3	Bolt M10 x 18	
8	3290805	4	Nut M8	
9	3291205	4	Nut M12	
10	3841340	2	Loop, Hose	
11	4240018	3	Tie-Strap (Not Shown)	
12	4240099	3	Tie-Strap (Not Shown)	
13	4811900	7	Washer M8	
14	4812000	3	Washer M10	
15	4812100	8	Washer M12	
16	5281918	1	Capscrew M8 x 70	
17	77133137	19	Cover, Clamp	
18	1001143645	2	Strap, Cinch	
19	1001146588	4	Tie-Strap (Not Shown)	
20	1001181923	1	Shield, Tube	
21	1001201342	1	Support	
22	1001202936	1	Guide	
23	1001204690	2	Shield, Tube	
24	1001209948	3	Clamp	
25	1001209949	7	Clamp	
26	1001209951	6	Clamp	
27	1001209953	3	Clamp	
28	1001226304	1	AC Ground to Platform Cable (Lower)	
28	4460960	1	Receptacle, Female	
28	1671092	1	Cover, Receptacle	
29	1001226305	1	AC Ground to Platform Cable (Upper)	
29	1060945	1	Cable	
29	1001218622	1	Plug	
30	1001229637	1	Bracket	
31	1001252945	1	Support	

SECTION 8 - ELECTRICAL

FIGURE 8-25. AC CABLES AND CLAMPS INSTALLATION - WITHOUT GENERATOR (ANSI, CSA AND JAPANESE SPECS) (660SJ HC3)



ART_1001249498

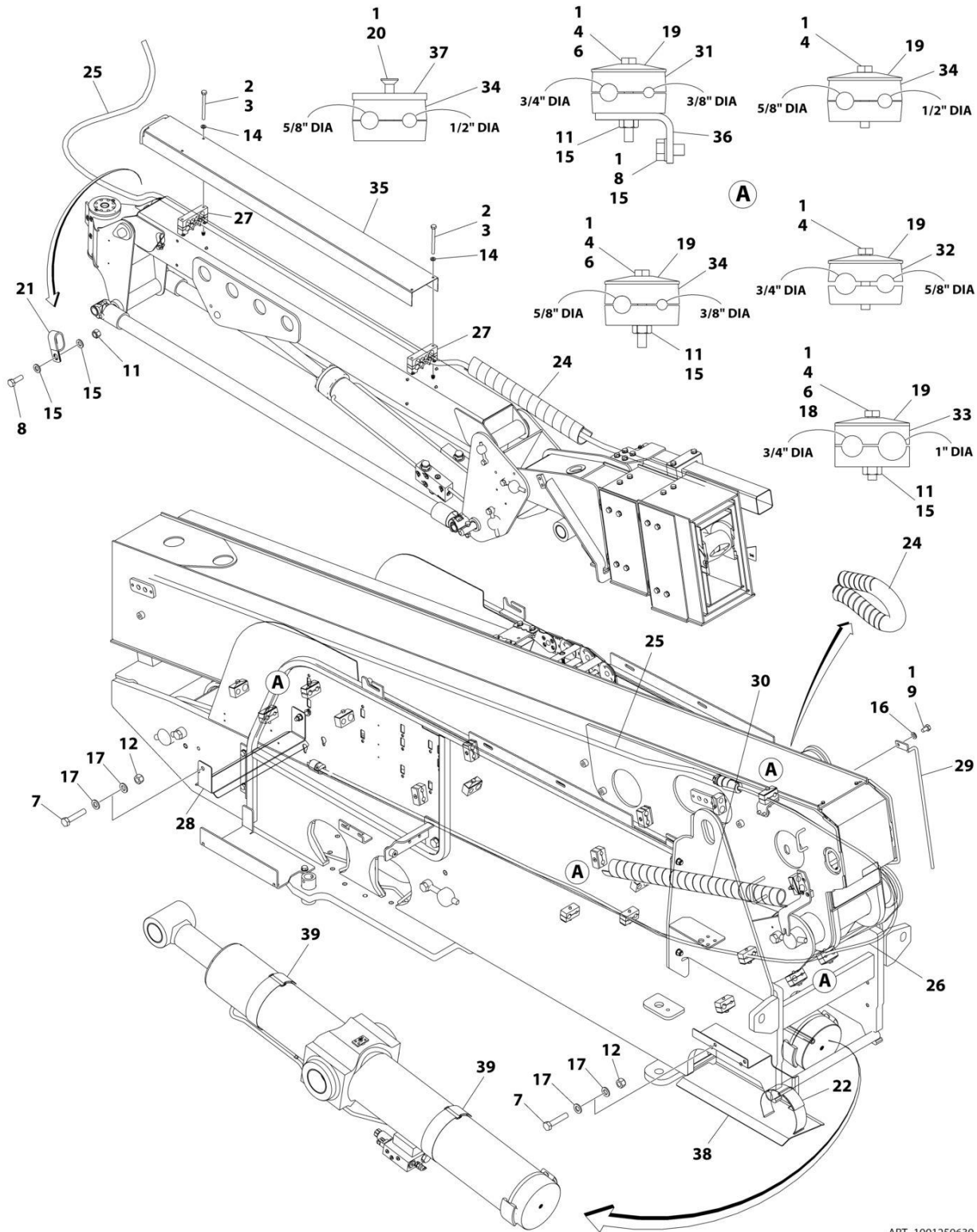
SECTION 8 - ELECTRICAL

FIGURE 8-25. AC CABLES AND CLAMPS INSTALLATION - WITHOUT GENERATOR (ANSI, CSA AND JAPANESE SPECS) (660SJ HC3)

ITEM	PART NUMBER	QTY	DESCRIPTION	REV
	1001249498	Ref	AC CABLES & CLAMPS INSTALLATION	E
1	0100011	AR	Compound, Locking	
2	0100035	AR	Compound, Locking	
3	0700624	4	Bolt M6 x 80	
4	0700818	12	Bolt M8 x 50	
5	0700822	2	Bolt M8 x 70	
6	0701220	4	Bolt M12 x 60	
7	0760812	1	Bolt M8 x 25	
8	0761009	3	Bolt M10 x 18	
10	3290805	3	Nut M8	
11	3291205	4	Nut M12	
12	4240018	4	Tie-Strap (Not Shown)	
13	4811700	4	Washer M6	
14	4811900	3	Washer M8	
15	4812000	3	Washer M10	
16	4812100	8	Washer M12	
17	5281918	1	Capscrew M8 x 70	
18	77133137	15	Cover, Clamp	
19	1001102830	4	Screw M8 x 45	
20	1001116792	1	Clamp	
21	1001143645	1	Strap, Cinch	
22	1001146588	4	Tie-Strap (Not Shown)	
23	1001181923	2	Shield, Tube	
24	1001195228	1	AC Ground to Platform Cable (Upper)	
24	1001120204	1	Plug, Male	
25	1001201090	2	Block, Clamp	
26	1001201342	1	Support	
27	1001202936	1	Guide	
28	1001204690	1	Shield, Tube	
29	1001209948	3	Clamp	
30	1001209949	3	Clamp	
31	1001209951	6	Clamp	
32	1001209953	3	Clamp	
33	1001209957	1	Cover	
34	1001228809	4	Clamp	
35	1001229637	1	Bracket	
36	1001249496	4	Plate, Clamp	
37	1001252945	1	Support	
38	1001195525	1	AC Ground to Platform Cable (Lower)	
38	1001120205	1	Receptacle, Female	
39	1001265308	2	Strap, Cinch	

SECTION 8 - ELECTRICAL

FIGURE 8-26. AC CABLES AND CLAMPS INSTALLATION - WITHOUT GENERATOR (ANSI EXPORT, AUSTRALIAN, RUSSIA CIS, CHINA, CE & UK CA SPECS) (660SJ HC3)



ART_1001250639_E

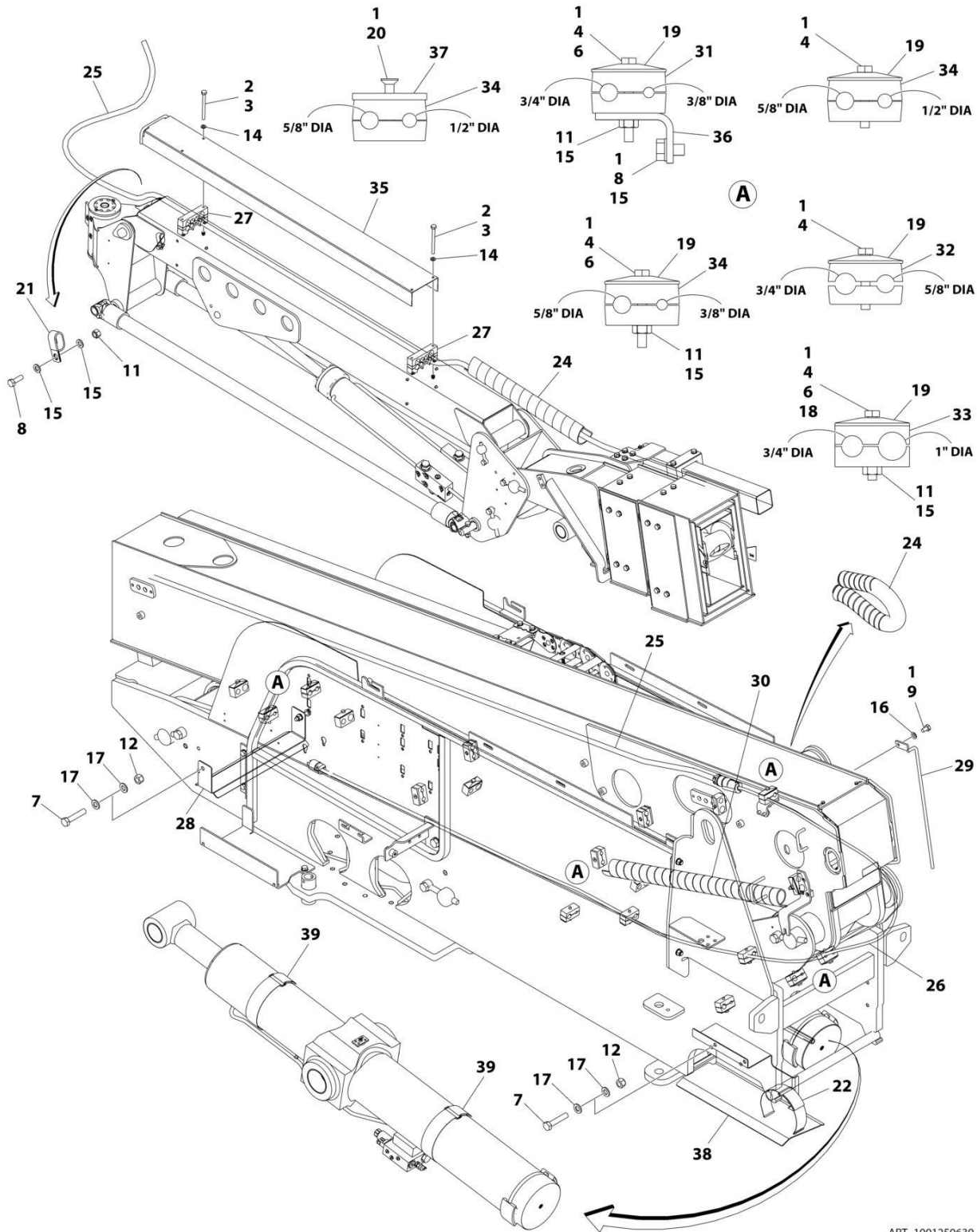
SECTION 8 - ELECTRICAL

FIGURE 8-26. AC CABLES AND CLAMPS INSTALLATION - WITHOUT GENERATOR (ANSI EXPORT, AUSTRALIAN, RUSSIA CIS, CHINA, CE & UK CA SPECS) (660SJ HC3)

ITEM	PART NUMBER	QTY	DESCRIPTION	REV
	1001250639	Ref	AC CABLES AND CLAMPS INSTALLATION	E
1	0100011	AR	Compound, Locking	
2	0100035	AR	Compound, Locking	
3	0700624	4	Bolt M6 x 80	
4	0700818	12	Bolt M8 x 50	
5	0700819	3	Bolt M8 x 55 (Not Shown)	
6	0700822	2	Bolt M8 x 70	
7	0701220	4	Bolt M12 x 60	
8	0760812	1	Bolt M8 x 25	
9	0761009	3	Bolt M10 x 18	
11	3290805	6	Nut M8	
12	3291205	4	Nut M12	
13	4240018	4	Tie-Strap (Not Shown)	
14	4811700	4	Washer M6	
15	4811900	9	Washer M8	
16	4812000	3	Washer M10	
17	4812100	8	Washer M12	
18	5281918	1	Capscrew M8 x 70	
19	77133137	15	Cover, Clamp	
20	1001102830	4	Screw M8 x 45	
21	1001116792	1	Clamp	
22	1001143645	3	Strap, Cinch	
23	1001146588	4	Tie-Strap (Not Shown)	
24	1001181923	2	Shield, Tube	
25	1001195226	1	AC Ground to Platform Cable (Upper)	
25	1001214095	1	Plug, Male	
26	1001196368	1	AC Ground to Platform Cable (Lower)	
26	1001214096	1	Receptacle, Female	
27	1001201090	2	Block, Clamp	
28	1001201342	1	Support	
29	1001202936	1	Guide	
30	1001204690	1	Shield, Tube	
31	1001209948	3	Clamp	
32	1001209949	3	Clamp	
33	1001209951	6	Clamp	
34	1001209953	7	Clamp	
35	1001209957	1	Cover	
36	1001229637	1	Bracket	
37	1001249496	4	Plate, Clamp	
38	1001252945	1	Support	
39	1001265308	2	Strap, Cinch	

SECTION 8 - ELECTRICAL

FIGURE 8-27. AC CABLES AND CLAMPS INSTALLATION - WITH 2500W GENERATOR (ANSI, ANSI EXPORT, CHINA, CSA AND JAPANESE SPECS) (660SJ HC3)



ART_1001250639_E

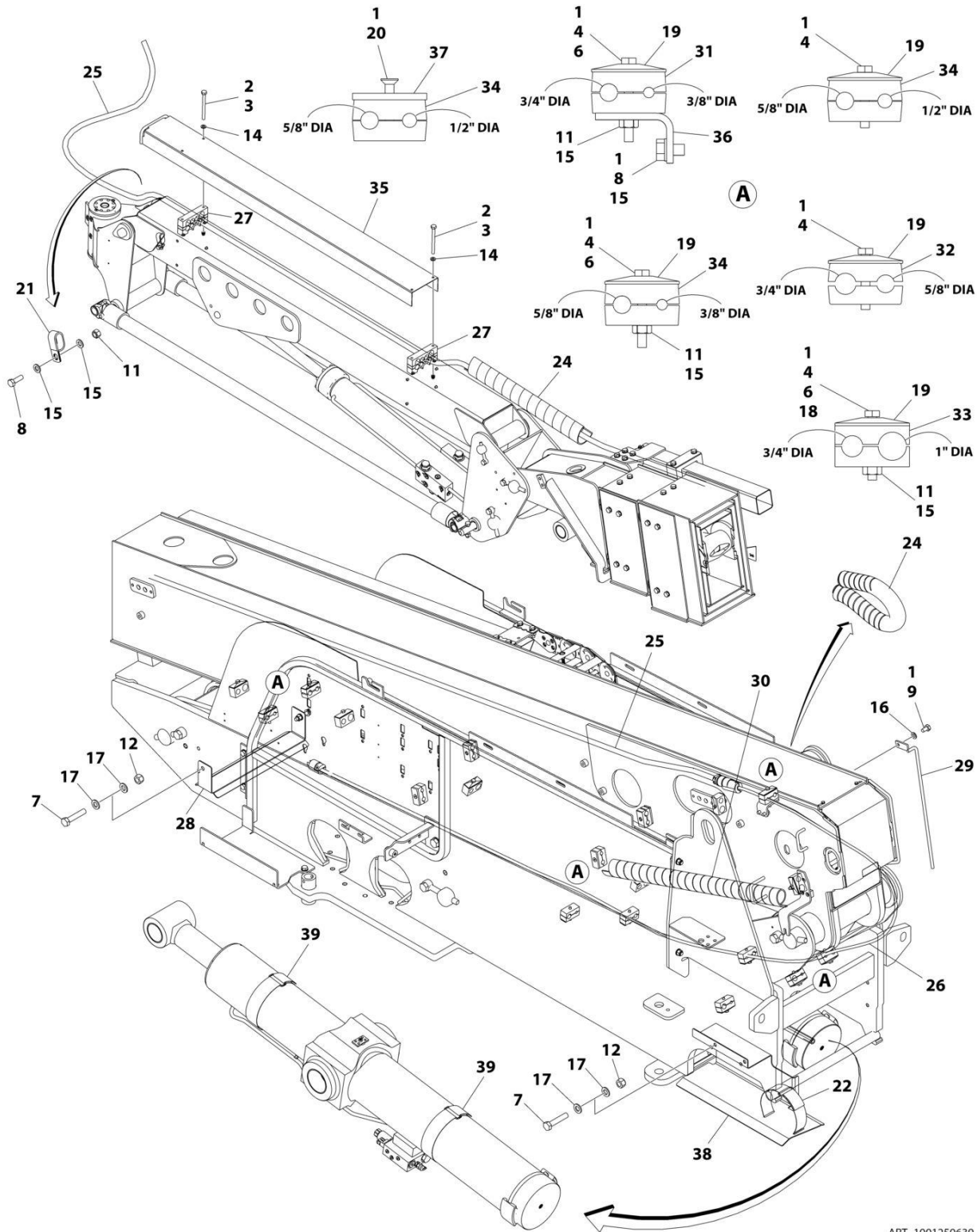
SECTION 8 - ELECTRICAL

FIGURE 8-27. AC CABLES AND CLAMPS INSTALLATION - WITH 2500W GENERATOR (ANSI, ANSI EXPORT, CHINA, CSA AND JAPANESE SPECS) (660SJ HC3)

ITEM	PART NUMBER	QTY	DESCRIPTION	REV
	1001250639	Ref	AC CABLES AND CLAMPS INSTALLATION	E
1	0100011	AR	Compound, Locking	
2	0100035	AR	Compound, Locking	
3	0700624	4	Bolt M6 x 80	
4	0700818	12	Bolt M8 x 50	
5	0700819	3	Bolt M8 x 55 (Not Shown)	
6	0700822	2	Bolt M8 x 70	
7	0701220	4	Bolt M12 x 60	
8	0760812	1	Bolt M8 x 25	
9	0761009	3	Bolt M10 x 18	
11	3290805	6	Nut M8	
12	3291205	4	Nut M12	
13	4240018	4	Tie-Strap (Not Shown)	
14	4811700	4	Washer M6	
15	4811900	9	Washer M8	
16	4812000	3	Washer M10	
17	4812100	8	Washer M12	
18	5281918	1	Capscrew M8 x 70	
19	77133137	15	Cover, Clamp	
20	1001102830	4	Screw M8 x 45	
21	1001116792	1	Clamp	
22	1001143645	3	Strap, Cinch	
23	1001146588	4	Tie-Strap (Not Shown)	
24	1001181923	2	Shield, Tube	
25	1001195226	1	AC Ground to Platform Cable (Upper)	
25	1001214095	1	Plug, Male	
26	1001196368	1	AC Ground to Platform Cable (Lower)	
26	1001214096	1	Receptacle, Female	
27	1001201090	2	Block, Clamp	
28	1001201342	1	Support	
29	1001202936	1	Guide	
30	1001204690	1	Shield, Tube	
31	1001209948	3	Clamp	
32	1001209949	3	Clamp	
33	1001209951	6	Clamp	
34	1001209953	7	Clamp	
35	1001209957	1	Cover	
36	1001229637	1	Bracket	
37	1001249496	4	Plate, Clamp	
38	1001252945	1	Support	
39	1001265308	2	Strap, Cinch	

SECTION 8 - ELECTRICAL

FIGURE 8-28. AC CABLES AND CLAMPS INSTALLATION - WITH 4000W/50HZ GENERATOR (ANSI EXPORT, AUSTRALIAN, RUSSIA CIS, CHINA, CE & UK CA SPECS) (660SJ HC3)



ART_1001250639_E

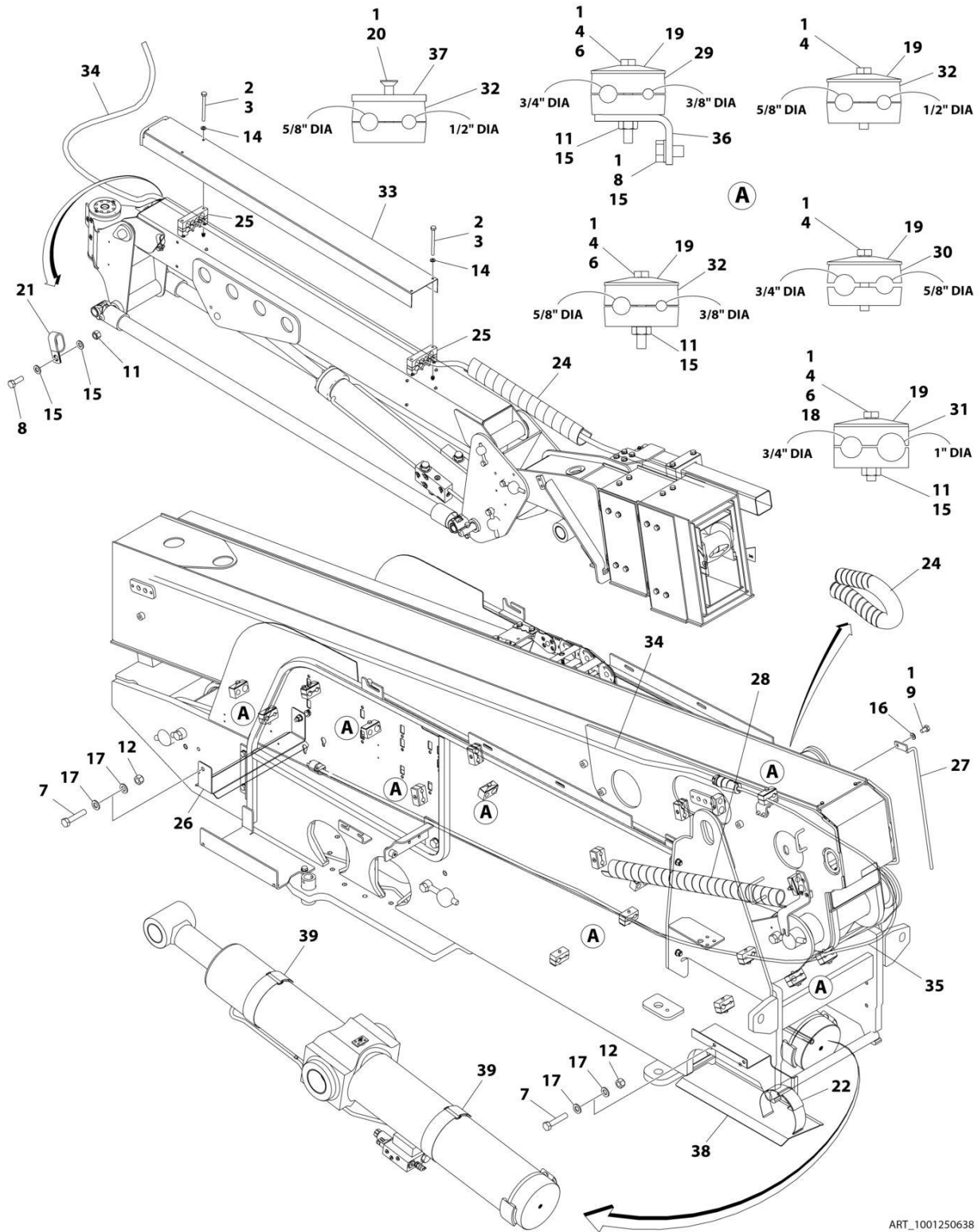
SECTION 8 - ELECTRICAL

FIGURE 8-28. AC CABLES AND CLAMPS INSTALLATION - WITH 4000W/50HZ GENERATOR (ANSI EXPORT, AUSTRALIAN, RUSSIA CIS, CHINA, CE & UK CA SPECS) (660SJ HC3)

ITEM	PART NUMBER	QTY	DESCRIPTION	REV
	1001250639	Ref	AC CABLES AND CLAMPS INSTALLATION	E
1	0100011	AR	Compound, Locking	
2	0100035	AR	Compound, Locking	
3	0700624	4	Bolt M6 x 80	
4	0700818	12	Bolt M8 x 50	
5	0700819	3	Bolt M8 x 55 (Not Shown)	
6	0700822	2	Bolt M8 x 70	
7	0701220	4	Bolt M12 x 60	
8	0760812	1	Bolt M8 x 25	
9	0761009	3	Bolt M10 x 18	
11	3290805	6	Nut M8	
12	3291205	4	Nut M12	
13	4240018	4	Tie-Strap (Not Shown)	
14	4811700	4	Washer M6	
15	4811900	9	Washer M8	
16	4812000	3	Washer M10	
17	4812100	8	Washer M12	
18	5281918	1	Capscrew M8 x 70	
19	77133137	15	Cover, Clamp	
20	1001102830	4	Screw M8 x 45	
21	1001116792	1	Clamp	
22	1001143645	3	Strap, Cinch	
23	1001146588	4	Tie-Strap (Not Shown)	
24	1001181923	2	Shield, Tube	
25	1001195226	1	AC Ground to Platform Cable (Upper)	
25	1001214095	1	Plug, Male	
26	1001196368	1	AC Ground to Platform Cable (Lower)	
26	1001214096	1	Receptacle, Female	
27	1001201090	2	Block, Clamp	
28	1001201342	1	Support	
29	1001202936	1	Guide	
30	1001204690	1	Shield, Tube	
31	1001209948	3	Clamp	
32	1001209949	3	Clamp	
33	1001209951	6	Clamp	
34	1001209953	7	Clamp	
35	1001209957	1	Cover	
36	1001229637	1	Bracket	
37	1001249496	4	Plate, Clamp	
38	1001252945	1	Support	
39	1001265308	2	Strap, Cinch	

SECTION 8 - ELECTRICAL

FIGURE 8-29. AC CABLES AND CLAMPS INSTALLATION - WITH 4000W/60HZ GENERATOR (ANSI, ANSI EXPORT, CSA AND JAPANESE SPECS) (660SJ HC3)



ART_1001250638

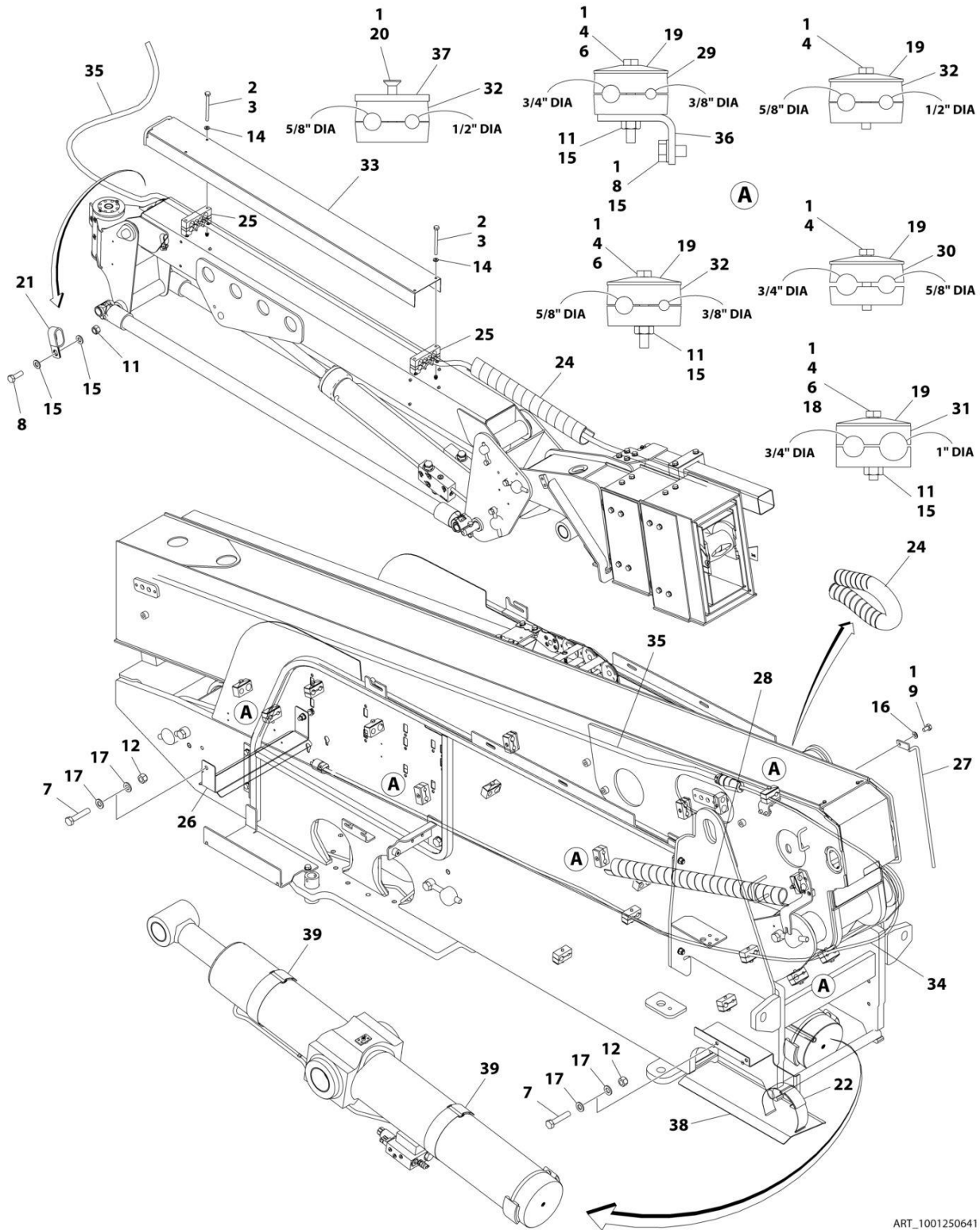
SECTION 8 - ELECTRICAL

FIGURE 8-29. AC CABLES AND CLAMPS INSTALLATION - WITH 4000W/60HZ GENERATOR (ANSI, ANSI EXPORT, CSA AND JAPANESE SPECS) (660SJ HC3)

ITEM	PART NUMBER	QTY	DESCRIPTION	REV
	1001250638	Ref	AC CABLES AND CLAMPS INSTALLATION	E
1	0100011	AR	Compound, Locking	
2	0100035	AR	Compound, Locking	
3	0700624	4	Bolt M6 x 80	
4	0700818	12	Bolt M8 x 50	
5	0700819	3	Bolt M8 x 55 (Not Shown)	
6	0700822	2	Bolt M8 x 70	
7	0701220	4	Bolt M12 x 60	
8	0760812	1	Bolt M8 x 25	
9	0761009	3	Bolt M10 x 18	
11	3290805	6	Nut M8	
12	3291205	4	Nut M12	
13	4240018	4	Tie-Strap (Not Shown)	
14	4811700	4	Washer M6	
15	4811900	9	Washer M8	
16	4812000	3	Washer M10	
17	4812100	8	Washer M12	
18	5281918	1	Capscrew M8 x 70	
19	77133137	15	Cover, Clamp	
20	1001102830	4	Screw M8 x 45	
21	1001116792	1	Clamp	
22	1001143645	1	Strap, Cinch	
23	1001146588	4	Tie-Strap (Not Shown)	
24	1001181923	2	Shield, Tube	
25	1001201090	2	Block, Clamp	
26	1001201342	1	Support	
27	1001202936	1	Guide	
28	1001204690	1	Shield, Tube	
29	1001209948	3	Clamp	
30	1001209949	3	Clamp	
31	1001209951	6	Clamp	
32	1001209953	7	Clamp	
33	1001209957	1	Cover	
34	1001228187	1	AC Ground to Platform Cable (Upper)	
34	4460959	1	Plug, Male	
34	1671093	1	Cover, Plug	
35	1001228188	1	AC Ground to Platform Cable (Lower)	
35	4460960	1	Receptacle, Female	
35	1671092	1	Cover, Receptacle	
36	1001229637	1	Bracket	
37	1001249496	4	Plate, Clamp	
38	1001252945	1	Support	
39	1001265308	2	Strap, Cinch	

SECTION 8 - ELECTRICAL

FIGURE 8-30. AC CABLES AND CLAMPS INSTALLATION - WITH 7500W GENERATOR (ANSI, ANSI EXPORT, AUSTRALIAN, CHINA, CSA, RUSSIAN CIS, AND JAPANESE SPECS) (660SJ HC3)



ART_1001250641

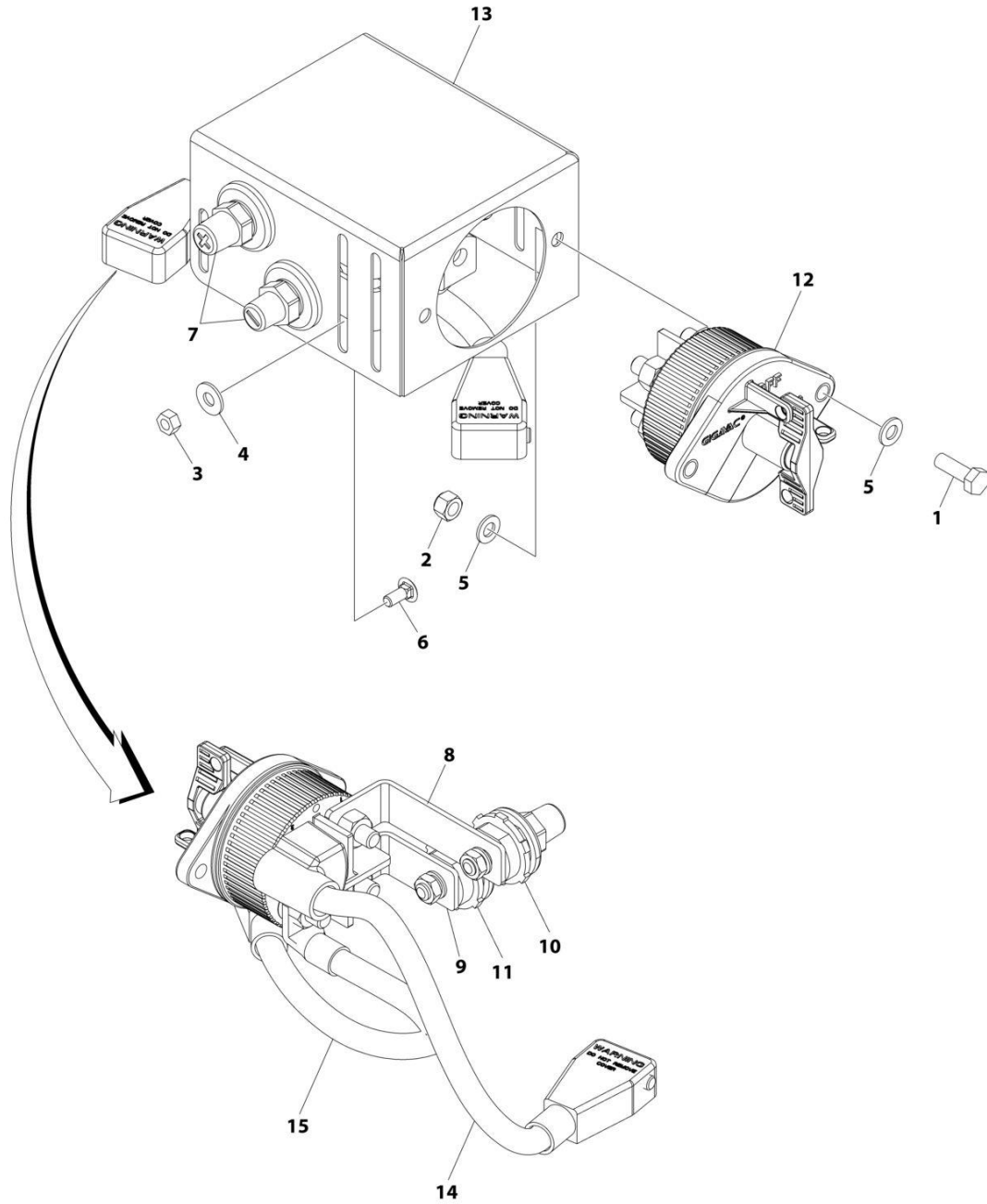
SECTION 8 - ELECTRICAL

FIGURE 8-30. AC CABLES AND CLAMPS INSTALLATION - WITH 7500W GENERATOR (ANSI, ANSI EXPORT, AUSTRALIAN, CHINA, CSA, RUSSIAN CIS, AND JAPANESE SPECS) (660SJ HC3)

ITEM	PART NUMBER	QTY	DESCRIPTION	REV
	1001250641	Ref	AC CABLES & CLAMPS INSTALLATION	E
1	0100011	AR	Compound, Locking	
2	0100035	AR	Compound, Locking	
3	0700624	4	Bolt M6 x 80	
4	0700818	12	Bolt M8 x 50	
5	0700819	3	Bolt M8 x 55 (Not Shown)	
6	0700822	2	Bolt M8 x 70	
7	0701220	4	Bolt M12 x 60	
8	0760812	1	Bolt M8 x 25	
9	0761009	3	Bolt M10 x 18	
11	3290805	6	Nut M8	
12	3291205	4	Nut M12	
13	4240018	4	Tie-Strap (Not Shown)	
14	4811700	4	Washer M6	
15	4811900	9	Washer M8	
16	4812000	3	Washer M10	
17	4812100	8	Washer M12	
18	5281918	1	Capscrew M8 x 70	
19	77133137	15	Cover, Clamp	
20	1001102830	4	Screw M8 x 45	
21	1001116792	1	Clamp	
22	1001143645	3	Strap, Cinch	
23	1001146588	4	Tie-Strap (Not Shown)	
24	1001181923	2	Shield, Tube	
25	1001201090	2	Block, Clamp	
26	1001201342	1	Support	
27	1001202936	1	Guide	
28	1001204690	1	Shield, Tube	
29	1001209948	3	Clamp	
30	1001209949	3	Clamp	
31	1001209951	3	Clamp	
32	1001209953	7	Clamp	
33	1001209957	1	Cover	
34	1001226304	1	AC Ground to Platform Cable (Upper)	
34	1001218623	1	Receptacle, Female	
35	1001227075	1	AC Ground to Platform Cable (Lower)	
35	1001218622	1	Plug, Male	
36	1001229637	1	Bracket	
37	1001249496	4	Plate, Clamp	
38	1001252945	1	Support	
39	1001265308	2	Strap, Cinch	

SECTION 8 - ELECTRICAL

FIGURE 8-31. BATTERY DISCONNECT SWITCH INSTALLATION



ART_1001236304

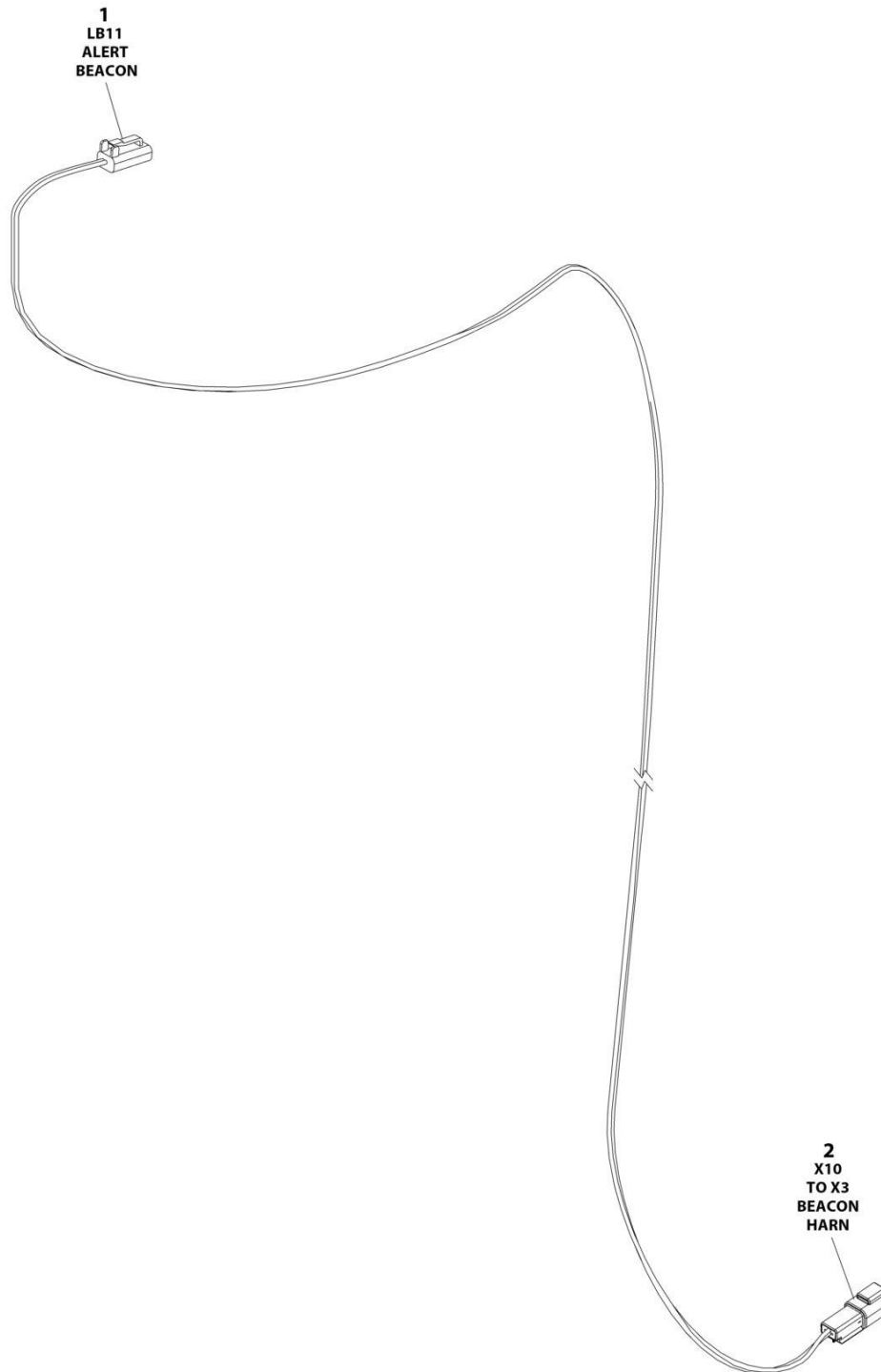
SECTION 8 - ELECTRICAL

FIGURE 8-31. BATTERY DISCONNECT SWITCH INSTALLATION

ITEM	PART NUMBER	QTY	DESCRIPTION	REV
	1001236304	Ref	BATTERY DISCONNECT SWITCH INSTALLATION	A
1	0760812	2	Bolt M8 x 25	
2	3290805	2	Nut M8	
3	3311405	3	Nut 1/4	
4	4751400	3	Washer 1/4	
5	4811900	4	Washer M8	
6	88411013	3	Bolt 1/4 x 3/4	
7	1001206476	1	Connectors, Post	
8	1001209432	1	Bussbar	
9	1001209474	1	Bussbar	
10	1001214570	1	Connector (Red)	
11	1001214571	1	Connector (Black)	
12	1001225346	1	Switch, Battery	
13	1001226531	1	Mount	
14	1001236504	1	Cable, Battery (+)	
15	1001236505	1	Cable, Battery (-)	

SECTION 8 - ELECTRICAL

FIGURE 8-32. BEACON JUMPER HARNESS



ART_1001285733

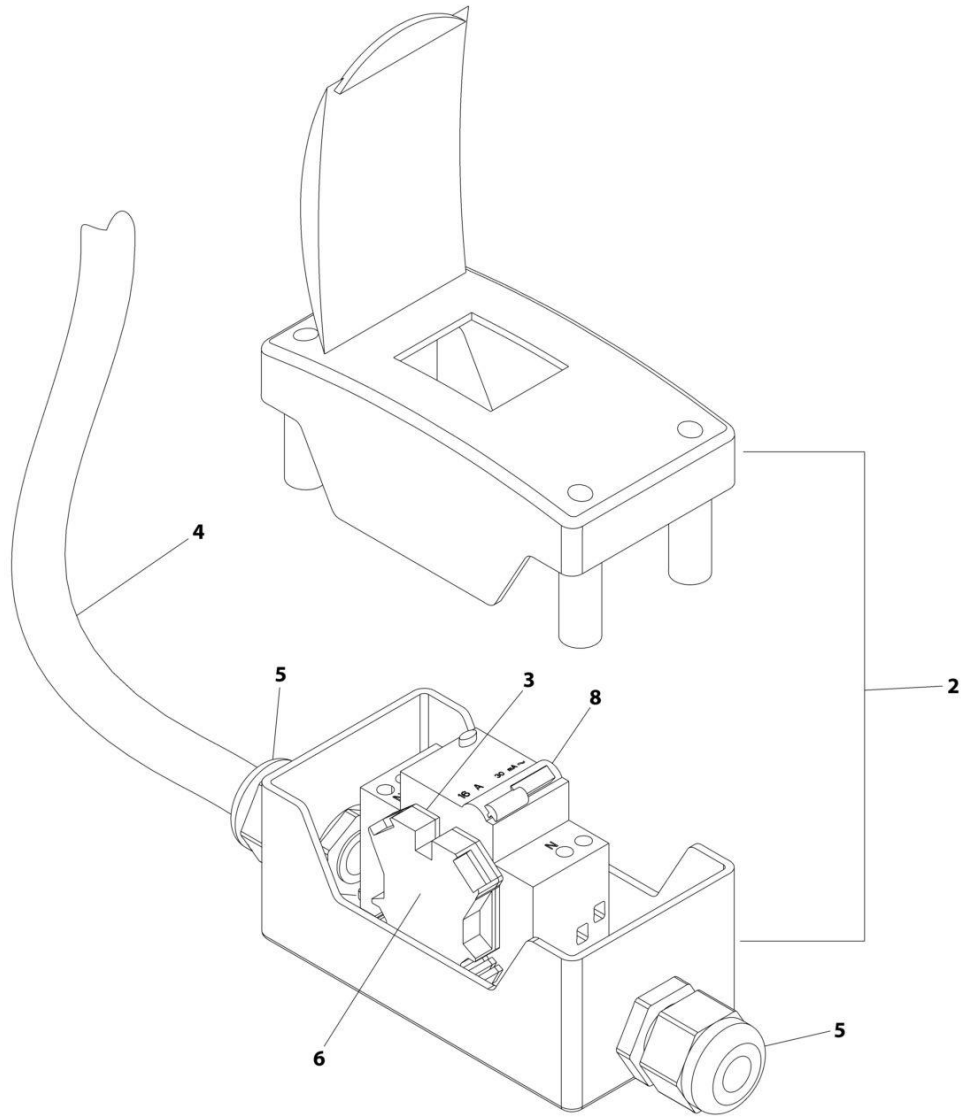
SECTION 8 - ELECTRICAL

FIGURE 8-32. BEACON JUMPER HARNESS

ITEM	PART NUMBER	QTY	DESCRIPTION	REV
	1001285733	Ref	BEACON JUMPER HARNESS	A
1	4460891	1	Connector	
1	4460465	2	Socket	
2	4460897	1	Connector	
2	4460464	2	Pin	

SECTION 8 - ELECTRICAL

FIGURE 8-33. BREAKER BOX KIT - SINGLE DOUBLE POLE BREAKER (WITHOUT 4000W/50HZ GENERATOR)



ART_2902549_F

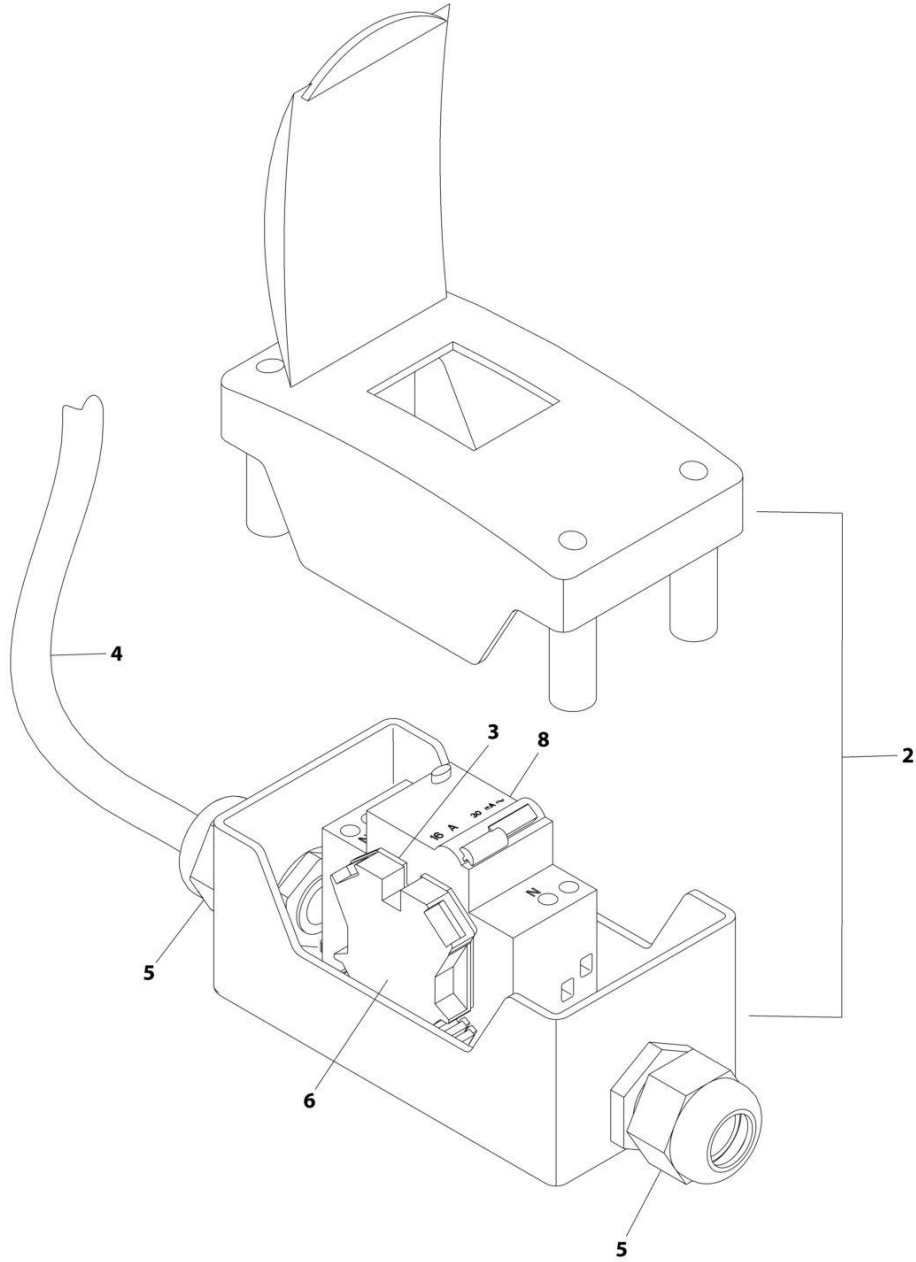
SECTION 8 - ELECTRICAL

FIGURE 8-33. BREAKER BOX KIT - SINGLE DOUBLE POLE BREAKER (WITHOUT 4000W/50HZ GENERATOR)

ITEM	PART NUMBER	QTY	DESCRIPTION	REV
	2902549	Ref	BREAKER BOX KIT	F
2	0861880	1	Box	
3	4460956	1	Barrier, Terminal	
4	1060908	6 ft/1.8m	Cable, 12/3	
5	1001097150	2	Connector, Strain Relief	
6	4460957	1	Block, Terminal	
8	1001181045	1	Breaker, 16Amp	

SECTION 8 - ELECTRICAL

FIGURE 8-34. BREAKER BOX KIT - SINGLE DOUBLE POLE BREAKER (WITH 4000W/50HZ GENERATOR)



ART_1001096070

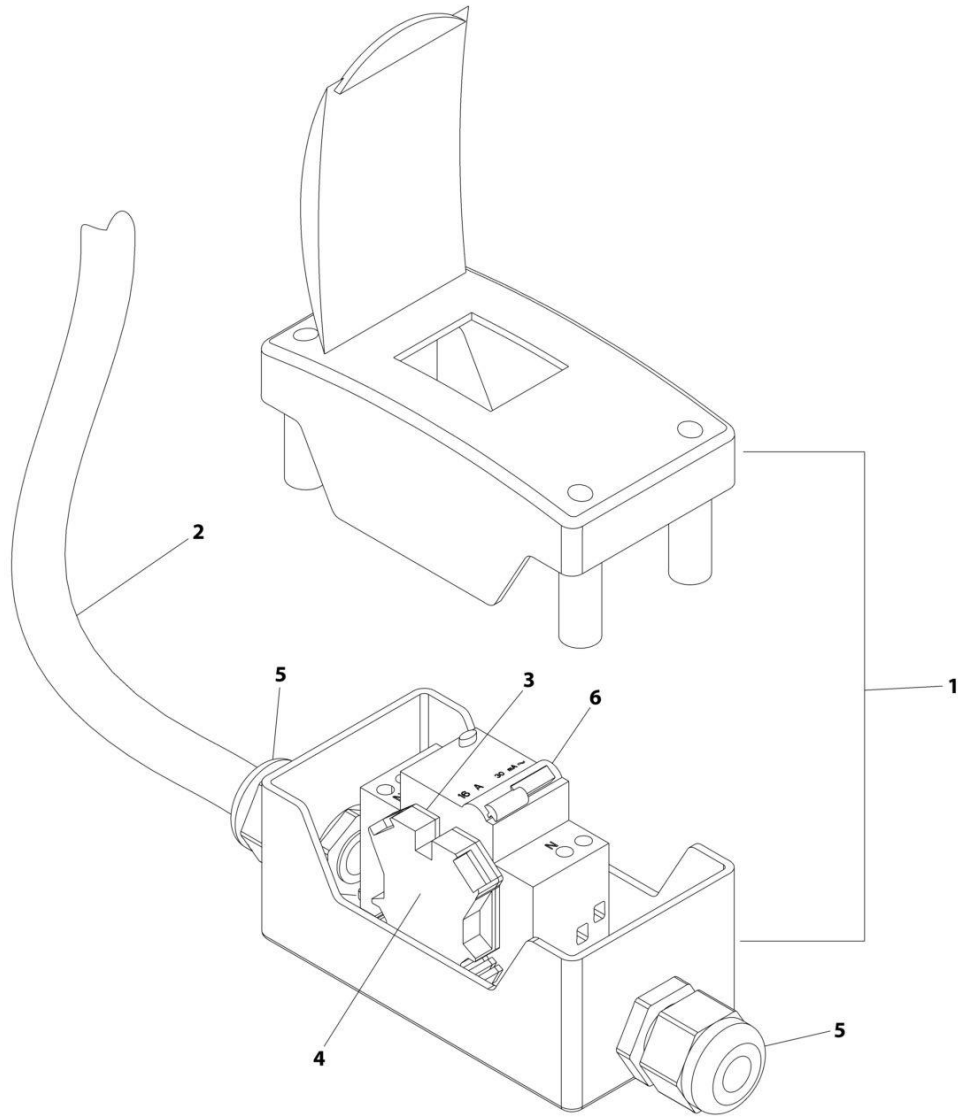
SECTION 8 - ELECTRICAL

FIGURE 8-34. BREAKER BOX KIT - SINGLE DOUBLE POLE BREAKER (WITH 4000W/50HZ GENERATOR)

ITEM	PART NUMBER	QTY	DESCRIPTION	REV
	1001096070	Ref	BREAKER BOX KIT	E
2	0861880	1	Box	
3	4460956	1	Barrier, Terminal Block End	
4	1060908	12 ft/ 3.6m	Cable, 12/3	
5	1001097150	2	Connector, Strain Relief	
6	4460957	1	Block, Terminal	
8	1001181045	1	Breaker, 16Amp	

SECTION 8 - ELECTRICAL

FIGURE 8-35. BREAKER BOX KIT - SINGLE DOUBLE POLE BREAKER (WITHOUT 4000W/50HZ GENERATOR) (MACHINES WITH SN STARTING WITH B3)



ART_1001289592

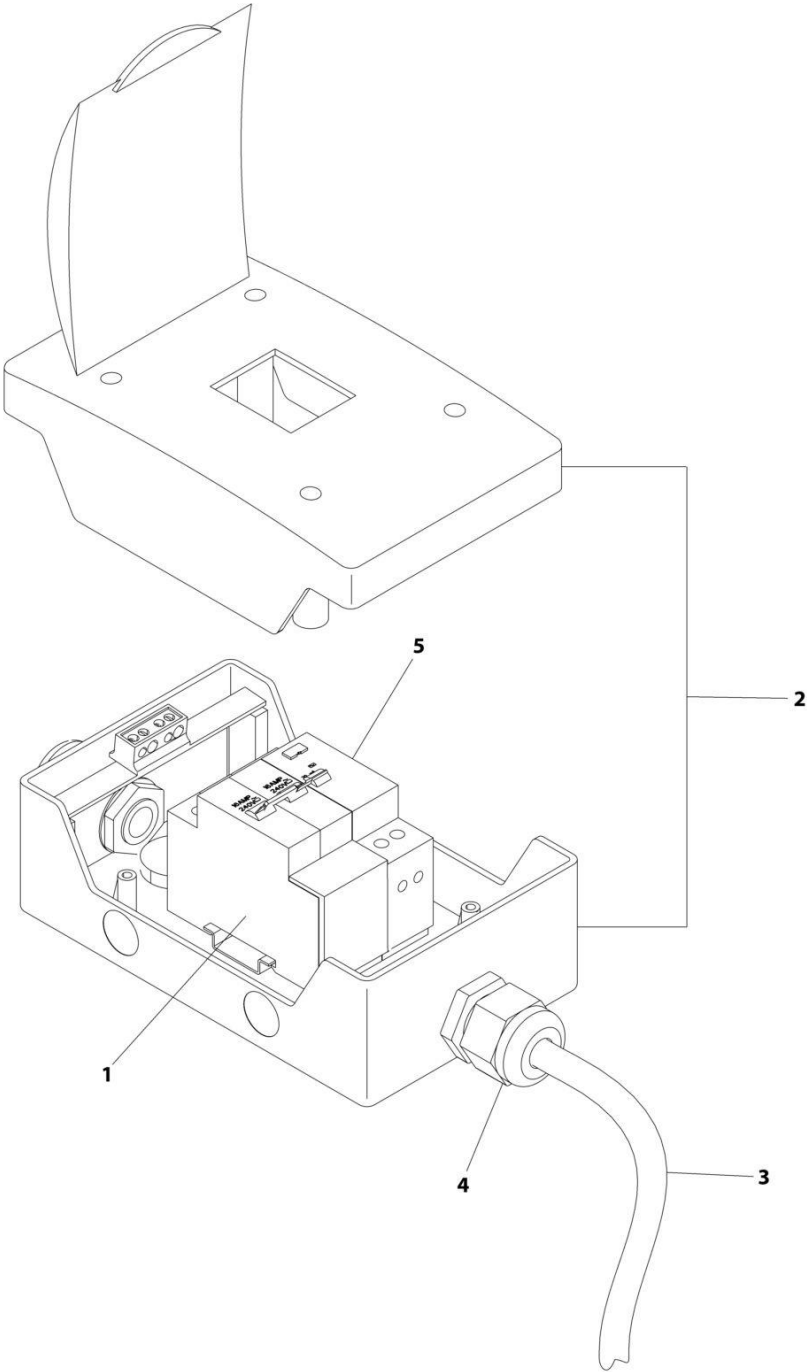
SECTION 8 - ELECTRICAL

FIGURE 8-35. BREAKER BOX KIT - SINGLE DOUBLE POLE BREAKER (WITHOUT 4000W/50HZ GENERATOR) (MACHINES WITH SN STARTING WITH B3)

ITEM	PART NUMBER	QTY	DESCRIPTION	REV
	1001289592	Ref	BREAKER BOX KIT	A
1	0861880	1	Box	
2	1060908	6 ft/1.8m	Cable 12/3	
3	4460956	1	Barrier, Terminal	
4	4460957	2	Block, Terminal	
5	1001097150	2	Connector, Strain Relief	
6	1001289589	1	Breaker, 16Amp	

SECTION 8 - ELECTRICAL

FIGURE 8-36. BREAKER BOX KIT - 3 BREAKERS



ART_1001152486_C

SECTION 8 - ELECTRICAL

FIGURE 8-36. BREAKER BOX KIT - 3 BREAKERS

ITEM	PART NUMBER	QTY	DESCRIPTION	REV
	1001152486	Ref	BREAKER BOX KIT	C
1	1001189172	1	Breaker, 16 Amp (Double)	
2	1001152483	1	Box	
3	1060908	12 ft/ 3.66m	Cable, 12/3	
4	1001097150	1	Connector, Strain Relief	
5	1001189171	1	Breaker, 30mA	

SECTION 8 - ELECTRICAL

FIGURE 8-37. BOOM ANGLE SENSOR HARNESS



ART_1001189005

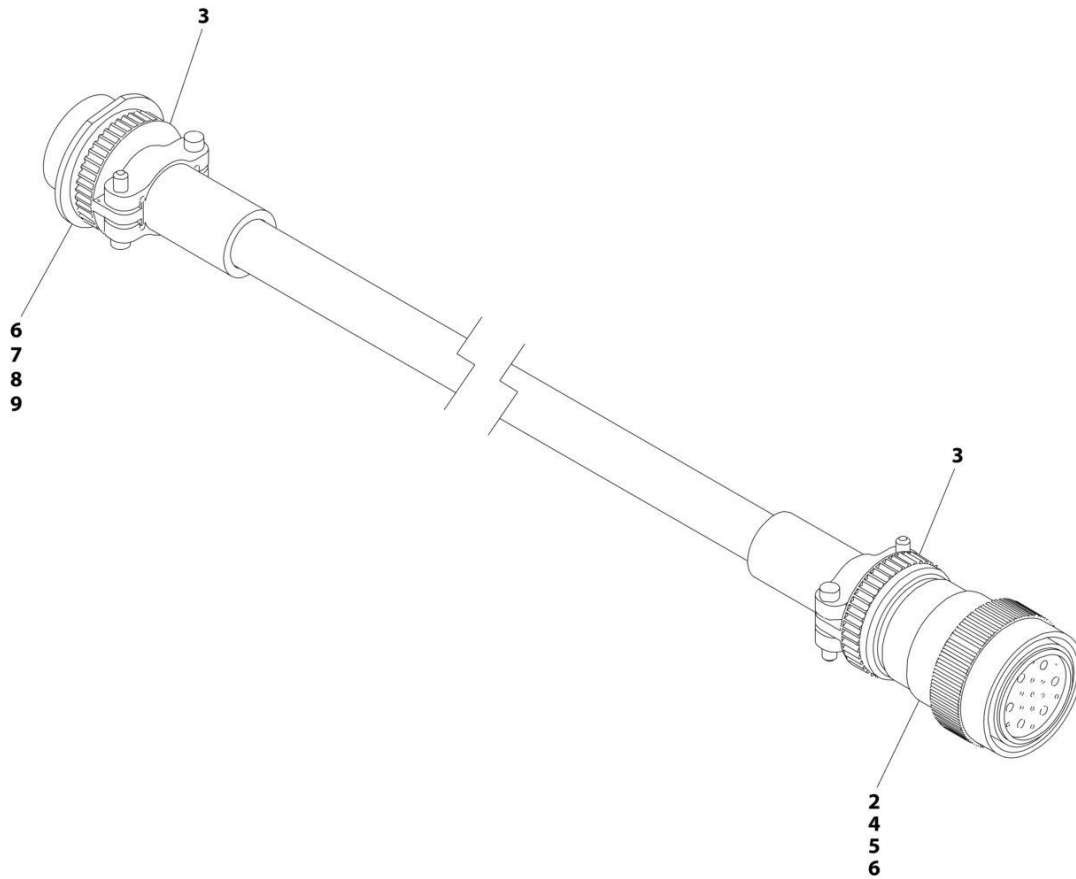
SECTION 8 - ELECTRICAL

FIGURE 8-37. BOOM ANGLE SENSOR HARNESS

ITEM	PART NUMBER	QTY	DESCRIPTION	REV
	1001189005	Ref	BOOM ANGLE SENSOR HARNESS	D
1	1001230931	1	Plug, Male - 6 Position	
1	1001116748	6	Terminal	
2	4460932	1	Receptacle, Female - 4 Position	
2	4460464	4	Pin, Male	

SECTION 8 - ELECTRICAL

FIGURE 8-38. BOOM CABLE - LOWER



ART_1001206082

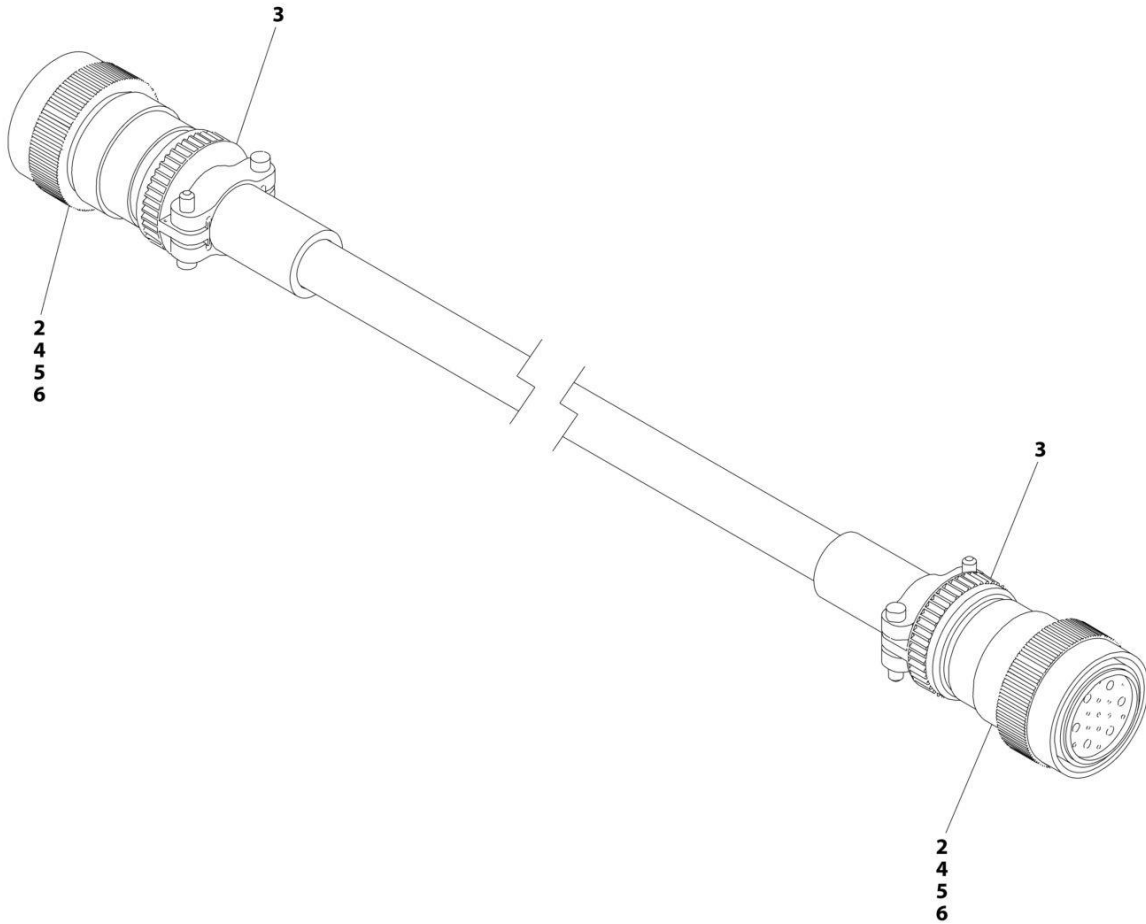
SECTION 8 - ELECTRICAL

FIGURE 8-38. BOOM CABLE - LOWER

ITEM	PART NUMBER	QTY	DESCRIPTION	REV
	1001206082	Ref	BOOM CABLE	C
2	4460865	1	Connector - 19 Position	
3	4460473	2	Clamp	
4	4460465	10	Socket, Female	
5	4460509	4	Socket, Female	
6	4460466	10	Plug, Socket	
7	4460866	1	Connector - 19 Position	
8	4460508	4	Pin, Male	
9	4460464	10	Pin, Male	

SECTION 8 - ELECTRICAL

FIGURE 8-39. BOOM CABLE - UPPER (600S HC3)



ART_1001188533

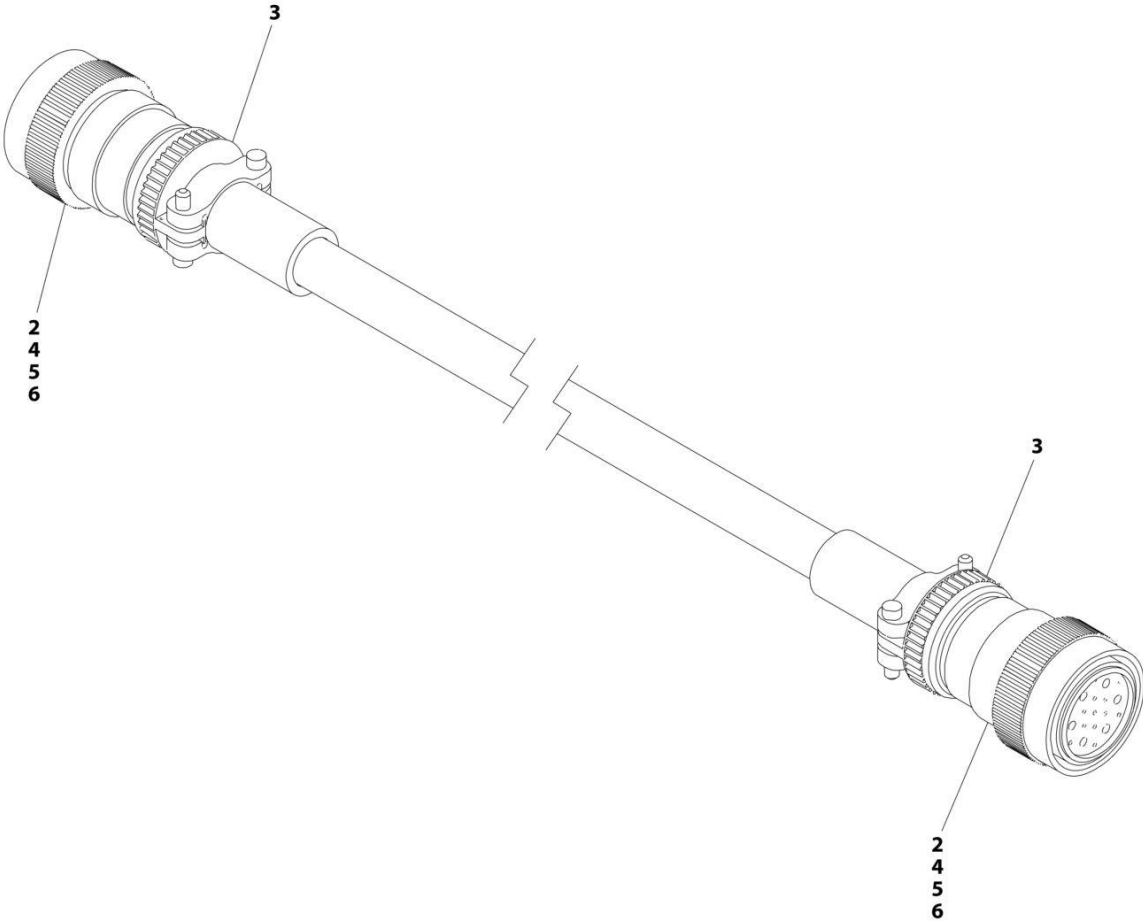
SECTION 8 - ELECTRICAL

FIGURE 8-39. BOOM CABLE - UPPER (600S HC3)

ITEM	PART NUMBER	QTY	DESCRIPTION	REV
	1001188533	Ref	BOOM CABLE	C
2	4460865	2	Connector - 19 Position	
3	4460473	2	Clamp	
4	4460465	20	Socket, Female	
5	4460509	8	Socket, Female	
6	4460466	10	Plug, Socket	
7	1001226400	2	Heat Shrink (Not Shown)	

SECTION 8 - ELECTRICAL

FIGURE 8-40. BOOM CABLE - UPPER (660SJ HC3)



ART_1001188534

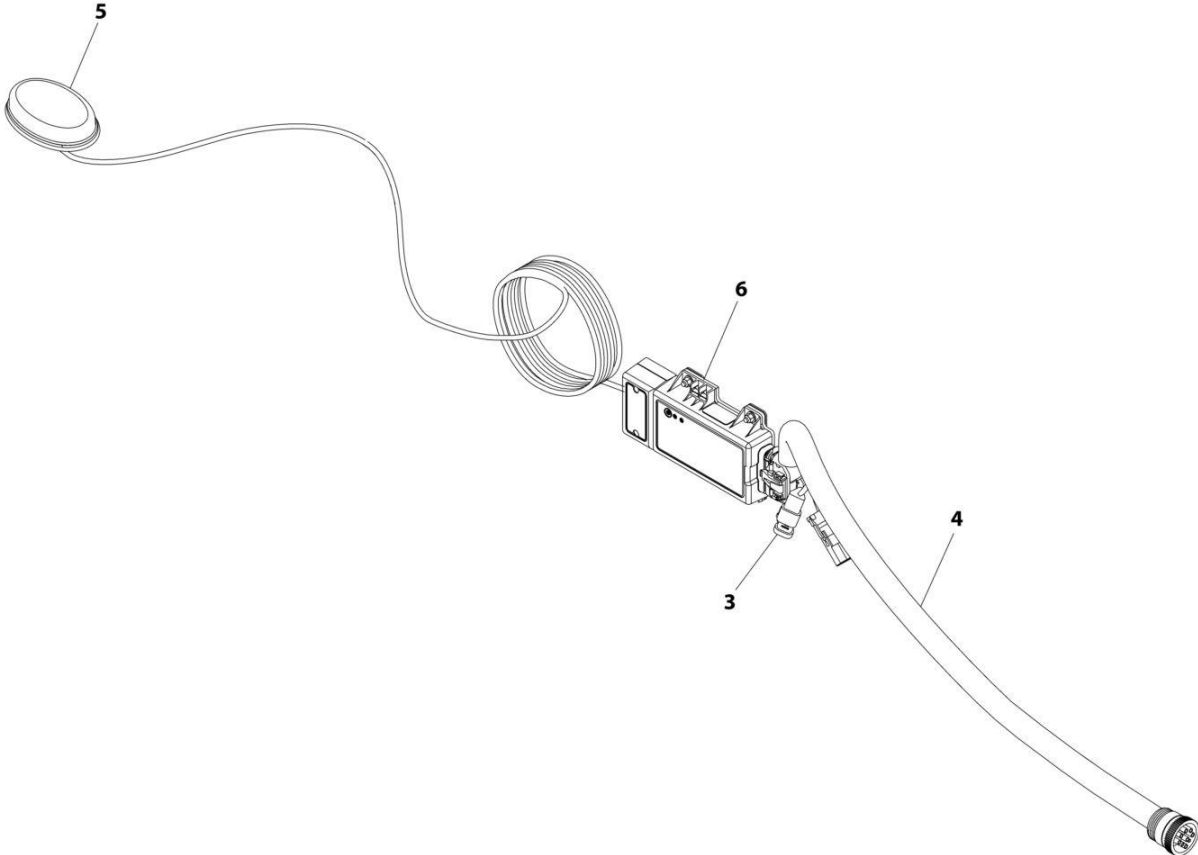
SECTION 8 - ELECTRICAL

FIGURE 8-40. BOOM CABLE - UPPER (660SJ HC3)

ITEM	PART NUMBER	QTY	DESCRIPTION	REV
	1001188534	Ref	BOOM CABLE	C
2	4460865	2	Connector - 19 Position	
3	4460473	2	Clamp	
4	4460465	20	Socket, Female	
5	4460509	8	Socket, Female	
6	4460466	10	Plug, Socket	
7	1001226400	2	Heat Shrink (Not Shown)	

SECTION 8 - ELECTRICAL

FIGURE 8-41. CLEARSKY INSTALLATION - 3G (ANSI EXPORT, RUSSIA, CE & UK CA SPECS)



ART_1001228947

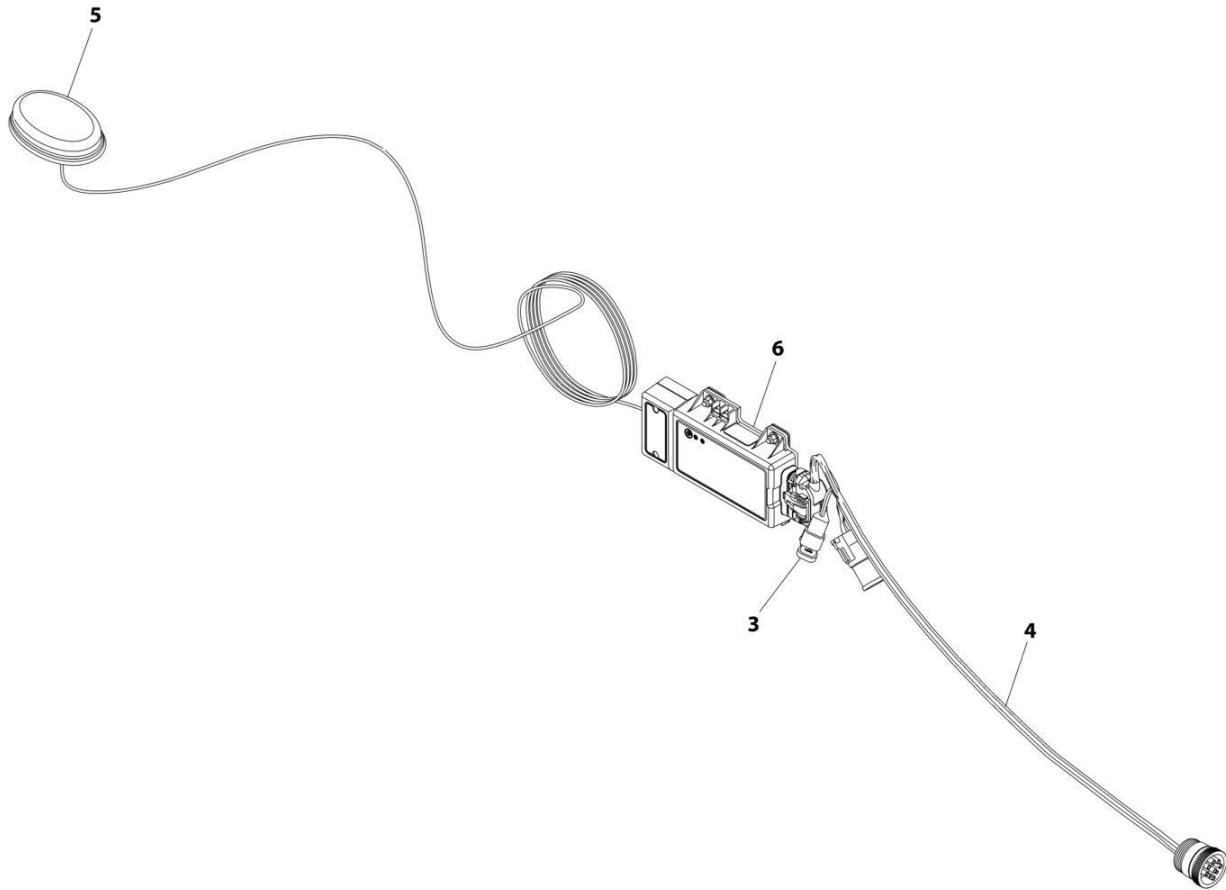
SECTION 8 - ELECTRICAL

FIGURE 8-41. CLEARSKY INSTALLATION - 3G (ANSI EXPORT, RUSSIA, CE & UK CA SPECS)

ITEM	PART NUMBER	QTY	DESCRIPTION	REV
	1001228947	Ref	CLEARSKY INSTALLATION	A
1	4240032	AR	Tie-Strap (Not Shown)	
2	4460234	AR	Mount, Tie-Strap (Not Shown)	
3	1001116815	1	Connector	
4	1001226739	1	ClearSky Harness (See Separate Breakdown in ELECTRICAL Section)	
5	1001226799	1	Antenna	
6	1001228954	1	ClearSky Module	

SECTION 8 - ELECTRICAL

FIGURE 8-42. CLEARSKY INSTALLATION - 3G (AUSTRALIAN AND RUSSIA SPECS)



ART_1001246524

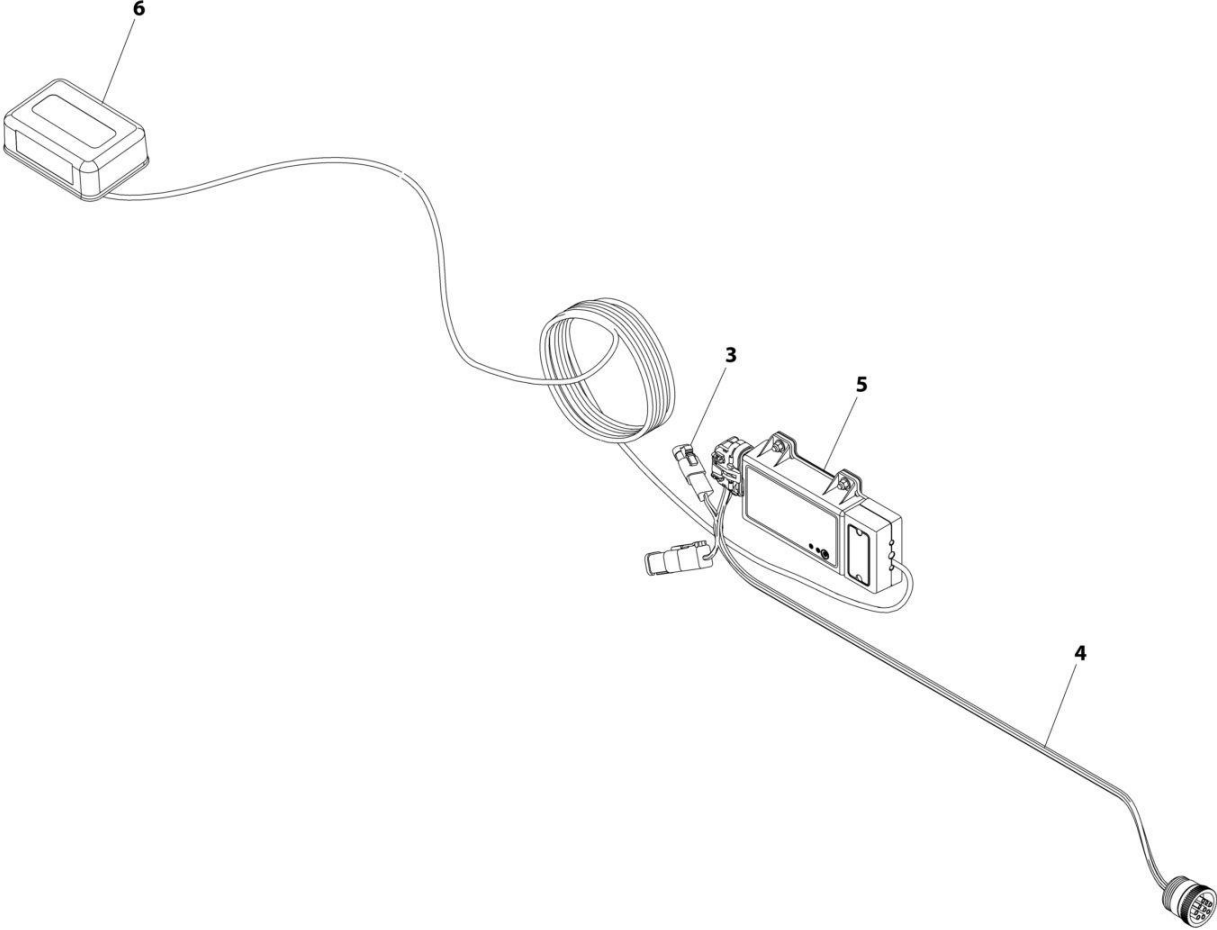
SECTION 8 - ELECTRICAL

FIGURE 8-42. CLEARSKY INSTALLATION - 3G (AUSTRALIAN AND RUSSIA SPECS)

ITEM	PART NUMBER	QTY	DESCRIPTION	REV
	1001246524	Ref	CLEARSKY INSTALLATION	A
1	4240032	AR	Tie-Strap (Not Shown)	
2	4460234	AR	Mount, Tie-Strap (Not Shown)	
3	1001116815	1	Connector	
4	1001226739	1	ClearSky Harness (See Separate Breakdown in ELECTRICAL Section)	
5	1001226799	1	Antenna	
6	1001246144	1	ClearSky Module	

SECTION 8 - ELECTRICAL

FIGURE 8-43. CLEARSKY INSTALLATION - 4G (ALL SPECS EXCEPT AUSTRALIA AND CHINA SPECS)



ART_1001227404

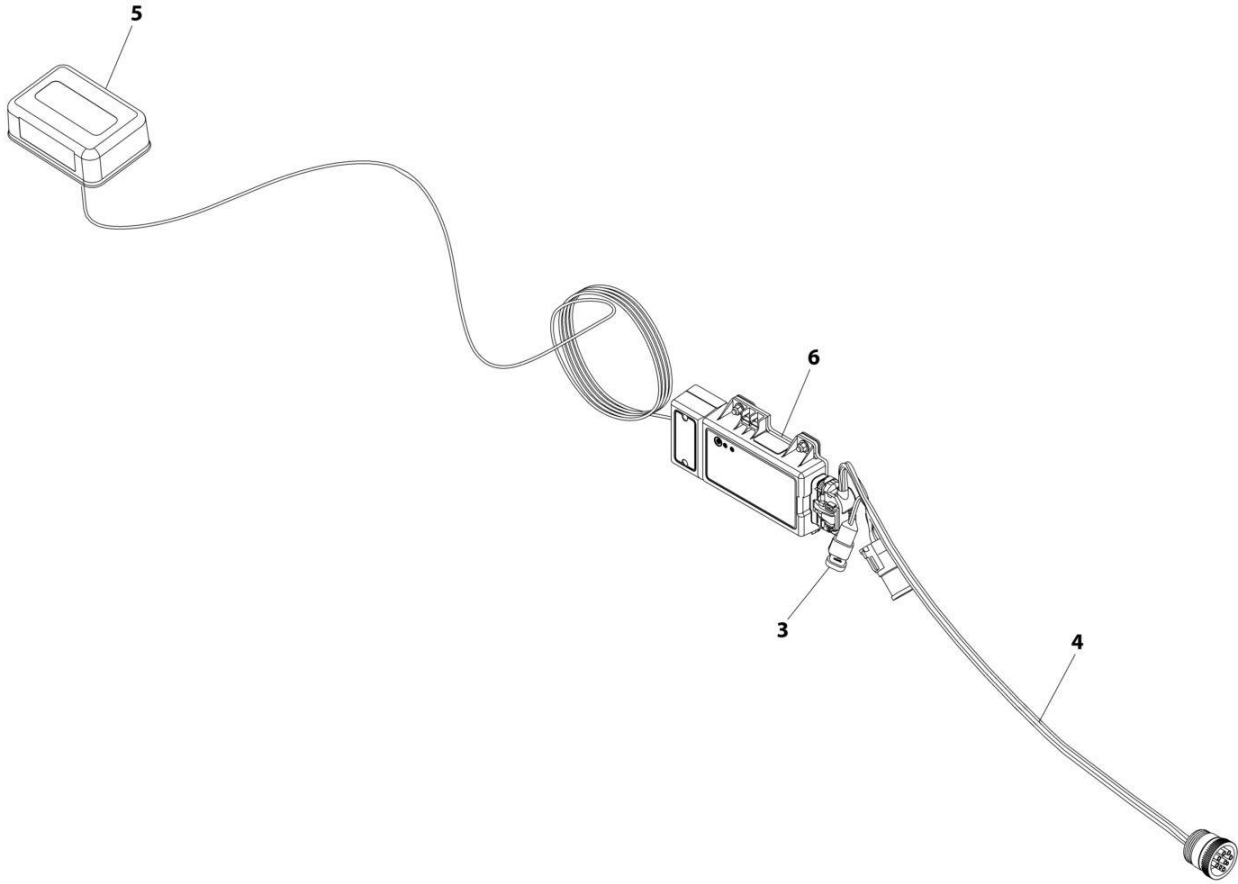
SECTION 8 - ELECTRICAL

FIGURE 8-43. CLEARSKY INSTALLATION - 4G (ALL SPECS EXCEPT AUSTRALIA AND CHINA SPECS)

ITEM	PART NUMBER	QTY	DESCRIPTION	REV
	1001227404	Ref	CLEARSKY INSTALLATION	B
1	4240032	AR	Tie-Strap (Not Shown)	
2	4460234	AR	Mount, Tie-Strap (Not Shown)	
3	1001129408	1	Connector	
4	1001226739	1	ClearSky Harness (See Separate Breakdown in ELECTRICAL Section)	
5	1001262322	1	ClearSky Module	
6	1001262326	1	Antenna	

SECTION 8 - ELECTRICAL

FIGURE 8-44. CLEARSKY INSTALLATION - 4G (CHINA SPECS)



ART_1001246525

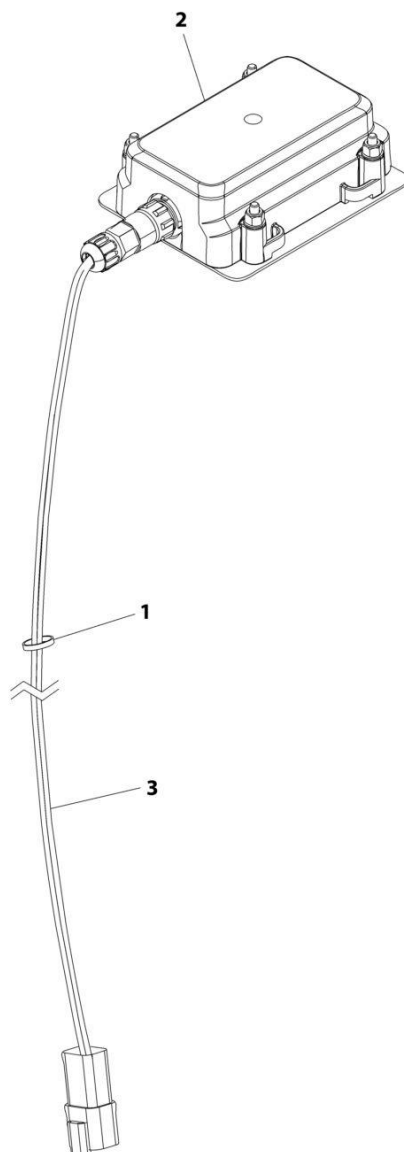
SECTION 8 - ELECTRICAL

FIGURE 8-44. CLEARSKY INSTALLATION - 4G (CHINA SPECS)

ITEM	PART NUMBER	QTY	DESCRIPTION	REV
	1001246525	Ref	CLEARSKY INSTALLATION	B
1	4240032	AR	Tie-Strap (Not Shown)	
2	4460234	AR	Mount, Tie-Strap (Not Shown)	
3	1001116815	1	Connector	
4	1001226739	1	ClearSky Harness (See Separate Breakdown in ELECTRICAL Section)	
5	1001262326	1	Antenna	
6	1001246145	1	ClearSky Module	

SECTION 8 - ELECTRICAL

FIGURE 8-45. CLEARSKY INSTALLATION - 3 WIRE CONNECTION (ALL SPECS EXCEPT CHINA SPECS)



ART_1001276610

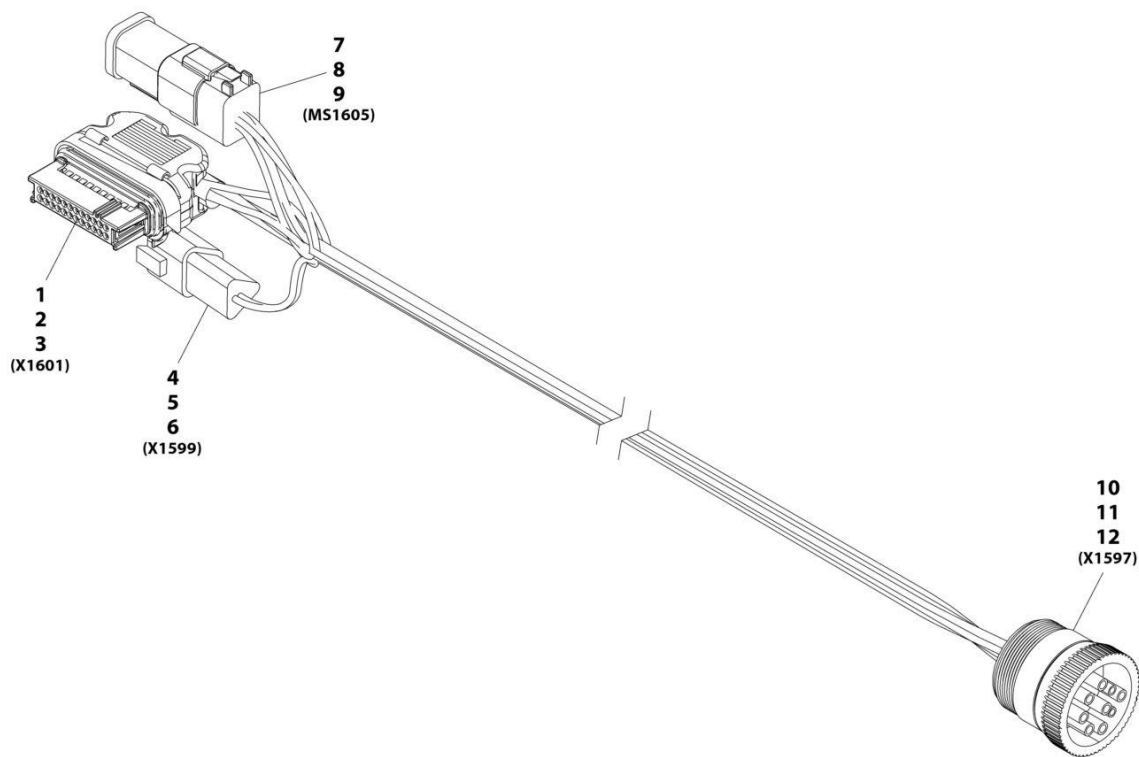
SECTION 8 - ELECTRICAL

FIGURE 8-45. CLEARSKY INSTALLATION - 3 WIRE CONNECTION (ALL SPECS EXCEPT CHINA SPECS)

ITEM	PART NUMBER	QTY	DESCRIPTION	REV
	1001276610	Ref	CLEARSKY INSTALLATION 3-WIRE CONNECTION	A
1	4240032	AR	Tie-Strap	
2	1001272659	1	Telematics Control Module Assembly (Note: Re-calibration Required when Replaced)	
3	1001273012	1	ClearSky Harness (See Separate Breakdown in this Section)	

SECTION 8 - ELECTRICAL

FIGURE 8-46. CLEARSKY HARNESS - 3G & 4G



ART_1001226739-A

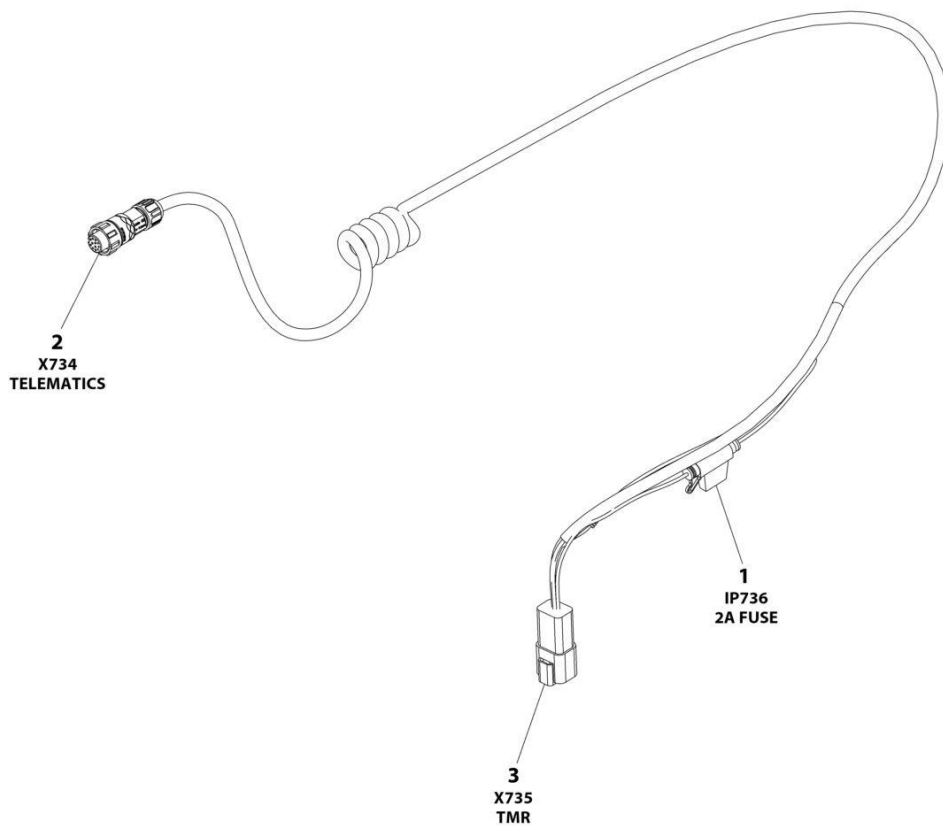
SECTION 8 - ELECTRICAL

FIGURE 8-46. CLEARSKY HARNESS - 3G & 4G

ITEM	PART NUMBER	QTY	DESCRIPTION	REV
	1001226739	Ref	Clearsky Harness	A
1	1001226636	1	Connector	
2	1001116731	16	Plug, Terminal	
3	1001226637	8	Terminal	
4	1001144147	1	Connector	
5	4460464	2	Terminal	
6	4460466	1	Plug, Terminal	
7	4460894	1	Connector	
8	4460465	6	Terminal	
9	1001226541	1	Connector- 6 Pin Bussbar	
10	1001112796	1	Connector	
11	4460465	8	Terminal	
12	4460466	1	Plug, Terminal	

SECTION 8 - ELECTRICAL

FIGURE 8-47. CLEARSKY HARNESS - 3 WIRE



ART_1001273012

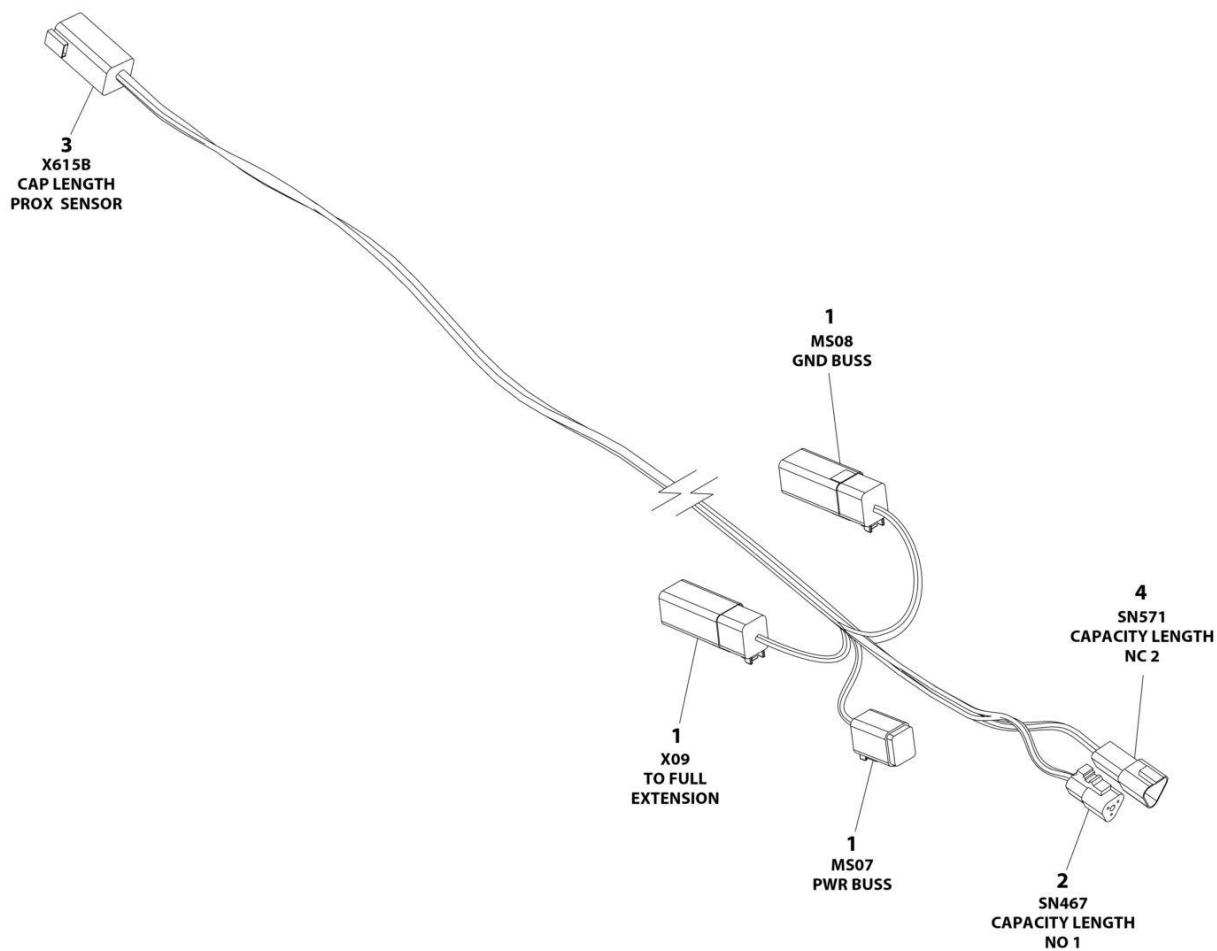
SECTION 8 - ELECTRICAL

FIGURE 8-47. CLEARSKY HARNESS - 3 WIRE

ITEM	PART NUMBER	QTY	DESCRIPTION	REV
	1001273012	Ref	CLEARSKY TELEMATICS HARNESS - GT1030	D
1	1001255901	1	Fuseholder	
1	1001196634	1	Fuse - 2Amp	
2	1001272997	1	Connector - 12 Position	
2		Ref	Terminal	
3	4460932	1	Receptacle, Female - 4 Position	
3	4460464	4	Pin, Male	

SECTION 8 - ELECTRICAL

FIGURE 8-48. CAPACITY PROXIMITY HARNESS (1000LBS)



ART_1001238191

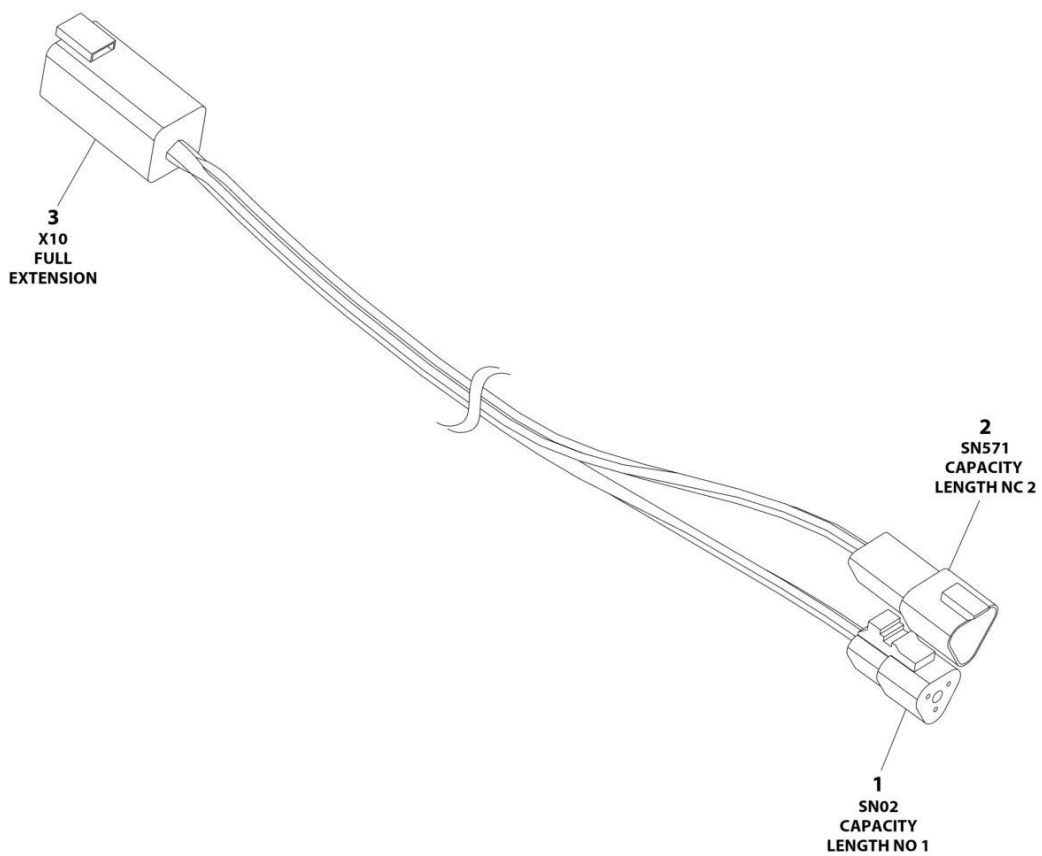
SECTION 8 - ELECTRICAL

FIGURE 8-48. CAPACITY PROXIMITY HARNESS (1000LBS)

ITEM	PART NUMBER	QTY	DESCRIPTION	REV
	1001238191	Ref	CAPACITY PROXIMITY HARNESS	D
1	4460894	3	Plug, Male - 6 Position	
1	4460465	16	Socket, Female	
1	4460466	2	Plug, Terminal	
1	4460892	2	Bussbar - 6 Position	
2	4460539	1	Plug, Male - 3 Position	
2	4460465	3	Socket, Female	
3	4460899	1	Receptacle, Female - 6 Position	
3	4460464	6	Pin, Male	
4	4460536	1	Receptacle, Female - 3 Position	
4	4640464	3	Pin, Male	

SECTION 8 - ELECTRICAL

FIGURE 8-49. CAPACITY PROXIMITY HARNESS (750 LBS)



ART_1001238192

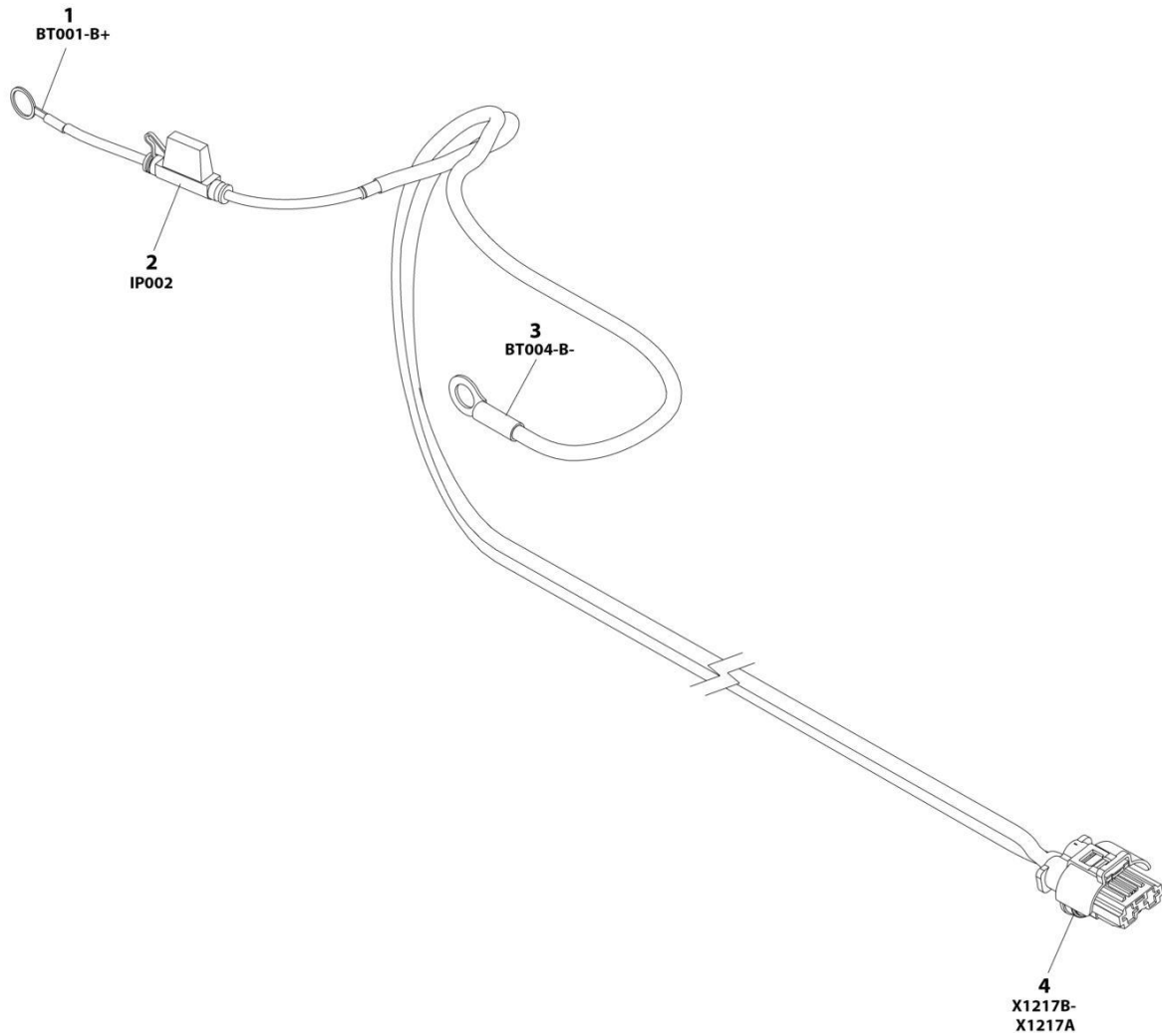
SECTION 8 - ELECTRICAL

FIGURE 8-49. CAPACITY PROXIMITY HARNESS (750 LBS)

ITEM	PART NUMBER	QTY	DESCRIPTION	REV
	1001238192	Ref	BOOM SENSOR / CAPACITY PROXIMITY HARNESS	B
1	4460539	1	Plug, Male - 3 Position	
1	4460465	3	Socket, Female	
2	4460536	1	Receptacle, Female - 3 Position	
2	4640464	3	Pin, Male	
3	4460899	1	Receptacle, Female - 6 Position	
3	4460464	6	Pin, Male	

SECTION 8 - ELECTRICAL

FIGURE 8-50. ECU POWER JUMPER HARNESS



ART_1001289594

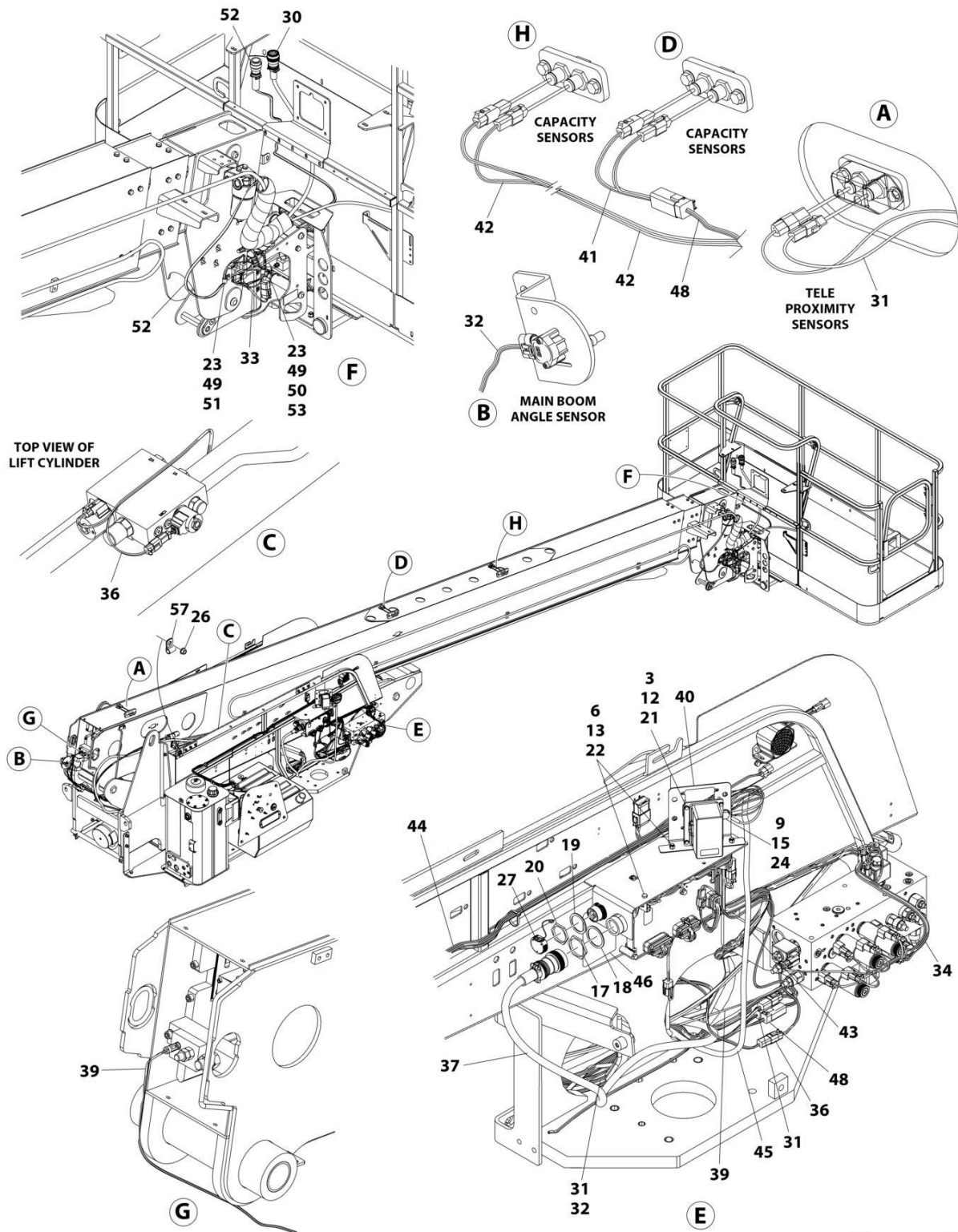
SECTION 8 - ELECTRICAL

FIGURE 8-50. ECU POWER JUMPER HARNESS

ITEM	PART NUMBER	QTY	DESCRIPTION	REV
	1001289594	Ref	ECU POWER JUMPER HARNESS	A
1	4460019	1	Terminal Ring	
2	1001172064	1	Fuse Holder	
2	1001172065	1	Fuse 30Amp	
3	8220164	1	Terminal Ring	
4	1001142938	1	Connector	
4	1001142940	2	Terminal	
4	1001142941	2	Seal	

SECTION 8 - ELECTRICAL

FIGURE 8-51. ELECTRICAL COMPONENTS INSTALLATION (ALL SPECS EXCEPT AUSTRALIAN, CE & UK CA (ULS) SPECS) (600S HC3)



ART_1001235143_G_20F2

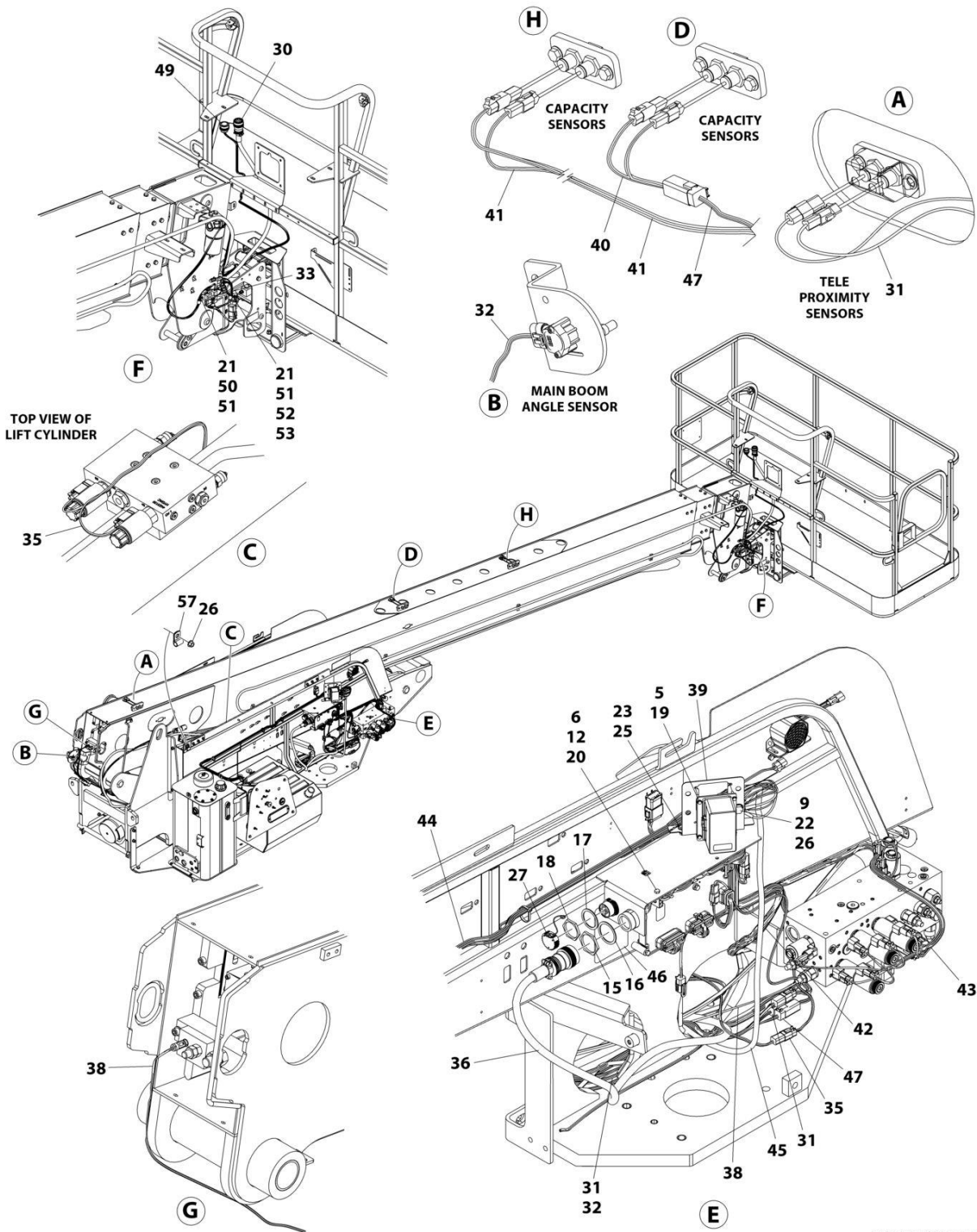
SECTION 8 - ELECTRICAL

FIGURE 8-51. ELECTRICAL COMPONENTS INSTALLATION (ALL SPECS EXCEPT AUSTRALIAN, CE & UK CA (ULS) SPECS) (600S HC3)

ITEM	PART NUMBER	QTY	DESCRIPTION	REV
	1001235143	Ref	ELECTRICAL COMPONENTS INSTALLATION	G
3	0700412	4	Bolt M4 x 25	
6	0760608	3	Bolt M6 x 16	
9	0761014	1	Bolt M10 x 30	
12	3290405	4	Nut, Lock M4	
13	3290605	3	Nut, Lock M6	
15	3291001	1	Nut M10	
16	4240099	AR	Tie-Strap (Not Shown)	
17	4460470	1	Nut, Terminal	
18	4460471	1	Washer, Terminal	
19	4460496	1	Washer, Terminal	
20	4460497	1	Nut, Terminal	
21	4811400	8	Washer M4	
22	4811700	11	Washer M6	
23	4811900	2	Washer M8	
24	4812000	2	Washer M10	
26	5261000	1	Nut M10	
27	1001106736	1	Cap, Dust	
30	1001188533	1	Boom Cable - Upper (See Separate Breakdown in this Section)	
31	1001189003	1	Tele Proximity Harness (See Separate Breakdown in this Section)	
32	1001189005	1	Boom Angle Sensor Harness (See Separate Breakdown in this Section)	
33	1001266276	1	Valve Harness - Platform Valve (See Separate Breakdown in this Section)	
34	1001284771	1	Valve Harness - Main Valve (See Separate Breakdown in this Section)	
36	1001205923	1	Lift Cylinder Harness (See Separate Breakdown in this Section)	
37	1001206082	1	Boom Cable - Lower (See Separate Breakdown in this Section)	
39	1001227527	1	Service Cable	
40	1001237822	1	Plate, Fuse Box	
41	1001238191	1	Capacity Proximity Harness (1000LBS) (See Separate Breakdown in this Section)	
42	1001238192	1	Capacity Proximity Harness (750LBS) (See Separate Breakdown in this Section)	
43	1001282065	1	Turntable Harness (See Separate Breakdown in this Section)	
44	1001238408	1	Ground Control Harness (See Separate Breakdown in this Section)	
45	1001239290	1	UGM Ground Cable	
46	1001239512	1	Decal - Fuse Box	
48	1001242908	1	Cable, Capacity	
48	4460894	2	Plug, Male - 6 Position	
48	4460465	12	Socket, Female	
49	8406110	2	Clamp	
50	1001149160	1	Nut, Tinnerman M8	
51	0760808	1	Bolt M8 x 16	
52	1001266277	1	Platform Valve Cable (See Separate Breakdown in this Section)	
53	0760810	1	Bolt M8 x 20	
55	4240032	AR	Tie-Strap (Not Shown)	
56	4460234	AR	Cable-Tie (Not Shown)	
57	1001080996	1	Clamp	

SECTION 8 - ELECTRICAL

FIGURE 8-52. ELECTRICAL COMPONENTS INSTALLATION (CE & UK CA (ULS) SPECS) (600S HC3)



ART_1001262633_E_20F2

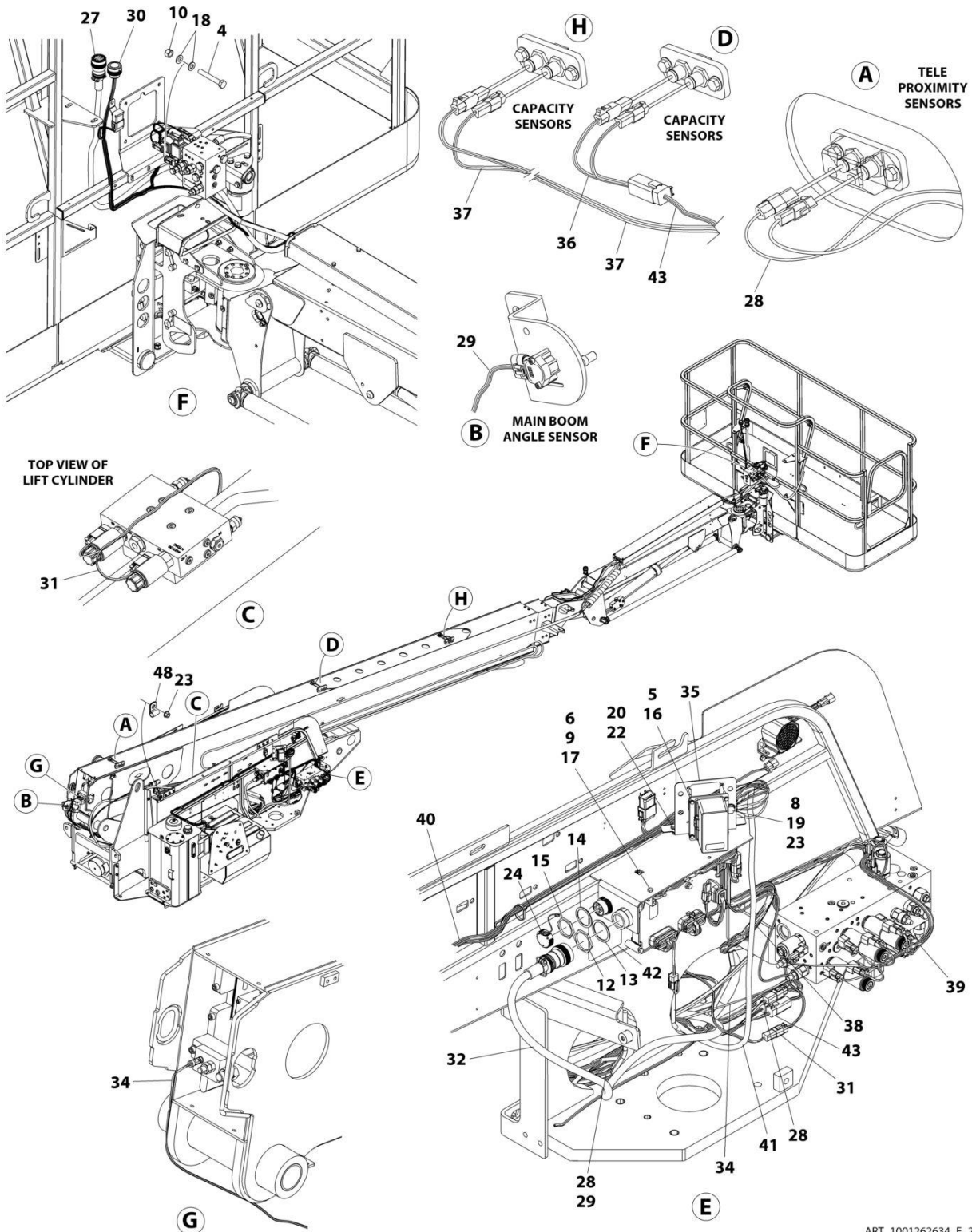
SECTION 8 - ELECTRICAL

FIGURE 8-52. ELECTRICAL COMPONENTS INSTALLATION (CE & UK CA (ULS) SPECS) (600S HC3)

ITEM	PART NUMBER	QTY	DESCRIPTION	REV
	1001262633	Ref	ELECTRICAL COMPONENTS INSTALLATION	E
5	0731005	4	Bolt 10 x 0.625	
6	0760608	1	Bolt M6 x 16	
9	0761012	1	Bolt M10 x 25	
12	3290605	1	Nut M6	
14	4240099	AR	Tie-Strap (Not Shown)	
15	4460470	1	Nut, Terminal	
16	4460471	1	Washer, Terminal	
17	4460496	1	Washer, Terminal	
18	4460497	1	Nut, Terminal	
19	4711000	4	Washer	
20	4811700	2	Washer M6	
21	4811900	2	Washer M8	
22	4812000	1	Washer M10	
23	5250608	2	Bolt M6 x 16	
25	5260600	3	Nut M6	
26	5261000	1	Nut M10 Class 10	
27	1001106736	1	Cap, Dust	
30	1001188533	1	Boom Cable - Upper (See Separate Breakdown in this Section)	
31	1001189003	1	Tele Proximity Harness (See Separate Breakdown in this Section)	
32	1001189005	1	Boom Angle Sensor Harness (See Separate Breakdown in this Section)	
33	1001266276	1	Harness, Platform Valve (See Separate Breakdown in this Section)	
35	1001205923	1	Lift Cylinder Harness (See Separate Breakdown in this Section)	
36	1001206082	1	Boom Cable - Lower (See Separate Breakdown in this Section)	
38	1001227527	1	Service Cable	
39	1001237822	1	Plate, Fuse Box	
40	1001238191	1	Capacity Proximity Harness (1000LBS) (See Separate Breakdown in this Section)	
41	1001238192	1	Capacity Proximity Harness (750LBS) (See Separate Breakdown in this Section)	
42	1001282065	1	Turntable Harness (See Separate Breakdown in this Section)	
43	1001284771	1	Valve Harness - Main Valve (See Separate Breakdown in this Section)	
44	1001238408	1	Ground Control Harness (See Separate Breakdown in this Section)	
45	1001239290	1	UGM Ground Cable	
46	1001239512	1	Decal - Fuse Box	
47	1001242908	1	Transport Switch Harness (See Separate Breakdown in this Section)	
49	1001266277	1	Platform Valve Cable (See Separate Breakdown in this Section)	
50	0760808	1	Bolt M8 x 16	
51	8406110	2	Clip	
52	1001149160	1	Nut, Tinnerman M8	
53	0760810	1	Bolt M8 x 20	
55	4240032	AR	Tie-Strap (Not Shown)	
56	4460234	AR	Cable-Tie (Not Shown)	
57	1001080996	1	Clamp	

SECTION 8 - ELECTRICAL

FIGURE 8-53. ELECTRICAL COMPONENTS INSTALLATION (CE & UK CA (ULS) SPECS) (660SJ HC3)



ART_1001262634_E_20F2

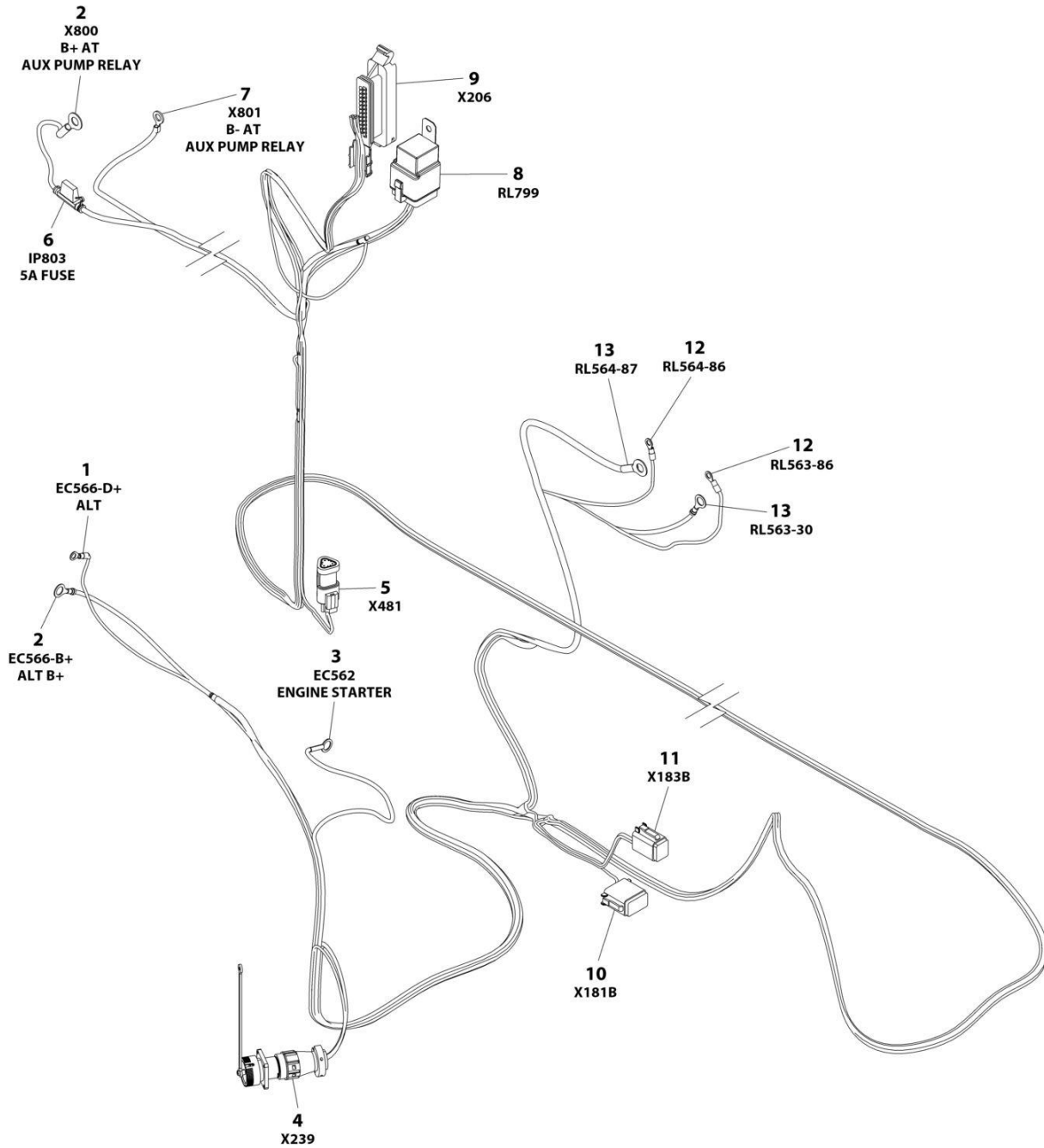
SECTION 8 - ELECTRICAL

FIGURE 8-53. ELECTRICAL COMPONENTS INSTALLATION (CE & UK CA (ULS) SPECS) (660SJ HC3)

ITEM	PART NUMBER	QTY	DESCRIPTION	REV
	1001262634	Ref	ELECTRICAL COMPONENTS INSTALLATION	E
4	0700819	1	Bolt M8 x 55	
5	0731005	4	Bolt M10	
6	0760608	1	Bolt M6 x 16	
8	0761012	1	Bolt M10 x 25	
9	3290605	1	Nut M6	
10	3290805	1	Nut M8	
11	4240099	AR	Tie-Strap (Not Shown)	
12	4460470	1	Nut, Terminal	
13	4460471	1	Washer, Terminal	
14	4460496	1	Washer, Terminal	
15	4460497	1	Nut, Terminal	
16	4711000	4	Washer	
17	4811700	2	Washer M6	
18	4811900	2	Washer M8	
19	4812000	1	Washer M10	
20	5250608	2	Bolt M6 x 16	
22	5260600	3	Nut M6	
23	5261000	1	Nut M10 Class 10	
24	1001106736	1	Cap, Dust	
27	1001188534	1	Boom Cable - Upper (See Separate Breakdown in this Section)	
28	1001189003	1	Tele Proximity Harness (See Separate Breakdown in this Section)	
29	1001189005	1	Boom Angle Sensor Harness (See Separate Breakdown in this Section)	
30	1001264338	1	Harness, Platform Valve (See Separate Breakdown in this Section)	
31	1001205923	1	Lift Cylinder Harness (See Separate Breakdown in this Section)	
32	1001206082	1	Boom Cable - Lower (See Separate Breakdown in this Section)	
34	1001227527	1	Service Cable	
35	1001237822	1	Plate	
36	1001238191	1	Capacity Proximity Harness (1000lbs) (See Separate Breakdown in this Section))	
37	1001238192	1	Capacity Proximity Harness (750lbs) (See Separate Breakdown in this Section))	
38	1001282065	1	Turntable Harness (See Separate Breakdown in this Section)	
39	1001284771	1	Valve Harness - Main Valve (See Separate Breakdown in this Section)	
40	1001238408	1	Ground Control Harness (See Separate Breakdown in this Section)	
41	1001239290	1	UGM Ground Cable	
42	1001239512	1	Decal - Fuse Box	
43	1001242908	1	Transport Switch Harness (See Separate Breakdown in this Section)	
46	4240032	1	Tie-Strap (Not Shown)	
47	4460234	1	Cable-Tie (Not Shown)	
48	1001080996	1	Clamp	

SECTION 8 - ELECTRICAL

FIGURE 8-54. ENGINE HARNESS - DEUTZ D2011 ENGINES



ART_1001188236_F

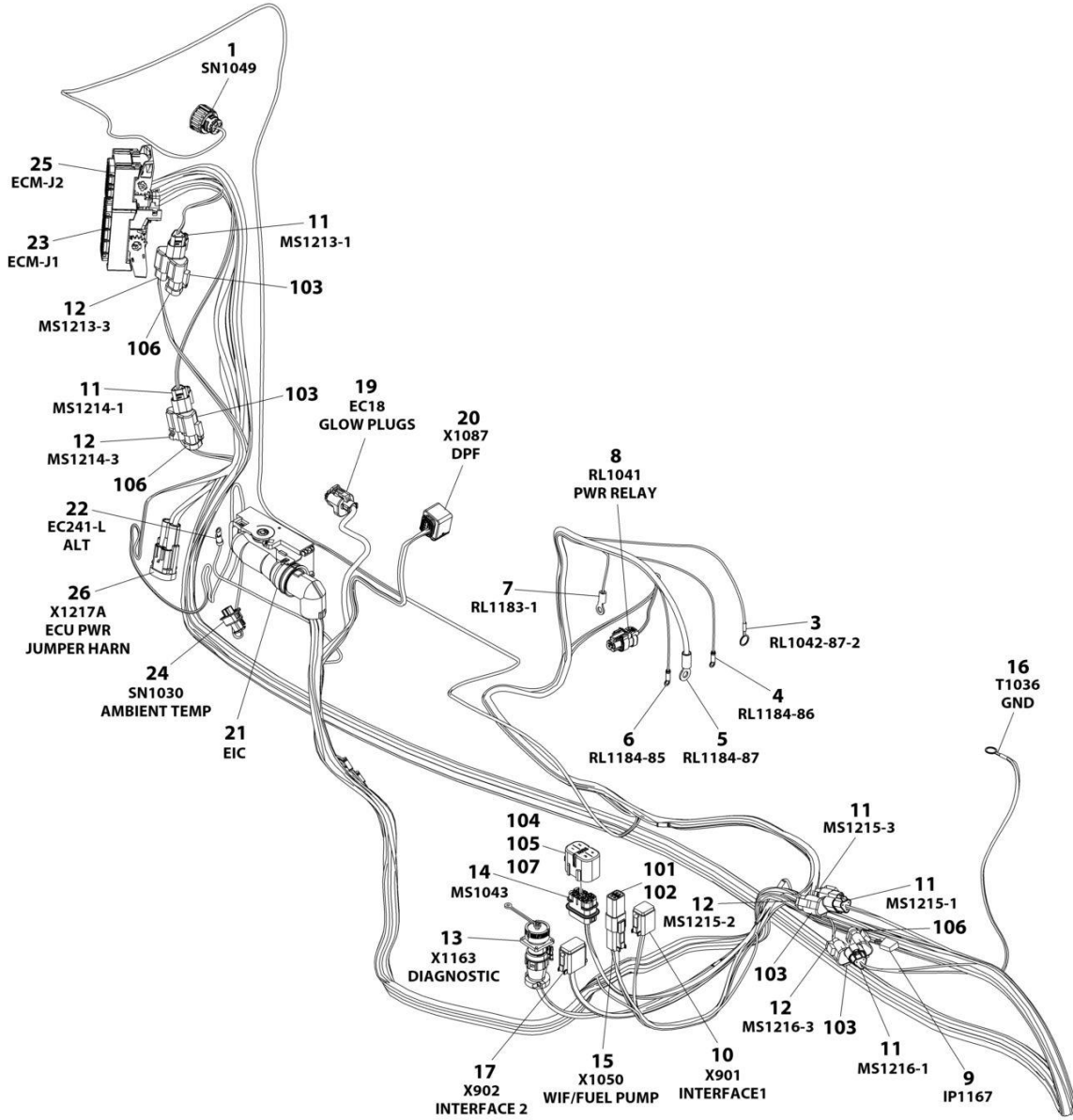
SECTION 8 - ELECTRICAL

FIGURE 8-54. ENGINE HARNESS - DEUTZ D2011 ENGINES

ITEM	PART NUMBER	QTY	DESCRIPTION	REV
	1001188236	Ref	ENGINE HARNESS	F
1	4460042	1	Terminal, Ring	
2	8220045	2	Terminal, Ring	
3	4460142	1	Terminal, Ring	
4	2902443	1	Receptacle Kit	
4	4461073	1	Cap, Dust	
5	4461095	1	Plug, Male - 3 Position	
5	4460944	2	Socket, Female	
5	4460466	1	Plug, Terminal	
5	4461070	1	Receptacle, Female - 3 Position	
5	4460943	3	Pin, Male	
6	2600066	2	Fuseholder with 5Amp Fuse	
6	See Note	NSS	Fuse - 5Amp (Note: Purchase Locally)	
7	4460312	1	Terminal, Ring	
8	1001117025	1	Plug, Relay	
8	1001116734	1	Terminal	
8	1001116732	3	Terminal	
8	1001128128	1	Plug, Terminal	
9	4461052	1	Connector - 25 Position	
9	4461060	1	Terminal	
9	4461005	6	Terminal	
9	4461008	18	Plug, Terminal	
9	4461054	1	Seal	
9	4461006	6	Seal	
9	4461053	1	Cover	
10	4460930	1	Plug, Male - 8 Position	
10	4460465	8	Socket, Female	
10	4460466	7	Plug, Terminal	
11	4460894	1	Plug, Male - 6 Position	
11	4460465	3	Socket, Female	
11	4460944	2	Socket, Female	
11	4460466	1	Plug, Terminal	
12	4460313	2	Terminal, Ring	
13	8220164	2	Terminal, Ring	

SECTION 8 - ELECTRICAL

FIGURE 8-55. ENGINE HARNESS - DEUTZ TD2.2L3 ENGINES



ART_1001276645_B

SECTION 8 - ELECTRICAL

FIGURE 8-55. ENGINE HARNESS - DEUTZ TD2.2L3 ENGINES

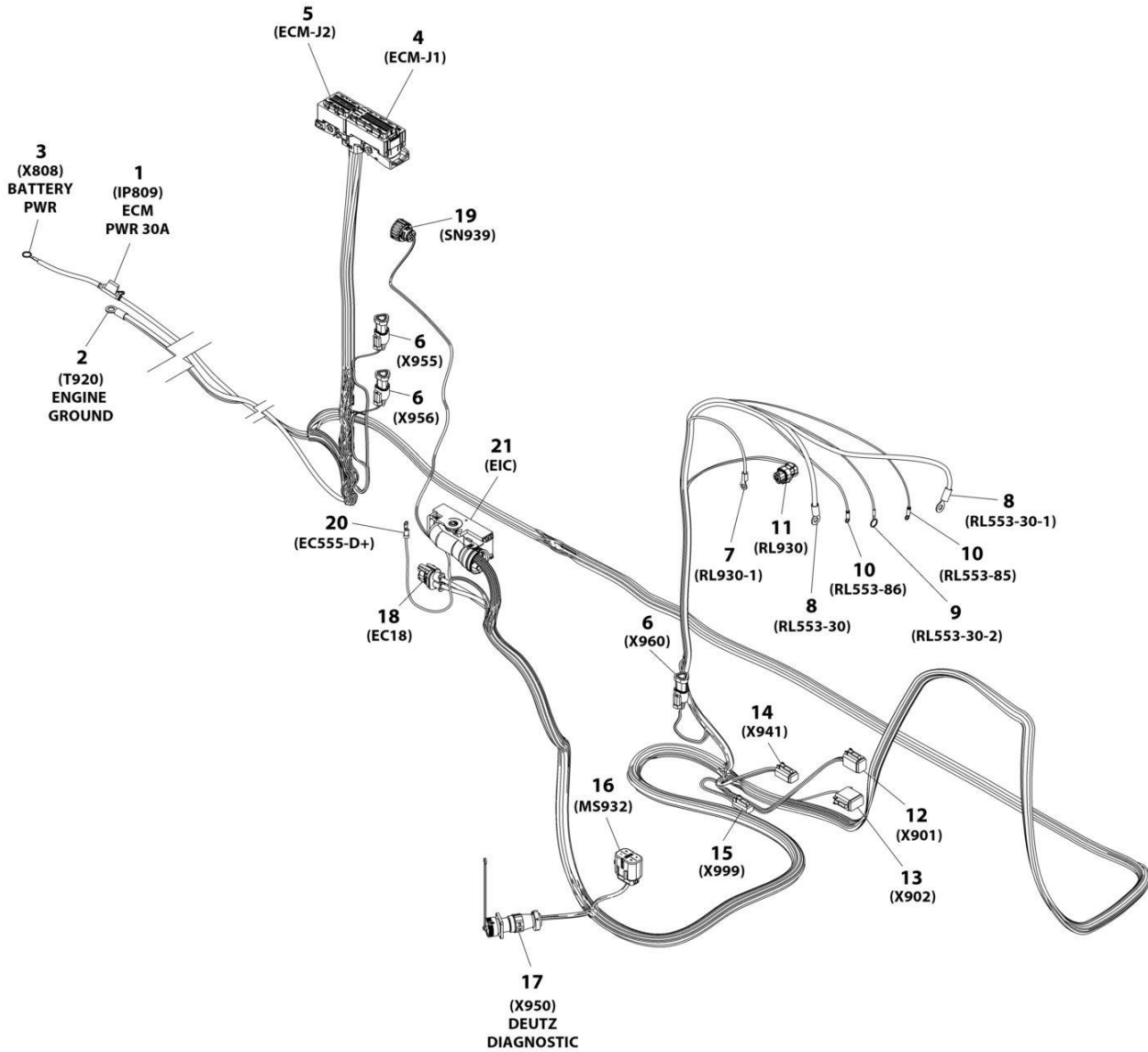
ITEM	PART NUMBER	QTY	DESCRIPTION	REV
	1001276645	Ref	ENGINE HARNESS	B
1	1001133714	1	Connector	
1	1001133715	3	Terminal	
1	1001135651	1	Plug	
1	1001135650	3	Seal	
3	4460703	1	Terminal, Ring	
4	4460247	1	Terminal, Ring	
5	1001117107	1	Terminal, Ring	
6	4460247	1	Terminal, Ring	
7	4460043	1	Terminal, Ring	
8	1001116952	1	Connector	
8	4460465	2	Socket	
9	1001170764	1	Holder, Fuse	
9	1001197719	1	Resistor 0.5 Watt	
10	4460894	1	Connector	
10	4460465	2	Socket	
10	4460944	2	Socket	
10	4460466	2	Plug	
11	1001116812	5	Connector	
11	4460944	10	Socket	
11	4460466	5	Plug, Terminal	
12	4460539	4	Connector	
12	4460944	8	Socket	
12	4460466	4	Plug	
13	2902443	1	Receptacle Kit	
13	4461071	6	Terminal	
14	80484084	1	Connector	
14	1001116728	4	Terminal	
14	1001116727	4	Plug	
14	4460458	4	Plug	
15	4460884	1	Connector	
15	4460465	2	Socket	
15	4460942	1	Socket	
16	4460019	1	Terminal, Ring	
17	4460930	1	Connector	
17	4460465	7	Socket	
17	4460466	1	Plug	
19	1001253873	1	Connector	
19	1001142940	1	Terminal	
19	1001142941	1	Seal	
20	1001239202	1	Connector	
20	1001126363	7	Terminal	
20	1001126391	1	Seal, Terminal	
20	1001126364	7	Seal, Terminal	
21	1001126362	1	Connector	
21	1001126363	37	Terminal	
21	1001126365	2	Terminal	
21	1001126391	9	Plug	
21	4461008	4	Plug	
21	1001126392	10	Terminal	

SECTION 8 - ELECTRICAL

ITEM	PART NUMBER	QTY	DESCRIPTION	REV
21	1001126364	37	Seal, Terminal	
21	1001223459	10	Seal, Terminal	
21	4461054	2	Seal	
22	4460042	1	Terminal, Ring	
23	1001133956	1	Connector	
23	1001126351	3	Terminal	
23	1001182361	6	Terminal	
23	1001252527	4	Terminal	
23	1001230934	25	Terminal	
23	1001230935	55	Plug	
23	1001230936	1	Plug	
23	1001182365	6	Seal, Terminal	
24	1001126487	1	Connector	
24	1001167635	2	Terminal	
24	1001126485	2	Seal	
25	1001133957	1	Connector	
25	1001126351	11	Terminal	
25	1001230934	26	Terminal	
25	1001230935	10	Plug	
25	1001230936	13	Plug	
26	1001289552	1	Connector	
26	1001289553	2	Socket	
26	1001142941	2	Plug	
101	4460466	4	Plug	
102	4460932	1	Connector	
103	4460945	4	Receptacle	
104	8229242	1	Fuse, 5Amp	
105	80983191	1	Fuse, 10Amp	
106	1001116815	3	Connector	
107	1001147264	1	Cap	

SECTION 8 - ELECTRICAL

FIGURE 8-56. ENGINE HARNESS - DEUTZ D2.9L4 - 49HP AND DEUTZ TD2.9L4 - 67HP ENGINES



ART_1001233895 D

SECTION 8 - ELECTRICAL

FIGURE 8-56. ENGINE HARNESS - DEUTZ D2.9L4 - 49HP AND DEUTZ TD2.9L4 - 67HP ENGINES

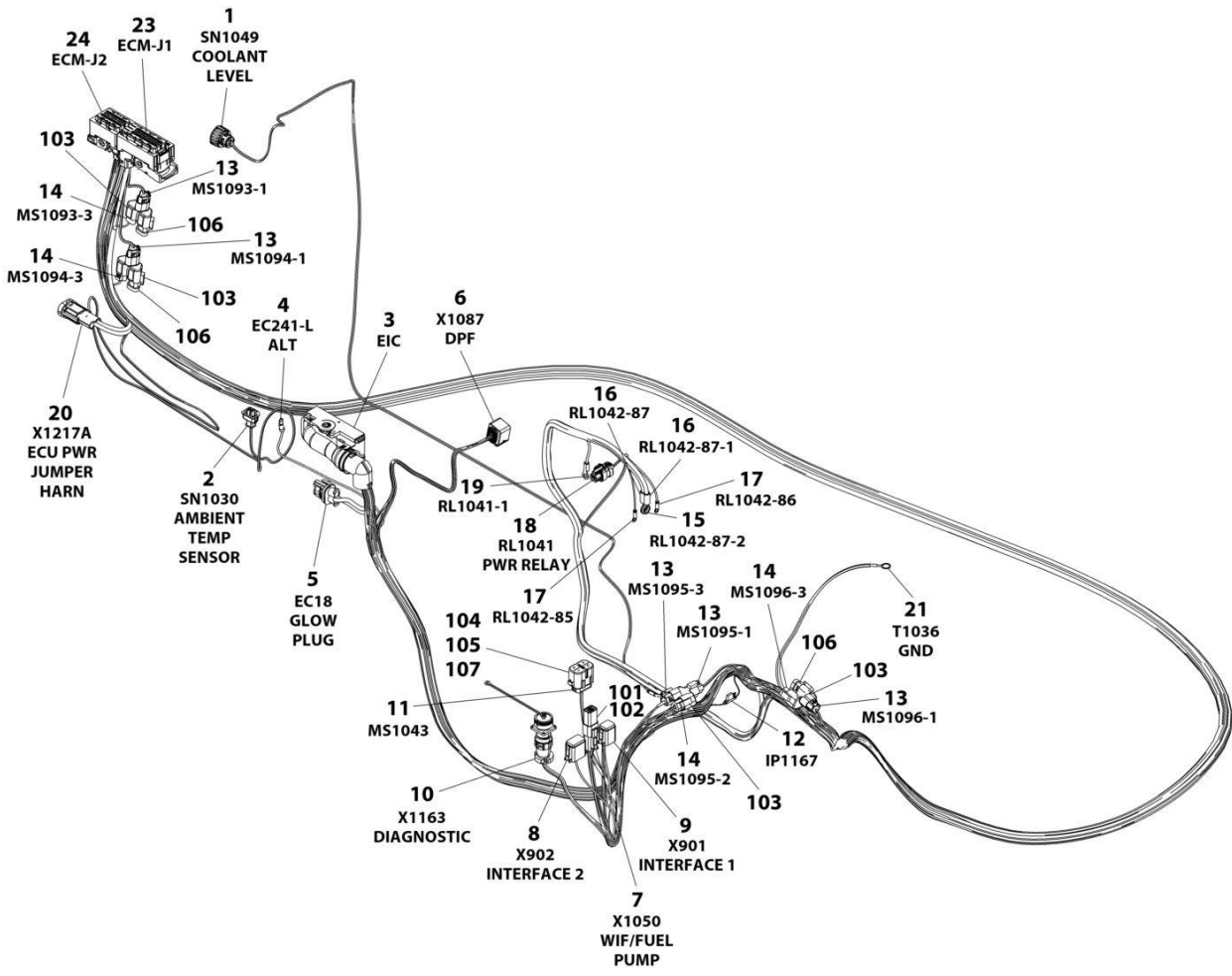
ITEM	PART NUMBER	QTY	DESCRIPTION	REV
	1001233895	Ref	ENGINE HARNESS	F
1	1001172064	1	Fuseholder with 30Amp Fuse	
1	1001172065	1	Fuse - 30A	
2	8220115	1	Terminal, Ring	
3	4460019	1	Terminal, Ring	
4	1001133956	1	Connector - 94 Position	
4	1001126351	2	Terminal	
4	1001126352	6	Terminal	
4	1001126384	21	Terminal	
4	1001126357	2	Plug, Terminal	
4	1001126356	63	Plug, Terminal	
5	1001133957	1	Connector - 60 Position	
5	1001126351	13	Terminal	
5	1001126384	17	Terminal	
5	1001126357	11	Plug, Terminal	
5	1001126356	19	Plug, Terminal	
6	4461095	3	Plug, Male - 3 Position	
6	4460944	6	Socket, Female	
6	4460466	3	Plug, Terminal	
6	4461070	3	Receptacle, Female - 3 Position	
6	4460943	9	Pin, Male	
7	4460043	1	Terminal, Ring	
8	1001117107	2	Terminal, Ring	
9	4460703	1	Terminal, Ring	
10	4460313	2	Terminal, Ring	
11	1001116952	1	Plug, Male - 2 Position	
11	4460465	2	Socket, Female	
12	4460894	1	Plug, Male - 6 Position	
12	4460465	3	Socket, Female	
12	4460944	2	Socket, Female	
12	4460466	1	Plug, Terminal	
13	4460930	1	Plug, Male - 8 Position	
13	4460465	1	Socket, Female	
13	4460466	7	Plug, Terminal	
14	1001220379	1	Plug, Male - 4 Position	
14	4460465	2	Socket, Female	
14	4460942	2	Socket, Female	
15	4460891	1	Plug, Male - 4 Position	
15	4460465	2	Socket, Female	
16	80484084	1	Plug, Male - 8 Position	
16	8229242	1	Fuse - 5Amp	
16	80983191	1	Fuse - 10Amp	
16	1001116728	4	Socket, Female	
16	1001116727	4	Plug, Terminal	
16	1001147264	1	Cap	
17	2902443	1	Receptacle Kit	
17	4461073	1	Cap, Dust	
17	4461071	6	Terminal	
18	1001142938	1	Plug, Male - 2 Position	
18	1001142940	2	Terminal	

SECTION 8 - ELECTRICAL

ITEM	PART NUMBER	QTY	DESCRIPTION	REV
18	1001142941	2	Seal	
19	1001133714	1	Connector - 4 Position	
19	1001133715	13	Terminal	
19	1001135651	11	Plug, Terminal	
20	4460042	1	Terminal, Ring	
21	1001126362	1	Connector - 62 Position	
21	1001126363	35	Terminal	
21	1001126365	2	Terminal	
21	1001126391	20	Plug, Terminal	
21	4461008	4	Plug, Terminal	
21	1001151856	1	Elbow	

SECTION 8 - ELECTRICAL

FIGURE 8-57. ENGINE HARNES - DEUTZ TD2.9L4 (EMR ENGINE)



ART_1001276644

SECTION 8 - ELECTRICAL

FIGURE 8-57. ENGINE HARNES - DEUTZ TD2.9L4 (EMR ENGINE)

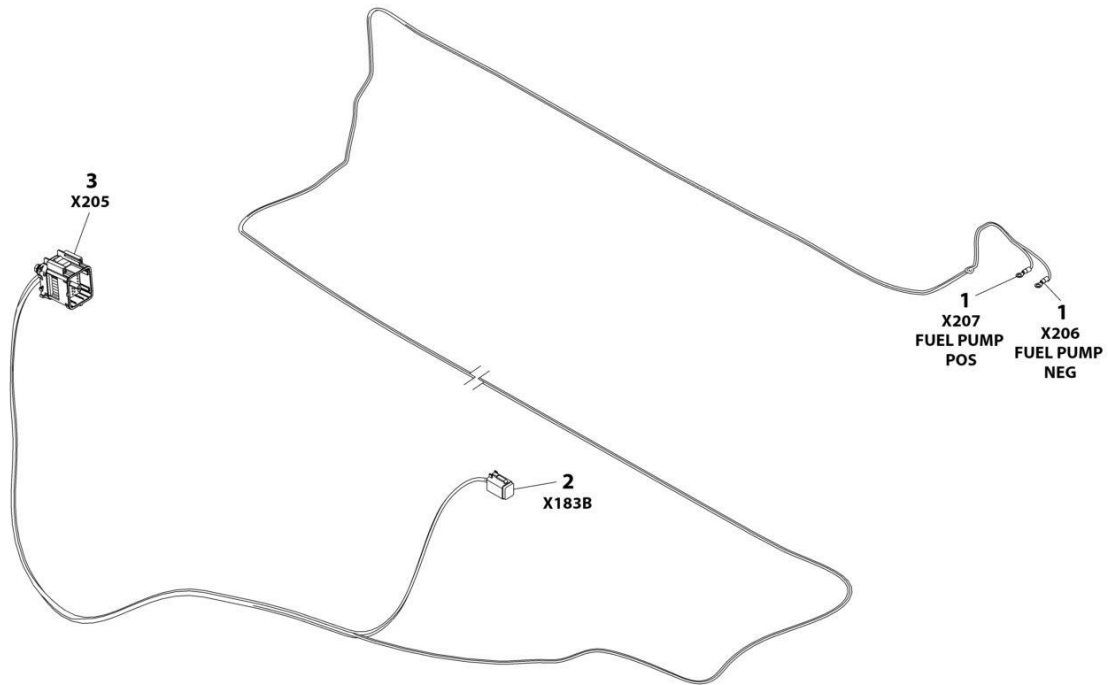
ITEM	PART NUMBER	QTY	DESCRIPTION	REV
	1001276644	Ref	Engine Harness - Deutz Engines	B
1	1001133714	1	Connector	
1	1001133715	3	Terminal	
1	1001135650	3	Seal, Terminal	
1	1001135651	1	Plug, Terminal	
2	1001126487	1	Connector	
2	1001167635	2	Terminal	
2	1001126485	2	Seal, Terminal	
3	1001126362	1	Connector	
3	1001126363	37	Terminal	
3	1001126392	12	Terminal	
3	1001126391	7	Plug, Terminal	
3	4461008	4	Plug, Terminal	
3	1001167632	2	Terminal	
3	1001126364	37	Seal, Terminal	
3	1001223459	12	Seal, Terminal	
3	4461054	2	Seal, Terminal	
4	4460042	1	Terminal, Ring	
5	1001142938	1	Plug	
5	1001142940	2	Terminal	
5	1001142941	2	Seal	
6	1001239202	1	Connector	
6	1001126363	7	Terminal	
6	1001126391	1	Plug, Terminal	
6	1001126364	7	Seal, Terminal	
7	4460884	1	Connector	
7	4460465	2	Socket	
7	4460942	2	Socket	
8	4460930	1	Plug	
8	4460465	1	Socket	
8	4460466	7	Plug, Terminal	
9	4460894	1	Plug	
9	4460465	2	Socket	
9	4460944	2	Socket	
9	4460466	2	Plug, Terminal	
10	2902443	1	Receptacle Kit	
10	4461073	1	Cap, Dust	
10	4461071	6	Terminal	
11	80484084	1	Plug	
11	4460748	4	Seal, Terminal	
11	4460746	3	Terminal	
11	1001234800	1	Terminal	
11	4460458	4	Seal, Terminal	
12	1001170764	1	Fuse Holder, Includes Resistor	
12	1001197719	1	Resistor 0.5W	
13	1001116812	5	Plug	
13	4460944	10	Socket	
13	4460466	5	Plug, Terminal	
14	4460539	4	Connector	
14	4460944	8	Socket	

SECTION 8 - ELECTRICAL

ITEM	PART NUMBER	QTY	DESCRIPTION	REV
14	4460466	4	Plug, Terminal	
15	4460703	1	Terminal, Ring	
16	1001117107	2	Terminal, Ring	
17	4460247	2	Terminal, Ring	
18	1001116952	1	Plug	
18	4460465	2	Socket	
19	4460043	1	Terminal, Ring	
20	1001289552	1	Connector	
20	1001289553	2	Socket	
20	1001142941	2	Seal	
21	4460019	1	Terminal, Ring	
23	1001133956	1	Connector	
23	1001126351	3	Terminal	
23	1001182361	6	Terminal	
23	1001230934	25	Terminal	
23	1001230935	55	Plug, Terminal	
23	1001252527	4	Terminal	
23	1001230936	1	Plug, Terminal	
23	1001182365	6	Seal, Terminal	
24	1001133957	1	Connector	
24	1001126351	13	Terminal	
24	1001230935	10	Plug, Terminal	
24	1001230934	26	Terminal	
24	1001230936	11	Plug, Terminal	
101	4460466	4	Seal, Terminal	
102	4460932	1	Connector	
103	4460945	4	Receptacle	
104	8229242	1	Fuse - 5Amp	
105	80983191	1	Fuse - 10Amp	
106	1001116815	3	Connector	
107	1001147264	1	Cap	

SECTION 8 - ELECTRICAL

FIGURE 8-58. ENGINE HARNESS - FORD ENGINES



ART_1001215218

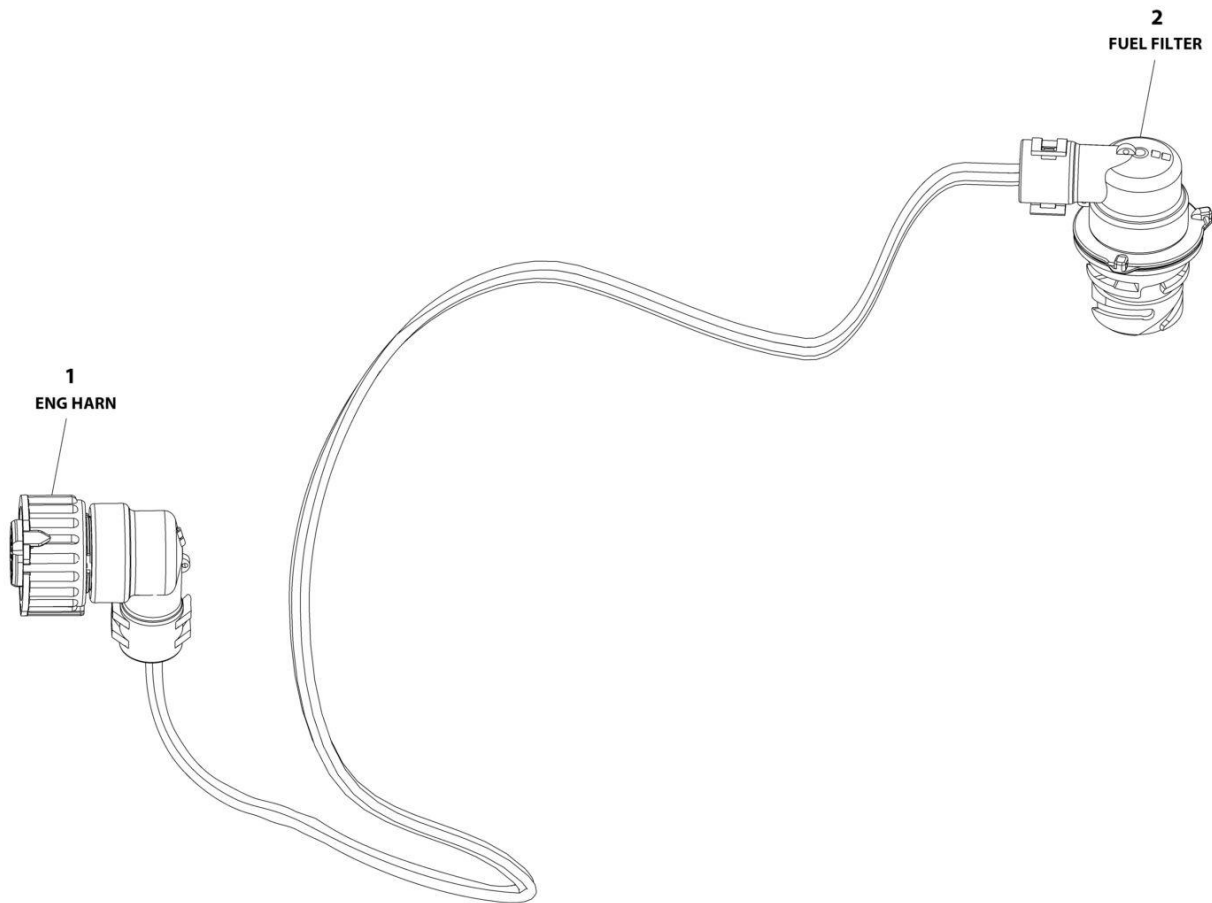
SECTION 8 - ELECTRICAL

FIGURE 8-58. ENGINE HARNESS - FORD ENGINES

ITEM	PART NUMBER	QTY	DESCRIPTION	REV
	1001215218	Ref	ENGINE HARNESS	C
1	4460042	2	Terminal, Ring	
2	4460894	1	Plug, Male - 6 Position	
2	4460465	4	Socket, Female	
2	4460466	2	Plug, Terminal	
3	1001215016	1	Connector - 42 Position	
3	1001216212	1	Terminal	
3	1001221210	2	Terminal	
3	1001215091	3	Terminal	
3	1001216213	2	Plug, Terminal	
3	1001215534	34	Plug, Terminal	

SECTION 8 - ELECTRICAL

FIGURE 8-59. FUEL FILTER HARNESS - DEUTZ TD2.2L3 (STAGE V) ENGINES



ART_1001245913

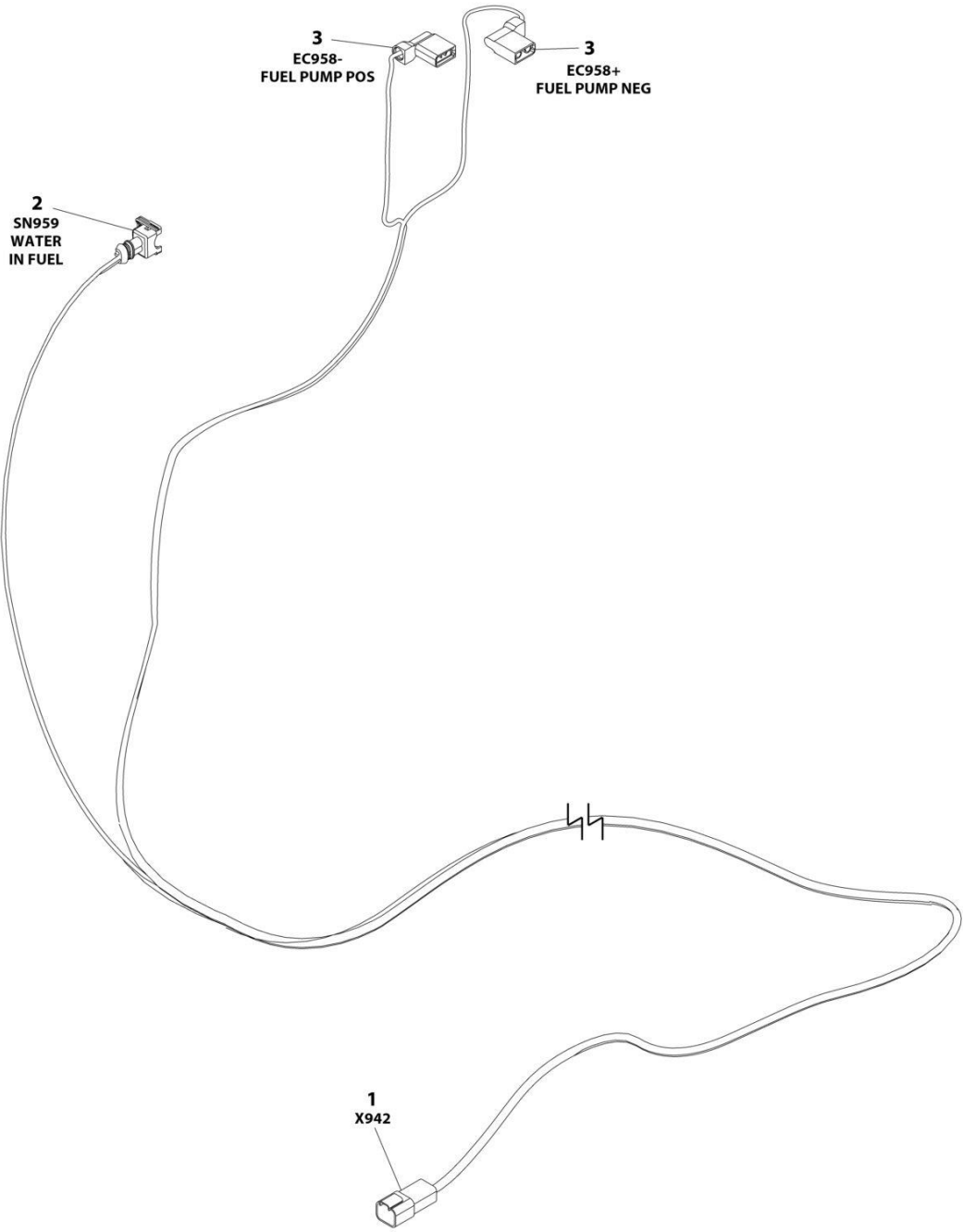
SECTION 8 - ELECTRICAL

FIGURE 8-59. FUEL FILTER HARNESS - DEUTZ TD2.2L3 (STAGE V) ENGINES

ITEM	PART NUMBER	QTY	DESCRIPTION	REV
	1001245913	Ref	FUEL HARNESS - DEUTZ (STAGE V) ENGINE	D
1	1001148842	1	Connector - 4 Position	
1	1001148841	4	Pin, Male	
1	1001135650	4	Seal	
2	1001133714	1	Plug, Male - 4 Position	
2	1001133715	4	Socket, Female	
2	1001135650	4	Seal	

SECTION 8 - ELECTRICAL

FIGURE 8-60. FUEL PUMP HARNESS - DEUTZ D2.9L4 - 49HP AND DEUTZ TD2.9L4 - 67HP ENGINES



ART_1001190444

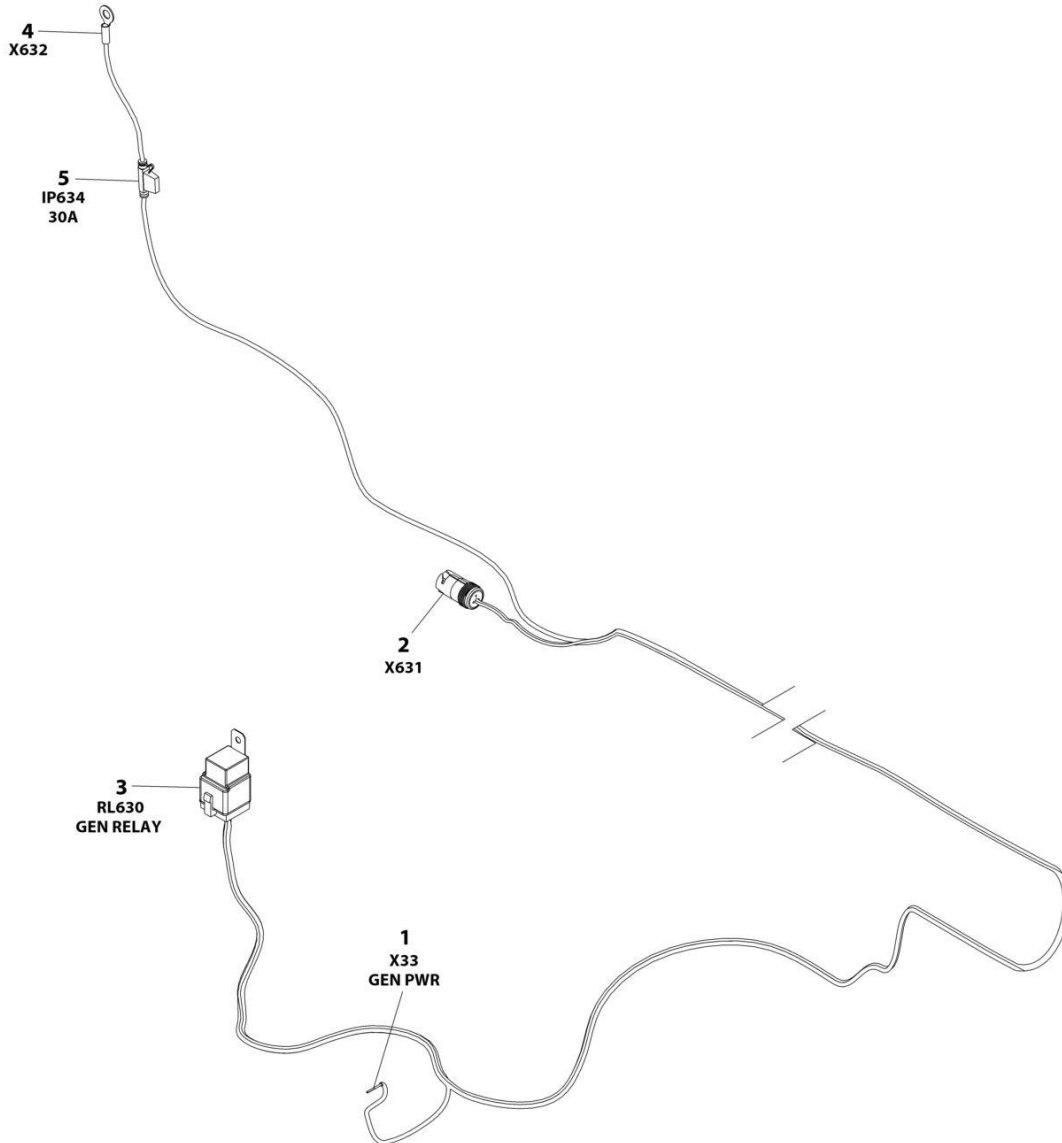
SECTION 8 - ELECTRICAL

FIGURE 8-60. FUEL PUMP HARNESS - DEUTZ D2.9L4 - 49HP AND DEUTZ TD2.9L4 - 67HP ENGINES

ITEM	PART NUMBER	QTY	DESCRIPTION	REV
	1001190444	Ref	FUEL PUMP HARNESS	D
1	4460932	1	Receptacle, Female - 4 Position	
1	4460941	4	Pin, Male	
2	1001116983	1	Plug, Male - 2 Posiiton	
2	1001227507	2	Socket, Female	
2	4461054	2	Seal	
3	1001223045	2	Connector	

SECTION 8 - ELECTRICAL

FIGURE 8-61. GENERATOR HARNESS - 2500W



ART_1001194114_B

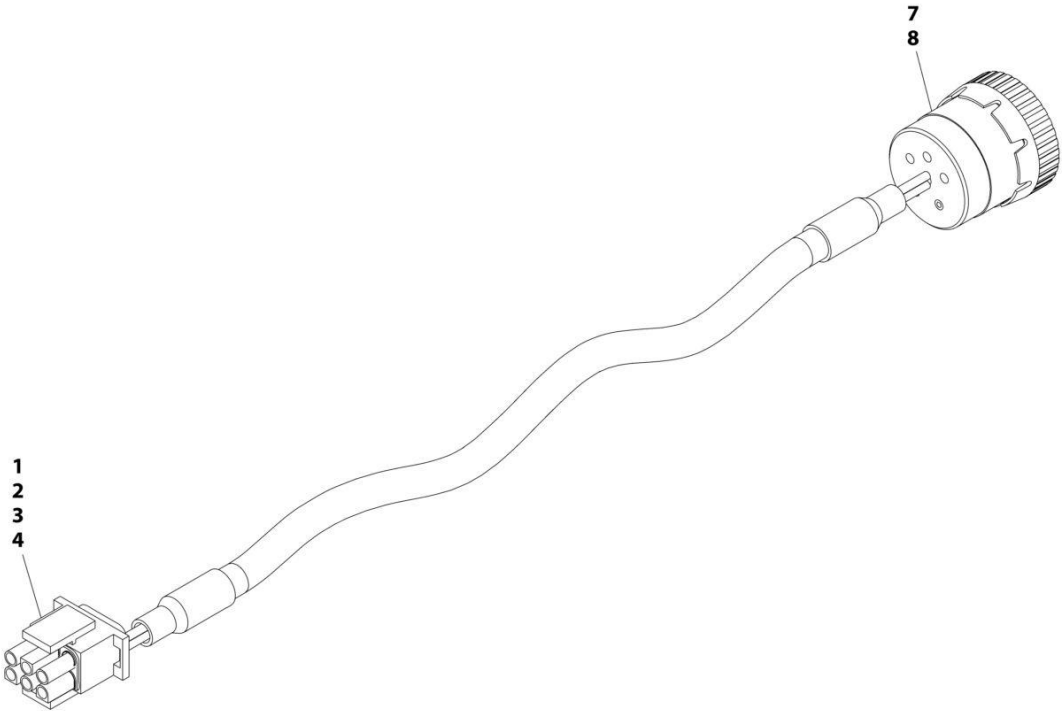
SECTION 8 - ELECTRICAL

FIGURE 8-61. GENERATOR HARNESS - 2500W

ITEM	PART NUMBER	QTY	DESCRIPTION	REV
	1001194114	Ref	GENERATOR HARNESS	B
1	4460906	1	Socket, Female	
2	1001154726	1	Receptacle, Female - 3 Position	
2	4460464	2	Pin, Male	
2	4460466	1	Plug, Terminal	
3	1001120851	1	Connector, Relay	
3	1001116734	2	Terminal	
3	1001116732	2	Terminal	
3	3740080	1	Relay	
4	8220045	1	Terminal, Ring	
5	2400060	1	Fuseholder - 30Amp (Includes Cover)	
5	8229245	1	Fuse - 30Amp	

SECTION 8 - ELECTRICAL

FIGURE 8-62. GENERATOR HARNESS - 4000W



ART_1001152532

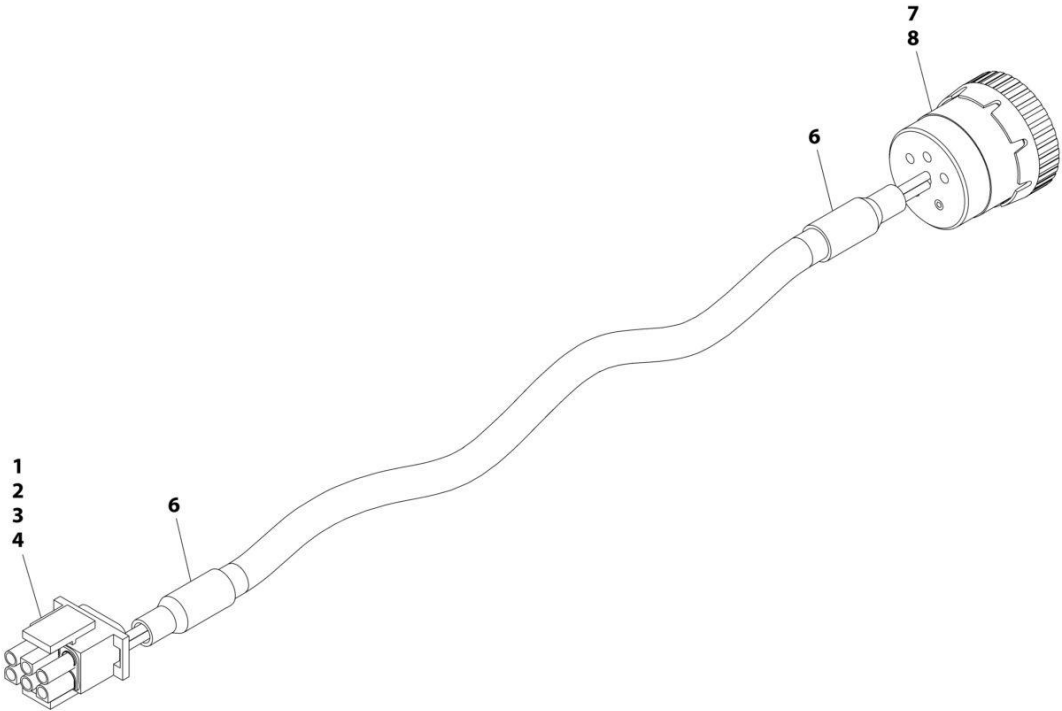
SECTION 8 - ELECTRICAL

FIGURE 8-62. GENERATOR HARNESS - 4000W

ITEM	PART NUMBER	QTY	DESCRIPTION	REV
	1001152532	Ref	GENERATOR HARNESS	A
1	4460225	1	Connector - 6 Position	
2	4460268	2	Socket, Female	
3	4460807	1	Seal	
4	4460808	1	Seal	
7	4460465	2	Socket, Female	
8	77363233	1	Connector - 6 Position	

SECTION 8 - ELECTRICAL

FIGURE 8-63. GENERATOR HARNESS - 7500W SKYPOWER



ART_4922925

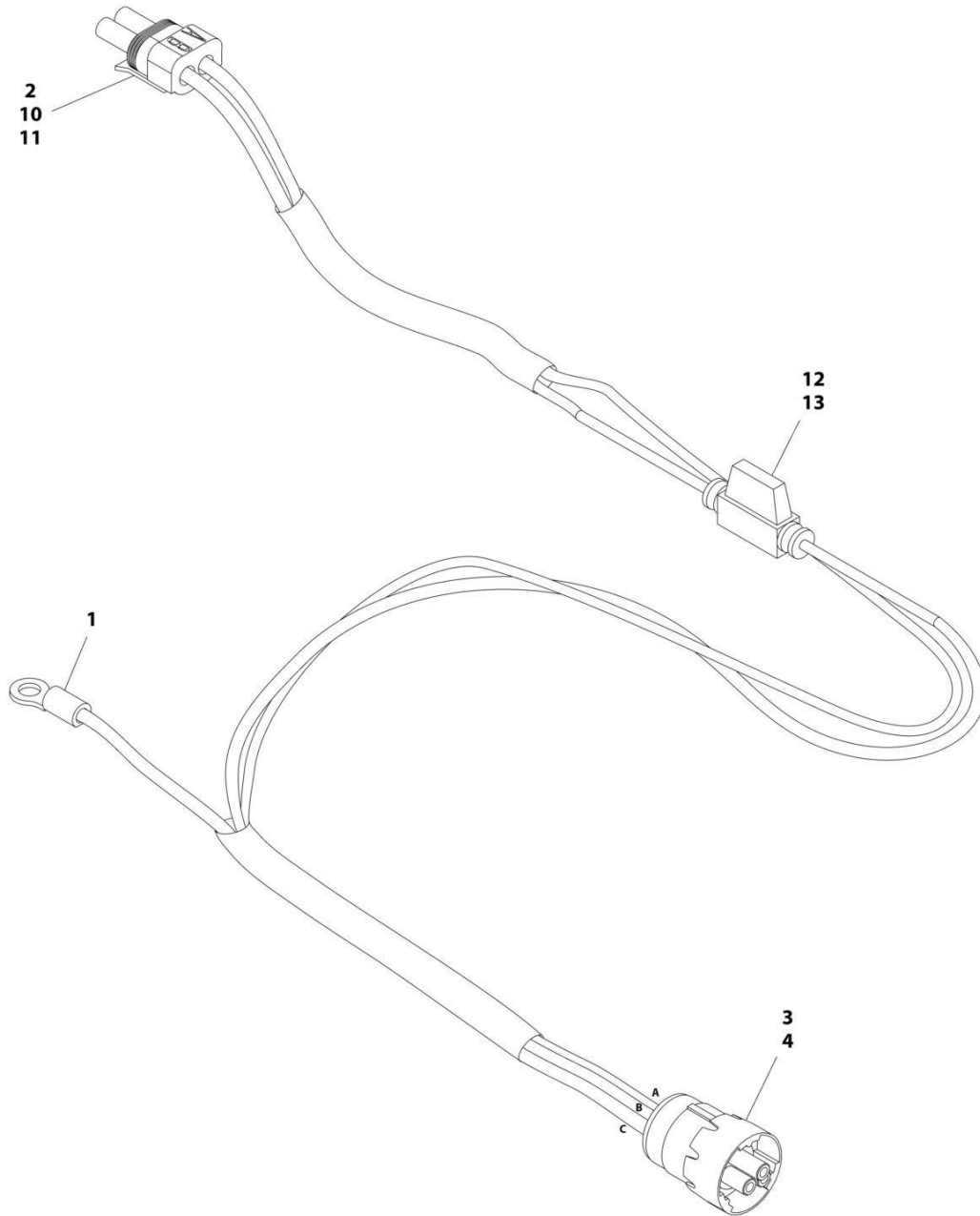
SECTION 8 - ELECTRICAL

FIGURE 8-63. GENERATOR HARNESS - 7500W SKYPOWER

ITEM	PART NUMBER	QTY	DESCRIPTION	REV
	4922925	Ref	GENERATOR TO CONTROL BOX HARNESS (7500W GENERATOR)	C
1	4460225	1	Plug, Male - 2 Position	
2	4460268	6	Socket, Female	
3	4460807	1	Seal	
4	4460808	1	Seal	
6	2820019	AR	Heat Shrink	
7	4460465	6	Socket, Female	
8	77363233	1	Connector - 6 Position	

SECTION 8 - ELECTRICAL

FIGURE 8-64. GENERATOR TO ENGINE HARNESS - 7500W SKYPOWER GENERATOR (DEUTZ D2011 ONLY)



ART_1001152429

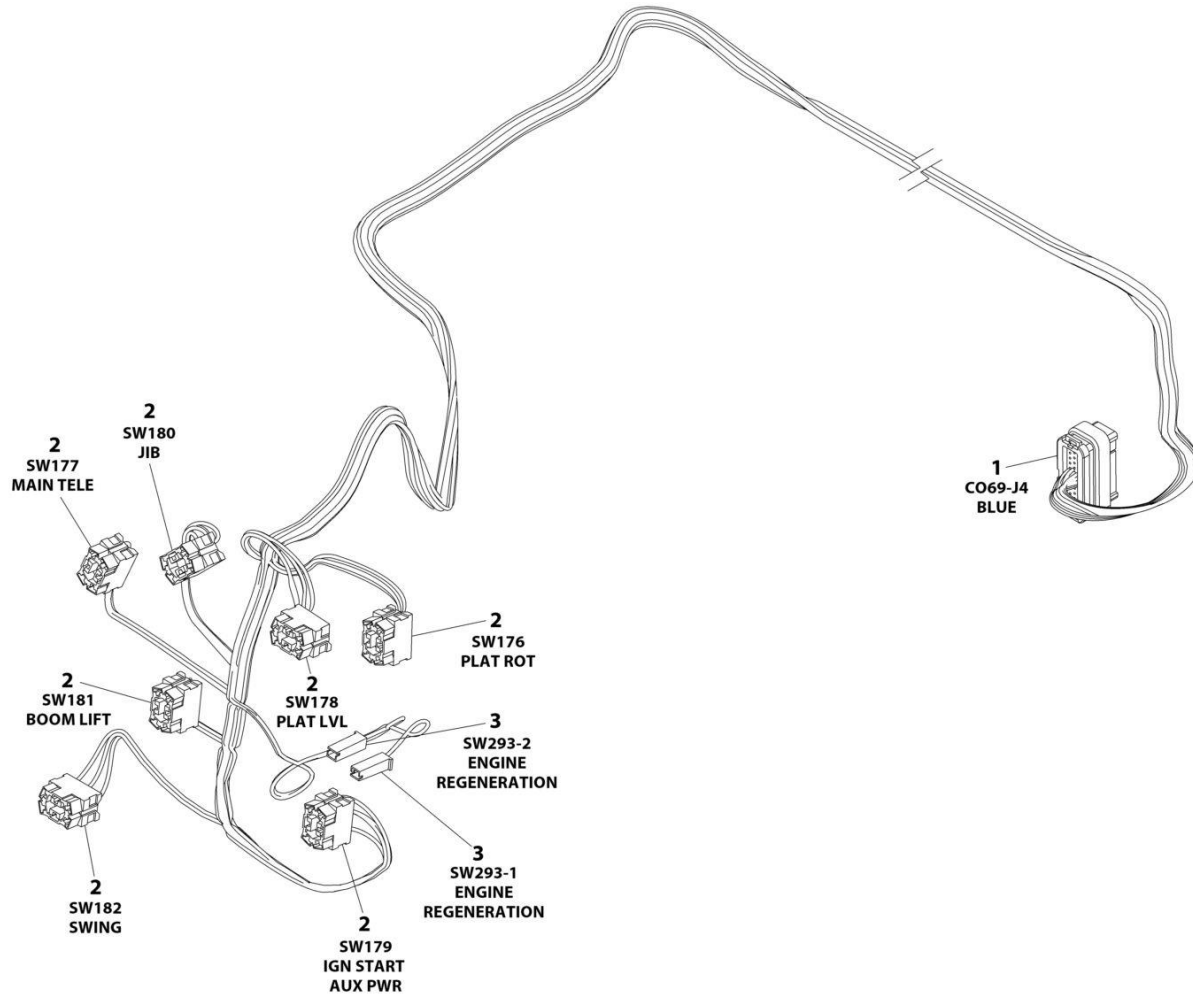
SECTION 8 - ELECTRICAL

FIGURE 8-64. GENERATOR TO ENGINE HARNESS - 7500W SKYPOWER GENERATOR (DEUTZ D2011 ONLY)

ITEM	PART NUMBER	QTY	DESCRIPTION	REV
	1001152429	Ref	GENERATOR TO ENGINE HARNESS	C
1	4460043	1	Terminal, Ring	
2	4460742	1	Plug, Male - 2 Position	
3	4460967	1	Connector - 3 Position	
4	4460465	3	Socket, Female	
10	4460743	2	Terminal, Female	
11	4460458	2	Seal	
12	2400060	1	Fuseholder (Includes Cover)	
13	2400064	1	Fuse - 5Amp	

SECTION 8 - ELECTRICAL

FIGURE 8-65. GROUND CONTROL HARNESS



ART_1001238408

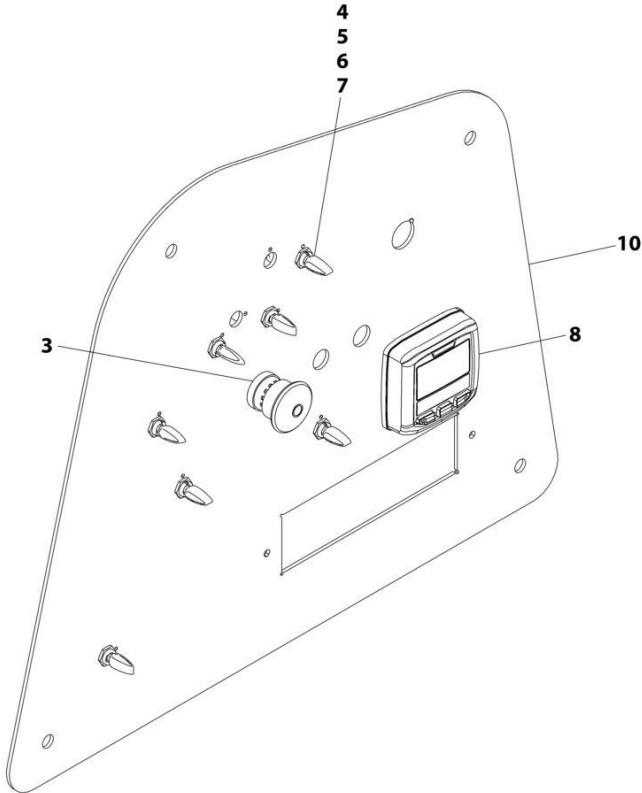
SECTION 8 - ELECTRICAL

FIGURE 8-65. GROUND CONTROL HARNESS

ITEM	PART NUMBER	QTY	DESCRIPTION	REV
	1001238408	Ref	GROUND CONTROL HARNESS	B
1	4460876	1	Connector - 35 Position	
1	4460871	16	Socket, Female	
1	4460905	19	Plug, Terminal	
2	4460418	7	Connector, Switch	
2	4460419	14	Terminal	
2	1001159186	14	Terminal	
3	4460260	2	Terminal	
3	4460259	2	Terminal	

SECTION 8 - ELECTRICAL

FIGURE 8-66. GROUND CONTROL HARNESS (CE & UK CA (ULS) SPECS)



ART_1001245775_C

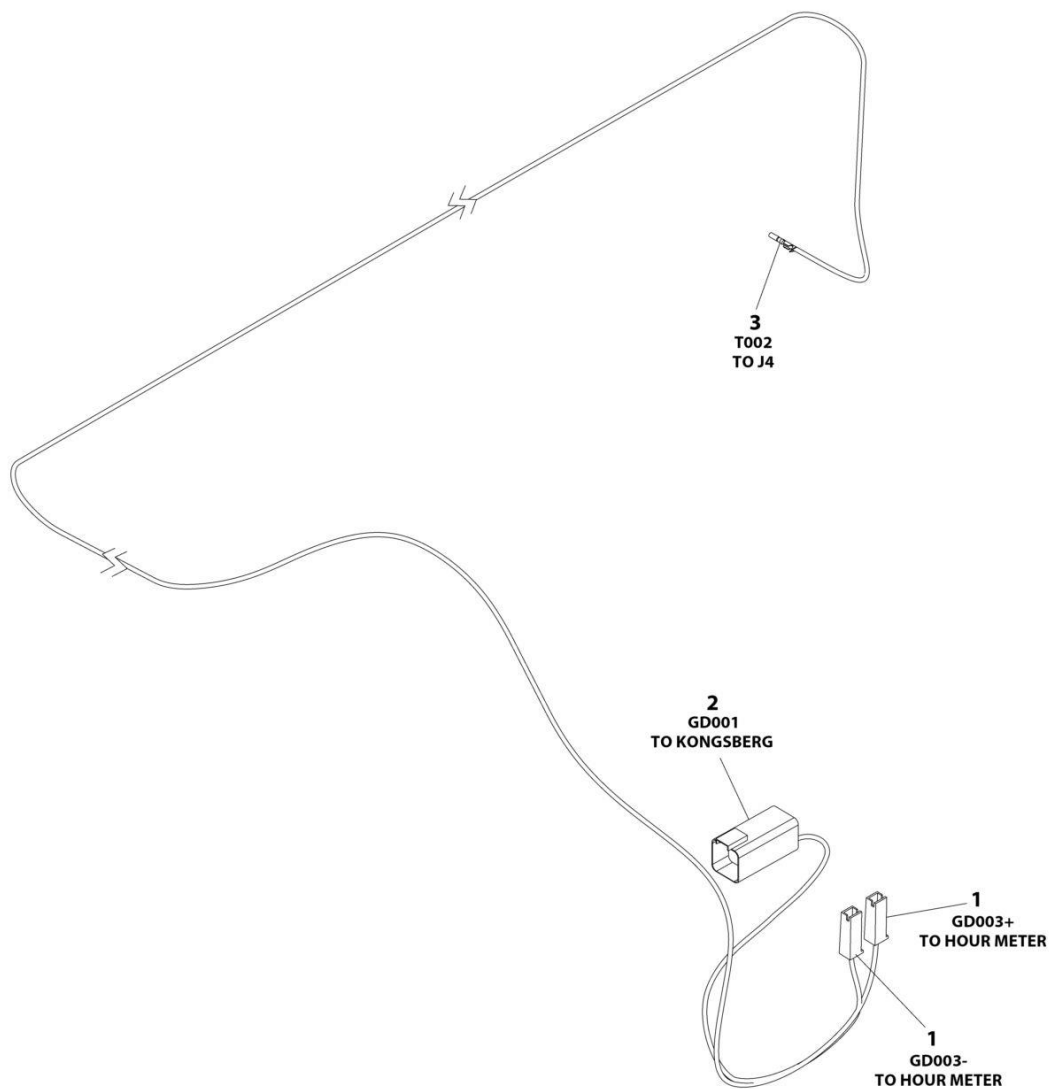
SECTION 8 - ELECTRICAL

FIGURE 8-66. GROUND CONTROL HARNESS (CE & UK CA (ULS) SPECS)

ITEM	PART NUMBER	QTY	DESCRIPTION	REV
	1001245775	Ref	GROUND CONTROL PANEL ASSEMBLY	C
3	1001274559	1	Switch, Emergency Stop	
4	4740397	7	Washer	
5	1001155043	7	Washer	
6	1001155044	7	Nut 15/32	
7	1001155045	7	Switch, Toggle	
8	1001171482	1	Gauge	
10	1001245773	1	Plate	

SECTION 8 - ELECTRICAL

FIGURE 8-67. HOUR METER JUMPER HARNESS



ART_1001296426

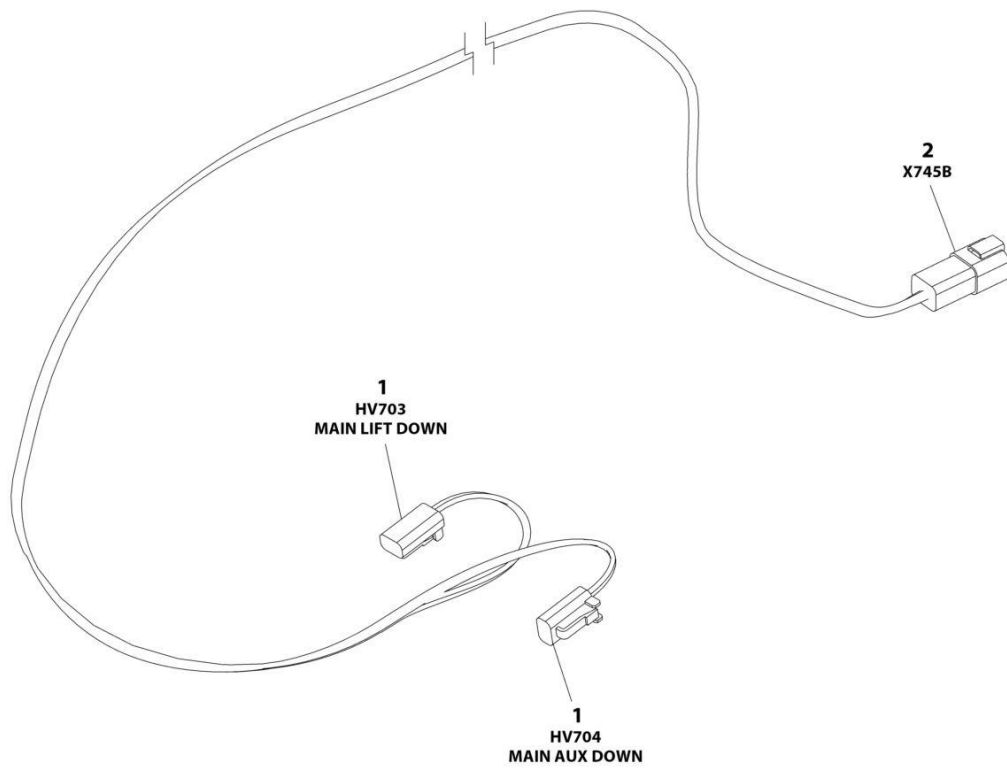
SECTION 8 - ELECTRICAL

FIGURE 8-67. HOUR METER JUMPER HARNESS

ITEM	PART NUMBER	QTY	DESCRIPTION	REV
	1001296426	Ref	HOUR METER JUMPER HARNESS	A
1	4460260	2	Connector	
2	4460899	1	Connector	
3	4460871	1	Socket	

SECTION 8 - ELECTRICAL

FIGURE 8-68. LIFT CYLINDER HARNESS



ART_1001205923

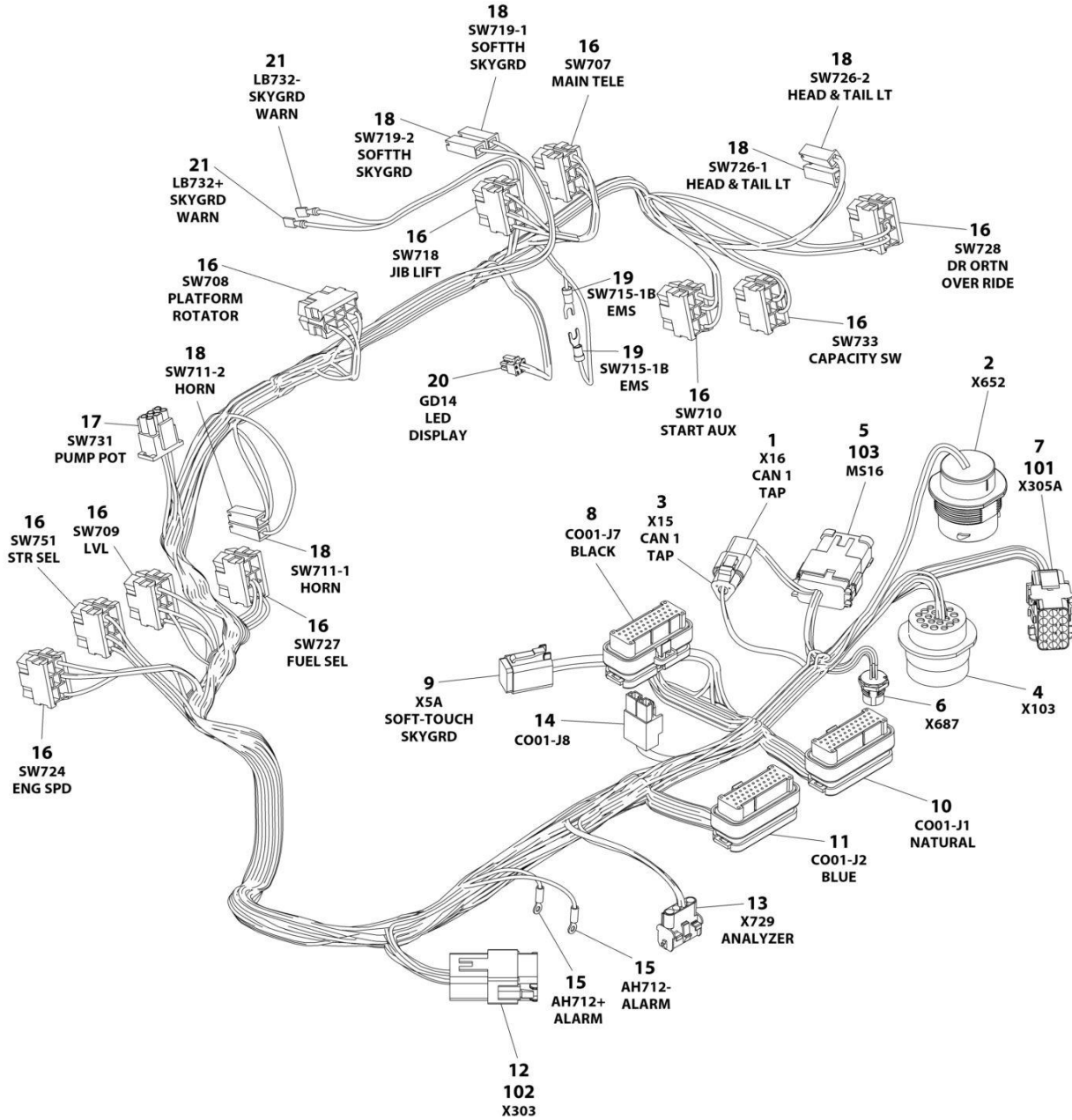
SECTION 8 - ELECTRICAL

FIGURE 8-68. LIFT CYLINDER HARNESS

ITEM	PART NUMBER	QTY	DESCRIPTION	REV
	1001205923	Ref	LIFT CYLINDER HARNESS	C
1	4460891	2	Plug, Male - 2 Position	
1	4460465	4	Socket, Female	
2	4460932	1	Receptacle, Female - 4 Position	
2	4460464	4	Pin, Male	

SECTION 8 - ELECTRICAL

FIGURE 8-69. PLATFORM BOX HARNESS



ART_1001238409

SECTION 8 - ELECTRICAL

FIGURE 8-69. PLATFORM BOX HARNESS

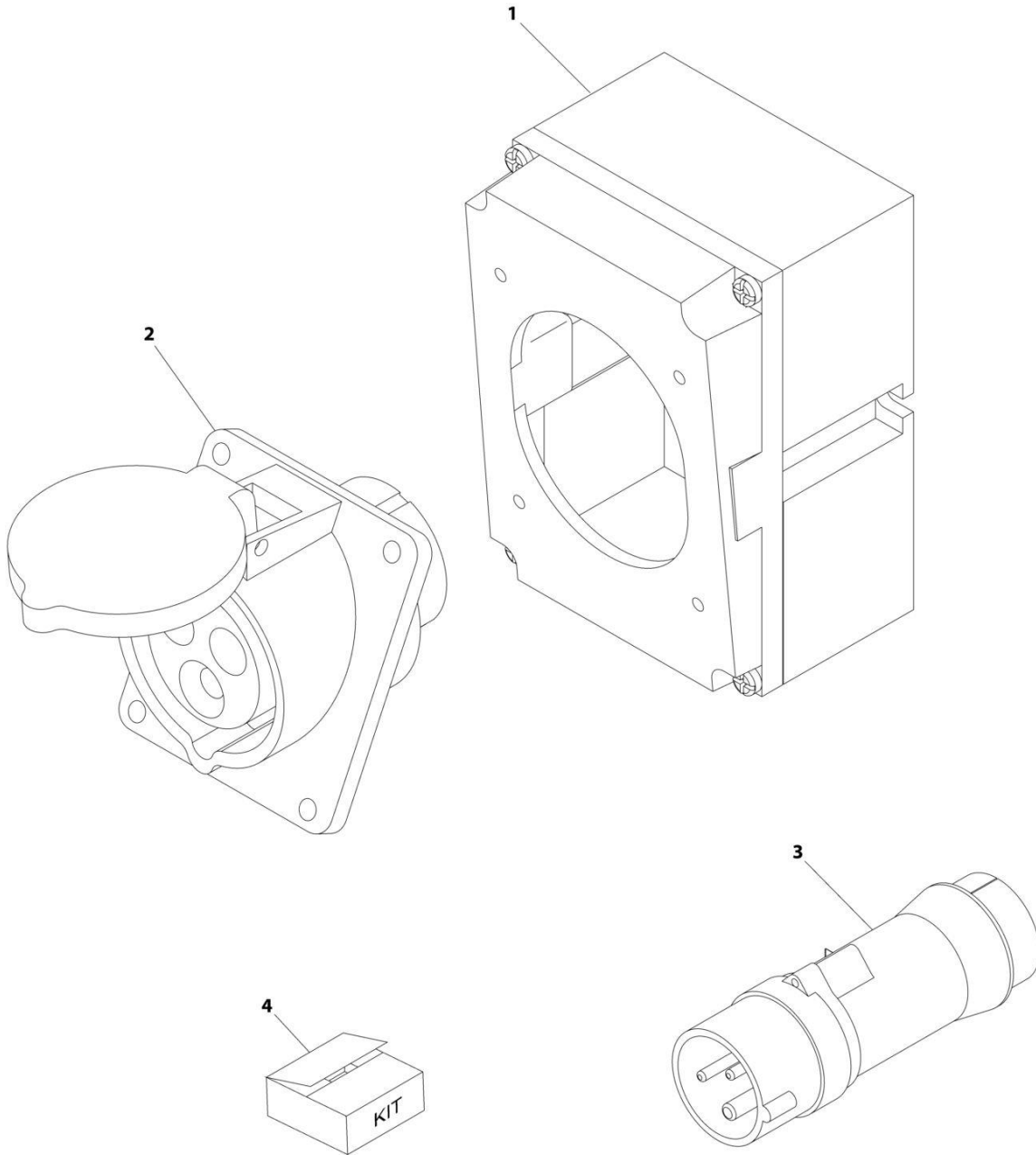
ITEM	PART NUMBER	QTY	DESCRIPTION	REV
	1001238409	Ref	PLATFORM CONSOLE HARNESS	J
1	4460536	1	Receptacle, Female - 3 Position	
1	4460943	2	Pin, Male	
1	4460466	1	Plug, Terminal	
2	4460925	1	Connector - 21 Position	
2	1001116695	15	Pin, Male	
2	4460518	6	Plug, Terminal	
3	4460539	1	Plug, Male - 3 Position	
3	4460944	2	Socket, Female	
3	4460466	1	Plug, Terminal	
4	4460866	1	Connector - 19 Position	
4	4460464	7	Pin, Male	
4	4460943	2	Pin, Male	
4	4460508	1	Pin, Male	
4	4460466	8	Plug, Terminal	
5	4460933	1	Plug, Male - 12 Position	
5	4460465	10	Socket, Female	
5	4460466	2	Plug, Terminal	
6	1001213447	1	Connector - 4 Position	
6	See Note	NSS	Terminal (Note: Purchase p/n 1001213447)	
7	4460434	1	Connector - 15 Position	
7	4460267	8	Pin, Male	
8	4460873	1	Connector - 35 Position	
8	4460871	24	Socket, Female	
8	4460905	11	Plug, Terminal	
9	4460894	1	Plug, Male - 6 Position	
9	4460465	6	Socket, Female	
10	4460874	1	Connector - 35 Position	
10	4460871	29	Socket, Female	
10	4460905	6	Plug, Terminal	
11	4460876	1	Connector - 35 Position	
11	4460871	12	Socket, Female	
11	4460905	23	Plug, Terminal	
12	4460970	1	Receptacle, Female - 12 Position	
12	1001116693	6	Pin, Male	
12	4460466	6	Plug, Terminal	
13	4460761	1	Receptacle, Female - 4 Position	
13	1001118378	4	Pin, Male	
14	4460879	1	Plug, Male - 2 Position	
14	4460887	2	Terminal	
15	1001098122	2	Terminal, Ring	
16	4460418	10	Connector - 6 Position	
16	4460419	20	Terminal	
16	1001159186	18	Terminal	
17	4460225	1	Plug, Male - 6 Position	
17	4460227	6	Pin, Male (Note: Used on Pump Potentiometer Connection Only)	
17	4460267	2	Terminal	
18	4460260	6	Housing, Terminal	
18	4460259	6	Terminal	
19	4460183	2	Terminal, Fork	

SECTION 8 - ELECTRICAL

ITEM	PART NUMBER	QTY	DESCRIPTION	REV
20	1001237667	1	Connector - 6 Position	
20	1001237668	4	Terminal	
21	1001271497	1	Terminal	
101	4460708	1	Connector - 12 Position	
102	4460933	1	Plug, Male - 12 Position	
103	1001125677	1	Connector, Bussbar	

SECTION 8 - ELECTRICAL

FIGURE 8-70. RECEPTACLE BOX KIT - 110V IEC YELLOW (RUSSIA, CE & UK CA SPECS)



ART_0275216

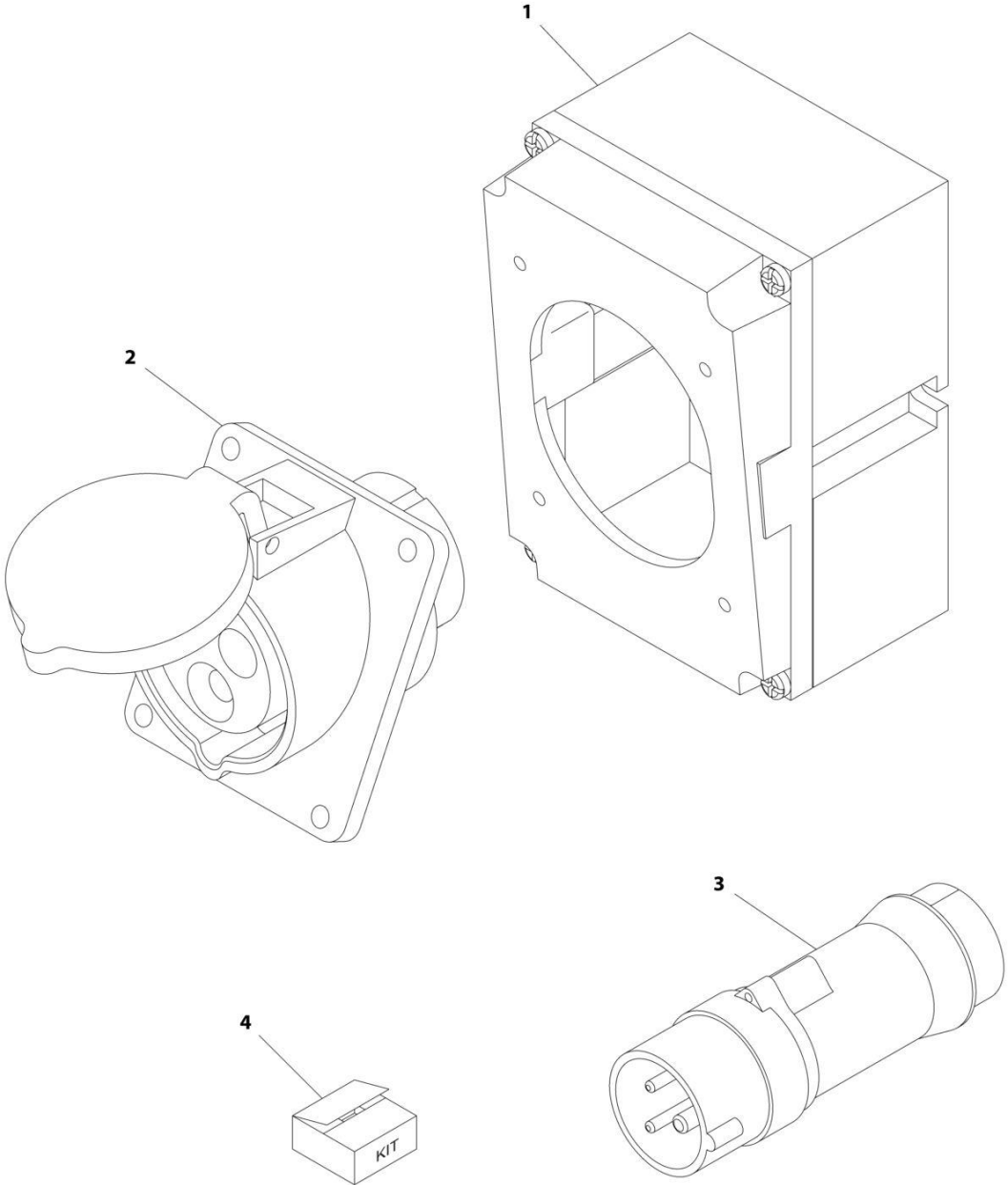
SECTION 8 - ELECTRICAL

FIGURE 8-70. RECEPTACLE BOX KIT - 110V IEC YELLOW (RUSSIA, CE & UK CA SPECS)

ITEM	PART NUMBER	QTY	DESCRIPTION	REV
	0275216	Ref	RECEPTACLE BOX KIT - 110V IEC YELLOW	B
1	0861781	1	Box, Switch	
2	4461198	1	Receptacle	
3	4461196	1	Plug, Male	
4	1001100341	1	Plug and Socket Kit (Includes Items 1-3 and Female Plug p/n 4461197)	

SECTION 8 - ELECTRICAL

FIGURE 8-71. RECEPTACLE BOX KIT - 220V IEC BLUE (RUSSIA, CE & UK CA SPECS)



ART_0275217

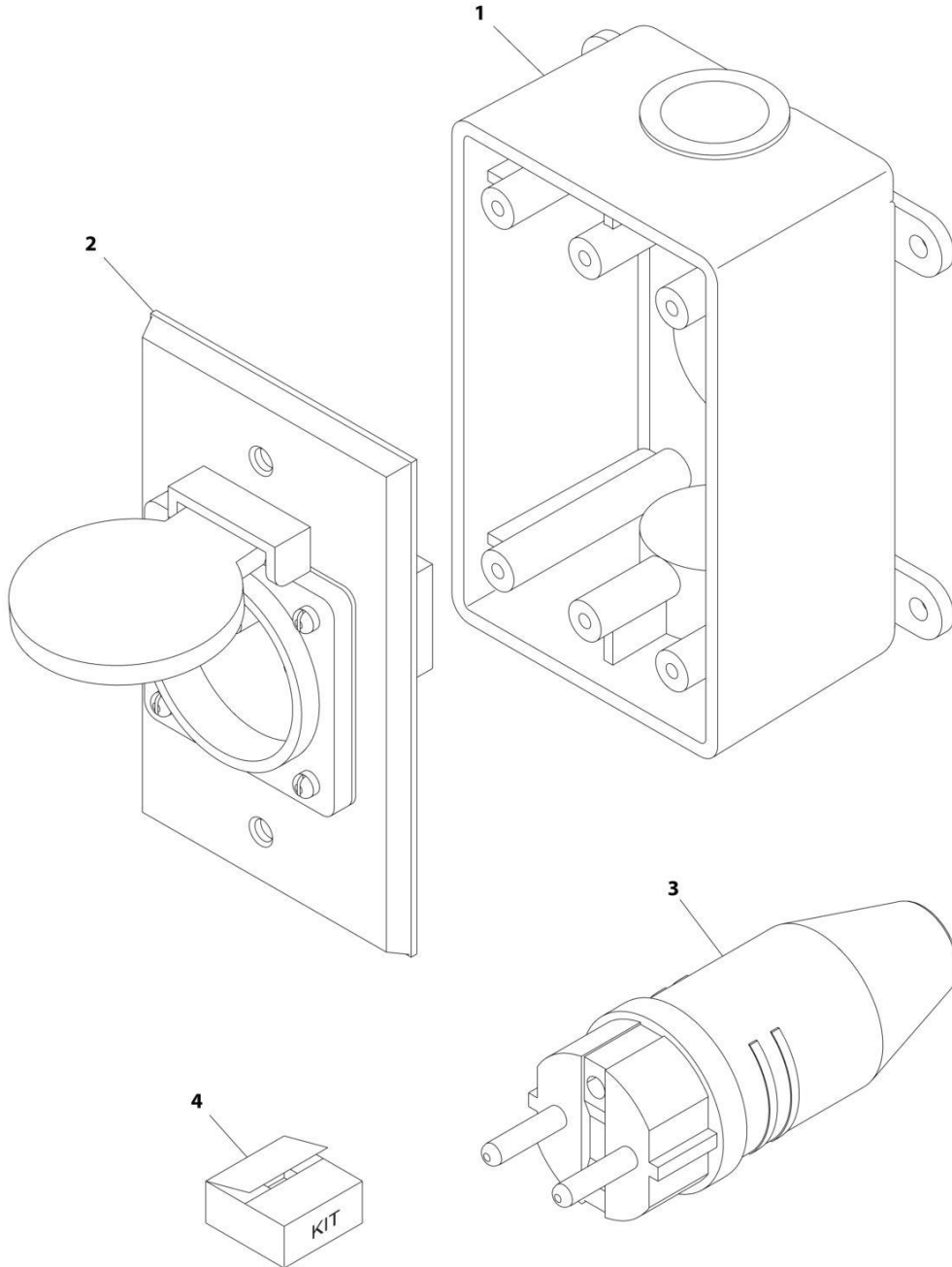
SECTION 8 - ELECTRICAL

FIGURE 8-71. RECEPTACLE BOX KIT - 220V IEC BLUE (RUSSIA, CE & UK CA SPECS)

ITEM	PART NUMBER	QTY	DESCRIPTION	REV
	0275217	Ref	RECEPTACLE BOX KIT - 220V IEC BLUE	B
1	0861781	1	Box, Switch	
2	4461201	1	Receptacle	
3	4461199	1	Plug, Male	
4	1001100342	1	Plug and Socket Kit (Includes Items 1-3 and Female Plug p/n 4461200)	

SECTION 8 - ELECTRICAL

FIGURE 8-72. RECEPTACLE BOX KIT - 220V CEE7 POST GROUND 2X4 BOX (RUSSIA, CE & UK CA SPECS)



ART_0275452-C

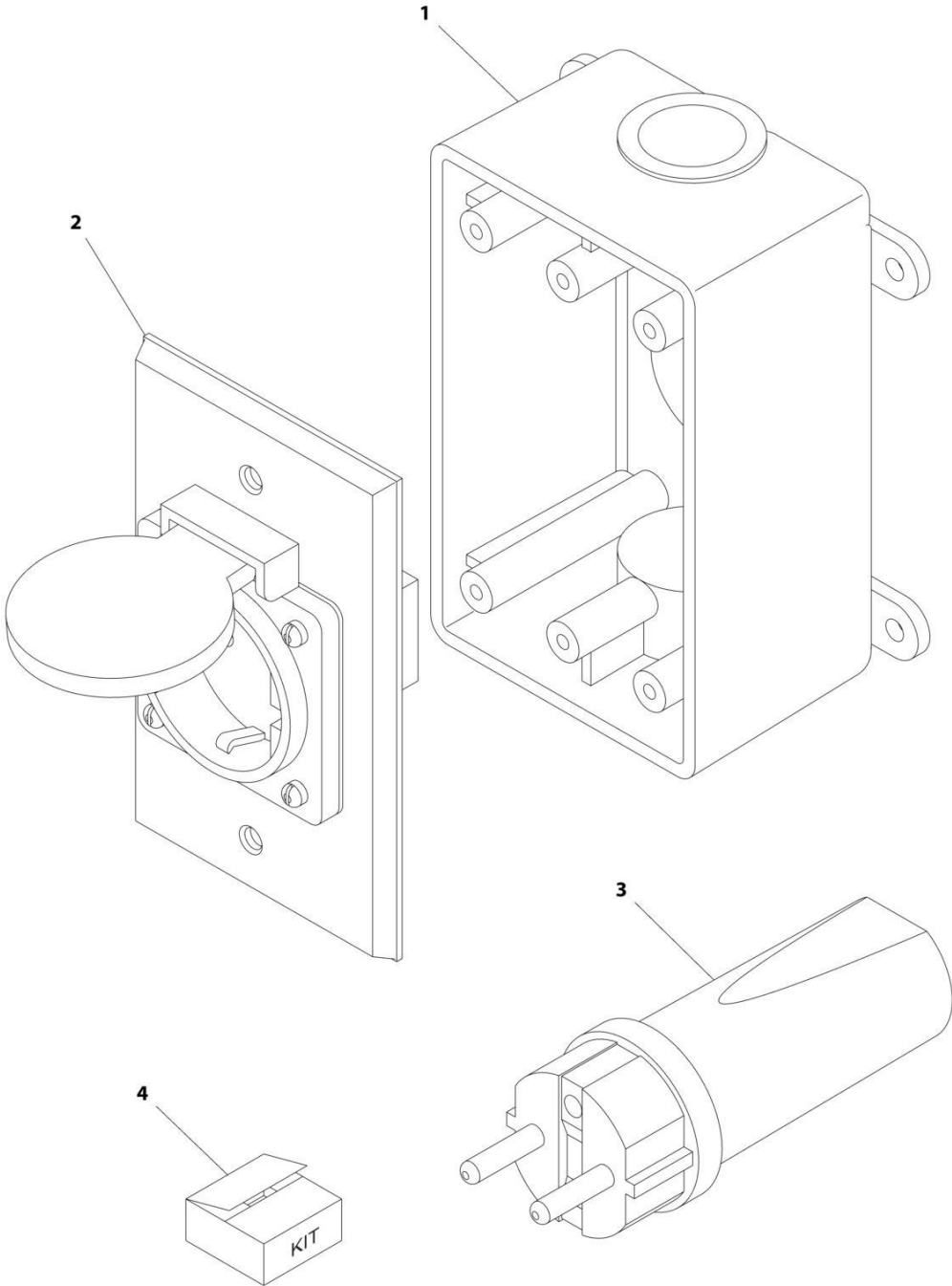
SECTION 8 - ELECTRICAL

FIGURE 8-72. RECEPTACLE BOX KIT - 220V CEE7 POST GROUND 2X4 BOX (RUSSIA, CE & UK CA SPECS)

ITEM	PART NUMBER	QTY	DESCRIPTION	REV
	0275452	Ref	RECEPTACLE BOX KIT - 220V CEE7 POST GROUND 2IN X 4IN BOX	C
1	0861731	1	Box, Switch	
2	4461244	1	Receptacle	
3	4461205	1	Plug, Male	
4	1001100345	1	Plug and Socket Kit (Includes Items 1-3 and Female Plug p/n 4461203)	

SECTION 8 - ELECTRICAL

FIGURE 8-73. RECEPTACLE BOX KIT - 220V CEE7 SIDE GROUND (RUSSIA, CE & UK CA SPECS)



ART_0275453

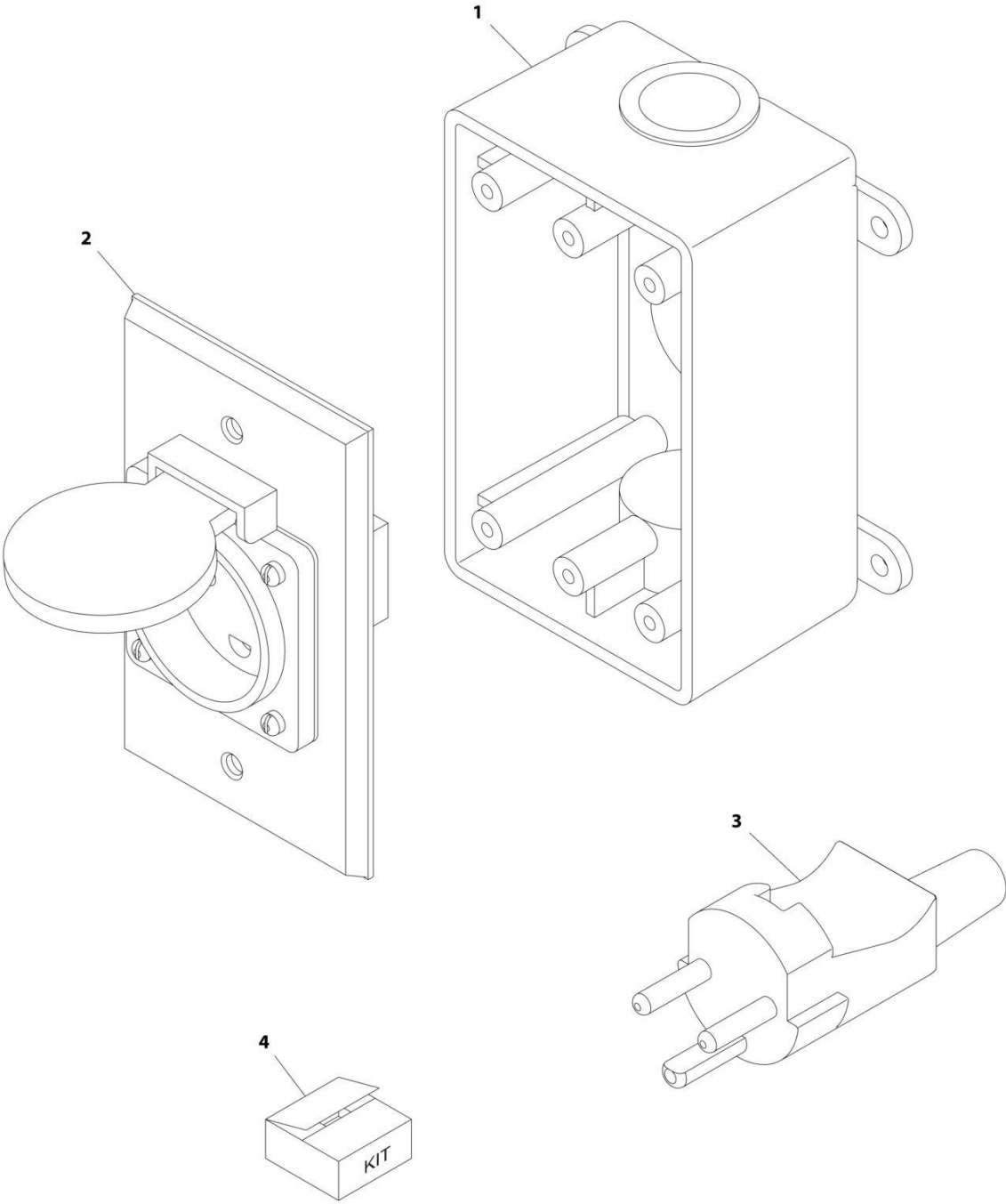
SECTION 8 - ELECTRICAL

FIGURE 8-73. RECEPTACLE BOX KIT - 220V CEE7 SIDE GROUND (RUSSIA, CE & UK CA SPECS)

ITEM	PART NUMBER	QTY	DESCRIPTION	REV
	0275453	Ref	RECEPTACLE BOX KIT - 220V CEE7 SIDE GROUND	B
1	0861731	1	Box, Switch	
2	4461245	1	Receptacle	
3	4461205	1	Plug, Male	
4	1001100347	1	Plug and Socket Kit (Includes Items 1-3 and Female Plug p/n 4461206)	

SECTION 8 - ELECTRICAL

FIGURE 8-74. RECEPTACLE BOX KIT - 220V AFSINT 107 (RUSSIA, CE & UK CA SPECS)



ART_0275454

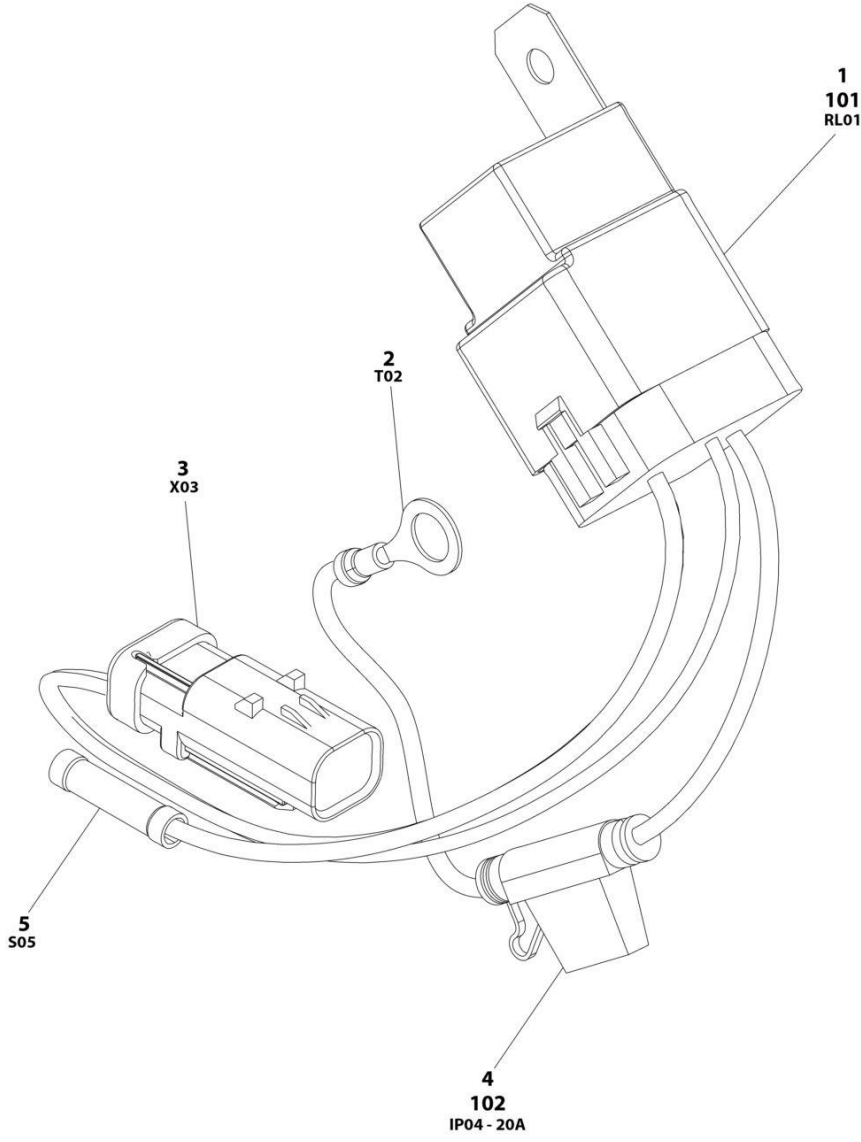
SECTION 8 - ELECTRICAL

FIGURE 8-74. RECEPTACLE BOX KIT - 220V AFSINT 107 (RUSSIA, CE & UK CA SPECS)

ITEM	PART NUMBER	QTY	DESCRIPTION	REV
	0275454	Ref	RECEPTACLE BOX KIT - 220V AFSINT 107	B
1	0861731	1	Box, Switch	
2	4461246	1	Receptacle	
3	4461249	1	Plug, Male	
4	1001100346	1	Plug and Socket Kit (Includes Items 1-3 and Female Plug p/n 4461250)	

SECTION 8 - ELECTRICAL

FIGURE 8-75. RELAY & FUEL PUMP HARNESS



ART_1001291079

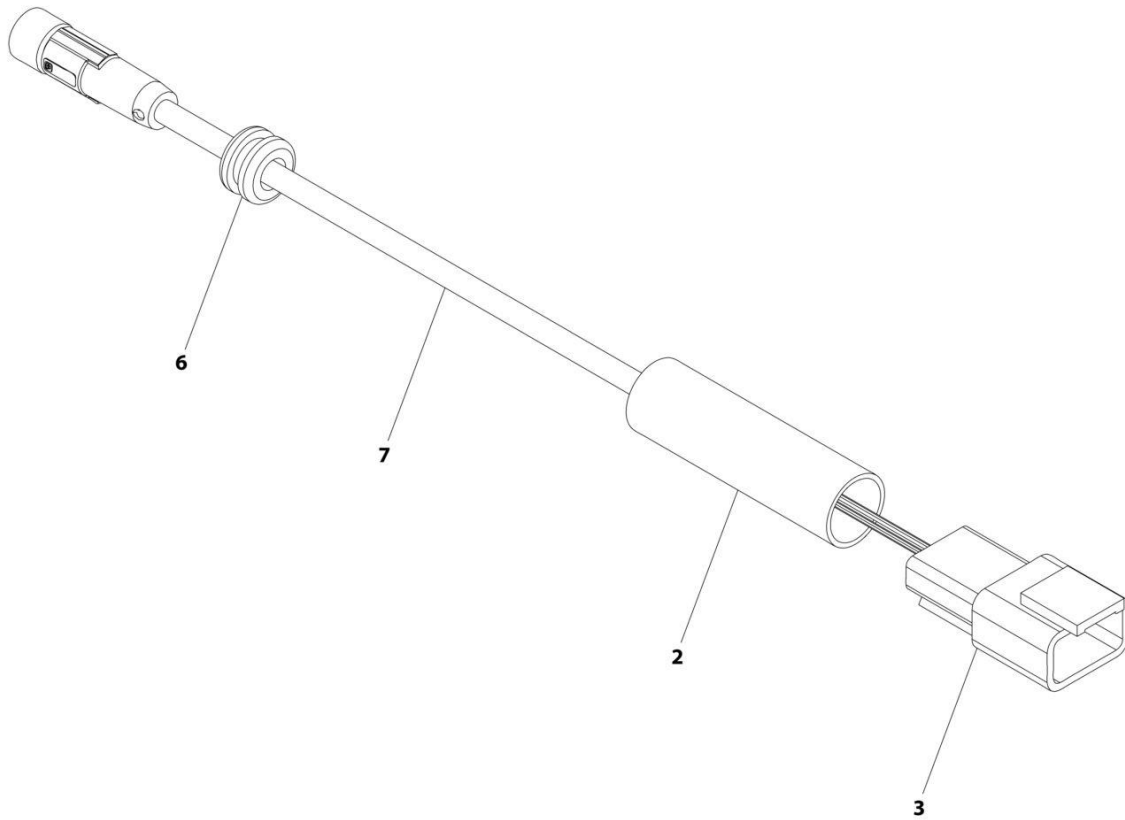
SECTION 8 - ELECTRICAL

FIGURE 8-75. RELAY & FUEL PUMP HARNESS

ITEM	PART NUMBER	QTY	DESCRIPTION	REV
	1001291079	Ref	RELAY & FUEL PUMP HARNESS	A
1	1001268472	1	Connector	
1	1001116733	2	Socket (14-17AWG)	
1	1001116732	2	Socket (18-20AWG)	
2	4460670	1	Terminal, Ring	
3	1001291083	1	Connector	
3	4460464	2	Pin	
4	2400060	1	Fuseholder	
5	4460035	1	Terminal, Butt Splice	
101	3740080	1	Relay	
102	8229246	1	Fuse 20AMP	

SECTION 8 - ELECTRICAL

FIGURE 8-76. SKYEYE EMITTER HARNESS



ART_1001237864

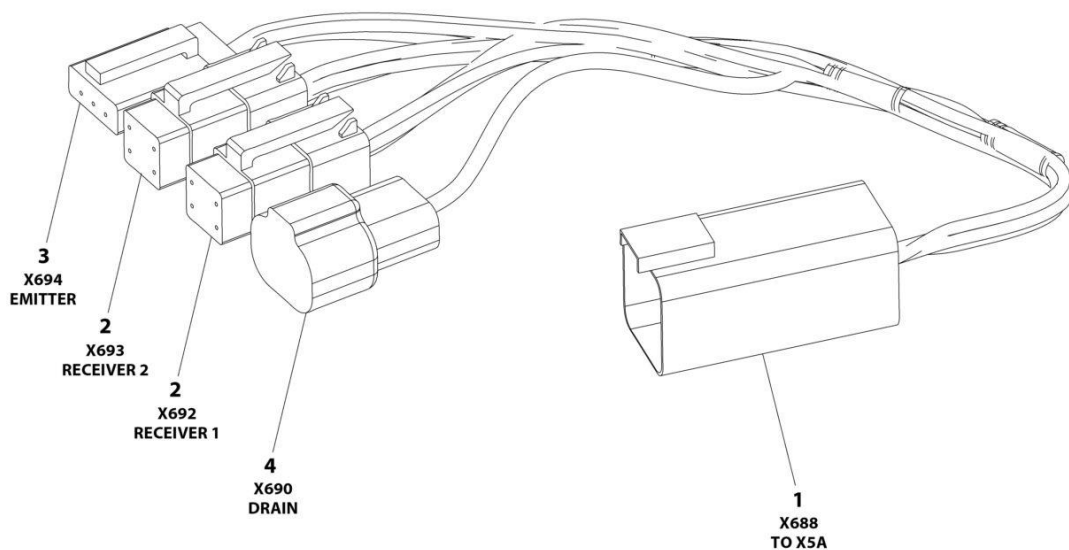
SECTION 8 - ELECTRICAL

FIGURE 8-76. SKYEYE EMITTER HARNESS

ITEM	PART NUMBER	QTY	DESCRIPTION	REV
	1001237864	Ref	SKYEYE EMITTER HARNESS	A
2	2820247	AR	Tubing, Heat Shrink	
3	4460910	1	Connector - 3 Position	
3	1001119620	3	Pin, Male	
6	1001227996	1	Grommet	
7	1001237862	1	Cable, M8 Female Cordset	

SECTION 8 - ELECTRICAL

FIGURE 8-77. SKYEYE INTERMEDIATE HARNESS



ART_1001237865

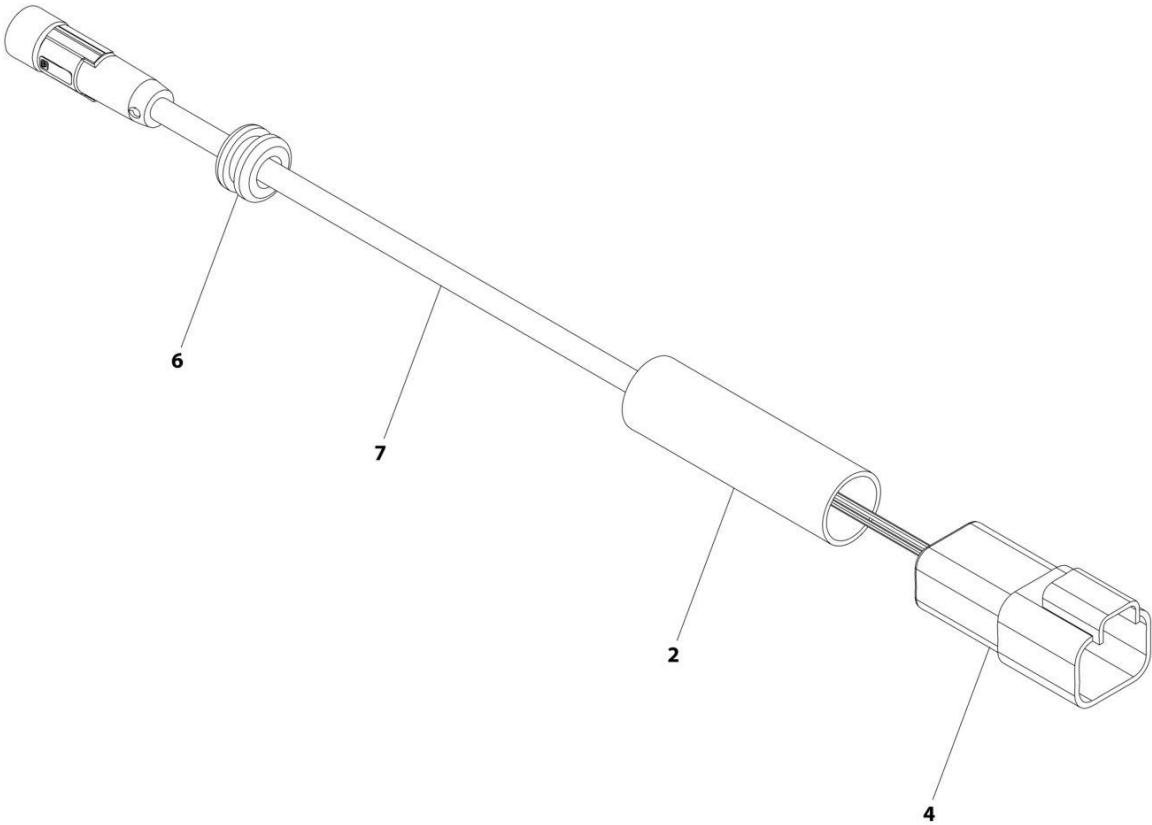
SECTION 8 - ELECTRICAL

FIGURE 8-77. SKYEYE INTERMEDIATE HARNESS

ITEM	PART NUMBER	QTY	DESCRIPTION	REV
	1001237865	Ref	SKYEYE INTERMEDIATE HARNESS	A
1	4460899	1	Connector - 6 Position	
1	4460943	4	Pin, Male	
1	4460466	2	Plug, Terminal	
2	4461077	2	Connector - 4 Position	
2	1001119619	8	Socket, Female	
3	4460911	1	Connector - 3 Position	
3	1001119619	3	Socket, Female	
4	1001187681	1	Connector - 2 Position	
4	4460941	1	Pin, Male	
4	4460466	1	Plug, Terminal	

SECTION 8 - ELECTRICAL

FIGURE 8-78. SKYEYE RECEIVER HARNESS



ART_1001237863

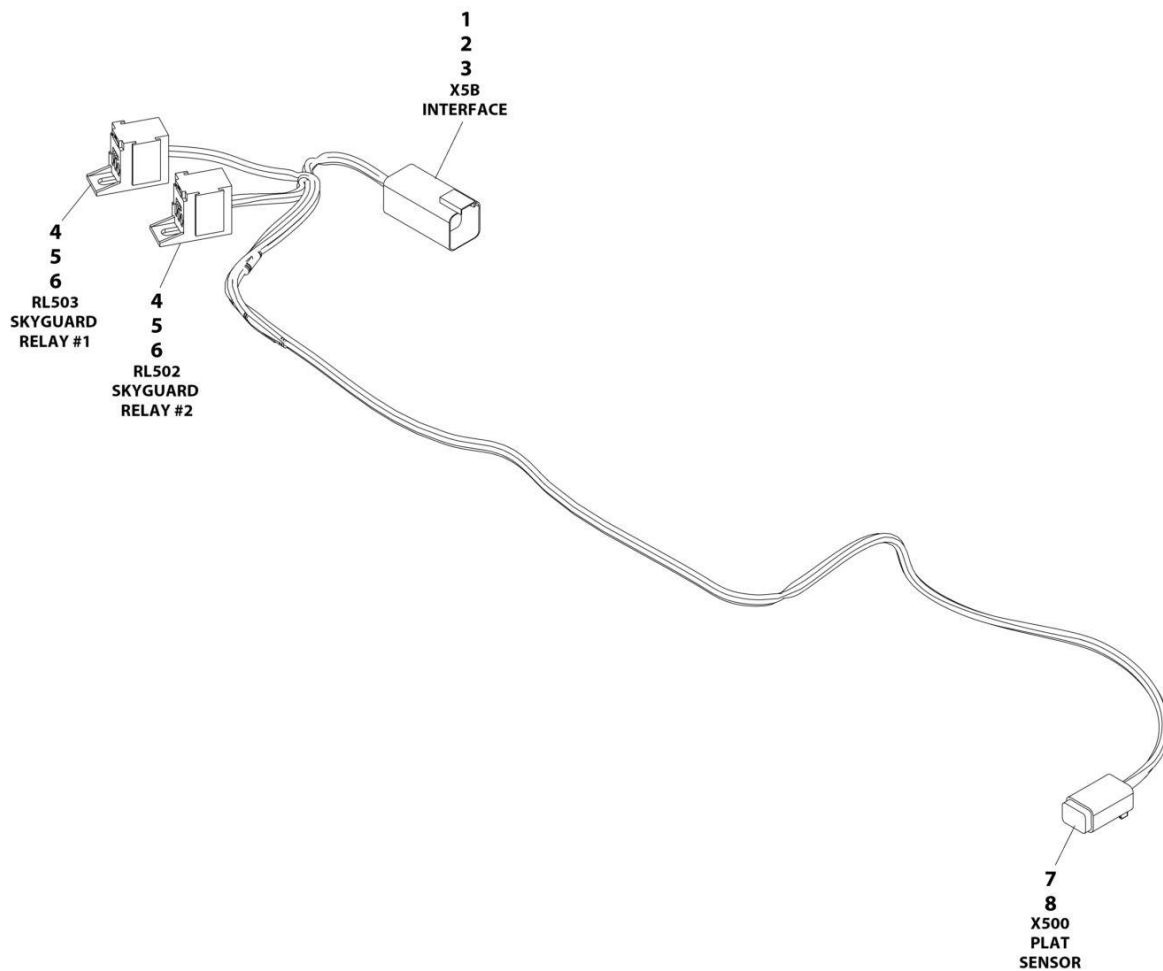
SECTION 8 - ELECTRICAL

FIGURE 8-78. SKYEYE RECEIVER HARNESS

ITEM	PART NUMBER	QTY	DESCRIPTION	REV
	1001237863	Ref	SKYEYE RECEIVER HARNESS	A
2	2820247	AR	Tubing, Heat Shrink	
4	1001097051	1	Connector - 4 Position	
4	1001119620	4	Pin, Male	
6	1001227996	1	Grommet	
7	1001237862	1	Cable, M8 Female Cordset	

SECTION 8 - ELECTRICAL

FIGURE 8-79. SKYGUARD INTERFACE HARNESS



ART_1001225580

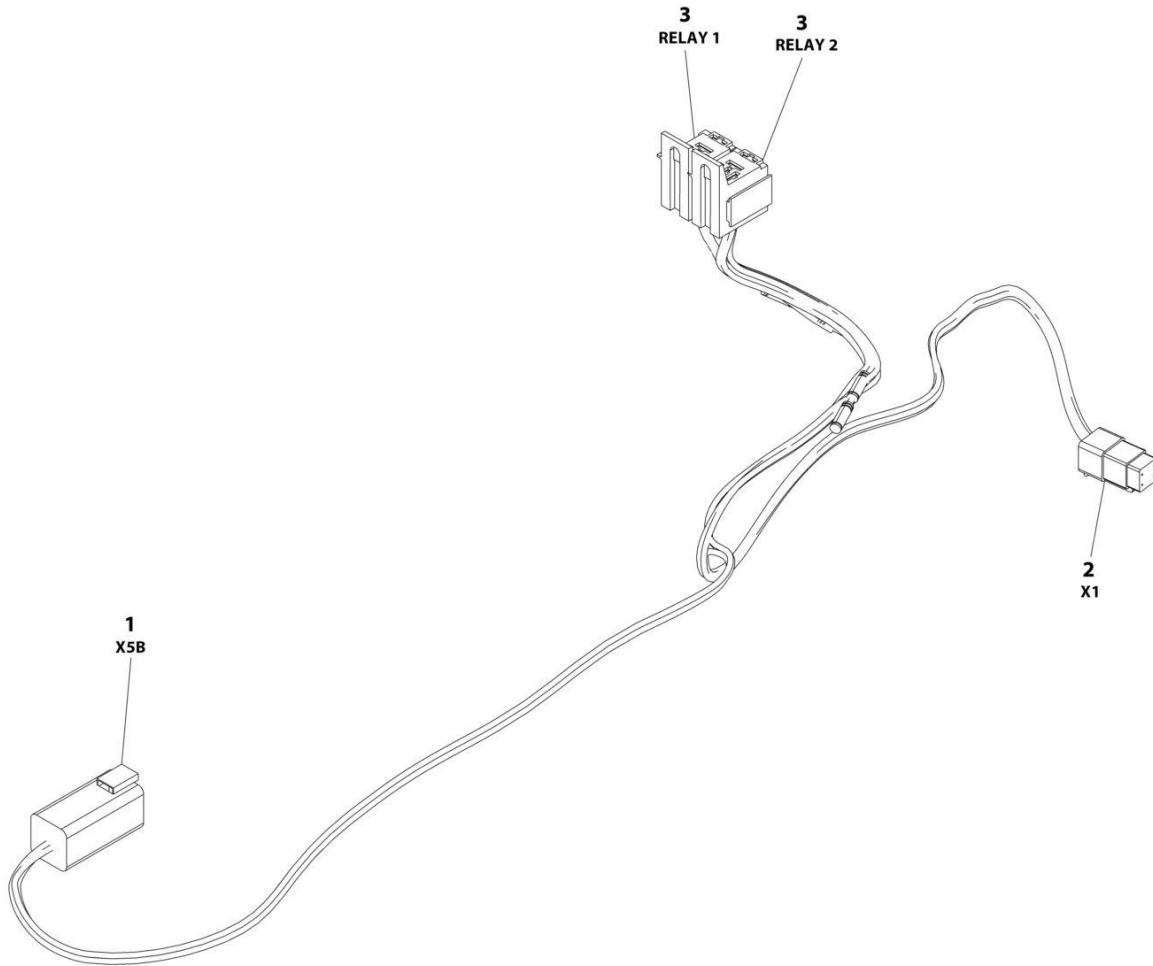
SECTION 8 - ELECTRICAL

FIGURE 8-79. SKYGUARD INTERFACE HARNESS

ITEM	PART NUMBER	QTY	DESCRIPTION	REV
	1001225580	Ref	INTERFACE HARNESS - WITH 1 CELL LSS	D
1	4460899	1	Connector	
2	4460464	4	Terminal	
3	4460466	2	Plug	
4	1001186432	2	Connector	
5	1001116720	4	Terminal	
6	1001118388	4	Terminal	
7	4460884	1	Connector	
8	4460465	4	Terminal	

SECTION 8 - ELECTRICAL

FIGURE 8-80. SKYLINE HARNESS



ART_1001238418

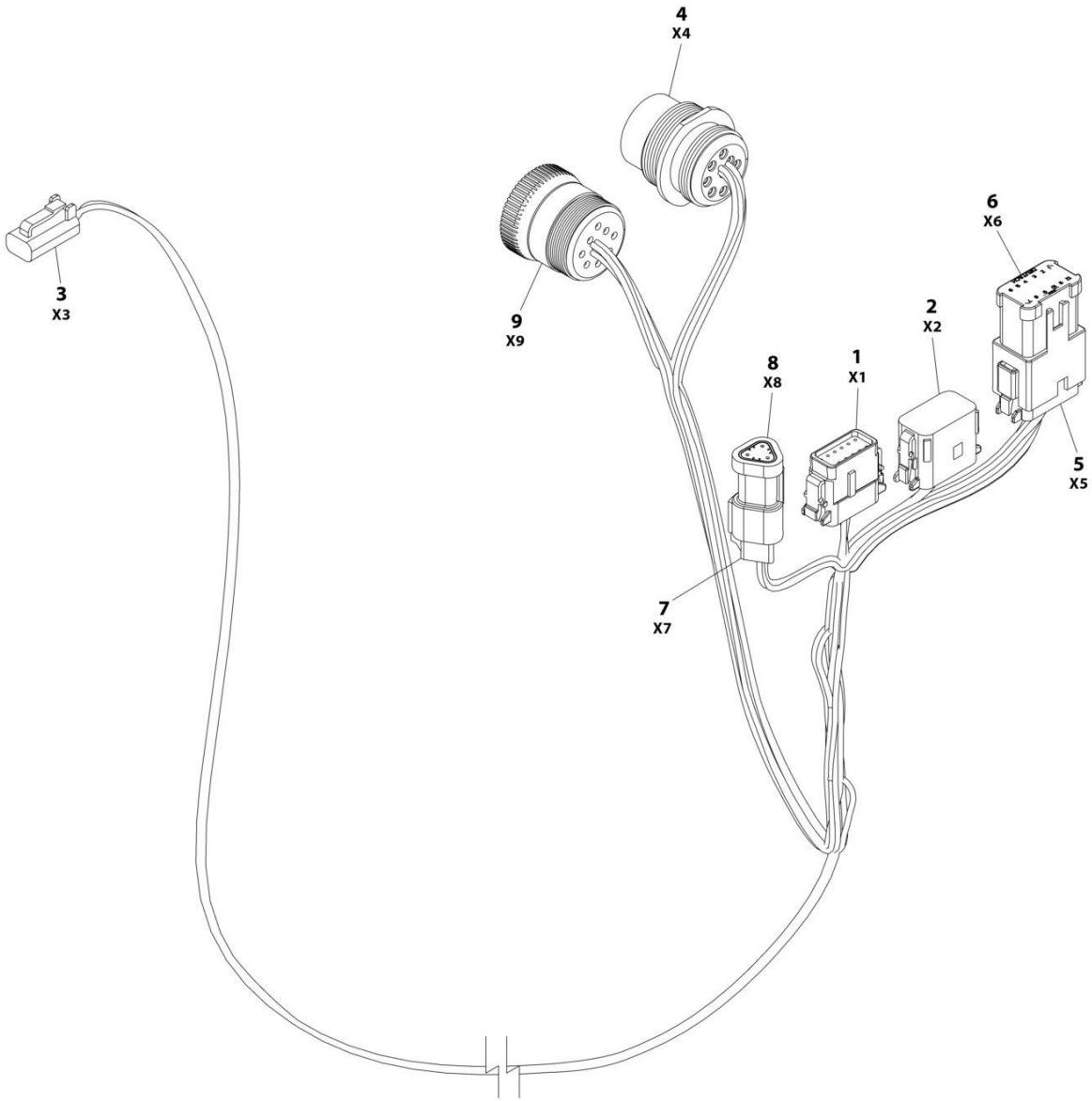
SECTION 8 - ELECTRICAL

FIGURE 8-80. SKYLINE HARNESS

ITEM	PART NUMBER	QTY	DESCRIPTION	REV
	1001238418	Ref	SKYLINE HARNESS	B
1	4460899	1	Connector - 6 Position	
1	4460464	4	Pin, Male	
1	4460466	2	Plug, Terminal	
2	4461077	1	Connector - 4 Position	
2	1001126009	4	Socket, Female	
3	1001186432	2	Plug, Relay	
3	1001118388	5	Terminal	
3	1001118384	3	Terminal	
3	3740086	2	Relay	

SECTION 8 - ELECTRICAL

FIGURE 8-81. STROBE LIGHT HARNESS (RED AND BLUE BEACON LIGHTS)



ART_1001142736

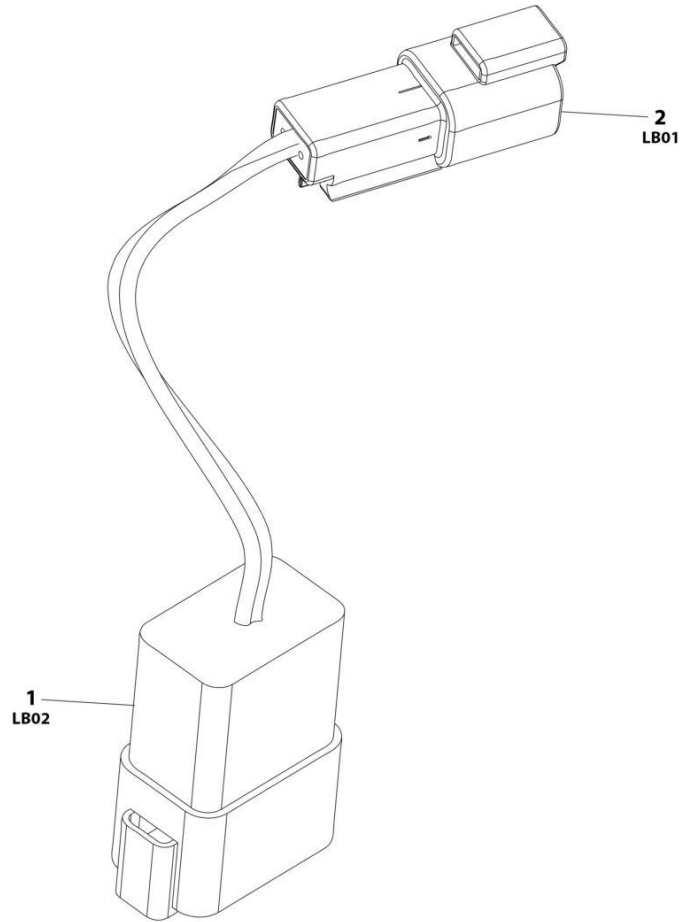
SECTION 8 - ELECTRICAL

FIGURE 8-81. STROBE LIGHT HARNESS (RED AND BLUE BEACON LIGHTS)

ITEM	PART NUMBER	QTY	DESCRIPTION	REV
	1001142736	Ref	STROBE LIGHT HARNESS	F
1	1001116808	1	Plug, Male - 12 Position	
1	4460928	3	Socket, Female	
1	4460518	9	Plug, Terminal	
2	1001116774	1	Plug, Male - 12 Position	
2	4460928	3	Socket, Female	
2	4460518	9	Plug, Terminal	
3	4460891	1	Plug, Male - 2 Position	
3	4460465	2	Socket, Female	
4	1001112612	1	Connector - 9 Position	
4	4460464	6	Pin, Male	
4	4460466	3	Plug, Terminal	
5	4460933	1	Plug, Male - 12 Position	
5	4460465	12	Socket, Female	
6	1001119020	1	Bussbar - 12 Position	
7	4461095	1	Plug, Male - 3 Position	
7	4460465	3	Socket, Female	
8	4461070	1	Bussbar - 3 Position	
9	1001112796	1	Connector - 9 Position	
9	4460465	6	Socket, Female	
9	4460466	3	Plug, Terminal	

SECTION 8 - ELECTRICAL

FIGURE 8-82. STROBE LIGHT JUMPER HARNESS



ART_1001283776

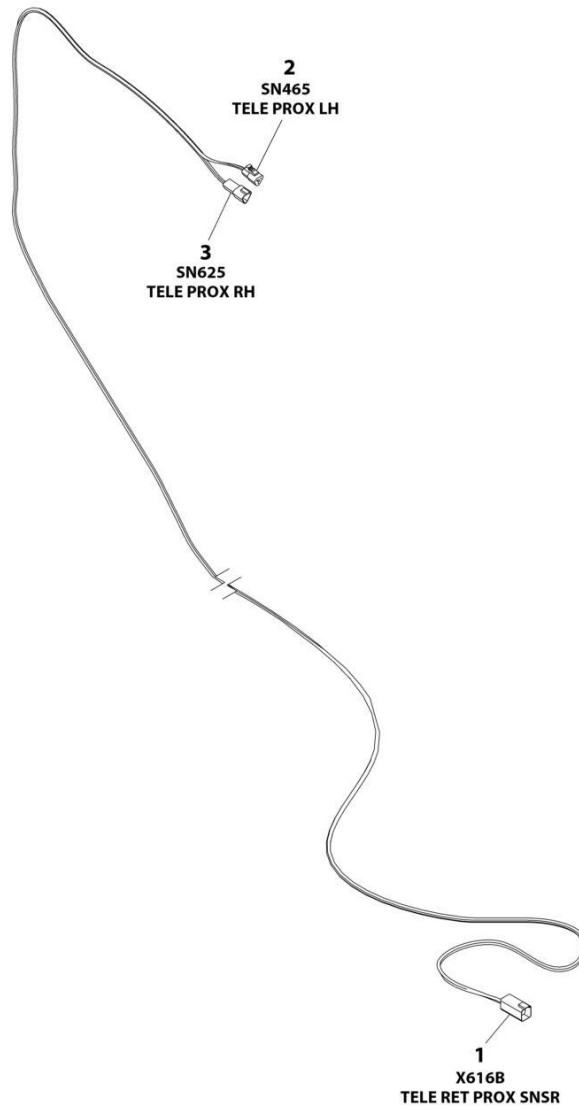
SECTION 8 - ELECTRICAL

FIGURE 8-82. STROBE LIGHT JUMPER HARNESS

ITEM	PART NUMBER	QTY	DESCRIPTION	REV
	1001283776	Ref	STROBE LIGHT HARNESS (AMBER)	A
1	4460931	1	Connector	
1	4460464	2	Pin	
1	4460466	6	Plug	
2	4460897	1	Connector	
2	4460464	2	Pin	

SECTION 8 - ELECTRICAL

FIGURE 8-83. TELE PROXIMITY HARNESS



ART_1001189003

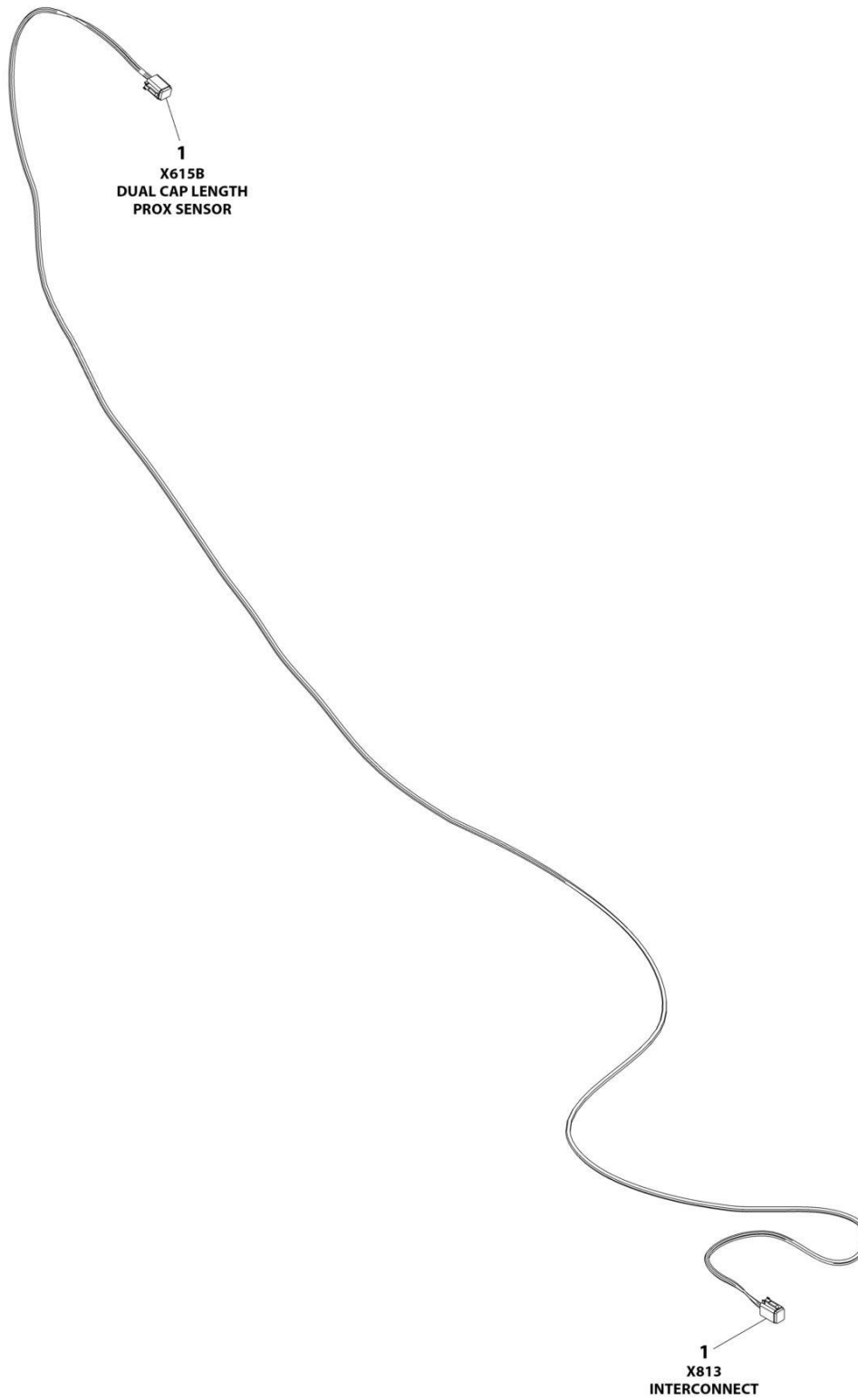
SECTION 8 - ELECTRICAL

FIGURE 8-83. TELE PROXIMITY HARNESS

ITEM	PART NUMBER	QTY	DESCRIPTION	REV
	1001189003	Ref	TELE PROXIMITY HARNESS	E
1	4460899	1	Receptacle, Female - 6 Position	
1	4460464	6	Pin, Male	
2	4460539	1	Plug, Male - 3 Position	
2	4460465	3	Socket, Female	
3	4460536	1	Receptacle, Female - 3 Position	
3	4460464	3	Pin, Male	

SECTION 8 - ELECTRICAL

FIGURE 8-84. TRANSPORT SWITCH HARNESS (660SJ HC3)



ART_1001242908

SECTION 8 - ELECTRICAL

FIGURE 8-84. TRANSPORT SWITCH HARNESS (660SJ HC3)

ITEM	PART NUMBER	QTY	DESCRIPTION	REV
	1001242908	Ref	CAPACITY PROXIMITY HARNESS	B
1	4460894	2	Plug, Male - 6 Position	
1	4460465	12	Socket, Female	

SECTION 8 - ELECTRICAL

FIGURE 8-85. TURNTABLE HARNESS

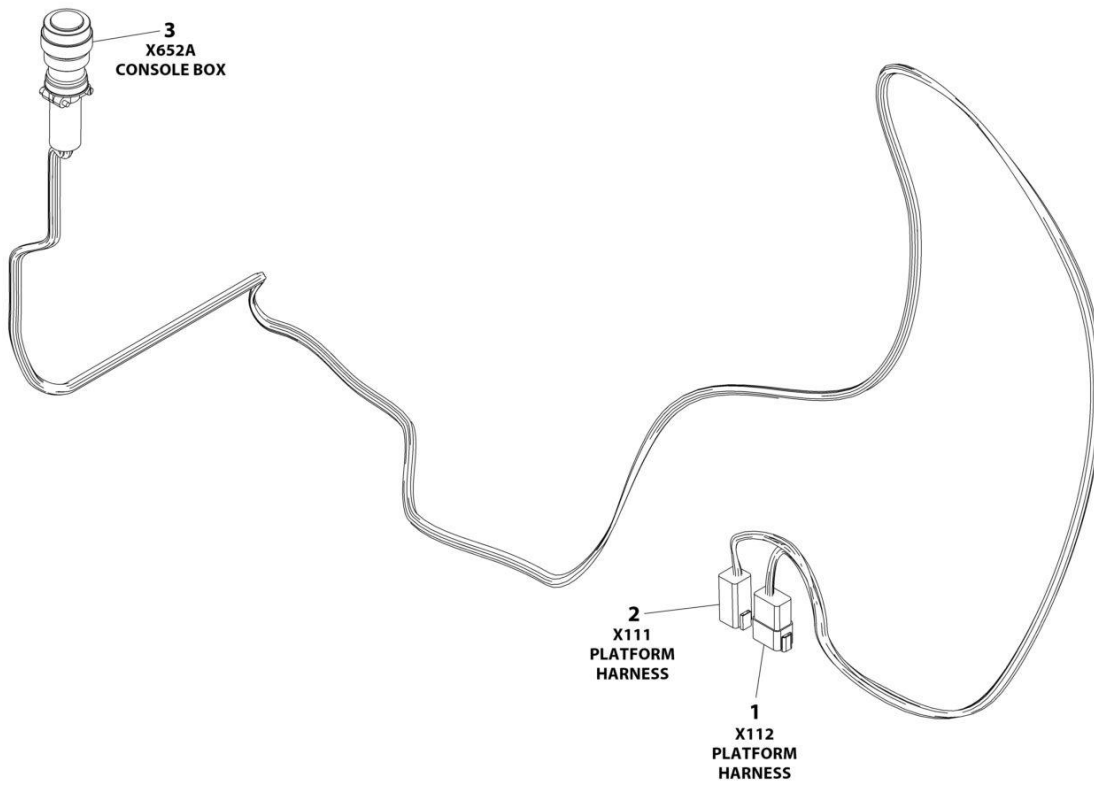
ITEM	PART NUMBER	QTY	DESCRIPTION	REV
	1001282065	Ref	TURNTABLE HARNESS	B
1	1001196602	1	Box, Fuse Less Fuses	
1	1001196604	1	Cover, Box	
1	1001190921	1	Spacer, Foam	
1	1001196634	2	Fuse 2 Amp	
1	8229242	7	Fuse 5 Amp	
1	8229244	2	Fuse 15Amp	
1	1001095704	2	Relay	
1	1001196636	2	Diode 1 Amp	
1	8220098	6	Terminal	
1	8220089	6	Seal, Terminal	
1	8220097	19	Terminal	
1	4460458	19	Seal, Terminal	
1	4460748	10	Plug, Terminal	
2	1001117106	1	Terminal, Ring	
3	4460933	1	Connector	
3	4460465	8	Socket	
3	4460466	4	Seal, Terminal	
4	4460894	7	Connector	
4	4460465	42	Socket	
5	1001113961	1	Connector	
5	4460871	5	Socket	
5	4460905	3	Plug, Terminal	
6	4460878	1	Connector	
6	4460887	2	Socket	
7	4460873	1	Connector	
7	4460871	26	Socket	
7	4460905	9	Plug, Terminal	
8	4460866	1	Connector	
8	4460464	10	Pin	
8	4460508	2	Pin	
8	4460466	7	Plug, Terminal	
9	1001112612	1	Connector	
9	4460464	5	Pin	
9	4460466	4	Plug, Terminal	
10	1001119032	1	Connector	
10	1001118378	4	Pin	
11	4460183	2	Terminal, Ring	
12	4460042	2	Terminal, Ring	
13	4460247	1	Terminal, Ring	
14	1001237667	1	Connector	
14	1001237668	5	Terminal	
15	4460260	2	Cover, Terminal	
15	4460259	2	Terminal	
16	4460930	1	Connector	
16	4460465	4	Plug, Terminal	
16	4460466	4	Plug, Terminal	
17	4460894	1	Connector	
17	4460465	4	Socket	
17	4460466	2	Plug, Terminal	

SECTION 8 - ELECTRICAL

ITEM	PART NUMBER	QTY	DESCRIPTION	REV
18	4460884	2	Connector	
18	4460465	8	Socket	
19	4460874	1	Connector	
19	4460871	21	Socket	
19	4460905	14	Plug, Terminal	
20	4460932	1	Connector	
20	4460464	4	Pin	
21	1001187078	2	Terminal, Ring	
22	1001187077	3	Terminal, Ring	
23	1001117110	2	Terminal, Ring	
24	1001103012	1	Connector	
24	1001107854	4	Socket	
25	4460424	1	Connector	
25	4460226	2	Socket	
26	4460967	1	Connector	
26	4460465	3	Socket	
27	4460891	6	Connector	
27	4460465	12	Socket	
28	4460703	1	Terminal, Ring	
29	4460702	1	Terminal, Ring	
30	8220045	1	Terminal, Ring	
31	4460931	1	Connector	
31	4460464	5	Pin	
31	4460466	3	Socket	
32	4460899	2	Connector	
32	4460464	11	Pin	
32	4460466	1	Seal, Terminal	
33	1001246859	1	Connector	
33	4460871	4	Socket	
33	4460905	10	Plug	
34	1001144147	1	Connector	
34	4460943	2	Pin	
34	4460466	1	Plug, Terminal	
35	4460930	1	Connector	
35	4460465	6	Socket	
101	1001116815	1	Connector	
102	1001121172	1	Mounting, Bracket	
103	1001125677	1	Connector	
104	1001190921	1	Seal	
105	1001192401	1	Connector	
106	1001196604	1	Cover	
107	1001226541	6	Connector, Bussbar	

SECTION 8 - ELECTRICAL

FIGURE 8-86. VALVE CABLE - PLATFORM VALVE



ART_1001266277_B

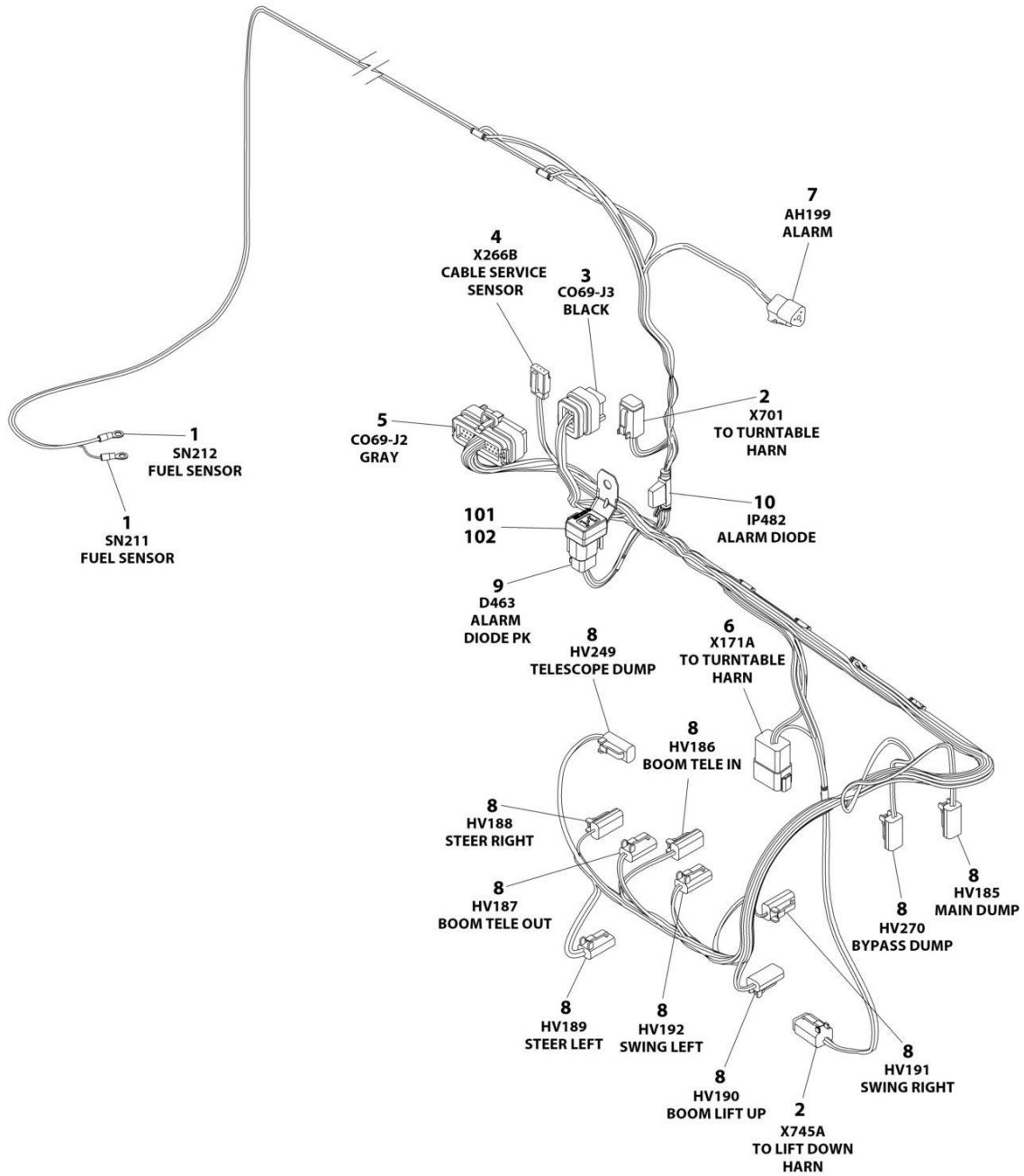
SECTION 8 - ELECTRICAL

FIGURE 8-86. VALVE CABLE - PLATFORM VALVE

ITEM	PART NUMBER	QTY	DESCRIPTION	REV
	1001266277	Ref	PLATFORM VALVE CABLE	B
1	4460931	1	Connector	
1	4460464	7	Pin	
1	4460466	1	Plug	
2	4460899	1	Connector	
2	4460464	6	Pin	
3	1001283549	1	Connector	
3	4460492	1	Clamp	
3	4460928	13	Socket	
3	4460518	8	Plug	

SECTION 8 - ELECTRICAL

FIGURE 8-87. VALVE HARNESS - MAIN VALVE



ART_1001284771

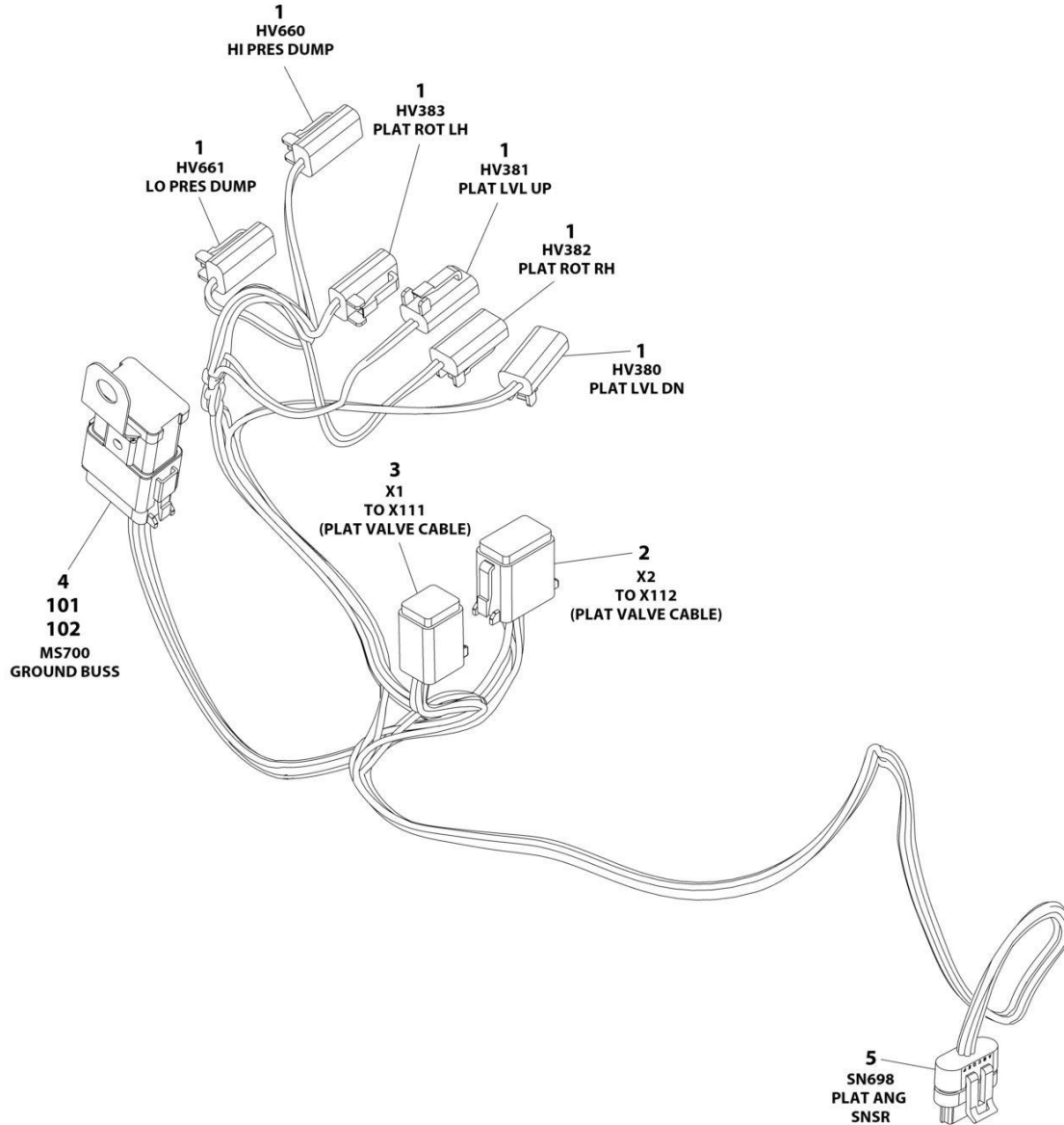
SECTION 8 - ELECTRICAL

FIGURE 8-87. VALVE HARNESS - MAIN VALVE

ITEM	PART NUMBER	QTY	DESCRIPTION	REV
	1001284771	Ref	MAIN VALVE HARNESS	A
1	4460313	2	Terminal, Ring	
2	4460884	2	Connector	
2	4460465	8	Socket	
3	4460872	1	Connector	
3	4460871	10	Socket	
3	4460905	4	Plug	
4	4460911	1	Connector	
4	1001116694	3	Socket	
5	4460875	1	Connector	
5	4460871	28	Socket	
5	4460905	7	Plug	
6	4460931	1	Connector	
6	4460464	7	Pin	
6	4460466	1	Plug, Seal	
7	4460539	1	Connector	
7	4460465	3	Socket	
8	4460891	10	Connector	
8	4460465	20	Socket	
9	4460884	1	Connector	
9	4460465	4	Socket	
10	1001170764	1	Holder, Fuse	
10	1001197719	1	Resister 0.5 Watt	
101	1001152266	1	Connector	
102	1001155743	1	Terminal, Holder	

SECTION 8 - ELECTRICAL

FIGURE 8-88. VALVE HARNESS - PLATFORM VALVE (600S HC3)



ART_1001266276

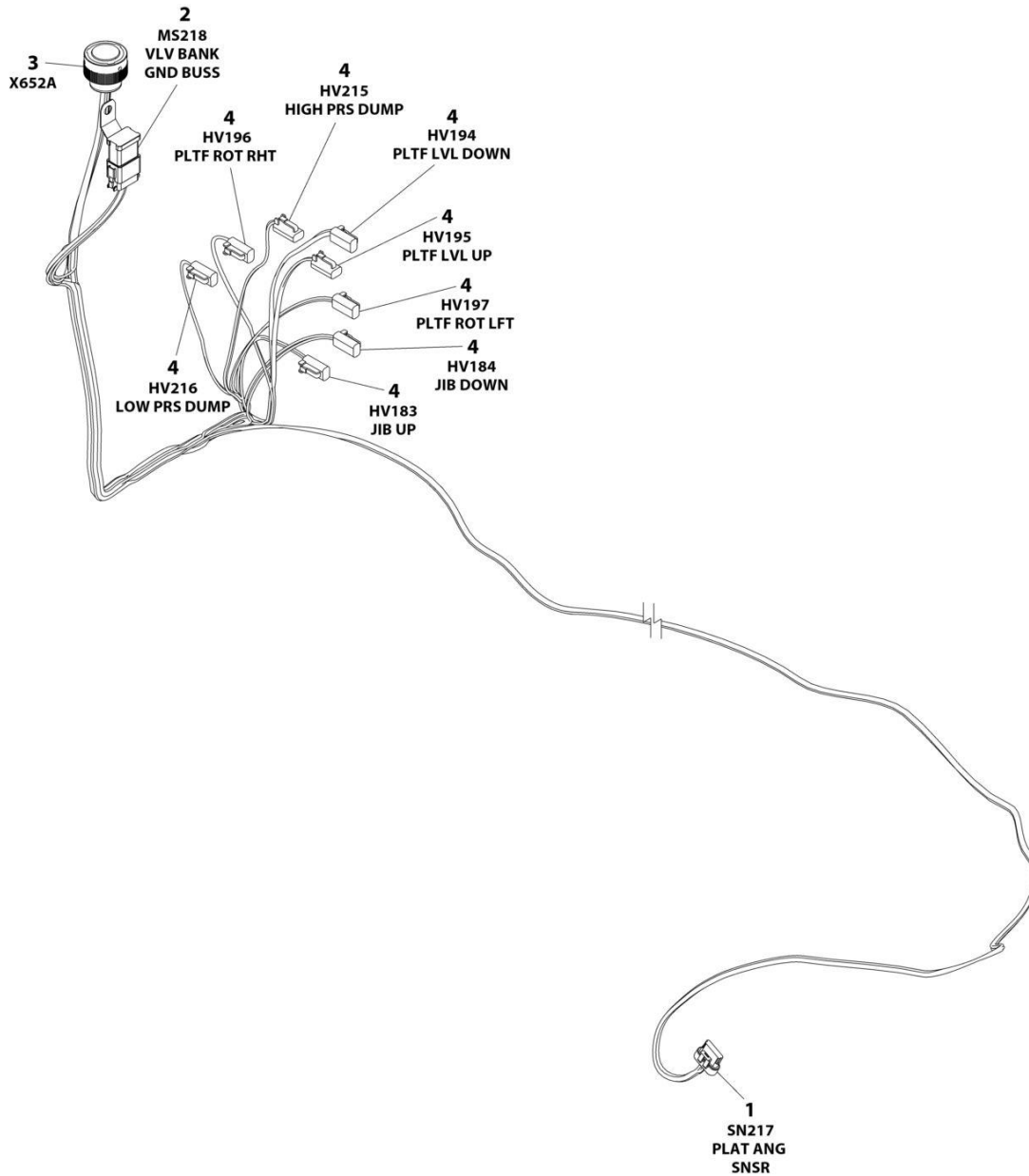
SECTION 8 - ELECTRICAL

FIGURE 8-88. VALVE HARNESS - PLATFORM VALVE (600S HC3)

ITEM	PART NUMBER	QTY	DESCRIPTION	REV
	1001266276	Ref	PLATFORM VALVE HARNESS	A
1	4460891	1	Connector	
2	4460465	2	Terminal	
3	4460891	1	Connector	
4	4460465	2	Terminal	
5	4460891	1	Connector	
6	4460465	2	Terminal	
7	4460891	1	Connector	
8	4460465	2	Terminal	
9	4460891	1	Connector	
10	4460465	2	Terminal	
11	4460891	1	Connector	
12	4460465	2	Terminal	
13	4460930	1	Connector	
14	4460465	7	Terminal	
15	4460466	1	Plug	
16	4460894	1	Connector	
17	4460465	6	Terminal	
18	4460836	1	Connector	
19	4460465	7	Terminal	
20	4460466	5	Plug	
21	1001230931	1	Connector	
22	1001116748	6	Terminal	
23	4460837	1	Connector	
24	1001120328	1	Mount	

SECTION 8 - ELECTRICAL

FIGURE 8-89. VALVE HARNESS - PLATFORM VALVE (660SJ HC3)



ART_1001264338_B

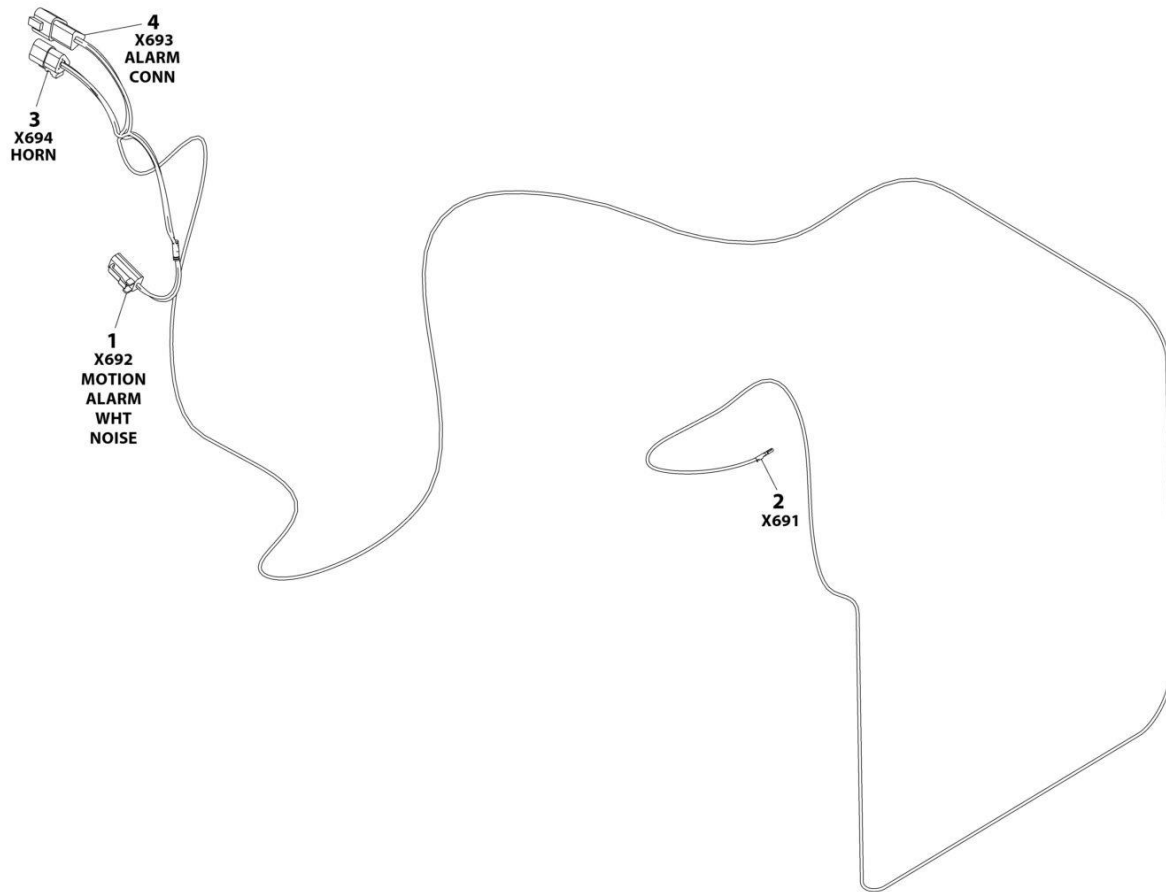
SECTION 8 - ELECTRICAL

FIGURE 8-89. VALVE HARNESS - PLATFORM VALVE (660SJ HC3)

ITEM	PART NUMBER	QTY	DESCRIPTION	REV
	1001264338	Ref	PLATFORM VALVE HARNESS	B
1	1001230931	1	Plug	
1	1001116748	6	Terminal	
2	4460836	1	Plug	
2	4460465	9	Socket	
2	4460466	3	Plug	
2	4460837	1	Connector	
2	1001120328	1	Clip, Mounting	
3	1001283549	1	Connector	
3	4460492	1	Clamp	
3	4460928	15	Socket	
3	4460518	6	Plug	
4	4460891	8	Plug	
4	4460465	16	Socket	

SECTION 8 - ELECTRICAL

FIGURE 8-90. WHITE NOISE ALARM HARNESS



ART_1001243682

SECTION 8 - ELECTRICAL

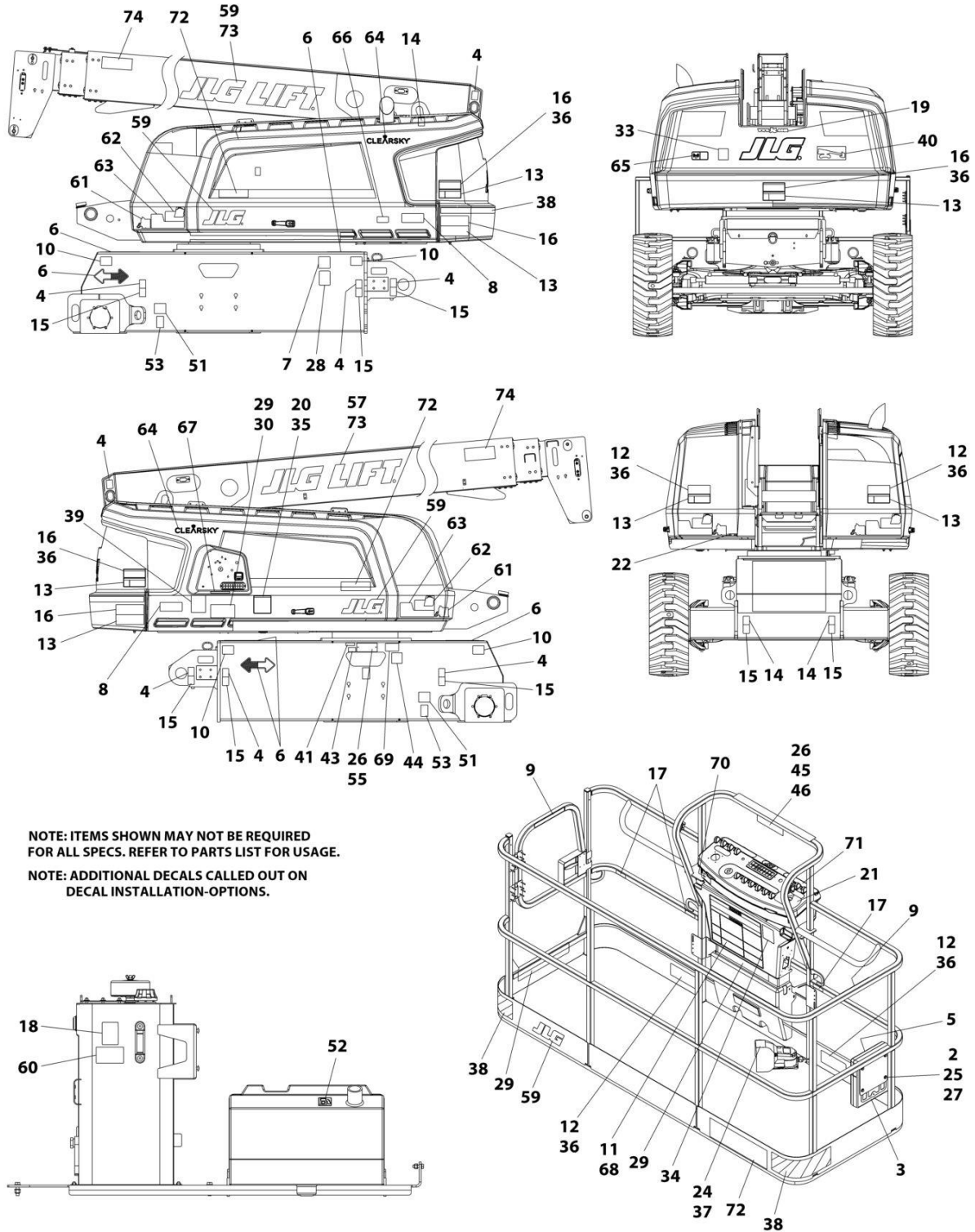
FIGURE 8-90. WHITE NOISE ALARM HARNESS

ITEM	PART NUMBER	QTY	DESCRIPTION	REV
	1001243682	Ref	WHITE NOISE ALARM HARNESS	A
1	4460891	1	Plug, Male - 2 Position	
1	4460465	2	Socket, Female	
2	4460871	1	Terminal	
3	4460539	1	Plug, Male- 3 Position	
3	4460465	3	Socket, Female	
4	4460536	1	Receptacle, Female- 3 Position	
4	4460464	3	Pin, Male	

SECTION 9 - DECALS

SECTION 9 - DECALS

FIGURE 9-1. DECAL INSTALLATION (ANSI SPECS - ENGLISH LANGUAGE)



NOTE: ITEMS SHOWN MAY NOT BE REQUIRED FOR ALL SPECS. REFER TO PARTS LIST FOR USAGE.

NOTE: ADDITIONAL DECALS CALLED OUT ON DECAL INSTALLATION-OPTIONS.

ART_1001235387

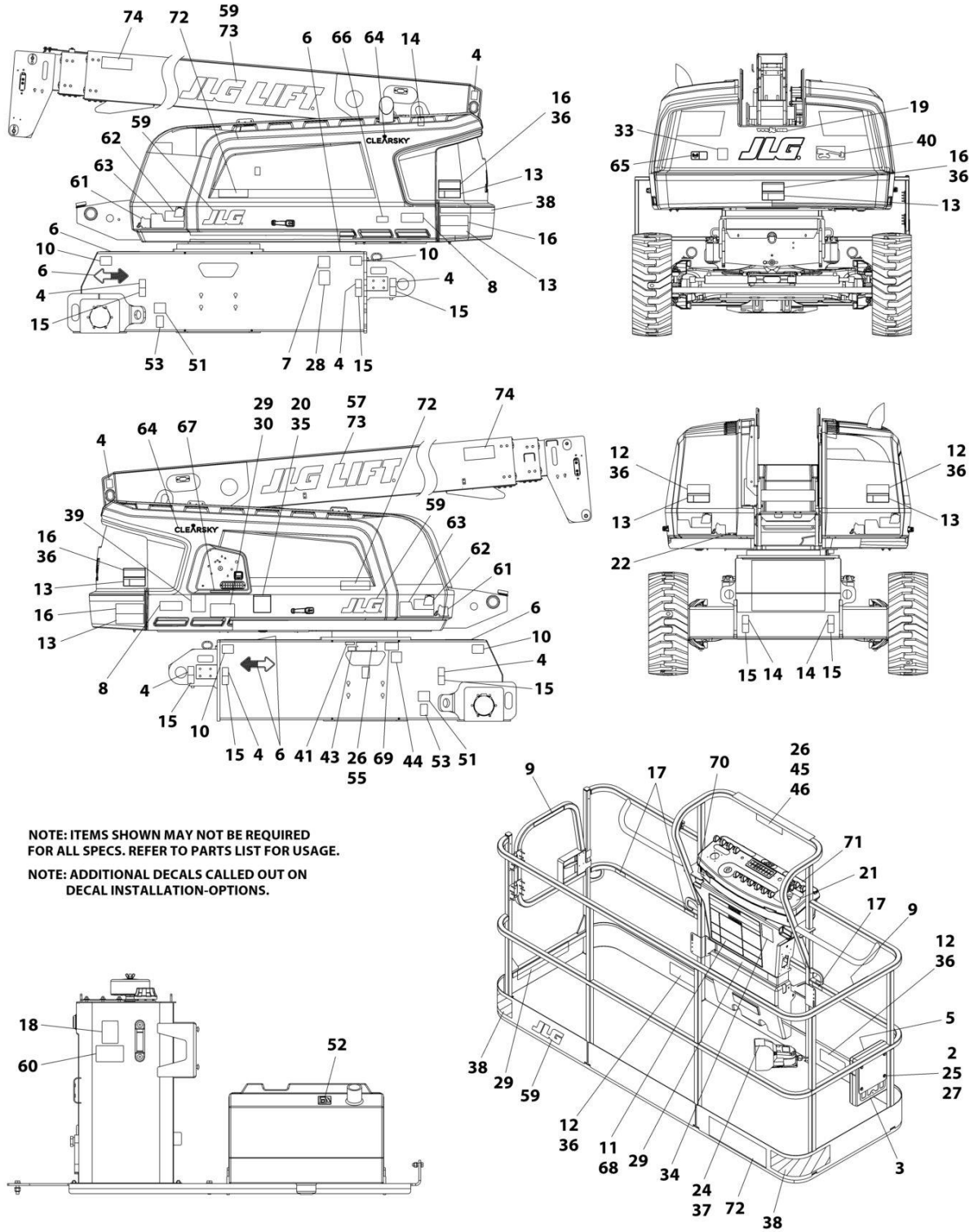
SECTION 9 - DECALS

FIGURE 9-1. DECAL INSTALLATION (ANSI SPECS - ENGLISH LANGUAGE)

ITEM	PART NUMBER	QTY	DESCRIPTION	REV
	1001235387	Ref	DECAL INSTALLATION	B
2	0700610	4	Bolt M6 x 20	
3	91403230	1	Box, Manual Storage	
4	1701499	8	Decal - No Tie Down/Lift	
5	1701509	1	Decal - Manual	
6	1701529	4	Decal - Arrow	
7	See Note	NSS	Decal - Bar Code (Note: Not Available for Purchase)	
9	1702868	2	Decal - No Hands	
11	1703797	1	Decal - Danger/Warning	
12	1703804	4	Decal - Warning/Crushing	
13	1703805	5	Decal - Electrocution	
14	1703811	4	Decal - Lifting Lug	
15	1703814	8	Decal - Tie Down	
16	1703953	3	Decal - Warning/Crushing	
17	1704277	3	Decal - Lanyard Attach	
18	1704412	1	Decal - Hydraulic Oil	
20	1705336	1	Decal - Danger/Warning	
21	1705351	1	Decal - Drive/Steer Instruction	
22	3251243	1	Decal - 120V/60Hz	
24	3252347	1	Nameplate - Footswitch	
25	3290605	4	Nut M6	
26	3820001	2	Rivet	
27	4811700	8	Washer M6	
28	1001131269	1	Decal - Patent	
29	1001234425	1	Decal - Warning/Tri-Capacity	
30	1001234426	1	Decal - Warning/Tri-Capacity	
38	4420051	208 in /5.3m	Tape, Safety	
43	1001223453	1	Decal - ICES (Canada)	
44	1001223055	1	Decal - Yearly Inspection	
71	1001184618	1	Decal - Stop Auxiliary/Power	

SECTION 9 - DECALS

FIGURE 9-2. DECAL INSTALLATION (AUSTRALIAN SPECS - ENGLISH LANGUAGE)



NOTE: ITEMS SHOWN MAY NOT BE REQUIRED FOR ALL SPECS. REFER TO PARTS LIST FOR USAGE.

NOTE: ADDITIONAL DECALS CALLED OUT ON DECAL INSTALLATION-OPTIONS.

ART_1001250609

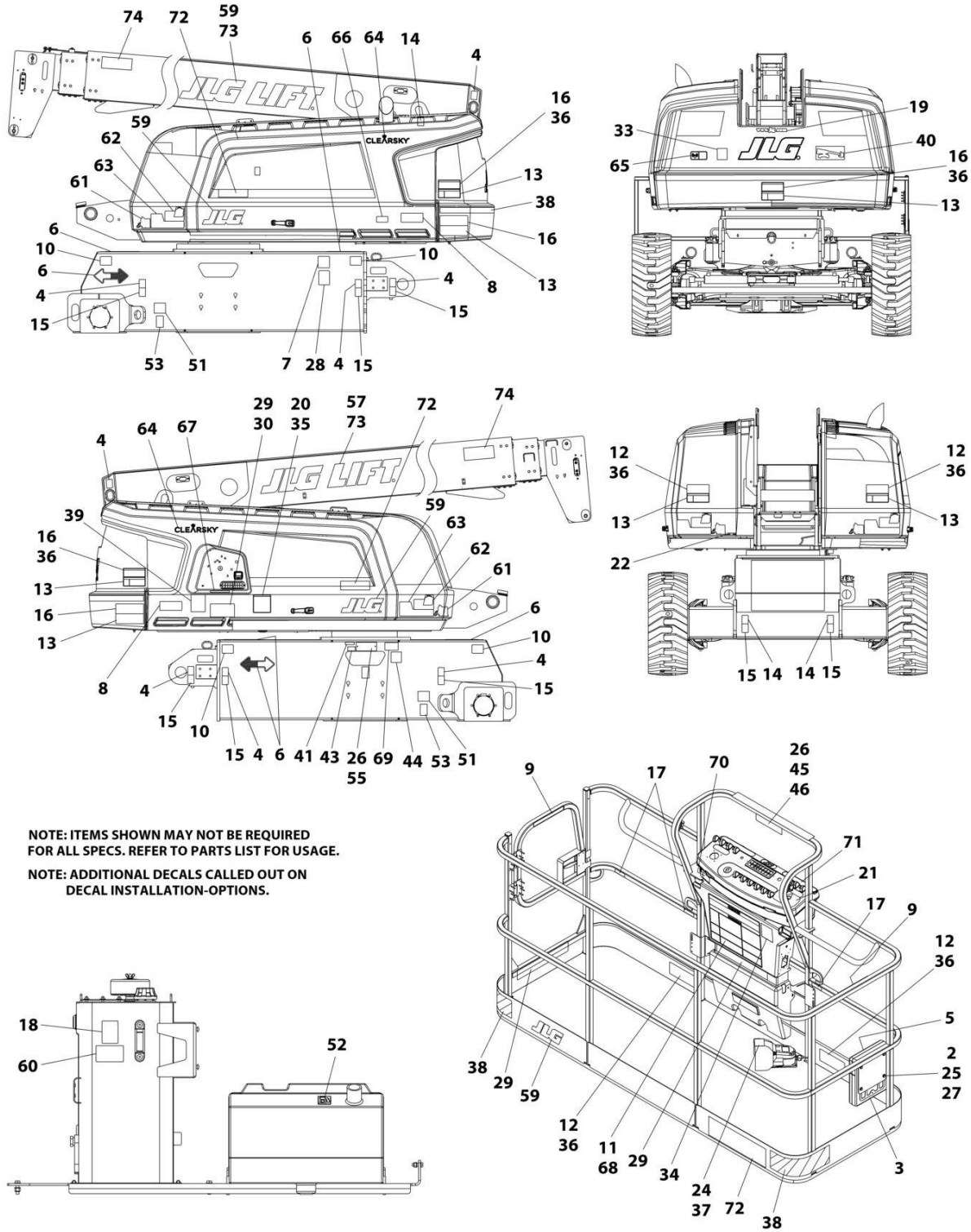
SECTION 9 - DECALS

FIGURE 9-2. DECAL INSTALLATION (AUSTRALIAN SPECS - ENGLISH LANGUAGE)

ITEM	PART NUMBER	QTY	DESCRIPTION	REV
	1001250609	Ref	DECAL INSTALLATION	C
2	0700610	4	Bolt M6 x 20	
3	91403230	1	Box, Manual Storage	
4	1701499	8	Decal - No Tie Down/Lift	
5	1701509	1	Decal - Manual	
6	1701529	4	Decal - Arrow	
7	See Note	NSS	Decal - Bar Code (Note: Not Available For Purchase)	
13	1705961	5	Decal - Electrocutation	
14	1703811	4	Decal - Lifting Lug	
15	1703814	8	Decal - Tie Down	
17	1704277	3	Decal - Lanyard Attach	
18	1704412	1	Decal - Hydraulic Oil	
25	3290605	4	Nut M6	
26	3820001	2	Rivet	
27	4811700	8	Washer M6	
29	1001234439	1	Decal - Warning/Tri - Capacity	
30	1001234439	1	Decal - Warning/Tri - Capacity	
34	1705921	1	Decal - Tipping/Electrocutation	
35	1705822	1	Decal - Electrocutation/Safety Manual	
36	1701518	7	Decal - Crushing	
37	1705828	1	Nameplate - Footswitch	
38	4420051	208 in/ 5.3m	Tape, Safety	
39	1001112551	1	Decal - Emergency Controls	
69	1001231422	1	Decal - Wheel Assembly Mass	
71	1001184618	1	Decal - Stop/Auxiliary Power	

SECTION 9 - DECALS

FIGURE 9-3. DECAL INSTALLATION (BRAZIL SPECS - PORTUGUESE/SPANISH LANGUAGES)



NOTE: ITEMS SHOWN MAY NOT BE REQUIRED FOR ALL SPECS. REFER TO PARTS LIST FOR USAGE.

NOTE: ADDITIONAL DECALS CALLED OUT ON DECAL INSTALLATION-OPTIONS.

ART_1001235446

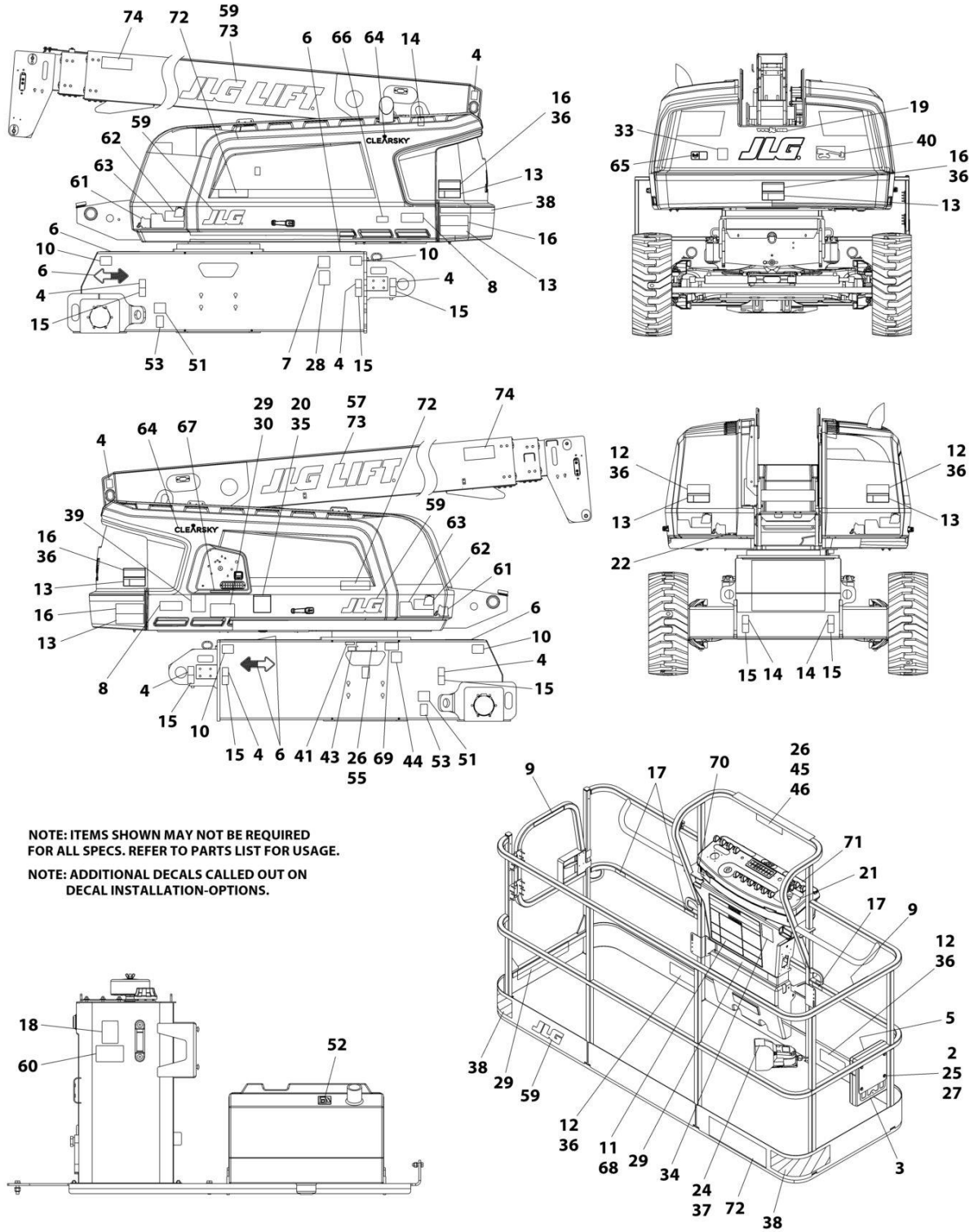
SECTION 9 - DECALS

FIGURE 9-3. DECAL INSTALLATION (BRAZIL SPECS - PORTUGUESE/SPANISH LANGUAGES)

ITEM	PART NUMBER	QTY	DESCRIPTION	REV
	1001235446	Ref	DECAL INSTALLATION	B
2	0700610	4	Bot M6 x 20	
3	91403230	1	Box, Manual Storage	
4	1701499	8	Decal - No Tie Down/Lift	
5	1701509	1	Decal - Manual	
6	1701529	4	Decal - Arrow	
7	See Note	NSS	Decal - Bar Code (Note: Not Available For Purchase)	
9	1704002	2	Decal - No Hands	
11	1703928	1	Decal - Danger/Warning	
12	1703952	4	Decal - Warning/Crushing	
13	1703940	5	Decal - Electrocution	
14	1703811	4	Decal - Lifting Lug	
15	1703814	8	Decal - Tie Down	
16	1703946	3	Decal - Warning/Crushing	
17	1704277	3	Decal - Lanyard Attach	
18	1704412	1	Decal - Hydraulic Oil	
20	1705349	1	Decal - Warning/Inspection	
21	1001113680	1	Decal - Drive/Steer Instruction	
22	3251243	1	Decal - 120V/60Hz	
24	1703985	1	Nameplate - Footswitch	
25	3290605	4	Nut M6	
26	3820001	2	Rivet	
27	4811700	8	Washer M6	
29	1001234437	2	Decal - Warning/Tri-Capacity	
30	1001234438	1	Decal - Warning/Tri-Capacity	
38	4420051	208 in /5.3m	Tape, Safety	
44	1001224052	1	Decal - Yearly Inspection	
71	1001184618	1	Decal - Stop/Auxiliary Power	

SECTION 9 - DECALS

FIGURE 9-4. DECAL INSTALLATION (CE & UK CA SPECS - ENGLISH LANGUAGE)



NOTE: ITEMS SHOWN MAY NOT BE REQUIRED FOR ALL SPECS. REFER TO PARTS LIST FOR USAGE.

NOTE: ADDITIONAL DECALS CALLED OUT ON DECAL INSTALLATION-OPTIONS.

ART_1001235449

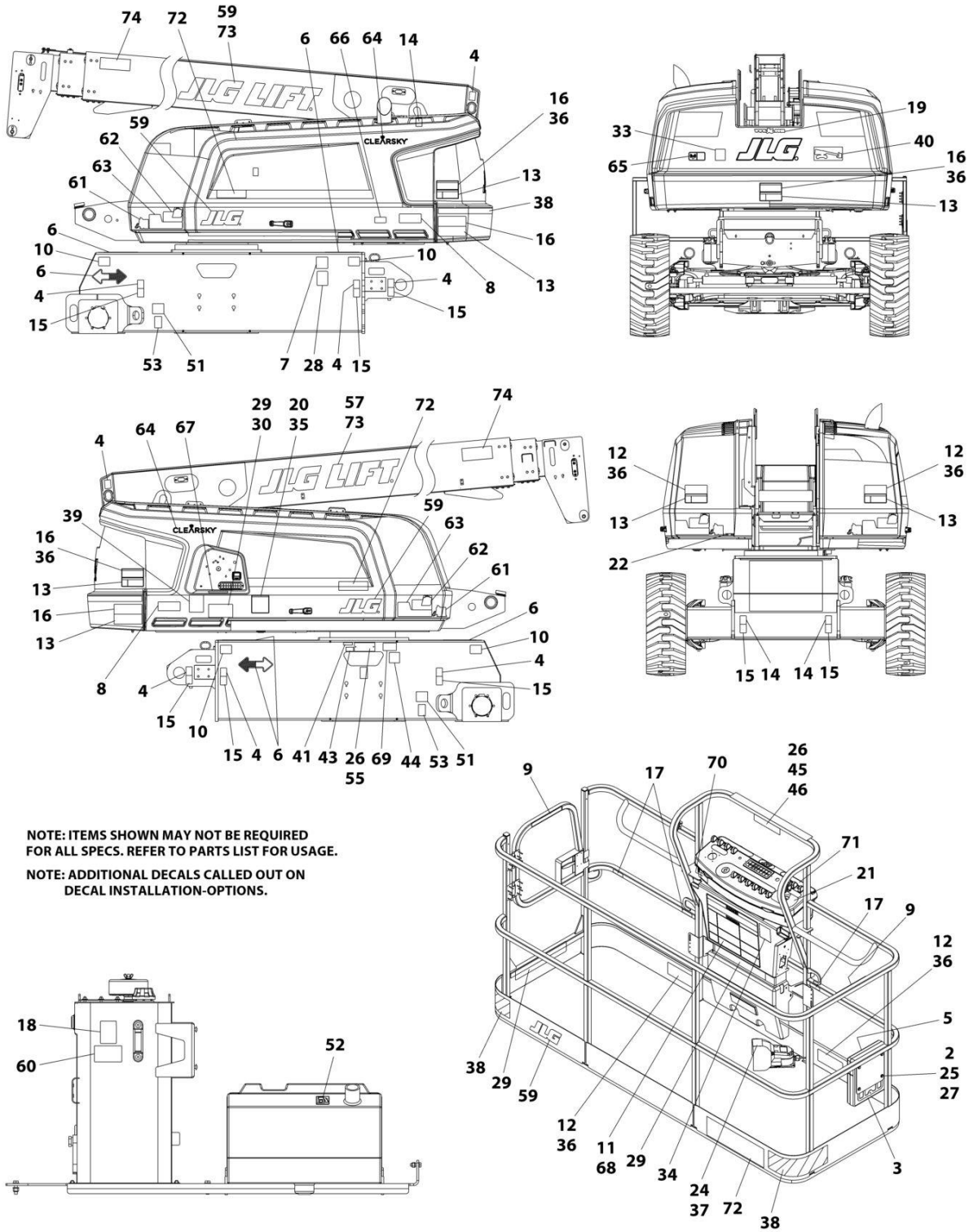
SECTION 9 - DECALS

FIGURE 9-4. DECAL INSTALLATION (CE & UK CA SPECS - ENGLISH LANGUAGE)

ITEM	PART NUMBER	QTY	DESCRIPTION	REV
	1001235449	Ref	DECAL INSTALLATION	B
2	0700610	4	Bolt M6 x 20	
3	91403230	1	Box, Manual Storage	
4	1701499	8	Decal - No Tie Down/Lift	
5	1701509	1	Decal - Manual	
6	1701529	4	Decal - Arrow	
7	See Note	NSS	Decal - Bar Code (Note: Not Available For Purchase)	
13	1705961	5	Decal - Electrocutation	
14	1703811	4	Decal - Lifting Lug	
15	1703814	8	Decal - Tie Down	
17	1704277	3	Decal - Lanyard Attach	
18	1704412	1	Decal - Hydraulic Oil	
25	3290605	4	Nut M6	
26	3820001	2	Rivet	
27	4811700	8	Washer M6	
29	1001234439	1	Decal - Warning/Tri-Capacity	
30	1001234439	1	Decal - Warning/Tri-Capacity	
34	1705921	1	Decal - Tipping/Electrocutation	
35	1705822	1	Decal - Electrocutation/Safety Manual	
36	1701518	7	Decal - Crushing	
37	1705828	1	Nameplate - Footswitch	
38	4420051	208 in/ 5.3m	Tape, Safety	
71	1001184618	1	Decal - Stop/Auxiliary Power	

SECTION 9 - DECALS

FIGURE 9-5. DECAL INSTALLATION (CHINESE SPECS - ENGLISH/SIMPLIFIED CHINESE LANGUAGES)



NOTE: ITEMS SHOWN MAY NOT BE REQUIRED FOR ALL SPECS. REFER TO PARTS LIST FOR USAGE.

NOTE: ADDITIONAL DECALS CALLED OUT ON DECAL INSTALLATION-OPTIONS.

ART_1001235445

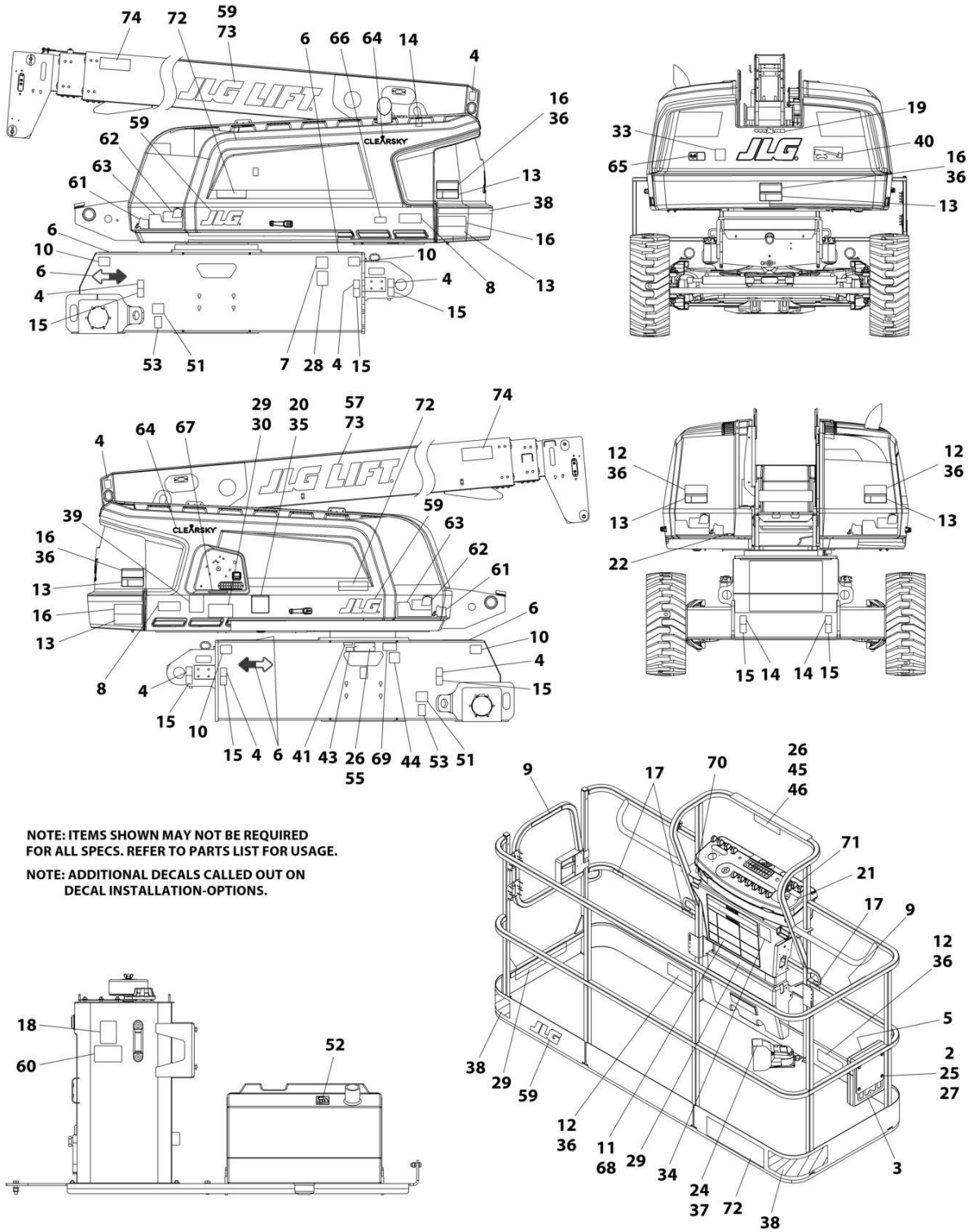
SECTION 9 - DECALS

FIGURE 9-5. DECAL INSTALLATION (CHINESE SPECS - ENGLISH/SIMPLIFIED CHINESE LANGUAGES)

ITEM	PART NUMBER	QTY	DESCRIPTION	REV
	1001235445	Ref	DECAL INSTALLATION	B
2	0700610	4	Bolt M6 x 20	
3	91403230	1	Box, Manual Storage	
4	1701499	8	Decal - No Tie Down/Lift	
5	1701509	1	Decal - Manual	
6	1701529	4	Decal - Arrow	
7	See Note	1	Decal - Bar Code (Note: Not Available for Purchase)	
9	1705968	2	Decal - No Hands	
11	1001116847	1	Decal - Warning	
12	1001116850	4	Decal - Warning/Crushing	
13	1703937	5	Decal - Electrocution	
14	1703811	4	Decal - Lifting Lug	
15	1703814	8	Decal - Tie Down	
16	1001116845	3	Decal - Warning/Crushing	
17	1704277	3	Decal - Lanyard Attach	
18	1704412	1	Decal - Hydraulic Oil	
20	1001116848	1	Decal - Warning/Inspection	
21	1705430	1	Decal - Drive Steer	
22	3251243	1	Decal - 120V/60Hz	
24	1001116852	1	Decal - Footswitch	
25	3290605	4	Nut M6	
26	3820001	2	Rivet	
27	4811700	8	Washer M6	
29	1001235401	1	Decal - Warning/Tri-Capacity	
30	1001235402	1	Decal - Warning/Tri-Capacity	
38	4420051	208 ft/ 5.3m	Tape, Safety	
44	1001224051	1	Decal - Yearly Inspection	
71	1001184618	1	Decal - Stop/Auxiliary Power	

SECTION 9 - DECALS

FIGURE 9-6. DECAL INSTALLATION (CHINESE SPECS - ENGLISH/TRADITIONAL CHINESE LANGUAGES)



NOTE: ITEMS SHOWN MAY NOT BE REQUIRED FOR ALL SPECS. REFER TO PARTS LIST FOR USAGE.

NOTE: ADDITIONAL DECALS CALLED OUT ON DECAL INSTALLATION-OPTIONS.

ART_1001235444

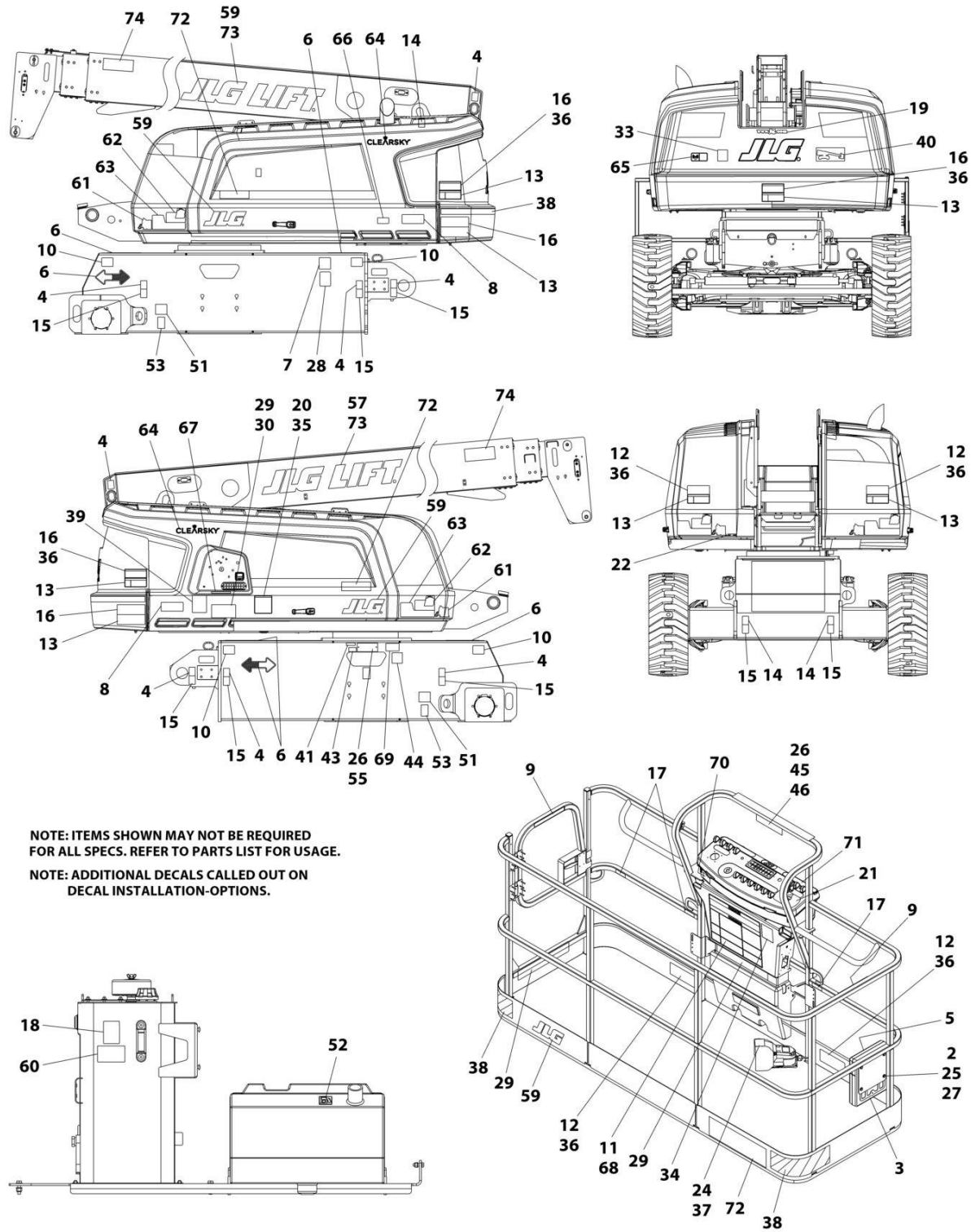
SECTION 9 - DECALS

FIGURE 9-6. DECAL INSTALLATION (CHINESE SPECS - ENGLISH/TRADITIONAL CHINESE LANGUAGES)

ITEM	PART NUMBER	QTY	DESCRIPTION	REV
	1001235444	Ref	DECAL INSTALLATION	B
2	0700610	4	Bolt M6 x 20	
3	91403230	1	Box, Manual Storage	
4	1701499	8	Decal - No Tie Down/Lift	
5	1701509	1	Decal - Manual	
6	1701529	4	Decal - Arrow	
7	See Note	1	Decal - Bar Code (Note: Not Available For Purchase)	
9	1001116846	2	Decal - No Hands	
11	1703925	1	Decal - Danger/Warning	
12	1703949	4	Decal - Crushing	
13	1001116851	5	Decal - Electrocution	
14	1703811	4	Decal - Lifting Lug	
15	1703814	8	Decal - Tie Down	
16	1703943	3	Decal - Warning/Crushing	
17	1704277	3	Decal - Lanyard Attach	
18	1704412	1	Decal - Hydraulic Oil	
20	1001116849	1	Decal - Warning/Inspection	
21	1001116863	1	Decal - Drive/Steer Instruction	
22	3251243	1	Decal - 120V/60Hz	
24	1703982	1	Nameplate - Footswitch	
25	3290605	4	Nut M6	
26	3820001	2	Rivet	
27	4811700	8	Washer M6	
29	1001234435	2	Decal - Warning/Tri-Capacity	
30	1001234436	1	Decal - Warning/Tri-Capacity	
38	4420051	208 in/ 5.3m	Tape, Safety	
44	1001224050	1	Decal - Yearly Inspection	
71	1001184618	1	Decal - Stop/Auxiliary Power	

SECTION 9 - DECALS

FIGURE 9-7. DECAL INSTALLATION (CSA SPECS - ENGLISH/FRENCH LANGUAGES)



NOTE: ITEMS SHOWN MAY NOT BE REQUIRED FOR ALL SPECS. REFER TO PARTS LIST FOR USAGE.
 NOTE: ADDITIONAL DECALS CALLED OUT ON DECAL INSTALLATION-OPTIONS.

ART_1001235448

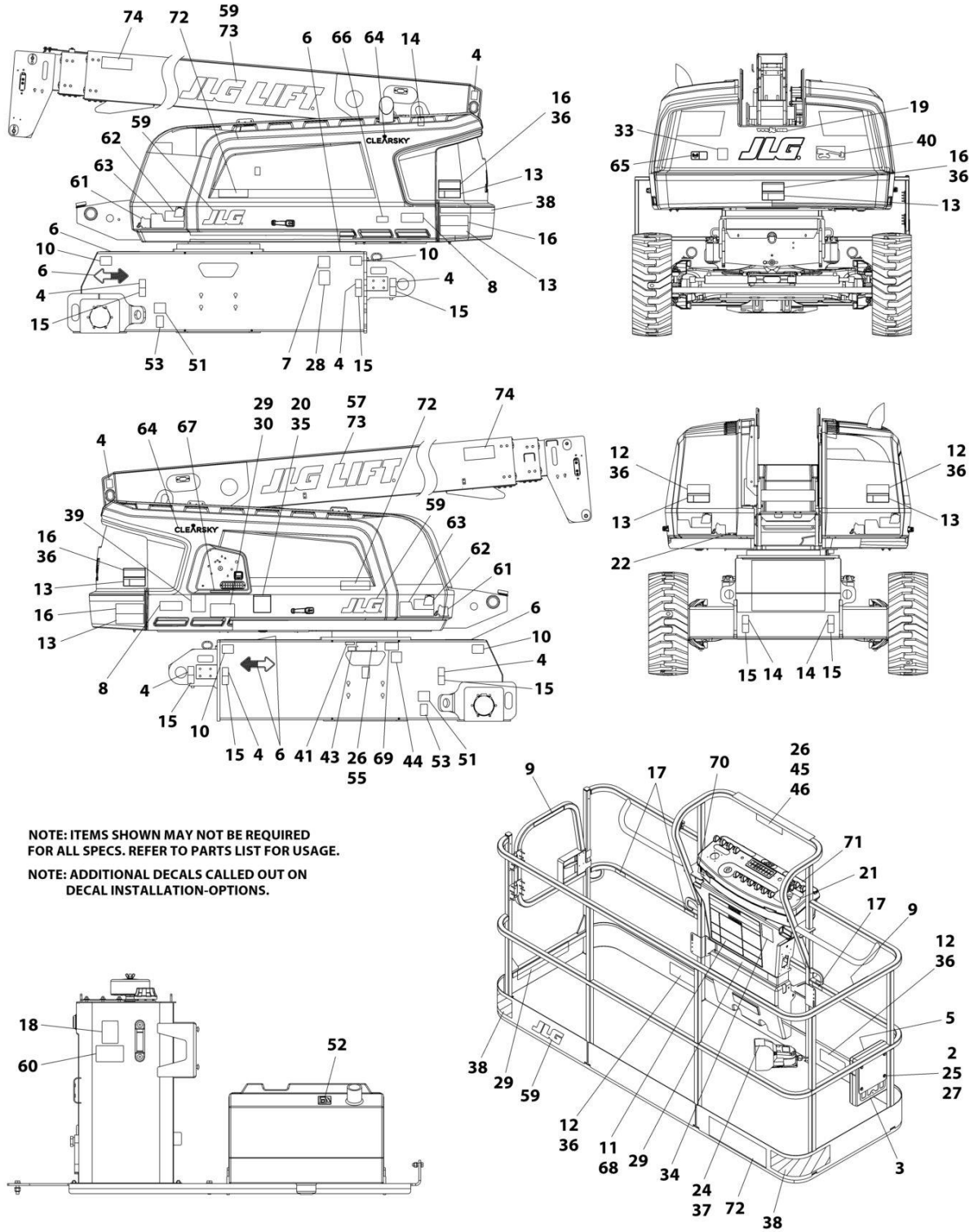
SECTION 9 - DECALS

FIGURE 9-7. DECAL INSTALLATION (CSA SPECS - ENGLISH/FRENCH LANGUAGES)

ITEM	PART NUMBER	QTY	DESCRIPTION	REV
	1001235448	Ref	DECAL INSTALLATION	B
2	0700610	4	Bolt M6 x 20	
3	91403230	1	Box, Manual Storage	
4	1701499	8	Decal - No Tie Down/Lift	
5	1701509	1	Decal - Manual	
6	1701529	4	Decal - Arrow	
7	See Note	NSS	Decal - Bar Code (Note: Not Available For Purchase)	
9	1704000	2	Decal - No Hands	
11	1703924	1	Decal - Danger/Warning	
12	1703948	4	Decal - Warning/Crushing	
13	1703936	5	Decal - Electrocuting	
14	1703811	4	Decal - Lifting Lug	
15	1703814	8	Decal - Tie Down	
16	1703942	3	Decal - Crushing	
17	1704277	3	Decal - Lanyard Attach	
18	1704412	1	Decal - Hydraulic Oil	
20	1705347	1	Decal - Warning/Inspection	
21	1705429	1	Decal - Drive/Steer Instruction	
22	3251243	1	Decal - 120V/60Hz	
24	1703984	1	Nameplate - Footswitch	
25	3290605	4	Nut M6	
26	3820001	2	Rivet	
27	4811700	8	Washer M6	
28	1001131269	1	Decal - Patent	
29	1001234433	1	Decal - Warning/Tri-Capacity	
30	1001234434	1	Decal - Warning/Tri-Capacity	
38	4420051	208 in /5.3m	Tape, Safety	
43	1001223453	1	Decal - ICES (Canada)	
44	1001223971	1	Decal - Yearly Inspection	
71	1001184618	1	Decal - Stop/Auxiliary Power	

SECTION 9 - DECALS

FIGURE 9-8. DECAL INSTALLATION (JAPANESE SPECS - ENGLISH/JAPANESE LANGUAGES)



NOTE: ITEMS SHOWN MAY NOT BE REQUIRED FOR ALL SPECS. REFER TO PARTS LIST FOR USAGE.

NOTE: ADDITIONAL DECALS CALLED OUT ON DECAL INSTALLATION-OPTIONS.

ART_1001235450

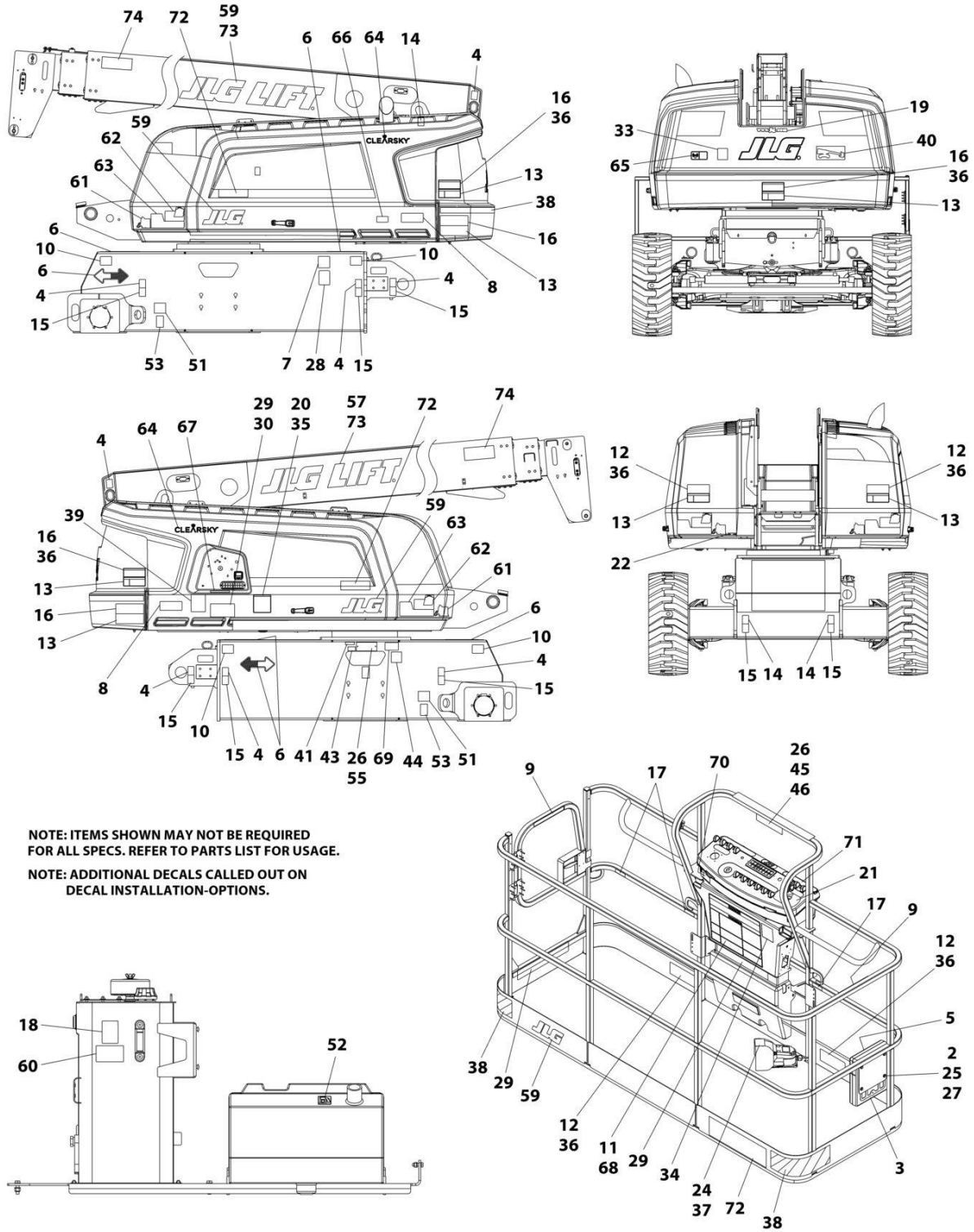
SECTION 9 - DECALS

FIGURE 9-8. DECAL INSTALLATION (JAPANESE SPECS - ENGLISH/JAPANESE LANGUAGES)

ITEM	PART NUMBER	QTY	DESCRIPTION	REV
	1001235450	Ref	DECAL INSTALLATION	B
2	0700610	4	Bolt M6 x 20	
3	91403230	1	Box, Manual Storage	
4	1701499	8	Decal - No Tie Down/Lift	
5	1701509	1	Decal - Manual	
6	1701529	4	Decal - Arrow	
7	See Note	NSS	Decal - Bar Code (Note: Not Available For Purchase)	
11	1703926	1	Decal - Danger/Warning	
12	1703950	4	Decal - Crushing	
13	1703938	5	Decal - Electrocution	
14	1703811	4	Decal - Lifting Lug	
15	1703814	8	Decal - Tie Down	
16	1703944	3	Decal - Warning/Crushing	
17	1704277	3	Decal - Lanyard Attach	
18	1704412	1	Decal - Hydraulic Oil	
20	1705344	1	Decal - Warning/Inspection	
21	1705426	1	Decal - Drive/Steer Instruction	
22	3251243	1	Decal - 120V/60Hz	
24	1703980	1	Nameplate - Footswitch	
25	3290605	4	Nut M6	
26	3820001	2	Rivet	
27	4811700	8	Washer M6	
29	1001234428	1	Decal - Warning/Tri-Capacity	
30	1001234429	1	Decal - Warning/Tri-Capacity	
38	4420051	208 in /5.3m	Tape, Safety	
44	1001224053	1	Decal - Yearly Inspection	
71	1001184618	1	Decal - Stop/Auxiliary Power	

SECTION 9 - DECALS

FIGURE 9-9. DECAL INSTALLATION (KOREAN SPECS - ENGLISH/KOREAN LANGUAGES)



NOTE: ITEMS SHOWN MAY NOT BE REQUIRED FOR ALL SPECS. REFER TO PARTS LIST FOR USAGE.

NOTE: ADDITIONAL DECALS CALLED OUT ON DECAL INSTALLATION-OPTIONS.

ART_1001235388

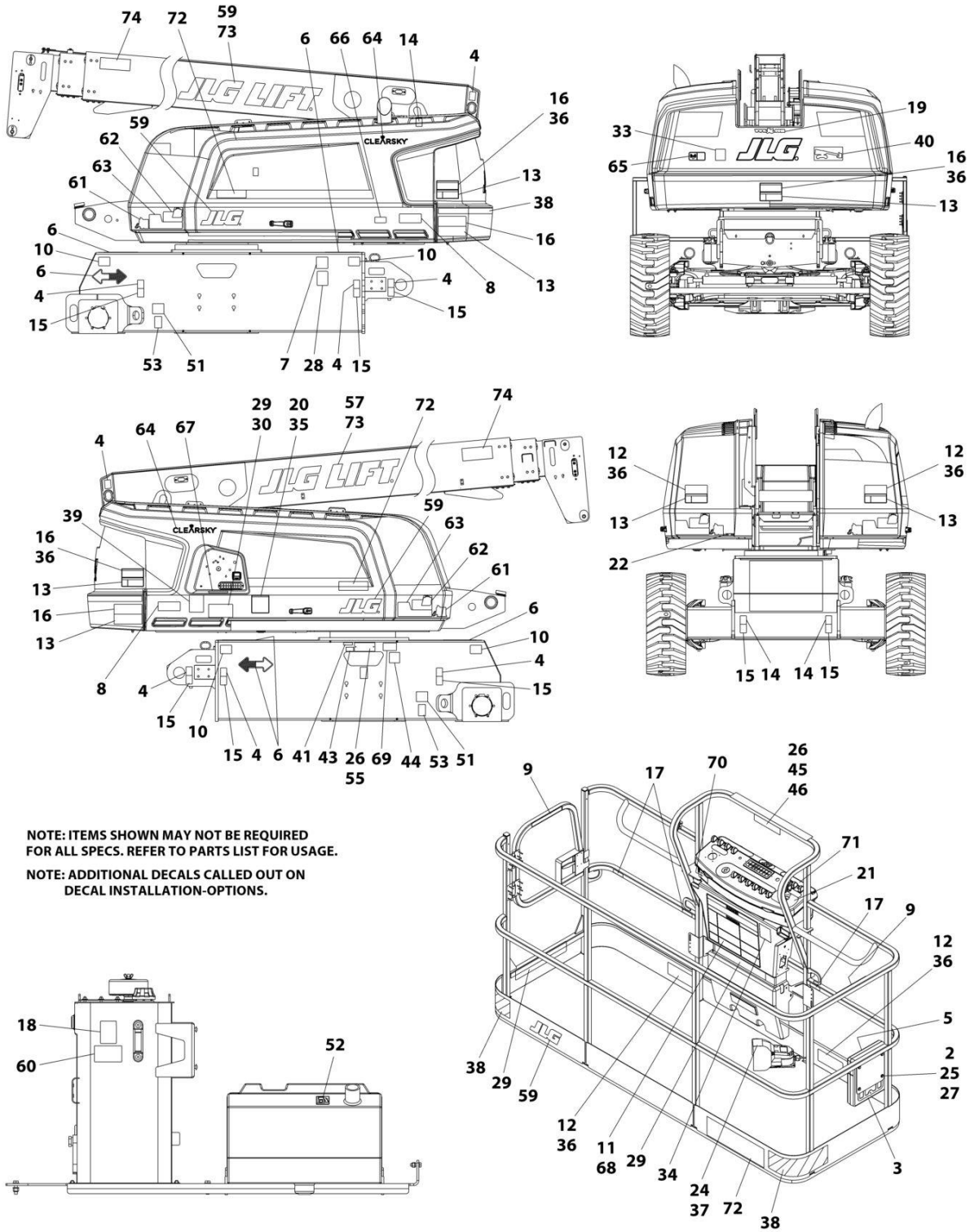
SECTION 9 - DECALS

FIGURE 9-9. DECAL INSTALLATION (KOREAN SPECS - ENGLISH/KOREAN LANGUAGES)

ITEM	PART NUMBER	QTY	DESCRIPTION	REV
	1001235388	Ref	DECAL INSTALLATION	B
2	0700610	4	Bolt M6 x 20	
3	91403230	1	Box, Manual Storage	
4	1701499	8	Decal - No Tie Down/Lift	
5	1701509	1	Decal - Manual	
6	1701529	4	Decal - Arrow	
7	See Note	NSS	Decal - Bar Code (Note: Not Available for Purchase)	
9	1705969	2	Decal - No Hands	
11	1703927	1	Decal - Warning/Danger	
12	1703951	4	Decal - Warning/Crushing	
13	1703939	5	Decal - Danger Electricution	
14	1703811	4	Decal - Lifting Lug	
15	1703814	8	Decal - Tie Down	
16	1703945	3	Decal - Warning Crushing	
17	1704277	3	Decal - Lanyard Attach Graphic	
18	1704412	1	Decal - Hydraulic Oil	
20	1705345	1	Decal - Warning/Inspection	
21	1705427	1	Decal - Drive/Steer Instruction	
24	1703981	1	Nameplate - Footswitch	
25	3290605	4	Nut M6	
26	3820001	2	Rivet	
27	4811700	8	Washer M6	
29	1001234430	1	Decal - Warning/Tri-Capacity	
30	1001235585	1	Decal - Warning/Tri-Capacity	
38	4420051	208 in /5.3m	Tape, Safety	
44	1001224048	1	Decal - Yearly Inspection	
71	1001184618	1	Decal - Stop/Auxiliary Power	

SECTION 9 - DECALS

FIGURE 9-10. DECAL INSTALLATION - LATIN AMERICAN SPECS - ENGLISH/SPANISH LANGUAGES)



NOTE: ITEMS SHOWN MAY NOT BE REQUIRED FOR ALL SPECS. REFER TO PARTS LIST FOR USAGE.

NOTE: ADDITIONAL DECALS CALLED OUT ON DECAL INSTALLATION-OPTIONS.

ART_1001235447

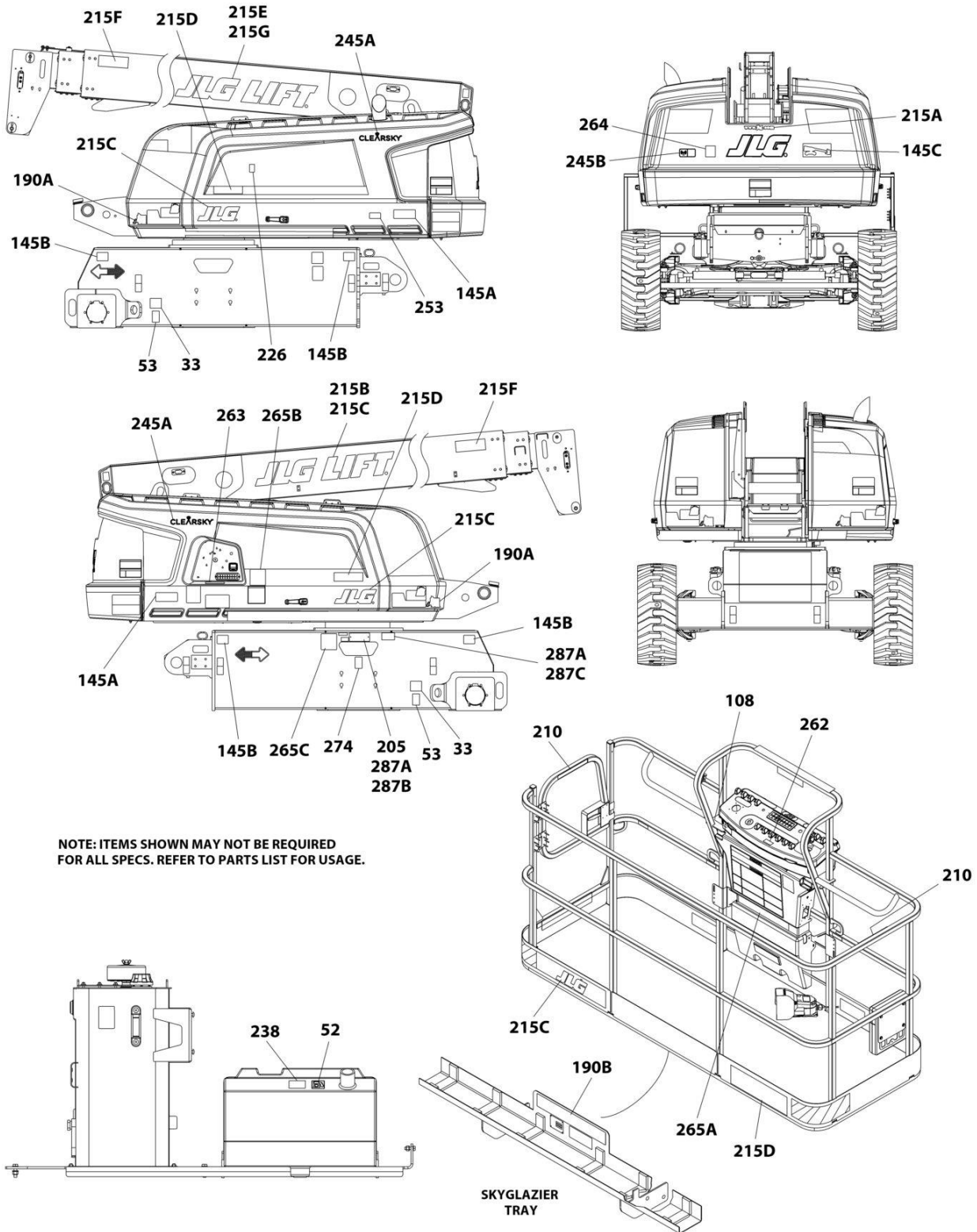
SECTION 9 - DECALS

FIGURE 9-10. DECAL INSTALLATION - LATIN AMERICAN SPECS - ENGLISH/SPANISH LANGUAGES)

ITEM	PART NUMBER	QTY	DESCRIPTION	REV
	1001235447	Ref	DECAL INSTALLATION	B
2	0700610	4	Bolt M6 x 20	
3	91403230	1	Box, Manual Storage	
4	1701499	8	Decal - No Tie Down/Lift	
5	1701509	1	Decal - Manual	
6	1701529	4	Decal - Arrow	
7	See Note	NSS	Decal - Bar Code (Note: Not Available for Purchase)	
9	1704001	2	Decal - No Hands	
11	1703923	1	Decal - Warning/Danger	
12	1703947	4	Decal - Warning/Crushing	
13	1703935	5	Decal - Electrocution	
14	1703811	4	Decal - Lifting Lug	
15	1703814	8	Decal - Tie Down	
16	1703941	3	Decal - Warning/Crushing	
17	1704277	3	Decal - Lanyard Attach	
18	1704412	1	Decal - Hydraulic Oil	
20	1705917	1	Decal - Warning/Inspection	
21	1705910	1	Decal - Drive/Steer Instruction	
22	3251243	1	Decal - 120V/60Hz	
24	1703983	1	Nameplate - Footswitch	
25	3290605	4	Nut M6	
26	3820001	2	Rivet	
27	4811700	8	Washer M6	
29	1001234431	1	Decal - Warning/Tri-Capacity	
30	1001234432	1	Decal - Warning/Tri-Capacity	
38	4420051	208 in /5.3m	Tape, Safety	
44	1001224049	1	Decal - Yearly Inspection	
71	1001184618	1	Decal - Stop/Auxiliary Power	

SECTION 9 - DECALS

FIGURE 9-11. DECALS INSTALLATION - OPTIONS



SECTION 9 - DECALS

FIGURE 9-11. DECALS INSTALLATION - OPTIONS

ITEM	PART NUMBER	QTY	DESCRIPTION	REV
	1001245998	Ref	DECAL INSTALLATION - REFERENCE CHART	D
	1001246000	Ref	DECAL INSTALLATION - OPTIONS	A
33	1700818	2	Decal - LP Gas Liquid Withdrawal System (ANSI & ANSI Export Specs)	
33	1704271	2	Decal - LP Gas Liquid Withdrawal System (CSA Spec)	
33	1702720	2	Decal - LP Gas Liquid Withdrawal System (ANSI Export Specs)	
52	1701542	1	Decal - Gas	
52	1701505	1	Decal - Diesel Fuel	
53	1701543	1	Decal - LPG (Gas Machines Only)	
108	1001231801	1	Decal - Proposition 65 Warning (Diesel Engines)	
145	1001250606	Ref	Model Designation Decals (600S HC3)	
145	1001250608	Ref	Model Designation Decals (660SJ HC3)	
145A	1702815	2	Decal - Model (600S HC3)	
145A	1702817	2	Decal - Model (660SJ HC3)	
145B	1703470	4	Decal - Maximum Tire Load (600S HC3)	
145B	1001250604	4	Decal - Maximum Tire Load (660SJ HC3)	
145C	1001215615	1	Decal - Lift Diagram	
190	1001262102	Ref	Decal - SkyGlazier (ANSI and CSA Specs) (English Decals)	
190	1001262104	Ref	Decal - SkyGlazier (Brazil Specs) (Portuguese Decals)	
190	1001262103	Ref	Decal - SkyGlazier (Latin American Specs) (Spanish Decals)	
190	1001262105	Ref	Decal - SkyGlazier (Australian Specs)	
190A	1705358	2	Decal - SkyGlazier	
190B	1001259018	2	Decal - SkyGlazier Capacity (ANSI and CSA Specs)	
190B	1001262116	2	Decal - SkyGlazier Capacity (Brazil Specs)	
190B	1001262115	2	Decal - SkyGlazier Capacity (Latin American Specs)	
205	See Note	NSS	Nameplate - Manufacturers Serial Number (Note: Not Available for Purchase)	
210		Ref	Decal - No Hands Options (Machines with Platform Mesh/Soft-Touch Options):	
210	1702868	2	Decal - No Hands (ANSI, ANSI Export, Australian, CE & UK CA Specs) (English Language)	
210	1704002	2	Decal - No Hands (Brazil Specs) (Portuguese & Spanish Languages)	
210	1705968	2	Decal - No Hands (China Specs) (English & Simplified Chinese Languages)	
210	1001116846	2	Decal - No Hands (China Specs) (English & Traditional Chinese Languages)	
210	1704000	2	Decal - No Hands (CSA Specs) (English & French Languages)	
210	1705969	2	Decal - No Hands (Korean Specs) (English & Korean Languages)	
210	1704001	2	Decal - No Hands (Latin American Specs) (English & Spanish Languages)	
	1001254460	Ref	Decal Installation - JLG Logo (All Specs except CE & UK CA Specs)	B
	1001254461	Ref	Decal Installation - JLG Logo (CE & UK CA Specs)	B
215A	1704865	1	Decal Website - JLG Logo (All Specs except CE & UK CA Specs)	
215B	1702861	1	Decal - JLG Lift (All Specs except CE & UK CA Specs)	
215C	1702773	AR	Decal - JLG	
215D	1001244212	3	Decal - HC3	
215E	1702860	1	Decal - JLG Lift	
215F	1001250906	2	Decal - HC3	

SECTION 9 - DECALS

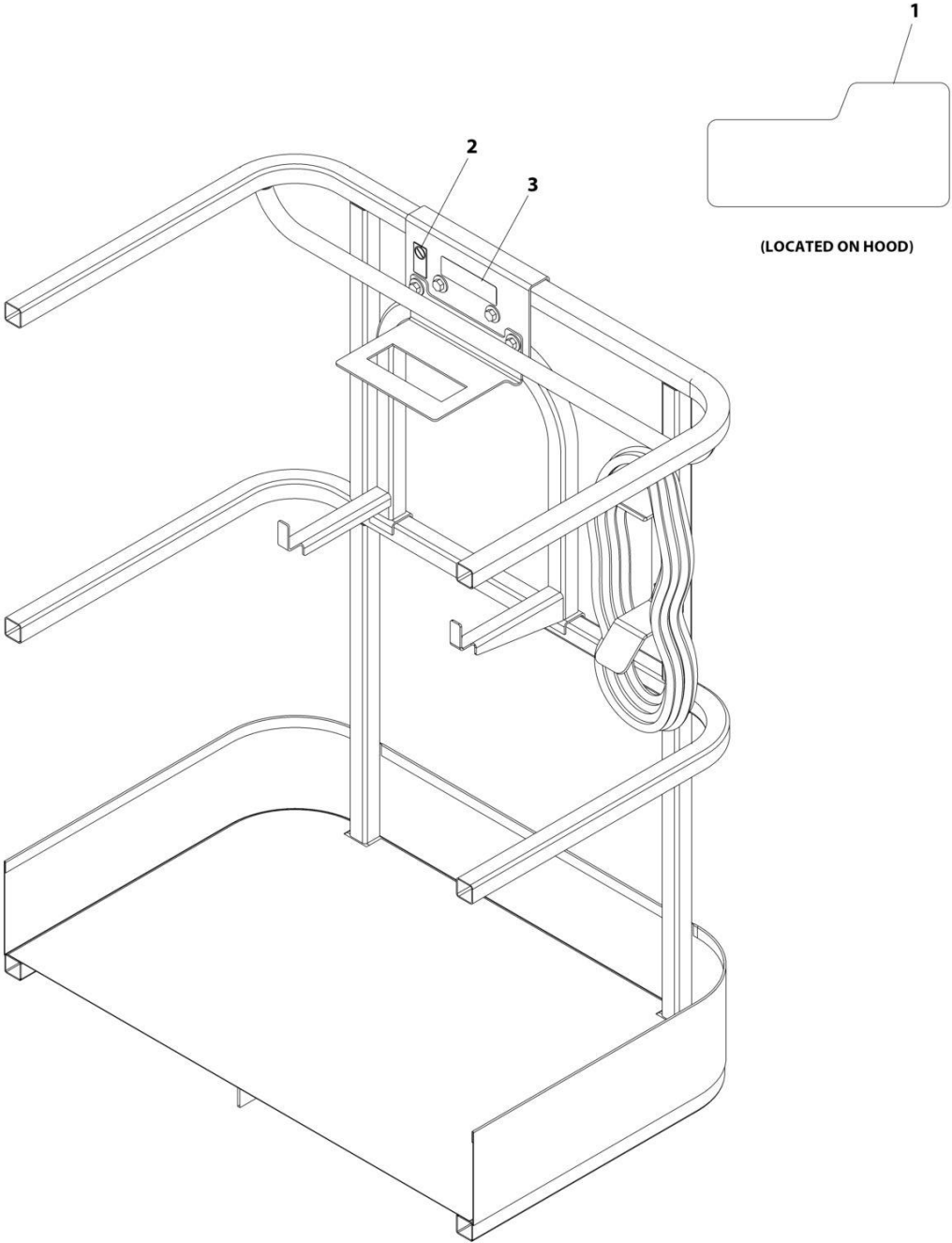
ITEM	PART NUMBER	QTY	DESCRIPTION	REV
215G	1001159323	1	Decal - JLG (CE & UK CA Specs)	
226		Ref	Decal - Warning Explosion/Fire Options (Diesel Engine Machines Only):	
226	1704972	1	Decal - Warning Explosion/Fire (ANSI/ANSI Export Spec)	
226	1706098	1	Decal - Warning Explosion/Fire (Australian, CE & UK CA Specs)	
226	1706059	1	Decal - Warning Explosion/Fire (Brazil Spec - Dual Language English/Portuguese)	
226	1706060	1	Decal - Warning Explosion/Fire (Chinese Spec - Dual Language English/Chinese)	
226	1706064	1	Decal - Warning Explosion/Fire (CSA Spec - Dual Language English/French)	
226	1706062	1	Decal - Warning Explosion/Fire (Japanese Spec - Dual Language English/Japanese)	
226	1706061	1	Decal - Warning Explosion/Fire (Korean Spec - Dual Language English/Korean)	
226	1706063	1	Decal - Warning Explosion/Fire (Latin American - Dual Language English/Spanish)	
238	1001125387	1	Decal - Ultra Low Sulfur Fuel (ANSI & CSA Specs)	
238	1001139654	1	Decal - Ultra Low Sulfur Fuel (ANSI Export HRC, Japanese, CE & UK CA Specs)	
245	1001120992	Ref	Decal Installation - ClearSky	
245A	1001116208	2	Decal - ClearSky	
245B	1001120989	1	Decal - Radio Frequency	
245	1001294766	1	ClearSky Smart Fleet Decal Installation	
245A	1001120989	1	Decal - Radio Frequency	
245B	1001294815	1	Decal - ClearSky	
253	1001143852	1	Decal - Emission Compliance (Machines with Diesel Engines) (ANSI Export, Australian, China, CE & UK CA Specs)	
262	1001141300	1	Decal - SkyGuard Override (Without Soft-Touch)	
262	1001141302	1	Decal - SkyGuard Override (With Soft-Touch)	
263	1001197408	1	Decal - MSSO (CE & UK CA Specs)	
264	1001130492	1	Decal - Sound Power (Deutz D2011 Engines) (Australian, CE & UK CA Specs)	
264	1705515	1	Decal - Sound Power (Deutz TD2.9L4 Engines) (Australian, CE & UK CA Specs)	
265	1001261342	Ref	Decal - Soft Touch (ANSI Specs) (600S HC3)	A
265	1001261343	Ref	Decal - Soft Touch (CE & UK CA Specs) (600S HC3)	A
265	1001261344	Ref	Decal - Soft Touch (ANSI Specs) (660SJ HC3)	A
265	1001261345	Ref	Decal - Soft Touch (CE & UK CA Specs) (660SJ HC3)	A
265A	1001261347	1	Decal - Warning (ANSI Specs) (600S HC3)	
265A	1001261586	1	Decal - Warning (CE & UK CA Specs) (600S HC3)	
265B	1001261348	1	Decal - Warning (ANSI Specs) (600S HC3)	
265C	1001195491	1	Decal - ANSI (600S HC3)	
265C	1001195490	1	Decal - CE & UK CA (600S HC3)	
265A	1001261349	1	Decal - Warning (ANSI Specs) (660SJ HC3)	
265A	1001261587	1	Decal - Warning (CE & UK CA Specs) (660SJ HC3)	
265B	1001261350	1	Decal - Warning (ANSI Specs) (660SJ HC3)	
265C	1001195491	1	Decal - ANSI (660SJ HC3)	
265C	1001195490	1	Decal - CE & UK CA (660SJ HC3)	
274	1001214030	Ref	Decal - EAC Installation (CIS and Russia Specs)	
274	1001173703	1	Decal - EAC	
	1001239371	1	ECO Label Installation	A
287A	3820001	8	Rivet	
287B	See Note	NSS	Decal - ECO Label (Note: Not Available for Purchase)	

SECTION 9 - DECALS

ITEM	PART NUMBER	QTY	DESCRIPTION	REV
287C	See Note	NSS	Decal - Plate Main Code (Note: Not Available for Purchase)	

SECTION 9 - DECALS

FIGURE 9-12. DECAL INSTALLATION - SKYWELDER (50HZ)



ART_0272588

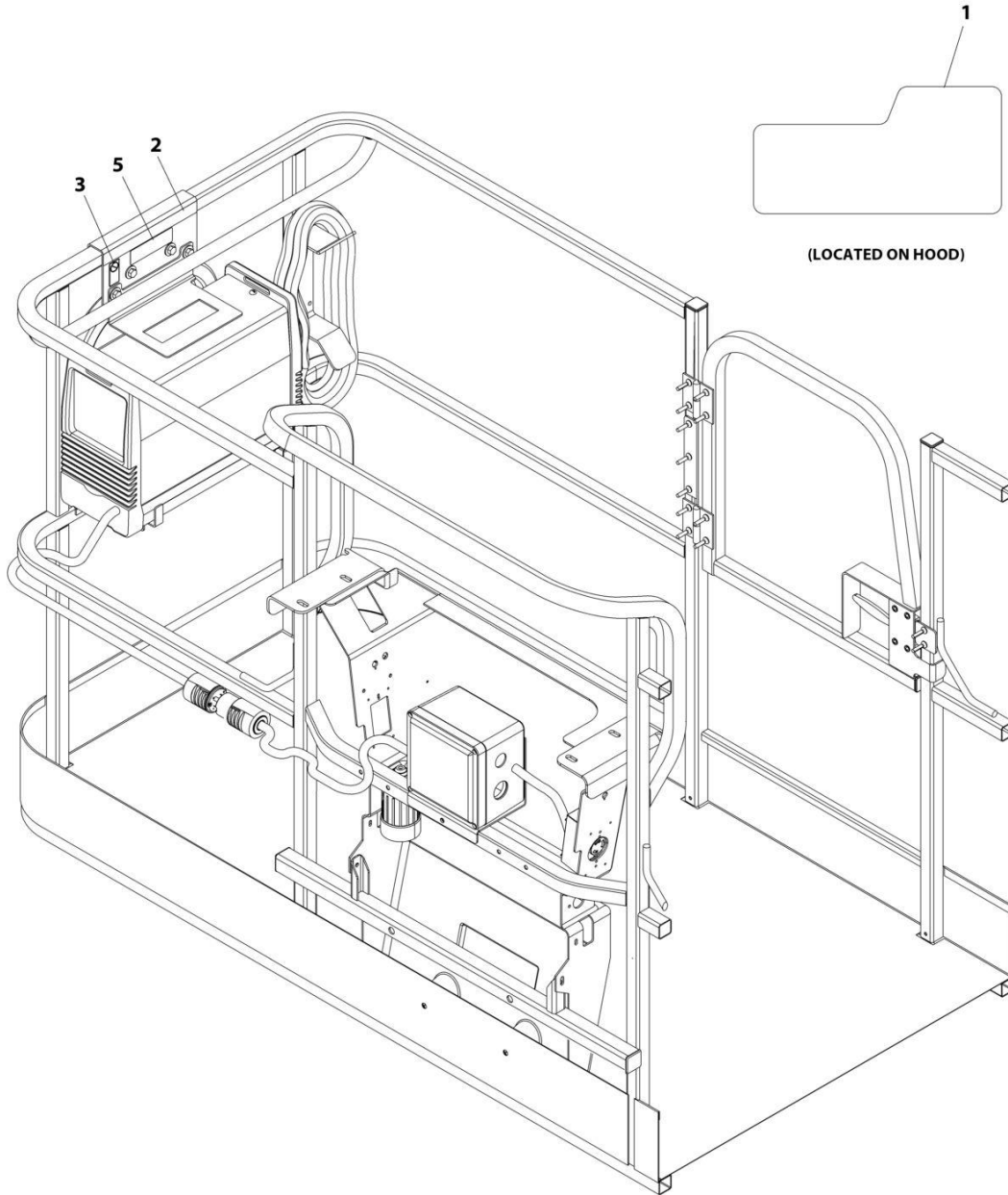
SECTION 9 - DECALS

FIGURE 9-12. DECAL INSTALLATION - SKYWELDER (50HZ)

ITEM	PART NUMBER	QTY	DESCRIPTION	REV
	0272588	Ref	SKYWELDER DECAL INSTALLATION - 50Hz	B
1	1705355	2	Decal - SkyWelder	
2	1705305	1	Decal - Weld Lead	
3	1001228988	1	Decal - Weight	

SECTION 9 - DECALS

FIGURE 9-13. DECAL INSTALLATION - SKYWELDER (60HZ)



ART_0272448_D

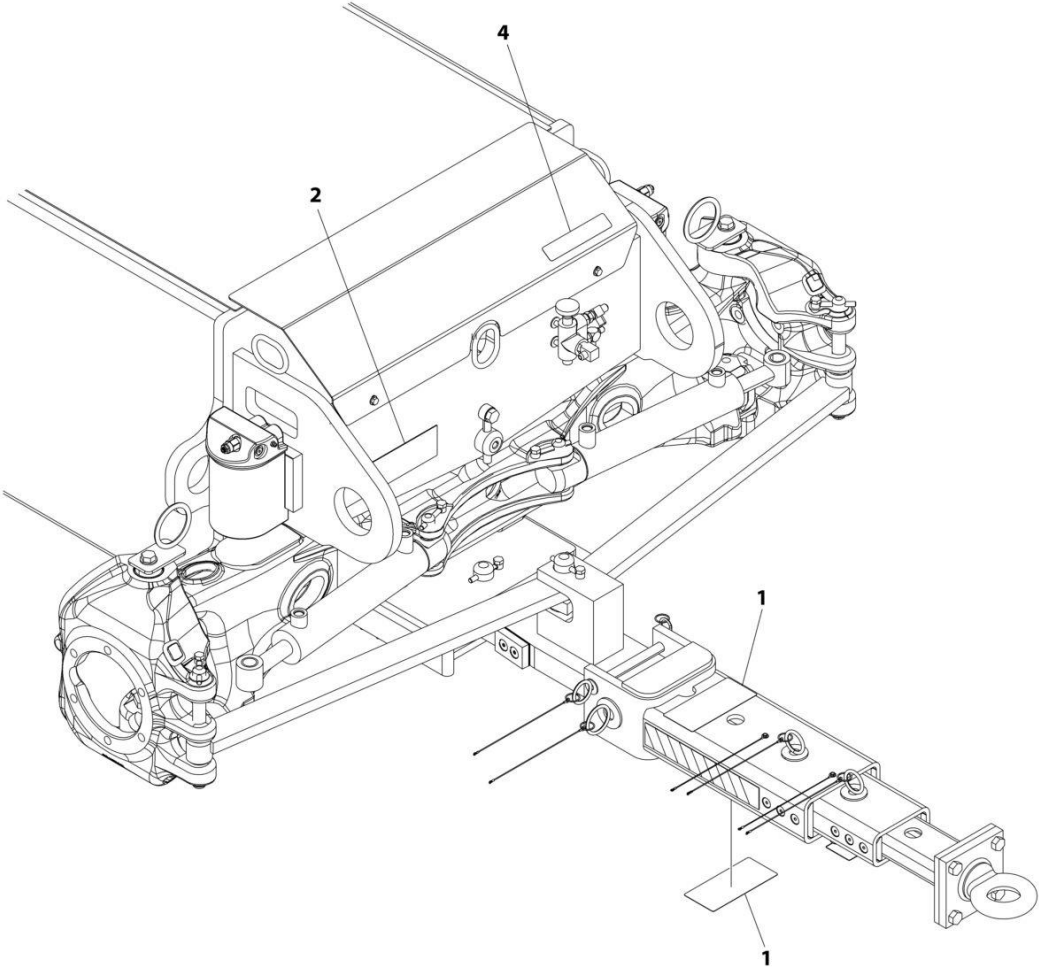
SECTION 9 - DECALS

FIGURE 9-13. DECAL INSTALLATION - SKYWELDER (60HZ)

ITEM	PART NUMBER	QTY	DESCRIPTION	REV
	0272448	Ref	SKYWELDER DECAL INSTALLATION - 60Hz	D
1	1705355	2	Decal - SkyWelder	
2	1702868	1	Decal - No Hands	
3	1705305	1	Decal - Weld Lead	
5	1001228988	1	Decal - Weight	

SECTION 9 - DECALS

FIGURE 9-14. DECAL INSTALLATION - TOW (ANSI SPECS)



ART_1001188894

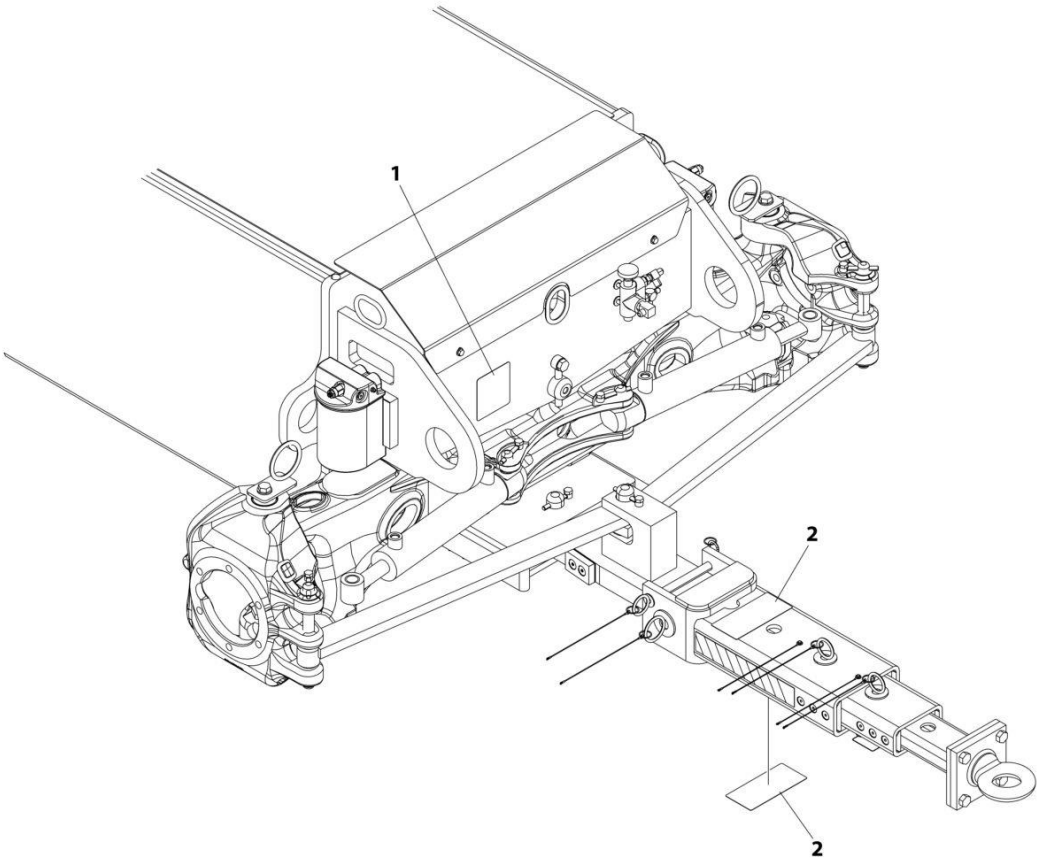
SECTION 9 - DECALS

FIGURE 9-14. DECAL INSTALLATION - TOW (ANSI SPECS)

ITEM	PART NUMBER	QTY	DESCRIPTION	REV
	1001188894	Ref	DECAL INSTALLATION	B
1	1704578	2	Decal - Crushing	
2	1705090	1	Decal - Towing Instructions	
4	1001190159	1	Decal - Steer/Tow Select Valve	

SECTION 9 - DECALS

FIGURE 9-15. DECAL INSTALLATION - TOW (ANSI EXPORT, RUSSIA, CHINA, CE & UK CA SPECS)



ART_100118896

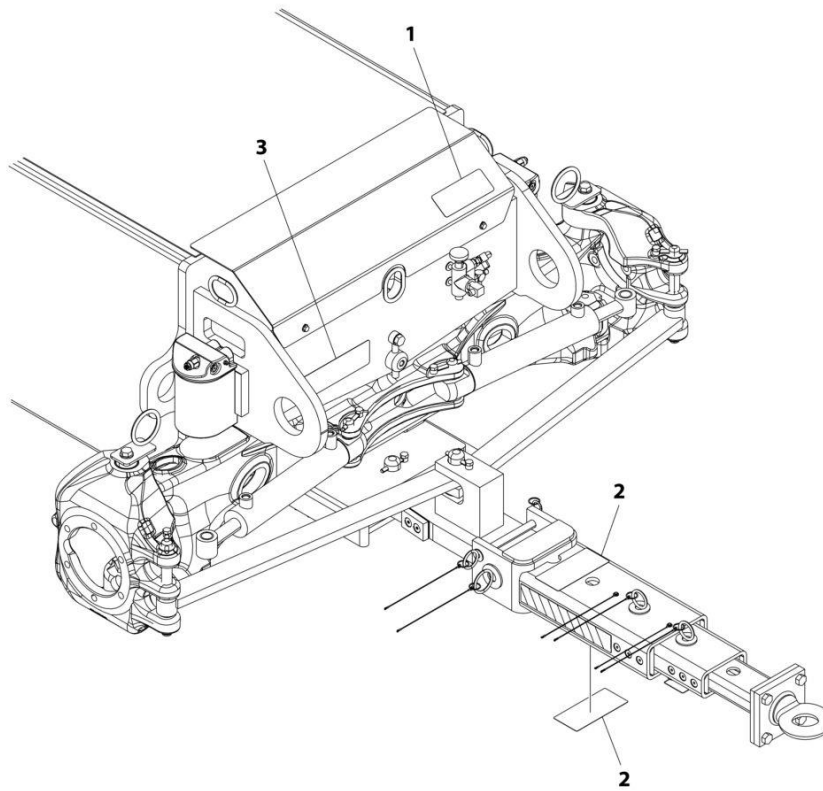
SECTION 9 - DECALS

FIGURE 9-15. DECAL INSTALLATION - TOW (ANSI EXPORT, RUSSIA, CHINA, CE & UK CA SPECS)

ITEM	PART NUMBER	QTY	DESCRIPTION	REV
	1001188896	Ref	DECAL INSTALLATION	C
1	1706957	1	Decal - Tow Bar and Steer Select	
2	1706960	2	Decal - Tow Bar Crushing	

SECTION 9 - DECALS

FIGURE 9-16. DECAL INSTALLATION - TOW (CSA SPECS)



ART_1001188895

SECTION 9 - DECALS

FIGURE 9-16. DECAL INSTALLATION - TOW (CSA SPECS)

ITEM	PART NUMBER	QTY	DESCRIPTION	REV
	1001188895	Ref	DECAL INSTALLATION	B
1	1704272	1	Decal - Steer/Tow Select Valve	
2	1704578	2	Decal - Crushing	
3	1705820	1	Decal - Towing Instructions	

SECTION 10 - RECOMMENDED SERVICE PARTS STOCK

SECTION 10 - RECOMMENDED SERVICE PARTS STOCK

SECTION 10 - RECOMMENDED SERVICE PARTS STOCK

FIGURE 10-1. RECOMMENDED SERVICE PARTS STOCK

ITEM	PART NUMBER	QTY	DESCRIPTION	REV
		Ref	Note: The following list will service one machine (built to current production per date on the front cover) with emergency repair parts which can be installed in the field. Parts from the list should be replaced when inventory is depleted to keep service parts stock supplied. For further information, contact your JLG dealer or the JLG Industries Parts Department.	
	1001152479	1	Breaker, 16 Amp	
	1001181045	1	Breaker, 30mA/16 Amp	
	1001152482	1	Breaker, 30mA	
	70004653	1	Coil	
	80434249	1	Coil	
	70004595	1	Coil	
	70002386	1	Coil	
	70006122	1	Coil	
	70007323	1	Coil	
	70006004	1	Coil	
	1001212415	1	Controller Assembly (Drive and Steer)	
	70010383	1	Element, Filter Charge Pump (Includes O-Ring)	
	70005335	1	Element, Filter High Pressure	
	70005708	1	Filter Kit (Includes Hydraulic Element, Breather Element and Gasket)	
		Ref	ENGINE COMPONENTS - DEUTZ D2011	
	7016331	12	Element, Oil Filter (Deutz D2011 Engine)	
	7016328	12	Element, Fuel Filter (Deutz D2011 Engine)	
	70003783	12	Element, Air Filter (Deutz D2011 Engine)	
		Ref	ENGINE COMPONENTS - DEUTZ D2011 (STAGE V)	
	7016331	12	Element, Oil Filter (Deutz D2011 (Stage V) Engine)	
	7016328	12	Element, Fuel Filter (Deutz D2011 (Stage V) Engine)	
	70003783	12	Element, Air Filter (Deutz D2011 (Stage V) Engine)	
		Ref	ENGINE COMPONENTS - DEUTZ D2.9L4	
	7016331	12	Element, Oil Filter (Deutz 2.9L4 Engines)	
	1001225430	12	Filter, Fuel (Deutz 2.9L4 Engines)	
	1001225431	12	Filter, Fuel (Deutz 2.9L4 Engines)	
	70005008	12	Element, Air Filter (Deutz 2.9L4 Engines)	
		Ref	ENGINE COMPONENTS - FORD COMPONENTS	
	70006155	12	Element, Fuel Filter (Ford Engine)	
	70006213	12	Element, Oil Filter (Ford Engine)	
	70005008	12	Element, Air Filter (Ford Engine)	
	70004066	12	Filter, Fuel	
	1001196634	1	Fuse - 2Amp	
	2400064	1	Fuse - 5Amp	
	8229242	1	Fuse - 5Amp	
	80983191	1	Fuse - 10Amp	
	8229244	1	Fuse - 15Amp	
	70006175	1	Fuse - 20Amp	
	8229245	1	Fuse - 30 Amp	
	1001172065	1	Fuse - 30 Amp	
	2860030	1	Key, Replacement	
	2940074	1	Latch (Machines with Gate)	
	1001187200	1	Module, Ground Control	

SECTION 10 - RECOMMENDED SERVICE PARTS STOCK

ITEM	PART NUMBER	QTY	DESCRIPTION	REV
	1001138228	1	Module, Power Relay	
	7027795	1	Module, ECU (Deutz D2011 and Deutz D2011 (Stage V) Engines)	
	70025210	1	Module, ECU (Deutz 2.9L4 Engines)	
	70006176	1	Module, ECU (Ford Engines)	
	1001142683	1	Module, Beacon Light Control	
	3740080	1	Relay (Machines with 2500W Generator)	
	3740086	1	Relay (Machines with SkyLine)	
	3740067	1	Relay	
	1001186431	1	Relay	
	1001095704	1	Relay	
	1001161710	1	Switch, Toggle (Dual Fuel Machines - Ford Engines)	
	4360336	1	Switch, Toggle (Generator Option)	
	4360057	1	Switch, Limit (Soft Touch Option)	
	4360387	1	Switch, Toggle (Soft Touch Option)	
	1001137673	1	Switch, SkyGuard Assembly	
	4360387	1	Switch, Push Button	
	4360475	1	Switch, Emergency Stop	
	4360407	1	Switch, Potentiometer	
	1001155045	1	Switch, Toggle	
	1001159256	1	Switch, Toggle	
	1001161709	1	Switch, Toggle	

SECTION 11 - SPECIAL OPTIONS/ACCESSORIES/KITS

SECTION 11 - SPECIAL OPTIONS/ACCESSORIES/KITS

SECTION 11 - SPECIAL OPTIONS/ACCESSORIES/KITS

FIGURE 11-1. SPECIAL OPTIONS/ACCESSORIES/KITS

ITEM	PART NUMBER	QTY	DESCRIPTION	REV
		Ref	Note: This list is to accommodate machines ordered with special equipment. Options may not be applicable to all models. For more specific parts information contact JLG Parts Department.	
		Ref	SPECIAL OPTIONS/ACCESSORIES/KITS	
		Ref	Airline to Platform Installation Options:	
	1001192931	Ref	Airline Installation (600S HC3)	
	1001194110	Ref	Airline Installation (with Arctic Package) (600S HC3)	
	1001193215	Ref	Airline Installation (660SJ HC3)	
	1001194045	Ref	Airline Installation (with Arctic Package) (660SJ HC3)	
	1001194205	Ref	Airline Installation - Dual Lines (600S HC3)	
	1001235884	Ref	Air Intake Shutoff Valve (Deutz TD2.9L4 Engines)	
	1001245144	Ref	Air Intake Shutoff Valve (Deutz TD2.9L4 49HP Engines)	
	1001205017	Ref	Arctic Package Installation Kit - With Deutz TD2.9L4 Engines and Without SkyPower (600S HC3)	
	1001205016	Ref	Arctic Package Installation Kit - With Deutz TD2.9L4 Engines and With SkyPower (600S HC3)	
	1001205021	Ref	Arctic Package Installation Kit - With Deutz TD2.9L4 Engines and Without SkyPower (660SJ HC3)	
	1001205020	Ref	Arctic Package Installation Kit - With Deutz TD2.9L4 Engines and With SkyPower (660SJ HC3)	
	1001189169	Ref	Bellows Installation - Boom (600S HC3)	
	1001251410	Ref	Bellows Installation - Boom (660SJ HC3)	
	1001181778	Ref	Bellows Installation - Chassis (2WS)	
	1001195235	Ref	Boom Wipers Installation (All Specs Except Australian Specs) (600S HC3)	
	1001254362	Ref	Boom Wipers Installation (All Specs) (660SJ HC3)	
	1001233047	Ref	Breather Heater Kit (Deutz Engines)	
	1001198884	Ref	Cable & Hose Protection Installation (Platform) (All Specs Except Australian and Russia Specs) (600S HC3)	
	1001199095	Ref	Cable & Hose Protection Installation (Platform) (All Specs) (660SJ HC3)	
	1001272836	Ref	Cable & Hose Protection Installation (Platform & Jib) (China Spec Only) (660SJ HC3)	
		Ref	ClearSky (Telematics) Add-on Kit (Dealer Installed)	
	1001265378	Ref	ClearSky (Telematics) Add-on Kit (ANSI, ANSI Export, CSA, CE & UK CA Specs)	
	1001246142	Ref	ClearSky (Telematics) Add-on Kit (Australian Specs)	
	1001243184	Ref	ClearSky (Telematics) Add-on Kit (CE & UK CA Specs)	
	1001276923	Ref	ClearSky (Telematics) GT1030 3 Wire Add-on Kit	
	1001242639	Ref	ClearSky (Telematics) Access Control Add-on Kit (ANSI, ANSI Export, CSA, CE & UK CA Specs)	
		Ref	Cold Weather Package Installation Options:	
	1001192489	Ref	Cold Weather Package Installation (Deutz TD2011L04 Engine Machines)	
	1001256385	Ref	Cold Weather Package Installation (Deutz Deutz TD2.2L3 Engine Machines)	
	1001192475	Ref	Cold Weather Package Installation (Deutz Deutz TD2.9L4 Engines Machines)	
	1001219855	Ref	Cold Weather Package Installation (Ford Engine Machines)	
	1001239526	Ref	Container Transport Installation	
	1001276007	Ref	Controller Service Kit - Drive/Steer	
	1001276008	Ref	Controller Service Kit - Lift/Swing	

SECTION 11 - SPECIAL OPTIONS/ACCESSORIES/KITS

ITEM	PART NUMBER	QTY	DESCRIPTION	REV
	1001195224	Ref	Counterweight Installation - Chassis (Required for Turf Tires)	
	1001191019	Ref	Cribbing Switch installation	
		Ref	Decal Installations Options:	
	0257195	Ref	Decal - Government Warranty	
		Ref	Decal Kits	
	1001271785	Ref	Machine Decal Kit	
	1001271786	Ref	Platform Decal Kit	
	1001271787	Ref	Platform Control Box Decal Kit	
	1001109259	Ref	Drive Orientation Kit (ANSI Specs) (660SJ HC3)	
		Ref	Electrical Connector Kits	
	1001148902	Ref	Amp/Tyco Electrical Connector Kit	
	1001148903	Ref	Deutsch DT Electrical Connector Kit	
	1001148904	Ref	Deutsch HD Electrical Connector Kit	
	1001148905	Ref	Packard Electrical Connector Kit	
	1001148906	Ref	Various Electrical Connectors Kit	
	1001220390	Ref	Engine Block Heater Installation (Ford Engine Machines)	
	1001269630	Ref	Fall Arrest (Bolt-on) Add-on Kit (4ft/1.22m Platform) (All Specs)	
	1001269629	Ref	Fall Arrest (Bolt-on) Add-on Kit (5ft/1.52m Platform) (All Specs)	
	1001269631	Ref	Fall Arrest (Bolt-on) Add-on Kit (6ft/1.82m Platform) (All Specs)	
	1001237883	Ref	Fall Arrest (Bolt-on) Add-on Kit (6ft/1.82m Platform) (ANSI, ANSI Export, China, CSA & Japanese Specs Only) (Fits Platform p/ns 1001186384 & 1001228376)	
	1001237882	Ref	Fall Arrest (Bolt-on) Add-on Kit (8ft/2.44m Platform) (ANSI, ANSI Export, China, CSA & Japanese Specs Only) (Fits Platform p/ns 1001186383)	
	1001256272	Ref	Fan & Belts Shield (Australian Spec)	
	1001192482	Ref	Fan Grille Installation (Deutz D2011 Engines)	
	1001258140	Ref	Fan Grille Installation (Deutz TD2.2L3 Engines)	
	1001192610	Ref	Fan Grille Installation (Deutz TD2.9L4 Engines)	
	1001172751	Ref	Fan Grille Installation (Deutz TD2.9L4 49HP Engines)	
		Ref	Filter Kits:	
		Ref	Combined Filter Kit (Hydraulic/Air and Fuel/Engine Oil)	
	1001238957	1	Deutz D2011 Engines	
	1001238961	1	Deutz TD2.9L4 Engines	
	1001238960	1	Ford Engines	
	1001109692	1	Hydraulic/Air Filter	
	1001110133	1	Fuel/Engine Oil Filter (Deutz Engines Only)	
	1001139099	Ref	Fire Extinguisher installation (Platform Mounted)	
	1001117294	Ref	Footswitch Shield (Note: Move Decal to Shield)	
	1001265676	Ref	Ford 42 Way Connector Kit	
	1001202749	Ref	Fuel Cap Cover Installation (Black) (Note: Lock p/n 1001102157 must be Purchased Separately)	
	1001191395	Ref	Fuel Cap Cover Installation (Green) (Diesel Machines) (Note: Lock p/n 1001102157 must be Purchased Separately)	
	1001191394	Ref	Fuel Cap Cover Installation (Red) (Gas Machines) (Note: Lock p/n 1001102157 must be Purchased Separately)	
	1001126286	Ref	Hood (Steel) Replacement Kit - Deutz Engine Machines	
	1001281467	Ref	Hood (Steel) Latch Kit (660SJ HC3)	
		Ref	Hose Kit Options:	
	1001266027	Ref	Hose Kit - Platform Valve (ANSI Spec) (600S HC3)	
	1001238906	Ref	Hose Kit - Platform Valve (ANSI Spec) (660SJ HC3)	
	1001270504	Ref	Hose Kit - Platform Valve (All Specs) (660SJ HC3)	
	1001238902	Ref	Hose Kit - Upper Power Track (ANSI Spec) (600S HC3)	

SECTION 11 - SPECIAL OPTIONS/ACCESSORIES/KITS

ITEM	PART NUMBER	QTY	DESCRIPTION	REV
	1001238904	Ref	Hose Kit - Upper Power Track (ANSI Spec) (660SJ HC3)	
		Ref	Hostile Environment Installation Options:	
	1001238927	Ref	Hostile Environment Installation (600S HC3)	
	1001281424	Ref	Hostile Environment Installation (660SJ HC3)	
	1001195237	Ref	Hostile Package (Extreme) Installation	
	1001268752	Ref	Jib Cylinder Kit (660SJ HC3)	
	1001268737	Ref	Jib Link Service Kit (660SJ HC3)	
	1001189615	Ref	Kingpin Removal Kit	
	1001148971	Ref	Lanyard (Bolt-On) Kit Installation	
	1001253783	Ref	Lift Cylinder Kit	
		Ref	Light Options:	
	1001190761	Ref	Chassis Illumination Lights Installation	
	1001190717	Ref	Headlights & Taillights Installation	
	1001120467	Ref	Platform Floodlights Installation	
	1001178951	Ref	Platform Mounted Strobe Light Installation	
	1001266663	Ref	Beacon Light Installation	
	1001120466	Ref	Platform Worklights Installation	
	1001183407	Ref	Low Temperature Cutout Installation (Required for Russian Specs)	
		Ref	Oil Cooler Options:	
	1001195355	Ref	Oil Cooler Installation (Deutz TD2011 Engine) (600S HC3)	
	1001257491	Ref	Oil Cooler Installation (Deutz TD2011 Engine) (660SJ HC3)	
	1001254943	Ref	Oil Cooler Installation (Deutz TD2.2L3 Engine)	
	1001195354	Ref	Oil Cooler Installation (Deutz TD2.9L4 Engine) (600S HC3)	
	1001257490	Ref	Oil Cooler Installation (Deutz TD2.9L4 Engine) (660SJ HC3)	
	1001242998	Ref	Oil Cooler Installation (Deutz TD2.9L4 49HP Engine)	
	1001219854	Ref	Oil Cooler Installation (Ford Engine) (600S HC3)	
	1001257492	Ref	Oil Cooler Installation (Ford Engine) (660SJ HC3)	
	1001233035	Ref	Pinion Shield Installation	
		Ref	Platform Console Cover Installations	
	1001195304	Ref	Platform Console Cover Installation (Clear Polycarbonate) (Factory Installed)	
	1001266290	Ref	Platform Console Cover Installation (Steel) (Factory Installed)	
	1001270482	Ref	Platform Console Cover Kit (Dealer Installed)	
		Ref	Platform Entry Kit	
	1001142504	Ref	Replace Swing Gate with Drop Bar	
	1001142505	Ref	Replace Drop Bar with Swing Gate	
		Ref	Platform Extension (Top Rail)	
	0272733	Ref	36in x 72in Platforms	
	0272725	Ref	36in x 96in Platforms	
	1001274833	Ref	Platform Floormat Add-on Kit (30x48 Platform) (Dealer Installed)	
	1001274832	Ref	Platform Floormat Add-on Kit (30x60 Platform) (Dealer Installed)	
	1001274830	Ref	Platform Floormat Add-on Kit (36x72 Platform) (Dealer Installed)	
	1001274829	Ref	Platform Floormat Add-on Kit (36x96 Platform) (Dealer Installed)	
		Ref	Platform Mesh to Top Rail Add-on Kits:	
	1001281456	Ref	30in x 4ft (76cm x 1.22m) with Gate	
	1001281455	Ref	30in x 5ft (76cm x 1.52m) with Gate	
	1001281454	Ref	30in x 6ft (91.5cm x 1.83m) with Gate	
	1001281453	Ref	36in x 6ft (91.5cm x 1.83m) with Gate	
	1001214562	Ref	36in x 8ft (91.5cm x 2.44m) with Gate	
		Ref	Platform Mesh to Top Rail Installations	
	1001272182	Ref	30in x 4ft (76cm x 1.22m)	
	1001271888	Ref	30in x 5ft (76cm x 1.52m)	

SECTION 11 - SPECIAL OPTIONS/ACCESSORIES/KITS

ITEM	PART NUMBER	QTY	DESCRIPTION	REV
	1001271642	Ref	36in x 6ft (91.5cm x 1.83m)	
	1001269187	Ref	36in x 8ft (91.5cm x 2.44m)	
		Ref	Platform Plastic Mesh to Top Rail Installations	
	1001266807	Ref	30in x 4ft (76cm x 1.22m)	
	1001266801	Ref	30in x 5ft (76cm x 1.52m)	
	1001266489	Ref	36in x 6ft (91.5cm x 1.83m)	
	1001266056	Ref	36in x 8ft (91.5cm x 2.44m)	
		Ref	Platform Mesh to Mid Rail Add-on Kits:	
	1001281461	Ref	30in x 4ft (76cm x 1.22m) with Gate	
	1001281460	Ref	30in x 5ft (76cm x 1.52m) with Gate	
	1001281458	Ref	36in x 6ft (91.5cm x 1.83m) with Gate	
	1001281457	Ref	36in x 8ft (91.5cm x 2.44m) with Gate	
		Ref	Platform Mesh to Mid Rail Installation	
	1001272274	Ref	30in x 4ft (76cm x 1.22m)	
	1001272178	Ref	30in x 5ft (76cm x 1.52m)	
	1001271760	Ref	36in x 6ft (91.5cm x 1.83m)	
	1001269389	Ref	36in x 8ft (91.5cm x 2.44m)	
		Ref	Platform Plastic Mesh to Mid Rail Installation	
	1001266969	Ref	30in x 4ft (76cm x 1.22m)	
	1001266799	Ref	30in x 5ft (76cm x 1.52m)	
	1001266284	Ref	36in x 6ft (91.5cm x 1.83m)	
	1001266098	Ref	36in x 8ft (91.5cm x 2.44m)	
	1580013	Ref	Platform Storage Tray (Corner Mounted)	
	1001247800	Ref	Quad Tracks Replacement Kit	
	1001211366	Ref	Service Kits	V
	1001247073	Ref	SkyEye Add-on Kit (Dealer Installed)	
	1001241547	Ref	SkyEye Repair Kit (LH Side)	
	1001241548	Ref	SkyEye Repair Kit (RH Side)	
	2902232	Ref	SkyGlazier Kit (Includes 36in x 8ft (91.5cm x 2.44m) Platform)	
	1001101422	Ref	SkyGlazier Kit (Platform not Included)	
	1001249052	Ref	SkyGuard Add-on Kit (Dealer Installed)	
	1001197016	Ref	SkyGuard Installation Kit (New Style Platform)	
	1001206311	Ref	SkyGuard Blue Beacon Installation Kit	
	1001262016	Ref	SkyLine Add-on Kit (Dealer Installed)	
	1001217055	Ref	SkyPower Kit (Deutz TD2.9L4 Engine)	
	1001252033	Ref	SkySense (EDS) Level 1 Add-on Kit (Dealer Installed)	
	1001252034	Ref	SkySense (EDS) Level 2 Add-on Kit (Dealer Installed)	
	1001289831	Ref	SkySense (EDS) Level 1 Installation (Factory Installed)	
	1001289832	Ref	SkySense (EDS) Level 2 Installation (Factory Installed)	
	1001253618	Ref	SkySense (EDS) Level 1 Module (Service Kit for P/N 1001246867)	
	1001253619	Ref	SkySense (EDS) Level 2 Module (Service Kit for P/N 1001246860)	
	1001282461	Ref	SkySense Padding Installation - For 30 x 48 Platforms equipped with SkySense	
	1001275644	Ref	SkySense Padding Installation - For 30 x 60 Platforms equipped with SkySense	
	1001275642	Ref	SkySense Padding Installation - For 36 x 72 Platforms equipped with SkySense	
	1001269655	Ref	SkySense Padding Installation - For 36 x 96 Platforms equipped with SkySense	
	1001231235	Ref	SkyWelder Locking Bracket Installation	
	1001281070	Ref	Strobe Beacon Replacement Kit	

SECTION 11 - SPECIAL OPTIONS/ACCESSORIES/KITS

ITEM	PART NUMBER	QTY	DESCRIPTION	REV
	1001228580	Ref	Telematics Gateway (Dealer Installed)	
	1001284517	Ref	Telematics Gateway Plus (Dealer Installed)	
		Ref	Tools for Service	
	1001249695	1	Analyzer and Cable Kit	
	1001249941	1	Analyzer and Cable Kit (Battery Powered)	
	7002840	1	Anti-Rotation Pin Removal Tool	
	4460467	1	Extractor - 16-18 Gauge (For Removal of Pin/Sockets from Deutsch Connectors)	
	4460510	1	Extractor - 12-14 Gauge (For Removal of Pin/Sockets from Deutsch Connectors)	
	7016652	1	Huck Bolt Faster (For Small Huck Bolts Only)	
	7002823	1	Pin/Socket Extractor - Universal (To Remove Pins/Sockets from Connectors)	
	7016654	1	Screwdriver, Magnetic	
	7002822	1	Screwdriver, Potentiometer (To Adjust Drive Controllers)	
	7004275	1	Seal Installation Tool - 1in	
	7004276	1	Seal Installation Tool - 1-1/2in	
	7002826	1	Seal Installation Tool - 2in	
	1001137005	1	Software Cable Kit	
	7002821	1	Wire Crimper (To install wire ends to wires)	
	7016655	1	Wire Rope Sheave Gauge	
	8896941	1	Wire Stripper	
	2915096	Ref	Turntable Bearing Kit	
	1001238898	Ref	Wear Pad Kit	
	1001238907	Ref	Wire Rope Kit	
	1001270718	Ref	White Noise Alarm (Ambient) Add-on Kit (Factory Installed)	
	1001270717	Ref	White Noise Alarm (Constant) Add-on Kit (Factory Installed)	

SECTION 11 - SPECIAL OPTIONS/ACCESSORIES/KITS

PART NUMBER INDEX

SECTION 11 - SPECIAL OPTIONS/ACCESSORIES/KITS

0100009.....637	0100081 579, 581, 659	0641506 ... 789, 791, 793, 795, 797, 799	0700624.... 801, 803, 805, 807, 809, 811
0100011....19, 21, 23, 25, 27, 29, 31, 61, 67, 69, 71, 75, 77, 95, 99, 101, 103, 105, 107, 109, 111, 113, 115, 117, 119, 121, 127, 129, 131, 133, 137, 139, 141, 164, 165, 168, 169, 171, 173, 176, 180, 183, 185, 188, 191, 193, 213, 215, 217, 219, 221, 224, 227, 231, 235, 239, 241, 244, 251, 255, 259, 262, 267, 271, 275, 278, 283, 287, 291, 293, 296, 305, 309, 313, 316, 321, 325, 329, 332, 343, 347, 351, 354, 359, 363, 367, 370, 379, 383, 387, 390, 395, 399, 403, 406, 415, 419, 423, 426, 431, 435, 439, 442, 447, 471, 473, 475, 477, 479, 481, 483, 485, 487, 489, 491, 501, 503, 507, 509, 511, 515, 519, 523, 527, 529, 533, 537, 541, 545, 549, 558, 562, 566, 570, 573, 579, 581, 583, 585, 591, 593, 595, 599, 603, 607, 611, 615, 617, 621, 625, 627, 647, 649, 651, 653, 655, 661, 663, 665, 667, 789, 791, 793, 795, 797, 799, 801, 803, 805, 807, 809, 811	0140011 637 0140043 137, 139, 141 0181949 67 0200048 ... 661, 663, 665, 667 0257195 985 0270528 71 0272254 653 0272427 665 0272435 ... 535, 539, 543, 546 0272448 971 0272521 651 0272588 969 0272589 550 0272725 986 0272733 986 0273706 667 0273824 661 0275216 757, 899 0275217 761, 901 0275452 765, 903 0275453 769, 905 0275454 773, 907 0362910 71 0400075 ... 127, 129, 131, 133 0440162 ... 213, 215, 217, 227, 231, 235, 251, 255, 267, 271, 283, 287, 305, 309, 321, 325, 343, 347, 359, 363, 379, 383, 395, 399, 415, 419, 431, 435, 573 0440233 91 0440237 573 0480124 501, 509 0561508 566, 570 0630462 ... 661, 663, 665, 667 0630518 ... 147, 643, 651, 653, 655 0630534 693, 695, 697 0630568 637 0630613 99, 101, 103, 105, 107, 109, 111, 113, 115, 117, 119, 121, 164, 168, 176, 180, 188 0641404 649 0641405 637, 649 0641406 ... 207, 209, 251, 255, 631 0641408 171, 173 0641409 ... 183, 185, 191, 193 0641414 ... 637, 647, 661, 663, 665, 667 0641416 ... 759, 763, 767, 771, 775, 777 0641418 ... 599, 603, 611, 615, 617, 621, 625, 627 0641420 607 0641504 164, 168	0641507 503, 511 0641508 501, 507, 509 0641511 71 0641606 651, 653, 655 0641607 107, 115, 504 0641608 99, 101, 103, 105, 107, 109, 111, 113, 115, 117, 119, 121 0641611 ... 278, 296, 354, 370 0641616 ... 519, 529, 533, 541 0641618 ... 515, 523, 527, 537, 549 0641772 511 0641814 ... 219, 221, 239, 241, 259, 275, 291, 293, 313, 329, 351, 367, 387, 403, 423, 439 0642010 71 0642012 659 0642212 659 0681605 262 0681608 ... 279, 298, 316, 332, 354, 370, 390, 406, 595 0681620 ... 669, 671, 673, 675, 677 0681710 31 0681810 27 0681814 613, 623 0681822 613, 623 0682015 29 0682016 27 0682019 61 0682023 91 0682036 27, 29 0682040 27 0682424 ... 669, 671, 673, 675, 677 0700408 ... 757, 759, 761, 763, 765, 767, 769, 771, 773, 775, 777 0700412 853 0700608 137, 141 0700610 ... 127, 129, 131, 133, 501, 509, 633, 635, 945, 947, 949, 951, 953, 955, 957, 959, 961, 963 0700612 633, 635 0700614 ... 213, 215, 217, 227, 231, 235, 251, 255, 267, 271, 283, 287, 305, 309, 321, 325, 343, 347, 359, 363, 379, 383, 395, 399 0700615 183, 191 0700616 185, 193, 718 0700618 ... 757, 761, 765, 769, 773 0700619 ... 137, 139, 141, 171, 173, 415, 419, 431, 435	0700812.....479 0700816.....447 0700818....447, 789, 791, 793, 795, 797, 799, 801, 803, 805, 807, 809, 811 0700819....515, 519, 529, 533, 537, 541, 545, 549, 803, 805, 807, 809, 811, 857 0700822....789, 791, 793, 795, 797, 799, 801, 803, 805, 807, 809, 811 0700823.....579 070101223, 25, 164, 168, 176, 180, 188, 213, 215, 217, 227, 231, 235, 251, 255, 267, 271, 283, 287, 305, 309, 321, 325, 343, 347, 359, 363, 379, 383, 395, 399, 415, 419, 431, 435 0701013.....566, 570 0701014.....447, 635 0701015.....99, 101, 103, 105, 107, 109, 111, 113, 115, 117, 119, 121, 267, 271, 283, 287, 305, 309, 321, 325, 343, 347, 359, 363, 379, 383, 395, 399, 633 0701016.... 164, 168, 176, 180, 188, 465 0701017.....262 0701019.....558, 562 0701020.....573 0701022....213, 215, 217, 227, 231, 235, 305, 309, 321, 325, 379, 383, 395, 399 0701026.....487 0701028.....566, 570 0701029.....566, 570 0701032.....579, 581 0701216.... 164, 165, 168, 169, 176, 180, 188 0701217.... 19, 21, 95, 99, 101, 103, 105, 107, 109, 111, 113, 115, 117, 119, 121 0701220.... 164, 165, 168, 169, 176, 180, 188, 251, 255, 789, 791, 793, 795, 797, 799, 801, 803, 805, 807, 809, 811 0701221.....99, 101, 103, 105, 107, 109, 111, 113, 115, 117, 119, 121 0701222.....491 0701617.....25 0701619.....27, 29 0701620.....31

SECTION 11 - SPECIAL OPTIONS/ACCESSORIES/KITS

0701639..... 61	0760615447	321, 325, 332, 343,	0961951 ... 224, 244, 262,
0710827 447	0760619 ... 316, 332, 390,	347, 354, 359, 363,	278, 296, 316, 332,
0711014 426, 442	406	370, 379, 383, 390,	354, 370, 390, 406,
0711015 475	0760807 447, 585	395, 399, 406	426, 442, 566, 570, 575
0711018 ... 213, 215, 217,	0760808 ... 278, 296, 354,	0761212....262, 278, 296,	0962033 566, 570
227, 231, 235, 251,	370, 853, 855	354, 370, 515, 519,	0962051 489, 491
255, 267, 271, 283,	0760810 ... 188, 262, 278,	523, 527, 529, 533,	0962155 573
287, 305, 309, 321,	296, 317, 332, 354,	537, 541, 549, 562	0962181 25
325, 343, 347, 359,	370, 390, 406, 415,	0761214....262, 503, 511,	0962270 613, 623
363, 379, 383, 395,	419, 426, 431, 435,	553	0962336 693, 695, 697
399, 415, 419, 431, 435	442, 595, 853, 855	0761215.....95	0962348 25
0711020 426, 442, 475	0760812 ... 171, 173, 197,	0761216.....507, 595	0962423 ... 558, 562, 566,
0711214 ... 278, 296, 354,	262, 278, 296, 354,	0761615.....19, 21	570
370	370, 426, 442, 511,	0762016.... 164, 165, 168,	0962449 509
0711216 447	529, 533, 801, 803,	169, 176, 180, 188,	0962520 ... 515, 519, 523,
0711223 426, 442	805, 807, 809, 811, 813	558, 562	527, 529, 533, 537,
0711224 ... 224, 244, 262,	0760814 67, 262, 278,	0762418.....562	541, 545, 549
278, 296, 316, 332,	296, 316, 332, 354,	0770814.....477	1001026127 213, 215,
354, 370, 390, 406,	370, 390, 406, 415,	0771212....251, 255, 267,	217, 227, 231, 235,
471, 473, 475, 477,	419, 426, 431, 435,	271, 283, 287, 343,	305, 309, 321, 325,
479, 481, 483, 485	442, 483, 485, 501,	347, 359, 363	379, 383, 395, 399
0711627 ... 224, 244, 316,	503, 509, 512, 529,	0771414....224, 244, 262,	1001080707 107, 109,
332, 390, 406	533, 579, 581, 583,	278, 296, 316, 332,	111, 113
0711629 25	789, 791, 793, 795,	354, 370, 390, 406,	1001080996 853, 855,
0711635 558	797, 799	471, 473, 479, 481,	857
0721004 71	0760815 ... 224, 244, 278,	483, 485	100109110267, 161, 783,
0721005 665, 667	296, 354, 370, 426, 442	0771415....475, 477, 515,	785, 787
0731005 99, 101, 103,	0760816 67, 224, 244,	523, 537, 549	1001095704 929, 981
105, 107, 109, 111,	317, 333, 390, 406	0771416....224, 244, 316,	1001096070 523, 527,
113, 115, 117, 119,	0760817 447	332, 390, 406	819
121, 661, 663, 855, 857	0760822 791, 793, 795	0771620.....85	1001096456 23, 25
0741606 ... 278, 296, 354,	0760824 581	0772018.....85, 213, 215,	1001097051 915
370	076100975, 77, 195, 566,	217, 227, 231, 235,	1001097150 817, 819,
0741607 71, 515, 519,	570, 579, 581, 583,	251, 255, 267, 271,	821, 823
523, 527, 529, 533,	585, 789, 791, 793,	283, 287, 305, 309,	1001097244 629
541, 545	795, 797, 799, 801,	321, 325, 343, 347,	1001098122 641, 895
0760408 67	803, 805, 807, 809, 811	359, 363, 379, 383,	1001098764 317, 333
0760512 ... 251, 255, 267,	0761010 566, 570	395, 399, 415, 419,	1001098828 595
271, 283, 287, 305,	0761011 ... 558, 566, 570	431, 435	1001099366 659
309, 321, 325, 343,	0761012 ... 501, 509, 566,	0860038....515, 519, 529,	1001099367 659
347, 359, 363, 379,	570, 573, 855, 857	533, 537, 541, 545, 755	1001099869 509
383, 395, 399, 465	0761014 ... 107, 109, 111,	0861538....533, 537, 541,	1001100234 509
0760605 447	113, 183, 185, 191,	545	1001100321 509
0760606 ... 501, 503, 509,	193, 251, 255, 415,	0861572.....549	1001100341 899
515, 519, 523, 529,	419, 427, 431, 435,	0861731....767, 771, 775,	1001100342 901
533, 537, 541, 545, 549	443, 511, 567, 570,	777, 903, 905, 907	1001100345 903
0760607 ... 262, 278, 296,	595, 853	0861781....759, 763, 899,	1001100346 907
354, 370	0761015 ... 164, 168, 224,	901	1001100347 905
0760608 ... 139, 185, 193,	244, 251, 255, 262,	0861880.....817, 819, 821	1001100825 423, 439
207, 209, 507, 511,	278, 296, 316, 332,	0902888....515, 519, 529,	1001101422 987
515, 519, 523, 527,	354, 370, 390, 406,	533, 537, 541, 545, 549	1001102830 801, 803,
529, 533, 537, 541,	426, 442, 463, 465,	0940049.....188	805, 807, 809, 811
545, 549, 853, 855, 857	471, 473, 475, 477,	0940092....661, 663, 665,	1001102978 103, 105,
0760610 ... 171, 173, 224,	479, 481, 511, 573,	667	111, 113, 119, 121,
244, 259, 262, 275,	579, 581	0940094....661, 663, 665,	489, 491
278, 291, 293, 296,	0761016 ... 191, 193, 201,	667	1001103012 930
316, 332, 351, 354,	203, 262, 278, 296,	0940102.....659	1001104029 515, 519,
367, 370, 390, 406,	316, 332, 354, 370,	0940103.....665	529, 533, 538, 541,
426, 442, 447, 523,	390, 406, 426, 442,	0940133.....667	545, 550
527, 558, 562, 755,	461, 463, 507, 567, 570	0940134.....661	1001106736 853, 855,
783, 785, 787	0761017 ... 317, 333, 390,	0940177.....663	857
0760612 ... 137, 139, 141,	406, 567	0961845....599, 603, 607,	1001107854 930
219, 221, 239, 241,	0761019 545	611, 615, 617, 621,	1001108256 663
313, 329, 387, 403,	0761210 ... 213, 215, 217,	625, 627	1001109259 985
423, 439, 497, 499	227, 231, 235, 267,	0961893....693, 695, 697	1001109692 985
0760614 ... 201, 203, 493,	271, 278, 283, 287,	0961947....573, 577, 685	1001110133 985
495, 566, 570	296, 305, 309, 317,	0961950.....19, 21	1001110872 779, 781

SECTION 11 - SPECIAL OPTIONS/ACCESSORIES/KITS

1001110873.....515, 519, 529, 533, 538, 541, 545, 755	217, 227, 231, 235, 251, 255, 267, 271, 283, 287, 305, 309, 321, 325, 343, 347, 359, 363, 379, 383, 395, 399, 415, 419, 431, 435	209, 213, 215, 217, 227, 231, 235, 251, 255, 267, 271, 283, 287, 305, 309, 321, 325, 343, 347, 359, 363, 379, 383, 395, 399, 507, 516, 519, 523, 527, 529, 533, 538, 541, 545, 550, 558, 562	1001138173.....224, 244, 426, 442
1001112551.....947	1001119020 921	1001130492 966	1001138175.....224, 244, 426, 442
1001112612.....921, 929	1001119032 929	1001131269 945, 957	1001138228.....263, 297, 316, 332, 371, 391, 407, 981
1001112796.....843, 921	1001119051 213, 215, 217, 227, 231, 235, 251, 255, 267, 271, 283, 287, 305, 309, 321, 325, 343, 347, 359, 363, 379, 383, 395, 399, 415, 419, 431, 435	1001133245 701	1001138248.....225, 245, 263, 279, 297, 317, 333, 355, 371, 391, 407, 426, 442
1001113047.....185, 193	1001119280 501, 503, 507, 509	1001133714 861, 866, 869, 875	1001138436.....566, 570
1001113680.....949	1001119455 724, 730, 736	1001133715 861, 866, 869, 875	1001138459.....558, 562
1001113961.....929	1001119619 913	1001133956 862, 865, 870	1001138494.....603, 607, 611, 615, 617, 621, 625, 627
1001113984.....29, 31, 41	1001119620 911, 915	1001133957 862, 865, 870	1001138514.....603, 607, 611, 617, 621, 627
1001115044.....415, 419, 431, 435	1001120204 789, 801	1001134289 573, 577	1001138565.....523
1001116208.....966	1001120205 789, 801	1001134488 263, 279, 297, 316, 332, 355, 371, 391, 407	1001138566.....516, 519, 523, 527, 529
1001116290.....183, 185, 191, 193	1001120328 647, 649, 937, 939	1001134543 85	1001138671.....562
1001116693.....895	1001120466 986	1001135138 316, 332, 391, 407	1001138795.....693, 695, 697
1001116694.....935	1001120467 986	1001135488 566, 570	1001138827.....263, 279, 297, 316, 333, 355, 371, 391, 407
1001116695.....895	1001120471 629	1001135600 29, 31, 35	1001139078.....579, 581
1001116720.....917	1001120477 629	1001135650 861, 869, 875	1001139099.....985
1001116727.....861, 865	1001120484 629	1001135651 861, 866, 869	1001139357.....516, 523
1001116728.....861, 865	1001120851 879	1001135679 279, 297, 316, 332, 355, 371, 391, 407	1001139384.....171, 173, 183, 185, 191, 193
1001116731.....843	1001120989 966	1001136104 545	1001139654.....966
1001116732.....859, 879, 909	1001120992 966	1001136356 515, 527, 537	1001139819.....224, 244
1001116733.....909	1001121172 930	1001136358 731, 737	1001140312.....297, 333, 371, 391
1001116734.....859, 879	1001125387 966	1001136398 581	1001140346.....519, 529
1001116748.....825, 937, 939	1001125492 85	1001136400 579, 581	1001140347.....527
1001116774.....921	1001125677 896, 930	1001136402 579, 581	1001140429.....599, 603, 607, 611, 615, 617, 621, 625, 627
1001116792.....801, 803, 805, 807, 809, 811	1001126009 919	1001136406 579, 581	1001140564.....263, 279, 297, 317, 333, 355, 371, 391, 407
1001116808.....921	1001126286 985	1001136461 579	1001141300.....966
1001116812.....861, 869	1001126351 862, 865, 870	1001136571 566, 570	1001141302.....966
1001116815.....833, 835, 839, 862, 870, 930	1001126352 865	1001136575 566, 570	1001141304.....263, 279, 297, 317, 333, 355, 371, 391, 407
1001116845.....953	1001126356 865	1001136583 566, 570	1001141694.....224, 244, 279, 297, 355, 371
1001116846.....955, 965	1001126357 865	1001136587 566, 570	1001141814.....523, 549
1001116847.....953	1001126362 861, 866, 869	1001136590 567, 570	1001141995.....224, 244, 426, 442
1001116848.....953	1001126364 861, 862, 869	1001136834 263, 279, 297, 316, 332, 355, 371, 391, 407	1001142501.....251, 255, 267, 271, 283, 287, 305, 309, 321, 325, 343, 347, 359, 363, 379, 383, 395, 399
1001116849.....955	1001126365 861, 866	1001136975 213, 215, 217, 227, 231, 235, 251, 255, 267, 271, 283, 287, 305, 309, 321, 325, 343, 347, 359, 363, 379, 383, 395, 399	1001142504.....986
1001116850.....953	1001126384 865	1001137005 988	1001142505.....986
1001116851.....955	1001126391 861, 866, 869	1001137032 558	1001142643.....520, 527, 530, 534, 542
1001116852.....953	1001126392 861, 869	1001137125 591, 593	1001142646.....520, 530, 534, 542
1001116863.....955	1001126485 862, 869	1001137276 316, 332, 391, 407	1001142683.....201, 203, 981
1001116952.....861, 865, 870	1001126487 862, 869	1001137673 647, 981	
1001116983.....877	1001128128 859		
1001117025.....859	1001128527 655		
1001117106.....929	1001128556 655		
1001117107.....861, 865, 870	1001128901 426, 442		
1001117110.....930	1001129408 837		
1001117172.....641	1001129858 515		
1001117174.....637, 641	1001130220 137, 139, 141, 201, 203, 207,		
1001117294.....985			
1001117307.....176, 180, 188			
1001117308.....263, 279, 297, 316, 332, 355, 371, 391, 407			
1001118378.....895, 929			
1001118384.....919			
1001118388.....917, 919			
1001118666.....570			
1001118878.....297, 371			
1001118972.....107, 109, 111, 113, 213, 215,			

SECTION 11 - SPECIAL OPTIONS/ACCESSORIES/KITS

1001142736 201, 203, 921	1001152456..... 516, 520, 530	1001158363.....516, 520, 530	1001168166 225, 244, 279, 297, 317, 333, 355, 371, 391, 407
1001142938 851, 865, 869	1001152457.....516, 520, 530	1001159118.....779, 781	1001168207 483
1001142940 851, 861, 865, 869	1001152479.....980	1001159119.....779, 781	1001168402 595
1001142941 851, 861, 862, 866, 869, 870	1001152482.....980	1001159120.....779, 781	1001169046 164, 168, 183, 185, 191, 193
1001143390 224, 244, 279, 297, 355, 371	1001152483.....823	1001159121.....781	1001169054 263, 279, 297, 317, 333, 355, 371, 391, 407, 427, 443
1001143645 789, 791, 793, 795, 797, 799, 801, 803, 805, 807, 809, 811	1001152486..... 787, 823	1001159186.....887, 895	1001169085 591, 593
1001143797 263, 279, 297, 355, 371	1001152489..... 263, 279, 297, 317, 333, 355, 371, 391, 407	1001159256.....637, 981	1001169138 263, 279, 297, 317, 333, 355, 371, 391, 407, 427, 443
1001143852 966	1001152520.....550	1001159323.....966	1001169582 93
1001143907 263	1001152525..... 516, 520, 530, 534, 538, 542, 546, 550	1001160505.....165, 169, 176, 180	1001169661 714, 718
1001144116 279, 297, 355, 371	1001152530..... 516, 520, 530	1001161709.....637, 981	1001169967 279, 297, 317, 333, 355, 371, 391, 407, 427, 443
1001144147 843, 930	1001152532..... 516, 520, 524, 527, 530, 881	1001161710.....415, 419, 431, 435, 981	1001170035 279, 297, 317, 333, 355, 371, 391, 407, 427, 443
1001144433 647	1001153197.....516	1001162538.....75, 77, 79	1001170764 861, 869, 935
1001144629 601, 605, 609, 615, 619, 625	1001153260..... 516, 520, 530	100116371725	1001170847 591, 593
1001146368 224, 244, 247	1001153398.....566, 570	1001164726.....183, 185, 191, 193	1001171131 779
1001146588 251, 255, 263, 789, 791, 793, 795, 797, 799, 801, 803, 805, 807, 809, 811	1001154405..... 251, 255, 267, 271, 283, 287, 305, 309, 321, 325, 343, 347, 359, 363, 379, 383, 395, 399, 465	1001164817681	1001171482 143, 145, 889
1001147264 862, 865, 870	1001154726.....879	1001165035.....213, 215, 217, 227, 231, 235, 251, 255, 267, 271, 283, 287, 305, 309, 321, 325, 343, 347, 359, 363, 379, 383, 395, 399, 426, 442, 465	1001171953 259, 275, 291, 293, 351, 367
1001148138 504, 511	1001155041.....511	1001165388.....225, 245, 279, 297, 355, 371	1001172064 851, 865
1001148607 99, 101, 103, 105, 115, 117, 119, 121	1001155043..... 143, 145, 889	1001165405.....279, 297, 355, 371	1001172065 851, 865, 980
1001148650 566, 570	1001155044..... 143, 145, 635, 637, 889	1001165406.....279, 297, 355, 371	1001172577 659
1001148675 779, 781	1001155045..... 143, 145, 635, 637, 889, 981	1001165721.....279, 297, 355, 371	1001172578 659
1001148841 875	1001155094..... 213, 215, 217, 227, 231, 235, 251, 255, 267, 271, 283, 287, 305, 309, 321, 325, 343, 347, 359, 363, 379, 383, 395, 399, 415, 419, 431, 435	1001165722.....279, 297, 355, 371	1001172615 188
1001148842 875	1001155441.....591, 593	1001165849.....263, 279, 297, 355, 371	1001172751 985
1001148902 985	1001155743.....935	1001166563.....19, 21	1001172760 637
1001148903 985	1001155823..... 251, 255, 267, 271, 283, 287, 305, 309, 321, 325, 343, 347, 359, 363, 379, 383, 395, 399	1001166716.....263, 317, 333, 391, 407	1001173535 427, 443
1001148904 985	1001156107..... 251, 255, 263	1001166716.....263, 317, 333, 391, 407	1001173703 966
1001148905 985	1001157520..... 534, 538, 542, 546	1001166718.....263, 279, 297, 355, 371, 479, 481, 483, 485	1001174040 595
1001148906 985	1001157521..... 534, 538, 542, 546, 550	1001166894.....489, 491	1001174231 558
1001148971 986	1001157525.....550	1001166921.....279, 297, 355, 371	1001174250 558
1001149160 447, 853, 855	1001157528..... 534, 538, 542, 546, 550	1001166922.....485	1001174251 558
1001149452 461, 463	1001157592..... 534, 538, 542, 546	1001166924.....263, 279, 297, 355, 371	1001174252 558, 562
1001149469 461, 463	1001158007..... 534, 538, 542, 546, 550	1001167042.....317, 333, 391, 407	1001174253 558, 562
1001149639 426, 442	1001158008..... 516, 520, 530, 534, 538, 543, 546, 550	1001167164.....493, 495, 497, 499	1001174254 558
1001150324 19, 21		1001167565.....595	1001174256 558
1001150326 19, 21		1001167567595	1001174486 213, 215, 217, 227, 231, 235, 415, 419, 431, 435, 461, 463
1001150569 71		1001167596.....595	1001174630 579
1001150570 71		1001167632.....869	1001174631 579, 581
1001150571 71		1001167635.....862, 869	1001174632 579, 581
1001150918 227, 231, 235, 284, 287, 321, 325, 359, 363, 379, 383, 431, 435		1001168018.....224, 244, 263, 279, 297, 317, 333, 355, 371, 391, 407, 427, 443, 471, 473, 475, 477, 479, 481, 483, 485	1001174636 579, 581
1001151192 579		1001168099.....279, 297, 355, 371	1001174673 164, 168, 171, 173, 579
1001151393 149, 151, 153, 155, 157, 159			1001175073 489, 491
1001151856 866			1001175074 491
1001152266 935			1001175568 267, 271, 283, 287, 305, 309, 321, 325, 343, 347, 359, 363, 379, 383, 395, 399
1001152429 538, 550, 885			1001175998 566, 570
			1001175999 566, 571

SECTION 11 - SPECIAL OPTIONS/ACCESSORIES/KITS

1001176212.....567	1001184682..... 209	1001187348 558, 575	1001189003..... 853, 855,
1001176469.....151, 155,	1001184725 67	1001187382 595	857, 925
157, 159	1001184727 51	1001187383 595	1001189005..... 825, 853,
1001176511263	1001184728 51	1001187521 31, 45	855, 857
1001176848.....23, 25	1001184881 51	1001187674 645	1001189026.....224, 244,
1001176862.....779	1001184913 567, 571	1001187681 913	317, 333, 391, 407
1001177359.....263, 279,	1001184915 567, 571	1001187781 427, 443	1001189067..... 164, 168
297, 317, 333, 355,	1001184917 567, 571	1001187808 127, 131	100118911999, 101, 103,
371, 391, 407	1001184918 567, 571	1001187855 85, 88	105, 115, 117, 119, 121
1001177844.....317, 333,	1001184930 219, 239,	1001187864 69	1001189161.....224, 244
391, 407	291, 456	1001187870 69	1001189169.....984
100117805799, 103, 107,	1001184954 558, 685	1001187950 164, 168,	1001189171.....823
111, 115, 119, 123	1001185030 19, 21	176, 180, 188	1001189172.....823
1001178223.....263	1001185281 637	1001187951 164, 165,	1001189227.....471, 473
1001178788.....279, 297,	1001185596 49	168, 169, 176, 180, 188	1001189228.....115
355, 371	1001185597 51	1001187953 95	1001189615.....986
1001178876.....279, 297,	1001185598 67	1001188125 91	1001189764.....107, 109,
355, 371	1001185709 91	1001188168 77, 585	111, 113
1001178951986	1001185726 637	1001188187 165, 169,	1001189800.....107, 109,
1001179154.....516, 520,	1001185842 85	176, 180, 188	111, 113
530, 534, 538, 542, 546	1001185906 25	1001188194 165, 169,	1001189859.....567, 571
1001179836.....511	1001185907 25	176, 180, 188	1001189913.....317, 333,
1001179837.....503, 511	1001186186 164	1001188236 224, 245,	391, 407
1001179903.....263, 297,	1001186333 613	859	1001189979.....263, 317,
371	1001186334 623	1001188257 99	333, 391, 407, 427, 443
1001180001503, 511	1001186346 127	1001188302 583, 585	1001190143.....219, 221,
1001180620.....263, 279,	1001186375 603	1001188334 95, 97	239, 241, 259, 275,
297, 317, 333, 355,	1001186377 607	1001188337 95	291, 293, 313, 329,
371, 391, 407, 426, 442	1001186379 611	1001188342 706	351, 367, 387, 403,
1001180882567	1001186382 621	1001188503 25	423, 439
1001181045.....817, 819,	1001186383 619	1001188533 829, 853,	1001190159.....973
980	1001186384 609	855	1001190164.....224, 244,
1001181243.....503, 512	1001186386 605	1001188534 831, 857	317, 333, 391, 407
100118177419	1001186387 601	1001188535 224, 244,	1001190169.....75, 77, 81
1001181778.....984	1001186426 263, 317,	317, 333, 391, 407	1001190194.....23, 25
1001181790.....23, 25	333, 391, 407, 427, 443	1001188622 595	1001190286.....585, 589
100118179123, 25	1001186431 647, 981	1001188664 127, 129,	1001190287.....583, 587
1001181792...23, 25, 699	1001186432 917, 919	131, 133	1001190335.....107
1001181793.....23	1001186443 27	1001188666 127, 129,	1001190338.....164, 168
1001181795.....49	1001186517 647	131, 133	1001190441.....765
100118179649	1001186541 567, 571	1001188667 213, 215,	1001190442.....317, 333,
100118179749, 51	1001186808 213	217, 227, 231, 235	391, 407
1001181895.....297, 333,	1001186809 227	1001188668 252, 256,	1001190444.....251, 255,
371, 391	1001186812 313, 316	267, 271, 284, 288,	267, 271, 283, 287,
1001181899.....317, 333,	1001186814 329, 332	305, 309, 322, 326,	305, 309, 321, 325,
391, 407	1001186815 213, 215,	343, 347, 360, 364,	343, 347, 360, 363,
1001181923.....789, 791,	219	380, 384, 395, 399	379, 383, 395, 399, 877
793, 795, 797, 799,	1001186816 219, 221,	1001188669 252, 256,	1001190484.....769
801, 803, 805, 807,	224	267, 271, 284, 288,	1001190485.....773
809, 811	1001186817 227, 231,	305, 309, 322, 326,	1001190493.....757
1001182361862, 870	239	343, 347, 360, 364,	1001190495.....761
1001182365862, 870	1001186818 239, 241,	380, 384, 395, 400	1001190717.....986
1001182570.....591, 593	244	1001188670 213, 215,	1001190756.....188
100118269423, 25	1001186980 489	217, 227, 231, 235	1001190761.....986
1001182695...23, 25, 699	1001186981 489	1001188763 706, 710,	1001190773.....755
100118269723, 25	1001187022 93	714, 718	1001190774.....783
1001182806.....207	1001187077 930	1001188844 595	1001190921.....929, 930
1001183407986	1001187078 930	1001188893 71	1001190942.....263, 317,
1001183477512	1001187082 224, 244	1001188894 973	333, 391, 407, 427, 443
1001183926558	1001187200 980	1001188895 977	1001190985.....595
100118420919, 21	1001187308 706, 710	1001188896 975	1001191019.....985
1001184213.....25	1001187311 706	1001188972 227, 231,	1001191020.....591, 593
1001184327176	1001187312 706, 710,	235, 284, 287, 321,	1001191025.....317, 333,
1001184618.....945, 947,	714, 718	325, 359, 363, 379,	391, 407
949, 951, 953, 955,	1001187317 706	383, 432, 435	1001191048.....567, 571
957, 959, 961, 963	1001187318 706, 710,	1001189001 595	1001191126.....143
1001184626.....633, 635	714, 718	1001189002 595	1001191156.....467

SECTION 11 - SPECIAL OPTIONS/ACCESSORIES/KITS

1001191202 567, 571	1001192843..... 188	1001196636.....929	1001203424 725, 731, 737
1001191205 567, 571	1001192910.....558	1001197016.....987	1001203426 730, 737
1001191271 225, 245	1001192931..... 984	1001197017.....661, 663, 665, 667	1001203431 213, 215, 217, 228, 232, 236, 252, 256, 268, 272, 284, 288, 306, 310, 322, 326, 344, 348, 360, 364, 380, 384, 396, 400, 736
1001191273 469	1001192991..... 558	1001197045.....706, 710, 714, 718	1001203432 213, 228, 252, 268, 284, 306, 310, 322, 344, 360, 384, 400, 416, 432
1001191384 566, 571	1001193018.....757, 759, 761, 763, 765, 767, 769, 771, 773, 775, 777	1001197268.....493	1001203433 213, 228, 252, 268, 284, 306, 310, 322, 344, 360, 384, 400
1001191385 566, 571	1001193049..... 317, 333, 391, 407	1001197269.....495	1001203655 613
1001191394 985	1001193167.....501, 504, 509	1001197389.....493	1001203656 623
1001191395 985	1001193169..... 171	1001197408.....966	1001203719 567, 571
1001191557 199	1001193215.....984	1001197719.....861, 869, 935	1001203853 714, 718
1001191610 225, 245, 317, 333, 391, 407, 427, 442, 471, 473, 475, 477	1001193610..... 714	1001197725.....225, 245, 317, 333, 391, 407	1001203854 714, 718
1001191620 263, 279, 297, 355, 371	1001193611..... 714	1001198631.....27, 29, 31	1001203859 714
1001191856 475	1001193760..... 164, 168	1001198884.....984	1001203860 714
1001192008 477	1001193927..... 730, 736	1001199095.....984	1001203885 224, 244, 317, 333, 391, 407
1001192012 127, 129, 131, 133	1001193928..... 730, 736	1001199654.....706, 710, 714, 718	1001204251 171
1001192027 562	1001193929..... 730, 736	1001199655.....706	1001204303 173
1001192265 714	1001193930..... 730, 736	1001199656.....706	1001204325 263
1001192278 541	1001194045..... 984	1001199657.....706, 710, 714, 718	1001204389 724
1001192279 519	1001194110..... 984	1001199658.....706, 710, 714, 718	1001204645 725, 731, 737
1001192280 503	1001194114.....501, 504, 507, 509, 512, 879	1001199661.....706, 710	1001204690 789, 791, 793, 795, 797, 799, 801, 803, 805, 807, 809, 811
1001192284 467	1001194197..... 767	1001199662.....706, 710, 714, 718	1001204715 591, 593
1001192400 263, 317, 333, 391, 407	1001194198..... 771	100119988399, 101, 107, 109, 115, 117	1001204725 595
1001192401 930	1001194200..... 775	100119993399, 101, 103, 105, 107, 109, 111, 113, 115, 117, 119, 121	1001204902 465
1001192442 473	1001194203..... 759	1001200432.....706, 710	1001204939 591, 593
1001192443 471	1001194204..... 763	1001200435.....224, 244	1001205016 984
1001192475 984	1001194205.....984	1001200491.....595	1001205017 984
1001192482 985	1001194365..... 777	1001200494.....595	1001205020 984
1001192483 537	1001194888..... 183, 191	1001200731.....213, 215, 217, 227, 231, 235, 305, 309, 322, 325, 379, 384, 395, 399	1001205021 984
1001192484 515	1001195039.....267, 271, 283, 288, 343, 347, 360, 364	1001200745.....317, 333, 391, 407	1001205824 724, 730, 736
1001192485 501	1001195224..... 985	1001201090.....801, 803, 805, 807, 809, 811	1001205923 853, 855, 857, 893
1001192486 549	1001195225.....791, 793, 795	1001201255.....724	1001205957 475
1001192487 523	1001195226.....803, 805, 807	100120132599, 101, 103, 105	1001205958 767, 771, 775
1001192488 509	1001195227..... 789	1001201326.....115, 117, 119, 121	1001206082 827, 853, 855, 857
1001192489 984	1001195228.....801	1001201342.....789, 791, 793, 795, 797, 799, 801, 803, 805, 807, 809, 811	1001206311 987
1001192610 985	1001195235.....984	1001201351.....595	1001206314 164, 168, 176, 180, 188
1001192641 725, 731, 737	1001195237.....986	1001201511.....583, 585	1001206476 813
1001192661 725, 731, 737	1001195304.....986	1001201843.....225, 245, 471	1001206532 637
1001192663 725, 731, 737	1001195354.....986	1001201844.....225, 245	1001207969 731, 737
1001192684 724	1001195355.....986	1001202333.....183, 185, 191, 193	1001208017 53
1001192685 724	1001195455.....164, 168, 171	1001202687.....595	1001208874 75, 77
1001192690 213, 215, 217, 228, 232, 236, 252, 256, 268, 272, 284, 288, 306, 310, 322, 326, 344, 348, 360, 364, 380, 384, 396, 400, 736	1001195490.....966	1001202749.....985	1001208994 595
1001192693 724	1001195491.....966	1001202936.....789, 791, 793, 795, 797, 799, 801, 803, 805, 807, 809, 811	1001209016 477
1001192694 724	1001195525.....789, 801		1001209432 813
1001192695 725, 731, 737	1001195763.....467		1001209474 813
1001192696 725, 731, 737	1001196368.....791, 793, 795, 803, 805, 807		1001209664 647
1001192698 725, 731, 737	1001196382.....479, 503, 516, 520, 523, 530, 534, 538, 542, 546, 550		
1001192699 725, 731, 737	1001196390.....23, 25		
1001192841 164, 168	1001196398.....213, 227, 251, 255, 267, 283, 305, 321, 343, 360, 383, 399, 415, 432		
1001192842 188	1001196602.....929		
	1001196604.....929, 930		
	1001196634.....283, 322, 413, 845, 929, 980		

SECTION 11 - SPECIAL OPTIONS/ACCESSORIES/KITS

1001209948.....789, 791, 793, 795, 797, 799, 801, 803, 805, 807, 809, 811	1001215218 427, 443, 873	1001218676 107, 109, 111, 113, 205	1001224200.....461
1001209949.....789, 791, 793, 795, 797, 799, 801, 803, 805, 807, 809, 811	1001215219 416, 420, 432, 436	1001218930 546	1001224486.....428, 444
1001209951.....789, 791, 793, 795, 797, 799, 801, 803, 805, 807, 809, 811	1001215220 416, 420, 432, 436	1001219005 415, 419, 432, 436	1001224489.....428, 444
1001209953.....789, 791, 793, 795, 797, 799, 801, 803, 805, 807, 809, 811	1001215228 637	1001219015 415, 419, 432, 436	1001224967.....461, 463, 465
1001209957.....801, 803, 805, 807, 809, 811	1001215384 447	1001219021 415, 419, 432, 436	1001225054.....463
1001210448 447, 449	1001215534 873	1001219022 415, 419, 432, 436	1001225346.....813
1001210636 629	1001215612 423, 426	1001219024 415, 419, 432, 436	1001225430.....301, 338, 375, 980
1001211049 787	1001215613 439, 442	1001219040 19, 681	1001225442.....428, 444
1001211366 987	1001215615 965	1001219128 205	1001225510.....428, 444
1001211577 591, 593	1001215681 427, 443	1001219138 176, 180, 188	1001225580.....647, 917
1001211578 591	1001215899 427, 443	1001219601 137, 139, 141	1001226304.....799, 811
1001211579 593	1001215974 427, 443	1001219630 507	1001226305.....799
1001211580 591, 593	1001216015 504	1001219632 507	1001226400.....829, 831
1001211581 591, 593	1001216065 447	1001219633 507	1001226531.....813
1001211582 591, 593	1001216071 447	1001219634 507	1001226541.....843, 930
1001211583 591	1001216075 427, 443	1001219635 507	1001226636.....843
1001211584 593	1001216086 427, 443	1001219636 507	1001226637.....843
1001211585 591, 593	1001216092 427, 443	1001219637 545	1001226739.....833, 835, 837, 839, 843
1001211586 591	1001216144 447	1001219638 507	1001226799.....833, 835
1001211587 593	1001216195 53	1001219639 507	1001226872.....599
1001211588 591, 593	1001216196 53	1001219640 251, 255	1001227075.....811
1001211760 185, 193	1001216201 427, 443	1001220266 865	1001227367.....171, 173
1001211761 185, 193	1001216212 873	1001220379 985	1001227404.....837
1001211767 183	1001216213 873	1001220404 487	1001227507.....877
1001211773 183, 191	1001216300 487	1001220638 205	1001227527.....853, 855, 857
1001211774 176, 180, 183	1001216390 546	1001220728 507	1001227633.....645
1001211794 447	1001216391 507	1001220903 724	1001227634.....645
1001212223 534, 541	1001216393 444	1001220912 725, 731, 737	1001227666.....428, 444
1001212333 176, 180, 188	1001216531 427, 443	1001220941 724	1001227667.....428, 444
1001212359 280, 355	1001216532 423, 439	1001221016 730, 736	1001227769.....447
1001212415 980	1001216533 423, 439	1001221210 873	1001227772.....447
1001213251 99, 101, 103, 105, 115, 117, 119, 121	1001216534 423, 439	1001221397 423, 439	1001227985.....645
1001213447 895	1001216535 423, 439	1001221464 423, 439	1001227987.....645
1001213543 164, 168	1001216619 487	1001221545 447	1001227996.....911, 915
1001213744 164, 168	1001216630 595	1001221942 416, 420, 432, 436	1001228177.....558, 562
1001213794 164, 168	1001216768 447	1001221943 416, 420, 432, 436	1001228186.....797
1001213810 447	1001216769 447	1001221944 416, 420, 432, 436	1001228187.....809
1001213882 637	1001216910 427, 443, 447	1001222033 427, 443	1001228188.....797, 809
1001214030 966	1001216919 427, 443	1001222133 415, 419, 432, 436	1001228215.....599
1001214095 791, 793, 795, 803, 805, 807	1001216947 423, 439	1001222522 730, 736	1001228224.....645
1001214096 791, 793, 795, 803, 805, 807	1001217055 987	1001222641 447	1001228225.....645
1001214408 724, 730, 736	1001217183 427, 443	1001222642 427, 443	1001228243.....625
1001214562 986	1001217185 427, 443	1001223045 877	1001228375.....627
1001214570 813	1001217186 427, 443	1001223055 945	1001228376.....615
1001214571 813	1001217187 427, 443	1001223122 511, 530, 534	1001228377.....617
1001214827 447	1001217188 427, 443	1001223453 945, 957	1001228406.....107, 115, 461, 463, 465
1001215016 873	1001217189 427, 443	1001223459 862, 869	1001228580.....988
1001215091 873	1001217450 427, 443	1001223584 428, 443	1001228809.....789, 801
	1001217453 427, 443	1001223923 427, 443	1001228947.....833
	1001217455 427, 443	1001223971 957	1001228954.....833
	1001217543 427, 443	1001224048 961	1001228988.....655, 969, 971
	1001217563 423, 439	1001224049 963	1001229091.....317, 333, 391, 407
	1001217593 427, 443	1001224050 955	1001229341.....645
	1001217594 427, 443	1001224051 953	1001229572.....107, 109, 111, 113
	1001217595 427, 443	1001224052 949	1001229637.....789, 791, 793, 795, 797, 799,
	1001217647 427, 443	1001224053 959	
	1001217648 427, 443		
	1001218471 427, 443		
	1001218539 107, 109, 111, 113, 205		
	1001218559 427, 443		
	1001218565 427, 443		
	1001218575 427, 443		
	1001218594 681, 683		
	1001218622 799, 811		
	1001218623 811		

SECTION 11 - SPECIAL OPTIONS/ACCESSORIES/KITS

801, 803, 805, 807, 809, 811	1001234435.....955	1001238191.....847, 853, 855, 857	1001242908..... 853, 855, 857, 927
1001230635..... 263, 279, 297, 316, 333, 355, 371, 391, 407	1001234436.....955	1001238192.....750, 849, 853, 855, 857	1001242991..... 61
1001230931..... 825, 937, 939	1001234437.....949	1001238263.....669, 671, 673, 675, 677	1001242998..... 986
1001230934..... 862, 870	1001234438.....949	1001238319.....645	1001243171..... 164, 168, 176, 180
1001230935..... 862, 870	1001234439.....947, 951	1001238327.....591, 593	1001243184..... 984
1001230936..... 862, 870	1001234457.....558	1001238328.....573	1001243414..... 164, 168, 176, 180
1001231235..... 987	1001234458.....558, 566	1001238333.....573	1001243431..... 61
1001231310..... 164, 168	1001234459.....567	1001238398.....573	1001243464..... 201
1001231422..... 947	1001234585.....591	1001238408.....853, 855, 857, 887	1001243465..... 203
1001231711..... 207, 209	1001234800.....869	1001238409.....637, 895	1001243522..... 164, 176
1001231801..... 965	1001234811.....573, 577	1001238418.....649, 919	1001243654..... 164, 168
1001231805..... 317, 333, 391, 407	1001235011.....649	1001238421.....595	1001243656..... 279, 297, 355, 371
1001231949..... 677	1001235013.....649	1001238463.....671	1001243682..... 207, 209, 941
1001231950..... 669, 671	1001235143.....137, 853	1001238472.....649	1001243742..... 275, 278
1001231957..... 61	1001235387.....945	1001238477.....649	1001243755..... 581
1001232010..... 669, 671, 677	1001235388.....961	1001238495.....647	1001243850..... 279, 297, 355, 371
1001232011..... 669, 671, 677	1001235401.....953	1001238559.....649	1001243895..... 413
1001232117..... 685	1001235402.....953	1001238663.....131	1001244019..... 483
1001232164..... 645	1001235444.....955	1001238824.....649	1001244023..... 491
1001232165..... 645	1001235445.....953	1001238851.....61	1001244024..... 485
1001232292..... 27, 29, 31	1001235446.....949	1001238858.....61	1001244025..... 491
1001232642..... 649	1001235447.....963	1001238898.....988	1001244026..... 491
1001232650..... 649	1001235448.....957	1001238902.....985	1001244119..... 497
1001232667..... 649	1001235449.....951	1001238904.....986	1001244120..... 497
1001232842..... 283, 322, 413	1001235450.....959	1001238906.....985	1001244121..... 497
1001233035..... 986	1001235532.....252, 256, 267, 271, 284, 288, 305, 309, 322, 326, 343, 347, 360, 364, 380, 384, 395, 399	1001238911.....263	1001244122..... 497
1001233047..... 984	1001235585.....961	1001238927.....986	1001244123..... 497, 499
1001233429..... 493	1001235699.....213, 215, 217, 227, 231, 235	1001238954.....99, 101, 103, 105, 115, 117, 119, 121	1001244212..... 965
1001233763..... 283, 288, 322, 326, 360, 364, 380, 384, 413	1001235884.....984	1001238957.....985	1001244374..... 511
1001233895..... 279, 297, 317, 865	1001236091.....147	1001238960.....985	1001244375..... 533
1001233948..... 195	1001236121.....489, 491	1001238961.....985	1001244410..... 529
1001233949..... 195	1001236136.....416, 420, 432, 436	1001239202.....861, 869	1001244462..... 161
1001233953..... 195, 197	1001236303.....131, 133	1001239207.....313, 329, 387, 403	1001244464..... 499
1001233954..... 195, 197	1001236304.....813	1001239290.....853, 855, 857	1001244468..... 499
1001233955..... 195, 197	1001236499.....224, 244	1001239295.....61	1001244469..... 499
1001233959..... 147, 643	1001236504.....813	1001239296.....61	1001244470..... 499
1001233966..... 195, 197	1001236505.....813	1001239371.....966	1001244508..... 259, 275, 291, 293, 351, 367
1001233967..... 195, 197	1001236552.....649	1001239448.....149	1001244747..... 571
1001234080..... 195	1001236746.....677	1001239449.....151	1001244762..... 571
1001234269..... 195, 197	1001236891.....669, 671, 673, 675, 677	1001239450.....149	1001244770..... 571
1001234270..... 195	1001236895.....669, 671, 673, 675, 677	1001239451.....151	1001244771..... 562, 570
1001234281..... 495	1001237142.....562	1001239452.....151	1001244878..... 168, 180
1001234283..... 495	1001237546.....147	1001239512.....853, 855, 857	1001244902..... 168
1001234299..... 495	1001237550.....195	1001239526.....984	1001245076..... 180
1001234370..... 493	1001237667.....896, 929	1001239563.....469	1001245144..... 984
1001234371..... 493	1001237668.....896, 929	1001239710.....475	1001245145..... 562
1001234396..... 225, 245	1001237822.....853, 855, 857	1001239715.....475	1001245257..... 291, 293, 296
1001234425..... 945	1001237862.....911, 915	1001239716.....501, 509	1001245274..... 284, 291
1001234426..... 945	1001237863.....645, 915	1001239802.....415, 419, 431, 435	1001245275..... 283
1001234428..... 959	1001237864.....645, 911	1001241366.....275, 291, 293, 351, 367	1001245308..... 593
1001234429..... 959	1001237865.....645, 913	1001241547.....987	1001245769..... 157
1001234430..... 961	1001237882.....985	1001241548.....987	1001245770..... 159
1001234431..... 963	1001237883.....985	1001241588.....137, 143	1001245773..... 145, 889
1001234432..... 963	1001237949.....562	1001241729.....195, 197	1001245774..... 139, 145
1001234433..... 957	1001238138.....591, 593	1001241965.....649	1001245775..... 141, 889
1001234434..... 957	1001238168.....573	1001242639.....984	1001245782..... 157
			1001245783..... 159
			1001245913..... 263, 875
			1001245998..... 965
			1001246000..... 965

SECTION 11 - SPECIAL OPTIONS/ACCESSORIES/KITS

1001246142.....984	1001249455..... 562	1001253863.....263	1001258175.....215, 217,
1001246144.....835	1001249458..... 562	1001253870..... 263	231, 235, 271, 288,
1001246145.....839	1001249492..... 730, 736	1001253873..... 861	309, 326, 347, 364,
1001246502.....562	1001249493..... 730, 736	1001253879..... 251	380, 395, 419, 436
1001246524.....835	1001249494..... 730, 736	1001253906..... 259	1001258263.....420, 436
1001246525.....839	1001249495..... 730, 736	1001253940..... 165	1001258804.....263
1001246563.....193	1001249496..... 801, 803,	1001253953..... 176	1001259018.....965
1001246565.....193	805, 807, 809, 811	1001254279..... 259, 275,	1001259019.....724
1001246574.....193	1001249497..... 730	291, 293, 351, 367	1001259020.....724
1001246789.....191	1001249498..... 801	1001254362..... 984	1001259137.....693
1001246794.....191	1001249695..... 988	1001254423..... 481	1001259138.....693
1001246795.....191	1001249774..... 562	1001254460..... 965	1001260077.....710
1001246796.....191	1001249823..... 581	1001254461..... 965	1001260078.....710
1001246798.....188, 191	1001249824..... 581	1001254554..... 710	1001260286.....710
1001246799.....188	1001249825..... 581	1001254719..... 491	1001260412.....279, 298,
1001246859.....930	1001249941..... 988	1001254878..... 263	355, 371
1001247073.....987	1001249943..... 317, 333,	1001254899..... 479	1001260420.....279, 297,
1001247260.....562	337	1001254943..... 986	355, 371
1001247358.....67	1001249965..... 279, 297,	1001255133..... 595	1001260460.....583
1001247359.....427, 443	301	1001255280..... 479	1001260486.....724
1001247386.....207	1001249985..... 31	1001255281..... 481	1001260644.....710
1001247453.....593	1001250011..... 635	1001255340..... 718	1001261335.....673
1001247466.....562, 687	1001250106..... 23	1001255619..... 197	1001261338.....673
1001247468.....595	1001250193..... 153	1001255871..... 527	1001261342.....966
1001247800.....987	1001250194..... 155	1001255901..... 845	1001261343.....966
1001247865.....725, 731,	1001250196..... 153	1001256180..... 21, 683	1001261344.....966
737	1001250197..... 155	1001256238..... 129, 133,	1001261345.....966
1001247866.....725, 731,	1001250362..... 25	135	1001261347.....966
737	1001250604..... 965	1001256239..... 129	1001261348.....966
1001247867.....737	1001250606..... 965	1001256272..... 985	1001261349.....966
1001247868.....725, 731,	1001250608..... 965	1001256311..... 718	1001261350.....966
737	1001250609..... 947	1001256385..... 984	1001261586.....966
1001247869.....725, 731,	1001250638..... 809	1001256429..... 710	1001261587.....966
737	1001250639..... 803, 805,	1001256430..... 710	1001262016.....987
1001247871.....725, 731,	807	1001256667..... 103, 105,	1001262102.....965
737	1001250641..... 811	111, 113, 119, 121	1001262103.....965
1001247872.....725, 731,	1001250906..... 965	1001256879..... 255	1001262104.....965
737	1001250952..... 633, 635,	1001256930..... 263	1001262105.....965
1001247873.....725, 731,	637	1001257048..... 718	1001262115.....965
737	1001250953..... 633	1001257049..... 718	1001262116.....965
1001247875.....725, 731,	1001250981..... 724, 731,	1001257050..... 718	1001262322.....837
737	737	1001257051..... 718	1001262326.....837, 839
1001247876.....724, 731,	1001250982..... 737	1001257052..... 718	1001262633.....139, 855
737	1001251079..... 567, 571,	1001257053..... 718	1001262634.....141, 857
1001247877.....725, 731,	701	1001257271..... 673, 675	1001263173.....209
737	1001251410..... 984	1001257274..... 673, 675	1001263271.....23, 25
1001247878.....725, 731,	1001252033..... 987	1001257275..... 675	1001263800.....695, 697
737	1001252034..... 987	1001257436..... 591, 593	1001263810.....133
1001247879.....725, 731,	1001252519..... 197	1001257490..... 986	1001264302.....695
737	1001252527..... 862, 870	1001257491..... 986	1001264338.....857, 939
1001247881.....725, 731,	1001252629..... 669, 671,	1001257492..... 986	1001264991.....573, 697
737	673, 675, 677	1001258005..... 675	1001265163.....629
1001247882.....725, 731,	1001252945..... 789, 791,	1001258140..... 985	1001265308.....801, 803,
737	793, 795, 797, 799,	1001258156..... 215, 217,	805, 807, 809, 811
1001247994.....725, 731,	801, 803, 805, 807,	232, 236, 256, 272,	1001265342.....629
737	809, 811	288, 326, 348, 364,	1001265378.....984
1001248140.....669, 671,	1001253115..... 197	380, 396, 736	1001265535.....21
673, 675, 677	1001253116..... 197	1001258157..... 215, 217,	1001265676.....985
1001248141.....669, 671,	1001253117..... 197	232, 236, 256, 272,	1001265701.....75, 583
673, 675, 677	1001253459..... 197	288, 326, 348, 364,	1001265756.....789
1001248720.....61	1001253468..... 61	380, 396, 736	1001265757.....797
1001248817.....263	1001253469..... 61	1001258167..... 215	1001265758.....791, 793,
1001248819.....263	1001253470..... 61	1001258168..... 231	795
1001249052.....987	1001253618..... 987	1001258172..... 103	1001265759.....799
1001249147.....581	1001253619..... 987	1001258173..... 119	1001265771.....724
1001249313.....191	1001253783..... 986	1001258174..... 111	1001266027.....985
1001249454.....562	1001253849..... 263		1001266056.....987

SECTION 11 - SPECIAL OPTIONS/ACCESSORIES/KITS

1001266098 987	1001272274..... 987	329, 351, 367, 387,	1001289891 255
1001266276 853, 855,	1001272659..... 841	403, 423, 439, 459	1001289892 252, 256,
937	1001272681..... 201	1001284517 988	259
1001266277 853, 855,	1001272682..... 203	1001284582..... 643	1001291079 280, 356,
933	1001272836..... 984	1001284583..... 643	909
1001266284 987	1001272997..... 845	1001284771 853, 855,	1001291083 909
1001266290 986	1001273012..... 841, 845	857, 935	1001291401 263, 280,
1001266489 987	1001274114..... 725, 731	1001284974..... 117	298, 318, 334, 356,
1001266663 986	1001274127..... 725, 731	1001284975..... 105	372, 392, 407
1001266799 987	1001274559..... 143, 637,	1001284976..... 121	1001291605 785
1001266801 987	889	1001284977 113	1001292406 61
1001266807 987	1001274829..... 986	1001285068..... 271, 305,	1001292628 279, 356
1001266969 987	1001274830..... 986	309, 313	1001293329 27, 29, 47
1001267284 101	1001274832..... 986	1001285069..... 305	1001293465 61
1001267285 109	1001274833..... 986	1001285070..... 322, 326,	1001293730 61
1001267678 101, 105,	1001275628..... 637	329	1001294766 966
109, 113, 117, 121, 125	1001275629..... 637	1001285071 321	1001294815 966
1001268472 909	1001275642..... 987	1001285072..... 217, 221	1001296426 137, 139,
1001268737 986	1001275644..... 987	1001285074 235, 241	141, 891
1001268752 986	1001276007..... 984	1001285076..... 415, 419,	1001300550 29
1001269096 730, 736	1001276008..... 984	423	1001301727 392, 408,
1001269097 730, 737	1001276610..... 841	1001285077 415	411
1001269187 987	1001276644..... 355, 372,	1001285078 432, 436,	1001302381 403, 406
1001269389 987	391, 407, 869	439	1001302394 395, 399,
1001269629 985	1001276645..... 263, 861	1001285079 431	403
1001269630 985	1001276923..... 984	1001285080 309	1001302437 387, 390
1001269631 985	1001277590..... 263, 265	1001285081 325	1001302446 380, 384,
1001269655 987	1001277596..... 259, 262	1001285082 217	387
1001269907 710	1001277880..... 61	1001285083 235	1001302512 399
1001269908 706, 710,	1001278329..... 263	1001285084 419	1001302513 395
714, 718	1001280340..... 137, 139,	1001285085 435	1001302516 383
1001269909 706	141	1001285086 267, 275	1001302517 379
1001269910 714	1001281070..... 987	1001285090 267	1001302954 356, 372,
1001269912 718	1001281298..... 553	1001285092 288, 293	375
1001269913 725, 731,	1001281301..... 553	1001285099 271	1001302957 351, 354
737	1001281304..... 553	1001285106 287	1001302958 367, 370
1001269914 725, 731,	1001281305..... 553	1001285144 185	1001302965 343, 347,
737	1001281307..... 553	1001285145 176, 180,	351
1001269919 213, 228,	1001281309..... 553	185	1001302966 360, 364,
252, 267, 284, 305,	1001281310..... 553	1001285146 176, 180	367
309, 322, 344, 360,	1001281311..... 553	1001285342 173	1001302975 347
384, 400	1001281352..... 736	1001285343 164, 168,	1001302976 359
1001269920 215, 217,	1001281359..... 553	173	1001302977 363
232, 236, 256, 271,	1001281360..... 553	1001285344 164, 168	1001302985 343
326, 348, 380, 396	1001281424..... 986	1001285353 193	1060341 ... 661, 663, 665,
1001269921 416, 432	1001281453..... 986	1001285354 193	667
1001269922 420, 436	1001281454..... 986	1001285355 188, 193	1060343 ... 534, 538, 542,
1001270242 169	1001281455..... 986	1001285636 553	546
1001270243 180	1001281456..... 986	1001285733 201, 203,	1060584 71
1001270482 986	1001281457..... 987	815	1060626 ... 227, 231, 235,
1001270504 985	1001281458..... 987	1001285811 161	284, 287, 321, 325,
1001270594 199	1001281460..... 987	1001285877 566, 571	359, 363, 379, 383,
1001270668 188	1001281461..... 987	1001285891 161	431, 435
1001270717 988	1001281467..... 985	1001285892 161	1060903 ... 661, 663, 665,
1001270718 988	1001281467..... 985	1001287536 553	667
1001271454 689, 691	1001281656..... 553	1001287552 553	1060908 ... 817, 819, 821,
1001271497 896	1001281985..... 356, 372,	1001288113 553	823
1001271642 987	391, 407	1001289552 862, 870	1060918 641
1001271760 987	1001281986..... 356, 372,	1001289553 862, 870	1060945 799
1001271785 985	391, 407	1001289589 821	10702077. 534, 538, 542,
1001271786 985	1001282065..... 853, 855,	1001289592 785, 821	546, 550
1001271787 985	857, 929	1001289594 252, 256,	10702082. 534, 538, 542,
1001271888 986	1001282106..... 147, 643	343, 347, 360, 364,	546, 550
1001272076 558, 689	1001282461..... 987	380, 384, 395, 399, 851	10728823 718
1001272100 562, 691	1001283549..... 933, 939	1001289831 987	1120555 659
1001272178 987	1001283776..... 199, 923	1001289832 987	1260017 93
1001272182 986	1001284471..... 221, 241,	1001289890 251	
	259, 275, 293, 313,		

SECTION 11 - SPECIAL OPTIONS/ACCESSORIES/KITS

1320041 755, 783, 785, 787	1702942 ... 227, 231, 235, 284, 287, 321, 325, 359, 363, 379, 383, 431, 435	1704972 966 1705014 613, 623 1705090 973 1705305 655, 969, 971 1705325 757, 759 1705336 945 1705344 959 1705345 961 1705347 957 1705349 949 1705351 945 1705355 969, 971 1705358 965 1705374 ... 515, 519, 529, 779, 781 1705375 ... 535, 539, 543, 546, 655 1705387 ... 515, 519, 529, 535, 539, 543, 546 1705426 959 1705427 961 1705429 957 1705430 953 1705460 ... 535, 539, 543, 546, 550 1705461 550 1705489 ... 523, 527, 550 1705515 966 1705820 977 1705822 947, 951 1705828 947, 951 1705910 963 1705917 963 1705921 947, 951 1705961 947, 951 1705968 953, 965 1705969 961, 965 1706059 966 1706060 966 1706061 966 1706062 966 1706063 966 1706064 966 1706098 966 1706385 613, 623 1706957 975 1706960 975 2030010 ... 651, 653, 655 2060025 224, 244 2080040 ... 601, 605, 609, 615, 619, 625 2110810 ... 706, 710, 714, 718 2110812 ... 706, 710, 714, 718 2111216 ... 706, 710, 714, 718 2111616 724, 730, 736 2130808 710 2130812 718 2131216 ... 706, 710, 714, 718 2131616 ... 219, 221, 239, 241, 259, 275, 291, 293, 313, 329, 351, 367, 387, 403, 423, 439 2150808 706, 714	2150812..... 706, 714 2180348.... 213, 215, 217, 227, 231, 235, 415, 419, 431, 435 2180387..... 67 2180388..... 67 2180389..... 67 2180418..... 67, 427, 431, 443 2180467..... 426, 442 2180832.... 251, 255, 267, 271, 283, 287, 305, 309, 321, 325, 343, 347, 359, 363, 379, 383, 395, 399 2220124..... 91 2220238.... 724, 730, 736 2220261..... 67, 427, 443 2220313.... 213, 215, 217, 227, 231, 235, 251, 255, 267, 271, 283, 287, 305, 309, 321, 325, 343, 347, 359, 363, 379, 383, 395, 399 2220315..... 224, 244 2220366.... 724, 730, 736 2220371.... 706, 710, 714, 718, 724, 730, 736 2220372.... 706, 710, 714, 718, 724, 730, 736 2220373.... 706, 710, 714, 718, 724, 730, 736 2220374.... 724, 730, 737 2220375.... 724, 730, 736 2220380.... 724, 730, 736 2220408.... 219, 221, 239, 241, 259, 275, 291, 293, 313, 329, 351, 367, 387, 403, 423, 439, 724, 731 2220415.... 706, 710, 714, 718, 724, 730, 736 2220418..... 67 2220451.... 219, 221, 225, 239, 241, 245, 259, 275, 291, 293, 313, 329, 351, 367, 387, 403, 423, 439, 724, 730, 736 2220466.... 129, 133, 724, 730, 736 2220468.... 706, 710, 714, 718, 724, 730, 736 2220472.... 706, 710, 714, 718, 730, 736 2220473.... 724, 730, 736 2220479.... 219, 221, 239, 241, 259, 275, 291, 293, 313, 329, 351, 367, 387, 403, 423, 439 2220500.... 706, 710, 714, 718 2220501.... 706, 710, 714, 718 2220502.... 706, 714, 724 2220582.... 706, 710, 714, 718, 724, 730, 736
------------------------------------	--	---	--

SECTION 11 - SPECIAL OPTIONS/ACCESSORIES/KITS

2220596 ... 706, 710, 714, 718	2560187 ... 171, 173, 183, 185, 191, 193	3271605.....669, 671, 673, 675, 677	3290806..... 595
2220602 ... 706, 710, 714, 718	2580024 ... 227, 231, 235, 283, 287, 321, 325, 359, 363, 379, 383, 431, 435	3271805.....613, 623	3291001..... 99, 101, 103, 105, 115, 117, 119, 121, 278, 296, 316, 332, 354, 370, 390, 406, 426, 442, 566, 570, 595, 853
2220603 724, 730, 736	2580062244	3272001.....669, 671, 673, 675, 677	3291005..... 99, 101, 103, 105, 107, 109, 111, 113, 115, 117, 119, 121, 164, 168, 171, 173, 176, 180, 183, 188, 191, 193, 201, 203, 213, 215, 217, 224, 227, 231, 235, 244, 251, 255, 262, 267, 271, 278, 283, 287, 296, 305, 309, 317, 321, 325, 333, 343, 347, 359, 363, 379, 383, 395, 399
2220606 724, 730, 736	2600066859	3290301.....489, 491	3290505.....251, 255, 267, 271, 283, 287, 305, 309, 321, 325, 343, 347, 359, 363, 379, 383, 395, 399
2220609 ... 415, 419, 431, 435	2600281 ... 601, 605, 609, 615, 619, 625	3290405.....67, 161, 199, 201, 203, 415, 419, 431, 435, 629, 757, 759, 761, 763, 765, 767, 769, 771, 773, 775, 777, 783, 785, 787, 853	3291201... 503, 511, 515, 519, 523, 527, 529, 533, 538, 541, 545, 549, 595
2220618 724, 730, 736	2720015 ... 262, 278, 296, 317, 333, 354, 370, 390, 406	3290501.....251, 255, 267, 271, 283, 287, 305, 309, 321, 325, 343, 347, 359, 363, 379, 383, 395, 399	3291205 95, 99, 101, 103, 105, 107, 109, 111, 113, 115, 117, 119, 121, 164, 165, 168, 169, 176, 180, 188, 251, 255, 489, 491, 595, 789, 791, 793, 795, 797, 799, 801, 803, 805, 807, 809, 811
2220628 ... 706, 710, 714, 718	2720058 ... 213, 215, 217, 227, 231, 235, 426, 442, 461, 463	3290601.... 171, 173, 183, 185, 191, 193, 426, 442, 447	3291601..... 85, 566, 570
2220637 724, 730, 736	272014467	3290605....127, 129, 131, 133, 137, 139, 141, 164, 168, 185, 193, 219, 221, 224, 239, 241, 244, 259, 262, 275, 278, 291, 293, 296, 313, 316, 329, 332, 351, 354, 367, 370, 387, 390, 403, 406, 415, 419, 423, 426, 431, 435, 439, 442, 493, 495, 497, 499, 511, 523, 527, 633, 635, 718, 755, 757, 761, 765, 769, 773, 783, 785, 787, 853, 855, 857, 945, 947, 949, 951, 953, 955, 957, 959, 961, 963	3292001..... 95, 566, 570
2220726 724, 730, 736	2720340262	3290606....603, 607, 611, 617, 621, 627	3292201..... 566, 570
2220733 724, 730, 736	2720398225, 245	3290801.....197, 426, 442	3300106..... 27, 29, 31
2220738 724, 730, 736	278026927, 37	3290805.....67, 127, 129, 131, 133, 137, 171, 173, 183, 185, 191, 193, 224, 244, 262, 278, 296, 316, 332, 354, 370, 390, 406, 415, 419, 426, 431, 435, 442, 483, 485, 501, 503, 509, 511, 515, 519, 529, 533, 537, 541, 545, 549, 579, 581, 583, 585, 591, 593, 789, 791, 793, 795, 797, 799, 801, 803, 805, 807, 809, 811, 813, 857	3300151... 599, 603, 607, 611, 615, 617, 621, 625, 627, 651, 653, 655
2220775 ... 129, 133, 724, 730	2820019883		3300353..... 637
2220811 706, 710, 714	2820031 ... 501, 503, 507, 509, 511, 515, 519, 523, 527, 529, 533, 537, 541, 545, 549		3300396... 516, 520, 530, 534, 538, 542, 546, 550
2220852 724, 730, 736	2820035413		3300408..... 147
2220865 724, 730, 736	2820152280, 354		3300430..... 647
2220881 683	2820247911, 915		3311001... 501, 503, 511, 516, 520, 530, 534, 538, 542, 546, 550
2220883 . 33, 45, 79, 681, 683, 685, 687, 693, 695, 701	2840016489, 491		3311005... 507, 651, 653, 655
2220885 45, 683, 693, 695, 701	2860030 ... 149, 151, 153, 155, 157, 159, 980		3311401... 661, 663, 665, 667
2220886 33, 45	2900792 ... 685, 687, 693, 695, 697		3311405... 207, 209, 251, 255, 262, 649, 759, 763, 767, 771, 775, 777, 813
2220906 724, 730, 736	2902065 ... 225, 245, 262, 278, 296, 316, 332, 354, 370, 390, 406, 453		
2220923 710, 718	2902212659		
2220940 ... 219, 221, 239, 241, 259, 275, 291, 293, 313, 329, 351, 367, 387, 403, 423, 439	2902217651, 653		
2220946 ... 219, 221, 239, 241, 259, 275, 291, 293, 313, 329, 351, 367, 387, 403, 423, 439	2902232987		
2220947 ... 219, 221, 239, 241, 259, 275, 291, 293, 313, 329, 351, 367, 387, 403, 423, 439, 724, 730, 736	2902266681		
2220998 ... 415, 419, 431, 435	2902443 ... 859, 861, 865, 869		
2220999 724, 730, 736	2902549 783, 817		
2221024 67	2915096988		
2221040 706, 714	2940045 185, 193		
2221042 724	2940074 ... 601, 605, 609, 615, 619, 625, 980		
2221048 730, 736	2940173 ... 171, 173, 183, 185, 191, 193		
2221086 45, 689, 691, 724, 730, 736	3020037259, 291		
2221176 ... 213, 215, 217, 227, 231, 235, 415, 419, 431, 435	316035027, 33		
2221197 67, 415, 419, 431, 435	3251102 ... 501, 503, 507, 509, 511, 515, 519, 523, 529		
2400060 ... 284, 322, 413, 629, 879, 885, 909	3251242 ... 763, 767, 771, 775, 777		
2400064 885, 980	3251243 ... 501, 503, 507, 511, 515, 519, 529, 535, 539, 543, 546, 945, 949, 953, 955, 957, 959, 963		
2410014 613, 623	3252347945		
2420203 ... 501, 503, 507, 512	3252507 ... 509, 761, 765, 769, 773		
2460048 537, 549	3252764 ... 527, 533, 537, 541, 545, 549		
2460051 507			
2460055 501			
2540020 199, 201, 203			
2560136 637			

SECTION 11 - SPECIAL OPTIONS/ACCESSORIES/KITS

3311501....188, 661, 663, 665, 667	3573642 651, 653, 655	3910804 ... 149, 151, 153, 155, 157, 159	4070940.....566, 570
3311505.....731, 737	3574091 665, 667	3931408 647	4092009.....566, 570
3311601....164, 168, 176, 180, 188, 278, 296, 354, 370, 637, 649	3575359 661, 663	3931432 262	4160149.....566, 570
3311605....279, 298, 354, 370, 613, 623, 651, 653, 655	3577121 ... 651, 653, 655	3931512 ... 278, 296, 316, 332, 354, 370, 390, 406	4240018.....67, 706, 710, 714, 718, 779, 781, 789, 791, 793, 795, 797, 799, 801, 803, 805, 807, 809, 811
3311705.....511	3580134 509	3931618 ... 219, 221, 239, 241, 259, 275, 291, 293, 313, 329, 351, 367, 387, 403, 423, 439	4240032....263, 280, 298, 317, 333, 354, 370, 390, 406, 833, 835, 837, 839, 841, 853, 855, 857
3312002....669, 671, 673, 675, 677	3580158 501, 509	3931620 219, 239	4240033....591, 593, 645, 647, 649, 706, 710, 714, 718
3312005.....659	3580243 566, 570	3931628 ... 278, 296, 316, 332, 354, 370, 390, 406	4240099....199, 213, 215, 217, 227, 231, 235, 251, 255, 262, 267, 271, 278, 283, 287, 296, 305, 309, 317, 321, 322, 325, 333, 343, 347, 354, 359, 363, 370, 379, 383, 390, 395, 399, 406, 413, 415, 419, 431, 435, 511, 638, 651, 653, 661, 663, 665, 667, 789, 791, 793, 795, 797, 799, 853, 855, 857
3312205.....659	3580248 566, 570	3931648 426, 442	4240149.....659
3331211....224, 244, 262, 278, 296, 316, 332, 354, 370, 390, 406, 426, 442, 471, 473, 475, 477, 479, 481, 483, 485	3580276 501, 503, 512	3931720 29	4240156.....731, 737
3331611....224, 244, 316, 332, 390, 406	3580314 545	3932030 31	4280295.....99, 101, 103, 105, 115, 117, 119, 121
3340764.....579	3580317 ... 515, 519, 523, 527, 529, 533, 538, 541, 545, 550	3932032 31	4280296.....69
3340787.....579, 581	3580318 ... 515, 519, 529, 533, 538, 541	3932072 31	4360057....661, 663, 665, 667, 981
3340956.....659	3580319 523, 527, 549	3960389 195, 197	4360070....516, 520, 530, 534, 538, 542, 546, 550
3380434.....633, 635	3580320 ... 278, 296, 316, 332, 354, 370, 390, 406, 515, 523, 538, 550	3960407 224, 244	4360274.....157, 159
3420372.....71	3580324 507	3960422 ... 515, 519, 529, 533, 538, 541, 545, 755, 779, 781	4360336....501, 503, 507, 509, 511, 515, 519, 523, 527, 529, 533, 538, 541, 545, 550, 981
3420447.....71	3641569 661, 663	3960464 195, 197	4360387....151, 155, 157, 159, 637, 981
3421565.....71, 93	3740067 ... 127, 129, 131, 133, 224, 244, 981	3960469 ... 219, 221, 239, 241, 313, 329, 387, 403, 423, 439	4360407.....637, 981
3422351.....23, 25	3740080 879, 909, 981	3960526 27	4360469....149, 151, 153, 155, 157, 159
3422417.....566, 570	3740086 919, 981	3980007 ... 227, 231, 235, 284, 287, 321, 325, 359, 363, 379, 383, 431, 435	4360475.....145, 981
3422424.....566, 570	3760170 71, 93	4010303 591, 593	4360517.....97
3422532....219, 221, 239, 241, 259, 275, 291, 293, 313, 329, 351, 367, 387, 403, 423, 439	3790012 ... 415, 419, 431, 435, 635, 637	4010308 489, 491	4360542....501, 503, 507, 512
3422582.....558	3790152 ... 219, 239, 275, 291, 293, 313, 329	4010405 783, 785, 787	4400275.....67
3422841.....71	3790158 29, 31	4010618 ... 603, 607, 611, 617, 621, 627	4420014.....659
3422847.....71	3820001 ... 945, 947, 949, 951, 953, 955, 957, 959, 961, 963, 966	4031505 645	4420037....651, 653, 655
3422848.....25	384114323, 25, 213, 215, 217, 227, 231, 235, 251, 255, 267, 271, 283, 287, 305, 309, 321, 325, 343, 347, 359, 363, 379, 383, 395, 399, 415, 419, 431, 435, 558, 566, 570, 573, 595	4031507 161	4420038.....99, 101, 105, 115, 117, 121
3422861.....573	3820020 ... 601, 605, 609, 615, 619, 625	4031509 199, 201, 203	4420051....71, 945, 947, 949, 951, 953, 955, 957, 959, 961, 963
3422867.....573	3841287 558, 562	4031516 649	4420060.....509
3430616.....637	3841340 ... 789, 791, 793, 795, 797, 799	4031608 509	4420066.....659
3430820.....489, 491	3841356 562	4031708 280, 354	4460019....851, 861, 865, 870
3460334.....659	3900054 613, 623	4031710 280, 354	
3470003.....637	3900267 ... 516, 520, 530	4031711 426, 442	
3520028....503, 507, 512	3900300 ... 516, 520, 530	4031908 262	
3520054....224, 244, 262, 278, 296, 316, 332, 354, 370, 390, 406, 637	3900349 637	4031912 262	
3520071.....659	3900357 224, 244	4031914 ... 278, 296, 316, 332, 354, 370, 390, 406	
3520072....599, 601, 603, 605, 607, 609, 611, 613, 615, 617, 619, 621, 623, 625, 627	3900363 ... 183, 185, 191, 193	4032014 ... 278, 296, 316, 332, 354, 370, 390, 406, 566, 570	
3520189.....550	3900364 ... 164, 168, 426, 442	4032015 ... 515, 523, 538, 550	
3520192.....550	3900394 581	4032020 566, 570	
3520198....599, 601, 603, 605, 607, 609, 611, 615, 617, 619, 621, 625, 627	3910606 ... 515, 519, 529, 533, 538, 541, 545, 779, 781	4060802 ... 501, 503, 507, 509, 511, 515, 519, 523, 527, 529, 533, 538, 541, 545, 550	
3539622.....566, 570	3910610 755	4060805 570	
3572009.....71		4061032 ... 267, 271, 284, 287, 343, 347, 359, 363	
3572010.....71		4070895 566, 570	
3572011.....71		4070896 566, 570	
3572012.....71		4070897 566, 570	
3573400....651, 653, 655		4070898 566	
		4070939 566, 570	

SECTION 11 - SPECIAL OPTIONS/ACCESSORIES/KITS

4460027 ... 501, 503, 507, 512	921, 925, 927, 929, 930, 935, 937, 939, 941	4460894....843, 847, 853, 859, 861, 865, 869, 873, 895, 927, 929, 937	4520288 49
4460035 909	4460466 ... 629, 645, 827, 829, 831, 843, 847, 859, 861, 862, 865, 869, 870, 873, 879, 895, 913, 917, 919, 921, 923, 929, 930, 933, 935, 937, 939	4460897....201, 203, 815, 923	4530028 651, 653, 657
4460042 ... 859, 862, 866, 869, 873, 929	4460467 988	4460899....847, 849, 891, 913, 917, 919, 925, 930, 933	4568133 71
4460043 ... 413, 861, 865, 870, 885	4460470 ... 637, 853, 855, 857	4460905....887, 895, 929, 930, 935	4640261 71
4460049 ... 661, 663, 665, 667	4460471 ... 637, 853, 855, 857	4460906.....879	4640464 847, 849
4460071 ... 515, 519, 529, 533, 538, 541, 545, 641, 755	4460473 827, 829, 831	4460910.....911	4640509 693, 695, 697
4460142 859	4460492 933, 939	4460911.....913, 935	4640751 262
4460183 895, 929	4460496 ... 637, 853, 855, 857	4460925.....895	4640858 681
4460190 ... 501, 503, 507, 512	4460497 ... 637, 853, 855, 857	4460928.....921, 933, 939	4640932 687
4460205 755	4460508 ... 645, 827, 895, 929	4460930....859, 861, 865, 869, 929, 930, 937	4640999 685, 687
4460224 527, 637	4460509 827, 829, 831	4460931 923, 930, 933, 935	4641122 49, 51, 53
4460225 881, 883, 895	4460510 988	4460932 629, 825, 845, 862, 870, 877, 893, 930	4711000 ... 516, 520, 530, 534, 538, 542, 546, 550, 855, 857
4460226 ... 637, 641, 661, 663, 665, 667, 930	4460518 ... 895, 921, 933, 939	4460933....895, 896, 921, 929	4711400 ... 207, 209, 251, 255, 262, 599, 603, 607, 611, 615, 617, 621, 625, 627, 647, 649, 759, 763, 767, 771, 775, 777
4460227 97, 895	4460536 ... 847, 849, 895, 925, 941	4460941.....877, 913	4711500 ... 262, 278, 296, 316, 332, 354, 370, 390, 406, 731, 737
4460234 ... 637, 661, 663, 665, 667, 833, 835, 837, 839, 853, 855, 857	4460539 ... 847, 849, 861, 869, 895, 925, 935, 941	4460942....645, 861, 865, 869	4711600 99, 101, 103, 105, 107, 109, 111, 113, 115, 117, 119, 121, 278, 296, 354, 370, 504, 527, 637, 669, 671, 673, 675, 677
4460247 861, 870, 929	4460612 779, 781	4460943....859, 865, 895, 913, 930	4711700 511
4460259 ... 629, 887, 895, 929	4460662 ... 765, 767, 769, 771, 773, 775, 777	4460944....859, 861, 865, 869, 895	4711800 613, 623
4460260 ... 629, 887, 891, 895, 929	4460670 909	4460945 862, 870	4712000 ... 659, 669, 671, 673, 675, 677
4460267 895	4460702 930	4460946....817, 819, 821	4712200 659
4460268 881, 883	4460703 ... 861, 865, 870, 930	4460947....817, 819, 821	4740036 71
4460294 527	4460708 896	4460948.....781	4740155 25
4460312 859	4460722 413	4460949.....797, 809	4740158 19, 21
4460313 859, 865, 935	4460742 885	4460950.....797, 799, 809	4740362 633, 635
4460315 755	4460743 885	4460951.....653	4740393 27, 29, 31, 61
4460320 97	4460746 869	4460952.....534, 538, 542, 546	4740397 ... 143, 145, 415, 419, 431, 435, 635, 889
4460346 ... 515, 519, 529, 533, 538, 541, 545, 755	4460748 869, 929	4460953.....516, 885, 930	4751000 71, 99, 101, 103, 105, 107, 109, 111, 113, 115, 117, 119, 121, 501, 503, 507, 511, 651, 653, 655
4460384 777	4460761 895	4460954....509, 757, 759, 761, 763	4751400 ... 171, 173, 183, 185, 191, 193, 631, 637, 651, 653, 655, 661, 663, 665, 667, 813
4460418 887, 895	4460806 767, 771	4460955.....895	4751500 71, 503, 511, 661, 663, 665, 667
4460419 887, 895	4460807 881, 883	4461005.....859	4751600 ... 262, 279, 298, 317, 333, 354, 370, 390, 406, 633, 635, 651, 653, 655
4460424 930	4460808 881, 883	4461006.....859	4751800 ... 613, 623, 661, 663, 665, 667
4460425 ... 516, 520, 530, 534, 538, 542, 546, 550, 661, 663, 665, 667, 779, 781	4460836 937, 939	4461008....859, 861, 866, 869	4760600 755
4460426 ... 516, 520, 530, 534, 538, 542, 546, 550	4460837 937, 939	4461052.....859	4761400 631
4460428 637	4460865 827, 829, 831	4461053.....859	4811400 ... 199, 201, 203, 489, 491, 629, 757, 759, 761, 763, 765, 767, 769, 771, 773, 775, 777, 853
4460434 895	4460866 ... 827, 895, 929	4461054....859, 862, 869, 877	4811600 ... 251, 255, 267, 271, 283, 287, 305,
4460458 ... 861, 869, 885, 929	4460871 ... 887, 891, 895, 929, 930, 935, 941	4461060.....859	
4460464 ... 201, 203, 629, 641, 815, 825, 827, 843, 845, 847, 849, 879, 893, 895, 909, 917, 919, 921, 923, 925, 929, 930, 933, 935, 941	4460872 935	4461070....859, 865, 921	
4460465 ... 199, 516, 629, 815, 827, 829, 831, 843, 847, 849, 853, 859, 861, 865, 869, 870, 873, 881, 883, 885, 893, 895, 917,	4460873 895, 929	4461071 861, 865, 869	
	4460874 895, 930	4461073....859, 865, 869	
	4460875 935	4461077.....913, 919	
	4460876 887, 895	4461095....859, 865, 921	
	4460878 929	4461196.....899	
	4460879 629, 895	4461198.....759, 899	
	4460884 ... 629, 861, 869, 917, 930, 935	4461199.....901	
	4460887 629, 895, 929	4461201.....763, 901	
	4460891 ... 199, 815, 865, 893, 921, 930, 935, 937, 939, 941	4461205.....903, 905	
	4460892 847	4461244.....767, 903	
		4461245.....771, 905	
		4461246.....775, 907	
		4461249.....907	
		4520256.....53	

SECTION 11 - SPECIAL OPTIONS/ACCESSORIES/KITS

309, 321, 325, 343, 347, 359, 363, 379, 383, 395, 399, 465, 509 4811602....515, 519, 529, 533, 538, 541, 545, 550 4811700....127, 129, 131, 133, 137, 139, 141, 183, 185, 191, 193, 201, 203, 207, 209, 213, 215, 217, 219, 221, 224, 227, 231, 235, 239, 241, 244, 251, 255, 259, 267, 271, 275, 283, 287, 291, 293, 305, 309, 313, 316, 321, 325, 329, 332, 343, 347, 351, 359, 363, 367, 379, 383, 387, 390, 395, 399, 403, 406, 415, 419, 423, 426, 431, 435, 439, 442, 447, 501, 503, 507, 509, 511, 515, 519, 523, 527, 529, 533, 538, 541, 545, 550, 558, 562, 603, 607, 611, 617, 621, 627, 718, 755, 757, 761, 765, 769, 773, 783, 785, 787, 801, 803, 805, 807, 809, 811, 853, 855, 857, 945, 947, 949, 951, 953, 955, 957, 959, 961, 963 4811702....171, 173, 219, 221, 239, 241, 259, 262, 275, 278, 291, 293, 296, 313, 329, 351, 354, 367, 370, 387, 403, 423, 439, 447, 493, 495, 497, 499, 633, 635 4811900....183, 185, 191, 193, 197, 224, 244, 262, 278, 296, 316, 332, 354, 370, 390, 406, 415, 419, 426, 431, 435, 442, 447, 479, 483, 485, 501, 503, 509, 511, 515, 519, 529, 533, 538, 541, 545, 550, 579, 581, 583, 585, 591, 593, 595, 789, 791, 793, 795, 797, 799, 801, 803, 805, 807, 809, 811, 813, 853, 855, 857 4811902....127, 129, 131, 133, 171, 173, 188, 262, 317, 333, 390, 406, 426, 442, 447, 501, 509 4812000..75, 77, 99, 101, 103, 105, 107, 109, 111, 113, 115, 117,	119, 121, 164, 168, 171, 173, 176, 180, 183, 185, 188, 191, 193, 195, 213, 215, 217, 224, 227, 231, 235, 244, 251, 255, 262, 267, 271, 278, 283, 287, 296, 305, 309, 316, 321, 325, 332, 343, 347, 354, 359, 363, 370, 379, 383, 390, 395, 399, 406, 415, 419, 426, 431, 435, 442, 447, 461, 463, 465, 471, 473, 475, 477, 479, 481, 501, 503, 507, 509, 511, 558, 562, 566, 570, 583, 585, 595, 789, 791, 793, 795, 797, 799, 801, 803, 805, 807, 809, 811, 853, 855, 857 4812002.... 99, 101, 103, 105, 107, 109, 111, 113, 115, 117, 119, 121, 164, 168, 171, 173, 176, 180, 188, 213, 215, 217, 227, 231, 235, 251, 255, 262, 267, 271, 283, 287, 305, 309, 321, 325, 343, 347, 359, 363, 379, 383, 395, 399, 415, 419, 431, 435, 487 481210095, 99, 101, 103, 105, 107, 109, 111, 113, 115, 117, 119, 121, 164, 165, 168, 169, 176, 180, 188, 213, 215, 217, 227, 231, 235, 251, 255, 262, 267, 271, 278, 283, 287, 296, 305, 309, 321, 325, 343, 347, 354, 359, 363, 370, 379, 383, 395, 399, 447, 489, 491, 507, 553, 595, 789, 791, 793, 795, 797, 799, 801, 803, 805, 807, 809, 811 4812200... 262, 278, 296, 355, 370, 483, 485 4812300. 27, 29, 31, 224, 244, 316, 332, 390, 406 4812500... 165, 169, 176, 180, 188 4844817 573 4846295 71 4846296 71 4846627 651, 653, 655 4846673 665, 667 4871700 ... 501, 509, 515, 519, 523, 529, 533, 538, 541, 545, 550	4891500 507 4891600 595 4892000 91 4892600001 595 4922641 ... 501, 503, 507, 509, 516, 520, 524, 538, 542, 546, 550 4922925 ... 527, 533, 538, 542, 545, 550, 883 5201012 61 5240800 67, 477 524100029, 31, 164, 168, 183, 185, 191, 193, 219, 221, 225, 239, 241, 245, 259, 275, 291, 293, 313, 317, 329, 333, 351, 367, 387, 390, 403, 406, 423, 426, 439, 442, 475, 515, 519, 523, 529, 533, 538, 541, 545, 550, 566, 570, 579, 581 5241200 . 19, 21, 27, 219, 221, 224, 239, 241, 244, 259, 262, 275, 278, 291, 293, 296, 313, 316, 329, 332, 351, 355, 367, 370, 387, 390, 403, 406, 423, 426, 439, 442, 471, 473, 475, 477, 479, 481, 483, 485, 503, 511, 515, 519, 523, 527, 529, 533, 538, 541, 545, 550, 595 5241400 ... 224, 244, 316, 332, 390, 406, 471, 473, 475, 477, 479, 481, 515, 523, 538, 550 5241600 23, 25, 85 5242000 85 5250605 447 5250608 195, 855, 857 5250808 195, 197 5250810 69, 171, 173, 278, 296, 316, 332, 355, 370, 390, 406, 583, 585 5250812 ... 164, 168, 591, 593 5251008 591, 593, 595 525100975, 77, 127, 129, 131, 133 5251012 . 27, 29, 31, 107, 109, 111, 113, 213, 215, 217, 227, 231, 235, 251, 255, 267, 271, 283, 287, 305, 309, 317, 321, 325, 333, 343, 347, 359, 363, 379, 383, 390, 395, 399, 406, 516, 520, 524, 538, 542, 550 5251014 ... 137, 139, 141, 164, 168, 176, 180, 188 5251016 19, 21, 595	5260600.... 195, 447, 855, 857 5260800..... 195, 197 5261000.... 137, 139, 141, 853, 855, 857 5272010.....426, 442 5281918....789, 791, 793, 795, 797, 799, 801, 803, 805, 807, 809, 811 70000123.....509 70000342.....575, 577 70000345.....248, 339 700004508.....301 70000619..533, 537, 541, 545, 549 70000699.....689, 691 70000781.....45 70000782.....37 70000793.....453 70000794.....33 70000795.....33 70000851.....248 70000852.....35 70000853.....35 70000854.....35 70000857.....35 70000858.....35 70000861.....35 70000862.....35 70000863..534, 537, 541, 546, 549 70000912.....247 70000913.....247 70000914.....247 70000915.....247 70000916.....247 70000917.....247 70000918.....247 70000919.....247 70001002.....247 70001100..534, 537, 541, 546, 549 70001103..115, 117, 119, 121 70001119.....37 70001126.....247 70001384..534, 537, 541, 546, 549 70001423.....247 70001435.....247 70001498.....248 70001655.....338, 340 70001696..537, 545, 549 70001697.....575, 577 70001847.....247 70001850.....247 70001866.....248 70001868.....248 70001870..247, 302, 337, 376 70001871.....247 70001872.....248 70001953...537, 546, 549 70001966..515, 519, 523, 527, 529, 534, 537, 542, 545, 546, 549
---	--	---	--

SECTION 11 - SPECIAL OPTIONS/ACCESSORIES/KITS

70001973 . 534, 537, 542, 546, 549	70002904 641	70004099.. 519, 527, 530, 534, 542	70004662..... 81
70001974 . 534, 537, 542, 546, 549	70002905 641	70004103.....248	70004668..... 81
70002020 41	70002962 45	70004155.....701	70004676 . 515, 519, 523, 527, 530
70002026 41	70003003 247	70004169...537, 546, 549	70004677 523
70002027 41	70003019 81, 587, 589	70004171.. 515, 523, 537, 546, 549	70004678 . 516, 520, 523, 527, 530
70002054 41	70003027 81, 587, 589	70004186..693, 695, 697, 701	70004679 . 516, 520, 523, 527, 530
70002057 41	70003085 685	70004199..... 123, 125	70004680 . 516, 520, 523, 527, 530
70002059 41	70003136 247	70004201.....35	70004681 523, 527
70002063 79	70003456 247	70004202.....35	70004682 . 516, 520, 523, 527, 530
70002066 88	70003457 247	70004203.....35	70004683..... 523, 527
70002088 . 537, 546, 549	70003468 247	70004204.....35	70004684..... 515
70002112 123, 125	70003469 247	70004205.....35	70004685 . 516, 520, 530
70002133 35	70003470 247	70004206.....687	70004686 527
70002134 457	70003471 247	70004207.....247	70004687 519, 530
70002146 457	70003472 247	70004208.....248	70004795 123, 125
70002147 457	70003473 247	70004209.....248	70004867 689, 691
70002148 457	70003474 247	70004210.....339	70004883..... 79
70002149 457	70003475 247	70004211.....339	70004884..... 79
70002150 457	70003478 247	70004212.....337	70004888..... 45
70002151 457	70003628 35	70004213.....301, 375	70005008 . 263, 317, 333, 407, 427, 443, 980
70002153 457	70003631 . 534, 537, 542, 545, 549	70004214...301, 338, 375	70005171 .. 301, 337, 375
70002154 457	70003708 . 515, 519, 523, 527, 529, 534, 537, 542, 546, 549	70004215.....41	70005172 .. 302, 337, 376
70002156 457	70003709 . 515, 519, 523, 527, 529, 534, 537, 542, 546, 549	70004216.....41	70005173 301, 337
70002157 457	70003783 . 225, 245, 279, 297, 980	70004217.....41	70005176 338
7000216 37	70003784 637	70004218.....41	70005177 .. 301, 338, 375
7000217 88	70003926 701	70004219.....41	70005178 338
70002176 35, 456	70003928 701	70004220.....41	70005179 338, 340
70002201 41	70003929 701	70004221.....41	70005180 375
70002209 45	70003930 701	70004222.....41	70005182 301, 375
70002234 248	70003932 248	70004223.....41	70005183 301
7000228 88	70003975 45	70004224.....41	70005184 .. 301, 338, 375
7000229 88	70003982 701	70004225.....41	70005191 340
70002291 534, 542	70003998 127, 131	70004226.....41	70005200 589
70002297 . 534, 537, 542, 546, 549	70004037 88	70004227.....41	70005203 88
7000230 88	70004039 88	70004228.....338	70005298 41
70002335 685	70004040 88	70004229.....340	70005299 41
70002366 685	70004041 88	70004230.....337	70005300 41
70002381 685	70004042 88	70004231.....337	70005301 41
70002386 79, 980	70004043 88	70004232.....337	70005302 41
70002390 45	70004044 88	70004233.....337, 375	70005303 41
70002410 687	70004045 88	70004234.....337	70005304 41
7000246 88	70004047 89	70004235.....337	70005305 41
70002460 . 534, 537, 542, 545, 549	70004051 81, 82	70004236.....338	70005306 41
7000247 88	70004052 81, 82, 587, 589	70004237.....45	70005307 41
7000248 88	70004053 587, 589	70004238.....81	70005308 41
7000253 88	70004055 82	70004239.....81	70005309 41
7000255 88	70004056 248	70004240.....82, 980	70005311 41
7000257 88	70004058 248	70004241.....82	70005312 41
7000263 88	70004059 248	70004242.....82	70005313 41
70002718 . 247, 301, 337, 375	70004060 248	70004243.....82	70005314 41
70002745 699	70004064 461, 463	70004244.....81	70005315 41
70002755 699	70004065 461, 463	70004245.....81	70005316 41
70002756 699	70004066 .. 461, 463, 980	70004246.....589	70005317 41
70002758 82	70004067 461, 463	70004247.....82	70005318 41
70002759 82	70004068 461, 463	70004248.....81, 82, 587, 589, 980	70005319 41
7000281 38	70004069 461, 463	70004249.....81	70005320 42
70002814 123	70004070 461, 463	70004250.....81	70005321 42
70002838 123, 125	70004092 . 515, 519, 523, 527, 530, 534, 542	70004251.....81	70005335 .. 583, 585, 980
70002839 123, 125	70004094 534, 542	70004252.....81	70005466 456
70002842 681	70004098 . 516, 520, 530, 534, 542	70004253.....81	70005467 456
70002902 641		70004254.....81	70005468 456
70002903 641			

SECTION 11 - SPECIAL OPTIONS/ACCESSORIES/KITS

70005469.....	456	70006118.....	82	70006208.....	450	70007326...	301, 339, 375
70005470.....	456	70006119.....	82	70006213.....	450, 980	70007327.....	339
70005471.....	457	70006120.....	82	70006215.....	450	70007331.....	340
70005472.....	457	70006121.....	587, 589	70006217.....	450	70007334.....	689, 691
70005474.....	457	70006122..	587, 589, 980	70006219.....	450	70007336.....	691
70005475.....	457	70006123.....	587, 589	70006221.....	450	70007337.....	691
70005476.....	457	70006124.....	587, 589	70006225.....	450	70007338.....	691
70005479.....	247	70006125.....	587, 589	70006232.....	450	70007339.....	691
70005527.....	340	70006126.....	587, 589	70006233.....	449	70007341.....	689, 691
70005563.....	689	70006134.....	447	70006235.....	450	70007342.....	689, 691
70005572.....	689	70006135.....	447	70006236.....	450	70007343.....	689, 691
70005575.....	689, 691	70006136.....	447	70006260.....	689, 691	70007345.....	689, 691
70005595.....	701	70006144.....	301, 338	70006264.....	337	70007346.....	689, 691
70005627.....	587, 589	70006145.....	449	70006265.....	337	70007347.....	689
70005647.....	339	70006147.....	449	70006266.....	337	70007354...	301, 339, 375
70005648.....	339	70006150.....	449	70006294.....	339	70007355.....	340
70005668.....	45	70006151.....	449	70006304.....	88, 89	70007438.....	35
70005669.....	45	70006152.....	449	70006305.....	89	70007507.....	45
70005671.....	575	70006153.....	449	70006306.....	89	70007603.....	301, 375
70005682.....	583, 585	70006154.....	449	70006307.....	89	70007680.....	61
70005683.....	579, 581	70006155.....	449, 980	70006308.....	89	70007681.....	61
70005684.....	579, 581	70006157.....	449	70006309.....	89	70007682.....	61
70005693.....	685	70006158.....	449	70006310.....	89	70007683.....	61
70005694.....	685	70006159.....	449	70006313.....	89	70007684.....	61, 62
70005695.....	685	70006160.....	449	70006314 .	107, 109, 111, 113	70007685.....	61, 62
70005696.....	685	70006161.....	449	70006356 .	219, 221, 239, 241, 259, 275, 291, 293, 313, 329, 351, 367, 387, 403, 423, 439	70007686.....	61, 62, 63
70005697.....	685	70006162.....	449	70006357.....	82	70007687.....	61, 62, 63
70005708.....	123, 980	70006163.....	449	70006537.....	97	70007688.....	61, 62, 63
70005710.....	97	70006164.....	449	70006538.....	97	70007689.....	61
70005711.....	97	70006165.....	449	70006552 .	516, 519, 523, 527, 529	70007690.....	61
70005712.....	97	70006166.....	449	70006553 .	516, 519, 523, 527, 529	70007691.....	61
70005713.....	97	70006167.....	449	70006596.....	687	70007692.....	61
70005716.....	97	70006168.....	449	70006649 ..	693, 695, 697	70007693.....	61
70005839.....	701	70006169.....	449	70006650 ..	693, 695, 697	70007694.....	61
70005920.....	337	70006170.....	449	70006652.....	301, 339	70007695.....	61
70005921.....	337	70006171.....	449	70006653.....	339	70007696.....	61, 63
70005926.....	338	70006172.....	449	70006731.....	701	70007697.....	61
70005928.....	338	70006173.....	449	70006734 ..	693, 695, 697	70007698.....	61, 63
70005929.....	338	70006174.....	449	70006735 ..	693, 695, 697	70007699.....	61
70005931...301, 338, 375		70006175.....	449, 980	70006736 ..	693, 695, 697	70007700.....	61
70005933.....	340	70006176.....	449, 981	7000695.....	247	70007701.....	61
70005934.....	340	70006177.....	449	70006978.....	701	70007702.....	61
70005935.....	340	70006178.....	449	70006979.....	701	70007725.....	125
70005936.....	340	70006179.....	449	70006980.....	701	70007726.....	125
70005938.....	337	70006180.....	449	70006981.....	701	70007727.....	125
70005941...302, 337, 376		70006181.....	449	70006982.....	701	70007804.....	459
70005942...301, 337, 375		70006182.....	449	70006983.....	701	70007805.....	459
70005947.....	82	70006183.....	449	70007086.....	339	70007806.....	459
70005951.....	587, 589	70006184.....	449	70007087.....	339	70007807.....	459
70005952....	81, 587, 589	70006185.....	449	70007088.....	339	70007808.....	459
70006004...689, 691, 980		70006186.....	449	70007089.....	339	70007809.....	459
70006093.....	534, 542	70006187.....	449	70007108.....	450	70007810.....	459
70006094.....	534, 542	70006188.....	449	70007157.....	687	70007811.....	459
70006095.....	534, 542	70006189.....	449	70007159.....	687	70007812.....	459
70006096.....	534, 542	70006191.....	449	70007161.....	687	70007813.....	459
70006097.....	534, 542	70006194.....	449	70007168.....	687	70007814.....	459
70006106.....	699	70006195.....	449	70007169.....	687	70007815.....	459
70006107.....	699	70006196.....	450	70007251.....	687	70007816.....	459
70006108.....	699	70006197.....	450	70007276.....	63	70007817.....	459
70006109.....	81	70006198.....	450	70007323 ..	689, 691, 980	70007818.....	459
70006111.....	81	70006199.....	450	70007325.....	301, 338	70007819.....	459
70006112.....	81	70006200.....	450			70007820.....	459
70006113.....	81	70006202.....	450			70007821.....	459
70006114.....	81	70006203.....	450			70007822.....	459
70006115.....	81	70006205.....	450			70007823.....	459
70006116....	81, 587, 589	70006206.....	450			70007824.....	459
70006117.....	81	70006207.....	450			70007825.....	459

SECTION 11 - SPECIAL OPTIONS/ACCESSORIES/KITS

70007826	459	70008397	135	70025139.....	337	7002823	988
70007827 .. 221, 241,	459	70008398	135	70025140.....	337	7002826	988
70007828	459	70008399	135	70025142.....	338	7002840	988
70007829	459	70008400	135	70025144.....	338	70028538.....	338, 340
70007838	689	70008401	135	70025145.....	337	70028540 ..	301, 340, 375
70007964	61	70008402	135	70025146.....	337	70028699	339
70008132	691	70010383	75, 77, 980	70025147.....	338	70029015	339
70008133	691	70012257	375	70025148.....	338	70029250	340
70008134	691	7001909	88	70025151.....	338	70029393	338
70008159	63	7001911	88	70025152.....	337	70029402	339
70008244	683	7001912	88	70025154.....	337	70029403	339
70008246	683	7001913	37	70025155.....	339	70029404	339
70008274	683	7001931	88	70025158.....	338	70029415	340
70008276	63	7001985	88	70025162.....	337	70029433	340
70008277	62, 63	70022564	687	70025164...301, 339,	375	70029451 ..	301, 338, 375
70008278	62, 64	70023370	697	70025165.....	339	70029512	375
70008279	61	70023371	697	70025166.....	340	70029517	340
70008282	62, 63	70023859	81	70025179.....	339	70029557	339
70008283	63	70023860	81, 589	70025181.....	337	70029797	338
70008284	63	70023862	587, 589	70025182.....	338	70030360	301, 375
70008285	63	70024441	125	70025183.....	338	70030381	301, 375
70008286	63	70024457	81	70025184.....	338	70031095	302, 375
70008287	63	70024494 ..	302, 337, 376	70025185.....	338	70031136	301, 375
70008288	63	70024502	338, 375	70025192.....	340	70031143	375
70008297	62	70024504	301, 375	70025200.....	301, 338	70031144	375
70008298	62	70024507 ..	301, 340, 375	70025205.....	337	70031145	301
70008299	62	70024509	339	70025210...301, 338,	981	7004275	988
70008300	62	70024513 ..	301, 338, 375	70025212.....	340	7004276	988
70008301	62, 63	70024517	337	70025214.....	340	70050795	701
70008302	62	70024904 ..	302, 337, 376	70025215.....	339	7005889	89
70008303	62	70024905 .	301, 337, 375,	70025216.....	339	7005891	89
70008304	62	376		70025217.....	339	7007207	456
70008305	62	70024906 ..	301, 337, 375	70025221.....	339	7007208	456
70008306	62	70024912	339	70025224.....	339	7007412	457
70008307	62, 64	70024915	301, 339	70025225.....	339	7007413	456
70008308	62	70024917	340	70025226.....	339	7007415	456
70008309	62	70024919	375	70025228.....	339	7007417	456
70008310	62	70024920	338, 340	70025229.....	339	7007418	456
70008311	62	70024922	340	70025231...301, 339,	375	7007419	35, 456
70008312	62	70024924	337	70025233.....	339	7007420	35, 456, 457
70008313	62	70024925	301, 337	70025235.....	338	7007422	457
70008314	62	70024961 ..	301, 338, 375	70025239...301, 338,	375	7007423	456
70008315	62	70025084	247	70025240.....	338	7007425	456
70008316	62	70025095	339	70025242.....	340	7007430	457
70008317	62	70025098	339, 340	70025327.....	339	7007431	457
70008318	62	70025099	339	70025580.....	689	7007434	457
70008319	62	70025101	338	70025582.....	689	7007435	456
70008320	62	70025104	337	70025613.....	691	7007437	33
70008321	62	70025106	339	70025614.....	691	7007438	33, 456
70008322	62	70025108	340	70025660.....	337	7007439	33, 35, 456
70008324	63	70025109	338	70025676.....	339	7007441	457
70008326	62	70025111	337	70025696.....	339	7007442	456
70008327	62	70025112	338	70025733.....	339	7007443	456
70008328	62	70025113	340	70025788.....	340	7007444	457
70008329	62	70025115	338	70026164.....	689	7007446	33, 35, 456
70008330	63	70025120	340	70026179.....	691	7007448	456
70008331	63	70025121	338	70026210...301, 340,	375	7007450	457
70008332	63	70025122	338	70026444.....	45	7007453	457
70008333	63	70025124	338	70026973.....	689	7007457	456
70008334	63	70025125	337	70027415.....	337	7007459	456
70008335	63	70025126	340	70027428.....	339	7007463	456
70008336	63	70025128	340	70027440.....	339	7007464	456
70008337	63	70025129	338	70027446.....	339	7007465	456
70008338	63, 64	70025130	338	70028185.....	337	7007476	457
70008339	63	70025134	339	70028186.....	338	7007477	457
70008341	62	70025135	301, 337	7002821	988	7007484	457
70008396	135	70025137	337	7002822.....	988	7007485	457

SECTION 11 - SPECIAL OPTIONS/ACCESSORIES/KITS

7007487.....457	7020471 248	7024579 ... 247, 302, 337, 376	7027796.....248
7007488.....457	7020479 248	7024598 489, 491	7027799....534, 537, 542, 545, 549
7007633.....88	7020487 247	7024704 88	7027887.... 501, 503, 507, 509, 512
7010116.....456	7020492 338	7024721 38	7274000040.....516, 520, 524, 538, 542, 550
7010117.....457	7021200 456	7024722 37	7300435....224, 244, 316, 332, 390, 406
7010119.....457	7021201 457	7024723 38	77133137..789, 791, 793, 795, 797, 799, 801, 803, 805, 807, 809, 811
7010121.....456	7021202 456	7024724 37	77363233.....881, 883
7010474.....88	7021203 457	7024725 37	80434249.....81, 980
7010492.....88	7021206 457	7024726 37	80484084...861, 865, 869
7010543.....79	7021207 456	7024727 37	80633030...724, 730, 736
7011112.....685, 687	7021210 456	7024728 37	80983191..862, 865, 870, 980
7012513....501, 503, 507, 509, 511	7021212 456	7024729 37	8220045....859, 879, 930
7012514....501, 503, 507, 509, 511	7021214 456	7024730 37	8220089.....929
7012558....501, 503, 507, 511	7021219 456	7024731 37	8220097.....929
7012941.....79	7021220 456	7024732 37	8220098.....929
7012967.....79	7021222 457	7024733 37	8220115.....865
7012998.....45	7021223 457	7024734 37	8220164.....851, 859
7016328.....247, 980	7021232 457	7024735 37	8229242....862, 865, 870, 929, 980
7016331....247, 302, 337, 376, 980	7021233 456	7024736 37	8229244.....929, 980
7016652.....988	7021249 33, 35	7024737 38	8229245.....879, 980
7016654.....988	7021256 456, 457	7024738 37	8229246.....909
7016655.....988	7021275 33, 35	7024739 37	8229249.....629
7017022.....38	7021625 45	7024740 37	8310129.....659
7017023.....88	7022162 449	7024741 37	8310614.....25
7017027.....37	7022301 457	7024742 37	83304173.....123, 125
7017070.....88	7022302 33	7024743 37, 88	8405006....251, 255, 426, 442
7017072.....37, 88	7022311 33, 35	7024744 37, 38	8405007....262, 278, 296, 316, 332, 355, 371, 390, 406
7017080.....88	7022313 33	7024746 88	8405009....262, 278, 296, 316, 332, 355, 371, 391, 406, 427, 443
7017082.....89	7022314 33, 35	7024763 38	8405102.....426, 442
7017085.....88	7022321 35	7024764 38	8405104....262, 278, 296, 316, 332, 355, 371, 391, 407, 426, 442
7017093.....37	7022326 33	7024765 38	8405202....224, 244, 278, 296, 355, 371
7017095.....37	7022328 33	7024766 38	8405203.....426, 442
7017142.....575, 577	7022368 33, 35	7024774 457	8405204....279, 296, 355, 371
7017159.....575, 577	7022371 33, 35	7024775 45	8406003.....591, 593
7017162.....575, 577	7022372 33	7024776 45	8406109....262, 279, 297, 316, 332, 355, 371, 391, 407, 426, 442
7017163.....575, 577	7022399 45	7024777 45	8406110....201, 203, 853, 855
7017164.....575, 577	7022524 587, 589	7024778 657	8406201....279, 297, 355, 371, 427, 443
7017172.....575, 577	7022527 81	7024779 657	8410009.....427, 443
7017192.....575, 577	7023821 82	7024780 657	8410011....262, 316, 332, 391, 407, 426, 442
7017195.....575, 577	7023910 33	7024781 457	8410013.....262
7017410.....79	7023979 456	7024782 45	8420231.....427, 443
7019680....501, 503, 507, 511	7024100 89	7024783 457	85941018..415, 419, 431, 435
7020043.....99, 101, 103, 105, 115, 117, 119, 121	7024100 89	7024784 89	88261024.....731, 737
7020108....501, 503, 507, 509, 511	7024124 37	7024851 457	88411013.....813
7020109....501, 503, 507, 509, 511	7024125 37	7024862 33	
7020110....501, 503, 507, 509, 511	7024127 37	7024865 33	
7020111....501, 503, 507, 509, 511	7024129 37	7024866 33, 35	
7020175.....145	7024134 38	7024867 33, 35	
7020176.....145	7024441 123	7024868 35	
7020190....501, 503, 507, 509, 511	7024462 657	7024871 33	
7020403.....247	7024463 657	7024874 456	
7020408.....247	7024467 657	7024875 456	
7020431.....247	7024469 657	7024877 457	
7020460.....247	7024470 657	7024881 45	
7020465....247, 302, 337	7024471 657	7026188 537, 545, 549	
7020468.....247	7024472 657	7026199 503, 507, 511	
	7024473 657	7026597 ... 534, 537, 542, 546, 549	
	7024474 657	7026626 ... 534, 537, 542, 546, 549	
	7024475 657	7026631 247	
	7024478 657	7027236 247	
	7024485 537, 545, 549	7027276 248	
	7024488 ... 533, 537, 541, 545, 549	7027404 450	
	7024489 ... 533, 537, 541, 545, 549	7027419 33	
	7024502 689, 691	7027740 33, 35	
	7024503 689, 691	7027773 657	
		7027774 657	
		7027775 657	
		7027776 657	
		7027777 657	
		7027778 657	
		7027779 657	
		7027780 657	
		7027790 248	
		7027791 248	
		7027792 248	
		7027795 247, 981	

SECTION 11 - SPECIAL OPTIONS/ACCESSORIES/KITS

88521214 . 669, 671, 673,
675, 677
8896941 988

91203039 595
91401281 127, 129

91403230..945, 947, 949,
951, 953, 955, 957,
959, 961, 963



**Corporate Office
JLG Industries, Inc.
1 JLG Drive
McConnellsburg, PA 17233-9533 USA
☎ (717) 485-5161 (Corporate)
☎ (877) 554-5438 (Customer Support)
📠 (717) 485-6417**

**Visit our website for JLG Worldwide Locations.
www.jlg.com**



OSHKOSH™