



Illustrated Parts Manual

Model 600AJ HC3

**PVC
2307**

**P/N
31222410**

January 8, 2024 - Rev B

ANSI

CE



**UK
CA**

AS/NZS



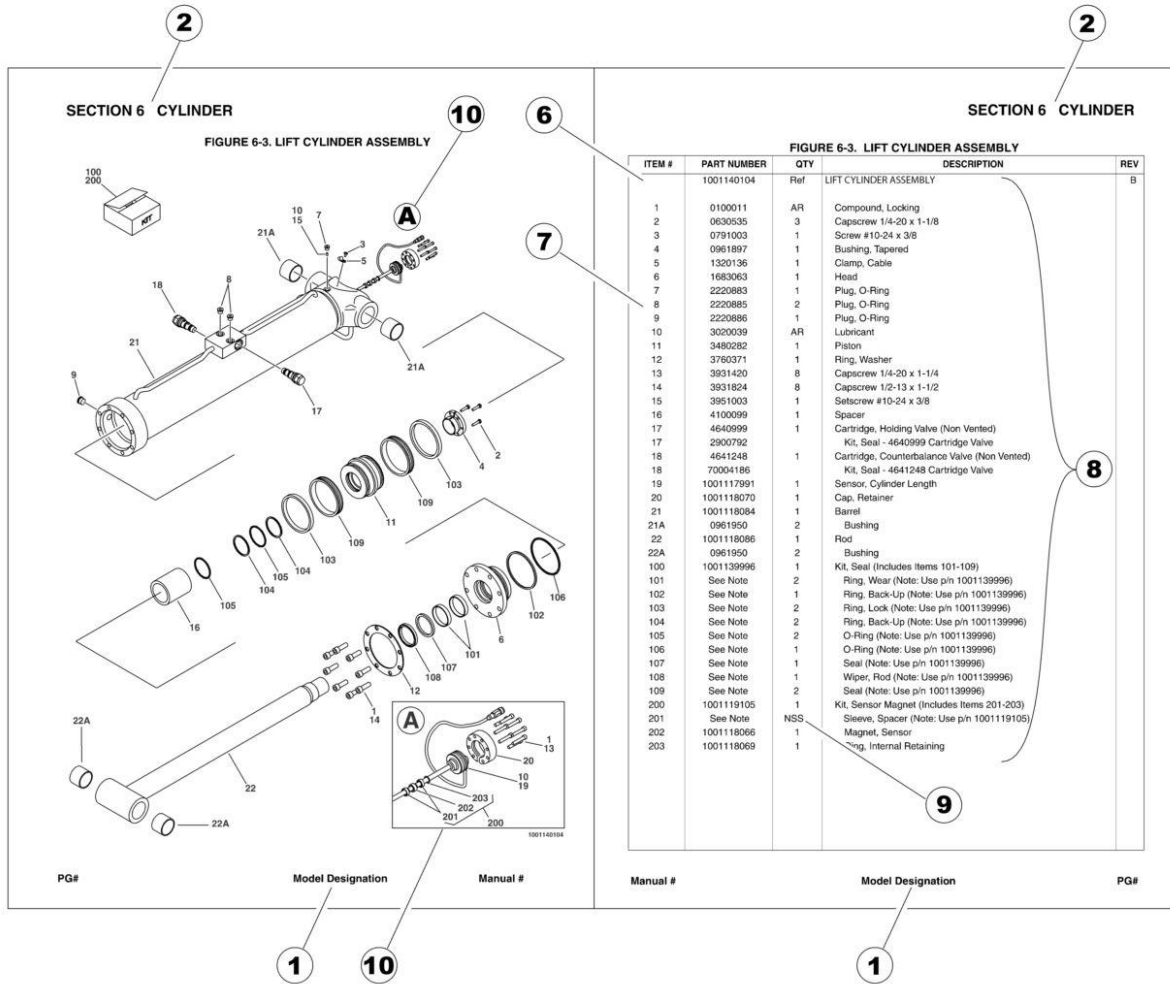
An Oshkosh Corporation Company

REVISION LOG

July 1, 2023 - A - Original Issue of Manual (Edited to B/M 1001245251 Revision U)

January 8, 2024 - B - Revised Manual (Edited to B/M 1001245251 Revision U)

GENERAL INFORMATION



1) MACHINE IDENTIFICATION

Machines are identified by model and in some cases a combination of models, serial number (SN) or regional standard (i.e ANSI, CE, CSA). Components may also be identified by SN or manufacturer. Common components that may be identified by these characteristics are engines and hydraulic components.

2) PARTS MANUAL ORGANIZATION

Product information in this manual is organized under section titles. Frame, Cylinder, Hydraulic and Electrical are a few examples. Each section is organized by figure and page number. The information within the Figure is then organized by item number, part number, description and corresponding illustration (s).

3) TABLE OF CONTENTS (NOT SHOWN)

A table of contents is found toward the beginning of the manual. Figure number, description and page number are provided for quick reference to the page containing the related information.

4) RECOMMENDED SPARE PARTS (NOT SHOWN)

The Recommended Spare Parts List, located near the end of the manual, reference most frequently used maintenance parts.

5) PART NUMBER INDEX (NOT SHOWN)

A numerical index listing all part numbers and the corresponding page number(s) appears at the back of the manual.

GENERAL INFORMATION

6) NON-SERVICED PARTS

In some instances, it is necessary to display non-serviced parts, assemblies or installations. In the case of assemblies and installations there will be a Ref in the Qty. column. In case of parts that are not available for service within assemblies or components, there will be a NSS (Not Sold Separately) or NLA (No Longer Available) listed in the Qty. column of the manual.

7) PARTS LIST ITEM NUMBERS

Numbers shown in the item# column correspond to numbers used in the associated illustration (s). Item numbers which are missing from the sequence in the parts list are not used on that page.

8) INDENTED PARTS DESCRIPTION

An indented part description is included in the item under which it is indented.

9) ABBREVIATION AND SYMBOLS

AC.....	Alternating Current	L.....	Liter
ADE.....	Advanced Design Electronics	LB(LBS).....	Pounds
AG.....	Agricultural	LCD.....	Liquid Crystal Display
ANSI.....	American National Standards Institute	LED.....	Light Emitting Diodes
AR.....	As Required	LH.....	Left Hand
ASSY.....	Assembly	LRC.....	Low Rated Countries
AUS.....	Australia	LSS.....	Load Sensing System
AUX.....	Auxiliary	M(m).....	Metric/Meter
AWG.....	American Wire Gauge	MM(mm).....	Milimeter
B/M.....	Bill of Material	mA.....	Miliamps
CAC.....	Charge Air Cooler	NLA.....	No Longer Available
CE.....	European Conformity	NPT.....	National Pipe Threads
CCW.....	Counter Clockwise	NSS.....	Not Sold Separately
CM.....	Centimeter	OD.....	Outside Diameter
CW.....	Clockwise	ORB.....	O-Ring Boss
CSA.....	Canadian Standards Association	ORFS.....	O-Ring Face Seal
CYL.....	Cylinder	OZ (oz).....	Ounces
DIA.....	Diameter	PG.....	Page
DC.....	Direct Current	PN.....	Part Number
DEF.....	Diesel Exhaust Fluid	QT(qt.).....	Quarts
EMS.....	Emergency Stop	QTY.....	Quantity
ENG.....	Engine	REF.....	Reference
FT(ft).....	Feet	REV.....	Revision Level
GA(Ga).....	Gauge	RH.....	Right Hand
HRC.....	High Rated Countries	SAE.....	Society of Automotive Engineers
HVAC.....	Heating, Ventilating, and Air Conditioning	SN.....	Serial Number
HYD.....	Hydraulic	SPEC(S).....	Specifications
Hz.....	Hertz	T/T.....	Turntable
ID.....	Inside Diameter	UGM.....	Universal Ground Module
IN.....	inches	V.....	Volts
ISO.....	International Organization for Standards	W.....	Watts
JIC.....	Joint Industry Council	#.....	Number
KG.....	Kilogram		

10) ILLUSTRATION REFERENCE LETTERS

When necessary, illustrations may contain reference letters that are intended to track information (i. e. hoses, harnesses) from one point to another or to track visual enlargement of components to show details that may be located in another area on the illustration.

Note: Due to continuous product improvements, JLG Industries, Inc. reserves the right to make specification changes without prior notification. Contact JLG Industries, Inc. for updated information.

TABLE OF CONTENTS

SECTION 1 - FRAME.....	15
FIGURE 1-1. AXLE INSTALLATION (WITHOUT TOW PACKAGE).....	16
FIGURE 1-2. AXLE INSTALLATION (WITH TOW PACKAGE)	18
FIGURE 1-3. STEERING INSTALLATION (WITHOUT TOW PACKAGE).....	20
FIGURE 1-4. STEERING INSTALLATION (WITH TOW PACKAGE)	22
FIGURE 1-5. WHEEL DRIVE INSTALLATION - 4WD/2WS	24
FIGURE 1-6. DRIVE MOTOR ASSEMBLY	26
FIGURE 1-7. DRIVE HUB ASSEMBLY	28
FIGURE 1-8. FLOW DIVIDER ASSEMBLY	32
FIGURE 1-9. TIRE AND WHEEL INSTALLATION - FOAM FILLED.....	34
FIGURE 1-10. TIRE AND WHEEL INSTALLATION - FOAM FILLED NON-MARKING.....	36
FIGURE 1-11. TIRE AND WHEEL INSTALLATION - FOAM FILLED (TURF).....	38
FIGURE 1-12. FRAME SHIELDS INSTALLATION – 2WS (8FT/2.4M WIDE MACHINES)	40
FIGURE 1-13. TOW PACKAGE INSTALLATION (ANSI SPECS) (OPTIONAL).....	42
FIGURE 1-14. TOW PACKAGE INSTALLATION (CSA SPECS) (OPTIONAL).....	44
FIGURE 1-15. TOW PACKAGE INSTALLATION (CE, RUSSIAN & UK CA SPECS) (OPTIONAL)	46
FIGURE 1-16. TOW BAR ASSEMBLY.....	48
FIGURE 1-17. LP TANKS INSTALLATION	50
SECTION 2 - TURNTABLE.....	53
FIGURE 2-1. CONTROL VALVES INSTALLATION - DEUTZ D2011 ENGINES	54
FIGURE 2-2. CONTROL VALVES INSTALLATION - DEUTZ DT2.9L4, DEUTZ TD2.2L3 STAGE V & FORD ENGINES.....	56
FIGURE 2-3. MAIN VALVE BLOCK ASSEMBLY – 2WS.....	58
FIGURE 2-4. AUXILIARY PUMP INSTALLATION.....	62
FIGURE 2-5. AUXILIARY PUMP INSTALLATION WITH BATTERY DISCONNECT	64
FIGURE 2-6. AUXILIARY PUMP ASSEMBLY.....	66
FIGURE 2-7. SWING DRIVE INSTALLATION	68
FIGURE 2-8. SWING MOTOR/HUB ASSEMBLY.....	70
FIGURE 2-9. TURNTABLE BEARING INSTALLATION	74
FIGURE 2-10. TURNTABLE LOCK INSTALLATION (DEUTZ D2011 & FORD ENGINE MACHINES).....	76
FIGURE 2-11. TURNTABLE LOCK INSTALLATION (DEUTZ TD2.9L4 & DEUTZ TD2.2L3 STAGE V ENGINE MACHINES).....	78
FIGURE 2-12. ROTARY COUPLING INSTALLATION.....	80
FIGURE 2-13. TANK INSTALLATION – DEUTZ D2011 ENGINE	82
FIGURE 2-14. TANK INSTALLATION – DEUTZ TD2.9L4 & TD2.2L3 STAGE V ENGINES	84
FIGURE 2-15. TANK INSTALLATION – FORD ENGINE	86
FIGURE 2-16. HYDRAULIC OIL TANK ASSEMBLY.....	88
FIGURE 2-17. HYDRAULIC OIL COOLER INSTALLATION - DEUTZ D2011 ENGINES (OPTIONAL)	90
FIGURE 2-18. HYDRAULIC OIL COOLER INSTALLATION - DEUTZ TD2.2L3 STAGE V ENGINES (OPTIONAL)	92
FIGURE 2-19. HYDRAULIC OIL COOLER INSTALLATION - DEUTZ TD2.9L4 ENGINES (OPTIONAL).....	94
FIGURE 2-20. HYDRAULIC OIL COOLER INSTALLATION – FORD ENGINES (OPTIONAL).....	96
FIGURE 2-21. GROUND CONTROL BOX ASSEMBLY (DEUTZ D2011 ENGINE) - WITH MECHANICAL HOUR METER (ALL SPECS EXCEPT CE & UK CA SPECS).....	98
FIGURE 2-22. GROUND CONTROL BOX ASSEMBLY (DEUTZ D2011 ENGINE) (CE & UK CA SPECS).....	102

TABLE OF CONTENTS

FIGURE 2-23. GROUND CONTROL BOX ASSEMBLY (DEUTZ 2.9L4 ENGINE) - WITH MECHANICAL HOUR METER.....	106
FIGURE 2-24. GROUND CONTROL BOX ASSEMBLY (FORD ENGINE) - WITH MECHANICAL HOUR METER	110
FIGURE 2-25. GROUND CONTROL BOX ASSEMBLY (DEUTZ TD2.2L3 ENGINE).....	114
FIGURE 2-26. GROUND CONTROL BOX ASSEMBLY (DEUTZ D2011 ENGINE) (TOWER STOW) - WITH MECHANICAL HOUR METER (ANSI EXPORT (LRC), AUSTRALIAN & CHINESE SPECS).....	118
FIGURE 2-27. GROUND CONTROL BOX ASSEMBLY (DEUTZ D2011 ENGINE) (TOWER STOW) (CE & UK CA SPECS).....	122
FIGURE 2-28. GROUND CONTROL BOX ASSEMBLY (DEUTZ 2.9L4 ENGINE) (TOWER STOW) - WITH MECHANICAL HOUR METER.....	126
FIGURE 2-29. GROUND CONTROL BOX ASSEMBLY (FORD ENGINE) (TOWER STOW) - WITH MECHANICAL HOUR METER	130
FIGURE 2-30. GROUND CONTROL BOX ASSEMBLY (DEUTZ TD2.2L3 ENGINE) (TOWER STOW)	134
FIGURE 2-31. LIGHT PANEL INSTALLATION - GROUND CONTROL	138
FIGURE 2-32. CRIBBING ENABLE SWITCH INSTALLATION.....	140
FIGURE 2-33. ALARM INSTALLATION.....	142
FIGURE 2-34. ALARM (WHITE NOISE AMBIENT) INSTALLATION.....	144
FIGURE 2-35. ALARM (WHITE NOISE) INSTALLATION.....	146
FIGURE 2-36. STROBE LIGHT INSTALLATION (AMBER).....	148
FIGURE 2-37. STROBE LIGHT INSTALLATION (BLUE)	150
FIGURE 2-38. STROBE LIGHT INSTALLATION (RED)	152
FIGURE 2-39. HOODS INSTALLATION – DEUTZ D2011 ENGINES WITHOUT NOISE REDUCTION (ABS)	154
FIGURE 2-40. HOODS INSTALLATION – DEUTZ D2011 ENGINES WITH NOISE REDUCTION (ABS).....	158
FIGURE 2-41. HOODS INSTALLATION – DEUTZ TD2.2L3 STAGE V ENGINES (ABS).....	162
FIGURE 2-42. HOODS INSTALLATION – DEUTZ TD2.9L4 AND FORD DF 2.5L ENGINES (ABS).....	166
FIGURE 2-43. NOISE REDUCTION INSTALLATION - DEUTZ D2011 & DEUTZ TD2.9L4 ENGINES	170
FIGURE 2-44. NOISE REDUCTION INSTALLATION - DEUTZ TD2.2L3 ENGINES.....	172
SECTION 3 - ENGINE	175
FIGURE 3-1. DEUTZ D2011 ENGINE INSTALLATION – WITHOUT ARCTIC PACKAGE	176
FIGURE 3-2. DEUTZ D2011 ENGINE INSTALLATION – WITH ARCTIC PACKAGE	178
FIGURE 3-3. DEUTZ D2011 ENGINE/PUMP SUB-ASSEMBLY – WITHOUT ARCTIC PACKAGE	180
FIGURE 3-4. DEUTZ D2011 ENGINE/PUMP SUB-ASSEMBLY – WITH ARCTIC PACKAGE.....	182
FIGURE 3-5. DEUTZ D2011 ENGINE ASSEMBLY – WITHOUT ARCTIC PACKAGE	184
FIGURE 3-6. DEUTZ D2011 ENGINE ASSEMBLY – WITH ARCTIC PACKAGE.....	188
FIGURE 3-7. DEUTZ D2011 ENGINE COMPONENTS.....	192
FIGURE 3-8. DEUTZ TD2.2L3 (STAGE V) ENGINE INSTALLATION - (WITHOUT ARCTIC PACKAGE)	196
FIGURE 3-9. DEUTZ TD2.2L3(STAGE V) ENGINE/PUMP SUB ASSEMBLY - (WITHOUT ARCTIC PACKAGE).....	200
FIGURE 3-10. DEUTZ TD2.2L3 (STAGE V) ENGINE ASSEMBLY	202
FIGURE 3-11. DEUTZ TD2.2L3 (STAGE V) ENGINE COMPONENTS.....	208
FIGURE 3-12. BRACKET ASSEMBLY - FUEL PUMP AND FILTER (DEUTZ D2.2L3 ENGINE)	210
FIGURE 3-13. DEUTZ TD2.9L4 - 49HP EMR4 ENGINE INSTALLATION - WITHOUT ARCTIC PACKAGE	212
FIGURE 3-14. DEUTZ TD2.9L4 - 49HP EMR4 ENGINE INSTALLATION - WITH ARCTIC PACKAGE	216
FIGURE 3-15. DEUTZ TD2.9L4 - 49HP EMR4 ENGINE/PUMP SUB-ASSEMBLY – WITHOUT ARCTIC PACKAGE	220
FIGURE 3-16. DEUTZ TD2.9L4 - 49HP EMR4 ENGINE/PUMP SUB-ASSEMBLY – WITH ARCTIC PACKAGE.....	222

TABLE OF CONTENTS

FIGURE 3-17. DEUTZ TD2.9L4 - (49HP) EMR4 ENGINE COMPONENTS.....	224
FIGURE 3-18. DEUTZ D2.9L4 EMR5 ENGINE INSTALLATION (WITH ARCTIC PACKAGE)	228
FIGURE 3-19. DEUTZ D2.9L4 EMR5 ENGINE/PUMP SUB ASSEMBLY (WITH ARCTIC PACKAGE)	232
FIGURE 3-20. ENGINE ASSEMBLY - DEUTZ D2.9L4 EMR5 ENGINE (WITH ARCTIC PACKAGE).....	234
FIGURE 3-21. ENGINE COMPONENTS - DEUTZ D2.9L4 EMR5 ENGINE (49HP).....	240
FIGURE 3-22. DEUTZ TP2.9L4 (67HP) EMR4 ENGINE INSTALLATION - (WITHOUT ARCTIC PACKAGE)	244
FIGURE 3-23. DEUTZ TP2.9L4 (67HP) EMR4 ENGINE INSTALLATION - (WITH ARCTIC PACKAGE)	248
FIGURE 3-24. DEUTZ TP2.9L4 (67HP) EMR4 ENGINE/PUMP SUB ASSEMBLY - (WITHOUT ARCTIC PACKAGE)	252
FIGURE 3-25. DEUTZ TP2.9L4 (67HP) EMR4 ENGINE/PUMP SUB ASSEMBLY - (WITH ARCTIC PACKAGE)	254
FIGURE 3-26. DEUTZ TD2.9L4 - 63HP EMR4 ENGINE ASSEMBLY – WITHOUT ARCTIC PACKAGE	256
FIGURE 3-27. DEUTZ TD2.9L4 - 63HP EMR4 ENGINE ASSEMBLY – WITH ARCTIC PACKAGE	262
FIGURE 3-28. DEUTZ TD2.9L4 - 63HP EMR4 ENGINE COMPONENTS	268
FIGURE 3-29. BRACKET ASSEMBLY - FUEL PUMP AND FILTER (DEUTZ D2.9L4 ENGINE).....	272
FIGURE 3-30. BREATHER HEATER INSTALLATION - DEUTZ D2.9L4 ENGINES WITH ARCTIC PACKAGE	274
FIGURE 3-31. QUICKFIT OIL DRAIN (DEUTZ TD 2.9L)	276
FIGURE 3-32. QUICKFIT OIL DRAIN (DEUTZ D ENGINES)	278
FIGURE 3-33. FORD ENGINE INSTALLATION - (WITHOUT ARCTIC PACKAGE).....	280
FIGURE 3-34. FORD ENGINE INSTALLATION - (WITH ARCTIC PACKAGE)	284
FIGURE 3-35. FORD ENGINE/PUMP SUB ASSEMBLY – (WITHOUT ARCTIC PACKAGE).....	288
FIGURE 3-36. FORD ENGINE/PUMP SUB ASSEMBLY - (WITH ARCTIC PACKAGE)	290
FIGURE 3-37. FORD ENGINE ASSEMBLY - WITHOUT ARCTIC PACKAGE	292
FIGURE 3-38. FORD ENGINE ASSEMBLY - WITH ARCTIC PACKAGE	298
FIGURE 3-39. PUMP COUPLING AND FUEL SYSTEM ASSEMBLY (FORD ENGINES).....	304
FIGURE 3-40. FORD ENGINE COMPONENTS.....	306
FIGURE 3-41. DRIVE BELT INSTALLATION - FORD ENGINES MACHINES WITHOUT GENERATORS	310
FIGURE 3-42. PUMP COUPLING KIT - DEUTZ ENGINES	312
FIGURE 3-43. PISTON PUMP ASSEMBLY - DEUTZ ENGINES - DANFOSS	314
FIGURE 3-44. PISTON PUMP ASSEMBLY WITH FITTINGS - DEUTZ ENGINES - HENGLI	318
FIGURE 3-45. PISTON PUMP AND FITTINGS ASSEMBLY	320
FIGURE 3-46. PISTON PUMP ASSEMBLY	322
FIGURE 3-47. GEAR PUMP ASSEMBLY	324
FIGURE 3-48. SPARK ARRESTOR MUFFLER INSTALLATION - DEUTZ D2011 ENGINES	326
FIGURE 3-49. EXHAUST PIPE INSTALLATION - FORD ENGINES	328
FIGURE 3-50. FUEL-WATER SEPARATOR INSTALLATION - DEUTZ D2011 ENGINES (OPTIONAL)	330
FIGURE 3-51. RIGHT ENGINE SUPPORT INSTALLATION (DEUTZ D2011 ENGINES MACHINES WITHOUT GENERATORS)	332
FIGURE 3-52. RIGHT ENGINE SUPPORT INSTALLATION (DEUTZ D2011 ENGINES MACHINES WITH GENERATORS)....	334
FIGURE 3-53. RIGHT ENGINE SUPPORT INSTALLATION (DEUTZ TD2.2L3 ENGINES MACHINES WITHOUT GENERATORS)	336
FIGURE 3-54. RIGHT ENGINE SUPPORT INSTALLATION (DEUTZ TD2.2L3 ENGINES MACHINES WITH GENERATORS)	338
FIGURE 3-55. RIGHT ENGINE SUPPORT INSTALLATION (DEUTZ TD2.9L4 ENGINES MACHINES WITHOUT GENERATORS)	340
FIGURE 3-56. RIGHT ENGINE SUPPORT INSTALLATION (DEUTZ TD2.9L4 ENGINES MACHINES WITH GENERATORS)	342
FIGURE 3-57. ENGINE TRAY JACK INSTALLATION - DEUTZ D2011 ENGINES.....	344
FIGURE 3-58. ENGINE TRAY JACK INSTALLATION - DEUTZ TD2.9L4 & TD2.2L3 STAGE V ENGINES.....	346

TABLE OF CONTENTS

FIGURE 3-59. ENGINE TRAY JACK INSTALLATION - FORD ENIGNES	348
FIGURE 3-60. 2500W/110V/60HZ GENERATOR INSTALLATION - DEUTZ D2011 ENGINES	350
FIGURE 3-61. 2500W/220V/50HZ GENERATOR INSTALLATION - DEUTZ D2011 ENGINES	352
FIGURE 3-62. 2500W/110V/60HZ GENERATOR INSTALLATION - DEUTZ TD2.9L4 ENGINES	354
FIGURE 3-63. 2500W/220V/50HZ GENERATOR INSTALLATION - DEUTZ D2011 ENGINES (ANSI EXPORT AND CHINA SPECS).....	358
FIGURE 3-64. 2500W GENERATOR INSTALLATION - FORD ENGINES.....	360
FIGURE 3-65. 4000W/60HZ GENERATOR INSTALLATION - DEUTZ D2011 ENGINES.....	364
FIGURE 3-66. 4000W/50HZ GENERATOR INSTALLATION - DEUTZ D2011 ENGINES.....	368
FIGURE 3-67. 4000W/50HZ GENERATOR INSTALLATION - DEUTZ TD2.2L3 ENGINES.....	372
FIGURE 3-68. 4000W/60HZ GENERATOR INSTALLATION - DEUTZ TD2.9L4 ENGINES.....	376
FIGURE 3-69. 4000W/50HZ GENERATOR INSTALLATION - DEUTZ TD2.9L4 ENGINES.....	380
FIGURE 3-70. 7500W/60HZ SKYPOWER GENERATOR INSTALLATION - DEUTZ D2011 ENGINES	384
FIGURE 3-71. 7500W/50HZ SKYPOWER GENERATOR INSTALLATION - DEUTZ D2011 ENGINES	388
FIGURE 3-72. 7500W/50HZ SKYPOWER GENERATOR INSTALLATION - DEUTZ TD2.2L3 STAGE V ENGINES	392
FIGURE 3-73. 7500W/60HZ SKYPOWER GENERATOR INSTALLATION - DEUTZ TD2.9L4 ENGINES	396
FIGURE 3-74. 7500W/60HZ SKYPOWER GENERATOR INSTALLATION - FORD ENGINES	400
SECTION 4 - BOOM.....	405
FIGURE 4-1. BOOMS AND CYLINDERS INSTALLATION.....	406
FIGURE 4-2. TOWER BOOM ASSEMBLY	408
FIGURE 4-3. MAIN BOOM ASSEMBLY	410
FIGURE 4-4. JIB BOOM ASSEMBLY	412
FIGURE 4-5. ROTATOR ASSEMBLY.....	414
FIGURE 4-6. PLATFORM SUPPORT INSTALLATION	416
FIGURE 4-7. POWER TRACK INSTALLATION - MAIN BOOM	418
FIGURE 4-8. POWER TRACK INSTALLATION - TOWER BOOM	420
FIGURE 4-9. CONTROL VALVES INSTALLATION - DEUTZ D2011 AND STAGE V ENGINES	422
FIGURE 4-10. CONTROL VALVES INSTALLATION - DEUTZ TD2.9L4 & FORD ENGINES	424
FIGURE 4-11. BOOM VALVE ASSEMBLY.....	426
FIGURE 4-12. BOOM VALVES AND LIMIT SWITCHES INSTALLATION.....	428
FIGURE 4-13. BOOM SENSOR INSTALLATION (TOWER STOW).....	430
SECTION 5 - PLATFORM.....	433
FIGURE 5-1. PLATFORM ASSEMBLY - 30IN X 4FT (76.2CM X 1.22M) WITH SWING GATE	434
FIGURE 5-2. PLATFORM ASSEMBLY - 30IN X 5FT (76CM X 1.52M) - GATE ENTRY	436
FIGURE 5-3. PLATFORM ASSEMBLY - 36IN X 6FT (91.5CM X 1.83M) WITH SWING GATE	438
FIGURE 5-4. PLATFORM ASSEMBLY - 36IN X 8FT (91.5CM X 2.44M) WITH SWING GATE	440
FIGURE 5-5. PLATFORM ASSEMBLY - 30IN X 3FT (76CM X .91M) - DROP BAR ENTRY	442
FIGURE 5-6. PLATFORM ASSEMBLY - 30IN X 4FT (76.2CM X 1.22M) WITH DROP BAR	444
FIGURE 5-7. PLATFORM ASSEMBLY - 30IN X 5FT (76CM X 1.52M) - DROP BAR ENTRY	446
FIGURE 5-8. PLATFORM ASSEMBLY - 36IN X 6FT (91.5CM X 1.83M) WITH DROP BAR	448
FIGURE 5-9. PLATFORM ASSEMBLY - 36IN X 8FT (91.5CM X 2.44M) WITH DROP BAR	450
FIGURE 5-10. PLATFORM ASSEMBLY - 36IN X 6FT (91.5CM X 1.83M) WITH FALL ARREST	452
FIGURE 5-11. PLATFORM ASSEMBLY - 36IN X 8FT (91.5CM X 2.44M) WITH FALL ARREST	454
FIGURE 5-12. PLATFORM ASSEMBLY - 36IN X 6FT (91.5CM X 1.83M) TRI-ENTRY WITH SWING GATE	456

TABLE OF CONTENTS

FIGURE 5-13. PLATFORM ASSEMBLY - 36IN X 8FT (91.5CM X 2.44M) TRI-ENTRY WITH SWING GATE.....	458
FIGURE 5-14. PLATFORM ASSEMBLY - 36IN X 6FT (91.5CM X 1.83M) TRI-ENTRY WITH DROPBAR.....	460
FIGURE 5-15. PLATFORM ASSEMBLY - 36IN X 8FT (91.5CM X 2.44M) TRI-ENTRY WITH DROPBAR.....	462
FIGURE 5-16. TRAY ASSEMBLY.....	464
FIGURE 5-17. CONSOLE AND FOOTSWITCH INSTALLATION.....	466
FIGURE 5-18. CONSOLE AND FOOTSWITCH INSTALLATION (TOWER STOW).....	468
FIGURE 5-19. CONSOLE BOX ASSEMBLY WITH FOOTSWITCH.....	470
FIGURE 5-20. CONSOLE BOX ASSEMBLY WITH FOOTSWITCH (TOWER STOW).....	474
FIGURE 5-21. FOOTSWITCH ASSEMBLY.....	478
FIGURE 5-22. CRAB STEER SWITCH INSTALLATION - 4WS (WITHOUT TOW PACKAGE).....	480
FIGURE 5-23. CRAB STEER SWITCH INSTALLATION - 4WS (WITH TOW PACKAGE).....	482
FIGURE 5-24. LIGHT PANEL INSTALLATION.....	484
FIGURE 5-25. STEER SWITCH INSTALLATION – 4WS.....	486
FIGURE 5-26. SKYEYE INSTALLATION.....	488
FIGURE 5-27. SKYGUARD BAR INSTALLATION.....	490
FIGURE 5-28. SKYLINE INSTALLATION.....	492
FIGURE 5-29. SKYGLAZIER INSTALLATION (ALL SPECS EXCEPT CHINA, JAPANESE, CE & UK CA SPECS) (OPTIONAL).....	494
FIGURE 5-30. SKYCUTTER INSTALLATION (OPTIONAL).....	496
FIGURE 5-31. PLASMA CUTTER ASSEMBLY.....	498
FIGURE 5-32. SKYWELDER/SKYCUTTER COMBO INSTALLATION (60HZ) (OPTIONAL).....	500
FIGURE 5-33. SKYWELDER INSTALLATION (50HZ) (OPTIONAL).....	504
FIGURE 5-34. SKYWELDER INSTALLATION (60HZ) (OPTIONAL).....	506
FIGURE 5-35. WELDER ASSEMBLY.....	508
FIGURE 5-36. SKYWELDER PREP PACKAGE (60HZ) (OPTIONAL).....	510
FIGURE 5-37. SKYWELDER LOCKING BRACKET INSTALLATION (OPTIONAL).....	512
FIGURE 5-38. SOFT TOUCH SYSTEM INSTALLATION - 6FT/1.8M PLATFORMS (OPTIONAL).....	514
FIGURE 5-39. SOFT TOUCH SYSTEM INSTALLATION - 6FT/1.8M FALL ARREST PLATFORMS (OPTIONAL).....	516
FIGURE 5-40. SOFT TOUCH SYSTEM INSTALLATION - 8FT/2.44M PLATFORM (OPTIONAL).....	518
FIGURE 5-41. SOFT TOUCH SYSTEM INSTALLATION - 8FT/2.44M FALL ARREST PLATFORM (OPTIONAL).....	520
FIGURE 5-42. PLATFORM PADDING INSTALLATION (30IN/76CM DEPTH PLATFORMS) (ANSI, ANSI EXPORT, CSA AND CHINA SPECS) (OPTIONAL).....	522
FIGURE 5-43. FALL ARREST (BOLT-ON) INSTALLATION - 30IN X 4FT PLATFORM (ALL SPECS EXCEPT CE & UK CA SPECS) (OPTIONAL).....	524
FIGURE 5-44. FALL ARREST (BOLT-ON) INSTALLATION - 30IN X 5FT PLATFORM (ALL SPECS EXCEPT CE & UK CA SPECS) (OPTIONAL).....	526
FIGURE 5-45. FALL ARREST (BOLT-ON) INSTALLATION - 36IN X 6FT PLATFORM (ALL SPECS EXCEPT CE & UK CA SPECS) (OPTIONAL).....	528
FIGURE 5-46. FALL ARREST (BOLT-ON) INSTALLATION - 36IN X 6FT TRI-ENTRY PLATFORM (ALL SPECS EXCEPT CE & UK CA SPECS) (OPTIONAL).....	530
FIGURE 5-47. FALL ARREST (BOLT-ON) INSTALLATION - 36IN X 8FT PLATFORM (ALL SPECS EXCEPT CE & UK CA SPECS) (OPTIONAL).....	532
FIGURE 5-48. USB CHARGER INSTALLATION.....	534
SECTION 6 - CYLINDER.....	537
FIGURE 6-1. AXLE LOCKOUT CYLINDER ASSEMBLY.....	538
FIGURE 6-2. LEVEL (PLATFORM SLAVE) CYLINDER ASSEMBLY.....	540
FIGURE 6-3. LEVEL (UPRIGHT) CYLINDER ASSEMBLY.....	542

TABLE OF CONTENTS

FIGURE 6-4. LIFT CYLINDER ASSEMBLY - JIB	544
FIGURE 6-5. LIFT CYLINDER ASSEMBLY - JIB	546
FIGURE 6-6. LIFT CYLINDER ASSEMBLY - JIB	548
FIGURE 6-7. LIFT CYLINDER ASSEMBLY - MAIN BOOM.....	550
FIGURE 6-8. LIFT CYLINDER ASSEMBLY - MAIN BOOM.....	552
FIGURE 6-9. MASTER CYLINDER ASSEMBLY	554
FIGURE 6-10. STEER CYLINDER ASSEMBLY	556
FIGURE 6-11. TELESCOPE CYLINDER ASSEMBLY - MAIN BOOM.....	558
FIGURE 6-12. TELESCOPE CYLINDER ASSEMBLY - TOWER BOOM	560
SECTION 7 - HYDRAULIC	563
FIGURE 7-1. DRIVE HYDRAULIC DIAGRAM - 4WD/2WS WITHOUT ARCTIC PACKAGE	564
FIGURE 7-2. DRIVE HYDRAULIC DIAGRAM - 4WD/2WS WITH ARCTIC PACKAGE.....	568
FIGURE 7-3. FLUSHING LOOP HYDRAULIC INSTALLATION - 4WD	572
FIGURE 7-4. HYDRAULIC DIAGRAM - STANDARD (DEUTZ D2011 ENGINE).....	574
FIGURE 7-5. HYDRAULIC DIAGRAM - STANDARD (DEUTZ TD2.9L4 & DEUTZ TD2.2L3 STAGE V ENGINES).....	580
FIGURE 7-6. HYDRAULIC DIAGRAM - STANDARD (FORD ENGINES).....	586
FIGURE 7-7. HYDRAULIC DIAGRAM - OSCILLATING AXLE	592
FIGURE 7-8. HYDRAULIC DIAGRAM - TOW BAR	594
SECTION 8 - ELECTRICAL.....	597
FIGURE 8-1. AC CABLE CONNECTOR INSTALLATION - 110V/220V (MACHINES NO GENERATOR) (ANSI EXPORT, AUSTRALIAN, CHINA, CE & UK CA SPECS)	598
FIGURE 8-2. AC CABLE CONNECTOR INSTALLATION – SKYPOWER (MACHINES NO GENERATOR) (ALL SPECS)	600
FIGURE 8-3. AC CABLE CONNECTOR INSTALLATION – 4000W GENERATOR (MACHINES NO GENERATOR) (ALL SPECS EXCEPT AUSTRALIAN, CE & UK CA SPECS).....	602
FIGURE 8-4. AC BOX AT PLATFORM INSTALLATION - 110V GFI RECEPTACLE (MACHINES WITH 2500W GENERATOR/NO GENERATOR OPTIONS) (ALL SPECS EXCEPT AUSTRALIAN, CE& UK CA SPECS)	604
FIGURE 8-5. AC BOX AT PLATFORM INSTALLATION - 220V RECEPTACLE (MACHINES WITH 2500W GENERATOR/NO GENERATOR OPTIONS) (ANSI, CSA AND JAPANESE SPECS).....	606
FIGURE 8-6. AC BOX AT PLATFORM INSTALLATION - BOX WITH COVER (2X4 BOX) (ANSI EXPORT SPECS) (4000W GENERATOR)	608
FIGURE 8-7. AC BOX AT PLATFORM INSTALLATION – DUAL AC 110V GFI (MACHINES WITH 2500W GENERATOR) (ANSI EXPORT AND CHINA SPECS)	610
FIGURE 8-8. AC BOX AT PLATFORM INSTALLATION - 110V IEC YELLOW (CE & UK CA SPECS).....	612
FIGURE 8-9. AC BOX AT PLATFORM INSTALLATION - 110V IEC 60309 YELLOW (CE & UK CA SPECS) (4000W GENERATOR)	614
FIGURE 8-10. AC BOX AT PLATFORM INSTALLATION - 220V IEC BLUE (CE& UK CA SPECS)	616
FIGURE 8-11. AC BOX AT PLATFORM INSTALLATION - 220V IEC BLUE (CE & UK CA SPECS) (2500W GENERATOR).....	618
FIGURE 8-12. AC BOX AT PLATFORM INSTALLATION - 220V IEC 60309 BLUE (CE & UK CA SPECS) (4000W GENERATOR)	620
FIGURE 8-13. AC BOX AT PLATFORM INSTALLATION - 220V CEE7 POST GROUND (CE & UK CA SPECS)	622
FIGURE 8-14. AC BOX AT PLATFORM INSTALLATION - 220V CEE7 POST GROUND (CE & UK CA SPECS) (2500W GENERATOR)	624
FIGURE 8-15. AC BOX AT PLATFORM INSTALLATION - 220V CEE7 POST GROUND (2X4 BOX) (CE & UK CA SPECS) (4000W GENERATOR).....	626
FIGURE 8-16. AC BOX AT PLATFORM INSTALLATION - 220V CEE7 SIDE GROUND (CE & UK CA SPECS).....	628
FIGURE 8-17. AC BOX AT PLATFORM INSTALLATION - 220V CEE7 SIDE GROUND (CE & UK CA SPECS) (2500W GENERATOR)	630

TABLE OF CONTENTS

FIGURE 8-18. AC BOX AT PLATFORM INSTALLATION - 220V CEE7 SIDE GROUND (2X4 BOX) (CE & UK CA SPECS) (4000W GENERATOR)	632
FIGURE 8-19. AC BOX AT PLATFORM INSTALLATION - 220V AFSINT 107 (CE & UK CA SPECS)	634
FIGURE 8-20. AC BOX AT PLATFORM INSTALLATION - 220V AFSINT 107 (CE & UK CA SPECS) (2500W GENERATOR)	636
FIGURE 8-21. AC BOX AT PLATFORM INSTALLATION - 220V AFSINT 107 KEYED GROUND (2X4 BOX) (CE & UK CA SPECS) (4000W GENERATOR)	638
FIGURE 8-22. AC BOX AT PLATFORM INSTALLATION - 240V GFCI RECEPTACLE (ANSI, ANSI EXPORT, CHINA, CSA AND JAPANESE SPECS WITH 4000W SKYPOWER GENERATOR)	640
FIGURE 8-23. AC BOX AT PLATFORM INSTALLATION - 240V GFCI RECEPTACLE (ANSI AND CSA SPECS WITH 7500W SKYPOWER GENERATOR)	642
FIGURE 8-24. BATTERY DISCONNECT SWITCH INSTALLATION – DEUTZ D2011 ENGINES	644
FIGURE 8-25. BATTERY DISCONNECT SWITCH INSTALLATION (DEUTZ TD2.9L4, DEUTZ D2.9L4, DEUTZ TD2.2L3 STAGE V AND FORD DF2.5L ENGINES).....	646
FIGURE 8-26. BEACON LIGHT HARNESS (BLUE AND RED BEACON LIGHT).....	648
FIGURE 8-27. BOOM CABLES INSTALLATION - WITH 2500W GENERATOR OR NO GENERATOR.....	650
FIGURE 8-28. BOOM CABLE INSTALLATION - WITH 4000W/50HZ GENERATOR	652
FIGURE 8-29. BOOM CABLES INSTALLATION - WITH 4000W/60HZ GENERATOR.....	654
FIGURE 8-30. BOOM CABLE INSTALLATION - WITH 7500W GENERATOR.....	656
FIGURE 8-31. BOOM CABLE - MAIN BOOM	658
FIGURE 8-32. BOOM CABLE - TOWER BOOM (WITHOUT ARCTIC PACKAGE)	660
FIGURE 8-33. BREAKER BOX KIT - SINGLE DOUBLE POLE BREAKER (WITH 4000W/50HZ GENERATOR)	662
FIGURE 8-34. BREAKER BOX KIT - 30MA/16 AMP (WITH GENERATOR)	664
FIGURE 8-35. CSB HARNESS	666
FIGURE 8-36. ENGINE HARNESS ASSEMBLY (DEUTZ D2011 ENGINES).....	668
FIGURE 8-37. ENGINE HARNESS ASSEMBLY (DEUTZ TD2.9L4 & DEUTZ DT2.2L3 STAGE V ENGINES)	670
FIGURE 8-38. ENGINE HARNESS - DEUTZ TD2.2L3 ENGINES	672
FIGURE 8-39. ENGINE HARNESS - DEUTZ TD2.9L4 ENGINES	676
FIGURE 8-40. ENGINE HARNESS ASSEMBLY (FORD DF2.5L ENGINES)	680
FIGURE 8-41. ECU POWER JUMPER HARNESS.....	682
FIGURE 8-42. FUEL HARNESS - DEUTZ TD2.2L3 (STAGE V) ENGINE	684
FIGURE 8-43. FUEL HARNESS - DEUTZ TD2.9L4 ENGINES.....	686
FIGURE 8-44. FULL EXTENSION PROXIMITY HARNESS.....	688
FIGURE 8-45. GENERATOR TO CONTROL BOX HARNESS - 4000W.....	690
FIGURE 8-46. GENERATOR TO CONTROL BOX HARNESS - 7500W GENERATOR	692
FIGURE 8-47. GENERATOR HARNESS - 7500W GENERATOR (FORD ENGINES)	694
FIGURE 8-48. GENERATOR HARNESS - 7500W GENERATOR (DEUTZ TD2.9L4 ENGINES).....	696
FIGURE 8-49. GENERATOR TO ENGINE HARNESS - 2500W	698
FIGURE 8-50. GENERATOR TO ENGINE HARNESS - 4000W	700
FIGURE 8-51. GENERATOR TO ENGINE HARNESS - 7500W SKYPOWER GENERATOR (DEUTZ D2011 ONLY)	702
FIGURE 8-52. GENERATOR TO REAR OF BOOM HARNESS - 110V.....	704
FIGURE 8-53. GENERATOR TO REAR OF BOOM HARNESS - 220V.....	706
FIGURE 8-54. GROUND CONTROL BOX HARNESS.....	708
FIGURE 8-55. MID PROXIMITY HARNESS	710
FIGURE 8-56. PLATFORM CONSOLE BOX HARNESS	712
FIGURE 8-57. RECEPTACLE BOX KIT - 110V IEC YELLOW (CE & UK CA SPEC)	714
FIGURE 8-58. RECEPTACLE BOX KIT - 220V IEC BLUE (CE & UK CA SPEC).....	716
FIGURE 8-59. RECEPTACLE BOX KIT - 220V IEC BLUE (CE & UK CA SPECS) (2500W GENERATOR)	718

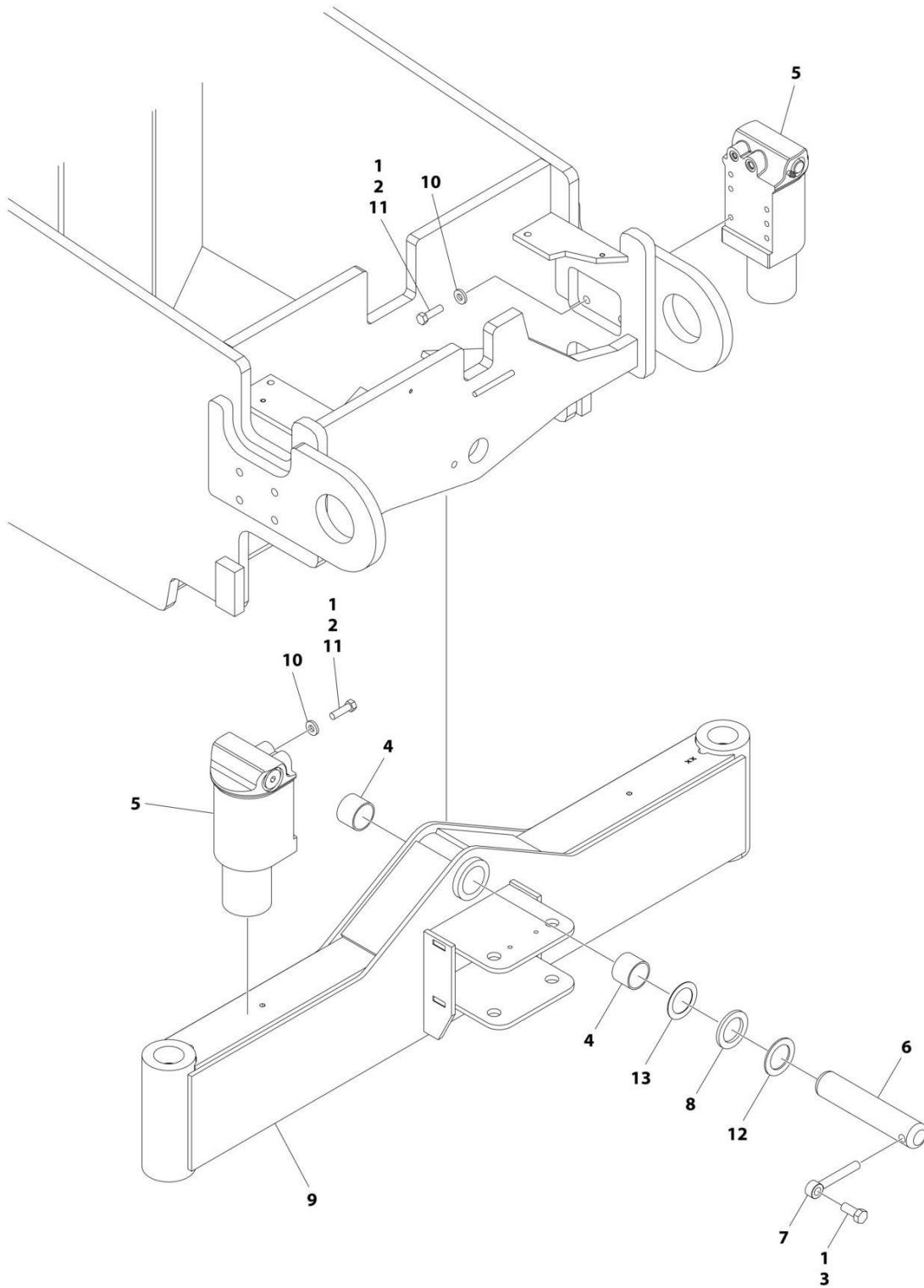
TABLE OF CONTENTS

FIGURE 8-60. RECEPTACLE BOX KIT - 220V CEE7 POST GROUND WITHOUT 2500W GENERATOR (2X4 BOX) (CE & UK CA SPECS).....	720
FIGURE 8-61. RECEPTACLE BOX KIT - 220V CEE7 POST GROUND (2X4 BOX) (CE & UK CA SPECS) (2500W GENERATOR)	722
FIGURE 8-62. RECEPTACLE BOX KIT - 220V CEE7 SIDE GROUND (CE & UK CA SPEC)	724
FIGURE 8-63. RECEPTACLE BOX KIT - 220V CEE7 SIDE GROUND (2X4 BOX) (CE & UK CA SPECS) (2500W GENERATOR)	726
FIGURE 8-64. RECEPTACLE BOX KIT - 220V AFSINT 107 (CE & UK CA SPEC)	728
FIGURE 8-65. RECEPTACLE BOX KIT - 220V AFSINT 107 KEYED GROUND (2X4 BOX) (CE & UK CA SPECS) (2500W GENERATOR)	730
FIGURE 8-66. SKYEYE INTERMEDIATE HARNESS	732
FIGURE 8-67. SKYEYE EMITTER HARNESS	734
FIGURE 8-68. SKYEYE RECEIVER HARNESS.....	736
FIGURE 8-69. SKYLINE HARNESS	738
FIGURE 8-70. SKYGUARD INTERFACE HARNESS	740
FIGURE 8-71. STROBE LIGHT JUMPER HARNESS	742
FIGURE 8-72. TILT SENSOR HARNESS.....	744
FIGURE 8-73. VALVE HARNESS - BOOM VALVE	746
FIGURE 8-74. VALVE HARNESS - MAIN CONTROL VALVE.....	748
FIGURE 8-75. WHITE NOISE ALARM HARNESS	750
SECTION 9 - DECALS	753
FIGURE 9-1. DECAL INSTALLATION - ANSI SPECS.....	754
FIGURE 9-2. DECAL INSTALLATION - AUSTRALIAN SPECS	756
FIGURE 9-3. DECAL INSTALLATION - BRAZIL SPECS	758
FIGURE 9-4. DECAL INSTALLATION - CE, RUSSIAN & UK CA SPECS	760
FIGURE 9-5. DECAL INSTALLATION - CHINESE SPECS (SIMPLIFIED).....	762
FIGURE 9-6. DECAL INSTALLATION - CHINESE SPECS (TRADITIONAL)	764
FIGURE 9-7. DECAL INSTALLATION - CSA SPECS.....	766
FIGURE 9-8. DECAL INSTALLATION - JAPANESE SPECS	768
FIGURE 9-9. DECAL INSTALLATION - KOREAN SPECS.....	770
FIGURE 9-10. DECAL INSTALLATION - LATIN AMERICAN SPECS.....	772
FIGURE 9-11. DECAL INSTALLATION - OPTIONS	774
FIGURE 9-12. SKYCUTTER DECAL INSTALLATION (ALL SPECS EXCEPT AUSTRALIAN, CE & JAPANESE SPECS)	778
FIGURE 9-13. SKYCUTTER DECAL INSTALLATION (JAPANESE SPECS)	780
FIGURE 9-14. SKYWELDER DECAL INSTALLATION - 50HZ.....	782
FIGURE 9-15. SKYWELDER DECAL INSTALLATION - 60HZ.....	784
SECTION 10 - RECOMMENDED SERVICE PARTS STOCK	787
FIGURE 10-1. RECOMMENDED SERVICE PART STOCK	788
SECTION 11 - SPECIAL OPTIONS/ACCESSORIES/KITS.....	791
FIGURE 11-1. SPECIAL OPTIONS/ACCESSORIES/KITS.....	792
PART NUMBER INDEX.....	797

SECTION 1 - FRAME

SECTION 1 - FRAME

FIGURE 1-1. AXLE INSTALLATION (WITHOUT TOW PACKAGE)



ART_1001148168

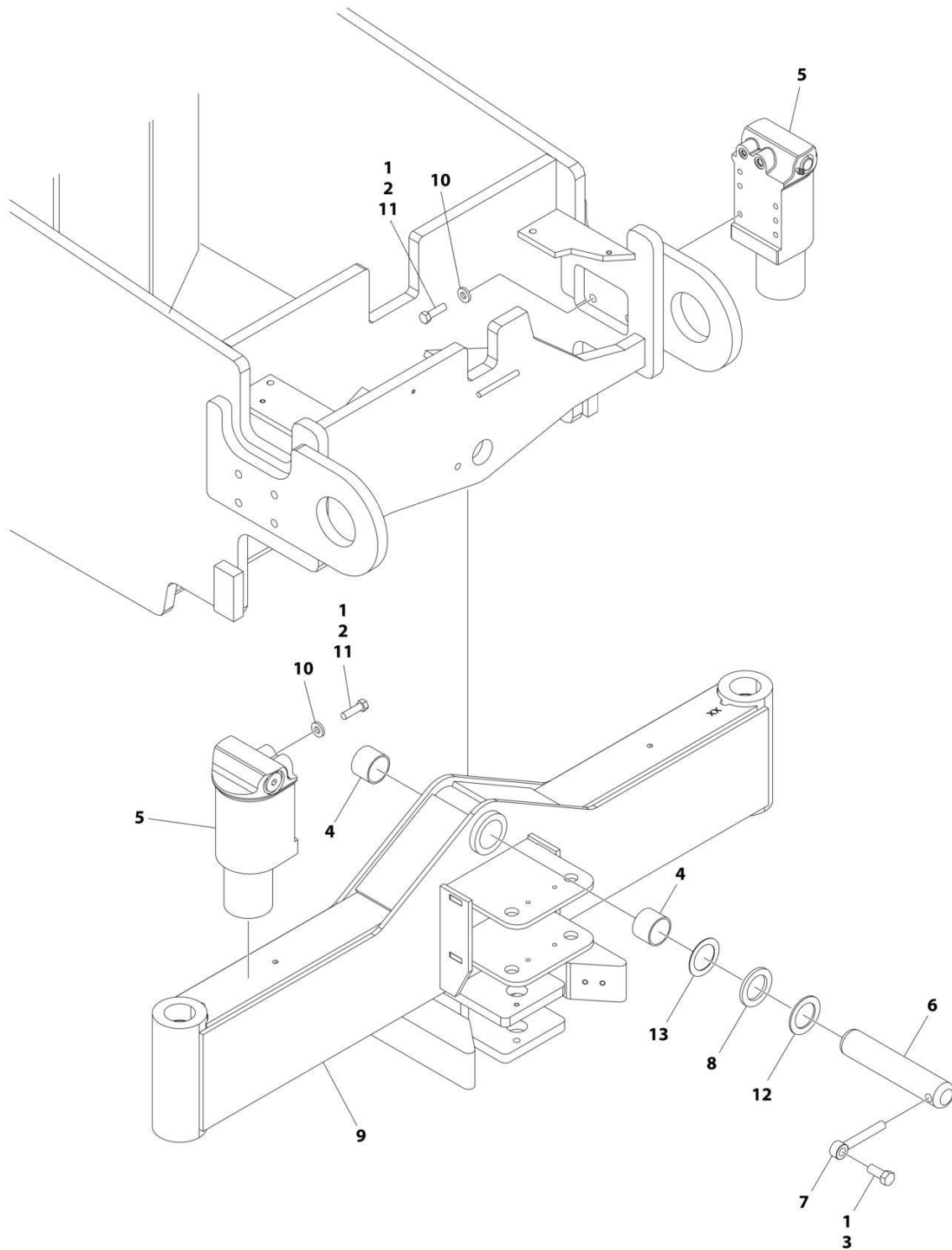
SECTION 1 - FRAME

FIGURE 1-1. AXLE INSTALLATION (WITHOUT TOW PACKAGE)

ITEM	PART NUMBER	QTY	DESCRIPTION	REV
	1001148168	Ref	AXLE INSTALLATION - OSCILLATING	C
1	0100011	AR	Compound, Locking	
2	0641814	8	Bolt 1/2 x 1-3/4	
3	0642012	1	Bolt 5/8 x 1-1/2	
4	0961950	2	Bearing	
5	1684465	2	Lockout Cylinder Assembly (See Separate Breakdown in CYLINDER SECTION)	
6	3423184	1	Pin	
7	3841258	1	Keeper, Pin	
8	4740158	AR	Thrustwasher	
9	1001148171	1	Axle Weldment	
10	4891800	8	Washer 1/2 Hardened	
11	0100038	AR	Primer, Locking	
12	4740229	AR	Thrustwasher	
13	4071101	AR	Shim (18Ga)	

SECTION 1 - FRAME

FIGURE 1-2. AXLE INSTALLATION (WITH TOW PACKAGE)



ART_1001148170

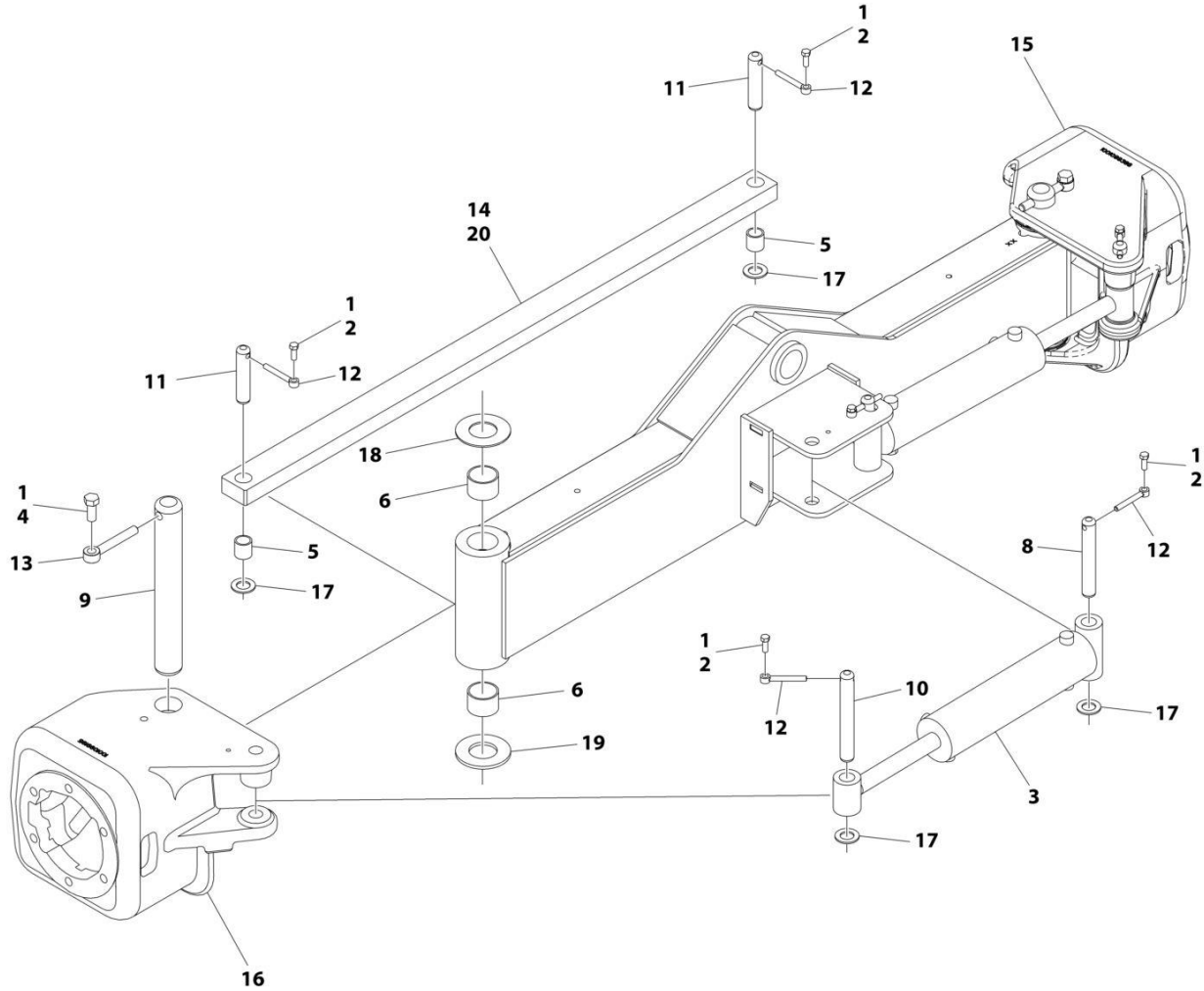
SECTION 1 - FRAME

FIGURE 1-2. AXLE INSTALLATION (WITH TOW PACKAGE)

ITEM	PART NUMBER	QTY	DESCRIPTION	REV
	1001148170	Ref	AXLE INSTALLATION - OSCILLATING	C
1	0100011	AR	Compound, Locking	
2	0641814	8	Bolt 1/2 x 1-3/4	
3	0642012	1	Bolt 5/8 x 1-1/2	
4	0961950	2	Bearing	
5	1684465	2	Axle Lockout Cylinder Assembly (See Separate Breakdown in CYLINDER SECTION)	
6	3423184	1	Pin	
7	3841258	1	Keeper, Pin	
8	4740158	1	Thrustwasher	
9	1001148172	1	Axle Weldment	
10	4891800	8	Washer 1/2 Hardened	
11	0100038	AR	Primer, Locking	
12	4071101	AR	Shim (18Ga)	
13	4740229	AR	Thrustwasher	

SECTION 1 - FRAME

FIGURE 1-3. STEERING INSTALLATION (WITHOUT TOW PACKAGE)



ART_1001148162

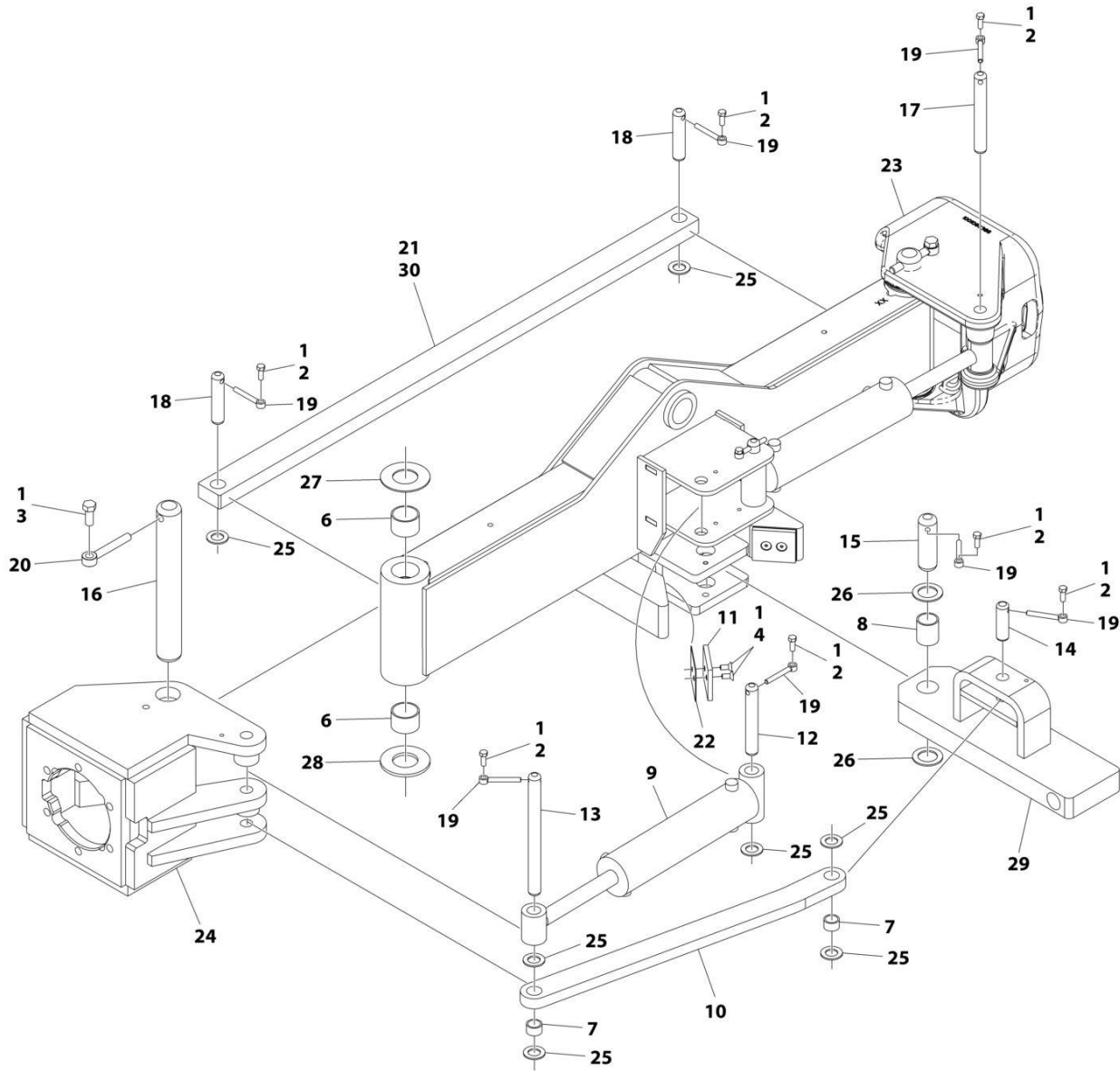
SECTION 1 - FRAME

FIGURE 1-3. STEERING INSTALLATION (WITHOUT TOW PACKAGE)

ITEM	PART NUMBER	QTY	DESCRIPTION	REV
	1001148162	Ref	STEERING INSTALLATION – 4WD/2WS	D
1	0100011	AR	Compound, Locking	
2	0641608	6	Bolt 3/8 x 1	
3	1001097242	2	Steer Cylinder Assembly (See Separate Breakdown in CYLINDER SECTION)	
4	0642012	2	Bolt 5/8 x 1-1/2	
5	0962356	2	Bushing (Part of item 20)	
6	0962131	4	Bushing	
8	3422326	2	Pin	
9	3422900	2	Pin	
10	3422902	1	Pin	
11	3422903	2	Pin	
12	3841143	6	Keeper, Pin	
13	3841258	2	Keeper, Pin	
14	1001155574	NLA	Tie-Rod (Part of Item 20) (Use Item 20 as replacement)	
15	1001099387	1	Spindle (LH)	
16	1001099196	1	Spindle (RH)	
17	4740111	6	Thrustwasher	
18	4740256	2	Thrustwasher	
19	4740463	2	Thrustwasher	
20	1001276664	1	Tie-Rod Assembly (Includes Items 5 & 14)	

SECTION 1 - FRAME

FIGURE 1-4. STEERING INSTALLATION (WITH TOW PACKAGE)



ART_1001148164_D

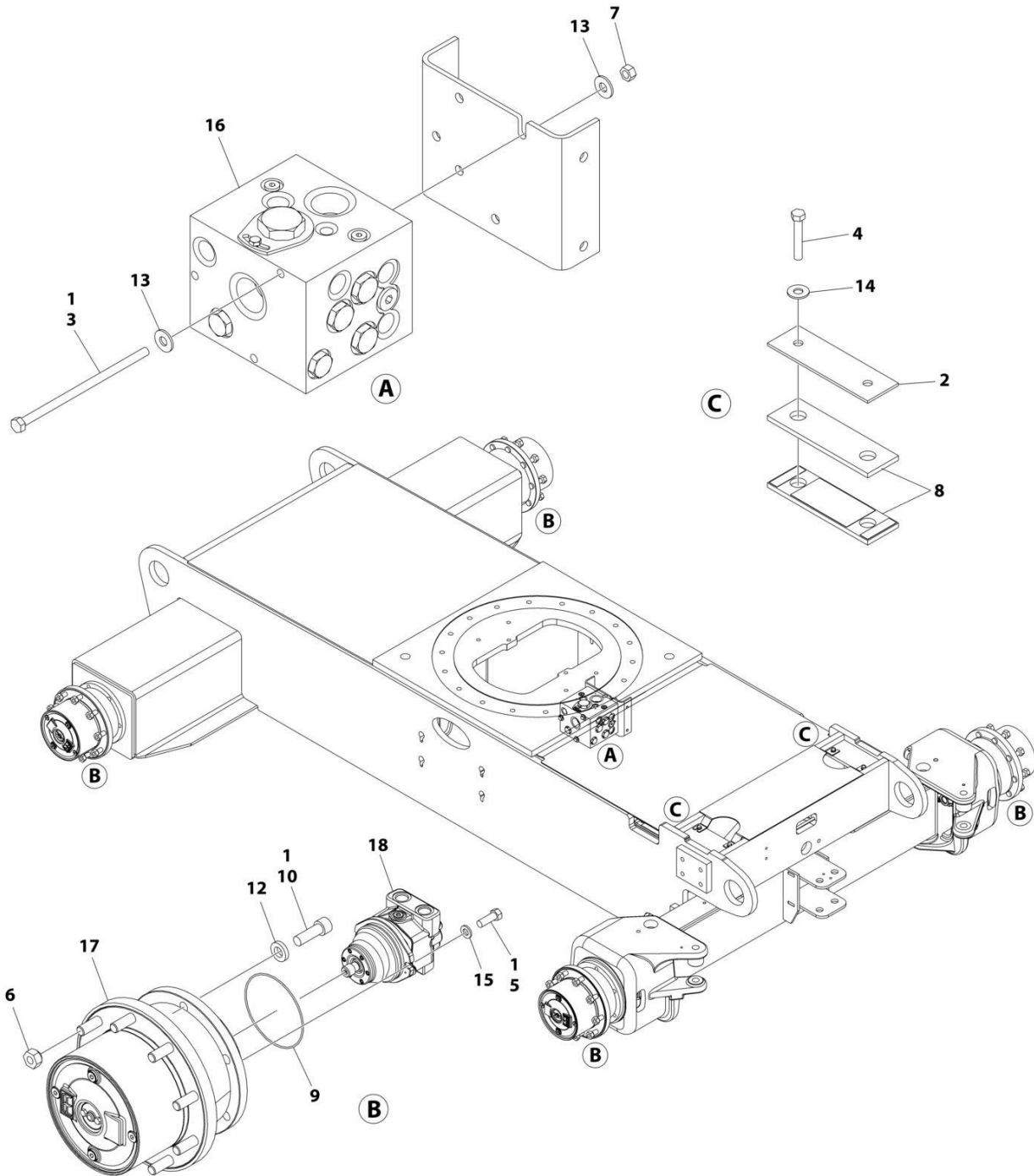
SECTION 1 - FRAME

FIGURE 1-4. STEERING INSTALLATION (WITH TOW PACKAGE)

ITEM	PART NUMBER	QTY	DESCRIPTION	REV
	1001148164	Ref	STEERING INSTALLATION - 4WD/2WS	D
1	0100011	AR	Compound, Locking	
2	0641608	8	Bolt 3/8 x 1	
3	0642012	2	Bolt 5/8 x 1-1/2	
4	0741607	4	Screw 3/8 x 7/8	
5	0962356	2	Bearing (Part of item 30)	
6	0962131	4	Bushing	
7	0962292	2	Bushing	
8	0962348	1	Bushing	
9	1001097242	2	Steer Cylinder Assembly (See Separate Breakdown in CYLINDER Section)	
10	1001148178	1	Link	
11	3340966	2	Pad	
12	3422326	2	Pin	
13	3422567	1	Pin	
14	3422813	1	Pin	
15	3422848	1	Pin	
16	3422900	2	Pin	
17	3422902	1	Pin	
18	3422903	2	Pin	
19	3841143	8	Keeper, Pin	
20	3841258	2	Keeper, Pin	
21	1001155574	NLA	Tie-Rod (Part of Item 30) (Use Item 30 as replacement)	
22	4071059	2	Shim	
23	1001099387	1	Spindle (LH)	
24	4130399	1	Spindle (RH)	
25	4740111	9	Thrustwasher	
26	4740155	2	Thrustwasher	
27	4740256	2	Thrustwasher	
28	4740463	2	Thrustwasher	
29	4846935	1	Pivot	
30	1001276664	1	Tie-Rod Assembly (Includes Items 5 & 21)	

SECTION 1 - FRAME

FIGURE 1-5. WHEEL DRIVE INSTALLATION - 4WD/2WS



ART_1001286951

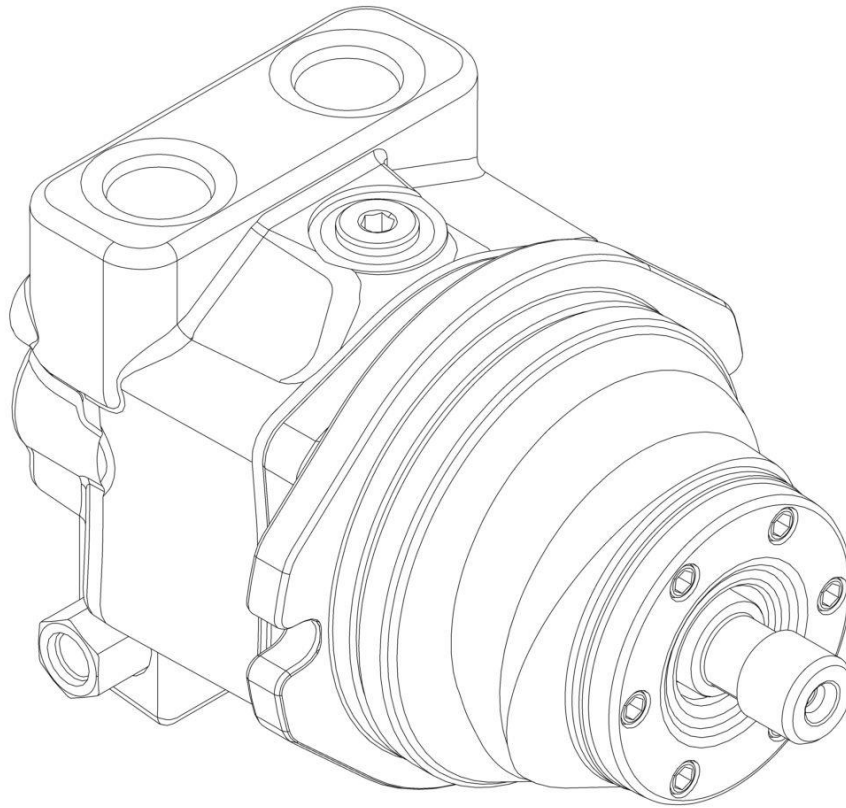
SECTION 1 - FRAME

FIGURE 1-5. WHEEL DRIVE INSTALLATION - 4WD/2WS

ITEM	PART NUMBER	QTY	DESCRIPTION	REV
	1001286951	Ref	WHEEL DRIVE INSTALLATION	A
1	0100011	AR	Compound, Locking	
2	0363012	2	Clamp	
3	0641552	3	Bolt 5/16 x 6-1/2	
4	0641618	4	Bolt 3/8 x 2-1/4	
5	0681710	8	Bolt 7/16 x 1-1/4	
6	3300106	36	Nut, Wheel	
7	3311505	3	Nut 5/16	
8	3340911	4	Rubber, Clamp	
9	3790158	4	O-Ring	
10	3932030	24	Capscrew 5/8 x 1-7/8	
11	4060807	1 ft/30 cm	Flex Trim (Not Shown)	
12	4740393	24	Washer 5/8	
13	4751500	6	Washer 5/16	
14	4751600	4	Washer 3/8	
15	5241000	8	Washer M10	
16	1001098503	1	Flow Divider Valve Assembly (See Separate Breakdown in this Section)	
17	1001113984	4	Drive Hub Assembly (See Separate Breakdown in this Section)	
18	1001286953	4	Drive Motor Assembly (See Separate Breakdown in this Section)	

SECTION 1 - FRAME

FIGURE 1-6. DRIVE MOTOR ASSEMBLY



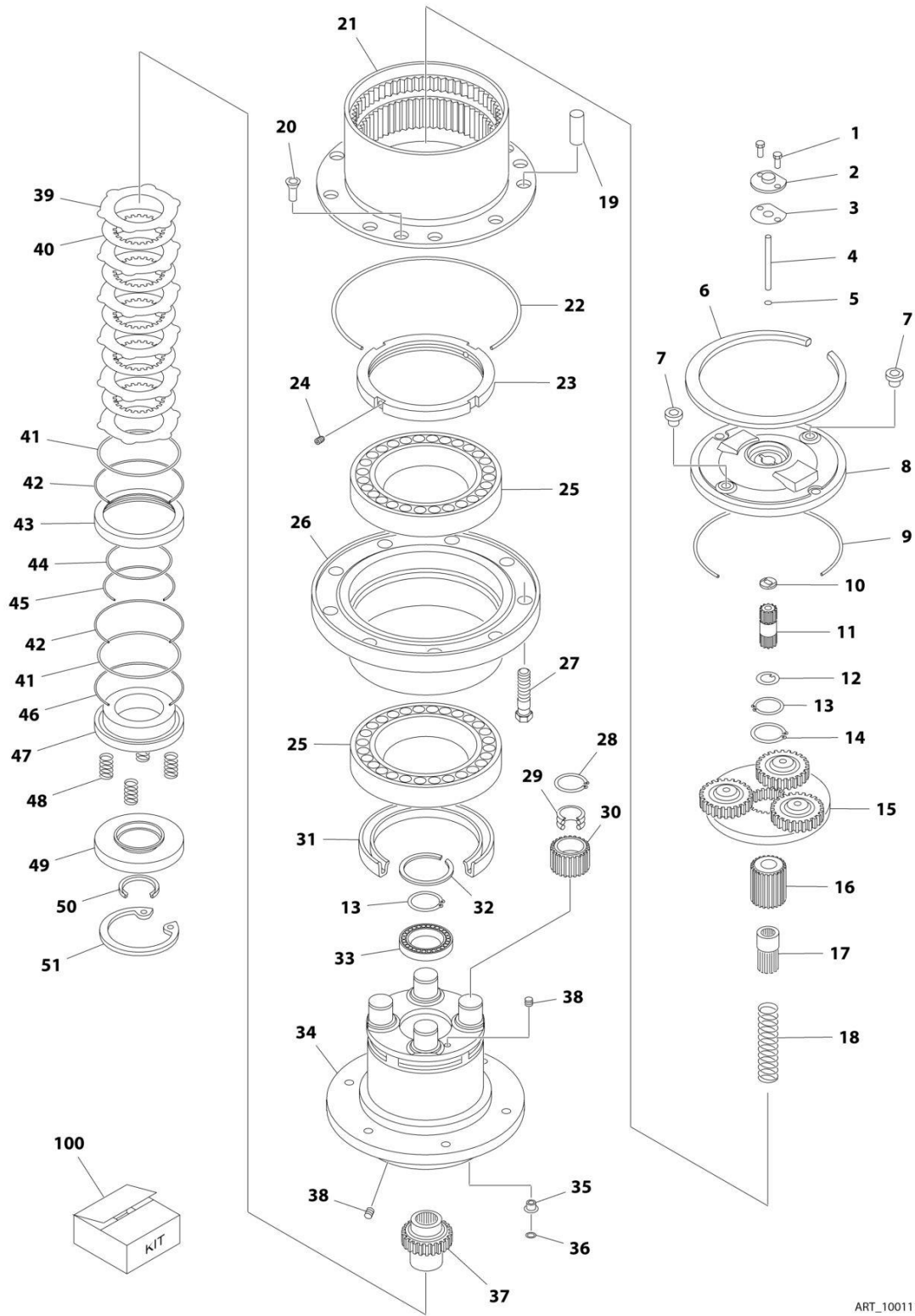
ART_1001286953

FIGURE 1-6. DRIVE MOTOR ASSEMBLY

ITEM	PART NUMBER	QTY	DESCRIPTION	REV
	1001286953 See Note	Ref Ref	DRIVE MOTOR ASSEMBLY Note: No Service Parts Available at Time of Printing	A

SECTION 1 - FRAME

FIGURE 1-7. DRIVE HUB ASSEMBLY



ART_1001113984

SECTION 1 - FRAME

FIGURE 1-7. DRIVE HUB ASSEMBLY

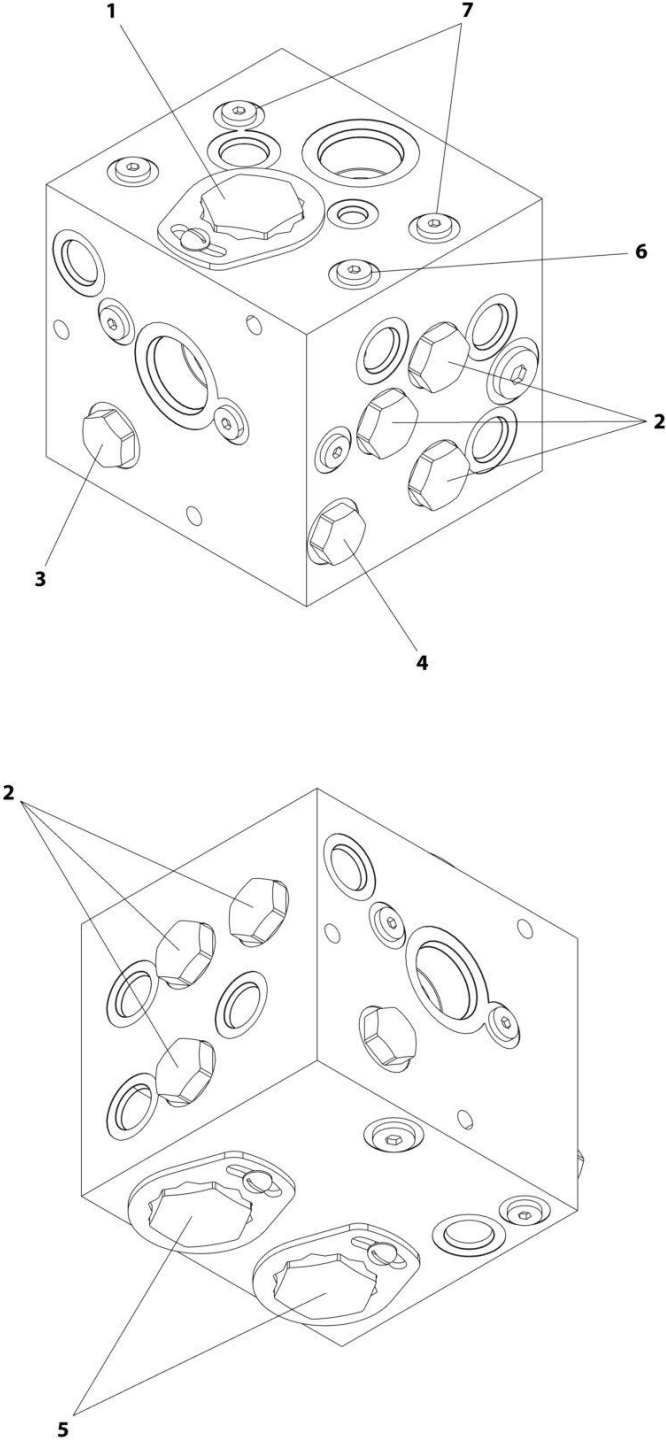
ITEM	PART NUMBER	QTY	DESCRIPTION	REV
	1001113984	Ref	DRIVE HUB ASSEMBLY	E
1	70004353	2	Screw	
2	70005298	1	Cover, Disengagement	
3	70002201	1	Gasket	
4	70002059	1	Pin, Disengagement	
5	See Note	NSS	O-Ring (Note: Use Item 100)	
6	70005299	1	Ring	
7	70002057	4	Plug	
8	70005300	1	Cover	
9	See Note	NSS	O-Ring (Note: Use Item 100)	
10	70002054	1	Shim	
11	70005301	1	Pinion	
12	70005302	1	Shim	
13	70004355	2	Ring, Outer Retention	
14	70004356	1	Ring, Inner Retention	
15	70005303	1	Reduction Gear Assembly	
16	70005304	1	Pinion	
17	70005305	1	Coupling, Disengagement Half	
18	70005306	1	Spring, Disengagement	
19	70005307	9	Plug	
20	70004361	3	Screw	
21	70005308	1	Ring, Planetary	
22	See Note	NSS	O-Ring (Note: Use Item 100)	
23	70005309	1	Nut, Ring	
24	70004363	2	Screw	
25	70005311	2	Bearing	
26	70004365	1	Support, Hub	
27	70005312	9	Column	
28	70004367	4	Ring, Outer Retention	
29	70005313	4	Bearing	
30	70004369	4	Wheel, Planet	
31	See Note	NSS	Seal, Oil (Note: Use Item 100)	
32	70004370	1	Ring	
33	70004371	1	Bearing	
34	70005314	1	Axle, Stub	
35	70005315	1	Plug	
36	See Note	NSS	O-Ring (Note: Use Item 100)	
37	70005316	1	Shaft, Input	
38	70004447	2	Plug	
39	70002027	6	Disc, Steel	
40	70002026	5	Disc, Sintered	
41	See Note	NSS	Seal (Note: Use Item 100)	
42	See Note	NSS	O-Ring (Note: Use Item 100)	
43	70005317	1	Spacer	
44	See Note	NSS	Seal (Note: Use Item 100)	
45	See Note	NSS	O-Ring (Note: Use Item 100)	
46	See Note	NSS	O-Ring (Note: Use Item 100)	
47	70005318	1	Piston	
48	70002020	6	Spring, Brake	
49	70005319	1	Spacer	

SECTION 1 - FRAME

ITEM	PART NUMBER	QTY	DESCRIPTION	REV
50	See Note	NSS	Seal, Oil (Note: Use Item 100)	
51	70005320	1	Ring, Inner Retention	
100	70005321	1	Seal Kit (Includes Items 5, 9, 22, 31, 36, 41, 42, 44, 45, 46 & 50)	

SECTION 1 - FRAME

FIGURE 1-8. FLOW DIVIDER ASSEMBLY



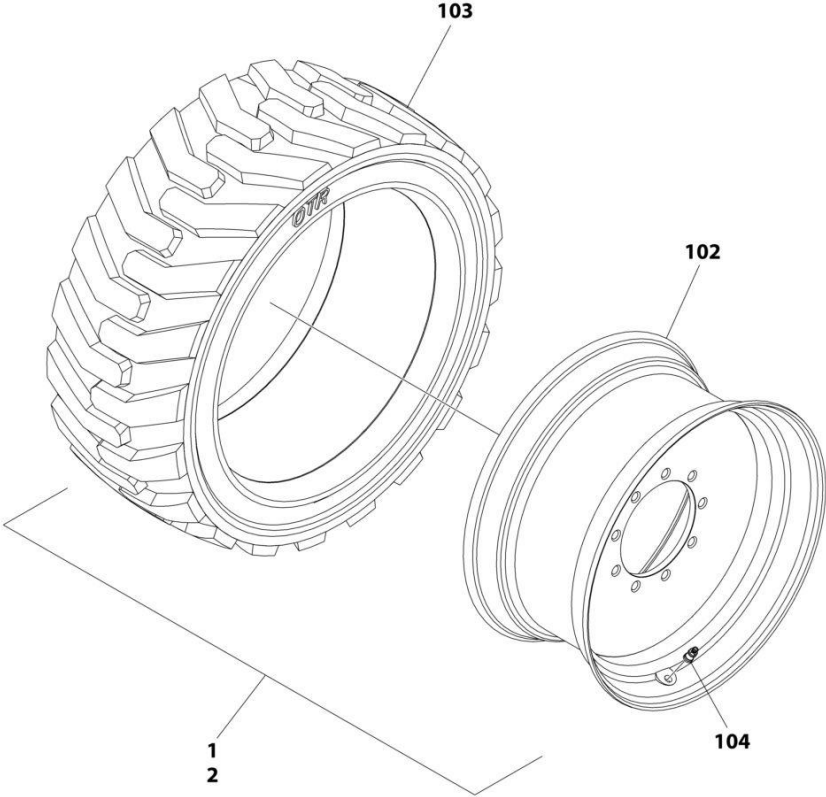
ART_1001098503

FIGURE 1-8. FLOW DIVIDER ASSEMBLY

ITEM	PART NUMBER	QTY	DESCRIPTION	REV
	1001098503	Ref	FLOW DIVIDER ASSEMBLY - 4WD	C
1	7023933	1	Valve, Cartridge (Flow Divider)	
1	7021625	1	Seal Kit - Flow Divider Cartridge	
2		Ref	Valve, Cartridge (Check) Options:	
2	7022397	6	Valve p/n 4641410	
2	7022399	6	Seal Kit - Check Cartridge	
2	70003408	6	Valve p/n 1001098503	
2	7022399	6	Seal Kit - Check Cartridge	
3	7023935	1	Valve, Cartridge (Check)	
3	7023936	1	Seal Kit - Check Cartridge	
4	7024892	1	Valve, Cartridge (Check)	
4	7023936	1	Seal Kit - Check Cartridge	
5	7023917	2	Valve, Cartridge (Flow Divider)	
5	7021625	2	Seal Kit - Flow Divider Cartridge	
6	70002063	1	Plug, Orifice	
7	70002064	2	Plug, Orifice	

SECTION 1 - FRAME

FIGURE 1-9. TIRE AND WHEEL INSTALLATION - FOAM FILLED



ART_4520346

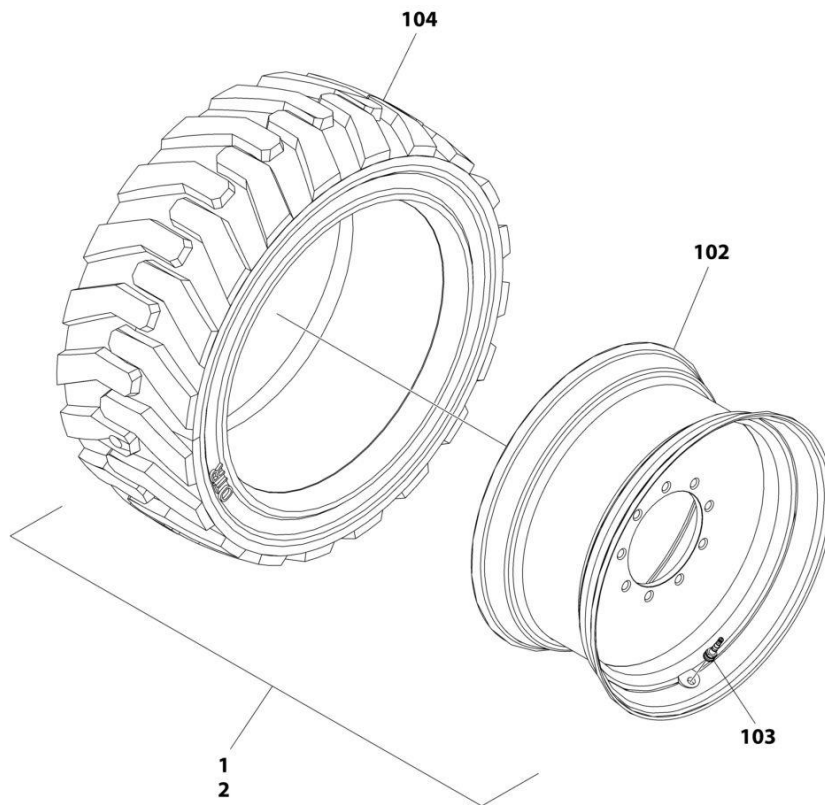
SECTION 1 - FRAME

FIGURE 1-9. TIRE AND WHEEL INSTALLATION - FOAM FILLED

ITEM	PART NUMBER	QTY	DESCRIPTION	REV
	4520346	Ref	TIRE AND WHEEL INSTALLATION - FOAM FILLED	C
		Ref	Note: Assemblies may require ballast/foam filling to manufacturer's specifications prior to installing on a machine. Refer to Operation and Safety or Service and Maintenance Manuals.	
		Ref	Note: Purchase individual tire and/or rim only if able to foam fill tire and wheel assembly, otherwise, purchase complete assembly.	
1	4520344	2	Tire and Wheel Assembly - Foam-Filled (Left Side)	H
2	4520345	2	Tire and Wheel Assembly - Foam-Filled (Right Side)	H
102	4520287	AR	Rim, Wheel (1 Per Assembly)	
103	4520288	AR	Tire - IN355/55D625 (1 Per Assembly)	
104	4640113	AR	Valve, Air (1 Per Assembly)	

SECTION 1 - FRAME

FIGURE 1-10. TIRE AND WHEEL INSTALLATION - FOAM FILLED NON-MARKING



ART_1001231678

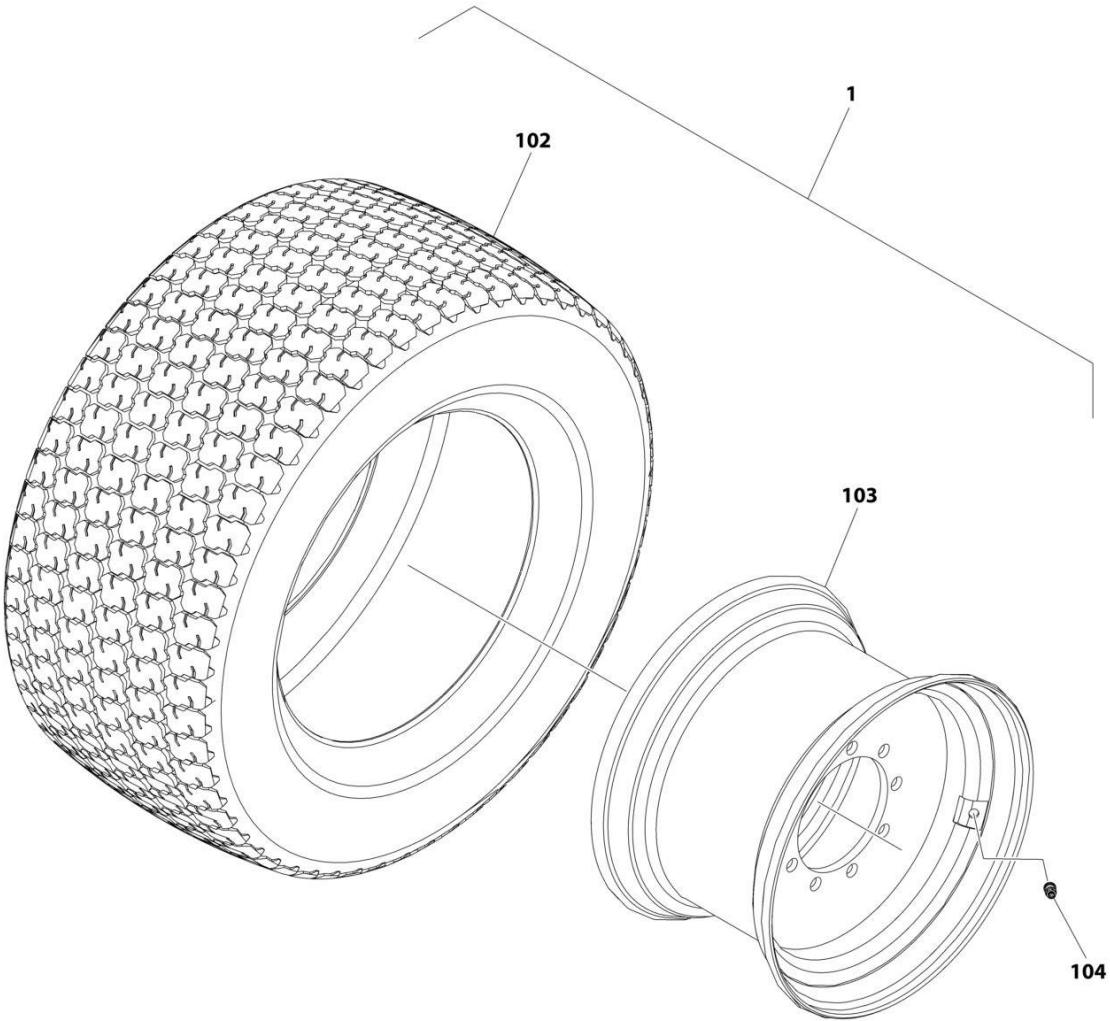
SECTION 1 - FRAME

FIGURE 1-10. TIRE AND WHEEL INSTALLATION - FOAM FILLED NON-MARKING

ITEM	PART NUMBER	QTY	DESCRIPTION	REV
	1001231678	Ref	TIRE AND WHEEL INSTALLATION - FOAM FILLED NON - MARKING	A
		Ref	Note: Assemblies may require ballast/foam filling to manufacturer's specifications prior to installing on a machine. Refer to Operation and Safety or Service and Maintenance Manuals.	
		Ref	Note: Purchase individual tire and/or rim only if able to foam fill tire and wheel assembly, otherwise, purchase complete assembly.	
1	1001231676	2	Tire and Wheel Assembly - Foam-Filled (Left Side)	C
2	1001231677	2	Tire and Wheel Assembly - Foam-Filled (Right Side)	B
102	4520287	AR	Rim, Wheel (1 Per Assembly)	
103	4641122	AR	Valve, Air (1 Per Assembly)	
104	1001184881	AR	Tire - IN355/55D625 (1 Per Assembly)	

SECTION 1 - FRAME

FIGURE 1-11. TIRE AND WHEEL INSTALLATION - FOAM FILLED (TURF)



ART_1001272547

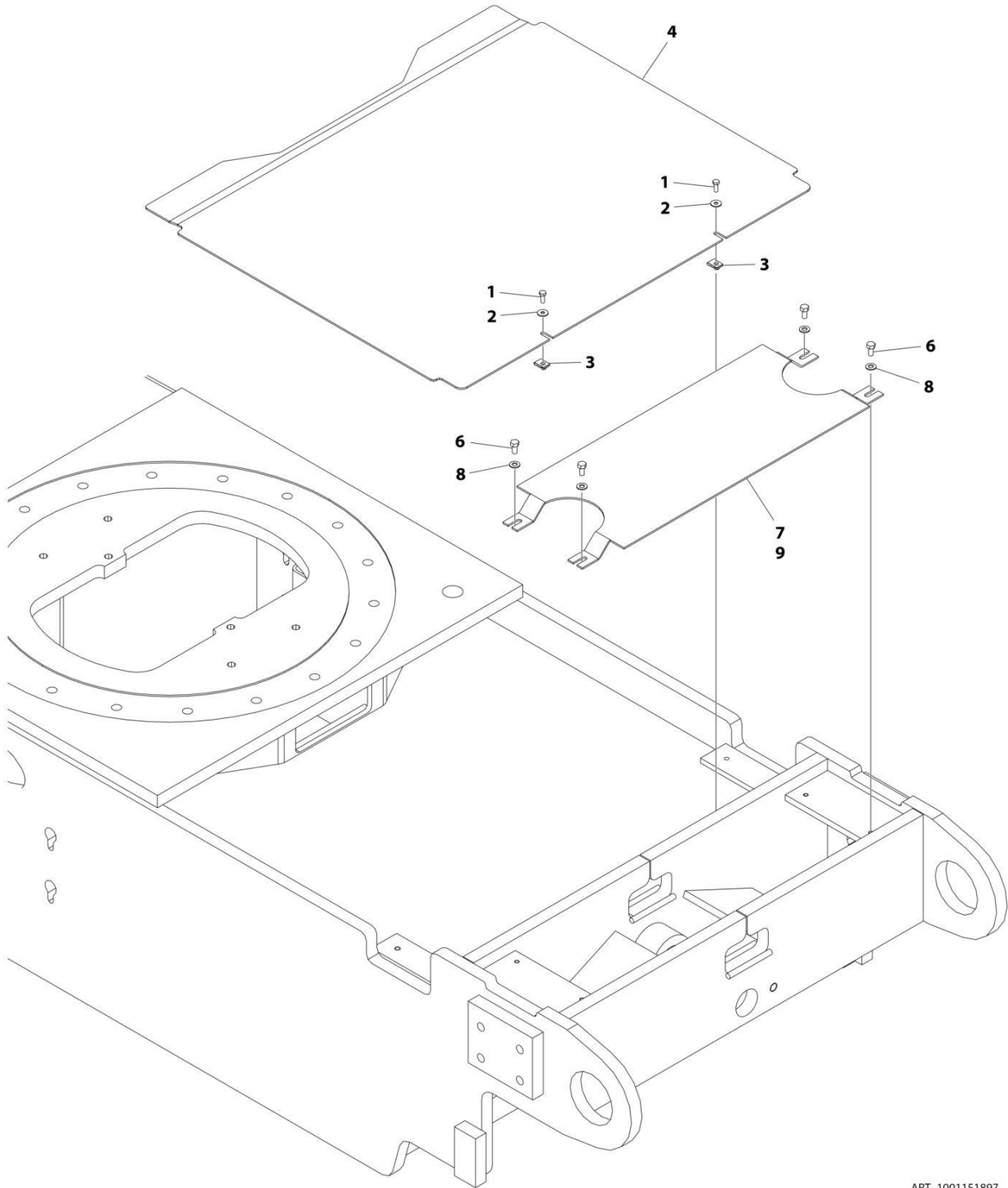
SECTION 1 - FRAME

FIGURE 1-11. TIRE AND WHEEL INSTALLATION - FOAM FILLED (TURF)

ITEM	PART NUMBER	QTY	DESCRIPTION	REV
	1001272547	Ref	TIRE AND WHEEL INSTALLATION - TURF	A
1	1001272546	4	Tire and Wheel Assembly	
102	4520256	1	Tire, 41/18LL x 22.5	
103	4520672	1	Wheel, Sand Tire 22.5 x 14	
104	4640113	1	Valve, Tire	

SECTION 1 - FRAME

FIGURE 1-12. FRAME SHIELDS INSTALLATION – 2WS (8FT/2.4M WIDE MACHINES)



ART_1001151897

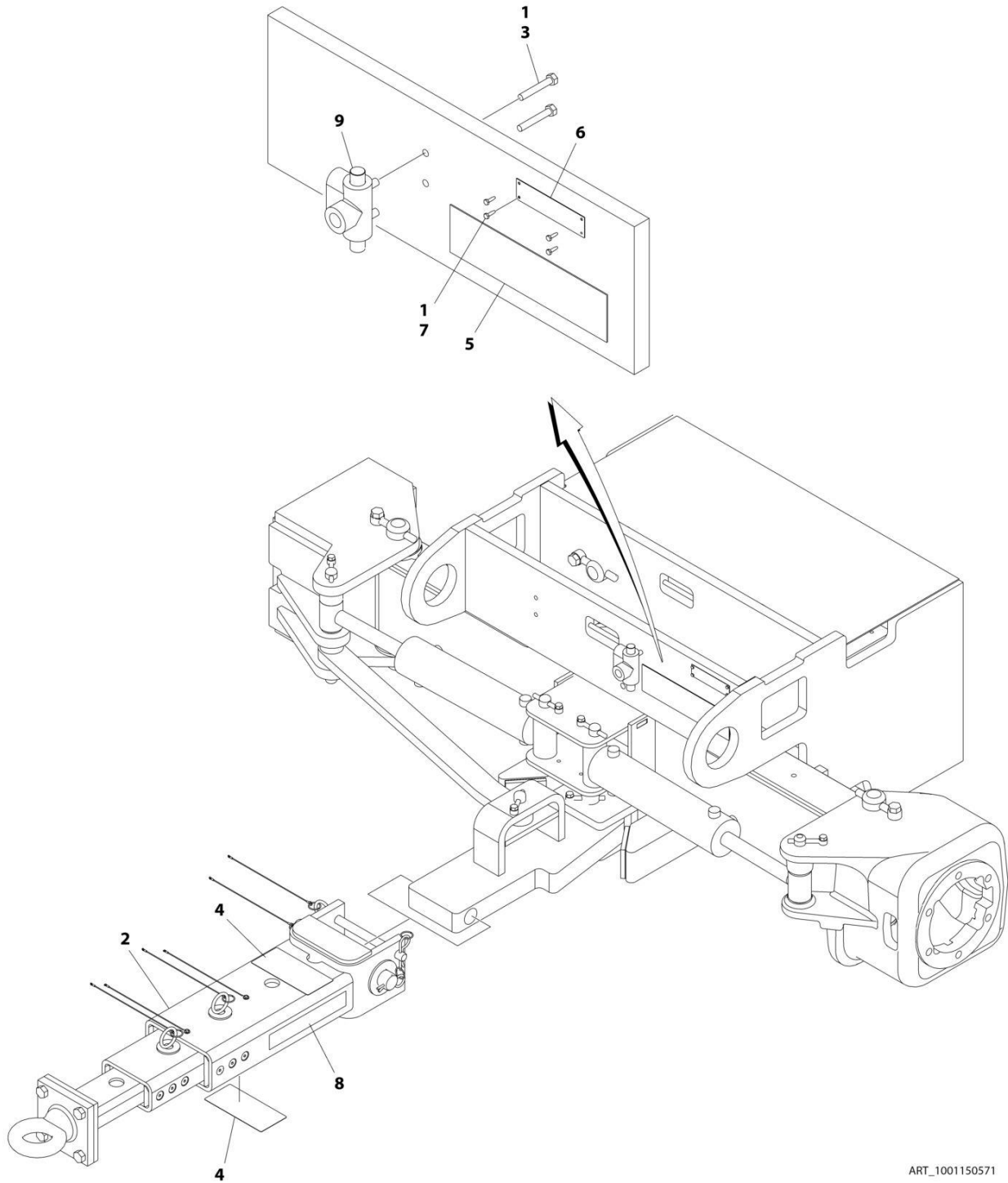
SECTION 1 - FRAME

FIGURE 1-12. FRAME SHIELDS INSTALLATION – 2WS (8FT/2.4M WIDE MACHINES)

ITEM	PART NUMBER	QTY	DESCRIPTION	REV
	1001151897	Ref	FRAME SHIELDS INSTALLATION	C
1	0760608	2	Bolt M6 x 16	
2	4811702	2	Washer M6	
3	1001130220	2	Nut, Tinnerman M6	
4	1001151584	1	Shield, Frame - Front	
6	0641505	4	Bolt 5/16 x 5/8	
7	4060804	1	Flex-Trim	
8	4711500	4	Washer 5/16	
9	1001161761	1	Shield, Frame - Rear	

SECTION 1 - FRAME

FIGURE 1-13. TOW PACKAGE INSTALLATION (ANSI SPECS) (OPTIONAL)



ART_1001150571

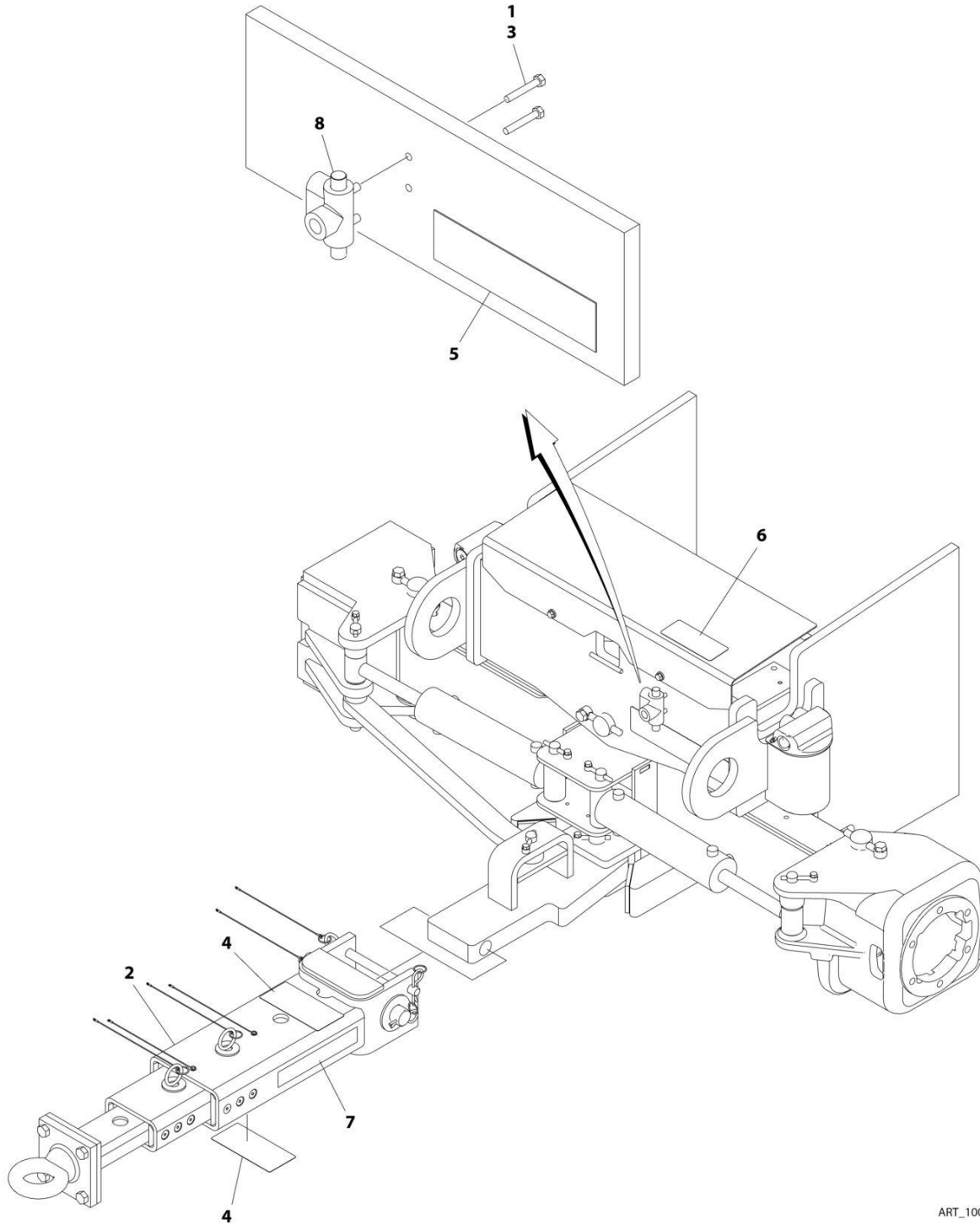
SECTION 1 - FRAME

FIGURE 1-13. TOW PACKAGE INSTALLATION (ANSI SPECS) (OPTIONAL)

ITEM	PART NUMBER	QTY	DESCRIPTION	REV
	1001150571	Ref	TOW BAR INSTALLATION	D
1	0100011	AR	Compound, Locking	
2	0270528	1	Tow Bar Assembly (See Separate Breakdown in this Section)	
3	0641516	2	Bolt 5/16 x 2	
4	1704578	2	Decal - Crushing	
5	1705090	1	Decal - Towing Instruction	
6	3250872	1	Nameplate - Steer/Tow Select	
7	3940604	4	Screw #6 x 1/2	
8	4420051	AR	Tape, Safety	
9	4640261	1	Valve, Float Position	

SECTION 1 - FRAME

FIGURE 1-14. TOW PACKAGE INSTALLATION (CSA SPECS) (OPTIONAL)



ART_1001150570

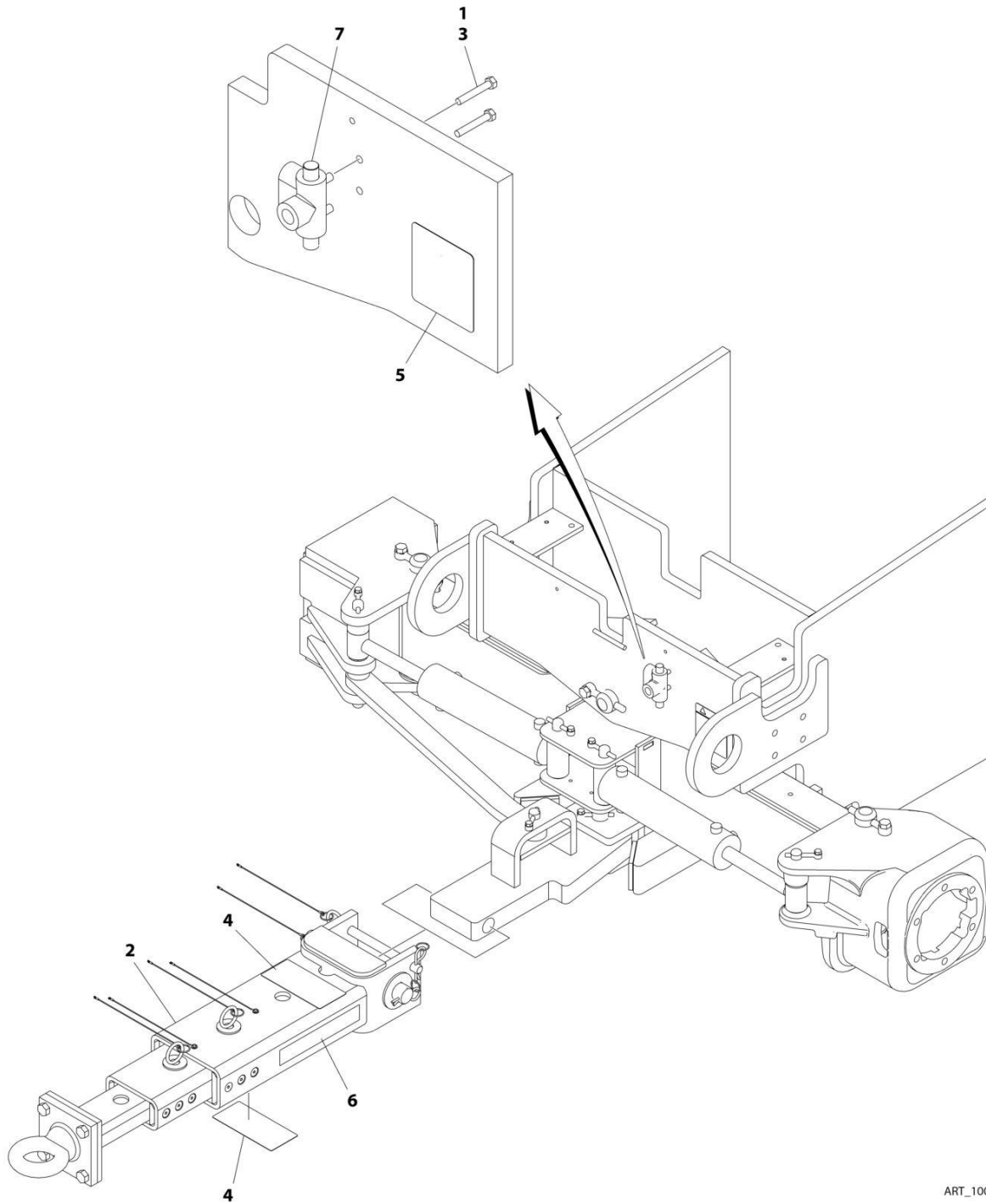
SECTION 1 - FRAME

FIGURE 1-14. TOW PACKAGE INSTALLATION (CSA SPECS) (OPTIONAL)

ITEM	PART NUMBER	QTY	DESCRIPTION	REV
	1001150570	Ref	TOW BAR INSTALLATION	D
1	0100011	AR	Compound, Locking	
2	0270528	1	Tow Bar Assembly (See Separate Breakdown in this Section)	
3	0641516	2	Bolt 5/16 x 2	
4	1706593	2	Decal - Crushing	
5	1705820	1	Decal - Towing Instruction	
6	1704272	1	Nameplate - Steer/Tow Select	
7	4420051	AR	Tape, Safety	
8	4640261	1	Valve, Float Position	

SECTION 1 - FRAME

FIGURE 1-15. TOW PACKAGE INSTALLATION (CE, RUSSIAN & UK CA SPECS) (OPTIONAL)



ART_1001150569

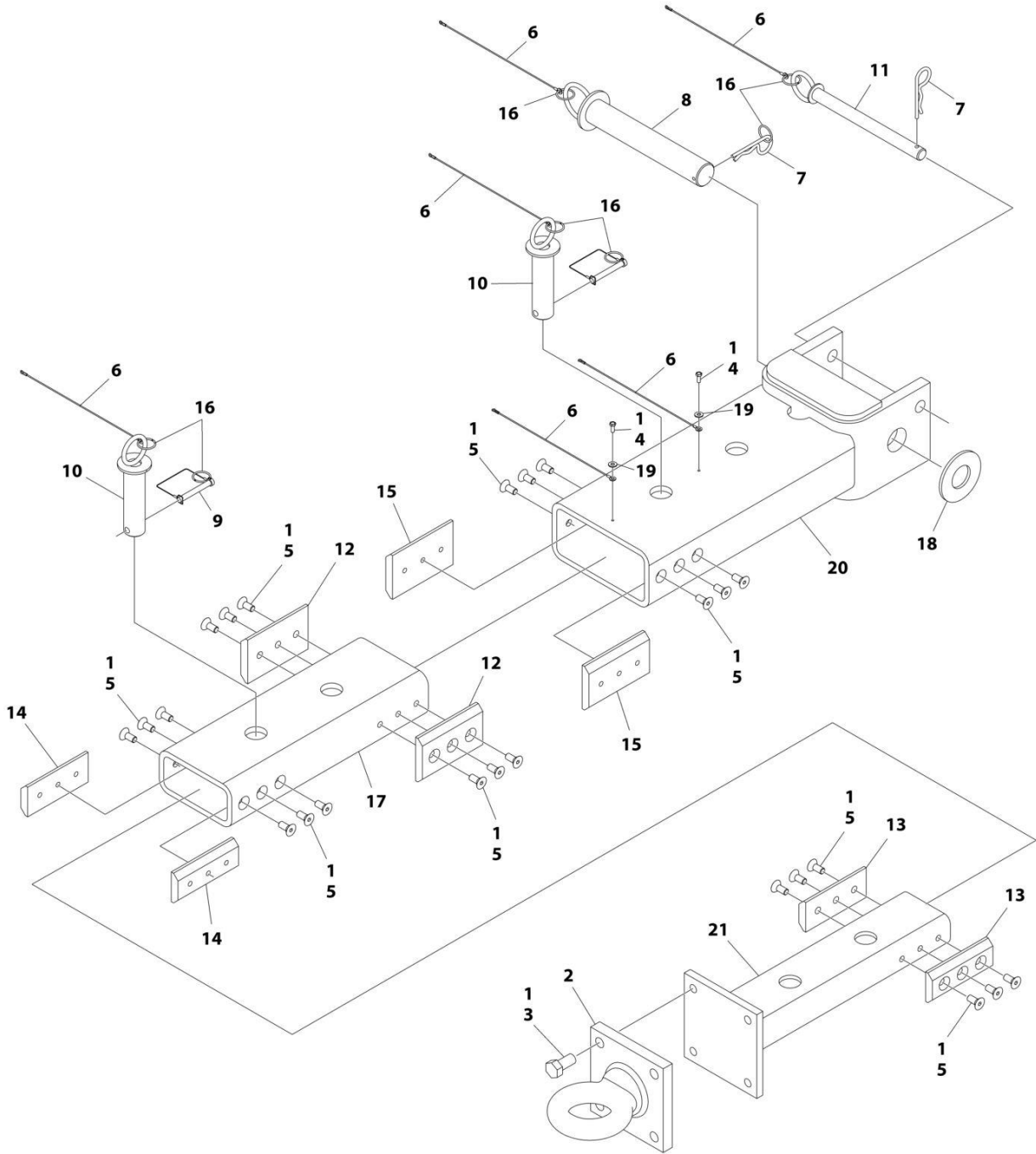
SECTION 1 - FRAME

FIGURE 1-15. TOW PACKAGE INSTALLATION (CE, RUSSIAN & UK CA SPECS) (OPTIONAL)

ITEM	PART NUMBER	QTY	DESCRIPTION	REV
	1001150569	Ref	TOW BAR INSTALLATION	A
1	0100011	AR	Compound, Locking	
2	0270528	1	Tow Bar Assembly (See Separate Breakdown in this Section)	
3	0641516	2	Bolt 5/16 x 2	
4	1706960	2	Decal - Crushing	
5	1706957	1	Decal - Towing Instruction	
6	4420051	AR	Tape, Safety	
7	4640261	1	Valve, Float Position	

SECTION 1 - FRAME

FIGURE 1-16. TOW BAR ASSEMBLY



ART_0270528

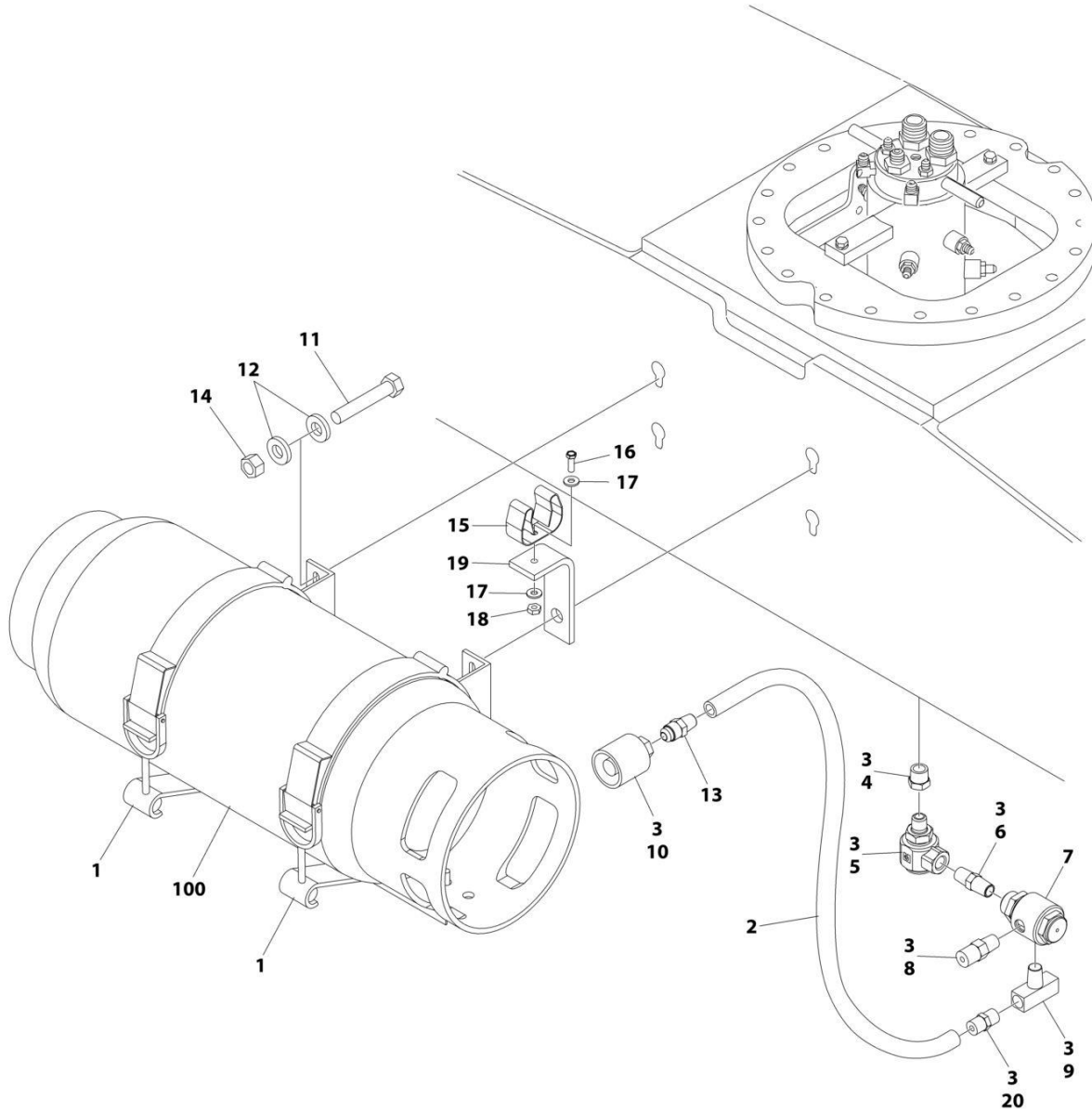
SECTION 1 - FRAME

FIGURE 1-16. TOW BAR ASSEMBLY

ITEM	PART NUMBER	QTY	DESCRIPTION	REV
	0270528	Ref	TOW BAR ASSEMBLY	B
1	0100011	AR	Compound, Locking	
2	0362910	1	Pintle, Draw Eye	
3	0642010	4	Bolt 5/8 x 1-1/4	
4	0721004	2	Screw, Hex Machine	
5	0741607	24	Screw, Countersunk 3/8 x 7/8	
6	1060584	6	Cable, Lanyard	
7	3420372	2	Pin, Cotter	
8	3420447	1	Pin, Towing	
9	3421565	2	Pin, Snap	
10	3422841	2	Pin	
11	3422847	1	Pin	
12	3572009	2	Plate, Slide Stop	
13	3572010	2	Plate, Slide Stop	
14	3572011	2	Plate, Slide Stop	
15	3572012	2	Plate, Slide Stop	
16	3760170	8	Ring, Split	
17	4568133	1	Tube, Tow Bar	
18	4740036	1	Washer	
19	4751000	2	Washer #10	
20	4846295	1	Tow Bar Attach Weldment	
21	4846296	1	Pintle Attach Weldment	

SECTION 1 - FRAME

FIGURE 1-17. LP TANKS INSTALLATION



ART_1001151010_E

SECTION 1 - FRAME

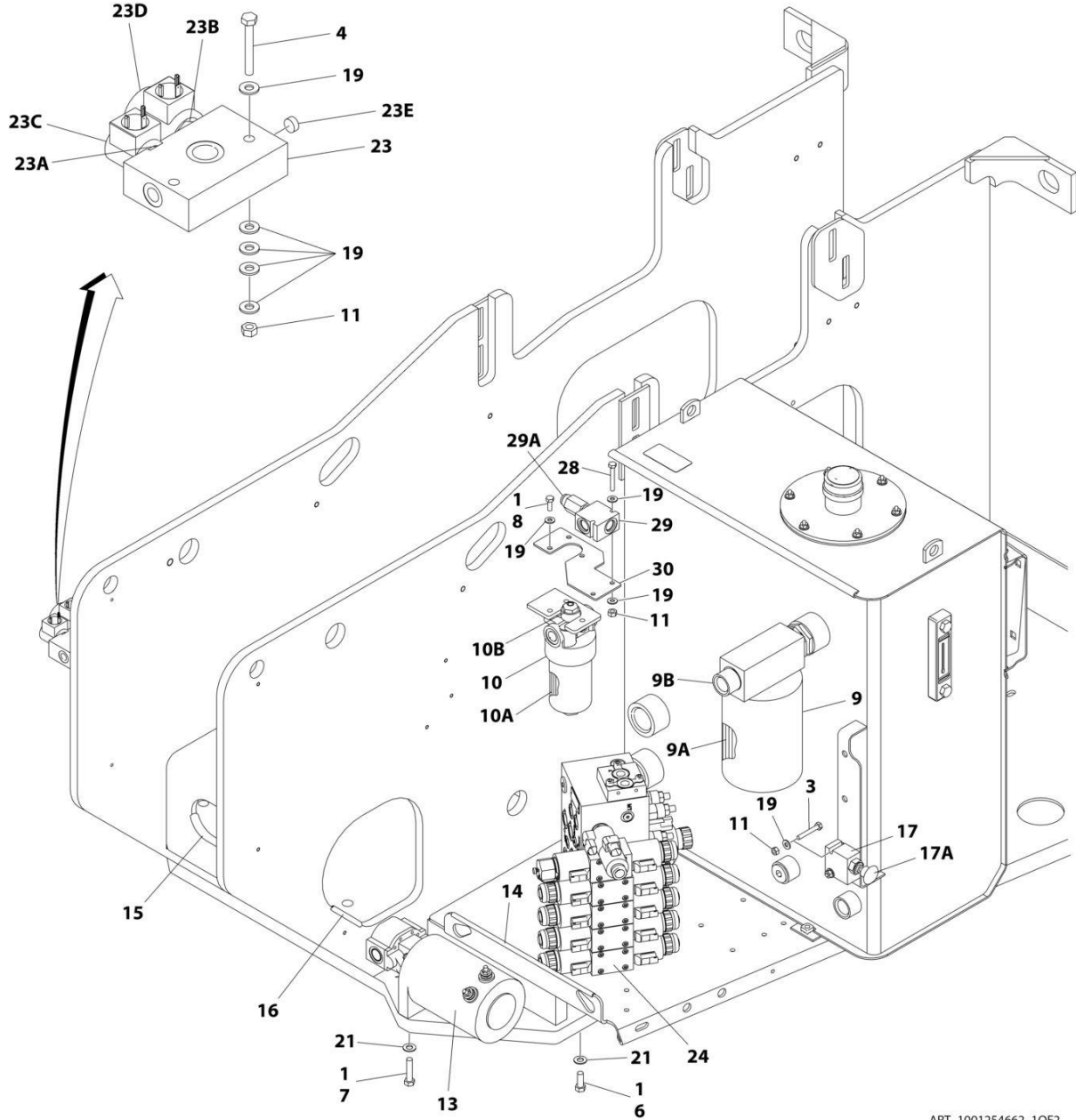
FIGURE 1-17. LP TANKS INSTALLATION

ITEM	PART NUMBER	QTY	DESCRIPTION	REV
	1001151010	Ref	LP TANK BRACKETS INSTALLATION	E
1	1320220	2	Clamp	
1	1320127	2	Clamp, Toggle (1 Per Clamp)	
2	2720144	2	Hose	
3	0100020	AR	Sealant, Pipe	
4	2221197	1	Fitting, Reducer	
5	1001247358	1	Fitting, 90 Swivel	
6	2220261	1	Fitting, Nipple	
7	2180388	1	Fitting, Bulkhead	
8	2180389	1	Valve, Relief	
9	2220418	1	Fitting, Tee	
10	2180387	2	Fitting, Straight	
11	0641617	8	Bolt 3/8 x 2-1/8	
12	4751600	16	Washer 3/8	
13	2180418	2	Fitting, Connector	
14	3311605	8	Nut 3/8	
15	1320218	2	Clamp, Spring	
16	0720804	2	Screw #8 x 1/2	
17	4750800	4	Washer #8	
18	3310805	2	Nut #8	
19	0181949	2	Angle, Support	
20	2221024	2	Fitting, Union Ball Check	
100	4400275	1	Tank, LP - 43.5 Lbs. (Aluminum)	
100	4400420	1	Tank, LP - 43.5 Lbs. (Steel)	

SECTION 2 - TURNTABLE

SECTION 2 - TURNTABLE

FIGURE 2-1. CONTROL VALVES INSTALLATION - DEUTZ D2011 ENGINES



ART_1001254662_10F2

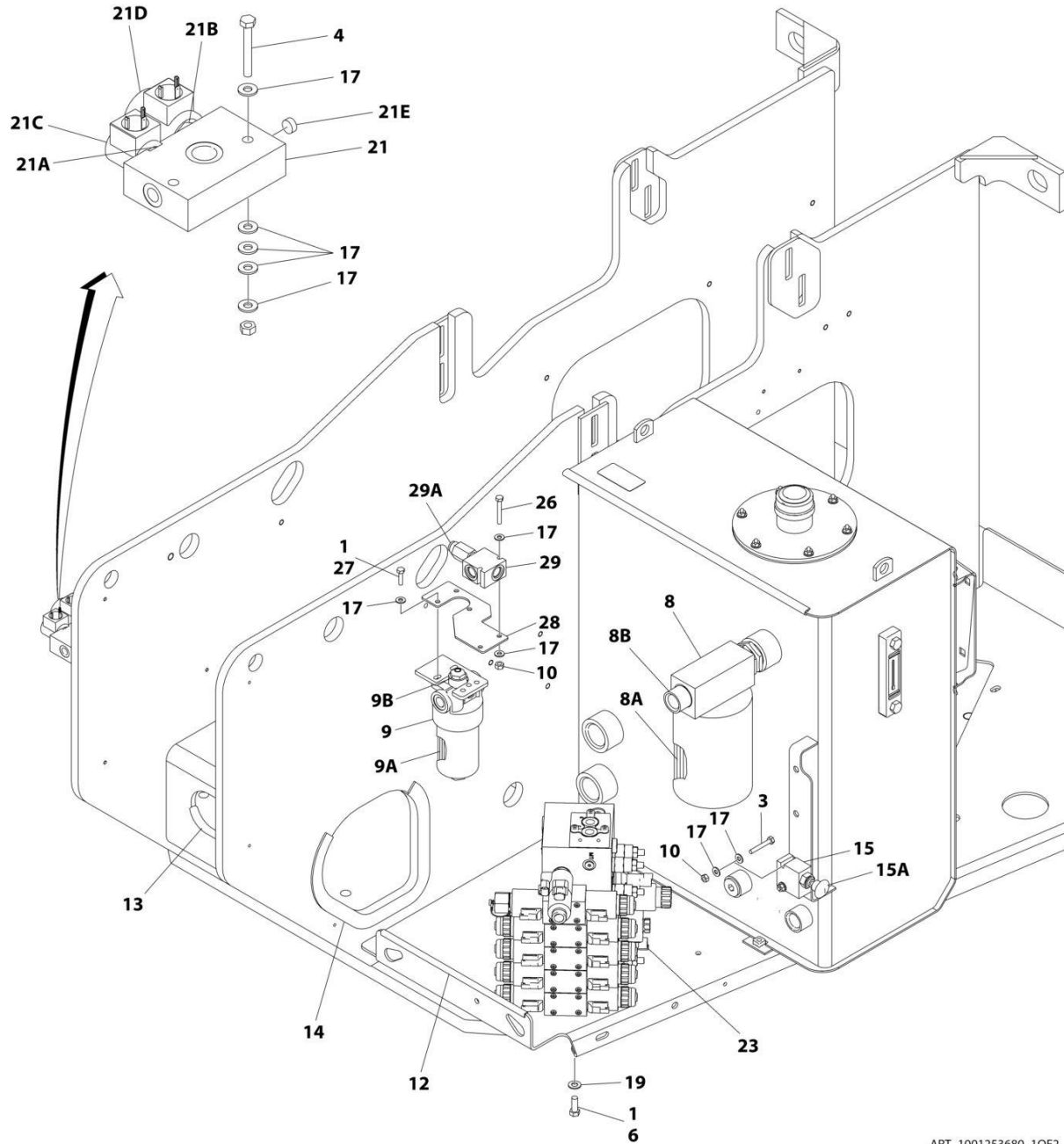
SECTION 2 - TURNTABLE

FIGURE 2-1. CONTROL VALVES INSTALLATION - DEUTZ D2011 ENGINES

ITEM	PART NUMBER	QTY	DESCRIPTION	REV
	1001254662	Ref	CONTROL VALVES INSTALLATION	B
1	0100011	AR	Compound, Locking	
3	0641414	2	Bolt 1/4 x 1-3/4	
4	0641416	2	Bolt 1/4 x 2	
6	0641608	3	Bolt 3/8 x 1	
7	0641613	2	Bolt 3/8 x 1-5/8	
8	0651406	3	Bolt 1/4 x 3/4	
9	2120164	1	Return Filter Assembly	B
9A	2120149	1	Element, Filter	
9B	7020021	1	Manual Indicator	
10	2120209	1	Hydraulic Pressure Filter Assembly	
10A	2120210	1	Element, Filter	
10B	7020020	1	Manual Indicator	
10C	70000934	1	O-Ring, Filter Bowl (Not Shown)	
11	3311405	8	Nut 1/4	
13	3600365	1	Auxiliary Pump Assembly (See Separate Breakdown in this Section)	
14	4060804	AR	Trim-Loc 3/16	
15	4060807	AR	Trim-Loc 3/8	
16	4060918	AR	Trim-Loc 5/8	
17	4640866	1	Manual Pull Valve Assembly	
17	2900708	1	Seal Kit - 4640866 Valve	
17A	7012959	1	Knob	
19	4711400	25	Washer 1/4	
21	4711600	5	Washer 3/8	
23	1001099391	1	Brake/Selector Valve Assembly	
23A	7012941	1	Cartridge without Coil	
23A	7010543	1	Seal Kit - 7012941 Cartridge	
23B	7012995	1	Cartridge without Coil	
23B	7012518	1	Seal Kit - 7012995 Cartridge	
23C	7012944	1	Coil	
23D	7012943	1	Coil	
23E	70002209	1	Orifice	
25	1001152887	1	Main Valve Block Assembly - 2WS (See Separate Breakdown in this Section)	
28	0641415	2	Capscrew 1/4 x 1-7/8	
29	1001271534	1	Valve, Direct Acting Relief.	
29A	70007677	1	Cartridge	
29A	7017496	1	Seal Kit	
30	1001271582	1	Mount	

SECTION 2 - TURNTABLE

FIGURE 2-2. CONTROL VALVES INSTALLATION - DEUTZ DT2.9L4, DEUTZ TD2.2L3 STAGE V & FORD ENGINES



ART_1001253680_10F2

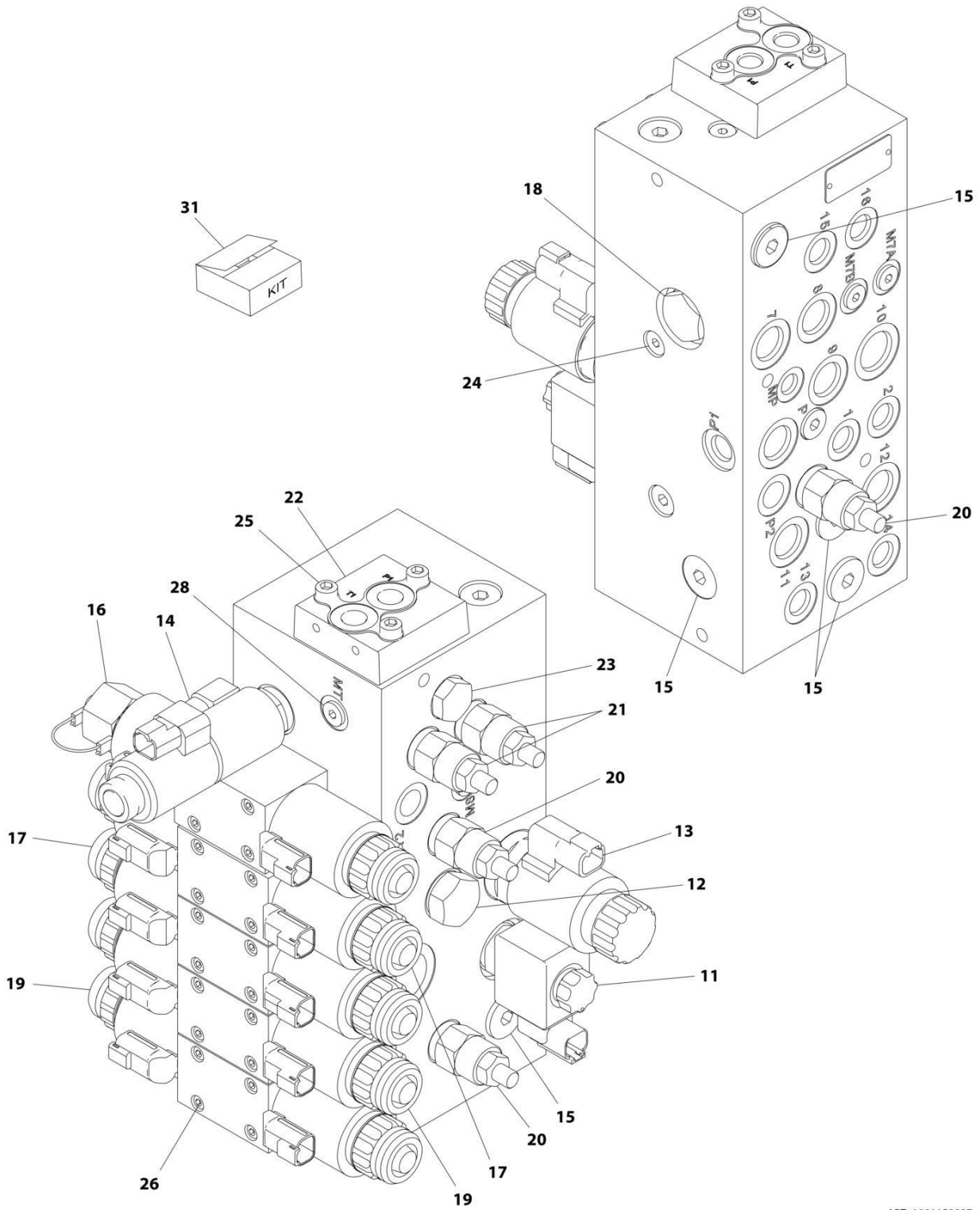
SECTION 2 - TURNTABLE

FIGURE 2-2. CONTROL VALVES INSTALLATION - DEUTZ DT2.9L4, DEUTZ TD2.2L3 STAGE V & FORD ENGINES

ITEM	PART NUMBER	QTY	DESCRIPTION	REV
	1001253680	Ref	CONTROL VALVES INSTALLATION	B
1	0100011	AR	Compound, Locking	
3	0641414	2	Bolt 1/4 x 1-3/4	
4	0641416	2	Bolt 1/4 x 2	
6	0641608	3	Bolt 3/8 x 1	
8	2120164	1	Return Filter Assembly	B
8A	2120149	1	Element, Filter	
8B	7020021	1	Manual Indicator	
9	2120209	1	Hydraulic Pressure Filter Assembly	
9A	2120210	1	Element, Filter	
9B	7020020	1	Manual Indicator	
9C	70000934	1	O-Ring, Filter Bowl (Not Shown)	
10	3311405	6	Nut 1/4	
12	4060804	AR	Trim-Loc 3/16	
13	4060807	AR	Trim-Loc 3/8	
14	4060918	AR	Trim-Loc 5/8	
15	4640866	1	Manual Pull Valve Assembly	
15	2900708	1	Seal Kit - 4640866 Valve	
15A	7012959	1	Knob	
17	4711400	25	Washer 1/4	
19	4711600	3	Washer 3/8	
21	1001099391	1	Brake/Selector Valve Assembly	
21A	7012941	1	Cartridge without Coil	
21A	7010543	1	Seal Kit - 7012941 Cartridge	
21B	7012995	1	Cartridge without Coil	
21B	7012518	1	Seal Kit - 7012995 Cartridge	
21C	7012944	1	Coil	
21D	7012943	1	Coil	
21E	70002209	1	Orifice	
23	1001152887	1	Main Valve Block Assembly - 2WS (See Separate Breakdown in this Section)	
26	0641415	2	Capscrew 1/4 x 1-7/8	
27	0651408	3	Capscrew 1/4 x 1	
28	1001271582	1	Mount	
29	1001271534	1	Valve, Direct Acting Relief	
29A	70007677	1	Cartridge	
29A	7017496	1	Seal Kit	

SECTION 2 - TURNTABLE

FIGURE 2-3. MAIN VALVE BLOCK ASSEMBLY – 2WS



ART_1001152887

SECTION 2 - TURNTABLE

FIGURE 2-3. MAIN VALVE BLOCK ASSEMBLY – 2WS

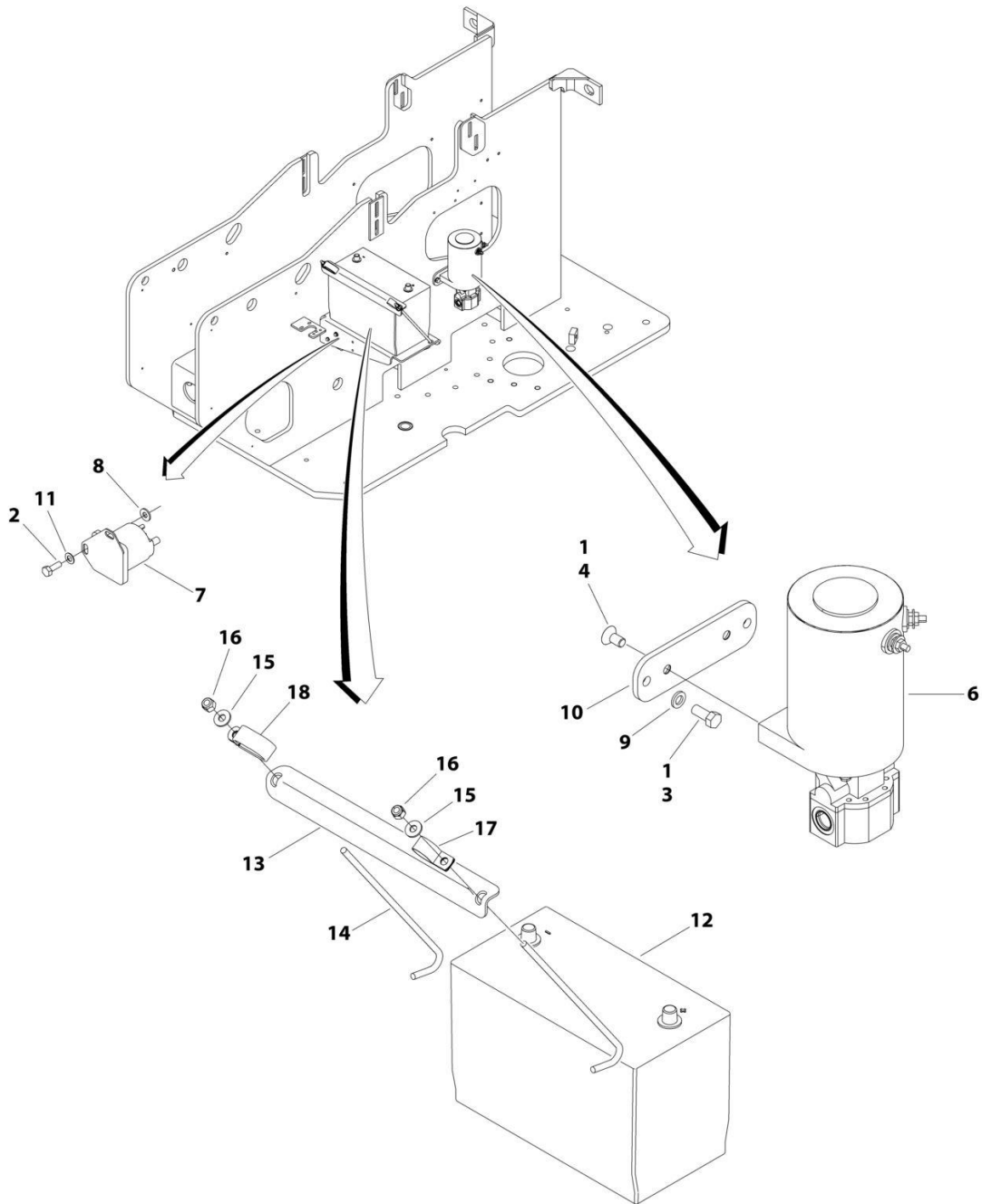
ITEM	PART NUMBER	QTY	DESCRIPTION	REV
	1001152887	Ref	MAIN VALVE BLOCK ASSEMBLY - 2WS	F
11	70004652	1	Valve, Cartridge Less Coil (Dump)	
11	70023867	1	Seal kit - 70004652 Valve	
11	70004653	1	Coil	
11	70004654	1	Nut, Coil	
12	70004655	1	Valve, Cartridge	
12	70004656	1	Seal Kit - 70004655 Valve	
13	70004657	1	Valve, Cartridge Less Coil	
13	70004594	1	Seal Kit - 70004657 Valve	
13	70004595	1	Coil	
13	70004597	1	Nut, Coil	
13	70004596	1	O-Ring, Pole Tube	
14	70004659	1	Valve, Cartridge Less Coil (Steer)	
14	70004660	1	Seal - Kit - 70004659 Valve	
14	80434249	2	Coil	
14	70004661	1	Nut, Coil	
14	70024457	1	O-Ring, Pole Tube (Upper)	
14	70004662	1	O-Ring, Pole Tube (Lower)	
15	70023859	5	Valve, Cartridge	
16	70004663	1	Valve Assembly (Lower Lift)	
16	7012773	1	Seal Kit - 70004663 Valve	
16	70004660	2	Coil	
16	7021375	1	Nut, Coil (Plastic)	
16	70004661	2	O-Ring, Pole Tube	
16	70003525	1	Not, Coil (Aluminum)	
16	70004664	1	Lanyard	
17	70004459	2	Valve Assembly (Upper Tele and Lower Tele)	
17	7012773	1	Seal Kit - 70004459 Valve	
17	70004460	2	Coil	
17	7021375	2	Nut, Coil	
17	70004661	2	O-Ring, Pole Tube	
18	70004665	1	Valve, Cartridge	
18	70023862	1	Seal Kit - 70004665 Valve	
19	70004666	2	Valve Assembly (Swing and Upper Lift)	
19	7012773	1	Seal Kit - 70004666 Valve	
19	70004463	2	Coil	
19	7021375	2	Nut, Coil	
19	70004461	2	O-Ring, Pole Tube	
20	70003019	3	Valve, Cartridge	
20	70004052	3	Seal Kit - 70003019	
21	70003019	2	Valve, Cartridge	
21	70004052	2	Seal Kit - 70003019 Valve	
22	70004667	1	Cover	
23	2220886	1	Plug	
24	70004668	1	Plug	
25	70005201	3	Capscrew	
26	7018942	20	Capscrew	
27	70005202	2	O-Ring (Not Shown - Located under Item 22)	
28	70002758	6	Plug 7/16	
29	70004617	4	Plug 9/16 (Not Shown)	

SECTION 2 - TURNTABLE

ITEM	PART NUMBER	QTY	DESCRIPTION	REV
30	70002759	1	Plug 3/4 (Not Shown - Located under Item 73)	
31	70005232	1	Bolt Kit	

SECTION 2 - TURNTABLE

FIGURE 2-4. AUXILIARY PUMP INSTALLATION



ART_1001137895

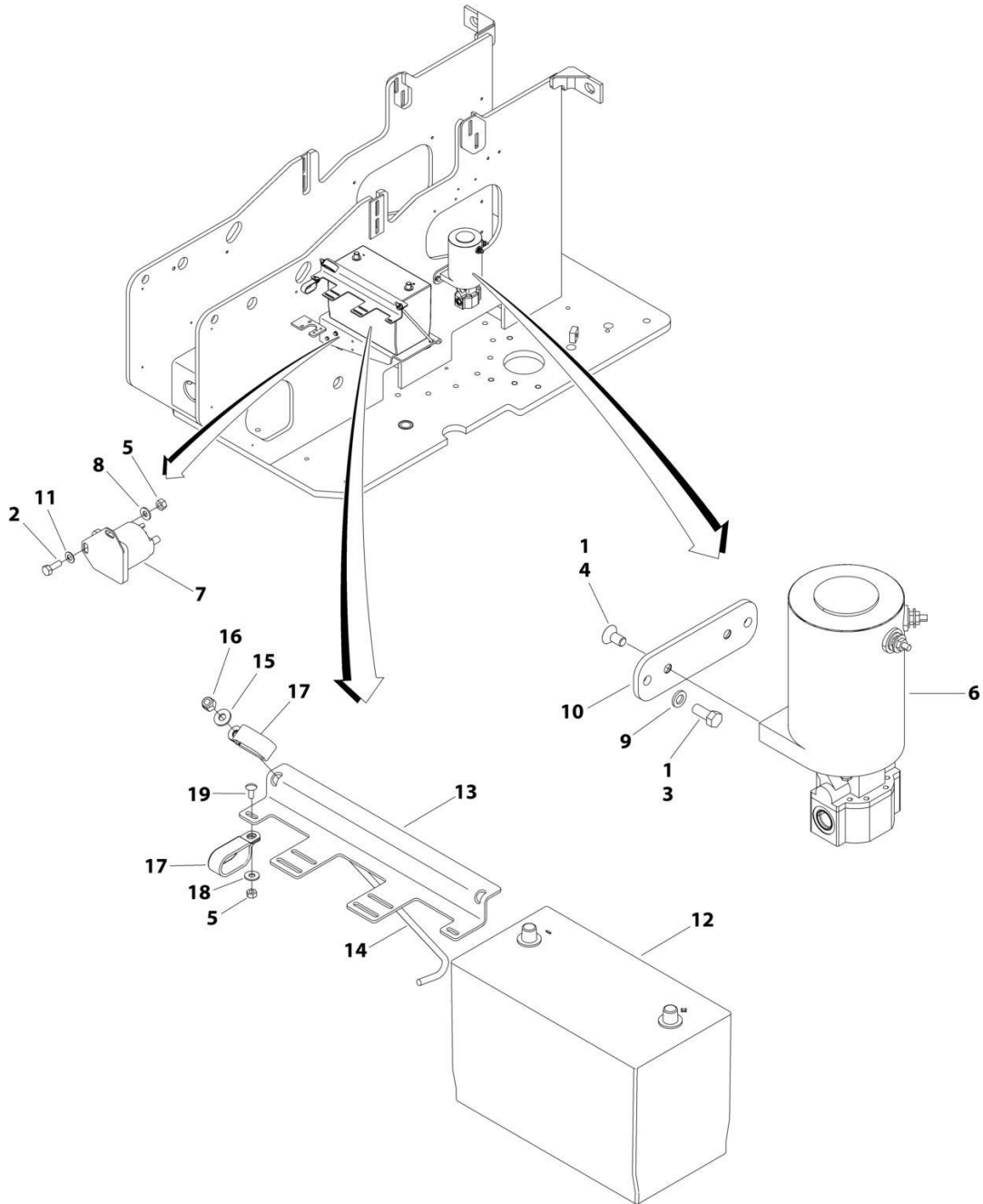
SECTION 2 - TURNTABLE

FIGURE 2-4. AUXILIARY PUMP INSTALLATION

ITEM	PART NUMBER	QTY	DESCRIPTION	REV
	1001137895	Ref	AUXILIARY PUMP INSTALLATION	D
1	0100011	AR	Compound, Locking	
2	0641406	2	Bolt 1/4 x 3/4	
3	0641607	2	Bolt 3/8 x 7/8	
4	0741606	2	Screw, Countersunk 1/4 x 3/4	
5	3311405	2	Nut 1/4	
6	3600365	1	Auxiliary Pump Assembly (See Separate Breakdown in this Section)	
7	3740067	1	Relay	
8	4711400	3	Washer 1/4	
9	4761600	2	Washer 3/8	
10	1001144041	1	Plate	
11	4791400	1	Washer 1/4	
12	0400075	1	Battery	
13	91401281	1	Bracket	
14	1001093382	2	Bolt, J Bolt	
15	4751500	2	Washer 5/16	
16	88521205	2	Nut 5/16	
17	8406201	1	Clip	
18	1321716	1	Clamp	

SECTION 2 - TURNTABLE

FIGURE 2-5. AUXILIARY PUMP INSTALLATION WITH BATTERY DISCONNECT



ART_1001239291

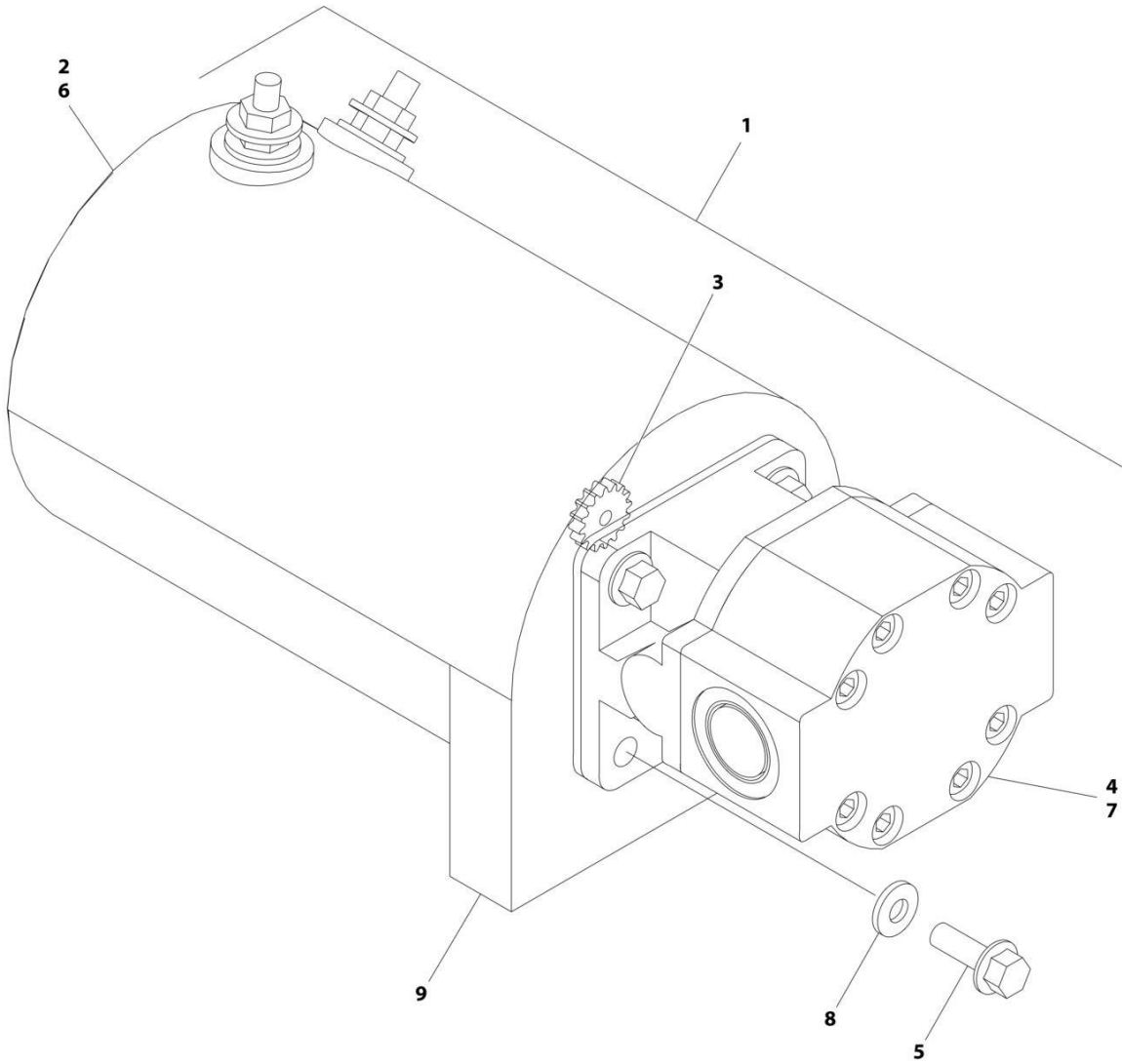
SECTION 2 - TURNTABLE

FIGURE 2-5. AUXILIARY PUMP INSTALLATION WITH BATTERY DISCONNECT

ITEM	PART NUMBER	QTY	DESCRIPTION	REV
	1001239291	Ref	AUXILIARY PUMP WITH BATTERY DISCONNECT INSTALLATION	A
1	0100011	AR	Compound, Locking	
2	0641406	2	Bolt 1/4 x 3/4	
3	0641607	2	Bolt 3/8 x 7/8	
4	0741606	2	Screw, Countersunk 1/4 x 3/4	
5	3311405	3	Nut 1/4	
6	3600365	1	Auxiliary Pump Assembly (See Separate Breakdown in this Section)	
7	3740067	1	Relay	
8	4711400	3	Washer 1/4	
9	4761600	2	Washer 3/8	
10	1001144041	1	Plate	
11	4791400	1	Washer 1/4	
12	0400075	1	Battery	
13	1001236303	1	Plate	
14	1001093382	2	Bolt, J Bolt	
15	4751500	2	Washer 5/16	
16	88521205	2	Nut 5/16	
17	1321716	1	Clamp	
18	4751400	1	Washer 1/4	
19	88411013	1	Bolt 1/4 x 3/4	

SECTION 2 - TURNTABLE

FIGURE 2-6. AUXILIARY PUMP ASSEMBLY



ART_3600365

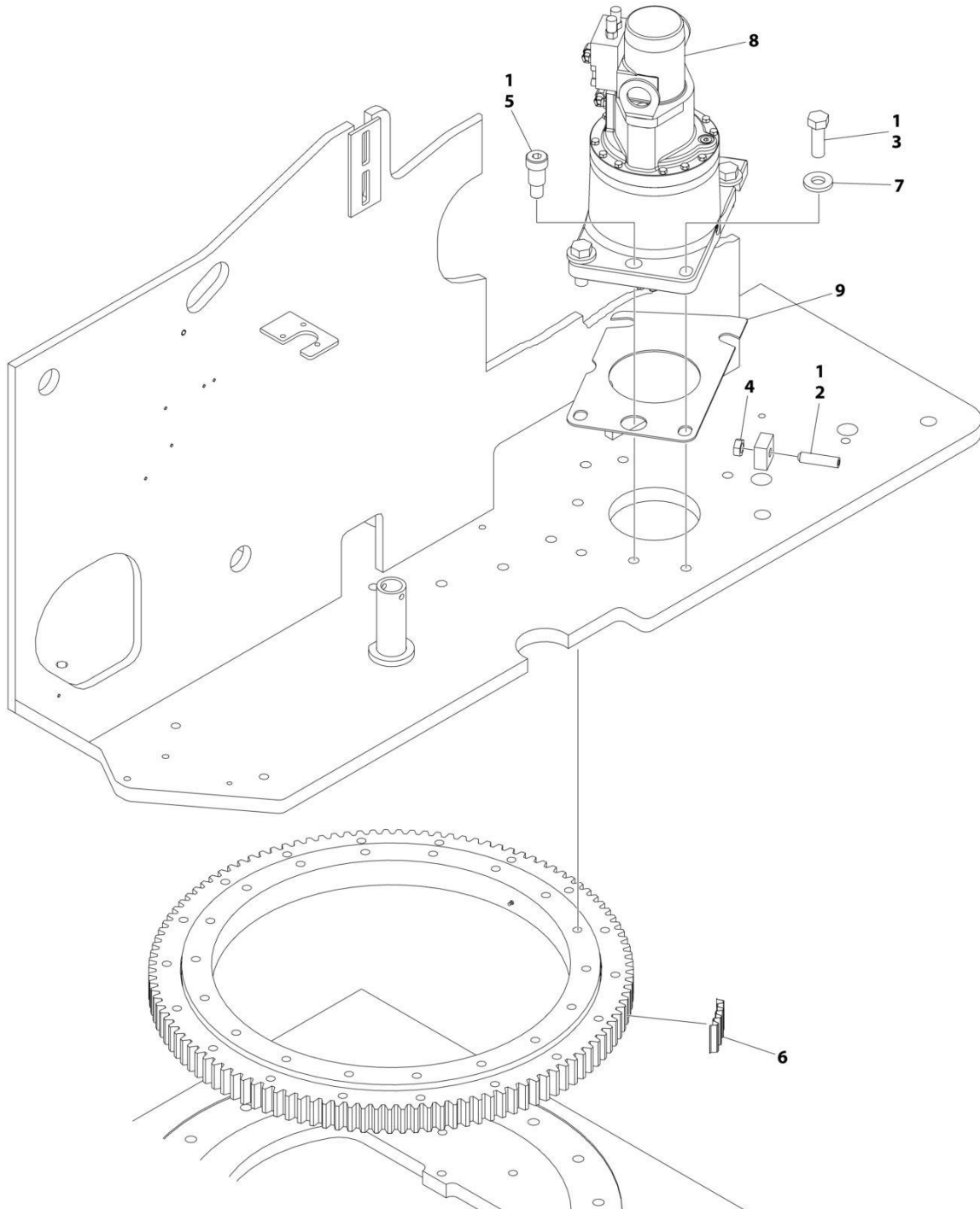
SECTION 2 - TURNTABLE

FIGURE 2-6. AUXILIARY PUMP ASSEMBLY

ITEM	PART NUMBER	QTY	DESCRIPTION	REV
1	3600365	Ref	AUXILIARY PUMP ASSEMBLY	B
2	7004290	1	Replacement Motor with Endhead Item 15H (was p/n 7011067)	
2	7004248	1	Replacement Motor without Endhead Item 15H	
2	7011065	1	Brush Kit - 7011067 Motor	
3	7011063	1	Coupling	
4	7011064	1	Replacement Pump	
4	7011066	1	Seal Kit - 7011064 Pump	
4	7004290	1	Relief Valve (Note: Not Available - Replace Complete Pump)	
5	7011043	4	Bolt (Mounts Pump to Mounting Bracket)	
6	See Note	2	Bolt (Motor to Bracket) (Note: Not Available for Purchase)	
7	7011044	1	Gasket	
8	7011048	4	Washer	
9	7011062	4	Endhead, Motor	

SECTION 2 - TURNTABLE

FIGURE 2-7. SWING DRIVE INSTALLATION



ART_1001152181

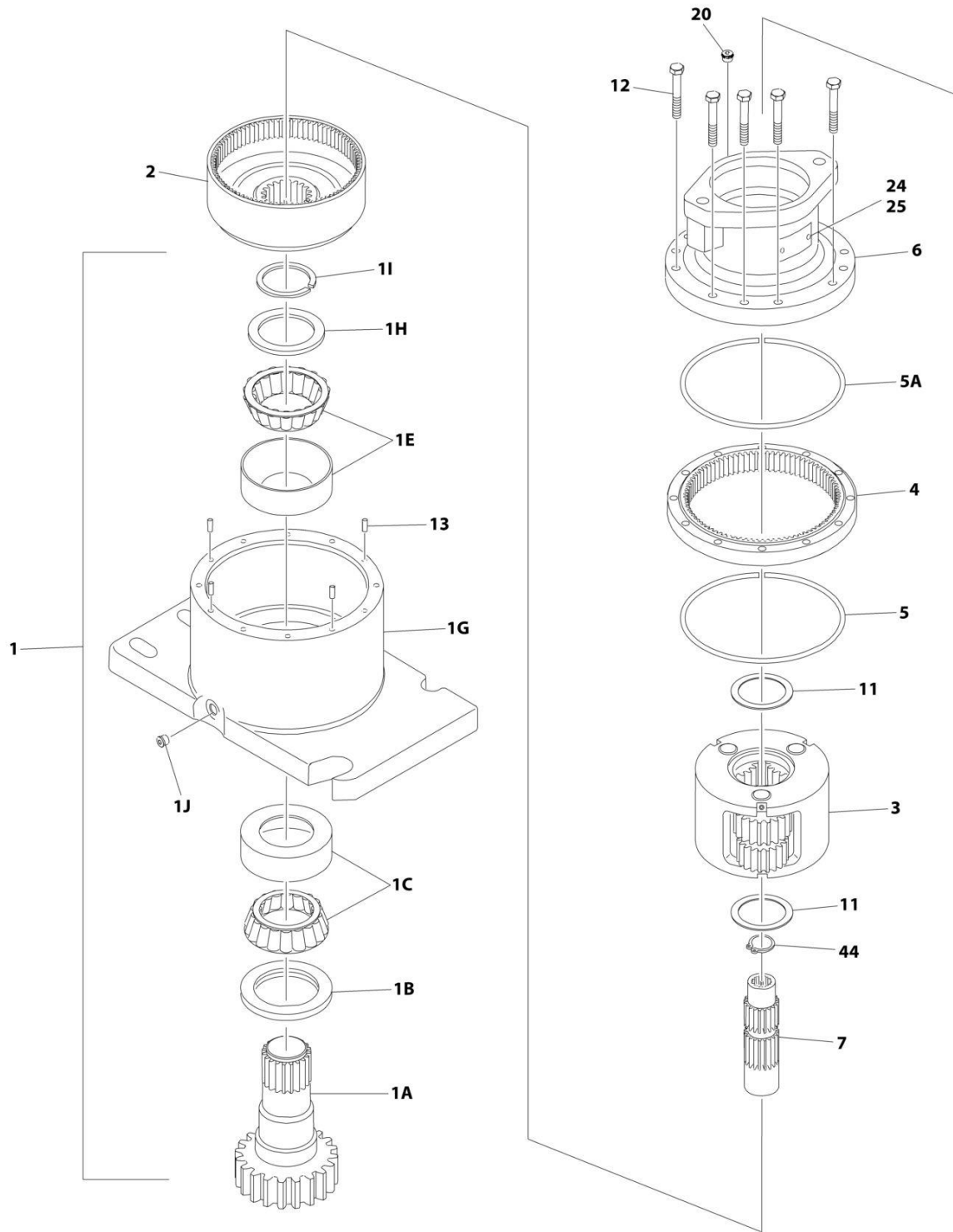
SECTION 2 - TURNTABLE

FIGURE 2-7. SWING DRIVE INSTALLATION

ITEM	PART NUMBER	QTY	DESCRIPTION	REV
	1001152181	Ref	SWING DRIVE INSTALLATION	E
1	0100019	AR	Compound, Locking	
2	3952020	1	Setscrew 5/8 x 2-1/2	
3	0682218	4	Bolt 3/4 x 2-1/4 Grade 8	
4	3312002	1	Nut, Jam 5/8	
5	3900293	1	Capscrew 1 x 1-1/4	
6	1001125492	1	Shim	
7	4740057	4	Flatwasher, Hardened	
8	1001229810	1	Swing Hub Assembly (See Separate Breakdown in this section)	
9	1001152234	1	Plate, Spacer	

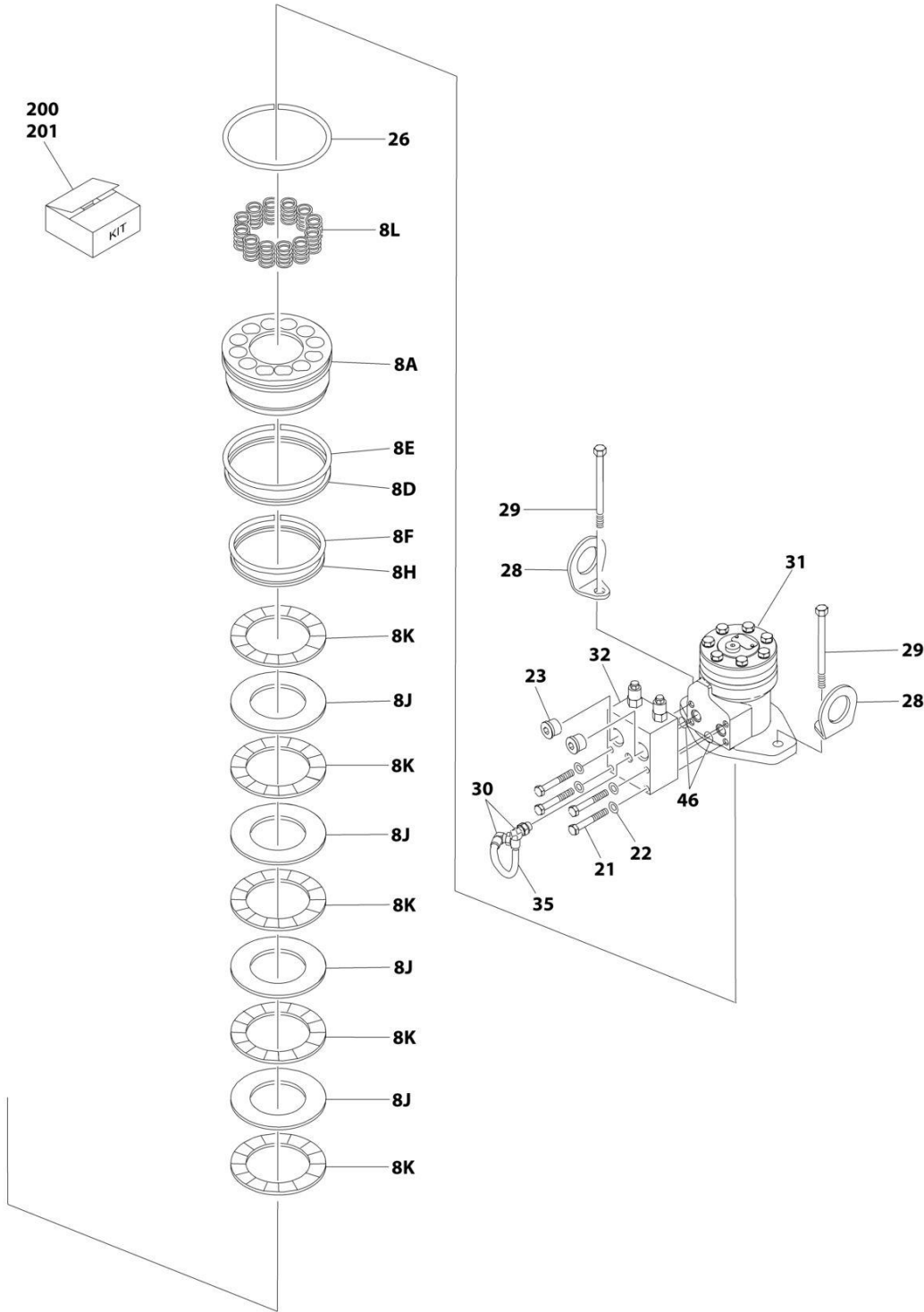
SECTION 2 - TURNTABLE

FIGURE 2-8. SWING MOTOR/HUB ASSEMBLY



ART_1001229810_10F2

SECTION 2 - TURNTABLE



ART_1001229810_20F2

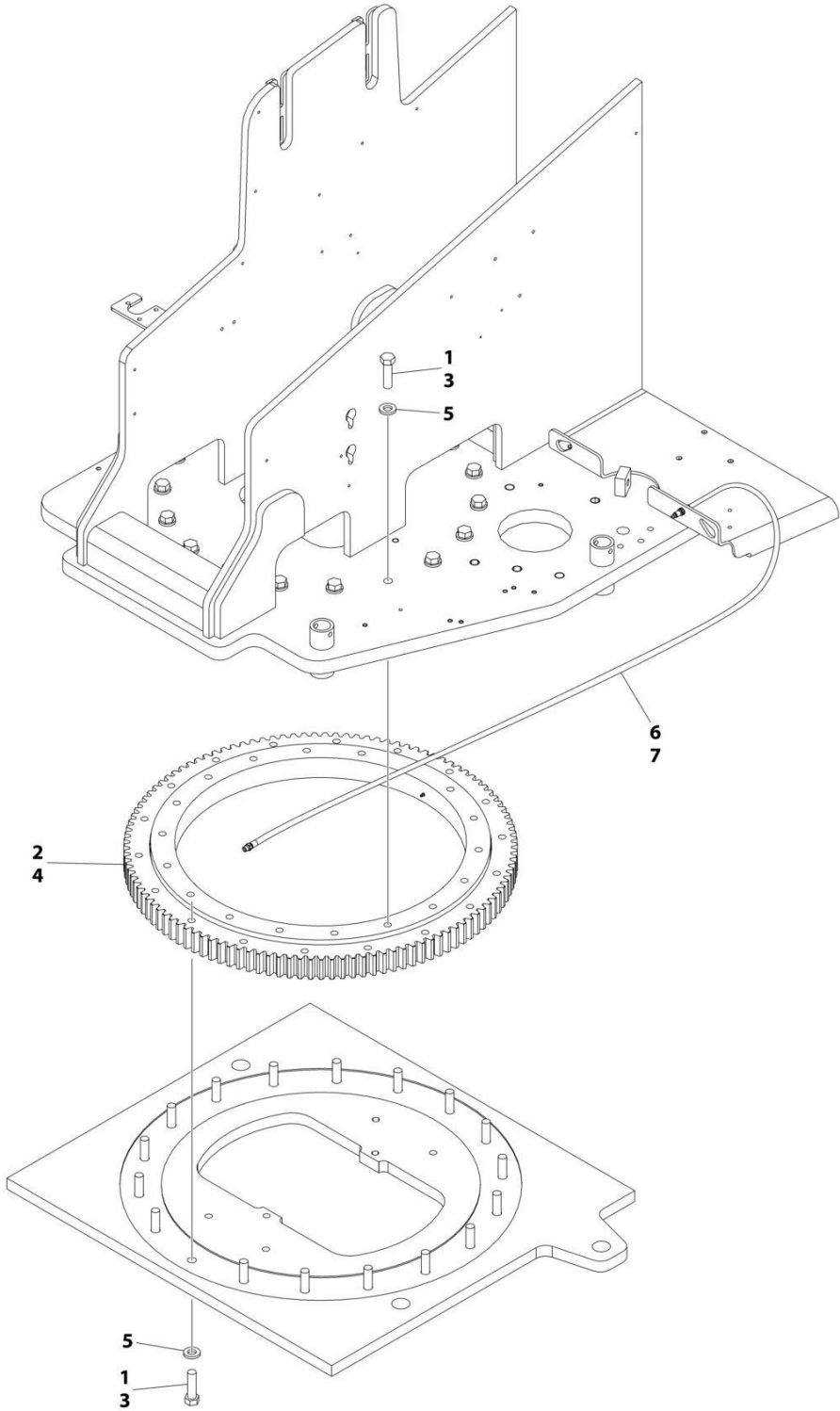
SECTION 2 - TURNTABLE

FIGURE 2-8. SWING MOTOR/HUB ASSEMBLY

ITEM	PART NUMBER	QTY	DESCRIPTION	REV
	1001229810	Ref	SWING MOTOR/HUB ASSEMBLY	C
1	See Note	1	Housing/Shaft Assembly (Note: Not Available - Purchase Individual Components)	
1A	7010492	1	Shaft, Output	
1B	7000228	1	Seal, Lip	
1C	7000255	1	Bearing Kit (Includes Cup and Cone)	
1E	7000257	1	Bearing Kit (Includes Cup and Cone)	
1G	7024762	1	Housing	
1H	7007633	1	Washer, Thrust	
1I	7000229	1	Ring, Retaining	
1J	7017072	1	Plug, Pipe	
2	7000246	1	Gear, Internal	
3	7000247	1	Carrier Assembly	
4	7000248	1	Gear, Ring	
5	7000230	1	O-Ring	
5A	7017070	1	O-Ring	
6	1001229810	NSS	Housing, Brake (Note: Not Available - Purchase Complete Assembly)	
7	70005203	1	Gear, Sun	
8A	70004037	1	Piston	
8D	70004041	1	O-Ring	
8E	70004044	1	Ring, Back-up	
8F	70004042	1	O-Ring	
8H	70004043	1	Ring, Back-up	
8J	70002085	4	Disc, Rotor	
8K	70002085	5	Disc, Stator	
8L	70002066	14	Spring	
11	7000253	2	Washer, Thrust	
12	7000217	12	Bolt 3/8 x 2-1/4 Grade 8	
13	7017080	4	Pin, Dowel	
20	7017072	1	Plug, Pipe	
21	7024704	4	Bolt 5/16 x 2 Grade 8	
22	70004045	4	Washer	
23	7017023	2	Plug, Pipe	
24	See Note	NSS	Plate, ID (Note: Not Available for Purchase)	
25	See Note	NSS	Rivet (Note: Not Available for Purchase)	
26	7024763	1	O-Ring	
28	See Note	NSS	Lug, Lifting (Note: Not Available for Purchase)	
29	70004040	2	Bolt 1/2 x 1 (Grade 8)	
30	7017085	2	Elbow	
31	70006304	1	Motor Assembly	
32	7024784	1	Valve Assembly - Complete (No Serviceable Parts)	
35	70004047	1	Tube	
44	7017028	1	Ring, Internal Retaining	
45	7000213	2	O-Ring	
		Ref	KIT OPTIONS:	
200	7024100	1	Seal Kit - Swing Hub (Includes Items 1B, 1I, 5, 5A & 11)	
201	70002085	1	Disc Kit - Swing Brake (Includes Items 8J & 8K)	

SECTION 2 - TURNTABLE

FIGURE 2-9. TURNTABLE BEARING INSTALLATION



ART_1001150391

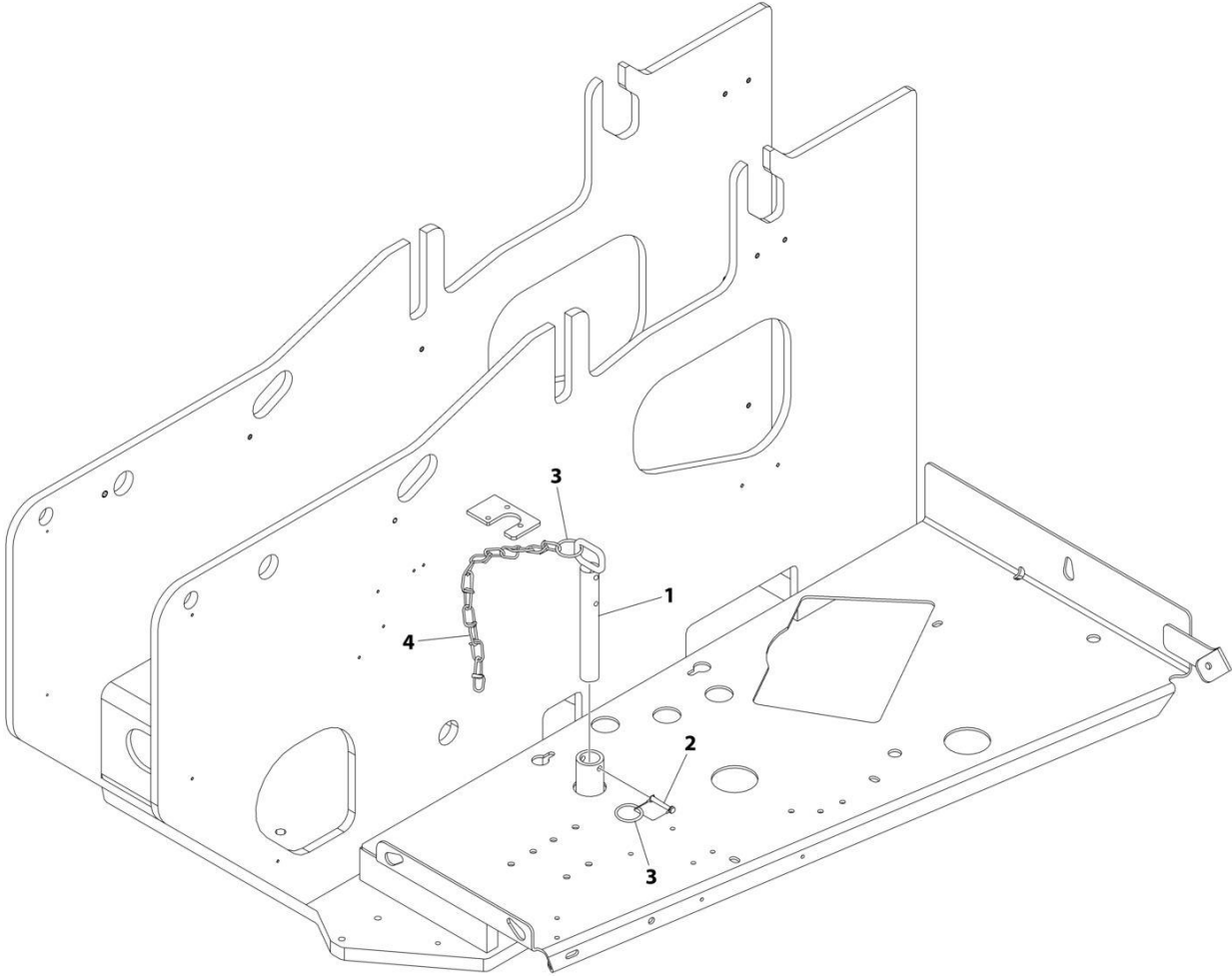
SECTION 2 - TURNTABLE

FIGURE 2-9. TURNTABLE BEARING INSTALLATION

ITEM	PART NUMBER	QTY	DESCRIPTION	REV
	1001150391	Ref	TURNTABLE BEARING AND REMOTE LUBE INSTALLATION	C
1	0100019	AR	Compound, Locking	
2	0440207	1	Bearing, Turntable	
3	0682018	36	Bolt 5/8 x 2-1/4 Grade 8	
4	3020029	AR	Lubricant	
5	4892000	36	Washer 5/8 Hardened	
6	0100011	AR	Compound, Locking	
7	1001149927	1	Hose (Includes Grease Fitting and Adapter Fittings)	

SECTION 2 - TURNTABLE

FIGURE 2-10. TURNTABLE LOCK INSTALLATION (DEUTZ D2011 & FORD ENGINE MACHINES)



ART_0255410

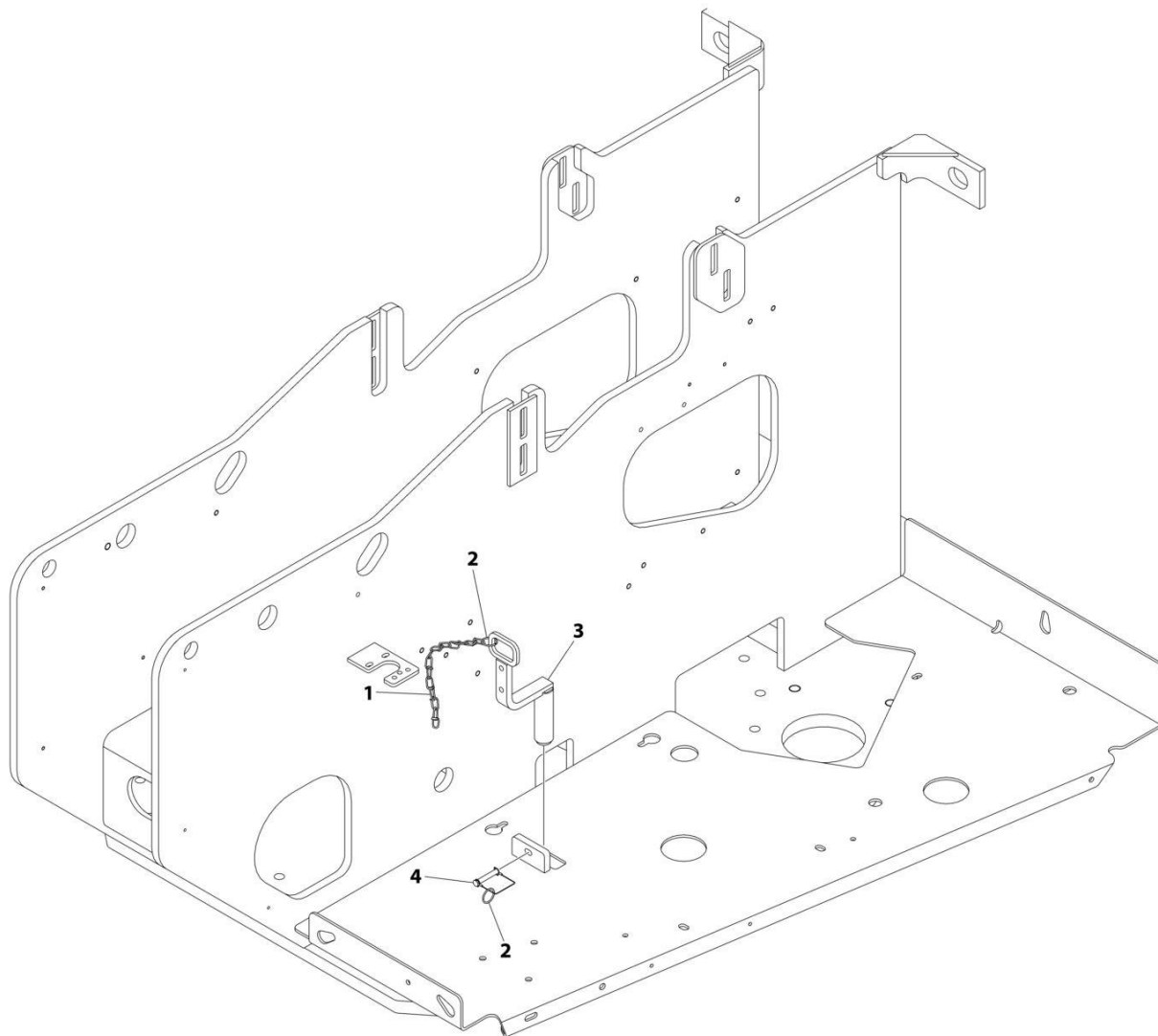
SECTION 2 - TURNTABLE

FIGURE 2-10. TURNTABLE LOCK INSTALLATION (DEUTZ D2011 & FORD ENGINE MACHINES)

ITEM	PART NUMBER	QTY	DESCRIPTION	REV
	0255410	Ref	TURNTABLE LOCK INSTALLATION	B
1	4844958	1	Pin	
2	3421565	1	Pin, Snap	
3	3760170	2	Ring, Quick Release	
4	1260017	9 in /23cm	Chain	

SECTION 2 - TURNTABLE

FIGURE 2-11. TURNTABLE LOCK INSTALLATION (DEUTZ TD2.9L4 & DEUTZ TD2.2L3 STAGE V ENGINE MACHINES)



ART_1001137885

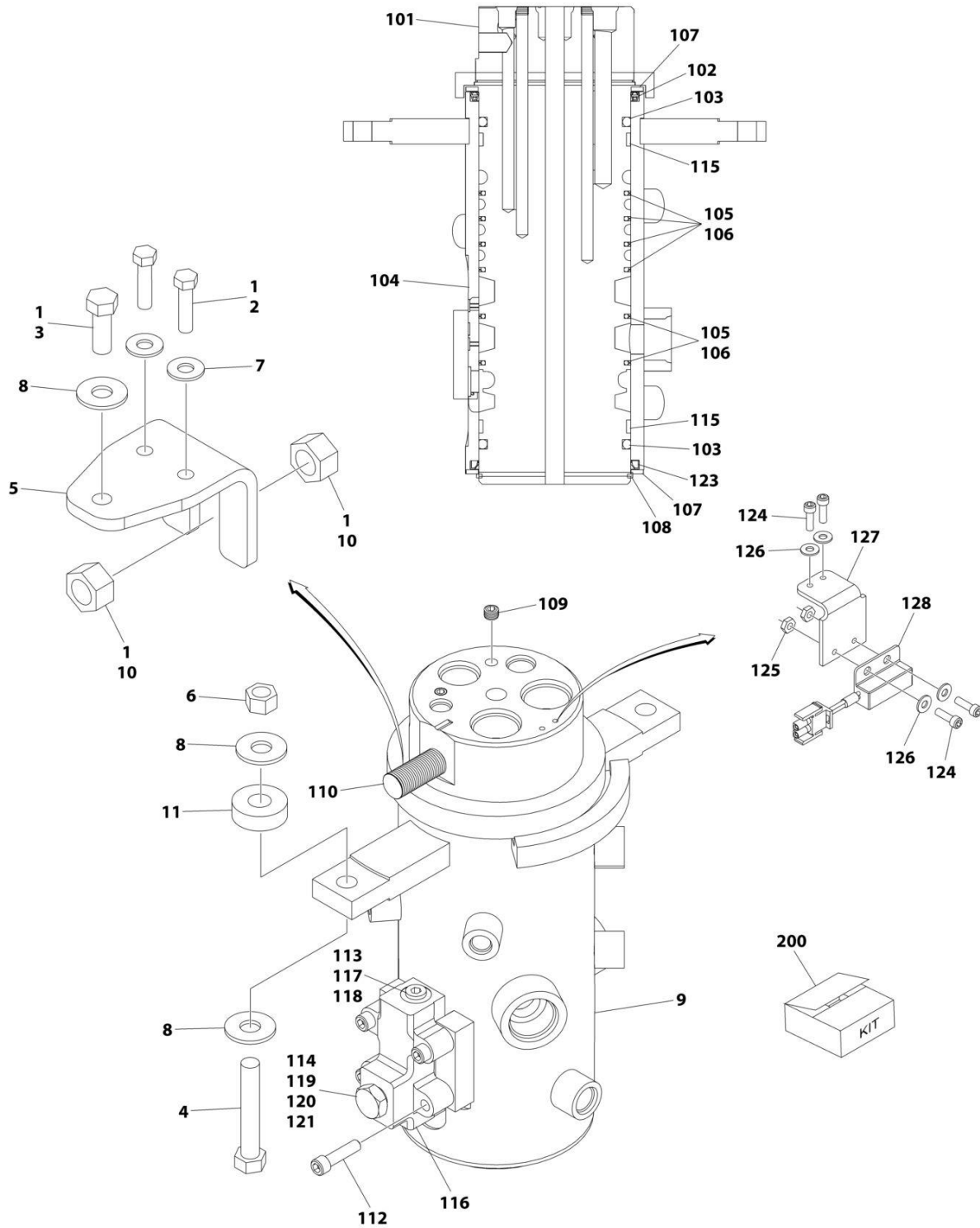
SECTION 2 - TURNTABLE

FIGURE 2-11. TURNTABLE LOCK INSTALLATION (DEUTZ TD2.9L4 & DEUTZ TD2.2L3 STAGE V ENGINE MACHINES)

ITEM	PART NUMBER	QTY	DESCRIPTION	REV
	1001137885	Ref	TURNTABLE LOCK INSTALLATION	A
1	1260017	9 in /23cm	Chain	
2	3760170	2	Ring, Quick Release	
3	1001137896	1	Pin	
4	1001145292	1	Pin, Snap	

SECTION 2 - TURNTABLE

FIGURE 2-12. ROTARY COUPLING INSTALLATION



ART_1001107498

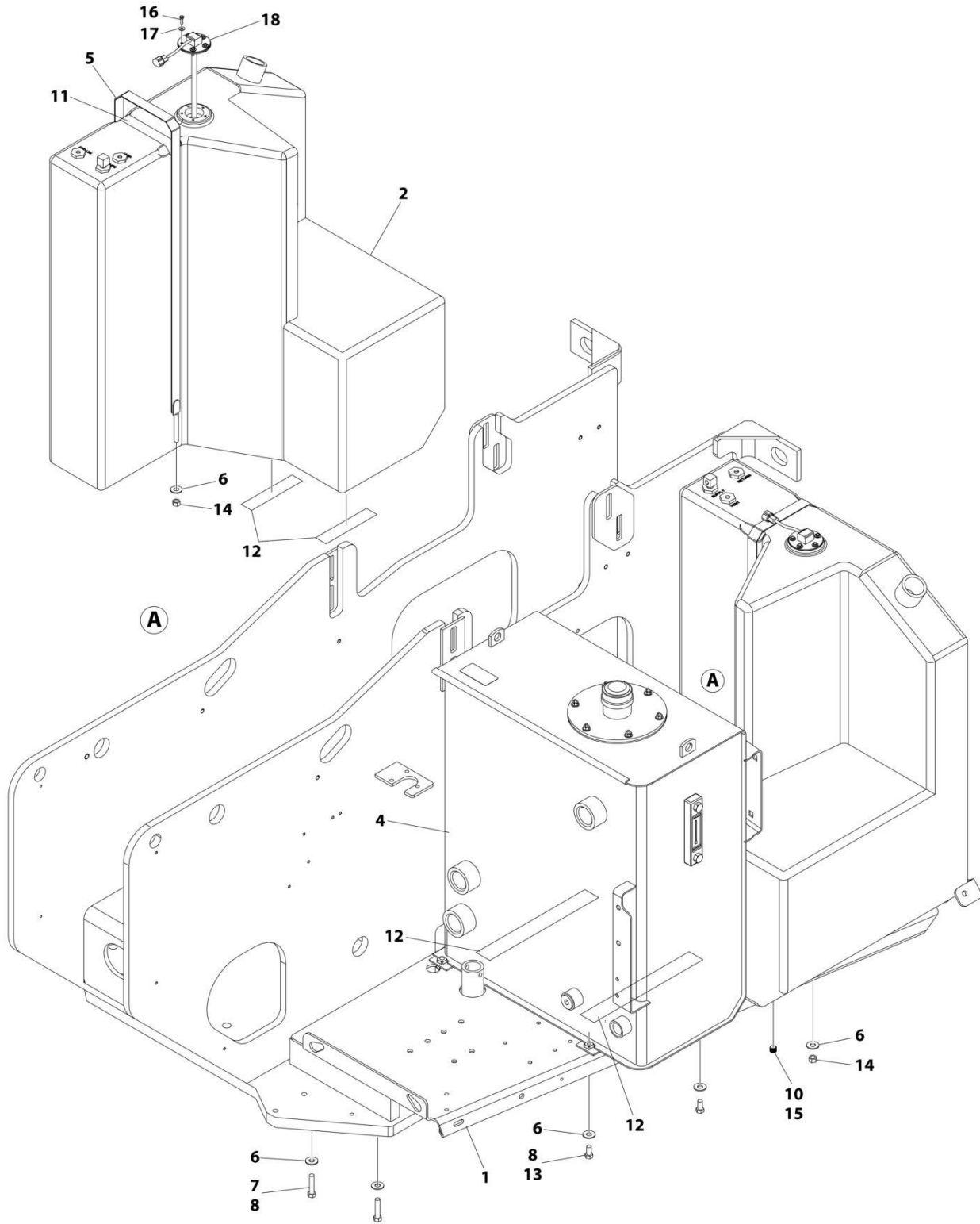
SECTION 2 - TURNTABLE

FIGURE 2-12. ROTARY COUPLING INSTALLATION

ITEM	PART NUMBER	QTY	DESCRIPTION	REV
	1001107498	Ref	ROTARY COUPLING INSTALLATION	B
1	0100011	AR	Compound, Locking	
2	0641612	2	Bolt 3/8 x 1-1/2	
3	0641811	1	Bolt 1/2 x 1-3/8	
4	0641824	2	Bolt 1/2 x 3	
5	0903056	1	Bracket	
6	3271805	2	Nut 1/2	
7	4751600	2	Washer 3/8	
8	4751800	5	Washer 1/2	
9	1001106974	1	Coupling, Rotary (See Items 101-121 for Breakdown)	
10	3322201	2	Nut 3/4	
11	1001178789	2	Shim	
	1001106974	Ref	ROTARY COUPLING ASSEMBLY	B
101	See Note	NSS	Body (Note: Not Available - Purchase Complete Assembly)	
102	70001248	1	Seal	
103	See Note	NSS	O-Ring (Note: Use Item 200A or 200B) (Note: Use Item 200A or 200B)	
104	See Note	NSS	Housing (Note: Not Available - Purchase Complete Assembly)	
105	70001248	6	Seal, Cap	
106	70001248	6	O-Ring	
107	7026503	2	Ring	
108	7026504	1	Ring, Retaining	
109	80934561	2	Plug	
110	See Note	1	Lug, Torque (Note: Not Available for Purchase)	
112	7026197	4	Bolt 5/16 x 1-1/4	
113	See Note	NSS	O-Ring (Note: Use Item 200A or 200B)	
114	See Note	NSS	O-Ring (Note: Use Item 200A or 200B)	
115	See Note	NSS	Bearing (Note: Use Item 200A or 200B)	
116	7024404	1	Block Valve Assembly	
117	7026505	1	Plug	
118	7026506	1	Valve, Check	
119	7026507	1	Plug	
120	7024404	1	Plunger, Valve (Note: Not Available for Purchase)	
121	7026509	1	Spring, Compression	
122	See Note	NSS	Protective Netting (Not Shown) (Note: Not Available for Purchase)	
123	70001248	1	Seal	
124	See Note	NSS	Screw, Socket Head #10 x 1/2 (Note: Not Available for Purchase)	
125	See Note	NSS	Nut #10 (Note: Not Available for Purchase)	
126	See Note	NSS	Washer #10 (Note: Not Available for Purchase)	
127	70003454	1	Bracket, Switch Mounting	
128	4360517	1	Switch, Proximity	
200	70001248	1	Seal Kit (Includes Items 102, 103, 105, 106, 113, 114, 115 & 123)	

SECTION 2 - TURNTABLE

FIGURE 2-13. TANK INSTALLATION – DEUTZ D2011 ENGINE



ART_1001152066_D

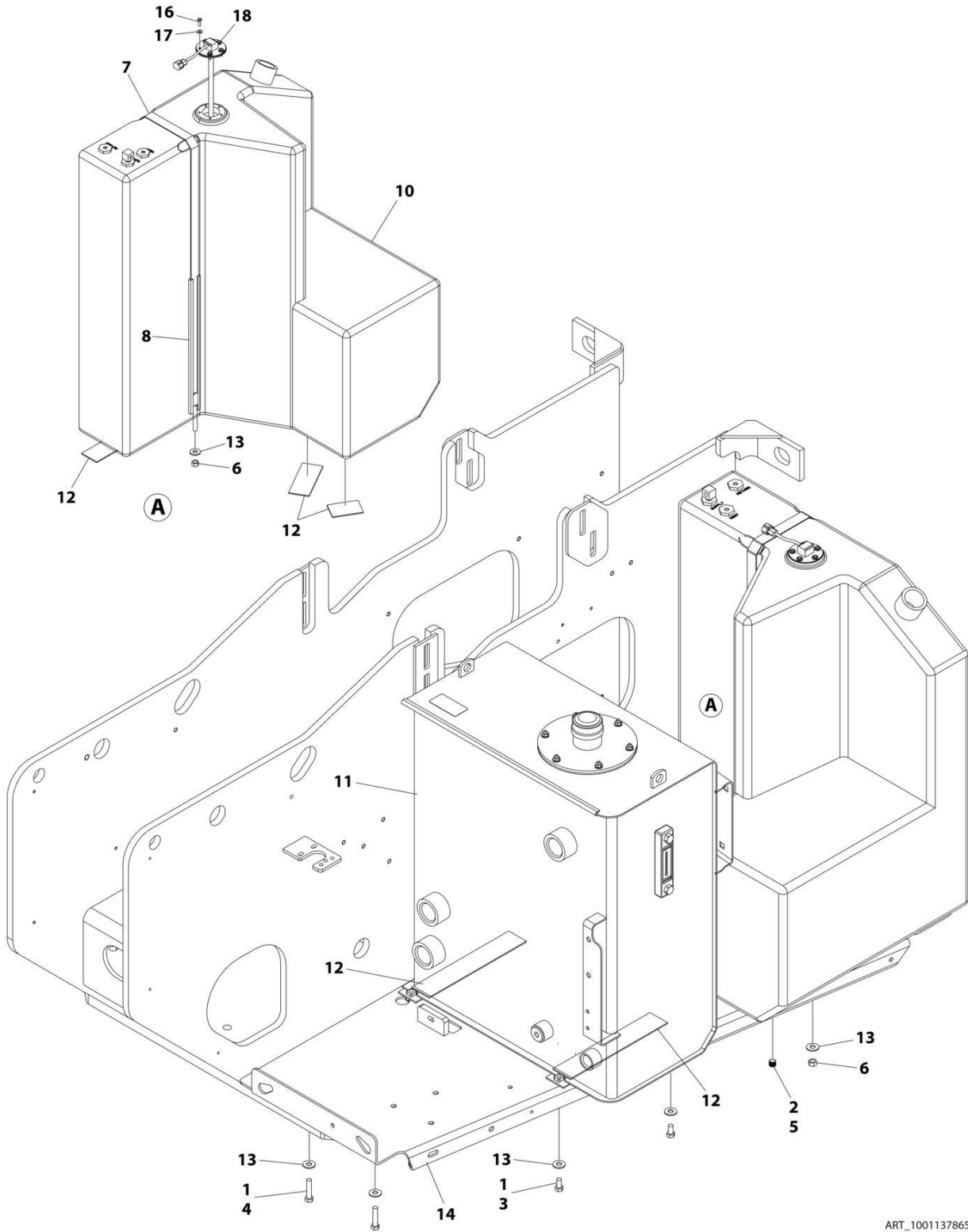
SECTION 2 - TURNTABLE

FIGURE 2-13. TANK INSTALLATION – DEUTZ D2011 ENGINE

ITEM	PART NUMBER	QTY	DESCRIPTION	REV
	1001152066	Ref	TANK INSTALLATION	D
1	1001152428	1	Tray	
2	1001284960	1	Tank, Fuel	
2	70008578	1	Cap	
2	70008579	1	Tube, Pickup	
4	1001151268	1	Hydraulic Oil Tank Assembly (See Separate Breakdown in this Section)	
5	4240102	1	Strap, Tank	
6	4751600	10	Washer 3/8	
7	0641614	4	Bolt 3/8 x 1-3/4	
8	0100011	AR	Compound, Locking	
9	1001182997	AR	Sealant, Pipe (Not Shown)	
10	2200222	1	Plug	
11	4280295	18 in /46cm	Strip, Protective	
12	4420038	AR	Tape, Rubber	
13	0641606	4	Bolt 3/8 x 3/4	
14	3311601	2	Nut 3/8	
15	0100020	AR	Sealant	
16	0731005	5	Bolt #10 x 5/8	
17	4751000	5	Washer #10	
18	1001274219	1	Gauge, Fuel Level	

SECTION 2 - TURNTABLE

FIGURE 2-14. TANK INSTALLATION – DEUTZ TD2.9L4 & TD2.2L3 STAGE V ENGINES



ART_1001137865_G

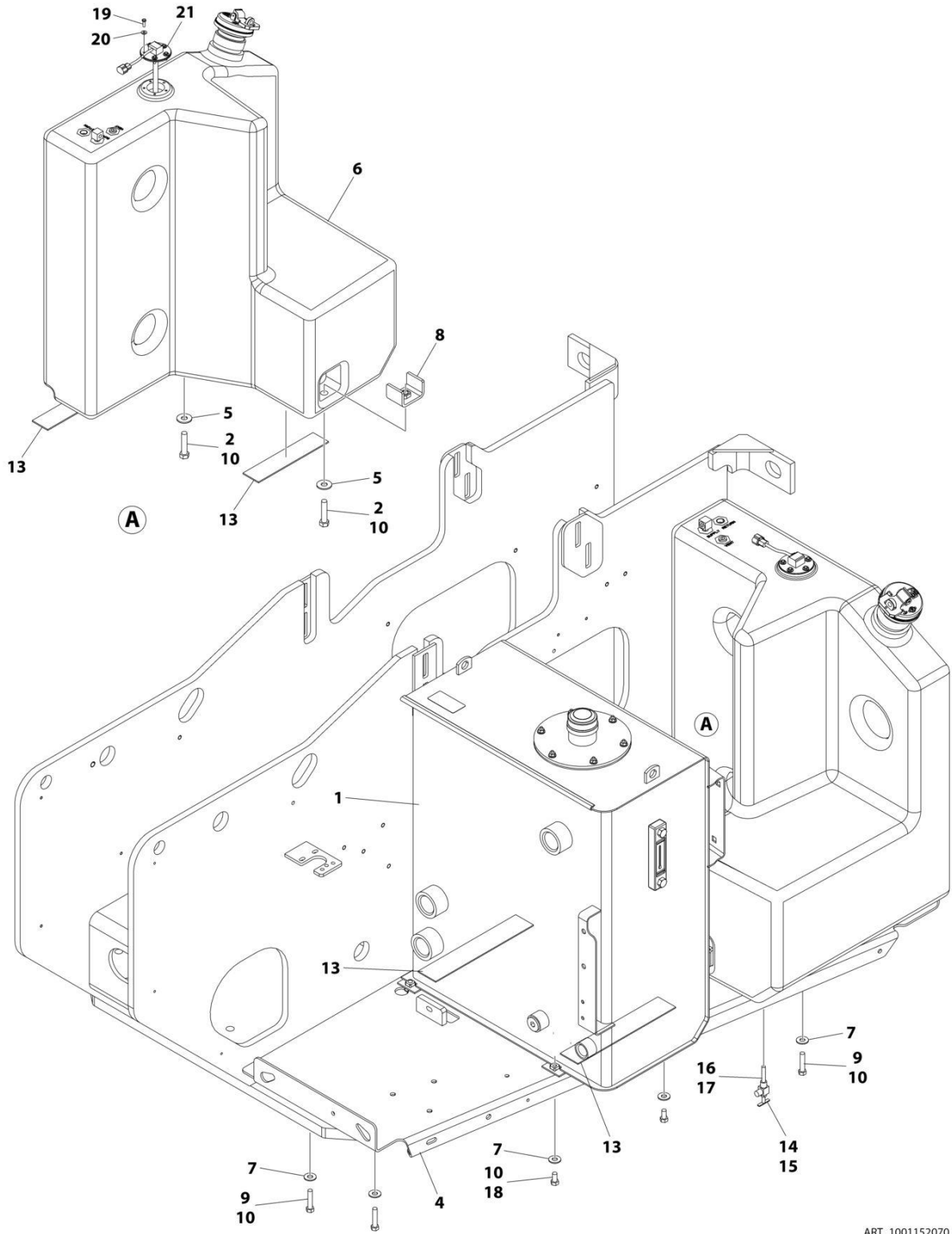
SECTION 2 - TURNTABLE

FIGURE 2-14. TANK INSTALLATION – DEUTZ TD2.9L4 & TD2.2L3 STAGE V ENGINES

ITEM	PART NUMBER	QTY	DESCRIPTION	REV
	1001137865	Ref	TANK INSTALLATION	G
1	0100011	AR	Compound, Locking	
2	0100020	AR	Sealant	
3	0641606	4	Bolt 3/8 x 3/4	
4	0641614	4	Bolt 3/8 x 1-3/4	
5	2200222	1	Plug	
6	3311601	2	Nut 3/8	
7	4240102	1	Strap, Tank	
8	4280295	18 in /46cm	Strip, Protective	
10	1001284960	1	Tank, Fuel	
10	70008578	1	Cap	
10	70008579	1	Tube, Pickup	
11	1001151268	1	Hydraulic Oil Tank Assembly (See Separate Breakdown in this Section)	
12	4420038	AR	Tape, Rubber	
13	4751600	10	Washer 3/8	
14	1001137863	1	Tray	
15	1001182997	AR	Sealant, Pipe (Not Shown)	
16	0731005	5	Bolt #10 x 5/8	
17	4751000	5	Washer #10	
18	1001274219	1	Gauge, Fuel Level	

SECTION 2 - TURNTABLE

FIGURE 2-15. TANK INSTALLATION – FORD ENGINE



ART_1001152070_F

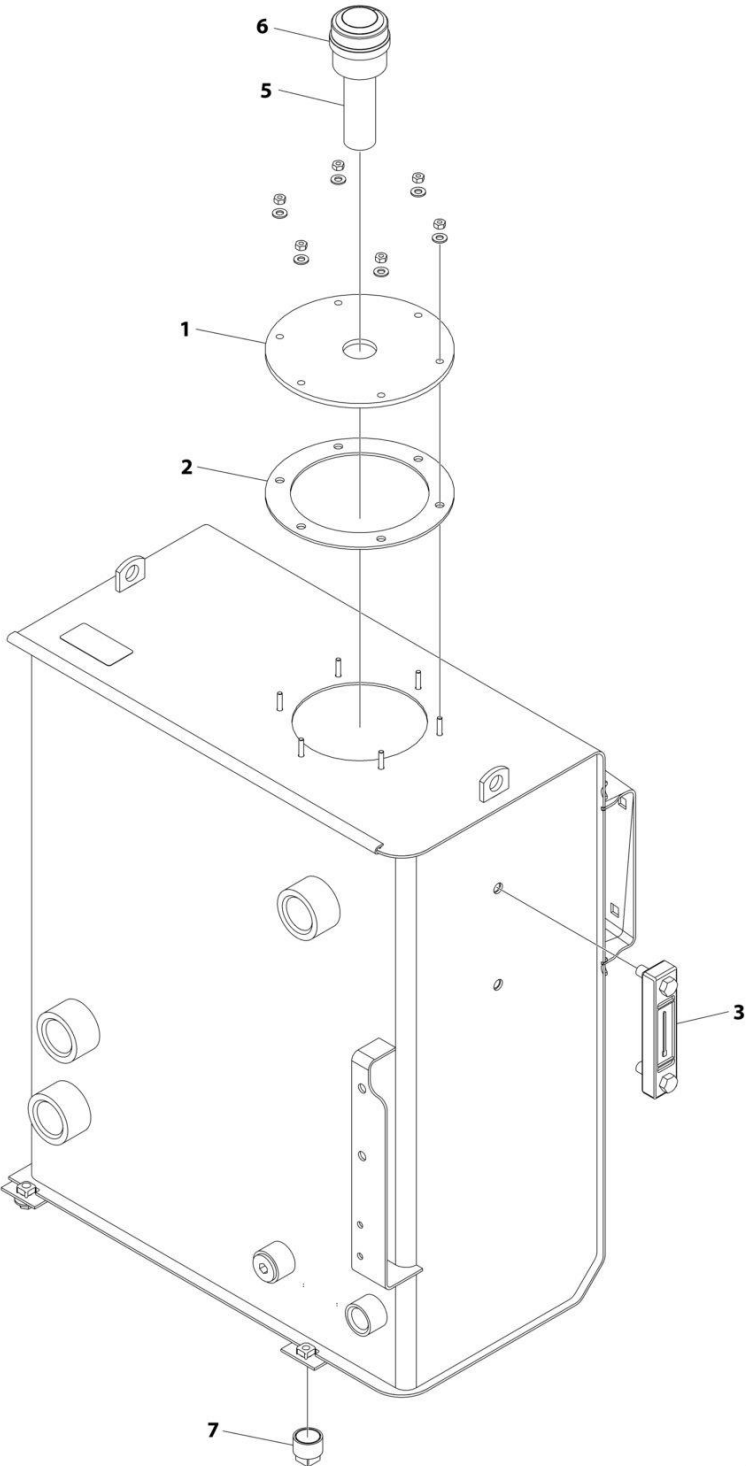
SECTION 2 - TURNTABLE

FIGURE 2-15. TANK INSTALLATION – FORD ENGINE

ITEM	PART NUMBER	QTY	DESCRIPTION	REV
	1001152070	Ref	TANK INSTALLATION	F
1	1001151268	1	Hydraulic Oil Tank Assembly (See Separate Breakdown in this Section)	
2	0641818	2	Bolt 1/2 x 2-1/4	
4	1001137863	1	Tray	
5	4751800	2	Washer 1/2	
6	1001296788	1	Tank, Fuel	
7	4751600	8	Washer 3/8	
8	1001118133	2	Bracket	
9	0641614	4	Bolt 3/8 x 1-3/4	
10	0100011	AR	Compound, Locking	
11	1001182997	AR	Sealant, Pipe (Not Shown)	
13	4420038	AR	Tape, Rubber	
14	4641022	1	Valve, Needle	
15	0100020	AR	Sealant	
16	0100062	AR	Retaining Compound #680	
17	4568119	1	Tube, Fuel	
18	0641606	4	Bolt 3/8 x 3/4	
19	0731005	5	Bolt #10 x 5/8	
20	4751000	5	Washer #10	
21	1001274219	1	Gauge, Fuel Level	

SECTION 2 - TURNTABLE

FIGURE 2-16. HYDRAULIC OIL TANK ASSEMBLY



ART_1001151268

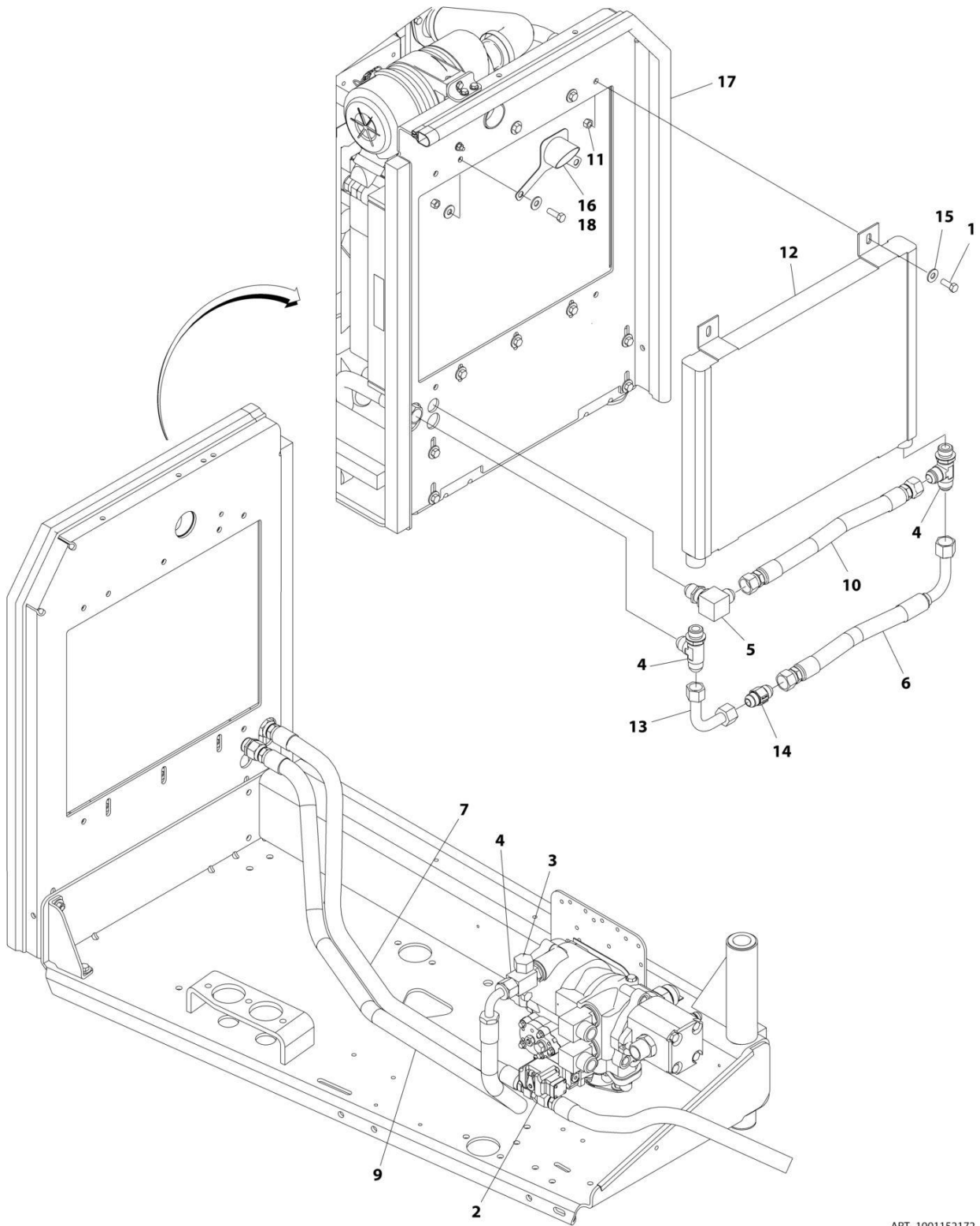
SECTION 2 - TURNTABLE

FIGURE 2-16. HYDRAULIC OIL TANK ASSEMBLY

ITEM	PART NUMBER	QTY	DESCRIPTION	REV
	1001151268	Ref	HYDRAULIC OIL TANK ASSEMBLY	H
1	7024439	1	Cover	
2	7024440	1	Gasket	
3	7024441	1	Gauge, Sight	
5	7024443	1	Neck, Fill (Helgensen Brand)	
5	See Note	NSS	Neck, Fill (Hydac Brand) (Note: Use Item 70004862)	
5	7024445	1	Screen (Helgensen Brand)	
5	See Note	NSS	Screen (Hydac Brand) (Note: Use Item 70004862)	
6	7024444	1	Breather/Fill Cap (Helgensen Brand)	
6	70004862	1	Breather/Fill Cap/Strainer Kit (Hydac Brand)	
7	7024446	1	Plug, Magnetic	

SECTION 2 - TURNTABLE

FIGURE 2-17. HYDRAULIC OIL COOLER INSTALLATION - DEUTZ D2011 ENGINES (OPTIONAL)



ART_1001152172

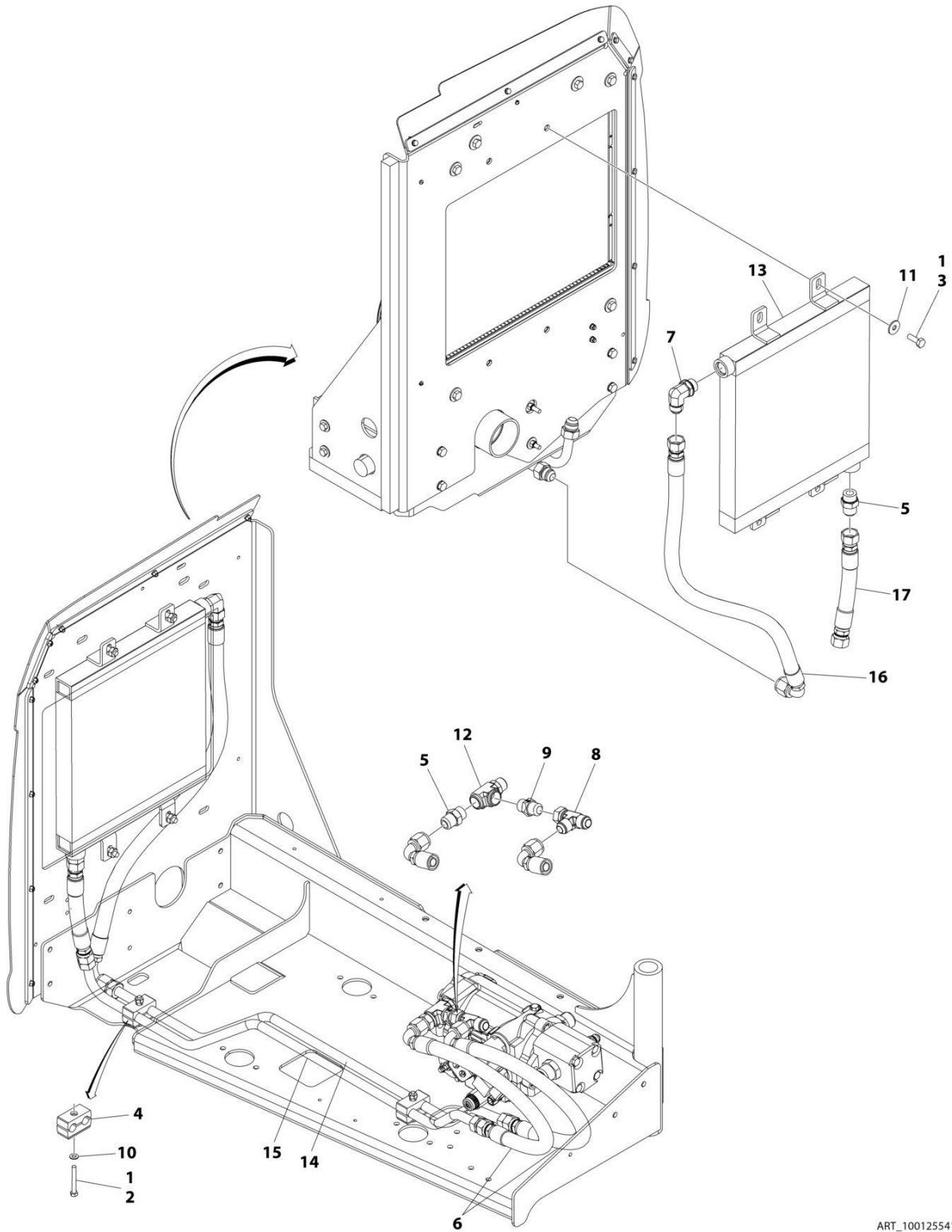
SECTION 2 - TURNTABLE

FIGURE 2-17. HYDRAULIC OIL COOLER INSTALLATION - DEUTZ D2011 ENGINES (OPTIONAL)

ITEM	PART NUMBER	QTY	DESCRIPTION	REV
	1001152172	Ref	HYDRAULIC OIL COOLER INSTALLATION	C
1	0641608	4	Bolt 3/8 x 1	
2	2220513	1	Fitting, Straight JIC/JIC	
3	2220518	1	Fitting, Cap	
4	2220738	3	Fitting, Tee JIC/ORB/JIC	
5	2230046	1	Fitting, 90 JIC/JIC	
6	2752659	1	Hose	
7	2752661	1	Hose	
9	2753354	1	Hose	
10	2750949	1	Hose	
11	3311605	4	Nut 3/8	
12	3620034	1	Cooler, Hydraulic Oil	
13	4567123	1	Tube 90	
14	4640990	1	Valve, Check	
15	4751600	4	Washer 3/8	
16	0100087	AR	Adhesive	
17	1001157604	5 ft /1.52m	Seal	
18	1001158720	1	Shroud	

SECTION 2 - TURNTABLE

FIGURE 2-18. HYDRAULIC OIL COOLER INSTALLATION - DEUTZ TD2.2L3 STAGE V ENGINES (OPTIONAL)



ART_1001255413

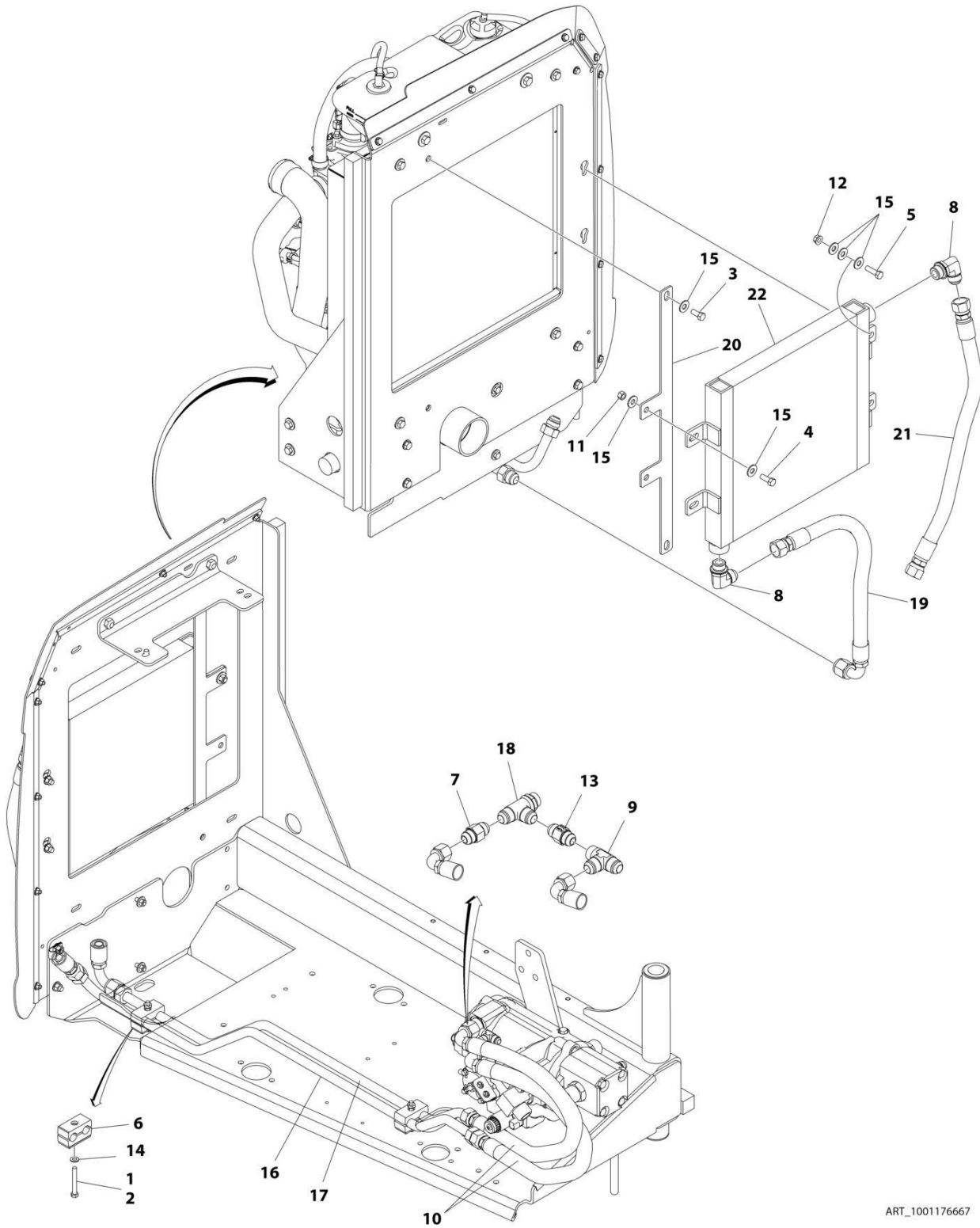
SECTION 2 - TURNTABLE

FIGURE 2-18. HYDRAULIC OIL COOLER INSTALLATION - DEUTZ TD2.2L3 STAGE V ENGINES (OPTIONAL)

ITEM	PART NUMBER	QTY	DESCRIPTION	REV
	1001255413	Ref	HYDRAULIC OIL COOLER INSTALLATION	A
1	0100011	AR	Compound, Locking	
2	0641520	2	Bolt 5/16 x 2-1/2	
3	0701014	4	Bolt M10 x 30	
4	1320162	2	Clamp	
5	2220451	2	Fitting, Straight JIC/ORB	
6	2752530	2	Hose	
7	2220578	1	Fitting, 90 JIC/ORB	
8	2220700	1	Fitting, Tee JIC/FSJIC/JIC	
9	4641264	1	Valve, Check	
10	4711500	2	Washer 5/16	
11	4812002	4	Washer M10	
12	1001143812	1	Fitting, Tee ORB/ORB/ORB	
13	1001183924	1	Cooler, Hydraulic Oil	
14	1001249448	1	Tube	
15	1001249449	1	Tube	
16	1001253805	1	Hose	
17	1001253806	1	Hose	

SECTION 2 - TURNTABLE

FIGURE 2-19. HYDRAULIC OIL COOLER INSTALLATION - DEUTZ TD2.9L4 ENGINES (OPTIONAL)



ART_1001176667

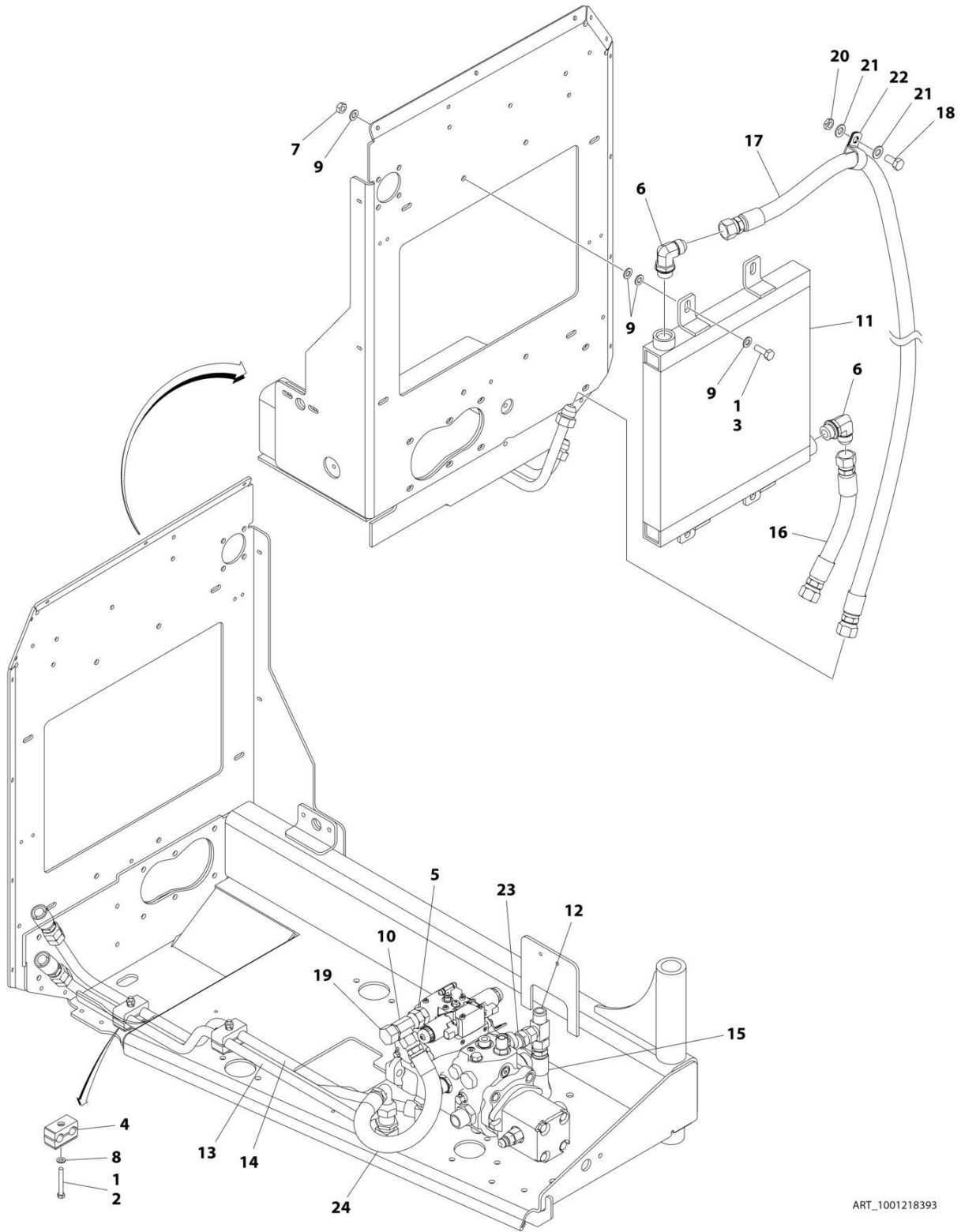
SECTION 2 - TURNTABLE

FIGURE 2-19. HYDRAULIC OIL COOLER INSTALLATION - DEUTZ TD2.9L4 ENGINES (OPTIONAL)

ITEM	PART NUMBER	QTY	DESCRIPTION	REV
	1001176667	Ref	HYDRAULIC OIL COOLER INSTALLATION	C
1	0100011	AR	Compound, Locking	
2	0641520	2	Bolt 5/16 x 2-1/2	
3	0641607	2	Bolt 3/8 x 7/8	
4	0641608	2	Bolt 3/8 x 1	
5	0641610	2	Bolt 3/8 x 1-1/4	
6	1320162	2	Clamp	
7	2220451	1	Fitting, Straight JIC/ORB	
8	2220578	2	Fitting, 90 JIC/ORB	
9	2220700	1	Fitting, Tee JIC/FSJIC/JIC	
10	2752530	2	Hose	
11	3271601	2	Nut 3/8	
12	3311608	2	Nut 3/8	
13	4641264	1	Valve, Check	
14	4711500	2	Washer 5/16	
15	4751600	12	Washer 3/8	
16	1001143765	1	Tube	
17	1001143766	1	Tube	
18	1001143812	1	Fitting, Tee ORB/ORB/ORB	
19	1001145706	1	Hose	
20	1001176666	1	Plate	
21	1001177090	1	Hose	
22	1001183924	1	Cooler, Hydraulic Oil	

SECTION 2 - TURNTABLE

FIGURE 2-20. HYDRAULIC OIL COOLER INSTALLATION – FORD ENGINES (OPTIONAL)



ART_1001218393

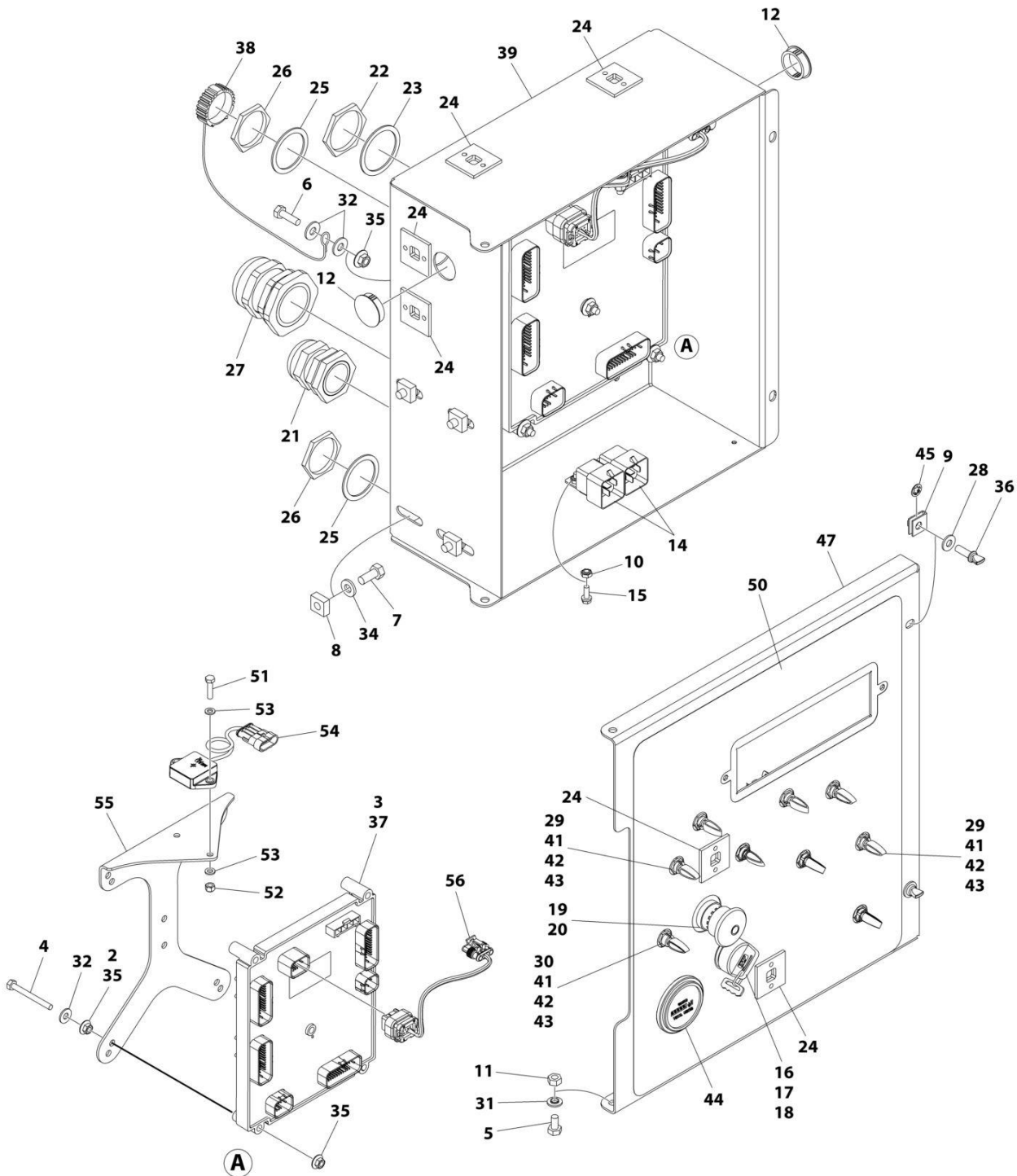
SECTION 2 - TURNTABLE

FIGURE 2-20. HYDRAULIC OIL COOLER INSTALLATION – FORD ENGINES (OPTIONAL)

ITEM	PART NUMBER	QTY	DESCRIPTION	REV
	1001218393	Ref	HYDRAULIC OIL COOLER INSTALLATION	C
1	0100011	AR	Compound, Locking	
2	0641520	2	Bolt 5/16 x 2-1/2	
3	0771014	4	Bolt M10 x 30	
4	1320162	2	Clamp	
5	2220451	1	Fitting, Straight JIC/ORB	
6	2220578	2	Fitting, 90 JIC/ORB	
7	3291001	4	Nut M10	
8	4711500	2	Washer 5/16	
9	4812000	16	Washer M10	
10	2220700	1	Fitting, Tee JIC/FSJIC/JIC	
11	1001183924	1	Cooler, Hydraulic Oil	
12	2220682	1	Fitting, Tee JIC/JIC/JIC	
13	1001218394	1	Tube	
14	1001218395	1	Tube	
15	1001219457	1	Hose	
16	1001219458	1	Hose	
17	1001096398	1	Hose	
18	0771212	1	Bolt M12 x 25	
19	2220518	1	Fitting, Cap	
20	3291202	1	Nut M12	
21	4812100	2	Washer M12	
22	8406302	1	Clamp	
23	1001179156	1	Valve, Check	
24	1001221621	1	Hose	

SECTION 2 - TURNTABLE

FIGURE 2-21. GROUND CONTROL BOX ASSEMBLY (DEUTZ D2011 ENGINE) - WITH MECHANICAL HOUR METER (ALL SPECS EXCEPT CE & UK CA SPECS)



ART_1001266873_E

SECTION 2 - TURNTABLE

FIGURE 2-21. GROUND CONTROL BOX ASSEMBLY (DEUTZ D2011 ENGINE) - WITH MECHANICAL HOUR METER (ALL SPECS EXCEPT CE & UK CA SPECS)

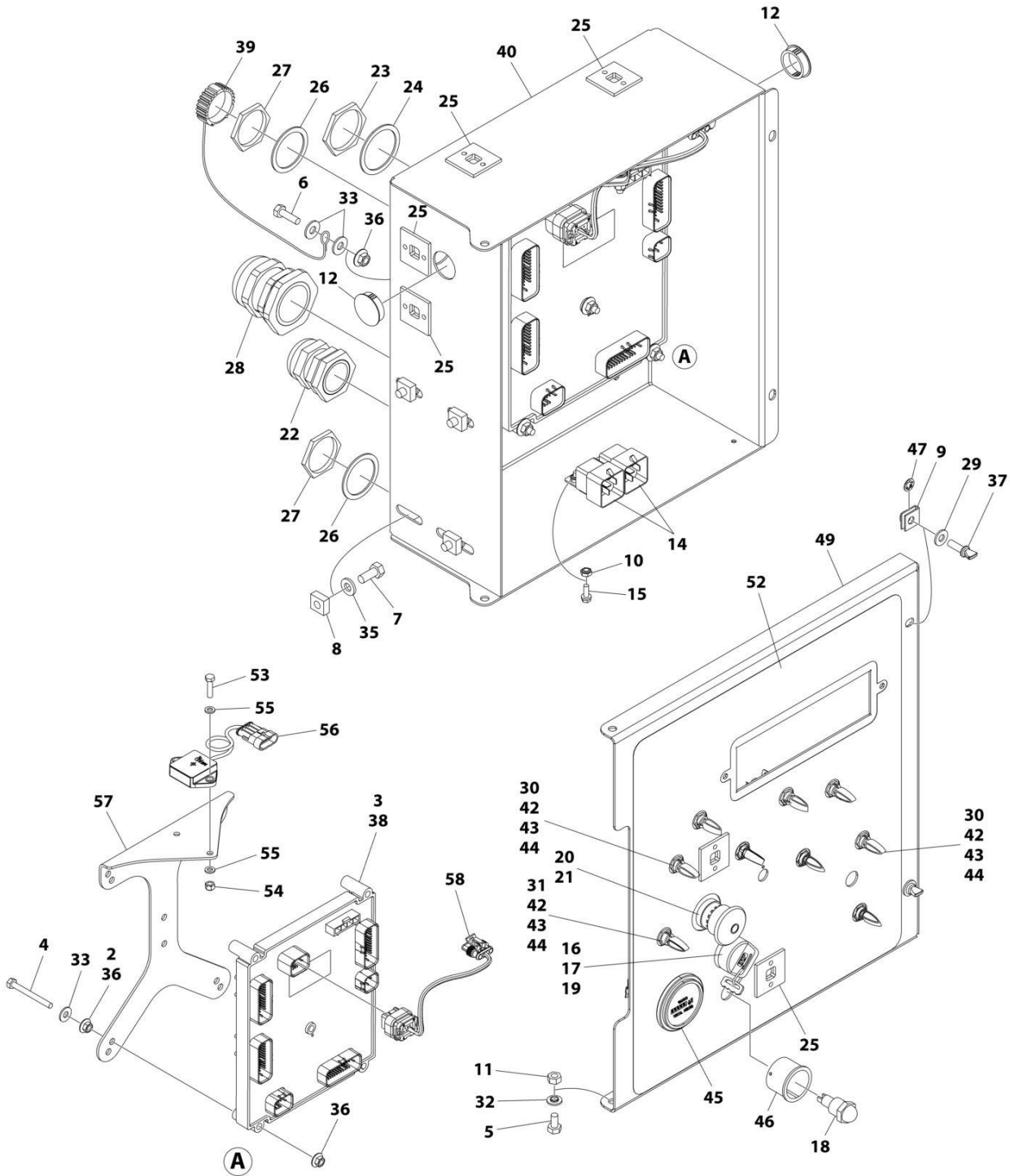
ITEM	PART NUMBER	QTY	DESCRIPTION	REV
	1001266873	Ref	GROUND CONTROL BOX ASSEMBLY	E
2	0100011	AR	Compound, Locking	
3	0100048	AR	Grease, Dielectric	
4	0630548	5	Bolt, 2-1/2 Tap	
5	0641404	2	Bolt 1/4 x 1/2	
6	0641407	1	Bolt 1/4 x 7/8	
7	0641506	4	Bolt 5/16 x 3/4	
8	3300205	4	Nut, Retainer	
9	3300353	2	Nut, Tinnerman	
10	3300408	2	Nut, Plastic Insert	
11	3311405	2	Nut 1/4	
12	3520031	2	Plug	
14	3740049	2	Relay	
15	3900268	2	Screw #10 x 1/2	
16	3910804	6	Screw #8 x 1/4	
17	4070991	1	Shim	
18	4360469	1	Switch, Key	
18	2860030	1	Key Replacement	
19	4360475	1	Switch, Emergency Stop (Metal)	
19	7020175	1	Cap, Mushroom	
19	7020176	1	Block, Contact	
19	1001274559	1	Switch, Emergency Stop (Plastic)	
20	4360476	1	Switch, Contact Block	
21	4460426	1	Connector, Strain Relief	
22	4460470	1	Nut, Terminal	
23	4460471	1	Washer, Terminal	
24	4460488	6	Mounting Base, Terminal	
25	4460496	2	Washer, Terminal	
26	4460497	2	Nut, Terminal	
27	4460526	1	Connector, Strain Relief	
28	4711400	2	Washer 1/4	
29	4740397	8	Spacer	
30	4740444	1	Washer	
31	4740518	2	Washer	
32	4751400	7	Washer 1/4	
34	4891500	4	Washer 5/16	
35	77143013	11	Nut 1/4-20	
36	1001103308	2	Screw 1/4	
37	1001280600	1	Module, Ground Control	
		Ref	Note: Re-calibration Required when Replaced.	
38	1001106736	1	Cap, Dust	
39	1001287467	1	Plate	
40	1001284919	1	Harness, Valve (Not Shown - See Separate Breakdown in ELECTRICAL Section)	
41	1001155043	9	Washer	
42	1001155044	9	Nut 15/32-32	
43	1001155045	9	Switch, Toggle	
44	10836804	1	Hour Meter	
45	1001188874	2	Nut	

SECTION 2 - TURNTABLE

ITEM	PART NUMBER	QTY	DESCRIPTION	REV
46	1001285378	1	Harness, Engine (Not Shown - See Separate Breakdown in ELECTRICAL Section)	
47	1001280403	1	Plate	
48	1001285346	1	Harness, Ground Control Box (Not Shown - See Separate Breakdown in ELECTRICAL Section)	
49	1001285801	NLA	Wire Diagram (Not Shown)	
50	1001266876	1	Decal, Faceplate	
51	0760612	2	Bolt M6 x 25	
52	3290605	2	Nut M6	
53	4811700	4	Washer M6	
54	1001219601	1	Sensor, Tilt Dual Axis CAN	
55	1001271794	1	Bracket, Tilt Sensor	
56	1001276143	1	Harness, Tilt Sensor (See Separate Breakdown in ELECTRICAL Section)	

SECTION 2 - TURNTABLE

FIGURE 2-22. GROUND CONTROL BOX ASSEMBLY (DEUTZ D2011 ENGINE) (CE & UK CA SPECS)



ART_1001266900_D

SECTION 2 - TURNTABLE

FIGURE 2-22. GROUND CONTROL BOX ASSEMBLY (DEUTZ D2011 ENGINE) (CE & UK CA SPECS)

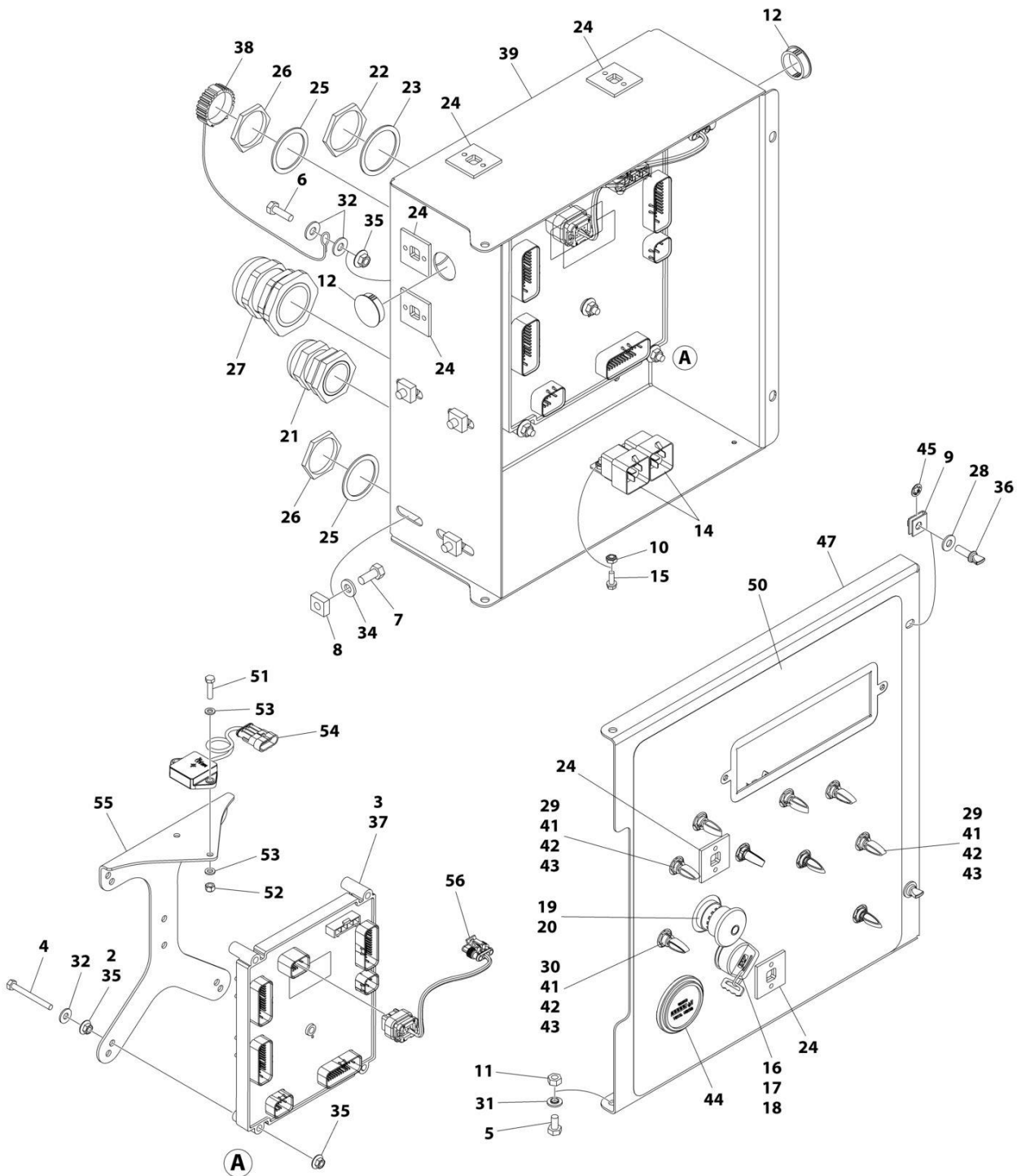
ITEM	PART NUMBER	QTY	DESCRIPTION	REV
	1001266900	Ref	GROUND CONTROL BOX ASSEMBLY	D
2	0100011	AR	Compound, Locking	
3	0100048	AR	Grease, Dielectric	
4	0630548	5	Bolt, 2-1/2 Tap	
5	0641404	2	Bolt 1/4 x 1/2	
6	0641407	1	Bolt 1/4 x 7/8	
7	0641506	4	Bolt 5/16 x 3/4	
8	3300205	4	Nut, Retainer	
9	3300353	2	Nut, Tinnerman	
10	3300408	2	Nut, Plastic Insert	
11	3311405	2	Nut 1/4	
12	3520031	2	Plug	
14	3740049	2	Relay	
15	3900268	2	Screw #10 x 1/2	
16	3910804	6	Screw #8 x 1/4	
17	4070991	1	Shim	
18	4360387	1	Switch, Push Button	
19	4360469	1	Switch, Key	
19	2860030	1	Key Replacement	
20	4360475	1	Switch, Emergency Stop	
20	7020175	1	Cap, Mushroom	
20	7020176	1	Block, Contact	
21	4360476	1	Switch, Contact Block	
22	4460426	1	Connector, Strain Relief	
23	4460470	1	Nut, Terminal	
24	4460471	1	Washer, Terminal	
25	4460488	6	Mounting Base, Terminal	
26	4460496	2	Washer, Terminal	
27	4460497	2	Nut, Terminal	
28	4460526	1	Connector, Strain Relief	
29	4711400	2	Washer 1/4	
30	4740397	8	Spacer	
31	4740444	1	Washer	
32	4740518	2	Washer	
33	4751400	7	Washer 1/4	
35	4891500	4	Washer 5/16	
36	77143013	11	Nut 1/4-20	
37	1001103308	2	Screw 1/4	
38	1001280600	1	Module, Ground Control	
		Ref	Note: Re-calibration Required when Replaced.	
39	1001106736	1	Cap, Dust	
40	1001287467	1	Box	
41	1001284919	1	Harness, Valve (Not Shown - See Separate Breakdown in ELECTRICAL Section)	
42	1001155043	9	Washer	
43	1001155044	9	Nut 15/32-32	
44	1001155045	9	Switch, Toggle	
45	10836804	1	Gauge, Display	
46	1001176469	1	Shroud	
47	1001188874	2	Nut	

SECTION 2 - TURNTABLE

ITEM	PART NUMBER	QTY	DESCRIPTION	REV
48	1001285378	1	Harness, Engine (Not Shown - See Separate Breakdown in ELECTRICAL Section)	
49	1001297391	1	Lid	
50	1001285346	1	Harness, Ground Control Box (Not Shown - See Separate Breakdown in ELECTRICAL Section)	
51	1001285801	NLA	Wire Diagram (Not Shown)	
52	1001266874	1	Decal, Faceplate	
53	0760612	2	Bolt M6 x 25	
54	3290605	2	Nut M6	
55	4811700	4	Washer M6	
56	1001219601	1	Sensor, Tilt Dual Axis CAN	
57	1001271794	1	Bracket, Tilt Sensor	
58	1001276143	1	Harness, Tilt Sensor (See Separate Breakdown in ELECTRICAL Section)	

SECTION 2 - TURNTABLE

FIGURE 2-23. GROUND CONTROL BOX ASSEMBLY (DEUTZ 2.9L4 ENGINE) - WITH MECHANICAL HOUR METER



ART_1001266897_D

SECTION 2 - TURNTABLE

FIGURE 2-23. GROUND CONTROL BOX ASSEMBLY (DEUTZ 2.9L4 ENGINE) - WITH MECHANICAL HOUR METER

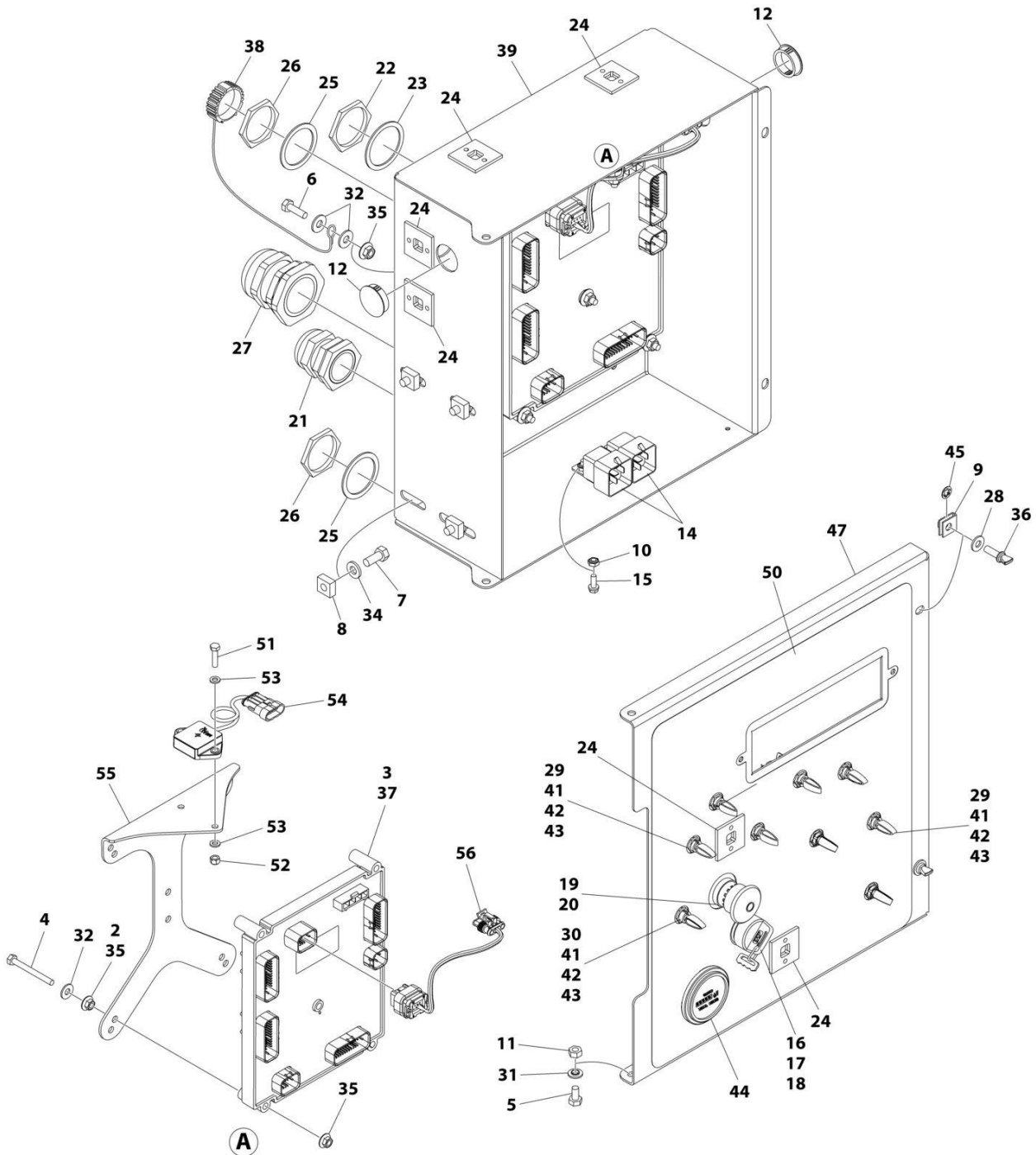
ITEM	PART NUMBER	QTY	DESCRIPTION	REV
	1001266897	Ref	GROUND CONTROL BOX ASSEMBLY	D
2	0100011	AR	Compound, Locking	
3	0100048	AR	Grease, Dielectric	
4	0630548	5	Bolt, 2-1/2 Tap	
5	0641404	2	Bolt 1/4 x 1/2	
6	0641407	1	Bolt 1/4 x 7/8	
7	0641506	4	Bolt 5/16 x 3/4	
8	3300205	4	Nut, Retainer	
9	3300353	2	Nut, Tinnerman	
10	3300408	2	Nut, Plastic Insert	
11	3311405	2	Nut 1/4	
12	3520031	2	Plug	
14	3740049	2	Relay	
15	3900268	2	Screw #10 x 1/2	
16	3910804	6	Screw #8 x 1/4	
17	4070991	1	Shim	
18	4360469	1	Switch, Key	
18	2860030	1	Key Replacement	
19	4360475	1	Switch, Emergency Stop	
19	7020175	1	Cap, Mushroom	
19	7020176	1	Block, Contact	
20	4360476	1	Switch, Contact Block	
21	4460426	1	Connector, Strain Relief	
22	4460470	1	Nut, Terminal	
23	4460471	1	Washer, Terminal	
24	4460488	6	Mounting Base, Terminal	
25	4460496	2	Washer, Terminal	
26	4460497	2	Nut, Terminal	
27	4460526	1	Connector, Strain Relief	
28	4711400	2	Washer 1/4	
29	4740397	8	Spacer	
30	4740444	1	Washer	
31	4740518	2	Washer	
32	4751400	7	Washer 1/4	
34	4891500	4	Washer 5/16	
35	77143013	11	Nut 1/4-20	
36	1001103308	2	Screw 1/4	
37	1001280600	1	Module, Ground Control	
		Ref	Note: Re-calibration Required when Replaced.	
38	1001106736	1	Cap, Dust	
39	1001287467	1	Box	
40	1001284919	1	Harness, Valve (Not Shown - See Separate Breakdown in ELECTRICAL Section)	
41	1001155043	9	Washer	
42	1001155044	9	Nut 15/32-32	
43	1001155045	9	Switch, Toggle	
44	10836804	1	Hour Meter	
45	1001188874	2	Nut	

SECTION 2 - TURNTABLE

ITEM	PART NUMBER	QTY	DESCRIPTION	REV
46	1001286030	1	Harness, Engine (Not Shown - See Separate Breakdown in ELECTRICAL Section)	
47	1001280403	1	Lid	
48	1001285346	1	Harness, Ground Control Box (Not Shown - See Separate Breakdown in ELECTRICAL Section)	
49	1001285801	NLA	Wire Diagram (Not Shown)	
50	1001266876	1	Decal, Faceplate	
51	0760612	2	Bolt M6 x 25	
52	3290605	2	Nut M6	
53	4811700	4	Washer M6	
54	1001219601	1	Sensor, Tilt Dual Axis CAN	
55	1001271794	1	Bracket, Tilt Sensor	
56	1001276143	1	Harness, Tilt Sensor (See Separate Breakdown in ELECTRICAL Section)	

SECTION 2 - TURNTABLE

FIGURE 2-24. GROUND CONTROL BOX ASSEMBLY (FORD ENGINE) - WITH MECHANICAL HOUR METER



ART_1001266898_D

SECTION 2 - TURNTABLE

FIGURE 2-24. GROUND CONTROL BOX ASSEMBLY (FORD ENGINE) - WITH MECHANICAL HOUR METER

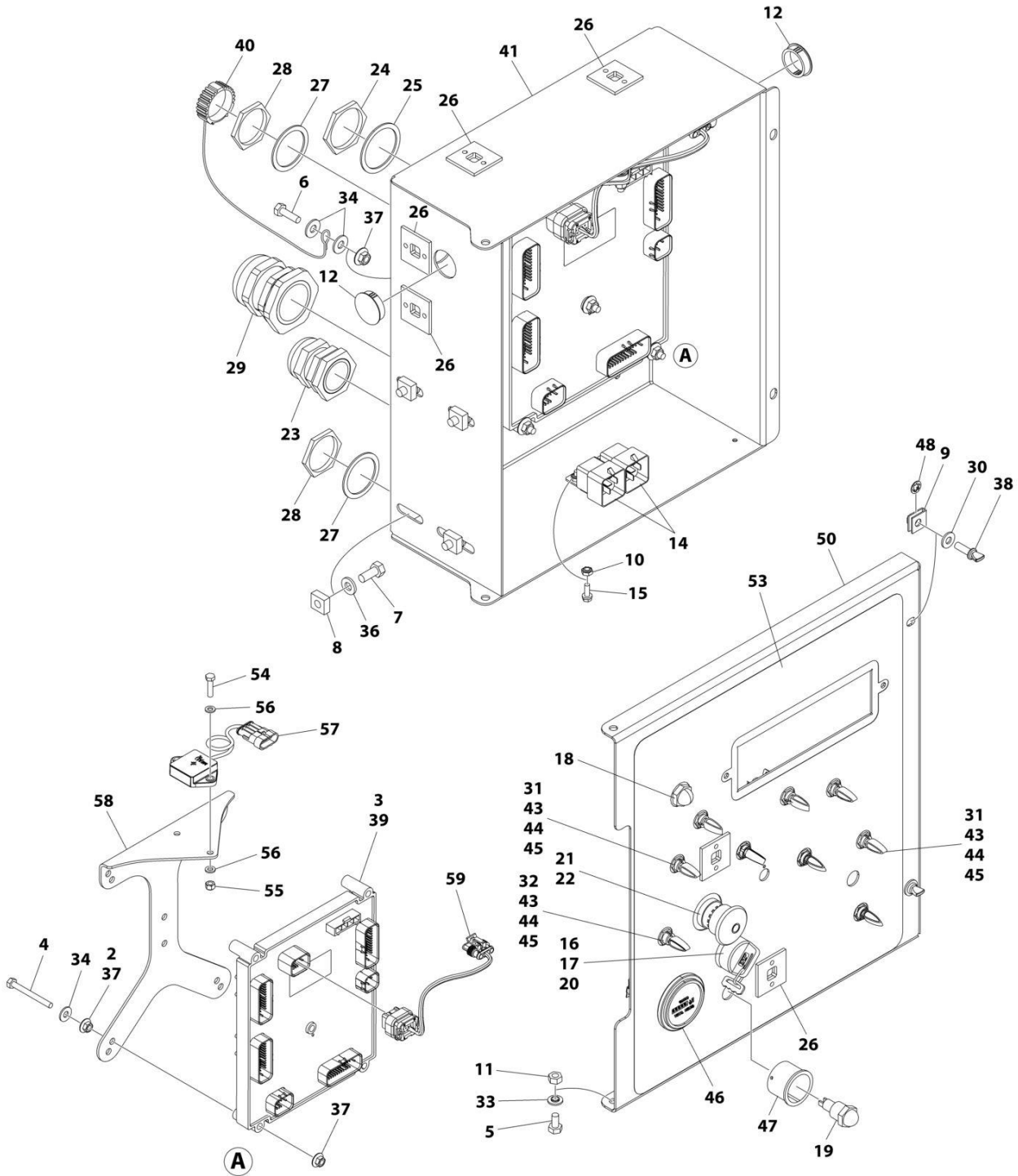
ITEM	PART NUMBER	QTY	DESCRIPTION	REV
	1001266898	Ref	GROUND CONTROL BOX ASSEMBLY	D
2	0100011	AR	Compound, Locking	
3	0100048	AR	Grease, Dielectric	
4	0630548	5	Bolt, 2-1/2 Tap	
5	0641404	2	Bolt 1/4 x 1/2	
6	0641407	1	Bolt 1/4 x 7/8	
7	0641506	4	Bolt 5/16 x 3/4	
8	3300205	4	Nut, Retainer	
9	3300353	2	Nut, Tinnerman	
10	3300408	2	Nut, Plastic Insert	
11	3311405	2	Nut 1/4	
12	3520031	2	Plug	
14	3740049	2	Relay	
15	3900268	2	Screw #10 x 1/2	
16	3910804	6	Screw #8 x 1/4	
17	4070991	1	Shim	
18	4360469	1	Switch, Key	
18	2860030	1	Key Replacement	
19	4360475	1	Switch, Emergency Stop	
19	7020175	1	Cap, Mushroom	
19	7020176	1	Block, Contact	
20	4360476	1	Switch, Contact Block	
21	4460426	1	Connector, Strain Relief	
22	4460470	1	Nut, Terminal	
23	4460471	1	Washer, Terminal	
24	4460488	6	Mounting Base, Terminal	
25	4460496	2	Washer, Terminal	
26	4460497	2	Nut, Terminal	
27	4460526	1	Connector, Strain Relief	
28	4711400	2	Washer 1/4	
29	4740397	8	Spacer	
30	4740444	1	Washer	
31	4740518	2	Washer	
32	4751400	7	Washer 1/4	
34	4891500	4	Washer 5/16	
35	77143013	11	Nut 1/4-20	
36	1001103308	2	Screw 1/4	
37	1001280600	1	Module, Ground Control	
		Ref	Note: Re-calibration Required when Replaced.	
38	1001106736	1	Cap, Dust	
39	1001287467	1	Box	
40	1001284919	1	Harness, Valve (Not Shown - See Separate Breakdown in ELECTRICAL Section)	
41	1001155043	9	Washer	
42	1001155044	9	Nut 15/32-32	
43	1001155045	9	Switch, Toggle	
44	10836804	1	Hour Meter	
45	1001188874	2	Nut	

SECTION 2 - TURNTABLE

ITEM	PART NUMBER	QTY	DESCRIPTION	REV
46	1001286031	1	Harness, Engine (Not Shown - See Separate Breakdown in ELECTRICAL Section)	
47	1001280403	1	Lid	
48	1001285346	1	Harness, Ground Control Box (Not Shown - See Separate Breakdown in ELECTRICAL Section)	
49	1001285801	NLA	Wire Diagram (Not Shown)	
50	1001266876	1	Decal, Faceplate	
51	0760612	2	Bolt M6 x 25	
52	3290605	2	Nut M6	
53	4811700	4	Washer M6	
54	1001219601	1	Sensor, Tilt Dual Axis CAN	
55	1001271794	1	Bracket, Tilt Sensor	
56	1001276143	1	Harness, Tilt Sensor (See Separate Breakdown in ELECTRICAL Section)	

SECTION 2 - TURNTABLE

FIGURE 2-25. GROUND CONTROL BOX ASSEMBLY (DEUTZ TD2.2L3 ENGINE)



ART_1001266899_D

SECTION 2 - TURNTABLE

FIGURE 2-25. GROUND CONTROL BOX ASSEMBLY (DEUTZ TD2.2L3 ENGINE)

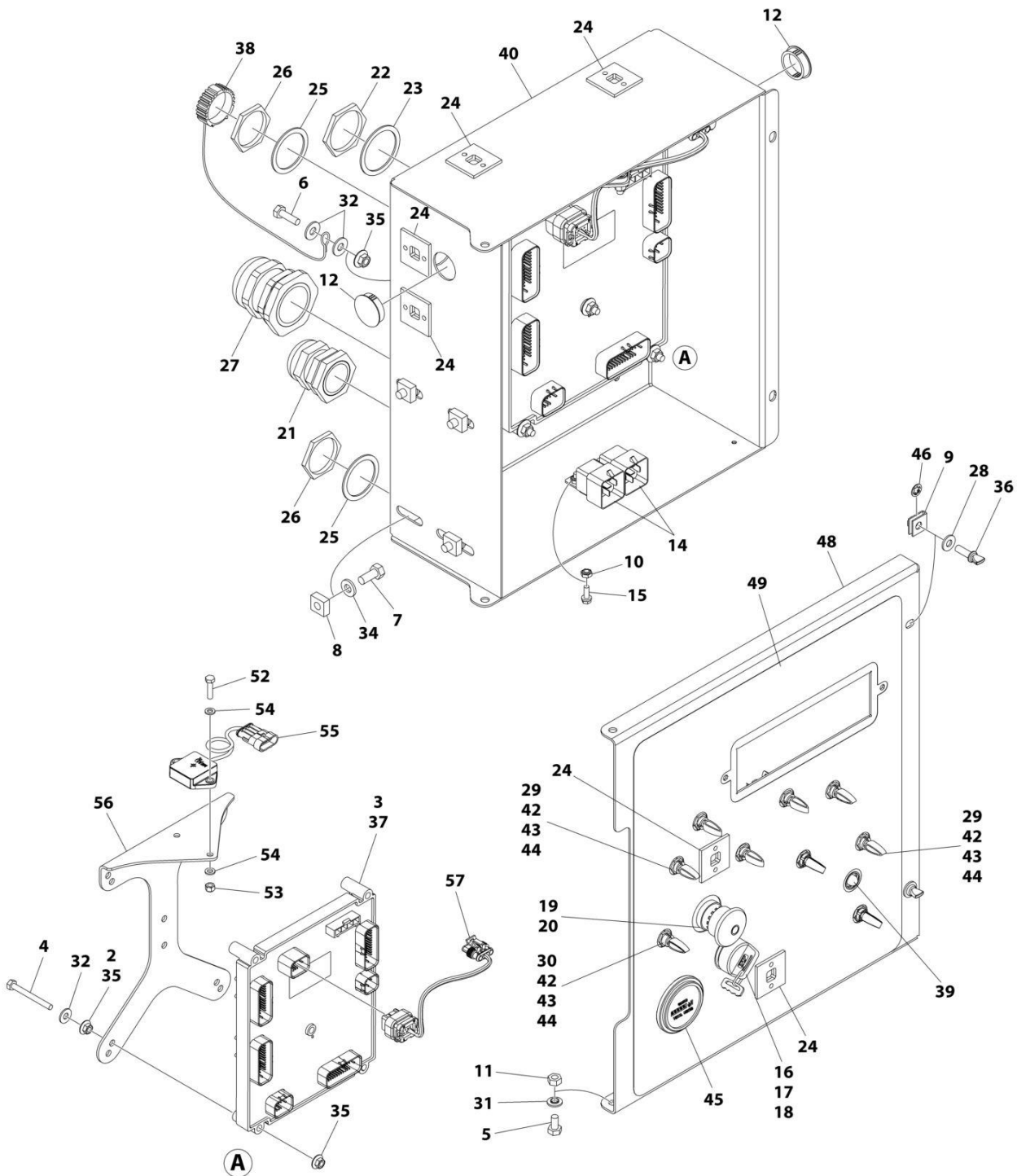
ITEM	PART NUMBER	QTY	DESCRIPTION	REV
	1001266899	Ref	GROUND CONTROL BOX ASSEMBLY	D
2	0100011	AR	Compound, Locking	
3	0100048	AR	Grease, Dielectric	
4	0630548	5	Bolt 2-1/2 Tap	
5	0641404	2	Bolt 1/4 x 1/2	
6	0641407	1	Bolt 1/4 x 7/8	
7	0641506	4	Bolt 5/16 x 3/4	
8	3300205	4	Nut, Retainer	
9	3300353	2	Nut, Tinnerman	
10	3300408	2	Nut, Plastic Insert	
11	3311405	2	Nut 1/4	
12	3520031	2	Plug	
14	3740049	2	Relay	
15	3900268	2	Screw #10 x 1/2	
16	3910804	6	Screw #8 x 1/4	
17	4070991	1	Shim	
18	4360274	1	Switch, Push Button	
19	4360387	1	Switch, Push Button	
20	4360469	1	Switch, Key	
20	2860030	1	Key Replacement	
21	4360475	1	Switch, Emergency Stop	
21	7020175	1	Cap, Mushroom	
21	7020176	1	Block, Contact	
22	4360476	1	Switch, Contact Block	
23	4460426	1	Connector, Strain Relief	
24	4460470	1	Nut, Terminal	
25	4460471	1	Washer, Terminal	
26	4460488	6	Mounting Base, Terminal	
27	4460496	2	Washer, Terminal	
28	4460497	2	Nut, Terminal	
29	4460526	1	Connector, Strain Relief	
30	4711400	2	Washer 1/4	
31	4740397	8	Spacer	
32	4740444	1	Washer	
33	4740518	2	Washer	
34	4751400	7	Washer 1/4	
36	4891500	4	Washer 5/16	
37	77143013	11	Nut 1/4-20	
38	1001103308	2	Screw 1/4	
39	1001280600	1	Module, Ground Control	
		Ref	Note: Re-calibration Required when Replaced.	
40	1001106736	1	Cap, Dust	
41	1001287467	1	Box	
42	1001284919	1	Harness, Valve (Not Shown - See Separate Breakdown in ELECTRICAL Section)	
43	1001155043	9	Washer	
44	1001155044	9	Nut 15/32-32	
45	1001155045	9	Switch, Toggle	
46	10836804	1	Gauge, Display	
47	1001176469	1	Shroud	

SECTION 2 - TURNTABLE

ITEM	PART NUMBER	QTY	DESCRIPTION	REV
48	1001188874	2	Nut	
49	1001286030	1	Harness, Engine (Not Shown - See Separate Breakdown in ELECTRICAL Section)	
50	1001297391	1	Lid	
51	1001285346	1	Harness, Ground Control Box (Not Shown - See Separate Breakdown in ELECTRICAL Section)	
52	1001285801	NLA	Wire Diagram (Not Shown)	
53	1001266878	1	Decal, Faceplate	
55	3290605	2	Nut M6	
54	0760612	2	Bolt M6 x 25	
56	4811700	4	Washer M6	
57	1001219601	1	Sensor, Tilt Dual Axis CAN	
58	1001271794	1	Bracket, Tilt Sensor	
59	1001276143	1	Harness, Tilt Sensor (See Separate Breakdown in ELECTRICAL Section)	

SECTION 2 - TURNTABLE

FIGURE 2-26. GROUND CONTROL BOX ASSEMBLY (DEUTZ D2011 ENGINE) (TOWER STOW) - WITH MECHANICAL HOUR METER (ANSI EXPORT (LRC), AUSTRALIAN & CHINESE SPECS)



ART_1001263365_D

SECTION 2 - TURNTABLE

FIGURE 2-26. GROUND CONTROL BOX ASSEMBLY (DEUTZ D2011 ENGINE) (TOWER STOW) - WITH MECHANICAL HOUR METER (ANSI EXPORT (LRC), AUSTRALIAN & CHINESE SPECS)

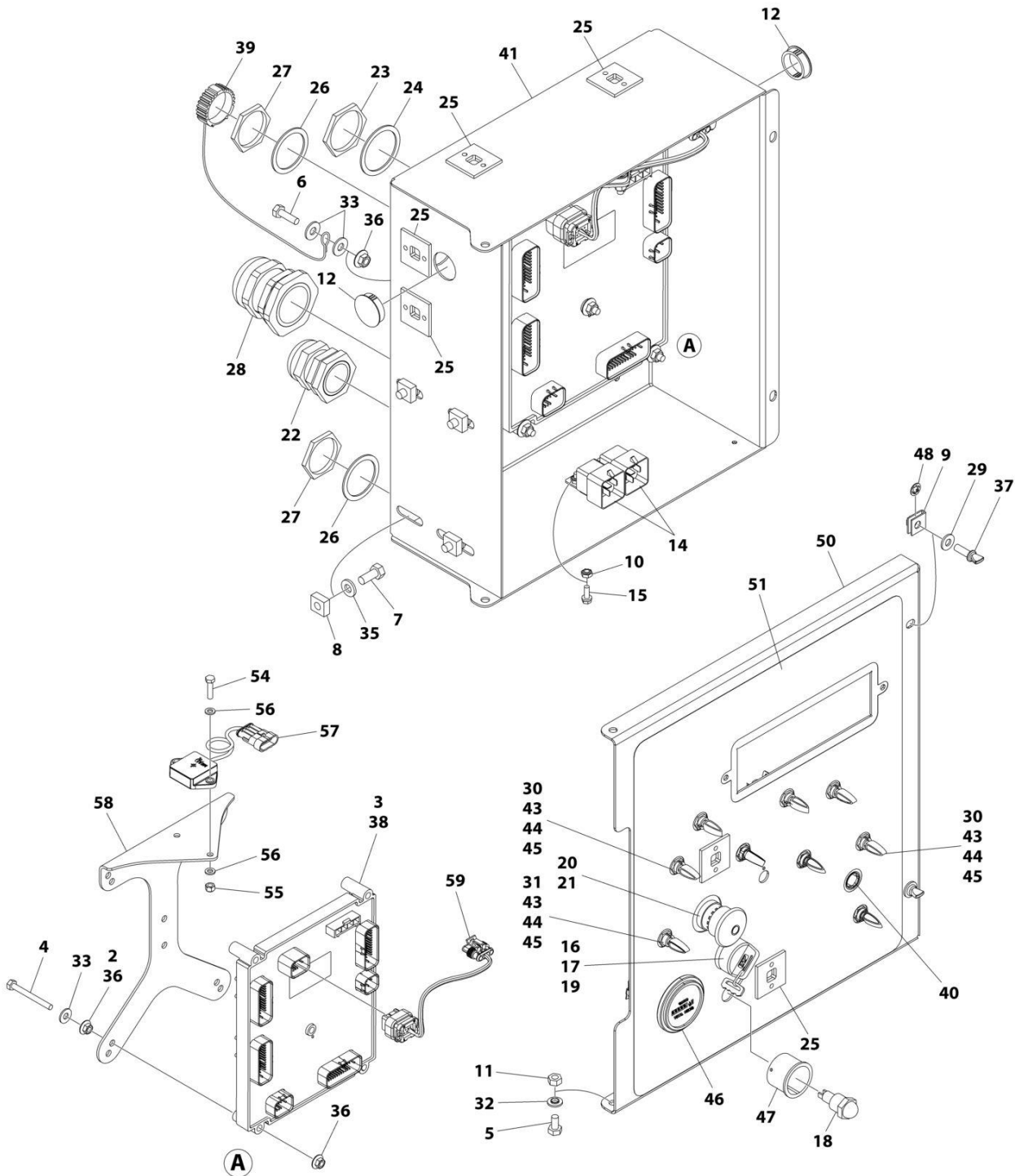
ITEM	PART NUMBER	QTY	DESCRIPTION	REV
	1001263365	Ref	CONSOLE BOX ASSEMBLY	D
2	0100011	AR	Compound, Locking	
3	0100048	AR	Grease, Dielectric	
4	0630548	5	Bolt, 2-1/2 Tap	
5	0641404	2	Bolt 1/4 x 1/2	
6	0641407	1	Bolt 1/4 x 7/8	
7	0641506	4	Bolt 5/16 x 3/4	
8	3300205	4	Nut, Retainer	
9	3300353	2	Nut, Tinnerman	
10	3300408	2	Nut, Plastic Insert	
11	3311405	2	Nut 1/4	
12	3520031	2	Plug	
14	3740049	2	Relay	
15	3900268	2	Screw #10 x 1/2	
16	3910804	6	Screw #8 x 1/4	
17	4070991	1	Shim	
18	4360469	1	Switch, Key	
18	2860030	1	Key Replacement	
19	4360475	1	Switch, Emergency Stop	
19	7020175	1	Cap, Mushroom	
19	7020176	1	Block, Contact	
20	4360476	1	Switch, Contact Block	
21	4460426	1	Connector, Strain Relief	
22	4460470	1	Nut, Terminal	
23	4460471	1	Washer, Terminal	
24	4460488	6	Mounting Base, Terminal	
25	4460496	2	Washer, Terminal	
26	4460497	2	Nut, Terminal	
27	4460526	1	Connector, Strain Relief	
28	4711400	2	Washer 1/4	
29	4740397	8	Spacer	
30	4740444	1	Washer	
31	4740518	2	Washer	
32	4751400	7	Washer 1/4	
34	4891500	4	Washer 5/16	
35	77143013	11	Nut 1/4-20	
36	1001103308	2	Screw 1/4	
37	1001280600	1	Module, Ground Control	
		Ref	Note: Re-calibration Required when Replaced.	
38	1001106736	1	Cap, Dust	
39	1001137364	1	Lamp	
40	1001287467	1	Box	
41	1001284919	1	Harness, Valve (Not Shown - See Separate Breakdown in ELECTRICAL Section)	
42	1001155043	9	Washer	
43	1001155044	9	Nut 15/32-32	
44	1001155045	9	Switch, Toggle	
45	10836804	1	Hour Meter	
46	1001188874	2	Nut	

SECTION 2 - TURNTABLE

ITEM	PART NUMBER	QTY	DESCRIPTION	REV
47	1001285378	1	Harness, Engine (Not Shown - See Separate Breakdown in ELECTRICAL Section)	
48	1001280403	1	Lid	
49	1001263356	1	Decal, Faceplate	
50	1001285346	1	Harness, Ground Control Box (Not Shown - See Separate Breakdown in ELECTRICAL Section)	
51	1001285801	NLA	Wire Diagram (Not Shown)	
52	0760612	2	Bolt M6 x 25	
53	3290605	2	Nut M6	
54	4811700	4	Washer M6	
55	1001219601	1	Sensor, Tilt Dual Axis CAN	
56	1001271794	1	Bracket, Tilt Sensor	
57	1001276143	1	Harness, Tilt Sensor (See Separate Breakdown in ELECTRICAL Section)	

SECTION 2 - TURNTABLE

FIGURE 2-27. GROUND CONTROL BOX ASSEMBLY (DEUTZ D2011 ENGINE) (TOWER STOW) (CE & UK CA SPECS)



ART_1001266468_D

SECTION 2 - TURNTABLE

FIGURE 2-27. GROUND CONTROL BOX ASSEMBLY (DEUTZ D2011 ENGINE) (TOWER STOW) (CE & UK CA SPECS)

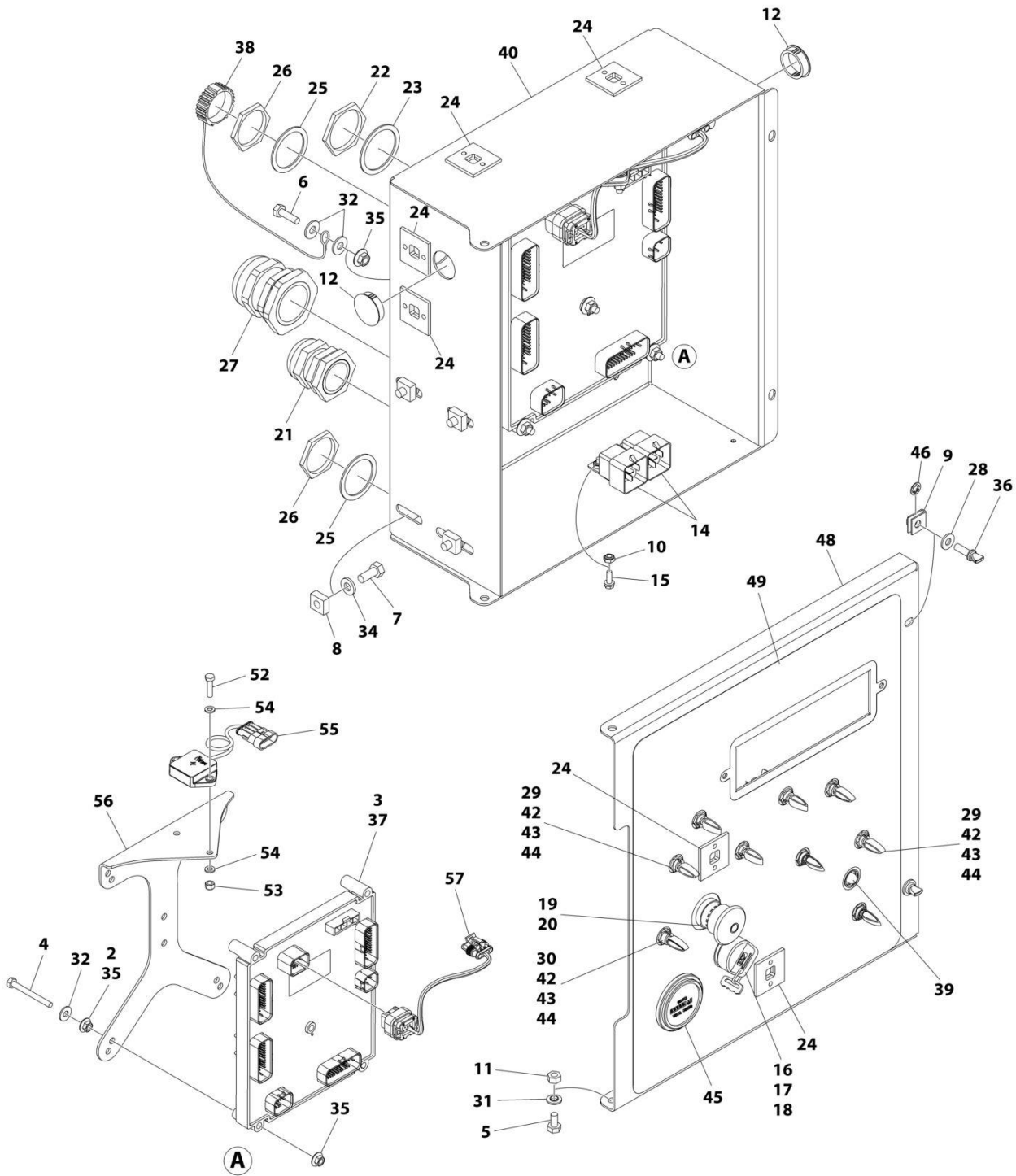
ITEM	PART NUMBER	QTY	DESCRIPTION	REV
	1001266468	Ref	CONSOLE BOX ASSEMBLY (TOWER STOW) (CE & UK CA SPEC)	D
2	0100011	AR	Compound, Locking	
3	0100048	AR	Grease, Dielectric	
4	0630548	5	Bolt, 2-1/2 Tap	
5	0641404	2	Bolt 1/4 x 1/2	
6	0641407	1	Bolt 1/4 x 7/8	
7	0641506	4	Bolt 5/16 x 3/4	
8	3300205	4	Nut, Retainer	
9	3300353	2	Nut, Tinnerman	
10	3300408	2	Nut, Plastic Insert	
11	3311405	2	Nut 1/4	
12	3520031	2	Plug	
14	3740049	2	Relay	
15	3900268	2	Screw #10 x 1/2	
16	3910804	6	Screw #8 x 1/4	
17	4070991	1	Shim	
18	4360387	1	Switch, Push Button	
19	4360469	1	Switch, Key	
19	2860030	1	Key Replacement	
20	4360475	1	Switch, Emergency Stop	
20	7020175	1	Cap, Mushroom	
20	7020176	1	Block, Contact	
21	4360476	1	Switch, Contact Block	
22	4460426	1	Connector, Strain Relief	
23	4460470	1	Nut, Terminal	
24	4460471	1	Washer, Terminal	
25	4460488	6	Mounting Base, Terminal	
26	4460496	2	Washer, Terminal	
27	4460497	2	Nut, Terminal	
28	4460526	1	Connector, Strain Relief	
29	4711400	2	Washer 1/4	
30	4740397	8	Spacer	
31	4740444	1	Washer	
32	4740518	2	Washer	
33	4751400	7	Washer 1/4	
35	4891500	4	Washer 5/16	
36	77143013	11	Nut 1/4-20	
37	1001103308	2	Screw 1/4	
38	1001280600	1	Module, Ground Control	
		Ref	Note: Re-calibration Required when Replaced.	
39	1001106736	1	Cap, Dust	
40	1001137364	1	Lamp	
41	1001287467	1	Box	
42	1001284919	1	Harness, Valve (Not Shown - See Separate Breakdown in ELECTRICAL Section)	
43	1001155043	9	Washer	
44	1001155044	9	Nut 15/32-32	
45	1001155045	9	Switch, Toggle	

SECTION 2 - TURNTABLE

ITEM	PART NUMBER	QTY	DESCRIPTION	REV
46	10836804	1	Gauge	
47	1001176469	1	Shroud	
48	1001188874	2	Nut	
49	1001285378	1	Harness, Engine (Not Shown - See Separate Breakdown in ELECTRICAL Section)	
50	1001297391	1	Lid	
51	1001263355	1	Decal, Faceplate	
52	1001285346	1	Harness, Ground Control Box (Not Shown - See Separate Breakdown in ELECTRICAL Section)	
53	1001285801	NLA	Wire Diagram (Not Shown)	
54	0760612	2	Bolt M6 x 25	
55	3290605	2	Nut M6	
56	4811700	4	Washer M6	
57	1001219601	1	Sensor, Tilt Dual Axis CAN	
58	1001271794	1	Bracket, Tilt Sensor	
59	1001276143	1	Harness, Tilt Sensor (See Separate Breakdown in ELECTRICAL Section)	

SECTION 2 - TURNTABLE

FIGURE 2-28. GROUND CONTROL BOX ASSEMBLY (DEUTZ 2.9L4 ENGINE) (TOWER STOW) - WITH MECHANICAL HOUR METER



ART_1001263366_D

SECTION 2 - TURNTABLE

FIGURE 2-28. GROUND CONTROL BOX ASSEMBLY (DEUTZ 2.9L4 ENGINE) (TOWER STOW) - WITH MECHANICAL HOUR METER

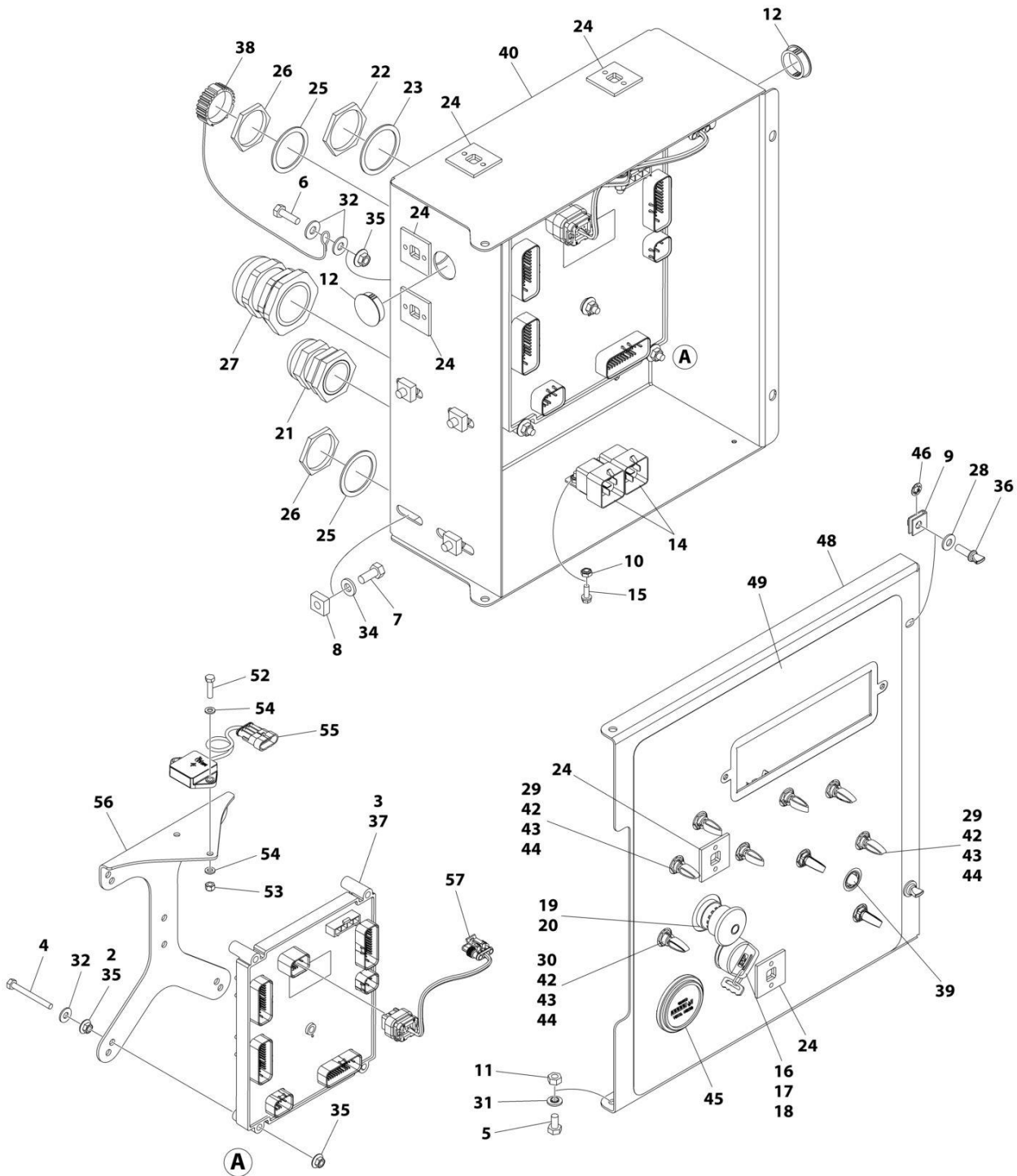
ITEM	PART NUMBER	QTY	DESCRIPTION	REV
	1001263366	Ref	CONSOLE BOX ASSEMBLY (TOWER STOW)	D
2	0100011	AR	Compound, Locking	
3	0100048	AR	Grease, Dielectric	
4	0630548	5	Bolt, 2-1/2 Tap	
5	0641404	2	Bolt 1/4 x 1/2	
6	0641407	1	Bolt 1/4 x 7/8	
7	0641506	4	Bolt 5/16 x 3/4	
8	3300205	4	Nut, Retainer	
9	3300353	2	Nut, Tinnerman	
10	3300408	2	Nut, Plastic Insert	
11	3311405	2	Nut 1/4	
12	3520031	2	Plug	
14	3740049	2	Relay	
15	3900268	2	Screw #10 x 1/2	
16	3910804	6	Screw #8 x 1/4	
17	4070991	1	Shim	
18	4360469	1	Switch, Key	
18	2860030	1	Key Replacement	
19	4360475	1	Switch, Emergency Stop	
19	7020175	1	Cap, Mushroom	
19	7020176	1	Block, Contact	
20	4360476	1	Switch, Contact Block	
21	4460426	1	Connector, Strain Relief	
22	4460470	1	Nut, Terminal	
23	4460471	1	Washer, Terminal	
24	4460488	6	Mounting Base, Terminal	
25	4460496	2	Washer, Terminal	
26	4460497	2	Nut, Terminal	
27	4460526	1	Connector, Strain Relief	
28	4711400	2	Washer 1/4	
29	4740397	8	Spacer	
30	4740444	1	Washer	
31	4740518	2	Washer	
32	4751400	7	Washer 1/4	
34	4891500	4	Washer 5/16	
35	77143013	11	Nut 1/4-20	
36	1001103308	2	Screw 1/4	
37	1001280600	1	Module, Ground Control	
		Ref	Note: Re-calibration Required when Replaced.	
38	1001106736	1	Cap, Dust	
39	1001137364	1	Lamp	
40	1001287467	1	Box	
41	1001284919	1	Harness, Valve (Not Shown - See Separate Breakdown in ELECTRICAL Section)	
42	1001155043	9	Washer	
43	1001155044	9	Nut 15/32-32	
44	1001155045	9	Switch, Toggle	
45	10836804	1	Hour Meter	
46	1001188874	2	Nut	

SECTION 2 - TURNTABLE

ITEM	PART NUMBER	QTY	DESCRIPTION	REV
47	1001286030	1	Harness, Engine (Not Shown - See Separate Breakdown in ELECTRICAL Section)	
48	1001280403	1	Lid	
49	1001263356	1	Decal, Faceplate	
50	1001285346	1	Harness, Ground Control Box (Not Shown - See Separate Breakdown in ELECTRICAL Section)	
51	1001285801	NLA	Wire Diagram (Not Shown)	
52	0760612	2	Bolt M6 x 25	
53	3290605	2	Nut M6	
54	4811700	4	Washer M6	
55	1001219601	1	Sensor, Tilt Dual Axis CAN	
56	1001271794	1	Bracket, Tilt Sensor	
57	1001276143	1	Harness, Tilt Sensor (See Separate Breakdown in ELECTRICAL Section)	

SECTION 2 - TURNTABLE

FIGURE 2-29. GROUND CONTROL BOX ASSEMBLY (FORD ENGINE) (TOWER STOW) - WITH MECHANICAL HOUR METER



ART_1001263367_D

SECTION 2 - TURNTABLE

FIGURE 2-29. GROUND CONTROL BOX ASSEMBLY (FORD ENGINE) (TOWER STOW) - WITH MECHANICAL HOUR METER

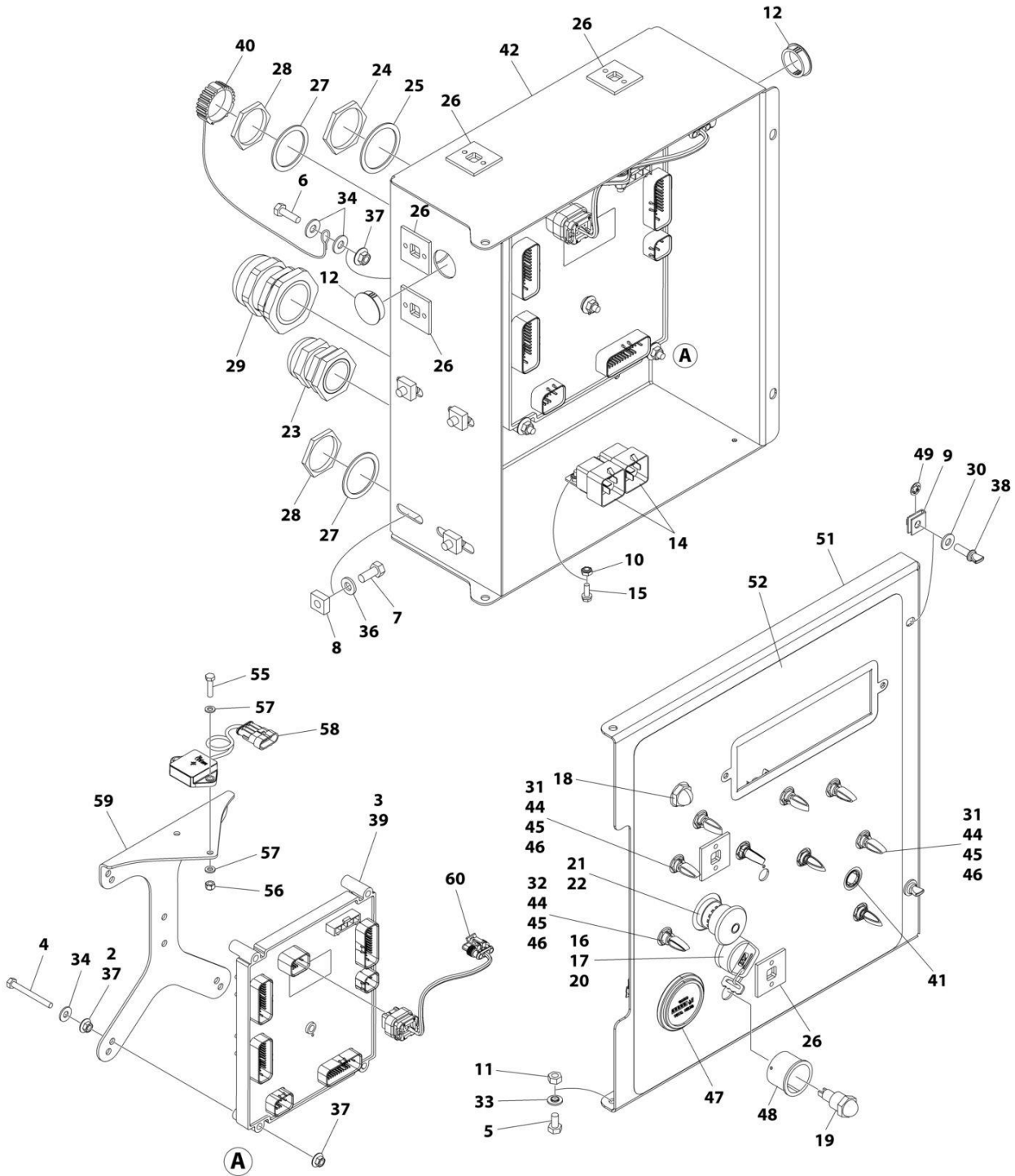
ITEM	PART NUMBER	QTY	DESCRIPTION	REV
	1001263367	Ref	CONSOLE BOX ASSEMBLY (TOWER STOW)	D
2	0100011	AR	Compound, Locking	
3	0100048	AR	Grease, Dielectric	
4	0630548	5	Bolt, 2-1/2 Tap	
5	0641404	2	Bolt 1/4 x 1/2	
6	0641407	1	Bolt 1/4 x 7/8	
7	0641506	4	Bolt 5/16 x 3/4	
8	3300205	4	Nut, Retainer	
9	3300353	2	Nut, Tinnerman	
10	3300408	2	Nut, Plastic Insert	
11	3311405	2	Nut 1/4	
12	3520031	2	Plug	
14	3740049	2	Relay	
15	3900268	2	Screw #10 x 1/2	
16	3910804	6	Screw #8 x 1/4	
17	4070991	1	Shim	
18	4360469	1	Switch, Key	
18	2860030	1	Key Replacement	
19	4360475	1	Switch, Emergency Stop	
19	7020175	1	Cap, Mushroom	
19	7020176	1	Block, Contact	
20	4360476	1	Switch, Contact Block	
21	4460426	1	Connector, Strain Relief	
22	4460470	1	Nut, Terminal	
23	4460471	1	Washer, Terminal	
24	4460488	6	Mounting Base, Terminal	
25	4460496	2	Washer, Terminal	
26	4460497	2	Nut, Terminal	
27	4460526	1	Connector, Strain Relief	
28	4711400	2	Washer 1/4	
29	4740397	8	Spacer	
30	4740444	1	Washer	
31	4740518	2	Washer	
32	4751400	7	Washer 1/4	
34	4891500	4	Washer 5/16	
35	77143013	11	Nut 1/4-20	
36	1001103308	2	Screw 1/4	
37	1001280600	1	Module, Ground Control	
		Ref	Note: Re-calibration Required when Replaced.	
38	1001106736	1	Cap, Dust	
39	1001137364	1	Lamp	
40	1001287467	1	Box	
41	1001284919	1	Harness, Valve (Not Shown - See Separate Breakdown in ELECTRICAL Section)	
42	1001155043	9	Washer	
43	1001155044	9	Nut 15/32-32	
44	1001155045	9	Switch, Toggle	
45	10836804	1	Hour Meter	
46	1001188874	2	Nut	

SECTION 2 - TURNTABLE

ITEM	PART NUMBER	QTY	DESCRIPTION	REV
47	1001286031	1	Harness, Engine (Not Shown - See Separate Breakdown in ELECTRICAL Section)	
48	1001280403	1	Lid	
49	1001263356	1	Decal, Faceplate	
50	1001285346	1	Harness, Ground Control Box (Not Shown - See Separate Breakdown in ELECTRICAL Section)	
51	1001285801	NLA	Wire Diagram (Not Shown)	
52	0760612	2	Bolt M6 x 25	
53	3290605	2	Nut M6	
54	4811700	4	Washer M6	
55	1001219601	1	Sensor, Tilt Dual Axis CAN	
56	1001271794	1	Bracket, Tilt Sensor	
57	1001276143	1	Harness, Tilt Sensor (See Separate Breakdown in ELECTRICAL Section)	

SECTION 2 - TURNTABLE

FIGURE 2-30. GROUND CONTROL BOX ASSEMBLY (DEUTZ TD2.2L3 ENGINE) (TOWER STOW)



ART_1001263368_D

SECTION 2 - TURNTABLE

FIGURE 2-30. GROUND CONTROL BOX ASSEMBLY (DEUTZ TD2.2L3 ENGINE) (TOWER STOW)

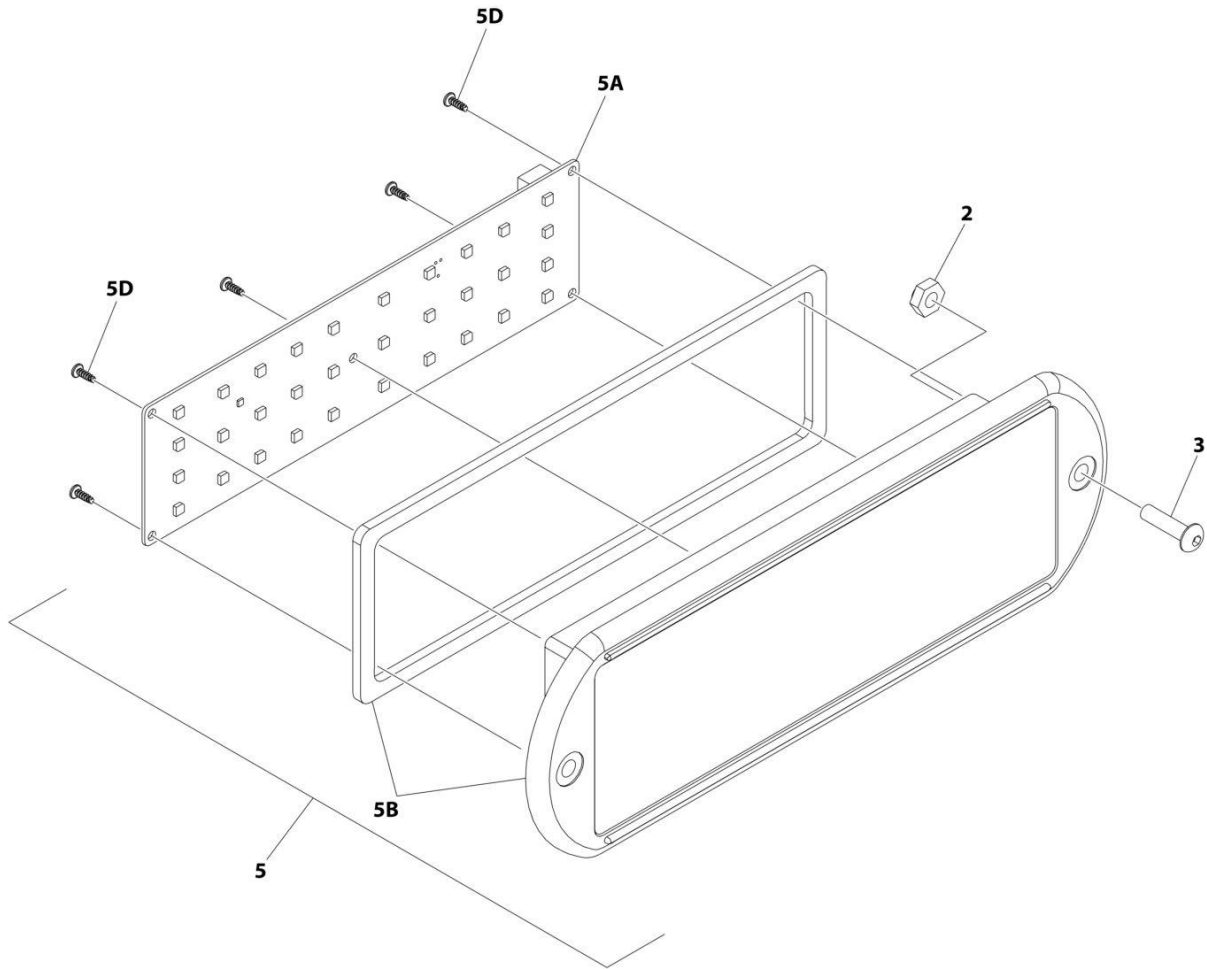
ITEM	PART NUMBER	QTY	DESCRIPTION	REV
	1001263368	Ref	CONSOLE BOX ASSEMBLY (TOWER STOW)	D
2	0100011	AR	Compound, Locking	
3	0100048	AR	Grease, Dielectric	
4	0630548	5	Bolt, 2-1/2 Tap	
5	0641404	2	Bolt 1/4 x 1/2	
6	0641407	1	Bolt 1/4 x 7/8	
7	0641506	4	Bolt 5/16 x 3/4	
8	3300205	4	Nut, Retainer	
9	3300353	2	Nut, Tinnerman	
10	3300408	2	Nut, Plastic Insert	
11	3311405	2	Nut 1/4	
12	3520031	2	Plug	
14	3740049	2	Relay	
15	3900268	2	Screw #10 x 1/2	
16	3910804	6	Screw #8 x 1/4	
17	4070991	1	Shim	
18	4360274	1	Switch, Push Button	
19	4360387	1	Switch, Push Button	
20	4360469	1	Switch, Key	
20	2860030	1	Key Replacement	
21	4360475	1	Switch, Emergency Stop	
21	7020175	1	Cap, Mushroom	
21	7020176	1	Block, Contact	
22	4360476	1	Switch, Contact Block	
23	4460426	1	Connector, Strain Relief	
24	4460470	1	Nut, Terminal	
25	4460471	1	Washer, Terminal	
26	4460488	6	Mounting Base, Terminal	
27	4460496	2	Washer, Terminal	
28	4460497	2	Nut, Terminal	
29	4460526	1	Connector, Strain Relief	
30	4711400	2	Washer 1/4	
31	4740397	8	Spacer	
32	4740444	1	Washer	
33	4740518	2	Washer	
34	4751400	7	Washer 1/4	
36	4891500	4	Washer 5/16	
37	77143013	11	Nut 1/4-20	
38	1001103308	2	Screw 1/4	
39	1001280600	1	Module, Ground Control	
		Ref	Note: Re-calibration Required when Replaced.	
40	1001106736	1	Cap, Dust	
41	1001137364	1	Lamp	
42	1001287467	1	Box	
43	1001284919	1	Harness, Valve (Not Shown - See Separate Breakdown in ELECTRICAL Section)	
44	1001155043	9	Washer	
45	1001155044	9	Nut 15/32-32	
46	1001155045	9	Switch, Toggle	
47	10836804	1	Gauge	

SECTION 2 - TURNTABLE

ITEM	PART NUMBER	QTY	DESCRIPTION	REV
48	1001176469	1	Shroud	
49	1001188874	2	Nut	
50	1001286030	1	Harness, Engine (Not Shown - See Separate Breakdown in ELECTRICAL Section)	
51	1001297391	1	Lid	
52	1001263357	1	Decal, Faceplate	
53	1001285346	1	Harness, Ground Control Box (Not Shown - See Separate Breakdown in ELECTRICAL Section)	
54	1001285801	NLA	Wire Diagram (Not Shown)	
55	0760612	2	Bolt M6 x 25	
56	3290605	2	Nut M6	
57	4811700	4	Washer M6	
58	1001219601	1	Sensor, Tilt Dual Axis CAN	
59	1001271794	1	Bracket, Tilt Sensor	
60	1001276143	1	Harness, Tilt Sensor (See Separate Breakdown in ELECTRICAL Section)	

SECTION 2 - TURNTABLE

FIGURE 2-31. LIGHT PANEL INSTALLATION - GROUND CONTROL



ART_1001233959_D_10F2

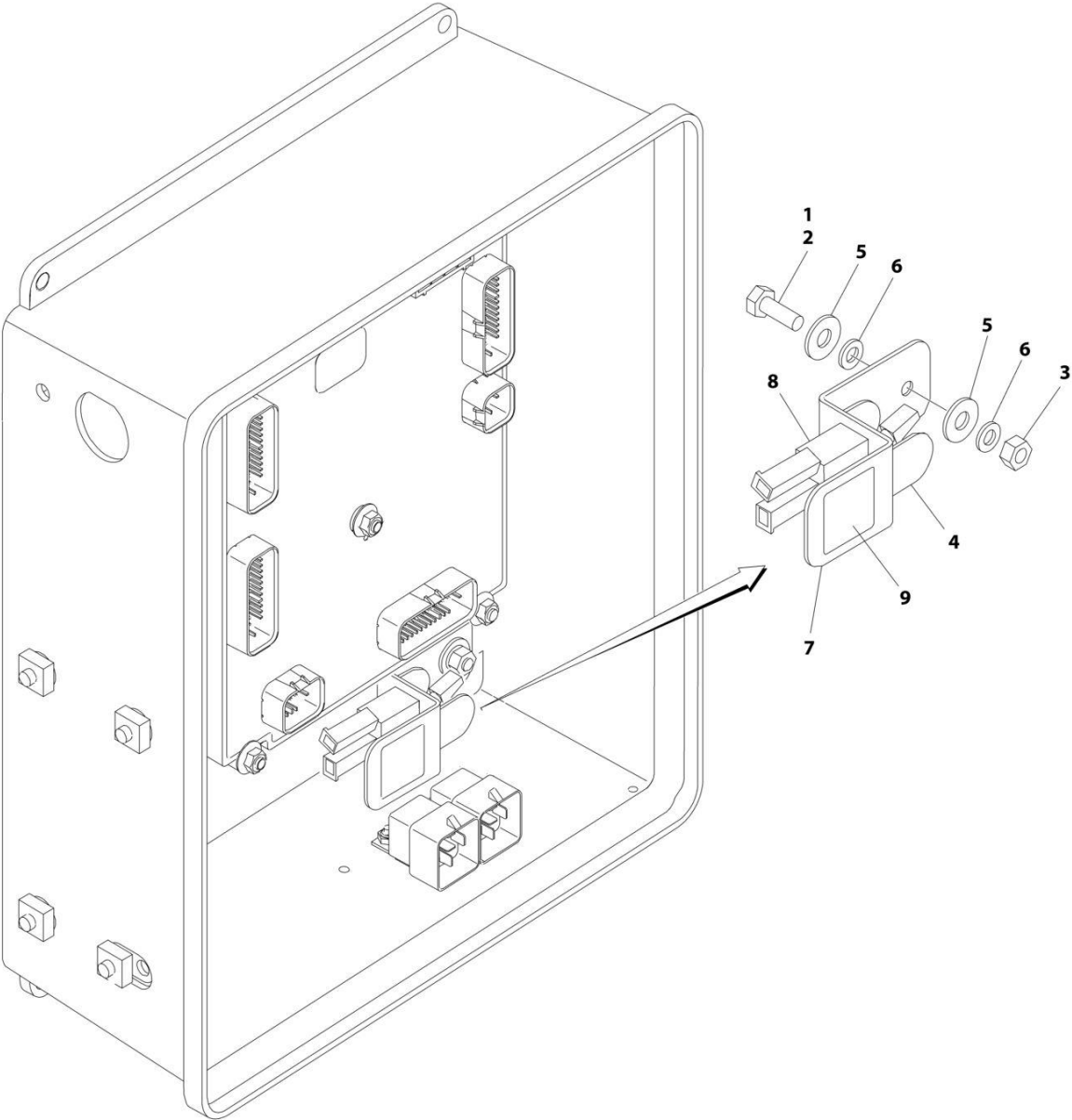
SECTION 2 - TURNTABLE

FIGURE 2-31. LIGHT PANEL INSTALLATION - GROUND CONTROL

ITEM	PART NUMBER	QTY	DESCRIPTION	REV
	1001233959	Ref	LIGHT PANEL INSTALLATION	D
2	3300408	2	Nut, Nylon Insert	
3	0630518	2	Screw #10 x 3/4	
5	1001237546	1	Light Panel Assembly	J
5A	1001282106	1	Panel, LED Light	
5B	1001236091	1	Lens, Icon (Includes Gasket)	
5D		Ref	Screw	

SECTION 2 - TURNTABLE

FIGURE 2-32. CRIBBING ENABLE SWITCH INSTALLATION



ART_1001115918

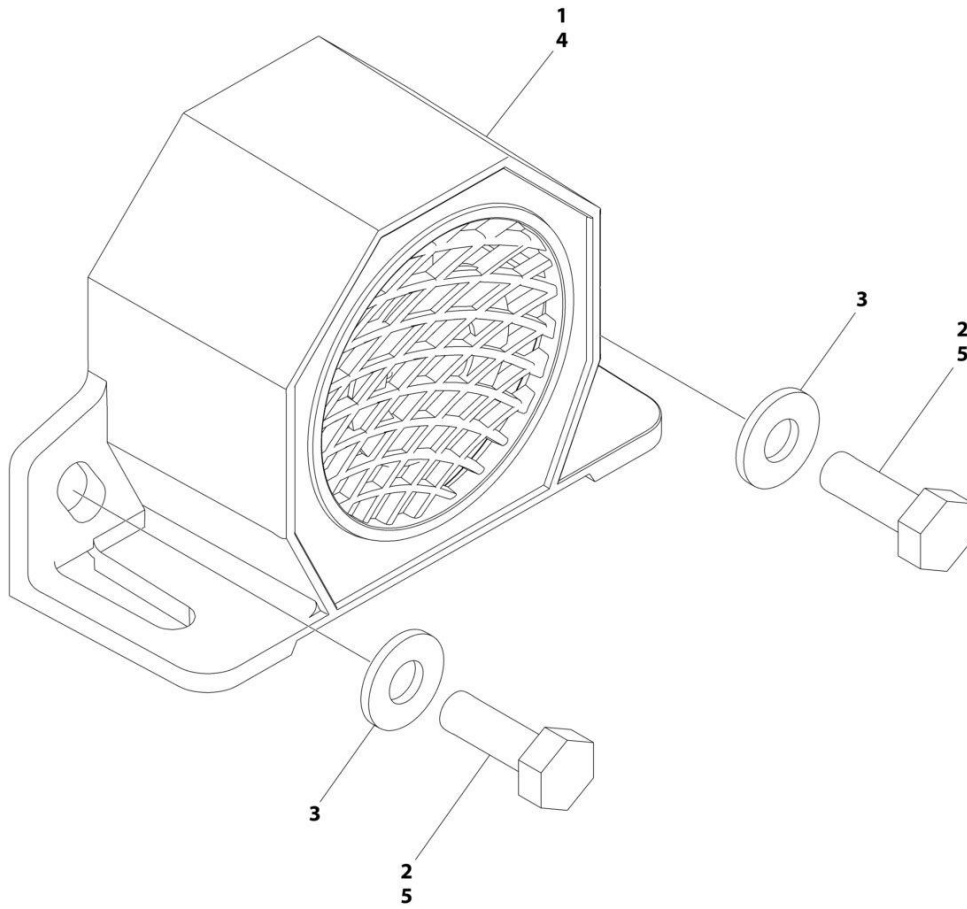
SECTION 2 - TURNTABLE

FIGURE 2-32. CRIBBING ENABLE SWITCH INSTALLATION

ITEM	PART NUMBER	QTY	DESCRIPTION	REV
	1001115918	Ref	CRIBBING ENABLE SWITCH INSTALLATION	A
1	0100011	AR	Compound, Locking	
2	0641406	1	Bolt 1/4 x 3/4	
3	3311401	1	Nut 1/4	
4	4060906	1	Guard, Switch	
5	4751400	2	Washer 1/4	
6	4761400	2	Washer 1/4	
7	1001115889	1	Bracket	
8	1001115915	1	Cribbing Enable Harness	
8	4360336	1	Switch, Toggle	
8	4460226	2	Socket, Female	
9	1001115967	1	Decal - Cribbing	

SECTION 2 - TURNTABLE

FIGURE 2-33. ALARM INSTALLATION



ART_1001160074

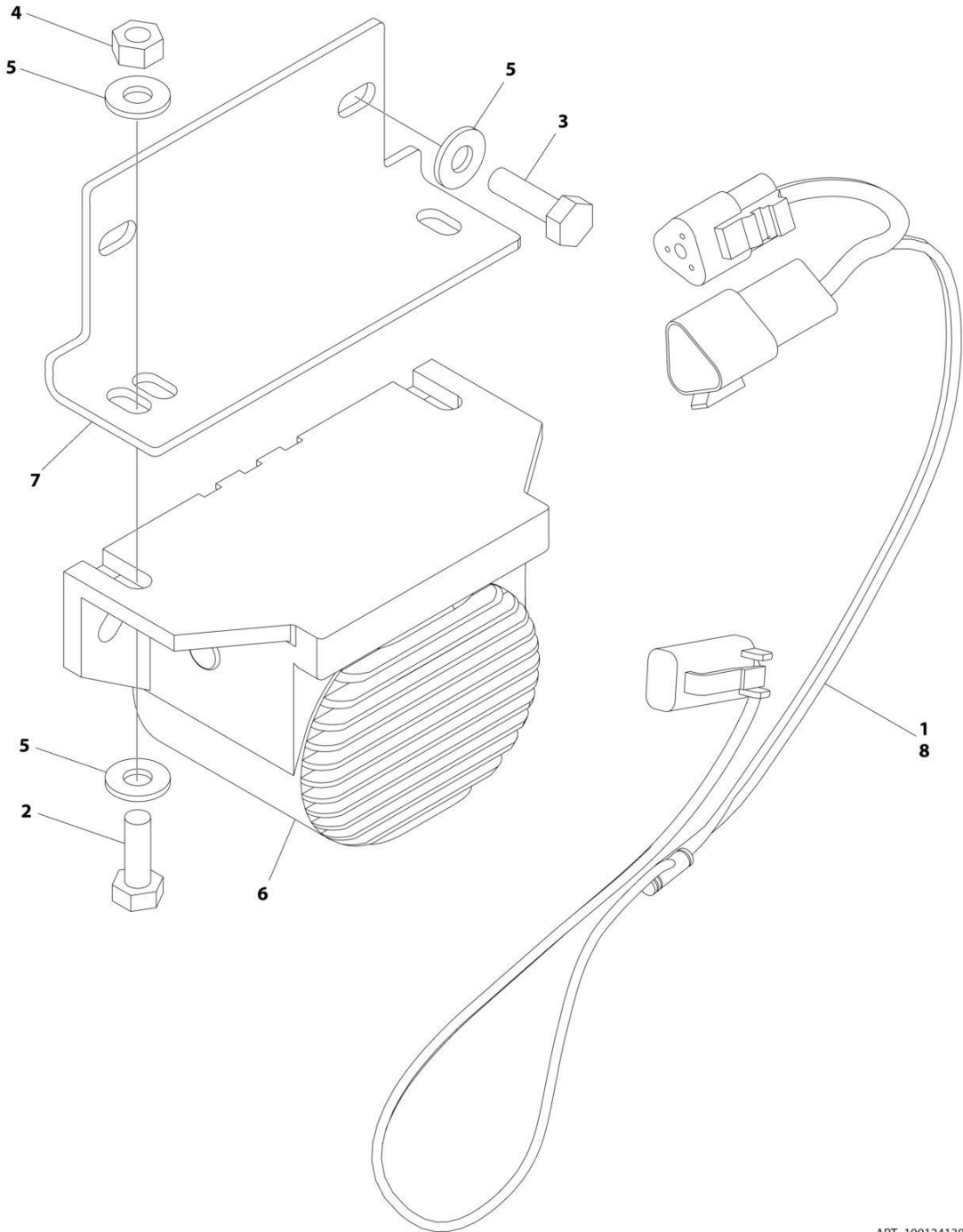
SECTION 2 - TURNTABLE

FIGURE 2-33. ALARM INSTALLATION

ITEM	PART NUMBER	QTY	DESCRIPTION	REV
	1001160074	Ref	ALARMS INSTALLATION	A
1	0140044	1	Alarm	
2	0641406	2	Bolt 1/4 x 3/4	
3	4711400	2	Washer 1/4	
4	0100048	AR	Compound, Dielectric	
5	0100011	AR	Compound, Locking	

SECTION 2 - TURNTABLE

FIGURE 2-34. ALARM (WHITE NOISE AMBIENT) INSTALLATION



ART_1001241384

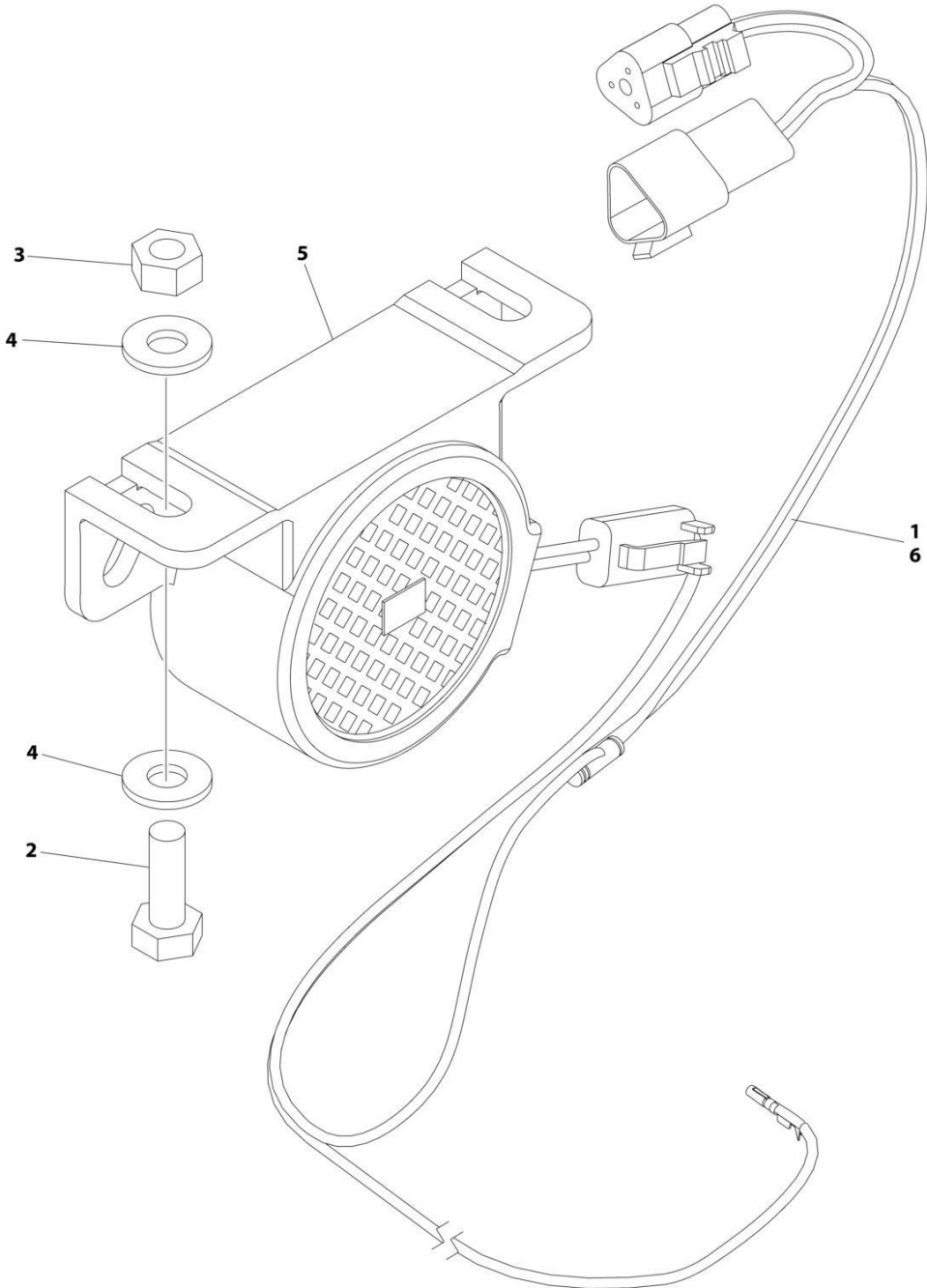
SECTION 2 - TURNTABLE

FIGURE 2-34. ALARM (WHITE NOISE AMBIENT) INSTALLATION

ITEM	PART NUMBER	QTY	DESCRIPTION	REV
	1001241384	Ref	BACKUP ALARM AMBIENT (WHITE NOISE) INSTALLATION	B
1	0100048	AR	Grease, Dielectric	
2	0641406	2	Bolt 1/4 x 3/4	
3	0641407	2	Bolt 1/4 x 7/8	
4	3311405	2	Nut 1/4	
5	4711400	6	Washer 1/4	
6	1001182806	1	Alarm	
6	4460897	1	Connector - 2 Position	
6	4460464	2	Pin, Male	
7	1001231886	1	Plate	
8	1001231007	1	Harness, White Noise Motion Alarm (See Separate Breakdown in ELECTRICAL SECTION)	

SECTION 2 - TURNTABLE

FIGURE 2-35. ALARM (WHITE NOISE) INSTALLATION



ART_1001239346

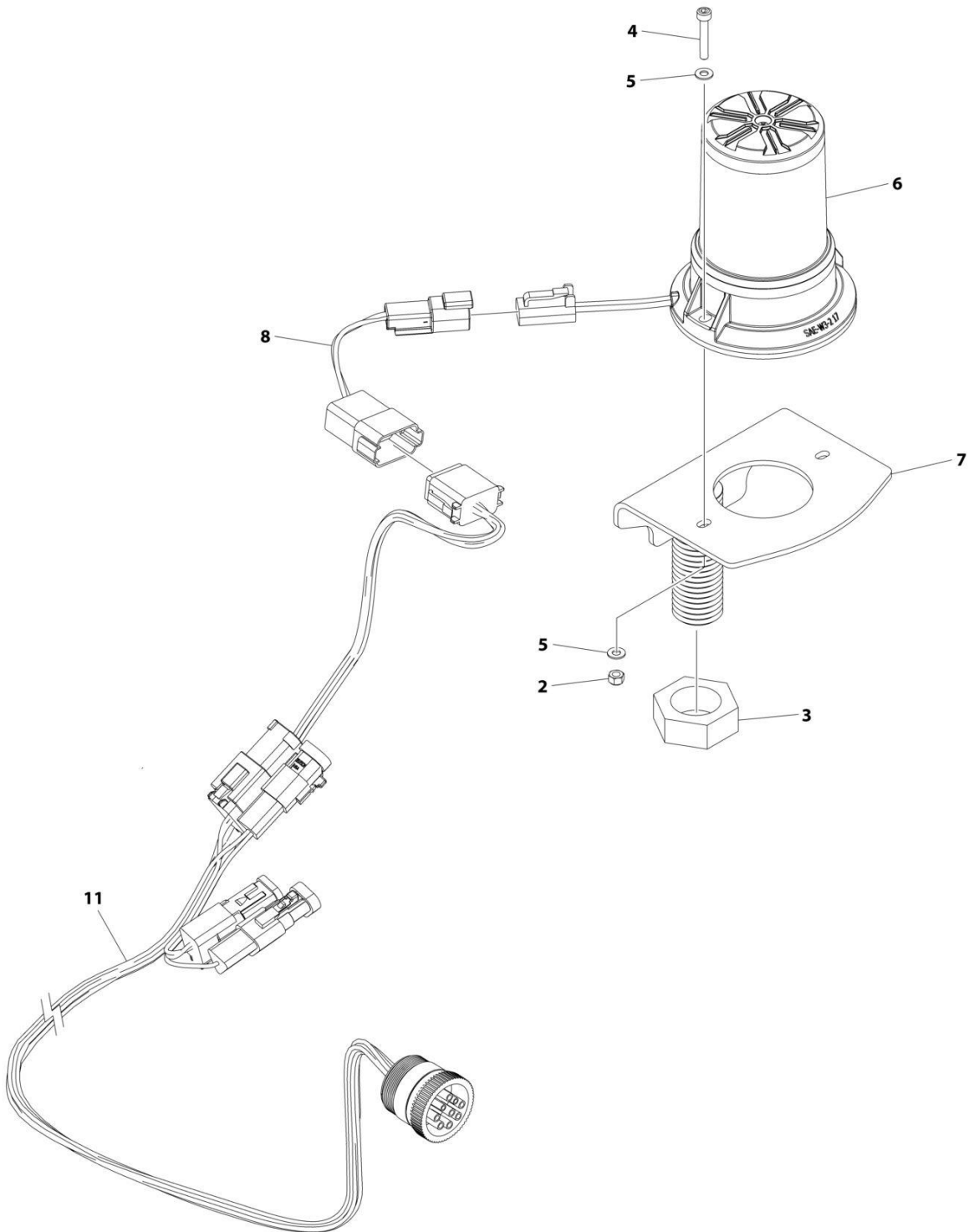
SECTION 2 - TURNTABLE

FIGURE 2-35. ALARM (WHITE NOISE) INSTALLATION

ITEM	PART NUMBER	QTY	DESCRIPTION	REV
	1001239346	Ref	BACKUP ALARM (WHITE NOISE) INSTALLATION	B
1	0100048	AR	Grease, Dielectric	
2	0641406	2	Bolt 1/4 x 3/4	
3	3311405	2	Valve, Check	
4	4711400	4	Washer 1/4	
6	1001184682	1	Alarm	
6	4460897	1	Connector - 2 Position	
6	4460464	2	Pin, Male	
6	1001231007	1	Harness, White Noise Motion Alarm (See Separate Breakdown in ELECTRICAL SECTION)	

SECTION 2 - TURNTABLE

FIGURE 2-36. STROBE LIGHT INSTALLATION (AMBER)



ART_1001160077_E

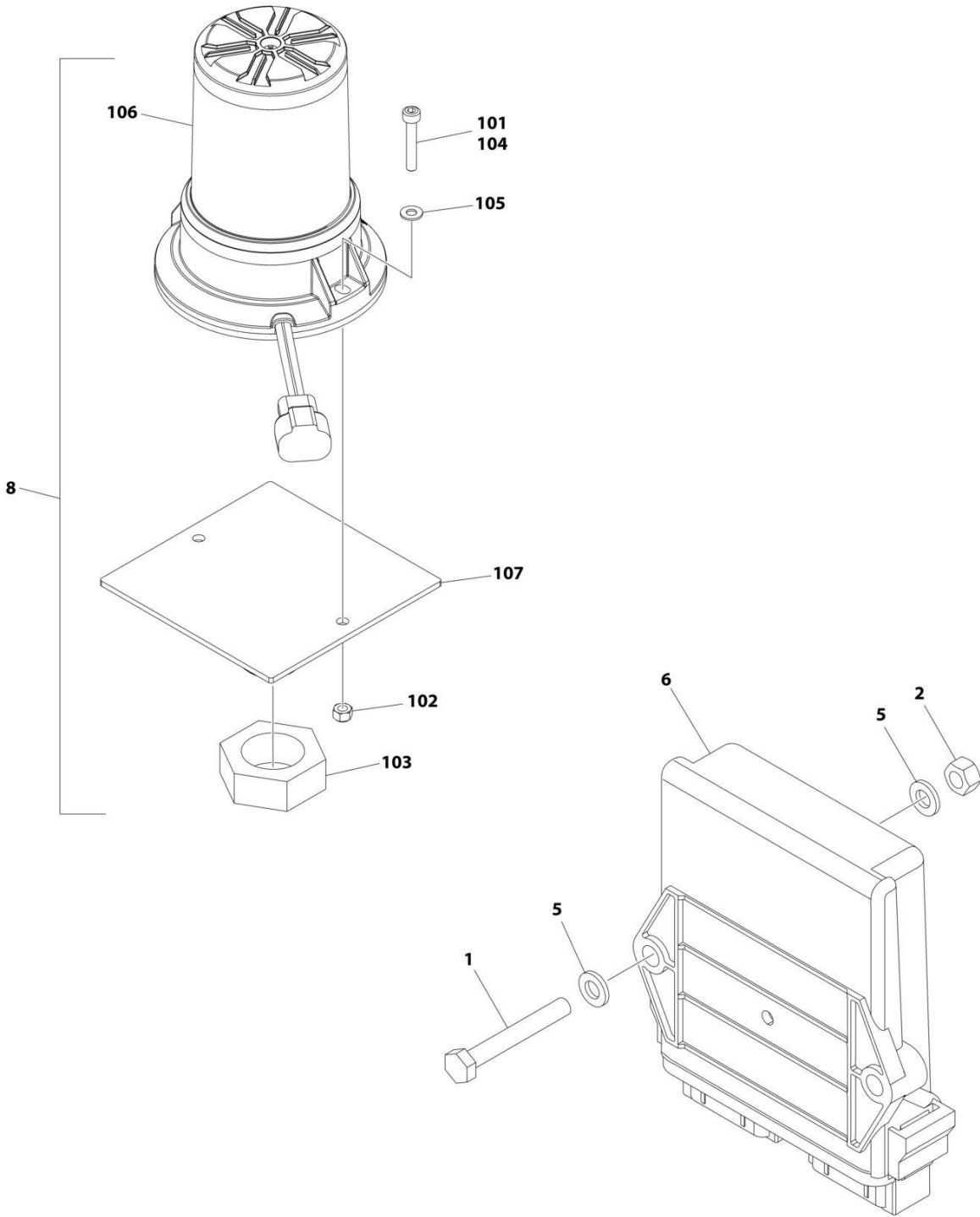
SECTION 2 - TURNTABLE

FIGURE 2-36. STROBE LIGHT INSTALLATION (AMBER)

ITEM	PART NUMBER	QTY	DESCRIPTION	REV
	1001160077	Ref	STROBE LIGHT INSTALLATION (AMBER)	E
2	3290405	2	Nut, Lock M4	
3	3312602	1	Nut	
4	4031509	2	Capscrew M4 x 25	
5	4811400	4	Washer M4	
6	1001270594	1	Strobe Light/Harness Assembly	
6	4460891	1	Connector	
6	4460465	2	Socket	
7	1001275149	2	Mount	
8	1001283776	1	Harness, Strobe Jumper (See Separate Breakdown in ELECTRICAL Section)	
9	4240017	AR	Tie-Strap (Not Shown)	
10	4460234	AR	Mount, Tie-Strap (Not Shown)	
11	1001286622	1	CSB Harness (See Separate Breakdown in ELECTRICAL Section)	

SECTION 2 - TURNTABLE

FIGURE 2-37. STROBE LIGHT INSTALLATION (BLUE)



ART_1001242251_B

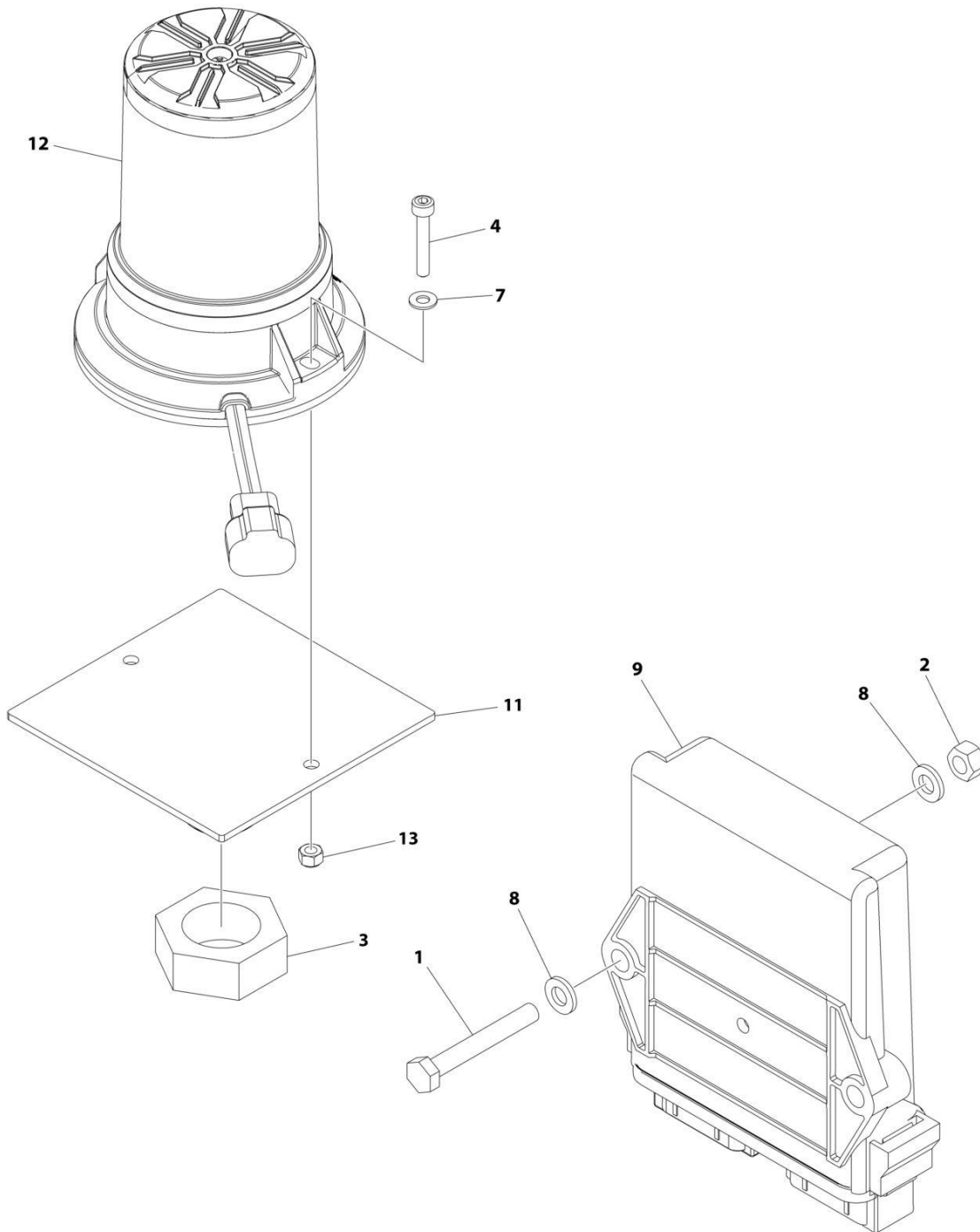
SECTION 2 - TURNTABLE

FIGURE 2-37. STROBE LIGHT INSTALLATION (BLUE)

ITEM	PART NUMBER	QTY	DESCRIPTION	REV
	1001242251	Ref	STROBE LIGHT INSTALLATION (BLUE)	B
1	0700617	2	Bolt M6 x 45	
2	3290607	2	Nut M6 x 1	
3	4240032	AR	Tie-Strap (Not Shown)	
4	4460488	AR	Mounting Base (Not Shown)	
5	4811700	4	Washer M6	
6	1001142683	1	Module, Control Beacon	
7	1001142736	1	Harness, Beacon Control (Not Shown - See Separate Breakdown in ELECTRICAL Section)	
8	1001278845	1	Blue Beacon Light Kit (See Items 101-107 for Breakdown)	
101	0100035	AR	Compound, Locking	
102	3290405	2	Nut, Lock M4	
103	3312602	1	Nut 1	
104	4031509	2	Capscrew M4 x 25	
105	4811400	2	Washer M4	
106	1001272681	1	Strobe Light/Harness Assembly	
106	4460897	1	Connector	
106	4460464	2	Socket	
107	1001278850	1	Mount, Beacon	

SECTION 2 - TURNTABLE

FIGURE 2-38. STROBE LIGHT INSTALLATION (RED)



ART_1001242252_B

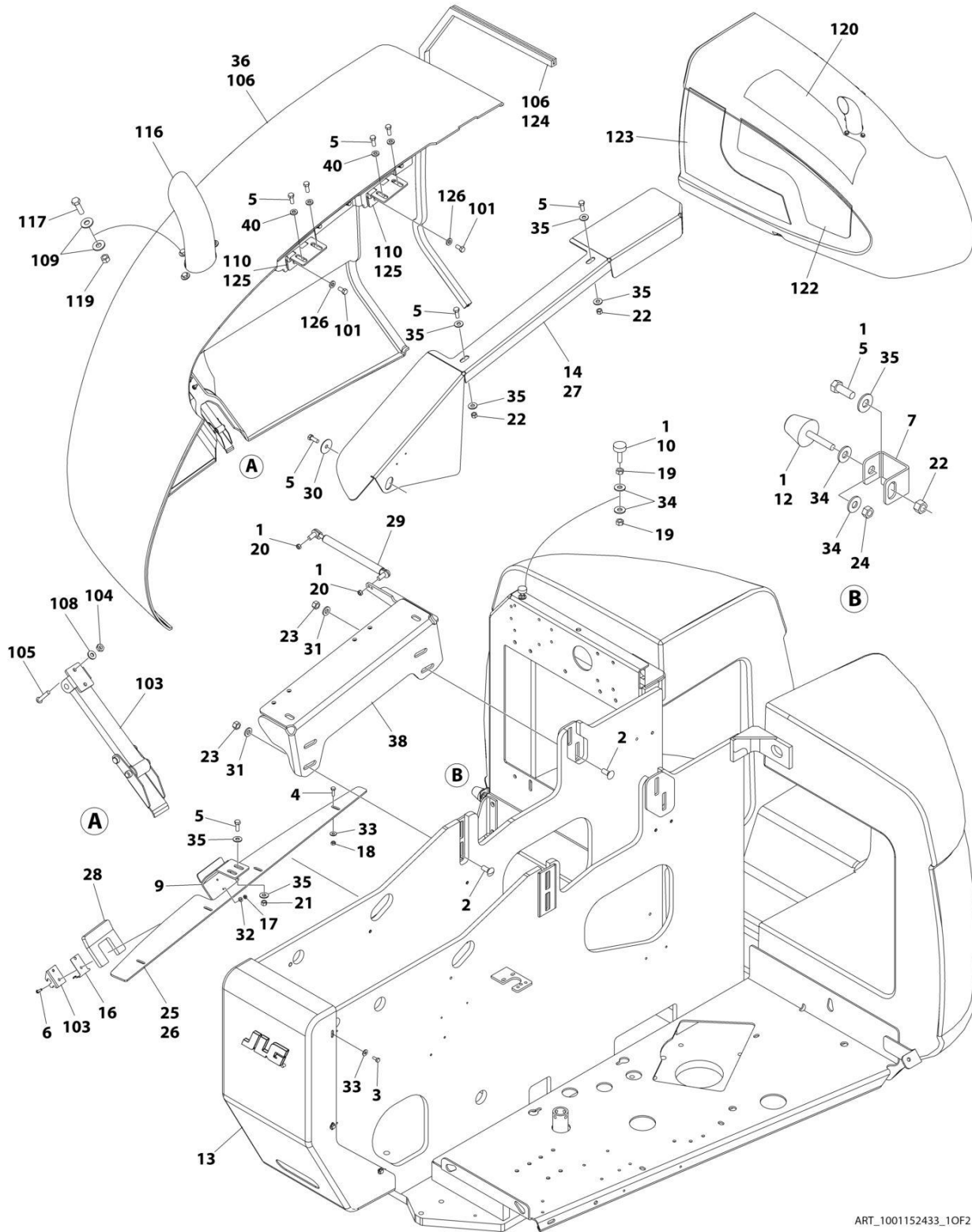
SECTION 2 - TURNTABLE

FIGURE 2-38. STROBE LIGHT INSTALLATION (RED)

ITEM	PART NUMBER	QTY	DESCRIPTION	REV
	1001242252	Ref	STROBE LIGHT INSTALLATION (RED)	B
1	0700617	2	Bolt M6 x 45	
2	3290607	2	Nut M6 x 1	
3	3312602	1	Nut 1	
4	4031509	4	Capscrew M4 x 25	
5	4240032	AR	Tie-Strap (Not Shown)	
6	4460488	AR	Mounting Base (Not Shown)	
7	4811400	2	Washer M4	
8	4811700	4	Washer M6	
9	1001142683	1	Module, Control Beacon	
10	1001142736	1	Harness, Beacon Control (Not Shown - See Separate Breakdown in ELECTRICAL Section)	
11	1001278850	1	Mount, Beacon	
12	1001272682	1	Strobe Light/Harness Assembly	
12	4460897	1	Connector	
12	4460464	2	Socket	
13	3290405	2	Nut, Lock M4	

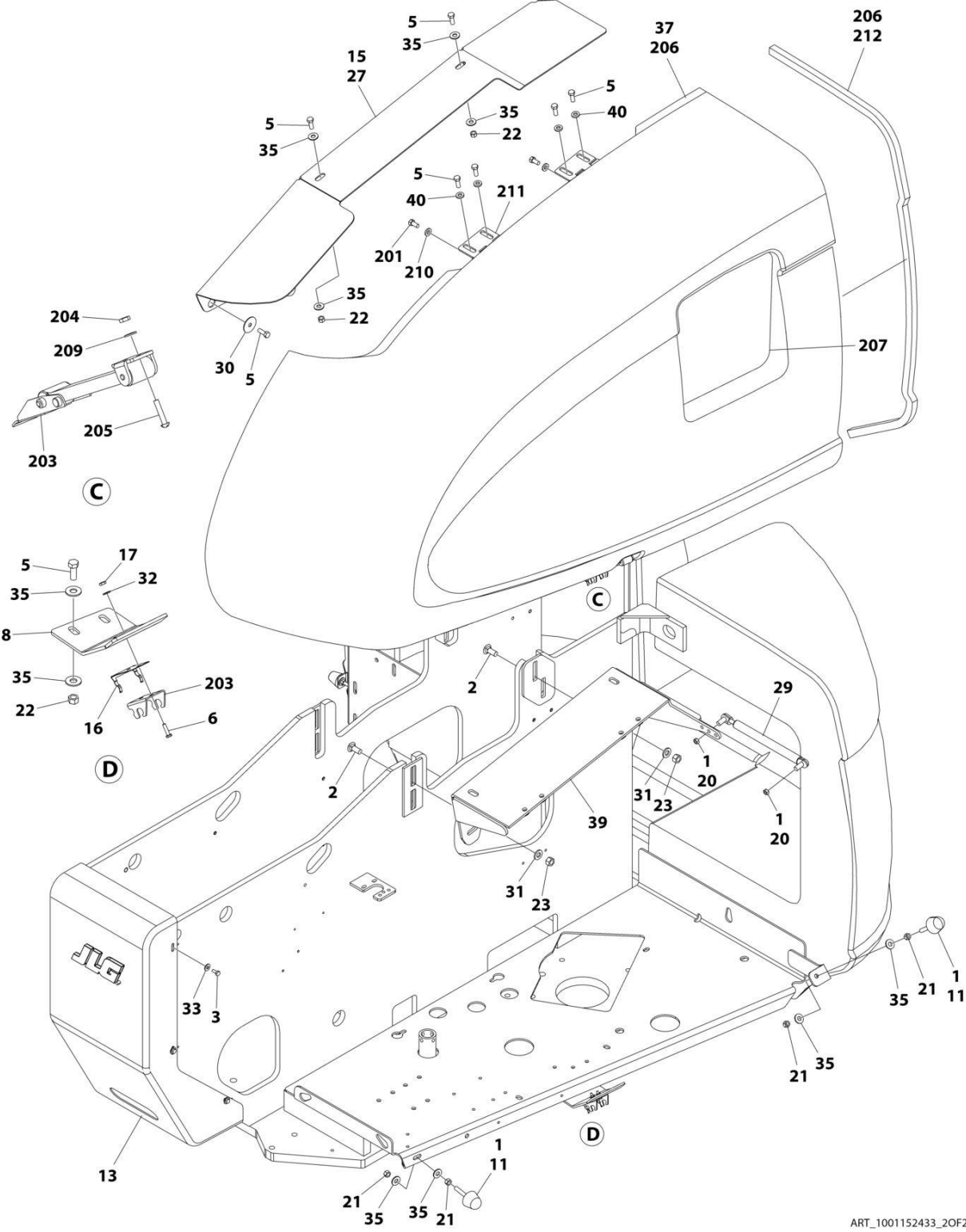
SECTION 2 - TURNTABLE

FIGURE 2-39. HOODS INSTALLATION – DEUTZ D2011 ENGINES WITHOUT NOISE REDUCTION (ABS)



ART_1001152433_10F2

SECTION 2 - TURNTABLE



ART_1001152433_20F2

SECTION 2 - TURNTABLE

FIGURE 2-39. HOODS INSTALLATION – DEUTZ D2011 ENGINES WITHOUT NOISE REDUCTION (ABS)

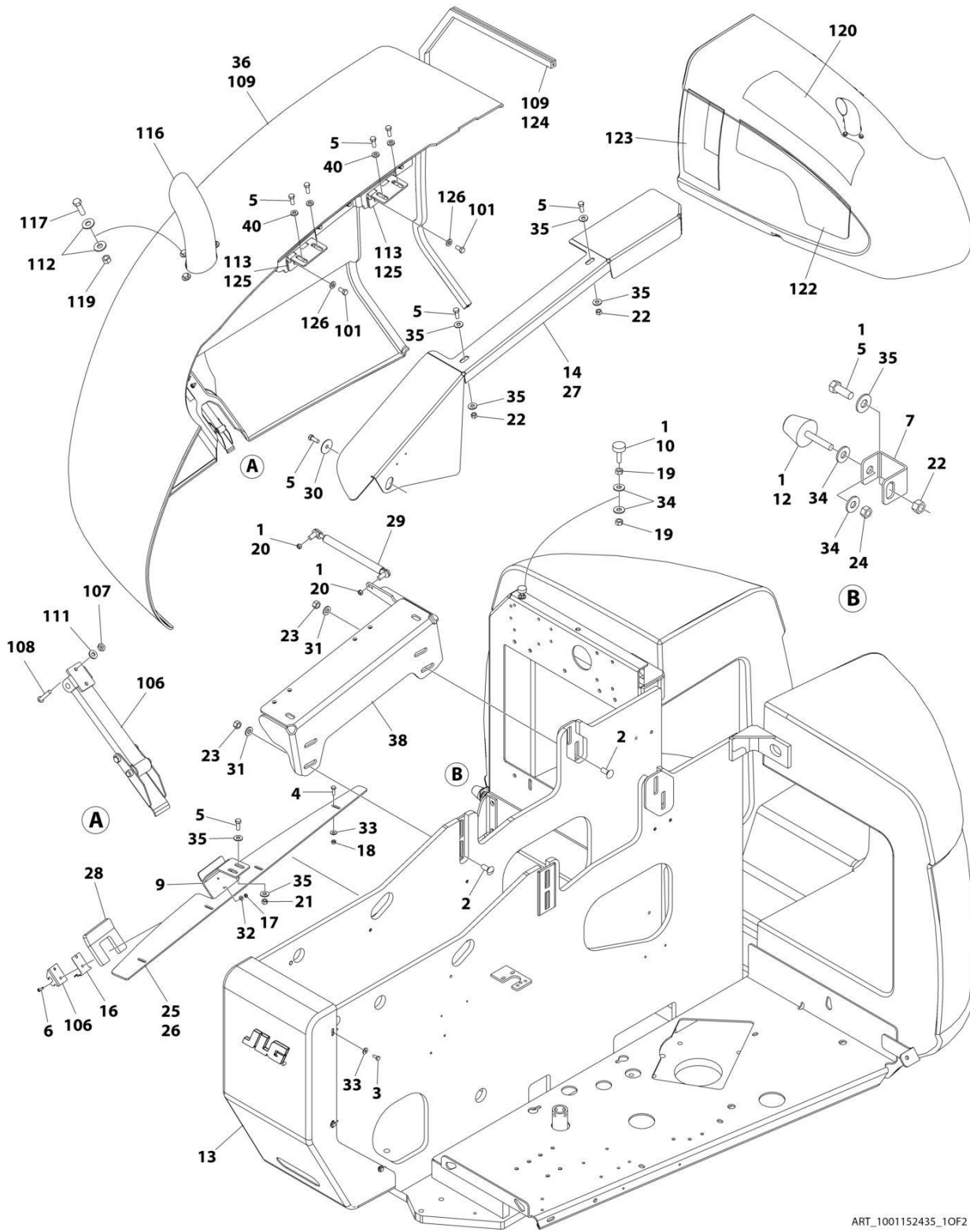
ITEM	PART NUMBER	QTY	DESCRIPTION	REV
		Ref	Note: replacement decals must be ordered separately.	
	1001152433	Ref	HOODS INSTALLATION	I
1	0100011	AR	Compound, Locking	
2	0630507	8	Bolt, Carriage 1/2 x 1-1/4	
3	0641405	6	Bolt 1/4 x 3/4	
4	0641407	4	Bolt 1/4 x 7/8	
5	0641608	19	Bolt 3/8 x 1	
6	0721006	4	Bolt #10 x 3/4	
7	0902219	1	Bracket, Bumper	
8	1001137876	1	Bracket, Latch - Tank Side	
9	0902335	1	Bracket, Latch - Engine Side	
10	0940049	1	Bumper	
11	0940071	2	Bumper	
12	0940088	1	Bumper	
13	1670767	1	Cover, Turntable	
14	2680433	1	Spacer, Hood (Engine Side)	
15	2680434	1	Spacer, Hood (Tank Side)	
16	2940188	2	Latch, Spring Clip	
17	3311005	4	Nut #10	
18	3311405	4	Nut 1/4	
19	3311501	2	Nut 5/16	
20	3311505	4	Nut 5/16	
21	3311601	6	Nut 3/8	
22	3311605	7	Nut 3/8	
23	3311805	8	Nut 1/2	
24	3321501	2	Nut 5/16	
25	3539923	1	Plate, Seal	
26	3960389	3.5 ft/1m	Seal, Bulb	
27	3960418	7 ft/2.1m	Seal	
28	3960467	1	Seal, Foam	
29	4160143	2	Spring, Gas	
30	4740076	2	Washer, Fender	
31	4740171	8	Washer 1/2 Hardened	
32	4751000	4	Washer #10	
33	4751400	10	Washer 1/4	
34	4751500	4	Washer 5/16	
35	4751600	21	Washer 3/8	
38	1001235948	1	Mount - Engine Side	
39	1001152557	1	Mount - Tank Side	
40	4891600	8	Washer 3/8 Hardened	
	1001294637	Ref	HOOD KIT (Includes Items 101 & 201)	A
101	1001160004	Ref	HOOD - ENGINE SIDE	I
102	0641606	4	Bolt 3/8 x 3/4	
103	2940088	1	Latch	
104	3311005	2	Nut #10	
105	3911016	2	Screw #10 x 1	
106	1001164281	2.5 ft /0.78m	Seal	
108	4711000	2	Washer #10	

SECTION 2 - TURNTABLE

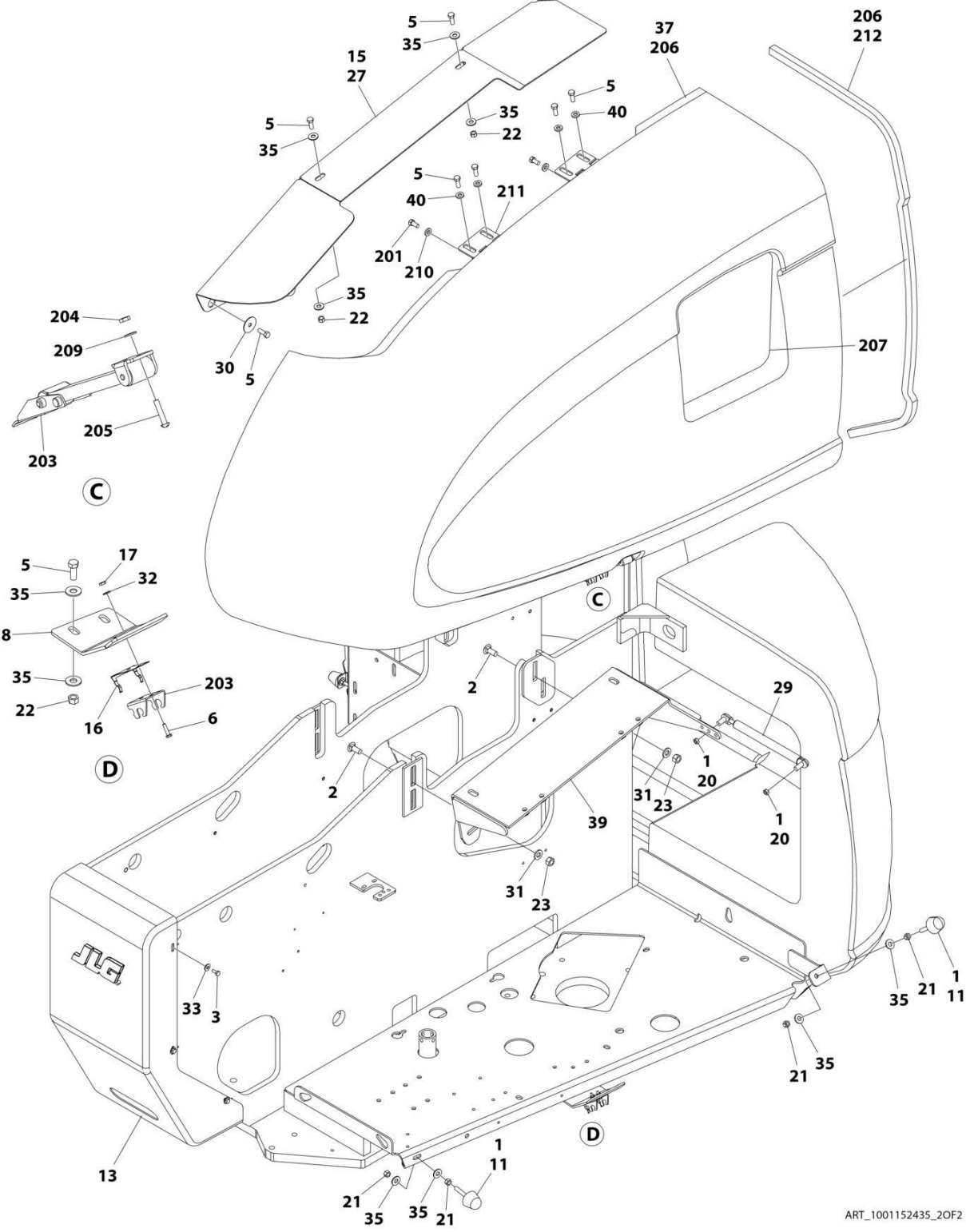
ITEM	PART NUMBER	QTY	DESCRIPTION	REV
109	4751600	6	Washer 3/8	
110	1001188467	2	Hinge	
116	1001160598	1	Outlet, Exhaust	
117	0641610	3	Bolt 3/8 x 1-1/4	
119	3311605	3	Nut 3/8	
120	1001160961	1	Insulation	
122	1001160963	1	Insulation	
123	1001160964	1	Insulation	
124	4060805	64 in /1.6m	Flex-Trim	
125	1001169610	2	Spacer, Hinge	
126	4891600	4	Washer 3/8 Hardened	
201	1001160003	Ref	HOOD TANK SIDE	H
202	0641606	4	Bolt 3/8 x 3/4	
203	2940088	1	Latch	
204	3311005	2	Nut #10	
205	3911016	2	Screw #10 x 1	
206	1001164281	3 ft /0.91m	Seal	
207	1001166394	4.5 ft /1.4m	Seal	
209	4751000	2	Washer #10	
210	4891600	4	Washer 3/8 Hardened	
211	1001188467	2	Hinge	
212	4060805	62 in /1.6m	Flex-Trim	

SECTION 2 - TURNTABLE

FIGURE 2-40. HOODS INSTALLATION – DEUTZ D2011 ENGINES WITH NOISE REDUCTION (ABS)



SECTION 2 - TURNTABLE



ART_1001152435_20F2

SECTION 2 - TURNTABLE

FIGURE 2-40. HOODS INSTALLATION – DEUTZ D2011 ENGINES WITH NOISE REDUCTION (ABS)

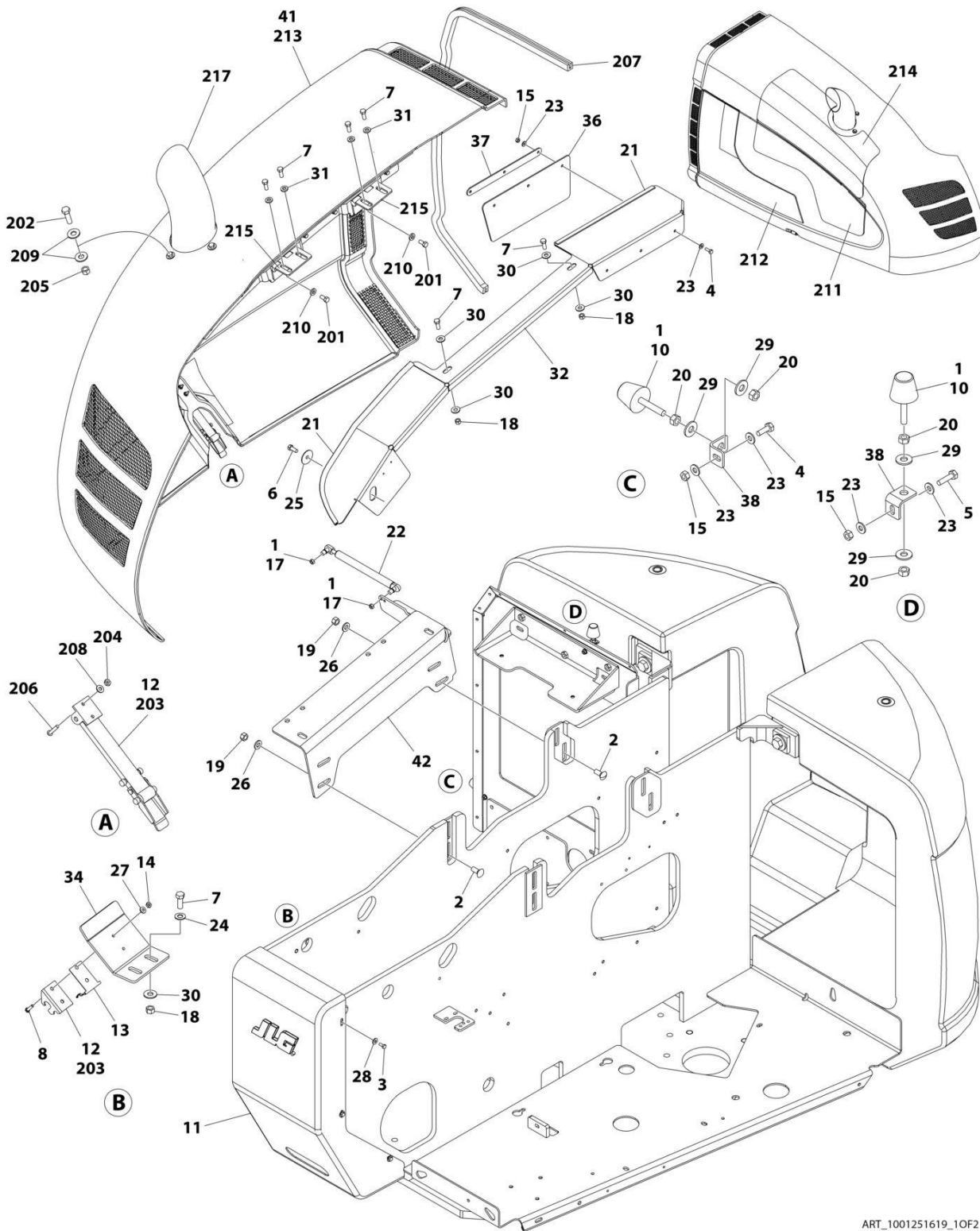
ITEM	PART NUMBER	QTY	DESCRIPTION	REV
	See Note	Ref	Note: replacement decals must be ordered separately.	
	1001152435	Ref	HOODS INSTALLATION	K
1	0100011	AR	Compound, Locking	
2	0630507	8	Bolt, Carriage 1/2 x 1-1/4	
3	0641405	6	Bolt 1/4 x 3/4	
4	0641407	4	Bolt 1/4 x 7/8	
5	0641608	19	Bolt 3/8 x 1	
6	0721006	4	Bolt #10 x 3/4	
7	0902219	1	Bracket, Bumper	
8	1001137876	1	Bracket, Latch - Tank Side	
9	0902335	1	Bracket, Latch - Engine Side	
10	0940049	1	Bumper	
11	0940071	2	Bumper	
12	0940088	1	Bumper	
13	1670767	1	Cover, Turntable	
14	2680433	1	Spacer, Hood (Engine Side)	
15	2680434	1	Spacer, Hood (Tank Side)	
16	2940188	2	Latch, Spring Clip	
17	3311005	4	Nut #10	
18	3311405	4	Nut 1/4	
19	3311501	2	Nut 5/16	
20	3311505	4	Nut 5/16	
21	3311601	6	Nut 3/8	
22	3311605	7	Nut 3/8	
23	3311805	8	Nut 1/2	
24	3321501	2	Nut 5/16	
25	3539923	1	Plate, Seal	
26	3960389	3.5 ft/1m	Seal, Bulb	
27	3960418	7 ft/2.1m	Seal	
28	3960467	1	Seal, Foam	
29	4160143	2	Spring, Gas	
30	4740076	2	Washer, Fender	
31	4740171	8	Washer 1/2 Hardened	
32	4751000	4	Washer #10	
33	4751400	10	Washer 1/4	
34	4751500	4	Washer 5/16	
35	4751600	21	Washer 3/8	
36	1001160034	1	Hood - Engine Side (See Items 101-126 for Breakdown)	
37	1001160003	1	Hood - Tank Side (See Items 201-212 for Breakdown)	
38	1001235948	1	Mount - Engine Side	
39	1001152557	1	Mount - Tank Side	
40	4891600	8	Washer 3/8 Hardened	
100	1001294604	Ref	HOOD KIT (Includes Items 101 & 201)	A
101	1001160034	Ref	HOOD - ENGINE SIDE (Includes Items 102-126)	K
102	0641606	4	Bolt 3/8 x 3/4	
106	2940088	1	Latch	
107	3311005	2	Nut #10	
108	3911016	2	Screw #10 x 1	
109	1001164281	2.5 ft /0.76m	Seal	

SECTION 2 - TURNTABLE

ITEM	PART NUMBER	QTY	DESCRIPTION	REV
111	4711000	2	Washer #10	
112	4751600	6	Washer 3/8	
113	1001188467	2	Hinge	
116	1001160598	1	Outlet, Exhaust	
117	0641610	3	Bolt 3/8 x 1-1/4	
119	3311605	3	Nut 3/8	
120	1001160961	1	Insulation	
122	1001160963	1	Insulation	
123	1001161027	1	Insulation	
124	4060805	64 in /1.6m	Flex-Trim	
125	1001169610	2	Spacer, Hinge	
126	4891600	4	Washer 3/8 Hardened	
201	1001160003	Ref	HOOD TANK SIDE (Includes Items 202-212)	H
202	0641606	4	Bolt 3/8 x 3/4	
203	2940088	1	Latch	
204	3311005	2	Nut #10	
205	3911016	2	Screw #10 x 1	
206	1001164281	3 ft /0.91m	Seal	
207	1001166394	4.5 ft /1.4m	Seal	
209	4751000	2	Washer #10	
210	4891600	4	Washer 3/8 Hardened	
211	1001188467	2	Hinge	
212	4060805	62 in /1.6m	Flex-Trim	

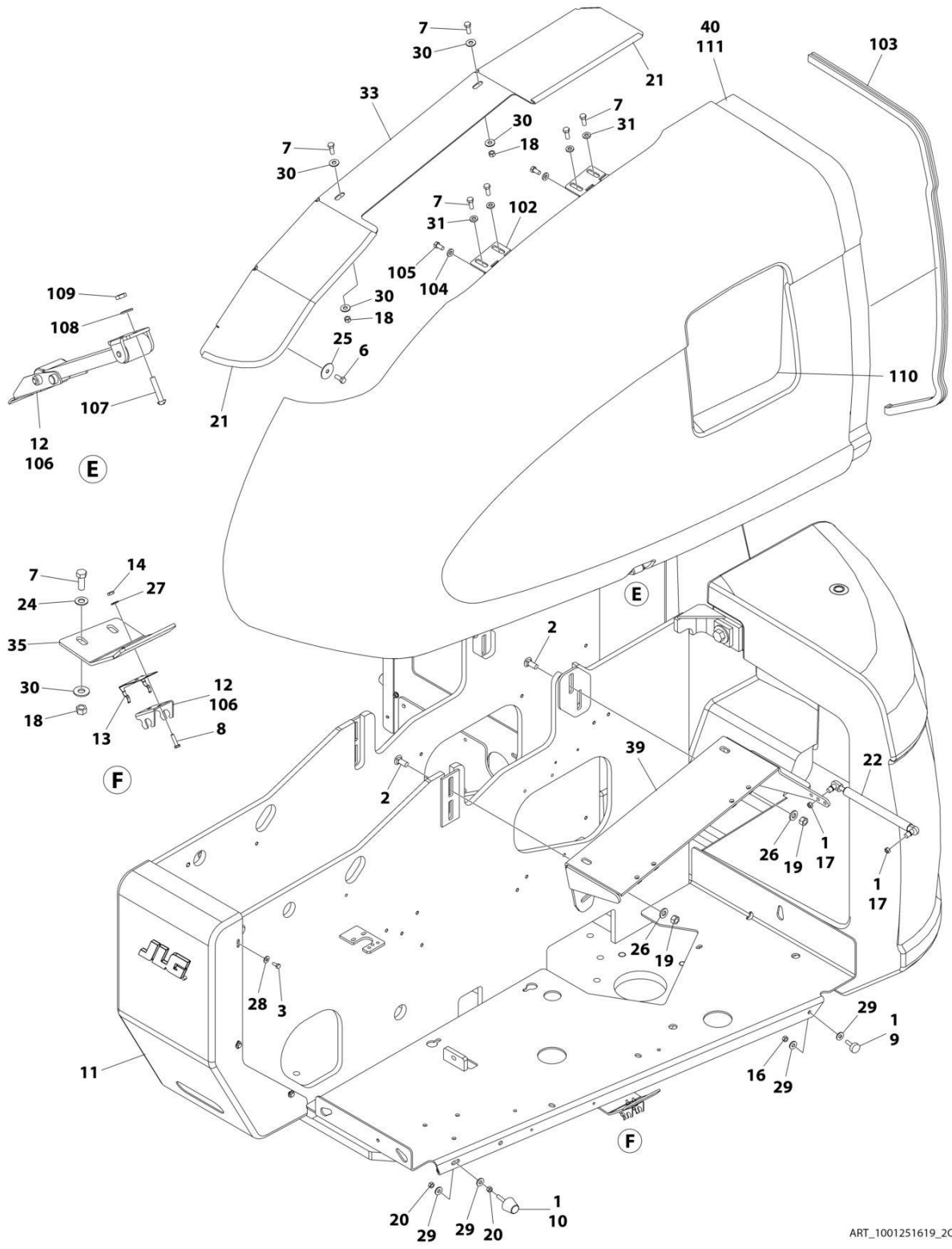
SECTION 2 - TURNTABLE

FIGURE 2-41. HOODS INSTALLATION – DEUTZ TD2.2L3 STAGE V ENGINES (ABS)



ART_1001251619_10F2

SECTION 2 - TURNTABLE



ART_1001251619_20F2

SECTION 2 - TURNTABLE

FIGURE 2-41. HOODS INSTALLATION – DEUTZ TD2.2L3 STAGE V ENGINES (ABS)

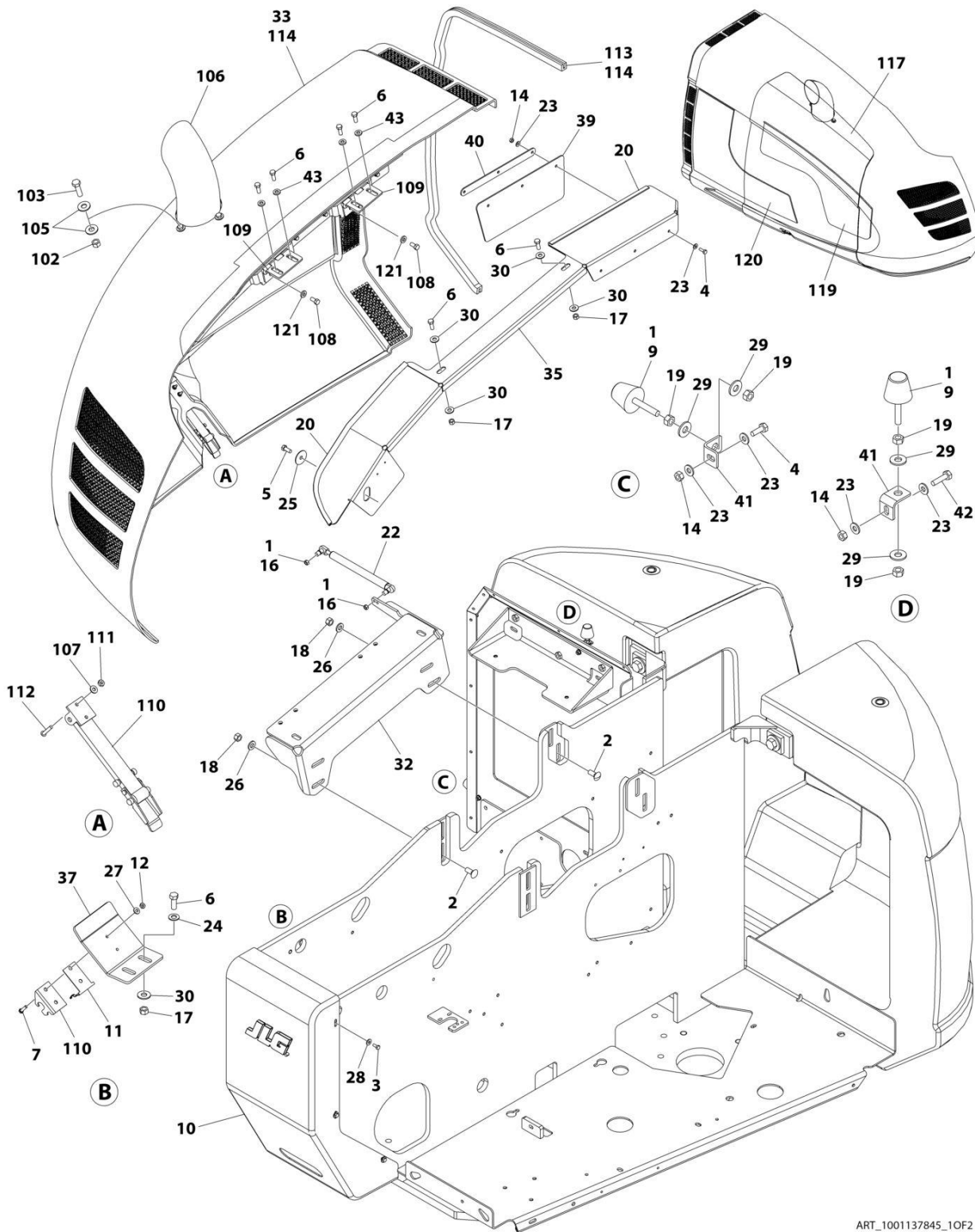
ITEM	PART NUMBER	QTY	DESCRIPTION	REV
	See Note	Ref	Note: replacement decals must be ordered separately.	
	1001251619	Ref	HOODS INSTALLATION	E
1	0100011	AR	Compound, Locking	
2	0630507	8	Bolt, Carriage 1/2 x 1-1/4	
3	0641405	6	Bolt 1/4 x 3/4	
4	0641406	4	Bolt 1/4 x 3/4	
5	0641408	1	Bolt 1/4 x 1	
6	0641607	2	Bolt 3/8 x 7/8	
7	0641608	16	Bolt 3/8 x 1	
8	0721006	4	Bolt #10 x 3/4	
9	0940049	1	Bumper	
10	0940088	3	Bumper	
11	1670767	1	Cover, Turntable	
12	2940088	2	Latch	
13	2940188	2	Latch, Spring Clip	
14	3311005	4	Nut #10	
15	3311405	5	Nut 1/4	
16	3311501	1	Nut 5/16	
17	3311505	4	Nut 5/16	
18	3311605	8	Nut 3/8	
19	3311805	8	Nut 1/2	
20	3321501	6	Nut 5/16	
21	3960418	7 ft/2.1m	Seal	
22	4160143	2	Spring, Gas	
23	4711400	10	Washer 1/4	
24	4711600	4	Washer 3/8	
25	4740076	2	Washer, Fender	
26	4740171	8	Washer 1/2 Hardened	
27	4751000	4	Washer #10	
28	4751400	6	Washer 1/4	
29	4751500	8	Washer 5/16	
30	4751600	12	Washer 3/8	
31	4891600	8	Washer 3/8 Hardened	
32	1001137853	1	Spacer, Hood (Engine Side)	
33	1001137854	1	Spacer, Hood (Tank Side)	
34	1001137875	1	Bracket, Latch - Engine Side	
35	1001137876	1	Bracket, Latch - Tank Side	
36	1001137878	1	Rubber, Baffle	
37	1001137879	1	Bracket, Baffle	
38	1001137886	2	Bracket, Bumper	
39	1001152557	1	Mount - Tank Side	
40	1001160190	1	Hood - Tank Side (See Items 202-211 for Breakdown)	
41	1001251618	1	Hood - Engine Side (See Items 201-217 for Breakdown)	
42	1001253100	1	Mount - Engine Side	
43	3960467	1	Seal	
100	1001294603	Ref	HOOD KIT (Includes Items 101 & 201)	A
	1001160190	Ref	HOOD TANK SIDE (Includes Items 102-111)	G
102	1001188467	2	Hinge	
103	3960462	5 ft /1.52m	Seal	

SECTION 2 - TURNTABLE

ITEM	PART NUMBER	QTY	DESCRIPTION	REV
104	4891600	4	Washer 3/8 Hardened	D
105	0641606	4	Bolt 3/8 x 3/4	
106	2940088	1	Latch	
107	3911016	2	Screw #10 x 1	
108	4751000	2	Washer #10	
109	3311005	2	Nut #10	
110	1001166394	4.5 ft /1.4m	Seal	
111	1001164281	2.5 ft /0.8m	Seal	
201	1001251618	Ref	HOOD - ENGINE SIDE	
201	0641606	4	Bolt 3/8 x 3/4	
202	0641610	3	Bolt 3/8 x 1-1/4	
203	2940088	1	Latch	
204	3311005	2	Nut #10	
205	3311605	3	Nut 3/8	
206	3911016	2	Screw #10 x 1	
207	3960462	5 ft /1.52m	Seal	
208	4751000	2	Washer #10	
209	4751600	6	Washer 3/8	
210	4891600	4	Washer 3/8 Hardened	
211	1001160963	1	Insulation	
212	1001160964	1	Insulation	
213	1001164281	2.5 ft /0.76m	Seal	
214	1001258377	1	Insulation	
215	1001188467	2	Hinge	
217	1001252082	1	Outlet, Exhaust	

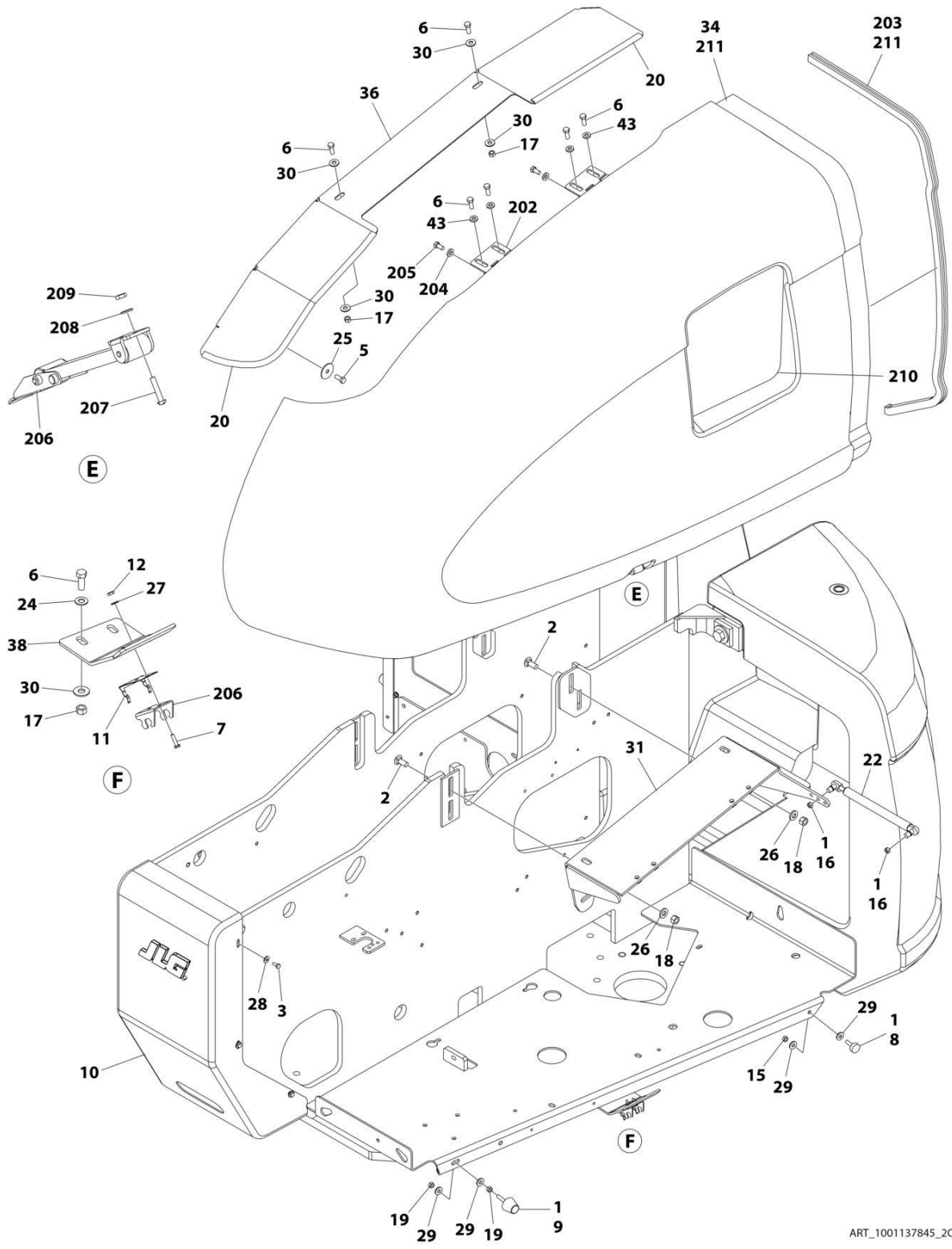
SECTION 2 - TURNTABLE

FIGURE 2-42. HOODS INSTALLATION – DEUTZ TD2.9L4 AND FORD DF 2.5L ENGINES (ABS)



ART_1001137845_10F2

SECTION 2 - TURNTABLE



ART_1001137845_20F2

SECTION 2 - TURNTABLE

FIGURE 2-42. HOODS INSTALLATION – DEUTZ TD2.9L4 AND FORD DF 2.5L ENGINES (ABS)

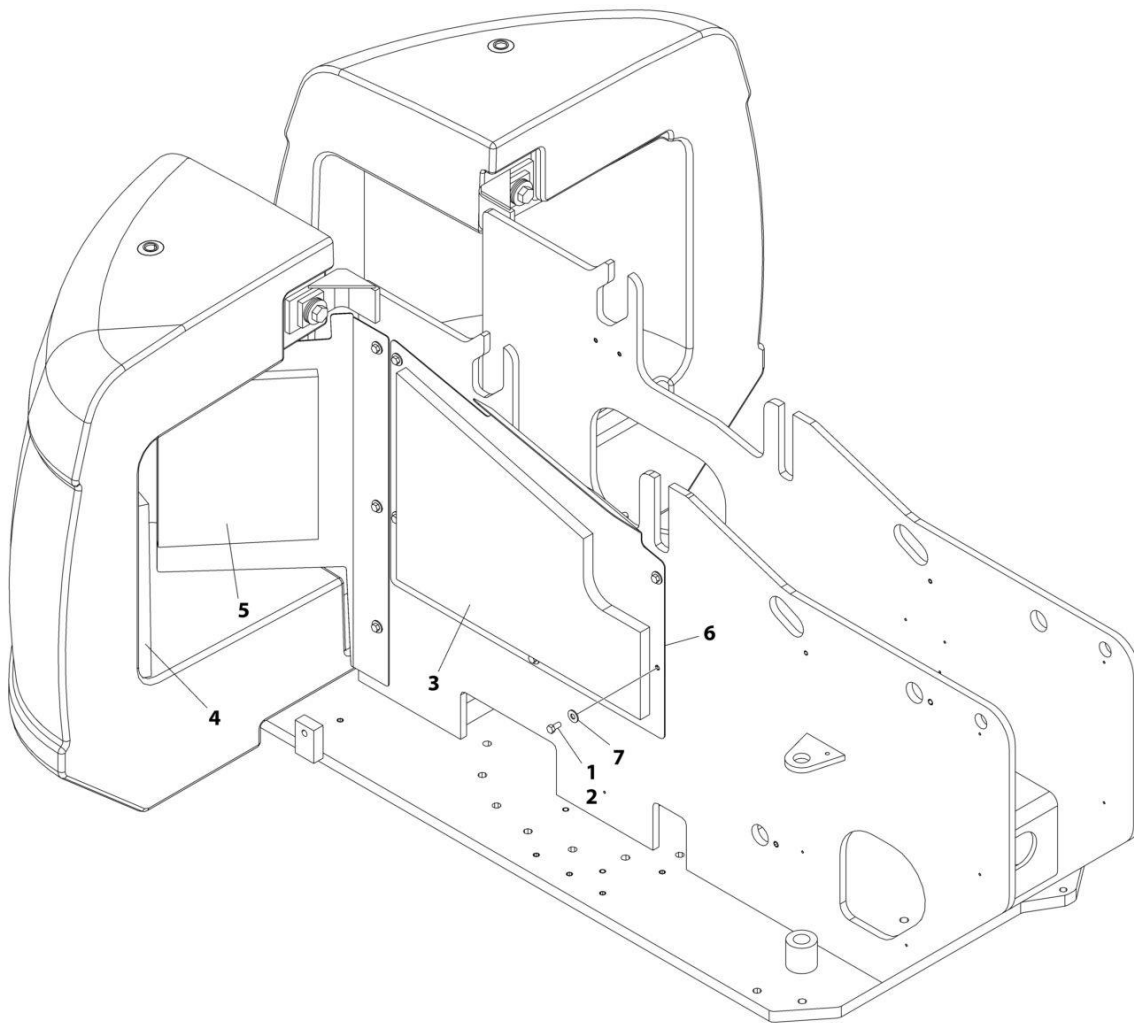
ITEM	PART NUMBER	QTY	DESCRIPTION	REV
	See Note	Ref	Note: replacement decals must be ordered separately.	
	1001137845	Ref	HOODS INSTALLATION	I
1	0100011	AR	Compound, Locking	
2	0630507	8	Bolt, Carriage 1/2 x 1-1/4	
3	0641405	6	Bolt 1/4 x 3/4	
4	0641406	4	Bolt 1/4 x 3/4	
5	0641607	2	Bolt 3/8 x 7/8	
6	0641608	16	Bolt 3/8 x 1	
7	0721006	4	Bolt #10 x 3/4	
8	0940049	1	Bumper	
9	0940088	3	Bumper	
10	1670767	1	Cover, Turntable	
11	2940188	2	Latch, Spring Clip	
12	3311005	4	Nut #10	
14	3311405	5	Nut 1/4	
15	3311501	1	Nut 5/16	
16	3311505	4	Nut 5/16	
17	3311605	8	Nut 3/8	
18	3311805	8	Nut 1/2	
19	3321501	6	Nut 5/16	
20	3960418	7 ft/2.1m	Seal	
22	4160143	2	Spring, Gas	
23	4711400	10	Washer 1/4	
24	4711600	4	Washer 3/8	
25	4740076	2	Washer, Fender	
26	4740171	8	Washer 1/2 Hardened	
27	4751000	4	Washer #10	
28	4751400	6	Washer 1/4	
29	4751500	8	Washer 5/16	
30	4751600	12	Washer 3/8	
31	1001152557	1	Mount - Tank Side	
32	1001235948	1	Mount - Engine Side	
35	1001137853	1	Spacer, Hood (Engine Side)	
36	1001137854	1	Spacer, Hood (Tank Side)	
37	1001137875	1	Bracket, Latch - Engine Side	
38	1001137876	1	Bracket, Latch - Tank Side	
39	1001137878	1	Rubber, Baffle	
40	1001137879	1	Bracket, Baffle	
41	1001137886	2	Bracket, Bumper	
42	0641408	1	Bolt 1/4 x 1	
43	4891600	8	Washer 3/8 Hardened	
100	1001294703	Ref	HOOD KIT (Includes Items 101 & 201)	A
101	1001160189	Ref	HOOD - ENGINE SIDE (Includes items 102-121)	G
102	3311605	3	Nut 3/8	
103	0641610	3	Bolt 3/8 x 1-1/4	
105	4751600	6	Washer 3/8	
106	1001137860	1	Outlet, Exhaust	
107	4751000	2	Washer #10	
108	0641606	4	Bolt 3/8 x 3/4	
109	1001188467	2	Hinge	

SECTION 2 - TURNTABLE

ITEM	PART NUMBER	QTY	DESCRIPTION	REV
110	2940088	1	Latch	
111	3311005	2	Nut #10	
112	3911016	2	Screw #10 x 1	
113	3960462	5 ft /1.52m	Seal	
114	1001164281	2.5 ft /0.76m	Seal	
117	1001165741	1	Insulation	
119	1001160963	1	Insulation	
120	1001160964	1	Insulation	
121	4891600	4	Washer 3/8 Hardened	
201	1001160190	Ref	HOOD TANK SIDE (Includes items 202-211)	G
202	1001188467	2	Hinge	
203	3960462	5 ft /1.52m	Seal	
204	4891600	4	Washer 3/8 Hardened	
205	0641606	4	Bolt 3/8 x 3/4	
206	2940088	1	Latch	
207	3911016	2	Screw #10 x 1	
208	4751000	2	Washer #10	
209	3311005	2	Nut #10	
210	1001166394	4.5 ft /1.4m	Seal	
211	1001164281	2.6 ft /0.8m	Seal	

SECTION 2 - TURNTABLE

FIGURE 2-43. NOISE REDUCTION INSTALLATION - DEUTZ D2011 & DEUTZ TD2.9L4 ENGINES



ART_1001152325

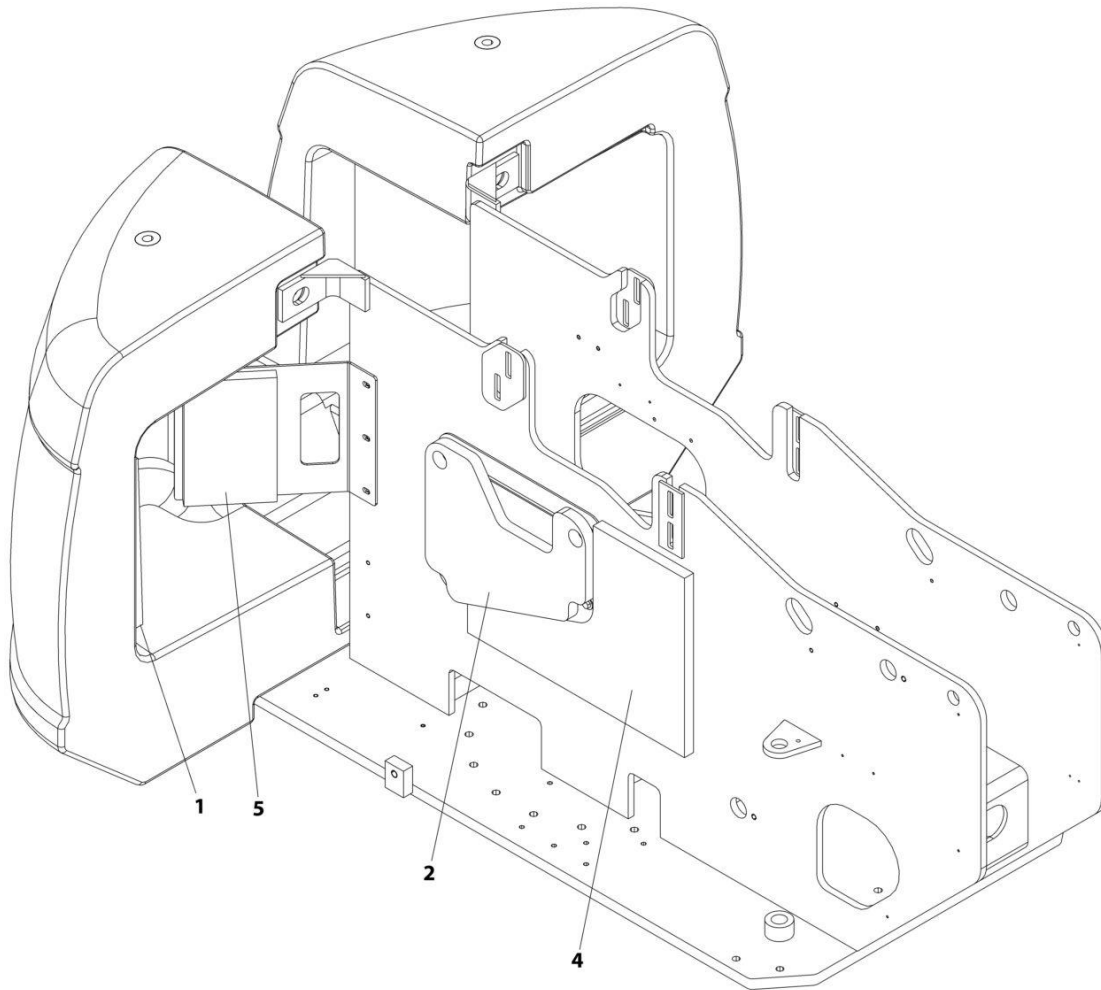
SECTION 2 - TURNTABLE

FIGURE 2-43. NOISE REDUCTION INSTALLATION - DEUTZ D2011 & DEUTZ TD2.9L4 ENGINES

ITEM	PART NUMBER	QTY	DESCRIPTION	REV
	1001152325	Ref	NOISE REDUCTION INSTALLATION	A
1	0100011	AR	Compound, Locking	
2	0641606	5	Bolt 3/8 x 3/4	
3	2820078	1	Foam, Acoustical	
4	2820082	1	Foam, Acoustical	
5	2820083	1	Foam, Acoustical	
6	3539988	1	Plate, Baffle	
7	4751600	5	Washer 3/8	

SECTION 2 - TURNTABLE

FIGURE 2-44. NOISE REDUCTION INSTALLATION - DEUTZ TD2.2L3 ENGINES



ART_1001255777

SECTION 2 - TURNTABLE

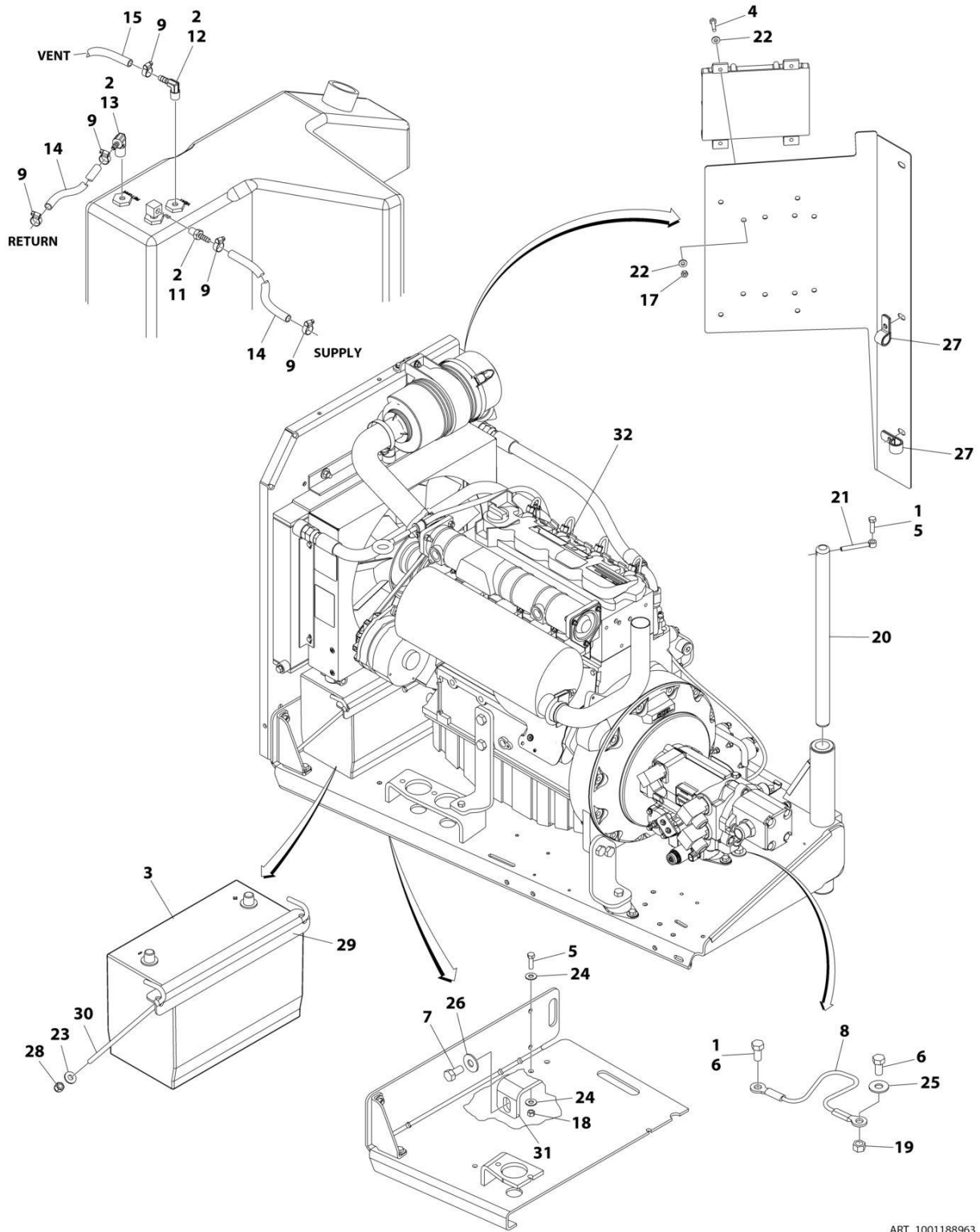
FIGURE 2-44. NOISE REDUCTION INSTALLATION - DEUTZ TD2.2L3 ENGINES

ITEM	PART NUMBER	QTY	DESCRIPTION	REV
	1001255777	Ref	NOISE REDUCTION INSTALLATION	C
1	2820082	1	Foam, Acoustical	
2	1001254499	1	Insulate, Foam	
4	1001254738	1	Insulate, Foam	
5	1001254769	1	Insulate, Foam	

SECTION 3 - ENGINE

SECTION 3 - ENGINE

FIGURE 3-1. DEUTZ D2011 ENGINE INSTALLATION – WITHOUT ARCTIC PACKAGE



ART_1001188963

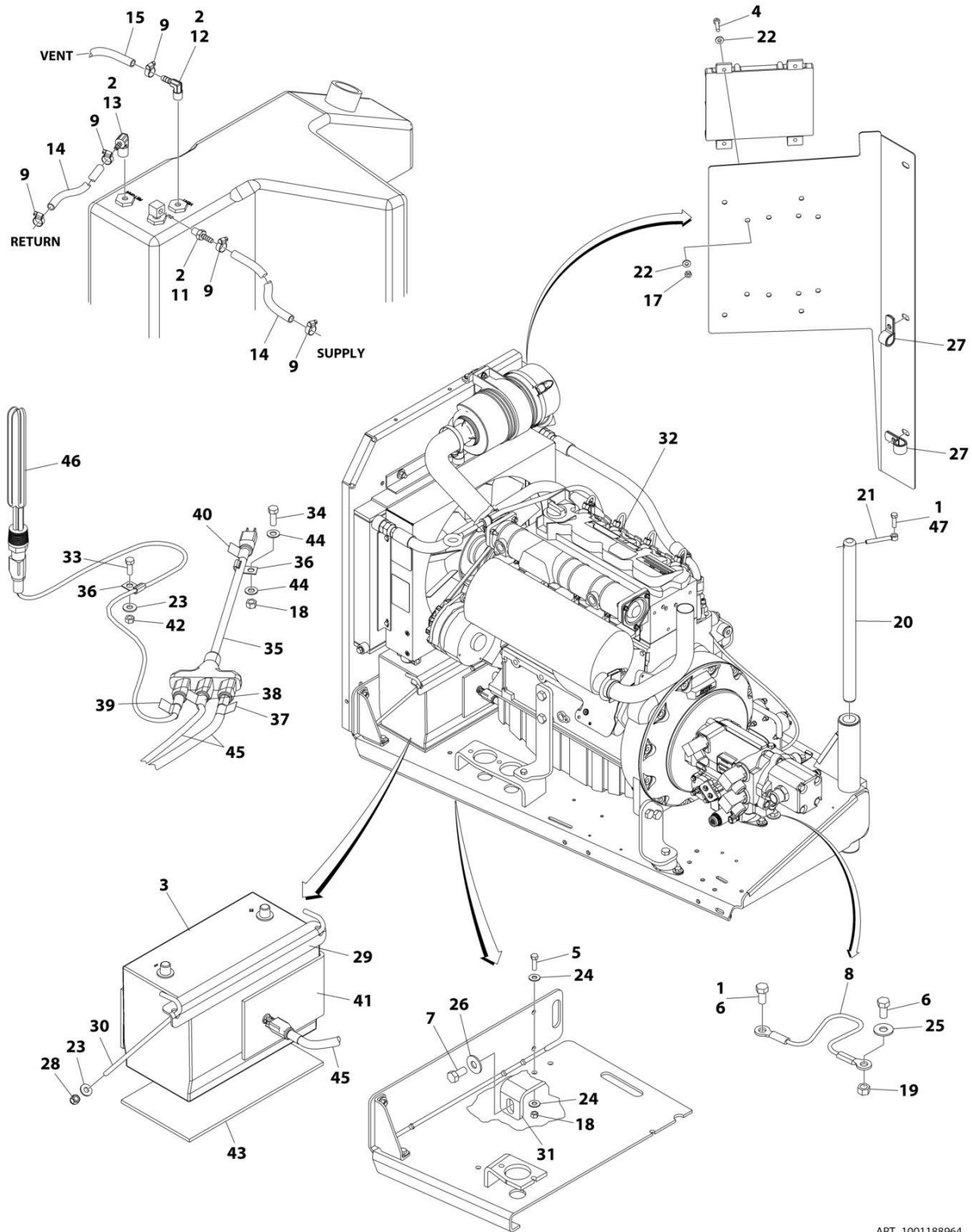
SECTION 3 - ENGINE

FIGURE 3-1. DEUTZ D2011 ENGINE INSTALLATION – WITHOUT ARCTIC PACKAGE

ITEM	PART NUMBER	QTY	DESCRIPTION	REV
	1001188963	Ref	DEUTZ D2011 ENGINE INSTALLATION	B
1	0100011	AR	Compound, Locking	
2	0100020	AR	Sealant, Pipe	
3	0400075	1	Battery	
4	0641409	4	Bolt 1/4 x 1-1/8	
5	0641610	3	Bolt 3/8 x 1-1/4	
6	0641808	2	Bolt 1/2 x 1	
7	0642010	1	Bolt 5/8 x 1-1/4	
8	1060637	1	Cable, Lanyard	
9	1320022	5	Clamp, Hose	
10	1701505	1	Decal - Diesel (Not Shown - Located on Hood)	
11	2180348	1	Fitting, Straight Barbed	
12	2220313	1	Fitting, 90	
13	2221176	1	Fitting, Straight Barbed	
14	2720058	24 ft /7.3m	Hose	
15	2750532	6 ft /1.8m	Hose	
16	1001241578	1	Battery Cable Kit (No Info at Time of Printing)	A
17	3311405	4	Nut 1/4	
18	3311605	2	Nut 3/8	
19	3311805	1	Nut 1/2	
20	3422448	1	Pin, Pivot	
21	3841143	1	Pin, Keeper	
22	4711400	8	Washer 1/4	
23	4751500	2	Washer 5/16	
24	4751600	4	Washer 3/8	
25	4751800	1	Washer 1/2	
26	4752000	1	Washer 5/8	
27	85941017	2	Clamp	
28	88521205	2	Nut 5/16	
29	91401281	1	Hold-down, Battery	
30	1001093382	2	J-Bolt	
31	1001151070	1	Angle	
32	1001188954	1	Engine Assembly with Pumps (See Separate Breakdown in this Section)	

SECTION 3 - ENGINE

FIGURE 3-2. DEUTZ D2011 ENGINE INSTALLATION – WITH ARCTIC PACKAGE



ART_1001188964

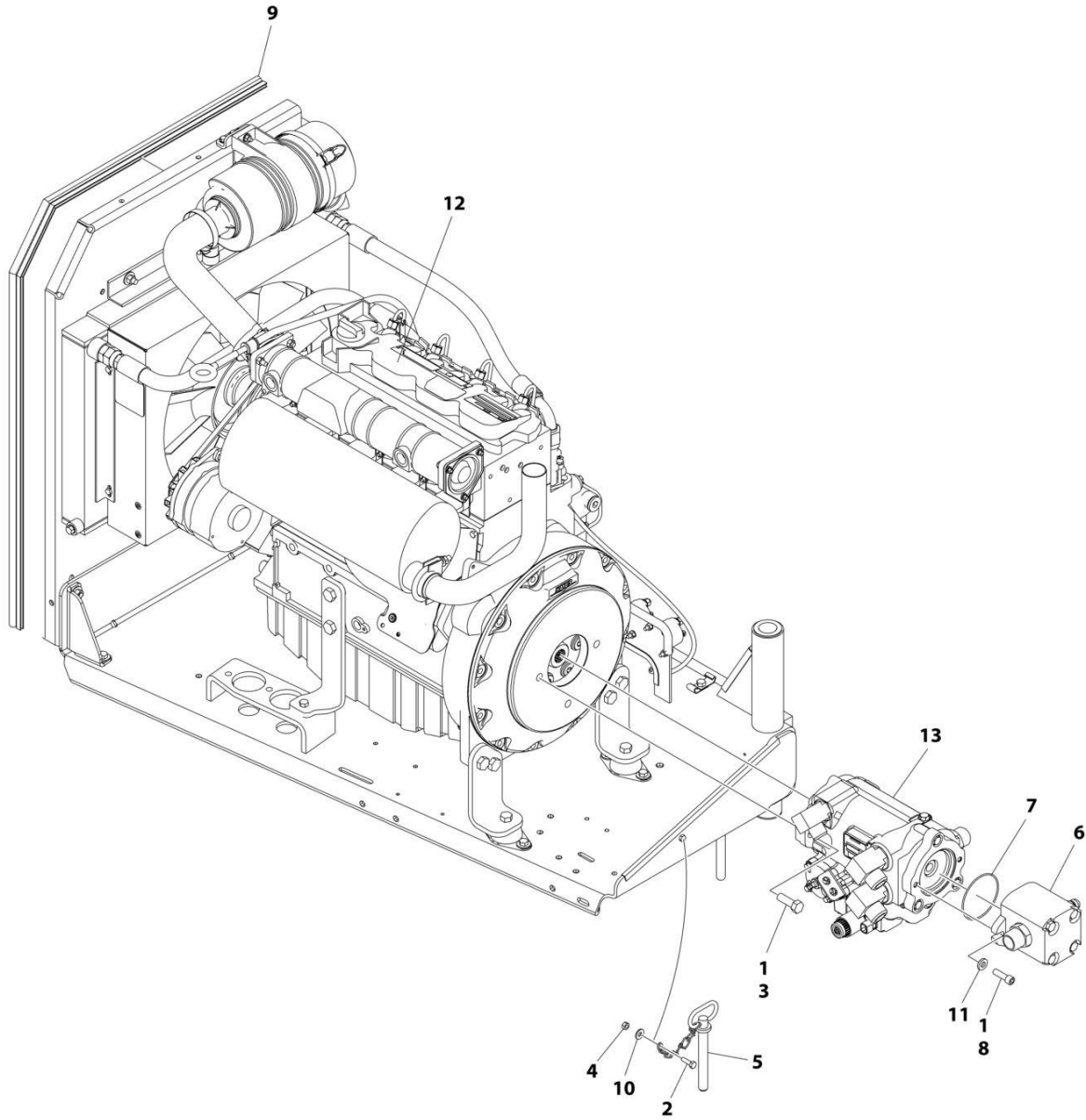
SECTION 3 - ENGINE

FIGURE 3-2. DEUTZ D2011 ENGINE INSTALLATION – WITH ARCTIC PACKAGE

ITEM	PART NUMBER	QTY	DESCRIPTION	REV
	1001188964	Ref	DEUTZ D2011 ENGINE INSTALLATION	D
1	0100011	AR	Compound, Locking	
2	0100020	AR	Sealant, Pipe	
3	0400075	1	Battery	
4	0641409	4	Bolt 1/4 x 1-1/8	
5	0641610	2	Bolt 3/8 x 1-1/4	
6	0641808	2	Bolt 1/2 x 1	
7	0642010	1	Bolt 5/8 x 1-1/4	
8	1060637	1	Cable, Lanyard	
9	1320022	5	Clamp, Hose	
10	1701505	1	Decal - Diesel (Not Shown - Located on Hood)	
11	2180348	1	Fitting, Straight Barbed	
12	2220313	1	Fitting, 90	
13	2221176	1	Fitting, Straight Barbed	
14	2720058	24 ft /7.3m	Hose	
15	2750532	6 ft /1.8m	Hose	
16	1001241578	1	Battery Cable Kit (No Info at Time of Printing)	
17	3311405	4	Nut 1/4	
18	3311605	3	Nut 3/8	
19	3311805	1	Nut 1/2	
20	3422448	1	Pin, Pivot	
21	3841143	1	Pin, Keeper	
22	4711400	8	Washer 1/4	
23	4751500	3	Washer 5/16	
24	4751600	4	Washer 3/8	
25	4751800	1	Washer 1/2	
26	4752000	1	Washer 5/8	
27	85941017	2	Clamp	
28	88521205	2	Nut 5/16	
29	91401281	1	Hold-down, Battery	
30	1001093382	2	J-Bolt	
31	1001151070	1	Angle	
32	1001188955	1	Engine Assembly with Pumps (See Separate Breakdown in this Section)	
33	0641507	1	Bolt 5/16 x 7/8	
34	0641608	1	Bolt 3/8 x 1	
35	1060626	1	Cord, 3-Way Extension	
36	1320223	2	Clamp	
37	1702941	1	Decal - Battery Heater	
38	1702942	1	Decal - Engine Block Heater	
39	1702943	1	Decal - Hydraulic Tank Heater	
40	1702944	1	Decal - Heater Cord	
41	2580024	1	Heater, Battery	
42	3311505	1	Nut 5/16	
43	3980007	1	Seat, Battery	
44	4711600	2	Washer 3/8	
45	1001150918	2	Cable, Immersion Heater	
46	1001188972	1	Heater, Hydraulic Tank	

SECTION 3 - ENGINE

FIGURE 3-3. DEUTZ D2011 ENGINE/PUMP SUB-ASSEMBLY – WITHOUT ARCTIC PACKAGE



ART_1001188954

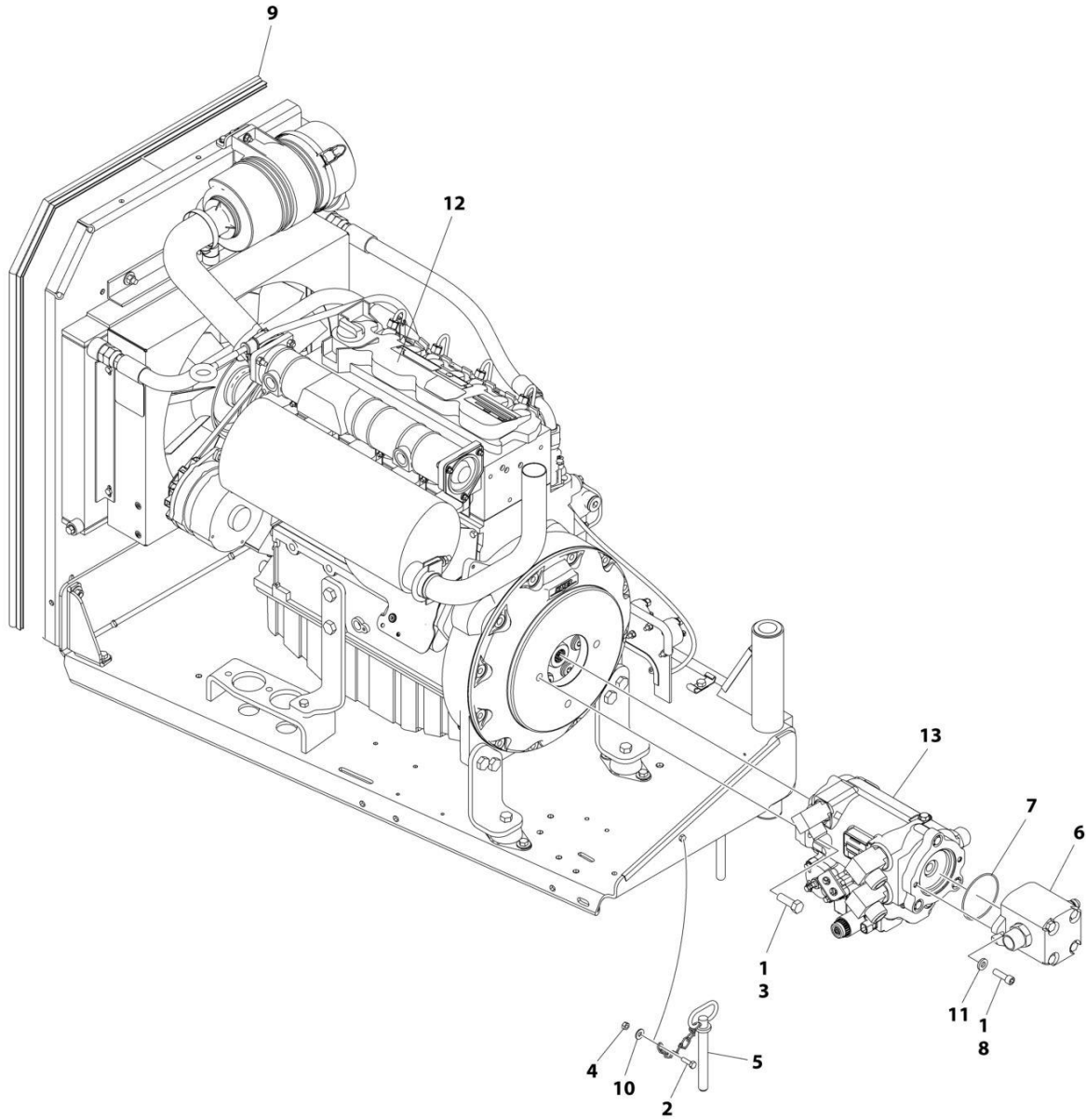
SECTION 3 - ENGINE

FIGURE 3-3. DEUTZ D2011 ENGINE/PUMP SUB-ASSEMBLY – WITHOUT ARCTIC PACKAGE

ITEM	PART NUMBER	QTY	DESCRIPTION	REV
	1001188954	Ref	DEUTZ D2011 ENGINE/PUMP SUB-ASSEMBLY	B
1	0100011	AR	Compound, Locking	
2	0641407	1	Bolt 1/4 x 7/8	
3	0641812	2	Bolt 1/2 x 1-1/2	
4	3311405	1	Nut 1/4	
5	3422533	1	Pin, Hitch	
6	3600395	1	Gear Pump Assembly with Fittings (See Separate Breakdown in this section)	
7	3790152	1	O-Ring	
8	3931620	2	Capscrew 3/8 x 1-1/4	
9	3960389	5 ft /1.5m	Seal	
10	4751400	1	Washer 1/4	
11	4891600	2	Washer 3/8 Hardened	
12	1001150158	1	Engine Assembly (See Separate Breakdown in this Section)	
13	1001188952	1	Piston Pump Assembly with Fittings (See Separate Breakdown in this section)	

SECTION 3 - ENGINE

FIGURE 3-4. DEUTZ D2011 ENGINE/PUMP SUB-ASSEMBLY – WITH ARCTIC PACKAGE



ART_1001188955

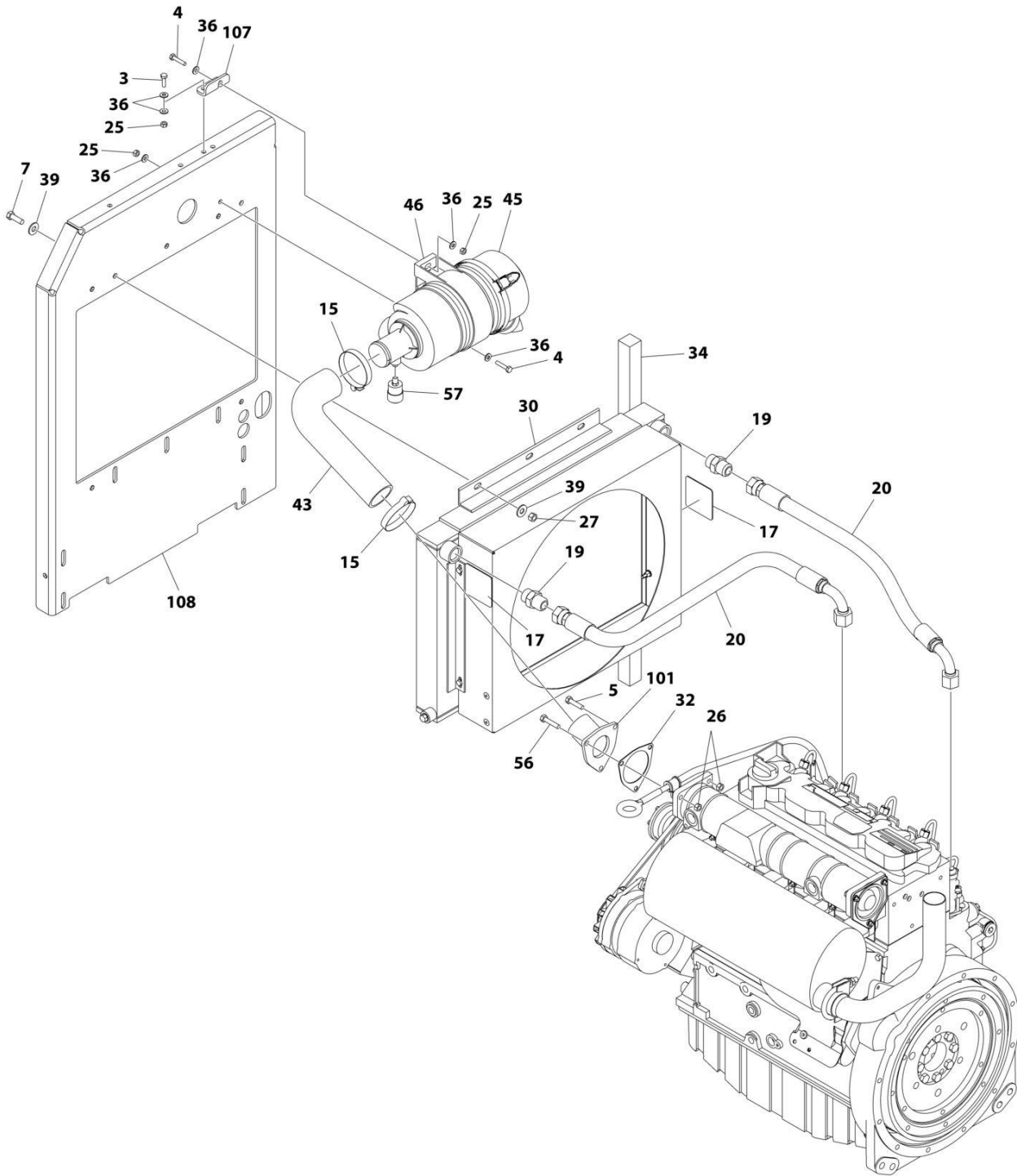
SECTION 3 - ENGINE

FIGURE 3-4. DEUTZ D2011 ENGINE/PUMP SUB-ASSEMBLY – WITH ARCTIC PACKAGE

ITEM	PART NUMBER	QTY	DESCRIPTION	REV
	1001188955	Ref	DEUTZ D2011 ENGINE/PUMP SUB-ASSEMBLY	A
1	0100011	AR	Compound, Locking	
2	0641407	1	Bolt 1/4 x 7/8	
3	0641812	2	Bolt 1/2 x 1-1/2	
4	3311405	1	Nut 1/4	
5	3422533	1	Pin, Hitch	
6	3600395	1	Gear Pump Assembly with Fittings (See Separate Breakdown in this section)	
7	3790152	1	O-Ring	
8	3931620	2	Capscrew 3/8 x 1-1/4	
9	3960389	5 ft /1.5m	Seal	
10	4751400	1	Washer 1/4	
11	4891600	2	Washer 3/8 Hardened	
12	1001150179	1	Engine Assembly (See Separate Breakdown in this Section)	
13	1001188952	1	Piston Pump Assembly with Fittings (See Separate Breakdown in this section)	

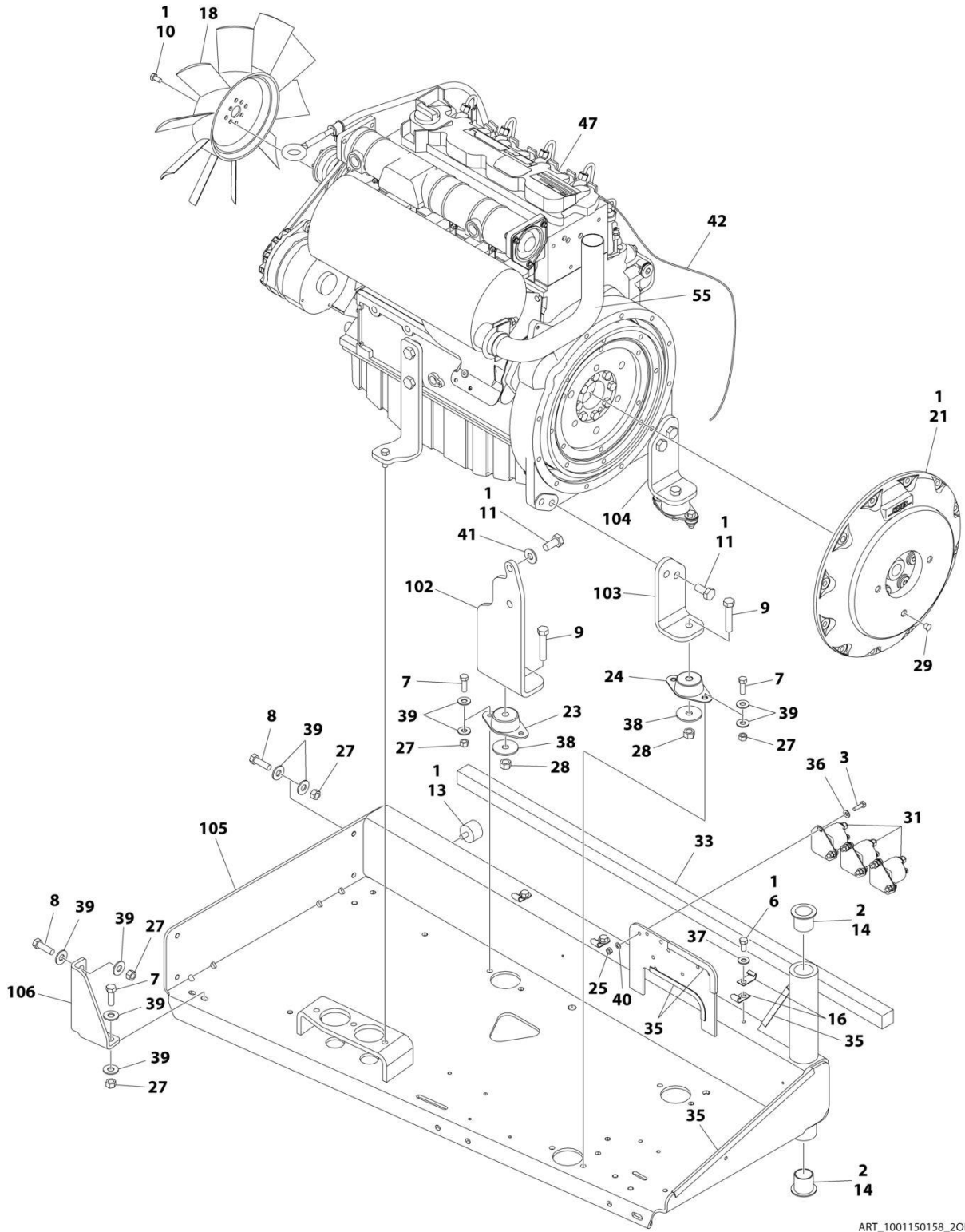
SECTION 3 - ENGINE

FIGURE 3-5. DEUTZ D2011 ENGINE ASSEMBLY – WITHOUT ARCTIC PACKAGE



ART_1001150158_10F2

SECTION 3 - ENGINE



ART_1001150158_20F2

SECTION 3 - ENGINE

FIGURE 3-5. DEUTZ D2011 ENGINE ASSEMBLY – WITHOUT ARCTIC PACKAGE

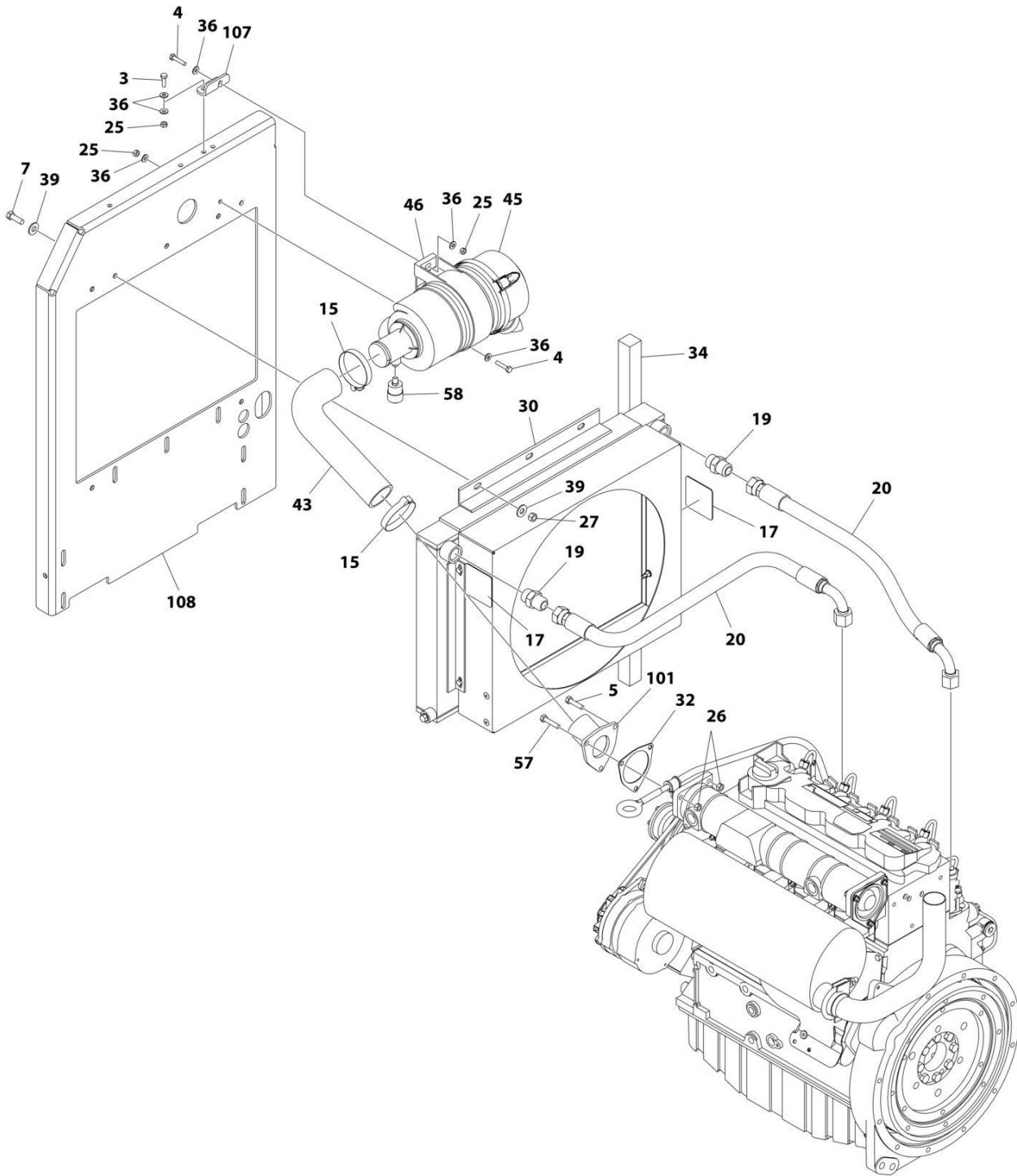
ITEM	PART NUMBER	QTY	DESCRIPTION	REV
	1001150158	Ref	DEUTZ D2011 ENGINE ASSEMBLY	M
1	0100011	AR	Compound, Locking	
2	0100062	AR	Compound, Locking	
3	0641407	8	Bolt 1/4 x 7/8	
4	0641410	2	Bolt 1/4 x 1-1/4	
5	0641510	2	Bolt 5/16 x 1- 1/4	
6	0641606	3	Bolt 3/8 x 3/4	
7	0641609	14	Bolt 3/8 x 1-1/8	
8	0641610	4	Bolt 3/8 x 1-1/4	
9	0641820	3	Bolt 1/2 x 2-1/2	
10	0700808	4	Bolt M8 x 16mm	
11	0771414	6	Bolt M14 x 30	
13	0940070	1	Bumper	
14	0961986	2	Bushing, Flanged	
15	1320016	2	Clamp	
16	1320223	4	J-Clip	
17	1703162	2	Decal - Caution Fan Blade	
18	2060025	1	Fan	
19	2220451	2	Fitting, Straight	
20	2720398	2	Hose, Oil Cooler	
21	2902065	1	Kit, Pump Coupling (See Separate Breakdown in this Section)	
23	3200401	1	Mount, Motor (Front)	
24	3200406	2	Mount, Motor (Rear)	
25	3311405	10	Nut 1/4	
26	3311505	3	Nut 5/16	
27	3311605	18	Nut 3/8	
28	3311805	3	Nut 1/2	
29	3520054	2	Plug, Hole	
30	1001150998	1	Radiator	
31	3740067	3	Relay	
32	3960407	1	Gasket, Air Intake	
33	3960468	1	Seal	
34	3960469	1	Seal	
35	4060805	37 in /1m	Flex-Trim	
36	4711400	14	Washer 1/4	
37	4711600	3	Washer 3/8	
38	4740274	3	Washer, Snubbing	
39	4751600	36	Washer 3/8	
40	4791400	6	Starwasher 1/4	
41	4812200	2	Washer M14	
42	4923379	1	Harness, Glow Plug	
43	1001130041	1	Elbow	
45	1001141693	1	Air Cleaner Assembly	
45	70003783	1	Element, Filter	
46	1001141694	1	Clamp, Air Filter	
47	1001146368	Ref	Deutz D2011 Engine Components (See Separate Breakdown in this Section)	
55	1001151251	1	Pipe, Exhaust	
56	0641512	1	Bolt 5/16 x 1-1/2	
57	1001143390	1	Indicator, Air Filter Service	

SECTION 3 - ENGINE

ITEM	PART NUMBER	QTY	DESCRIPTION	REV
100	1001265493	1	Kit – Engine Parts	A
101	1001139819	1	Adapter, Air Intake	
102	1001149704	1	Support, Engine (Front)	
103	1001149705	1	Support, Engine (Rear)	
104	1001149706	1	Support, Engine (Rear)	
105	1001149793	1	Tray	
106	1001150915	1	Support	
107	1001151078	1	Angle	
108	1001151206	1	Plate, Radiator Mounting	

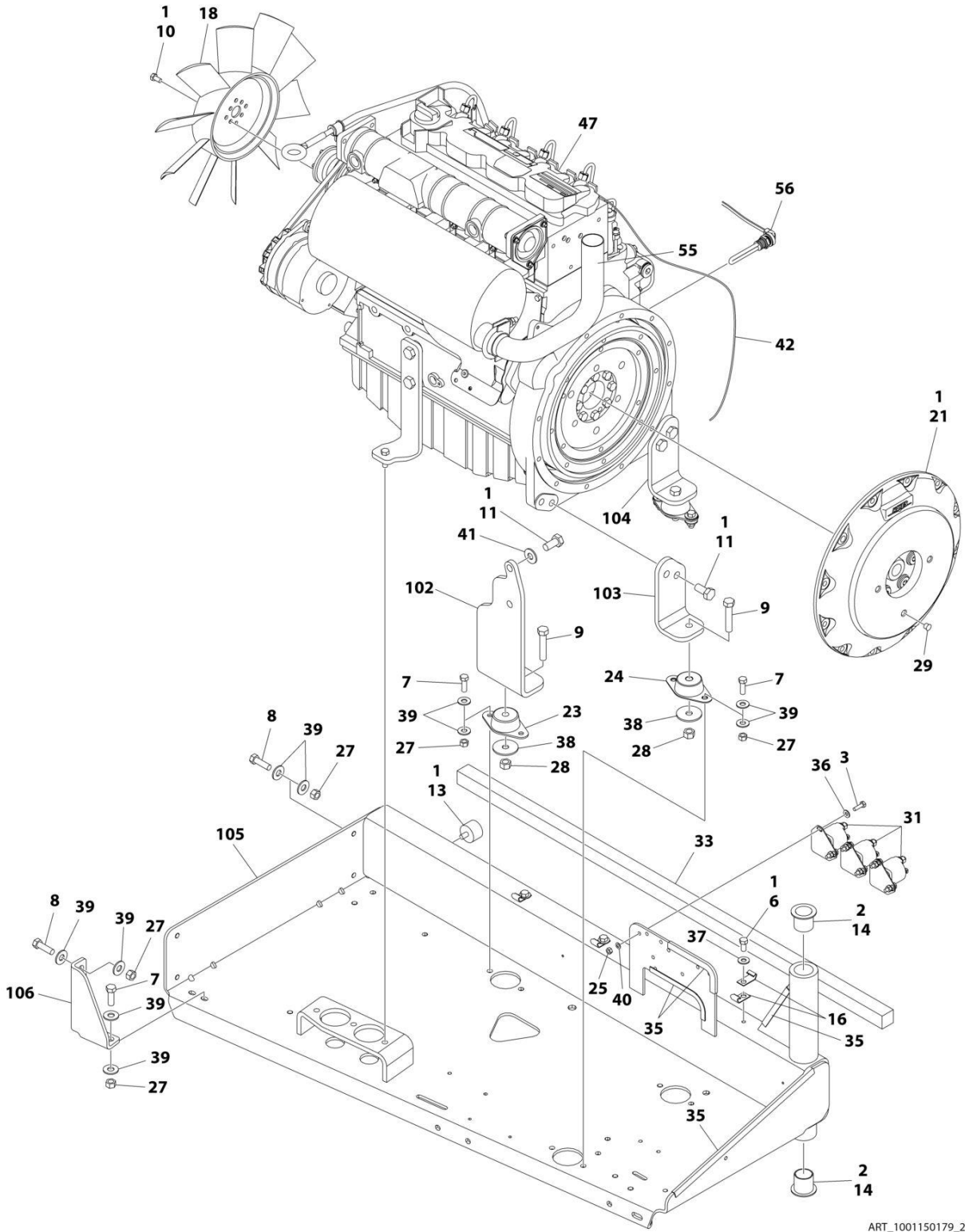
SECTION 3 - ENGINE

FIGURE 3-6. DEUTZ D2011 ENGINE ASSEMBLY – WITH ARCTIC PACKAGE



ART_1001150179_10F2

SECTION 3 - ENGINE



ART_1001150179_20F2

SECTION 3 - ENGINE

FIGURE 3-6. DEUTZ D2011 ENGINE ASSEMBLY – WITH ARCTIC PACKAGE

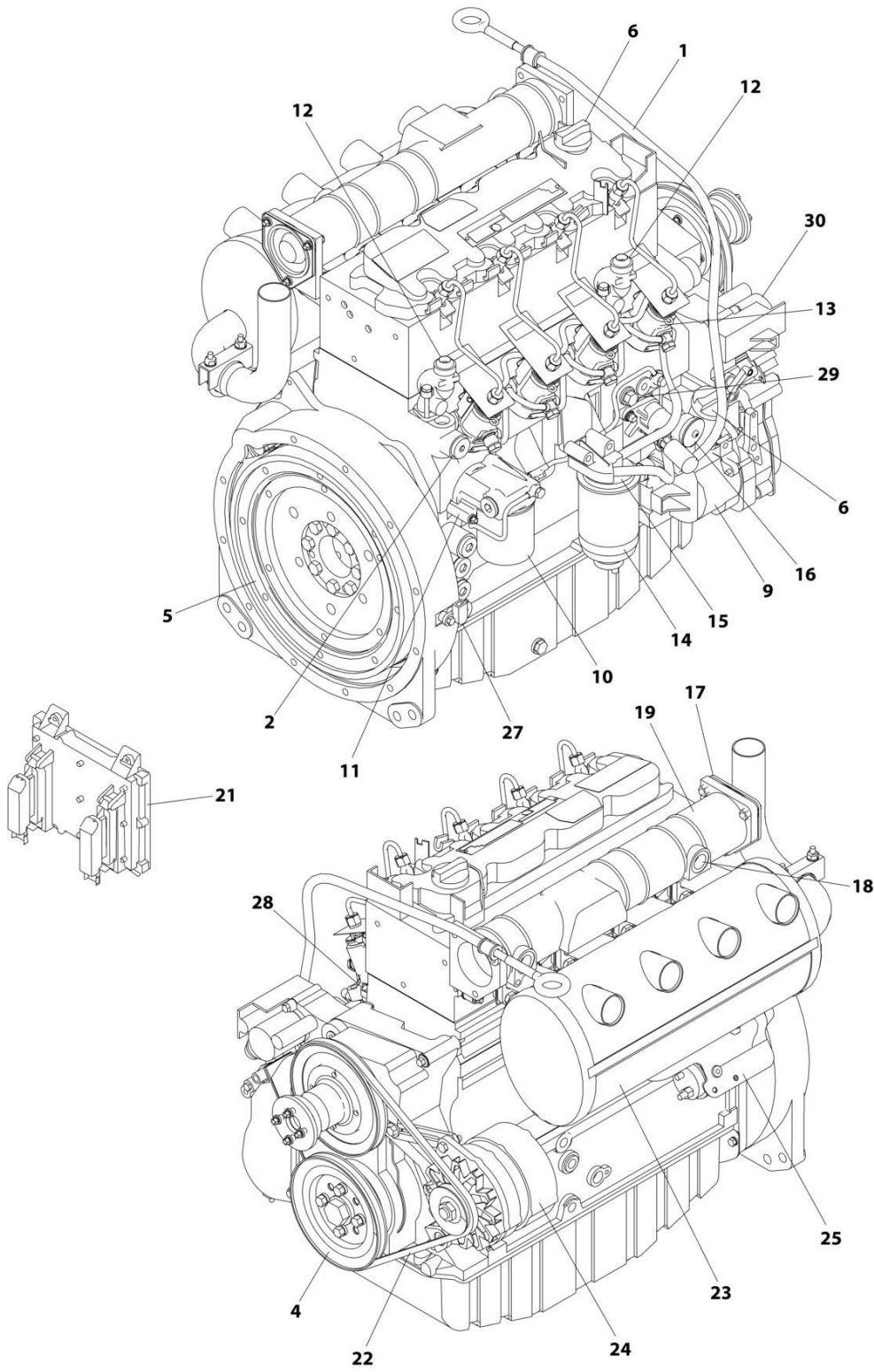
ITEM	PART NUMBER	QTY	DESCRIPTION	REV
	1001150179	Ref	DEUTZ D2011 ENGINE ASSEMBLY	K
1	0100011	AR	Compound, Locking	
2	0100062	AR	Compound, Locking	
3	0641407	8	Bolt 1/4 x 7/8	
4	0641410	2	Bolt 1/4 x 1-1/4	
5	0641510	2	Bolt 5/16 x 1-1/4	
6	0641606	3	Bolt 3/8 x 3/4	
7	0641609	14	Bolt 3/8 x 1-1/8	
8	0641610	4	Bolt 3/8 x 1-1/4	
9	0641820	3	Bolt 1/2 x 2-1/2	
10	0700808	4	Bolt M8 x 16mm	
11	0771414	6	Bolt M14 x 30	
13	0940070	1	Bumper	
14	0961986	2	Bushing, Flanged	
15	1320016	2	Clamp	
16	1320223	4	J-Clip	
17	1703162	2	Decal - Caution Fan Blade	
18	2060025	1	Fan	
19	2220451	2	Fitting, Straight	
20	2720398	2	Hose, Oil Cooler	
21	2902065	1	Kit, Pump Coupling (See Separate Breakdown in this Section)	
23	3200401	1	Mount, Motor (Front)	
24	3200406	2	Mount, Motor (Rear)	
25	3311405	10	Nut 1/4	
26	3311505	3	Nut 5/16	
27	3311605	18	Nut 3/8	
28	3311805	3	Nut 1/2	
29	3520054	2	Plug, Hole	
30	1001150998	1	Radiator	
31	3740067	3	Relay	
32	3960407	1	Gasket, Air Intake	
33	3960468	1	Seal	
34	3960469	1	Seal	
35	4060805	37 in /1m	Flex-Trim	
36	4711400	14	Washer 1/4	
37	4711600	3	Washer 3/8	
38	4740274	3	Washer, Snubbing	
39	4751600	36	Washer 3/8	
40	4791400	6	Starwasher 1/4	
41	4812200	2	Washer M14	
42	4923379	1	Harness, Glow Plug	
43	1001130041	1	Elbow	
45	1001141693	1	Air Cleaner Assembly	
45	70003783	1	Element, Filter	
46	1001141694	1	Clamp, Air Filter	
47	1001146368	Ref	Deutz D2011 Engine Components (See Separate Breakdown in this Section)	
55	1001151251	1	Pipe, Exhaust	
56	2580062	1	Heater, Engine Block	
57	0641512	1	Bolt 5/16 x 1-1/2	

SECTION 3 - ENGINE

ITEM	PART NUMBER	QTY	DESCRIPTION	REV
58	1001143390	1	Indicator, Air Filter Service	
100	1001265493	1	Mounting Kit (Not Shown)	
101	1001139819	1	Adapter, Air Intake	
102	1001149704	1	Support, Engine (Front)	
103	1001149705	1	Support, Engine (Rear)	
104	1001149706	1	Support, Engine (Rear)	
105	1001149793	1	Tray	
106	1001150915	1	Support	
107	1001151078	1	Angle	
108	1001151206	1	Plate, Radiator Mounting	

SECTION 3 - ENGINE

FIGURE 3-7. DEUTZ D2011 ENGINE COMPONENTS



ART_1001146368

SECTION 3 - ENGINE

FIGURE 3-7. DEUTZ D2011 ENGINE COMPONENTS

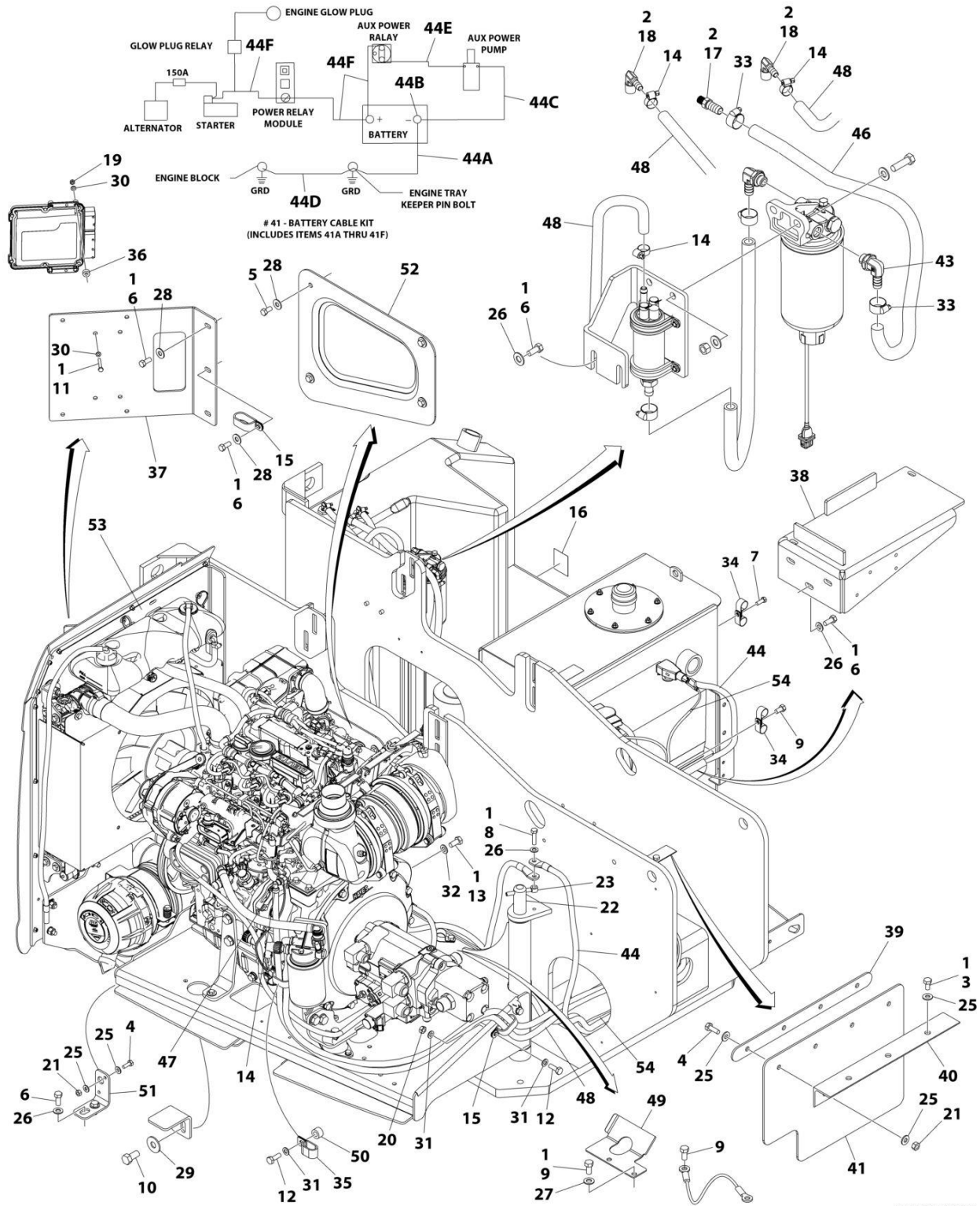
ITEM	PART NUMBER	QTY	DESCRIPTION	REV
	1001146368	Ref	DEUTZ D2011 ENGINE COMPONENTS	E
1	7026631	1	Dipstick	
1	7020487	1	O-Ring, Dipstick	
1	70001002	1	Tube, Dipstick	
1	7020403	1	Seal, Dipstick Tube	
2	70003475	1	Thermostat	
2	7020460	1	Spring, Compression	
3	70002718	1	Seal, Rear Main (Not Shown)	
4	70005479	1	Pulley	
5	70001870	1	Flywheel	
5	7024579	1	Ring Gear	
6	7020465	2	Cap, Filler	
7	70003456	1	Gasket, Head (Not Shown)	
7	70003457	1	Gasket, Head (Not Shown)	
7	70003003	1	Gasket, Head (Not Shown)	
8	7020431	1	Gasket, Valve Cover (Not Shown)	
9	70001850	1	Pump, Oil Lube	
9	7020468	1	Seal Between Oil Pump and Engine Block (Not Shown)	
10	7016331	1	Filter, Oil	
11	70003472	1	Bracket, Oil Filter (Includes Spring, Control Valve, Temperature Sensor, Seal and Plug)	
11	7027236	1	Sensor, Temperature	
11	70003473	1	Gasket, Oil Filter Bracket to Engine Block	
12	70004268	2	Fitting, Radiator Connector (Located Between Item 220 and Engine Block)	
12	70004269	2	Seal for Radiator Connector Fitting	
13	70003478	4	Injector, Fuel	
13	70003136	4	Seal	
13		Ref	Pump, Injector Options:	
13	70000912	1	Series A Injector	
13	70000913	4	Series B Injector	
13	70000914	1	Series C Injector	
13	70000915	1	Series D Injector	
14	7016328	1	Filter, Fuel	
15	70001423	1	Bracket, Fuel Filter	
16	70000916	1	Pump Fuel Supply	
16	70001435	1	Repair Kit for Pump	
16	70000919	1	Hand Pump	
16	70000918	1	Seal, Hand Pump	
16	70000917	1	O-Seal Between Fuel Pump and Engine Block (Not Shown)	
17	70003469	1	Flange	
17	70003468	1	O-Seal	
18	70025084	1	Plug	
19	70003470	1	Manifold, Intake	
19	70001871	4	Gasket, Intake Manifold to Engine Block (Not Shown)	
20	70001847	1	Breather Valve (Not Shown - Located on Front Cover)	
20	70001126	1	Seal, Breather Valve	
21	7027795	1	Module, Control	
22	7020408	1	V-Belt	
23	7000695	1	Muffler (Includes Saddle Clamp)	

SECTION 3 - ENGINE

ITEM	PART NUMBER	QTY	DESCRIPTION	REV
23	7020471	4	Gasket, Exhaust Manifold (Not Shown)	
23	70004270	8	Stud, Exhaust Manifold (Not Shown)	
24	70004056	1	Alternator	
24	70001868	1	Regulator, Voltage Options (Not Shown)	
24	70001866	1	Gasket for Voltage Regulator (Not Shown)	
24	70002234	1	Bracket, Adjusting (Not Shown)	
24	70000851	1	Bracket, Mounting (Not Shown)	
25	7020479	1	Starter	
25	70004058	1	Relay	
25	70001498	1	Shield, Starter Heat	
26	70004059	1	Plug- In Connector for Analyzer (Not Shown)	
26	7027796	1	Harness, Module to Engine Harness (Not Shown)	
26	70004060	1	Plug- In Connector on p/n 7027796 Harness (Not Shown)	
26	70001872	1	Harness, Engine (Not Shown)	
26	70004103	1	Harness, Alternator (Not Shown)	
26	70004271	1	Harness, Starter (Not Shown)	
27	70004272	1	Sensor, Speed	
27	70003932	1	Spacer	
28	7027791	1	Transmitter, Temperature	
29	7027790	1	Sensor, Oil Pressure	
30	7027792	1	Actuator, Throttle	
30	7027276	1	Spring, Actuator	
31	70000345	4	Plug, Glow (Not Shown)	
32	70004273	1	Set, Engine Gasket (Not Shown)	

SECTION 3 - ENGINE

FIGURE 3-8. DEUTZ TD2.2L3 (STAGE V) ENGINE INSTALLATION - (WITHOUT ARCTIC PACKAGE)



ART_1001289895

SECTION 3 - ENGINE

FIGURE 3-8. DEUTZ TD2.2L3 (STAGE V) ENGINE INSTALLATION - (WITHOUT ARCTIC PACKAGE)

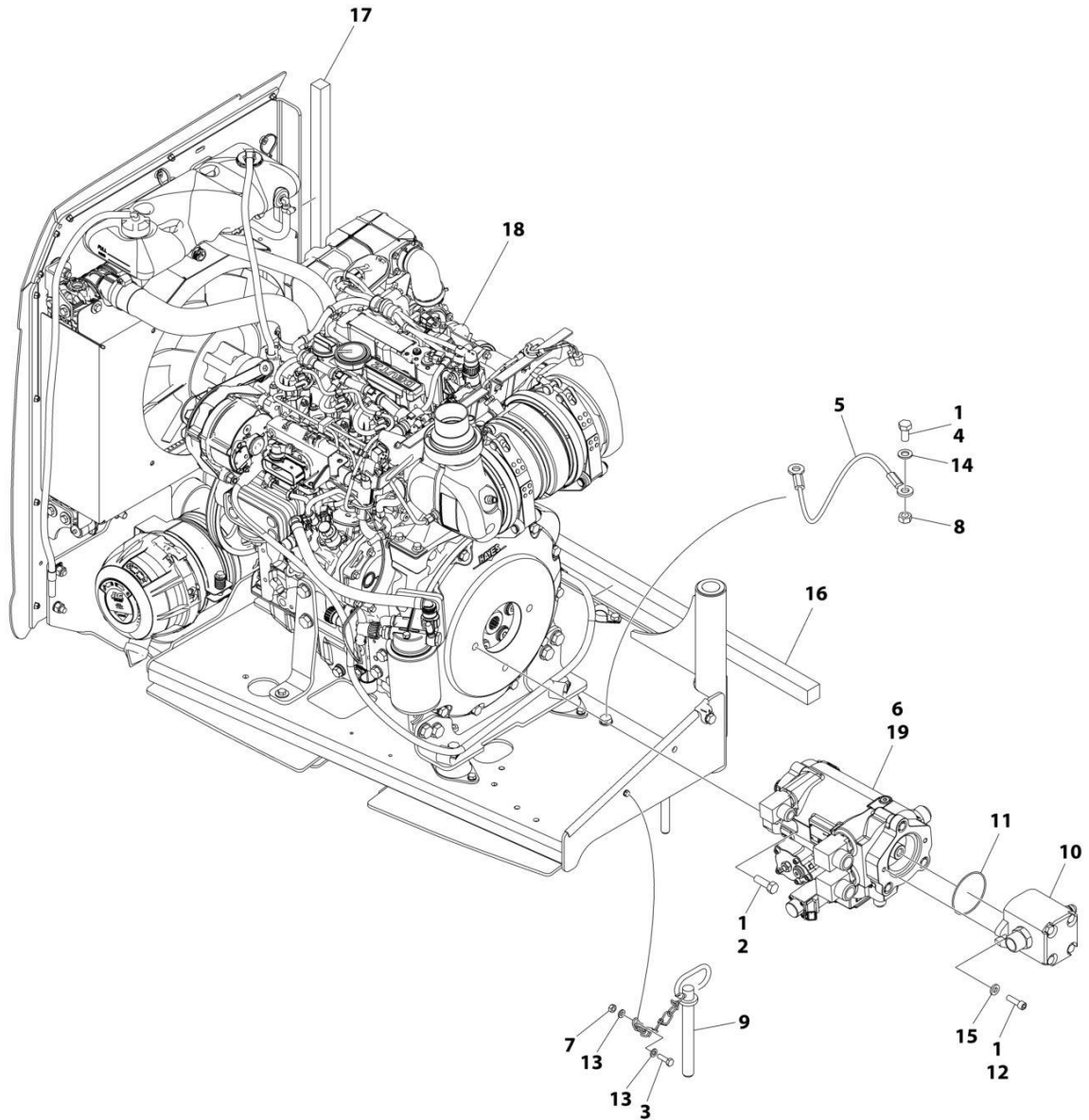
ITEM	PART NUMBER	QTY	DESCRIPTION	REV
	1001289895	Ref	DEUTZ TD2.2L3 (STAGE V) ENGINE INSTALLATION	A
1	0100011	AR	Compound, Locking	
2	0100020	AR	Sealant, Pipe	
3	0641404	3	Bolt 1/4 x 1/2	
4	0641406	5	Bolt 1/4 x 3/4	
5	0641606	4	Bolt 3/8 x 3/4	
6	0641607	12	Bolt 3/8 x 7/8	
7	0641608	1	Bolt 3/8 x 1	
8	0641612	1	Bolt 3/8 x 1-1/2	
9	0641808	4	Bolt 1/2 x 1	
10	0642010	1	Bolt 5/8 x 1-1/4	
11	0700616	4	Bolt M6 x 40	
12	0761014	2	Bolt M10 x 30	
13	0771212	1	Bolt M12 x 25 Grade 10.9	
14	1320022	5	Clamp	
15	1321716	2	P-Clamp	
16	1701505	1	Decal - Diesel	
17	2180832	1	Fitting, Straight Barbed	
18	2220313	2	Fitting, 90 Barbed	
19	3290601	4	Nut M6	
20	3291001	1	Nut M10	
21	3311405	5	Nut 1/4	
22	3422448	1	Pin, Pivot	
23	3841143	1	Pin, Keeper	
24	4240099	AR	Tie-Strap (Not Shown)	
25	4711400	13	Washer 1/4	
26	4711600	10	Washer 3/8	
27	4711800	2	Washer 1/2	
28	4751600	7	Washer 3/8	
29	4752000	1	Washer 5/8	
30	4811700	8	Washer M6	
31	4812000	3	Washer M10	
32	4812100	1	Washer M12	
33	8405006	2	Clamp	
34	8406201	6	Clip, Tube	
35	1001026127	1	Clamp	
36	1001110425	4	Spacer	
37	1001137866	1	Plate, Baffle	
38	1001137868	1	Bracket, Battery	
39	1001137880	1	Bracket, Baffle	
40	1001137881	1	Angle	
41	1001137882	1	Support, Rubber	
42	1001138491	1	Harness, Fuel Pump (Pump requiring Push-on Terminals) (Not Shown - See Separate Breakdown in ELECTRICAL Section)	
43	1001142501	1	Fitting, 90 Barbed	
44	1001145047	1	Battery Cable Kit	
44A	7027072	1	Cable, Battery (Black) (Battery - to Tray Pivot Grd)	
44B	8270147	1	Terminal, Battery (With Boot)	
44B	See Note	1	Boot, Black (Note: Not Available for Purchase)	
44C	7027073	1	Cable, Battery (Black) (Battery - to Aux Pump and Relay Grd)	

SECTION 3 - ENGINE

ITEM	PART NUMBER	QTY	DESCRIPTION	REV
44C	See Note	1	Boot, Black (Note: Not Available for Purchase)	
44D	7027074	1	Cable, Battery (Black) (Engine to Tray Pivot Grd)	
44E	7027075	1	Cable (Red) (Aux Relay to Aux Pump)	
44E	70003952	2	Boot, Red	
44F	7027076	1	Cable (Red) (Battery + to Aux Relay/Power Module/Starter)	
44F	See Note	1	Boot, Red (Battery) (Note: Not Available for Purchase)	
45	1001146588	1	Tie-Strap (Not Shown)	
46	1001154405	3 ft/1m	Hose	
47	1001155823	1	Fitting, 90 Quick Disconnect	
48	1001165035	24 ft/8m	Hose	
49	1001172793	1	Guide, Hose	
50	1001220266	1	Spacer	
51	1001256879	1	Bracket	
52	1001260654	1	Cover	
53	1001289896	1	Engine Assembly with Pumps (See Separate Breakdown in this Section)	
54	1001289593	1	ECU Power Jumper Harness (Separate Breakdown in ELECTRICAL Section)	

SECTION 3 - ENGINE

FIGURE 3-9. DEUTZ TD2.2L3(STAGE V) ENGINE/PUMP SUB ASSEMBLY - (WITHOUT ARCTIC PACKAGE)



ART_1001289896

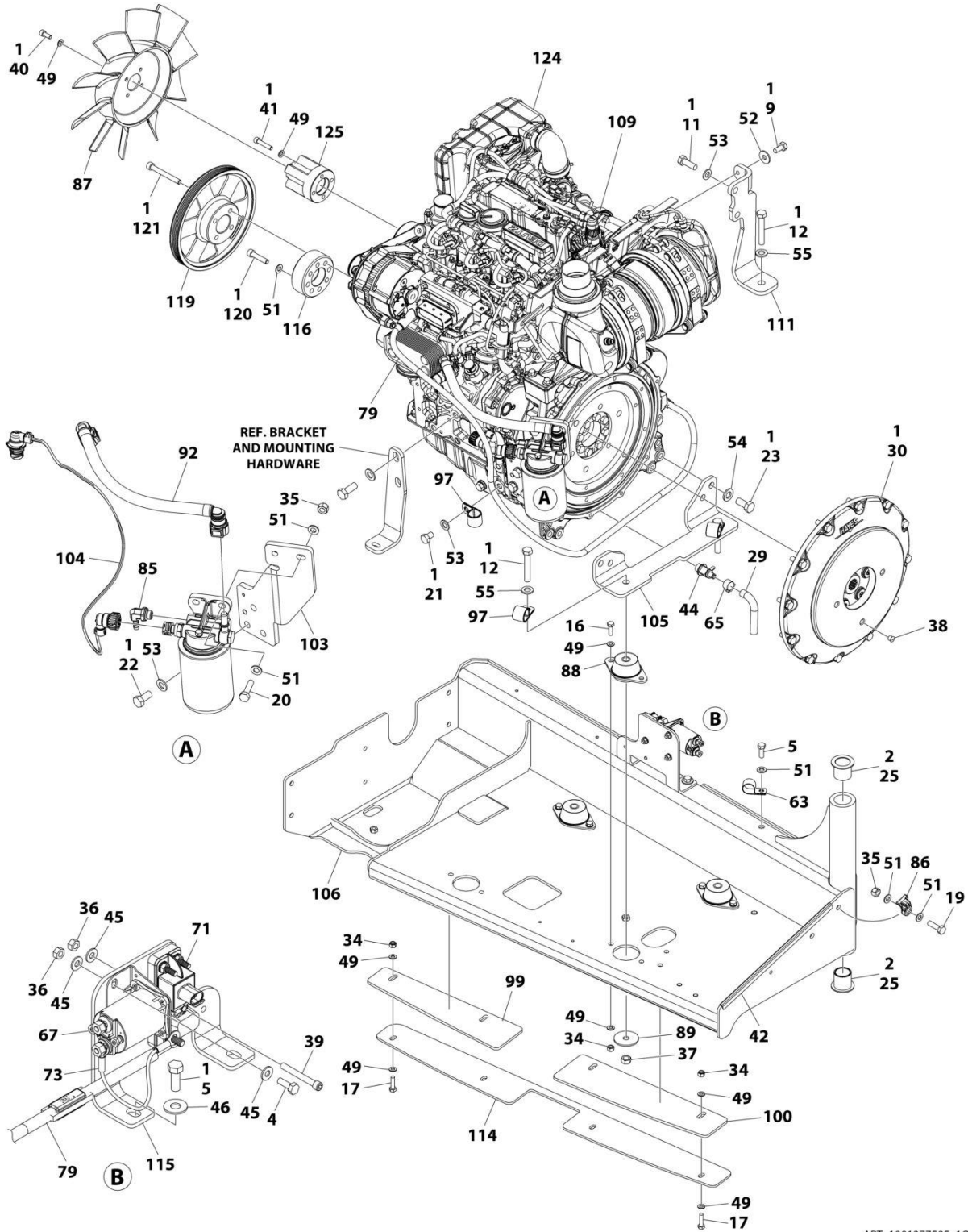
SECTION 3 - ENGINE

FIGURE 3-9. DEUTZ TD2.2L3(STAGE V) ENGINE/PUMP SUB ASSEMBLY - (WITHOUT ARCTIC PACKAGE)

ITEM	PART NUMBER	QTY	DESCRIPTION	REV
	1001289896	Ref	DEUTZ TD2.2L3(STAGE V) ENGINE/PUMP SUB-ASSEMBLY	B
1	0100011	AR	Compound, Locking	
2	0641812	2	Bolt 1/2 x 1-1/2	
3	0700610	1	Bolt M6 x 20	
4	0761212	1	Bolt M12 x 25	
5	1060637	1	Lanyard	
6	3020037	AR	Grease, Pump Coupling	
7	3290601	1	Nut M6	
8	3291201	1	Nut M12	
9	3422533	1	Pin, Hitch	
10	3600395	1	Gear Pump Assembly with Fittings (See Separate Breakdown in this Section)	
12	3931620	2	Capscrew 3/8 x 1-1/4	
13	4811700	2	Washer M6	
14	4812100	1	Washer M12	
15	4891600	2	Washer 3/8	
16	1001137873	1	Seal	
17	1001137874	1	Seal	
18	1001277595	1	Engine Assembly (See Separate Breakdown in this Section)	
19	1001287018	1	Piston Pump and Fitting Assembly (See Separate Breakdown in this Section)	

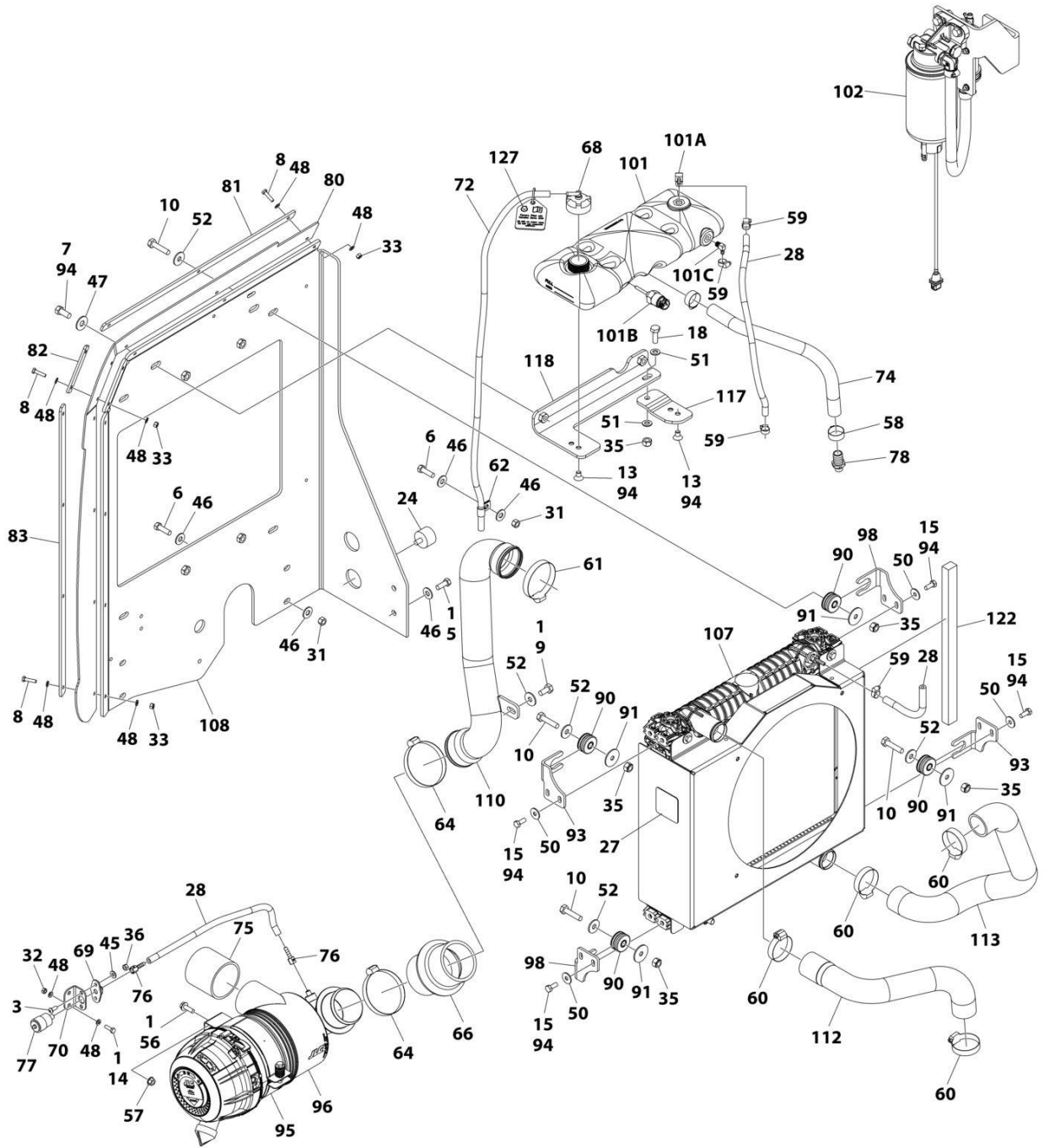
SECTION 3 - ENGINE

FIGURE 3-10. DEUTZ TD2.2L3 (STAGE V) ENGINE ASSEMBLY



ART_1001277595_10F2

SECTION 3 - ENGINE



ART_1001277595_20F2

SECTION 3 - ENGINE

FIGURE 3-10. DEUTZ TD2.2L3 (STAGE V) ENGINE ASSEMBLY

ITEM	PART NUMBER	QTY	DESCRIPTION	REV
	1001277595	Ref	DEUTZ TD2.9L4 ENGINE ASSEMBLY	F
1	0100011	AR	Compound, Locking	
2	0100062	AR	Adhesive	
3	0630407	2	Screw 1/4 x 5/8	
4	0641406	2	Bolt 1/4 x 3/4	
5	0641608	5	Bolt 3/8 x 1	
6	0641610	4	Screw 3/8 x 1-1/4	
7	0641708	2	Bolt 7/16 x 1	
8	0700612	9	Bolt M6 x 25	
9	0701012	1	Bolt M10 x 25	
10	0701017	4	Bolt M10 x 45	
11	0711215	2	Bolt M12 x 35	
12	0711223	3	Bolt M12 x 75	
13	0741605	2	Screw, Flathead 3/8 x 5/8	
14	0760610	2	Bolt M6 x 20	
15	0760810	8	Bolt M8 x 20	
16	0760812	6	Bolt M8 x 25	
17	0760814	4	Bolt M8 x 30	
18	0761014	1	Bolt M10 x 30	
19	0761015	1	Bolt M10 x 35	
20	0761016	2	Bolt M10 x 40	
21	0761212	1	Bolt M12 x 25	
22	0761214	3	Bolt M12 x 30	
23	0771414	4	Bolt M14 x 30	
24	0940070	1	Bumper	
25	0961986	2	Bushing, Flanged	
26	1062255	1	Tie-Strap (Not Shown)	
27	1703162	1	Decal - Fan Blade	
28	2720015	4 ft/2 m	Hose	
29	2720340	6 in/15 cm	Hose	
30	2902065	1	Kit, Pump Coupling (See Separate Breakdown in this Section)	
31	3271605	4	Nut Grade 8	
32	3290601	2	Nut M6	
33	3290605	9	Nut M6	
34	3290805	10	Nut M8	
35	3291005	8	Nut M10	
36	3311405	5	Nut 1/4	
37	3331211	3	Nut M12	
38	3520054	1	Plug	
39	3931432	1	Capscrew 1/4 x 2	
40	4031908	4	Capscrew M8 x 20	
41	4031912	4	Capscrew M8 x 40	
42	4060805	14 in/36 cm	Flex-Trim	
43	4240099	AR	Tie-Strap (Not Shown)	
44	4640751	1	Valve, Oil Drain	
45	4711400	7	Washer 1/4	
46	4751600	12	Washer 3/8	
47	4751700	2	Washer 7/16	
48	4811700	22	Washer M6	

SECTION 3 - ENGINE

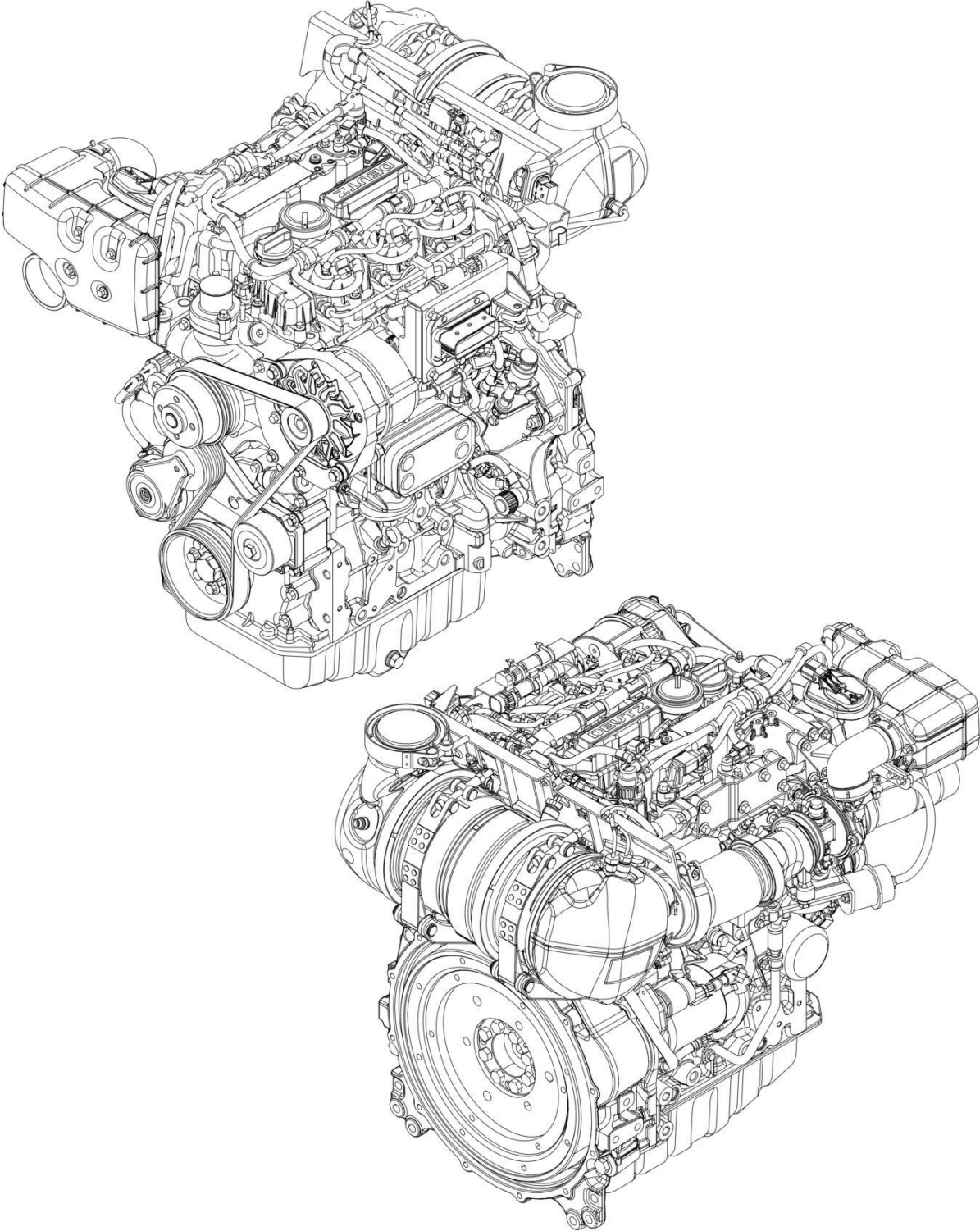
ITEM	PART NUMBER	QTY	DESCRIPTION	REV
49	4811900	28	Washer M8	
50	4811902	8	Washer M8	
51	4812000	13	Washer M10	
52	4812002	5	Washer M10	
53	4812100	6	Washer M12	
54	4812200	4	Washer M14	
55	5241200	3	Washer M12	
56	5250812	2	Bolt M8 x 25	
57	5260800	2	Nut M8	
58	8405007	2	Clamp	
59	8405009	4	Clamp	
60	8405104	4	Clamp	
61	8405204	1	Clamp	
62	8406110	1	Clip	
63	8406201	1	Clip	
64	8410011	2	Clamp	
65	8410013	1	Clamp	
66	91403244	1	Hose	
67	1001117308	1	Relay	
68	1001136834	1	Cap, Tank	
69	1001138173	1	Support	
70	1001138175	1	Bracket	
71	1001138228	1	Relay, Power Module	
71	70023592	1	Fuse 20Amp (Switched Output)	
71	70023593	1	Fuse 30Amp (Battery Output)	
72	1001138248	38 in/1 m	Tube	
73	1001141304	1	Wire	
74	1001141370	1	Hose	
75	1001141585	1	Hose, Air Inlet	
76	1001141995	2	Fitting, Straight Barbed	
77	1001143390	1	Indicator, Service	
78	1001143797	1	Fitting, Straight Barbed	
79	1001143907	1	Cable, Alternator Power	
80	1001144409	1	Panel, Rubber	
81	1001144410	1	Bracket, Panel Clamp	
82	1001144411	1	Bracket, Panel Clamp	
83	1001144412	1	Bracket, Panel Clamp	
84	1001146588	6	Tie-Strap (Not Shown)	
85	1001152489	1	Fitting, 90 Barbed	
86	1001156107	1	Holder, Cable	
87	1001165849	1	Fan	
88	1001166718	3	Mount, Motor	
89	1001168018	3	Washer	
90	1001169054	4	Isolator	
91	1001169138	4	Washer	
92	1001177359	1	Hose	
93	1001178223	2	Bracket	
94	1001180620	AR	Adhesive	
95	1001186426	1	Clamp	
96	1001189979	1	Air Cleaner Assembly Filter Element	
96	70005008	1	Element, Filter (Not Shown)	

SECTION 3 - ENGINE

ITEM	PART NUMBER	QTY	DESCRIPTION	REV
97	1001191620	3	Clamp	
98	1001204325	2	Bracket	
99	1001219454	1	Seal	
100	1001219456	1	Seal	
101	1001230635	1	Tank	
101A	1001134488	1	Fitting, 90 Barbed	
101B	1001138827	1	Sensor, Coolant Level	
101C	1001140564	1	Fitting, 90 Barbed	
102	1001235949	1	Bracket, Fuel Pump/Filter Assembly (See Separate Breakdown in this Section)	
103	1001237947	1	Mount	
104	1001245913	1	Harness, Deutz Fuel Filter (See Separate Breakdown in ELECTRICAL Section)	
105	1001246813	1	Mount, Rear Engine	
106	1001247029	1	Support, Engine Tray	
107	1001247716	1	Radiator and Shroud Assembly	
107	1001247714	1	Shroud	
107	1001250607	1	Radiator	
108	1001248434	1	Mount	
109	1001249045	1	Pipe, Exhaust	
110	1001249232	1	Pipe	
111	1001249234	1	Mount, Engine	
112	1001249261	1	Hose, Radiator - Upper	
113	1001249705	1	Hose, Radiator - Lower	
114	1001251131	1	Plate	
115	1001258252	1	Plate, Relay Mounting	
116	1001258800	1	Adapter	
117	1001260412	1	Bracket, Surge Tank	
118	1001260413	1	Bracket, Tank	
119	1001281192	1	Pulley	
120	1001261045	4	Capscrew M10 x 45 Grade 10.9	
121	1001261085	4	Capscrew M10 x 85 Grade 10.9	
122	1001269861	1	Seal	
123	1001276645	1	Harness, Engine (Not Shown - See Separate Breakdown in ELECTRICAL Section)	
124	1001277590	1	Deutz TD2.2L3 (Stage V) Engines (See Separate Breakdown in this Section)	
125	1001278329	1	Adapter	
126	4240032	1	Tie-Strap (Not Shown)	
127	1001291401	1	Tag, Coolant	

SECTION 3 - ENGINE

FIGURE 3-11. DEUTZ TD2.2L3 (STAGE V) ENGINE COMPONENTS



ART_1001277590

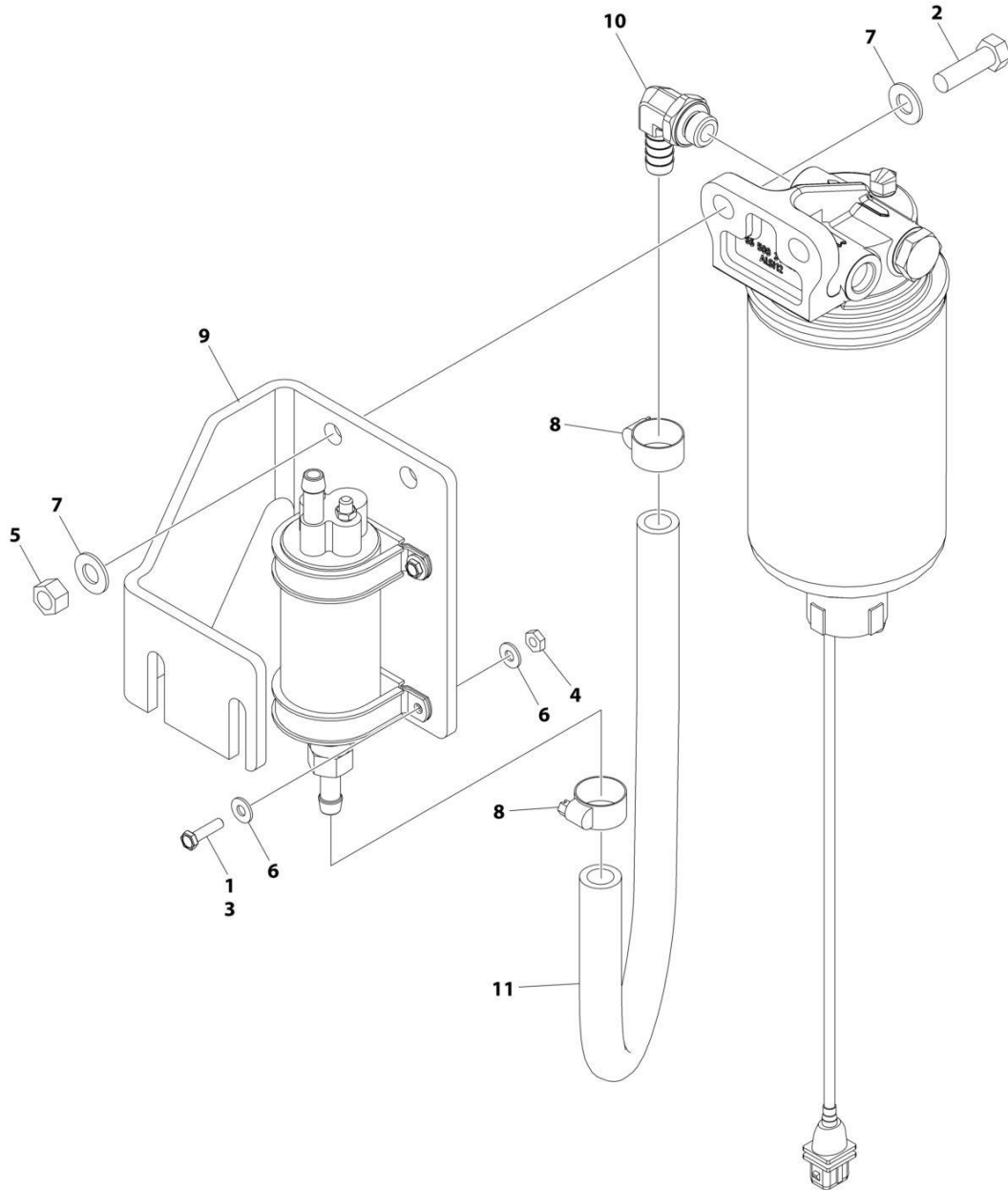
SECTION 3 - ENGINE

FIGURE 3-11. DEUTZ TD2.2L3 (STAGE V) ENGINE COMPONENTS

ITEM	PART NUMBER	QTY	DESCRIPTION	REV
	1001277590	Ref	DEUTZ ENGINE COMPONENTS	A
	See Note	Ref	Note: No Service Parts Available at Time of Printing	

SECTION 3 - ENGINE

FIGURE 3-12. BRACKET ASSEMBLY - FUEL PUMP AND FILTER (DEUTZ D2.2L3 ENGINE)



ART_1001235949

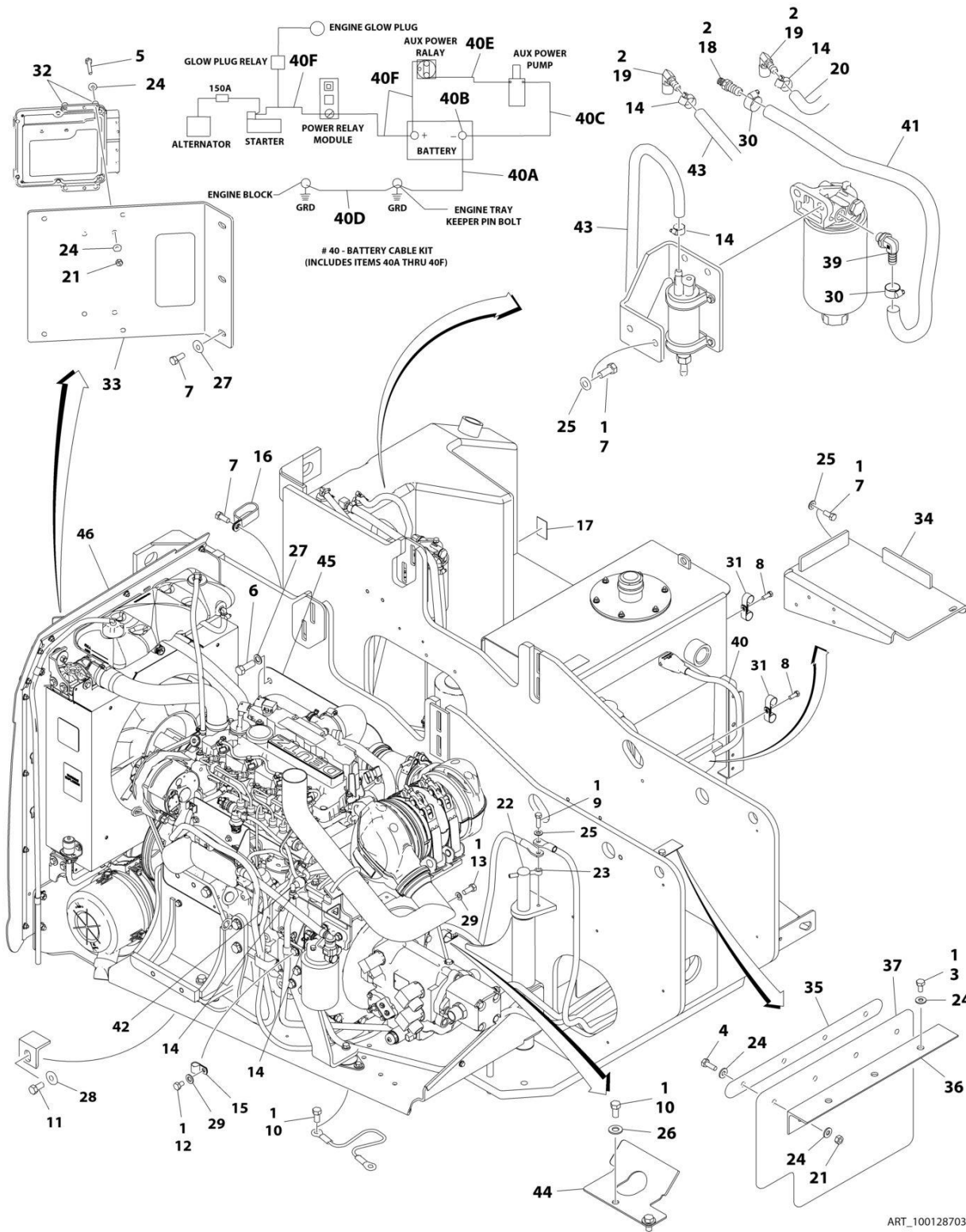
SECTION 3 - ENGINE

FIGURE 3-12. BRACKET ASSEMBLY - FUEL PUMP AND FILTER (DEUTZ D2.2L3 ENGINE)

ITEM	PART NUMBER	QTY	DESCRIPTION	REV
	1001235949	Ref	BRACKET ASSEMBLY - FUEL PUMP AND FILTER (DEUTZ D2.9L4 (STAGE V) ENGINE)	A
1	0100035	AR	Compound, Locking	
2	0641610	2	Bolt 3/8 x 1-1/4	
3	0721006	4	Bolt #10 x 3/4	
4	3311001	4	Nut #10	
5	3311605	2	Nut 3/8	
6	4711000	8	Washer #10	
7	4711600	4	Washer 3/8	
8	8405006	2	Clamp	
9	1001141870	1	Plate, Fuel Pump Mount	
10	1001142501	1	Fitting, Elbow Barbed	
11	1001154405	1.5 ft /0.4m	Hose	

SECTION 3 - ENGINE

FIGURE 3-13. DEUTZ TD2.9L4 - 49HP EMR4 ENGINE INSTALLATION - WITHOUT ARCTIC PACKAGE



ART_1001287033

SECTION 3 - ENGINE

FIGURE 3-13. DEUTZ TD2.9L4 - 49HP EMR4 ENGINE INSTALLATION - WITHOUT ARCTIC PACKAGE

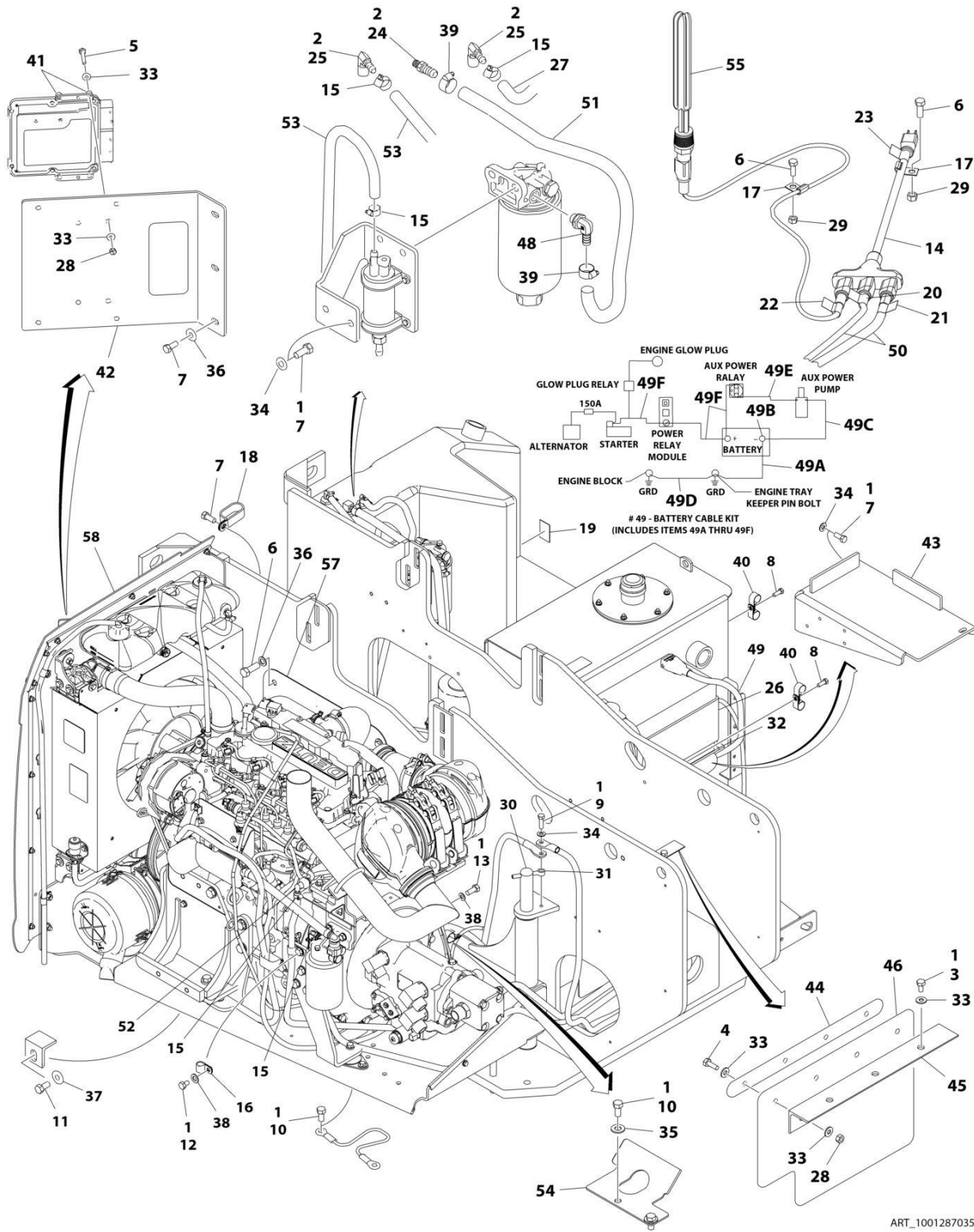
ITEM	PART NUMBER	QTY	DESCRIPTION	REV
	1001287033	Ref	DEUTZ D2.9L4 ENGINE INSTALLATION	A
1	0100011	AR	Compound, Locking	
2	0100020	AR	Sealant, Pipe	
3	0641404	3	Bolt 1/4 x 1/2	
4	0641406	4	Bolt 1/4 x 3/4	
5	0641412	4	Bolt 1/4 x 1-1/2	
6	0641606	4	Bolt 3/8 x 3/4	
7	0641607	9	Bolt 3/8 x 7/8	
8	0641608	2	Bolt 3/8 x 1	
9	0641612	1	Bolt 3/8 x 1-1/2	
10	0641808	3	Bolt 3/8 x 1	
11	0642010	1	Bolt 5/8 x 1-1/4	
12	0761008	1	Bolt M10 x 16	
13	0771212	1	Bolt M12 x 25 Class 10.9	
14	1320022	5	Clamp	
15	1320061	1	Clamp	
16	1321716	1	P-Clamp	
17	1701505	1	Decal - Diesel (Located on Hood)	
18	2180832	1	Fitting, Straight Barbed	
19	2220313	2	Fitting, 90 Barbed	
20	2750532	5 ft /1.6m	Hose	
21	3311405	8	Nut 1/4	
22	3422448	1	Pin, Pivot	
23	3841143	1	Pin, Keeper	
24	4711400	19	Washer 1/4	
25	4711600	6	Washer 3/8	
26	4711800	2	Washer 1/2	
27	4751600	7	Washer 3/8	
28	4752000	1	Washer 5/8	
29	4812100	2	Washer M12	
30	8405006	2	Clamp	
31	8406201	4	Clip	
32	1001110425	4	Spacer	
33	1001137866	1	Plate, Baffle	
34	1001137868	1	Bracket, Battery	
35	1001137880	1	Bracket, Baffle	
36	1001137881	1	Angle	
37	1001137882	1	Support, Rubber	
38	1001138491	1	Harness, Fuel Pump (Pump requiring Push-on Terminals) (Not Shown - See Separate Breakdown in ELECTRICAL Section)	
39	1001142501	1	Fitting, 90 Barbed	
40	1001145047	1	Battery Cable Kit	
40A	7027072	1	Cable, Battery (Black) (Battery - to Tray Pivot Grd)	
40B	8270147	1	Terminal, Battery (With Boot)	
40B	See Note	1	Boot, Black (Note: Not Available for Purchase)	
40C	7027073	1	Cable, Battery (Black) (Battery - to Aux Pump and Relay Grds)	
40C	See Note	1	Boot, Black (Note: Not Available for Purchase)	
40D	7027074	1	Cable, Battery (Black) (Engine to Tray Pivot Grd)	
40E	7027075	1	Cable (Red) (Aux Relay to Aux Pump)	
40E	70003952	2	Boot, Red	

SECTION 3 - ENGINE

ITEM	PART NUMBER	QTY	DESCRIPTION	REV
40F	7027076	1	Cable (Red) (Battery + to Aux Relay/Power Module/Starter)	
40F	See Note	1	Boot, Red (Battery) (Note: Not Available for Purchase)	
41	1001154405	3 ft /.9m	Hose	
42	1001155823	1	Fitting, 90 Quick Disconnect	
43	1001165035	23.5 ft /7.2m	Hose	
44	1001172793	1	Guide, Hose	
45	1001252521	1	Cover	
46	1001287034	1	Engine Assembly with Pumps (See Separate Breakdown in this Section)	

SECTION 3 - ENGINE

FIGURE 3-14. DEUTZ TD2.9L4 - 49HP EMR4 ENGINE INSTALLATION - WITH ARCTIC PACKAGE



ART_1001287035

SECTION 3 - ENGINE

FIGURE 3-14. DEUTZ TD2.9L4 - 49HP EMR4 ENGINE INSTALLATION - WITH ARCTIC PACKAGE

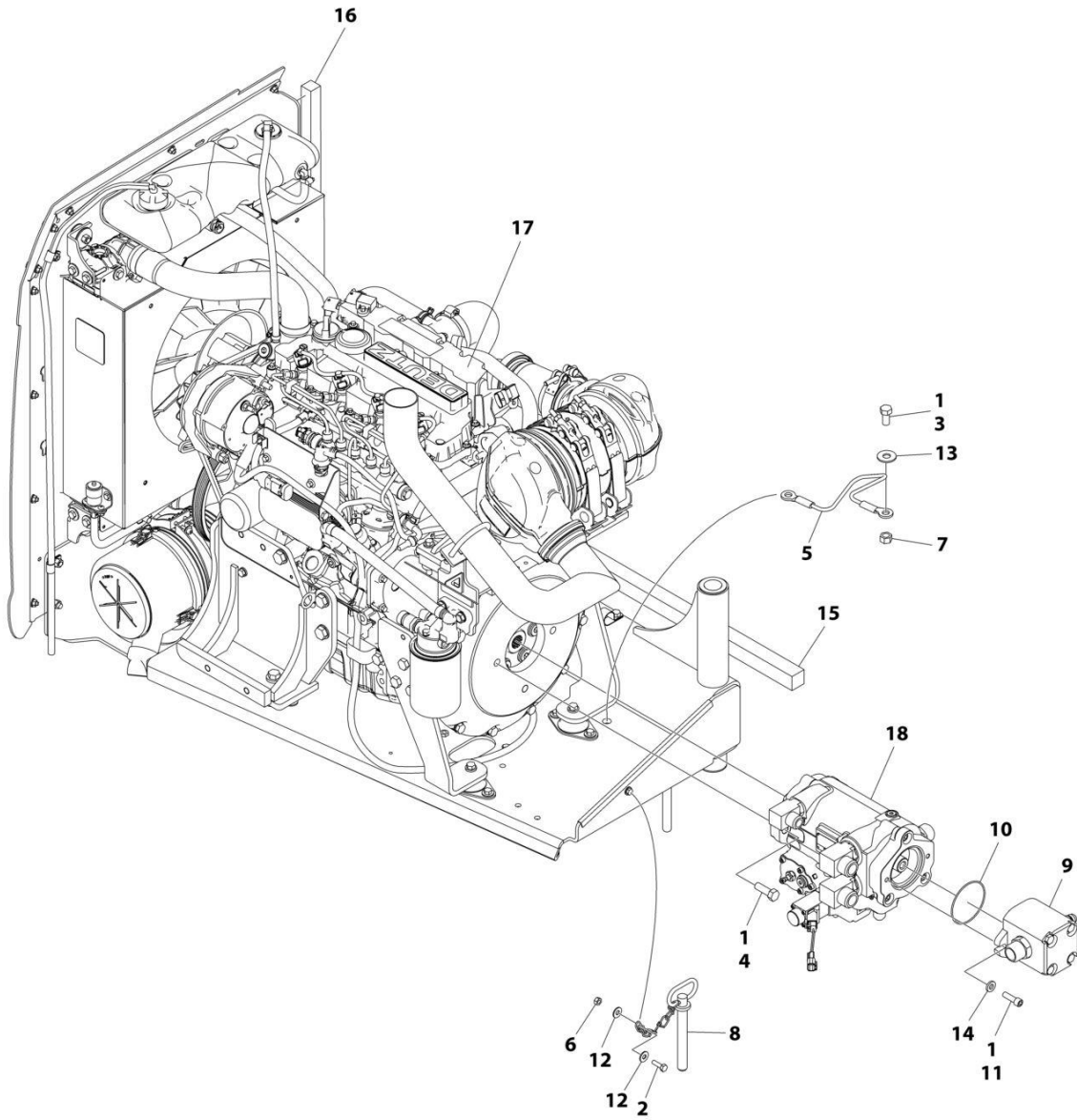
ITEM	PART NUMBER	QTY	DESCRIPTION	REV
	1001287035	Ref	DEUTZ D2.9L4 ENGINE INSTALLATION	A
1	0100011	AR	Compound, Locking	
2	0100020	AR	Sealant, Pipe	
3	0641404	3	Bolt 1/4 x 1/2	
4	0641406	4	Bolt 1/4 x 3/4	
5	0641412	4	Bolt 1/4 x 1-1/2	
6	0641606	6	Bolt 3/8 x 3/4	
7	0641607	9	Bolt 3/8 x 7/8	
8	0641608	2	Bolt 3/8 x 1	
9	0641612	1	Bolt 3/8 x 1-1/2	
10	0641808	3	Bolt 1/2 x 1	
11	0642010	1	Bolt 5/8 x 1-1/4	
12	0761008	1	Bolt M10 x 16	
13	0771212	1	Bolt M12 x 25 Class 10.9	
14	1060626	1	Cord, 3 Way Extension	
15	1320022	5	Clamp	
16	1320061	1	Clamp	
17	1320223	2	Clamp	
18	1321716	1	P-Clamp	
19	1701505	1	Decal - Diesel (Located on Hood)	
20	1702941	1	Decal - Battery Heater	
21	1702942	1	Decal - Engine Block Heater	
22	1702943	1	Decal - Hydraulic Tank Heater	
23	1702944	1	Decal - Heater Cord	
24	2180832	1	Fitting, Straight Barbed	
25	2220313	2	Fitting, 90 Barbed	
26	2580024	1	Heater, Battery	
27	2750532	5 ft /1.6m	Hose	
28	3311405	8	Nut, Lock 1/4	
29	3311605	2	Nut, Lock 3/8	
30	3422448	1	Pin, Pivot	
31	3841143	1	Pin, Keeper	
32	3980007	1	Seat, Battery	
33	4711400	19	Washer 1/4	
34	4711600	6	Washer 3/8	
35	4711800	2	Washer 1/2	
36	4751600	7	Washer 3/8	
37	4752000	1	Washer 5/8	
38	4812100	2	Washer M12	
39	8405006	2	Clamp	
40	8406201	4	Clip	
41	1001110425	4	Spacer	
42	1001137866	1	Plate, Baffle	
43	1001137868	1	Bracket, Battery	
44	1001137880	1	Bracket, Baffle	
45	1001137881	1	Angle	
46	1001137882	1	Support, Rubber	
47	1001138491	1	Harness, Fuel Pump (Pump requiring Push-on Terminals) (Not Shown - See Separate Breakdown in ELECTRICAL Section)	
48	1001142501	1	Fitting, 90 Barbed	

SECTION 3 - ENGINE

ITEM	PART NUMBER	QTY	DESCRIPTION	REV
49	1001145047	1	Battery Cable Kit	
49A	7027072	1	Cable, Battery (Black) (Battery - to Tray Pivot Grd)	
49B	8270147	1	Terminal, Battery (With Boot)	
49B	See Note	1	Boot, Black (Note: Not Available for Purchase)	
49C	7027073	1	Cable, Battery (Black) (Battery - to Aux Pump and Relay Grds)	
49C	See Note	1	Boot, Black (Note: Not Available for Purchase)	
49D	7027074	1	Cable, Battery (Black) (Engine to Tray Pivot Grd)	
49E	7027075	1	Cable (Red) (Aux Relay to Aux Pump)	
49E	70003952	2	Boot, Red	
49F	7027076	1	Cable (Red) (Battery + to Aux Relay/Power Module/Starter)	
49F	See Note	1	Boot, Red (Battery) (Note: Not Available for Purchase)	
50	1001150918	1	Cable, Immersion Heater	
51	1001154405	3 ft /.9m	Hose	
52	1001155823	1	Fitting, 90 Quick Disconnect	
53	1001165035	23.5 ft /7.2m	Hose	
54	1001172793	1	Guide, Hose	
55	1001188972	1	Heater, Hydraulic Tank	
56	1001233763	1	Breather Heater Installation (Not Shown - See Separate Breakdown in this Section)	
57	1001252521	1	Cover	
58	1001287036	1	Engine Assembly with Pumps (See Separate Breakdown in this Section)	

SECTION 3 - ENGINE

FIGURE 3-15. DEUTZ TD2.9L4 - 49HP EMR4 ENGINE/PUMP SUB-ASSEMBLY – WITHOUT ARCTIC PACKAGE



ART_1001287034

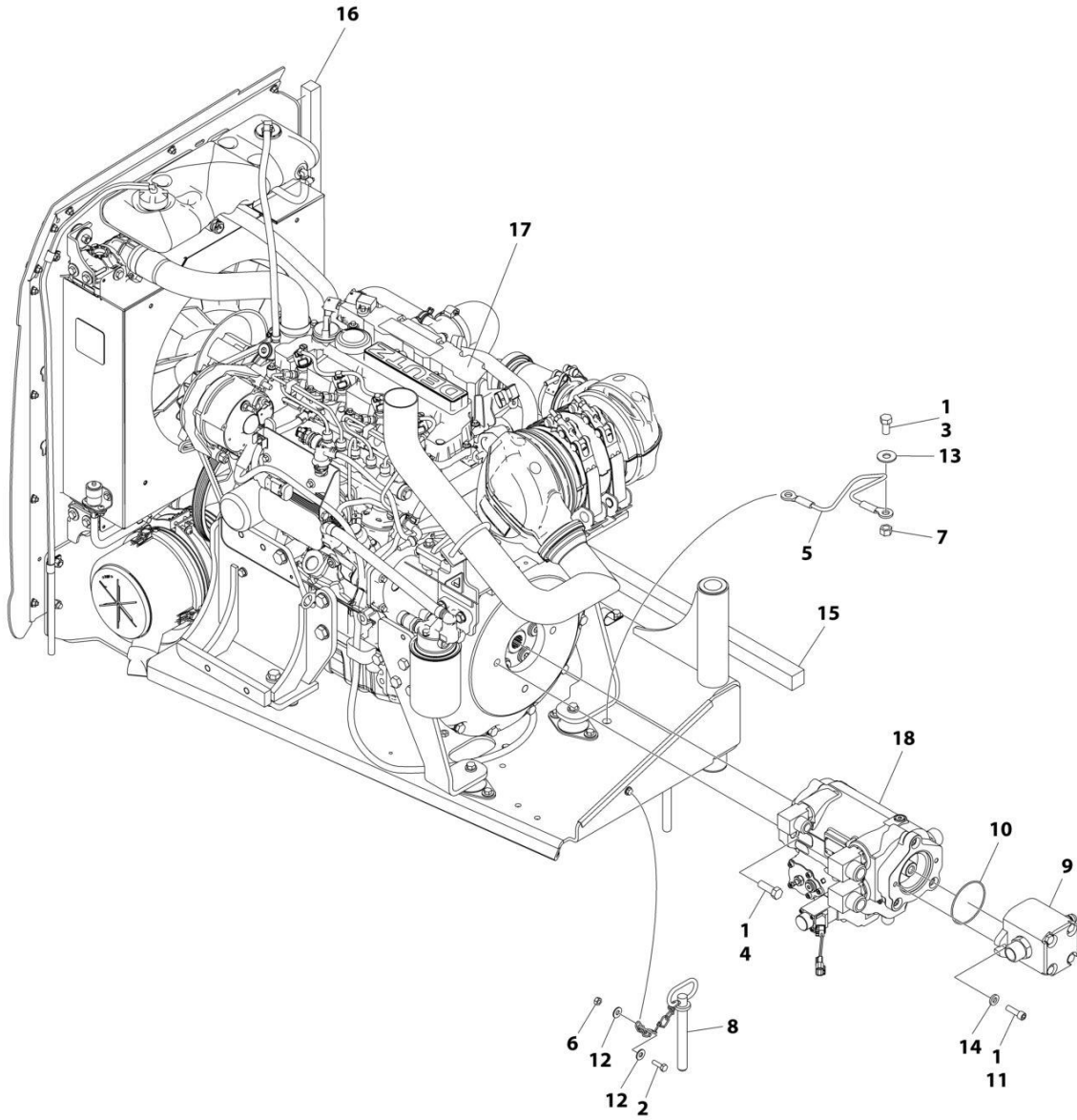
SECTION 3 - ENGINE

FIGURE 3-15. DEUTZ TD2.9L4 - 49HP EMR4 ENGINE/PUMP SUB-ASSEMBLY – WITHOUT ARCTIC PACKAGE

ITEM	PART NUMBER	QTY	DESCRIPTION	REV
	1001287034	Ref	DEUTZ D2.9L4 ENGINE/PUMP SUB-ASSEMBLY	B
1	0100011	AR	Compound, Locking	
2	0641406	1	Bolt 1/4 x 3/4	
3	0641808	1	Bolt 1/2 x 1	
4	0641812	2	Bolt 1/2 x 1-1/2	
5	1060637	1	Lanyard	
6	3311405	1	Nut, Lock 1/4	
7	3311801	1	Nut 1/2	
8	3422533	1	Pin, Hitch	
9	3600395	1	Gear Pump Assembly with Fittings (See Separate Breakdown in this Section)	
10	70007827	1	O-Ring (Part of Item 18)	
11	3931620	2	Bolt 3/8 x 1-1/4	
12	4711400	2	Washer 1/4	
13	4751800	1	Washer 1/2	
14	4891600	2	Washer 3/8 Hardened	
15	1001137873	1	Seal	
16	1001137874	1	Seal	
17	1001246593	1	Engine Assembly (See Separate Breakdown in this Section)	
18	1001287018	1	Pump Assembly with Fittings (See Separate Breakdown in this Section)	

SECTION 3 - ENGINE

FIGURE 3-16. DEUTZ TD2.9L4 - 49HP EMR4 ENGINE/PUMP SUB-ASSEMBLY – WITH ARCTIC PACKAGE



ART_1001287036

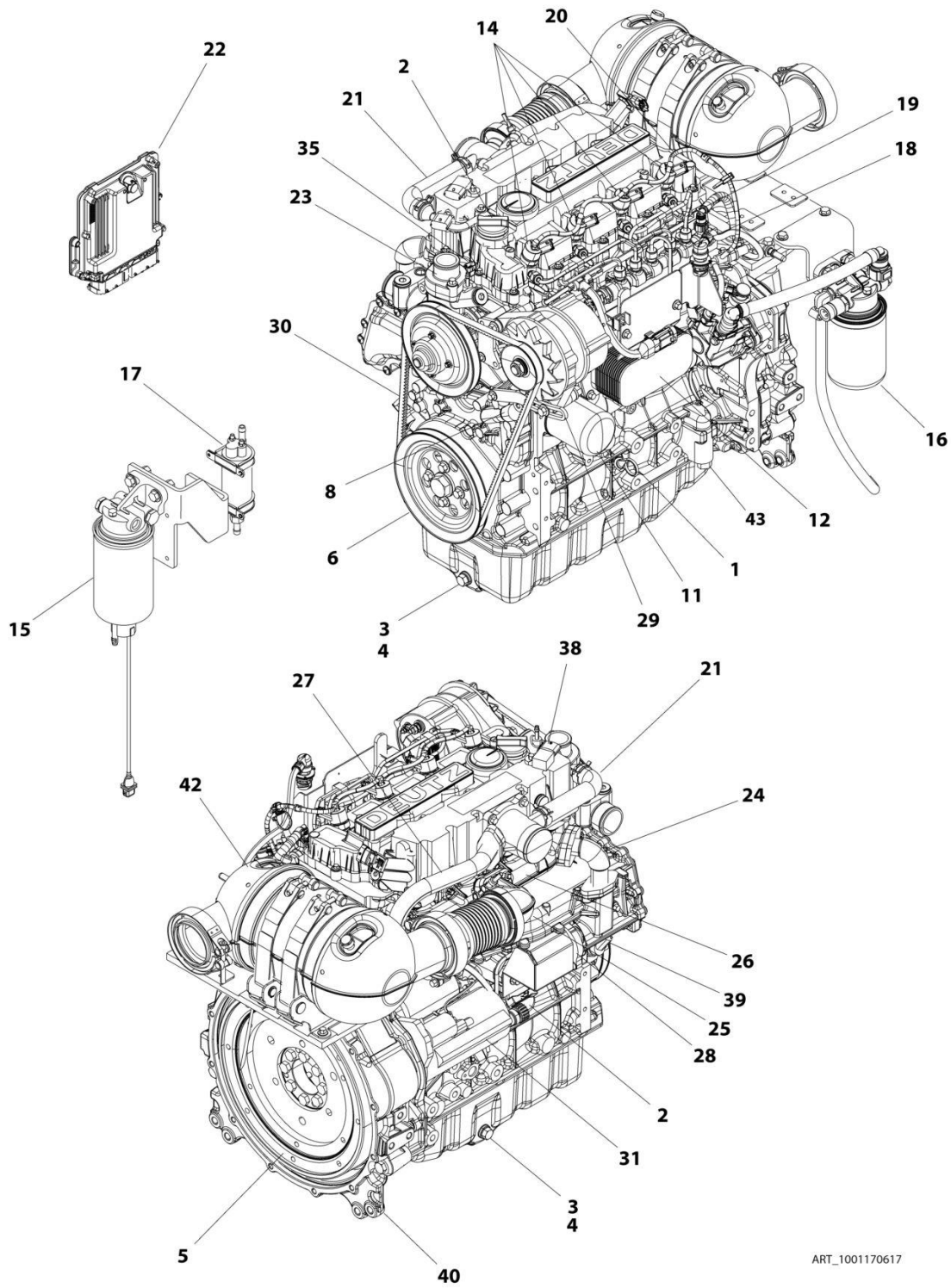
SECTION 3 - ENGINE

FIGURE 3-16. DEUTZ TD2.9L4 - 49HP EMR4 ENGINE/PUMP SUB-ASSEMBLY – WITH ARCTIC PACKAGE

ITEM	PART NUMBER	QTY	DESCRIPTION	REV
	1001287036	Ref	DEUTZ D2.9L4 ENGINE/PUMP SUB-ASSEMBLY	B
1	0100011	AR	Compound, Locking	
2	0641406	1	Bolt 1/4 x 3/4	
3	0641808	1	Bolt 1/2 x 1	
4	0641812	2	Bolt 1/2 x 1-1/2	
5	1060637	1	Lanyard	
6	3311405	1	Nut, Lock 1/4	
7	3311801	1	Nut 1/2	
8	3422533	1	Pin, Hitch	
9	3600395	1	Gear Pump Assembly with Fittings (See Separate Breakdown in this Section)	
10	70007827	1	O-Ring (Part of Item 18)	
11	3931620	2	Bolt 3/8 x 1-1/4	
12	4711400	2	Washer 1/4	
13	4751800	1	Washer 1/2	
14	4891600	2	Washer 3/8 Hardened	
15	1001137873	1	Seal	
16	1001137874	1	Seal	
17	1001246590	1	Engine Assembly (See Separate Breakdown in this Section)	
18	1001287018	1	Pump Assembly with Fittings (See Separate Breakdown in this Section)	

SECTION 3 - ENGINE

FIGURE 3-17. DEUTZ TD2.9L4 - (49HP) EMR4 ENGINE COMPONENTS



ART_1001170617

SECTION 3 - ENGINE

FIGURE 3-17. DEUTZ TD2.9L4 - (49HP) EMR4 ENGINE COMPONENTS

ITEM	PART NUMBER	QTY	DESCRIPTION	REV
	1001170617	Ref	ENGINE COMPONENTS - DEUTZ D2.9L4 ENGINE	E
1	70024904	1	Dipstick	
1	70024905	1	O-Ring	
2	7020465	2	Cap, Filler	
3	70025088	2	Plug, Oil	
4	7020404	2	Ring, Sealing	
5	70001870	1	Flywheel	
5	7024579	1	Ring, Gear	
6	70025198	1	Pulley, Crank	
7	70024906	1	Gasket, Head (Not Shown)	
7	70025195	1	Gasket, Valve Cover (Not Shown)	
7	70005171	1	Gasket, Valve Cover (Not Shown)	
8	70025076	1	Valve	
8	70025091	1	Plug	
8	70025176	1	Spring	
8	70025082	1	Seal	
9	70004280	1	Seal, Crankshaft (Front) (Not Shown)	
9	70002718	1	Seal, Crankshaft (Rear) (Not Shown)	
10	70005172	1	Pump, Oil Lube (Not Shown)	
10	70025135	1	O-Ring (Not Shown)	
10	70005173	1	Gasket (Not Shown)	
11	7016331	1	Filter, Oil	
12	70004275	1	Cooler, Oil	
12	70024925	1	Gasket	
13	70025171	1	Pipe, Oil Suction (Not Shown)	
14	70004281	4	Injector, Fuel	
14	70025140	4	Washer, Sealing	
14	70025146	4	Clamp (Top of Injector)	
14	70025145	4	O-Ring	
14	70025154	4	Shoe, Clamping	
15	70024961	1	Bracket, Fuel Filter	
15	1001225430	1	Filter, Fuel	
15	70024513	1	Cable, Sensor	
15	70025239	1	Seal	
16	70025160	1	Bracket, Fuel Filter	
16	1001225431	1	Filter, Fuel	
16	70024504	1	Sensor, Pressure	
16	70024920	1	O-Ring	
16	70004513	2	Ring, Sealing	
17	70005174	NLA	Pump, Fuel (Use p/n 1001226098)	
17	70025144	2	Clamp	
18	70025151	1	Rail, Fuel	
18	70025235	1	Repair Kit	
18	70025240	1	O-Ring	
19	70025182	1	Line, Fuel (Cylinder 1 + 2)	
19	70025183	1	Line, Fuel (Cylinder 3 + 4)	
19	70025184	1	Line, Fuel (Fuel Rail to Pump)	
20	70024502	1	Fuel Return Pipe	
20	70025185	1	Hose, Fuel	
20	70025101	2	Clamp	

SECTION 3 - ENGINE

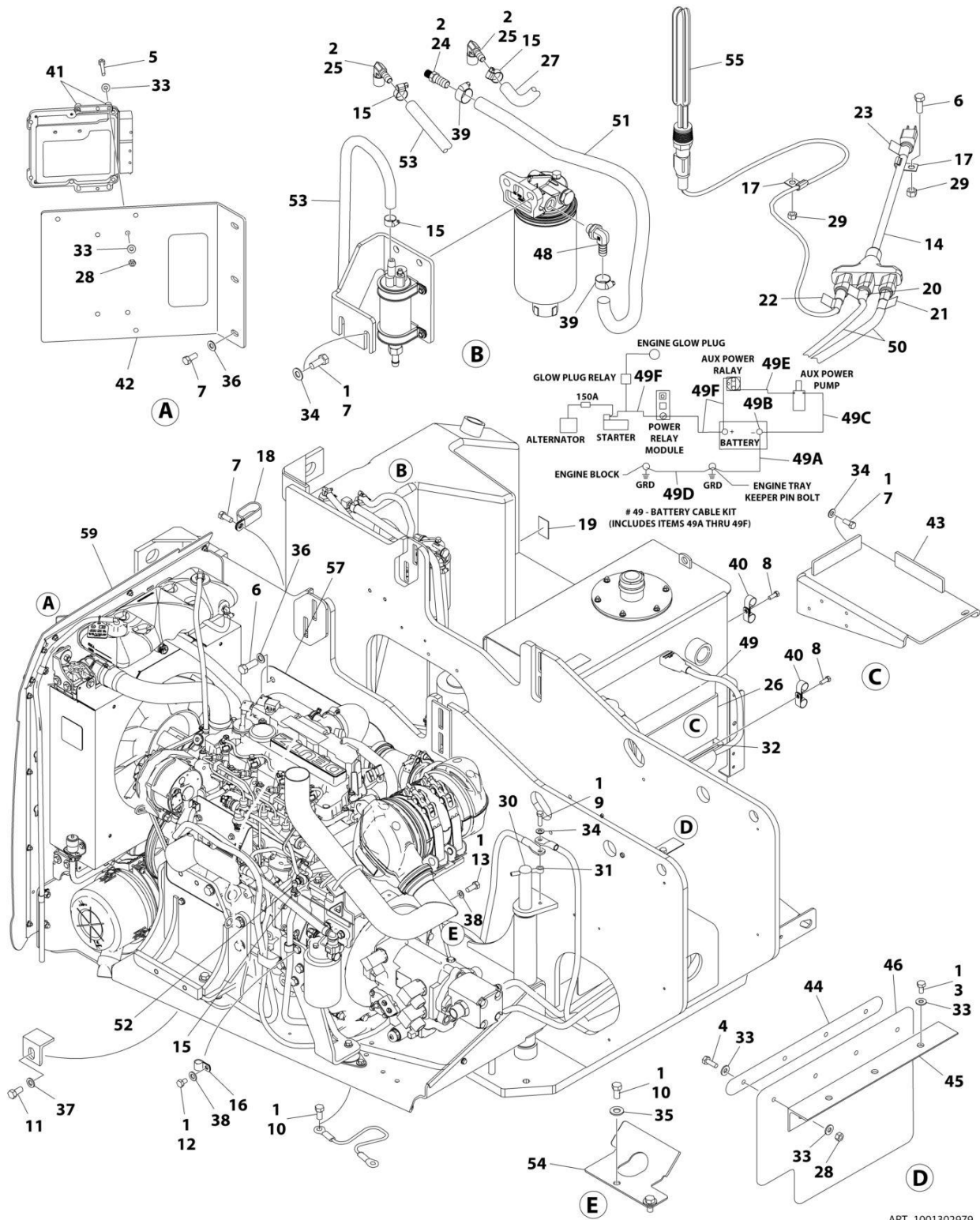
ITEM	PART NUMBER	QTY	DESCRIPTION	REV
20	70025109	2	Clamp	
20	70025115	1	Clamp, Pipe	
20	70025133	1	Hose	
20	70025148	1	Connector, Plug-in	
21	70005182	1	Elbow, Air Charger	
21	70005176	1	O-Ring	
21	70005177	1	Gasket	
21	70005180	1	Line, Breather	
21	70005181	1	O-Ring	
21	70005183	1	Line, Breather	
21	70025111	2	Clamp	
22	70025210	1	Module, ECU	
23	70024910	1	Pump, Water	
23	70025084	1	Plug	
23	7020492	1	O-Ring	
23	70025200	1	Seal	
23	70024473	1	Thermostat	
23	70005184	1	O-Ring (Thermostat)	
23	70025142	1	Cover, Thermostat	
23	70025159	1	Pulley, Water Pump	
24	70025177	1	Pipe	
24	70025179	1	Gasket	
25	70005185	1	Manifold	
25	70024912	1	Gasket	
26	70004282	1	Manifold, Exhaust	
26	70025164	1	Gasket, Exhaust Manifold	
27	70005186	1	Pipe	
27	70025179	1	Gasket (Two Hole)	
27	70025180	1	Gasket (Three Hole)	
28	70004283	1	Module, ERG	
28	70005188	1	Valve, Control	
28	70005189	1	O-Ring	
29	70024914	1	Alternator	
29	70025149	1	Regulator	
29	70025131	1	Fan	
29	70025150	1	Pulley	
29	70025191	1	Plate, Retaining	
29	70025201	1	Bracket, Alternator	
30	70024913	1	V-Belt	
31	70024915	1	Starter	
32	70025231	1	Harness, Glow Plug (Not Shown)	
32	70025233	1	Connector (Not Shown)	
33	70025221	1	Connector, Plug-In (Not Shown)	
33	70025781	1	Connector, Plug-In (Not Shown)	
33	70025779	1	Ring, Fastening (Not Shown)	
34	70004284	1	Harness, Engine (Not Shown)	
34	70025165	1	Plate, Retaining (Not Shown)	
34	70025216	1	Adapter (Not Shown)	
34	70025215	1	Bracket, Fixing (Not Shown)	
34	70025228	2	Bracket (Not Shown)	
34	70025226	1	Connector, Plug-In (Not Shown)	

SECTION 3 - ENGINE

ITEM	PART NUMBER	QTY	DESCRIPTION	REV
34	70025220	5	Connector, Plug-In (Not Shown)	
34	70025222	3	Connector, Plug-In (Not Shown)	
34	70025223	1	Connector, Plug-In (Not Shown)	
34	70025219	1	Connector, Plug-In (Not Shown)	
34	70025238	1	Connector, Plug-In (Not Shown)	
34	70025221	2	Connector, Plug-In (Not Shown)	
34	70025217	8	Clamp (Not Shown)	
34	70025213	2	Clip (Not Shown)	
34	70025209	1	Bracket (Not Shown)	
34	70025225	1	Support (Not Shown)	
34	70025218	3	Clamp (Not Shown)	
34	70025237	1	Connector, Plug-In (Not Shown)	
34	70025214	1	Cap (Not Shown)	
34	70025224	2	Clamp (Not Shown)	
34	70025166	1	Support, Harness (Not Shown)	
34	70025211	1	Plate, Retaining (Not Shown)	
34	70025189	1	Plate, Retaining (Not Shown)	
34	70025236	1	Support, Harness (Not Shown)	
35	70024918	1	Sender, Temperature	
36	70024504	1	Sensor, Pressure (Not Shown - Located Left Side Front)	
36	70024920	1	O-Ring (Not Shown)	
37	70024503	1	Sensor, Speed (Not Shown)	
37	70005191	1	O-Ring	
38	70024507	1	Sensor, Pressure	
38	70025120	1	Seal	
39	70024503	1	Sensor, Speed	
39	70024917	1	Seal	
40	70025192	1	Housing	
40	70025113	2	Pin	
41	70000345	4	Plug, Glow (Not Shown)	
42	70005446	1	Outlet, Muffler	
42	70025241	1	Clip	
42	70025242	2	Gasket	
42	70004504	1	Compensator	
42	70024512	1	Clamp	
42	70025877	1	Clamp	
43	70124530	1	Valve, Relief	
43	70025660	1	Plug	
43	70124538	1	Spring	
43	70104570	1	Seal	

SECTION 3 - ENGINE

FIGURE 3-18. DEUTZ D2.9L4 EMR5 ENGINE INSTALLATION (WITH ARCTIC PACKAGE)



ART_1001302979

SECTION 3 - ENGINE

FIGURE 3-18. DEUTZ D2.9L4 EMR5 ENGINE INSTALLATION (WITH ARCTIC PACKAGE)

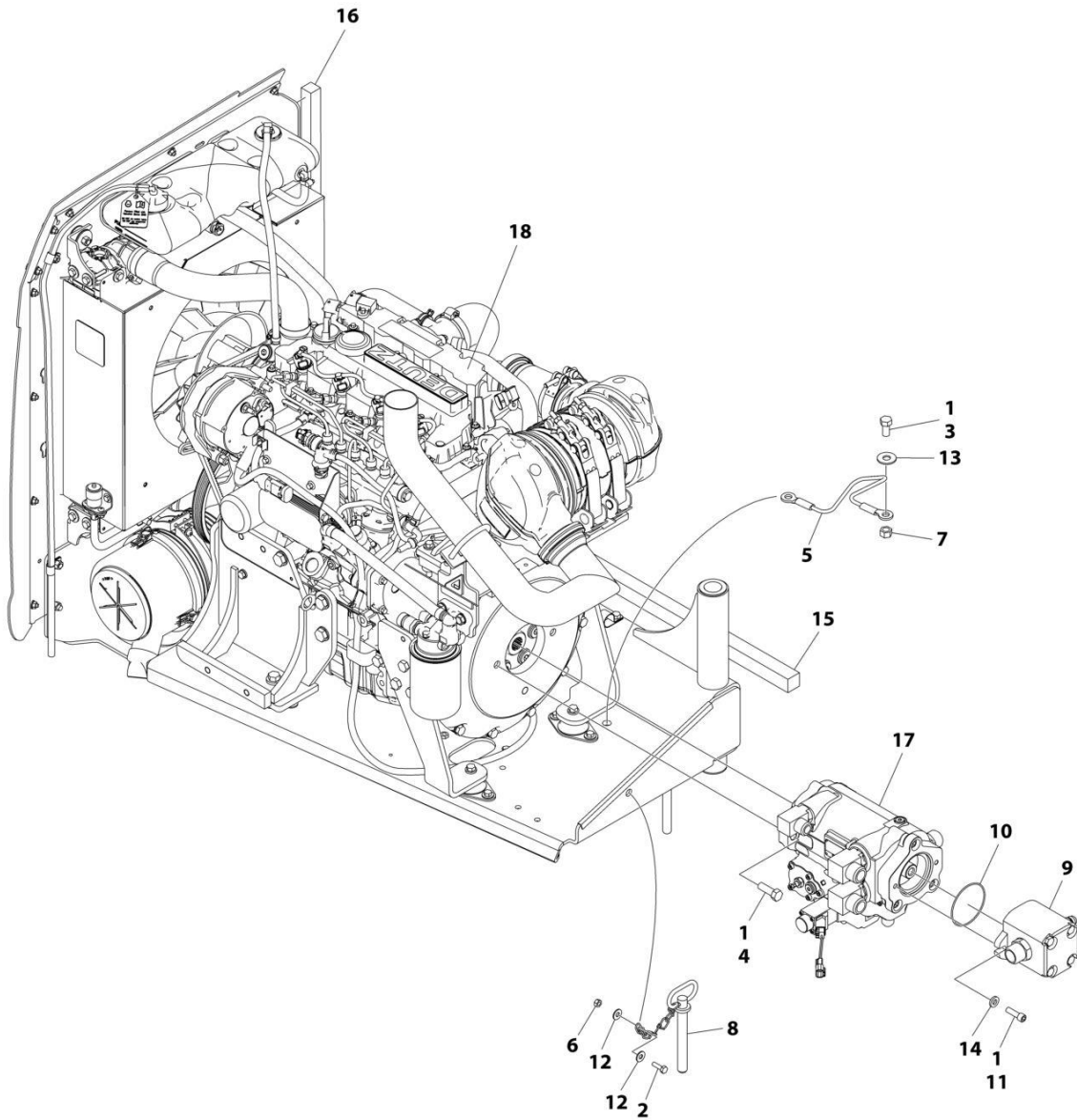
ITEM	PART NUMBER	QTY	DESCRIPTION	REV
	1001302979	Ref	ENGINE INSTALLATION - DEUTZ D2.9L4 EMR5 ENGINE	A
1	0100011	AR	Compound, Locking	
2	0100020	AR	Sealant, Pipe	
3	0641404	3	Bolt 1/4 x 1/2	
4	0641406	4	Bolt 1/4 x 3/4	
5	0641412	4	Bolt 1/4 x 1-1/2	
6	0641606	6	Bolt 3/8 x 3/4	
7	0641607	9	Bolt 3/8 x 7/8	
8	0641608	2	Bolt 3/8 x 1	
9	0641612	1	Bolt 3/8 x 1-1/2	
10	0641808	3	Bolt 1/2 x 1	
11	0642010	1	Bolt 5/8 x 1-1/4	
12	0761008	1	Bolt M10 x 16	
13	0771212	1	Bolt M12 x 25	
14	1060626	1	Cord, 3-Way Extension	
15	1320022	5	Clamp	
16	1320061	1	Clamp	
17	1320223	2	Clamp	
18	1321716	1	Clamp	
19	1701505	1	Decal - Diesel	
20	1702941	1	Decal - Battery Heater	
21	1702942	1	Decal - Engine Block Heater	
22	1702943	1	Decal - Hydraulic Tank Heater	
23	1702944	1	Decal - Heater Cord	
24	2180832	1	Fitting, Barbed	
25	2220313	2	Fitting, 90 Barbed	
26	2580024	1	Heater, Battery	
27	2750532	5 ft /1.6 m	Hose	
28	3311405	8	Nut 1/4	
29	3311605	2	Nut 3/8	
30	3422448	1	Pin	
31	3841143	1	Pin, Keeper	
32	3980007	1	Seat, Battery	
33	4711400	19	Washer 1/4	
34	4711600	8	Washer 3/8	
35	4711800	2	Washer 1/2	
36	4751600	7	Washer 3/8	
37	4752000	1	Washer 5/8	
38	4812100	2	Washer M12	
39	8405006	2	Clamp	
40	8406201	4	Clip	
41	1001110425	4	Spacer	
42	1001137866	1	Plate	
43	1001137868	1	Bracket	
44	1001137880	1	Bracket	
45	1001137881	1	Baffle	
46	1001137882	1	Support	
47	1001138491	1	Fuel Harness (See Separate Breakdown in ELECTRICAL Section)	
48	1001142501	1	Fitting, 90 Barbed	
49	1001145047	1	Battery Cable Kit	

SECTION 3 - ENGINE

ITEM	PART NUMBER	QTY	DESCRIPTION	REV
49A	7027072	1	Cable, Battery (Black) (Battery - to Tray Pivot Grd)	
49B	8270147	1	Terminal, Battery (With Boot)	
49B	See Note	1	Boot, Black (Note: Not Available for Purchase)	
49C	7027073	1	Cable, Battery (Black) (Battery - to Aux Pump and Relay Grds)	
49C	See Note	1	Boot, Black (Note: Not Available for Purchase)	
49D	7027074	1	Cable, Battery (Black) (Engine to Tray Pivot Grd)	
49E	7027075	1	Cable (Red) (Aux Relay to Aux Pump)	
49E	70003952	2	Boot, Red	
49F	7027076	1	Cable (Red) (Battery + to Aux Relay/Power Module/Starter)	
49F	See Note	1	Boot, Red (Battery) (Note: Not Available for Purchase)	
50	1001150918	1	Cable, Extension Cord	
51	1001154405	3 ft /1 m	Hose	
52	1001155823	1	Coupling, 90 Quick Disconnect	
53	1001165035	23 ft /7 m	Hose	
54	1001172793	1	Bracket	
55	1001188972	1	Heater, Immersion	
56	1001233763	1	Breather Heater Installation (Not Shown) (See Separate Breakdown in this Section)	
57	1001252521	1	Cover	
58	1001289593	1	ECU Jumper Harness (Not Shown) (See Separate Breakdown in ELECTRICAL Section)	
59	1001302968	1	Engine Assembly with Pumps (See Separate Breakdown in this Section)	

SECTION 3 - ENGINE

FIGURE 3-19. DEUTZ D2.9L4 EMR5 ENGINE/PUMP SUB ASSEMBLY (WITH ARCTIC PACKAGE)



ART_1001302968

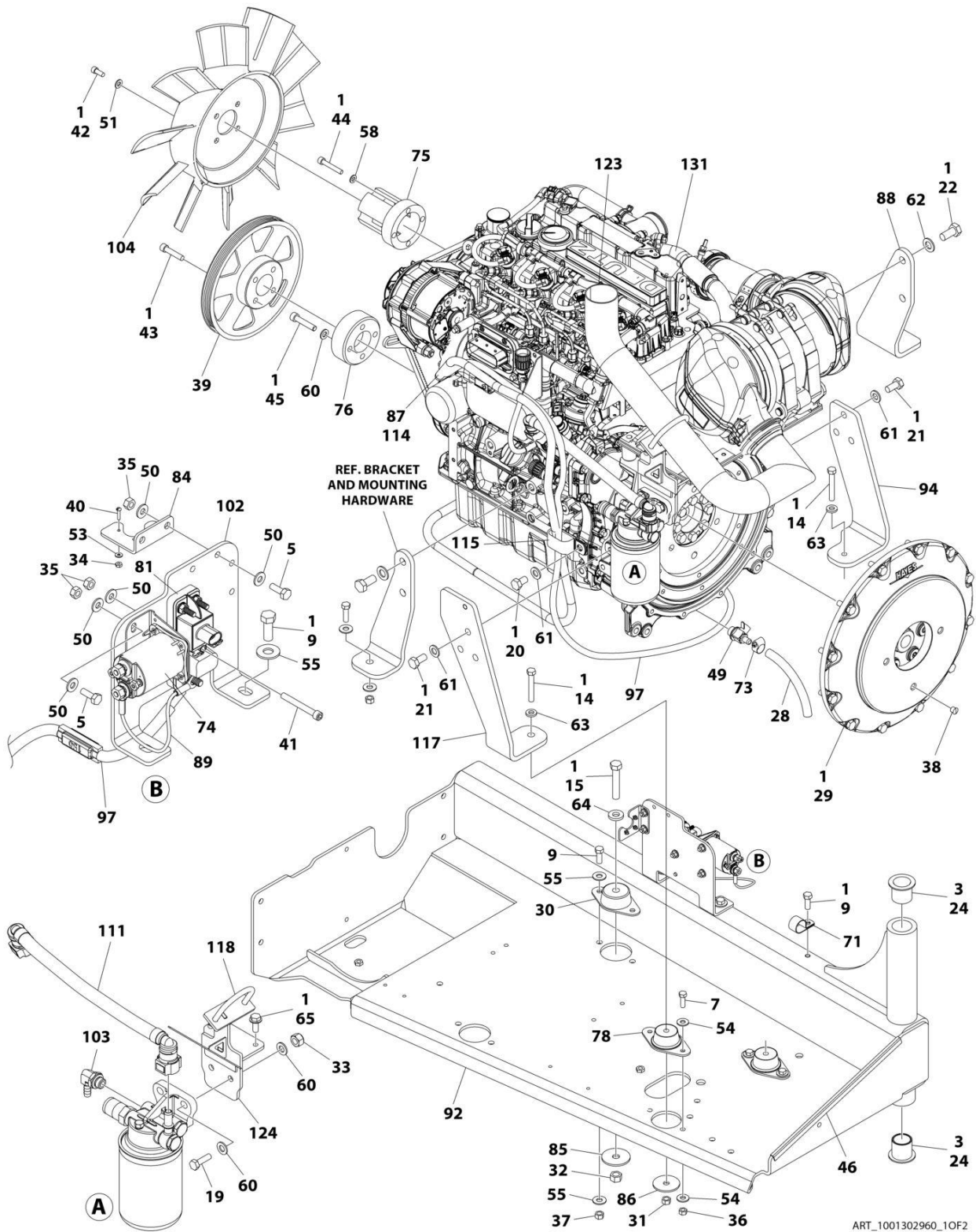
SECTION 3 - ENGINE

FIGURE 3-19. DEUTZ D2.9L4 EMR5 ENGINE/PUMP SUB ASSEMBLY (WITH ARCTIC PACKAGE)

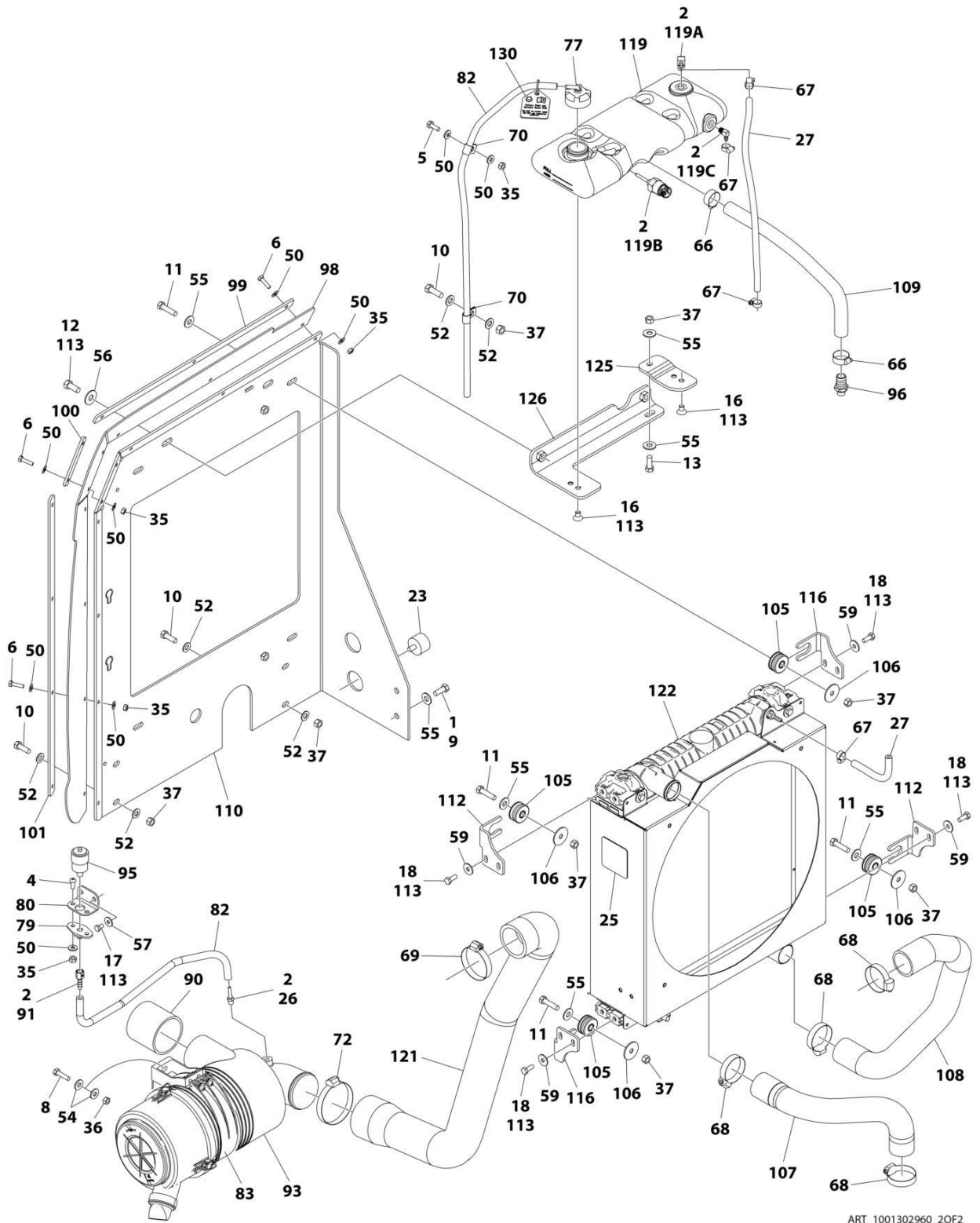
ITEM	PART NUMBER	QTY	DESCRIPTION	REV
	1001302968	Ref	ENGINE/PUMP SUB ASSEMBLY - DEUTZ D2.9L4 EMR5 ENGINE	B
1	0100011	AR	Compound, Locking	
2	0641406	1	Bolt 1/4 x 3/4	
3	0641808	1	Bolt 1/2 x 1	
4	0641812	2	Bolt 1/2 x 1-1/2	
5	1060637	1	Lanyard	
6	3311405	1	Nut 1/4	
7	3311801	1	Nut 1/2	
8	3422533	1	Pin	
9	3600395	1	Gear Pump Assembly with Fittings (See Separate Breakdown in this Section)	
11	3931620	2	Capscrew 3/8 x 1-1/4	
12	4711400	2	Washer 1/4	
13	4751800	1	Washer 1/2	
14	4891600	2	Washer 3/8	
15	1001137873	1	Seal	
16	1001137874	1	Seal	
17	1001287018	1	Pump Assembly (See Separate Breakdown in this Section)	
18	1001302960	1	Engine Assembly (See Separate Breakdown in this Section)	

SECTION 3 - ENGINE

FIGURE 3-20. ENGINE ASSEMBLY - DEUTZ D2.9L4 EMR5 ENGINE (WITH ARCTIC PACKAGE)



SECTION 3 - ENGINE



ART_1001302960_20F2

SECTION 3 - ENGINE

FIGURE 3-20. ENGINE ASSEMBLY - DEUTZ D2.9L4 EMR5 ENGINE (WITH ARCTIC PACKAGE)

ITEM	PART NUMBER	QTY	DESCRIPTION	REV
	1001302960	Ref	ENGINE ASSEMBLY - DEUTZ D2.9L4 EMR5 ENGINE	A
1	0100011	AR	Compound, Locking	
2	0100020	AR	Sealant	
3	0100062	AR	Adhesive	
4	0630407	2	Screw 1/4 x 5/8	
5	0641406	5	Bolt 1/4 x 3/4	
6	0641408	9	Bolt 1/4 x 1	
7	0641508	4	Bolt 5/16 x 1	
8	0641510	2	Bolt 5/16 x 1-1/4	
9	0641608	7	Bolt 3/8 x 1	
10	0641609	4	Bolt 3/8 x 1-1/8	
11	0641612	4	Bolt 3/8 x 1-1/2	
12	0641708	2	Bolt 7/16 x 1	
13	0681608	1	Bolt 3/8 x 1	
14	0681620	2	Bolt 3/8 x 2-1/2	
15	0681822	1	Bolt 1/2 x 2-3/4	
16	0741605	2	Screw, Flathead 3/8 x 5/8	
17	0760605	2	Bolt M6 x 10	
18	0760810	8	Bolt M8 x 20	
19	0761015	2	Bolt M10 x 35	
20	0761210	1	Bolt M12 x 20	
21	0771212	6	Bolt M12 x 25	
22	0771414	2	Bolt M14 x 30	
23	0940070	1	Bumper	
24	0961986	2	Bearing	
25	1703162	1	Decal - Fan Blade	
26	2220315	1	Fitting, Straight Barbed	
27	2720015	26 in /66 cm	Hose	
28	2720340	16 in /41 cm	Hose	
29	2902065	1	Pump Coupling Kit (See Separate Breakdown in this section)	
30	3200401	1	Mount	
31	3271601	2	Nut 3/8	
32	3271801	1	Nut 1/2	
33	3291005	2	Nut M10	
34	3310401	3	Nut #4	
35	3311405	17	Nut 1/4	
36	3311505	6	Nut 5/16	
37	3311605	11	Nut 3/8	
38	3520054	1	Plug	
39	3580320	1	Pulley	
40	3910408	3	Screw #4 x 1/2	
41	3931432	1	Capscrew 1/4 x 2	
42	3931512	4	Capscrew 5/16 x 3/4	
43	3931628	4	Capscrew 3/8 x 1-3/4	
44	4031914	4	Capscrew M8 x 50	
45	4032014	4	Capscrew M10 x 50	
46	4060805	14 in /36 cm	Flex Trim	

SECTION 3 - ENGINE

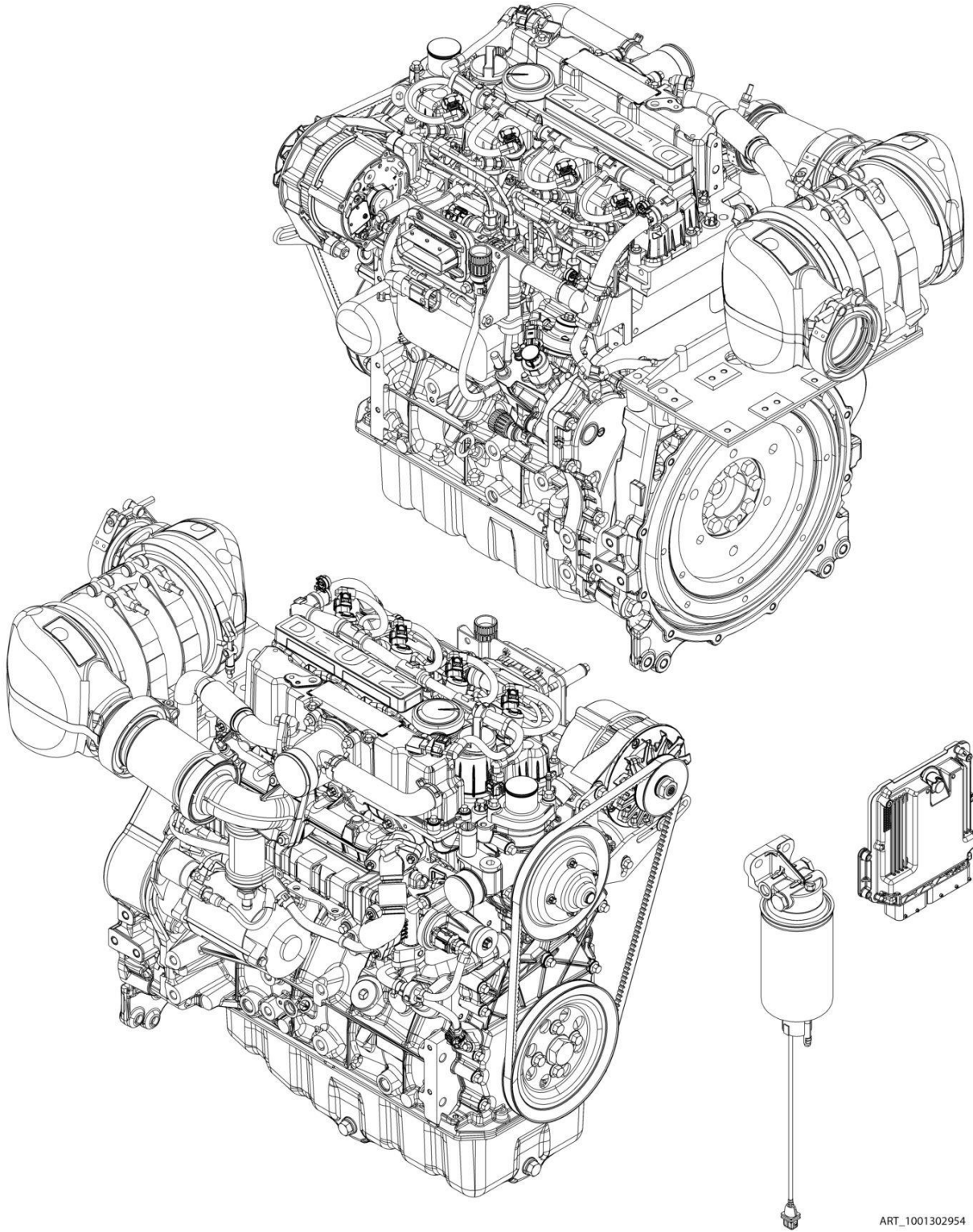
ITEM	PART NUMBER	QTY	DESCRIPTION	REV
47	4240032	AR	Tie-Strap (Not Shown)	
48	4240099	AR	Tie-Strap (Not Shown)	
49	4640751	1	Valve, Oil Drain	
50	4711400	31	Washer 1/4	
51	4711500	4	Washer 5/16	
52	4711600	8	Washer 3/8	
53	4750400	3	Washer #4	
54	4751500	12	Washer 5/16	
55	4751600	14	Washer 3/8	
56	4751700	2	Washer 7/16	
57	4811702	2	Washer M6	
58	4811900	4	Washer M8	
59	4811902	8	Washer M8	
60	4812000	8	Washer M10	
61	4812100	7	Washer M12	
62	4812200	2	Washer M14	
63	4891600	2	Washer 3/8 Hardened	
64	4891800	1	Washer 1/2 Hardened	
65	5250810	2	Bolt M8 x 20	
66	8405007	2	Clamp	
67	8405009	4	Clamp	
68	8405104	4	Clamp	
69	8405204	1	Clamp	
70	8406110	2	Clip	
71	8406201	1	Clip	
72	8410011	1	Clamp	
73	8410013	1	Clamp	
74	1001117308	1	Relay	
75	1001135138	1	Adapter	
76	1001135679	1	Adapter	
77	1001136834	1	Cap, Tank	
78	1001138170	2	Mount	
79	1001138173	1	Support	
80	1001138175	1	Bracket	
81	1001138228	1	Relay, Power Module	
82	1001138248	5.5 ft /1.7 m	Tube	
83	1001138557	1	Clamp	
84	1001139240	1	Bracket	
85	1001139409	1	Washer, Special	
86	1001139429	2	Washer, Special	
87	1001140312	1	Heater, Engine	
88	1001140454	1	Plate	
89	1001141304	1	Harness, Glow Plug	
90	1001141585	1	Hose, Air Cleaner	
91	1001141995	1	Fitting, Straight Barbed	
92	1001142538	1	Support	
93	1001142615	1	Filter, Air	
94	1001142635	1	Plate	
95	1001143390	1	Indicator, Service	
96	1001143797	1	Fitting, Straight Barbed	
97	1001143907	1	Cable, Alternator Power	

SECTION 3 - ENGINE

ITEM	PART NUMBER	QTY	DESCRIPTION	REV
98	1001144409	1	Panel, Rubber	
99	1001144410	1	Panel, Clamp	
100	1001144411	1	Panel, Clamp	
101	1001144412	1	Panel, Clamp	
102	1001145154	1	Plate	
103	1001152489	1	Fitting, 90 Barbed	
104	1001165849	1	Fan	
105	1001169054	4	Isolator	
106	1001169138	4	Washer	
107	1001176225	1	Hose, Radiator - Upper	
108	1001176226	1	Hose, Radiator - Lower	
109	1001176511	1	Hose	
110	1001176723	1	Plate	
111	1001177359	1	Hose	
112	1001178223	2	Bracket	
113	1001180620	AR	Adhesive	
114	1001181895	AR	Adhesive	
115	1001181899	1	Clamp	
116	1001204325	2	Bracket	
117	1001205051	1	Plate	
118	1001228506	1	Bolt, U-Bolt	
119	1001230635	1	Tank	
119A	1001134488	1	Fitting, 90 Barbed	
119B	1001138827	1	Sensor, Coolant Level	
119C	1001140564	1	Fitting, 90 Barbed	
120	1001235949	1	Bracket, Fuel Pump/Filter Assembly (Not Shown) (See Separate Breakdown in this Section)	
121	1001247105	1	Hose	
122	1001247676	1	Radiator Assembly	
122	1001203495	1	Radiator	
122	1001247564	1	Shroud	
123	1001248477	1	Pipe, Exhaust	
124	1001248480	1	Bracket	
125	1001260412	1	Bracket	
126	1001260413	1	Bracket	
127	1001276644	1	Engine Harness (Not Shown) (See Separate Breakdown in ELECTRICAL Section)	
128	1001281985	1	Connector (Not Shown)	
129	1001281986	1	Connector (Not Shown)	
130	1001291401	1	Tag, Coolant	
131	1001302954	1	Deutz D2.9L4 EMR5 Engine Components (See Separate Breakdown in this Section)	

SECTION 3 - ENGINE

FIGURE 3-21. ENGINE COMPONENTS - DEUTZ D2.9L4 ERM5 ENGINE (49HP)



ART_1001302954

SECTION 3 - ENGINE

FIGURE 3-21. ENGINE COMPONENTS - DEUTZ D2.9L4 ERM5 ENGINE (49HP)

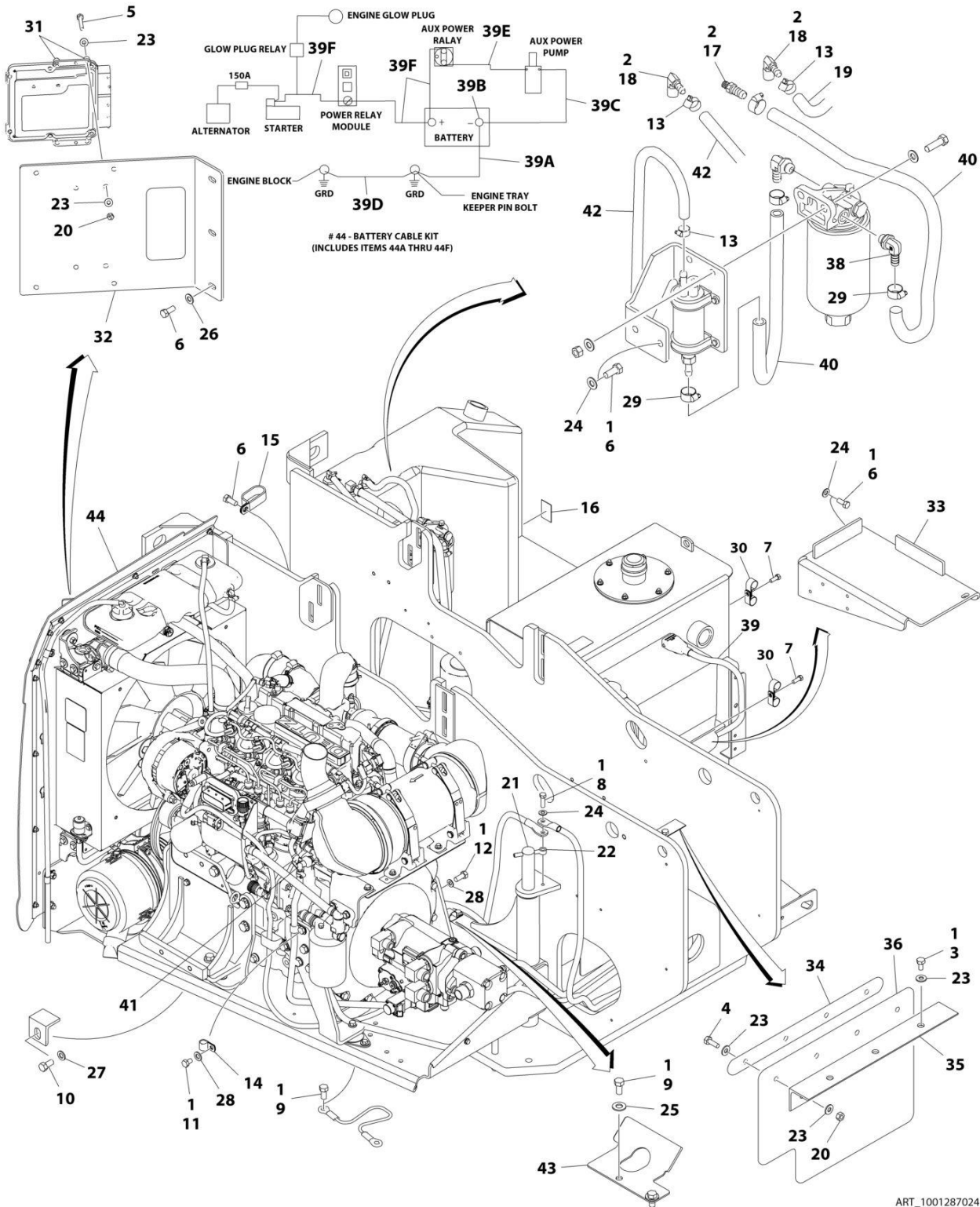
ITEM	PART NUMBER	QTY	DESCRIPTION	REV
	1001302954	Ref	ENGINE COMPONENTS - DEUTZ D2.9L4 ERM5 ENGINE	A
	See Note	Ref	Note: Contact JLG Customer Service for availability for addition components.	
		Ref	AIR INTAKE SYSTEM	
	70005180	1	Breather Line	
	70005182	1	Charge Air Elbow	
		Ref	COOLING SYSTEM COMPONENTS	
	70030360	1	Pump, Coolant	
	70007603	1	Thermostat	
		Ref	ELECTRICAL COMPONENT	
	70031144	1	Starter	
	NPN	1	Generator	
	70024507	1	Sensor, Pressure (Air Intake)	
	70026210	1	Sensor, Speed	
	70025231	1	Harness, Glow Plug	
	70024919	1	Sensor, Fuel Filter	
	70024504	1	Sensor, Pressure	
	70028540	1	Transmitter, Temperature	
	70029512	1	Module, Engine Control	
	70031143	1	Regulator, Voltage	
		Ref	EXHAUST COMPONENT	
	70004282	1	Exhaust Manifold	
	70031136	1	Pipe, Exhaust	
	70012257	1	Valve, Exhaust	
	70004508	1	Valve, Volume Control	
		Ref	FUEL SYSTEM COMPONENT	
	70030381	1	Pump, High Pressure	
	70004281	1	Injector, Fuel	
	NPN	1	Pump, Fuel Supply (Includes qty 2 Clamps)	
	70024961	1	Filter, Fuel	
	1001225430	1	Filter, Fuel (Pre-Filter)	
	70024513	1	Cable, Sensor	
	70025239	1	Seal	
	70029451	1	Filter, Fuel	
	1001225431	1	Filter, Fuel (Spin-On)	
	70024502	1	Pipe, Fuel	
		Ref	GASKET AND SEAL COMPONENT	
	70024905	2	Seal, Dipstick	
	70005942	1	Seal, Oil Plug	
	70005171	1	Gasket, Valve Cover	
	70024906	1	Gasket, Head	
	70002718	1	Seal, Rear Main	
	70005177	1	Gasket, Charge Air Housing	
	70005184	1	O-Ring, Thermostat	
	70005931	1	Seal, Thermostat	
	70025164	1	Gasket, Exhaust Manifold to Head	
	70007326	1	Gasket, EGR Valve	
	70031095	1	Gasket, Exhaust Return Pipe	
	70007354	1	Gasket, Short Exhaust Pipe	
		Ref	OTHER COMPONENT	

SECTION 3 - ENGINE

ITEM	PART NUMBER	QTY	DESCRIPTION	REV
	70001870	1	Flywheel (Includes Ring Gear)	
	7024579	1	Gear, Ring	
		Ref	OIL LUBE SYSTEM	
	70024904	1	Dipstick	
	70024905	1	Cap, Oil Fill	
	70005941	1	Plug, Oil	
	70005172	1	Pump, Oil Lube	
	7016331	1	Filter, Oil	
	70024494	1	Oil Cooler	

SECTION 3 - ENGINE

FIGURE 3-22. DEUTZ TP2.9L4 (67HP) EMR4 ENGINE INSTALLATION - (WITHOUT ARCTIC PACKAGE)



ART_1001287024

SECTION 3 - ENGINE

FIGURE 3-22. DEUTZ TP2.9L4 (67HP) EMR4 ENGINE INSTALLATION - (WITHOUT ARCTIC PACKAGE)

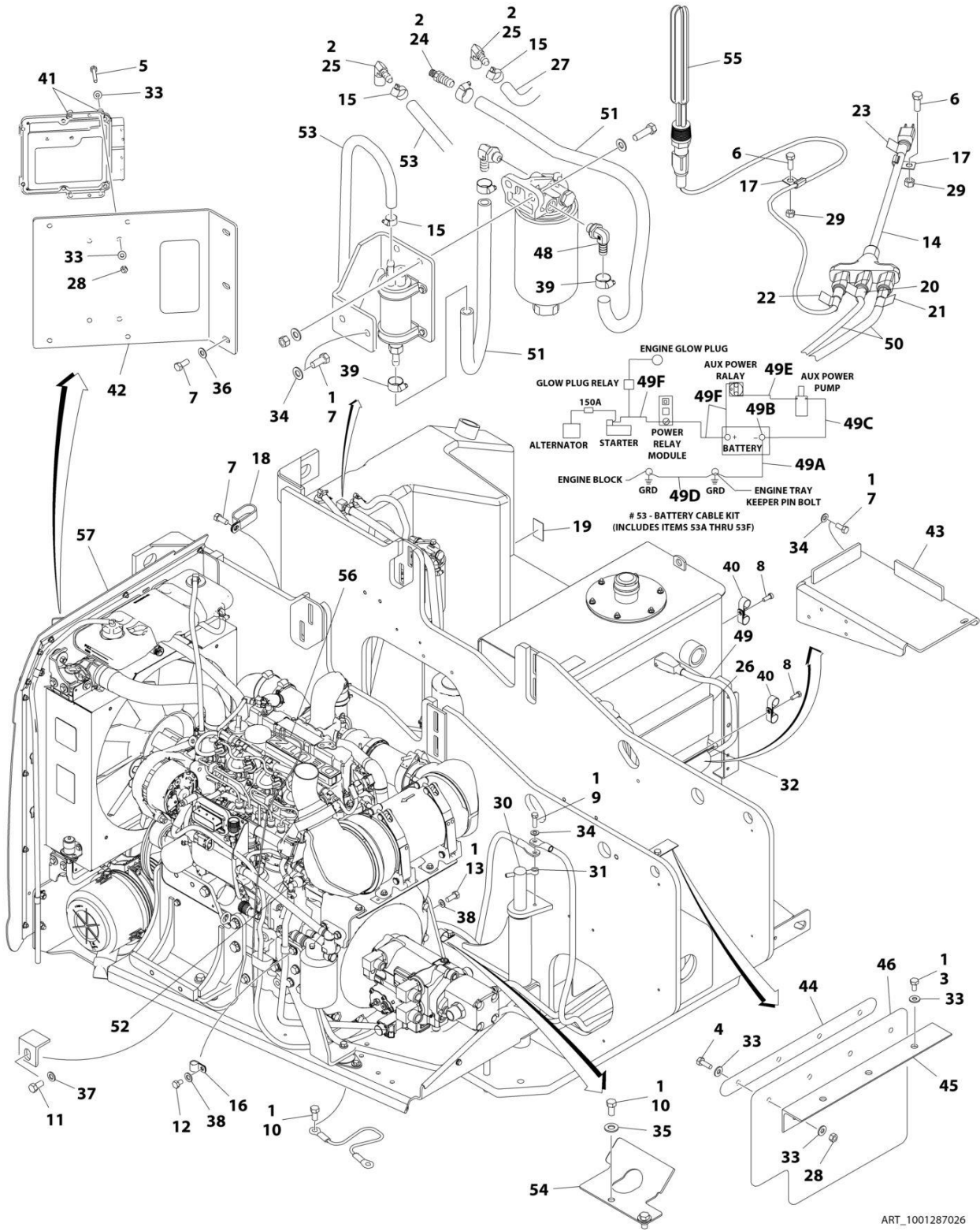
ITEM	PART NUMBER	QTY	DESCRIPTION	REV
	1001287024	Ref	DEUTZ TD2.9L4 (67HP) ENGINE INSTALLATION	A
1	0100011	AR	Compound, Locking	
2	0100020	AR	Sealant, Pipe	
3	0641404	3	Bolt 1/4 x 1/2	
4	0641406	4	Bolt 1/4 x 3/4	
5	0641412	4	Bolt 1/4 x 1-1/2	
6	0641607	9	Bolt 3/8 x 7/8	
7	0641608	2	Bolt 3/8 x 1	
8	0641612	1	Bolt 3/8 x 1-1/2	
9	0641808	3	Bolt 1/2 x 1	
10	0642010	1	Bolt 5/8 x 1-1/4	
11	0761008	1	Bolt M10 x 16	
12	0771212	1	Bolt M12 x 25	
13	1320022	5	Clamp	
14	1320061	1	Clamp	
15	1321716	1	Clamp	
16	1701505	1	Decal - Diesel	
17	2180832	1	Fitting, Straight Barbed	
18	2220313	2	Fitting, 90 Barbed	
19	2750532	5 ft/2 m	Hose	
20	3311405	8	Nut 1/4	
21	3422448	1	Pin, Pivot	
22	3841143	1	Pin, Keeper	
23	4711400	19	Washer 1/4	
24	4711600	6	Washer 3/8	
25	4711800	2	Washer 1/2	
26	4751600	3	Washer 3/8	
27	4752000	1	Washer 5/8	
28	4812100	2	Washer M12	
29	8405006	2	Clamp	
30	8406201	4	Clip, Tube	
31	1001110425	4	Spacer	
32	1001137866	1	Plate, Baffle	
33	1001137868	1	Bracket, Battery	
34	1001137880	1	Bracket, Baffle	
35	1001137881	1	Angle	
36	1001137882	1	Support, Rubber	
37	1001138491	1	Harness, Fuel Pump (Pump requiring Push-on Terminals) (Not Shown - See Separate Breakdown in ELECTRICAL Section)	
38	1001142501	1	Fitting, 90 Barbed	
39	1001145047	1	Battery Cable Kit	
39A	7027072	1	Cable, Battery (Black) (Battery - to Tray Pivot Grd)	
39B	8270147	1	Terminal, Battery (With Boot)	
39B	See Note	1	Boot, Black (Note: Not Available for Purchase)	
39C	7027073	1	Cable, Battery (Black) (Battery - to Aux Pump and Relay Grds)	
39C	See Note	1	Boot, Black (Note: Not Available for Purchase)	
39D	7027074	1	Cable, Battery (Black) (Engine to Tray Pivot Grd)	
39E	7027075	1	Cable (Red) (Aux Relay to Aux Pump)	
39E	70003952	2	Boot, Red	

SECTION 3 - ENGINE

ITEM	PART NUMBER	QTY	DESCRIPTION	REV
39F	7027076	1	Cable (Red) (Battery + to Aux Relay/Power Module/Starter)	
39F	See Note	1	Boot, Red (Battery) (Note: Not Available for Purchase)	
40	1001154405	3 ft/1 m	Hose	
41	1001155823	1	Fitting, 90 Quick Disconnect	
42	1001165035	24 ft/8 m	Hose	
43	1001172793	1	Guide, Hose	
44	1001287025	1	Engine Assembly with Pumps (See Separate Breakdown in this Section)	

SECTION 3 - ENGINE

FIGURE 3-23. DEUTZ TP2.9L4 (67HP) EMR4 ENGINE INSTALLATION - (WITH ARCTIC PACKAGE)



ART_1001287026

SECTION 3 - ENGINE

FIGURE 3-23. DEUTZ TP2.9L4 (67HP) EMR4 ENGINE INSTALLATION - (WITH ARCTIC PACKAGE)

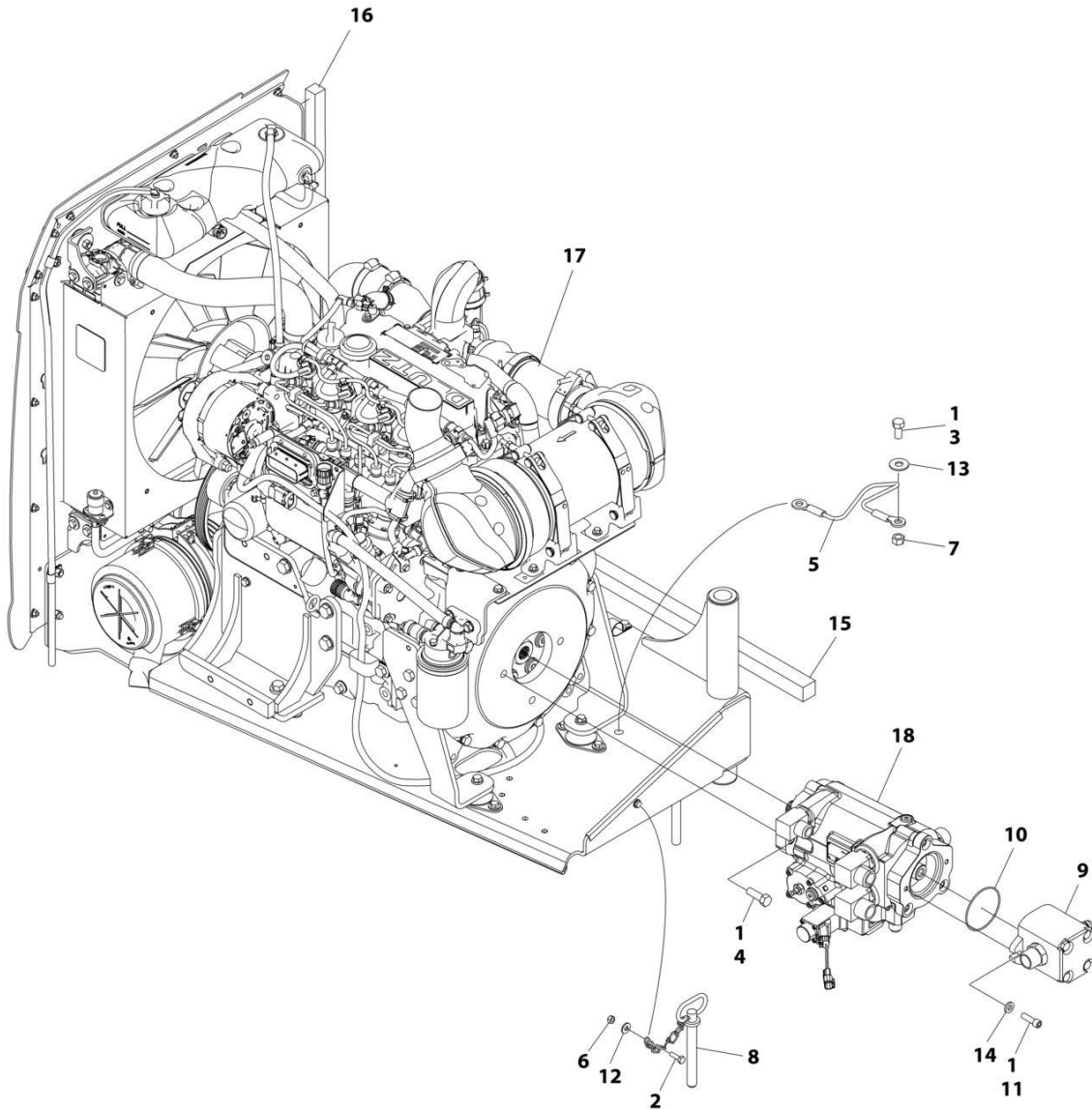
ITEM	PART NUMBER	QTY	DESCRIPTION	REV
	1001287026	Ref	DEUTZ TP2.9L4 (67HP) ENGINE INSTALLATION	A
1	0100011	AR	Compound, Locking	
2	0100020	AR	Sealant, Pipe	
3	0641404	3	Bolt 1/4 x 1/2	
4	0641406	4	Bolt 1/4 x 3/4	
5	0641412	4	Bolt 1/4 x 1-1/2	
6	0641606	2	Bolt 3/8 x 3/4	
7	0641607	9	Bolt 3/8 x 7/8	
8	0641608	2	Bolt 3/8 x 1	
9	0641612	1	Bolt 3/8 x 1-1/2	
10	0641808	3	Bolt 1/2 x 1	
11	0642010	1	Bolt 5/8 x 1-1/4	
12	0761008	1	Bolt M10 x 16	
13	0771212	1	Bolt M12 x 25	
14	1060626	1	Cord, 3 Way Extension	
15	1320022	5	Clamp	
16	1320061	1	Clamp	
17	1320223	2	Clamp	
18	1321716	1	Clamp	
19	1701505	1	Decal - Diesel	
20	1702941	1	Decal - Battery Heater	
21	1702942	1	Decal - Engine Block Heater	
22	1702943	1	Decal - Hydraulic Tank Heater	
23	1702944	1	Decal - Heater Cord	
24	2180832	1	Fitting, Straight Barbed	
25	2220313	2	Fitting, 90 Barbed	
26	2580024	1	Heater, Battery	
27	2750532	5 ft /2m	Hose	
28	3311405	8	Nut 1/4	
29	3311605	2	Nut 3/8	
30	3422448	1	Pin, Pivot	
31	3841143	1	Pin, Keeper	
32	3980007	1	Seat, Battery	
33	4711400	19	Washer 1/4	
34	4711600	8	Washer 3/8	
35	4711800	2	Washer 1/2	
36	4751600	3	Washer 3/8	
37	4752000	1	Washer 5/8	
38	4812100	2	Washer M12	
39	8405006	2	Clamp	
40	8406201	4	Clip, Tube	
41	1001110425	4	Spacer	
42	1001137866	1	Plate, Baffle	
43	1001137868	1	Bracket, Battery	
44	1001137880	1	Bracket, Baffle	
45	1001137881	1	Angle	
46	1001137882	1	Support, Rubber	
47	1001138491	1	Harness, Fuel Pump (Pump requiring Push-on Terminals) (Not Shown - See Separate Breakdown in ELECTRICAL Section)	
48	1001142501	1	Fitting, 90 Barbed	

SECTION 3 - ENGINE

ITEM	PART NUMBER	QTY	DESCRIPTION	REV
49	1001145047	1	Battery Cable Kit	
49A	7027072	1	Cable, Battery (Black) (Battery - to Tray Pivot Grd)	
49B	8270147	1	Terminal, Battery (With Boot)	
49B	See Note	1	Boot, Black (Note: Not Available for Purchase)	
49C	7027073	1	Cable, Battery (Black) (Battery - to Aux Pump and Relay Grds)	
49C	See Note	1	Boot, Black (Note: Not Available for Purchase)	
49D	7027074	1	Cable, Battery (Black) (Engine to Tray Pivot Grd)	
49E	7027075	1	Cable (Red) (Aux Relay to Aux Pump)	
49E	70003952	2	Boot, Red	
49F	7027076	1	Cable (Red) (Battery + to Aux Relay/Power Module/Starter)	
49F	See Note	1	Boot, Red (Battery) (Note: Not Available for Purchase)	
50	1001150918	1	Cable, Immersion Heater	
51	1001154405	3 ft /1m	Hose	
52	1001155823	1	Fitting, 90 Quick Disconnect	
53	1001165035	24 ft /8m	Hose	
54	1001172793	1	Guide, Hose	
55	1001188972	1	Heater, Hydraulic Tank	
56	1001233763	1	Breather Heater Installation (See Separate Breakdown in this Section)	
57	1001287027	1	Engine Assembly with Pumps (See Separate Breakdown in this Section)	

SECTION 3 - ENGINE

FIGURE 3-24. DEUTZ TP2.9L4 (67HP) EMR4 ENGINE/PUMP SUB ASSEMBLY - (WITHOUT ARCTIC PACKAGE)



ART_1001287025

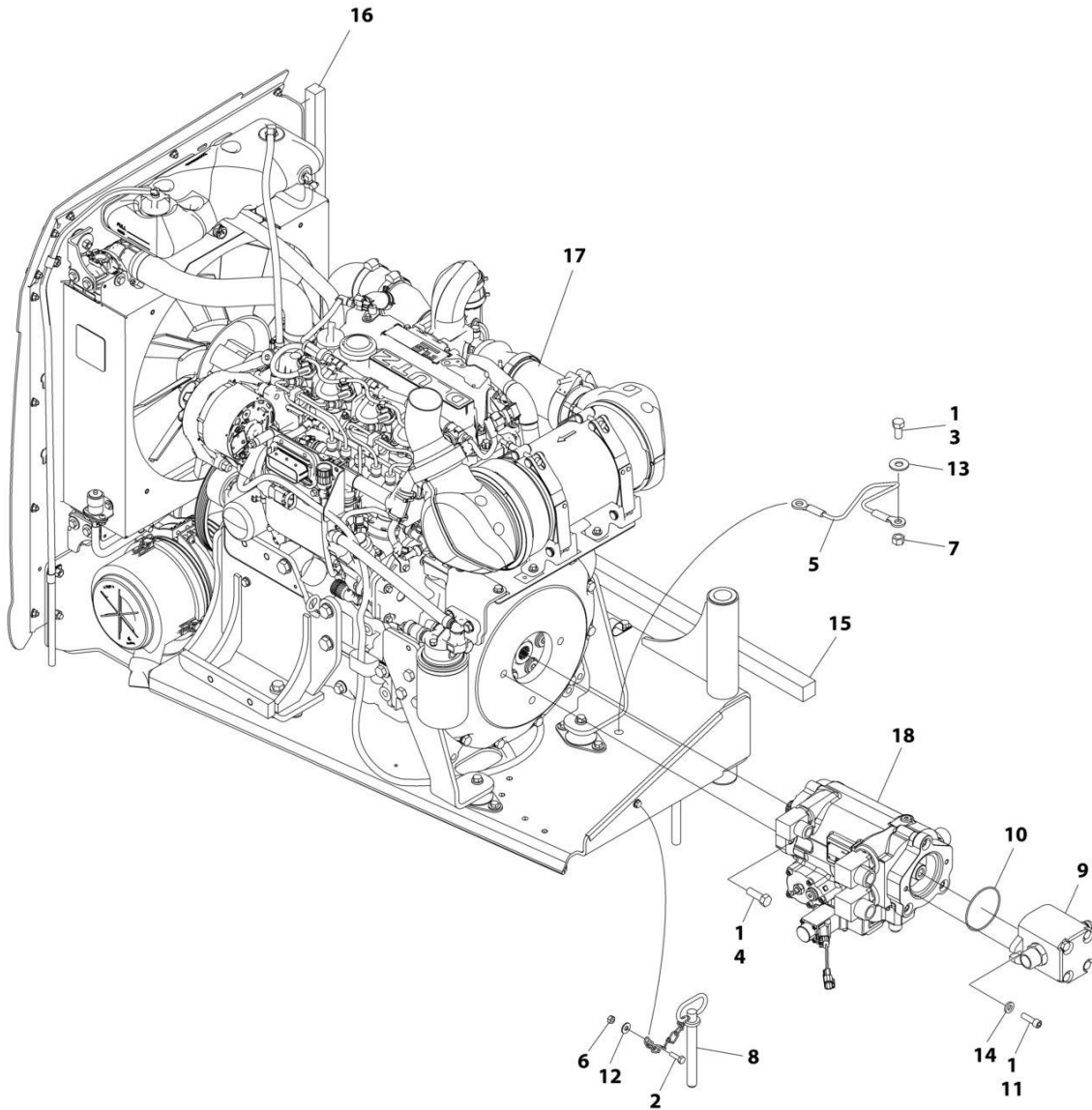
SECTION 3 - ENGINE

FIGURE 3-24. DEUTZ TP2.9L4 (67HP) EMR4 ENGINE/PUMP SUB ASSEMBLY - (WITHOUT ARCTIC PACKAGE)

ITEM	PART NUMBER	QTY	DESCRIPTION	REV
	1001287025	Ref	DEUTZ TP2.9L4 (67HP) ENGINE/PUMP SUB-ASSEMBLY	B
1	0100011	AR	Compound, Locking	
2	0641406	1	Bolt 1/4 x 3/4	
3	0641808	1	Bolt 1/2 x 1	
4	0641812	2	Bolt 1/2 x 1-1/2	
5	1060637	1	Lanyard	
6	3311405	1	Nut 1/4	
7	3311801	1	Nut 1/2	
8	3422533	1	Pin, Hitch	
9	3600395	1	Gear Pump Assembly with Fittings (See Separate Breakdown in this Section)	
10	70007827	1	O-Ring (Part of Item 18)	
11	3931620	2	Bolt 3/8 x 1-1/4	
12	4711400	2	Washer 1/4	
13	4751800	1	Washer 1/2	
14	4891600	2	Washer 3/8	
15	1001137873	1	Seal	
16	1001137874	1	Seal	
17	1001176012	1	Engine Assembly (See Separate Breakdown in this Section)	
18	1001287018	1	Pump Assembly with Fittings (See Separate Breakdown in this Section)	

SECTION 3 - ENGINE

FIGURE 3-25. DEUTZ TP2.9L4 (67HP) EMR4 ENGINE/PUMP SUB ASSEMBLY - (WITH ARCTIC PACKAGE)



ART_1001287027

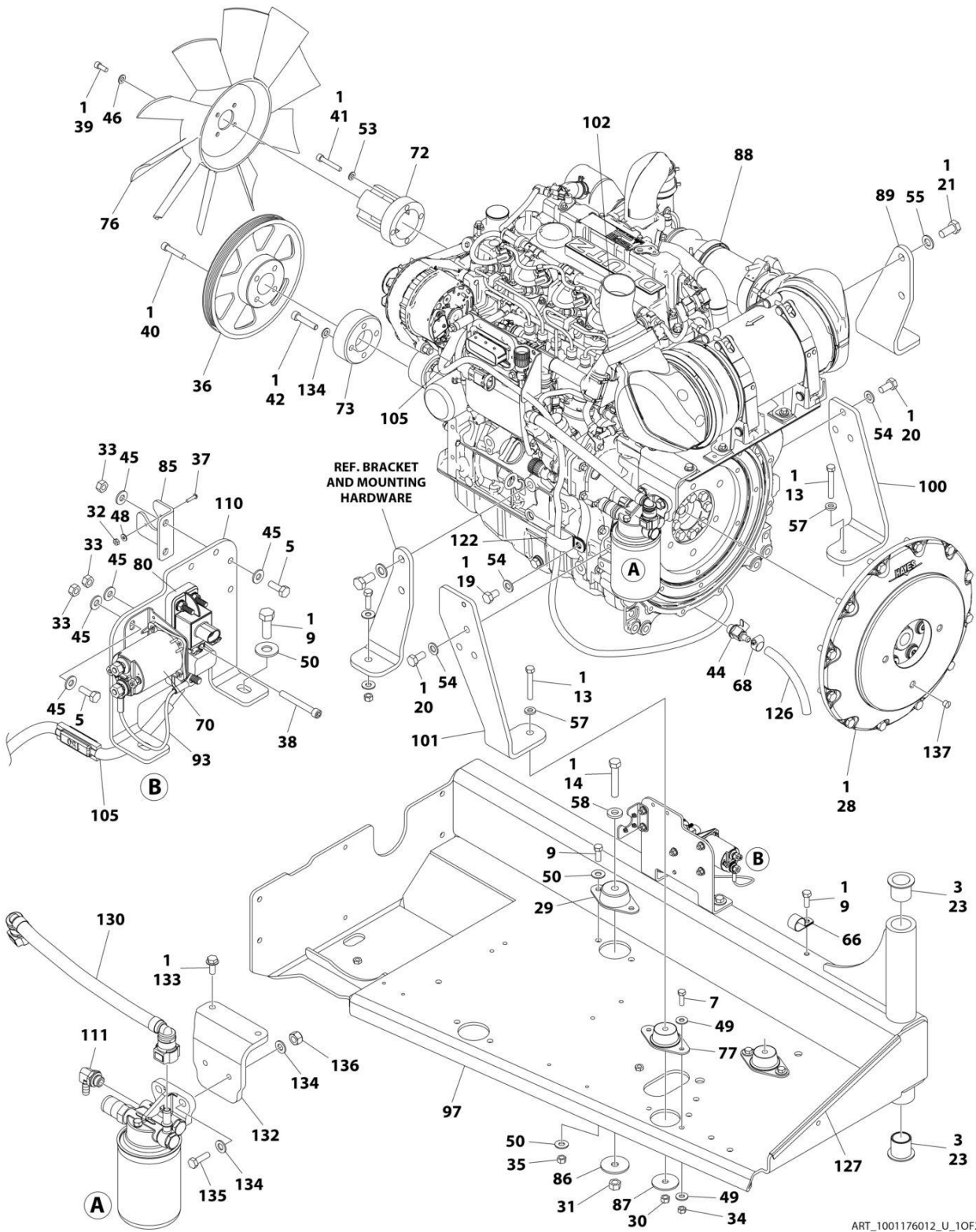
SECTION 3 - ENGINE

FIGURE 3-25. DEUTZ TP2.9L4 (67HP) EMR4 ENGINE/PUMP SUB ASSEMBLY - (WITH ARCTIC PACKAGE)

ITEM	PART NUMBER	QTY	DESCRIPTION	REV
	1001287027	Ref	DEUTZ TP2.9L4 (67HP) ENGINE/PUMP SUB-ASSEMBLY	B
1	0100011	AR	Compound, Locking	
2	0641406	1	Bolt 1/4 x 3/4	
3	0641808	1	Bolt 1/2 x 1	
4	0641812	2	Bolt 1/2 x 1-1/2	
5	1060637	1	Lanyard	
6	3311405	1	Nut 1/4	
7	3311801	1	Nut 1/2	
8	3422533	1	Pin, Hitch	
9	3600395	1	Gear Pump Assembly with Fittings (See Separate Breakdown in this Section)	
10	70007827	1	O-Ring (Part of Item 18)	
11	3931620	2	Bolt 3/8 x 1-1/4	
12	4711400	2	Washer 1/4	
13	4751800	1	Washer 1/2	
14	4891600	2	Washer 3/8	
15	1001137873	1	Seal	
16	1001137874	1	Seal	
17	1001176015	1	Engine Assembly (See Separate Breakdown in this Section)	
18	1001287018	1	Pump Assembly with Fittings (See Separate Breakdown in this Section)	

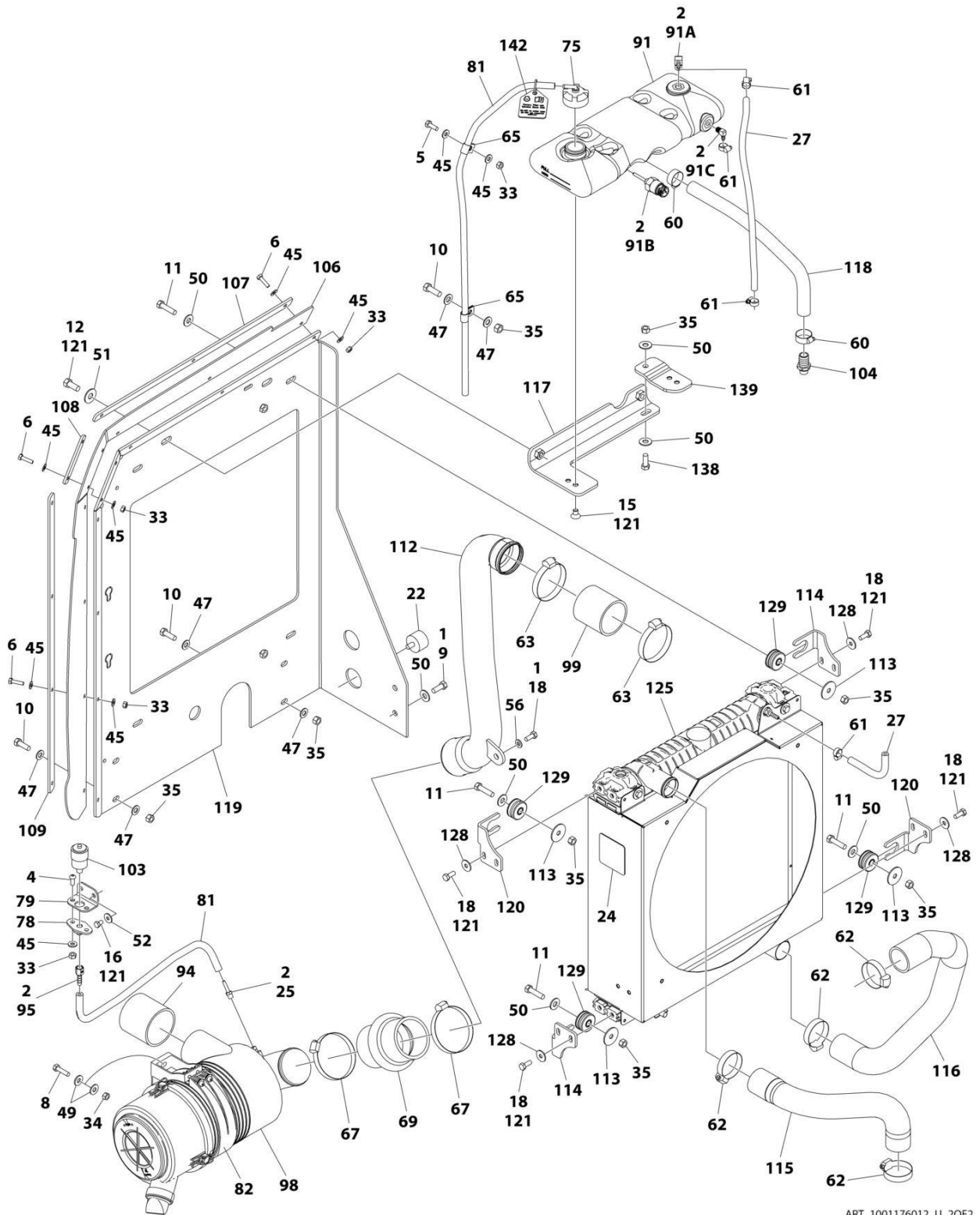
SECTION 3 - ENGINE

FIGURE 3-26. DEUTZ TD2.9L4 - 63HP EMR4 ENGINE ASSEMBLY – WITHOUT ARCTIC PACKAGE



ART_1001176012_U_10F2

SECTION 3 - ENGINE



ART_1001176012_U_20F2

SECTION 3 - ENGINE

FIGURE 3-26. DEUTZ TD2.9L4 - 63HP EMR4 ENGINE ASSEMBLY – WITHOUT ARCTIC PACKAGE

ITEM	PART NUMBER	QTY	DESCRIPTION	REV
	1001176012	Ref	DEUTZ TD2.9L4 ENGINE ASSEMBLY	U
1	0100011	AR	Compound, Locking	
2	0100020	AR	Sealant	
3	0100062	AR	Adhesive	
4	0630407	2	Screw 1/4 x 5/8	
5	0641406	5	Bolt 1/4 x 3/4	
6	0641408	9	Bolt 1/4 x 1	
7	0641508	4	Bolt 5/16 x 1	
8	0641510	2	Bolt 5/16 x 1-1/4	
9	0641608	7	Bolt 3/8 x 1	
10	0641609	4	Bolt 3/8 x 1-1/8	
11	0641612	4	Bolt 3/8 x 1-1/2	
12	0641708	2	Bolt 7/16 x 1	
13	0681620	2	Bolt 3/8 x 2-1/2 Grade 8	
14	0681822	1	Bolt 1/2 x 2-3/4 Grade 8	
15	0741605	2	Screw, Flathead 3/8 x 5/8	
16	0760605	2	Bolt M6 x 10	
18	0760810	9	Bolt M8 x 20	
19	0761210	1	Bolt M12 x 20	
20	0771212	6	Bolt M12 x 25	
21	0771414	2	Bolt M14 x 30	
22	0940070	1	Bumper	
23	0961986	2	Bushing, Flanged	
24	1703162	1	Decal - Fan Blade	
25	2220315	1	Fitting, Straight Barbed	
27	2720015	26 in/90 cm	Hose	
28	2902065	1	Kit, Pump Coupling (See Separate Breakdown in this Section)	
29	3200401	1	Mount, Motor	
30	3271601	2	Nut 3/8 Grade 8	
31	3271801	1	Nut 1/2 Grade 8	
32	3310401	3	Nut #4	
33	3311405	17	Nut 1/4	
34	3311505	6	Nut 5/16	
35	3311605	11	Nut 3/8	
36	3580320	1	Pulley	
37	3910408	3	Screw #4 x 1/2	
38	3931432	1	Capscrew 1/4 x 2	
39	3931512	4	Capscrew 5/16 x 3/4	
40	3931628	4	Capscrew 3/8 x 1-3/4	
41	4031914	4	Capscrew M8 x 50	
42	4032014	4	Capscrew M10 x 50	
43	4240099	AR	Tie-Strap (Not Shown)	
44	4640751	1	Valve, Oil Drain	
45	4711400	31	Washer 1/4	
46	4711500	4	Washer 5/16	
47	4711600	8	Washer 3/8	
48	4750400	3	Washer #4	
49	4751500	12	Washer 5/16	
50	4751600	14	Washer 3/8	

SECTION 3 - ENGINE

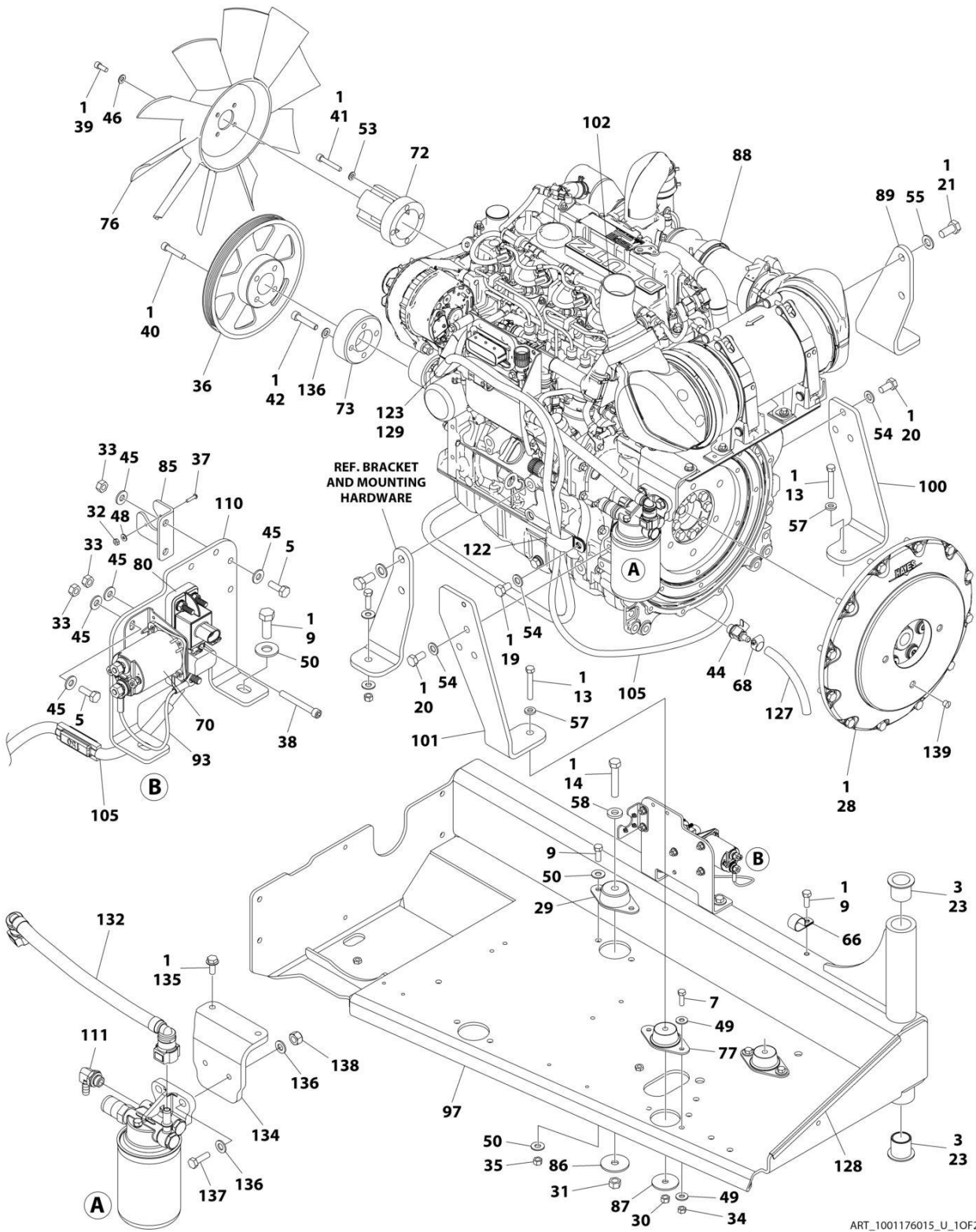
ITEM	PART NUMBER	QTY	DESCRIPTION	REV
51	4751700	2	Washer 7/16	
52	4811702	2	Washer M6	
53	4811900	4	Washer M8	
54	4812100	7	Washer M12	
55	4812200	2	Washer M14	
56	4891500	1	Washer 5/16 Hardened	
57	4891600	2	Washer 3/8 Hardened	
58	4891800	1	Washer 1/2 Hardened	
60	8405007	2	Clamp	
61	8405009	4	Clamp	
62	8405104	4	Clamp	
63	8405204	2	Clamp	
65	8406110	2	Clip	
66	8406201	1	Clip	
67	8410011	2	Clamp	
68	8410013	1	Clamp	
69	91403244	1	Hose	
70	1001117308	1	Relay	
72	1001135138	1	Adapter	
73	1001135679	1	Adapter	
75	1001136834	1	Cap, Tank	
76	1001137276	1	Fan	
77	1001138170	2	Mount, Motor	
78	1001138173	1	Support	
79	1001138175	1	Bracket	
80	1001138228	1	Relay, Power Module	
80	70023593	1	Fuse 30Amp (Battery Output)	
80	70023592	1	Fuse 20Amp (Switched Output)	
81	1001138248	6 ft/2 m	Tube	
82	1001138557	1	Clamp	
85	1001139240	1	Bracket	
86	1001139409	1	Washer, Special	
87	1001139429	2	Washer, Special	
88	1001249942	1	Deutz TD2.9L4 Engine Components (See Separate Breakdown in this Section)	
89	1001140454	1	Mount, Front Engine	
91	1001230635	1	Tank	
91A	1001134488	1	Fitting, 90 Barbed	
91B	1001138827	1	Sensor, Coolant Level	
91C	1001140564	1	Fitting, 90 Barbed	
93	1001141304	1	Harness, Glow Plug	
94	1001141585	1	Hose, Air Inlet	
95	1001141995	1	Fitting, Straight Barbed	
97	1001142538	1	Support	
98	1001142615	1	Air Cleaner Assembly Filter Element	
98	91403102	1	Element, Filter (Not Shown)	
99	1001142623	1	Hose, Inlet	
100	1001142635	1	Mount, Rear Engine	
101	1001205051	1	Mount, Rear Engine	
102	1001142689	1	Pipe, Exhaust	
103	1001143390	1	Indicator, Service	
104	1001143797	1	Fitting, Straight Barbed	

SECTION 3 - ENGINE

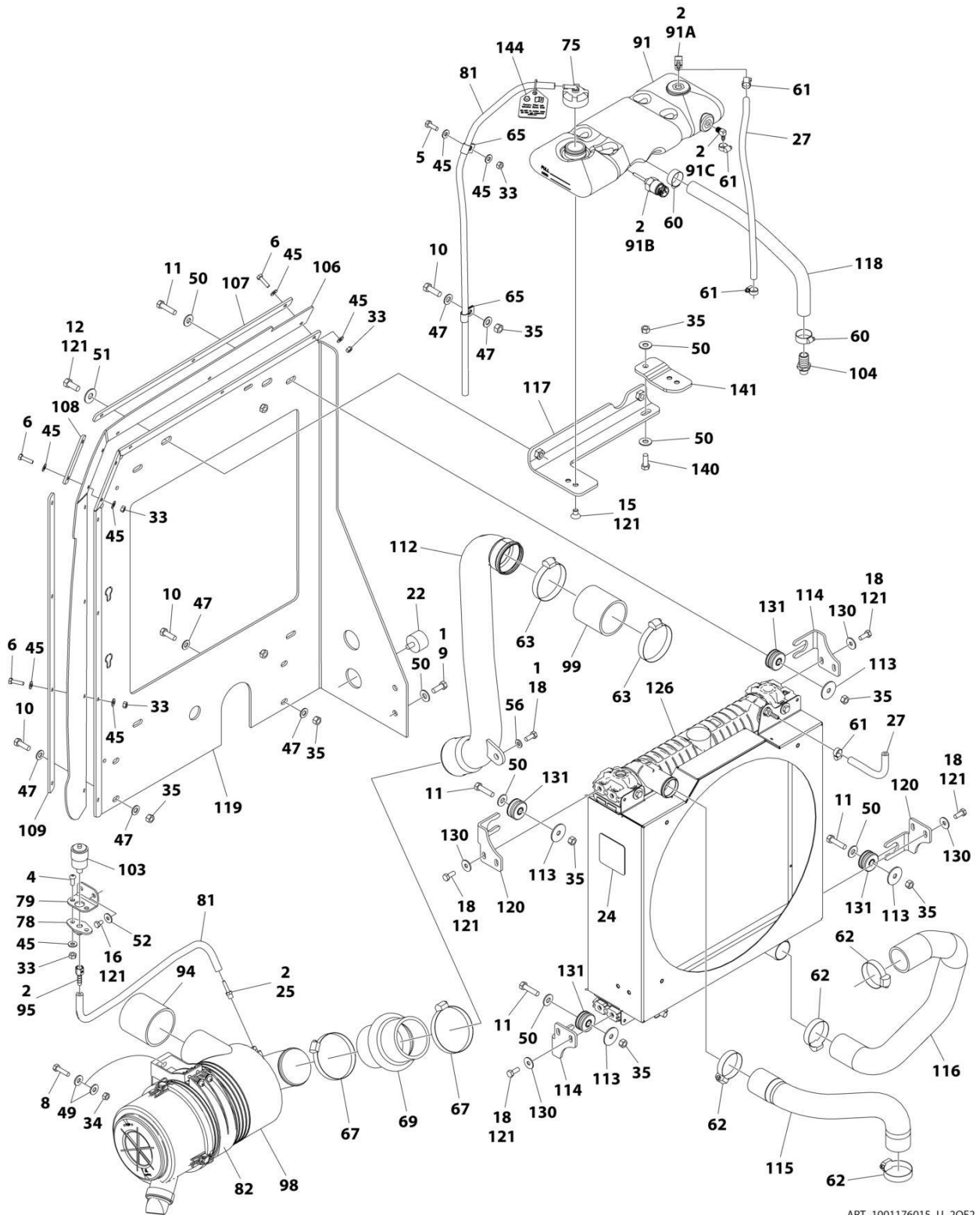
ITEM	PART NUMBER	QTY	DESCRIPTION	REV
105	1001143907	1	Cable, Alternator Power	
106	1001144409	1	Panel, Rubber	
107	1001144410	1	Bracket, Panel Clamp	
108	1001144411	1	Bracket, Panel Clamp	
109	1001144412	1	Bracket, Panel Clamp	
110	1001145154	1	Plate, Relay Mounting	
111	1001152489	1	Fitting, 90 Barbed	
112	1001165842	1	Pipe	
113	1001169138	4	Washer	
114	1001204325	2	Bracket	
115	1001176225	1	Hose, Radiator - Upper	
116	1001176226	1	Hose, Radiator - Lower	
117	1001260413	1	Bracket, Tank	
118	1001176511	1	Hose	
119	1001176723	1	Plate Radiator Mounting	
120	1001178223	2	Bracket	
121	1001180620	AR	Adhesive	
122	1001181899	1	Clamp	
123	1001143726	1	Harness, Engine (Not Shown - See Separate Breakdown in ELECTRICAL Section)	
125	1001167041	1	Radiator and Shroud Assembly	
125	1001203495	1	Radiator	
125	1001204491	1	Shroud	
126	2720340	6 in/15 cm	Hose	
127	4060805	14 in/36 cm	Flex-Trim	
128	4811902	8	Washer M8	
129	1001169054	4	Isolator	
130	1001177359	1	Hose	
132	1001178876	1	Mount	
133	5250810	2	Bolt M8 x 20	
134	4812000	8	Washer M10	
135	0761015	2	Bolt M10 x 35	
136	3291005	2	Nut M10	
137	3520054	1	Plug	
138	0681608	1	Bolt 3/8 x 1 Grade 8	
139	1001260412	1	Bracket	
140	1001162335	1	Bracket, Fuel Pump/Filter Assembly (Not Shown - See Separate Breakdown in this Section)	
141	4240032	AR	Tie-Strap (Not Shown)	
142	1001291401	1	Tag, Coolant	

SECTION 3 - ENGINE

FIGURE 3-27. DEUTZ TD2.9L4 - 63HP EMR4 ENGINE ASSEMBLY – WITH ARCTIC PACKAGE



SECTION 3 - ENGINE



ART_1001176015_U_20F2

SECTION 3 - ENGINE

FIGURE 3-27. DEUTZ TD2.9L4 - 63HP EMR4 ENGINE ASSEMBLY – WITH ARCTIC PACKAGE

ITEM	PART NUMBER	QTY	DESCRIPTION	REV
	1001176015	Ref	DEUTZ TD2.9L4 ENGINE ASSEMBLY	U
1	0100011	AR	Compound, Locking	
2	0100020	AR	Sealant	
3	0100062	AR	Adhesive	
4	0630407	2	Screw 1/4 x 5/8	
5	0641406	5	Bolt 1/4 x 3/4	
6	0641408	9	Bolt 1/4 x 1	
7	0641508	4	Bolt 5/16 x 1	
8	0641510	2	Bolt 5/16 x 1-1/4	
9	0641608	7	Bolt 3/8 x 1	
10	0641609	4	Bolt 3/8 x 1-1/8	
11	0641612	4	Bolt 3/8 x 1-1/2	
12	0641708	2	Bolt 7/16 x 1	
13	0681620	2	Bolt 3/8 x 2-1/2 Grade 8	
14	0681822	1	Bolt 1/2 x 2-3/4 Grade 8	
15	0741605	2	Screw, Flathead 3/8 x 5/8	
16	0760605	2	Bolt M6 x 10	
18	0760810	9	Bolt M8 x 20	
19	0761210	1	Bolt M12 x 20	
20	0771212	6	Bolt M12 x 25	
21	0771414	2	Bolt M14 x 30	
22	0940070	1	Bumper	
23	0961986	2	Bushing, Flanged	
24	1703162	1	Decal - Fan Blade	
25	2220315	1	Fitting, Straight Barbed	
27	2720015	26 in /.9m	Hose	
28	2902065	1	Kit, Pump Coupling (See Separate Breakdown in this Section)	
29	3200401	1	Mount, Motor	
30	3271601	2	Nut 3/8 Grade 8	
31	3271801	1	Nut 1/2 Grade 8	
32	3310401	3	Nut #4	
33	3311405	17	Nut 1/4	
34	3311505	6	Nut 5/16	
35	3311605	11	Nut 3/8	
36	3580320	1	Pulley	
37	3910408	3	Screw #4 x 1/2	
38	3931432	1	Capscrew 1/4 x 2	
39	3931512	4	Capscrew 5/16 x 3/4	
40	3931628	4	Capscrew 3/8 x 1-3/4	
41	4031914	4	Capscrew M8 x 50	
42	4032014	4	Capscrew M10 x 50	
43	4240099	AR	Tie-Strap (Not Shown)	
44	4640751	1	Valve, Oil Drain	
45	4711400	31	Washer 1/4	
46	4711500	4	Washer 5/16	
47	4711600	8	Washer 3/8	
48	4750400	3	Washer #4	
49	4751500	12	Washer 5/16	
50	4751600	14	Washer 3/8	
51	4751700	2	Washer 7/16	

SECTION 3 - ENGINE

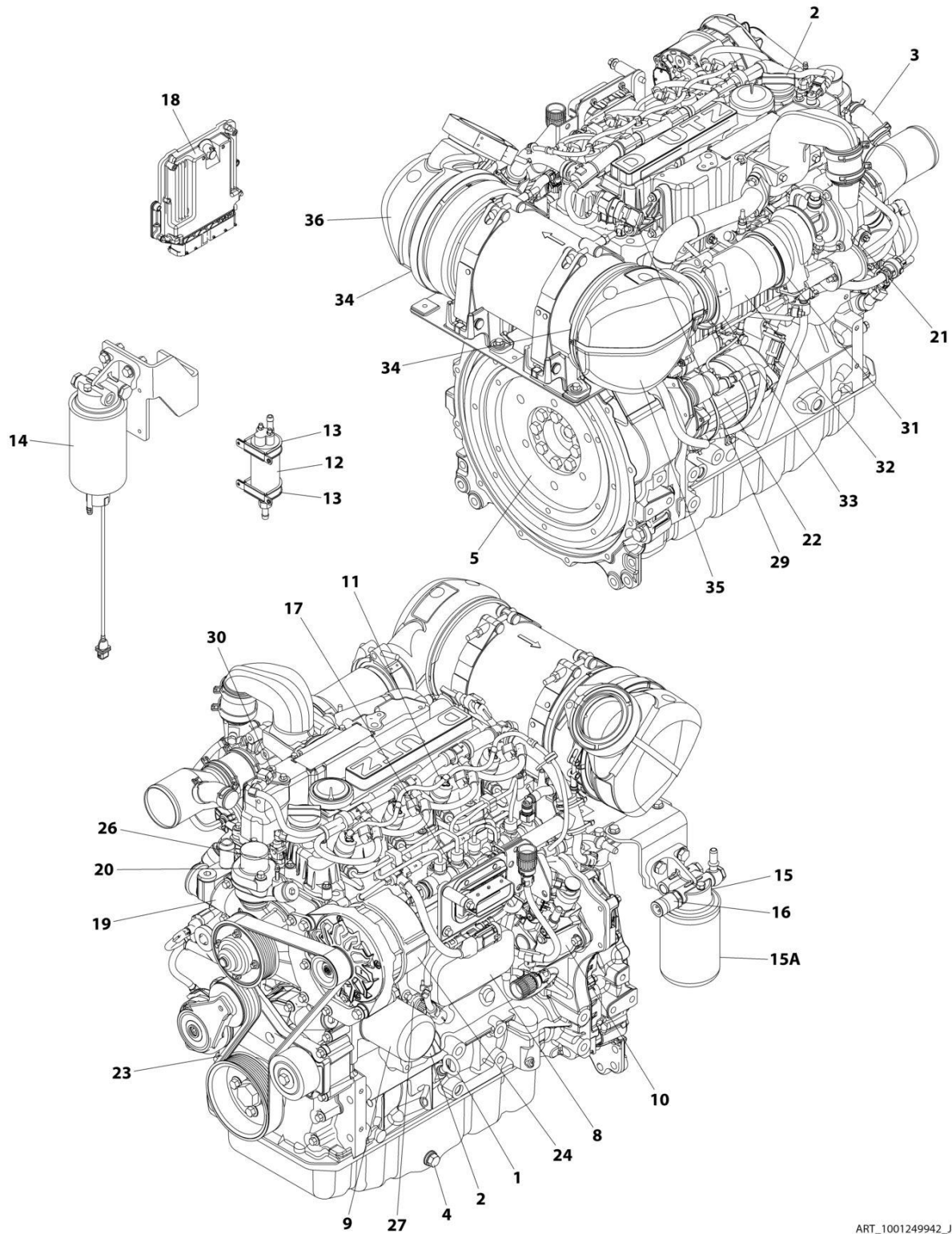
ITEM	PART NUMBER	QTY	DESCRIPTION	REV
52	4811702	2	Washer M6	
53	4811900	4	Washer M8	
54	4812100	7	Washer M12	
55	4812200	2	Washer M14	
56	4891500	1	Washer 5/16 Hardened	
57	4891600	2	Washer 3/8 Hardened	
58	4891800	1	Washer 1/2 Hardened	
60	8405007	2	Clamp	
61	8405009	4	Clamp	
62	8405104	4	Clamp	
63	8405204	2	Clamp	
65	8406110	2	Clip	
66	8406201	1	Clip	
67	8410011	2	Clamp	
68	8410013	1	Clamp	
69	91403244	1	Hose	
70	1001117308	1	Relay	
72	1001135138	1	Adapter	
73	1001135679	1	Adapter	
75	1001136834	1	Cap, Tank	
76	1001137276	1	Fan	
77	1001138170	2	Mount, Motor	
78	1001138173	1	Support	
79	1001138175	1	Bracket	
80	1001138228	1	Relay, Power Module	
80	70023593	1	Fuse 30Amp (Battery Output)	
80	70023592	1	Fuse 20Amp (Switched Output)	
81	1001138248	67 in/1.7m	Tube	
82	1001138557	1	Clamp	
85	1001139240	1	Bracket	
86	1001139409	1	Washer, Special	
87	1001139429	2	Washer, Special	
88	1001249942	1	Deutz TD2.9L4 Engine Components (See Separate Breakdown in this Section)	
89	1001140454	1	Mount, Front Engine	
91	1001230635	1	Tank	
91A	1001134488	1	Fitting, 90 Barbed	
91B	1001138827	1	Sensor, Coolant Level	
91C	1001140564	1	Fitting, 90 Barbed	
93	1001141304	1	Harness, Glow Plug	
94	1001141585	1	Hose, Air Inlet	
95	1001141995	1	Fitting, Straight Barbed	
97	1001142538	1	Support	
98	1001142615	1	Air Cleaner Assembly Filter Element	
98	91403102	1	Element, Filter (Not Shown)	
99	1001142623	1	Hose, Inlet	
100	1001142635	1	Mount, Rear Engine	
101	1001205051	1	Mount, Rear Engine	
102	1001142689	1	Pipe, Exhaust	
103	1001143390	1	Indicator, Service	
104	1001143797	1	Fitting, Straight Barbed	
105	1001143907	1	Cable, Alternator Power	

SECTION 3 - ENGINE

ITEM	PART NUMBER	QTY	DESCRIPTION	REV
106	1001144409	1	Panel, Rubber	
107	1001144410	1	Bracket, Panel Clamp	
108	1001144411	1	Bracket, Panel Clamp	
109	1001144412	1	Bracket, Panel Clamp	
110	1001145154	1	Plate, Relay Mounting	
111	1001152489	1	Fitting, 90 Barbed	
112	1001165842	1	Pipe	
113	1001169138	4	Washer	
114	1001204325	2	Bracket	
115	1001176225	1	Hose, Radiator - Upper	
116	1001176226	1	Hose, Radiator - Lower	
117	1001260413	1	Bracket, Tank	
118	1001176511	1	Hose	
119	1001176723	1	Plate Radiator Mounting	
120	1001178223	2	Bracket	
121	1001180620	AR	Adhesive	
122	1001181899	1	Clamp	
123	1001140312	1	Heater, Engine Block	
124	1001143726	1	Harness, Engine (Not Shown - See Separate Breakdown in ELECTRICAL Section)	
126	1001167041	1	Radiator & Shroud Assembly	
126	1001203495	1	Radiator	
126	1001204491	1	Shroud	
127	2720340	6 in /15cm	Hose	
128	4060805	14 in / 36cm	Flex-Trim	
129	1001181895	AR	Adhesive	
130	4811902	8	Washer M8	
131	1001169054	4	Isolator	
132	1001177359	1	Hose	
134	1001178876	1	Mount	
135	5250810	2	Bolt M8 x 20	
136	4812000	8	Washer M10	
137	0761015	2	Bolt M10 x 35	
138	3291005	2	Nut M10	
139	3520054	1	Plug	
140	0681608	1	Bolt 3/8 x 1 Grade 8	
141	1001260412	1	Bracket	
142	1001162335	1	Bracket, Fuel Pump/Filter Assembly (Not Shown - See Separate Breakdown in this Section)	
143	4240032	AR	Tie-Strap (Not Shown)	
144	1001291401	1	Tag, Coolant	

SECTION 3 - ENGINE

FIGURE 3-28. DEUTZ TD2.9L4 - 63HP EMR4 ENGINE COMPONENTS



ART_1001249942_JLG

SECTION 3 - ENGINE

FIGURE 3-28. DEUTZ TD2.9L4 - 63HP EMR4 ENGINE COMPONENTS

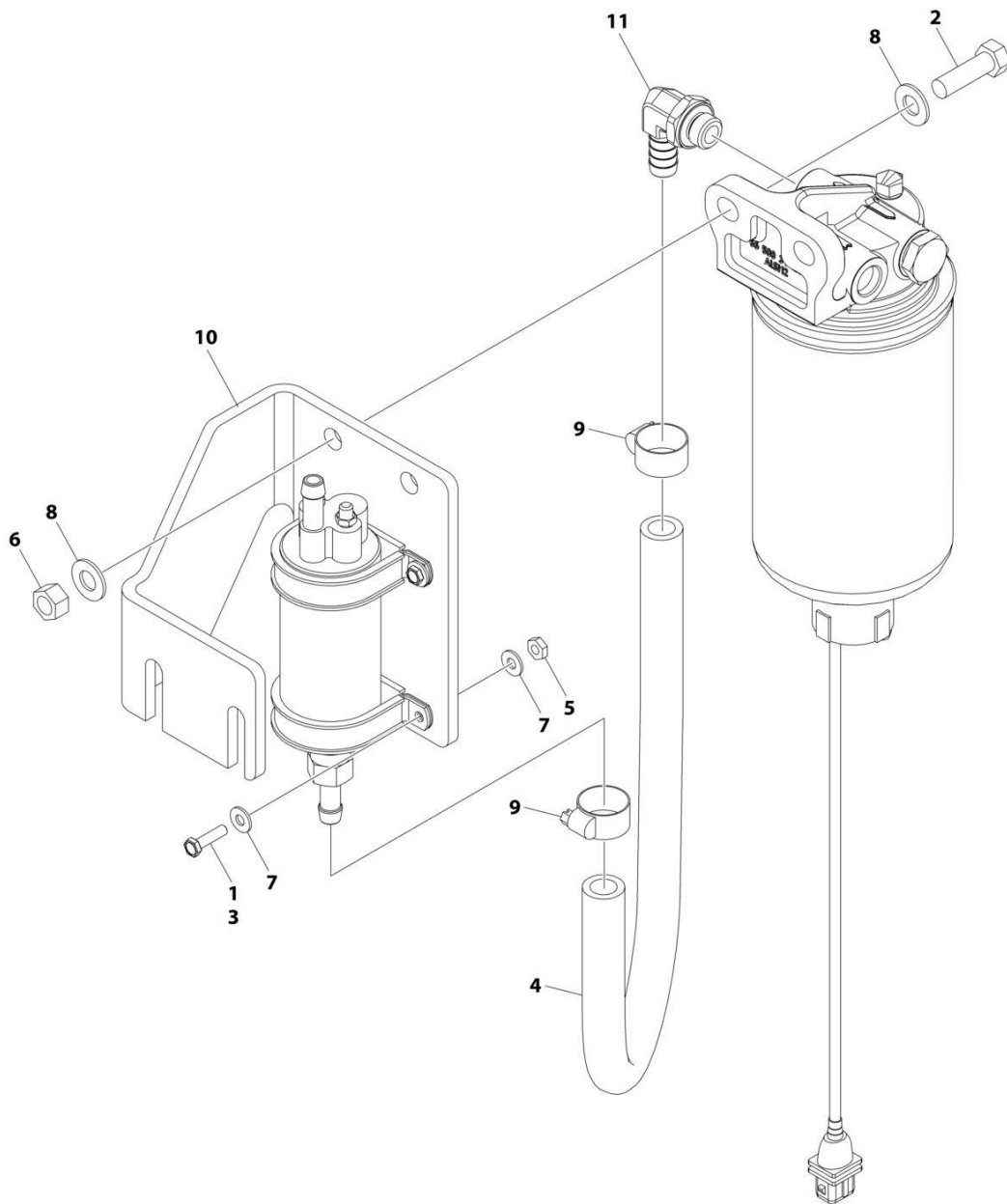
ITEM	PART NUMBER	QTY	DESCRIPTION	REV
	1001249942	Ref	ENGINE COMPONENTS - DEUTZ TD2.9L4	A
1	70024904	1	Dipstick	
1	70024905	1	Seal	
2	7020465	2	Cap, Oil Fill	
3	70025111	2	Clamp	
3	70005920	1	Hose, Breather	
4	70005941	2	Plug	
4	70005942	2	Seal	
5	70001870	1	Flywheel with Ring Gear	
5	7024579	1	Gear, Ring	
6		Ref	Gasket and Seal Options (Not Shown)	
6	70004279	1	Gasket Kit	
6	70024906	1	Gasket, Head	
6	70025205	1	Gasket, Small Valve Cover	
6	70005171	1	Gasket, Large Valve Cover	
6	70005176	1	O-Seal, Valve Cover to Air Charge Elbow	
6	70005177	1	Gasket, Air Charge Pipe to Head	
6	70031095	3	Gasket, Air Charge Pipe & EGR Pipe	
6	70025164	1	Gasket, Exhaust Manifold to Head	
6	70007354	1	Gasket, EGR Pipe to EGR Valve	
6	70007326	1	Gasket, EGR Valve to Housing	
7	70005172	1	Pump, Oil Lube (Not Shown - Located Front Left Side)	
7	70025135	1	O-Ring	
7	70005173	1	Gasket	
8	70024494	1	Cooler, Oil	
8	70024925	1	Gasket	
9	7016331	1	Filter, Oil	
10	70024924	1	Pump, High Pressure (Not Shown - Located Front Left Side)	
10	70025152	1	O-Ring (Between Pump and Spacer)	
10	70024517	1	O-Ring (Between Spacer and Engine Block)	
10	70004505	1	Valve, Overflow	
10	70004506	1	O-Ring	
10	70004507	1	O-Ring	
10	70004508	1	Valve, Volume Control	
10	70004509	1	O-Ring	
10	70004510	1	O-Ring	
11	70025181	4	Injector Fuel	
11	70025140	4	Washer, Sealing	
11	70025146	4	Clamp (Top of Injector)	
11	70025145	4	O-Seal	
11	70025154	4	Shoe, Clamping	
11	70000345	4	Plug, Glow	
11	70025231	1	Harness, Glow Plug (Not Shown)	
12	70006144	1	Pump, Fuel	
13	70025144	2	Clamp	
14	70024961	1	Filter, Fuel	
14	70025153	1	Element, Filter	
14	70024513	1	Cable, Sensor	
14	70025239	1	Seal	
15	70029451	1	Filter With Head	

SECTION 3 - ENGINE

ITEM	PART NUMBER	QTY	DESCRIPTION	REV
15A	70025161	1	Filter, Fuel	
16	70028538	1	Sensor, Pressure	
16	70024920	1	Seal	
17	70025151	1	Rail, Fuel	
17	70025235	1	Repair Kit	
17	70025182	1	Line, Fuel (Cylinders 1 & 2)	
17	70025183	1	Line, Fuel (Cylinders 3 & 4)	
17	70025184	1	Line, Fuel (To Rail)	
18	70025210	1	ECU (Engine Control Unit)	
19	70029797	1	Pump, Water	
19	70025200	1	Seal	
19	70007325	1	Gasket	
20	70005929	1	Thermostat	
20	70005184	1	O-Seal	
20	70025142	1	Cover, Thermostat	
20	70005931	1	Gasket	
21	70004276	1	Turbocharger	
21	70024912	1	Gasket, Square	
21	70024509	1	Gasket, Return Line	
21	70006294	1	O-Seal	
22	70024915	1	Starter	
22	70005648	1	Relay	
22	70005647	1	Solenoid	
23	70004277	1	Belt Drive	
24	70006652	1	Alternator	
24	70006653	1	Regulator, Voltage	
25	70007489	1	Harness, Engine (Not Shown)	
26	70028540	1	Sender, Temperature	
27	70028538	1	Sensor, Pressure	
27	70024920	1	Seal	
28	70026210	2	Sensor, Speed (Not Shown - Located Left Side Front and Flywheel Housing)	
28	70024917	1	Seal (Cam Shaft Speed Sensor)	
28	70005191	1	Seal (Flywheel Shaft Speed Sensor)	
29	70024507	1	Sensor, Pressure	
29	70025120	1	Seal	
30	70024922	1	Sender, Temperature	
30	70025212	1	O-Seal	
31	70005527	1	Clamp	
31	70025788	1	Nut	
32	70004504	1	Compensator	
33	70025242	1	Gasket	
33	70029433	1	Clamp	
34	70029517	2	Clamp	
34	70029520	2	Gasket	
35	70007355	1	Inlet	
36	70007331	1	Outlet	

SECTION 3 - ENGINE

FIGURE 3-29. BRACKET ASSEMBLY - FUEL PUMP AND FILTER (DEUTZ D2.9L4 ENGINE)



ART_1001162335

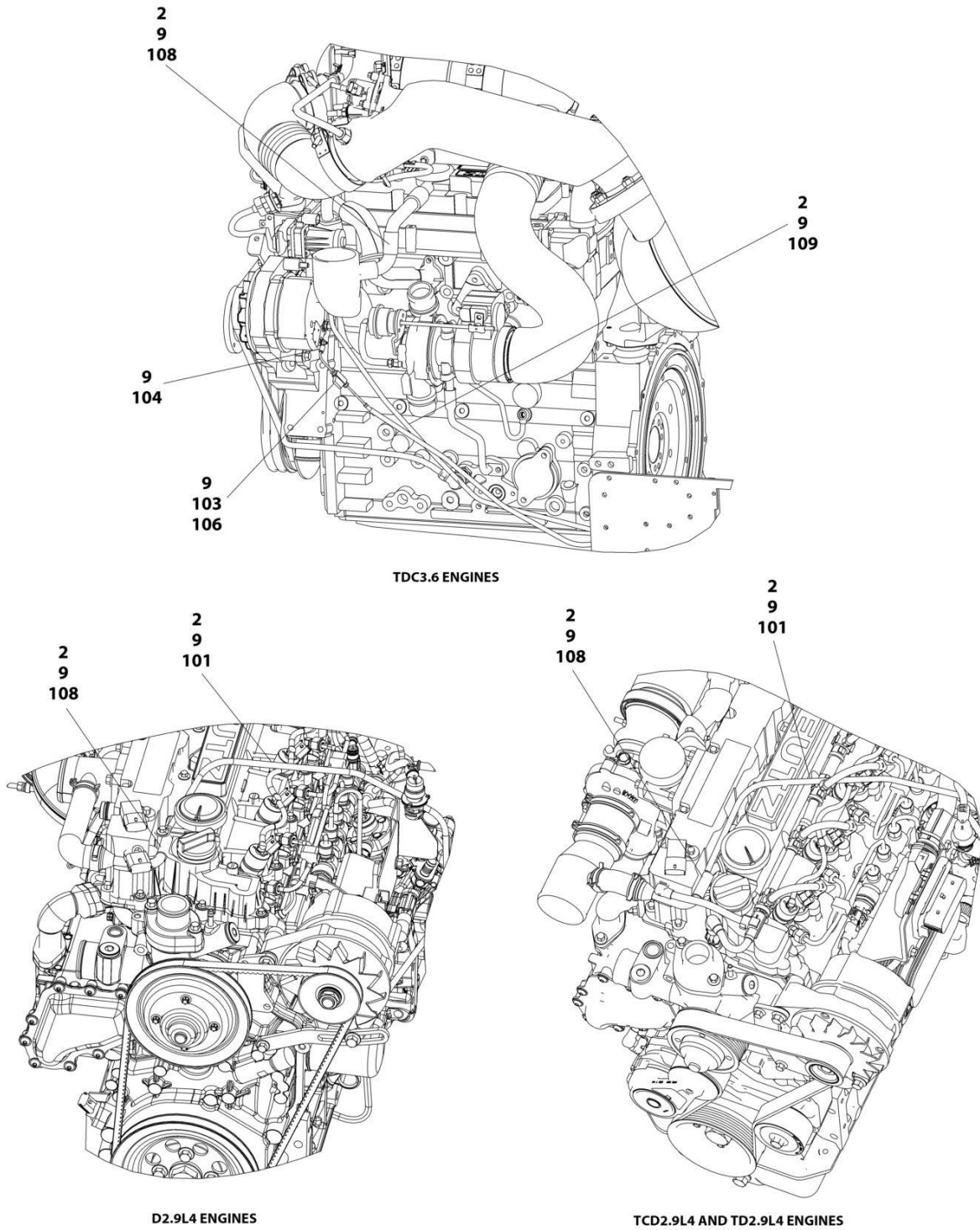
SECTION 3 - ENGINE

FIGURE 3-29. BRACKET ASSEMBLY - FUEL PUMP AND FILTER (DEUTZ D2.9L4 ENGINE)

ITEM	PART NUMBER	QTY	DESCRIPTION	REV
	1001162335	Ref	BRACKET ASSEMBLY - FUEL PUMP AND FILTER (DEUTZ D2.9L4 ENGINE)	E
1	0100011	AR	Compound, Locking	
2	0641610	2	Bolt 3/8 x 1-1/4	
3	0721006	4	Bolt #10 x 3/4	
4	1001154405	AR	Hose	
5	3311001	4	Nut #10	
6	3311605	2	Nut 3/8	
7	4711000	8	Washer #10	
8	4711600	4	Washer 3/8	
9	8405006	2	Clamp	
10	1001141870	1	Plate, Fuel Pump Mount	
11	1001142501	1	Fitting, Elbow Barbed	

SECTION 3 - ENGINE

FIGURE 3-30. BREATHER HEATER INSTALLATION - DEUTZ D2.9L4 ENGINES WITH ARCTIC PACKAGE



ART_1001233763

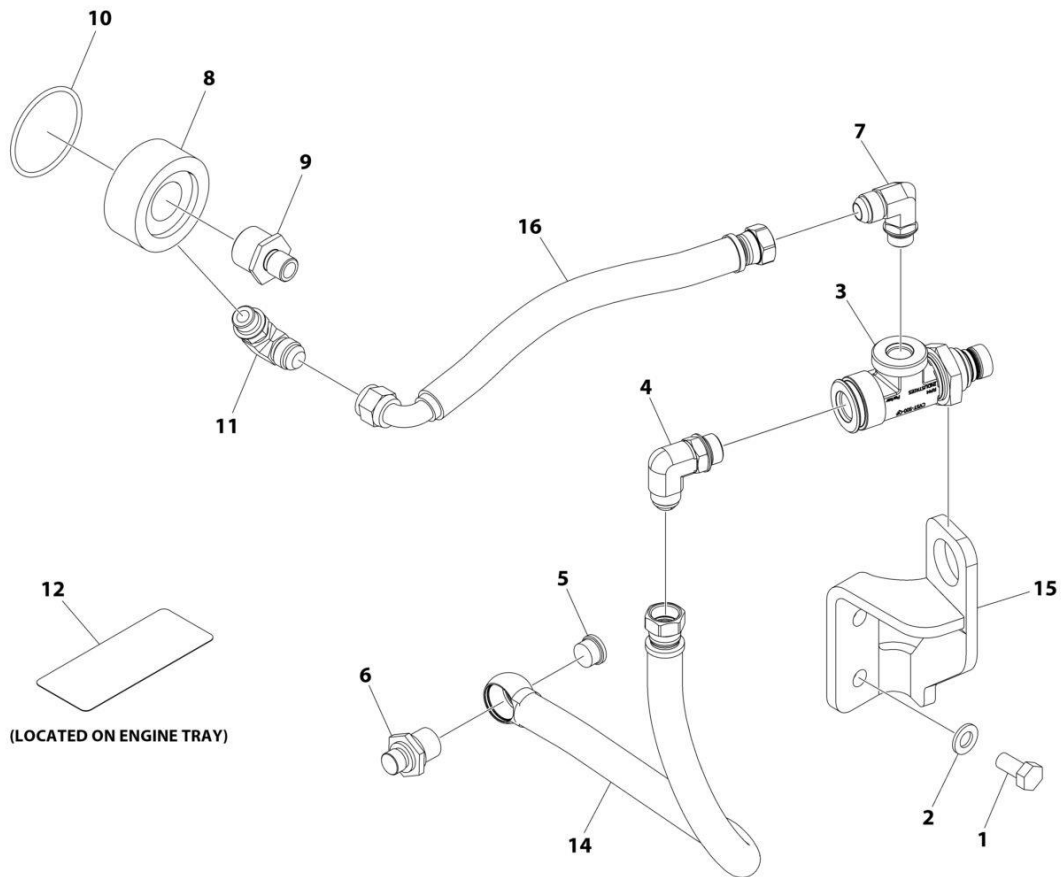
SECTION 3 - ENGINE

FIGURE 3-30. BREATHER HEATER INSTALLATION - DEUTZ D2.9L4 ENGINES WITH ARCTIC PACKAGE

ITEM	PART NUMBER	QTY	DESCRIPTION	REV
	1001233763	Ref	BREATHER HEATER INSTALLATION - DEUTZ ENGINES	D
2	4240099	AR	Tie-Strap	
9	1001243895	1	Breather Heater Harness	C
101	2820035	AR	Insulation	
103	2400060	1	Fuseholder with Cover	
104	4460043	1	Terminal, Ring	
105	4460722	1	Terminal, Ring (Not Shown)	
106	1001196634	1	Fuse - 2 Amp	
108	1001232842	1	Breather Heater Kit	

SECTION 3 - ENGINE

FIGURE 3-31. QUICKFIT OIL DRAIN (DEUTZ TD 2.9L)



ART_1001285349

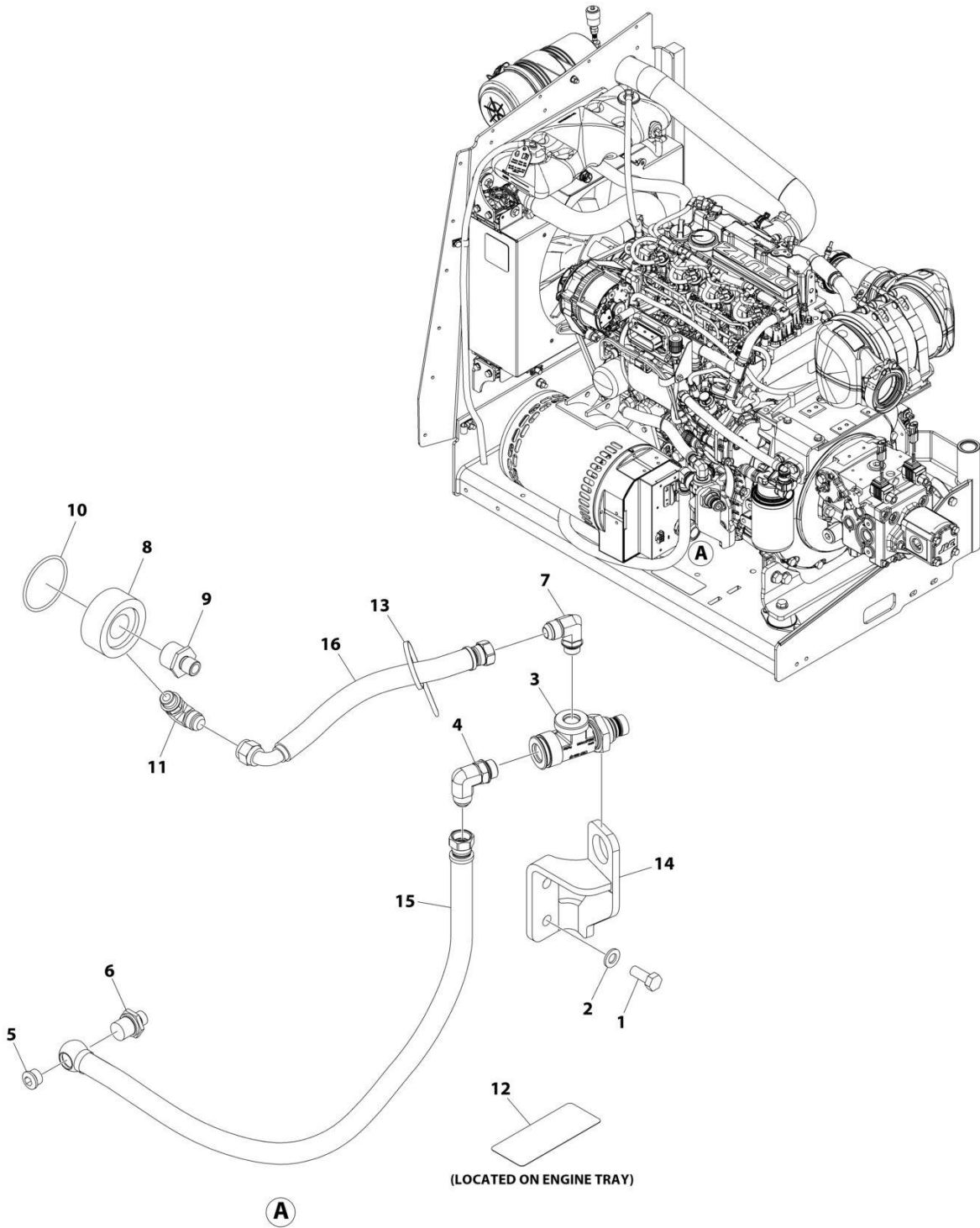
SECTION 3 - ENGINE

FIGURE 3-31. QUICKFIT OIL DRAIN (DEUTZ TD 2.9L)

ITEM	PART NUMBER	QTY	DESCRIPTION	REV
	1001285349	Ref	QUICKFIT OIL VALVE	A
1	0761212	2	Bolt M12 x 25	
2	4812100	2	Washer M12	
3	1001281298	1	Valve, Quickfit	
4	1001281301	1	Fitting, 90	
5	1001281304	1	Plug	
6	1001281305	1	Fitting, Banjo	
7	1001281307	1	Fitting, 90	
8	1001281309	1	Filter, Ring	
9	1001281310	1	Fitting, Straight	
10	1001281311	1	O-Ring	
11	1001281359	1	Valve, Check	
12	1001281360	1	Decal - RPM Quickfit	
13	1001281656	1	Tie-Strap (Not Shown)	
14	1001284101	1	Hose	
15	1001287536	1	Bracket	
16	1001288113	1	Hose	

SECTION 3 - ENGINE

FIGURE 3-32. QUICKFIT OIL DRAIN (DEUTZ D ENGINES)



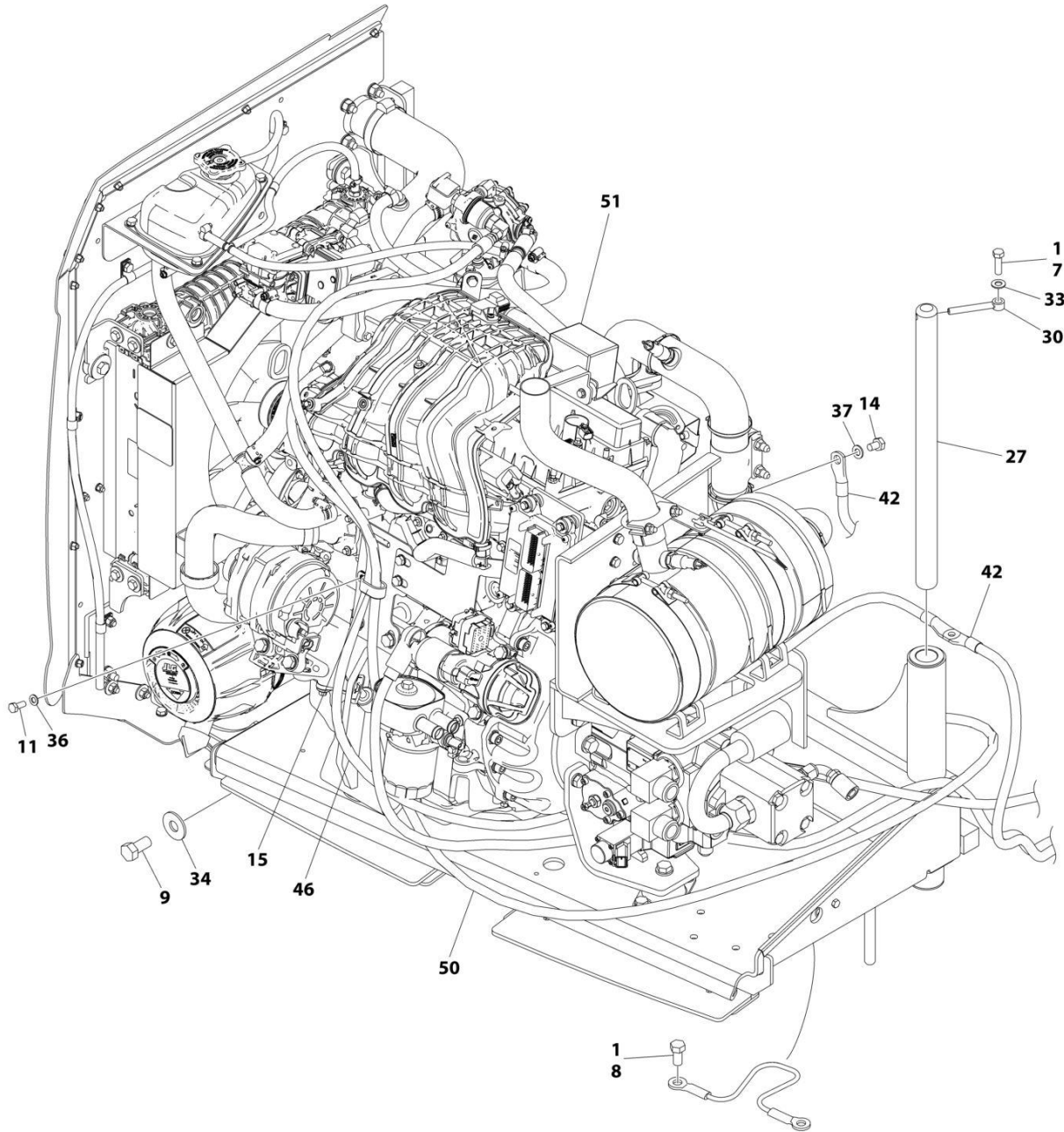
ART_1001285636

SECTION 3 - ENGINE**FIGURE 3-32. QUICKFIT OIL DRAIN (DEUTZ D ENGINES)**

ITEM	PART NUMBER	QTY	DESCRIPTION	REV
	1001285636	Ref	QUICKFIT OIL DRAIN INSTALLATION	A
1	0761214	2	Bolt M12 x 30	
2	4812100	2	Washer M12	
3	1001281298	1	Valve, Quickfit	
4	1001281301	1	Fitting, 90	
5	1001281304	1	Plug	
6	1001281305	1	Fitting, Banjo	
7	1001281307	1	Fitting, 90	
8	1001281309	1	Filter, Ring	
9	1001281310	1	Fitting, Straight	
10	1001281311	1	O-Ring	
11	1001281359	1	Valve, Check	
12	1001281360	1	Decal - RPM Quickfit	
13	1001281656	1	Tie-Strap	
14	1001287536	1	Bracket	
15	1001287552	1	Hose	
16	1001288113	1	Hose	

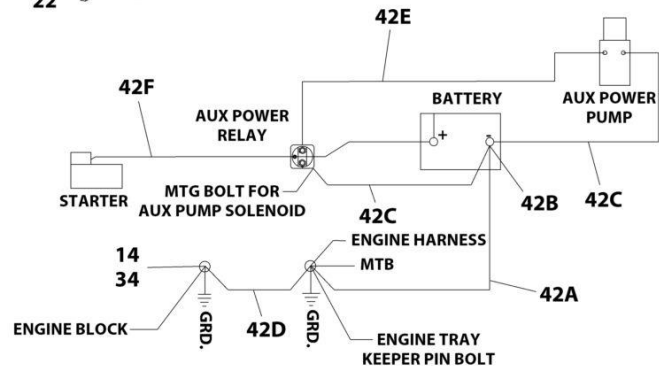
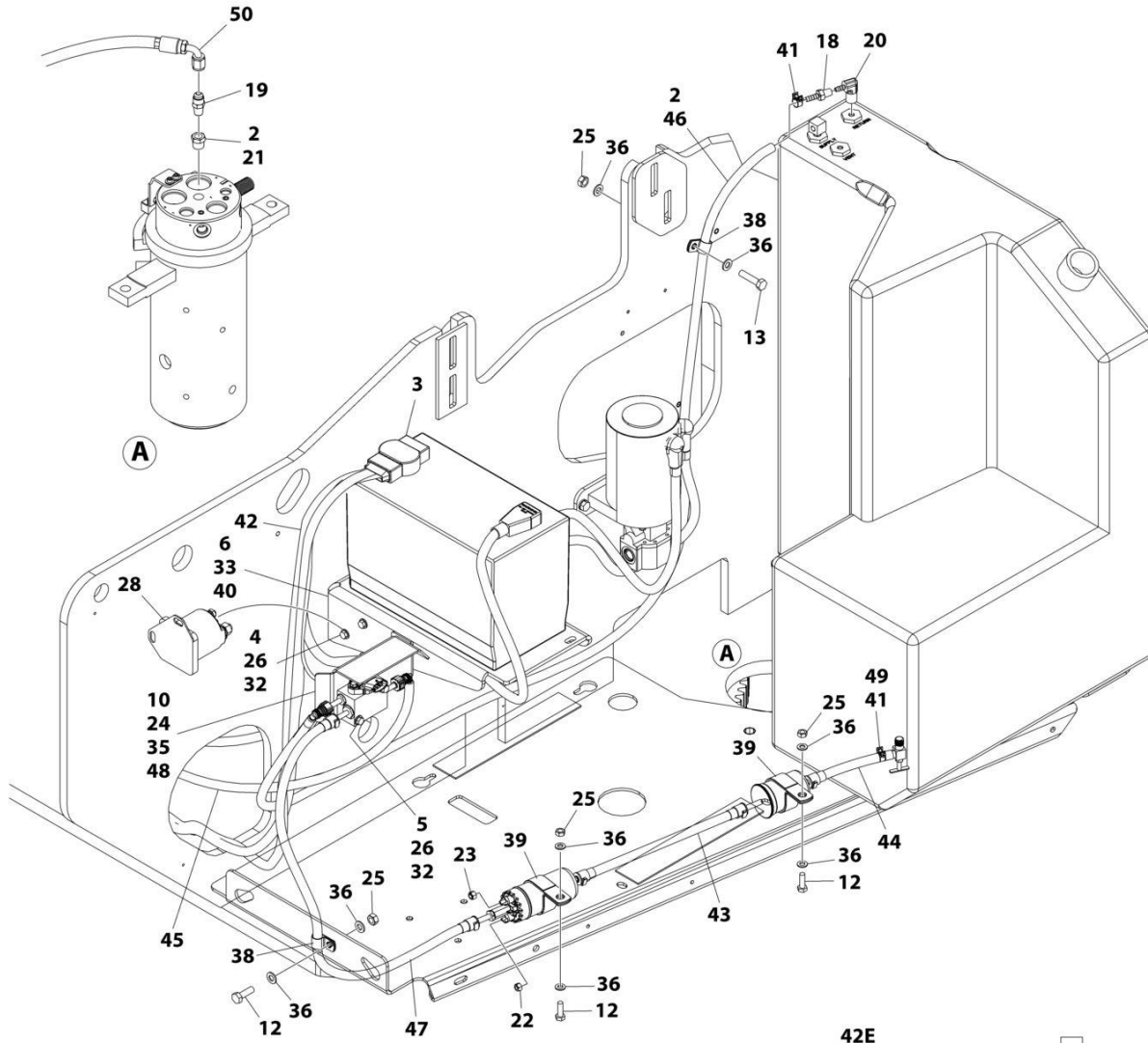
SECTION 3 - ENGINE

FIGURE 3-33. FORD ENGINE INSTALLATION - (WITHOUT ARCTIC PACKAGE)



ART_1001287028_10F2

SECTION 3 - ENGINE



BATTERY CABLE KIT - ITEM 50

ART_1001287028_2OF2

SECTION 3 - ENGINE

FIGURE 3-33. FORD ENGINE INSTALLATION - (WITHOUT ARCTIC PACKAGE)

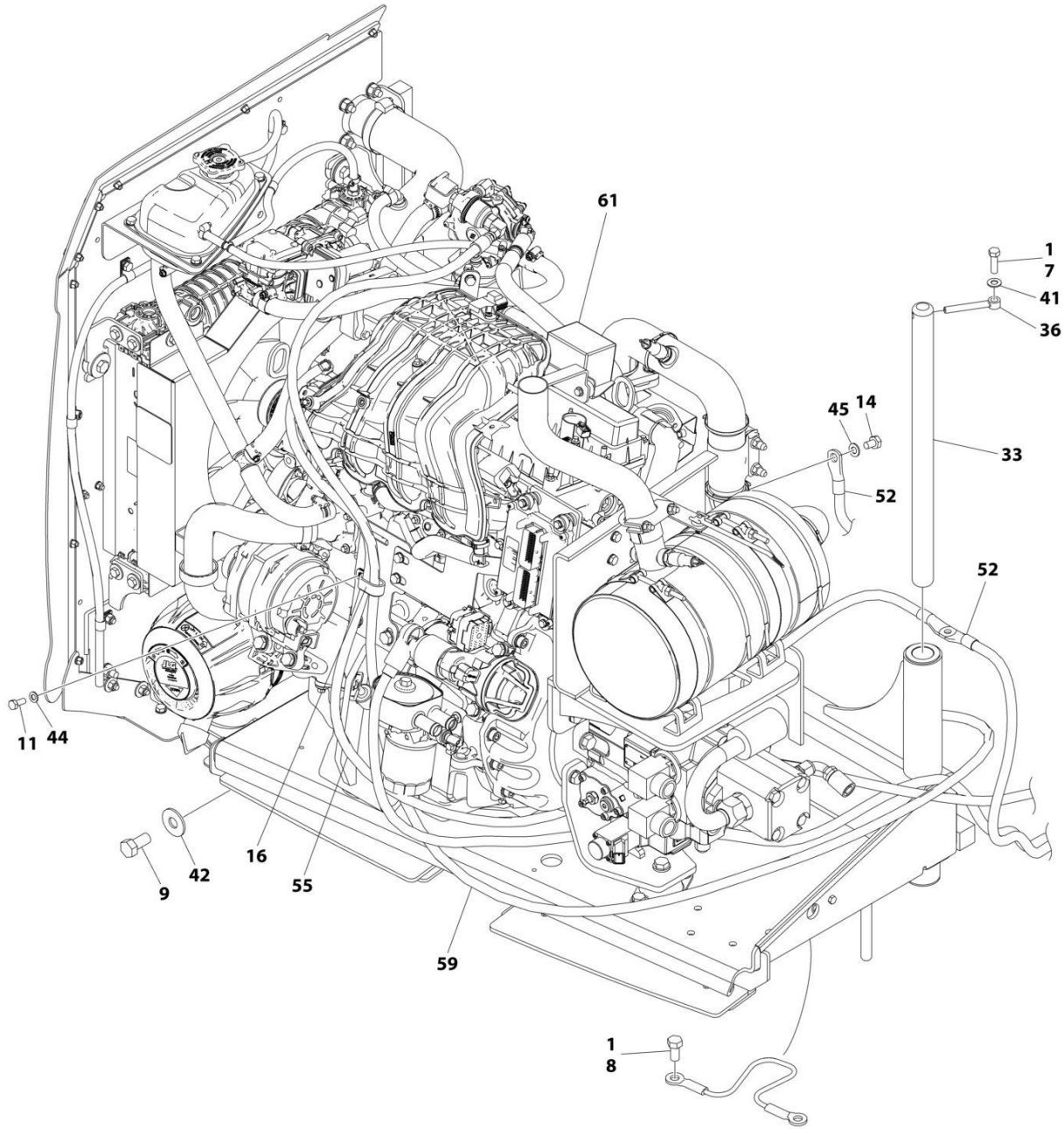
ITEM	PART NUMBER	QTY	DESCRIPTION	REV
	1001287028	Ref	FORD ENGINE INSTALLATION	A
1	0100011	AR	Compound, Locking	
2	0100020	AR	Sealant	
3	0100048	AR	Grease, Terminal	
4	0641406	2	Bolt 1/4 x 3/4	
5	0641416	2	Bolt 1/4 x 2	
6	0641607	3	Bolt 3/8 x 7/8	
7	0641612	1	Bolt 3/8 x 1-1/2	
8	0641808	1	Bolt 1/2 x 1	
9	0642010	1	Bolt 5/8 x 1-1/4	
10	0760612	2	Bolt M6 x 25	
11	0760810	1	Bolt M8 x 20	
12	0760812	3	Bolt M8 x 25	
13	0760815	1	Bolt M8 x 35	
14	0761008	1	Bolt M10 x 16	
15	1321283	1	Clamp	
16	1701542	1	Decal - Gas (Not Shown)	
17	1701543	2	Decal - LPG (Not Shown)	
18	2180348	1	Fitting, Straight NPT/Barbed	
19	2180418	1	Fitting, Straight	
20	2221176	1	Fitting, 90	
21	2221197	1	Fitting, Straight NPT	
22	3290405	1	Nut M4	
23	3290505	1	Nut M5	
24	3290605	2	Nut M6	
25	3290801	4	Nut M8	
26	3311405	4	Nut 1/4	
27	3422448	1	Pin	
28	3740067	1	Relay	
29	3790012	1	O-Ring (Not Shown - Located on Platform Console Box)	
30	3841143	1	Keeper, Pin	
31	4360336	1	Switch, Toggle (Not Shown - Located on Platform Console Box)	
32	4711400	6	Washer 1/4	
33	4711600	4	Washer 3/8	
34	4752000	1	Washer 5/8	
35	4811702	4	Washer M6	
36	4811900	9	Washer M8	
37	4812000	1	Washer M10	
38	8406101	2	Clip	
39	85941018	2	Clamp	
40	1001137868	1	Bracket, Battery	
41	1001174486	2	Clamp	
42	1001215142	1	Battery Cable Kit	C
42A	7027073	1	Cable, Battery - Ground to Battery -	
42B	8270147	1	Terminal, Battery with Boot	
42C	7027072	1	Cable, Battery - Auxiliary Pump/Relay to Battery -	
42D	70009018	1	Cable, Battery - Engine to Ground	
42E	7027075	1	Cable, Battery - Auxiliary Relay to Auxiliary Pump	
42F	70009019	1	Cable, Battery - Starter/Auxiliary Relay to Battery +	
43	1001217418	1	Hose	

SECTION 3 - ENGINE

ITEM	PART NUMBER	QTY	DESCRIPTION	REV
44	1001217419	1	Hose	
45	1001217420	1	Hose	
46	1001217421	1	Hose	
47	1001217422	1	Hose	
48	1001217645	1	Bracket	
49	1001221488	1	Tube, Fuel Line	
50	1001284763	1	Hose	
51	1001287029	1	Engine Assembly with Pumps (See Separate Breakdown in this Section)	

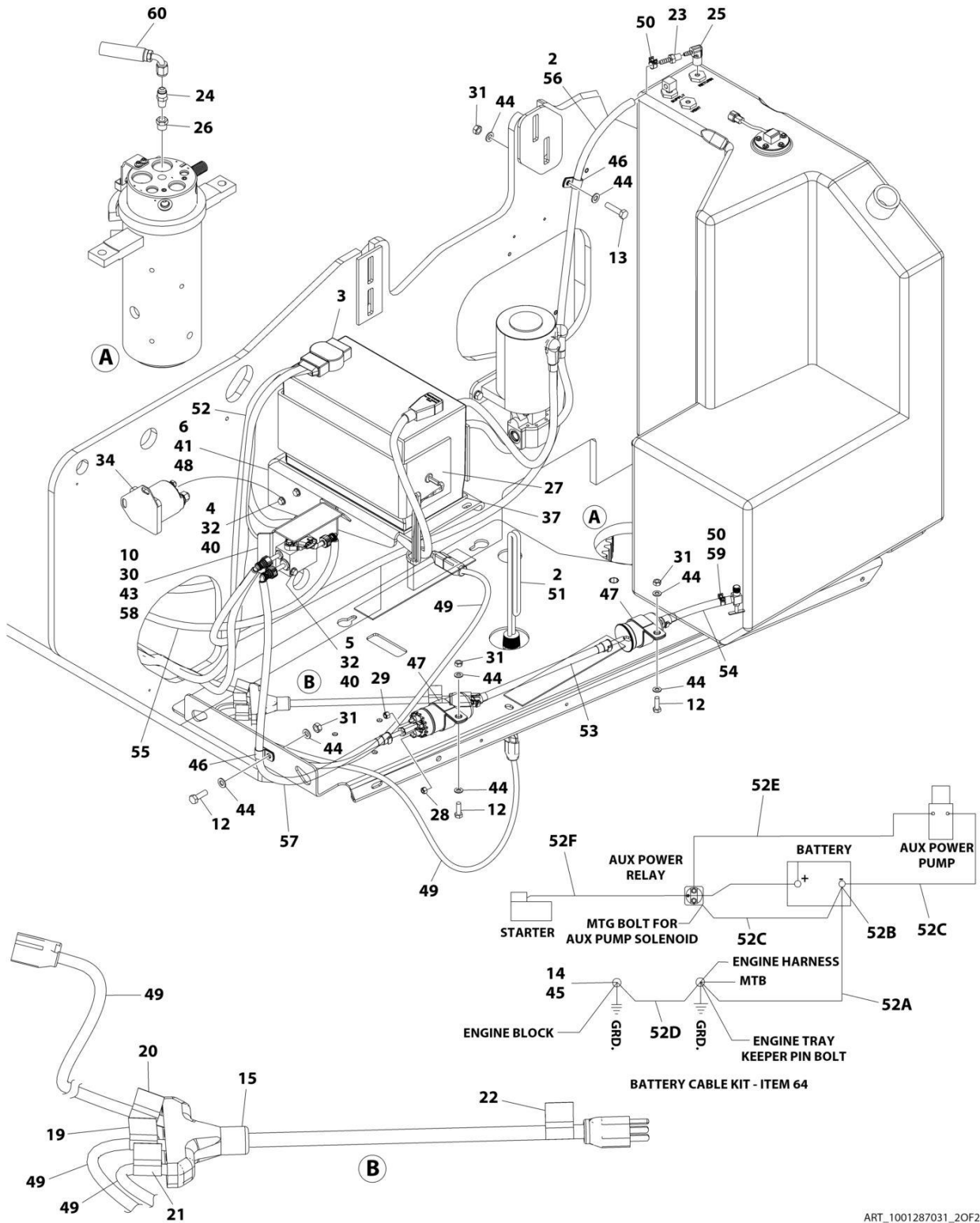
SECTION 3 - ENGINE

FIGURE 3-34. FORD ENGINE INSTALLATION - (WITH ARCTIC PACKAGE)



ART_1001287031_1OF2

SECTION 3 - ENGINE



ART_1001287031_20F2

SECTION 3 - ENGINE

FIGURE 3-34. FORD ENGINE INSTALLATION - (WITH ARCTIC PACKAGE)

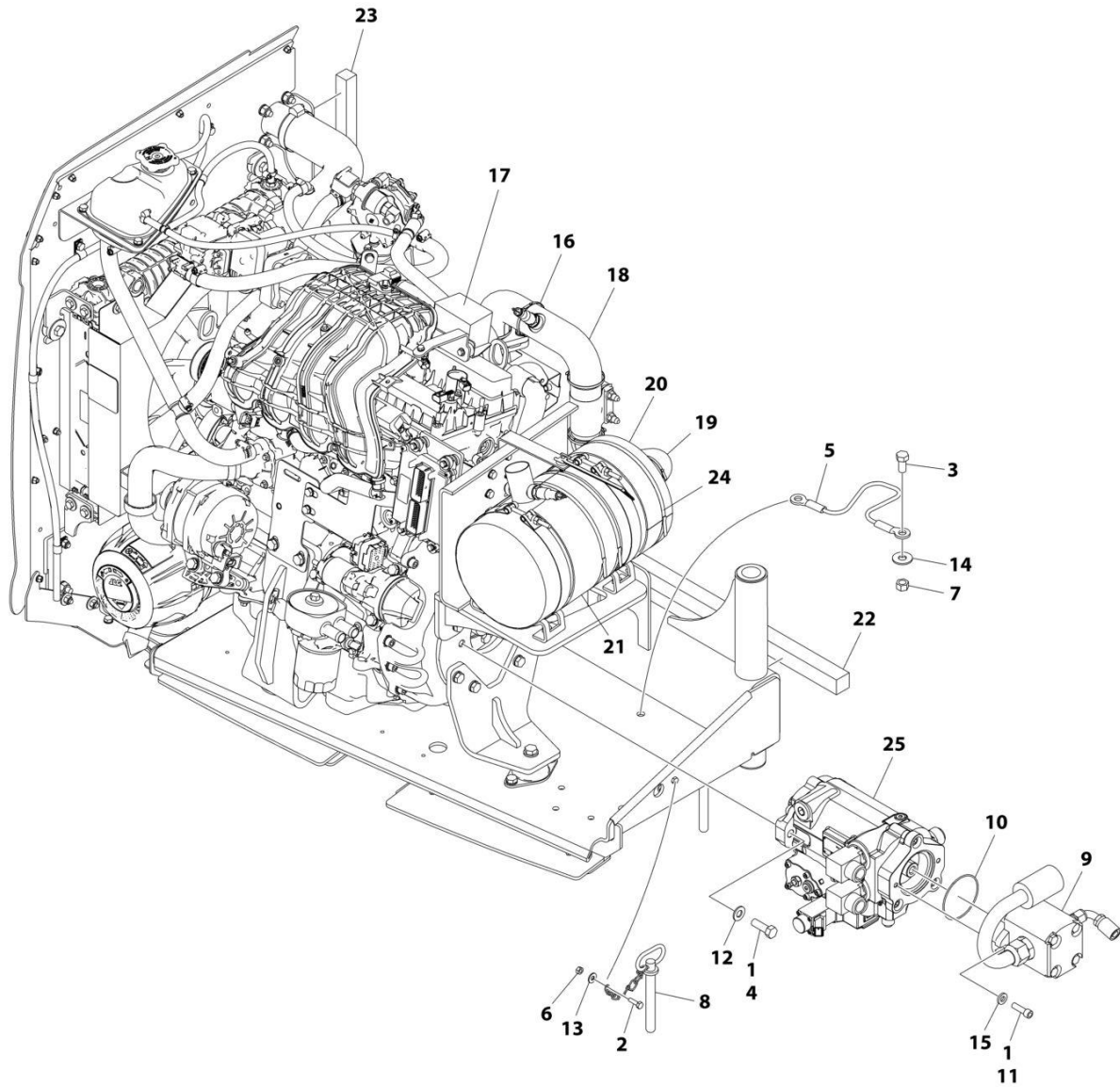
ITEM	PART NUMBER	QTY	DESCRIPTION	REV
	1001287031	Ref	FORD ENGINE INSTALLATION	A
1	0100011	AR	Compound, Locking	
2	0100020	AR	Sealant, Pipe	
3	0100048	AR	Grease, Terminal	
4	0641406	2	Bolt 1/4 x 3/4	
5	0641416	2	Bolt 1/4 x 2	
6	0641607	3	Bolt 3/8 x 7/8	
7	0641612	1	Bolt 3/8 x 1-1/2	
8	0641808	1	Bolt 1/2 x 1	
9	0642010	1	Bolt 5/8 x 1-1/4	
10	0760612	2	Bolt M6 x 25	
11	0760810	1	Bolt M8 x 20	
12	0760812	3	Bolt M8 x 25	
13	0760815	1	Bolt M8 x 35	
14	0761008	1	Bolt M10 x 16	
15	1060626	1	Cord, 3 Way Extension	
16	1321283	1	Clamp	
17	1701542	1	Decal - Gas (Not Shown)	
18	1701543	2	Decal - LPG (Not Shown)	
19	1702941	1	Decal - Battery Heater	
20	1702942	1	Decal - Engine Block Heater	
21	1702943	1	Decal - Hydraulic Tank Heater	
22	1702944	1	Decal - Heater Cord	
23	2180348	1	Fitting, Straight NPT/Barbed	
24	2180418	1	Fitting, Straight	
25	2221176	1	Fitting, 90	
26	2221197	1	Fitting, Straight NPT	
27	2580024	1	Heater, Battery	
28	3290405	1	Nut M4	
29	3290505	1	Nut M5	
30	3290605	2	Nut M6	
31	3290801	4	Nut M8	
32	3311405	4	Nut 1/4	
33	3422448	1	Pin	
34	3740067	1	Relay	
35	3790012	1	O-Ring (Not Shown - Located on Platform Console Box)	
36	3841143	1	Keeper, Pin	
37	3980007	1	Seat, Battery	
38	4240099	AR	Tie-Strap (Not Shown)	
39	4360336	1	Switch, Toggle (Not Shown - Located on Platform Console Box)	
40	4711400	6	Washer 1/4	
41	4711600	4	Washer 3/8	
42	4752000	1	Washer 5/8	
43	4811702	4	Washer M6	
44	4811900	9	Washer M8	
45	4812000	1	Washer M10	
46	8406101	2	Clip	
47	85941018	2	Clamp	
48	1001137868	1	Bracket, Battery	
49	1001150918	1	Cable, Immersion Heater	

SECTION 3 - ENGINE

ITEM	PART NUMBER	QTY	DESCRIPTION	REV
50	1001174486	2	Clamp	C
51	1001188972	1	Heater, Hydraulic Tank	
52	1001215142	1	Battery Cable Kit	
52A	7027073	1	Cable, Battery - Ground to Battery -	
52B	8270147	1	Terminal, Battery with Boot	
52C	7027072	1	Cable, Battery - Auxiliary Pump/Relay to Battery -	
52D	70009018	1	Cable, Battery - Engine to Ground	
52E	7027075	1	Cable, Battery - Auxiliary Relay to Auxiliary Pump	
52F	70009019	1	Cable, Battery - Starter/Auxiliary Relay to Battery +	
53	1001217418	1	Hose	
54	1001217419	1	Hose	
55	1001217420	1	Hose	
56	1001217421	1	Hose	
57	1001217422	1	Hose	
58	1001217645	1	Bracket	
59	1001221488	1	Tube, Fuel Line	
60	1001284763	1	Hose	
61	1001287032	1	Engine Assembly with Pumps (See Separate Breakdown in this Section)	

SECTION 3 - ENGINE

FIGURE 3-35. FORD ENGINE/PUMP SUB ASSEMBLY – (WITHOUT ARCTIC PACKAGE)



ART_1001287029

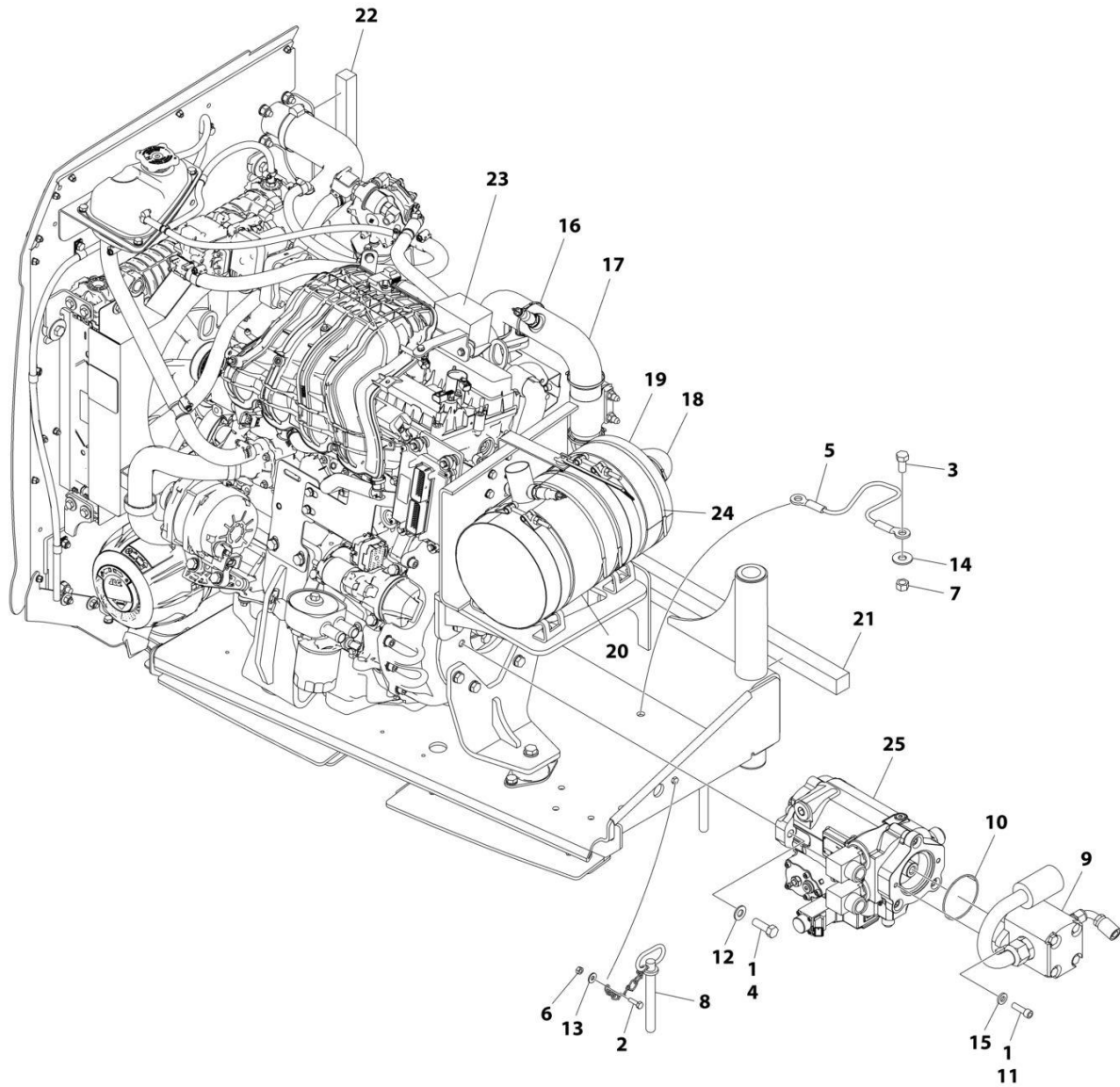
SECTION 3 - ENGINE

FIGURE 3-35. FORD ENGINE/PUMP SUB ASSEMBLY – (WITHOUT ARCTIC PACKAGE)

ITEM	PART NUMBER	QTY	DESCRIPTION	REV
	1001287029	Ref	FORD ENGINE/PUMP SUB-ASSEMBLY	B
1	0100011	AR	Compound, Locking	
2	0641407	1	Bolt 1/4 x 7/8	
3	0641808	1	Bolt 1/2 x 1	
4	0681812	2	Bolt 1/2 x 1-1/2	
5	1060637	1	Cable, Lanyard	
6	3311405	1	Nut 1/4	
7	3311805	1	Nut 1/2	
8	3422533	1	Pin, Hitch	
9	3600395	1	Gear Pump and Fittings Assembly (See Separate Breakdown in this Section)	
11	3931620	2	Capscrew 3/8 x 1-1/4	
12	4711800	2	Washer 1/2	
13	4751400	1	Washer 1/4	
14	4751800	1	Washer 1/2	
15	4891600	2	Washer 3/8	
16	1001100825	6	Strap	
17	1001215413	1	Engine Assembly (See Separate Breakdown in this Section)	
18	1001216532	1	Insulate, Exhaust Pipe	
19	1001216533	1	Insulate, Exhaust Pipe	
20	1001216534	1	Insulate, Muffler	
21	1001216535	1	Insulate, Muffler	
22	1001217170	1	Seal	
23	1001217184	1	Seal	
24	1001221464	3	Strap	
25	1001287030	1	Piston Pump and Fitting Assembly (See Separate Breakdown in this Section)	

SECTION 3 - ENGINE

FIGURE 3-36. FORD ENGINE/PUMP SUB ASSEMBLY - (WITH ARCTIC PACKAGE)



ART_1001287032

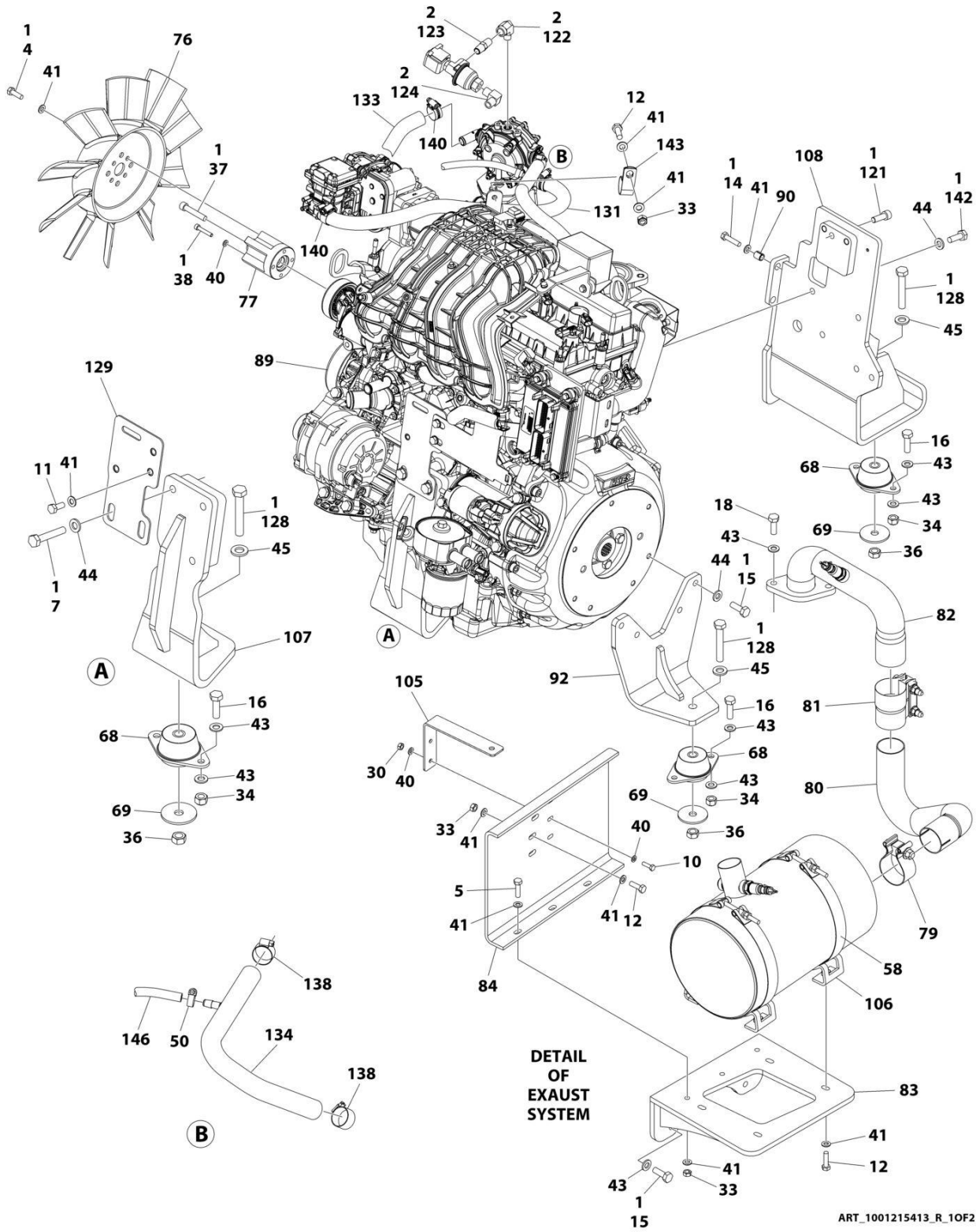
SECTION 3 - ENGINE

FIGURE 3-36. FORD ENGINE/PUMP SUB ASSEMBLY - (WITH ARCTIC PACKAGE)

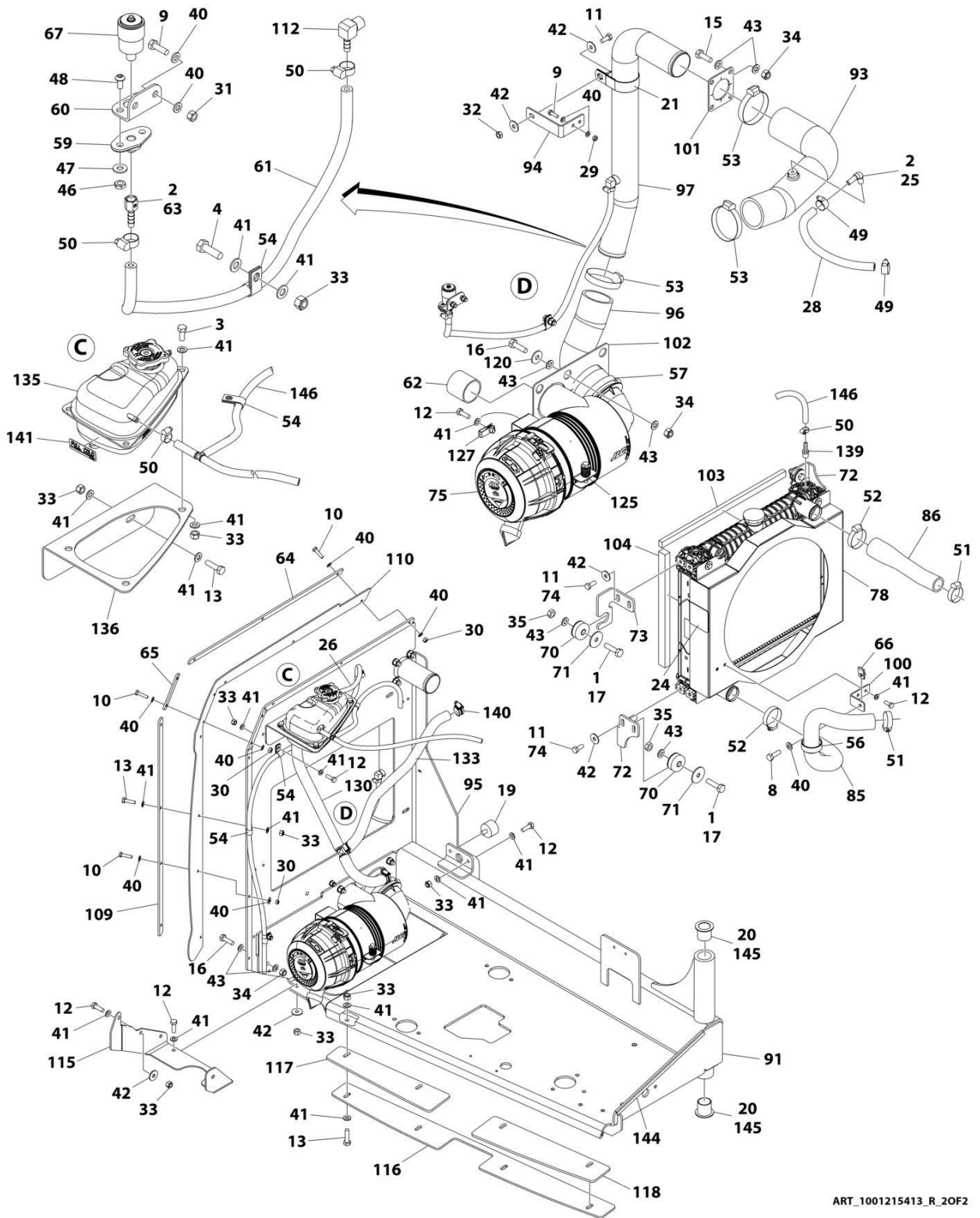
ITEM	PART NUMBER	QTY	DESCRIPTION	REV
	1001287032	Ref	FORD ENGINE/PUMP SUB-ASSEMBLY	B
1	0100011	AR	Compound, Locking	
2	0641407	1	Bolt 1/4 x 7/8	
3	0641808	1	Bolt 1/2 x 1	
4	0681812	2	Bolt 1/2 x 1-1/2	
5	1060637	1	Cable, Lanyard	
6	3311405	1	Nut 1/4	
7	3311805	1	Nut 1/2	
8	3422533	1	Pin, Hitch	
9	3600395	1	Gear Pump and Fittings Assembly (See Separate Breakdown in this Section)	
11	3931620	2	Capscrew 3/8 x 1-1/4	
12	4711800	2	Washer 1/2	
13	4751400	1	Washer 1/4	
14	4751800	1	Washer 1/2	
15	4891600	2	Washer 3/8	
16	1001100825	6	Strap	
17	1001216532	1	Insulate, Exhaust Pipe	
18	1001216533	1	Insulate, Exhaust Pipe	
19	1001216534	1	Insulate, Muffler	
20	1001216535	1	Insulate, Muffler	
21	1001217170	1	Seal	
22	1001217184	1	Seal	
23	1001219071	1	Engine Assembly (See Separate Breakdown in this Section)	
24	1001221464	3	Strap	
25	1001287030	1	Piston Pump and Fitting Assembly (See Separate Breakdown in this Section)	

SECTION 3 - ENGINE

FIGURE 3-37. FORD ENGINE ASSEMBLY - WITHOUT ARCTIC PACKAGE



SECTION 3 - ENGINE



ART_1001215413_R_20F2

SECTION 3 - ENGINE

FIGURE 3-37. FORD ENGINE ASSEMBLY - WITHOUT ARCTIC PACKAGE

ITEM	PART NUMBER	QTY	DESCRIPTION	REV
	1001215413	Ref	FORD ENGINE ASSEMBLY	R
1	0100011	AR	Compound, Locking	
2	0100020	AR	Sealant	
3	0700810	3	Bolt M8 x 20	
4	0700812	5	Bolt M8 x 25	
5	0700814	3	Bolt M8 x 30	
7	0711020	3	Bolt M10 x 60	
8	0760608	2	Bolt M6 x 16	
9	0760610	4	Bolt M6 x 20	
10	0760612	10	Bolt M6 x 25	
11	0760810	11	Bolt M8 x 20	
12	0760812	19	Bolt M8 x 25	
13	0760814	8	Bolt M8 x 30	
14	0760815	2	Bolt M8 x 35	
15	0761014	11	Bolt M10 x 30	
16	0761015	13	Bolt M10 x 35	
17	0761016	4	Bolt M10 x 40	
18	0771014	2	Bolt M10 x 30	
19	0940070	1	Bumper	
20	0961986	2	Bearing	
21	1320110	1	Clamp	
22	1001187781	1	Tie-Strap (Not Shown)	
24	1703162	2	Decal - Fan Blade	
25	2180467	1	Fitting, Straight NPT/Barbed	
26	2720058	AR	Hose	
28	1001165035	11 in /26cm	Hose	
29	3290601	2	Nut M6	
30	3290605	10	Nut M6	
31	3290607	2	Nut M6	
32	3290801	1	Nut M8	
33	3290805	27	Nut M8	
34	3291005	17	Nut M10	
35	3291001	4	Nut M10	
36	3291201	3	Nut M12	
37	3931632	1	Capscrew 3/8 x 2	
38	4031711	4	Capscrew M6 x 35	
39	4240099	AR	Tie-Strap (Not Shown)	
40	4811700	34	Washer M6	
41	4811900	64	Washer M8	
42	4811902	15	Washer M8	
43	4812000	43	Washer M10	
44	5241000	12	Washer M10	
45	5241200	3	Washer M10	
46	8305401	2	Nut 1/4	
47	8307109	2	Washer 1/4	
48	8310548	2	Screw 1/4 x 1/2	
49	8405006	2	Clamp	
50	8405009	5	Clamp	
51	8405102	2	Clamp	

SECTION 3 - ENGINE

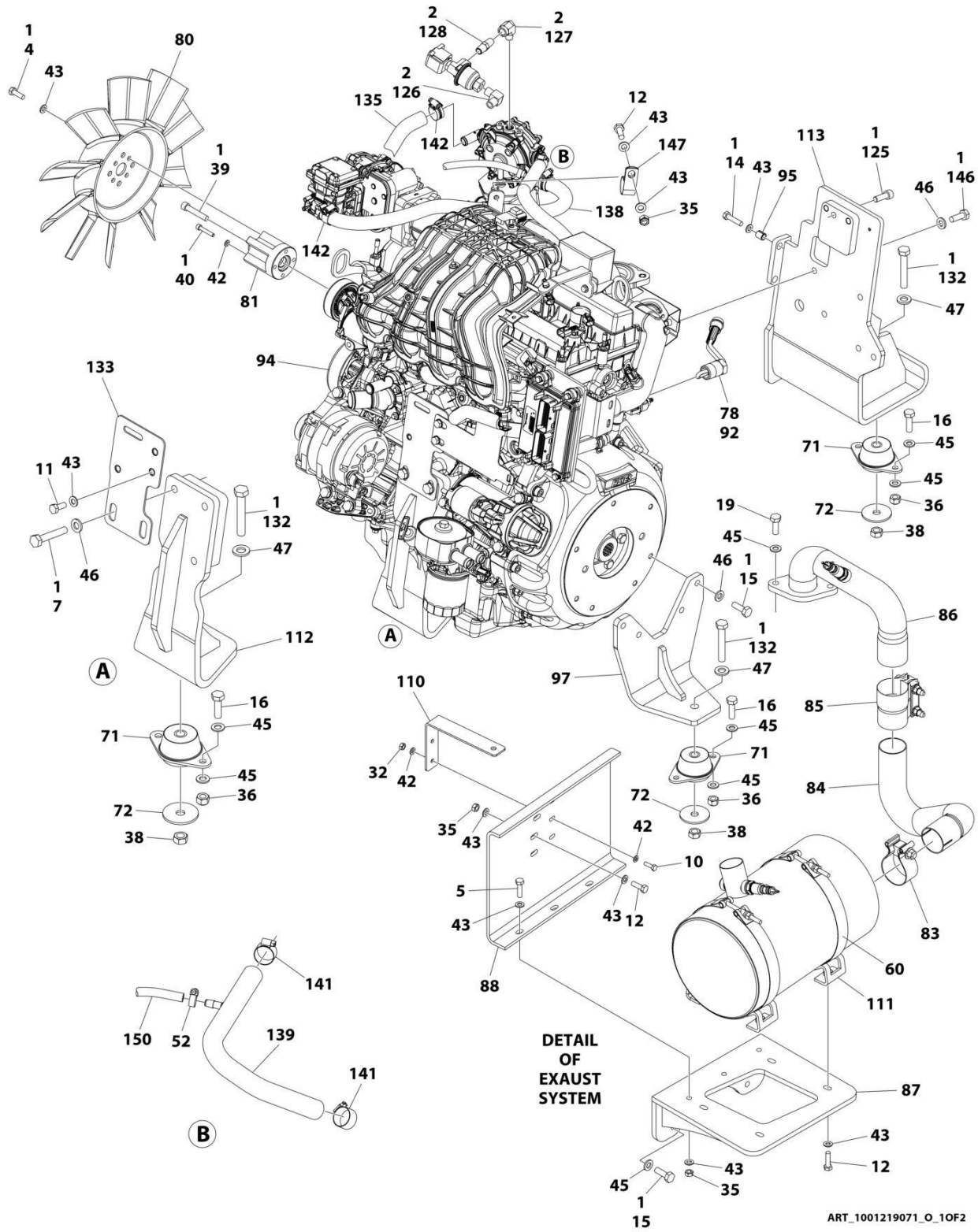
ITEM	PART NUMBER	QTY	DESCRIPTION	REV
52	8405104	2	Clamp	
53	8405203	3	Clamp	
54	8406109	6	Clip	
56	8410001	1	Clamp	
57	8410011	1	Clamp	
58	1001128901	2	Strap, Clamp	
59	1001138173	1	Support	
60	1001138175	1	Bracket	
61	1001138248	31 in/ 77cm	Tube, Nylon	
62	1001141585	1	Hose, Air Cleaner Inlet	
63	1001141995	1	Fitting, Straight NPT/Barbed	
64	1001144410	1	Panel, Clamp	
65	1001144411	1	Panel, Clamp	
66	1001149160	1	Nut, Tinnerman M8	
67	1001149639	1	Indicator, Restriction	
68	1001191610	3	Mount, Motor	
69	1001168018	3	Washer	
70	1001169054	4	Isolator	
71	1001169138	4	Pad	
72	1001170035	2	Bracket	
73	1001176329	2	Bracket	
74	1001180620	AR	Adhesive	
75	1001189979	1	Air Filter Assembly	
75	70005008	1	Element, Filter	
76	1001223042	1	Fan	
77	1001215647	1	Spacer, Fan	
78	1001223923	1	Radiator and Shroud Assembly	
78	1001224010	1	Radiator	
78	1001223922	1	Shroud	
79	1001215681	1	Clamp	
80	1001215899	1	Pipe, Exhaust Inlet	
81	1001215974	1	Clamp	
82	1001216075	1	Pipe, Exhaust Inlet	
83	1001216086	1	Bracket	
84	1001216092	1	Shield, Heat	
85	1001216204	1	Hose, Radiator (Lower)	
86	1001216205	1	Hose, Radiator (Upper)	
89	1001216910	1	Ford Engine Prep Assembly (See Separate Breakdown in this Section)	
90	1001216919	2	Sleeve	
91	1001216951	1	Tray	
92	1001290252	1	Mount, Engine (Rear)	
93	1001217032	1	Tube, Air Intake	
94	1001217046	1	Bracket	
95	1001217082	1	Plate, Radiator	
96	1001217089	1	Tube, Intake (Lower)	
97	1001217090	1	Tube, Intake (Intermediate)	
100	1001217146	1	Support	
101	1001217174	1	Seal	
102	1001217175	1	Seal	
103	1001217183	2	Seal	

SECTION 3 - ENGINE

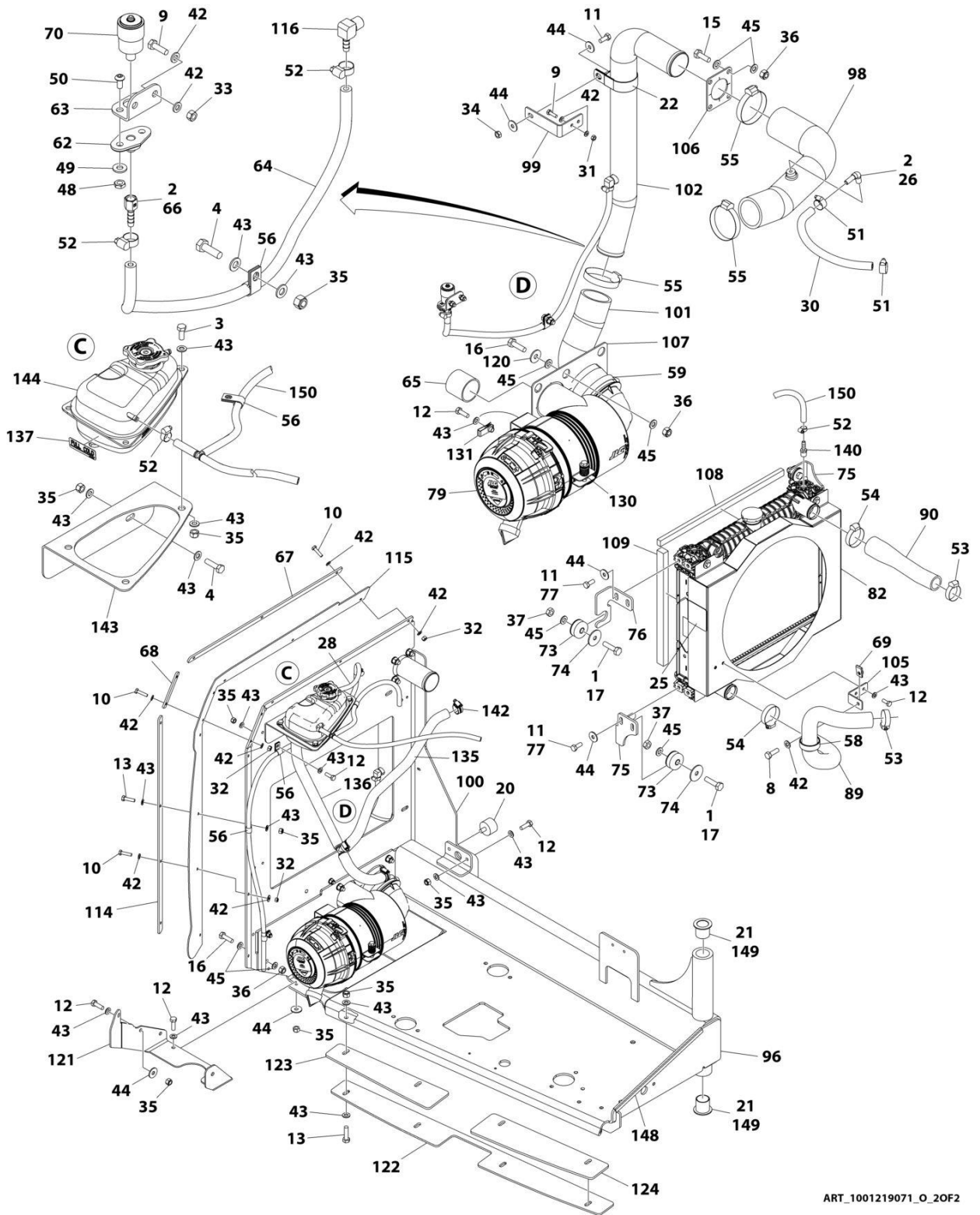
ITEM	PART NUMBER	QTY	DESCRIPTION	REV
104	1001217185	2	Seal	
105	1001217186	1	Support	
106	1001217543	2	Mount	
107	1001218362	1	Mount, Engine (Front Left)	
108	1001218449	1	Mount, Engine (Front Right)	
109	1001218599	1	Panel, Clamp	
110	1001218600	1	Panel, Rubber	
112	1001134488	1	Fitting, 90 Barbed	
115	1001219445	1	Seal	
116	1001219448	1	Plate	
117	1001219454	1	Seal	
118	1001219456	1	Seal	
120	4812002	6	Washer M10	
121	5272010	1	Capscrew M10 x 30	
122	1001247359	1	Fitting, 90	
123	2220261	1	Fitting, Straight	
124	2180504	1	Fitting, Straight	
125	1001186426	1	Clamp, Air Cleaner	
127	1001221615	2	Nut, Tinnerman M8	
128	0711223	3	Bolt M12 x 75	
129	1001222033	1	Plate	
130	1001224489	1	Hose	
131	1001216531	1	Hose	
133	1001224486	1	Hose	
134	1001227666	1	Hose	
135	1001223584	1	Tank	
136	1001224419	1	Bracket	
138	8410009	2	Clamp	
139	2180348	1	Fitting, Straight Barbed	
140	1001173535	6	Clamp	
141	1001225510	1	Decal - Full Cold	
142	0711014	5	Bolt M10 x 30	
143	8406201	1	Clip	
144	4060805	16 in/.4m	Flex-Trim	
145	0100062	AR	Adhesive	
146	1001227667	1	Hose (Includes Tee)	
147	1001303818	1	Washer M10 (Not Shown)	

SECTION 3 - ENGINE

FIGURE 3-38. FORD ENGINE ASSEMBLY - WITH ARCTIC PACKAGE



SECTION 3 - ENGINE



ART_1001219071_O_20F2

SECTION 3 - ENGINE

FIGURE 3-38. FORD ENGINE ASSEMBLY - WITH ARCTIC PACKAGE

ITEM	PART NUMBER	QTY	DESCRIPTION	REV
	1001219071	Ref	FORD ENGINE ASSEMBLY	O
1	0100011	AR	Compound, Locking	
2	0100020	AR	Sealant	
3	0700810	3	Bolt M8 x 20	
4	0700812	5	Bolt M8 x 25	
5	0700814	3	Bolt M8 x 30	
7	0711020	3	Bolt M10 x 60	
8	0760608	2	Bolt M6 x 16	
9	0760610	4	Bolt M6 x 20	
10	0760612	10	Bolt M6 x 25	
11	0760810	11	Bolt M8 x 20	
12	0760812	19	Bolt M8 x 25	
13	0760814	8	Bolt M8 x 30	
14	0760815	2	Bolt M8 x 35	
15	0761014	11	Bolt M10 x 30	
16	0761015	13	Bolt M10 x 35	
17	0761016	4	Bolt M10 x 40	
19	0771014	2	Bolt M10 x 30	
20	0940070	1	Bumper	
21	0961986	2	Bearing	
22	1320110	1	Clamp	
23	1001187781	1	Tie-Strap (Not Shown)	
25	1703162	2	Decal - Fan Blade	
26	2180467	1	Fitting, Straight NPT/Barbed	
28	2720058	AR	Hose	
30	1001165035	11 in /26cm	Hose	
31	3290601	2	Nut M6	
32	3290605	10	Nut M6	
33	3290607	2	Nut M6	
34	3290801	1	Nut M8	
35	3290805	27	Nut M8	
36	3291005	17	Nut M10	
37	3291001	4	Nut M10	
38	3291201	3	Nut M12	
39	3931632	1	Capscrew 3/8 x 2	
40	4031711	4	Capscrew M6 x 35	
41	4240099	AR	Tie-Strap (Not Shown)	
42	4811700	34	Washer M6	
43	4811900	64	Washer M8	
44	4811902	15	Washer M8	
45	4812000	43	Washer M10	
46	5241000	12	Washer M10	
47	5241200	3	Washer M10	
48	8305401	2	Nut 1/4	
49	8307109	2	Washer 1/4	
50	8310548	2	Screw 1/4 x 1/2	
51	8405006	2	Clamp	
52	8405009	5	Clamp	
53	8405102	2	Clamp	

SECTION 3 - ENGINE

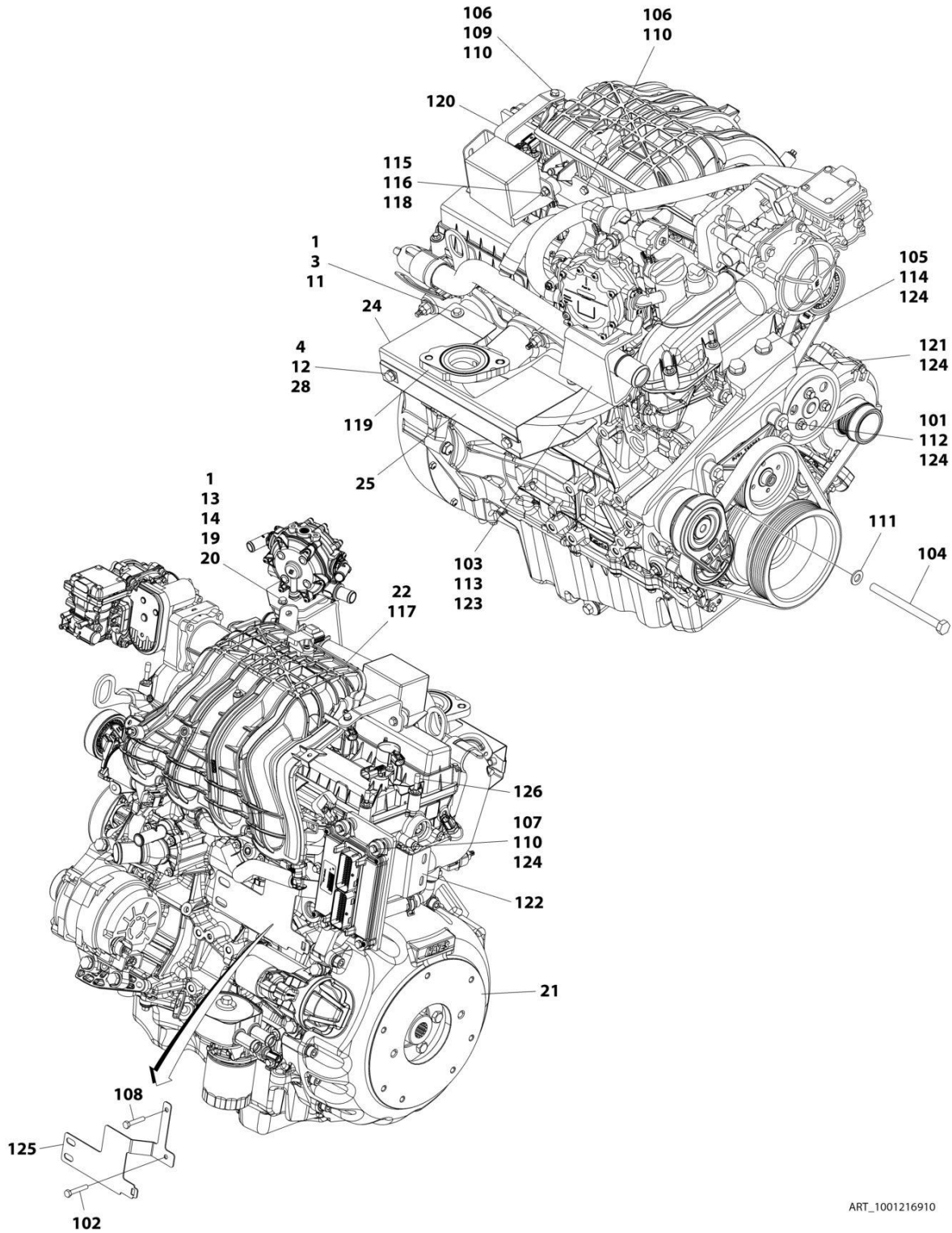
ITEM	PART NUMBER	QTY	DESCRIPTION	REV
54	8405104	2	Clamp	
55	8405203	3	Clamp	
56	8406109	6	Clip	
58	8410001	1	Clamp	
59	8410011	1	Clamp	
60	1001128901	2	Strap, Clamp	
62	1001138173	1	Support	
63	1001138175	1	Bracket	
64	1001138248	31 in/ 77cm	Tube, Nylon	
65	1001141585	1	Hose, Air Cleaner Inlet	
66	1001141995	1	Fitting, Straight NPT/Barbed	
67	1001144410	1	Panel, Clamp	
68	1001144411	1	Panel, Clamp	
69	1001149160	1	Nut, Tinnerman M8	
70	1001149639	1	Indicator, Restriction	
71	1001191610	3	Mount, Motor	
72	1001168018	3	Washer	
73	1001169054	4	Isolator	
74	1001169138	4	Pad	
75	1001170035	2	Bracket	
76	1001176329	2	Bracket	
77	1001180620	AR	Adhesive	
78	1001181895	AR	Adhesive	
79	1001189979	1	Air Filter Assembly	
79	70005008	1	Element, Filter	
80	1001223042	1	Fan	
81	1001215647	1	Spacer, Fan	
82	1001223923	1	Radiator and Shroud Assembly	
82	1001224010	1	Radiator	
82	1001223922	1	Shroud	
83	1001215681	1	Clamp	
84	1001215899	1	Pipe, Exhaust Inlet	
85	1001215974	1	Clamp	
86	1001216075	1	Pipe, Exhaust Inlet	
87	1001216086	1	Bracket	
88	1001216092	1	Shield, Heat	
89	1001216204	1	Hose, Radiator (Lower)	
90	1001216205	1	Hose, Radiator (Upper)	
92	1001216393	1	Heater, Engine Block	
94	1001216910	1	Ford Engine Prep Assembly (See Separate Breakdown in this Section)	
95	1001216919	2	Sleeve	
96	1001216951	1	Tray	
97	1001290252	1	Mount, Engine (Rear)	
98	1001217032	1	Tube, Air Intake	
99	1001217046	1	Bracket	
100	1001217082	1	Plate, Radiator	
101	1001217089	1	Tube, Intake (Lower)	
102	1001217090	1	Tube, Intake (Intermediate)	
105	1001217146	1	Support	
106	1001217174	1	Seal	

SECTION 3 - ENGINE

ITEM	PART NUMBER	QTY	DESCRIPTION	REV
107	1001217175	1	Seal	
108	1001217183	2	Seal	
109	1001217185	2	Seal	
110	1001217186	1	Support	
111	1001217543	2	Mount	
112	1001218362	1	Mount, Engine (Front Left)	
113	1001218449	1	Mount, Engine (Front Right)	
114	1001218599	1	Panel, Clamp	
115	1001218600	1	Panel, Rubber	
116	1001134488	1	Fitting, 90 Barbed	
120	4812002	6	Washer M10	
121	1001219445	1	Seal	
122	1001219448	1	Plate	
123	1001219454	1	Seal	
124	1001219456	1	Seal	
125	5272010	1	Capscrew M10 x 30	
126	2180504	1	Fitting, Straight	
127	1001247359	1	Fitting, 90	
128	2220261	1	Fitting, Straight	
130	1001186426	1	Clamp, Air Cleaner	
131	1001221615	2	Nut, Tinnerman M8	
132	0711223	3	Bolt M12 x 75	
133	1001222033	1	Plate	
135	1001224486	1	Hose	
136	1001224489	1	Hose	
137	1001225510	1	Decal - Full Cold	
138	1001216531	1	Hose	
139	1001227666	1	Hose	
140	2180348	1	Fitting, Straight Barbed	
141	8410009	2	Clamp	
142	1001173535	6	Clamp	
143	1001224419	1	Bracket	
144	1001223584	1	Tank	
146	0711014	5	Bolt M10 x 30	
147	8406201	1	Clip	
148	4060805	16 in/.4m	Flex-Trim	
149	0100062	AR	Adhesive	
150	1001227667	1	Hose (Includes Tee)	
151	1001303818	1	Washer M10 (Not Shown)	

SECTION 3 - ENGINE

FIGURE 3-39. PUMP COUPLING AND FUEL SYSTEM ASSEMBLY (FORD ENGINES)



ART_1001216910

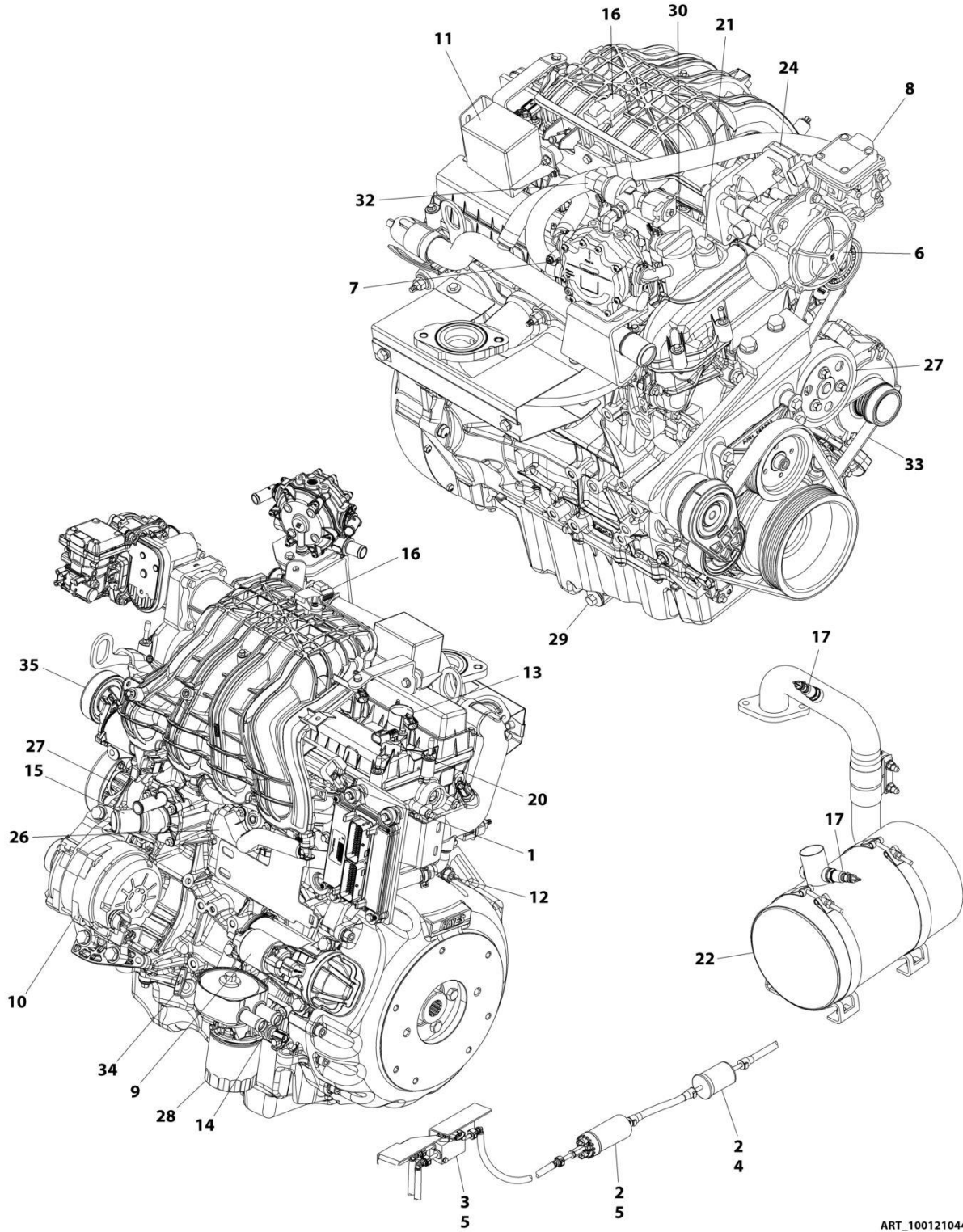
SECTION 3 - ENGINE

FIGURE 3-39. PUMP COUPLING AND FUEL SYSTEM ASSEMBLY (FORD ENGINES)

ITEM	PART NUMBER	QTY	DESCRIPTION	REV
	1001216910	Ref	FORD ENGINE PREP ASSEMBLY	F
1	0100011	AR	Compound, Locking	
3	0760605	4	Bolt M6 x 10	
4	0760807	2	Bolt M8 x 14	
11	4811702	4	Washer M6	
12	4811900	2	Washer M8	
13	5250605	3	Bolt M6 x 10	
14	5260600	1	Nut M6 Class 10	
19	1001211794	3	Mount, Isolator	
20	1001227769	1	Plate	
21	1001213810	1	Pump Coupling Kit	
21	70006134	1	Coupling	
21	70006135	1	Housing	
21	70006136	1	Hardware Kit	
22	1001216065	1	Ford Engine Assembly (See Items 101-126 for Breakdown)	
24	1001216768	1	Bracket	
25	1001216769	1	Bracket	
28	1001149160	2	Nut, Tinnerman M8	
	1001216065	Ref	FORD ENGINE PREP ASSEMBLY - BRACKETS/EXHAUST MANIFOLD	M
101	0700816	4	Bolt M8 x 40	
102	0700818	1	Bolt M8 x 50	
103	0701014	2	Bolt M10 x 30	
104	0710827	1	Bolt M8 x 100 Grade 10.9	
105	0711216	2	Bolt M12 x 40	
106	0760610	3	Bolt M6 x 20	
107	0760615	4	Bolt M6 x 35	
108	0760817	1	Bolt M8 x 45	
109	3290601	1	Nut M6	
110	4811700	8	Washer M6	
111	4811900	1	Washer M8	
112	4811902	4	Washer M8	
113	4812000	1	Washer M10	
114	4812100	2	Washer M12	
115	5250605	2	Bolt M6 x 10	
116	5260600	2	Nut M6 Class 10	
117	1001210448	1	Engine, Ford 2.5L (See Separate Breakdown in this Section)	
118	1001211794	2	Mount	
119	1001214827	1	Manifold, Exhaust	
120	1001215384	1	Bracket	
121	1001216071	1	Bracket	
122	1001216144	1	Support, Muffler	
123	1001227772	1	Mount, Vaporizer	
124	0100011	AR	Compound, Locking	
125	1001221545	1	Plate	
126	1001222641	6	Cap	

SECTION 3 - ENGINE

FIGURE 3-40. FORD ENGINE COMPONENTS



ART_1001210448

SECTION 3 - ENGINE

FIGURE 3-40. FORD ENGINE COMPONENTS

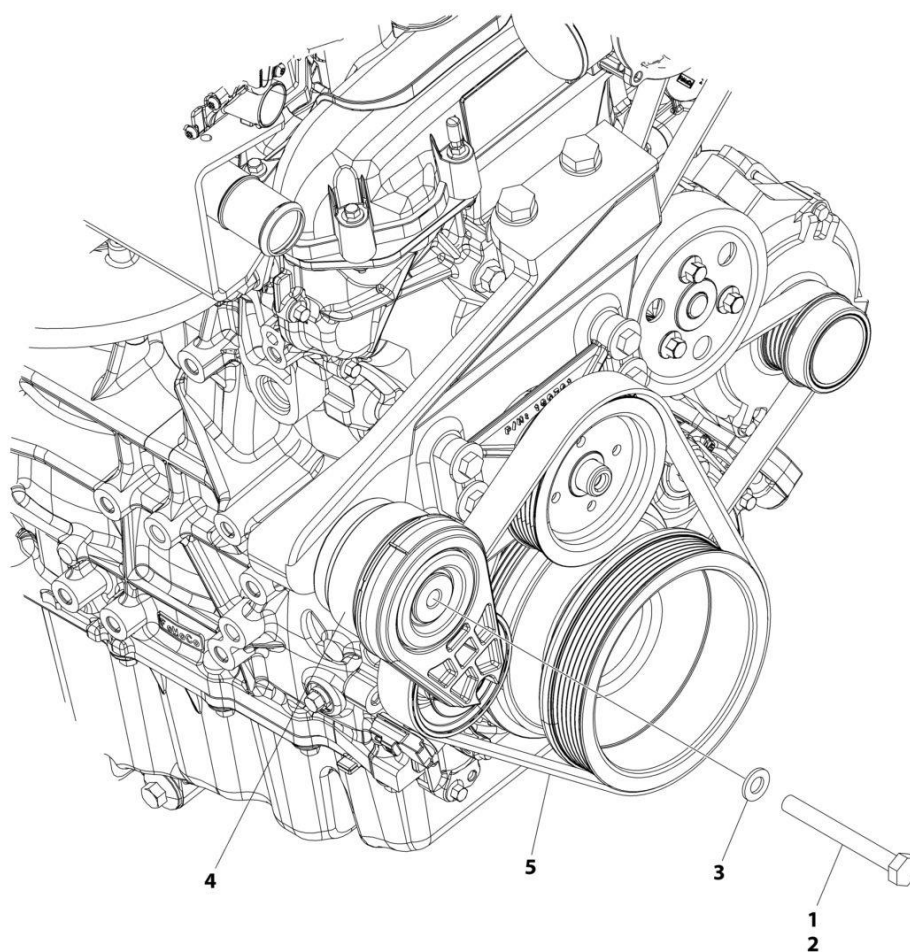
ITEM	PART NUMBER	QTY	DESCRIPTION	REV
	1001210448	Ref	FORD ENGINE COMPONENTS	H
1	70006145	4	Injector, Fuel	
1	70006147	1	Rail, Fuel	
2	70006150	1	Pump, Fuel	
2	70006154	1	Fitting M10	
3	70006151	1	Block, Fuel	
3	70006152	2	Fitting SAE6	
3	70006153	1	Fitting SAE3	
3	70006189	1	Harness, Fuel Block	
4	70006155	1	Filter, Fuel	
5	7022162	8	Clamp	
5	70006157	8	Clip, Fuel Quick Disconnect	
6	70006158	1	Mixer, LP	
6	70006168	1	Mixer Diaphragm Replacement Kit	
6	70006159	1	Adapter, Mixer to Governor	
6	70006160	1	O-Ring, Mixer to Adapter	
6	70006161	1	Seal, Mixer to Adapter	
7	70006162	1	Regulator, LP Vapor	
7	70006166	2	Fitting	
7	70006167	1	Fitting, Straight	
7	70006165	2	Isolator, Rubber	
8	70006163	1	Regulator, Direct Electronic Pressure	
8	70006164	1	Adapter, Fitting 90	
9	70006169	1	Starter	
9	70006233	1	Harness, Alternator/Starter	
10	70006170	1	Alternator	
11	70006173	1	Cover, Relay Box	
11	70006171	2	Relay (Fuel Pump & Power)	
11	70006172	1	Relay (Starter)	
11	70006175	1	Fuse - 20Amp (Starter)	
11	70006174	1	Decal - Relay Box Cover	
11	70006188	1	Harness, Engine	
11	70006165	2	Isolator, Rubber	
12	70006176	1	Module - Engine Control Unit (ECU/GCP)	
12	70006191	1	Software & Diagnostic Cable	
13	70006177	4	Coil and Boot Assembly	
13	70006178	4	Plug, Spark	
14	70006179	1	Switch, Oil Pressure	
15	70006180	1	Sensor, Knock	
16	70006181	1	Sensor, TMAP	
17	70006182	2	Sensor, O2	
18	70006183	1	Sensor, Coolant Temperature (Not Shown - Located Rear of Engine Block)	
19	70006184	1	Sensor, Crank Position (Not Shown - Located at Front RH Side of Block)	
20	70006185	1	Sensor, Cam Position	
21	70006186	1	Solenoid, Timing	
21	70006187	1	Grommet, Rubber	
22	70006194	1	Muffler	
22	70006195	1	Plug (Located at Muffler Outlet)	

SECTION 3 - ENGINE

ITEM	PART NUMBER	QTY	DESCRIPTION	REV
23		Ref	Gasket Options (Not Shown)	
23	70006196	1	Gasket, Exhaust Manifold to Head	
23	70006197	1	Gasket, Exhaust Manifold Outlet	
23	70006200	1	Gasket, Intake Manifold to Head	
23	70006219	1	Gasket Set - Camshaft Cover	
23	70006225	1	Gasket, Cylinder Head	
24	70006198	1	Governor	
24	7027404	1	Gasket, Governor Actuator	
24	70006199	1	Gasket, Governor to Intake Manifold Adapter	
25	70006203	1	Flywheel (Not Shown)	
26	70006205	1	Thermostat (Includes Housing)	
26	70006206	1	Gasket, Water Inlet	
27	70006207	1	Pump, Water	
27	70006208	1	O-Ring, Water Pump	
27	See Note	NSS	Pulley, Water Pump (Note: Not Available for Purchase at This Time)	
28	70006213	1	Filter, Oil	
29	70006215	1	Plug, Oil Drain	
29	70006217	1	Gasket, Oil Drain Plug	
30	70006221	1	Cap, Oil Fill	
31	70006232	1	Sensor, Crank (Not Shown)	
32	70006235	1	Valve, Lock-Off (Includes Filter)	
33	70006202	1	Belt	
34	70006236	1	Dipstick	
35	70007108	1	Belt Tensioner	

SECTION 3 - ENGINE

FIGURE 3-41. DRIVE BELT INSTALLATION - FORD ENGINES MACHINES WITHOUT GENERATORS



ART_1001220404

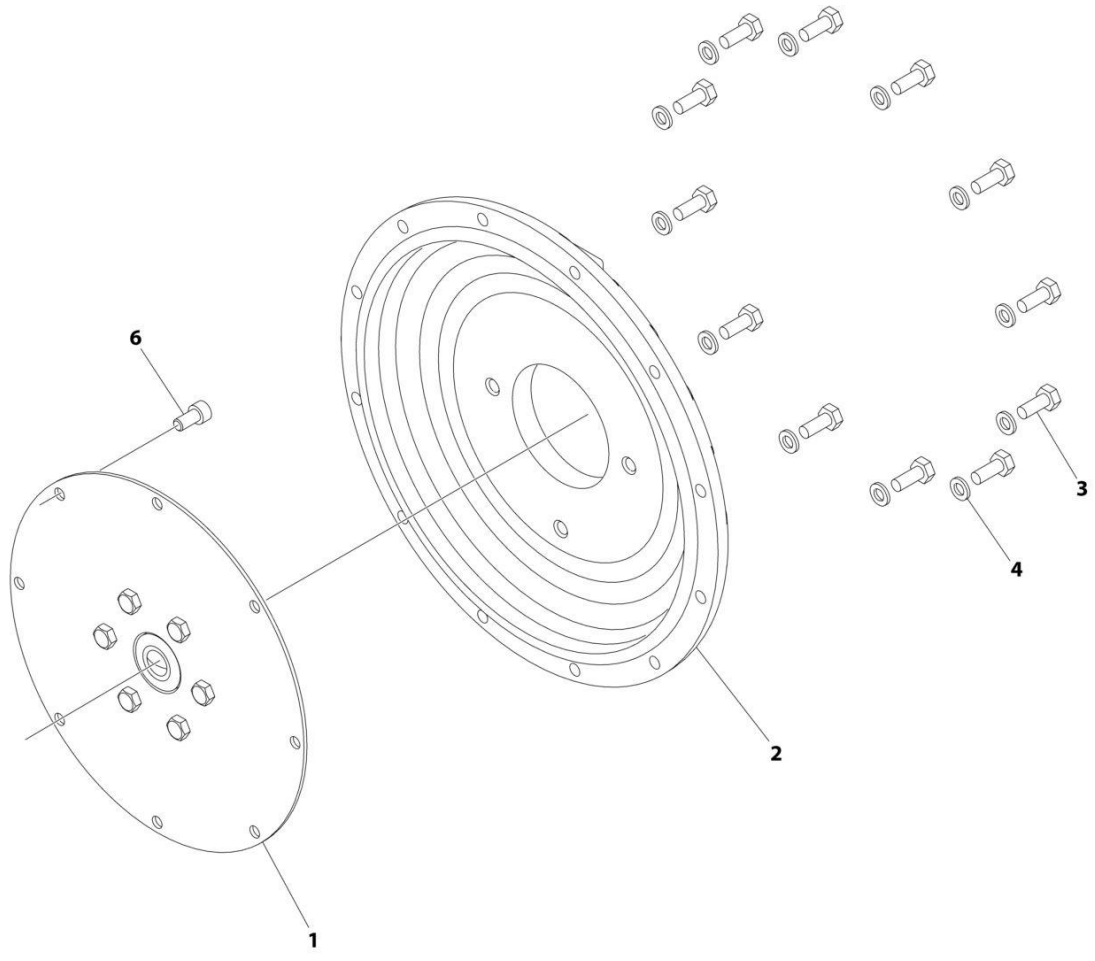
SECTION 3 - ENGINE

FIGURE 3-41. DRIVE BELT INSTALLATION - FORD ENGINES MACHINES WITHOUT GENERATORS

ITEM	PART NUMBER	QTY	DESCRIPTION	REV
	1001220404	Ref	DRIVE BELT INSTALLATION	C
1	0100011	AR	Compound, Locking	
2	0701026	1	Bolt M10 x 90	
3	4812002	1	Washer M10	
4	1001216300	1	Pulley	
5	1001216619	1	V-Belt	

SECTION 3 - ENGINE

FIGURE 3-42. PUMP COUPLING KIT - DEUTZ ENGINES



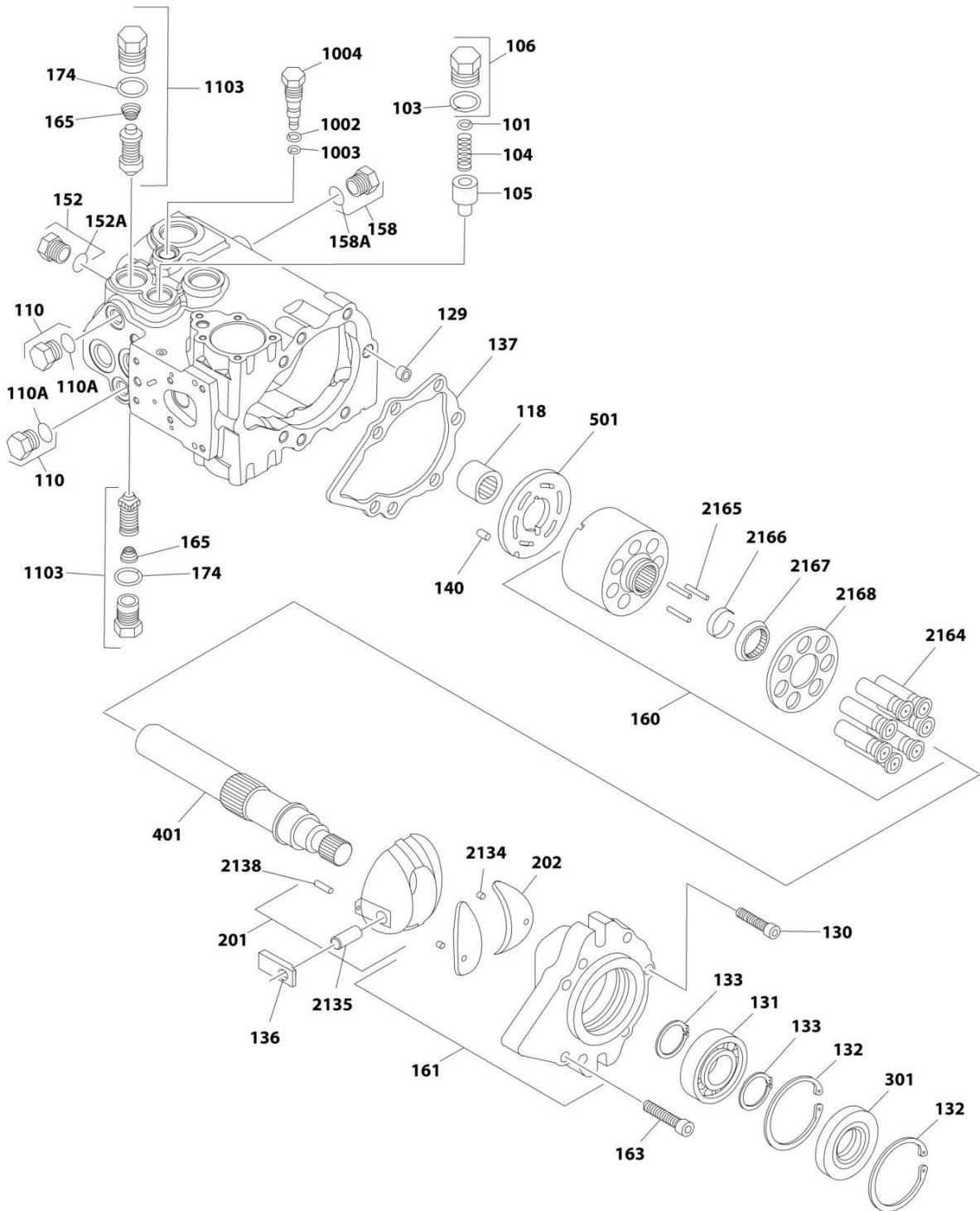
ART_2902065

FIGURE 3-42. PUMP COUPLING KIT - DEUTZ ENGINES

ITEM	PART NUMBER	QTY	DESCRIPTION	REV
	2902065	Ref	PUMP COUPLING KIT	L
1	70000793	1	Coupling, Hayes	
2	See Note	NSS	Plate, Pump Adapter (Note: Use p/n 2902065)	
3	See Note	NSS	Bolt M10 x 30 Grade 10.9 (Note: Use p/n 2902065)	
4	See Note	NSS	Washer M10 (Note: Use p/n 2902065)	
6	See Note	NSS	Bolt M10 x 20 Grade 10.9 (Note: Use p/n 2902065)	

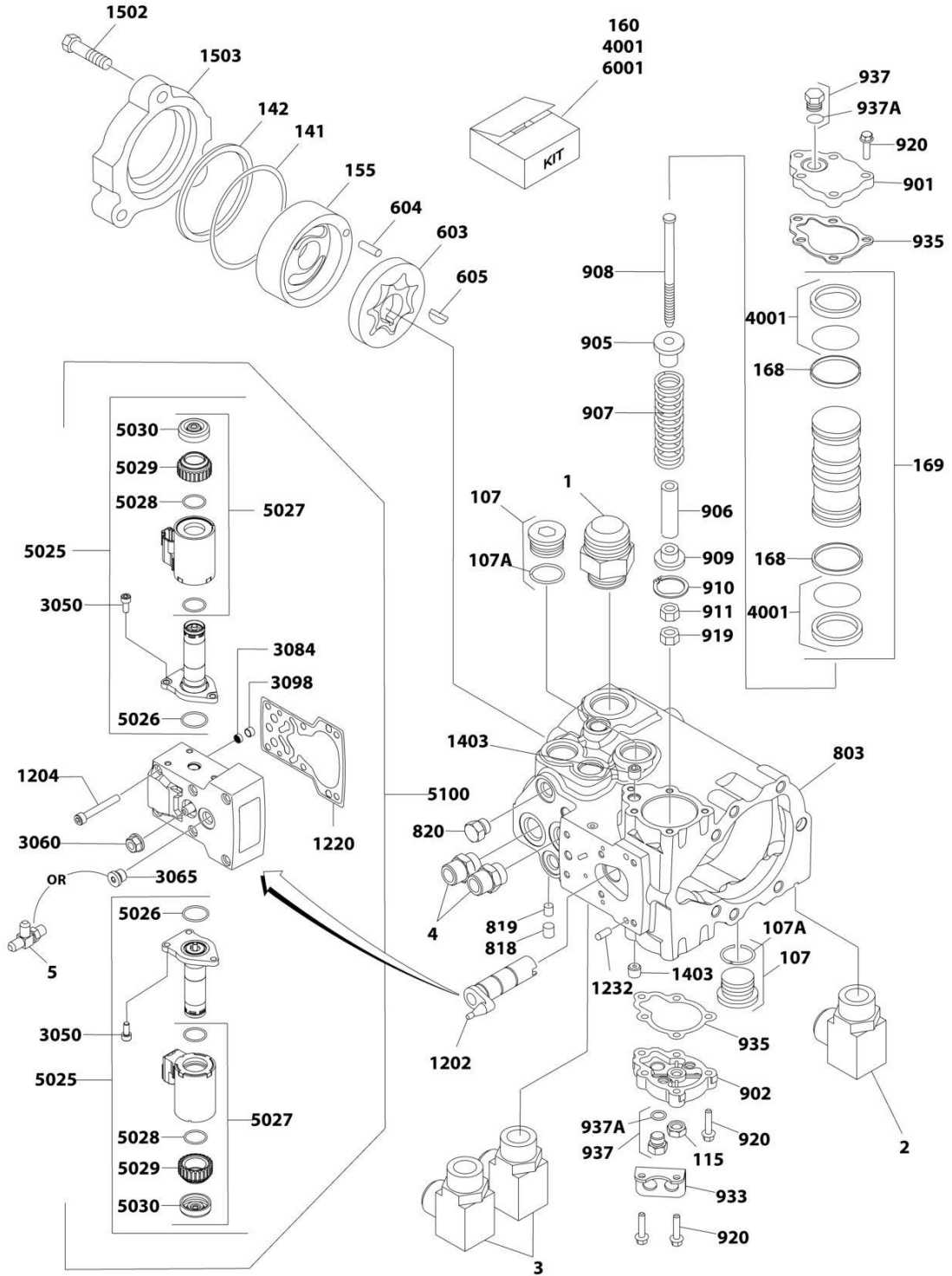
SECTION 3 - ENGINE

FIGURE 3-43. PISTON PUMP ASSEMBLY - DEUTZ ENGINES - DANFOSS



ART_1001188952_10F2

SECTION 3 - ENGINE



ART_1001188952_20F2

SECTION 3 - ENGINE

FIGURE 3-43. PISTON PUMP ASSEMBLY - DEUTZ ENGINES - DANFOSS

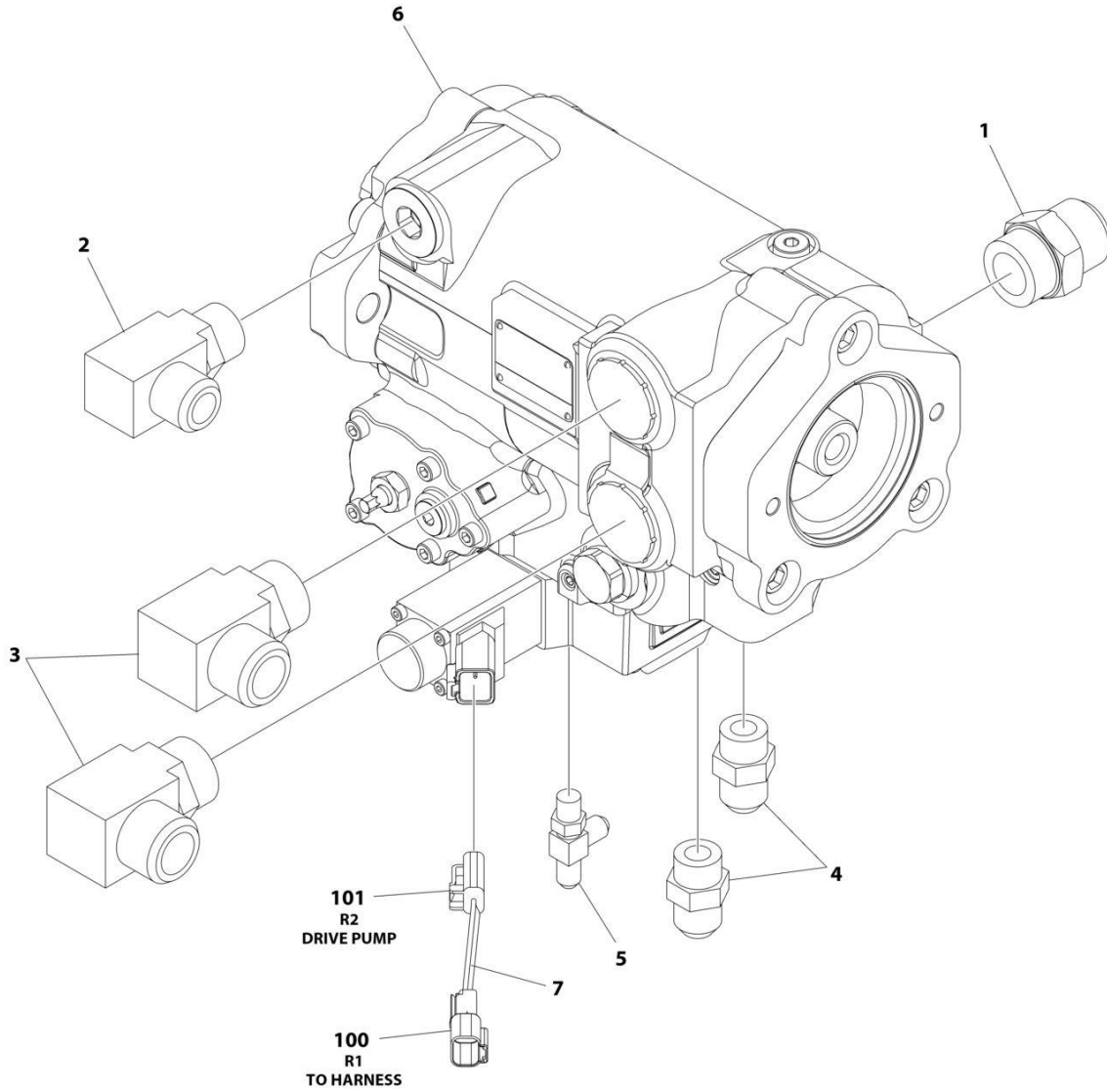
ITEM	PART NUMBER	QTY	DESCRIPTION	REV
	1001188952	Ref	PUMP AND FITTING ASSEMBLY	A
1	2220377	1	Fitting, Straight JIC/ORB	
2	2220578	1	Fitting, 90 JIC/ORB	
3	2220646	2	Fitting, 90 JIC/ORB	
4	2220947	2	Fitting, Straight JIC/ORB	
5	2221034	1	Fitting, Tee JIC/ORB	
	1001186542	1	PISTON PUMP ASSEMBLY	B
101	7007413	1	Shim Kit	
103	7007415	1	O-Ring (Part of Item 106)	
104	7021200	1	Spring, Relief Valve	
105	7007417	1	Valve, Relief	
106	7024874	2	Plug (Includes Items 103)	
107	7007419	2	Plug	
107A	7007418	2	O-Ring	
110	7007420	2	Plug	
110A	7021256	2	O-Ring	
115	7007423	1	Nut, Special	
118	7007425	1	Bearing, Needle	
129	7007435	1	Pin, Spring	
130	7021202	1	Screw	
131	70002176	1	Bearing, Ball	
132	7007438	2	Ring, Retainer	
133	7007439	2	Ring	
136	7007442	1	Sleeve, Bearing	
137	7007443	1	Gasket, Front Cover	
140	7007446	1	Pin	
141	7021233	1	O-Ring	
142	7007448	1	Ring, Load Temper	
152	7007420	1	Plug Assembly	
152A	7021256	1	O-Ring	
155	70005466	1	Cover, Gerotor	
158	7007208	1	Plug	
158A	7007207	1	O-Ring	
160	7010116	1	Cylinder Block Kit (Includes Items 2164-2168)	
161	7024875	1	Cover Assembly - Front (Includes Items 202 & 2134)	
163	7021207	6	Screw	
165	70005467	2	Spring	
168	7021210	2	Bearing	
169	70005468	1	Servo Piston Assembly (Includes Items 168 & 4001)	
174	7007418	2	O-Ring	
201	7007457	1	Swash Plate Assembly (Includes Items 2135 & 2138)	
202	7021212	1	Journal, Bearing	
301	7007459	1	Seal, Lip	
401	7010121	1	Shaft, Main Pump	
501	7021214	1	Plate, Valve	
603	7007463	1	Gerotor Assembly	
604	7007464	1	Pin	
605	7007465	1	Key, Woodruff	
803	See Note	NSS	Housing, Pump (Note: Use p/n 1001186542)	
818	70005469	1	Plug	

SECTION 3 - ENGINE

ITEM	PART NUMBER	QTY	DESCRIPTION	REV
819	70005470	1	Plug	
820	70005469	1	Plug	
901	7021219	1	Cover, Servo (With Adjuster)	
902	7021220	1	Cover, Servo (Without Adjuster)	
905	7023979	1	Guide, Spring	
906	7007484	1	Stop, Servo	
907	7007485	1	Spring	
908	7021221	1	Screw	
909	7007487	1	Guide, Spring	
910	7007488	1	Ring, Retaining	
911	7021222	1	Locknut	
919	7021206	1	Nut	
920	7021223	10	Screw	
933	7021201	1	Bracket, Lifting	
935	7007422	2	Gasket, Servo Cover	
937	7007420	2	Plug	
937A	7021256	2	O-Ring	
1002	7007450	1	Ring, Back-up	
1003	70005471	1	O-Ring	
1004	7024877	1	Valve, Bypass	
1103	7024851	2	Valve, Pressure Relief (Includes Items 165 & 174)	
1202	70005472	1	Sleeve	
1204	70002156	6	Screw	
1220	70002154	1	Gasket	
1232	70002157	2	Pin	
1403	7007477	2	Plug, Orifice (.37)	
1502	7007453	3	Bolt, Hex	
1503	7007476	1	Adapter, Auxiliary Pump	
2134	7021203	2	Pin, Spring	
2135	7007441	1	Handle, Pin	
2138	7007444	1	Pin	
2164	7010117	7	Piston Assembly	
2165	7007431	3	Pin, Slipper Holddown	
2166	7007430	1	Retainer	
2167	7007434	1	Guide, Retainer	
2168	7010119	1	Retainer, Slipper	
3050	70002150	6	Screw	
3060	70005473	1	Nut, Seal	
3065	70002151	1	Plug	
3084	70002134	1	Screen	
3098	70002153	1	Ring	
4001	7007412	1	Seal Kit - Servo Piston	
5025	70002147	2	Solenoid Assembly (Includes Items 5026-5030)	
5026	70002148	2	O-Ring	
5027	70002149	2	Coil Assembly (Includes Items 5028-5030)	
5028	70005474	2	O-Ring	
5029	70005475	2	Screw	
5030	70005476	2	Cap	
5100	70002146	1	EDC Assembly (Includes Items 1204, 1220, 3050-3098 & 5025-5030)	
6001	7021232	1	Seal Kit - Complete (Includes Items 103, 137, 141, 142, 168, 174, 301, 935, 1002, 1003, 4001 and Plug O-Ring)	

SECTION 3 - ENGINE

FIGURE 3-44. PISTON PUMP ASSEMBLY WITH FITTINGS - DEUTZ ENGINES - HENGLI



ART_1001287018

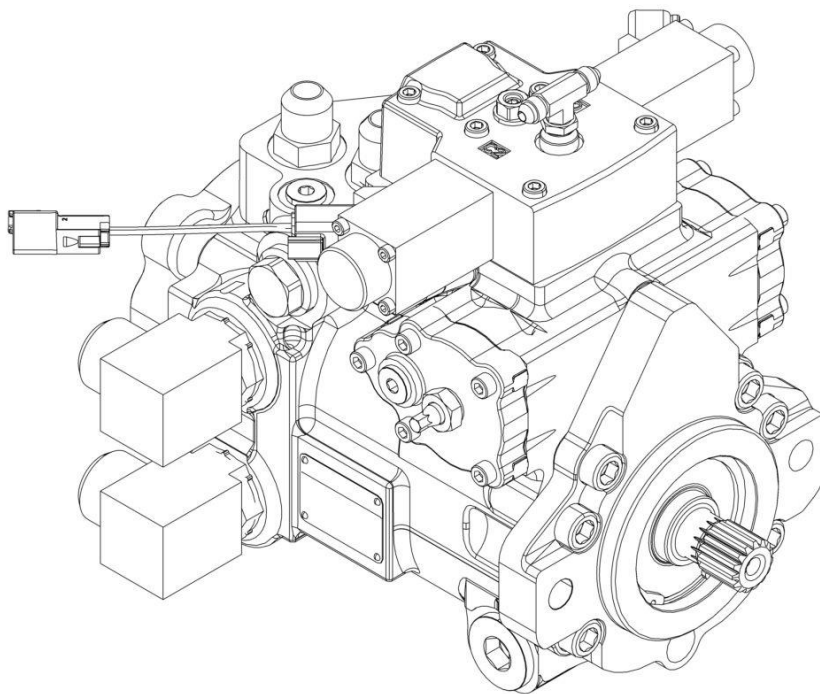
SECTION 3 - ENGINE

FIGURE 3-44. PISTON PUMP ASSEMBLY WITH FITTINGS - DEUTZ ENGINES - HENGLI

ITEM	PART NUMBER	QTY	DESCRIPTION	REV
	1001287018	Ref	PISTON PUMP ASSEMBLY	A
1	2220377	1	Fitting Straight JIC/ORB	
2	2220578	1	Fitting 90 JIC/ORB	
3	2220646	2	Fitting 90 JIC/ORB	
4	2220947	2	Fitting Straight ORB	
5	2221034	1	Fitting Tee	
6	1001287021	1	Piston Pump (See Separate Breakdown in this Section)	
7	1001288858	1	Piston Pump Harness (Includes Items 100 & 101)	A
100	4460897	1	Connector	
100	4460464	2	Terminal	
101	4460891	1	Connector	
101	4460465	2	Terminal	

SECTION 3 - ENGINE

FIGURE 3-45. PISTON PUMP AND FITTINGS ASSEMBLY



ART_1001287030

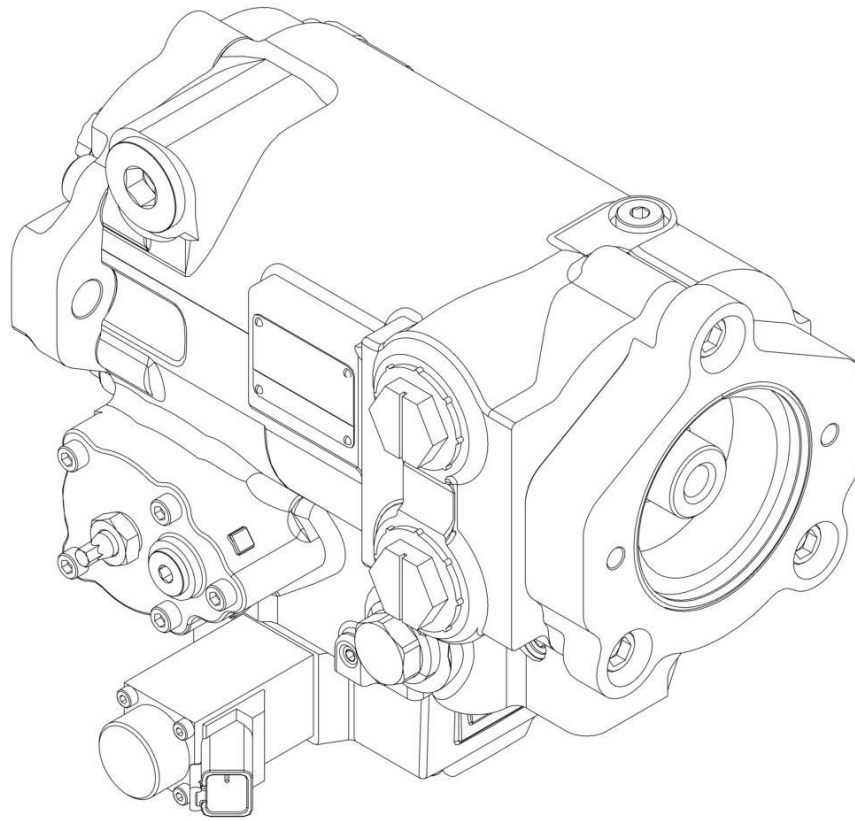
SECTION 3 - ENGINE

FIGURE 3-45. PISTON PUMP AND FITTINGS ASSEMBLY

ITEM	PART NUMBER	QTY	DESCRIPTION	REV
	1001287030	Ref	PISTON PUMP AND FITTINGS ASSEMBLY	A
	See Note	Ref	Note: No Service Parts available at time of Printing	

SECTION 3 - ENGINE

FIGURE 3-46. PISTON PUMP ASSEMBLY



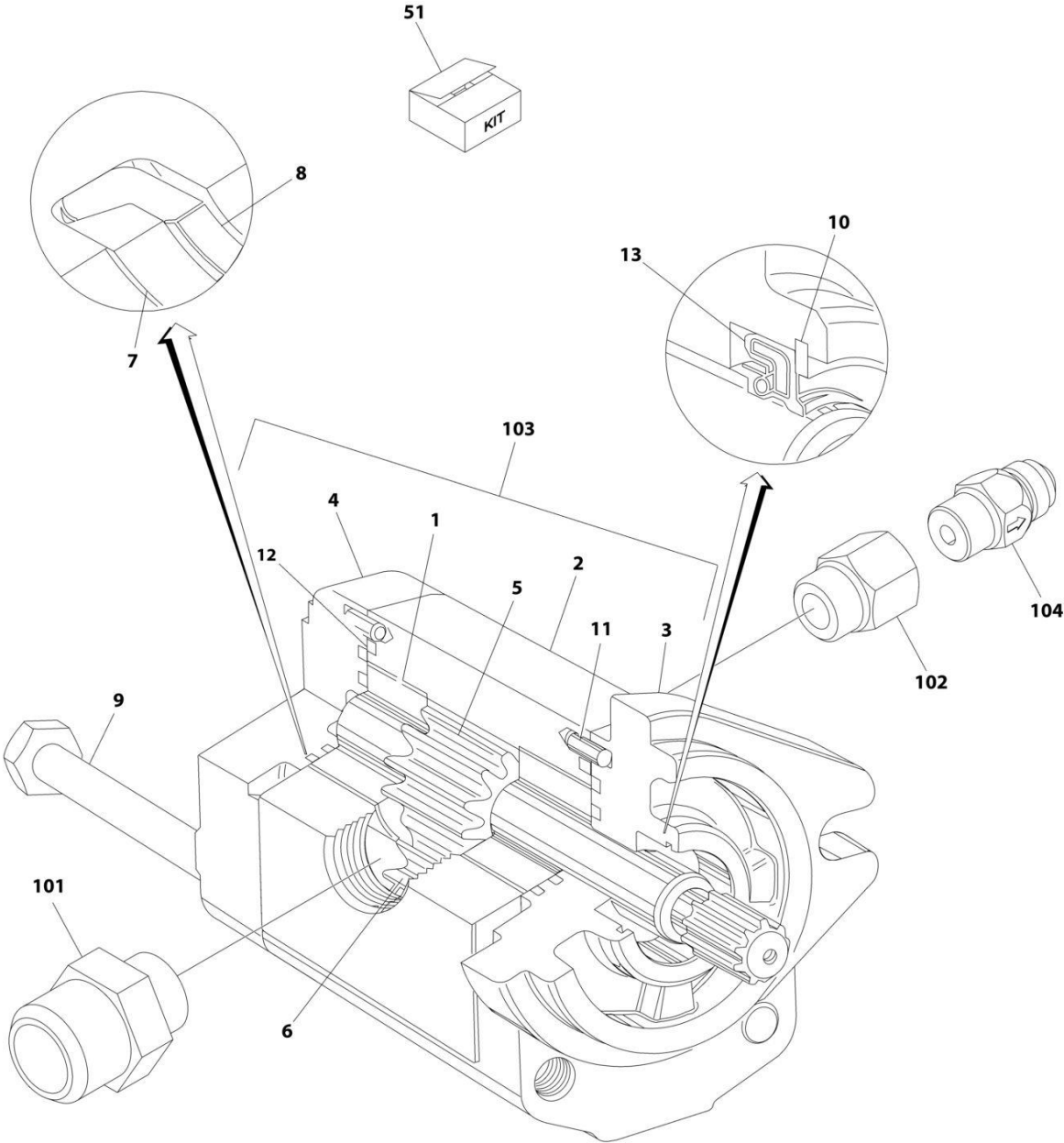
ART_1001287021

FIGURE 3-46. PISTON PUMP ASSEMBLY

ITEM	PART NUMBER	QTY	DESCRIPTION	REV
	1001287021 See Note	Ref Ref	PISTON PUMP Note: No Service Parts Availabe at Time of Printing	A

SECTION 3 - ENGINE

FIGURE 3-47. GEAR PUMP ASSEMBLY



ART_3600242

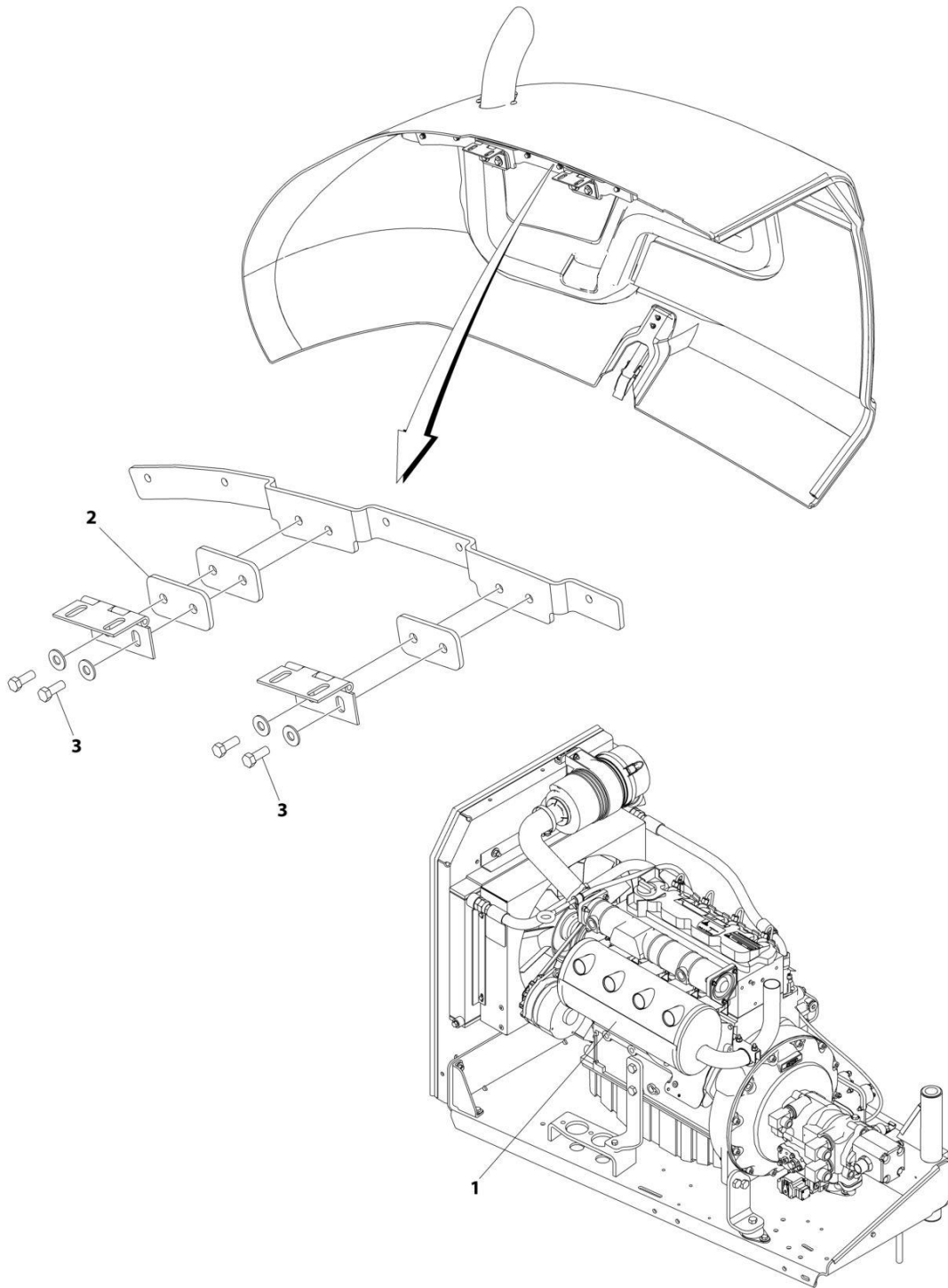
SECTION 3 - ENGINE

FIGURE 3-47. GEAR PUMP ASSEMBLY

ITEM	PART NUMBER	QTY	DESCRIPTION	REV
	3600242	Ref	GEAR PUMP ASSEMBLY	
1	7010105	2	Bearing/Bushing	
2	See Note	NSS	Housing (Note: Use Item 3600242)	
3	See Note	NSS	Flange (Note: Use Item 3600242)	
4	7010103	1	Cover	
5	7012987	1	Gear, Drive	
6	7012988	1	Gear, Idler	
7	See Note	NSS	Ring, Anti-Extrusion (Note: Use Item 51)	
8	See Note	NSS	Seal (Note: Use Item 51)	
9	See Note	4	Bolt (Note: Not Available for Purchase)	
10	7010104	1	Ring, Retaining	
11	See Note	NSS	Pin, Dowel (Note: Not Available for Purchase)	
12	See Note	NSS	Seal, O-Ring (Note: Use Item 51)	
13	See Note	NSS	Seal, Shaft (Note: Use Item 51)	
51	7007489	1	Seal Kit (Includes Items 7, 8, 12 & 13)	
	3600395	Ref	GEAR PUMP AND FITTING ASSEMBLY	B
101	2220376	1	Fitting, Straight	
102	2220810	1	Fitting, Reducer	
103	3600242	1	Pump (Includes Items 1 - 13)	
104	4640744	1	Fitting, Check Valve	

SECTION 3 - ENGINE

FIGURE 3-48. SPARK ARRESTOR MUFFLER INSTALLATION - DEUTZ D2011 ENGINES



ART_1001182906

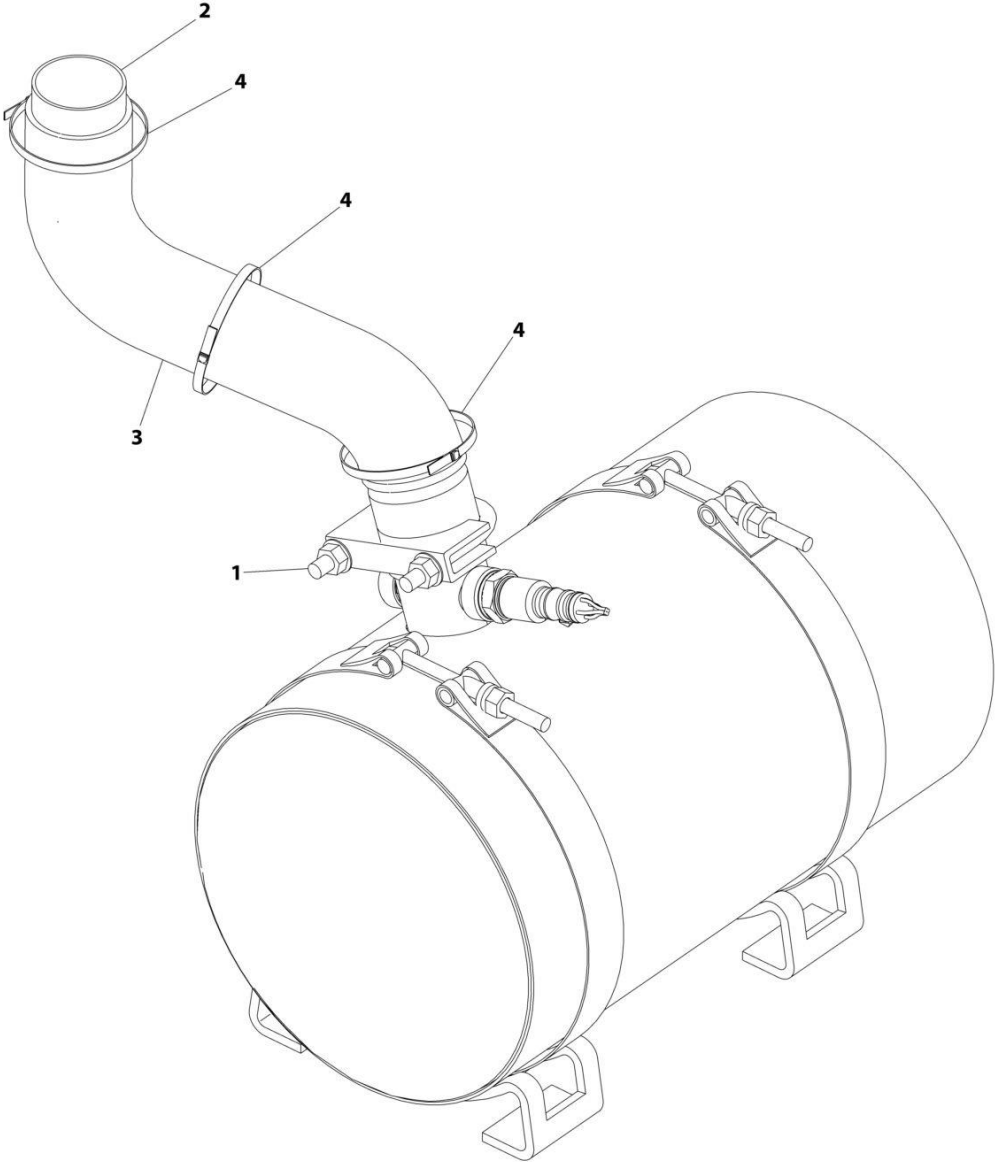
SECTION 3 - ENGINE

FIGURE 3-48. SPARK ARRESTOR MUFFLER INSTALLATION - DEUTZ D2011 ENGINES

ITEM	PART NUMBER	QTY	DESCRIPTION	REV
	1001182906	Ref	MUFFLER INSTALLATION SPARK ARRESTOR	B
1	3220103	1	Muffler	
2	1001169610	1	Spacer	
3	0641608	4	Bolt 3/8 x 1	

SECTION 3 - ENGINE

FIGURE 3-49. EXHAUST PIPE INSTALLATION - FORD ENGINES



ART_1001220215

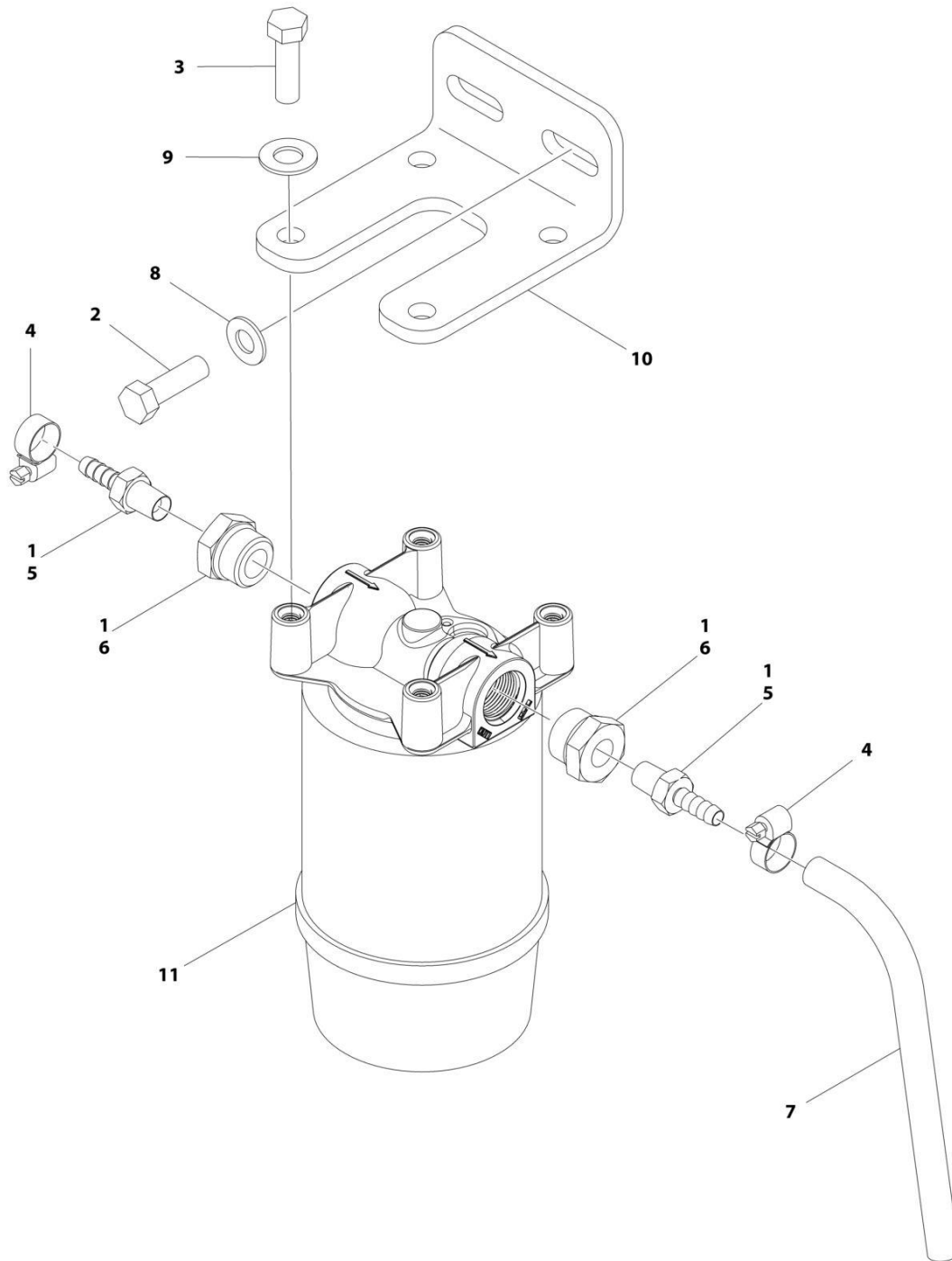
SECTION 3 - ENGINE

FIGURE 3-49. EXHAUST PIPE INSTALLATION - FORD ENGINES

ITEM	PART NUMBER	QTY	DESCRIPTION	REV
	1001220215	Ref	EXHAUST PIPE INSTALLATION	B
1	1001221397	1	Clamp	
2	1001216160	1	Pipe, Tail	
3	1001216536	1	Insulate	
4	1001100825	3	Strap	

SECTION 3 - ENGINE

FIGURE 3-50. FUEL-WATER SEPARATOR INSTALLATION - DEUTZ D2011 ENGINES (OPTIONAL)



ART_1001199784

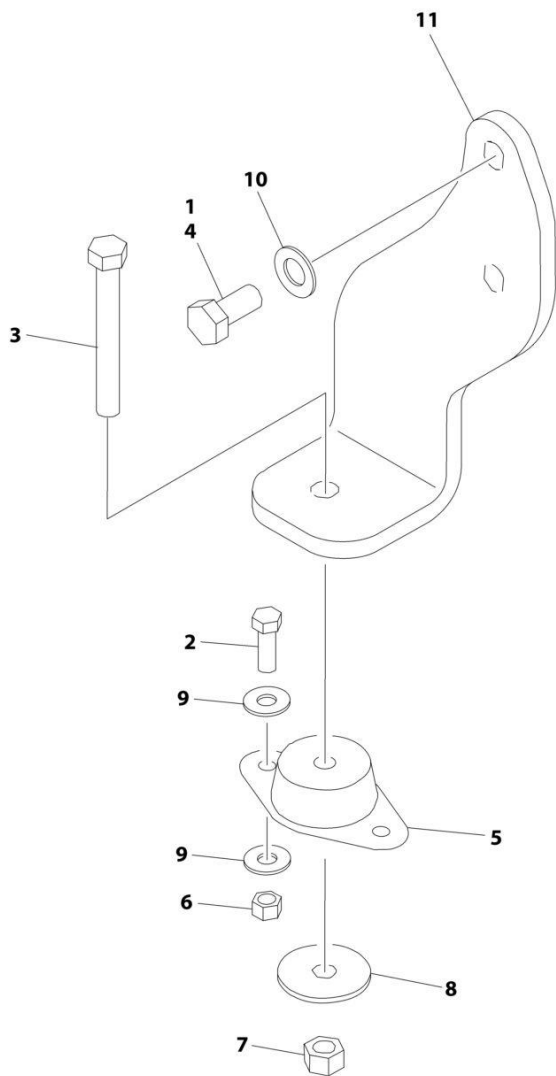
SECTION 3 - ENGINE

FIGURE 3-50. FUEL-WATER SEPARATOR INSTALLATION - DEUTZ D2011 ENGINES (OPTIONAL)

ITEM	PART NUMBER	QTY	DESCRIPTION	REV
	1001199784	Ref	FUEL-WATER SEPARATOR INSTALLATION	A
1	0100079	AR	Sealant	
2	0641607	2	Bolt 3/8 x 7/8	
3	0641610	4	Bolt 3/8 x 1-1/4	
4	1320022	2	Clamp	
5	2180348	2	Fitting, Straight	
6	2220816	2	Fitting, Straight	
7	2720058	12 in /31cm	Hose	
8	4711600	2	Washer 3/8	
9	4711700	4	Washer 7/16	
10	1001188884	1	Bracket	
11	1001188887	1	Fuel/Water Separator Assembly	
11	1001202280	1	Head	
11	1001202281	1	Element	

SECTION 3 - ENGINE

FIGURE 3-51. RIGHT ENGINE SUPPORT INSTALLATION (DEUTZ D2011 ENGINES MACHINES WITHOUT GENERATORS)



ART_1001151253

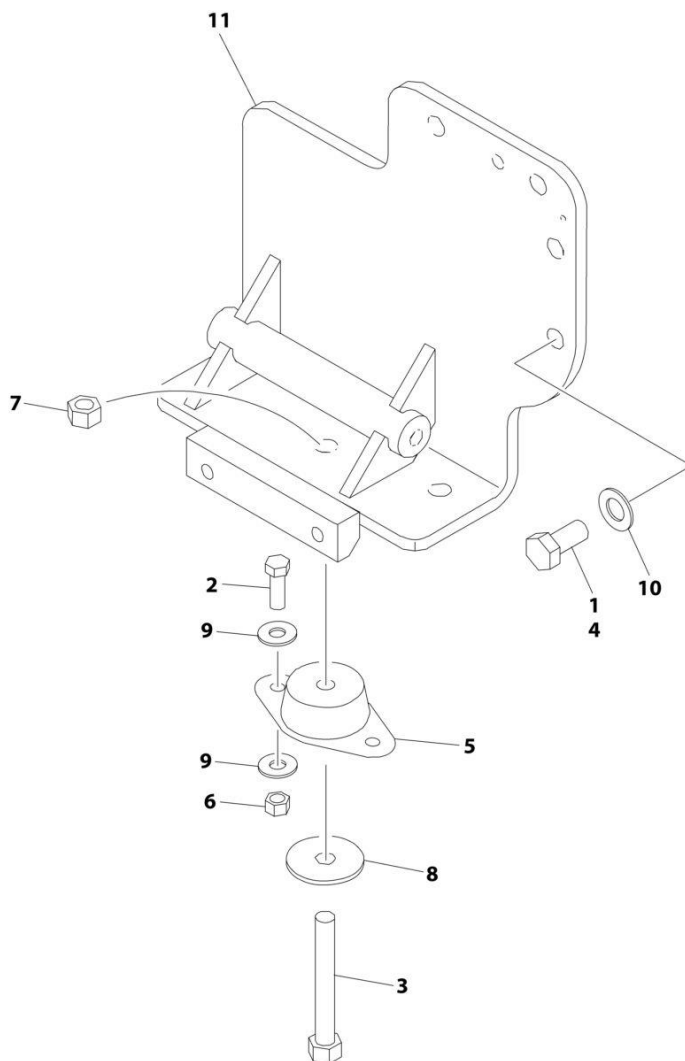
SECTION 3 - ENGINE

FIGURE 3-51. RIGHT ENGINE SUPPORT INSTALLATION (DEUTZ D2011 ENGINES MACHINES WITHOUT GENERATORS)

ITEM	PART NUMBER	QTY	DESCRIPTION	REV
	1001151253	Ref	RIGHT ENGINE SUPPORT INSTALLATION	A
1	0100011	AR	Compound, Locking	
2	0641609	2	Bolt 3/8 x 1-1/8	
3	0641820	1	Bolt 1/2 x 2-1/2	
4	0711414	2	Bolt M14 x 30 Grade 10.9	
5	3200401	1	Mount, Motor	
6	3311605	2	Nut 3/8	
7	3311805	1	Nut 1/2	
8	4740274	1	Washer	
9	4751600	4	Washer 3/8	
10	4812200	2	Washer M14	
11	1001149703	1	Support, Engine (Right Front)	

SECTION 3 - ENGINE

FIGURE 3-52. RIGHT ENGINE SUPPORT INSTALLATION (DEUTZ D2011 ENGINES MACHINES WITH GENERATORS)



ART_1001151252

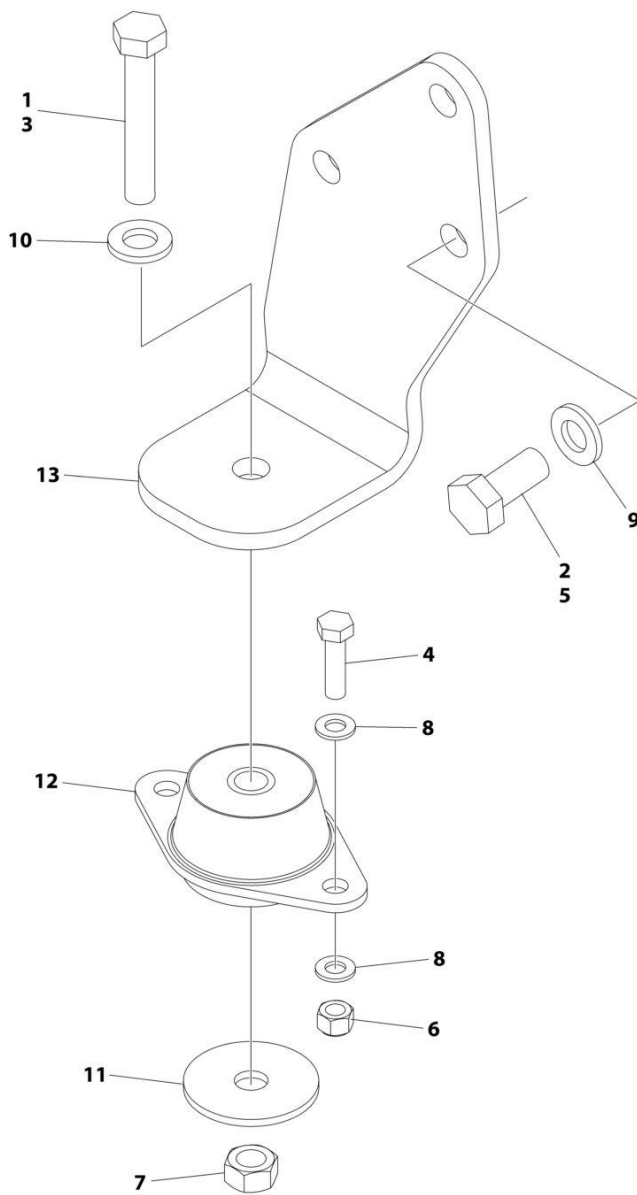
SECTION 3 - ENGINE

FIGURE 3-52. RIGHT ENGINE SUPPORT INSTALLATION (DEUTZ D2011 ENGINES MACHINES WITH GENERATORS)

ITEM	PART NUMBER	QTY	DESCRIPTION	REV
	1001151252	Ref	RIGHT ENGINE SUPPORT INSTALLATION	B
1	0100011	AR	Compound, Locking	
2	0641609	2	Bolt 3/8 x 1-1/8	
3	0641818	1	Bolt 1/2 x 2-1/2	
4	0711414	3	Bolt M14 x 30 Grade 10.9	
5	3200401	1	Mount, Motor	
6	3311605	2	Nut 3/8	
7	3311805	1	Nut 1/2	
8	4740274	1	Washer	
9	4751600	4	Washer 3/8	
10	4812200	3	Washer M14	
11	1001150890	1	Support, Engine (Right Front)	

SECTION 3 - ENGINE

FIGURE 3-53. RIGHT ENGINE SUPPORT INSTALLATION (DEUTZ TD2.2L3 ENGINES MACHINES WITHOUT GENERATORS)



ART_1001255419

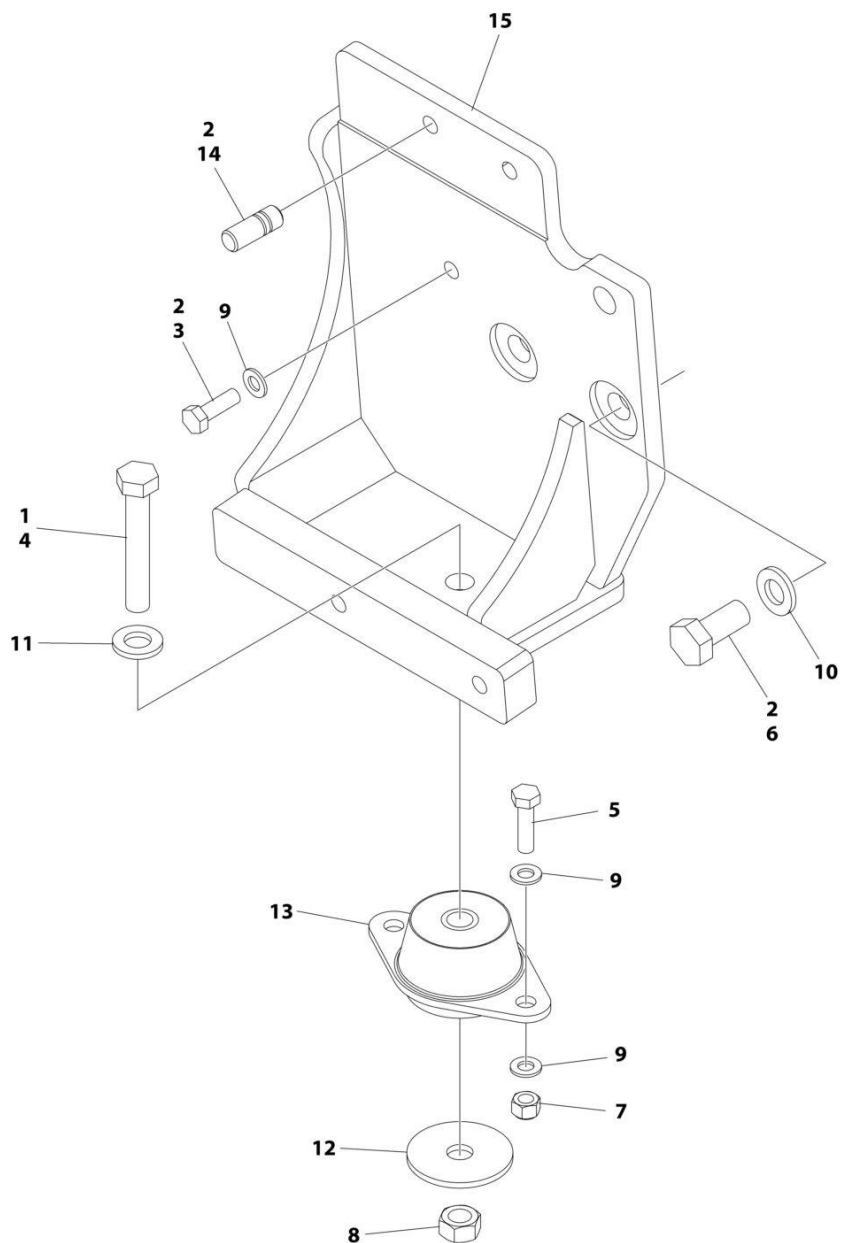
SECTION 3 - ENGINE

FIGURE 3-53. RIGHT ENGINE SUPPORT INSTALLATION (DEUTZ TD2.2L3 ENGINES MACHINES WITHOUT GENERATORS)

ITEM	PART NUMBER	QTY	DESCRIPTION	REV
	1001255419	Ref	RIGHT ENGINE SUPPORT INSTALLATION	B
1	0100011	AR	Compound, Locking	
2	0100019	AR	Compound, Locking	
3	0711223	1	Bolt M12 x 75	
4	0700814	2	Bolt M8 x 30	
5	0771414	3	Bolt M14 x 30	
6	3290805	2	Nut M8	
7	3331211	1	Nut M12	
8	4811900	4	Washer M8	
9	4812200	3	Washer M14	
10	5241200	1	Washer M12 Hardened	
11	1001168018	1	Washer, Snubbing	
12	1001166718	1	Mount, Motor	
13	1001249986	1	Support, Engine (Right Front)	

SECTION 3 - ENGINE

FIGURE 3-54. RIGHT ENGINE SUPPORT INSTALLATION (DEUTZ TD2.2L3 ENGINES MACHINES WITH GENERATORS)



ART_1001255418

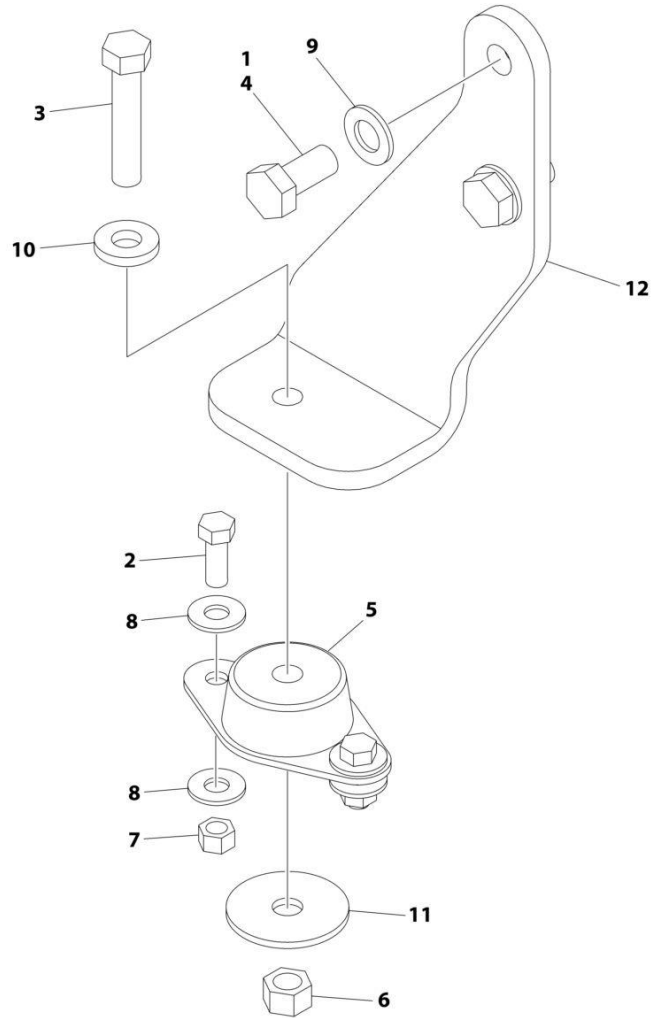
SECTION 3 - ENGINE

FIGURE 3-54. RIGHT ENGINE SUPPORT INSTALLATION (DEUTZ TD2.2L3 ENGINES MACHINES WITH GENERATORS)

ITEM	PART NUMBER	QTY	DESCRIPTION	REV
	1001255418	Ref	RIGHT ENGINE SUPPORT INSTALLATION	B
1	0100011	AR	Compound, Locking	
2	0100019	AR	Compound, Locking	
3	0700812	1	Bolt M8 x 25	
4	0711223	1	Bolt M12 x 75	
5	0700814	2	Bolt M8 x 30	
6	0771414	3	Bolt M14 x 30	
7	3290805	2	Nut M8	
8	3331211	1	Nut M12	
9	4811900	5	Washer M8	
10	4812200	3	Washer M14	
11	5241200	1	Washer M12 Hardened	
12	1001168018	1	Washer, Snubbing	
13	1001166718	1	Mount, Motor	
14	1001196382	1	Stud	
15	1001247178	1	Support, Engine (Right Front)	

SECTION 3 - ENGINE

FIGURE 3-55. RIGHT ENGINE SUPPORT INSTALLATION (DEUTZ TD2.9L4 ENGINES MACHINES WITHOUT GENERATORS)



ART_1001177043

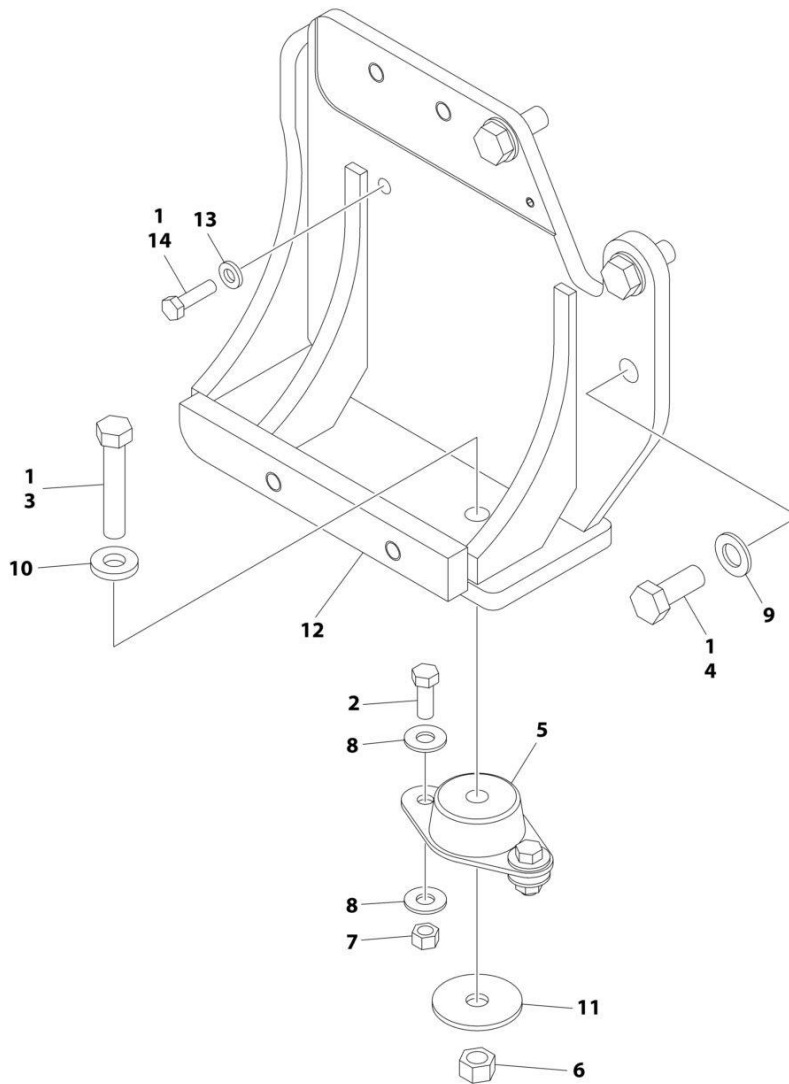
SECTION 3 - ENGINE

FIGURE 3-55. RIGHT ENGINE SUPPORT INSTALLATION (DEUTZ TD2.9L4 ENGINES MACHINES WITHOUT GENERATORS)

ITEM	PART NUMBER	QTY	DESCRIPTION	REV
	1001177043	Ref	RIGHT ENGINE SUPPORT INSTALLATION	A
1	0100011	AR	Compound, Locking	
2	0641608	2	Bolt 3/8 x 1	
3	0681820	1	Bolt 1/2 x 2-1/2	
4	0771414	2	Bolt M14 x 30 Grade 10.9	
5	3200401	1	Mount, Motor	
6	3271801	1	Nut 1/2	
7	3311605	2	Nut 3/8	
8	4751600	4	Washer 3/8	
9	4812200	2	Washer M14	
10	4891800	1	Washer 1/2 Hardened	
11	1001139409	1	Washer, Snubbing	
12	1001177038	1	Support, Engine (Right Front)	

SECTION 3 - ENGINE

FIGURE 3-56. RIGHT ENGINE SUPPORT INSTALLATION (DEUTZ TD2.9L4 ENGINES MACHINES WITH GENERATORS)



ART_1001177399

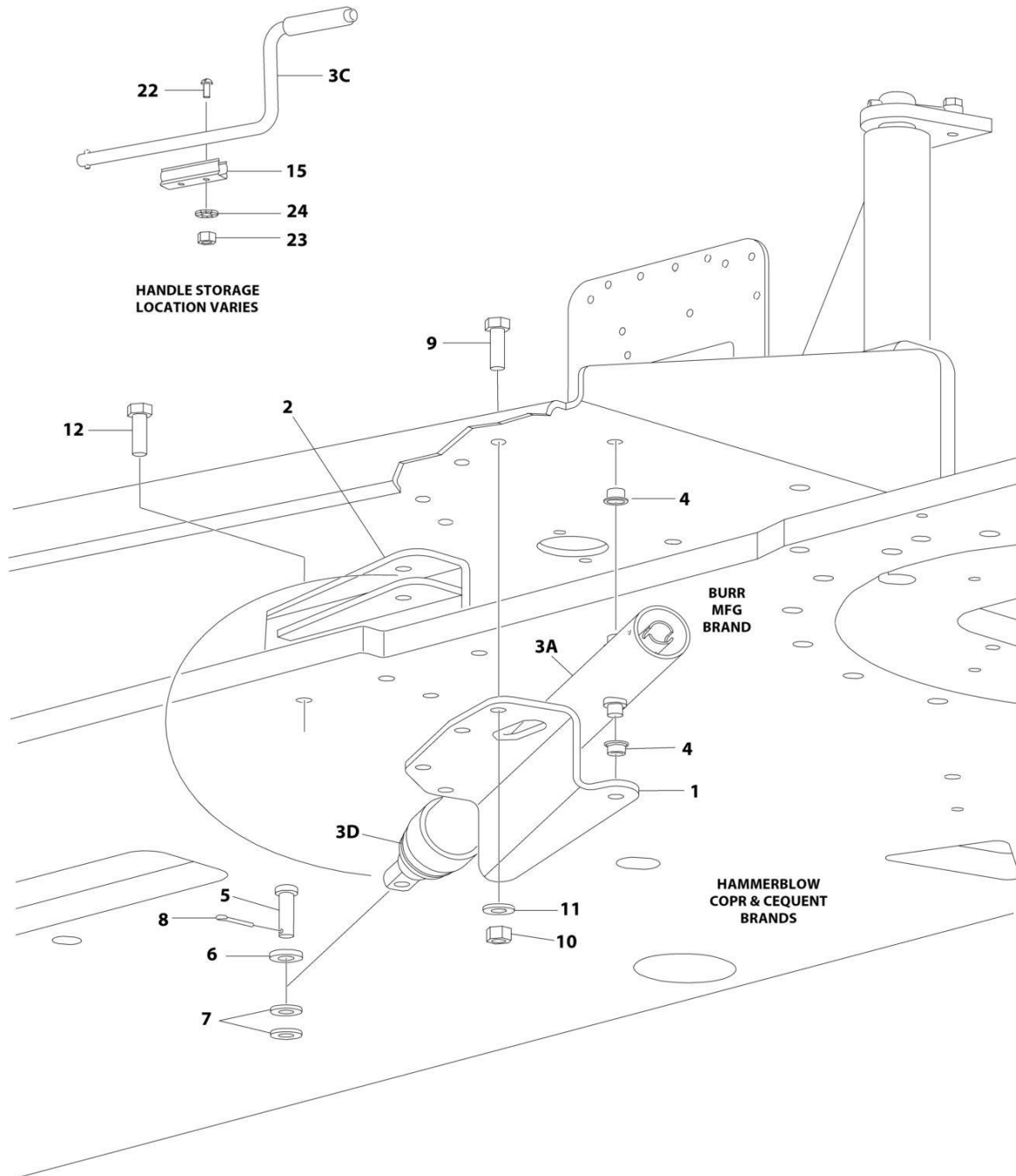
SECTION 3 - ENGINE

FIGURE 3-56. RIGHT ENGINE SUPPORT INSTALLATION (DEUTZ TD2.9L4 ENGINES MACHINES WITH GENERATORS)

ITEM	PART NUMBER	QTY	DESCRIPTION	REV
	1001177399	Ref	RIGHT ENGINE SUPPORT INSTALLATION	B
1	0100011	AR	Compound, Locking	
2	0641608	2	Bolt 3/8 x 1	
3	0681822	1	Bolt 1/2 x 2-3/4 Grade 8	
4	0771415	3	Bolt M14 x 35	
5	3200401	1	Mount, Motor	
6	3271801	1	Nut 1/2 Grade 8	
7	3311605	2	Nut 3/8	
8	4751600	4	Washer 3/8	
9	4812200	2	Washer M14	
10	4891800	1	Washer 1/2 Hardened	
11	1001139409	1	Washer, Snubbing	
12	1001202368	1	Support, Engine (Right Front)	
13	5240800	1	Washer M8 Hardened	
14	0700814	1	Bolt M8 x 30	

SECTION 3 - ENGINE

FIGURE 3-57. ENGINE TRAY JACK INSTALLATION - DEUTZ D2011 ENIGNES



ART_0255880

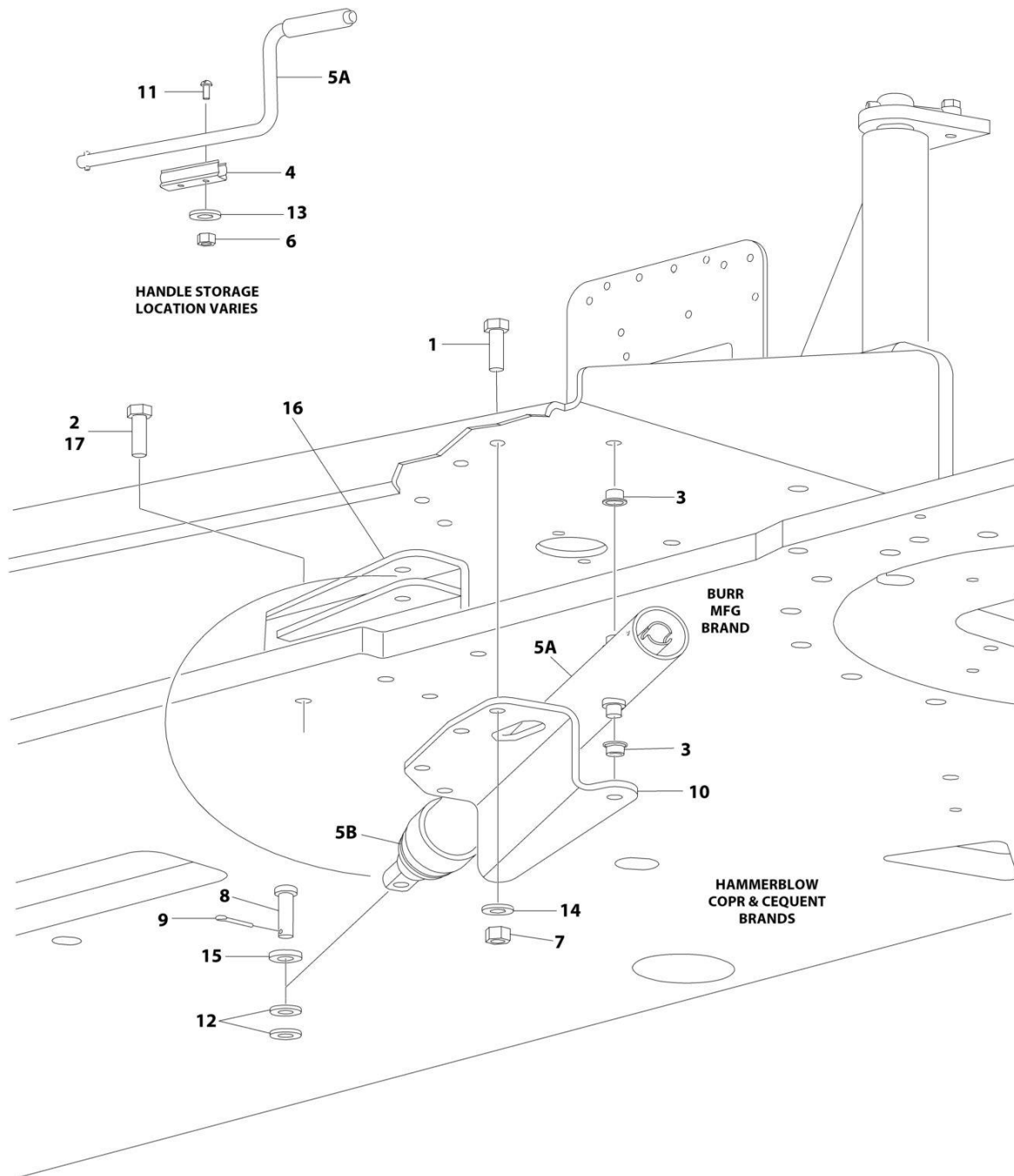
SECTION 3 - ENGINE

FIGURE 3-57. ENGINE TRAY JACK INSTALLATION - DEUTZ D2011 ENIGNES

ITEM	PART NUMBER	QTY	DESCRIPTION	REV
	0255880	Ref	ENGINE TRAY JACK INSTALLATION	6-H
1	3537445	1	Bracket	
2	4845163	1	Bracket	
3	2840018	1	Hydraulic Jack Assembly (Not Shown)	
3A		Ref	Burr Manufacturing Brand	
3B		Ref	Hammer blow Corp and Cequent Brands	
3C		Ref	Handle Options:	
3C	7016374	1	Burr Manufacturing Brand	
3C	7024598	1	Hammer blow Corp and Cequent Brands	
3D	7016322	1	Wiper (Burr Manufacturing Brand Only)	
4	0962051	2	Bushing, Flanged	
5	3430816	1	Pin, Clevis	
6	4891800	1	Washer 1/2 Hardened	
7	4711800	2	Washer 1/2	
8	3450404	1	Pin, Cotter 1/8 x 1	
9	0641609	4	Bolt 3/8 x 1-1/8	
10	3311605	4	Nut 3/8	
11	4891600	4	Washer 3/8	
12	0641810	4	Bolt 1/2 x 1-1/4	
15	1380147	1	Clip, Spring	
22	3910608	2	Screw #6 x 1	
23	3310601	2	Nut #6	
24	4770600	2	Washer #6	

SECTION 3 - ENGINE

FIGURE 3-58. ENGINE TRAY JACK INSTALLATION - DEUTZ TD2.9L4 & TD2.2L3 STAGE V ENGINES



ART_1001137891

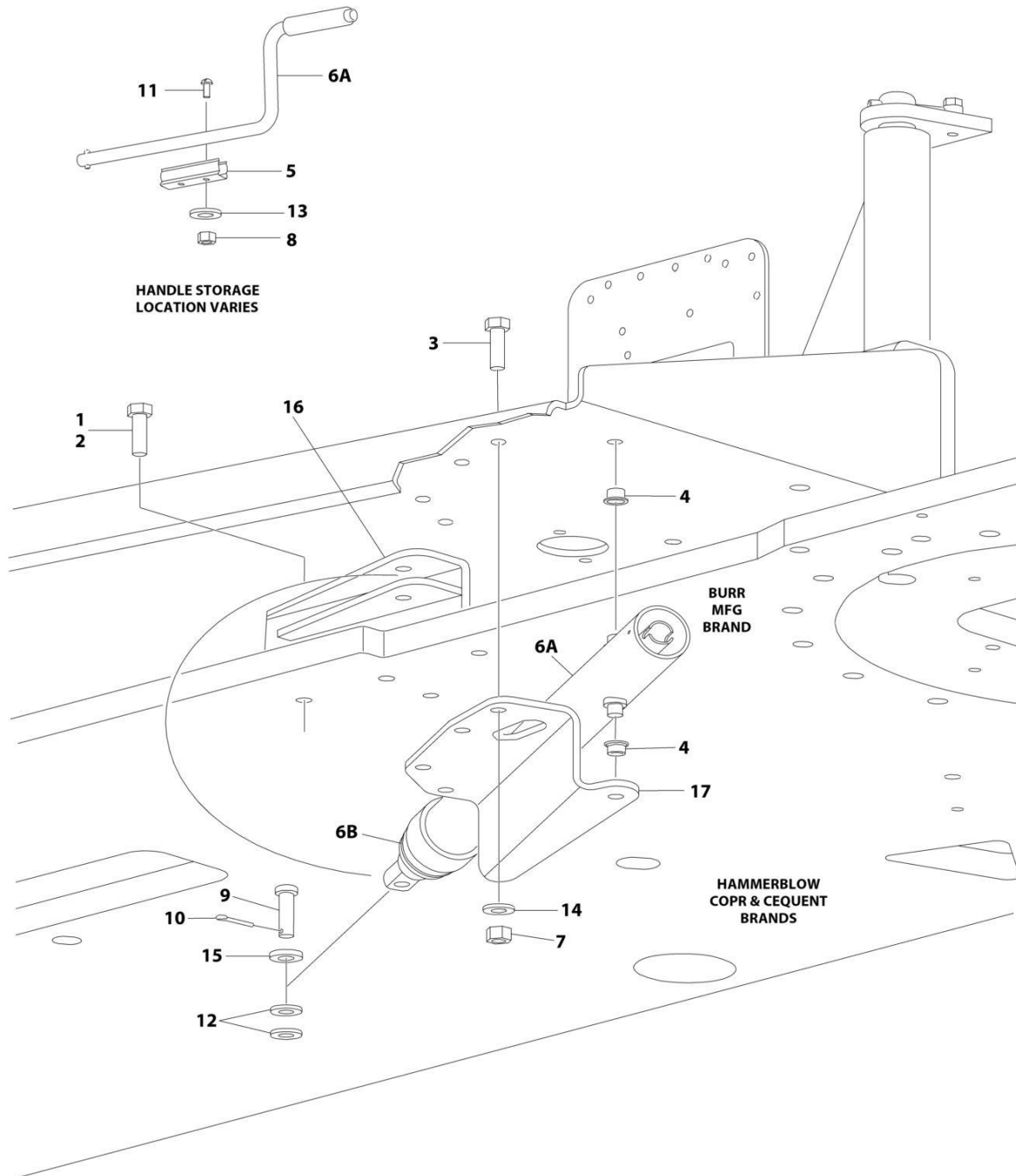
SECTION 3 - ENGINE

FIGURE 3-58. ENGINE TRAY JACK INSTALLATION - DEUTZ TD2.9L4 & TD2.2L3 STAGE V ENGINES

ITEM	PART NUMBER	QTY	DESCRIPTION	REV
	1001137891	Ref	ENGINE TRAY JACK INSTALLATION	B
1	0641609	4	Bolt 3/8 x 1-1/8	
2	0641810	4	Bolt 1/2 x 1-1/4	
3	0962051	2	Bushing, Flanged	
4	1380147	1	Clip, Spring	
5	2840016	1	Jack and Handle Assembly (Not Shown)	
5A		Ref	Handle Options:	
5A	7016374	1	Burr Manufacturing Brand	
5A	7024598	1	Hammer blow Corp Brand	
5B	7016322	1	Wiper (Burr Manufacturing Brand Only)	
6	3310601	2	Nut #6	
7	3311605	4	Nut 3/8	
8	3430816	1	Pin, Clevis	
9	3450404	1	Pin, Cotter 1/8 x 1	
10	3537445	1	Bracket	
11	3910608	2	Screw #6 x 1	
12	4711800	6	Washer 1/2	
13	4770600	2	Washer #6	
14	4891600	4	Washer 3/8	
15	4891800	1	Washer 1/2 Hardened	
16	1001137892	1	Bracket	
17	0100011	AR	Compound, Locking	

SECTION 3 - ENGINE

FIGURE 3-59. ENGINE TRAY JACK INSTALLATION - FORD ENIGNES



ART_1001218548

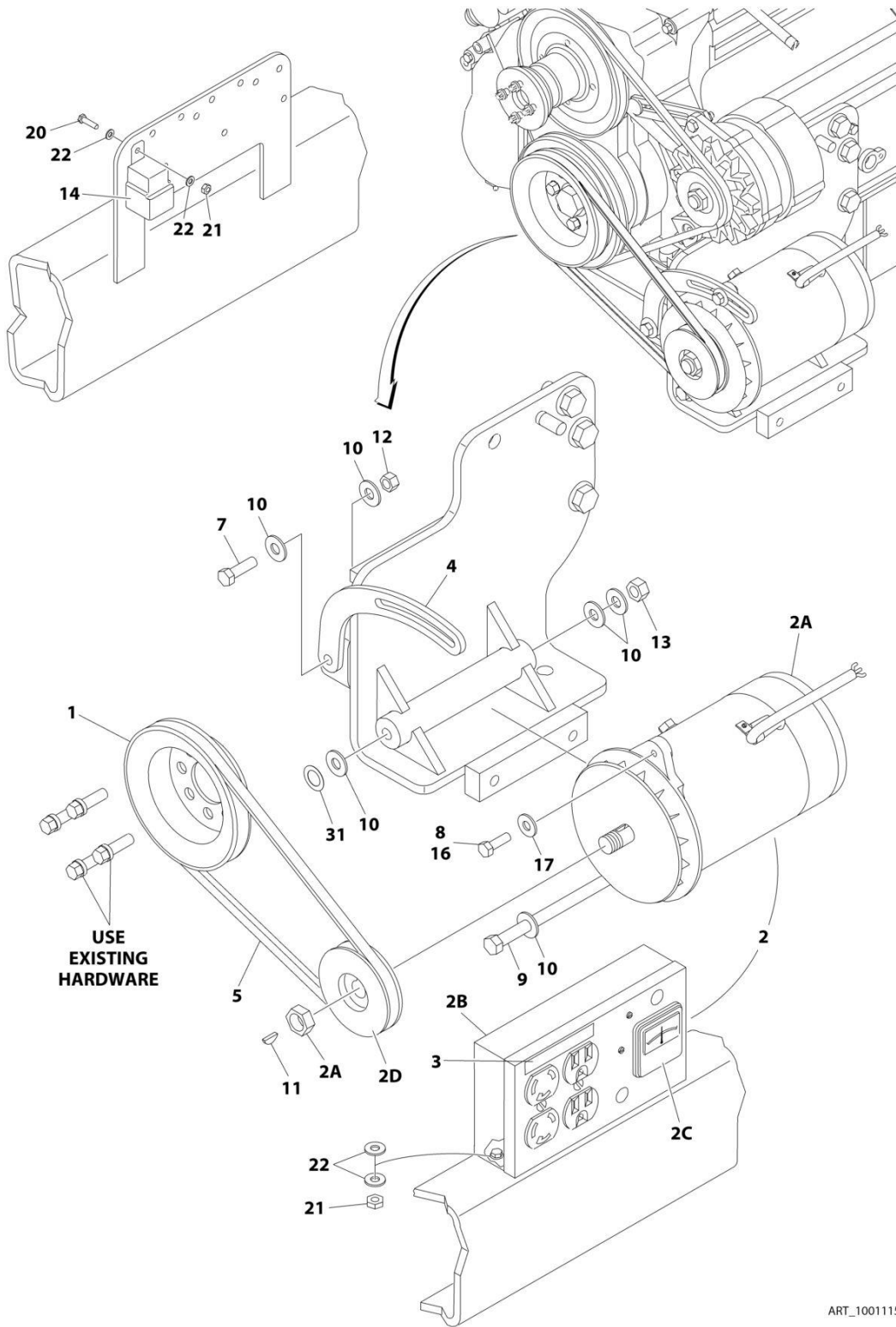
SECTION 3 - ENGINE

FIGURE 3-59. ENGINE TRAY JACK INSTALLATION - FORD ENIGNES

ITEM	PART NUMBER	QTY	DESCRIPTION	REV
	1001218548	Ref	ENGINE TRAY JACK INSTALLATION	A
1	0100011	AR	Compound, Locking	
2	0641810	4	Bolt 1/2 x 1-1/4	
3	0761014	3	Bolt M10 x 30	
4	0962051	2	Bushing, Flanged	
5	1380147	1	Clip, Spring	
6	2840016	1	Jack and Handle Assembly (Not Shown)	
6A		Ref	Handle Options:	
6A	7016374	1	Burr Manufacturing Brand	
6A	7024598	1	Hammer blow Corp Brand	
6B	7016322	1	Wiper (Burr Manufacturing Brand Only)	
7	3291007	3	Nut M10	
8	3310601	2	Nut #6	
9	3430816	1	Pin, Clevis	
10	3450404	1	Pin, Cotter 1/8 x 1	
11	3910608	2	Screw #6 x 1	
12	4711800	6	Washer 1/2	
13	4770600	2	Washer #6	
14	4812000	6	Washer M10	
15	4891800	1	Washer 1/2 Hardened	
16	1001137892	1	Bracket	
17	1001218547	1	Bracket	

SECTION 3 - ENGINE

FIGURE 3-60. 2500W/110V/60HZ GENERATOR INSTALLATION - DEUTZ D2011 ENGINES



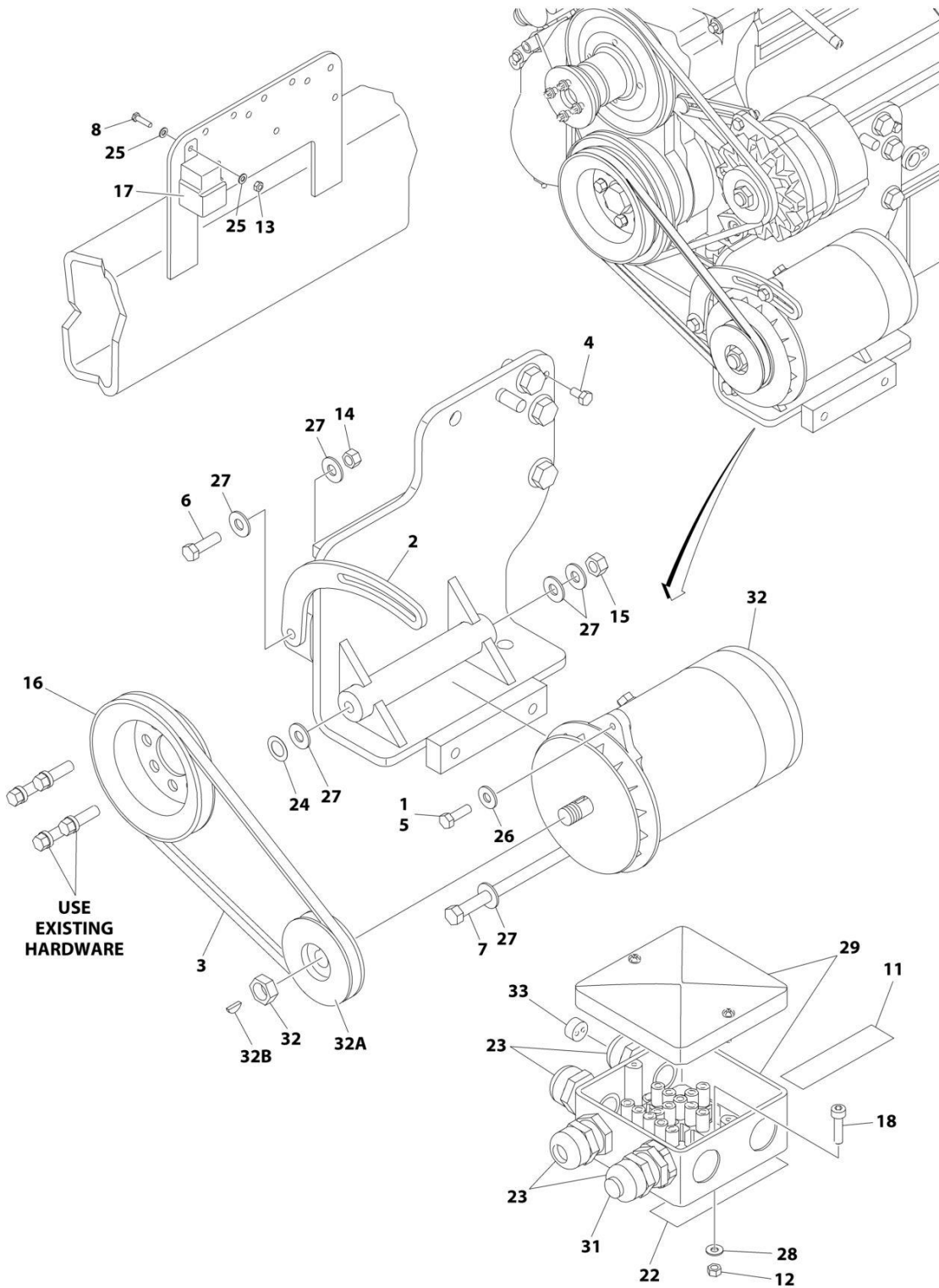
SECTION 3 - ENGINE

FIGURE 3-60. 2500W/110V/60HZ GENERATOR INSTALLATION - DEUTZ D2011 ENGINES

ITEM	PART NUMBER	QTY	DESCRIPTION	REV
	1001115405	Ref	2500W GENERATOR INSTALLATION - 110V/60Hz	B
1	3580158	1	Pulley	
2	2460055	1	Generator and Control Box Assembly:	
2A	7012558	1	Generator Only - 110V/60Hz	
2A		Ref	Note: Replacement Generators come standard with p/n 3580134 pulley. This pulley may not be correct for all applications. Refer to pulley options below.	
2A	7026199	1	Armature with Slip Rings	
2A	7012513	4	Cap, Brush Holder	
2A	7020108	4	Brush	
2A	7020109	4	Holder, Brush	
2A	7012514	1	Fan	
2A	7020110	1	Bell, Front	
2A	7020111	1	Bell, Rear	
2A	7020190	1	Bearing	
2B	7019680	1	Box, Control	
2B		Ref	Receptacle Options:	
2B	4460190	1	Receptacle, Standard	
2B	4460027	1	Receptacle, Twistlock	
2B	4360542	1	Breaker, Circuit	
2B	3520028	1	Plug, Hole	
2C	2420203	1	Voltmeter	
2D	3580276	1	Pulley	
2D	7027887	1	Key, Woodruff	
3	3251243	1	Decal - 110V/60Hz	
4	0200742	1	Arm, Adjusting	
5	0480121	1	V-Belt	
7	0641610	1	Bolt 3/8 x 1-1/4	
8	0100011	AR	Compound, Locking	
9	0641772	1	Bolt 7/16 x 9	
10	4751600	6	Washer 3/8	
11	2860012	1	Key, Woodruff	
12	3311605	1	Nut 3/8	
13	3311705	1	Nut 7/16	
14	3740080	1	Relay	
16	0641508	1	Bolt 5/16 x 1	
17	4751500	AR	Washer 5/16	
18	1001112588	1	Wiring Diagram Components (Not Shown)	
18	1001112589	1	Generator Harness (Not Shown)	
18	4922641	1	Generator ON/OFF Switch Harness (Not Shown - Located at Platform)	
20	0721006	AR	Bolt #10 x 3/4	
21	3311005	3	Nut #10	
22	4751000	AR	Washer #10	
25	4360336	1	Switch, Toggle (Not Shown - Located at Platform)	
26	4740397	1	Bushing (Not Shown - Located at Platform)	
27	4060802	1	Guard, Switch (Not Shown - Located at Platform)	
29	2820031	4 in/ 10cm	Heat Shrink (Not Shown - Located at Platform)	
30	3251102	1	Decal (Not Shown - Located at Platform)	
31	4070585	AR	Shim	

SECTION 3 - ENGINE

FIGURE 3-61. 2500W/220V/50HZ GENERATOR INSTALLATION - DEUTZ D2011 ENGINES



ART_1001115409

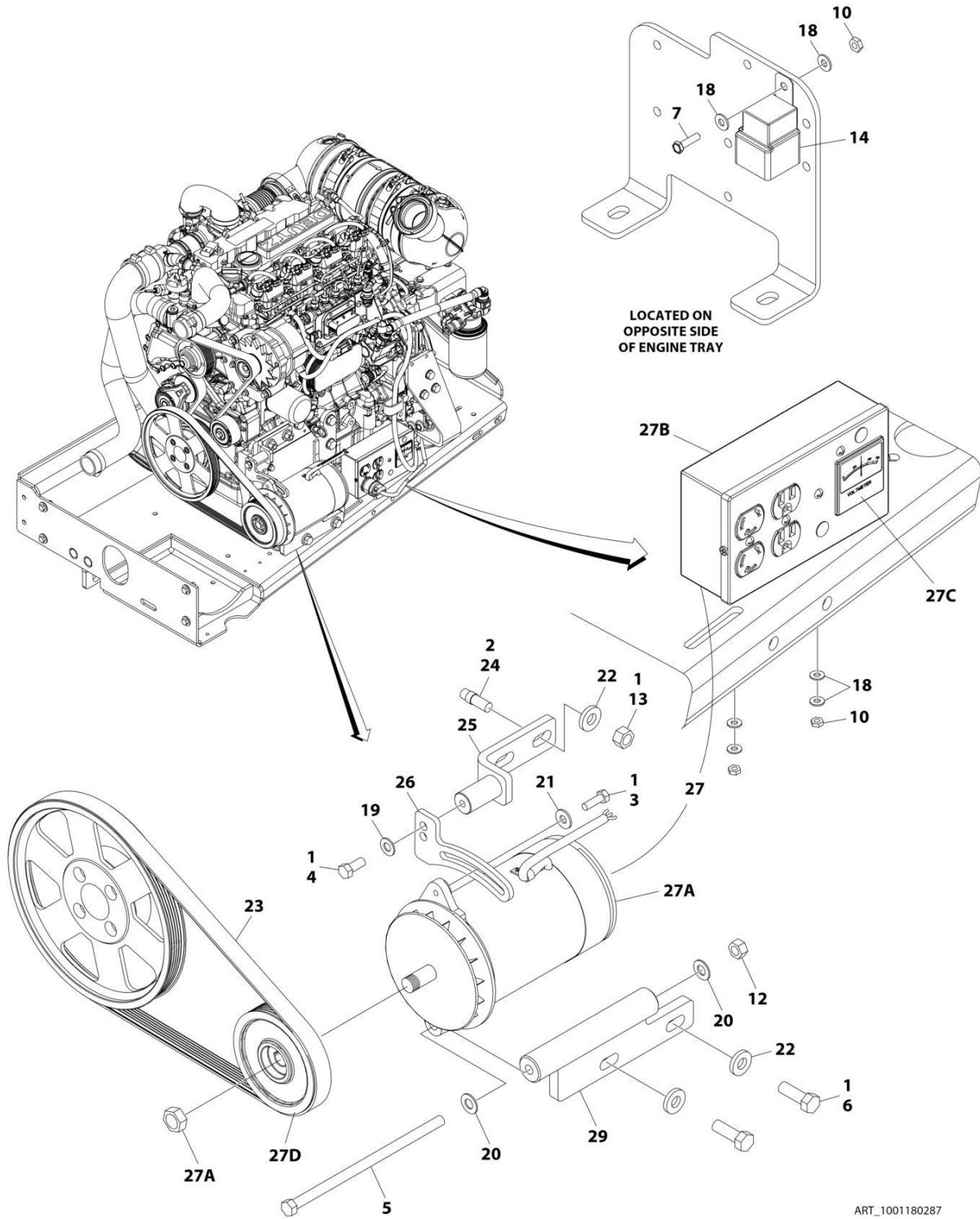
SECTION 3 - ENGINE

FIGURE 3-61. 2500W/220V/50HZ GENERATOR INSTALLATION - DEUTZ D2011 ENGINES

ITEM	PART NUMBER	QTY	DESCRIPTION	REV
	1001115409	Ref	2500W GENERATOR INSTALLATION - 220V/50Hz	B
1	0100011	AR	Compound, Locking	
2	0200742	1	Arm, Adjusting	
3	0480121	1	V-Belt	
4	0641404	1	Bolt 1/4 x 1/2	
5	0641508	1	Bolt 5/16 x 1	
6	0641610	1	Bolt 3/8 x 1-1/4	
7	0641772	1	Bolt 7/16 x 9	
8	0721006	AR	Bolt #10 x 3/4	
9	2820031	4 in/10cm	Heat Shrink (Not Shown - Located at Platform)	
10	3251102	1	Decal (Not Shown - Located at Platform)	
11	3252507	2	Decal - 220V - 50Hz	
		Ref	Note: One Decal Not Shown - Located on the Inside of Platform Rail.	
12	3290505	1	Nut M5	
13	3311005	1	Nut #10	
14	3311605	1	Nut 3/8	
15	3311705	1	Nut 7/16	
16	3580158	1	Pulley	
17	3740080	1	Relay	
18	4031608	1	Bolt M5 x 20	
19	4060802	1	Guard, Switch (Not Shown - Located at Platform)	
20	4240018	1	Tie Strap (Not Shown)	
21	4360336	1	Switch, Toggle (Not Shown - Located at Platform)	
22	4420060	AR	Tape, Double Coated Acrylic Foam	
23	4460968	3	Connector, Strain Relief	
24	4740397	1	Shim	
25	4751000	2	Washer #10	
26	4751500	1	Washer 5/16	
27	4751600	6	Washer 3/8	
28	4811600	1	Washer M5	
29	1001099869	1	Box, Junction	
30		Ref	Wiring Diagram Components (Not Shown)	
30	4922641	1	Generator On/Off Switch Harness (Not Shown - Located at Platform)	
30	1001112589	1	Generator Harness (Not Shown)	
31	1001100234	1	Light, Red	
32	1001100321	1	Generator	
32	70000123	1	Armature with Slip Rings	
32	7012513	4	Cap, Brush Holder	
32	7020108	4	Brush	
32	7020109	4	Holder, Brush	
32	7012514	1	Fan	
32	7020110	1	Bell, Front	
32	7020111	1	Bell, Rear	
32	7020190	1	Bearing	
32A	3580134	1	Pulley - 50Hz	
32B	7027887	1	Key, Woodruff	
33	0962449	1	Bushing	

SECTION 3 - ENGINE

FIGURE 3-62. 2500W/110V/60HZ GENERATOR INSTALLATION - DEUTZ TD2.9L4 ENGINES



ART_1001180287

SECTION 3 - ENGINE

FIGURE 3-62. 2500W/110V/60HZ GENERATOR INSTALLATION - DEUTZ TD2.9L4 ENGINES

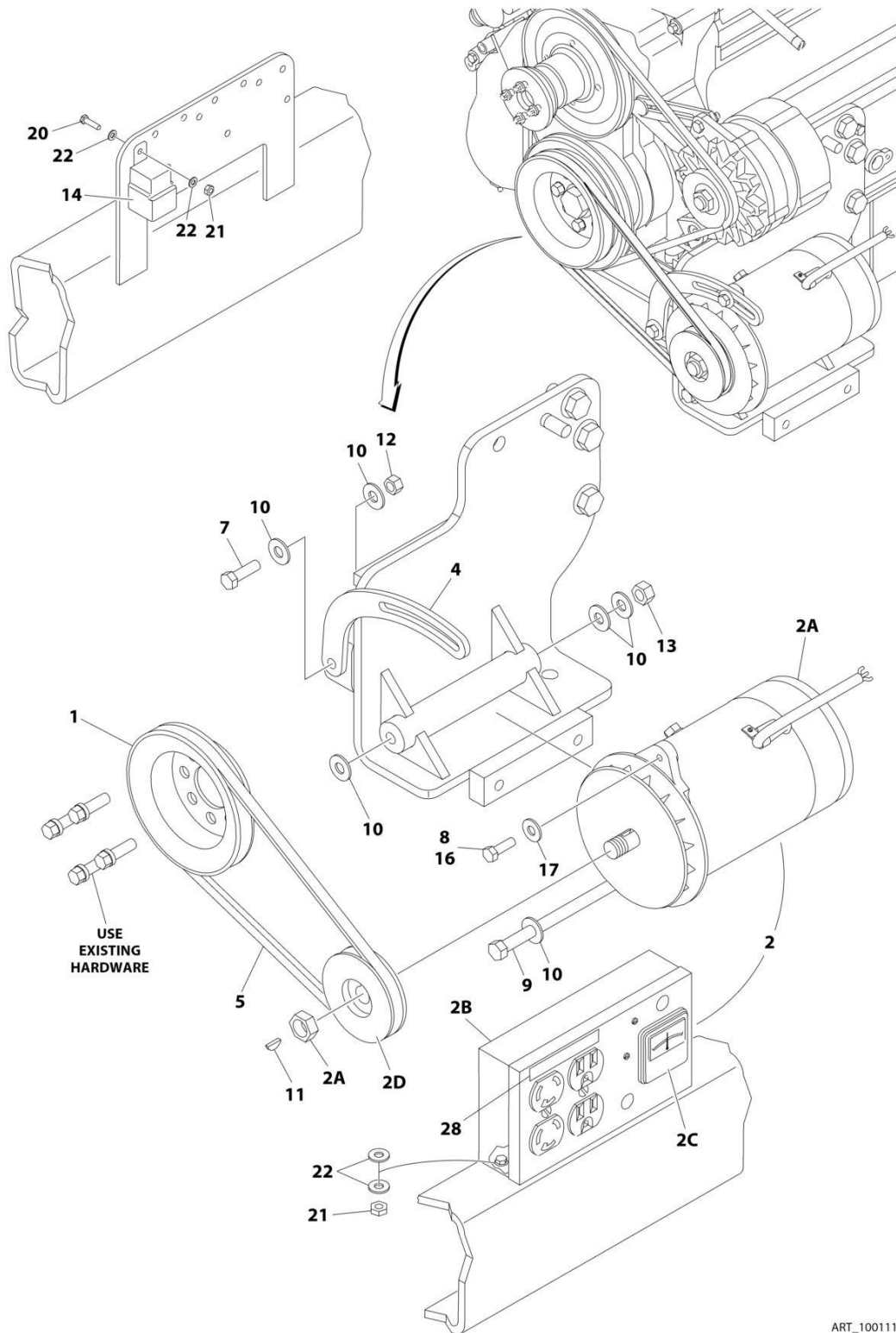
ITEM	PART NUMBER	QTY	DESCRIPTION	REV
	1001180287	Ref	2500W GENERATOR INSTALLATION - DEUTZ TD2.9L4 (OPTIONAL)	C
1	0100011	AR	Compound, Locking	
2	0100019	AR	Compound, Locking	
3	0641508	1	Bolt 5/16 x 1	
4	0641607	1	Bolt 3/8 x 7/8	
5	0641772	1	Bolt 7/16 x 9	
6	0641812	2	Bolt 1/2 x 1-1/2	
7	0721006	1	Screw #10 x 3/4	
8	2820031	AR	Heat Shrink (Not Shown - Located at Platform)	
9	3251102	1	Name Plate - Generator On (Not Shown - Located at Platform)	
10	3311005	3	Nut #10	
12	3311705	1	Nut 7/16	
13	3311801	2	Nut 1/2	
14	3740080	1	Relay	
15	4060802	1	Guard, Switch (Not Shown - Located at Platform)	
16	4240018	AR	Strap, Cable Tie (Not Shown)	
17	4360336	1	Switch, Toggle (Not Shown - Located at Platform)	
18	4711000	6	Washer #10	
19	4711600	1	Washer 3/8	
20	4711700	2	Washer 7/16	
21	4751500	1	Washer 5/16	
22	4891800	4	Washer 1/2	
23	1001148138	1	V-Belt	
24	1001163599	2	Stud	
25	1001216015	1	Bracket	
26	1001179837	1	Arm, Adjustment	
27	1001180001	1	Generator and Control Box Assembly	
27A	7012558	1	Generator Only - 110V/60Hz	
27A		Ref	Note: Replacement Generators come standard with p/n 3580134 pulley. This pulley may not be correct for all applications. Refer to pulley options below.	
27A	7026199	1	Armature with Slip Rings	
27A	7012513	4	Cap, Brush Holder	
27A	7020108	4	Brush	
27A	7020109	4	Holder, Brush	
27A	7012514	1	Fan	
27A	7020110	1	Bell, Front	
27A	7020111	1	Bell, Rear	
27A	7020190	2	Bearing	
27B	7019680	1	Box, Control - 110V/60Hz	
27B		Ref	Receptacle Options:	
27B	4460190	1	Receptacle, Standard (110V Only)	
27B	4460027	1	Receptacle, Twistlock (110V Only)	
27B	4360542	1	Breaker, Circuit	
27B	3520028	1	Plug, Hole	
27C	2420203	1	Voltmeter	
27D	3580276	1	Pulley	
27D	7027887	1	Key, Woodruff	
28		Ref	Wiring Diagram Components (Not Shown)	

SECTION 3 - ENGINE

ITEM	PART NUMBER	QTY	DESCRIPTION	REV
28	4922641	1	Generator On/Off Switch Harness (Not Shown - Located at Platform)	
28	1001180052	1	Generator Harness (Not Shown)	
29	1001181243	1	Mount, Generator	

SECTION 3 - ENGINE

FIGURE 3-63. 2500W/220V/50HZ GENERATOR INSTALLATION - DEUTZ D2011 ENGINES (ANSI EXPORT AND CHINA SPECS)



ART_100115406

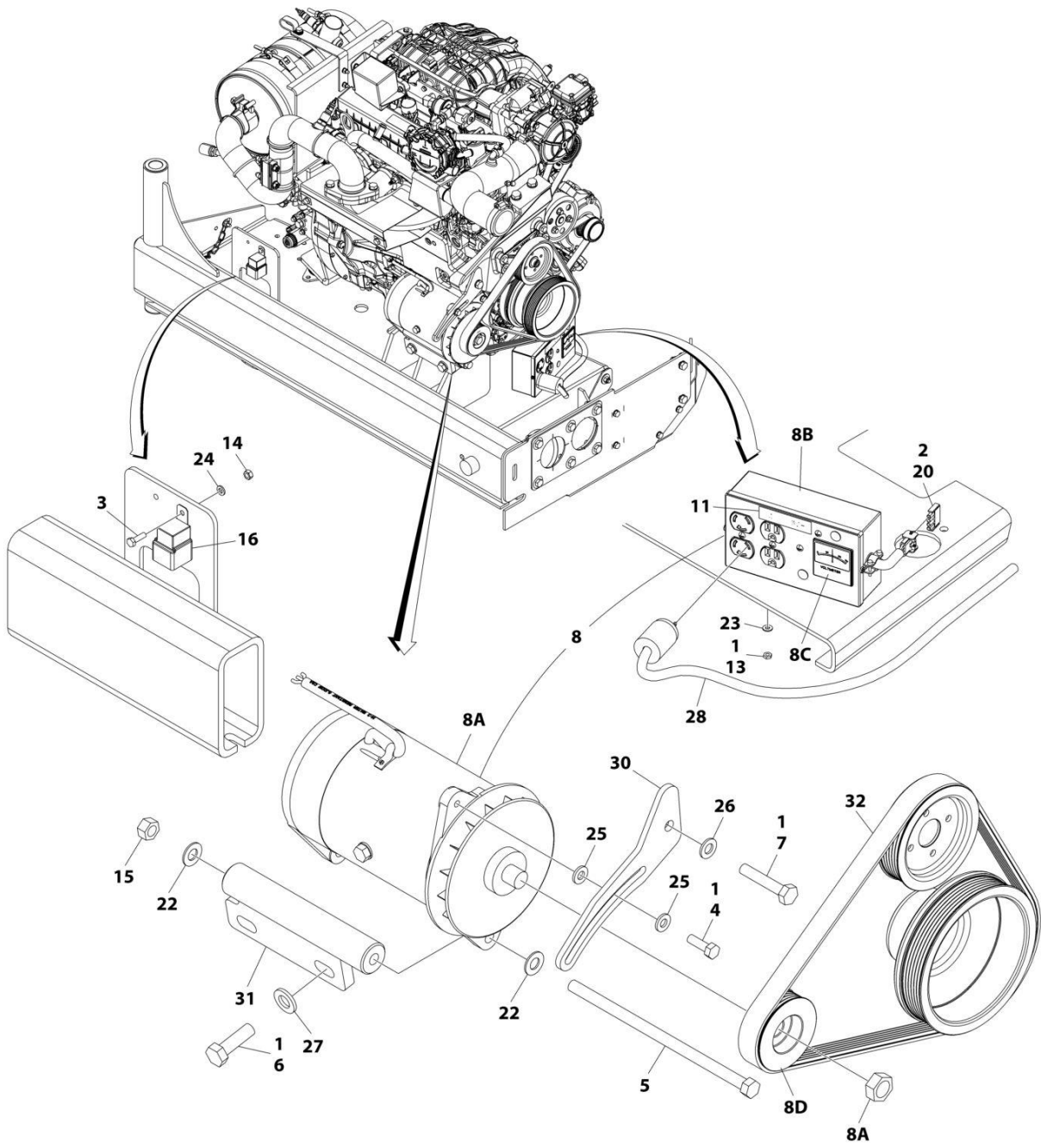
SECTION 3 - ENGINE

FIGURE 3-63. 2500W/220V/50HZ GENERATOR INSTALLATION - DEUTZ D2011 ENGINES (ANSI EXPORT AND CHINA SPECS)

ITEM	PART NUMBER	QTY	DESCRIPTION	REV
	1001115406	Ref	2500W GENERATOR INSTALLATION - 220V/50Hz	B
1	3580158	1	Pulley	
2	2460056	1	Generator and Control Box Assembly:	
2A	1001100321	1	Generator Only	
2A		Ref	Note: Replacement Generators come standard with p/n 3580134 pulley. This pulley may not be correct for all applications. Refer to pulley options below.	
2A	70000123	1	Armature with Slip Rings	
2A	7012513	4	Cap, Brush Holder	
2A	7020108	4	Brush	
2A	7020109	4	Holder, Brush	
2A	7012514	1	Fan	
2A	7020110	1	Bell, Front	
2A	7020111	1	Bell, Rear	
2A	7020190	1	Bearing	
2B	70000127	1	Box, Control	
2B		Ref	Receptacle Options:	
2B	70000124	1	Receptacle, Double	
2B	70000125	1	Receptacle, Single	
2B	70000126	1	Breaker, Circuit:	
2B	3520028	1	Plug, Hole	
2C	7020192	1	Voltmeter	
2D	3580134	1	Pulley	
2D	7027887	1	Key, Woodruff	
4	0200742	1	Arm, Adjusting	
5	0480121	1	V-Belt	
7	0641610	1	Bolt 3/8 x 1-1/4	
8	0100011	AR	Compound, Locking	
9	0641772	1	Bolt 7/16 x 9	
10	4751600	6	Washer 3/8	
11	2860012	1	Key, Woodruff	
12	3311605	1	Nut 3/8	
13	3311705	1	Nut 7/16	
14	3740080	1	Relay	
16	0641508	1	Bolt 5/16 x 1	
17	4751500	AR	Washer 5/16	
18	1001112588	1	Wiring Diagram Components (Not Shown)	
18	4922641	1	Generator ON/OFF Switch Harness (Not Shown - Located at Platform)	
18	1001112589	1	Generator Harness (Not Shown)	
20	0721006	1	Bolt #10 x 3/4	
21	3311005	1	Nut #10	
22	4751000	1	Washer #10	
25	4360336	1	Switch, Toggle (Not Shown - Located at Platform)	
26	4740397	1	Bushing (Not Shown - Located at Platform)	
27	4060802	1	Guard, Switch (Not Shown - Located at Platform)	
28	3252507	2	Decal - 220V - 50Hz	
29	2820031	4 in/10cm	Heat Shrink (Not Shown - Located at Platform)	
30	3251102	1	Decal (Not Shown - Located at Platform)	

SECTION 3 - ENGINE

FIGURE 3-64. 2500W GENERATOR INSTALLATION - FORD ENGINES



ART_1001217188

SECTION 3 - ENGINE

FIGURE 3-64. 2500W GENERATOR INSTALLATION - FORD ENGINES

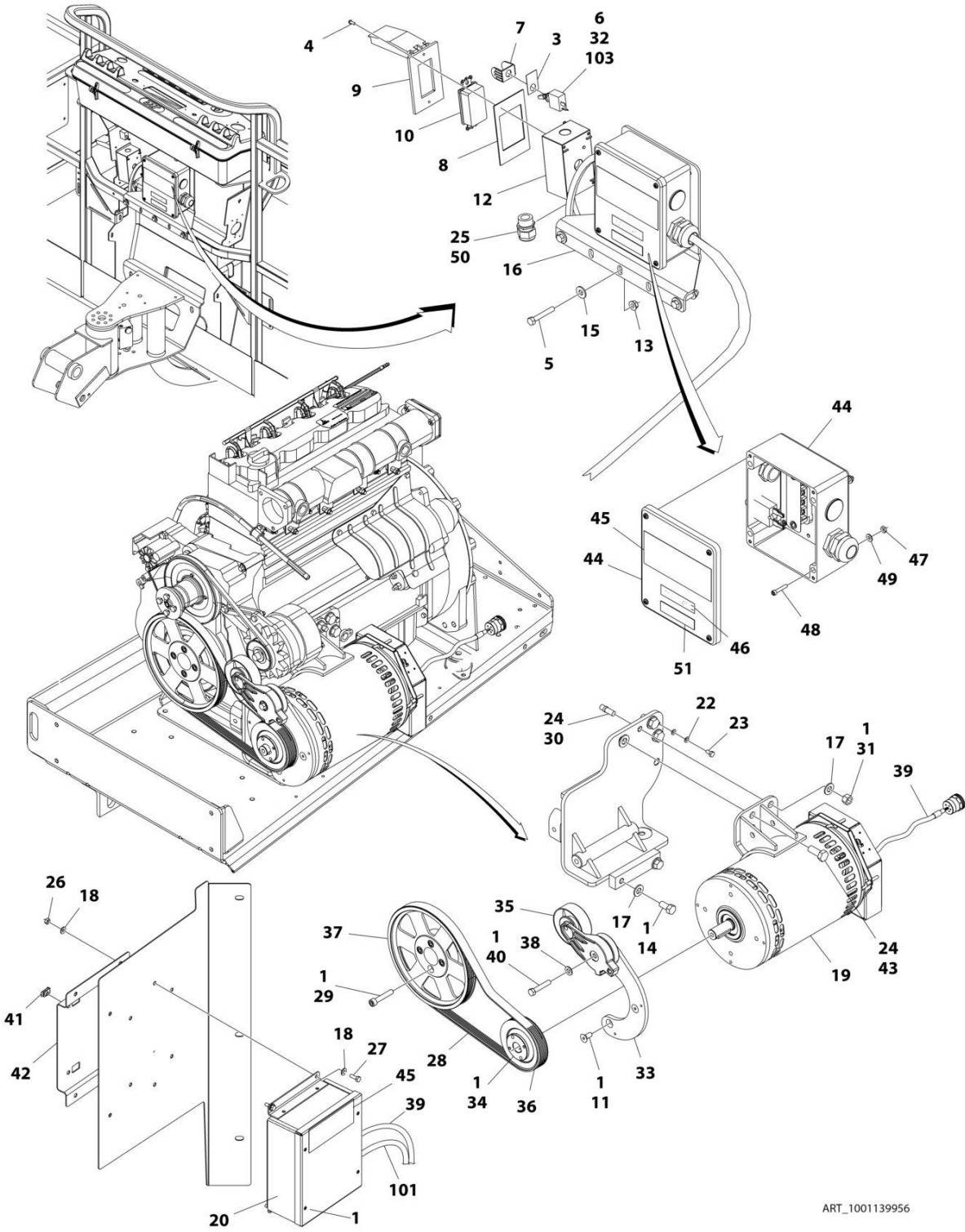
ITEM	PART NUMBER	QTY	DESCRIPTION	REV
	1001217188	Ref	2500W GENERATOR INSTALLATION	G
1	0100011	AR	Compound, Locking	
2	0100048	AR	Grease, Dielectric	
3	0760610	1	Bolt M6 x 20	
4	0641508	1	Bolt 5/16 x 1	
5	0641772	1	Bolt 7/16 x 9	
6	0761216	2	Bolt M12 x 40	
7	0761019	1	Bolt M10 x 55	
8	2460051	1	Generator and Control Box Assembly	
8A	7012558	1	Generator Only - 110V/60Hz	
		Ref	Note: Replacement Generators come standard with pin 3580134 pulley. This pulley may not be correct for all applications. Refer to pulley options below.	
8A	7026199	1	Armature with Slip Rings	
8A	7012513	4	Cap, Brush Holder	
8A	7020108	4	Brush	
8A	7020109	4	Holder, Brush	
8A	7012514	1	Fan	
8A	7020110	1	Bell, Front	
8A	7020111	1	Bell, Rear	
8A	7020190	2	Bearing	
8B	7019680	1	Box, Control - 110V/60Hz	
8B		Ref	Receptacle Options:	
8B	4460190	Ref	Receptacle, Standard (110V Only)	
8B	4460027	1	Receptacle, Twistlock (110V Only)	
8B	4360542	1	Breaker, Circuit	
8B	3520028	1	Plug, Hole	
8C	2420203	1	Voltmeter	
8D	3580324	1	Pulley	
8D	7027887	1	Key, Woodruff	
9	2820031	1	Heat Shrink (Not Shown - Located at Platform)	
10	3251102	1	Nameplate Generator (Not Shown - Located at Platform)	
11	3251243	1	Decal - 120V-60Hz	
13	3311005	2	Nut #10	
14	3290601	1	Nut M6	
15	3311705	1	Nut 7/16	
16	3740080	1	Relay	
17	4060802	1	Guard Switch (Not Shown - Located at Platform)	
18	4240099	AR	Tie-Strap (Not Shown)	
19	4360336	1	Switch, Toggle (Not Shown - Located at Platform)	
20	4460321	1	Plug, Male - 4 Position	
21	4460906	1	Socket, Female (Not Shown)	
22	4711700	2	Washer 7/16	
23	4751000	2	Washer #10	
24	4811700	1	Washer M6	
25	4891500	2	Washer 5/16	
26	4812000	1	Washer M10	
27	5241200	2	Washer M12	
28	4921829	1	Harness, Inverter	
30	1001219632	1	Arm, Adjustment	

SECTION 3 - ENGINE

ITEM	PART NUMBER	QTY	DESCRIPTION	REV
31	1001219630	1	Mount, Generator	
32	1001216391	1	V-Belt	

SECTION 3 - ENGINE

FIGURE 3-65. 4000W/60HZ GENERATOR INSTALLATION - DEUTZ D2011 ENGINES



ART_1001139956

SECTION 3 - ENGINE

FIGURE 3-65. 4000W/60HZ GENERATOR INSTALLATION - DEUTZ D2011 ENGINES

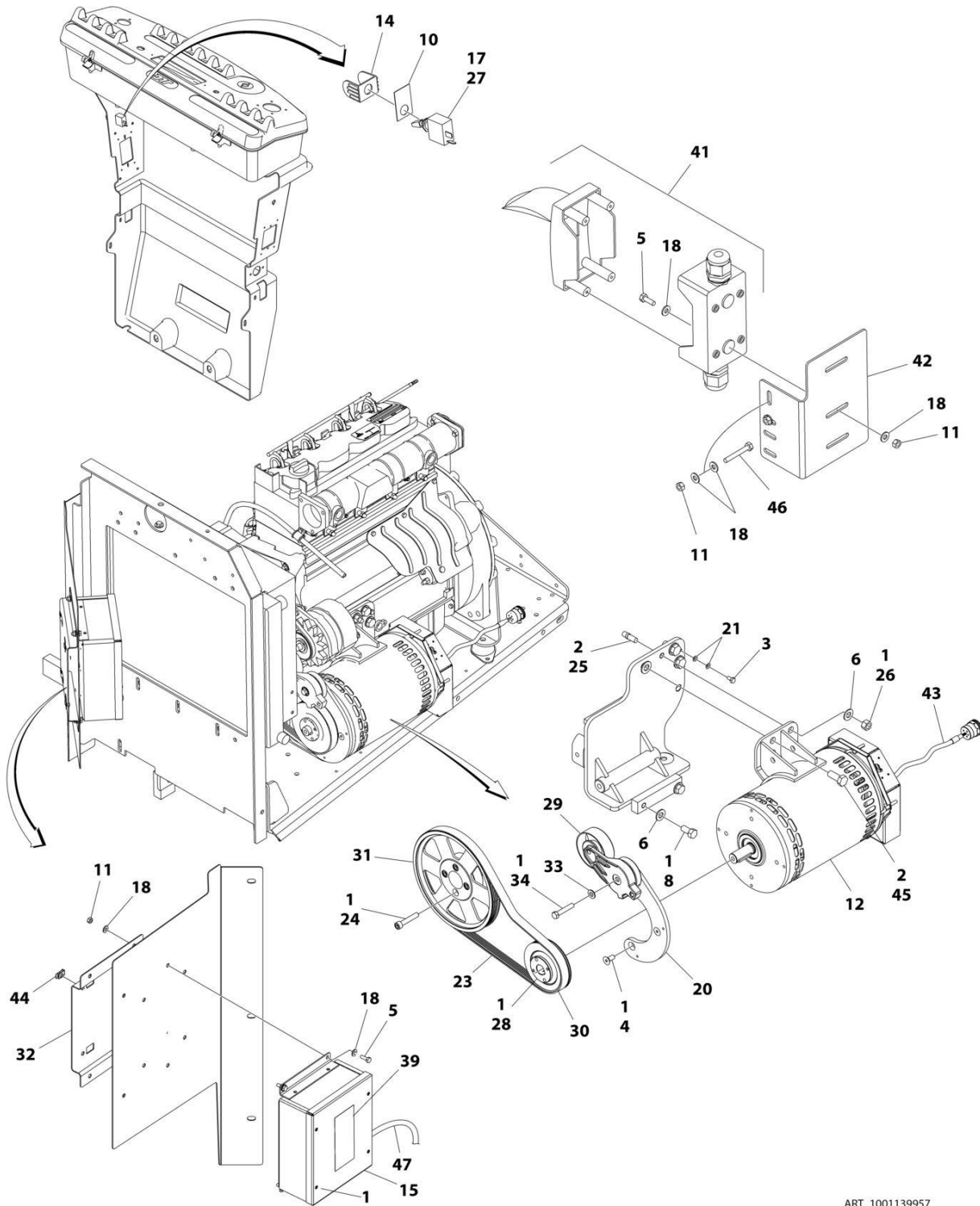
ITEM	PART NUMBER	QTY	DESCRIPTION	REV
	1001139956	Ref	4000W/60Hz Generator Installation - Deutz D2011 Engines	B
1	0100011	1	Compound, Locking	
3	3251102	1	Nameplate, Generator	
4	3910606	4	Screw #6 x 3/8	
5	0641516	3	Bolt 5/16 x 2	
6	4360336	1	Switch, Toggle	
7	4060802	1	Guard, Switch	
8	3960422	1	Gasket, AC Receptacle	
9	1001110873	1	Cover, Gang Vertical Receptacle GFCI	
10	4460346	1	Receptacle	
11	0741607	3	Screw 3/8 x 7/8	
12	0860038	1	Box, Switch-Weatherhead	
13	3311508	3	Nut 5/16	
14	0641808	2	Bolt 1/2 x 1	
15	4751500	3	Washer 5/16	
16	0902888	1	Bracket, Junction Box	
17	4711800	3	Washer 1/2	
18	4711400	8	Washer 1/4	
19	1001129858	1	Generator Assembly	
19	70003709	1	Ring, Retaining (External)	
19	70003708	1	Ring, Retaining (Internal)	
19	70001966	1	Bearing	
19	70004092	1	Endbell (Shaft End)	
19	70004171	1	Key	
19	70004676	1	Rotor	
19	70004684	1	Stator	
19	70004678	1	Endbell (Rear)	
19	70004679	1	Cover, Endbell (Rear)	
19	70004680	1	Enclosure, Wiring	
19	70004685	1	Cover, Enclosure	
19	70004682	1	Switch, Reset (Located on Enclosure Cover)	
19	70004098	1	Connector, Strain Relief (Located on Enclosure Cover)	
20	1001138566	1	Box, Control	
20	70006552	1	Capacitor	
20	70006553	1	Relay	
21	4240018	AR	Tie-Strap (Not Shown)	
22	4791400	2	Washer 1/4	
23	0641404	1	Bolt 1/4 x 1/2	
24	0100019	AR	Compound, Locking	
25	4460071	1	Connector, Strain Relief	
26	3311405	4	Nut 1/4	
27	0641406	4	Bolt 1/4 x 3/4	
28	0480129	1	Belt, Generator	
29	4032015	4	Capscrew M10 x 55	
30	4300157	1	Stud	
31	3311801	1	Nut 1/2	
32	2820031	AR	Heat Shrink	
33	1001139357	1	Mount, Tensioner	
34	0962520	1	Bushing, Split	
35	3580317	1	Tensioner, Belt with Pulley	

SECTION 3 - ENGINE

ITEM	PART NUMBER	QTY	DESCRIPTION	REV
36	3580318	1	Pulley, Generator	
37	3580320	1	Pulley, Engine Deutz	
38	4711600	1	Washer 3/8	
39	1001152532	1	Harness, Generator (See Separate Breakdown in ELECTRICAL Section)	
40	0641616	1	Bolt 3/8 x 2	
41	3300454	4	Nut, U-Style 1/4	
42	3575863	1	Plate	
43	0771415	1	Bolt M14 x 35 Grade 10.9	
44	1001152457	1	Junction Box Assembly	
44	3300396	1	Cover, Breaker	
44	4360070	1	Breaker, Circuit - 15Amp	
44	4460425	1	Connector, Strain Relief (LH Side)	
44	4460426	1	Connector, Strain Relief (RH Side)	
44	1001152530	1	Block, Terminal	
44	1001158363	1	Cover, Terminal Block	
44	1001153260	1	Decal - Wiring Diagram	
45	1705387	3	Decal - Hazardous Voltage	
46	3251243	1	Decal, 120V-60Hz	
47	3311005	4	Nut #10	
48	3931016	4	Capscrew #10 x 1	
49	4751000	4	Washer #10	
50	0100020	AR	Sealant	
51	1705374	1	Decal, 240V-60Hz	
		Ref	ELECTRICAL DIAGRAM COMPONENTS	
101	1001153197	1	Harness, Generator (See Separate Breakdown in ELECTRICAL Section)	
103	4922641	1	Harness, Switch	

SECTION 3 - ENGINE

FIGURE 3-66. 4000W/50HZ GENERATOR INSTALLATION - DEUTZ D2011 ENGINES



ART_1001139957

SECTION 3 - ENGINE

FIGURE 3-66. 4000W/50HZ GENERATOR INSTALLATION - DEUTZ D2011 ENGINES

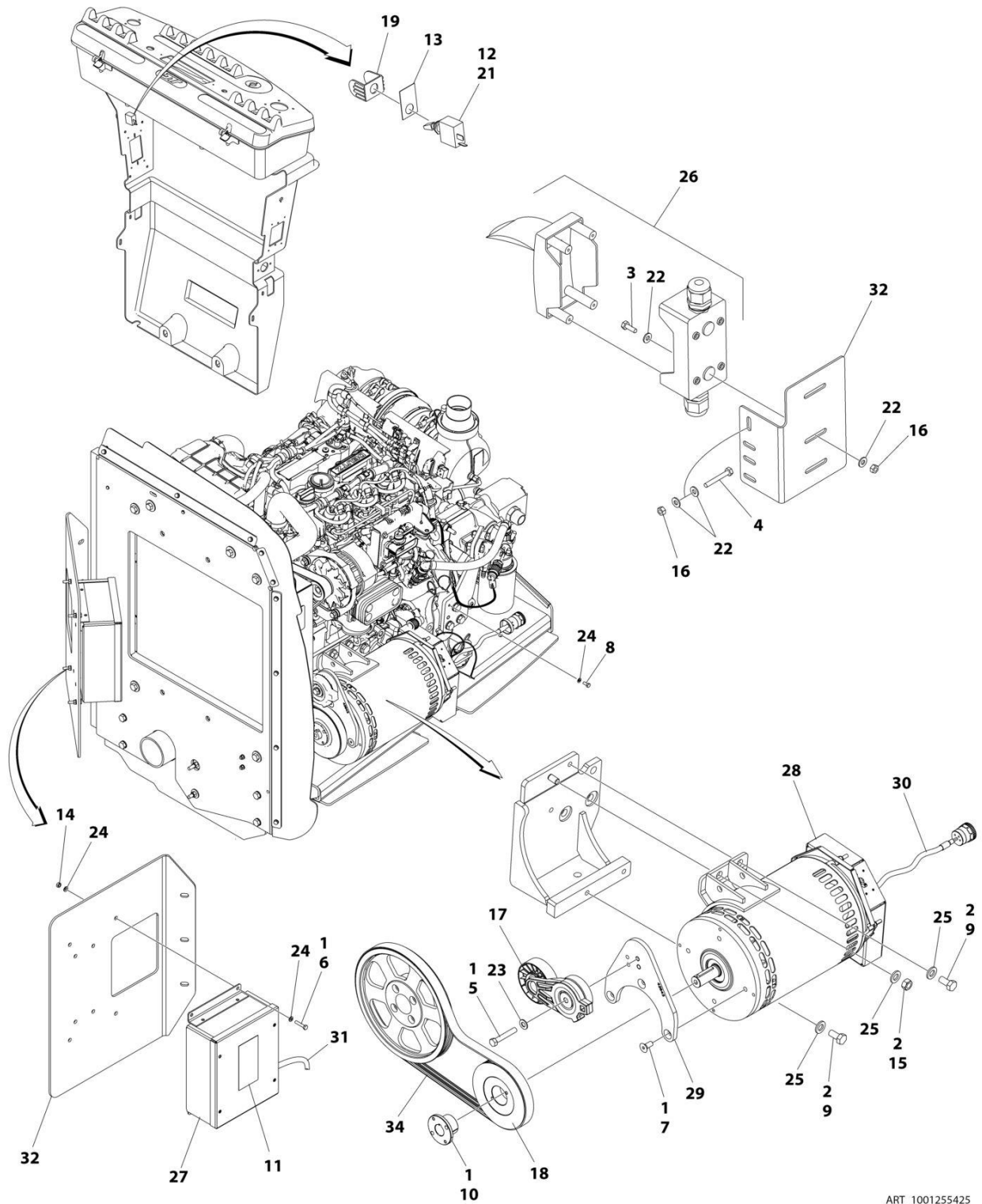
ITEM	PART NUMBER	QTY	DESCRIPTION	REV
	1001139957	Ref	4000W/50HZ Generator Installation - Deutz D2011 Engines	D
1	0100011	AR	Compound, Locking	
2	0100019	AR	Compound, Locking	
3	0641404	1	Bolt 1/4 x 1/2	
4	0741607	3	Screw 3/8 x 7/8	
5	0641406	6	Bolt 1/4 x 3/4	
6	4711800	3	Washer 1/2	
8	0641808	2	Bolt 1/2 x 1	
10	3251102	1	Nameplate, Generator	
11	3311405	8	Nut 1/4	
12	1001138565	1	Generator Assembly	
12	70003709	1	Ring, Retaining (External)	
12	70003708	1	Ring, Retaining (Internal)	
12	70001966	1	Bearing	
12	70004092	1	Endbell (Shaft End)	
12	70004171	1	Key	
12	70004676	1	Rotor	
12	70004677	1	Stator	
12	70004678	1	Endbell (Rear)	
12	70004679	1	Cover, Endbell (Rear)	
12	70004680	1	Enclosure, Wiring	
12	70004681	1	Cover, Enclosure	
12	70004682	1	Switch, Reset (Located on Enclosure Cover)	
12	70004683	1	Connector, Strain Relief (Located on Enclosure Cover)	
14	4060802	1	Guard, Switch	
15	1001138566	1	Box, Control	
15	70006552	1	Capacitor	
15	70006553	1	Relay	
16	4240018	AR	Tie-Strap (Not Shown)	
17	4360336	1	Switch, Toggle	
17	4922641	1	Harness, On/Off Switch	
18	4711400	16	Washer 1/4	
20	1001139357	1	Mount, Tensioner	
21	4791400	2	Washer 1/4	
23	0480126	1	Belt, Generator	
24	4032015	4	Capscrew M10 x 55	
25	4300157	1	Stud	
26	3311801	1	Nut 1/2	
27	2820031	AR	Heat Shrink	
28	0962520	1	Bushing, Split	
29	3580317	1	Tensioner, Belt with Pulley	
30	3580319	1	Pulley, Generator	
31	3580320	1	Pulley, Engine Deutz	
32	3575863	1	Plate	
33	4711600	1	Washer 3/8	
34	0641616	1	Bolt 3/8 x 2	
39	1705489	2	Decal - Hazardous Voltage	
41	1001096070	1	Breaker Box Kit (Not Shown) (See Separate Breakdown in ELECTRICAL SECTION)	
42	1001153636	1	Bracket	

SECTION 3 - ENGINE

ITEM	PART NUMBER	QTY	DESCRIPTION	REV
43	1001152532	1	Harness, Generator (See Separate Breakdown in ELECTRICAL SECTION)	
44	3300454	4	Nut, U-Style 1/4	
45	0771415	1	Bolt M14 x 35 Grade 10.9	
46	0641415	2	Capscrew 1/4 x 1-7/8	
47	1001153197	1	Harness, Generator (See Separate Breakdown in ELECTRICAL SECTION)	

SECTION 3 - ENGINE

FIGURE 3-67. 4000W/50HZ GENERATOR INSTALLATION - DEUTZ TD2.2L3 ENGINES



ART_1001255425

SECTION 3 - ENGINE

FIGURE 3-67. 4000W/50HZ GENERATOR INSTALLATION - DEUTZ TD2.2L3 ENGINES

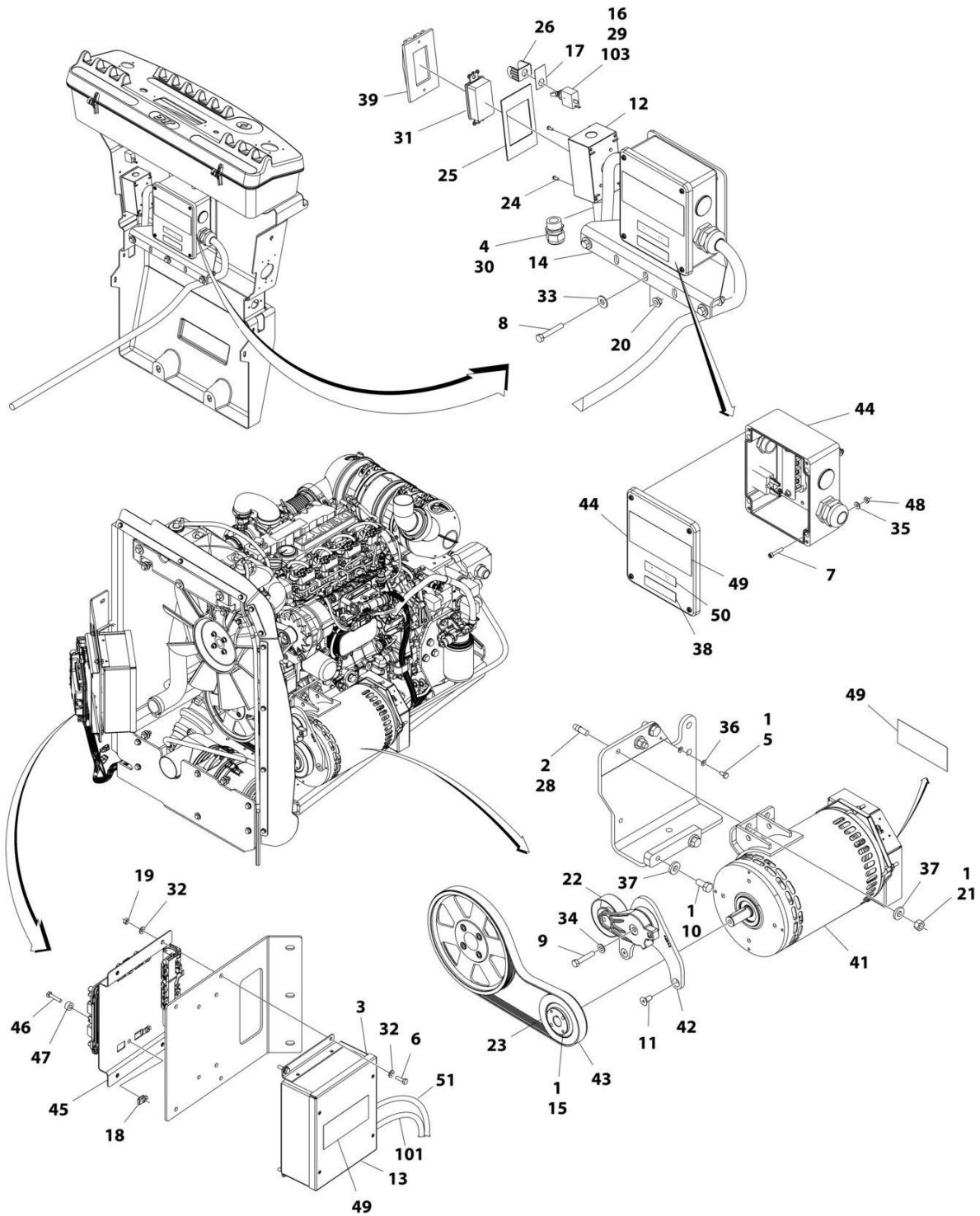
ITEM	PART NUMBER	QTY	DESCRIPTION	REV
	1001255425	Ref	4000W/50HZ Generator Installation - Deutz TD2.2L3 (Stage V) Engines	B
1	0100011	AR	Compound, Locking	
2	0100019	AR	Compound, Locking	
3	0641406	2	Bolt 1/4 x 3/4	
4	0641415	2	Bolt 1/4 x 1-7/8	
5	0641618	1	Bolt 3/8 x 2-1/4	
6	0700614	4	Bolt M6 x 30	
7	0741607	3	Screw 3/8 x 7/8	
8	0760607	1	Bolt M6 x 14	
9	0761212	3	Bolt M12 x 25	
10	0962520	1	Bushing, Split	
11	1705489	2	Decal - Hazardous Voltage	
12	2820031	AR	Heat Shrink	
13	3252764	1	Nameplate	
14	3290601	4	Nut M6	
15	3291201	1	Nut M12	
16	3311405	4	Nut 1/4	
17	3580317	1	Tensioner, Belt with Pulley	
18	3580319	1	Pulley, Generator	
19	4060802	1	Guard, Switch	
20	4240018	AR	Tie-Strap (Not Shown)	
21	4360336	1	Switch, Toggle	
21	4922641	1	Harness, On/Off Switch	
22	4711400	8	Washer 1/4	
23	4711600	1	Washer 3/8	
24	4811700	9	Washer M6	
25	5241200	4	Washer M12	
26	1001096070	1	Breaker Box Kit (See Separate Breakdown in ELECTRICAL SECTION)	
27	1001138566	1	Box, Control	
27	70006552	1	Capacitor	
27	70006553	1	Relay	
28	1001140347	1	Generator Assembly	
28	70003709	1	Ring, Retaining (External)	
28	70003708	1	Ring, Retaining (Internal)	
28	70001966	1	Bearing	
28	70004092	1	Endbell (Shaft End)	
28	70004099	1	Key	
28	70004676	1	Rotor	
28	70004686	1	Stator	
28	70004678	1	Endbell (Rear)	
28	70004679	1	Cover, Endbell (Rear)	
28	70004680	1	Enclosure, Wiring	
28	70004681	1	Cover, Enclosure	
28	70004682	1	Switch, Reset (Located on Enclosure Cover)	
28	70004683	1	Connector, Strain Relief (Located on Enclosure Cover)	
28	4460224	1	Receptacle, Female - 6 Position (Connects to Generator Harness)	
28	4460294	6	Pin, Male (Use with p/n 4460224)	

SECTION 3 - ENGINE

ITEM	PART NUMBER	QTY	DESCRIPTION	REV
28	4460807	6	Seal, Terminal (Use with p/n 4460224)	
28	4460808	1	Seal, Interface (Use with p/n 4460224)	
29	1001142643	1	Support, Gen Tensioner	
30	1001152532	1	Harness, Generator (See Separate Breakdown in ELECTRICAL SECTION)	
31	1001153197	1	Harness, Generator (See Separate Breakdown in ELECTRICAL SECTION)	
32	1001153636	1	Bracket	
33	1001175632	1	Wire	
34	1001214683	1	Belt, Generator	

SECTION 3 - ENGINE

FIGURE 3-68. 4000W/60HZ GENERATOR INSTALLATION - DEUTZ TD2.9L4 ENGINES



ART_1001171126

SECTION 3 - ENGINE

FIGURE 3-68. 4000W/60HZ GENERATOR INSTALLATION - DEUTZ TD2.9L4 ENGINES

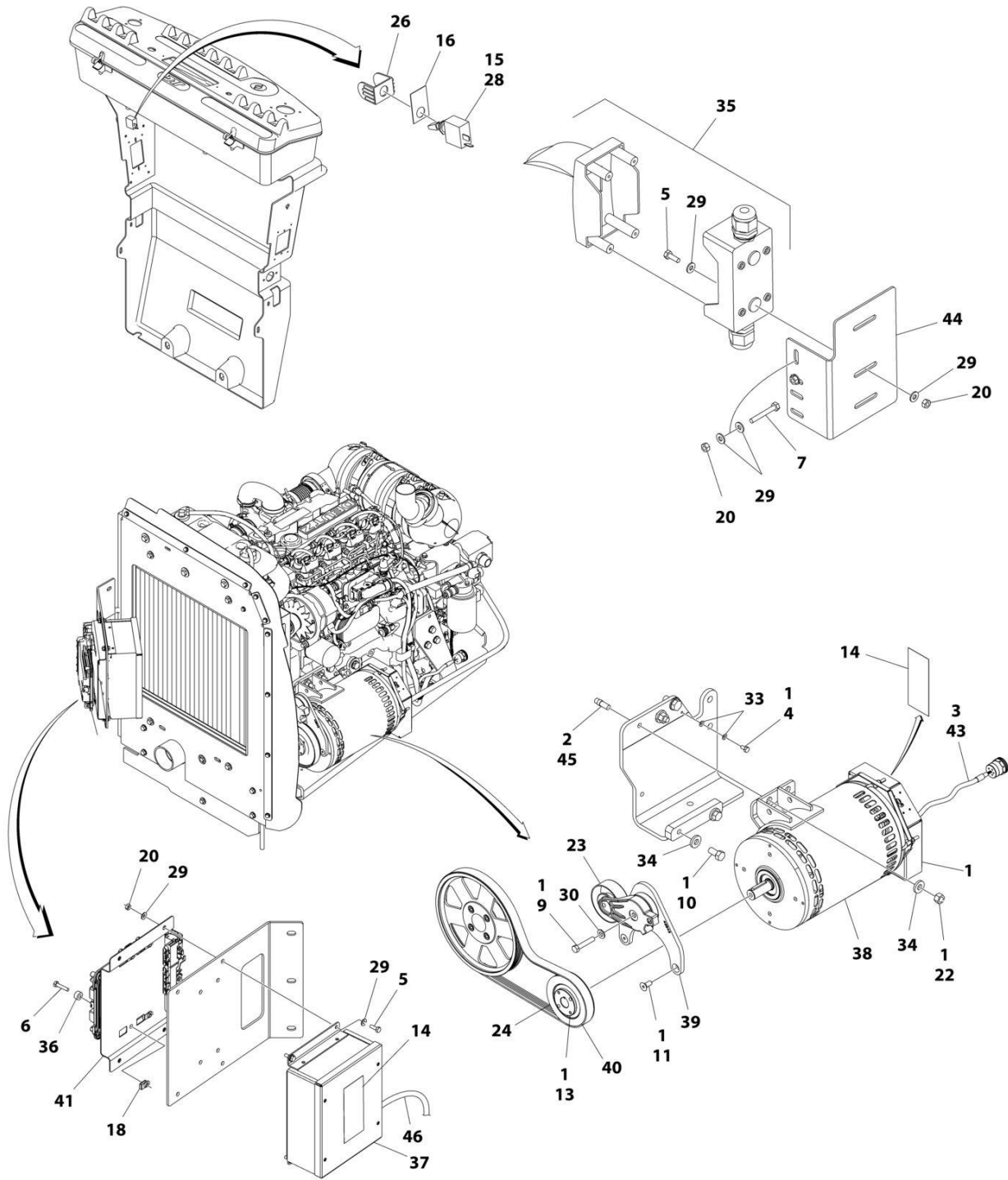
ITEM	PART NUMBER	QTY	DESCRIPTION	REV
	1001171126	Ref	4000W/60HZ Generator Installation	B
1	0100011	AR	Compound, Locking	
2	0100019	AR	Compound, Locking	
3	0100048	AR	Grease, Dielectric	
4	0100079	AR	Sealant	
5	0641404	1	Bolt 1/4 x 1/2	
6	0641407	4	Bolt 1/4 x 7/8	
7	3931016	4	Capscrew #10 x 1	
8	0641516	3	Bolt 5/16 x 2	
9	0641616	1	Bolt 3/8 x 2	
10	0641808	2	Bolt 1/2 x 1	
11	0741607	3	Screw, Flathead 3/8 x 7/8	
12	0860038	1	Box, Switch	
13	1001138566	1	Box, Control	
13	70006552	1	Capacitor	
13	70006553	1	Relay	
14	0902888	1	Bracket, Junction Box	
15	0962520	1	Bushing, Split	
16	2820031	0.33 ft /.10m	Heat Shrink	
17	3251102	1	Nameplate, Generator	
18	3300454	4	Nut, U-Style 1/4	
19	3311405	4	Nut 1/4	
20	3311508	3	Nut 5/16	
21	3311801	2	Nut 1/2	
22	3580317	1	Tensioner, Belt with Pulley	
23	3580318	1	Pulley, Generator	
24	3910606	4	Screw #6 x 3/8	
25	3960422	1	Gasket, AC Receptacle	
26	4060802	1	Guard, Switch	
27	4240018	AR	Tie-Strap (Not Shown)	
28	1001163599	2	Stud	
29	4360336	1	Switch, Toggle	
30	4460071	1	Connector, Strain Relief	
31	4460346	1	Receptacle	
32	4711400	8	Washer 1/4	
33	4751500	3	Washer 5/16	
34	4711600	1	Washer 3/8	
35	4751000	4	Washer #10	
36	4791400	2	Washer 1/4	
37	4891800	4	Washer 1/2	
38	1705374	1	Decal, 240V	
39	1001110873	1	Cover, Receptacle	
41	1001140346	1	Generator Assembly	
41	70003709	1	Ring, Retaining (External)	
41	70003708	1	Ring, Retaining (Internal)	
41	70001966	1	Bearing	
41	70004092	1	Endbell (Shaft End)	
41	70004099	1	Key	
41	70004676	1	Rotor	

SECTION 3 - ENGINE

ITEM	PART NUMBER	QTY	DESCRIPTION	REV
41	70004687	1	Stator	
41	70004678	1	Endbell (Rear)	
41	70004679	1	Cover, Endbell (Rear)	
41	70004680	1	Enclosure, Wiring	
41	70004685	1	Cover, Enclosure	
41	70004682	1	Switch, Reset (Located on Enclosure Cover)	
41	70004098	1	Connector, Strain Relief (Located on Enclosure Cover)	
41	4460224	1	Receptacle, Female - 6 Position (Connects to Generator Harness)	
41	4460294	6	Pin, Male (Use with p/n 4460224)	
41	4460807	6	Seal, Terminal (Use with p/n 4460224)	
41	4460808	1	Seal, Interface (Use with p/n 4460224)	
42	1001142643	1	Support, Gen Tensioner	
43	1001142646	1	Belt, Generator	
44	1001152457	1	Junction Box Assembly	
44	3300396	1	Cover, Breaker	
44	4360070	1	Breaker, Circuit - 15Amp	
44	4460425	1	Connector, Strain Relief (LH Side)	
44	4460426	1	Connector, Strain Relief (RH Side)	
44	1001152530	1	Block, Terminal	
44	1001158363	1	Cover, Terminal Block	
44	1001153260	1	Decal - Wiring Diagram	
45	1001145330	1	Bracket	
46	0641410	4	Bolt 1/4 x 1-1/4	
47	1001110425	4	Spacer	
48	3311005	4	Nut #10	
49	1705387	3	Decal - Hazardous Voltage	
50	3251243	1	Decal, 120V-60Hz	
51	1001152532	1	Harness, Generator (See Separate Breakdown in ELECTRICAL SECTION)	
		Ref	ELECTRICAL DIAGRAM COMPONENTS	
101	1001153259	1	Harness, Generator	
103	4922641	1	Harness, Switch	

SECTION 3 - ENGINE

FIGURE 3-69. 4000W/50HZ GENERATOR INSTALLATION - DEUTZ TD2.9L4 ENGINES



ART_1001171268

SECTION 3 - ENGINE

FIGURE 3-69. 4000W/50HZ GENERATOR INSTALLATION - DEUTZ TD2.9L4 ENGINES

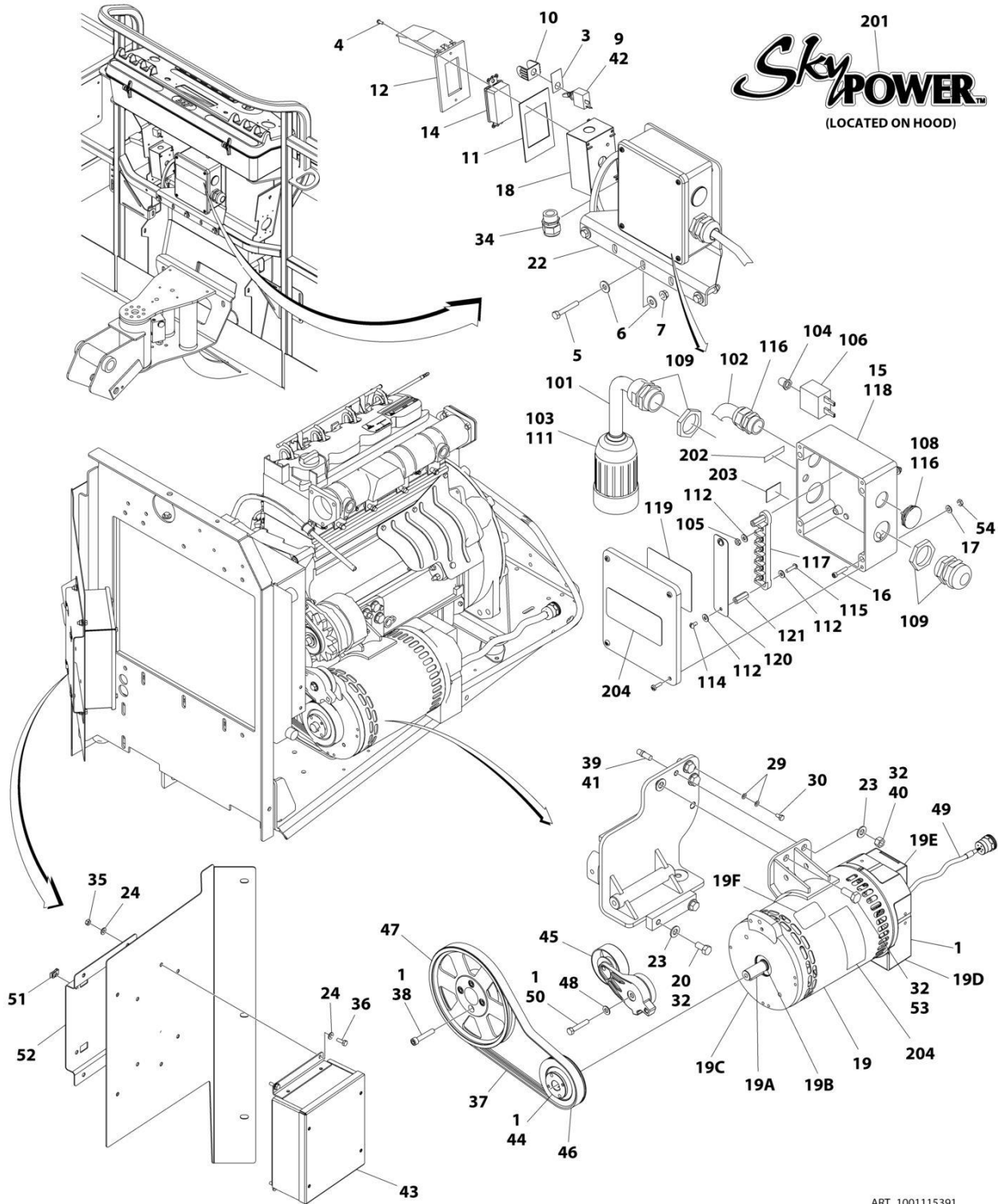
ITEM	PART NUMBER	QTY	DESCRIPTION	REV
	1001171268	Ref	4000W/50HZ Generator Installation	C
1	0100011	AR	Compound, Locking	
2	0100019	AR	Compound, Locking	
3	0100048	AR	Grease, Dielectric	
4	0641404	1	Bolt 1/4 x 1/2	
5	0641406	6	Bolt 1/4 x 3/4	
6	0641410	4	Bolt 1/4 x 1-1/4	
7	0641415	2	Bolt 1/4 x 1-7/8	
9	0641618	1	Bolt 3/8 x 2-1/4	
10	0641808	2	Bolt 1/2 x 1	
11	0741607	3	Screw, Flathead 3/8 x 7/8	
13	0962520	1	Bushing, Split	
14	1705489	2	Decal - Hazardous Voltage	
15	2820031	0.33 ft /.10m	Heat Shrink	
16	3251102	1	Nameplate, Generator	
18	3300454	4	Nut, U-Style 1/4	
20	3311405	4	Nut 1/4	
22	3311801	2	Nut 1/2	
23	3580317	1	Tensioner, Belt with Pulley	
24	3580319	1	Pulley, Generator	
26	4060802	1	Guard, Switch	
27	4240018	AR	Tie-Strap (Not Shown)	
28	4360336	1	Switch, Toggle	
29	4711400	16	Washer 1/4	
30	4711600	1	Washer 3/8	
33	4791400	2	Washer 1/4	
34	4891800	4	Washer 1/2	
35	1001096070	1	Breaker Box Kit (Not Shown) (See Separate Breakdown in ELECTRICAL SECTION)	
36	1001110425	4	Spacer	
37	1001138566	1	Box, Control	
37	70006552	1	Capacitor	
37	70006553	1	Relay	
38	1001140347	1	Generator Assembly	
38	70003709	1	Ring, Retaining (External)	
38	70003708	1	Ring, Retaining (Internal)	
38	70001966	1	Bearing	
38	70004092	1	Endbell (Shaft End)	
38	70004099	1	Key	
38	70004676	1	Rotor	
38	70004686	1	Stator	
38	70004678	1	Endbell (Rear)	
38	70004679	1	Cover, Endbell (Rear)	
38	70004680	1	Enclosure, Wiring	
38	70004681	1	Cover, Enclosure	
38	70004682	1	Switch, Reset (Located on Enclosure Cover)	
38	70004683	1	Connector, Strain Relief (Located on Enclosure Cover)	
38	4460224	1	Receptacle, Female - 6 Position (Connects to Generator Harness)	

SECTION 3 - ENGINE

ITEM	PART NUMBER	QTY	DESCRIPTION	REV
38	4460294	6	Pin, Male (Use with p/n 4460224)	
38	4460807	6	Seal, Terminal (Use with p/n 4460224)	
38	4460808	1	Seal, INterface (Use with p/n 4460224)	
39	1001142643	1	Support, Gen Tensioner	
40	1001142645	1	Belt	
41	1001145330	1	Bracket	
43	1001152532	1	Harness, Generator (See Separate Breakdown in ELECTRICAL SECTION)	
44	1001153636	1	Bracket	
45	1001163599	2	Stud	
46	1001153259	1	Harness, Generator	

SECTION 3 - ENGINE

FIGURE 3-70. 7500W/60HZ SKYPOWER GENERATOR INSTALLATION - DEUTZ D2011 ENGINES



SECTION 3 - ENGINE

FIGURE 3-70. 7500W/60HZ SKYPOWER GENERATOR INSTALLATION - DEUTZ D2011 ENGINES

ITEM	PART NUMBER	QTY	DESCRIPTION	REV
	1001115391	Ref	7500W/60HZ SKYPOWER GENERATOR INSTALLATION	F
1	0100011	AR	Compound, Locking	
3	3252764	1	Nameplate	
4	3910606	4	Screw #6 x 3/8	
5	0641516	3	Bolt 5/16 x 2	
6	4711500	6	Washer	
7	3311505	3	Nut 5/16	
9	4360336	1	Switch, Toggle	
10	4060802	1	Guard, Switch	
11	3960422	1	Gasket	
12	1001110873	1	Cover, Receptacle	
14	4460346	1	Receptacle	
15	1001157592	Ref	Junction Box Assembly Options (See Items 101-121 for Breakdown)	
16	3931016	4	Capscrew #10 x 1	
17	4751000	4	Washer #10	
18	0860038	1	Box, Switch	
19	2460048	1	Generator Assembly	D
19	70001100	1	Rotor (Includes p/n 70001384 & 70000863) (Not Shown)	
19	70001384	1	Bearing, Ball Radial (Not Shown)	
19	70000863	1	Fan (Not Shown)	
19	70002088	1	Stator (Not Shown)	
19	70002297	1	Stud	
19	70003631	1	Brushholder Assembly (Not Shown)	
19A	70004171	1	Key	
19B	70001966	1	Bearing, Ball Radial (Located in Belt Tensioner Endbell)	
19B	70003708	1	Ring, Internal Retaining (Located in Belt Tensioner Endbell)	
19B	70003709	1	Ring, External Retaining (Located in Belt Tensioner Endbell)	
19C	70001953	1	Endbell, Belt Tensioner	
19D	70004169	1	Endbell, Brush Block	
19E	70002290	1	Shroud	
19E	7027799	1	Block, Connector 6 Position (Not Shown)	
19E	7026626	1	Connector - 6 Position with Seal (Not Shown)	
19E	70002460	1	Nut, Brass (Attaches p/n 7027799 to Cover) (Not Shown)	
19E	7024485	1	Breaker, Circuit 30Amp (Not Shown)	
19E	70001696	1	Boot, Breaker (Not Shown)	
19E	7026597	1	Connector, W/Leads (Not Shown)	
19E	7026188	1	Clamp, Cable (Not Shown)	
19E	70003708	1	Ring, Retaining (Internal) (Not Shown)	
19E	70003709	1	Ring, Retaining (External) (Not Shown)	
19E	70004169	1	Plate, End Panel	
19E	70001974	1	Decal - Terminal Connections	
19F	70001973	1	Decal - Warning Moving Parts	
20	0641808	2	Bolt 1/2 x 1	
22	0902888	1	Bracket, Box Mounting	
23	4711800	3	Washer 1/2	
24	4711400	8	Washer 1/4	
28	4240018	AR	Tie-Strap (Not Shown)	
29	4791400	2	Starwasher 1/4	
30	0641403	1	Bolt 1/4 x 3/8	

SECTION 3 - ENGINE

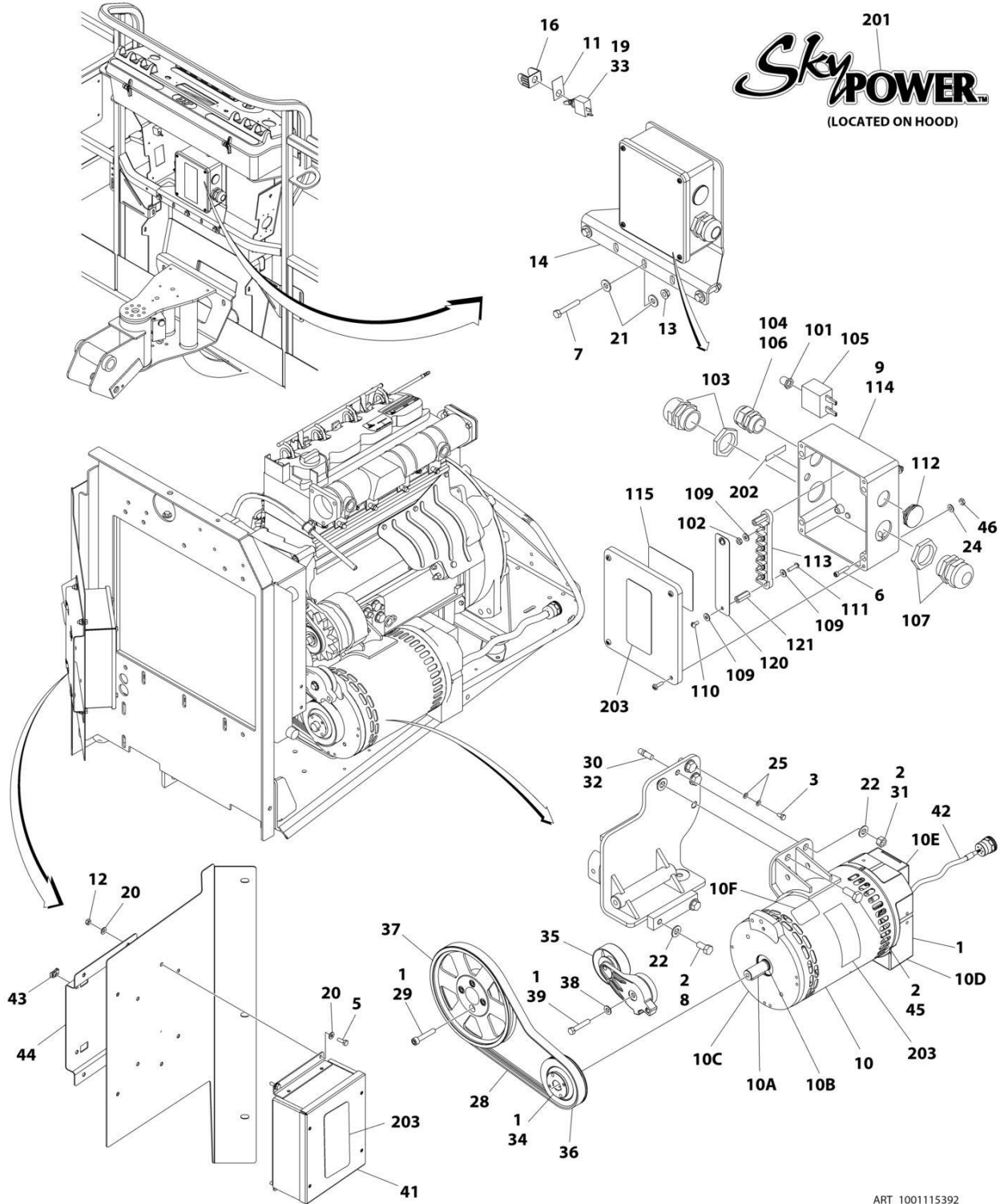
ITEM	PART NUMBER	QTY	DESCRIPTION	REV
32	0100019	AR	Compound, Locking	
34	4460071	1	Connector, Strain Relief	
35	3311405	4	Nut 1/4	
36	0641406	4	Bolt 1/4 x 3/4	
37	0480129	1	Belt, Drive	
38	4032015	4	Capscrew M10 x 55	
39	4300157	1	Stud	
40	3311801	1	Nut 1/2	
41	0100062	AR	Adhesive	
42	2820031	1	Insulator	
43	0861538	1	Control Box Assembly	
43	7024488	1	Card, Circuit - Generator Power	
43	See Note	1	Fuse (Note: Not Available - Purchase Locally)	
43	7024489	1	Card, Circuit - Control	
		Ref	Note: Same Circuit Card (p/n 7024489) is used for both 60Hz and 50Hz. When replacing card, rocker switch on card must be set for required application	
43	70000619	1	Harness, Circuit Card	
44	0962520	1	Bushing, Split Taper	
45	3580317	1	Tensioner, Belt	
46	3580318	1	Pulley	
47	3580320	1	Pulley	
48	4711600	1	Washer 3/8	
49	4922925	1	Harness, Generator (See Separate Breakdown in ELECTRICAL SECTION)	
50	0641618	1	Bolt 3/8 x 2-1/4	
51	3300454	4	Nut Special 1/4	
52	3575863	1	Plate, EMR2 Mount	
53	0771415	1	Bolt M14 x 35	
54	3311005	4	Nut #10	
	1001157592	Ref	JUNCTION BOX ASSEMBLY	D
101	1060343	AR	Cable, Electrical 10/4	
102	1001179154	2 ft/.6m	Cable, Electrical 12/3	
103	1671092	1	Cover	
104	3300396	1	Cover, Fuse	
105	3311001	6	Nut #10	
106	4360070	1	Circuit Breaker - 15 Amp	
108	4460425	1	Strain Relief, Terminal	
109	4460426	2	Connector, Strain Relief	
111	4460963	1	Connector	
112	4711000	10	Washer #10	
114	10702077	2	Screw #10 x 3/8	
115	10702082	2	Screw #10 x 3/4	
116	1001152525	1	Plug, Hole	
117	1001157520	1	Block, Terminal - 6 Pole	
118	1001157521	1	Box, Junction	
119	1001157528	1	Decal - Wiring Schematic	
120	1001158007	1	Cover, PVC	
121	1001158008	2	Stand-Off	
	0272435	Ref	DECAL INSTALLATION	D
201	1705460	2	Decal - SkyPower	
202	3251243	1	Decal - 120V - 60Hz (Located on Opposite Side)	

SECTION 3 - ENGINE

ITEM	PART NUMBER	QTY	DESCRIPTION	REV
203	1705375	1	Decal - 240V - 3 Phase	B
204	1705387	3	Decal, Hazardous Voltage	
	1001157769	Ref	ELECTRICAL DIAGRAM COMPONENTS	
301	1001152429	1	Generator Harness (Not Shown - See Separate Breakdown in ELECTRICAL SECTION)	
304	4922641	1	Switch Harness (Not Shown)	

SECTION 3 - ENGINE

FIGURE 3-71. 7500W/50HZ SKYPOWER GENERATOR INSTALLATION - DEUTZ D2011 ENGINES



ART_1001115392

SECTION 3 - ENGINE

FIGURE 3-71. 7500W/50HZ SKYPOWER GENERATOR INSTALLATION - DEUTZ D2011 ENGINES

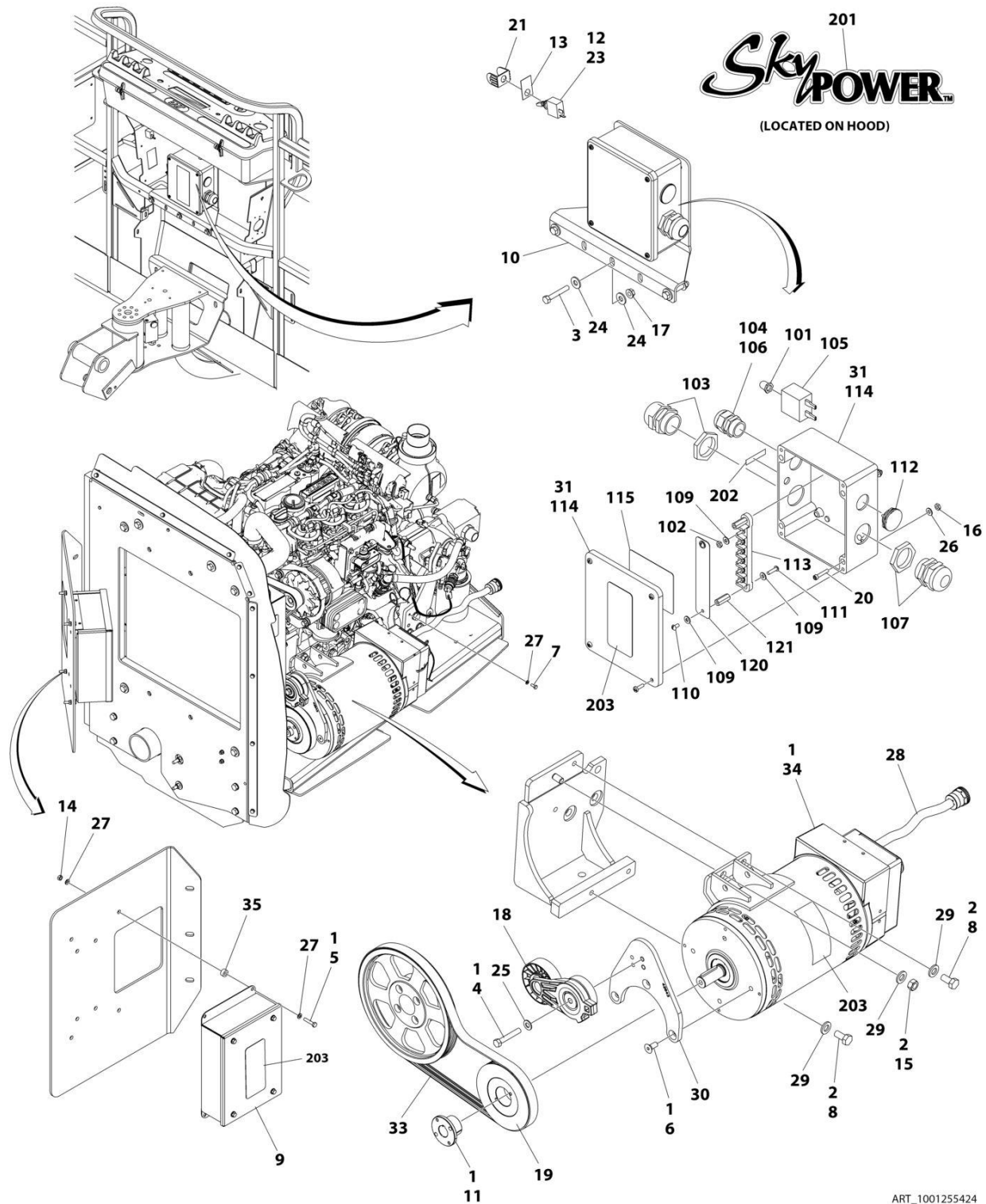
ITEM	PART NUMBER	QTY	DESCRIPTION	REV
	1001115392	Ref	7500W/50HZ SKYPOWER GENERATOR INSTALLATION	E
1	0100011	AR	Compound, Locking	
2	0100019	AR	Compound, Locking	
3	0641403	1	Bolt 1/4 x 3/8	
5	0641406	4	Bolt 1/4 x 3/4	
6	3931016	4	Capscrew #10 x 1	
7	0641516	3	Bolt 5/16 x 2	
8	0641808	2	Bolt 1/2 x 1	
9	1001157525	Ref	Junction Box Assembly Options (See Items 101-121 for Breakdown)	
10	2460048	1	Generator Assembly	D
10	70001100	1	Rotor (Includes p/n 70001384 & 70000863) (Not Shown)	
10	70001384	1	Bearing, Ball Radial (Not Shown)	
10	70000863	1	Fan (Not Shown)	
10	70002088	1	Stator (Not Shown)	
10	70002297	1	Stud	
10	70003631	1	Brushholder Assembly (Not Shown)	
10A	70004171	1	Key	
10B	70001966	1	Bearing, Ball Radial (Located in Belt Tensioner Endbell)	
10B	70003708	1	Ring, Internal Retaining (Located in Belt Tensioner Endbell)	
10B	70003709	1	Ring, External Retaining (Located in Belt Tensioner Endbell)	
10C	70001953	1	Endbell, Belt Tensioner	
10D	70004169	1	Endbell, Brush Block	
10E	70002290	1	Shroud	
10E	7027799	1	Block, Connector 6 Position (Not Shown)	
10E	7026626	1	Connector - 6 Position with Seal (Not Shown)	
10E	70002460	1	Nut, Brass (Attaches p/n 7027799 to Cover) (Not Shown)	
10E	7024485	1	Breaker, Circuit 30Amp (Not Shown)	
10E	70001696	1	Boot, Breaker (Not Shown)	
10E	7026597	1	Connector, W/Leads (Not Shown)	
10E	7026188	1	Clamp, Cable (Not Shown)	
10E	70003708	1	Ring, Retaining (Internal) (Not Shown)	
10E	70003709	1	Ring, Retaining (External) (Not Shown)	
10E	70004169	1	Plate, End Panel	
10E	70001974	1	Decal - Terminal Connections	
10F	70001973	1	Decal - Warning Moving Parts	
11	3252764	1	Nameplate	
12	3311405	4	Nut 1/4	
13	3311505	3	Nut 5/16	
14	0902888	1	Bracket, Box Mounting	
16	4060802	1	Guard, Switch	
18	4240018	AR	Tie-Strap (Not Shown)	
19	4360336	1	Switch, Toggle	
20	4711400	8	Washer 1/4	
21	4711500	6	Washer	
22	4711800	3	Washer 1/2	
24	4751000	4	Washer #10	
25	4791400	2	Starwasher 1/4	
28	0480126	1	Belt, Drive	
29	4032015	4	Capscrew M10 x 55	

SECTION 3 - ENGINE

ITEM	PART NUMBER	QTY	DESCRIPTION	REV
30	4300157	1	Stud	
31	3311801	1	Nut 1/2	
32	0100062	AR	Adhesive	
33	2820031	1	Insulator	
34	0962520	1	Bushing, Split Taper	
35	3580317	1	Tensioner, Belt	
36	3580319	1	Pulley	
37	3580320	1	Pulley	
38	4711600	1	Washer 3/8	
39	0641618	1	Bolt 3/8 x 2-1/4	
41	0861572	1	Control Box Assembly	
41	7024488	1	Card, Circuit - Generator Power	
41	See Note	1	Fuse (Note: Not Available - Purchase Locally)	
41	7024489	1	Card, Circuit - Control	
		Ref	"Note: Same Circuit Card (p/n 7024489) is used for both 60Hz and 50Hz. When replacing card, rocker switch on card must be set for required application."	
41	70000619	1	Harness, Circuit Card	
42	4922925	1	Harness, Generator (See Separate Breakdown in ELECTRICAL SECTION)	
43	3300454	4	Nut Special 1/4	
44	3575863	1	Plate, EMR2 Mount	
45	0771415	1	Bolt M14 x 35	
46	3311005	4	Nut #10	
	1001157525	Ref	JUNCTION BOX ASSEMBLY	B
101	3300396	1	Cover, Fuse	
102	3311001	6	Nut #10	
103	3520189	1	Plug	
104	3520192	1	Plug	
105	4360070	1	Circuit Breaker - 15 Amp	
106	4460425	1	Strain Relief, Terminal	
107	4460426	2	Connector, Strain Relief	
109	4711000	10	Washer #10	
110	10702077	2	Screw #10 x 3/8	
111	10702082	2	Screw #10 x 3/4	
112	1001152525	1	Plug, Hole	
113	1001157520	1	Block, Terminal - 6 Pole	
114	1001157521	1	Box, Junction	
115	1001157528	1	Decal - Wiring Schematic	
120	1001158007	1	Cover, PVC	
121	1001158008	2	Stand-Off	
	0272589	Ref	DECAL INSTALLATION	A
201	1705460	2	Decal - SkyPower	
202	1705461	1	Decal - 240V - 3 Phase	
203	1705489	Ref	Decal, Hazardous Voltage	
	1001157769	Ref	ELECTRICAL DIAGRAM COMPONENTS	B
301	1001152429	1	Generator Harness (Not Shown - See Separate Breakdown in ELECTRICAL SECTION)	
304	4922641	1	Switch Harness (Not Shown)	

SECTION 3 - ENGINE

FIGURE 3-72. 7500W/50HZ SKYPOWER GENERATOR INSTALLATION - DEUTZ TD2.2L3 STAGE V ENGINES



ART_1001255424

SECTION 3 - ENGINE

FIGURE 3-72. 7500W/50HZ SKYPOWER GENERATOR INSTALLATION - DEUTZ TD2.2L3 STAGE V ENGINES

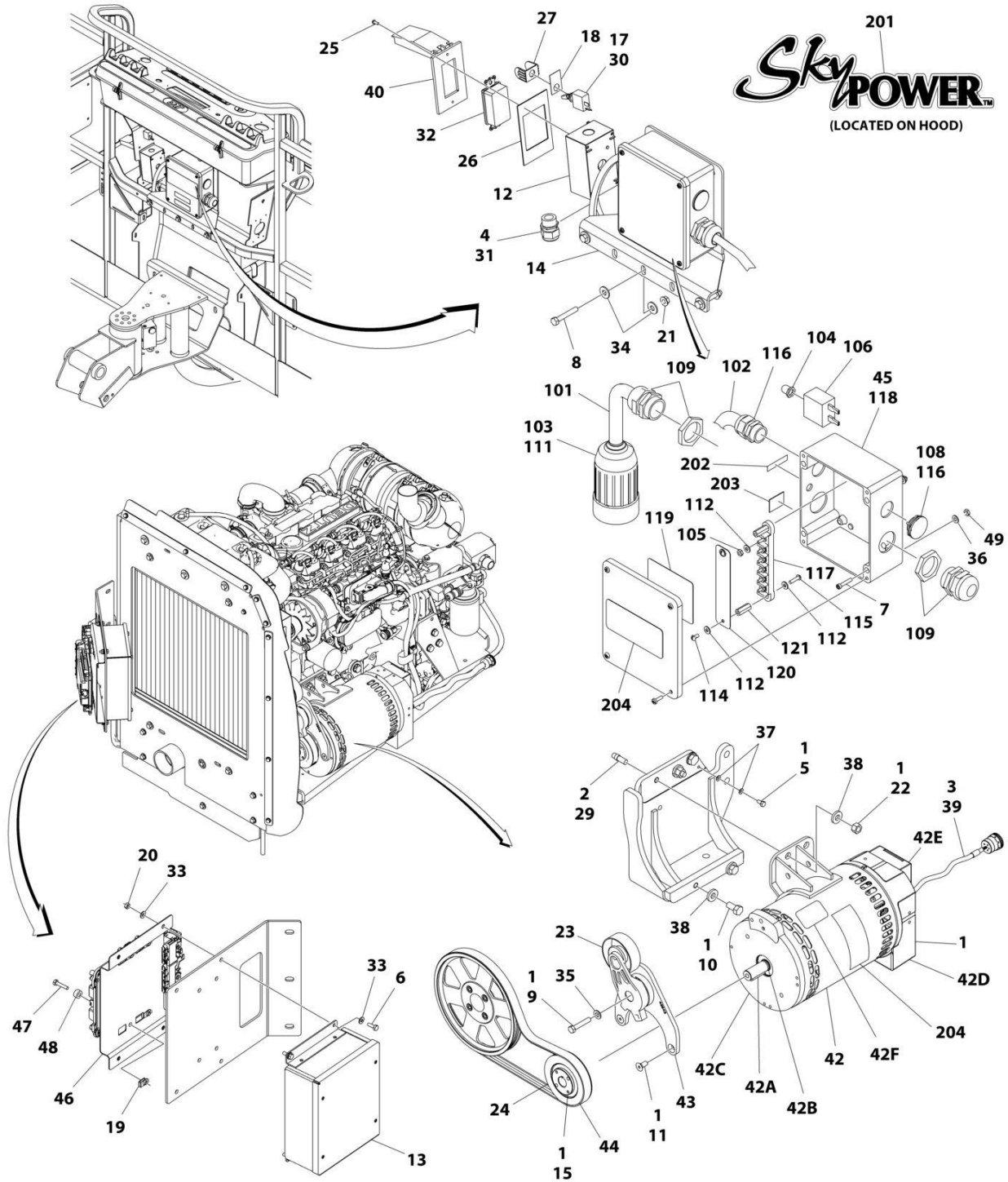
ITEM	PART NUMBER	QTY	DESCRIPTION	REV
	1001255424	Ref	7500W/50HZ SKYPOWER GENERATOR INSTALLATION	B
1	0100011	AR	Compound, Locking	
2	0100019	AR	Compound, Locking	
3	0641516	3	Bolt 5/16 x 2	
4	0641618	1	Bolt 3/8 x 2-1/4	
5	0700614	4	Bolt M6 x 30	
6	0741607	3	Screw, Flathead 3/8 x 7/8	
7	0760607	1	Bolt M6 x 14	
8	0761212	3	Bolt M12 x 25	
9	0861572	1	Control Box Assembly	
9	7024488	1	Card, Circuit - Generator Power	
9	See Note	1	Fuse (Note: Not Available - Purchase Locally)	
9	7024489	1	Card, Circuit - Control	
		Ref	"Note: Same Circuit Card (p/n 7024489) is used for both 60Hz and 50Hz. When replacing card, rocker switch on card must be set for required application."	
9	70000619	1	Harness, Circuit Card	
10	0902888	1	Bracket, Box Mounting	
11	0962520	1	Bushing, Split Taper	
12	2820031	AR	Insulator	
13	3252764	1	Nameplate	
14	3290601	4	Nut M6	
15	3291201	1	Nut M12	
16	3311005	4	Nut #10	
17	3311505	3	Nut 5/16	
18	3580317	1	Tensioner, Belt	
19	3580319	1	Pulley	
20	3931016	4	Capscrew #10 x 1	
21	4060802	1	Guard, Switch	
22	4240018	AR	Tie-Strap (Not Shown)	
23	4360336	1	Switch, Toggle	
24	4711500	6	Washer	
25	4711800	1	Washer 1/2	
26	4751000	4	Washer #10	
27	4811700	9	Washer M6	
28	4922925	1	Harness, Generator (See Separate Breakdown in ELECTRICAL SECTION)	
29	5241200	4	Washer M12	
30	1001142643	1	Support, Gen Tensioner	
31	1001157525	Ref	Junction Box Assembly Options (See Items 101-121 for Breakdown)	
33	1001214683	1	Belt, Generator	
34	1001248105	1	Generator Assembly - 50Hz (Note: No service parts available at time of printing)	
35	1001110425	1	Spacer	
	1001157525	Ref	JUNCTION BOX ASSEMBLY	B
101	3300396	1	Cover, Fuse	
102	3311001	6	Nut #10	
103	3520189	1	Plug	
104	3520192	1	Plug	

SECTION 3 - ENGINE

ITEM	PART NUMBER	QTY	DESCRIPTION	REV
105	4360070	1	Circuit Breaker - 15 Amp	
106	4460425	1	Strain Relief, Terminal	
107	4460426	2	Connector, Strain Relief	
109	4711000	10	Washer #10	
110	10702077	2	Screw #10 x 3/8	
111	10702082	2	Screw #10 x 3/4	
112	1001152525	1	Plug, Hole	
113	1001157520	1	Block, Terminal - 6 Pole	
114	1001157521	1	Box, Junction	
115	1001157528	1	Decal - Wiring Schematic	
120	1001158007	1	Cover, PVC	
121	1001158008	2	Stand-Off	
	0272589	Ref	DECAL INSTALLATION	A
201	1705460	2	Decal - SkyPower	
202	1705461	1	Decal - 240V - 3 Phase	
203	1705489	Ref	Decal, Hazardous Voltage	
	1001157769	Ref	ELECTRICAL DIAGRAM COMPONENTS	B
301	1001152429	1	Generator Harness (Not Shown - See Separate Breakdown in ELECTRICAL SECTION)	
304	4922641	1	Switch Harness (Not Shown)	

SECTION 3 - ENGINE

FIGURE 3-73. 7500W/60HZ SKYPOWER GENERATOR INSTALLATION - DEUTZ TD2.9L4 ENGINES



ART_1001145227

SECTION 3 - ENGINE

FIGURE 3-73. 7500W/60HZ SKYPOWER GENERATOR INSTALLATION - DEUTZ TD2.9L4 ENGINES

ITEM	PART NUMBER	QTY	DESCRIPTION	REV
	1001145227	Ref	7500W/60HZ SKYPOWER GENERATOR INSTALLATION	G
1	0100011	AR	Compound, Locking	
2	0100019	AR	Compound, Locking	
3	0100048	AR	Grease, Dielectric	
4	0100079	AR	Sealant	
5	0641404	1	Bolt 1/4 x 1/2	
6	0641407	4	Bolt 1/4 x 7/8	
7	3931016	4	Capscrew #10 x 1	
8	0641516	3	Bolt 5/16 x 2	
9	0641616	1	Bolt 3/8 x 2	
10	0641808	2	Bolt 1/2 x 1	
11	0741607	3	Screw, Flathead 3/8 x 7/8	
12	0860038	1	Box, Switch	
13	0861538	1	Control Box Assembly	
13	7024488	1	Card, Circuit - Generator Power	
13	See Note	1	Fuse (Note: Not Available - Purchase Locally)	
13	7024489	1	Card, Circuit - Control	
		Ref	Note: Same Circuit Card (p/n 7024489) is used for both 60Hz and 50Hz. When replacing card, rocker switch on card must be set for required application.	
13	70000619	1	Harness, Circuit Card	
14	0902888	1	Bracket, Box Mounting	
15	0962520	1	Bushing, Split Taper	
17	2820031	1	Insulator	
18	3252764	1	Nameplate	
19	3300454	4	Nut Special 1/4	
20	3311405	4	Nut 1/4	
21	3311505	3	Nut 5/16	
22	3311801	2	Nut 1/2	
23	3580317	1	Tensioner, Belt	
24	3580318	1	Pulley	
25	3910606	4	Screw #6 x 3/8	
26	3960422	1	Gasket	
27	4060802	1	Guard, Switch	
28	4240018	AR	Tie-Strap (Not Shown)	
29	1001163599	2	Stud	
30	4360336	1	Switch, Toggle	
31	4460071	1	Connector, Strain Relief	
32	4460346	1	Receptacle	
33	4711400	8	Washer 1/4	
34	4711500	6	Washer	
35	4711600	1	Washer 3/8	
36	4751000	4	Washer #10	
37	4791400	2	Starwasher 1/4	
38	4891800	4	Washer 1/2	
39	4922925	1	Harness, Generator (See Separate Breakdown in ELECTRICAL SECTION)	
40	1001110873	1	Cover, Receptacle	
42	1001212223	1	Generator Assembly	
42	70001100	1	Rotor (Includes p/n 70001384 & 70000863) (Not Shown)	

SECTION 3 - ENGINE

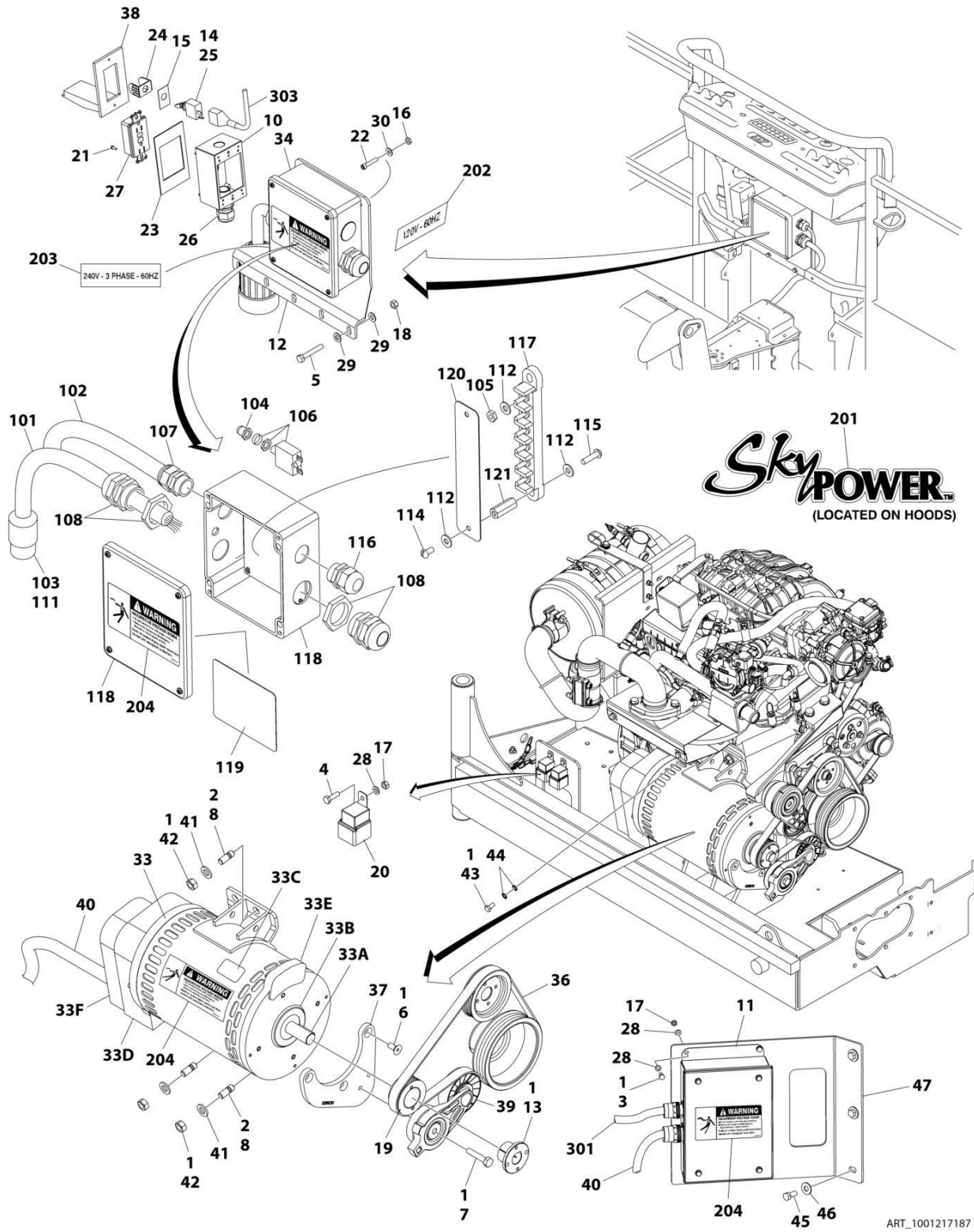
ITEM	PART NUMBER	QTY	DESCRIPTION	REV
42	70001384	1	Bearing, Ball Radial (Not Shown)	
42	70000863	1	Fan (Not Shown)	
42	70006093	1	Stator (Not Shown)	
42	70002297	1	Stud	
42	70003631	1	Brushholder Assembly (Not Shown)	
42A	70004099	1	Key	
42B	70001966	1	Bearing, Ball Radial (Located in Belt Tensioner Endbell)	
42B	70003708	1	Ring, Internal Retaining (Located in Belt Tensioner Endbell)	
42B	70003709	1	Ring, External Retaining (Located in Belt Tensioner Endbell)	
42C	70004092	1	Endbell, Belt Tensioner	
42D	70004094	1	Endbell, Brush Block	
42E	70006094	1	Shroud	
42E	70002291	1	Insulator, Endbell	
42E	7027799	1	Block, Connector - 6 Position (Not Shown)	
42E	70002460	1	Nut, Brass (Attaches p/n 7027799 to Cover) (Not Shown)	
42E	70006095	1	Breaker, Circuit 30Amp (Not Shown)	
42E	70006096	1	Boot, Breaker (Not Shown)	
42E	7026626	1	Connector, 6 Position (Includes Seal) (Not Shown - Plugs into Item 45)	
42E	7026597	1	Connector with Leads (Not Shown)	
42E	70004098	1	Clamp, Cable (Not Shown)	
42E	70006097	1	Plate, End Panel	
42E	70001974	1	Decal - Terminal Connections	
42F	70001973	1	Decal - Warning Moving Parts	
43	1001142643	1	Support, Gen Tensioner	
44	1001142646	1	Belt, Generator	
45	1001157592	Ref	Junction Box Assembly Options (See Items 101-121 for Breakdown)	
46	1001145330	1	Bracket	
47	0641410	4	Bolt 1/4 x 1-1/4	
48	1001110425	4	Spacer	
49	3311005	4	Nut #10	
	1001157592	Ref	JUNCTION BOX ASSEMBLY	D
101	1060343	AR	Cable, Electrical 10/4	
102	1001179154	2 ft /0.6m	Cable, Electrical 12/3	
103	1671092	1	Cover	
104	3300396	1	Cover, Fuse	
105	3311001	6	Nut #10	
106	4360070	1	Circuit Breaker - 15 Amp	
108	4460425	1	Strain Relief, Terminal	
109	4460426	2	Connector, Strain Relief	
111	4460963	1	Connector	
112	4711000	10	Washer #10	
114	10702077	2	Screw #10 x 3/8	
115	10702082	2	Screw #10 x 3/4	
116	1001152525	1	Plug, Hole	
117	1001157520	1	Block, Terminal - 6 Pole	
118	1001157521	1	Box, Junction	
119	1001157528	1	Decal - Wiring Schematic	
120	1001158007	1	Cover, PVC	
121	1001158008	2	Stand-Off	
	0272435	Ref	DECAL INSTALLATION	D

SECTION 3 - ENGINE

ITEM	PART NUMBER	QTY	DESCRIPTION	REV
201	1705460	2	Decal - SkyPower	A
202	3251243	1	Decal - 120V - 60Hz (Located on Opposite Side)	
203	1705375	1	Decal - 240V - 3 Phase	
204	1705387	3	Decal, Hazardous Voltage	
	1001157770	Ref	ELECTRICAL DIAGRAM COMPONENTS	
301	1001119968	1	Generator Harness (Not Shown - See Separate Breakdown in ELECTRICAL SECTION)	
303	4922641	1	Switch Harness (Not Shown)	

SECTION 3 - ENGINE

FIGURE 3-74. 7500W/60HZ SKYPOWER GENERATOR INSTALLATION - FORD ENGINES



SECTION 3 - ENGINE

FIGURE 3-74. 7500W/60HZ SKYPOWER GENERATOR INSTALLATION - FORD ENGINES

ITEM	PART NUMBER	QTY	DESCRIPTION	REV
	1001217187	Ref	7500W/60HZ SKYPOWER GENERATOR INSTALLATION	F
1	0100011	AR	Compound, Locking	
2	0100019	AR	Compound, Locking	
3	0760608	4	Bolt M6 x 16	
4	0760610	2	Bolt M6 x 20	
5	0641516	3	Bolt 5/16 x 2	
6	0741607	3	Screw 3/8 x 7/8	
7	0761018	1	Bolt M10 x 50	
8	1001196382	4	Stud	
10	0860038	1	Box, Switch	
11	0861538	1	Control Box Assembly	
11	7024488	1	Card, Circuit - Generator Power	
11	See Note	1	Fuse (Note: Not Available - Purchase Locally)	
11	7024489	1	Card, Circuit - Control	
11	70000619	1	Harness, Circuit Card	
12	0902888	1	Bracket, Box Mounting	
13	0962520	1	Bushing, Spilt Taper	
14	2820031	1	Heat Shrink	
15	3252764	1	Nameplate - AC & Weld	
16	3311005	4	Nut #10	
17	3290601	6	Nut M6	
18	3311505	3	Nut 5/16	
19	3580314	1	Pulley	
20	3740080	2	Relay	
21	3910606	2	Screw #6 x 3/8	
22	3931016	4	Capscrew #10 x 1	
23	3960422	1	Gasket	
24	4060802	1	Guard, Switch	
25	4360336	1	Switch, Toggle	
26	4460071	1	Connector, Strain Relief	
27	4460346	1	Receptacle	
28	4811700	10	Washer #10	
29	4711500	6	Washer 5/16	
30	4751000	4	Washer #10	
33	1001136104	1	Generator Assembly	
33	70003631	1	Brushholder Assembly (Not Shown)	
33	7024485	1	Breaker, Circuit 30Amp (Not Shown)	
33	70001696	1	Boot, Breaker (Not Shown)	
33	70001966	1	Bearing, Ball Radial (Located in Belt Tensioner Endbell - Not Shown)	
33	7027799	1	Block, Connector 6 Position (Not Shown)	
33	70002460	6	Nut, Brass (Attaches p/n 7027799 to Cover) (Not Shown)	
33	7026188	1	Clamp, Cable (Not Shown)	
33	7026597	1	Connector, W/Leads (Not Shown)	
33	7026626	1	Connector - 6 Position with Seal (Not Shown)	
33	70002088	1	Stator (Not Shown)	
33	70004169	1	Panel, End (Not Shown)	
33	70001974	1	Decal - Terminal Connections (Not Shown)	
33	70000863	1	Fan (Not Shown)	
33	70002297	4	Stud (Not Shown)	

SECTION 3 - ENGINE

ITEM	PART NUMBER	QTY	DESCRIPTION	REV
33A	70004171	1	Key	
33A	70001100	1	Armature, Generator (Includes Radial Ball Bearing on End with Brushes and Fan)	
33A	70001384	1	Bearing, Ball Radial	
33B	70001966	1	Bearing, Radial Ball	
33B	70003708	1	Ring, Internal Retaining (Located in Belt Tensioner Endbell)	
33B	70003709	1	Ring, External Retaining (Located in Belt Tensioner Endbell)	
33C	70001973	1	Decal - Warning Moving Parts	
33D	70004169	1	Endbell, Brush Block	
33E	70001953	1	Endbell, Belt Tensioner	
33F	70004169	1	Endbell, Shroud Assembly	
34	1001157592	1	Junction Box Assembly (See Items 101-121 for Breakdown)	
36	1001216390	1	V-Belt	
37	1001218930	1	Mount, Tensioner	
38	1001110873	1	Cover, Receptacle	
39	3580317	1	Tensioner, Belt	
40	4922925	1	Harness, Generator (See Separate Breakdown in ELECTRICAL SECTION)	
41	5241200	4	Washer M12	
42	3291201	4	Nut M12	
43	0760606	1	Bolt M6 x 12	
44	4871700	2	Washer M6	
45	0641607	3	Bolt 3/8 x 7/8	
46	4751600	3	Washer 3/8	
47	1001137866	1	Bracket	
	1001157592	Ref	JUNCTION BOX ASSEMBLY	C
101	1060343	1.5 ft /0.5m	Cable, Electrical - 10/4	
102	1001179154	2.5 ft /0.8m	Cable Electrical - 12/3	
103	1671092	1	Cover, Connector	
104	3300396	1	Cover, Fuse	
105	3311001	6	Nut #10	
106	4360070	1	Breaker, Circuit 15Amp	
107	4460425	1	Connector, Strain Relief	
108	4460426	2	Connector, Strain Relief	
111	4460963	1	Receptacle	
112	4711000	10	Washer #10	
114	10702077	2	Screw #10 x 3/8	
115	10702082	2	Screw #10 x 3/4	
116	1001152525	1	Plug, Hole	
117	1001157520	1	Block, Terminal Pole	
118	1001157521	1	Box, Junction	
119	1001157528	1	Decal - Box Junction	
120	1001158007	1	Cover	
121	1001158008	2	Standoff	
	0272435	Ref	DECAL INSTALLATION	D
201	1705460	2	Decal - SkyPower	
202	3251243	1	Decal - 120V - 60Hz (Located on Opposite Side)	
203	1705375	1	Decal - 240V - 3 Phase	
204	1705387	3	Decal, Hazardous Voltage	
	1001221498	Ref	ELECTRICAL DIAGRAM COMPONENTS	B

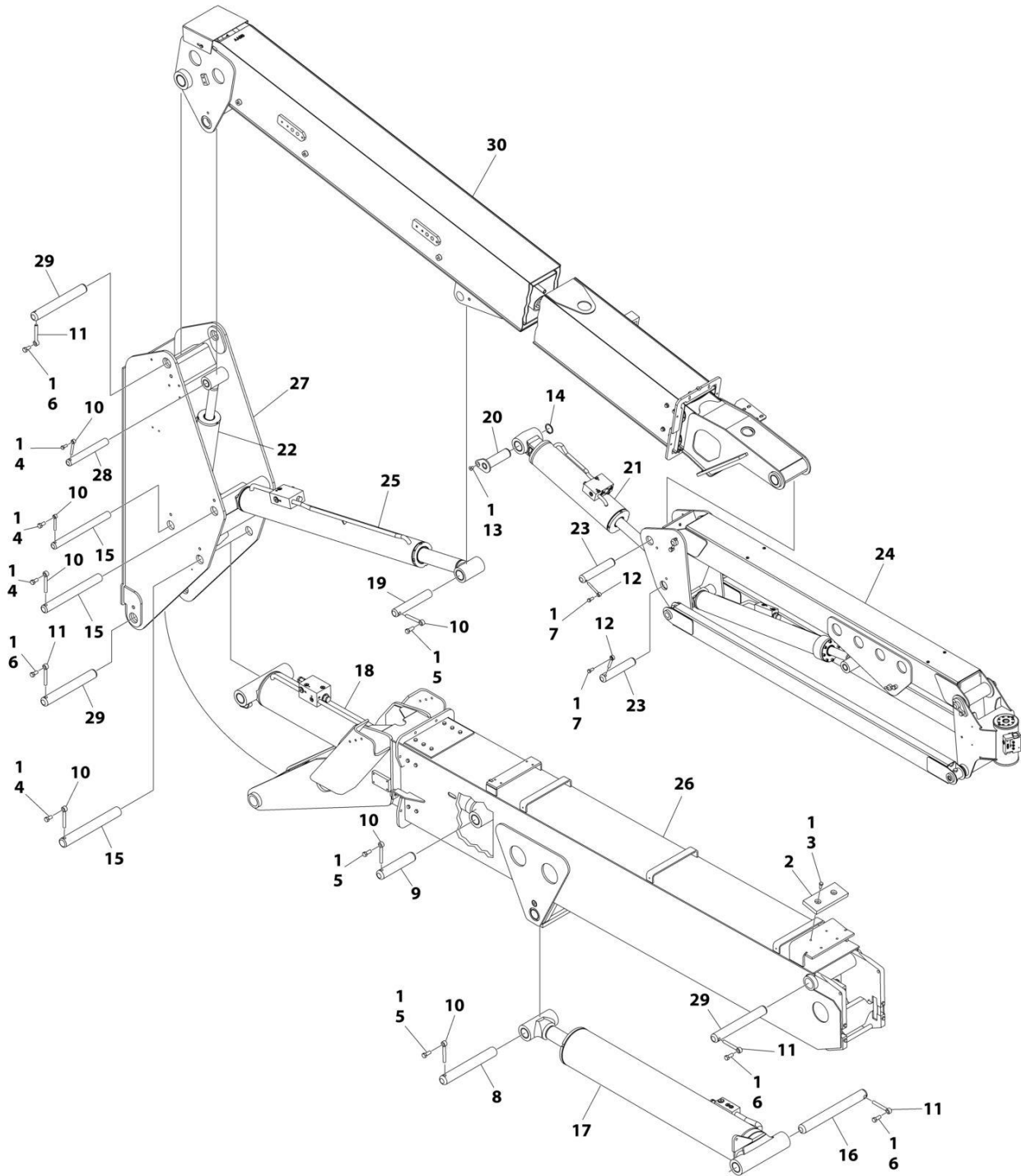
SECTION 3 - ENGINE

ITEM	PART NUMBER	QTY	DESCRIPTION	REV
301	1001257972	1	Generator Harness (See Separate Breakdown in ELECTRICAL SECTION)	A
303	4922641	1	Switch Harness	

SECTION 4 - BOOM

SECTION 4 - BOOM

FIGURE 4-1. BOOMS AND CYLINDERS INSTALLATION



ART_1001246978_G

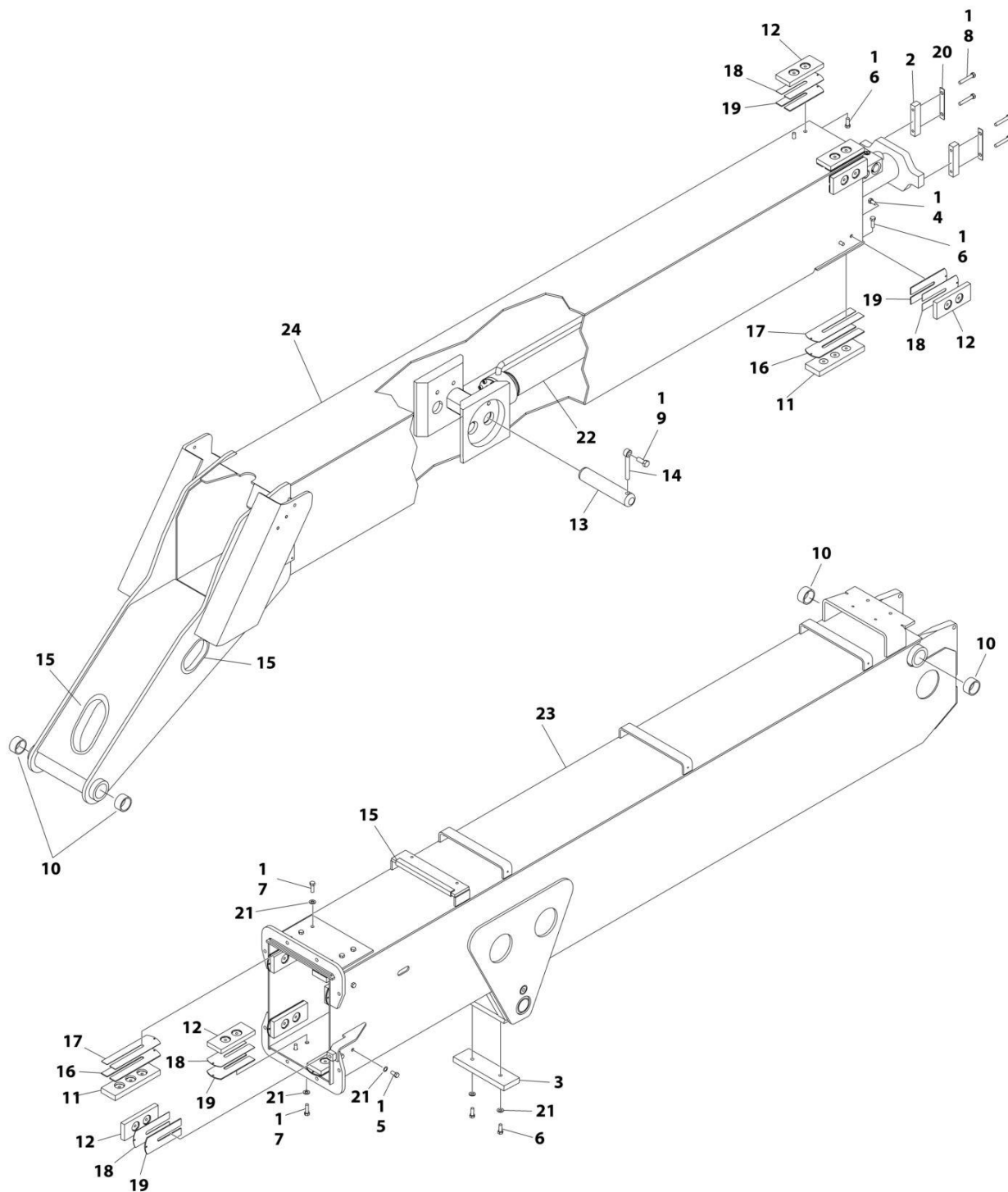
SECTION 4 - BOOM

FIGURE 4-1. BOOMS AND CYLINDERS INSTALLATION

ITEM	PART NUMBER	QTY	DESCRIPTION	REV
	1001246978	Ref	BOOMS AND CYLINDERS INSTALLATION	G
1	0100011	AR	Compound, Locking	
2	0561076	1	Block, Boom Rest	
3	0641607	2	Bolt 3/8 x 7/8	
4	0641809	4	Bolt 1/2 x 1-1/8	
5	0641810	3	Bolt 1/2 x 1-1/4	
6	0642012	4	Bolt 5/8 x 1-1/2	
7	0761212	2	Bolt M12 x 25	
8	1001267717	1	Pin	
9	3422575	1	Pin	
10	3841203	7	Keeper, Pin - 1/2	
11	3841258	4	Keeper, Pin	
12	3841709	2	Keeper, Pin - 1/2	
13	1001137032	1	Screw M10 x 16	
14	1001138671	1	Ring, Retaining	
15	1001155093	3	Pin	
16	1001267716	1	Pin	
17	1001261003	1	Tower Lift Cylinder Assembly (See Separate Breakdown in CYLINDER SECTION)	
18	1001251042	1	Upright Level Cylinder Assembly (See Separate Breakdown in CYLINDER SECTION)	
19	1001237138	1	Pin	
20	1001237142	1	Pin	
21	1001237697	1	Platform (Slave) Level Cylinder Assembly (See Separate Breakdown in CYLINDER SECTION)	
22	1001237698	1	Master Cylinder Assembly (See Separate Breakdown in CYLINDER SECTION)	
23	1001237949	1	Pin	
24	1001238328	1	Jib Boom Assembly (See Separate Breakdown in this Section)	
25	1001245761	1	Main Lift Cylinder Assembly (See Separate Breakdown in CYLINDER SECTION)	
26	1001246934	1	Tower Boom Assembly (See Separate Breakdown in this Section)	
27	1001246951	1	Upright	
28	1001246952	1	Pin	
29	1001246974	3	Pin	
30	1001248265	1	Main Boom Assembly (See Separate Breakdown in this Section)	

SECTION 4 - BOOM

FIGURE 4-2. TOWER BOOM ASSEMBLY



ART_1001246934

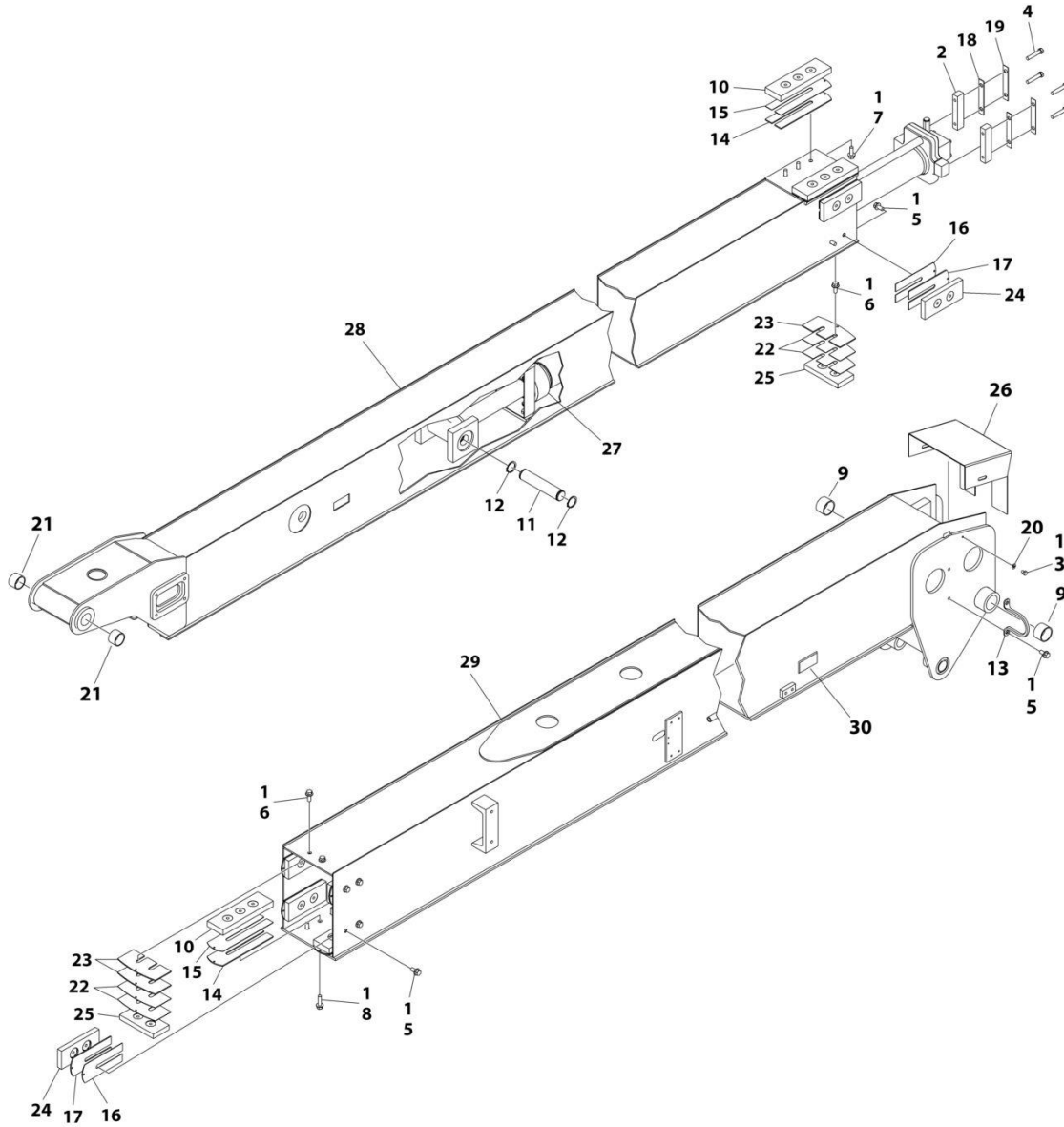
SECTION 4 - BOOM

FIGURE 4-2. TOWER BOOM ASSEMBLY

ITEM	PART NUMBER	QTY	DESCRIPTION	REV
	1001246934	Ref	TOWER BOOM ASSEMBLY	B
1	0100011	AR	Compound, Locking	
2	0561185	2	Block, Attach	
3	0561248	1	Block, Boom Rest	
4	0641606	8	Bolt 3/8 x 3/4	
5	0641607	8	Bolt 3/8 x 7/8	
6	0641608	12	Bolt 3/8 x 1	
7	0641610	10	Bolt 3/8 x 1-1/4	
8	0641616	4	Bolt 3/8 x 2	
9	0641810	1	Bolt 1/2 x 1-1/4	
10	0962036	4	Bushing	
11	3340871	4	Pad, Wear	
12	3340881	12	Pad, Wear	
13	3422575	1	Pin	
14	3841203	1	Keeper, Pin	
15	4060808	AR	Flex-Trim	
16	4070863	4	Shim .12	
17	4070864	4	Shim .05	
18	4070897	10	Shim .05	
19	4070898	12	Shim .12	
20	4070929	AR	Shim	
21	4711600	20	Washer 3/8	
22	1001228006	1	Cylinder Assembly - Tower Telescope (See Separate Breakdown in CYLINDER SECTION)	
23	1001246935	1	Base, Boom	
24	1001246936	1	Fly, Boom	

SECTION 4 - BOOM

FIGURE 4-3. MAIN BOOM ASSEMBLY



ART_1001248265

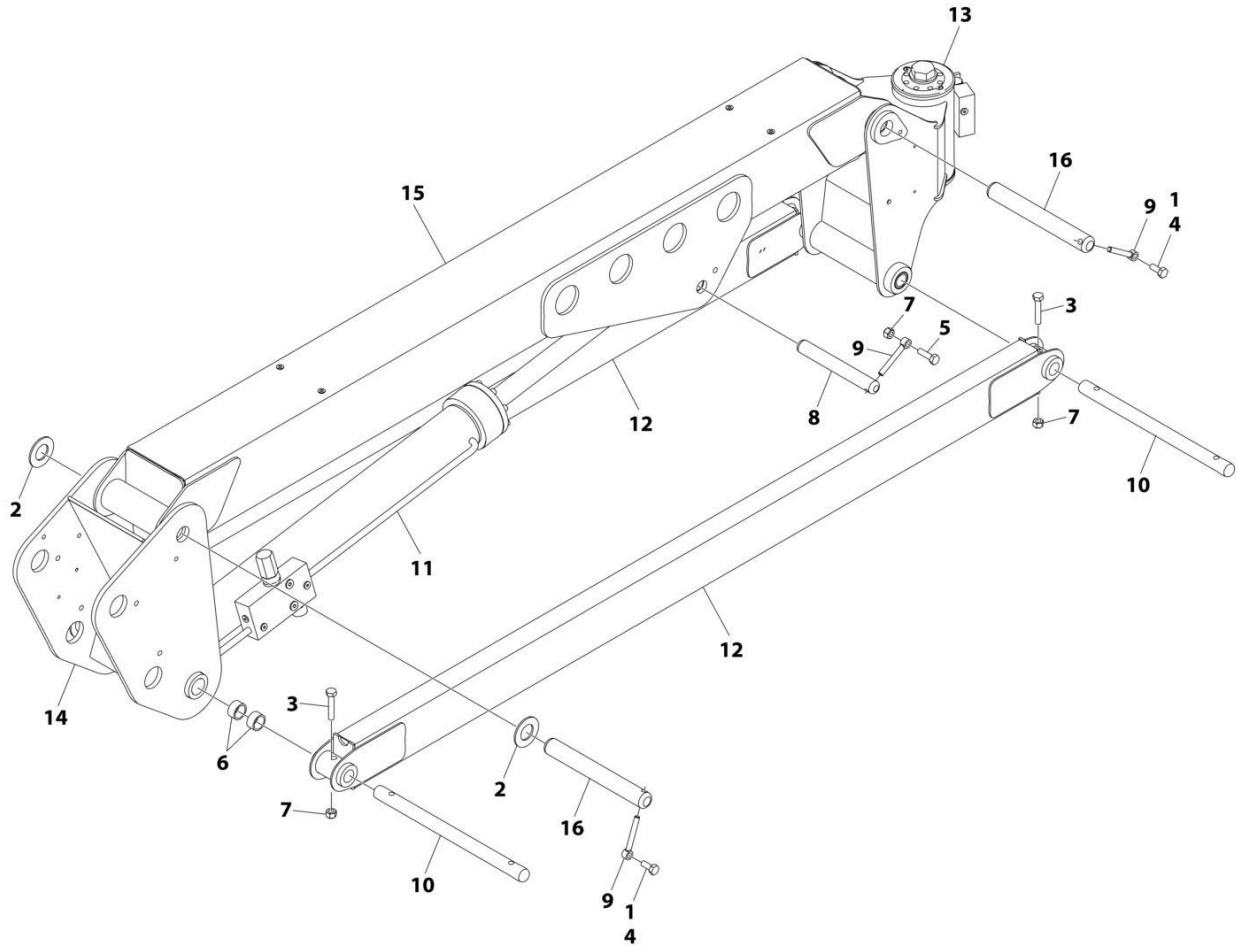
SECTION 4 - BOOM

FIGURE 4-3. MAIN BOOM ASSEMBLY

ITEM	PART NUMBER	QTY	DESCRIPTION	REV
	1001248265	Ref	BOOM ASSEMBLY	B
1	0100011	AR	Compound, Locking	
2	0561185	2	Block	
3	0641403	2	Bolt 1/4 x 3/8	
4	0641616	4	Bolt 3/8 x 2	
5	0811606	18	Bolt 3/8 x 3/4	
6	0811607	4	Bolt 3/8 x 7/8	
7	0811608	6	Bolt 3/8 x 1	
8	0811610	6	Bolt 3/8 x 1-1/4	
9	0962036	2	Bushing	
10	3340871	4	Pad, Wear	
11	3422457	1	Pin	
12	3760133	2	Ring, Retaining	
13	3841340	1	Loop, Hose	
14	4070863	4	Shim .12	
15	4070864	4	Shim .05	
16	4070897	8	Shim .05	
17	4070898	8	Shim .12	
18	4070929	AR	Shim	
19	4071007	AR	Shim	
20	4751200	2	Washer #12	
21	1001118666	2	Bushing	
22	1001136590	2	Shim 18Ga	
23	1001138436	4	Shim 11Ga	
24	1001148652	8	Pad, Wear	
25	1001152127	2	Pad, Wear	
26	1001162828	1	Cover, Boom	
27	1001228007	1	Telescope Cylinder Assembly (See Separate Breakdown in CYLINDER SECTION)	
28	1001248248	1	Fly, Boom	
29	1001248261	1	Base, Boom	
30	1001250737	3	Cover	

SECTION 4 - BOOM

FIGURE 4-4. JIB BOOM ASSEMBLY



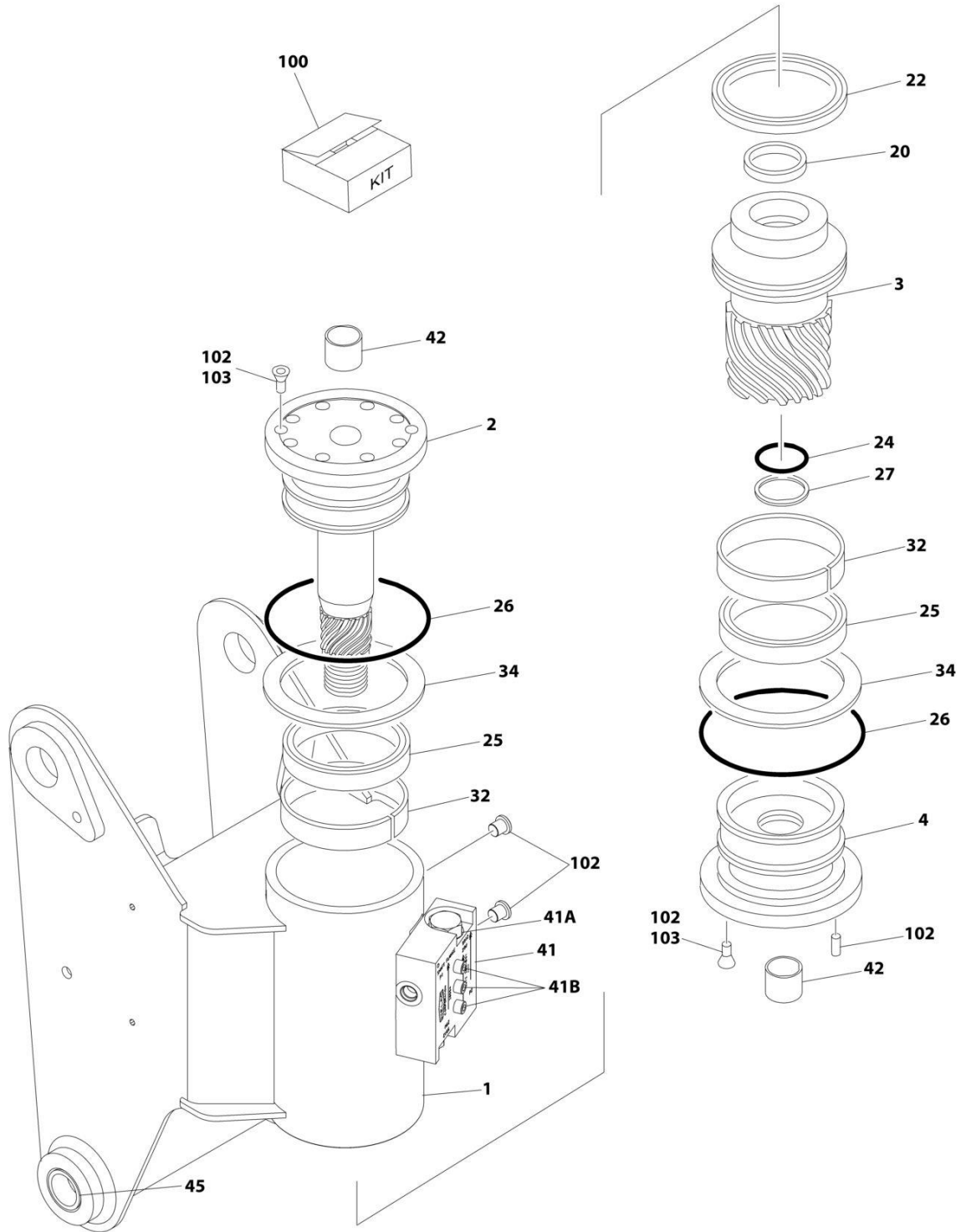
ART_1001238328_F

FIGURE 4-4. JIB BOOM ASSEMBLY

ITEM	PART NUMBER	QTY	DESCRIPTION	REV
	1001238328	Ref	JIB BOOM ASSEMBLY	F
1	0100011	AR	Compound, Locking	
2	0440162	2	Thrustwasher 0.188IN Thick	
2	0440237	1	Thrustwasher 0.125IN Thick	
3	0701020	1	Bolt M10 x 60	
4	0761012	2	Bolt M10 x 25	
5	0761015	1	Bolt M10 x 35	
6	0961947	4	Bearing 1IN ID x 1.25IN OD x 5/8IN L	
6	1001134289	4	Bearing 1IN ID x 1.5IN OD x 1IN L	
7	3291005	5	Nut M10	
8	3422867	1	Pin	
9	3841143	3	Keeper, Pin	
10	3422861	1	Pin	
11	1001264991	1	Lift Cylinder Assembly - Jib (See Separate Breakdown in CYLINDER SECTION)	
12	4844817	1	Link	
13	1001234811	1	Rotator Assembly (See Separate Breakdown in this Section)	
14	1001238168	1	Pivot	
15	1001238333	1	Tube (Upper)	
15	0962155	1	Bushing	
16	1001238398	2	Pin	

SECTION 4 - BOOM

FIGURE 4-5. ROTATOR ASSEMBLY



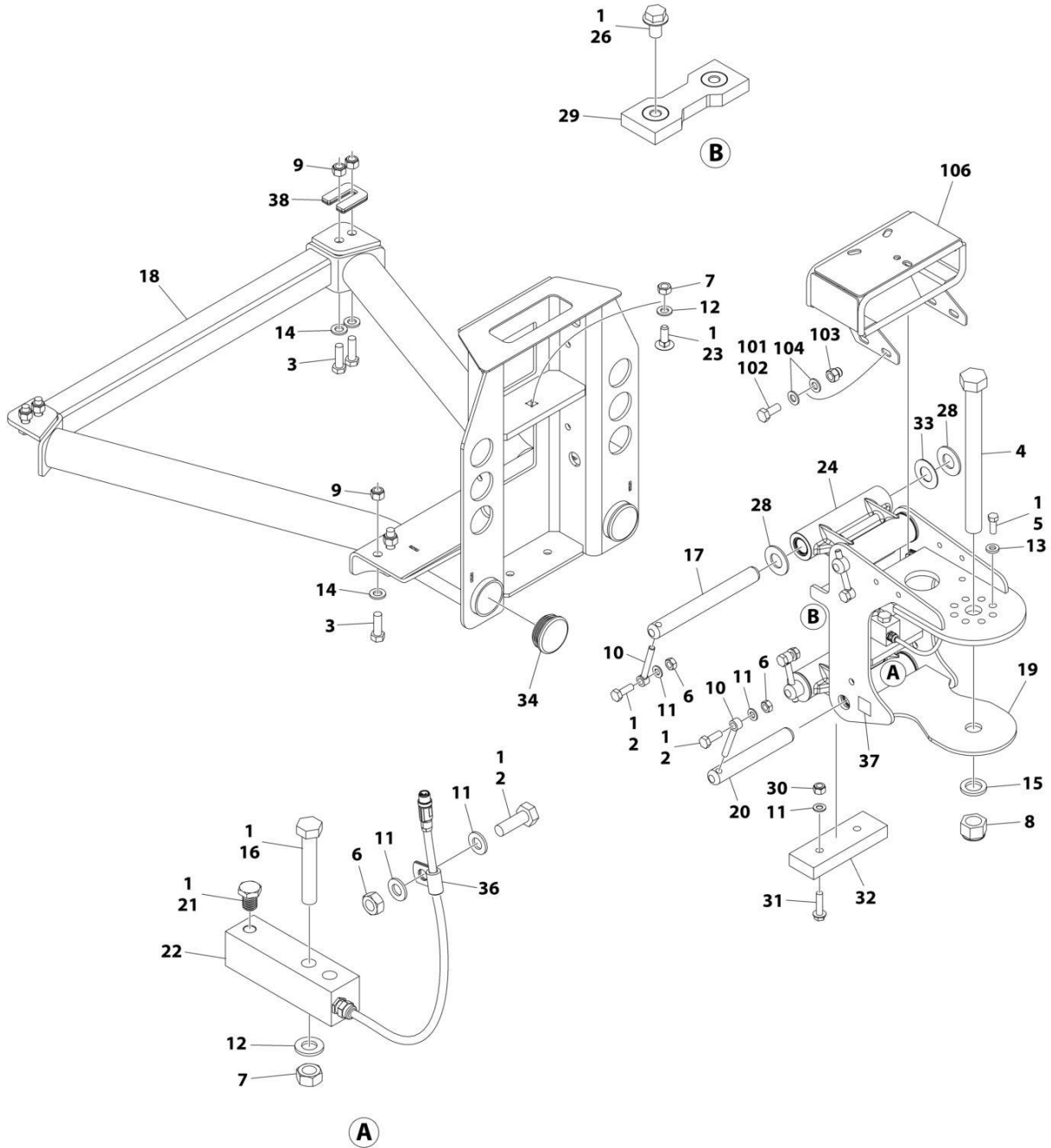
ART_1001234811

FIGURE 4-5. ROTATOR ASSEMBLY

ITEM	PART NUMBER	QTY	DESCRIPTION	REV
	1001234811	Ref	ROTATOR ASSEMBLY	B
1	See Note	NSS	Housing/Ring Gear Assembly (Note: Not Available - Purchase Complete Rotator Assembly)	
2	7017162	1	Shaft Weldment	
3	7017163	1	Piston/Sleeve Assembly	
4	7017164	1	Cap, End	
20	See Note	NSS	T-Seal (Note: Use Item 100)	
22	See Note	NSS	T-Seal (Note: Use Item 100)	
24	See Note	NSS	O-Ring (Note: Use Item 100)	
25	See Note	NSS	Seal (Note: Use Item 100)	
26	See Note	NSS	O-Ring (Note: Use Item 100)	
27	See Note	NSS	Ring, Back-up (Note: Use Item 100)	
32	See Note	NSS	Ring, Wear (Note: Use Item 101)	
34	See Note	NSS	Washer, Thrust (Note: Use Item 101)	
41	7017172	AR	Valve Assembly	
41A	7017192	2	Cartridge, Valve	
41A	See Note	NSS	Seal Kit - 7017192 Valve (Note: Not Available for Purchase)	
41B	See Note	3	Bolt 1/4-20NC x 1-1/2 Grade 8 (Note: Not Available - Purchase Locally)	
42	7017195	2	Bushing	
45	0961947	2	Bushing 1IN ID x 1.25IN OD x 5/8IN L	
45	1001134289	2	Bushing 1IN ID x 1.5IN OD x 1IN L	
100	70000342	1	Seal Kit (Includes Items 20, 22, 24, 25, 27 & 33)	
101	7017159	1	Bearing Kit (Includes Items 32 & 34)	
102	7017142	1	Hardware Kit	
103	70001697	4	Screw, Countersunk 1/4 x 3/8 Grade 8	

SECTION 4 - BOOM

FIGURE 4-6. PLATFORM SUPPORT INSTALLATION



ART_1001167596_N

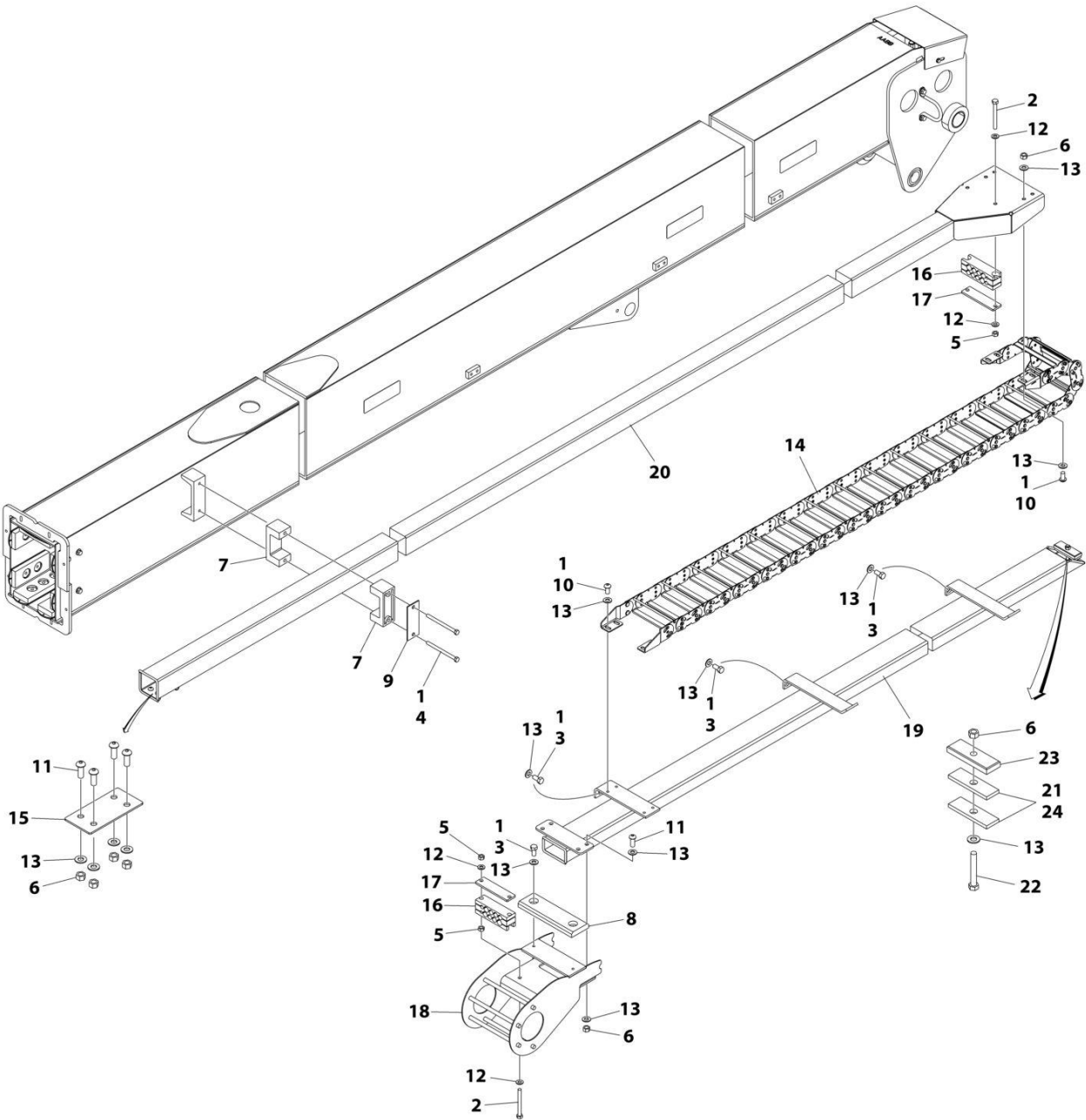
SECTION 4 - BOOM

FIGURE 4-6. PLATFORM SUPPORT INSTALLATION

ITEM	PART NUMBER	QTY	DESCRIPTION	REV
	1001167596	Ref	PLATFORM SUPPORT INSTALLATION	N
1	0100011	AR	Compound, Locking	
2	0761014	5	Bolt M10 x 30	
3	0761216	8	Bolt M12 x 40	
4	1001255133	1	Bolt 1 x 11 GRD8	
5	0681608	8	Bolt 3/8 x 1 GRD8	
6	3291001	5	Nut M10	
7	3291201	3	Nut M12	
8	1001174040	1	Nut 1	
9	3291205	8	Nut M12	
10	3841143	4	Keeper, Pin	
11	4812000	8	Washer M10	
12	4812100	3	Washer M12	
13	4891600	8	Washer 3/8	
14	5241200	8	Washer M12	
15	4892600001	1	Washer 1	
16	1001098828	2	Bolt M12 x 70 CL10.9	
17	1001167565	2	Pin	
18	1001200494	1	Support, Platform	
19	1001167567	1	Support, Rotator	
20	1001168402	2	Pin	
21	1001188622	1	Screw	
22	1001247468	1	Loadcell	
23	1001188844	1	Bolt M12 x 35	
24	1001201351	2	Link	
24	1001187382	4	Bearing	
24	1001187383	4	Seal	
26	5251008	2	Bolt M10 x 16 CL10.9	
28	1001189002	8	Bearing	
29	1001190985	1	Pad, Wear	
30	3291005	2	Nut M10	
31	5251016	2	Bolt M10 x 40 CL10.9	
32	1001200491	1	Pad, Wear	
33	1001189001	4	Bearing	
34	1001204725	2	Plug	
36	91203039	1	Clamp	
37	1001216630	2	Decal - Tie Down/No Lift	
38	1001238421	Ref	Kit, Platform Leveling (Not Shown)	
	1001202687	Ref	VALVE MOUNT INSTALLATION	B
101	0100011	AR	Compound, Locking	
102	0760810	4	Bolt M8 x 20	
103	3290806	4	Nut M8	
104	4811900	8	Washer M8	
106	1001208994	1	Mount, Valve	

SECTION 4 - BOOM

FIGURE 4-7. POWER TRACK INSTALLATION - MAIN BOOM



ART_1001250387

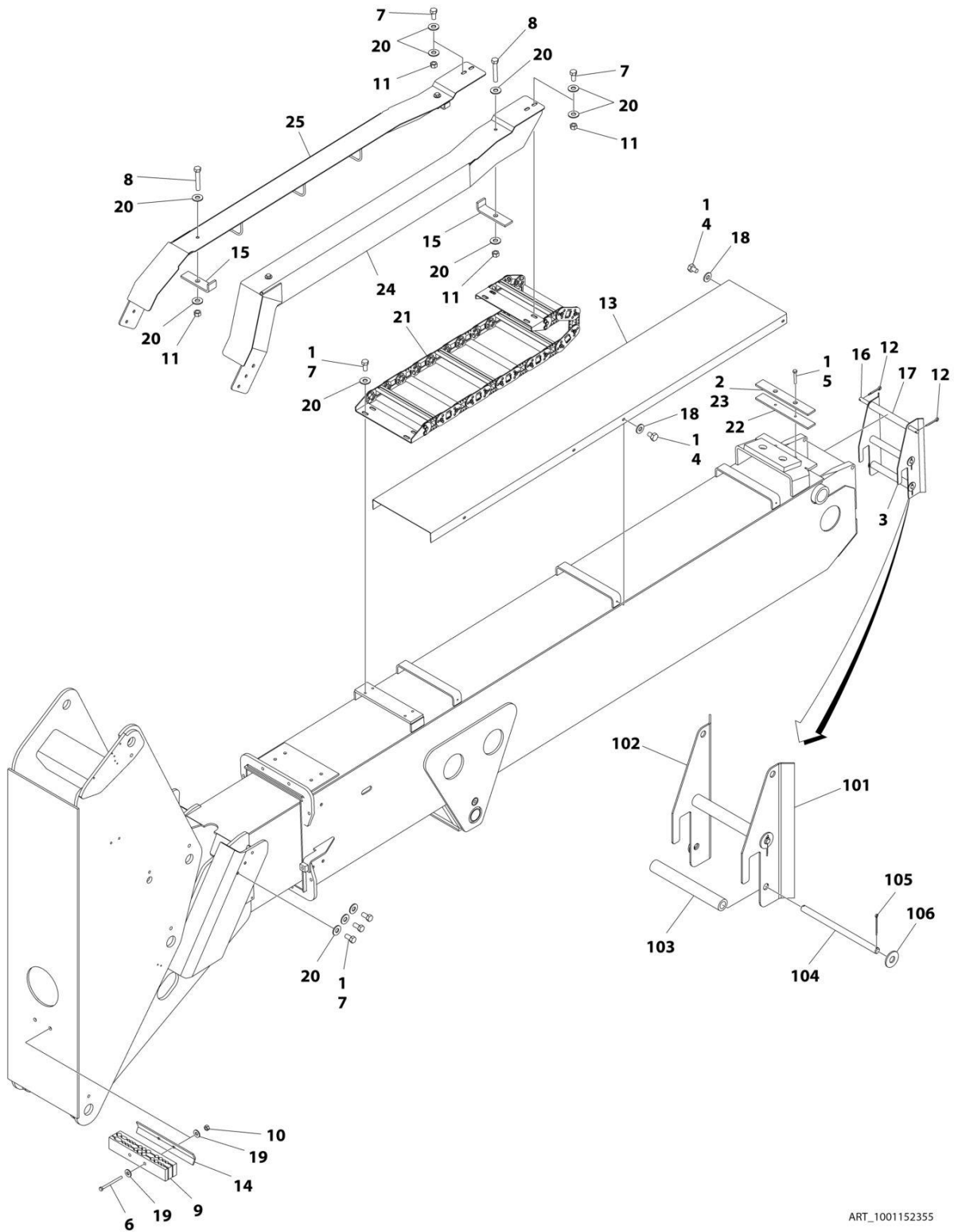
SECTION 4 - BOOM

FIGURE 4-7. POWER TRACK INSTALLATION - MAIN BOOM

ITEM	PART NUMBER	QTY	DESCRIPTION	REV
	1001250387	Ref	POWER TRACK INSTALLATION - MAIN BOOM	E
1	0100011	AR	Compound, Locking	
2	0641524	4	Bolt 5/16 x 3	
3	0641606	8	Bolt 3/8 x 3/4	
4	0641640	2	Bolt 3/8 x 5	
5	3271505	6	Nut 5/16	
6	3271605	13	Nut 3/8	
7	3340764	2	Pad	
8	3340840	1	Pad	
9	3538758	1	Plate	
10	3900283	8	Screw 3/8 x 3/4	
11	3900316	8	Screw 3/8 x 1	
12	4711500	8	Washer 5/16	
13	4711600	33	Washer 3/8	
14	1001255961	1	Power Track Assembly	
14	70007467	1	Repair Section	
14	70007466	1	Mounting Feet Kit	
15	1001176899	1	Plate	
16	1001253817	2	Clamp	
17	1001249824	2	Plate	
18	1001250384	1	Mount	
19	1001250722	1	Mount	
20	1001250900	1	Tube, Push	
21	0100081	AR	Adhesive	
22	0641620	1	Bolt 3/8 x 2-1/2	
23	1320289	1	Clamp	
24	3340943	2	Pad	

SECTION 4 - BOOM

FIGURE 4-8. POWER TRACK INSTALLATION - TOWER BOOM



ART_1001152355

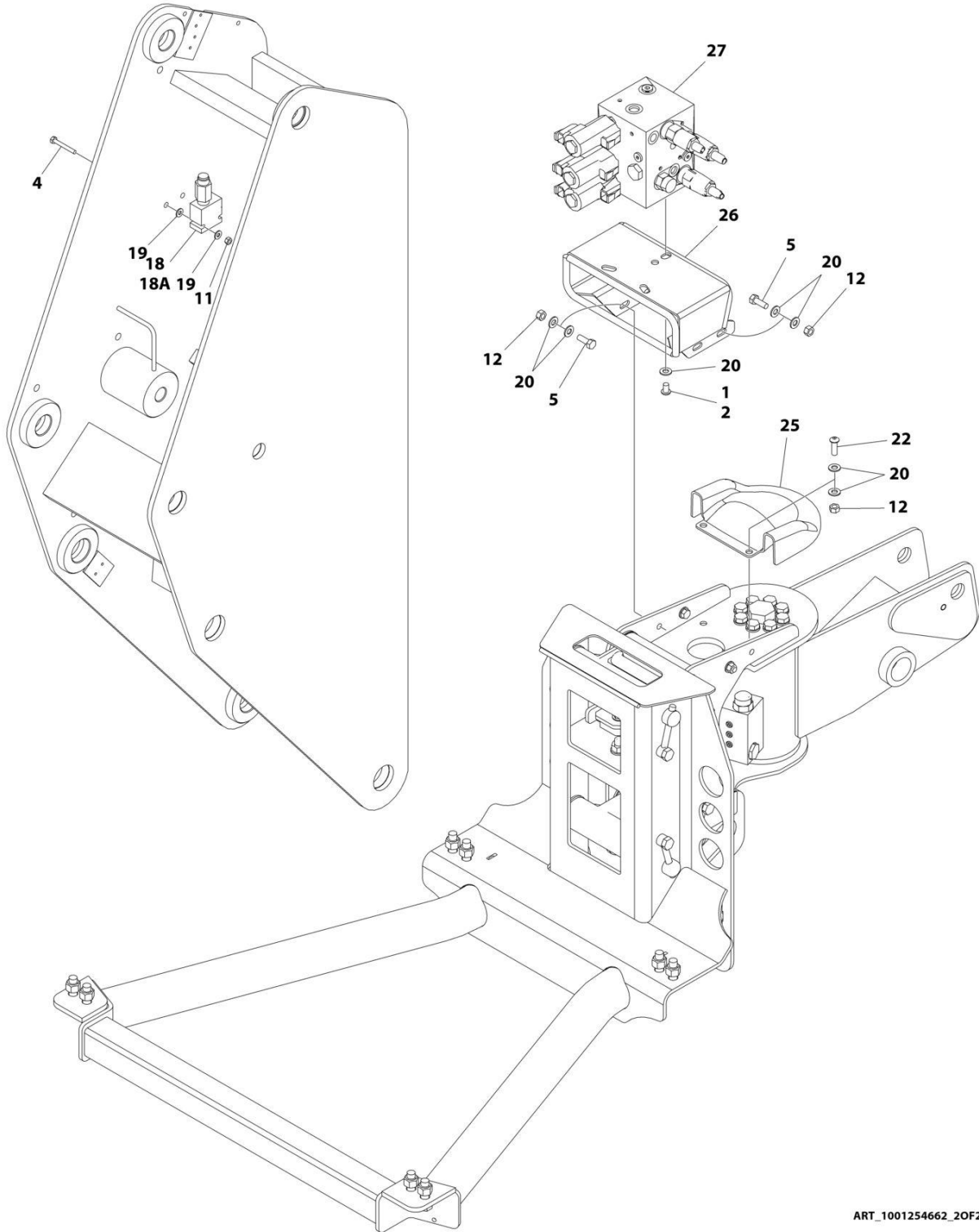
SECTION 4 - BOOM

FIGURE 4-8. POWER TRACK INSTALLATION - TOWER BOOM

ITEM	PART NUMBER	QTY	DESCRIPTION	REV
	1001152355	Ref	POWER TRACK INSTALLATION	D
1	0100011	AR	Compound, Locking	
2	0100081	AR	Adhesive	
3	0257573	1	Roller Hanger Assembly (Includes Items 101-106)	
4	0641403	6	Bolt 1/4 x 3/8	
5	0641516	2	Bolt 5/16 x 2	
6	0641532	2	Bolt 5/16 x 4	
7	0641606	14	Bolt 3/8 x 3/4	
8	0641618	4	Bolt 3/8 x 2-1/4	
9	1320243	1	Clamp, Block	
10	3311505	2	Nut 5/16	
11	3311605	8	Nut 3/8	
12	3450606	2	Pin, Cotter	
13	3539228	1	Plate, Cover	
14	3570374	1	Plate	
15	1001232880	4	Plate	
16	3841295	1	Rod	
17	4567241	1	Tube	
18	4711400	6	Washer 1/4	
19	4751500	4	Washer 5/16	
20	4751600	26	Washer 3/8	
21	1001099835	1	Power Track Assembly	
21	70002001	AR	Repair Section	
21	70002002	1	Mounting Bracket Kit	
22	1001110500	1	Plate	
23	1001110501	1	Pad	
24	1001151542	1	Bracket	
25	1001151586	1	Bracket	
	0257573	Ref	ROLLER HANGER ASSEMBLY	B
101	3570277	1	Plate (Left Side)	
102	3570270	1	Plate (Right Side)	
103	4567241	2	Roller, Tube	
104	3841347	2	Rod	
105	3450306	4	Pin, Cotter	
106	4751800	4	Washer 1/2	

SECTION 4 - BOOM

FIGURE 4-9. CONTROL VALVES INSTALLATION - DEUTZ D2011 AND STAGE V ENGINES



ART_1001254662_20F2

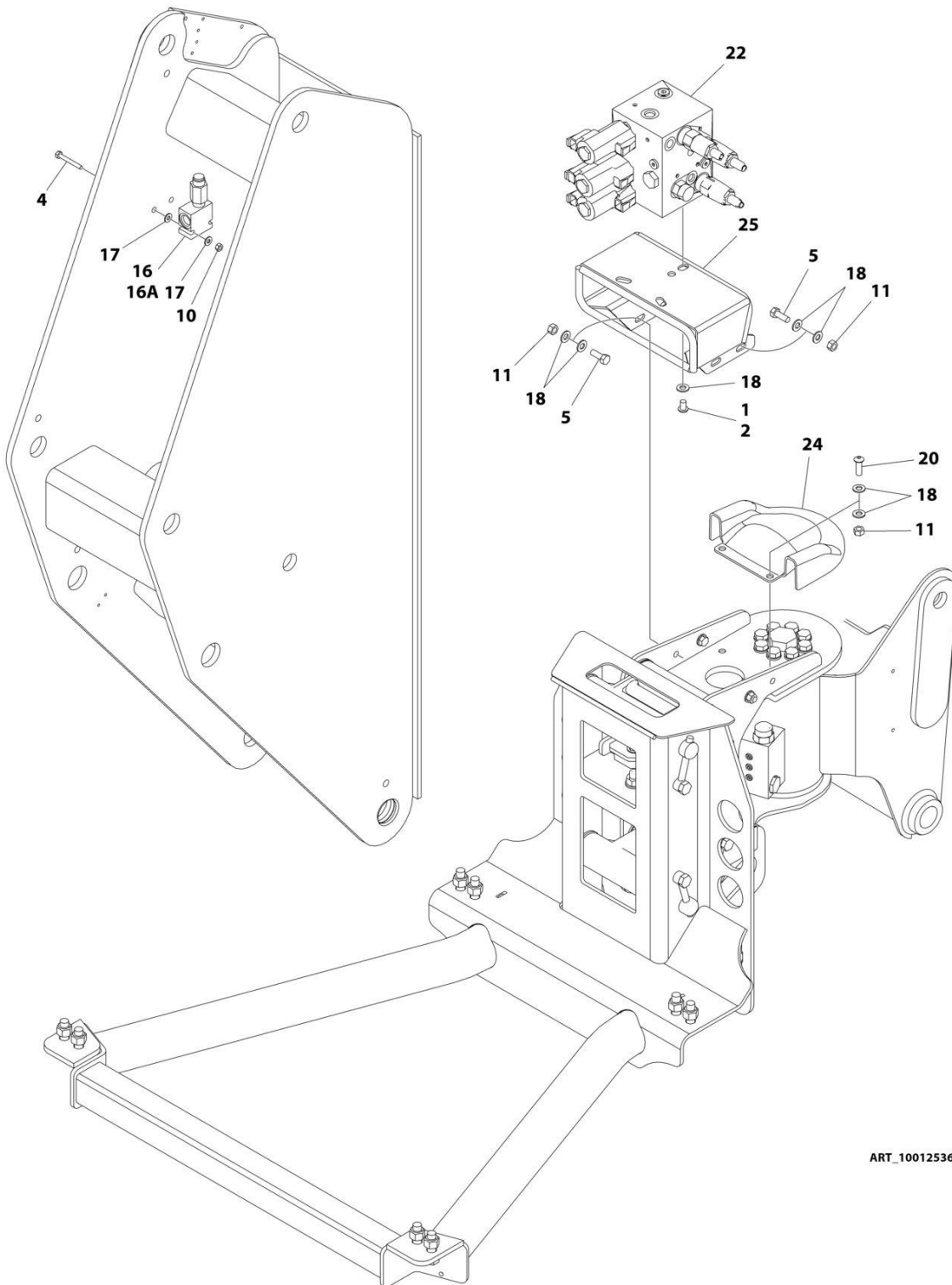
SECTION 4 - BOOM

FIGURE 4-9. CONTROL VALVES INSTALLATION - DEUTZ D2011 AND STAGE V ENGINES

ITEM	PART NUMBER	QTY	DESCRIPTION	REV
	1001254662	Ref	CONTROL VALVES INSTALLATION	B
1	0100011	AR	Compound, Locking	
2	0630467	3	Screw 5/6-18 x 1/2	
4	0641416	2	Bolt 1/4 x 2	
5	0641507	4	Bolt 5/16 x 7/8	
11	3311405	2	Nut 1/4-20	
12	3311505	6	Nut 5/16	
18	4640929	1	Valve Assembly - Relief	
18A	7012970	1	Cartridge Valve	
18A	7012953	1	Seal Kit - 7012970 Valve	
19	4711400	4	Washer 1/4	
20	4711500	15	Washer 5/16	
22	88261024	2	Screw 5/16 x 1	
25	1001207969	1	Cover	
26	1001208994	1	Mount	
27	1001253677	1	Control Valve Assembly (See Separate Breakdown in this Section)	

SECTION 4 - BOOM

FIGURE 4-10. CONTROL VALVES INSTALLATION - DEUTZ TD2.9L4 & FORD ENGINES



ART_1001253680_20F2

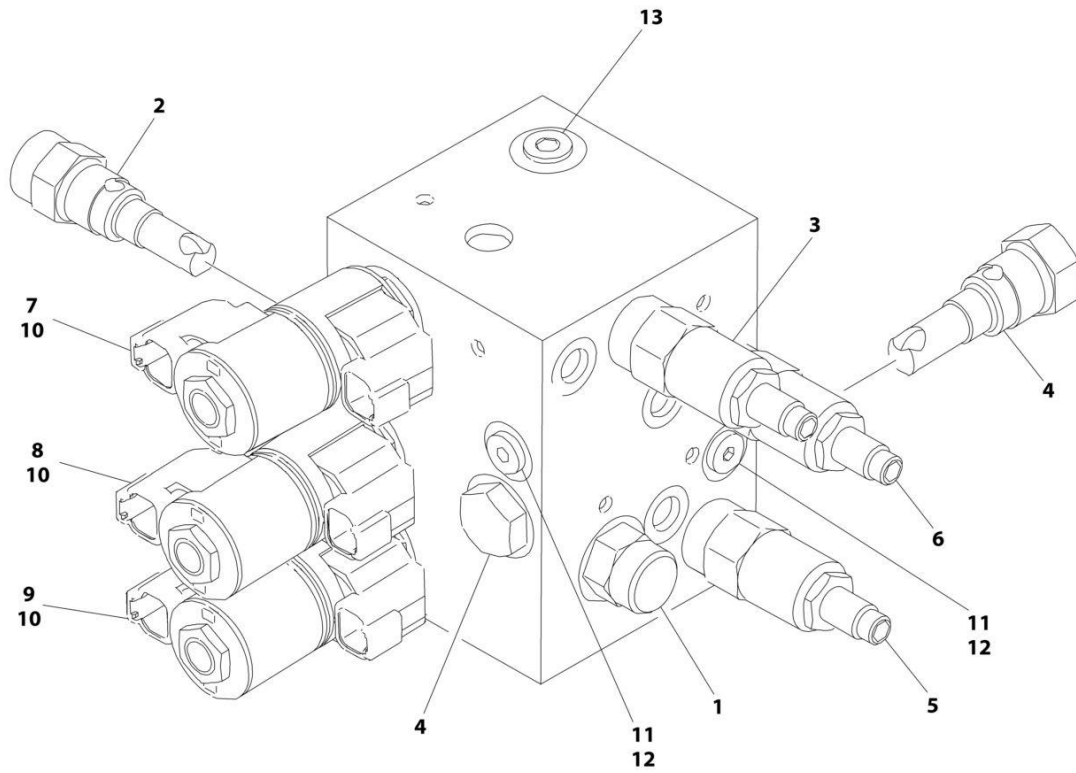
SECTION 4 - BOOM

FIGURE 4-10. CONTROL VALVES INSTALLATION - DEUTZ TD2.9L4 & FORD ENGINES

ITEM	PART NUMBER	QTY	DESCRIPTION	REV
	1001253680	Ref	CONTROL VALVES INSTALLATION	B
1	0100011	AR	Compound, Locking	
2	0630467	3	Screw 5/6-18 x 1/2	
4	0641416	2	Bolt 1/4 x 2	
5	0641507	4	Bolt 5/16 x 7/8	
10	3311405	2	Nut 1/4-20	
11	3311505	6	Nut 5/16	
16	4640929	1	Valve Assembly - Relief	
16A	7012970	1	Cartridge Valve	
16A	7012953	1	Seal Kit - 7012970 Valve	
17	4711400	4	Washer 1/4	
18	4711500	15	Washer 5/16	
20	88261024	2	Screw 5/16 x 1	
22	1001253677	1	Control Valve Assembly (See Separate Breakdown in this Section)	
24	1001207969	1	Cover	
25	1001208994	1	Mount	

SECTION 4 - BOOM

FIGURE 4-11. BOOM VALVE ASSEMBLY



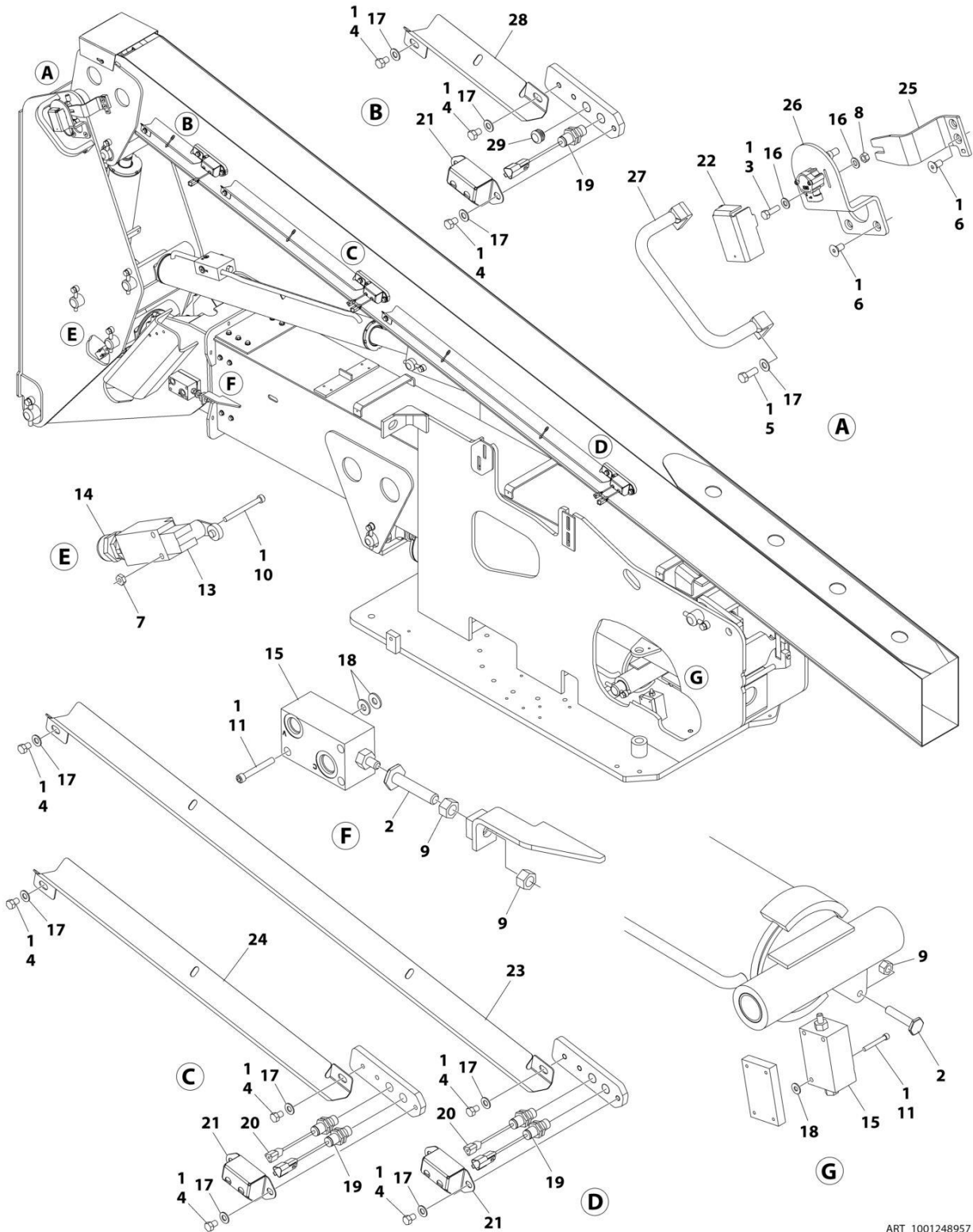
ART_1001253677

FIGURE 4-11. BOOM VALVE ASSEMBLY

ITEM	PART NUMBER	QTY	DESCRIPTION	REV
	1001253677	Ref	BOOM VALVE ASSEMBLY	B
1	7012989	1	Valve, Flow	
1	7012953	1	Seal Kit - 7012989 Valve	
2	7012965	1	Valve, Flow	
2	7012953	1	Seal Kit - 7012965 Valve	
3	70004151	1	Valve, Relief	
3	7021653	1	Seal Kit - 70003962 Valve	
4	7012914	2	Valve, Cartridge	
4	7012918	2	Seal Kit - 7012914 Valve	
5	7023911	1	Valve, Relief	
5	7012967	1	Seal Kit - 7023911 Valve	
6	70007446	1	Valve, Relief	
6	7012998	1	Seal Kit - 70007446 Valve	
7	7017452	1	Valve, Solenoid (Jib)	
7	7017402	2	Seal Kit - 7017452 Valve	
8	7017452	1	Valve, Solenoid (Platform Level)	
8	7017402	1	Seal Kit - 7017452 Valve	
9	7017452	1	Valve, Solenoid (Rotator)	
9	7017402	2	Seal Kit - 7017452 Valve	
10	70002386	6	Coil	
11	70002064	2	Plug, Orifice	
12	2220883	2	Plug	
13	91164079	1	Plug	

SECTION 4 - BOOM

FIGURE 4-12. BOOM VALVES AND LIMIT SWITCHES INSTALLATION



ART_1001248957

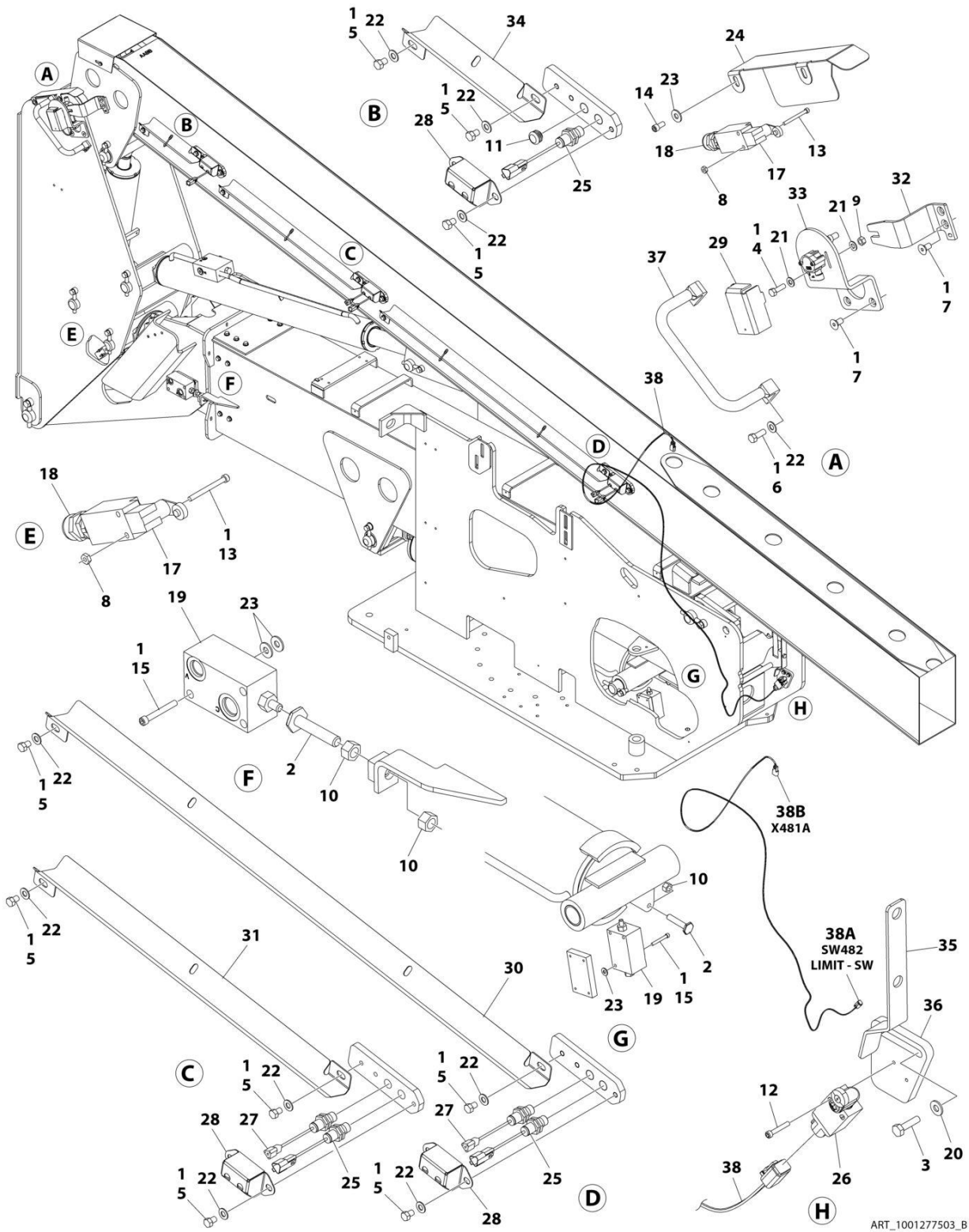
SECTION 4 - BOOM

FIGURE 4-12. BOOM VALVES AND LIMIT SWITCHES INSTALLATION

ITEM	PART NUMBER	QTY	DESCRIPTION	REV
	1001248957	Ref	BOOM VALVES AND LIMIT SWITCHES INSTALLATION	D
1	0100011	AR	Compound, Locking	
2	0630427	2	Bolt	
3	0641508	1	Bolt 5/16 x 1	
4	0641604	12	Bolt 3/8 x 1/2	
5	0641608	2	Bolt 3/8 x 1	
6	0741606	4	Screw 3/8 x 3/4	
7	3310801	2	Nut #8	
8	3311501	1	Nut 5/6	
9	3311801	3	Nut 1/2	
10	3930828	2	Capscrew #8 x 1-3/4	
11	3931430	6	Capscrew 1/4 x 1-7/8	
12	4240033	5	Tie-Strap (Not Shown)	
13	4360578	1	Switch, Limit	
14	4460968	1	Connector, Strain Relief	
15	4641436	2	Valve, 2-Way	
16	4711500	2	Washer 5/16	
17	4711600	14	Washer 3/8	
18	4751400	9	Washer 1/4	
19	1001170847	3	Sensor, Proximity	
20	1001182570	2	Sensor, Proximity	
21	1001204715	3	Bracket	
22	1001211588	1	Shield	
23	1001238138	1	Angle	
24	1001238327	1	Angle	
25	1001248958	1	Plate	
26	1001248962	1	Sensor, Angle	
27	1001263612	1	Bar, Guard	
28	1001250531	1	Plate	
29	3520193	1	Plug	

SECTION 4 - BOOM

FIGURE 4-13. BOOM SENSOR INSTALLATION (TOWER STOW)



ART_1001277503_B

SECTION 4 - BOOM

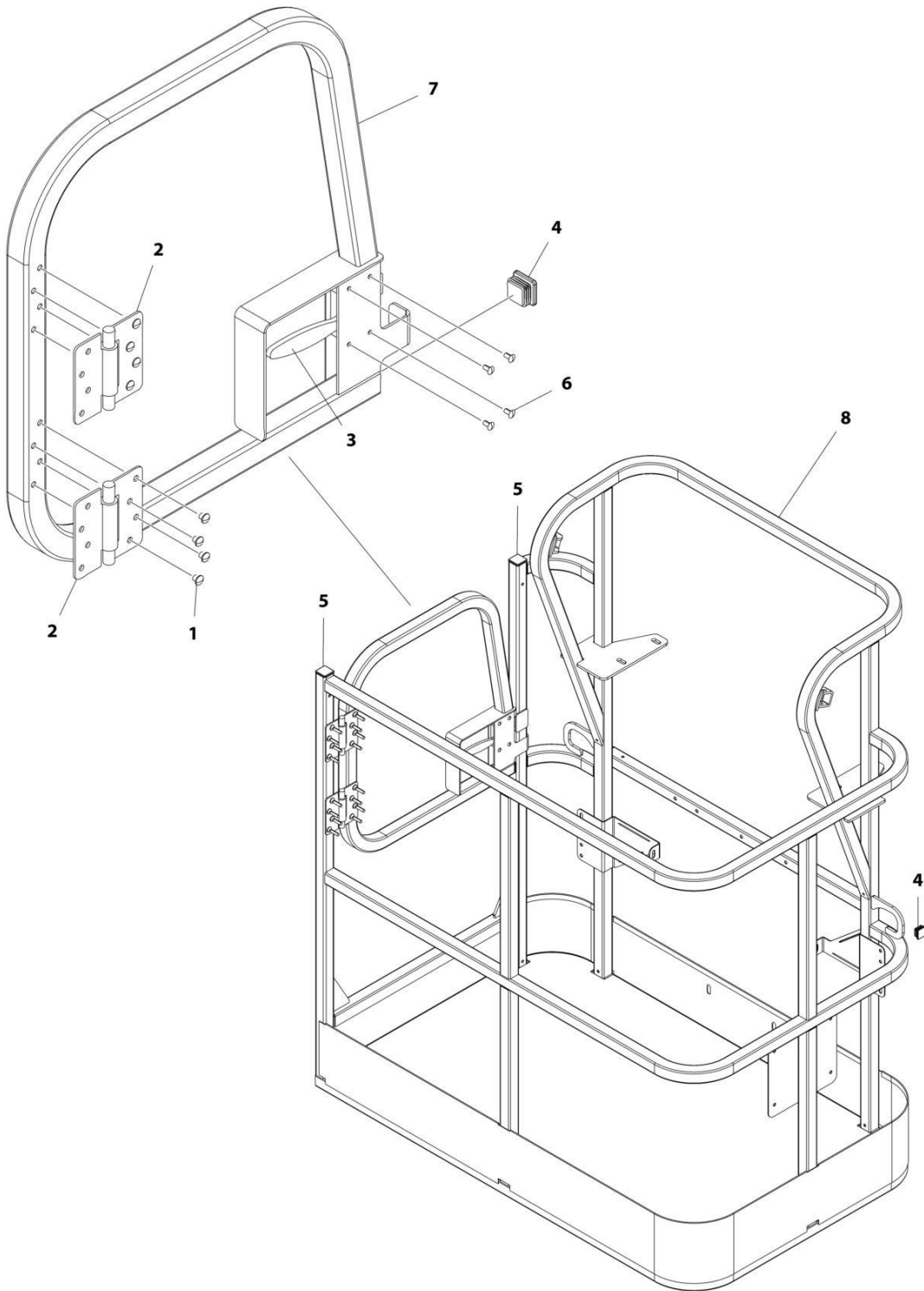
FIGURE 4-13. BOOM SENSOR INSTALLATION (TOWER STOW)

ITEM	PART NUMBER	QTY	DESCRIPTION	REV
	1001277503	Ref	BOOM SENSOR INSTALLATION	B
1	0100011	AR	Compound, Locking	
2	0630427	2	Bolt	
3	0641408	2	Bolt 1/4 x 1	
4	0641508	1	Bolt 5/16 x 1	
5	0641604	12	Bolt 3/8 x 1/2	
6	0641608	2	Bolt 3/8 x 1	
7	0741606	4	Screw 3/8 x 3/4	
8	3310801	4	Nut #8	
9	3311501	1	Nut 5/6	
10	3311801	3	Nut 1/2	
11	3520193	1	Plug	
12	3930816	2	Bolt #8 x 1	
13	3930828	4	Capscrew #8 x 1-3/4	
14	3931408	2	Capscrew 1/4 x 1/2	
15	3931430	6	Capscrew 1/4 x 1-7/8	
16	4240033	5	Tie-Strap (Not Shown)	
17	4360578	2	Switch, Limit	
18	4460968	2	Connector, Strain Relief	
19	4641436	2	Valve, 2-Way	
20	4711400	2	Washer 1/4	
21	4711500	2	Washer 5/16	
22	4711600	14	Washer 3/8	
23	4751400	11	Washer 1/4	
24	1001155399	1	Cover, Limit Switch	
25	1001170847	3	Sensor, Proximity	
26	1001284504	1	Switch, Roller Limit	
27	1001182570	2	Sensor, Proximity	
28	1001204715	3	Bracket	
29	1001211588	1	Shield	
30	1001238138	1	Angle	
31	1001238327	1	Angle	
32	1001248958	1	Plate	
33	1001248962	1	Sensor, Angle	
34	1001250531	1	Plate	
35	1001259642	1	Plate	
36	1001260070	1	Bracket, Limit Switch	
37	1001263612	1	Bar, Guard	
38	1001266829	1	Harness, Tower Stow Indicator	
38A	4460884	1	Connector - 4 Position	
38A	4460465	2	Socket, Female	
38A	4460466	2	Plug, Terminal	
38B	4460910	1	Connector - 3 Position	
38B	1001116695	2	Terminal, Pin	
38B	4460518	1	Plug, Terminal	

SECTION 5 - PLATFORM

SECTION 5 - PLATFORM

FIGURE 5-1. PLATFORM ASSEMBLY - 30IN X 4FT (76.2CM X 1.22M) WITH SWING GATE



ART_1001186387

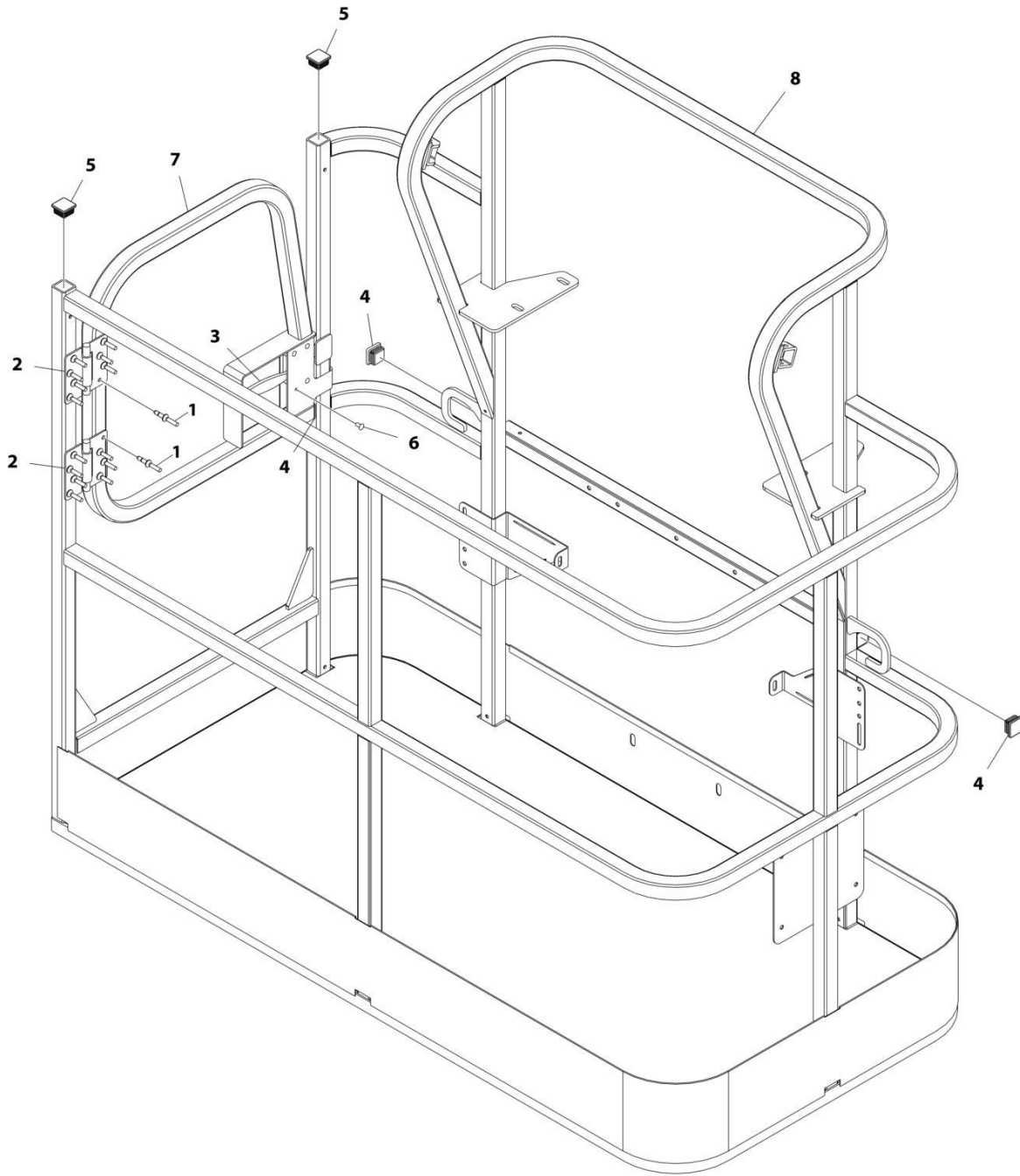
SECTION 5 - PLATFORM

FIGURE 5-1. PLATFORM ASSEMBLY - 30IN X 4FT (76.2CM X 1.22M) WITH SWING GATE

ITEM	PART NUMBER	QTY	DESCRIPTION	REV
	1001186387	Ref	PLATFORM ASSEMBLY	C
		Ref	Note: Platform and Mesh must be ordered separately for Platforms with Mesh. See SPECIAL OPTIONS SECTION for Mesh Installations.	
		Ref	Note: Replacement Decals Must be Ordered Separately - See DECALS SECTION.	
1	2080040	16	Fastener, Huck	
2	2600281	2	Hinge, Self-Closing	
3	2940074	1	Latch	
4	3520072	3	Plug	
5	3520198	2	Plug	
6	3820020	4	Rivet	
7	1001144629	1	Gate	
8	See Note	1	Platform (Note: Not Available - Purchase Platform Assembly)	

SECTION 5 - PLATFORM

FIGURE 5-2. PLATFORM ASSEMBLY - 30IN X 5FT (76CM X 1.52M) - GATE ENTRY



ART_1001186386

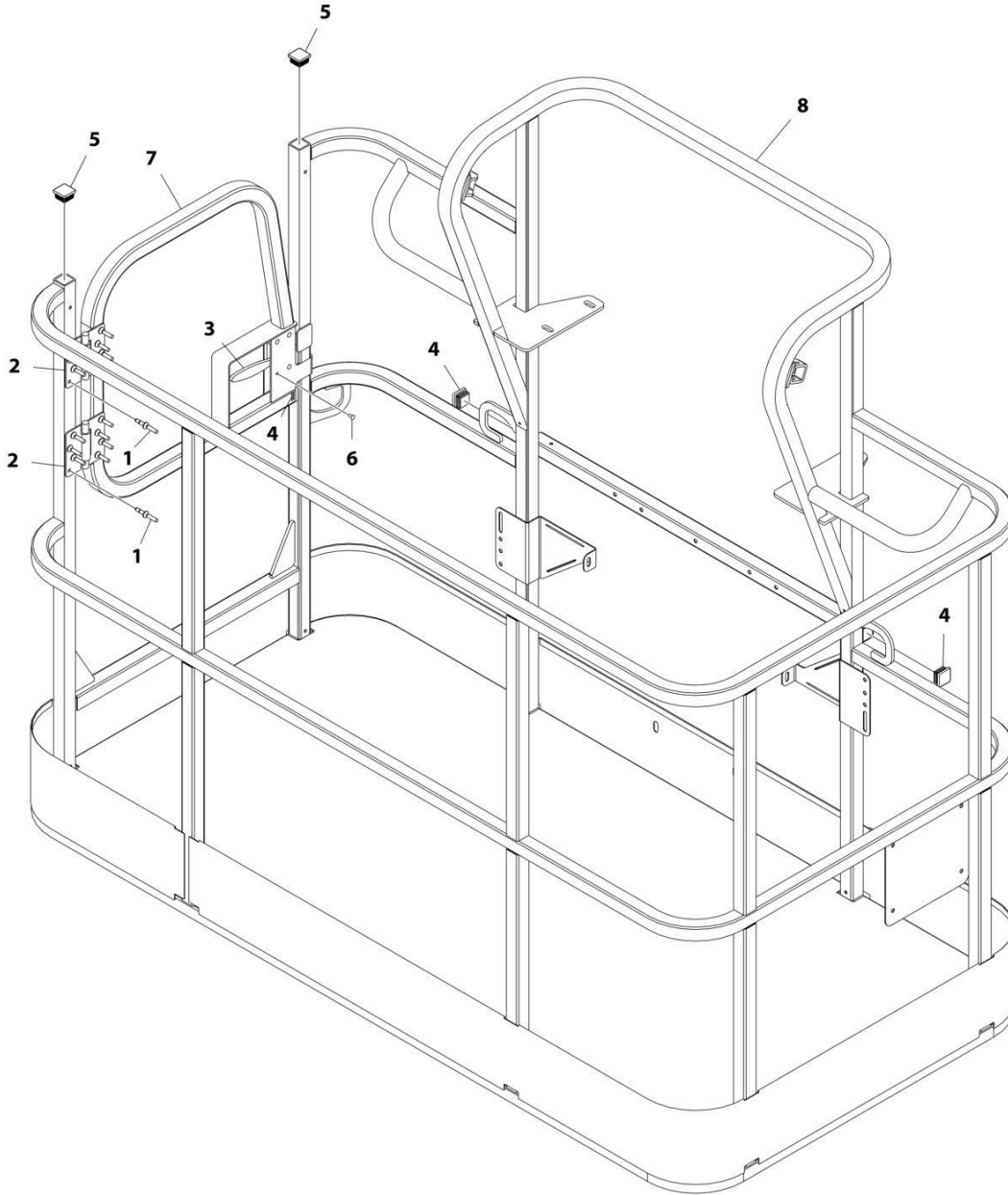
SECTION 5 - PLATFORM

FIGURE 5-2. PLATFORM ASSEMBLY - 30IN X 5FT (76CM X 1.52M) - GATE ENTRY

ITEM	PART NUMBER	QTY	DESCRIPTION	REV
	1001186386	Ref	PLATFORM ASSEMBLY	C
		Ref	Note: Platform and Mesh must be ordered separately for Platforms with Mesh. See SPECIAL OPTIONS SECTION for Mesh Installations.	
		Ref	Note: Replacement Decals Must be Ordered Separately - See DECALS SECTION.	
1	2080040	16	Fastener, Huck	
2	2600281	2	Hinge, Self-Closing	
3	2940074	1	Latch	
4	3520072	3	Plug	
5	3520198	2	Plug	
6	3820020	4	Rivet	
7	1001144629	1	Gate	
8	See Note	NSS	Platform (Note: Not Available - Purchase Platform Assembly)	

SECTION 5 - PLATFORM

FIGURE 5-3. PLATFORM ASSEMBLY - 36IN X 6FT (91.5CM X 1.83M) WITH SWING GATE



ART_1001186384

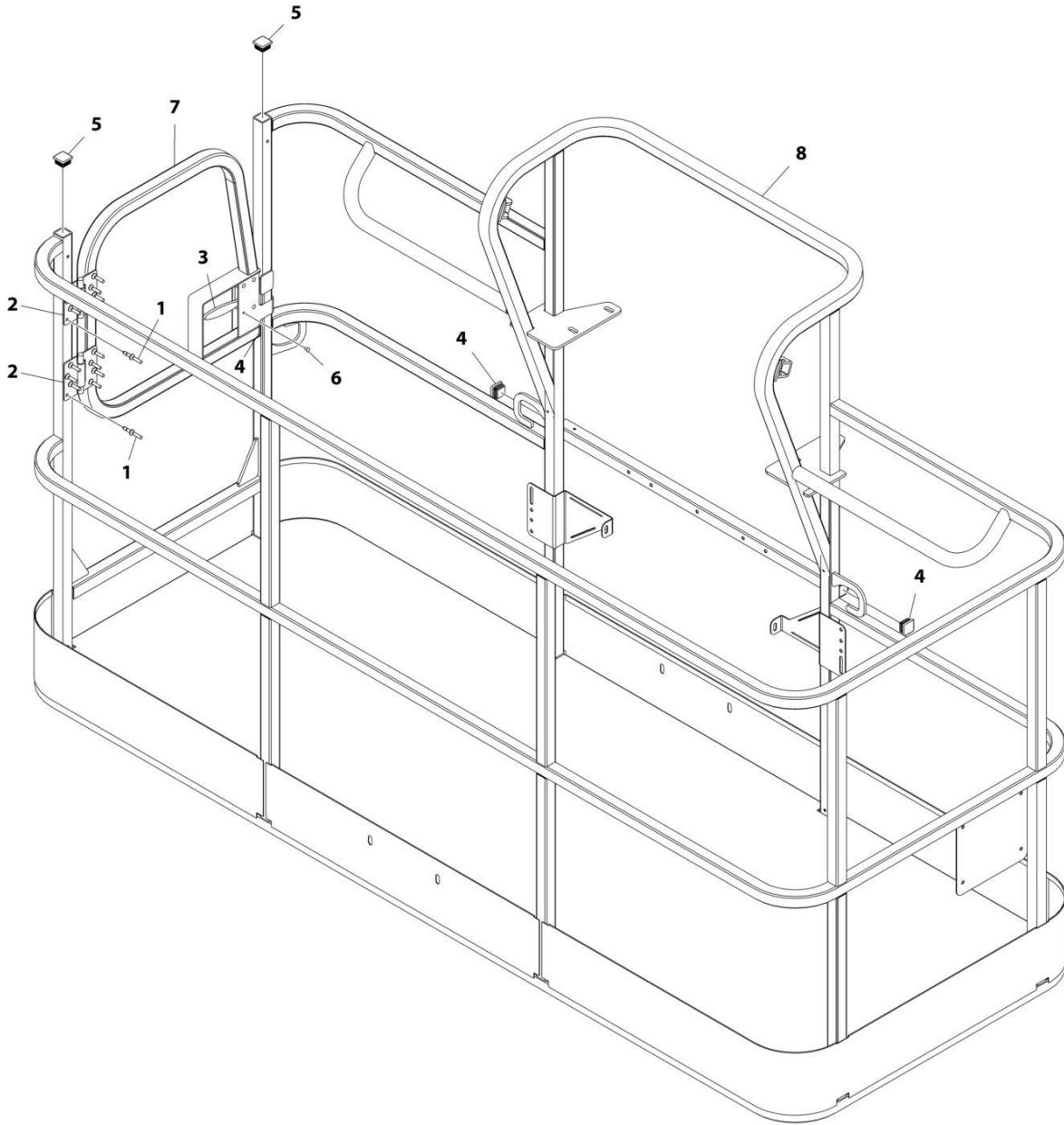
SECTION 5 - PLATFORM

FIGURE 5-3. PLATFORM ASSEMBLY - 36IN X 6FT (91.5CM X 1.83M) WITH SWING GATE

ITEM	PART NUMBER	QTY	DESCRIPTION	REV
	1001186384	Ref	PLATFORM ASSEMBLY - 36IN X 6FT (91.5CM X 1.83M) WITH SWING GATE	C
	See Note	Ref	Note: Platform and Mesh must be ordered separately for Platforms with Mesh. See SPECIAL OPTIONS SECTION for Mesh Installations.	
	See Note	Ref	Note: Replacement Decals Must be Ordered Separately - See DECALS SECTION.	
1	2080040	16	Fastener, Huck	
2	2600281	2	Hinge	
3	2940074	1	Latch	
4	3520072	3	Plug	
5	3520198	2	Plug	
6	3820020	4	Rivet	
7	1001144629	1	Gate	
8	See Note	NSS	Platform (Note: Not Available - Purchase Platform Assembly)	

SECTION 5 - PLATFORM

FIGURE 5-4. PLATFORM ASSEMBLY - 36IN X 8FT (91.5CM X 2.44M) WITH SWING GATE



ART_1001186383

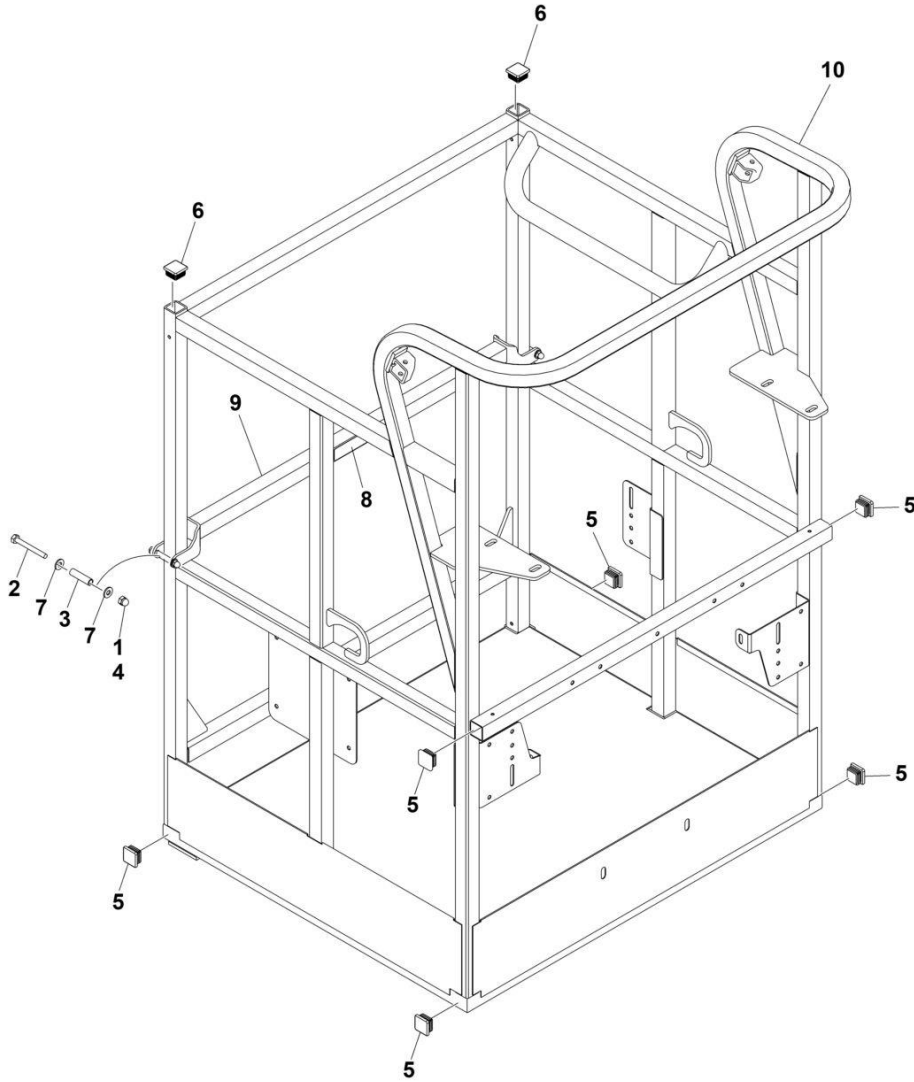
SECTION 5 - PLATFORM

FIGURE 5-4. PLATFORM ASSEMBLY - 36IN X 8FT (91.5CM X 2.44M) WITH SWING GATE

ITEM	PART NUMBER	QTY	DESCRIPTION	REV
	1001186383	Ref	PLATFORM ASSEMBLY - 36IN X 8FT (91.5CM X 2.44M) WITH SWING GATE	D
		Ref	Note: Platform and Mesh must be ordered separately for Platforms with Mesh. See SPECIAL OPTIONS SECTION for Mesh Installations.	
		Ref	Note: Replacement Decals Must be Ordered Separately - See DECALS SECTION.	
1	2080040	16	Fastener, Huck	
2	2600281	2	Hinge	
3	2940074	1	Latch	
4	3520072	3	Plug	
5	3520198	2	Plug	
6	3820020	4	Rivet	
7	1001144629	1	Gate	
8	See Note	NSS	Platform (Note: Not Available - Purchase Platform Assembly)	

SECTION 5 - PLATFORM

FIGURE 5-5. PLATFORM ASSEMBLY - 30IN X 3FT (76CM X .91M) - DROP BAR ENTRY



ART_1001228215

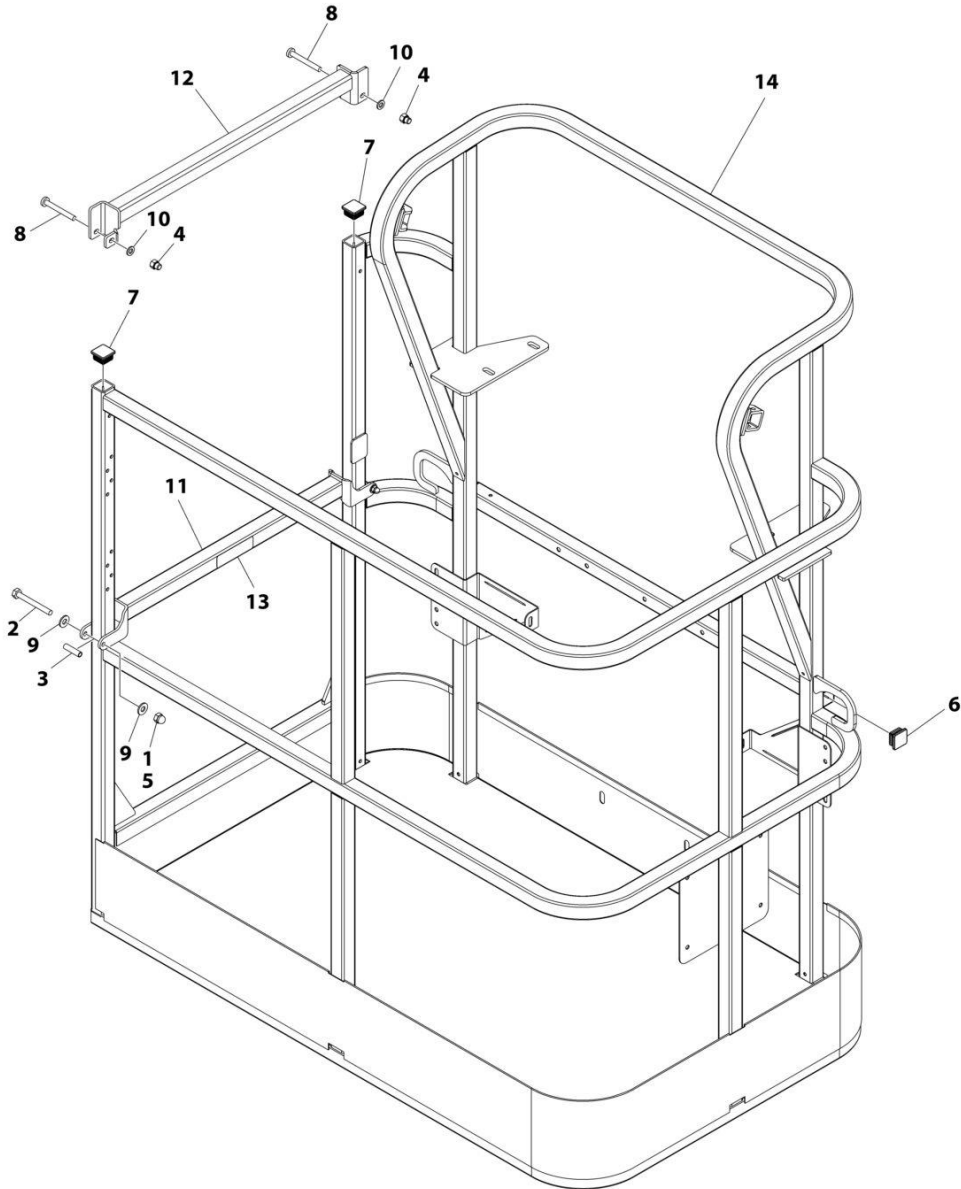
SECTION 5 - PLATFORM

FIGURE 5-5. PLATFORM ASSEMBLY - 30IN X 3FT (76CM X .91M) - DROP BAR ENTRY

ITEM	PART NUMBER	QTY	DESCRIPTION	REV
	1001228215	Ref	PLATFORM ASSEMBLY	A
	See Note	Ref	Note: Platform and Mesh must be ordered separately for Platforms with Mesh. See SPECIAL OPTIONS SECTION for Mesh Installations.	
	See Note	Ref	Note: Replacement Decals Must be Ordered Separately - See DECAL SECTION.	
1	0100011	AR	Compound, Locking	
2	0641418	2	Bolt 1/4 x 2-1/4	
3	0961845	2	Bushing	
4	3300151	2	Nut 1/4	
5	3520072	6	Cap, Plug	
6	3520198	2	Cap, Plug	
7	4711400	4	Washer 1/4	
8	1001140429	1	Decal - Drop Bar	
9	1001226872	1	Bar, Drop	
10	See Note	NSS	Platform (Note: Not Available - Purchase Platform Assembly)	

SECTION 5 - PLATFORM

FIGURE 5-6. PLATFORM ASSEMBLY - 30IN X 4FT (76.2CM X 1.22M) WITH DROP BAR



ART_1001186375

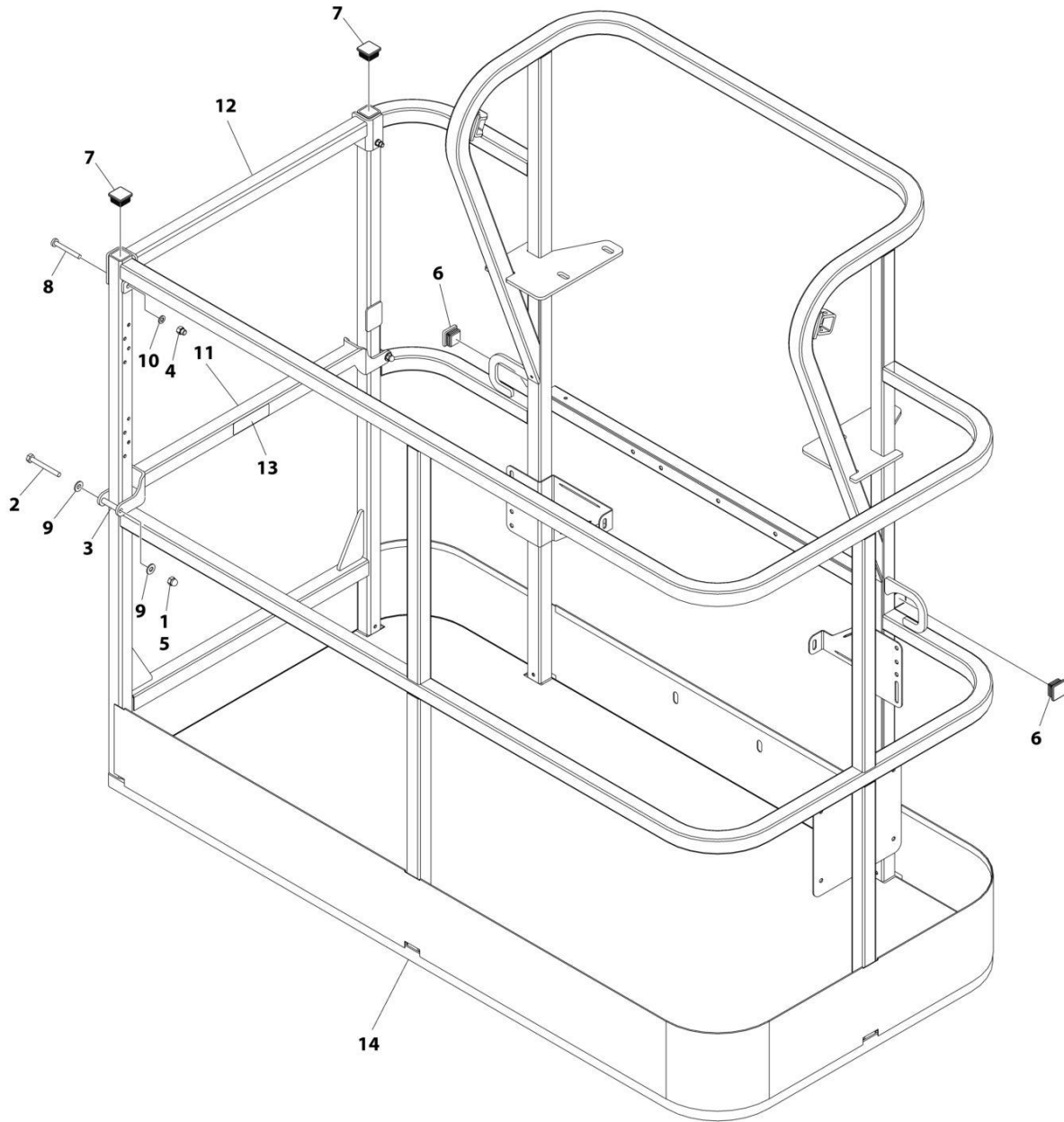
SECTION 5 - PLATFORM

FIGURE 5-6. PLATFORM ASSEMBLY - 30IN X 4FT (76.2CM X 1.22M) WITH DROP BAR

ITEM	PART NUMBER	QTY	DESCRIPTION	REV
	1001186375	Ref	PLATFORM ASSEMBLY	B
		Ref	Note: Platform and Mesh must be ordered separately for Platforms with Mesh. See SPECIAL OPTIONS SECTION for Mesh Installations.	
		Ref	Note: Replacement Decals Must be Ordered Separately - See DECALS SECTION.	
1	0100011	AR	Compound, Locking	
2	0641418	2	Bolt 1/4 x 2-1/4	
3	0961845	2	Bushing	
4	3290606	2	Nut M6	
5	3300151	2	Nut 1/4	
6	3520072	2	Plug	
7	3520198	2	Plug	
8	4010618	2	Screw M6 x 50	
9	4711400	4	Washer 1/4	
10	4811700	2	Washer M6	
11	1001138494	1	Bar, Drop	
12	1001138514	1	Rail - Top	
13	1001140429	1	Decal - Drop Bar	
14	See Note	1	Platform (Note: Not Available - Purchase Platform Assembly)	

SECTION 5 - PLATFORM

FIGURE 5-7. PLATFORM ASSEMBLY - 30IN X 5FT (76CM X 1.52M) - DROP BAR ENTRY



ART_1001186377

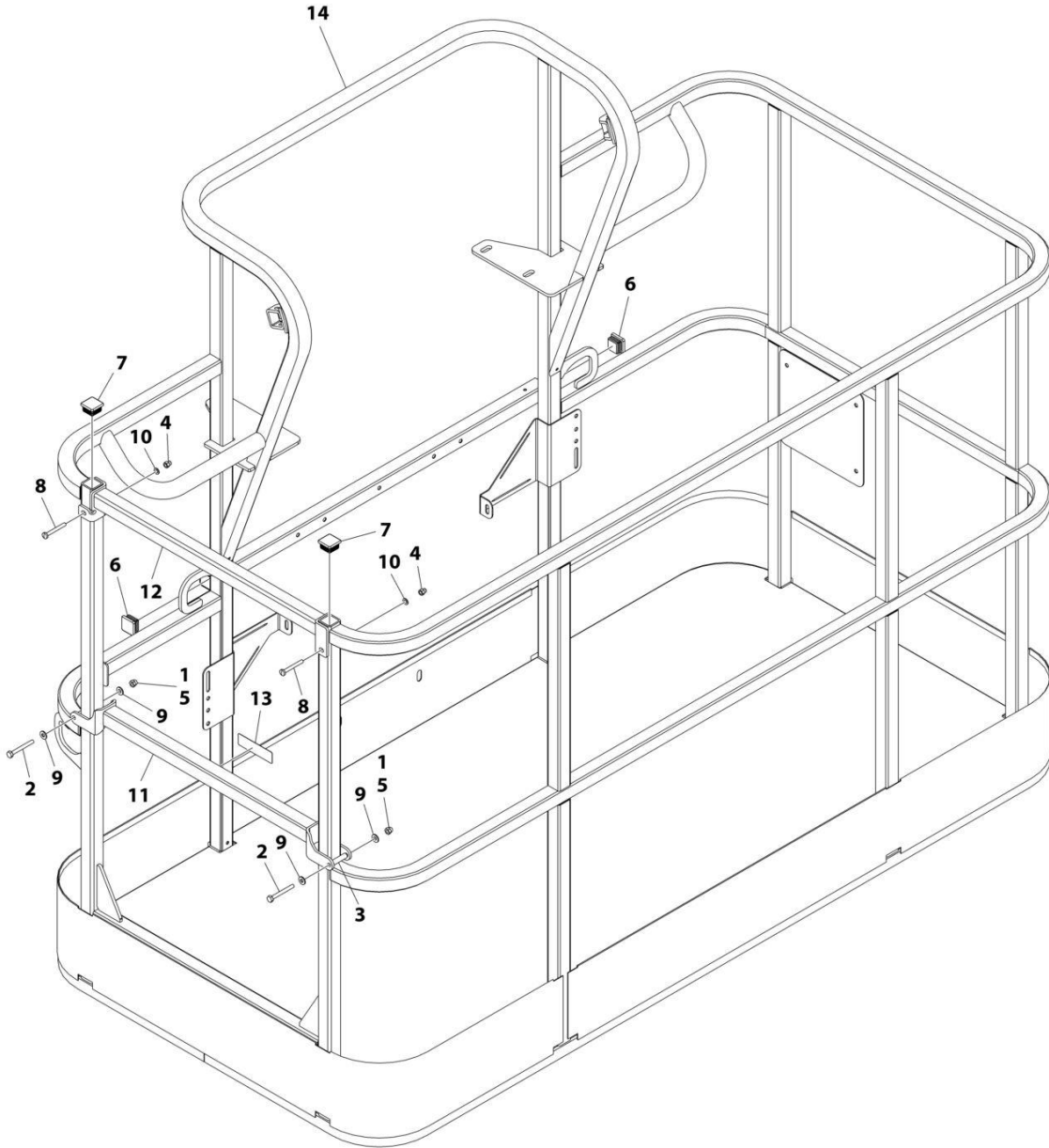
SECTION 5 - PLATFORM

FIGURE 5-7. PLATFORM ASSEMBLY - 30IN X 5FT (76CM X 1.52M) - DROP BAR ENTRY

ITEM	PART NUMBER	QTY	DESCRIPTION	REV
	1001186377	Ref	PLATFORM ASSEMBLY	C
		Ref	Note: Platform and Mesh must be ordered separately for Platforms with Mesh. See SPECIAL OPTIONS SECTION for Mesh Installations.	
		Ref	Note: Replacement Decals Must be Ordered Separately - See DECALS SECTION.	
1	0100011	AR	Compound, Locking	
2	0641420	2	Bolt 1/4 x 2-1/2	
3	0961845	2	Bushing	
4	3290606	2	Nut M6	
5	3300151	2	Nut 1/4	
6	3520072	2	Plug	
7	3520198	2	Plug	
8	4010618	2	Screw M6 x 50	
9	4711400	4	Washer 1/4	
10	4811700	2	Washer M6	
11	1001138494	1	Bar, Drop	
12	1001138514	1	Rail (Top)	
13	1001140429	1	Decal - Drop Bar	
14	See Note	NSS	Platform (Note: Not Available - Purchase Platform Assembly)	

SECTION 5 - PLATFORM

FIGURE 5-8. PLATFORM ASSEMBLY - 36IN X 6FT (91.5CM X 1.83M) WITH DROP BAR



ART_1001186379

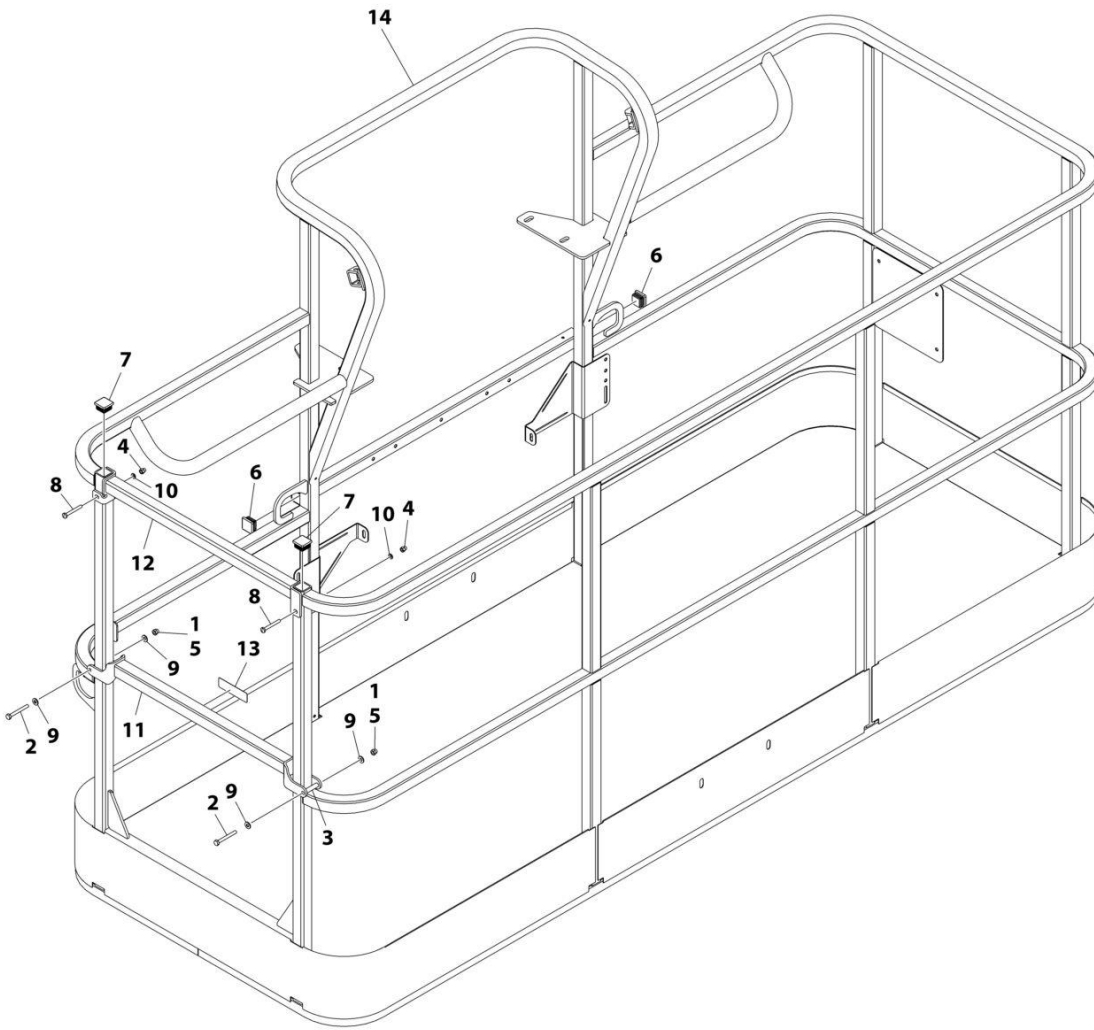
SECTION 5 - PLATFORM

FIGURE 5-8. PLATFORM ASSEMBLY - 36IN X 6FT (91.5CM X 1.83M) WITH DROP BAR

ITEM	PART NUMBER	QTY	DESCRIPTION	REV
	1001186379	Ref	PLATFORM ASSEMBLY - 36IN X 6FT (91.5CM X 1.83M) WITH DROP BAR	B
		Ref	Note: Platform and Mesh must be ordered separately for Platforms with Mesh. See SPECIAL OPTIONS SECTION for Mesh Installations.	
		Ref	Note: Replacement Decals Must be Ordered Separately - See DECALS SECTION.	
1	0100011	AR	Compound, Locking	
2	0641418	2	Bolt 1/4 x 2-1/4	
3	0961845	2	Bushing	
4	3290606	2	Nut M6	
5	3300151	2	Nut 1/4	
6	3520072	2	Plug	
7	3520198	2	Plug	
8	4010618	2	Screw M6 x 50	
9	4711400	4	Washer 1/4	
10	4811700	2	Washer M6	
11	1001138494	1	Bar, Drop	
12	1001138514	1	Rail (Top)	
13	1001140429	1	Decal - Drop Bar	
14	See Note	NSS	Platform (Note: Not Available - Purchase Platform Assembly)	

SECTION 5 - PLATFORM

FIGURE 5-9. PLATFORM ASSEMBLY - 36IN X 8FT (91.5CM X 2.44M) WITH DROP BAR



ART_1001186382

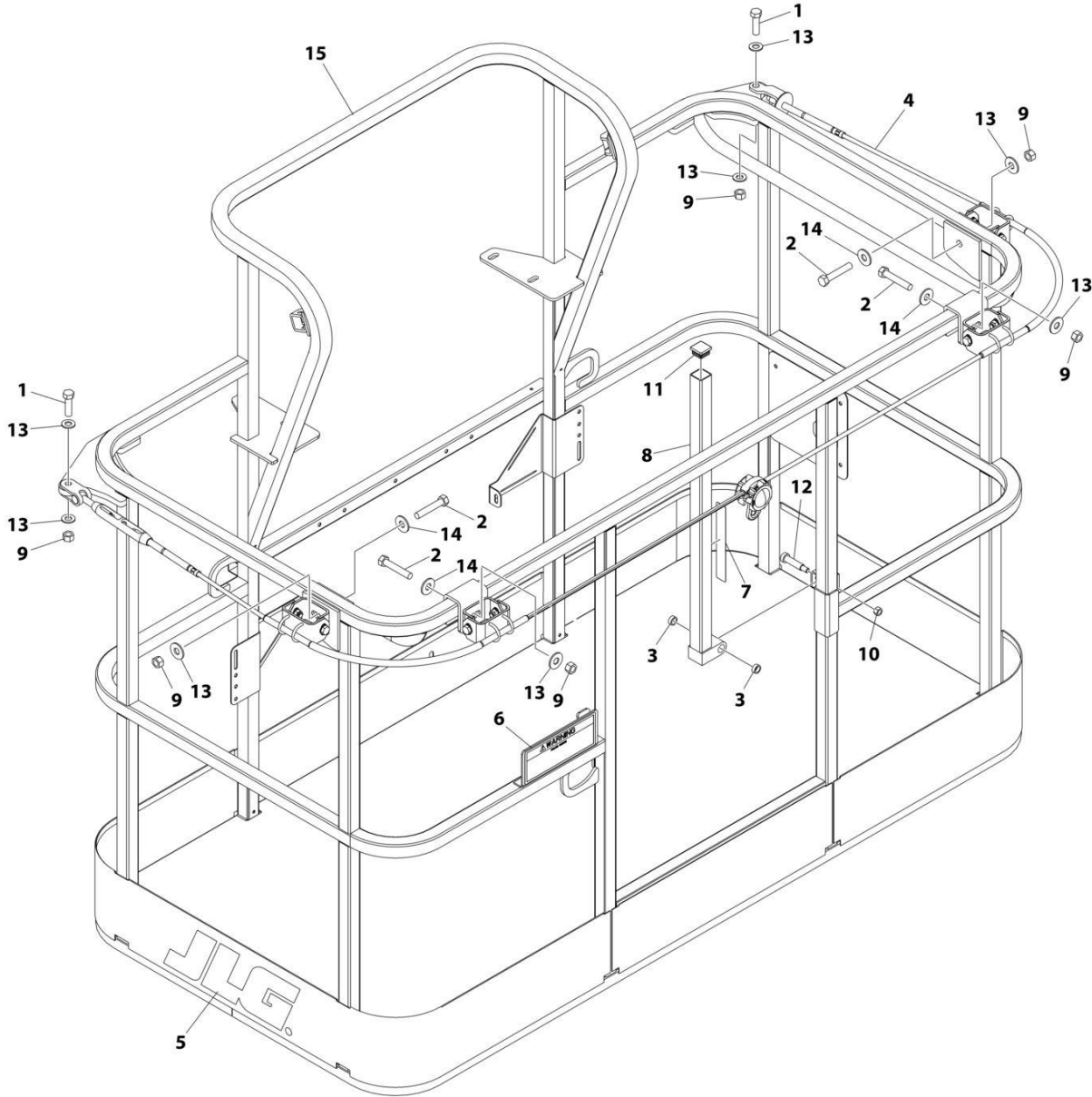
SECTION 5 - PLATFORM

FIGURE 5-9. PLATFORM ASSEMBLY - 36IN X 8FT (91.5CM X 2.44M) WITH DROP BAR

ITEM	PART NUMBER	QTY	DESCRIPTION	REV
	1001186382	Ref	PLATFORM ASSEMBLY - 36IN X 8FT (91.5CM X 2.44M) WITH DROP BAR	C
		Ref	Note: Platform and Mesh must be ordered separately for Platforms with Mesh. See SPECIAL OPTIONS SECTION for Mesh Installations.	
		Ref	Note: Replacement Decals Must be Ordered Separately - See DECALS SECTION.	
1	0100011	AR	Compound, Locking	
2	0641418	2	Bolt 1/4 x 2-1/4	
3	0961845	2	Bushing	
4	3290606	2	Nut M6	
5	3300151	2	Nut 1/4	
6	3520072	2	Plug	
7	3520198	2	Plug	
8	4010618	2	Screw M6 x 50	
9	4711400	4	Washer 1/4	
10	4811700	2	Washer M6	
11	1001138494	1	Bar, Drop	
12	1001138514	1	Rail (Top)	
13	1001140429	1	Decal - Drop Bar	
14	See Note	NSS	Platform (Note: Not Available - Purchase Platform Assembly)	

SECTION 5 - PLATFORM

FIGURE 5-10. PLATFORM ASSEMBLY - 36IN X 6FT (91.5CM X 1.83M) WITH FALL ARREST



ART_1001186333

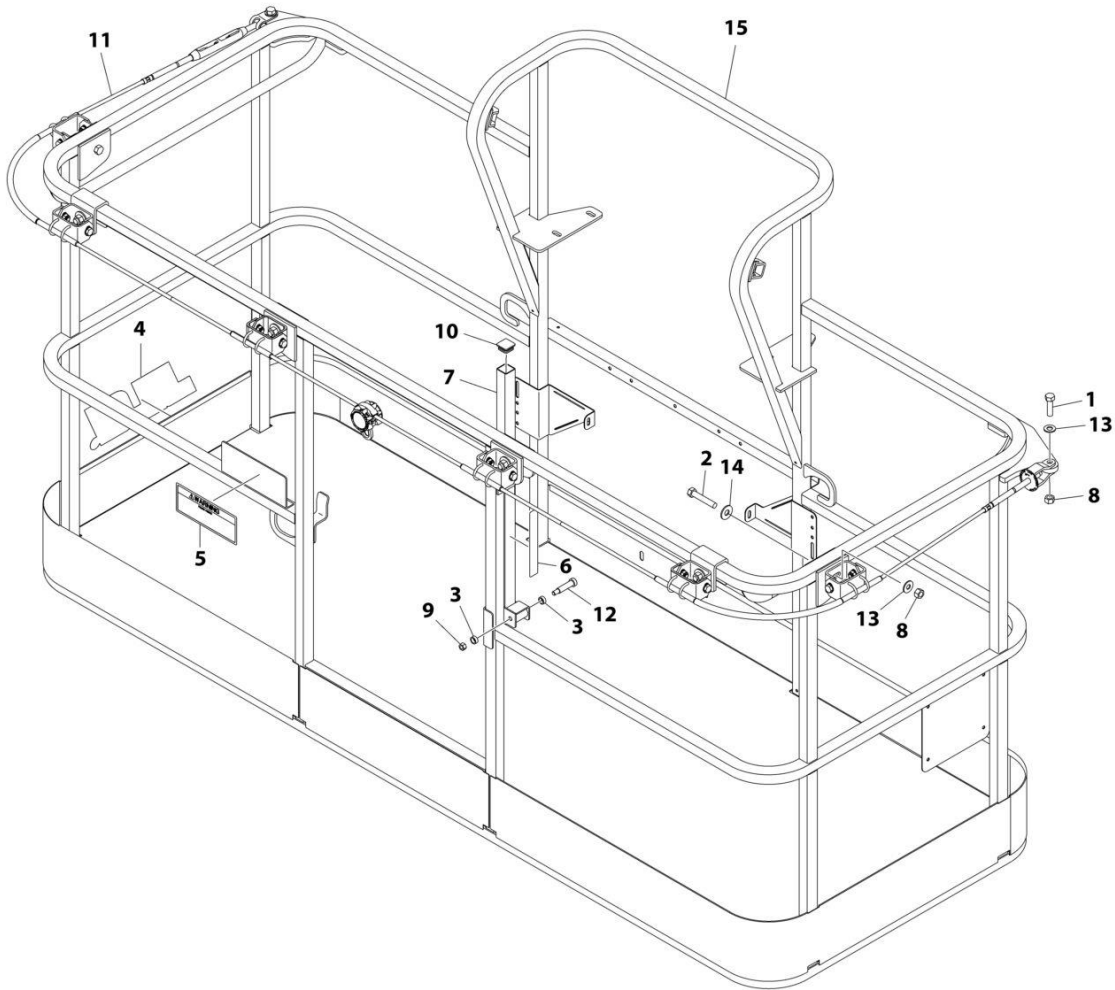
SECTION 5 - PLATFORM

FIGURE 5-10. PLATFORM ASSEMBLY - 36IN X 6FT (91.5CM X 1.83M) WITH FALL ARREST

ITEM	PART NUMBER	QTY	DESCRIPTION	REV
	1001186333	Ref	PLATFORM ASSEMBLY	C
		Ref	Note: Replacement Decals Must be Ordered Separately - See DECALS SECTION.	
1	0681814	2	Bolt 1/2 x 1-3/4 Grade 8	
2	0681822	4	Bolt 1/2 x 2-3/4 Grade 8	
3	0962270	2	Bearing	
4	1001203655	1	Cable	
5	1702773	1	Decal - JLG	
6	1705014	1	Decal - Safety	
7	1706385	1	Decal - Drop Bar	
8	2410014	1	Bar, Drop	
9	3271805	6	Nut 1/2 Grade 8	
10	3311605	1	Nut 3/8	
11	3520072	1	Plug	
12	3900054	1	Bolt 1/2 x 1-3/4	
13	4711800	8	Washer 1/2	
14	4751800	4	Washer 1/2	
15	See Note	NSS	Platform (Note: Not Available - Purchase Platform Assembly)	

SECTION 5 - PLATFORM

FIGURE 5-11. PLATFORM ASSEMBLY - 36IN X 8FT (91.5CM X 2.44M) WITH FALL ARREST



ART_1001186334

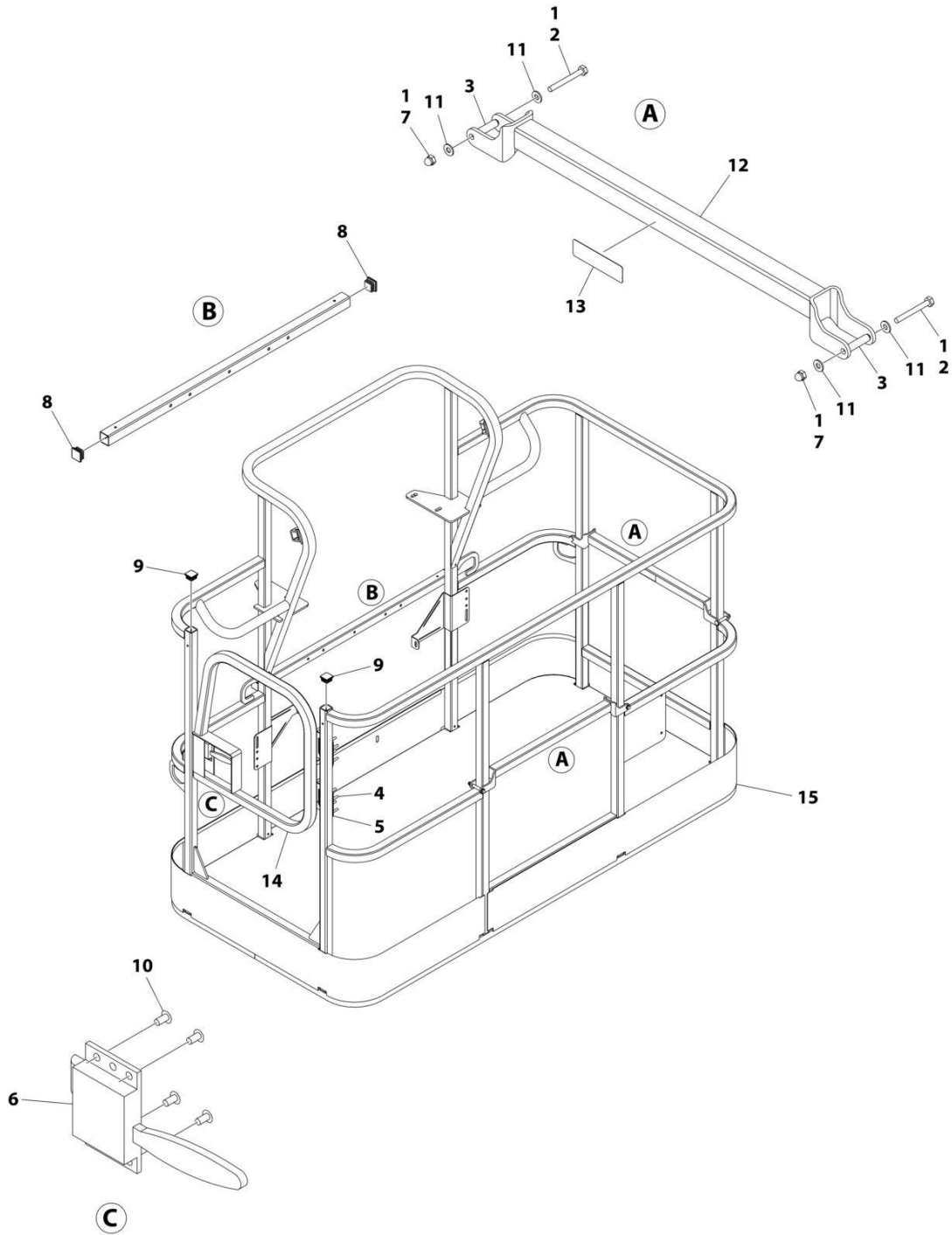
SECTION 5 - PLATFORM

FIGURE 5-11. PLATFORM ASSEMBLY - 36IN X 8FT (91.5CM X 2.44M) WITH FALL ARREST

ITEM	PART NUMBER	QTY	DESCRIPTION	REV
	1001186334	Ref	PLATFORM ASSEMBLY	D
		Ref	Note: Replacement Decals Must be Ordered Separately - See DECALS SECTION.	
1	0681814	2	Bolt 1/2 x 1-3/4 Grade 8	
2	0681822	6	Bolt 1/2 x 2-3/4 Grade 8	
3	0962270	2	Bearing	
4	1702773	1	Decal - JLG	
5	1705014	1	Decal - Safety	
6	1706385	1	Decal - Drop Bar	
7	2410014	1	Bar, Drop	
8	3271805	8	Nut 1/2 Grade 8	
9	3311605	1	Nut 3/8	
10	3520072	1	Plug	
11	1001203656	1	Cable	
12	3900054	1	Bolt 1/2 x 1-3/4	
13	4711800	2	Washer 1/2	
14	4751800	6	Washer 1/2	
15	See Note	NSS	Platform (Note: Purchase Platform Assembly)	

SECTION 5 - PLATFORM

FIGURE 5-12. PLATFORM ASSEMBLY - 36IN X 6FT (91.5CM X 1.83M) TRI-ENTRY WITH SWING GATE



ART_1001228376

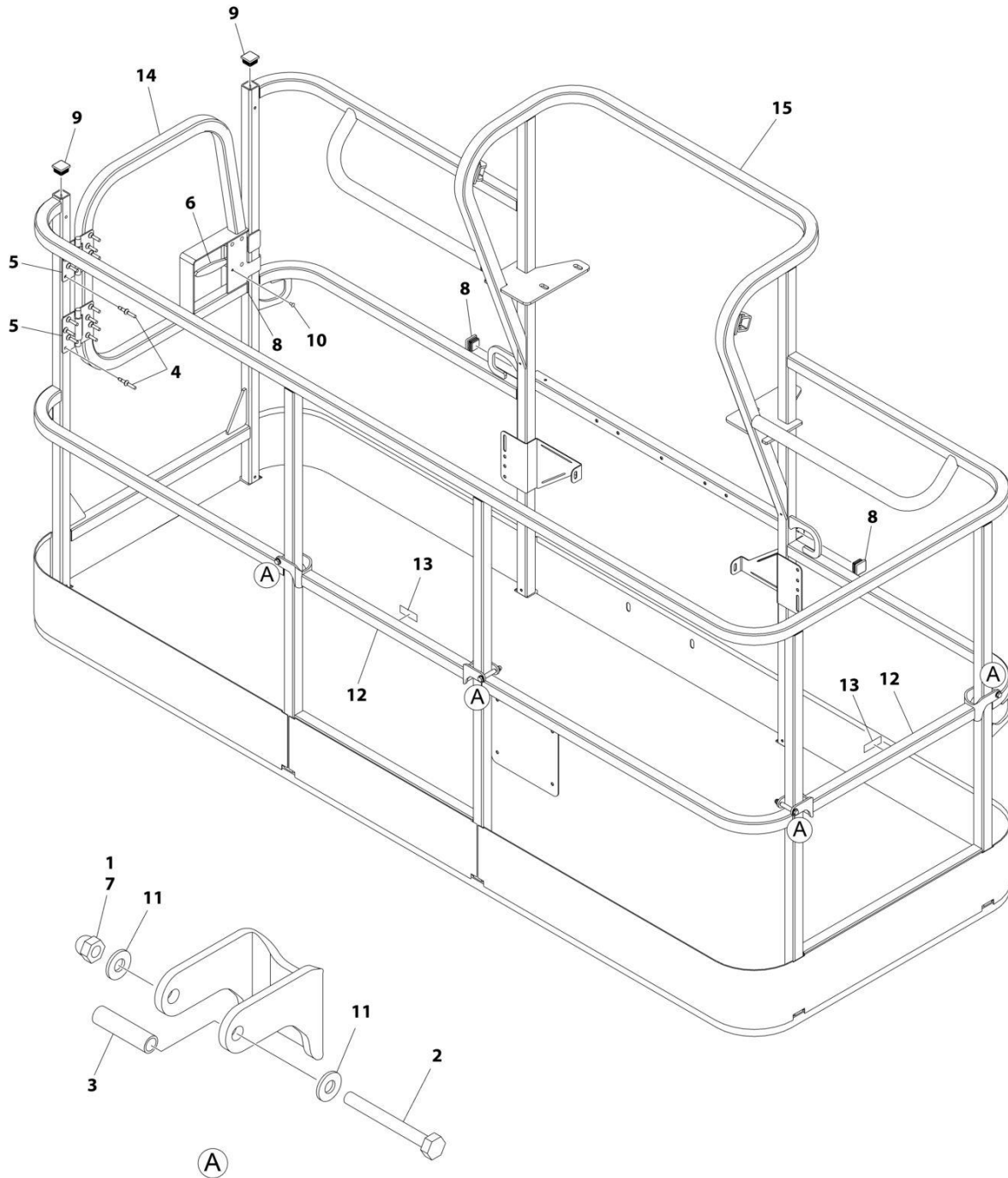
SECTION 5 - PLATFORM

FIGURE 5-12. PLATFORM ASSEMBLY - 36IN X 6FT (91.5CM X 1.83M) TRI-ENTRY WITH SWING GATE

ITEM	PART NUMBER	QTY	DESCRIPTION	REV
	1001228376	Ref	PLATFORM ASSEMBLY - 36IN x 6FT (91.5CM x 1.83M)	B
		Ref	Note: Platform and Mesh must be ordered separately for Platforms with Mesh. See SPECIAL OPTIONS SECTION for Mesh Installations.	
		Ref	Note: Replacement Decals Must be Ordered Separately - See DECAL SECTION.	
1	0100011	AR	Compound, Locking	
2	0641418	4	Bolt 1/4 x 2-1/4	
3	0961845	4	Bushing	
4	2080040	16	Fastener	
5	2600281	2	Hinge	
6	2940074	1	Latch	
7	3300151	4	Nut 1/4	
8	3520072	3	Plug	
9	3520198	2	Plug	
10	3820020	4	Rivet	
11	4711400	8	Washer 1/4	
12	1001138494	2	Bar, Drop	
13	1001140429	2	Decal - Drop Bar	
14	1001144629	1	Gate	
15	See Note	NSS	Platform (Note: Not Available - Purchase Platform Assembly)	

SECTION 5 - PLATFORM

FIGURE 5-13. PLATFORM ASSEMBLY - 36IN X 8FT (91.5CM X 2.44M) TRI-ENTRY WITH SWING GATE



ART_1001228243

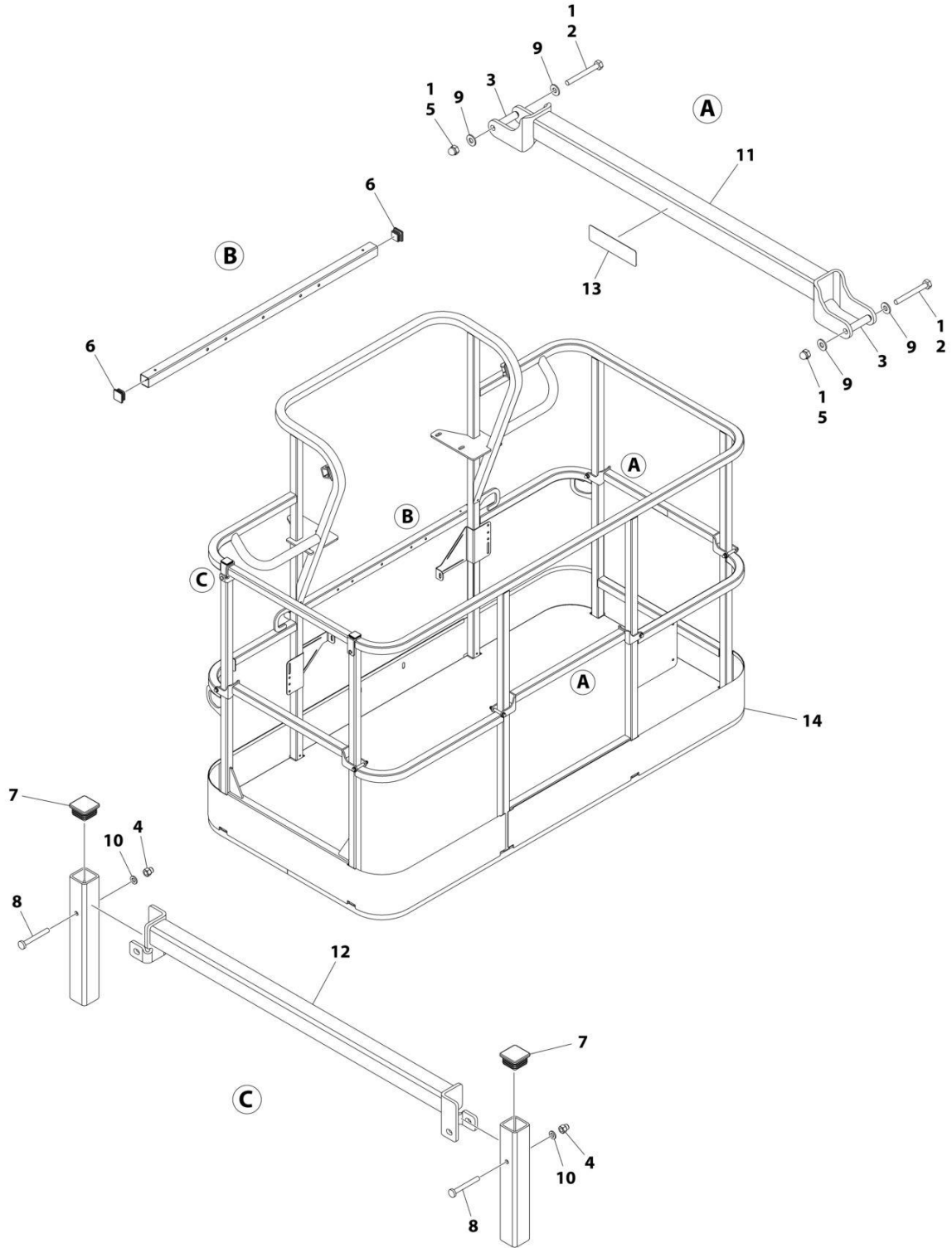
SECTION 5 - PLATFORM

FIGURE 5-13. PLATFORM ASSEMBLY - 36IN X 8FT (91.5CM X 2.44M) TRI-ENTRY WITH SWING GATE

ITEM	PART NUMBER	QTY	DESCRIPTION	REV
	1001228243	Ref	PLATFORM ASSEMBLY - 36IN X 8FT (91.5CM X 2.44M) WITH TRI-ENTRY	A
		Ref	Note: Platform and Mesh must be ordered separately for Platforms with Mesh. See SPECIAL OPTIONS SECTION for Mesh Installations.	
1	0100011	AR	Compound, Locking	
2	0641418	4	Bolt 1/4 x 2-1/4	
3	0961845	4	Bushing	
4	2080040	16	Fastener, Huck	
5	2600281	2	Hinge, Self-Closing	
6	2940074	1	Latch	
7	3300151	4	Nut 1/4	
8	3520072	3	Cap, Plug	
9	3520198	2	Cap, Plug	
10	3820020	4	Rivet	
11	4711400	8	Washer 1/4	
12	1001138494	2	Bar, Drop	
13	1001140429	2	Decal - Drop Bar	
14	1001144629	1	Gate, Weldment	
15	See Note	1	Platform (Note: Not Available - Purchase Platform Assembly)	

SECTION 5 - PLATFORM

FIGURE 5-14. PLATFORM ASSEMBLY - 36IN X 6FT (91.5CM X 1.83M) TRI-ENTRY WITH DROPBAR



ART_1001228377

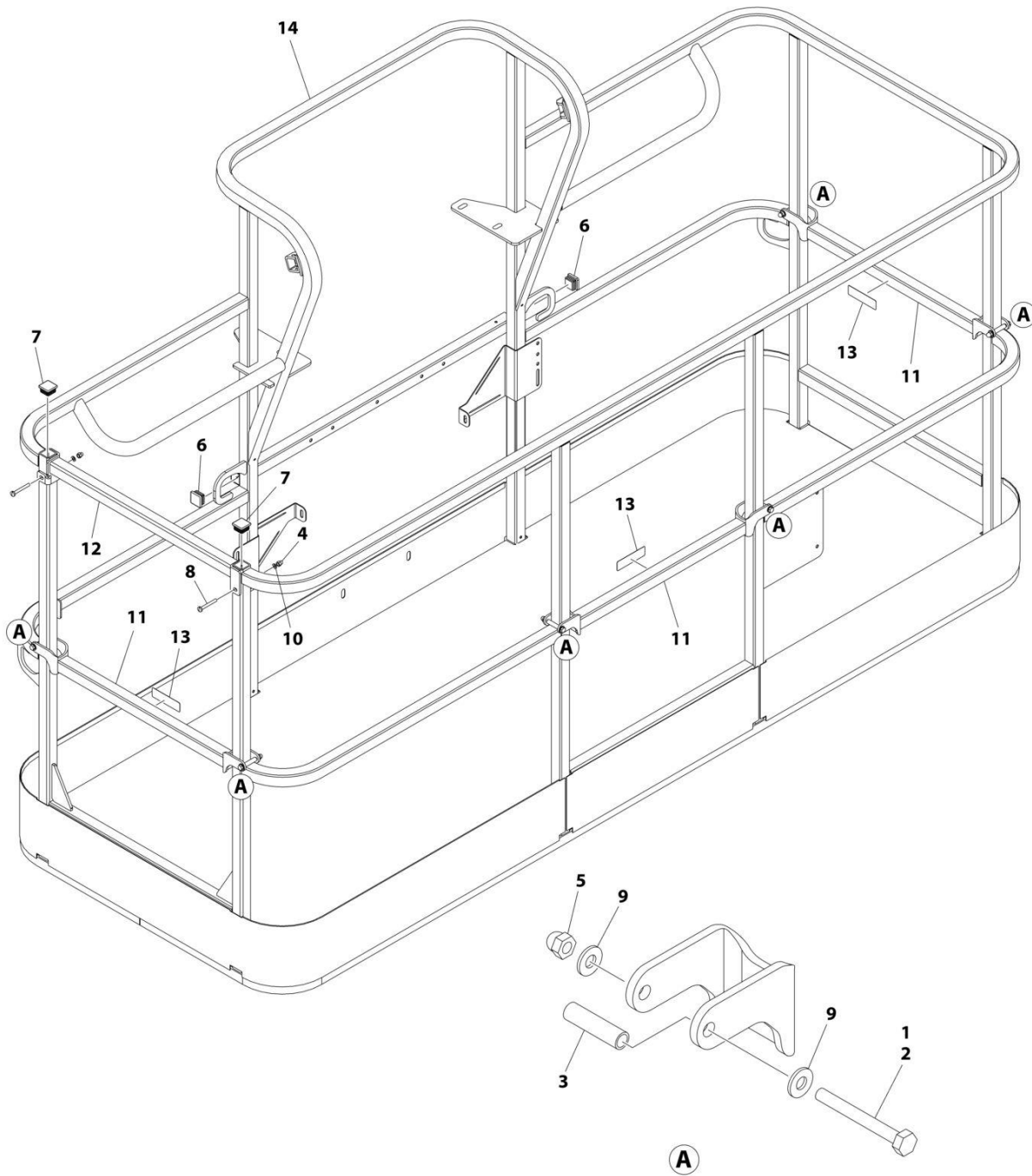
SECTION 5 - PLATFORM

FIGURE 5-14. PLATFORM ASSEMBLY - 36IN X 6FT (91.5CM X 1.83M) TRI-ENTRY WITH DROPBAR

ITEM	PART NUMBER	QTY	DESCRIPTION	REV
	1001228377	Ref	PLATFORM ASSEMBLY - 36IN x 6FT (91.5CM x 1.83M)	B
		Ref	Note: Platform and Mesh must be ordered separately for Platforms with Mesh. See SPECIAL OPTIONS SECTION for Mesh Installations.	
		Ref	Note: Replacement Decals Must be Ordered Separately - See DECAL SECTION.	
1	0100011	1	Compound, Locking	
2	0641418	6	Bolt 1/4 x 2-1/4	
3	0961845	6	Bushing	
4	3290606	2	Nut M6	
5	3300151	6	Nut 1/4	
6	3520072	2	Plug	
7	3520198	2	Plug	
8	4010618	2	Screw M6 x 50	
9	4711400	12	Washer 1/4	
10	4811700	2	Washer M6	
11	1001138494	3	Bar, Drop	
12	1001138514	1	Rail (Top)	
13	1001140429	3	Decal - Drop Bar	
14	See Note	NSS	Platform, Weldment (Note: Not Available - Purchase Platform Assembly)	

SECTION 5 - PLATFORM

FIGURE 5-15. PLATFORM ASSEMBLY - 36IN X 8FT (91.5CM X 2.44M) TRI-ENTRY WITH DROPBAR



ART_1001228375

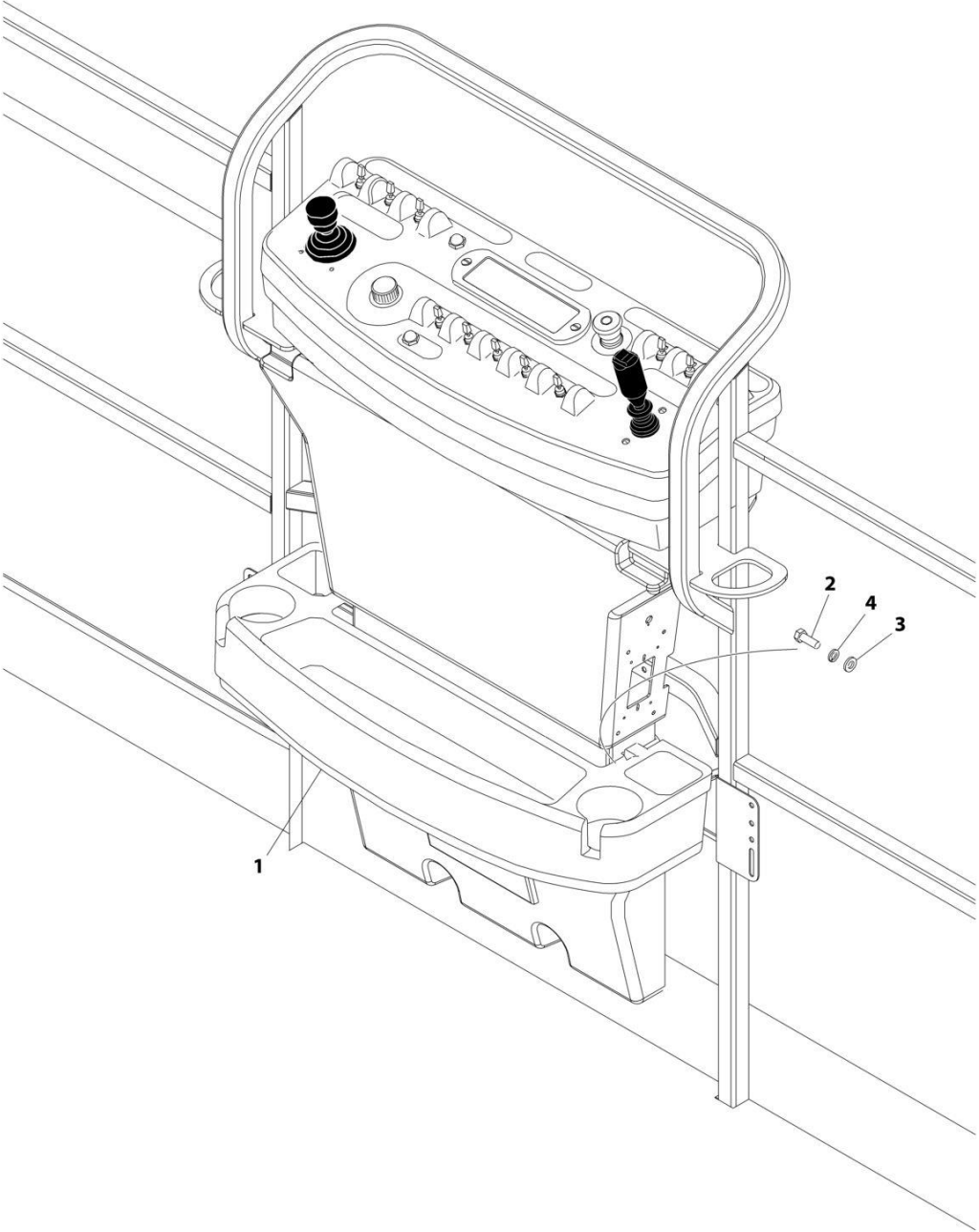
SECTION 5 - PLATFORM

FIGURE 5-15. PLATFORM ASSEMBLY - 36IN X 8FT (91.5CM X 2.44M) TRI-ENTRY WITH DROPBAR

ITEM	PART NUMBER	QTY	DESCRIPTION	REV
	1001228375	Ref	PLATFORM ASSEMBLY - 36IN X 8FT (91.5CM X 2.44M) WITH TRI-ENTRY	A
		Ref	Note: Platform and Mesh must be ordered separately for Platforms with Mesh. See SPECIAL OPTIONS SECTION for Mesh Installations.	
		Ref	Note: Replacement Decals Must be Ordered Separately - See DECAL SECTION.	
1	0100011	AR	Compound, Locking	
2	0641418	6	Bolt 1/4 x 2-1/4	
3	0961845	6	Bushing	
4	3290606	2	Nut M6 x 1	
5	3300151	6	Nut 1/4	
6	3520072	2	Cap, Plug	
7	3520198	2	Cap, Plug	
8	4010618	2	Screw M6 x 50	
9	4711400	12	Washer 1/4	
10	4811700	2	Washer M6	
11	1001138494	3	Bar, Drop	
12	1001138514	1	Rail (Top)	
13	1001140429	3	Decal - Drop Bar	
14	See Note	1	Platform (Note: Not Available - Purchase Platform Assembly)	

SECTION 5 - PLATFORM

FIGURE 5-16. TRAY ASSEMBLY



ART_1580012

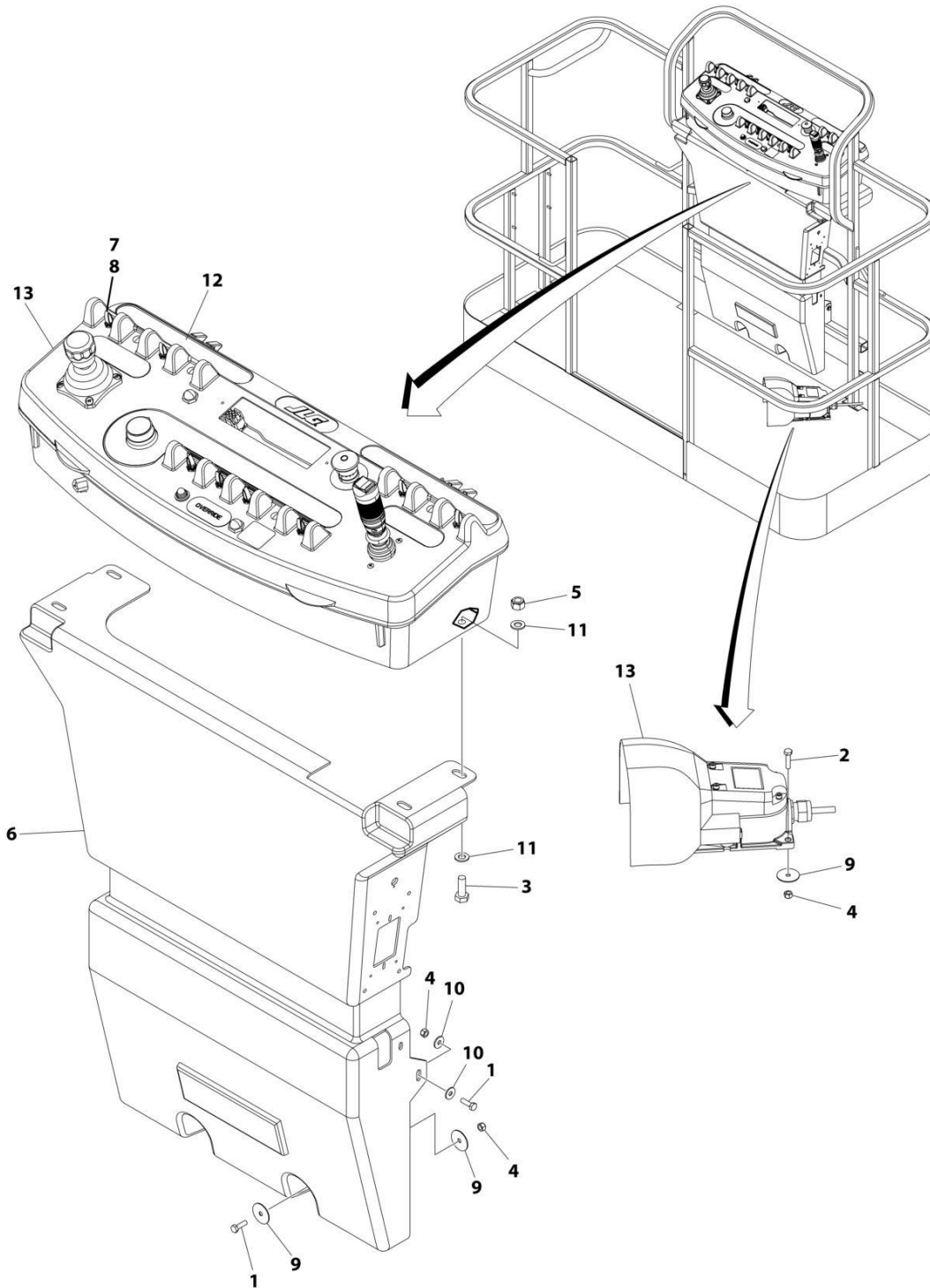
SECTION 5 - PLATFORM

FIGURE 5-16. TRAY ASSEMBLY

ITEM	PART NUMBER	QTY	DESCRIPTION	REV
	1580012	Ref	TRAY ASSEMBLY	C
1	See Note	NSS	Tray, Storage (Center) (Note: Purchase p/n 1580012)	
2	0641406	2	Bolt 1/4 x 3/4	
3	4751400	2	Washer 1/4	
4	4761400	2	Washer 1/4	

SECTION 5 - PLATFORM

FIGURE 5-17. CONSOLE AND FOOTSWITCH INSTALLATION



ART_1001266073

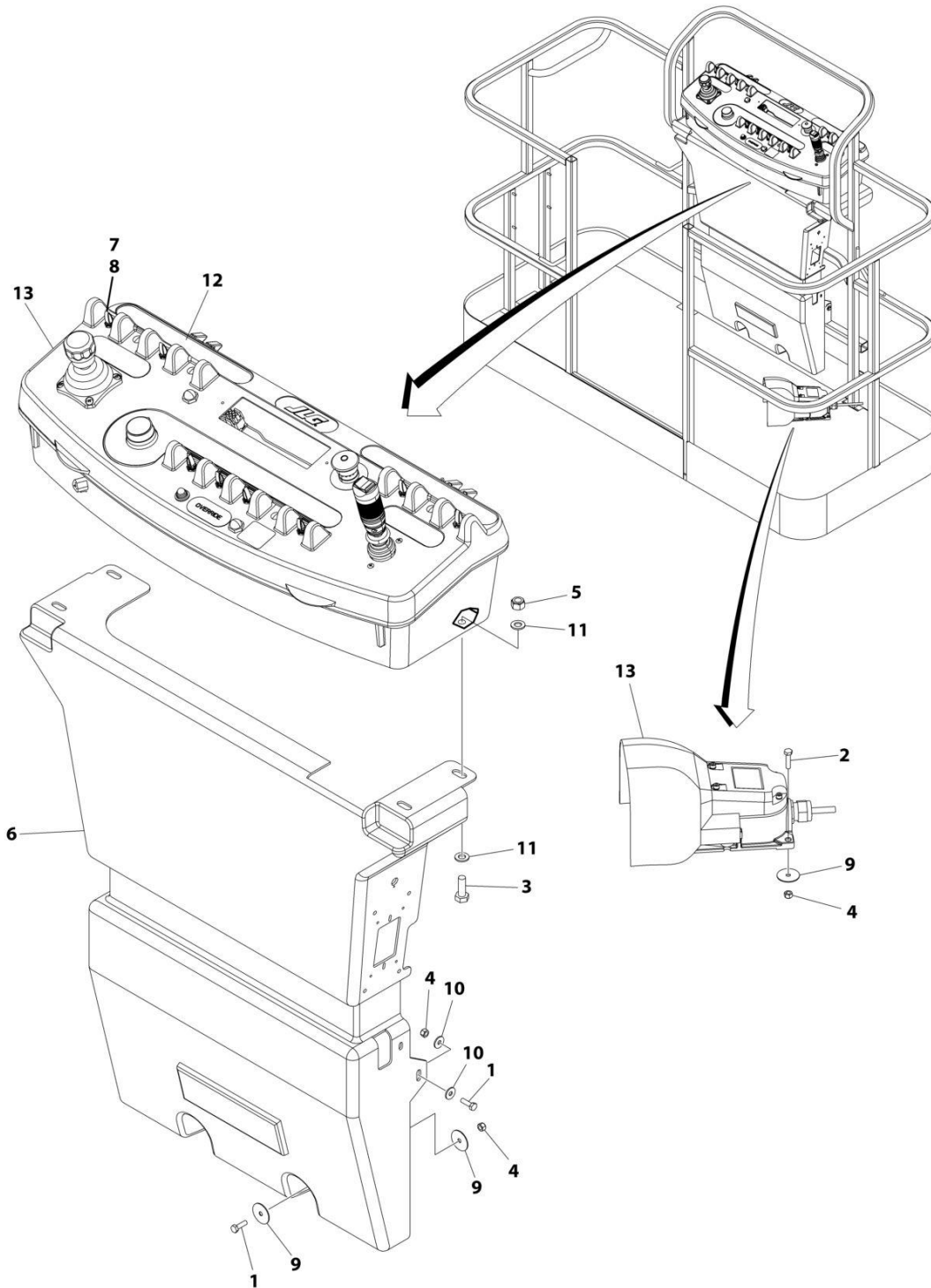
SECTION 5 - PLATFORM

FIGURE 5-17. CONSOLE AND FOOTSWITCH INSTALLATION

ITEM	PART NUMBER	QTY	DESCRIPTION	REV
	1001266073	Ref	PLATFORM CONSOLE AND FOOTSWITCH INSTALLATION	A
1	0641406	4	Bolt 1/4 x 3/4	
2	0641408	3	Bolt 1/4 x 1	
3	0641610	4	Bolt 3/8 x 1-1/4	
4	3311405	7	Nut 1/4	
5	3311605	4	Nut 3/8	
6	3380434	1	Panel	
7	3790012	1	O-Ring	
8	4360331	1	Switch, Toggle	
9	4740362	7	Washer	
10	4751400	4	Washer 1/4	
11	4761600	8	Washer 3/8	
12	1001184626	1	Decal - Horn	
13	1001266069	1	Platform Console Assembly (See Separate Breakdown in this Section)	

SECTION 5 - PLATFORM

FIGURE 5-18. CONSOLE AND FOOTSWITCH INSTALLATION (TOWER STOW)



ART_1001264239

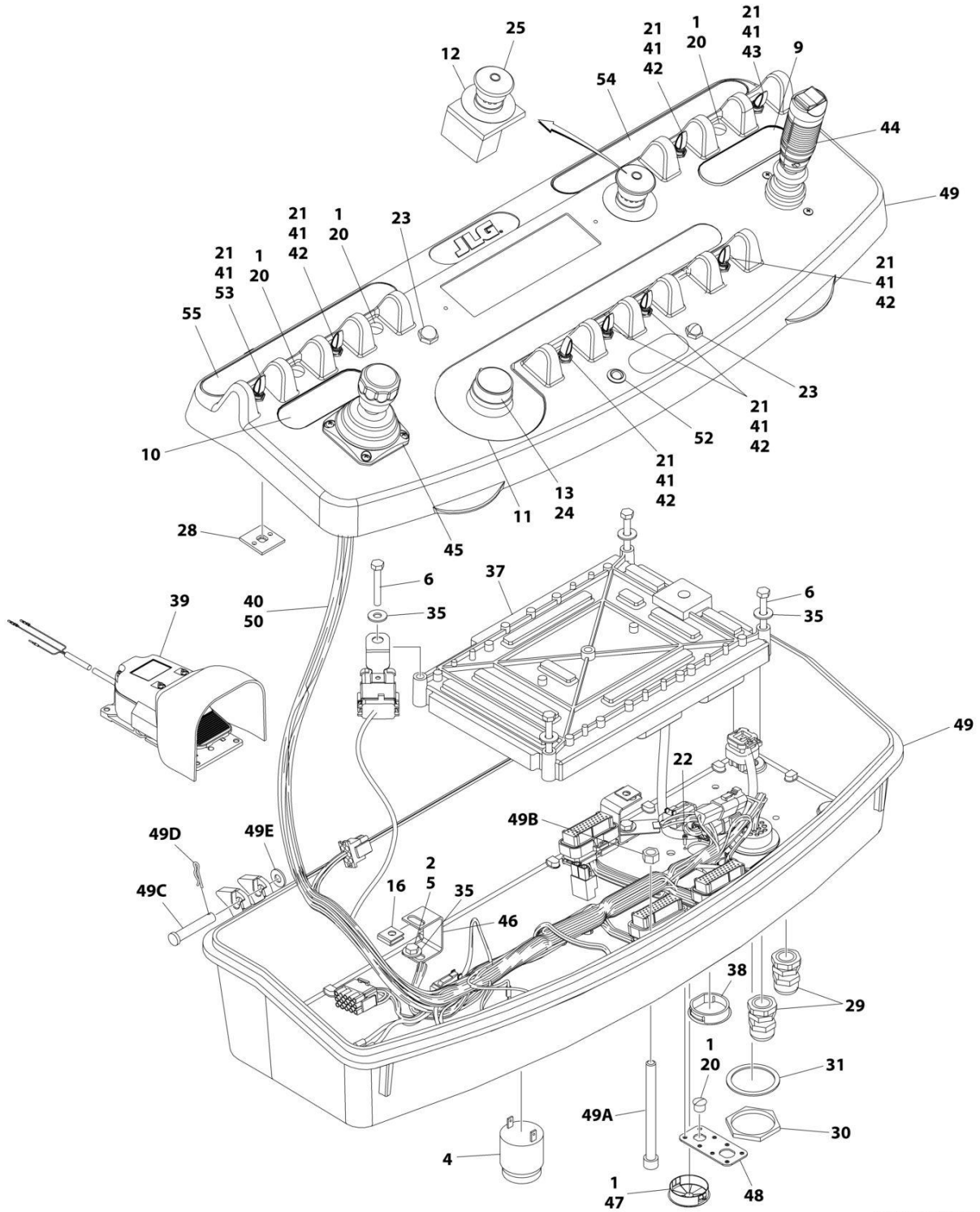
SECTION 5 - PLATFORM

FIGURE 5-18. CONSOLE AND FOOTSWITCH INSTALLATION (TOWER STOW)

ITEM	PART NUMBER	QTY	DESCRIPTION	REV
	1001264239	Ref	PLATFORM CONSOLE AND FOOTSWITCH INSTALLATION (TOWER STOW)	A
1	0641406	4	Bolt 1/4 x 3/4	
2	0641408	3	Bolt 1/4 x 1	
3	0641610	4	Bolt 3/8 x 1-1/4	
4	3311405	7	Nut 1/4	
5	3311605	4	Nut 3/8	
6	3380434	1	Panel	
7	3790012	AR	O-Ring	
8	4360331	AR	Switch, Toggle	
9	4740362	7	Washer	
10	4751400	4	Washer 1/4	
11	4761600	8	Washer 3/8	
12	1001184626	AR	Decal - Horn	
13	1001263588	1	Platform Console Assembly (See Separate Breakdown in this Section)	

SECTION 5 - PLATFORM

FIGURE 5-19. CONSOLE BOX ASSEMBLY WITH FOOTSWITCH



ART_1001266069_C

SECTION 5 - PLATFORM

FIGURE 5-19. CONSOLE BOX ASSEMBLY WITH FOOTSWITCH

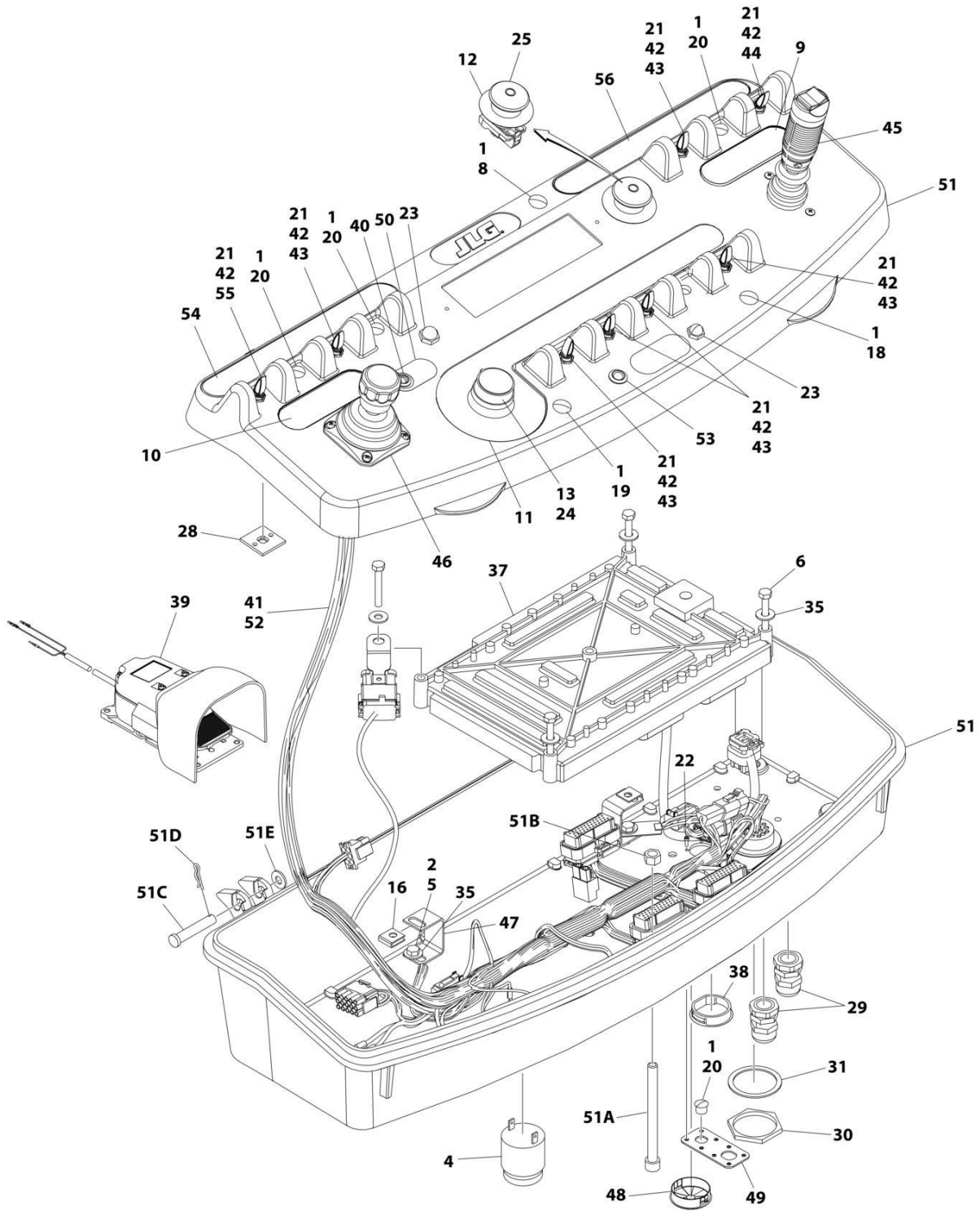
ITEM	PART NUMBER	QTY	DESCRIPTION	REV
	1001266069	Ref	CONSOLE BOX ASSEMBLY	C
1	0100009	AR	Sealant	
2	0100035	AR	Compound, Locking	
4	0140011	1	Alarm	
5	0641405	4	Bolt 1/4 x 5/8	
6	0641414	4	Bolt 1/4 x 1-3/4	
9	1702565	1	Decal - Drive and Steer	
10	1702566	1	Decal - Lift and Swing	
11	1702567	1	Decal - Function Speed	
12	1704260	1	Decal - Emergency Stop	
13	2560136	1	Handle, Knob	
16	3300353	4	Nut, Tinnerman	
20	3520054	4	Plug	
21	3790012	8	O-Ring	
22	3900349	8	Capscrew M2.5 x 8	
23	4360387	2	Switch, Push Button	
24	4360407	1	Controller, Speed	
24	4460224	1	Receptacle, Female - 6 Position	
24	4460226	6	Socket, Female	
24	See Note	1	Gasket "Top Hat" (Included with Switch) (Note: Not Available - Purchase Complete Controller)	
24	70003784	1	Seal	
25	1001274559	1	Switch, Emergency Stop	
28	4460234	6	Mount, Tie-Strap	
29	4460428	2	Connector, Strain Relief	
30	4460470	1	Nut, Terminal	
31	4460471	1	Washer, Terminal	
35	4751400	8	Washer 1/4	
36	4922666	1	Analyzer Harness (Not Shown)	
36	4460761	1	Receptacle, Female - 4 Position	
36	4460227	4	Pin, Male	
37	1001106938	1	Module, Platform (Note: Re-calibration Required when Replaced)	
38	1001110434	1	Plug	
39	1001117174	1	Footswitch Assembly (See Separate Breakdown in this Section)	
40	1001139135	1	Boom Valve Harness (See Separate Breakdown in ELECTRICAL Section)	
41	1001155044	8	Nut 15/32	
42	1001155045	6	Switch, Toggle	
43	1001159256	1	Switch, Toggle	
44	1001275628	1	Controller Assembly (Drive and Steer)	
45	1001275629	1	Controller Assembly (Lift and Swing)	
46	1001172760	4	Bracket	
47	1001185281	1	Plug	
48	1001213882	1	Mount	
49	1001215228	1	Console Box Assembly	
49A	0630568	1	Capscrew 3/8 x 4-1/2	
49B	3311601	1	Nut 3/8	
49C	3430616	2	Pin	
49D	3470003	2	Hairpin	
49E	4711600	2	Washer 3/8	

SECTION 5 - PLATFORM

ITEM	PART NUMBER	QTY	DESCRIPTION	REV
50	1001266648	1	Platform Console Harness (See Separate Breakdown in ELECTRICAL Section)	
51	4240099	AR	Tie-Strap (Not Shown)	
52	1001206532	1	Lamp, LED Indicator Yellow	
53	1001161709	1	Switch, Toggle DPDT	
54	1001184618	1	Decal - Stop & Auxiliary Power	
55	1001184626	1	Decal - Horn	

SECTION 5 - PLATFORM

FIGURE 5-20. CONSOLE BOX ASSEMBLY WITH FOOTSWITCH (TOWER STOW)



ART_1001263588_C

SECTION 5 - PLATFORM

FIGURE 5-20. CONSOLE BOX ASSEMBLY WITH FOOTSWITCH (TOWER STOW)

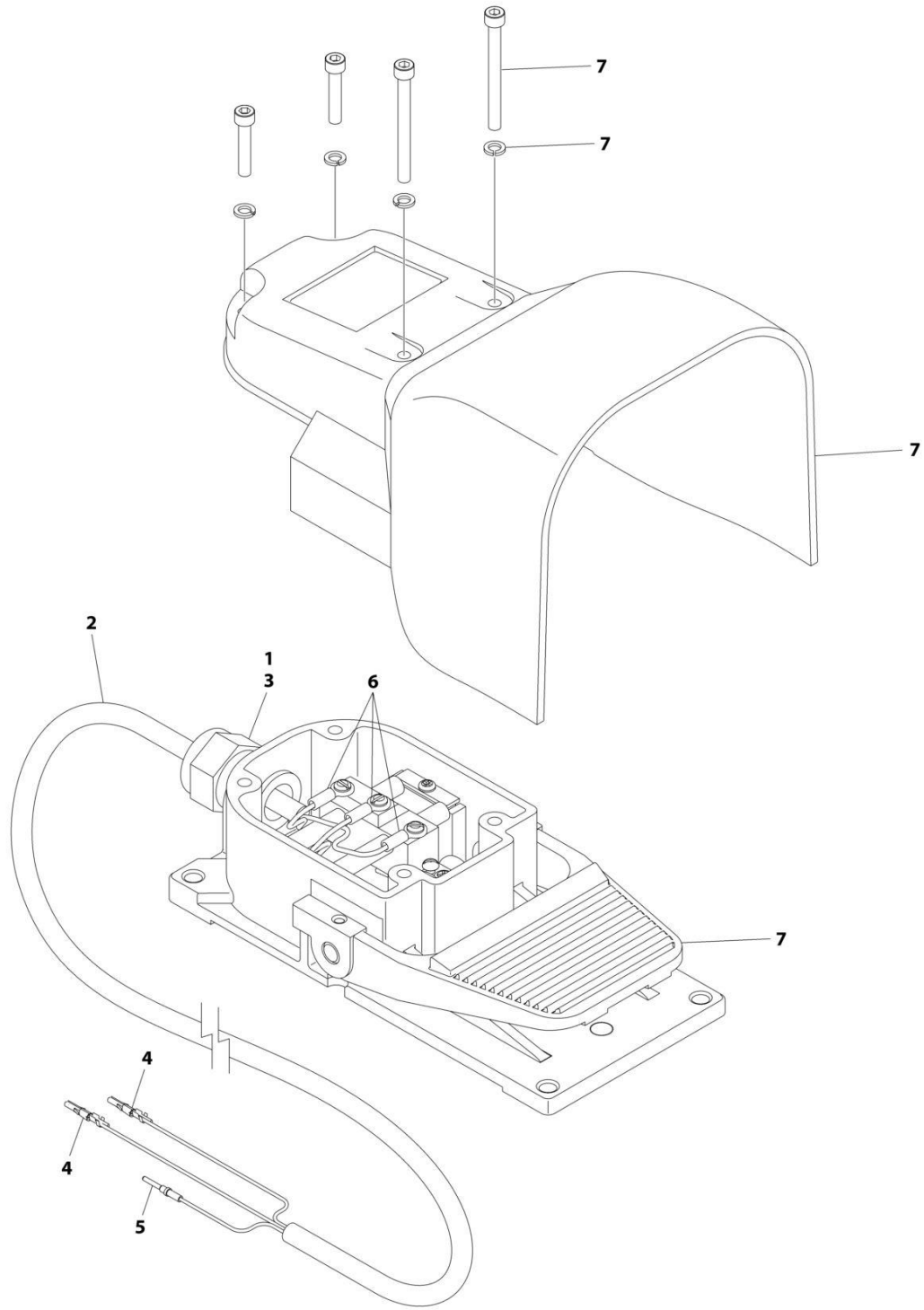
ITEM	PART NUMBER	QTY	DESCRIPTION	REV
	1001263588	Ref	CONSOLE BOX ASSEMBLY	C
1	0100009	AR	Sealant	
2	0100035	AR	Compound, Locking	
4	0140011	1	Alarm	
5	0641405	1	Bolt 1/4 x 5/8	
6	0641414	4	Bolt 1/4 x 1-3/4	
8	1671314	1	Cover	
9	1702565	1	Decal - Drive and Steer	
10	1702566	1	Decal - Lift and Swing	
11	1702567	1	Decal - Function Speed	
12	1704260	1	Decal - Emergency Stop	
13	2560136	1	Handle, Knob	
16	3300353	4	Nut, Tinnerman	
18	3520026	2	Plug	
19	3520027	1	Plug	
20	3520054	4	Plug	
21	3790012	8	O-Ring	
22	3900349	8	Capscrew M2.5 x 8	
23	4360387	2	Switch, Push Button	
24	4360407	1	Controller, Speed	
24	4460224	1	Receptacle, Female - 6 Position	
24	4460226	6	Socket, Female	
24	See Note	1	Gasket "Top Hat" (Included with Switch) (Note: Not Available - Purchase Complete Controller)	
24	70003784	1	Seal	
25	1001274559	1	Switch, Emergency Stop	
28	4460234	6	Mount, Tie-Strap	
29	4460428	2	Connector, Strain Relief	
30	4460470	1	Nut, Terminal	
31	4460471	1	Washer, Terminal	
35	4751400	8	Washer 1/4	
36	4922666	1	Analyzer Harness (Not Shown)	
36	4460761	1	Receptacle, Female - 4 Position	
36	4460227	4	Pin, Male	
37	1001106938	1	Module, Platform (Note: Re-calibration Required when Replaced)	
38	1001110434	1	Plug	
39	1001117174	1	Footswitch Assembly (See Separate Breakdown in this Section)	
40	1001137364	1	Light, Indicator	
41	1001139135	1	Boom Valve Harness (See Separate Breakdown in ELECTRICAL Section)	
42	1001155044	8	Nut 15/32	
43	1001155045	6	Switch, Toggle	
44	1001159256	1	Switch, Toggle	
45	1001275628	1	Controller Assembly (Drive and Steer)	
46	1001275629	1	Controller Assembly (Lift and Swing)	
47	1001172760	4	Bracket	
48	1001185281	1	Plug	
49	1001213882	1	Mount	
50	1001260937	1	Decal - Tower Stow	
51	1001263587	1	Console Box Assembly	

SECTION 5 - PLATFORM

ITEM	PART NUMBER	QTY	DESCRIPTION	REV
51A	0630568	1	Capscrew 3/8 x 4-1/2	
51B	3311601	1	Nut 3/8	
51C	3430616	2	Pin	
51D	3470003	2	Hairpin	
51E	4711600	2	Washer 3/8	
52	1001266648	1	Platform Console Harness (See Separate Breakdown in ELECTRICAL Section)	
53	1001206532	1	Lamp, LED Indicator Yellow	
54	1001184626	1	Decal - Horn	
55	1001161709	1	Switch, Toggle DPDT	
56	1001184618	1	Decal - Stop & Auxiliary Power	
57	4240099	AR	Tie-Strap (Not Shown)	

SECTION 5 - PLATFORM

FIGURE 5-21. FOOTSWITCH ASSEMBLY



ART_1001117174

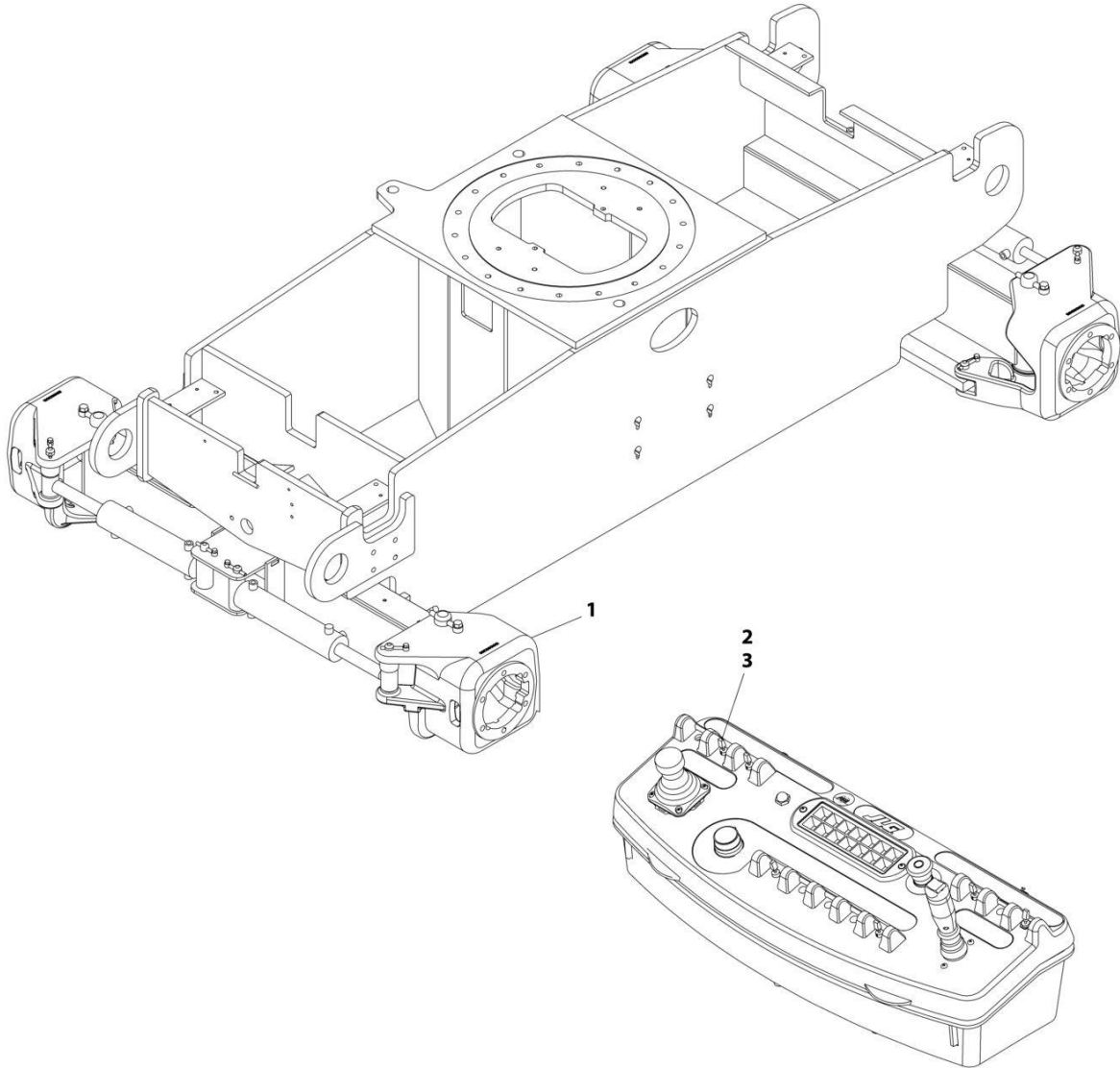
SECTION 5 - PLATFORM

FIGURE 5-21. FOOTSWITCH ASSEMBLY

ITEM	PART NUMBER	QTY	DESCRIPTION	REV
	1001117174	Ref	FOOTSWITCH ASSEMBLY	C
1	0100020	AR	Sealant	
2	1060918	7.5 ft/ 2.3m	Cable, Electrical - 18/3	
3	4460071	1	Connector, Strain Relief	
4	4460226	2	Socket, Female	
5	4460464	1	Pin, Male	
6	1001098122	3	Terminal	
7	1001117172	1	Footswitch	
7	70002902	1	Switch, 20Amp	
7	70002903	1	Gasket	
7	70002905	1	Cover	
7	70002904	1	Kit, Replacement Bolt	

SECTION 5 - PLATFORM

FIGURE 5-22. CRAB STEER SWITCH INSTALLATION - 4WS (WITHOUT TOW PACKAGE)



ART_1001148163

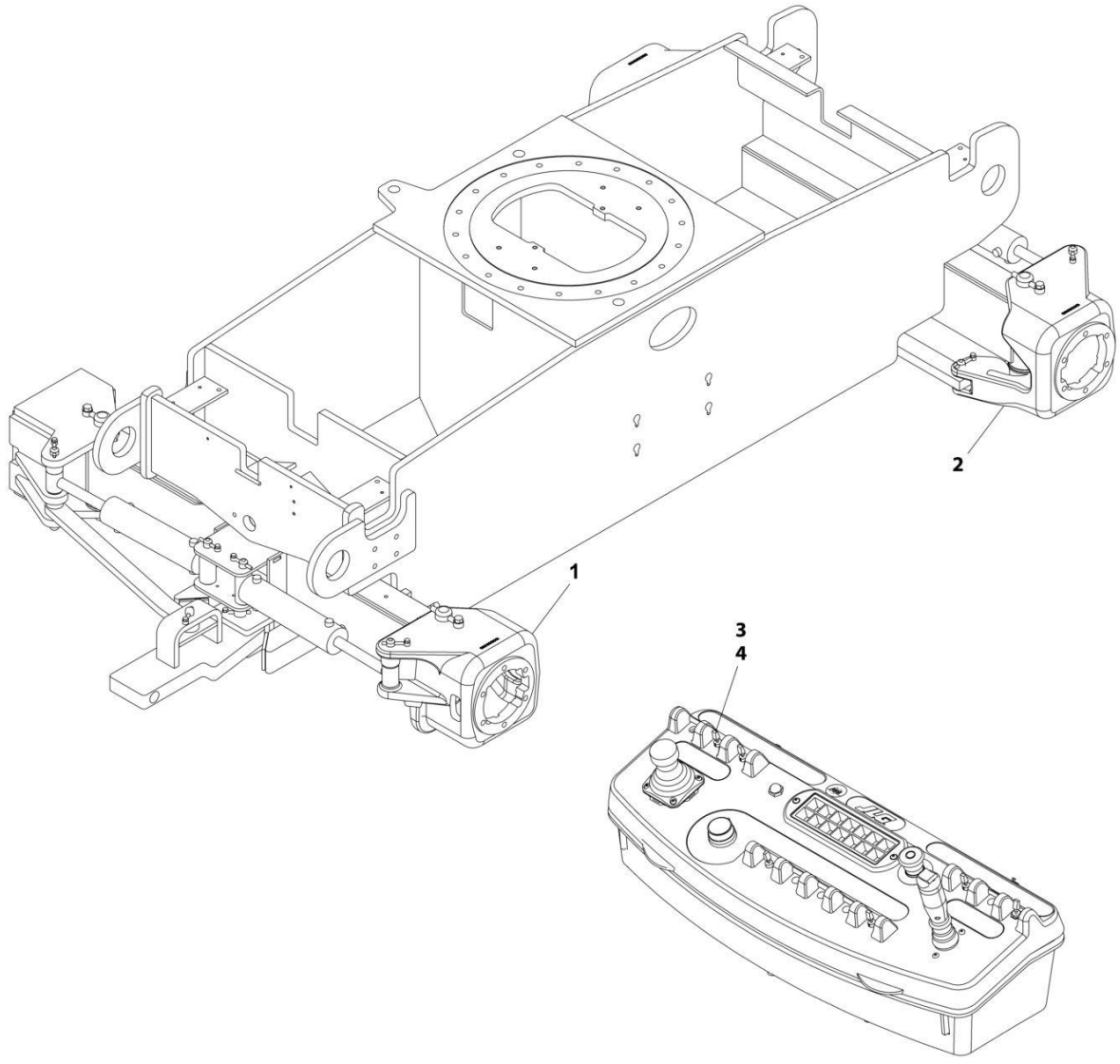
SECTION 5 - PLATFORM

FIGURE 5-22. CRAB STEER SWITCH INSTALLATION - 4WS (WITHOUT TOW PACKAGE)

ITEM	PART NUMBER	QTY	DESCRIPTION	REV
1	1001148163	Ref	CRAB STEER SWITCH INSTALLATION - 4WS	B
	1001148162	Ref	Steering Installation (Crab Steer) (See Separate Breakdown in FRAME SECTION)	
2	4360331	1	Switch, Toggle	
3	3790012	1	O-Ring	

SECTION 5 - PLATFORM

FIGURE 5-23. CRAB STEER SWITCH INSTALLATION - 4WS (WITH TOW PACKAGE)



ART_1001148166

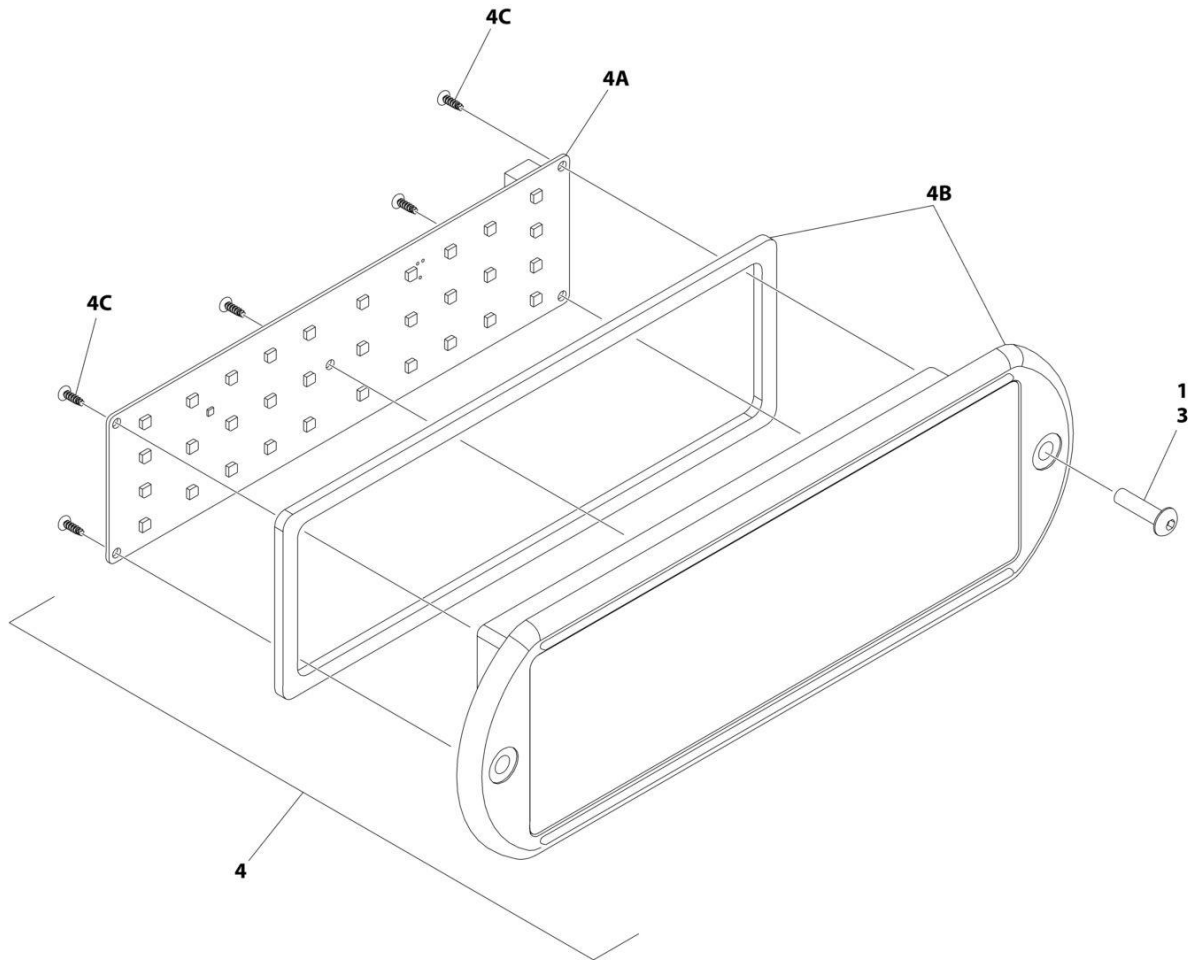
SECTION 5 - PLATFORM

FIGURE 5-23. CRAB STEER SWITCH INSTALLATION - 4WS (WITH TOW PACKAGE)

ITEM	PART NUMBER	QTY	DESCRIPTION	REV
1	1001148166	Ref	CRAB STEER SWITCH INSTALLATION - 4WS	B
	1001148164	Ref	Steering Installation (Not Shown - See Separate Breakdown in FRAME SECTION)	
2	1001148162	Ref	Steering Installation (Crab Steer) (Not Shown - See Separate Breakdown in FRAME SECTION)	
3	4360331	1	Switch, Toggle	
4	3790012	1	O-Ring	

SECTION 5 - PLATFORM

FIGURE 5-24. LIGHT PANEL INSTALLATION



ART_1001233959_D_20F2

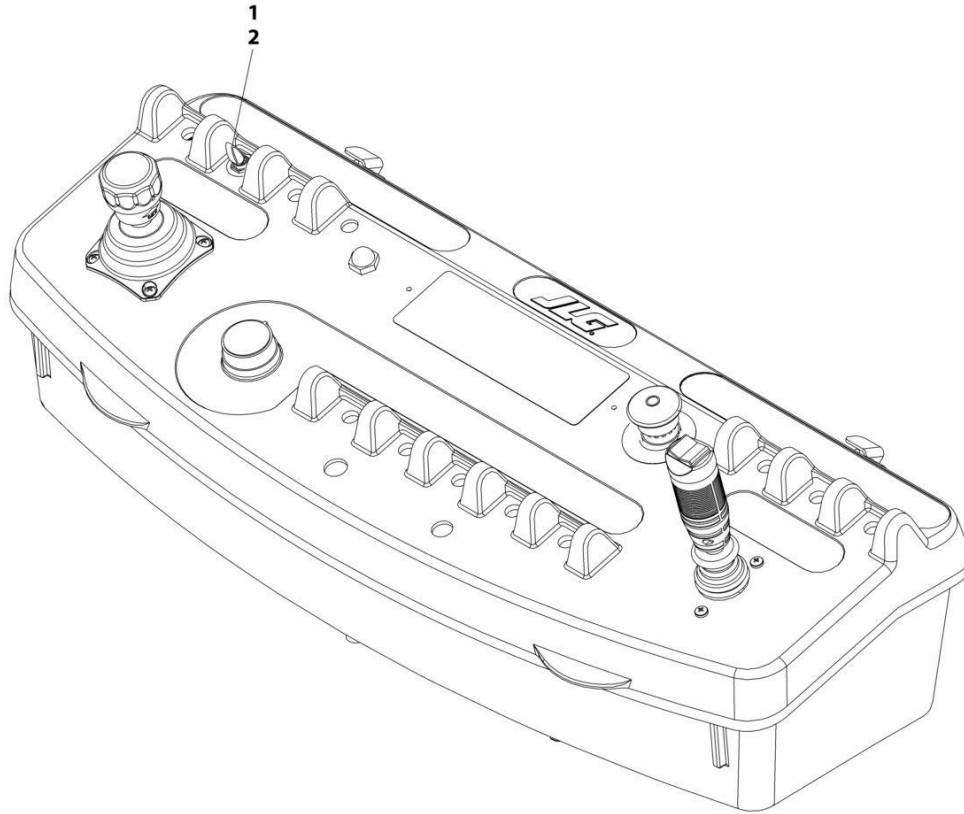
SECTION 5 - PLATFORM

FIGURE 5-24. LIGHT PANEL INSTALLATION

ITEM	PART NUMBER	QTY	DESCRIPTION	REV
	1001233959	Ref	LIGHT PANEL INSTALLATION - PLATFORM CONSOLE	D
1	0100035	AR	Compound, Locking	
3	0630518	2	Screw #10 x 3/4	
4	1001284583	1	Light Panel Assembly	A
4A	1001282106	1	Panel, LED Light	
4B	1001284582	1	Lens, Icon (Includes Gasket)	
4C		Ref	Screw	

SECTION 5 - PLATFORM

FIGURE 5-25. STEER SWITCH INSTALLATION – 4WS



ART_0258945

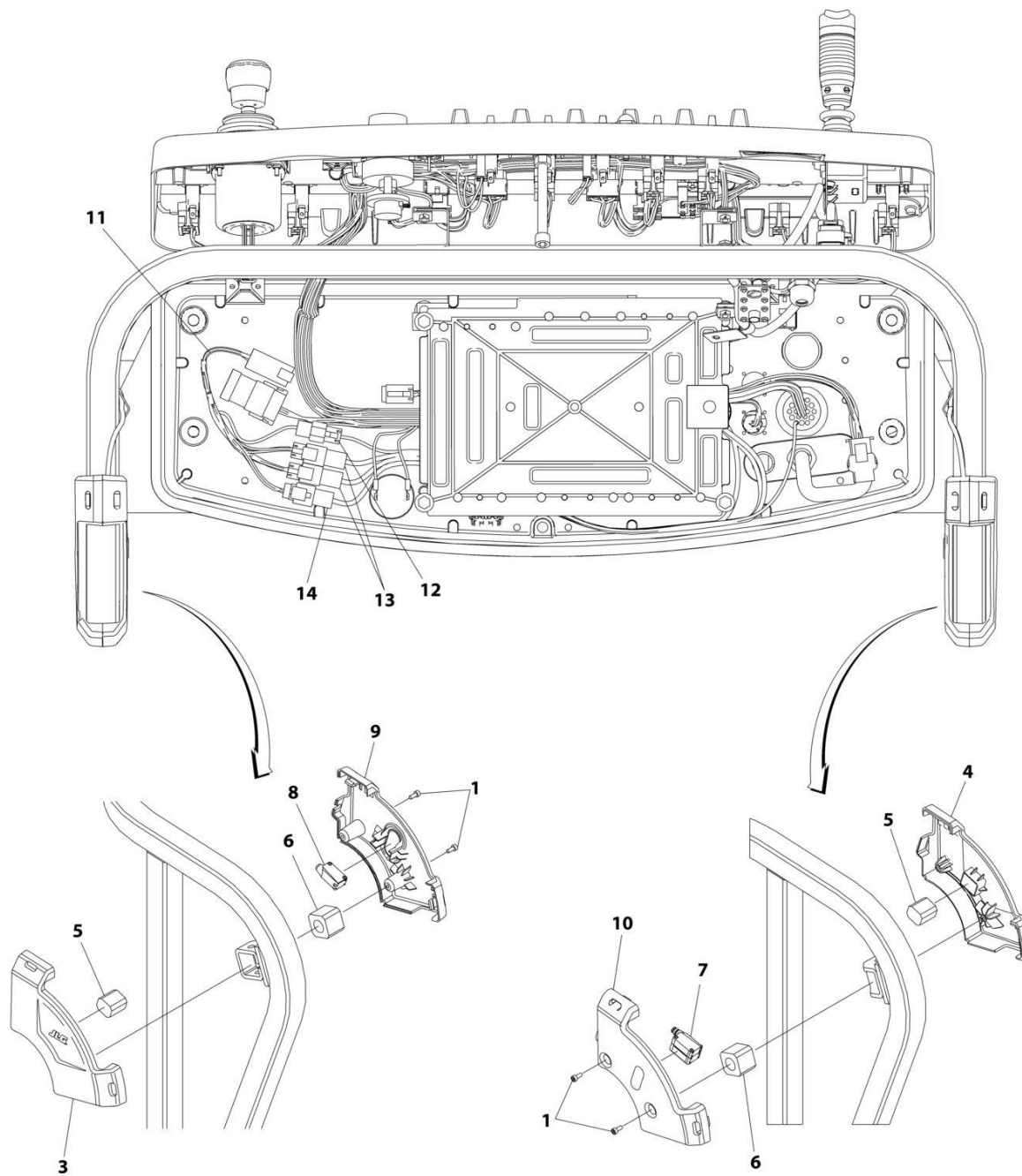
SECTION 5 - PLATFORM

FIGURE 5-25. STEER SWITCH INSTALLATION – 4WS

ITEM	PART NUMBER	QTY	DESCRIPTION	REV
	0258945	Ref	STEER SWITCH INSTALLATION - 4WS	A
1	4360331	1	Switch, Toggle	
2	3790012	1	O-Ring	

SECTION 5 - PLATFORM

FIGURE 5-26. SKYEYE INSTALLATION



ART_1001229341

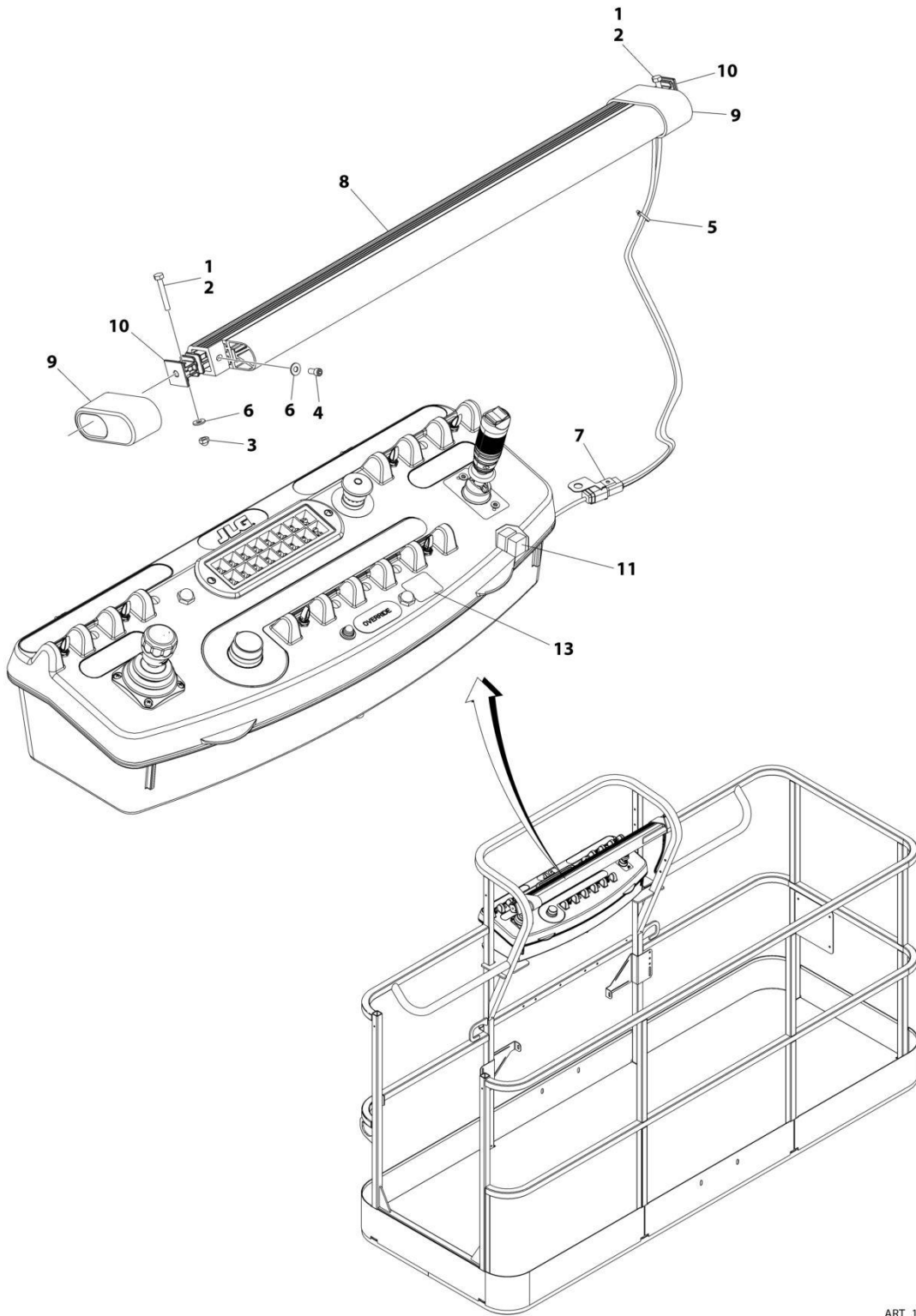
SECTION 5 - PLATFORM

FIGURE 5-26. SKYEYE INSTALLATION

ITEM	PART NUMBER	QTY	DESCRIPTION	REV
	1001229341	Ref	SKYEYE INSTALLATION	B
1	4031505	4	Bolt M4 x 10	
2	4240033	AR	Tie-Strap (Not Shown)	
3	1001227633	1	Housing, LH Outer	
4	1001227634	1	Housing, RH Outer	
5	1001227985	2	Shim	
6	1001227987	2	Shim	
7	1001228224	2	Sensor, Receiver	
8	1001228225	1	Sensor, Emitter	
9	1001232164	1	Housing, LH Inner	
10	1001232165	1	Housing, RH Inner	
11	1001237865	1	Harness, Skyeeye Intermediate (See Separate Breakdown in ELECTRICAL Section)	
12	1001238319	NLA	Harness, Skyeeye Drain Jumper	
12	1001187674	1	Plug, Male - 2 Position	
12	4460942	1	Terminal	
12	4460466	1	Plug, Terminal	
12	4460508	1	Pin, Male	
13	1001237863	2	Harness, Skyeeye Receiver (See Separate Breakdown in ELECTRICAL Section)	
14	1001237864	1	Harness, Skyeeye Emitter (See Separate Breakdown in ELECTRICAL Section)	

SECTION 5 - PLATFORM

FIGURE 5-27. SKYGUARD BAR INSTALLATION



ART_1001238495

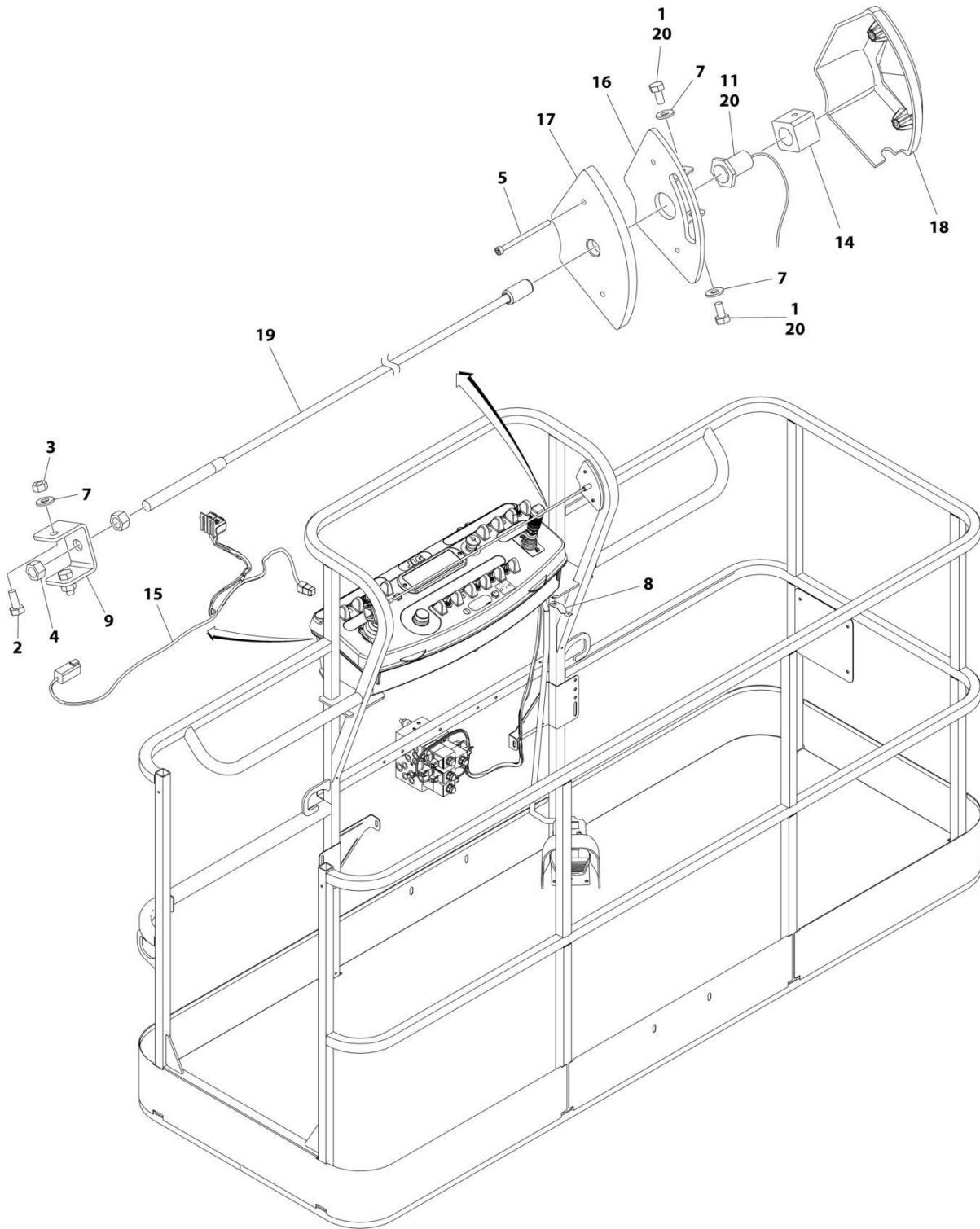
SECTION 5 - PLATFORM

FIGURE 5-27. SKYGUARD BAR INSTALLATION

ITEM	PART NUMBER	QTY	DESCRIPTION	REV
	1001238495	Ref	SKYGUARD BAR INSTALLATION	A
1	0100011	AR	Compound, Locking	
2	0641414	2	Bolt 1/4 x 1-3/4	
3	3300430	2	Nut 1/4	
4	3931408	2	Capscrew 1/4 x 1/2	
5	4240033	8	Tie-Strap	
6	4711400	6	Washer 1/4	
7	1001120328	1	Mount	
8	1001137673	1	SkyGuard Switch Assembly	
9	1001186517	2	Cover, Platform Sensor	
10	1001209664	2	Support, Block	
11	1001186431	2	Relay	
12	1001225580	1	Interface Harness Assembly (Not Shown - Located Inside Console Box) (See Separate Breakdown in ELECTRICAL Section)	
13	1001144433	1	Decal - No Weight SkyGuard	

SECTION 5 - PLATFORM

FIGURE 5-28. SKYLINE INSTALLATION



ART_1001238559_D

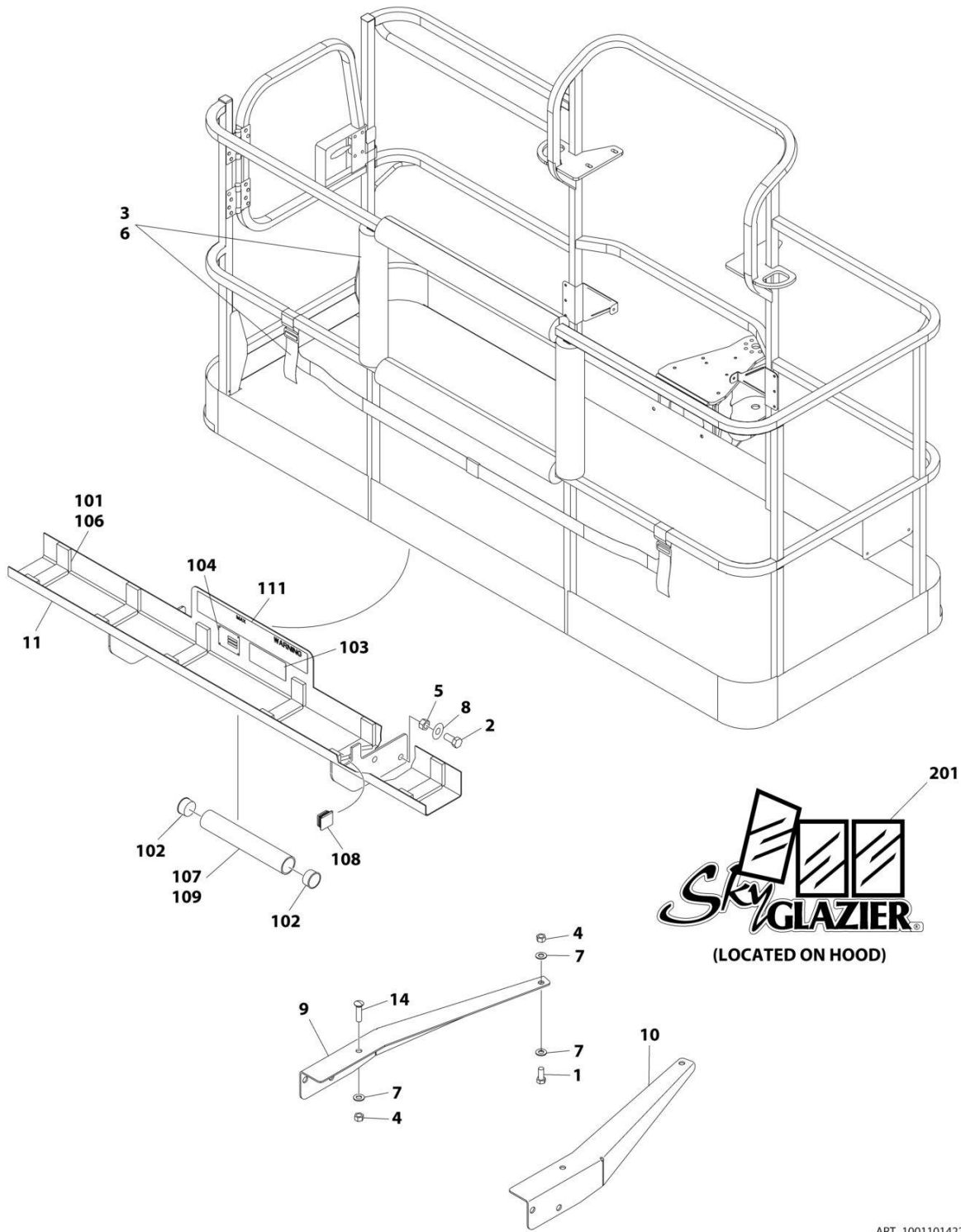
SECTION 5 - PLATFORM

FIGURE 5-28. SKYLINE INSTALLATION

ITEM	PART NUMBER	QTY	DESCRIPTION	REV
	1001238559	Ref	SKYLINE INSTALLATION	D
1	0641404	2	Bolt 1/4 x 1/2	
2	0641405	2	Bolt 1/4 x 5/8	
3	3311405	2	Nut 1/4	
4	3311601	2	Nut 3/8	
5	4031516	2	Capscrew M4 x 60	
6	4240033	AR	Tie-Strap (Not Shown)	
7	4711400	4	Washer 1/4	
8	1001120328	1	Mount	
9	1001232642	1	Bracket	
11	1001232667	1	Sensor, Proximity	
11	1001311034	1	Sensor, Proximity	
14	1001236552	1	Block	
15	1001238418	1	Harness, Skyline (See Separate Breakdown in ELECTRICAL Section)	
16	1001238472	1	Mount	
17	1001254473	1	Housing, LH	
18	1001241965	1	Housing, RH	
19	1001254472	1	Rod	
20	0100011	AR	Compound, Locking	

SECTION 5 - PLATFORM

FIGURE 5-29. SKYGLAZIER INSTALLATION (ALL SPECS EXCEPT CHINA, JAPANESE, CE & UK CA SPECS) (OPTIONAL)



ART_1001101422

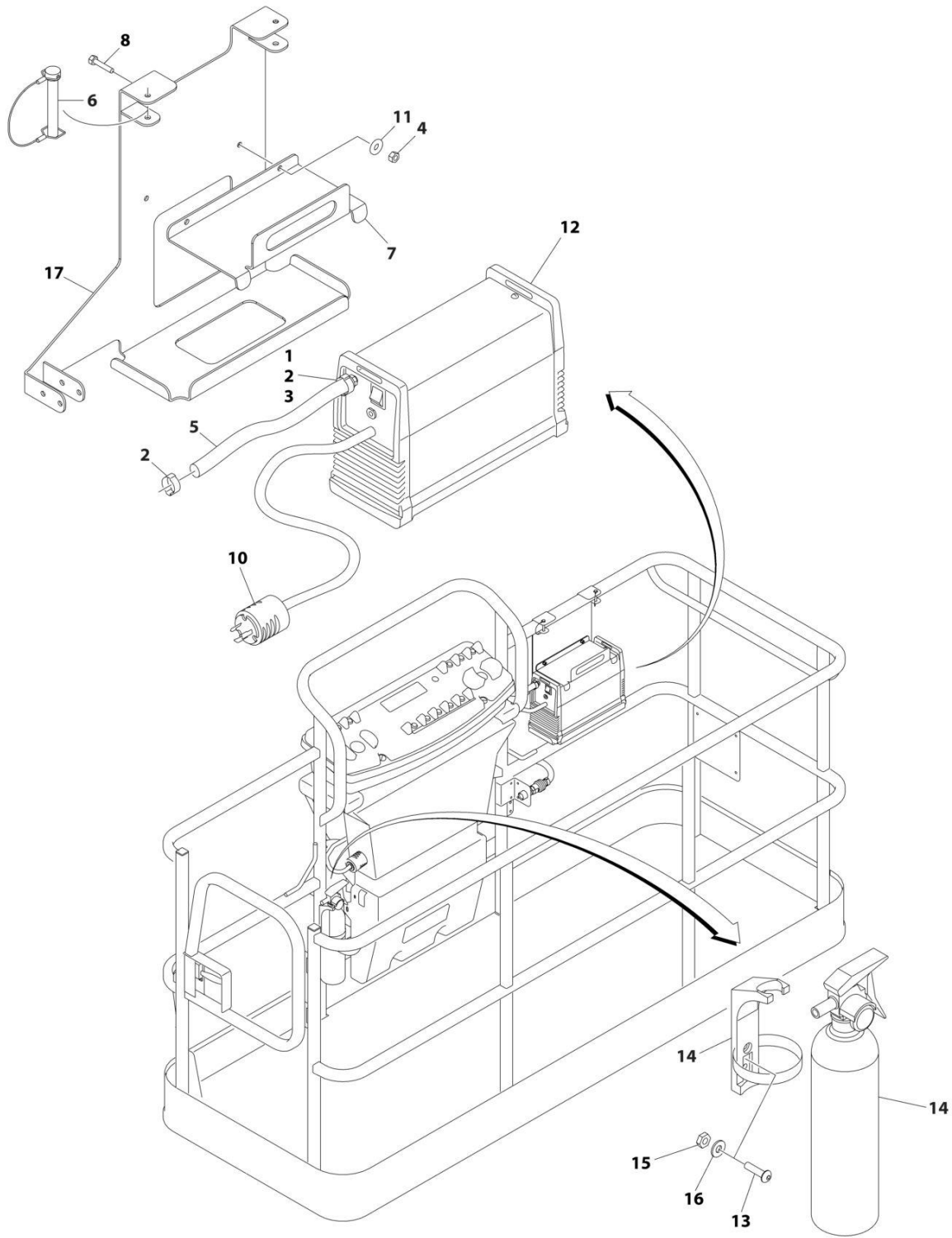
SECTION 5 - PLATFORM

FIGURE 5-29. SKYGLAZIER INSTALLATION (ALL SPECS EXCEPT CHINA, JAPANESE, CE & UK CA SPECS) (OPTIONAL)

ITEM	PART NUMBER	QTY	DESCRIPTION	REV
	1001101422	Ref	SKYGLAZIER INSTALLATION	C
1	0642012	2	Bolt 5/8 x 1-1/2	
2	0642212	4	Bolt 3/4 x 1-1/2	
3	2902212	1	Bumpers and Strap Kit	
3	0940102	1	Bumper Only	
3	4240149	1	Strap Only	
4	3312005	4	Nut 5/8	
5	3312205	4	Nut 3/4	
6	4420014	AR	Tape	
7	4712000	6	Washer 5/8	
8	4712200	8	Washer 3/4	
9	1001099366	1	Support	
10	1001099367	1	Support	
11	1001101421	1	Tray Assembly (See Items 101-111 for Breakdown)	
14	8310129	2	Bolt 3/4 x 2-1/2	
	1001101421	Ref	TRAY ASSEMBLY	F
101	0100081	AR	Adhesive	
102	1120555	2	Cap, Tube	
103	1701509	1	Decal - Manual	
104	See Note	NSS	Nameplate - Serial Number (Note: Not Available for Purchase)	
106	3340956	1	Pad Kit	
107	3460334	1	Tube	
108	3520071	2	Plug	
109	4420066	AR	Tape, Double Sided	
111	1001163131	2	Decal - Glazier Capacity	
	0272418	Ref	SKYGLAZIER DECAL INSTALLATION	4
201	1705358	2	Decal - SkyGlazier	

SECTION 5 - PLATFORM

FIGURE 5-30. SKYCUTTER INSTALLATION (OPTIONAL)



ART_1001098149_D

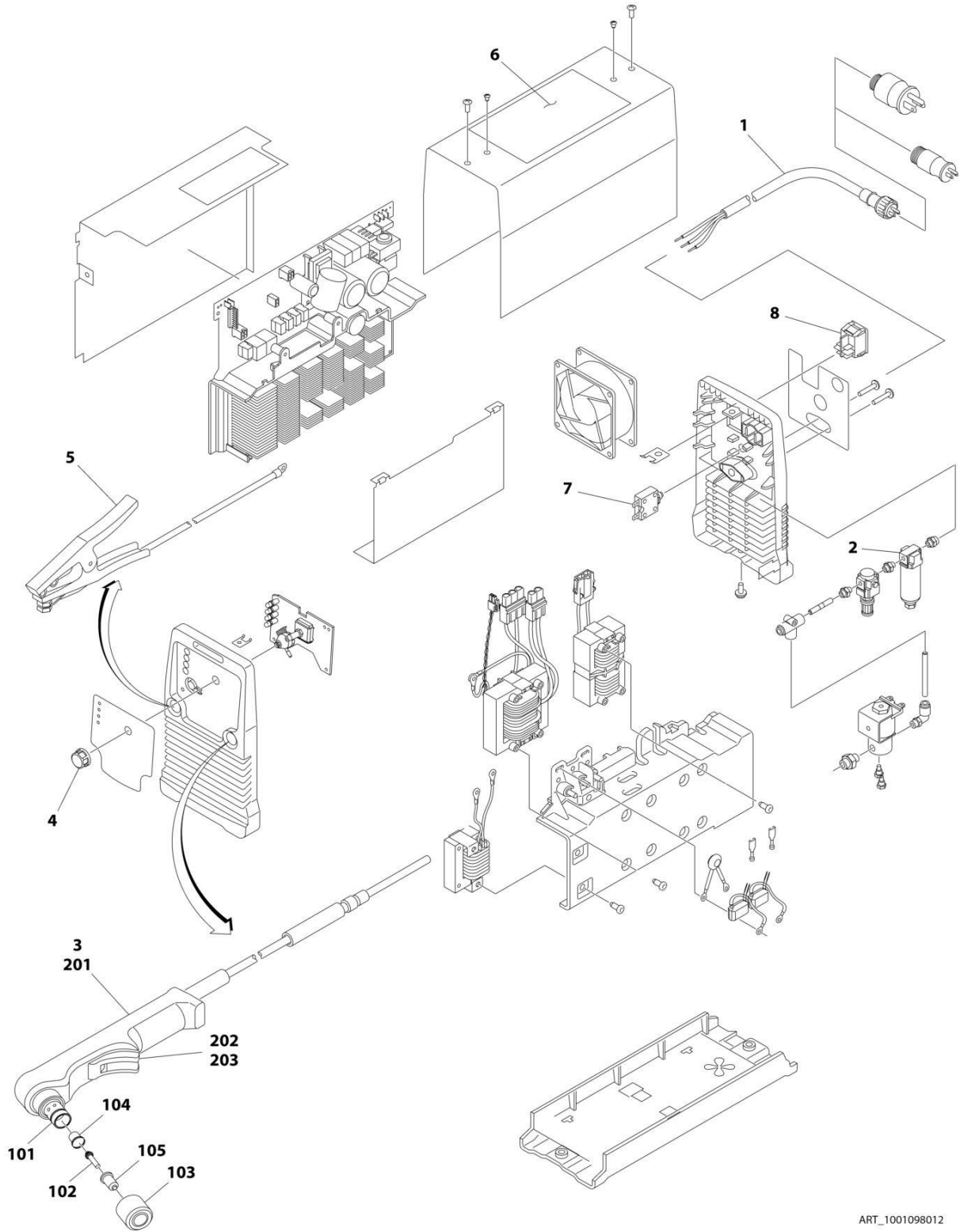
SECTION 5 - PLATFORM

FIGURE 5-30. SKYCUTTER INSTALLATION (OPTIONAL)

ITEM	PART NUMBER	QTY	DESCRIPTION	REV
	1001098149	Ref	SKYCUTTER INSTALLATION	D
		Ref	Note: When replacing platform on machines with SkyCutter option, new bracket p/n 1001145405 must be purchased to accommodate SkyCutter components.	
1	0100020	AR	Sealant	
2	1320177	2	Clamp, Hose	
3	2180832	1	Fitting, NPT/Barbed	
4	3290605	2	Nut M6	
5	2720160	3 ft /.9m	Hose	
6	3421453	3	Pin	
7	3576799	1	Plate, Hold-Down	
8	4010608	2	Screw M6 x 16	
10	4460971	1	Plug, Twistlock	
11	4811700	2	Washer M6	
12	1001098012	1	Plasma Cutter Assembly (See Separate Breakdown in this Section)	
13	0630518	2	Screw #10 x 3/4	
14	2030010	1	Extinguisher, Fire	
15	3311005	2	Nut #10	
16	4751000	2	Washer #10	
17	1001145405	1	Support	

SECTION 5 - PLATFORM

FIGURE 5-31. PLASMA CUTTER ASSEMBLY



ART_1001098012

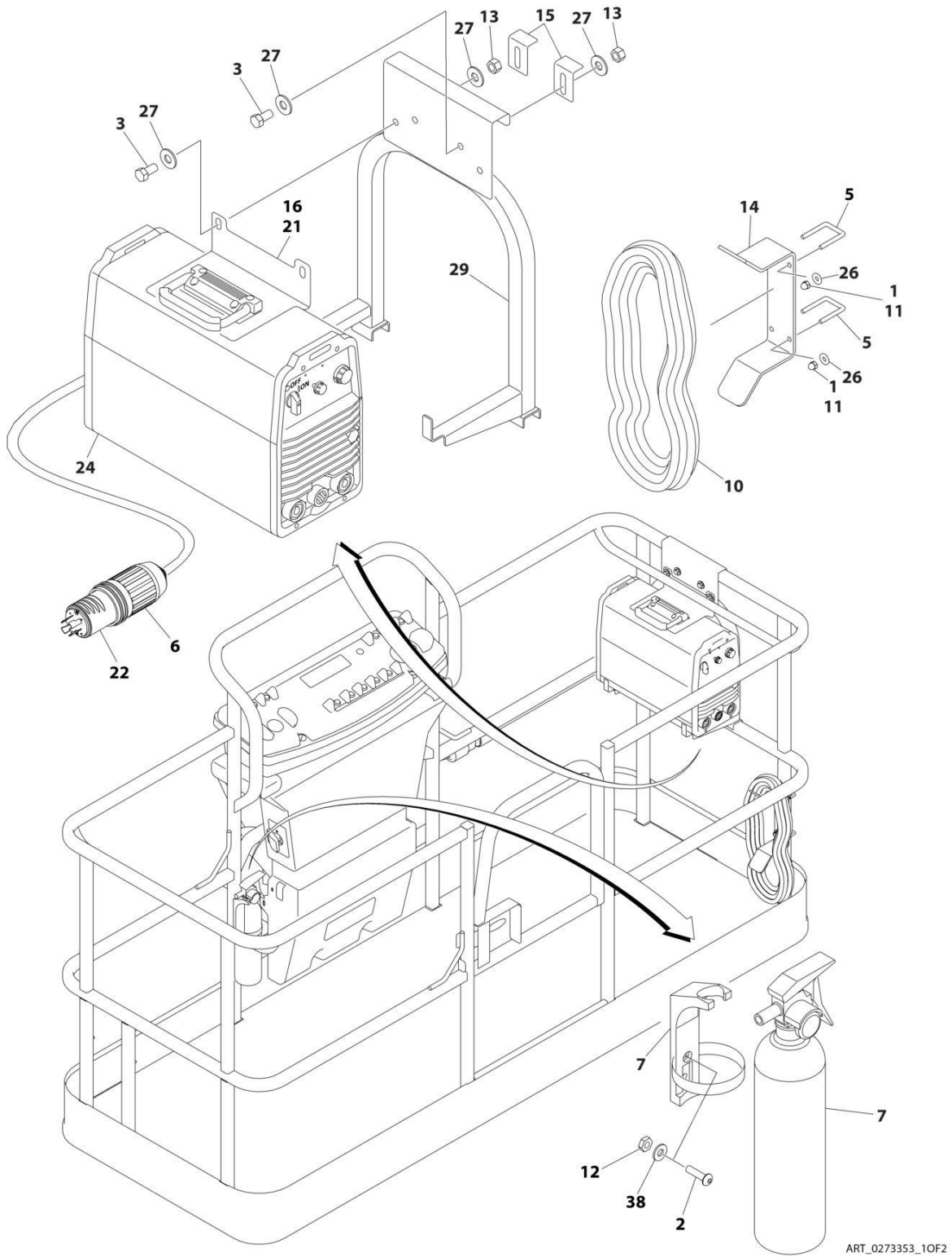
SECTION 5 - PLATFORM

FIGURE 5-31. PLASMA CUTTER ASSEMBLY

ITEM	PART NUMBER	QTY	DESCRIPTION	REV
	1001098012	Ref	PLASMA CUTTER ASSEMBLY	A
		Ref	Note: For Other Components, contact your Miller Welder Dealer.	
1	70001424	1	Cable, Power	
1	70001425	1	Decal - Voltage Warning	
2	70001427	1	Filter, Regulator	
3	70001428	1	Torch Assembly (See Items 101-203 for Breakdown)	
4	7024471	1	Knob	
5	70001429	1	Clamp with Cable	
6	70001430	1	Decal - Caution	
7	70001431	1	Breaker, Circuit	
8	70001432	1	Switch, Rocker	
	70001428	Ref	TORCH ASSEMBLY	
101	7024530	1	O-Ring	
102	7024531	1	Electrode	
103	7024532	1	Cup, Retaining	
104	7024533	1	Swirl Ring	
105	7024534	1	Tip	
201	7024535	1	Handle, Torch	
202	7024536	1	Switch	
203	7024537	1	Trigger	

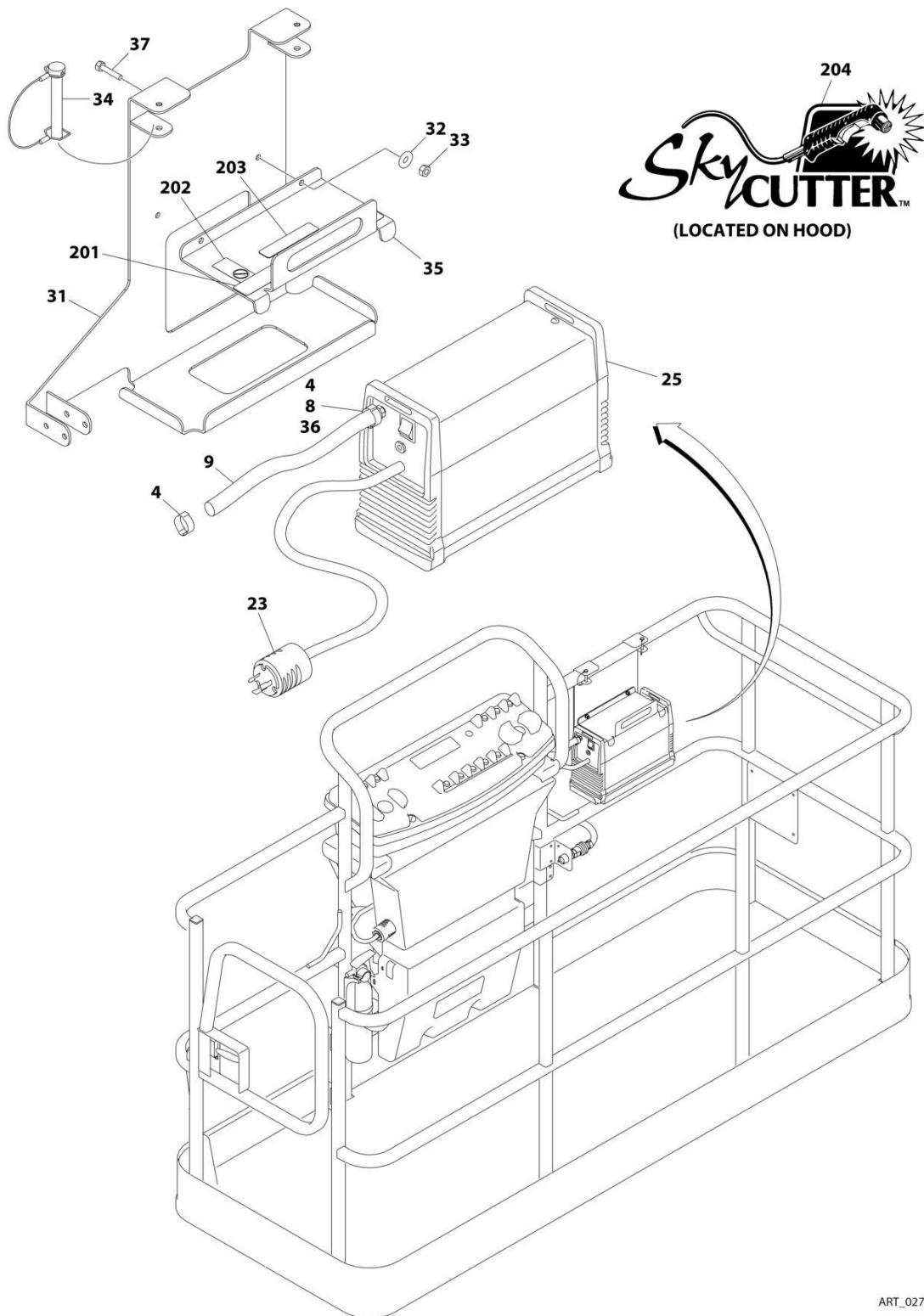
SECTION 5 - PLATFORM

FIGURE 5-32. SKYWELDER/SKYCUTTER COMBO INSTALLATION (60HZ) (OPTIONAL)



ART_0273353_10F2

SECTION 5 - PLATFORM



ART_0273353_20F2

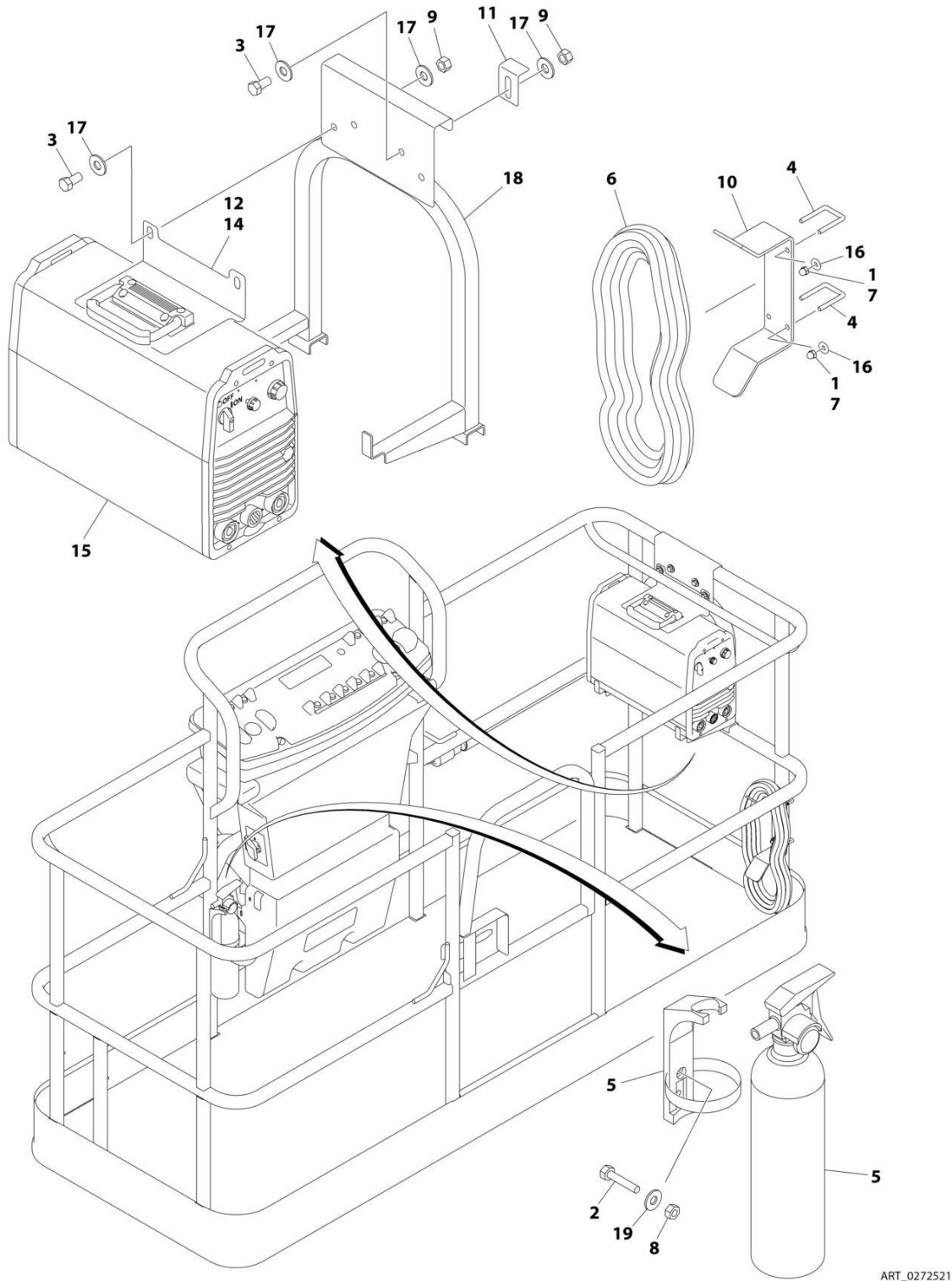
SECTION 5 - PLATFORM

FIGURE 5-32. SKYWELDER/SKYCUTTER COMBO INSTALLATION (60HZ) (OPTIONAL)

ITEM	PART NUMBER	QTY	DESCRIPTION	REV
	0273353	Ref	SKYWELDER/SKYCUTTER COMBO INSTALLATION (60HZ)	G
1	0100011	AR	Compound, Locking	
2	0630518	2	Screw #10 x 3/4	
3	0641606	4	Bolt 3/8 x 3/4	
4	1320177	2	Clamp	
5	1320302	2	Clamp	
6	1671093	1	Cover, Plug	
7	2030010	1	Extinguisher, Fire	
8	2180832	1	Fitting, Barbed/NPT	
9	2720160	4.5 ft/ 1.4m	Hose	
10	2902217	1	Weld Leads Kit	
11	3300151	4	Nut 1/4	
12	3311005	2	Nut #10	
13	3311605	4	Nut 3/8	
14	3573400	1	Bracket	
15	3577121	2	Angle	
16	3573642	1	Plate	
20	4240099	AR	Tie-Strap (Not Shown)	
21	4420037	2.4 ft/ 0.7m	Tape	
22	4460962	1	Plug, Twist Lock	
23	4460971	1	Plug, Twist Lock	
24	4530028	1	Welder Assembly (See Separate Breakdown in this Section)	
25	1001098012	1	Plasma Cutter Assembly (See Separate Breakdown in this Section)	
26	4751400	4	Washer 1/4	
27	4751600	8	Washer 3/8	
29	4846627	1	Support	
31	1001145405	1	Bracket	
32	4811700	2	Washer M6	
33	3290605	2	Nut M6	
34	3421453	3	Pin	
35	3576799	1	Plate, Hold-Down	
36	0100020	1	Sealant	
37	4010608	2	Screw M6 x 16	
38	4751000	2	Washer #10	
	0272448	Ref	SKYWELDER DECAL INSTALLATION	B
101	1705355	2	Decal - SkyWelder	
102	1702868	1	Decal - No Hands	
103	1705305	1	Decal - Weld Leads	
104	1705375	1	Decal - 240V - 3 Phase - 60Hz	
105	1001228988	1	Decal - Weight	
	0272599	Ref	SKYCUTTER DECAL INSTALLATION	B
201	1702868	1	Decal - No Hands	
202	1705305	1	Decal - Weld Leads	
203	1001228988	1	Decal - Weight	
204	1705490	2	Decal - SkyCutter	

SECTION 5 - PLATFORM

FIGURE 5-33. SKYWELDER INSTALLATION (50HZ) (OPTIONAL)



ART_0272521

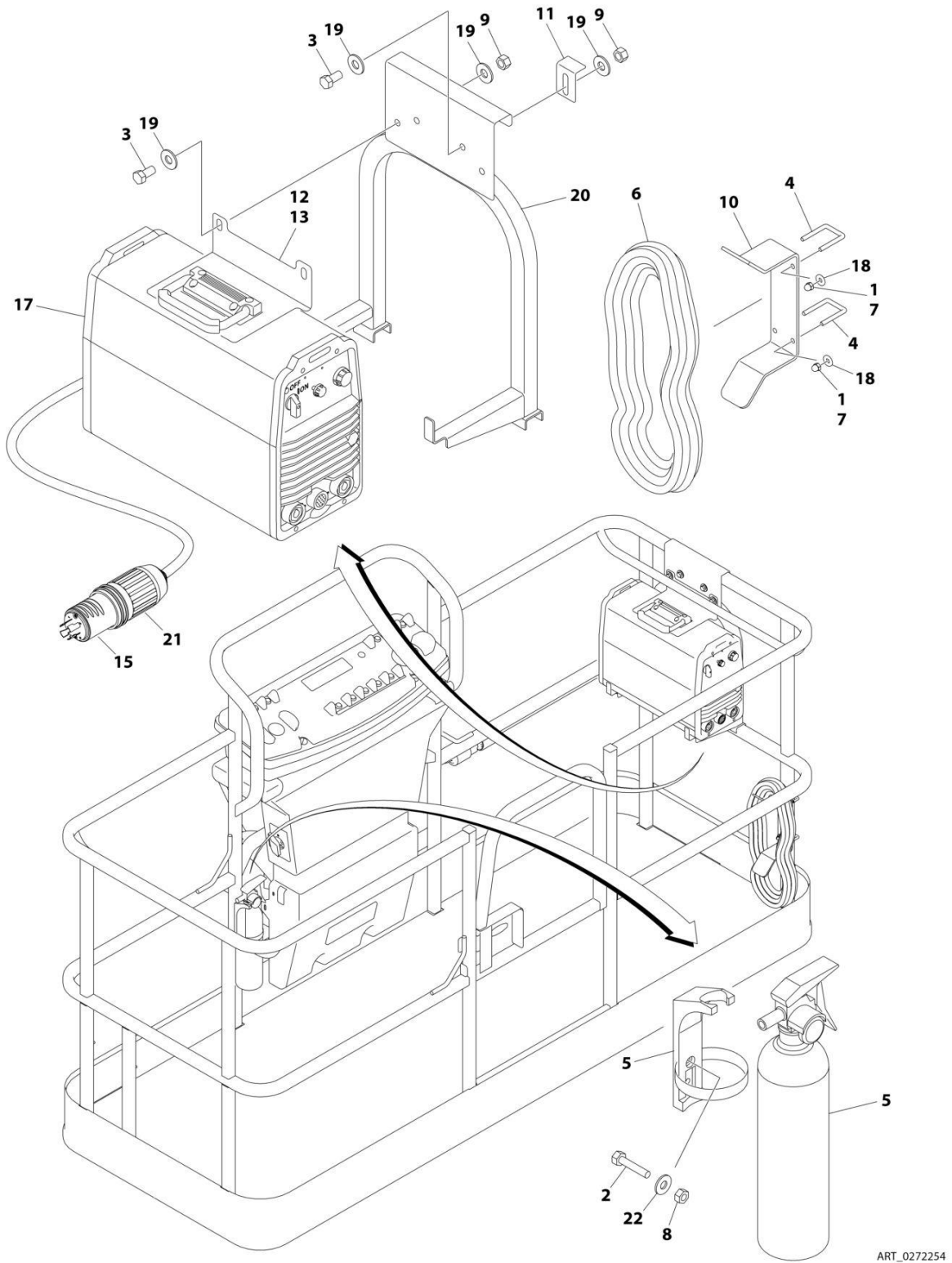
SECTION 5 - PLATFORM

FIGURE 5-33. SKYWELDER INSTALLATION (50HZ) (OPTIONAL)

ITEM	PART NUMBER	QTY	DESCRIPTION	REV
	0272521	Ref	SKYWELDER INSTALLATION	F
1	0100011	AR	Compound, Locking	
2	0630518	2	Screw #10 x 3/4	
3	0641606	4	Bolt 3/8 x 3/4	
4	1320302	2	U-Clamp	
5	2030010	1	Extinguisher, Fire	
6	2902217	1	Weld Leads Kit	
7	3300151	4	Nut 1/4	
8	3311005	2	Nut #10	
9	3311605	4	Nut 3/8	
10	3573400	1	Bracket	
11	3577121	2	Angle	
12	3573642	1	Plate	
13	4240099	AR	Tie-Strap (Not Shown)	
14	4420037	AR	Tape	
15	4530028	1	Welder Assembly (See Separate Breakdown in this Section)	
16	4751400	4	Washer 1/4	
17	4751600	8	Washer 3/8	
18	4846627	1	Support	
19	4751000	2	Washer #10	

SECTION 5 - PLATFORM

FIGURE 5-34. SKYWELDER INSTALLATION (60HZ) (OPTIONAL)



ART_0272254

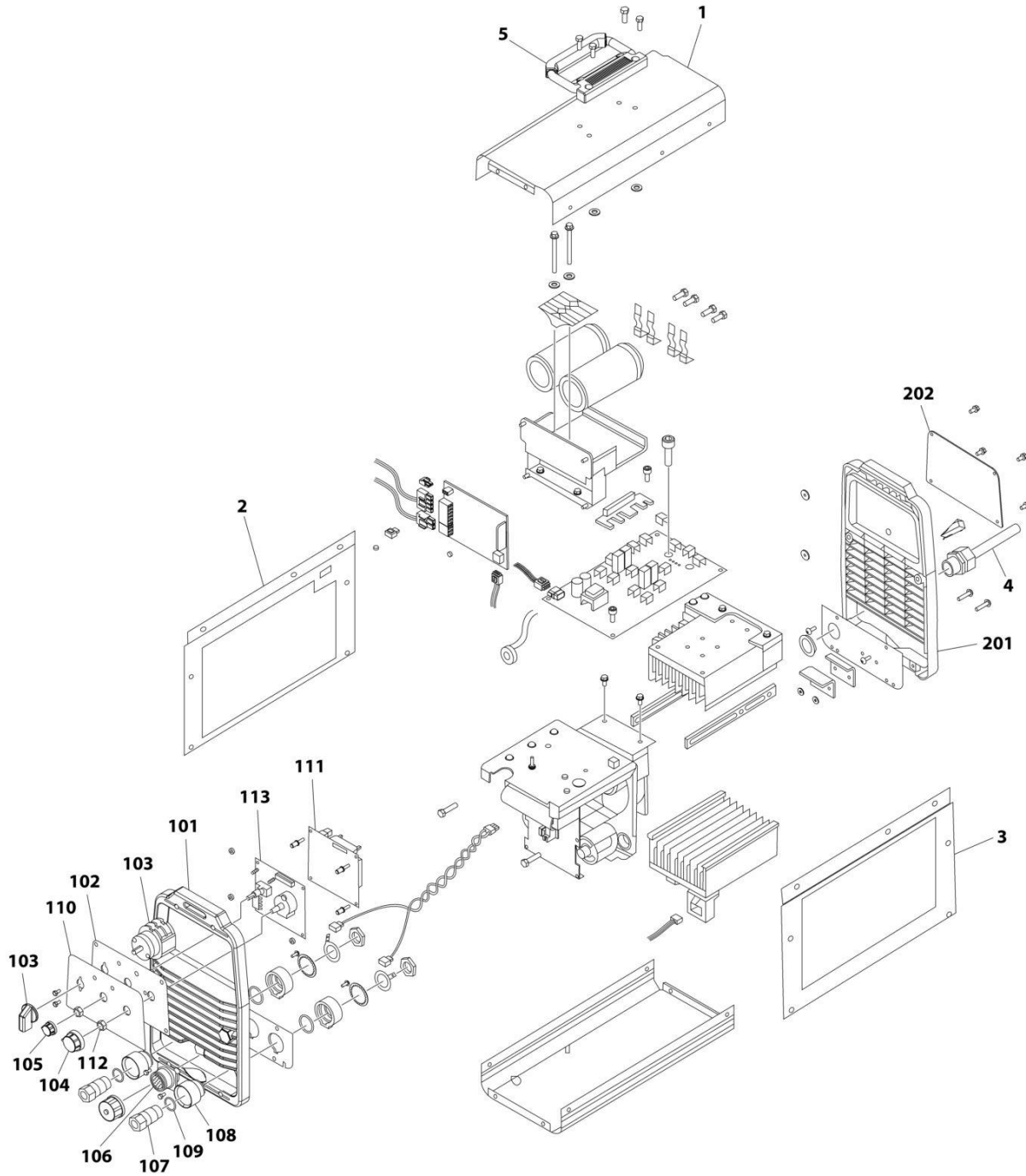
SECTION 5 - PLATFORM

FIGURE 5-34. SKYWELDER INSTALLATION (60HZ) (OPTIONAL)

ITEM	PART NUMBER	QTY	DESCRIPTION	REV
	0272254	Ref	SKYWELDER INSTALLATION	1
1	0100011	AR	Compound, Locking	
2	0630518	2	Screw #10 x 3/4	
3	0641606	4	Bolt 3/8 x 3/4	
4	1320302	2	U-Clamp	
5	2030010	1	Extinguisher, Fire	
6	2902217	1	Weld Leads Kit	
7	3300151	4	Nut 1/4	
8	3311005	2	Nut #10	
9	3311605	4	Nut 3/8	
10	3573400	1	Bracket	
11	3577121	2	Angle	
12	3573642	1	Plate	
13	4420037	AR	Tape	
14	4240099	AR	Tie-Strap (Not Shown)	
15	4460962	1	Plug, Male Twistlock	
17	4530028	1	Welder Assembly (See Separate Breakdown in this Section)	
18	4751400	4	Washer 1/4	
19	4751600	8	Washer 3/8	
20	4846627	1	Support	
21	1671093	1	Cover, Plug	
22	4751000	2	Washer #10	

SECTION 5 - PLATFORM

FIGURE 5-35. WELDER ASSEMBLY



ART_4530028

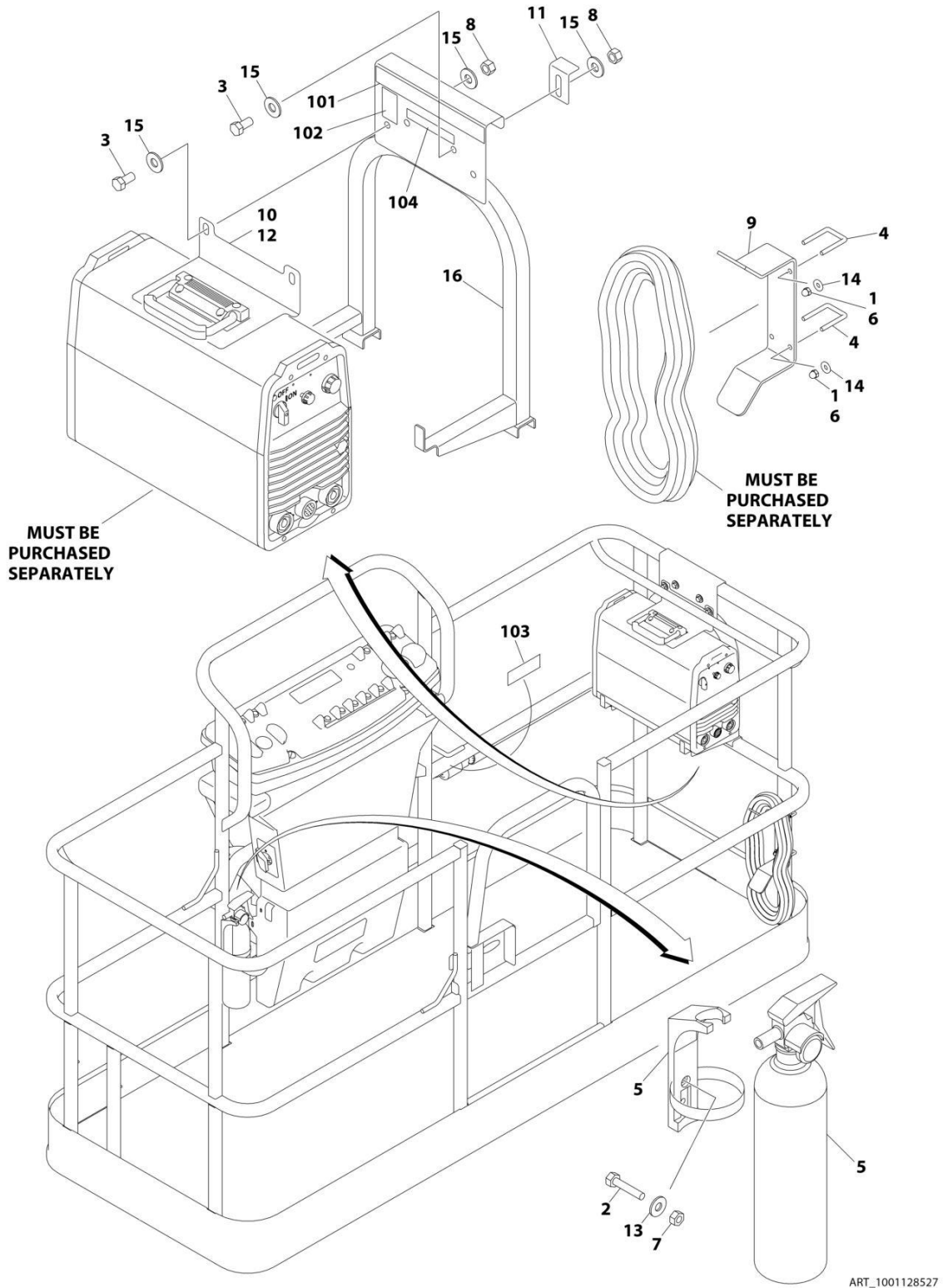
SECTION 5 - PLATFORM

FIGURE 5-35. WELDER ASSEMBLY

ITEM	PART NUMBER	QTY	DESCRIPTION	REV
	4530028	Ref	WELDER ASSEMBLY	B
		Ref	Note: For Other Components, contact your Miller Welder Dealer.	
1	7027773	1	Cover, Top	
1	7027774	1	Decal - Static Precautionary Warning	
2	See Note	NSS	Panel, LH Side (Note: Part of Item 1. Purchase Item 1)	
3	See Note	NSS	Panel, RH Side (Note: Part of Item 1. Purchase Item 1)	
4	7024467	1	Cable, Power	
4	7027775	1	Decal - Electrical Shock Warning (Not Shown)	
5	7027776	1	Handle, Carrying	
101	7024462	1	Panel, Front	
102	7024463	1	Panel, Console	
103	7024469	1	Switch with Lead	
104	7024470	1	Knob	
105	7024471	1	Knob	
106	7024472	1	Receptacle with Leads and Plugs	
107	7024473	2	Receptacle, Twistlock Female	
108	7024474	2	Insulator	
109	7024475	2	O-Ring	
110	7027777	1	Nameplate	
111	7027779	1	Circuit Card Assembly (Process Control)	
112	7024478	2	Nut	
113	7027778	1	Circuit Card Assembly (Operator Interface)	
201	7024462	1	Panel, Rear	
202	7027780	1	Panel, Cover	

SECTION 5 - PLATFORM

FIGURE 5-36. SKYWELDER PREP PACKAGE (60HZ) (OPTIONAL)



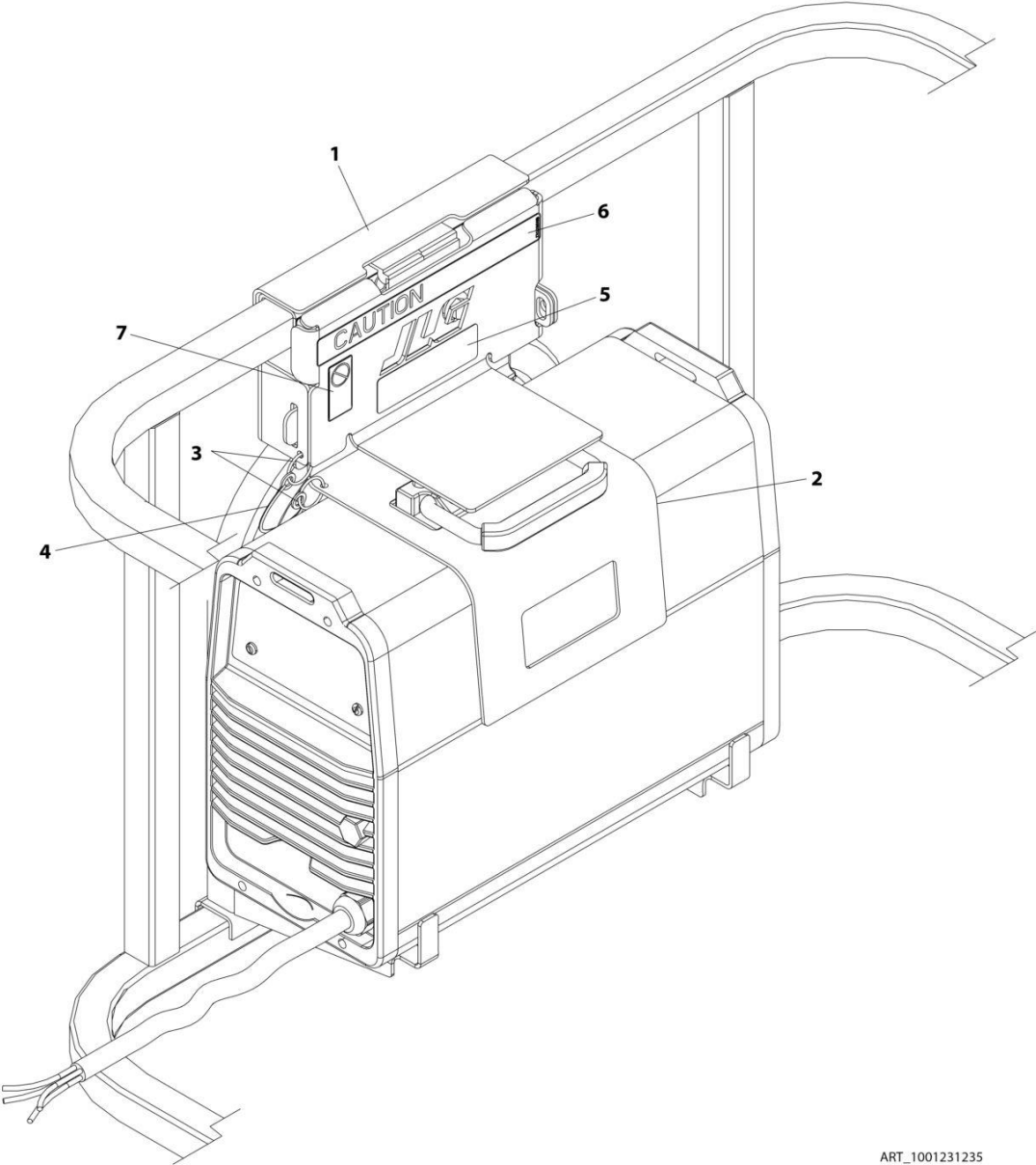
SECTION 5 - PLATFORM

FIGURE 5-36. SKYWELDER PREP PACKAGE (60HZ) (OPTIONAL)

ITEM	PART NUMBER	QTY	DESCRIPTION	REV
	1001128527	Ref	SKYWELDER PREP PACKAGE (60HZ)	B
1	0100011	AR	Compound, Locking	
2	0630518	2	Screw #10 x 3/4	
3	0641606	4	Bolt 3/8 x 3/4	
4	1320302	2	U-Clamp	
5	2030010	1	Extinguisher, Fire	
6	3300151	4	Nut 1/4	
7	3311005	2	Nut #10	
8	3311605	4	Nut 3/8	
9	3573400	1	Bracket	
10	3573642	1	Plate	
11	3577121	2	Angle	
12	4420037	AR	Tape	
13	4751000	2	Washer #10	
14	4751400	4	Washer 1/4	
15	4751600	8	Washer 3/8	
16	4846627	1	Support	
	1001128556	Ref	SKYWELDER DECAL INSTALLATION	C
101	1702868	1	Decal - No Hands	
102	1705305	1	Decal - Weld Lead	
103	1705375	1	Decal - 240V - 3 Phase - 60Hz	
104	1001228988	1	Decal - Weight	

SECTION 5 - PLATFORM

FIGURE 5-37. SKYWELDER LOCKING BRACKET INSTALLATION (OPTIONAL)



ART_1001231235

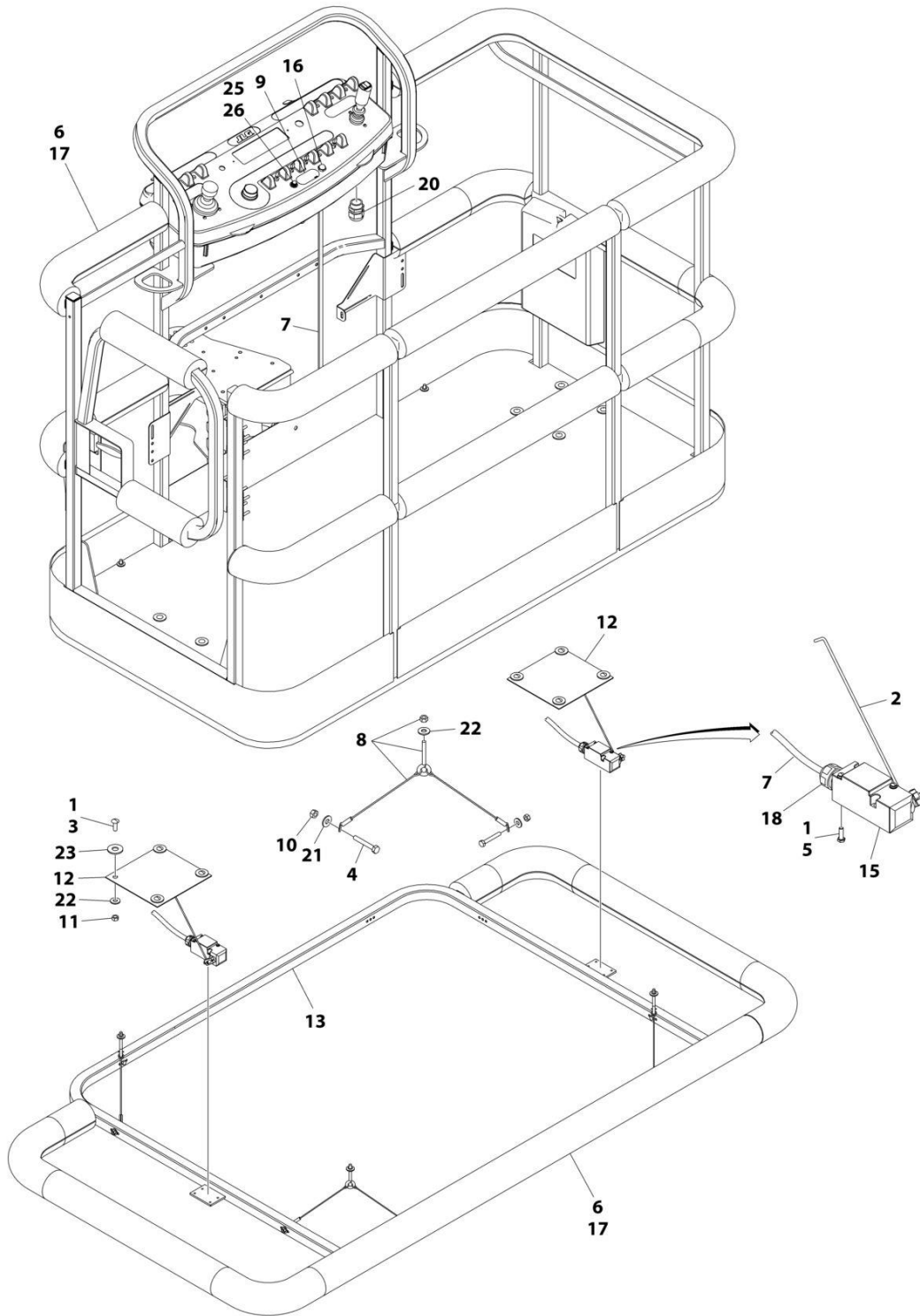
SECTION 5 - PLATFORM

FIGURE 5-37. SKYWELDER LOCKING BRACKET INSTALLATION (OPTIONAL)

ITEM	PART NUMBER	QTY	DESCRIPTION	REV
	1001231235	Ref	SKYWELDER LOCKING BRACKET INSTALLATION	A
1	1001231180	1	Bracket	
2	1001231183	1	Plate	
3	3760170	2	Ring	
4	1060379	1	Lanyard	
5	1001228988	1	Decal - Weight	
6	1702868	1	Decal - No Hands	
7	1705305	1	Decal - Weld Lead	

SECTION 5 - PLATFORM

FIGURE 5-38. SOFT TOUCH SYSTEM INSTALLATION - 6FT/1.8M PLATFORMS (OPTIONAL)



ART_0273824

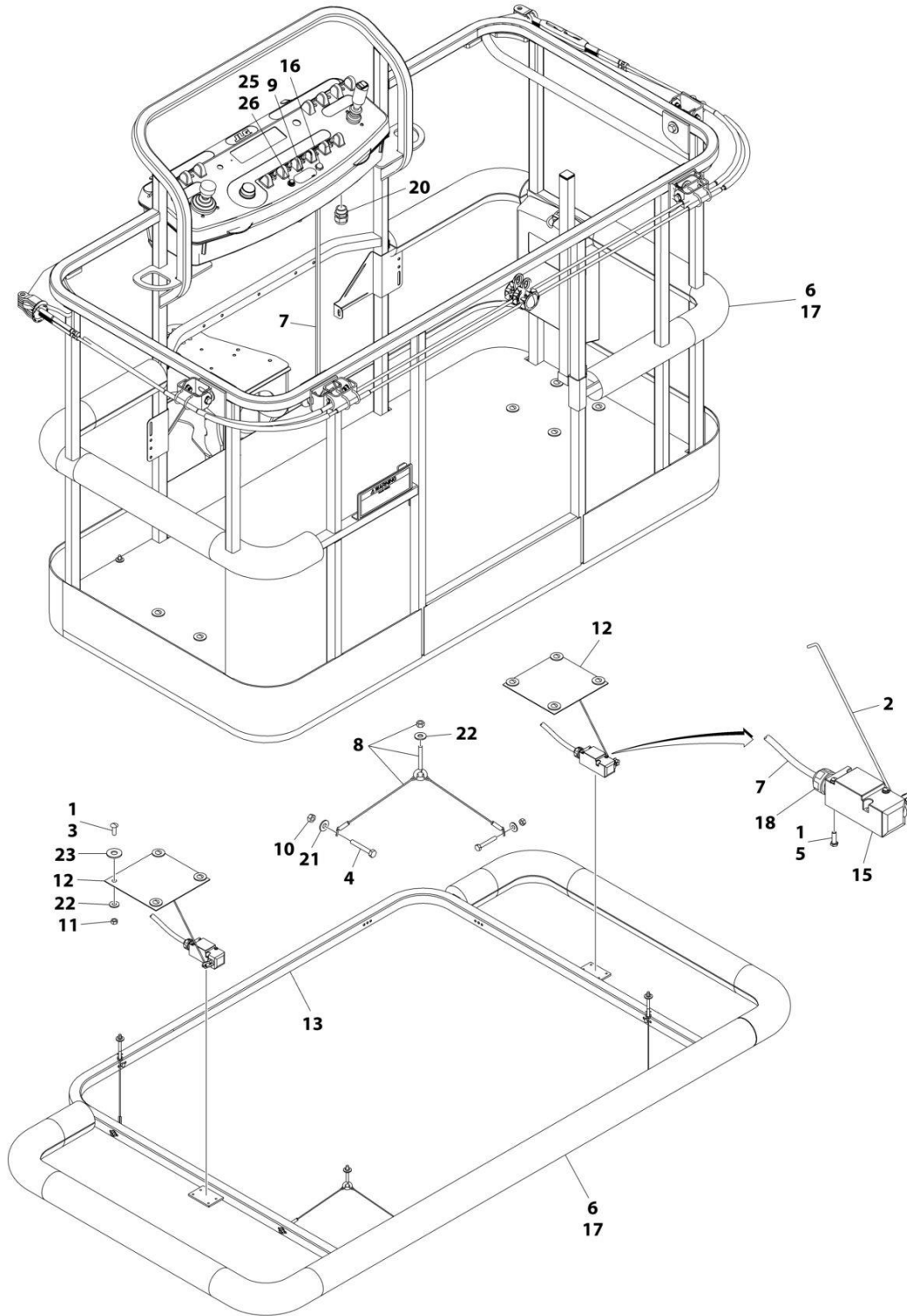
SECTION 5 - PLATFORM

FIGURE 5-38. SOFT TOUCH SYSTEM INSTALLATION - 6FT/1.8M PLATFORMS (OPTIONAL)

ITEM	PART NUMBER	QTY	DESCRIPTION	REV
	0273824	Ref	SOFT TOUCH SYSTEM INSTALLATION	D
1	0100011	AR	Compound, Locking	
2	0200048	2	Arm, Switch	
3	0630462	8	Bolt	
4	0641414	8	Bolt 1/4 x 1-3/4	
5	0731005	4	Bolt #10 x 5/8	
6	0940134	1	Bumper Kit (Includes Corners and Enough Straight Material for One Platform)	
6	0940092	AR	Bumper (Corner)	
6	0940094	AR	Bumper (12ft Length)	
7	1060341	23 ft/7m	Cable, Soft Touch - 16/2	
8	1060903	4	Wire Rope and Eyebolt Assembly	
9	1702938	1	Decal - Soft Touch Override	
10	3311401	8	Nut 1/4	
11	3311501	8	Nut 5/16	
12	3575359	2	Plate, Switch Strike	
13	3641569	1	Rail, Soft Touch	
14	4240099	7	Tie-Strap (Not Shown)	
15	4360057	2	Switch, Limit	
16	4360387	1	Switch, Push Button	
17	4420068	AR	Tape, Adhesive	
17	1001197017	AR	Tie-Strap	
18	4460049	2	Connector, Strain Relief	
19	4460234	7	Tie-Strap (Not Shown)	
20	4460425	1	Connector, Strain Relief	
21	4751400	8	Washer 1/4	
22	4751500	12	Washer 5/16	
23	4751800	8	Washer 1/2	
24	4933218	1	Wiring Diagram (Not Shown - Reference Only)	
25	2920028	1	Light, Indicator	
26	2920029	1	Bulb, Light	

SECTION 5 - PLATFORM

FIGURE 5-39. SOFT TOUCH SYSTEM INSTALLATION - 6FT/1.8M FALL ARREST PLATFORMS (OPTIONAL)



ART_1001108256

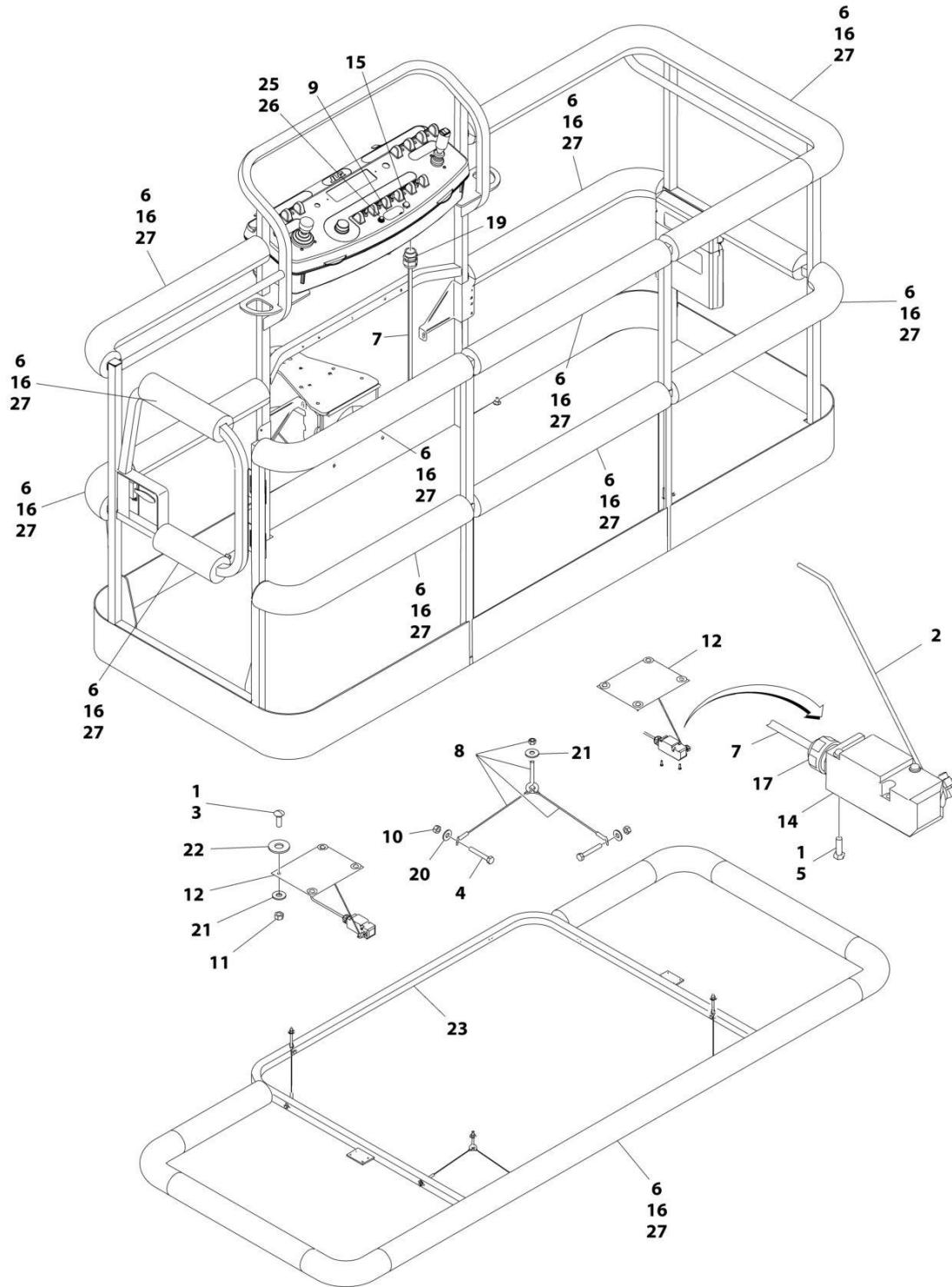
SECTION 5 - PLATFORM

FIGURE 5-39. SOFT TOUCH SYSTEM INSTALLATION - 6FT/1.8M FALL ARREST PLATFORMS (OPTIONAL)

ITEM	PART NUMBER	QTY	DESCRIPTION	REV
	1001108256	Ref	SOFT TOUCH INSTALLATION	C
1	0100011	AR	Compound, Locking	
2	0200048	2	Arm, Switch	
3	0630462	8	Bolt	
4	0641414	8	Bolt 1/4 x 1-3/4	
5	0731005	4	Bolt #10 x 5/8	
6	0940177	1	Bumper Kit (Includes Corners and Enough Straight Material for One Platform)	
6	0940092	8	Bumper (Corner)	
6	0940094	AR	Bumper (12ft Length)	
7	1060341	23 ft/7m	Cable, Soft Touch - 16/2	
8	1060903	4	Wire Rope and Eyebolt Assembly	
9	1702938	1	Decal - Soft Touch Override	
10	3311401	8	Nut 1/4	
11	3311501	8	Nut 5/16	
12	3575359	2	Plate, Switch Strike	
13	3641569	1	Rail, Soft Touch	
14	4240099	7	Tie-Strap (Not Shown)	
15	4360057	2	Switch, Limit	
16	4360387	1	Switch, Push Button	
17	4420068	AR	Tape, Adhesive	
17	1001197017	AR	Tie-Strap	
18	4460049	2	Connector, Strain Relief	
19	4460234	7	Tie-Strap (Not Shown)	
20	4460425	1	Connector, Strain Relief	
21	4751400	8	Washer 1/4	
22	4751500	9	Washer 5/16	
23	4751800	8	Washer 1/2	
25	2920028	1	Light, Indicator	
26	2920029	1	Bulb, Light	

SECTION 5 - PLATFORM

FIGURE 5-40. SOFT TOUCH SYSTEM INSTALLATION - 8FT/2.44M PLATFORM (OPTIONAL)



ART_0272427

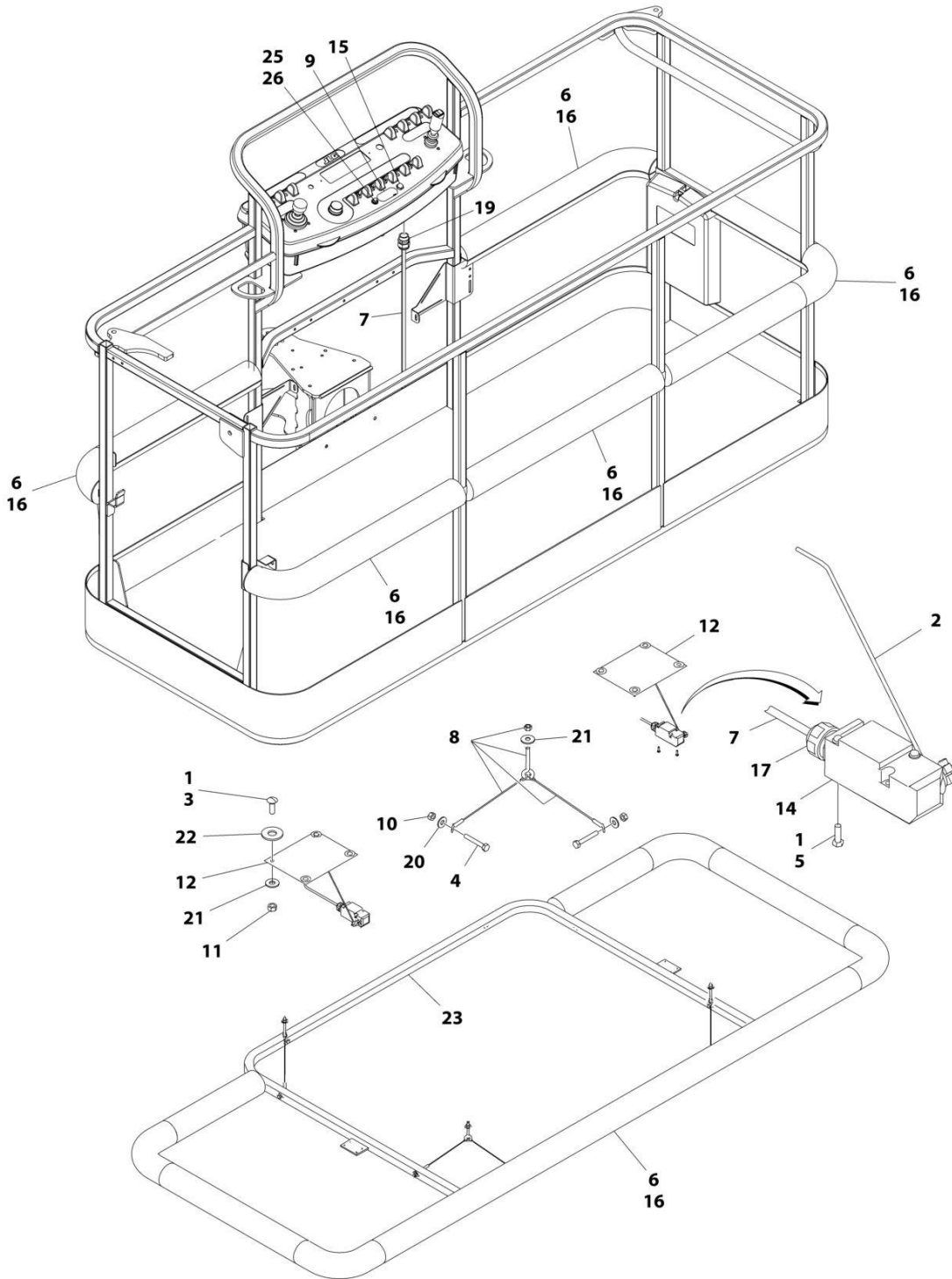
SECTION 5 - PLATFORM

FIGURE 5-40. SOFT TOUCH SYSTEM INSTALLATION - 8FT/2.44M PLATFORM (OPTIONAL)

ITEM	PART NUMBER	QTY	DESCRIPTION	REV
	0272427	Ref	SOFT TOUCH SYSTEM INSTALLATION	G
1	0100011	AR	Compound, Locking	
2	0200048	2	Arm, Switch	
3	0630462	8	Bolt	
4	0641414	8	Bolt 1/4 x 1-3/4	
5	0721005	4	Bolt #10 x 5/8	
6	0940103	1	Bumper Kit (Includes Corners and Enough Straight Material for One Platform)	
6	0940092	12	Bumper (Corner)	
6	0940094	AR	Bumper (12ft Length)	
7	1060341	23 ft/7m	Cable, Electrical - 16/2	
8	1060903	4	Wire Rope and Eyebolt Assembly	
9	1702938	1	Decal - Soft Touch Override	
10	3311401	8	Nut 1/4	
11	3311501	8	Nut 5/16	
12	3574091	2	Plate, Switch Strike	
13	4240099	7	Tie-Strap (Not Shown)	
14	4360057	2	Switch, Limit	
15	4360387	1	Switch, Push Button	
16	4420068	AR	Tape, Adhesive	
16	1001197017	AR	Tie-Strap	
17	4460049	2	Connector, Strain Relief	
18	4460234	7	Tie-Strap (Not Shown)	
19	4460425	1	Connector, Strain Relief	
20	4751400	8	Washer 1/4	
21	4751500	12	Washer 5/16	
22	4751800	8	Washer 1/2	
23	4846673	1	Rail, Soft Touch	
24	4933218	1	Soft Touch Wiring Diagram (Not Shown - Reference Only)	
25	2920028	1	Light, Indicator	
26	2920029	1	Bulb, Light	

SECTION 5 - PLATFORM

FIGURE 5-41. SOFT TOUCH SYSTEM INSTALLATION - 8FT/2.44M FALL ARREST PLATFORM (OPTIONAL)



ART_0273706

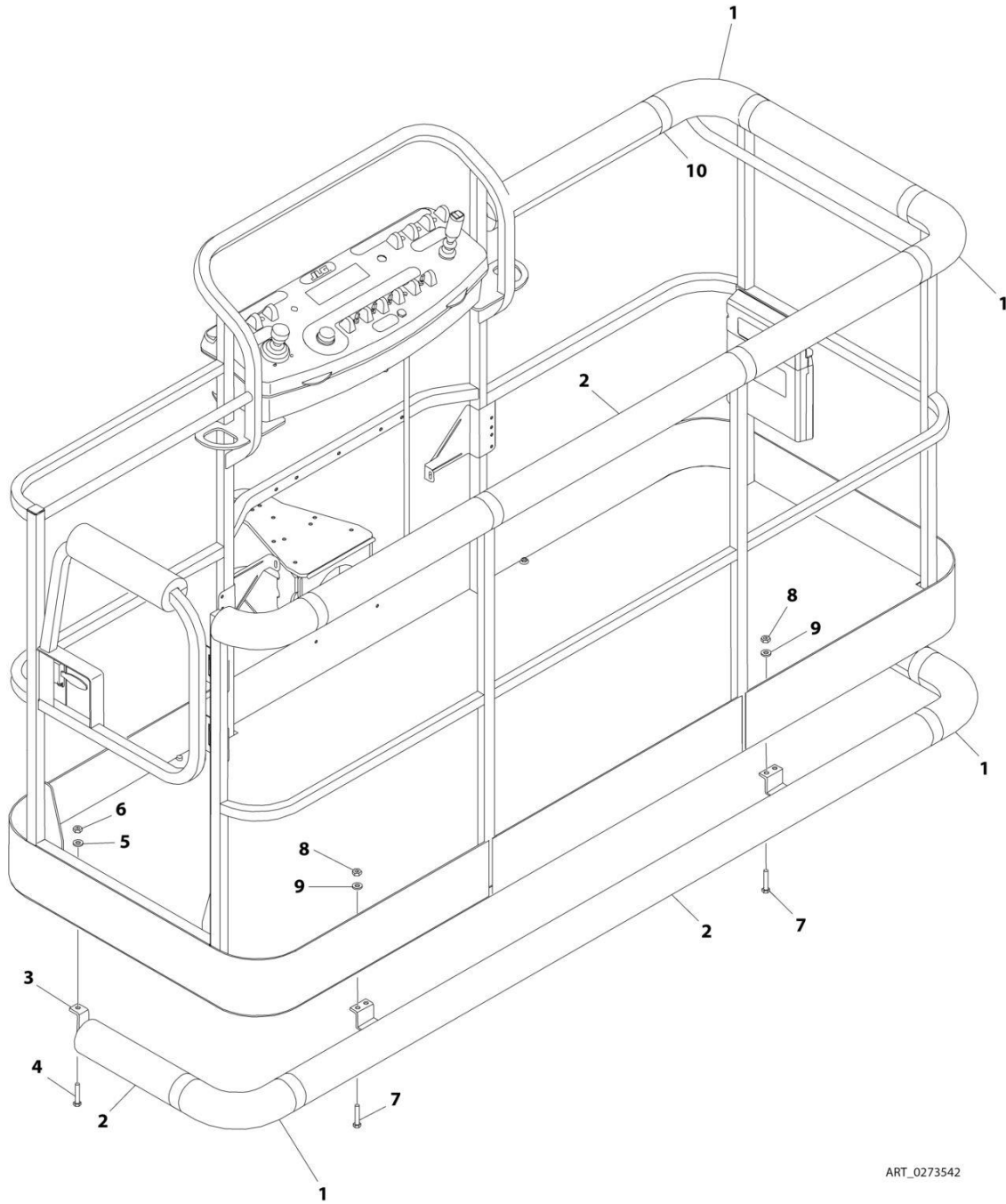
SECTION 5 - PLATFORM

FIGURE 5-41. SOFT TOUCH SYSTEM INSTALLATION - 8FT/2.44M FALL ARREST PLATFORM (OPTIONAL)

ITEM	PART NUMBER	QTY	DESCRIPTION	REV
	0273706	Ref	SOFT TOUCH INSTALLATION	D
1	0100011	AR	Compound, Locking	
2	0200048	2	Arm, Switch	
3	0630462	8	Bolt	
4	0641414	8	Bolt 1/4 x 1-3/4	
5	0721005	4	Bolt #10 x 5/8	
6	0940133	1	Bumper Kit (Includes Corners and Enough Straight Material for One Platform)	
6	0940092	8	Bumper (Corner)	
6	0940094	AR	Bumper (12ft Length)	
7	1060341	23 ft/7m	Cable, Soft Touch - 16/2	
8	1060903	4	Wire Rope and Eyebolt Assembly	
9	1702938	1	Decal - Soft Touch Override	
10	3311401	8	Nut 1/4	
11	3311501	8	Nut 5/16	
12	3574091	2	Plate, Switch Strike	
13	4240099	7	Tie-Strap (Not Shown)	
14	4360057	2	Switch, Limit	
15	4360387	1	Switch, Push Button	
16	4420068	AR	Tape, Adhesive	
16	1001197017	AR	Tie-Strap	
17	4460049	2	Connector, Strain Relief	
18	4460234	7	Tie-Strap (Not Shown)	
19	4460425	1	Connector, Strain Relief	
20	4751400	8	Washer 1/4	
21	4751500	12	Washer 5/16	
22	4751800	8	Washer 1/2	
23	4846673	1	Rail, Soft Touch	
25	2920028	1	Light, Indicator	
26	2920029	1	Bulb, Light	

SECTION 5 - PLATFORM

FIGURE 5-42. PLATFORM PADDING INSTALLATION (30IN/76CM DEPTH PLATFORMS) (ANSI, ANSI EXPORT, CSA AND CHINA SPECS) (OPTIONAL)



ART_0273542

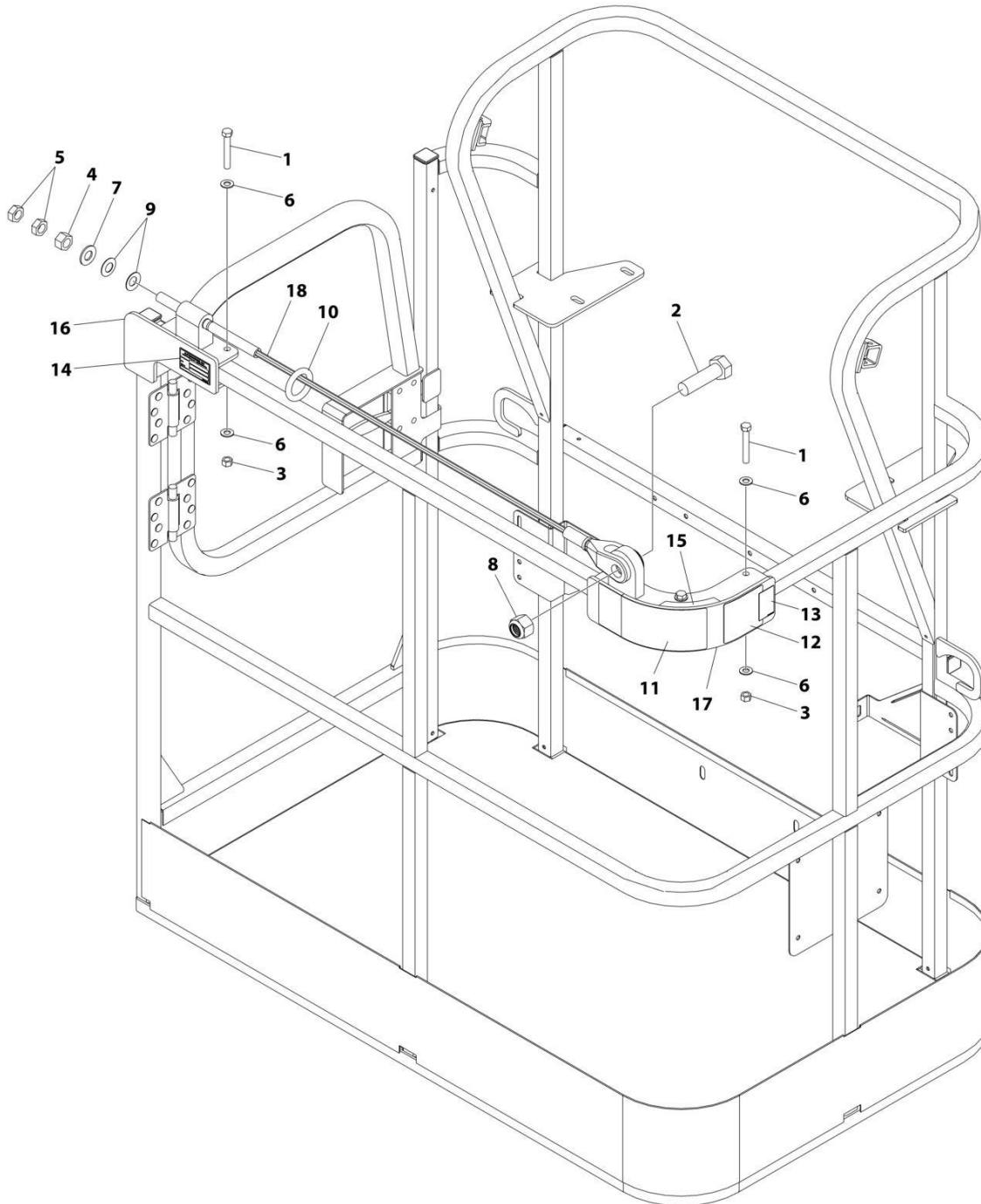
SECTION 5 - PLATFORM

FIGURE 5-42. PLATFORM PADDING INSTALLATION (30IN/76CM DEPTH PLATFORMS) (ANSI, ANSI EXPORT, CSA AND CHINA SPECS) (OPTIONAL)

ITEM	PART NUMBER	QTY	DESCRIPTION	REV
	0273542	Ref	PADDING INSTALLATION (30 X 48 SIDE ENTRY PLATFORM)	A
1	0940092	4	Bumper, Pad (Corner)	
2	0940094	9 ft /2.7m	Bumper, Pad (Square Tubing)	
3	0940131	1	Bumper, Rail	
4	0641516	2	Bolt 5/16 x 2	
5	4751500	2	Washer 5/16	
6	3311505	2	Nut 5/16	
7	0641813	4	Bolt 1/2 x 1-5/8	
8	3311805	4	Nut 1/2	
9	4891800	4	Washer 1/2 Hardened	
10	4420068	30 ft /9.1m	Tape	

SECTION 5 - PLATFORM

FIGURE 5-43. FALL ARREST (BOLT-ON) INSTALLATION - 30IN X 4FT PLATFORM (ALL SPECS EXCEPT CE & UK CA SPECS) (OPTIONAL)



ART_1001261338

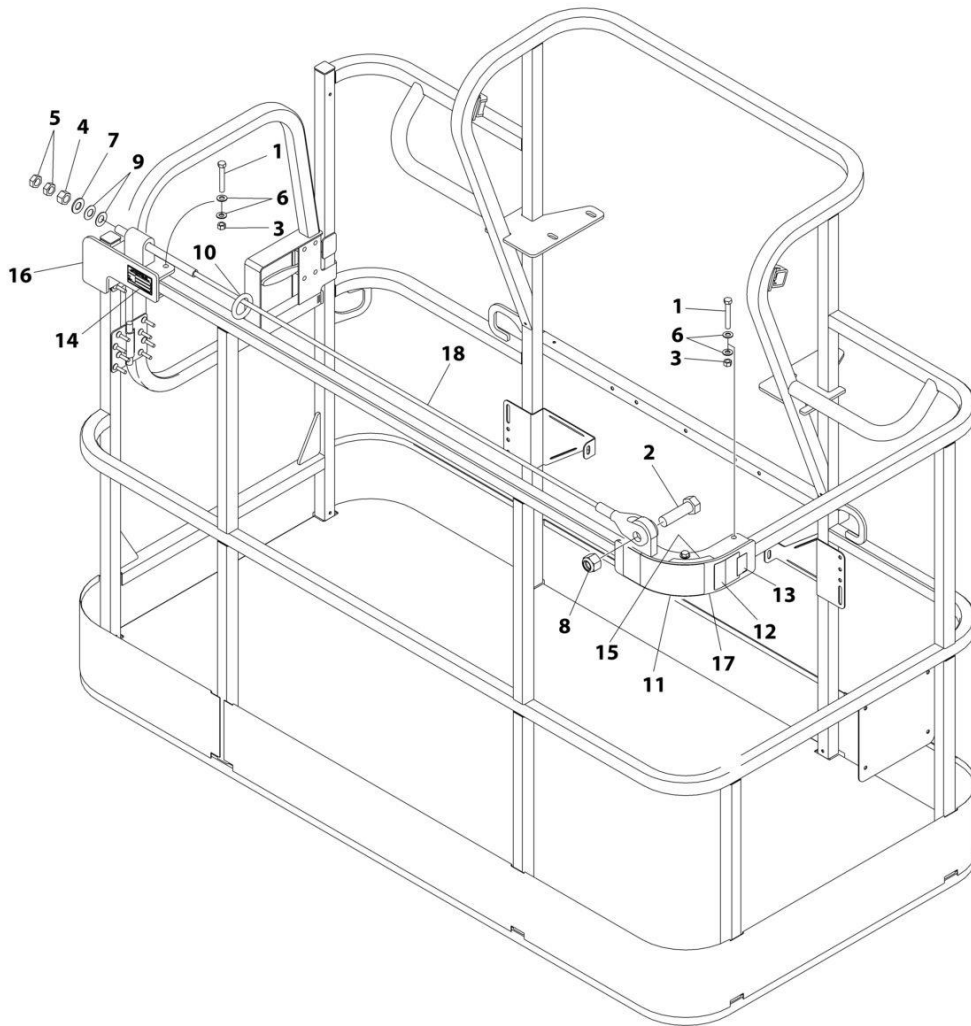
SECTION 5 - PLATFORM

FIGURE 5-43. FALL ARREST (BOLT-ON) INSTALLATION - 30IN X 4FT PLATFORM (ALL SPECS EXCEPT CE & UK CA SPECS) (OPTIONAL)

ITEM	PART NUMBER	QTY	DESCRIPTION	REV
	1001261338	Ref	FALL ARREST INSTALLATION	A
1	0681620	6	Bolt 3/8 x 2-1/2	
2	0682424	1	Bolt 7/8 x 3	
3	3271605	6	Nut 3/8	
4	3272001	1	Nut 5/8	
5	3312002	2	Nut 5/8	
6	4711600	12	Washer 3/8	
7	4712000	1	Washer 5/8	
8	88521214	1	Nut 7/8	
9	1001236891	2	Washer	
10	1001236895	1	Ring	
11	1001238263	1	Decal - Warning Falling Hazard	
12	1001248140	1	Decal - Bolt Fall Arrest Re-Cert	
13	1001248141	1	Decal - Incription	
14	See Note	NSS	Nameplate - Manufacturers Serial Number (Note: Not Available for Purchase)	
15	1001252629	1	Decal - Weight	
16	1001257271	1	Bracket (RH)	
17	1001257274	1	Bracket (LH)	
18	1001261335	1	Rope	

SECTION 5 - PLATFORM

FIGURE 5-44. FALL ARREST (BOLT-ON) INSTALLATION - 30IN X 5FT PLATFORM (ALL SPECS EXCEPT CE & UK CA SPECS) (OPTIONAL)



ART_1001257275

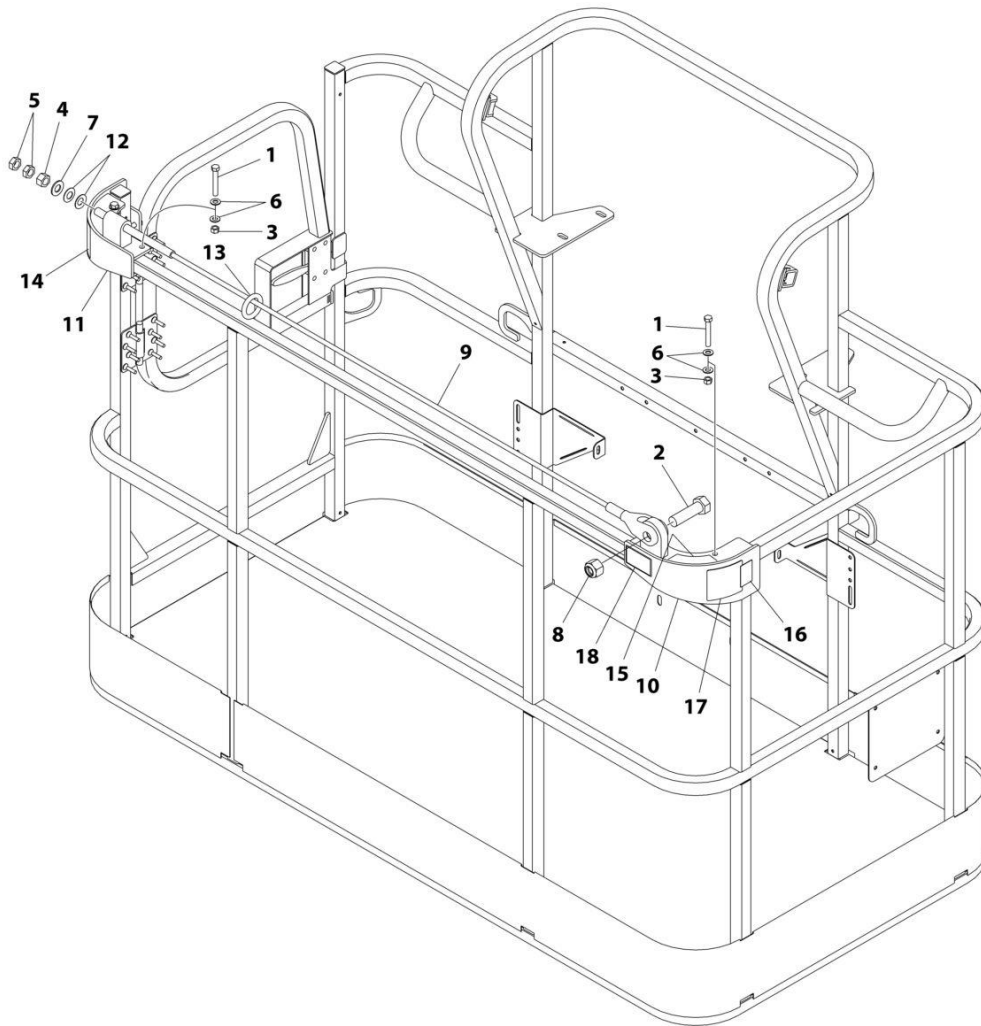
SECTION 5 - PLATFORM

FIGURE 5-44. FALL ARREST (BOLT-ON) INSTALLATION - 30IN X 5FT PLATFORM (ALL SPECS EXCEPT CE & UK CA SPECS) (OPTIONAL)

ITEM	PART NUMBER	QTY	DESCRIPTION	REV
	1001257275	Ref	FALL ARREST INSTALLATION (BOLT - ON) 6FT/1.82M PLATFORM	A
1	0681620	6	Bolt 3/8 x 2-1/2	
2	0682424	1	Bolt 7/8 x 3	
3	3271605	6	Nut 3/8	
4	3272001	1	Nut 5/8	
5	3312002	2	Nut 5/8	
6	4711600	12	Washer 3/8	
7	4712000	1	Washer 5/8	
8	88521214	1	Nut 7/8	
9	1001236891	2	Washer	
10	1001236895	1	Ring	
11	1001238263	1	Decal - Warning Falling Hazard	
12	1001248140	1	Decal - Bolt Fall Arrest Re-Cert	
13	1001248141	1	Decal - Incription	
14	See Note	NSS	Nameplate - Manufacturers Serial Number (Note: Not Available for Purchase)	
15	1001252629	1	Decal - Weight	
16	1001257271	1	Bracket (RH)	
17	1001257274	1	Bracket (LH)	
18	1001258005	1	Rope	

SECTION 5 - PLATFORM

FIGURE 5-45. FALL ARREST (BOLT-ON) INSTALLATION - 36IN X 6FT PLATFORM (ALL SPECS EXCEPT CE & UK CA SPECS) (OPTIONAL)



ART_1001236747

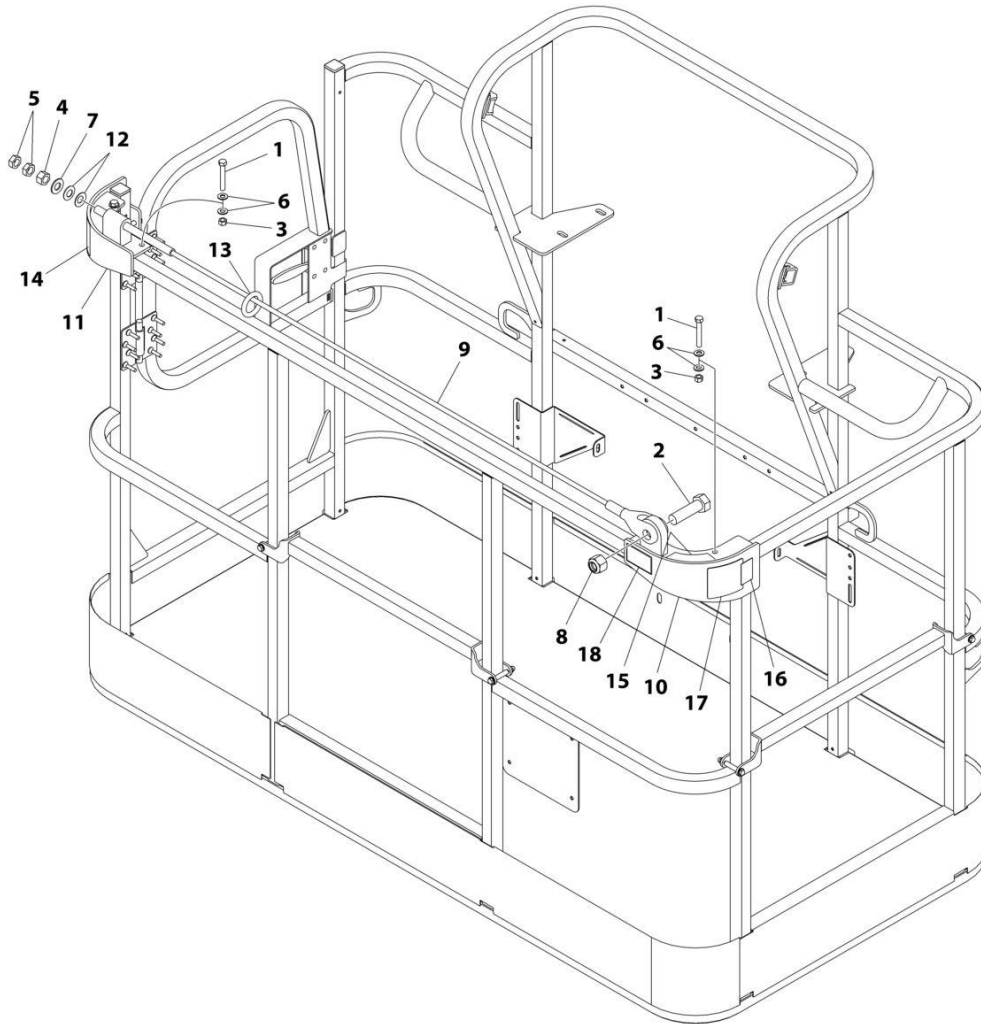
SECTION 5 - PLATFORM

FIGURE 5-45. FALL ARREST (BOLT-ON) INSTALLATION - 36IN X 6FT PLATFORM (ALL SPECS EXCEPT CE & UK CA SPECS) (OPTIONAL)

ITEM	PART NUMBER	QTY	DESCRIPTION	REV
	1001236747	Ref	FALL ARREST INSTALLATION (BOLT - ON) 6FT/1.82M PLATFORM	C
1	0681620	6	Bolt 3/8 x 2-1/2	
2	0682424	1	Bolt 7/8 x 3	
3	3271605	6	Nut 3/8	
4	3272001	1	Nut 5/8	
5	3312002	2	Nut 5/8	
6	4711600	12	Washer 3/8	
7	4712000	1	Washer 5/8	
8	88521214	1	Nut 7/8	
9	1001231950	1	Rope	
10	1001232010	1	Bracket (RH)	
11	1001232011	1	Bracket (LH)	
12	1001236891	2	Washer	
13	1001236895	1	Ring	
14	1001238263	1	Decal - Warning Falling Hazard	
15	1001252629	1	Decal - Weight	
16	1001248140	1	Decal - Bolt Fall Arrest Re-Cert	
17	1001248141	1	Decal - Inscription	

SECTION 5 - PLATFORM

FIGURE 5-46. FALL ARREST (BOLT-ON) INSTALLATION - 36IN X 6FT TRI-ENTRY PLATFORM (ALL SPECS EXCEPT CE & UK CA SPECS) (OPTIONAL)



ART_1001238463

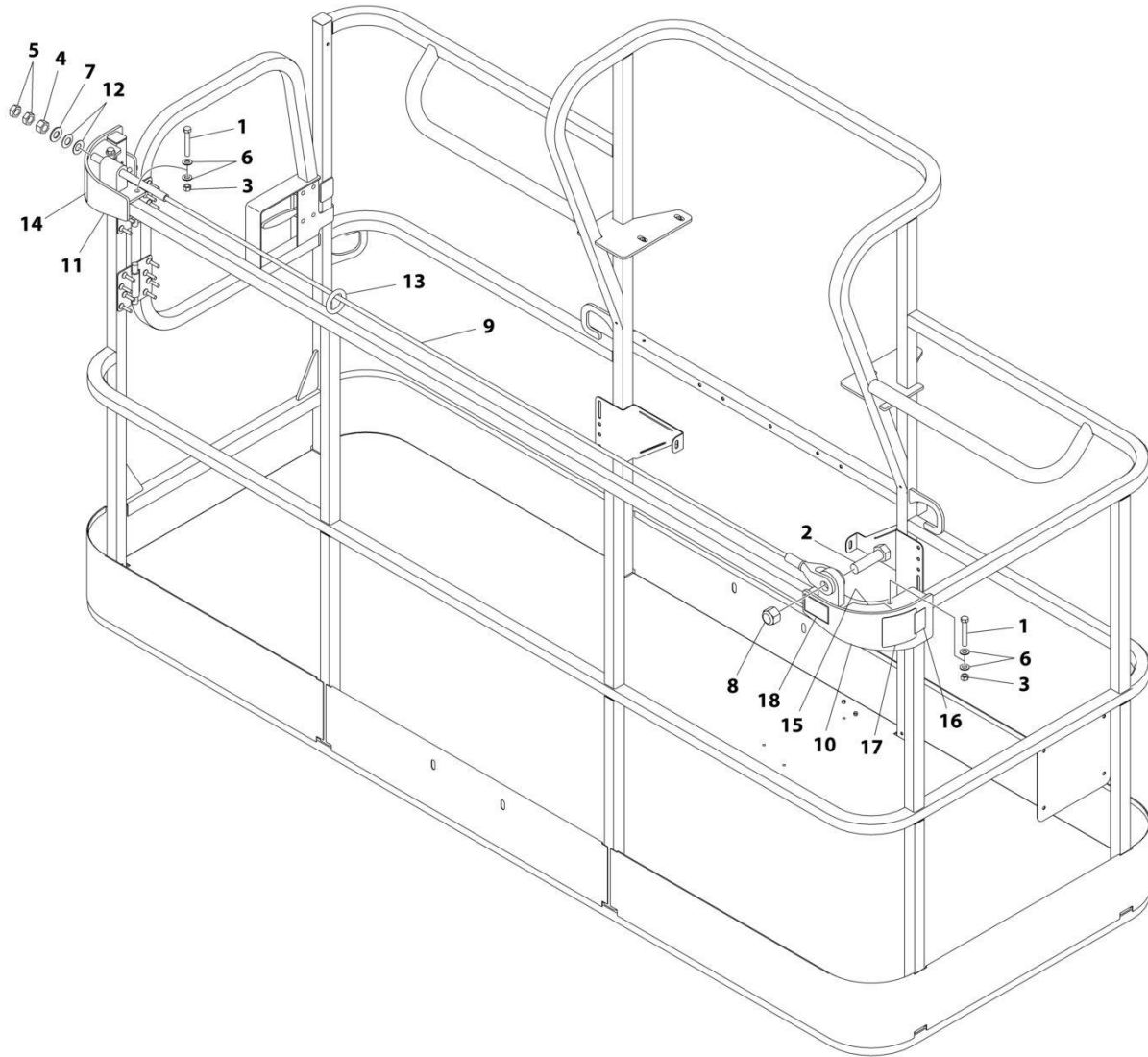
SECTION 5 - PLATFORM

FIGURE 5-46. FALL ARREST (BOLT-ON) INSTALLATION - 36IN X 6FT TRI-ENTRY PLATFORM (ALL SPECS EXCEPT CE & UK CA SPECS) (OPTIONAL)

ITEM	PART NUMBER	QTY	DESCRIPTION	REV
	1001238463	Ref	FALL ARREST INSTALLATION (BOLT - ON) 6FT/1.82M PLATFORM	C
1	0681620	6	Bolt 3/8 x 2-1/2	
2	0682424	1	Bolt 7/8 x 3	
3	3271605	6	Nut 3/8	
4	3272001	1	Nut 5/8	
5	3312002	2	Nut 5/8	
6	4711600	12	Washer 3/8	
7	4712000	1	Washer 5/8	
8	88521214	1	Nut 7/8	
9	1001231950	1	Rope	
10	1001232010	1	Bracket (RH)	
11	1001232011	1	Bracket (LH)	
12	1001236891	2	Washer	
13	1001236895	1	Ring	
14	1001238263	1	Decal - Warning Falling Hazard	
15	1001252629	1	Decal - Weight	
16	1001248140	1	Decal - Bolt Fall Arrest Re-Cert	
17	1001248141	1	Decal - Inscription	

SECTION 5 - PLATFORM

FIGURE 5-47. FALL ARREST (BOLT-ON) INSTALLATION - 36IN X 8FT PLATFORM (ALL SPECS EXCEPT CE & UK CA SPECS) (OPTIONAL)



ART_1001236746

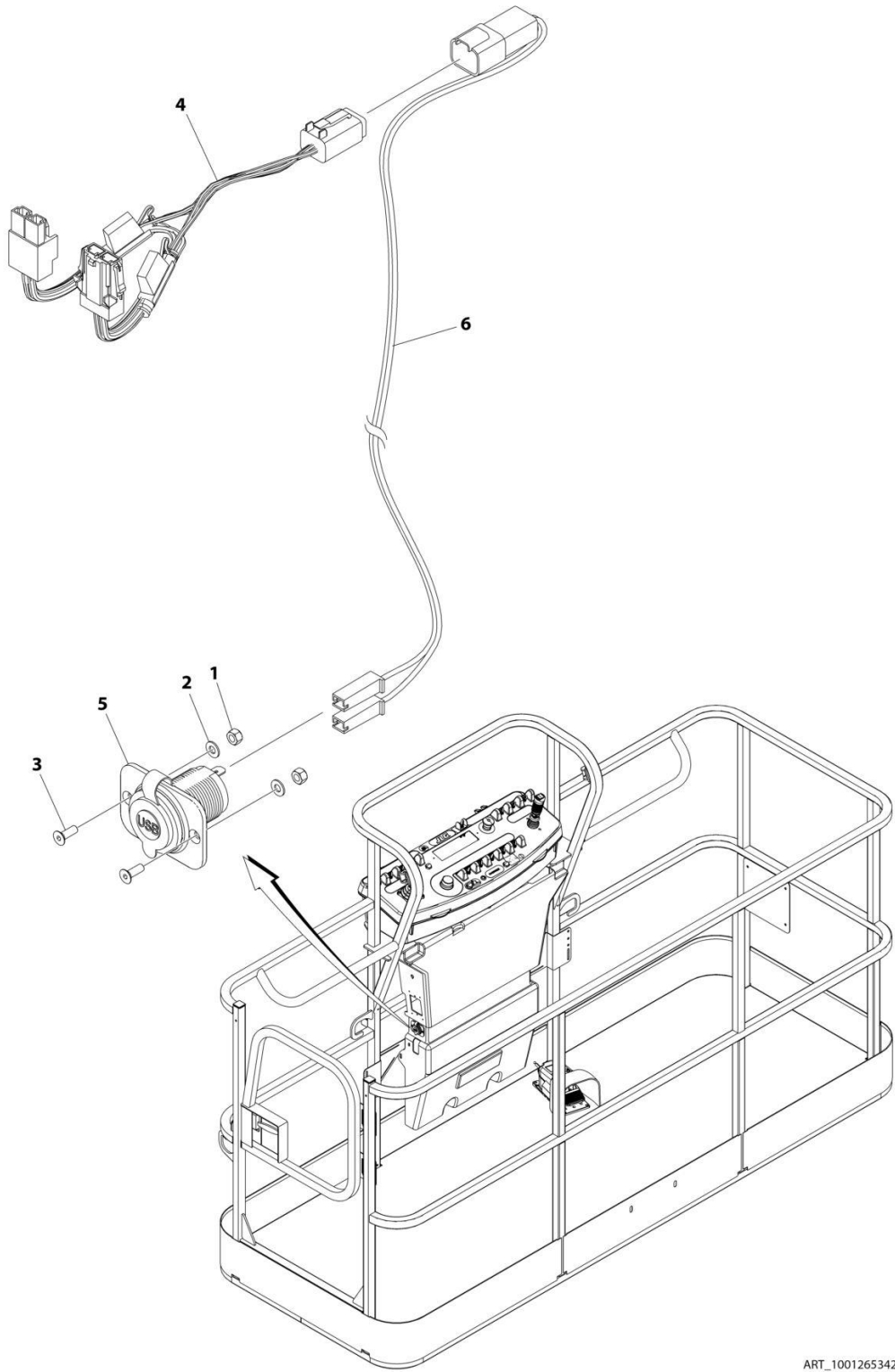
SECTION 5 - PLATFORM

FIGURE 5-47. FALL ARREST (BOLT-ON) INSTALLATION - 36IN X 8FT PLATFORM (ALL SPECS EXCEPT CE & UK CA SPECS) (OPTIONAL)

ITEM	PART NUMBER	QTY	DESCRIPTION	REV
	1001236746	Ref	FALL ARREST INSTALLATION (BOLT - ON) 8FT/2.4M PLATFORM	C
1	0681620	6	Bolt 3/8 x 2-1/2	
2	0682424	1	Bolt 7/8 x 3	
3	3271605	6	Nut 3/8	
4	3272001	1	Nut 5/8	
5	3312002	2	Nut 5/8	
6	4711600	12	Washer 3/8	
7	4712000	1	Washer 5/8	
8	88521214	1	Nut 7/8	
9	1001231949	1	Rope	
10	1001232010	1	Bracket (RH)	
11	1001232011	1	Bracket (LH)	
12	1001236891	2	Washer	
13	1001236895	1	Ring	
14	1001238263	1	Decal - Warning Falling Hazard	
15	1001252629	1	Decal - Weight 23LBS/10.4KG	
16	1001248140	1	Decal - Bolt Fall Arrest Re-Cert	
17	1001248141	1	Decal - Inscription	

SECTION 5 - PLATFORM

FIGURE 5-48. USB CHARGER INSTALLATION



ART_1001265342

SECTION 5 - PLATFORM

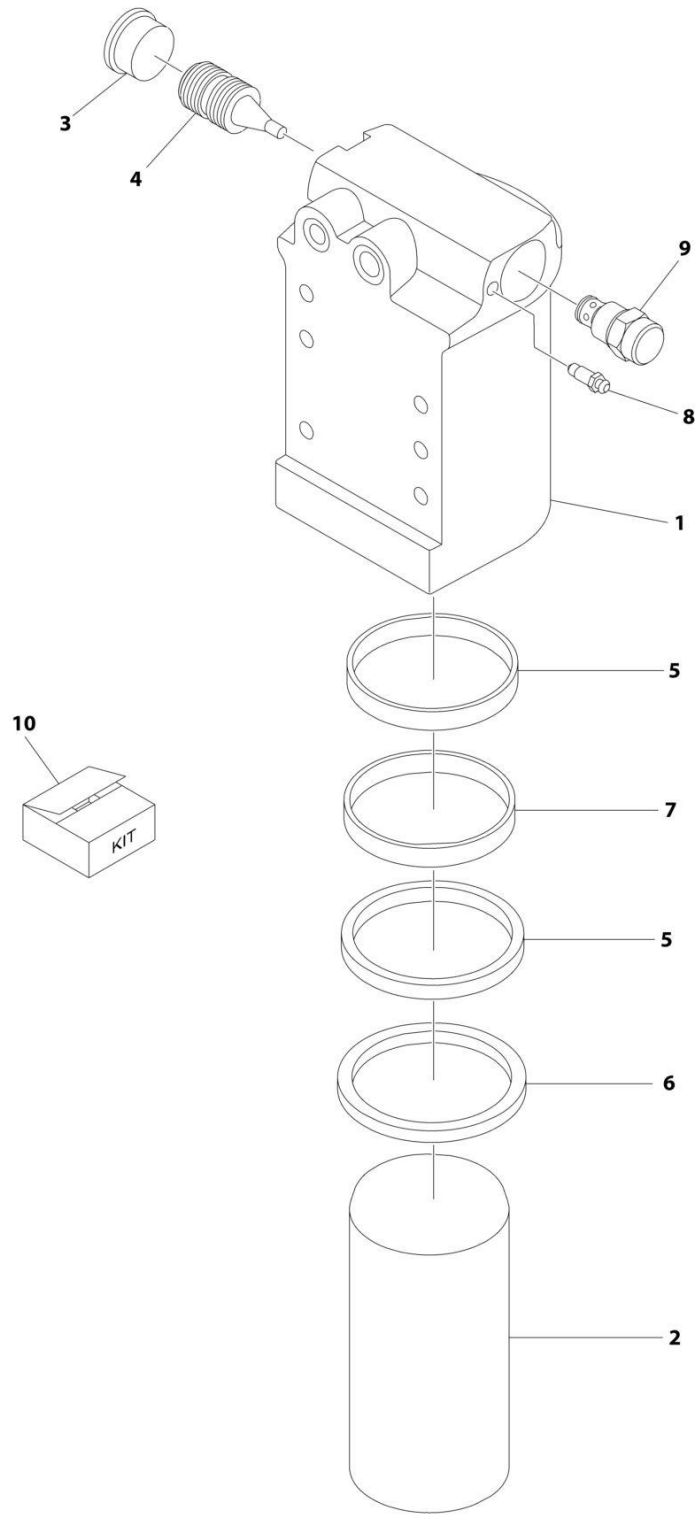
FIGURE 5-48. USB CHARGER INSTALLATION

ITEM	PART NUMBER	QTY	DESCRIPTION	REV
	1001265342	Ref	USB CHARGER INSTALLATION	A
1	3290405	2	Nut M4	
2	4811400	2	Washer M4	
3	1001097244	2	Screw M4 x 12	
4	1001120484	1	Harness, Work Lights	
4	4460879	1	Plug, Male - 2 Position	
4	4460887	2	Terminal	
4	2400060	2	Fuseholder Includes Cover	
4	8229249	2	Fuse, 3 Amp	
4	4460884	1	Connector - 4 Position	
4	4460465	4	Socket, Female	
4	1001120471	1	Connector - 2 Position	
4	1001120477	2	Terminal	
5	1001210636	1	Receptacle, USB	
6	1001265163	1	Harness, USB	A
6	4460260	2	Cover, Terminal	
6	4460259	2	Terminal	
6	4460932	1	Receptacle, Bussbar - 4 Position	
6	4460464	2	Pin, Male	
6	4460466	2	Plug, Terminal	

SECTION 6 - CYLINDER

SECTION 6 - CYLINDER

FIGURE 6-1. AXLE LOCKOUT CYLINDER ASSEMBLY



ART_1684465

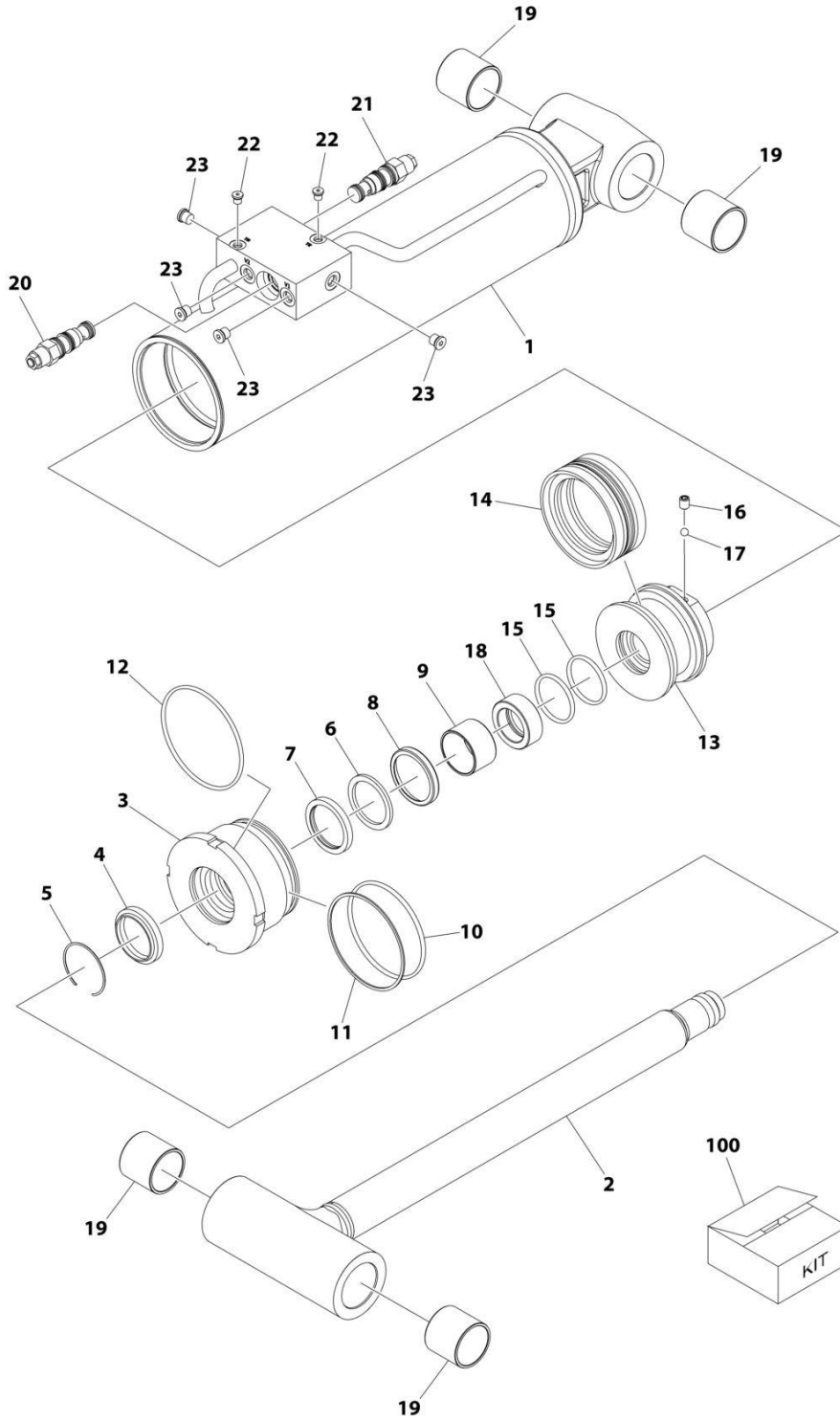
SECTION 6 - CYLINDER

FIGURE 6-1. AXLE LOCKOUT CYLINDER ASSEMBLY

ITEM	PART NUMBER	QTY	DESCRIPTION	REV
	1684465	Ref	AXLE LOCKOUT CYLINDER ASSEMBLY	J
		Ref	Note: Original Cylinder may have been replaced with Service Replacement. Identify PN Stamped on Cylinder Before Ordering Parts.	
1	0370026	1	Barrel	
2	1684290	1	Rod	
3	2220890	1	Plug	
4	3480288	1	Piston, Pilot	
5	See Note	NSS	Ring, Wear (Note: Use Item 110)	
6	See Note	NSS	Wiper (Note: Use Item 110)	
7	See Note	NSS	Seal, Rod (Note: Use Item 110)	
8	4640858	1	Bleeder	
9	4641390	1	Cartridge, Valve	
9	7017496	1	Seal Kit	
10	2902266	1	Seal Kit (Includes Items 105-107)	

SECTION 6 - CYLINDER

FIGURE 6-2. LEVEL (PLATFORM SLAVE) CYLINDER ASSEMBLY



ART_1001237697

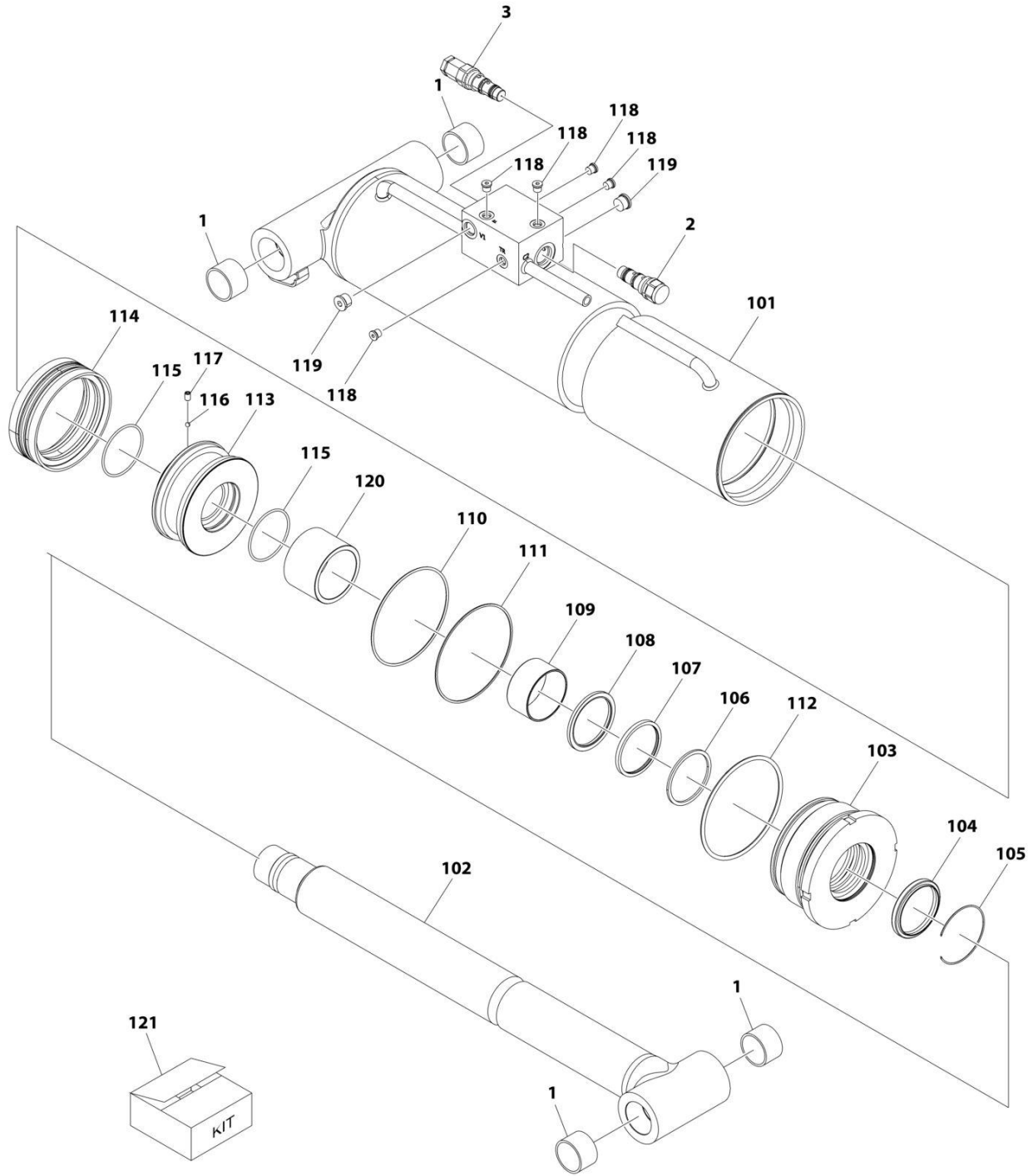
SECTION 6 - CYLINDER

FIGURE 6-2. LEVEL (PLATFORM SLAVE) CYLINDER ASSEMBLY

ITEM	PART NUMBER	QTY	DESCRIPTION	REV
	1001237697	Ref	LEVEL (PLATFORM SLAVE) CYLINDER ASSEMBLY	B
		Ref	Note: Original Cylinder May Have Been Replaced with Service Replacement. Identify PN Stamped on Cylinder Before Ordering Parts.	
1	See Note	NSS	Barrel (Note: Use PN 1001237697)	
2	70007168	1	Rod	
3	70007157	1	Head	
4	See Note	NSS	Wiper (Note: Use Item 100)	
5	70002410	1	Ring, Retaining	
6	See Note	NSS	Seal, Rod (Note: Use Item 100)	
7	See Note	NSS	Ring, Back-up (Note: Use Item 100)	
8	See Note	NSS	Ring (Note: Use Item 100)	
9	70004237	1	Bearing, Dry	
10	See Note	NSS	O-Ring (Note: Use Item 100)	
11	See Note	NSS	Ring, Back-up (Note: Use Item 100)	
12	See Note	NSS	O-Ring (Note: Use Item 100)	
13	70007161	1	Piston	
14	See Note	NSS	Seal, Piston (Note: Use Item 100)	
15	See Note	NSS	O-Ring (Note: Use Item 100)	
16	70023369	1	Setscrew	
17	70022564	1	Ball	
18	70007169	1	Spacer	
19	70007159	4	Bearing	
20	1001168209	1	Cartridge, Valve	
20	2900770	1	Seal Kit - 1001168209 Valve	
21	1001168210	1	Cartridge, Valve	
21	2900770	1	Seal Kit - 1001168210 Valve	
22	2220881	2	Plug, O-Ring 5/16	
23	2220883	4	Plug 7/16	
100	70007160	1	Seal Kit - 1001237697 Cylinder (Includes Items 4, 6, 7, 8, 10, 11, 12, 14 & 15)	

SECTION 6 - CYLINDER

FIGURE 6-3. LEVEL (UPRIGHT) CYLINDER ASSEMBLY



ART_1001251042

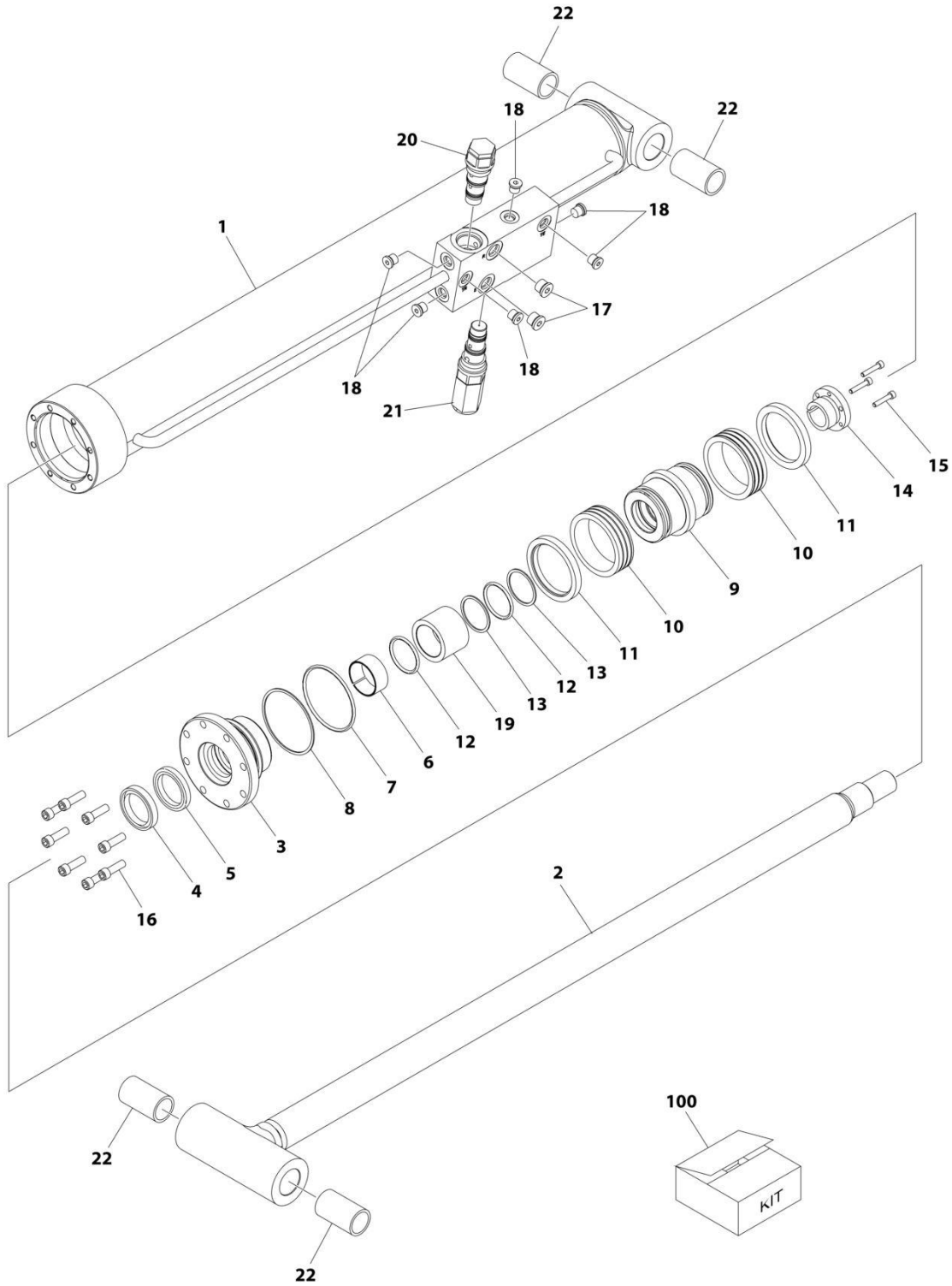
SECTION 6 - CYLINDER

FIGURE 6-3. LEVEL (UPRIGHT) CYLINDER ASSEMBLY

ITEM	PART NUMBER	QTY	DESCRIPTION	REV
	1001251042	Ref	UPRIGHT LEVEL CYLINDER ASSEMBLY	A
		Ref	Note: Original Cylinder May Have Been Replaced with Service Replacement. Identify PN Stamped on Cylinder Before Ordering Parts.	
1	0961949	4	Bushing	
2	4640509	1	Cartridge, Valve	
2	2900792	2	Seal Kit - 4640509 Valve	
3	4640605	1	Cartridge, Valve	
3	2900792	1	Seal Kit - 4640605 Valve	
101	See Note	NSS	Tube (Not Available for Purchase)	
102	70002793	1	Rod	
103	70008194	1	Head	
104	See Note	NSS	Wiper, Dust (Note: Use Item 121)	
105	70023379	1	RETAINING RING	
106	See Note	NSS	Seal, Rod (Note: Use Item 121)	
107	See Note	NSS	Ring, Backup (Note: Use Item 121)	
108	See Note	1	Ring, Buffer (Note: Use Item 121)	
109	70052522	1	Bushing	
110	See Note	NSS	O-Ring (Note: Use Item 121)	
111	See Note	NSS	Ring, Backup (Note: Use Item 121)	
112	See Note	NSS	O-Ring (Note: Use Item 121)	
113	70008195	1	Piston	
114	See Note	NSS	Seal, Piston (Note: Use Item 121)	
115	See Note	NSS	O-Ring (Note: Use Item 121)	
116	70022564	1	Ball, Steel	
117	70029468	1	Screw, Set	
118	2220883	5	Plug 7/16	
119	2220886	2	Plug 3/4	
120	70008196	1	Spacer	
121	70008197	1	Seal Kit (Includes Items 104, 106-108, 110-112 ,114 & 115)	

SECTION 6 - CYLINDER

FIGURE 6-4. LIFT CYLINDER ASSEMBLY - JIB



ART_1001259137

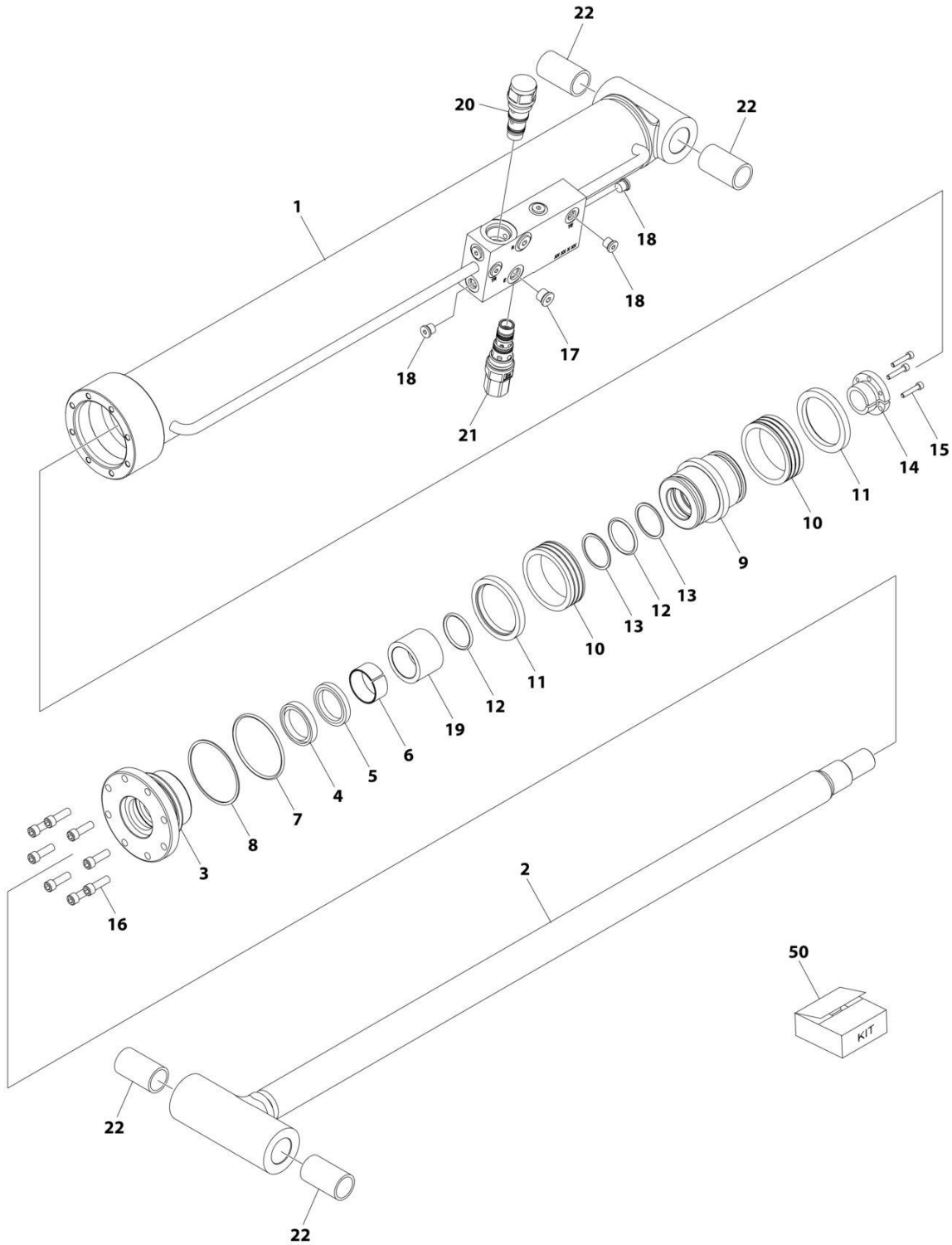
SECTION 6 - CYLINDER

FIGURE 6-4. LIFT CYLINDER ASSEMBLY - JIB

ITEM	PART NUMBER	QTY	DESCRIPTION	REV
	1001259137	Ref	LIFT CYLINDER ASSEMBLY - JIB	B
		Ref	Note: Original Cylinder May Have Been Replaced with Service Replacement. Identify PN Stamped on Cylinder Before Ordering Parts.	
1	See Note	NSS	Barrel (Note: Not Available for Purchase)	
2	70006734	1	Rod	
3	70006649	1	Head	
4	See Note	NSS	Wiper (Note: Use Item 100)	
5	See Note	NSS	Seal, Rod (Note: Use Item 100)	
6	See Note	NSS	Ring, Wear (Note: Use Item 100)	
7	See Note	NSS	O-Ring (Note: Use Item 100)	
8	See Note	NSS	Ring, Back-up (Note: Use Item 100)	
9	70006650	1	Piston	
10	See Note	NSS	Seal (Note: Use Item 100)	
11	See Note	NSS	Ring, Lock (Note: Use Item 100)	
12	See Note	NSS	O-Ring (Note: Use Item 100)	
13	See Note	NSS	Ring, Back-up (Note: Use Item 100)	
14	0961893	1	Bushing, Tapered	
15	0630534	3	Capscrew, Socket Head #10 x 1	
16	70006735	8	Capscrew 5/16	
17	2220885	2	Plug, O-Ring	
18	2220883	6	Plug, O-Ring	
19	70006736	1	Spacer	
20	4640509	1	Cartridge, Valve	
20	2900792	1	Seal Kit - 4640509 Valve	
21	1001259138	1	Cartridge, Valve	
21	70004186	1	Seal Kit - 1001259138 Valve	
22	0962336	4	Bushing	
100	1001138795	1	Seal Kit (Includes Items 4-8 & 10-13)	

SECTION 6 - CYLINDER

FIGURE 6-5. LIFT CYLINDER ASSEMBLY - JIB



ART_1001264302

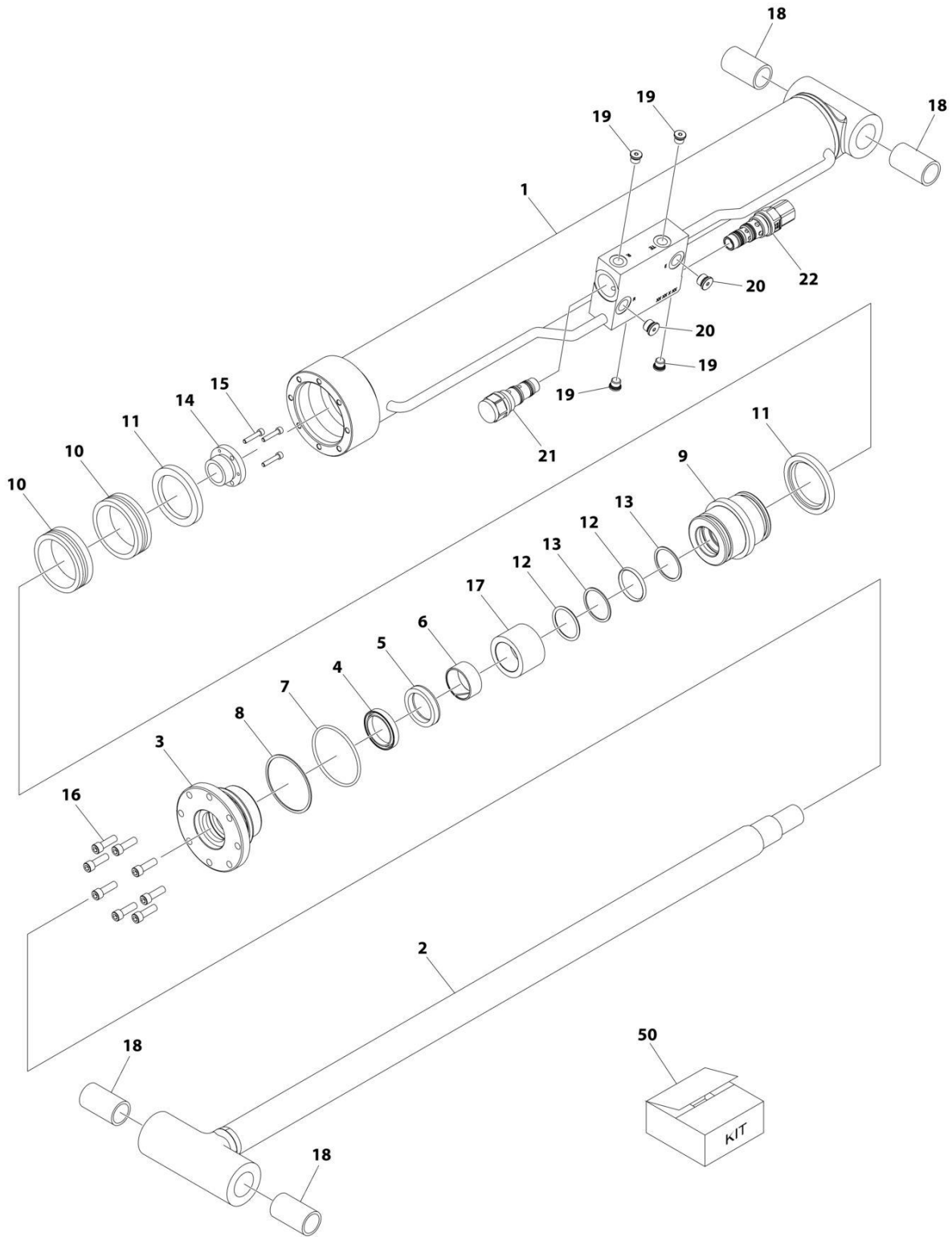
SECTION 6 - CYLINDER

FIGURE 6-5. LIFT CYLINDER ASSEMBLY - JIB

ITEM	PART NUMBER	QTY	DESCRIPTION	REV
	1001264302	Ref	LIFT CYLINDER ASSEMBLY - JIB	B
		Ref	Note: Original Cylinder May Have Been Replaced with Service Replacement. Identify PN Stamped on Cylinder Before Ordering Parts.	
1	See Note	NSS	Barrel	
2	70006734	1	Rod	
3	70006649	1	Head	
4	See Note	NSS	Wiper (Note: Use Item 50)	
5	See Note	NSS	Seal, Rod (Note: Use Item 50)	
6	See Note	NSS	Ring, Wear (Note: Use Item 50)	
7	See Note	NSS	O-Ring (Note: Use Item 50)	
8	See Note	NSS	Ring, Back-up (Note: Use Item 50)	
9	70006650	1	Piston	
10	See Note	NSS	Seal (Note: Use Item 50)	
11	See Note	NSS	Ring, Lock (Note: Use Item 50)	
12	See Note	NSS	O-Ring (Note: Use Item 50)	
13	See Note	NSS	Ring, Back-up (Note: Use Item 50)	
14	0961893	1	Bushing, Tapered	
15	0630534	3	Capscrew	
16	70006735	8	Capscrew	
17	2220885	2	Plug	
18	2220883	6	Plug	
19	70006736	1	Spacer	
20	4640509	1	Cartridge, Counterbalance Valve	
20	2900792	1	Seal Kit - 4640509 Valve	
21	1001263800	1	Cartridge, Counterbalance Valve	
21	70004186	1	Seal Kit - 1001263800 Valve	
22	0962336	4	Bushing	
50	1001138795	1	Seal Kit (Includes Items 4-8 & 10-13)	

SECTION 6 - CYLINDER

FIGURE 6-6. LIFT CYLINDER ASSEMBLY - JIB



ART_1001264991

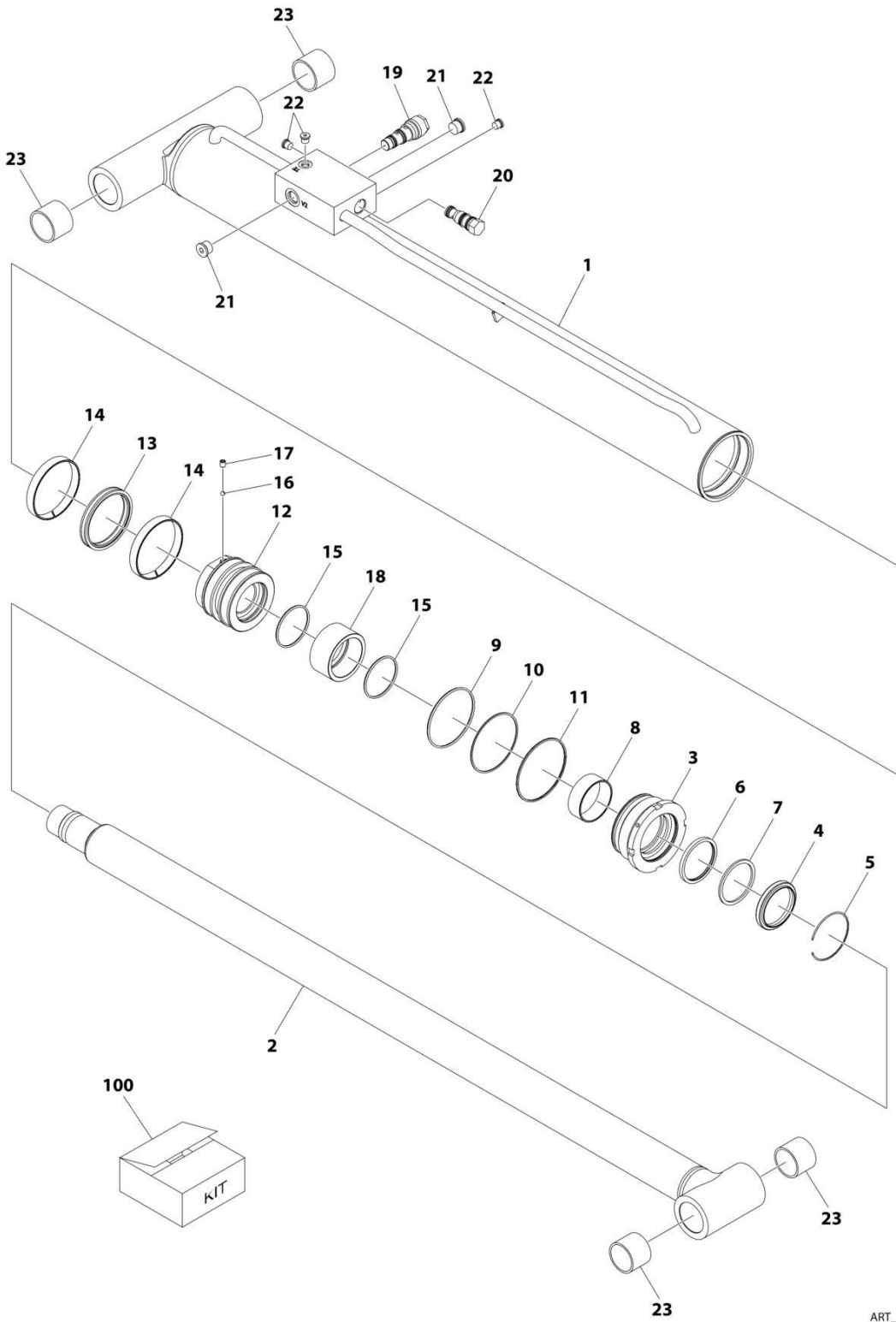
SECTION 6 - CYLINDER

FIGURE 6-6. LIFT CYLINDER ASSEMBLY - JIB

ITEM	PART NUMBER	QTY	DESCRIPTION	REV
	1001264991	Ref	LIFT CYLINDER ASSEMBLY - JIB	B
		Ref	Note: Original Cylinder May Have Been Replaced with Service Replacement. Identify PN Stamped on Cylinder Before Ordering Parts.	
1	See Note	NSS	Barrel (Note: Use PN 1001264991)	
2	70006734	1	Rod	
3	70006649	1	Head	
4	See Note	NSS	Wiper (Note: Use Item 50)	
5	See Note	NSS	Seal, Rod (Note: Use Item 50)	
6	See Note	NSS	Ring, Wear (Note: Use Item 50)	
7	See Note	NSS	O-Ring (Note: Use Item 50)	
8	See Note	NSS	Ring, Back-up (Note: Use Item 50)	
9	70006650	1	Piston	
10	See Note	NSS	Ring, Hydro Lock (Note: Use Item 50)	
11	See Note	NSS	Ring, Guide Lock (Note: Use Item 50)	
12	See Note	NSS	O-Ring (Note: Use Item 50)	
13	See Note	NSS	Ring, Back-up (Note: Use Item 50)	
14	0961893	1	Bushing, Tapered	
15	0630534	3	Capscrew	
16	70006735	8	Capscrew	
17	70006736	1	Spacer	
18	0962336	4	Bearing	
19	70023370	4	Plug	
20	70023371	2	Plug	
21	4640509	1	Cartridge, Counterbalance Valve	
21	2900792	1	Seal Kit - 4640509 Valve	
22	1001263800	1	Cartridge, Counterbalance Valve	
22	70004186	1	Seal Kit - 1001263800 Valve	
50	1001138795	1	Seal Kit - 1001264991 Cylinder (Includes Items 4-8 & 10-13)	

SECTION 6 - CYLINDER

FIGURE 6-7. LIFT CYLINDER ASSEMBLY - MAIN BOOM



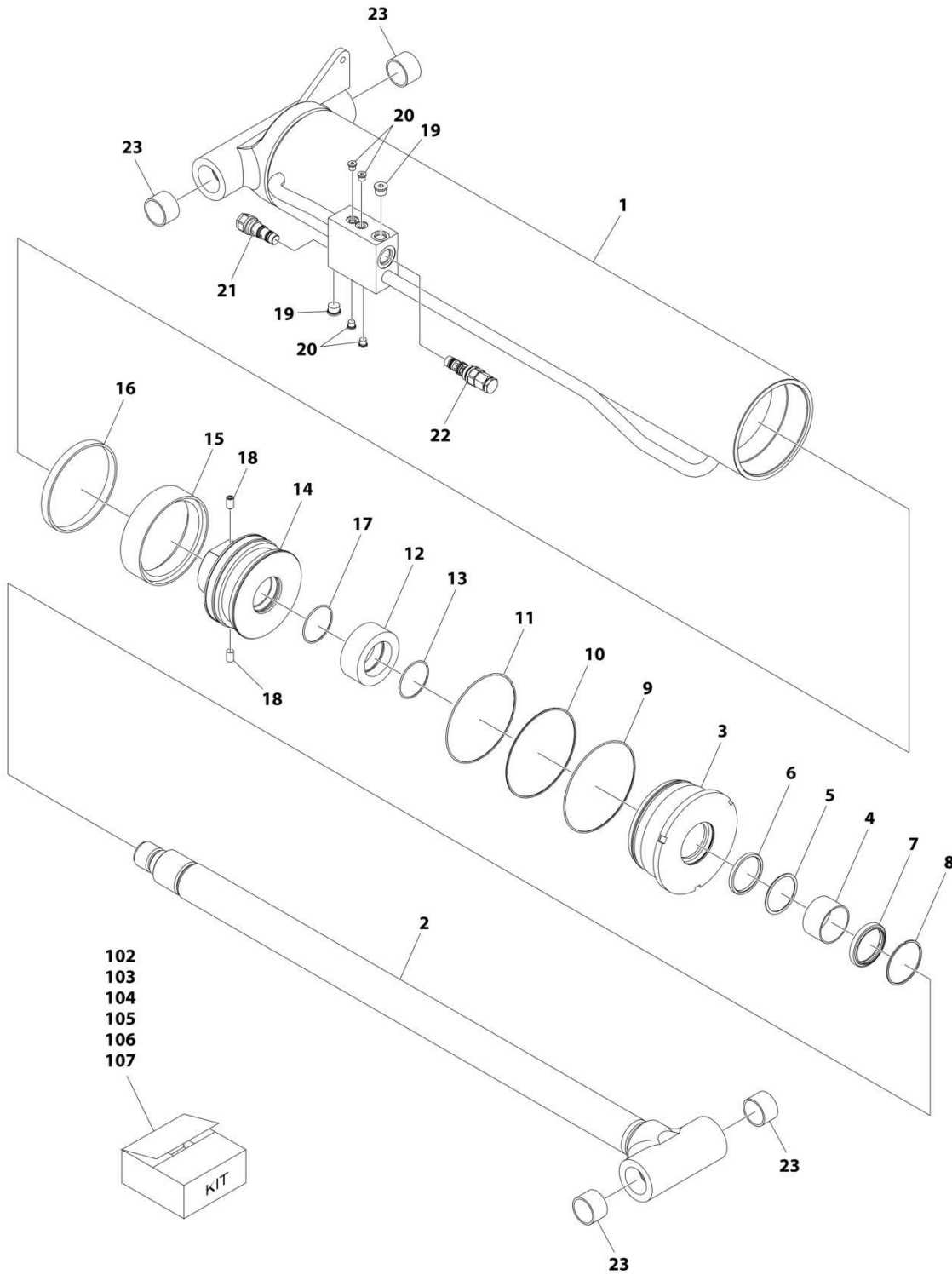
SECTION 6 - CYLINDER

FIGURE 6-7. LIFT CYLINDER ASSEMBLY - MAIN BOOM

ITEM	PART NUMBER	QTY	DESCRIPTION	REV
	1001245761	Ref	LIFT CYLINDER ASSEMBLY - MAIN BOOM	B
		Ref	Note: Original Cylinder May Have Been Replaced with Service Replacement. Identify PN Stamped on Cylinder Before Ordering Parts.	
1	See Note	NSS	Barrel (Use p/n 1001228092)	
2	70007451	1	Rod	
3	70007051	1	Head	
4	See Note	NSS	Wiper (Note: Use Item 100)	
5	70050795	1	Ring, Retainer	
6	See Note	NSS	Seal, Rod (Note: Use Item 100)	
7	See Note	NSS	Ring, Back-up (Note: Use Item 100)	
8	70007052	1	Ring, Wear	
9	See Note	NSS	O-Ring (Note: Use Item 100)	
10	See Note	NSS	Ring, Back-up (Note: Use Item 100)	
11	See Note	NSS	O-Ring (Note: Use Item 100)	
12	70007452	1	Piston	
13	See Note	NSS	Seal (Note: Use Item 100)	
14	See Note	NSS	Ring, Wear (Note: Use Item 100)	
15	See Note	NSS	O-Ring (Note: Use Item 100)	
16	70022564	1	Ball	
17	70023369	1	Setscrew M8 x 10	
18	70007453	1	Spacer	
19	4640509	1	Cartridge, Counterbalance Valve	
19	2900792	1	Seal Kit - 4640509 Cartridges	
20	4640438	1	Cartridge, Check Valve	
20	2900770	1	Seal Kit - 4640438 Valve	
21	2220886	2	Plug 3/4	
22	2220883	3	Plug #4	
23	70007454	4	Bearing	
100	70007455	1	Seal Kit - 1001228092 Cylinder (Includes item 4, 6, 7, 8-10 & 13-15)	

SECTION 6 - CYLINDER

FIGURE 6-8. LIFT CYLINDER ASSEMBLY - MAIN BOOM



ART_1001261003

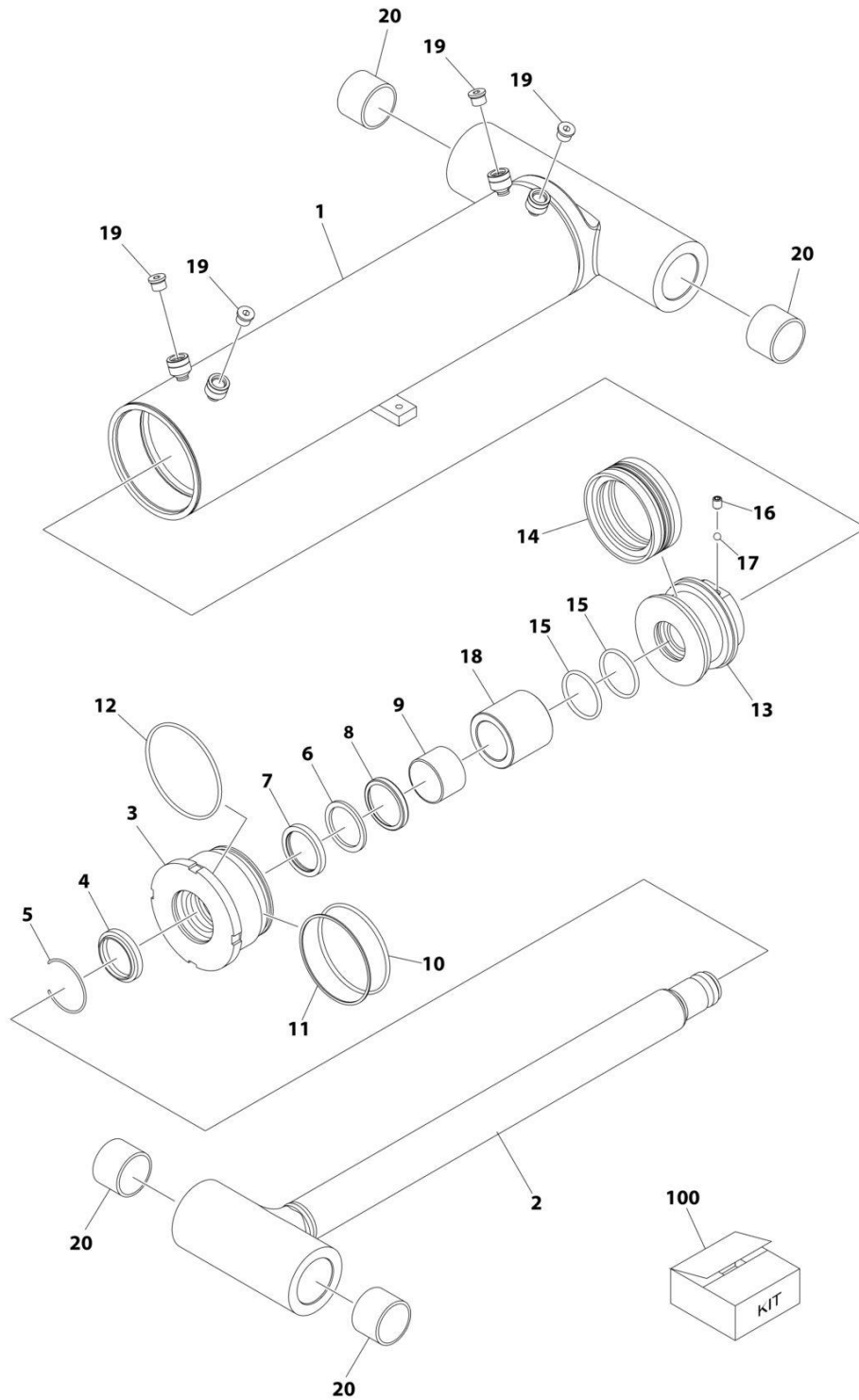
SECTION 6 - CYLINDER

FIGURE 6-8. LIFT CYLINDER ASSEMBLY - MAIN BOOM

ITEM	PART NUMBER	QTY	DESCRIPTION	REV
	1001261003	Ref	LIFT CYLINDER ASSEMBLY - MAIN BOOM	A
		Ref	Note: Original Cylinder May Have Been Replaced with Service Replacement. Identify PN Stamped on Cylinder Before Ordering Parts.	
1	See Note	NSS	Barrel (Use p/n 1001261003)	
2	See Note	NSS	Rod (Use Item 102)	
3	See Note	NSS	Head (Use Item 103)	
4	See Note	NSS	Ring, Wear (Use Item 103)	
5	See Note	NSS	O-Ring (Note: Use Item 104)	
6	See Note	NSS	Ring, Back-up (Note: Use Item 104)	
7	See Note	NSS	Wiper (Note: Use Item 104)	
8	See Note	NSS	Ring, Retainer (Note: Use Item 104)	
9	See Note	NSS	O-Ring (Note: Use Item 104)	
10	See Note	NSS	Ring, Back-Up (Note: Use Item 104)	
11	See Note	NSS	O-Ring (Note: Use Item 104)	
12	See Note	NSS	Spacer (Note: Use Item 105)	
13	See Note	NSS	O-Ring (Note: Use Item 105)	
14	See Note	NSS	Piston (Note: Use Item 106)	
15	See Note	NSS	Seal (Note: Use Item 104)	
16	See Note	NSS	Ring, Wear (Note: Use Item 104)	
17	See Note	NSS	O-Ring (Note: Use Item 104)	
18	See Note	NSS	Setscrew (Note: Use Item 106)	
19	See Note	NSS	Plug 3/4	
20	See Note	NSS	Plug 7/16	
21	4640509	1	Cartridge, Counterbalance Valve	
21	2900792	1	Seal Kit - 4640509 Valve	
22	4640605	1	Cartridge, Counterbalance Valve	
22	2900792	1	Seal Kit - 4640605 Valve	
23	0961949	4	Bearing	
102	70007460	1	Rod Kit (Includes Item 2 & 23)	
103	70007461	1	Rod Cover Kit (Includes Item 3 & 4)	
104	70007462	1	Seal Kit (Includes Item 5-11 & 15-17)	
105	70007463	1	Spacer Kit (Includes Item 12 & 13)	
106	70007464	1	Piston Kit (Includes Item 14 & 18)	
107	70007465	1	Plug Kit (Includes Item 20)	

SECTION 6 - CYLINDER

FIGURE 6-9. MASTER CYLINDER ASSEMBLY



ART_1001237698

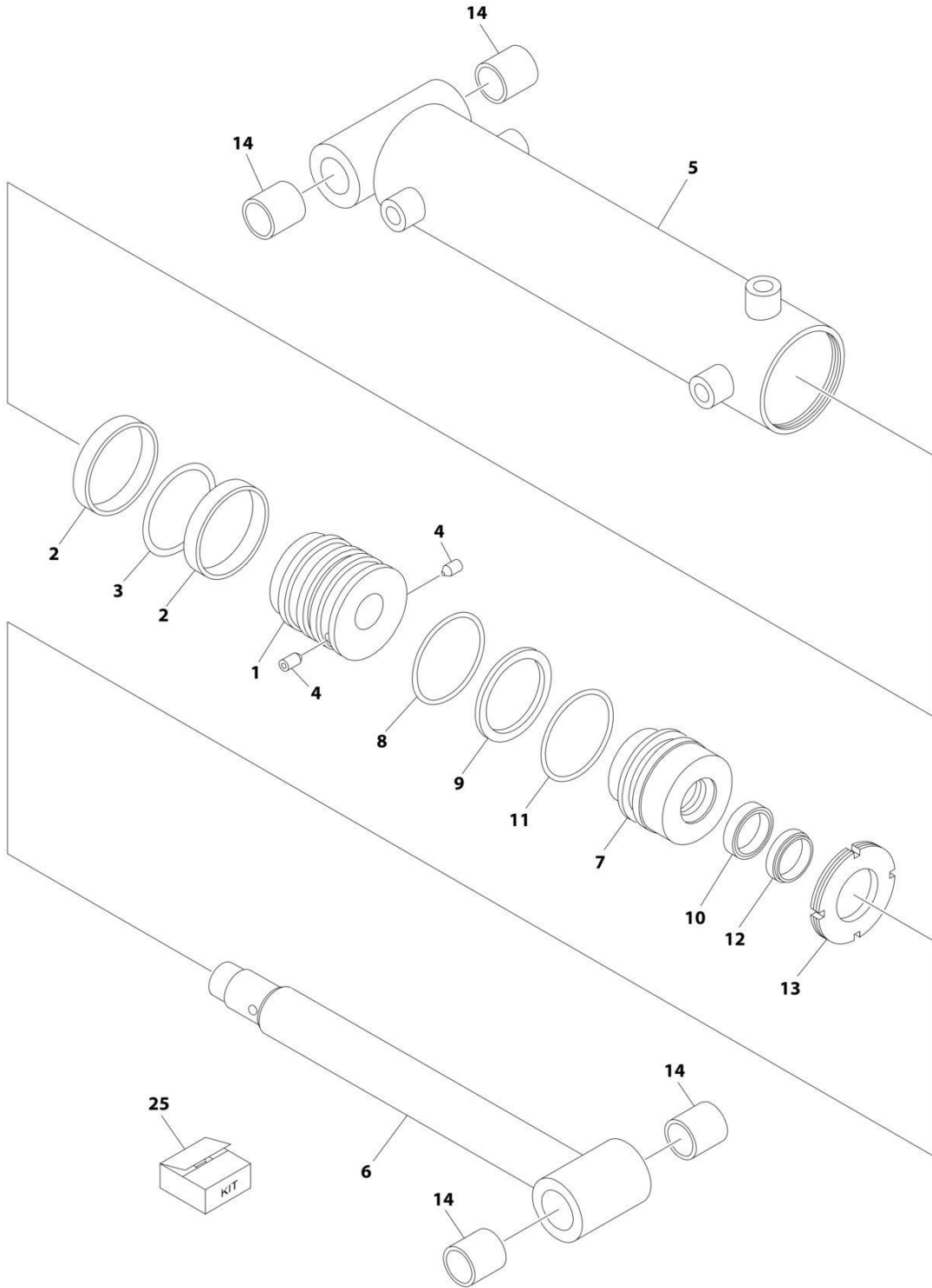
SECTION 6 - CYLINDER

FIGURE 6-9. MASTER CYLINDER ASSEMBLY

ITEM	PART NUMBER	QTY	DESCRIPTION	REV
	1001237698	Ref	MASTER CYLINDER ASSEMBLY	B
		Ref	Note: Original Cylinder May Have Been Replaced with Service Replacement. Identify PN Stamped on Cylinder Before Ordering Parts.	
1	See Note	NSS	Barrel	
2	70007156	1	Rod	
3	70007157	1	Head, Cylinder	
4	See Note	NSS	Wiper (Note: Use Item 100)	
5	70002410	1	Ring, Retaining	
6	See Note	NSS	Seal, Rod (Note: Use Item 100)	
7	See Note	NSS	Ring, Back-up (Note: Use Item 100)	
8	See Note	1	Ring (Note: Use Item 100)	
9	70004237	1	Bearing, Dry	
10	See Note	NSS	O-Ring (Note: Use Item 100)	
11	See Note	NSS	Ring, Back-up (Note: Use Item 100)	
12	See Note	NSS	O-Ring (Note: Use Item 100)	
13	70007161	1	Piston	
14	See Note	NSS	Seal, Piston	
15	See Note	NSS	O-Ring (Note: Use Item 100)	
16	70023369	1	Setscrew M8 x 31.75	
17	70022564	1	Ball	
18	70007158	1	Spacer	
19	2220885	1	Plug 9/16	
20	70005145	4	Bearing	
100	70005146	1	Seal Kit - 1001237698 Cylinder (Includes Items 4, 6, 7, 8, 10, 11, 12, 14 & 15)	

SECTION 6 - CYLINDER

FIGURE 6-10. STEER CYLINDER ASSEMBLY



ART_1001097242

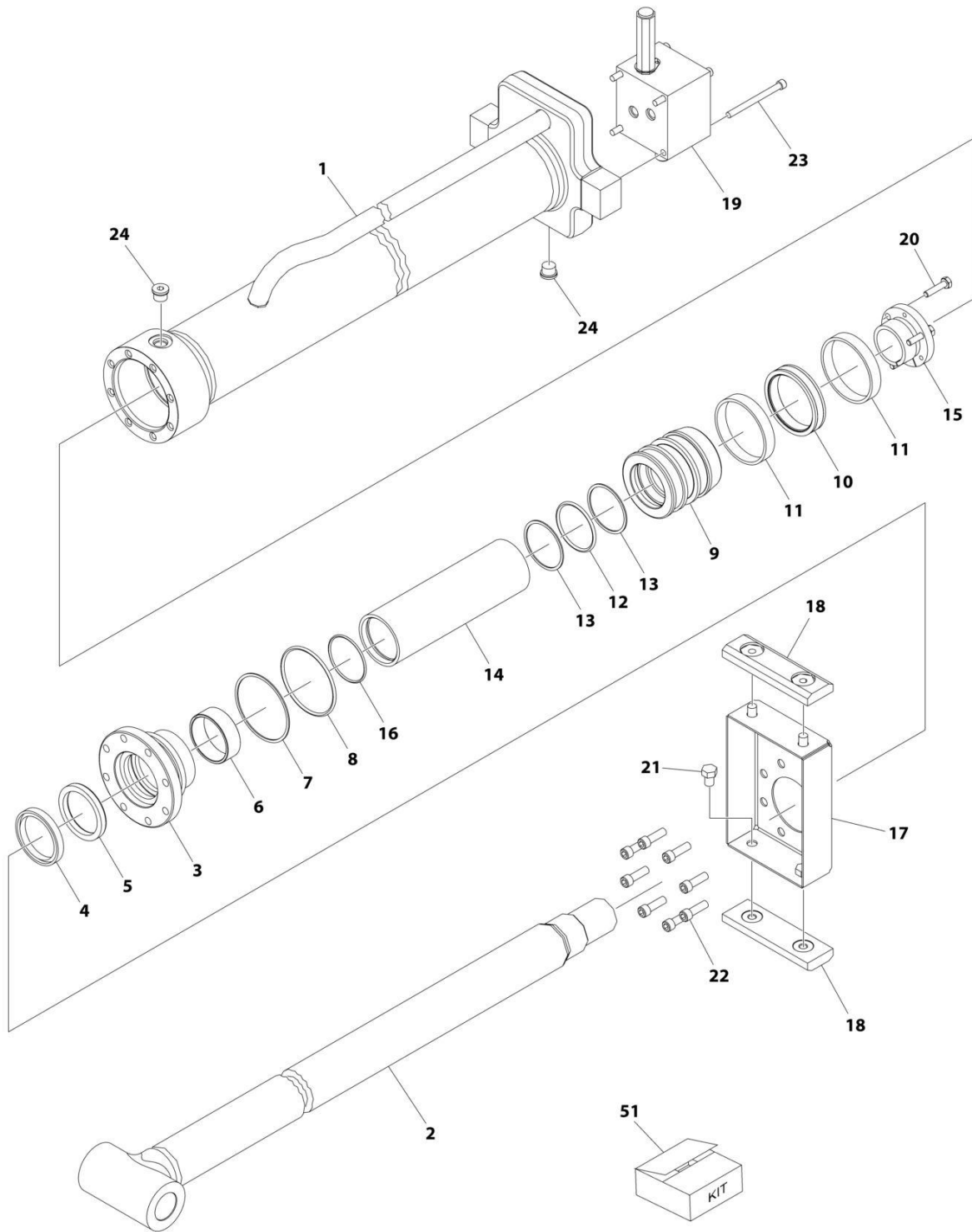
SECTION 6 - CYLINDER

FIGURE 6-10. STEER CYLINDER ASSEMBLY

ITEM	PART NUMBER	QTY	DESCRIPTION	REV
	1001097242	Ref	STEER CYLINDER ASSEMBLY	A
		Ref	Note: Original Cylinder may have been replaced with Service Replacement. Identify PN Stamped on Cylinder Before Ordering Parts.	
1	70002752	1	Piston	
1	0100011	AR	Compound, Locking	
1	0100038	AR	Primer, Locking	
2	See Note	NSS	Seal (Note: Use Item 25)	
3	See Note	NSS	O-Ring (Note: Use Item 25)	
4	70002745	2	Setscrew	
5	70002753	1	Barrel	
6	70002754	1	Rod	
7	70002755	1	Head	
8	See Note	NSS	O-Ring (Note: Use Item 25)	
9	See Note	NSS	Ring, Back-Up (Note: Use Item 25)	
10	See Note	NSS	Seal (Note: Use Item 25)	
11	See Note	NSS	O-Ring (Note: Use Item 25)	
12	See Note	NSS	Wiper (Note: Use Item 25)	
13	70002756	1	Nut, Spanner	
13	0100011	AR	Compound, Locking	
13	0100038	AR	Primer, Locking	
14	0962356	4	Bushing	
25	70002757	1	Seal Kit (Includes Items 2, 3 & 8-12)	

SECTION 6 - CYLINDER

FIGURE 6-11. TELESCOPE CYLINDER ASSEMBLY - MAIN BOOM



ART_1001228007

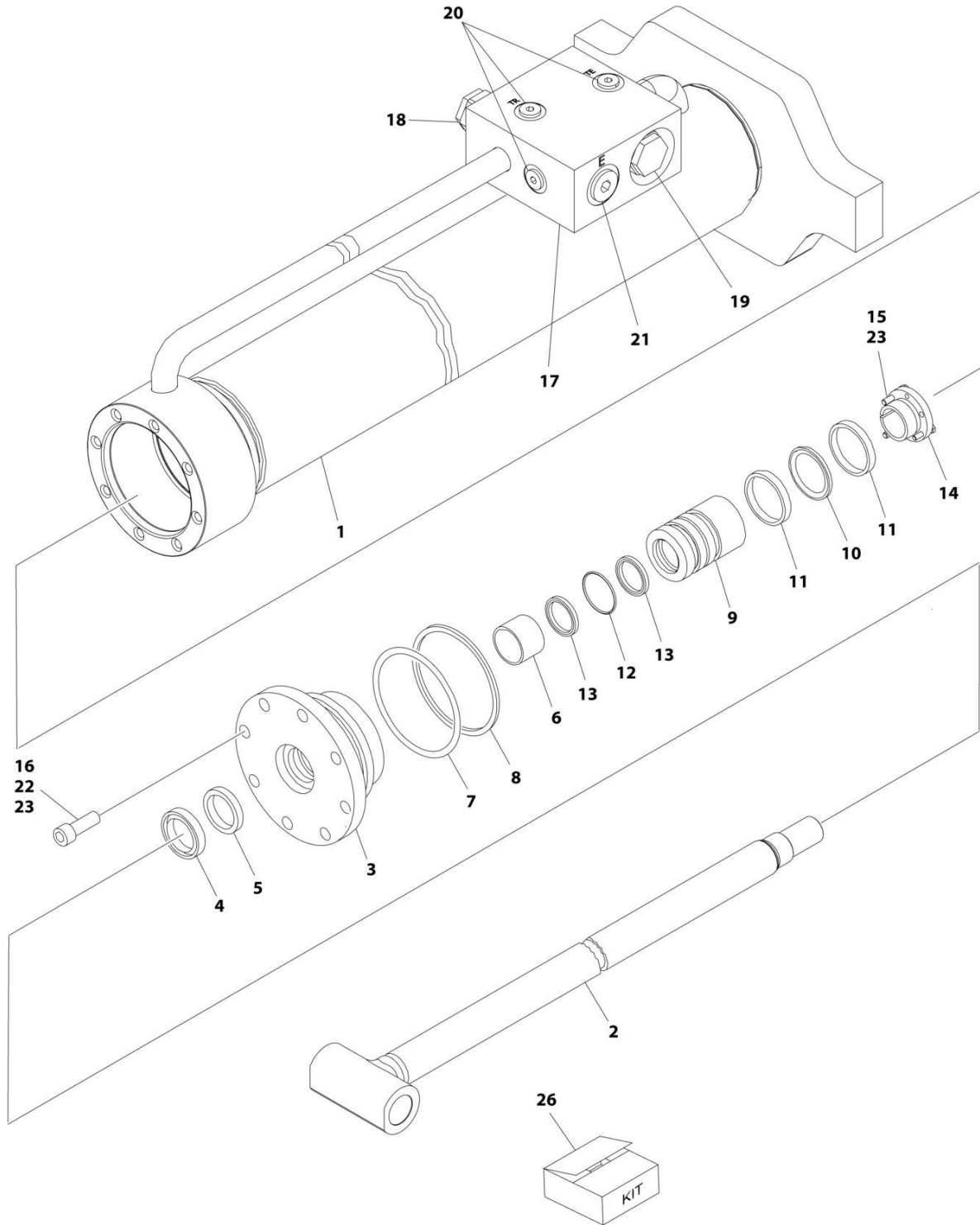
SECTION 6 - CYLINDER

FIGURE 6-11. TELESCOPE CYLINDER ASSEMBLY - MAIN BOOM

ITEM	PART NUMBER	QTY	DESCRIPTION	REV
	1001228007	Ref	TELESCOPE CYLINDER ASSEMBLY	E
		Ref	Note: Original Cylinder may have been replaced with Service Replacement. Identify PN Stamped on Cylinder Before Ordering Parts.	
1	See Note	NSS	Barrel (Note: Use p/n 1001228007)	
2	70006654	1	Rod	
3	70006483	1	Head	
4	See Note	NSS	Wiper (Note: Use Item 51)	
5	See Note	NSS	Seal, Rod (Note: Use Item 51)	
6	See Note	NSS	Ring, Wear (Note: Use Item 51)	
7	See Note	NSS	O-Ring (Note: Use Item 51)	
8	See Note	NSS	Ring, Back-up (Note: Use Item 51)	
9	70006482	1	Piston	
10	See Note	NSS	Seal (Note: Use Item 51)	
11	See Note	NSS	Ring, Wear (Note: Use Item 51)	
12	See Note	NSS	O-Ring (Note: Use Item 51)	
13	See Note	NSS	Ring, Back-up (Note: Use Item 51)	
14	70006655	1	Spacer	
15	0961896	1	Bushing, Tapered	
16	See Note	NSS	O-Ring (Note: Use Item 51)	
17	3538247	1	Plate, Wear Pad Mounting	
18	3340608	2	Pad, Wear	
19	4640862	1	Valve Block Assembly (Note: No Service Part Available - Replace Complete Assembly)	
20	0630535	3	Bolt 1/4 x 1-1/8	
21	0641604	4	Bolt 3/8 x 1/2	
22	3931516	8	Capscrew 5/16 x 1	
22	0100038	AR	Primer, Locking	
22	0100011	AR	Compound, Locking	
23	3931448	4	Capscrew 1/4 x 3	
24	2220885	AR	Plug, O-Ring	
51	2901861	1	Seal Kit - 1001228007 Cylinder (Includes Item 4-8, 10-13 & 16)	

SECTION 6 - CYLINDER

FIGURE 6-12. TELESCOPE CYLINDER ASSEMBLY - TOWER BOOM



ART_1001228006

SECTION 6 - CYLINDER

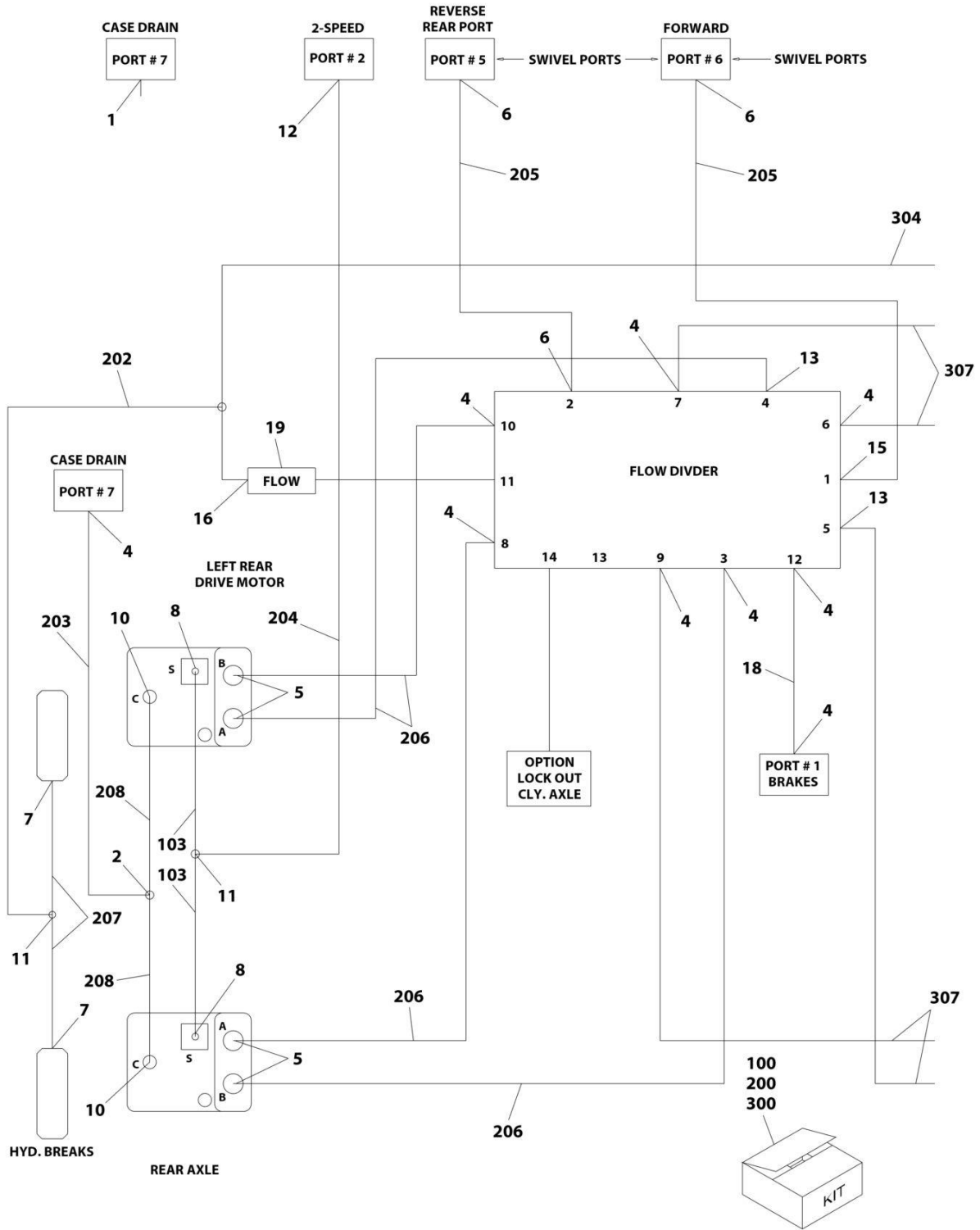
FIGURE 6-12. TELESCOPE CYLINDER ASSEMBLY - TOWER BOOM

ITEM	PART NUMBER	QTY	DESCRIPTION	REV
	1001228006	Ref	TELESCOPE CYLINDER ASSEMBLY - TOWER BOOM	D
		Ref	Note: Original Equipment components may have been replaced with Service Replacement components part. Identify p/n stamped on cylinder before ordering parts.	
1	See Note	NSS	Barrel (Note: Not Available for Purchase)	
2	70006484	1	Rod	
3	70006483	1	Head	
4	See Note	NSS	Wiper (Note: Use Item 26)	
5	See Note	NSS	Seal, Rod (Note: Use Item 26)	
6	See Note	NSS	Ring, Wear (Note: Use Item 26)	
7	See Note	NSS	O-Ring (Note: Use Item 26)	
8	See Note	NSS	Ring, Back-Up (Note: Use Item 26)	
9	70006482	1	Piston	
10	See Note	NSS	T-Seal (Note: Use Item 26)	
11	See Note	NSS	Ring, Wear (Note: Use Item 26)	
12	See Note	NSS	O-Ring (Note: Use Item 26)	
13	See Note	NSS	Ring, Back-Up (Note: Use Item 26)	
14	0961896	1	Bushing, Tapered	
15	0630535	3	Bolt 1/4 x 1-1/8	
16	3931516	8	Capscrew 5/16 x 1	
17	4640647	1	Cartridge, Valve	
17	2900770	1	Seal Kit - 4640647 Valve	
18	4640509	2	Cartridge, Valve	
18	2900792	2	Seal Kit - 4640509 Valve	
19	4640999	1	Cartridge, Valve	
19	2900792	1	Seal Kit - 4640999 Valve	
20	2220883	3	Plug, O-Ring	
21	2220886	2	Plug, O-Ring	
22	0100038	AR	Primer, Locking	
23	0100011	AR	Compound, Locking	
26	2901861	1	Seal Kit - 1001228006 Cylinder (Includes Items 4-8 & 10-13)	

SECTION 7 - HYDRAULIC

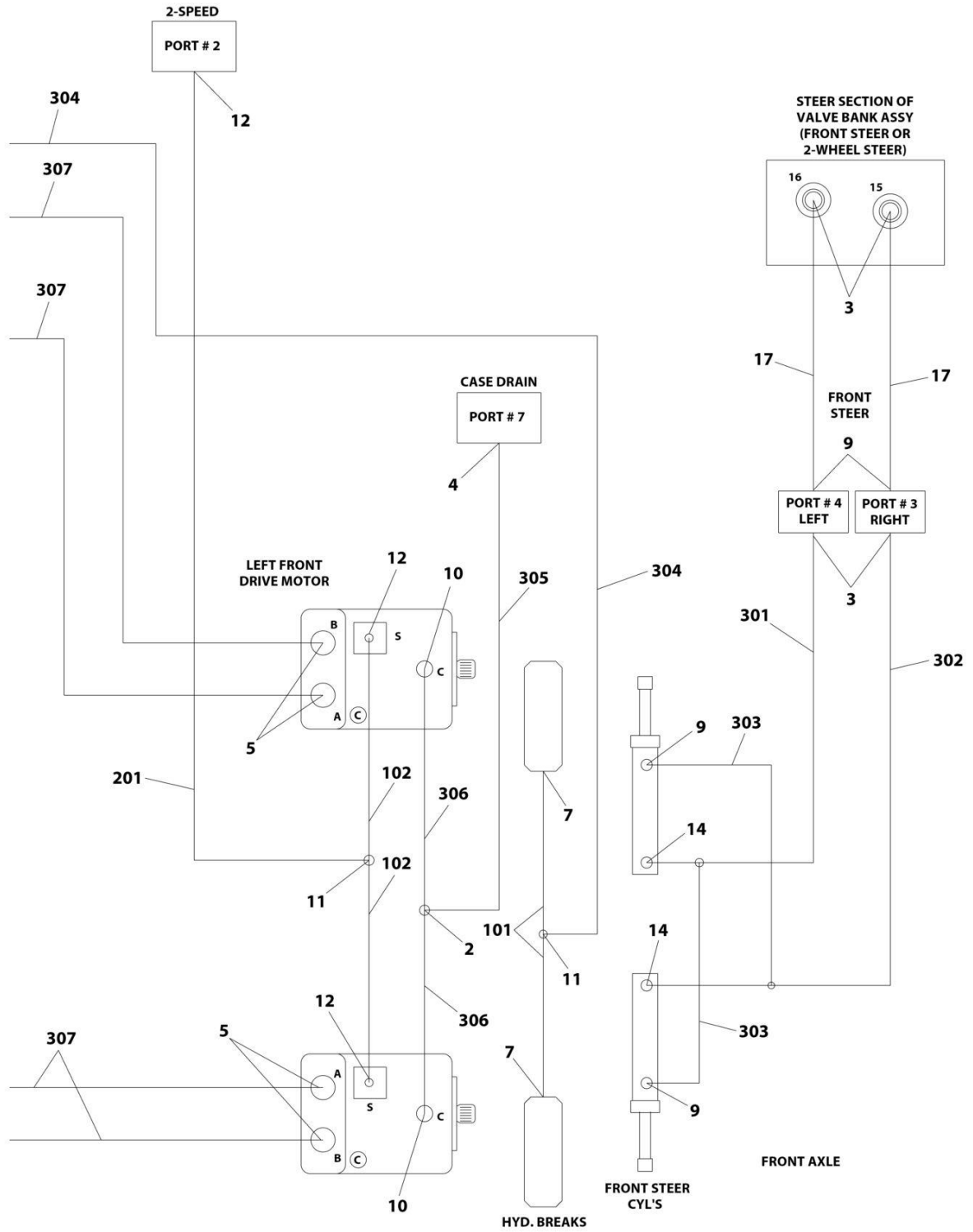
SECTION 7 - HYDRAULIC

FIGURE 7-1. DRIVE HYDRAULIC DIAGRAM - 4WD/2WS WITHOUT ARCTIC PACKAGE



ART_1001293952_1OF2

SECTION 7 - HYDRAULIC



ART_1001293952_20F2

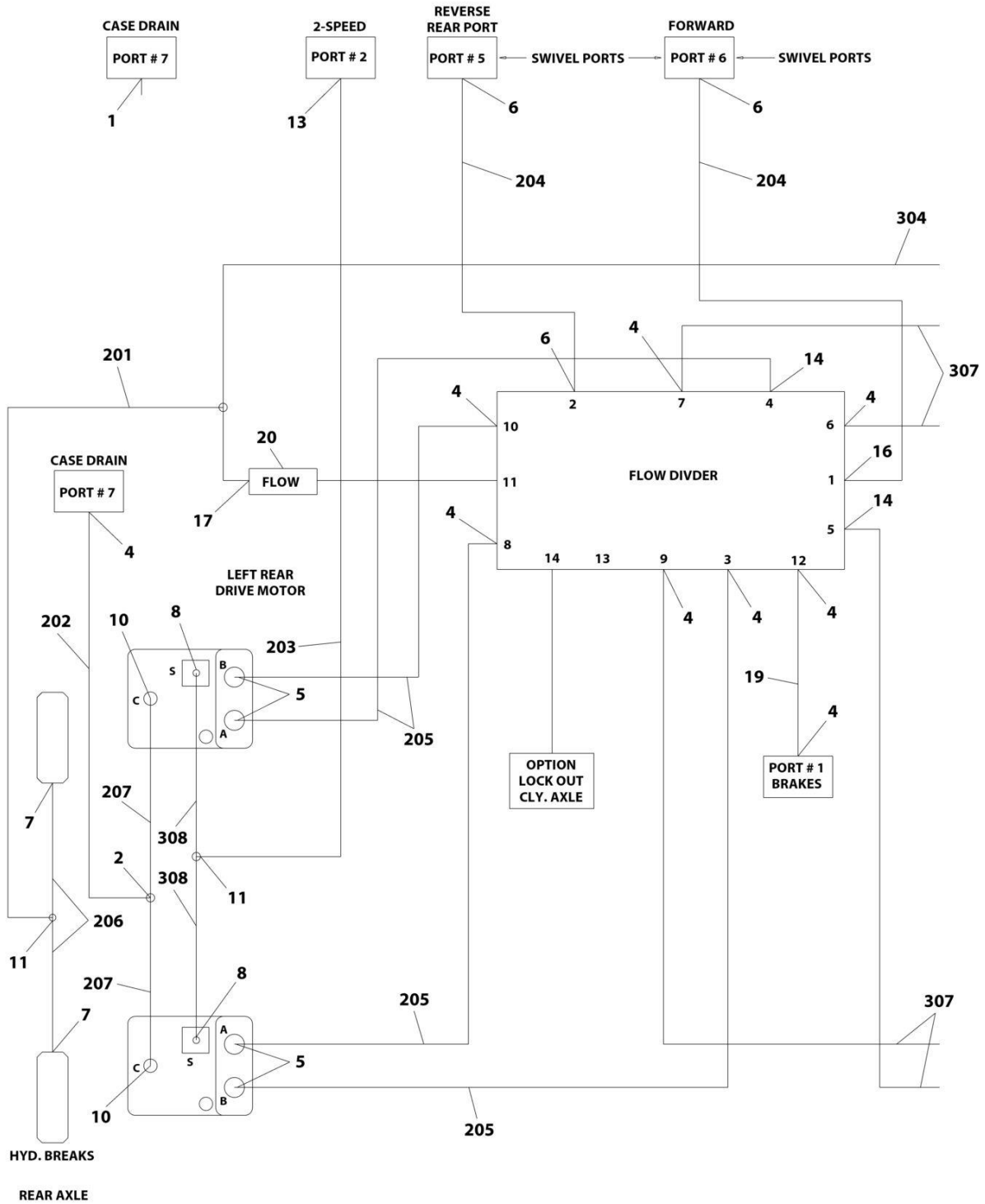
SECTION 7 - HYDRAULIC

FIGURE 7-1. DRIVE HYDRAULIC DIAGRAM - 4WD/2WS WITHOUT ARCTIC PACKAGE

ITEM	PART NUMBER	QTY	DESCRIPTION	REV
	1001293952	Ref	DRIVE HYDRULIC DIAGRAM - 4WD/2WS	B
1	2220237	2	Fitting, Plug ORB	
2	2220362	2	Fitting, Tee JIC/JIC/JIC	
3	2220371	4	Fitting, Straight JIC/ORB	
4	2220373	10	Fitting, Straight JIC/ORB	
5	2220375	8	Fitting, Straight JIC/ORB	
6	2220377	3	Fitting, Straight JIC/ORB	
7	2220415	4	Fitting, Straight JIC/ORB	
8	2220472	2	Fitting, 90° JIC/ORB	
9	2220473	4	Fitting, 90° JIC/ORB	
10	2220474	4	Fitting, 90° JIC/ORB	
11	2220504	4	Fitting, Tee JIC/JIC/JIC	
12	2220582	4	Fitting, Straight JIC/ORB	
13	2220596	2	Fitting, 90° JIC/ORB	
14	2220606	2	Fitting, Tee JIC/ORB/JIC	
15	2220646	1	Fitting, 90° JIC/ORB	
16	2220861	1	Fitting, Tee JIC/FSJIC/JIC	
17	2752620	2	Hose	
18	2752929	1	Hose	
19	4641284	1	Valve, Check	
100	1001269814	1	Hose Assembly - Axle Kit	
101	2753926	2	Hose	
102	1001140451	2	Hose	
103	1001152527	2	Hose	
200	1001294641	1	Hose Assembly - Rear Kit	
201	2752592	1	Hose	
202	2752910	1	Hose	
203	2752928	1	Hose	
204	2753924	1	Hose	
205	2754227	2	Hose	
206	1001151358	4	Hose	
207	1001294638	2	Hose	
208	1001294639	2	Hose	
300	1001269816	1	Hose Assembly - Front Kit	
301	2752475	1	Hose	
302	2752611	1	Hose	
303	2753397	2	Hose	
304	2754229	1	Hose	
305	2754231	1	Hose	
306	1001140455	2	Hose	
307	1001152491	4	Hose	

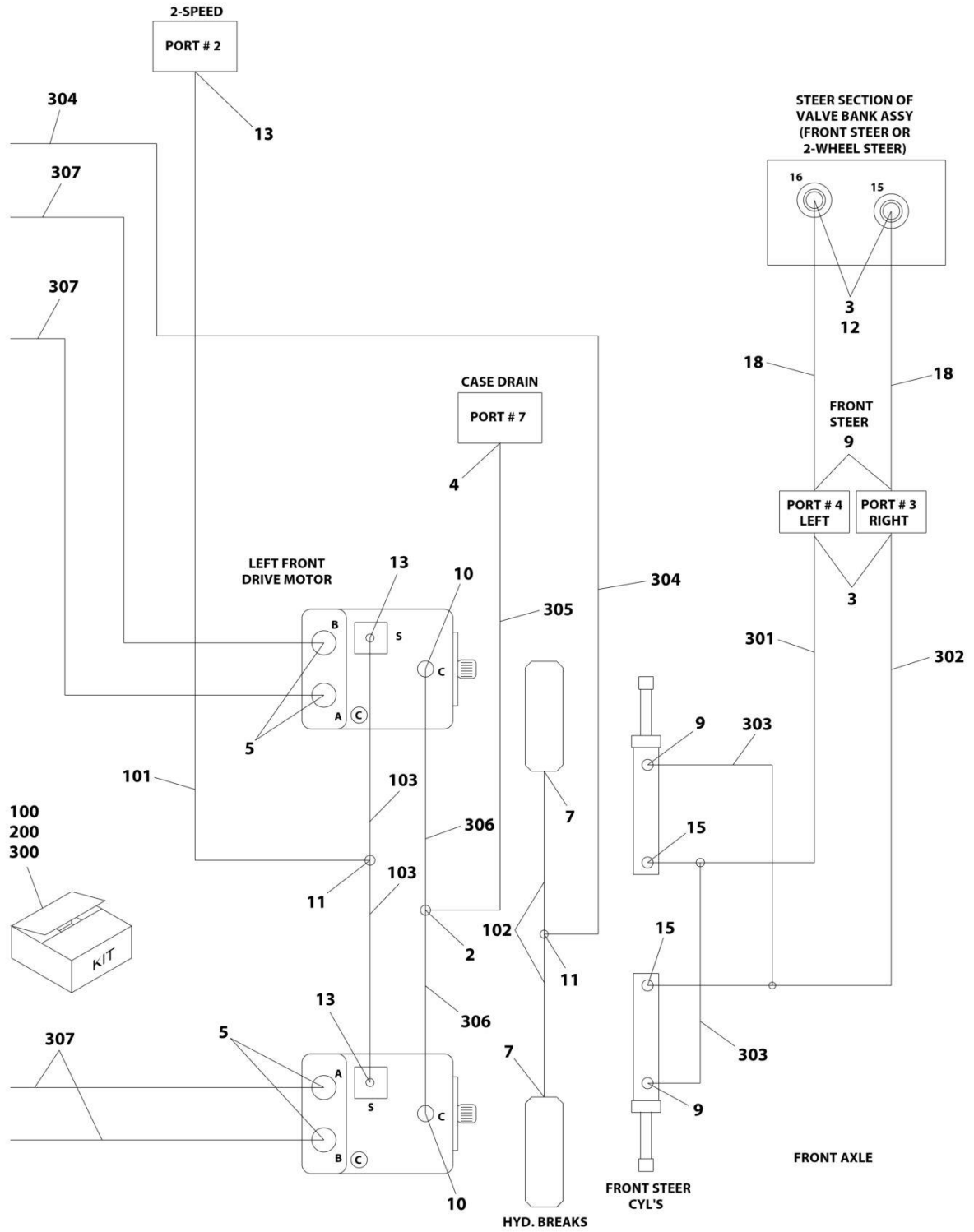
SECTION 7 - HYDRAULIC

FIGURE 7-2. DRIVE HYDRAULIC DIAGRAM - 4WD/2WS WITH ARCTIC PACKAGE



ART_1001293953_1OF2

SECTION 7 - HYDRAULIC



ART_1001293953_2OF2

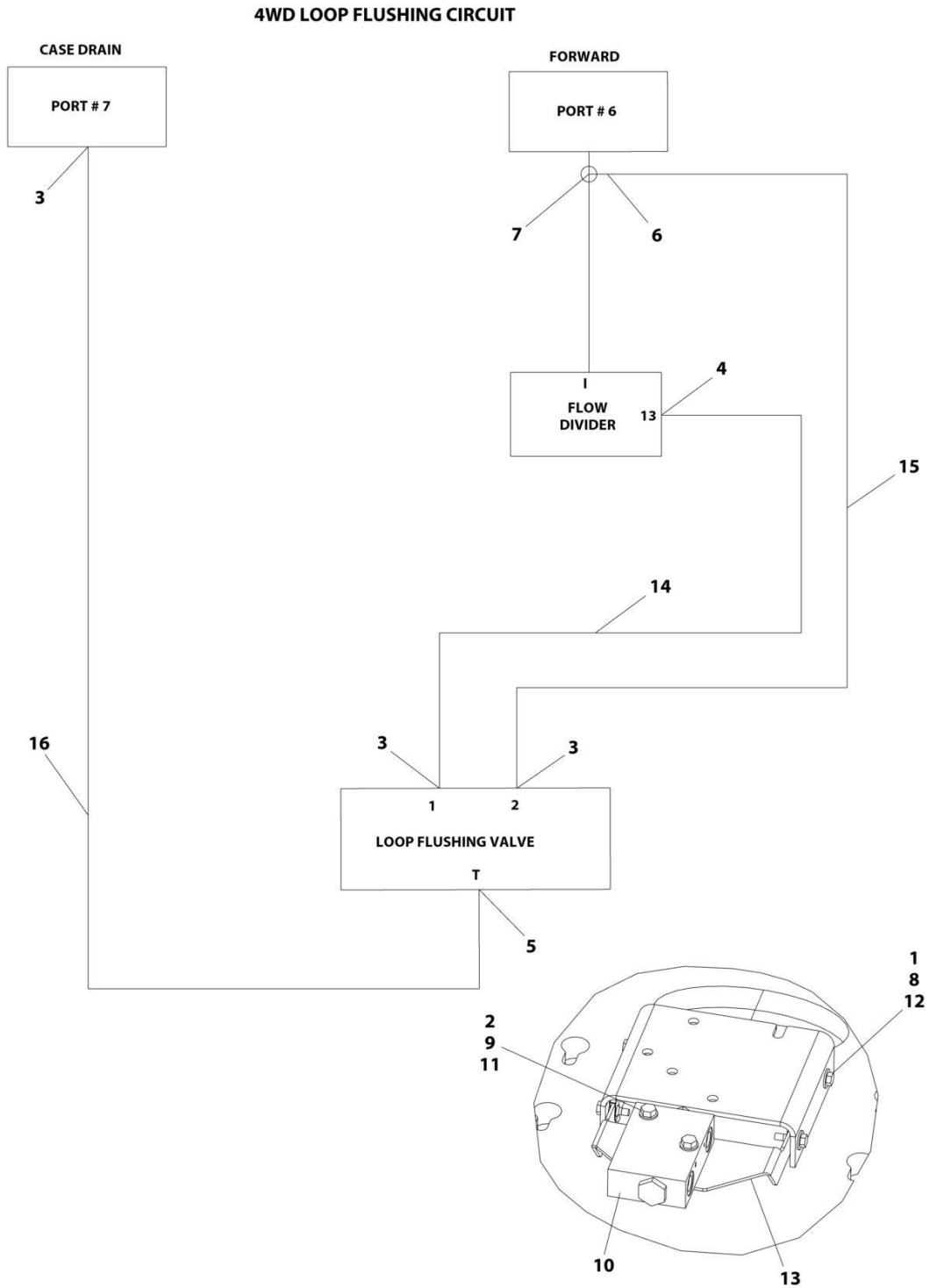
SECTION 7 - HYDRAULIC

FIGURE 7-2. DRIVE HYDRAULIC DIAGRAM - 4WD/2WS WITH ARCTIC PACKAGE

ITEM	PART NUMBER	QTY	DESCRIPTION	REV
	1001293953	Ref	DRIVE HYDRAULIC DIAGRAM - 4WD/2WS	B
1	2220237	2	Fitting, Plug ORB	
2	2220362	2	Fitting, Tee JIC/JIC/JIC	
3	2220371	4	Fitting, Straight JIC/ORB	
4	2220373	10	Fitting, Straight JIC/ORB	
5	2220375	8	Fitting, Straight JIC/ORB	
6	2220377	3	Fitting, Straight JIC/ORB	
7	2220415	4	Fitting, Straight JIC/ORB	
8	2220472	2	Fitting, 90 JIC/ORB	
9	2220473	4	Fitting, 90 JIC/ORB	
10	2220474	4	Fitting, 90 JIC/ORB	
11	2220504	4	Fitting, Tee JIC/JIC/JIC	
12	2220507	2	Fitting, 90	
13	2220582	4	Fitting, Straight JIC/ORB	
14	2220596	2	Fitting, 90 JIC/ORB	
15	2220606	2	Fitting, Tee JIC/ORB/JIC	
16	2220646	1	Fitting, 90 JIC/ORB	
17	2220861	1	Fitting, Tee JIC/FSJIC/JIC	
18	2752620	2	Hose	
19	2752929	1	Hose	
20	4641284	1	Valve, Check	
100	1001269817	1	Hose Assembly - Axle Kit	
101	2752592	2	Hose	
102	2754731	2	Hose	
103	1001140456	2	Hose	
200	1001294675	1	Hose Assembly - Rear Kit	
201	2752910	1	Hose	
202	2752928	1	Hose	
203	2753924	1	Hose	
204	2754227	2	Hose	
205	1001151358	4	Hose	
206	1001294638	2	Hose	
207	1001294639	2	Hose	
208	1001152527	2	Hose	
300	1001269819	1	Hose Assembly - Front Kit	
301	2752475	1	Hose	
302	2752611	1	Hose	
303	2753397	2	Hose	
304	2754229	1	Hose	
305	2754231	1	Hose	
306	1001140458	2	Hose	
307	1001152499	4	Hose	

SECTION 7 - HYDRAULIC

FIGURE 7-3. FLUSHING LOOP HYDRAULIC INSTALLATION - 4WD



ART_1001152619

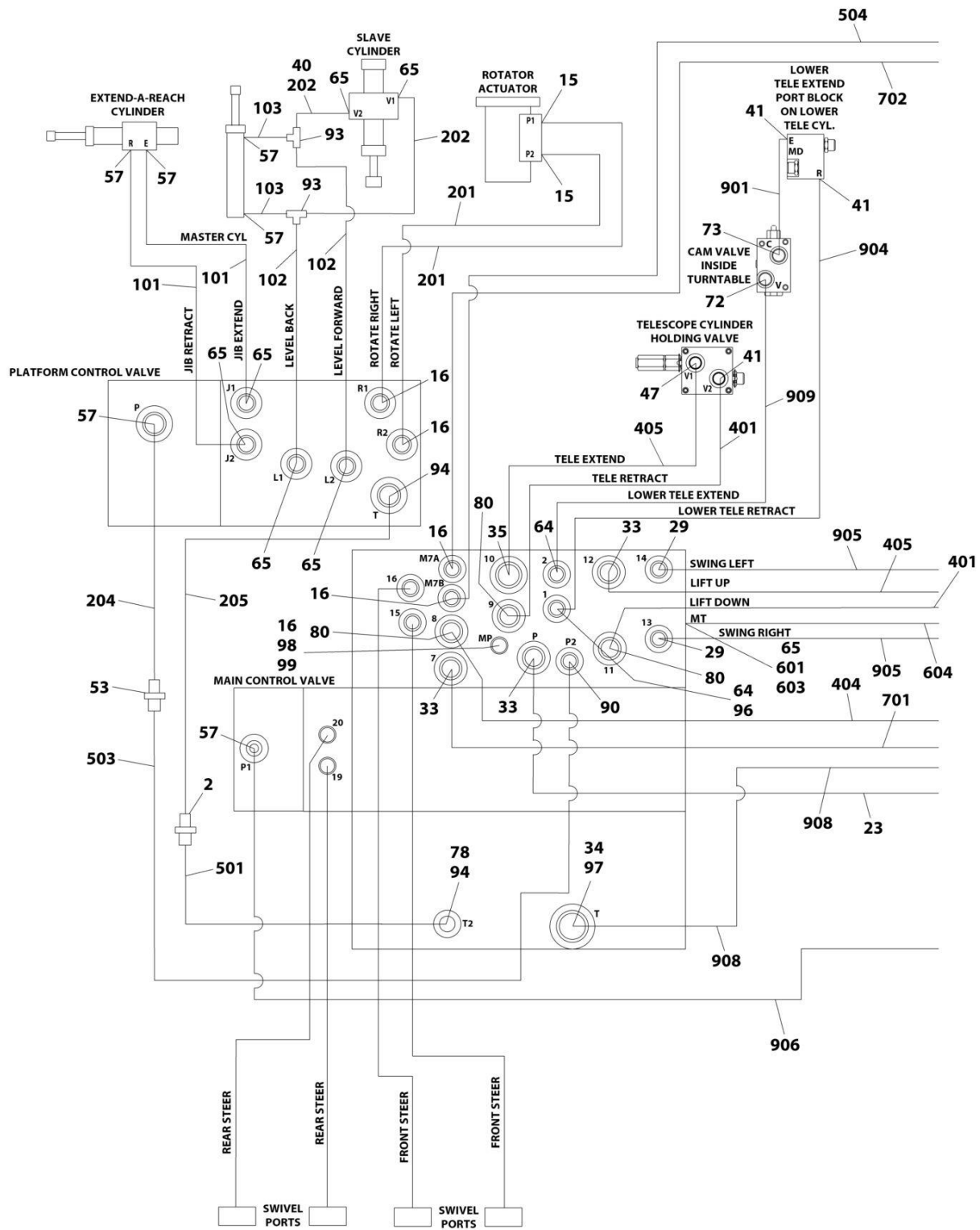
SECTION 7 - HYDRAULIC

FIGURE 7-3. FLUSHING LOOP HYDRAULIC INSTALLATION - 4WD

ITEM	PART NUMBER	QTY	DESCRIPTION	REV
	1001152619	Ref	FLUSHING LOOP HYDRAULIC INSTALLATION - 4WD	C
1	0641408	4	Bolt 1/4 x 1	
2	0641516	2	Bolt 5/16 x 2	
3	2220371	3	Fitting, Straight JIC/ORB	
4	2220372	1	Fitting, Straight JIC/ORB	
5	2220473	1	Fitting, 90 JIC/ORB	
6	2220623	1	Fitting, Straight JIC/FSJIC	
7	2221026	1	Fitting, Tee JIC/ORB/JIC	
8	3300454	4	Nut 1/4	
9	3311505	2	Nut 5/16	
10	1001224927	1	Valve, Flushing Loop	
10	7024881	1	Piston, Pilot	
10	7021639	2	Cartridge, Check Valve	
10	2900756	2	Seal Kit - 7021639 Valve	
11	4711500	4	Washer 5/16	
12	4751400	4	Washer 1/4	
13	1001150612	1	Bracket14	
14	1001152635	1	Hose	
15	1001152636	1	Hose	
16	1001152637	1	Hose	

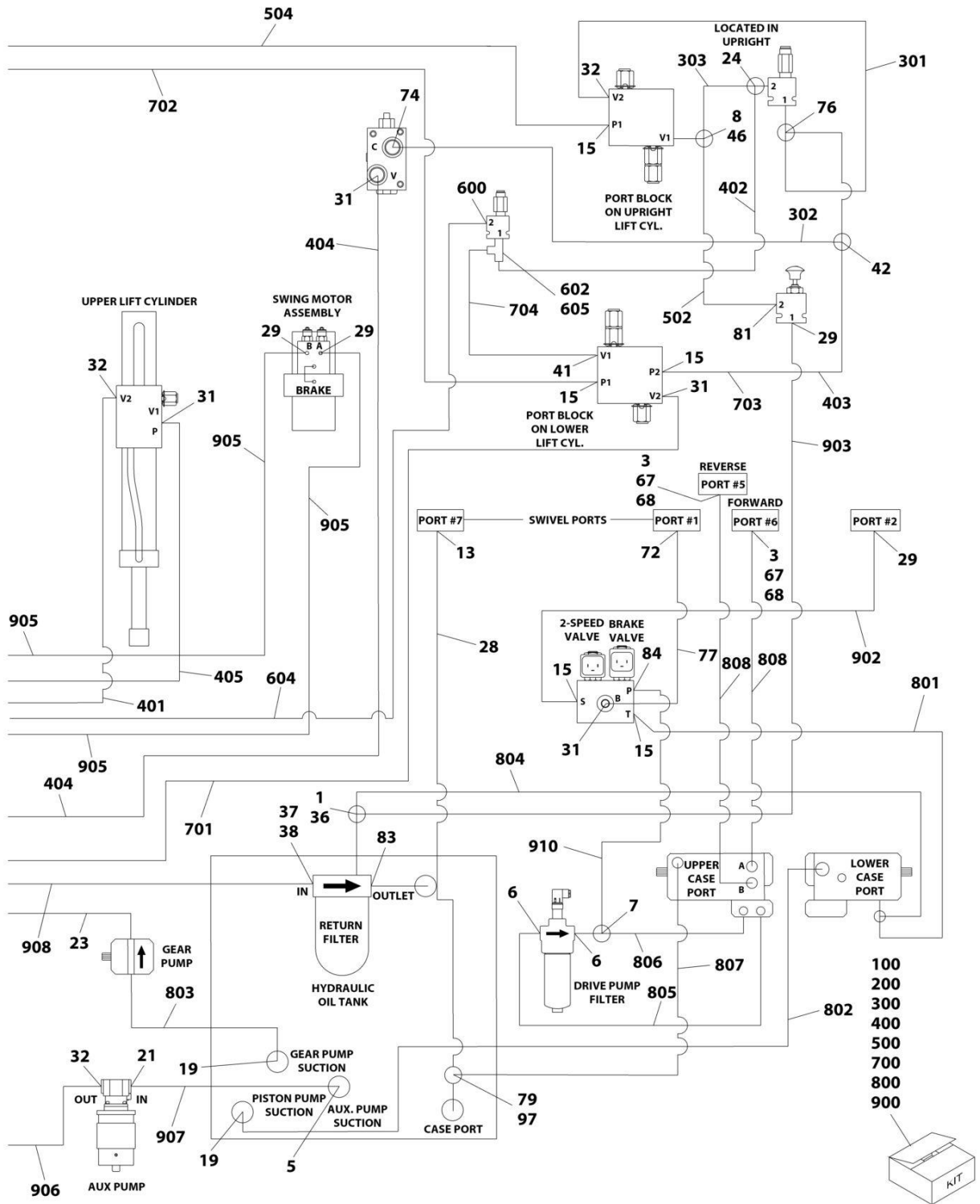
SECTION 7 - HYDRAULIC

FIGURE 7-4. HYDRAULIC DIAGRAM - STANDARD (DEUTZ D2011 ENGINE)



ART_1001254622_1OF2

SECTION 7 - HYDRAULIC



ART_1001254622_2OF2

SECTION 7 - HYDRAULIC

FIGURE 7-4. HYDRAULIC DIAGRAM - STANDARD (DEUTZ D2011 ENGINE)

ITEM	PART NUMBER	QTY	DESCRIPTION	REV
	1001254622	Ref	HYDRAULIC DIAGRAM - STANDARD	E
1	2220605	1	Fitting, Tee JIC/FSJIC/JIC	
2	2220512	1	Fitting, Straight JIC/JIC	
3	2220377	2	Fitting, Straight JIC/ORB	
5	2220578	1	Fitting, 90 JIC/ORB	
6	2221042	2	Fitting, 90 JIC/ORB	
7	2220948	1	Fitting, Tee JIC/FSJIC/JIC	
8	2220618	1	Fitting, Straight JIC/FSJIC	
13	2220375	1	Fitting, Straight JIC/ORB	
15	2220466	7	Fitting, 90 JIC/ORB	
16	2220415	5	Fitting, Straight JIC/ORB	
19	2220379	2	Fitting, Straight JIC/ORB	
21	2220567	1	Fitting, 90 JIC/ORB	
23	2752929	1	Hose	
24	2220602	1	Fitting, Tee JIC/ORB/JIC	
28	2753968	1	Hose	
29	2220582	6	Fitting, Straight JIC/ORB	
31	2220596	4	Fitting, 90 JIC/ORB	
32	2220628	3	Fitting, 90 JIC/ORB	
33	2220381	3	Fitting, Straight JIC/ORB	
34	2220451	1	Fitting, Straight JIC/ORB	
35	2220374	1	Fitting, Straight JIC/ORB	
36	2220574	1	Fitting, Straight JIC/NPTF	
37	2220921	1	Fitting, Straight FORB/ORB	
38	2220498	1	Fitting, 45 JIC/ORB	
40	1001257430	1	Cover, Hose Wrap	
41	2220372	4	Fitting, Straight JIC/ORB	
42	2221065	1	Fitting, Tee JIC/FSJIC/JIC	
46	2220999	1	Fitting, Tee JIC/ORB/JIC	
47	2220500	1	Fitting, 45 JIC/ORB	
53	2220511	1	Fitting, Straight JIC/JIC	
57	2220473	6	Fitting, 90 JIC/ORB	
64	2220998	2	Fitting, Straight JIC/ORB	
65	2220603	7	Fitting, Straight JIC/ORB	
67	0100011	AR	Compound, Locking	
68	0100038	AR	Primer, Locking	
69	1703534	2	Decal - Hose Tags (Not Shown)	
72	2220373	2	Fitting, Straight JIC/ORB	
73	2220947	1	Fitting, Straight JIC/ORB	
74	2221036	1	Fitting, 90 JIC/ORB	
76	2221053	1	Fitting, Tee JIC/ORB/JIC	
77	2752519	1	Hose	
78	2220386	1	Fitting, 90 JIC/FSJIC	
79	2220738	1	Fitting, Tee JIC/ORB/JIC	
80	1001104423	3	Fitting, Straight JIC/ORB	
81	2220472	1	Fitting, 90 JIC/ORB	
83	2220893	1	Fitting, Straight ORB/ORB	
84	2220474	1	Fitting, 90 JIC/ORB	
90	80233041	1	Valve, Check	
93	2220490	2	Fitting, Tee JIC/JIC/JIC	

SECTION 7 - HYDRAULIC

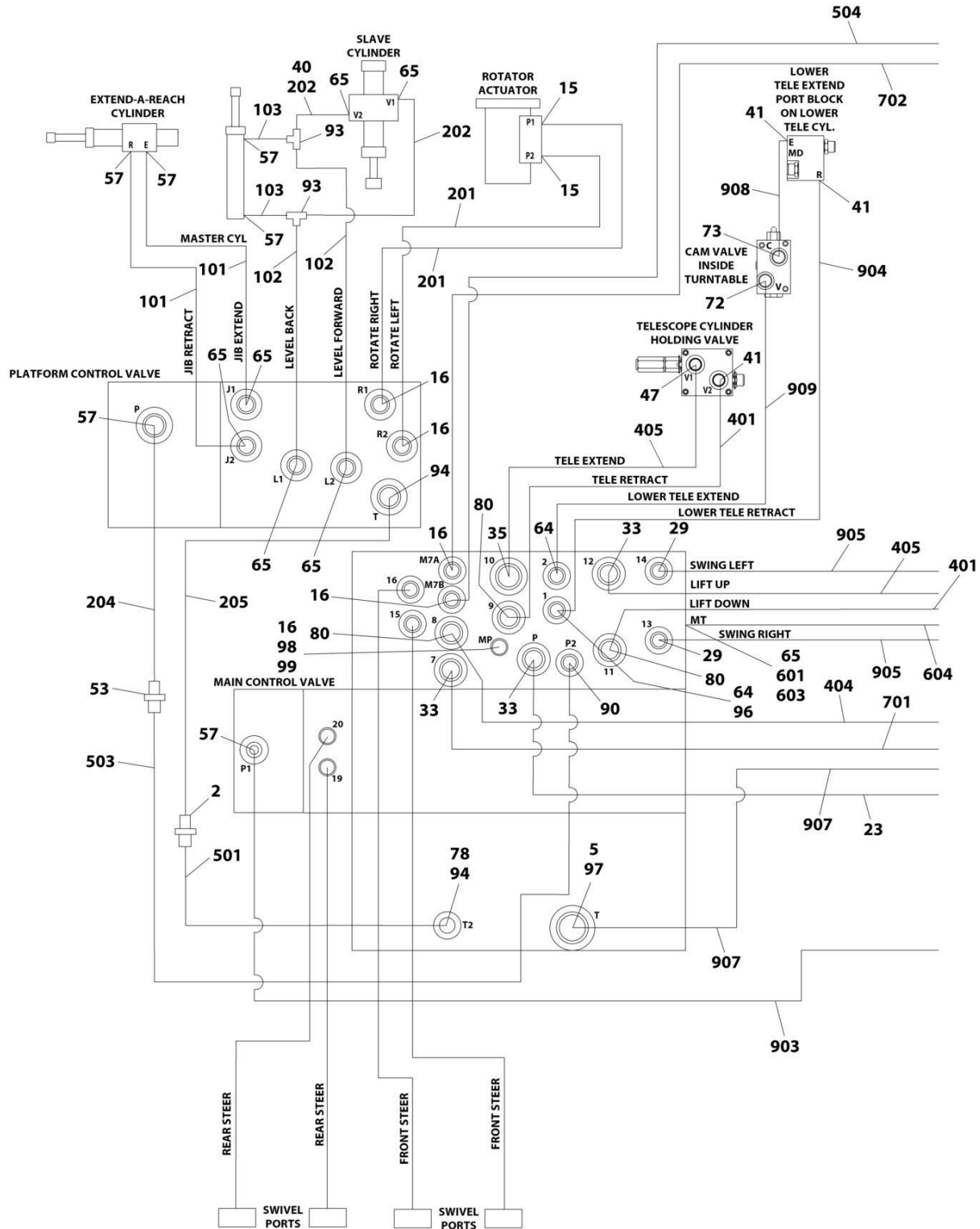
ITEM	PART NUMBER	QTY	DESCRIPTION	REV
94	2220600	2	Fitting, Straight JIC/ORB	
96	2220657	1	Fitting, 45 JIC/FSJIC	
97	2220409	2	Fitting, 45 JIC/FSJIC	
98	2752995	1	Hose	
99	91143177	1	Fitting, Test	
100	1001254955	1	Hose, Kit (Upper)	
101	1001155672	2	Hose	
102	1001155673	2	Hose	
103	1001254948	2	Hose	
200	1001254954	1	Hose, Kit (Upper)	
201	1001155669	2	Hose	
202	1001119602	2	Hose	
204	1001254949	1	Hose	
205	1001254950	1	Hose	
300	1001255599	1	Hose, Kit (Lower)	
301	2752462	1	Hose	
302	2753134	1	Hose	
303	2752497	2	Hose	
400	1001272631	1	Hose, Kit (Lower)	
401	2753055	2	Hose	
402	1001271833	1	Hose	
403	2752991	1	Hose	
404	2753135	1	Hose	
405	2752939	2	Hose	
500	1001212515	1	Hose, Kit (Lower)	
501	1001161036	1	Hose	
502	2752990	1	Hose	
503	1001161030	1	Hose	
504	2752987	1	Hose	
600	2220371	1	Fitting, Straight JIC/ORB	
601	2220516	1	Fitting, Cap FJIC	
602	2220606	1	Fitting, Tee JIC/ORB/JIC	
603	2220635	1	Fitting, Tee JIC/FSJIC/JIC	
604	1001271835	1	Hose	
605	8760268	1	Fitting, 90 JIC/FSJIC	
700	1001274367	1	Hose, Kit (Turntable)	
701	2752506	1	Hose	
702	2752593	1	Hose	
703	2752985	1	Hose	
704	1001271832	1	Hose	
800	1001269809	1	Hose, Kit (Turntable E/S)	
801	2752573	1	Hose	
802	2752723	1	Hose	
803	2752724	1	Hose	
804	2753390	1	Hose	
805	2754329	1	Hose	
806	2754330	1	Hose	
807	1001093549	1	Hose	
808	1001150715	2	Hose	
900	1001269810	1	Hose, Kit (Turntable T/S)	
901	2753132	1	Hose	

SECTION 7 - HYDRAULIC

ITEM	PART NUMBER	QTY	DESCRIPTION	REV
902	2751396	1	Hose	
903	2752453	1	Hose	
904	2752484	1	Hose	
905	2752600	2	Hose	
906	2752635	1	Hose	
907	2752656	1	Hose	
908	2752783	1	Hose	
909	2753133	1	Hose	
910	2754328	1	Hose	

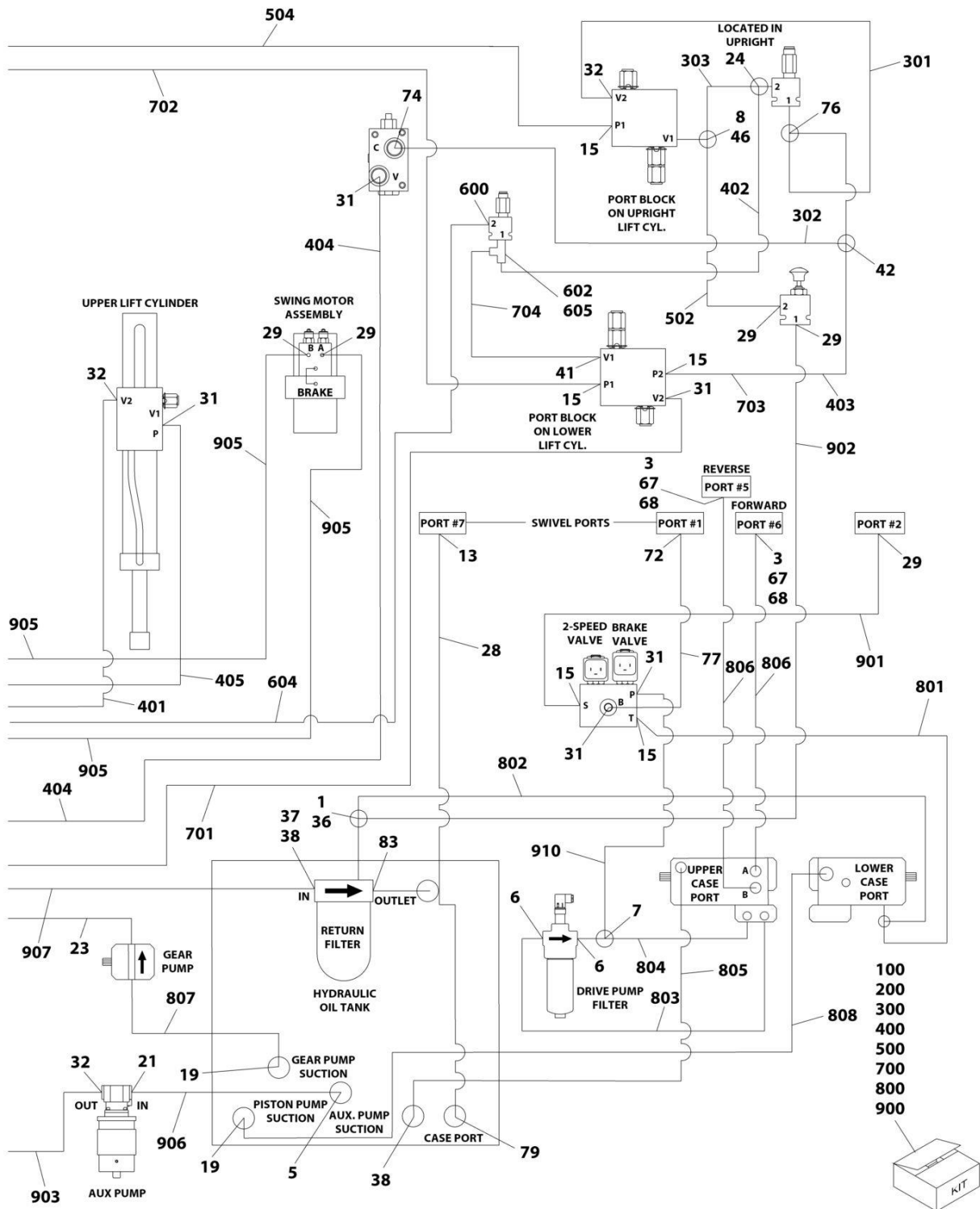
SECTION 7 - HYDRAULIC

FIGURE 7-5. HYDRAULIC DIAGRAM - STANDARD (DEUTZ TD2.9L4 & DEUTZ TD2.2L3 STAGE V ENGINES)



ART_1001253684_10F2

SECTION 7 - HYDRAULIC



ART_1001253684_2OF2

SECTION 7 - HYDRAULIC

FIGURE 7-5. HYDRAULIC DIAGRAM - STANDARD (DEUTZ TD2.9L4 & DEUTZ TD2.2L3 STAGE V ENGINES)

ITEM	PART NUMBER	QTY	DESCRIPTION	REV
	1001253684	Ref	HYDRAULIC DIAGRAM - STANDARD	F
1	2220605	1	Fitting, Tee JIC/FSJIC/JIC	
2	2220512	1	Fitting, Straight JIC/JIC	
3	2220377	2	Fitting, Straight JIC/ORB	
5	2220451	1	Fitting, Straight JIC/ORB	
6	2221042	2	Fitting, 90 JIC/ORB	
7	2220948	1	Fitting, Tee JIC/FSJIC/JIC	
8	2220618	1	Fitting, Straight JIC/FSJIC	
13	2220375	1	Fitting, Straight JIC/ORB	
15	2220466	7	Fitting, 90 JIC/ORB	
16	2220415	4	Fitting, Straight JIC/ORB	
19	2220379	2	Fitting, Straight JIC/ORB	
21	2220567	1	Fitting, 90 JIC/ORB	
23	2752929	1	Hose	
24	2220602	1	Fitting, Tee JIC/ORB/JIC	
28	2753968	1	Hose	
29	2220582	7	Fitting, Straight JIC/ORB	
31	2220596	5	Fitting, 90 JIC/ORB	
32	2220628	3	Fitting, 90 JIC/ORB	
33	2220381	3	Fitting, Straight JIC/ORB	
35	2220374	1	Fitting, Straight JIC/ORB	
36	2220574	1	Fitting, Straight JIC/NPTF	
37	2220921	1	Fitting, Straight FORB/ORB	
38	2220498	2	Fitting, 45 JIC/ORB	
40	1001257430	1	Cover, Hose Wrap	
41	2220372	4	Fitting, Straight JIC/ORB	
42	2221065	1	Fitting, Tee JIC/FSJIC/JIC	
46	2220999	1	Fitting, Tee JIC/ORB/JIC	
47	2220500	1	Fitting, 45 JIC/ORB	
53	2220511	1	Fitting, Straight JIC/JIC	
57	2220473	6	Fitting, 90 JIC/ORB	
64	2220998	2	Fitting, Straight JIC/ORB	
65	2220603	7	Fitting, Straight JIC/ORB	
67	0100011	AR	Compound, Locking	
68	0100038	AR	Primer, Locking	
69	1703534	2	Decal - Hose Tags (Not Shown)	
72	2220373	1	Fitting, Straight JIC/ORB	
73	2220947	1	Fitting, Straight JIC/ORB	
74	2221036	1	Fitting, 90 JIC/ORB	
76	2221053	1	Fitting, Tee JIC/ORB/JIC	
77	2752519	1	Hose	
78	2220386	1	Fitting, 90 JIC/FSJIC	
79	2220578	1	Fitting, 90 JIC/ORB	
80	1001104423	3	Fitting, Straight JIC/ORB	
83	2220893	1	Fitting, Straight ORB/ORB	
90	80233041	1	Valve, Check	
93	2220490	2	Fitting, Tee JIC/JIC/JIC	
94	2220600	2	Fitting, Straight JIC/ORB	
96	2220657	1	Fitting, 45 JIC/FSJIC	

SECTION 7 - HYDRAULIC

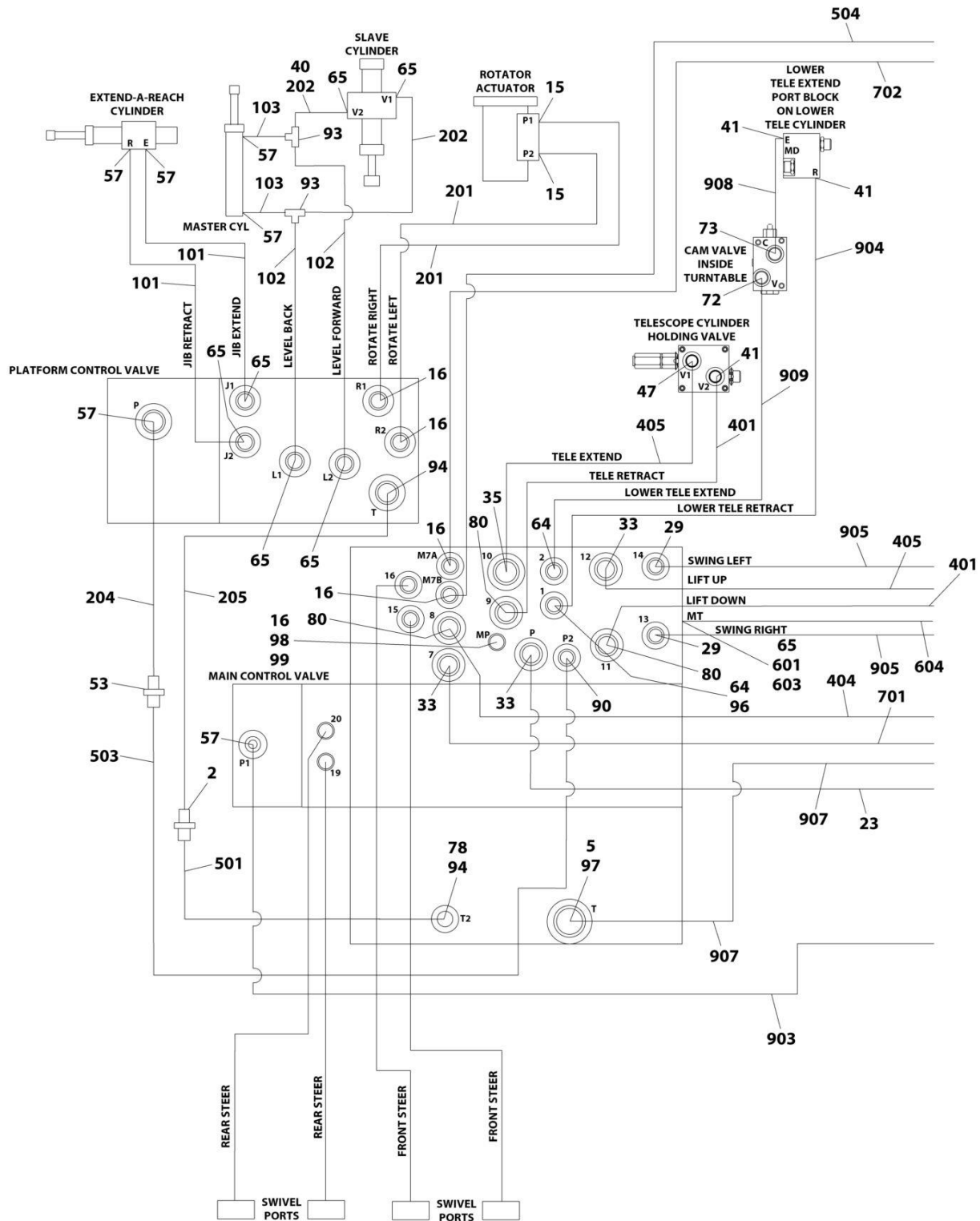
ITEM	PART NUMBER	QTY	DESCRIPTION	REV
97	2220409	1	Fitting, 45 JIC/FSJIC	
98	2752995	1	Hose	
99	91143177	1	Fitting, Test	
100	1001254955	1	Hose, Kit (Upper)	
101	1001155672	2	Hose	
102	1001155673	2	Hose	
103	1001254948	2	Hose	
200	1001254954	1	Hose, Kit (Upper)	
201	1001155669	2	Hose	
202	1001119602	2	Hose	
204	1001254949	1	Hose	
205	1001254950	1	Hose	
300	1001255599	1	Hose, Kit (Lower)	
301	2752462	1	Hose	
302	2753134	1	Hose	
303	2752497	1	Hose	
400	1001272631	1	Hose, Kit (Lower)	
401	2753055	2	Hose	
402	1001271833	1	Hose	
403	2752991	1	Hose	
404	2753135	1	Hose	
405	2752939	2	Hose	
500	1001212515	1	Hose, Kit (Lower)	
501	1001161036	1	Hose	
502	2752990	1	Hose	
503	1001161030	1	Hose	
504	2752987	1	Hose	
600	2220371	1	Fitting, Straight JIC/ORB	
601	2220516	1	Fitting, Cap FJIC	
602	2220606	1	Fitting, Tee JIC/ORB/JIC	
603	2220635	1	Fitting, Tee JIC/FSJIC/JIC	
604	1001271835	1	Hose	
605	8760268	1	Fitting, 90 JIC/FSJIC	
700	1001274367	1	Hose, Kit (Turntable)	
701	2752506	1	Hose	
702	2752593	1	Hose	
703	2752985	1	Hose	
704	1001271832	1	Hose	
800	1001269812	1	Hose, Kit (Turntable E/S)	
801	2753002	1	Hose	
802	2753390	1	Hose	
803	2754329	1	Hose	
804	2754330	1	Hose	
805	1001150714	1	Hose	
806	1001150715	2	Hose	
807	1001150718	1	Hose	
808	1001172535	1	Hose	
900	1001269807	1	Hose, Kit (Turntable T/S)	
901	2751396	1	Hose	
902	2752453	1	Hose	
903	2752478	1	Hose	

SECTION 7 - HYDRAULIC

ITEM	PART NUMBER	QTY	DESCRIPTION	REV
904	2752484	1	Hose	
905	2752600	2	Hose	
906	2752656	1	Hose	
907	2752783	1	Hose	
908	2753132	1	Hose	
909	2753133	1	Hose	
910	1001150717	1	Hose	

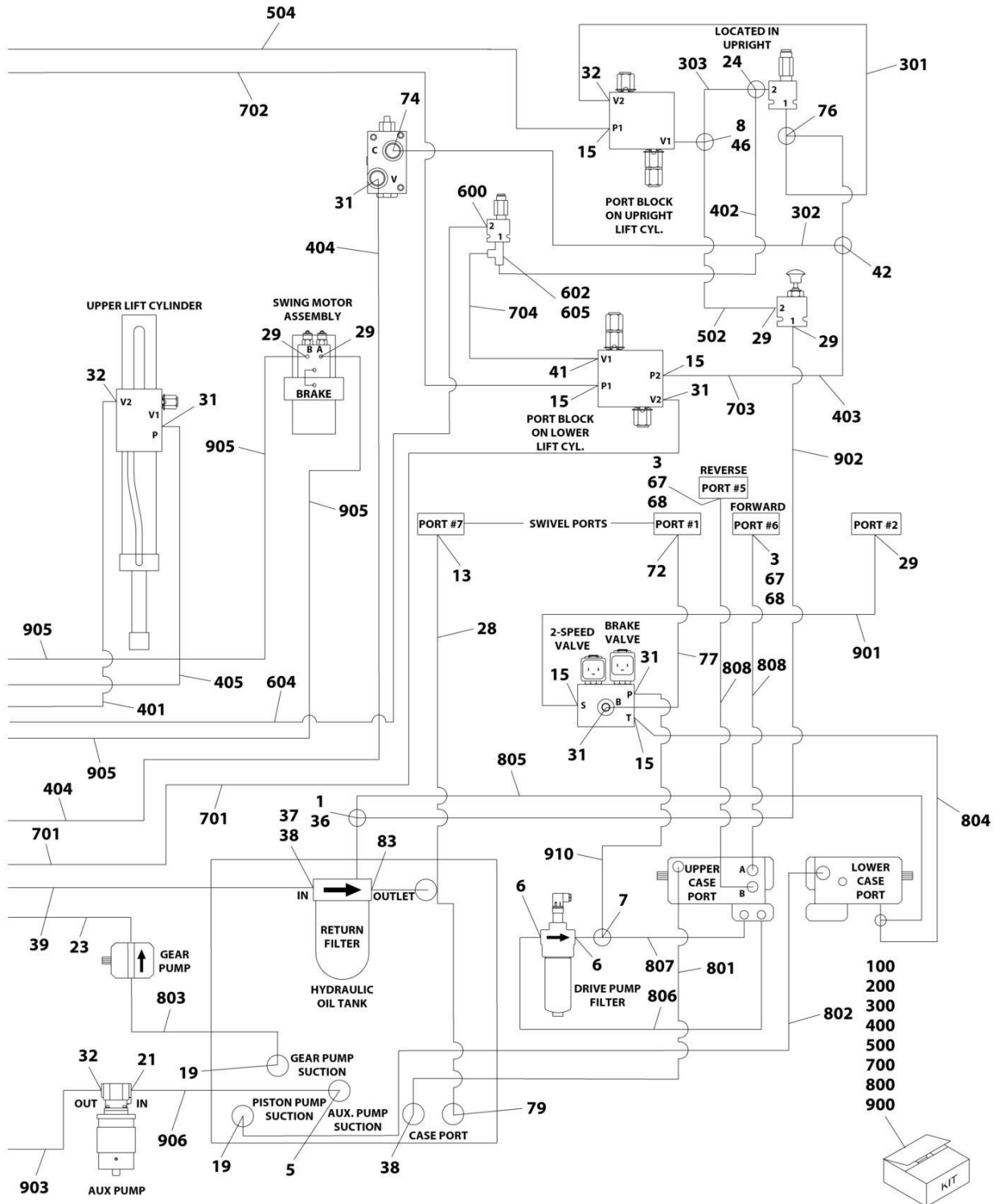
SECTION 7 - HYDRAULIC

FIGURE 7-6. HYDRAULIC DIAGRAM - STANDARD (FORD ENGINES)



ART_1001254623_1OF2

SECTION 7 - HYDRAULIC



ART_1001254623_2OF2

SECTION 7 - HYDRAULIC

FIGURE 7-6. HYDRAULIC DIAGRAM - STANDARD (FORD ENGINES)

ITEM	PART NUMBER	QTY	DESCRIPTION	REV
	1001254623	Ref	HYDRAULIC DIAGRAM - STANDARD	E
1	2220605	1	Fitting, Tee JIC/FSJIC/JIC	
2	2220512	1	Fitting, Straight JIC/JIC	
3	2220377	2	Fitting, Straight JIC/ORB	
5	2220451	2	Fitting, Straight JIC/ORB	
6	2221042	2	Fitting, 90 JIC/ORB	
7	2220948	1	Fitting, Tee JIC/FSJIC/JIC	
8	2220618	1	Fitting, Straight JIC/FSJIC	
13	2220375	1	Fitting, Straight JIC/ORB	
15	2220466	7	Fitting, 90 JIC/ORB	
16	2220415	5	Fitting, Straight JIC/ORB	
19	2220379	2	Fitting, Straight JIC/ORB	
21	2220567	1	Fitting, 90 JIC/ORB	
23	2752929	1	Hose	
24	2220602	1	Fitting, Tee JIC/ORB/JIC	
28	2753968	1	Hose	
29	2220582	7	Fitting, Straight JIC/ORB	
31	2220596	5	Fitting, 90 JIC/ORB	
32	2220628	3	Fitting, 90 JIC/ORB	
33	2220381	3	Fitting, Straight JIC/ORB	
35	2220374	1	Fitting, Straight JIC/ORB	
36	2220574	1	Fitting, Straight JIC/NPTF	
37	2220921	1	Fitting, Straight FORB/ORB	
38	2220498	2	Fitting, 45 JIC/ORB	
40	1001257430	1	Cover, Hose Wrap	
41	2220372	4	Fitting, Straight JIC/ORB	
42	2221065	1	Fitting, Tee JIC/FSJIC/JIC	
46	2220999	1	Fitting, Tee JIC/ORB/JIC	
47	2220500	1	Fitting, 45 JIC/ORB	
53	2220511	1	Fitting, Straight JIC/JIC	
57	2220473	6	Fitting, 90 JIC/ORB	
64	2220998	2	Fitting, Straight JIC/ORB	
65	2220603	7	Fitting, Straight JIC/ORB	
67	0100011	AR	Compound, Locking	
68	0100038	AR	Primer, Locking	
69	1703534	2	Decal - Hose Tags (Not Shown)	
72	2220373	2	Fitting, Straight JIC/ORB	
73	2220947	1	Fitting, Straight JIC/ORB	
74	2221036	1	Fitting, 90 JIC/ORB	
76	2221053	1	Fitting, Tee JIC/ORB/JIC	
77	2752519	1	Hose	
78	2220386	1	Fitting, 90 JIC/FSJIC	
79	2220578	1	Fitting, 90 JIC/ORB	
80	1001104423	3	Fitting, Straight JIC/ORB	
83	2220893	1	Fitting, Straight ORB/ORB	
90	80233041	1	Valve, Check	
93	2220490	2	Fitting, Tee JIC/JIC/JIC	
94	2220600	2	Fitting, Straight JIC/ORB	
96	2220657	1	Fitting, 45 JIC/FSJIC	
97	2220409	2	Fitting, 45 JIC/FSJIC	

SECTION 7 - HYDRAULIC

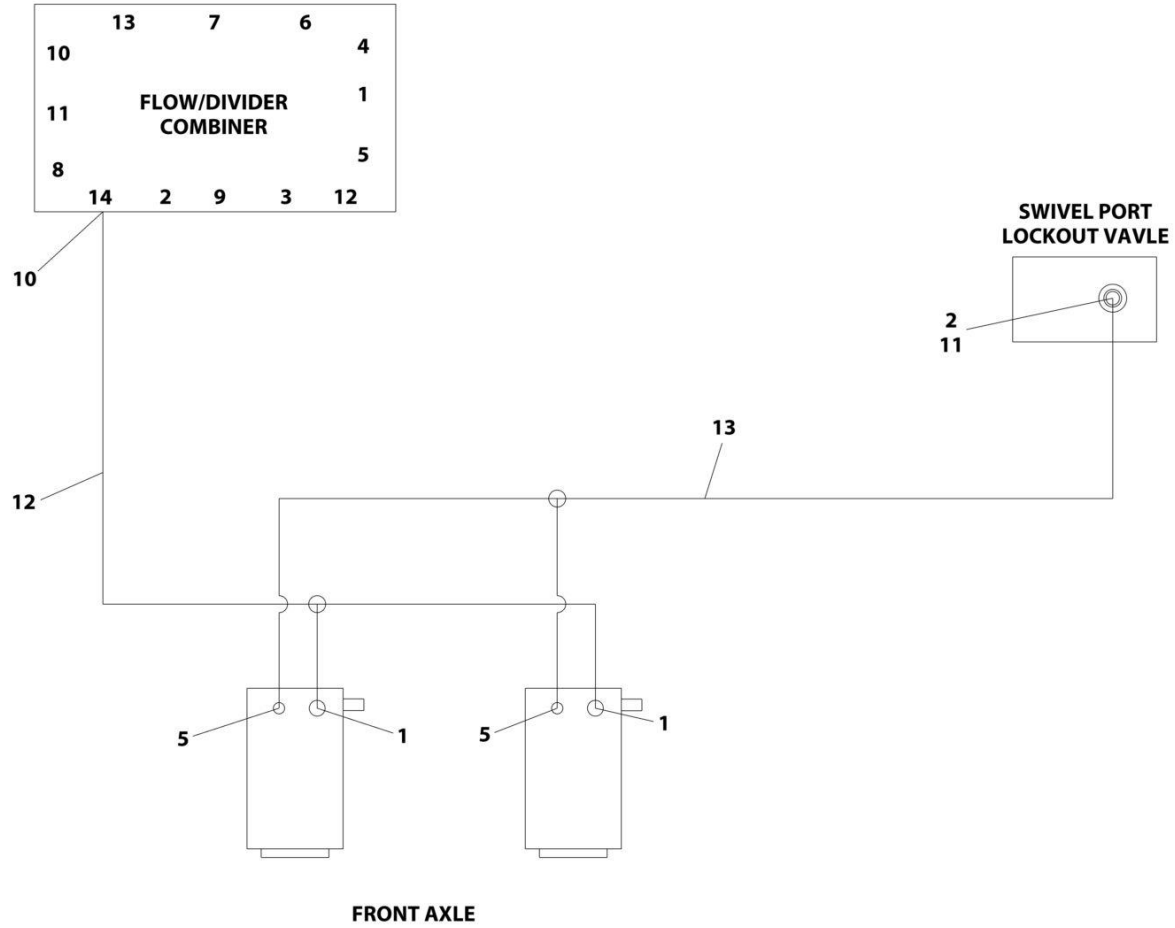
ITEM	PART NUMBER	QTY	DESCRIPTION	REV
98	2752995	1	Hose	
99	91143177	1	Fitting, Test	
100	1001254955	1	Hose, Kit (Upper)	
101	1001155672	2	Hose	
102	1001155673	2	Hose	
103	1001254948	2	Hose	
200	1001254954	1	Hose, Kit (Upper)	
201	1001155669	2	Hose	
202	1001119602	2	Hose	
204	1001254949	1	Hose	
205	1001254950	1	Hose	
300	1001255599	1	Hose, Kit (Lower)	
301	2752462	1	Hose	
302	2753134	1	Hose	
303	2752497	2	Hose	
400	1001272631	1	Hose, Kit (Lower)	
401	2753055	2	Hose	
402	1001271833	1	Hose	
403	2752991	1	Hose	
404	2753135	1	Hose	
405	2752939	2	Hose	
500	1001212515	1	Hose, Kit (Lower)	
501	1001161036	1	Hose	
502	2752990	1	Hose	
503	1001161030	1	Hose	
504	2752987	1	Hose	
600	2220371	1	Fitting, Straight JIC/ORB	
601	2220516	1	Fitting, Cap FJIC	
602	2220606	1	Fitting, Tee JIC/ORB/JIC	
603	2220635	1	Fitting, Tee JIC/FSJIC/JIC	
604	1001271835	1	Hose	
605	8760268	1	Fitting, 90 JIC/ORB	
700	1001274367	1	Hose, Kit (Turntable)	
701	2752506	1	Hose	
702	2752593	1	Hose	
703	2752985	1	Hose	
704	1001271832	1	Hose	
800	1001269806	1	Hose, Kit (Turntable E/S)	
801	2751362	1	Hose	
802	2752723	1	Hose	
803	2752724	1	Hose	
804	2753000	1	Hose	
805	2753390	1	Hose	
806	2754329	1	Hose	
807	2754330	1	Hose	
808	1001150715	2	Hose	
900	1001269807	1	Hose, Kit (Turntable T/S)	
901	2751396	1	Hose	
902	2752453	1	Hose	
903	2752478	1	Hose	
904	2752484	1	Hose	

SECTION 7 - HYDRAULIC

ITEM	PART NUMBER	QTY	DESCRIPTION	REV
905	2752600	2	Hose	
906	2752656	1	Hose	
907	2752783	1	Hose	
908	2753132	1	Hose	
909	2753133	1	Hose	
910	1001150717	1	Hose	

SECTION 7 - HYDRAULIC

FIGURE 7-7. HYDRAULIC DIAGRAM - OSCILLATING AXLE



ART_1001151349

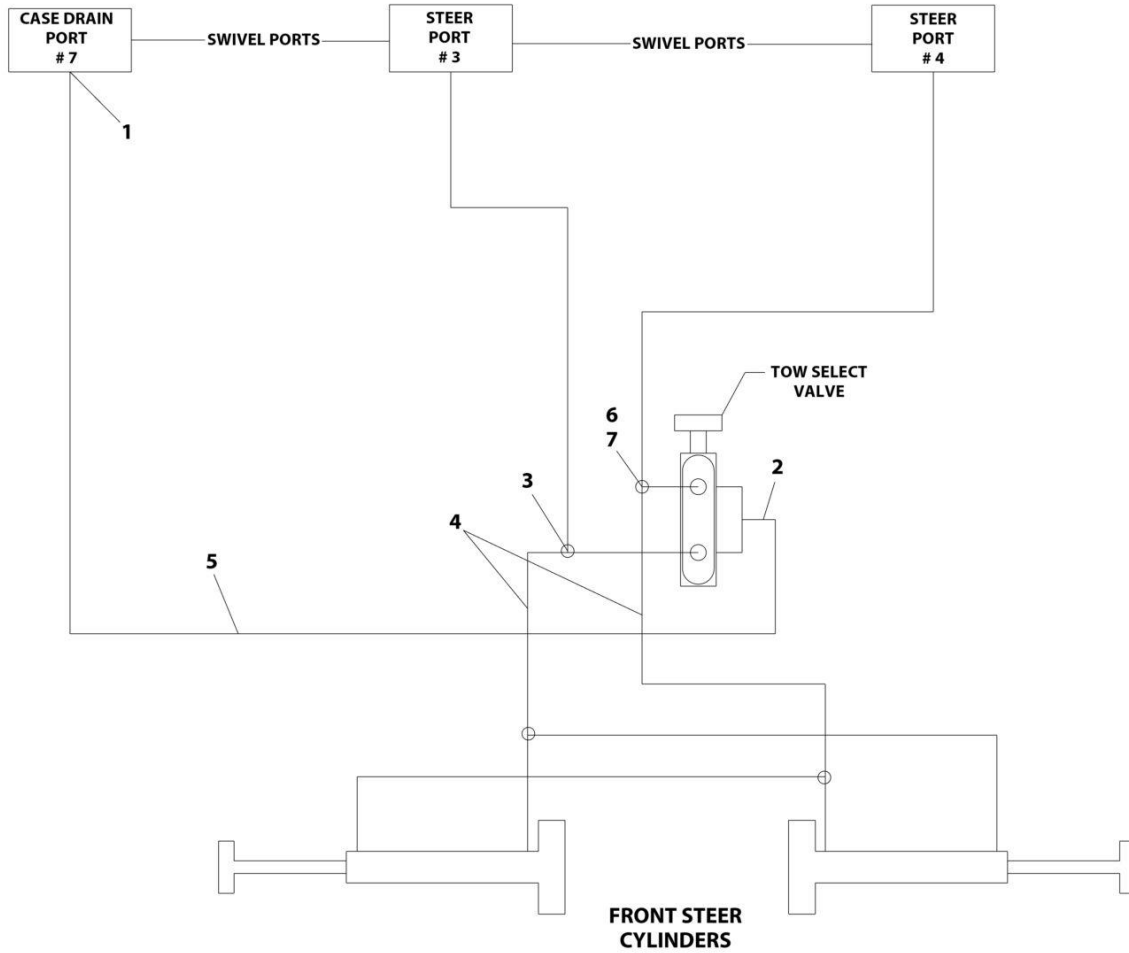
SECTION 7 - HYDRAULIC

FIGURE 7-7. HYDRAULIC DIAGRAM - OSCILLATING AXLE

ITEM	PART NUMBER	QTY	DESCRIPTION	REV
	1001151349	Ref	AXLE LOCKOUT DIAGRAM - OSCILLATING AXLE	C
1	2220371	2	Fitting, Straight JIC/ORB	
2	2220468	1	Fitting, Straight JIC/ORB	
5	2220415	2	Fitting, Straight JIC/ORB	
10	2220473	1	Fitting, 90 JIC/ORB	
11	2220654	1	Fitting, 90 JIC/FSJIC	
12	1001188890	1	Hose	
13	1001188891	1	Hose	

SECTION 7 - HYDRAULIC

FIGURE 7-8. HYDRAULIC DIAGRAM - TOW BAR



ART_2792630

SECTION 7 - HYDRAULIC

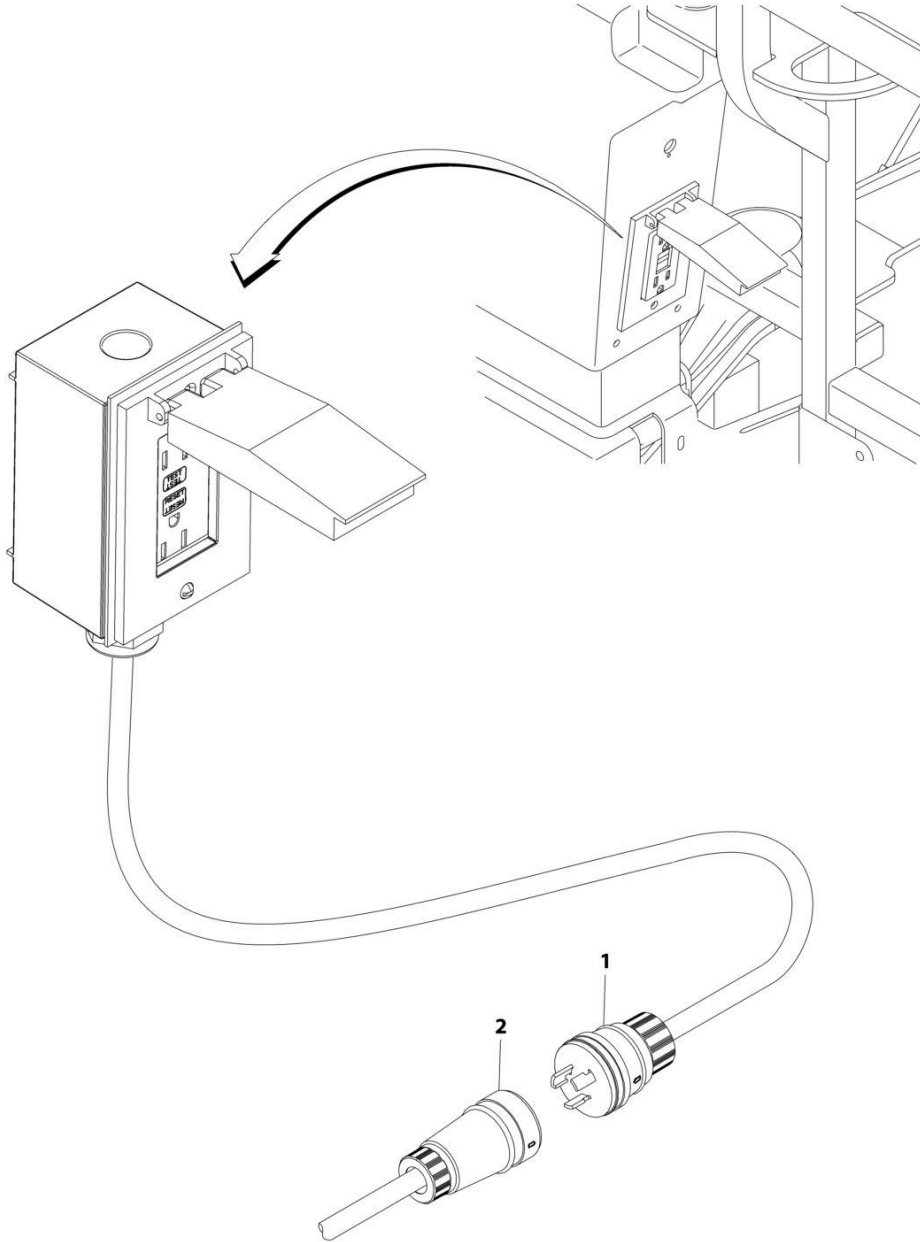
FIGURE 7-8. HYDRAULIC DIAGRAM - TOW BAR

ITEM	PART NUMBER	QTY	DESCRIPTION	REV
	2792630	Ref	TOW BAR DIAGRAM	C
1	2220473	1	Fitting, 90 JIC/ORB	
2	2220628	1	Fitting, 90 JIC/ORB	
3	2221053	1	Fitting, Tee JIC/ORB/JIC	
4	1001113790	2	Hose	
5	1001113818	1	Hose	
6	2220372	1	Fitting, Straight JIC/ORB	
7	2220635	1	Fitting, Tee JIC/FSJIC/JIC	

SECTION 8 - ELECTRICAL

SECTION 8 - ELECTRICAL

**FIGURE 8-1. AC CABLE CONNECTOR INSTALLATION - 110V/220V (MACHINES NO GENERATOR)
(ANSI EXPORT, AUSTRALIAN, CHINA, CE & UK CA SPECS)**



ART_1001213655

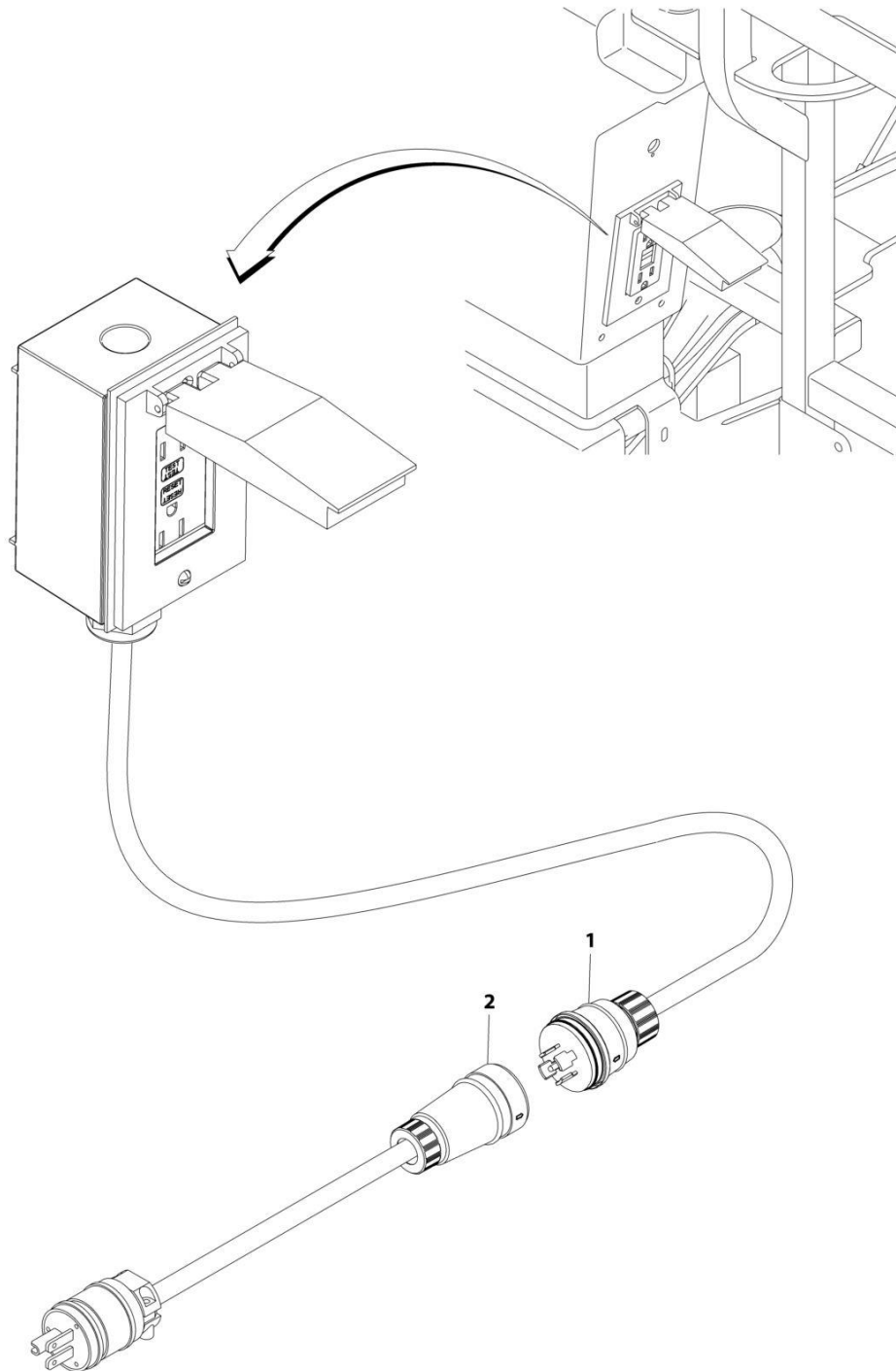
SECTION 8 - ELECTRICAL

**FIGURE 8-1. AC CABLE CONNECTOR INSTALLATION - 110V/220V (MACHINES NO GENERATOR)
(ANSI EXPORT, AUSTRALIAN, CHINA, CE & UK CA SPECS)**

ITEM	PART NUMBER	QTY	DESCRIPTION	REV
	1001213655	Ref	AC CABLE INSTALLATION - 110V/220V	A
1	1001214095	1	Plug, Male	
2	1001214096	1	Plug, Female	

SECTION 8 - ELECTRICAL

FIGURE 8-2. AC CABLE CONNECTOR INSTALLATION – SKYPOWER (MACHINES NO GENERATOR)
(ALL SPECS)



ART_0272433

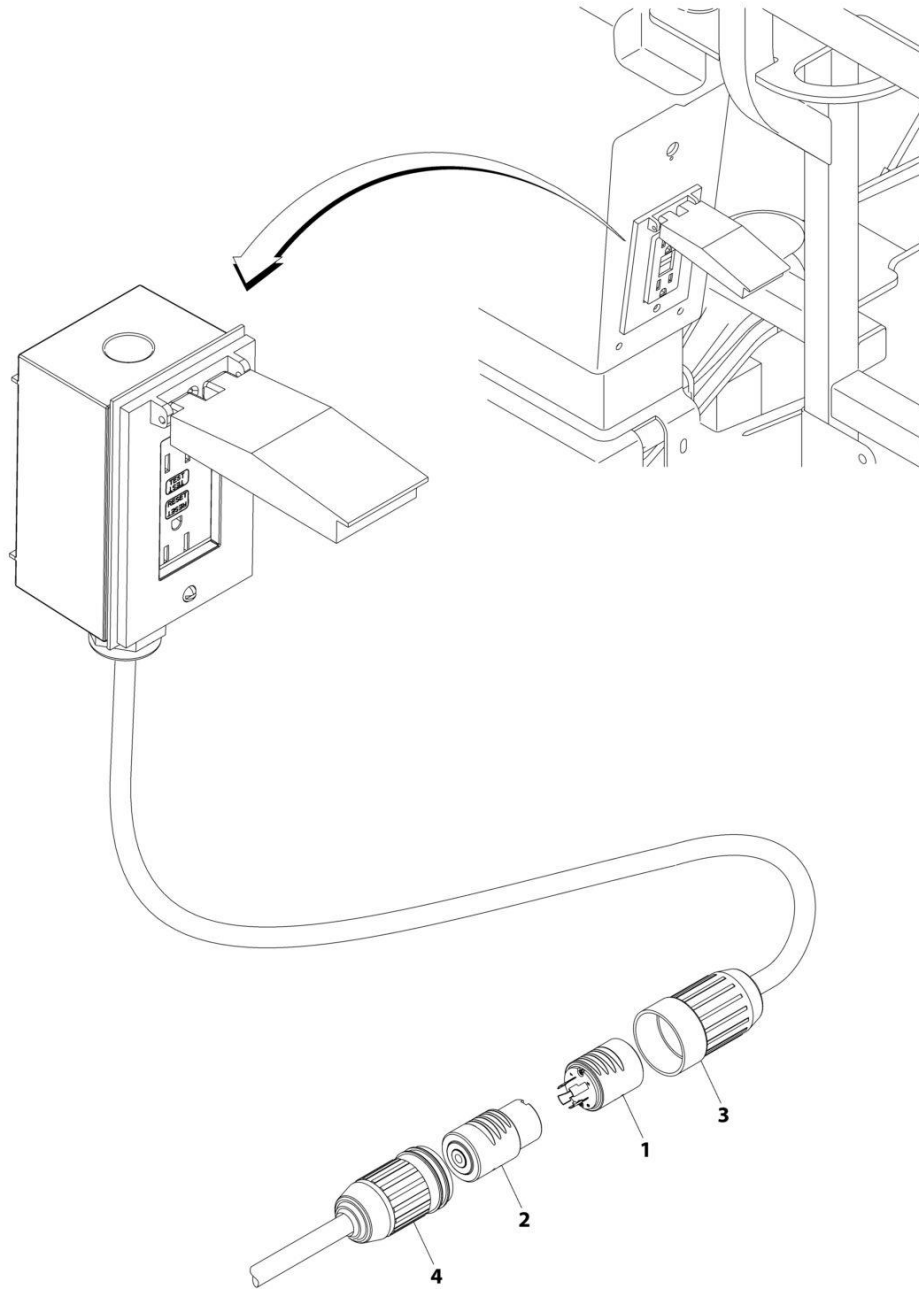
SECTION 8 - ELECTRICAL

**FIGURE 8-2. AC CABLE CONNECTOR INSTALLATION – SKYPOWER (MACHINES NO GENERATOR)
(ALL SPECS)**

ITEM	PART NUMBER	QTY	DESCRIPTION	REV
	0272433	Ref	AC CABLE INSTALLATION - 110V/220V	D
1	1001218622	1	Plug, Male	
2	1001218623	1	Plug, Female	

SECTION 8 - ELECTRICAL

FIGURE 8-3. AC CABLE CONNECTOR INSTALLATION – 4000W GENERATOR (MACHINES NO GENERATOR) (ALL SPECS EXCEPT AUSTRALIAN, CE & UK CA SPECS)



ART_1001160272

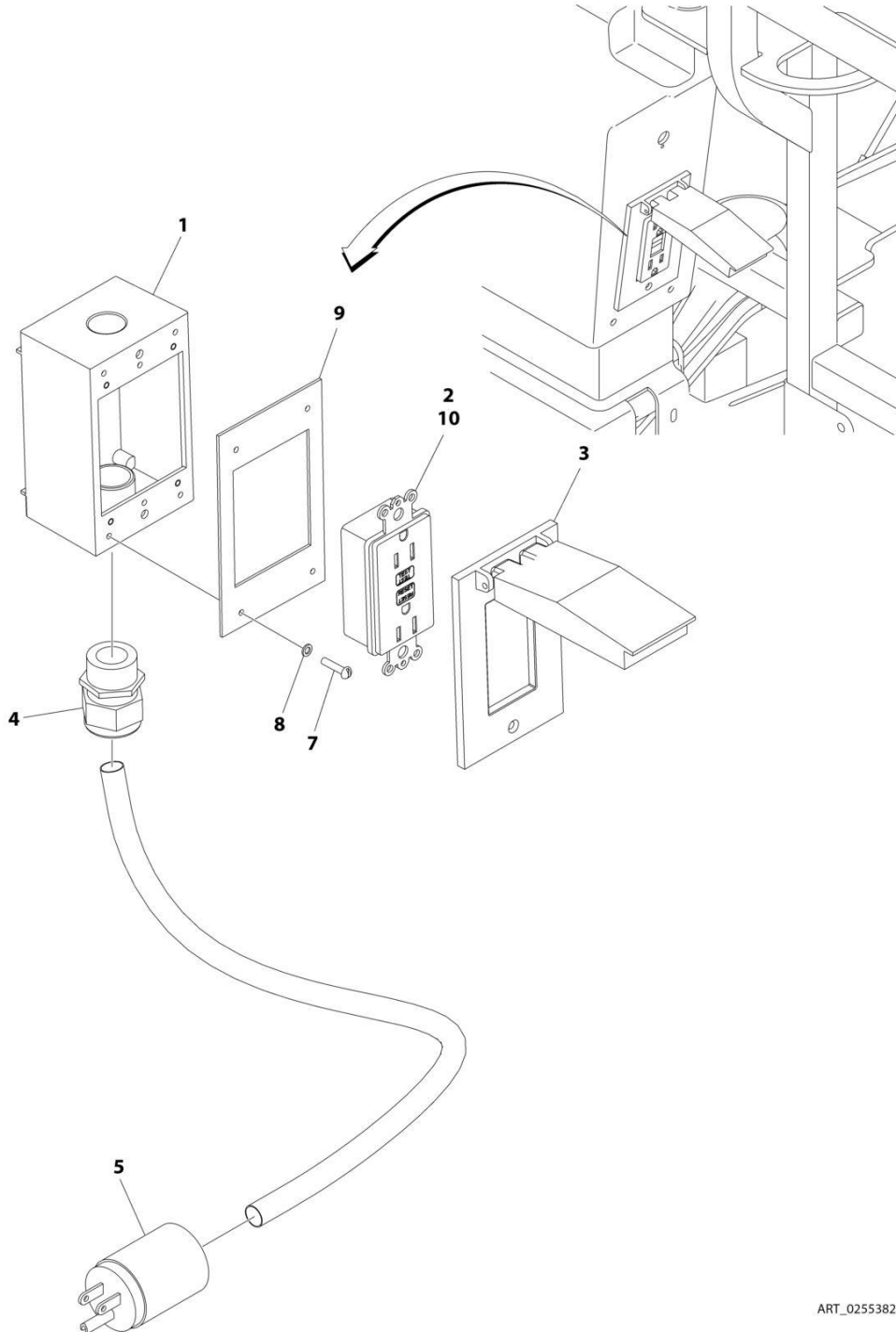
SECTION 8 - ELECTRICAL

FIGURE 8-3. AC CABLE CONNECTOR INSTALLATION – 4000W GENERATOR (MACHINES NO GENERATOR) (ALL SPECS EXCEPT AUSTRALIAN, CE & UK CA SPECS)

ITEM	PART NUMBER	QTY	DESCRIPTION	REV
	1001160272	Ref	AC CABLE CONNECTOR INSTALLATION – 4000W GENERATOR	A
1	4460962	1	Plug, Male	
2	4460963	1	Connector	
3	1671092	1	Cover	
4	1671093	1	Plug	

SECTION 8 - ELECTRICAL

FIGURE 8-4. AC BOX AT PLATFORM INSTALLATION - 110V GFI RECEPTACLE (MACHINES WITH 2500W GENERATOR/NO GENERATOR OPTIONS) (ALL SPECS EXCEPT AUSTRALIAN, CE& UK CA SPECS)



ART_0255382

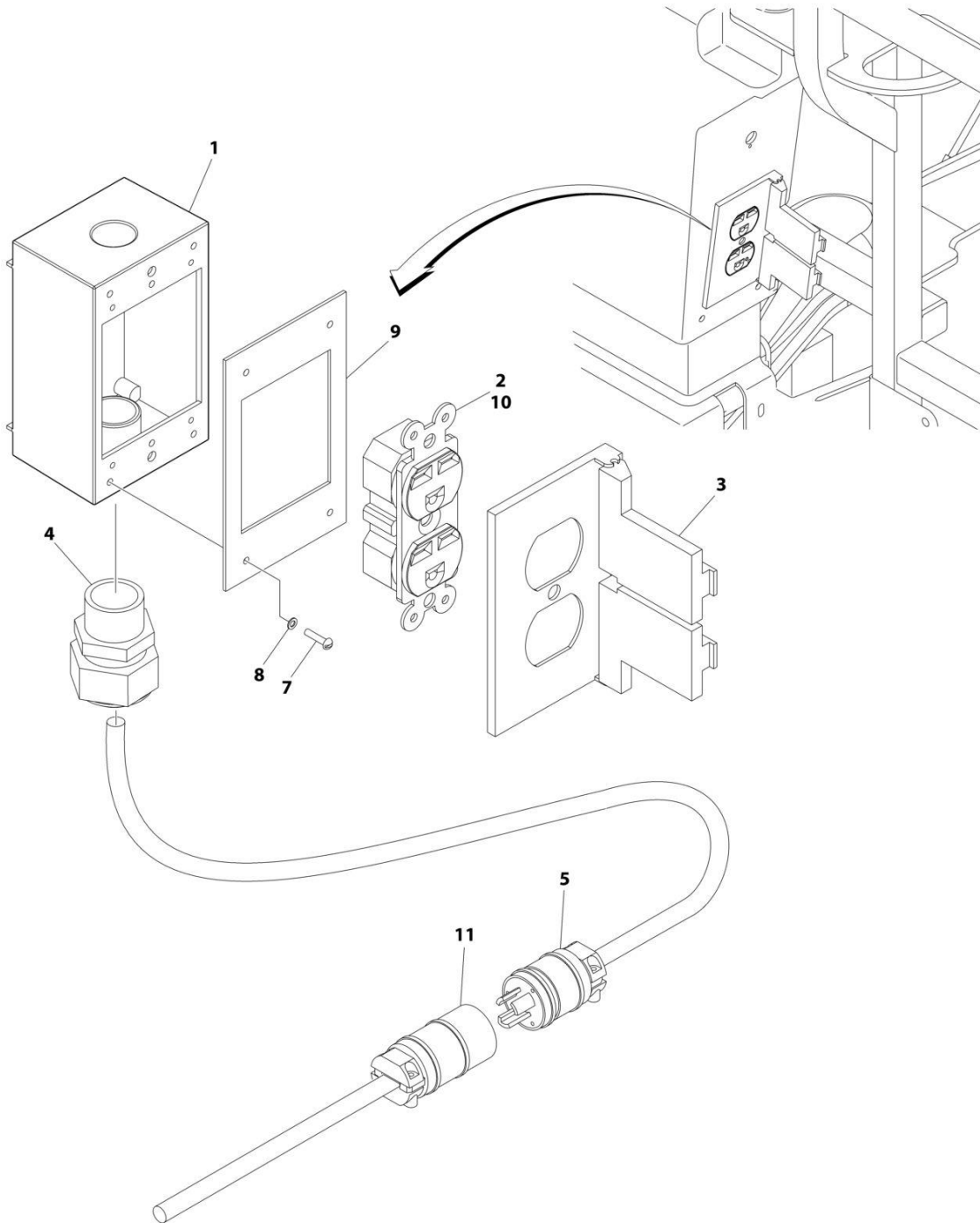
SECTION 8 - ELECTRICAL

FIGURE 8-4. AC BOX AT PLATFORM INSTALLATION - 110V GFI RECEPTACLE (MACHINES WITH 2500W GENERATOR/NO GENERATOR OPTIONS) (ALL SPECS EXCEPT AUSTRALIAN, CE& UK CA SPECS)

ITEM	PART NUMBER	QTY	DESCRIPTION	REV
	0255382	Ref	AC BOX AT PLATFORM INSTALLATION - 110V	C
1	0860038	1	Box, Switch	
2	4460346	1	Receptacle	
3	1001110873	1	Shield, Cover	
4	4460071	1	Connector, Strain Relief	
5	1001227309	1	Plug, Male	
7	3910610	4	Screw #6 x 5/8	
8	4760600	4	Washer #6	
9	3960422	1	Gasket	
10	4460315	1	Terminal, Spade	
18	4460205	1	Plug, Male (Not Shown - Located at turntable base)	

SECTION 8 - ELECTRICAL

FIGURE 8-5. AC BOX AT PLATFORM INSTALLATION - 220V RECEPTACLE (MACHINES WITH 2500W GENERATOR/NO GENERATOR OPTIONS) (ANSI, CSA AND JAPANESE SPECS)



ART_0257176

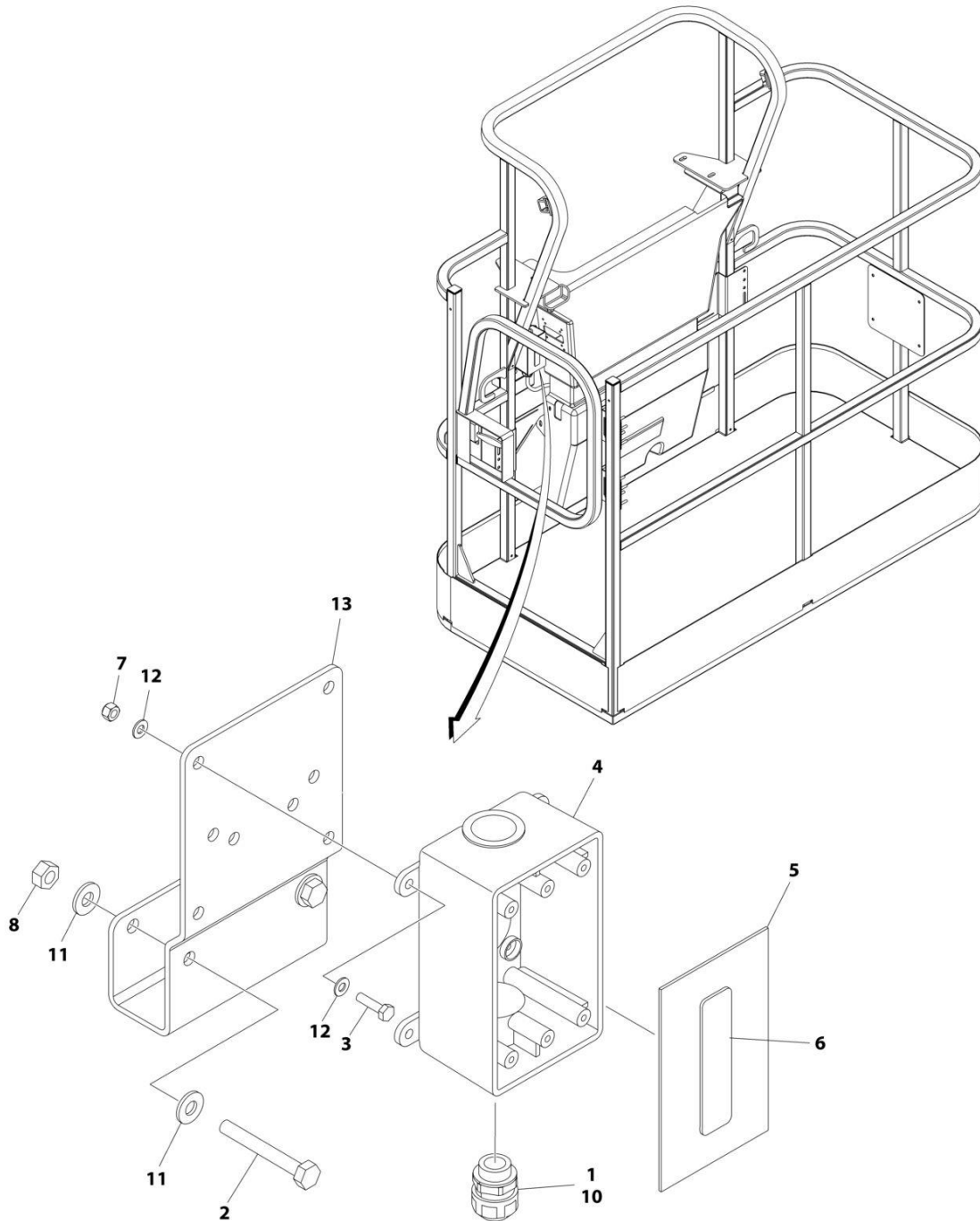
SECTION 8 - ELECTRICAL

FIGURE 8-5. AC BOX AT PLATFORM INSTALLATION - 220V RECEPTACLE (MACHINES WITH 2500W GENERATOR/NO GENERATOR OPTIONS) (ANSI, CSA AND JAPANESE SPECS)

ITEM	PART NUMBER	QTY	DESCRIPTION	REV
	0257176	Ref	AC BOX AT PLATFORM INSTALLATION - 220V	C
1	0860038	1	Box, Switch	
2	4460125	1	Receptacle	
3	4060092	1	Shield, Cover	
4	4460071	1	Connector, Strain Relief	
5	1001227309	1	Plug, Male	
7	3910610	4	Screw #6 x 5/8	
8	4760600	4	Washer #6	
9	3960422	1	Gasket	
10	4460315	1	Terminal, Spade	
11	1001227310	1	Connector, Female	
18	4460233	1	Plug (Not Shown - Located at turntable base)	

SECTION 8 - ELECTRICAL

FIGURE 8-6. AC BOX AT PLATFORM INSTALLATION - BOX WITH COVER (2X4 BOX) (ANSI EXPORT SPECS) (4000W GENERATOR)



ART_1001194365

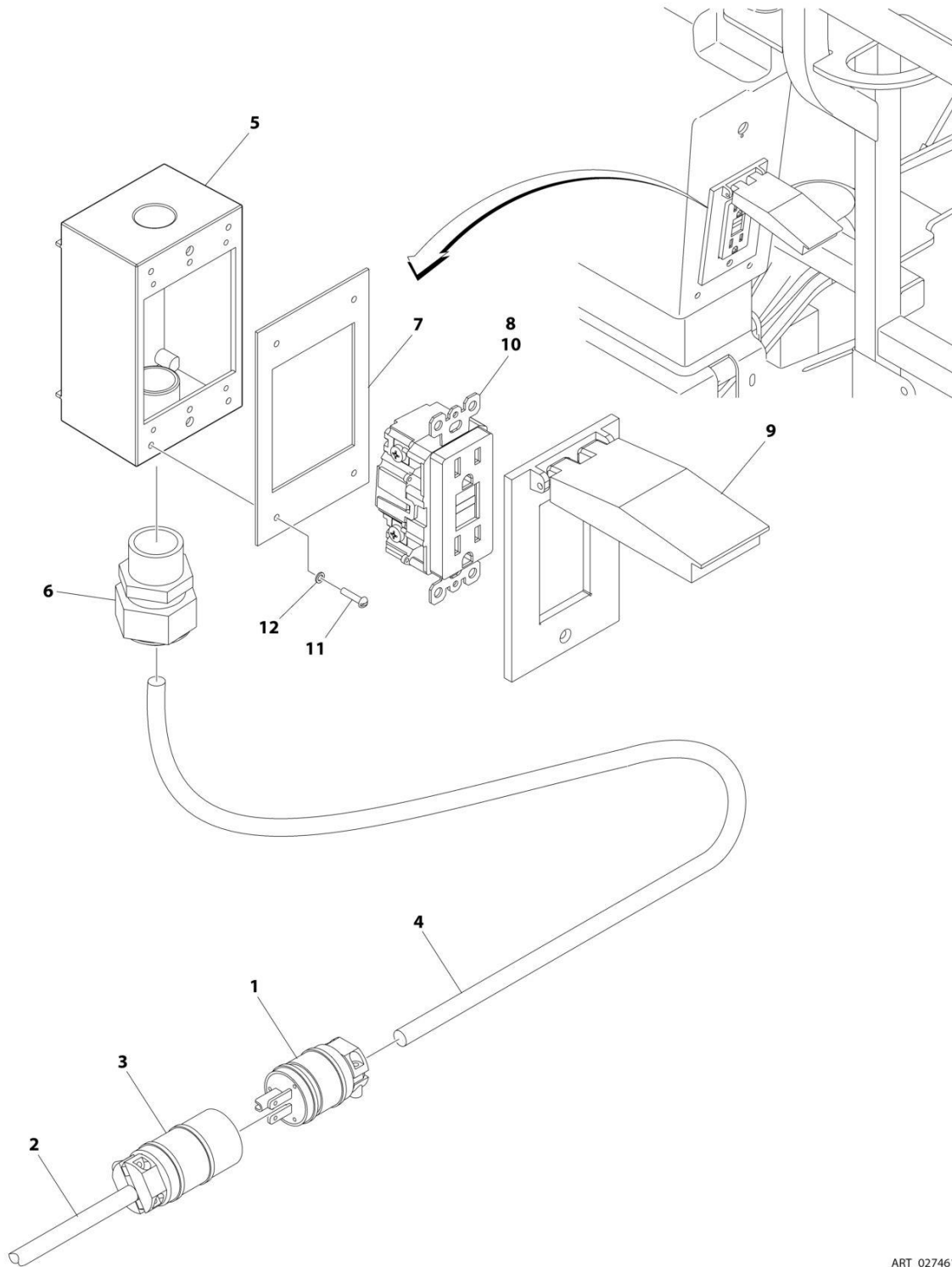
SECTION 8 - ELECTRICAL

FIGURE 8-6. AC BOX AT PLATFORM INSTALLATION - BOX WITH COVER (2X4 BOX) (ANSI EXPORT SPECS) (4000W GENERATOR)

ITEM	PART NUMBER	QTY	DESCRIPTION	REV
	1001194365	Ref	AC BOX AT PLATFORM INSTALLATION - BOX WITH COVER (2X4 BOX)	A
1	0100020	AR	Sealant	
2	0641416	2	Bolt 1/4 x 2	
3	0700408	4	Bolt M4 x 16	
4	0861731	1	Box, Switch	
5	1670603	1	Cover	
6	3251242	1	Decal - 240V/50Hz	
7	3290405	4	Nut M4	
8	3311405	2	Nut 1/4	
9	4460384	3	Terminal (Not Shown)	
10	4460662	1	Connector, Strain Relief	
11	4711400	4	Washer 1/4	
12	4811400	8	Washer M4	
13	1001193018	1	Bracket, AC Receptacle	

SECTION 8 - ELECTRICAL

FIGURE 8-7. AC BOX AT PLATFORM INSTALLATION – DUAL AC 110V GFI (MACHINES WITH 2500W GENERATOR) (ANSI EXPORT AND CHINA SPECS)



ART_0274618

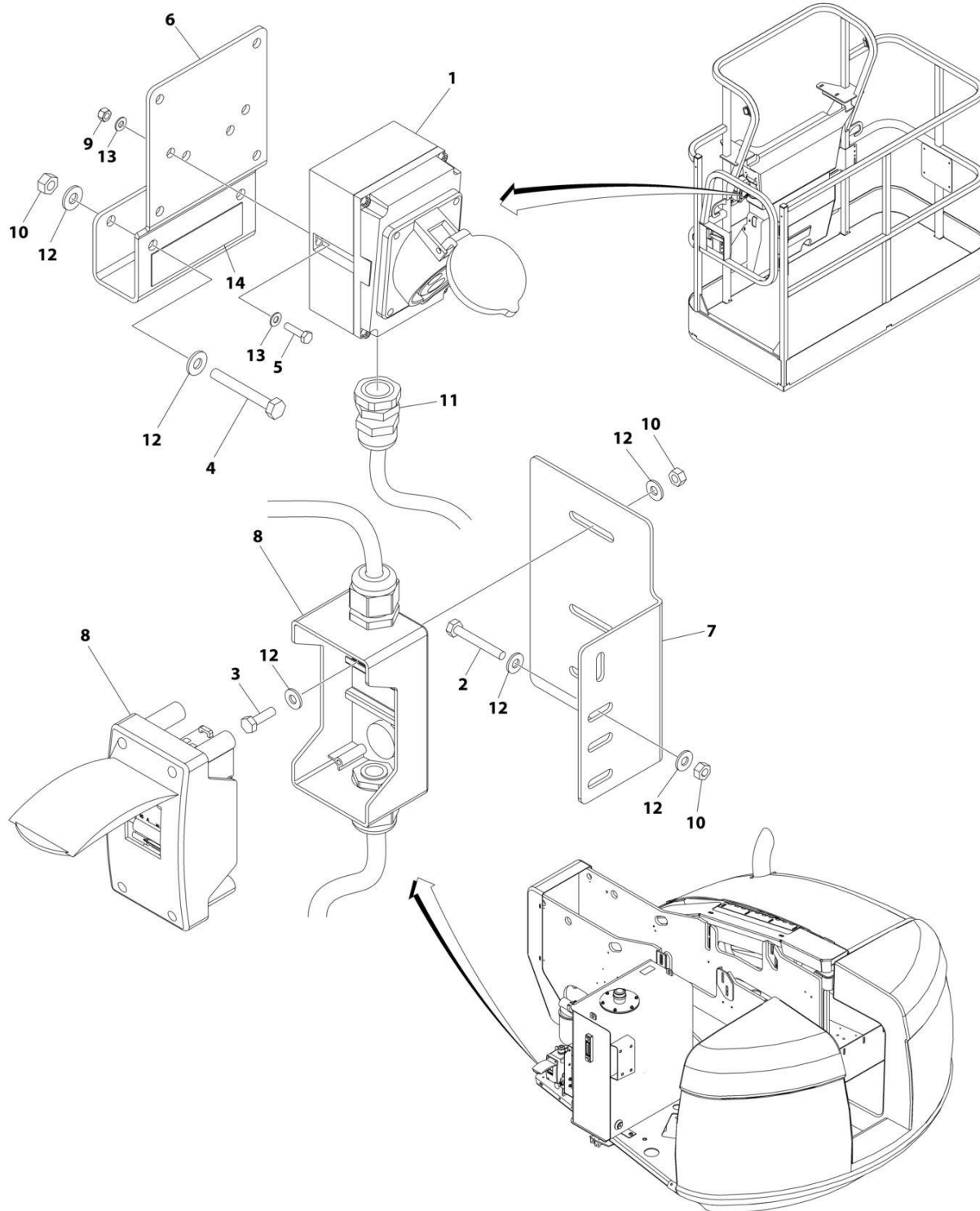
SECTION 8 - ELECTRICAL

FIGURE 8-7. AC BOX AT PLATFORM INSTALLATION – DUAL AC 110V GFI (MACHINES WITH 2500W GENERATOR) (ANSI EXPORT AND CHINA SPECS)

ITEM	PART NUMBER	QTY	DESCRIPTION	REV
	0274618	Ref	AC BOX AT PLATFORM INSTALLATION – DUAL AC 110V GFI	2
1	4460205	4	Plug, Male	
2	4922892	1	Cable, Electrical 12/3 (Tower Boom)	
3	4460134	2	Plug, Female	
4	4922894	1	Cable, Electrical 12/3 (Main Boom)	
5	0860038	1	Box, Switch	
6	4460071	1	Connector, Strain Relief	
7	3960422	1	Gasket	
8	4460346	1	Receptacle	
9	1001110873	1	Shield, Cover	
10	4460315	1	Terminal, Spade	
11	3910606	4	Screw #6 x 3/8	
12	4760600	4	Washer #6	

SECTION 8 - ELECTRICAL

FIGURE 8-8. AC BOX AT PLATFORM INSTALLATION - 110V IEC YELLOW (CE & UK CA SPECS)



ART_0275656

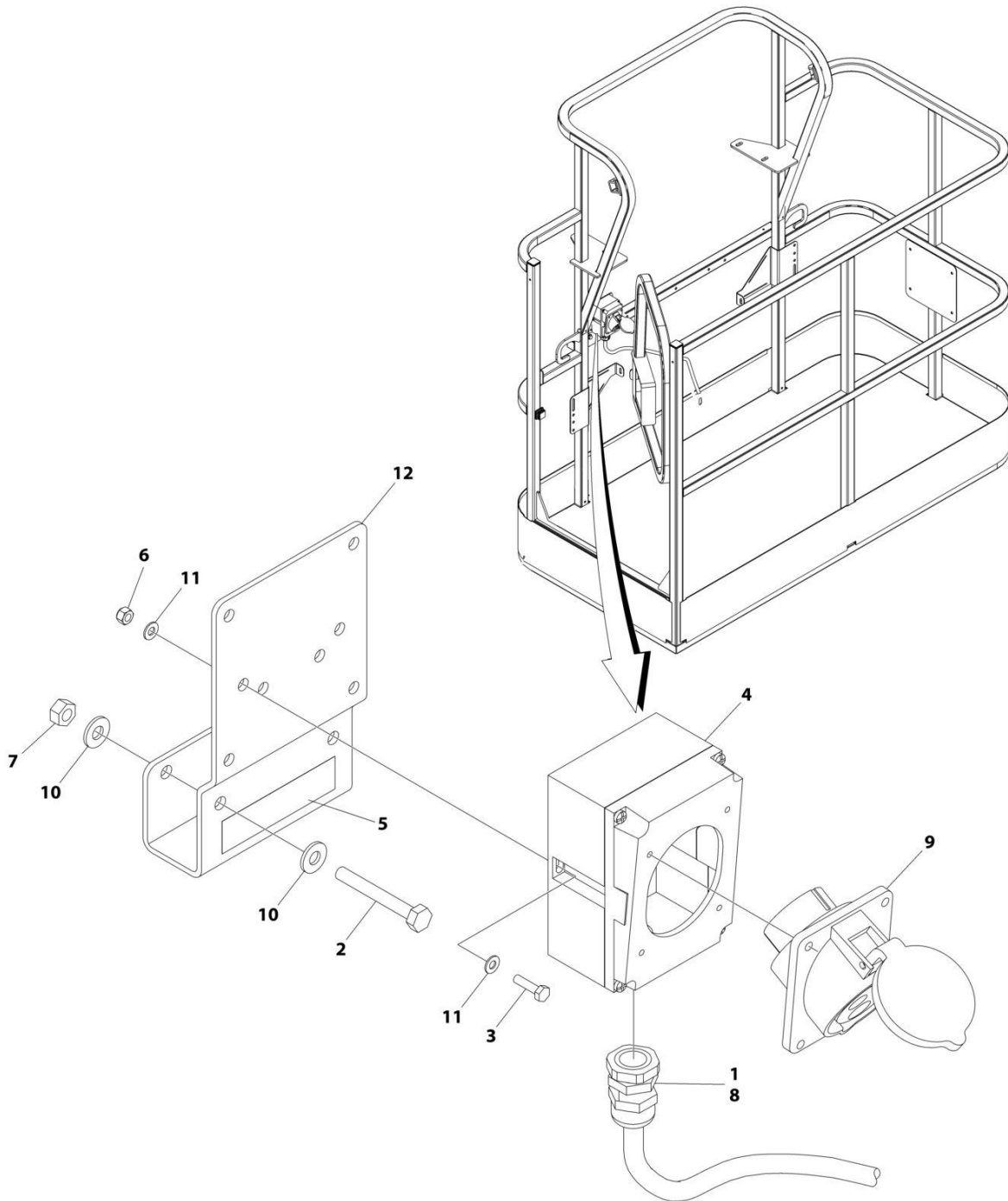
SECTION 8 - ELECTRICAL

FIGURE 8-8. AC BOX AT PLATFORM INSTALLATION - 110V IEC YELLOW (CE & UK CA SPECS)

ITEM	PART NUMBER	QTY	DESCRIPTION	REV
	0275656	Ref	AC BOX AT PLATFORM INSTALLATION - 110V IEC YELLOW	F
1	0275216	1	Receptacle Box Kit (See Separate Breakdown in this Section)	
2	0641415	2	Bolt 1/4 x 1-7/8	
3	0641407	2	Bolt 1/4 x 7/8	
4	0641416	2	Bolt 1/4 x 2	
5	0700408	2	Bolt M4 x 16	
6	1001193018	1	Bracket	
7	1001153636	1	Bracket	
8	1001096070	1	Breaker Box Kit (See Separate Breakdown in this Section)	
9	3290405	2	Nut M4	
10	3311405	6	Nut 1/4	
11	4460968	1	Connector, Strain Relief	
12	4711400	12	Washer 1/4	
13	4811400	4	Washer M4	
14	1705325	2	Decal - 110V	

SECTION 8 - ELECTRICAL

FIGURE 8-9. AC BOX AT PLATFORM INSTALLATION - 110V IEC 60309 YELLOW (CE & UK CA SPECS) (4000W GENERATOR)



ART_1001194203

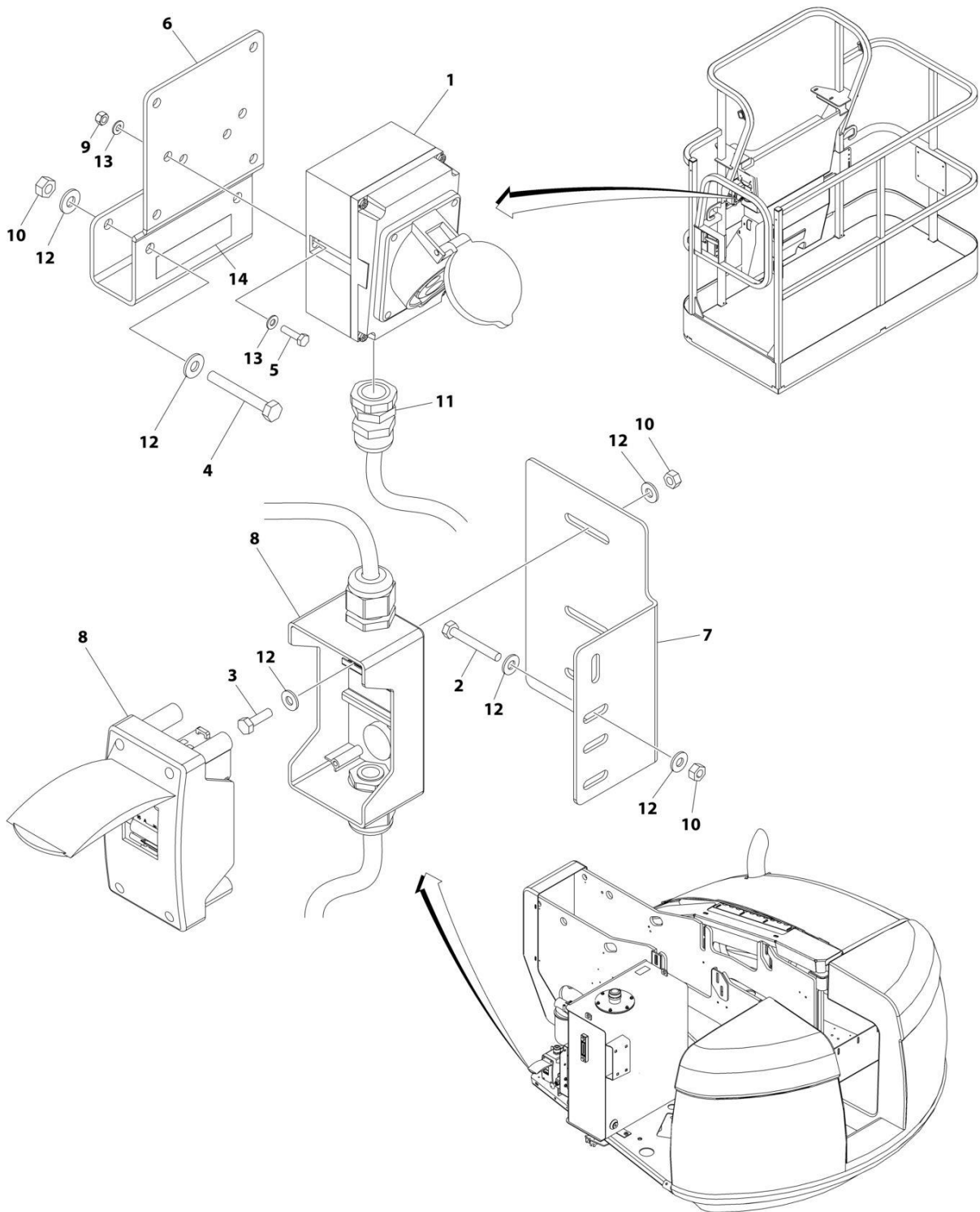
SECTION 8 - ELECTRICAL

FIGURE 8-9. AC BOX AT PLATFORM INSTALLATION - 110V IEC 60309 YELLOW (CE & UK CA SPECS) (4000W GENERATOR)

ITEM	PART NUMBER	QTY	DESCRIPTION	REV
	1001194203	Ref	AC BOX AT PLATFORM INSTALLATION	B
1	0100020	AR	Sealant, Pipe	
2	0641416	2	Bolt 1/4 x 2	
3	0700408	2	Bolt M4 x 16	
4	0861781	1	Box, Switch	
5	1705325	1	Decal - 110V	
6	3290405	2	Nut M4	
7	3311405	2	Nut 1/4	
8	4460968	1	Connector, Strain Relief	
9	4461198	1	Receptacle	
10	4711400	4	Washer 1/4	
11	4811400	4	Washer M4	
12	1001193018	1	Bracket, AC Receptacle	

SECTION 8 - ELECTRICAL

FIGURE 8-10. AC BOX AT PLATFORM INSTALLATION - 220V IEC BLUE (CE& UK CA SPECS)



ART_0275652

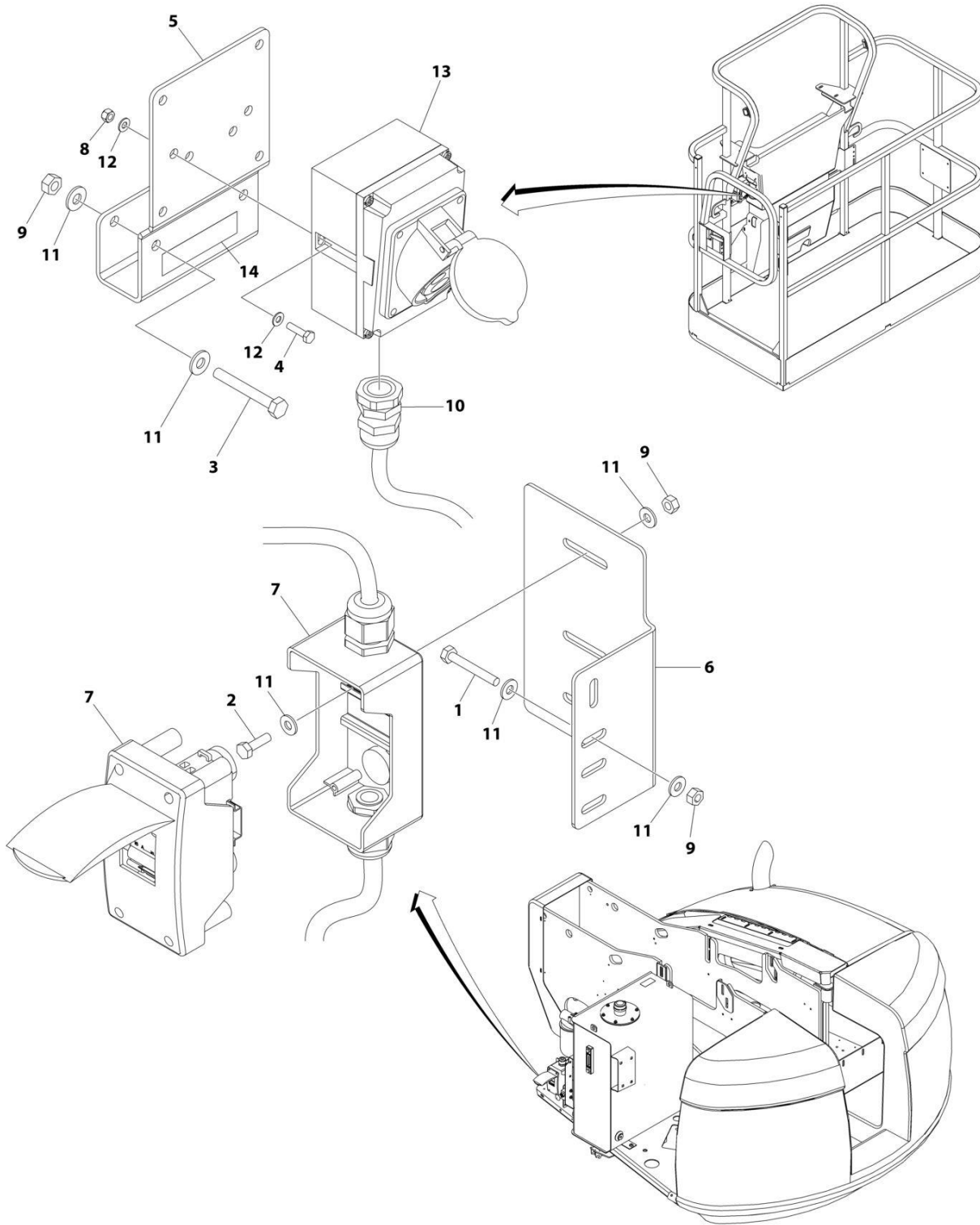
SECTION 8 - ELECTRICAL

FIGURE 8-10. AC BOX AT PLATFORM INSTALLATION - 220V IEC BLUE (CE& UK CA SPECS)

ITEM	PART NUMBER	QTY	DESCRIPTION	REV
	0275652	Ref	AC BOX AT PLATFORM INSTALLATION - 220V IEC BLUE	F
1	0275217	1	Receptacle Box Kit (See Separate Breakdown in this Section)	
2	0641415	2	Bolt 1/4 x 1-7/8	
3	0641407	2	Bolt 1/4 x 7/8	
4	0641416	2	Bolt 1/4 x 2	
5	0700408	2	Bolt M4 x 16	
6	1001193018	1	Bracket	
7	1001153636	1	Bracket	
8	1001096070	1	Breaker Box Kit (See Separate Breakdown in this Section)	
9	3290405	2	Nut M4	
10	3311405	6	Nut 1/4	
11	4460968	1	Connector, Strain Relief	
12	4711400	12	Washer 1/4	
13	4811400	4	Washer M4	
14	3252507	1	Decal - 240V-50/60Hz	

SECTION 8 - ELECTRICAL

FIGURE 8-11. AC BOX AT PLATFORM INSTALLATION - 220V IEC BLUE (CE & UK CA SPECS)
(2500W GENERATOR)



ART_1001100401

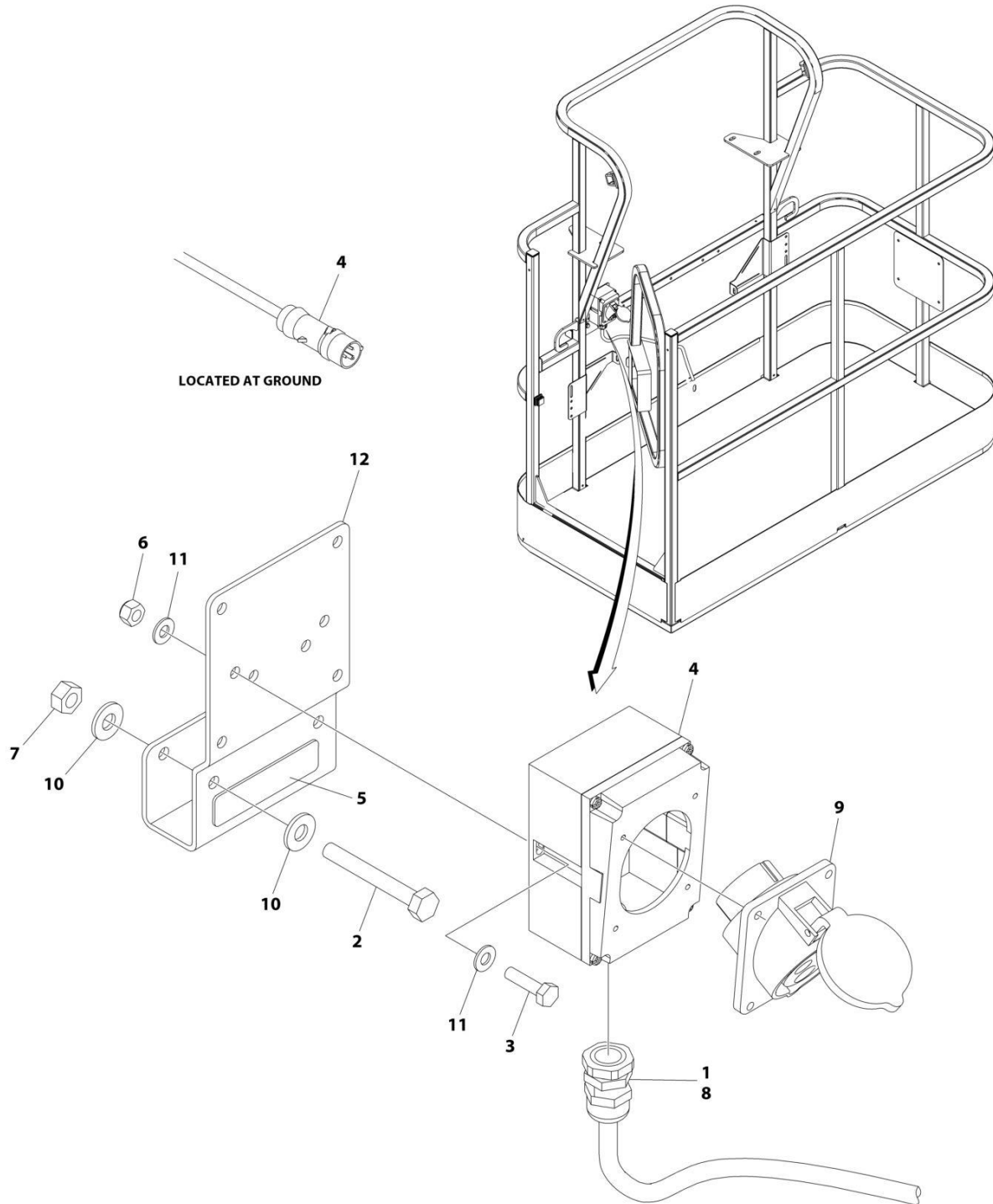
SECTION 8 - ELECTRICAL

**FIGURE 8-11. AC BOX AT PLATFORM INSTALLATION - 220V IEC BLUE (CE & UK CA SPECS)
(2500W GENERATOR)**

ITEM	PART NUMBER	QTY	DESCRIPTION	REV
	1001100401	Ref	AC BOX AT PLATFORM INSTALLATION	F
1	0641415	2	Bolt 1/4 x 1-7/8	
2	0641407	2	Bolt 1/4 x 7/8	
3	0641416	2	Bolt 1/4 x 2	
4	0700408	2	Bolt M4 x 16	
5	1001193018	1	Bracket	
6	1001153636	1	Bracket	
7	1001109554	1	Breaker Box Kit (See Separate Breakdown in this Section)	
8	3290405	2	Nut M4	
9	3311405	6	Nut 1/4	
10	4460662	1	Connector, Strain Relief	
11	4711400	12	Washer 1/4	
12	4811400	8	Washer M4	
13	1001100342	1	Receptacle Box Kit (See Separate Breakdown in this Section)	
14	3252507	1	Decal - 240V-50/60Hz	

SECTION 8 - ELECTRICAL

FIGURE 8-12. AC BOX AT PLATFORM INSTALLATION - 220V IEC 60309 BLUE (CE & UK CA SPECS)
(4000W GENERATOR)



ART_1001194204

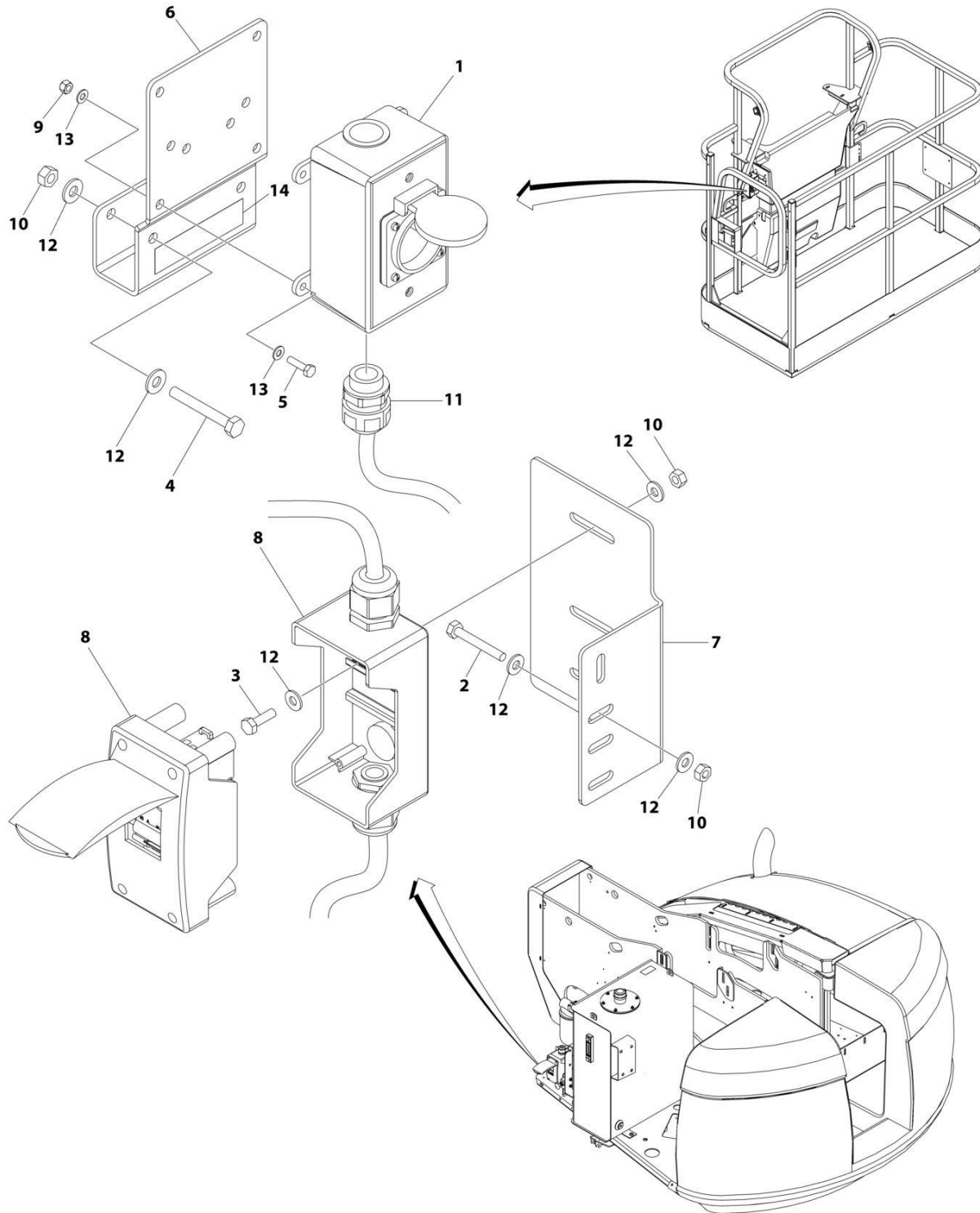
SECTION 8 - ELECTRICAL

**FIGURE 8-12. AC BOX AT PLATFORM INSTALLATION - 220V IEC 60309 BLUE (CE & UK CA SPECS)
(4000W GENERATOR)**

ITEM	PART NUMBER	QTY	DESCRIPTION	REV
	1001194204	Ref	AC BOX AT PLATFORM INSTALLATION	B
1	0100020	AR	Sealant, Pipe	
2	0641416	2	Bolt 1/4 x 2	
3	0700408	2	Bolt M4 x 16	
4	0861781	1	Box, Switch	
5	3251242	1	Decal - 240V/50Hz	
6	3290405	2	Nut M4	
7	3311405	2	Nut 1/4	
8	4460968	1	Connector, Strain Relief	
9	4461201	1	Receptacle	
10	4711400	4	Washer 1/4	
11	4811400	4	Washer M4	
12	1001193018	1	Bracket, AC Receptacle	

SECTION 8 - ELECTRICAL

FIGURE 8-13. AC BOX AT PLATFORM INSTALLATION - 220V CEE7 POST GROUND (CE & UK CA SPECS)



ART_0275653

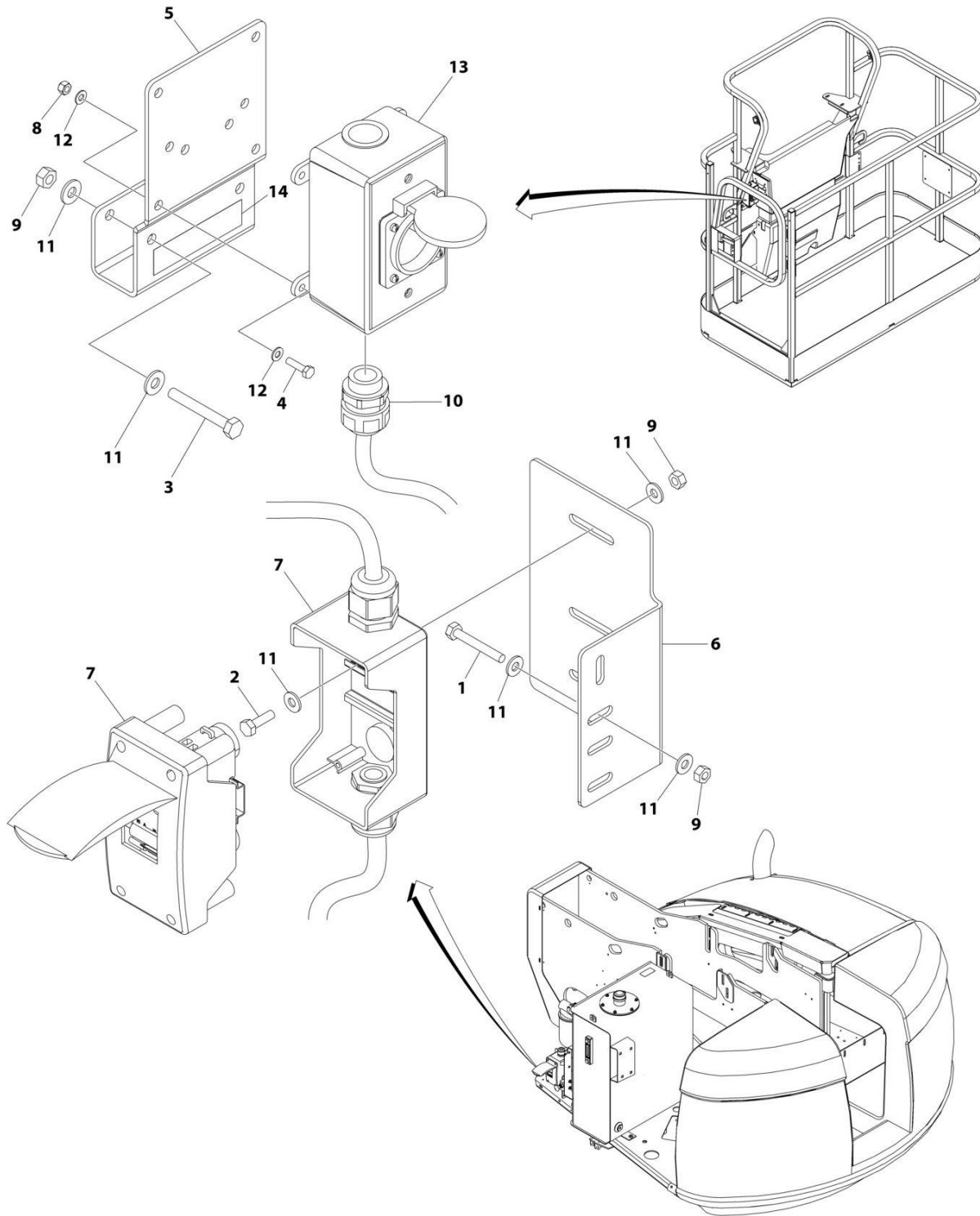
SECTION 8 - ELECTRICAL

FIGURE 8-13. AC BOX AT PLATFORM INSTALLATION - 220V CEE7 POST GROUND (CE & UK CA SPECS)

ITEM	PART NUMBER	QTY	DESCRIPTION	REV
	0275653	Ref	AC BOX AT PLATFORM INSTALLATION	G
1	0275452	1	Receptacle Box Kit - 220V CEE7 Post Ground 21in x 4in (See Separate Breakdown in this Section)	
2	0641415	2	Bolt 1/4 x 1-7/8	
3	0641407	2	Bolt 1/4 x 7/8	
4	0641416	2	Bolt 1/4 x 2	
5	0700408	4	Bolt M4 x 16	
6	1001193018	1	Bracket	
7	1001153636	1	Bracket	
8	1001096070	1	Breaker Box Kit (See Separate Breakdown in this Section)	
9	3290405	4	Nut M4	
10	3311405	6	Nut 1/4	
11	4460662	1	Connector, Strain Relief	
12	4711400	12	Washer 1/4	
13	4811400	8	Washer M4	
14	3252507	1	Decal - 240V-50/60Hz	

SECTION 8 - ELECTRICAL

FIGURE 8-14. AC BOX AT PLATFORM INSTALLATION - 220V CEE7 POST GROUND (CE & UK CA SPECS) (2500W GENERATOR)



ART_1001100397

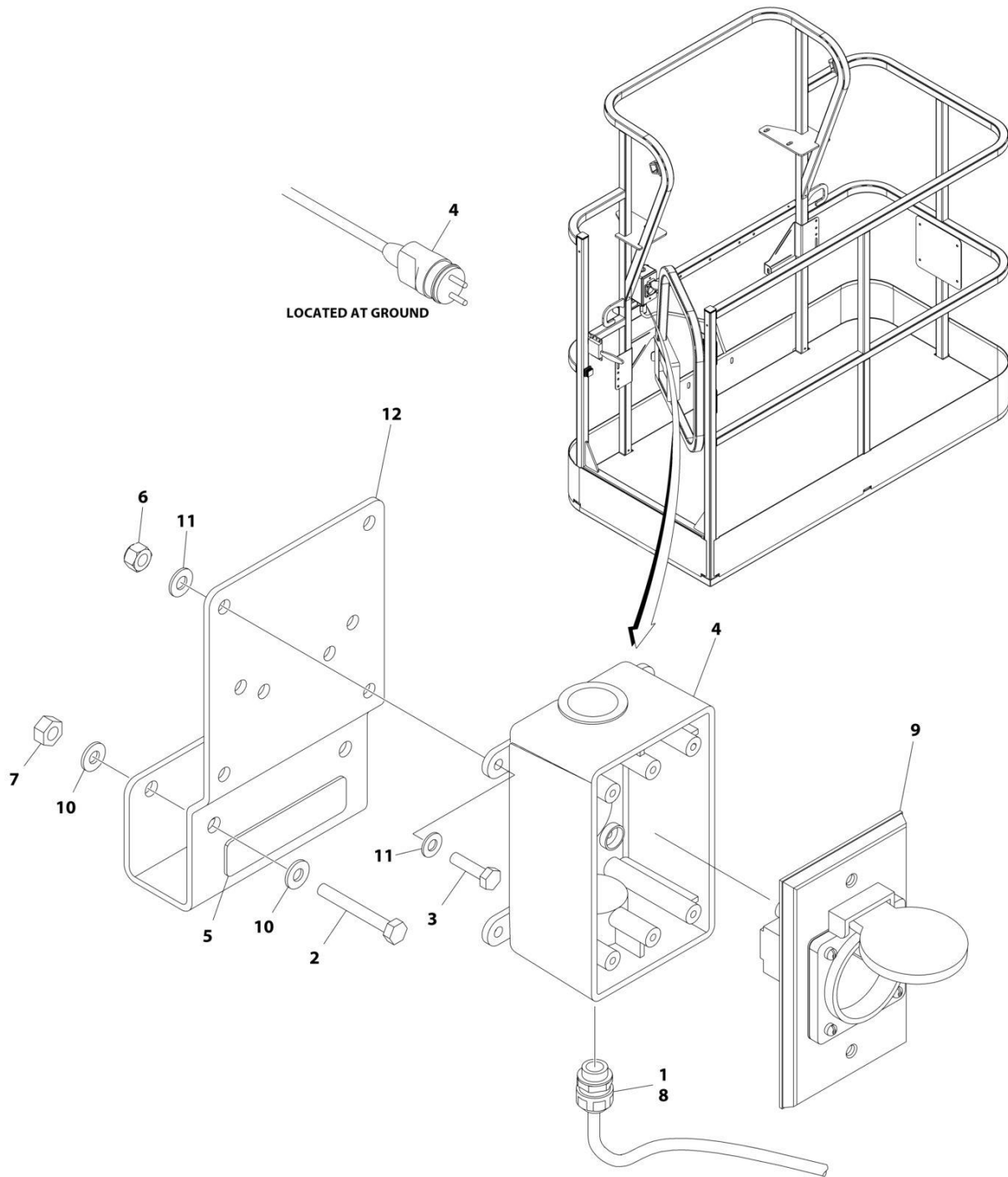
SECTION 8 - ELECTRICAL

FIGURE 8-14. AC BOX AT PLATFORM INSTALLATION - 220V CEE7 POST GROUND (CE & UK CA SPECS) (2500W GENERATOR)

ITEM	PART NUMBER	QTY	DESCRIPTION	REV
	1001100397	Ref	AC BOX AT PLATFORM INSTALLATION	H
1	0641415	2	Bolt 1/4 x 1-7/8	
2	0641407	2	Bolt 1/4 x 7/8	
3	0641416	2	Bolt 1/4 x 2	
4	0700408	4	Bolt M4 x 16	
5	1001193018	1	Bracket	
6	1001153636	1	Bracket	
7	1001109554	1	Breaker Box Kit (See Separate Breakdown in this Section)	
8	3290405	4	Nut M4	
9	3311405	6	Nut 1/4	
10	4460662	1	Connector, Strain Relief	
11	4711400	12	Washer 1/4	
12	4811400	8	Washer M4	
13	1001100345	1	Receptacle Box Kit (See Separate Breakdown in this Section)	
14	3252507	1	Decal - 240V-50/60Hz	

SECTION 8 - ELECTRICAL

FIGURE 8-15. AC BOX AT PLATFORM INSTALLATION - 220V CEE7 POST GROUND (2X4 BOX) (CE & UK CA SPECS) (4000W GENERATOR)



ART_1001194197

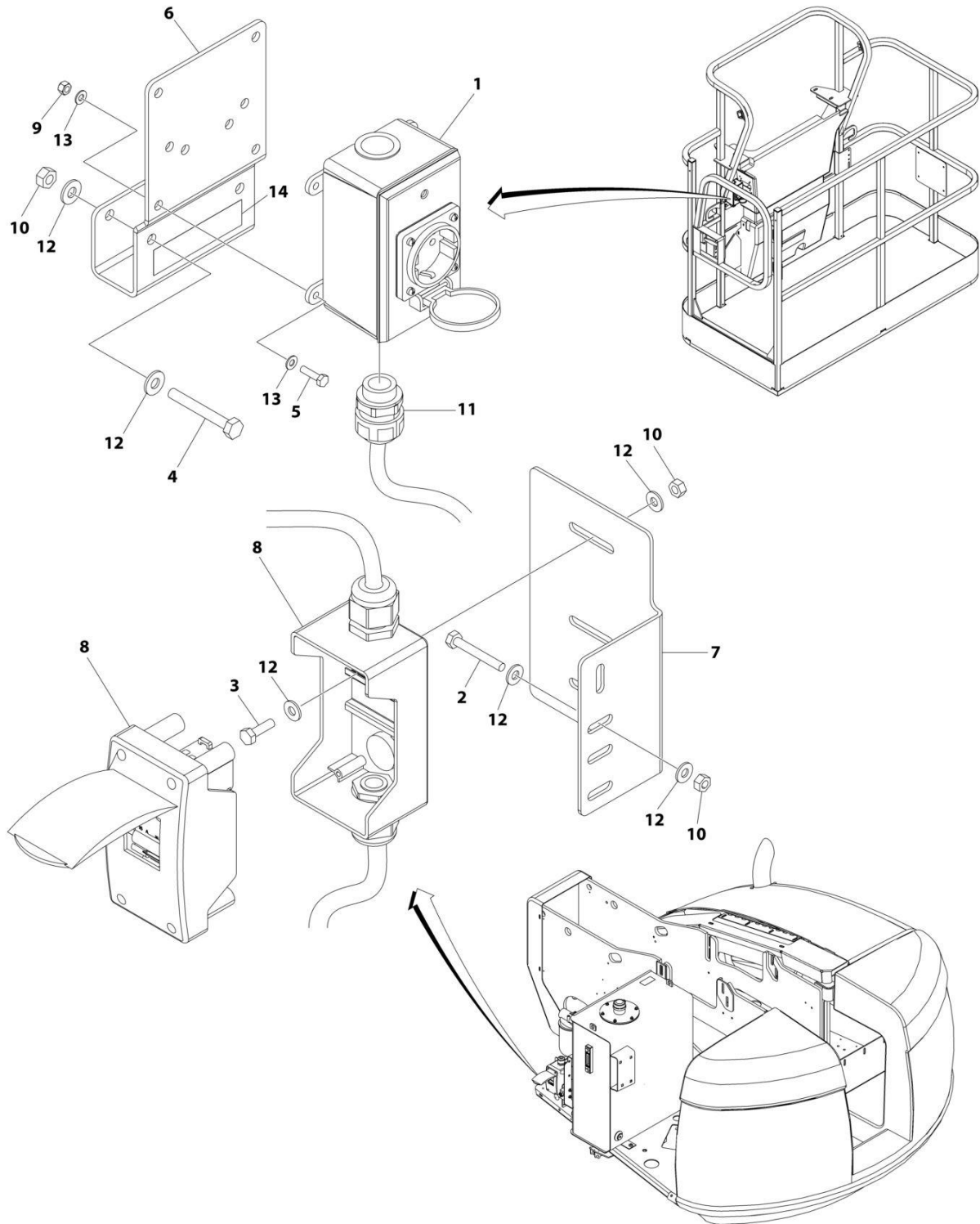
SECTION 8 - ELECTRICAL

FIGURE 8-15. AC BOX AT PLATFORM INSTALLATION - 220V CEE7 POST GROUND (2X4 BOX) (CE & UK CA SPECS) (4000W GENERATOR)

ITEM	PART NUMBER	QTY	DESCRIPTION	REV
	1001194197	Ref	AC BOX AT PLATFORM INSTALLATION	B
1	0100020	AR	Sealant, Pipe	
2	0641416	2	Bolt 1/4 x 2	
3	0700408	4	Bolt M4 x 16	
4	0861731	1	Box, Switch	
5	3251242	1	Decal - 240V/50Hz	
6	3290405	4	Nut M4	
7	3311405	2	Nut 1/4	
8	4460662	1	Connector, Strain Relief	
9	4461244	1	Receptacle	
10	4711400	4	Washer 1/4	
11	4811400	8	Washer M4	
12	1001193018	1	Bracket, AC Receptacle	
13	4460806	2	Terminal, Fork (Not Shown)	
14	1001205958	1	Terminal (Not Shown)	

SECTION 8 - ELECTRICAL

FIGURE 8-16. AC BOX AT PLATFORM INSTALLATION - 220V CEE7 SIDE GROUND (CE & UK CA SPECS)



ART_0275654

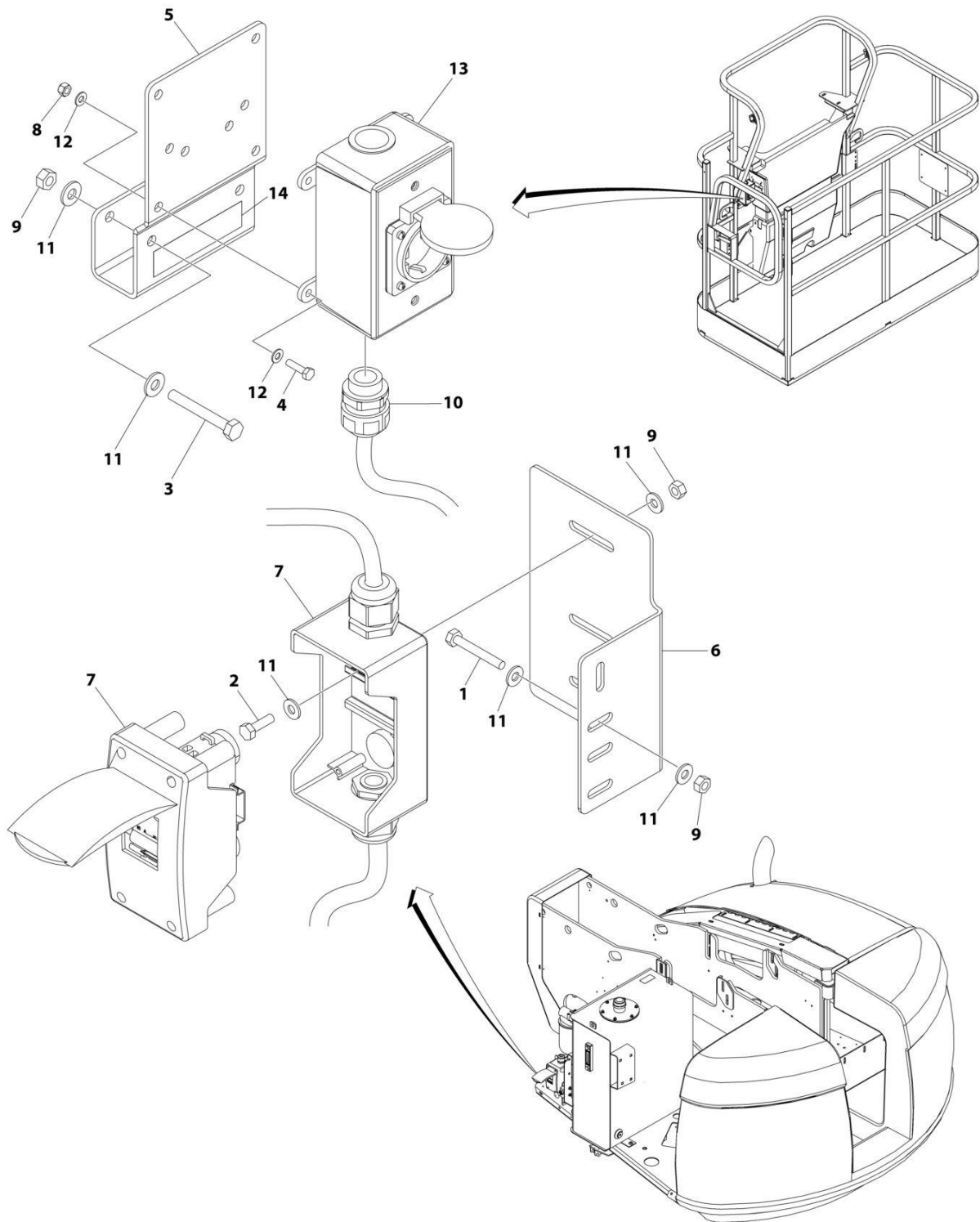
SECTION 8 - ELECTRICAL

FIGURE 8-16. AC BOX AT PLATFORM INSTALLATION - 220V CEE7 SIDE GROUND (CE & UK CA SPECS)

ITEM	PART NUMBER	QTY	DESCRIPTION	REV
	0275654	Ref	AC BOX AT PLATFORM INSTALLATION - 220V CEE7 2X4 BOX SIDE GROUND	G
1	0275453	1	Receptacle Box Kit (See Separate Breakdown in this Section)	
2	0641415	2	Bolt 1/4 x 1-7/8	
3	0641407	2	Bolt 1/4 x 7/8	
4	0641416	2	Bolt 1/4 x 2	
5	0700408	4	Bolt M4 x 16	
6	1001193018	1	Bracket	
7	1001153636	1	Bracket	
8	1001096070	1	Breaker Box Kit (See Separate Breakdown in this Section)	
9	3290405	4	Nut M4	
10	3311405	6	Nut 1/4	
11	4460662	1	Connector, Strain Relief	
12	4711400	12	Washer 1/4	
13	4811400	8	Washer M4	
14	3252507	1	Decal - 240V-50/60Hz	

SECTION 8 - ELECTRICAL

FIGURE 8-17. AC BOX AT PLATFORM INSTALLATION - 220V CEE7 SIDE GROUND (CE & UK CA SPECS) (2500W GENERATOR)



ART_1001100398

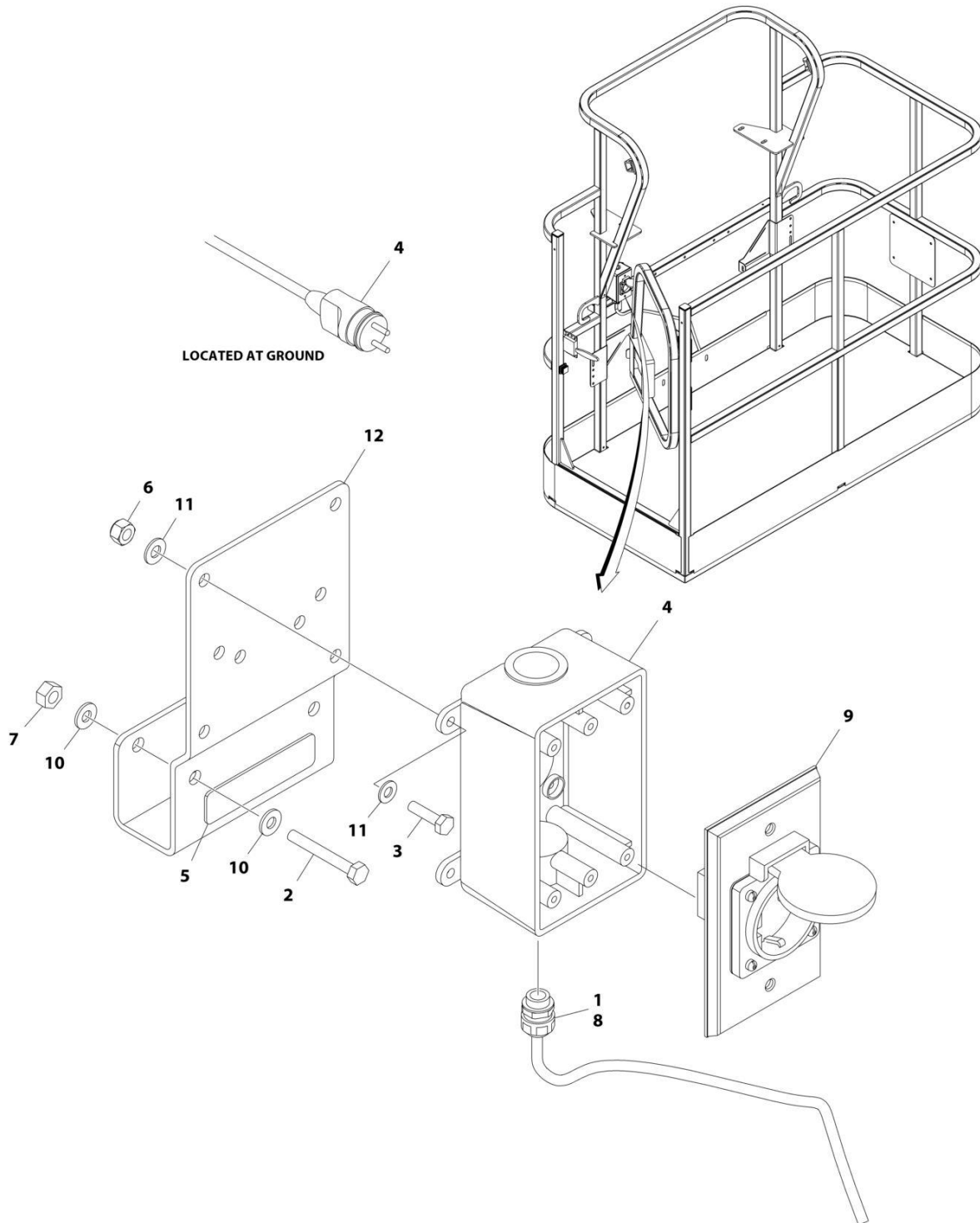
SECTION 8 - ELECTRICAL

FIGURE 8-17. AC BOX AT PLATFORM INSTALLATION - 220V CEE7 SIDE GROUND (CE & UK CA SPECS) (2500W GENERATOR)

ITEM	PART NUMBER	QTY	DESCRIPTION	REV
	1001100398	Ref	AC BOX AT PLATFORM INSTALLATION	H
1	0641415	2	Bolt 1/4 x 1-7/8	
2	0641407	2	Bolt 1/4 x 7/8	
3	0641416	2	Bolt 1/4 x 2	
4	0700408	4	Bolt M4 x 16	
5	1001193018	1	Bracket	
6	1001153636	1	Bracket	
7	1001109554	1	Breaker Box Kit (See Separate Breakdown in this Section)	
8	3290405	4	Nut M4	
9	3311405	6	Nut 1/4	
10	4460662	1	Connector, Strain Relief	
11	4711400	12	Washer 1/4	
12	4811400	8	Washer M4	
13	1001100347	1	Receptacle Box Kit (See Separate Breakdown in this Section)	
14	3252507	1	Decal - 240V-50/60Hz	

SECTION 8 - ELECTRICAL

FIGURE 8-18. AC BOX AT PLATFORM INSTALLATION - 220V CEE7 SIDE GROUND (2X4 BOX) (CE & UK CA SPECS) (4000W GENERATOR)



ART_1001194198

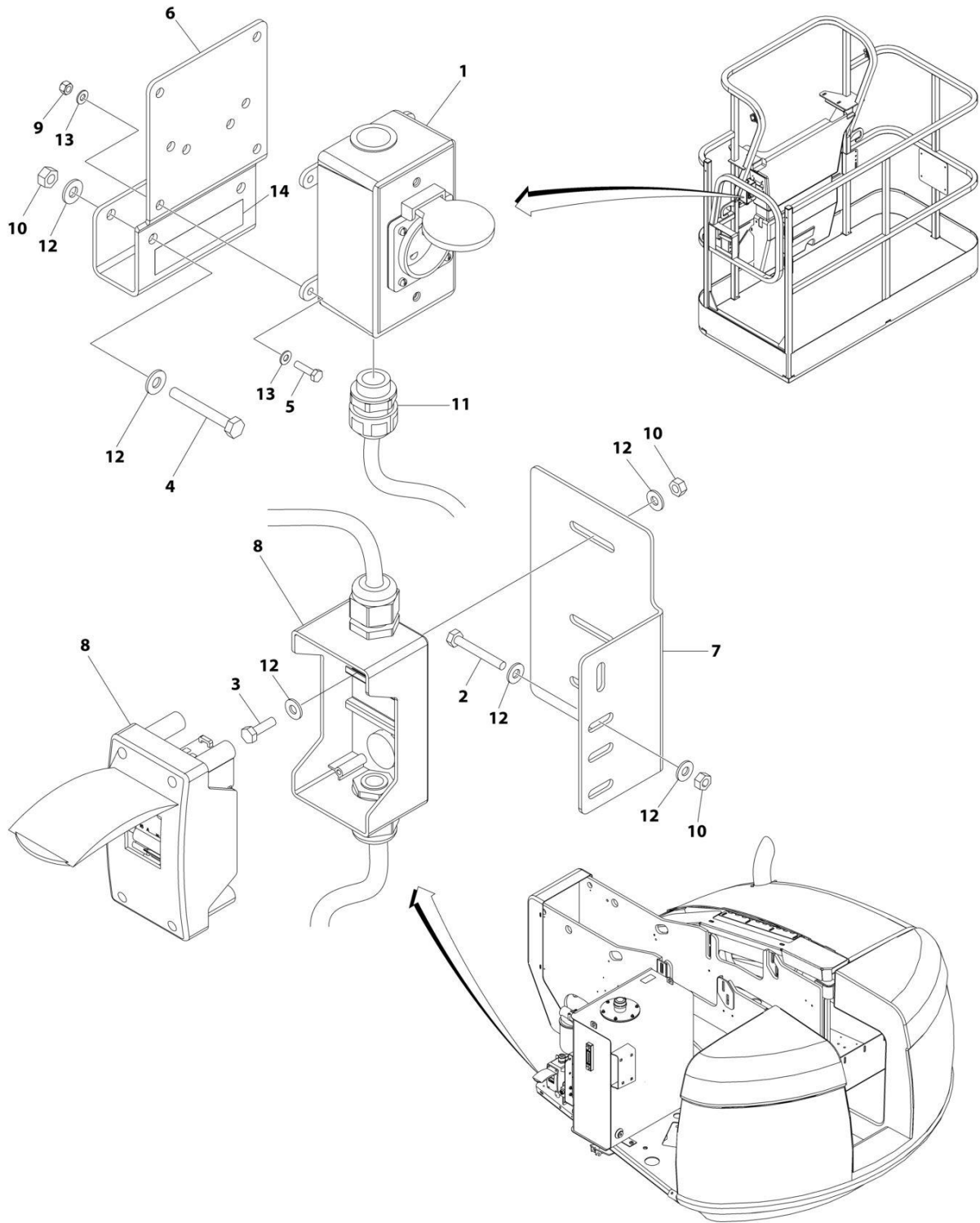
SECTION 8 - ELECTRICAL

FIGURE 8-18. AC BOX AT PLATFORM INSTALLATION - 220V CEE7 SIDE GROUND (2X4 BOX) (CE & UK CA SPECS) (4000W GENERATOR)

ITEM	PART NUMBER	QTY	DESCRIPTION	REV
	1001194198	Ref	AC BOX AT PLATFORM INSTALLATION	B
1	0100020	AR	Sealant, Pipe	
2	0641416	2	Bolt 1/4 x 2	
3	0700408	4	Bolt M4 x 16	
4	0861731	1	Box, Switch	
5	3251242	1	Decal - 240V/50Hz	
6	3290405	4	Nut M4	
7	3311405	2	Nut 1/4	
8	4460662	1	Connector, Strain Relief	
9	4461245	1	Receptacle	
10	4711400	4	Washer 1/4	
11	4811400	8	Washer M4	
12	1001193018	1	Bracket, AC Receptacle	
13	4460806	2	Terminal, Fork (Not Shown)	
14	1001205958	1	Terminal (Not Shown)	

SECTION 8 - ELECTRICAL

FIGURE 8-19. AC BOX AT PLATFORM INSTALLATION - 220V AFSINT 107 (CE & UK CA SPECS)



ART_0275660

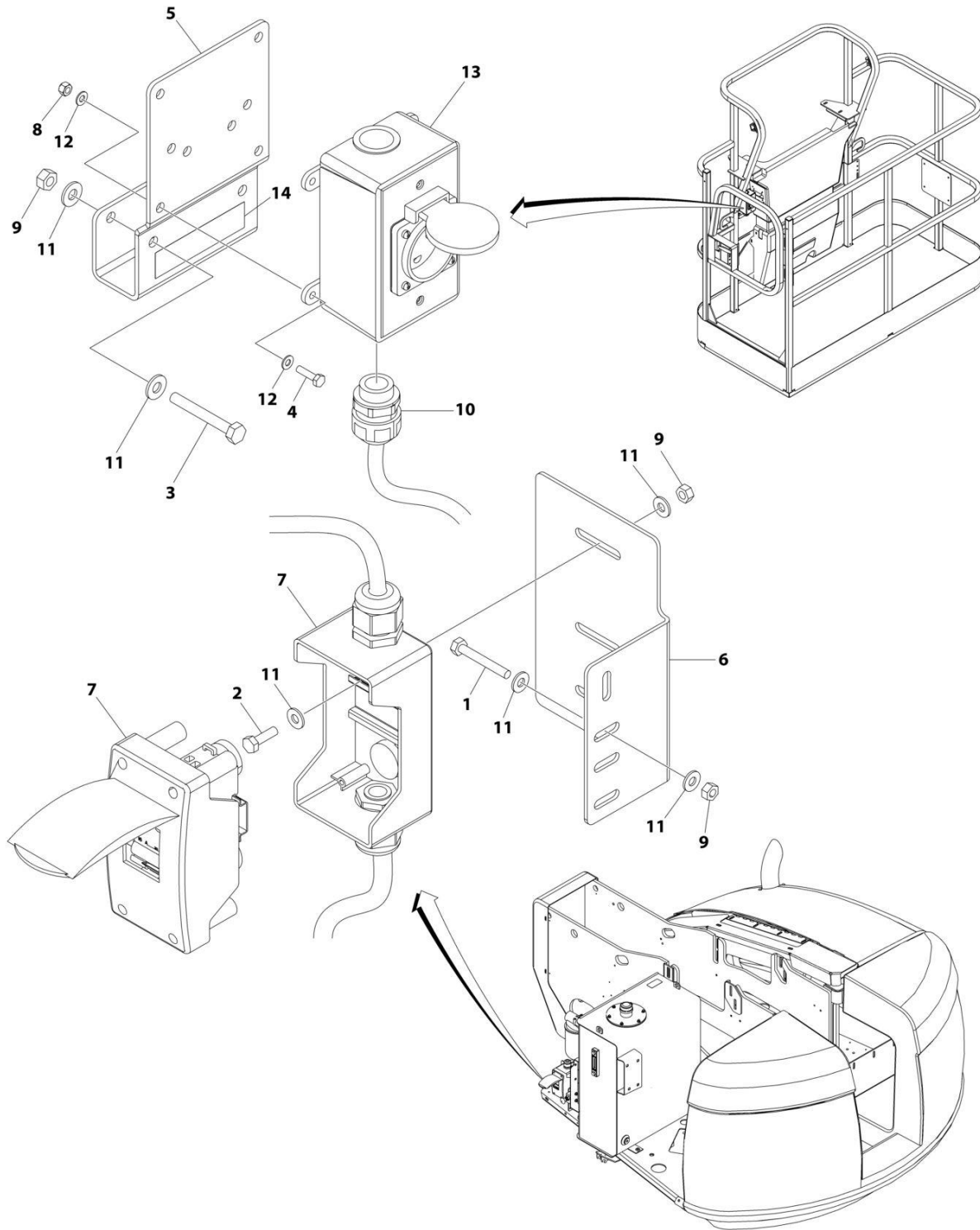
SECTION 8 - ELECTRICAL

FIGURE 8-19. AC BOX AT PLATFORM INSTALLATION - 220V AFSINT 107 (CE & UK CA SPECS)

ITEM	PART NUMBER	QTY	DESCRIPTION	REV
	0275660	Ref	AC BOX AT PLATFORM INSTALLATION - 220V AFSINT 107	G
1	0275454	1	Receptacle Box Kit (See Separate Breakdown in this Section)	
2	0641415	2	Bolt 1/4 x 1-7/8	
3	0641407	2	Bolt 1/4 x 7/8	
4	0641416	2	Bolt 1/4 x 2	
5	0700408	4	Bolt M4 x 16	
6	1001193018	1	Bracket	
7	1001153636	1	Bracket	
8	1001096070	1	Breaker Box Kit (See Separate Breakdown in this Section)	
9	3290405	4	Nut M4	
10	3311405	6	Nut 1/4	
11	4460662	1	Connector, Strain Relief	
12	4711400	12	Washer 1/4	
13	4811400	8	Washer M4	
14	3252507	1	Decal - 240V-50/60Hz	

SECTION 8 - ELECTRICAL

FIGURE 8-20. AC BOX AT PLATFORM INSTALLATION - 220V AFSINT 107 (CE & UK CA SPECS)
(2500W GENERATOR)



ART_1001100399

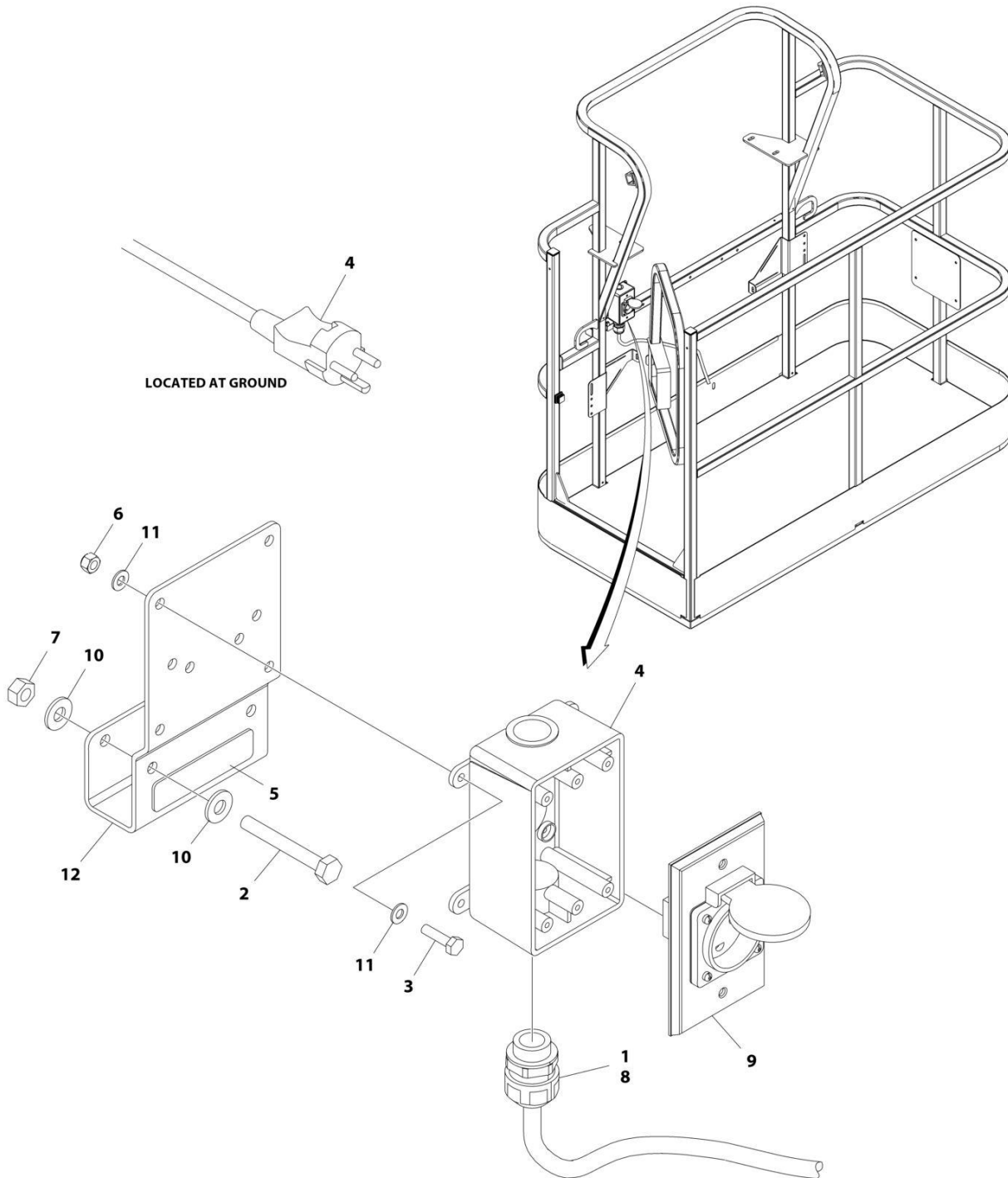
SECTION 8 - ELECTRICAL

**FIGURE 8-20. AC BOX AT PLATFORM INSTALLATION - 220V AFSINT 107 (CE & UK CA SPECS)
(2500W GENERATOR)**

ITEM	PART NUMBER	QTY	DESCRIPTION	REV
	1001100399	Ref	AC BOX AT PLATFORM INSTALLATION	G
1	0641415	2	Bolt 1/4 x 1-7/8	
2	0641407	2	Bolt 1/4 x 7/8	
3	0641416	2	Bolt 1/4 x 2	
4	0700408	4	Bolt M4 x 16	
5	1001193018	1	Bracket	
6	1001153636	1	Bracket	
7	1001109554	1	Breaker Box Kit (See Separate Breakdown in this Section)	
8	3290405	4	Nut M4	
9	3311405	6	Nut 1/4	
10	4460662	1	Connector, Strain Relief	
11	4711400	12	Washer 1/4	
12	4811400	8	Washer M4	
13	1001100346	1	Receptacle Box Kit (See Separate Breakdown in this Section)	
14	3252507	1	Decal - 240V-50/60Hz	

SECTION 8 - ELECTRICAL

FIGURE 8-21. AC BOX AT PLATFORM INSTALLATION - 220V AFSINT 107 KEYED GROUND (2X4 BOX) (CE & UK CA SPECS) (4000W GENERATOR)



ART_1001194200

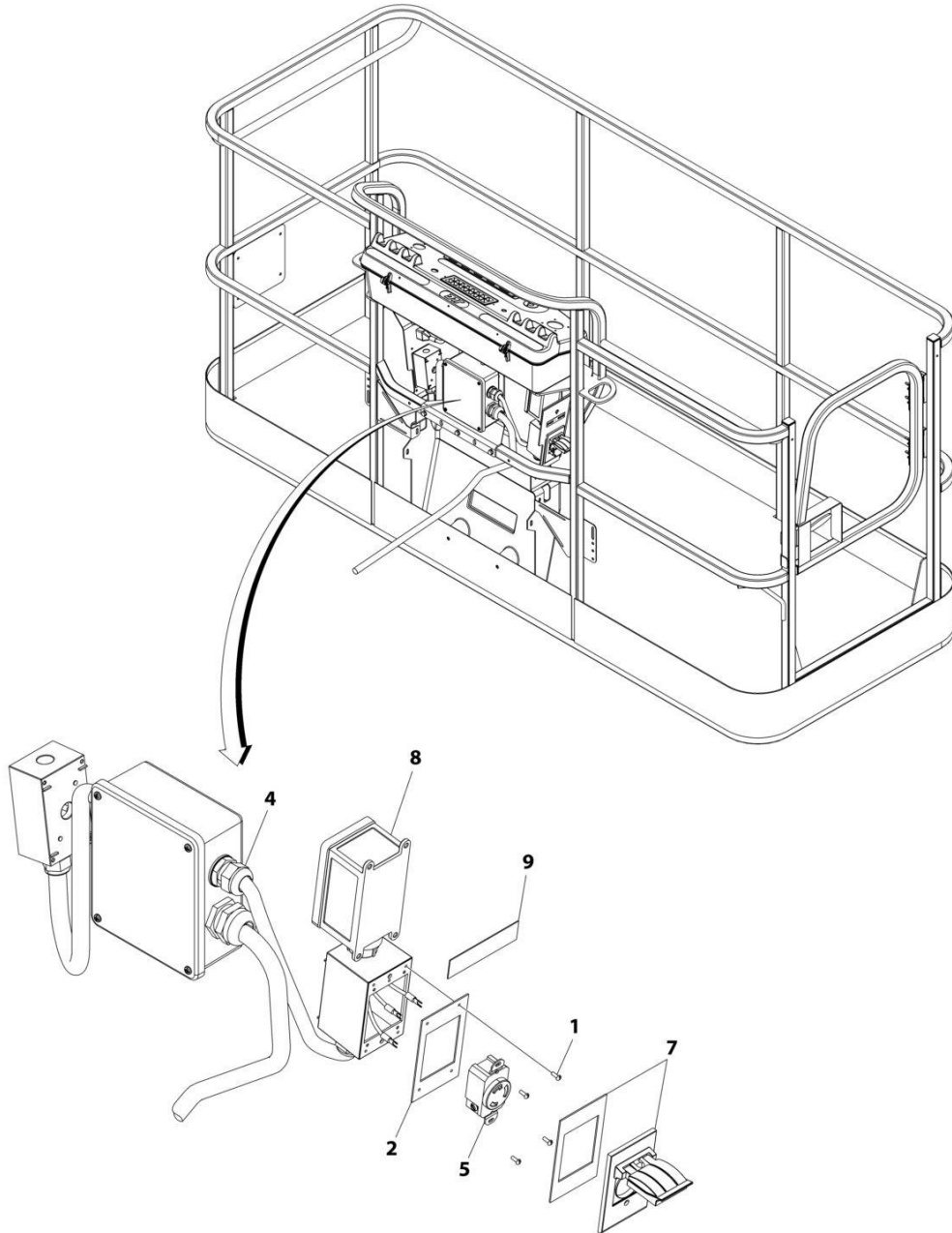
SECTION 8 - ELECTRICAL

FIGURE 8-21. AC BOX AT PLATFORM INSTALLATION - 220V AFSINT 107 KEYED GROUND (2X4 BOX) (CE & UK CA SPECS) (4000W GENERATOR)

ITEM	PART NUMBER	QTY	DESCRIPTION	REV
	1001194200	Ref	AC BOX AT PLATFORM INSTALLATION	B
1	0100020	AR	Sealant, Pipe	
2	0641416	2	Bolt 1/4 x 2	
3	0700408	4	Bolt M4 x 16	
4	0861731	1	Box, Switch	
5	3251242	1	Decal - 240V/50Hz	
6	3290405	4	Nut M4	
7	3311405	2	Nut 1/4	
8	4460662	1	Connector, Strain Relief	
9	4461246	1	Receptacle	
10	4711400	4	Washer 1/4	
11	4811400	8	Washer M4	
12	1001193018	1	Bracket, AC Receptacle	
13	1001205958	1	Terminal (Not Shown)	

SECTION 8 - ELECTRICAL

FIGURE 8-22. AC BOX AT PLATFORM INSTALLATION - 240V GFCI RECEPTACLE (ANSI, ANSI EXPORT, CHINA, CSA AND JAPANESE SPECS WITH 4000W SKYPOWER GENERATOR)



ART_1001171131

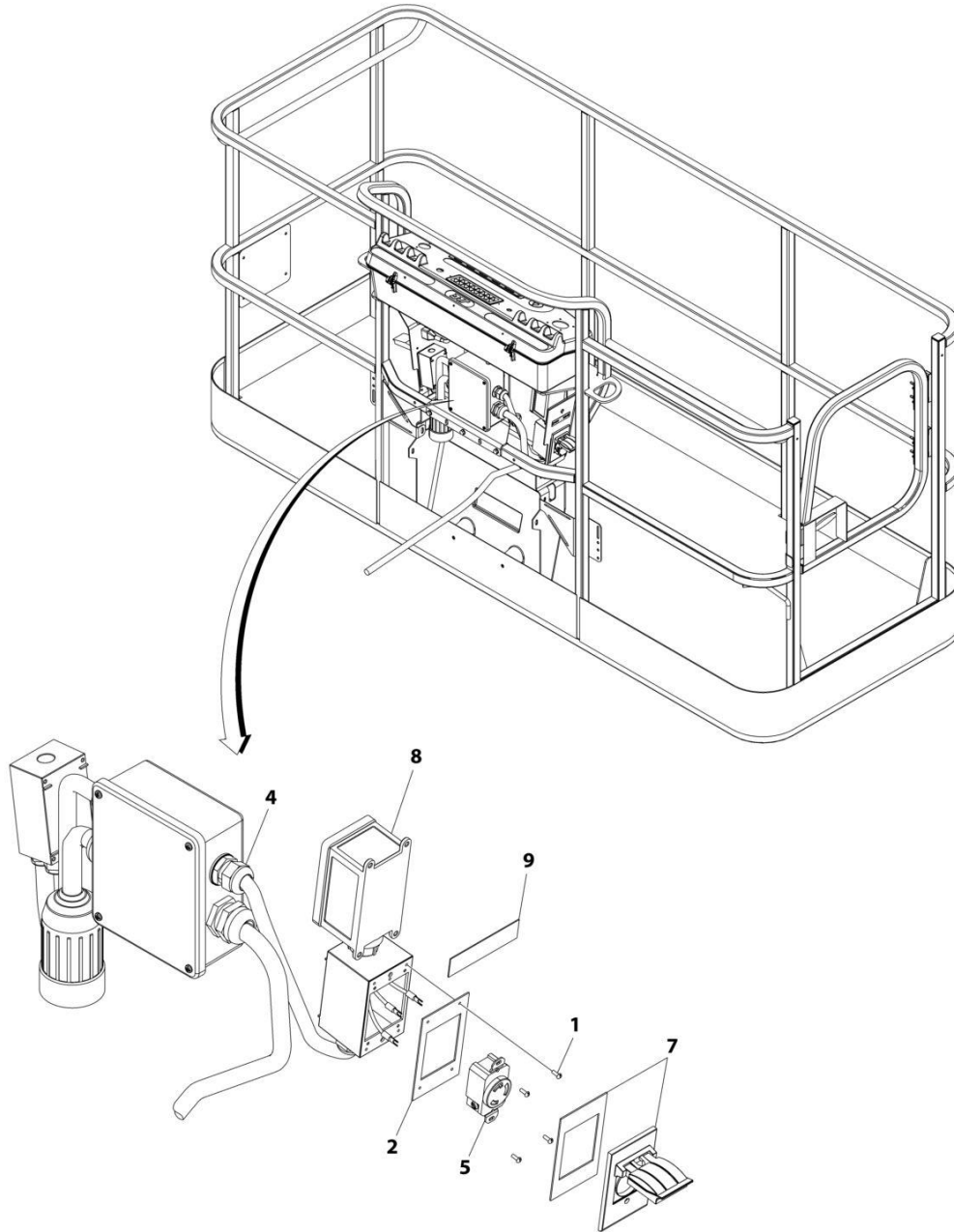
SECTION 8 - ELECTRICAL

FIGURE 8-22. AC BOX AT PLATFORM INSTALLATION - 240V GFCI RECEPTACLE (ANSI, ANSI EXPORT, CHINA, CSA AND JAPANESE SPECS WITH 4000W SKYPOWER GENERATOR)

ITEM	PART NUMBER	QTY	DESCRIPTION	REV
	1001171131	Ref	AC BOX AT PLATFORM INSTALLATION - 240V RECEPTACLE	B
1	3910606	4	Screw 6 x 3/8	
2	3960422	1	Gasket	
3	4240018	AR	Tie-Strap (Not Shown)	
4	4460425	1	Connector, Strain Relief	
5	1001176862	1	Receptacle	
7	1001110872	1	Cover, Receptacle	
8	1001159120	1	Receptacle/Breaker Box Assembly	
8	1001148675	1	Box, Receptacle	
8	1001159118	1	Breaker GFCI 30Amp 240VAC	
8	4460612	1	Connector, Strain Relief	
8	1001159119	1	Connector (Between Boxes)	
9	1705374	1	Decal - 240V/60Hz	

SECTION 8 - ELECTRICAL

FIGURE 8-23. AC BOX AT PLATFORM INSTALLATION - 240V GFCI RECEPTACLE (ANSI AND CSA SPECS WITH 7500W SKYPOWER GENERATOR)



ART_1001159121

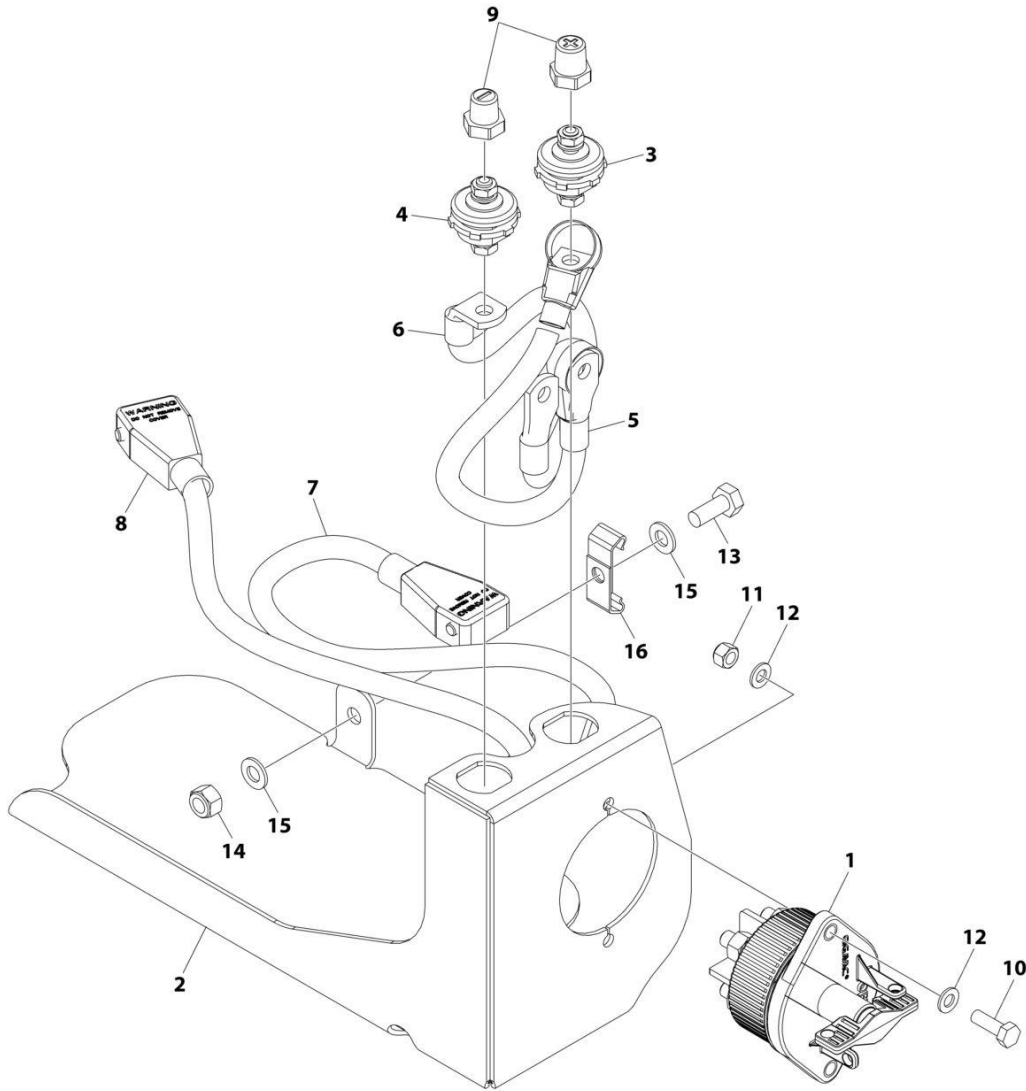
SECTION 8 - ELECTRICAL

FIGURE 8-23. AC BOX AT PLATFORM INSTALLATION - 240V GFCI RECEPTACLE (ANSI AND CSA SPECS WITH 7500W SKYPOWER GENERATOR)

ITEM	PART NUMBER	QTY	DESCRIPTION	REV
	1001159121	Ref	AC BOX AT PLATFORM INSTALLATION - 240V RECEPTACLE	B
1	3910606	4	Screw 6 x 3/8	
2	3960422	1	Gasket	
3	4240018	AR	Tie-Strap (Not Shown)	
4	4460425	1	Connector, Strain Relief	
5	4460958	1	Receptacle	
7	1001110872	1	Cover, Receptacle	
8	1001159120	1	Receptacle/Breaker Box Assembly	
8	1001148675	1	Box, Receptacle	
8	1001159118	1	Breaker Box Assembly	
8	4460612	1	Connector, Strain Relief	
8	1001159119	1	Connector (Between Boxes)	
9	1705374	1	Decal - 240V/60Hz	

SECTION 8 - ELECTRICAL

FIGURE 8-24. BATTERY DISCONNECT SWITCH INSTALLATION – DEUTZ D2011 ENGINES



ART_1001214396

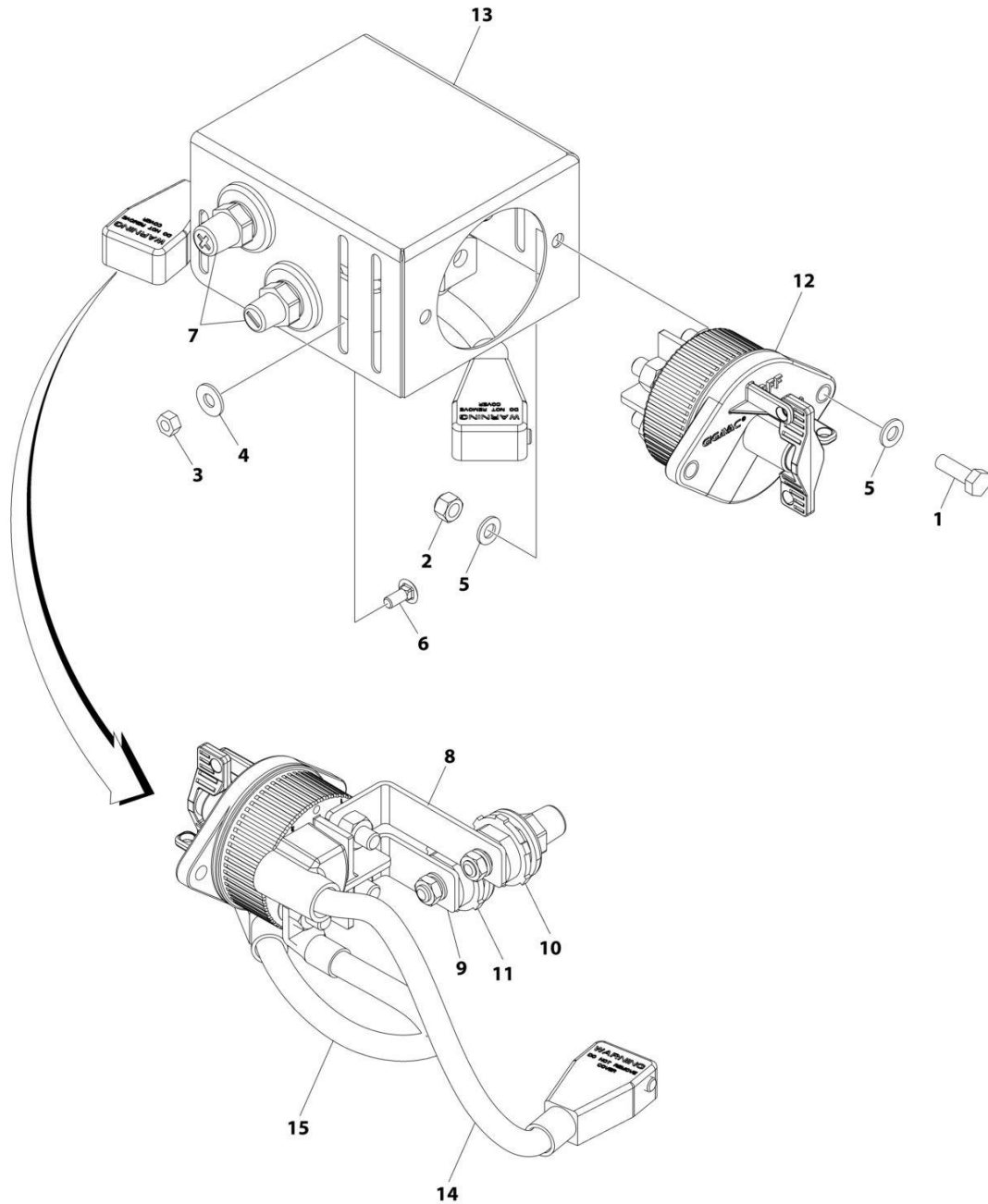
SECTION 8 - ELECTRICAL

FIGURE 8-24. BATTERY DISCONNECT SWITCH INSTALLATION – DEUTZ D2011 ENGINES

ITEM	PART NUMBER	QTY	DESCRIPTION	REV
	1001214396	Ref	BATTERY DISCONNECT SWITCH INSTALLATION	B
1	1001225346	1	Switch	
2	1001226529	1	Mount	
3	1001214570	1	Connector (Red)	
4	1001214571	1	Connector (Black)	
5	1001236375	1	Cable (Positive)	
6	1001236376	1	Cable (Negative)	
7	1001236377	1	Cable (Positive)	
8	1001236378	1	Cable (Negative)	
9	1001206476	1	Connector	
10	0760812	2	Bolt M8 x 25	
11	3290805	2	Nut M8	
12	4811900	4	Washer M8	
13	0761012	1	Bolt M10 x 25	
14	3291005	1	Nut M10	
15	4812000	2	Washer M10	
16	1320223	2	Clamp	

SECTION 8 - ELECTRICAL

FIGURE 8-25. BATTERY DISCONNECT SWITCH INSTALLATION (DEUTZ TD2.9L4, DEUTZ D2.9L4, DEUTZ TD2.2L3 STAGE V AND FORD DF2.5L ENGINES)



ART_1001236304

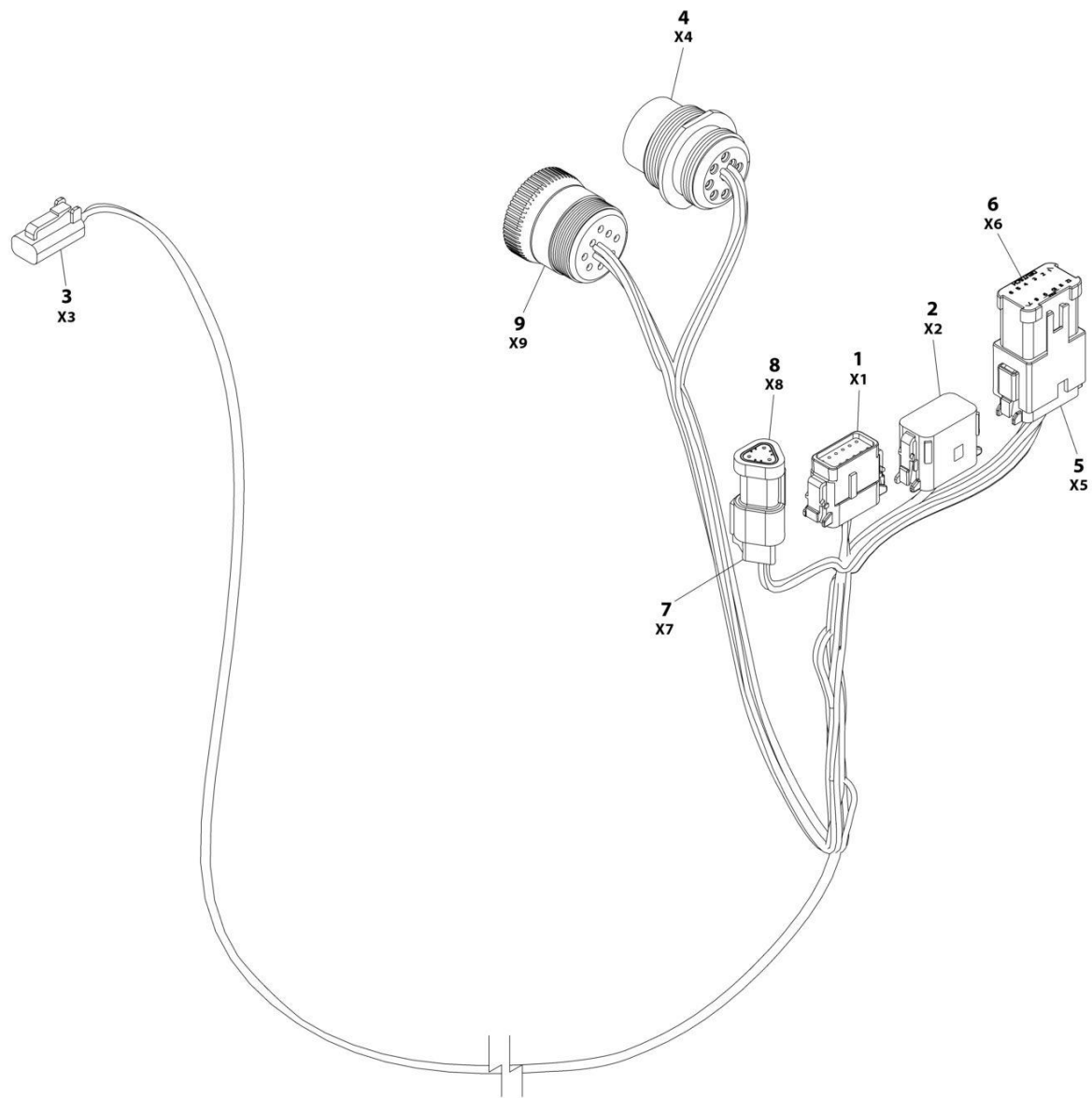
SECTION 8 - ELECTRICAL

FIGURE 8-25. BATTERY DISCONNECT SWITCH INSTALLATION (DEUTZ TD2.9L4, DEUTZ D2.9L4, DEUTZ TD2.2L3 STAGE V AND FORD DF2.5L ENGINES)

ITEM	PART NUMBER	QTY	DESCRIPTION	REV
	1001236304	Ref	BATTERY DISCONNECT SWITCH INSTALLATION	A
1	0760812	2	Bolt M8 x 25	
2	3290805	2	Nut M8	
3	3311405	3	Nut 1/4	
4	4751400	3	Washer 1/4	
5	4811900	4	Washer M8	
6	88411013	3	Bolt 1/4 x 3/4	
7	1001206476	1	Connectors, Post	
8	1001209432	1	Bussbar	
9	1001209474	1	Bussbar	
10	1001214570	1	Connector (Red)	
11	1001214571	1	Connector (Black)	
12	1001225346	1	Switch, Battery	
13	1001226531	1	Mount	
14	1001236504	1	Cable, Battery (+)	
15	1001236505	1	Cable, Battery (-)	

SECTION 8 - ELECTRICAL

FIGURE 8-26. BEACON LIGHT HARNESS (BLUE AND RED BEACON LIGHT)



ART_1001142736

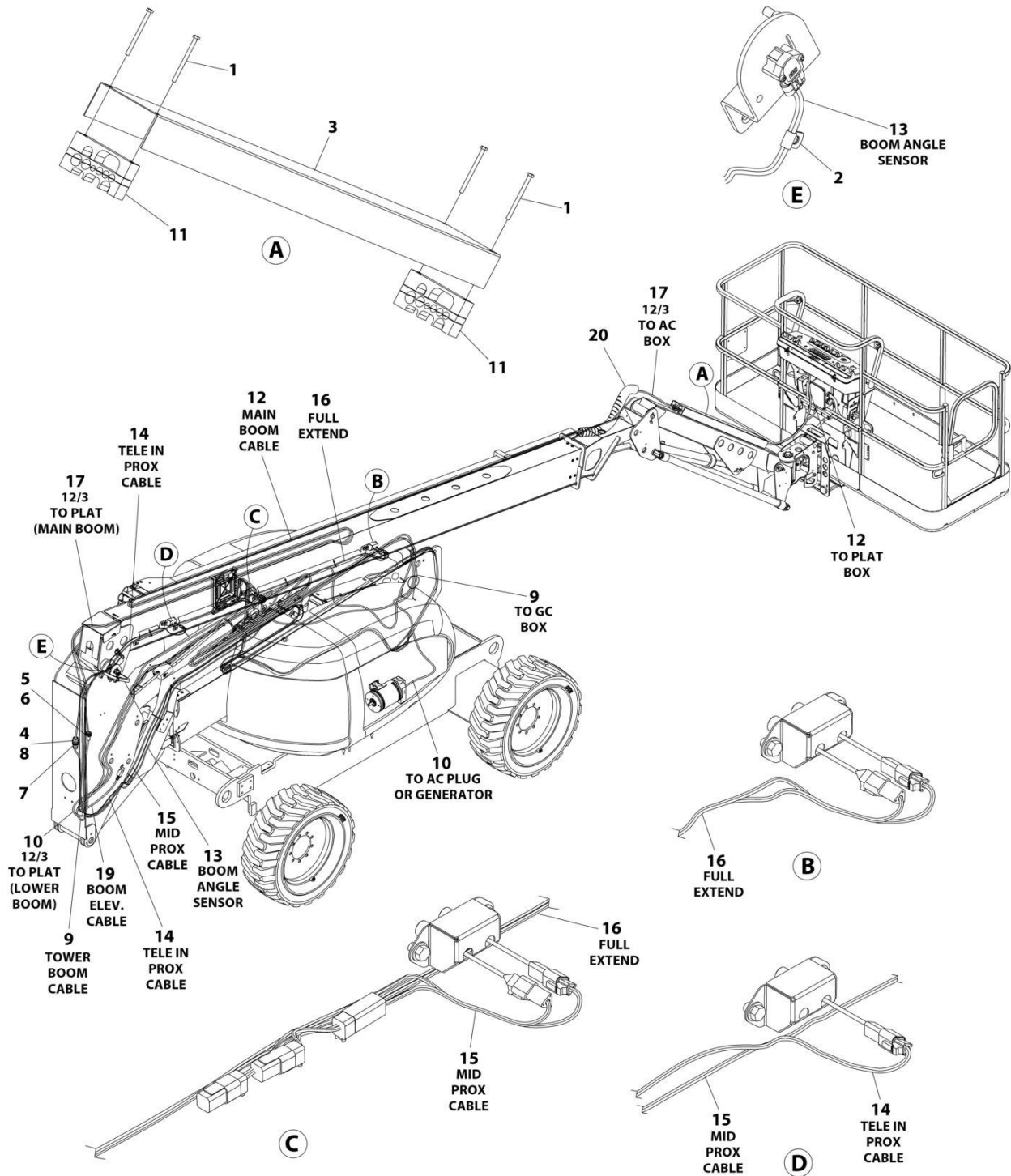
SECTION 8 - ELECTRICAL

FIGURE 8-26. BEACON LIGHT HARNESS (BLUE AND RED BEACON LIGHT)

ITEM	PART NUMBER	QTY	DESCRIPTION	REV
	1001142736	Ref	STROBE LIGHT HARNESS	F
1	1001116808	1	Plug, Male - 12 Position	
1	4460928	3	Socket, Female	
1	4460518	9	Plug, Terminal	
2	1001116774	1	Plug, Male - 12 Position	
2	4460928	3	Socket, Female	
2	4460518	9	Plug, Terminal	
3	4460891	1	Plug, Male - 2 Position	
3	4460465	2	Socket, Female	
4	1001112612	1	Connector - 9 Position	
4	4460464	6	Pin, Male	
4	4460466	3	Plug, Terminal	
5	4460933	1	Plug, Male - 12 Position	
5	4460465	12	Socket, Female	
6	1001119020	1	Bussbar - 12 Position	
7	4461095	1	Plug, Male - 3 Position	
7	4460465	3	Socket, Female	
8	4461070	1	Bussbar - 3 Position	
9	1001112796	1	Connector - 9 Position	
9	4460465	6	Socket, Female	
9	4460466	3	Plug, Terminal	

SECTION 8 - ELECTRICAL

FIGURE 8-27. BOOM CABLES INSTALLATION - WITH 2500W GENERATOR OR NO GENERATOR



ART_1001256026

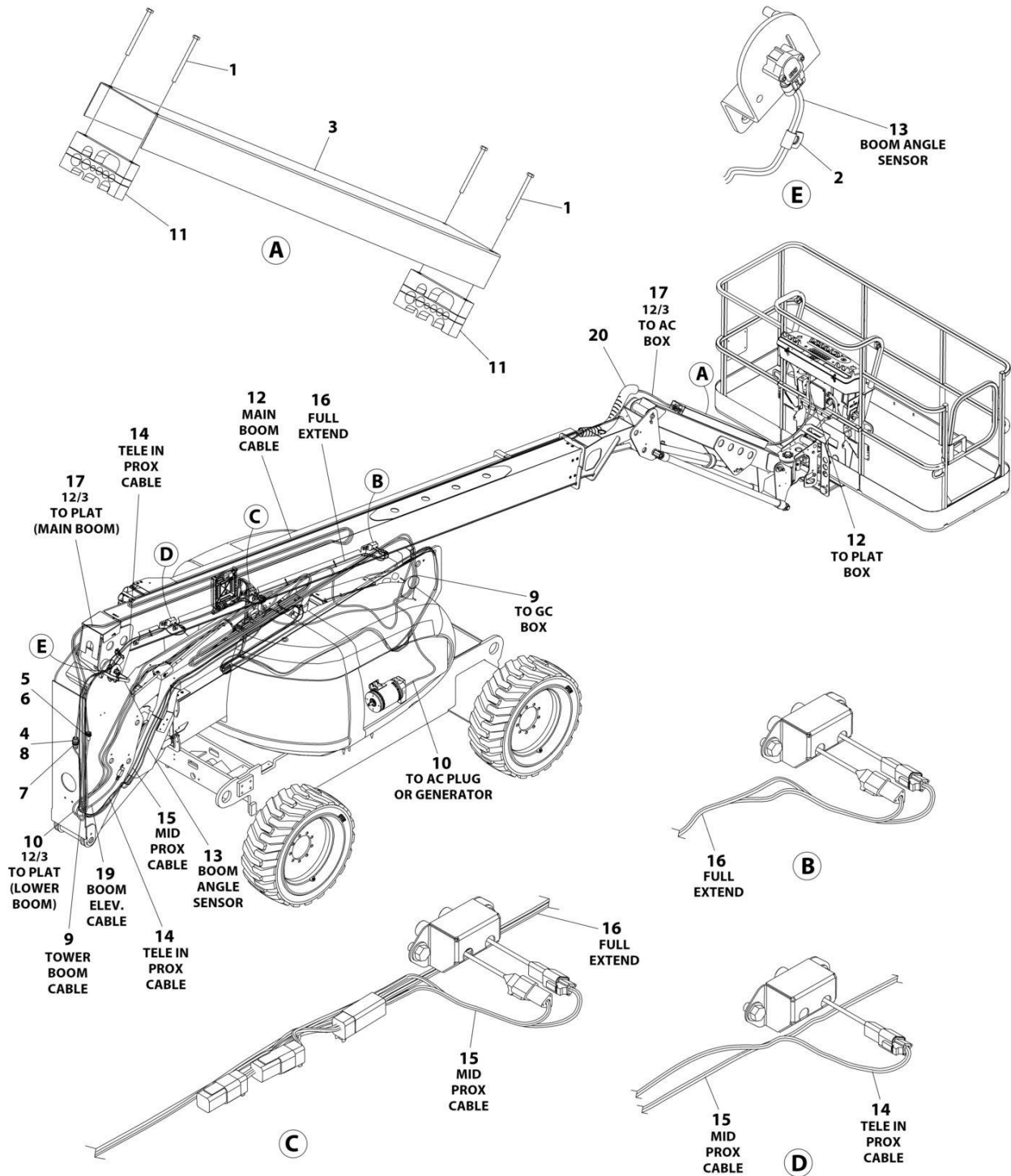
SECTION 8 - ELECTRICAL

FIGURE 8-27. BOOM CABLES INSTALLATION - WITH 2500W GENERATOR OR NO GENERATOR

ITEM	PART NUMBER	QTY	DESCRIPTION	REV
	1001256026	Ref	BOOM CABLES INSTALLATION	D
1	0700624	4	Bolt M6 x 80	
2	1320263	1	Clamp	
3	1671034	1	Cover	
4	2820031	AR	Heat Shrink	
5	4460466	8	Plug, Terminal	
6	4460473	1	Clamp, Cable	
7	4460865	1	Connector - 19 Pin Plug	
8	4460866	1	Connector - 19 Pin Receptacle	
9	4922494	1	Boom Cable - Tower Boom (See Separate Breakdown in this Section)	
10	4922893	1	Cable, Electrical - 12/3 (Tower Boom)	
11	1001165350	2	Block, Clamp	
12	1001254463	1	Boom Cable - Main Boom (See Separate Breakdown in this Section)	
13	1001254465	1	Sensor, Harness - Boom Angle	
13	1001230931	1	Connector - 6 Position	
13	1001116748	6	Terminal	
14	1001254466	1	Sensor, Harness - Tele in Prox	
14	4460539	1	Plug, Male - 3 Position	
14	4460465	3	Socket, Female	
15	1001254467	1	Sensor, Harness - Mid Prox (See Separate Breakdown in this Section)	
16	1001254468	1	Sensor, Harness - Full Extension (See Separate Breakdown in this Section)	
17	1001257325	1	Cable, Electrical - 12/3 (Main Boom)	
18	4240033	1	Tie - Strap (Not Shown)	
19	1061033	1	Cable, Electrical - 18/2	
20	1001181923	1	Hose Shield	

SECTION 8 - ELECTRICAL

FIGURE 8-28. BOOM CABLE INSTALLATION - WITH 4000W/50HZ GENERATOR



ART_1001256026

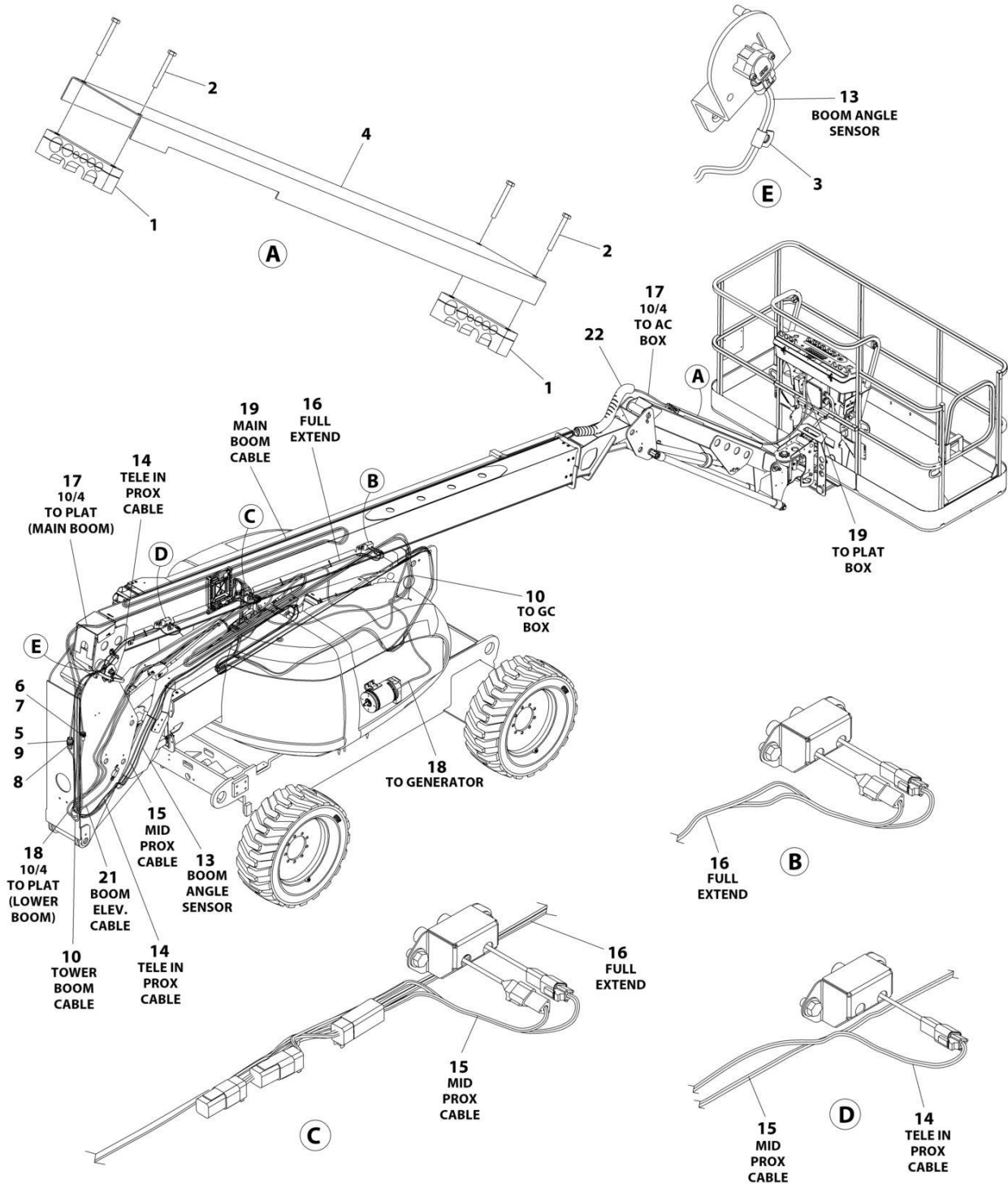
SECTION 8 - ELECTRICAL

FIGURE 8-28. BOOM CABLE INSTALLATION - WITH 4000W/50HZ GENERATOR

ITEM	PART NUMBER	QTY	DESCRIPTION	REV
	1001256026	Ref	BOOM CABLES INSTALLATION	D
1	0700624	4	Bolt M6 x 80	
2	1320263	1	Clamp	
3	1671034	1	Cover	
4	2820031	AR	Heat Shrink	
5	4460466	8	Plug, Terminal	
6	4460473	1	Clamp, Cable	
7	4460865	1	Connector - 19 Pin Plug	
8	4460866	1	Connector - 19 Pin Receptacle	
9	4922494	1	Boom Cable - Tower Boom (See Separate Breakdown in this Section)	
10	4922893	1	Cable, Electrical - 12/3 (Tower Boom)	
11	1001165350	2	Block, Clamp	
12	1001254463	1	Boom Cable - Main Boom (See Separate Breakdown in this Section)	
13	1001254465	1	Sensor, Harness - Boom Angle	
13	1001230931	1	Connector - 6 Position	
13	1001116748	6	Terminal	
14	1001254466	1	Sensor, Harness - Tele in Prox	
14	4460539	1	Plug, Male - 3 Position	
14	4460465	3	Socket, Female	
15	1001254467	1	Sensor, Harness - Mid Prox (See Separate Breakdown in this Section)	
16	1001254468	1	Sensor, Harness - Full Extension (See Separate Breakdown in this Section)	
17	1001257325	1	Cable, Electrical - 12/3 (Main Boom)	
18	4240033	1	Tie - Strap (Not Shown)	
19	1061033	1	Cable, Electrical - 18/2	
20	1001181923	1	Hose Shield	

SECTION 8 - ELECTRICAL

FIGURE 8-29. BOOM CABLES INSTALLATION - WITH 4000W/60HZ GENERATOR



ART_1001256028

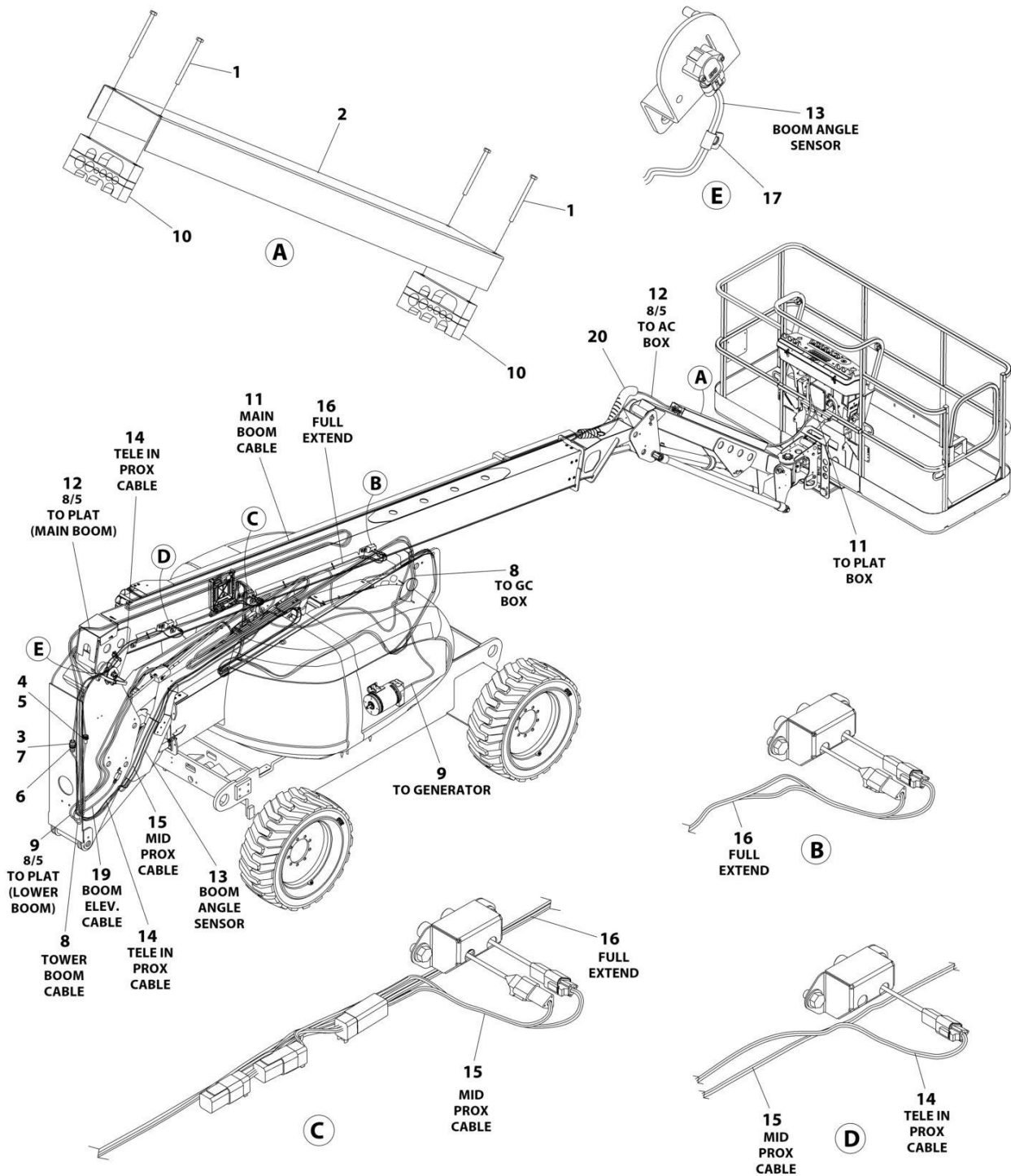
SECTION 8 - ELECTRICAL

FIGURE 8-29. BOOM CABLES INSTALLATION - WITH 4000W/60HZ GENERATOR

ITEM	PART NUMBER	QTY	DESCRIPTION	REV
	1001256028	Ref	BOOM CABLES INSTALLATION	D
1	0561237	2	Block, Clamp	
2	0700618	4	Bolt M6 x 50	
3	1320263	1	Clamp	
4	1670769	1	Cover	
5	2820031	AR	Heat Shrink	
6	4460466	8	Plug, Terminal	
7	4460473	1	Clamp, Cable	
8	4460865	1	Connector - 19 Pin Plug	
9	4460866	1	Connector - 19 Pin Receptacle	
10	4922494	1	Boom Cable - Tower Boom (See Separate Breakdown in this Section)	
13	1001254465	1	Sensor, Harness - Boom Angle	
13	1001230931	1	Connector - 6 Position	
13	1001116748	6	Terminal	
14	1001254466	1	Sensor, Harness - Tele in Prox	
14	4460539	1	Plug, Male - 3 Position	
14	4460465	3	Socket, Female	
15	1001254467	1	Sensor, Harness - Mid Prox (See Separate Breakdown in this Section)	
16	1001254468	1	Sensor, Harness - Full Extension (See Separate Breakdown in this Section)	
17	1001257326	1	Cable, Electrical - 10/4 (Main Boom)	
18	1001156490	1	Cable, Electrical - 10/4 (Tower Boom)	
19	1001254463	1	Boom Cable - Main Boom (See Separate Breakdown in this Section)	
20	4240033	1	Tie - Strap (Not Shown)	
21	1061033	1	Cable, Electrical 18/2	
22	1001181923	1	Hose Shield	

SECTION 8 - ELECTRICAL

FIGURE 8-30. BOOM CABLE INSTALLATION - WITH 7500W GENERATOR



ART_1001250983

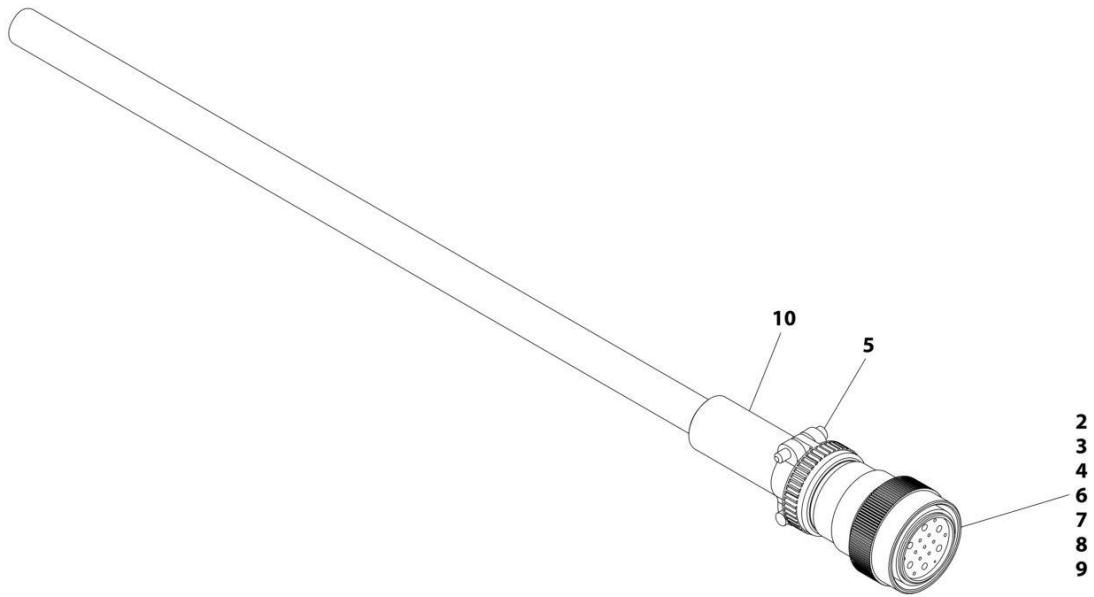
SECTION 8 - ELECTRICAL

FIGURE 8-30. BOOM CABLE INSTALLATION - WITH 7500W GENERATOR

ITEM	PART NUMBER	QTY	DESCRIPTION	REV
	1001250983	Ref	BOOM CABLES INSTALLATION	D
1	0700624	4	Bolt M6 x 80	
2	1671034	1	Cover	
3	2820031	AR	Heat Shrink	
4	4460466	8	Plug, Terminal	
5	4460473	1	Clamp, Cable	
6	4460865	1	Connector - 19 Pin Plug	
7	4460866	1	Connector - 19 Pin Receptacle	
8	4922494	1	Boom Cable - Tower Boom (See Separate Breakdown in this Section)	
9	4922811	1	Cable, Electrical - 8/5 (Tower Boom)	
10	1001165350	2	Block, Clamp	
11	1001254463	1	Boom Cable - Main Boom (See Separate Breakdown in this Section)	
12	1001254464	1	Cable, Electrical - 8/5 (Main Boom)	
13	1001254465	1	Sensor, Harness - Boom Angle	
13	1001230931	1	Connector - 6 Position	
13	1001116748	6	Terminal	
14	1001254466	1	Sensor, Harness - Tele in Prox	
14	4460539	1	Plug, Male - 3 Position	
14	4460465	3	Socket, Female	
15	1001254467	1	Sensor, Harness - Mid Prox (See Separate Breakdown in this Section)	
16	1001254468	1	Sensor, Harness - Full Extension (See Separate Breakdown in this Section)	
17	1320263	1	Clamp	
18	4240033	1	Tie - Strap (Not Shown)	
19	1061033	1	Cable, Electrical 18/2	
20	1001181923	1	Hose Shield	

SECTION 8 - ELECTRICAL

FIGURE 8-31. BOOM CABLE - MAIN BOOM



ART_1001254463

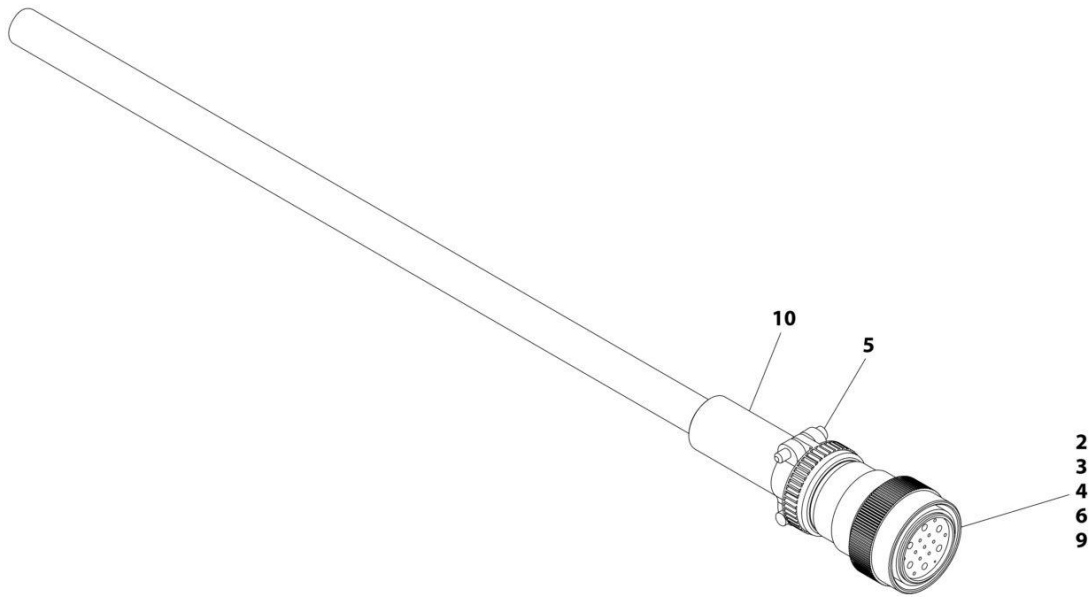
SECTION 8 - ELECTRICAL

FIGURE 8-31. BOOM CABLE - MAIN BOOM

ITEM	PART NUMBER	QTY	DESCRIPTION	REV
	1001254463	Ref	BOOM CABLE - MAIN BOOM	A
2	4460465	11	Socket, Female	
3	4460865	1	Connector - 19 Position	
4	4460509	4	Socket, Female	
5	4460473	1	Clamp	
6	4460466	4	Plug, Terminal	
7	4460464	11	Pin, Male	
8	4460508	4	Pin, Male	
9	2820118	AR	Heatshrink, Clear	
10	1001226400	1	Insulate, Heatshrink	

SECTION 8 - ELECTRICAL

FIGURE 8-32. BOOM CABLE - TOWER BOOM (WITHOUT ARCTIC PACKAGE)



ART_4922494

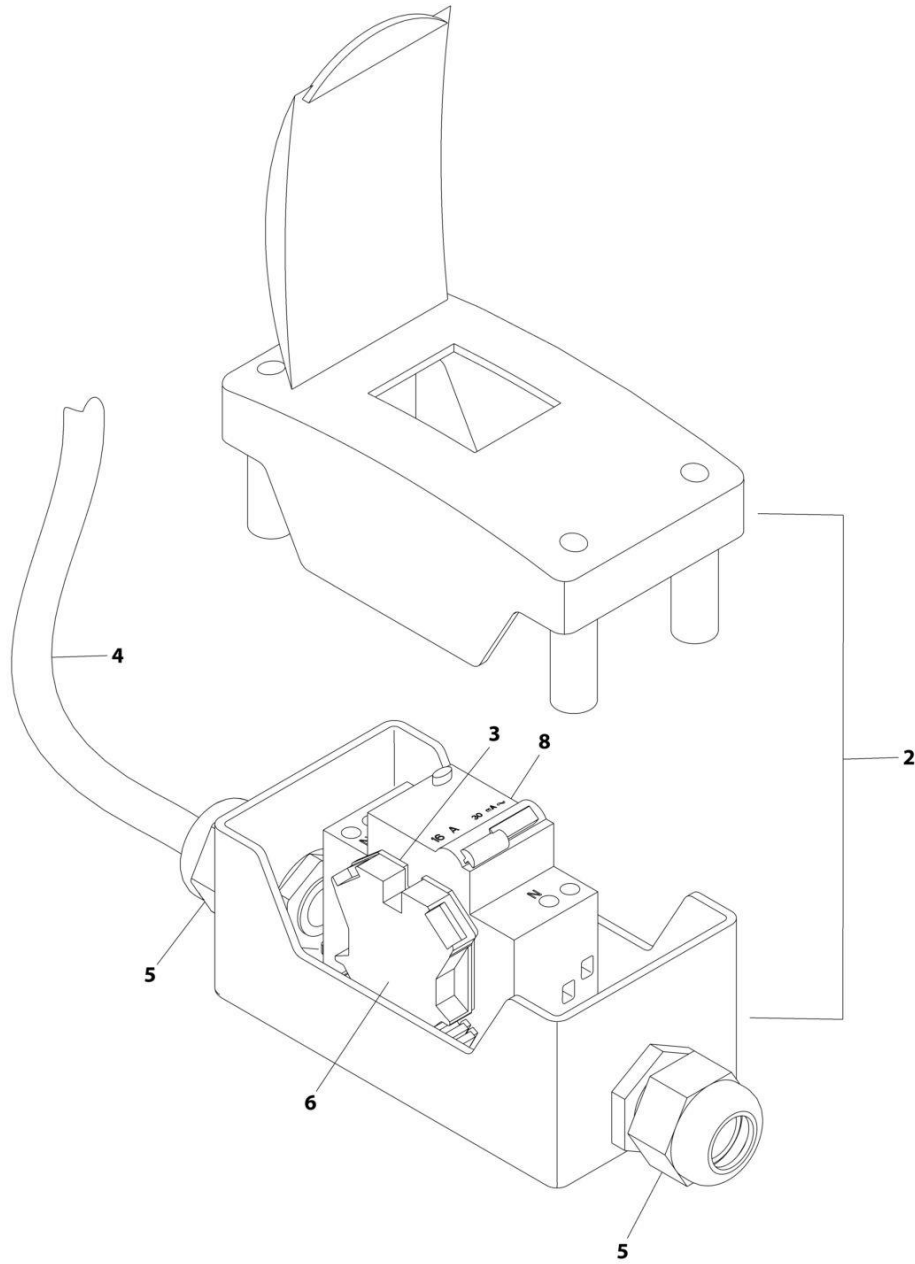
SECTION 8 - ELECTRICAL

FIGURE 8-32. BOOM CABLE - TOWER BOOM (WITHOUT ARCTIC PACKAGE)

ITEM	PART NUMBER	QTY	DESCRIPTION	REV
	4922494	Ref	BOOM CABLE - TOWER BOOM	C
2	4460465	22	Socket, Female	
3	4460865	1	Connector - 19 Position	
4	4460509	8	Socket, Female	
5	4460473	1	Clamp	
6	4460466	4	Plug, Terminal	
9	2820118	AR	Heatshrink, Clear	
10	1001226400	1	Insulate, Heatshrink	

SECTION 8 - ELECTRICAL

FIGURE 8-33. BREAKER BOX KIT - SINGLE DOUBLE POLE BREAKER (WITH 4000W/50HZ GENERATOR)



ART_1001096070

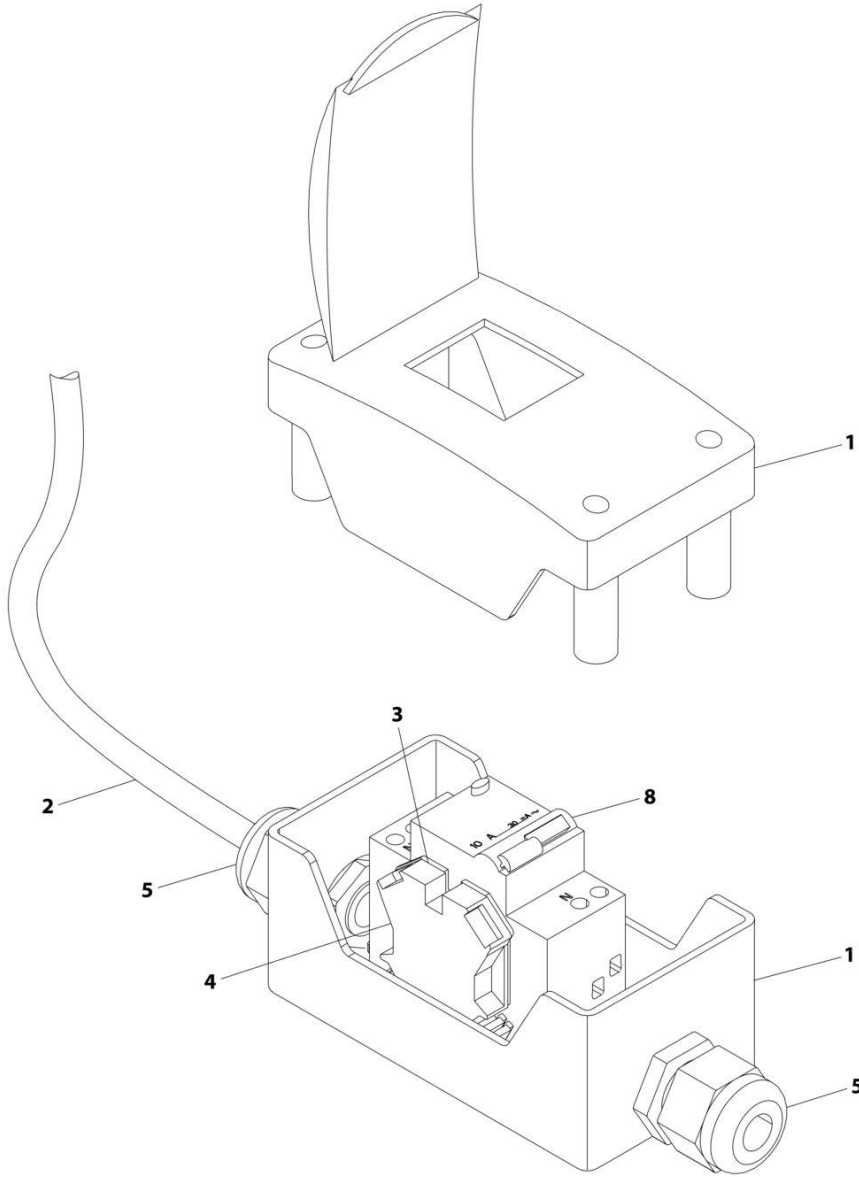
SECTION 8 - ELECTRICAL

FIGURE 8-33. BREAKER BOX KIT - SINGLE DOUBLE POLE BREAKER (WITH 4000W/50HZ GENERATOR)

ITEM	PART NUMBER	QTY	DESCRIPTION	REV
	1001096070	Ref	BREAKER BOX KIT	E
2	0861880	1	Box	
3	4460956	1	Barrier, Terminal Block End	
4	1060908	12 ft/ 3.6m	Cable, 12/3	
5	1001097150	2	Connector, Strain Relief	
6	4460957	1	Block, Terminal	
8	1001181045	1	Breaker, 16Amp	

SECTION 8 - ELECTRICAL

FIGURE 8-34. BREAKER BOX KIT - 30MA/16 AMP (WITH GENERATOR)



ART_1001109554

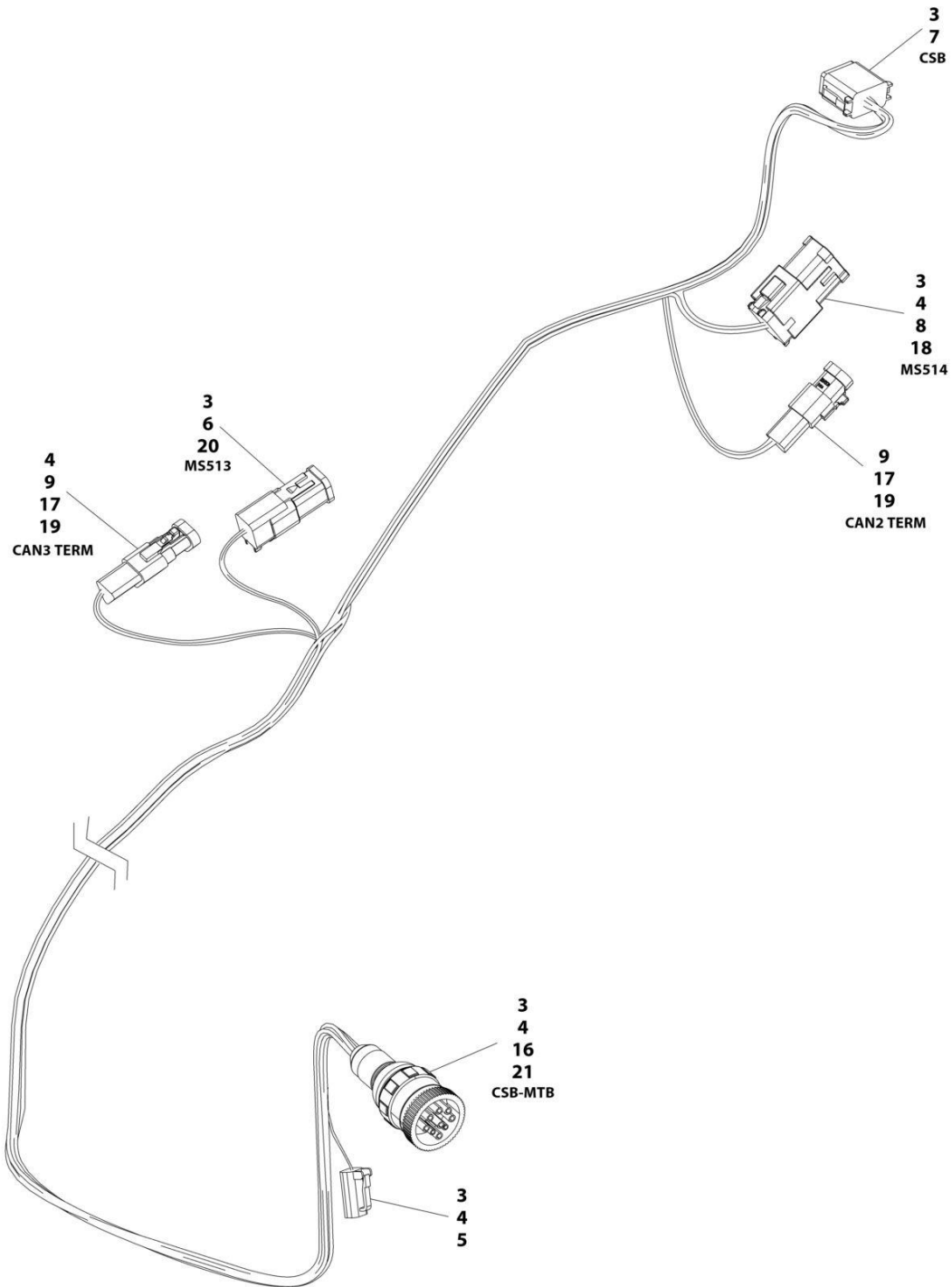
SECTION 8 - ELECTRICAL

FIGURE 8-34. BREAKER BOX KIT - 30MA/16 AMP (WITH GENERATOR)

ITEM	PART NUMBER	QTY	DESCRIPTION	REV
	1001109554	Ref	BREAKER BOX KIT - 30mA/16 AMP	C
1	0861880	1	Box, Breaker	
2	1060908	12 ft /3.6m	Cable, Electrical 12/3	
3	4460956	1	Barrier, Terminal Block End	
4	4460957	1	Block, Terminal	
5	1001097150	2	Connector, Strain Relief	
8	1001181046	1	Breaker, Double 30mA/16Amp	

SECTION 8 - ELECTRICAL

FIGURE 8-35. CSB HARNESS



ART_1001286622

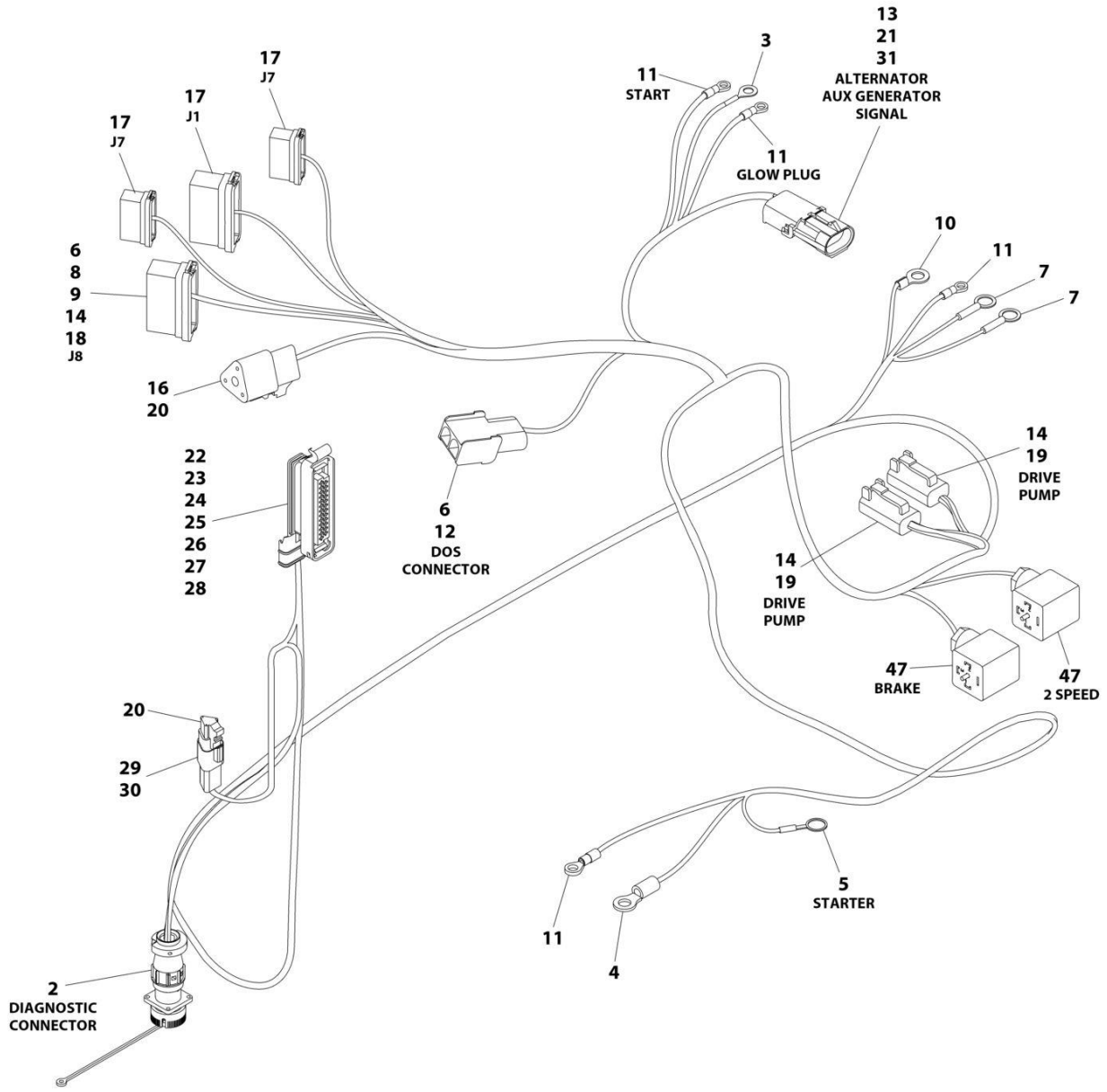
SECTION 8 - ELECTRICAL

FIGURE 8-35. CSB HARNESS

ITEM	PART NUMBER	QTY	DESCRIPTION	REV
	1001286622	Ref	CSB HARNESS	C
3	4460465	32	Socket	
4	4460466	6	Plug, Terminal	
5	4460891	1	Connector	
6	4460894	1	Connector	
7	4460930	1	Connector	
8	4460933	1	Connector	
9	4460943	6	Pin	
16	1001112796	1	Connector	
17	1001116815	2	Connector	
18	1001119020	1	Connector	
19	1001144147	2	Pin	
20	1001226541	1	Connector	
21	4461042	1	Connector	

SECTION 8 - ELECTRICAL

FIGURE 8-36. ENGINE HARNESS ASSEMBLY (DEUTZ D2011 ENGINES)



ART_1001285378

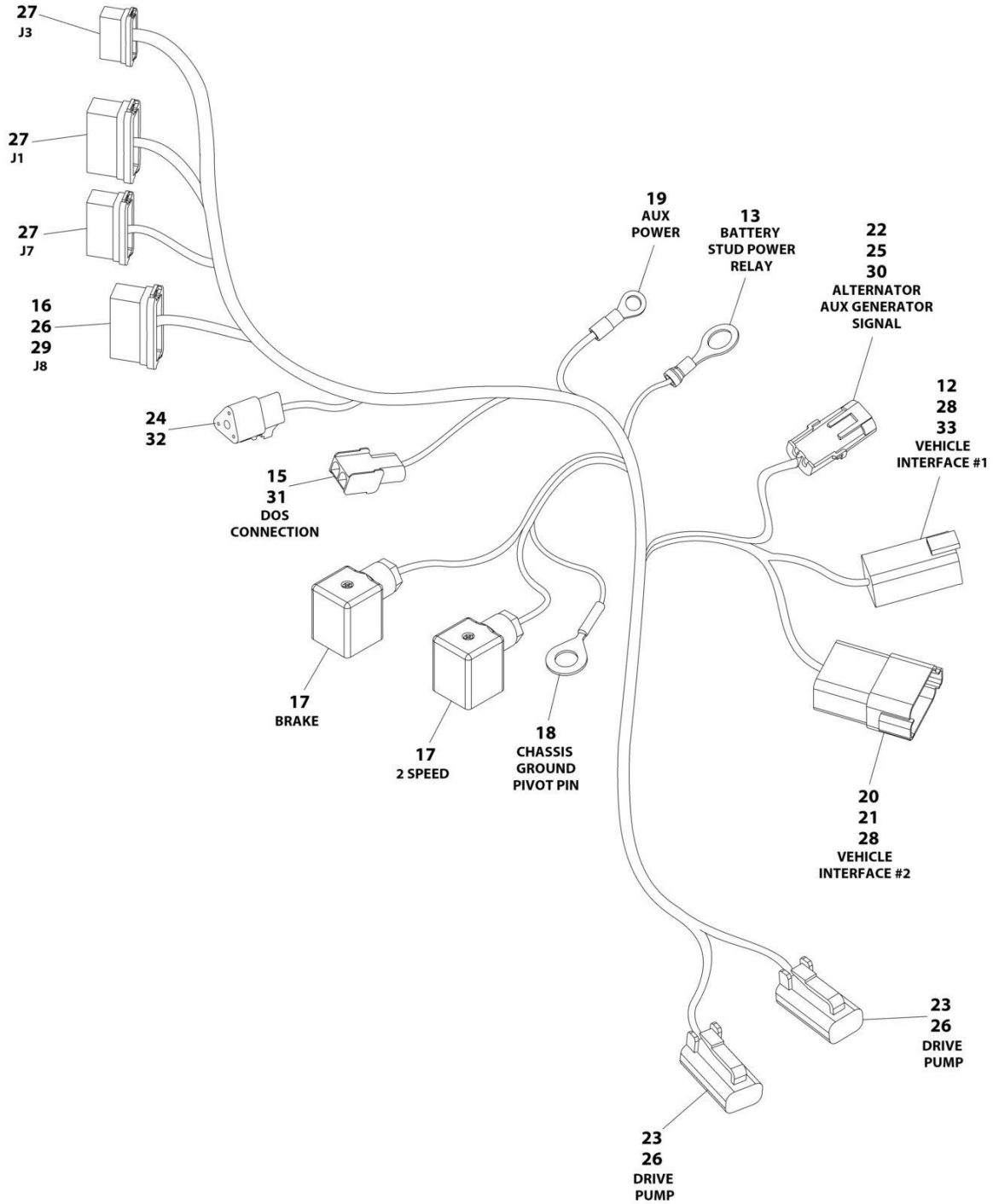
SECTION 8 - ELECTRICAL

FIGURE 8-36. ENGINE HARNESS ASSEMBLY (DEUTZ D2011 ENGINES)

ITEM	PART NUMBER	QTY	DESCRIPTION	REV
	1001285378	Ref	ENGINE HARNESS - DEUTZ D2011 ENGINES	A
2	2902443	1	Receptacle Kit	
2	4461071	8	Socket	
2	4461072	1	Receptacle	
2	4461073	1	Cap, Dust	
2	4461074	1	Shell, Black	
3	4460019	1	Terminal, Ring	
4	4460043	1	Terminal, Ring	
5	4460142	1	Terminal, Ring	
6	4460226	4	Socket	
7	4460256	2	Terminal, Ring	
8	4460259	1	Terminal	
10	4460260	1	Housing, Terminal	
11	4460313	4	Terminal, Ring	
12	4460424	1	Connector	
13	4460458	2	Seal	
14	4460465	6	Socket	
16	4460539	1	Connector	
17	4460871	10	Socket	
18	4460887	1	Terminal	
19	4460891	2	Connector	
20	4460944	6	Socket	
21	4460979	2	Terminal	
22	4461005	5	Terminal	
23	4461006	5	Seal	
24	4461008	18	Plug, Terminal	
25	4461052	1	Connector	
26	4461053	1	Plug	
27	4461054	2	Seal	
28	4461060	2	Terminal	
29	4461070	1	Connector	
30	4461095	1	Terminal	
31	4461157	1	Connector	
47	1001263923	2	Connector	

SECTION 8 - ELECTRICAL

FIGURE 8-37. ENGINE HARNESS ASSEMBLY (DEUTZ TD2.9L4 & DEUTZ DT2.2L3 STAGE V ENGINES)



ART_1001286030

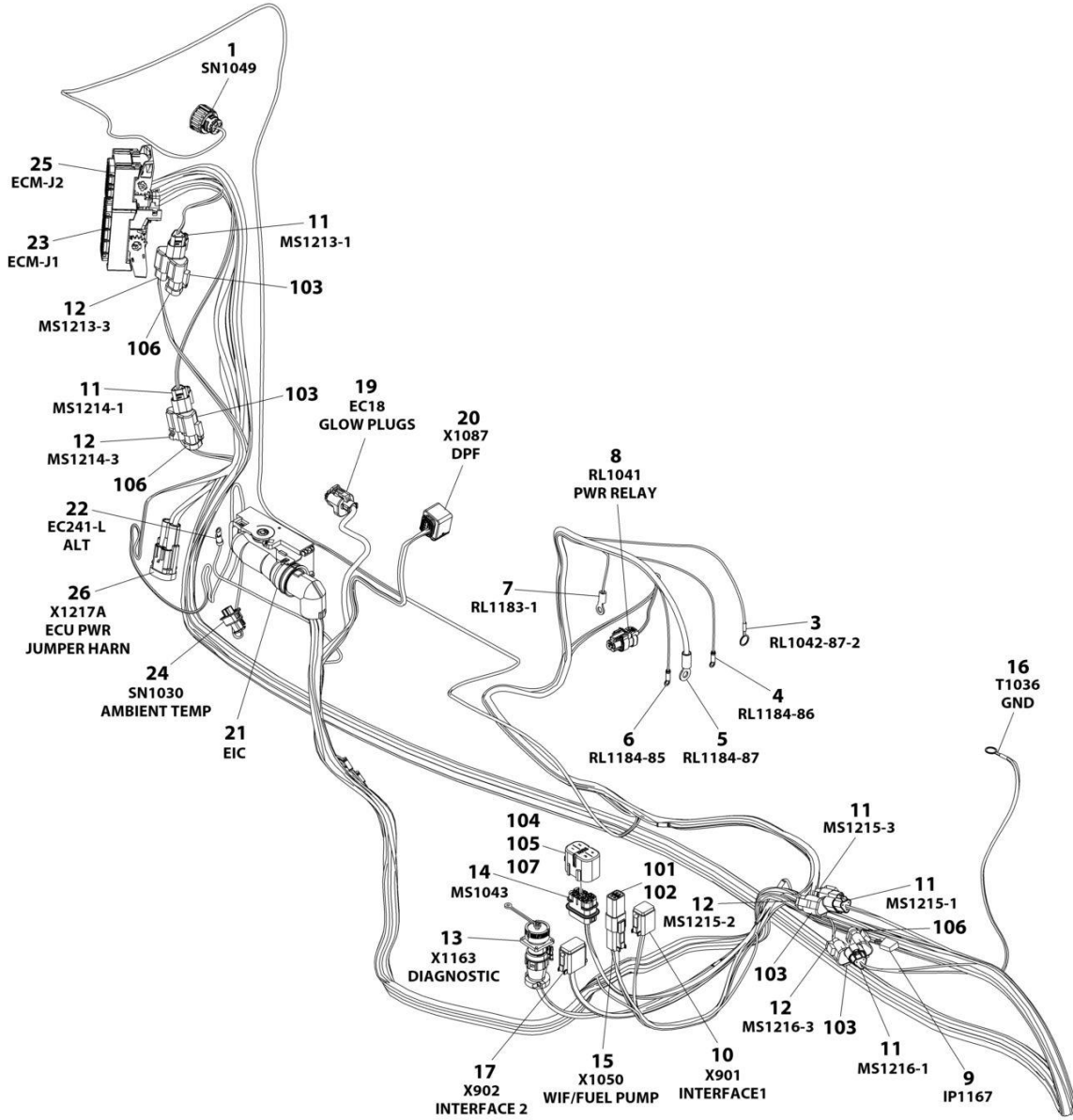
SECTION 8 - ELECTRICAL

FIGURE 8-37. ENGINE HARNESS ASSEMBLY (DEUTZ TD2.9L4 & DEUTZ DT2.2L3 STAGE V ENGINES)

ITEM	PART NUMBER	QTY	DESCRIPTION	REV
	1001286030	Ref	ENGINE HARNESS - DEUTZ TD2.9L4 ENGINES	A
12	4460943	3	Pin	
13	4460738	1	Terminal, Ring	
15	4460424	1	Connector	
16	4460268	1	Socket	
17	1001263923	2	DIN Connector without Diode	
18	4460019	1	Terminal, Ring	
19	4460313	1	Terminal, Ring	
20	4460931	1	Connector	
21	4460466	4	Plug, Terminal	
22	4460979	2	Pin	
23	4460891	2	Connector	
24	4460539	1	Connector	
25	4460458	2	Seal, Terminal	
26	4460465	7	Socket	
27	4460871	11	Socket	
28	4460464	8	Pin	
29	4460887	1	Pin	
30	4461157	1	Connector	
31	4460226	2	Socket	
32	4460944	3	Socket	
33	4460899	1	Connector	

SECTION 8 - ELECTRICAL

FIGURE 8-38. ENGINE HARNESS - DEUTZ TD2.2L3 ENGINES



ART_1001276645_B

SECTION 8 - ELECTRICAL

FIGURE 8-38. ENGINE HARNESS - DEUTZ TD2.2L3 ENGINES

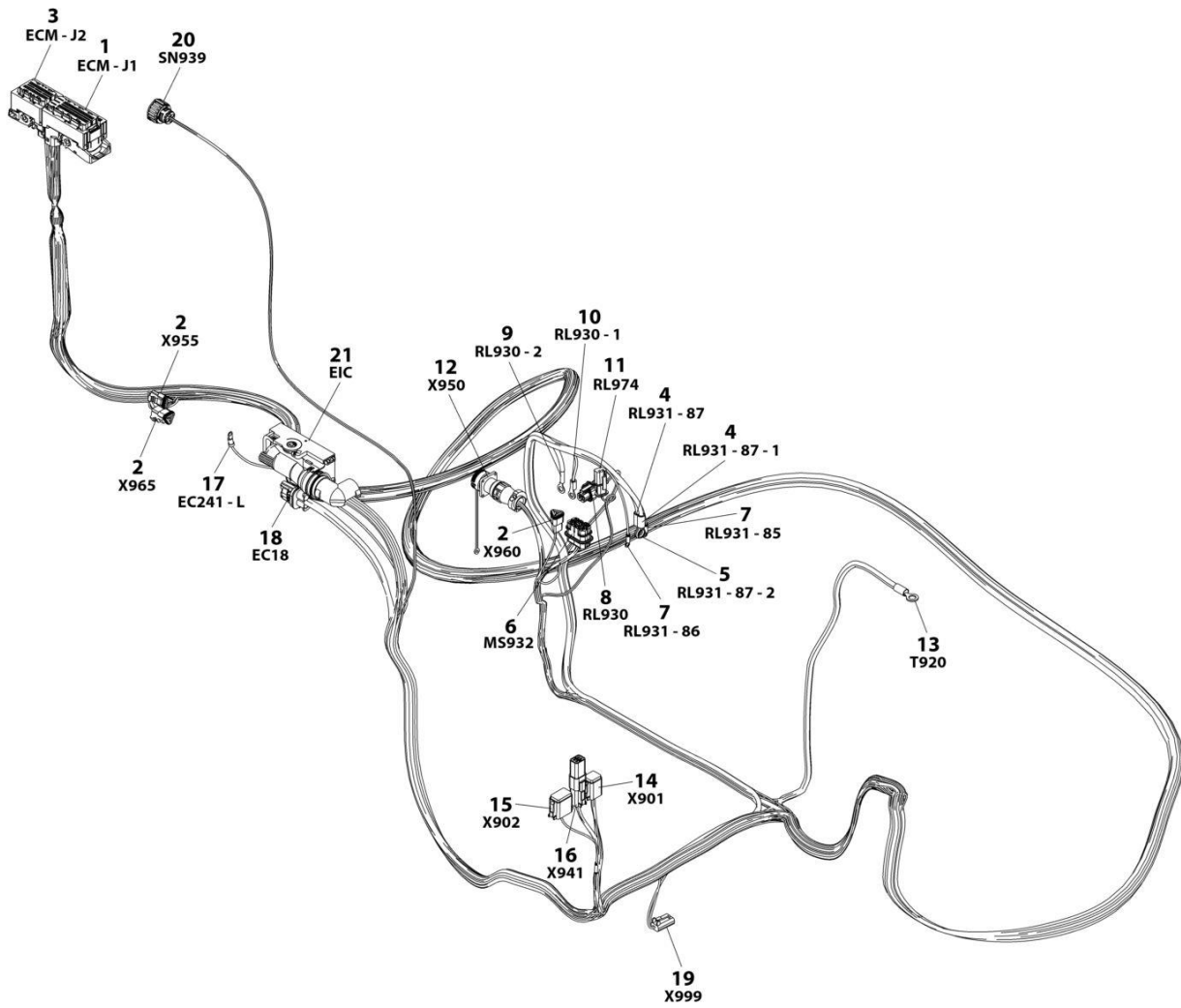
ITEM	PART NUMBER	QTY	DESCRIPTION	REV
	1001276645	Ref	ENGINE HARNESS	B
1	1001133714	1	Connector	
1	1001133715	3	Terminal	
1	1001135651	1	Plug	
1	1001135650	3	Seal	
3	4460703	1	Terminal, Ring	
4	4460247	1	Terminal, Ring	
5	1001117107	1	Terminal, Ring	
6	4460247	1	Terminal, Ring	
7	4460043	1	Terminal, Ring	
8	1001116952	1	Connector	
8	4460465	2	Socket	
9	1001170764	1	Holder, Fuse	
9	1001197719	1	Resistor 0.5 Watt	
10	4460894	1	Connector	
10	4460465	2	Socket	
10	4460944	2	Socket	
10	4460466	2	Plug	
11	1001116812	5	Connector	
11	4460944	10	Socket	
11	4460466	5	Plug, Terminal	
12	4460539	4	Connector	
12	4460944	8	Socket	
12	4460466	4	Plug	
13	2902443	1	Receptacle Kit	
13	4461071	6	Terminal	
14	80484084	1	Connector	
14	1001116728	4	Terminal	
14	1001116727	4	Plug	
14	4460458	4	Plug	
15	4460884	1	Connector	
15	4460465	2	Socket	
15	4460942	1	Socket	
16	4460019	1	Terminal, Ring	
17	4460930	1	Connector	
17	4460465	7	Socket	
17	4460466	1	Plug	
19	1001253873	1	Connector	
19	1001142940	1	Terminal	
19	1001142941	1	Seal	
20	1001239202	1	Connector	
20	1001126363	7	Terminal	
20	1001126391	1	Seal, Terminal	
20	1001126364	7	Seal, Terminal	
21	1001126362	1	Connector	
21	1001126363	37	Terminal	
21	1001126365	2	Terminal	
21	1001126391	9	Plug	
21	4461008	4	Plug	
21	1001126392	10	Terminal	

SECTION 8 - ELECTRICAL

ITEM	PART NUMBER	QTY	DESCRIPTION	REV
21	1001126364	37	Seal, Terminal	
21	1001223459	10	Seal, Terminal	
21	4461054	2	Seal	
22	4460042	1	Terminal, Ring	
23	1001133956	1	Connector	
23	1001126351	3	Terminal	
23	1001182361	6	Terminal	
23	1001252527	4	Terminal	
23	1001230934	25	Terminal	
23	1001230935	55	Plug	
23	1001230936	1	Plug	
23	1001182365	6	Seal, Terminal	
24	1001126487	1	Connector	
24	1001167635	2	Terminal	
24	1001126485	2	Seal	
25	1001133957	1	Connector	
25	1001126351	11	Terminal	
25	1001230934	26	Terminal	
25	1001230935	10	Plug	
25	1001230936	13	Plug	
26	1001289552	1	Connector	
26	1001289553	2	Socket	
26	1001142941	2	Plug	
101	4460466	4	Plug	
102	4460932	1	Connector	
103	4460945	4	Receptacle	
104	8229242	1	Fuse, 5Amp	
105	80983191	1	Fuse, 10Amp	
106	1001116815	3	Connector	
107	1001147264	1	Cap	

SECTION 8 - ELECTRICAL

FIGURE 8-39. ENGINE HARNESS - DEUTZ TD2.9L4 ENGINES



ART_1001143726

SECTION 8 - ELECTRICAL

FIGURE 8-39. ENGINE HARNESS - DEUTZ TD2.9L4 ENGINES

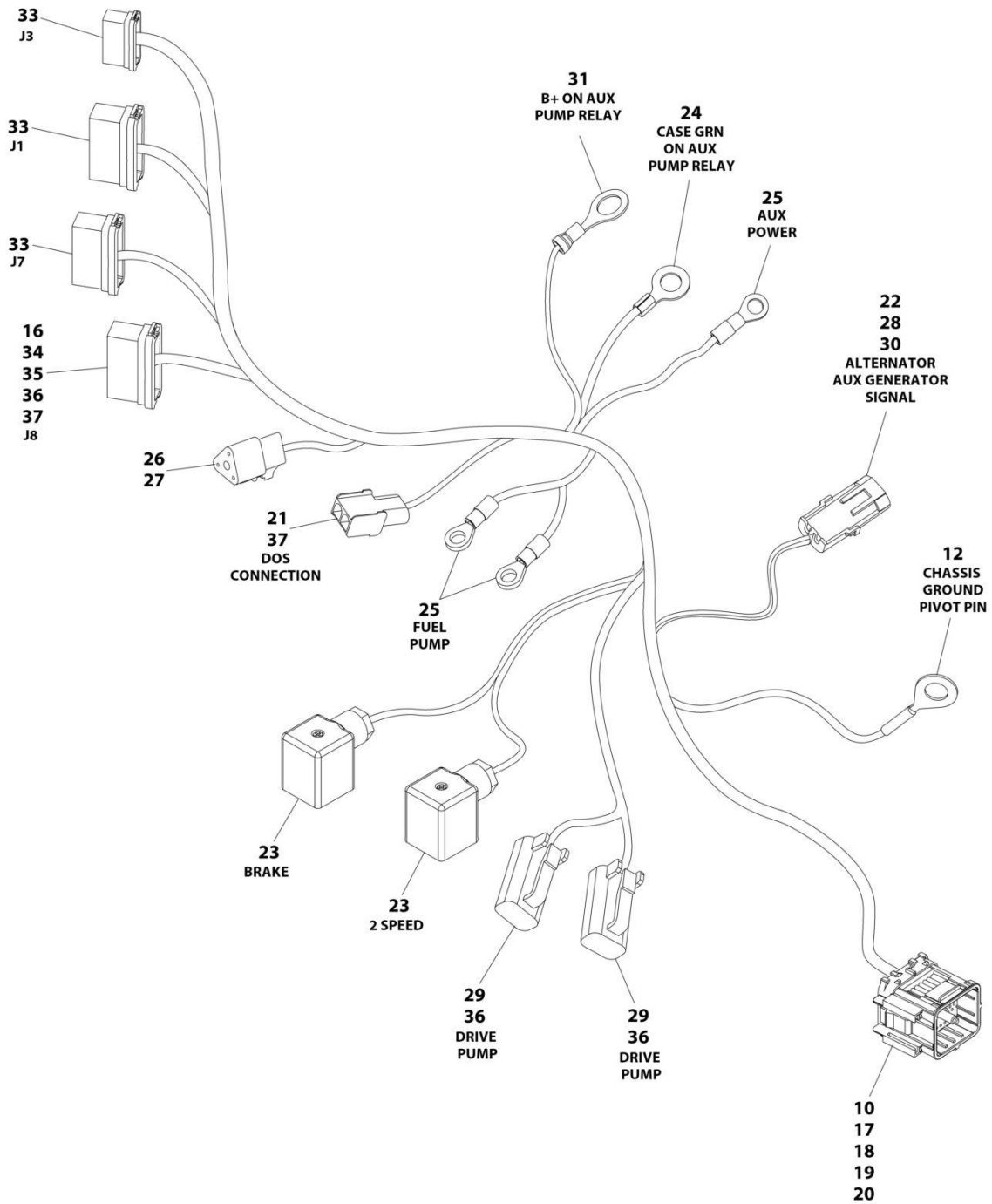
ITEM	PART NUMBER	QTY	DESCRIPTION	REV
	1001143726	Ref	ENGINE HARNESS	L
1	1001133956	1	Connector - 94 Position	
1	1001126351	2	Terminal	
1	1001126352	6	Terminal	
1	1001126384	21	Terminal	
1	1001126357	2	Plug, Terminal	
1	1001126356	63	Plug, Terminal	
2	4461095	3	Plug, Male - 3 Position	
2	4460944	6	Socket, Female	
2	4460466	3	Plug, Terminal	
3	1001133957	1	Connector - 60 Position	
3	1001126351	13	Terminal	
3	1001126384	17	Terminal	
3	1001126357	11	Plug, Terminal	
3	1001126356	19	Plug, Terminal	
4	1001117107	2	Terminal, Ring	
5	4460703	1	Terminal, Ring	
6	80484084	1	Plug, Male - 8 Position	
6	8229242	1	Fuse - 5Amp	
6	80983191	1	Fuse - 10Amp	
6	1001116728	4	Socket, Female	
6	1001116727	4	Plug, Terminal	
6	4460458	4	Seal, Terminal	
6	1001147264	1	Cap	
7	4460247	2	Terminal, Ring	
8	1001116952	1	Plug, Male - 2 Position	
8	4460465	2	Socket, Female	
9	1001117106	1	Terminal, Ring	
10	4460043	1	Terminal, Ring	
11	1001138110	1	Connector - 2 Position	
11	1001138111	2	Terminal	
11	1001138113	2	Seal	
12	2902443	1	Receptacle Kit	
12	4461073	1	Cap, Dust	
12	4461071	6	Terminal	
13	8220115	1	Terminal, Ring	
14	4460894	1	Plug, Male - 6 Position	
14	4460465	3	Socket, Female	
14	4460944	2	Socket, Female	
14	4460466	1	Plug, Terminal	
15	4460930	1	Plug, Male - 8 Position	
15	4460465	1	Socket, Female	
15	4460466	7	Plug, Terminal	
16	1001220379	1	Plug, Male - 4 Position	
16	4460465	2	Socket, Female	
16	4460942	2	Socket, Female	
16	4460932	1	Receptacle, Bussbar - 4 Position	
17	4460042	1	Terminal, Ring	
18	1001142938	1	Plug, Male - 2 Position	
18	1001142940	2	Terminal	

SECTION 8 - ELECTRICAL

ITEM	PART NUMBER	QTY	DESCRIPTION	REV
18	1001142941	2	Seal	
19	4460891	1	Plug, Male - 4 Position	
19	4460465	2	Socket, Female	
19	1001171403	1	Resistor Assembly	
19	4460897	1	Receptacle, Female - 4 Position	
20	1001133714	1	Connector - 4 Position	
20	1001133715	3	Terminal	
20	1001135650	3	Seal, Terminal	
20	1001135651	1	Plug, Terminal	
21	1001126362	1	Connector - 62 Position	
21	1001126363	23	Terminal	
21	1001126392	10	Terminal	
21	1001126365	2	Terminal	
21	1001126391	23	Plug, Terminal	
21	4461008	4	Plug, Terminal	
21	1001256506	2	Seal, Terminal	
21	1001126364	21	Seal, Terminal	
21	1001223459	10	Seal, Terminal	
21	4461008	4	Plug, Terminal	
21	1001151856	1	Elbow	

SECTION 8 - ELECTRICAL

FIGURE 8-40. ENGINE HARNESS ASSEMBLY (FORD DF2.5L ENGINES)



ART_1001286031

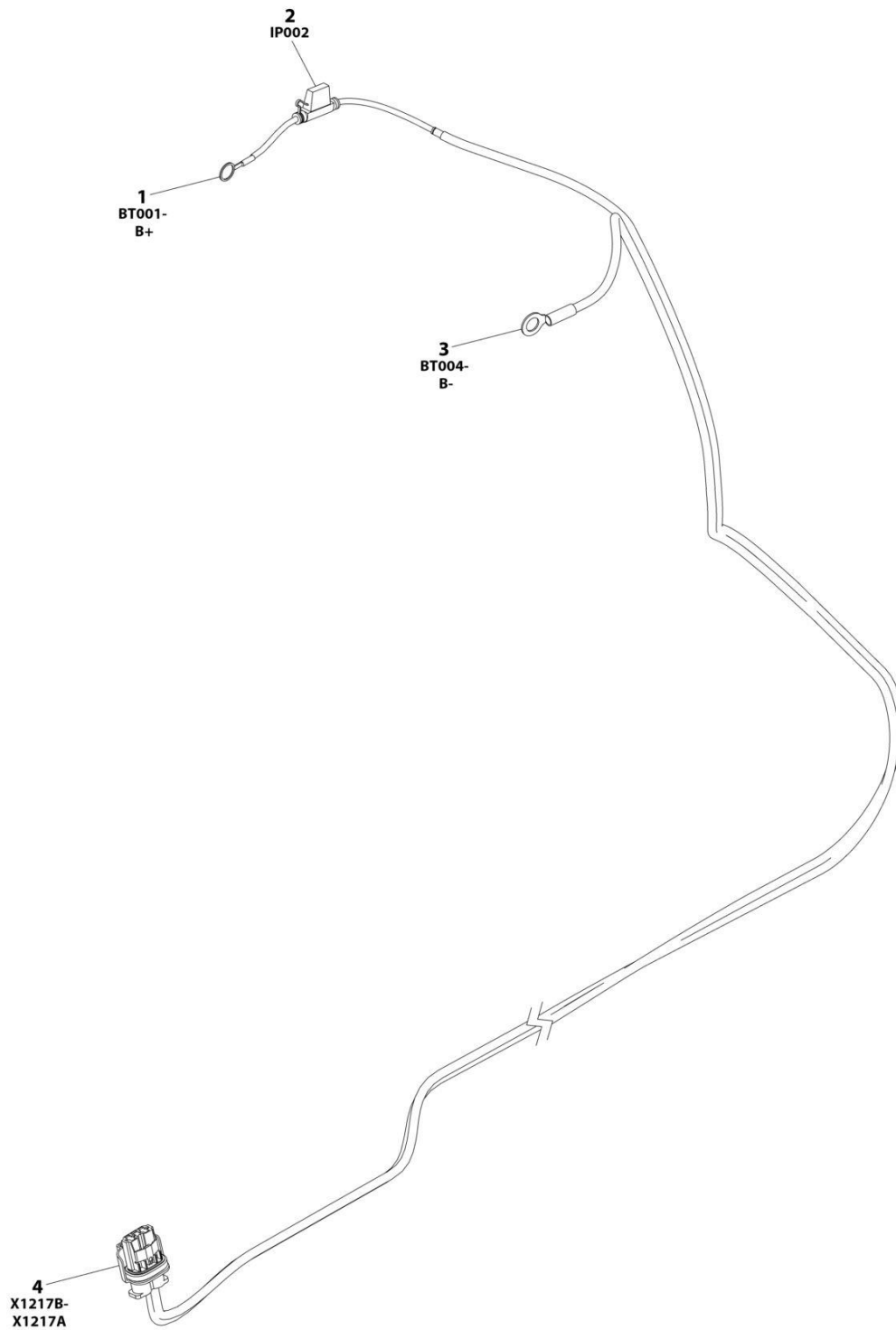
SECTION 8 - ELECTRICAL

FIGURE 8-40. ENGINE HARNESS ASSEMBLY (FORD DF2.5L ENGINES)

ITEM	PART NUMBER	QTY	DESCRIPTION	REV
	1001286031	Ref	ENGINE HARNESS - FORD DF2.5L ENGINES	A
10	1001216213	3	Plug, Terminal	
12	4460019	1	Terminal, Ring	
16	4460259	1	Terminal	
17	1001216212	1	Terminal	
18	1001215534	33	Plug, Terminal	
19	1001215091	5	Terminal	
20	1001215016	1	Connector	
21	4460424	1	Connector	
22	4460979	1	Terminal	
23	1001263923	2	DIN Connector without Diode	
24	4460312	1	Terminal, Ring	
25	4460313	3	Terminal, Ring	
26	4460539	1	Connector	
27	4460944	3	Socket	
28	4461157	1	Connector	
29	4460891	2	Connector	
30	4460458	2	Seal, Terminal	
31	4460738	1	Terminal, Ring	
33	4460871	9	Socket	
34	4460260	1	Housing, Terminal	
35	4460887	1	Pin	
36	4460465	6	Socket	
37	4460226	3	Socket	

SECTION 8 - ELECTRICAL

FIGURE 8-41. ECU POWER JUMPER HARNESS



ART_1001289593

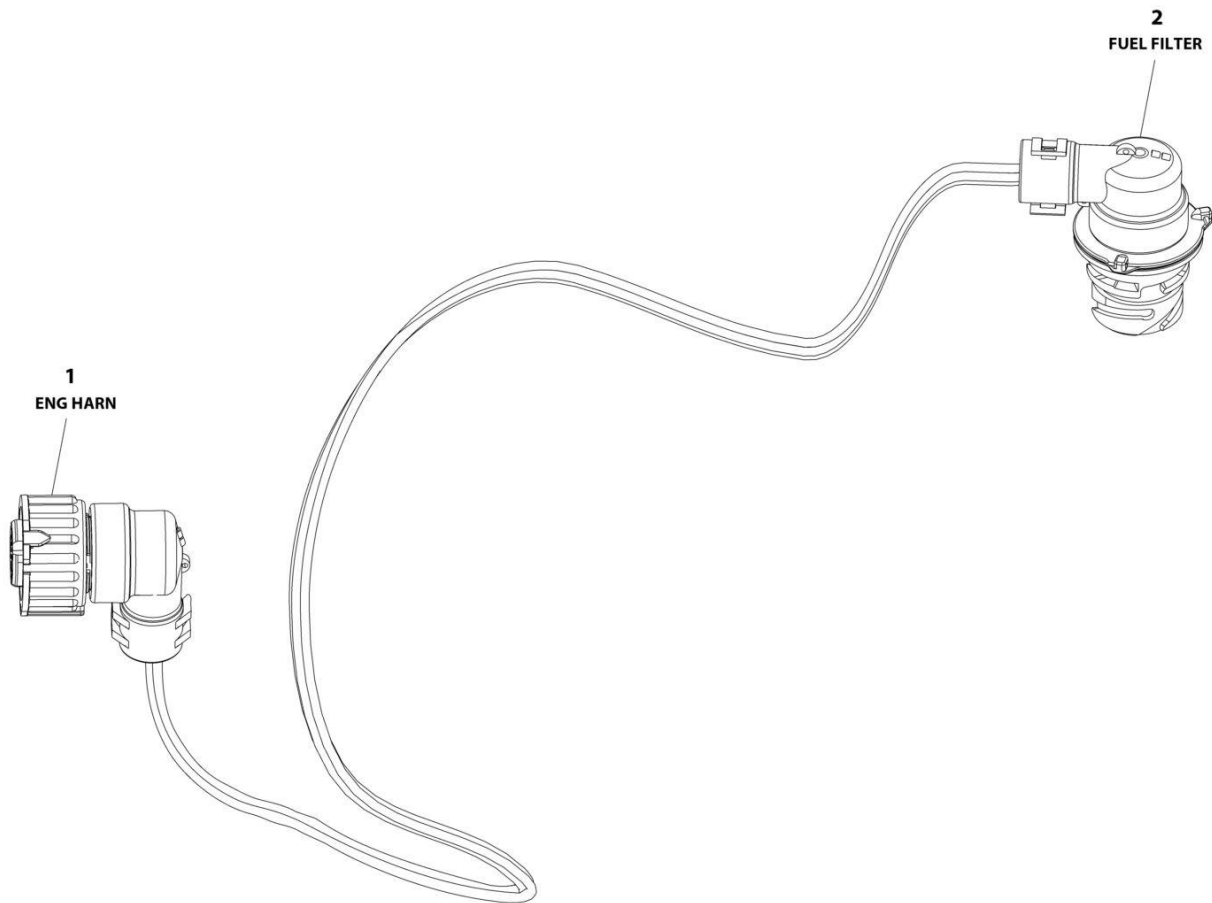
SECTION 8 - ELECTRICAL

FIGURE 8-41. ECU POWER JUMPER HARNESS

ITEM	PART NUMBER	QTY	DESCRIPTION	REV
	1001289593	Ref	ECU POWER JUMPER HARNESS	A
1	4460019	1	Terminal Ring	
2	1001172064	1	Fuse Holder	
2	1001172065	1	Fuse 30Amp	
3	8220164	1	Terminal Ring	
4	1001142938	1	Connector	
4	1001142940	2	Terminal	
4	1001142941	2	Seal	

SECTION 8 - ELECTRICAL

FIGURE 8-42. FUEL HARNESS - DEUTZ TD2.2L3 (STAGE V) ENGINE



ART_1001245913

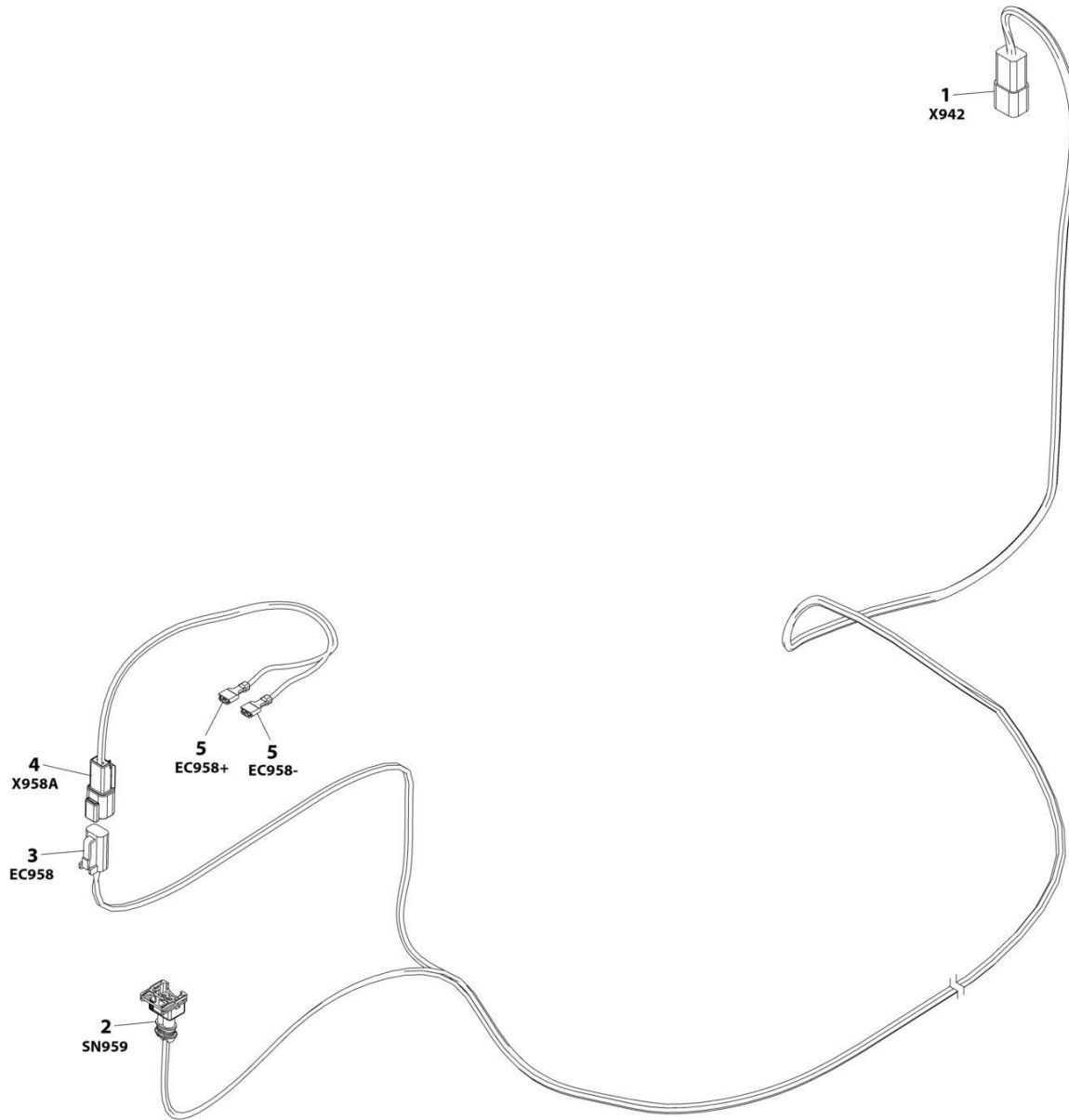
SECTION 8 - ELECTRICAL

FIGURE 8-42. FUEL HARNESS - DEUTZ TD2.2L3 (STAGE V) ENGINE

ITEM	PART NUMBER	QTY	DESCRIPTION	REV
	1001245913	Ref	FUEL HARNESS - DEUTZ (STAGE V) ENGINE	D
1	1001148842	1	Connector - 4 Position	
1	1001148841	4	Pin, Male	
1	1001135650	4	Seal	
2	1001133714	1	Plug, Male - 4 Position	
2	1001133715	4	Socket, Female	
2	1001135650	4	Seal	

SECTION 8 - ELECTRICAL

FIGURE 8-43. FUEL HARNESS - DEUTZ TD2.9L4 ENGINES



ART_1001138491

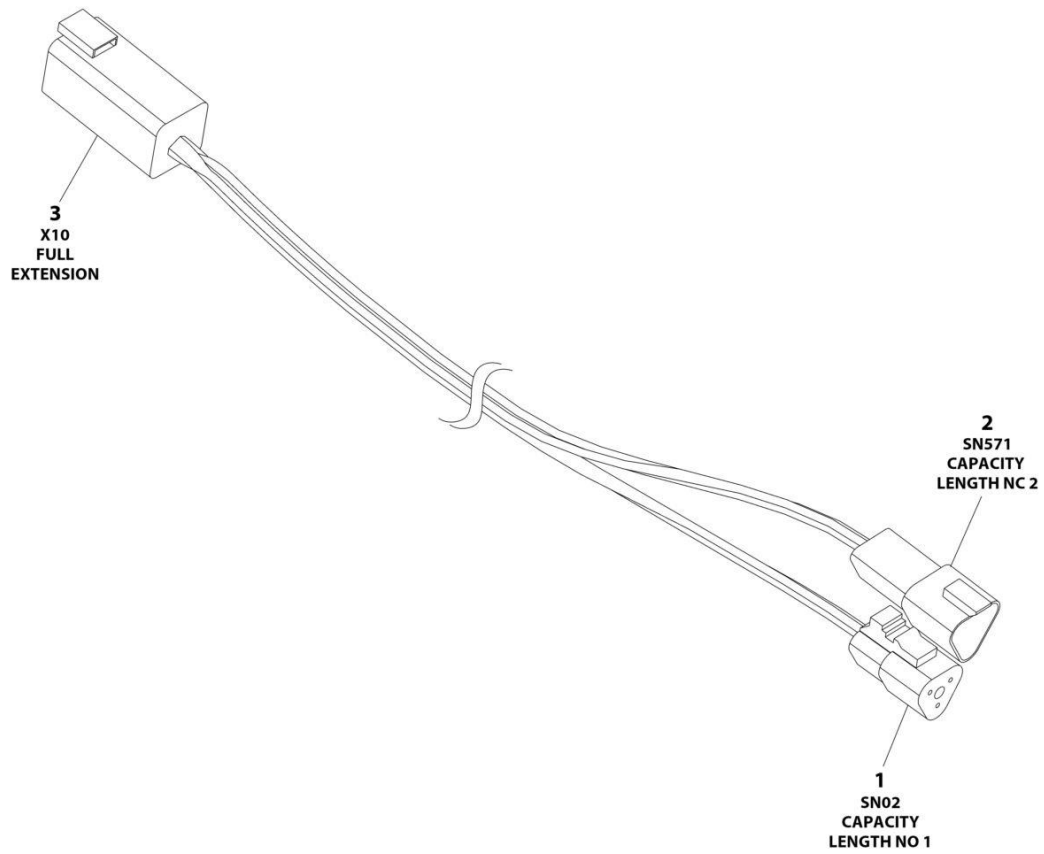
SECTION 8 - ELECTRICAL

FIGURE 8-43. FUEL HARNESS - DEUTZ TD2.9L4 ENGINES

ITEM	PART NUMBER	QTY	DESCRIPTION	REV
	1001138491	Ref	FUEL PUMP HARNESS	D
1	4460932	1	Receptacle, Female - 4 Position	
1	4460941	2	Pin, Male	
1	4460464	2	Pin, Male	
2	1001116983	1	Plug, Male - 2 Position	
2	1001116710	2	Socket, Female	
2	4461054	2	Seal	
3	4460891	1	Plug, Male - 2 Position	
3	4460942	2	Socket, Female	
4	4460897	1	Connector - 2 Position	
4	4460941	2	Pin, Male	
5	8220051	2	Terminal, Ring	

SECTION 8 - ELECTRICAL

FIGURE 8-44. FULL EXTENSION PROXIMITY HARNESS



ART_1001254468

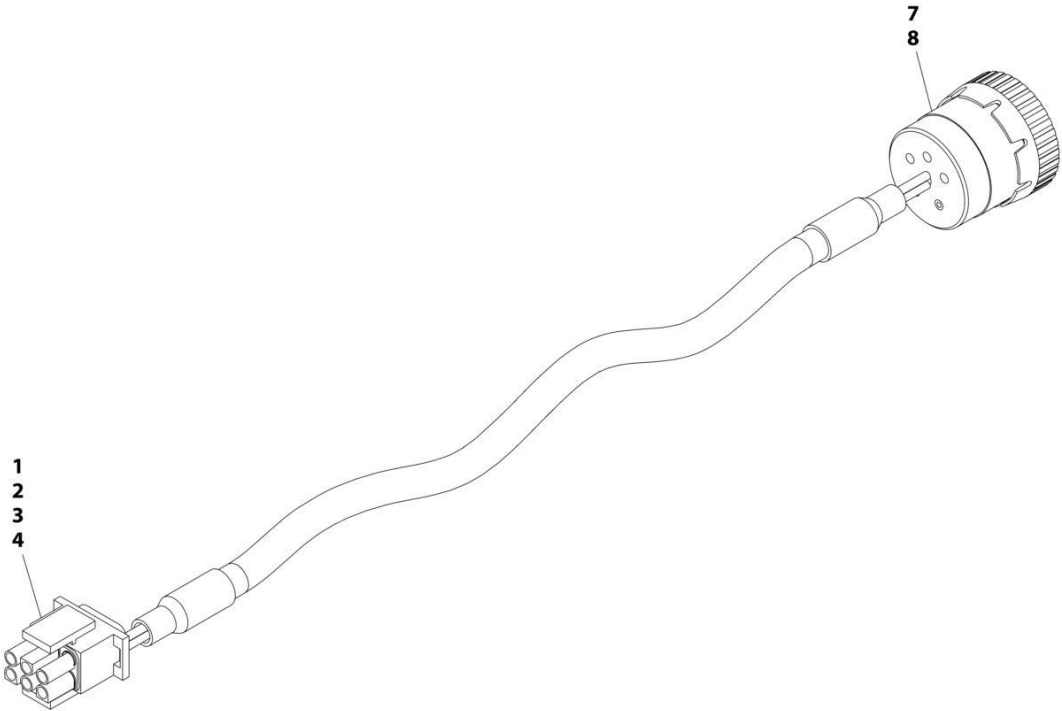
SECTION 8 - ELECTRICAL

FIGURE 8-44. FULL EXTENSION PROXIMITY HARNESS

ITEM	PART NUMBER	QTY	DESCRIPTION	REV
	1001254468	Ref	FULL EXTENTION PROXIMITY HARNESS	A
1	4460539	1	Plug, Male - 3 Position	
1	4460465	3	Socket, Female	
2	4460536	1	Receptacle, Female - 3 Position	
2	4640464	3	Pin, Male	
3	4460899	1	Receptacle, Female - 6 Position	
3	4460464	6	Pin, Male	

SECTION 8 - ELECTRICAL

FIGURE 8-45. GENERATOR TO CONTROL BOX HARNESS - 4000W



ART_1001152532

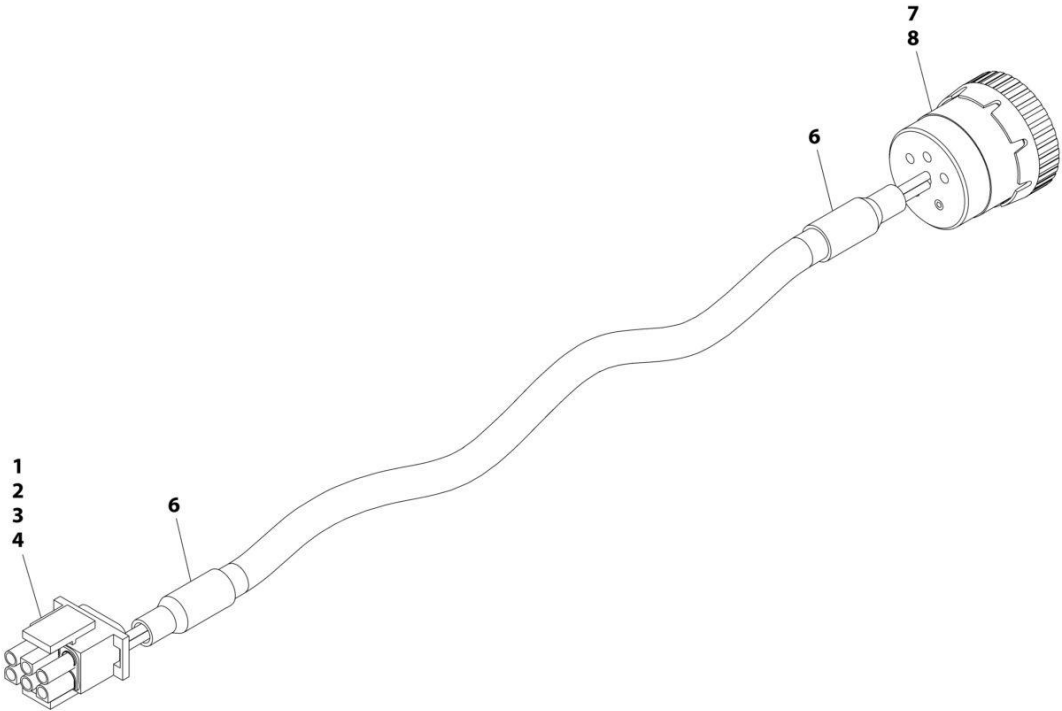
SECTION 8 - ELECTRICAL

FIGURE 8-45. GENERATOR TO CONTROL BOX HARNESS - 4000W

ITEM	PART NUMBER	QTY	DESCRIPTION	REV
	1001152532	Ref	GENERATOR HARNESS	A
1	4460225	1	Connector - 6 Position	
2	4460268	2	Socket, Female	
3	4460807	1	Seal	
4	4460808	1	Seal	
7	4460465	2	Socket, Female	
8	77363233	1	Connector - 6 Position	

SECTION 8 - ELECTRICAL

FIGURE 8-46. GENERATOR TO CONTROL BOX HARNESS - 7500W GENERATOR



ART_4922925

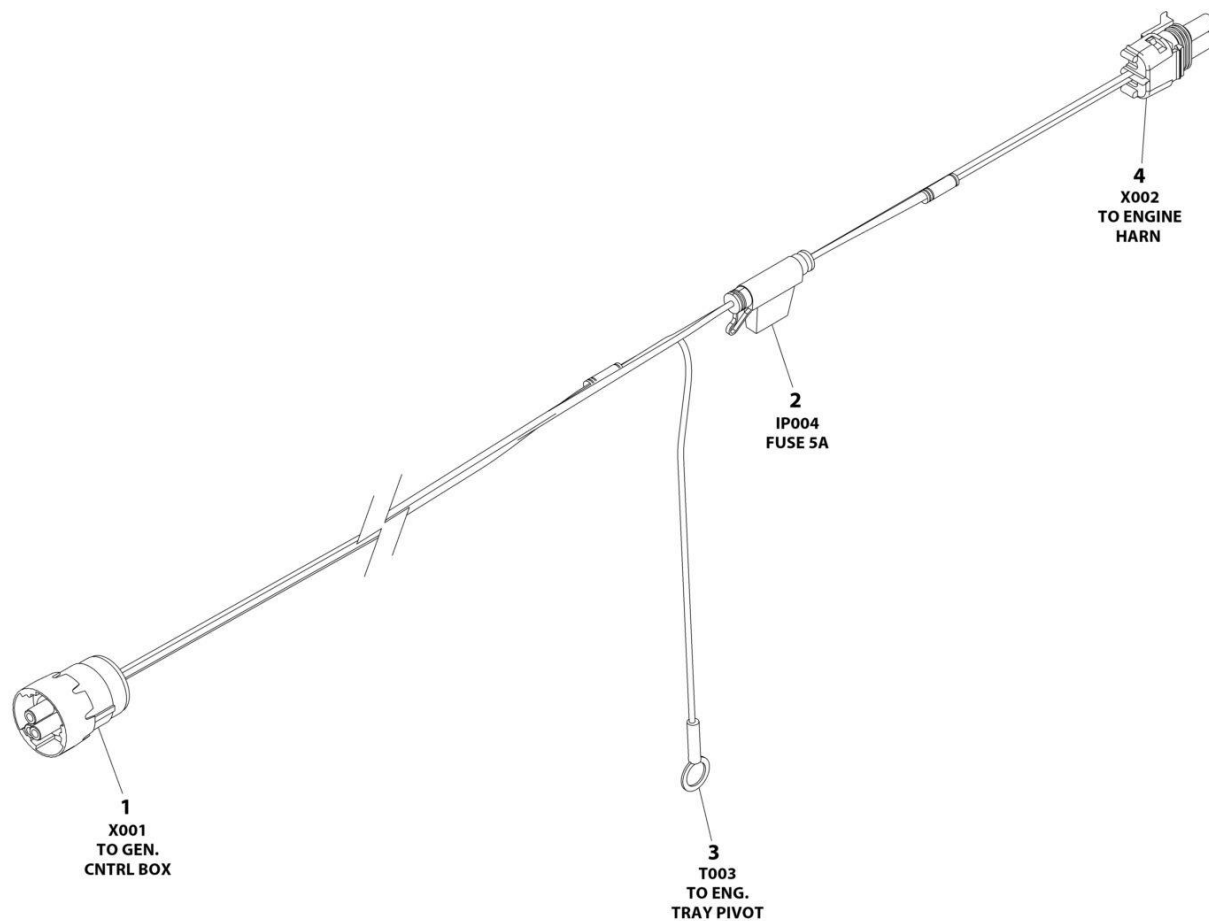
SECTION 8 - ELECTRICAL

FIGURE 8-46. GENERATOR TO CONTROL BOX HARNESS - 7500W GENERATOR

ITEM	PART NUMBER	QTY	DESCRIPTION	REV
	4922925	Ref	GENERATOR TO CONTROL BOX HARNESS (7500W GENERATOR)	C
1	4460225	1	Plug, Male - 2 Position	
2	4460268	6	Socket, Female	
3	4460807	1	Seal	
4	4460808	1	Seal	
6	2820019	AR	Heat Shrink	
7	4460465	6	Socket, Female	
8	77363233	1	Connector - 6 Position	

SECTION 8 - ELECTRICAL

FIGURE 8-47. GENERATOR HARNESS - 7500W GENERATOR (FORD ENGINES)



ART_1001257972

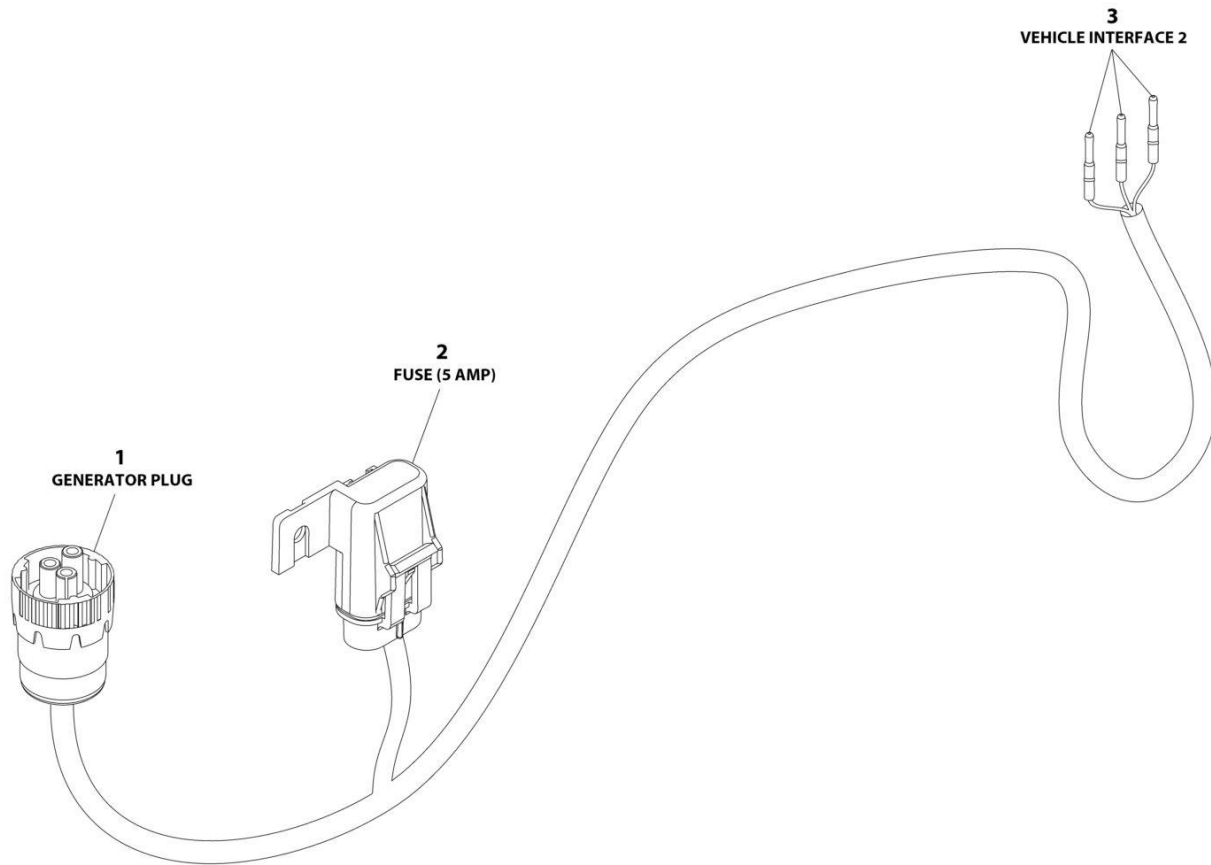
SECTION 8 - ELECTRICAL

FIGURE 8-47. GENERATOR HARNESS - 7500W GENERATOR (FORD ENGINES)

ITEM	PART NUMBER	QTY	DESCRIPTION	REV
	1001257972	Ref	GENERATOR TO ENGINE HARNESS	A
1	4460967	1	Plug, Male - 3 Position	
1	4460465	3	Socket, Female	
2	2400060	1	Fuse-holder (Includes Cover)	
2	2400064	1	Fuse - 5Amp	
3	4460256	1	Terminal, Ring	
4	4460742	1	Plug, Male - 2 Position	
4	4460457	2	Socket, Female	
4	4460458	2	Seal, Terminal	

SECTION 8 - ELECTRICAL

FIGURE 8-48. GENERATOR HARNESS - 7500W GENERATOR (DEUTZ TD2.9L4 ENGINES)



ART_1001119968

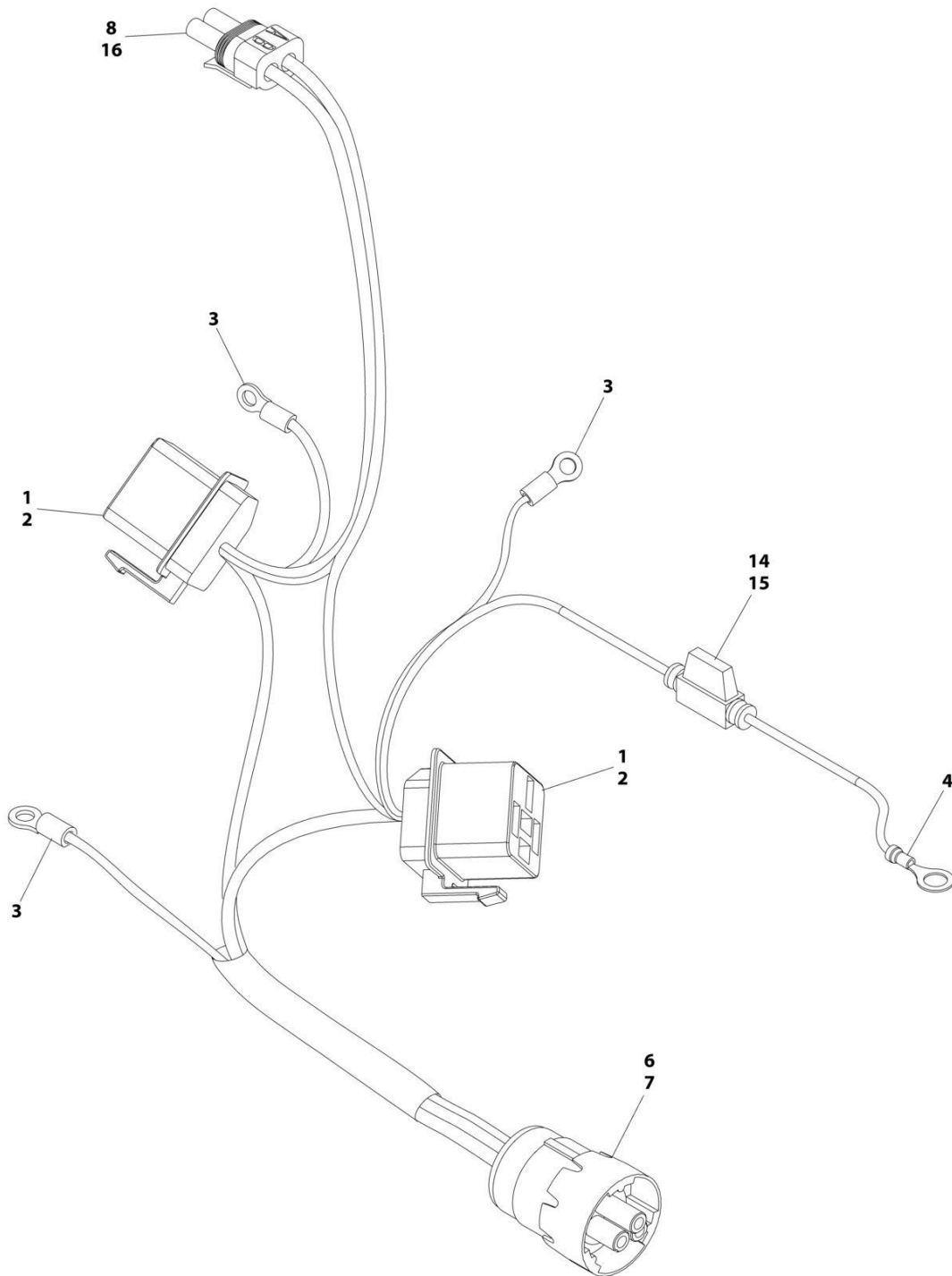
SECTION 8 - ELECTRICAL

FIGURE 8-48. GENERATOR HARNESS - 7500W GENERATOR (DEUTZ TD2.9L4 ENGINES)

ITEM	PART NUMBER	QTY	DESCRIPTION	REV
	1001119968	Ref	GENERATOR HARNESS - 7500W GENERATOR	C
1	4460967	1	Connector - 3 Position	
1	4460465	3	Socket, Female	
2	1001117078	1	Connector, Metri-Pack with 5Amp Fuse	
3	4460465	3	Socket, Female	

SECTION 8 - ELECTRICAL

FIGURE 8-49. GENERATOR TO ENGINE HARNESS - 2500W



ART_1001221208

SECTION 8 - ELECTRICAL

FIGURE 8-49. GENERATOR TO ENGINE HARNESS - 2500W

ITEM	PART NUMBER	QTY	DESCRIPTION	REV
	1001221208	Ref	GENERATOR TO ENGINE HARNESS	A
1	4460374	2	Plug, Sealed Relay	
2	4460375	8	Terminal	
3	4460043	3	Terminal, Ring	
4	4460670	1	Terminal, Ring	
6	4460967	1	Plug, Male - 3 Position	
7	4460465	3	Socket, Female	
8	4460742	1	Plug, Male - 2 Position	
14	2400060	1	Fuseholder (Includes Cover)	
15	2400064	1	Fuse - 5Amp	
16	4460743	2	Socket, Female	

SECTION 8 - ELECTRICAL

FIGURE 8-50. GENERATOR TO ENGINE HARNESS - 4000W



ART_1001153197

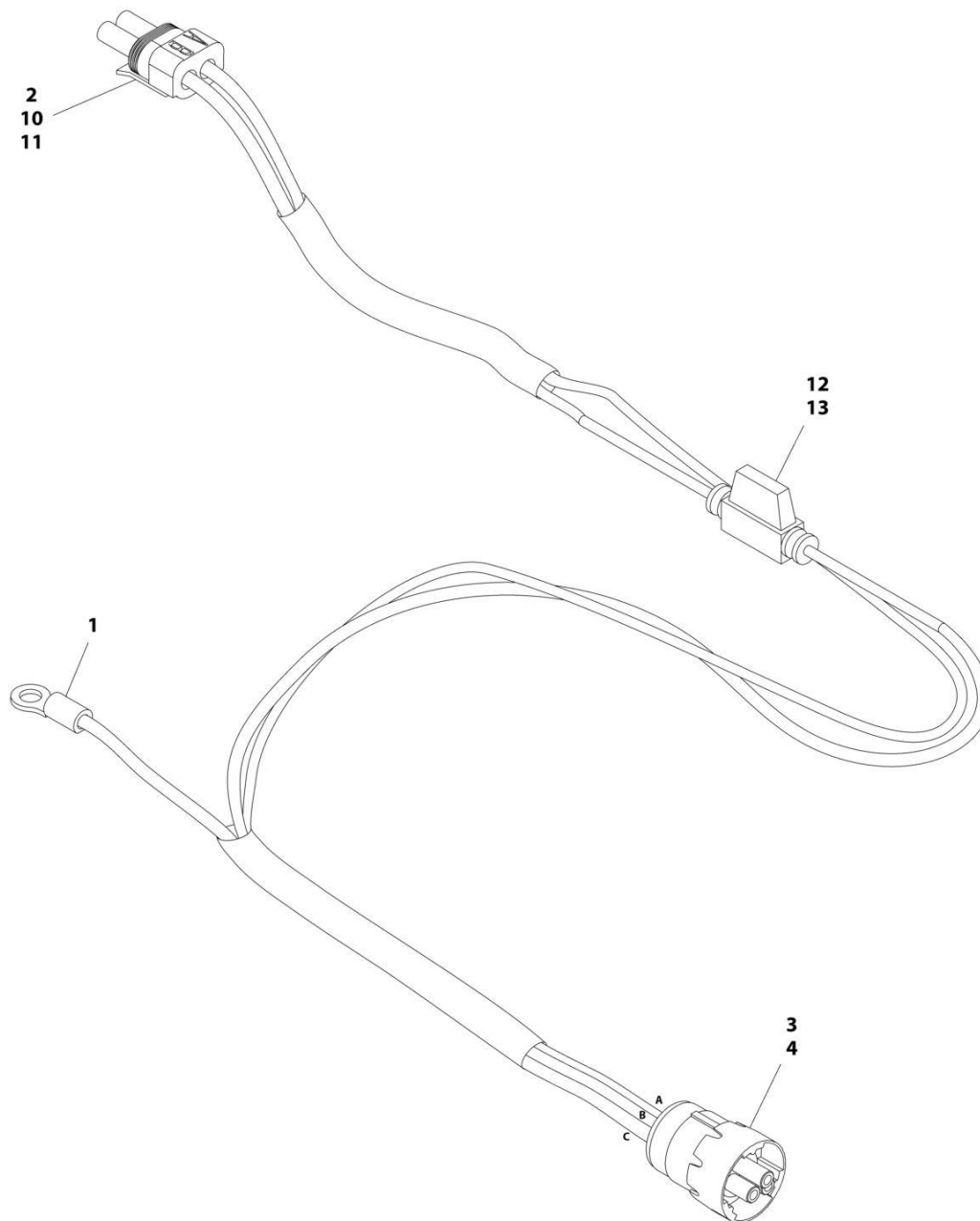
SECTION 8 - ELECTRICAL

FIGURE 8-50. GENERATOR TO ENGINE HARNESS - 4000W

ITEM	PART NUMBER	QTY	DESCRIPTION	REV
	1001153197	Ref	GENERATOR TO ENGINE HARNESS	B
1	4460967	1	Plug, Male - 3 Position	
1	4460465	2	Socket, Female	
2	4460043	1	Terminal, Ring	
3	4460742	1	Plug, Male - 2 Position	
3	4460743	1	Socket, Female	
3	4460458	1	Seal, Terminal	
3	1001116727	1	Plug, Terminal	

SECTION 8 - ELECTRICAL

FIGURE 8-51. GENERATOR TO ENGINE HARNESS - 7500W SKYPOWER GENERATOR (DEUTZ D2011 ONLY)



ART_1001152429

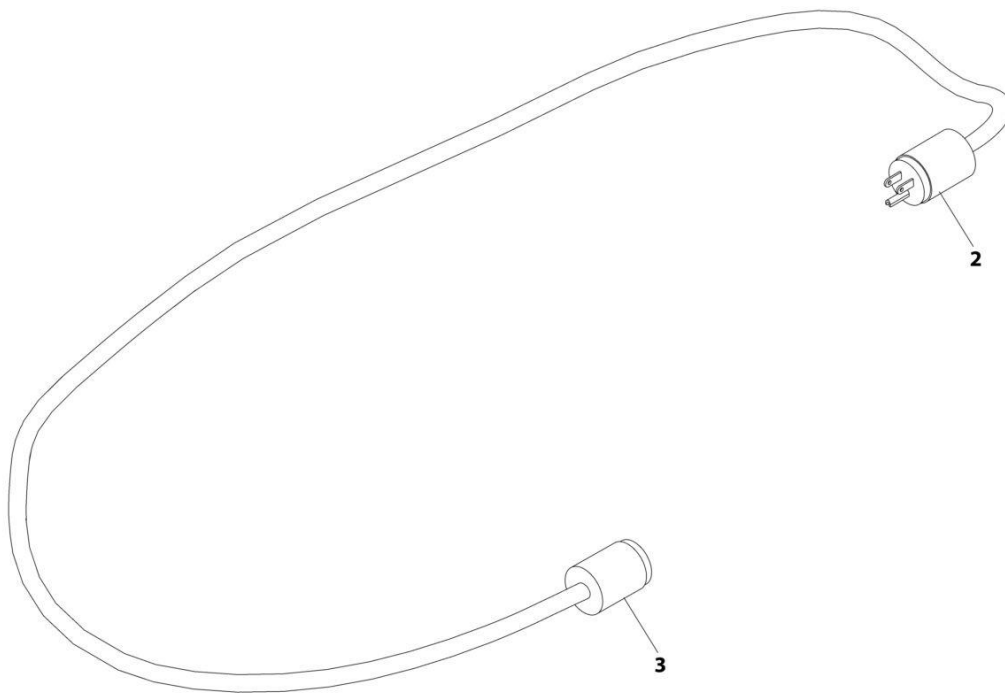
SECTION 8 - ELECTRICAL

FIGURE 8-51. GENERATOR TO ENGINE HARNESS - 7500W SKYPOWER GENERATOR (DEUTZ D2011 ONLY)

ITEM	PART NUMBER	QTY	DESCRIPTION	REV
	1001152429	Ref	GENERATOR TO ENGINE HARNESS	C
1	4460043	1	Terminal, Ring	
2	4460742	1	Plug, Male - 2 Position	
3	4460967	1	Connector - 3 Position	
4	4460465	3	Socket, Female	
10	4460743	2	Terminal, Female	
11	4460458	2	Seal	
12	2400060	1	Fuseholder (Includes Cover)	
13	2400064	1	Fuse - 5Amp	

SECTION 8 - ELECTRICAL

FIGURE 8-52. GENERATOR TO REAR OF BOOM HARNESS - 110V



ART_4921829

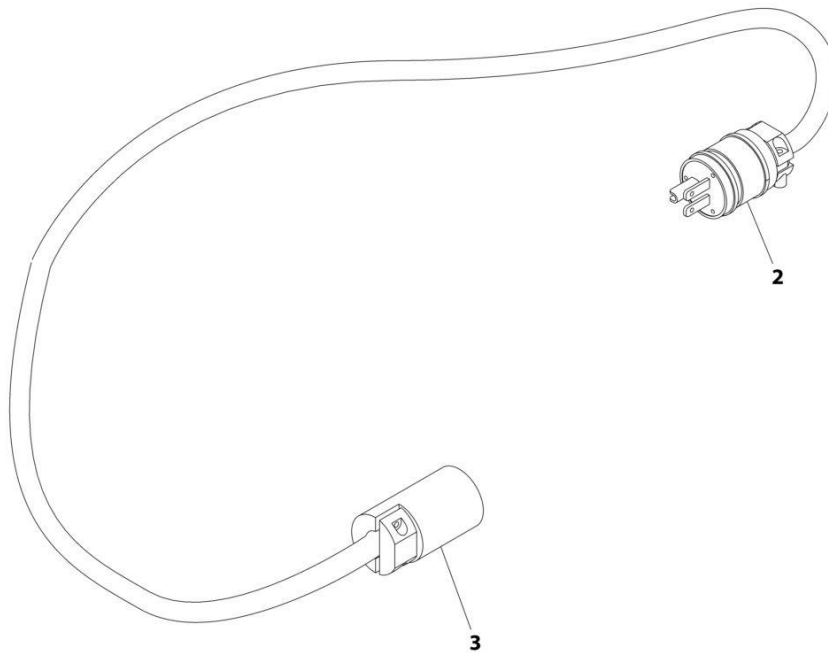
SECTION 8 - ELECTRICAL

FIGURE 8-52. GENERATOR TO REAR OF BOOM HARNESS - 110V

ITEM	PART NUMBER	QTY	DESCRIPTION	REV
	4921829	Ref	GENERATOR TO REAR OF BOOM HARNESS - 110V	Z-A
2	4460205	1	Plug, Male	
3	4460134	1	Connector, Female	

SECTION 8 - ELECTRICAL

FIGURE 8-53. GENERATOR TO REAR OF BOOM HARNESS - 220V



ART_4921954

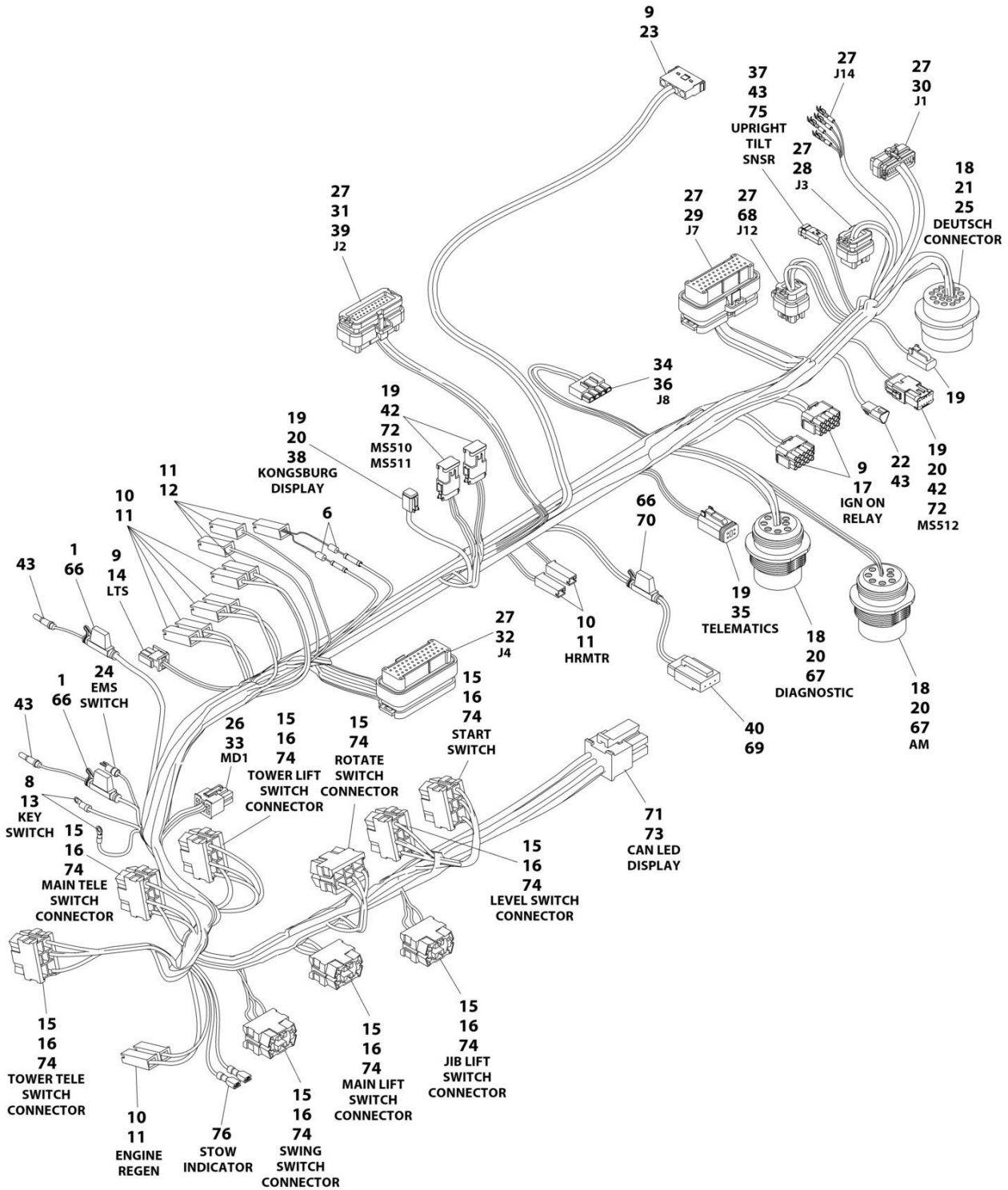
SECTION 8 - ELECTRICAL

FIGURE 8-53. GENERATOR TO REAR OF BOOM HARNESS - 220V

ITEM	PART NUMBER	QTY	DESCRIPTION	REV
	4921954	Ref	GENERATOR TO REAR OF BOOM HARNESS - 220V	2
2	4460233	1	Terminal, Plug	
3	4460701	1	Terminal, Connector	

SECTION 8 - ELECTRICAL

FIGURE 8-54. GROUND CONTROL BOX HARNESS



ART_1001285346

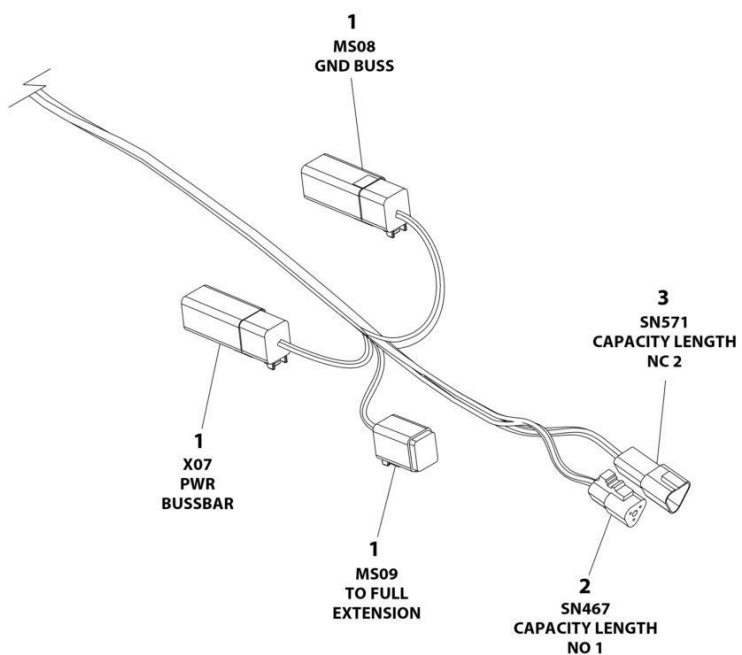
SECTION 8 - ELECTRICAL

FIGURE 8-54. GROUND CONTROL BOX HARNESS

ITEM	PART NUMBER	QTY	DESCRIPTION	REV
	1001285346	Ref	GROUND CONTROL BOX HARNESS	C
1	2400060	2	Fuse Holder	
6	3990010	2	Diode, 6 Amp	
8	4460142	4	Terminal, Ring	
9	4460227	36	Pin	
10	4460259	11	Socket	
11	4460260	15	Housing, Terminal	
12	4460297	4	Socket	
13	4460313	3	Terminal, Ring	
14	4460320	1	Connector	
15	4460418	9	Connector, Switch	
16	4460419	8	Socket	
17	4460434	2	Connector	
18	4460464	27	Terminal	
19	4460465	45	Terminal	
20	4460466	9	Plug, Terminal	
21	4460508	4	Pin	
22	4460536	1	Connector	
23	4460761	1	Connector	
24	4460806	5	Terminal, Fork	
25	4460866	1	Terminal	
26	4460868	1	Connector	
27	4460871	88	Socket	
28	4460872	1	Connector	
29	4460873	1	Connector	
30	4460874	1	Connector	
31	4460875	1	Connector	
32	4460876	1	Connector	
33	4460877	4	Socket	
34	4460878	1	Housing, Terminal	
35	4460884	1	Connector	
36	4460887	3	Socket	
37	1001229530	1	Connector	
38	4460894	1	Plug	
39	4460905	2	Seal	
40	4460911	1	Plug, Terminal	
42	4460933	3	Connector	
43	4460943	8	Terminal	
66	8229242	3	Fuse 5 Amp	
67	1001112612	2	Connector	
67	1001249095	2	Connector	
68	1001113961	1	Plug	
69	1001116694	3	Terminal	
70	1001255901	1	Fuse Holder	
71	1001237668	5	Socket	
72	1001119020	3	Connector	
73	1001237667	1	Connector	
74	1001159186	18	Socket	
75	1001200497	1	Connector	
76	1001201885	2	Terminal	

SECTION 8 - ELECTRICAL

FIGURE 8-55. MID PROXIMITY HARNESS



ART_1001254467

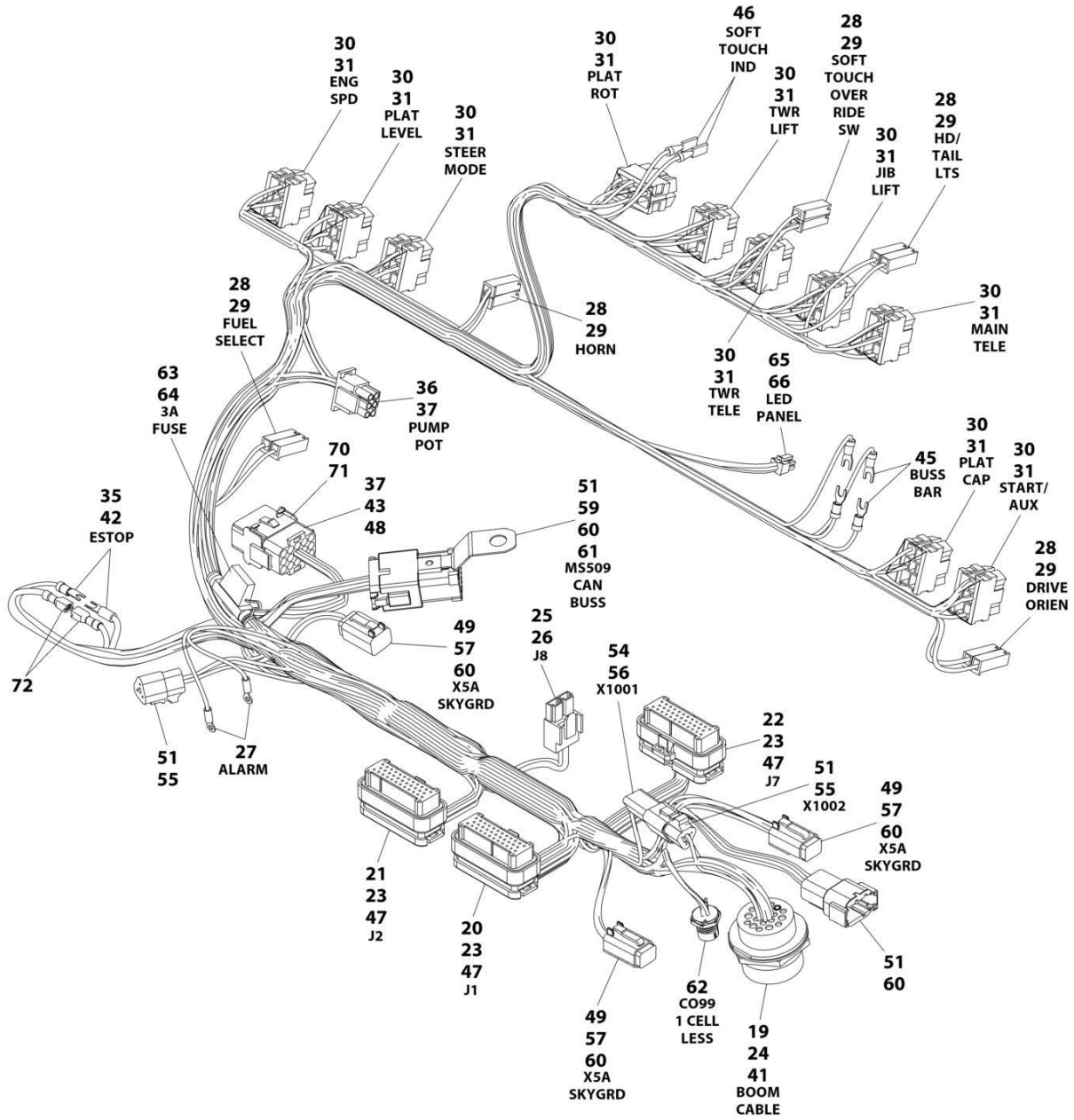
SECTION 8 - ELECTRICAL

FIGURE 8-55. MID PROXIMITY HARNESS

ITEM	PART NUMBER	QTY	DESCRIPTION	REV
	1001254467	Ref	MID PROXIMITY HARNESS	B
1	4460894	3	Plug, Male - 6 Position	
1	4460465	16	Socket, Female	
1	4460466	2	Plug, Terminal	
1	4460892	2	Busbar - 6 Position	
2	4460539	1	Plug, Male - 3 Position	
2	4460465	3	Socket, Female	
3	4460536	1	Receptacle, Female - 3 Position	
3	4640464	3	Pin, Male	

SECTION 8 - ELECTRICAL

FIGURE 8-56. PLATFORM CONSOLE BOX HARNESS



ART_1001266648

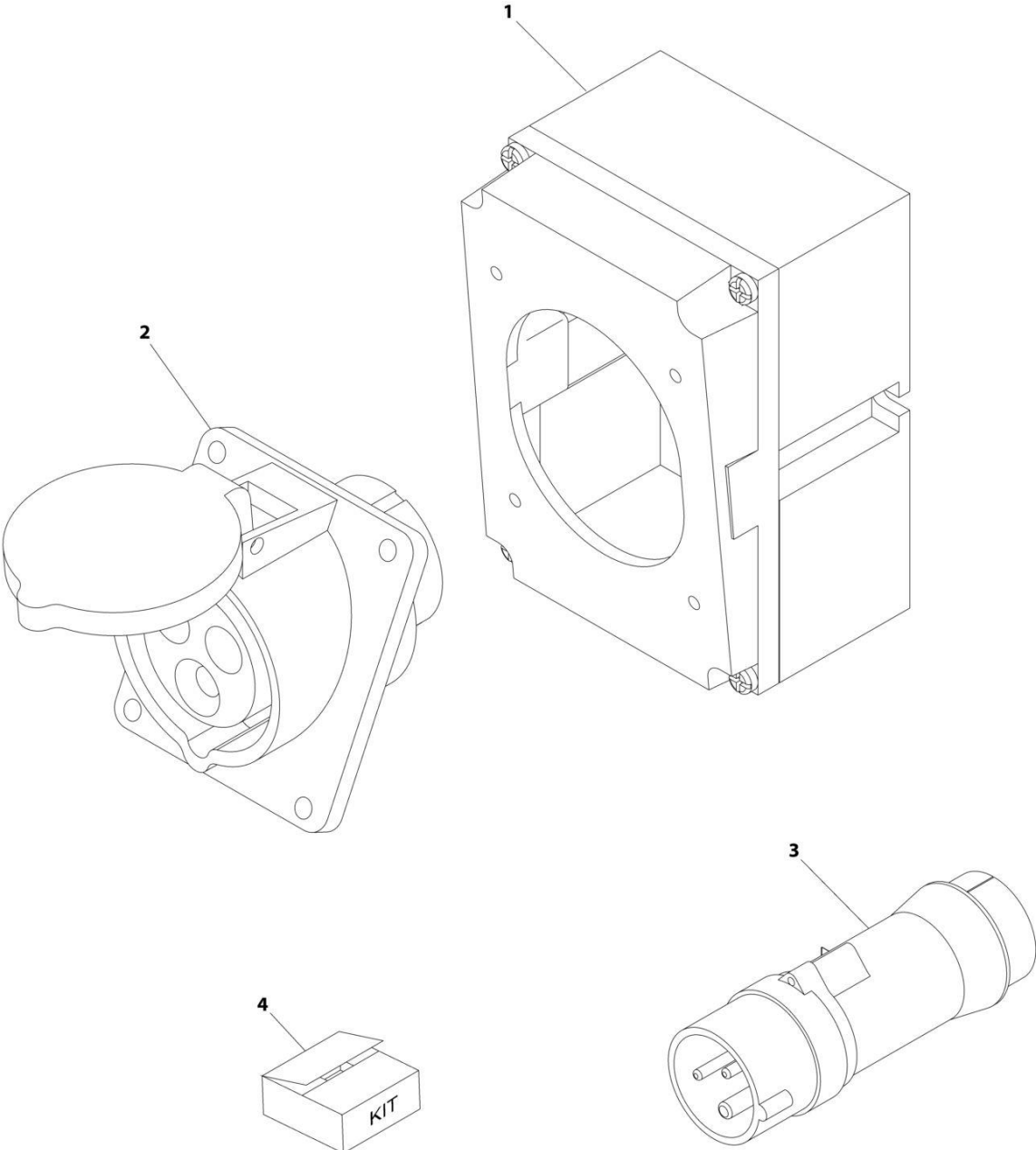
SECTION 8 - ELECTRICAL

FIGURE 8-56. PLATFORM CONSOLE BOX HARNESS

ITEM	PART NUMBER	QTY	DESCRIPTION	REV
	1001266648	Ref	PLATFORM CONSOLE BOX HARNESS	B
19	4460866	1	Connector - 19 Position	
20	4460874	1	Connector - 35 Position	
21	4460875	1	Connector - 35 Position	
22	4460873	1	Connector - 35 Position	
23	4460871	81	Socket, Female	
24	4460464	6	Pin, Male	
25	4460879	1	Plug, Male - 2 Position	
26	4460887	2	Terminal	
27	1001098122	2	Terminal, Ring	
28	4460260	10	Housing, Terminal	
29	4460259	10	Terminal	
30	4460418	9	Connector, Switch	
31	4460419	27	Terminal	
32	4120035	14	Socket, Light (Not Shown)	
33	4460634	14	Socket, Lamp (Single Wire) (Not Shown)	
34	4460635	14	Socket, Lamp (Double Wire) (Not Shown)	
35	4460888	1	Terminal, Fork	
36	4460225	1	Plug, Male - 6 Position	
37	4460227	31	Pin, Male	
41	4460508	3	Pin, Male	
42	4460806	1	Terminal, Fork	
43	4460434	2	Connector - 15 Position	
44	2920129	14	Bulb (Not Shown)	
45	4460183	4	Terminal, Fork	
46	4460016	2	Terminal	
47	4460905	24	Plug, Terminal	
48	4460267	1	Pin, Male	
49	4460465	5	Socket, Female	
51	4460944	11	Socket, Female	
54	4460536	1	Receptacle, Female - 3 Position	
55	4460539	1	Plug, Male - 3 Position	
56	4460943	3	Pin, Male	
57	4460894	2	Plug, Male - 6 Position	
59	4460933	2	Plug, Male - 12 Position	
60	4460466	5	Plug, Terminal	
61	1001119020	1	Connector, Buss Bar - 12 Position	
62	1001213447	1	Connector - 5 Position	
63	2400060	1	Fuseholder Includes Cover	
64	8229249	1	Fuse, 3 Amp	
65	1001237667	1	Plug, Male - 6 Position	
66	1001237668	4	Socket, Female	
70	4460708	2	Connector - 15 Position	
71	4460226	2	Socket, Female	
72	1001201885	2	Terminal	

SECTION 8 - ELECTRICAL

FIGURE 8-57. RECEPTACLE BOX KIT - 110V IEC YELLOW (CE & UK CA SPEC)



ART_0275216

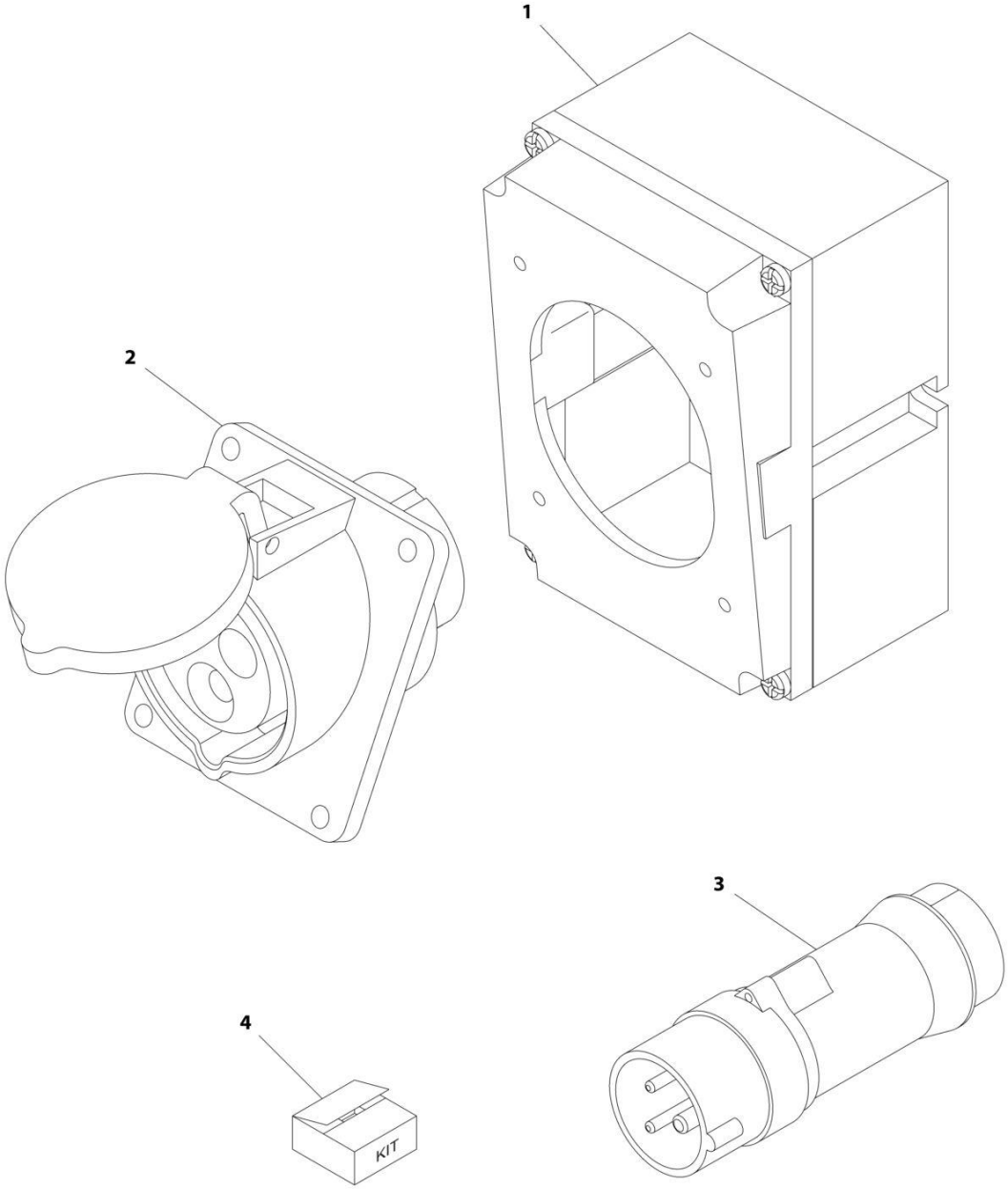
SECTION 8 - ELECTRICAL

FIGURE 8-57. RECEPTACLE BOX KIT - 110V IEC YELLOW (CE & UK CA SPEC)

ITEM	PART NUMBER	QTY	DESCRIPTION	REV
	0275216	Ref	RECEPTACLE BOX KIT - 110V IEC YELLOW	B
1	0861781	1	Box, Switch	
2	4461198	1	Receptacle	
3	4461196	1	Plug, Male	
4	1001100341	1	Plug and Socket Kit (Includes Items 1-3 and Female Plug p/n 4461197)	

SECTION 8 - ELECTRICAL

FIGURE 8-58. RECEPTACLE BOX KIT - 220V IEC BLUE (CE & UK CA SPEC)



ART_0275217

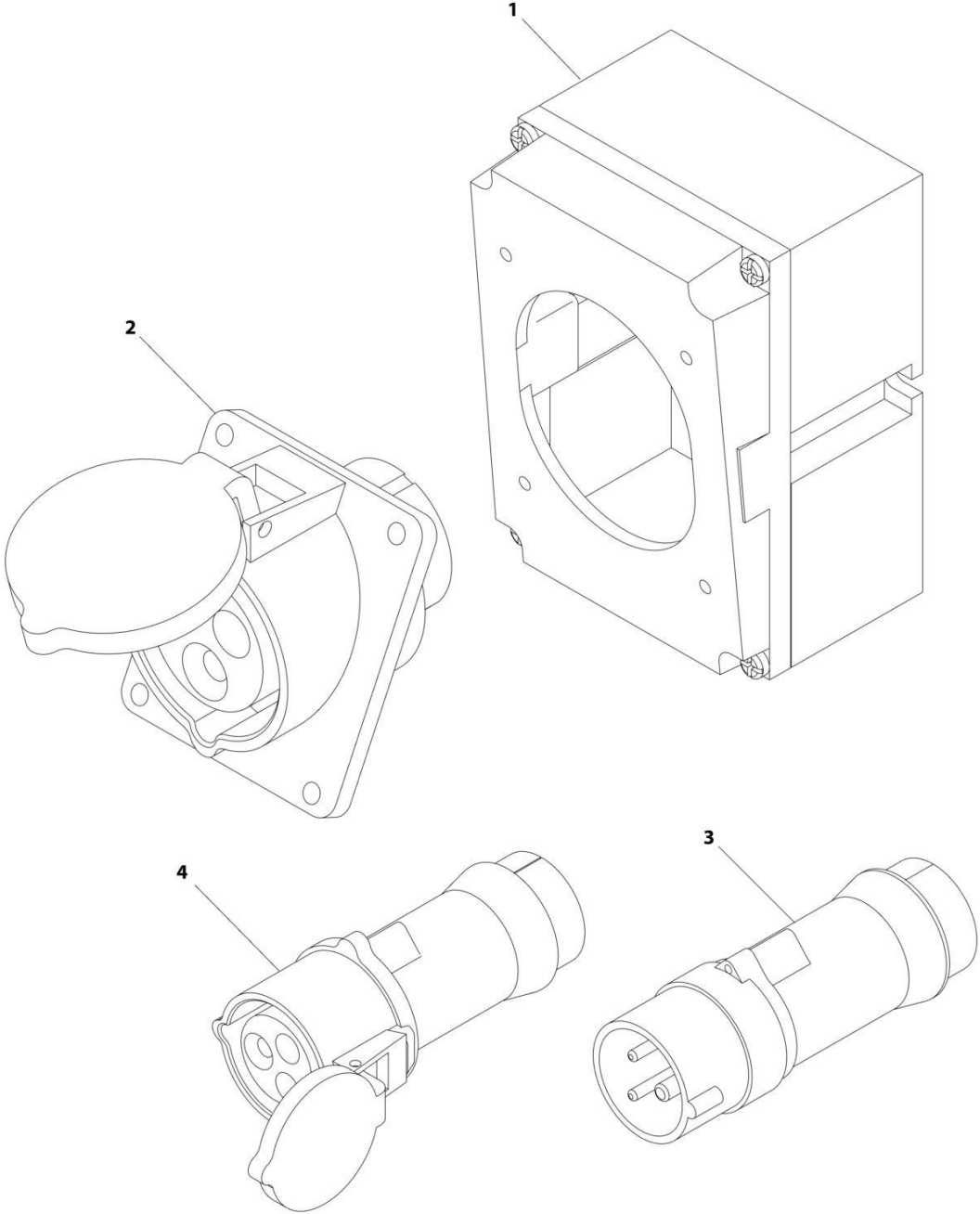
SECTION 8 - ELECTRICAL

FIGURE 8-58. RECEPTACLE BOX KIT - 220V IEC BLUE (CE & UK CA SPEC)

ITEM	PART NUMBER	QTY	DESCRIPTION	REV
	0275217	Ref	RECEPTACLE BOX KIT - 220V IEC BLUE	B
1	0861781	1	Box, Switch	
2	4461201	1	Receptacle	
3	4461199	1	Plug, Male	
4	1001100342	1	Plug and Socket Kit (Includes Items 1-3 and Female Plug p/n 4461200)	

SECTION 8 - ELECTRICAL

FIGURE 8-59. RECEPTACLE BOX KIT - 220V IEC BLUE (CE & UK CA SPECS) (2500W GENERATOR)



ART_1001100342

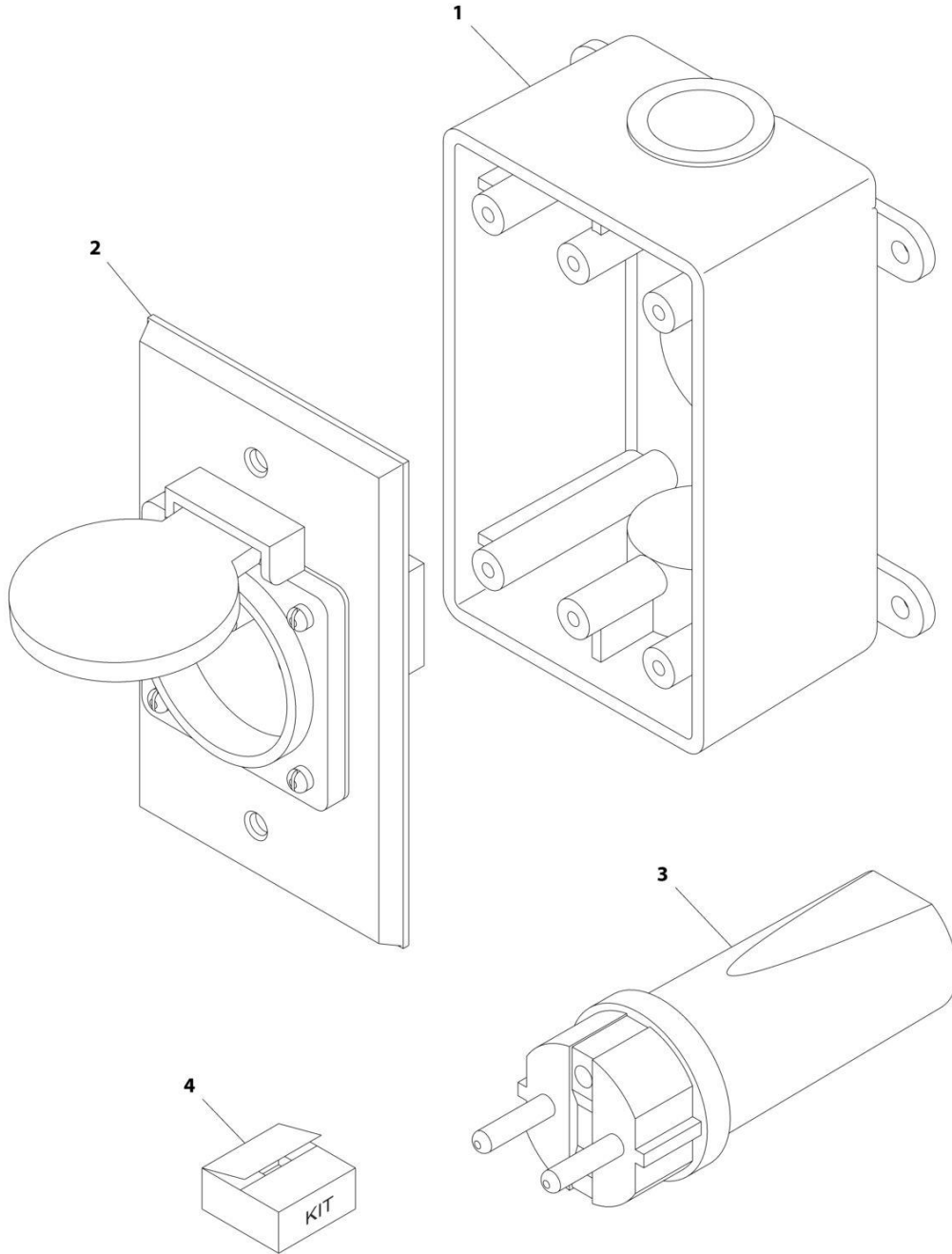
SECTION 8 - ELECTRICAL

FIGURE 8-59. RECEPTACLE BOX KIT - 220V IEC BLUE (CE & UK CA SPECS) (2500W GENERATOR)

ITEM	PART NUMBER	QTY	DESCRIPTION	REV
	1001100342	Ref	RECEPTACLE BOX KIT - 220V IEC BLUE WITH 2500W GENERATOR (CE & UK CA SPECS)	2
1	0861781	1	Box, Switch	
2	4461201	1	Receptacle	
3	4461199	1	Plug, Male	
4	4461200	1	Plug, Female	

SECTION 8 - ELECTRICAL

FIGURE 8-60. RECEPTACLE BOX KIT - 220V CEE7 POST GROUND WITHOUT 2500W GENERATOR (2X4 BOX) (CE & UK CA SPECS)



ART_0275452

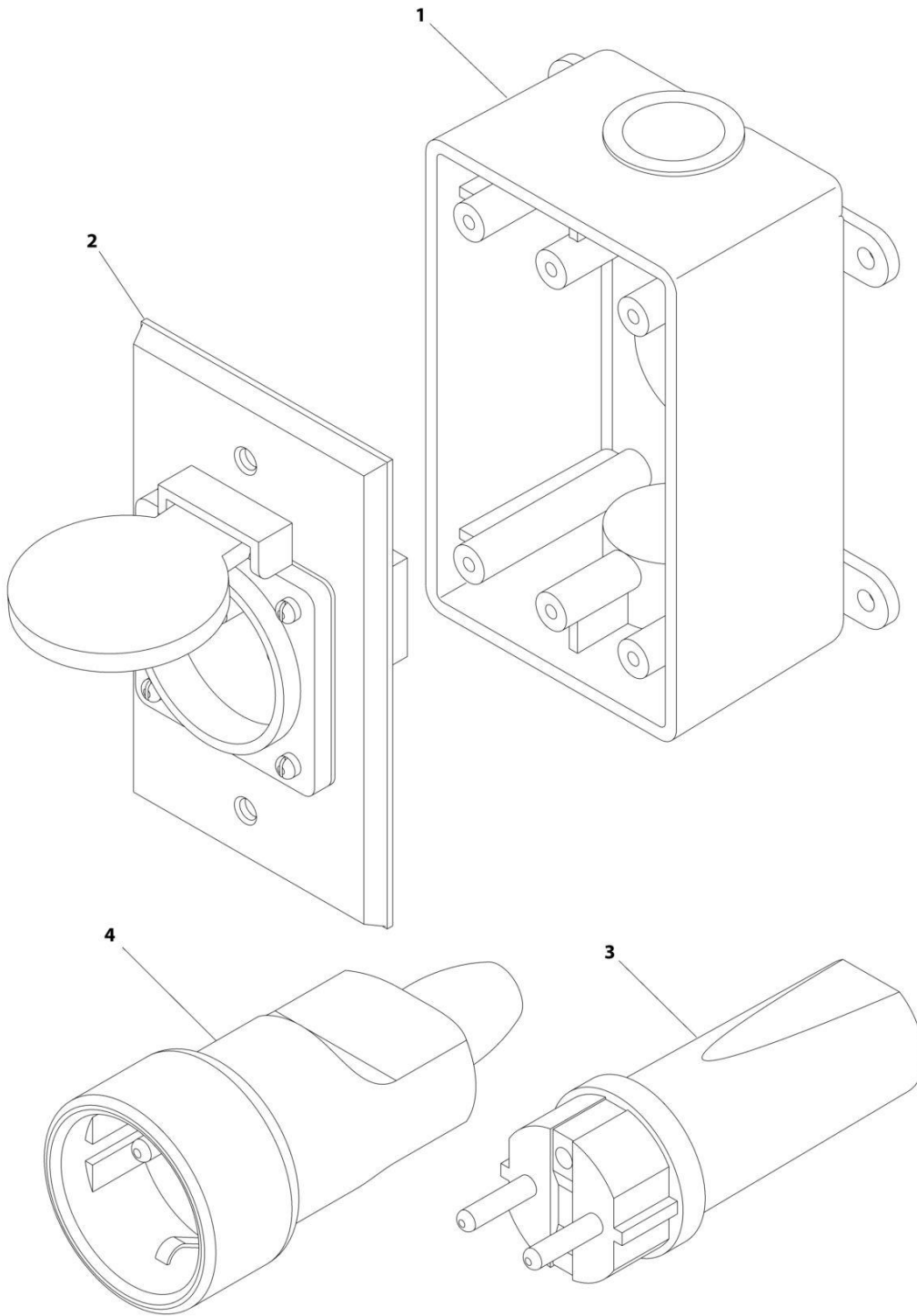
SECTION 8 - ELECTRICAL

**FIGURE 8-60. RECEPTACLE BOX KIT - 220V CEE7 POST GROUND WITHOUT 2500W GENERATOR
(2X4 BOX) (CE & UK CA SPECS)**

ITEM	PART NUMBER	QTY	DESCRIPTION	REV
	0275452	Ref	RECEPTACLE BOX KIT - 220V CEE7 POST GROUND	C
1	0861731	1	Box, Switch	
2	4461244	1	Receptacle	
3	4461205	1	Plug, Male	
4	1001100345	1	Plug and Socket Kit (Includes Items 1-3 and Female Plug p/n 4461206)	

SECTION 8 - ELECTRICAL

FIGURE 8-61. RECEPTACLE BOX KIT - 220V CEE7 POST GROUND (2X4 BOX) (CE & UK CA SPECS)
(2500W GENERATOR)



ART_1001100345

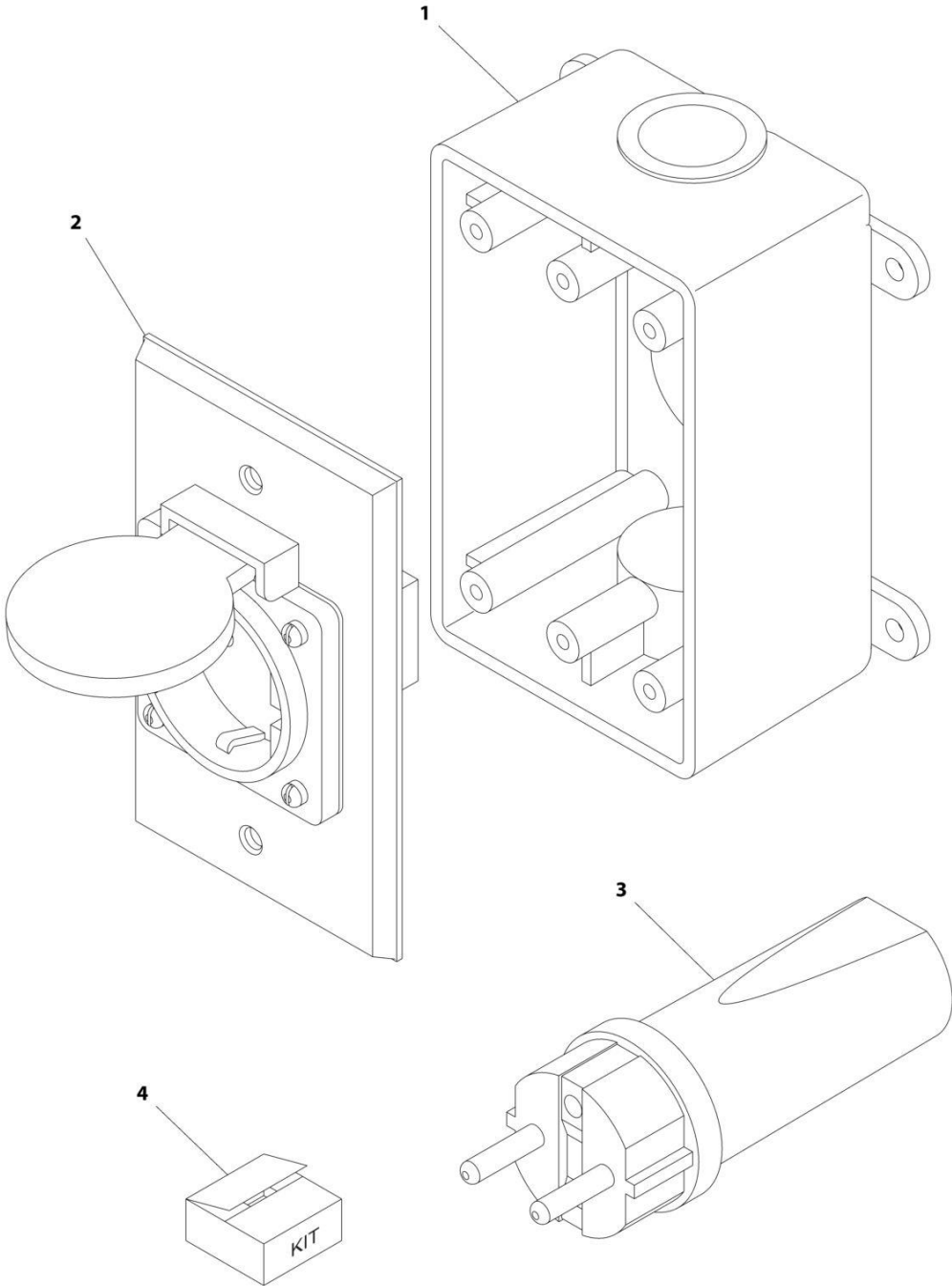
SECTION 8 - ELECTRICAL

**FIGURE 8-61. RECEPTACLE BOX KIT - 220V CEE7 POST GROUND (2X4 BOX) (CE & UK CA SPECS)
(2500W GENERATOR)**

ITEM	PART NUMBER	QTY	DESCRIPTION	REV
	1001100345	Ref	RECEPTACLE BOX KIT - 220V CEE7 POST GROUND	C
1	0861731	1	Box, Switch	
2	4461244	1	Receptacle	
3	4461205	1	Plug, Male	
4	4461203	1	Plug, Female	

SECTION 8 - ELECTRICAL

FIGURE 8-62. RECEPTACLE BOX KIT - 220V CEE7 SIDE GROUND (CE & UK CA SPEC)



ART_0275453

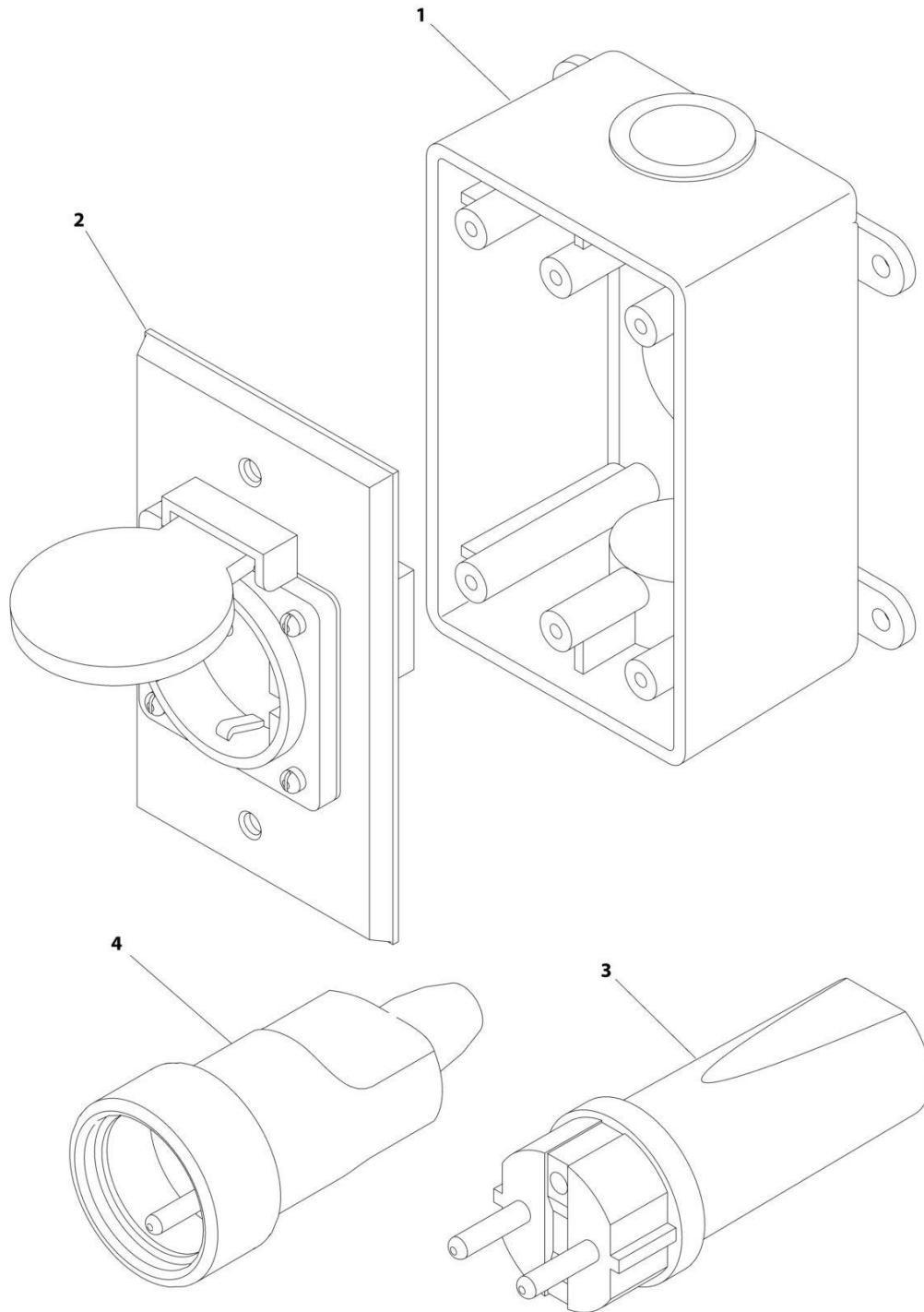
SECTION 8 - ELECTRICAL

FIGURE 8-62. RECEPTACLE BOX KIT - 220V CEE7 SIDE GROUND (CE & UK CA SPEC)

ITEM	PART NUMBER	QTY	DESCRIPTION	REV
	0275453	Ref	RECEPTACLE BOX KIT - 220V CEE7 SIDE GROUND	B
1	0861731	1	Box, Switch	
2	4461245	1	Receptacle	
3	4461205	1	Plug, Male	
4	1001100347	1	Plug and Socket Kit (Includes Items 1-3 and Female Plug p/n 4461206)	

SECTION 8 - ELECTRICAL

FIGURE 8-63. RECEPTACLE BOX KIT - 220V CEE7 SIDE GROUND (2X4 BOX) (CE & UK CA SPECS)
(2500W GENERATOR)



ART_1001100347

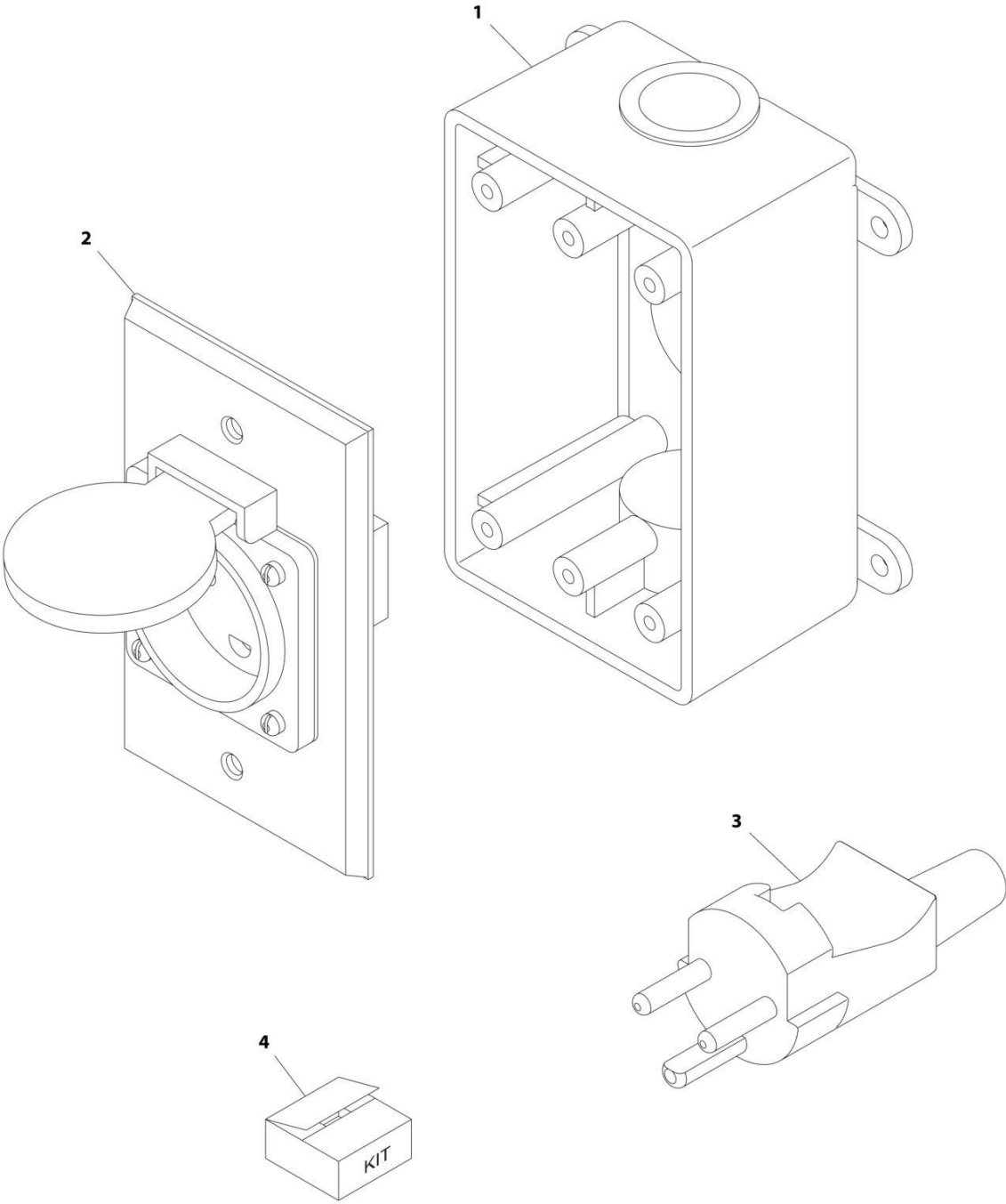
SECTION 8 - ELECTRICAL

**FIGURE 8-63. RECEPTACLE BOX KIT - 220V CEE7 SIDE GROUND (2X4 BOX) (CE & UK CA SPECS)
(2500W GENERATOR)**

ITEM	PART NUMBER	QTY	DESCRIPTION	REV
	1001100347	Ref	RECEPTACLE BOX KIT - 220V CEE7 SIDE GROUND	3
1	0861731	1	Box, Switch	
2	4461245	1	Receptacle	
3	4461205	1	Plug, Male	
4	4461206	1	Plug, Female	

SECTION 8 - ELECTRICAL

FIGURE 8-64. RECEPTACLE BOX KIT - 220V AFSINT 107 (CE & UK CA SPEC)



ART_0275454

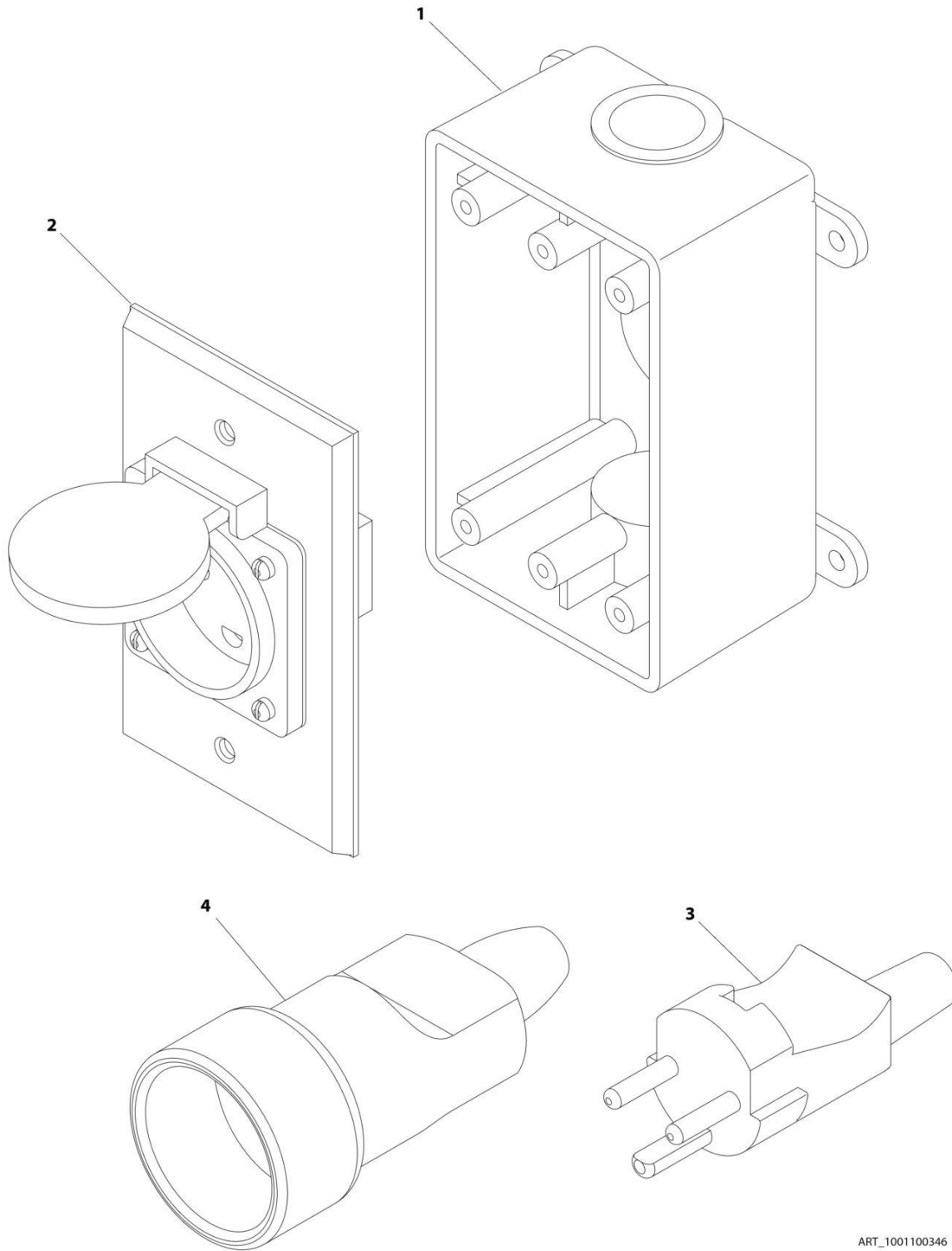
SECTION 8 - ELECTRICAL

FIGURE 8-64. RECEPTACLE BOX KIT - 220V AFSINT 107 (CE & UK CA SPEC)

ITEM	PART NUMBER	QTY	DESCRIPTION	REV
	0275454	Ref	RECEPTACLE BOX KIT - 220V AFSINT 107	B
1	0861731	1	Box, Switch	
2	4461246	1	Receptacle	
3	4461249	1	Plug, Male	
4	1001100346	1	Plug and Socket Kit (Includes Items 1-3 and Female Plug p/n 4461250)	

SECTION 8 - ELECTRICAL

FIGURE 8-65. RECEPTACLE BOX KIT - 220V AFSINT 107 KEYED GROUND (2X4 BOX) (CE & UK CA SPECS) (2500W GENERATOR)



ART_1001100346

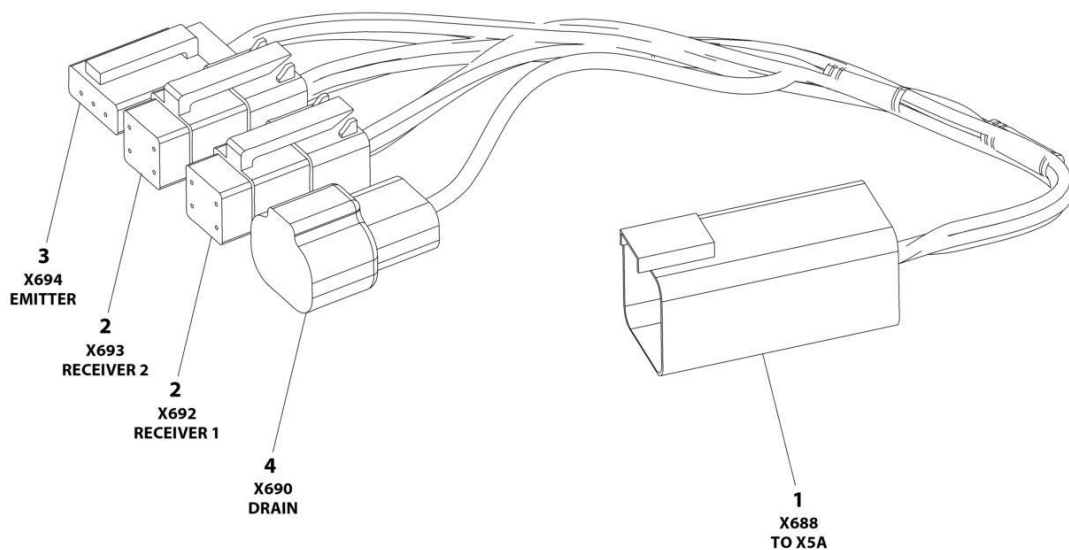
SECTION 8 - ELECTRICAL

FIGURE 8-65. RECEPTACLE BOX KIT - 220V AFSINT 107 KEYED GROUND (2X4 BOX) (CE & UK CA SPECS) (2500W GENERATOR)

ITEM	PART NUMBER	QTY	DESCRIPTION	REV
	1001100346	Ref	RECEPTACLE BOX KIT - 220V AFSINT 107 KEYED GROUND WITH 2500W GENERATOR (2X4 BOX) (CE & UK CA SPECS)	2
1	0861731	1	Box, Switch	
2	4461246	1	Receptacle	
3	4461249	1	Plug, Male	
4	4461250	1	Plug, Female	

SECTION 8 - ELECTRICAL

FIGURE 8-66. SKYEYE INTERMEDIATE HARNESS



ART_1001237865

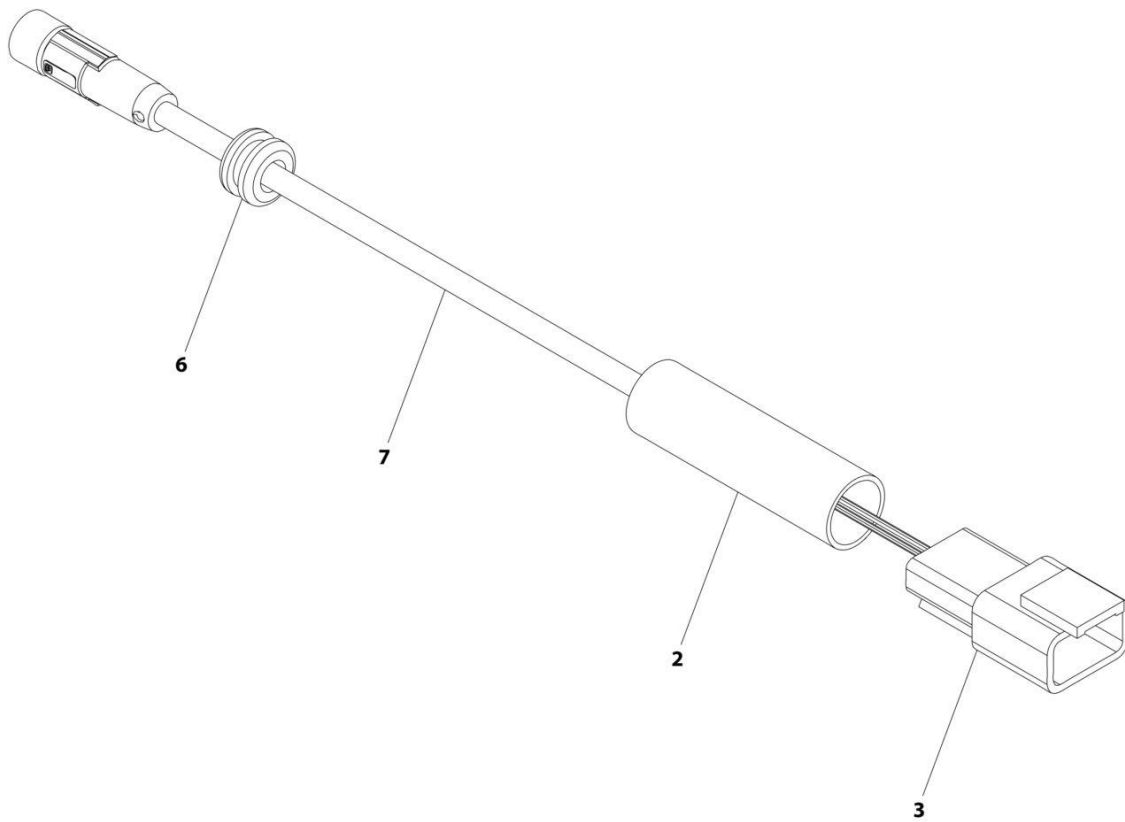
SECTION 8 - ELECTRICAL

FIGURE 8-66. SKYEYE INTERMEDIATE HARNESS

ITEM	PART NUMBER	QTY	DESCRIPTION	REV
	1001237865	Ref	SKYEYE INTERMEDIATE HARNESS	A
1	4460899	1	Connector - 6 Position	
1	4460943	4	Pin, Male	
1	4460466	2	Plug, Terminal	
2	4461077	2	Connector - 4 Position	
2	1001119619	8	Socket, Female	
3	4460911	1	Connector - 3 Position	
3	1001119619	3	Socket, Female	
4	1001187681	1	Connector - 2 Position	
4	4460941	1	Pin, Male	
4	4460466	1	Plug, Terminal	

SECTION 8 - ELECTRICAL

FIGURE 8-67. SKYEYE EMITTER HARNESS



ART_1001237864

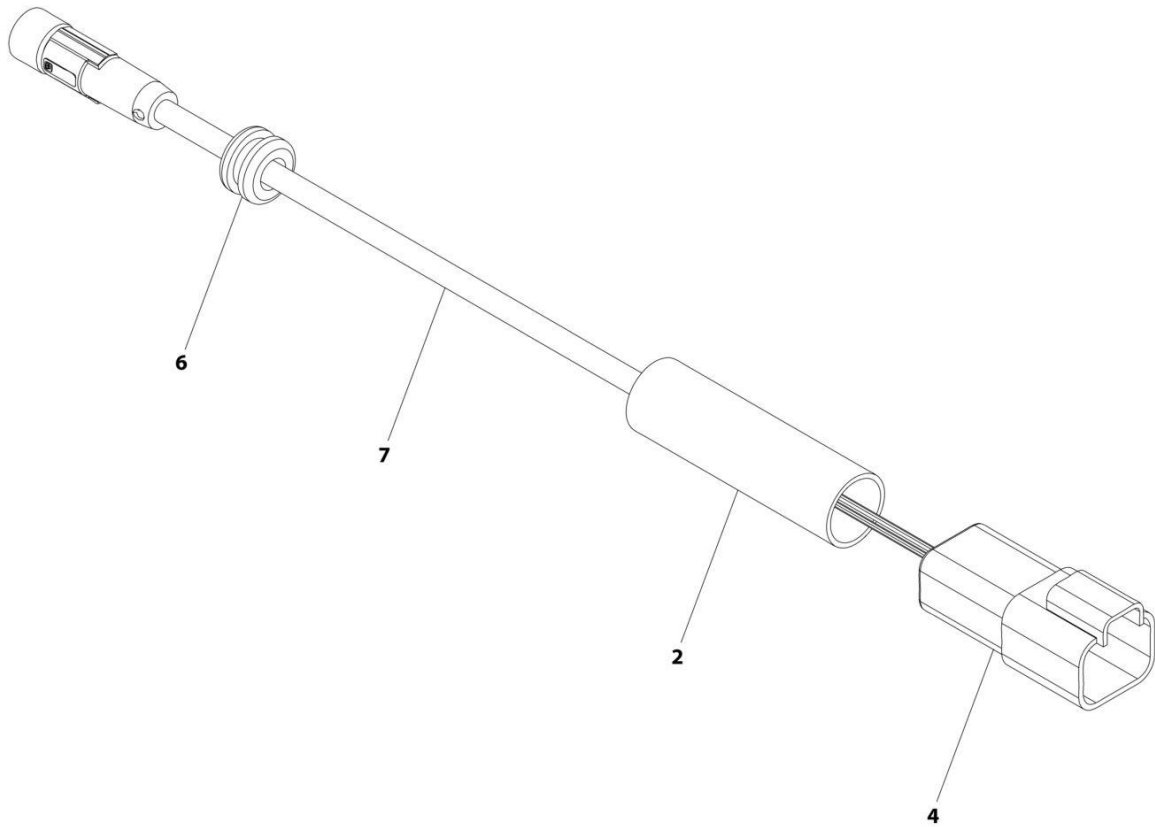
SECTION 8 - ELECTRICAL

FIGURE 8-67. SKYEYE EMITTER HARNESS

ITEM	PART NUMBER	QTY	DESCRIPTION	REV
	1001237864	Ref	SKYEYE EMITTER HARNESS	A
2	2820247	AR	Tubing, Heat Shrink	
3	4460910	1	Connector - 3 Position	
3	1001119620	3	Pin, Male	
6	1001227996	1	Grommet	
7	1001237862	1	Cable, M8 Female Cordset	

SECTION 8 - ELECTRICAL

FIGURE 8-68. SKYEYE RECEIVER HARNESS



ART_1001237863

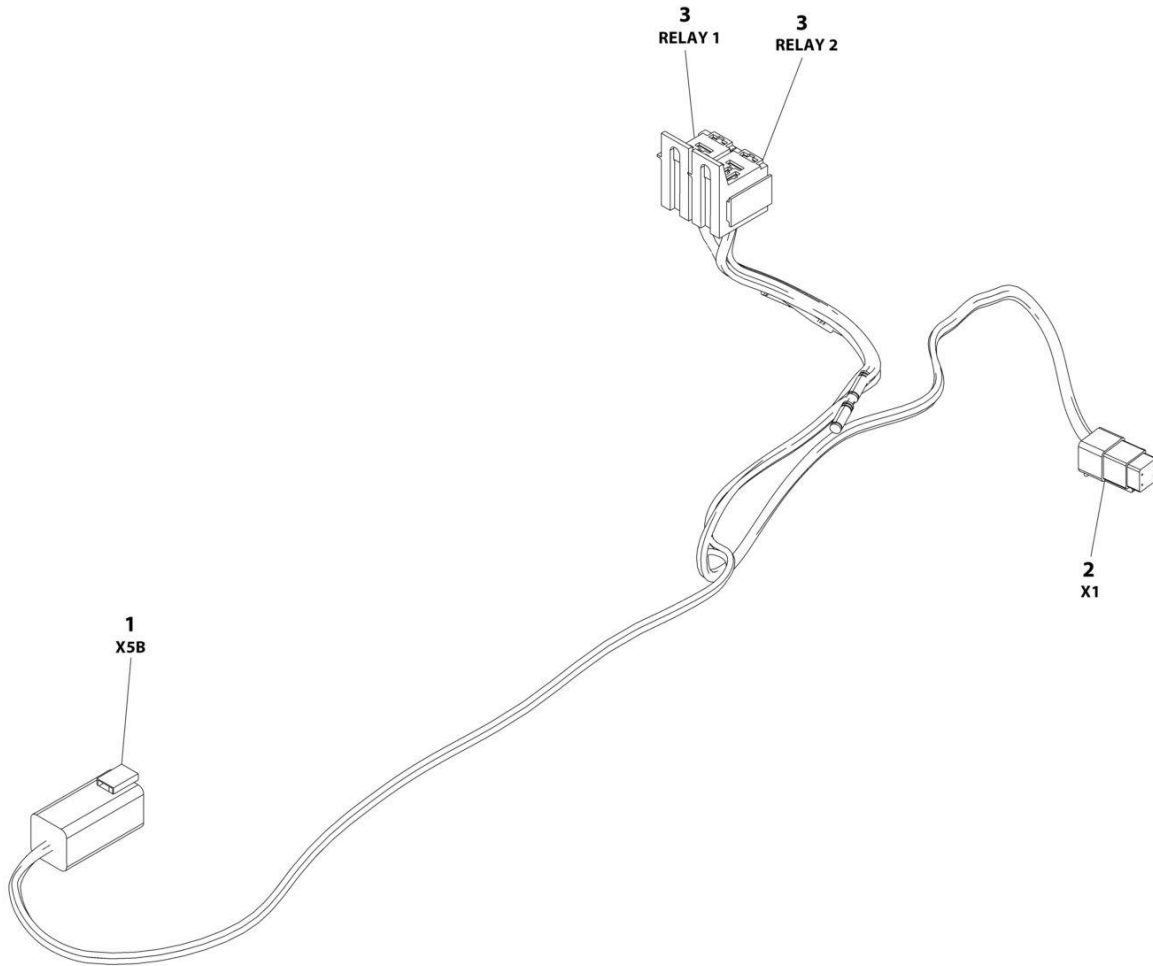
SECTION 8 - ELECTRICAL

FIGURE 8-68. SKYEYE RECEIVER HARNESS

ITEM	PART NUMBER	QTY	DESCRIPTION	REV
	1001237863	Ref	SKYEYE RECEIVER HARNESS	A
2	2820247	AR	Tubing, Heat Shrink	
4	1001097051	1	Connector - 4 Position	
4	1001119620	4	Pin, Male	
6	1001227996	1	Grommet	
7	1001237862	1	Cable, M8 Female Cordset	

SECTION 8 - ELECTRICAL

FIGURE 8-69. SKYLINE HARNESS



ART_1001238418

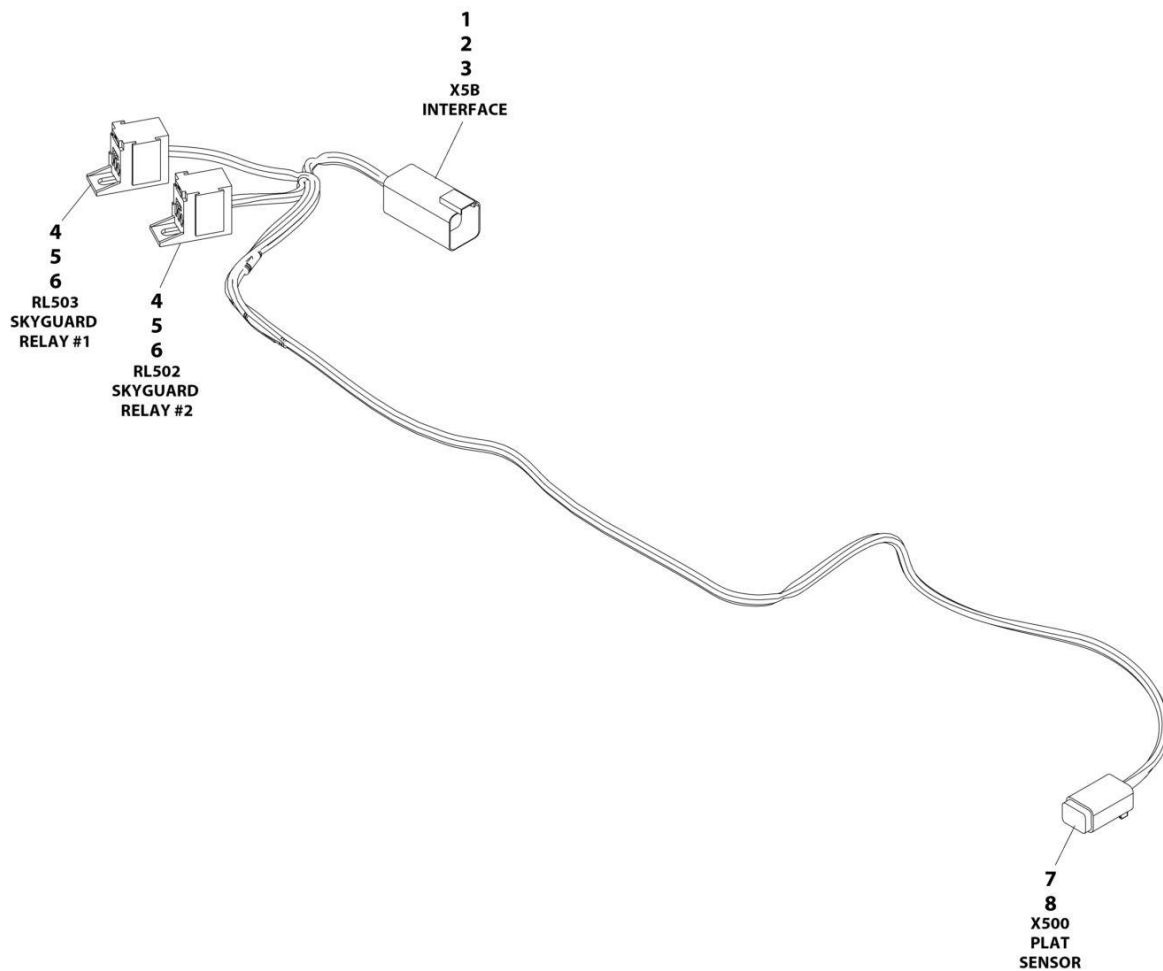
SECTION 8 - ELECTRICAL

FIGURE 8-69. SKYLINE HARNESS

ITEM	PART NUMBER	QTY	DESCRIPTION	REV
	1001238418	Ref	SKYLINE HARNESS	B
1	4460899	1	Connector - 6 Position	
1	4460464	4	Pin, Male	
1	4460466	2	Plug, Terminal	
2	4461077	1	Connector - 4 Position	
2	1001126009	4	Socket, Female	
3	1001186432	2	Plug, Relay	
3	1001118388	5	Terminal	
3	1001118384	3	Terminal	
3	3740086	2	Relay	

SECTION 8 - ELECTRICAL

FIGURE 8-70. SKYGUARD INTERFACE HARNESS



ART_1001225580

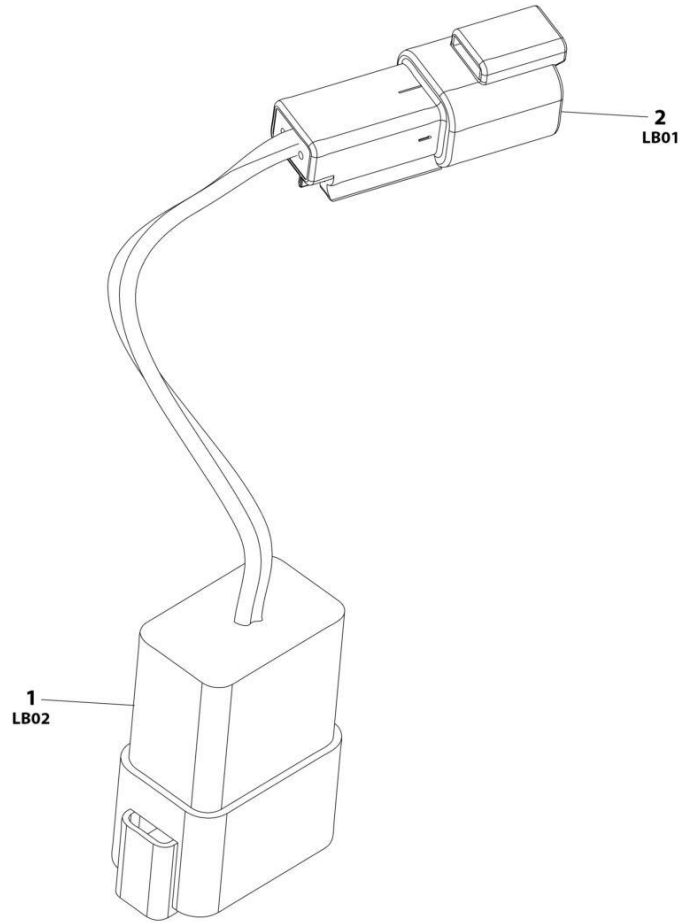
SECTION 8 - ELECTRICAL

FIGURE 8-70. SKYGUARD INTERFACE HARNESS

ITEM	PART NUMBER	QTY	DESCRIPTION	REV
	1001225580	Ref	INTERFACE HARNESS - WITH 1 CELL LSS	D
1	4460899	1	Connector	
2	4460464	4	Terminal	
3	4460466	2	Plug	
4	1001186432	2	Connector	
5	1001116720	4	Terminal	
6	1001118388	4	Terminal	
7	4460884	1	Connector	
8	4460465	4	Terminal	

SECTION 8 - ELECTRICAL

FIGURE 8-71. STROBE LIGHT JUMPER HARNESS



ART_1001283776

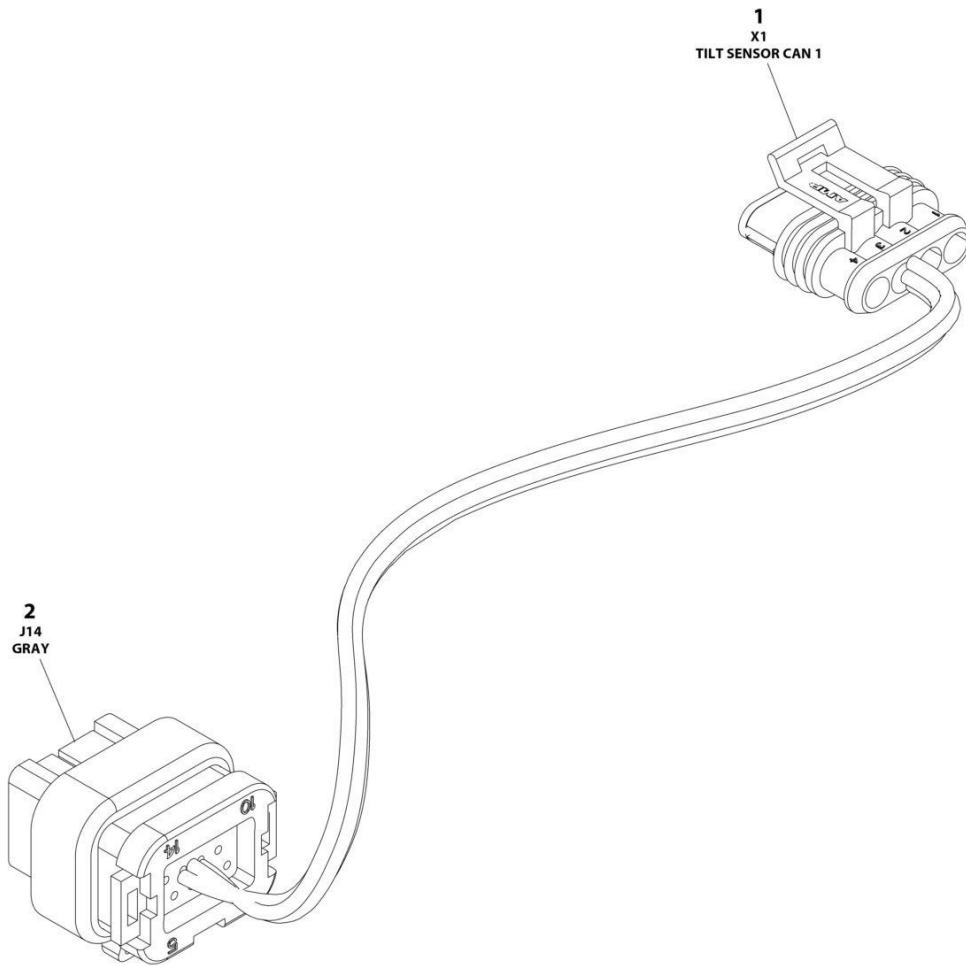
SECTION 8 - ELECTRICAL

FIGURE 8-71. STROBE LIGHT JUMPER HARNESS

ITEM	PART NUMBER	QTY	DESCRIPTION	REV
	1001283776	Ref	STROBE LIGHT HARNESS (AMBER)	A
1	4460931	1	Connector	
1	4460464	2	Pin	
1	4460466	6	Plug	
2	4460897	1	Connector	
2	4460464	2	Pin	

SECTION 8 - ELECTRICAL

FIGURE 8-72. TILT SENSOR HARNESS



ART_1001276143

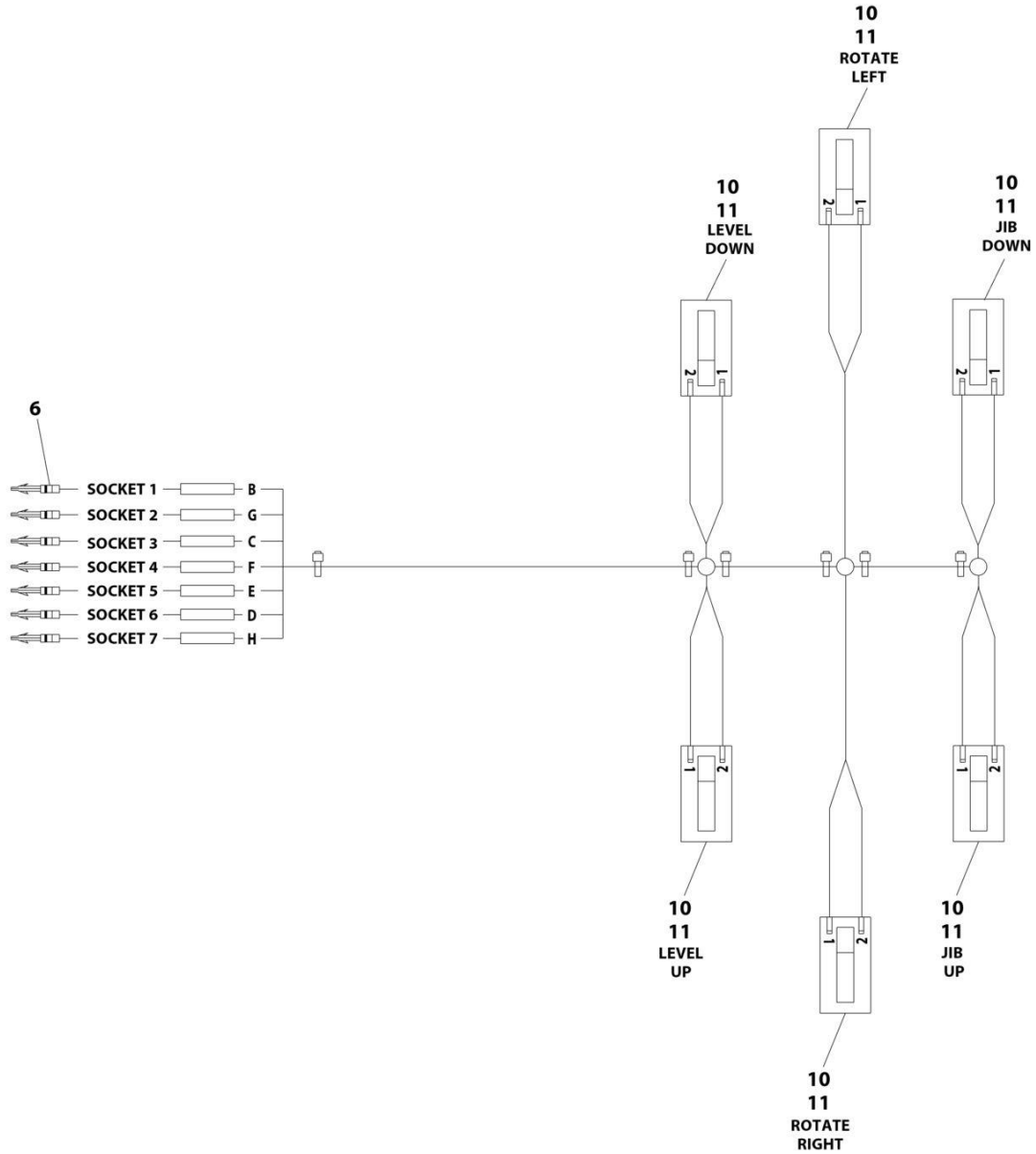
SECTION 8 - ELECTRICAL

FIGURE 8-72. TILT SENSOR HARNESS

ITEM	PART NUMBER	QTY	DESCRIPTION	REV
	1001276143	Ref	TILT SENSOR HARNESS	B
1	1001103012	1	Connector - 4 Position	
1	1001107854	4	Terminal, Male	
1	1001104498	4	Terminal, Seal	
2	1001246859	1	Connector - 14 Position	
2	4460871	4	Socekt, Female	
2	4460905	10	Plug, Terminal	

SECTION 8 - ELECTRICAL

FIGURE 8-73. VALVE HARNESS - BOOM VALVE



ART_1001139135

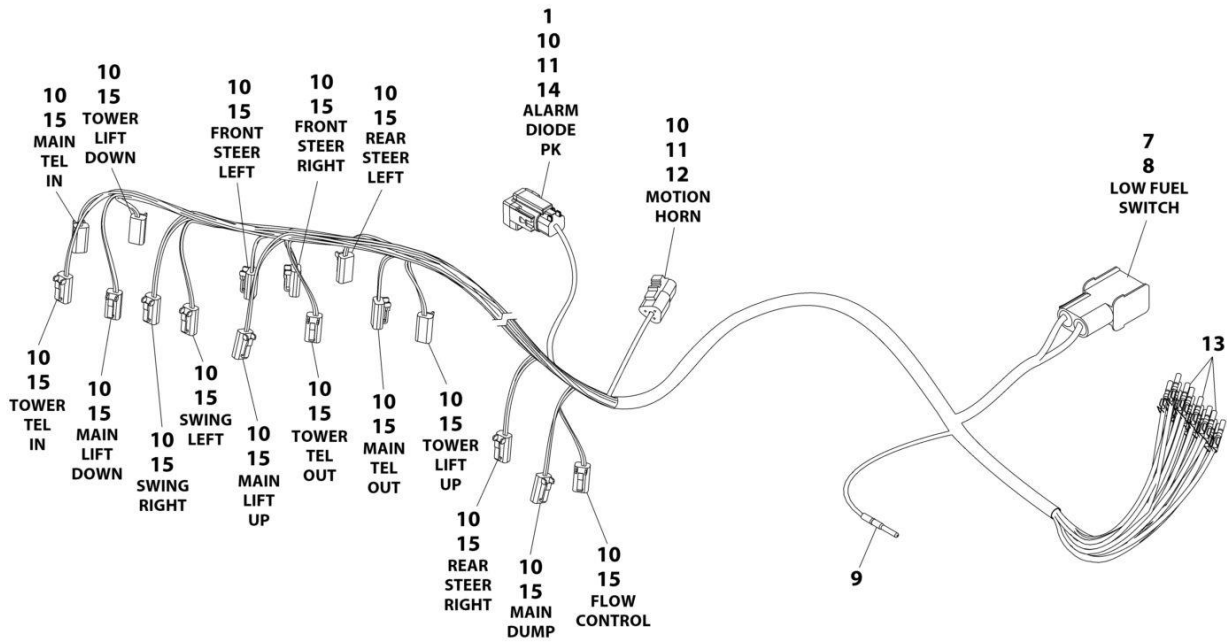
SECTION 8 - ELECTRICAL

FIGURE 8-73. VALVE HARNESS - BOOM VALVE

ITEM	PART NUMBER	QTY	DESCRIPTION	REV
	1001139135	Ref	BOOM VALVE HARNESS	3
6	4460226	7	Terminal, Socket	
10	4460891	6	Deutsch connector	
11	1001116692	12	Socket	

SECTION 8 - ELECTRICAL

FIGURE 8-74. VALVE HARNESS - MAIN CONTROL VALVE



ART_1001284919

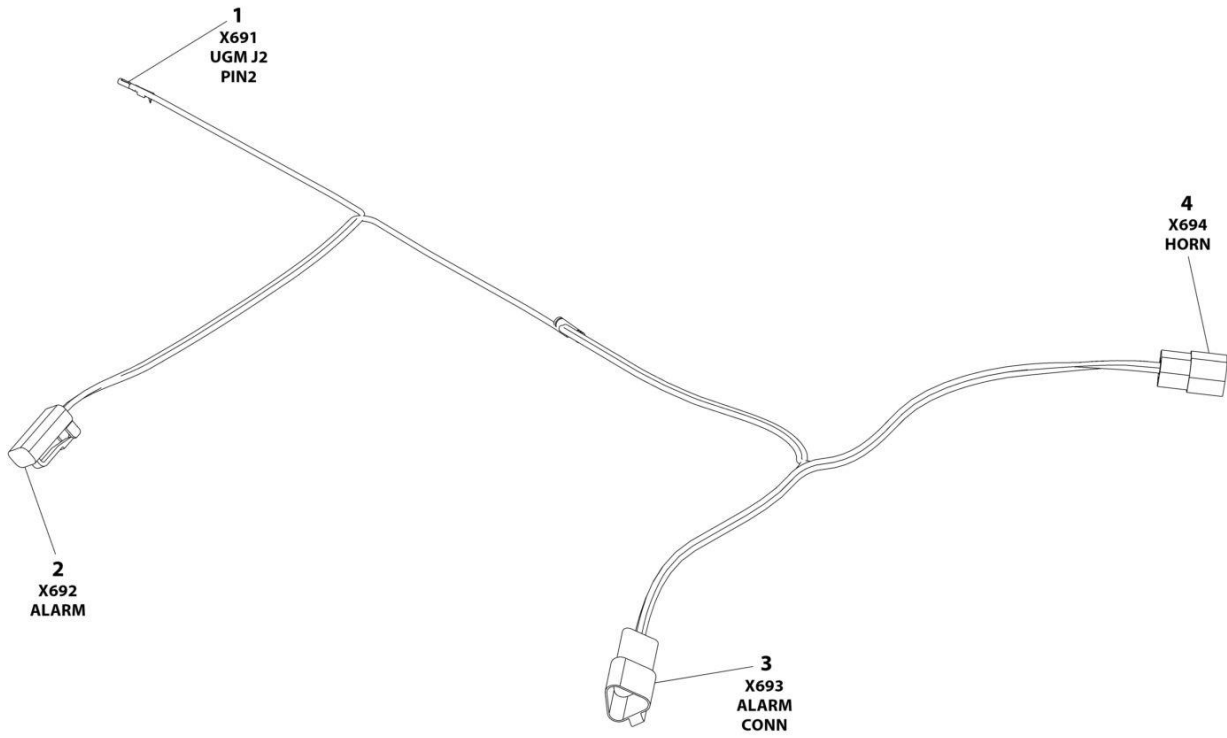
SECTION 8 - ELECTRICAL

FIGURE 8-74. VALVE HARNESS - MAIN CONTROL VALVE

ITEM	PART NUMBER	QTY	DESCRIPTION	REV
	1001284919	Ref	VALVE HARNESS - MAIN VALVE	A
1	1001152266	1	Connector	
7	4460268	2	Socket	
8	4460424	1	Connector	
9	4460464	1	Pin	
10	4460465	37	Socket	
11	4460466	2	Plug, Seal	
12	4460539	1	Connector	
13	4460871	26	Socket	
14	4460884	1	Connector	
15	4460891	16	Connector	

SECTION 8 - ELECTRICAL

FIGURE 8-75. WHITE NOISE ALARM HARNESS



ART_1001231007

SECTION 8 - ELECTRICAL

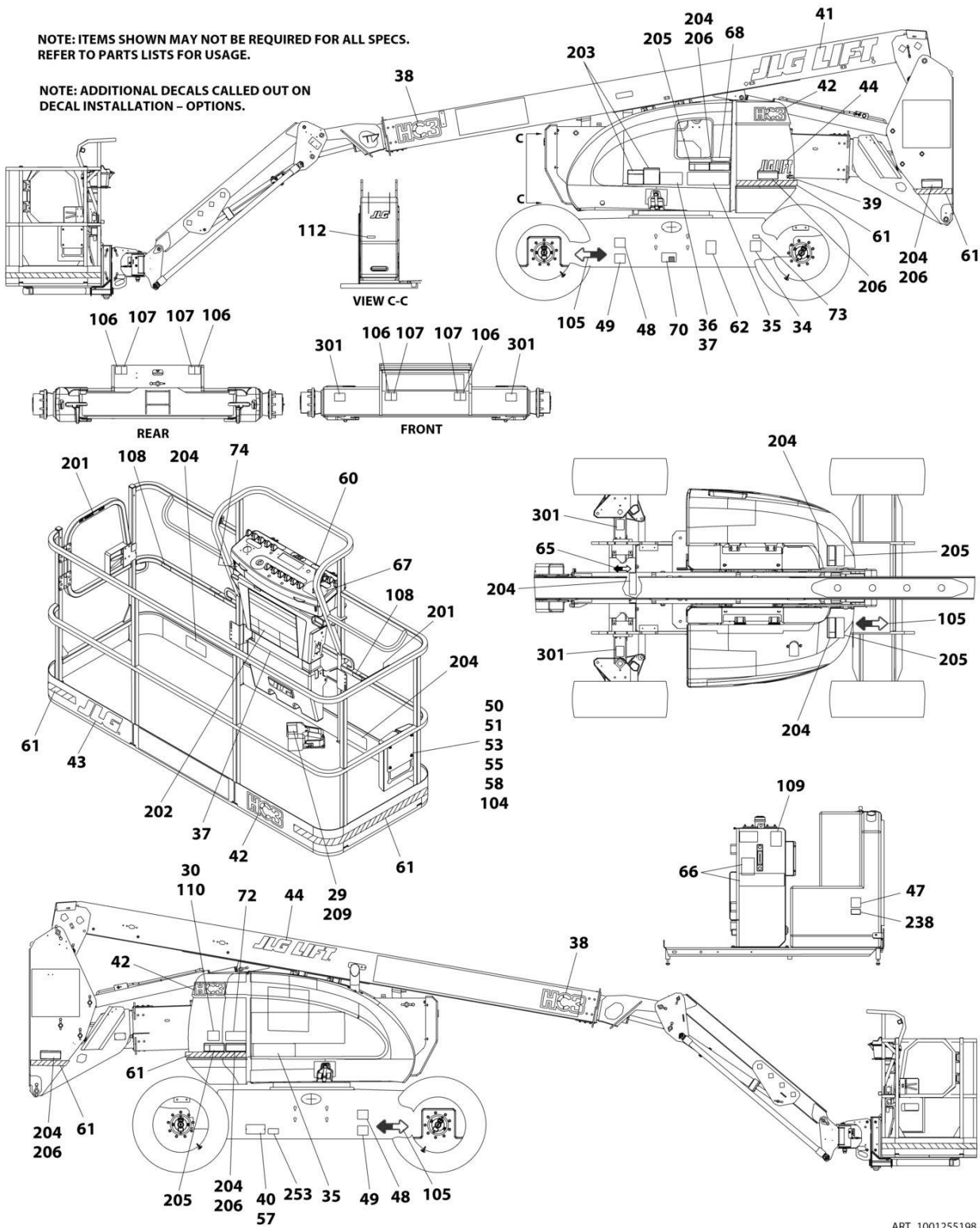
FIGURE 8-75. WHITE NOISE ALARM HARNESS

ITEM	PART NUMBER	QTY	DESCRIPTION	REV
	1001231007	Ref	WHITE NOISE ALARM INSTALLATION	B
1	4460871	1	Terminal	
2	4460891	1	Plug, Male - 2 Position	
2	4460465	2	Socket, Female	
3	4460536	1	Receptacle, Female - 3 Position	
3	4460464	3	Pin, Male	
4	4460539	1	Plug, Male - 3 Position	
4	4460465	3	Socket, Female	

SECTION 9 - DECALS

SECTION 9 - DECALS

FIGURE 9-1. DECAL INSTALLATION - ANSI SPECS



ART_1001255198

SECTION 9 - DECALS

FIGURE 9-1. DECAL INSTALLATION - ANSI SPECS

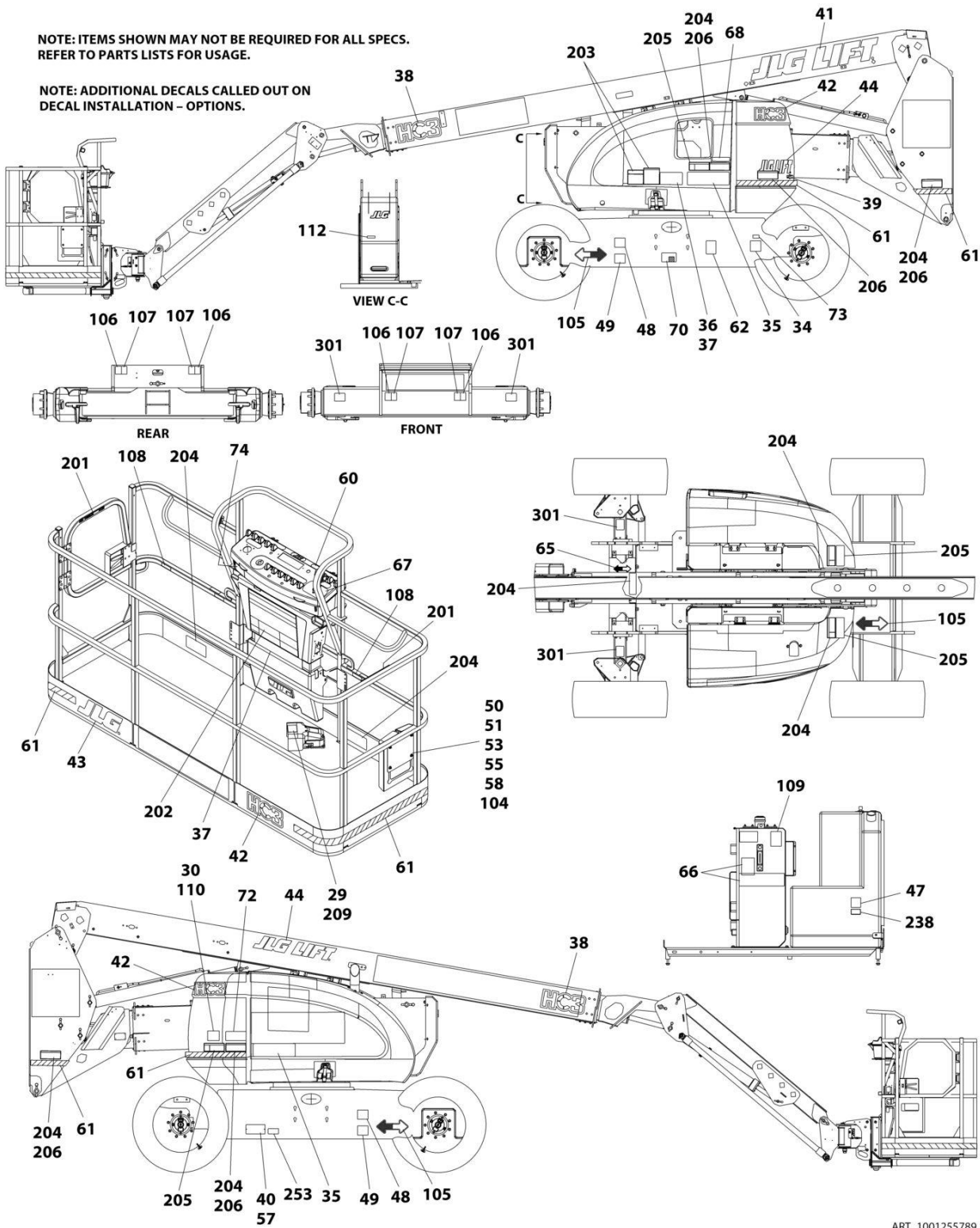
ITEM	PART NUMBER	QTY	DESCRIPTION	REV
	1001255198	Ref	DECAL INSTALLATION	E
	1001255196	Ref	DECAL REFERENCE CHART	C
29	3252347	1	Nameplate - Footswitch	
34	See Note	NSS	Decal - Bar Code (Note: Not Available for Purchase)	
35	1001267311	2	Decal - 600AJ	
36	1001234426	1	Decal - Warning	
37	1001234425	1	Decal - Warning	
39	1704885	1	Decal - Website	
50	0100011	AR	Compound, Locking	
51	0641406	4	Bolt 1/4 x 3/4	
53	0860520	1	Box, Manual Storage	
55	3311405	4	Nut 1/4	
57	3820001	2	Rivet	
58	4751400	8	Washer 1/4	
60	1001184618	1	Decal - Stop	
61	4420051	22 ft/6.7m	Tape, Safety	
62	1001131269	1	Decal - Patent	
65	1703687	1	Decal - Direction Arrow	
66	1702265	1	Decal - Upright Level Over-Ride	
67	1705351	1	Decal - Drive/Steer Instructions	
70	1001223055	1	Decal - Yearly Inspection	
72	1001284696	1	Decal - Lift Diagram	
73	1001223453	1	Decal - ICES	
100	2902303	1	Decal Kit - Master (Includes Items 104-112)	
104	1701509	1	Decal - Manual	
105	1701529	6	Decal - Arrow	
106	1703811	4	Decal - Tie Down/Lift	
107	1703814	6	Decal - Tie Down	
108	1704277	4	Decal - Attach Lanyard Here	
109	1704412	1	Decal - Hydraulic Oil Chart	
112	3251243	1	Nameplate - 120V-60Hz	
200	2902307	1	Decal Kit - Country Spec (Includes Items 201-206)	
201	1702868	2	Decal - No Hands	
202	1703797	1	Decal - Warning/Danger	
203	1705336	1	Decal - Warning Inspection (MTB)	
204	1703804	5	Decal - Warning Crushing	
205	1703805	4	Decal - Danger Electrocution	
206	1703953	4	Decal - Warning Crushing	
300	1001255795	1	Decal Max Tire Load Kit (Includes Item 301)	
301	1001255794	4	Decal - Max Tire Load	

SECTION 9 - DECALS

FIGURE 9-2. DECAL INSTALLATION - AUSTRALIAN SPECS

NOTE: ITEMS SHOWN MAY NOT BE REQUIRED FOR ALL SPECS.
REFER TO PARTS LISTS FOR USAGE.

NOTE: ADDITIONAL DECALS CALLED OUT ON
DECAL INSTALLATION - OPTIONS.



ART_1001255789

SECTION 9 - DECALS

FIGURE 9-2. DECAL INSTALLATION - AUSTRALIAN SPECS

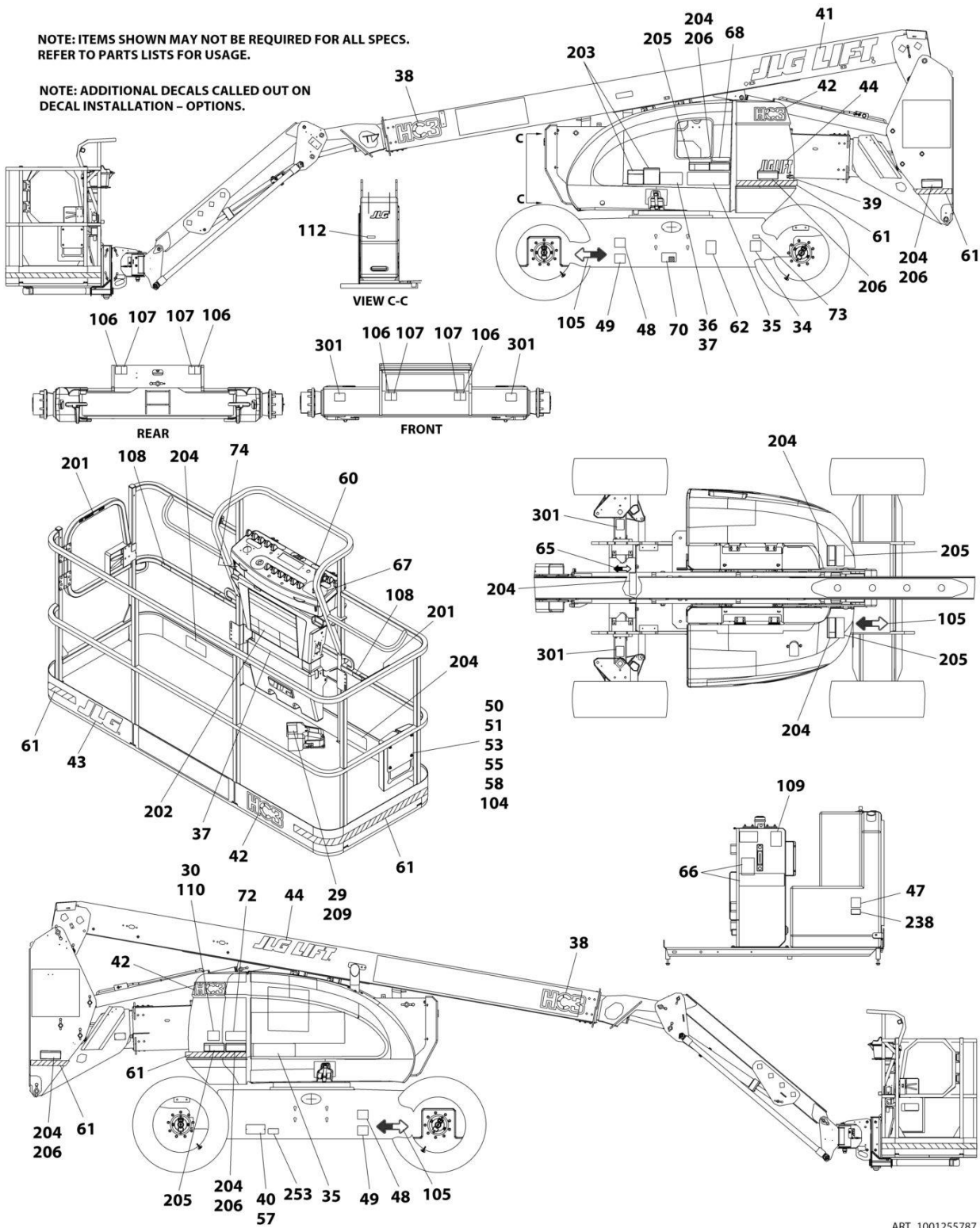
ITEM	PART NUMBER	QTY	DESCRIPTION	REV
	1001255789	Ref	DECAL INSTALLATION	D
	1001255196	Ref	DECAL REFERENCE CHART	C
34	See Note	NSS	Decal - Bar Code (Note: Not Available for Purchase)	
35	1702819	2	Decal - 600AJ	
35	1001267311	1	Decal - 600AJ	
37	1001234439	2	Decal - Warning	
39	1704885	1	Decal - Website	
50	0100011	AR	Compound, Locking	
51	0641406	4	Bolt 1/4 x 3/4	
53	0860520	1	Box, Manual Storage	
55	3311405	4	Nut 1/4	
57	3820001	2	Rivet	
58	4751400	8	Washer 1/4	
60	1001184618	1	Decal - Stop	
61	4420051	22 ft/6.7m	Tape, Safety	
65	1703687	1	Decal - Direction Arrow	
66	1705977	1	Decal - Upright Level Over-Ride	
67	1001112551	1	Decal - Drive/Steer Instructions	
72	1001255926	1	Decal - Lift Diagram	
72	1001284696	1	Decal - Lift Diagram	
100	2902303	1	Decal Kit - Master (Includes Items 104-110)	
104	1701509	1	Decal - Manual	
105	1701529	6	Decal - Arrow	
106	1703811	4	Decal - Tie Down/Lift	
107	1703814	6	Decal - Tie Down	
108	1704277	4	Decal - Attach Lanyard Here	
109	1704412	1	Decal - Hydraulic Oil Chart	
110	1705084	1	Decal - Sound Power	
200	2902329	1	Decal Kit - Country Spec (Includes Items 202-209)	
202	1705921	1	Decal -Warning/Danger	
203	1705822	1	Decal - Warning Inspection (MTB)	
204	1701518	10	Decal -Warning Crushing	
205	1705961	5	Decal - Danger Electrocution	
209	1705828	1	Decal - Footswitch	
300	1001255795	1	Decal Max Tire Load Kit (Includes Item 301)	
301	1001255794	4	Decal - Max Tire Load	

SECTION 9 - DECALS

FIGURE 9-3. DECAL INSTALLATION - BRAZIL SPECS

NOTE: ITEMS SHOWN MAY NOT BE REQUIRED FOR ALL SPECS.
REFER TO PARTS LISTS FOR USAGE.

NOTE: ADDITIONAL DECALS CALLED OUT ON
DECAL INSTALLATION - OPTIONS.



ART_1001255787

SECTION 9 - DECALS

FIGURE 9-3. DECAL INSTALLATION - BRAZIL SPECS

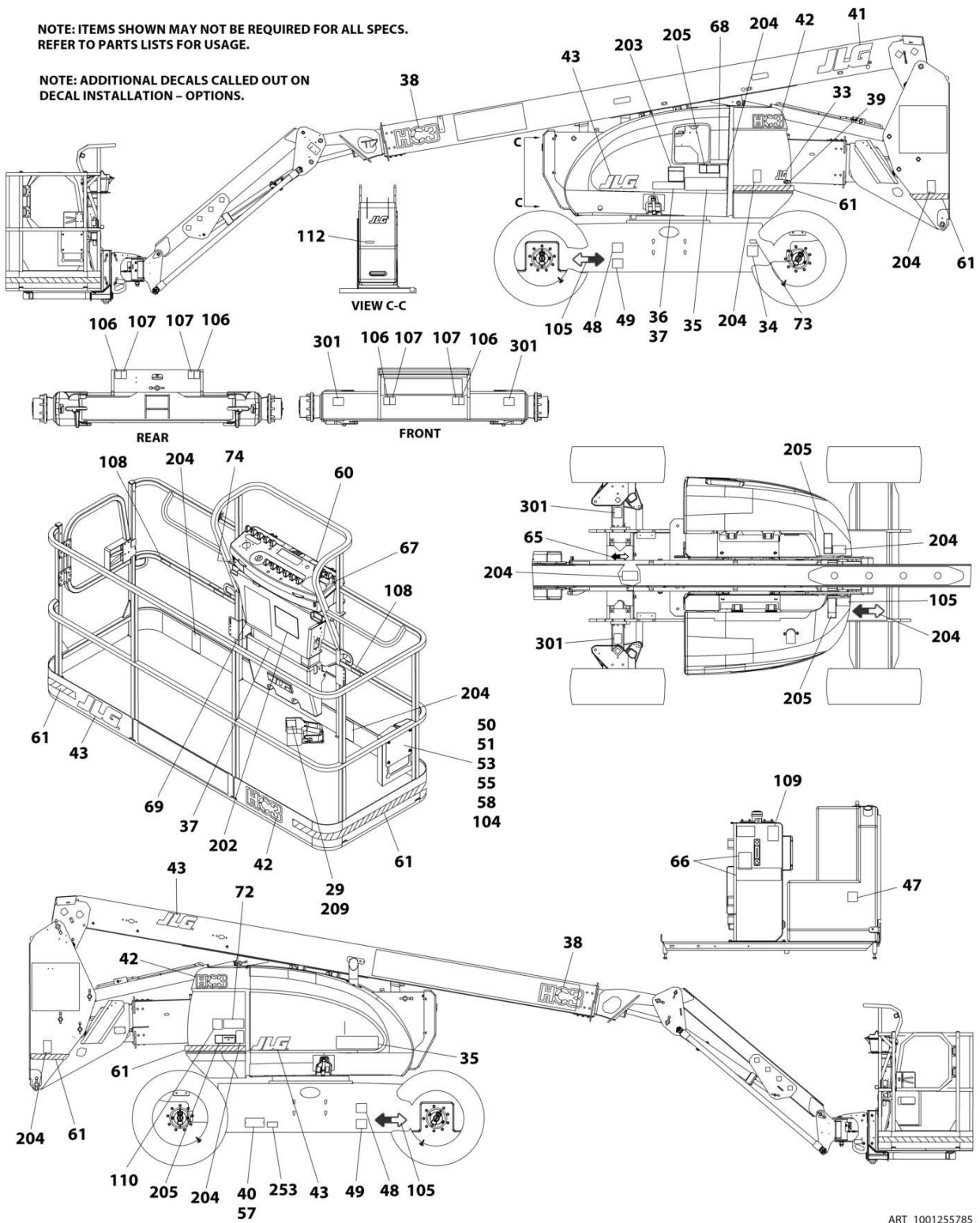
ITEM	PART NUMBER	QTY	DESCRIPTION	REV
	1001255787	Ref	DECAL INSTALLATION	D
	1001255196	Ref	DECAL REFERENCE CHART	C
34	See Note	NSS	Decal - Bar Code (Note: Not Available for Purchase)	
35	1001267311	2	Decal - 600AJ	
36	1001255915	1	Decal - Warning	
37	1001255914	1	Decal - Warning	
39	1704885	1	Decal - Website	
50	0100011	AR	Compound, Locking	
51	0641406	4	Bolt 1/4 x 3/4	
53	0860520	1	Box, Manual Storage	
55	3311405	4	Nut 1/4	
57	3820001	2	Rivet	
58	4751400	8	Washer 1/4	
60	1001184618	1	Decal - Stop	
61	4420051	22 ft/6.7m	Tape, Safety	
65	1703687	1	Decal - Direction Arrow	
66	1703544	1	Decal - Upright Level Over-Ride	
67	1705905	1	Decal - Drive/Steer Instructions	
70	1001224052	1	Decal - Yearly Inspection	
70	1001267885	1	Decal - Yearly Inspection	
72	1001284696	1	Decal - Lift Diagram	
100	2902303	1	Decal Kit - Master (Includes Items 104-109)	
104	1701509	1	Decal - Manual	
105	1701529	6	Decal - Arrow	
106	1703811	4	Decal - Tie Down/Lift	
107	1703814	6	Decal - Tie Down	
108	1704277	4	Decal - Attach Lanyard Here	
109	1704412	1	Decal - Hydraulic Oil Chart	
200	2902312	1	Decal Kit - Country Spec (Includes Items 201-209)	
201	1705967	2	Decal - No Hands	
202	1705895	1	Decal - Warning/Danger	
203	1705896	1	Decal - Warning Inspection (MTB)	
204	1705898	5	Decal - Warning Crushing	
205	1705897	5	Decal - Danger Electrocution	
206	1705903	7	Decal - Warning Crushing	
209	1705902	1	Decal - Footswitch	
300	1001255795	1	Decal Max Tire Load Kit (Includes Item 301)	
301	1001255794	4	Decal- Max Tire Load	

SECTION 9 - DECALS

FIGURE 9-4. DECAL INSTALLATION - CE, RUSSIAN & UK CA SPECS

NOTE: ITEMS SHOWN MAY NOT BE REQUIRED FOR ALL SPECS.
REFER TO PARTS LISTS FOR USAGE.

NOTE: ADDITIONAL DECALS CALLED OUT ON
DECAL INSTALLATION - OPTIONS.



ART_1001255785

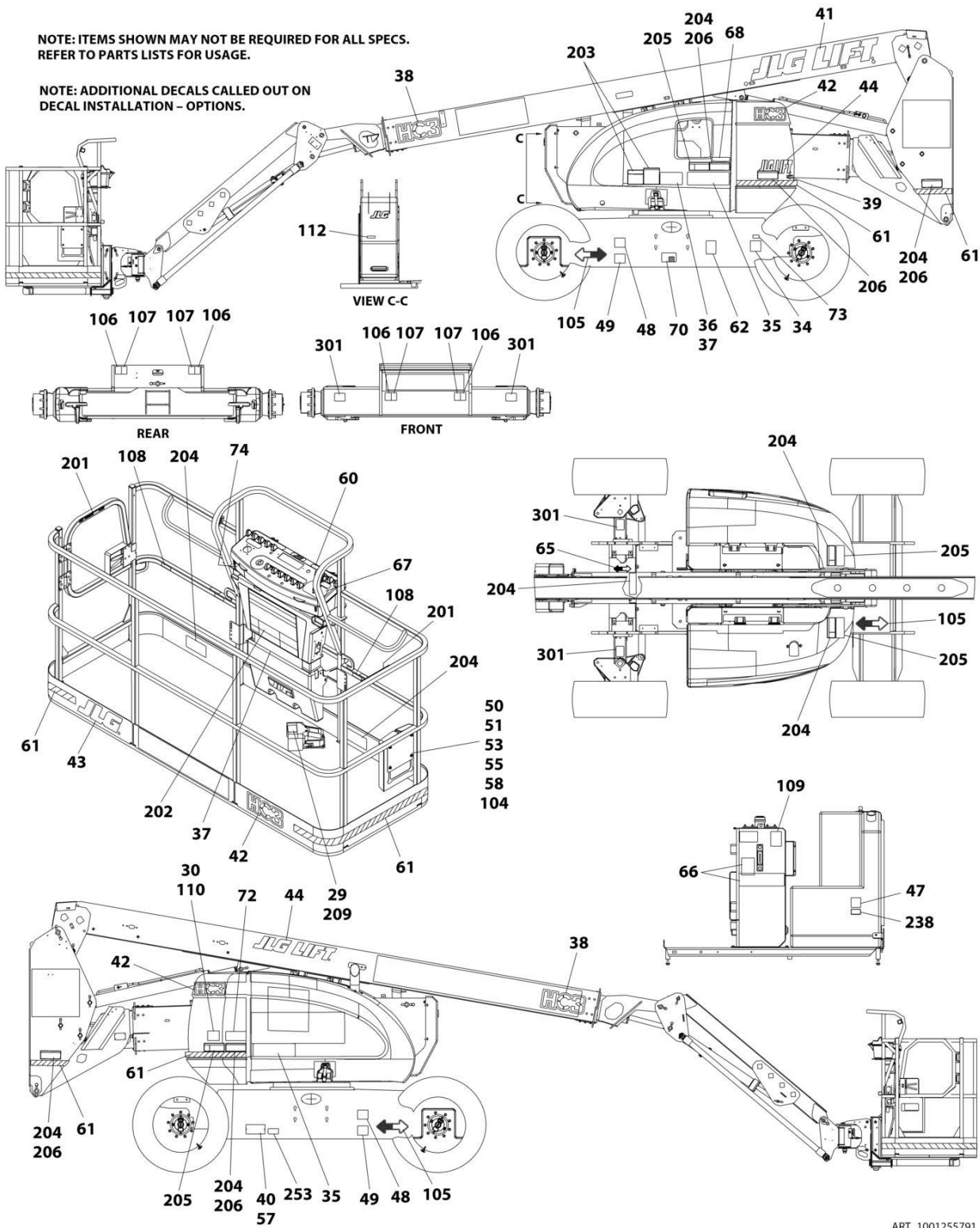
SECTION 9 - DECALS

FIGURE 9-4. DECAL INSTALLATION - CE, RUSSIAN & UK CA SPECS

ITEM	PART NUMBER	QTY	DESCRIPTION	REV
	1001255785	Ref	DECAL INSTALLATION	E
	1001257285	Ref	DECAL REFERENCE CHART	B
34	See Note	NSS	Decal - Bar Code (Note: Not Available for Purchase)	
35	1001267311	2	Decal - 600AJ	
36	1001234439	1	Decal - Capacity	
37	1001234439	1	Decal - Capacity	
50	0100011	AR	Compound, Locking	
51	0641406	4	Bolt 1/4 x 3/4	
53	0860520	1	Box, Manual Storage	
55	3311405	4	Nut 1/4	
57	3820001	2	Rivet	
58	4751400	8	Washer 1/4	
60	1001184618	1	Decal - Stop	
61	4420051	22 ft/6.7m	Decal - Warning Stripe	
65	1703687	1	Decal - Direction Arrow	
66	1705977	1	Decal - Upright Level Over-Ride	
72	1001284696	1	Decal - Lift Diagram	
100	2902303	1	Decal Kit - Master (Includes Items 104-110)	
104	1701509	1	Decal - Manual	
105	1701529	3	Decal - Arrow	
106	1703811	4	Decal - Tie Down/Lift	
107	1703814	4	Decal - Tie Down	
108	1704277	3	Decal - Attach Lanyard Here	
109	1704412	1	Decal - Hydraulic Oil Chart	
200	2902329	1	Decal Kit - Country Spec (Includes Items 202-209)	
202	1705921	1	Decal - Tipping/Electrical Platform	
203	1705822	1	Decal - Electrical/Safety Manual	
204	1701518	10	Decal - Warning Crushing	
205	1705961	4	Decal - Danger Electrocution	
209	1705828	4	Decal - Footswitch	
300	1001255795	1	Decal Max Tire Load Kit (Includes Item 301)	
301	1001255794	4	Decal - Max Tire Load	

SECTION 9 - DECALS

FIGURE 9-5. DECAL INSTALLATION - CHINESE SPECS (SIMPLIFIED)



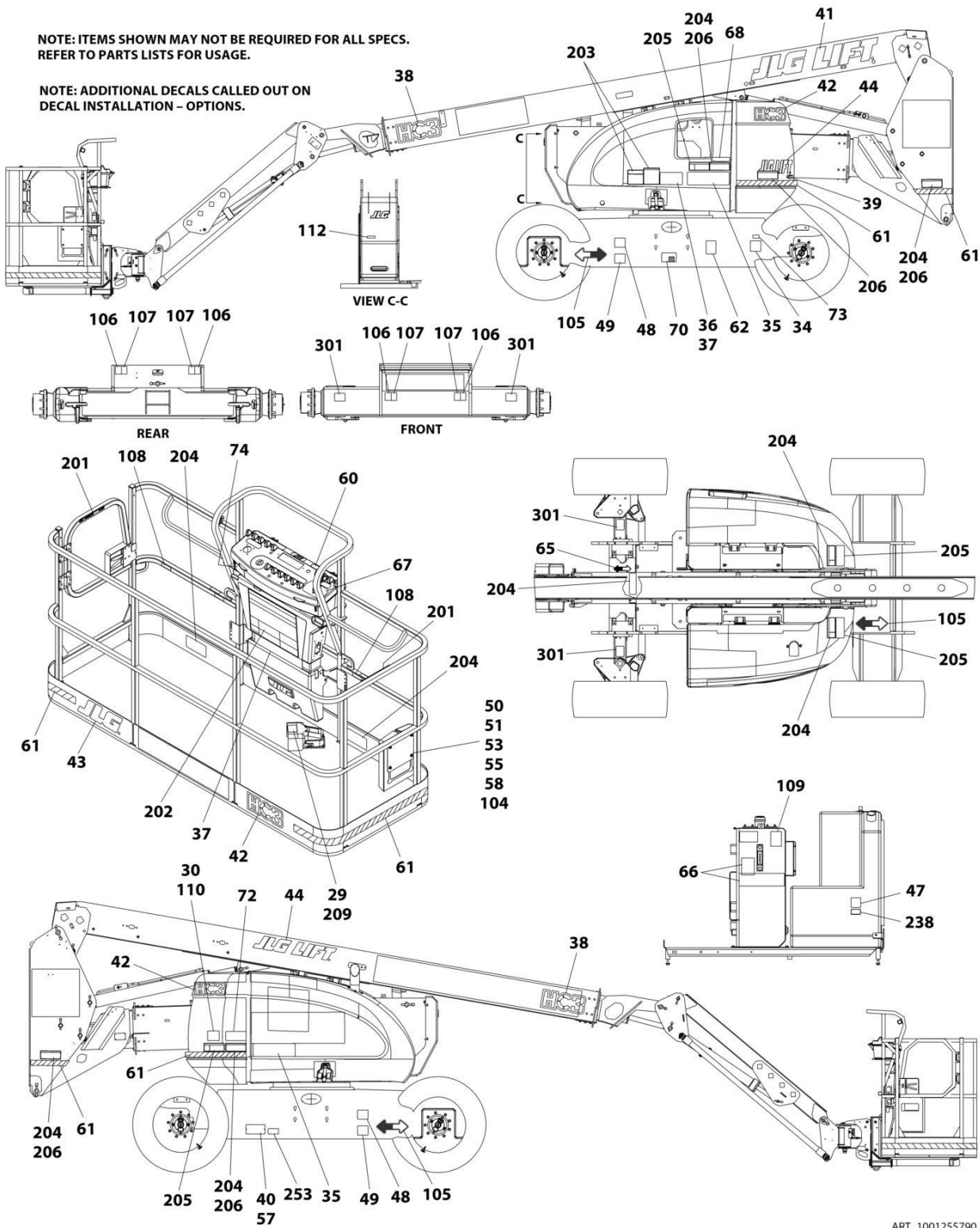
SECTION 9 - DECALS

FIGURE 9-5. DECAL INSTALLATION - CHINESE SPECS (SIMPLIFIED)

ITEM	PART NUMBER	QTY	DESCRIPTION	REV
	1001255791	Ref	DECAL INSTALLATION	D
	1001255196	Ref	DECAL REFERENCE CHART	C
34	See Note	NSS	Decal - Bar Code (Note: Not Available for Purchase)	
35	1001267311	1	Decal - 600AJ	
36	1001235402	1	Decal - Warning	
37	1001235401	1	Decal - Warning	
39	1704885	1	Decal - Website	
50	0100011	AR	Compound, Locking	
51	0641406	4	Bolt 1/4 x 3/4	
53	0860520	1	Box, Manual Storage	
55	3311405	4	Nut 1/4	
57	3820001	2	Rivet	
58	4751400	8	Washer 1/4	
60	1001184618	1	Decal - Stop	
61	4420051	22 ft/6.7m	Tape, Safety	
65	1703687	1	Decal - Direction Arrow	
66	1001116861	1	Decal - Upright Level Over-Ride	
67	1705430	1	Decal - Drive/Steer Instructions	
70	1001224051	1	Decal - Yearly Inspection	
72	1001284696	1	Decal - Lift Diagram	
100	2902303	1	Decal Kit - Master (Includes Items 104-112)	
104	1701509	1	Decal - Manual	
105	1701529	6	Decal - Arrow	
106	1703811	4	Decal - Tie Down/Lift	
107	1703814	6	Decal - Tie Down	
108	1704277	4	Decal - Attach Lanyard Here	
109	1704412	1	Decal - Hydraulic Oil Chart	
112	3251243	1	Nameplate - 120V-60Hz	
200	1001116844	1	Decal Kit - Country Spec (Includes Items 201-209)	
201	1705968	2	Decal - No Hands	
202	1001116847	1	Decal - Warning/Danger	
203	1001116848	2	Decal - Warning Inspection (MTB)	
204	1001116850	6	Decal - Warning Crushing	
205	1703937	5	Decal - Danger Electrocution	
206	1001116845	7	Decal - Warning Crushing	
209	1001116852	1	Decal - Foot Switch	
300	1001255795	1	Decal Max Tire Load Kit (Includes Item 301)	
301	1001255794	4	Decal - Max Tire Load	

SECTION 9 - DECALS

FIGURE 9-6. DECAL INSTALLATION - CHINESE SPECS (TRADITIONAL)



ART_1001255790

SECTION 9 - DECALS

FIGURE 9-6. DECAL INSTALLATION - CHINESE SPECS (TRADITIONAL)

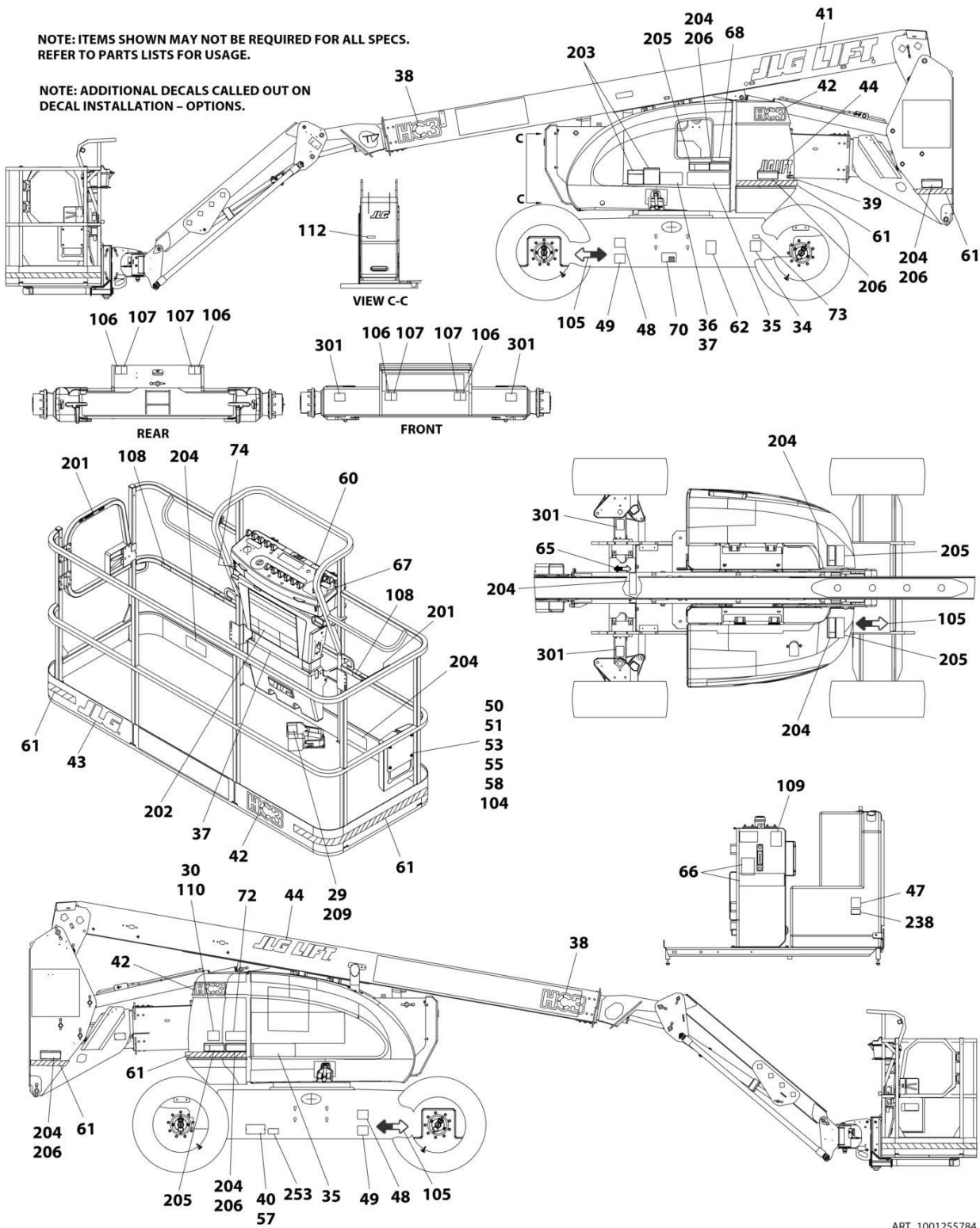
ITEM	PART NUMBER	QTY	DESCRIPTION	REV
	1001255790	Ref	DECAL INSTALLATION	D
	1001255196	Ref	DECAL REFERENCE CHART	C
34	See Note	NSS	Decal - Bar Code (Note: Not Available for Purchase)	
35	1001267311	1	Decal - 600AJ	
36	1001234436	1	Decal - Warning	
37	1001234435	1	Decal - Warning	
39	1704885	1	Decal - Website	
50	0100011	AR	Compound, Locking	
51	0641406	4	Bolt 1/4 x 3/4	
53	0860520	1	Box, Manual Storage	
55	3311405	4	Nut 1/4	
57	3820001	2	Rivet	
58	4751400	8	Washer 1/4	
60	1001184618	1	Decal - Stop	
61	4420051	22 ft/6.7m	Tape, Safety	
65	1703687	1	Decal - Direction Arrow	
66	1001116862	1	Decal - Upright Level Over-Ride	
67	1001116863	1	Decal - Drive/Steer Instructions	
70	1001224050	1	Decal - Yearly Inspection	
72	1001284696	1	Decal - Lift Diagram	
100	2902303	1	Decal Kit - Master (Includes Items 104-112)	
104	1701509	1	Decal - Manual	
105	1701529	6	Decal - Arrow	
106	1703811	4	Decal - Tie Down/Lift	
107	1703814	6	Decal - Tie Down	
108	1704277	4	Decal - Attach Lanyard Here	
109	1704412	1	Decal - Hydraulic Oil Chart	
112	3251243	1	Nameplate - 120V-60Hz	
200	2902309	1	Decal Kit - Country Spec (Includes Items 201-209)	
201	1001116846	2	Decal - No Hands	
202	1703925	1	Decal - Warning/Danger	
203	1001116849	2	Decal - Warning Inspection (MTB)	
204	1703949	5	Decal - Warning Crushing	
205	1001116851	5	Decal - Danger Electrocution	
206	1703943	7	Decal - Warning Crushing	
209	1703982	1	Decal - Foot Switch	
300	1001255795	1	Decal Max Tire Load Kit (Includes Item 301)	
301	1001255794	4	Decal - Max Tire Load	

SECTION 9 - DECALS

FIGURE 9-7. DECAL INSTALLATION - CSA SPECS

NOTE: ITEMS SHOWN MAY NOT BE REQUIRED FOR ALL SPECS.
REFER TO PARTS LISTS FOR USAGE.

NOTE: ADDITIONAL DECALS CALLED OUT ON
DECAL INSTALLATION - OPTIONS.



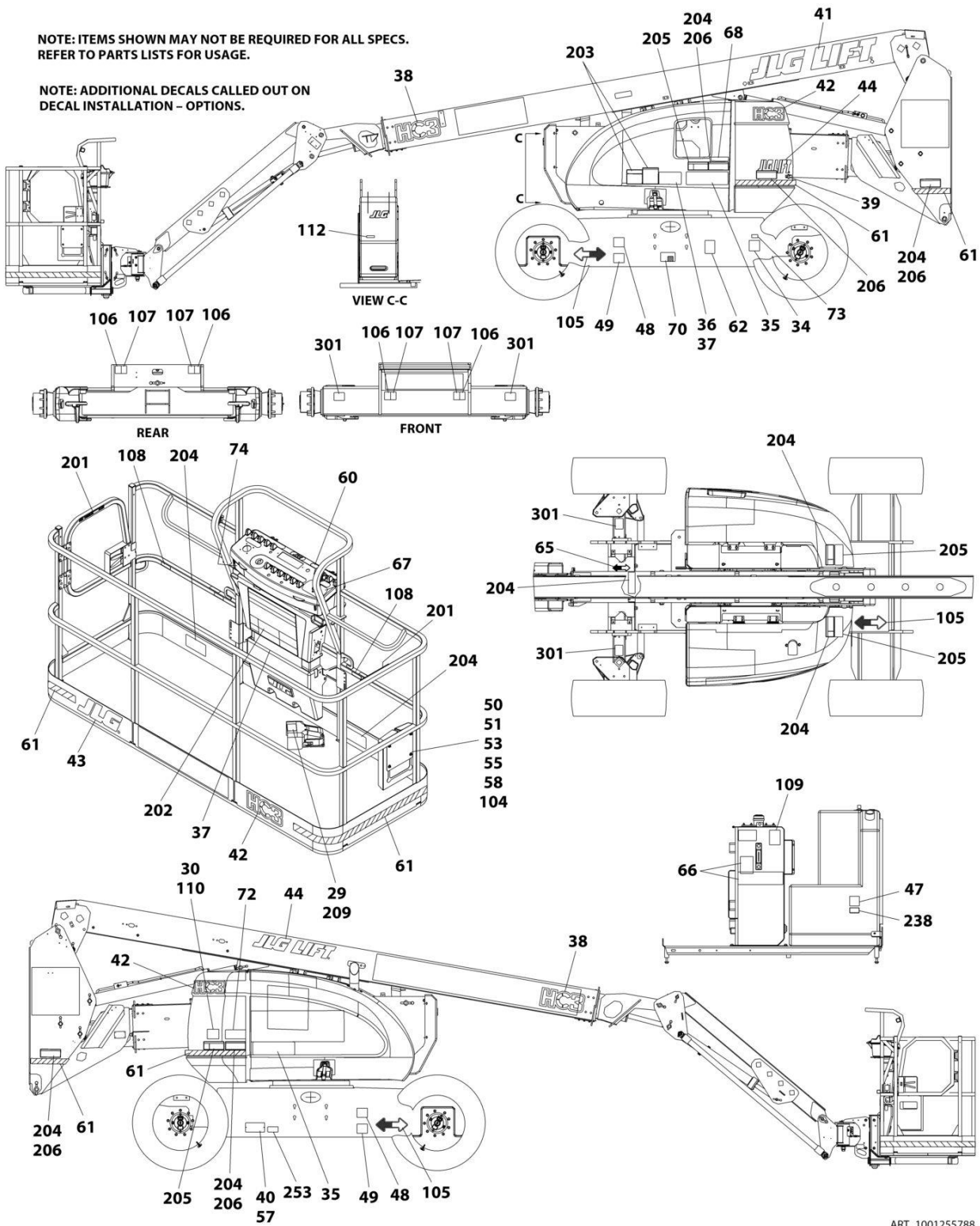
SECTION 9 - DECALS

FIGURE 9-7. DECAL INSTALLATION - CSA SPECS

ITEM	PART NUMBER	QTY	DESCRIPTION	REV
	1001255784	Ref	DECAL INSTALLATION	D
	1001255196	Ref	DECAL REFERENCE CHART	C
34	See Note	NSS	Decal - Bar Code (Note: Not Available for Purchase)	
35	1001267311	2	Decal - 600AJ	
36	1001234434	1	Decal - Warning	
37	1001234433	1	Decal - Warning	
39	1704885	1	Decal - Website	
50	0100011	AR	Compound, Locking	
51	0641406	4	Bolt 1/4 x 3/4	
53	0860520	1	Box, Manual Storage	
55	3311405	4	Nut 1/4	
57	3820001	2	Rivet	
58	4751400	8	Washer 1/4	
60	1001184618	1	Decal - Stop.	
61	4420051	22 ft/6.7m	Tape, Safety	
62	1001131269	1	Decal - Patent	
65	1703687	1	Decal - Direction Arrow	
66	1703990	1	Decal - Upright Level Over-Ride	
67	1705429	1	Decal - Drive/Steer Instructions	
70	1001223971	1	Decal - Yearly Inspection	
72	1001284696	1	Decal - Lift Diagram	
73	1001223453	1	Decal - ICES	
100	2902303	1	Decal Kit - Master (Includes Items 104-112)	
104	1701509	1	Decal - Manual	
105	1701529	6	Decal - Arrow	
106	1703811	4	Decal - Tie Down/Lift	
107	1703814	6	Decal - Tie Down	
108	1704277	4	Decal - Attach Lanyard Here	
109	1704412	1	Decal - Hydraulic Oil Chart	
112	3251243	1	Nameplate - 120V-60Hz	
200	2902322	1	Decal Kit - Country Spec (Includes Items 201-209)	
201	1704000	2	Decal - No Hands	
202	1703624	1	Decal - Warning/Danger	
203	1705347	1	Decal - Warning Inspection (MTB)	
204	1703948	5	Decal - Warning Crushing	
205	1703936	5	Decal - Danger Electrocution	
206	1703942	7	Decal - Warning Crushing	
209	1703984	1	Decal - Footswitch	
300	1001255795	1	Decal Max Tire Load Kit (Includes Item 301)	
301	1001255794	4	Decal - Max Tire Load	

SECTION 9 - DECALS

FIGURE 9-8. DECAL INSTALLATION - JAPANESE SPECS



SECTION 9 - DECALS

FIGURE 9-8. DECAL INSTALLATION - JAPANESE SPECS

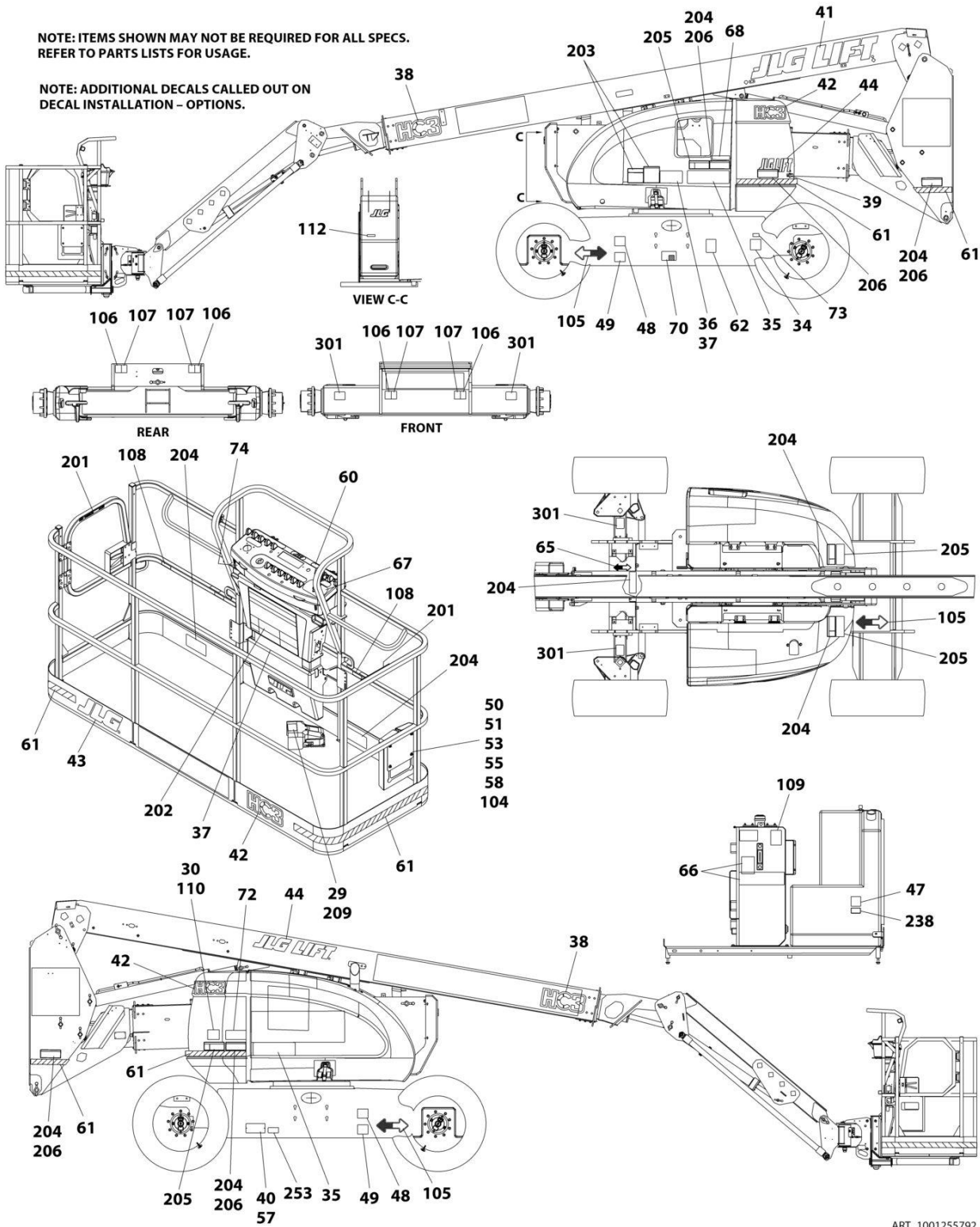
ITEM	PART NUMBER	QTY	DESCRIPTION	REV
	1001255788	Ref	DECAL INSTALLATION	D
	1001255196	Ref	DECAL REFERENCE CHART	C
34	See Note	NSS	Decal - Bar Code (Note: Not Available for Purchase)	
35	1001267311	2	Decal - 600AJ	
35	1001234429	1	Decal - Warning	
36	1001234428	1	Decal - Warning	
39	1704885	1	Decal - Website	
50	0100011	AR	Compound, Locking	
51	0641406	4	Bolt 1/4 x 3/4	
53	0860520	1	Box, Manual Storage	
55	3311405	4	Nut 1/4	
57	3820001	2	Rivet	
58	4751400	8	Washer 1/4	
60	1001184618	1	Decal - Stop	
61	4420051	22 ft/6.7m	Tape, Safety	
65	1703687	1	Decal - Direction Arrow	
66	1702271	1	Decal - Upright Level Over-Ride	
67	1705426	1	Decal - Drive/Steer Instructions	
70	1001224053	1	Decal - Yearly Inspection	
72	1001284696	1	Decal - Lift Diagram	
100	2902303	1	Decal Kit - Master (Includes Items 104-112)	
104	1701509	1	Decal - Manual	
105	1701529	6	Decal - Arrow	
106	1703811	4	Decal - Tie Down/Lift	
107	1703814	6	Decal - Tie Down	
108	1704277	4	Decal - Attach Lanyard Here	
109	1704412	1	Decal - Hydraulic Oil Chart	
112	3251243	1	Nameplate - 120V-60Hz	
200	2902308	1	Decal Kit - Country Spec (Includes Items 202-209)	
202	1703926	1	Decal - Warning/Danger	
203	1705344	1	Decal - Warning Inspection (MTB)	
204	1703950	5	Decal - Warning Crushing	
205	1703938	5	Decal - Danger Electrocution	
206	1703944	7	Decal - Warning Crushing	
209	1703980	1	Decal - Footswitch	
300	1001255795	1	Decal Max Tire Load Kit (Includes Item 301)	
301	1001255794	4	Decal - Max Tire Load	

SECTION 9 - DECALS

FIGURE 9-9. DECAL INSTALLATION - KOREAN SPECS

NOTE: ITEMS SHOWN MAY NOT BE REQUIRED FOR ALL SPECS.
REFER TO PARTS LISTS FOR USAGE.

NOTE: ADDITIONAL DECALS CALLED OUT ON
DECAL INSTALLATION - OPTIONS.



ART_1001255792

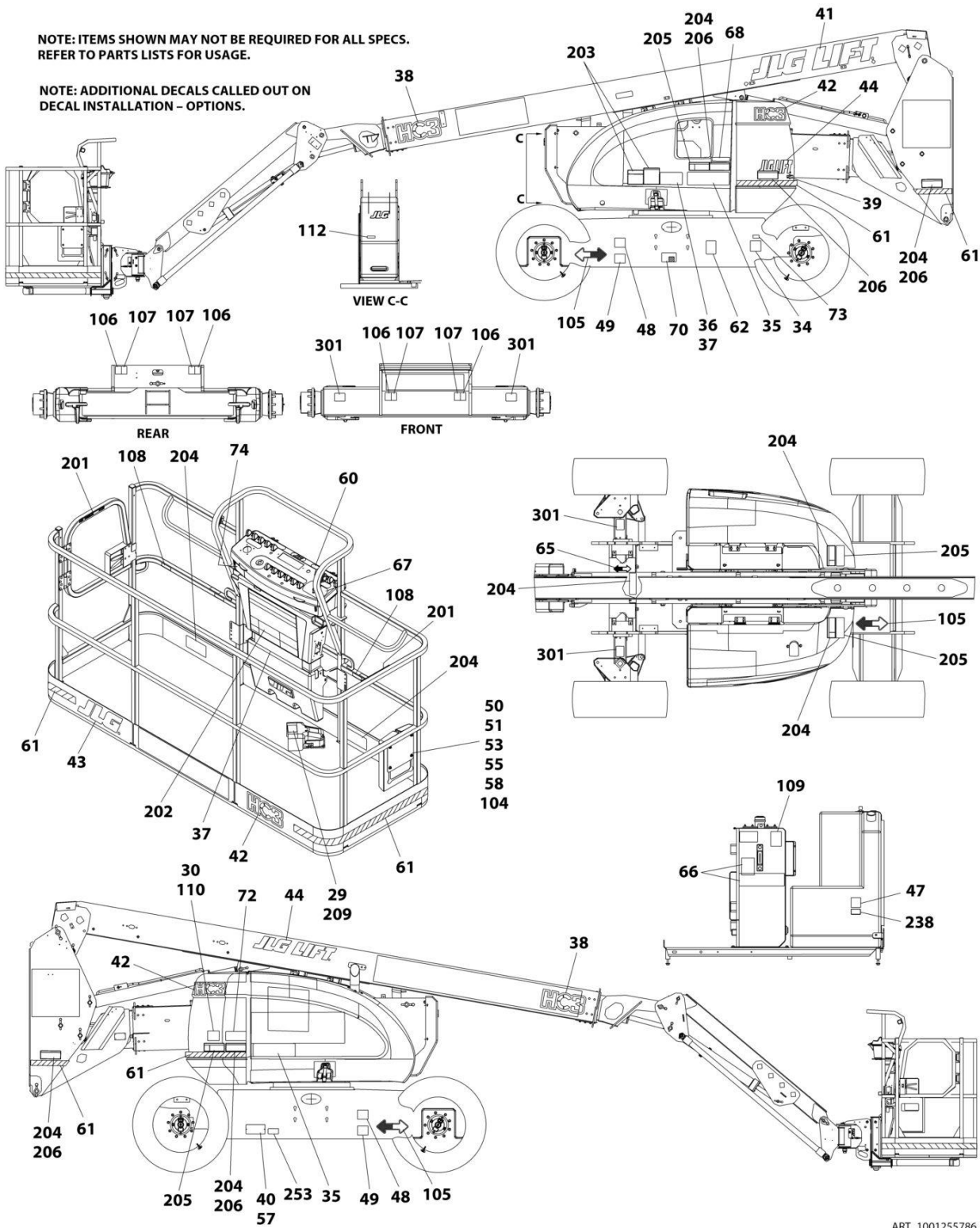
SECTION 9 - DECALS

FIGURE 9-9. DECAL INSTALLATION - KOREAN SPECS

ITEM	PART NUMBER	QTY	DESCRIPTION	REV
	1001255792	Ref	DECAL INSTALLATION	D
	1001255196	Ref	DECAL REFERENCE CHART	C
34	See Note	NSS	Decal - Bar Code (Note: Not Available for Purchase)	
35	1001267311	1	Decal - 600AJ	
36	1001235585	1	Decal - Warning	
37	1001234430	1	Decal - Warning	
39	1704885	1	Decal - Website	
50	0100011	AR	Compound, Locking	
51	0641406	4	Bolt 1/4 x 3/4	
53	0860520	1	Box, Manual Storage	
55	3311405	4	Nut 1/4	
57	3820001	2	Rivet	
58	4751400	8	Washer 1/4	
60	1001184618	1	Decal - Stop	
61	4420051	22 ft/6.7m	Tape, Safety	
65	1703687	1	Decal - Direction Arrow	
66	1703987	1	Decal - Upright Level Over-Ride	
67	1705427	1	Decal - Drive/Steer Instructions	
70	1001224048	1	Decal - Yearly Inspection	
72	1001284696	1	Decal - Lift Diagram	
100	2902303	1	Decal Kit - Master (Includes Items 104-112)	
104	1701509	1	Decal - Manual	
105	1701529	6	Decal - Arrow	
106	1703811	4	Decal - Tie Down/Lift	
107	1703814	6	Decal - Tie Down	
108	1704277	4	Decal - Attach Lanyard Here	
109	1704412	1	Decal - Hydraulic Oil Chart	
112	3251243	1	Nameplate - 120V-60Hz	
200	2902310	1	Decal Kit - Country Spec (Includes Items 201-209)	
201	1705969	2	Decal - No Hands	
202	1703927	1	Decal - Warning/Danger	
203	1705345	1	Decal - Warning Inspection (MTB)	
204	1703951	5	Decal - Warning Crushing	
205	1703939	5	Decal - Danger Electrocution	
206	1703945	7	Decal - Warning Crushing	
209	1703981	1	Decal - Footswitch	
300	1001255795	1	Decal Max Tire Load Kit (Includes Item 301)	
301	1001255794	4	Decal - Max Tire Load	

SECTION 9 - DECALS

FIGURE 9-10. DECAL INSTALLATION - LATIN AMERICAN SPECS



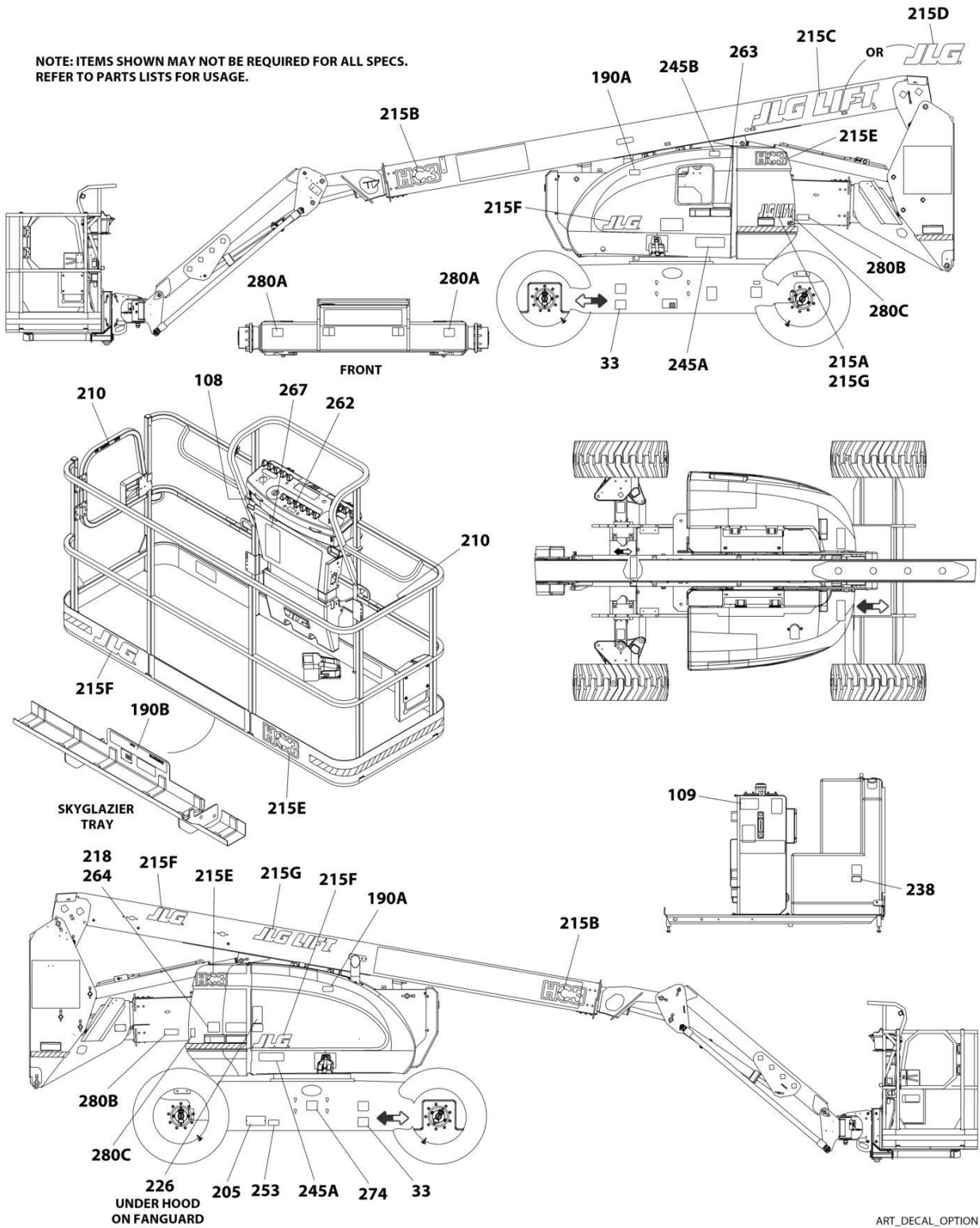
SECTION 9 - DECALS

FIGURE 9-10. DECAL INSTALLATION - LATIN AMERICAN SPECS

ITEM	PART NUMBER	QTY	DESCRIPTION	REV
	1001255786	Ref	DECAL INSTALLATION	D
	1001255196	Ref	DECAL REFERENCE CHART	C
34	See Note	NSS	Decal - Bar Code (Note: Not Available for Purchase)	
35	1001267311	2	Decal - 600AJ	
36	1001234432	1	Decal - Warning	
37	1001234431	1	Decal - Warning	
39	1704885	1	Decal - Website	
50	0100011	AR	Compound, Locking	
51	0641406	4	Bolt 1/4 x 3/4	
53	0860520	1	Box, Manual Storage	
55	3311405	4	Nut 1/4	
57	3820001	2	Rivet	
58	4751400	8	Washer 1/4	
60	1001184618	1	Decal - Stop	
61	4420051	22 ft/6.7m	Tape, Safety	
65	1703687	1	Decal - Direction Arrow	
66	1702617	1	Decal - Upright Level Over-Ride	
67	1705910	1	Decal - Drive/Steer Instructions	
70	1001224049	1	Decal - Yearly Inspection	
72	1001284696	1	Decal - Lift Diagram	
100	2902303	1	Decal Kit - Master (Includes Items 104-112)	
104	1701509	1	Decal - Manual	
105	1701529	6	Decal - Arrow	
106	1703811	4	Decal - Tie Down/Lift	
107	1703814	6	Decal - Tie Down	
108	1704277	4	Decal - Attach Lanyard Here	
109	1704412	1	Decal - Hydraulic Oil Chart	
112	3251243	1	Nameplate - 120V-60Hz	
200	2902311	1	Decal Kit - Country Spec (Includes Items 201-209)	
201	1704001	2	Decal - No Hands	
202	1703923	1	Decal - Warning/Danger	
203	1705917	1	Decal - Warning Inspection (MTB)	
204	1703947	5	Decal - Warning Crushing	
205	1703935	5	Decal - Danger Electrocution	
206	1703941	7	Decal - Warning Crushing	
209	1703983	1	Decal - Footswitch	
300	1001255795	1	Decal Max Tire Load Kit (Includes Item 301)	
301	1001255794	4	Decal - Max Tire Load	

SECTION 9 - DECALS

FIGURE 9-11. DECAL INSTALLATION - OPTIONS



SECTION 9 - DECALS

FIGURE 9-11. DECAL INSTALLATION - OPTIONS

ITEM	PART NUMBER	QTY	DESCRIPTION	REV
	1001255196	Ref	DECAL INSTALLATION - REFERENCE CHART (ALL SPECS EXCEPT CE & UK CA SPECS)	C
	1001257285	Ref	DECAL INSTALLATION - REFERENCE CHART (CE & UK CA SPECS)	B
	1001245251	Ref	DECAL INSTALLATION - OPTIONS	C
33	1700818	1	Decal - Fuel (LP Gas Machines) (English Language) (ANSI and Australian Specs)	
33	1704271	1	Decal - Fuel (LP Gas Machines) (English/French Languages) (CSA Specs)	
33	1702720	1	Decal - Fuel (LP Gas Machines) (English/Spanish Languages) (ANSI Export and China Specs)	
108	1001231801	1	Decal - Warning Proposition 65 (ANSI Specs)	
109	1702788	1	Decal - Biodegradable Hydraulic Fluid (English Language) (ANSI, Australian, CSA, CE & UK CA Specs)	
109	1703479	1	Decal - Biodegradable Hydraulic Fluid (German Language) (CE & UK CA Specs)	
109	1704174	Ref	Decal - Biodegradable (Synthetic) Hydraulic Fluid (English Language)	
109	1704175	Ref	Decal - Biodegradable (Synthetic) Hydraulic Fluid (German Language)	
190		Ref	Decal Installation - SkyGlazier Options:	
190	1001262102	Ref	Decal Installation - SkyGlazier (ANSI/ANSI EXPORT/CSA Specs)	A
190	1001262105	Ref	Decal Installation - SkyGlazier (Australian Specs)	A
190	1001262104	Ref	Decal Installation - SkyGlazier (Brazil Specs) (Portuguese Language)	A
190	1001262103	Ref	Decal Installation - SkyGlazier (Brazil/Latin American Specs) (Spanish Language)	A
190A	1705358	2	Decal - SkyGlazier	
190B		Ref	Decal - SkyGlazier Capacity Options:	
190B	1001259018	2	Decal - SkyGlazier Capacity (ANSI/ANSI Export/CSA Specs)	
190B	1001262117	2	Decal - SkyGlazier Capacity (Australian Specs)	
190B	1001262116	2	Decal - SkyGlazier Capacity (Brazil Specs) (Portuguese Language)	
190B	1001262115	2	Decal - SkyGlazier Capacity (Brazil/Latin American Specs) (Spanish Language)	
190B	1001262239	2	Decal - SkyGlazier Capacity (Danish Language)	
190B	1001262232	2	Decal - SkyGlazier Capacity (French Language)	
190B	1001262233	2	Decal - SkyGlazier Capacity (German Language)	
190B	1001262234	2	Decal - SkyGlazier Capacity (Italian Language)	
190B	1001262237	2	Decal - SkyGlazier Capacity (Portuguese Language)	
190B	1001262238	2	Decal - SkyGlazier Capacity (Swedish Language)	
190B	1001262235	2	Decal - SkyGlazier Capacity (UK English Language)	
205	See Note	1	Nameplate - Manufacturers Serial Number (Note: Not Available for Purchase)	
210	1702868	2	Decal - No Hands (English Language)	
210	1705968	2	Decal - No Hands (English/Chinese Language) (Simplified)	
210	1001116846	2	Decal - No Hands (English/Chinese Language) (Traditional)	
210	1704000	2	Decal - No Hands (English/French Language)	
210	1705969	2	Decal - No Hands (English/Korean Language)	
210	1705967	2	Decal - No Hands (English/Portuguese Language)	
210	1704001	2	Decal - No Hands (English/Spanish Language)	
215	1001255780	Ref	Decal - Logo Installation (All Specs Except CE & UK CA Specs)	B

SECTION 9 - DECALS

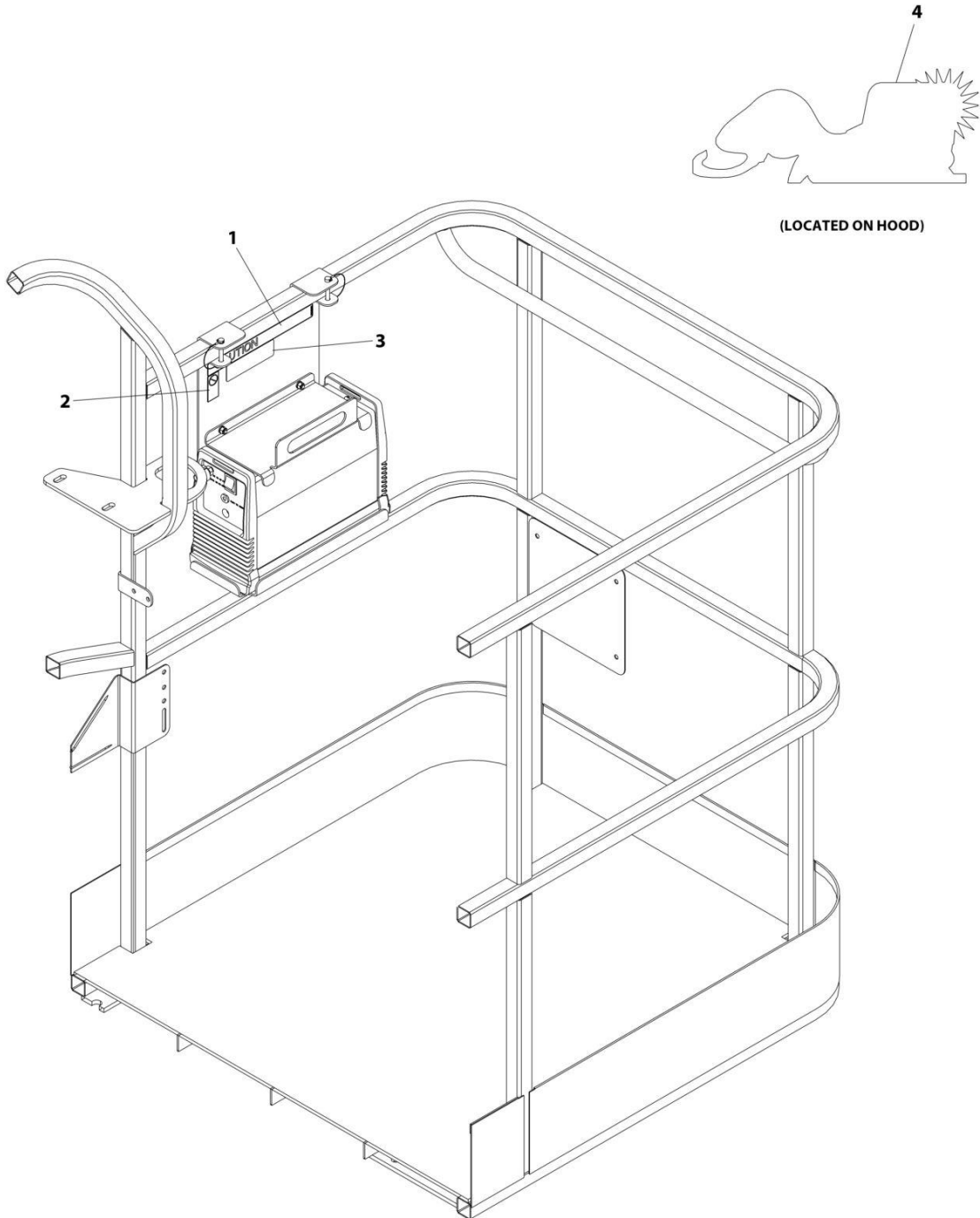
ITEM	PART NUMBER	QTY	DESCRIPTION	REV
215	1001257137	Ref	Decal - Logo Installation (CE, RUSSIAN, & UK CA Specs)	A
215A	1701435	1	Decal - JLG Lift (CE & UK CA Specs)	
215B	1001256906	2	Decal - HC3	
215C	1702861	1	Decal - JLG Lift (All Specs Except CE & UK CA Specs)	
215D	1001159323	1	Decal - JLG (CE & UK CA Specs)	
215E	1001244212	3	Decal - HC3	
215F	1702773	AR	Decal - JLG	
215G	1702860	2	Decal - JLG Lift (All Specs Except CE & UK CA Specs)	
218	3251813	1	Decal - USA (All Specs Except Australian, Japanese, CE & UK CA Specs)	
226	1704972	1	Decal - Warning Explosion/ Fire (English Language) (Diesel Machines) (CSA Specs)	
226	1706098	1	Decal - Warning Explosion/Fire (English Language) (Diesel Machines) (Australian, CE & UK CA Specs)	
226	1706059	1	Decal - Warning Explosion/Fire (English/Portuguese Language) (Diesel Machines) (Brazil Specs)	
226	1706060	1	Decal - Warning Explosion/Fire (English/Chinese Language) (Diesel Machines) (ANSI Export (LRC) & Chinese Specs)	
226	1706064	1	Decal - Warning Explosion/Fire (English Language) (Diesel Machines) (CSA Specs)	
226	1706062	1	Decal - Warning Explosion/Fire (English/Japanese Language) (Diesel Machines) (Japanese Specs)	
226	1706061	1	Decal - Warning Explosion/Fire (English/Korean Language) (Diesel Machines) (Korean Specs)	
226	1706063	1	Decal - Warning Explosion/Fire - (English/Spanish Language) (Diesel Machines) (Latin American Specs)	
238	1001125387	1	Decal - Ultra Low Sulfur Fuel (Diesel Machines) (ANSI, ANSI Export (HRC) & CSA Specs)	
238	1001139654	1	Decal - Ultra Low Sulfur Fuel (Diesel Machines) (Japanese, CE & UK CA Specs)	
245	1001127095	Ref	Decal Installation - ClearSky (Machines with ClearSky Option)	
245A	1001116208	2	Decal - ClearSky	
245B	1001120989	1	Decal - Radio Frequency	
245	1001294756	Ref	ClearSky Smart Fleet Decal Installation	
245A	1001120989	1	Decal - Radio Frequency	
245B	1001294815	1	Decal - ClearSky	
253	1001143852	1	Decal - Emission Compliance (Diesel Machines) (ANSI Export (LRC), Australian, Chinese, CE & UK CA Specs)	
262	1001141300	1	Decal - SkyGuard Override (Machines without Soft Touch Option)	
262	1001141302	1	Decal - SkyGuard Override (Machines with Soft Touch Option)	
263	1001197408	1	Decal - MSSO (CE & UK CA Specs)	
264	1705084	1	Decal - Sound Power (104Db) (CE & UK CA Specs)(LRC)	
264	1001273784	1	Decal - Sound Power (100dB) (CE & UK CA Specs)	
267	1001200124	1	Decal - Quick Start Guide (Danish Language)	
267	1001200121	1	Decal - Quick Start Guide (Dutch Language)	
267	1001180861	1	Decal - Quick Start Guide (English Language)	
267	1001200120	1	Decal - Quick Start Guide (French Language)	
267	1001200122	1	Decal - Quick Start Guide (German Language)	
267	1001200127	1	Decal - Quick Start Guide (Norwegian Language)	
267	1001200125	1	Decal - Quick Start Guide (Swedish Language)	
267	1001200126	1	Decal - Quick Start Guide (Spanish Language)	
274	1001214030	Ref	Decal - EAC Installation (C.I.S and Russia Specs)	
274	1001173703	1	Decal - EAC	
280	1001220864	Ref	Decal Kit - Boom Transport Position	

SECTION 9 - DECALS

ITEM	PART NUMBER	QTY	DESCRIPTION	REV
280A	1001220512	2	Decal - Lower Boom	
280B	1001220510	2	Decal - Warning Arrow	
280C	1001220511	2	Decal - Warning Stripe	

SECTION 9 - DECALS

FIGURE 9-12. SKYCUTTER DECAL INSTALLATION (ALL SPECS EXCEPT AUSTRALIAN, CE & JAPANESE SPECS)



ART_0272599

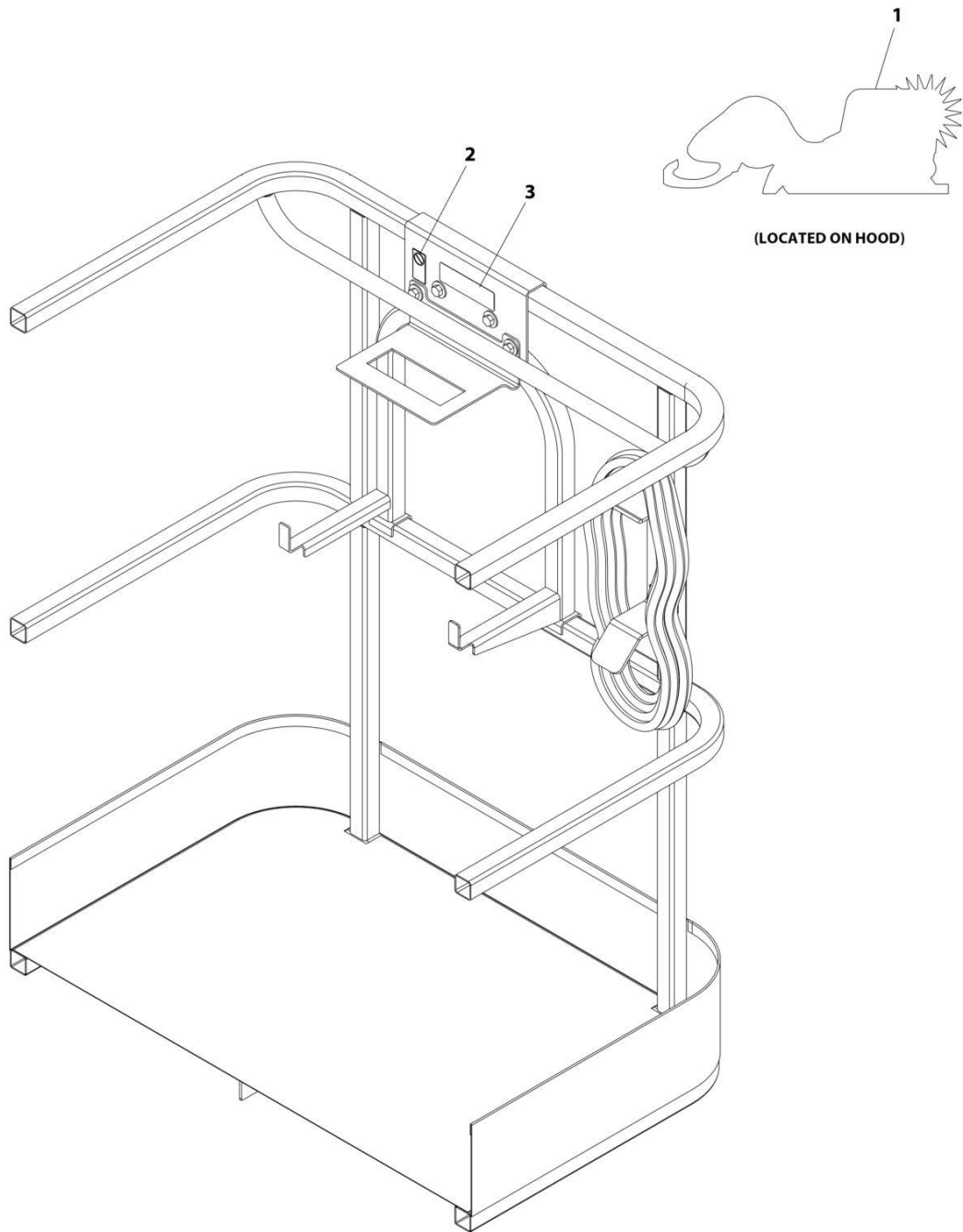
SECTION 9 - DECALS

FIGURE 9-12. SKYCUTTER DECAL INSTALLATION (ALL SPECS EXCEPT AUSTRALIAN, CE & JAPANESE SPECS)

ITEM	PART NUMBER	QTY	DESCRIPTION	REV
	0272599	Ref	SKYCUTTER DECAL INSTALLATION	C
1	1702868	1	Decal - No Hands	
2	1705305	1	Decal - Weld Leads	
3	1001252627	1	Decal - Weight	
4	1705490	2	Decal - SkyCutter	

SECTION 9 - DECALS

FIGURE 9-13. SKYCUTTER DECAL INSTALLATION (JAPANESE SPECS)



ART_0272607_C

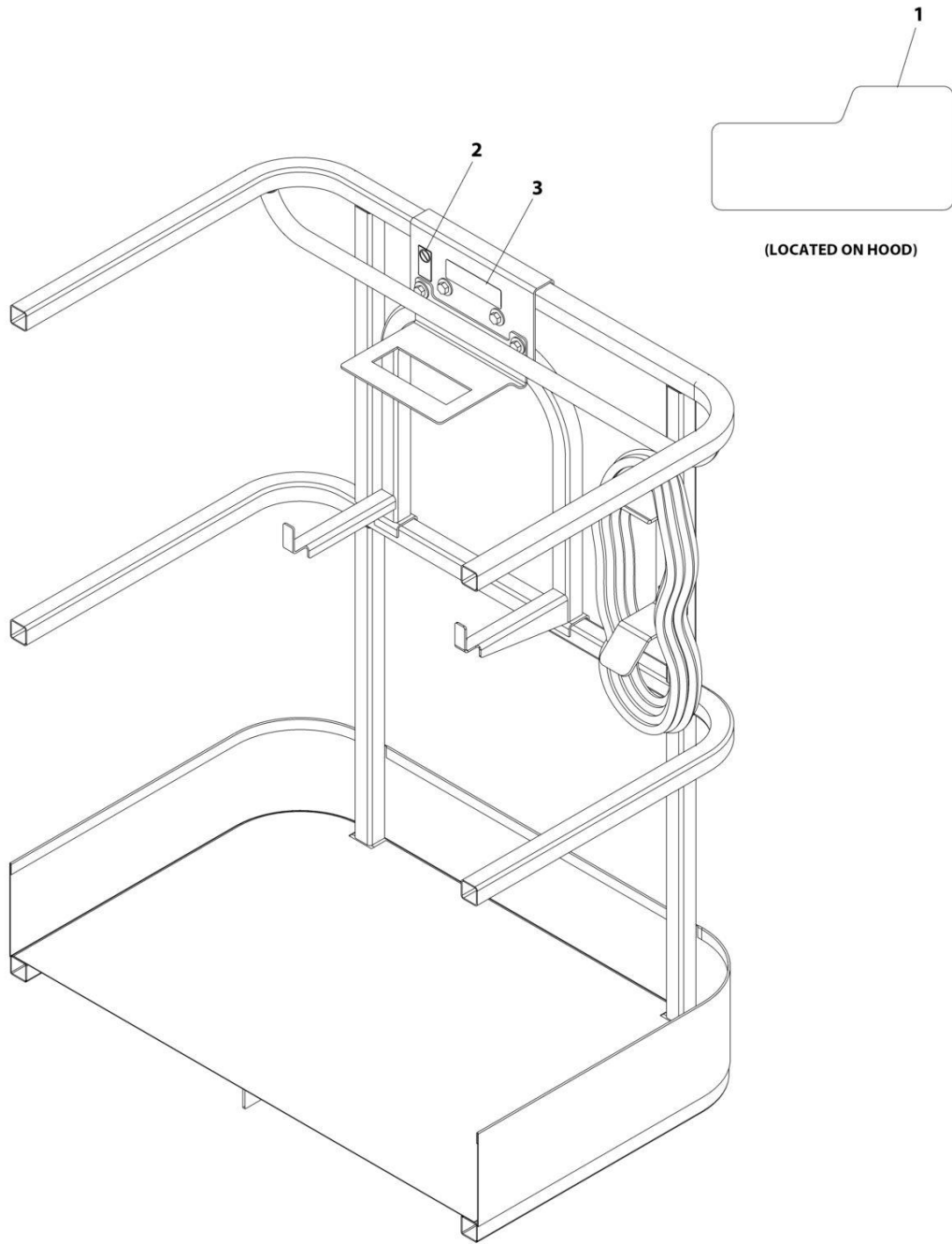
SECTION 9 - DECALS

FIGURE 9-13. SKYCUTTER DECAL INSTALLATION (JAPANESE SPECS)

ITEM	PART NUMBER	QTY	DESCRIPTION	REV
	0272607	1	SKYCUTTER DECAL INSTALLATION	C
1	1705490	2	Decal - SkyCutter	
2	1705305	1	Decal - Weld Lead	
3	1001252627	1	Decal - Weight	

SECTION 9 - DECALS

FIGURE 9-14. SKYWELDER DECAL INSTALLATION - 50HZ



ART_0272588

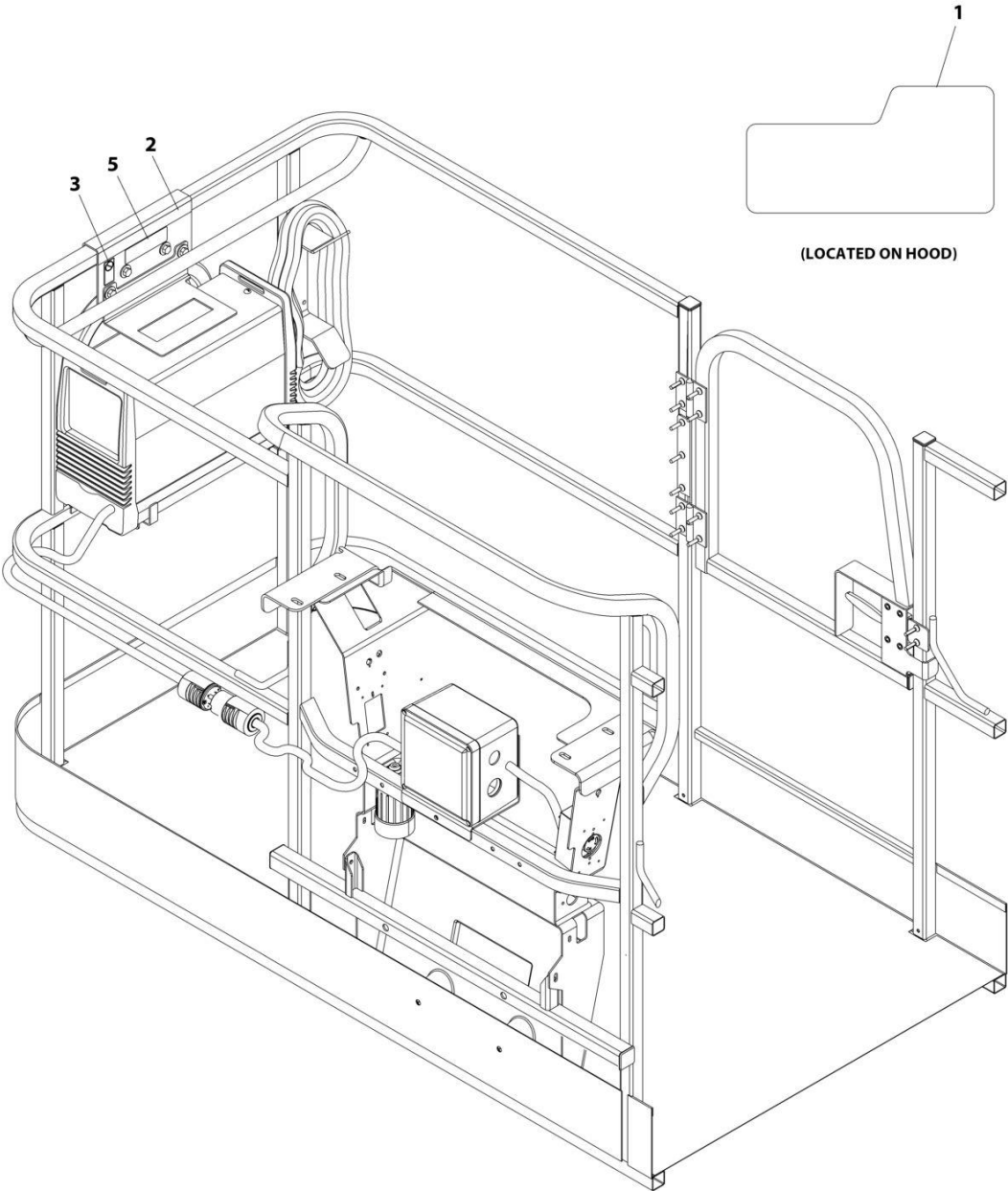
SECTION 9 - DECALS

FIGURE 9-14. SKYWELDER DECAL INSTALLATION - 50HZ

ITEM	PART NUMBER	QTY	DESCRIPTION	REV
	0272588	Ref	SKYWELDER DECAL INSTALLATION - 50Hz	B
1	1705355	2	Decal - SkyWelder	
2	1705305	1	Decal - Weld Lead	
3	1001228988	1	Decal - Weight	

SECTION 9 - DECALS

FIGURE 9-15. SKYWELDER DECAL INSTALLATION - 60HZ



ART_0272448_D

SECTION 9 - DECALS

FIGURE 9-15. SKYWELDER DECAL INSTALLATION - 60HZ

ITEM	PART NUMBER	QTY	DESCRIPTION	REV
	0272448	Ref	SKYWELDER DECAL INSTALLATION - 60Hz	D
1	1705355	2	Decal - SkyWelder	
2	1702868	1	Decal - No Hands	
3	1705305	1	Decal - Weld Lead	
5	1001228988	1	Decal - Weight	

SECTION 10 - RECOMMENDED SERVICE PARTS STOCK

SECTION 10 - RECOMMENDED SERVICE PARTS STOCK

SECTION 10 - RECOMMENDED SERVICE PARTS STOCK

FIGURE 10-1. RECOMMENDED SERVICE PART STOCK

ITEM	PART NUMBER	QTY	DESCRIPTION	REV
	See Note	Ref	Note: The following list will service one machine (built to current production per date on the front cover) with emergency repair parts which can be installed in the field. Parts from the list should be replaced when inventory is depleted to keep service parts stock supplied. For further information, contact your JLG dealer or the JLG Industries Parts Department.	
	4360542	1	Breaker, Circuit (2500W/110V Generator)	
	70000126	1	Breaker, Circuit (2500W/220V Generator)	
	70001431	1	Breaker, Circuit (Plasma Cutter)	
	4360070	1	Breaker, Circuit 15Amp (4000W & 7500W Generators)	
	1001181045	1	Breaker 16Amp (Breaker Box Single)	
	7024485	1	Breaker, Circuit 30Amp (7500W Generator)	
	1001159118	1	Breaker, GFCI 30Amp 240VAC (AC Box 240GFCI)	
	1001181046	1	Breaker 30mA/16Amp (Breaker Box with Generator)	
	7024444	1	Cap, Breather (Helgensen Brand)	
	70004862	1	Cap, Breather (Hydac Brand)	
	7012944	1	Coil (Control Valves)	
	7012943	1	Coil (Control Valves)	
	70004653	1	Coil (Main Valve)	
	70004595	1	Coil (Main Valve)	
	80434249	1	Coil (Main Valve)	
	70004660	1	Coil (Main Valve)	
	70004460	1	Coil (Main Valve)	
	70004463	1	Coil (Main Valve)	
	70002386	1	Coil (Boom Valve)	
	1001275628	1	Controller, Drive/Steer	
	1001275629	1	Controller, Lift/Swing	
	4360407	1	Controller, Potentiometer (Console Box)	
	3990010	2	Diode, 6Amp (Ground Control Harness)	
	2120210	12	Element, Filter Pressure (Control Valves)	
	2120149	12	Element, Filter Return (Control Valves)	
		Ref	Engine - D2011	
	70003783	12	Element, Air Cleaner	
	1001202281	12	Element, Fuel/Water Separator	
	7016328	12	Element, Fuel Filter	
	7016331	12	Element, Oil Filter	
	7027795	1	Module, Engine Control (Note: Please Contact JLG Parts Center to Order)	
	3740067	1	Relay	
		Ref	Engine - TD2.2L3 Stage V	
	70005008	12	Element, Air Cleaner	
	8229242	2	Fuse, 5A	
	80983191	2	Fuse, 10A	
	70023592	2	Fuse, 20A (Switched Output)	
	70023593	2	Fuse, 30A (Battery Output)	
	1001117308	1	Relay	
	1001138228	1	Relay, Power Module	
		Ref	Engine - TD2.9L4 49HP	
	91403102	12	Element, Air Cleaner	
	1001225430	12	Filter, Fuel Primary	

SECTION 10 - RECOMMENDED SERVICE PARTS STOCK

ITEM	PART NUMBER	QTY	DESCRIPTION	REV
	1001225431	12	Filter, Fuel Secondary	
	7016331	12	Filter, Oil	
	8229242	2	Fuse, 5A	
	8093191	2	Fuse, 10A	
	70023592	2	Fuse, 20A (Switched Output)	
	70023593	2	Fuse, 30A (Battery Output)	
	70025210	1	Module, Engine Control (Note: Please Contact JLG Parts Center to Order)	
	1001117308	1	Relay	
	1001138228	1	Relay, Power Module	
		Ref	Engine - TD2.9L4 63HP	
	91403102	12	Element, Air Cleaner	
	70025153	12	Filter, Fuel Primary	
	70025161	12	Filter, Fuel Secondary	
	7016331	12	Filter, Oil	
	8229242	2	Fuse, 5A	
	80983191	2	Fuse, 10A	
	70023592	2	Fuse, 20A (Switched Output)	
	70023593	2	Fuse, 30A (Battery Output)	
	1001117308	1	Relay	
	70005648	1	Relay	
	1001138228	1	Relay, Power Module	
		Ref	Engine - Ford	
	70005008	12	Element, Air Cleaner	
	70006155	12	Filter, Fuel	
	70006213	12	Filter, Oil	
	70006175	2	Fuse, 20A (Starter)	
	70006176	1	Module, ECU (ECU/GCP)	
	3740067	1	Relay	
	70006171	1	Relay (Fuel Pump & Power)	
	70006172	1	Relay (Starter)	
	1001196634	2	Fuse, 2A (Breather Heater)	
	8229249	2	Fuse, 3A (USB Charger & Console Box Harness)	
	2400064	2	Fuse, 5A (2500W & 7500W Generator to Engine Harness)	
	8229242	2	Fuse, 5A (Ground Control Harness)	
	2860030	1	Key, Replacement	
	2940074	1	Latch (Platforms with Gate)	
	1001247468	1	Loadcell (Platform Support)	
	1001142683	1	Module, Control Beacon (Strobe Lights)	
	1001103667	1	Module, Ground Control	
	1001106938	1	Module, Platform	
	3740067	1	Relay (Aux Pump Installation)	
	3740049	1	Relay (Ground Control)	
	3740080	1	Relay (2500W & 7500W Generators)	
	70006553	1	Relay (4000W Generator)	
	1001186431	1	Relay (SkyGuard Bar)	
	1001248962	1	Sensor, Angle (Boom Valves & Limit Switches)	
	1001228225	1	Sensor, Emitter (SkyEye)	
	1001117174	1	Sensor, Footswitch	
	4360436	1	Sensor, Fuel Level	
	4360578	1	Sensor, Limit (Boom Valves & Limit Switches)	
	4360057	1	Sensor Limit (Soft Touch)	

SECTION 10 - RECOMMENDED SERVICE PARTS STOCK

ITEM	PART NUMBER	QTY	DESCRIPTION	REV
	1001172271	1	Sensor, Limit Roller (Boom Valves & Limit Switches with Tower Stow)	
	1001170847	1	Sensor, Proximity (Boom Valves & Limit Switches)	
	1001182570	1	Sensor, Proximity (Boom Valves & Limit Switches)	
	1001232667	1	Sensor, Proximity (SkyLine)	
	4360517	1	Sensor, Proximity (Rotary Coupling)	
	1001228224	1	Sensor, Receiver (SkyEye)	
	1001137673	1	Sensor, SkyGuard Bar	
	1001225346	1	Switch, Battery Disconnect)	
	4360475	1	Switch, Emergency Stop	
	4360469	1	Switch, Key	
	4360274	1	Switch, Pushbutton Gray (Ground Control)	
	4360387	1	Switch, Pushbutton Yellow (Ground Control, Console Box & Soft Touch)	
	70001432	1	Switch, Rocker (Plasma Cutter)	
	1001155045	1	Switch, Toggle (Ground Control & Console Box)	
	4360336	1	Switch, Toggle (Cribbing & Generators)	
	4360331	1	Switch, Toggle (Console & Footswitch, Steer Switch Installation)	
	1001159256	1	Switch, Toggle (Console Box Assembly)	

SECTION 11 - SPECIAL OPTIONS/ACCESSORIES/KITS

SECTION 11 - SPECIAL OPTIONS/ACCESSORIES/KITS

SECTION 11 - SPECIAL OPTIONS/ACCESSORIES/KITS

FIGURE 11-1. SPECIAL OPTIONS/ACCESSORIES/KITS

ITEM	PART NUMBER	QTY	DESCRIPTION	REV
		Ref	Note: This list is to accommodate machines ordered with special equipment. Options may not be applicable to all models. For more specific parts information contact JLG Parts Department.	
	1001204884	Ref	Air Intake Shut-off Valve Installation (Deutz DT2.9L4 - 63HP Engines) (ANSI & CSA Specs)	
	1001247570	Ref	Air Intake Shut-off Valve Installation (Deutz DT2.9L4 - 49HP Engines) (ANSI & CSA Specs)	
	1001253151	Ref	Airline to Platform Installation	
	1001093438	Ref	Airline to Platform Installation (Arctic Package)	
	1001254024	Ref	Bellows Installation - Boom	
	1001251379	Ref	Bellows Installation - Chassis	
	1001253466	Ref	Boom Wiper Installation	
	1001172045	Ref	Cable/Ladder Carrier Installation	
		Ref	ClearSky (Telematics) Add-on Kits (Dealer Installed)	
	1001242409	Ref	ClearSky (Telematics) Access Control Add-on Kit (Dealer Installed) (ANSI, ANSI Export and CSA Specs)	
	1001265378	Ref	ClearSky (Telematics) Add-on Kit (Dealer Installed) (ANSI, ANSI Export and CSA Specs)	
	1001246142	Ref	ClearSky (Telematics) Added-on Kit (Dealer Installed) (Australian Specs)	
	1001243184	Ref	ClearSky (Telematics) Added-on Kit (Dealer Installed) (CE & UK CA Specs)	
	1001276923	Ref	ClearSky (Telematics) Added-on Kit - 3 Wire (Dealer Installed)	
		Ref	ClearSky Telematics Installation (Factory Installed)	
	1001227472	Ref	ClearSky Telematics Installation - Canbus (Factory Installed) (All Specs except Russian & Chinese Specs)	
	1001228946	Ref	ClearSky Telematics Installation - Canbus (Factory Installed) (ANSI Export, CE & UK CA Specs)	
	1001246522	Ref	ClearSky Telematics Installation - Canbus (Factory Installed) (Australian Specs)	
	1001246523	Ref	ClearSky Telematics Installation - Canbus (Factory Installed) (China Specs)	
	1001276610	Ref	ClearSky Telematics Installation - 3-Wire Connection (Factory Installed)	
	1001289850	Ref	ClearSky Telematics Installation - CS550	
	1001293369	Ref	Hood Plugs Installation	
		Ref	Cold Weather Packages:	
	1001152340	Ref	Cold Weather Package - Deutz D2011 Engines	
	0274883	Ref	Cold Weather Package with Transformer- Deutz D2011 Engines	
	1001151900	Ref	Cold Weather Package - Deutz TD2.9L4 Engines	
	1001256385	Ref	Cold Weather Package - Deutz TD2.2L3 Engines (Stage V)	
	1001217832	Ref	Cold Weather Package - Ford Engines	
	1001276007	Ref	Controller Service Kit - Drive/Steer	
	1001276008	Ref	Controller Service Kit - Lift/Swing	
	1001157013	Ref	Counterweight Installation (Required for Soft Touch Systems)	
	0257195	Ref	Decal - Government Warranty	
		Ref	Decal Kit Options:	
	2902307	Ref	Decal Kit - Country Spec (ANSI and ANSI Export)	
	2902329	Ref	Decal Kit - Country Spec (Australian, CE & UK CA)	
	2902312	Ref	Decal Kit - Country Spec (Brazil)	
	2902322	Ref	Decal Kit - Country Spec (CSA)	

SECTION 11 - SPECIAL OPTIONS/ACCESSORIES/KITS

ITEM	PART NUMBER	QTY	DESCRIPTION	REV
	1001116844	Ref	Decal Kit - Country Spec (Chinese - Simplified)	
	2902309	Ref	Decal Kit - Country Spec (Chinese - Traditional)	
	2902308	Ref	Decal Kit - Country Spec (Japanese)	
	2902310	Ref	Decal Kit - Country Spec (Korean)	
	2902311	Ref	Decal Kit - Country Spec (Latin America)	
	2902303	Ref	Decal Kit - Master	
	1001271643	Ref	Decal Kit – Machine	
	1001271644	Ref	Decal Kit – Platform	
	1001271645	Ref	Decal Kit – Platform Console Box	
	1001233047	Ref	Deutz Breather Heater Kit	
	4932990	Ref	Drive Cutout Kit (Above Elevation Beyond Transport)	
	4932993	Ref	Drive Cutout Kit (Above Elevation Tilt) (All Specs except CSA, CE & UK CA)	
		Ref	Electrical Connector Kits	
	1001290270	Ref	ECM Power Jumper Stage V Kit	
	1001148902	Ref	Amp/Tyco Electrical Connector Kit	
	1001148903	Ref	Deutsch DT Electrical Connector Kit	
	1001148904	Ref	Deutsch HD Electrical Connector Kit	
	1001148905	Ref	Packard Electrical Connector Kit	
	1001148906	Ref	Various Electrical Connectors Kit	
	1001218022	Ref	Engine Block Heater Installations (Ford Engines Only)	
	1001237883	Ref	Fall Arrest (Bolt-on) Add-on Kit (6ft/1.82m Platform (ANSI, ANSI Export, CHINA, CSA & Japanese Specs Only) (Fits Platform p/ns 1001186384 & 1001144024)	
	1001237882	Ref	Fall Arrest (Bolt-on) Add-on Kit (8ft/2.4m Platform (ANSI, ANSI Export, CHINA, CSA & Japanese Specs Only) (Fits Platform p/ns 1001186383 & 1001144023)	
	1001269629	Ref	Fall Arrest (Bolt-On) 30x60" Platform	
	1001269630	Ref	Fall Arrest (Bolt-On) 30x48" Platform	
	1001269631	Ref	Fall Arrest (Bolt-On) 30x72" Platform	
		Ref	Fan Cover/Guard Options:	
	1001182599	Ref	Fan Guard Installation (Deutz D2011 Engines)	
	1001258140	Ref	Fan Guard Installation (Deutz TD2.3L3 Stage V Engines)	
	1001177694	Ref	Fan Guard Installation (Deutz TD2.9L4 Engines)	
	1001093389	Ref	Fan Cover Installation (Ford DF 2.5L Engines)	
		Ref	Filter Kits:	
	1001166960	Ref	Deutz D2011 Engine	
	1001181148	Ref	Deutz TD2.9L4 Engine	
	1001114042	Ref	Ford DF2.5L Engine	
	1001290375	Ref	QUICKFIT OIL DRAIN (FORD ENGINES)	
	1001139099	Ref	Fire Extinguisher Installation	
	1001117294	Ref	Footswitch Shield (Arctic Package)	
	1001265676	Ref	Ford 42 Way Connector Kit	
	1001202749	Ref	Fuel Cap Cover Installation (Black) (All Machines) (Note: Lock p/n 1001102157 Must be purchased separately)	
	1001191395	Ref	Fuel Cap Cover Installation (Green) (Diesel Machines) (Note: Lock p/n 1001102157 Must be purchased separately)	
	1001247338	Ref	Fuel Cap Cover Installation (Red) (Gasoline Machines) (Note: Lock p/n 1001102157 Must be purchased separately)	
		Ref	Hose Kits:	
	1001209629	Ref	Hose Kit - Platform Valve	
	1001239617	Ref	Hose Kit - Power Track Upper	
	2910100	Ref	Hose/Cable Chafe Protection Kit	

SECTION 11 - SPECIAL OPTIONS/ACCESSORIES/KITS

ITEM	PART NUMBER	QTY	DESCRIPTION	REV
	1001094475	Ref	Hourmeter for Generator Installation	
	1001229940	Ref	Hydraulic Tank Locker Installation	
	1001268736	Ref	Jib Link Kit	
		Ref	Light Installations:	
	0274200	Ref	Lights Installation - Chassis Lights	
	1001176296	Ref	Lights Installation - Headlights/Tailights	
	1001120466	Ref	Lights Installation - Platform Worklights	
	1001243597	Ref	Lights Installation - Portable Work Lights	
	1001236951	Ref	Low Temperature Cut-out Switch Installation (Russian Specs)	
	1001120467	Ref	Lights Installation - Platform Flood Lights	
	1001282215	Ref	Platform Worklights Kit	
	1001204296	Ref	Oil Cooler Replacement Kit (Deutz TD2.9L4 Engine Only) (RCP to Ymer Cooler)	
	1001272166	Ref	Pipe Racks Add-on Kit (Dealer Installed)	
	1580013	Ref	Platform Corner Storage Tray	
	1001195304	Ref	Platform Console Cover Installation (Clear Polycarbonate)	
	1001266290	Ref	Platform Console Cover Installation (Steel) (All Specs except Australian & Chinese Specs)	
	1001125230	Ref	Platform Console Cover Installation (Steel) (Chinese Specs)	
	1001125229	Ref	Platform Console Cover Installation (Steel) (Korean Specs)	
	1001270482	Ref	Platform Console Cover Kit (Dealer Installed)	
		Ref	Platform Entry Kit:	
	1001142504	Ref	Kit, Replace Swing Gate with Drop Bar	
	1001142505	Ref	Kit, Replace Drop Bar with Swing Gate	
	1001274833	Ref	Platform Floormat Add-on Kit (30x48 Platform) (Dealer Installed)	
	1001274832	Ref	Platform Floormat Add-on Kit (30x60 Platform) (Dealer Installed)	
	1001274830	Ref	Platform Floormat Add-on Kit (36x72 Platform) (Dealer Installed)	
	1001274829	Ref	Platform Floormat Add-on Kit (36x96 Platform) (Dealer Installed)	
		Ref	Platform Mesh to Top Rail Add-on Kits:	
	1001214552	Ref	30in x 4ft (76cm x 1.22m) with Gate	
	1001214559	Ref	30in x 5ft (76cm x 1.52m) with Gate	
	1001214561	Ref	36in x 6ft (91.5cm x 1.83m) with Gate	
	1001214562	Ref	36in x 8ft (91.5cm x 2.44m) with Gate	
		Ref	Platform Mesh to Top Rail Installations	
	1001272182	Ref	30in x 4ft (76cm x 1.22m)	
	1001271888	Ref	30in x 5ft (76cm x 1.52m)	
	1001271642	Ref	36in x 6ft (91.5cm x 1.83m)	
	1001269187	Ref	36in x 8ft (91.5cm x 2.44m)	
		Ref	Platform Mesh to Mid Rail Add-on Kits:	
	1001214478	Ref	30in x 4ft (76cm x 1.22m) with Gate	
	1001214515	Ref	30in x 5ft (76cm x 1.52m) with Gate	
	1001214540	Ref	36in x 6ft (91.5cm x 1.83m) with Gate	
	1001214548	Ref	36in x 8ft (91.5cm x 2.44m) with Gate	
		Ref	Platform Mesh to Mid Rail Installation	
	1001272274	Ref	30in x 4ft (76cm x 1.22m)	
	1001272178	Ref	30in x 5ft (76cm x 1.52m)	
	1001271760	Ref	36in x 6ft (91.5cm x 1.83m)	
	1001269389	Ref	36in x 8ft (91.5cm x 2.44m)	
		Ref	Platform Mesh to Top Rail (Plastic)	
	1001266807	Ref	30in x 4ft (76cm x 1.22m)	
	1001266801	Ref	30in x 5ft (76cm x 1.52m)	
	1001266489	Ref	36in x 6ft (91.5cm x 1.83m)	

SECTION 11 - SPECIAL OPTIONS/ACCESSORIES/KITS

ITEM	PART NUMBER	QTY	DESCRIPTION	REV
	1001266056	Ref	36in x 8ft (91.5cm x 2.44m)	
		Ref	Platform Mesh to Mid Rail (Plastic)	
	1001266969	Ref	30in x 4ft (76cm x 1.22m)	
	1001266799	Ref	30in x 5ft (76cm x 1.52m)	
	1001266284	Ref	36in x 6ft (91.5cm x 1.83m)	
	1001266098	Ref	36in x 8ft (91.5cm x 2.44m)	
		Ref	Platform, Top Rail Extension	
	0272733	Ref	3ft x 6ft Platforms	
	0272725	Ref	3ft x 8ft Platforms	
	1001209059	Ref	Platform Work Surface Installation	
	1001171018	Ref	RCD Box Installation (Brazil Spec)	
	1001099572	Ref	Security Lock (Programmable) Installation	
	1001190884	Ref	Service Kits and Tools	W
	1001247073	Ref	SkyEye Retrofit Kit	
	1001241547	Ref	SkyEye Housing Kit (LH)	
	1001241548	Ref	SkyEye Housing Kit (RH)	
		Ref	SkyGuard Component Options:	
	1001206477	Ref	SkyGuard Complete Add-on Kit (Blue Beacon)	
	1001210026	Ref	SkyGuard Complete Add-on Kit (Red Beacon)	
	1001249052	Ref	SkyGuard Retrofit Kit	
	1001137672	Ref	SkyGuard Platform Sensor Kit	
	1001250595	Ref	6 Pin SkyGuard Retrofit Kit	
	1001262016	Ref	SkyLine Kit	
	1001289831	Ref	SkySense/Enhanced Detection System (EDS) Level 1 (2 Bar) Installation (Factory Installed)	
	1001289832	Ref	SkySense/Enhanced Detection System (EDS) Level 2 (3 Bar) Installation (Factory Installed)	
	1001289905	Ref	SkySense/Enhanced Detection System (EDS) Level 1 (2-Bar) Add-on Kit (Dealer Installed)	
	1001289906	Ref	SkySense/Enhanced Detection System (EDS) Level 2 (3-Bar) Add-on Kit (Dealer Installed)	
	1001253618	Ref	SkySense Module Box Assembly Kit (Service Kit for P/N 1001246867)	
	1001253619	Ref	SkySense Module Box Assembly Kit (Service Kit for P/N 1001246860)	
	1001282461	Ref	SkySense Padding Installation - For 30 x 48 Platforms equipped with SkySense	
	1001275644	Ref	SkySense Padding Installation - For 30 x 60 Platforms equipped with SkySense	
	1001275642	Ref	SkySense Padding Installation - For 36 x 72 Platforms equipped with SkySense	
	1001269655	Ref	SkySense Padding Installation - For 36 x 96 Platforms equipped with SkySense	
	1001263395	Ref	SkyWelder Kit (Dealer Installed)	
	1001121592	Ref	Soft-Touch Add-on Kit (36x72 Platform) (Dealer Installed)	
	1001121593	Ref	Soft-Touch Add-on Kit (36x96 Platform) (Dealer Installed)	
		Ref	Strobe Light Installations (Amber)	
		Ref	Tools for Service	
	1001249695	Ref	Analyzer and Cable Kit	
	1001249941	Ref	Analyzer and Cable Kit (Battery Powered)	
	1001137005	Ref	Software Cable Kit	
	7002840	Ref	Antirotation Pin Removal Tool	
	8896941	Ref	Wire Stripper	
	7002821	Ref	Wire Crimper (To install wire ends to wires)	

SECTION 11 - SPECIAL OPTIONS/ACCESSORIES/KITS

ITEM	PART NUMBER	QTY	DESCRIPTION	REV
	7002823	Ref	Pin/Socket Extractor - Universal (To Remove Pins/Sockets from Connectors)	
	4460467	Ref	Extractor - 16-18 Gauge (For Removal of Pin/Sockets from Deutsch Connectors)	
	4460510	Ref	Extractor - 12-14 Gauge (For Removal of Pin/Sockets from Deutsch Connectors)	
	7002822	Ref	Screwdriver, Potentiometer (To Adjust Drive Controllers)	
	7016654	Ref	Screwdriver, Magnetic	
	7004275	Ref	Seal Installation Tool - 1in	
	7004276	Ref	Seal Installation Tool - 1 1/2in	
	7002826	Ref	Seal Installation Tool - 2in	
	7016655	Ref	Wire Rope Sheave Gauge	
	7016652	Ref	Huck Bolt Fastener (For Small Huck Bolts Only)	
	2900838	Ref	U.S. Standards Fastener (Hardware) Kit	
	7014676	Ref	U.S. Standards Tool Kit	
	1001274249	Ref	USB Charger Port Add-on Kit (Dealer Installed)	
	1001228577	Ref	Telematics Canbus Gateway (Dealer Installed)	
	1001284510	Ref	Telematics Canbus Gateway Plus (Deal Installed)	
	1001258951	Ref	Tower Stow Indicator Add-on Kit (Dealer Installed)	
	1001238825	Ref	Turntable Bearing Kit	
	1001262959	Ref	Voltage Regulator Re-Location Kit (Used with ClearSky)	
	1001273493	1	ASO Valve Boom Kit	
	1001273494	1	ASO Valve Kit	
	2910167	Ref	Wear Pad Kit	

SECTION 11 - SPECIAL OPTIONS/ACCESSORIES/KITS

PART NUMBER INDEX

SECTION 11 - SPECIAL OPTIONS/ACCESSORIES/KITS

0100009	471, 475	0272427.....	519	253, 255, 258, 264, 282,	0641609	186, 190, 236, 258,
0100011	17, 19, 21, 23, 25,	0272433.....	601	286, 365, 369, 373, 381,	264, 333, 335, 345, 347	
	43, 45, 47, 49, 55, 57, 63,	0272435.....	386, 398, 402	386, 389, 465, 467, 469,	0641610..	95, 157, 161, 165,
	65, 75, 81, 83, 85, 87, 93,	0272448.....	502, 785	755, 757, 759, 761, 763,	168, 177, 179, 186, 190,	
	95, 97, 99, 103, 107, 111,	0272521.....	505	765, 767, 769, 771, 773	204, 211, 273, 331, 351,	
	115, 119, 123, 127, 131,	0272588.....	783	0641407	353, 359, 409, 467, 469	
	135, 141, 143, 156, 160,	0272589.....	390, 394	.99, 103, 107, 111,	0641612..	81, 197, 213, 217,
	164, 168, 171, 177, 179,	0272599.....	502, 779	115, 119, 123, 127, 131,	229, 236, 245, 249, 258,	
	181, 183, 186, 190, 197,	0272607.....	781	135, 145, 156, 160, 181,	264, 282, 286	
	201, 204, 213, 217, 221,	0272725.....	795	183, 186, 190, 289, 291,	0641613.....	55
	223, 229, 233, 236, 245,	0272733.....	795	377, 397, 613, 617, 619,	0641614.....	83, 85, 87
	249, 253, 255, 258, 264,	0273353.....	502	623, 625, 629, 631, 635,	0641616	366, 369, 377, 397,
	273, 282, 286, 289, 291,	0273542.....	523	637	409, 411	
	294, 300, 305, 311, 333,	0273706.....	521	0641408	164, 168, 236, 258,	
	335, 337, 339, 341, 343,	0273824.....	515	264, 431, 467, 469, 573	0641409	177, 179
	347, 349, 351, 353, 355,	0274200.....	794	0641410	186, 190, 378, 381,	
	359, 361, 365, 369, 373,	0274618.....	611	398	0641412	213, 217, 229, 245,
	377, 381, 385, 389, 393,	0274883.....	792	0641412	213, 217, 229, 245,	
	397, 401, 407, 409, 411,	0275216.....	613, 715	249	0641414	55, 57, 471, 475,
	413, 417, 419, 421, 423,	0275217.....	617, 717	491, 515, 517, 519, 521	0641415	55, 57, 370, 373,
	425, 429, 431, 443, 445,	0275452.....	623, 721	0641415	55, 57, 370, 373,	
	447, 449, 451, 457, 459,	0275453.....	629, 725	381, 613, 617, 619, 623,	625, 629, 631, 635, 637	
	461, 463, 491, 493, 502,	0275454.....	635, 729	0641416	55, 57, 282, 286,	
	505, 507, 511, 515, 517,	0275652.....	617	423, 425, 609, 613, 615,	617, 619, 621, 623, 625,	
	519, 521, 557, 559, 561,	0275653.....	623	627, 629, 631, 633, 635,	637, 639	
	576, 582, 588, 755, 757,	0275654.....	629	0641418	443, 445, 449, 451,	
	759, 761, 763, 765, 767,	0275656.....	613	457, 459, 461, 463	0641420	447
	769, 771, 773	0275660.....	635	0641420	447	
0100019	69, 75, 337, 339,	0362910.....	49	0641505	41	
	355, 365, 369, 373, 377,	0363012.....	25	0641506	99, 103, 107, 111,	
	381, 386, 389, 393, 397,	0370026.....	539	115, 119, 123, 127, 131,	135	
	401	0400075.....	63, 65, 177, 179	0641507	179, 423, 425	
0100020	51, 83, 85, 87, 177,	0440162.....	413	0641508	236, 258, 264, 351,	
	179, 197, 213, 217, 229,	0440207.....	75	353, 355, 359, 361, 429,	431	
	236, 245, 249, 258, 264,	0440237.....	413	0641510	186, 190, 236, 258,	
	282, 286, 294, 300, 366,	0480121.....	351, 353, 359	264	0641512	186, 190
	479, 497, 502, 609, 615,	0480126.....	369, 389	0641516	43, 45, 47, 365,	
	621, 627, 633, 639	0480129.....	365, 386	377, 385, 389, 393, 397,	401, 421, 523, 573	
0100035	151, 211, 471, 475,	0561076.....	407	0641520	93, 95, 97	
	485	0561185.....	409, 411	0641524	419	
0100038	17, 19, 557, 559,	0561237.....	655	0641532	421	
	561, 576, 582, 588	0561248.....	409	0641552	25	
0100048	99, 103, 107, 111,	0630407.	204, 236, 258, 264	0641604	429, 431, 559	
	115, 119, 123, 127, 131,	0630427.....	429, 431	0641606	83, 85, 87, 156,	
	135, 143, 145, 147, 282,	0630462.	515, 517, 519, 521	157, 160, 161, 165, 168,	169, 171, 186, 190, 197,	
	286, 361, 377, 381, 397	0630467.....	423, 425	213, 217, 229, 249, 409,	419, 421, 502, 505, 507,	
0100062	87, 186, 190, 204,	0630507.	156, 160, 164, 168	511	0641607	63, 65, 95, 164,
	236, 258, 264, 296, 302,	0630518	139, 485, 497, 502,	0641607	168, 197, 213, 217, 229,	
	386, 390	505, 507, 511	0630534.....	245, 249, 282, 286, 331,	355, 402, 407, 409	
0100079	331, 377, 397	0630534.....	545, 547, 549	0641608	21, 23, 55, 57, 91,	
0100081	419, 421, 495	0630535.....	559, 561	95, 156, 160, 164, 168,	179, 197, 204, 213, 217,	
0100087	91	0630548..	99, 103, 107, 111,	229, 236, 245, 249, 258,	264, 327, 341, 343, 409,	
0140011	471, 475	115, 119, 123, 127, 131,		429, 431		
0140044	143	135				
0181949	51	0630568.....	471, 476			
0200048 .	515, 517, 519, 521	0641403.	385, 389, 411, 421			
0200742	351, 353, 359	0641404..	99, 103, 107, 111,			
0255382	605	115, 119, 123, 127, 131,				
0255410	77	135, 197, 213, 217, 229,				
0255880	345	245, 249, 353, 365, 369,				
0257176	607	377, 381, 397, 493				
0257195	792	0641405	156, 160, 164, 168,			
0257573	421	471, 475, 493				
0258945	487	0641406....	63, 65, 141, 143,			
0270528	43, 45, 47, 49	145, 147, 164, 168, 197,				
0272254	507	204, 213, 217, 221, 223,				
0272418	495	229, 233, 236, 245, 249,				

SECTION 11 - SPECIAL OPTIONS/ACCESSORIES/KITS

0700618.....655	077101497, 294, 300	1001026127 197	1001112551757
0700624..... 651, 653, 657	0771212 ..97, 197, 213, 217, 229, 236, 245, 249, 258, 264	100109338263, 65, 177, 179	1001112588351, 359
0700808..... 186, 190	0771414 186, 190, 204, 236, 258, 264, 337, 339, 341	1001093389..... 793	1001112589 ...351, 353, 359
0700810..... 294, 300	0771415 343, 366, 370, 386, 390	1001093438..... 792	1001112612649, 709
0700812..... 294, 300, 339	0811606 411	1001093549.....577	1001112796649, 667
0700814 294, 300, 337, 339, 343	0811607 411	1001094475..... 794	1001113790595
0700816.....305	0811608 411	1001096070.. 369, 373, 381, 613, 617, 623, 629, 635, 663	1001113818595
0700818.....305	0811610 411	1001096398..... 97	1001113961709
0701012.....204	0860038 365, 377, 385, 397, 401, 605, 607, 611	1001097051 737	100111398425, 29
0701014..... 93, 305	0860520 755, 757, 759, 761, 763, 765, 767, 769, 771, 773	1001097150..... 663, 665	1001114042793
0701017.....204	0861538386, 397, 401	1001097242..... 21, 23, 557	1001115391385
0701020.....413	0861572390, 393	1001097244..... 535	1001115392389
0701026.....311	0861731 609, 627, 633, 639, 721, 723, 725, 727, 729, 731	1001098012... 497, 499, 502	1001115405351
0710827.....305	0861781 615, 621, 715, 717, 719	1001098122..... 479, 713	1001115406359
0711014.....296, 302	0861880663, 665	1001098149.....497	1001115409353
0711020.....294, 300	0902219156, 160	1001098503..... 25, 33	1001115889141
0711215.....204	0902335156, 160	1001098828..... 417	1001115915141
0711216.....305	0902888 365, 377, 385, 389, 393, 397, 401	1001099196.....21	1001115918141
0711223 204, 296, 302, 337, 339	0903056 81	1001099366.....495	1001115967141
0711414..... 333, 335	0940049 .156, 160, 164, 168	1001099367.....495	1001116208776
0720804.....51	0940070 186, 190, 204, 236, 258, 264, 294, 300	1001099387..... 21, 23	1001116692747
0721004.....49	0940071156, 160	100109939155, 57	1001116694709
0721005..... 519, 521	0940088 .156, 160, 164, 168	1001099572..... 795	1001116695431
0721006 156, 160, 164, 168, 211, 273, 351, 353, 355, 359	0940092 515, 517, 519, 521, 523	1001099835..... 421	1001116710687
073100583, 85, 87, 515, 517	0940094 515, 517, 519, 521, 523	1001099869..... 353	1001116720741
0741605 .204, 236, 258, 264	0940102 495	1001100234353	1001116728 ...673, 677, 701
0741606..... 63, 65, 429, 431	0940103 519	1001100321 353, 359	1001116748 ..651, 653, 655, 657
0741607 23, 49, 365, 369, 373, 377, 381, 393, 397, 401	0940103 519	1001100341 715	1001116774649
0760605 .236, 258, 264, 305	0940131 523	1001100342... 619, 717, 719	1001116808649
0760606.....402	0940133 521	1001100345... 625, 721, 723	1001116812673
0760607.....373, 393	0940134 515	1001100346... 637, 729, 731	1001116815667, 674
0760608... 41, 294, 300, 401	0940177 517	1001100347 ... 631, 725, 727	1001116844763, 793
0760610 204, 294, 300, 305, 361, 401	0961845 443, 445, 447, 449, 451, 457, 459, 461, 463	1001100397..... 625	1001116845763
0760612 100, 104, 108, 112, 116, 120, 124, 128, 132, 136, 282, 286, 294, 300	0961893545, 547, 549	1001100398..... 631	1001116846765, 775
0760615.....305	0961896559, 561	1001100399..... 637	1001116847763
0760807.....305	0961947413, 415	1001100401 619	1001116848763
0760810 204, 236, 258, 264, 282, 286, 294, 300, 417	0961949543, 553	1001100825 ... 289, 291, 329	1001116849765
0760812 204, 282, 286, 294, 300, 645, 647	0961950 17, 19	1001101421 495	1001116850763
0760814 204, 294, 300	0961986 186, 190, 204, 236, 258, 264, 294, 300	1001101422 495	1001116851765
0760815 .282, 286, 294, 300	0962036409, 411	1001103012 745	1001116852763
0760817305	0962051345, 347, 349	1001103308... 99, 103, 107, 111, 115, 119, 123, 127, 131, 135	1001116861763
0761008 213, 217, 229, 245, 249, 282, 286	0962131 21, 23	1001103667789	1001116862765
0761012.....413, 645	0962155 413	1001104423 ... 576, 582, 588	1001116863765
0761014 197, 204, 294, 300, 349, 417	0962270453, 455	1001104498..... 745	1001116952673, 677
0761015 204, 236, 260, 266, 294, 300, 413	0962292 23	1001106736... 99, 103, 107, 111, 115, 119, 123, 127, 131, 135	1001117078697
0761016..... 204, 294, 300	0962336545, 547, 549	1001106938... 471, 475, 789	1001117106677
0761018.....401	0962348 23	1001106974..... 81	1001117107673, 677
0761019.....361	096235621, 23, 557	1001107498..... 81	1001117172479
0761210..... 236, 258, 264	0962449 353	1001107854..... 745	1001117174 ..471, 475, 479, 789
0761212 201, 204, 277, 373, 393, 407	0962520 365, 369, 373, 377, 381, 386, 390, 393, 397, 401	1001108256.....517	1001117294793
0761214.....204, 279		1001109554 .619, 625, 631, 637, 665	1001117308 ..205, 237, 259, 265, 788, 789
0761216.....361, 417		1001110425 .. 197, 213, 217, 229, 245, 249, 378, 381, 393, 398	100111813387
		1001110434..... 471, 475	1001118384739
		1001110500..... 421	1001118388739, 741
		1001110501 421	1001118666411
		1001110872..... 641, 643	1001119020 ..649, 667, 709, 713
		1001110873.. 365, 377, 385, 397, 402, 605, 611	1001119602 ...577, 583, 589
			1001119619733
			1001119620735, 737
			1001119968399, 697
			1001120328491, 493

SECTION 11 - SPECIAL OPTIONS/ACCESSORIES/KITS

1001120466..... 794	1001137873 .. 201, 221, 223, 233, 253, 255	1001140455566	1001145706..... 95
1001120467..... 794		1001140456570	1001146368... 186, 190, 193
1001120471..... 535	1001137874 .. 201, 221, 223, 233, 253, 255	1001140458570	1001146588..... 198, 205
1001120477..... 535		1001140564 ..206, 238, 259, 265	1001147264..... 674, 677
1001120484..... 535	1001137875 164, 168	1001141300776	1001148138..... 355
1001120989..... 776	1001137876 .. 156, 160, 164, 168	1001141302776	1001148162.... 21, 481, 483
1001121592..... 795	1001137878 164, 168	1001141304 ..205, 237, 259, 265	1001148163..... 481
1001121593..... 795	1001137879 164, 168	1001141370205	1001148164..... 23, 483
1001125229..... 794	1001137880 .. 197, 213, 217, 229, 245, 249	1001141585 ..205, 237, 259, 265, 295, 301	1001148166..... 483
1001125230..... 794		1001141693186, 190	1001148168..... 17
1001125387..... 776	1001137881 .. 197, 213, 217, 229, 245, 249	1001141694186, 190	1001148170..... 19
1001125492..... 69	1001137882 .. 197, 213, 217, 229, 245, 249	1001141870211, 273	1001148171 17
1001126009..... 739	1001137885 79	1001141995 ..205, 237, 259, 265, 295, 301	1001148172 19
1001126351..... 674, 677	1001137886 164, 168	1001142501 .. 197, 211, 213, 217, 229, 245, 249, 273	1001148178..... 23
1001126352..... 677	1001137888 347	1001142504794	1001148652..... 411
1001126356..... 677	1001137891 347, 349	1001142505794	1001148675..... 641, 643
1001126357..... 677	1001137892 347, 349	1001142538 ...237, 259, 265	1001148841 685
1001126362..... 673, 678	1001137895 63	1001142615 ...237, 259, 265	1001148842 685
1001126363..... 673, 678	1001137896 79	1001142623259, 265	1001148902 793
1001126364... 673, 674, 678	1001138110 677	1001142635 ...237, 259, 265	1001148903 793
1001126365..... 673, 678	1001138111 677	1001142643 ..374, 378, 382, 393, 398	1001148904 793
1001126384..... 677	1001138113 677	1001142645382	1001148905 793
1001126391..... 673, 678	1001138170... 237, 259, 265	1001142646378, 398	1001148906 793
1001126392..... 673, 678	1001138173 .. 205, 237, 259, 265, 295, 301	1001142683 ...151, 153, 789	1001149160... 295, 301, 305
1001126485..... 674	1001138175 .. 205, 237, 259, 265, 295, 301	1001142689259, 265	1001149639..... 295, 301
1001126487..... 674	1001138228 .. 205, 237, 259, 265, 788, 789	1001142736 ...151, 153, 649	1001149703..... 333
1001127095..... 776	1001138248 .. 205, 237, 259, 265, 295, 301	1001142938677, 683	1001149704..... 187, 191
1001128527..... 511	1001138436 411	1001142940 ...673, 677, 683	1001149705..... 187, 191
1001128556..... 511	1001138491 .. 197, 213, 217, 229, 245, 249, 687	1001142941 ..673, 674, 678, 683	1001149706..... 187, 191
1001128901..... 295, 301	1001138494 .. 445, 447, 449, 451, 457, 459, 461, 463	1001143390 .. 186, 191, 205, 237, 259, 265	1001149793..... 187, 191
1001129858..... 365	1001138514 .. 445, 447, 449, 451, 461, 463	1001143726 ...260, 266, 677	1001149927 75
1001130041..... 186, 190	1001138557 ... 237, 259, 265	100114376595	1001150158..... 181, 186
1001130220..... 41	1001138565 369	100114376695	1001150179..... 183, 190
1001131269..... 755, 767	1001138566 .. 365, 369, 373, 377, 381	1001143797 ..205, 237, 259, 265	1001150391..... 75
1001133714... 673, 678, 685	1001138671 407	100114381293, 95	1001150569 47
1001133715... 673, 678, 685	1001138795 ... 545, 547, 549	1001143852776	1001150570..... 45
1001133956..... 674, 677	1001138827 .. 206, 238, 259, 265	1001143907 ..205, 237, 260, 265	1001150571..... 43
1001133957..... 674, 677	1001139099 793	100114404163, 65	1001150612 573
1001134289..... 413, 415	1001139135 ... 471, 475, 747	1001144147667	1001150714..... 583
1001134488... 206, 238, 259, 265, 296, 302	1001139240... 237, 259, 265	1001144409 ..205, 238, 260, 266	1001150715... 577, 583, 589
1001135138... 237, 259, 265	1001139357 365, 369	1001144410 ..205, 238, 260, 266, 295, 301	1001150717 584, 590
1001135650... 673, 678, 685	1001139409 .. 237, 259, 265, 341, 343	1001144411 ..205, 238, 260, 266, 295, 301	1001150718 583
1001135651..... 673, 678	1001139429 ... 237, 259, 265	1001144412 ..205, 238, 260, 266	1001150890..... 335
1001135679... 237, 259, 265	1001139654 776	1001144433491	1001150915..... 187, 191
1001136104..... 401	1001139819 187, 191	1001144629 ..435, 437, 439, 441, 457, 459	1001150918... 179, 218, 230, 250, 286
1001136590..... 411	1001139956 365	1001145047 ..197, 213, 218, 229, 245, 250	1001150998..... 186, 190
1001136834... 205, 237, 259, 265	1001139957 369	1001145154 ... 238, 260, 266	1001151010..... 51
1001137005..... 795	1001140312 237, 266	1001145227397	1001151070..... 177, 179
1001137032..... 407	1001140346 377	100114529279	1001151078..... 187, 191
1001137276..... 259, 265	1001140347 373, 381	1001145330 ...378, 382, 398	1001151206..... 187, 191
1001137364...119, 123, 127, 131, 135, 475	1001140429 .. 443, 445, 447, 449, 451, 457, 459, 461, 463	1001145405497, 502	1001151251..... 186, 190
1001137672..... 795	1001140451 566		1001151252..... 335
1001137673..... 491, 790	1001140454 ... 237, 259, 265		1001151253..... 333
1001137845..... 168			1001151268... 83, 85, 87, 89
1001137853..... 164, 168			1001151349 593
1001137854..... 164, 168			1001151358..... 566, 570
1001137860..... 168			1001151542 421
1001137863..... 85, 87			1001151584 41
1001137865..... 85			1001151586 421
1001137866... 197, 213, 217, 229, 245, 249, 402			1001151856 678
1001137868... 197, 213, 217, 229, 245, 249, 282, 286			1001151897 41

SECTION 11 - SPECIAL OPTIONS/ACCESSORIES/KITS

1001152181.....69	1001157604..... 91	1001170617.....225	1001182806.....145
1001152234.....69	1001157769...387, 390, 394	1001170764.....673	1001182906.....327
1001152266.....749	1001157770.....399	1001170847...429, 431, 790	1001182997.....83, 85, 87
1001152325.....171	1001158007...386, 390, 394, 398, 402	1001171018.....795	1001183924.....93, 95, 97
1001152340.....792	1001158008...386, 390, 394, 398, 402	1001171126.....377	1001184618..472, 476, 755, 757, 759, 761, 763, 765, 767, 769, 771, 773
1001152355.....421	1001158363.....366, 378	1001171131.....641	1001184626..467, 469, 472, 476
1001152428.....83	1001158720..... 91	1001171268.....381	1001184682.....147
1001152429...387, 390, 394, 703	1001159118...641, 643, 788	1001171403.....678	1001184881.....37
1001152433.....156	1001159119.....641, 643	1001172045.....792	1001185281.....471, 475
1001152435.....160	1001159120.....641, 643	1001172064.....683	1001186333.....453
1001152457.....366, 378	1001159121.....643	1001172065.....683	1001186334.....455
1001152489..205, 238, 260, 266	1001159186.....709	1001172271.....790	1001186375.....445
1001152491.....566	1001159256...471, 475, 790	1001172535.....583	1001186377.....447
1001152499.....570	1001159323.....776	1001172760.....471, 475	1001186379.....449
1001152525..386, 390, 394, 398, 402	1001160003...157, 160, 161	1001172793..198, 214, 218, 230, 246, 250	1001186382.....451
1001152527.....566, 570	1001160004.....156	1001173535.....296, 302	1001186383.....441
1001152530.....366, 378	1001160034.....160	1001173703.....776	1001186384.....439
1001152532..366, 370, 374, 378, 382, 691	1001160074.....143	1001174040.....417	1001186386.....437
1001152557..156, 160, 164, 168	1001160077.....149	1001174486.....282, 287	1001186387.....435
1001152619.....573	1001160189.....168	1001175632.....374	1001186426...205, 296, 302
1001152635.....573	1001160190.....164, 169	1001176012.....253, 258	1001186431.....491, 789
1001152636.....573	1001160272.....603	1001176015.....255, 264	1001186432.....739, 741
1001152637.....573	1001160598.....157, 161	1001176225...238, 260, 266	1001186517.....491
1001152887.....55, 57, 59	1001160961.....157, 161	1001176226...238, 260, 266	1001186542.....316
1001153197..366, 370, 374, 701	1001160963...157, 161, 165, 169	1001176296.....794	1001187382.....417
1001153259.....378, 382	1001160964...157, 165, 169	1001176329.....295, 301	1001187383.....417
1001153260.....366, 378	1001161027.....161	1001176469..103, 115, 124, 136	1001187674.....489
1001153636..369, 374, 382, 613, 617, 619, 623, 625, 629, 631, 635, 637	1001161030...577, 583, 589	1001176511...238, 260, 266	1001187681.....733
1001154405..198, 211, 214, 218, 230, 246, 250, 273	1001161036...577, 583, 589	1001176666.....95	1001187781.....294, 300
1001155043...99, 103, 107, 111, 115, 119, 123, 127, 131, 135	1001161709.....472, 476	1001176667.....95	1001188467..157, 161, 164, 165, 168, 169
1001155044...99, 103, 107, 111, 115, 119, 123, 127, 131, 135, 471, 475	1001161761.....41	1001176723...238, 260, 266	1001188622.....417
1001155045...99, 103, 107, 111, 115, 119, 123, 127, 131, 135, 471, 475, 790	1001162335...260, 266, 273	1001176862.....641	1001188644.....417
1001155093.....407	1001162828.....411	1001176899.....419	1001188874...99, 103, 107, 111, 116, 119, 124, 127, 131, 136
1001155399.....431	1001163131.....495	1001177038.....341	1001188884.....331
1001155574.....21, 23	1001163599...355, 377, 382, 397	1001177043.....341	1001188887.....331
1001155669...577, 583, 589	1001164281...156, 157, 160, 161, 165, 169	1001177090.....95	1001188890.....593
1001155672...577, 583, 589	1001165035...198, 214, 218, 230, 246, 250, 294, 300	1001177359..205, 238, 260, 266	1001188891.....593
1001155673...577, 583, 589	1001165350...651, 653, 657	1001177399.....343	1001188952...181, 183, 316
1001155823..198, 214, 218, 230, 246, 250	1001165741.....169	1001177694.....793	1001188954.....177, 181
1001156107.....205	1001165842.....260, 266	1001178223..205, 238, 260, 266	1001188955.....179, 183
1001156490.....655	1001165849.....205, 238	1001178789.....81	1001188963.....177
1001157013.....792	1001166394...157, 161, 165, 169	1001178876.....260, 266	1001188964.....179
1001157520..386, 390, 394, 398, 402	1001166718...205, 337, 339	1001179154...386, 398, 402	1001188972..179, 218, 230, 250, 287
1001157521..386, 390, 394, 398, 402	1001166960.....793	1001179156.....97	1001189001.....355
1001157525...389, 390, 393	1001167041.....260, 266	1001179837.....355	1001180001.....355
1001157528..386, 390, 394, 398, 402	1001167565.....417	1001180052.....356	1001180052.....356
1001157592...385, 386, 398, 402	1001167567.....417	1001180287.....355	1001180287.....355
	1001167596.....417	1001180620..205, 238, 260, 266, 295, 301	1001180620..205, 238, 260, 266, 295, 301
	1001167635.....674	1001180861.....776	1001190884.....795
	1001168018...205, 295, 301, 337, 339	1001181045.....663, 788	1001190985.....417
	1001168209.....541	1001181046.....665, 788	1001191395.....793
	1001168210.....541	1001181148.....793	1001191610.....295, 301
	1001168402.....417	1001181243.....356	1001191620.....206
	1001169054...205, 238, 260, 266, 295, 301	1001181895...238, 266, 301	1001193018..609, 613, 615, 617, 619, 621, 623, 625, 627, 629, 631, 633, 635, 637, 639
	1001169138...205, 238, 260, 266, 295, 301	1001181899...238, 260, 266	1001194197.....627
	1001169610...157, 161, 327	1001181923..651, 653, 655, 657	1001194198.....633
	1001170035.....295, 301	1001182361.....674	1001194200.....639
		1001182365.....674	1001194203.....615
		1001182570...429, 431, 790	1001194204.....621
		1001182599.....793	

SECTION 11 - SPECIAL OPTIONS/ACCESSORIES/KITS

1001194365.....	609	1001214552.....	794	1001217422.....	283, 287	1001225430... 225, 241, 788	
1001195304.....	794	1001214559.....	794	1001217543.....	296, 302	1001225431... 225, 241, 789	
1001196382.....	339, 401	1001214561.....	794	1001217645.....	283, 287	1001225510.....	296, 302
1001196634.....	275, 789	1001214562.....	794	1001217832.....	792	1001225580.....	491, 741
1001197017...515, 517, 519, 521		1001214570.....	645, 647	1001218022.....	793	1001226400.....	659, 661
1001197408.....	776	1001214571.....	645, 647	1001218362.....	296, 302	1001226529.....	645
1001197719.....	673	1001214683.....	374, 393	1001218393.....	97	1001226531.....	647
1001199784.....	331	1001214827.....	305	1001218394.....	97	1001226541.....	667
1001200120.....	776	1001215016.....	681	1001218395.....	97	1001226872.....	443
1001200121.....	776	1001215091.....	681	1001218449.....	296, 302	1001227309.....	605, 607
1001200122.....	776	1001215142.....	282, 287	1001218547.....	349	1001227310.....	607
1001200124.....	776	1001215228.....	471	1001218548.....	349	1001227472.....	792
1001200125.....	776	1001215384.....	305	1001218599.....	296, 302	1001227633.....	489
1001200126.....	776	1001215413.....	289, 294	1001218600.....	296, 302	1001227634.....	489
1001200127.....	776	1001215534.....	681	1001218622.....	601	1001227666.....	296, 302
1001200491.....	417	1001215647.....	295, 301	1001218623.....	601	1001227667.....	296, 302
1001200494.....	417	1001215681.....	295, 301	1001218930.....	402	1001227769.....	305
1001200497.....	709	1001215899.....	295, 301	1001219071.....	291, 300	1001227772.....	305
1001201351.....	417	1001215974.....	295, 301	1001219445.....	296, 302	1001227985.....	489
1001201885.....	709, 713	1001216015.....	355	1001219448.....	296, 302	1001227987.....	489
1001202280.....	331	1001216065.....	305	1001219454... 206, 296, 302		1001227996.....	735, 737
1001202281.....	331, 788	1001216071.....	305	1001219456... 206, 296, 302		1001228006.....	409, 561
1001202368.....	343	1001216075.....	295, 301	1001219457.....	97	1001228007.....	411, 559
1001202687.....	417	1001216086.....	295, 301	1001219458.....	97	1001228215.....	443
1001202749.....	793	1001216092.....	295, 301	1001219601... 100, 104, 108, 112, 116, 120, 124, 128, 132, 136		1001228224.....	489, 790
1001203495... 238, 260, 266		1001216144.....	305	1001219630.....	362	1001228225.....	489, 789
1001203655.....	453	1001216160.....	329	1001219632.....	361	1001228243.....	459
1001203656.....	455	1001216204.....	295, 301	1001219633.....	361	1001228375.....	463
1001204296.....	794	1001216205.....	295, 301	1001220215.....	329	1001228376.....	457
1001204325... 206, 238, 260, 266		1001216212.....	681	1001220266.....	198	1001228377.....	461
1001204491.....	260, 266	1001216213.....	681	1001220379.....	677	1001228506.....	238
1001204715.....	429, 431	1001216300.....	311	1001220404.....	311	1001228577.....	796
1001204725.....	417	1001216390.....	402	1001220510.....	777	1001228946.....	792
1001204884.....	792	1001216391.....	362	1001220511.....	777	1001228988... 502, 511, 513, 783, 785	
1001205051... 238, 259, 265		1001216393.....	301	1001220512.....	777	1001229341.....	489
1001205958... 627, 633, 639		1001216531.....	296, 302	1001220864.....	776	1001229530.....	709
1001206476.....	645, 647	1001216532.....	289, 291	1001221208.....	699	1001229810.....	69, 72
1001206477.....	795	1001216533.....	289, 291	1001221397.....	329	1001229940.....	794
1001206532.....	472, 476	1001216534.....	289, 291	1001221464.....	289, 291	1001230635... 206, 238, 259, 265	
1001207969.....	423, 425	1001216535.....	289, 291	1001221488.....	283, 287	1001230931... 651, 653, 655, 657	
1001208994... 417, 423, 425		1001216536.....	329	1001221498.....	402	1001230934.....	674
1001209059.....	795	1001216619.....	311	1001221545.....	305	1001230935.....	674
1001209432.....	647	1001216630.....	417	1001221615.....	296, 302	1001230936.....	674
1001209474.....	647	1001216768.....	305	1001221621.....	97	1001231007... 145, 147, 751	
1001209629.....	793	1001216769.....	305	1001222033.....	296, 302	1001231180.....	513
1001209664.....	491	1001216910... 295, 301, 305		1001222641.....	305	1001231183.....	513
1001210026.....	795	1001216919.....	295, 301	1001223042.....	295, 301	1001231235.....	513
1001210448.....	305, 307	1001216951.....	295, 301	1001223055.....	755	1001231676.....	37
1001210636.....	535	1001217032.....	295, 301	1001223453.....	755, 767	1001231677.....	37
1001211588.....	429, 431	1001217046.....	295, 301	1001223459.....	674, 678	1001231678.....	37
1001211794.....	305	1001217082.....	295, 301	1001223584.....	296, 302	1001231801.....	775
1001212223.....	397	1001217089.....	295, 301	1001223922.....	295, 301	1001231886.....	145
1001212515... 577, 583, 589		1001217090.....	295, 301	1001223923.....	295, 301	1001231949.....	533
1001213447.....	713	1001217146.....	295, 301	1001223971.....	767	1001231950.....	529, 531
1001213655.....	599	1001217170.....	289, 291	1001224010.....	295, 301	1001232010... 529, 531, 533	
1001213810.....	305	1001217174.....	295, 301	1001224048.....	771	1001232011... 529, 531, 533	
1001213882.....	471, 475	1001217175.....	295, 302	1001224049.....	773	1001232164.....	489
1001214030.....	776	1001217183.....	295, 302	1001224050.....	765	1001232165.....	489
1001214095.....	599	1001217184.....	289, 291	1001224051.....	763	1001232642.....	493
1001214096.....	599	1001217185.....	296, 302	1001224052.....	759	1001232667.....	493, 790
1001214396.....	645	1001217186.....	296, 302	1001224053.....	769	1001232842.....	275
1001214478.....	794	1001217187.....	401	1001224419.....	296, 302	1001232880.....	421
1001214515.....	794	1001217188.....	361	1001224486.....	296, 302	1001233047.....	793
1001214540.....	794	1001217418.....	282, 287	1001224489.....	296, 302		
1001214548.....	794	1001217419.....	283, 287	1001224927.....	573		
		1001217420.....	283, 287	1001225346... 645, 647, 790			
		1001217421.....	283, 287				

SECTION 11 - SPECIAL OPTIONS/ACCESSORIES/KITS

1001233763 .. 218, 230, 250, 275	1001238559..... 493	1001249261 206	1001255196 .. 755, 757, 759, 763, 765, 767, 769, 771, 773, 775
1001233959 139, 485	1001238825..... 796	1001249448..... 93	1001255198 755
1001234425 755	1001239202..... 673	1001249449..... 93	1001255413 93
1001234426 755	1001239291..... 65	1001249695..... 795	1001255418 339
1001234428 769	1001239346..... 147	1001249705..... 206	1001255419 337
1001234429 769	1001239617..... 793	1001249824 419	1001255424 393
1001234430 771	1001241384..... 145	1001249941 795	1001255425 373
1001234431 773	1001241547..... 795	1001249942 ... 259, 265, 269	1001255599 ... 577, 583, 589
1001234432 773	1001241548..... 795	1001249986..... 337	1001255777 173
1001234433 767	1001241578..... 177, 179	1001250384..... 419	1001255780 775
1001234434 767	1001241965..... 493	1001250531 429, 431	1001255784 767
1001234435 765	1001242251..... 151	1001250595 795	1001255785 761
1001234436 765	1001242252..... 153	1001250607..... 206	1001255786 773
1001234439 757, 761	1001242409..... 792	1001250722..... 419	1001255787 759
1001234811 413, 415	1001243184..... 792	1001250737..... 411	1001255788 769
1001235401 763	1001243597..... 794	1001250900..... 419	1001255789 757
1001235402 763	1001243895..... 275	1001250983..... 657	1001255790 765
1001235585 771	1001244212..... 776	1001251042..... 407, 543	1001255791 763
1001235948 ... 156, 160, 168	1001245251..... 775	1001251131 206	1001255792 771
1001235949 ... 206, 211, 238	1001245761..... 407, 551	1001251379 792	1001255794 .. 755, 757, 759, 761, 763, 765, 767, 769, 771, 773
1001236091 139	1001245913..... 206, 685	1001251618..... 164, 165	1001255795 .. 755, 757, 759, 761, 763, 765, 767, 769, 771, 773
1001236303 65	1001246142..... 792	1001251619..... 164	1001255901 709
1001236304 647	1001246522..... 792	1001252082..... 165	1001255914 759
1001236375 645	1001246523..... 792	1001252521 ... 214, 218, 230	1001255915 759
1001236376 645	1001246590..... 223	1001252527..... 674	1001255926 757
1001236377 645	1001246593..... 221	1001252627..... 779, 781	1001255961 419
1001236378 645	1001246813..... 206	1001252629 .. 525, 527, 529, 531, 533	1001256026 651, 653
1001236504 647	1001246859..... 745	1001253100..... 164	1001256028 655
1001236505 647	1001246934..... 407, 409	1001253151..... 792	1001256385 792
1001236552 493	1001246935..... 409	1001253466..... 792	1001256506 678
1001236746 533	1001246936..... 409	1001253618..... 795	1001256879 198
1001236747 529	1001246951..... 407	1001253619..... 795	1001256906 776
1001236891 .. 525, 527, 529, 531, 533	1001246952..... 407	1001253677 ... 423, 425, 427	1001257137 776
1001236895 .. 525, 527, 529, 531, 533	1001246974..... 407	1001253680..... 57, 425	1001257271 525, 527
1001236951 794	1001246978..... 407	1001253684..... 582	1001257274 525, 527
1001237138 407	1001247029..... 206	1001253805..... 93	1001257275 527
1001237142 407	1001247073..... 795	1001253806..... 93	1001257285 761, 775
1001237546 139	1001247105..... 238	1001253817..... 419	1001257325 651, 653
1001237667 709, 713	1001247178..... 339	1001253873..... 673	1001257326 655
1001237668 709, 713	1001247338..... 793	1001254024 792	1001257430 ... 576, 582, 588
1001237697 407, 541	1001247358..... 51	1001254463 .. 651, 653, 655, 657, 659	1001257972 403, 695
1001237698 407, 555	1001247359..... 296, 302	1001254464 657	1001258005 527
1001237862 735, 737	1001247468..... 417, 789	1001254465 .. 651, 653, 655, 657	1001258140 793
1001237863 489, 737	1001247564..... 238	1001254466 .. 651, 653, 655, 657	1001258252 206
1001237864 489, 735	1001247570..... 792	1001254467 .. 651, 653, 655, 657, 711	1001258377 165
1001237865 489, 733	1001247676..... 238	1001254468 .. 651, 653, 655, 657, 689	1001258800 206
1001237882 793	1001247714..... 206	1001254472 493	1001258951 796
1001237883 793	1001247716..... 206	1001254473 493	1001259018 775
1001237947 206	1001248105..... 393	1001254499 173	1001259137 545
1001237949 407	1001248140... 525, 527, 529, 531, 533	1001254622 576	1001259138 545
1001238138 429, 431	1001248248..... 411	1001254623 588	1001259642 431
1001238168 413	1001248261..... 411	1001254662 55, 423	1001260070 431
1001238263 .. 525, 527, 529, 531, 533	1001248265..... 407, 411	1001254738 173	1001260412 .. 206, 238, 260, 266
1001238319 489	1001248434..... 206	1001254769 173	1001260413 .. 206, 238, 260, 266
1001238327 429, 431	1001248477..... 238	1001254948 ... 577, 583, 589	1001260654 198
1001238328 407, 413	1001248480..... 238	1001254949 ... 577, 583, 589	1001260937 475
1001238333 413	1001248957..... 429	1001254950 ... 577, 583, 589	1001261003 407, 553
1001238398 413	1001248958..... 429, 431	1001254954 ... 577, 583, 589	1001261045 206
1001238418 493, 739	1001248962... 429, 431, 789	1001254955 ... 577, 583, 589	1001261085 206
1001238421 417	1001249045..... 206	1001255133 417	
1001238463 531	1001249052..... 795		
1001238472 493	1001249095..... 709		
1001238495 491	1001249232..... 206		
	1001249234..... 206		

SECTION 11 - SPECIAL OPTIONS/ACCESSORIES/KITS

1001261335.....	525	1001268736.....	794	1001276923	792	1001287029.....	283, 289
1001261338.....	525	1001269187	794	1001277503	431	1001287030.....	289, 291, 321
1001262016.....	795	1001269389	794	1001277590	206, 209	1001287031.....	286
1001262102.....	775	1001269629	793	1001277595	201, 204	1001287032.....	287, 291
1001262103.....	775	1001269630	793	1001278329	206	1001287033.....	213
1001262104.....	775	1001269631	793	1001278845	151	1001287034.....	214, 221
1001262105.....	775	1001269655	795	1001278850	151, 153	1001287035.....	217
1001262115.....	775	1001269806	589	1001280403 ..	100, 108, 112, 120, 128, 132	1001287036.....	218, 223
1001262116.....	775	1001269807	583, 589	1001280600 ...	99, 103, 107, 111, 115, 119, 123, 127, 131, 135	1001287467....	99, 103, 107, 111, 115, 119, 123, 127, 131, 135
1001262117.....	775	1001269809	577	1001281192	206	1001287536.....	277, 279
1001262232.....	775	1001269810	577	1001281298	277, 279	1001287552.....	279
1001262233.....	775	1001269812	583	1001281301	277, 279	1001288113.....	277, 279
1001262234.....	775	1001269814	566	1001281304	277, 279	100128858.....	319
1001262235.....	775	1001269816	566	1001281307	277, 279	1001289552.....	674
1001262237.....	775	1001269817	570	1001281309	277, 279	1001289553.....	674
1001262238.....	775	1001269819	570	1001281310	277, 279	1001289593... ..	198, 230, 683
1001262239.....	775	1001269861	206	1001281311	277, 279	1001289831.....	795
1001262959.....	796	1001270482	794	1001281359	277, 279	1001289832.....	795
1001263355.....	124	1001270594	149	1001281360	277, 279	1001289850.....	792
1001263356....	120, 128, 132	1001271534	55, 57	1001281656	277, 279	1001289895.....	197
1001263357.....	136	1001271582	55, 57	1001281985	238	1001289896.....	198, 201
1001263365.....	119	1001271642	794	1001281986	238	1001289905.....	795
1001263366.....	127	1001271643	793	1001282106	139, 485	1001289906.....	795
1001263367.....	131	1001271644	793	1001282215	794	1001290252.....	295, 301
1001263368.....	135	1001271645	793	1001282466	795	1001290270.....	793
1001263395.....	795	1001271760	794	1001282471	795	1001290375.....	793
1001263587.....	475	1001271794 ..	100, 104, 108, 112, 116, 120, 124, 128, 132, 136	1001283776	149, 743	1001291401.. ..	206, 238, 260, 266
1001263588.....	469, 475	1001271832 ...	577, 583, 589	1001284101	277	1001293369.....	792
1001263612.....	429, 431	1001271833 ...	577, 583, 589	1001284504	431	1001293952.....	566
1001263800.....	547, 549	1001271835 ...	577, 583, 589	1001284510	796	1001293953.....	570
1001263923....	669, 671, 681	1001271888.....	794	1001284582	485	1001294603.....	164
1001264239.....	469	1001272166.....	794	1001284583	485	1001294604.....	160
1001264302.....	547	1001272178.....	794	1001284696 ..	755, 757, 759, 761, 763, 765, 767, 769, 771, 773	1001294637.....	156
1001264991.....	413, 549	1001272182.....	794	1001284763	283, 287	1001294638.....	566, 570
1001265163.....	535	1001272274.....	794	1001284919 ...	99, 103, 107, 111, 115, 119, 123, 127, 131, 135, 749	1001294639.....	566, 570
1001265342.....	535	1001272546.....	39	1001284960	83, 85	1001294641.....	566
1001265378.....	792	1001272547	39	1001285346 ..	100, 104, 108, 112, 116, 120, 124, 128, 132, 136, 709	1001294675.....	570
1001265493.....	187, 191	1001272547	39	1001285349	277	1001294703.....	168
1001265676.....	793	1001272631 ...	577, 583, 589	1001285378 ..	100, 104, 120, 124, 669	1001294756.....	776
1001266056.....	795	1001272681	151	1001285636	279	1001294815.....	776
1001266069.....	467, 471	1001272682	153	1001285801 ..	100, 104, 108, 112, 116, 120, 124, 128, 132, 136	1001296788.....	87
1001266073.....	467	1001273493.....	796	1001286030 ..	108, 116, 128, 136, 671	1001297391.. ..	104, 116, 124, 136
1001266098.....	795	1001273494.....	796	1001286031 ...	112, 132, 681	1001302954.....	238, 241
1001266284.....	795	1001273784.....	776	1001286622	149, 667	1001302960.....	233, 236
1001266290.....	794	1001274219	83, 85, 87	1001286951	25	1001302968.....	230, 233
1001266468.....	123	1001274219	83, 85, 87	1001286953	25	1001302979.....	229
1001266489.....	794	1001274249	796	1001287018 ..	201, 221, 223, 233, 253, 255, 319	1001303818.....	296, 302
1001266648....	472, 476, 713	1001274367 ...	577, 583, 589	1001287021	319, 323	1001311034.....	493
1001266799.....	795	1001274559	99, 471, 475	1001287024	245	1060341	515, 517, 519, 521
1001266801.....	794	1001274829	794	1001287025	246, 253	1060343.....	386, 398, 402
1001266807.....	794	1001274830	794	1001287026	249	1060379.....	513
1001266829.....	431	1001274832	794	1001287027	250, 255	1060584.....	49
1001266873.....	99	1001274833	794	1001287028	282	1060626 179, 217, 229, 249, 286	
1001266874.....	104	1001275149	149			1060637 177, 179, 201, 221, 223, 233, 253, 255, 289, 291	
1001266876....	100, 108, 112	1001275628 ...	471, 475, 788			1060903	515, 517, 519, 521
1001266878.....	116	1001275629 ...	471, 475, 788			1060908.....	663, 665
1001266897.....	107	1001275642	795			1060918.....	479
1001266898.....	111	1001275644	795			1061033	651, 653, 655, 657
1001266899.....	115	1001276007	792			1062255.....	204
1001266900.....	103	1001276008.....	792				
1001266969.....	795	1001276143 ..	100, 104, 108, 112, 116, 120, 124, 128, 132, 136, 745				
1001267311... ..	755, 757, 759, 761, 763, 765, 767, 769, 771, 773	1001276610	792				
1001267716.....	407	1001276644.....	238				
1001267717.....	407	1001276645	206, 673				
1001267885.....	759	1001276664	21, 23				

SECTION 11 - SPECIAL OPTIONS/ACCESSORIES/KITS

10702077..... 386, 390, 394, 398, 402	1702868 502, 511, 513, 755, 775, 779, 785	1704412 755, 757, 759, 761, 763, 765, 767, 769, 771, 773	2080040 435, 437, 439, 441, 457, 459
10702082..... 386, 390, 394, 398, 402	1702938 .515, 517, 519, 521	1704578..... 43	212014955, 57, 788
10836804 99, 103, 107, 111, 115, 119, 124, 127, 131, 135	1702941 179, 217, 229, 249, 286	1704885 755, 757, 759, 763, 765, 767, 769, 771, 773	212016455, 57
1120555495	1702942 179, 217, 229, 249, 286	1704972..... 776	212020955, 57
126001777, 79	1702943 179, 217, 229, 249, 286	1705014..... 453, 455	212021055, 57, 788
1320016 186, 190	1702944 179, 217, 229, 249, 286	1705084..... 757, 776	2180348 177, 179, 282, 286, 296, 302, 331
1320022 177, 179, 197, 213, 217, 229, 245, 249, 331	1702944 179, 217, 229, 249, 286	1705090..... 43	218038751
1320061 213, 217, 229, 245, 249	1703162 186, 190, 204, 236, 258, 264, 294, 300	1705305 502, 511, 513, 779, 781, 783, 785	218038851
1320110294, 300	1703479 775	1705325 613, 615	218038951
132012751	1703534576, 582, 588	1705336..... 755	218041851, 282, 286
132016293, 95, 97	1703544 759	1705344..... 769	2180467294, 300
1320177497, 502	1703624 767	1705345..... 771	2180504296, 302
132021851	1703687 755, 757, 759, 761, 763, 765, 767, 769, 771, 773	1705347..... 767	2180832 197, 213, 217, 229, 245, 249, 497, 502
132022051	1703797 755	1705351..... 755	220022283, 85
1320223 179, 186, 190, 217, 229, 249, 645	1703804 755	1705355..... 502, 783, 785	2220237566, 570
1320243421	1703805 755	1705358..... 495, 775	222026151, 296, 302
1320263 .651, 653, 655, 657	1703811 755, 757, 759, 761, 763, 765, 767, 769, 771, 773	1705374. 366, 377, 641, 643	2220313 177, 179, 197, 213, 217, 229, 245, 249
1320289419	1703814 755, 757, 759, 761, 763, 765, 767, 769, 771, 773	1705375 387, 399, 402, 502, 511	2220315236, 258, 264
1320302 .502, 505, 507, 511	1703923 773	1705387 366, 378, 387, 399, 402	2220362566, 570
1321283282, 286	1703925 765	1705426..... 769	2220371 566, 570, 573, 577, 583, 589, 593
1321716 63, 65, 197, 213, 217, 229, 245, 249	1703926 769	1705427..... 771	2220372 573, 576, 582, 588, 595
1380147 345, 347, 349	1703927 771	1705429..... 767	2220373 566, 570, 576, 582, 588
1580012465	1703935 773	1705430..... 763	2220374576, 582, 588
1580013 794	1703936 767	1705460 386, 390, 394, 399, 402	2220375 566, 570, 576, 582, 588
1670603609	1703937 763	1705461 390, 394	2220376325
1670767 .156, 160, 164, 168	1703938 769	1705489 369, 373, 381, 390, 394	2220377 316, 319, 566, 570, 576, 582, 588
1670769655	1703939 771	1705490 502, 779, 781	2220379576, 582, 588
1671034 651, 653, 657	1703942 767	1705820..... 45	2220381576, 582, 588
1671092 .386, 398, 402, 603	1703943 765	1705822..... 757, 761	2220386576, 582, 588
1671093502, 507, 603	1703944 769	1705828..... 757, 761	2220409577, 583, 588
1671314475	1703945 771	1705895 759	2220415 566, 570, 576, 582, 588, 593
1684290539	1703947 773	1705896..... 759	222041851
1684465 17, 19, 539	1703948 767	1705897..... 759	222045193, 95, 97, 186, 190, 576, 582, 588
1700818 775	1703949 765	1705898 759	2220466576, 582, 588
1701435 776	1703950 769	1705902..... 759	2220468593
1701505 177, 179, 197, 213, 217, 229, 245, 249	1703951 771	1705903..... 759	2220472566, 570, 576
1701509 495, 755, 757, 759, 761, 763, 765, 767, 769, 771, 773	1703952 755	1705905..... 759	2220473 566, 570, 573, 576, 582, 588, 593, 595
1701518 757, 761	1703953 755	1705910 773	2220474566, 570, 576
1701529 755, 757, 759, 761, 763, 765, 767, 769, 771, 773	1703954 769	1705917 773	2220490576, 582, 588
1701542282, 286	1703955 771	1705921..... 757, 761	2220498576, 582, 588
1701543282, 286	1703956 765	1705961..... 757, 761	2220500576, 582, 588
1702265 755	1703957 773	1705967..... 759, 775	2220504566, 570
1702271 769	1703958 767	1705968..... 763, 775	2220507570
1702565471, 475	1703959 771	1705969..... 771, 775	2220511576, 582, 588
1702566471, 475	1703982 765	1705977..... 757, 761	2220512576, 582, 588
1702567471, 475	1703983 773	1706059..... 776	222051391
1702617 773	1703984 767	1706060..... 776	2220516577, 583, 589
1702720 775	1703987 771	1706061..... 776	222051891, 97
1702773 453, 455, 776	1703990 767	1706062..... 776	2220567576, 582, 588
1702788 775	1704000767, 775	1706063..... 776	2220574576, 582, 588
1702819 757	1704001773, 775	1706064..... 776	222057893, 95, 97, 316, 319, 576, 582, 588
1702860 776	1704174 775	1706064..... 776	2220582 566, 570, 576, 582, 588
1702861 776	1704175 775	1706098..... 776	
	1704260471, 475	1706385 453, 455	
	1704271 775	1706593..... 45	
	1704272 45	1706957..... 47	
	1704277 755, 757, 759, 761, 763, 765, 767, 769, 771, 773	1706960..... 47	
		2030010 497, 502, 505, 507, 511	
		2060025 186, 190	

SECTION 11 - SPECIAL OPTIONS/ACCESSORIES/KITS

2220596 566, 570, 576, 582, 588	2720398 186, 190	2820083 171	3271605 204, 419, 525, 527, 529, 531, 533
2220600 577, 582, 588	2750532 177, 179, 213, 217, 229, 245, 249	2820118 659, 661	3271801 236, 258, 264, 341, 343
2220602 576, 582, 588	2750949 91	2820247 735, 737	3271805 81, 453, 455
2220603 576, 582, 588	2751362 589	2840016 347, 349	3272001 525, 527, 529, 531, 533
2220605 576, 582, 588	2751396 578, 583, 589	2840018 345	3290405 149, 151, 153, 282, 286, 535, 609, 613, 615, 617, 619, 621, 623, 625, 627, 629, 631, 633, 635, 637, 639
2220606 566, 570, 577, 583, 589	2752453 578, 583, 589	2860012 351, 359	3290505 282, 286, 353
2220618 576, 582, 588	2752462 577, 583, 589	2860030 .. 99, 103, 107, 111, 115, 119, 123, 127, 131, 135, 789	3290601 197, 201, 204, 294, 300, 305, 361, 373, 393, 401
2220623 573	2752475 566, 570	2900708 55, 57	3290605 100, 104, 108, 112, 116, 120, 124, 128, 132, 136, 204, 282, 286, 294, 300, 497, 502
2220628 . 576, 582, 588, 595	2752478 583, 589	2900756 573	3290606 445, 447, 449, 451, 461, 463
2220635 . 577, 583, 589, 595	2752484 578, 584, 589	2900770 541, 551, 561	3290607. 151, 153, 294, 300
2220646 . 316, 319, 566, 570	2752497 577, 583, 589	2900792 543, 545, 547, 549, 551, 553, 561	3290801. 282, 286, 294, 300
2220654 593	2752506 577, 583, 589	2900838 796	3290805 204, 294, 300, 337, 339, 645, 647
2220657 577, 582, 588	2752519 576, 582, 588	2901861 559, 561	3290806 417
2220682 97	2752530 93, 95	2902065 186, 190, 204, 236, 258, 264, 313	3291001.. 97, 197, 294, 300, 417
2220700 93, 95, 97	2752573 577	2902212 495	3291005 204, 236, 260, 266, 294, 300, 413, 417, 645
2220738 91, 576	2752592 566, 570	2902217 502, 505, 507	3291007 349
2220810 325	2752593 577, 583, 589	2902266 539	3291201 201, 294, 300, 373, 393, 402, 417
2220816 331	2752600 578, 584, 590	2902303 755, 757, 759, 761, 763, 765, 767, 769, 771, 773, 793	3291202 97
2220861 566, 570	2752611 566, 570	2902307 755, 792	3291205 417
2220881 541	2752620 566, 570	2902308 769, 793	3300106 25
2220883 427, 541, 543, 545, 547, 551, 561	2752635 578	2902309 765, 793	3300151 443, 445, 447, 449, 451, 457, 459, 461, 463, 502, 505, 507, 511
2220885 . 545, 547, 555, 559	2752656 578, 584, 590	2902310 771, 793	3300205.. 99, 103, 107, 111, 115, 119, 123, 127, 131, 135
2220886 ... 59, 543, 551, 561	2752659 91	2902311 773, 793	3300353.. 99, 103, 107, 111, 115, 119, 123, 127, 131, 135, 471, 475
2220890 539	2752661 91	2902312 759, 792	3300396 366, 378, 386, 390, 393, 398, 402
2220893 576, 582, 588	2752723 577, 589	2902322 767, 792	3300408.. 99, 103, 107, 111, 115, 119, 123, 127, 131, 135, 139
2220921 576, 582, 588	2752724 577, 589	2902329 757, 761, 792	3300430 491
2220947 316, 319, 576, 582, 588	2752783 578, 584, 590	2902443 669, 673, 677	3300454 366, 370, 377, 381, 386, 390, 397, 573
2220948 576, 582, 588	2752910 566, 570	2910100 793	3310401 236, 258, 264
2220998 576, 582, 588	2752928 566, 570	2910167 796	3310601 345, 347, 349
2220999 576, 582, 588	2752929 566, 570, 576, 582, 588	2920028 . 515, 517, 519, 521	3310801 429, 431
2221024 51	2752939 577, 583, 589	2920029 . 515, 517, 519, 521	3310805 51
2221026 573	2752985 577, 583, 589	2920129 713	3311001 211, 273, 386, 390, 393, 398, 402
2221034 316, 319	2752987 577, 583, 589	2940074 435, 437, 439, 441, 457, 459, 789	3311005 156, 157, 160, 161, 164, 165, 168, 169, 351, 353, 355, 359, 361, 366, 378, 386, 390, 393, 398, 401, 497, 502, 505, 507, 511
2221036 576, 582, 588	2752990 577, 583, 589	2940088 156, 157, 160, 161, 164, 165, 169	
2221042 576, 582, 588	2752995 577, 583, 589	2940188 . 156, 160, 164, 168	
2221053 . 576, 582, 588, 595	2753000 589	3020029 75	
2221065 576, 582, 588	2753002 583	3020037 201	
2221176 . 177, 179, 282, 286	2753055 577, 583, 589	3200401 186, 190, 236, 258, 264, 333, 335, 341, 343	
2221197 51, 282, 286	2753132 577, 584, 590	3200406 186, 190	
2230046 91	2753133 578, 584, 590	3220103 327	
2400060 275, 535, 695, 699, 703, 709, 713	2753134 577, 583, 589	3250872 43	
2400064 . 695, 699, 703, 789	2753135 577, 583, 589	3251102 351, 353, 355, 359, 361, 365, 369, 377, 381	
2410014 453, 455	2753354 91	3251242 609, 621, 627, 633, 639	
2420203 351, 355, 361	2753390 577, 583, 589	3251243 351, 361, 366, 378, 386, 399, 402, 755, 763, 765, 767, 769, 771, 773	
2460048 385, 389	2753397 566, 570	3251813 776	
2460051 361	2753924 566, 570	3252347 755	
2460055 351	2753926 566	3252507 353, 359, 617, 619, 623, 625, 629, 631, 635, 637	
2460056 359	2753968 576, 582, 588	3252764 373, 385, 389, 393, 397, 401	
2560136 471, 475	2754227 566, 570	3271505 419	
2580024 179, 217, 229, 249, 286	2754231 566, 570	3271601 ... 95, 236, 258, 264	
2580062 190	2754328 578		
2600281 435, 437, 439, 441, 457, 459	2754329 577, 583, 589		
2680433 156, 160	2754330 577, 583, 589		
2680434 156, 160	2754731 570		
2720015 . 204, 236, 258, 264	2792630 595		
2720058 177, 179, 294, 300, 331	2820019 693		
2720144 51	2820031 351, 353, 355, 359, 361, 365, 369, 373, 377, 381, 386, 390, 393, 397, 401, 651, 653, 655, 657		
2720160 497, 502	2820035 275		
2720340 . 204, 236, 260, 266	2820078 171		
	2820082 171, 173		

SECTION 11 - SPECIAL OPTIONS/ACCESSORIES/KITS

3311401 141, 515, 517, 519, 521	3420447 49	3575863. 366, 369, 386, 390	3911016 156, 157, 160, 161, 165, 169
3311405.. 55, 57, 63, 65, 99, 103, 107, 111, 115, 119, 123, 127, 131, 135, 145, 147, 156, 160, 164, 168, 177, 179, 181, 183, 186, 190, 197, 204, 213, 217, 221, 223, 229, 233, 236, 245, 249, 253, 255, 258, 264, 282, 286, 289, 291, 365, 369, 373, 377, 381, 386, 389, 397, 423, 425, 467, 469, 493, 609, 613, 615, 617, 619, 621, 623, 625, 627, 629, 631, 633, 635, 637, 639, 647, 755, 757, 759, 761, 763, 765, 767, 769, 771, 773	3421453497, 502	3576799..... 497, 502	3930816431
3311501 156, 160, 164, 168, 429, 431, 515, 517, 519, 521	3421565 49, 77	3577121. 502, 505, 507, 511	3930828429, 431
3311505.. 25, 156, 160, 164, 168, 179, 186, 190, 236, 258, 264, 385, 389, 393, 397, 401, 421, 423, 425, 523, 573	3422326 21, 23	3580134..... 353, 359	3931016 366, 377, 385, 389, 393, 397, 401
3311508 365, 377	3422448 177, 179, 197, 213, 217, 229, 245, 249, 282, 286	3580158..... 351, 353, 359	3931408431, 491
3311601 83, 85, 156, 160, 471, 476, 493	3422457 411	3580276..... 351, 355	3931430429, 431
3311605 51, 91, 156, 157, 160, 161, 164, 165, 168, 177, 179, 186, 190, 211, 217, 229, 236, 249, 258, 264, 273, 333, 335, 341, 343, 345, 347, 351, 353, 359, 421, 453, 455, 467, 469, 502, 505, 507, 511	3422533 181, 183, 201, 221, 223, 233, 253, 255, 289, 291	3580314..... 401	3931448559
331160895	3422567 23	3580317 365, 369, 373, 377, 381, 386, 390, 393, 397, 402	3931512236, 258, 264
3311705 351, 353, 355, 359, 361	3422575407, 409	3580318. 366, 377, 386, 397	3931516559, 561
3311801 221, 223, 233, 253, 255, 355, 365, 369, 377, 381, 386, 390, 397, 429, 431	3422813 23	3580319 369, 373, 381, 390, 393	3931620 181, 183, 201, 221, 223, 233, 253, 255, 289, 291
3311805 156, 160, 164, 168, 177, 179, 186, 190, 289, 291, 333, 335, 523	3422841 49	3580320 236, 258, 264, 366, 369, 386, 390	3931628236, 258, 264
3312002.. 69, 525, 527, 529, 531, 533	3422847 49	3580324..... 361	3931632294, 300
3312005495	3422848 23	3600242..... 325	393203025
3312205495	3422861 413	3600365..... 55, 63, 65, 67	394060443
3312602 149, 151, 153	3422867 413	3600395 181, 183, 201, 221, 223, 233, 253, 255, 289, 291, 325	395202069
3321501. 156, 160, 164, 168	3422900 21, 23	3620034..... 91	3960389 .156, 160, 181, 183
3322201 81	3422902 21, 23	3641569..... 515, 517	3960407186, 190
3331211 204, 337, 339	3422903 21, 23	3740049.. 99, 103, 107, 111, 115, 119, 123, 127, 131, 135, 789	3960418 .156, 160, 164, 168
3340608559	3423184 17, 19	3740067.... 63, 65, 186, 190, 282, 286, 788, 789	3960422 365, 377, 385, 397, 401, 605, 607, 611, 641, 643
3340764419	3430616471, 476	3740080 351, 353, 355, 359, 361, 401, 789	3960462 164, 165, 169
3340840419	3430816345, 347, 349	3740086..... 739	3960467156, 160, 164
3340871409, 411	3450306 421	3760133..... 411	3960468186, 190
3340881409	3450404345, 347, 349	3760170..... 49, 77, 79, 513	3960469186, 190
334091125	3450606 421	3790012 282, 286, 467, 469, 471, 475, 481, 483, 487	3980007 179, 217, 229, 249, 286
3340943419	3460334 495	3790152..... 181, 183	3990010709, 788
3340956495	3470003471, 476	3790158..... 25	4010608497, 502
334096623	3480288 539	3820001 755, 757, 759, 761, 763, 765, 767, 769, 771, 773	4010618 445, 447, 449, 451, 461, 463
3380434467, 469	3520026 475	3820020 435, 437, 439, 441, 457, 459	4031505489
342037249	3520027 475	3841143.... 21, 23, 177, 179, 197, 213, 217, 229, 245, 249, 282, 286, 413, 417	4031509 149, 151, 153
	3520028 .351, 355, 359, 361	3841203..... 407, 409	4031516493
	3520031 .99, 103, 107, 111, 115, 119, 123, 127, 131, 135	3841258. 17, 19, 21, 23, 407	4031608353
	3520054 186, 190, 204, 236, 260, 266, 471, 475	3841295..... 421	4031711294, 300
	3520071 495	3841340..... 411	4031908204
	3520072 435, 437, 439, 441, 443, 445, 447, 449, 451, 453, 455, 457, 459, 461, 463	3841347..... 421	4031912204
	3537445345, 347	3841709..... 407	4031914236, 258, 264
	3538247 559	3900054 453, 455	4032014236, 258, 264
	3538758 419	3900268.. 99, 103, 107, 111, 115, 119, 123, 127, 131, 135	4032015 .365, 369, 386, 389
	3539228 421	3900283..... 419	4060092607
	3539923156, 160	3900293..... 69	4060802 351, 353, 355, 359, 361, 365, 369, 373, 377, 381, 385, 389, 393, 397, 401
	3539988 171	3900316..... 419	406080441, 55, 57
	3570270 421	3900349..... 471, 475	4060805 157, 161, 186, 190, 204, 236, 260, 266, 296, 302
	3570277 421	3910408..... 236, 258, 264	406080725, 55, 57
	3570374 421	3910606 365, 377, 385, 397, 401, 611, 641, 643	4060808409
	3572009 49	3910608..... 345, 347, 349	4060906141
	3572010 49	3910610..... 605, 607	406091855, 57
	3572011 49	3910804.. 99, 103, 107, 111, 115, 119, 123, 127, 131, 135	4070585351
	3572012 49		4070863409, 411
	3573400 .502, 505, 507, 511		4070864409, 411
	3573642 .502, 505, 507, 511		4070897409, 411
	3574091519, 521		4070898409, 411
	3575359515, 517		4070929409, 411

SECTION 11 - SPECIAL OPTIONS/ACCESSORIES/KITS

4070991 ..99, 103, 107, 111, 115, 119, 123, 127, 131, 135	4460019 669, 671, 673, 681, 683	691, 693, 695, 697, 699, 701, 703, 709, 711, 713, 741, 749, 751	4460874..... 709, 713
4071007 411	4460027..... 351, 355, 361	4460466 431, 489, 535, 649, 651, 653, 655, 657, 659, 661, 667, 671, 673, 674, 677, 709, 711, 713, 733, 739, 741, 743, 749	4460875..... 709, 713
4071059 23	4460042..... 674, 677	4460467796	4460876..... 709
4071101 17, 19	4460043 275, 669, 673, 677, 699, 701, 703	4460470 ..99, 103, 107, 111, 115, 119, 123, 127, 131, 135, 471, 475	4460877..... 709
4120035 713	4460049 .515, 517, 519, 521	4460471 ..99, 103, 107, 111, 115, 119, 123, 127, 131, 135, 471, 475	4460878..... 709
4130399 23	4460071 365, 377, 386, 397, 401, 479, 605, 607, 611	4460473 651, 653, 655, 657, 659, 661	4460879..... 535, 713
4160143 .156, 160, 164, 168	4460125..... 607	4460488 ..99, 103, 107, 111, 115, 119, 123, 127, 131, 135, 151, 153	4460884 431, 535, 673, 709, 741, 749
4240017 149	4460134..... 611, 705	4460496 ..99, 103, 107, 111, 115, 119, 123, 127, 131, 135	4460887 535, 669, 671, 681, 709, 713
4240018 353, 355, 365, 369, 373, 377, 381, 385, 389, 393, 397, 641, 643	4460142..... 669, 709	4460497 ..99, 103, 107, 111, 115, 119, 123, 127, 131, 135	4460888..... 713
4240032 151, 153, 206, 237, 260, 266	4460183..... 713	4460508 .489, 659, 709, 713	4460891 149, 319, 649, 667, 669, 671, 678, 681, 687, 747, 749, 751
4240033 429, 431, 489, 491, 493, 651, 653, 655, 657	4460190..... 351, 355, 361	4460509659, 661	4460892..... 711
4240099 197, 204, 237, 258, 264, 275, 286, 294, 300, 361, 472, 476, 502, 505, 507, 515, 517, 519, 521	4460205..... 605, 611, 705	4460510796	4460894 667, 673, 677, 709, 711, 713
4240102 83, 85	4460224 373, 378, 381, 471, 475	4460518431, 649	4460897 145, 147, 151, 153, 319, 678, 687, 743
4240149 495	4460225..... 691, 693, 713	4460526 ..99, 103, 107, 111, 115, 119, 123, 127, 131, 135	4460899 671, 689, 733, 739, 741
4280295 83, 85	4460226 141, 471, 475, 479, 669, 671, 681, 713, 747	4460536 689, 709, 711, 713, 751	4460905..... 709, 713, 745
4300157 .365, 369, 386, 390	4460227 .471, 475, 709, 713	4460539 651, 653, 655, 657, 669, 671, 673, 681, 689, 711, 713, 749, 751	4460906..... 361
4360057 515, 517, 519, 521, 789	4460233..... 607, 707	4460612641, 643	4460910..... 431, 735
4360070 366, 378, 386, 390, 394, 398, 402, 788	4460234 149, 471, 475, 515, 517, 519, 521	4460634713	4460911..... 709, 733
4360274115, 135, 790	4460247..... 673, 677	4460635713	4460928..... 649
4360331 467, 469, 481, 483, 487, 790	4460256..... 669, 695	4460662 609, 619, 623, 625, 627, 629, 631, 633, 635, 637, 639	4460930..... 667, 673, 677
4360336 141, 282, 286, 351, 353, 355, 359, 361, 365, 369, 373, 377, 381, 385, 389, 393, 397, 401, 790	4460259 535, 669, 681, 709, 713	4460701707	4460931..... 671, 743
4360387 103, 115, 123, 135, 471, 475, 515, 517, 519, 521, 790	4460260 535, 669, 681, 709, 713	4460703673, 677	4460932 .535, 674, 677, 687
4360407471, 475, 788	4460267..... 713	4460708713	4460933 .649, 667, 709, 713
4360436 789	4460268 .671, 691, 693, 749	4460722275	4460941..... 687, 733
4360469 ..99, 103, 107, 111, 115, 119, 123, 127, 131, 135, 790	4460294..... 373, 378, 382	4460738671, 681	4460942 .489, 673, 677, 687
4360475 ..99, 103, 107, 111, 115, 119, 123, 127, 131, 135, 790	4460297..... 709	4460742 .695, 699, 701, 703	4460943 667, 671, 709, 713, 733
4360476 ..99, 103, 107, 111, 115, 119, 123, 127, 131, 135	4460312..... 681	4460743699, 701, 703	4460944 669, 671, 673, 677, 681, 713
4360517 81, 790	4460313 .669, 671, 681, 709	4460761471, 475, 709	4460945..... 674
4360542 .351, 355, 361, 788	4460315..... 605, 607, 611	4460806 .627, 633, 709, 713	4460956..... 663, 665
4360578429, 431, 789	4460320..... 709	4460807 374, 378, 382, 691, 693	4460957..... 663, 665
4400275 51	4460321..... 361	4460887 374, 378, 382, 691, 693	4460958..... 643
4400420 51	4460346 365, 377, 385, 397, 401, 605, 611	4460888 651, 653, 655, 657, 659, 661	4460962..... 502, 507, 603
4420014 495	4460374..... 699	4460889 651, 653, 655, 657, 659, 661	4460963 .386, 398, 402, 603
4420037 .502, 505, 507, 511	4460375..... 699	4460890 651, 653, 655, 657, 659, 661	4460967 695, 697, 699, 701, 703
442003883, 85, 87	4460384..... 609	4460891 651, 653, 655, 657, 659, 661	4460968 353, 429, 431, 613, 615, 617, 621
442005143, 45, 47, 755, 757, 759, 761, 763, 765, 767, 769, 771, 773	4460418..... 709, 713	4460892 651, 653, 655, 657, 659, 661	4460971..... 497, 502
4420060 353	4460419..... 709, 713	4460893 651, 653, 655, 657, 659, 661	4460979..... 669, 671, 681
4420066 495	4460424 .669, 671, 681, 749	4460894 651, 653, 655, 657, 659, 661	4461005..... 669
4420068 515, 517, 519, 521, 523	4460425 366, 378, 386, 390, 394, 398, 402, 515, 517, 519, 521, 641, 643	4460895 651, 653, 655, 657, 659, 661	4461006..... 669
4460016 713	4460426 ..99, 103, 107, 111, 115, 119, 123, 127, 131, 135, 366, 378, 386, 390, 394, 398, 402	4460896 651, 653, 655, 657, 659, 661	4461008..... 669, 673, 678
	4460428..... 471, 475	4460897 651, 653, 655, 657, 659, 661	4461042..... 667
	4460434..... 709, 713	4460898 651, 653, 655, 657, 659, 661	4461052..... 669
	4460457..... 695	4460899 651, 653, 655, 657, 659, 661	4461053..... 669
	4460458 669, 671, 673, 677, 681, 695, 701, 703	4460900 651, 653, 655, 657, 659, 661	4461054..... 669, 674, 687
	4460464 145, 147, 151, 153, 319, 479, 535, 649, 659, 671, 687, 689, 709, 713, 739, 741, 743, 749, 751	4460901 651, 653, 655, 657, 659, 661	4461060..... 669
	4460465 149, 319, 431, 535, 649, 651, 653, 655, 657, 659, 661, 667, 669, 671, 673, 677, 678, 681, 689,	4460902 651, 653, 655, 657, 659, 661	4461070..... 649, 669
		4460903 651, 653, 655, 657, 659, 661	4461071..... 669, 673, 677
		4460904 651, 653, 655, 657, 659, 661	4461072..... 669
		4460905 651, 653, 655, 657, 659, 661	4461073..... 669, 677
		4460906 651, 653, 655, 657, 659, 661	4461074..... 669
		4460907 651, 653, 655, 657, 659, 661	4461077..... 733, 739
		4460908 651, 653, 655, 657, 659, 661	4461095..... 649, 669, 677
		4460909 651, 653, 655, 657, 659, 661	4461157..... 669, 671, 681
		4460910 651, 653, 655, 657, 659, 661	4461196..... 715
		4460911 651, 653, 655, 657, 659, 661	4461198..... 615, 715
		4460912 651, 653, 655, 657, 659, 661	4461199..... 717, 719

SECTION 11 - SPECIAL OPTIONS/ACCESSORIES/KITS

4461200.....719	471160055, 57, 164, 168, 179, 186, 190, 197, 211, 213, 217, 229, 237, 245, 249, 258, 264, 273, 282, 286, 331, 355, 366, 369, 373, 377, 381, 386, 390, 397, 409, 419, 429, 431, 471, 476, 525, 527, 529, 531, 533	204, 213, 217, 229, 237, 245, 249, 258, 264, 333, 335, 341, 343, 351, 353, 359, 402, 421, 502, 505, 507, 511
4461201 621, 717, 719	4711700331, 355, 361	4751700. 204, 237, 259, 264
4461203 723	4711800 197, 213, 217, 229, 245, 249, 289, 291, 345, 347, 349, 365, 369, 385, 389, 393, 453, 455	4751800.... 81, 87, 177, 179, 221, 223, 233, 253, 255, 289, 291, 421, 453, 455, 515, 517, 519, 521
4461205 .721, 723, 725, 727	4712000 495, 525, 527, 529, 531, 533	4752000 177, 179, 197, 213, 217, 229, 245, 249, 282, 286
4461206 727	4712200 495	4760600..... 605, 607, 611
4461244 627, 721, 723	4740036 49	4761400..... 141, 465
4461245 633, 725, 727	4740057 69	4761600..... 63, 65, 467, 469
4461246 639, 729, 731	4740076 .156, 160, 164, 168	4770600..... 345, 347, 349
4461249 729, 731	4740111 21, 23	4791400.... 63, 65, 186, 190, 365, 369, 377, 381, 385, 389, 397
4461250 731	4740155 23	4811400 149, 151, 153, 535, 609, 613, 615, 617, 619, 621, 623, 625, 627, 629, 631, 633, 635, 637, 639
4520256 39	4740158 17, 19	4811600..... 353
4520287 35, 37	4740171 .156, 160, 164, 168	4811700 100, 104, 108, 112, 116, 120, 124, 128, 132, 136, 151, 153, 197, 201, 204, 294, 300, 305, 361, 373, 393, 401, 445, 447, 449, 451, 461, 463, 497, 502
4520288 35	4740229 17, 19	4811702.. 41, 237, 259, 265, 282, 286, 305
4520344 35	4740256 21, 23	4811900 205, 237, 259, 265, 282, 286, 294, 300, 305, 337, 339, 417, 645, 647
4520345 35	4740274 .186, 190, 333, 335	4811902 205, 237, 260, 266, 294, 300, 305
4520346 35	4740362467, 469	4812000.. 97, 197, 205, 237, 260, 266, 282, 286, 294, 300, 305, 349, 361, 417, 645
4520672 39	4740393 25	4812002.. 93, 205, 296, 302, 311
4530028 .502, 505, 507, 509	4740397 ..99, 103, 107, 111, 115, 119, 123, 127, 131, 135, 351, 353, 359	4812100.. 97, 197, 201, 205, 213, 217, 229, 237, 245, 249, 259, 265, 277, 279, 305, 417
4567123 91	4740444 .99, 103, 107, 111, 115, 119, 123, 127, 131, 135	4812200 186, 190, 205, 237, 259, 265, 333, 335, 337, 339, 341, 343
4567241 421	4740463 21, 23	4844817 413
4568119 87	4740518 ..99, 103, 107, 111, 115, 119, 123, 127, 131, 135	4844958 77
4568133 49	4750400237, 258, 264	4845163 345
4640113 35, 39	4750800 51	4846295 49
4640261 43, 45, 47	4751000 49, 83, 85, 87, 156, 157, 160, 161, 164, 165, 168, 169, 351, 353, 359, 361, 366, 377, 385, 389, 393, 397, 401, 497, 502, 505, 507, 511	4846296 49
4640438 551	4751200 411	4846627. 502, 505, 507, 511
4640464 689, 711	475140065, 99, 103, 107, 111, 115, 119, 123, 127, 131, 135, 141, 156, 160, 164, 168, 181, 183, 289, 291, 429, 431, 465, 467, 469, 471, 475, 502, 505, 507, 511, 515, 517, 519, 521, 573, 647, 755, 757, 759, 761, 763, 765, 767, 769, 771, 773	4846673 519, 521
4640509 543, 545, 547, 549, 551, 553, 561	475150025, 63, 65, 156, 160, 164, 168, 177, 179, 237, 258, 264, 351, 353, 355, 359, 365, 377, 421, 515, 517, 519, 521, 523	4846935 23
4640605 543, 553	4771700 402	4871700 402
4640647 561	4771800 .. 99, 103, 107, 111, 115, 119, 123, 127, 131, 135, 151, 153, 197, 201, 204, 294, 300, 305, 361, 373, 393, 401, 445, 447, 449, 451, 461, 463, 497, 502	4891500.. 99, 103, 107, 111, 115, 119, 123, 127, 131, 135, 259, 265, 361
4640744 325	4771900 149, 151, 153, 535, 609, 613, 615, 617, 619, 621, 623, 625, 627, 629, 631, 633, 635, 637, 639	4891600 156, 157, 160, 161, 164, 165, 168, 169, 181, 183, 201, 221, 223, 233,
4640751 .204, 237, 258, 264	4781400 100, 104, 108, 112, 116, 120, 124, 128, 132, 136, 151, 153, 197, 201, 204, 294, 300, 305, 361, 373, 393, 401, 445, 447, 449, 451, 461, 463, 497, 502	237, 253, 255, 259, 265, 289, 291, 345, 347, 417
4640858 539	4781700 100, 104, 108, 112, 116, 120, 124, 128, 132, 136, 151, 153, 197, 201, 204, 294, 300, 305, 361, 373, 393, 401, 445, 447, 449, 451, 461, 463, 497, 502	4891800 17, 19, 237, 259, 265, 341, 343, 345, 347, 349, 355, 377, 381, 397, 523
4640862 559	4781900 205, 237, 259, 265, 282, 286, 294, 300, 305, 337, 339, 417, 645, 647	489200075
4640866 55, 57	4781902 205, 237, 260, 266, 294, 300, 305	4892600001417
4640929 423, 425	4782000.. 97, 197, 205, 237, 260, 266, 282, 286, 294, 300, 305, 349, 361, 417, 645	4921829 361, 705
4640990 91	4782002.. 93, 205, 296, 302, 311	4921954 707
4640999 561	4782100.. 97, 197, 201, 205, 213, 217, 229, 237, 245, 249, 259, 265, 277, 279, 305, 417	4922494 651, 653, 655, 657, 661
4641022 87	4782200 186, 190, 205, 237, 259, 265, 333, 335, 337, 339, 341, 343	4922641 351, 353, 356, 359, 366, 369, 373, 378, 387, 390, 394, 399, 403
4641122 37	4844817 413	4922666 471, 475
4641264 93, 95	4844958 77	4922811 657
4641284 566, 570	4845163 345	4922892 611
4641390 539	4846295 49	4922893 651, 653
4641436 429, 431	4846296 49	4922894 611
4711000 156, 161, 211, 273, 355, 386, 390, 394, 398, 402	4846627. 502, 505, 507, 511	4922925 386, 390, 393, 397, 402, 693
4711400 .. 55, 57, 63, 65, 99, 103, 107, 111, 115, 119, 123, 127, 131, 135, 143, 145, 147, 164, 168, 177, 179, 186, 190, 197, 204, 213, 217, 221, 223, 229, 233, 237, 245, 249, 253, 255, 258, 264, 282, 286, 365, 369, 373, 377, 381, 385, 389, 397, 421, 423, 425, 431, 443, 445, 447, 449, 451, 457, 459, 461, 463, 491, 493, 609, 613, 615, 617, 619, 621, 623, 625, 627, 629, 631, 633, 635, 637, 639	4846673 519, 521	4923379 186, 190
4711500 41, 93, 95, 97, 237, 258, 264, 385, 389, 393, 397, 401, 419, 423, 425, 429, 431, 573	4846935 23	4932990 793

SECTION 11 - SPECIAL OPTIONS/ACCESSORIES/KITS

70001425.....	499	7000255.....	72	70004186.....	545, 547, 549	70004679.....	365, 369, 373, 378, 381
70001427.....	499	7000257.....	72	70004237.....	541, 555	70004680.....	365, 369, 373, 378, 381
70001428.....	499	70002718.....	193, 225, 241	70004268.....	193	70004681.....	369, 373, 381
70001429.....	499	70002745.....	557	70004269.....	193	70004682.....	365, 369, 373, 378, 381
70001430.....	499	70002752.....	557	70004270.....	194	70004683.....	369, 373, 381
70001431.....	499, 788	70002753.....	557	70004271.....	194	70004684.....	365
70001432.....	499, 790	70002754.....	557	70004272.....	194	70004685.....	365, 378
70001435.....	193	70002755.....	557	70004273.....	194	70004686.....	373, 381
70001498.....	194	70002756.....	557	70004275.....	225	70004687.....	378
70001696.....	385, 389, 401	70002757.....	557	70004276.....	270	70004862.....	89, 788
70001697.....	415	70002758.....	59	70004277.....	270	70005008.....	205, 295, 301, 788, 789
70001847.....	193	70002759.....	60	70004279.....	269	70005145.....	555
70001850.....	193	70002793.....	543	70004280.....	225	70005146.....	555
70001866.....	194	70002902.....	479	70004281.....	225, 241	70005171.....	225, 241, 269
70001868.....	194	70002903.....	479	70004282.....	226, 241	70005172.....	225, 242, 269
70001870193, 225, 242, 269		70002904.....	479	70004283.....	226	70005173.....	225, 269
70001871.....	193	70002905.....	479	70004284.....	226	70005174.....	225
70001872.....	194	70003003.....	193	70004353.....	29	70005176.....	226, 269
70001953.....	385, 389, 402	70003019.....	59	70004355.....	29	70005177.....	226, 241, 269
70001966.....	365, 369, 373, 377, 381, 385, 389, 398, 401, 402	70003136.....	193	70004356.....	29	70005180.....	226, 241
70001973385, 389, 398, 402		70003408.....	33	70004361.....	29	70005181.....	226
70001974385, 389, 398, 401		70003454.....	81	70004363.....	29	70005182.....	226, 241
70002001.....	421	70003456.....	193	70004365.....	29	70005183.....	226
70002002.....	421	70003457.....	193	70004367.....	29	70005184.....	226, 241, 270
70002020.....	29	70003468.....	193	70004369.....	29	70005185.....	226
70002026.....	29	70003469.....	193	70004370.....	29	70005186.....	226
70002027.....	29	70003470.....	193	70004371.....	29	70005188.....	226
70002054.....	29	70003472.....	193	70004447.....	29	70005189.....	226
70002057.....	29	70003473.....	193	70004459.....	59	70005191.....	227, 270
70002059.....	29	70003475.....	193	70004460.....	59, 788	70005201.....	59
70002063.....	33	70003478.....	193	70004461.....	59	70005202.....	59
70002064.....	33, 427	70003525.....	59	70004463.....	59, 788	70005203.....	72
70002066.....	72	70003631385, 389, 398, 401		70004504.....	227, 270	70005232.....	60
70002085.....	72	70003708.....	365, 369, 373, 377, 381, 385, 389, 398, 402	70004505.....	269	70005298.....	29
70002088.....	385, 389, 401	70003709.....	365, 369, 373, 377, 381, 385, 389, 398, 402	70004506.....	269	70005299.....	29
7000213.....	72	70003783.....	186, 190, 788	70004507.....	269	70005300.....	29
70002134.....	317	70003784.....	471, 475	70004508.....	241, 269	70005301.....	29
70002146.....	317	70003932.....	194	70004509.....	269	70005302.....	29
70002147.....	317	70003952.....	198, 213, 218, 230, 245, 250	70004510.....	269	70005303.....	29
70002148.....	317	70004037.....	72	70004513.....	225	70005304.....	29
70002149.....	317	70004040.....	72	70004514.....	225	70005305.....	29
70002150.....	317	70004041.....	72	70004515.....	225	70005306.....	29
70002151.....	317	70004042.....	72	70004517.....	59	70005307.....	29
70002153.....	317	70004043.....	72	70004519.....	59	70005308.....	29
70002154.....	317	70004044.....	72	70004617.....	59	70005309.....	29
70002156.....	317	70004045.....	72	70004652.....	59	70005311.....	29
70002157.....	317	70004047.....	72	70004653.....	59, 788	70005312.....	29
7000217.....	72	70004052.....	59	70004654.....	59	70005313.....	29
70002176.....	316	70004056.....	194	70004655.....	59	70005314.....	29
70002201.....	29	70004058.....	194	70004656.....	59	70005315.....	29
70002209.....	55, 57	70004059.....	194	70004657.....	59	70005316.....	29
70002234.....	194	70004060.....	194	70004659.....	59	70005317.....	29
7000228.....	72	70004092.....	365, 369, 373, 377, 381, 398	70004660.....	59, 788	70005318.....	29
7000229.....	72	70004094.....	398	70004661.....	59	70005319.....	29
70002290.....	385, 389	70004098.....	365, 378, 398	70004662.....	59	70005320.....	30
70002291.....	398	70004099373, 377, 381, 398		70004663.....	59	70005321.....	30
70002297385, 389, 398, 401		70004103.....	194	70004664.....	59	70005446.....	227
7000230.....	72	70004151.....	427	70004665.....	59	70005466.....	316
70002386.....	427, 788	70004169385, 389, 401, 402		70004666.....	59	70005467.....	316
70002410.....	541, 555	70004171.....	365, 369, 385, 389, 402	70004667.....	59	70005468.....	316
7000246.....	72			70004668.....	59	70005469.....	316, 317
70002460385, 389, 398, 401				70004676.....	365, 369, 373, 377, 381	70005470.....	317
7000247.....	72			70004677.....	369	70005471.....	317
7000248.....	72			70004678.....	365, 369, 373, 378, 381		
7000253.....	72						

SECTION 11 - SPECIAL OPTIONS/ACCESSORIES/KITS

70005472.....	317	70006196.....	308	70007465.....	553	70025133.....	226
70005473.....	317	70006197.....	308	70007466.....	419	70025135.....	225, 269
70005474.....	317	70006198.....	308	70007467.....	419	70025140.....	225, 269
70005475.....	317	70006199.....	308	70007489.....	270	70025142.....	226, 270
70005476.....	317	70006200.....	308	70007603.....	241	70025144.....	225, 269
70005479.....	193	70006202.....	308	70007677.....	55, 57	70025145.....	225, 269
70005527.....	270	70006203.....	308	70007827221, 223, 253, 255		70025146.....	225, 269
70005647.....	270	70006205.....	308	70008194.....	543	70025148.....	226
70005648.....	270, 789	70006206.....	308	70008195.....	543	70025149.....	226
70005920.....	269	70006207.....	308	70008196.....	543	70025150.....	226
70005929.....	270	70006208.....	308	70008197.....	543	70025151.....	225, 270
70005931.....	241, 270	70006213.....	308, 789	70008578.....	83, 85	70025152.....	269
70005941.....	242, 269	70006215.....	308	70008579.....	83, 85	70025153.....	269, 789
70005942.....	241, 269	70006217.....	308	70009018.....	282, 287	70025154.....	225, 269
70006093.....	398	70006219.....	308	70009019.....	282, 287	70025159.....	226
70006094.....	398	70006221.....	308	70012257.....	241	70025160.....	225
70006095.....	398	70006225.....	308	70022564541, 543, 551, 555		70025161.....	270, 789
70006096.....	398	70006232.....	308	70023369.....	541, 551, 555	70025164.....	226, 241, 269
70006097.....	398	70006233.....	307	70023370.....	549	70025165.....	226
70006134.....	305	70006235.....	308	70023371.....	549	70025166.....	227
70006135.....	305	70006236.....	308	70023379.....	543	70025171.....	225
70006136.....	305	70006294.....	270	70023592.....	205, 259, 265, 788, 789	70025176.....	225
70006144.....	269	70006304.....	72	70023593.....	205, 259, 265, 788, 789	70025177.....	226
70006145.....	307	70006482.....	559, 561	70023859.....	59	70025179.....	226
70006147.....	307	70006483.....	559, 561	70023862.....	59	70025180.....	226
70006150.....	307	70006484.....	561	70023867.....	59	70025181.....	269
70006151.....	307	70006552.....	365, 369, 373, 377, 381	70024457.....	59	70025182.....	225, 270
70006152.....	307	70006553.....	365, 369, 373, 377, 381, 789	70024473.....	226	70025183.....	225, 270
70006153.....	307	70006649.....	545, 547, 549	70024494.....	242, 269	70025184.....	225
70006154.....	307	70006650.....	545, 547, 549	70024502.....	225, 241	70025185.....	225
70006155.....	307, 789	70006652.....	270	70024503.....	227	70025189.....	227
70006157.....	307	70006653.....	270	70024504.....	225, 227, 241	70025191.....	226
70006158.....	307	70006654.....	559	70024507.....	227, 241, 270	70025192.....	227
70006159.....	307	70006655.....	559	70024509.....	270	70025195.....	225
70006160.....	307	70006734.....	545, 547, 549	70024512.....	227	70025198.....	225
70006161.....	307	70006735.....	545, 547, 549	70024513.....	225, 241, 269	70025200.....	226, 270
70006162.....	307	70006736.....	545, 547, 549	70024517.....	269	70025201.....	226
70006163.....	307	7000695.....	193	70024904.....	225, 242, 269	70025209.....	227
70006164.....	307	70007051.....	551	70024905225, 241, 242, 269		70025210.....	226, 270, 789
70006165.....	307	70007052.....	551	70024906.....	225, 241, 269	70025211.....	227
70006166.....	307	70007108.....	308	70024910.....	226	70025212.....	270
70006167.....	307	70007156.....	555	70024912.....	226, 270	70025213.....	227
70006168.....	307	70007157.....	541, 555	70024913.....	226	70025214.....	227
70006169.....	307	70007158.....	555	70024914.....	226	70025215.....	226
70006170.....	307	70007159.....	541	70024915.....	226, 270	70025216.....	226
70006171.....	307, 789	70007160.....	541	70024917.....	227, 270	70025217.....	227
70006172.....	307, 789	70007161.....	541, 555	70024918.....	227	70025218.....	227
70006173.....	307	70007168.....	541	70024919.....	241	70025219.....	227
70006174.....	307	70007169.....	541	70024920.....	225, 227, 270	70025220.....	227
70006175.....	307, 789	70007325.....	270	70024922.....	270	70025221.....	226, 227
70006176.....	307, 789	70007326.....	241, 269	70024924.....	269	70025222.....	227
70006177.....	307	70007331.....	270	70024925.....	225, 269	70025223.....	227
70006178.....	307	70007354.....	241, 269	70024961.....	225, 241, 269	70025224.....	227
70006179.....	307	70007355.....	270	70025076.....	225	70025225.....	227
70006180.....	307	70007446.....	427	70025082.....	225	70025226.....	226
70006181.....	307	70007451.....	551	70025084.....	193, 226	70025228.....	226
70006182.....	307	70007452.....	551	70025088.....	225	70025231.....	226, 241, 269
70006183.....	307	70007453.....	551	70025091.....	225	70025233.....	226
70006184.....	307	70007454.....	551	70025101.....	225	70025235.....	225, 270
70006185.....	307	70007455.....	551	70025109.....	226	70025236.....	227
70006186.....	307	70007460.....	553	70025111.....	226, 269	70025237.....	227
70006187.....	307	70007461.....	553	70025113.....	227	70025238.....	227
70006188.....	307	70007462.....	553	70025115.....	226	70025239.....	225, 241, 269
70006189.....	307	70007463.....	553	70025120.....	227, 270	70025240.....	225
70006191.....	307	70007464.....	553	70025131.....	226	70025241.....	227
70006194.....	307					70025242.....	227, 270
70006195.....	307						

SECTION 11 - SPECIAL OPTIONS/ACCESSORIES/KITS

70025660.....	227	7007487.....	317	7017192.....	415	7024100.....	72
70025779.....	226	7007488.....	317	7017195.....	415	7024404.....	81
70025781.....	226	7007489.....	325	7017402.....	427	7024439.....	89
70025788.....	270	7007633.....	72	7017452.....	427	7024440.....	89
70025877.....	227	7010103.....	325	7017496.....	55, 57, 539	7024441.....	89
70026210.....	241, 270	7010104.....	325	7018942.....	59	7024443.....	89
7002821.....	795	7010105.....	325	7019680.....	351, 355, 361	7024444.....	89, 788
7002822.....	796	7010116.....	316	7020020.....	55, 57	7024445.....	89
7002823.....	796	7010117.....	317	7020021.....	55, 57	7024446.....	89
7002826.....	796	7010119.....	317	7020108.....	351, 353, 355, 359, 361	7024462.....	509
7002840.....	795	7010121.....	316	7020109.....	351, 353, 355, 359, 361	7024463.....	509
70028538.....	270	70104570.....	227	7020110.....	351, 353, 355, 359, 361	7024467.....	509
70028540.....	241, 270	7010492.....	72	7020111.....	351, 353, 355, 359, 361	7024469.....	509
70029433.....	270	7010543.....	55, 57	7020175.....	99, 103, 107, 111, 115, 119, 123, 127, 131, 135	7024470.....	509
70029451.....	241, 269	7011043.....	67	7020176.....	99, 103, 107, 111, 115, 119, 123, 127, 131, 135	7024471.....	499, 509
70029468.....	543	7011044.....	67	7020190.....	351, 353, 355, 359, 361	7024472.....	509
70029512.....	241	7011048.....	67	7020192.....	359	7024473.....	509
70029517.....	270	7011062.....	67	7020403.....	193	7024474.....	509
70029520.....	270	7011063.....	67	7020404.....	225	7024475.....	509
70029797.....	270	7011064.....	67	7020408.....	193	7024478.....	509
70030360.....	241	7011065.....	67	7020431.....	193	7024485.....	385, 389, 401, 788
70030381.....	241	7011066.....	67	7020460.....	193	7024488.....	386, 390, 393, 397, 401
70031095.....	241, 269	70124530.....	227	7020465.....	193, 225, 269	7024489.....	386, 390, 393, 397, 401
70031136.....	241	70124538.....	227	7020468.....	193	7024530.....	499
70031143.....	241	7012513.....	351, 353, 355, 359, 361	7020471.....	194	7024531.....	499
70031144.....	241	7012514.....	351, 353, 355, 359, 361	7020479.....	194	7024532.....	499
7004248.....	67	7012518.....	55, 57	7020487.....	193	7024533.....	499
7004275.....	796	7012558.....	351, 355, 361	7020492.....	226	7024534.....	499
7004276.....	796	7012773.....	59	7021200.....	316	7024535.....	499
7004290.....	67	7012914.....	427	7021201.....	317	7024536.....	499
70050795.....	551	7012918.....	427	7021202.....	316	7024537.....	499
70052522.....	543	7012941.....	55, 57	7021203.....	317	7024579.....	193, 225, 242, 269
7007207.....	316	7012943.....	55, 57, 788	7021206.....	317	7024598.....	345, 347, 349
7007208.....	316	7012944.....	55, 57, 788	7021207.....	316	7024704.....	72
7007412.....	317	7012953.....	423, 425, 427	7021210.....	316	7024762.....	72
7007413.....	316	7012959.....	55, 57	7021212.....	316	7024763.....	72
7007415.....	316	7012965.....	427	7021214.....	316	7024784.....	72
7007417.....	316	7012967.....	427	7021219.....	317	7024851.....	317
7007418.....	316	7012970.....	423, 425	7021220.....	317	7024874.....	316
7007419.....	316	7012987.....	325	7021221.....	317	7024875.....	316
7007420.....	316, 317	7012988.....	325	7021222.....	317	7024877.....	317
7007422.....	317	7012989.....	427	7021223.....	317	7024881.....	573
7007423.....	316	7012995.....	55, 57	7021232.....	317	7024892.....	33
7007425.....	316	7012998.....	427	7021233.....	316	7026188.....	385, 389, 401
7007430.....	317	7014676.....	796	7021256.....	316, 317	7026197.....	81
7007431.....	317	7016322.....	345, 347, 349	7021375.....	59	7026199.....	351, 355, 361
7007434.....	317	7016328.....	193, 788	7021625.....	33	7026503.....	81
7007435.....	316	7016331.....	193, 225, 242, 269, 788, 789	7021639.....	573	7026504.....	81
7007438.....	316	7016374.....	345, 347, 349	7021653.....	427	7026505.....	81
7007439.....	316	7016652.....	796	7022162.....	307	7026506.....	81
7007441.....	317	7016654.....	796	7022397.....	33	7026507.....	81
7007442.....	316	7016655.....	796	7022399.....	33	7026509.....	81
7007443.....	316	7017023.....	72	7023911.....	427	7026597.....	385, 389, 398, 401
7007444.....	317	7017028.....	72	7023917.....	33	7026626.....	385, 389, 398, 401
7007446.....	316	7017070.....	72	7023933.....	33	7026631.....	193
7007448.....	316	7017072.....	72	7023935.....	33	7027072.....	197, 213, 218, 230, 245, 250, 282, 287
7007450.....	317	7017080.....	72	7023936.....	33	7027073.....	197, 213, 218, 230, 245, 250, 282, 287
7007453.....	317	7017085.....	72	7023979.....	317	7027074.....	198, 213, 218, 230, 245, 250
7007457.....	316	7017142.....	415			7027075.....	198, 213, 218, 230, 245, 250, 282, 287
7007459.....	316	7017159.....	415			7027076.....	198, 214, 218, 230, 246, 250
7007463.....	316	7017162.....	415				
7007464.....	316	7017163.....	415				
7007465.....	316	7017164.....	415				
7007476.....	317	7017172.....	415				
7007477.....	317						
7007484.....	317						
7007485.....	317						

SECTION 11 - SPECIAL OPTIONS/ACCESSORIES/KITS

7027236.....	193	77143013 99, 103, 107, 111,	8310129.....	495	8410001	295, 301
7027276.....	194	115, 119, 123, 127, 131,	8310548.....	294, 300	8410009	296, 302
7027404.....	308	135	8405006 197, 211, 213, 217,		8410011 205, 237, 259, 265,	
7027773.....	509	77363233	229, 245, 249, 273, 294,		295, 301	
7027774.....	509	691, 693	300		8410013 .205, 237, 259, 265	
7027775.....	509	80233041	8405007 . 205, 237, 259, 265		85941017	177, 179
7027776.....	509	576, 582, 588	8405009 205, 237, 259, 265,		85941018	282, 286
7027777.....	509	80434249	294, 300		8760268	577, 583, 589
7027778.....	509	59, 788	8405102.....	294, 300	88261024	423, 425
7027779.....	509	80484084	8405104 205, 237, 259, 265,		88411013	65, 647
7027780.....	509	673, 677	295, 301		88521205 ...	63, 65, 177, 179
7027790.....	194	8093191	8405203.....	295, 301	88521214	525, 527, 529,
7027791.....	194	789	8405204. 205, 237, 259, 265		531, 533	
7027792.....	194	80934561	8406101.....	282, 286	8896941	795
7027795.....	193, 788	81	8406109.....	295, 301	91143177	577, 583, 589
7027796.....	194	80983191 674, 677, 788, 789	8406110. 205, 237, 259, 265		91164079	427
7027799. 385, 389, 398, 401		8220051	8406201.. 63, 197, 205, 213,		91203039	417
7027887 351, 353, 355, 359,		687	217, 229, 237, 245, 249,		91401281	63, 177, 179
361		8220115	259, 265, 296, 302		91403102259, 265, 788, 789	
		677	8406302.....	97	91403244	205, 259, 265
		8220164				
		683				
		8229242 674, 677, 709, 788,				
		789				
		8229249				
		535, 713, 789				
		8270147 197, 213, 218, 230,				
		245, 250, 282, 287				
		8305401				
		294, 300				
		8307109				
		294, 300				



**Corporate Office
JLG Industries, Inc.
1 JLG Drive
McConnellsburg, PA 17233-9533 USA
☎ (717) 485-5161 (Corporate)
☎ (877) 554-5438 (Customer Support)
📠 (717) 485-6417**

**Visit our website for JLG Worldwide Locations.
www.jlg.com**



OSHKOSH™