



---

# Illustrated Parts Manual

## *Model* **800AJ HC3**

**PVC**  
**2307**

**P/N**  
**31222413**

**January 8, 2024 - Rev B**

**ANSI**

**CE**



**UK**

**CA**

**AS/NZS**



An Oshkosh Corporation Company



## **REVISION LOG**

July 1, 2023 - A - Original Issue Of Manual (Edited to B/M 1001248000 Rev T)

January 8, 2024 - B - Revised Manual (Edited to B/M 1001248000 Rev T)

# GENERAL INFORMATION

**SECTION 6 CYLINDER**

**FIGURE 6-3. LIFT CYLINDER ASSEMBLY**

PG#                      Model Designation                      Manual #

**SECTION 6 CYLINDER**

**FIGURE 6-3. LIFT CYLINDER ASSEMBLY**

ITEM #	PART NUMBER	QTY	DESCRIPTION	REV
	1001140104	Ref	LIFT CYLINDER ASSEMBLY	B
1	0100011	AR	Compound, Locking	
2	0630305	3	Capscrew 1/4-20 x 1-1/8	
3	0791003	1	Screw #10-24 x 3/8	
4	0961897	1	Bushing, Tapered	
5	1320136	1	Clamp, Cable	
6	1683063	1	Head	
7	2220683	1	Plug, O-Ring	
8	2220685	2	Plug, O-Ring	
9	2220686	1	Plug, O-Ring	
10	3020039	AR	Lubricant	
11	3480282	1	Piston	
12	3760371	1	Ring, Washer	
13	3931420	8	Capscrew 1/4-20 x 1-1/4	
14	3931824	8	Capscrew 1/2-13 x 1-1/2	
15	3951003	1	Set screw #10-24 x 3/8	
16	4100099	1	Spacer	
17	4640999	1	Cartridge, Holding Valve (Non Vented)	
18	4641248	1	Cartridge, Countbalance Valve (Non Vented)	
19	70004186	1	Kit, Seal - 4641248 Cartridge Valve	
20	100117991	1	Sensor, Cylinder Length	
21	100118070	1	Cap, Retainer	
22	100118084	1	Barrel	
21A	0961950	2	Bushing	
22	100118086	1	Rod	
22A	0961950	2	Bushing	
100	1001139996	1	Kit, Seal (Includes Items 101-109)	
101	See Note	2	Ring, Wear (Note: Use p/n 1001139996)	
102	See Note	1	Ring, Back-Up (Note: Use p/n 1001139996)	
103	See Note	2	Ring, Lock (Note: Use p/n 1001139996)	
104	See Note	2	Ring, Back-Up (Note: Use p/n 1001139996)	
105	See Note	2	O-Ring (Note: Use p/n 1001139996)	
106	See Note	1	O-Ring (Note: Use p/n 1001139996)	
107	See Note	1	Seal (Note: Use p/n 1001139996)	
108	See Note	1	Wiper, Rod (Note: Use p/n 1001139996)	
109	See Note	2	Seal (Note: Use p/n 1001139996)	
200	1001119105	1	Kit, Sensor Magnet (Includes Items 201-203)	
201	See Note		Sleeve, Spacer (Note: Use p/n 1001119105)	
202	1001118066		Magnet, Sensor	
203	1001118069	1	Ring, Internal Retaining	

Manual #                      Model Designation                      PG#

## 1) MACHINE IDENTIFICATION

Machines are identified by model and in some cases a combination of models, serial number (SN) or regional standard (i.e ANSI, CE, CSA). Components may also be identified by SN or manufacturer. Common components that may be identified by these characteristics are engines and hydraulic components.

## 2) PARTS MANUAL ORGANIZATION

Product information in this manual is organized under section titles. Frame, Cylinder, Hydraulic and Electrical are a few examples. Each section is organized by figure and page number. The information within the Figure is then organized by item number, part number, description and corresponding illustration (s).

## 3) TABLE OF CONTENTS (NOT SHOWN)

A table of contents is found toward the beginning of the manual. Figure number, description and page number are provided for quick reference to the page containing the related information.

## 4) RECOMMENDED SPARE PARTS (NOT SHOWN)

The Recommended Spare Parts List, located near the end of the manual, reference most frequently used maintenance parts.

## 5) PART NUMBER INDEX (NOT SHOWN)

A numerical index listing all part numbers and the corresponding page number(s) appears at the back of the manual.

# GENERAL INFORMATION

## 6) NON-SERVICED PARTS

In some instances, it is necessary to display non-serviced parts, assemblies or installations. In the case of assemblies and installations there will be a Ref in the Qty. column. In case of parts that are not available for service within assemblies or components, there will be a NSS (Not Sold Separately) or NLA (No Longer Available) listed in the Qty. column of the manual.

## 7) PARTS LIST ITEM NUMBERS

Numbers shown in the item# column correspond to numbers used in the associated illustration (s). Item numbers which are missing from the sequence in the parts list are not used on that page.

## 8) INDENTED PARTS DESCRIPTION

An indented part description is included in the item under which it is indented.

## 9) ABBREVIATION AND SYMBOLS

AC.....	Alternating Current	L.....	Liter
ADE.....	Advanced Design Electronics	LB(LBS).....	Pounds
AG.....	Agricultural	LCD.....	Liquid Crystal Display
ANSI.....	American National Standards Institute	LED.....	Light Emitting Diodes
AR.....	As Required	LH.....	Left Hand
ASSY.....	Assembly	LRC.....	Low Rated Countries
AUS.....	Australia	LSS.....	Load Sensing System
AUX.....	Auxiliary	M(m).....	Metric/Meter
AWG.....	American Wire Gauge	MM(mm).....	Milimeter
B/M.....	Bill of Material	mA.....	Miliamps
CAC.....	Charge Air Cooler	NLA.....	No Longer Available
CE.....	European Conformity	NPT.....	National Pipe Threads
CCW.....	Counter Clockwise	NSS.....	Not Sold Separately
CM.....	Centimeter	OD.....	Outside Diameter
CW.....	Clockwise	ORB.....	O-Ring Boss
CSA.....	Canadian Standards Association	ORFS.....	O-Ring Face Seal
CYL.....	Cylinder	OZ (oz).....	Ounces
DIA.....	Diameter	PG.....	Page
DC.....	Direct Current	PN.....	Part Number
DEF.....	Diesel Exhaust Fluid	QT(qt.).....	Quarts
EMS.....	Emergency Stop	QTY.....	Quantity
ENG.....	Engine	REF.....	Reference
FT(ft).....	Feet	REV.....	Revision Level
GA(Ga).....	Gauge	RH.....	Right Hand
HRC.....	High Rated Countries	SAE.....	Society of Automotive Engineers
HVAC.....	Heating, Ventilating, and Air Conditioning	SN.....	Serial Number
HYD.....	Hydraulic	SPEC(S).....	Specifications
Hz.....	Hertz	T/T.....	Turntable
ID.....	Inside Diameter	UGM.....	Universal Ground Module
IN.....	inches	V.....	Volts
ISO.....	International Organization for Standards	W.....	Watts
JIC.....	Joint Industry Council	#.....	Number
KG.....	Kilogram		

## 10) ILLUSTRATION REFERENCE LETTERS

When necessary, illustrations may contain reference letters that are intended to track information (i. e. hoses, harnesses) from one point to another or to track visual enlargement of components to show details that may be located in another area on the illustration.

*Note: Due to continuous product improvements, JLG Industries, Inc. reserves the right to make specification changes without prior notification. Contact JLG Industries, Inc. for updated information.*



# TABLE OF CONTENTS

SECTION 1 - FRAME.....	17
FIGURE 1-1. AXLE INSTALLATION - OSCILLATING.....	18
FIGURE 1-2. AXLE INSTALLATION - OSCILLATING WITH TOW PACKAGE.....	20
FIGURE 1-3. STEER INSTALLATION - 2WS.....	22
FIGURE 1-4. STEER INSTALLATION - 2WS WITH TOW PACKAGE.....	24
FIGURE 1-5. WHEEL DRIVE AND FRAME VALVES INSTALLATION - 4WD/2WS.....	26
FIGURE 1-6. DRIVE HUB/BRAKE ASSEMBLY.....	28
FIGURE 1-7. DRIVE MOTOR ASSEMBLY - 4WD.....	30
FIGURE 1-8. TIRE AND WHEEL INSTALLATION 18-625 NHS FOAM-FILLED TIRE.....	32
FIGURE 1-9. TIRE AND WHEEL INSTALLATION 18-625 NHS FOAM-FILLED NON-MARKING TIRE.....	34
FIGURE 1-10. TIRE AND WHEEL INSTALLATION 18-625 NHS FOAM-FILLED SAND TIRE.....	36
FIGURE 1-11. LP TANK BRACKETS INSTALLATIONS.....	38
FIGURE 1-12. FRAME SHIELDS INSTALLATION - 2WS.....	40
FIGURE 1-13. TOW PACKAGE INSTALLATION - 2WS (ENGLISH LANGUAGE DECALS).....	42
FIGURE 1-14. TOW PACKAGE INSTALLATION - 2WS (CE & UK CA SPECS).....	44
FIGURE 1-15. TOW BAR ASSEMBLY.....	46
SECTION 2 - TURNTABLE.....	49
FIGURE 2-1. CONTROL VALVES INSTALLATION - WITH 2WS.....	50
FIGURE 2-2. CONTROL VALVE ASSEMBLY - 2WS MACHINES.....	52
FIGURE 2-3. SWING DRIVE INSTALLATION.....	56
FIGURE 2-4. SWING MOTOR/HUB ASSEMBLY.....	58
FIGURE 2-5. TURNTABLE BEARING INSTALLATION.....	62
FIGURE 2-6. TURNTABLE LOCK INSTALLATION.....	64
FIGURE 2-7. ROTARY COUPLING INSTALLATION - 2WS MACHINES.....	66
FIGURE 2-8. TANK INSTALLATION - DIESEL MACHINE (FUEL TANK WITHOUT SIGHT GLASS) (HELGESEN 6IN DIA BREATHER HYDRAULIC TANK - 25 GAL CAPACITY).....	68
FIGURE 2-9. TANK INSTALLATION - DIESEL MACHINE (FUEL TANK WITHOUT SIGHT GLASS) (JIANGYING 4IN DIA BREATHER HYDRAULIC TANK - 25 GAL CAPACITY).....	70
FIGURE 2-10. TANK INSTALLATION - DIESEL MACHINE (FUEL TANK WITHOUT SIGHT GLASS) (HYDRAULIC TANK - 47.8 GAL CAPACITY).....	72
FIGURE 2-11. TANK INSTALLATION - DIESEL MACHINE (FUEL TANK WITH SIGHT GLASS) (HELGESEN 6IN DIA BREATHER HYDRAULIC TANK - 25 GAL CAPACITY).....	74
FIGURE 2-12. TANK INSTALLATION - DIESEL MACHINE (FUEL TANK WITH SIGHT GLASS) (JIANGYING 4IN DIA BREATHER HYDRAULIC TANK - 25 GAL CAPACITY).....	76
FIGURE 2-13. TANK INSTALLATION - DIESEL MACHINE (FUEL TANK WITH SIGHT GLASS) (HYDRAULIC TANK - 47.8 GAL CAPACITY).....	78
FIGURE 2-14. TANK INSTALLATION - GAS ENGINES (HELGESEN 6IN DIA BREATHER HYDRAULIC TANK - 25 GAL CAPACITY).....	80
FIGURE 2-15. TANK INSTALLATION - GAS ENGINES (JIANGYING 4IN DIA BREATHER HYDRAULIC TANK - 25 GAL CAPACITY).....	82
FIGURE 2-16. TANK INSTALLATION - GAS ENGINES (HYDRAULIC TANK - 47.8 GAL CAPACITY).....	84
FIGURE 2-17. HYDRAULIC TANK ASSEMBLY (HELGESEN 6IN DIA BREATHER HYDRAULIC TANK - 25 GAL CAPACITY).....	86
FIGURE 2-18. HYDRAULIC TANK ASSEMBLY (JIANGYING 4IN DIA BREATHER HYDRAULIC TANK - 25 GAL CAPACITY).....	88
FIGURE 2-19. HYDRAULIC TANK ASSEMBLY (HYDRAULIC TANK - 47.8 GAL CAPACITY).....	90
FIGURE 2-20. AUXILIARY POWER INSTALLATION - WITHOUT BATTERY DISCONNECT.....	92
FIGURE 2-21. AUXILIARY POWER INSTALLATION - WITH BATTERY DISCONNECT.....	94

# TABLE OF CONTENTS

FIGURE 2-22. AUXILIARY POWER PUMP/MOTOR ASSEMBLY .....	96
FIGURE 2-23. GROUND CONTROL BOX ASSEMBLY - WITH DEUTZ D2011 ENGINES - WITH MECHANICAL HOUR METER (ANSI EXPORT LRC AND AUSTRALIAN SPECS).....	98
FIGURE 2-24. GROUND CONTROL BOX ASSEMBLY - WITH DEUTZ D2011 AND TOWER STOW - WITH MECHANICAL HOUR METER (ANSI EXPORT LRC AND AUSTRALIAN SPECS) .....	102
FIGURE 2-25. GROUND CONTROL BOX ASSEMBLY - WITH DEUTZ D2011 ENGINES (CE & UK CA SPECS).....	106
FIGURE 2-26. GROUND CONTROL BOX ASSEMBLY - WITH DEUTZ D2011 ENGINES AND WITH TOWER STOW (CE & UK CA LRC SPECS).....	110
FIGURE 2-27. GROUND CONTROL BOX ASSEMBLY - WITH DEUTZ TD2.9L4 ENGINES - WITH MECHANICAL HOUR METER (ANSI, ANSI EXPORT, CSA, CHINA & JAPANESE SPECS) .....	114
FIGURE 2-28. GROUND CONTROL BOX ASSEMBLY - WITH DEUTZ TD2.9L4 AND TOWER STOW - WITH MECHANICAL HOUR METER (ANSI, ANSI EXPORT, CSA, CHINA & JAPANESE SPECS).....	118
FIGURE 2-29. GROUND CONTROL BOX ASSEMBLY - WITH DEUTZ TD2.9L4 (STAGE V) ENGINES (CE & UK CA SPECS) .....	122
FIGURE 2-30. GROUND CONTROL BOX ASSEMBLY - WITH DEUTZ TD2.9L4 (STAGE V) ENGINES AND WITH TOWER STOW (CE & UK CA SPECS).....	126
FIGURE 2-31. GROUND CONTROL BOX ASSEMBLY - WITH FORD ENGINES AND TOWER STOW - WITH MECHANICAL HOUR METER .....	130
FIGURE 2-32. LIGHT PANEL INSTALLATION.....	134
FIGURE 2-33. ALARM INSTALLATION.....	136
FIGURE 2-34. WHITE NOISE ALARM INSTALLATION - ADJUSTABLE AMBIENT .....	138
FIGURE 2-35. WHITE NOISE MOTION ALARM INSTALLATION - AMBIENT .....	140
FIGURE 2-36. STROBE LIGHT INSTALLATION (AMBER).....	142
FIGURE 2-37. STROBE LIGHT INSTALLATION (BLUE) .....	144
FIGURE 2-38. STROBE LIGHT INSTALLATION (RED) .....	146
FIGURE 2-39. HOODS INSTALLATION - ABS (DEUTZ D2011 ENGINES).....	148
FIGURE 2-40. HOODS INSTALLATION - ABS (DEUTZ TD2.9L4 ENGINES).....	152
FIGURE 2-41. HOODS INSTALLATION - ABS (DEUTZ TD2.9L4 (STAGE V) ENGINES).....	156
FIGURE 2-42. HOODS INSTALLATION - STEEL (DEUTZ D2011 ENGINES).....	160
FIGURE 2-43. HOODS INSTALLATION - STEEL (DEUTZ TD2.9L4 ENGINES) .....	164
FIGURE 2-44. HOODS INSTALLATION - STEEL (FORD ENGINES) .....	168
FIGURE 2-45. EXHAUST COVER AND HEAT SHIELDS INSTALLATION - STEEL HOODS (DEUTZ D2011 ENGINES).....	172
FIGURE 2-46. EXHAUST COVER AND HEAT SHIELDS INSTALLATION - STEEL HOODS (DEUTZ TD2.9L4 ENGINES).....	174
FIGURE 2-47. EXHAUST COVER INSTALLATION - STEEL HOODS (FORD ENGINES) .....	176
FIGURE 2-48. SKYAIR AIR COMPRESSOR INSTALLATION .....	178
FIGURE 2-49. SKYAIR AIR COMPRESSOR INSTALLATION .....	180
FIGURE 2-50. AIR COMPRESSOR ASSEMBLY .....	182
SECTION 3 - ENGINE .....	185
FIGURE 3-1. DEUTZ D2011 ENGINE INSTALLATION (WITHOUT ARCTIC PACKAGE) .....	186
FIGURE 3-2. DEUTZ D2011 ENGINE INSTALLATION (WITH ARCTIC PACKAGE) .....	188
FIGURE 3-3. DEUTZ D2011 ENGINE/PUMP SUB ASSEMBLY (WITHOUT ARCTIC PACKAGE).....	192
FIGURE 3-4. DEUTZ TD2.9L4 ENGINE/PUMP SUB ASSEMBLY (WITH ARCTIC PACKAGE) .....	194
FIGURE 3-5. DEUTZ D2011 ENGINE ASSEMBLY (WITHOUT ARCTIC PACKAGE).....	196
FIGURE 3-6. DEUTZ D2011 ENGINE ASSEMBLY (WITH ARCTIC PACKAGE) .....	200
FIGURE 3-7. DEUTZ D2011 ENGINE COMPONENTS.....	204
FIGURE 3-8. DEUTZ TD2.9L4 ENGINE INSTALLATION (WITHOUT ARCTIC PACKAGE) .....	208
FIGURE 3-9. DEUTZ TD2.9L4 ENGINE INSTALLATION (WITH ARCTIC PACKAGE).....	212



## TABLE OF CONTENTS

FIGURE 3-10. DEUTZ TD2.9L4 ENGINE INSTALLATION (STAGE V) .....	216
FIGURE 3-11. DEUTZ TD2.9L4 ENGINE INSTALLATION (CHINA III).....	220
FIGURE 3-12. DEUTZ TD2.9L4 ENGINE INSTALLATION (CHINA IV) .....	224
FIGURE 3-13. DEUTZ TD2.9L4 ENGINE/PUMP SUB ASSEMBLY (WITHOUT ARCTIC PACKAGE) .....	228
FIGURE 3-14. DEUTZ TD2.9L4 ENGINE/PUMP SUB ASSEMBLY (WITH ARCTIC PACKAGE).....	230
FIGURE 3-15. DEUTZ TD2.9L4 ENGINE/PUMP SUB ASSEMBLY (STAGE V).....	232
FIGURE 3-16. DEUTZ TD2.9L4 ENGINE/PUMP SUB ASSEMBLY (CHINA III) .....	234
FIGURE 3-17. DEUTZ TD2.9L4 ENGINE/PUMP SUB ASSEMBLY (CHINA IV).....	236
FIGURE 3-18. DEUTZ TD2.9L4 ENGINE ASSEMBLY (CHINA IV).....	238
FIGURE 3-19. DEUTZ TD2.9L4 ENGINE ASSEMBLY (CHINA IV).....	240
FIGURE 3-20. DEUTZ TD2.9L4 ENGINE ASSEMBLY (WITHOUT ARCTIC PACKAGE) .....	244
FIGURE 3-21. DEUTZ TD2.9L4 ENGINE ASSEMBLY (WITH ARCTIC PACKAGE) .....	250
FIGURE 3-22. DEUTZ TD2.9L4 ENGINE ASSEMBLY (STAGE V).....	256
FIGURE 3-23. DEUTZ TD2.9L4 ENGINE ASSEMBLY (CHINA III SPECS).....	262
FIGURE 3-24. DEUTZ TD2.9L4 ENGINE COMPONENTS .....	268
FIGURE 3-25. DEUTZ TD2.9L4 ENGINE COMPONENTS (STAGE V) .....	272
FIGURE 3-26. DEUTZ TD2.9L4 ENGINE COMPONENTS (CHINA III SPECS) .....	276
FIGURE 3-27. DEUTZ D2.9L4 - EMR5 ENGINE INSTALLATION WITH ARCTIC PACKAGE.....	280
FIGURE 3-28. DEUTZ D2.9L4 - EMR5 ENGINE AND PUMP SUB-ASSEMBLY WITH ARCTIC PACKAGE .....	284
FIGURE 3-29. ENGINE ASSEMBLY - DEUTZ D2.9L4 EMR5 ENGINE (WITH ARCTIC PACKAGE).....	286
FIGURE 3-30. DEUTZ D2.9L4 - EMR5 ENGINE INSTALLATION WITHOUT ARCTIC PACKAGE .....	292
FIGURE 3-31. DEUTZ D2.9L4 - EMR5 ENGINE AND PUMP SUB-ASSEMBLY WITHOUT ARCTIC PACKAGE .....	296
FIGURE 3-32. ENGINE ASSEMBLY - DEUTZ D2.9L4 EMR5 ENGINE (WITHOUT ARCTIC PACKAGE) .....	298
FIGURE 3-33. ENGINE COMPONENTS - DEUTZ D2.9L4 EMR5 ENGINE .....	304
FIGURE 3-34. FUEL PUMP/FILTER BRACKET ASSEMBLY (DEUTZ TD2.9L4 ENGINES) .....	308
FIGURE 3-35. FUEL PUMP/FILTER BRACKET ASSEMBLY (DEUTZ TD2.9L4 (STAGE V) ENGINES) .....	310
FIGURE 3-36. FUEL PUMP/FILTER BRACKET ASSEMBLY (DEUTZ TD2.9L4 ENGINES) (CHINA III ENGINES) .....	312
FIGURE 3-37. BREATHER HEATER INST (DEUTZ TD2.9L4 ENGINES).....	314
FIGURE 3-38. FORD ENGINE INSTALLATION (WITHOUT ARCTIC PACKAGE) .....	316
FIGURE 3-39. FORD ENGINE INSTALLATION (WITH ARCTIC PACKAGE).....	320
FIGURE 3-40. FORD ENGINE AND PUMP SUB-ASSEMBLY (WITHOUT ARCTIC PACKAGE) .....	324
FIGURE 3-41. FORD ENGINE AND PUMP SUB-ASSEMBLY (WITH ARCTIC PACKAGE) .....	326
FIGURE 3-42. FORD ENGINE ASSEMBLY (WITHOUT ARCTIC PACKAGE) .....	328
FIGURE 3-43. FORD ENGINE ASSEMBLY (WITH ARCTIC PACKAGE).....	334
FIGURE 3-44. FORD ENGINE PREP ASSEMBLY .....	340
FIGURE 3-45. FORD ENGINE BRACKETS AND EXHAUST MANIFOLD INSTALLATION.....	342
FIGURE 3-46. FORD ENGINE DRIVE BELT INSTALLATION (MACHINES WITHOUT GENERATOR) .....	344
FIGURE 3-47. FORD ENGINE COMPONENTS.....	346
FIGURE 3-48. PUMP COUPLING KIT (DEUTZ ENGINES).....	350
FIGURE 3-49. HYDROSTATIC PUMP ASSEMBLY .....	352
FIGURE 3-50. VARIABLE PUMP ASSEMBLY .....	354
FIGURE 3-51. VARIABLE PUMP ASSEMBLY - HENGLI .....	358
FIGURE 3-52. HYDROSTATIC PUMP ASSEMBLY .....	360
FIGURE 3-53. EXHAUST PIPE INSTALLATION - DEUTZ TD2.9L4 ENGINES.....	362
FIGURE 3-54. EXHAUST PIPE INSTALLATION - DEUTZ TD2.9L4 (STAGE V) ENGINES.....	364

# TABLE OF CONTENTS

FIGURE 3-55. EXHAUST PIPE INSTALLATION - FORD ENGINES.....	366
FIGURE 3-56. SPARK ARRESTOR MUFFLER INSTALLATION - DEUTZ D2011 ENGINES.....	368
FIGURE 3-57. FUEL-WATER SEPARATOR INSTALLATION - DEUTZ D2011 ENGINES .....	370
FIGURE 3-58. FUEL-WATER SEPARATOR INSTALLATION - DEUTZ TD2.9L4 ENGINES .....	372
FIGURE 3-59. RIGHT ENGINE SUPPORT INSTALLATION (DEUTZ D2011 ENGINES MACHINES WITHOUT GENERATORS) .....	374
FIGURE 3-60. RIGHT ENGINE SUPPORT INSTALLATION (DEUTZ D2011 ENGINES MACHINES WITH GENERATORS) ...	376
FIGURE 3-61. ENGINE HOOD Baffle INSTALLATION - DEUTZ TD2.9L4 ENGINES AND DEUTZ TD2.9L4 (STAGE V) ENGINES WITH ABS HOODS.....	378
FIGURE 3-62. ENGINE HOOD Baffle INSTALLATION - DEUTZ TD2.9L4 ENGINES WITH STEEL HOODS .....	380
FIGURE 3-63. ENGINE TRAY JACK INSTALLATION - DEUTZ ENGINES.....	382
FIGURE 3-64. ENGINE TRAY JACK INSTALLATION - FORD ENGINES .....	384
FIGURE 3-65. 2500W/110V/60HZ GENERATOR INSTALLATION - DEUTZ D2011 ENGINES .....	386
FIGURE 3-66. 2500W/110V/60HZ GENERATOR INSTALLATION - DEUTZ TD2.9L4 ENGINES .....	388
FIGURE 3-67. 2500W/110V/60HZ GENERATOR INSTALLATION - FORD ENGINES.....	392
FIGURE 3-68. 2500W/220V/50HZ GENERATOR INSTALLATION - DEUTZ D2011 ENGINES .....	396
FIGURE 3-69. 4000W/50HZ GENERATOR INSTALLATION - DEUTZ D2011 ENGINES.....	398
FIGURE 3-70. 4000W/50HZ GENERATOR INSTALLATION - DEUTZ TD2.9L4 ENGINES AND DEUTZ TD2.9L4 (STAGE V) ENGINES .....	402
FIGURE 3-71. 4000W/60HZ GENERATOR INSTALLATION - DEUTZ D2011 ENGINES.....	406
FIGURE 3-72. 4000W/60HZ GENERATOR INSTALLATION - DEUTZ TD2.9L4 ENGINES.....	410
FIGURE 3-73. 7500W/50HZ SKYPOWER GENERATOR INSTALLATION - DEUTZ D2011 ENGINES .....	414
FIGURE 3-74. 7500W/50HZ SKYPOWER GENERATOR INSTALLATION - DEUTZ TD2.9L4 ENGINES AND DEUTZ TD2.9L4 (STAGE V) ENGINES .....	418
FIGURE 3-75. 7500W/60HZ SKYPOWER GENERATOR INSTALLATION - DEUTZ D2011 ENGINES .....	422
FIGURE 3-76. 7500W/60HZ SKYPOWER GENERATOR INSTALLATION - DEUTZ TD2.9L4 ENGINES .....	426
FIGURE 3-77. 7500W/60HZ SKYPOWER GENERATOR INSTALLATION - FORD ENGINES .....	430
FIGURE 3-78. QUICKFIT OIL VALVE (DEUTZ ENGINES) .....	434
SECTION 4 - BOOM.....	437
FIGURE 4-1. BOOM AND CYLINDER INSTALLATION.....	438
FIGURE 4-2. MAIN BOOM ASSEMBLY .....	440
FIGURE 4-3. TOWER BOOM ASSEMBLY .....	442
FIGURE 4-4. JIB ASSEMBLY .....	444
FIGURE 4-5. ROTATOR ASSEMBLY .....	446
FIGURE 4-6. SUPPORT, PLATFORM INSTALLATION .....	448
FIGURE 4-7. POWER TRACK INSTALLATION - MAIN BOOM .....	450
FIGURE 4-8. POWER TRACK INSTALLATION - TOWER BOOM .....	452
FIGURE 4-9. CONTROL VALVES INSTALLATION - WITH 2WS.....	454
FIGURE 4-10. CONTROL VALVE ASSEMBLY .....	456
FIGURE 4-11. BOOM VALVES AND PROXIMITY SWITCHES INSTALLATION .....	458
FIGURE 4-12. BOOM VALVES AND PROXIMITY SWITCHES INSTALLATION WITH TOWER STOW .....	462
FIGURE 4-13. TRANSPORT POSITION SWITCH INSTALLATION .....	466
SECTION 5 - PLATFORM .....	469
FIGURE 5-1. PLATFORM ASSEMBLY WITH DROP-BAR - 30IN X 3FT (76CM X 1M) .....	470
FIGURE 5-2. PLATFORM ASSEMBLY WITH GATE - 30IN X 4FT (76CM X 1.22M) .....	472

# TABLE OF CONTENTS

FIGURE 5-3. PLATFORM ASSEMBLY WITH DROP-BAR - 30IN X 4FT (76CM X 1.22M).....	474
FIGURE 5-4. PLATFORM ASSEMBLY WITH GATE - 30IN X 6FT (76CM X 1.83M).....	476
FIGURE 5-5. PLATFORM ASSEMBLY WITH GATE- 36IN X 6FT (91.5CM X 1.83M).....	478
FIGURE 5-6. PLATFORM ASSEMBLY WITH DROP-BAR - 30IN X 6FT (76CM X 1.83M).....	480
FIGURE 5-7. PLATFORM ASSEMBLY WITH DROP-BAR - 36IN X 6FT (91.5CM X 1.83M).....	482
FIGURE 5-8. PLATFORM ASSEMBLY WITH 1 GATE / 2 DROP BARS (TRI-ENTRY) - 36IN X 6FT (91.5CM X 1.83M) .....	484
FIGURE 5-9. PLATFORM ASSEMBLY WITH 3 DROP BARS (TRI-ENTRY) - 36IN X 6FT (91.5CM X 1.83M) .....	486
FIGURE 5-10. PLATFORM ASSEMBLY WITH FALL ARREST (6FT) .....	488
FIGURE 5-11. PLATFORM ASSEMBLY WITH GATE - 36IN X 8FT (91.5CM X 2.44M).....	490
FIGURE 5-12. PLATFORM ASSEMBLY WITH DROP-BAR - 36IN X 8FT (91.5CM X 2.44M).....	492
FIGURE 5-13. PLATFORM ASSEMBLY WITH 1 GATE / 2 DROP BARS (TRI-ENTRY) - 36IN X 8FT (91.5CM X 2.44M) .....	494
FIGURE 5-14. PLATFORM ASSEMBLY WITH 3 DROP BARS (TRI-ENTRY) - 36IN X 8FT (91.5CM X 2.44M) .....	496
FIGURE 5-15. PLATFORM ASSEMBLY WITH FALL ARREST (8FT) .....	498
FIGURE 5-16. CONSOLE AND FOOT SWITCH INSTALLATION.....	500
FIGURE 5-17. CONSOLE AND FOOT SWITCH INSTALLATION WITH TOWER STOW .....	502
FIGURE 5-18. CONSOLE BOX ASSEMBLY WITH FOOTSWITCH.....	504
FIGURE 5-19. CONSOLE BOX ASSEMBLY WITH FOOTSWITCH WITH TOWER STOW .....	508
FIGURE 5-20. LIGHT PANEL INSTALLATION .....	512
FIGURE 5-21. FOOTSWITCH ASSEMBLY.....	514
FIGURE 5-22. JIB SWITCH INSTALLATION .....	516
FIGURE 5-23. SKYEYE INSTALLATION .....	518
FIGURE 5-24. SKYGUARD BAR INSTALLATION .....	520
FIGURE 5-25. SKYLINE INSTALLATION .....	522
FIGURE 5-26. STORAGE TRAY INSTALLATION - CENTER.....	524
FIGURE 5-27. MANUAL STORAGE BOX INSTALLATION.....	526
FIGURE 5-28. SKYCUTTER INSTALLATION.....	528
FIGURE 5-29. SKYWELDER/SKYCUTTER COMBO INSTALLATION (60HZ).....	530
FIGURE 5-30. PLASMA CUTTER ASSEMBLY.....	534
FIGURE 5-31. SKYWELDER INSTALLATION (50HZ).....	536
FIGURE 5-32. SKYWELDER INSTALLATION (60HZ).....	538
FIGURE 5-33. WELDER ASSEMBLY .....	540
FIGURE 5-34. SKYWELDER PREP PACKAGE (60HZ) .....	542
FIGURE 5-35. SKYGLAZIER INSTALLATION (ALL SPECS EXCEPT CHINA AND JAPANESES SPECS) .....	544
FIGURE 5-36. SKYGLAZIER INSTALLATION (ENGLISH LANGUAGE DECALS).....	546
FIGURE 5-37. SOFT TOUCH SYSTEM INSTALLATION - 6FT/1.83M PLATFORM.....	548
FIGURE 5-38. SOFT TOUCH SYSTEM INSTALLATION - 6FT/1.83M FALL ARREST PLATFORM.....	550
FIGURE 5-39. SOFT TOUCH SYSTEM INSTALLATION - 8FT/2.44M PLATFORM.....	552
FIGURE 5-40. SOFT TOUCH SYSTEM INSTALLATION - 8FT/2.44M FALL ARREST PLATFORM.....	554
FIGURE 5-41. FALL ARREST INSTALLATION (BOLT-ON) 30IN X 4FT (76CM X 1.22M) PLATFORM .....	556
FIGURE 5-42. FALL ARREST INSTALLATION (BOLT-ON) 36IN X 6FT (91.2CM X 1.82M) PLATFORM .....	558
FIGURE 5-43. FALL ARREST INSTALLATION (BOLT-ON) 30IN X 6FT (76CM X 1.83M) PLATFORM .....	560
FIGURE 5-44. FALL ARREST INSTALLATION (BOLT-ON) 36IN X 8FT (91.5CM X 2.4M) PLATFORM .....	562
FIGURE 5-45. FALL ARREST INSTALLATION (BOLT-ON) 36IN X 6FT (91.5CM X 1.82M) TRI-ENTRY PLATFORM) .....	564
FIGURE 5-46. USB CHARGER INSTALLATION .....	566
SECTION 6 - CYLINDER.....	569

# TABLE OF CONTENTS

FIGURE 6-1. AXLE LOCKOUT CYLINDER ASSEMBLY .....	570
FIGURE 6-2. LEVEL CYLINDER ASSEMBLY - PLATFORM SLAVE .....	572
FIGURE 6-3. LEVEL CYLINDER ASSEMBLY - UPRIGHT .....	574
FIGURE 6-4. LIFT CYLINDER ASSEMBLY - JIB .....	576
FIGURE 6-5. LIFT CYLINDER ASSEMBLY - MAIN BOOM.....	578
FIGURE 6-6. LIFT CYLINDER ASSEMBLY - TOWER BOOM .....	580
FIGURE 6-7. MASTER CYLINDER ASSEMBLY .....	582
FIGURE 6-8. STEER CYLINDER ASSEMBLY .....	584
FIGURE 6-9. TELESCOPE CYLINDER ASSEMBLY - MAIN BOOM.....	586
FIGURE 6-10. TELESCOPE CYLINDER ASSEMBLY - TOWER BOOM .....	588
SECTION 7 - HYDRAULIC .....	591
FIGURE 7-1. HYDRAULIC DIAGRAM - AXLE (OSCILLATING).....	592
FIGURE 7-2. HYDRAULIC DIAGRAM - DRIVE (4WD/2WS WITHOUT TOW PACKAGE/WITHOUT ARCTIC PACKAGE).....	594
FIGURE 7-3. HYDRAULIC DIAGRAM - DRIVE (4WD/2WS WITHOUT TOW PACKAGE/WITH ARCTIC PACKAGE) .....	600
FIGURE 7-4. HYDRAULIC DIAGRAM - DRIVE (4WD/2WS WITH TOW PACKAGE/WITHOUT ARCTIC PACKAGE) .....	606
FIGURE 7-5. HYDRAULIC DIAGRAM - DRIVE (4WD/2WS WITH TOW PACKAGE/WITH ARCTIC PACKAGE).....	612
FIGURE 7-6. HYDRAULIC DIAGRAM - DRIVE (4WD/2WS WITH TOW PACKAGE)(CE & UK CA SPECS ONLY) .....	618
FIGURE 7-7. HYDRAULIC DIAGRAM - DRIVE (4WD/2WS WITH TOW PACKAGE AND ARCTIC PACKAGE)(ANSI SPEC ONLY) .....	624
FIGURE 7-8. HYDRAULIC DIAGRAM - DRIVE (4WD/2WS WITHOUT TOW PACKAGE AND WITHOUT ARCTIC PACKAGE)(ALL SPECS).....	630
FIGURE 7-9. HYDRAULIC DIAGRAM - DRIVE (4WD/2WS WITHOUT TOW PACKAGE AND WITH ARCTIC PACKAGE)(CSA AND ANSI SPECS).....	636
FIGURE 7-10. HYDRAULIC DIAGRAM - STANDARD .....	642
SECTION 8 - ELECTRICAL.....	647
FIGURE 8-1. 800AJ HC3 ELECTRICAL LAYOUT .....	648
FIGURE 8-2. AC BOX AT PLATFORM INSTALLATION - 110V GFI RECEPTACLE (ALL SPECS EXCEPT AUSTRALIAN, CE & UK CA SPECS).....	662
FIGURE 8-3. AC BOX AT PLATFORM INSTALLATION - 220V (ANSI, CSA & JAPANESE SPECS).....	664
FIGURE 8-4. AC BOX AT PLATFORM MID-BOOM PLUG INSTALLATION (WITH 4000W/60HZ GENERATOR) (ANSI, ANSI EXPORT, CSA & JAPANESE SPECS).....	666
FIGURE 8-5. AC BOX AT PLATFORM MID-BOOM PLUG INSTALLATION (WITHOUT 7500W SKYPOWER GENERATOR) (ALL SPECS EXCEPT ANSI, JAPANESE & CSA SPECS).....	668
FIGURE 8-6. AC BOX AT PLATFORM MID-BOOM PLUG INSTALLATION (WITH 7500W SKYPOWER GENERATOR) .....	670
FIGURE 8-7. AC BOX AT PLATFORM INSTALLATION - 110V IEC YELLOW (CE & UK CA SPECS) (MACHINES WITH 2500W GENERATOR OR NO GENERATOR OPTION) .....	672
FIGURE 8-8. AC BOX AT PLATFORM INSTALLATION - 110V IEC YELLOW (CE & UK CA SPECS) (MACHINES WITH 4000W GENERATOR) .....	674
FIGURE 8-9. AC BOX AT PLATFORM INSTALLATION - 220V IEC BLUE (CE & UK CA SPECS) (MACHINES WITH 2500W GENERATOR OR NO GENERATOR OPTION) .....	676
FIGURE 8-10. AC BOX AT PLATFORM INSTALLATION - 220V IEC BLUE (CE & UK CA SPECS) (MACHINES WITH 4000W GENERATOR) .....	678
FIGURE 8-11. AC BOX AT PLATFORM INSTALLATION - 220V CEE7 POST GROUND (CE & UK CA SPECS) (MACHINES WITH 2500W GENERATOR OR NO GENERATOR OPTION) .....	680
FIGURE 8-12. AC BOX AT PLATFORM INSTALLATION - 220V CEE7 POST GROUND (CE & UK CA SPECS) (MACHINES WITH 4000W GENERATOR).....	682
FIGURE 8-13. AC BOX AT PLATFORM INSTALLATION - 220V CEE7 SIDE GROUND (CE & UK CA SPECS) (MACHINES WITH 2500W GENERATOR OR NO GENERATOR OPTION).....	684

# TABLE OF CONTENTS

FIGURE 8-14. AC BOX AT PLATFORM INSTALLATION - 220V CEE7 SIDE GROUND (CE & UK CA SPECS) (MACHINES WITH 4000W GENERATOR) .....	686
FIGURE 8-15. AC BOX AT PLATFORM INSTALLATION - 220V AFSINT 107 KEYED GROUND (CE & UK CA SPECS) (MACHINES WITH 2500W GENERATOR OR NO GENERATOR OPTION) .....	688
FIGURE 8-16. AC BOX AT PLATFORM INSTALLATION - 220V AFSINT 107 KEYED GROUND (CE & UK CA SPECS) (MACHINES WITH 4000W GENERATOR) .....	690
FIGURE 8-17. AC BOX AT PLATFORM INSTALLATION - 220V (2X4 BOX & COVER ONLY - LOCALLY SUPPLIED RECEPTACLE) (4000W GENERATOR) .....	692
FIGURE 8-18. AC BOX AT PLATFORM INSTALLATION - 240V GFCI RECEPTACLE (ALL SPECS EXCEPT CE, UK CA, AUSTRALIAN & CHINESE SPECS WITH 4000W SKYPOWER GENERATOR) .....	694
FIGURE 8-19. AC BOX AT PLATFORM INSTALLATION - 240V GFCI RECEPTACLE (ALL SPECS EXCEPT CE, UK CA, AUSTRALIAN & CHINESE SPECS WITH 7500W SKYPOWER GENERATOR) .....	696
FIGURE 8-20. BEACON CONTROL HARNESS (BLUE AND RED STROBE LIGHTS) .....	698
FIGURE 8-21. BATTERY DISCONNECT .....	700
FIGURE 8-22. BOOM CABLES INSTALLATION - WITH 2500W GENERATOR .....	702
FIGURE 8-23. BOOM CABLES INSTALLATION - WITH 4000W GENERATOR (50HZ) .....	704
FIGURE 8-24. BOOM CABLES INSTALLATION - WITH 4000W GENERATOR (60HZ) .....	706
FIGURE 8-25. BOOM CABLES INSTALLATION - WITH 7500W SKYPOWER GENERATOR.....	708
FIGURE 8-26. BOOM CABLE - MAIN BOOM .....	710
FIGURE 8-27. BOOM CABLE (TOWER BOOM).....	712
FIGURE 8-28. BOOM VALVE HARNESS .....	714
FIGURE 8-29. BREAKER BOX INSTALLATION (BRAZIL SPECS).....	716
FIGURE 8-30. BREAKER BOX INSTALLATION (CE & UK CA SPECS WITHOUT 4000W GENERATOR).....	718
FIGURE 8-31. BREAKER BOX KIT - ONE DOUBLE 16AMP BREAKER (BRAZIL, CE & UK CA SPECS WITHOUT 4000W GENERATOR).....	720
FIGURE 8-32. BREAKER BOX KIT - WITH 3 BREAKERS (CE & UK CA SPECS WITH 4000W GENERATOR) .....	722
FIGURE 8-33. BREAKER BOX KIT - ONE DOUBLE 16AMP BREAKER (CE & UK CA SPECS WITH 4000W GENERATOR)..	724
FIGURE 8-34. CBS HARNESS .....	726
FIGURE 8-35. CLEARSKY INSTALLATION - CANBUS (ANSI SPECS).....	728
FIGURE 8-36. CLEARSKY INSTALLATION - CANBUS (AUSTRALIAN SPECS) .....	730
FIGURE 8-37. CLEARSKY INSTALLATION - CANBUS (CE SPECS) .....	732
FIGURE 8-38. CLEARSKY INSTALLATION - CANBUS (CHINA SPECS).....	734
FIGURE 8-39. CLEARSKY INSTALLATION - 3-WIRE (ANSI & CSA SPECS) .....	736
FIGURE 8-40. CLEARSKY INSTALLATION - 3-WIRE (ANSI EXPORT, CE & UK CA SPECS) .....	738
FIGURE 8-41. CLEARSKY INSTALLATION 3-WIRE CONNECTION (ALL SPECS) .....	740
FIGURE 8-42. CLEARSKY TELEMATCIS HARNESS (3-WIRE) .....	742
FIGURE 8-43. CLEARSKY TELEMATICS HARNESS .....	744
FIGURE 8-44. CLEARSKY TELEMATCIS HARNESS (CANBUS).....	746
FIGURE 8-45. ECU POWER JUMPER HARNESS.....	748
FIGURE 8-46. ENGINE HARNESS - DEUTZ D2011 ENGINES .....	750
FIGURE 8-47. GROUND CONTROL ENGINE HARNESS - DEUTZ TD2.9L4 (STAGE V) ENGINE .....	752
FIGURE 8-48. ENGINE HARNESS - DEUTZ TD2.9L4 ENGINES AND DEUTZ TD2.9L4 (STAGE V PRE-BUY) ENGINES .....	754
FIGURE 8-49. ENGINE HARNESS - DEUTZ TD2.9L4 (STAGE V) ENGINES .....	758
FIGURE 8-50. ENGINE HARNESS - FORD ENGINES.....	762
FIGURE 8-51. FUEL PUMP HARNESS - DEUTZ TD2.9L4 ENGINES .....	764
FIGURE 8-52. FUEL HARNESS - DEUTZ TD2.9L4 (STAGE V) ENGINE .....	766
FIGURE 8-53. GENERATOR HARNESS - 4000W GENERATOR.....	768
FIGURE 8-54. GENERATOR HARNESS - 7500W SKYPOWER GENERATOR .....	770

# TABLE OF CONTENTS

FIGURE 8-55. GENERATOR TO ENGINE HARNESS - 2500W (FORD ENGINES) .....	772
FIGURE 8-56. GENERATOR TO ENGINE HARNESS - 4000W (DEUTZ D2011 ENGINES).....	774
FIGURE 8-57. GENERATOR TO ENGINE HARNESS - 4000W (DEUTZ TD2.9L4 ENGINES) .....	776
FIGURE 8-58. GENERATOR TO ENGINE HARNESS - 7500W SKYPOWER GENERATOR (DEUTZ D2011 ENGINES) .....	778
FIGURE 8-59. GENERATOR TO ENGINE HARNESS - 7500W SKYPOWER (FORD DF 2.5L ENGINES).....	780
FIGURE 8-60. GENERATOR HARNESS - 7500W SKYPOWER (DEUTZ TD2.9L4 T4F ENGINES) .....	782
FIGURE 8-61. GENERATOR TO REAR OF BOOM HARNESS - 110V .....	784
FIGURE 8-62. GENERATOR TO REAR OF BOOM HARNESS - 220V .....	786
FIGURE 8-63. GROUND CONTROL BOX HARNESS .....	788
FIGURE 8-64. MID BOOM PROXIMITY SENSOR HARNESS .....	790
FIGURE 8-65. PLATFORM CONSOLE BOX HARNESS .....	792
FIGURE 8-66. RECEPTACLE BOX KIT - 110V IEC YELLOW (CE & UK CA SPECS).....	794
FIGURE 8-67. RECEPTACLE BOX KIT - 220V IEC BLUE (CE & UK CA SPECS) .....	796
FIGURE 8-68. RECEPTACLE BOX KIT - 220V CEE7 POST GROUND 2X4 BOX (CE & UK CA SPEC) .....	798
FIGURE 8-69. RECEPTACLE BOX KIT - 220V CEE7 SIDE GROUND 2X4 BOX (CE & UK CA SPEC) .....	800
FIGURE 8-70. RECEPTACLE BOX KIT - 220V AFSINT107 KEYED GROUND (CE & UK CA SPECS).....	802
FIGURE 8-71. SKYEYE EMITTER HARNESS .....	804
FIGURE 8-72. SKYEYE INTERMEDIATE HARNESS .....	806
FIGURE 8-73. SKYEYE RECEIVER HARNESS.....	808
FIGURE 8-74. SKYLINE HARNESS .....	810
FIGURE 8-75. SKYGUARD INTERFACE HARNESS.....	812
FIGURE 8-76. STROBE LIGHT JUMPER HARNESS .....	814
FIGURE 8-77. TOWER STOW HARNESS .....	816
FIGURE 8-78. VALVE HARNESS.....	818
FIGURE 8-79. WHITE NOISE ALARM HARNESS .....	820
SECTION 9 - DECALS .....	823
FIGURE 9-1. DECAL INSTALLATION (ANSI SPECS) .....	824
FIGURE 9-2. DECAL INSTALLATION (AUSTRALIAN SPECS) .....	828
FIGURE 9-3. DECAL INSTALLATION (BRAZILIAN SPECS) .....	832
FIGURE 9-4. DECAL INSTALLATION (CE & UK CA SPECS) .....	836
FIGURE 9-5. DECAL INSTALLATION (CHINA SPECS).....	840
FIGURE 9-6. DECAL INSTALLATION (CSA SPECS) .....	844
FIGURE 9-7. DECAL INSTALLATION (JAPANESE SPECS).....	848
FIGURE 9-8. DECAL INSTALLATION (KOREAN SPECS).....	852
FIGURE 9-9. DECAL INSTALLATION (LATIN AMERICAN SPECS).....	856
FIGURE 9-10. DECAL INSTALLATION - OPTIONS.....	860
FIGURE 9-11. SKYCUTTER DECAL INSTALLATION.....	864
FIGURE 9-12. SKYWELDER DECAL INSTALLATION - 50HZ.....	866
FIGURE 9-13. DECAL INSTALLATION - SKYWELDER (60HZ) .....	868
SECTION 10 - RECOMMENDED SERVICE PARTS STOCK.....	871
FIGURE 10-1. RECOMMENDED SERVICE PARTS STOCK.....	872
SECTION 11 - SPECIAL OPTIONS .....	875
FIGURE 11-1. SPECIAL OPTIONS/ACCESSORES/KITS.....	876

# TABLE OF CONTENTS

PART NUMBER INDEX ..... 881

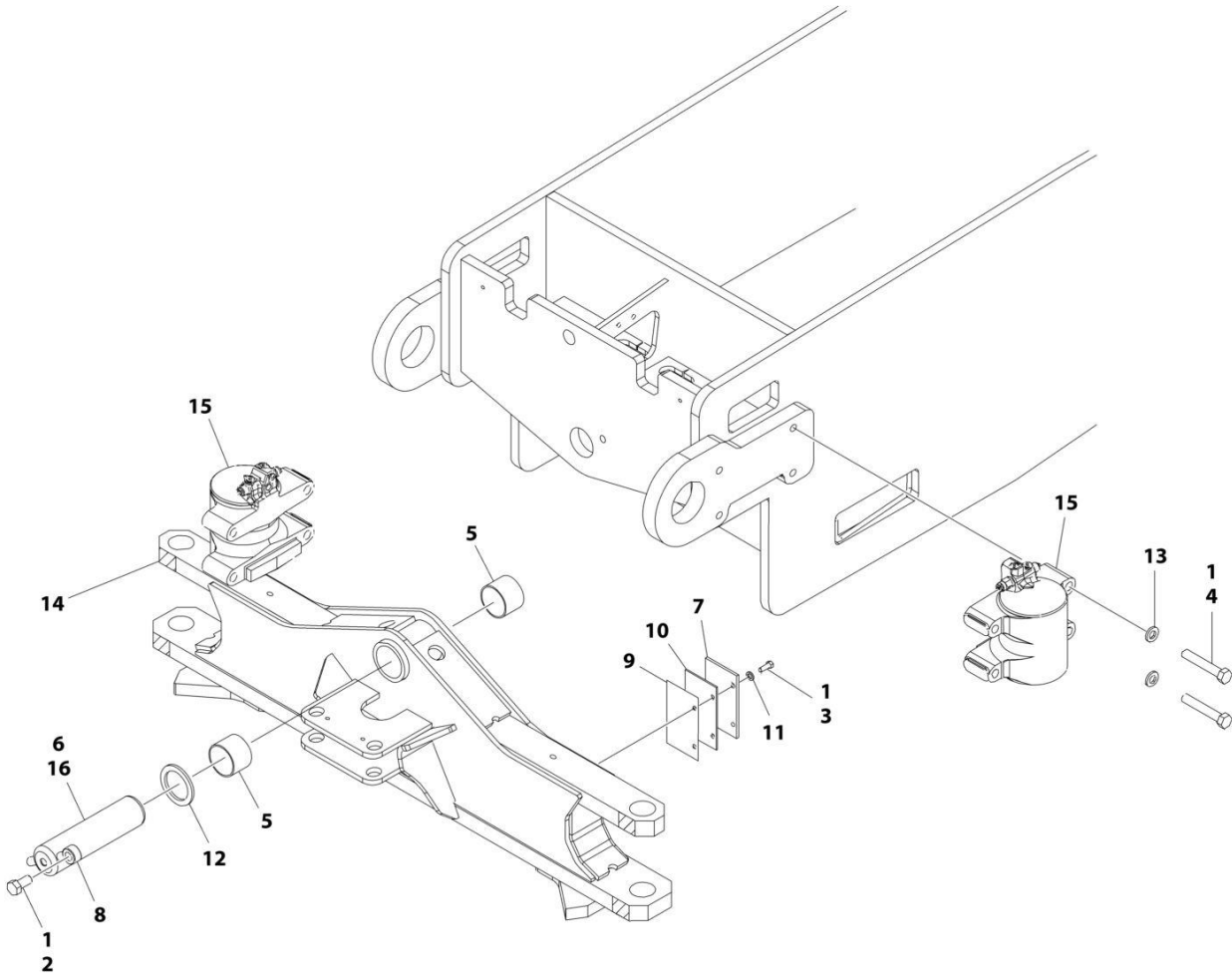




**SECTION 1 - FRAME**

# SECTION 1 - FRAME

## FIGURE 1-1. AXLE INSTALLATION - OSCILLATING



ART\_1001154584

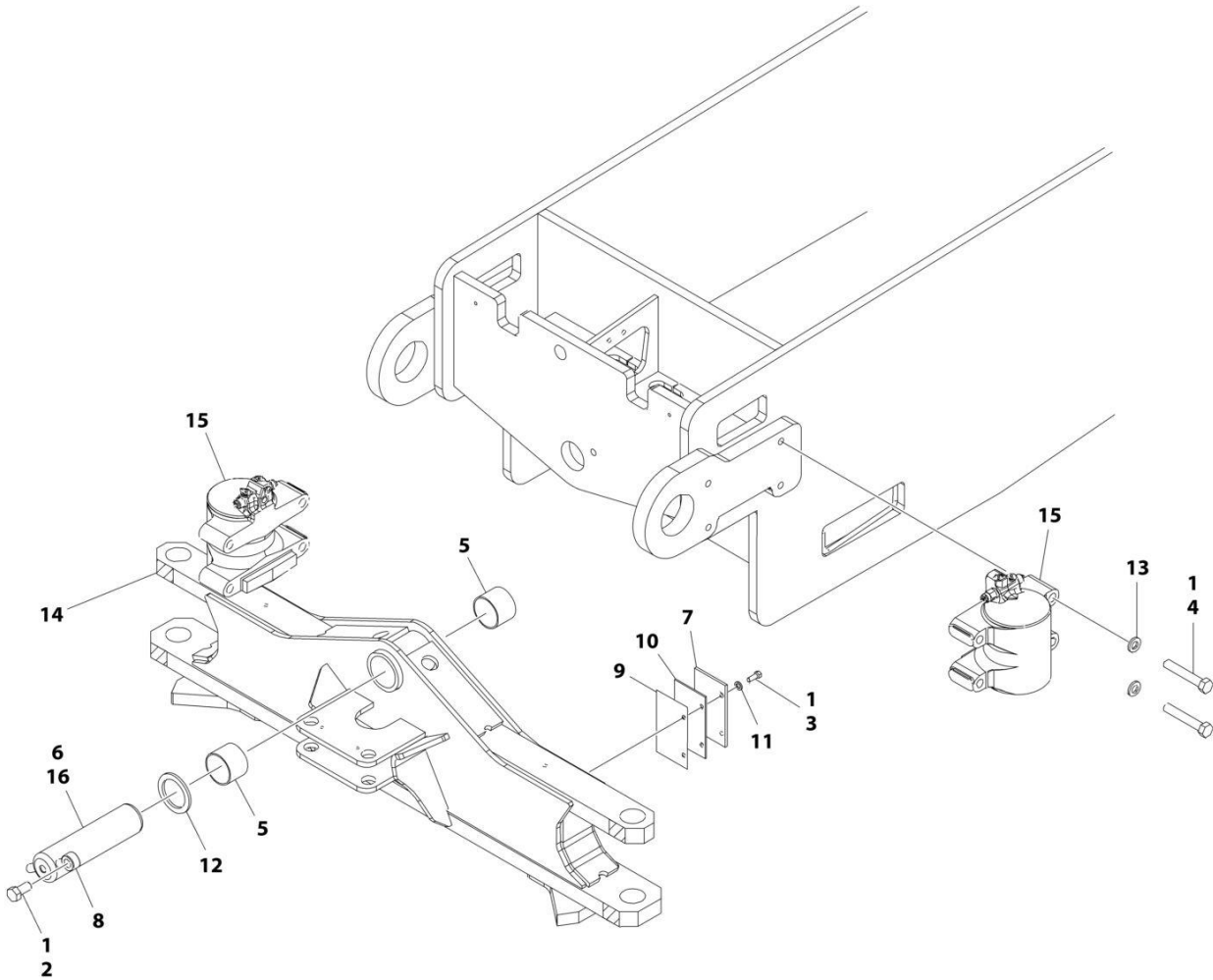
## SECTION 1 - FRAME

### FIGURE 1-1. AXLE INSTALLATION - OSCILLATING

ITEM	PART NUMBER	QTY	DESCRIPTION	REV
	1001154584	Ref	AXLE INSTALLATION	D
1	0100011	AR	Compound, Locking	
2	0642212	1	Bolt 3/4 x 1-1/2	
3	0681608	4	Bolt 3/8 x 1 Grade 8	
4	0682236	8	Bolt 3/4 x 4-1/2 Grade 8	
5	0962102	2	Bushing	
6	3020039	AR	Lubricant	
7	3538047	2	Shim .25	
8	3841287	1	Keeper, Pin	
9	4070878	AR	Shim 16 Gauge	
10	4070879	AR	Shim 11 Gauge	
11	4711600	4	Washer 3/8	
12	4740472	1	Washer	
13	4892200	8	Washer 3/4	
14	1001152719	1	Axle	
15	1001204560	2	Axle Lockout Cylinder Assembly (See Separate Breakdown in CYLINDER SECTION)	
16	1001156710	1	Pin	

# SECTION 1 - FRAME

## FIGURE 1-2. AXLE INSTALLATION - OSCILLATING WITH TOW PACKAGE



ART\_1001155194

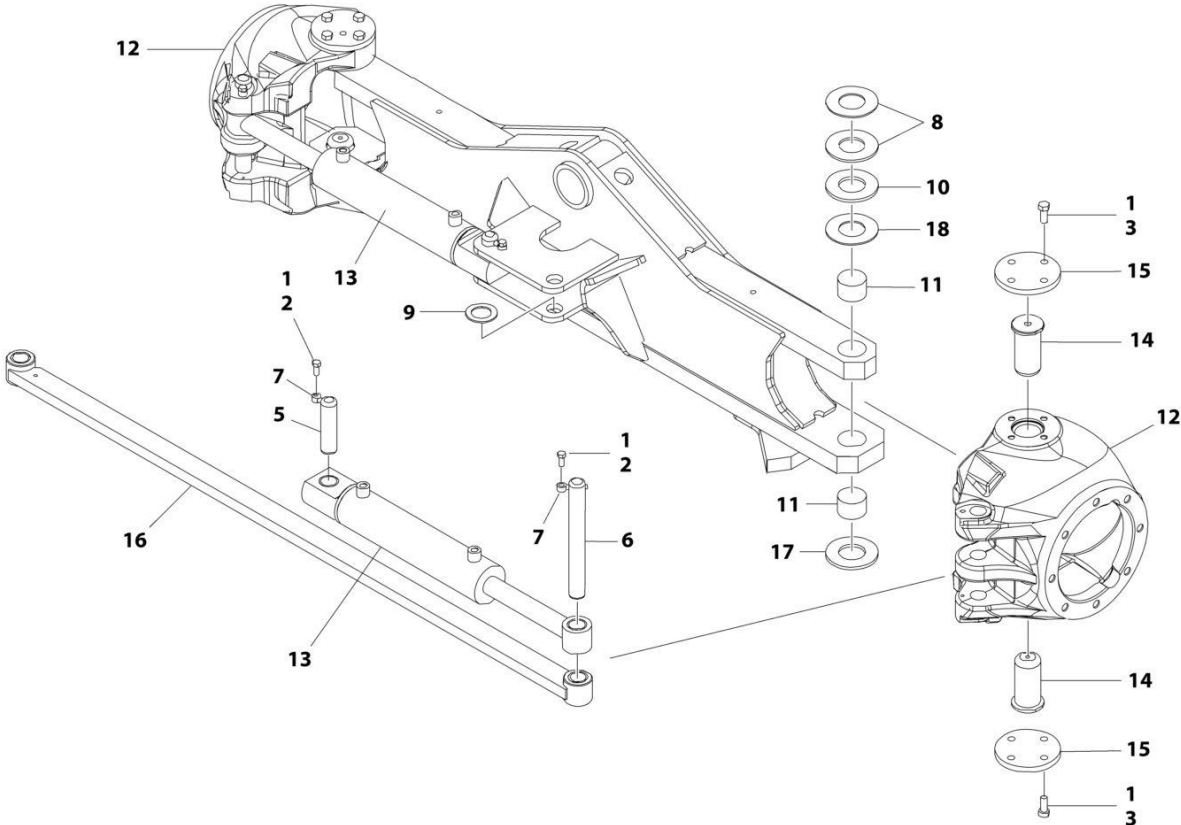
## SECTION 1 - FRAME

**FIGURE 1-2. AXLE INSTALLATION - OSCILLATING WITH TOW PACKAGE**

ITEM	PART NUMBER	QTY	DESCRIPTION	REV
	1001155194	Ref	AXLE INSTALLATION	D
1	0100011	AR	Compound, Locking	
2	0642212	1	Bolt 3/4 x 1-1/2	
3	0681608	4	Bolt 3/8 x 1 Grade 8	
4	0682236	8	Bolt 3/4 x 4-1/2 Grade 8	
5	0962102	2	Bushing	
6	3020039	AR	Lubricant	
7	3538047	2	Shim .25	
8	3841287	1	Keeper, Pin	
9	4070878	AR	Shim 16 Gauge	
10	4070879	AR	Shim 11 Gauge	
11	4711600	4	Washer 3/8	
12	4740472	1	Washer	
13	4892200	8	Washer 3/4	
14	1001154875	1	Axle	
15	1001204560	2	Axle Lockout Cylinder Assembly (See Separate Breakdown in CYLINDER SECTION)	
16	1001156710	1	Pin	

**SECTION 1 - FRAME**

**FIGURE 1-3. STEER INSTALLATION - 2WS**



ART\_1001151034

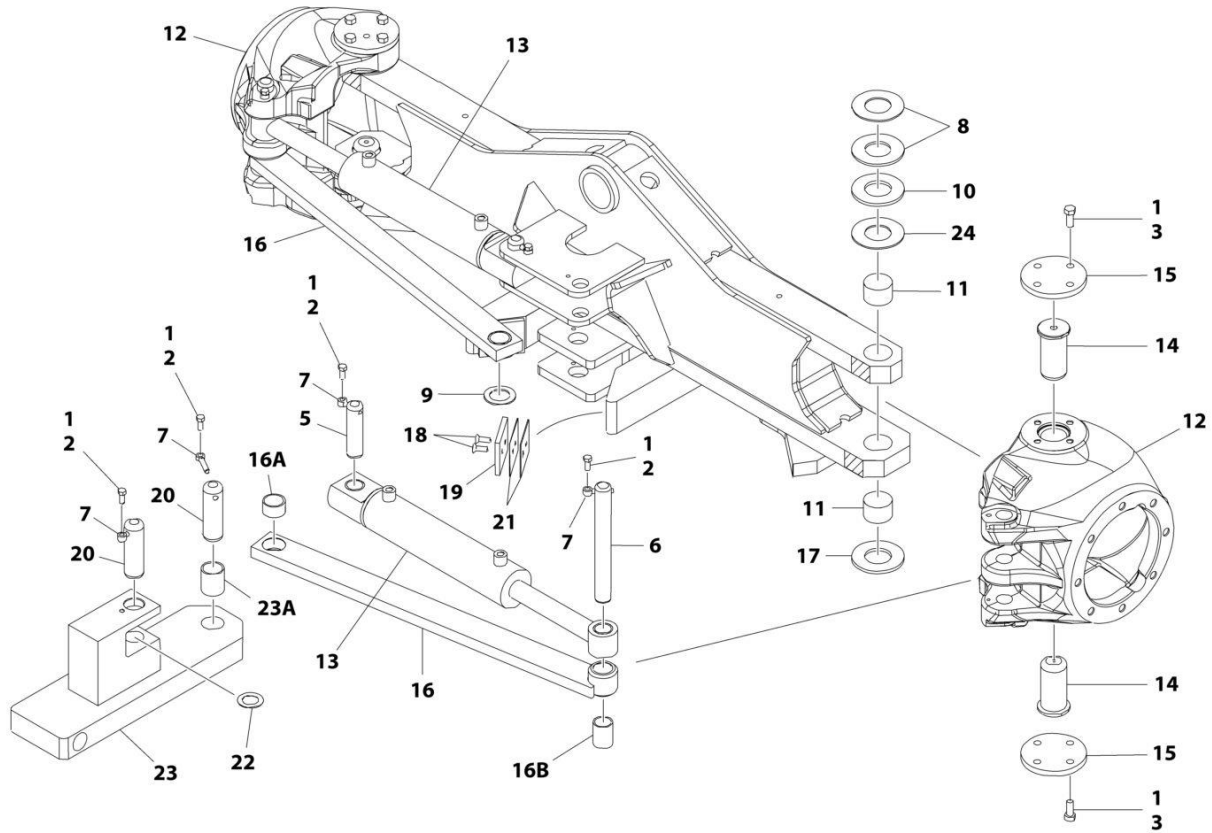
## SECTION 1 - FRAME

**FIGURE 1-3. STEER INSTALLATION - 2WS**

ITEM	PART NUMBER	QTY	DESCRIPTION	REV
	1001151034	Ref	STEER INSTALLATION	H
1	0100011	AR	Compound, Locking	
2	0641607	4	Bolt 3/8 x 7/8	
3	0641810	16	Bolt 1/2 x 1-1/4	
5	3422417	2	Pin	
6	3422790	2	Pin	
7	3841520	4	Keeper, Pin	
8	4740256	AR	Washer, Thrust	
9	4740473	2	Washer	
10	1001103810	AR	Washer, Thrust	
11	1001165657	4	Bearing	
12	1001150372	2	Spindle	
13	1001150539	2	Steer Cylinder Assembly (See Separate Breakdown in CYLINDER SECTION)	
14	1001161355	4	Kingpin	
15	1001150937	4	Plate	
16	1001151980	1	Tie-Rod	
17	1001161399	2	Washer, Thrust	
18	4740463	AR	Washer, Thrust	

# SECTION 1 - FRAME

## FIGURE 1-4. STEER INSTALLATION - 2WS WITH TOW PACKAGE



ART\_1001155192



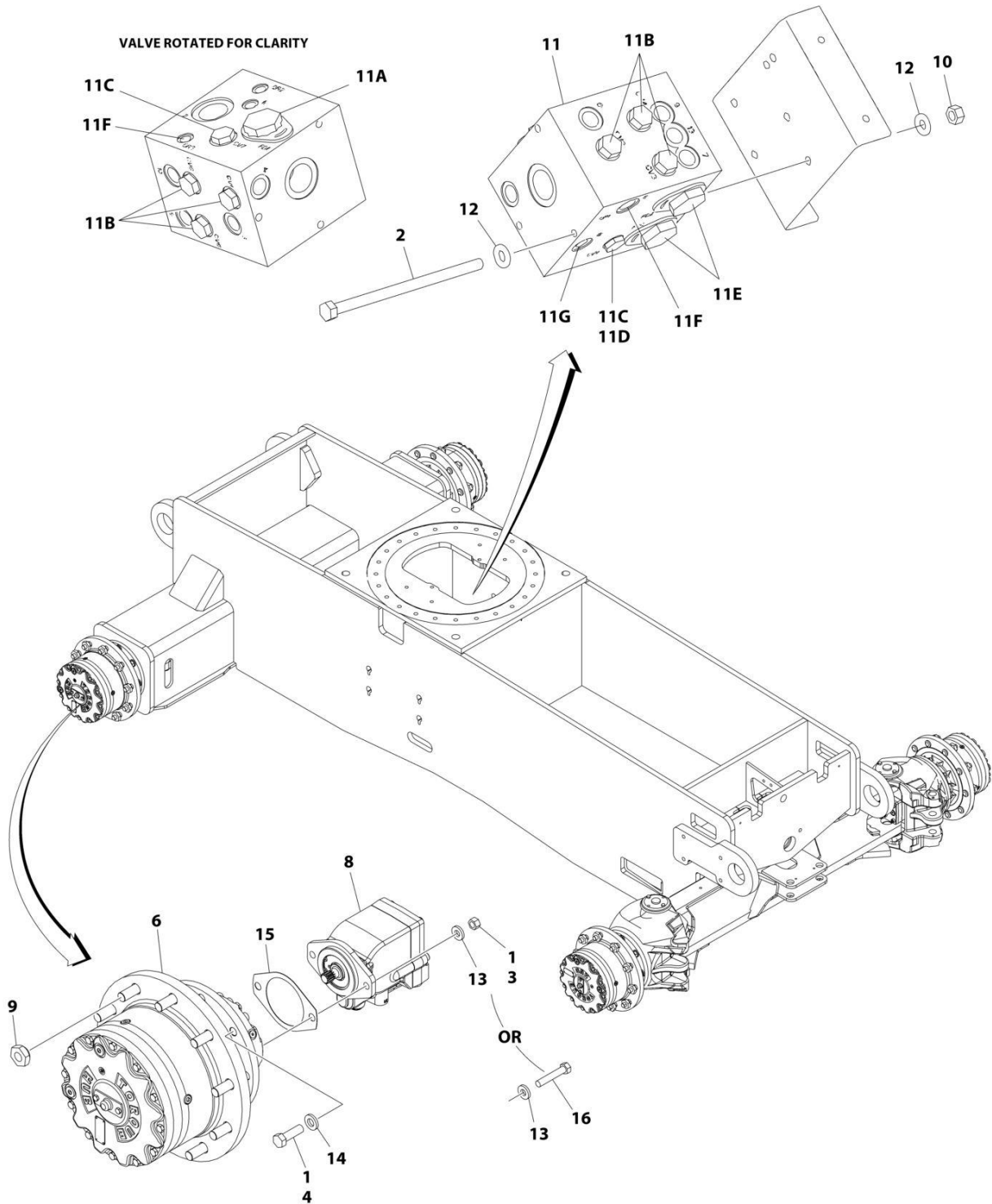
## SECTION 1 - FRAME

**FIGURE 1-4. STEER INSTALLATION - 2WS WITH TOW PACKAGE**

ITEM	PART NUMBER	QTY	DESCRIPTION	REV
	1001155192	Ref	STEER INSTALLATION	G
1	0100011	AR	Compound, Locking	
2	0641607	6	Bolt 3/8 x 7/8	
3	0641810	16	Bolt 1/2 x 1-1/4	
5	3422417	2	Pin	
6	3422790	2	Pin	
7	3841520	6	Keeper, Pin	
8	4740256	AR	Washer, Thrust	
9	4740473	2	Washer	
10	1001103810	AR	Washer, Thrust	
11	1001165657	4	Bearing	
12	1001150372	2	Spindle	
13	1001150539	2	Steer Cylinder Assembly (See Separate Breakdown in CYLINDER SECTION)	
14	1001161355	4	Kingpin	
15	1001150937	4	Plate	
16	1001154931	2	Tie-Rod	
16A	0962181	1	Bushing	
16B	0962152	1	Bushing	
17	1001161399	2	Washer, Thrust	
18	0741609	4	Screw 3/8 x 1-1/8	
19	3340966	2	Pad, Stop	
20	3422848	2	Pin, Hitch	
21	4071059	AR	Shim 16 Gauge	
22	4740155	3	Washer, Thrust	
23	1001155035	1	Link	
23A	0962348	1	Bushing	
24	4740463	AR	Washer, Thrust	

# SECTION 1 - FRAME

## FIGURE 1-5. WHEEL DRIVE AND FRAME VALVES INSTALLATION - 4WD/2WS



ART\_1001157016

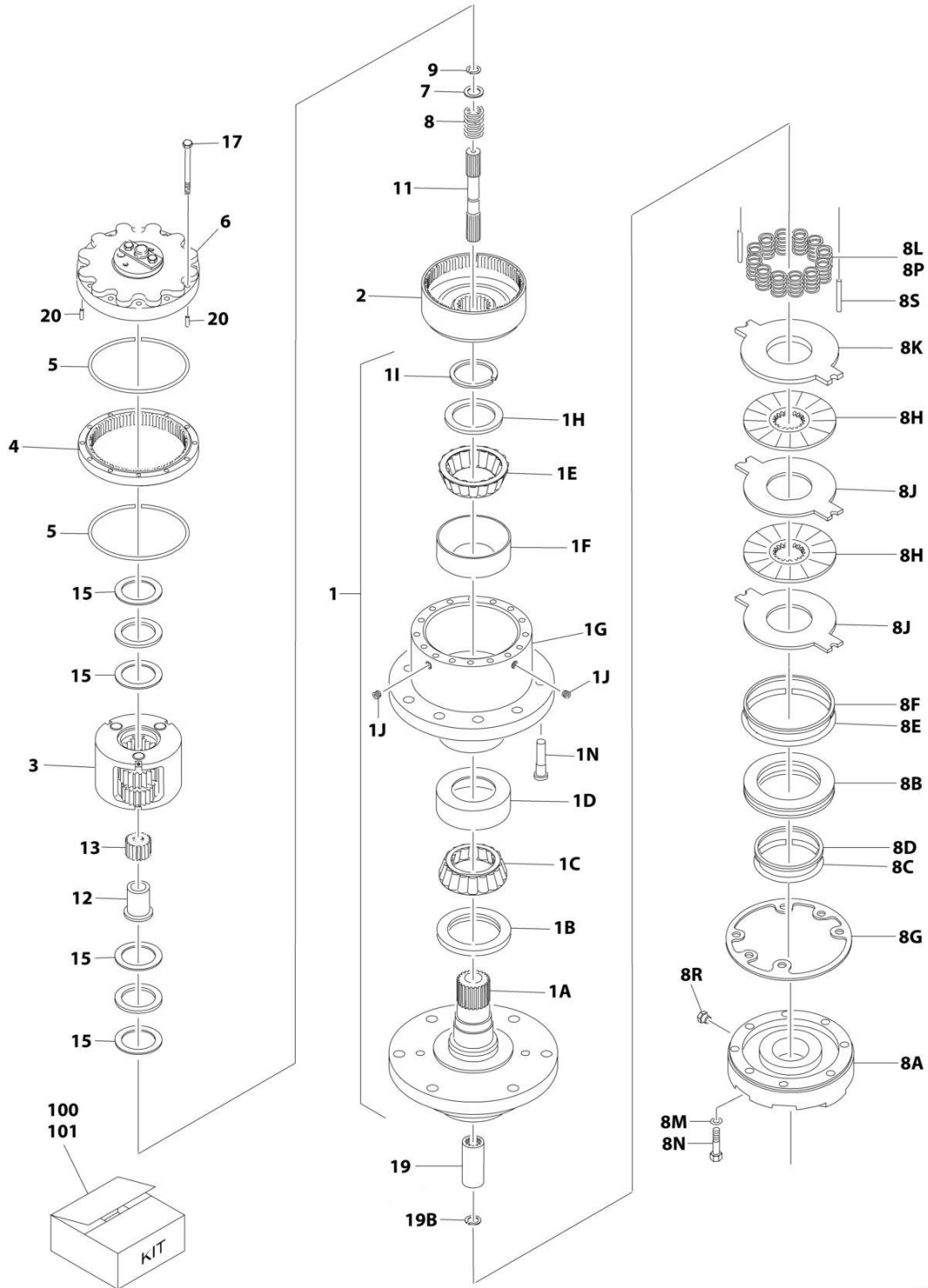
## SECTION 1 - FRAME

**FIGURE 1-5. WHEEL DRIVE AND FRAME VALVES INSTALLATION - 4WD/2WS**

ITEM	PART NUMBER	QTY	DESCRIPTION	REV
	1001157016	Ref	WHEEL DRIVE AND FRAME VALVES INSTALLATION	E
1	0100011	AR	Compound, Locking	
2	0641560	3	Bolt 5/16 x 7-1/2	
3	3311801	8	Nut 1/2	
4	0682016	32	Bolt 5/8 x 2 Grade 8	
5	2300016	AR	Fluid, Hydraulic (Not Shown)	
6	1001219219	4	Drive Hub Assembly (See Separate Breakdown in this Section)	
8	3160348	4	Drive Motor Assembly (See Separate Breakdown in this Section)	
9	3300007	40	Nut, Wheel	
10	3311505	3	Nut 5/16	
11	4641303	1	Flow Divider Valve Assembly	C
11A	7023933	1	Cartridge, Flow Divider	
11A	7021625	1	Seal Kit - 7023933 Cartridge	
11B	7022397	6	Cartridge, Check	
11B	7022399	6	Seal Kit - 7022397 Cartridge	
11C	7021639	2	Cartridge, Check Valves	
11C	2900756	2	Seal Kit - 7021639 Cartridge	
11D	7024881	1	Piston, Pilot	
11E	7023917	2	Cartridge, Flow Divider	
11E	7021625	2	Seal Kit - 7023917 Cartridge	
11F	70003935	2	Orifice	
11G	70003936	1	Orifice	
12	4711500	6	Washer 5/16	
13	4891800	8	Washer 1/2	
14	4892000	32	Washer 5/8	
15	3960526	2	Gasket	
16	0681822	4	Bolt 1/2 x 2-3/4	

# SECTION 1 - FRAME

## FIGURE 1-6. DRIVE HUB/BRAKE ASSEMBLY



ART\_1001219219

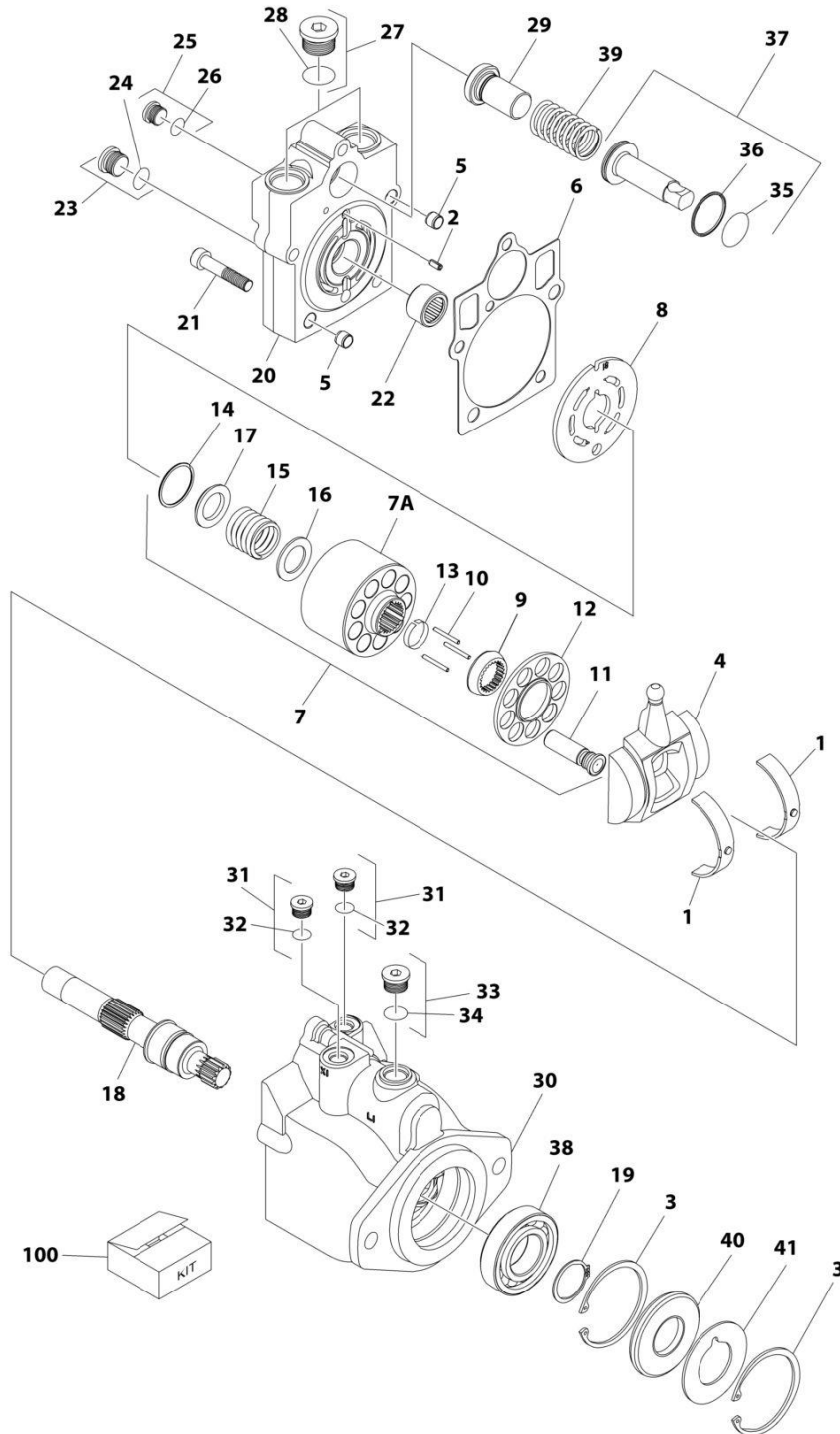
# SECTION 1 - FRAME

## FIGURE 1-6. DRIVE HUB/BRAKE ASSEMBLY

ITEM	PART NUMBER	QTY	DESCRIPTION	REV
	1001219219	Ref	DRIVE HUB/BRAKE ASSEMBLY	C
1	See Note	NSS	Spindle/Housing Assembly (Note: Not Available - Purchase Individual Components)	
1A	70006677	1	Spindle	
1B	70006678	1	Seal	
1C	1001091460	1	Cone, Bearing	
1D	1001091460	1	Cup, Bearing	
1E	1001091461	1	Cone, Bearing	
1F	1001091461	1	Cup, Bearing	
1G	See Note	NSS	Housing (Note: Not Available - Not Available for Purchase)	
1H	7000239	1	Thrustwasher	
1I	7000240	1	Ring, Retaining	
1J	7001928	1	Plug, Pipe	
1N	See Note	NSS	Stud, Wheel (Note: Not Available - Not Available for Purchase)	
2	7024782	1	Gear, Ring	
3	70006673	1	Carrier Assembly	
4	7024151	1	Gear, Internal	
5	7000224	2	O-Ring	
6	70006674	NSS	Cover Assembly (Note: Not Available - Not Available for Purchase)	
7	70006691	1	Thrustwasher	
8	7000283	1	Spring	
8A	7024191	1	Housing, Piston	
8B	70006684	1	Piston	
8C	See Note	NSS	O-Ring (Note: Use Item 101)	
8D	See Note	NSS	Ring, Back-up (Note: Use Item 101)	
8E	See Note	NSS	O-Ring (Note: Use Item 101)	
8F	See Note	NSS	Ring, Back-up (Note: Use Item 101)	
8G	See Note	NSS	Gasket (Note: Use Items 100 & 101)	
8H	See Note	NSS	Brake, Stator (Note: Use Item 100)	
8J	See Note	NSS	Brake, Rotor (Note: Use Item 100)	
8K	See Note	NSS	Plate, Pressure (Note: Use Item 100)	
8L	80344004	10	Spring	
8M	70006685	6	Capscrew	
8N	70006690	6	Lockwasher	
8P	70006680	2	Spring	
8R	7017082	2	Plug	
8S	7024190	2	Pin, Dowel	
9	7000284	1	Ring, Retaining	
11	70006675	1	Shaft, Input	
12	7024154	1	Spacer, Input	
13	7024149	1	Gear, Sun	
15	70006692	2	Thrustwasher	
17	7000289	12	Bolt 3/8 x 2-1/2in (Grade 8)	
19	70006676	1	Coupling	
19B	7017028	1	Ring, Retaining	
20	7017047	2	Pin, Dowel	
100	70006832	1	Friction Disc Kit (Includes Items 8G, 8H, 8J & 8K)	
101	70006833	1	Seal Kit (Includes Items - 8C-8G)	

# SECTION 1 - FRAME

## FIGURE 1-7. DRIVE MOTOR ASSEMBLY - 4WD



ART\_3160348

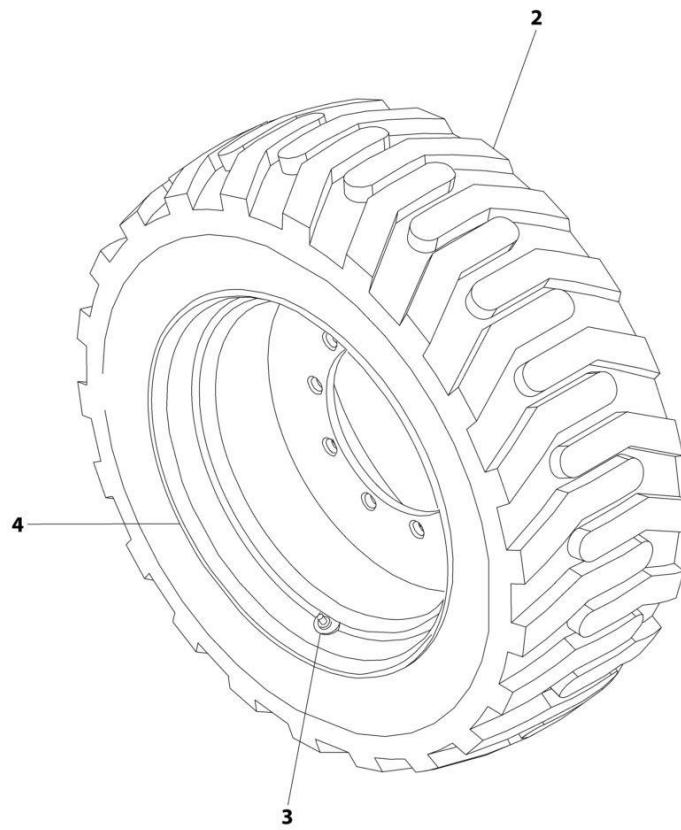
# SECTION 1 - FRAME

## FIGURE 1-7. DRIVE MOTOR ASSEMBLY - 4WD

ITEM	PART NUMBER	QTY	DESCRIPTION	REV
	3160348	Ref	DRIVE MOTOR ASSEMBLY	D
1	7022302	2	Bearing, Journal	
2	7007446	1	Pin	
3	7007438	2	Ring, Retaining	
4	7022305	1	Swash Plate	
5	See Note	2	Pin (Note: Not Available for Purchase)	
6	See Note	NSS	Gasket (Note: Use Item 100)	
7	7023907	1	Cylinder Block Kit (Includes Items 7A & 9-17)	
7A	See Note	NSS	Block, Cylinder (Note: Use Item 7)	
8	7023908	1	Plate, Valve	
9	7021277	1	Guide, Slipper Retainer	
10	7021275	3	Pin, Slipper Hold Down	
11	See Note	NSS	Piston Assembly (Note: Use Item 7)	
12	7022310	1	Retainer, Slipper	
13	7021276	1	Retainer, Hold Down Pin	
14	7022311	1	Ring, Retaining	
15	7022312	1	Spring	
16	7024868	1	Washer	
17	7022314	1	Retainer, Spring	
18	7023910	1	Shaft	
19	7007439	1	Ring, Retaining	
20	70000797	1	Cap, End - Axial	
21	7022368	5	Screw	
22	7021249	1	Bearing, Needle	
23	2220886	1	Plug (Includes Item 24)	
24	See Note	1	O-Ring (Note: Use Item 23 or 100)	
25	2220883	1	Plug (Includes Item 26)	
26	See Note	NSS	O-Ring (Note: Use Item 25 or 100)	
27	2220888	2	Plug (Includes Item 28)	
28	See Note	NSS	O-Ring (Note: Use Item 27 or 100)	
29	7022372	1	Seat, Spring	
30	See Note	NSS	Housing (Note: Not Available - Purchase Complete Assembly)	
31	2220883	2	Plug (Includes Item 32)	
32	See Note	NSS	O-Ring (Note: Use Item 31 or 100)	
33	2220886	1	Plug (Includes Item 34)	
34	See Note	NSS	O-Ring (Note: Use Item 33 or 100)	
35	See Note	NSS	O-Ring (Note: Use Item 100)	
36	See Note	NSS	Ring, Seal (Note: Use Item 100)	
37	7024854	1	Piston, Servo (Includes Items 35 & 36)	
38	7007437	1	Bearing	
39	7022326	1	Spring	
40	See Note	1	Seal, Lip (Note: Use Item 100)	
41	7022371	1	Washer, Support	
		Ref	KIT OPTIONS:	
100	7022328	1	Seal Kit (Includes Items 6, 24, 26, 28, 32, 34, 35, 36 & 40)	

## SECTION 1 - FRAME

FIGURE 1-8. TIRE AND WHEEL INSTALLATION 18-625 NHS FOAM-FILLED TIRE



ART\_0270888



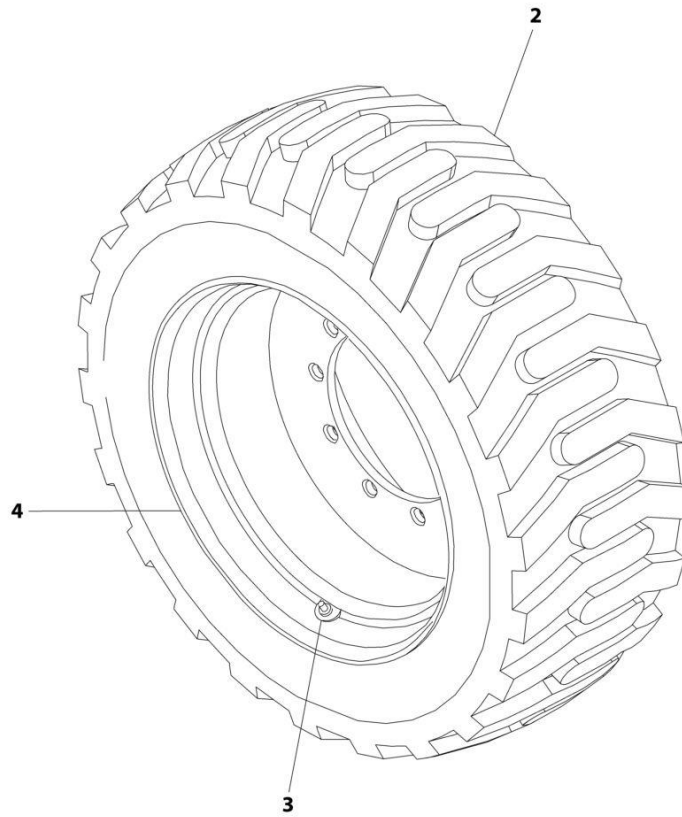
**SECTION 1 - FRAME**

**FIGURE 1-8. TIRE AND WHEEL INSTALLATION 18-625 NHS FOAM-FILLED TIRE**

ITEM	PART NUMBER	QTY	DESCRIPTION	REV
	0270888	Ref	TIRE AND WHEEL INSTALLATION	C
	0271090	2	Tire and Wheel Assembly - 18-625 NHS Foam-Filled LH Side	G
	0271091	2	Tire and Wheel Assembly - 18-625 NHS Foam-Filled RH Side	G
		Ref	Note: Assemblies may require ballast/foam filling to manufacturer's specifications prior to installing on a machine. Refer to Operation and Safety or Service and Maintenance Manuals.	
		Ref	Purchase individual tire and/or rim only if able to foam fill tire and wheel assembly, otherwise, purchase complete assembly.	
2	4520253	1	Tire 18-625	
3	4641122	1	Valve, Air	
4	4860225	1	Rim, Wheel - 15 x 24.5 Rim	

## SECTION 1 - FRAME

FIGURE 1-9. TIRE AND WHEEL INSTALLATION 18-625 NHS FOAM-FILLED NON-MARKING TIRE



ART\_1001169757

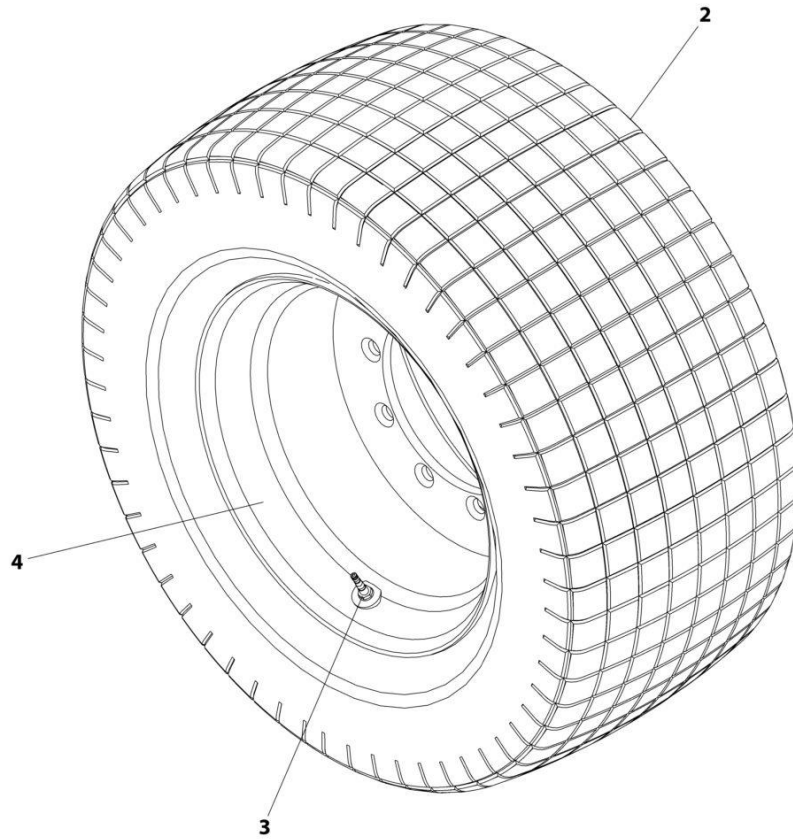
## SECTION 1 - FRAME

**FIGURE 1-9. TIRE AND WHEEL INSTALLATION 18-625 NHS FOAM-FILLED NON-MARKING TIRE**

ITEM	PART NUMBER	QTY	DESCRIPTION	REV
	1001169757	Ref	TIRE AND WHEEL INSTALLATION	A
	1001169755	2	Tire and Wheel Assembly - 18-625 NHS Foam-Filled Non-Marking LH Side	D
	1001169756	2	Tire and Wheel Assembly - 18-625 NHS Foam-Filled Non-Marking RH Side	D
		Ref	Note: Assemblies may require ballast/foam filling to manufacturer's specifications prior to installing on a machine. Refer to Operation and Safety or Service and Maintenance Manuals.	
		Ref	Purchase individual tire and/or rim only if able to foam fill tire and wheel assembly, otherwise, purchase complete assembly.	
2	1001169754	1	Tire 18-625 Non-Marking	
3	4641122	1	Valve, Air	
4	4860225	1	Rim, Wheel - 15 x 24.5 Rim	

# SECTION 1 - FRAME

FIGURE 1-10. TIRE AND WHEEL INSTALLATION 18-625 NHS FOAM-FILLED SAND TIRE



ART\_1001243645

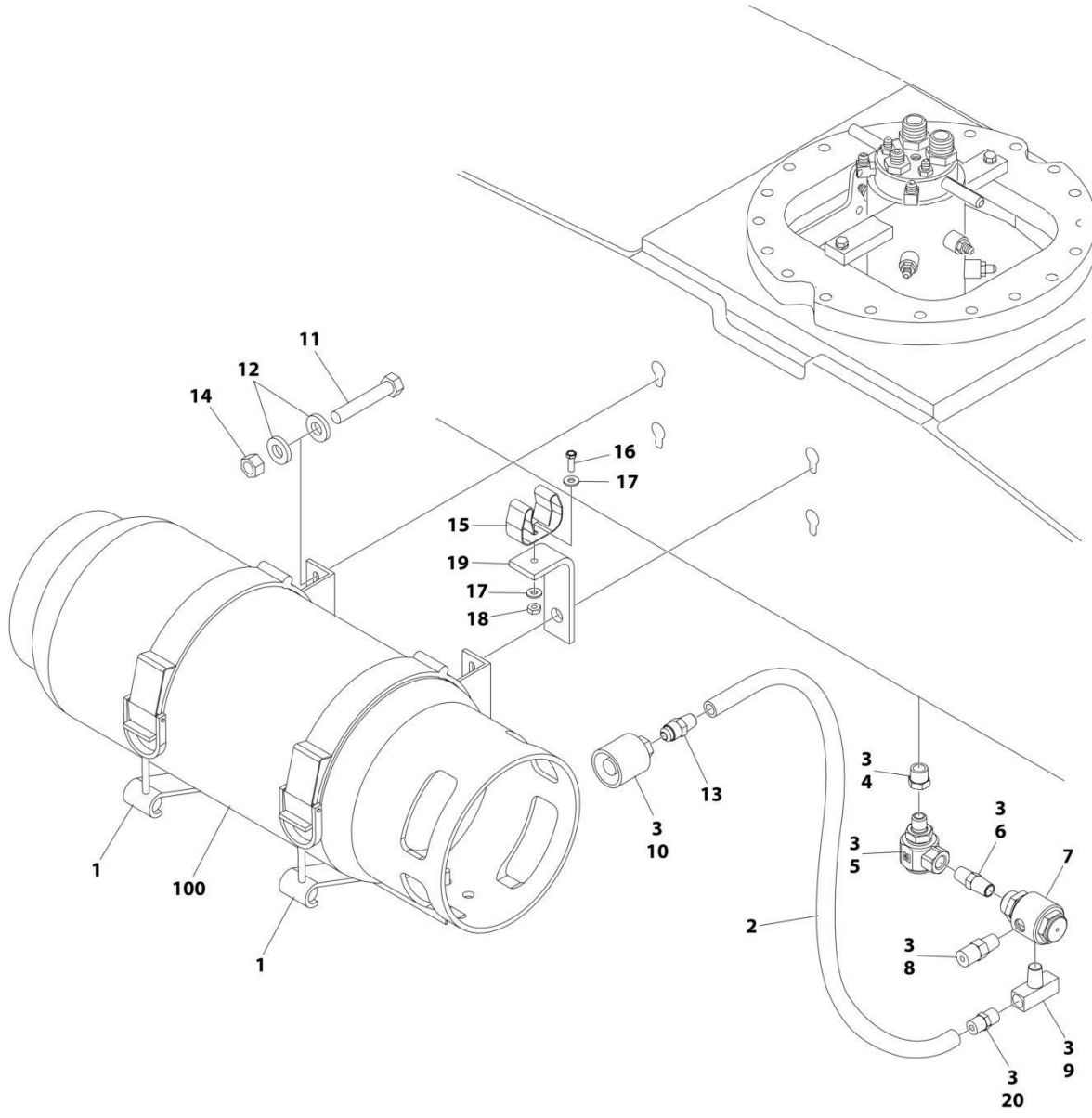
**SECTION 1 - FRAME**

**FIGURE 1-10. TIRE AND WHEEL INSTALLATION 18-625 NHS FOAM-FILLED SAND TIRE**

ITEM	PART NUMBER	QTY	DESCRIPTION	REV
	1001243645	Ref	TIRE AND WHEEL INSTALLATION	A
	1001245049	4	Tire and Wheel Assembly - 18-625 NHS Foam-Filled Sand	B
		Ref	Note: Assemblies may require ballast/foam filling to manufacturer's specifications prior to installing on a machine. Refer to Operation and Safety or Service and Maintenance Manuals.	
		Ref	Purchase individual tire and/or rim only if able to foam fill tire and wheel assembly, otherwise, purchase complete assembly.	
2	4520256	1	Tire 18-625 Non-Marking	
3	4641122	1	Valve, Air	
4	1001209982	1	Rim, Wheel - 22.5 x 14	

# SECTION 1 - FRAME

## FIGURE 1-11. LP TANK BRACKETS INSTALLATIONS



ART\_1001151010\_E

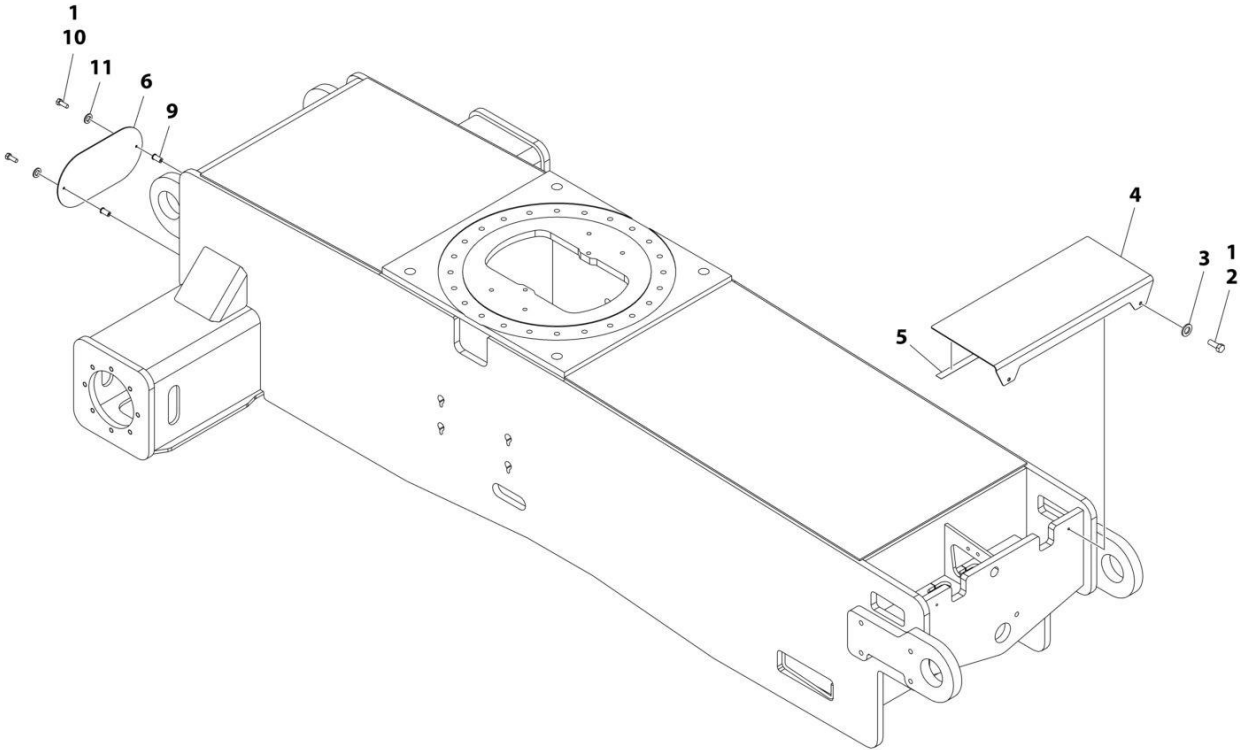
## SECTION 1 - FRAME

### FIGURE 1-11. LP TANK BRACKETS INSTALLATIONS

ITEM	PART NUMBER	QTY	DESCRIPTION	REV
	1001151010	Ref	LP TANK BRACKETS INSTALLATION	E
1	1320220	2	Clamp	
1	1320127	2	Clamp, Toggle (1 Per Clamp)	
2	2720144	2	Hose	
3	0100020	AR	Sealant, Pipe	
4	2221197	1	Fitting, Reducer	
5	1001247358	1	Fitting, 90 Swivel	
6	2220261	1	Fitting, Nipple	
7	2180388	1	Fitting, Bulkhead	
8	2180389	1	Valve, Relief	
9	2220418	1	Fitting, Tee	
10	2180387	2	Fitting, Straight	
11	0641617	8	Bolt 3/8 x 2-1/8	
12	4751600	16	Washer 3/8	
13	2180418	2	Fitting, Connector	
14	3311605	8	Nut 3/8	
15	1320218	2	Clamp, Spring	
16	0720804	2	Screw #8 x 1/2	
17	4750800	4	Washer #8	
18	3310805	2	Nut #8	
19	0181949	2	Angle, Support	
20	2221024	2	Fitting, Union Ball Check	
100	4400275	1	Tank, LP - 43.5 Lbs. (Aluminum)	
100	4400420	1	Tank, LP - 43.5 Lbs. (Steel)	

**SECTION 1 - FRAME**

**FIGURE 1-12. FRAME SHIELDS INSTALLATION - 2WS**



ART\_1001158203



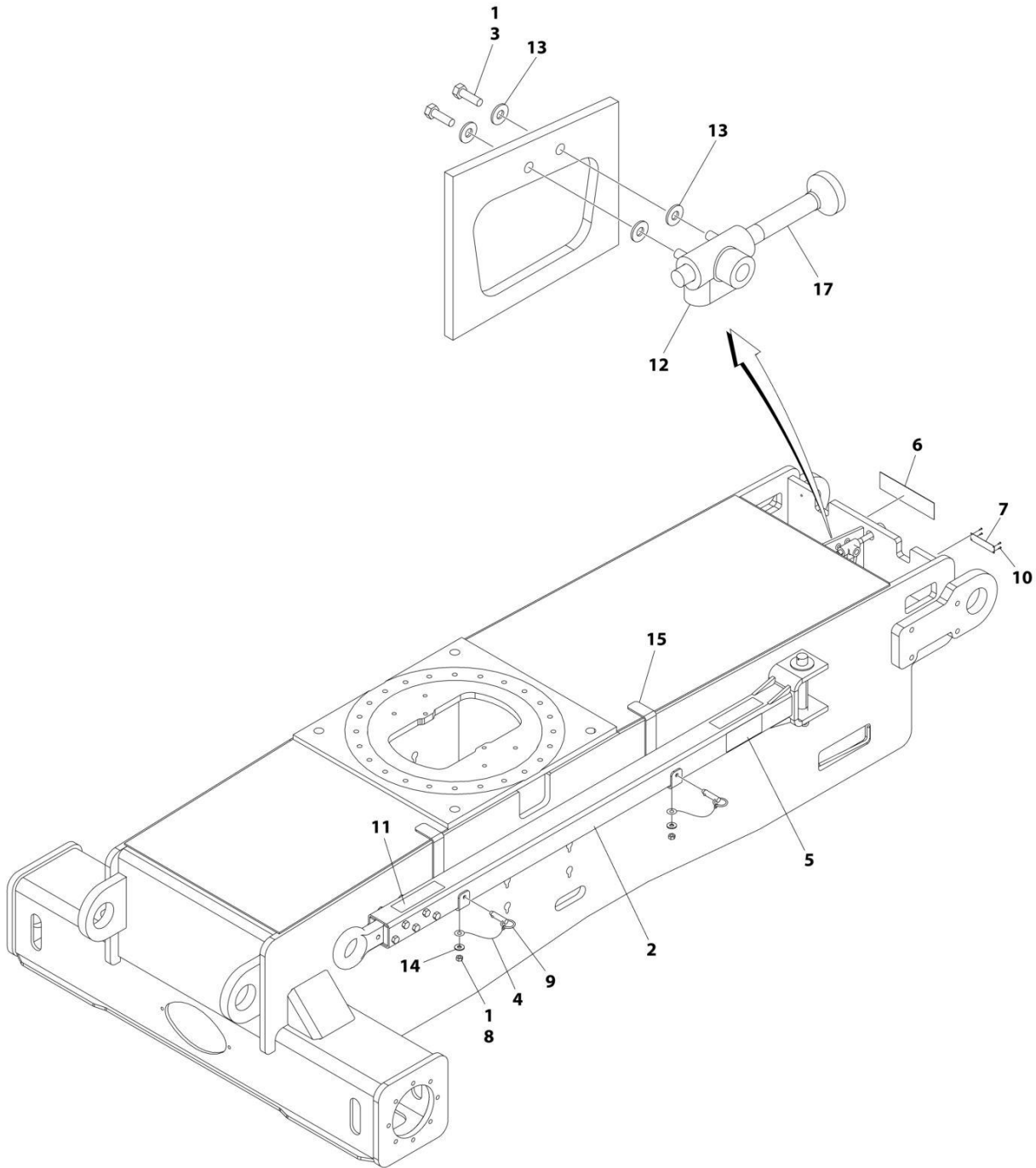
## SECTION 1 - FRAME

### FIGURE 1-12. FRAME SHIELDS INSTALLATION - 2WS

ITEM	PART NUMBER	QTY	DESCRIPTION	REV
	1001158203	Ref	FRAME SHIELDS INSTALLATION	D
1	0100011	AR	Compound, Locking	
2	0641606	2	Bolt 3/8 x 3/4	
3	4751600	2	Washer 3/8	
4	1001158187	1	Cover	
5	4280296	27 in/ 68cm	Trim	
6	1001158188	1	Cover	
9	8580420	2	Nut, Well	
10	0641410	2	Bolt 1/4 x 1-1/4	
11	4751400	2	Washer 1/4	

# SECTION 1 - FRAME

FIGURE 1-13. TOW PACKAGE INSTALLATION - 2WS (ENGLISH LANGUAGE DECALS)



ART\_1001158258

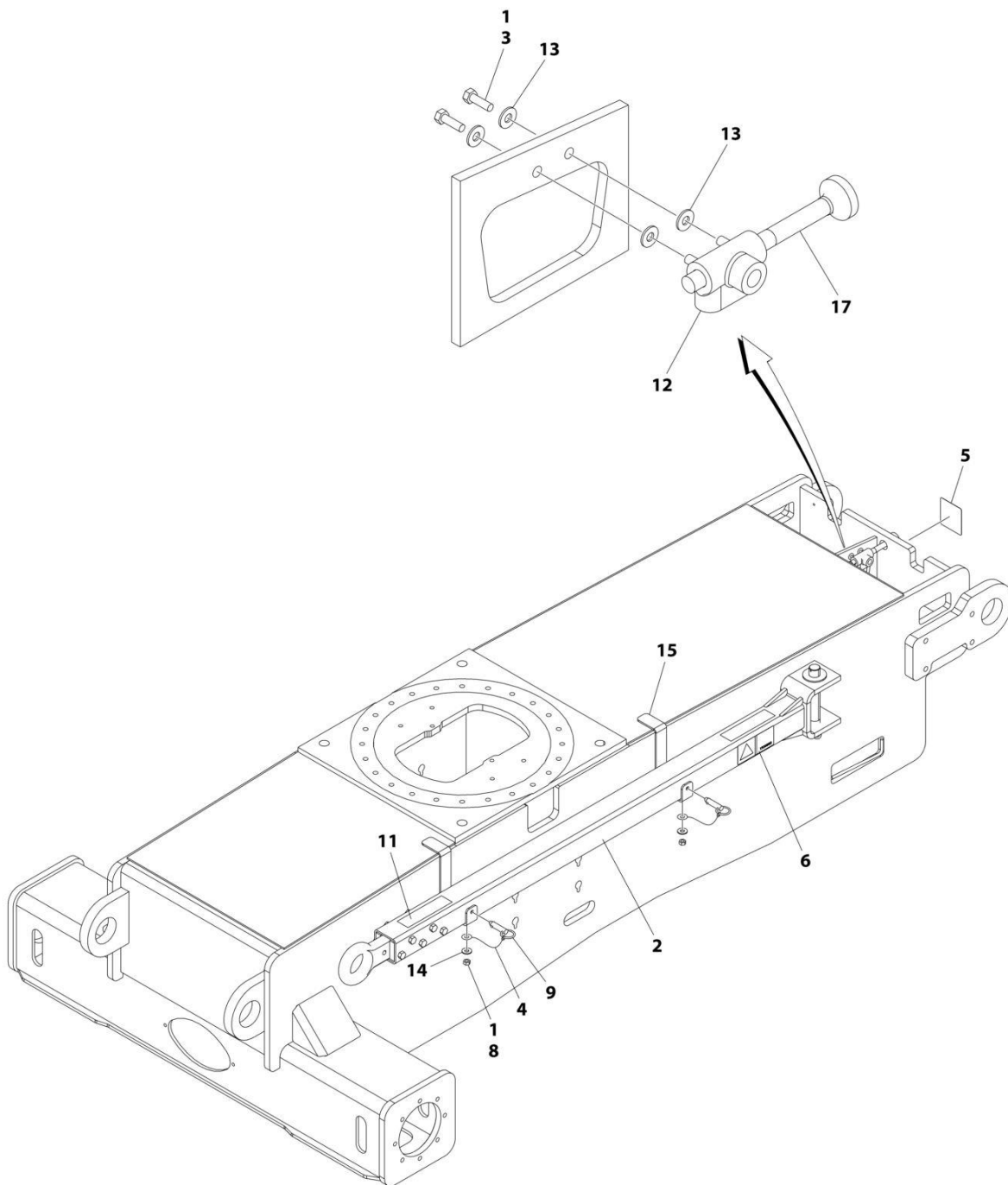
## SECTION 1 - FRAME

**FIGURE 1-13. TOW PACKAGE INSTALLATION - 2WS (ENGLISH LANGUAGE DECALS)**

ITEM	PART NUMBER	QTY	DESCRIPTION	REV
	1001158258	Ref	TOW PACKAGE INSTALLATION	B
1	0100011	AR	Compound, Locking	
2	0232121	1	Tow Bar Assembly (See Separate Breakdown in this Section)	
3	0641508	2	Bolt 5/16 x 1	
4	1260017	2 ft/0.3m	Chain	
5	1704578	2	Decal - Crushing	
6	1705090	1	Decal - Towing Instructions	
7	3250872	1	Nameplate - Steer/Tow Valve	
8	3311401	2	Nut 1/4	
9	3420292	2	Pin	
10	3820001	4	Rivet, Pop	
11	4420051	2 ft/0.3m	Tape	
12	4640261	1	Valve, Float Position	
13	4751500	4	Washer 5/16	
14	4751400	2	Washer 1/4	
15	1001158522	2	Bracket	
17	1001160780	1	Rod, Extension	

# SECTION 1 - FRAME

FIGURE 1-14. TOW PACKAGE INSTALLATION - 2WS (CE & UK CA SPECS)



ART\_1001166806

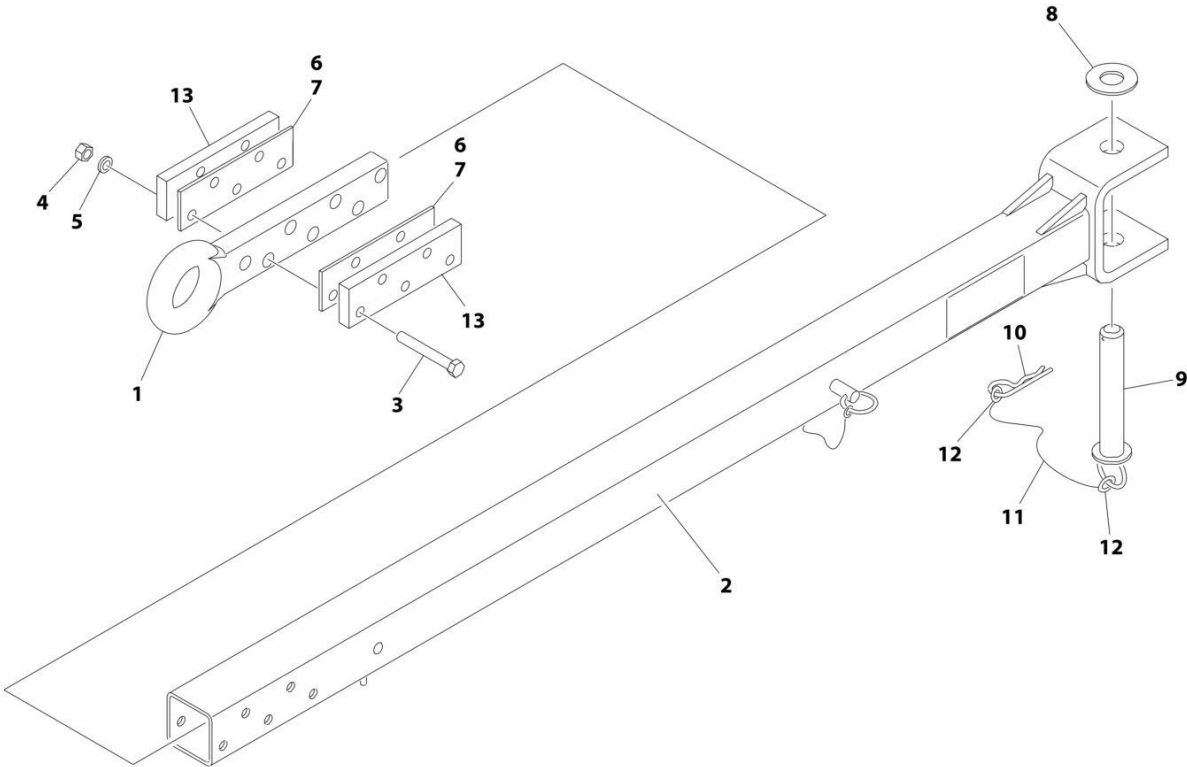
## SECTION 1 - FRAME

**FIGURE 1-14. TOW PACKAGE INSTALLATION - 2WS (CE & UK CA SPECS)**

ITEM	PART NUMBER	QTY	DESCRIPTION	REV
	1001166806	Ref	TOW BAR INSTALLATION	B
1	0100011	AR	Compound, Locking	
2	0232121	1	Tow Bar Assembly (See Separate Breakdown in this Section)	
3	0641508	2	Bolt 5/16 x 1	
4	1260017	2 ft/0.3m	Chain	
5	1706957	1	Decal - Tow Bar and Steer Select	
6	1706960	2	Decal - Crushing	
7	2792700	1	Hydraulic Diagram, Tow Bar Circuit (Not Shown)	
8	3311401	2	Nut 1/4	
9	3420292	2	Pin	
11	4420051	2 ft/0.3m	Tape	
12	4640261	1	Valve, Float Position	
13	4751500	AR	Washer 5/16	
14	4751400	2	Washer 1/4	
15	1001158522	1	Bracket	
17	1001160780	1	Rod, Extension	

**SECTION 1 - FRAME**

**FIGURE 1-15. TOW BAR ASSEMBLY**



ART\_232121

# SECTION 1 - FRAME

## FIGURE 1-15. TOW BAR ASSEMBLY

ITEM	PART NUMBER	QTY	DESCRIPTION	REV
	0232121	Ref	TOW BAR ASSEMBLY	7-G
1	0360406	1	Bar, Draw	
2	4843777	1	Bar, Tow	
3	0642038	5	Bolt 5/8 x 4-3/4	
4	3312001	5	Nut 5/8	
5	4762000	5	Washer 5/8	
6	4070450	AR	Shim	
7	4070561	AR	Shim	
8	4740036	1	Washer 1-1/2	
9	3420447	1	Pin	
10	3420372	1	Pin	
11	1260135	1	Chain	
12	3760170	2	Ring	
13	4070560	2	Shim	

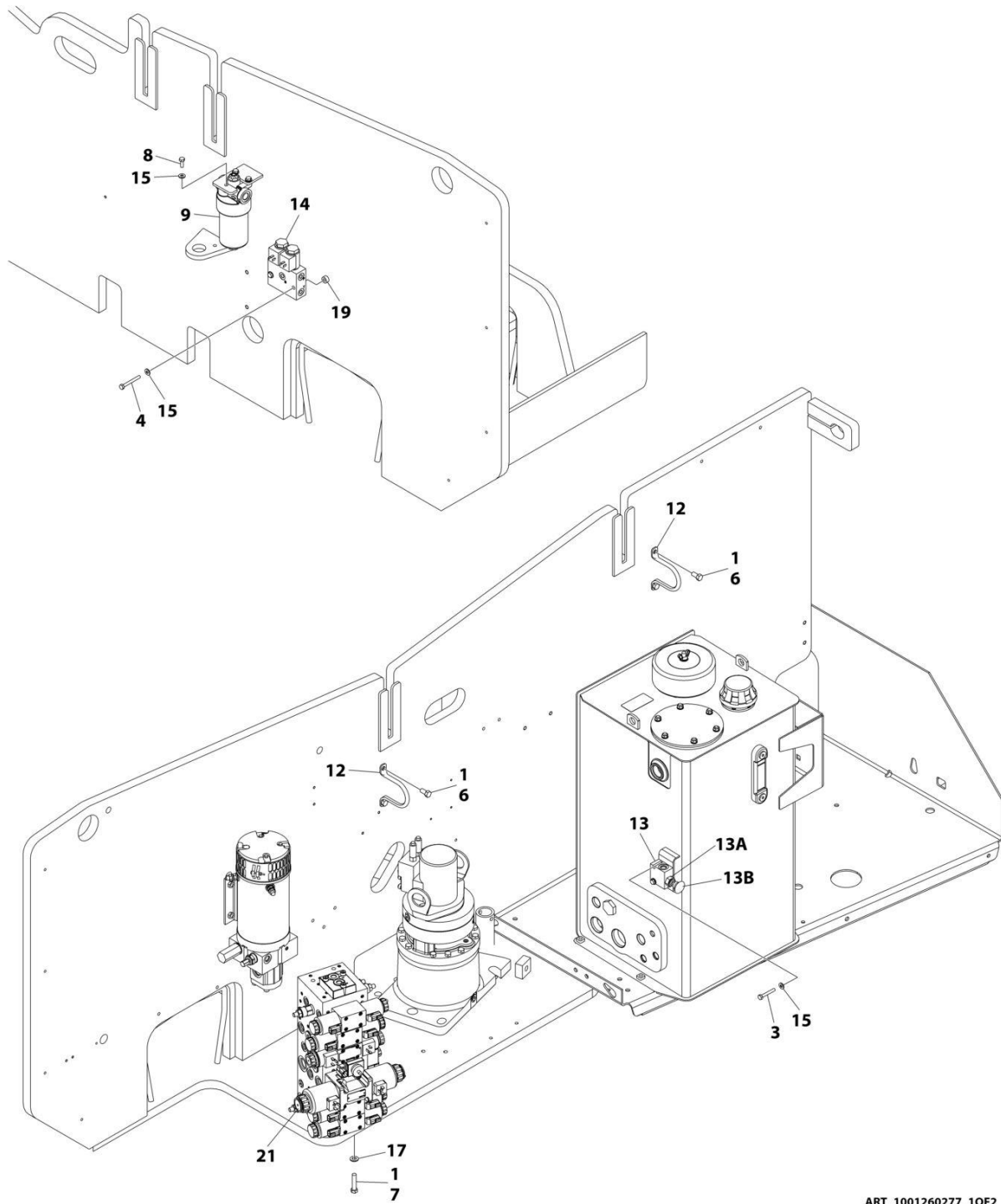




**SECTION 2 - TURNTABLE**

# SECTION 2 - TURNTABLE

## FIGURE 2-1. CONTROL VALVES INSTALLATION - WITH 2WS



ART\_1001260277\_10F2

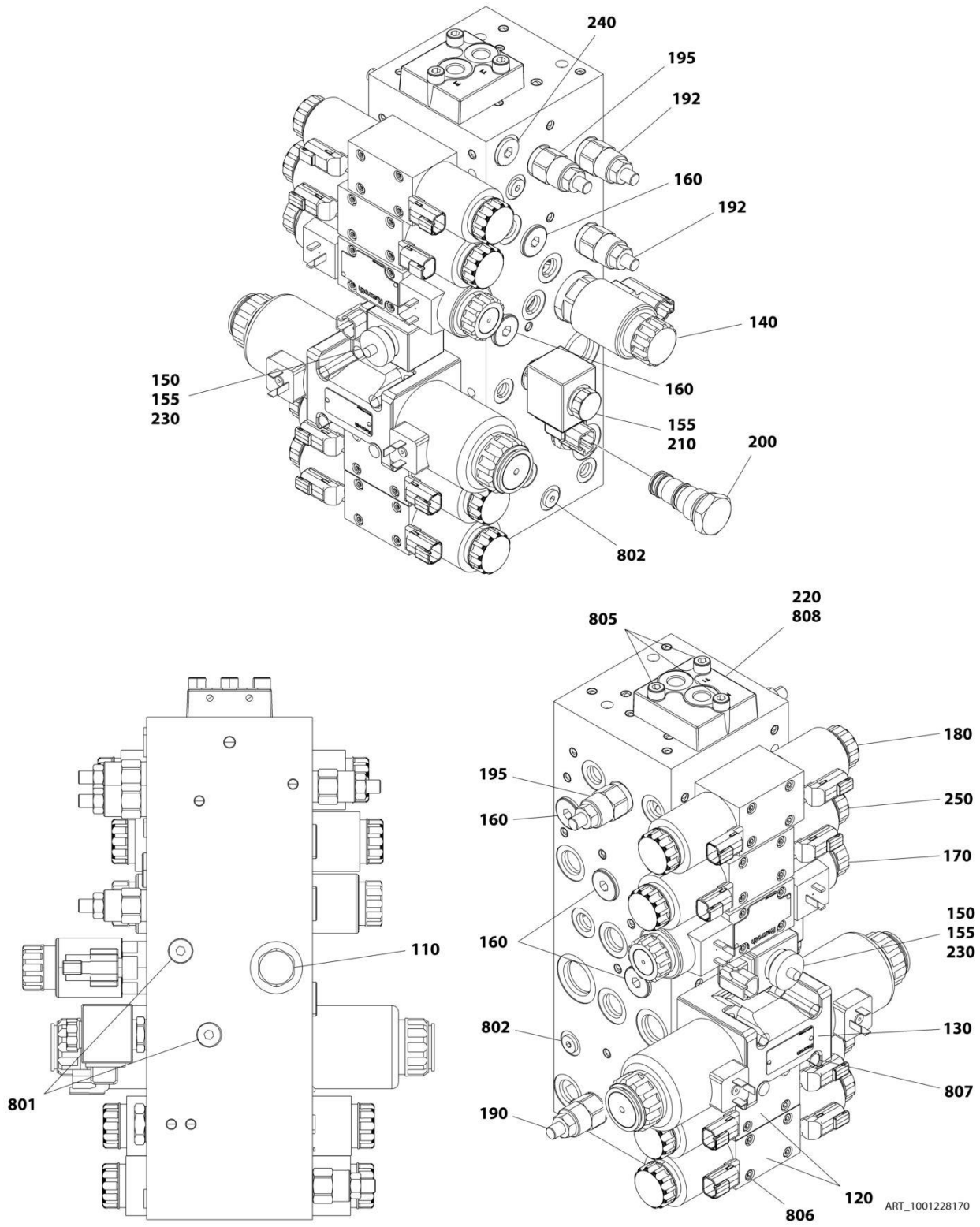
# SECTION 2 - TURNTABLE

**FIGURE 2-1. CONTROL VALVES INSTALLATION - WITH 2WS**

ITEM	PART NUMBER	QTY	DESCRIPTION	REV
	1001260277	Ref	BOOM VALVES INSTALLATION	A
1	0100011	AR	Compound, Locking	
3	0641414	2	Bolt 1/4 x 1-3/4	
4	0641418	4	Bolt 1/4 x 2-1/4	
6	0641606	4	Bolt 3/8 x 3/4	
7	0641614	3	Bolt 3/8 x 1-3/4	
8	0651406	3	Bolt 1/4 x 3/4	
9	2120209	1	Pressure Filter Assembly	
9	2120210	1	Element, Filter	
12	3841340	2	Loop, Hose	
13	4640866	1	Level Valve Assembly	
13A	7017466	1	Cartridge	
13A	2900708	1	Seal Kit	
13B	7012959	1	Knob	
14	4641317	1	Brake/2 Speed Valve Assembly	
14	7012944	1	Coil	
14	7012941	1	Cartridge without Coil	
14	7010543	1	Seal Kit- 7012941 Cartridge (1 Per Cartridge)	
15	4711400	11	Washer 1/4	
17	4711600	3	Washer 3/8	
19	1001110425	2	Spacer	
21	1001228170	1	Main Valve Assembly (See Separate Breakdown in this Section)	

# SECTION 2 - TURNTABLE

## FIGURE 2-2. CONTROL VALVE ASSEMBLY - 2WS MACHINES



ART\_1001228170

**SECTION 2 - TURNTABLE**

**FIGURE 2-2. CONTROL VALVE ASSEMBLY - 2WS MACHINES**

ITEM	PART NUMBER	QTY	DESCRIPTION	REV
	1001228170	Ref	MAIN VALVE ASSEMBLY	E
110	70005194	1	Valve, Check Cartridge	
110	70004584	1	Seal Kit - 70005194 Valve	
120	70004459	2	Valve Assembly (Tower Tele and Tower Lift)	
120	7012773	2	Seal Kit - 70004459 Valve	
120	70004460	4	Coil	
120	7021375	4	Nut, Coil	
120	70004461	4	O-Ring, Pole Tube	
130	70006955	1	Valve Assembly (Upper Tele)	
130	70006957	1	Seal Kit - 70006955 Valve	
130	70006956	2	Coil	
140	70004657	1	Valve, Cartridge (Flow Control)	
140	70004594	1	Seal Kit - 70004657 Valve	
140	70004595	1	Coil	
140	70004596	1	O-Ring, Pole Tube	
140	70004597	1	Nut, Coil	
150	70004598	1	Valve, Cartridge Less Coil (Steer Dump)	
150	70004055	1	Seal Kit - 70004598 Valve	
155	70004653	2	Coil	
155	70004051	2	Nut, Coil	
160	70023859	5	Valve, Shuffle Cartridge	
160	70023860	5	Seal Kit - 70023859 Valve	
170	7018992	1	Valve Assembly (Upper Lift)	
170	7024021	1	Seal Kit - 7018992 Valve	
170	7018991	2	Coil	
170	7021375	2	Nut, Coil	
170	70004461	2	O-Ring, Pole Tube	
180	70005195	1	Valve Assembly (Front Steer)	
180	7012773	1	Seal Kit - 70005195 Valve	
180	70004463	2	Coil	
180	7021375	2	Nut, Coil	
180	70004461	2	O-Ring, Pole Tube	
190	70003019	1	Valve, Relief Catridge (was PN 70006959)	
190	See Note	NSS	Seal Kit - Valve (Note: Not Available for Purchase)	
192	70003019	1	Valve, Relief Catridge (was PN 70006960)	
192	See Note	NSS	Seal Kit - Valve (Note: Not Available for Purchase)	
195	70003019	1	Valve, Relief Catridge (was PN 70006958)	
195	See Note	NSS	Seal Kit - Valve (Note: Not Available for Purchase)	
200	70004665	1	Valve, Check - Catridge	
200	70023862	1	Seal Kit - 70004665 Valve	
210	70004457	1	Valve, Cartridge Less Coil (Main Dump)	
210	70004050	1	Seal Kit - 70004665 Valve	
210	70004653	1	Coil	
220	70004667	1	Cover	
230	70005196	1	Orifice .118	
240	70005197	1	Plug (2WS)	
240	70004052	1	Seal Kit - 70005197 Plug	
250	70005198	1	Valve Assembly (Swing)	
250	70006961	1	Seal Kit - 70005198 Valve	
250	70004463	2	Coil	

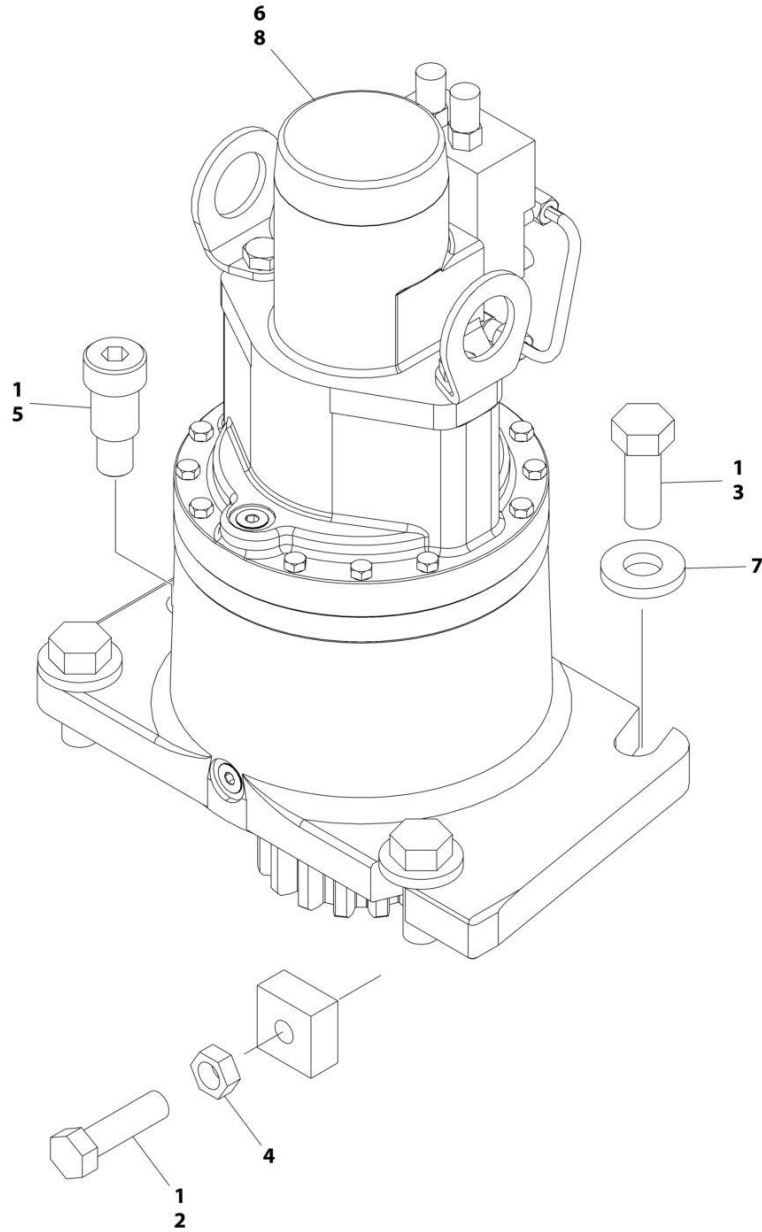
## SECTION 2 - TURNTABLE

ITEM	PART NUMBER	QTY	DESCRIPTION	REV
250	7021375	2	Nut, Coil	
250	70004461	2	O-Ring, Pole Tube	
801	70005199	2	Plug	
802	70005200	4	Plug	
805	70005201	3	Capscrew	
806	7018942	20	Capscrew	
807	7018951	4	Capscrew	
808	70005202	2	O-Ring	



# SECTION 2 - TURNTABLE

## FIGURE 2-3. SWING DRIVE INSTALLATION



ART\_1001156136\_B



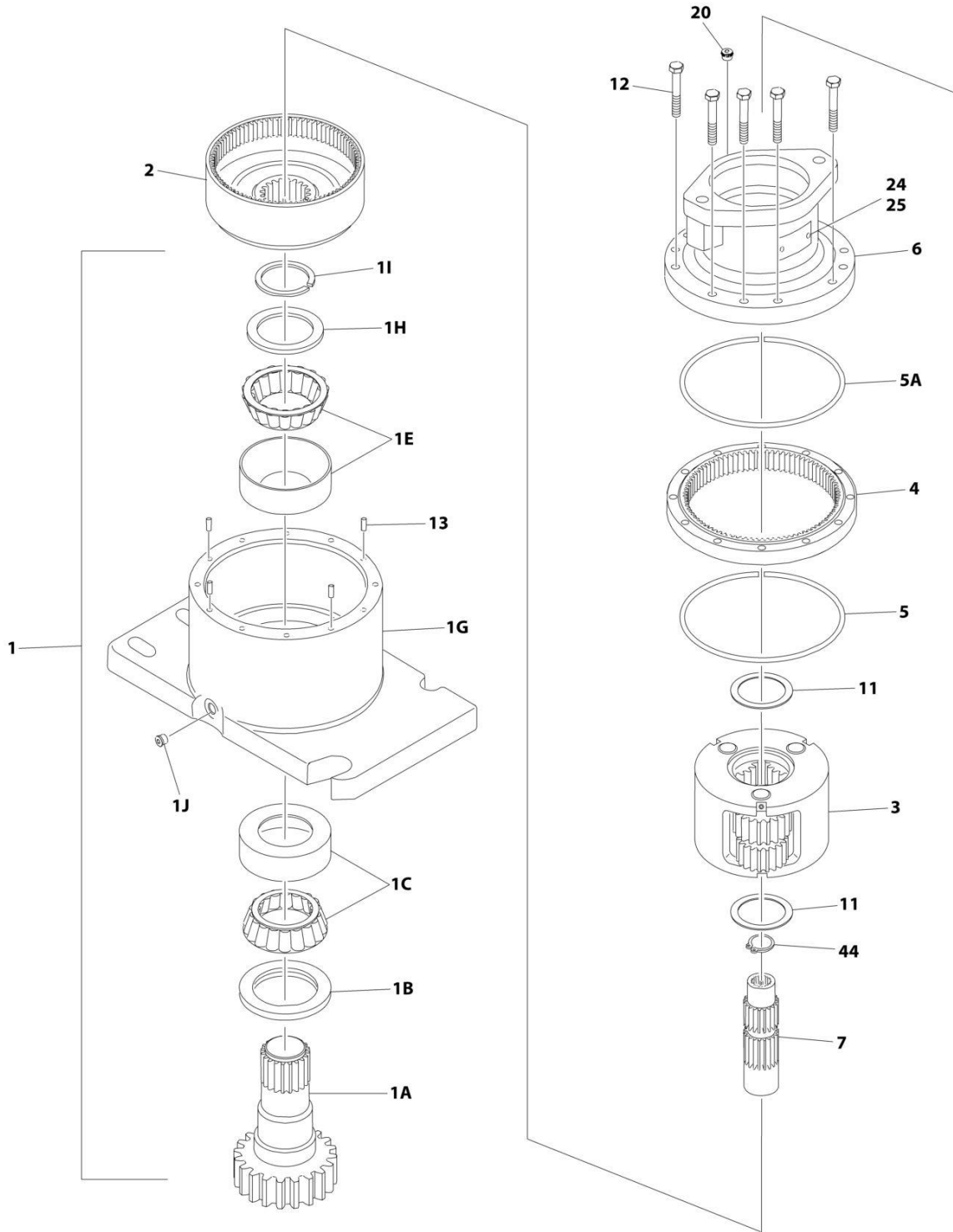
**SECTION 2 - TURNTABLE**

**FIGURE 2-3. SWING DRIVE INSTALLATION**

<b>ITEM</b>	<b>PART NUMBER</b>	<b>QTY</b>	<b>DESCRIPTION</b>	<b>REV</b>
	1001156136	Ref	SWING DRIVE INSTALLATION	B
1	0100019	AR	Compound, Locking	
2	3952020	1	Setscrew 5/8 x 2-1/2	
3	0682216	4	Bolt 3/4 x 2 Grade 8	
4	3312002	1	Nut 5/8	
5	3900293	1	Screw 1 x 1-1/4	
6	1001125492	1	Shim	
7	4740057	4	Washer	
8	1001229810	1	Swing Motor/Hub Assembly (See Separate Breakdown in this Section)	

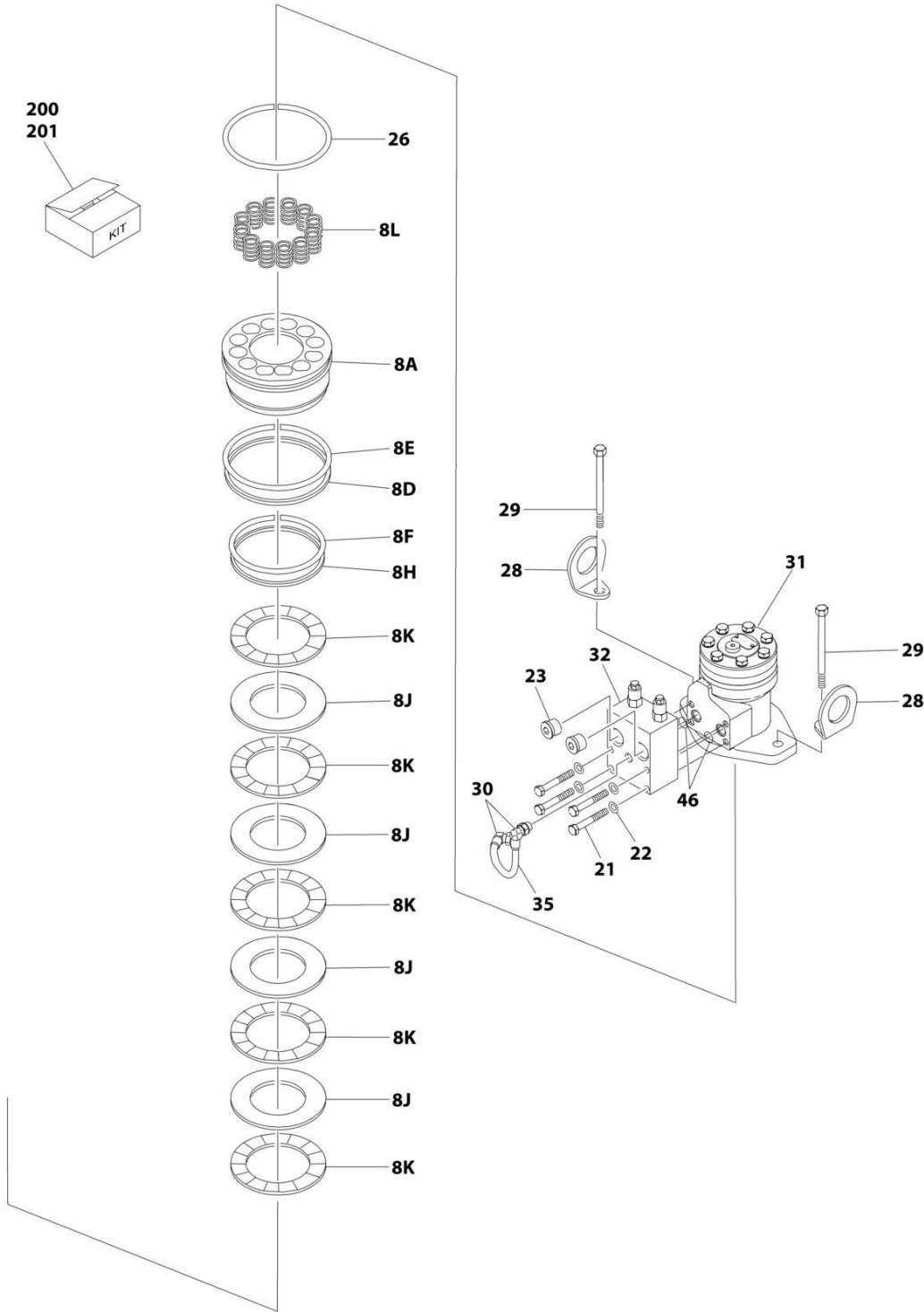
# SECTION 2 - TURNTABLE

## FIGURE 2-4. SWING MOTOR/HUB ASSEMBLY



ART\_1001229810\_10F2

SECTION 2 - TURNTABLE



ART\_1001229810\_20F2

## SECTION 2 - TURNTABLE

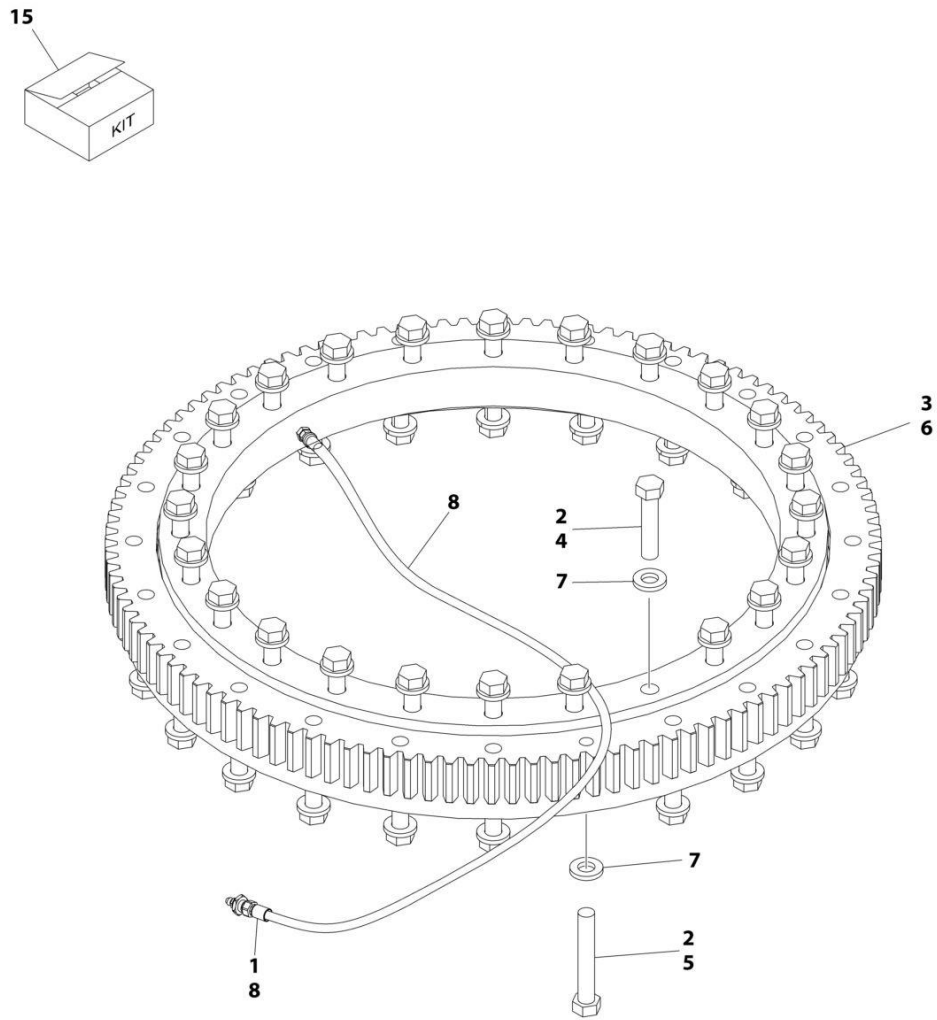
**FIGURE 2-4. SWING MOTOR/HUB ASSEMBLY**

ITEM	PART NUMBER	QTY	DESCRIPTION	REV
	1001229810	Ref	SWING MOTOR/HUB ASSEMBLY	C
1	See Note	1	Housing/Shaft Assembly (Note: Not Available - Purchase Individual Components)	
1A	7010492	1	Shaft, Output	
1B	7000228	1	Seal, Lip	
1C	7000255	1	Bearing Kit (Includes Cup and Cone)	
1E	7000257	1	Bearing Kit (Includes Cup and Cone)	
1G	7024762	1	Housing	
1H	7007633	1	Washer, Thrust	
1I	7000229	1	Ring, Retaining	
1J	7017072	1	Plug, Pipe	
2	7000246	1	Gear, Internal	
3	7000247	1	Carrier Assembly	
4	7000248	1	Gear, Ring	
5	7000230	1	O-Ring	
5A	7017070	1	O-Ring	
6	1001229810	NSS	Housing, Brake (Note: Not Available - Purchase Complete Assembly)	
7	70005203	1	Gear, Sun	
8A	70004037	1	Piston	
8D	70004041	1	O-Ring	
8E	70004044	1	Ring, Back-up	
8F	70004042	1	O-Ring	
8H	70004043	1	Ring, Back-up	
8J	70002085	4	Disc, Rotor	
8K	70002085	5	Disc, Stator	
8L	70002066	14	Spring	
11	7000253	2	Washer, Thrust	
12	7000217	12	Bolt 3/8 x 2-1/4 Grade 8	
13	7017080	4	Pin, Dowel	
20	7017072	1	Plug, Pipe	
21	7024704	4	Bolt 5/16 x 2 Grade 8	
22	70004045	4	Washer	
23	7017023	2	Plug, Pipe	
24	See Note	NSS	Plate, ID (Note: Not Available for Purchase)	
25	See Note	NSS	Rivet (Note: Not Available for Purchase)	
26	7024763	1	O-Ring	
28	See Note	NSS	Lug, Lifting (Note: Not Available for Purchase)	
29	70004040	2	Bolt 1/2 x 1 (Grade 8)	
30	7017085	2	Elbow	
31	70006304	1	Motor Assembly	
32	7024784	1	Valve Assembly - Complete (No Serviceable Parts)	
35	70004047	1	Tube	
44	7017028	1	Ring, Internal Retaining	
45	7000213	2	O-Ring	
		Ref	KIT OPTIONS:	
200	7024100	1	Seal Kit - Swing Hub (Includes Items 1B, 1I, 5, 5A & 11)	
201	70002085	1	Disc Kit - Swing Brake (Includes Items 8J & 8K)	



# SECTION 2 - TURNTABLE

## FIGURE 2-5. TURNTABLE BEARING INSTALLATION



ART\_1001157049

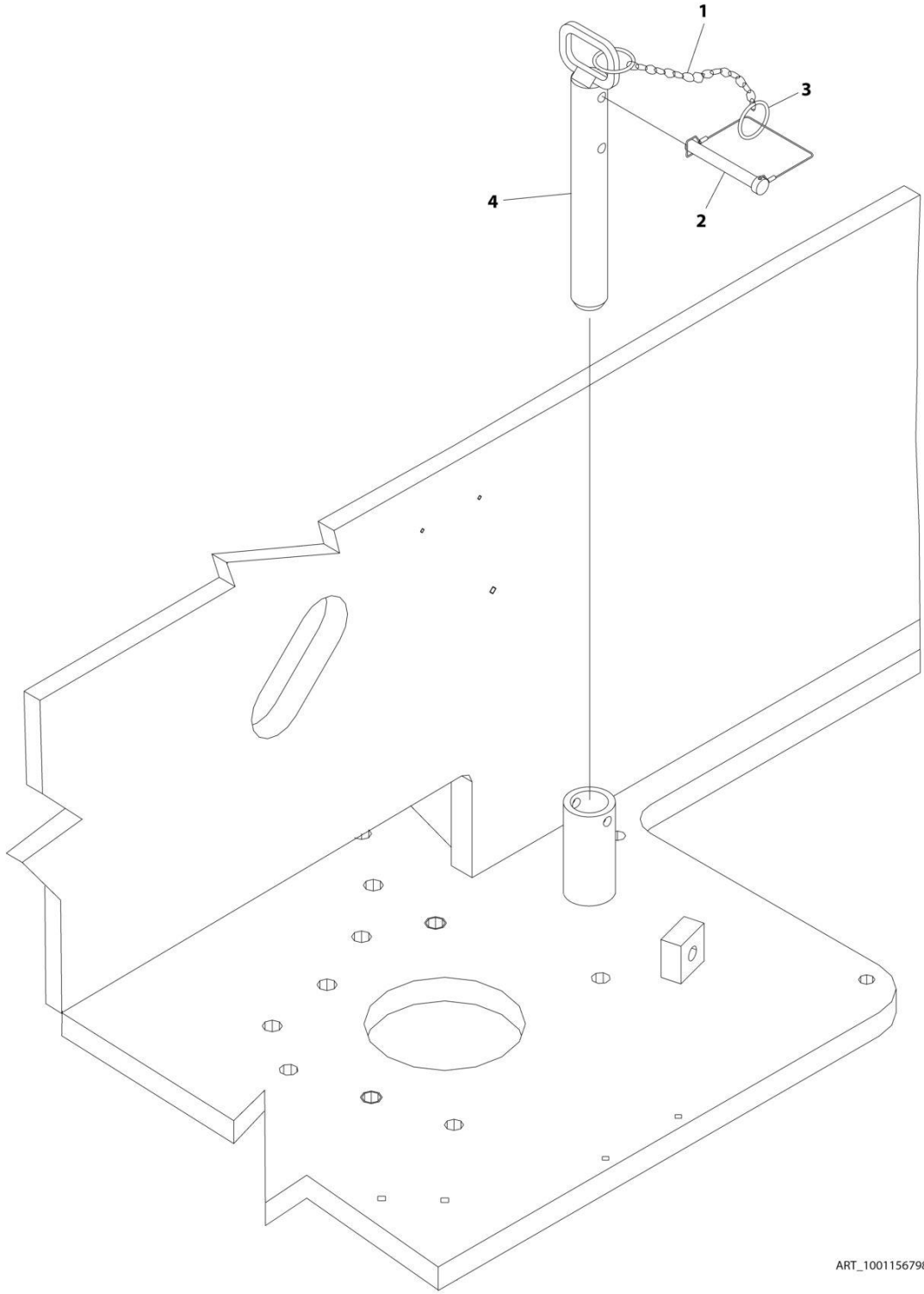
**SECTION 2 - TURNTABLE**

**FIGURE 2-5. TURNTABLE BEARING INSTALLATION**

ITEM	PART NUMBER	QTY	DESCRIPTION	REV
	1001157049	Ref	TURNTABLE BEARING AND LUBE INSTALLATION	B
1	0100011	AR	Compound, Locking	
2	0100019	AR	Compound, Locking	
3	0440244	1	Bearing, Turntable	
4	0682023	24	Bolt 5/8 x 2-7/8 Grade 8	
5	0682032	24	Bolt 5/8 x 4 Grade 8	
6	3020029	AR	Lubricant	
7	4892000	48	Washer 5/8	
8	1001157058	1	Hose	
15	2915094	1	Turntable Bearing Kit	

# SECTION 2 - TURNTABLE

## FIGURE 2-6. TURNTABLE LOCK INSTALLATION



ART\_1001156798



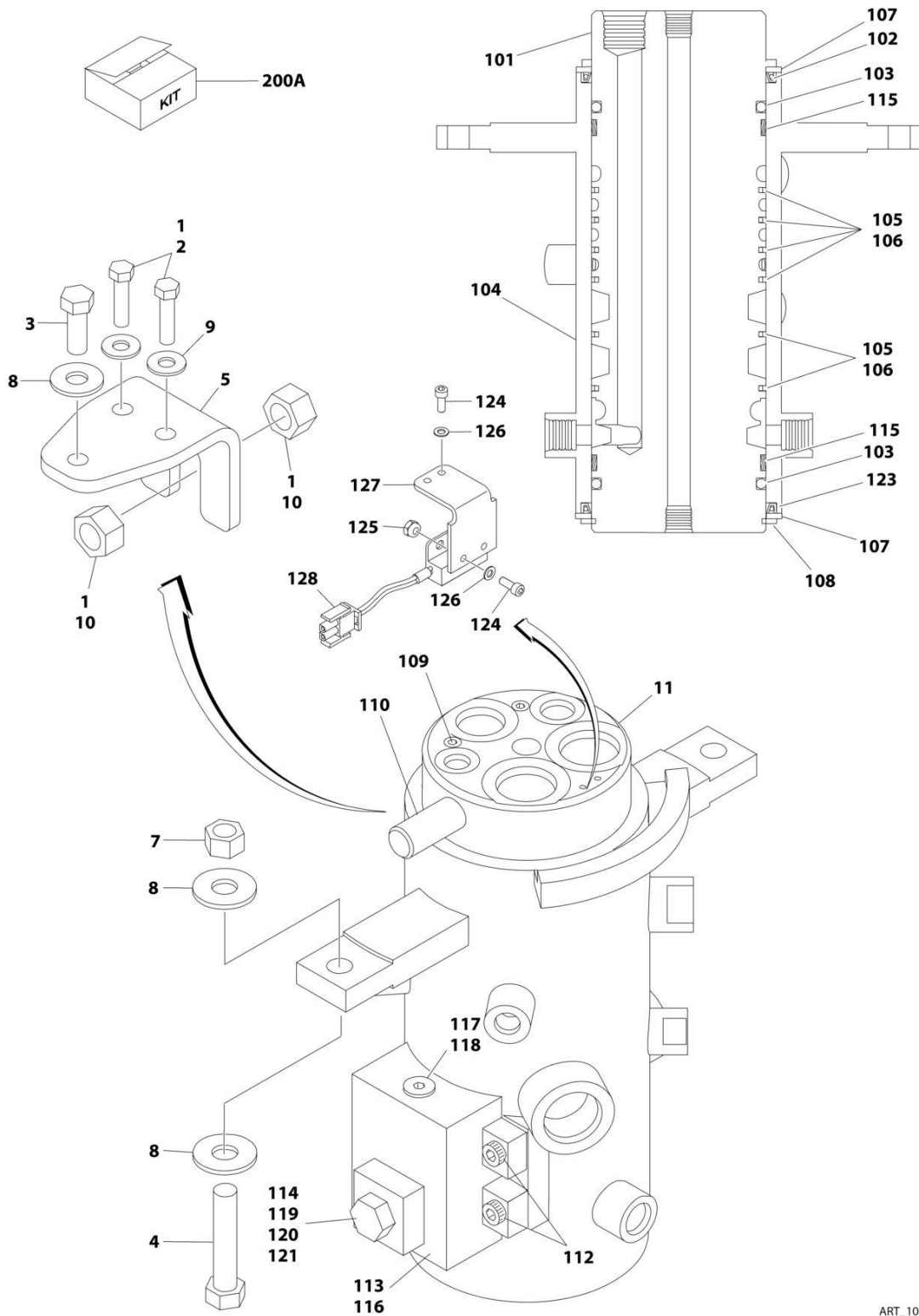
**SECTION 2 - TURNTABLE**

**FIGURE 2-6. TURNTABLE LOCK INSTALLATION**

<b>ITEM</b>	<b>PART NUMBER</b>	<b>QTY</b>	<b>DESCRIPTION</b>	<b>REV</b>
	1001156798	Ref	TURNTABLE LOCK INSTALLATION	A
1	1260017	9 in/23cm	Chain	
2	3421565	1	Pin, Snap	
3	3760170	2	Ring, Quick Release	
4	4844958	1	Pin	

# SECTION 2 - TURNTABLE

## FIGURE 2-7. ROTARY COUPLING INSTALLATION - 2WS MACHINES



ART\_1001107529

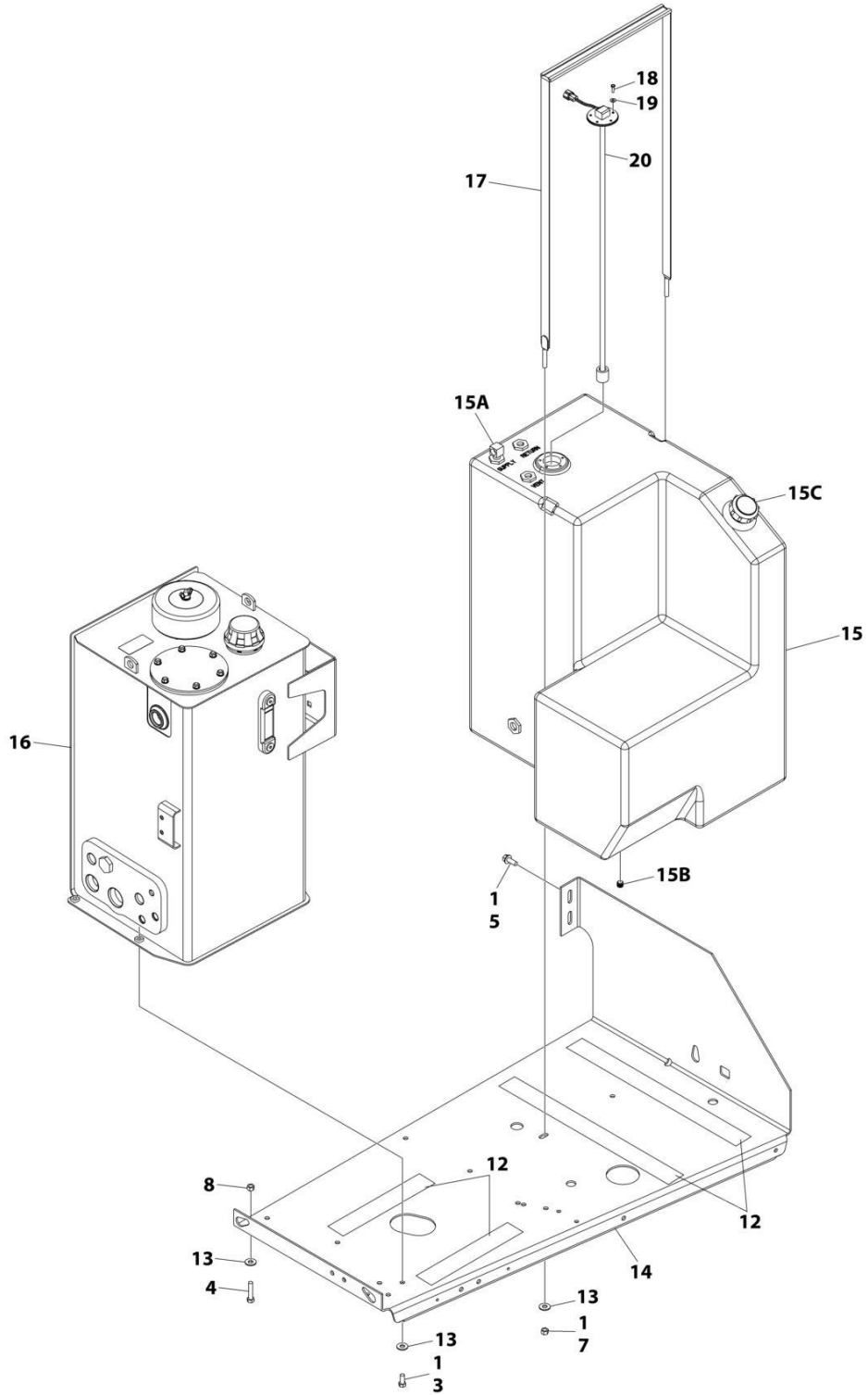
## SECTION 2 - TURNTABLE

### FIGURE 2-7. ROTARY COUPLING INSTALLATION - 2WS MACHINES

ITEM	PART NUMBER	QTY	DESCRIPTION	REV
	1001107529	Ref	ROTARY COUPLING INSTALLATION	B
1	0100011	AR	Compound, Locking	
2	0641611	2	Bolt 3/8 x 1-3/8	
3	0641812	1	Bolt 1/2 x 1-1/2	
4	0641820	2	Bolt 1/2 x 2-1/2	
5	0903242	1	Bracket	
7	3271805	2	Nut 1/2	
8	4751800	5	Washer 1/2	
9	4891600	2	Washer 3/8	
10	3322201	2	Nut 3/4	
11	1001106974	1	Coupling, Rotary Assembly (See Items 101-128 for Breakdown)	
	1001106974	Ref	ROTARY COUPLING ASSEMBLY	B
101	See Note	NSS	Body (Note: Not Available - Purchase Complete Assembly)	
102	See Note	NSS	Seal (Note: Use Item 200A)	
103	See Note	NSS	O-Ring (Note: Use Item 200A)	
104	See Note	NSS	Housing (Note: Not Available - Purchase Complete Assembly)	
105	See Note	NSS	Seal, Cap (Note: Use Item 200A)	
106	See Note	NSS	O-Ring (Note: Use Item 200A)	
107	7026503	2	Ring	
108	7026504	1	Ring, Retaining	
109	80934561	AR	Plug	
110	See Note	NSS	Lug, Torque (Note: Not Available for Purchase)	
112	7026197	4	Bolt 5/16 x 1-1/4	
113	See Note	NSS	O-Ring (Note: Use Item 200A)	
114	See Note	NSS	O-Ring (Note: Use Item 200A)	
115	See Note	NSS	Bearing (Note: Use Item 200A)	
116	7024404	1	Block Valve Assembly	
117	7026505	1	Plug	
118	7026506	1	Valve, Check	
119	7026507	1	Plug	
120	See Note	NSS	Plunger, Valve (Note: Use p/n 7024404)	
121	7026509	1	Spring, Compression	
123	See Note	NSS	Seal (Note: Use Item 200A)	
124	See Note	NSS	Capscrew #10 x 1/2 (Note: Not Available for Purchase)	
125	See Note	NSS	Nut #10 (Note: Not Available for Purchase)	
126	See Note	NSS	Flatwasher #10 (Note: Not Available for Purchase)	
127	70003454	1	Bracket, Switch Mounting	
128	4360517	1	Switch, Proximity	
200A	70001248	1	Seal Kit (Includes Items 102, 103, 105, 106, 113, 114, 115 & 123)	

## SECTION 2 - TURNTABLE

FIGURE 2-8. TANK INSTALLATION - DIESEL MACHINE (FUEL TANK WITHOUT SIGHT GLASS)  
(HELGESEN 6IN DIA BREATHER HYDRAULIC TANK - 25 GAL CAPACITY)



ART\_1001178174\_E

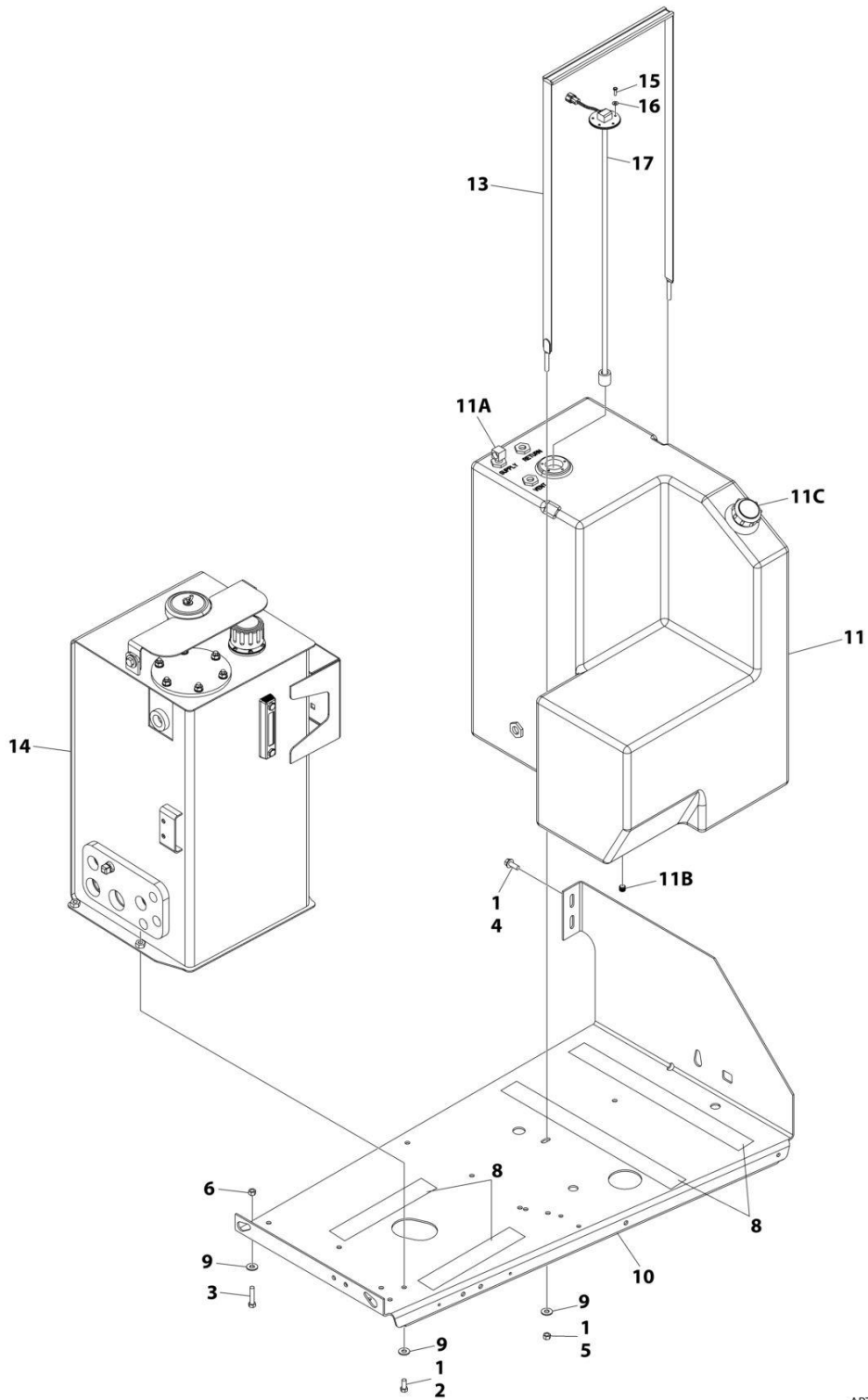
## SECTION 2 - TURNTABLE

**FIGURE 2-8. TANK INSTALLATION - DIESEL MACHINE (FUEL TANK WITHOUT SIGHT GLASS)  
(HELGESEN 6IN DIA BREATHER HYDRAULIC TANK - 25 GAL CAPACITY)**

ITEM	PART NUMBER	QTY	DESCRIPTION	REV
	1001178174	Ref	TANK INSTALLATION	E
1	0100011	AR	Compound, Locking	
2	1001182997	AR	Adhesive (Not Shown)	
3	0641607	4	Bolt 3/8 x 7/8	
4	0641614	2	Bolt 3/8 x 1-3/4	
5	0811608	2	Bolt 3/8 x 1	
7	3311601	2	Nut 3/8	
8	3311605	2	Nut 3/8	
12	4420038	73 in /1.85m	Tape, Rubber	
13	4751600	8	Washer 3/8	
14	1001156190	1	Tray	
15	1001284962	1	Tank, Fuel (Includes Non-Locking Cap) (Diesel Machines)	
15A	70004184	1	Fitting and Pick-up Tube (Diesel Machines)	
15B	2200222	1	Fitting (Diesel Machines Only)	
15B	0100020	AR	Sealant	
15C	7016314	1	Cap	
16	1001178057	1	Hydraulic Tank Assembly (See Separate Breakdown in this Section)	
17	1001231888	1	Strap Assembly (Includes Strap & Protective Strip)	
17	4240113	1	Strap, Tank	
18	0731005	5	Bolt #10 x 5/8	
19	4751000	5	Washer #10	
20	1001274219	1	Gauge, Fuel	

## SECTION 2 - TURNTABLE

FIGURE 2-9. TANK INSTALLATION - DIESEL MACHINE (FUEL TANK WITHOUT SIGHT GLASS)  
(JIANGYING 4IN DIA BREATHER HYDRAULIC TANK - 25 GAL CAPACITY)



ART\_1001284873\_B

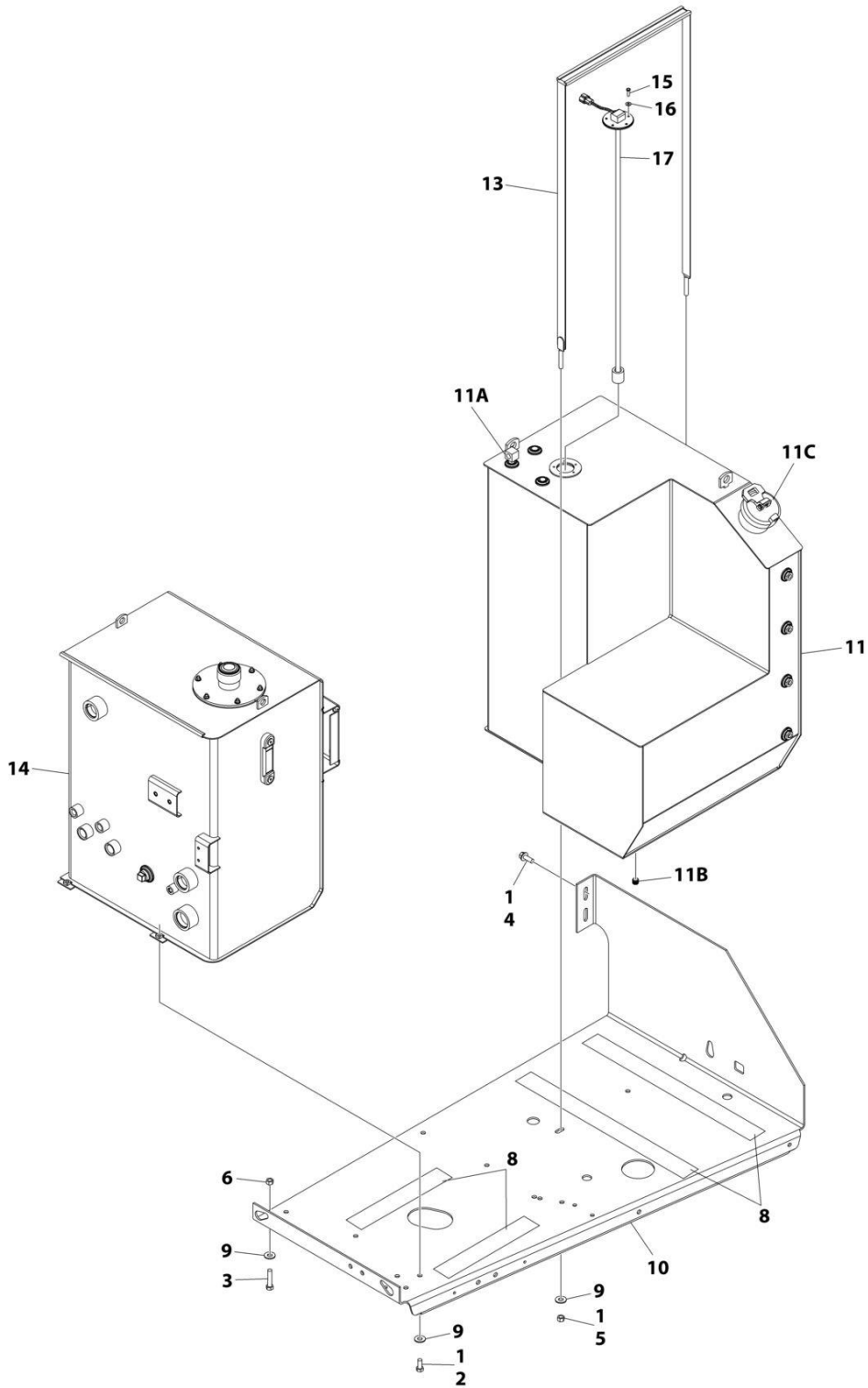
## SECTION 2 - TURNTABLE

**FIGURE 2-9. TANK INSTALLATION - DIESEL MACHINE (FUEL TANK WITHOUT SIGHT GLASS)  
(JIANGYING 4IIN DIA BREATHER HYDRAULIC TANK - 25 GAL CAPACITY)**

ITEM	PART NUMBER	QTY	DESCRIPTION	REV
	1001284873	Ref	TANK INSTALLATION	B
1	0100011	AR	Compound, Locking	
2	0641607	4	Bolt 3/8 x 7/8	
3	0641614	2	Bolt 3/8 x 1-3/4	
4	0811608	2	Bolt 3/8 x 1	
5	3311601	2	Nut 3/8	
6	3311605	2	Nut 3/8	
8	4420038	73 in /1.85m	Tape, Rubber	
9	4751600	8	Washer 3/8	
10	1001156190	1	Tray	
11	1001284962	1	Tank, Fuel (Includes Non-Locking Cap) (Diesel Machines)	
11A	70004184	1	Fitting and Pick-up Tube (Diesel Machines)	
11B	2200222	1	Fitting (Diesel Machines Only)	
11B	0100020	AR	Sealant	
11C	7016314	1	Cap	
13	1001231888	1	Strap Assembly (Includes Strap & Protective Strip)	
13	4240113	1	Strap, Tank	
14	1001267678	1	Hydraulic Tank Assembly (See Separate Breakdown in this Section)	
15	0731005	5	Bolt #10 x 5/8	
16	4751000	5	Washer #10	
17	1001274219	1	Guage, Fuel	

## SECTION 2 - TURNTABLE

FIGURE 2-10. TANK INSTALLATION - DIESEL MACHINE (FUEL TANK WITHOUT SIGHT GLASS)  
(HYDRAULIC TANK - 47.8 GAL CAPACITY)



ART\_1001285832\_B



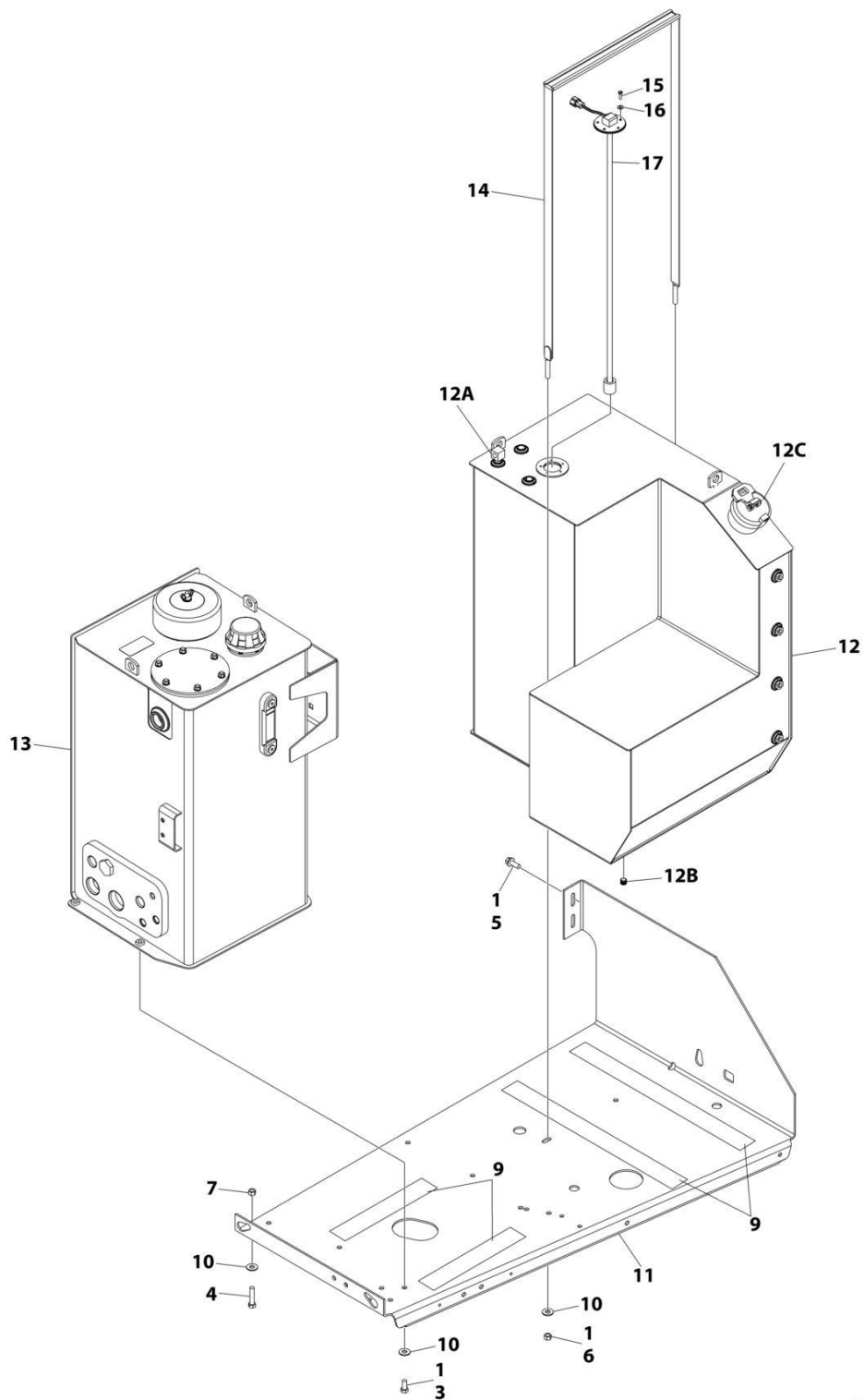
## SECTION 2 - TURNTABLE

**FIGURE 2-10. TANK INSTALLATION - DIESEL MACHINE (FUEL TANK WITHOUT SIGHT GLASS)  
(HYDRAULIC TANK - 47.8 GAL CAPACITY)**

ITEM	PART NUMBER	QTY	DESCRIPTION	REV
	1001285832	Ref	TANK INSTALLATION	B
1	0100011	AR	Compound, Locking	
2	0641607	4	Bolt 3/8 x 7/8	
3	0641614	2	Bolt 3/8 x 1-3/4	
4	0811608	2	Bolt 3/8 x 1	
5	3311601	2	Nut 3/8	
6	3311605	2	Nut 3/8	
8	4420038	73 in /1.85m	Tape, Rubber	
9	4751600	8	Washer 3/8	
10	1001156190	1	Tray	
11	1001284963	1	Tank, Fuel (Includes Non-Locking Cap) (Diesel Machines)	
11A	70004184	1	Fitting and Pick-up Tube (Diesel Machines)	
11B	2200222	1	Fitting (Diesel Machines Only)	
11B	0100020	AR	Sealant	
11C	7016314	1	Cap	
13	1001231888	1	Strap Assembly (Includes Strap & Protective Strip)	
13	4240113	1	Strap, Tank	
14	1001285677	1	Hydraulic Tank Assembly (See Separate Breakdown in this Section)	
15	0731005	5	Bolt #10 x 5/8	
16	4751000	5	Washer #10	
17	1001274219	1	Gauge, Fuel	

## SECTION 2 - TURNTABLE

FIGURE 2-11. TANK INSTALLATION - DIESEL MACHINE (FUEL TANK WITH SIGHT GLASS)  
(HELGESEN 6IN DIA BREATHER HYDRAULIC TANK - 25 GAL CAPACITY)



ART\_1001250643\_B

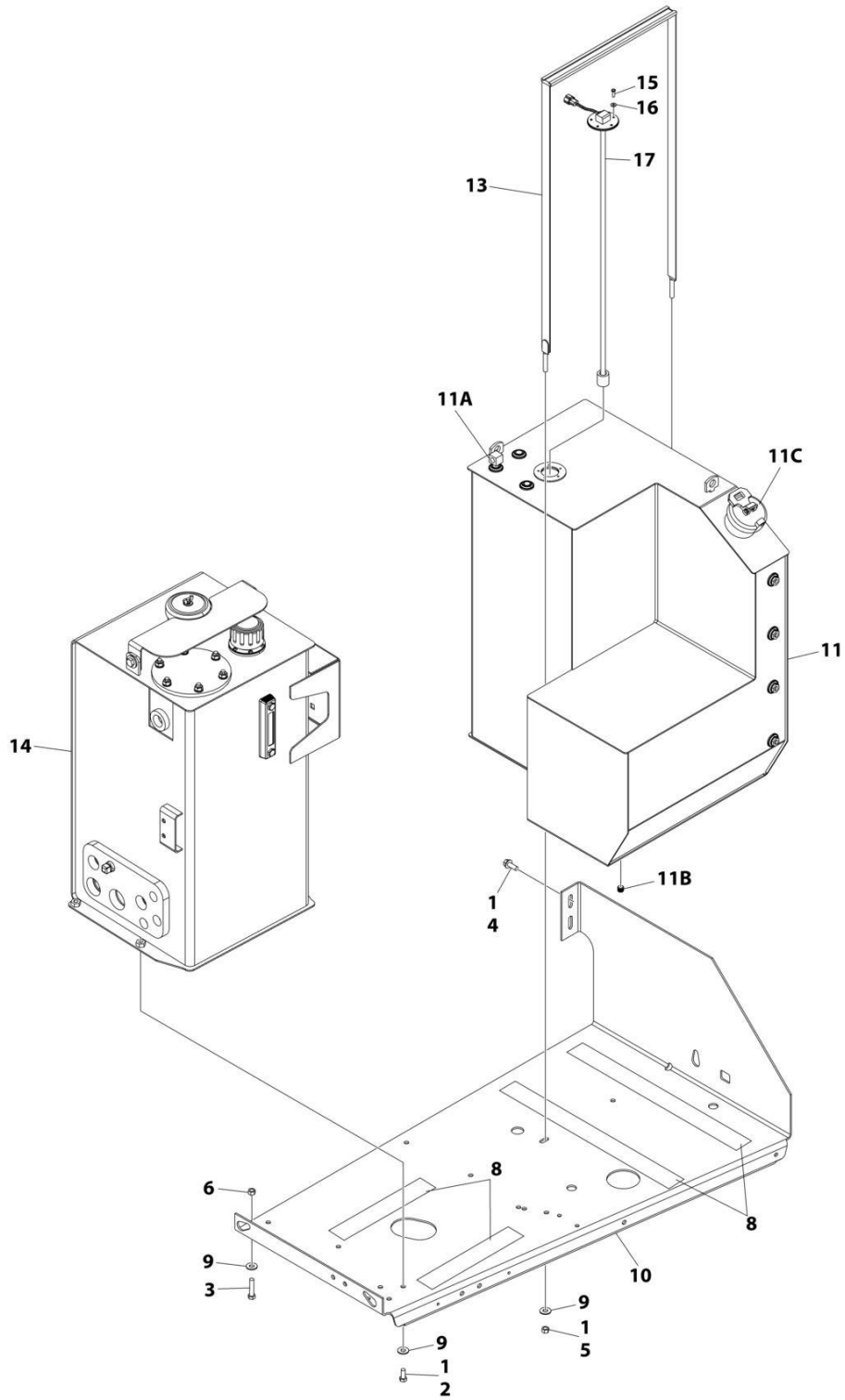
## SECTION 2 - TURNTABLE

**FIGURE 2-11. TANK INSTALLATION - DIESEL MACHINE (FUEL TANK WITH SIGHT GLASS)  
(HELGESEN 6IIN DIA BREATHER HYDRAULIC TANK - 25 GAL CAPACITY)**

ITEM	PART NUMBER	QTY	DESCRIPTION	REV
	1001250643	Ref	TANK INSTALLATION	B
1	0100011	AR	Compound, Locking	
2	1001182997	AR	Adhesive (Not Shown)	
3	0641607	4	Bolt 3/8 x 7/8	
4	0641614	2	Bolt 3/8 x 1-3/4	
5	0811608	2	Bolt 3/8 x 1	
6	3311601	2	Nut 3/8	
7	3311605	2	Nut 3/8	
9	4420038	73 in /1.85m	Tape, Rubber	
10	4751600	8	Washer 3/8	
11	1001156190	1	Tray	
12	1001284963	1	Tank, Fuel (Includes Non-Locking Cap) (Diesel Machines)	
12A	70007508	1	Fitting and Pick-up Tube (Diesel Machines)	
12B	70002112	1	Fitting (Diesel Machines Only)	
12C	1001080707	1	Cap	
13	1001178057	1	Hydraulic Tank Assembly (See Separate Breakdown in this Section)	
14	1001231888	1	Strap Assembly (Includes Strap & Protective Strip)	
14	4240113	1	Strap, Tank	
15	0731005	5	Bolt #10 x 5/8	
16	4751000	5	Washer #10	
17	1001274219	1	Gauge, Fuel	

## SECTION 2 - TURNTABLE

FIGURE 2-12. TANK INSTALLATION - DIESEL MACHINE (FUEL TANK WITH SIGHT GLASS)  
(JIANGYING 4IN DIA BREATHER HYDRAULIC TANK - 25 GAL CAPACITY)



ART\_1001284872\_B

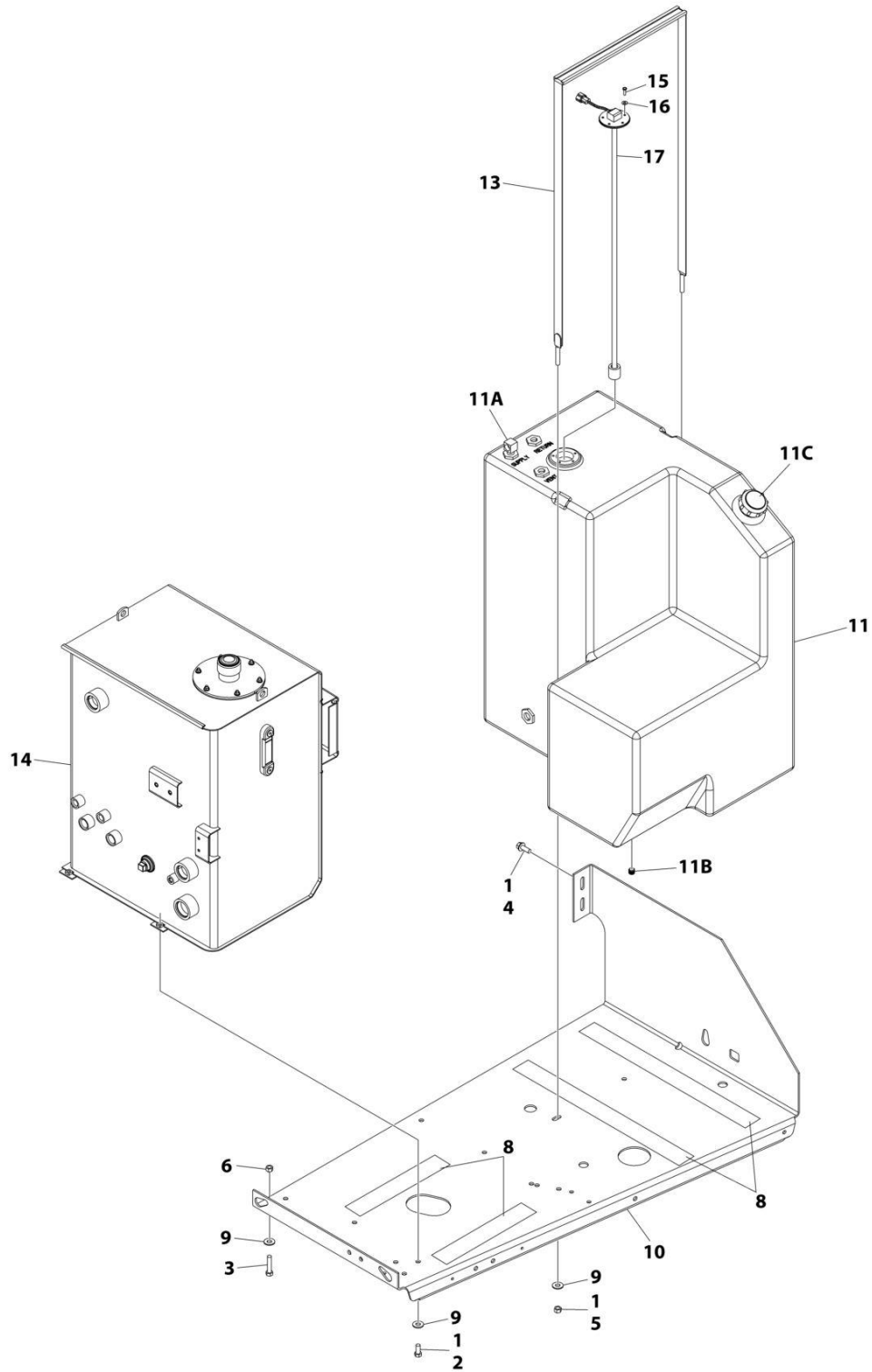
## SECTION 2 - TURNTABLE

**FIGURE 2-12. TANK INSTALLATION - DIESEL MACHINE (FUEL TANK WITH SIGHT GLASS)  
(JIANGYING 4IN DIA BREATHER HYDRAULIC TANK - 25 GAL CAPACITY)**

ITEM	PART NUMBER	QTY	DESCRIPTION	REV
	1001284872	Ref	TANK INSTALLATION	B
1	0100011	AR	Compound, Locking	
2	0641607	4	Bolt 3/8 x 7/8	
3	0641614	2	Bolt 3/8 x 1-3/4	
4	0811608	2	Bolt 3/8 x 1	
5	3311601	2	Nut 3/8	
6	3311605	2	Nut 3/8	
8	4420038	73 in /1.85m	Tape, Rubber	
9	4751600	8	Washer 3/8	
10	1001156190	1	Tray	
11	1001284963	1	Tank, Fuel (Includes Non-Locking Cap) (Diesel Machines)	
11A	70007508	1	Fitting and Pick-up Tube (Diesel Machines)	
11B	70002112	1	Fitting (Diesel Machines Only)	
11C	1001080707	1	Cap	
13	1001231888	1	Strap Assembly (Includes Strap & Protective Strip)	
13	4240113	1	Strap, Tank	
14	1001267678	1	Hydraulic Tank Assembly (See Separate Breakdown in this Section)	
15	0731005	5	Bolt #10 x 5/8	
16	4751000	5	Washer #10	
17	1001274219	1	Gauge, Fuel	

## SECTION 2 - TURNTABLE

FIGURE 2-13. TANK INSTALLATION - DIESEL MACHINE (FUEL TANK WITH SIGHT GLASS)  
(HYDRAULIC TANK - 47.8 GAL CAPACITY)



ART\_1001285834\_B

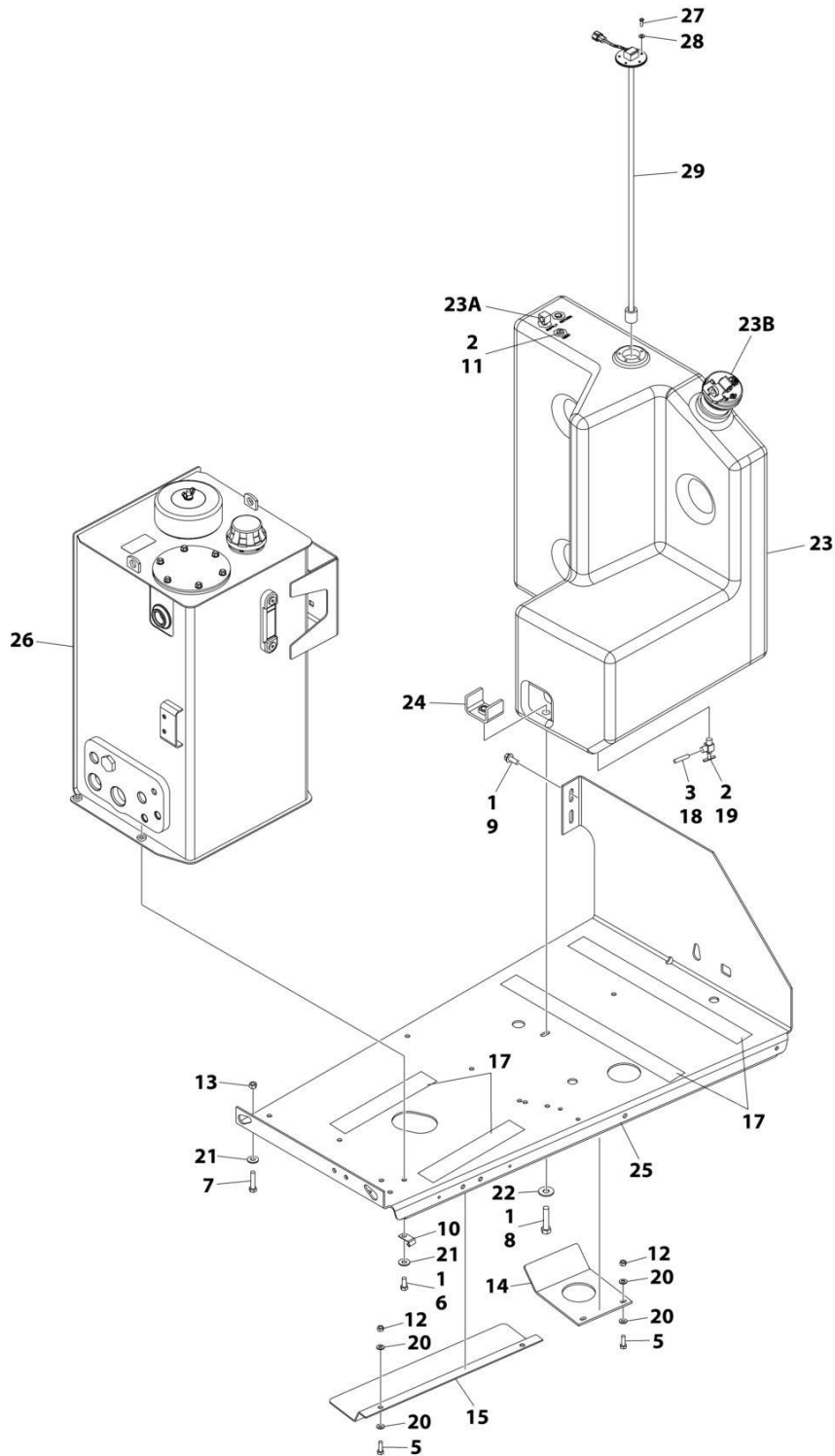
## SECTION 2 - TURNTABLE

**FIGURE 2-13. TANK INSTALLATION - DIESEL MACHINE (FUEL TANK WITH SIGHT GLASS)  
(HYDRAULIC TANK - 47.8 GAL CAPACITY)**

ITEM	PART NUMBER	QTY	DESCRIPTION	REV
	1001285834	Ref	TANK INSTALLATION	B
1	0100011	AR	Compound, Locking	
2	0641607	4	Bolt 3/8 x 7/8	
3	0641614	2	Bolt 3/8 x 1-3/4	
4	0811608	2	Bolt 3/8 x 1	
5	3311601	2	Nut 3/8	
6	3311605	2	Nut 3/8	
8	4420038	73 in /1.85m	Tape, Rubber	
9	4751600	8	Washer 3/8	
10	1001156190	1	Tray	
11	1001284962	1	Tank, Fuel (Includes Non-Locking Cap) (Diesel Machines)	
11A	70007508	1	Fitting and Pick-up Tube (Diesel Machines)	
11B	70002112	1	Fitting (Diesel Machines Only)	
11C	1001080707	1	Cap	
13	1001231888	1	Strap Assembly (Includes Strap & Protective Strip)	
13	4240113	1	Strap, Tank	
14	1001285677	1	Hydraulic Tank Assembly (See Separate Breakdown in this Section)	
15	0731005	5	Bolt #10 x 5/8	
16	4751000	5	Washer #10	
17	1001274219	1	Gauge, Fuel	

# SECTION 2 - TURNTABLE

FIGURE 2-14. TANK INSTALLATION - GAS ENGINES (HELGESEN 6IN DIA BREATHER HYDRAULIC TANK - 25 GAL CAPACITY)



ART\_1001178175\_D



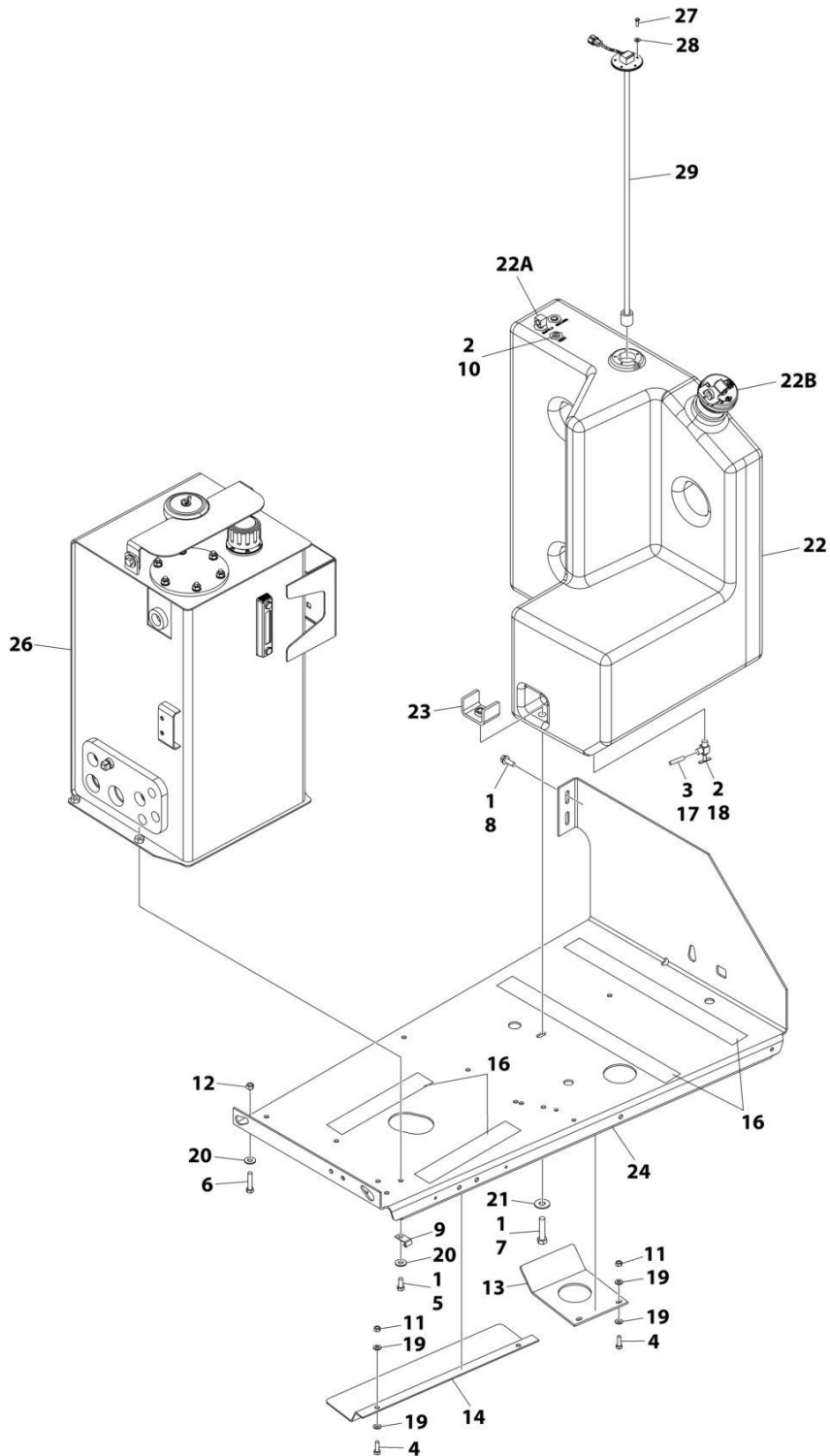
## SECTION 2 - TURNTABLE

**FIGURE 2-14. TANK INSTALLATION - GAS ENGINES (HELGESEN 6IN DIA BREATHER HYDRAULIC TANK - 25 GAL CAPACITY)**

ITEM	PART NUMBER	QTY	DESCRIPTION	REV
	1001178175	Ref	TANK INSTALLATION	D
1	0100011	AR	Compound, Locking	
2	0100020	AR	Sealant, Pipe	
3	0100062	AR	Compound, Locking	
4	1001182997	AR	Adhesive (Not Shown)	
5	0641508	4	Bolt 5/16 x 1	
6	0641607	4	Bolt 3/8 x 7/8	
7	0641614	2	Bolt 3/8 x 1-3/4	
8	0641818	2	Bolt 1/2 x 2-1/4	
9	0811608	2	Bolt 3/8 x 1	
10	1320223	1	Clamp	
11	2200233	1	Plug	
12	3311505	4	Nut 5/16	
13	3311605	2	Nut 3/8	
14	3572423	1	Plate, Valve Needle	
15	3576755	1	Cover, Fuel Pump	
17	4420038	4 ft /1.2 m	Tape, Rubber (Gas Machines)	
18	4568119	1	Tube, Fuel	
19	4641022	1	Valve, Needle	
20	4711500	8	Washer 5/16	
21	4751600	2	Washer 3/8	
22	4751800	2	Washer 1/2	
23	1001296788	1	Tank, Fuel (Includes Non-Locking Cap) (Gas Machines)	
23A	70004149	1	Fitting and Pick-up Tube (Gas Machines)	
23B	70002715	1	Cap	
23B	70002716	1	Adapter, Cap	
24	1001118133	2	Bracket	
25	1001156190	1	Tray	
26	1001178057	1	Hydraulic Tank Assembly (See Separate Breakdown in this Section)	
27	0731005	5	Bolt #10 x 5/8	
28	4751000	5	Washer #10	
29	1001274219	1	Gauge, Fuel	

## SECTION 2 - TURNTABLE

FIGURE 2-15. TANK INSTALLATION - GAS ENGINES (JIANGYING 4IN DIA BREATHER HYDRAULIC TANK - 25 GAL CAPACITY)



ART\_1001284874\_B

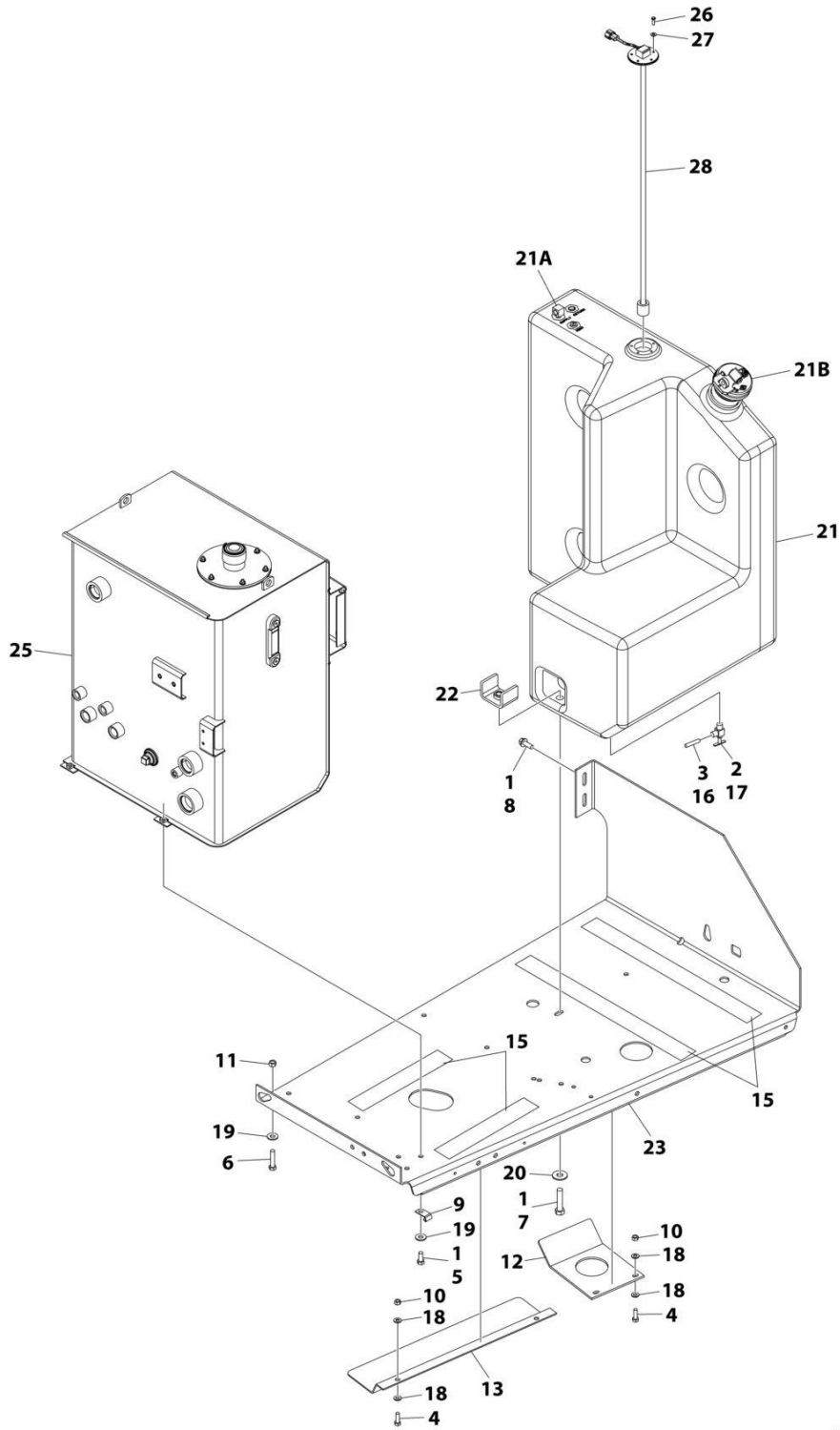
## SECTION 2 - TURNTABLE

**FIGURE 2-15. TANK INSTALLATION - GAS ENGINES (JIANGYING 4IN DIA BREATHER HYDRAULIC TANK - 25 GAL CAPACITY)**

ITEM	PART NUMBER	QTY	DESCRIPTION	REV
	1001284874	Ref	TANK INSTALLATION	B
1	0100011	AR	Compound, Locking	
2	0100020	AR	Sealant, Pipe	
3	0100062	AR	Compound, Locking	
4	0641508	4	Bolt 5/16 x 1	
5	0641607	4	Bolt 3/8 x 7/8	
6	0641614	2	Bolt 3/8 x 1-3/4	
7	0641818	2	Bolt 1/2 x 2-1/4	
8	0811608	2	Bolt 3/8 x 1	
9	1320223	1	Clamp	
10	2200233	1	Plug	
11	3311505	4	Nut 5/16	
12	3311605	2	Nut 3/8	
13	3572423	1	Plate, Valve Needle	
14	3576755	1	Cover, Fuel Pump	
16	4420038	45 in /1.14m	Tape, Rubber (Gas Machines)	
17	4568119	1	Tube, Fuel	
18	4641022	1	Valve, Needle	
19	4711500	8	Washer 5/16	
20	4751600	6	Washer 3/8	
21	4751800	2	Washer 1/2	
22	1001284961	1	Tank, Fuel (Includes Non-Locking Cap) (Gas Machines)	
22A	70004149	1	Fitting and Pick-up Tube (Gas Machines)	
22B	70002715	1	Cap	
22B	70002716	1	Adapter, Cap	
23	1001118133	2	Bracket	
24	1001156190	1	Tray	
26	1001267678	1	Hydraulic Tank Assembly (See Separate Breakdown in this Section)	
27	0731005	5	Bolt #10 x 5/8	
28	4751000	5	Washer #10	
29	1001274219	1	Gauge, Fuel	

# SECTION 2 - TURNTABLE

FIGURE 2-16. TANK INSTALLATION - GAS ENGINES (HYDRAULIC TANK - 47.8 GAL CAPACITY)



ART\_1001285833\_C

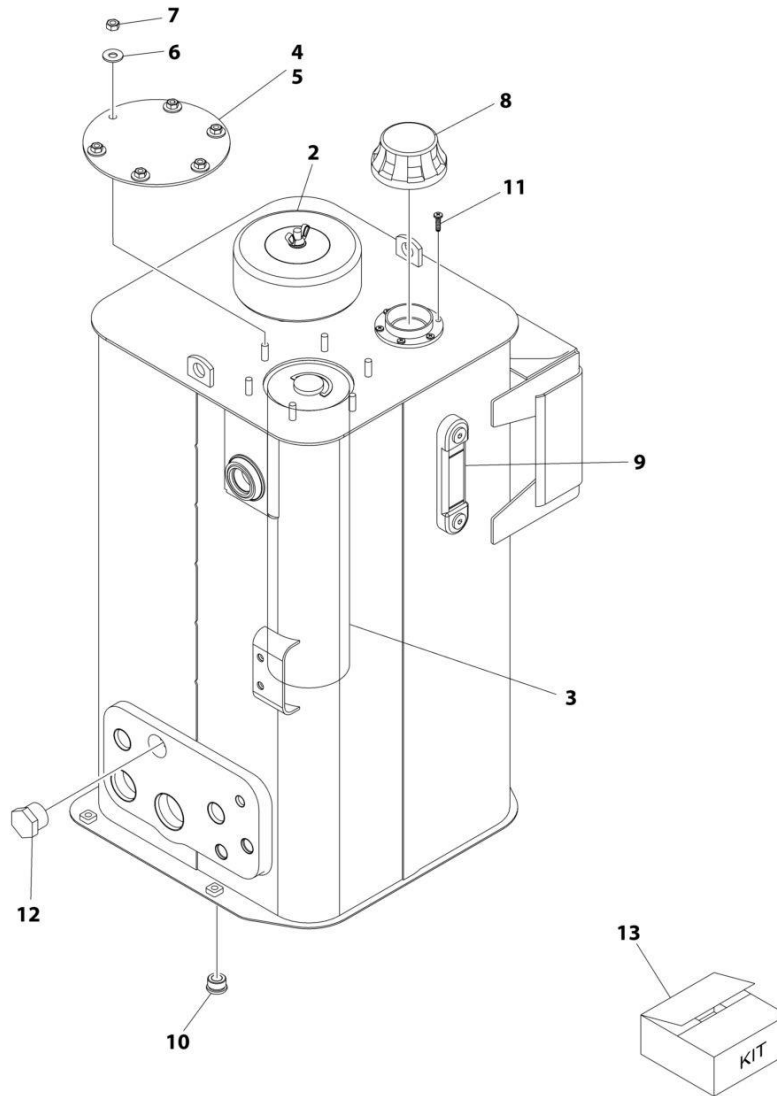
## SECTION 2 - TURNTABLE

**FIGURE 2-16. TANK INSTALLATION - GAS ENGINES (HYDRAULIC TANK - 47.8 GAL CAPACITY)**

ITEM	PART NUMBER	QTY	DESCRIPTION	REV
	1001285833	Ref	TANK INSTALLATION	C
1	0100011	AR	Compound, Locking	
2	0100020	AR	Sealant, Pipe	
3	0100062	AR	Compound, Locking	
4	0641508	4	Bolt 5/16 x 1	
5	0641607	4	Bolt 3/8 x 7/8	
6	0641614	2	Bolt 3/8 x 1-3/4	
7	0641818	2	Bolt 1/2 x 2-1/4	
8	0811608	2	Bolt 3/8 x 1	
9	1320223	1	Clamp	
10	3311505	4	Nut 5/16	
11	3311605	2	Nut 3/8	
12	3572423	1	Plate, Valve Needle	
13	3576755	1	Cover, Fuel Pump	
15	4420038	5 ft /2 m	Tape, Rubber (Gas Machines)	
16	4568119	1	Tube, Fuel	
17	4641022	1	Valve, Needle	
18	4711500	8	Washer 5/16	
19	4751600	6	Washer 3/8	
20	4751800	2	Washer 1/2	
21	1001296788	1	Tank, Fuel (Includes Non-Locking Cap) (Gas Machines)	
21A	70004149	1	Fitting and Pick-up Tube (Gas Machines)	
21B	70002715	1	Cap	
21B	70002716	1	Adapter, Cap	
22	1001118133	2	Bracket	
23	1001156190	1	Tray	
24	1001182997	AR	Adhesive (Not Shown)	
25	1001285677	1	Hydraulic Tank Assembly (See Separate Breakdown in this Section)	
26	0731005	5	Bolt #10 x 5/8	
27	4751000	5	Washer #10	
28	1001274219	1	Guage, Fuel	

## SECTION 2 - TURNTABLE

FIGURE 2-17. HYDRAULIC TANK ASSEMBLY (HELGESEN 6IN DIA BREATHER HYDRAULIC TANK - 25 GAL CAPACITY)



ART\_1001178057

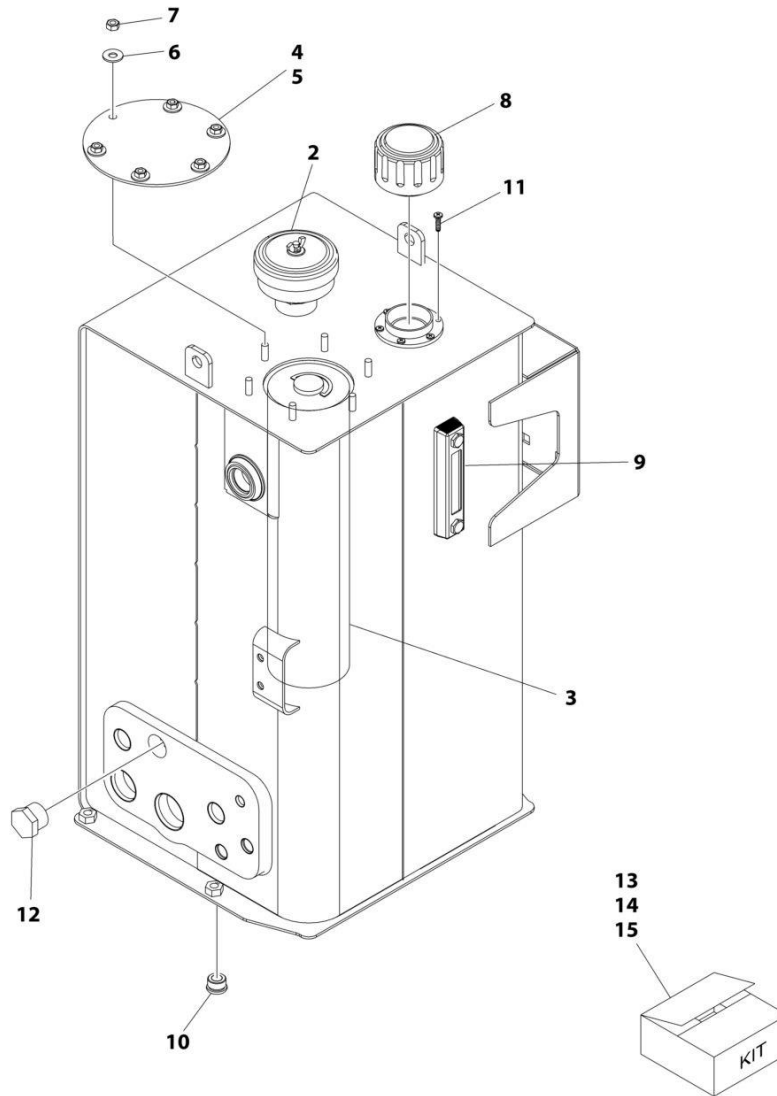
**SECTION 2 - TURNTABLE**

**FIGURE 2-17. HYDRAULIC TANK ASSEMBLY (HELGESEN 6IN DIA BREATHER HYDRAULIC TANK - 25 GAL CAPACITY)**

ITEM	PART NUMBER	QTY	DESCRIPTION	REV
	1001178057	Ref	HYDRAULIC TANK ASSEMBLY	D
2	70005708	1	Breather Assembly (Includes Breather, Element and Wingnut)	
2	See Note	NSS	Element, Breather (Note: Use p/n 70005708 or Item 13)	
3	See Note	NSS	Element, Hydraulic (Note: Use Item 13)	
4	70002839	1	Gasket	
5	See Note	NSS	Cover (Note: Not Available for Purchase)	
6	83304173	6	Washer 5/16	
7	70004199	6	Nut 5/16	
8	70002838	1	Cap, Fill	
9	7024441	1	Gauge, Level	
10	70002112	1	Plug	
11	70004795	6	Screw #10 x 3/4	
12	See Note	NSS	Plug (Note: Not Available - Purchase Locally)	
13	70002814	1	Hydraulic Tank Service Kit (Includes Items 2-4)	

## SECTION 2 - TURNTABLE

FIGURE 2-18. HYDRAULIC TANK ASSEMBLY (JIANGYING 4IN DIA BREATHER HYDRAULIC TANK - 25 GAL CAPACITY)



ART\_1001267678



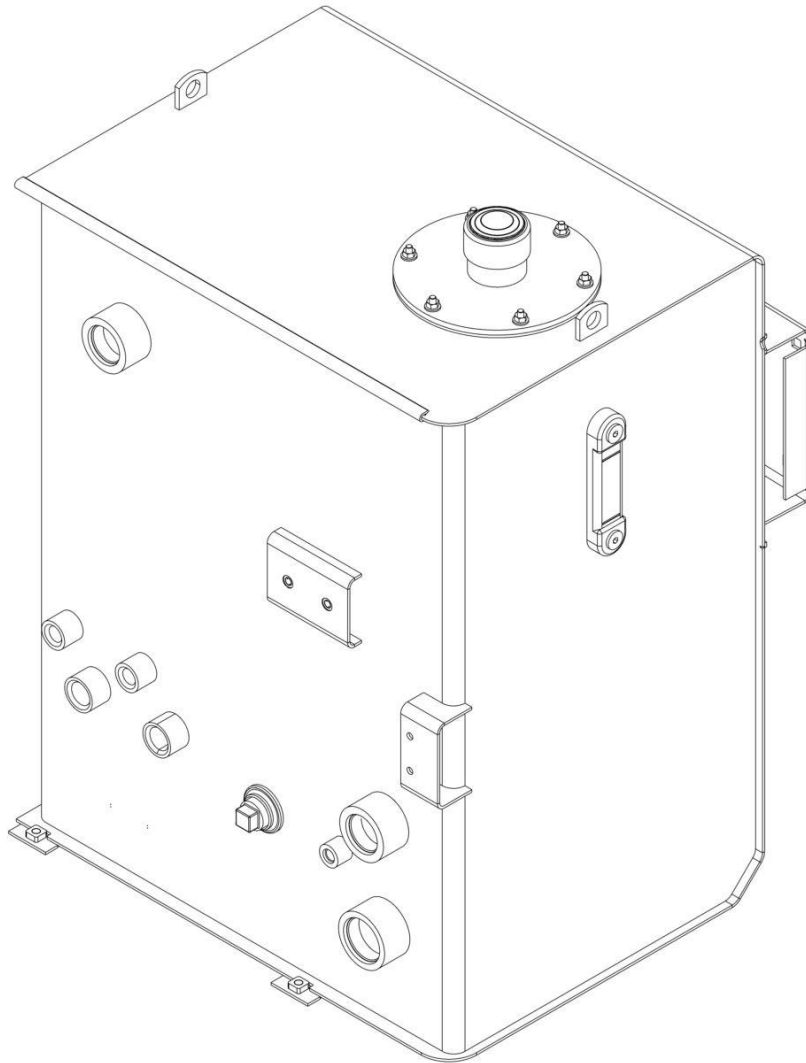
**SECTION 2 - TURNTABLE**

**FIGURE 2-18. HYDRAULIC TANK ASSEMBLY (JIANGYING 4IN DIA BREATHER HYDRAULIC TANK - 25 GAL CAPACITY)**

ITEM	PART NUMBER	QTY	DESCRIPTION	REV
	1001267678	REF	HYDRAULIC TANK ASSEMBLY	A
1	See Note	NSS	Hydraulic Tank Weldment (Not Shown) (Note: Not Available for Purchase)	
2	See Note	NSS	Breather Assembly (Note: Use Item 13)	
3	See Note	NSS	Element, Filter (Note: Use Item Use Item 14)	
4	70002839	1	Gasket	
5	See Note	NSS	Cover (Note: Not Available for Purchase)	
6	83304173	6	Washer 1/4	
7	70004199	6	Nut 5/16	
8	70002838	1	Cap, Fill	
9	70024441	1	Gauge, Level	
10	70002112	1	Plug	
11	70004795	6	Screw 10 x 3/4	
12	See Note	NSS	Plug (Note: Not Available for Purchase)	
13	70007726	1	Breather Kit (Note: Includes Item 2)	
14	70007727	1	Return Filter Kit (Note: Includes Item 3)	
15	70007725	1	Level Gauge Kit	

## SECTION 2 - TURNTABLE

FIGURE 2-19. HYDRAULIC TANK ASSEMBLY (HYDRAULIC TANK - 47.8 GAL CAPACITY)



ART\_1001285677

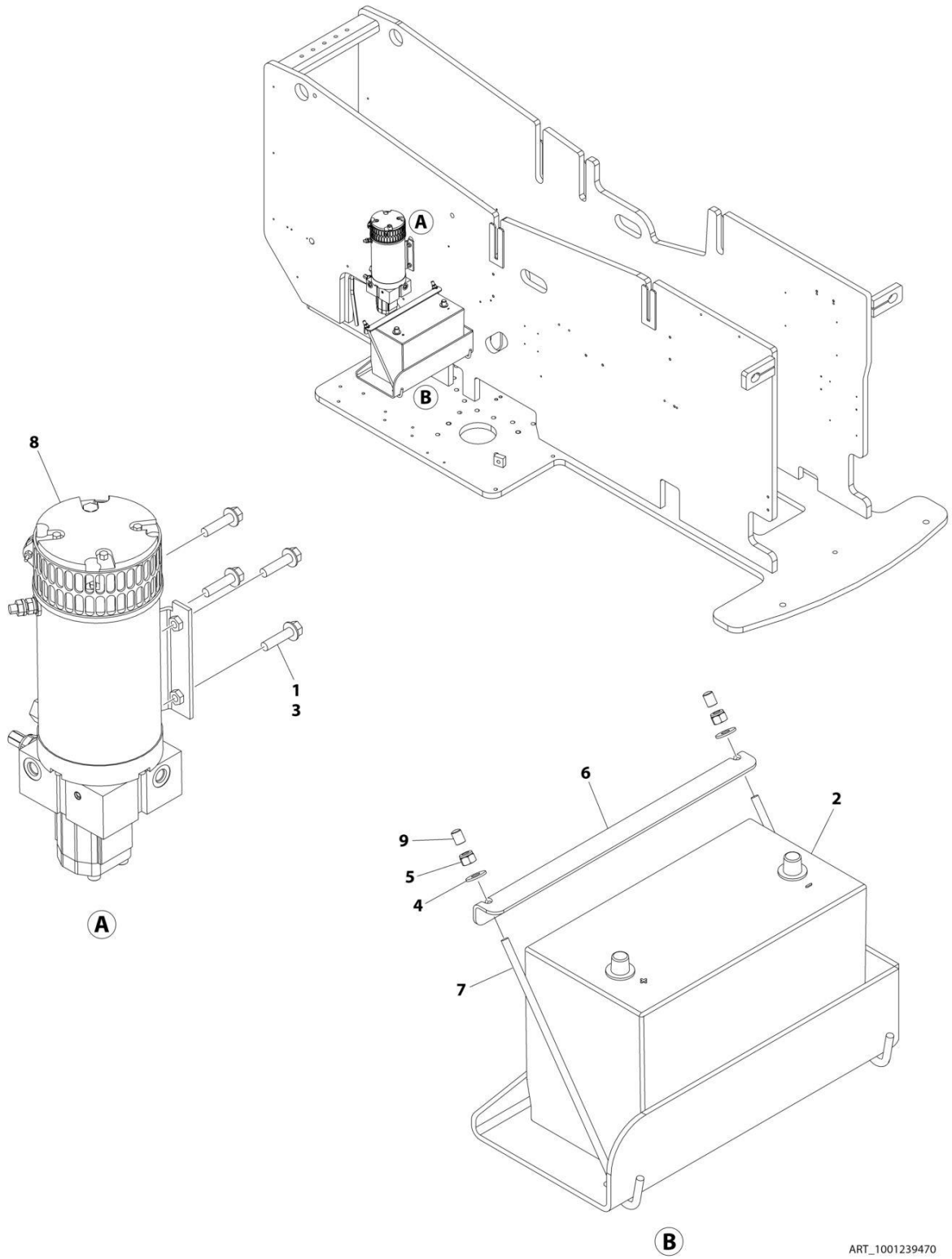
**SECTION 2 - TURNTABLE**

**FIGURE 2-19. HYDRAULIC TANK ASSEMBLY (HYDRAULIC TANK - 47.8 GAL CAPACITY)**

ITEM	PART NUMBER	QTY	DESCRIPTION	REV
	1001285677 See Note	Ref Ref	HYDRAULIC TANK ASSEMBLY Note: No Service Parts Available at Time of Printing	B

# SECTION 2 - TURNTABLE

## FIGURE 2-20. AUXILIARY POWER INSTALLATION - WITHOUT BATTERY DISCONNECT



ART\_1001239470

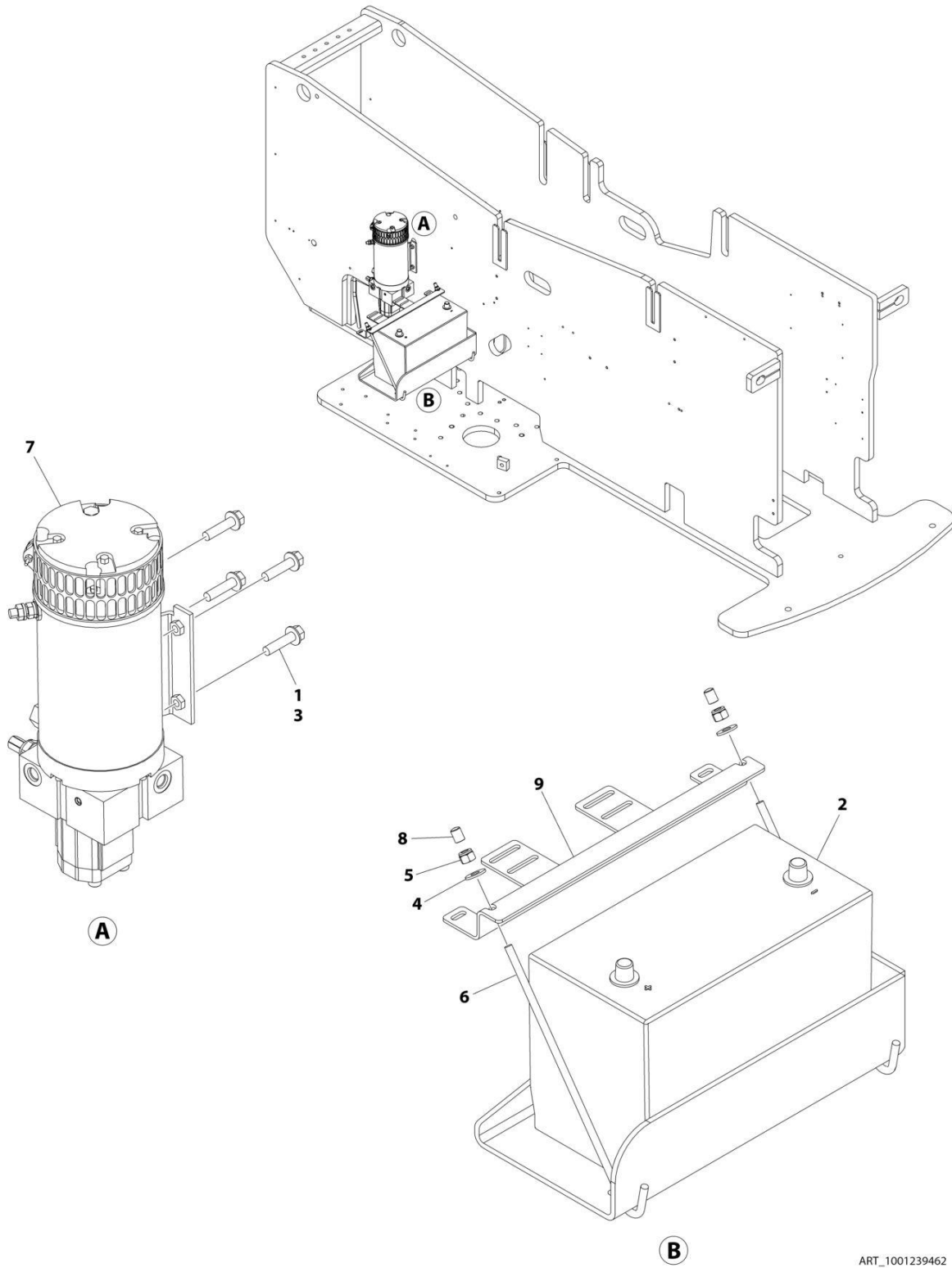
**SECTION 2 - TURNTABLE**

**FIGURE 2-20. AUXILIARY POWER INSTALLATION - WITHOUT BATTERY DISCONNECT**

<b>ITEM</b>	<b>PART NUMBER</b>	<b>QTY</b>	<b>DESCRIPTION</b>	<b>REV</b>
	1001239470	Ref	AUXILIARY POWER INSTALLATION	A
1	0100011	AR	Compound, Locking	
2	0400075	1	Battery	
3	0811612	4	Screw 3/8 x 1-1/2	
4	4751500	2	Washer 5/16	
5	88521205	2	Nut 5/16	
6	91401281	1	Bracket, Battery Hold Down	
7	1001093382	2	J - Bolt	
8	1001137460	1	Auxillary Power Pump/ Motor Assembly (See Separate Breakdown in this Section)	
9	1001218572	2	Cap	

# SECTION 2 - TURNTABLE

## FIGURE 2-21. AUXILIARY POWER INSTALLATION - WITH BATTERY DISCONNECT



ART\_1001239462

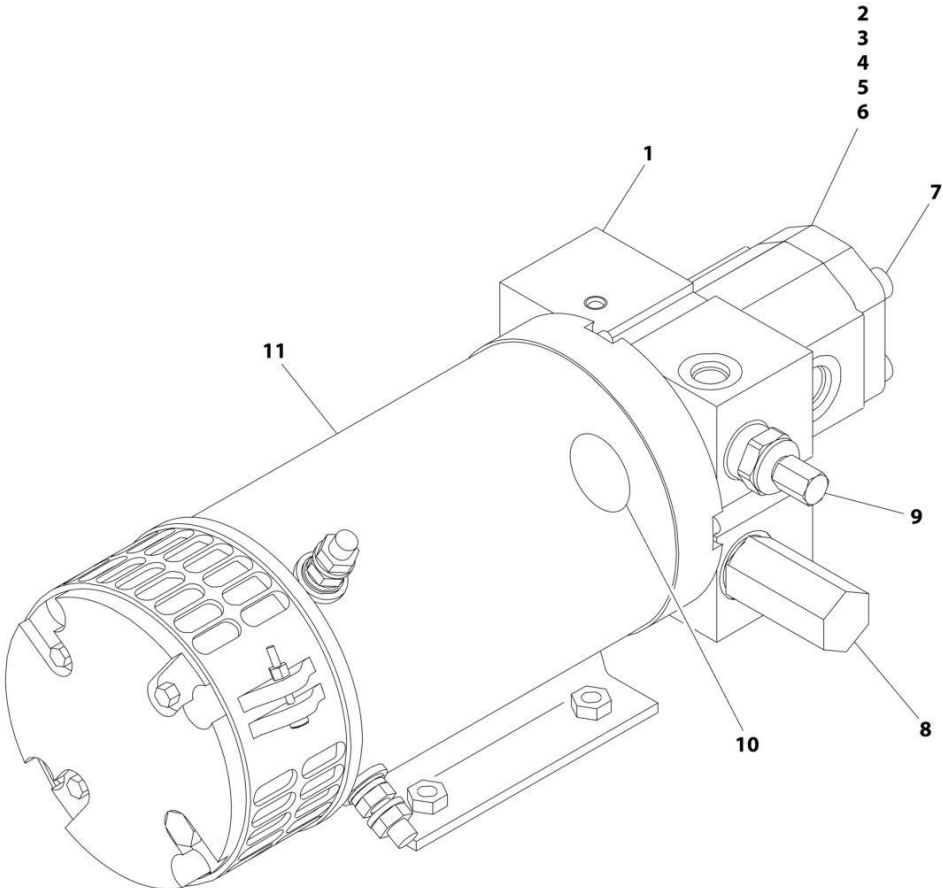
## SECTION 2 - TURNTABLE

**FIGURE 2-21. AUXILIARY POWER INSTALLATION - WITH BATTERY DISCONNECT**

ITEM	PART NUMBER	QTY	DESCRIPTION	REV
	1001239462	Ref	AUXILIARY POWER INSTALLATION	A
1	0100011	AR	Compound, Locking	
2	0400075	1	Battery	
3	0811612	4	Screw 3/8 x 1-1/2	
4	4751500	2	Washer 5/16	
5	88521205	2	Nut 5/16	
6	1001093382	2	J - Bolt	
7	1001137460	1	Auxiliary Power Pump/Motor Assembly (See Separate Breakdown in this Section)	
8	1001218572	2	Cap	
9	1001236303	1	Bracket, Battery Hold Down	

**SECTION 2 - TURNTABLE**

**FIGURE 2-22. AUXILIARY POWER PUMP/MOTOR ASSEMBLY**



ART\_1001137460



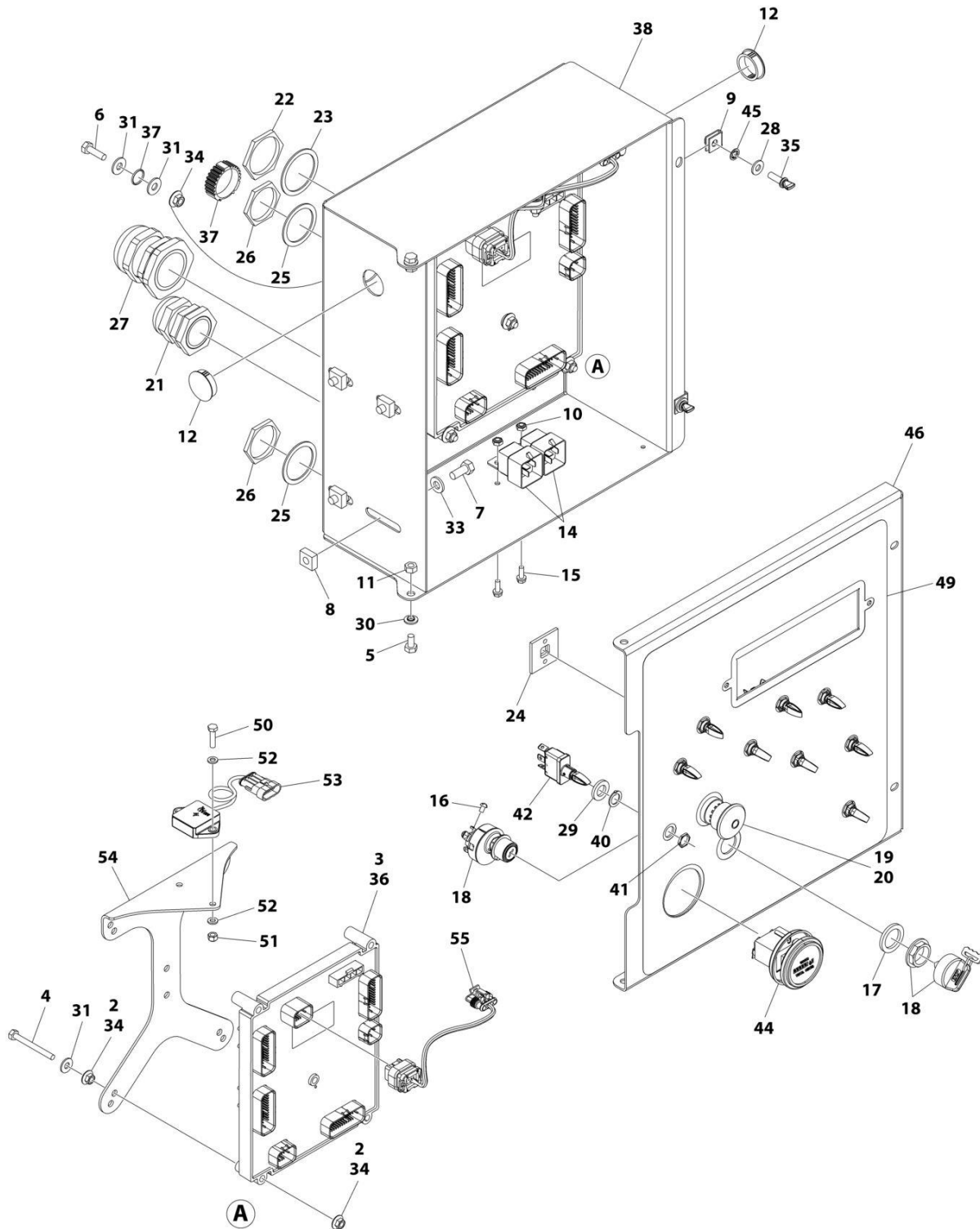
**SECTION 2 - TURNTABLE**

**FIGURE 2-22. AUXILIARY POWER PUMP/MOTOR ASSEMBLY**

ITEM	PART NUMBER	QTY	DESCRIPTION	REV
	1001137460	Ref	AUXILIARY PUMP ASSEMBLY	A
1	70004125	1	Base Assembly	
1	70003993	1	Seal, Shaft	
2	See Note	NSS	Pin, Dowel (Note: Use Item 1)	
3	See Note	NSS	O-Ring (Note: Use Item 1)	
4	See Note	NSS	Pump (Note: Use Item 1)	
5	See Note	NSS	O-Ring (Note: Use Item 1)	
6	See Note	NSS	Cover, Rear (Note: Use Item 1)	
7	See Note	NSS	Screw (Note: Use Item 1)	
8	70003989	1	Valve, Logic	
9	See Note	1	Valve, Relief (Note: Use Item 1)	
10	See Note	1	Shaft, Intermediate (Note: Use Item 1)	
11	70003992	1	Motor	

## SECTION 2 - TURNTABLE

FIGURE 2-23. GROUND CONTROL BOX ASSEMBLY - WITH DEUTZ D2011 ENGINES - WITH MECHANICAL HOUR METER (ANSI EXPORT LRC AND AUSTRALIAN SPECS)



ART\_1001266893\_E

## SECTION 2 - TURNTABLE

**FIGURE 2-23. GROUND CONTROL BOX ASSEMBLY - WITH DEUTZ D2011 ENGINES - WITH MECHANICAL HOUR METER (ANSI EXPORT LRC AND AUSTRALIAN SPECS)**

ITEM	PART NUMBER	QTY	DESCRIPTION	REV
	1001266893	Ref	GROUND CONTROL BOX ASSEMBLY	E
2	0100011	AR	Compound, Locking	
3	0100048	AR	Grease, Dielectric	
4	0630548	5	Bolt 2-1/2	
5	0641404	2	Bolt 1/4 x 1/2	
6	0641407	1	Bolt 1/4 x 7/8	
7	0641506	4	Bolt 5/16 x 3/4	
8	3300205	4	Nut, Retainer	
9	3300353	2	Nut, Tinnerman	
10	3300408	2	Nut, Nylon Insert	
11	3311405	2	Nut 1/4	
12	3520031	2	Plug	
14	3740049	2	Relay	
15	3900268	2	Screw #10x1/2	
16	3910804	6	Screw #8 x 1/4	
17	4070991	1	Shim	
18	4360469	1	Switch, Key	
18	2860030	1 Set	Key Replacement	
19	4360475	1	Switch, Emergency Stop	
19	7020175	1	Cap, Mushroom	
19	7020176	1	Block, Contact	
20	4360476	1	Switch, Contact Block	
21	4460426	1	Connector, Strain Relief	
22	4460470	1	Nut, Terminal	
23	4460471	1	Lockwasher, Terminal	
24	4460488	6	Mounting Base, Terminal	
25	4460496	2	Washer, Terminal	
26	4460497	2	Nut, Terminal	
27	4460526	1	Connector, Strain Relief	
28	4711400	2	Washer 1/4	
29	4740397	9	Spacer	
30	4740518	2	Washer	
31	4751400	7	Washer 1/4	
33	4891500	4	Washer 5/16	
34	77143013	11	Nut 1/4	
35	1001103308	2	Thumbscrew 1/4 x 3/4	
36	1001280600	1	Module, Ground Control (Note: Recalibration Required When Replaced)	
37	1001106736	1	Cap, Dust	
38	1001287467	1	Box	
39	1001286032	1	Engine Harness (Not Shown - See Separate Breakdown in ELECTRICAL Section)	
40	1001155043	9	Washer	
41	1001155044	9	Nut 15/32	
42	1001155045	9	Switch, Toggle	
43	1001285016	1	Control Valve Harness (Not Shown - See Separate Breakdown in ELECTRICAL Section)	
44	10836804	1	Hour Meter	
45	1001188874	2	Nut	

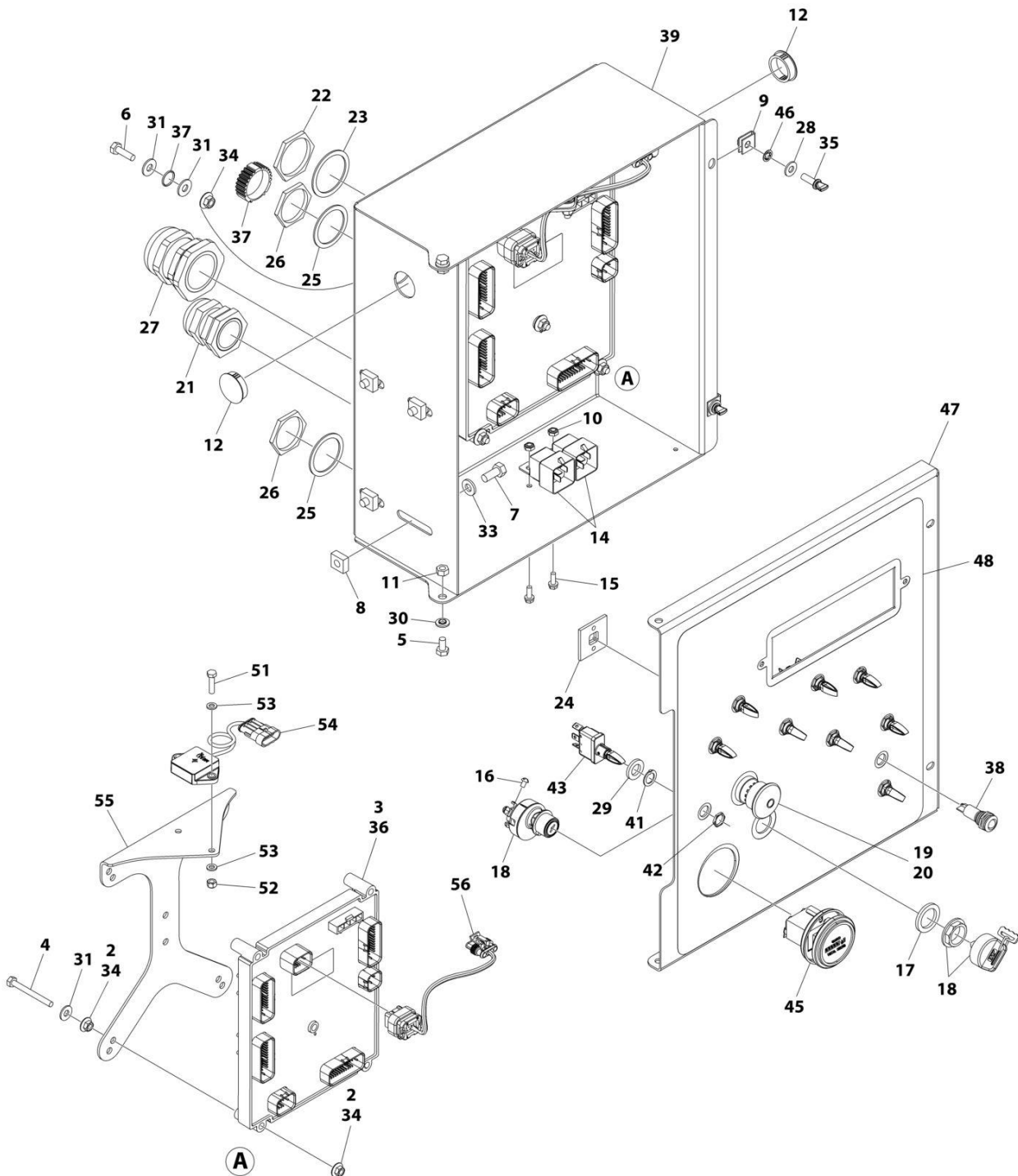
## SECTION 2 - TURNTABLE

ITEM	PART NUMBER	QTY	DESCRIPTION	REV
46	1001280403	1	Lid	
47	1001285346	1	Ground Control Box Harness (Not Shown - See Separate Breakdown in ELECTRICAL Section)	
49	1001266876	1	Decal - Ground Control Box	
50	0760612	2	Bolt M6 x 25	
51	3290605	2	Nut M6	
52	4811700	4	Washer M6	
53	1001219601	1	Sensor, Tilt Dual Axis CAN	
54	1001271794	1	Bracket, Tilt Sensor	
55	1001276143	1	Harness, Tilt Sensor	



## SECTION 2 - TURNTABLE

FIGURE 2-24. GROUND CONTROL BOX ASSEMBLY - WITH DEUTZ D2011 AND TOWER STOW - WITH MECHANICAL HOUR METER (ANSI EXPORT LRC AND AUSTRALIAN SPECS)



ART\_1001263361\_E

## SECTION 2 - TURNTABLE

**FIGURE 2-24. GROUND CONTROL BOX ASSEMBLY - WITH DEUTZ D2011 AND TOWER STOW - WITH MECHANICAL HOUR METER (ANSI EXPORT LRC AND AUSTRALIAN SPECS)**

ITEM	PART NUMBER	QTY	DESCRIPTION	REV
	1001263361	Ref	GROUND CONTROL BOX ASSEMBLY	E
2	0100011	AR	Compound, Locking	
3	0100048	AR	Grease, Dielectric	
4	0630548	5	Bolt 2-1/2	
5	0641404	2	Bolt 1/4 x 1/2	
6	0641407	1	Bolt 1/4 x 7/8	
7	0641506	4	Bolt 5/16 x 3/4	
8	3300205	4	Nut, Retainer	
9	3300353	2	Nut, Tinnerman	
10	3300408	2	Nut, Nylon Insert	
11	3311405	2	Nut 1/4	
12	3520031	2	Plug	
14	3740049	2	Relay	
15	3900268	2	Screw #10x1/2	
16	3910804	6	Screw #8 x 1/4	
17	4070991	1	Shim	
18	4360469	1	Switch, Key	
18	2860030	1 Set	Key Replacement	
19	4360475	1	Switch, Emergency Stop	
19	7020175	1	Cap, Mushroom	
19	7020176	1	Block, Contact	
20	4360476	1	Switch, Contact Block	
21	4460426	1	Connector, Strain Relief	
22	4460470	1	Nut, Terminal	
23	4460471	1	Lockwasher, Terminal	
24	4460488	6	Mounting Base, Terminal	
25	4460496	2	Washer, Terminal	
26	4460497	2	Nut, Terminal	
27	4460526	1	Connector, Strain Relief	
28	4711400	2	Washer 1/4	
29	4740397	9	Spacer	
30	4740518	2	Washer	
31	4751400	7	Washer 1/4	
33	4891500	4	Washer 5/16	
34	77143013	11	Nut 1/4	
35	1001103308	2	Thumbscrew 1/4 x 3/4	
36	1001280600	1	Module, Ground Control (Note: Recalibration Required When Replaced)	
37	1001106736	1	Cap, Dust	
38	1001137364	1	Light, Indicator	
39	1001287467	1	Box	
40	1001286032	1	Engine Harness (Not Shown - See Separate Breakdown in ELECTRICAL Section)	
41	1001155043	9	Washer	
42	1001155044	9	Nut 15/32	
43	1001155045	9	Switch, Toggle	
44	1001285016	1	Control Valve Harness (Not Shown - See Separate Breakdown in ELECTRICAL Section)	
45	10836804	1	Hour Meter	

## SECTION 2 - TURNTABLE

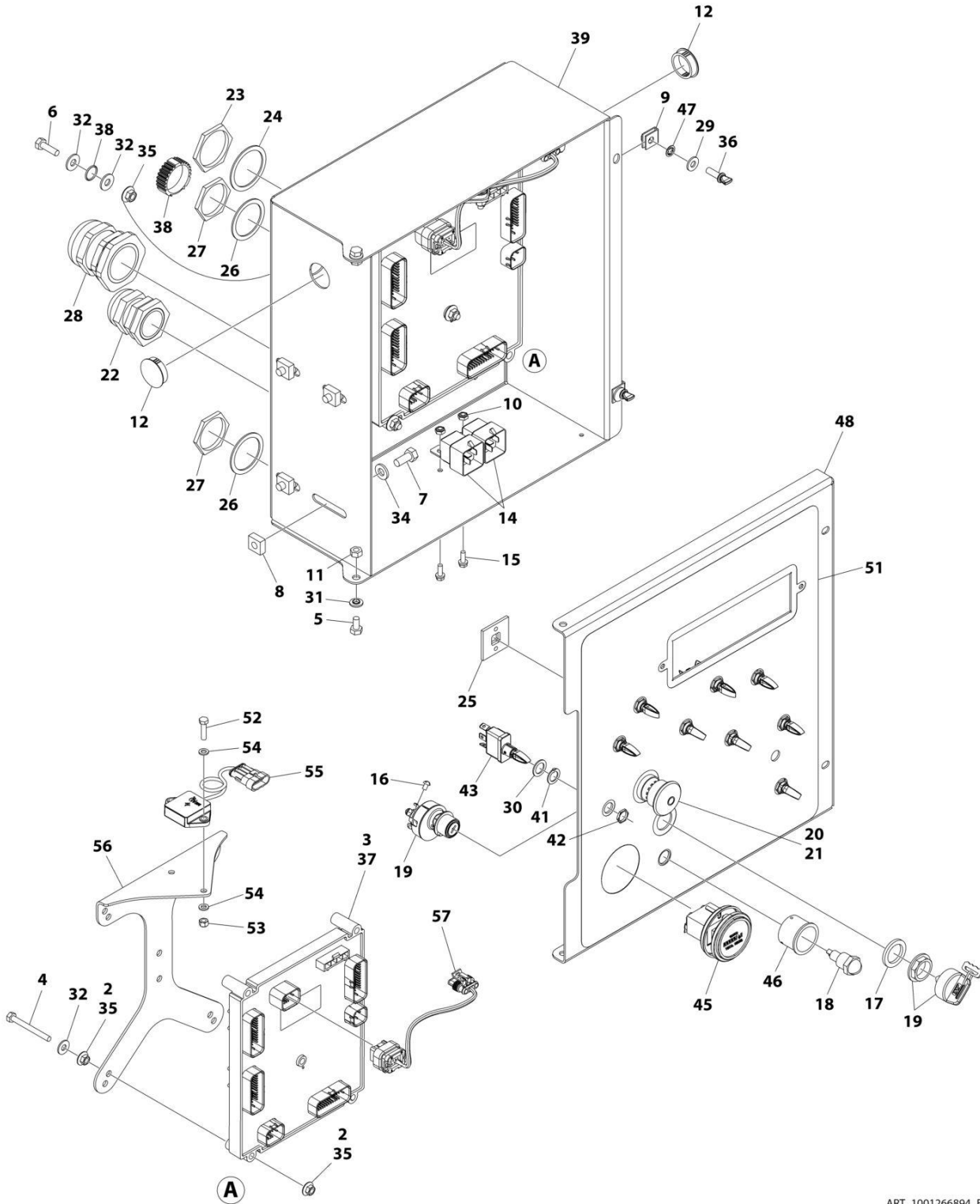
ITEM	PART NUMBER	QTY	DESCRIPTION	REV
46	1001188874	2	Nut	
47	1001280403	1	Lid	
48	1001263356	1	Decal - Ground Control Box	
49	1001285346	1	Ground Control Box Harness (Not Shown - See Separate Breakdown in ELECTRICAL Section)	
51	0760612	2	Bolt M6 x 25	
52	3290605	2	Nut M6	
53	4811700	4	Washer M6	
54	1001219601	1	Sensor, Tilt Dual Axis CAN	
55	1001271794	1	Bracket, Tilt Sensor	
56	1001276143	1	Harness, Tilt Sensor	





# SECTION 2 - TURNTABLE

## FIGURE 2-25. GROUND CONTROL BOX ASSEMBLY - WITH DEUTZ D2011 ENGINES (CE & UK CA SPECS)



ART\_1001266894\_E

## SECTION 2 - TURNTABLE

**FIGURE 2-25. GROUND CONTROL BOX ASSEMBLY - WITH DEUTZ D2011 ENGINES (CE & UK CA SPECS)**

ITEM	PART NUMBER	QTY	DESCRIPTION	REV
	1001266894	Ref	GROUND CONTROL BOX ASSEMBLY	E
2	0100011	AR	Compound, Locking	
3	0100048	AR	Grease, Dielectric	
4	0630548	5	Bolt 2-1/2	
5	0641404	2	Bolt 1/4 x 1/2	
6	0641407	1	Bolt 1/4 x 7/8	
7	0641506	4	Bolt 5/16 x 3/4	
8	3300205	4	Nut, Retainer	
9	3300353	2	Nut, Tinnerman	
10	3300408	2	Nut, Nylon Insert	
11	3311405	2	Nut 1/4	
12	3520031	2	Plug	
14	3740049	2	Relay	
15	3900268	2	Screw #10x1/2	
16	3910804	6	Screw #8 x 1/4	
17	4070991	1	Shim	
18	4360387	1	Switch, Push Button	
19	4360469	1	Switch, Key	
19	2860030	1 Set	Key Replacement	
20	4360475	1	Switch, Emergency Stop	
20	7020175	1	Cap, Mushroom	
20	7020176	1	Block, Contact	
21	4360476	1	Switch, Contact Block	
22	4460426	1	Connector, Strain Relief	
23	4460470	1	Nut, Terminal	
24	4460471	1	Lockwasher, Terminal	
25	4460488	6	Mounting Base, Terminal	
26	4460496	2	Washer, Terminal	
27	4460497	2	Nut, Terminal	
28	4460526	1	Connector, Strain Relief	
29	4711400	2	Washer 1/4	
30	4740397	9	Spacer	
31	4740518	2	Washer	
32	4751400	7	Washer 1/4	
34	4891500	4	Washer 5/16	
35	77143013	11	Nut 1/4	
36	1001103308	2	Thumbscrew 1/4 x 3/4	
37	1001280600	1	Module, Ground Control (Note: Recalibration Required When Replaced)	
38	1001106736	1	Cap, Dust	
39	1001287467	1	Box	
40	1001286032	1	Engine Harness (Not Shown - See Separate Breakdown in ELECTRICAL Section)	
41	1001155043	9	Washer	
42	1001155044	9	Nut 15/32	
43	1001155045	9	Switch, Toggle	
44	1001285016	1	Control Valve Harness (Not Shown - See Separate Breakdown in ELECTRICAL Section)	
45	10836804	1	Gauge, Display	

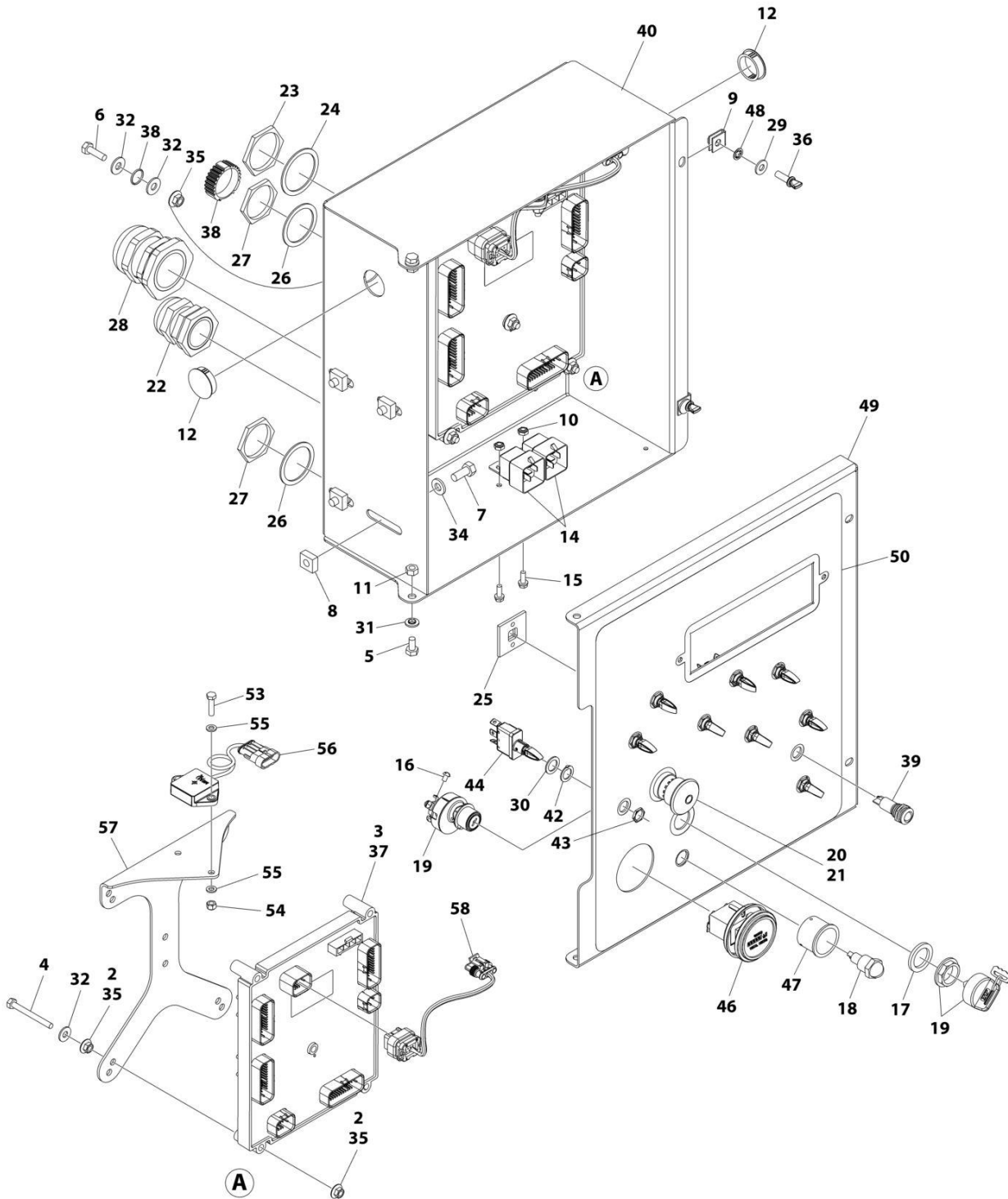
## SECTION 2 - TURNTABLE

ITEM	PART NUMBER	QTY	DESCRIPTION	REV
46	1001176469	1	Shroud	
47	1001188874	2	Nut	
48	1001297391	1	Lid	
49	1001285346	1	Ground Control Box Harness (Not Shown - See Separate Breakdown in ELECTRICAL Section)	
51	1001266874	1	Decal - Ground Control Box	
52	0760612	2	Bolt M6 x 25	
53	3290605	2	Nut M6	
54	4811700	4	Washer M6	
55	1001219601	1	Sensor, Tilt Dual Axis CAN	
56	1001271794	1	Bracket, Tilt Sensor	
57	1001276143	1	Harness, Tilt Sensor	



## SECTION 2 - TURNTABLE

FIGURE 2-26. GROUND CONTROL BOX ASSEMBLY - WITH DEUTZ D2011 ENGINES AND WITH TOWER STOW (CE & UK CA LRC SPECS)



ART\_1001263362\_E

## SECTION 2 - TURNTABLE

**FIGURE 2-26. GROUND CONTROL BOX ASSEMBLY - WITH DEUTZ D2011 ENGINES AND WITH TOWER STOW (CE & UK CA LRC SPECS)**

ITEM	PART NUMBER	QTY	DESCRIPTION	REV
	1001263362	Ref	GROUND CONTROL BOX ASSEMBLY	E
2	0100011	AR	Compound, Locking	
3	0100048	AR	Grease, Dielectric	
4	0630548	5	Bolt 2-1/2	
5	0641404	2	Bolt 1/4 x 1/2	
6	0641407	1	Bolt 1/4 x 7/8	
7	0641506	4	Bolt 5/16 x 3/4	
8	3300205	4	Nut, Retainer	
9	3300353	2	Nut, Tinnerman	
10	3300408	2	Nut, Nylon Insert	
11	3311405	2	Nut 1/4	
12	3520031	2	Plug	
14	3740049	2	Relay	
15	3900268	2	Screw #10x1/2	
16	3910804	6	Screw #8 x 1/4	
17	4070991	1	Shim	
18	4360387	1	Switch, Push Button	
19	4360469	1	Switch, Key	
19	2860030	1 Set	Key Replacement	
20	4360475	1	Switch, Emergency Stop	
20	7020175	1	Cap, Mushroom	
20	7020176	1	Block, Contact	
21	4360476	1	Switch, Contact Block	
22	4460426	1	Connector, Strain Relief	
23	4460470	1	Nut, Terminal	
24	4460471	1	Lockwasher, Terminal	
25	4460488	6	Mounting Base, Terminal	
26	4460496	2	Washer, Terminal	
27	4460497	2	Nut, Terminal	
28	4460526	1	Connector, Strain Relief	
29	4711400	2	Washer 1/4	
30	4740397	9	Spacer	
31	4740518	2	Washer	
32	4751400	7	Washer 1/4	
34	4891500	4	Washer 5/16	
35	77143013	11	Nut 1/4	
36	1001103308	2	Thumbscrew 1/4 x 3/4	
37	1001280600	1	Module, Ground Control (Note: Recalibration Required When Replaced)	
38	1001106736	1	Cap, Dust	
39	1001137364	1	Light, Indicator	
40	1001287467	1	Box	
41	1001286032	1	Engine Harness (Not Shown - See Separate Breakdown in ELECTRICAL Section)	
42	1001155043	9	Washer	
43	1001155044	9	Nut 15/32	
44	1001155045	9	Switch, Toggle	
45	1001285016	1	Control Valve Harness (Not Shown - See Separate Breakdown in ELECTRICAL Section)	

## SECTION 2 - TURNTABLE

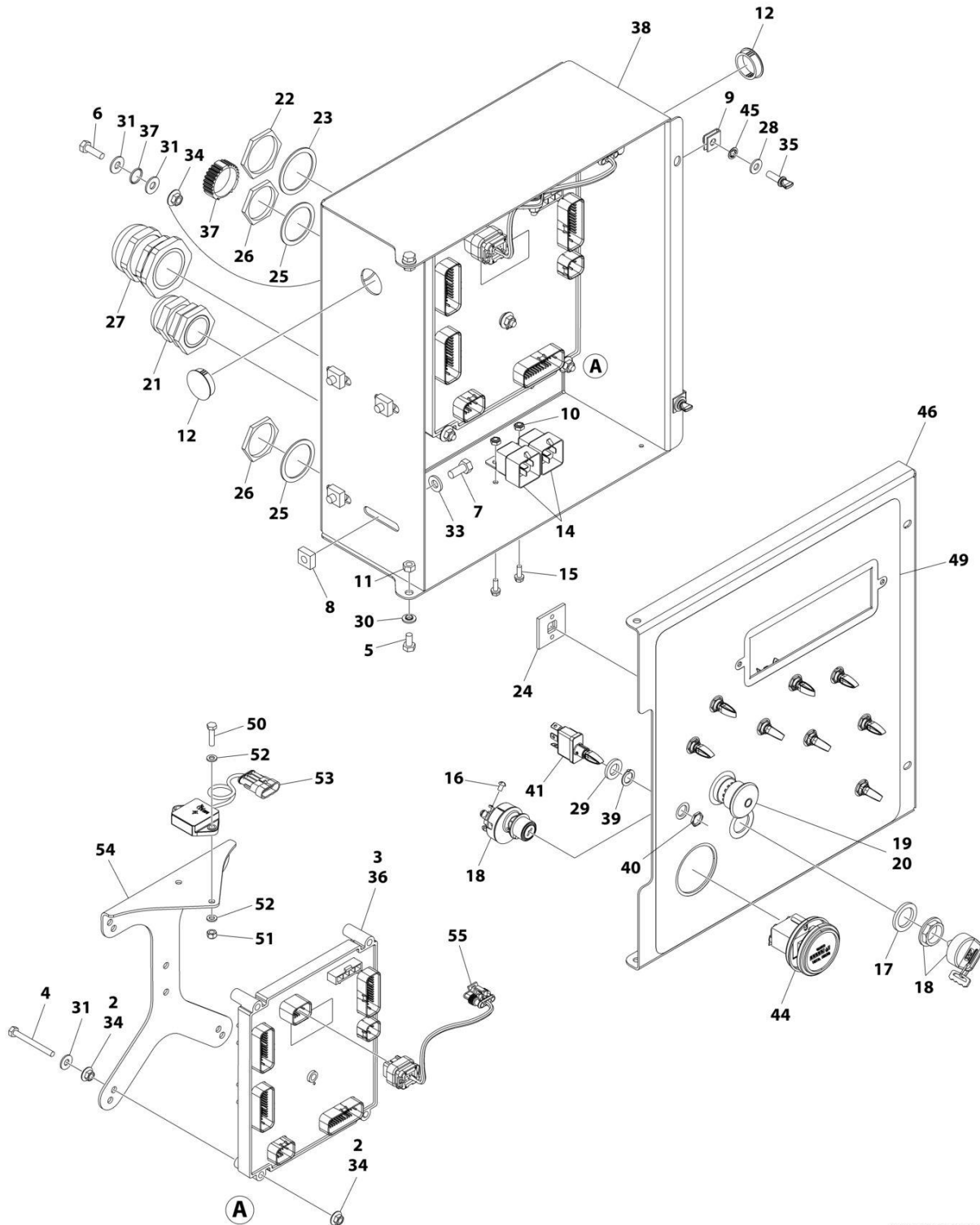
ITEM	PART NUMBER	QTY	DESCRIPTION	REV
46	10836804	1	Gauge, Display	
47	1001176469	1	Shroud	
48	1001188874	2	Nut	
49	1001297391	1	Lid	
50	1001263355	1	Decal - Ground Control Box	
51	1001285346	1	Ground Control Box Harness (Not Shown - See Separate Breakdown in ELECTRICAL Section)	
53	0760612	2	Bolt M6 x 25	
54	3290605	2	Nut M6	
55	4811700	4	Washer M6	
56	1001219601	1	Sensor, Tilt Dual Axis CAN	
57	1001271794	1	Bracket, Tilt Sensor	
58	1001276143	1	Harness, Tilt Sensor	





## SECTION 2 - TURNTABLE

FIGURE 2-27. GROUND CONTROL BOX ASSEMBLY - WITH DEUTZ TD2.9L4 ENGINES - WITH MECHANICAL HOUR METER (ANSI, ANSI EXPORT, CSA, CHINA & JAPANESE SPECS)



ART\_1001266875\_F

## SECTION 2 - TURNTABLE

**FIGURE 2-27. GROUND CONTROL BOX ASSEMBLY - WITH DEUTZ TD2.9L4 ENGINES - WITH MECHANICAL HOUR METER (ANSI, ANSI EXPORT, CSA, CHINA & JAPANESE SPECS)**

ITEM	PART NUMBER	QTY	DESCRIPTION	REV
	1001266875	Ref	GROUND CONTROL BOX ASSEMBLY	F
2	0100011	AR	Compound, Locking	
3	0100048	AR	Grease, Dielectric	
4	0630548	5	Bolt 2-1/2	
5	0641404	2	Bolt 1/4 x 1/2	
6	0641407	1	Bolt 1/4 x 7/8	
7	0641506	4	Bolt 5/16 x 3/4	
8	3300205	4	Nut, Retainer	
9	3300353	2	Nut, Tinnerman	
10	3300408	2	Nut, Nylon Insert	
11	3311405	2	Nut 1/4	
12	3520031	2	Plug	
14	3740049	2	Relay	
15	3900268	2	Screw #10x1/2	
16	3910804	6	Screw #8 x 1/4	
17	4070991	1	Shim	
18	4360469	1	Switch, Key	
18	2860030	1 Set	Key Replacement	
19	1001274559	1	Switch, Emergency Stop	
20	4360476	1	Switch, Contact Block	
21	4460426	1	Connector, Strain Relief	
22	4460470	1	Nut, Terminal	
23	4460471	1	Lockwasher, Terminal	
24	4460488	6	Mounting Base, Terminal	
25	4460496	2	Washer, Terminal	
26	4460497	2	Nut, Terminal	
27	4460526	1	Connector, Strain Relief	
28	4711400	2	Washer 1/4	
29	4740397	9	Spacer	
30	4740518	2	Washer	
31	4751400	7	Washer 1/4	
33	4891500	4	Washer 5/16	
34	77143013	11	Nut 1/4	
35	1001103308	2	Thumbscrew 1/4 x 3/4	
36	1001280600	1	Module, Ground Control (Note: Recalibration Required When Replaced)	
37	1001106736	1	Cap, Dust	
38	1001287467	1	Box	
39	1001155043	9	Washer	
40	1001155044	9	Nut 15/32	
41	1001155045	9	Switch, Toggle	
42	1001295732	1	Engine Harness (Not Shown - See Separate Breakdown in ELECTRICAL Section)	
43	1001285016	1	Control Valve Harness (Not Shown - See Separate Breakdown in ELECTRICAL Section)	
44	10836804	1	Hour Meter	
45	1001188874	2	Nut	
46	1001280403	1	Lid	
47	1001285346	1	Ground Control Box Harness (Not Shown - See Separate Breakdown in ELECTRICAL Section)	

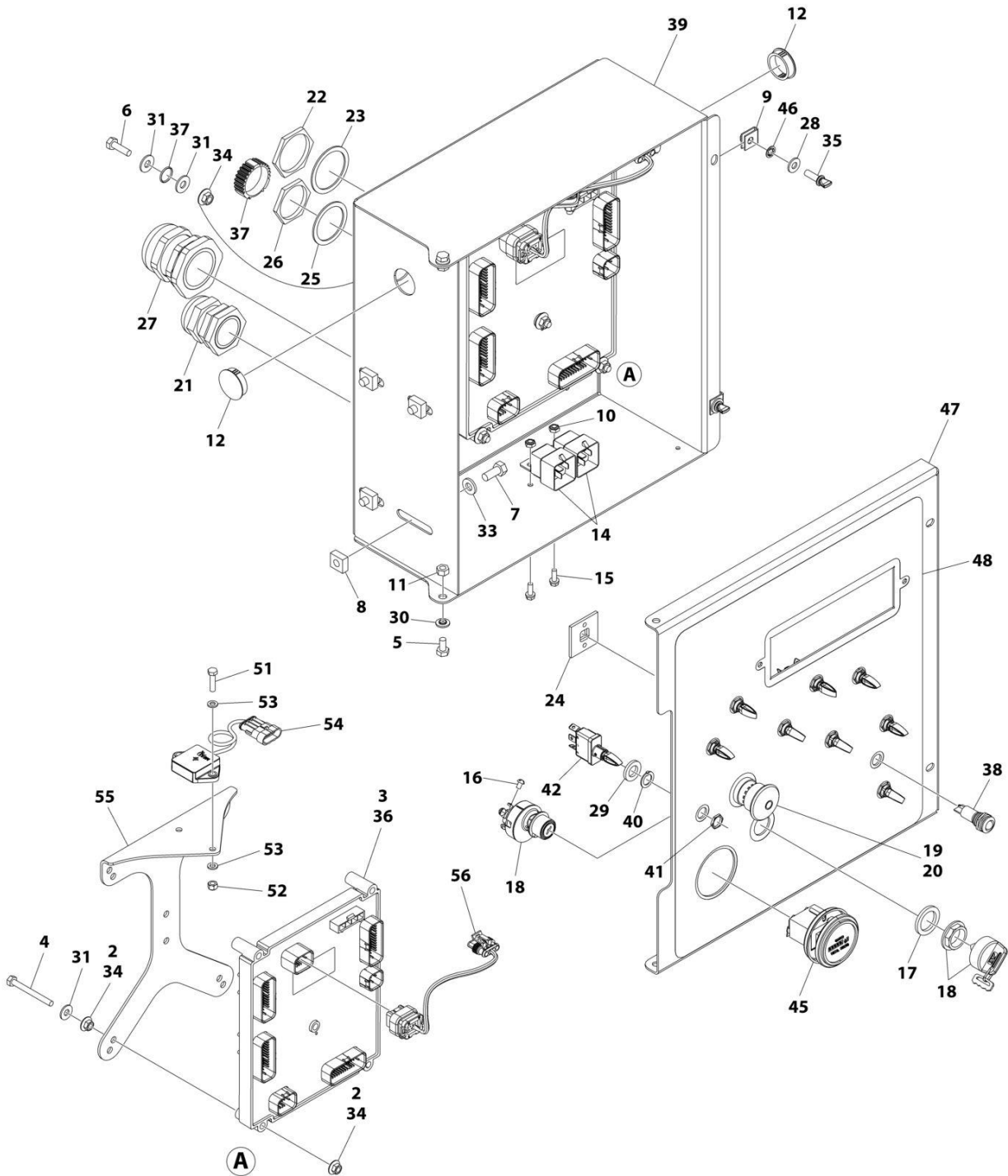
## SECTION 2 - TURNTABLE

ITEM	PART NUMBER	QTY	DESCRIPTION	REV
49	1001266876	1	Decal - Ground Control Box	
50	0760612	2	Bolt M6 x 25	
51	3290605	2	Nut M6	
52	4811700	4	Washer M6	
53	1001219601	1	Sensor, Tilt Dual Axis CAN	
54	1001271794	1	Bracket, Tilt Sensor	
55	1001276143	1	Harness, Tilt Sensor	



## SECTION 2 - TURNTABLE

FIGURE 2-28. GROUND CONTROL BOX ASSEMBLY - WITH DEUTZ TD2.9L4 AND TOWER STOW - WITH MECHANICAL HOUR METER (ANSI, ANSI EXPORT, CSA, CHINA & JAPANESE SPECS)



ART\_1001263360\_F

## SECTION 2 - TURNTABLE

**FIGURE 2-28. GROUND CONTROL BOX ASSEMBLY - WITH DEUTZ TD2.9L4 AND TOWER STOW - WITH MECHANICAL HOUR METER (ANSI, ANSI EXPORT, CSA, CHINA & JAPANESE SPECS)**

ITEM	PART NUMBER	QTY	DESCRIPTION	REV
	1001263360	Ref	GROUND CONTROL BOX ASSEMBLY	F
2	0100011	AR	Compound, Locking	
3	0100048	AR	Grease, Dielectric	
4	0630548	5	Bolt 2-1/2	
5	0641404	2	Bolt 1/4 x 1/2	
6	0641407	1	Bolt 1/4 x 7/8	
7	0641506	4	Bolt 5/16 x 3/4	
8	3300205	4	Nut, Retainer	
9	3300353	2	Nut, Tinnerman	
10	3300408	2	Nut, Nylon Insert	
11	3311405	2	Nut 1/4	
12	3520031	2	Plug	
14	3740049	2	Relay	
15	3900268	2	Screw #10x1/2	
16	3910804	6	Screw #8 x 1/4	
17	4070991	1	Shim	
18	4360469	1	Switch, Key	
18	2860030	1 Set	Key Replacement	
19	1001274559	1	Switch, Emergency Stop	
20	4360476	1	Switch, Contact Block	
21	4460426	1	Connector, Strain Relief	
22	4460470	1	Nut, Terminal	
23	4460471	1	Lockwasher, Terminal	
24	4460488	6	Mounting Base, Terminal	
25	4460496	2	Washer, Terminal	
26	4460497	2	Nut, Terminal	
27	4460526	1	Connector, Strain Relief	
28	4711400	2	Washer 1/4	
29	4740397	9	Spacer	
30	4740518	2	Washer	
31	4751400	7	Washer 1/4	
33	4891500	4	Washer 5/16	
34	77143013	11	Nut 1/4	
35	1001103308	2	Thumbscrew 1/4 x 3/4	
36	1001280600	1	Module, Ground Control (Note: Recalibration Required When Replaced)	
37	1001106736	1	Cap, Dust	
38	1001137364	1	Light, Indicator	
39	1001287467	1	Box	
40	1001155043	9	Washer	
41	1001155044	9	Nut 15/32	
42	1001155045	9	Switch, Toggle	
43	1001295732	1	Engine Harness (Not Shown - See Separate Breakdown in ELECTRICAL Section)	
44	1001285016	1	Control Valve Harness (Not Shown - See Separate Breakdown in ELECTRICAL Section)	
45	10836804	1	Hour Meter	
46	1001188874	2	Nut	
47	1001280403	1	Lid	

## SECTION 2 - TURNTABLE

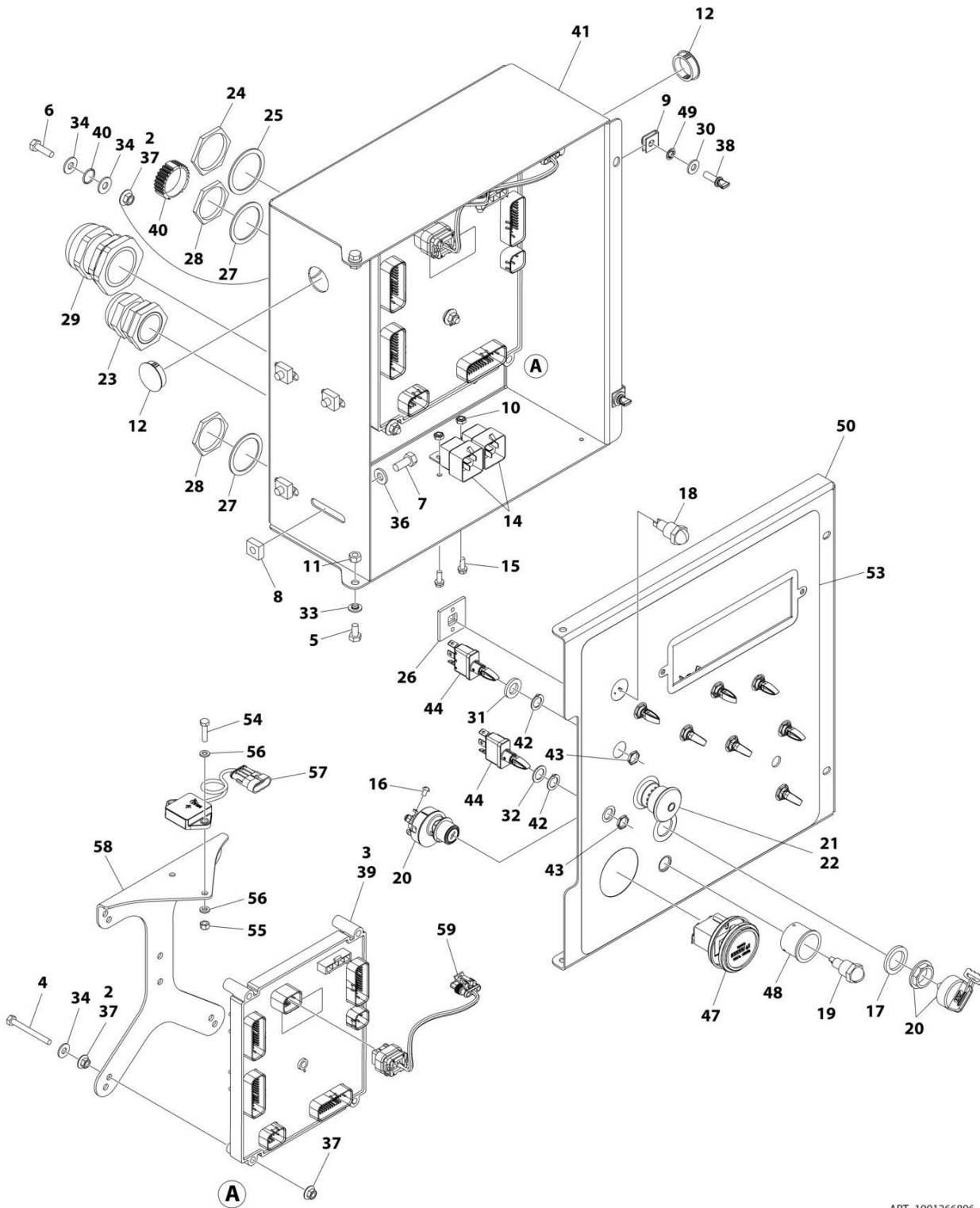
ITEM	PART NUMBER	QTY	DESCRIPTION	REV
48	1001263356	1	Decal - Ground Control Box	
49	1001285346	1	Ground Control Box Harness (Not Shown - See Separate Breakdown in ELECTRICAL Section)	
51	0760612	2	Bolt M6 x 25	
52	3290605	2	Nut M6	
53	4811700	4	Washer M6	
54	1001219601	1	Sensor, Tilt Dual Axis CAN	
55	1001271794	1	Bracket, Tilt Sensor	
56	1001276143	1	Harness, Tilt Sensor	





# SECTION 2 - TURNTABLE

## FIGURE 2-29. GROUND CONTROL BOX ASSEMBLY - WITH DEUTZ TD2.9L4 (STAGE V) ENGINES (CE & UK CA SPECS)



ART\_1001266896\_F

## SECTION 2 - TURNTABLE

**FIGURE 2-29. GROUND CONTROL BOX ASSEMBLY - WITH DEUTZ TD2.9L4 (STAGE V) ENGINES  
(CE & UK CA SPECS)**

ITEM	PART NUMBER	QTY	DESCRIPTION	REV
	1001266896	Ref	GROUND CONTROL BOX ASSEMBLY	F
2	0100011	AR	Compound, Locking	
3	0100048	AR	Grease, Dielectric	
4	0630548	5	Bolt 2-1/2	
5	0641404	2	Bolt 1/4 x 1/2	
6	0641407	1	Bolt 1/4 x 7/8	
7	0641506	4	Bolt 5/16 x 3/4	
8	3300205	4	Nut, Retainer	
9	3300353	2	Nut, Tinnerman	
10	3300408	2	Nut, Nylon Insert	
11	3311405	2	Nut 1/4	
12	3520031	2	Plug	
14	3740049	2	Relay	
15	3900268	2	Screw #10x1/2	
16	3910804	6	Screw #8 x 1/4	
17	4070991	1	Shim	
18	4360274	1	Switch, Push Button	
19	4360387	1	Switch, Push Button	
20	4360469	1	Switch, Key	
20	2860030	1 Set	Key Replacement	
21	1001274559	1	Switch, Emergency Stop	
22	4360476	1	Switch, Contact Block	
23	4460426	1	Connector, Strain Relief	
24	4460470	1	Nut, Terminal	
25	4460471	1	Lockwasher, Terminal	
26	4460488	6	Mounting Base, Terminal	
27	4460496	2	Washer, Terminal	
28	4460497	2	Nut, Terminal	
29	4460526	1	Connector, Strain Relief	
30	4711400	2	Washer 1/4	
31	4740397	8	Spacer	
32	4740444	1	Washer	
33	4740518	2	Washer	
34	4751400	7	Washer 1/4	
36	4891500	4	Washer 5/16	
37	77143013	11	Nut 1/4	
38	1001103308	2	Thumbscrew 1/4 x 3/4	
39	1001280600	1	Module, Ground Control (Note: Recalibration Required When Replaced)	
40	1001106736	1	Cap, Dust	
41	1001287467	1	Box	
42	1001155043	9	Washer	
43	1001155044	9	Nut 15/32	
44	1001155045	9	Switch, Toggle	
45	1001295732	1	Engine Harness (Not Shown - See Separate Breakdown in ELECTRICAL Section)	
46	1001285016	1	Control Valve Harness (Not Shown - See Separate Breakdown in ELECTRICAL Section)	
47	10836804	1	Gauge, Display	

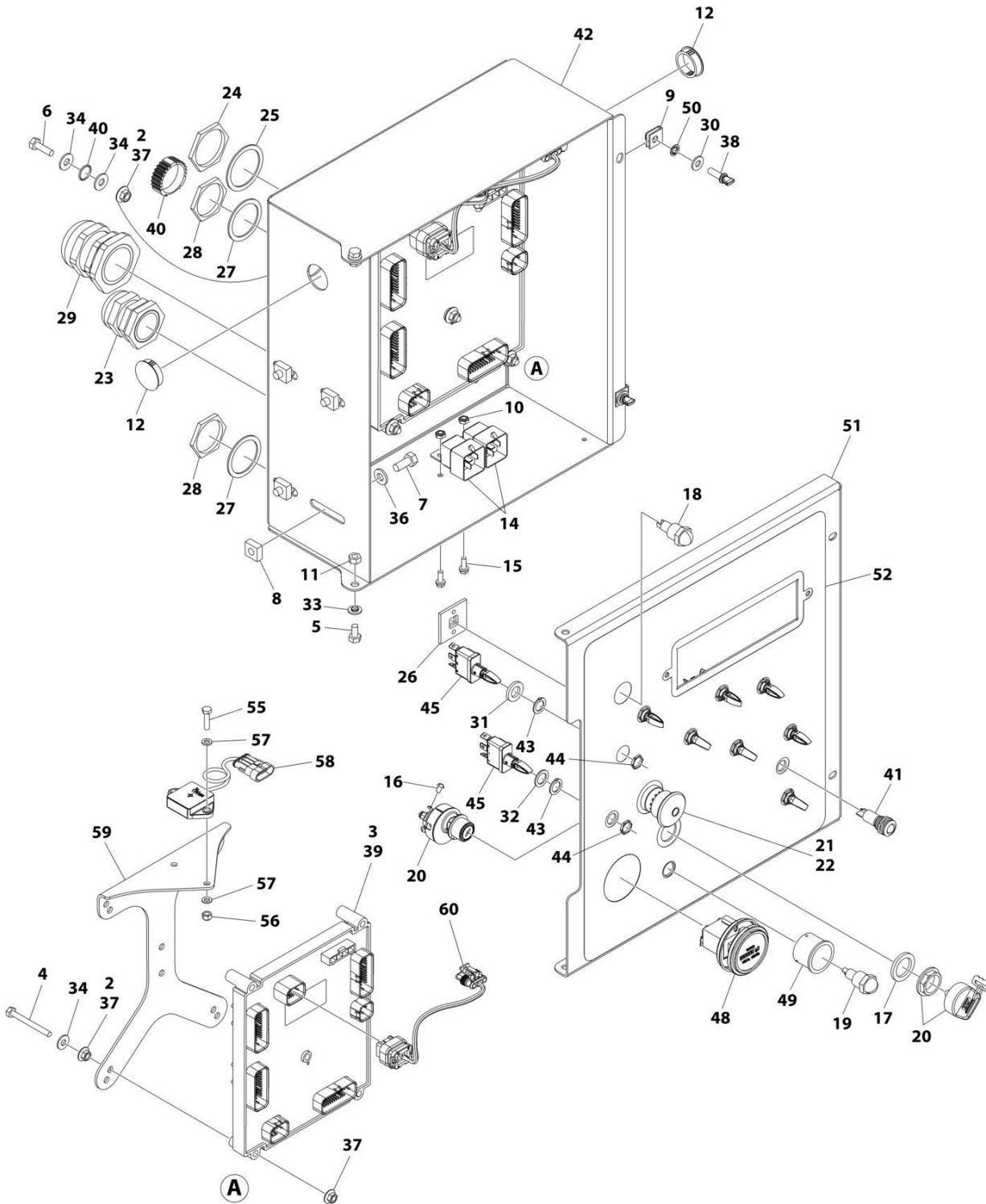
## SECTION 2 - TURNTABLE

ITEM	PART NUMBER	QTY	DESCRIPTION	REV
48	1001176469	1	Shroud	
49	1001188874	2	Nut	
50	1001297391	1	Lid	
51	1001285346	1	Ground Control Box Harness (Not Shown - See Separate Breakdown in ELECTRICAL Section)	
53	1001266878	1	Decal - Ground Control Box	
54	0760612	2	Bolt M6 x 25	
55	3290605	2	Nut M6	
56	4811700	4	Washer M6	
57	1001219601	1	Sensor, Tilt Dual Axis CAN	
58	1001271794	1	Bracket, Tilt Sensor	
59	1001276143	1	Harness, Tilt Sensor	



# SECTION 2 - TURNTABLE

FIGURE 2-30. GROUND CONTROL BOX ASSEMBLY - WITH DEUTZ TD2.9L4 (STAGE V) ENGINES AND WITH TOWER STOW (CE & UK CA SPECS)



ART\_1001263364\_F

## SECTION 2 - TURNTABLE

**FIGURE 2-30. GROUND CONTROL BOX ASSEMBLY - WITH DEUTZ TD2.9L4 (STAGE V) ENGINES  
AND WITH TOWER STOW (CE & UK CA SPECS)**

ITEM	PART NUMBER	QTY	DESCRIPTION	REV
	1001263364	Ref	GROUND CONTROL BOX ASSEMBLY	F
2	0100011	AR	Compound, Locking	
3	0100048	AR	Grease, Dielectric	
4	0630548	5	Bolt 2-1/2	
5	0641404	2	Bolt 1/4 x 1/2	
6	0641407	1	Bolt 1/4 x 7/8	
7	0641506	4	Bolt 5/16 x 3/4	
8	3300205	4	Nut, Retainer	
9	3300353	2	Nut, Tinnerman	
10	3300408	2	Nut, Nylon Insert	
11	3311405	2	Nut 1/4	
12	3520031	2	Plug	
14	3740049	2	Relay	
15	3900268	2	Screw #10x1/2	
16	3910804	6	Screw #8 x 1/4	
17	4070991	1	Shim	
18	4360274	1	Switch, Push Button	
19	4360387	1	Switch, Push Button	
20	4360469	1	Switch, Key	
20	2860030	1 Set	Key Replacement	
21	1001274559	1	Switch, Emergency Stop	
22	4360476	1	Switch, Contact Block	
23	4460426	1	Connector, Strain Relief	
24	4460470	1	Nut, Terminal	
25	4460471	1	Lockwasher, Terminal	
26	4460488	6	Mounting Base, Terminal	
27	4460496	2	Washer, Terminal	
28	4460497	2	Nut, Terminal	
29	4460526	1	Connector, Strain Relief	
30	4711400	2	Washer 1/4	
31	4740397	8	Spacer	
32	4740444	1	Washer	
33	4740518	2	Washer	
34	4751400	7	Washer 1/4	
36	4891500	4	Washer 5/16	
37	77143013	11	Nut 1/4	
38	1001103308	2	Thumbscrew 1/4 x 3/4	
39	1001280600	1	Module, Ground Control (Note: Recalibration Required When Replaced)	
40	1001106736	1	Cap, Dust	
41	1001137364	1	Light, Indicator	
42	1001287467	1	Box	
43	1001155043	9	Washer	
44	1001155044	9	Nut 15/32	
45	1001155045	9	Switch, Toggle	
46	1001295732	1	Engine Harness (Not Shown - See Separate Breakdown in ELECTRICAL Section)	
47	1001285016	1	Control Valve Harness (Not Shown - See Separate Breakdown in ELECTRICAL Section)	

## SECTION 2 - TURNTABLE

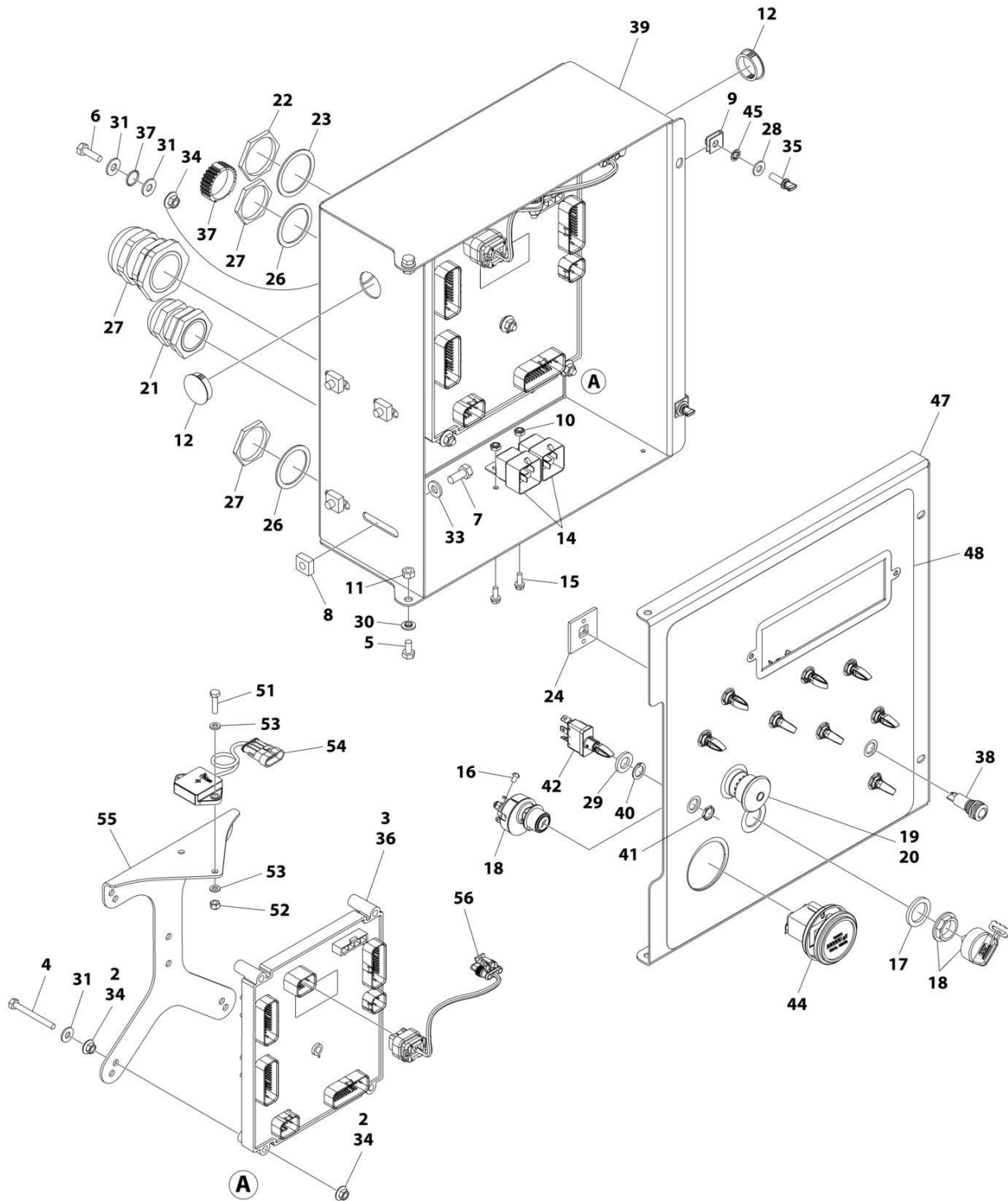
ITEM	PART NUMBER	QTY	DESCRIPTION	REV
48	10836804	1	Gauge, Display	
49	1001176469	1	Shroud	
50	1001188874	2	Nut	
51	1001297391	1	Lid	
52	1001263357	1	Decal - Ground Control Box	
53	1001285346	1	Ground Control Box Harness (Not Shown - See Separate Breakdown in ELECTRICAL Section)	
55	0760612	2	Bolt M6 x 25	
56	3290605	2	Nut M6	
57	4811700	4	Washer M6	
58	1001219601	1	Sensor, Tilt Dual Axis CAN	
59	1001271794	1	Bracket, Tilt Sensor	
60	1001276143	1	Harness, Tilt Sensor	





# SECTION 2 - TURNTABLE

## FIGURE 2-31. GROUND CONTROL BOX ASSEMBLY - WITH FORD ENGINES AND TOWER STOW - WITH MECHANICAL HOUR METER



ART\_1001263363\_E

## SECTION 2 - TURNTABLE

**FIGURE 2-31. GROUND CONTROL BOX ASSEMBLY - WITH FORD ENGINES AND TOWER STOW - WITH MECHANICAL HOUR METER**

ITEM	PART NUMBER	QTY	DESCRIPTION	REV
	1001263363	Ref	GROUND CONTROL BOX ASSEMBLY	E
2	0100011	AR	Compound, Locking	
3	0100048	AR	Grease, Dielectric	
4	0630548	5	Bolt 2-1/2	
5	0641404	2	Bolt 1/4 x 1/2	
6	0641407	1	Bolt 1/4 x 7/8	
7	0641506	4	Bolt 5/16 x 3/4	
8	3300205	4	Nut, Retainer	
9	3300353	2	Nut, Tinnerman	
10	3300408	2	Nut, Nylon Insert	
11	3311405	2	Nut 1/4	
12	3520031	2	Plug	
14	3740049	2	Relay	
15	3900268	2	Screw #10x1/2	
16	3910804	6	Screw #8 x 1/4	
17	4070991	1	Shim	
18	4360469	1	Switch, Key	
18	2860030	1 Set	Key Replacement	
19	4360475	1	Switch, Emergency Stop	
19	7020175	1	Cap, Mushroom	
19	7020176	1	Block, Contact	
20	4360476	1	Switch, Contact Block	
21	4460426	1	Connector, Strain Relief	
22	4460470	1	Nut, Terminal	
23	4460471	1	Lockwasher, Terminal	
24	4460488	6	Mounting Base, Terminal	
25	4460496	2	Washer, Terminal	
26	4460497	2	Nut, Terminal	
27	4460526	1	Connector, Strain Relief	
28	4711400	2	Washer 1/4	
29	4740397	9	Spacer	
30	4740518	2	Washer	
31	4751400	7	Washer 1/4	
33	4891500	4	Washer 5/16	
34	77143013	11	Nut 1/4	
35	1001103308	2	Thumbscrew 1/4 x 3/4	
36	1001280600	1	Module, Ground Control (Note: Recalibration Required When Replaced)	
37	1001106736	1	Cap, Dust	
38	1001137364	1	Light, Indicator	
39	1001287467	1	Box	
40	1001155043	9	Washer	
41	1001155044	9	Nut 15/32	
42	1001155045	9	Switch, Toggle	
43	1001285016	1	Control Valve Harness (Not Shown - See Separate Breakdown in ELECTRICAL Section)	
44	10836804	1	Hour Meter	
45	1001188874	2	Nut	

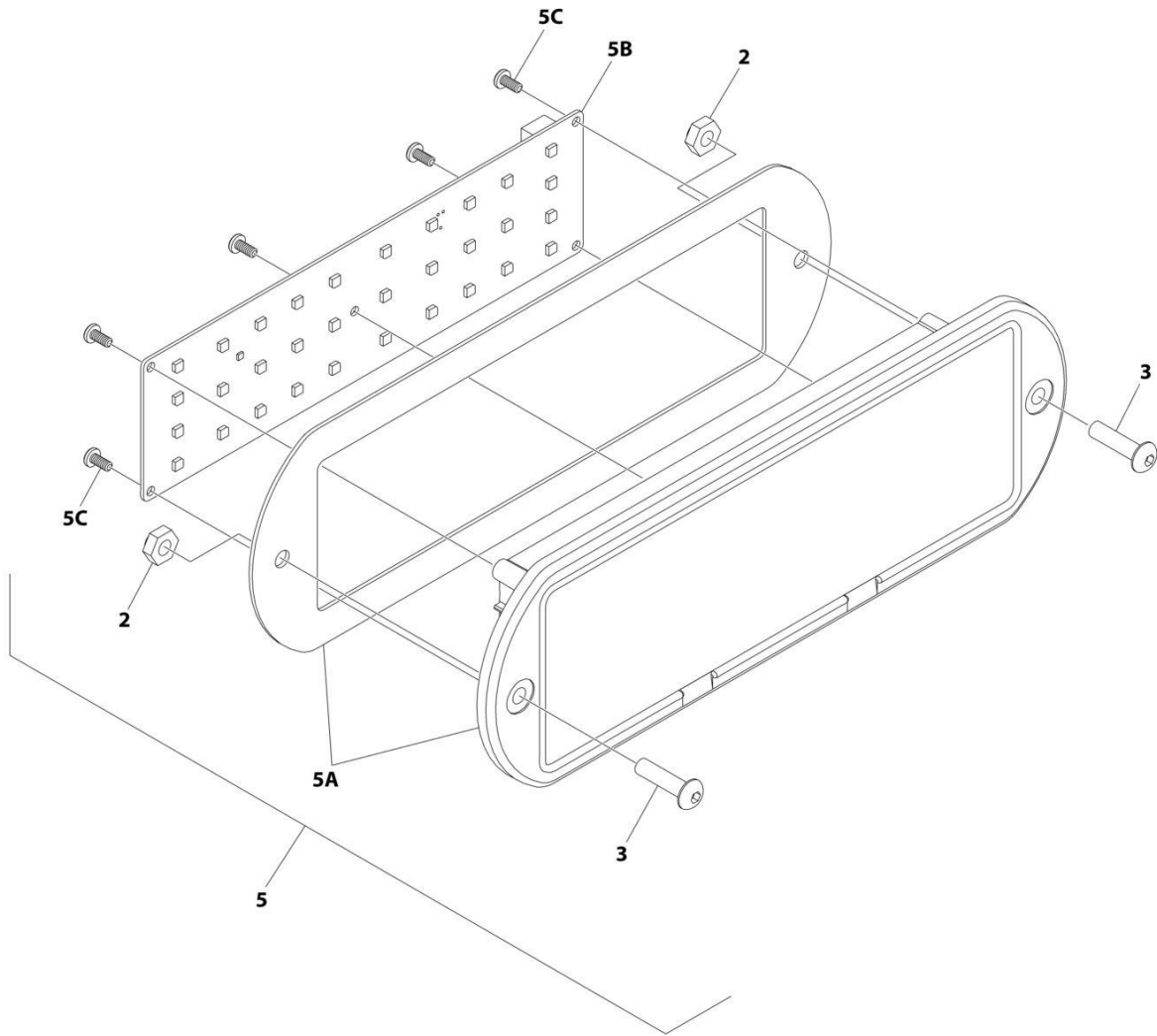
## SECTION 2 - TURNTABLE

ITEM	PART NUMBER	QTY	DESCRIPTION	REV
46	1001286033	1	Engine Harness (Not Shown - See Separate Breakdown in ELECTRICAL Section)	
47	1001280403	1	Lid	
48	1001263356	1	Decal - Ground Control Box	
49	1001285346	1	Ground Control Box Harness (Not Shown - See Separate Breakdown in ELECTRICAL Section)	
51	0760612	2	Bolt M6 x 25	
52	3290605	2	Nut M6	
53	4811700	4	Washer M6	
54	1001219601	1	Sensor, Tilt Dual Axis CAN	
55	1001271794	1	Bracket, Tilt Sensor	
56	1001276143	1	Harness, Tilt Sensor	



# SECTION 2 - TURNTABLE

## FIGURE 2-32. LIGHT PANEL INSTALLATION



ART\_1001241403\_E\_10F2

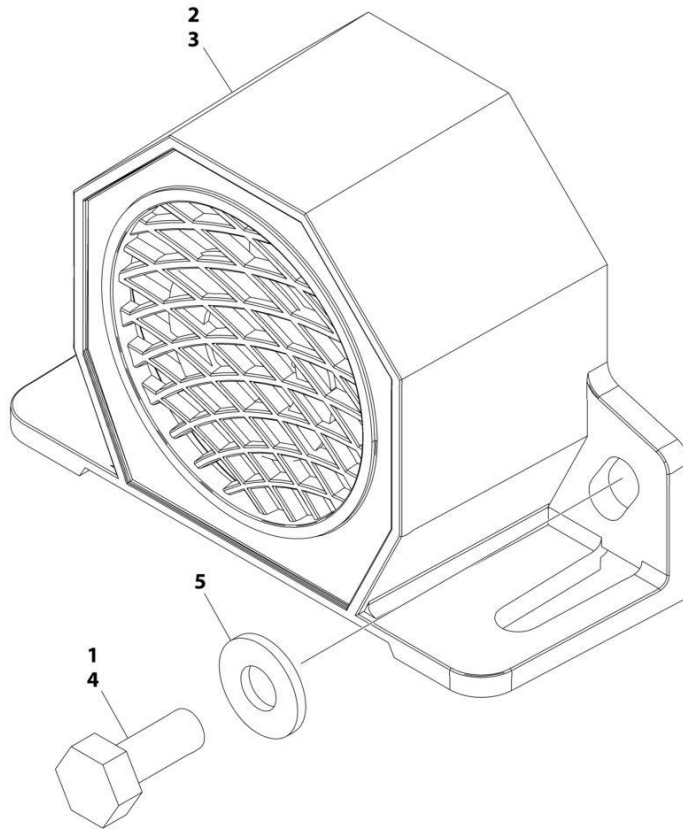
**SECTION 2 - TURNTABLE**

**FIGURE 2-32. LIGHT PANEL INSTALLATION**

ITEM	PART NUMBER	QTY	DESCRIPTION	REV
	1001241403	Ref	LIGHT PANEL INSTALLATION - GROUND CONTROL	E
2	3300408	2	Nut, Nylon Insert	
3	0630518	2	Screw #10 x 3/4	
5	1001237547	1	Light Panel Assembly	J
5A	1001281703	1	Lens Assembly (Includes Housing Shell, Decal/Lens with Icons & Gasket)	
5B	1001282106	1	Panel, LED Light	
5C		Ref	Screw	

## SECTION 2 - TURNTABLE

FIGURE 2-33. ALARM INSTALLATION



ART\_1001158364



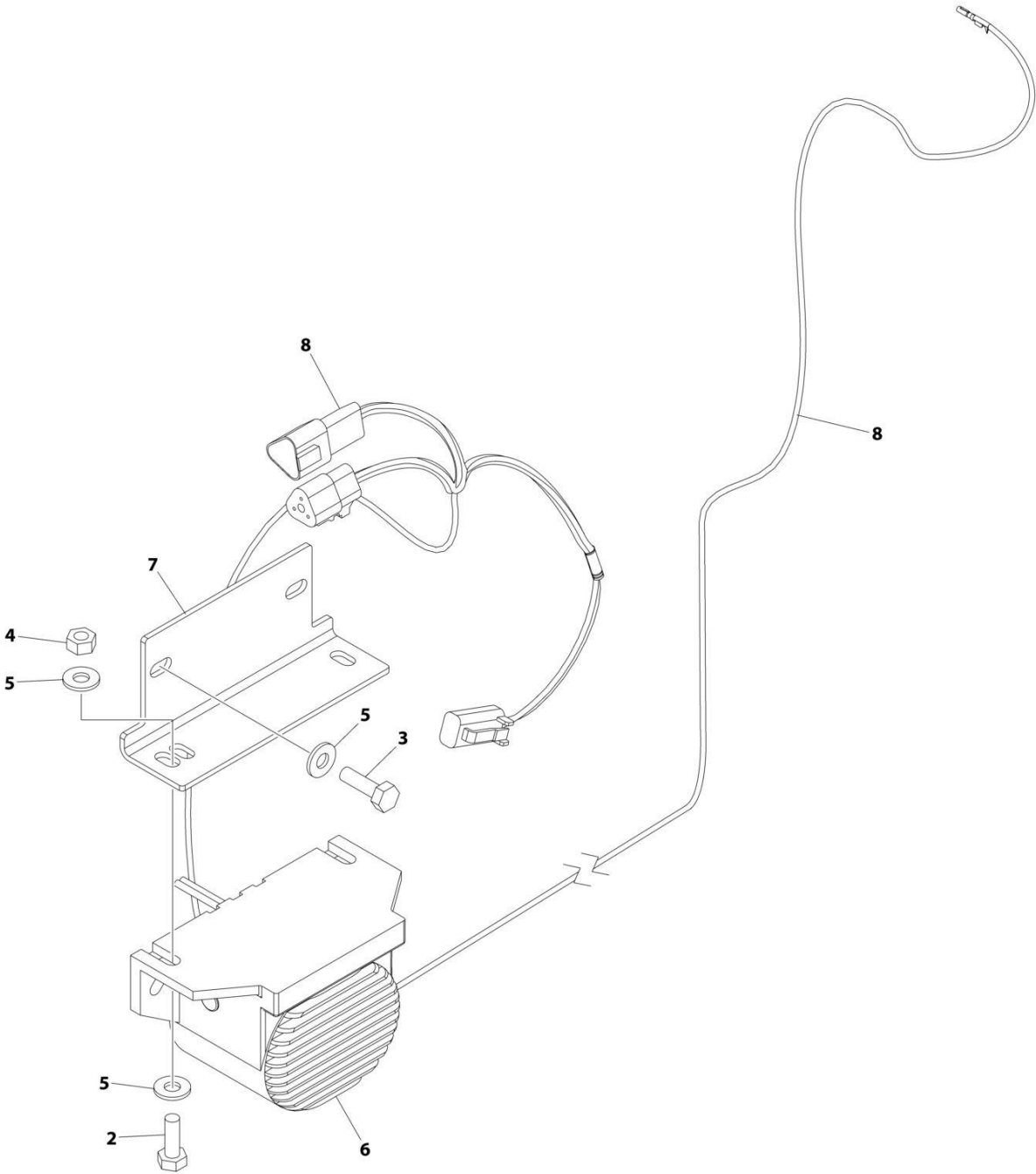
**SECTION 2 - TURNTABLE**

**FIGURE 2-33. ALARM INSTALLATION**

<b>ITEM</b>	<b>PART NUMBER</b>	<b>QTY</b>	<b>DESCRIPTION</b>	<b>REV</b>
	1001158364	Ref	ALARM INSTALLATION	A
1	0100011	AR	Compound, Locking	
2	0100048	AR	Grease, Dielectric	
3	0140044	1	Alarm	
4	0641405	2	Bolt 1/4 x 5/8	
5	4711400	2	Washer 1/4	

# SECTION 2 - TURNTABLE

## FIGURE 2-34. WHITE NOISE ALARM INSTALLATION - ADJUSTABLE AMBIENT



ART\_1001241385

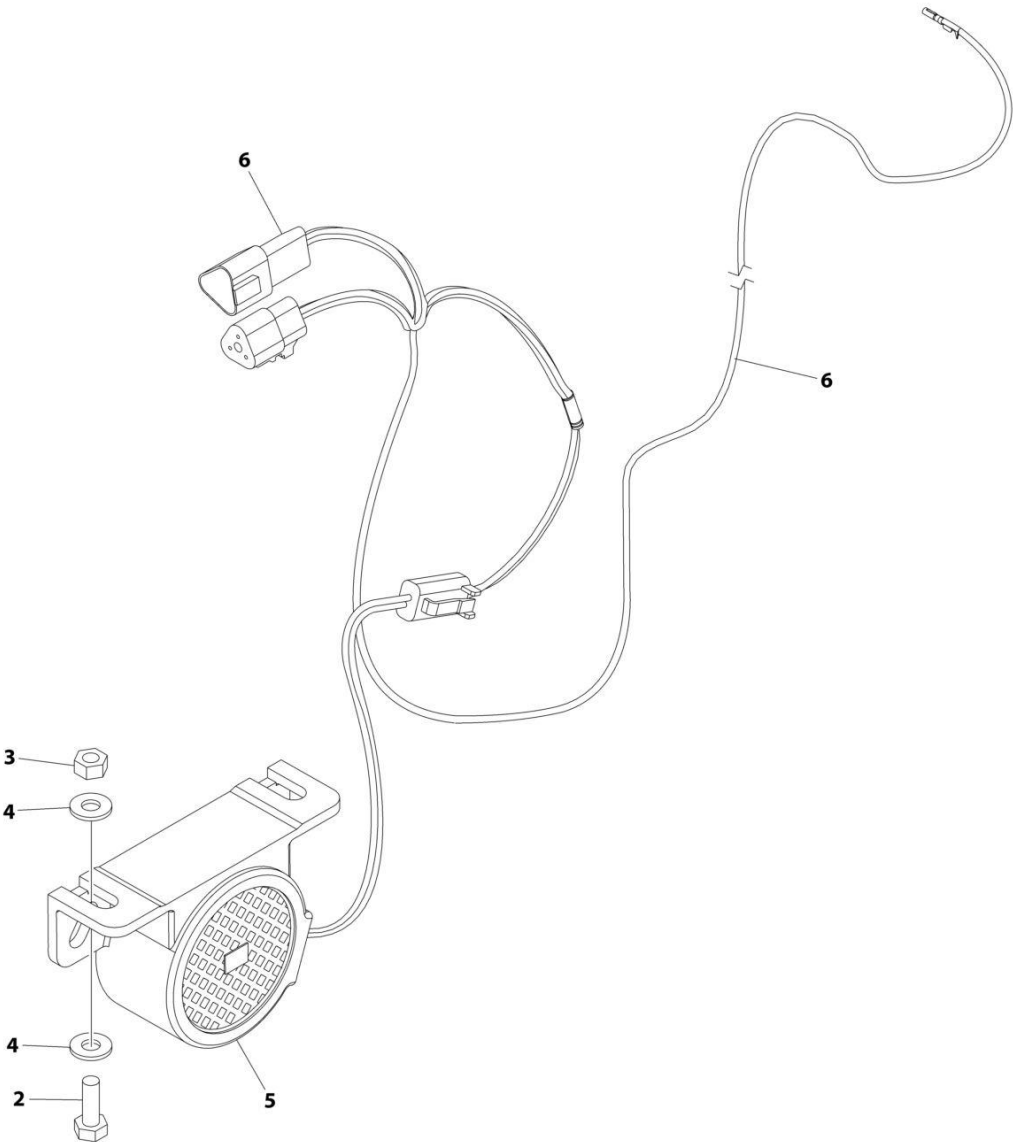
**SECTION 2 - TURNTABLE**

**FIGURE 2-34. WHITE NOISE ALARM INSTALLATION - ADJUSTABLE AMBIENT**

ITEM	PART NUMBER	QTY	DESCRIPTION	REV
	1001241385	Ref	WHITE NOISE ALARM INSTALLATION	B
1	0100048	AR	Compound, Silicone (Not Shown)	
2	0641406	2	Bolt 1/4 x 3/4	
3	0641407	2	Bolt 1/4 x 7/8	
4	3311405	2	Nut 1/4	
5	4711400	6	Washer 1/4	
6	1001182806	1	Alarm	
7	1001231886	1	Plate	
8	1001243682	1	White Noise Motion Alarm Harness (See Separate Breakdown in this Section)	

# SECTION 2 - TURNTABLE

## FIGURE 2-35. WHITE NOISE MOTION ALARM INSTALLATION - AMBIENT



ART\_1001239347

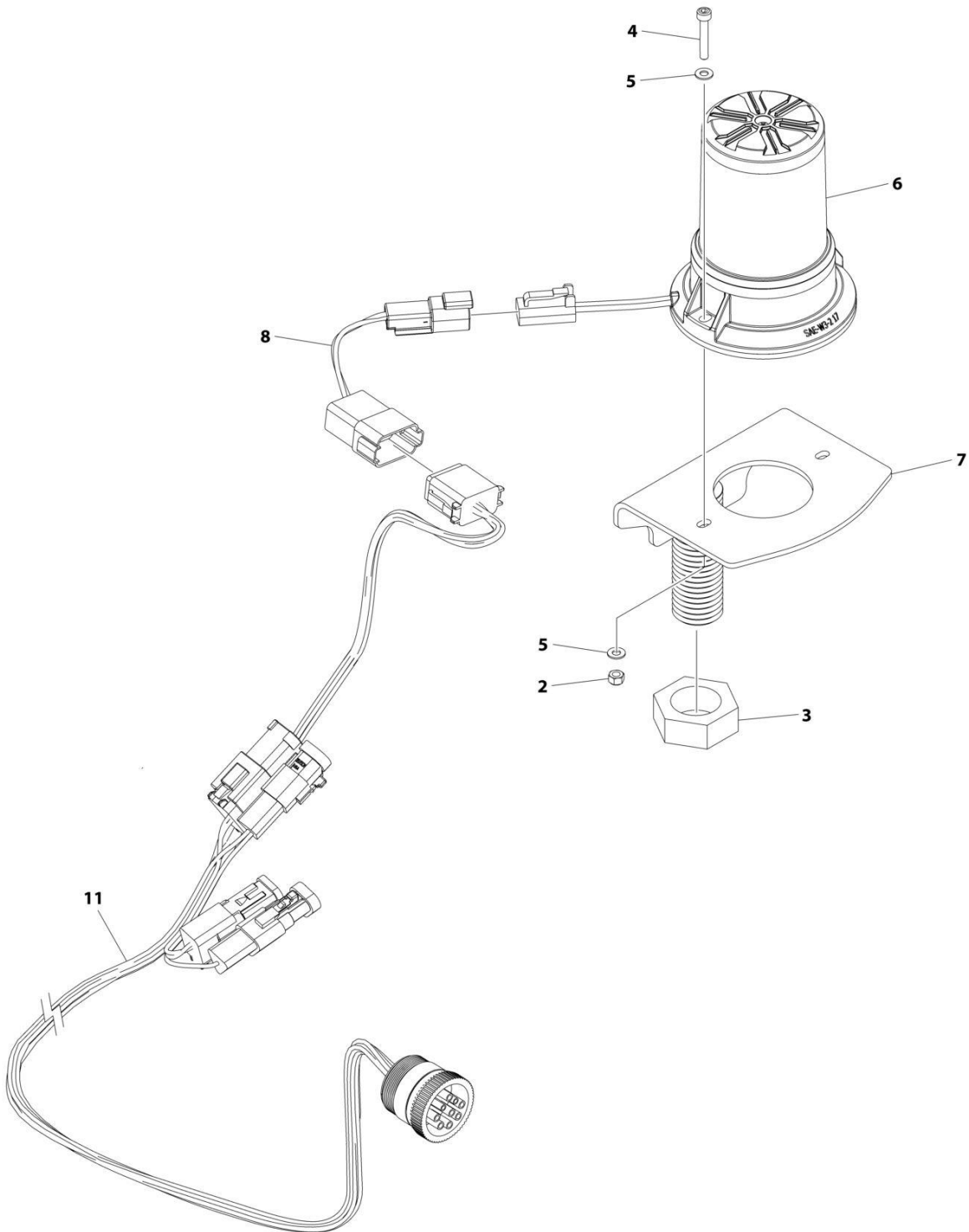
**SECTION 2 - TURNTABLE**

**FIGURE 2-35. WHITE NOISE MOTION ALARM INSTALLATION - AMBIENT**

<b>ITEM</b>	<b>PART NUMBER</b>	<b>QTY</b>	<b>DESCRIPTION</b>	<b>REV</b>
	1001239347	Ref	WHITE NOISE MOTION ALARM INSTALLATION	B
1	0100048	AR	Compound, Silicone (Not Shown)	
2	0641406	2	Bolt 1/4 x 3/4	
3	3311405	2	Nut 1/4	
4	4711400	4	Washer 1/4	
5	1001184682	1	Alarm	
6	1001243682	1	White Noise Motion Alarm Harness (See Separate Breakdown in this Section)	

# SECTION 2 - TURNTABLE

## FIGURE 2-36. STROBE LIGHT INSTALLATION (AMBER)



ART\_1001160077\_E

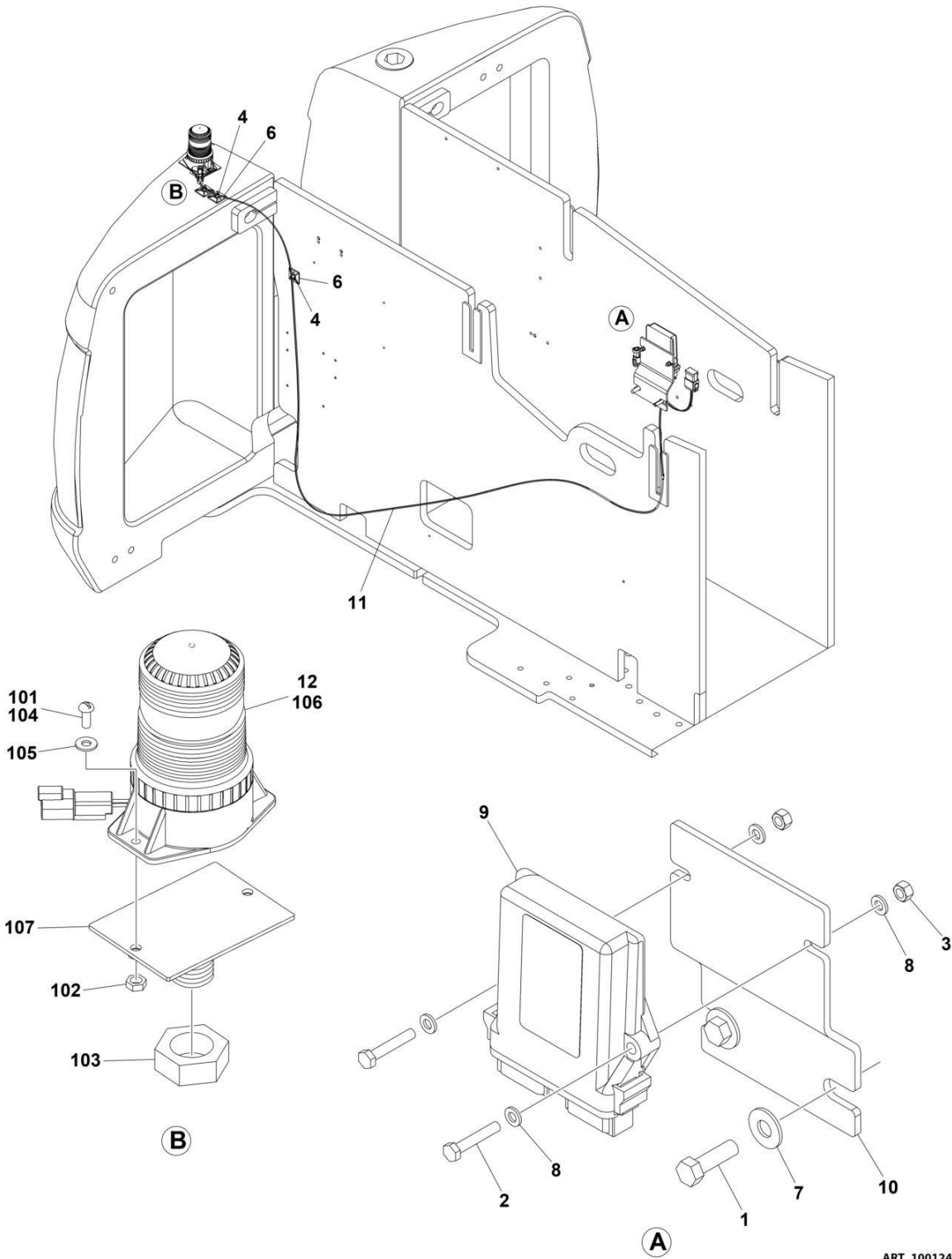
**SECTION 2 - TURNTABLE**

**FIGURE 2-36. STROBE LIGHT INSTALLATION (AMBER)**

<b>ITEM</b>	<b>PART NUMBER</b>	<b>QTY</b>	<b>DESCRIPTION</b>	<b>REV</b>
	1001160077	Ref	STROBE LIGHT INSTALLATION (AMBER)	E
2	3290405	2	Nut, Lock M4	
3	3312602	1	Nut	
4	4031509	2	Capscrew M4 x 25	
5	4811400	4	Washer M4	
6	1001270594	1	Strobe Light/Harness Assembly	
6	4460891	1	Connector	
6	4460465	2	Socket	
7	1001275149	2	Mount	
8	1001283776	1	Harness, Strobe Jumper (See Separate Breakdown in ELECTRICAL Section)	
9	4240017	AR	Tie-Strap (Not Shown)	
10	4460234	AR	Mount, Tie-Strap (Not Shown)	
11	1001286622	1	CSB Harness (See Separate Breakdown in ELECTRICAL Section)	

# SECTION 2 - TURNTABLE

## FIGURE 2-37. STROBE LIGHT INSTALLATION (BLUE)



ART\_1001242255



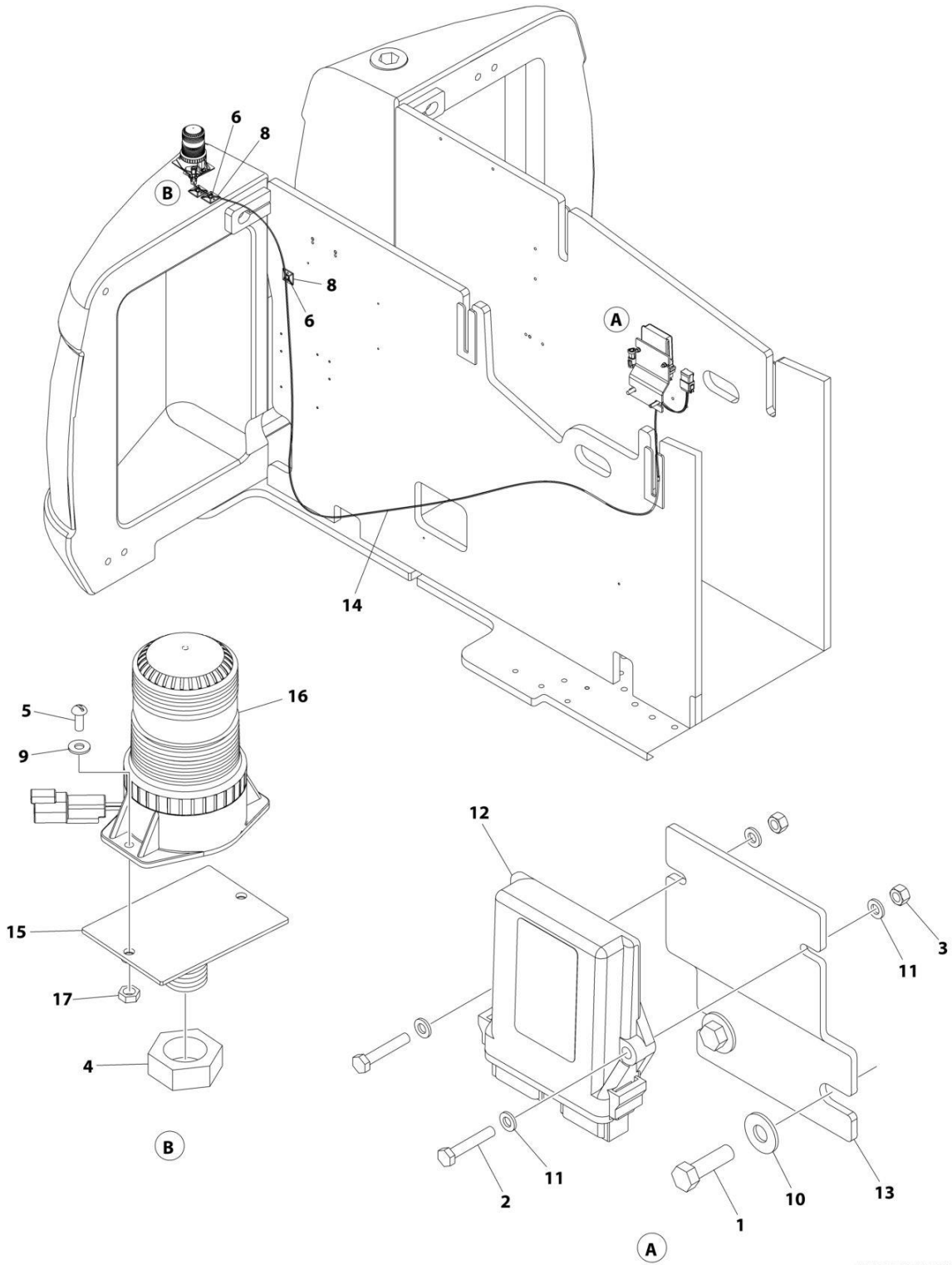
## SECTION 2 - TURNTABLE

### FIGURE 2-37. STROBE LIGHT INSTALLATION (BLUE)

ITEM	PART NUMBER	QTY	DESCRIPTION	REV
	1001242255	Ref	STROBE LIGHT INSTALLATION (BLUE)	B
1	0641610	2	Bolt 3/8 x 1-1/4	
2	0700615	2	Bolt 6 x 35	
3	3290607	2	Nut M6	
4	4240032	AR	Tie-Strap	
5	4240033	AR	Tie-Cable (Not Shown)	
6	4460488	AR	Base, Terminal, Mounting	
7	4751600	2	Washer 3/8	
8	4811700	4	Washer M6	
9	1001142683	1	Module, Control - Beacon	
10	1001142722	1	Bracket	
11	1001142736	1	Beacon Control Harness (See Separate Breakdown in ELECTRICAL Section)	
12	1001278845	1	Beacon Assembly - Blue (Includes Items 101 - 107)	A
101	0100035	AR	Compound, Locking	
102	3290405	2	Nut, Lock M4	
103	3312602	1	Nut	
104	4031509	2	Capscrew M4 x 25	
105	4811400	2	Washer M4	
106	1001272681	1	Light, Beacon	
106	4460891	1	Connector	
106	4460465	2	Socket	
107	1001278850	1	Mount, Strobe	

# SECTION 2 - TURNTABLE

## FIGURE 2-38. STROBE LIGHT INSTALLATION (RED)



ART\_1001242256\_B

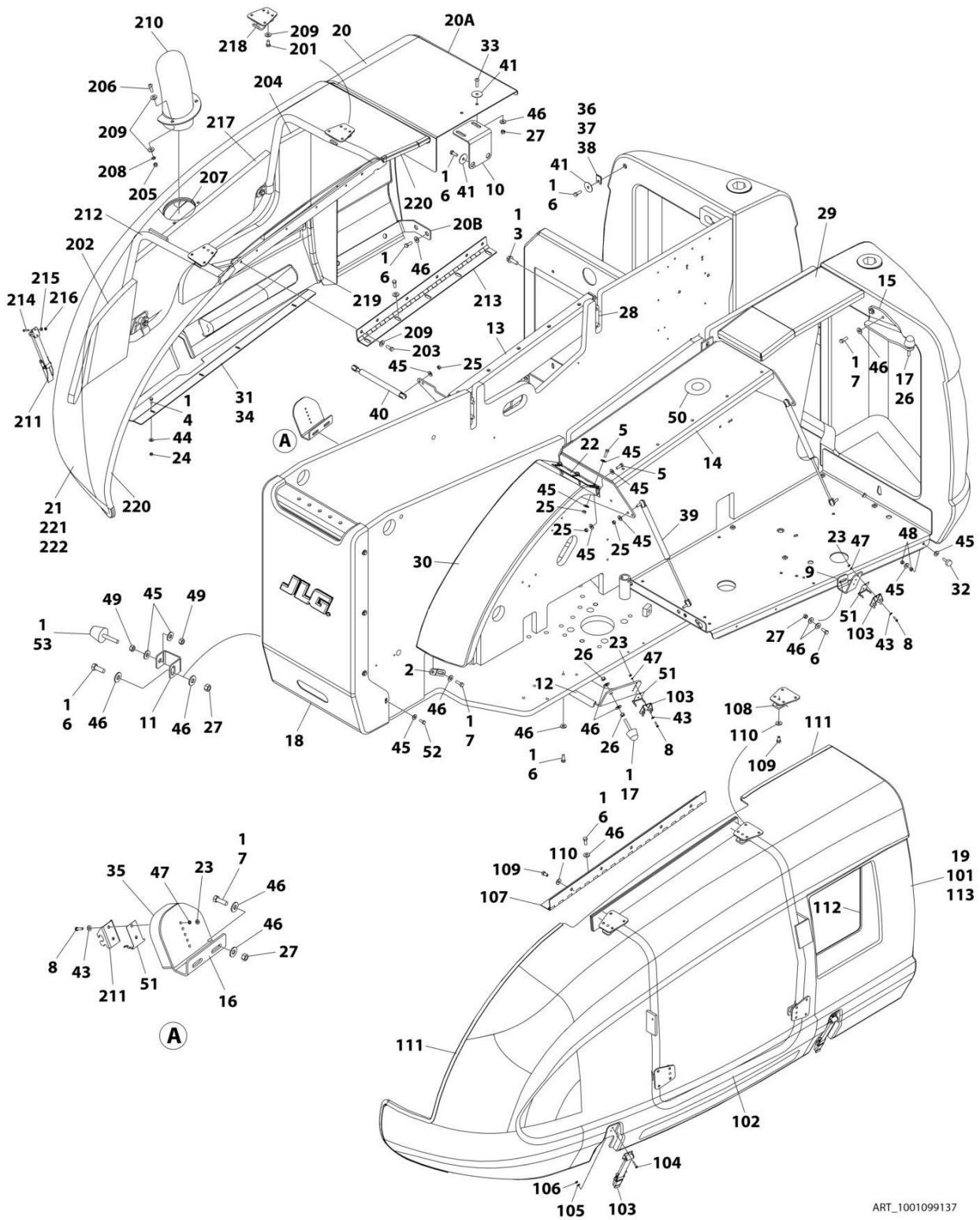
**SECTION 2 - TURNTABLE**

**FIGURE 2-38. STROBE LIGHT INSTALLATION (RED)**

ITEM	PART NUMBER	QTY	DESCRIPTION	REV
	1001242256	Ref	STROBE LIGHT INSTALLATION (RED)	B
1	0641610	2	Bolt 3/8 x 1-1/4	
2	0700615	2	Bolt 6 x 35	
3	3290607	2	Nut M6	
4	3312602	1	Nut	
5	4031509	2	Capscrew M4 x 25	
6	4240032	AR	Tie Strap	
7	4240033	AR	Tie Cable (Not Shown)	
8	4460488	AR	Base, Terminal, Mounting	
9	4811400	2	Washer M4	
10	4751600	2	Washer 3/8	
11	4811700	4	Washer M6	
12	1001142683	1	Module, Control	
13	1001142722	1	Bracket	
14	1001142736	1	Beacon Control Harness (See Separate Breakdown in ELECTRICAL Section)	
15	1001278850	1	Mount, Strobe	
16	1001272682	1	Light, Beacon	
16	4460891	1	Connector	
16	4460465	2	Socket	
17	3290405	2	Nut, Lock M4	

# SECTION 2 - TURNTABLE

## FIGURE 2-39. HOODS INSTALLATION - ABS (DEUTZ D2011 ENGINES)



ART\_1001099137

## SECTION 2 - TURNTABLE

**FIGURE 2-39. HOODS INSTALLATION - ABS (DEUTZ D2011 ENGINES)**

ITEM	PART NUMBER	QTY	DESCRIPTION	REV
	1001099137	Ref	HOODS INSTALLATION	G
1	0100011	AR	Compound, Locking	
2	0362770	1	Bar, Panel Mounting	
3	0811812	8	Bolt	
4	0641406	4	Bolt 1/4 x 3/4	
5	0641508	6	Bolt 5/16 x 1	
6	0641608	22	Bolt 3/8 x 1	
7	0641609	5	Bolt 3/8 x 1-1/8	
8	0721006	6	Screw #10 x 3/4	
9	0902143	1	Bracket, Latch (Tank Side)	
10	0902161	1	Bracket, Hood Spacer Mounting (Engine Side)	
11	0902219	2	Bracket, Bumper	
12	0902223	1	Bracket, Latch (Tank Side)	
13	1001207558	1	Bracket, Hood Mounting (Engine Side)	
14	0902412	1	Bracket, Hood Mounting (Tank Side)	
15	0902426	1	Bracket, Bumper - Counterweight Mounted	
16	0902491	1	Bracket, Latch (Engine Side)	
17	0940071	2	Bumper	
18	1670842	1	Cover, Turntable End	
19	1671228	1	Hood Assembly - Tank Side (See Items 101-113 for Breakdown)	
19		Ref	Note: Replacement Decals Must be Ordered Separately - See DECALS SECTION.	
20	1671233	1	Spacer Assembly	
20A	3960453	68 in /1.73m	Seal	
20B	0903308	1	Bracket	
21	1001099138	1	Hood Assembly - Engine Side (See Items 201-221 for Breakdown):	
21		Ref	Note: Replacement Decals Must be Ordered Separately - See DECAL SECTION.	
22	2600244	1	Adapter, Panel Hinge	
23	3311001	6	Nut #10	
24	3311405	4	Nut 1/4	
25	3311505	9	Nut 5/16	
26	3311601	4	Nut 3/8	
27	3311605	7	Nut 3/8	
28	1001150260	4	Plate, Hinge Block	
29	1001290021	1	Cover, Top (Tank Side)	
30	3380444	1	Panel, Adapter	
31	3571712	1	Plate, Seal	
32	0940049	1	Stopper, Hood	
33	3900232	2	Screw 3/8 x 1-1/4	
34	3960389	3.5 ft/1m	Seal	
35	3960470	1	Seal, Latch	
36	4070410	AR	Shim 1/16	
37	4070411	AR	Shim 1/8	
38	4070412	AR	Shim 3/16	
39	4160139	2	Spring, Gas (Tank Side)	
40	4160143	1	Spring, Gas (Engine Side)	
41	4740076	5	Washer, Fender	

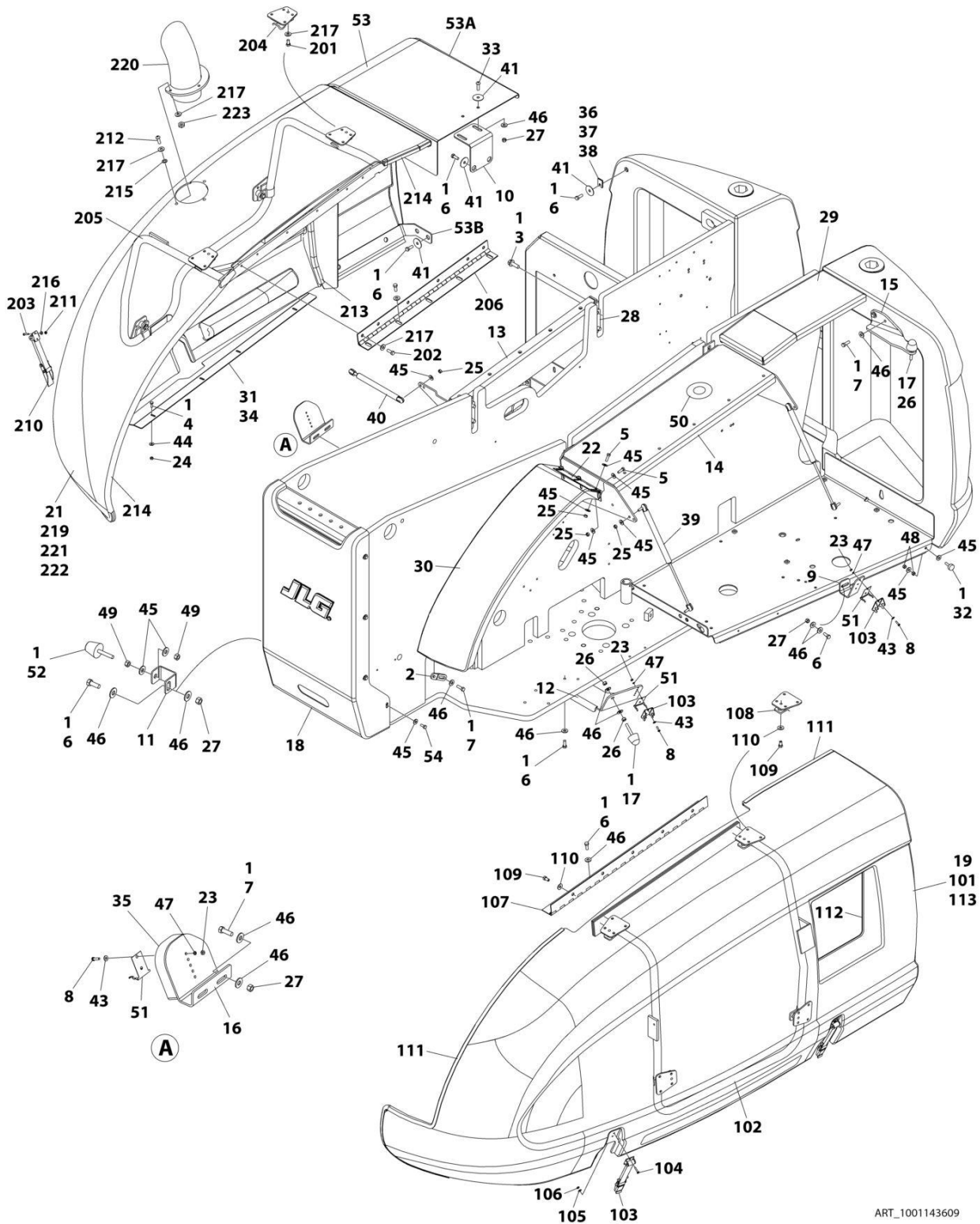
## SECTION 2 - TURNTABLE

ITEM	PART NUMBER	QTY	DESCRIPTION	REV
43	4751000	6	Washer #10	
44	4751400	4	Washer 1/4	
45	4751500	29	Washer 5/16	
46	4751600	35	Washer 3/8	
47	4761000	6	Washer #10	
48	3311501	2	Nut 5/16	
49	3321501	4	Nut 5/16	
50	1120601	1	Plug	
51	2940188	3	Latch	
52	0641506	8	Bolt, 5/16 x 3/4	
53	0940088	2	Bumper	
	1671228	Ref	HOOD ASSEMBLY (TANK SIDE)	A
101	1671231	1	Hood	
102	1671232	1	Frame, Tubular	
103	2940088	2	Latch	
104	0721008	4	Screw, #10 x 1	
105	4751000	4	Washer #10	
106	3311001	4	Nut #10	
107	2600233	1	Hinge	
108	1321384	4	Hold Down	
109	0641606	9	Bolt 3/8 x 3/4	
110	4711600	9	Washer 3/8	
111	3960464	83 in /2.11m	Seal	
112	3960438	55 in/1.4m	Seal	
113	3960462	53 in /1.35m	Seal	
	1001099138	Ref	HOOD ASSEMBLY (ENGINE SIDE)	B
201	0641606	4	Bolt 3/8 x 3/4	
202	2820233	1	Insulation, Rear Sound	
203	0641608	6	Insulation, Center Sound	
204	2820235	1	Insulation, Rear Sound	
205	3311605	2	Nut 3/8	
206	3900232	2	Screw 3/8 x 1-1/4	
207	1001101623	1	Shield, Heat Gasket	
208	4740500	2	Washer	
209	4751600	14	Washer 3/8	
210	1001099121	1	Exhaust Tube Weldment	
211	2940088	1	Latch	
212	1671230	1	Frame, Tubular	
213	2600209	1	Hinge	
214	0721008	2	Screw, #10 x 1	
215	4751000	2	Washer #10	
216	3311001	2	Nut #10	
217	2820234	AR	Insulation	
218	1321384	4	Hold Down	
219	3960462	61 in /1.55m	Seal	
220	3960464	65 in /1.67m	Seal	
221	1001101673	AR	Insulation	



# SECTION 2 - TURNTABLE

## FIGURE 2-40. HOODS INSTALLATION - ABS (DEUTZ TD2.9L4 ENGINES)



ART\_1001143609



## SECTION 2 - TURNTABLE

**FIGURE 2-40. HOODS INSTALLATION - ABS (DEUTZ TD2.9L4 ENGINES)**

ITEM	PART NUMBER	QTY	DESCRIPTION	REV
	1001143609	Ref	HOODS INSTALLATION	G
1	0100011	AR	Compound, Locking	
2	0362770	1	Bar, Panel Mounting	
3	0811812	8	Bolt	
4	0641406	4	Bolt 1/4 x 3/4	
5	0641508	AR	Bolt 5/16 x 1	
6	0641608	22	Bolt 3/8 x 1	
7	0641609	5	Bolt 3/8 x 1-1/8	
8	0721006	6	Screw #10 x 3/4	
9	0902143	1	Bracket, Latch (Tank Side)	
10	0902161	1	Bracket, Hood Spacer Mounting (Engine Side)	
11	0902219	2	Bracket, Bumper	
12	0902223	1	Bracket, Latch (Tank Side)	
13	1001207558	1	Bracket, Hood Mounting (Engine Side)	
14	0902412	1	Bracket, Hood Mounting (Tank Side)	
15	0902426	1	Bracket, Bumper - Counterweight Mounted	
16	0902491	1	Bracket, Latch (Engine Side)	
17	0940071	2	Bumper	
18	1670842	1	Cover, Turntable End	
19	1671228	1	Hood Assembly - Tank Side (See Items 101-113 for Breakdown)	
19		Ref	Note: Replacement Decals Must be Ordered Separately - See DECALS Section.	
21	1001143607	1	Hood Assembly - Engine Side (See Items 201-223 for Breakdown)	
21		Ref	Note: Replacement Decals Must be Ordered Separately - See DECAL Section.	
22	2600244	1	Adapter, Panel Hinge	
23	3311001	6	Nut #10	
24	3311405	4	Nut 1/4	
25	3311505	9	Nut 5/16	
26	3311601	AR	Nut 3/8	
27	3311605	7	Nut 3/8	
28	1001150260	4	Plate, Hinge Block	
29	1001290021	1	Cover, Top (Tank Side)	
30	3380444	1	Panel, Adapter	
31	1001143858	1	Plate, Seal (Deutz TD2.9L4 and Deutz TD2.9L4 (Stage V Pre-Buy) Engines)	
32	0940049	1	Stopper, Hood	
33	3900232	2	Screw 3/8 x 1-1/4	
34	3960389	3.5 ft/1m	Seal	
35	3960470	1	Seal, Latch	
36	4070410	AR	Shim 1/16	
37	4070411	AR	Shim 1/8	
38	4070412	AR	Shim 3/16	
39	4160139	2	Spring, Gas (Tank Side)	
40	4160143	1	Spring, Gas (Engine Side)	
41	4740076	5	Washer, Fender	
43	4751000	6	Washer #10	
44	4751400	4	Washer 1/4	
45	4751500	AR	Washer 5/16	
46	4751600	AR	Washer 3/8	

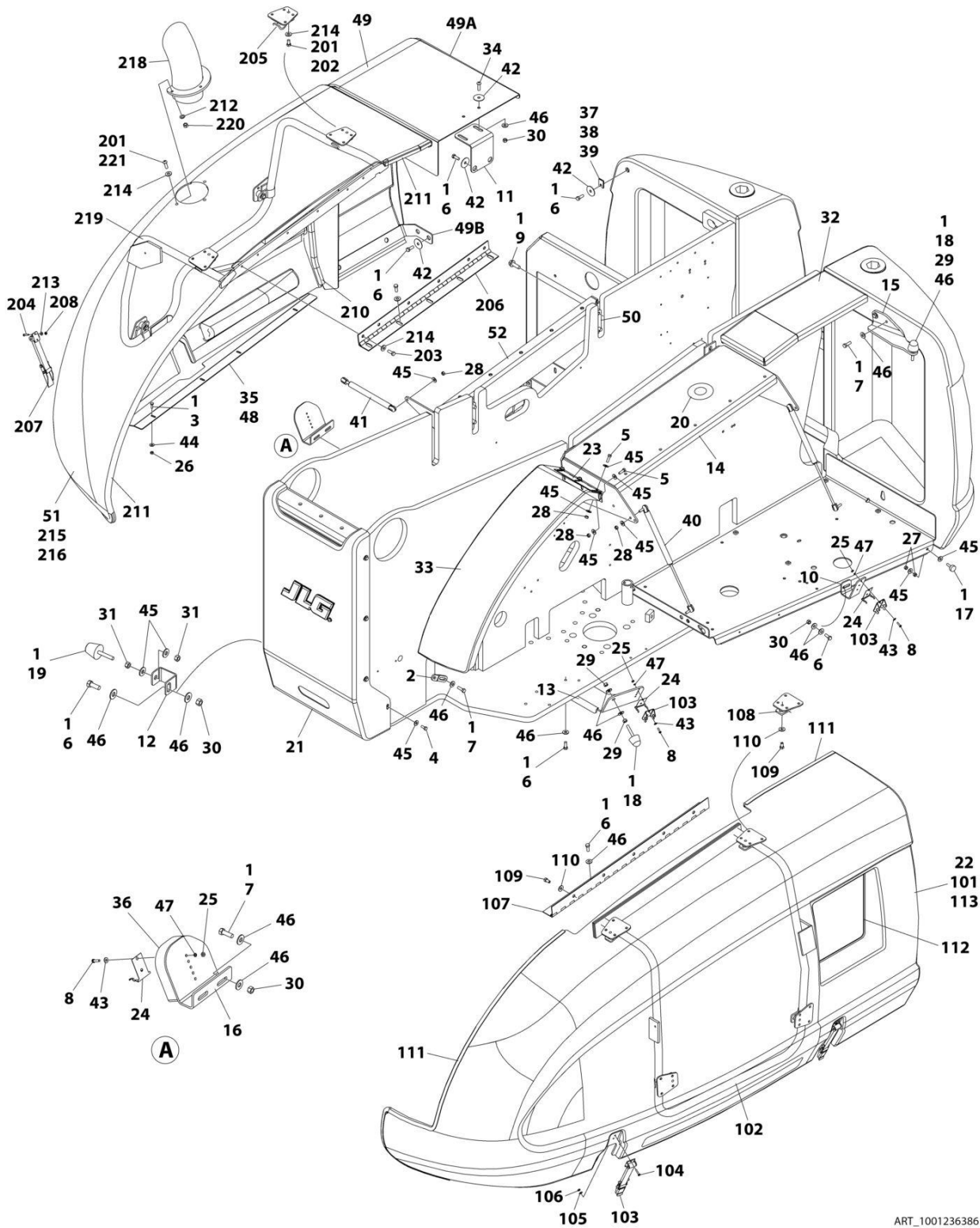
## SECTION 2 - TURNTABLE

ITEM	PART NUMBER	QTY	DESCRIPTION	REV
47	4761000	6	Washer #10	
48	3311501	2	Nut 5/16	
49	3321501	AR	Nut 5/16	
50	1120601	1	Plug	
51	2940188	3	Latch	
52	0940088	2	Stopper	
53	1001149673	1	Spacer	
54	0641506	8	Screw 5/16 x 3/4	
	1671228	Ref	HOOD ASSEMBLY (TANK SIDE)	A
101	1671231	1	Hood	
102	1671232	1	Frame, Tubular	
103	2940088	2	Latch	
104	0721008	4	Screw, Machine #10 x 1	
105	4751000	4	Washer #10	
106	3311001	4	Nut #10	
107	2600233	1	Hinge	
108	1321384	4	Hold Down	
109	0641606	9	Bolt 3/8 x 3/4	
110	4711600	9	Washer 3/8	
111	3960464	83 in /2.11m	Seal	
112	3960438	55 in/1.4m	Seal	
113	3960462	53 in /1.35m	Seal	
	1001143607	Ref	HOOD ASSEMBLY (ENGINE SIDE)	G
201	0641606	4	Bolt 3/8 x 3/4	
202	0641608	6	Bolt 3/8 x 1	
203	0721008	2	Screw #10 x 1	
204	1321384	4	Hold Down	
205	1001153435	1	Frame, Tubular	
206	2600209	1	Hinge	
210	2940088	1	Latch	
211	3311001	2	Nut #10	
212	3900316	3	Bolt 3/8 x 1	
212	88261039	3	Bolt 3/8 x 2	
213	3960462	61 in /1.55m	Seal	
214	3960464	65 in /1.67m	Seal	
215	4740500	3	Washer	
216	4751000	2	Washer #10	
217	4751600	16	Washer 3/8	
220	1001143611	1	Pipe, Exhaust	
221	1001152566	AR	Insulate, Heat	
222	1001117140	AR	Tape	
223	3311605	3	Nut 3/8	



# SECTION 2 - TURNTABLE

## FIGURE 2-41. HOODS INSTALLATION - ABS (DEUTZ TD2.9L4 (STAGE V) ENGINES)



ART\_1001236386

## SECTION 2 - TURNTABLE

**FIGURE 2-41. HOODS INSTALLATION - ABS (DEUTZ TD2.9L4 (STAGE V) ENGINES)**

ITEM	PART NUMBER	QTY	DESCRIPTION	REV
	1001236386	Ref	HOODS INSTALLATION	D
1	0100011	AR	Compound, Locking	
2	0362770	1	Bar, Panel Mounting	
3	0641406	4	Bolt 1/4 x 3/4	
4	0641506	8	Bolt 5/16 x 3/4	
5	0641508	6	Bolt 5/16 x 1	
6	0641608	21	Bolt 3/8 x 1	
7	0641609	5	Bolt 3/8 x 1-1/8	
8	0721006	6	Screw #10 x 3/4	
9	0811812	8	Bolt	
10	0902143	1	Bracket, Latch (Tank Side)	
11	0902161	1	Bracket, Hood Spacer Mounting (Engine Side)	
12	0902219	1	Bracket, Bumper	
13	0902223	1	Bracket, Latch (Tank Side)	
14	0902412	1	Bracket, Hood Mounting (Tank Side)	
15	0902426	1	Bracket, Bumper - Counterweight Mounted	
16	0902491	1	Bracket, Latch (Engine Side)	
17	0940049	1	Stopper, Hood	
18	0940071	2	Bumper	
19	0940088	2	Stopper	
20	1120601	1	Plug	
21	1670842	1	Cover, Turntable End	
22	1671228	1	Hood Assembly - Tank Side (See Items 101-113 for Breakdown)	
22		Ref	Note: Replacement Decals Must be Ordered Separately - See DECALS SECTION.	
23	2600244	1	Adapter, Panel Hinge	
24	2940188	3	Latch	
25	3311001	6	Nut #10	
26	3311405	4	Nut 1/4	
27	3311501	2	Nut 5/16	
28	3311505	9	Nut 5/16	
29	3311601	4	Nut 3/8	
30	3311605	6	Nut 3/8	
31	3321501	4	Nut 5/16	
32	1001290021	1	Cover, Top (Tank Side)	
33	3380444	1	Panel, Adapter	
34	3900232	2	Screw 3/8 x 1-1/4	
35	3960389	3.5 ft/1m	Seal	
36	3960470	1	Seal, Latch	
37	4070410	AR	Shim 1/16	
38	4070411	AR	Shim 1/8	
39	4070412	AR	Shim 3/16	
40	4160139	2	Spring, Gas (Tank Side)	
41	4160143	1	Spring, Gas (Engine Side)	
42	4740076	7	Washer, Fender	
43	4751000	6	Washer #10	
44	4751400	4	Washer 1/4	
45	4751500	29	Washer 5/16	
46	4751600	31	Washer 3/8	
47	4761000	6	Washer #10	

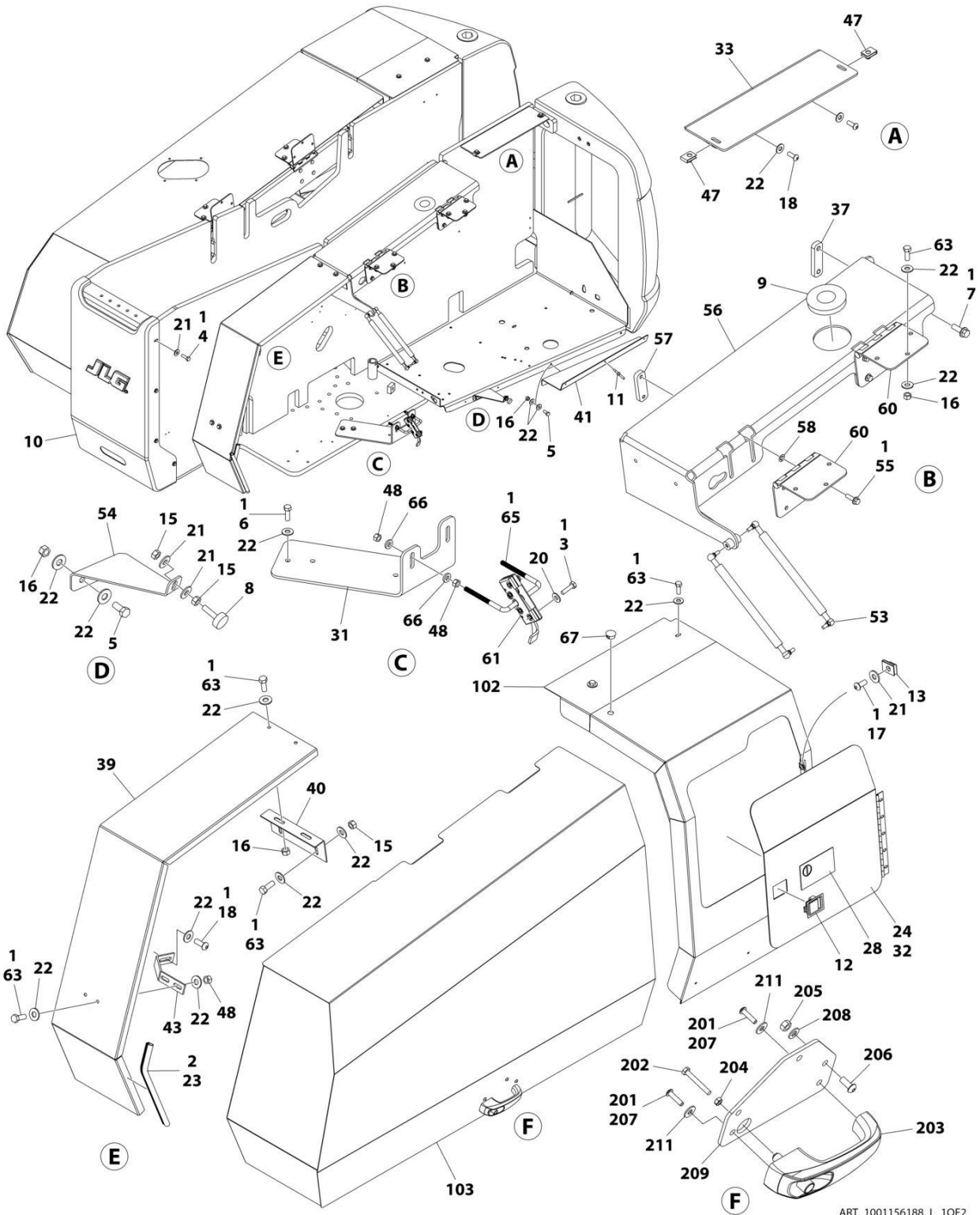
## SECTION 2 - TURNTABLE

ITEM	PART NUMBER	QTY	DESCRIPTION	REV
48	1001143858	1	Plate, Seal (Deutz TD2.9L4 and Deutz TD2.9L4 (Stage V Pre-Buy) Engines)	
49	1001149673	1	Spacer	
50	1001150260	4	Plate, Hinge Block	
51	1001236387	1	Hood Assembly - Engine Side (See Items 201-221 for Breakdown)	
51		Ref	Note: Replacement Decals Must be Ordered Separately - See DECAL SECTION.	
52	1001207558	1	Bracket, Hood Mounting (Engine Side)	
	1671228	Ref	HOOD ASSEMBLY (TANK SIDE)	A
101	1671231	1	Hood	
102	1671232	1	Frame, Tubular	
103	2940088	2	Latch	
104	0721008	4	Screw, Machine #10 x 1	
105	4751000	4	Washer #10	
106	3311001	4	Nut #10	
107	2600233	1	Hinge	
108	1321384	4	Hold Down	
109	0641606	9	Bolt 3/8 x 3/4	
110	4711600	9	Washer 3/8	
111	3960464	83 in /2.11m	Seal	
112	3960438	55 in/1.4m	Seal	
113	3960462	53 in /1.35m	Seal	
	1001236387	Ref	HOOD ASSEMBLY (ENGINE SIDE)	C
201	0100011	AR	Compound, Locking	
202	0641606	4	Bolt 3/8 x 3/4	
203	0641608	6	Bolt 3/8 x 1	
204	0721008	2	Screw #10 x 1	
205	1321384	4	Hold Down	
206	2600209	1	Hinge	
207	2940088	1	Latch	
208	3311001	2	Nut #10	
210	3960462	61 in /1.55m	Seal	
211	3960464	65 in/1.67m	Seal	
212	4740500	3	Washer	
213	4751000	2	Washer #10	
214	4751600	16	Washer 3/8	
215	1001117140	AR	Tape	
216	1001270099	AR	Insulate, Heat	
218	1001236389	1	Pipe, Exhaust	
219	1001236871	1	Frame, Tubular	
220	3271601	1	Nut 3/8	
221	3900232	3	Screw 3/8 x 1-1/4	



# SECTION 2 - TURNTABLE

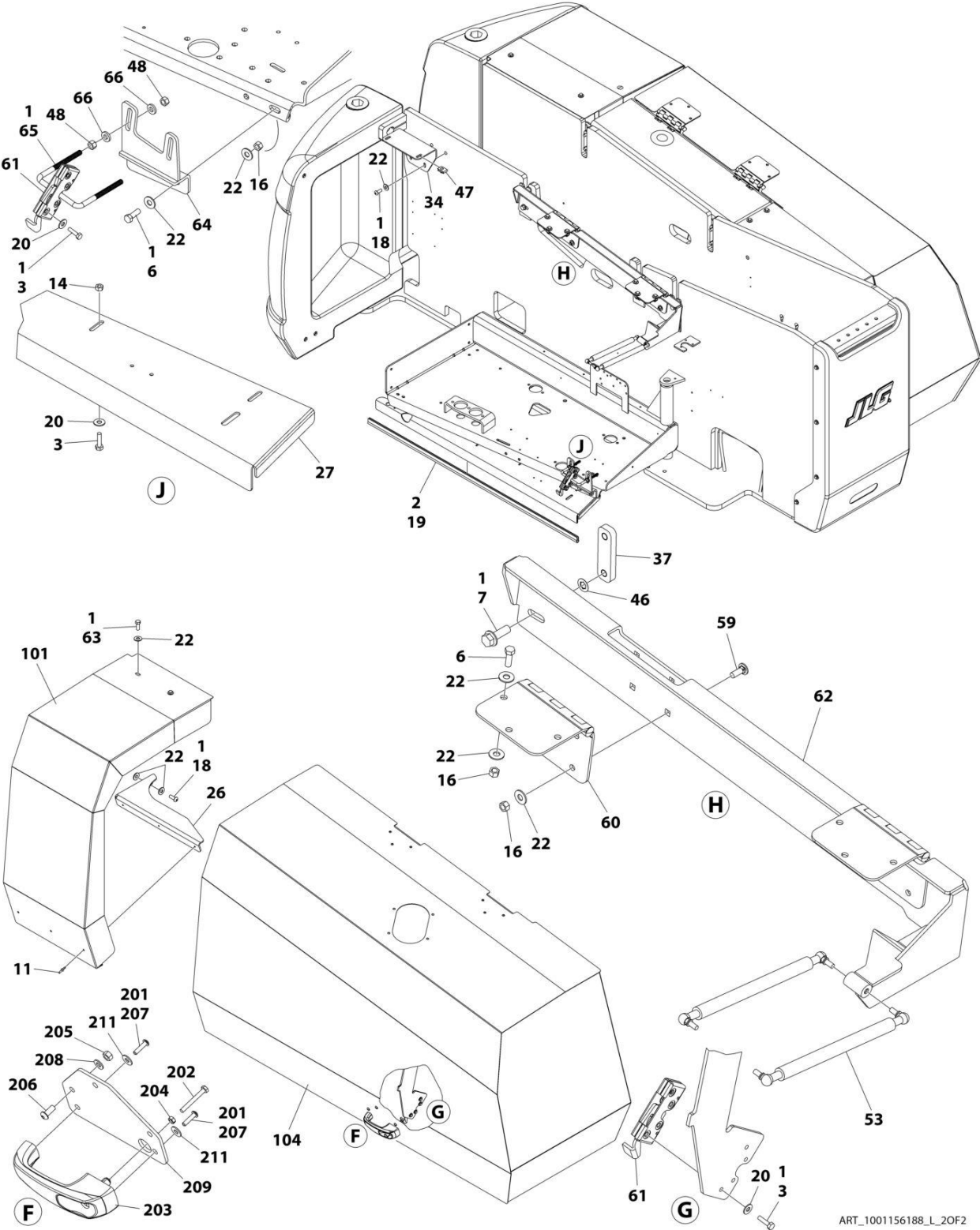
## FIGURE 2-42. HOODS INSTALLATION - STEEL (DEUTZ D2011 ENGINES)



ART\_1001156188\_L\_10F2



# SECTION 2 - TURNTABLE



ART\_1001156188\_L\_20F2

## SECTION 2 - TURNTABLE

FIGURE 2-42. HOODS INSTALLATION - STEEL (DEUTZ D2011 ENGINES)

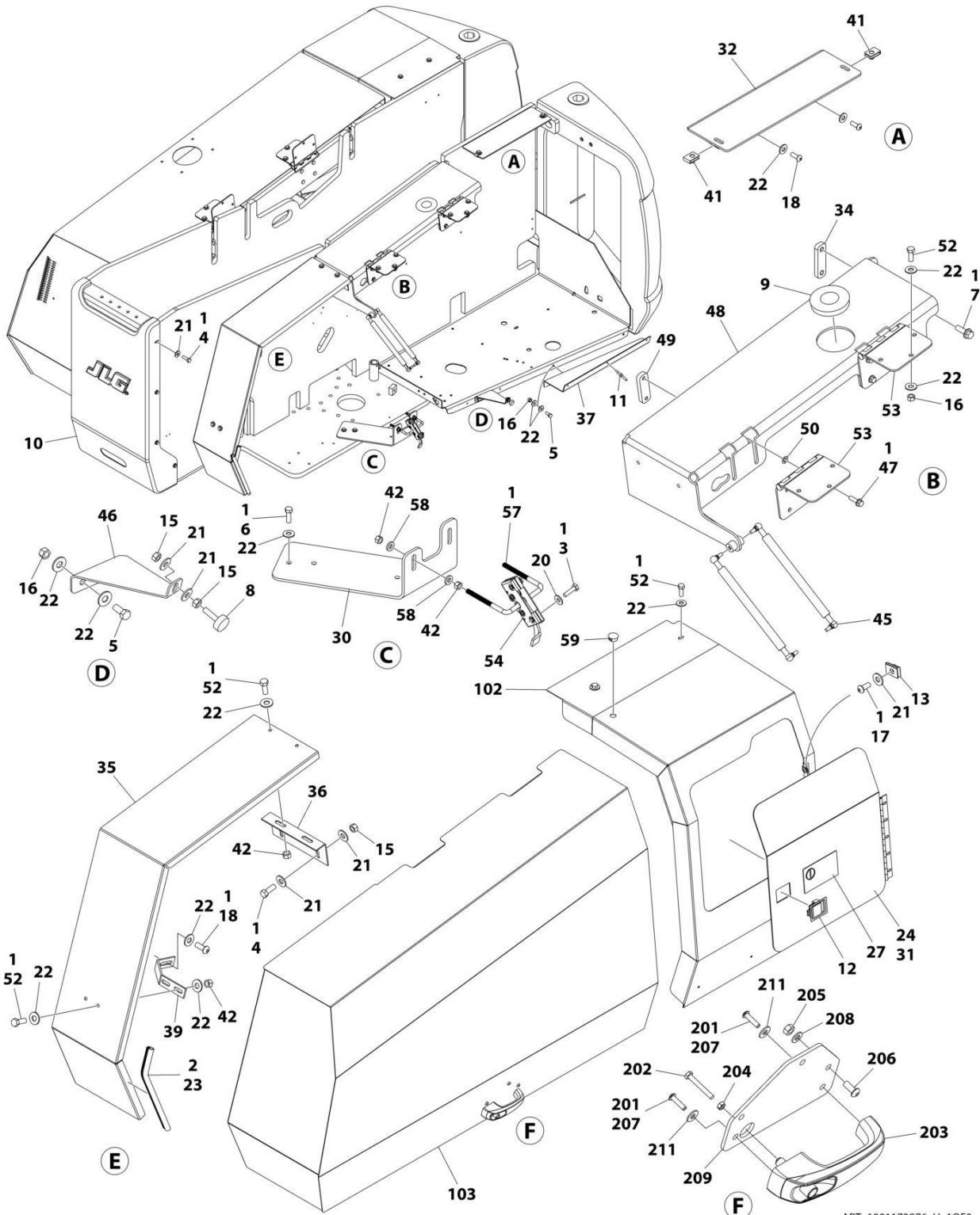
ITEM	PART NUMBER	QTY	DESCRIPTION	REV
		Ref	NOTE: REPLACEMENT DECALS MUST BE PURCHASED SEPARATELY - SEE DECALS SECTION.	
	1001156188	Ref	HOODS INSTALLATION	L
1	0100011	AR	Compound, Locking	
2	0100081	AR	Adhesive	
3	0641408	12	Bolt 1/4 x 1	
4	0641508	8	Bolt 5/16 x 1	
5	0641607	4	Bolt 3/8 x 7/8	
6	0641609	10	Bolt 3/8 x 1-1/8	
7	0811812	8	Bolt 1/2 x 2-1/4	
8	0940049	1	Stopper, Hood	
9	1120601	1	Plug	
10	1670842	1	Cover, Turntable End	
11	2080040	6	Fastener	
12	2940045	1	Latch, Paddle	
13	3300364	3	Nut, Tinnerman 5/16	
14	3311405	4	Nut 1/4	
15	3311501	2	Nut 5/16	
16	3311605	30	Nut 3/8	
17	3900210	3	Screw 5/16 x 3/4	
18	3900316	7	Screw 3/8 x 1	
19	3960389	4.2 ft /1.3m	Seal	
20	4751400	12	Washer 1/4	
21	4751500	13	Washer 5/16	
22	4751600	69	Washer 3/8	
23	1001110166	59 in/1.5m	Seal	
24	1001113047	6.5 ft/2m	Seal	
26	1001117234	1	Bracket	
27	1001117249	1	Plate	
28	1001117307	1	Decal - Emergency Stop	
31	1001250293	1	Bracket, Striker	
32	1001117598	1	Door	
33	1001158175	1	Bracket, Hood Mounting	
34	1001157867	1	Bracket, Hood Mounting	
37	1001150260	4	Plate, Hinge	
39	1001155899	1	Plate, Spacer	
40	1001157612	1	Bracket, Hood Support	
41	1001157726	1	Bracket, Hood Support	
43	1001158077	1	Bracket, Spacer Panel	
46	2080072	4	Retainer, Bolt	
47	88662523	4	Nut, Tinnerman	
48	3311601	10	Nut 3/8	
53	4160194	4	Spring, Gas	
54	1001161089	1	Bracket, Bumper	
55	0811610	8	Screw 3/8 x 1-1/4	
56	1001155895	1	Mount, Hood	
57	1001186251	4	Plate, Hinge	
58	8310070	8	Nut 3/8	
59	0630485	8	Bolt 3/8 x 1	

## SECTION 2 - TURNTABLE

ITEM	PART NUMBER	QTY	DESCRIPTION	REV
60	1001186254	4	Hinge	
61	2940173	2	Latch, Rotary	
62	1001196768	1	Mount, Hood	
63	0641608	16	Screw 3/8 x 1	
64	1001250292	1	Bracket	
65	1001243414	2	Bolt 3/8	
66	4891600	8	Washer 3/8	
67	3520030	1	Plug	
100	1001290382	1	Kit, Hood (Includes Items 101-104)	
101	1001117219	1	Hood, Fixed Engine Side	
102	1001289874	1	Hood, Fixed Tank Side	
103	1001157209	1	Hood Assembly - Tank Side (Includes Items 201-211)	
104	1001157208	1	Hood Assembly - Engine Side (Includes Items 201-211) (Note: Heat Shield must be transferred from original hood or replaced before putting machine back in service)	
	1001157208	Ref	HOOD ASSEMBLY - ENGINE SIDE	D
201	0100011	AR	Compound, Locking	
202	0700618	1	Bolt M6 x 50	
203	2560187	1	Handle, Push Button	
204	3290601	1	Nut M6	
205	3311505	3	Nut 5/16	
206	3900210	3	Screw 5/16 x 3/4	
207	3900363	2	Screw M6 x 25	
208	4711500	3	Washer 5/16	
209	1001116290	1	Plate, Latch Mounting	
211	4751400	2	Washer 1/4	

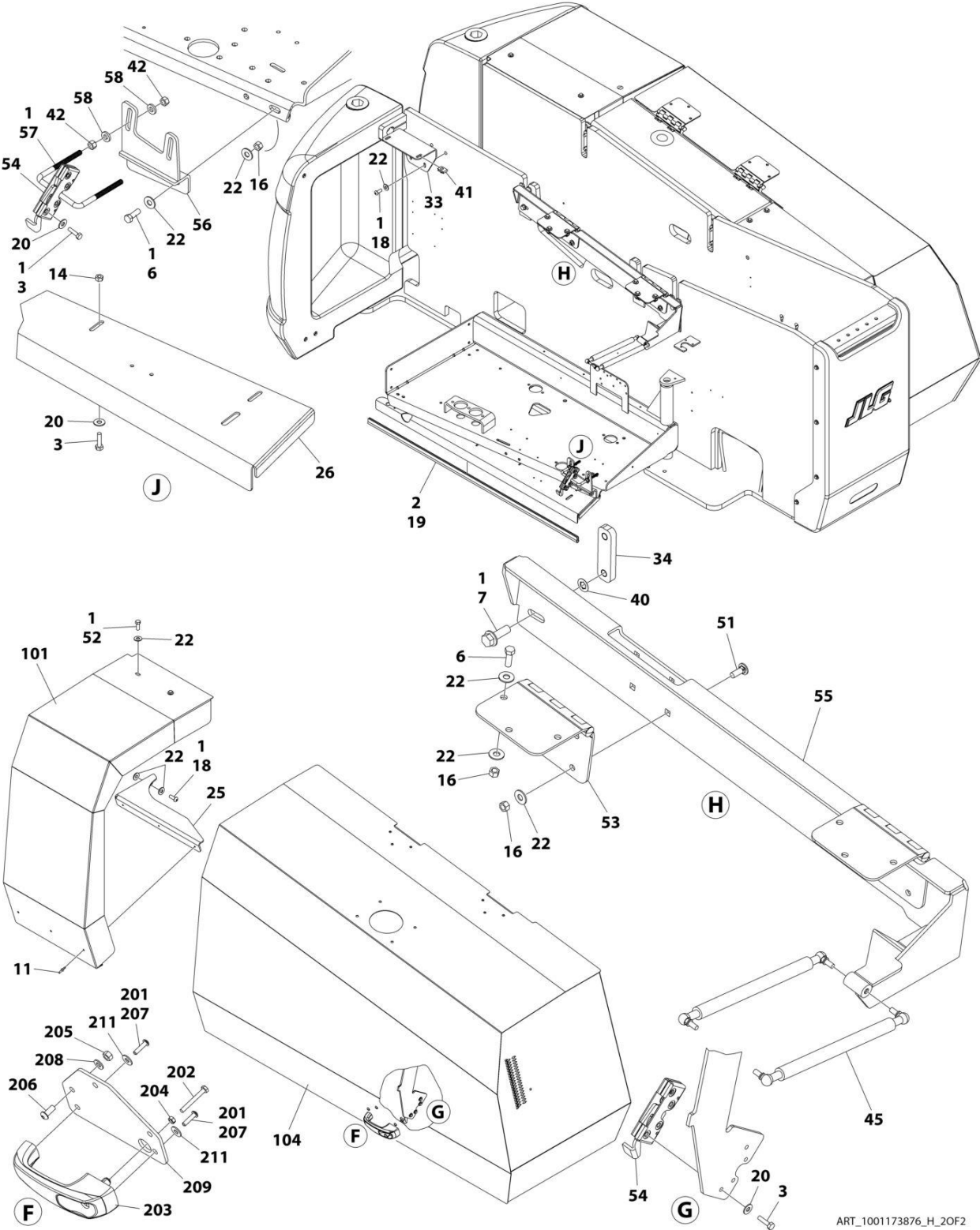
# SECTION 2 - TURNTABLE

## FIGURE 2-43. HOODS INSTALLATION - STEEL (DEUTZ TD2.9L4 ENGINES)



ART\_1001173876\_H\_10F2

# SECTION 2 - TURNTABLE



ART\_1001173876\_H\_20F2

## SECTION 2 - TURNTABLE

**FIGURE 2-43. HOODS INSTALLATION - STEEL (DEUTZ TD2.9L4 ENGINES)**

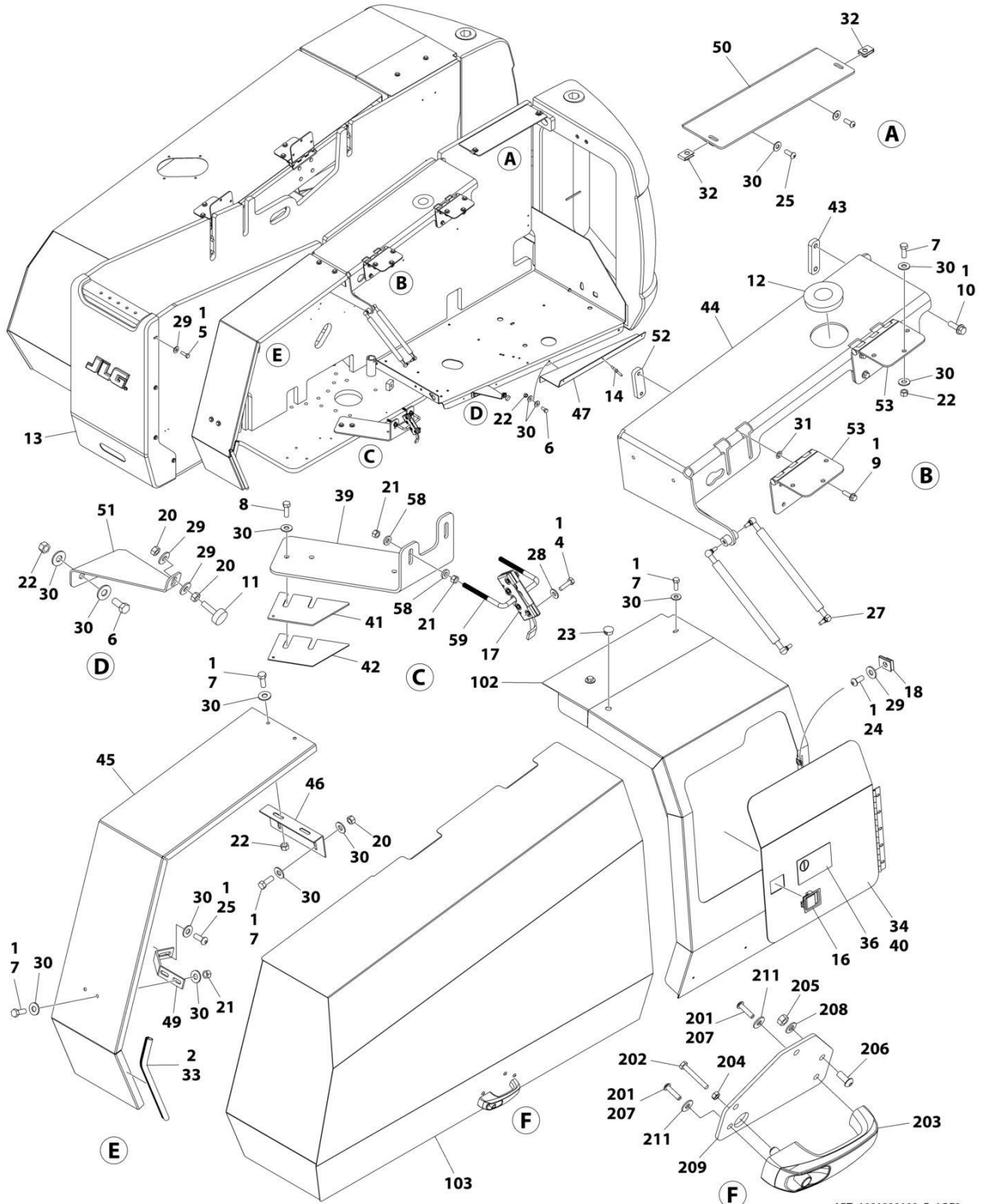
ITEM	PART NUMBER	QTY	DESCRIPTION	REV
		Ref	NOTE: REPLACEMENT DECALS MUST BE PURCHASED SEPARATELY - SEE DECALS SECTION.	
	1001173876	Ref	HOODS INSTALLATION (DEUTZ TD2.9L4 ENGINES MACHINES)	I
1	0100011	AR	Compound, Locking	
2	0100081	AR	Adhesive	
3	0641408	12	Bolt 1/4 x 1	
4	0641508	10	Bolt 5/16 x 1	
5	0641607	2	Bolt 3/8 x 7/8	
6	0641609	10	Bolt 3/8 x 1-1/8	
7	0811812	8	Bolt 1/2 x 2-1/4	
8	0940049	1	Stopper, Hood	
9	1120601	1	Plug	
10	1670842	1	Cover, Turntable End	
11	2080040	6	Fastener	
12	2940045	1	Latch, Paddle	
13	3300364	3	Nut, Tinnerman 5/16	
14	3311405	4	Nut 1/4	
15	3311501	4	Nut 5/16	
16	3311605	24	Nut 3/8	
17	3900210	3	Screw 5/16 x 3/4	
18	3900316	7	Screw 3/8 x 1	
19	3960389	4.2 ft /1.3m	Seal	
20	4751400	12	Washer 1/4	
21	4751500	15	Washer 5/16	
22	4751600	57	Washer 3/8	
23	1001110166	59 in/1.5m	Seal	
24	1001113047	6.5 ft/2m	Seal	
25	1001117234	1	Bracket	
26	1001117249	1	Plate	
27	1001117307	1	Decal - Emergency Stop	
30	1001250293	1	Bracket, Striker	
31	1001117598	1	Door	
32	1001158175	1	Bracket, Hood Mounting	
33	1001157867	1	Bracket, Hood Mounting	
34	1001150260	4	Plate, Hinge	
35	1001155899	1	Plate, Spacer	
36	1001157612	1	Bracket, Hood Support	
37	1001157726	1	Bracket, Hood Support	
39	1001158077	1	Bracket, Spacer Panel	
40	2080072	4	Retainer, Bolt	
41	88662523	4	Nut, Tinnerman	
42	3311601	12	Nut 3/8	
45	4160194	4	Spring, Gas	
46	1001161089	1	Bracket, Bumper	
47	0811610	8	Screw 3/8 x 1-1/4	
48	1001155895	1	Mount, Hood	
49	1001186251	4	Plate, Hinge	
50	8310070	8	Nut 3/8	
51	0630485	8	Bolt 3/8 x 1	

## SECTION 2 - TURNTABLE

ITEM	PART NUMBER	QTY	DESCRIPTION	REV
52	0641608	14	Bolt 3/8 x 1	
53	1001186254	4	Hinge	
54	2940173	2	Latch, Rotary	
55	1001196768	1	Mount, Hood	
56	1001250292	1	Bracket	
57	1001243414	2	Bolt 3/8	
58	4891600	8	Washer 3/8	
59	3520030	1	Plug	
100	1001290383	1	Kit, Hood (Includes Items 101-104)	
101	1001117219	1	Hood, Fixed Engine Side	
102	1001289874	1	Hood, Fixed Tank Side	
103	1001157209	1	Hood Assembly - Tank Side (Includes Items 201-211)	
104	1001162915	1	Hood Assembly - Engine Side (Includes Items 201-211) (Note: Heat Shield must be transferred from original hood or replaced before putting machine back in service)	
	1001162915	Ref	HOOD ASSEMBLY - ENGINE SIDE	C
201	0100011	AR	Compound, Locking	
202	0700618	1	Bolt M6 x 50	
203	2560187	1	Handle, Push Button	
204	3290601	1	Nut M6	
205	3311505	3	Nut 5/16	
206	3900210	3	Screw 5/16 x 3/4	
207	3900363	2	Screw M6 x 25	
208	4711500	3	Washer 5/16	
209	1001116290	1	Plate, Latch Mounting	
211	4751400	2	Washer 1/4	

# SECTION 2 - TURNTABLE

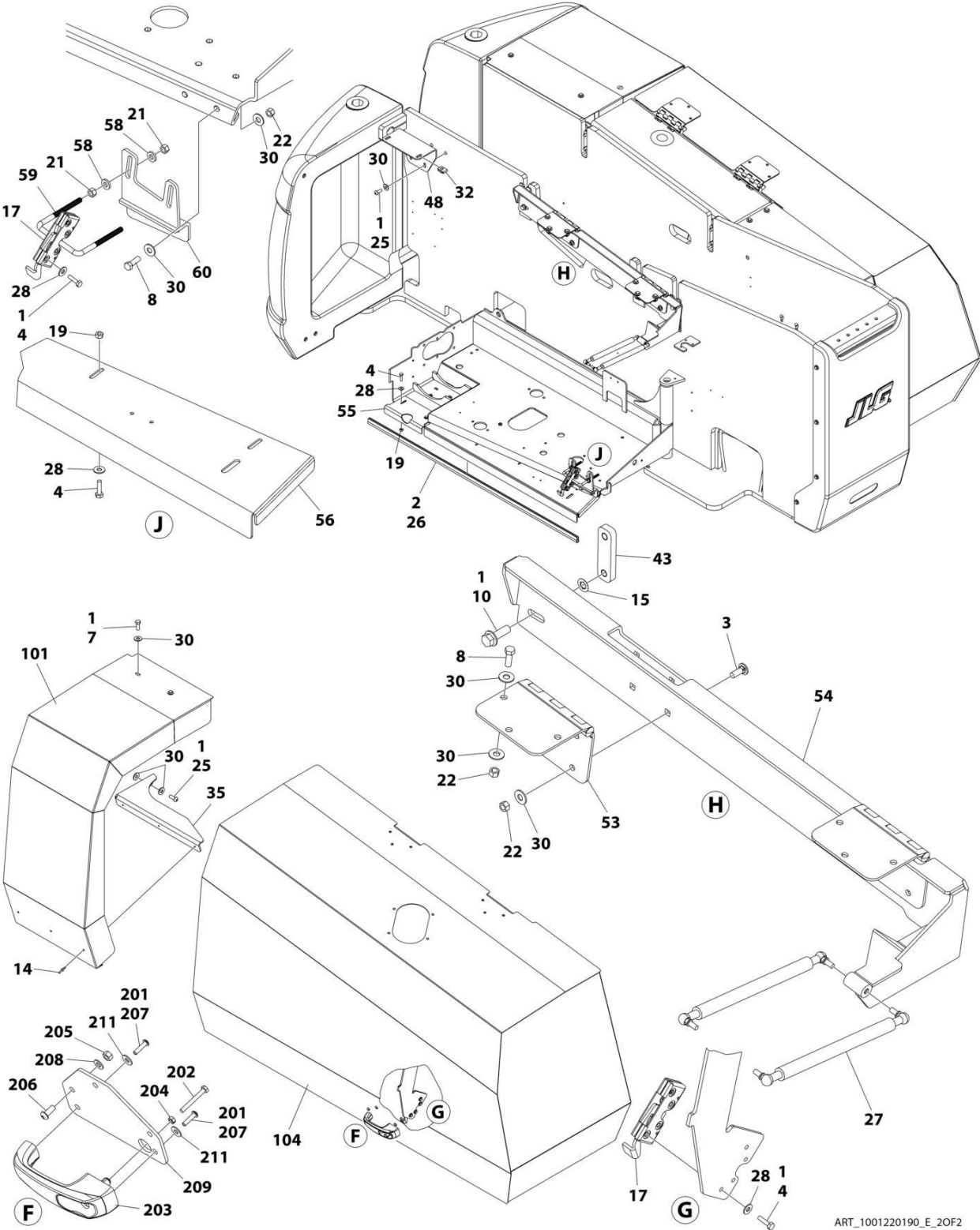
## FIGURE 2-44. HOODS INSTALLATION - STEEL (FORD ENGINES)



ART\_1001220190\_E\_10F2



# SECTION 2 - TURNTABLE



ART\_1001220190\_E\_20F2

## SECTION 2 - TURNTABLE

FIGURE 2-44. HOODS INSTALLATION - STEEL (FORD ENGINES)

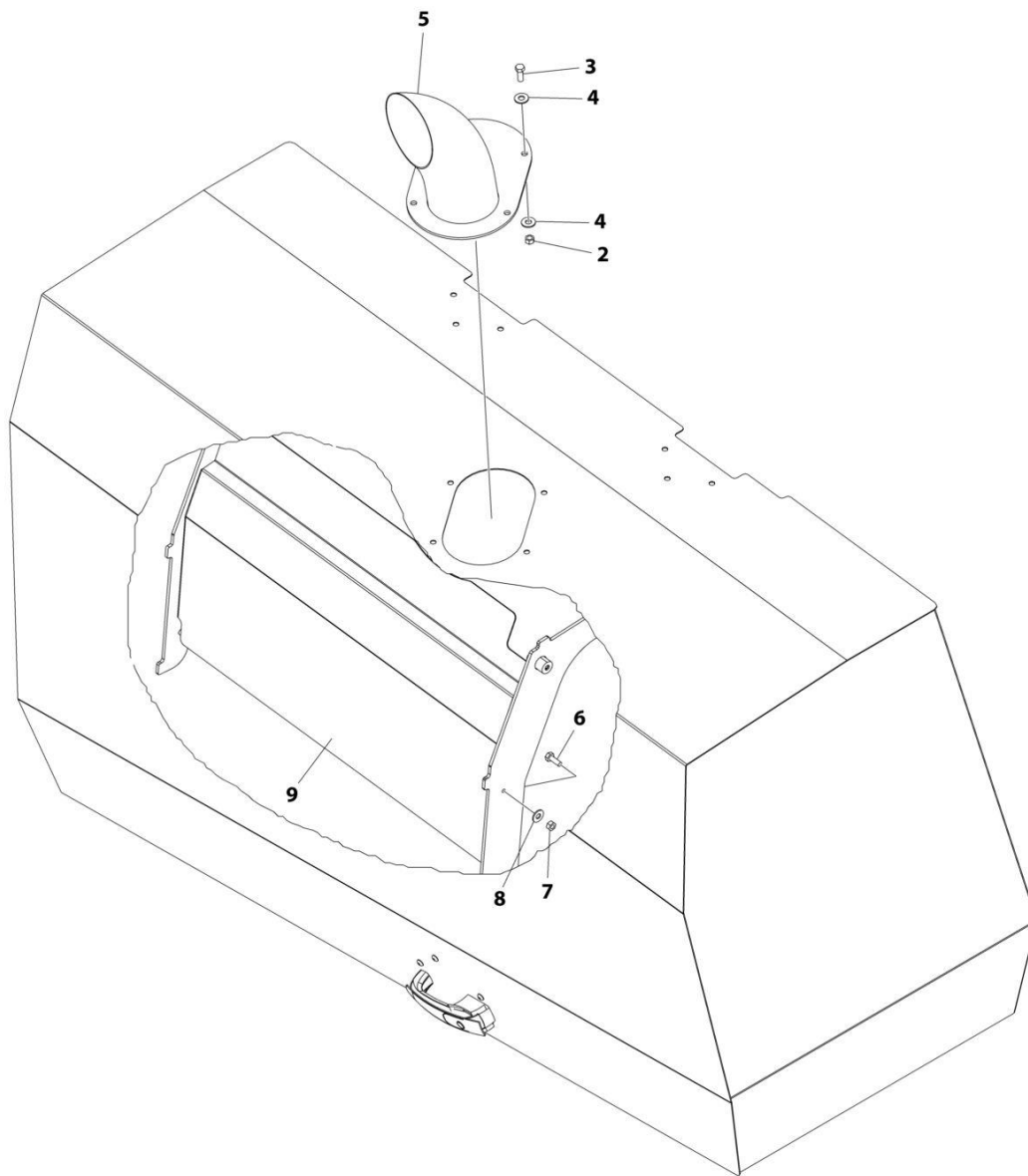
ITEM	PART NUMBER	QTY	DESCRIPTION	REV
		Ref	NOTE: REPLACEMENT DECALS MUST BE PURCHASED SEPARATELY - SEE DECALS SECTION.	
	1001220190	Ref	HOODS INSTALLATION (FORD ENGINES MACHINES)	E
1	0100011	AR	Compound, Locking	
2	0100081	AR	Adhesive	
3	0630485	8	Bolt 3/8 x 1	
4	0641408	13	Bolt 1/4 x 1	
5	0641508	8	Bolt 5/16 x 1	
6	0641607	4	Bolt 3/8 x 7/8	
7	0641608	16	Bolt 3/8 x 1	
8	0641609	12	Bolt 3/8 x 1-1/8	
9	0811610	8	Screw 3/8 x 1-1/4	
10	0811812	8	Bolt 1/2 x 2-1/4	
11	0940049	1	Stopper, Hood	
12	1120601	1	Plug	
13	1670842	1	Cover, Turntable End	
14	2080040	6	Fastener	
15	2080072	4	Retainer, Bolt	
16	2940045	1	Latch, Paddle	
17	2940173	2	Latch, Rotary	
18	3300364	3	Nut, Tinnerman 5/16	
19	3311405	5	Nut 1/4	
20	3311501	2	Nut 5/16	
21	3311601	10	Nut 3/8	
22	3311605	30	Nut 3/8	
23	3520030	1	Plug	
24	3900210	3	Screw 5/16 x 3/4i	
25	3900316	7	Screw 3/8 x 1	
26	3960389	4.2 ft /1.3m	Seal	
27	4160194	4	Spring, Gas	
28	4751400	13	Washer 1/4	
29	4751500	13	Washer 5/16	
30	4751600	69	Washer 3/8	
31	8310070	8	Nut 3/8	
32	88662523	4	Nut, Tinnerman	
33	1001110166	59 in/1.5m	Seal	
34	1001113047	6.5 ft/2m	Seal	
35	1001117234	1	Bracket	
36	1001117307	1	Decal - Emergency Stop	
39	1001250293	1	Bracket, Striker	
40	1001117598	1	Door	
41	1001121122	AR	Shim 3	
42	1001121123	AR	Shim 1.5	
43	1001150260	4	Plate, Hinge	
44	1001155895	1	Mount, Hood	
45	1001155899	1	Plate, Spacer	
46	1001157612	1	Bracket, Hood Support	
47	1001157726	1	Bracket, Hood Support	
48	1001157867	1	Bracket, Hood Mounting	

## SECTION 2 - TURNTABLE

ITEM	PART NUMBER	QTY	DESCRIPTION	REV
49	1001158077	1	Bracket, Spacer Panel	
50	1001158175	1	Bracket, Hood Mounting	
51	1001161089	1	Bracket, Bumper	
52	1001186251	4	Plate, Hinge	
53	1001186254	4	Hinge	
54	1001196768	1	Mount, Hood	
55	1001220002	1	Plate	
56	1001220067	1	Plate	
58	4891600	4	Washer 3/8	
59	1001243414	2	Bolt 3/8	
60	1001250292	1	Bracket	
100	1001290382	1	Kit, Hood (Includes Items 101-104)	
101	1001117219	1	Hood, Fixed Engine Side	
102	1001289874	1	Hood, Fixed Tank Side	
103	1001157209	1	Hood Assembly - Tank Side (Includes Items 201-211)	
104	1001157208	1	Hood Assembly - Engine Side (Includes Items 201-211) (Note: Heat Shield item 309 must be transferred from original hood or replaced before putting machine back in service)	
	1001157208	Ref	HOOD ASSEMBLY- ENGINE SIDE	D
201	0100011	AR	Compound, Locking	
202	0700618	1	Bolt M6 x 50	
203	2560187	1	Handle, Push Button	
204	3290601	1	Nut M6	
205	3311505	3	Nut 5/16	
206	3900210	3	Screw 5/16 x 3/4	
207	3900363	2	Screw M6 x 25	
208	4711500	3	Washer 5/16	
209	1001116290	1	Plate, Latch Mounting	
211	4751400	2	Washer 1/4	

## SECTION 2 - TURNTABLE

FIGURE 2-45. EXHAUST COVER AND HEAT SHIELDS INSTALLATION - STEEL HOODS (DEUTZ D2011 ENGINES)



ART\_1001158167

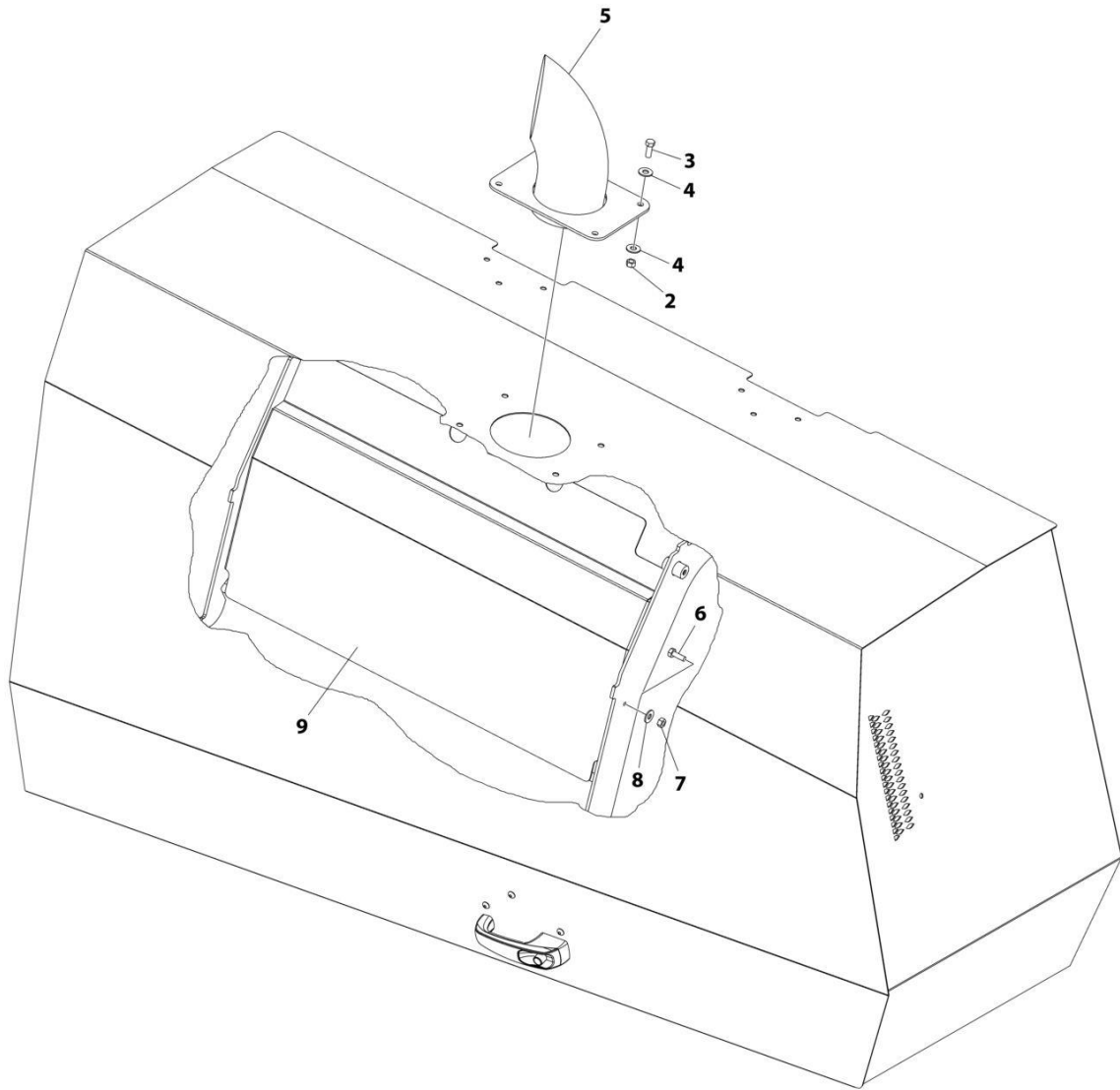
**SECTION 2 - TURNTABLE**

**FIGURE 2-45. EXHAUST COVER AND HEAT SHIELDS INSTALLATION - STEEL HOODS (DEUTZ D2011 ENGINES)**

ITEM	PART NUMBER	QTY	DESCRIPTION	REV
	1001158167	Ref	HOODS INSTALLATION	E
2	3311605	4	Nut 3/8	
3	0641608	4	Bolt 3/8 x 1	
4	4751600	8	Washer 3/8	
5	1001116456	1	Pipe, Exhaust	
6	0641406	3	Bolt 1/4 x 3/4	
7	3311405	3	Nut 1/4	
8	4751400	3	Washer 1/4	
9	1001150561	1	Shield, Heat	

## SECTION 2 - TURNTABLE

FIGURE 2-46. EXHAUST COVER AND HEAT SHIELDS INSTALLATION - STEEL HOODS (DEUTZ TD2.9L4 ENGINES)



ART\_1001173878

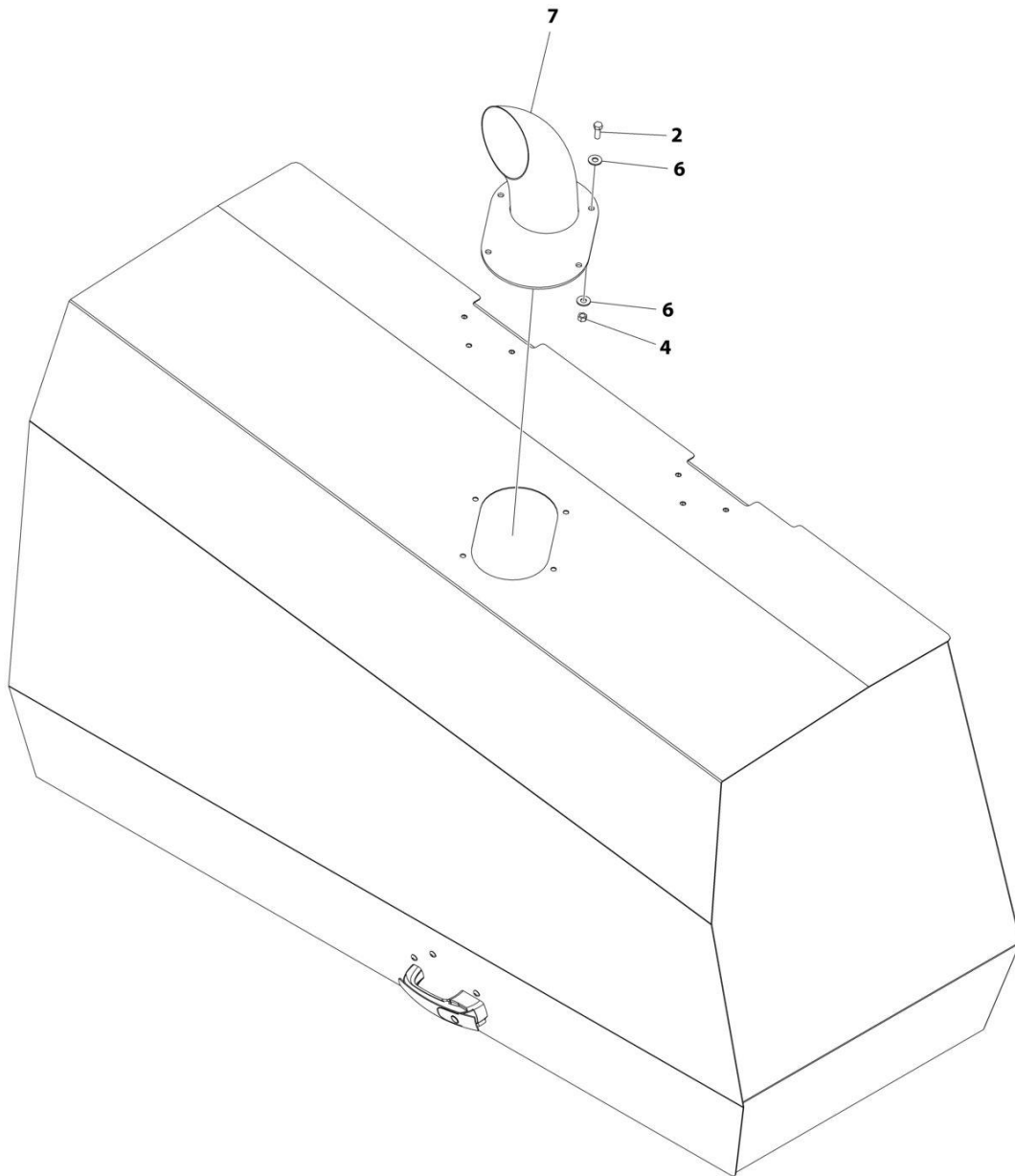
**SECTION 2 - TURNTABLE**

**FIGURE 2-46. EXHAUST COVER AND HEAT SHIELDS INSTALLATION - STEEL HOODS (DEUTZ TD2.9L4 ENGINES)**

ITEM	PART NUMBER	QTY	DESCRIPTION	REV
	1001173878	Ref	HOODS INSTALLATION	C
2	3311605	4	Nut 3/8	
3	0641608	4	Bolt 3/8 x 1	
4	4751600	8	Washer 3/8	
5	1001144527	1	Pipe, Exhaust	
6	0641406	3	Bolt 1/4 x 3/4	
7	3311405	3	Nut 1/4	
8	4751400	3	Washer 1/4	
9	1001163101	1	Shield, Heat	

## SECTION 2 - TURNTABLE

FIGURE 2-47. EXHAUST COVER INSTALLATION - STEEL HOODS (FORD ENGINES)



ART\_1001220189



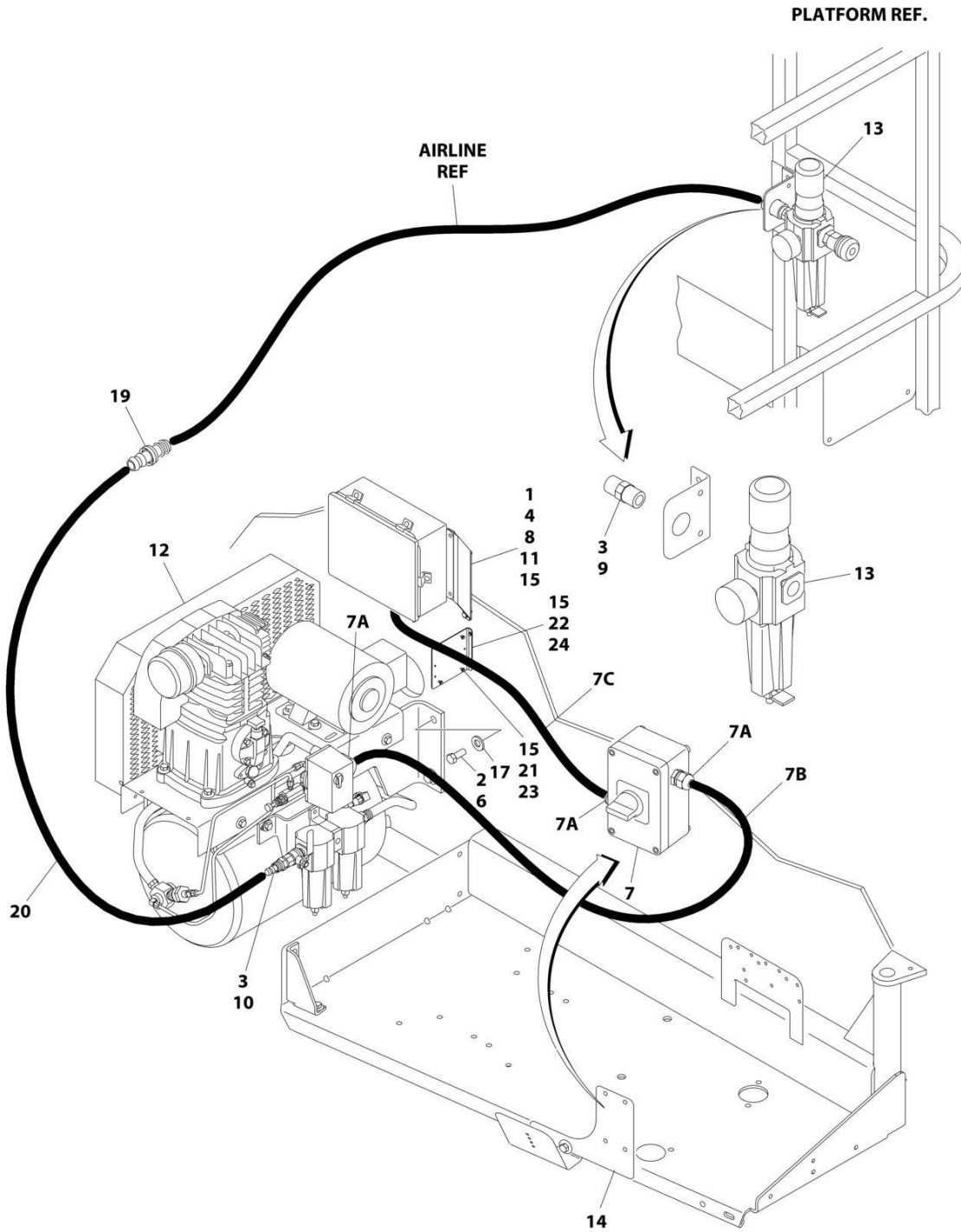
**SECTION 2 - TURNTABLE**

**FIGURE 2-47. EXHAUST COVER INSTALLATION - STEEL HOODS (FORD ENGINES)**

<b>ITEM</b>	<b>PART NUMBER</b>	<b>QTY</b>	<b>DESCRIPTION</b>	<b>REV</b>
	1001220189	Ref	HOODS INSTALLATION	C
2	0641608	4	Bolt 3/8 x 1	
4	3311605	4	Nut 3/8	
6	4751600	8	Washer 3/8	
7	1001116457	1	Pipe, Exhaust	

# SECTION 2 - TURNTABLE

## FIGURE 2-48. SKYAIR AIR COMPRESSOR INSTALLATION



ART\_0274031

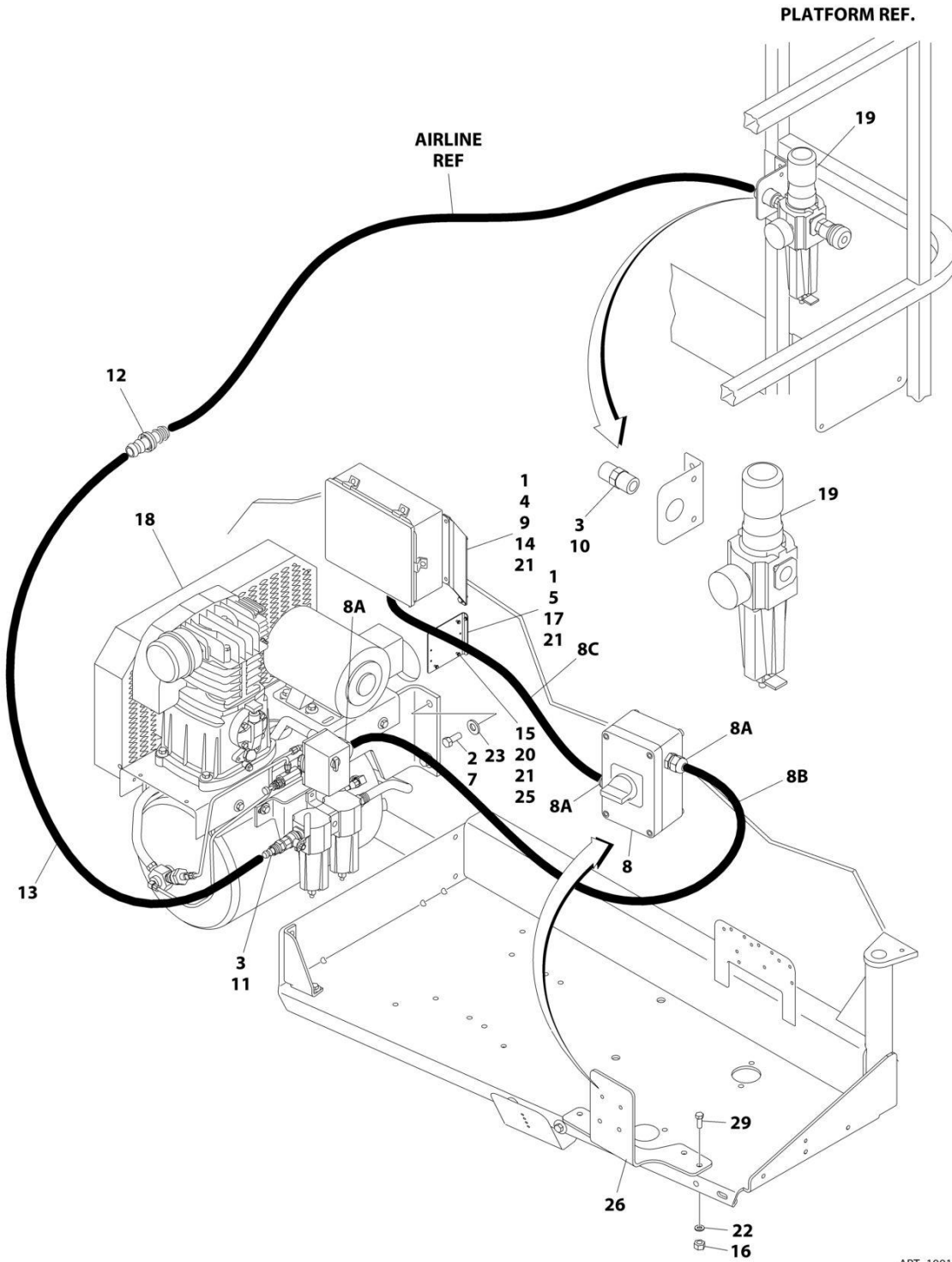
**SECTION 2 - TURNTABLE**

**FIGURE 2-48. SKYAIR AIR COMPRESSOR INSTALLATION**

ITEM	PART NUMBER	QTY	DESCRIPTION	REV
	0274031	Ref	SKYAIR AIR COMPRESSOR INSTALLATION	D
1	0100011	AR	Compound, Locking	
2	0100019	AR	Compound, Locking	
3	0100020	3	Sealant	
4	0641405	4	Bolt 1/4 x 5/8	
6	0641810	4	Bolt 1/2 x 1-1/4	
7	0861642	1	Control Box Assembly	
7A	4460633	3	Connector, Strain Relief	
7B	70002948	AR	Cable, Electrical - 12/4 (13ft/4m)	
7C	70002948	AR	Cable, Electrical - 12/4 (30in/76cm)	
8	0903088	2	Bracket, Generator Box	
9	2220252	1	Fitting, Adapter NPT	
10	2220750	1	Fitting	
11	3300454	4	Nut, Tinnerman 1/4	
12	3600386	1	Air Compressor Assembly (See Separate Breakdown in this section)	
13	3720021	1	Filter/Regulator Assembly	
13	7027781	1	Service Kit (Includes Gaskets and Seals)	
13	7027782	1	Filter	
13	7027784	1	Gauge	
13	7027783	1	Valve, Drain	
14	4340747	1	Bracket, Control Box	
15	4711400	14	Washer 1/4	
17	4751800	4	Washer 1/2	
19	2221037	1	Fitting, Barbed	
20	2720545	1	Hose, Air	
21	0641409	4	Bolt 1/4 x 1-1/8	
22	0641410	2	Bolt 1/4 x 1-1/4	
23	3311405	4	Nut 1/4	
24	3575874	1	Bracket, Module	
25	4460428	1	Connector	

# SECTION 2 - TURNTABLE

## FIGURE 2-49. SKYAIR AIR COMPRESSOR INSTALLATION



ART\_1001144438

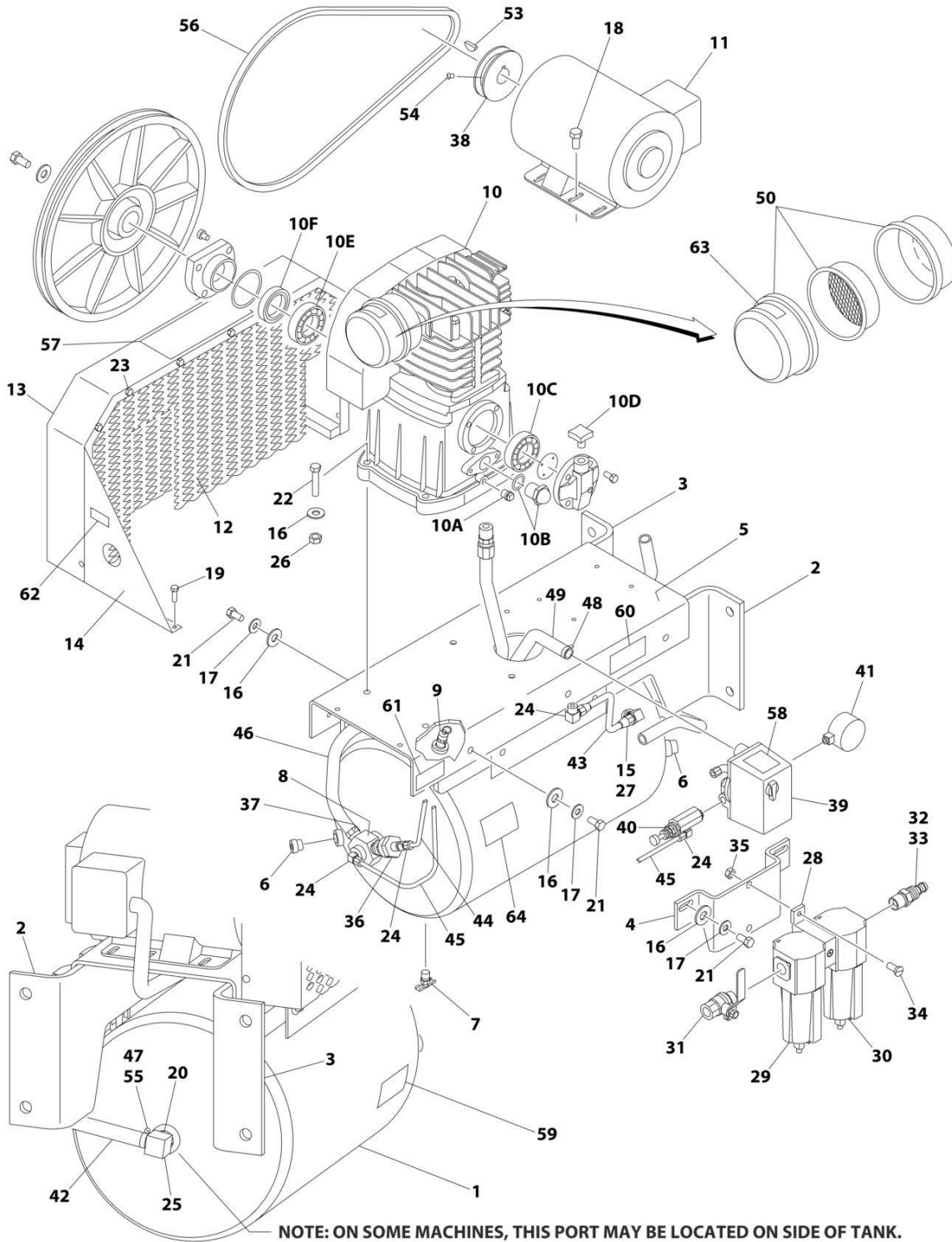
# SECTION 2 - TURNTABLE

**FIGURE 2-49. SKYAIR AIR COMPRESSOR INSTALLATION**

ITEM	PART NUMBER	QTY	DESCRIPTION	REV
	1001144438	Ref	SKYAIR AIR COMPRESSOR INSTALLATION	B
1	0100011	AR	Compound, Locking	
2	0100019	AR	Compound, Locking	
3	0100020	AR	Sealant	
4	0641405	4	Bolt 1/4 x 5/8	
5	0641410	2	Bolt 1/4 x 1-1/4	
7	0641810	4	Bolt 1/2 x 1-1/4	
8	0861642	1	Control Box Assembly	
8A	4460633	3	Connector, Strain Relief	
8B	70002948	AR	Cable, Electrical - 12/4 (13ft/4m)	
8C	70002948	AR	Cable, Electrical - 12/4 (30in/76cm)	
9	0903088	2	Bracket, Generator Box	
10	2220252	1	Fitting, Adapter NPT	
11	2220750	1	Fitting	
12	2221037	1	Fitting, Barbed	
13	2720545	1	Hose, Air	
14	3300454	4	Nut, Tinnerman 1/4	
15	3311405	4	Nut 1/4	
16	3311605	3	Nut 3/8	
17	3575874	1	Bracket, Module	
18	3600386	1	Air Compressor Assembly (See Separate Breakdown in this Section)	
19	3720021	1	Filter/Regulator Assembly	
19	7027781	1	Service Kit (Includes Gaskets and Seals)	
19	7027782	1	Filter	
19	7027784	1	Gauge	
19	7027783	1	Valve, Drain	
20	3931424	4	Capscrew 1/4 x 1-1/2	
21	4711400	14	Washer 1/4	
22	4711600	4	Washer 3/8	
23	4751800	4	Washer 1/2	
25	1001110425	4	Spacer	
26	1001144447	1	Bracket, Control Box	
27	0641606	1	Bolt 3/8 x 3/4 (Not Shown)	
28	8406201	1	Clip (Not Shown)	
29	0641609	3	Bolt 3/8 X 1-1/8	

# SECTION 2 - TURNTABLE

## FIGURE 2-50. AIR COMPRESSOR ASSEMBLY



ART\_3600386

## SECTION 2 - TURNTABLE

### FIGURE 2-50. AIR COMPRESSOR ASSEMBLY

ITEM	PART NUMBER	QTY	DESCRIPTION	REV
	3600386	Ref	AIR COMPRESSOR ASSEMBLY	B
1	7026632	1	Tank	
2	See Note	1	Bracket, Mounting (Note: Not Available for Purchase)	
3	See Note	1	Bracket, Mounting (Note: Not Available for Purchase)	
4	See Note	1	Bracket, Regulator Mounting (Note: Not Available for Purchase)	
5	See Note	1	Deck (Note: Not Available for Purchase)	
6	See Note	2	Plug (Note: Not Available for Purchase)	
7	7026633	1	Valve, Drain	
8	7026634	1	Valve, Check	
9	7026635	1	Valve, Safety	
10	7026636	1	Pump Assembly	
10	7026659	1	Gasket and Seal Kit	
10A	7026651	1	Plug, Oil Drain	
10B	7026652	1	Gauge, Oil Sight	
10C	7026653	1	Bearing	
10D	7026654	1	Cap, Oil Fill	
10E	7026655	1	Bearing	
10F	7026656	1	Seal	
11	7026637	1	Motor Assembly	
11	See Note	1	Brush Kit (Note: Not Available for Purchase)	
12	See Note	1	Screen, Inner (Note: Not Available for Purchase)	
13	See Note	1	Guard, Belt (Note: Not Available for Purchase)	
14	See Note	2	Support (Note: Not Available for Purchase)	
15	See Note	1	Bushing (Note: Not Available for Purchase)	
16	4751600	18	Washer 3/8	
17	4761600	10	Washer 3/8	
18	0641506	4	Bolt 5/16 x 3/4	
19	0641406	8	Bolt 1/4 x 3/4	
20	See Note	1	Bushing (Note: Not Available for Purchase)	
21	0641610	10	Bolt 3/8 x 1-1/4	
22	0641616	4	Bolt 3/8 x 2	
23	See Note	10	Bolt 1/4 x 1/2 (Note: Not Available for Purchase)	
24	See Note	4	Fitting (Note: Not Available for Purchase)	
25	See Note	1	Fitting, Barbed (Note: Not Available for Purchase)	
26	3311605	4	Nut 3/8	
27	See Note	1	Fitting, Compression (Note: Not Available for Purchase)	
28	See Note	1	Bracket, Mounting (Note: Not Available for Purchase)	
29	7026660	1	Filter, Oil Removal	
30	7026661	1	Filter, Water Removal	
31	70001663	1	Valve, Ball Shut-Off	
32	See Note	1	Bushing (Note: Not Available for Purchase)	
33	See Note	1	Fitting, Barbed (Note: Not Available for Purchase)	
34	See Note	2	Screw 1/4 x 1 (Note: Not Available for Purchase)	
35	3311405	2	Nut 1/4	
36	See Note	1	Unloader (Note: Not Available for Purchase)	
37	See Note	1	Fitting (Note: Not Available for Purchase)	
38	See Note	1	Pulley (Note: Not Available for Purchase)	
39	7026638	1	Switch, Pressure	
40	7026639	1	Vale, Pilot	
41	7026640	1	Gauge	

## SECTION 2 - TURNTABLE

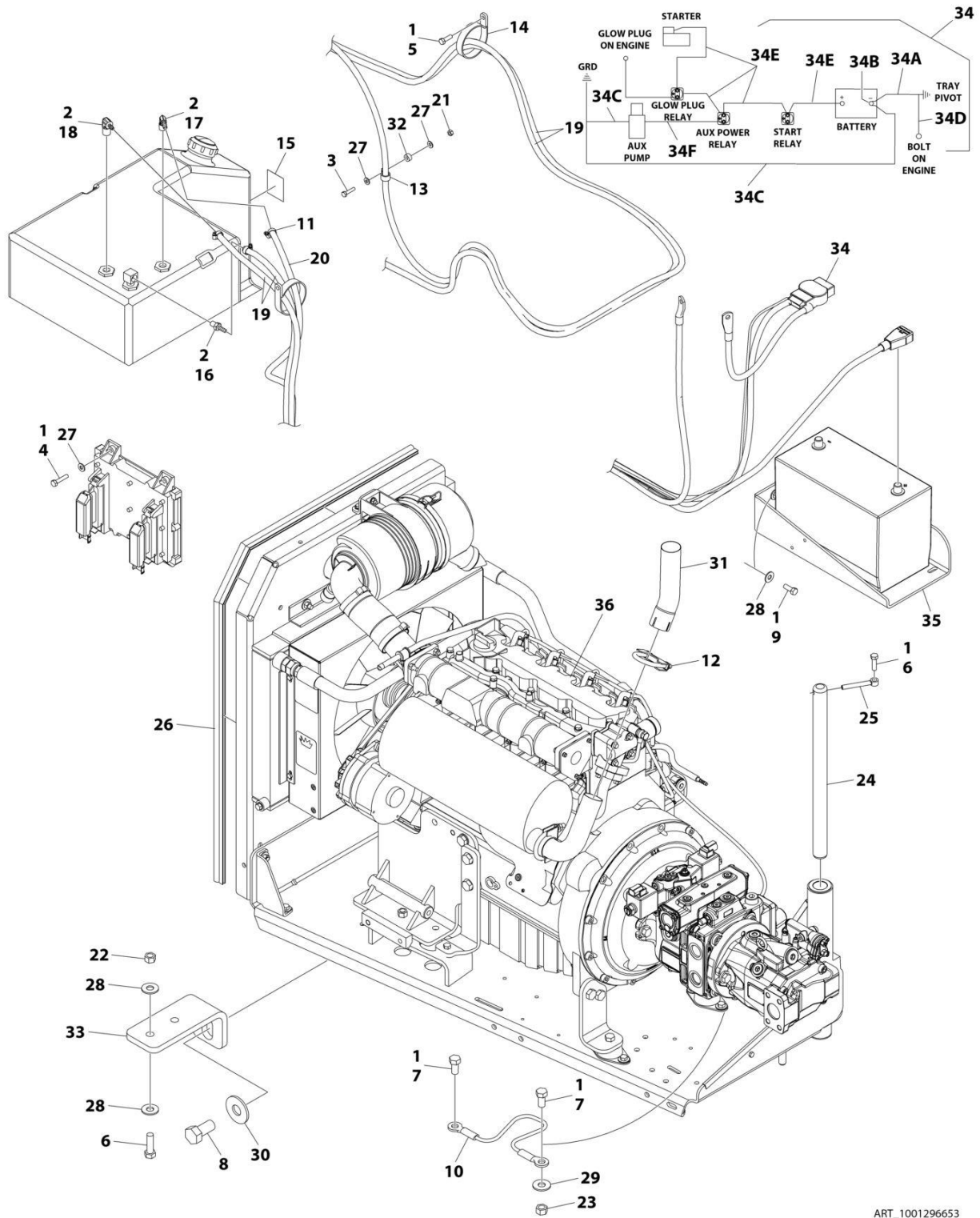
ITEM	PART NUMBER	QTY	DESCRIPTION	REV
42	See Note	1	Hose (Note: Not Available for Purchase)	
43	See Note	1	Tube, Feed (Note: Not Available for Purchase)	
44	See Note	1	Tube (Note: Not Available for Purchase)	
45	See Note	1	Tube (Note: Not Available for Purchase)	
46	See Note	1	Aftercooler (Note: Not Available for Purchase)	
47	See Note	2	Clamp (Note: Not Available for Purchase)	
48	See Note	2	Clamp (Note: Not Available for Purchase)	
49	See Note	1	Harness, Wiring (Note: Not Available for Purchase)	
50	7026658	1	Filter Assembly	
50	7026641	1	Element, Filter	
51	See Note	23 oz	Oil, Compressor (Note: Not Available for Purchase)	
52	0100020	AR	Sealant	
53	See Note	1	Key (Note: Not Available for Purchase)	
54	See Note	2	Setscrew (Note: Not Available for Purchase)	
55	See Note	2	Cover, Clamp End (Note: Not Available for Purchase)	
56	7026642	1	Belt	
57	7026643	1	Decal - Unit Warning	
58	7026644	1	Decal - Pressure Switch Warning	
59	7026645	1	Decal - Drain Tank Warning	
60	7026646	1	Decal - Compressor Maintenance	
61	7026647	1	Decal - Initial Oil Fill	
62	7026648	1	Decal - Hot Surfaces Warning	
63	7026649	1	Decal - Paper Element Cleaning	
64	7026650	1	Decal - Dual Control	



**SECTION 3 - ENGINE**

# SECTION 3 - ENGINE

## FIGURE 3-1. DEUTZ D2011 ENGINE INSTALLATION (WITHOUT ARCTIC PACKAGE)



ART\_1001296653

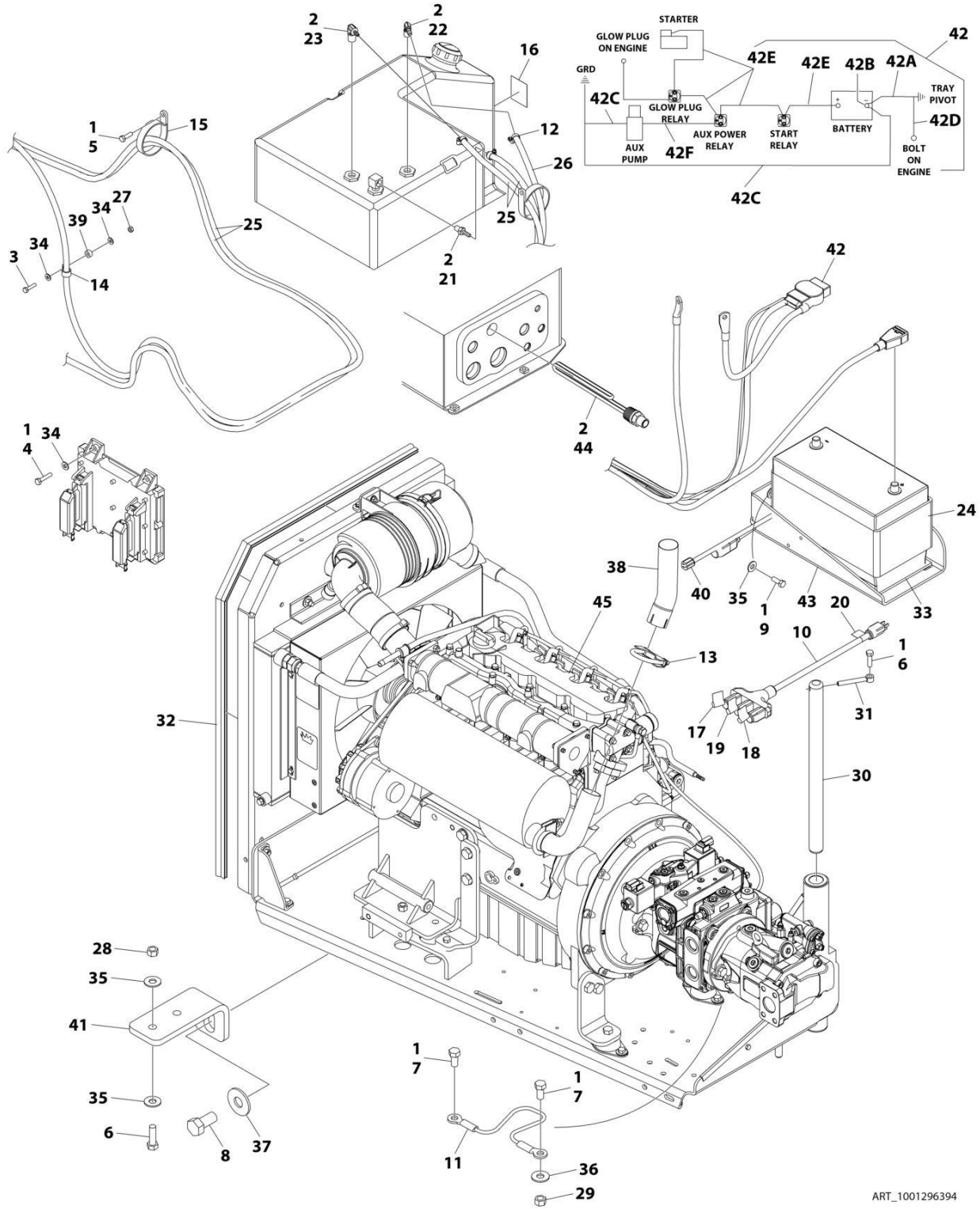
## SECTION 3 - ENGINE

**FIGURE 3-1. DEUTZ D2011 ENGINE INSTALLATION (WITHOUT ARCTIC PACKAGE)**

ITEM	PART NUMBER	QTY	DESCRIPTION	REV
	1001296653	Ref	DEUTZ D2011 ENGINE INSTALLATION (WITHOUT ARCTIC PACKAGE)	A
1	0100011	AR	Compound, Locking	
2	0100020	AR	Sealant, Pipe	
3	0641409	1	Bolt 1/4 x 1-1/8	
4	0641410	4	Bolt 1/4 x 1-1/4	
5	0641508	1	Bolt 5/16 x 1	
6	0641610	3	Bolt 3/8 x 1-1/4	
7	0641808	2	Bolt 1/2 x 1	
8	0642010	1	Bolt 5/8 x 1-1/4	
9	0681608	3	Bolt 3/8 x 1 Grade 8	
10	1060637	1	Cable, Lanyard	
11	1320022	5	Clamp, Hose	
12	1320176	1	Clamp	
13	1320224	1	Clamp	
14	1321339	1	Clamp	
15	1701505	1	Decal - Diesel	
16	2180348	1	Fitting, Straight NPT/Barbed	
17	2220313	1	Fitting, 90 NPT/Barbed	
18	2221176	1	Fitting, 90 NPT/Barbed	
19	2720058	30 ft /9 m	Hose	
20	2750532	6 ft /2 m	Hose	
21	3311405	1	Nut 1/4	
22	3311605	2	Nut 3/8	
23	3311801	1	Nut 1/2	
24	3422446	1	Pin, Pivot	
25	3841143	1	Pin, Keeper	
26	3960389	5 ft /2 m	Seal	
27	4711400	6	Washer 1/4	
28	4751600	7	Washer 3/8	
29	4751800	1	Washer 1/2	
30	4752000	1	Washer 5/8	
31	1001101600	1	Tube, Exhaust	
32	1001110425	1	Spacer	
33	1001151070	1	Plate	
34	1001155143	1	Kit, Battery Cable	
34A	7027092	1	Cable, Battery (Black) (Battery - to Tray Pivot and Relay Grd)	
34B	8270147	1	Terminal, Battery (With Boot) Cable, Battery (Black)	
34C	7027093	1	Cable, Battery (Black) (Battery - to Aux Pump Ground)	
34D	7027053	1	Cable, Battery (Black) (Engine to Tray Pivot Grd)	
34E	7027094	1	Cable (Red) (Battery + to Relays/Starter)	
34F	7027095	1	Cable (Red) (Aux Relay to Aux Pump)	
35	1001162497	1	Bracket	
36	1001296652	1	Engine and Pump Assembly (See Separate Breakdown in this Section)	

# SECTION 3 - ENGINE

## FIGURE 3-2. DEUTZ D2011 ENGINE INSTALLATION (WITH ARCTIC PACKAGE)



ART\_1001296394

## SECTION 3 - ENGINE

**FIGURE 3-2. DEUTZ D2011 ENGINE INSTALLATION (WITH ARCTIC PACKAGE)**

ITEM	PART NUMBER	QTY	DESCRIPTION	REV
	1001296394	Ref	DEUTZ D2011 ENGINE INSTALLATION (WITH ARCTIC PACKAGE)	A
1	0100011	AR	Compound, Locking	
2	0100020	AR	Sealant, Pipe	
3	0641409	1	Bolt 1/4 x 1-1/8	
4	0641410	4	Bolt 1/4 x 1-1/4	
5	0641508	1	Bolt 5/16 x 1	
6	0641610	3	Bolt 3/8 x 1-1/4	
7	0641808	2	Bolt 1/2 x 1	
8	0642010	1	Bolt 5/8 x 1-1/4	
9	0681608	3	Bolt 3/8 x 1 Grade 8	
10	1060626	1	Cord, 3 Way Extension (Located on Left Front of Engine)	
11	1060637	1	Lanyard	
12	1320022	5	Clamp	
13	1320176	1	Clamp	
14	1320224	1	Clamp	
15	1321339	1	Clamp	
16	1701505	1	Decal - Fuel (Diesel)	
17	1702941	1	Decal - Battery Heater (Located on Battery Heater)	
18	1702942	1	Decal - Engine Block Heater (Located on Right Side of Engine)	
19	1702943	1	Decal - Hydraulic Tank Heater (Located on bottom of Hydraulic Oil Tank)	
20	1702944	1	Decal - Heater Cord (Located on Left Front of Engine)	
21	2180348	1	Fitting, Straight Barbed	
22	2220313	1	Fitting, 90 NPT/Barbed	
23	2221176	1	Fitting, 90 NPT/Barbed	
24	2580024	1	Heater, Battery (Located on Battery)	
25	2720058	30 ft /9 m	Hose	
26	2750532	6 ft /2 m	Hose	
27	3311405	1	Nut 1/4	
28	3311605	2	Nut 3/8	
29	3311801	1	Nut 1/2	
30	3422446	1	Pin, Pivot	
31	3841143	1	Pin, Keeper	
32	3960389	5 ft /2 m	Seal	
33	3980007	1	Seat, Battery	
34	4711400	6	Washer 1/4	
35	4751600	7	Washer 3/8	
36	4751800	1	Washer 1/2	
37	4752000	1	Washer 5/8	
38	1001101600	1	Exhaust	
39	1001110425	1	Spacer	
40	1001150918	1	Cord, 8ft Extension (Located near Battery)	
41	1001151070	1	Plate	
42	1001155143	1	Kit, Battery Cable	
42A	7027092	1	Cable, Battery (Black) (Battery - to Tray Pivot and Relay Grd)	
42B	8270147	1	Terminal, Battery (With Boot) Cable, Battery (Black)	
42C	7027093	1	Cable, Battery (Black) (Battery - to Aux Pump Ground)	
42D	7027053	1	Cable, Battery (Black) (Engine to Tray Pivot Grd)	
42E	7027094	1	Cable (Red) (Battery + to Relays/Starter)	

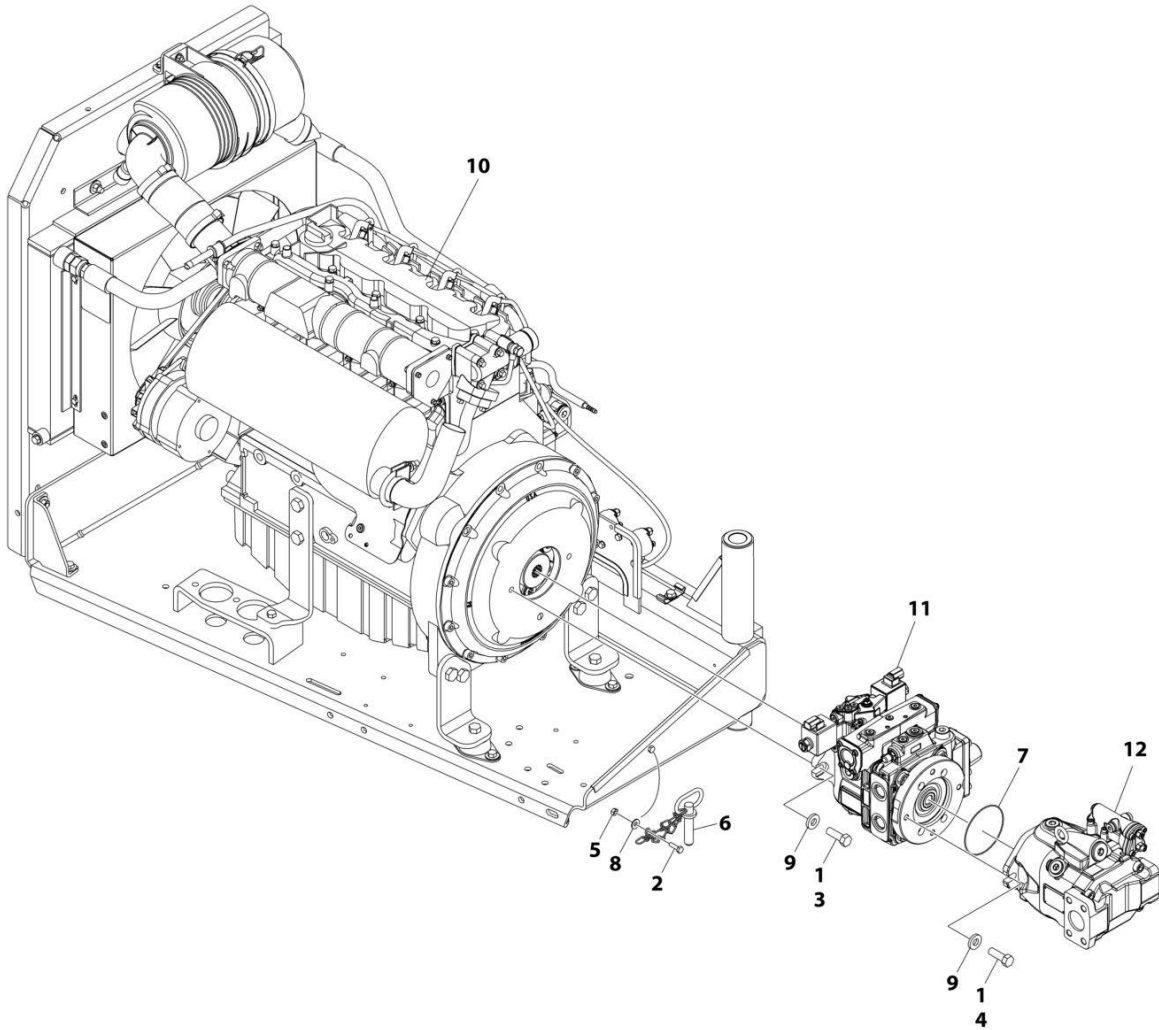
## SECTION 3 - ENGINE

ITEM	PART NUMBER	QTY	DESCRIPTION	REV
42F	7027095	1	Cable (Red) (Aux Relay to Aux Pump)	
43	1001162497	1	Bracket, Battery	
44	1001188972	1	Heater, Hydraulic Tank (Located on bottom of Hydraulic Oil Tank)	
45	1001296326	1	Engine and Pump Assembly with Arctic Package (See Separate Breakdown in this Section)	



# SECTION 3 - ENGINE

## FIGURE 3-3. DEUTZ D2011 ENGINE/PUMP SUB ASSEMBLY (WITHOUT ARCTIC PACKAGE)



ART\_1001296652



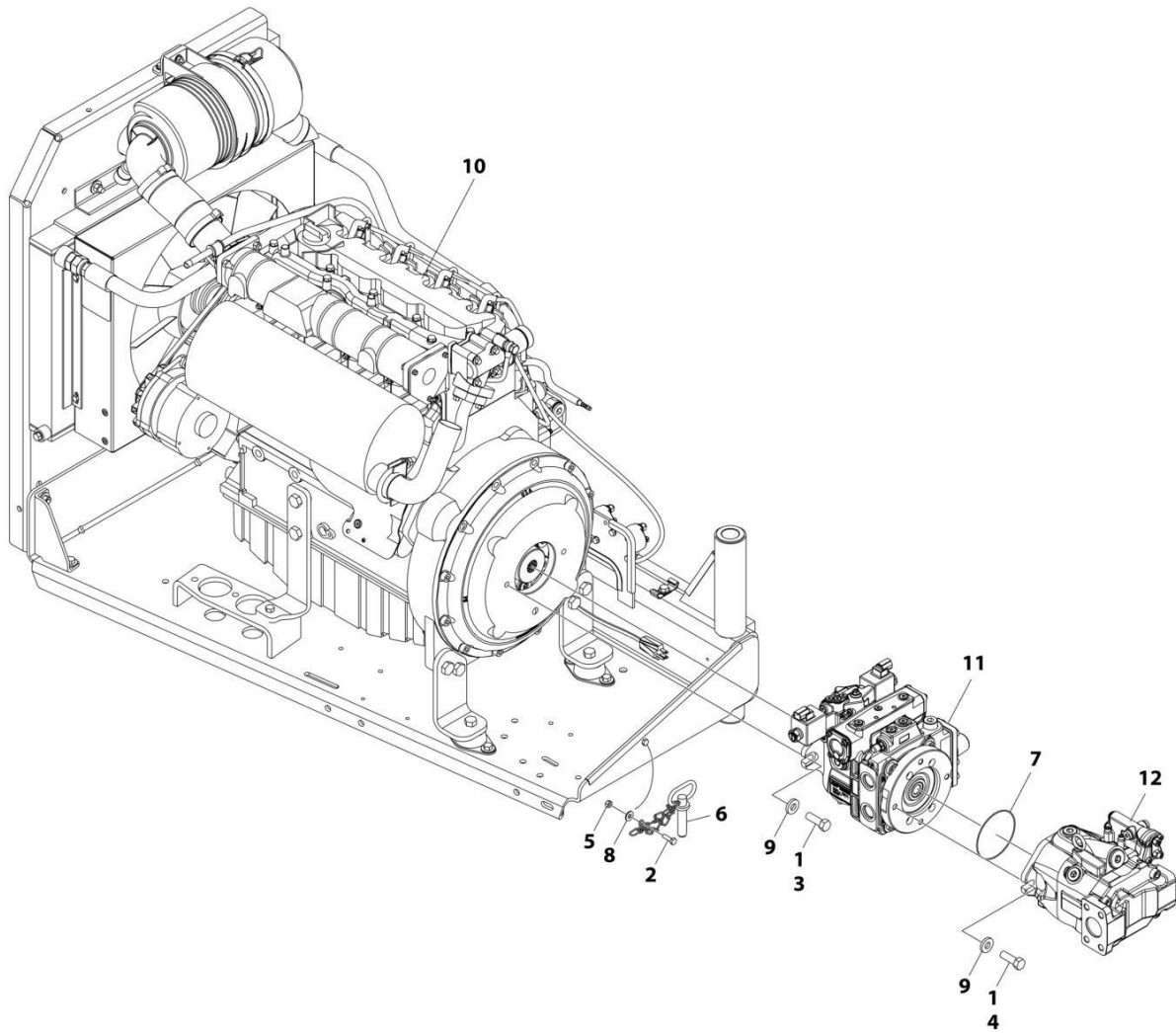
## SECTION 3 - ENGINE

**FIGURE 3-3. DEUTZ D2011 ENGINE/PUMP SUB ASSEMBLY (WITHOUT ARCTIC PACKAGE)**

ITEM	PART NUMBER	QTY	DESCRIPTION	REV
	1001296652	Ref	DEUTZ D2011 ENGINE/PUMP SUB-ASSEMBLY	A
1	0100011	AR	Compound, Locking	
2	0641407	1	Bolt 1/4 x 7/8	
3	0641812	2	Bolt 1/2 x 1-1/2	
4	0711215	2	Bolt M12 x 35	
5	3311405	1	Nut 1/4	
6	3422532	1	Pin, Hitch	
7	3790044	1	O-Ring	
8	4751400	1	Washer 1/4	
9	4891800	4	Washer 1/2	
10	1001153396	1	Engine Assembly Without Arctic Package (See Separate Breakdown in this Section)	
11	1001276376	1	Hydrostatic Pump Assembly (See Separate Breakdown in this Section)	
12	1001276377	1	Variable Pump Assembly with Fittings (See Separate Breakdown in this Section)	

# SECTION 3 - ENGINE

## FIGURE 3-4. DEUTZ TD2.9L4 ENGINE/PUMP SUB ASSEMBLY (WITH ARCTIC PACKAGE)



ART\_1001296326

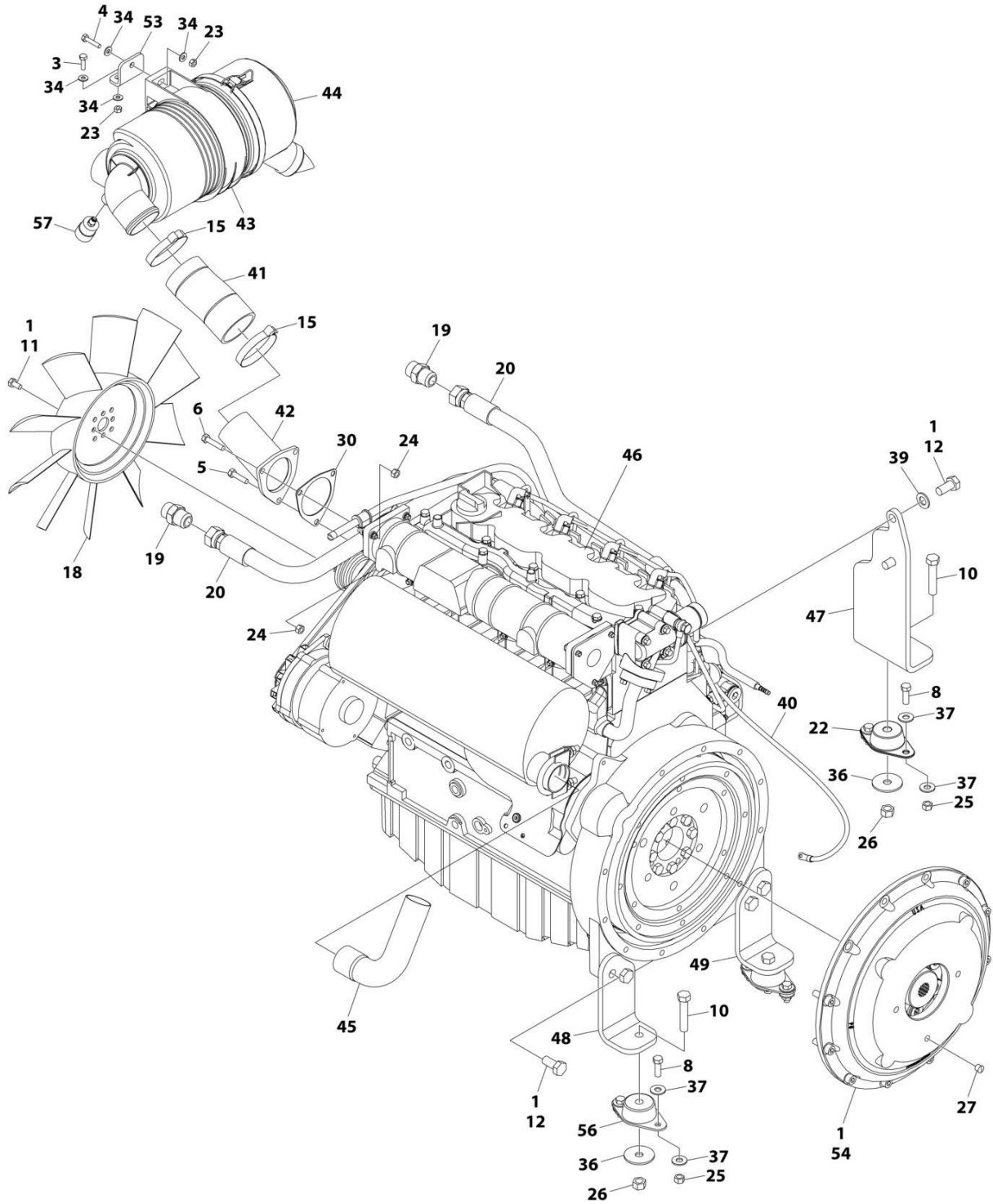
## SECTION 3 - ENGINE

**FIGURE 3-4. DEUTZ TD2.9L4 ENGINE/PUMP SUB ASSEMBLY (WITH ARCTIC PACKAGE)**

ITEM	PART NUMBER	QTY	DESCRIPTION	REV
	1001296326	Ref	DEUTZ TP2.9L4 ENGINE/PUMP SUB-ASSEMBLY	A
1	0100011	AR	Compound, Locking	
2	0641407	1	Bolt 1/4 x 7/8	
3	0641812	2	Bolt 1/2 x 1-1/2	
4	0711215	2	Bolt M12 x 35	
5	3311405	1	Nut 1/4	
6	3422532	1	Pin, Hitch	
7	3790044	1	O-Ring	
8	4751400	1	Washer 1/4	
9	4891800	4	Washer 1/2	
10	1001153779	1	Engine Assembly With Arctic Package (See Separate Breakdown in this Section)	
11	1001276376	1	Hydrostatic Pump Assembly with Fittings (See Separate Breakdown in this Section)	
12	1001276377	1	Variable Pump Assembly with Fittings (See Separate Breakdown in this Section)	

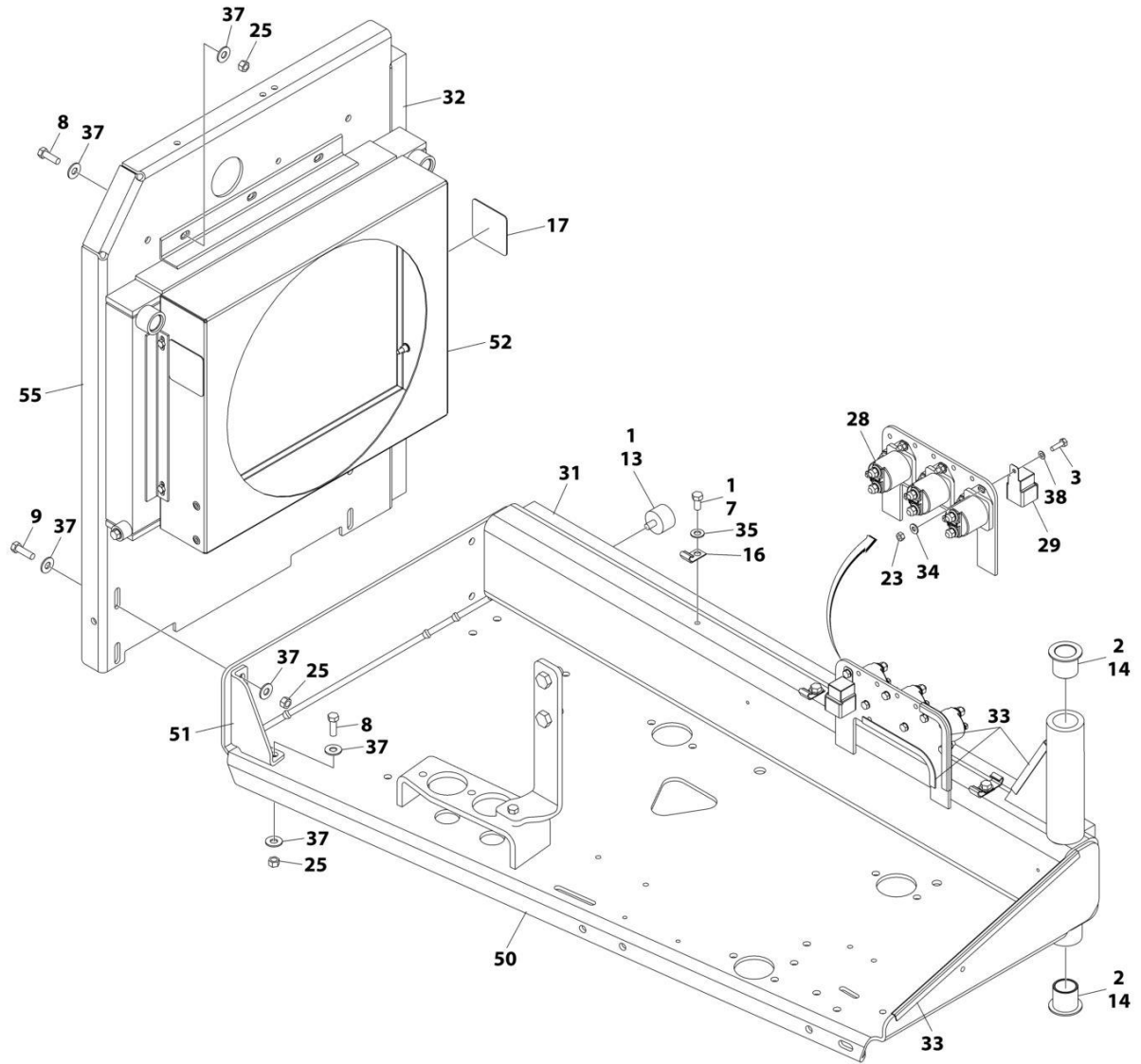
# SECTION 3 - ENGINE

## FIGURE 3-5. DEUTZ D2011 ENGINE ASSEMBLY (WITHOUT ARCTIC PACKAGE)



ART\_1001153396\_10F2

# SECTION 3 - ENGINE



ART\_1001153396\_20F2

## SECTION 3 - ENGINE

FIGURE 3-5. DEUTZ D2011 ENGINE ASSEMBLY (WITHOUT ARCTIC PACKAGE)

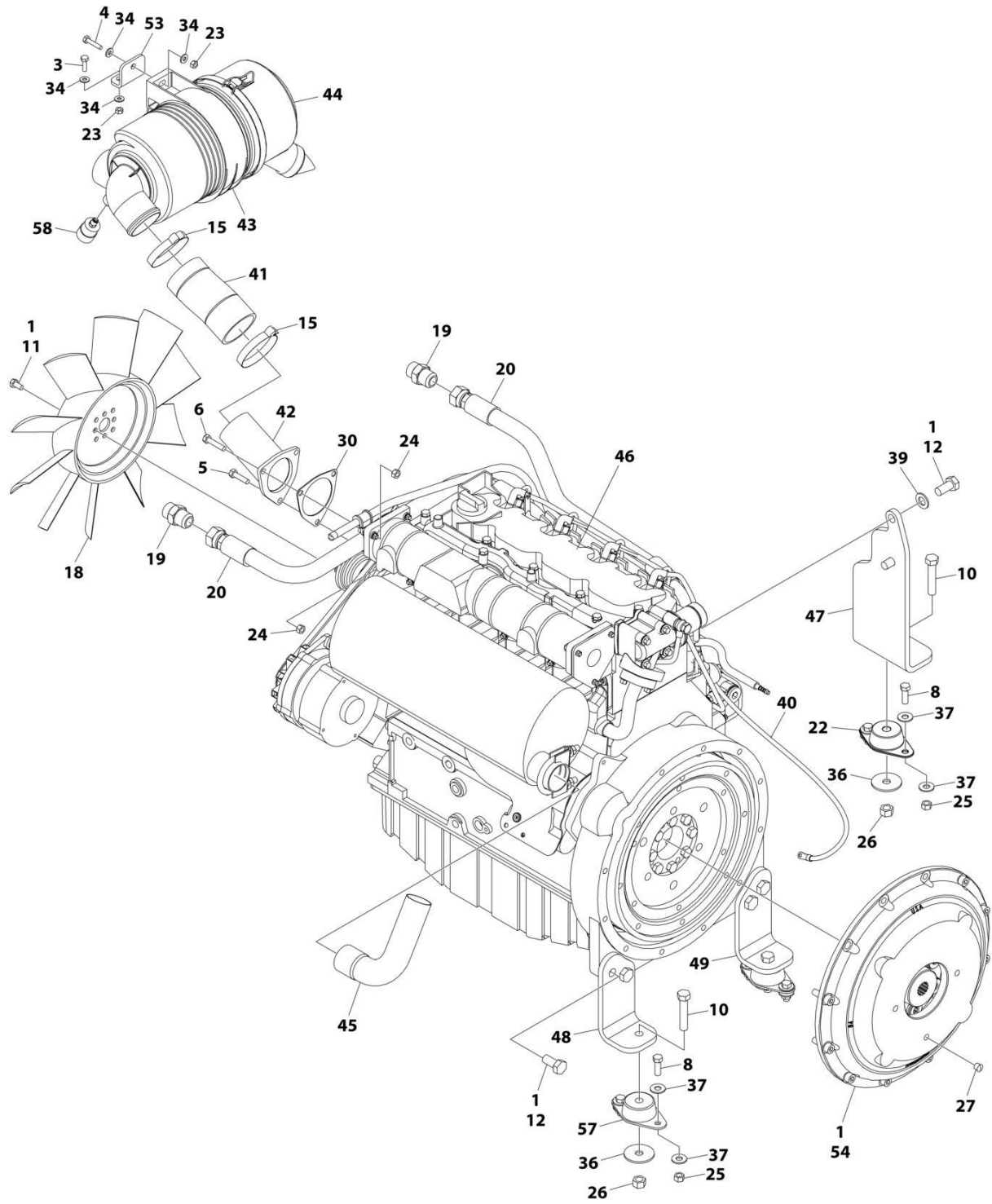
ITEM	PART NUMBER	QTY	DESCRIPTION	REV
	1001153396	Ref	ENGINE ASSEMBLY WITHOUT ARCTIC PACKAGE	H
1	0100011	AR	Compound, Locking	
2	0100062	AR	Compound, Locking	
3	0641407	8	Bolt 1/4 x 7/8	
4	0641410	2	Bolt 1/4 x 1-1/4	
5	0641510	2	Bolt 5/16 x 1-1/4	
6	0641512	1	Bolt 5/16 x 1-1/2	
7	0641606	3	Bolt 3/8 x 3/4	
8	0641609	14	Bolt 3/8 x 1-1/8	
9	0641610	4	Bolt 3/8 x 1-1/4	
10	0641820	3	Bolt 1/2 x 2-1/2	
11	0700808	4	Bolt M8 x 16	
12	0771414	6	Bolt M14 x 30	
13	0940070	1	Bumper	
14	0961986	2	Bushing, Flanged	
15	1320016	2	Clamp	
16	1320223	4	J-Clip	
17	1703162	2	Decal - Caution Fan Blade	
18	2060025	1	Fan	
19	2220451	2	Fitting, Straight	
20	2720398	2	Hose, Oil Cooler	
22	3200406	1	Mount, Motor	
23	3311405	10	Nut 1/4	
24	3311505	3	Nut 5/16	
25	3311605	18	Nut 3/8	
26	3311805	3	Nut 1/2	
27	3520054	2	Plug	
28	3740067	3	Relay	
29	3740080	1	Relay	
30	3960407	1	Gasket, Air Intake	
31	3960468	1	Seal	
32	3960469	1	Seal	
33	4060805	37 in/1m	Flex-Trim	
34	4711400	14	Washer 1/4	
35	4711600	3	Washer 3/8	
36	4740274	3	Washer, Snubbing	
37	4751600	36	Washer 3/8	
38	4791400	6	Washer, Star 1/4	
39	4812200	2	Washer M14	
40	4923379	1	Harness, Glow Plug	
41	1001001939	1	Hose, Flex	
42	1001146273	1	Adapter, Air Intake	
43	1001147812	1	Clamp	
44	1001147813	1	Air Cleaner Assembly Filter Element	
44	70004020	1	Element, Filter (Not Shown)	
45	1001147820	1	Pipe, Exhaust	
46	1001147823	1	Engine, Deutz D2011 (See Separate Breakdown in this section)	
47	1001149704	1	Support, Engine	
48	1001149705	1	Support, Engine	
49	1001149706	1	Support, Engine	

## SECTION 3 - ENGINE

ITEM	PART NUMBER	QTY	DESCRIPTION	REV
50	1001149793	1	Tray, Engine	
51	1001150915	1	Gusset	
52	1001150998	1	Radiator	
53	1001152459	1	Plate, Air Cleaner Mounting	
54	1001153282	1	Pump Coupling Kit (See Separate Breakdown in this section)	
55	1001153414	1	Plate, Radiator Mounting	
56	3200401	2	Mount, Motor	
57	1001143390	1	Indicator	

# SECTION 3 - ENGINE

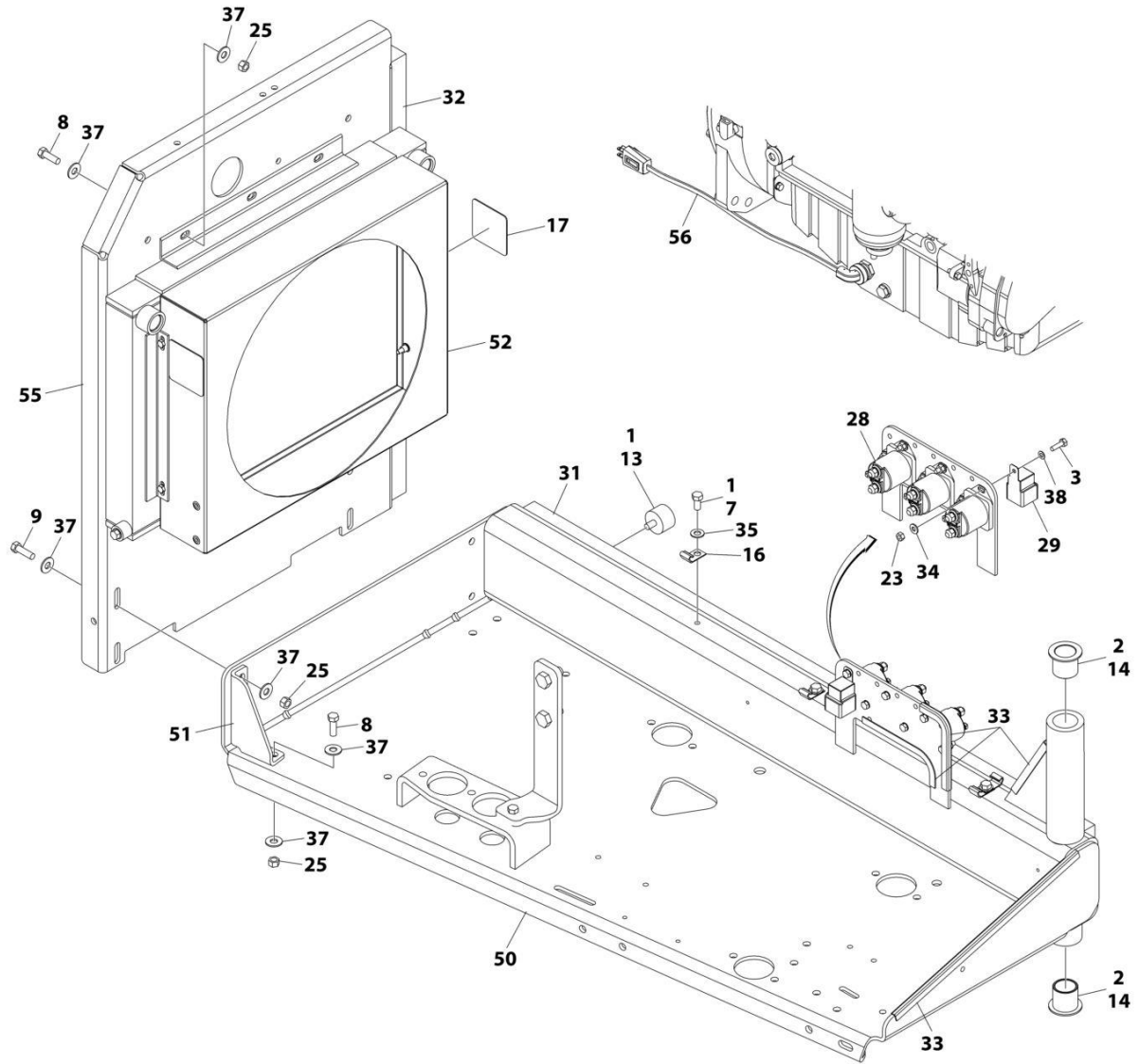
## FIGURE 3-6. DEUTZ D2011 ENGINE ASSEMBLY (WITH ARCTIC PACKAGE)



ART\_1001153779\_10F2



# SECTION 3 - ENGINE



ART\_1001153779\_2OF2

## SECTION 3 - ENGINE

**FIGURE 3-6. DEUTZ D2011 ENGINE ASSEMBLY (WITH ARCTIC PACKAGE)**

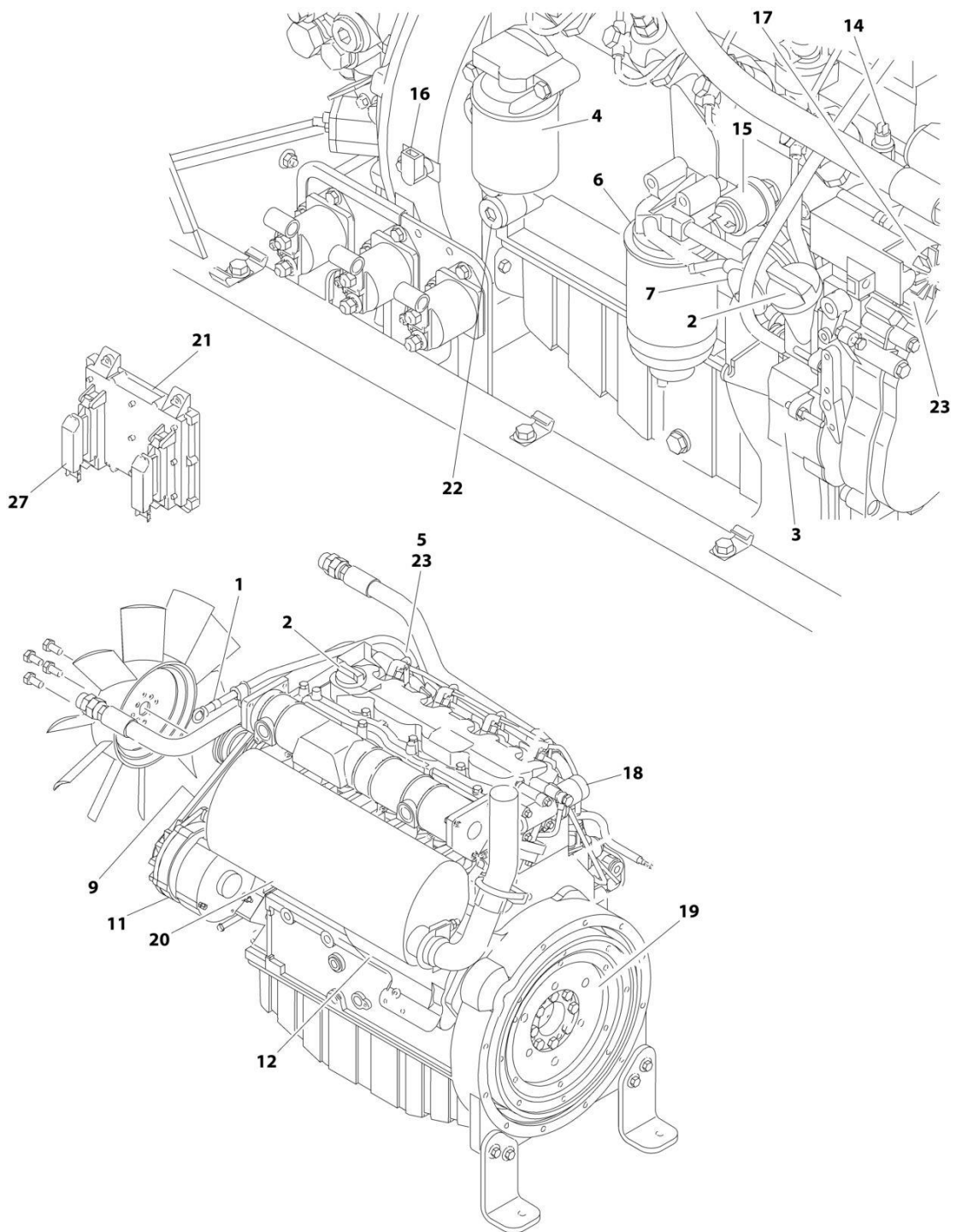
ITEM	PART NUMBER	QTY	DESCRIPTION	REV
	1001153779	Ref	ENGINE ASSEMBLY WITH ARCTIC PACKAGE	H
1	0100011	AR	Compound, Locking	
2	0100062	AR	Compound, Locking	
3	0641407	8	Bolt 1/4 x 7/8	
4	0641410	2	Bolt 1/4 x 1-1/4	
5	0641510	2	Bolt 5/16 x 1-1/4	
6	0641512	1	Bolt 5/16 x 1-1/2	
7	0641606	3	Bolt 3/8 x 3/4	
8	0641609	14	Bolt 3/8 x 1-1/8	
9	0641610	4	Bolt 3/8 x 1-1/4	
10	0641820	3	Bolt 1/2 x 2-1/2	
11	0700808	4	Bolt M8 x 16	
12	0771414	6	Bolt M14 x 30	
13	0940070	1	Bumper	
14	0961986	2	Bushing, Flanged	
15	1320016	2	Clamp	
16	1320223	4	J-Clip	
17	1703162	2	Decal - Caution Fan Blade	
18	2060025	1	Fan	
19	2220451	2	Fitting, Straight	
20	2720398	2	Hose, Oil Cooler	
22	3200406	1	Mount, Motor	
23	3311405	10	Nut 1/4	
24	3311505	3	Nut 5/16	
25	3311605	18	Nut 3/8	
26	3311805	3	Nut 1/2	
27	3520054	2	Plug	
28	3740067	3	Relay	
29	3740080	1	Relay	
30	3960407	1	Gasket, Air Intake	
31	3960468	1	Seal	
32	3960469	1	Seal	
33	4060805	37 in/1m	Flex-Trim	
34	4711400	14	Washer 1/4	
35	4711600	3	Washer 3/8	
36	4740274	3	Washer, Snubbing	
37	4751600	36	Washer 3/8	
38	4791400	6	Washer, Star 1/4	
39	4812200	2	Washer M14	
40	4923379	1	Harness, Glow Plug	
41	1001001939	1	Hose, Flex	
42	1001146273	1	Adapter, Air Intake	
43	1001147812	1	Clamp	
44	1001147813	1	Air Cleaner Assembly Filter Element	
44	70004020	1	Element, Filter (Not Shown)	
45	1001147820	1	Pipe, Exhaust	
46	1001147823	1	Engine, Deutz D2011 (See Separate Breakdown in this Section)	
47	1001149704	1	Support, Engine	
48	1001149705	1	Support, Engine	
49	1001149706	1	Support, Engine	

## SECTION 3 - ENGINE

ITEM	PART NUMBER	QTY	DESCRIPTION	REV
50	1001149793	1	Tray, Engine	
51	1001150915	1	Gusset	
52	1001150998	1	Radiator	
53	1001152459	1	Plate, Air Cleaner Mounting	
54	1001153282	1	Pump Coupling Kit (See Separate Breakdown in this Section)	
55	1001153414	1	Plate, Radiator Mounting	
56	2580062	1	Heater, Block	
57	3200401	2	Mount, Motor	
58	1001143390	1	Indicator	

# SECTION 3 - ENGINE

## FIGURE 3-7. DEUTZ D2011 ENGINE COMPONENTS



ART\_1001147823

## SECTION 3 - ENGINE

### FIGURE 3-7. DEUTZ D2011 ENGINE COMPONENTS

ITEM	PART NUMBER	QTY	DESCRIPTION	REV
	1001147823	Ref	ENGINE COMPONENTS	C
1	70004287	1	Dipstick	
1	70000044	1	Seal, Dipstick	
1	70001002	1	Tube, Dipstick	
1	7020403	1	Seal, Dipstick Tube	
2	7020465	2	Cap, Filler	
3	70001850	1	Pump, Oil Lube	
3	7020468	1	Seal Between Oil Pump and Engine Block (Not Shown)	
4	7016331	1	Filter, Oil	
4	70003472	1	Bracket, Oil Filter	
4	7027236	1	Sender, Temperature	
4	70025082	1	Ring, Sealing	
5	70000912	4	Series A Injector	
5	70000913	4	Series B Injector	
5	70000914	4	Series C Injector	
5	70000915	4	Series D Injector	
5	70003464	4	Seal/Gasket, Pump (1 Per Injector)	
5	70003478	4	Injector, Fuel	
5	70003136	4	Seal/Gasket, Pump (1 Per Injector)	
6	7016328	1	Filter, Fuel	
6	70003465	1	Sensor	
6	70003466	1	Seal, Sensor	
7	70000916	1	Pump, Fuel Supply	
7	70001435	1	Repair Kit for Fuel Supply Pump	
7	70000919	1	Hand Pump for Fuel Supply Pump	
7	70000917	1	O - Seal Between Fuel Pump and Engine Block	
7	70000918	1	O - Seal Between Fuel Pump and Hand Pump	
8	70001871	4	Gasket, Intake Manifold	
9	7020408	1	V-Belt	
10		Ref	Exhaust Manifold Components (Not Shown)	
10	70001835	1	Gasket, Exhaust Adapter to Exhaust Rail	
10	70001841	1	Valve, Exhaust (Fits into Exhaust Adapter)	
10	70001836	1	Gasket, Exhaust Rail to Cylinder Head	
10	70001837	1	Gasket, Exhaust Manifold to Muffler	
10	70002200	4	Stud, Mounting	
10	See Note	AR	Nut, Exhaust Manifold	
11	70004056	1	Alternator	
11	70001868	1	Regulator, Voltage (Not Shown)	
11	70001866	1	Seal, Gasket for Voltage Regulator (Not Shown)	
11	70002234	1	Bar, Alternator Adjustment	
12	7020479	1	Starter	
12	70004058	1	Relay	
13	70004060	2	Plug-In Connector	
14	7027791	1	Transmitter, Temperature	
15	7027790	1	Sensor, Oil Pressure	
16	70004272	1	Sensor, Speed	
17	7027792	1	Throttle Actuator	
17	7027276	2	Spring	
18	70003475	1	Thermostat (Located at rear of engine block - Not Shown)	
19	70001870	1	Flywheel with Ring Gear	

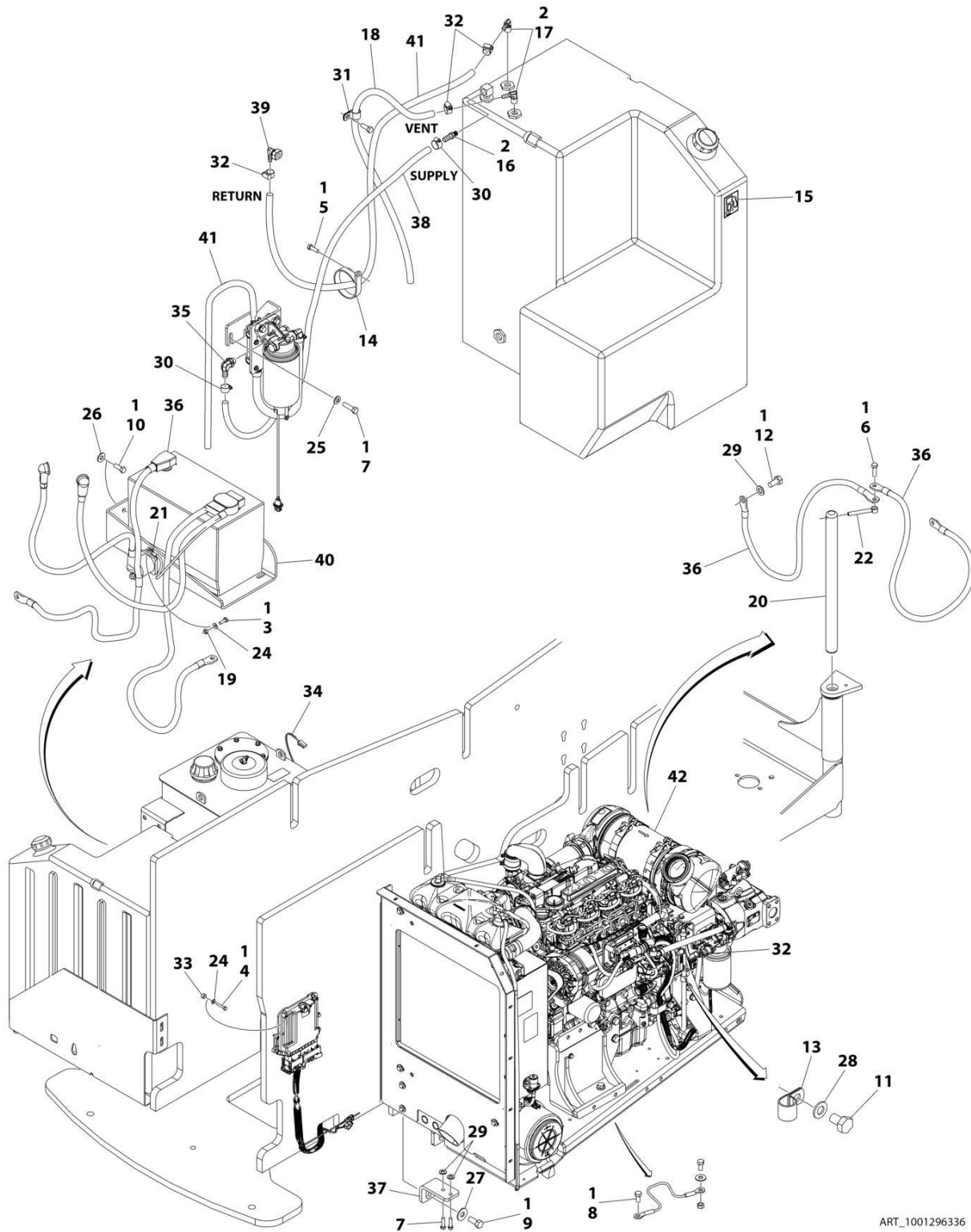
## SECTION 3 - ENGINE

ITEM	PART NUMBER	QTY	DESCRIPTION	REV
19	7024579	1	Gear, Ring 110 Tooth	
20	7000695	1	Muffler	
20	70001844	1	U-Ciamp	
20	7020471	4	Gasket	
21	7027795	1	Module, Control	
22	70001181	1	Valve, Pressure Control	
22	70124410	1	Spring	
22	70025082	1	Seal	
22	70124440	1	Screw, Locking	
23	70000345	4	Plug, Glow	
24	70000800	1	Camshaft Pulley Repair Kit (Not Shown)	
26	70002415	1	Gasket, Head with 1 Notch (Not Shown)	
62	70002416	1	Gasket, Head with 2 Notch (Not Shown)	
26	70002417	1	Gasket, Head with 3 Notch (Not Shown)	
27	7027796	1	Harness, Engine (Connects to Item 421)	
27	70001872	1	Harness, Engine (Connects to p/n 7027796)	
28		Ref	Gaskets and Seals - Miscellaneous (Not Shown)	
28	70004289	1	Gasket Set	
28	70002718	1	Seal, Rear Main	
28	70004280	1	Seal, Front Main	
29	70025752	1	Valve, Pressure Relief (Not Shown - Located at Engine Front Left)	
29	70025753	1	Spring	
29	70005916	1	Seal	
29	70005917	1	Plug, Locking	



# SECTION 3 - ENGINE

## FIGURE 3-8. DEUTZ TD2.9L4 ENGINE INSTALLATION (WITHOUT ARCTIC PACKAGE)





## SECTION 3 - ENGINE

**FIGURE 3-8. DEUTZ TD2.9L4 ENGINE INSTALLATION (WITHOUT ARCTIC PACKAGE)**

ITEM	PART NUMBER	QTY	DESCRIPTION	REV
	1001296336	Ref	DEUTZ TD2.9L4 ENGINE INSTALLATION (WITHOUT ARCTIC PACKAGE)	A
1	0100011	AR	Compound, Locking	
2	0100020	AR	Sealant, Pipe	
3	0641406	2	Bolt 1/4 x 3/4	
4	0641412	4	Bolt 1/4 x 1-1/2	
5	0641508	1	Bolt 5/16 x 1	
6	0641610	1	Bolt 3/8 x 1-1/4	
7	0641611	4	Bolt 3/8 x 1-3/8	
8	0641808	1	Bolt 1/2 x 1	
9	0642012	1	Bolt 5/8 x 1-1/2	
10	0681608	3	Bolt 3/8 x 1	
11	0761008	1	Bolt M10 x 16	
12	0771212	1	Bolt M12 x 25	
13	1320061	1	Clamp	
14	1321339	1	Clamp	
15	1701505	1	Decal - Diesel Fuel (Located on Fuel Tank)	
16	2180832	1	Fitting, 90 Barbed	
17	2220313	2	Fitting, 90 NPT/Barbed	
18	2750532	4 ft /2 m	Hose (Vent Line)	
19	3311405	2	Nut 1/4-20	
20	3422446	1	Pin	
21	3740067	1	Relay	
22	3841143	1	Pin, Keeper	
23	4240033	1	Tie-Strap (Not Shown)	
24	4711400	6	Washer 1/4	
25	4711600	2	Washer 3/8	
26	4751600	3	Washer 3/8	
27	4752000	1	Washer 5/8	
28	4812000	1	Washer M10	
29	4812100	3	Washer M12	
30	8405006	2	Clamp	
31	8406102	1	Clip	
32	8410013	4	Clamp	
33	1001110425	4	Spacer	
34	1001138491	1	Fuel Harness (See Separate Breakdown in ELECTRICAL Section)	
35	1001142501	1	Fitting, 90° Barbed	
36	1001143736	1	Battery Cable Kit	
36	7027084	1	Cable, Battery (Black) (Battery - to Tray Pivot and Relay Grounds)	
36	8270147	1	Terminal, Battery (With Boot) Cable, Battery (Black)	
36	7027085	1	Cable, Battery (Black) (Battery - to Aux Pump Ground)	
36	7027086	1	Cable, Battery (Black) (Engine to Tray Pivot Ground)	
36	7027087	1	Cable (Red) (Battery + to Relays/Starter)	
36	7027088	1	Cable (Red) (Aux Relay to Aux Pump)	
36	See Note	1	Cable (Auxiliary Relay to Starter) (Note: Use P/N 7027087)	
37	1001153359	1	Mount, Engine	
38	1001154405	5 ft /2 m	Hose	
39	1001155823	1	Fitting, Quick Disconnect 90	
40	1001162497	1	Bracket, Battery	

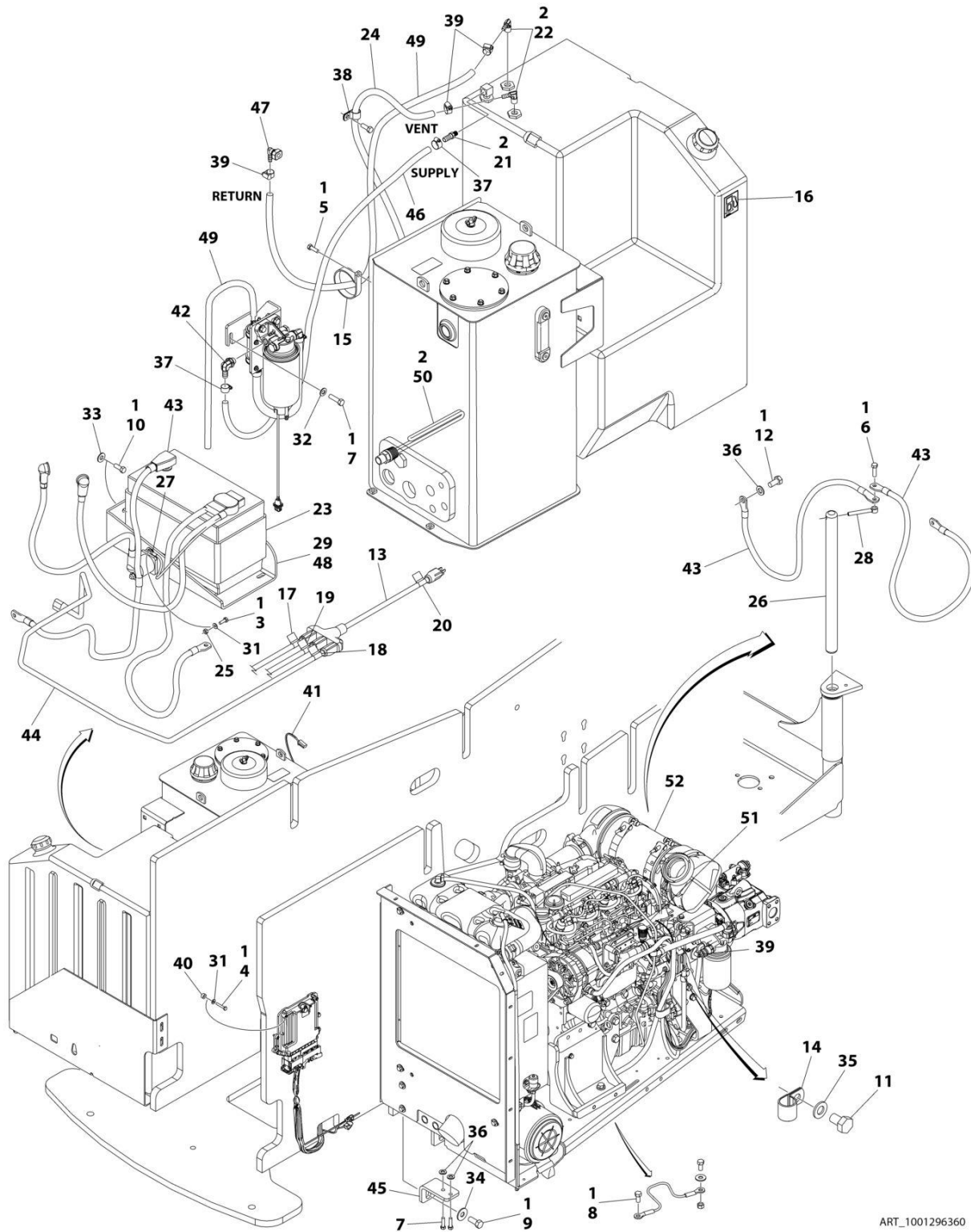
## SECTION 3 - ENGINE

ITEM	PART NUMBER	QTY	DESCRIPTION	REV
41	1001165035	24 ft /8 m	Hose	
42	1001296335	1	Engine and Pump Assembly without Arctic Package (See Separate Breakdown in this Section)	



# SECTION 3 - ENGINE

## FIGURE 3-9. DEUTZ TD2.9L4 ENGINE INSTALLATION (WITH ARCTIC PACKAGE)



ART\_1001296360

## SECTION 3 - ENGINE

**FIGURE 3-9. DEUTZ TD2.9L4 ENGINE INSTALLATION (WITH ARCTIC PACKAGE)**

ITEM	PART NUMBER	QTY	DESCRIPTION	REV
	1001296360	Ref	DEUTZ TD2.9L4 ENGINE INSTALLATION (WITH ARCTIC PACKAGE)	A
1	0100011	AR	Compound, Locking	
2	0100020	AR	Sealant, Pipe	
3	0641406	2	Bolt 1/4 x 3/4	
4	0641412	4	Bolt 1/4 x 1-1/2	
5	0641508	1	Bolt 5/16 x 1	
6	0641610	1	Bolt 3/8 x 1-1/4	
7	0641611	4	Bolt 3/8 x 1-3/8	
8	0641808	1	Bolt 1/2 x 1	
9	0642012	1	Bolt 5/8 x 1-1/2	
10	0681608	3	Bolt 3/8 x 1	
11	0761008	1	Bolt M10 x 16	
12	0771212	1	Bolt M12 x 25	
13	1060626	1	Cord, 3 Way Extension	
14	1320061	1	Clamp	
15	1321339	1	Clamp	
16	1701505	1	Decal - Diesel Fuel	
17	1702941	1	Decal - Battery Heater	
18	1702942	1	Decal - Engine Block Heater	
19	1702943	1	Decal - Hydraulic Tank Heater	
20	1702944	1	Decal - Heater Cord	
21	2180832	1	Fitting, 90 Barbed	
22	2220313	2	Fitting, 90 NPTF/Barbed	
23	2580024	1	Heater, Battery	
24	2750532	4 ft /2 m	Hose (Vent Line)	
25	3311405	2	Nut 1/4	
26	3422446	1	Pin	
27	3740067	1	Relay	
28	3841143	1	Pin, Keeper	
29	3980007	1	Seat, Battery	
30	4240033	1	Tie-Strap (Not Shown)	
31	4711400	6	Washer 1/4	
32	4711600	2	Washer 3/8	
33	4751600	3	Washer 3/8	
34	4752000	1	Washer 5/8	
35	4812000	1	Washer M10	
36	4812100	3	Washer M12	
37	8405006	2	Clamp	
38	8406102	1	Clip	
39	8410013	4	Clamp	
40	1001110425	4	Spacer	
41	1001138491	1	Fuel Harness (See Separate Breakdown in ELECTRICAL Section)	
42	1001142501	1	Fitting, 90° Barbed	
43	1001143736	1	Battery Cable Kit	
43	7027084	1	Cable, Battery (Black) (Battery - to Tray Pivot and Grds)	
43	8270147	1	Terminal, Battery (With Boot)	
43	7027085	1	Cable, Battery (Black) (Battery - to Aux Pump and Relay Grds)	
43	7027086	1	Cable, Battery (Black) (Engine to Tray Pivot Grd)	
43	7027087	1	Cable (Red) (Battery + to Aux Relay/Power Module/Starter)	

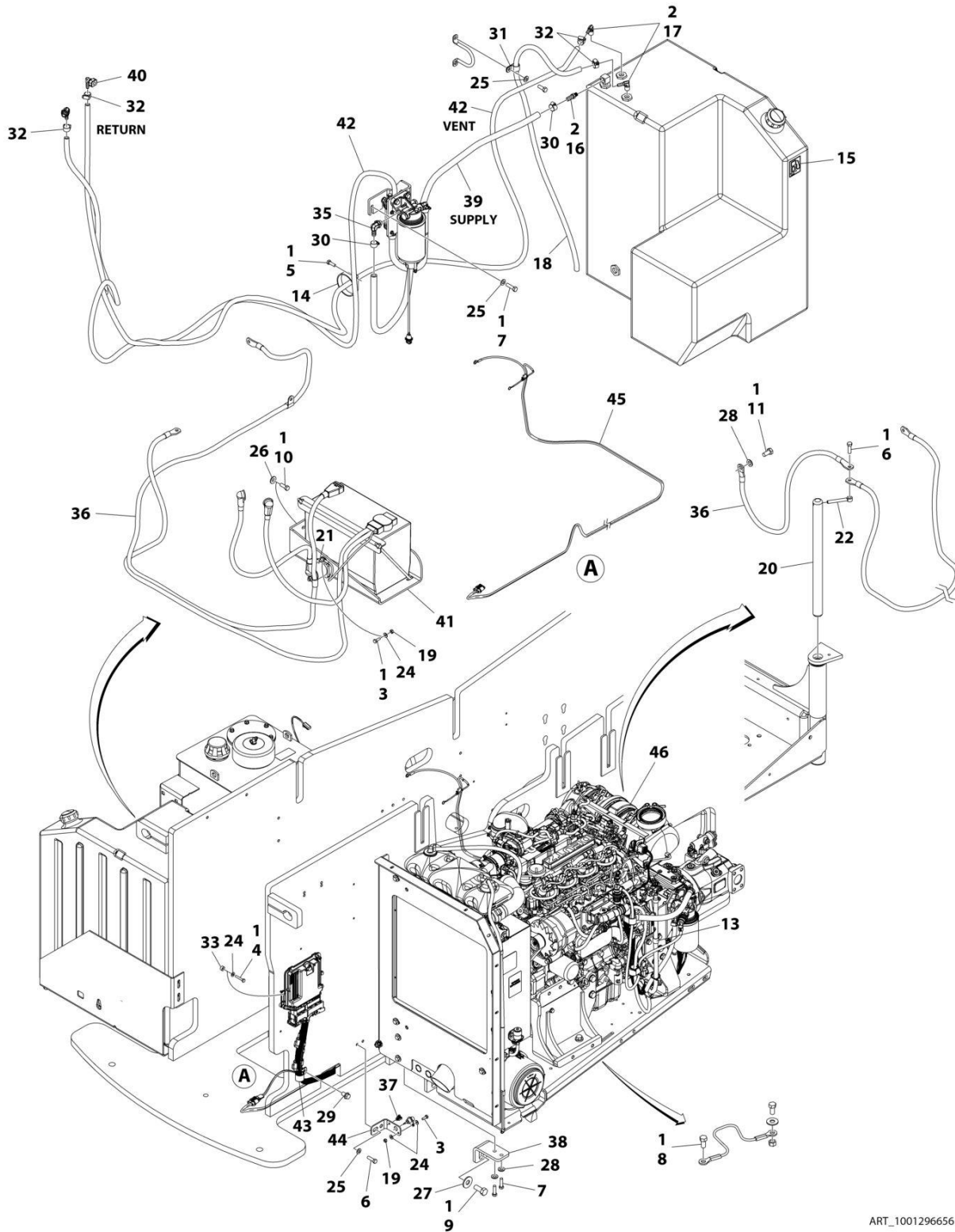
## SECTION 3 - ENGINE

ITEM	PART NUMBER	QTY	DESCRIPTION	REV
43	7027088	1	Cable (Red) (Aux Relay to Aux Pump)	
43	See Note	1	Cable (Auxiliary Relay to Starter) (Note: Use P/N 7027087)	
44	1001150918	1	Cord, Extension	
45	1001153359	1	Mount, Engine	
46	1001154405	5 ft /2 m	Hose	
47	1001155823	1	Fitting, Quick Disconnect 90	
48	1001162497	1	Bracket, Battery	
49	1001165035	24 ft /8 m	Hose	
50	1001188972	1	Heater, Hydraulic Tank	
51	1001233763	1	Breather Heater Installation (See Separate Breakdown in this Section)	
52	1001296359	1	Engine and Pump Assembly with Arctic Package (See Separate Breakdown in this Section)	



# SECTION 3 - ENGINE

## FIGURE 3-10. DEUTZ TD2.9L4 ENGINE INSTALLATION (STAGE V)



ART\_1001296656



## SECTION 3 - ENGINE

**FIGURE 3-10. DEUTZ TD2.9L4 ENGINE INSTALLATION (STAGE V)**

ITEM	PART NUMBER	QTY	DESCRIPTION	REV
	1001296656	Ref	DEUTZ TD2.9L4 ENGINE INSTALLATION (STAGE V)	A
1	0100011	AR	Compound, Locking	
2	0100020	AR	Sealant, Pipe	
3	0641406	3	Bolt 1/4 x 3/4	
4	0641412	4	Bolt 1/4 x 1-1/2	
5	0641508	1	Bolt 5/16 x 1	
6	0641610	3	Bolt 3/8 x 1-1/4	
7	0641611	4	Bolt 3/8 x 1-3/8	
8	0641808	1	Bolt 1/2 x 1	
9	0642012	1	Bolt 5/8 x 1-1/2	
10	0681608	3	Bolt 3/8 x 1	
11	0771212	1	Bolt M12 x 25	
12	1062255	AR	Tie-Strap (Not Shown)	
13	1320061	1	Clamp	
14	1321339	1	Clamp	
15	1701505	1	Decal - Diesel Fuel (Located on Fuel Tank)	
16	2180832	1	Fitting, 90 NPT/ Barbed	
17	2220313	2	Fitting, 90 NPT/Barbed	
18	2750532	4 ft /2 m	Hose (Vent Line)	
19	3311405	3	Nut 1/4	
20	3422446	1	Pin, Pivot	
21	3740067	1	Relay	
22	3841143	1	Pin, Keeper	
23	4240099	AR	Tie-Strap (Not Shown)	
24	4711400	8	Washer 1/4	
25	4711600	4	Washer 3/8	
26	4751600	3	Washer 3/8	
27	4752000	1	Washer 5/8	
28	4812100	3	Washer M12	
29	5251210	1	Bolt M12 x 20	
30	8405006	2	Clamp	
31	8406102	1	Clip	
32	8410013	4	Clamp	
33	1001110425	4	Spacer	
34	1001138491	1	Harness, Fuel (Not Shown - See Separate Breakdown in ELECTRICAL Section)	
35	1001142501	1	Fitting, Straight Metric/Barbed	
36	1001143736	1	Battery Cable Kit	
36	7027084	1	Cable, Battery (Black) (Battery - to Tray Pivot Grd)	
36	8270147	1	Terminal, Battery (With Boot)	
36	7027085	1	Cable, Battery (Black) (Battery - to Aux Pump and Relay Grds)	
36	7027086	1	Cable, Battery (Black) (Engine to Tray Pivot Grd)	
36	7027087	1	Cable (Red) (Battery + to Aux Relay/Power Module/Starter)	
36	7027088	1	Cable (Red) (Aux Relay to Aux Pump)	
36	See Note	1	Cable (Auxiliary Relay to Starter) (Note: Use P/N 7027087)	
37	1001146588	1	Strap	
38	1001153359	1	Mount, Engine	
39	1001154405	5 ft /2 m	Hose	
40	1001155823	1	Fitting, Quick Disconnect 90	
41	1001162497	1	Bracket, Battery	

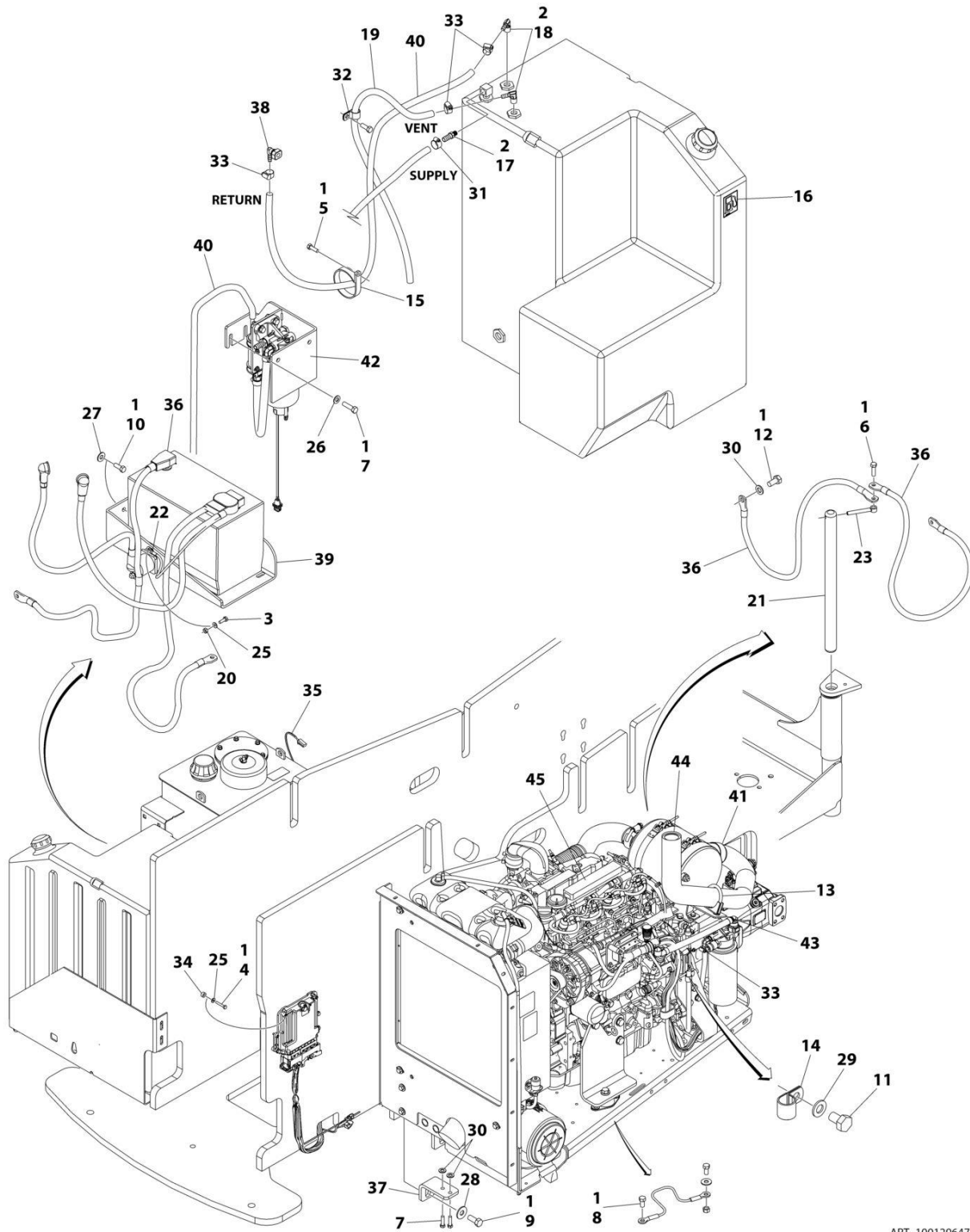
## SECTION 3 - ENGINE

ITEM	PART NUMBER	QTY	DESCRIPTION	REV
42	1001165035	24 ft /8 m	Hose	
43	1001191620	1	Clamp	
44	1001256879	1	Bracket	
45	1001289593	1	ECU Power Jumper Harness (See Separate Breakdown in ELECTRICAL Section)	
46	1001296655	1	Deutz TD2.9L4 Engine and Pump Sub-Assembly (Stage V) (See Separate Breakdown in this Section)	



# SECTION 3 - ENGINE

## FIGURE 3-11. DEUTZ TD2.9L4 ENGINE INSTALLATION (CHINA III)



ART\_1001296475

## SECTION 3 - ENGINE

**FIGURE 3-11. DEUTZ TD2.9L4 ENGINE INSTALLATION (CHINA III)**

ITEM	PART NUMBER	QTY	DESCRIPTION	REV
	1001296475	Ref	DEUTZ TD2.9L4 ENGINE INSTALLATION (CHINA III)	A
1	0100011	AR	Compound, Locking	
2	0100020	AR	Sealant, Pipe	
3	0641406	2	Bolt 1/4 x 3/4	
4	0641412	4	Bolt 1/4 x 1-1/2	
5	0641508	1	Bolt 5/16 x 1	
6	0641610	1	Bolt 3/8 x 1-1/4	
7	0641611	4	Bolt 3/8 x 1-3/8	
8	0641808	1	Bolt 1/2 x 1	
9	0642012	1	Bolt 5/8 x 1-1/2	
10	0681608	3	Bolt 3/8 x 1	
11	0761008	1	Bolt M10 x 16	
12	0771212	1	Bolt M12 x 25	
13	1320011	1	Clamp, Muffler (Located on Exhaust)	
14	1320061	1	Clamp	
15	1321339	1	Clamp	
16	1701505	1	Decal - Diesel Fuel (Located on Fuel Tank)	
17	2180832	1	Fitting, 90 NPT/ Barbed	
18	2220313	2	Fitting, 90 NPT/Barbed	
19	2750532	4 ft /2 m	Hose (Vent Line)	
20	3311405	2	Nut 1/4-20	
21	3422446	1	Pin, Pivot	
22	3740067	1	Relay	
23	3841143	1	Pin, Keeper	
24	4240033	AR	Tie-Strap (Not Shown)	
25	4711400	7	Washer 1/4	
26	4711600	2	Washer 3/8	
27	4751600	3	Washer 3/8	
28	4752000	1	Washer 5/8	
29	4812000	1	Washer M10	
30	4812100	3	Washer M12	
31	8405006	1	Clamp	
32	8406102	1	Clip	
33	8410013	4	Clamp	
34	1001110425	4	Spacer	
35	1001138491	1	Harness, Fuel (See Separate Breakdown in ELECTRICAL Section)	
36	1001143736	1	Battery Cable Kit	
36	7027084	1	Cable, Battery (Black) (Battery - to Tray Pivot Grd)	
36	8270147	1	Terminal, Battery (With Boot)	
36	7027085	1	Cable, Battery (Black) (Battery - to Aux Pump and Relay Grds)	
36	7027086	1	Cable, Battery (Black) (Engine to Tray Pivot Grd)	
36	7027087	1	Cable (Red) (Battery + to Aux Relay/Power Module/Starter)	
36	7027088	1	Cable (Red) (Aux Relay to Aux Pump)	
36	See Note	1	Cable (Auxiliary Relay to Starter) (Note: Use P/N 7027087)	
37	1001153359	1	Mount, Engine	
38	1001155823	1	Fitting, Quick Disconnect 90	
39	1001162497	1	Bracket, Battery	
40	1001165035	28 ft /9 m	Hose	
41	1001221212	1	Clamp (Located on Exhaust)	

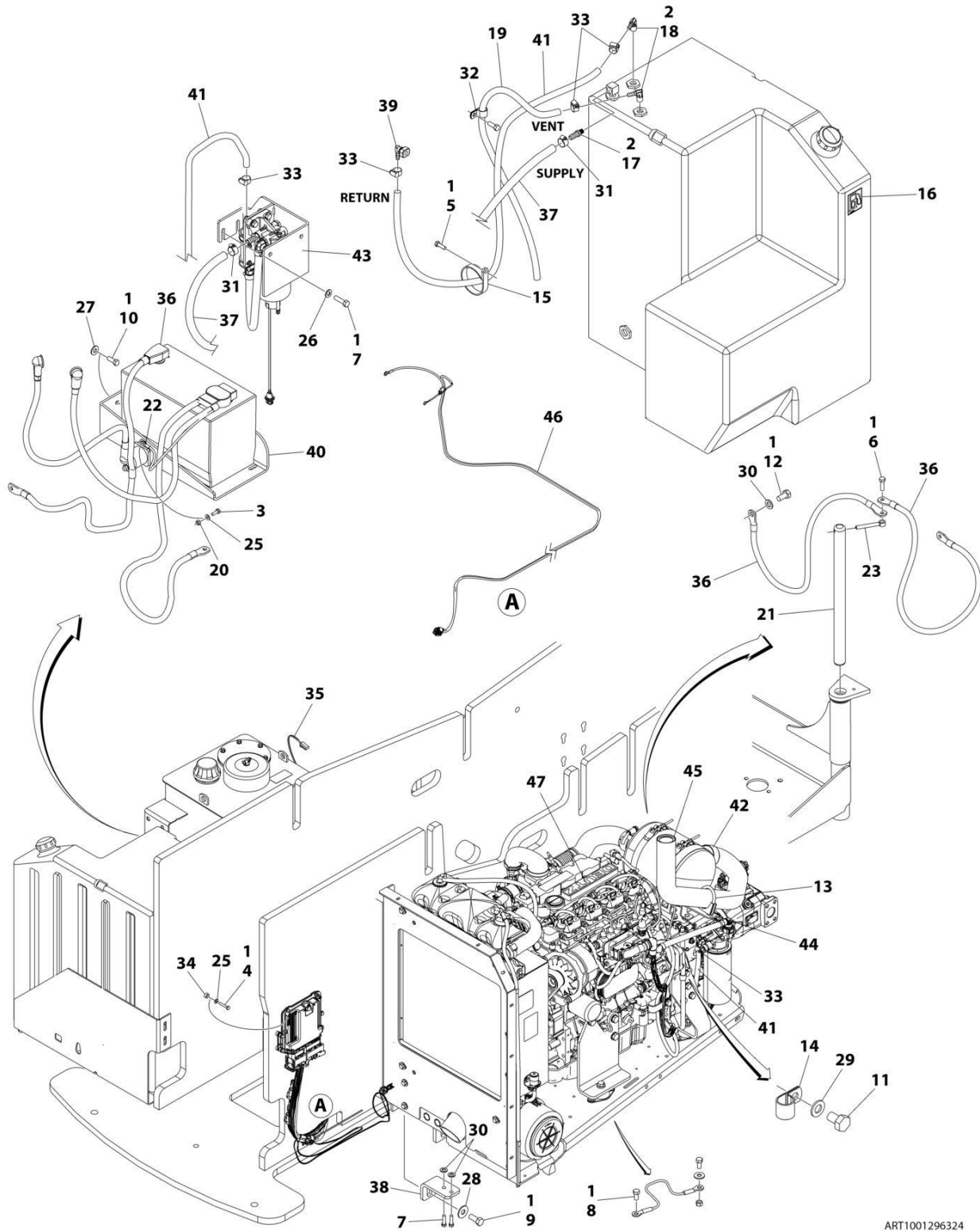
## SECTION 3 - ENGINE

ITEM	PART NUMBER	QTY	DESCRIPTION	REV
42	1001227224	1	Bracket Assembly Less Filter/Pump (See Separate Breakdown in this Section)	
43	1001227620	1	Plate (Located on Exhaust)	
44	1001247013	1	Pipe	
45	1001296474	1	Engine and Pump Sub-Assembly (See Separate Breakdown in this Section)	



# SECTION 3 - ENGINE

## FIGURE 3-12. DEUTZ TD2.9L4 ENGINE INSTALLATION (CHINA IV)



ART1001296324



## SECTION 3 - ENGINE

**FIGURE 3-12. DEUTZ TD2.9L4 ENGINE INSTALLATION (CHINA IV)**

ITEM	PART NUMBER	QTY	DESCRIPTION	REV
	1001296324	Ref	DEUTZ TD2.9L4 ENGINE INSTALLATION (CHINA IV)	A
1	0100011	AR	Compound, Locking	
2	0100020	AR	Sealant, Pipe	
3	0641406	2	Bolt 1/4 x 3/4	
4	0641412	4	Bolt 1/4 x 1-1/2	
5	0641508	1	Bolt 5/16 x 1	
6	0641610	1	Bolt 3/8 x 1-1/4	
7	0641611	4	Bolt 3/8 x 1-3/8	
8	0641808	1	Bolt 1/2 x 1	
9	0642012	1	Bolt 5/8 x 1-1/2	
10	0681608	3	Bolt 3/8 x 1	
11	0761008	1	Bolt M10 x 16	
12	0771212	1	Bolt M12 x 25	
13	1320011	1	Clamp, Muffler (Located on Exhaust)	
14	1320061	1	Clamp	
15	1321339	1	Clamp	
16	1701505	1	Decal - Diesel Fuel (Located on Fuel Tank)	
17	2180832	1	Fitting, 90 Barbed	
18	2220313	2	Fitting, 90 NPTF/Barbed	
19	2750532	4 ft /2 m	Hose (Vent Line)	
20	3311405	2	Nut 1/4-20	
21	3422446	1	Pin	
22	3740067	1	Relay	
23	3841143	1	Pin, Keeper	
24	4240033	AR	Tie-Strap (Not Shown)	
25	4711400	7	Washer 1/4	
26	4711600	2	Washer 3/8	
27	4751600	3	Washer 3/8	
28	4752000	1	Washer 5/8	
29	4812000	1	Washer M10	
30	4812100	3	Washer M12	
31	8405006	2	Clamp	
32	8406102	1	Clip	
33	8410013	5	Clamp	
34	1001110425	4	Spacer	
35	1001138491	1	Harness, Fuel (See Separate Breakdown in ELECTRICAL Section)	
36	1001143736	1	Battery Cable Kit	
37	1001154405	5 ft /2 m	Hose	
38	1001153359	1	Mount, Engine	
39	1001155823	1	Fitting, Quick Disconnect 90	
40	1001162497	1	Bracket, Battery	
41	1001165035	24 ft /8 m	Hose	
42	1001221212	1	Clamp (Located on Exhaust)	
43	1001227224	1	Bracket Assembly Less Filter/Pump (See Separate Breakdown in this Section)	
44	1001227620	1	Plate (Located on Exhaust)	
45	1001247013	1	Pipe	
46	1001289593	1	ECM Jumper Harness (See Separate Breakdown ELECTRICAL Section)	

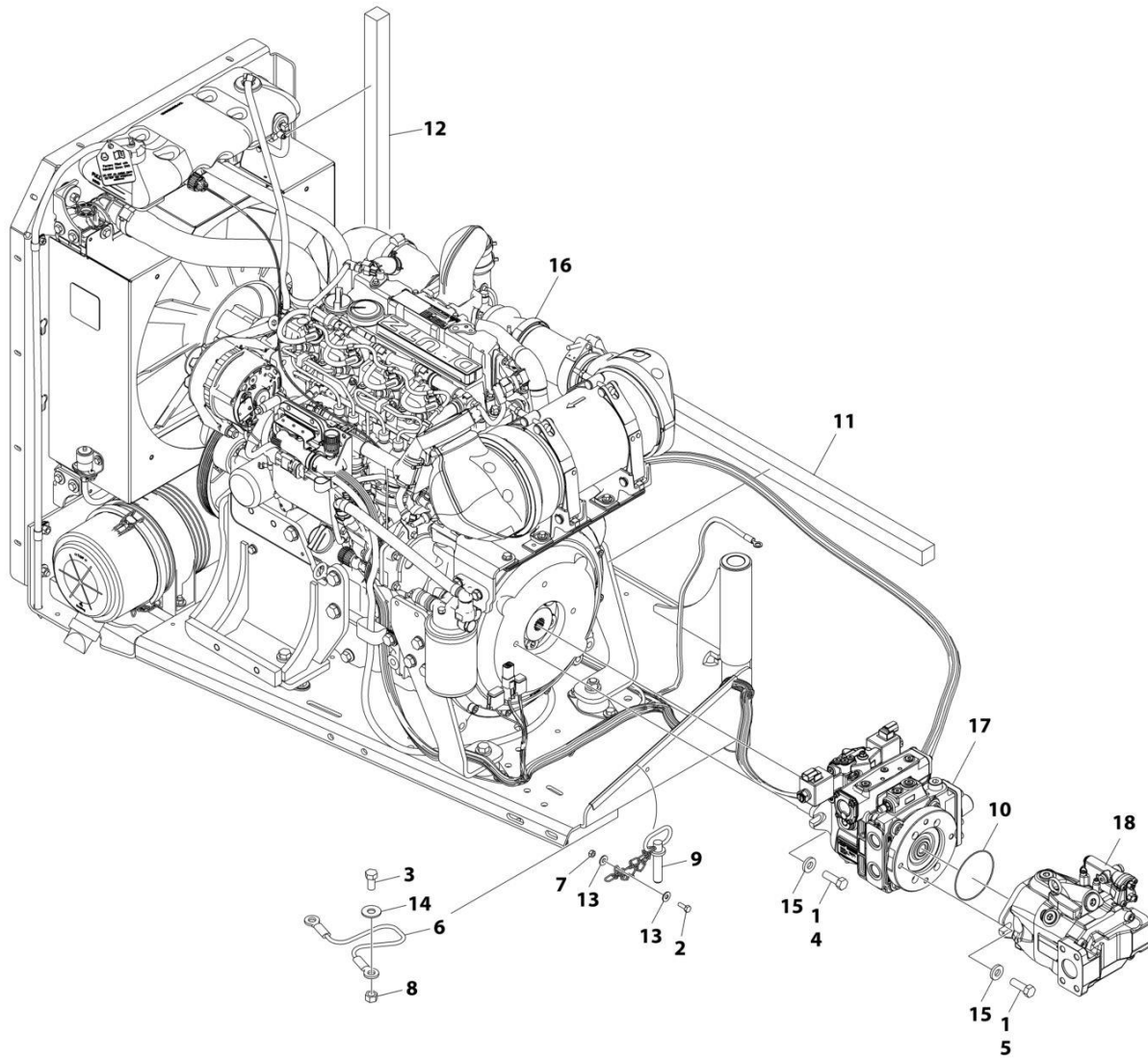
## SECTION 3 - ENGINE

ITEM	PART NUMBER	QTY	DESCRIPTION	REV
47	1001296319	1	Deutz TD2.9L4 Engine and Pump Sub-Assembly (See Separate Breakdown in this Section)	



# SECTION 3 - ENGINE

## FIGURE 3-13. DEUTZ TD2.9L4 ENGINE/PUMP SUB ASSEMBLY (WITHOUT ARCTIC PACKAGE)



ART\_1001296335

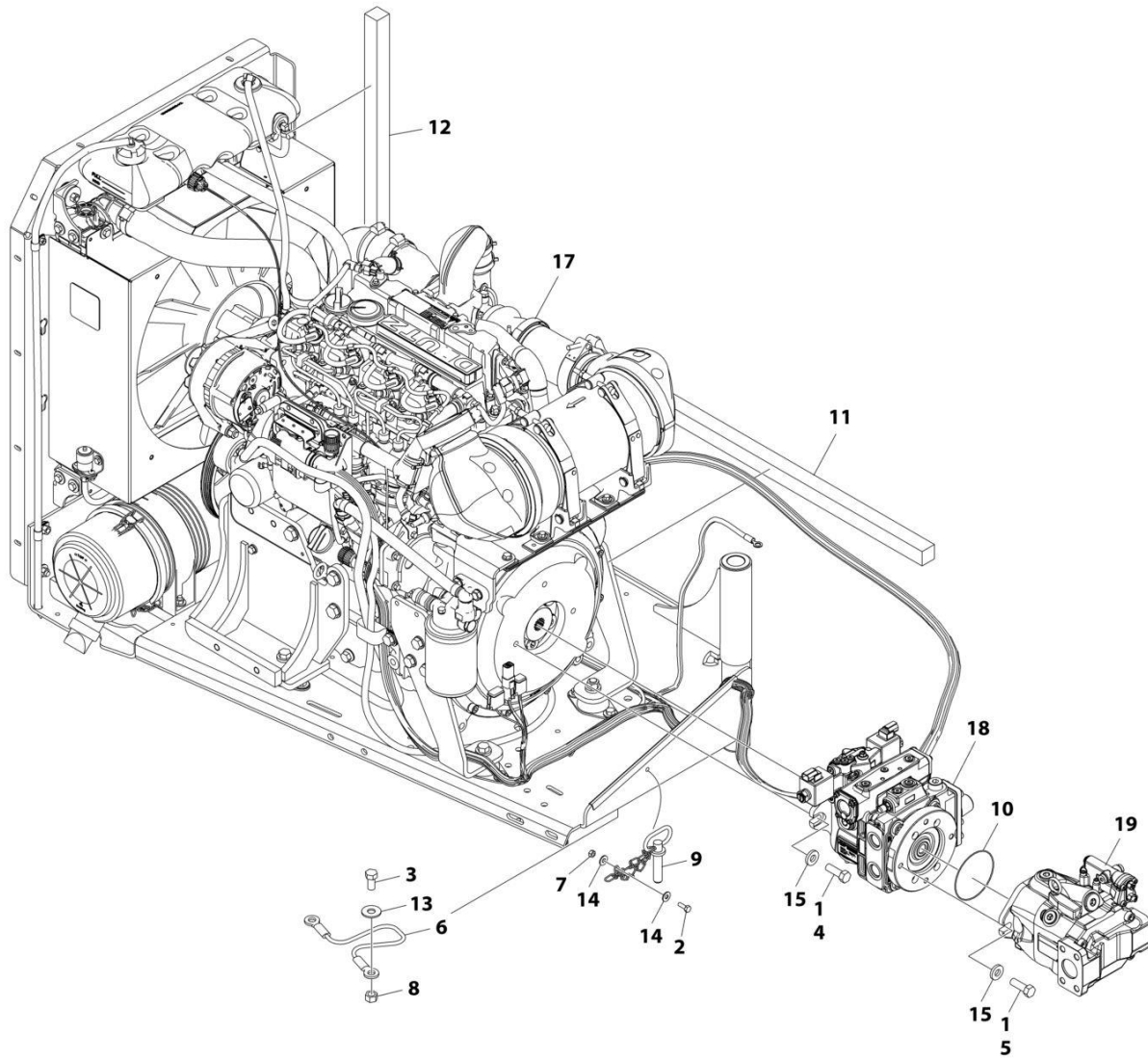
## SECTION 3 - ENGINE

**FIGURE 3-13. DEUTZ TD2.9L4 ENGINE/PUMP SUB ASSEMBLY (WITHOUT ARCTIC PACKAGE)**

ITEM	PART NUMBER	QTY	DESCRIPTION	REV
	1001296335	Ref	DEUTZ TP2.9L4 ENGINE/PUMP SUB-ASSEMBLY	A
1	0100011	AR	Compound, Locking	
2	0641406	1	Bolt 1/4 x 3/4	
3	0641808	1	Bolt 1/2 x 1	
4	0641812	2	Bolt 1/2 x 1-1/2	
5	0711215	2	Bolt M12 x 35	
6	1060637	1	Lanyard	
7	3311405	1	Nut 1/4	
8	3311801	1	Nut 1/2	
9	3422532	1	Pin	
10	3790044	1	O-Ring	
11	3960468	1	Seal	
12	3960469	1	Seal	
13	4751400	2	Washer 1/4	
14	4751800	1	Washer 1/2	
15	4891800	4	Washer 1/2	
16	1001176027	1	Engine Assembly Without Arctic Package (See Separate Breakdown in this Section)	
17	1001276376	1	Hydrostatic Pump Assembly (See Separate Breakdown in this Section)	
18	1001276377	1	Variable Pump Assembly with Fittings (See Separate Breakdown in this Section)	

# SECTION 3 - ENGINE

## FIGURE 3-14. DEUTZ TD2.9L4 ENGINE/PUMP SUB ASSEMBLY (WITH ARCTIC PACKAGE)



ART\_1001296359

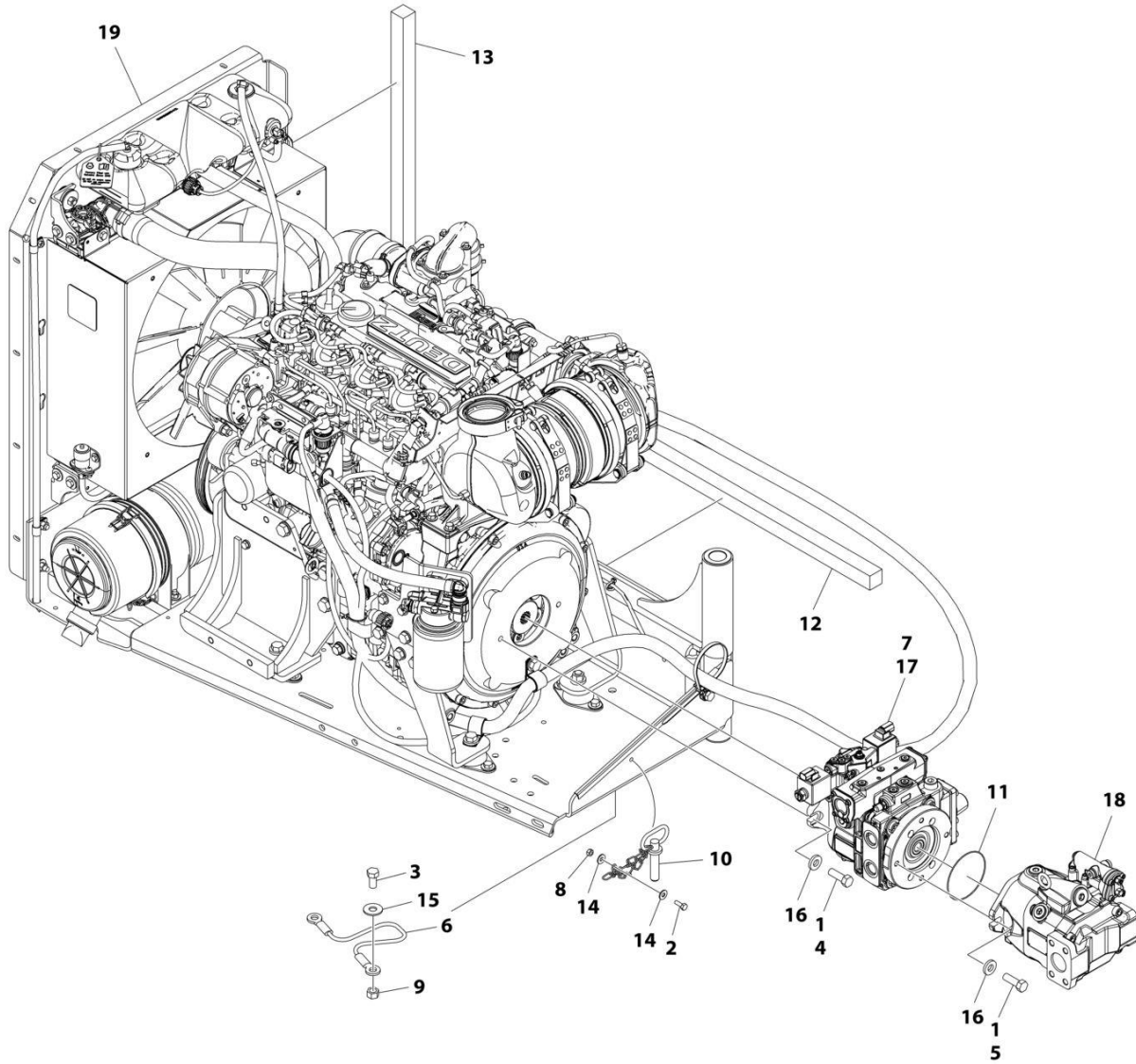
## SECTION 3 - ENGINE

**FIGURE 3-14. DEUTZ TD2.9L4 ENGINE/PUMP SUB ASSEMBLY (WITH ARCTIC PACKAGE)**

ITEM	PART NUMBER	QTY	DESCRIPTION	REV
	1001296359	Ref	DEUTZ TP2.9L4 ENGINE/PUMP SUB-ASSEMBLY	A
1	0100011	AR	Compound, Locking	
2	0641406	1	Bolt 1/4 x 3/4	
3	0641808	1	Bolt 1/2 x 1	
4	0641812	2	Bolt 1/2 x 1-1/2	
5	0711215	2	Bolt M12 x 35	
6	1060637	1	Cable, Lanyard	
7	3311405	1	Nut 1/4	
8	3311801	1	Nut 1/2	
9	3422532	1	Pin, Hitch	
10	3790044	1	O-Ring	
11	3960468	1	Seal	
12	3960469	1	Seal	
13	4751800	1	Washer 1/2	
14	4751400	2	Washer 1/4	
15	4891800	4	Washer 1/2	
17	1001176035	1	Engine Assembly With Arctic Package (See Separate Breakdown in this Section)	
18	1001276376	1	Hydrostatic Pump Assembly (See Separate Breakdown in this Section)	
19	1001276377	1	Variable Pump Assembly with Fittings (See Separate Breakdown in this Section)	

# SECTION 3 - ENGINE

## FIGURE 3-15. DEUTZ TD2.9L4 ENGINE/PUMP SUB ASSEMBLY (STAGE V)



ART\_1001296655



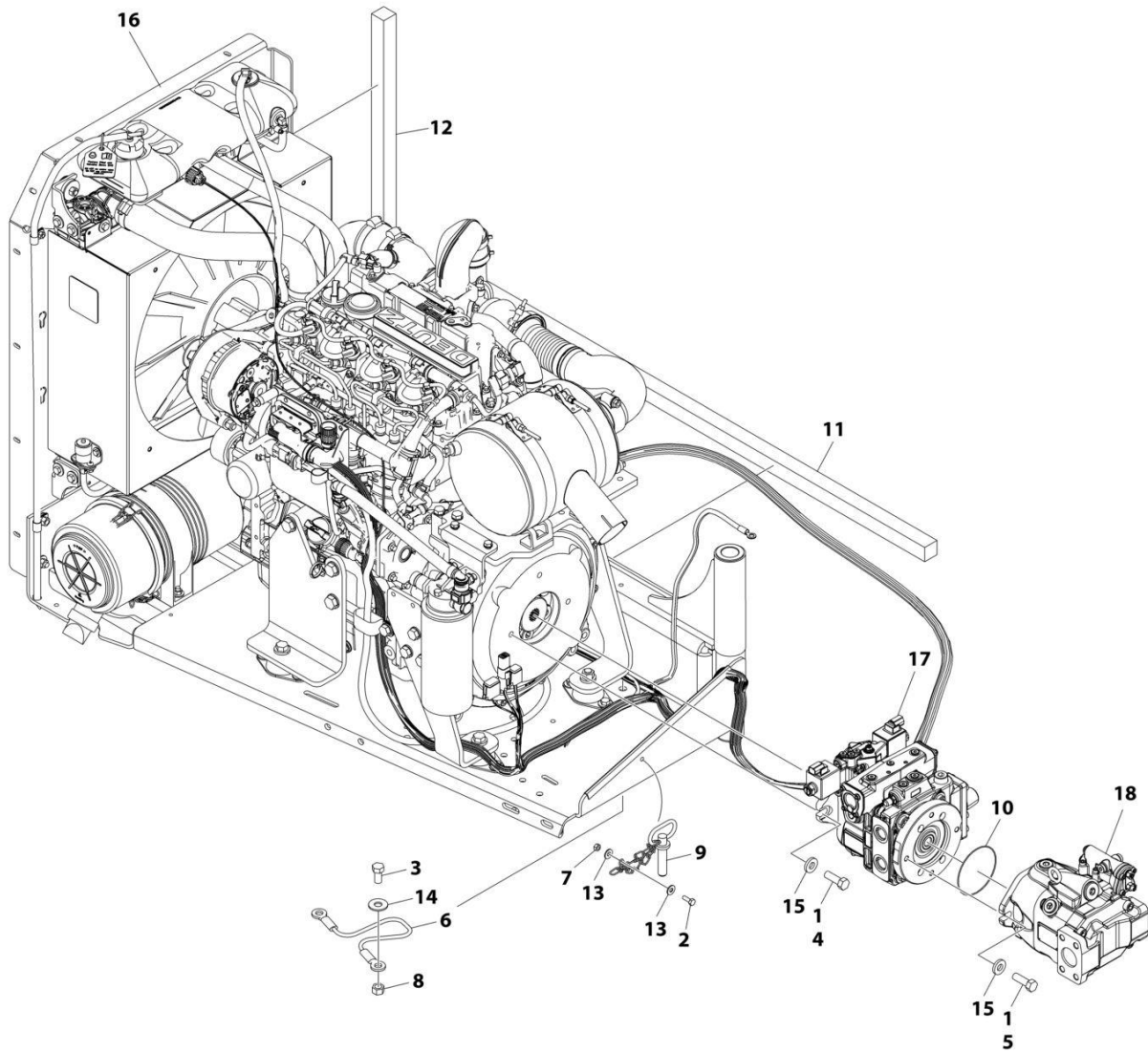
## SECTION 3 - ENGINE

**FIGURE 3-15. DEUTZ TD2.9L4 ENGINE/PUMP SUB ASSEMBLY (STAGE V)**

ITEM	PART NUMBER	QTY	DESCRIPTION	REV
	1001296655	Ref	DEUTZ D2011 ENGINE/PUMP SUB-ASSEMBLY	A
1	0100011	AR	Compound, Locking	
2	0641406	1	Bolt 1/4 x 3/4	
3	0641808	1	Bolt 1/2 x 1	
4	0641812	2	Bolt 1/2 x 1-1/2	
5	0711215	2	Bolt M12 x 35	
6	1060637	1	Lanyard	
7	3020037	AR	Lubricant	
8	3311405	1	Nut 1/4	
9	3311801	1	Nut 1/2	
10	3422532	1	Pin, Hitch	
11	3790044	1	O-Ring	
12	3960468	1	Seal	
13	3960469	1	Seal	
14	4751400	2	Washer 1/4	
15	4751800	1	Washer 1/2	
16	4891800	4	Washer 1/2	
17	1001276376	1	Hydrostatic Pump Assembly (See Separate Breakdown in this Section)	
18	1001276377	1	Variable Pump Assembly with Fittings (See Separate Breakdown in this Section)	
19	1001277598	1	Engine Assembly - DEUTZ 2.9L4 (Stage V) Engines (See Separate Breakdown in this Section)	

# SECTION 3 - ENGINE

FIGURE 3-16. DEUTZ TD2.9L4 ENGINE/PUMP SUB ASSEMBLY (CHINA III)



ART\_1001296474

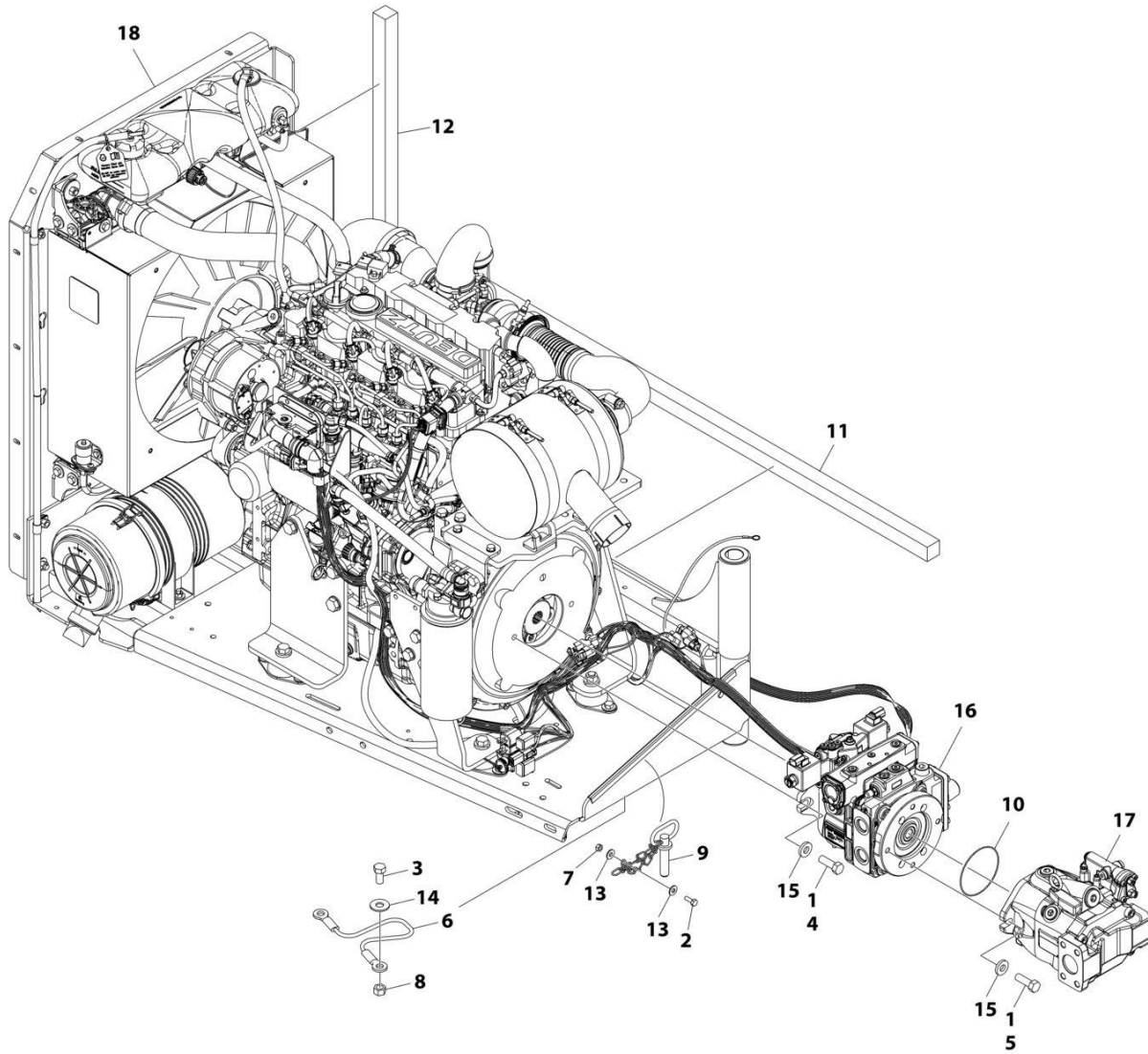
## SECTION 3 - ENGINE

**FIGURE 3-16. DEUTZ TD2.9L4 ENGINE/PUMP SUB ASSEMBLY (CHINA III)**

ITEM	PART NUMBER	QTY	DESCRIPTION	REV
	1001296474	Ref	DEUTZ TD2.9L4 ENGINE/PUMP SUB-ASSEMBLY (CHINA III)	A
1	0100011	AR	Compound, Locking	
2	0641406	1	Bolt 1/4 x 3/4	
3	0641808	1	Bolt 1/2 x 1	
4	0641812	2	Bolt 1/2 x 1-1/2	
5	0711215	2	Bolt M12 x 35	
6	1060637	1	Lanyard	
7	3311405	1	Nut 1/4	
8	3311801	1	Nut 1/2	
9	3422532	1	Pin, Hitch	
10	3790044	1	O-Ring	
11	3960468	1	Seal	
12	3960469	1	Seal	
13	4751400	2	Washer 1/4	
14	4751800	1	Washer 1/2	
15	4891800	4	Washer 1/2	
16	1001227614	1	Engine Assembly (See Separate Breakdown in this Section)	
17	1001276376	1	Hydrostatic Pump Assembly (See Separate Breakdown in this Section)	
18	1001276377	1	Variable Pump Assembly with Fittings (See Separate Breakdown in this Section)	

# SECTION 3 - ENGINE

## FIGURE 3-17. DEUTZ TD2.9L4 ENGINE/PUMP SUB ASSEMBLY (CHINA IV)



ART\_1001296319

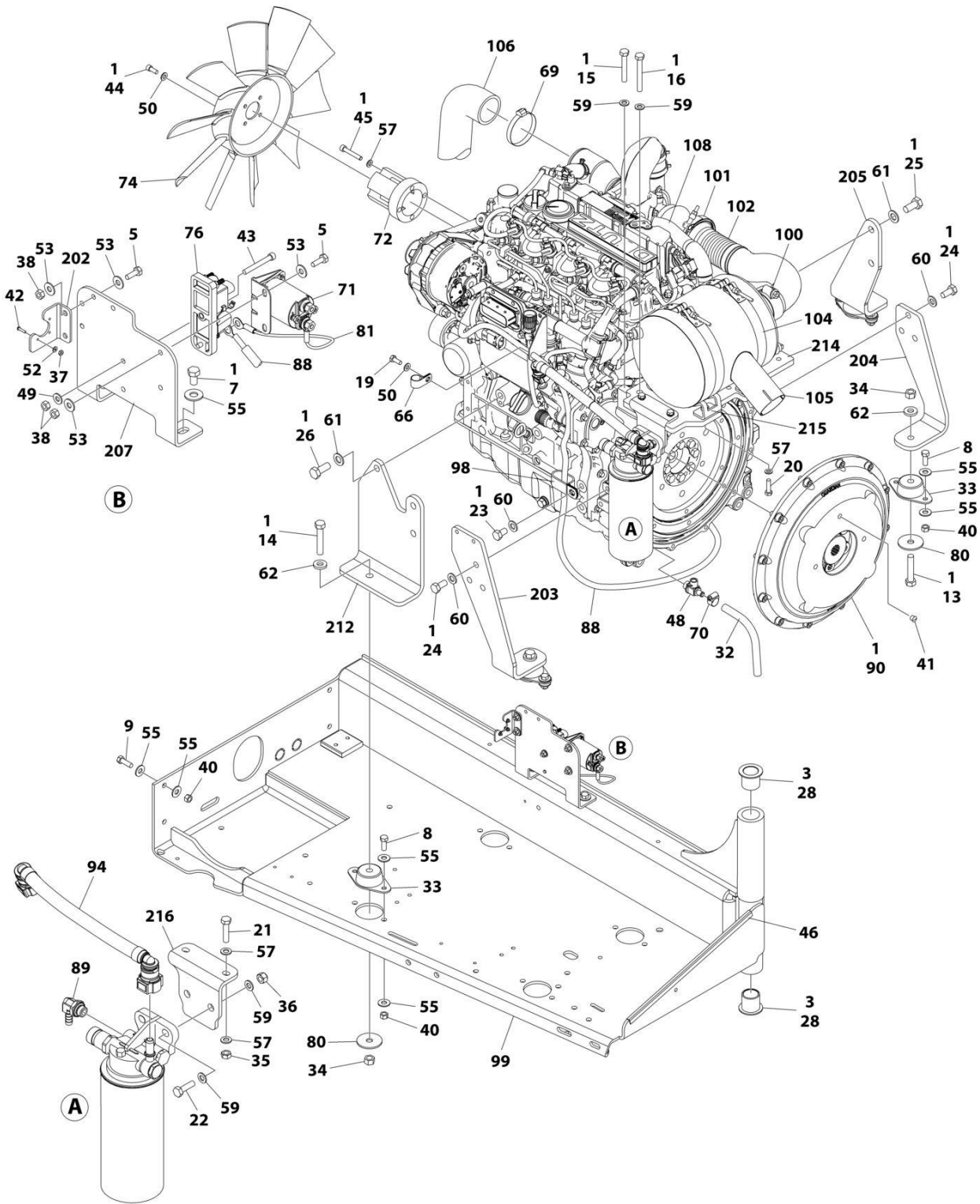
## SECTION 3 - ENGINE

**FIGURE 3-17. DEUTZ TD2.9L4 ENGINE/PUMP SUB ASSEMBLY (CHINA IV)**

ITEM	PART NUMBER	QTY	DESCRIPTION	REV
	1001296319	Ref	DEUTZ TD2.9L4 ENGINE/PUMP SUB-ASSEMBLY	A
1	0100011	AR	Compound, Locking	
2	0641406	1	Bolt 1/4 x 3/4	
3	0641808	1	Bolt 1/2 x 1	
4	0641812	2	Bolt 1/2 x 1-1/2	
5	0711215	2	Bolt M12 x 35	
6	1060637	1	Lanyard	
6	3311405	1	Nut 1/4	
8	3311801	1	Nut 1/2	
9	3422532	1	Pin, Hitch	
10	3790044	1	O-Ring	
11	3960468	1	Seal	
12	3960469	1	Seal	
13	4751400	2	Washer 1/4	
14	4751800	1	Washer 1/2	
15	4891800	4	Washer 1/2	
16	1001276376	1	Hydrostatic Pump Assembly (See Separate Breakdown in this Section)	
17	1001276377	1	Variable Pump Assembly with Fittings (See Separate Breakdown in this Section)	
18	1001281609	1	Engine Assembly (See Separate Breakdown in this Section)	

# SECTION 3 - ENGINE

## FIGURE 3-18. DEUTZ TD2.9L4 ENGINE ASSEMBLY (CHINA IV)

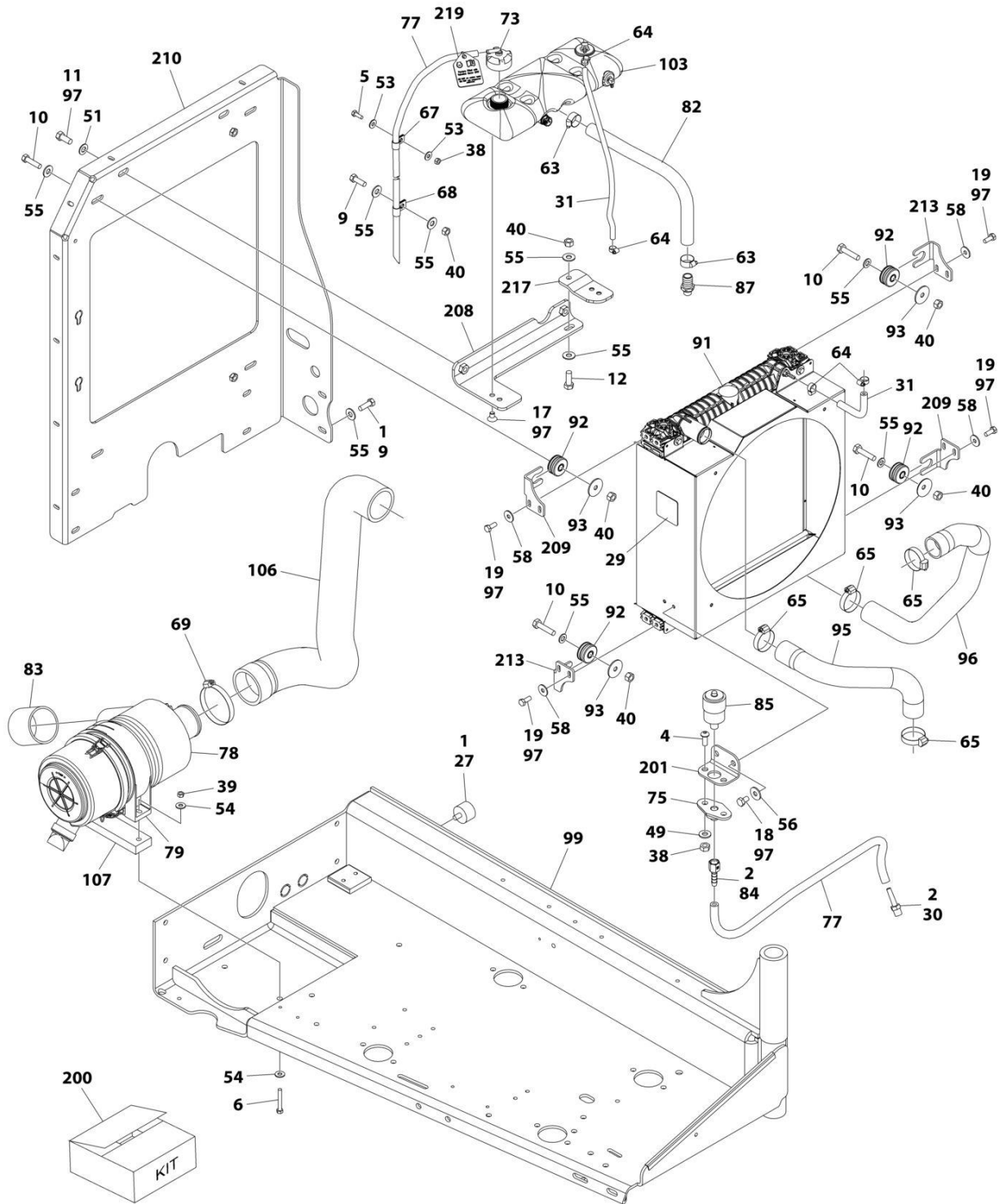


ART\_1001281609\_F\_10F2



# SECTION 3 - ENGINE

## FIGURE 3-19. DEUTZ TD2.9L4 ENGINE ASSEMBLY (CHINA IV)



ART\_1001281609\_F\_20F2



## SECTION 3 - ENGINE

**FIGURE 3-19. DEUTZ TD2.9L4 ENGINE ASSEMBLY (CHINA IV)**

ITEM	PART NUMBER	QTY	DESCRIPTION	REV
	1001281609	Ref	DEUTZ TD2.9L4 ENGINE ASSEMBLY	F
1	0100011	AR	Compound, Locking	
2	0100020	AR	Sealant	
3	0100062	AR	Compound, Locking	
4	0630407	2	Screw 1/4 x 5/8	
5	0641406	5	Bolt 1/4 x 3/4	
6	0641518	2	Bolt 5/16 x 2-1/4	
7	0641605	2	Bolt 3/8 x 5/8	
8	0641608	8	Bolt 3/8 x 1	
9	0641609	6	Bolt 3/8 x 1-1/8	
10	0641612	4	Bolt 3/8 x 1-1/2	
11	0641708	2	Bolt 7/16 x 1	
12	0681608	1	Bolt 3/8 x 1 Grade 8	
13	0681820	3	Bolt 1/2 x 2-1/2 Grade 8	
14	0681822	1	Bolt 1/2 x 2-3/4 Grade 8	
15	0701022	2	Bolt M10 x 70	
16	0701025	2	Bolt M10 x 85	
17	0741605	2	Screw 3/8 x 5/8	
18	0760605	2	Bolt M6 x 10	
19	0760810	9	Bolt M8 x 20	
20	0760814	4	Bolt M8 x 30	
21	0760815	2	Bolt M8 x 35	
22	0761015	2	Bolt M10 x 35	
23	0761210	1	Bolt M12 x 20	
24	0771212	6	Bolt M12 x 25 Grade 10.9	
25	0771414	2	Bolt M14 x 30 Grade 10.9	
26	0771415	3	Bolt M14 x 35	
27	0940070	1	Bumper	
28	0961986	2	Bushing, Flanged	
29	1703162	1	Decal - Caution Fan Blade	
30	2220315	1	Fitting, Straight Barbed	
31	2720015	3 ft /1 m	Hose	
32	2720340	1 ft /0.3 m	Hose	
33	3200401	4	Mount, Motor	
34	3271801	4	Nut 1/2	
35	3290801	2	Nut M8	
36	3291005	2	Nut M10	
37	3310401	3	Nut #4	
38	3311405	8	Nut 1/4	
39	3311505	2	Locknut 5/16	
40	3311605	17	Nut 3/8	
41	3520054	1	Plug	
42	3910408	3	Screw #4 x 1/2	
43	3931432	1	Capscrew 1/4 x 2	
44	3931512	4	Capscrew 5/16 x 3/4	
45	4031912	4	Capscrew M8 x 50	
46	4060805	2 ft /0.4 m	Flex-Trim	
47	4240099	AR	Tie-Strap (Not Shown)	
48	4640751	1	Valve, Oil Drain	
49	4711400	3	Washer 1/4	

## SECTION 3 - ENGINE

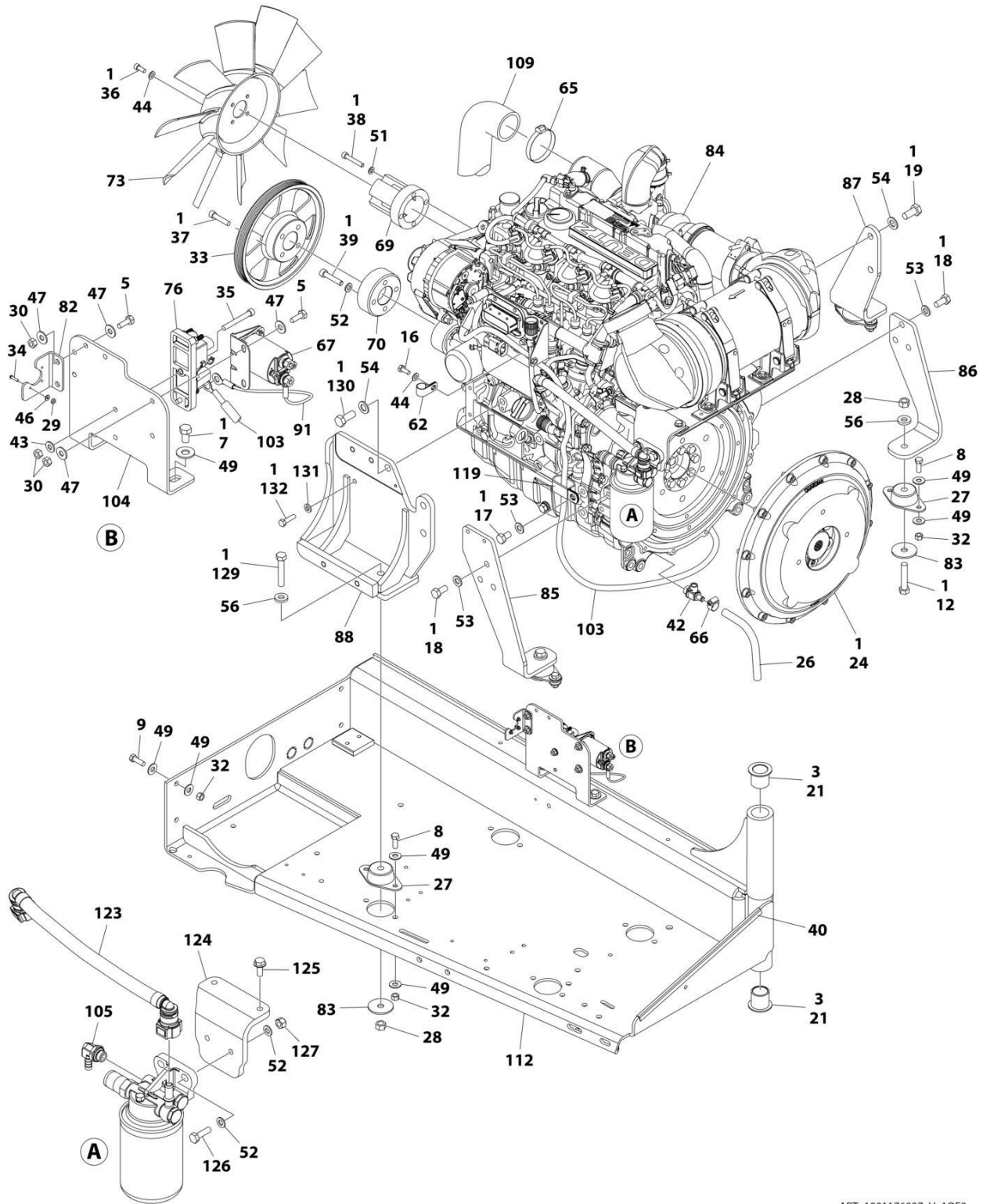
ITEM	PART NUMBER	QTY	DESCRIPTION	REV
50	4711500	5	Washer 5/16	
51	4711700	2	Washer 7/16	
52	4750400	3	Washer #4	
53	4751400	10	Washer 1/4	
54	4751500	4	Washer 5/16	
55	4751600	34	Washer 3/8	
56	4811702	2	Washer M6	
57	4811900	12	Washer M8	
58	4811902	8	Washer M8	
59	4812000	8	Washer M10	
60	4812100	7	Washer M12	
61	4812200	5	Washer M14	
62	4891800	4	Washer 1/2	
63	8405007	2	Clamp	
64	8405009	4	Clamp	
65	8405104	4	Clamp	
66	8406102	1	Clip	
67	8406109	1	Clip	
68	8406110	1	Clip	
69	8410011	2	Clamp	
70	8410013	1	Clamp	
71	1001117308	1	Relay	
72	1001289964	1	Adapter	
73	1001136834	1	Cap, Tank	
74	1001137276	1	Fan	
75	1001138173	1	Support	
76	1001138228	1	Relay, Power Module	
77	1001138248	6 ft /2 m	Tube	
78	1001138489	1	Air Cleaner Assembly	
78	91403102	1	Element, Filter	
79	1001138557	1	Clamp	
80	1001139409	4	Washer, Special	
81	1001141304	1	Harness, Glow Plug	
82	1001141370	1	Hose	
83	1001141585	1	Hose, Inlet	
84	1001141995	1	Fitting, Straight NPT/Barbed	
85	1001143390	1	Indicator, Service	
86	1001276644	1	Harness, Deutz Engine (Not Shown - See Separate Breakdown in ELECTRICAL Section)	
87	1001143797	1	Fitting, Straight Metric/Barbed	
88	1001143907	1	Cable, Alternator Power	
89	1001152489	1	Fitting, 90 Metric/ Barbed	
90	1001153282	1	Pump Coupling Kit (See Separate Breakdown in this Section)	
91	1001167042	1	Radiator	
92	1001169054	4	Isolator	
93	1001169138	4	Washer	
94	1001177359	1	Hose	
95	1001177844	1	Hose, Radiator - Upper	
96	1001177845	1	Hose, Radiator - Lower	
97	1001180620	AR	Adhesive	
98	1001181899	1	P-Clamp	
99	1001190610	1	Support, Engine Try	

## SECTION 3 - ENGINE

ITEM	PART NUMBER	QTY	DESCRIPTION	REV
100	1001221212	1	Clamp	
101	1001221219	1	Clamp	
102	1001224940	1	Pipe, Exhaust	
103	1001230635	1	Tank	
104	1001233089	2	Strap	
105	1001257278	1	Muffler	
106	1001266525	1	Hose, Inlet	
107	1001267256	1	Shim, Air Cleaner	
108	1001291681	1	Deutz Engine China IV (See Separate Breakdown in this Section)	
109	1001281985	1	Connector (Not Shown - Use With Harness 1001238878)	
110	1001281986	1	Connector (Not Shown - Use With Harness 1001238878)	
200	1001257412	1	Bracket Engine Kit (Includes Items 201-217)	D
201	1001138175	1	Bracket	
202	1001139240	1	Bracket	
203	1001140448	1	Mount, Rear Engine	
204	1001140450	1	Mount, Rear Engine	
205	1001140454	1	Mount, Front Engine	
207	1001145154	1	Plate, Relay Mounting	
208	1001260413	1	Bracket, Tank	
209	1001178223	2	Bracket, Radiator	
210	1001186985	1	Plate, Mounting	
212	1001266499	1	Mount, Generator/Engine	
213	1001204325	2	Bracket, Radiator	
214	1001221203	1	Bracket	
215	1001224936	2	Mount, Doc Weldment	
216	1001224937	1	Mount, Fuel Filter	
217	1001260412	1	Bracket	
218	4240032	AR	Tie-Strap (Not Shown)	
219	1001291401	1	Tag, Coolant	

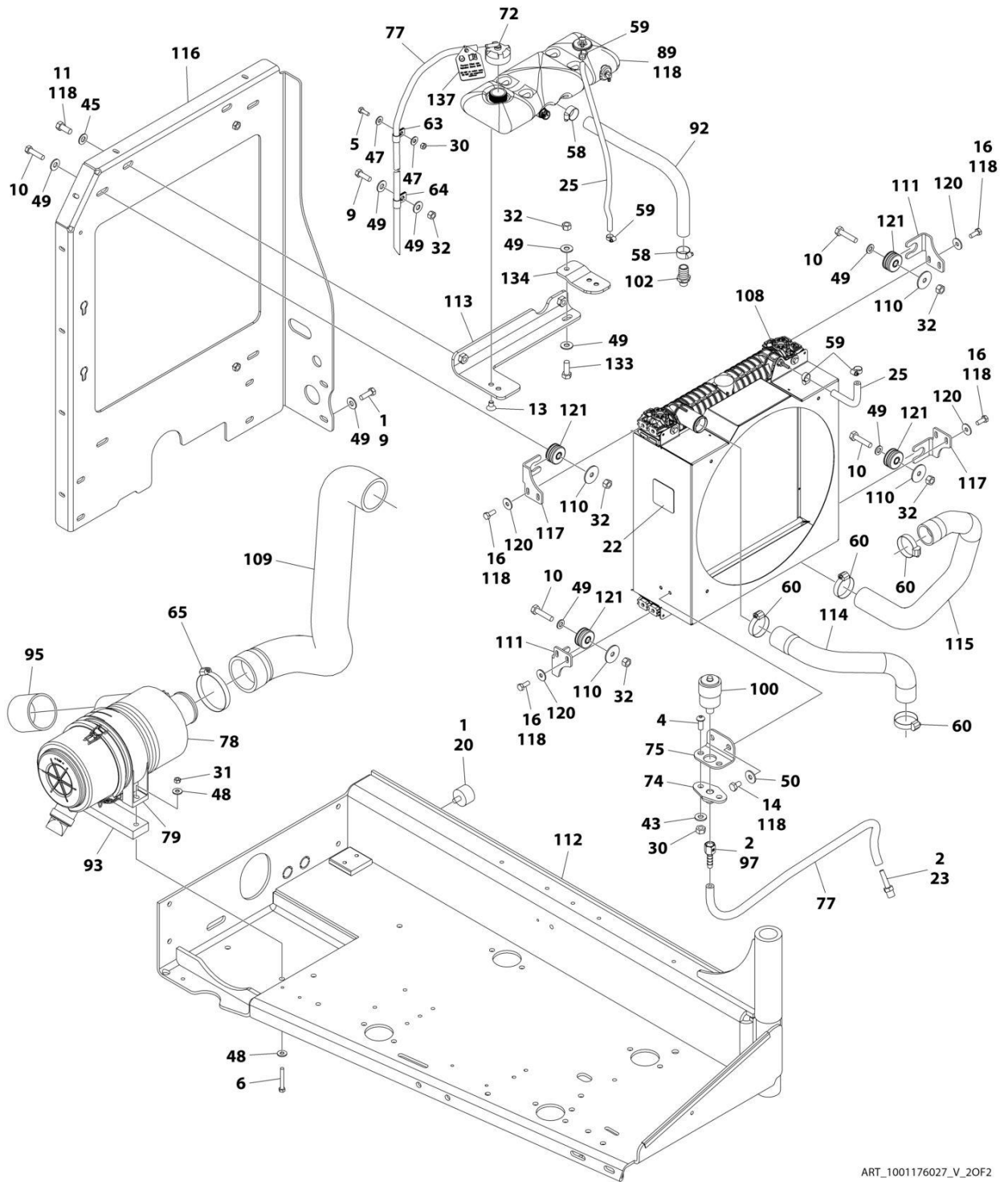
# SECTION 3 - ENGINE

## FIGURE 3-20. DEUTZ TD2.9L4 ENGINE ASSEMBLY (WITHOUT ARCTIC PACKAGE)



ART\_1001176027\_V\_1OF2

# SECTION 3 - ENGINE



ART\_1001176027\_V\_2OF2

## SECTION 3 - ENGINE

FIGURE 3-20. DEUTZ TD2.9L4 ENGINE ASSEMBLY (WITHOUT ARCTIC PACKAGE)

ITEM	PART NUMBER	QTY	DESCRIPTION	REV
	1001176027	Ref	ENGINE ASSEMBLY WITHOUT ARCTIC PACKAGE	V
1	0100011	AR	Locking, Compound	
2	0100020	AR	Sealant	
3	0100062	2	Compound, Locking	
4	0630407	5	Screw 1/4 x 5/8	
5	0641406	2	Bolt 1/4 x 3/4	
6	0641518	2	Bolt 5/16 x 2-1/4	
7	0641605	8	Bolt 3/8 x 5/8	
8	0641608	6	Bolt 3/8 x 1	
9	0641609	4	Bolt 3/8 x 1-1/8	
10	0641612	2	Bolt 3/8 x 1-1/2	
11	0641708	3	Bolt 7/16 x 1	
12	0681820	2	Bolt 1/2 x 2-1/2	
13	0741605	2	Screw 3/8 x 5/8	
14	0760605	AR	Bolt M6 x 10	
16	0760810	9	Bolt M8 x 20	
17	0761210	1	Bolt M12 x 20	
18	0771212	6	Bolt M12 x 25	
19	0771414	2	Bolt M14 x 30	
20	0940070	1	Bumper	
21	0961986	2	Bushing, Flanged	
22	1703162	1	Decal - Caution Fan Blade	
23	2220315	1	Fitting, Straight Barbed	
24	1001153282	1	Pump Coupling Kit (See Separate Breakdown in this section)	
25	2720015	3 ft /1 m	Hose	
26	2720340	1 ft /0.3 m	Hose	
27	3200401	4	Mount, Motor	
28	3271801	4	Nut 1/2-13	
29	3310401	3	Nut #4	
30	3311405	8	Nut 1/4	
31	3311505	2	Locknut 5/16	
32	3311605	17	Nut 3/8	
33	3580320	1	Pulley	
34	3910408	3	Screw #4 x 1/2	
35	3931432	1	Capscrew 1/4 x 2	
36	3931512	4	Capscrew 5/16 x 3/4	
37	3931628	4	Capscrew 3/8 x 1-3/4	
38	4031914	4	Capscrew M8 x 50	
39	4032014	4	Capscrew M10 x 50	
40	4060805	2 ft /0.4 m	Flex-Trim	
41	4240099	AR	Tie-Strap (Not Shown)	
42	4640751	1	Valve, Oil Drain	
43	4711400	3	Washer 1/4	
44	4711500	5	Washer 5/16	
45	4711700	2	Washer 7/16	
46	4750400	3	Washer #4	
47	4751400	10	Washer 1/4	
48	4751500	4	Washer 5/16	
49	4751600	34	Washer 3/8	
50	4811702	2	Washer M6	

## SECTION 3 - ENGINE

ITEM	PART NUMBER	QTY	DESCRIPTION	REV
51	4811900	4	Washer M8	
52	4812000	8	Washer M10	
53	4812100	7	Washer M12	
54	4812200	5	Washer M14	
56	4891800	4	Washer 1/2	
58	8405007	2	Clamp	
59	8405009	4	Clamp	
60	8405104	4	Clamp	
62	8406102	1	Clip	
63	8406109	1	Clip	
64	8406110	1	Clip	
65	8410011	2	Clamp	
66	8410013	1	Clamp	
67	1001117308	1	Relay	
69	1001135138	1	Adapter	
70	1001135679	1	Adapter	
72	1001136834	1	Cap, Tank	
73	1001137276	1	Fan	
74	1001138173	1	Support	
75	1001138175	1	Bracket	
76	1001138228	1	Relay, Power Module	
76	70023593	1	Fuse 30Amp (Battery Output)	
76	70023592	1	Fuse 20Amp (Switch Output)	
77	1001138248	6 ft /2 m	Tube	
78	1001138489	1	Air Cleaner Assembly	
78	91403102	1	Element, Filter	
79	1001138557	1	Clamp	
82	1001139240	1	Bracket	
83	1001139409	4	Washer, Special	
84	1001249942	1	Engine, Deutz TD2.9L4 T4F (See Separate Breakdown in this Section)	
85	1001140448	1	Mount, Rear Engine	
86	1001140450	1	Mount, Rear Engine	
87	1001140454	1	Mount, Front Engine	
88	1001202368	1	Mount, Generator/Engine	
89	1001230635	1	Tank	
89	0100020	AR	Sealant, Pipe	
89	1001134488	1	Fitting, 90 NPT/ Barbed	
89	1001138827	1	Sensor, Coolant Level	
89	1001140564	1	Fitting, 90 NPT/ Barbed	
89	1001229542	1	Tank, Surge	
91	1001141304	1	Harness, Glow Plug	
92	1001141370	1	Hose	
93	1001267256	1	Shim	
95	1001141585	1	Hose, Inlet	
97	1001141995	1	Fitting, Straight NPT/Barbed	
100	1001143390	1	Indicator, Service	
101	1001143726	1	Harness, Deutz Engine (Not Shown - See Separate Breakdown in ELECTRICAL Section)	
102	1001143797	1	Fitting, Straight Metric/Barbed	
103	1001143907	1	Cable, Alternator Power	
104	1001145154	1	Plate, Relay Mounting	

## SECTION 3 - ENGINE

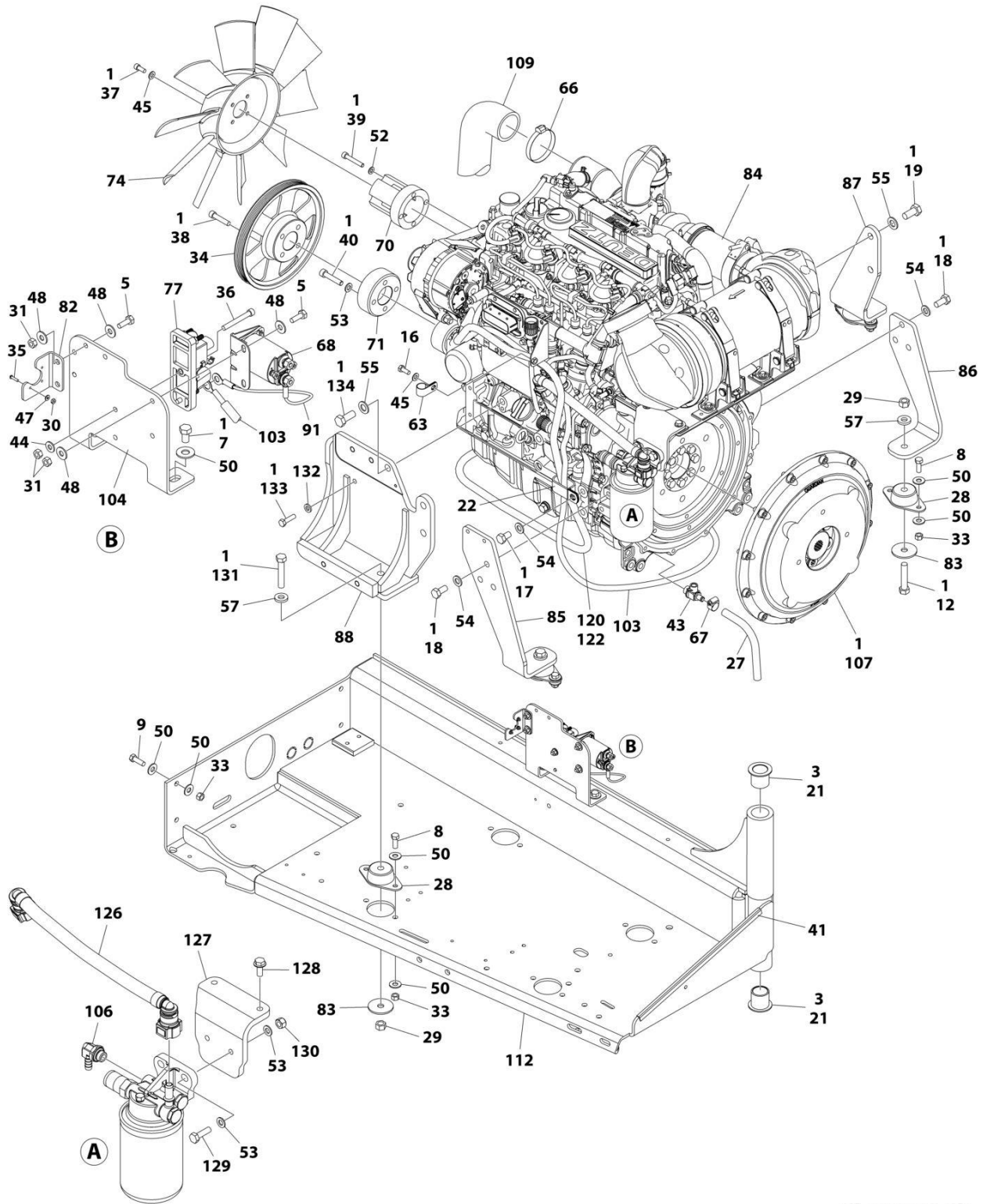
ITEM	PART NUMBER	QTY	DESCRIPTION	REV
105	1001152489	1	Fitting, 90 Metric/ Barbed	
108	1001167042	1	Radiator	
109	1001266525	1	Hose	
110	1001169138	4	Washer	
111	1001204325	2	Bracket, Radiator	
112	1001190610	1	Tray	
113	1001260413	1	Bracket, Tank	
114	1001177844	1	Hose, Radiator - Upper	
115	1001177845	1	Hose, Radiator - Lower	
116	1001186985	1	Plate, Mounting (Modine Radiator)	
117	1001178223	2	Bracket, Radiator	
118	1001180620	1	Adhesive	
119	1001181899	1	P-Clamp	
120	4811902	8	Washer M8	
121	1001169054	4	Pad, Isolator	
123	1001177359	1	Hose	
124	1001178876	1	Mount, Fuel Filter	
125	5250810	2	Bolt M8 x 20	
126	0761015	2	Bolt M10 x 35	
127	3291005	2	Nut M10	
129	0681822	1	Bolt 1/2 x 2-3/4 Grade 8	
130	0771415	3	Bolt M14 x 35 Grade 10.9	
131	5240800	1	Washer M8	
132	0700814	1	Bolt M8 x 30	
133	0681608	1	Bolt 3/8 x 1 Grade 8	
134	1001260412	1	Bracket	
135	1001162335	1	Bracket, Fuel Pump/Filter Assy (Not Shown - See Separate Breakdown in this Section)	
136	4240032	AR	Tie-Strap (Not Shown)	
137	1001291401	1	Tag, Coolant	





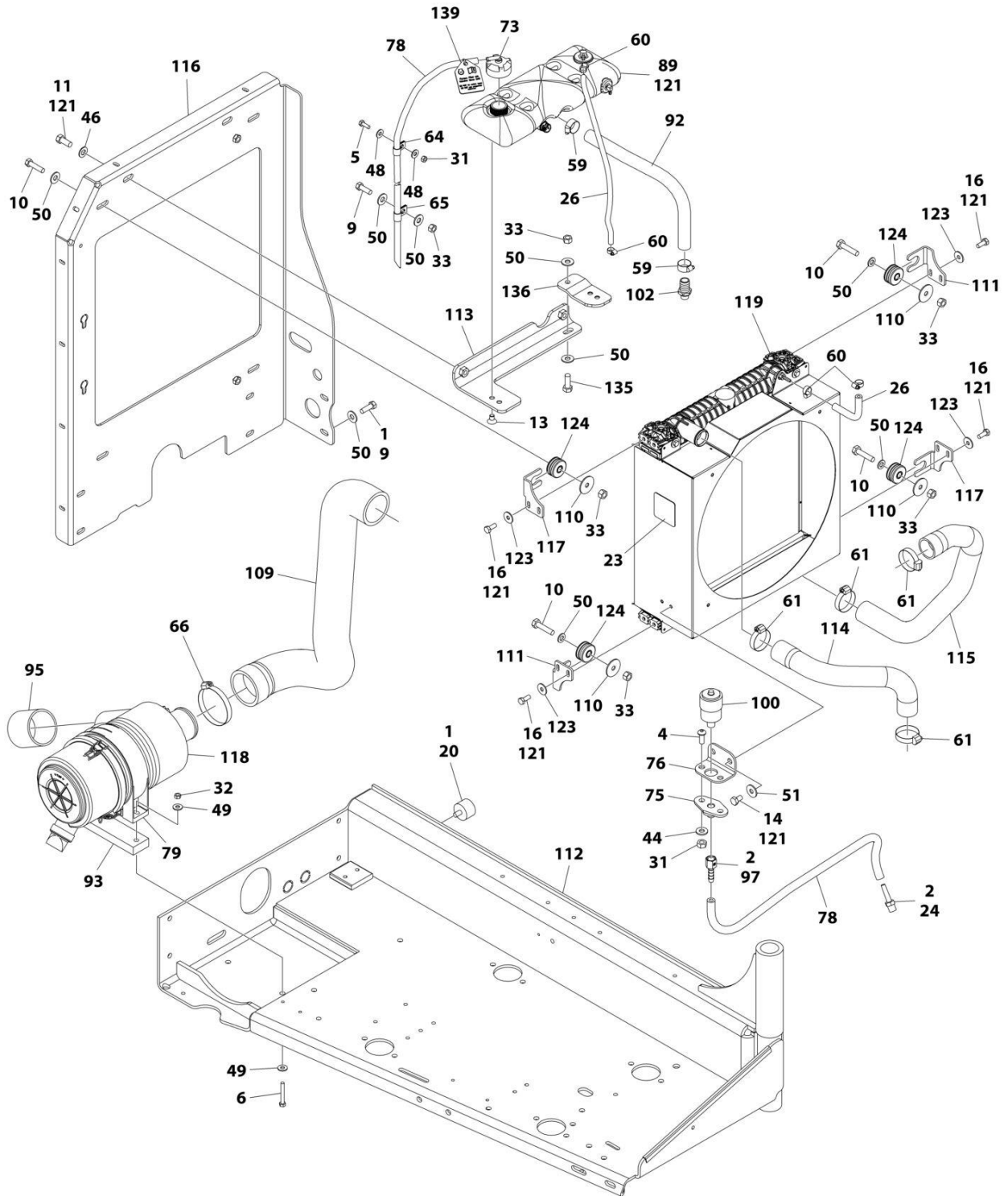
# SECTION 3 - ENGINE

## FIGURE 3-21. DEUTZ TD2.9L4 ENGINE ASSEMBLY (WITH ARCTIC PACKAGE)



ART\_1001176035\_V\_1OF2

# SECTION 3 - ENGINE



ART\_1001176035\_V\_2OF2

## SECTION 3 - ENGINE

FIGURE 3-21. DEUTZ TD2.9L4 ENGINE ASSEMBLY (WITH ARCTIC PACKAGE)

ITEM	PART NUMBER	QTY	DESCRIPTION	REV
	1001176035	Ref	DEUTZ TD2.9L4 ENGINE ASSEMBLY (WITH ARCTIC PACKAGE)	V
1	0100011	AR	Locking, Compound	
2	0100020	AR	Sealant	
3	0100062	2	Compound, Locking	
4	0630407	5	Screw 1/4 x 5/8	
5	0641406	2	Bolt 1/4 x 3/4	
6	0641518	2	Bolt 5/16 x 2-1/4	
7	0641605	8	Bolt 3/8 x 5/8	
8	0641608	6	Bolt 3/8 x 1	
9	0641609	4	Bolt 3/8 x 1-1/8	
10	0641612	2	Bolt 3/8 x 1-1/2	
11	0641708	3	Bolt 7/16 x 1	
12	0681820	2	Bolt 1/2 x 2-1/2 Grade 8	
13	0741605	2	Screw 3/8 x 5/8	
14	0760605	2	Bolt M6 x 10	
16	0760810	9	Bolt M8 x 20	
17	0761210	1	Bolt M12 x 20	
18	0771212	6	Bolt M12 x 25 Grade 10.9	
19	0771414	2	Bolt M14 x 30 Grade 10.9	
20	0940070	1	Bumper	
21	0961986	2	Bushing, Flanged	
22	1001181899	1	P-Clamp	
23	1703162	1	Decal - Caution Fan Blade	
24	2220315	1	Fitting, Straight Barbed	
26	2720015	3 ft /1 m	Hose	
27	2720340	1 ft /0.3 m	Hose	
28	3200401	4	Mount, Motor	
29	3271801	4	Nut 1/2	
30	3310401	3	Nut #4	
31	3311405	8	Nut 1/4	
32	3311505	2	Nut 5/16	
33	3311605	17	Nut 3/8	
34	3580320	1	Pulley	
35	3910408	3	Screw #4 x 1/2	
36	3931432	1	Capscrew 1/4 x 2	
37	3931512	4	Capscrew 5/16 x 3/4	
38	3931628	4	Capscrew 3/8 x 1-3/4	
39	4031914	4	Capscrew M8 x 50	
40	4032014	4	Capscrew M10 x 50	
41	4060805	2 ft /0.4 m	Flex-Trim	
42	4240099	AR	Tie-Strap (Not Shown)	
43	4640751	1	Valve, Oil Drain	
44	4711400	3	Washer 1/4	
45	4711500	5	Washer 5/16	
46	4711700	2	Washer 7/16	
47	4750400	3	Washer #4	
48	4751400	10	Washer 1/4	
49	4751500	4	Washer 5/16	
50	4751600	34	Washer 3/8	
51	4811702	2	Washer M6	

## SECTION 3 - ENGINE

ITEM	PART NUMBER	QTY	DESCRIPTION	REV
52	4811900	4	Washer M8	
53	4812000	8	Washer M10	
54	4812100	7	Washer M12	
55	4812200	5	Washer M14	
57	4891800	4	Washer 1/2	
59	8405007	2	Clamp	
60	8405009	4	Clamp	
61	8405104	4	Clamp	
63	8406102	1	Clip	
64	8406109	1	Clip	
65	8406110	1	Clip	
66	8410011	2	Clamp	
67	8410013	1	Clamp	
68	1001117308	1	Relay	
70	1001135138	1	Adapter	
71	1001135679	1	Adapter	
73	1001136834	1	Cap, Tank	
74	1001137276	1	Fan	
75	1001138173	1	Support	
76	1001138175	1	Bracket	
77	1001138228	1	Relay, Power Module	
77	70023592	1	Fuse 20Amp (Switch Output)	
77	70023593	1	Fuse 30Amp (Battery Output)	
78	1001138248	6 ft /2 m	Tube	
79	1001138557	1	Clamp	
82	1001139240	1	Bracket	
83	1001139409	4	Washer, Special	
84	1001249942	1	Engine, Deutz TD2.9L4 T4F (See Separate Breakdown in this Section)	
85	1001140448	1	Mount, Rear Engine	
86	1001140450	1	Mount, Rear Engine	
87	1001140454	1	Mount, Front Engine	
88	1001202368	1	Mount, Generator/Engine	
89	1001230635	1	Tank	
89	0100020	1	Sealant	
89	1001134488	1	Fitting, 90 NPT/ Barbed	
89	1001138827	1	Sensor, Coolant Level	
89	1001140564	1	Fitting, 90 NPT/ Barbed	
89	1001229542	1	Tank, Surge	
91	1001141304	1	Harness, Glow Plug	
92	1001141370	1	Hose	
93	1001267256	1	Shim	
95	1001141585	1	Hose, Inlet	
97	1001141995	1	Fitting, Straight NPT/Barbed	
100	1001143390	1	Indicator, Service	
101	1001143726	1	Harness, Deutz Engine (Not Shown - See Separate Breakdown in ELECTRICAL Section)	
102	1001143797	1	Fitting, Straight Metric/Barbed	
103	1001143907	1	Cable, Alternator Power	
104	1001145154	1	Plate, Relay Mounting	
106	1001152489	1	Fitting, 90 Metric/ Barbed	
107	1001153282	1	Pump Coupling Kit (See Separate Breakdown in this Section)	

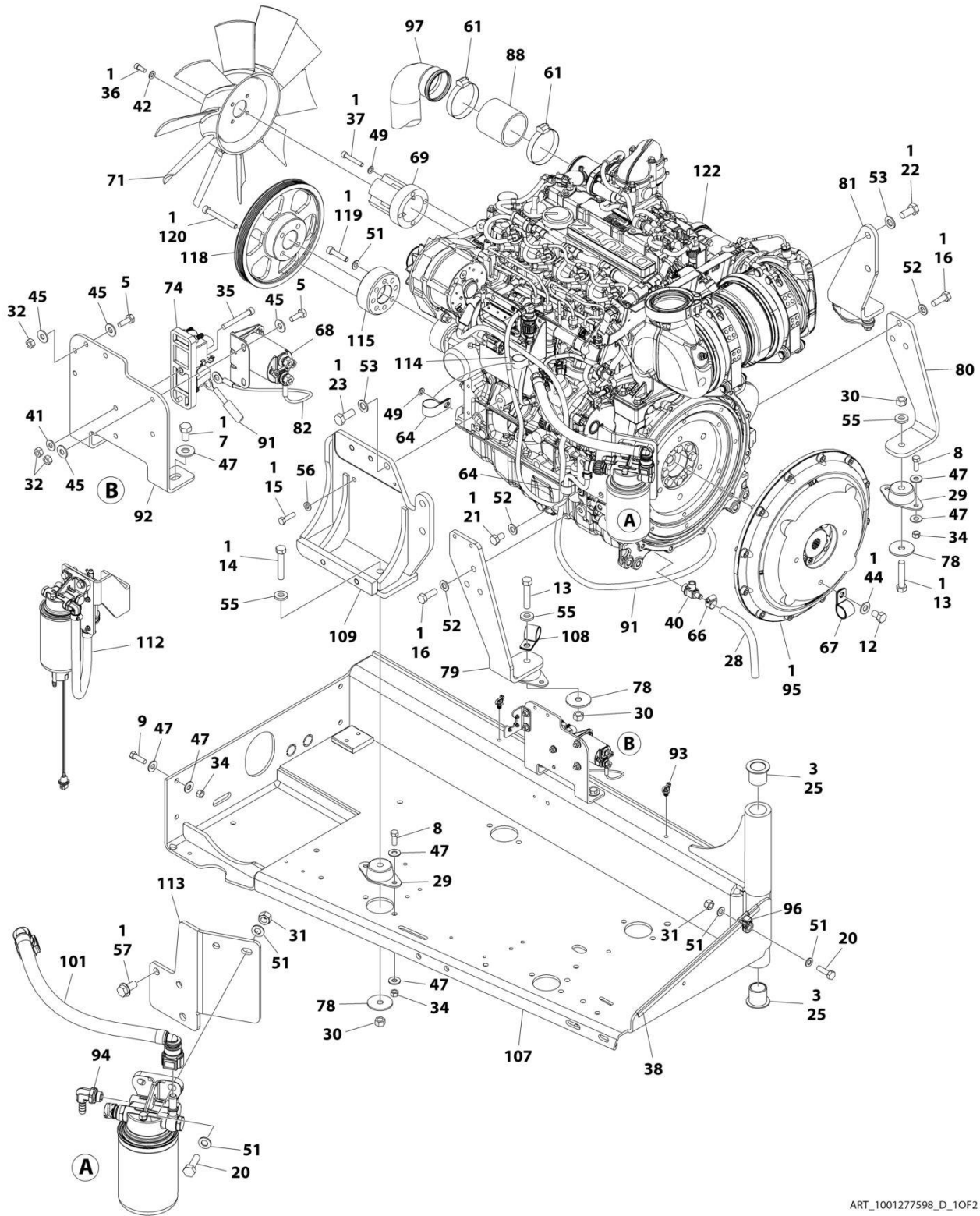
## SECTION 3 - ENGINE

ITEM	PART NUMBER	QTY	DESCRIPTION	REV
109	1001266525	1	Pipe	
110	1001169138	4	Washer	
111	1001204325	2	Bracket, Radiator	
112	1001190610	1	Tray	
113	1001260413	1	Bracket, Tank	
114	1001177844	1	Hose, Radiator - Upper	
115	1001177845	1	Hose, Radiator - Lower	
116	1001186985	1	Plate, Mounting	
117	1001178223	2	Bracket, Radiator	
118	1001138489	1	Air Cleaner Assembly	
118	91403102	1	Element, Filter	
119	1001167042	1	Radiator	
120	1001140312	1	Heater, Engine Block	
121	1001180620	1	Adhesive	
122	1001181895	1	Adhesive	
123	4811902	8	Washer M8	
124	1001169054	4	Pad, Isolator	
126	1001177359	1	Hose	
127	1001178876	1	Mount, Fuel Filter	
128	5250810	2	Bolt M8 x 20	
129	0761015	2	Bolt M10 x 35	
130	3291005	2	Nut M10	
131	0681822	1	Bolt 1/2 x 2-3/4 Grade 8	
132	5240800	1	Washer M8	
133	0700814	1	Bolt M8 x 30	
134	0771415	3	Bolt M14 x 35 Grade 10.9	
135	0681608	1	Bolt 3/8 x 1 Grade 8	
136	1001260412	1	Bracket	
137	1001162335	1	Bracket, Fuel Pump/Filter Assy (Not Shown - See Separate Breakdown in this Section)	
138	4240032	AR	Tie-Strap (Not Shown)	
139	1001291401	1	Tag, Coolant	



# SECTION 3 - ENGINE

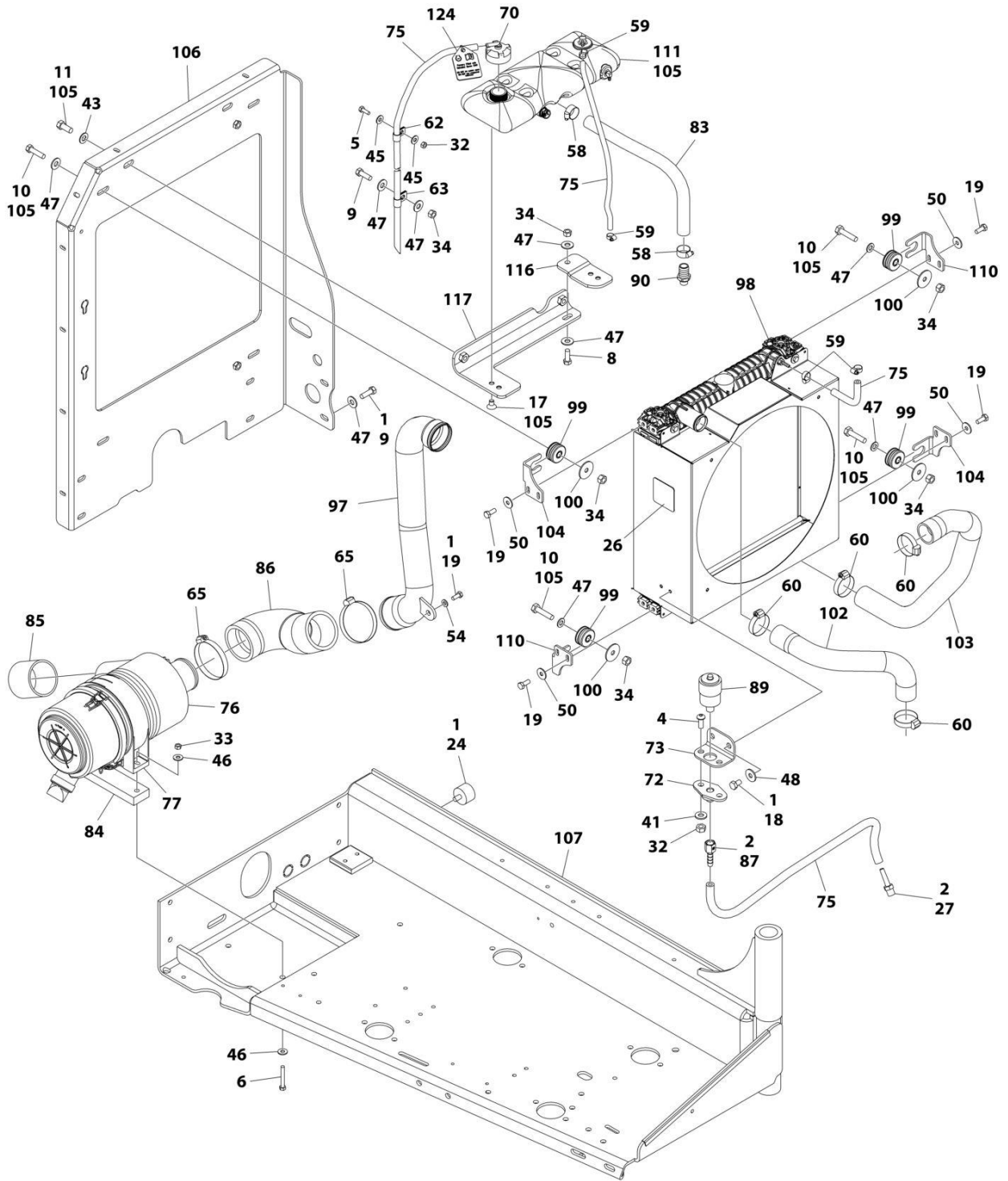
## FIGURE 3-22. DEUTZ TD2.9L4 ENGINE ASSEMBLY (STAGE V)



ART\_1001277598\_D\_10F2



# SECTION 3 - ENGINE



ART\_1001277598\_D\_20F2

## SECTION 3 - ENGINE

FIGURE 3-22. DEUTZ TD2.9L4 ENGINE ASSEMBLY (STAGE V)

ITEM	PART NUMBER	QTY	DESCRIPTION	REV
	1001277598	Ref	DEUTZ TD2.9L4 ENGINE ASSEMBLY (STAGE V)	D
1	0100011	AR	Locking, Compound	
2	0100020	AR	Sealant	
3	0100062	AR	Compound, Locking	
4	0630407	2	Screw 1/4 x 5/8	
5	0641406	3	Bolt 1/4 x 3/4	
6	0641518	2	Bolt 5/16 x 2-1/4	
7	0641605	2	Bolt 3/8 x 5/8	
8	0641608	9	Bolt 3/8 x 1	
9	0641609	6	Bolt 3/8 x 1-1/8	
10	0641612	4	Bolt 3/8 x 1-1/2	
11	0641708	2	Bolt 7/16 x 1	
12	0641806	1	Bolt 1/2 x 3/4	
13	0681820	3	Bolt 1/2 x 2-1/2 Grade 8	
14	0681822	1	Bolt 1/2 x 2-3/4 Grade 8	
15	0700814	1	Bolt M8 x 30	
16	0711215	6	Bolt M12 x 35	
17	0741605	2	Screw 3/8 x 5/8	
18	0760605	2	Bolt M6 x 10	
19	0760810	9	Bolt M8 x 20	
20	0761015	3	Bolt M10 x 35	
21	0761210	1	Bolt M12 x 20	
22	0771414	2	Bolt M14 x 30 Grade 10.9	
23	0771415	3	Bolt M14 x 35 Grade 10.9	
24	0940070	1	Bumper	
25	0961986	2	Bushing, Flanged	
26	1703162	1	Decal - Caution Fan Blade	
27	2220315	1	Fitting, Straight Barbed	
28	2720340	1 ft /0.3 m	Hose	
29	3200401	4	Mount, Motor	
30	3271801	4	Nut 1/2 Grade 8	
31	3291005	3	Nut M10	
32	3311405	6	Nut 1/4	
33	3311505	2	Nut 5/16	
34	3311605	17	Nut 3/8	
35	3931432	1	Capscrew 1/4 x 2	
36	3931512	4	Capscrew 5/16 x 3/4	
37	4031914	4	Capscrew M8 x 50	
38	4060805	2 ft /0.4 m	Flex-Trim	
39	4240099	AR	Tie-Strap (Not Shown)	
40	4640751	1	Valve, Oil Drain	
41	4711400	3	Washer 1/4	
42	4711500	4	Washer 5/16	
43	4711700	2	Washer 7/16	
44	4711800	1	Washer 1/2	
45	4751400	6	Washer 1/4	
46	4751500	4	Washer 5/16	
47	4751600	34	Washer 3/8	
48	4811702	2	Washer M6	
49	4811900	5	Washer M8	

## SECTION 3 - ENGINE

ITEM	PART NUMBER	QTY	DESCRIPTION	REV
50	4811902	8	Washer M8	
51	4812000	10	Washer M10	
52	4812100	7	Washer M12	
53	4812200	5	Washer M14	
54	4891500	1	Washer 5/16	
55	4891800	4	Washer 1/2	
56	5240800	1	Washer M8	
57	5251010	2	Bolt M10 x 20	
58	8405007	2	Clamp	
59	8405009	4	Clamp	
60	8405104	4	Clamp	
61	8405204	2	Clamp	
62	8406109	1	Clip	
63	8406110	1	Clip	
64	8406201	2	Clip	
65	8410011	2	Clamp	
66	8410013	1	Clamp	
67	85031405	1	Clamp	
68	1001117308	1	Relay	
69	1001135138	1	Adapter	
70	1001136834	1	Cap, Tank	
71	1001137276	1	Fan	
72	1001138173	1	Support	
73	1001138175	1	Bracket	
74	1001138228	1	Relay, Power Module	
75	1001138248	8 ft /3 m	Tube	
76	1001138489	1	Air Cleaner Assembly	
77	1001138557	1	Clamp	
78	1001139409	4	Washer, Special	
79	1001140448	1	Mount, Rear Engine	
80	1001140450	1	Mount, Rear Engine	
81	1001140454	1	Mount, Front Engine	
82	1001141304	1	Harness, Glow Plug	
83	1001141370	1	Hose	
84	1001141419	1	Shim	
85	1001141585	1	Hose, Inlet	
86	1001141586	1	Pipe, Intake	
87	1001141995	1	Fitting, Straight NPT/Barbed	
88	1001142623	1	Hose, Inlet	
89	1001143390	1	Indicator, Service	
90	1001143797	1	Fitting, Straight Metric/Barbed	
91	1001143907	1	Cable, Alternator Power	
92	1001145154	1	Plate, Relay Mounting	
93	1001146588	3	Strap	
94	1001152489	1	Fitting, 90 Metric/ Barbed	
95	1001153282	1	Pump Coupling Kit (See Separate Breakdown in this section)	
96	1001156107	1	Holder, Cable	
97	1001165842	1	Pipe	
98	1001167042	1	Radiator (Modine Radiator)	
99	1001169054	4	Pad, Isolator	
100	1001169138	4	Washer	

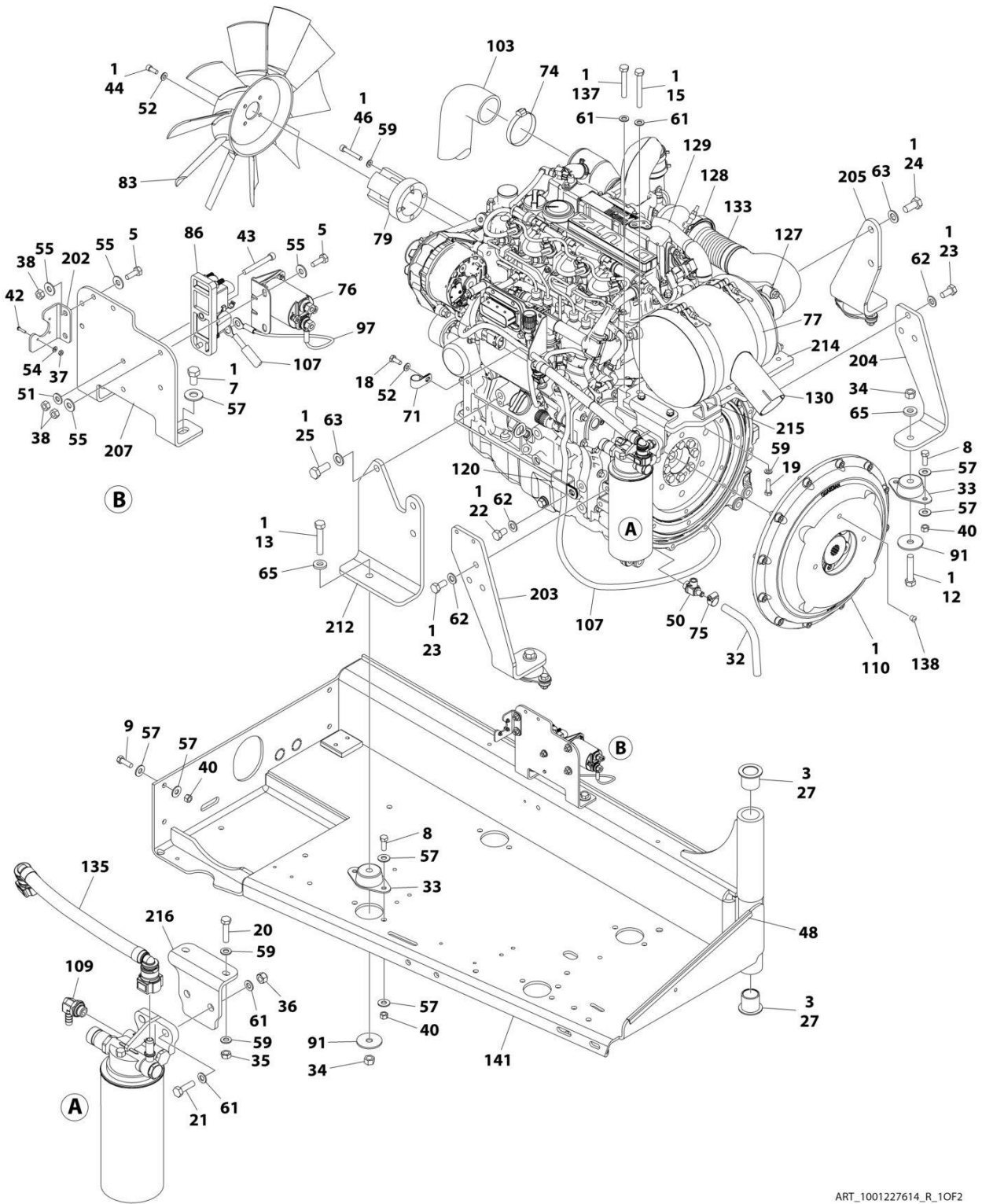
## SECTION 3 - ENGINE

ITEM	PART NUMBER	QTY	DESCRIPTION	REV
101	1001177359	1	Hose	
102	1001177844	1	Hose, Radiator - Upper	
103	1001177845	1	Hose, Radiator - Lower	
104	1001178223	2	Bracket, Radiator	
105	1001180620	AR	Adhesive	
106	1001186985	1	Plate, Mounting	
107	1001190610	1	Tray	
108	1001191620	1	Clamp	
109	1001202368	1	Mount, Generator/Engine	
110	1001204325	2	Bracket, Radiator	
111	1001230635	1	Tank	
112	1001235949	1	Bracket, Fuel Pump/Filter Assy (See Separate Breakdown in this Section)	
113	1001238268	1	Mount, Fuel Filter	
114	1001245913	1	Harness, Deutz TD2.9L4 (Stage V) Engine Fuel Filter (See Separate Breakdown in ELECTRICAL Section)	
115	1001258800	1	Adapter	
116	1001260412	1	Bracket, Surge Tank	
117	1001260413	1	Bracket, Tank	
118	1001281192	1	Pulley	
119	1001261045	4	Capscrew M10 x 45	
120	1001261085	4	Capscrew M10 x 85	
121	1001276644	1	Harness Deutz (Not Shown - See Separate Breakdown in ELECTRICAL Section)	
122	1001277592	1	Engine Deutz (See Separate Breakdown in this section)	
123	4240032	AR	Tie-Strap (Not Shown)	
124	1001291401	1	Tag, Coolant	



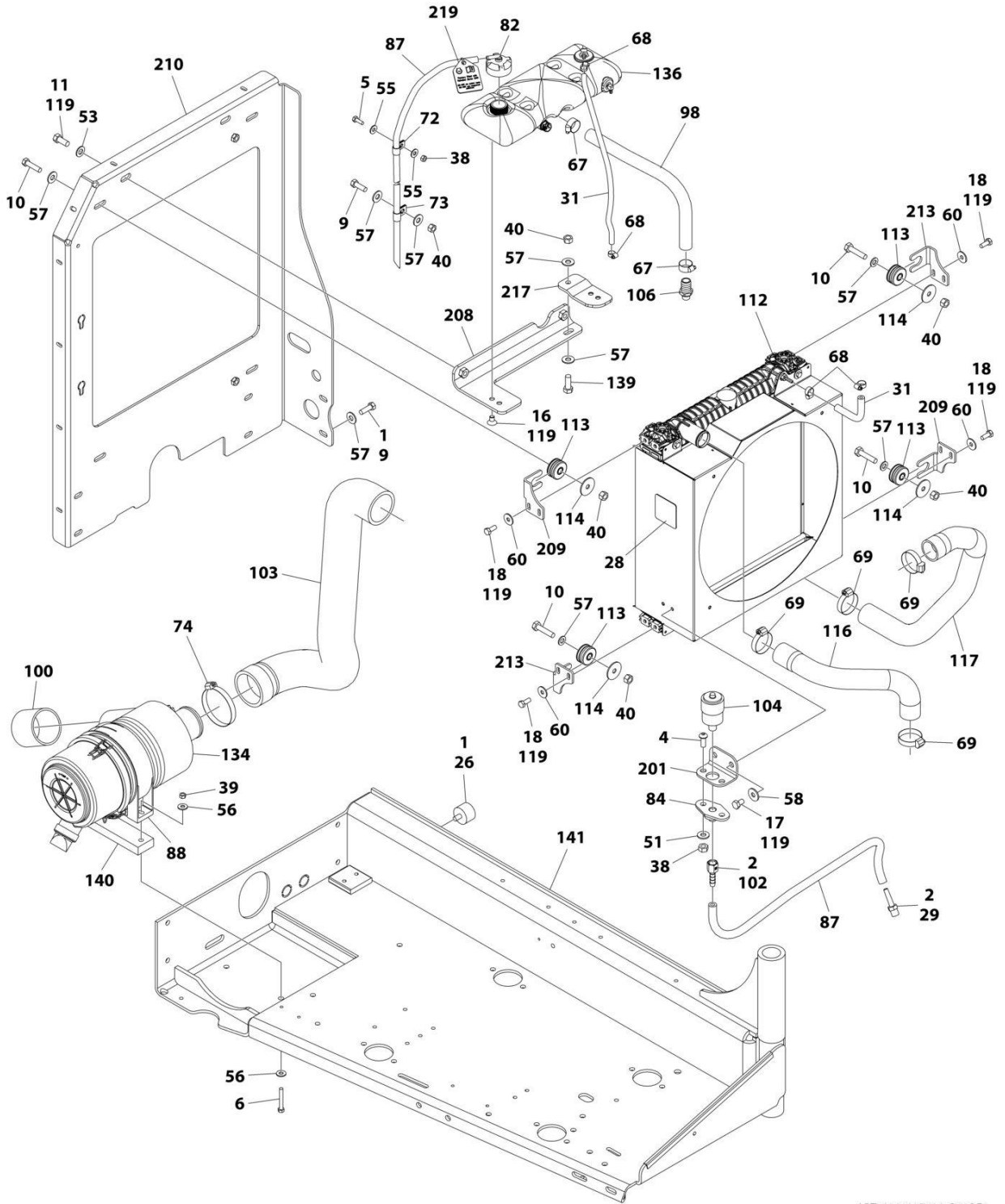
# SECTION 3 - ENGINE

## FIGURE 3-23. DEUTZ TD2.9L4 ENGINE ASSEMBLY (CHINA III SPECS)



ART\_1001227614\_R\_10F2

# SECTION 3 - ENGINE



ART\_1001227614\_R\_20F2

## SECTION 3 - ENGINE

**FIGURE 3-23. DEUTZ TD2.9L4 ENGINE ASSEMBLY (CHINA III SPECS)**

ITEM	PART NUMBER	QTY	DESCRIPTION	REV
	1001227614	Ref	DEUTZ TD2.9L4 ENGINE ASSEMBLY	R
1	0100011	AR	Compound, Locking	
2	0100020	AR	Sealant	
3	0100062	AR	Compound, Locking	
4	0630407	2	Screw 1/4 x 5/8	
5	0641406	5	Bolt 1/4 x 3/4	
6	0641518	2	Bolt 5/16 x 2-1/4	
7	0641605	2	Bolt 3/8 x 5/8	
8	0641608	8	Bolt 3/8 x 1	
9	0641609	6	Bolt 3/8 x 1-1/8	
10	0641612	4	Bolt 3/8 x 1-1/2	
11	0641708	2	Bolt 7/16 x 1	
12	0681820	3	Bolt 1/2 x 2-1/2 Grade 8	
13	0681822	1	Bolt 1/2 x 2-3/4 Grade 8	
15	0701025	2	Bolt M10 x 85	
16	0741605	2	Screw 3/8 x 5/8	
17	0760605	2	Bolt M6 x 10	
18	0760810	10	Bolt M8 x 20	
19	0760814	4	Bolt M8 x 30	
20	0760815	2	Bolt M8 x 35	
21	0761015	2	Bolt M10 x 35	
22	0761210	1	Bolt M12 x 20	
23	0771212	6	Bolt M12 x 25 Grade 10.9	
24	0771414	2	Bolt M14 x 30 Grade 10.9	
25	0771415	3	Bolt M14 x 35	
26	0940070	1	Bumper	
27	0961986	2	Bushing, Flanged	
28	1703162	1	Decal - Caution Fan Blade	
29	2220315	1	Fitting, Straight Barbed	
31	2720015	3 ft /1 m	Hose	
32	2720340	1 ft /0.4 m	Hose	
33	3200401	4	Mount, Motor	
34	3271801	4	Nut 1/2	
35	3290801	2	Nut M8	
36	3291005	2	Nut M10	
37	3310401	3	Nut #4	
38	3311405	8	Nut 1/4	
39	3311505	2	Locknut 5/16	
40	3311605	17	Nut 3/8	
42	3910408	3	Screw #4 x 1/2	
43	3931432	1	Capscrew 1/4 x 2	
44	3931512	4	Capscrew 5/16 x 3/4	
46	4031914	4	Capscrew M8 x 50	
48	4060805	2 ft /0.4 m	Flex-Trim	
49	4240099	AR	Tie-Strap (Not Shown)	
50	4640751	1	Valve, Oil Drain	
51	4711400	3	Washer 1/4	
52	4711500	5	Washer 5/16	
53	4711700	2	Washer 7/16	
54	4750400	3	Washer #4	



## SECTION 3 - ENGINE

ITEM	PART NUMBER	QTY	DESCRIPTION	REV
55	4751400	10	Washer 1/4	
56	4751500	4	Washer 5/16	
57	4751600	34	Washer 3/8	
58	4811702	2	Washer M6	
59	4811900	12	Washer M8	
60	4811902	8	Washer M8	
61	4812000	8	Washer M10	
62	4812100	7	Washer M12	
63	4812200	5	Washer M14	
65	4891800	4	Washer 1/2	
67	8405007	2	Clamp	
68	8405009	4	Clamp	
69	8405104	4	Clamp	
71	8406102	1	Clip	
72	8406109	1	Clip	
73	8406110	1	Clip	
74	8410011	2	Clamp	
75	8410013	1	Clamp	
76	1001117308	1	Relay	
77	1001233089	2	Strap	
79	1001135138	1	Adapter	
82	1001136834	1	Cap, Tank	
83	1001137276	1	Fan	
84	1001138173	1	Support	
86	1001138228	1	Relay, Power Module	
87	1001138248	6 ft /2 m	Tube	
88	1001138557	1	Clamp	
91	1001139409	4	Washer, Special	
97	1001141304	1	Harness, Glow Plug	
98	1001141370	1	Hose	
100	1001141585	1	Hose, Inlet	
102	1001141995	1	Fitting, Straight NPT/Barbed	
103	1001266525	1	Hose, Inlet	
104	1001143390	1	Indicator, Service	
105	1001143726	1	Harness, Deutz Engine (Not Shown - See Separate Breakdown in ELECTRICAL SECTION)	
106	1001143797	1	Fitting, Straight Metric/Barbed	
107	1001143907	1	Cable, Alternator Power	
109	1001152489	1	Fitting, 90 Metric/ Barbed	
110	1001153282	1	Pump Coupling Kit (See Separate Breakdown in this Section)	
112	1001167042	1	Radiator	
113	1001169054	4	Isolator	
114	1001169138	4	Washer	
116	1001177844	1	Hose, Radiator - Upper	
117	1001177845	1	Hose, Radiator - Lower	
119	1001180620	AR	Adhesive	
120	1001181899	1	P-Clamp	
127	1001221212	1	Clamp	
128	1001221219	1	Clamp	
129	1001223591	1	Engine, Deutz TD2.9L4 Components (See Separate Breakdown in this Section)	
130	1001257278	1	Muffler	

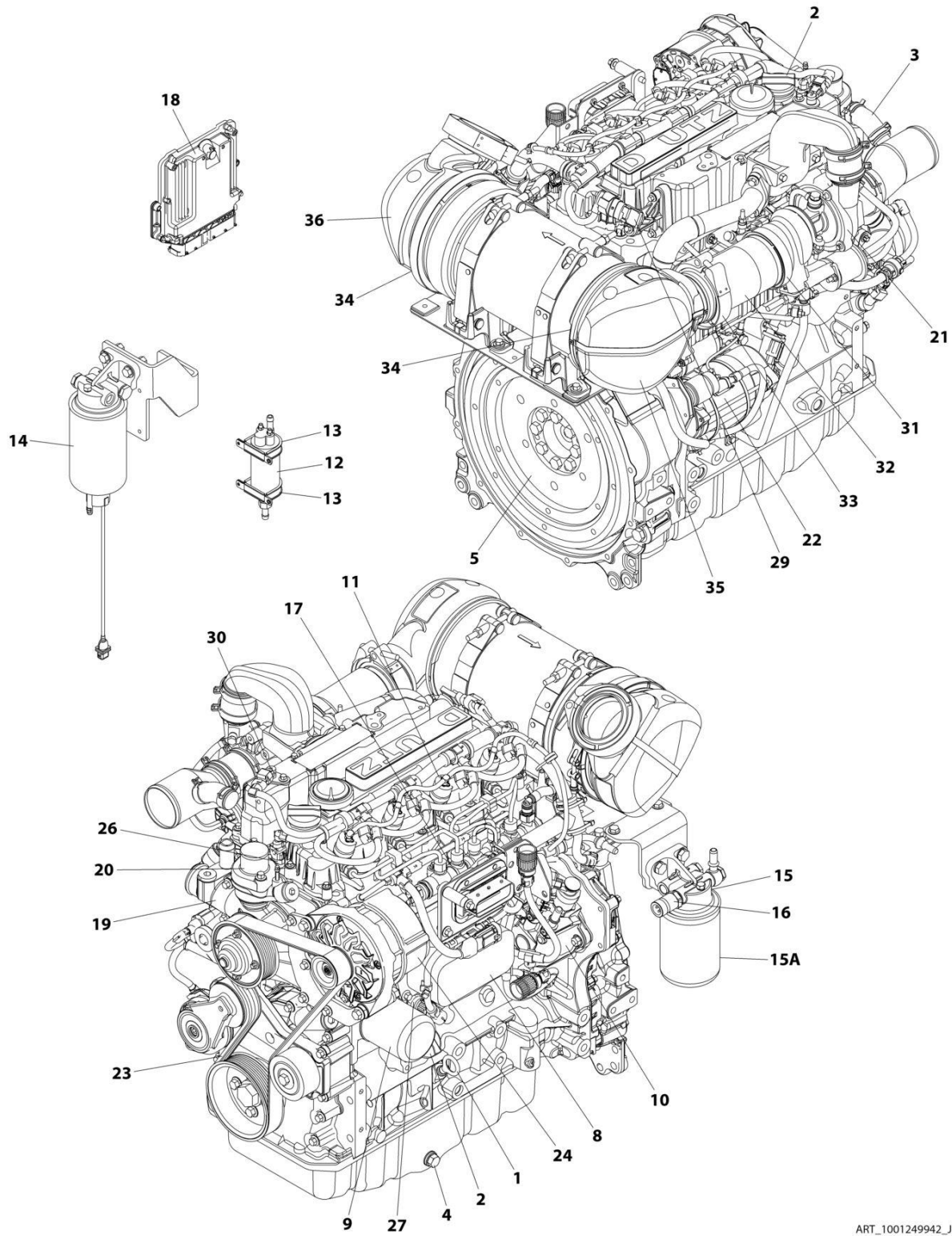
## SECTION 3 - ENGINE

ITEM	PART NUMBER	QTY	DESCRIPTION	REV
133	1001224940	1	Pipe, Exhaust	
134	1001138489	1	Air Cleaner Assembly	
134	91403102	1	Element, Filter	
135	1001177359	1	Hose	
136	1001230635	1	Tank	
137	0701022	2	Bolt M10 x 70	
138	3520054	1	Plug	
139	0681608	1	Bolt 3/8 x 1 Grade 8	
140	1001267256	1	Shim, Air Cleaner	
141	1001190610	1	Support, Engine Try	
200	1001257412	1	Bracket Engine Kit (Includes Items 201-217)	F
201	1001138175	1	Bracket	
203	1001140448	1	Mount, Rear Engine	
204	1001140450	1	Mount, Rear Engine	
205	1001140454	1	Mount, Front Engine	
207	1001145154	1	Plate, Relay Mounting	
208	1001260413	1	Bracket, Tank	
209	1001178223	2	Bracket, Radiator	
210	1001186985	1	Plate, Mounting	
212	1001266499	1	Mount, Generator/Engine	
213	1001204325	2	Bracket, Radiator	
214	1001221203	1	Bracket	
215	1001224936	1	Mount, Doc Weldment	
216	1001224937	2	Mount, Fuel Filter	
217	1001260412	1	Bracket	
218	4240032	AR	Tie-Strap (Not Shown)	
219	1001291401	1	Tag, Coolant	



# SECTION 3 - ENGINE

## FIGURE 3-24. DEUTZ TD2.9L4 ENGINE COMPONENTS



ART\_1001249942\_JLG

## SECTION 3 - ENGINE

### FIGURE 3-24. DEUTZ TD2.9L4 ENGINE COMPONENTS

ITEM	PART NUMBER	QTY	DESCRIPTION	REV
	1001249942	Ref	ENGINE COMPONENTS - DEUTZ TD2.9L4	A
1	70024904	1	Dipstick	
1	70024905	1	Seal	
2	7020465	2	Cap, Oil Fill	
3	70025111	2	Clamp	
3	70005920	1	Hose, Breather	
4	70005941	2	Plug	
4	70005942	2	Seal	
5	70001870	1	Flywheel with Ring Gear	
5	7024579	1	Gear, Ring	
6		Ref	Gasket and Seal Options (Not Shown)	
6	70004279	1	Gasket Kit	
6	70024906	1	Gasket, Head	
6	70025205	1	Gasket, Small Valve Cover	
6	70005171	1	Gasket, Large Valve Cover	
6	70005176	1	O-Seal, Valve Cover to Air Charge Elbow	
6	70005177	1	Gasket, Air Charge Pipe to Head	
6	70031095	3	Gasket, Air Charge Pipe & EGR Pipe	
6	70025164	1	Gasket, Exhaust Manifold to Head	
6	70007354	1	Gasket, EGR Pipe to EGR Valve	
6	70007326	1	Gasket, EGR Valve to Housing	
7	70005172	1	Pump, Oil Lube (Not Shown - Located Front Left Side)	
7	70025135	1	O-Ring	
7	70005173	1	Gasket	
8	70024494	1	Cooler, Oil	
8	70024925	1	Gasket	
9	7016331	1	Filter, Oil	
10	70024924	1	Pump, High Pressure (Not Shown - Located Front Left Side)	
10	70025152	1	O-Ring (Between Pump and Spacer)	
10	70024517	1	O-Ring (Between Spacer and Engine Block)	
10	70004505	1	Valve, Overflow	
10	70004506	1	O-Ring	
10	70004507	1	O-Ring	
10	70004508	1	Valve, Volume Control	
10	70004509	1	O-Ring	
10	70004510	1	O-Ring	
11	70025181	4	Injector Fuel	
11	70025140	4	Washer, Sealing	
11	70025146	4	Clamp (Top of Injector)	
11	70025145	4	O-Seal	
11	70025154	4	Shoe, Clamping	
11	70000345	4	Plug, Glow	
11	70025231	1	Harness, Glow Plug (Not Shown)	
12	70006144	1	Pump, Fuel	
13	70025144	2	Clamp	
14	70024961	1	Filter, Fuel	
14	70025153	1	Element, Filter	
14	70024513	1	Cable, Sensor	
14	70025239	1	Seal	
15	70029451	1	Filter With Head	

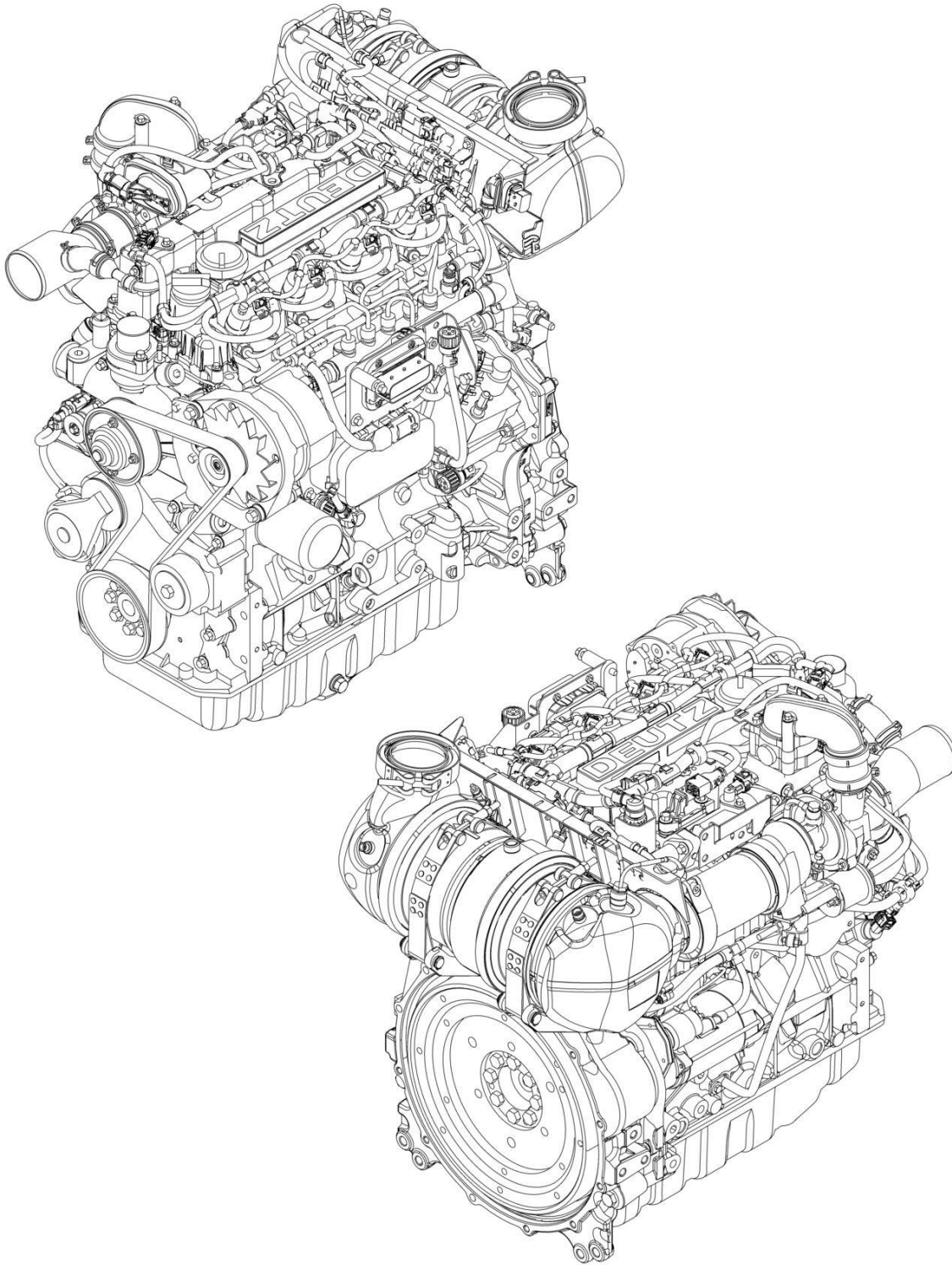
## SECTION 3 - ENGINE

ITEM	PART NUMBER	QTY	DESCRIPTION	REV
15A	70025161	1	Filter, Fuel	
16	70028538	1	Sensor, Pressure	
16	70024920	1	Seal	
17	70025151	1	Rail, Fuel	
17	70025235	1	Repair Kit	
17	70025182	1	Line, Fuel (Cylinders 1 & 2)	
17	70025183	1	Line, Fuel (Cylinders 3 & 4)	
17	70025184	1	Line, Fuel (To Rail)	
18	70025210	1	ECU (Engine Control Unit)	
19	70029797	1	Pump, Water	
19	70025200	1	Seal	
19	70007325	1	Gasket	
20	70005929	1	Thermostat	
20	70005184	1	O-Seal	
20	70025142	1	Cover, Thermostat	
20	70005931	1	Gasket	
21	70004276	1	Turbocharger	
21	70024912	1	Gasket, Square	
21	70024509	1	Gasket, Return Line	
21	70006294	1	O-Seal	
22	70024915	1	Starter	
22	70005648	1	Relay	
22	70005647	1	Solenoid	
23	70004277	1	Belt Drive	
24	70006652	1	Alternator	
24	70006653	1	Regulator, Voltage	
25	70007489	1	Harness, Engine (Not Shown)	
26	70028540	1	Sender, Temperature	
27	70028538	1	Sensor, Pressure	
27	70024920	1	Seal	
28	70026210	2	Sensor, Speed (Not Shown - Located Left Side Front and Flywheel Housing)	
28	70024917	1	Seal (Cam Shaft Speed Sensor)	
28	70005191	1	Seal (Flywheel Shaft Speed Sensor)	
29	70024507	1	Sensor, Pressure	
29	70025120	1	Seal	
30	70024922	1	Sender, Temperature	
30	70025212	1	O-Seal	
31	70005527	1	Clamp	
31	70025788	1	Nut	
32	70004504	1	Compensator	
33	70025242	1	Gasket	
33	70029433	1	Clamp	
34	70029517	2	Clamp	
34	70029520	2	Gasket	
35	70007355	1	Inlet	
36	70007331	1	Outlet	



## SECTION 3 - ENGINE

FIGURE 3-25. DEUTZ TD2.9L4 ENGINE COMPONENTS (STAGE V)



ART\_1001277592



## SECTION 3 - ENGINE

**FIGURE 3-25. DEUTZ TD2.9L4 ENGINE COMPONENTS (STAGE V)**

ITEM	PART NUMBER	QTY	DESCRIPTION	REV
	1001277592	Ref	DEUTZ ENGINE COMPONENTS	A
	See Note	Ref	Note: Additional components may be available. Contact JLG Customer Service for more details.	
		Ref	<b>COOLING SYSTEM COMPONENTS</b>	
	70031474	1	Cooler, Oil	
	70031388	1	Seal, Oil Cooler	
	70030360	1	Pump, Coolant (Includes Gasket & Sealing Rings)	
	70031055	1	O-Ring, Coolant Pump	
	7020492	1	Seal	
	70007325	1	Gasket	
	70007603	1	Thermostat	
	70005184	1	O-Ring, Thermostat	
	70005931	1	Gasket, Thermostat	
	70025142	1	Cover, Thermostat	
		Ref	<b>ELECTRICAL SYSTEM COMPONENTS</b>	
	70024513	1	Sensor, Fuel Filter	
	70024504	1	Sensor, Fuel Pressure (at Fuel Filter) (Includes Seal)	
	70024920	1	Seal	
	70027405	1	Sensor, Temperature	
	70007803	1	Generator (Includes Regulator)	
	70031143	1	Regulator, Voltage	
	70031144	1	Starter	
	70025231	1	Harness, Glow Plug (Not Shown)	
	1001211556	1	Sensor, Temperature 90 (Includes O-Ring)	
	70028540	1	Sensor, Temperature (Includes O-Ring) (in Cylinder Head)	
	70029407	1	Sensor, Pressure (Includes Seal) (On Exhaust Manifold)	
	70024507	1	Sensor, Pressure (Includes O-Ring) (Charge Manifold)	
	70031475	1	Sensor, Temperature (Includes O-Ring) (Charge Manifold)	
	70026210	2	Sensor, Speed (Includes Seal) (Rear of Block & Front Cover)	
		Ref	<b>Module, Engine Control</b>	
		Ref	<b>Harness, Engine</b>	
	70000345	4	Plug, Glow (Not Shown)	
	70024505	1	Sender, Temperature (Inlet End of Calalyst)	
	70029409	1	Sender, Temperature (Outlet End of Calalyst)	
		Ref	<b>EXHAUST SYSTEM COMPONENTS</b>	
	70031136	1	Pipe, Exhaust Recirculation	
	70029557	1	Gasket, Exhaust Recirculation Pipe to Exhaust Manifold (Upper)	
	70007354	1	Gasket, Exhaust Recirculation Pipe (Lower)	
	70025164	1	Gasket, Exhaust Manifold to Head	
	70025130	8	Bolt, Exhaust Manifold	
	70031138	1	Valve, EGR	
	70007326	1	Gasket, EGR Vlave	
	70005504	1	Sensor, Pressure (Exhaust) (includes Seals)	
	70004276	1	Turbocharger	
	70024912	1	Gasket, Turbocharger	
	70008564	1	Catalyst	
	70029520	2	Gasket (on both ends of Catalyst)	
	70029517	2	Clamp (on both ends of Catalyst)	
	70004504	1	Compensator	

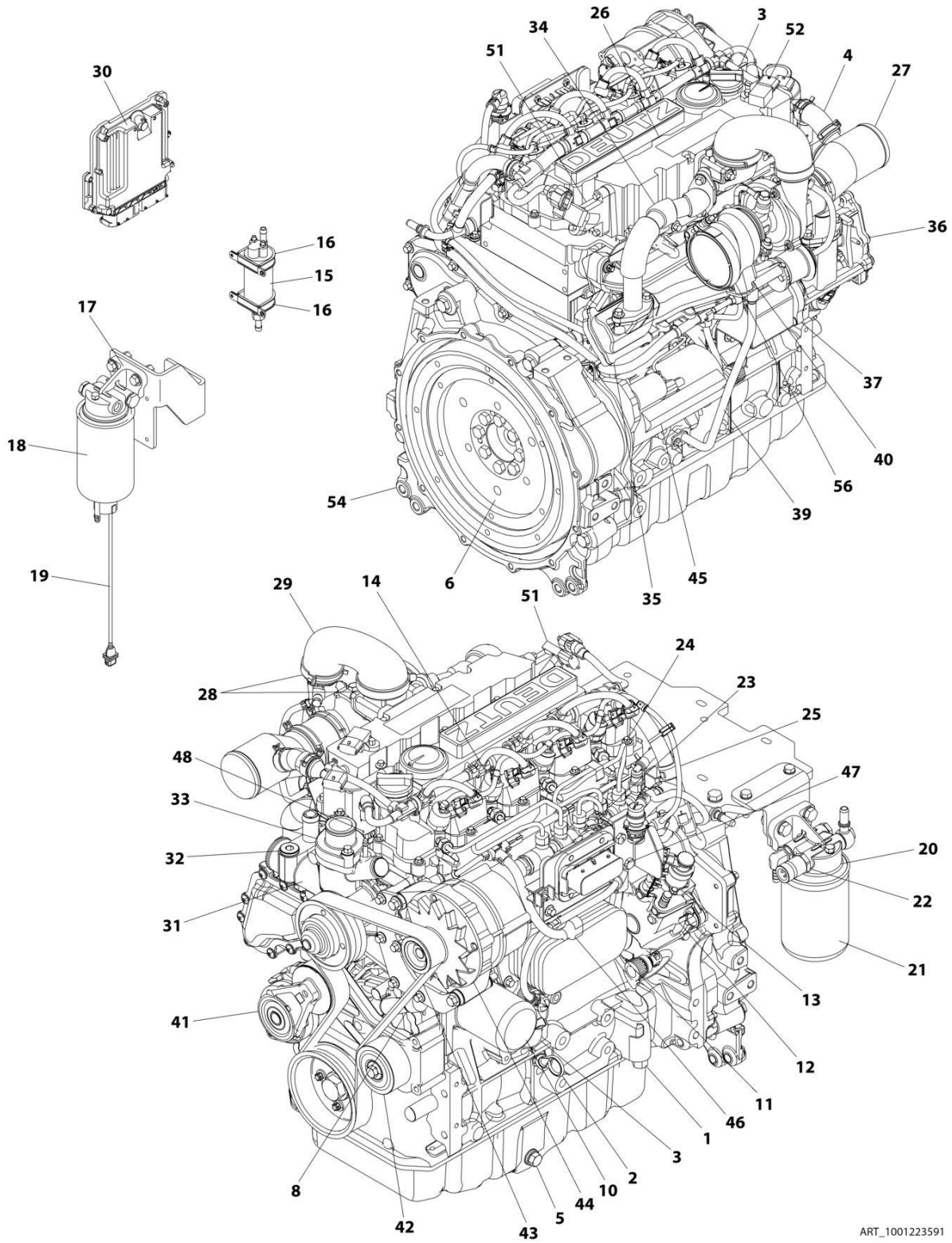
## SECTION 3 - ENGINE

ITEM	PART NUMBER	QTY	DESCRIPTION	REV
	70025242	2	Gasket (at Compensator)	
	70030097	1	Clamp (Compensator Engine Side)	
	70030099	1	Clamp (Compensator Catalyst Side)	
		Ref	<b>FUEL SYSTEM COMPONENTS</b>	
	1001225430	1	Filter, Fuel (Primary)	
	1001225431	1	Filter, Fuel (Secondary)	
	70030381	1	Pump, Injection/High Pressure (Includes Control Valves, Gasket & O-Rings)	
	70025152	1	O-Ring (Between Pump AND Spacer)	
	70004505	1	Valve, Overflow	
	70004506	1	O-Ring	
	70004507	1	O-Ring	
	70004508	1	Valve, Volume Control	
	70004509	1	O-Ring	
	70004510	1	Gasket	
	70025181	4	Injector, Fuel (Includes O-Ring)	
	70025145	4	O-Ring	
	70008422	1	Pump, Fuel Supply	
	70025144	2	Clamp	
		Ref	<b>GASKETS &amp; SEAL &amp; KITS (Note: Some components listed with main component)</b>	
	70005938	1	Gasket Kit	
	70024906	1	Gasket, Head	
	70005171	1	Gasket, Valve Cover	
	70004280	1	Seal, Main (Front)	
	70002718	1	Seal, Main (Rear)	
	70005177	1	Gasket, Air Charge Pipe	
	70005176	1	O-Ring, Air Charge Pipe	
	70008538	2	Gasket, Throttle Valve	
		Ref	<b>LUBRICATION SYSTEM COMPONENTS</b>	
	7016331	1	Filter, Oil	
	70024904	1	Dipstick	
	70024905	1	Seal, Dipstick	
	7020465	2	Cap, Filler	
	70005941	2	Plug, Oil Drain	
	70005942	2	Ring, Oil Drain Plug Sealing	
	70005172	1	Pump, Oil Lube (Includes Gasket & O-Ring)	
	70005173	1	Gasket	
	70025135	1	O-Ring	
		Ref	<b>MECHANICAL COMPONENTS</b>	
	70001870	1	Flywheel (Includes Ring Gear)	
	7024579	1	Gear, Ring	
	70030359	1	Tensioner, Belt (Generator)	
	70027432	1	Idler (Generator Belt)	
	70004277	1	Belt, Generator Drive	



# SECTION 3 - ENGINE

## FIGURE 3-26. DEUTZ TD2.9L4 ENGINE COMPONENTS (CHINA III SPECS)



ART\_1001223591

## SECTION 3 - ENGINE

**FIGURE 3-26. DEUTZ TD2.9L4 ENGINE COMPONENTS (CHINA III SPECS)**

ITEM	PART NUMBER	QTY	DESCRIPTION	REV
	1001223591	Ref	DEUTZ TD2.9L4 ENGINE COMPONENTS	C
1	70025660	1	Plug	
1	70006264	1	Valve, Plunger	
1	70006265	1	Spring	
1	70006266	1	Seal	
2	70024904	1	Dipstick	
2	70024905	2	Seal	
3	7020465	2	Cap, Fill	
4	70005920	1	Line, Breather	
4	70025111	2	Clamp	
5	70006941	2	Plug	
5	70005942	2	Seal	
6	70001870	1	Flywheel	
6	7024579	1	Ring Gear	
6	70025139	8	Bolt	
7		Ref	Gasket & Seal Options (Not Shown):	
7	70005938	1	Gasket Kit	
7	70024906	1	Gasket, Head	
7	70005922	1	Gasket, Valve Cover	
7	70028185	1	Gasket, Front Cover	
7	70004280	1	Seal, Front Main	
7	70002718	1	Seal, Rear Main	
8	See Note	NSS	Valve, Slide (Note: Not Available for Purchase)	
8	70025082	1	Seal	
9	70005172	1	Pump, Lube (Not Shown - Located RH Rear)	
9	70025135	1	O-Seal	
9	70005173	1	Gasket	
10	7016331	1	Filter, Oil	
11	70024494	1	Cooler, Oil	
11	70024925	1	Gasket, Oil Filter	
12	70024924	1	Pump, High Pressure	
12	70025152	1	Gasket (Spacer to Pump)	
12	70024488	1	Spacer	
12	70024517	1	Gasket (Spacer to Block)	
12	70004505	1	Valve, Overflow	
12	70004506	1	Gasket, Overflow	
12	70004507	1	Gasket, Overflow	
13	70004508	1	Valve, Volume Control	
13	70004509	1	O-Ring	
13	70004510	1	Gasket	
14	70025181	4	Injector	
14	70025140	4	Washer, Sealing	
14	70025146	4	Clamp	
14	70025145	4	O-Seal	
14	70025154	4	Shoe/Pad, Clamping	
15	70006144	NLA	Pump, Fuel Supply (Use p/n 1001226098)	
16	70025144	2	Clip, Clamp	
17	70024961	1	Fuel Filter Assembly	
18	1001225430	1	Element, Filter	
19	70024513	1	Cable, Sensor	

## SECTION 3 - ENGINE

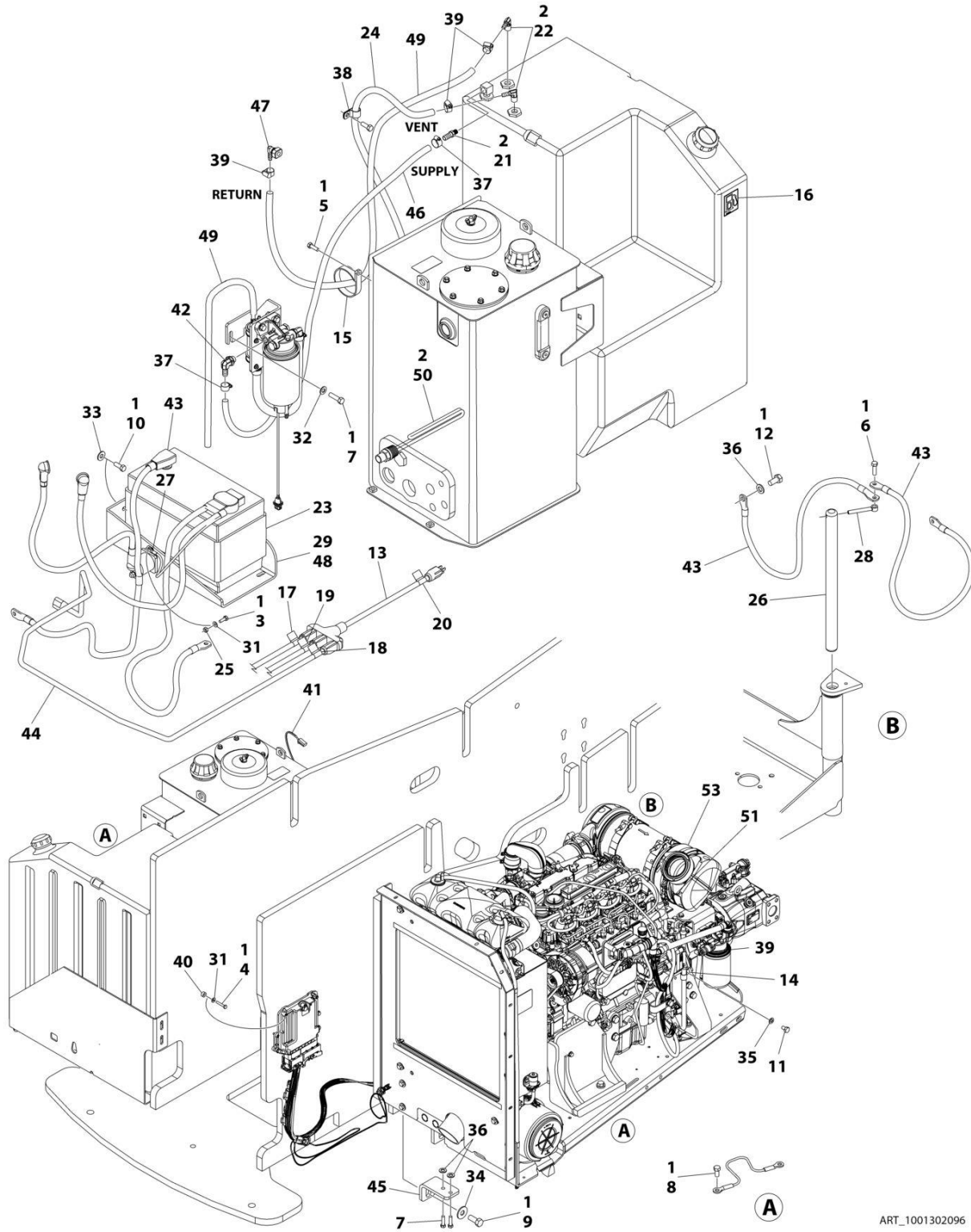
ITEM	PART NUMBER	QTY	DESCRIPTION	REV
19	70025239	1	Seal, Ring	
20	70004511	1	Fuel Filter Assembly	
20	70004513	2	Seal (at Hollow Bolt)	
21	1001225432	1	Element, Filter	
22	70028538	1	Sensor, Pressure	
22	70024920	1	O-Seal	
23	70025151	1	Rail, Fuel	
23	70025235	1	Repair Kit - Fuel Rail	
23	70025240	1	O-Ring	
24	70025182	1	Tube, Fuel - Cylinders 1 & 2	
24	70025183	1	Tube, Fuel - Cylinders 3 & 4	
24	70025184	1	Tube, Fuel	
25	70024502	1	Pipe, Fuel Leakage	
25	70025185	1	Hose, Fuel	
25	70025158	1	Manifold	
25	70025109	2	Clamp, Spring	
25	70025115	1	Clamp	
25	70025133	1	Hose	
25	70025101	2	Clamp	
25	70025148	1	Connector, Plug-in	
26	70005923	1	Manifold, Charger Air	
26	70005177	1	Gasket, Charger Air Manifold	
26	70005924	1	Seal (Manifold to Elbow)	
26	7000180	1	Line, Breather (Not Shown)	
26	70005181	1	O-Seal (Breather to Manifold)	
27	70005926	1	Elbow	
27	70025112	2	Clamp	
27	70004501	1	Sleeve, Rubber	
28	See Note	NSS	Sleeve (Note: Not Available for Purchase)	
28	70025107	2	Clamp	
29	70005928	1	Elbow, Air Charge	
30	70025210	1	Module, ECU	
31	70028802	1	Pump, Coolant	
31	70025200	1	Ring, Sealing (Pump to Block)	
32	70025084	2	Plug	
32	7020492	2	Ring, Sealing	
33	70005929	1	Thermostat	
33	70005184	1	O-Seal (Thermostat to Housing)	
33	70025142	1	Housing, Thermostat	
33	70005931	1	O-Seal (Thermostat to Pump)	
33	70025124	2	Bolt	
34	See Note	NSS	Tube (Note: Not Available for Purchase)	
34	70025179	2	Gasket (at Either End of Tube)	
35	See Note	NSS	Valve, Shuttle (Note: Not Available for Purchase)	
35	70025180	1	Gasket	
35	See Note	NSS	Housing, Shuttle Valve (Note: Not Available for Purchase)	
35	70025175	1	Cap, Shuttle Valve	
36	70025203	1	Module, EGR	
36	70025155	1	Plug (Not Shown)	
37	70005188	1	Valve, EGR Control	
37	70005189	1	Seal (Valve to Module)	

## SECTION 3 - ENGINE

ITEM	PART NUMBER	QTY	DESCRIPTION	REV
38	70004282	1	Manifold, Exhaust (Not Shown)	
38	70025164	1	Gasket, Manifold to Head (Not Shown)	
38	70025130	8	Bolt, Manifold (Not Shown)	
38	70026995	1	Elbow, Exhaust (Not Shown)	
38	70025179	2	Gasket, Manifold to Elbow (Not Shown)	
39	70005932	1	Tube, Oil Return	
39	70025132	1	O-Seal	
40	70004276	1	Turbocharger	
40	70024509	1	Gasket (Turbocharger to Oil Return Tube Housing)	
40	1001191599	1	Gasket (Turbocharger to Exhaust)	
41	70025477	1	Tensioner, Belt	
42	70024484	1	Roller, Idler	
43	70004277	1	Belt	
44	70025733	1	Pulley, Alternator	
44	70006652	1	Alternator	
44	70006653	1	Controller	
44	See Note	NSS	Fan (Note: Not Available for Purchase)	
45	70024915	1	Starter	
45	70005647	1	Switch, Solenoid	
45	70005648	1	Relay	
46	70000345	4	Glow Plug	
46	70025231	1	Harness, Glow Plug	
46	70025233	1	Connector, Plug-in	
47	70025077	1	Harness, Engine	
48	70024918	1	Sender, Temperature	
49	70028538	1	Sensor, Pressure (Not Shown - RH Front)	
49	70024920	1	O-Seal	
50	70026210	1	Sensor, Speed (Not Shown - Front)	
50	70005191	1	Ring, Seal	
51	70024507	1	Sensor, Pressure	
51	70025120	1	O-Seal	
51	70005933	1	Adapter	
51	70005934	1	O-Seal	
52	70024922	1	Sender, Temperature	
52	70025212	1	O-Seal	
53	70026210	1	Sensor, Speed (Not Shown - Front)	
53	70024917	1	O-Seal	
54	70025192	1	Housing	
56	70005527	1	Clip	

# SECTION 3 - ENGINE

## FIGURE 3-27. DEUTZ D2.9L4 - EMR5 ENGINE INSTALLATION WITH ARCTIC PACKAGE



ART\_1001302096



## SECTION 3 - ENGINE

**FIGURE 3-27. DEUTZ D2.9L4 - EMR5 ENGINE INSTALLATION WITH ARCTIC PACKAGE**

ITEM	PART NUMBER	QTY	DESCRIPTION	REV
	1001302096	Ref	ENGINE INSTALLATION EMR5 WITH ARCTIC PACKAGE	A
1	0100011	AR	Compound, Locking	
2	0100020	AR	Sealant, Pipe	
3	0641406	2	Bolt 1/4 x 3/4	
4	0641412	4	Bolt 1/4 x 1-1/2	
5	0641508	1	Bolt 5/16 x 1	
6	0641610	1	Bolt 3/8 x 1-1/4	
7	0641611	4	Bolt 3/8 x 1-3/8	
8	0641808	1	Bolt 1/2 x 1	
9	0642012	1	Bolt 5/8 x 1-1/2	
10	0681608	3	Bolt 3/8 x 1	
11	0761008	1	Bolt M10 x 16	
12	0771212	1	Bolt M12 x 25	
13	1060626	1	Cord, 3-Way Extension	
14	1320061	1	Clamp	
15	1321339	1	Clamp	
16	1701505	1	Decal - Diesel	
17	1702941	1	Decal - Battery Heater	
18	1702942	1	Decal - Engine Heater	
19	1702943	1	Decal - Hydraulic Tank Heater	
20	1702944	1	Decal - Heater Cord	
21	2180832	1	Fitting, Barbed	
22	2220313	2	Fitting, 90	
23	2580024	1	Heater, Battery	
24	2750532	4 ft /2 m	Hose	
25	3311405	2	Nut 1/4	
26	3422446	1	Pin	
27	3740067	1	Relay	
28	3841143	1	Keeper, Pin	
29	3980007	1	Seat, Battery	
30	4240033	AR	Tie-Strap (Not Shown)	
31	4711400	6	Washer 1/4	
32	4711600	2	Washer 3/8	
33	4751600	3	Washer 3/8	
34	4752000	1	Washer 5/8	
35	4812000	1	Washer M10	
36	4812100	3	Washer M12	
37	8405006	2	Clamp	
38	8406102	1	Clip	
39	8410013	4	Clamp	
40	1001110425	4	Spacer	
41	1001138491	1	Fuel Harness (See Separate Breakdown in ELECTRICAL Section)	
42	1001142501	1	Fitting, 90	
43	1001143736	1	Battery Cable Kit	
43	7027084	1	Cable, Battery (Black) (Battery - to Tray Pivot and Grds)	
43	8270147	1	Terminal, Battery (With Boot)	
43	7027085	1	Cable, Battery (Black) (Battery - to Aux Pump and Relay Grds)	
43	7027086	1	Cable, Battery (Black) (Engine to Tray Pivot)	
43	7027087	1	Cable (Red) (Battery + to Aux Relay/Power Module/Starter)	
43	7027088	1	Cable (Red) (Aux Relay to Aux Pump)	

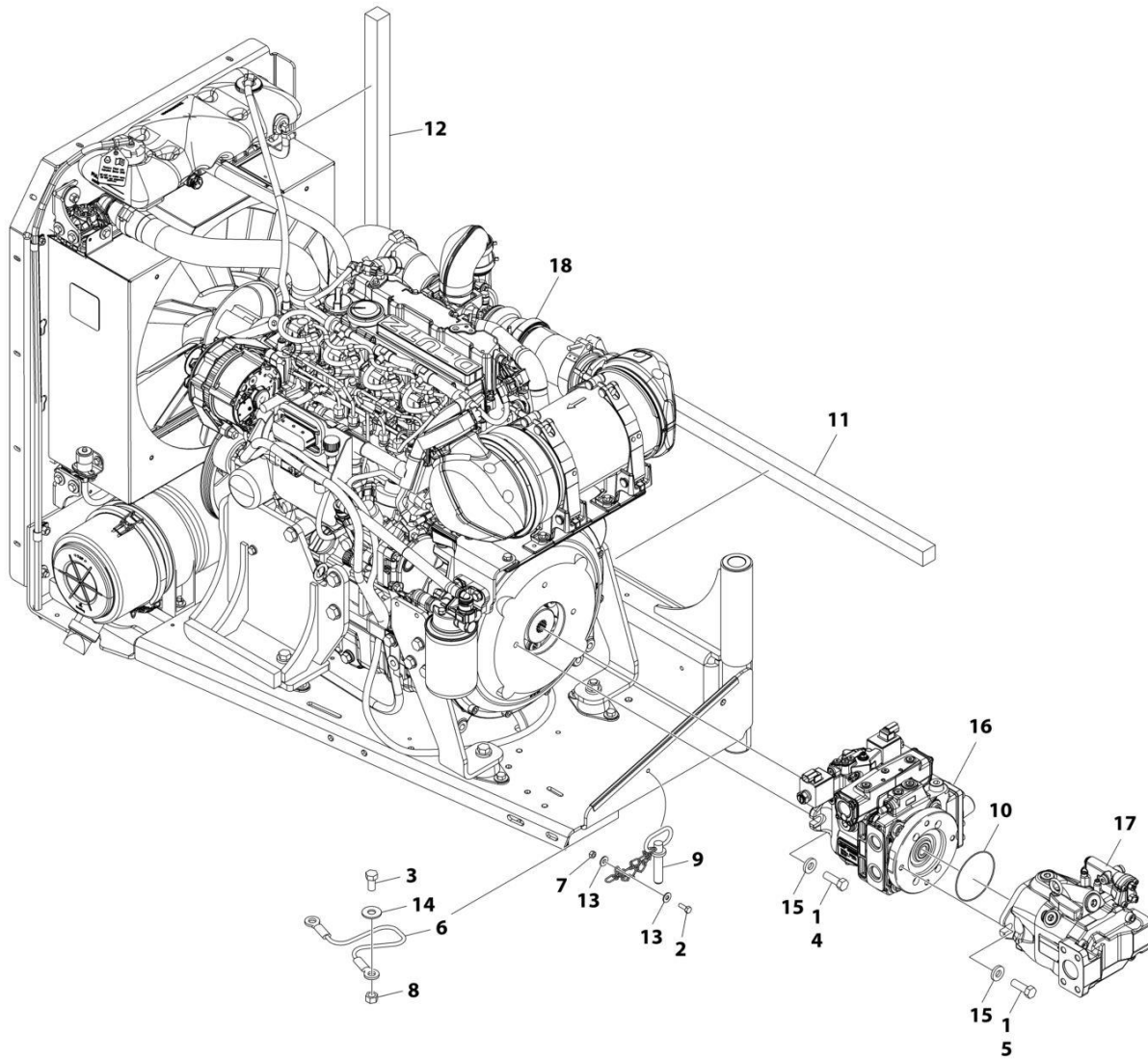
## SECTION 3 - ENGINE

ITEM	PART NUMBER	QTY	DESCRIPTION	REV
43	See Note	1	Cable (Aux Relay to Starter) (Note: Use P/N 7027087)	
44	1001150918	1	Cable, Extension Cord	
45	1001153359	1	Mount	
46	1001154405	5 ft /2 m	Hose	
47	1001155823	1	Fitting, Quick Disconnect 90	
48	1001162497	1	Bracket	
49	1001165035	24 ft /8 m	Hose	
50	1001188972	1	Heater, Immersion	
51	1001233763	1	Breather Heater Installation (See Separate Breakdown in this Section)	
52	1001289593	1	ECU Power Jumper Harness (Not Shown) (See Separate Breakdown in ELECTRICAL Section)	
53	1001301949	1	Engine and Pump Assembly with Arctic Package (See Separate Breakdown in this Section)	



# SECTION 3 - ENGINE

FIGURE 3-28. DEUTZ D2.9L4 - EMR5 ENGINE AND PUMP SUB-ASSEMBLY WITH ARCTIC PACKAGE



ART\_1001301949

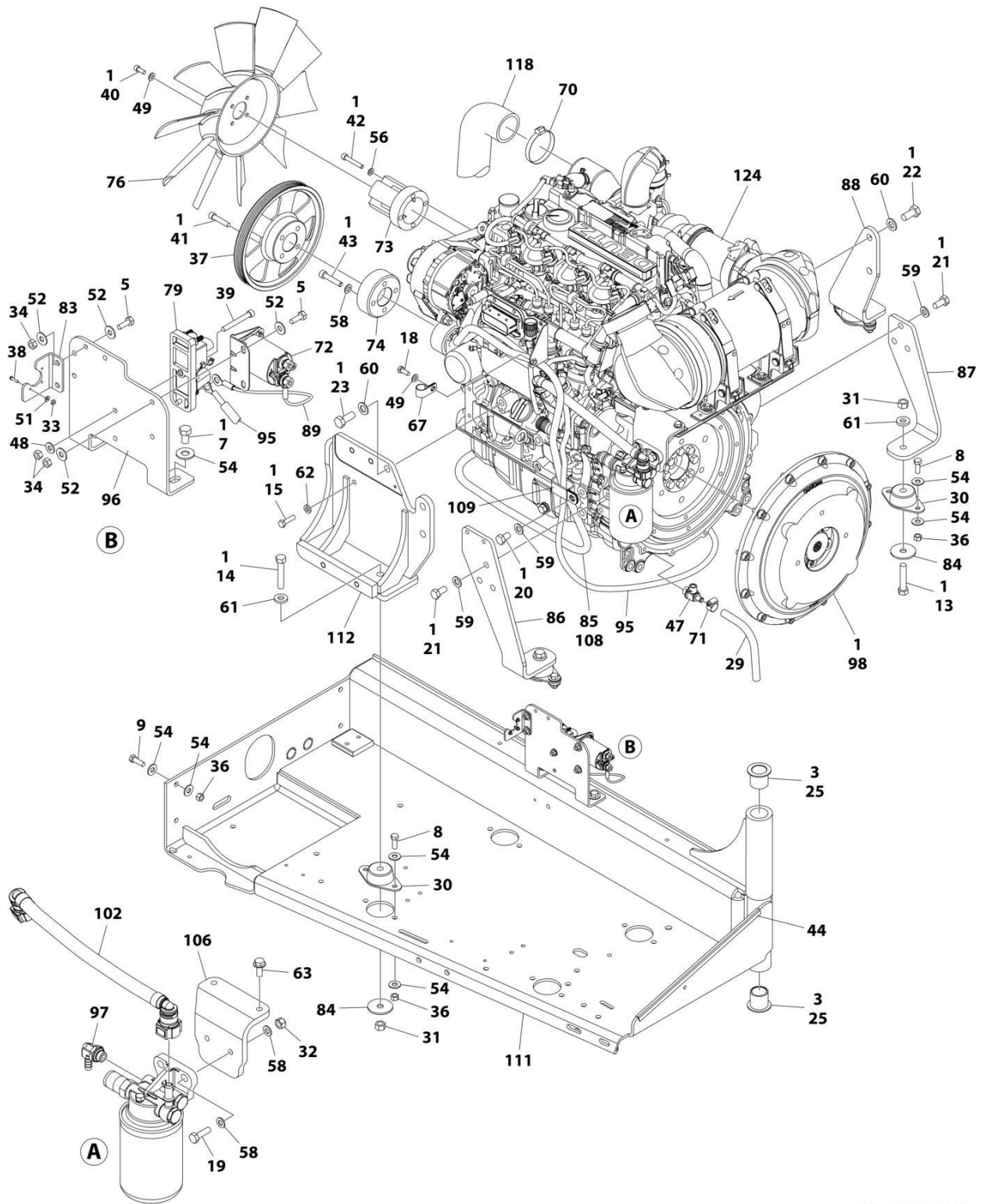
## SECTION 3 - ENGINE

**FIGURE 3-28. DEUTZ D2.9L4 - EMR5 ENGINE AND PUMP SUB-ASSEMBLY WITH ARCTIC PACKAGE**

ITEM	PART NUMBER	QTY	DESCRIPTION	REV
	1001301949	Ref	ENGINE AND PUMP SUB-ASSEMBLY EMR5 WITH ARCTIC PACKAGE	A
1	0100011	AR	Compound, Locking	
2	0641406	1	Bolt 1/4 x 3/4	
3	0641808	1	Bolt 1/2 x 1	
4	0641812	2	Bolt 1/2 x 1-1/2	
5	0711215	2	Bolt M12 x 35	
6	1060637	1	Lanyard	
7	3311405	1	Nut 1/4	
8	3311801	1	Nut 1/2	
9	3422532	1	Pin	
10	3790044	1	O-Ring	
11	3960468	1	Seal	
12	3960469	1	Seal	
13	4751400	2	Washer 1/4	
14	4751800	1	Washer 1/2	
15	4891800	4	Washer 1/2	
16	1001276376	1	Hydrostatic Pump Assembly (See Separate Breakdown in this Section)	
17	1001276377	1	Variable Pump Assembly with Fittings (See Separate Breakdown in this Section)	
18	1001301950	1	Engine Assembly with Arctic Package (See Separate Breakdown in this Section)	

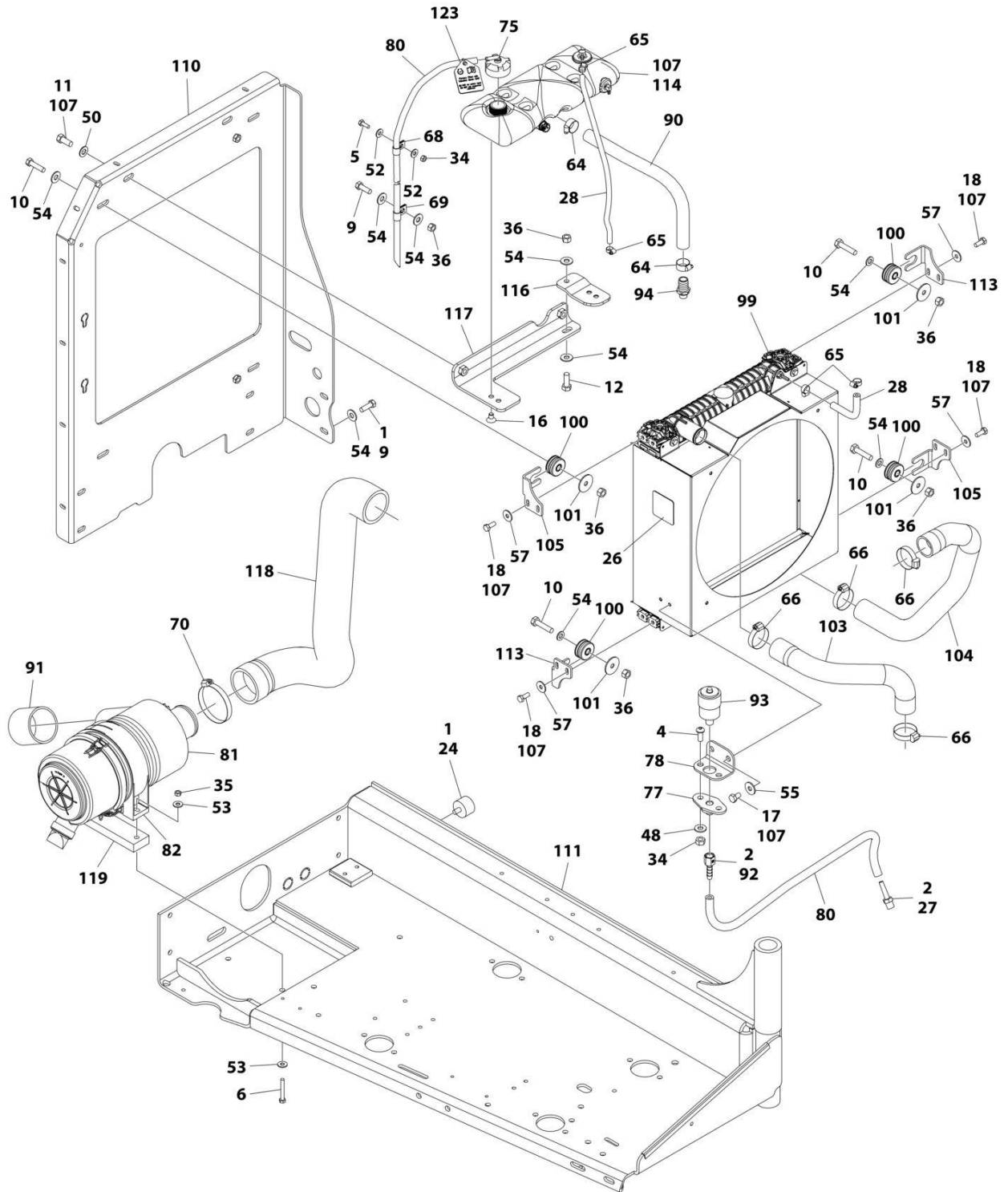
# SECTION 3 - ENGINE

## FIGURE 3-29. ENGINE ASSEMBLY - DEUTZ D2.9L4 EMR5 ENGINE (WITH ARCTIC PACKAGE)



ART\_1001301950\_10F2

# SECTION 3 - ENGINE



ART\_1001301950\_20F2

## SECTION 3 - ENGINE

**FIGURE 3-29. ENGINE ASSEMBLY - DEUTZ D2.9L4 EMR5 ENGINE (WITH ARCTIC PACKAGE)**

ITEM	PART NUMBER	QTY	DESCRIPTION	REV
	1001301950	Ref	ENGINE ASSEMBLY - DEUTZ D2.9L4 EMR5 ENGINE	A
1	0100011	AR	Locking, Compound	
2	0100020	AR	Sealant, Pipe	
3	0100062	AR	Adhesive	
4	0630407	2	Screw 1/4 x 5/8	
5	0641406	5	Bolt 1/4 x 3/4	
6	0641518	2	Bolt 5/16 x 2-1/4	
7	0641605	2	Bolt 3/8 x 5/8	
8	0641608	8	Bolt 3/8 x 1	
9	0641609	6	Bolt 3/8 x 1-1/8	
10	0641612	4	Bolt 3/8 x 1-1/2	
11	0641708	2	Bolt 7/16 x 1	
12	0681608	1	Bolt 3/8 x 1	
13	0681820	3	Bolt 1/2 x 2-1/2	
14	0681822	1	Bolt 1/2 x 2-3/4	
15	0700814	1	Bolt M8 x 30	
16	0741605	2	Screw 3/8 x 5/8	
17	0760605	2	Bolt M6 x 10	
18	0760810	9	Bolt M8 x 20	
19	0761015	2	Bolt M10 x 35	
20	0761210	1	Bolt M12 x 20	
21	0771212	6	Bolt M12 x 25	
22	0771414	2	Bolt M14 x 30	
23	0771415	3	Bolt M14 x 35	
24	0940070	1	Bumper	
25	0961986	2	Bushing	
26	1703162	1	Decal - Fan Blade	
27	2220315	1	Fitting, Straight Barbed	
28	2720015	3 ft /1 m	Hose	
29	2720340	1 ft /0.3 m	Hose	
30	3200401	4	Mount	
31	3271801	4	Nut 1/2	
32	3291005	2	Nut M10	
33	3310401	3	Nut #4	
34	3311405	8	Nut 1/4	
35	3311505	2	Nut 5/16	
36	3311605	17	Nut 3/8	
37	3580320	1	Pulley	
38	3910408	3	Screw #4 x 1/2	
39	3931432	1	Capscrew 1/4 x 2	
40	3931512	4	Capscrew 5/16 x 3/4	
41	3931628	4	Capscrew 3/8 x 1-3/4	
42	4031914	4	Capscrew M8 x 50	
43	4032014	4	Capscrew M10 x 50	
44	4060805	2 ft /0.4 m	Shield	
45	4240032	AR	Tie-Strap (Not Shown)	
46	4240099	AR	Tie-Strap (Not Shown)	
47	4640751	1	Valve, Oil Drain	
48	4711400	3	Washer 1/4	
49	4711500	5	Washer 5/16	



## SECTION 3 - ENGINE

ITEM	PART NUMBER	QTY	DESCRIPTION	REV
50	4711700	2	Washer 7/16	
51	4750400	3	Washer #4	
52	4751400	10	Washer 1/4	
53	4751500	4	Washer 5/16	
54	4751600	34	Washer 3/8	
55	4811702	2	Washer M6	
56	4811900	4	Washer M8	
57	4811902	8	Washer M8	
58	4812000	8	Washer M10	
59	4812100	7	Washer M12	
60	4812200	5	Washer M14	
61	4891800	4	Washer 1/2	
62	5240800	1	Washer M8	
63	5250810	2	Bolt M8 x 20	
64	8405007	2	Clamp	
65	8405009	4	Clamp	
66	8405104	4	Clamp	
67	8406102	1	Clip	
68	8406109	1	Clip	
69	8406110	1	Clip	
70	8410011	2	Clamp	
71	8410013	1	Clamp	
72	1001117308	1	Relay	
73	1001135138	1	Adapter	
74	1001135679	1	Adapter	
75	1001136834	1	Cap	
76	1001137276	1	Fan	
77	1001138173	1	Support	
78	1001138175	1	Bracket	
79	1001138228	1	Relay, Power Module	
79	70023592	1	Fuse 20Amp	
79	70023593	1	Fuse 30Amp	
80	1001138248	6 ft /2 m	Tube	
81	1001138489	1	Filter	
82	1001138557	1	Clamp	
83	1001139240	1	Bracket	
84	1001139409	4	Washer	
85	1001140312	1	Heater, Engine Block	
86	1001140448	1	Plate	
87	1001140450	1	Plate	
88	1001140454	1	Plate	
89	1001141304	1	Wire, Glow Fuse	
90	1001141370	1	Hose	
91	1001141585	1	Hose	
92	1001141995	1	Fitting, Straight NPT/Barbed	
93	1001143390	1	Indicator	
94	1001143797	1	Fitting, Straight Barbed	
95	1001143907	1	Cable, Alternator Power	
96	1001145154	1	Plate	
97	1001152489	1	Fitting, 90 Barbed	
98	1001153282	1	Pump Coupling Kit (See Separate Breakdown in this Section)	

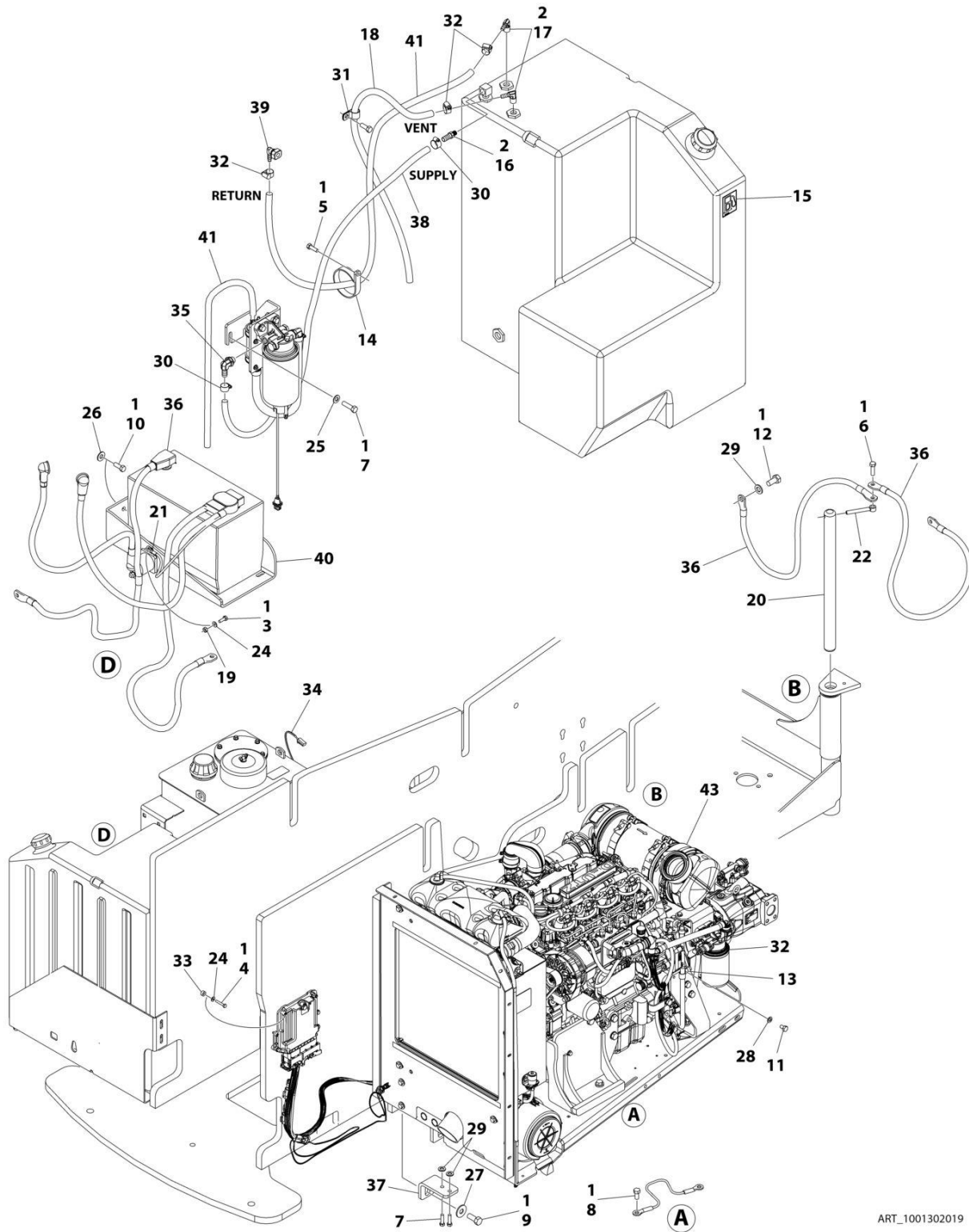
## SECTION 3 - ENGINE

ITEM	PART NUMBER	QTY	DESCRIPTION	REV
99	1001167042	1	Radiator	
100	1001169054	4	Isolator	
101	1001169138	4	Pad	
102	1001177359	1	Hose	
103	1001177844	1	Hose, Radiator (Upper)	
104	1001177845	1	Hose, Radiator (Lower)	
105	1001178223	2	Bracket	
106	1001178876	1	Mount	
107	1001180620	AR	Adhesive	
108	1001181895	AR	Adhesive	
109	1001181899	1	Clamp	
110	1001186985	1	Support	
111	1001190610	1	Support	
112	1001202368	1	Support	
113	1001204325	2	Bracket	
114	1001230635	1	Tank	
114	0100020	AR	Sealant	
114	1001134488	1	Fitting, 90 NPT/Barbed	
114	1001138827	1	Sensor	
114	1001140564	1	Fitting, 90 NPT/Barbed	
114	1001229542	1	Tank	
115	1001235949	1	Bracket, Fuel Pump/Filter Assembly (Not Shown) (See Separate Breakdown in this Section)	
116	1001260412	1	Bracket	
117	1001260413	1	Bracket	
118	1001266525	1	Hose	
119	1001267256	1	Shim	
120	1001276644	1	Deutz Engine Harness (Not Shown) (See Separate Breakdown in ELECTRICAL Section)	
121	1001281985	1	Connector (Not Shown)	
122	1001281986	1	Connector (Not Shown)	
123	1001291401	1	Tag, Coolant	
124	1001301717	1	Deutz TD2.9L4 EMR5 Engine (See Separate Breakdown in this Section)	



# SECTION 3 - ENGINE

## FIGURE 3-30. DEUTZ D2.9L4 - EMR5 ENGINE INSTALLATION WITHOUT ARCTIC PACKAGE



ART\_1001302019

## SECTION 3 - ENGINE

**FIGURE 3-30. DEUTZ D2.9L4 - EMR5 ENGINE INSTALLATION WITHOUT ARCTIC PACKAGE**

ITEM	PART NUMBER	QTY	DESCRIPTION	REV
	1001302019	Ref	ENGINE INSTALLATION EMR5 WITHOUT ARCTIC PACKAGE	A
1	0100011	AR	Compound, Locking	
2	0100020	AR	Sealant, Pipe	
3	0641406	2	Bolt 1/4 x 3/4	
4	0641412	4	Bolt 1/4 x 1-1/2	
5	0641508	1	Bolt 5/16 x 1	
6	0641610	1	Bolt 3/8 x 1-1/4	
7	0641611	4	Bolt 3/8 x 1-3/8	
8	0641808	1	Bolt 1/2 x 1	
9	0642012	1	Bolt 5/8 x 1-1/2	
10	0681608	3	Bolt 3/8 x 1	
11	0761008	1	Bolt M10 x 16	
12	0771212	1	Bolt M12 x 25	
13	1320061	1	Clamp	
14	1321339	1	Clamp	
15	1701505	1	Decal - Diesel	
16	2180832	1	Fitting, Barbed	
17	2220313	2	Fitting, 90	
18	2750532	4 ft /2 m	Hose	
19	3311405	2	Nut 1/4	
20	3422446	1	Pin	
21	3740067	1	Relay	
22	3841143	1	Keeper, Pin	
23	4240033	AR	Tie-Strap (Not Shown)	
24	4711400	6	Washer 1/4	
25	4711600	2	Washer 3/8	
26	4751600	3	Washer 3/8	
27	4752000	1	Washer 5/8	
28	4812000	1	Washer M10	
29	4812100	3	Washer M12	
30	8405006	2	Clamp	
31	8406102	1	Clip	
32	8410013	4	Clamp	
33	1001110425	4	Spacer	
34	1001138491	1	Fuel Harness (See Separate Breakdown in ELECTRICAL Section)	
35	1001142501	1	Fitting, 90	
36	1001143736	1	Battery Cable Kit	
36	7027084	1	Cable, Battery (Black) (Battery - to Tray Pivot and Grds)	
36	8270147	1	Terminal, Battery (With Boot)	
36	7027085	1	Cable, Battery (Black) (Battery - to Aux Pump and Relay Grds)	
36	7027086	1	Cable, Battery (Black) (Engine to Tray Pivot)	
36	7027087	1	Cable (Red) (Battery + to Aux Relay/Power Module/Starter)	
36	7027088	1	Cable (Red) (Aux Relay to Aux Pump)	
36	See Note	1	Cable (Aux Relay to Starter) (Note: Use P/N 7027087)	
37	1001153359	1	Mount	
38	1001154405	5 ft /2 m	Hose	
39	1001155823	1	Fitting, Quick Disconnect 90	
40	1001162497	1	Bracket	
41	1001165035	24 ft /8 m	Hose	

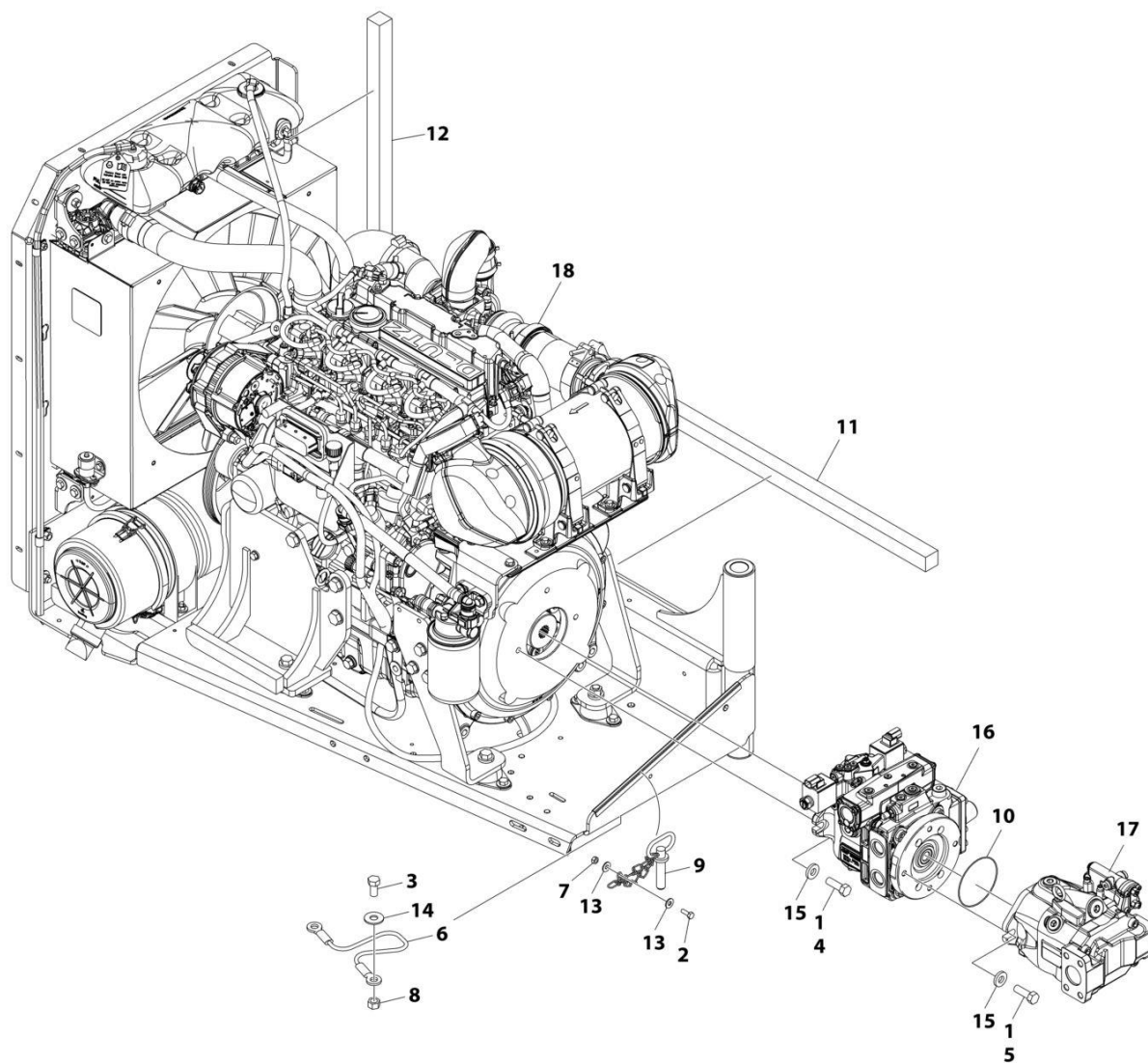
### SECTION 3 - ENGINE

ITEM	PART NUMBER	QTY	DESCRIPTION	REV
42	1001289593	1	ECU Power Jumper Harness (Not Shown) (See Separate Breakdown in ELECTRICAL Section)	
43	1001301943	1	Engine and Pump Assembly without Arctic Package (See Separate Breakdown in this Section)	



# SECTION 3 - ENGINE

## FIGURE 3-31. DEUTZ D2.9L4 - EMR5 ENGINE AND PUMP SUB-ASSEMBLY WITHOUT ARCTIC PACKAGE



ART\_1001301943



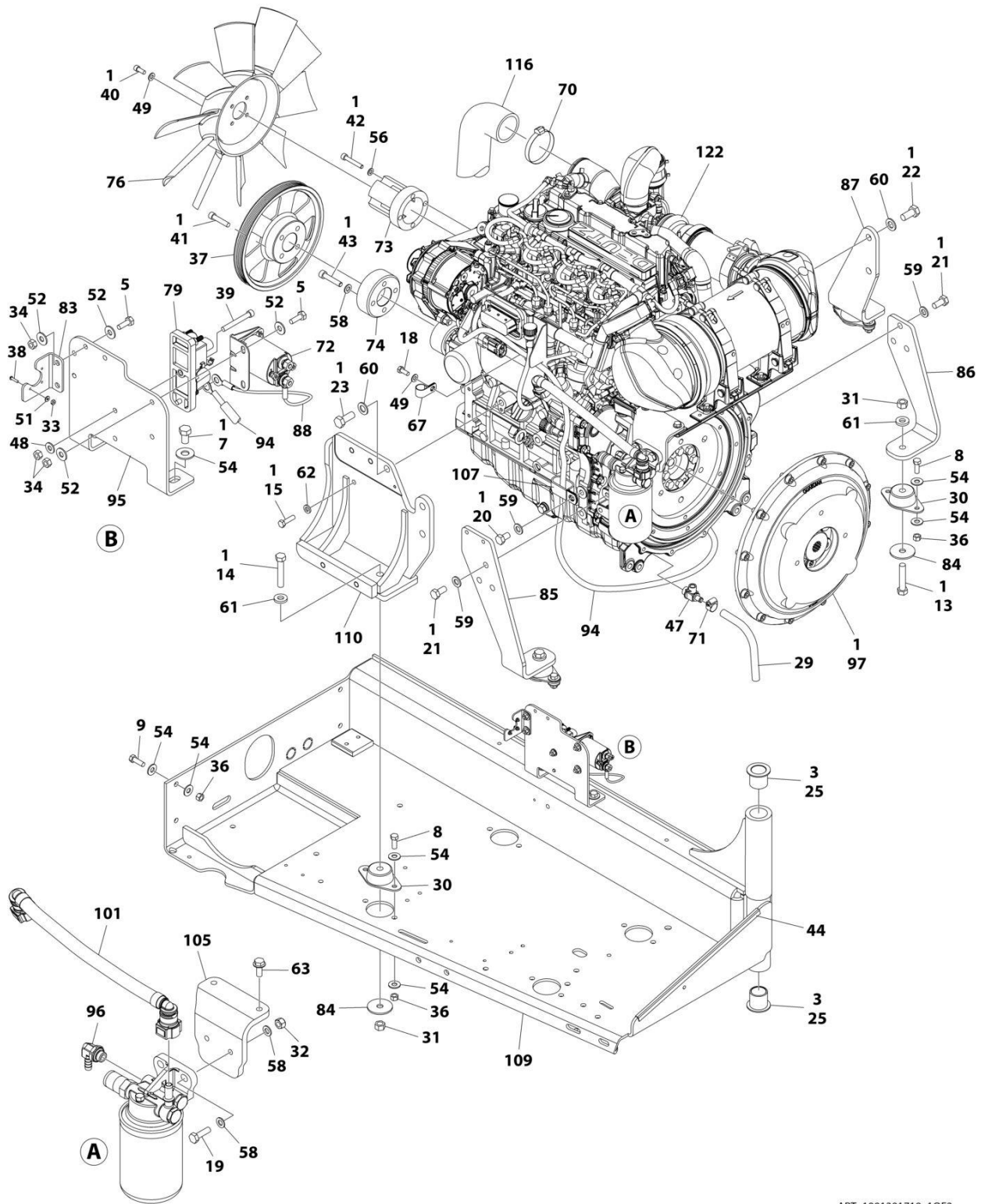
## SECTION 3 - ENGINE

**FIGURE 3-31. DEUTZ D2.9L4 - EMR5 ENGINE AND PUMP SUB-ASSEMBLY WITHOUT ARCTIC PACKAGE**

ITEM	PART NUMBER	QTY	DESCRIPTION	REV
	1001301943	Ref	ENGINE AND PUMP SUB-ASSEMBLY EMR5 WITHOUT ARCTIC PACKAGE	A
1	0100011	AR	Compound, Locking	
2	0641406	1	Bolt 1/4 x 3/4	
3	0641808	1	Bolt 1/2 x 1	
4	0641812	2	Bolt 1/2 x 1-1/2	
5	0711215	2	Bolt M12 x 35	
6	1060637	1	Lanyard	
7	3311405	1	Nut 1/4	
8	3311801	1	Nut 1/2	
9	3422532	1	Pin	
10	3790044	1	O-Ring	
11	3960468	1	Seal	
12	3960469	1	Seal	
13	4751400	2	Washer 1/4	
14	4751800	1	Washer 1/2	
15	4891800	4	Washer 1/2	
16	1001276376	1	Hydrostatic Pump Assembly (See Separate Breakdown in this Section)	
17	1001276377	1	Variable Pump Assembly with Fittings (See Separate Breakdown in this Section)	
18	1001301719	1	Engine Assembly without Arctic Package (See Separate Breakdown in this Section)	

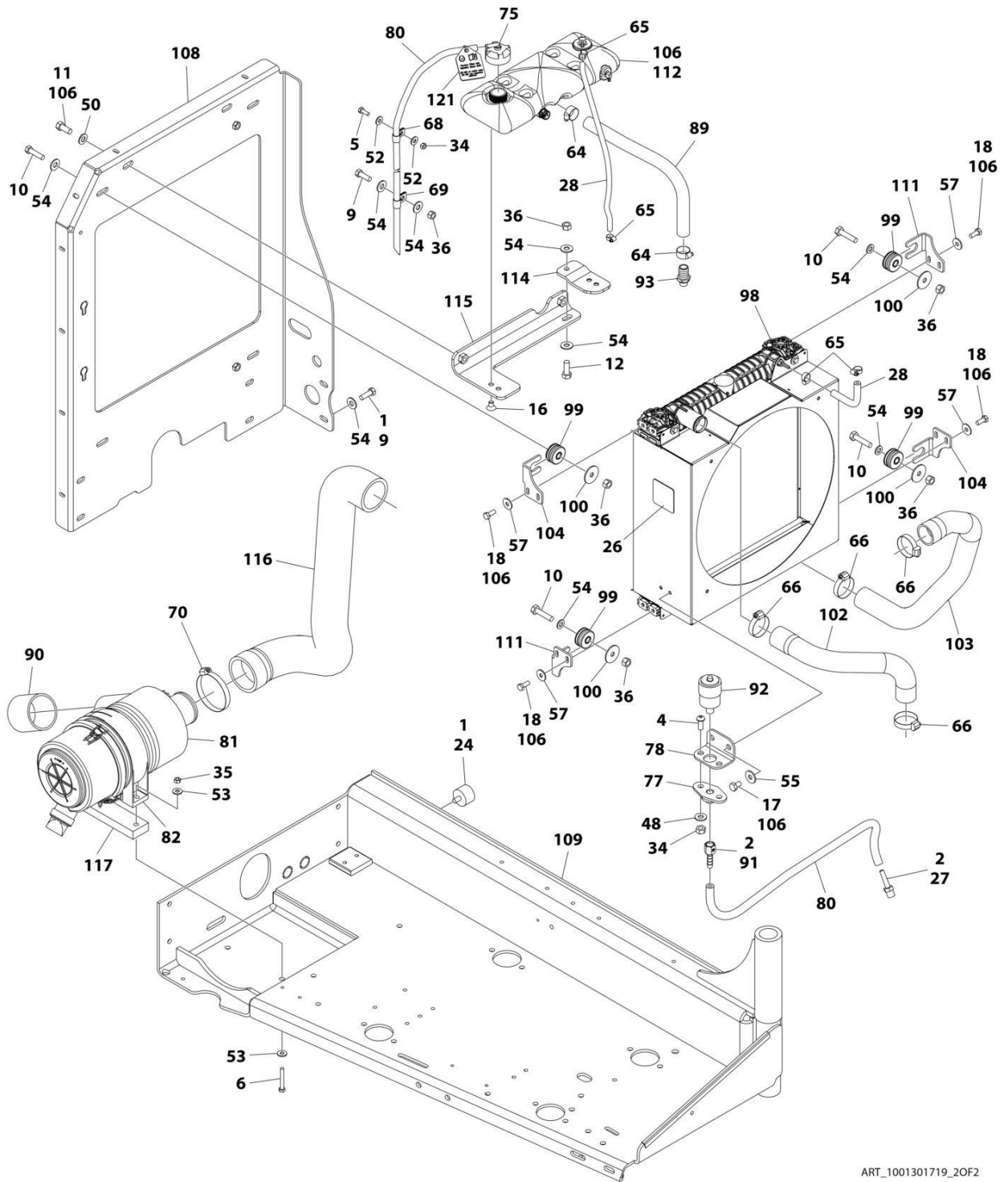
# SECTION 3 - ENGINE

## FIGURE 3-32. ENGINE ASSEMBLY - DEUTZ D2.9L4 EMR5 ENGINE (WITHOUT ARCTIC PACKAGE)



ART\_1001301719\_10F2

# SECTION 3 - ENGINE



ART\_1001301719\_2OF2

## SECTION 3 - ENGINE

**FIGURE 3-32. ENGINE ASSEMBLY - DEUTZ D2.9L4 EMR5 ENGINE (WITHOUT ARCTIC PACKAGE)**

ITEM	PART NUMBER	QTY	DESCRIPTION	REV
	1001301719	Ref	ENGINE ASSEMBLY - DEUTZ D2.9L4 EMR5 ENGINE	A
1	0100011	AR	Locking, Compound	
2	0100020	AR	Sealant, Pipe	
3	0100062	AR	Adhesive	
4	0630407	2	Screw 1/4 x 5/8	
5	0641406	5	Bolt 1/4 x 3/4	
6	0641518	2	Bolt 5/16 x 2-1/4	
7	0641605	2	Bolt 3/8 x 5/8	
8	0641608	8	Bolt 3/8 x 1	
9	0641609	6	Bolt 3/8 x 1-1/8	
10	0641612	4	Bolt 3/8 x 1-1/2	
11	0641708	2	Bolt 7/16 x 1	
12	0681608	1	Bolt 3/8 x 1	
13	0681820	3	Bolt 1/2 x 2-1/2	
14	0681822	1	Bolt 1/2 x 2-3/4	
15	0700814	1	Bolt M8 x 30	
16	0741605	2	Screw 3/8 x 5/8	
17	0760605	2	Bolt M6 x 10	
18	0760810	9	Bolt M8 x 20	
19	0761015	2	Bolt M10 x 35	
20	0761210	1	Bolt M12 x 20	
21	0771212	6	Bolt M12 x 25	
22	0771414	2	Bolt M14 x 30	
23	0771415	3	Bolt M14 x 35	
24	0940070	1	Bumper	
25	0961986	2	Bushing	
26	1703162	1	Decal - Fan Blade	
27	2220315	1	Fitting, Straight Barbed	
28	2720015	3 ft /1 m	Hose	
29	2720340	1 ft /0.3 m	Hose	
30	3200401	4	Mount	
31	3271801	4	Nut 1/2	
32	3291005	2	Nut M10	
33	3310401	3	Nut #4	
34	3311405	8	Nut 1/4	
35	3311505	2	Nut 5/16	
36	3311605	17	Nut 3/8	
37	3580320	1	Pulley	
38	3910408	3	Screw #4 x 1/2	
39	3931432	1	Capscrew 1/4 x 2	
40	3931512	4	Capscrew 5/16 x 3/4	
41	3931628	4	Capscrew 3/8 x 1-3/4	
42	4031914	4	Capscrew M8 x 50	
43	4032014	4	Capscrew M10 x 50	
44	4060805	2 ft /0.4 m	Shield	
45	4240032	AR	Tie-Strap (Not Shown)	
46	4240099	AR	Tie-Strap (Not Shown)	
47	4640751	1	Valve, Oil Drain	
48	4711400	3	Washer 1/4	
49	4711500	5	Washer 5/16	

## SECTION 3 - ENGINE

ITEM	PART NUMBER	QTY	DESCRIPTION	REV
50	4711700	2	Washer 7/16	
51	4750400	3	Washer #4	
52	4751400	10	Washer 1/4	
53	4751500	4	Washer 5/16	
54	4751600	34	Washer 3/8	
55	4811702	2	Washer M6	
56	4811900	4	Washer M8	
57	4811902	8	Washer M8	
58	4812000	8	Washer M10	
59	4812100	7	Washer M12	
60	4812200	5	Washer M14	
61	4891800	4	Washer 1/2	
62	5240800	1	Washer M8	
63	5250810	2	Bolt M8 x 20	
64	8405007	2	Clamp	
65	8405009	4	Clamp	
66	8405104	4	Clamp	
67	8406102	1	Clip	
68	8406109	1	Clip	
69	8406110	1	Clip	
70	8410011	2	Clamp	
71	8410013	1	Clamp	
72	1001117308	1	Relay	
73	1001135138	1	Adapter	
74	1001135679	1	Adapter	
75	1001136834	1	Cap	
76	1001137276	1	Fan	
77	1001138173	1	Support	
78	1001138175	1	Bracket	
79	1001138228	1	Relay, Power Module	
79	70023593	1	Fuse 30Amp	
79	70023592	1	Fuse 20Amp	
80	1001138248	6 ft /2 m	Tube	
81	1001138489	1	Filter	
82	1001138557	1	Clamp	
83	1001139240	1	Bracket	
84	1001139409	4	Washer	
85	1001140448	1	Plate	
86	1001140450	1	Plate	
87	1001140454	1	Plate	
88	1001141304	1	Wire, Glow Fuse	
89	1001141370	1	Hose	
90	1001141585	1	Hose	
91	1001141995	1	Fitting, Straight NPT/Barbed	
92	1001143390	1	Indicator	
93	1001143797	1	Fitting, Straight Barbed	
94	1001143907	1	Cable, Alternator Power	
95	1001145154	1	Plate	
96	1001152489	1	Fitting, 90 Barbed	
97	1001153282	1	Pump Coupling Kit (See Separate Breakdown in this Section)	
98	1001167042	1	Radiator	

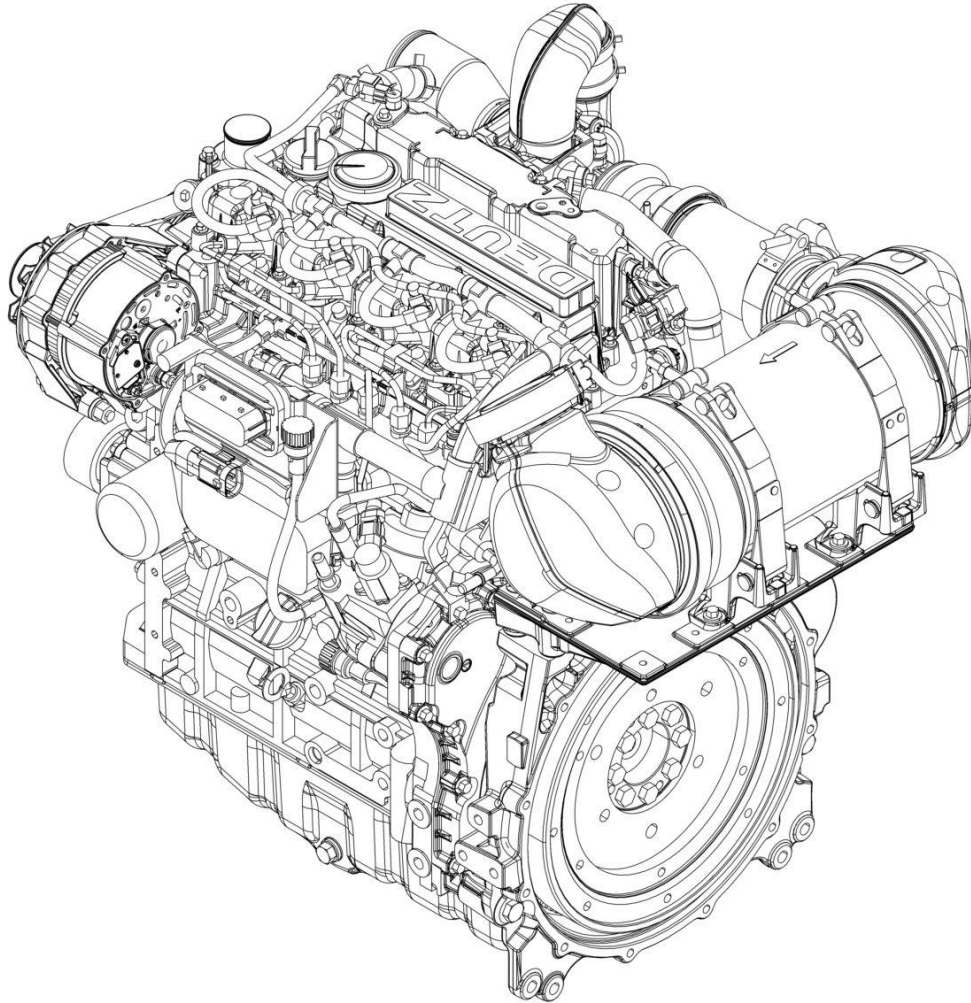
## SECTION 3 - ENGINE

ITEM	PART NUMBER	QTY	DESCRIPTION	REV
99	1001169054	4	Isolator	
100	1001169138	4	Pad	
101	1001177359	1	Hose	
102	1001177844	1	Hose, Radiator (Upper)	
103	1001177845	1	Hose, Radiator (Lower)	
104	1001178223	2	Bracket	
105	1001178876	1	Mount	
106	1001180620	AR	Adhesive	
107	1001181899	1	Clamp	
108	1001186985	1	Support	
109	1001190610	1	Support	
110	1001202368	1	Support	
111	1001204325	2	Bracket	
112	1001230635	1	Tank	
112	0100020	AR	Sealant	
112	1001134488	1	Fitting, 90 NPT/Barbed	
112	1001138827	1	Sensor, Coolant Level	
112	1001140564	1	Fitting, 90 NPT/Barbed	
112	1001229542	1	Tank	
113	1001235949	1	Bracket, Fuel Pump/Filter Assembly (Not Shown) (See Separate Breakdown in this Section)	
114	1001260412	1	Bracket	
115	1001260413	1	Bracket	
116	1001266525	1	Hose	
117	1001267256	1	Shim	
118	1001276644	1	Deutz Engine Harness (Not Shown) (See Separate Breakdown in ELECTRICAL Section)	
119	1001281985	1	Connector (Not Shown)	
120	1001281986	1	Connector (Not Shown)	
121	1001291401	1	Tag, Coolant	
122	1001301717	1	Deutz TD2.9L4 EMR5 Engine (See Separate Breakdown in this Section)	



## SECTION 3 - ENGINE

FIGURE 3-33. ENGINE COMPONENTS - DEUTZ D2.9L4 EMR5 ENGINE



ART\_1001301717



## SECTION 3 - ENGINE

**FIGURE 3-33. ENGINE COMPONENTS - DEUTZ D2.9L4 EMR5 ENGINE**

ITEM	PART NUMBER	QTY	DESCRIPTION	REV
	1001301717	Ref	DEUTZ ENGINE COMPONENTS	A
	See Note	Ref	Note: Additional components may be available. Contact JLG Customer Service for more details.	
		Ref	<b>AIR INTAKE COMPONENTS</b>	
		Ref	<b>COOLING SYSTEM COMPONENTS</b>	
	70031474	1	Cooler, Oil	
	70031388	1	Seal, Oil Cooler	
	70030360	1	Pump, Coolant (Includes Gasket & Sealing Rings)	
	70031055	1	O-Ring, Coolant Pump	
	70007325	1	Gasket	
	7020492	1	Seal	
	70007603	1	Thermostat	
	70005184	1	O-Ring, Thermostat	
	70005931	1	Gasket, Thermostat	
	70025142	1	Cover, Thermostat	
		Ref	<b>ELECTRICAL SYSTEM COMPONENTS</b>	
	70029512	1	Module, ECU/ECM	
	70024513	1	Sensor, Fuel Filter	
	70024504	2	Sensor, Fuel Pressure (at Fuel Filter & Side of Block) (Includes Seal)	
	70024920	2	Seal	
	70031144	1	Starter	
	70008435	1	Generator (Includes Voltage Regulator)	
	70031143	1	Regulator, Voltage	
	70025231	1	Harness, Glow Plug (Not Shown)	
		Ref	<b>Harness, Engine</b>	
	70028540	1	Sensor, Temperature (Includes O-Ring) (in Cylinder Head)	
	70026210	2	Sensor, Speed (Includes Seal) (Rear of Block & Front Cover)	
	70024507	1	Sensor, Pressure (Includes O-Ring) (Charge Manifold)	
	70031475	1	Sensor, Temperature (Includes O-Ring) (Charge Manifold)	
	70000345	4	Plug, Glow (Not Shown)	
		Ref	<b>EXHAUST SYSTEM COMPONENTS</b>	
	70025164	1	Gasket, Exhaust Manifold to Head	
	70025130	8	Bolt, Exhaust Manifold	
	70029557	1	Gasket, Exhaust Recirculation Pipe to Exhaust Manifold (Upper)	
	70007354	1	Gasket, Exhaust Recirculation Pipe (Lower)	
	70008434	1	Valve, EGR	
	70007326	1	Gasket, EGR Valve	
	70007327	1	Valve, Shuttle (EGR Module)	
	70004276	1	Turbocharger	
	70025242	2	Gasket (at Compensator)	
	70004504	1	Compensator	
	70030097	1	Clamp (Compensator Engine Side)	
	70030099	1	Clamp (Compensator Catalyst Side)	
	70029520	2	Gasket (on both ends of Catalyst)	
	70029517	2	Clamp (on both ends of Catalyst)	
	70007355	1	Muffler/Inlet	
		Ref	<b>FUEL SYSTEM COMPONENTS</b>	
	1001225430	1	Filter, Fuel (Primary)	

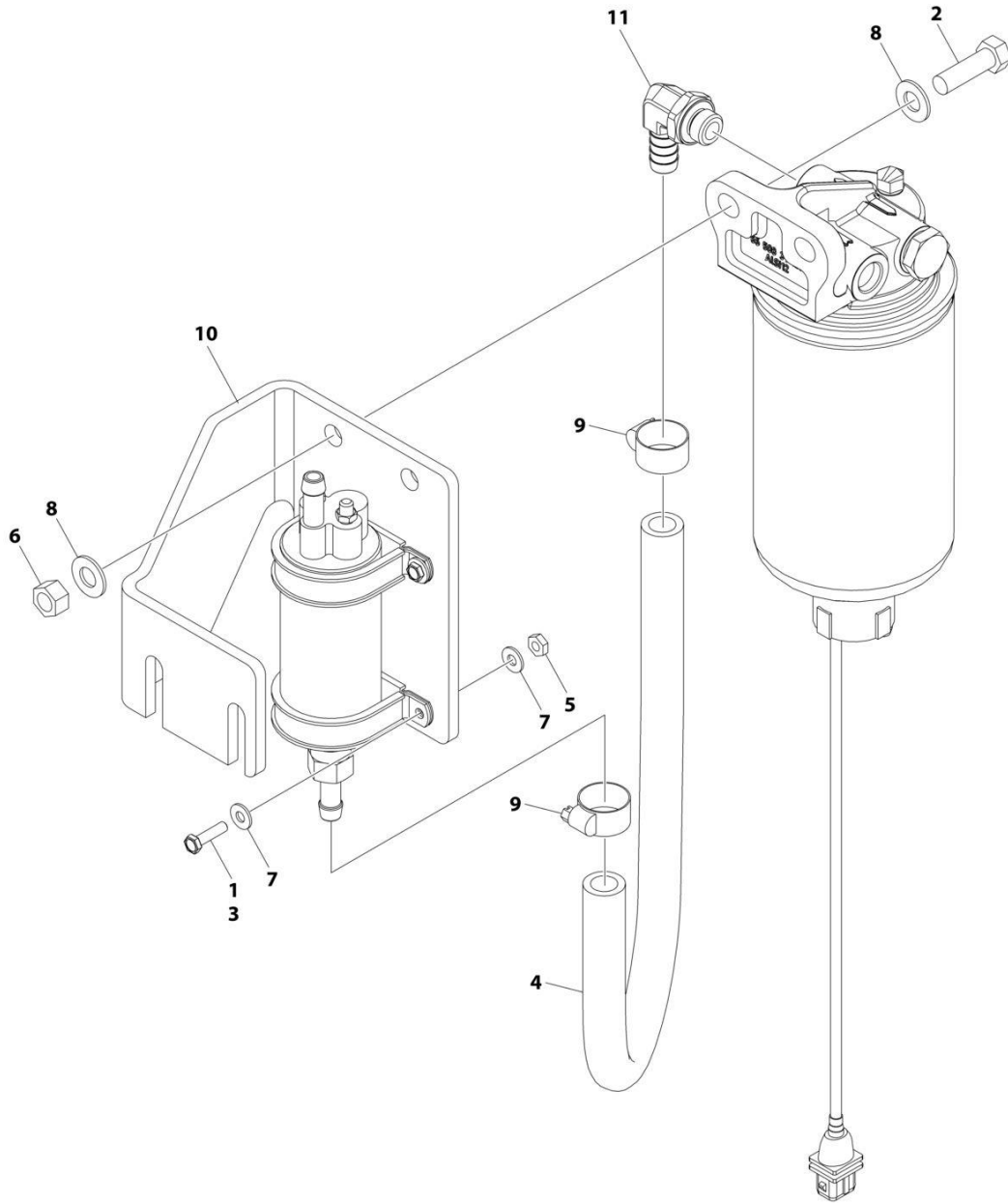
## SECTION 3 - ENGINE

ITEM	PART NUMBER	QTY	DESCRIPTION	REV
	1001225431	1	Filter, Fuel (Secondary)	
	70030381	1	Pump, Injection/High Pressure (Includes Control Valves, Gasket & O-Rings)	
	70025152	1	O-Ring (Between Pump AND Spacer)	
	70004505	1	Valve, Overflow	
	70004506	1	O-Ring	
	70004507	1	O-Ring	
	70004508	1	Valve, Volume Control	
	70004509	1	O-Ring	
	70004510	1	Gasket	
	70025181	4	Injector, Fuel (Includes O-Ring)	
	70025145	4	O-Ring	
	70008422	1	Pump, Fuel Supply	
	70025144	2	Clamp	
		Ref	<b>GASKETS &amp; SEAL &amp; KITS (Note: Some components listed with main component)</b>	
	70005938	1	Gasket Kit	
	70024906	1	Gasket, Head	
	70005171	1	Gasket, Valve Cover	
	70002718	1	Seal, Main (Rear)	
	70008296	1	Seal, Main (Front)	
	70028185	1	Gasket, Front Cover	
	70005176	1	O-Ring, Air Charge Pipe	
	70005177	1	Gasket, Air Charge Pipe	
	70031095	2	Gasket (EGR Module to Pipe & Pipe to Charge Manifold Elbow)	
		Ref	<b>LUBRICATION SYSTEM COMPONENTS</b>	
	7016331	1	Filter, Oil	
	70024904	1	Dipstick (Includes Seal)	
	70024905	1	Seal, Dipstick	
	7020465	2	Cap, Filler	
	70005941	2	Plug, Oil Drain	
	70005942	2	Ring, Oil Drain Plug Sealing	
	70005172	1	Pump, Oil Lube (Includes Gasket & O-Ring)	
	70025135	1	O-Ring	
	70005173	1	Gasket	
		Ref	<b>MECHANICAL COMPONENTS</b>	
	70001870	1	Flywheel (Includes Ring Gear)	
	7024579	1	Gear, Ring	
	70028699	1	Tensioner, Belt (Generator)	
	70027432	1	Idler (Generator Belt)	
	70004277	1	Belt, Generator Drive	



# SECTION 3 - ENGINE

## FIGURE 3-34. FUEL PUMP/FILTER BRACKET ASSEMBLY (DEUTZ TD2.9L4 ENGINES)



ART\_1001162335

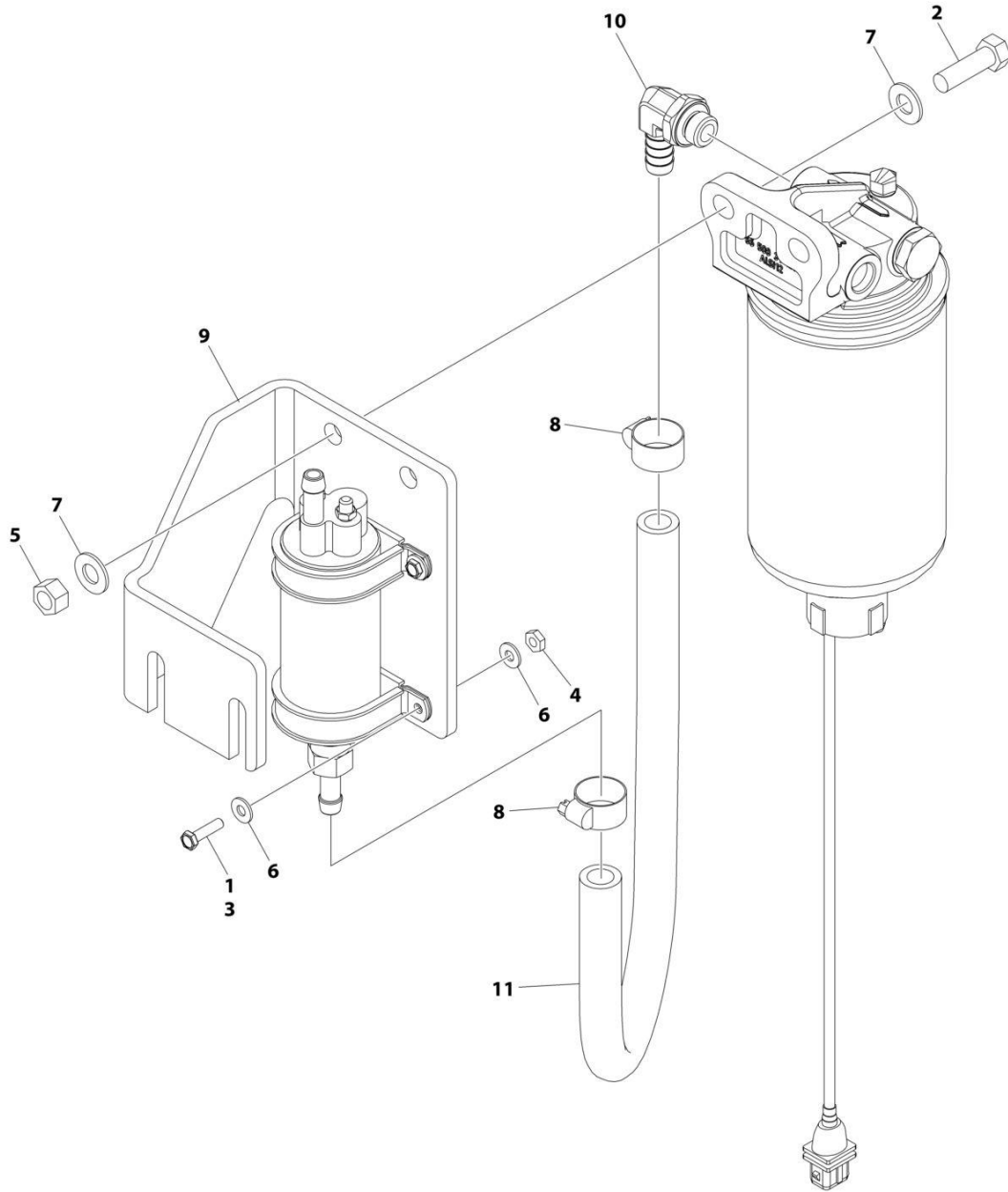
## SECTION 3 - ENGINE

**FIGURE 3-34. FUEL PUMP/FILTER BRACKET ASSEMBLY (DEUTZ TD2.9L4 ENGINES)**

ITEM	PART NUMBER	QTY	DESCRIPTION	REV
	1001162335	Ref	BRACKET ASSEMBLY - FUEL PUMP AND FILTER (DEUTZ D2.9L4 ENGINE)	E
1	0100011	AR	Compound, Locking	
2	0641610	2	Bolt 3/8 x 1-1/4	
3	0721006	4	Bolt #10 x 3/4	
4	1001154405	AR	Hose	
5	3311001	4	Nut #10	
6	3311605	2	Nut 3/8	
7	4711000	8	Washer #10	
8	4711600	4	Washer 3/8	
9	8405006	2	Clamp	
10	1001141870	1	Plate, Fuel Pump Mount	
11	1001142501	1	Fitting, Elbow Barbed	

# SECTION 3 - ENGINE

## FIGURE 3-35. FUEL PUMP/FILTER BRACKET ASSEMBLY (DEUTZ TD2.9L4 (STAGE V) ENGINES)



ART\_1001235949

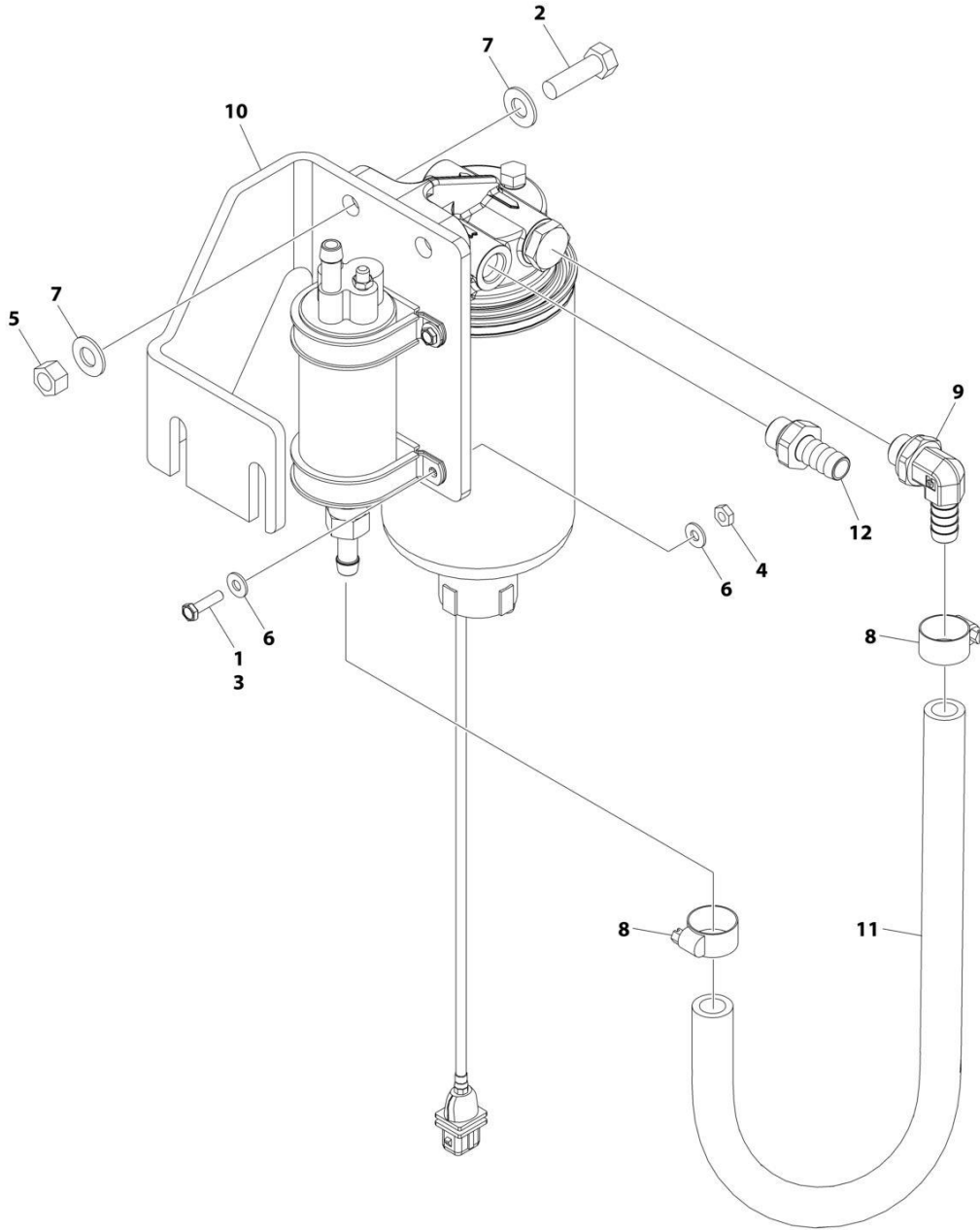
## SECTION 3 - ENGINE

**FIGURE 3-35. FUEL PUMP/FILTER BRACKET ASSEMBLY (DEUTZ TD2.9L4 (STAGE V) ENGINES)**

ITEM	PART NUMBER	QTY	DESCRIPTION	REV
	1001235949	Ref	BRACKET ASSEMBLY - FUEL PUMP AND FILTER (DEUTZ D2.9L4 (STAGE V) ENGINE)	A
1	0100035	AR	Compound, Locking	
2	0641610	2	Bolt 3/8 x 1-1/4	
3	0721006	4	Bolt #10 x 3/4	
4	3311001	4	Nut #10	
5	3311605	2	Nut 3/8	
6	4711000	8	Washer #10	
7	4711600	4	Washer 3/8	
8	8405006	2	Clamp	
9	1001141870	1	Plate, Fuel Pump Mount	
10	1001142501	1	Fitting, Elbow Barbed	
11	1001154405	1.5 ft /0.4m	Hose	

# SECTION 3 - ENGINE

## FIGURE 3-36. FUEL PUMP/FILTER BRACKET ASSEMBLY (DEUTZ TD2.9L4 ENGINES) (CHINA III ENGINES)



ART\_1001227224\_E



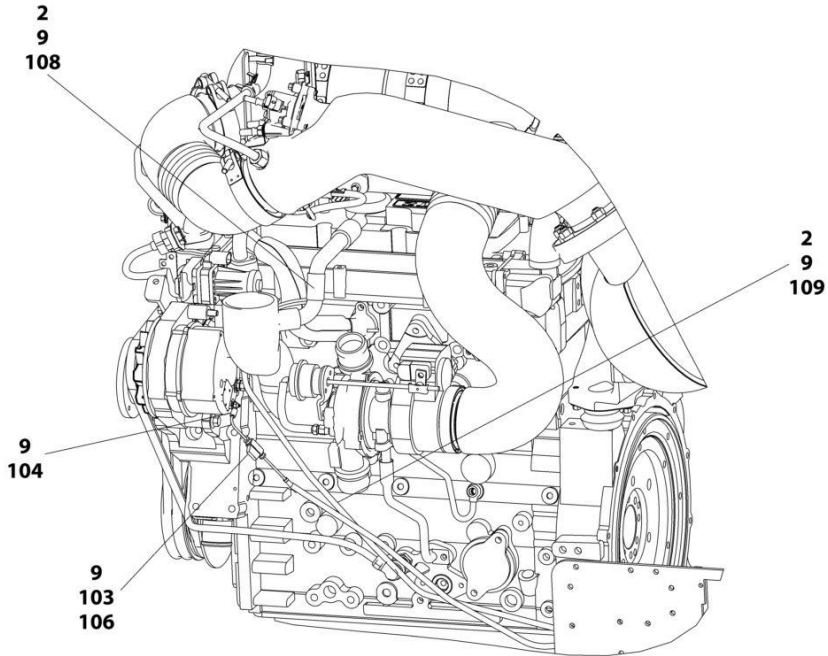
## SECTION 3 - ENGINE

**FIGURE 3-36. FUEL PUMP/FILTER BRACKET ASSEMBLY (DEUTZ TD2.9L4 ENGINES) (CHINA III ENGINES)**

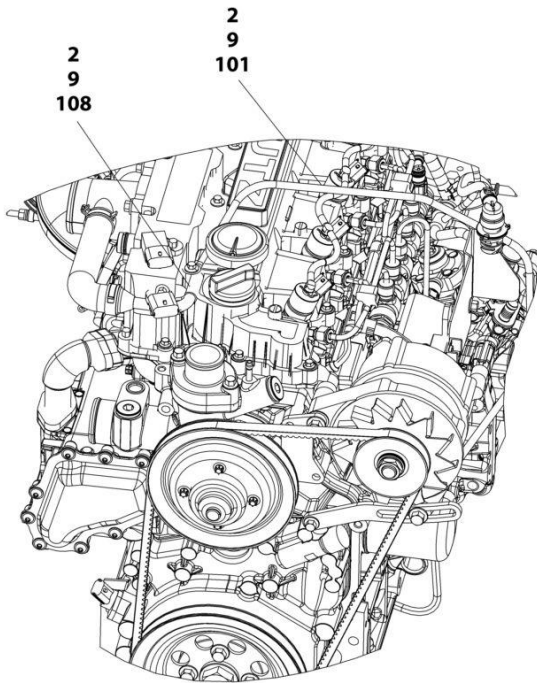
ITEM	PART NUMBER	QTY	DESCRIPTION	REV
	1001227224	Ref	BRACKET ASSEMBLY (LESS FUEL PUMP AND FILTER)	E
1	0100011	AR	Locking, Compound	
2	0641610	2	Bolt 3/8 x 1-1/4	
3	0721006	4	Bolt #10 x 3/4	
4	3311001	4	Nut #10	
5	3311605	2	Nut 3/8	
6	4711000	8	Washer #10	
7	4711600	4	Washer 3/8	
8	8405006	2	Clamp	
9	1001142501	1	Fitting, 90 Metric/Barbed	
10	1001141870	1	Plate, Fuel Pump Mount	
11	1001154405	AR	Hose	
12	1001141718	1	Fitting, Straight (Not Shown)	

# SECTION 3 - ENGINE

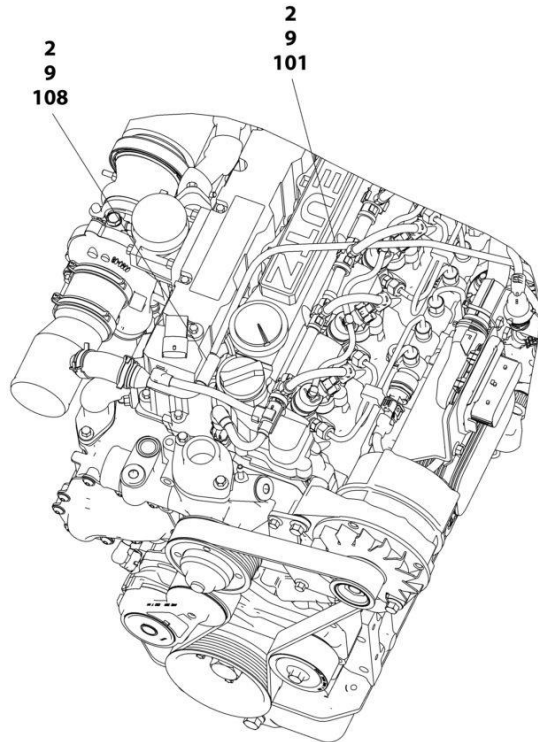
## FIGURE 3-37. BREATHER HEATER INST (DEUTZ TD2.9L4 ENGINES)



TDC3.6 ENGINES



D2.9L4 ENGINES



TCD2.9L4 AND TD2.9L4 ENGINES

ART\_1001233763

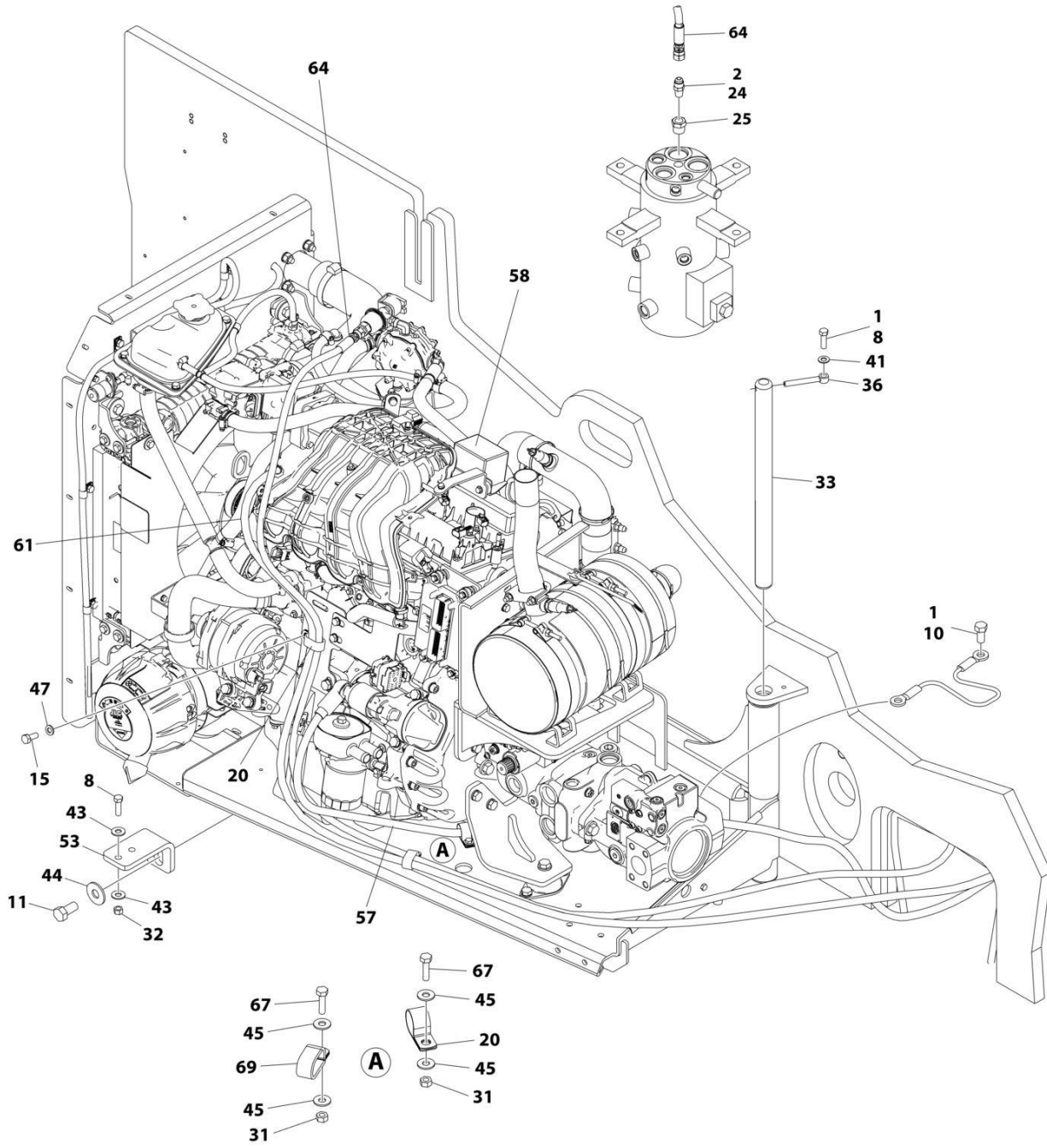
## SECTION 3 - ENGINE

### FIGURE 3-37. BREATHER HEATER INST (DEUTZ TD2.9L4 ENGINES)

ITEM	PART NUMBER	QTY	DESCRIPTION	REV
	1001233763	Ref	BREATHER HEATER INSTALLATION - DEUTZ ENGINES	D
2	4240099	AR	Tie-Strap	
9	1001243895	1	Breather Heater Harness	C
101	2820035	AR	Insulation	
103	2400060	1	Fuseholder with Cover	
104	4460043	1	Terminal, Ring	
105	4460722	1	Terminal, Ring (Not Shown)	
106	1001196634	1	Fuse - 2 Amp	
108	1001232842	1	Breather Heater Kit	

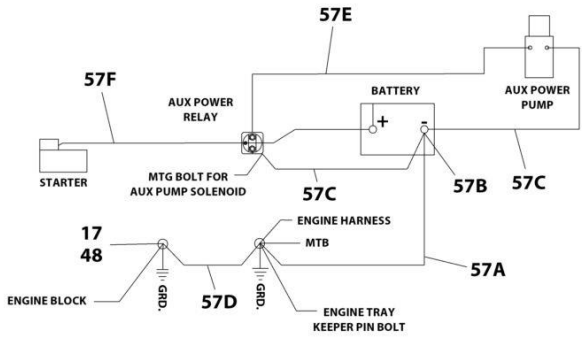
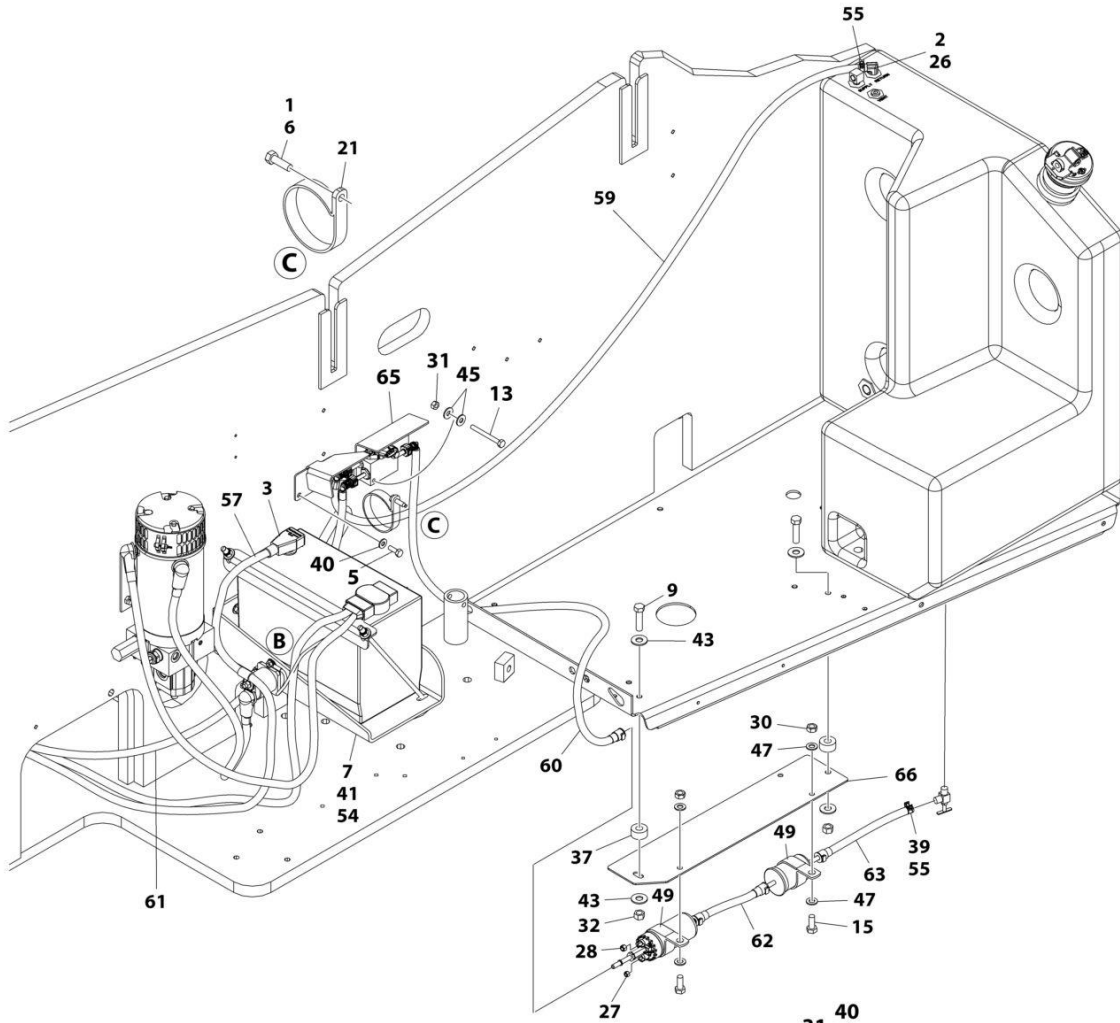
# SECTION 3 - ENGINE

## FIGURE 3-38. FORD ENGINE INSTALLATION (WITHOUT ARCTIC PACKAGE)

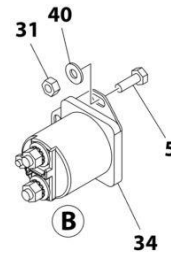


ART\_1001217199\_10F2

# SECTION 3 - ENGINE



**BATTERY CABLE KIT - ITEM 57**



ART\_1001217199\_20F2

## SECTION 3 - ENGINE

**FIGURE 3-38. FORD ENGINE INSTALLATION (WITHOUT ARCTIC PACKAGE)**

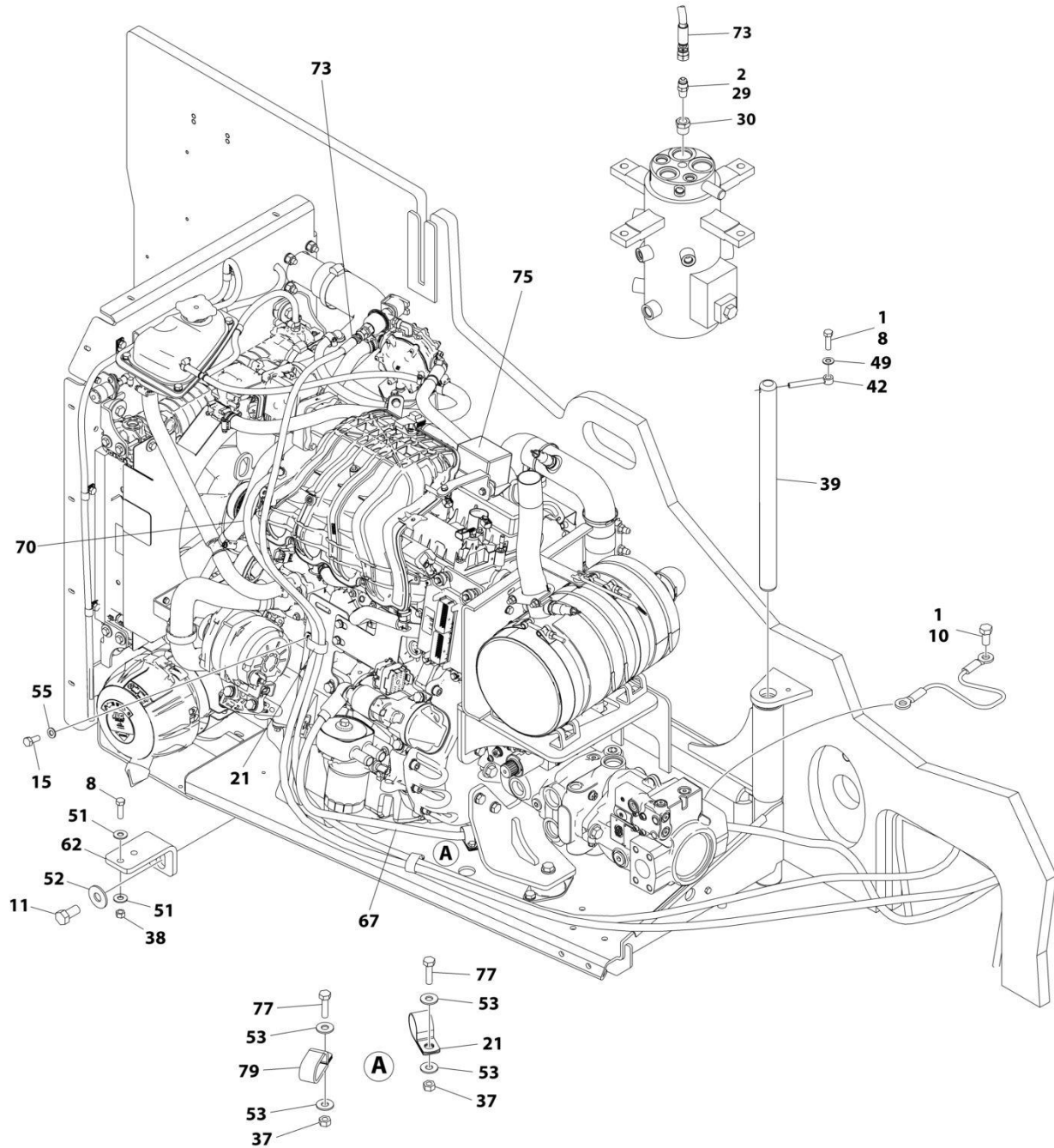
ITEM	PART NUMBER	QTY	DESCRIPTION	REV
	1001217199	Ref	Ford Engine Installation without Arctic Package	H
1	0100011	AR	Compound, Locking	
2	0100020	AR	Sealant	
3	0100048	AR	Grease, Terminal	
5	0641406	4	Bolt 1/4 x 3/4	
6	0641508	1	Bolt 5/16 x 1	
7	0641607	3	Bolt 3/8 x 7/8	
8	0641610	3	Bolt 3/8 x 1-1/4	
9	0641612	2	Bolt 3/8 x 1-1/2	
10	0641808	1	Bolt 1/2 x 1	
11	0642010	1	Bolt 5/8 x 1-1/4	
13	0641420	2	Bolt 1/4 x 2-1/2	
15	0760810	3	Bolt M8 x 20	
17	0761008	1	Bolt M10 x 16	
20	1321283	2	Clamp	
21	1321339	1	Clamp	
22	1701542	1	Decal - Gas (Not Shown)	
23	1701543	2	Decal - LPG (Not Shown)	
24	2180418	1	Fitting, Straight	
25	2221197	1	Fitting, Reducer NPT/NPT	
26	2221176	1	Fitting, 90	
27	3290405	1	Nut M4	
28	3290505	1	Nut M5	
30	3290801	2	Nut M8	
31	3311405	6	Nut 1/4	
32	3311605	4	Nut 3/8	
33	3422446	1	Pin	
34	3740067	1	Relay	
35	3790012	1	O-Ring (Not Shown - Located on Platform Console Box)	
36	3841143	1	Keeper, Pin	
37	4071122	2	Shim	
38	4360336	1	Switch, Toggle (Not Shown - Located on Platform Console Box)	
39	1001221488	1	Tube, Fuel Line	
40	4711400	6	Washer 1/4	
41	4711600	4	Washer 3/8	
43	4751600	8	Washer 3/8	
44	4752000	1	Washer 5/8	
45	4751400	8	Washer 1/4	
47	4811900	5	Washer M8	
48	4812000	1	Washer M10	
49	85941018	2	Clamp	
53	1001153359	1	Mount	
54	1001162497	1	Bracket, Battery	
55	1001174486	2	Clamp	
57	1001216568	1	Battery Cable Kit	B
57A	7027084	1	Cable, Battery - Ground to Battery -	
57B	8270147	1	Terminal, Battery with Boot	
57C	7027085	1	Cable, Battery - Auxiliary Pump/Relay to Battery -	
57D	7027086	1	Cable, Battery - Engine to Ground	
57E	7027088	1	Cable, Battery - Auxiliary Relay to Auxiliary Pump	

## SECTION 3 - ENGINE

ITEM	PART NUMBER	QTY	DESCRIPTION	REV
57F	70009020	1	Cable, Battery - Starter/Auxiliary Relay to Battery +	
58	1001217192	1	Ford Engine and Pump Sub-Assembly (Without Arctic Package) (See Separate Breakdown in this Section)	
59	1001219364	1	Hose	
60	1001219365	1	Hose	
61	1001219366	1	Hose	
62	1001219367	1	Hose	
63	1001219368	1	Hose	
64	1001219369	1	Hose	
65	1001219370	1	Bracket	
66	1001219809	1	Bracket	
67	0641408	2	Bolt 1/4 x 1	
69	8406201	1	Clip	
70	4240099	AR	Tie-Strap (Not Shown)	

# SECTION 3 - ENGINE

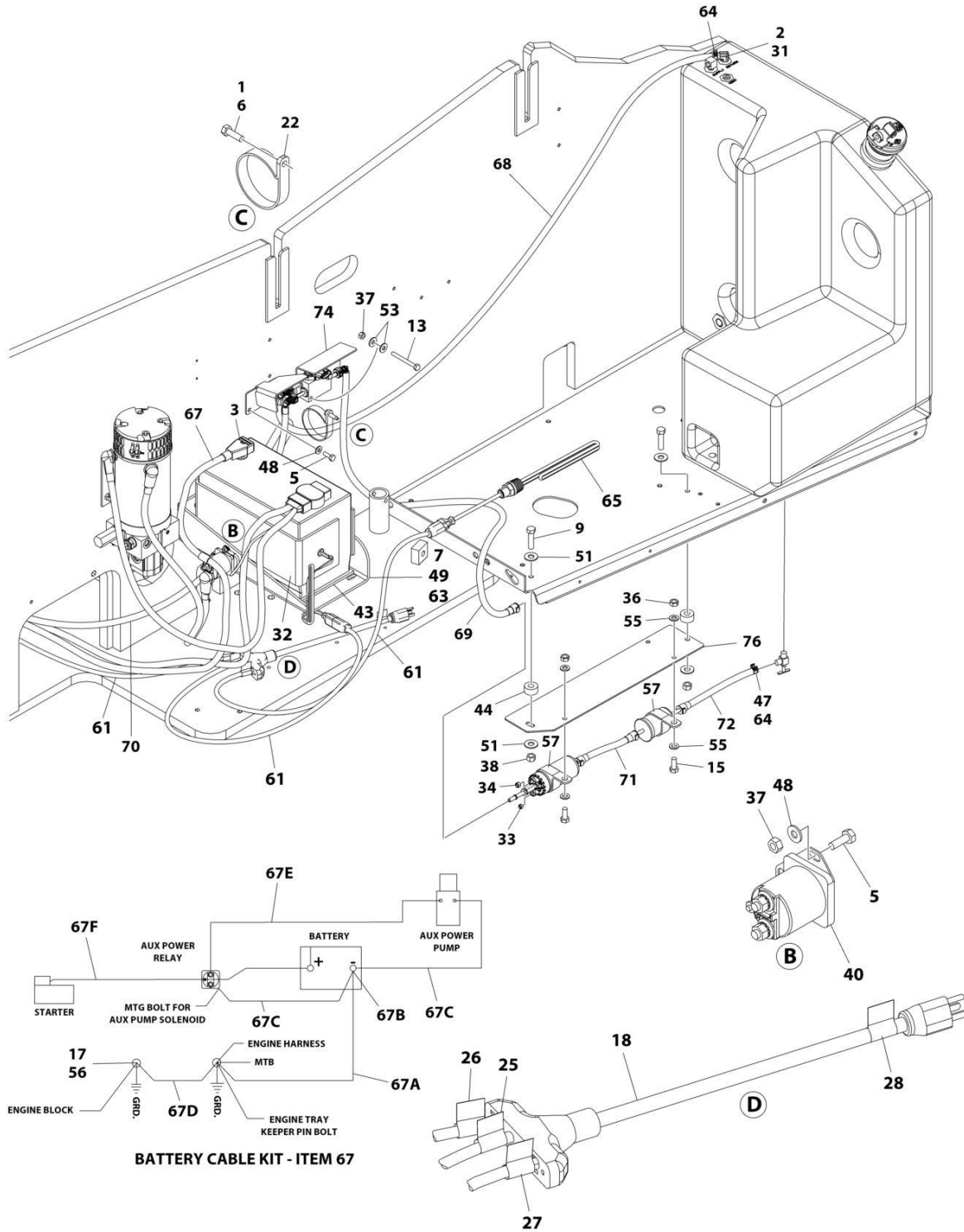
## FIGURE 3-39. FORD ENGINE INSTALLATION (WITH ARCTIC PACKAGE)



ART\_1001219610\_10F2



# SECTION 3 - ENGINE



ART\_1001219610\_20F2

## SECTION 3 - ENGINE

**FIGURE 3-39. FORD ENGINE INSTALLATION (WITH ARCTIC PACKAGE)**

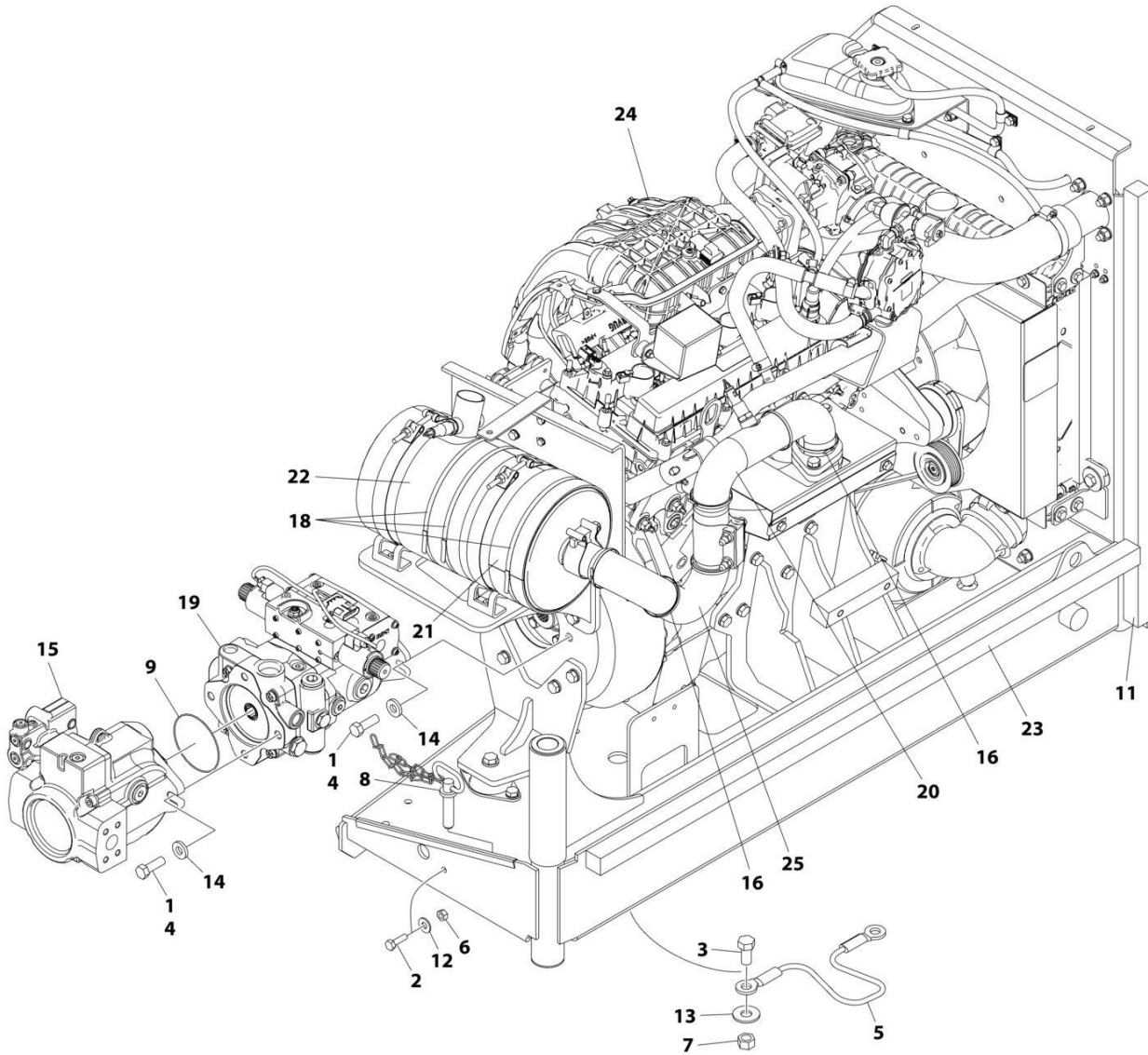
ITEM	PART NUMBER	QTY	DESCRIPTION	REV
	1001219610	Ref	FORD ENGINE INSTALLATION (WITH ARCTIC PACKAGE)	H
1	0100011	AR	Compound, Locking	
2	0100020	AR	Sealant	
3	0100048	AR	Grease, Terminal	
5	0641406	4	Bolt 1/4 x 3/4	
6	0641508	1	Bolt 5/16 x 1	
7	0641607	3	Bolt 3/8 x 7/8	
8	0641610	3	Bolt 3/8 x 1-1/4	
9	0641612	2	Bolt 3/8 x 1-1/2	
10	0641808	1	Bolt 1/2 x 1	
11	0642010	1	Bolt 5/8 x 1-1/4	
13	0641420	2	Bolt 1/4 x 2-1/2	
15	0760810	3	Bolt M8 x 20	
17	0761008	1	Bolt M10 x 16	
18	1060626	1	Plug, 3 Way	
21	1321283	2	Clamp	
22	1321339	1	Clamp	
23	1701542	1	Decal - Gas (Not Shown)	
24	1701543	2	Decal - LPG (Not Shown)	
25	1702941	1	Decal - Battery Heater	
26	1702942	1	Decal - Engine Block Heater	
27	1702943	1	Decal - Hydraulic Tank Heater	
28	1702944	1	Decal - Heater Cord	
29	2180418	1	Fitting, Straight	
30	2221197	1	Fitting, Reducer NPT/NPT	
31	2221176	1	Fitting, 90	
32	2580024	1	Heater, Battery	
33	3290405	1	Nut M4	
34	3290505	1	Nut M5	
36	3290801	2	Nut M8	
37	3311405	6	Nut 1/4	
38	3311605	4	Nut 3/8	
39	3422446	1	Pin	
40	3740067	1	Relay	
41	3790012	1	O-Ring (Not Shown - Located on Platform Console Box)	
42	3841143	1	Keeper, Pin	
43	3980007	1	Seat, Battery	
44	4071122	2	Shim	
45	4240099	AR	Tie-Strap (Not Shown)	
46	4360336	1	Switch, Toggle (Not Shown - Located on Platform Console Box)	
47	1001221488	1	Tube, Fuel Line	
48	4711400	6	Washer 1/4	
49	4711600	4	Washer 3/8	
51	4751600	8	Washer 3/8	
52	4752000	1	Washer 5/8	
53	4751400	8	Washer 1/4	
55	4811900	5	Washer M8	
56	4812000	1	Washer M10	
57	85941018	2	Clamp	
61	1001150918	1	Cable, Immersion Heater	

## SECTION 3 - ENGINE

ITEM	PART NUMBER	QTY	DESCRIPTION	REV
62	1001153359	1	Mount	
63	1001162497	1	Bracket, Battery	
64	1001174486	2	Clamp	
65	1001188972	1	Heater, Hydraulic Tank	
67	1001216568	1	Battery Cable Kit	B
67A	7027084	1	Cable, Battery - Ground to Battery -	
67B	8270147	1	Terminal, Battery with Boot	
67C	7027085	1	Cable, Battery - Auxiliary Pump/Relay to Battery -	
67D	7027086	1	Cable, Battery - Engine to Ground	
67E	7027088	1	Cable, Battery - Auxiliary Relay to Auxiliary Pump	
67F	70009020	1	Cable, Battery - Starter/Auxiliary Relay to Battery +	
68	1001219364	1	Hose	
69	1001219365	1	Hose	
70	1001219366	1	Hose	
71	1001219367	1	Hose	
72	1001219368	1	Hose	
73	1001219369	1	Hose	
74	1001219370	1	Bracket	
75	1001219609	1	Ford Engine and Pump Sub-Assembly (with Arctic Package) (See Separate Breakdown in this Section)	
76	1001219809	1	Bracket	
77	0641408	1	Bolt 1/4 x 1	
79	8406201	1	Clip, Tube	

# SECTION 3 - ENGINE

## FIGURE 3-40. FORD ENGINE AND PUMP SUB-ASSEMBLY (WITHOUT ARCTIC PACKAGE)



ART\_1001217192

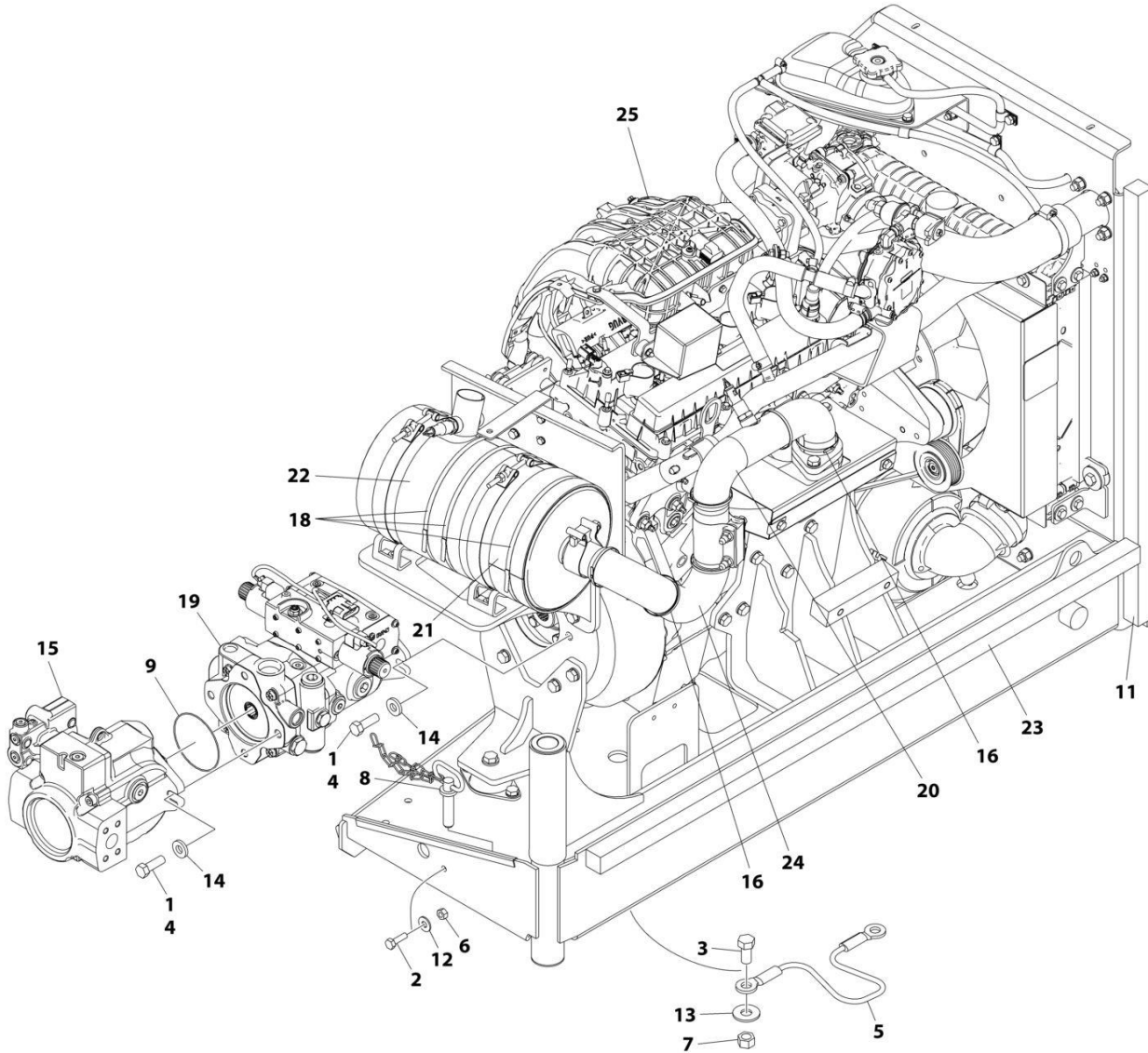
## SECTION 3 - ENGINE

**FIGURE 3-40. FORD ENGINE AND PUMP SUB-ASSEMBLY (WITHOUT ARCTIC PACKAGE)**

ITEM	PART NUMBER	QTY	DESCRIPTION	REV
	1001217192	Ref	FORD ENGINE AND PUMP SUB-ASSEMBLY (WITHOUT ARCTIC PACKAGE)	G
1	0100011	AR	Compound, Locking	
2	0641407	1	Bolt 1/4 x 7/8	
3	0641808	1	Bolt 1/2 x 1	
4	0641812	4	Bolt 1/2 x 1-1/2	
5	1060637	1	Cable, Lanyard	
6	3311405	1	Nut 1/4	
7	3311805	1	Nut 1/2	
8	3422532	1	Pin	
9	3790044	1	O-Ring	
11	3960469	1	Seal	
12	4751400	1	Washer 1/4	
13	4751800	1	Washer 1/2	
14	4891800	4	Washer 1/2	
15	1001094595	1	Variable Pump Assembly (See Separate Breakdown in this Section)	
16	1001100825	6	Strap	
18	1001221464	3	Strap	
19	1001225745	1	Hydrostatic Pump Assembly (See Separate Breakdown in this Section)	
20	1001216532	1	Insulate, Exhaust Pipe	
21	1001216534	1	Insulate, Muffler	
22	1001216535	1	Insulate, Muffler	
23	1001217170	1	Seal	
24	1001217191	1	Ford Engine Assembly without Arctic Package (See Separate Breakdown in this Section)	
25	1001218085	1	Insulate, Exhaust Pipe	

# SECTION 3 - ENGINE

## FIGURE 3-41. FORD ENGINE AND PUMP SUB-ASSEMBLY (WITH ARCTIC PACKAGE)



ART\_1001219609

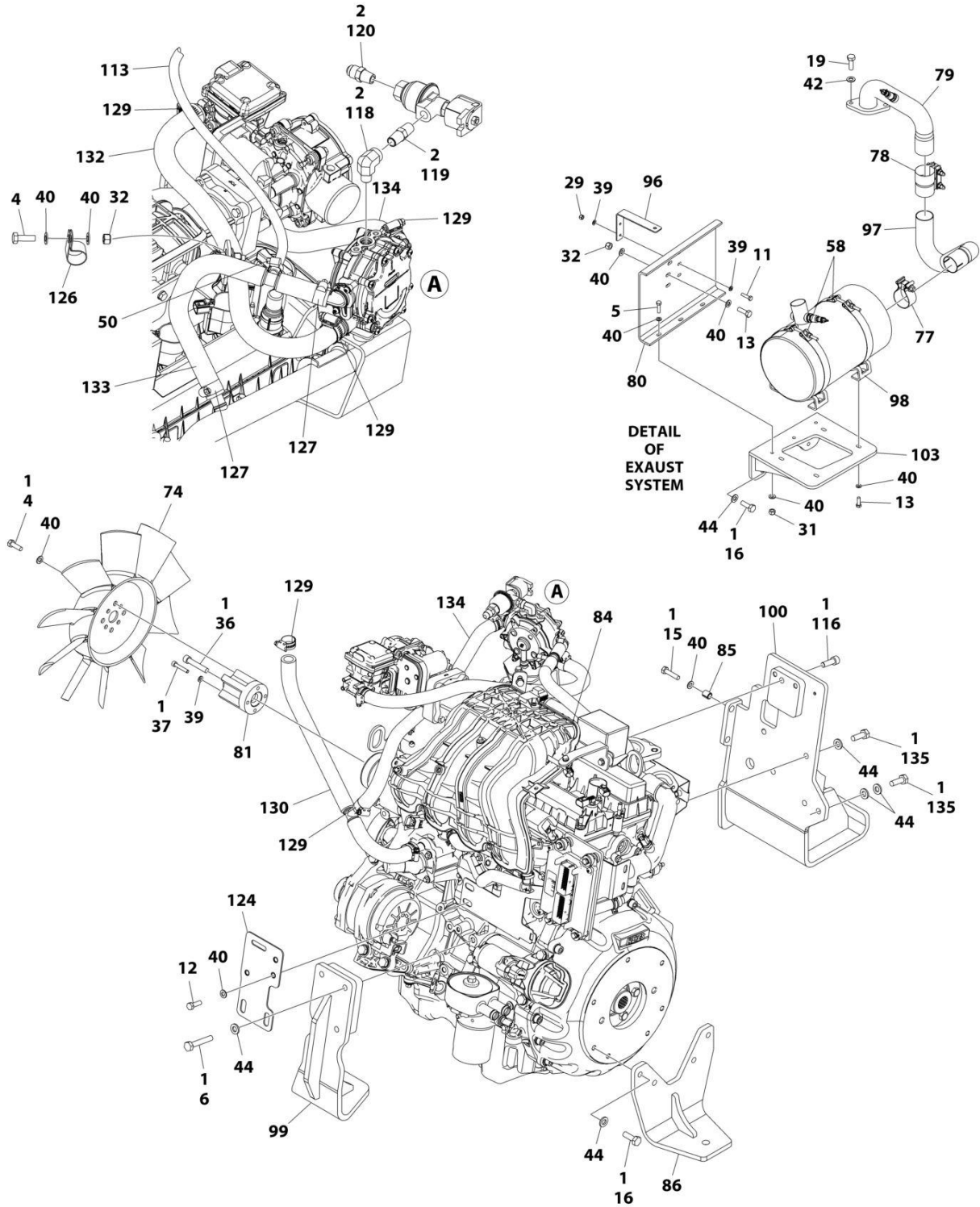
## SECTION 3 - ENGINE

**FIGURE 3-41. FORD ENGINE AND PUMP SUB-ASSEMBLY (WITH ARCTIC PACKAGE)**

ITEM	PART NUMBER	QTY	DESCRIPTION	REV
	1001219609	Ref	FORD ENGINE AND PUMP SUB-ASSEMBLY (WITH ARCTIC PACKAGE)	E
1	0100011	AR	Compound, Locking	
2	0641407	1	Bolt 1/4 x 7/8	
3	0641808	1	Bolt 1/2 x 1	
4	0641812	4	Bolt 1/2 x 1-1/2	
5	1060637	1	Cable, Lanyard	
6	3311405	1	Nut 1/4	
7	3311805	1	Nut 1/2	
8	3422532	1	Pin	
9	3790044	1	O-Ring	
11	3960469	1	Seal	
12	4751400	1	Washer 1/4	
13	4751800	1	Washer 1/2	
14	4891800	4	Washer 1/2	
15	1001094595	1	Variable Pump Assembly (See Separate Breakdown in this Section)	
16	1001100825	6	Strap	
18	1001137336	3	Strap	
19	1001225745	1	Hydrostatic Pump Assembly (See Separate Breakdown in this Section)	
20	1001216532	1	Insulate, Exhaust Pipe	
21	1001216534	1	Insulate, Muffler	
22	1001216535	1	Insulate, Muffler	
23	1001217170	1	Seal	
24	1001218085	1	Insulate, Exhaust Pipe	
25	1001219608	1	Ford Engine Assembly with Arctic Package (See Separate Breakdown in this Section)	

# SECTION 3 - ENGINE

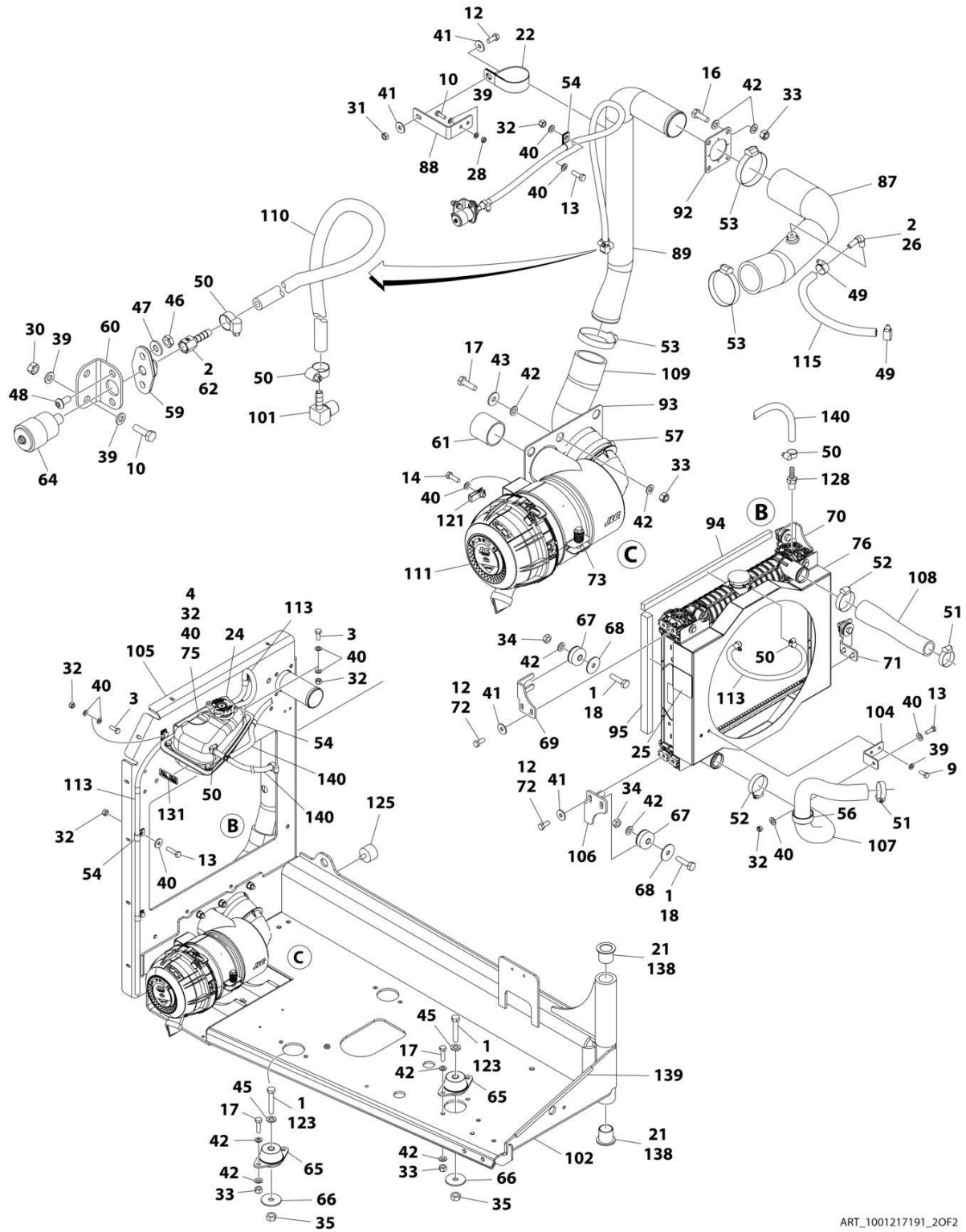
## FIGURE 3-42. FORD ENGINE ASSEMBLY (WITHOUT ARCTIC PACKAGE)



ART\_1001217191\_10F2



# SECTION 3 - ENGINE



ART\_1001217191\_2OF2

## SECTION 3 - ENGINE

**FIGURE 3-42. FORD ENGINE ASSEMBLY (WITHOUT ARCTIC PACKAGE)**

ITEM	PART NUMBER	QTY	DESCRIPTION	REV
	1001217191	Ref	FORD ENGINE ASSEMBLY	S
1	0100011	AR	Compound, Locking	
2	0100020	AR	Sealant	
3	0700810	3	Bolt 8 x 20	
4	0700812	7	Bolt 8 x 25	
5	0700814	3	Bolt 8 x 30	
6	0711020	3	Bolt M10 x 60	
9	0760608	2	Bolt 6 x 16	
10	0760610	4	Bolt M6 x 20	
11	0760612	2	Bolt 6 x 25	
12	0760810	11	Bolt M8 x 20	
13	0760812	12	Bolt M8 x 25	
14	0760814	2	Bolt M8 x 30	
15	0760815	2	Bolt M8 x 35	
16	0761014	11	Bolt M10 x 30	
17	0761015	12	Bolt M10 x 35	
18	0761016	4	Bolt M10 x 40	
19	0771014	2	Bolt 10 x 30	
21	0961986	2	Bearing, Flange	
22	1320110	1	Clamp	
23	1001187781	1	Tie-Strap (Not Shown)	
24	1001223584	1	Tank, Surge	
25	1703162	2	Decal - Fan Blade	
26	2180467	1	Fitting, Straight NPT/Barb	
28	3290601	2	Nut M6	
29	3290605	2	Nut M6	
30	3290607	2	Nut M6	
31	3290801	4	Nut M8	
32	3290805	14	Nut M8	
33	3291005	16	Nut M10	
34	3291001	4	Nut M10	
35	3291201	3	Nut M12	
36	3931644	1	Screw 3/8 x 2-3/4	
37	4031711	4	Capscrew M6 x 35	
38	4240099	AR	Tie-Strap (Not Shown)	
39	4811700	18	Washer M6	
40	4811900	48	Washer M8	
41	4811902	10	Washer M8	
42	4812000	38	Washer M10	
43	4812002	6	Washer M10	
44	5241000	15	Washer M10	
45	5241200	3	Washer M12	
46	8305401	2	Nut Jam	
47	8307109	2	Washer	
48	8310548	2	Screw 1/4 x 1/2	
49	8405006	2	Clamp	
50	8405009	5	Gear	
51	8405102	2	Clamp	
52	8405104	2	Clamp	
53	8405203	3	Clamp	

## SECTION 3 - ENGINE

ITEM	PART NUMBER	QTY	DESCRIPTION	REV
54	8406109	6	Clip	
56	8410001	1	Clamp	
57	8410011	1	Clamp	
58	1001128901	2	Strap	
59	1001138173	1	Support	
60	1001138175	1	Bracket	
61	1001141585	1	Hose	
62	1001141995	2	Fitting, Straight NPT/Barbed	
64	1001149639	1	Indicator, Restriction	
65	1001191610	3	Mount, Motor	
66	1001168018	3	Washer	
67	1001169054	4	Isolator	
68	1001169138	4	Pad, Snubbing	
69	1001169967	1	Bracket	
70	1001170035	1	Bracket	
71	1001176329	1	Bracket	
72	1001180620	AR	Adhesive	
73	1001186426	1	Clamp	
74	1001223042	1	Fan	
75	1001225442	1	Bracket	
76	1001223923	1	Radiator	
77	1001215681	1	Clamp	
78	1001215974	1	Clamp	
79	1001216075	1	Pipe, Exhaust	
80	1001216092	1	Shield, Heat	
81	1001216201	1	Adapter	
84	1001216910	1	Ford Engine Prep Assembly (See Separate Breakdown in this Section)	
85	1001216919	2	Sleeve	
86	1001290252	1	Mount, Engine Rear	
87	1001217032	1	Tube	
88	1001217046	1	Bracket	
89	1001217090	1	Tube	
92	1001217174	1	Seal	
93	1001217175	1	Seal	
94	1001217183	2	Seal	
95	1001217185	2	Seal	
96	1001217186	1	Support	
97	1001217317	1	Pipe	
98	1001217543	2	Mount	
99	1001218362	1	Mount	
100	1001218449	1	Bracket	
101	1001134488	1	Fitting	
102	1001219259	1	Support	
103	1001219345	1	Muffler	
104	1001219361	1	Support	
105	1001219363	1	Plate	
106	1001219480	1	Bracket	
107	1001219611	1	Hose	
108	1001219612	1	Hose	
109	1001219613	1	Tube	

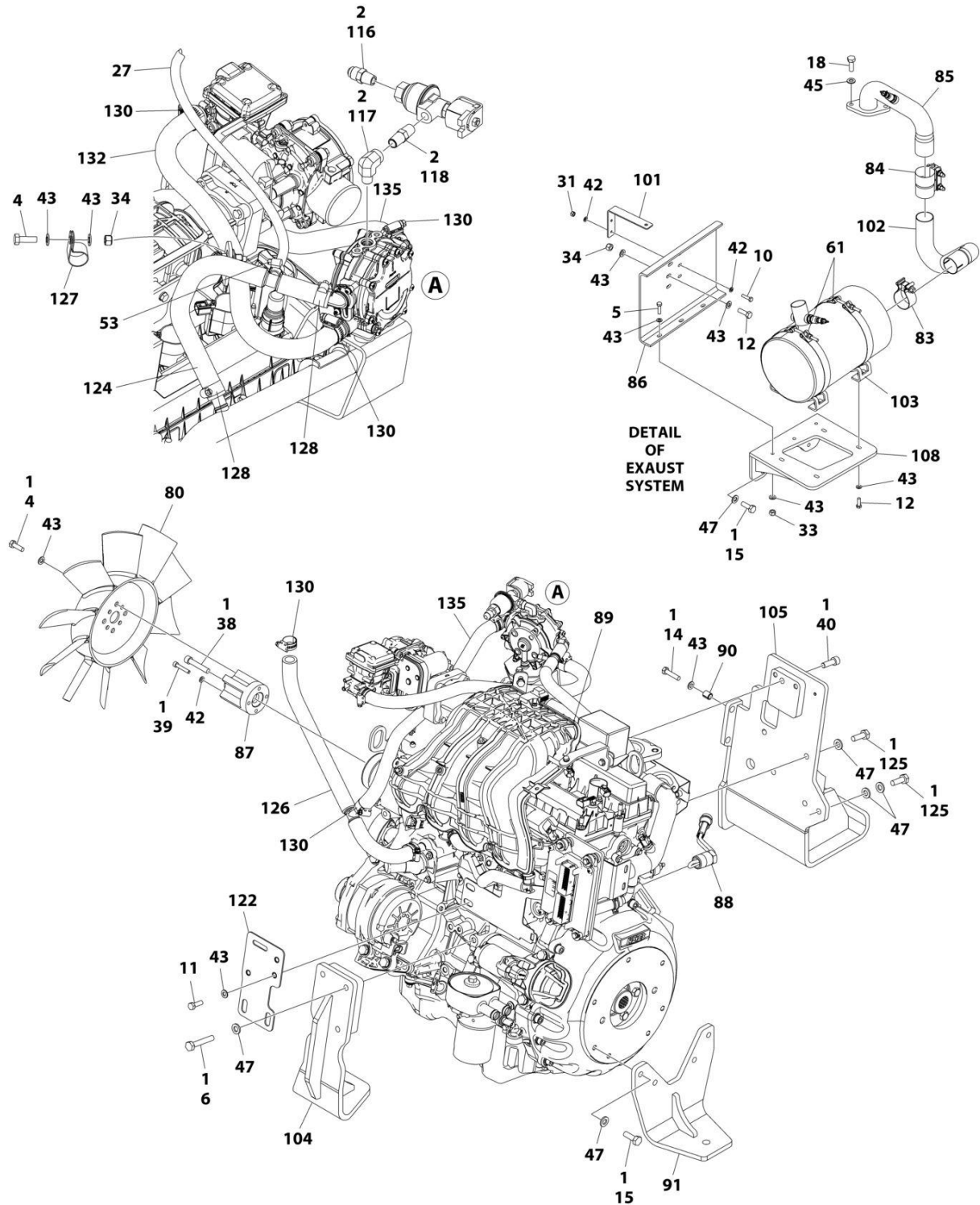
## SECTION 3 - ENGINE

ITEM	PART NUMBER	QTY	DESCRIPTION	REV
110	1001138248	31 in/ 77cm	Tube	
111	1001189979	1	Air Filter Assembly	
111	70005008	1	Element, Filter - Primary	
111	70006460	1	Element, Filter -Secondary	
111	8273291	1	Valve, Dust Evacuator	
111	70006461	1	Cover	
113	2720058	55 in/ 1.5m	Hose	
115	1001165035	10 26cm	Hose	
116	5272010	1	Bolt M10 x 30	
118	1001247359	1	Fitting, 90 FSNPSM/NPTF	
119	2220261	1	Fitting	
120	2180418	1	Fitting	
121	1001221615	2	Nut M8	
123	0711223	3	Bolt 12 x 75	
124	1001222033	1	Plate	
125	0940070	1	Bumper	
126	8406201	1	Clip	
127	8410009	2	Gear Clamp	
128	2180348	1	Fitting	
129	1001173535	6	Clamp	
130	1001224489	1	Hose	
131	1001225510	1	Decal	
132	1001216531	1	Hose	
133	1001227666	1	Hose	
134	1001224486	1	Hose	
135	0711014	5	Bolt 10 x 30	
138	0100062	AR	Compound Locking	
139	4060805	16 in/ 41cm	Shield	
140	1001227667	1	Hose	
141	1001303818	1	Washer M10	



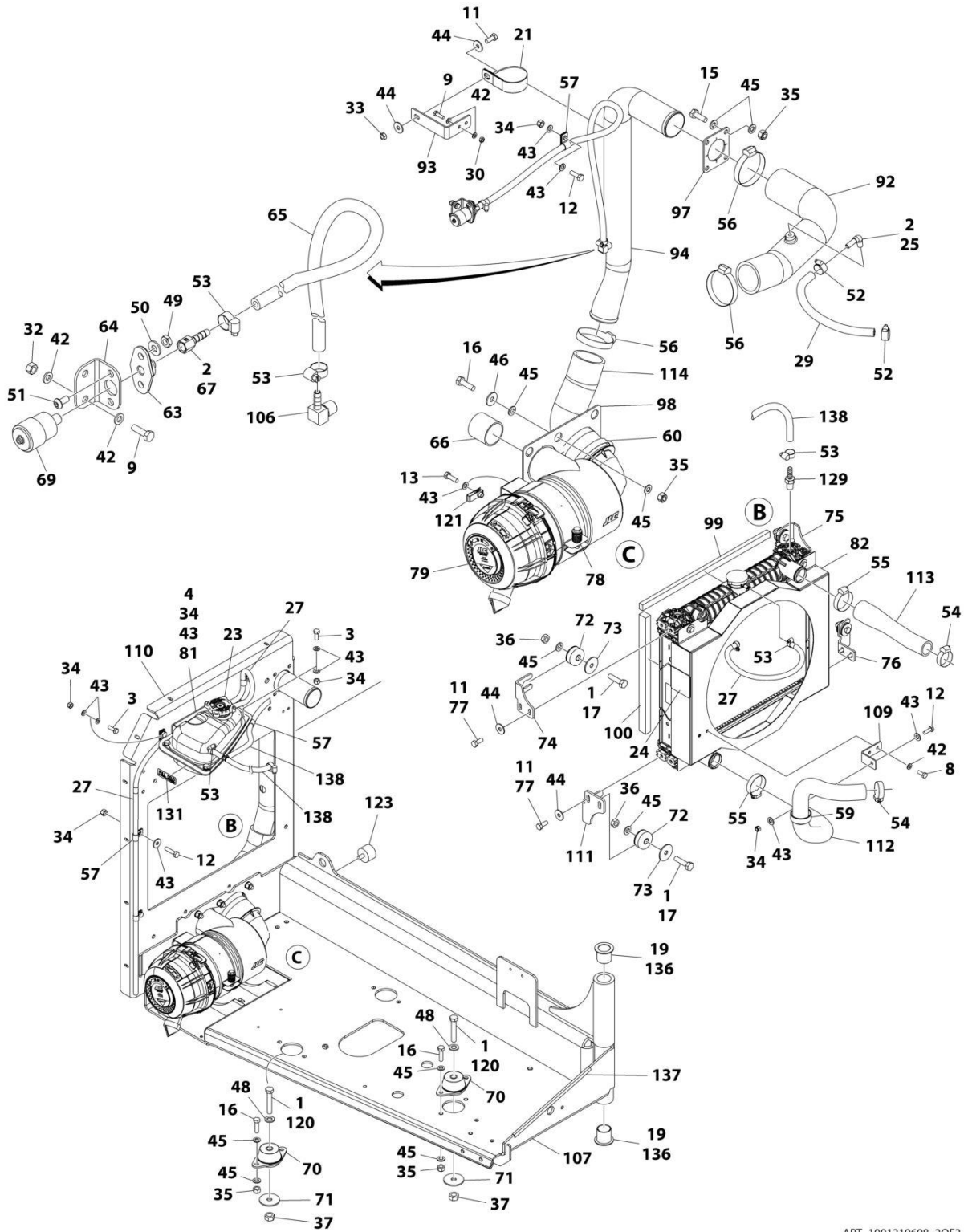
# SECTION 3 - ENGINE

## FIGURE 3-43. FORD ENGINE ASSEMBLY (WITH ARCTIC PACKAGE)



ART\_1001219608\_10F2

# SECTION 3 - ENGINE



ART\_1001219608\_2OF2

## SECTION 3 - ENGINE

**FIGURE 3-43. FORD ENGINE ASSEMBLY (WITH ARCTIC PACKAGE)**

ITEM	PART NUMBER	QTY	DESCRIPTION	REV
	1001219608	Ref	FORD ENGINE ASSEMBLY	P
1	0100011	AR	Compound, Locking	
2	0100020	AR	Sealant	
3	0700810	3	Bolt M8 x 20	
4	0700812	7	Bolt M8 x 25	
5	0700814	3	Bolt M8 x 30	
6	0711020	3	Bolt M10 x 60	
8	0760608	2	Bolt M6 x 16	
9	0760610	4	Bolt M6 x 20	
10	0760612	2	Bolt M6 x 25	
11	0760810	11	Bolt M8 x 20	
12	0760812	12	Bolt M8 x 25	
13	0760814	2	Bolt M8 x 30	
14	0760815	2	Bolt M8 x 35	
15	0761014	11	Bolt M10 x 30	
16	0761015	12	Bolt M10 x 35	
17	0761016	4	Bolt M10 x 40	
18	0771014	2	Bolt M10 x 30	
19	0961986	2	Bearing, Flange	
21	1320110	1	Clamp	
22	1001187781	1	Tie-Strap (Not Shown)	
23	1001223584	1	Tank, Surge	
24	1703162	2	Decal - Fan Blade	
25	2180467	1	Fitting, Straight NPT/Barb	
27	2720058	55 in/ 1.5m	Hose	
29	1001165035	10 26cm	Hose	
30	3290601	2	Nut M6	
31	3290605	2	Nut M6	
32	3290607	2	Nut M6	
33	3290801	4	Nut M8	
34	3290805	14	Nut M8	
35	3291005	16	Nut M10	
36	3291001	4	Nut M10	
37	3291201	3	Nut M12	
38	3931644	1	Screw 3/8 x 2-3/4	
39	4031711	4	Capscrew M6 x 35	
40	5272010	1	Bolt M10 x 30	
41	4240099	AR	Tie-Strap (Not Shown)	
42	4811700	18	Washer M6	
43	4811900	48	Washer M8	
44	4811902	10	Washer M8	
45	4812000	38	Washer M10	
46	4812002	6	Washer M10	
47	5241000	15	Washer M10	
48	5241200	3	Washer M12	
49	8305401	2	Nut Jam	
50	8307109	2	Washer	
51	8310548	2	Bolt 1/4 x 1/2	
52	8405006	2	Clamp	



## SECTION 3 - ENGINE

ITEM	PART NUMBER	QTY	DESCRIPTION	REV
53	8405009	5	Gear	
54	8405102	2	Clamp	
55	8405104	2	Clamp	
56	8405203	3	Clamp	
57	8406109	6	Clip	
59	8410001	1	Clamp	
60	8410011	1	Clamp	
61	1001128901	2	Strap	
63	1001138173	1	Support	
64	1001138175	1	Bracket	
65	1001138248	31 in/ 77cm	Tube	
66	1001141585	1	Hose	
67	1001141995	1	Fitting, Straight NPT/Barbed	
69	1001149639	1	Indicator, Restriction	
70	1001191610	3	Mount, Motor	
71	1001168018	3	Washer	
72	1001169054	4	Isolator	
73	1001169138	4	Pad, Snubbing	
74	1001169967	1	Bracket	
75	1001170035	1	Bracket	
76	1001176329	1	Bracket	
77	1001180620	AR	Adhesive	
78	1001186426	1	Clamp	
79	1001189979	1	Air Filter Assembly	
79	70005008	4	Element, Filter - Primary	
79	70006460	4	Element, Filter - Secondary	
79	8273291	1	Valve, Dust Evacuator	
79	70006461	1	Cover	
80	1001223042	1	Fan	
81	1001225442	1	Bracket	
82	1001223923	1	Radiator	
83	1001215681	1	Clamp	
84	1001215974	1	Clamp	
85	1001216075	1	Pipe, Exhaust	
86	1001216092	1	Shield, Heat	
87	1001216201	1	Adapter	
88	1001216393	1	Heater, Block	
89	1001216910	1	Ford Engine Prep Assembly (See Separate Breakdown in this Section)	
90	1001216919	2	Sleeve	
91	1001290252	1	Mount, Engine Rear	
92	1001217032	1	Tube	
93	1001217046	1	Bracket	
94	1001217090	1	Tube	
97	1001217174	1	Seal	
98	1001217175	1	Seal	
99	1001217183	2	Seal	
100	1001217185	2	Seal	
101	1001217186	1	Support	
102	1001217317	1	Pipe	
103	1001217543	2	Mount	

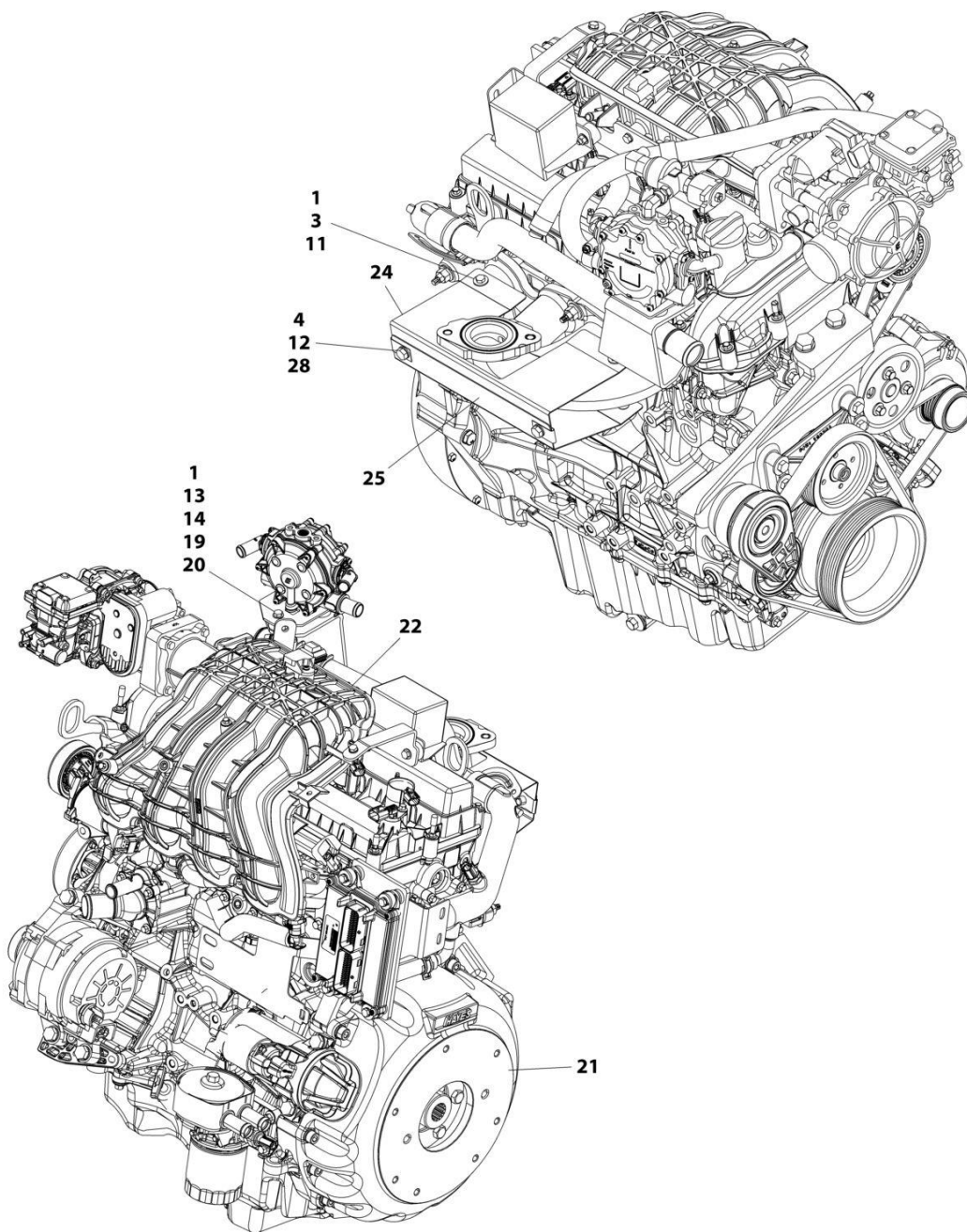
## SECTION 3 - ENGINE

ITEM	PART NUMBER	QTY	DESCRIPTION	REV
104	1001218362	1	Mount	
105	1001218449	1	Bracket	
106	1001134488	1	Fitting	
107	1001219259	1	Support	
108	1001219345	1	Muffler	
109	1001219361	1	Support	
110	1001219363	1	Plate	
111	1001219480	1	Bracket	
112	1001219611	1	Hose	
113	1001219612	1	Hose	
114	1001219613	1	Tube	
116	2180418	1	Fitting	
117	1001247359	1	Fitting, 90 FSNPSM/NPTF	
118	2220261	1	Fitting	
120	0711223	3	Bolt M12 x 75	
121	1001221615	2	Nut M8	
122	1001222033	1	Plate	
123	0940070	1	Bumper	
124	1001227666	1	Hose	
125	0711014	5	Bolt M10 x 30	
126	1001224489	1	Hose	
127	8406201	1	Clip	
128	8410009	2	Gear Clamp	
129	2180348	1	Fitting	
130	1001173535	6	Clamp	
131	1001225510	1	Decal	
132	1001216531	1	Hose	
135	1001224486	1	Hose	
136	0100062	AR	Compound Locking	
137	4060805	16 in/ 41cm	Shield	
138	1001227667	1	Hose	
139	1001303818	1	Washer M10 (Not Shown)	



# SECTION 3 - ENGINE

## FIGURE 3-44. FORD ENGINE PREP ASSEMBLY



ART\_1001216910\_F

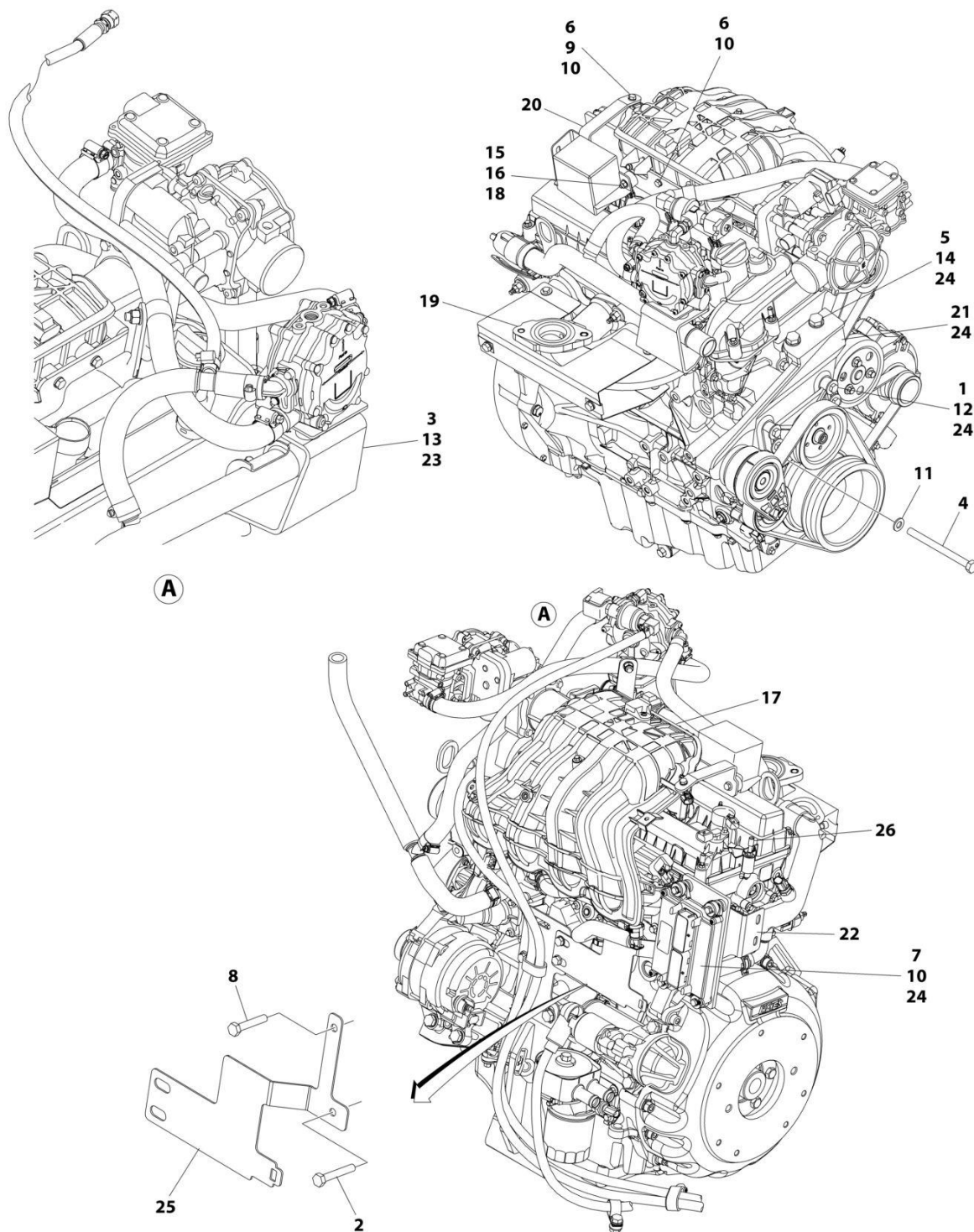
## SECTION 3 - ENGINE

**FIGURE 3-44. FORD ENGINE PREP ASSEMBLY**

ITEM	PART NUMBER	QTY	DESCRIPTION	REV
	1001216910	Ref	FORD ENGINE PREP ASSEMBLY	F
1	0100011	AR	Compound, Locking	
3	0760605	4	Bolt M6 x 10	
4	0760807	2	Bolt M8 x 14	
11	4811702	4	Washer M6	
12	4811900	2	Washer M8	
13	5250605	3	Bolt M6 x 10	
14	5260600	1	Nut M6 Class 10	
19	1001211794	3	Mount, Isolator	
20	1001227769	1	Plate	
21	1001213810	1	Pump Coupling Kit	
21	70006134	1	Coupling	
21	70006135	1	Housing	
21	70006136	1	Hardware Kit	
22	1001216065	1	Ford Engine Assembly (See Separate Breakdown in this Section)	
24	1001216768	1	Bracket	
25	1001216769	1	Bracket	
28	1001149160	2	Nut, Tinnerman M8	

# SECTION 3 - ENGINE

## FIGURE 3-45. FORD ENGINE BRACKETS AND EXHAUST MANIFOLD INSTALLATION



ART\_1001216065

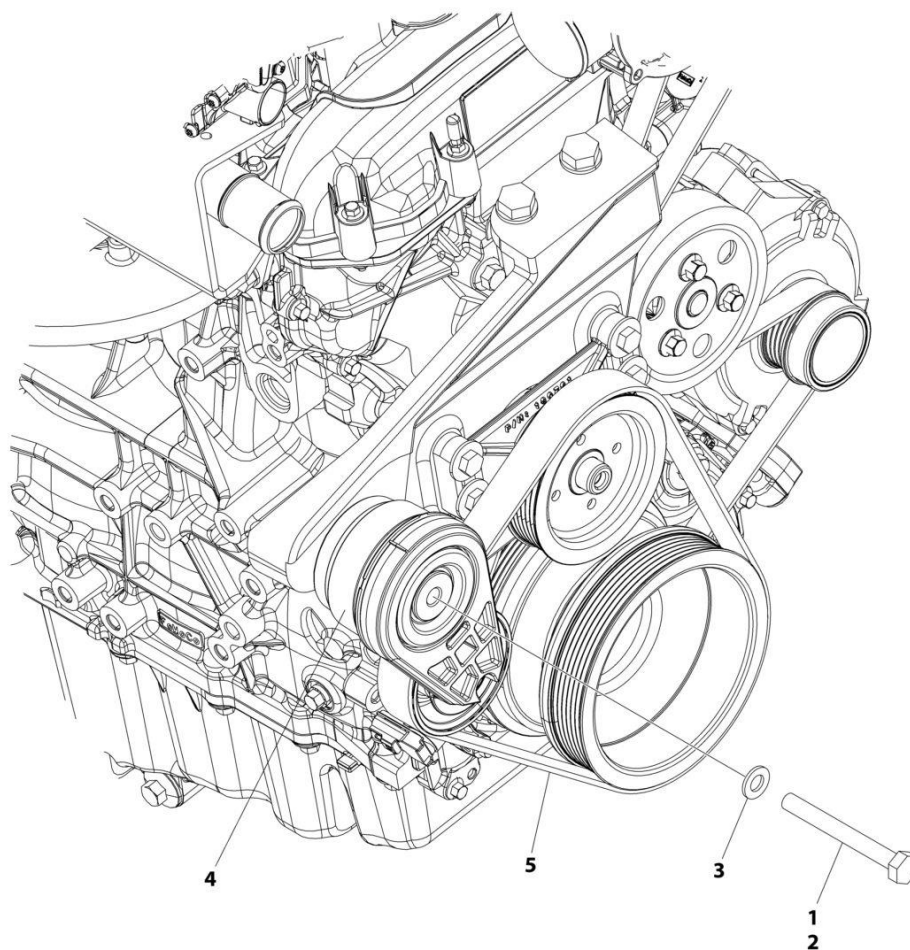
## SECTION 3 - ENGINE

**FIGURE 3-45. FORD ENGINE BRACKETS AND EXHAUST MANIFOLD INSTALLATION**

ITEM	PART NUMBER	QTY	DESCRIPTION	REV
	1001216065	Ref	FORD ENGINE ASSEMBLY - BRACKETS/EXHAUST MANIFOLD	N
1	0700816	4	Bolt M8 x 40	
2	0700818	1	Bolt M8 x 50	
3	0701014	2	Bolt M10 x 30	
4	0710827	1	Bolt M8 x 100 Grade 10.9	
5	0711216	2	Bolt M12 x 40	
6	0760610	3	Bolt M6 x 20	
7	0760615	4	Bolt M6 x 35	
8	0760817	1	Bolt M8 x 45	
9	3290601	1	Nut M6	
10	4811700	8	Washer M6	
11	4811900	1	Washer M8	
12	4811902	4	Washer M8	
13	4812000	1	Washer M10	
14	4812100	2	Washer M12	
15	5250605	2	Bolt M6 x 10	
16	5260600	2	Nut M6 Class 10	
17	1001210448	1	Engine, Ford 2.5L (See Separate Breakdown in this Section)	
18	1001211794	2	Mount	
19	1001214827	1	Manifold, Exhaust	
20	1001215384	1	Bracket	
21	1001216071	1	Bracket	
22	1001216144	1	Support, Muffler	
23	1001227772	1	Mount, Vaporizer	
24	0100011	AR	Compound, Locking	
25	1001221545	1	Plate	
26	1001222641	6	Cap	

## SECTION 3 - ENGINE

FIGURE 3-46. FORD ENGINE DRIVE BELT INSTALLATION (MACHINES WITHOUT GENERATOR)



ART\_1001220404



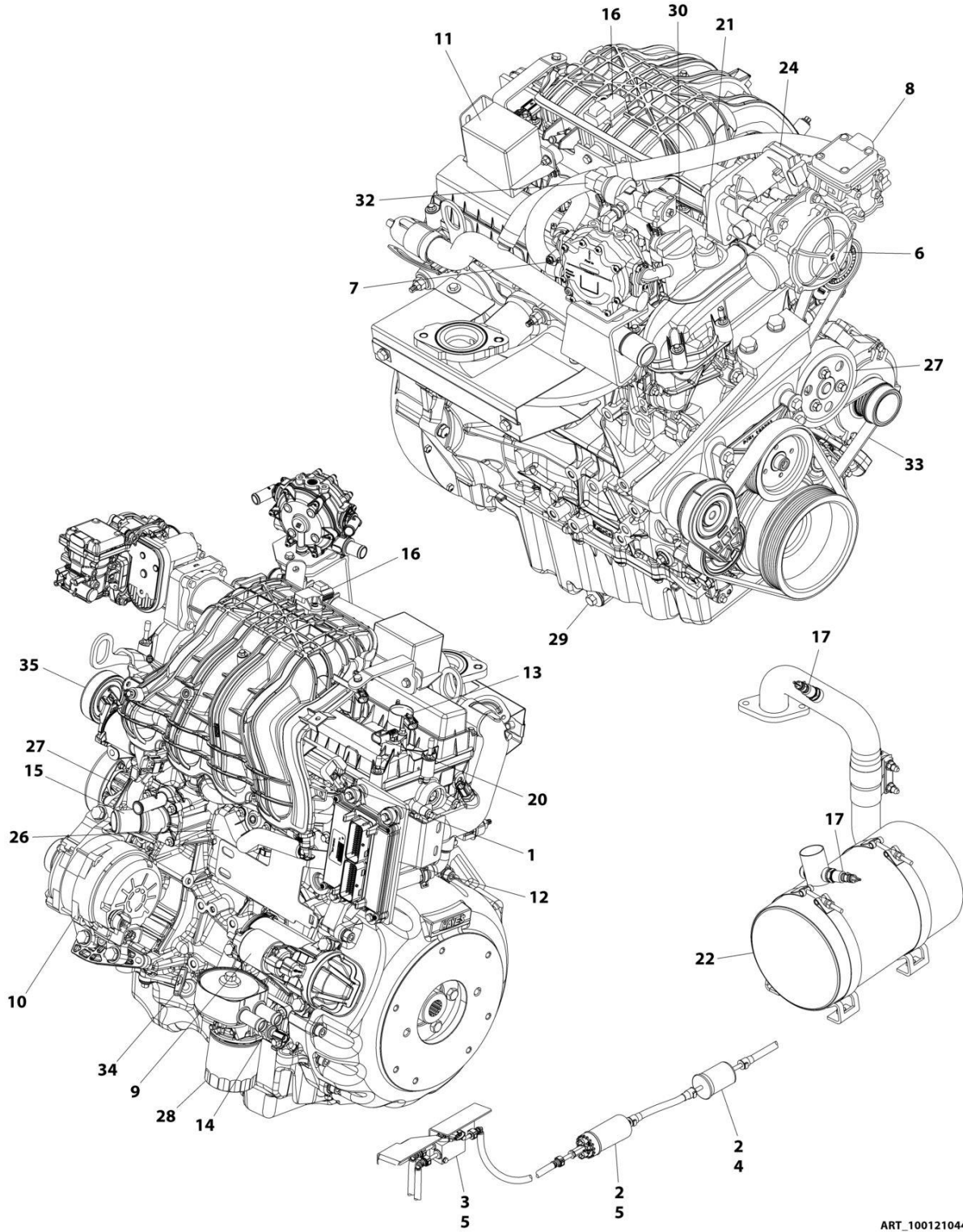
## SECTION 3 - ENGINE

**FIGURE 3-46. FORD ENGINE DRIVE BELT INSTALLATION (MACHINES WITHOUT GENERATOR)**

ITEM	PART NUMBER	QTY	DESCRIPTION	REV
	1001220404	Ref	DRIVE BELT INSTALLATION	C
1	0100011	AR	Compound, Locking	
2	0701026	1	Bolt M10 x 90	
3	4812002	1	Washer M10	
4	1001216300	1	Pulley	
5	1001216619	1	V-Belt	

# SECTION 3 - ENGINE

## FIGURE 3-47. FORD ENGINE COMPONENTS



ART\_1001210448

## SECTION 3 - ENGINE

### FIGURE 3-47. FORD ENGINE COMPONENTS

ITEM	PART NUMBER	QTY	DESCRIPTION	REV
	1001210448	Ref	FORD ENGINE COMPONENTS	H
1	70006145	4	Injector, Fuel	
1	70006147	1	Rail, Fuel	
2	70006150	1	Pump, Fuel	
2	70006154	1	Fitting M10	
3	70006151	1	Block, Fuel	
3	70006152	2	Fitting SAE6	
3	70006153	1	Fitting SAE3	
3	70006189	1	Harness, Fuel Block	
4	70006155	1	Filter, Fuel	
5	7022162	8	Clamp	
5	70006157	8	Clip, Fuel Quick Disconnect	
6	70006158	1	Mixer, LP	
6	70006168	1	Mixer Diaphragm Replacement Kit	
6	70006159	1	Adapter, Mixer to Governor	
6	70006160	1	O-Ring, Mixer to Adapter	
6	70006161	1	Seal, Mixer to Adapter	
7	70006162	1	Regulator, LP Vapor	
7	70006166	2	Fitting	
7	70006167	1	Fitting, Straight	
7	70006165	2	Isolator, Rubber	
8	70006163	1	Regulator, Direct Electronic Pressure	
8	70006164	1	Adapter, Fitting 90	
9	70006169	1	Starter	
9	70006233	1	Harness, Alternator/Starter	
10	70006170	1	Alternator	
11	70006173	1	Cover, Relay Box	
11	70006171	2	Relay (Fuel Pump & Power)	
11	70006172	1	Relay (Starter)	
11	70006175	1	Fuse - 20Amp (Starter)	
11	70006174	1	Decal - Relay Box Cover	
11	70006188	1	Harness, Engine	
11	70006165	2	Isolator, Rubber	
12	70006176	1	Module - Engine Control Unit (ECU/GCP)	
12	70006191	1	Software & Diagnostic Cable	
13	70006177	4	Coil and Boot Assembly	
13	70006178	4	Plug, Spark	
14	70006179	1	Switch, Oil Pressure	
15	70006180	1	Sensor, Knock	
16	70006181	1	Sensor, TMAP	
17	70006182	2	Sensor, O2	
18	70006183	1	Sensor, Coolant Temperature (Not Shown - Located Rear of Engine Block)	
19	70006184	1	Sensor, Crank Position (Not Shown - Located at Front RH Side of Block)	
20	70006185	1	Sensor, Cam Position	
21	70006186	1	Solenoid, Timing	
21	70006187	1	Grommet, Rubber	
22	70006194	1	Muffler	
22	70006195	1	Plug (Located at Muffler Outlet)	

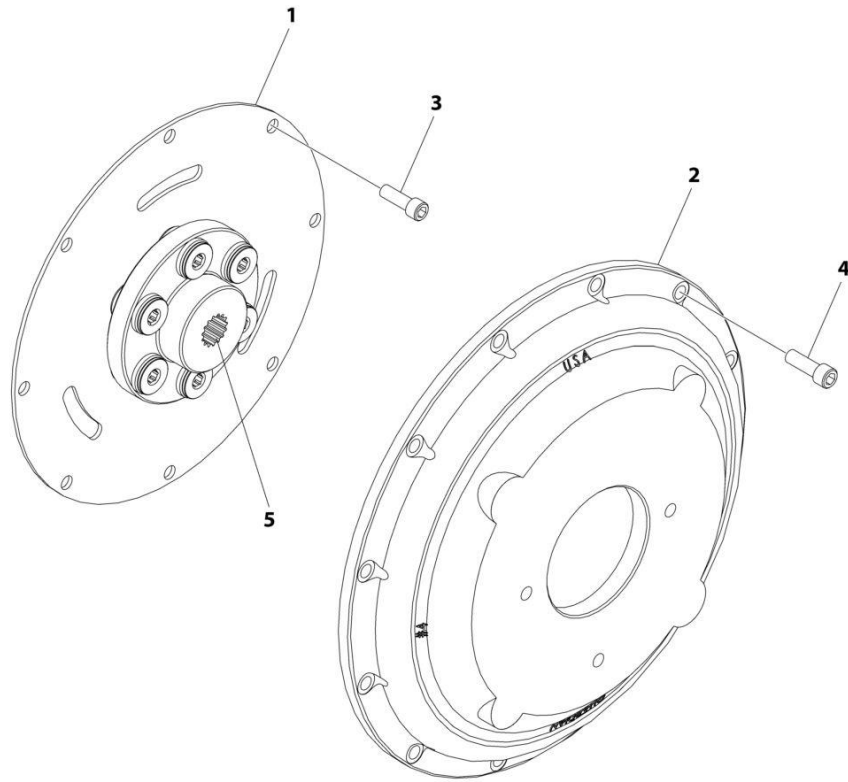
## SECTION 3 - ENGINE

ITEM	PART NUMBER	QTY	DESCRIPTION	REV
23		Ref	Gasket Options (Not Shown)	
23	70006196	1	Gasket, Exhaust Manifold to Head	
23	70006197	1	Gasket, Exhaust Manifold Outlet	
23	70006200	1	Gasket, Intake Manifold to Head	
23	70006219	1	Gasket Set - Camshaft Cover	
23	70006225	1	Gasket, Cylinder Head	
24	70006198	1	Governor	
24	7027404	1	Gasket, Governor Actuator	
24	70006199	1	Gasket, Governor to Intake Manifold Adapter	
25	70006203	1	Flywheel (Not Shown)	
26	70006205	1	Thermostat (Includes Housing)	
26	70006206	1	Gasket, Water Inlet	
27	70006207	1	Pump, Water	
27	70006208	1	O-Ring, Water Pump	
27	See Note	NSS	Pulley, Water Pump (Note: Not Available for Purchase at This Time)	
28	70006213	1	Filter, Oil	
29	70006215	1	Plug, Oil Drain	
29	70006217	1	Gasket, Oil Drain Plug	
30	70006221	1	Cap, Oil Fill	
31	70006232	1	Sensor, Crank (Not Shown)	
32	70006235	1	Valve, Lock-Off (Includes Filter)	
33	70006202	1	Belt	
34	70006236	1	Dipstick	
35	70007108	1	Belt Tensioner	



# SECTION 3 - ENGINE

## FIGURE 3-48. PUMP COUPLING KIT (DEUTZ ENGINES)



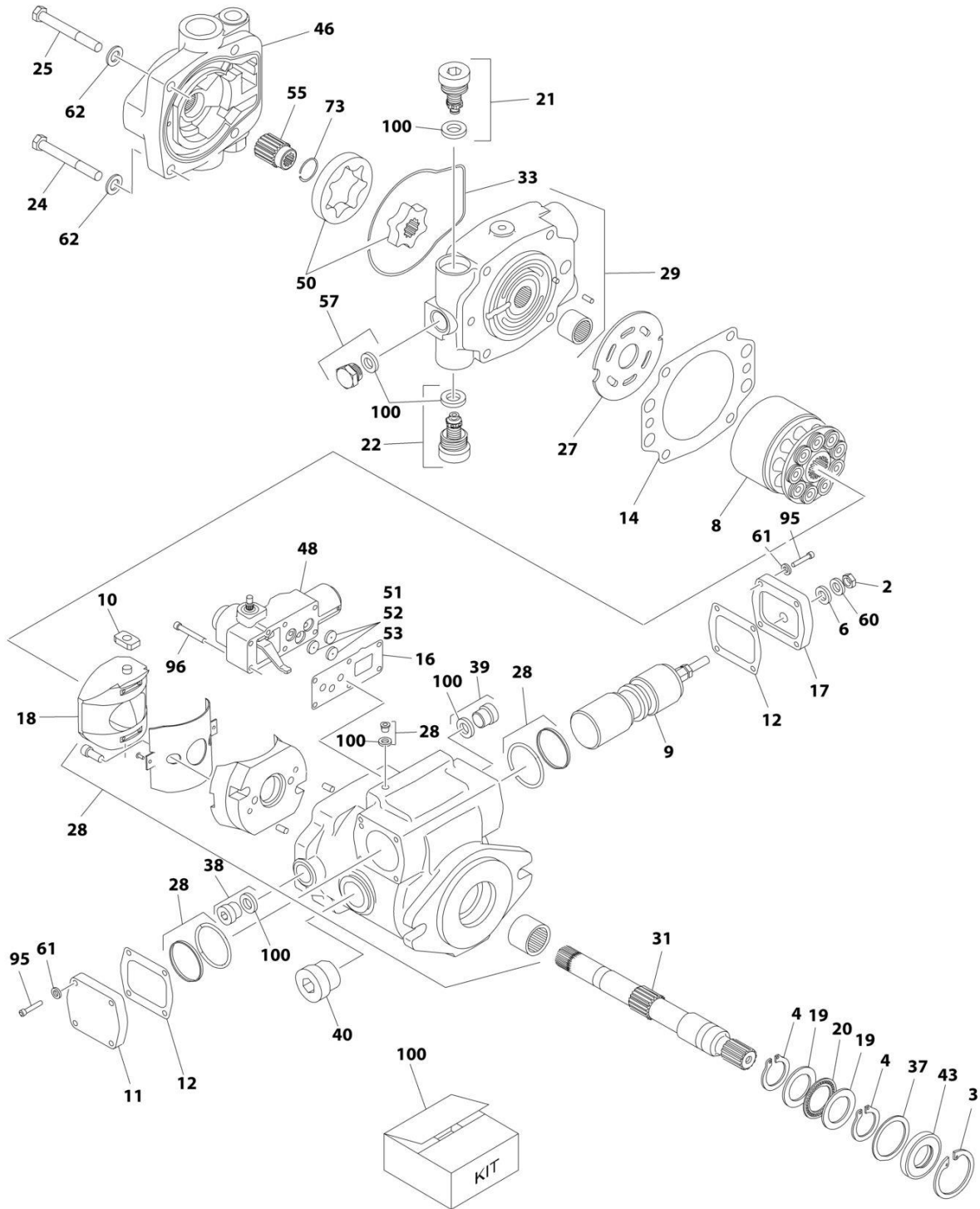
ART\_1001153282

**SECTION 3 - ENGINE****FIGURE 3-48. PUMP COUPLING KIT (DEUTZ ENGINES)**

<b>ITEM</b>	<b>PART NUMBER</b>	<b>QTY</b>	<b>DESCRIPTION</b>	<b>REV</b>
	1001153282	Ref	PUMP COUPLING KIT	E
1	70004183	1	Coupling Guardian	
2	See Note	NSS	Plate, Pump Adapter (Note: Use p/n 1001153282)	
3	See Note	8	Capscrew M10 x 20 Grade 10.9 (Note: Not Available - Purchase Locally or Purchase Kit)	
4	See Note	12	Capscrew M10 x 25 Grade 10.9 (Note: Not Available - Purchase Locally or Purchase Kit)	
5	3020021	AR	Grease, Coupling	

# SECTION 3 - ENGINE

## FIGURE 3-49. HYDROSTATIC PUMP ASSEMBLY



ART\_1001225745



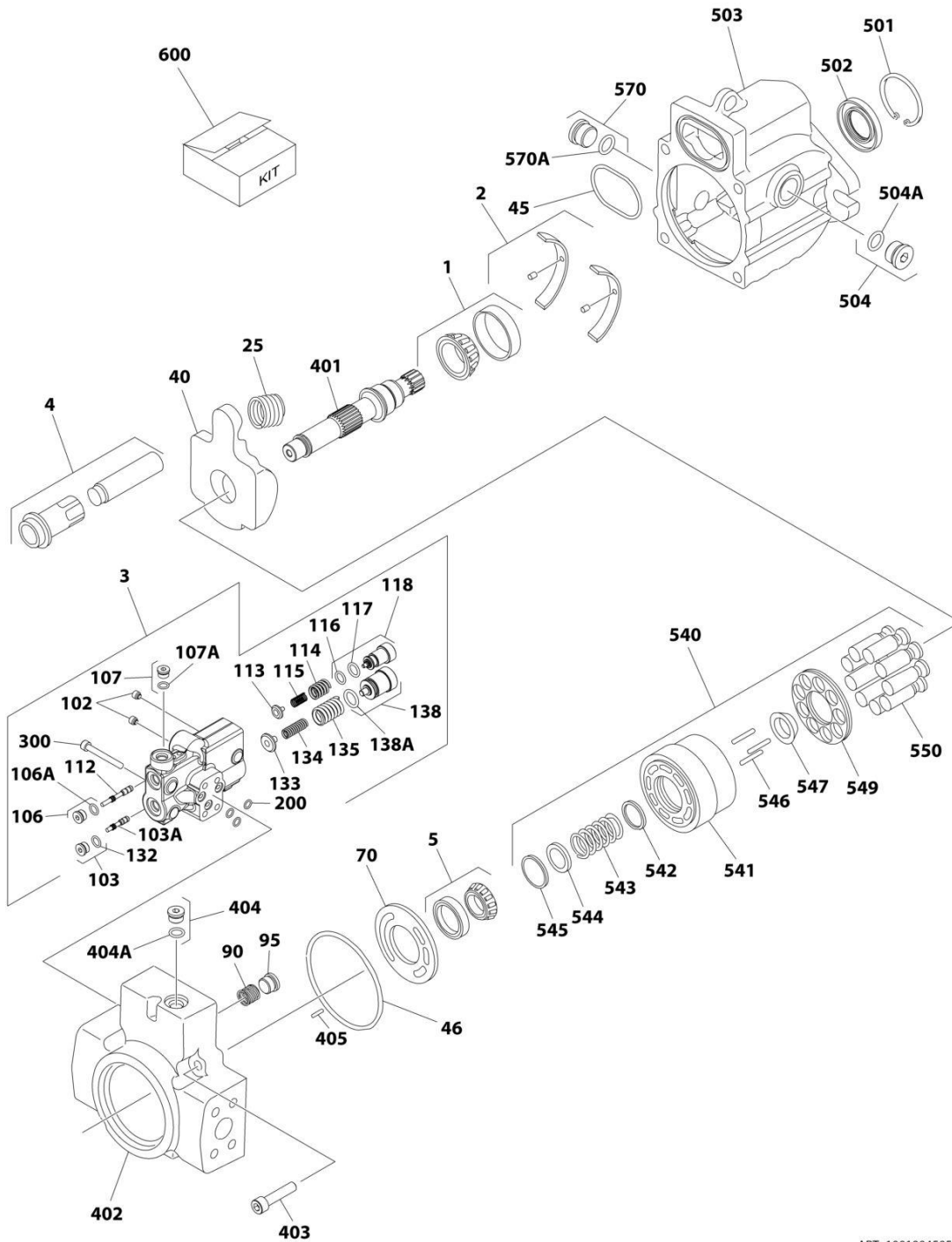
## SECTION 3 - ENGINE

**FIGURE 3-49. HYDROSTATIC PUMP ASSEMBLY**

ITEM	PART NUMBER	QTY	DESCRIPTION	REV
	1001225745	Ref	HYDROSTATIC PUMP ASSEMBLY	A
2	70004329	1	Nut	
3	See Note	NSS	Ring, Retaining (Note: Use Item 100)	
4	See Note	NSS	Ring, Retaining (Note: Use Item 100)	
6	See Note	NSS	Washer, Seal (Note: Use Item 100)	
8	70004331	1	Cylinder Block Assembly	
9	70004332	1	Servo Piston Assembly	
10	70004333	1	Follower, Servo Piston	
11	70005458	1	Cover	
12	See Note	NSS	Gasket, Cover (Note: Use Item 100)	
14	See Note	NSS	Gasket, Housing (Note: Use Item 100)	
16	See Note	NSS	Gasket, Control Housing (Note: Use Item 100)	
17	70005459	1	Cover	
18	70004336	1	Camplate Assembly	
19	7004907	2	Race, Thrust	
20	7004908	1	Bearing, Thrust	
21	70004337	1	Relief Valve Assembly	
22	70004337	1	Relief Valve Assembly	
24	70004338	2	Capscrew	
25	70004338	2	Capscrew	
27	70004340	1	Plate, Valve	
28	See Note	NSS	Housing (Note: Not Available - Purchase Assembly)	
29	70005460	1	End Cover Assembly	
31	70004342	1	Shaft, Drive	
33	See Note	NSS	O-Ring (Note: Use Item 100)	
37	7004906	1	Washer	
38	70005461	1	Plug	
39	70005461	1	Plug	
40	70005462	1	Plug	
43	See Note	NSS	Seal, Shaft (Note: Use Item 100)	
46	70004343	1	Adapter, Charge Pump	
48	70004344	1	Servo Control Assembly	
50	70004345	1	Gerotor	
51	70004346	1	Orifice	
52	70004346	1	Orifice	
53	70004346	1	Orifice	
55	70004347	1	Coupler	
57	70005463	1	Plug	
60	70004348	1	Washer	
61	70004349	8	Washer	
62	70004350	4	Washer	
73	70004351	1	Ring, Retaining	
95	70005464	8	Capscrew	
96	70005465	6	Capscrew	
100	70004352	1	Seal Kit - Pump (Includes Items 3, 4, 6, 12, 14, 16, 33 & 43 and Valve and Plug O-Rings and Seals)	

# SECTION 3 - ENGINE

## FIGURE 3-50. VARIABLE PUMP ASSEMBLY



ART\_1001094595

## SECTION 3 - ENGINE

### FIGURE 3-50. VARIABLE PUMP ASSEMBLY

ITEM	PART NUMBER	QTY	DESCRIPTION	REV
	1001094595	Ref	VARIABLE PUMP ASSEMBLY	A
1	7023947	1	Bearing, Front (Includes Cup and Cone)	
2	7023948	1	Bearings, Swash Plate (Includes Both Sides and Pins)	
3	7023956	1	Control Valve Assembly (Includes Items 102-300)	
4	7023949	1	Servo Piston Assembly	
5	7023950	1	Bearing, Rear (Includes Cup and Cone)	
25	7023951	1	Spring	
40	7023952	1	Swash Plate	
45	See Note	NSS	O-Ring (Note: Use Item 600)	
46	See Note	NSS	O-Ring (Note: Use Item 600)	
70	70001954	1	Plate, Valve	
90	70001955	1	Spring, Check Valve	
95	70001956	1	Poppet, Check Valve	
102	See Note	NSS	Setscrew (Note: Use Item 3)	
103	See Note	NSS	Plug (Note: Use Item 3)	
103A	See Note	NSS	O-Ring (Note: Use Item 600)	
106	See Note	NSS	Plug (Note: Use Item 3)	
106A	See Note	NSS	O-Ring (Note: Use Item 600)	
107	See Note	NSS	Plug (Note: Use Item 3)	
107A	See Note	NSS	O-Ring (Note: Use Item 600)	
112	See Note	NSS	Spool, Control (Note: Use Item 3)	
113	See Note	NSS	Guide, Spring (Note: Use Item 3)	
114	See Note	NSS	Spring (Note: Use Item 3)	
115	See Note	NSS	Spring (Note: Use Item 3)	
116	See Note	NSS	O-Ring (Note: Use Item 600)	
117	See Note	NSS	Ring, Back-up (Note: Use Item 600)	
118	See Note	NSS	Plug, Adjusting (Note: Use Item 3)	
132	See Note	NSS	Spool, Control (Note: Use Item 3)	
133	See Note	NSS	Guide, Spring (Note: Use Item 3)	
134	See Note	NSS	Spring (Note: Use Item 3)	
135	See Note	NSS	Spring (Note: Use Item 3)	
138	See Note	NSS	Plug, PC Adjusting (Note: Use Item 3)	
138A	See Note	NSS	O-Ring (Note: Use Item 600)	
200	See Note	NSS	Ring, Seal (Note: Use Item 600)	
300	7023957	4	Screw	
401	7023958	1	Shaft	
402	70001957	1	Cap, End	
403	7023960	4	Screw	
404	7022318	1	Plug	
404A	See Note	NSS	O-Ring (Note: Use Item 600)	
405	7023961	1	Pin	
501	7023962	1	Ring, Retaining	
502	See Note	NSS	Seal, Lip (Note: Use Item 600)	
503	See Note	NSS	Housing (Note: Not Available - Purchase Assembly)	
504	7023964	1	Plug	
504A	7007415	1	O-Ring	
540	7023965	1	Cylinder Block Assembly	
541	See Note	NSS	Block, Cylinder (Note: Use Item 540)	
542	7024868	1	Washer	
543	7024867	1	Spring	

## SECTION 3 - ENGINE

ITEM	PART NUMBER	QTY	DESCRIPTION	REV
544	7022314	1	Retainer, Spring	
545	7022311	1	Ring, Retaining	
546	7021275	3	Pin, Slipper	
547	7024864	1	Guide, Slipper	
549	7024866	1	Retainer, Slipper	
550	7023966	9	Piston Assembly	
570	7023964	1	Plug	
570A	7007415	1	O-Ring	
600	7023967	1	Seal Kit - Complete (Includes Items 45, 46, 103A, 106A, 107A, 118, 138A, 200, 444A & 502)	





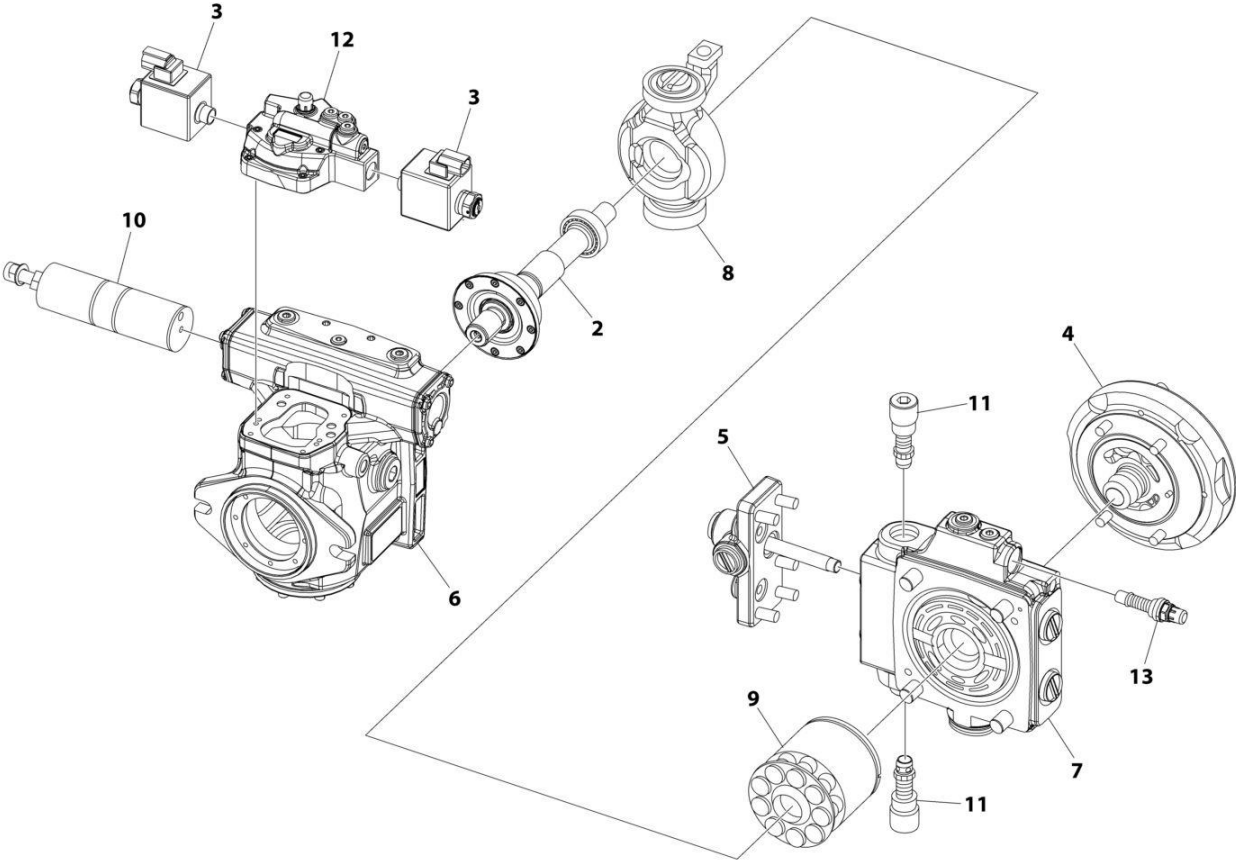
## SECTION 3 - ENGINE

**FIGURE 3-51. VARIABLE PUMP ASSEMBLY - HENGLI**

ITEM	PART NUMBER	QTY	DESCRIPTION	REV
	1001276377	Ref	VARIABLE PUMP ASSEMBLY	B
1	70007789	1	Case, Oil Seal	
2	See Note	NSS	Capscrew M6 x 16 (Note: Purchase Separately)	
3	See Note	NSS	O-Ring (Note: Use Item 100)	
4	70007798	1	Seal, Oil	
5	See Note	NSS	Housing (Note: Not Available - Purchase Assembly)	
6	See Note	NSS	O-Ring (Note: Use Item 100)	
7	70007790	3	Plug	
8	See Note	NSS	Bolt, Eye M8 (Note: Purchase Separately)	
9	See Note	NSS	Capscrew M9 x 30 (Note: Purchase Separately)	
11	70007787	1	Valve, Control	
12	70007800	1	Piston	
13	See Note	NSS	O-Ring (Note: Use Item 100)	
14	70007801	1	Plug	
18	See Note	NSS	Cover (Note: Not Available - Purchase Assembly)	
19	70007791	3	Plug	
20	See Note	NSS	Capscrew M12 x 45 (Note: Purchase Separately)	
27	See Note	NSS	Plate, Valve (Note: Use Item 200)	
28	See Note	NSS	Circlip (Note: Use Item 200)	
29	See Note	NSS	Shim (Note: Use Item 200)	
30	See Note	NSS	Cylinder (Note: Use Item 200)	
31	See Note	NSS	Spring (Note: Use Item 200)	
32	See Note	NSS	Pin (Note: Use Item 200)	
33	See Note	NSS	Piston Assembly (Note: Use Item 200)	
34	See Note	NSS	Retainer (Note: Use Item 200)	
35	See Note	NSS	Shim (Note: Use Item 200)	
36	See Note	NSS	Bushing (Note: Use Item 200)	
37	See Note	NSS	Plate, Swash (Note: Use Item 300)	
38	See Note	NSS	Circlip (Note: Use Item 400)	
39	See Note	NSS	Shim (Note: Use Item 400)	
40	See Note	NSS	Bearing, Cylinder (Note: Use Item 400)	
43	See Note	NSS	O-Ring (Note: Use Item 100)	
44	70007792	1	Spring	
45	70007793	1	Bushing	
46	70007796	2	Capscrew M5 x 16	
47	See Note	NSS	Shaft (Note: Use Item 400)	
48	70007797	1	Bearing	
49	See Note	NSS	O-Ring (Note: Use Item 100)	
50	70007794	1	Spring	
51	See Note	NSS	Ball, Steel (Note: Use Item 300)	
52	See Note	NSS	Spring (Note: Use Item 300)	
53	70007795	1	Bushing	
54	70007799	1	Gasket	
100	70007802	1	Seal Kit (Includes Items 3, 6, 13, 43 & 49)	
200	70007786	1	Cylinder Assembly (Includes Items 27 - 36)	
300	70007788	1	Swash Plate Assembly (Includes Items 37, 51 & 52)	
400	70007785	1	Shaft Assembly (Includes Items 38 - 40 & 47)	

**SECTION 3 - ENGINE**

**FIGURE 3-52. HYDROSTATIC PUMP ASSEMBLY**



ART\_1001276376



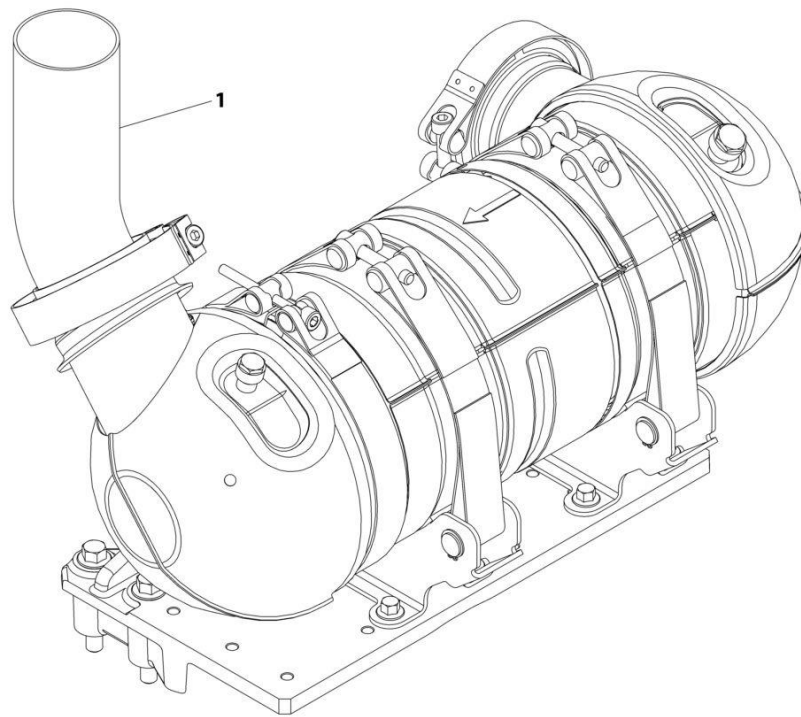
## SECTION 3 - ENGINE

**FIGURE 3-52. HYDROSTATIC PUMP ASSEMBLY**

ITEM	PART NUMBER	QTY	DESCRIPTION	REV
	1001276376	Ref	HYDROSTATIC PUMP ASSEMBLY	B
2	70008497	1	Shaft Assembly	
3	70008498	2	Coil Assembly	
4	70008602	1	Gerotor Body Assembly	
5	70008511	1	Body Assembly	
6	See Note	NSS	Body Assembly (Note: Use PN 1001276376)	
7	70008601	1	Distributor Assembly	
8	70008500	1	Swashplate Assembly	
9	70008501	1	Rotor Assembly	
10	70008502	1	Servo Assembly	
11	70008600	2	Relief Valve	
12	70008504	1	Control Valve Assembly	
13	70008505	1	Relief Valve Assembly	

## SECTION 3 - ENGINE

FIGURE 3-53. EXHAUST PIPE INSTALLATION - DEUTZ TD2.9L4 ENGINES



ART\_1001216220

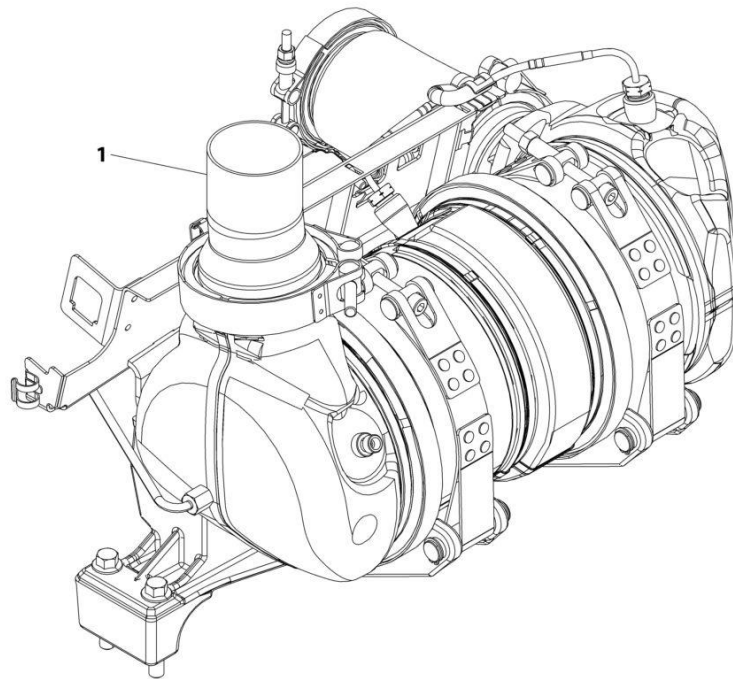
## SECTION 3 - ENGINE

**FIGURE 3-53. EXHAUST PIPE INSTALLATION - DEUTZ TD2.9L4 ENGINES**

ITEM	PART NUMBER	QTY	DESCRIPTION	REV
1	1001216220 1001149908	Ref 1	EXHAUST PIPE INSTALLATION Pipe, Exhaust	A

## SECTION 3 - ENGINE

FIGURE 3-54. EXHAUST PIPE INSTALLATION - DEUTZ TD2.9L4 (STAGE V) ENGINES



ART\_1001236334

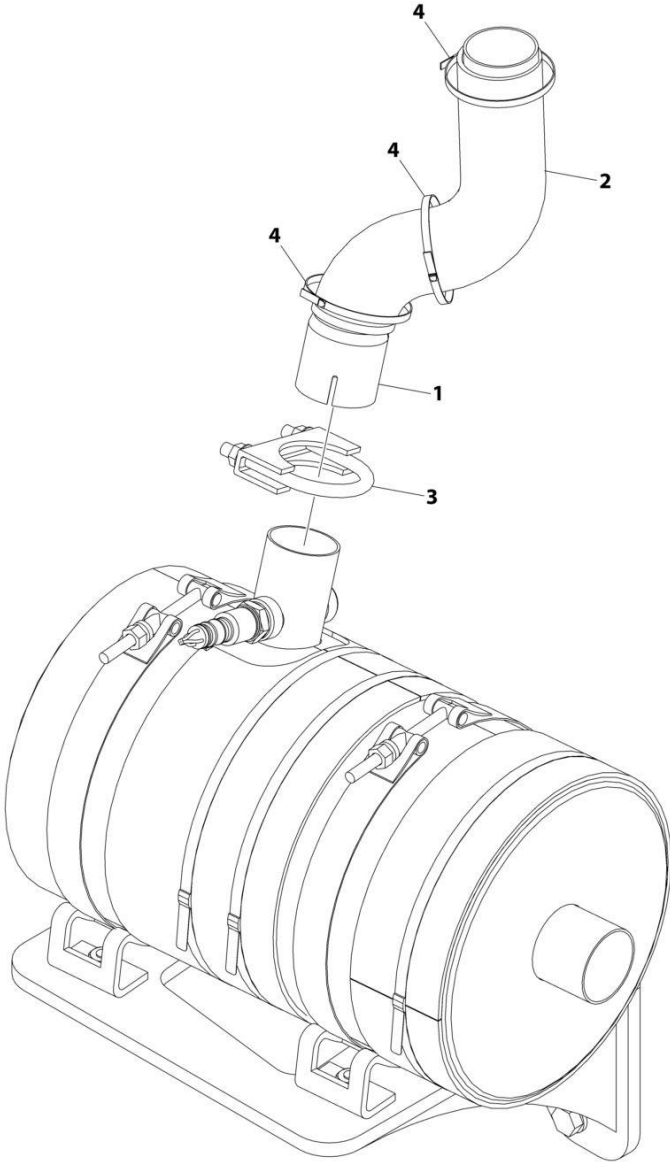
## SECTION 3 - ENGINE

**FIGURE 3-54. EXHAUST PIPE INSTALLATION - DEUTZ TD2.9L4 (STAGE V) ENGINES**

ITEM	PART NUMBER	QTY	DESCRIPTION	REV
1	1001236334	Ref	EXHAUST PIPE INSTALLATION	B
	1001236335	1	Pipe, Exhaust	

**SECTION 3 - ENGINE**

**FIGURE 3-55. EXHAUST PIPE INSTALLATION - FORD ENGINES**



ART\_1001220141

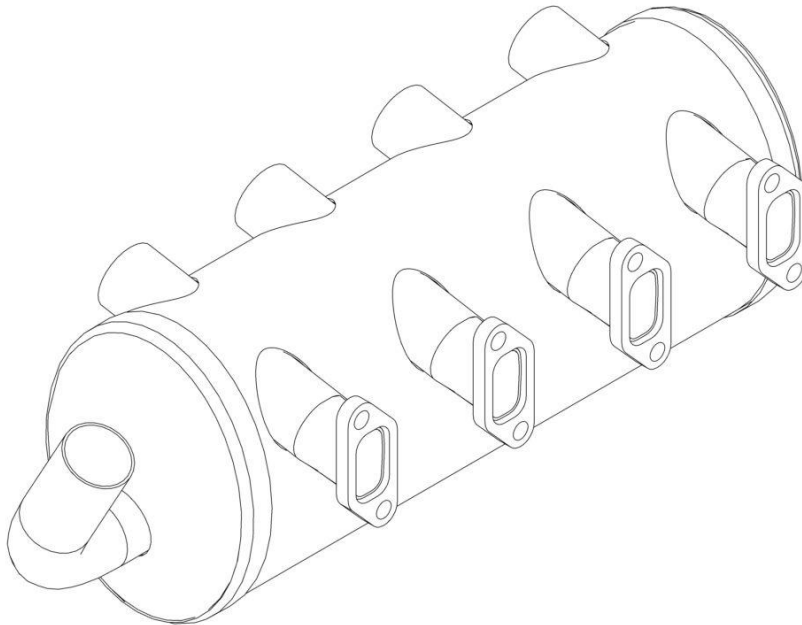
## SECTION 3 - ENGINE

### FIGURE 3-55. EXHAUST PIPE INSTALLATION - FORD ENGINES

ITEM	PART NUMBER	QTY	DESCRIPTION	REV
	1001220141	Ref	EXHAUST PIPE INSTALIATION	B
1	1001217478	1	Tail Pipe	
1	1001217477	1	Tail Pipe with Spark Arrestor	
2	1001218089	1	Insulate	
3	1001221397	1	Clamp	
4	1001100825	3	Strap	

## SECTION 3 - ENGINE

FIGURE 3-56. SPARK ARRESTOR MUFFLER INSTALLATION - DEUTZ D2011 ENGINES



ART\_1001257283



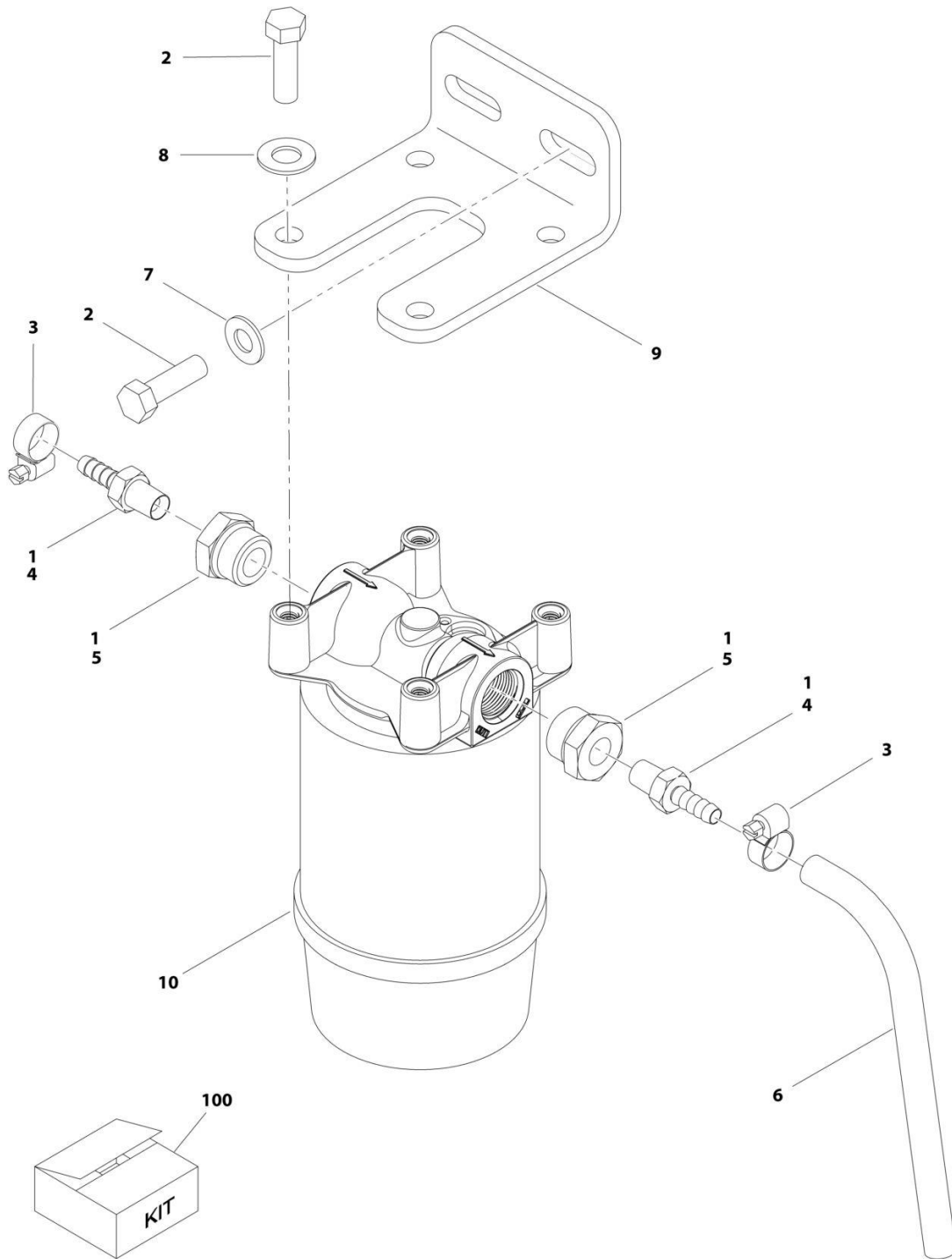
## SECTION 3 - ENGINE

**FIGURE 3-56. SPARK ARRESTOR MUFFLER INSTALLATION - DEUTZ D2011 ENGINES**

ITEM	PART NUMBER	QTY	DESCRIPTION	REV
	1001257283 See Note	Ref 1	MUFFLER INSTALLATION SPARK ARRESTOR Muffler, (Note: Use P/N 1001257283)	A

# SECTION 3 - ENGINE

## FIGURE 3-57. FUEL-WATER SEPARATOR INSTALLATION - DEUTZ D2011 ENGINES



ART\_1001199733

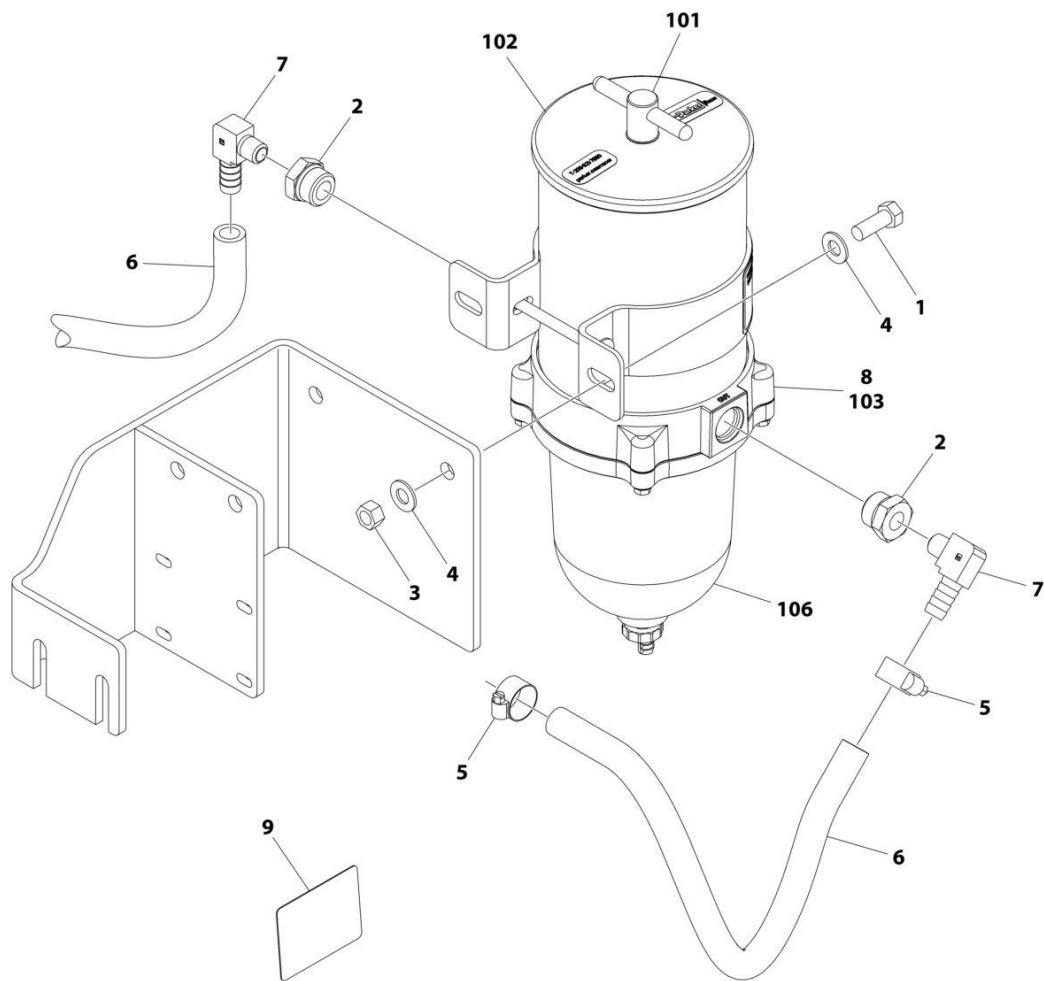
## SECTION 3 - ENGINE

**FIGURE 3-57. FUEL-WATER SEPARATOR INSTALLATION - DEUTZ D2011 ENGINES**

ITEM	PART NUMBER	QTY	DESCRIPTION	REV
	1001199733	Ref	FUEL-WATER SEPARATOR INSTALLATION - DEUTZ TD2011 (OPTIONAL)	A
1	0100079	1	Sealant	
2	0641610	6	Bolt 3/8 X 1-1/4	
3	1320022	2	Clamp	
4	2180348	2	Fitting, Straight	
5	2220816	2	Fitting, Straight	
6	2720058	35 in/ 89cm	Hose	
7	4711600	2	Washer 3/8	
8	4711700	4	Washer 7/16	
9	1001188884	1	Bracket	
10	1001188887	1	Fuel/Water Separator Assembly	
10	1001202280	1	Head	
10	1001202281	1	Element	
100	1001204667	1	Water/Separator Add-On Kit	

# SECTION 3 - ENGINE

## FIGURE 3-58. FUEL-WATER SEPARATOR INSTALLATION - DEUTZ TD2.9L4 ENGINES



NOTE : LOCATED ON HOOD

ART\_1001230032

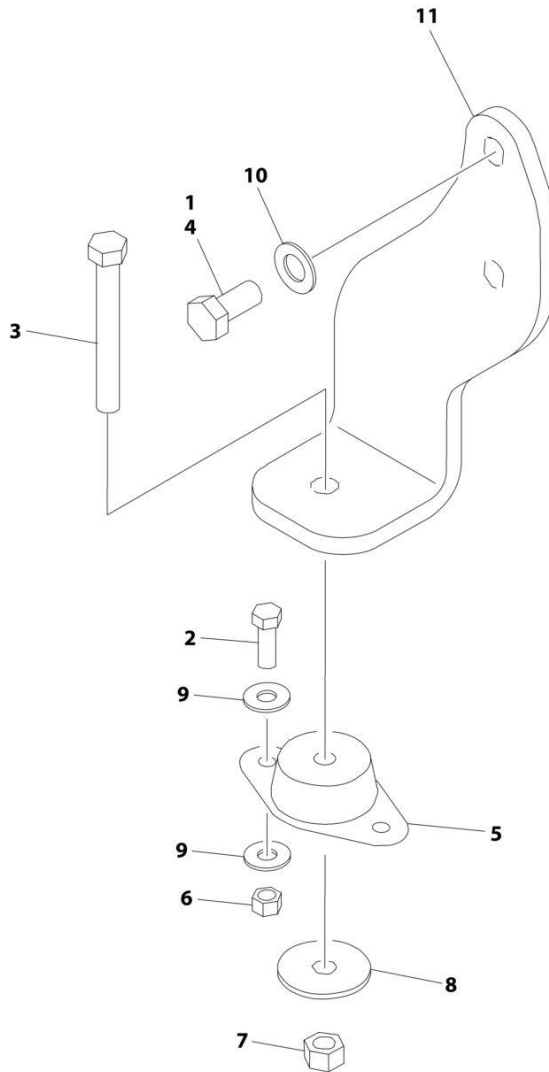
## SECTION 3 - ENGINE

**FIGURE 3-58. FUEL-WATER SEPARATOR INSTALLATION - DEUTZ TD2.9L4 ENGINES**

ITEM	PART NUMBER	QTY	DESCRIPTION	REV
	1001230032	Ref	FUEL FILTER INSTALLATION	A
1	0641608	2	Bolt 3/8 x 1	
2	2220816	2	Fitting, Straight NPT	
3	3311605	2	Nut 3/8	
4	4711600	4	Washer 3/8	
5	8405006	2	Clamp	
6	1001154405	54 in/ 1.65m	Hose	
7	1001178797	2	Fitting, 90	
8	1001222817	1	Fuel Filter Assembly (See Items 101-107 for Breakdown)	
9	1001226923	1	Decal - Fuel Water Separator	
	1001222817	Ref	FUEL FILTER ASSEMBLY	
101	70006403	1	T-Handle Kit (Includes O-Ring)	
102	70006404	1	Lid Kit (Includes Gasket)	
103	70006405	1	Element	
104	70006406	1	Checkball & Gasket Kit (Not Shown)	
105	70006407	1	Centrifuge and Baffle Kit (Not Shown)	
106	70006409	1	Bowl Kit (Includes Gasket, O-Ring and Drain)	
106	70006408	1	Gasket, Bowl	
107	70006410	1	Bowl Ring Kit (Includes Gasket & Hardware) (Not Shown)	

# SECTION 3 - ENGINE

FIGURE 3-59. RIGHT ENGINE SUPPORT INSTALLATION (DEUTZ D2011 ENGINES MACHINES WITHOUT GENERATORS)



ART\_1001151253

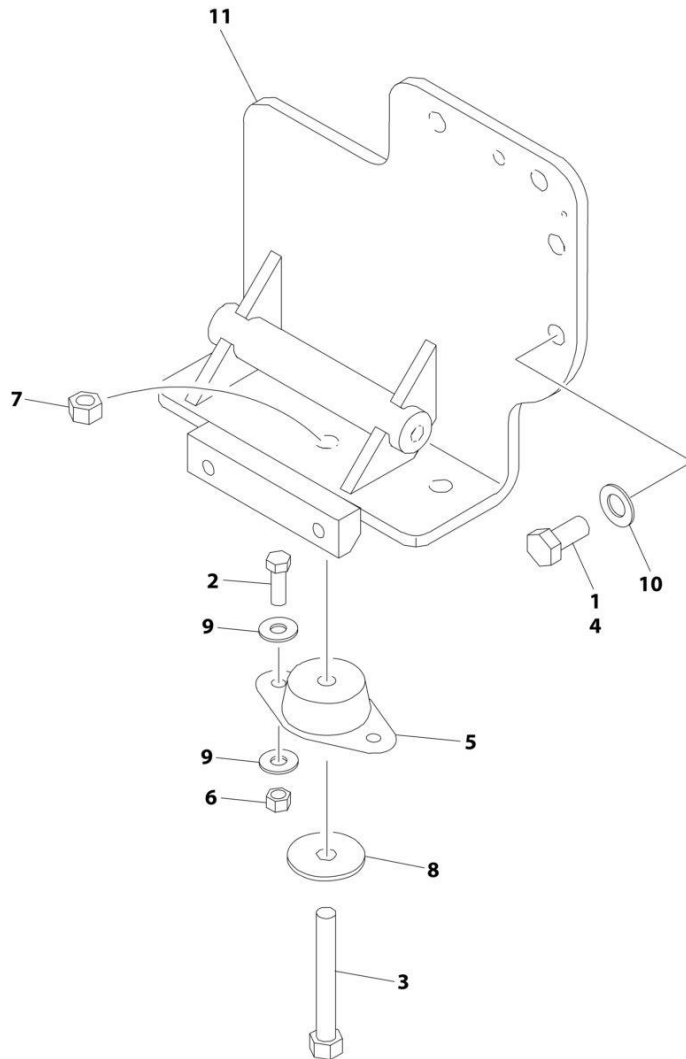
## SECTION 3 - ENGINE

**FIGURE 3-59. RIGHT ENGINE SUPPORT INSTALLATION (DEUTZ D2011 ENGINES MACHINES WITHOUT GENERATORS)**

ITEM	PART NUMBER	QTY	DESCRIPTION	REV
	1001151253	Ref	RIGHT ENGINE SUPPORT INSTALLATION	A
1	0100011	AR	Compound, Locking	
2	0641609	2	Bolt 3/8 x 1-1/8	
3	0641820	1	Bolt 1/2 x 2-1/2	
4	0711414	2	Bolt M14 x 30 Grade 10.9	
5	3200401	1	Mount, Motor	
6	3311605	2	Nut 3/8	
7	3311805	1	Nut 1/2	
8	4740274	1	Washer	
9	4751600	4	Washer 3/8	
10	4812200	2	Washer M14	
11	1001149703	1	Support, Engine (Right Front)	

# SECTION 3 - ENGINE

FIGURE 3-60. RIGHT ENGINE SUPPORT INSTALLATION (DEUTZ D2011 ENGINES MACHINES WITH GENERATORS)



ART\_1001151252



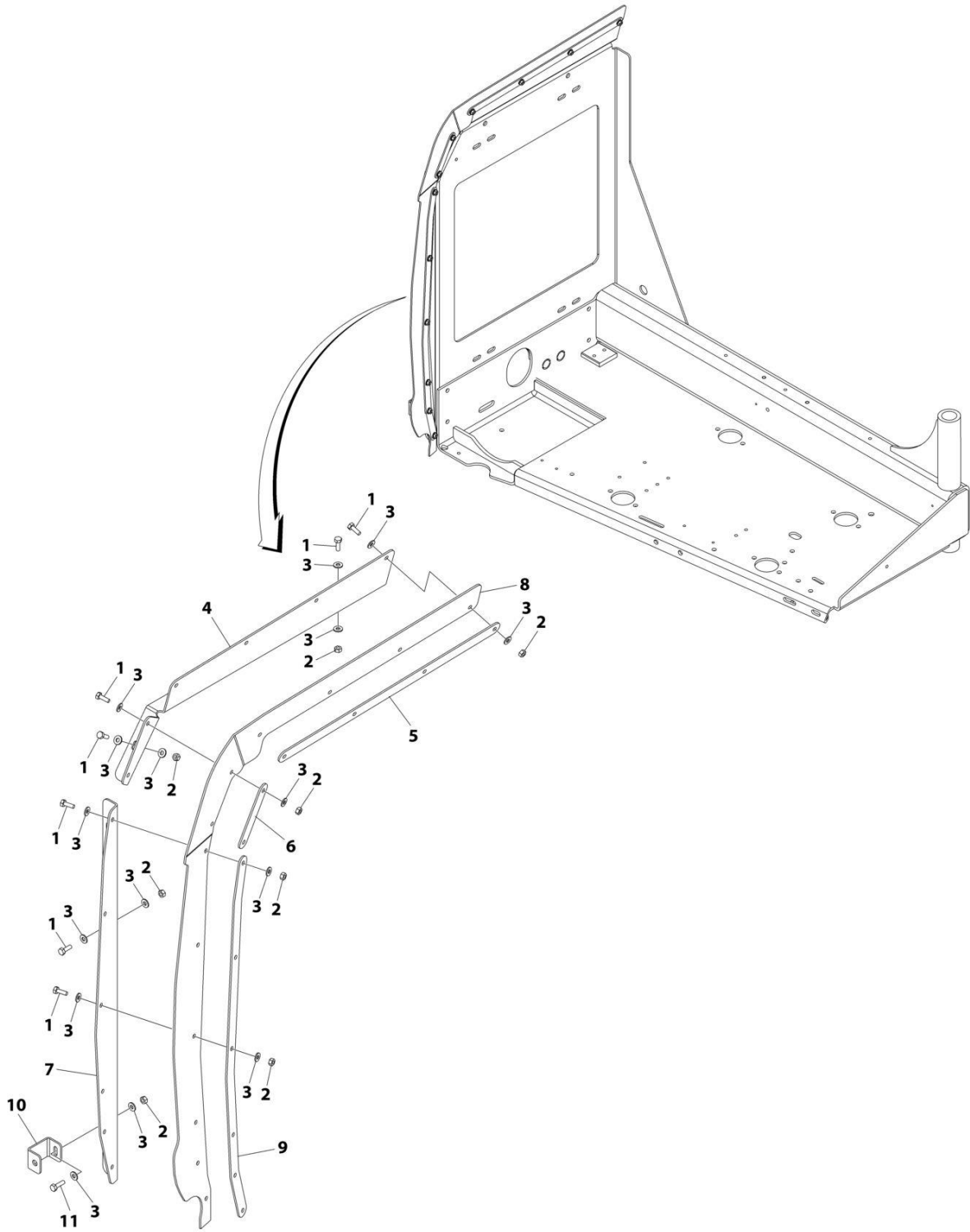
## SECTION 3 - ENGINE

**FIGURE 3-60. RIGHT ENGINE SUPPORT INSTALLATION (DEUTZ D2011 ENGINES MACHINES WITH GENERATORS)**

ITEM	PART NUMBER	QTY	DESCRIPTION	REV
	1001151252	Ref	RIGHT ENGINE SUPPORT INSTALLATION	B
1	0100011	AR	Compound, Locking	
2	0641609	2	Bolt 3/8 x 1-1/8	
3	0641818	1	Bolt 1/2 x 2-1/2	
4	0711414	3	Bolt M14 x 30 Grade 10.9	
5	3200401	1	Mount, Motor	
6	3311605	2	Nut 3/8	
7	3311805	1	Nut 1/2	
8	4740274	1	Washer	
9	4751600	4	Washer 3/8	
10	4812200	3	Washer M14	
11	1001150890	1	Support, Engine (Right Front)	

# SECTION 3 - ENGINE

## FIGURE 3-61. ENGINE HOOD Baffle INSTALLATION - DEUTZ TD2.9L4 ENGINES AND DEUTZ TD2.9L4 (STAGE V) ENGINES WITH ABS HOODS



ART\_1001143484

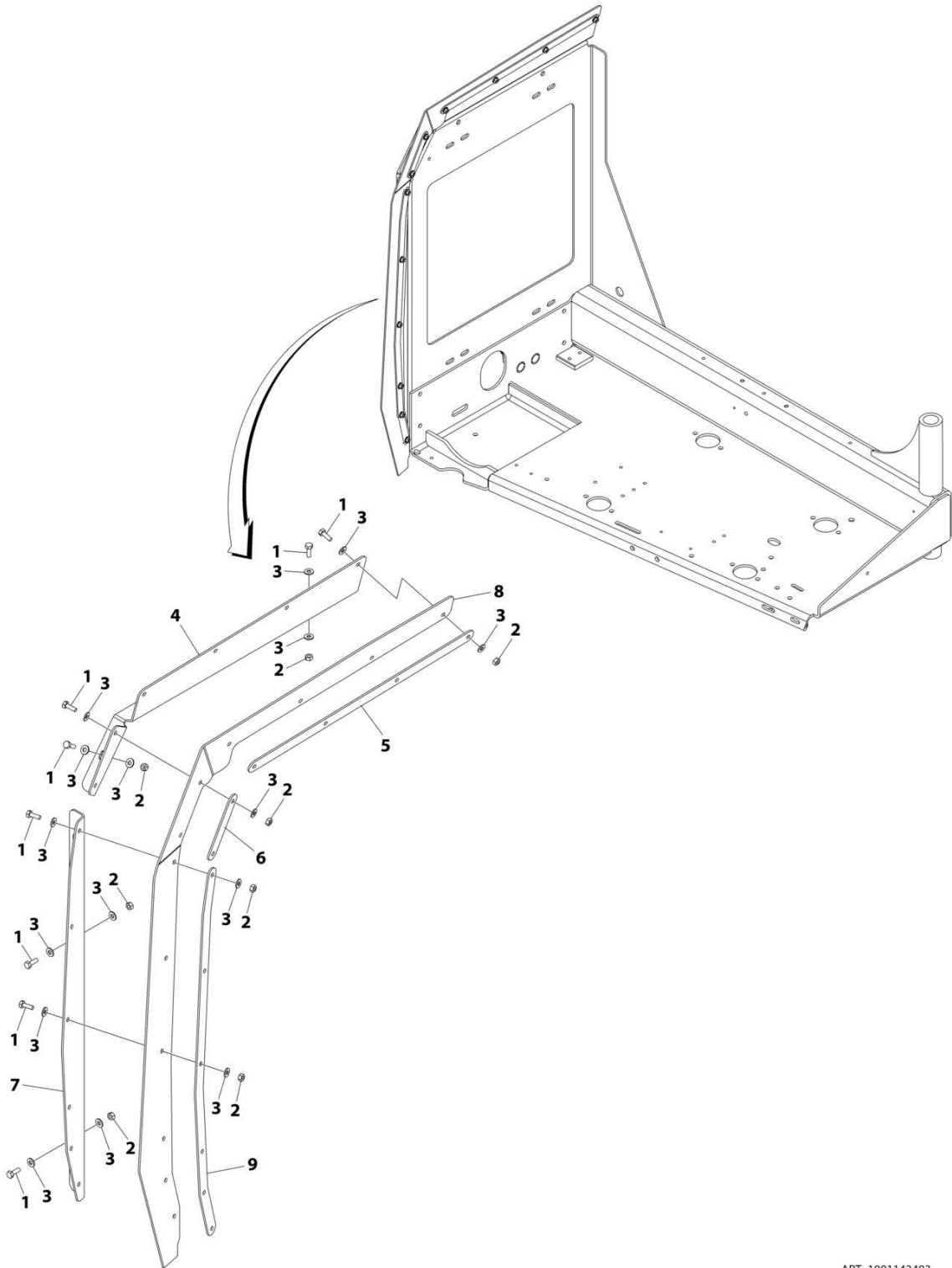
## SECTION 3 - ENGINE

**FIGURE 3-61. ENGINE HOOD BAFFLE INSTALLATION - DEUTZ TD2.9L4 ENGINES AND DEUTZ TD2.9L4 (STAGE V) ENGINES WITH ABS HOODS**

ITEM	PART NUMBER	QTY	DESCRIPTION	REV
	1001143484	Ref	BAFFLES INSTALLATION (ABS HOODS)	C
1	0641406	18	Bolt 1/4 x 3/4	
2	3311405	19	Nut 1/4	
3	4711400	38	Washer 1/4	
4	1001174745	1	Bracket	
5	1001142031	1	Bracket	
6	1001142032	1	Bracket	
7	1001143449	1	Bracket	
8	1001195967	1	Baffle	
9	1001143525	1	Bracket	
10	1001143860	1	Bracket, Bumper	
11	0641407	1	Bolt 1/4 x 78	

# SECTION 3 - ENGINE

## FIGURE 3-62. ENGINE HOOD Baffle INSTALLATION - DEUTZ TD2.9L4 ENGINES WITH STEEL HOODS



ART\_1001143483

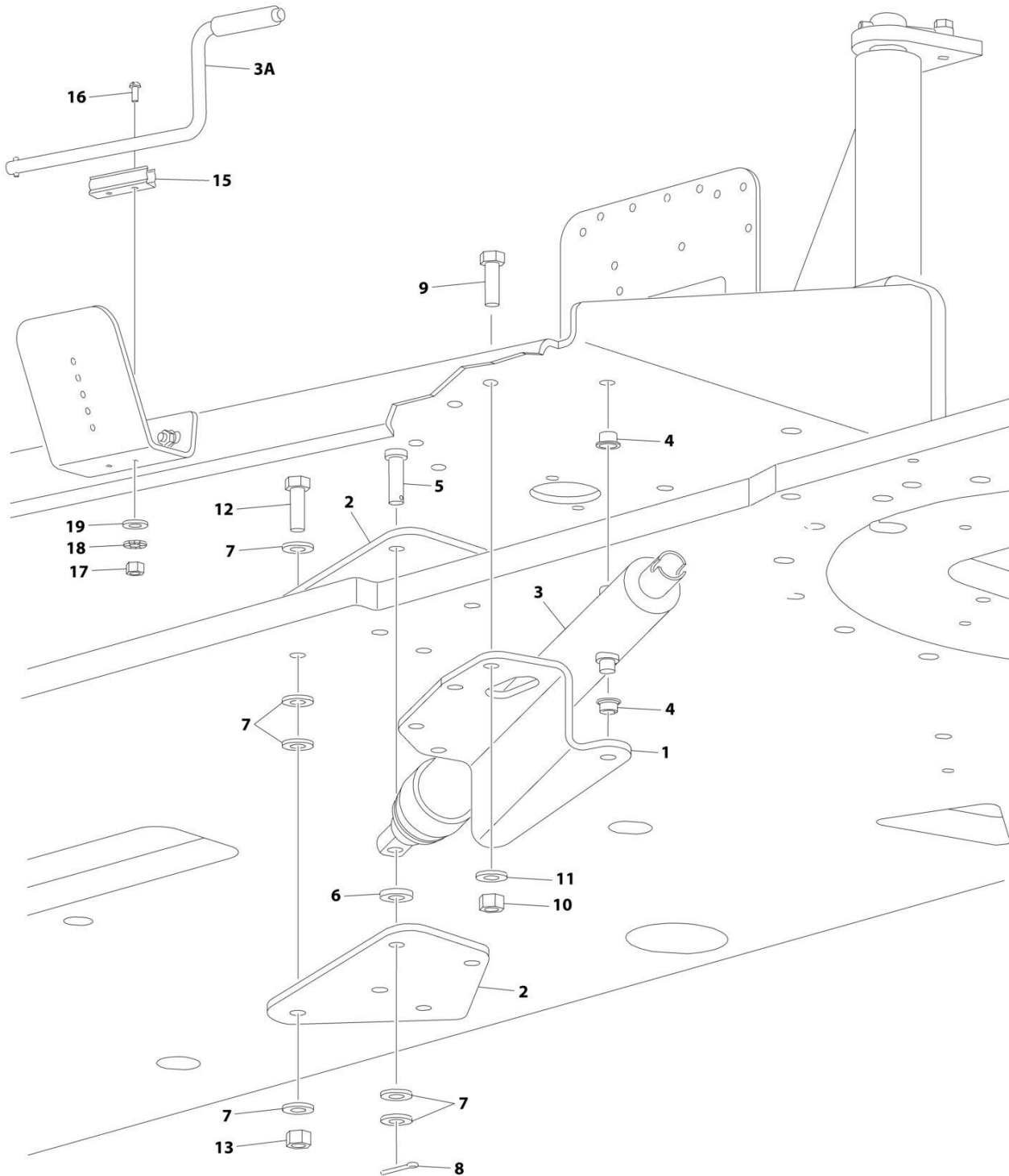
## SECTION 3 - ENGINE

**FIGURE 3-62. ENGINE HOOD Baffle INSTALLATION - DEUTZ TD2.9L4 ENGINES WITH STEEL HOODS**

ITEM	PART NUMBER	QTY	DESCRIPTION	REV
	1001143483	Ref	BAFFLES INSTALLATION (STEEL HOODS)	B
1	0641406	19	Bolt 1/4 x 3/4	
2	3311405	19	Nut 1/4	
3	4711400	38	Washer 1/4	
4	1001174745	1	Bracket	
5	1001142031	1	Bracket	
6	1001142032	1	Bracket	
7	1001143449	1	Bracket	
8	1001174746	1	Baffle	
9	1001143525	1	Bracket	

# SECTION 3 - ENGINE

## FIGURE 3-63. ENGINE TRAY JACK INSTALLATION - DEUTZ ENGINES



ART\_0258728

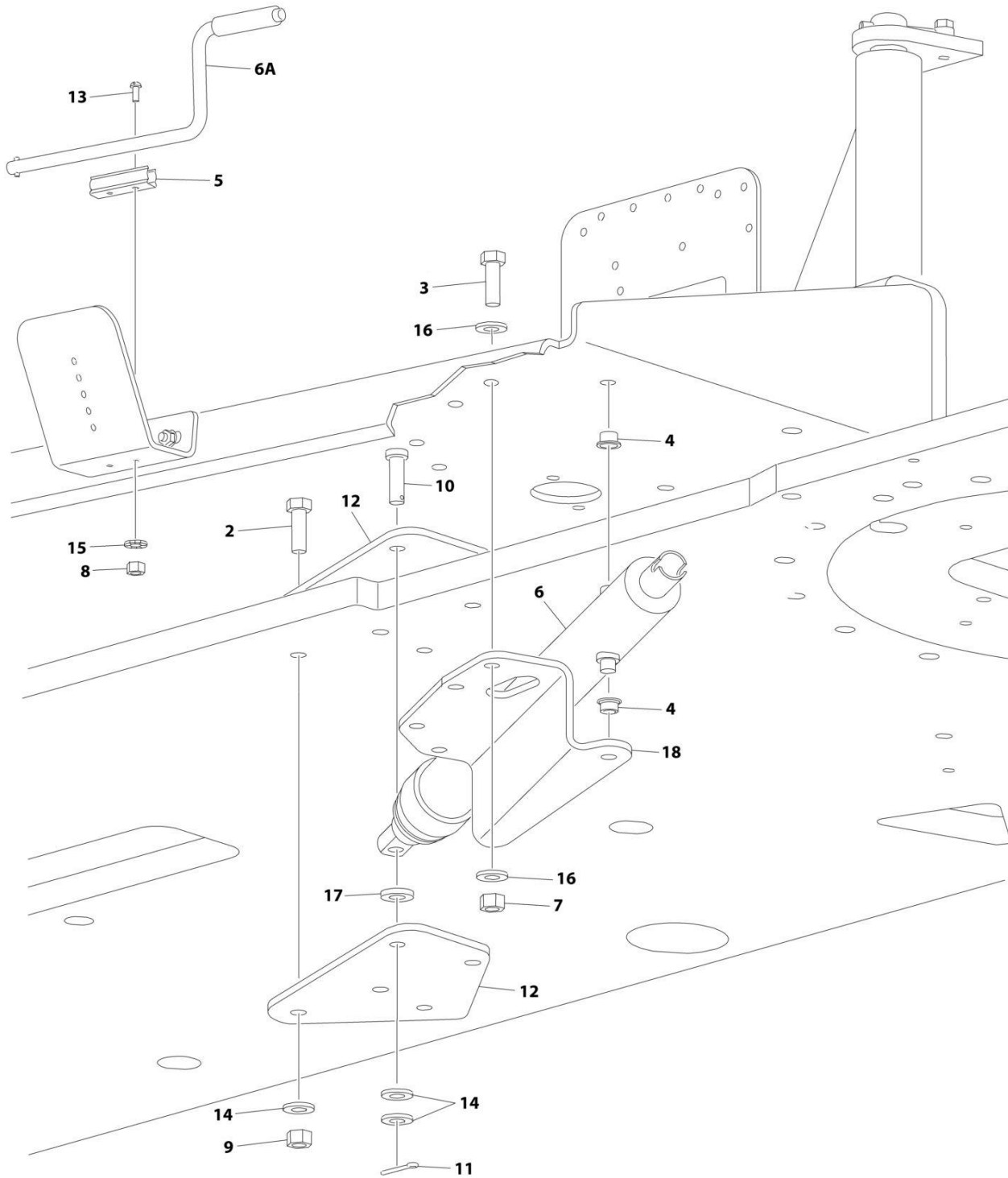
## SECTION 3 - ENGINE

**FIGURE 3-63. ENGINE TRAY JACK INSTALLATION - DEUTZ ENGINES**

ITEM	PART NUMBER	QTY	DESCRIPTION	REV
	0258728	Ref	ENGINE TRAY JACK INSTALLATION	2-C
1	3537445	1	Bracket	
2	3537446	2	Bracket	
3	2840016	1	Jack and Handle Assembly	F
3A	7024598	1	Handle	
4	0962051	2	Bearing, Flange	
5	3430816	1	Pin, Clevis	
6	4891800	1	Washer 1/2	
7	4711800	6	Washer 1/2	
8	3450404	1	Pin, Cotter 1/8 x 1	
9	0641609	4	Bolt 3/8 x 1-1/8	
10	3311605	4	Nut 3/8	
11	4891600	4	Washer 3/8	
12	0641818	4	Bolt 1/2 x 2-1/4	
13	3311805	4	Nut 1/2	
15	1380147	1	Clip, Spring	
16	3910608	2	Screw #6 x 1	
17	3310601	2	Nut #6	
18	4770600	2	Washer #6	
19	4740119	2	Washer	

# SECTION 3 - ENGINE

## FIGURE 3-64. ENGINE TRAY JACK INSTALLATION - FORD ENGINES



ART\_1001219881



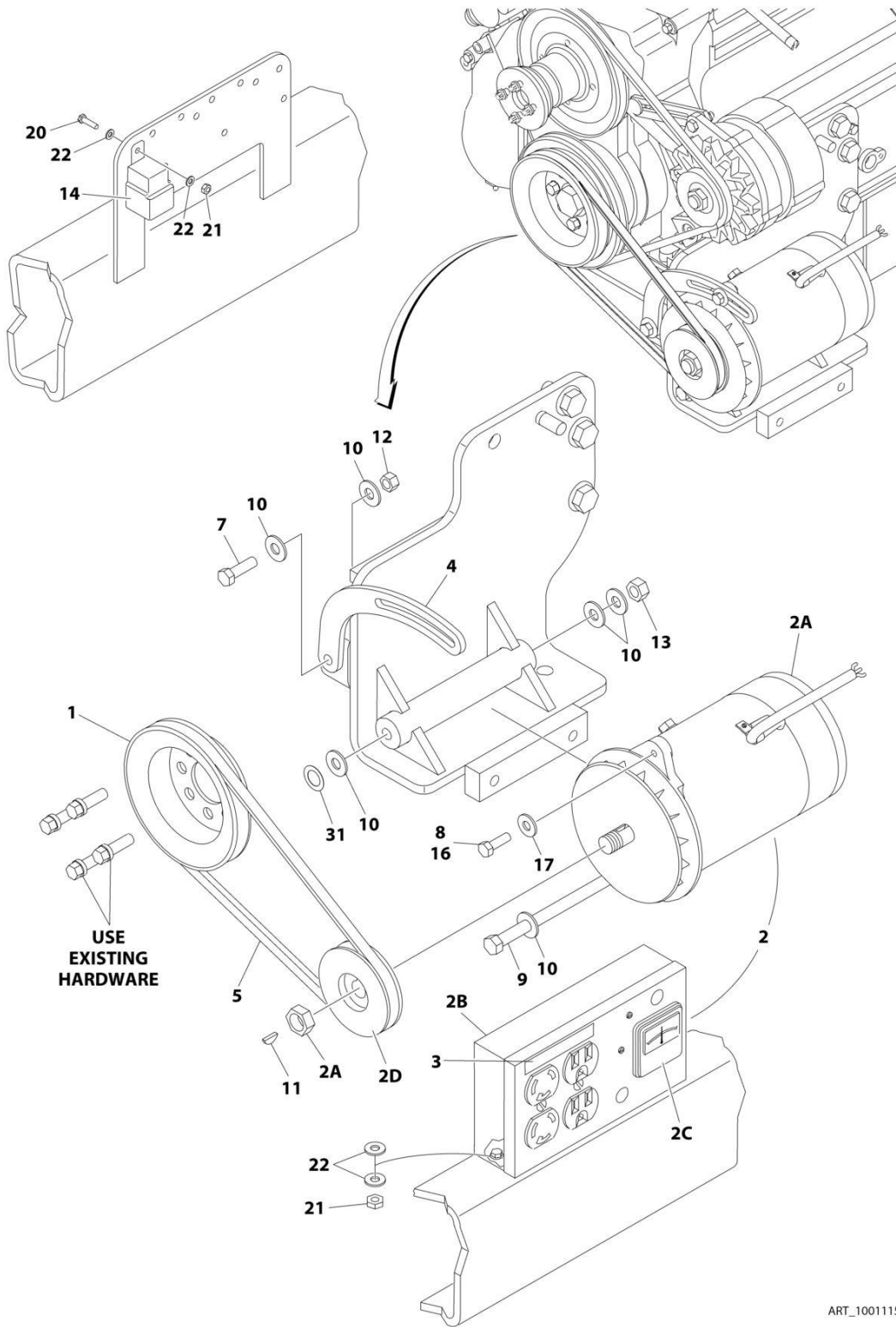
## SECTION 3 - ENGINE

**FIGURE 3-64. ENGINE TRAY JACK INSTALLATION - FORD ENGINES**

ITEM	PART NUMBER	QTY	DESCRIPTION	REV
	1001219881	Ref	ENGINE TRAY JACK INSTALLATION	B
2	0641818	4	Bolt 1/2 x 2-1/4	
3	0761014	3	Bolt M10 x 30	
4	0962051	2	Bearing, Flange	
5	1380147	1	Clip, Spring	
6	2840016	1	Jack and Handle Assembly	F
6A	7024598	1	Handle	
7	3291007	3	Nut M10	
8	3310601	2	Nut #6-32	
9	3311805	4	Nut 1/2-13	
10	3430816	1	Pin, Clevis	
11	3450404	1	Pin, Cotter 1/8 x 1	
12	3537446	2	Bracket	
13	3910608	2	Screw #6-32 x 1	
14	4711800	6	Washer 1/2	
15	4770600	2	Washer #6	
16	4812000	6	Washer M10	
17	4891800	1	Washer 1/2	
18	1001218547	1	Bracket	

# SECTION 3 - ENGINE

## FIGURE 3-65. 2500W/110V/60HZ GENERATOR INSTALLATION - DEUTZ D2011 ENGINES



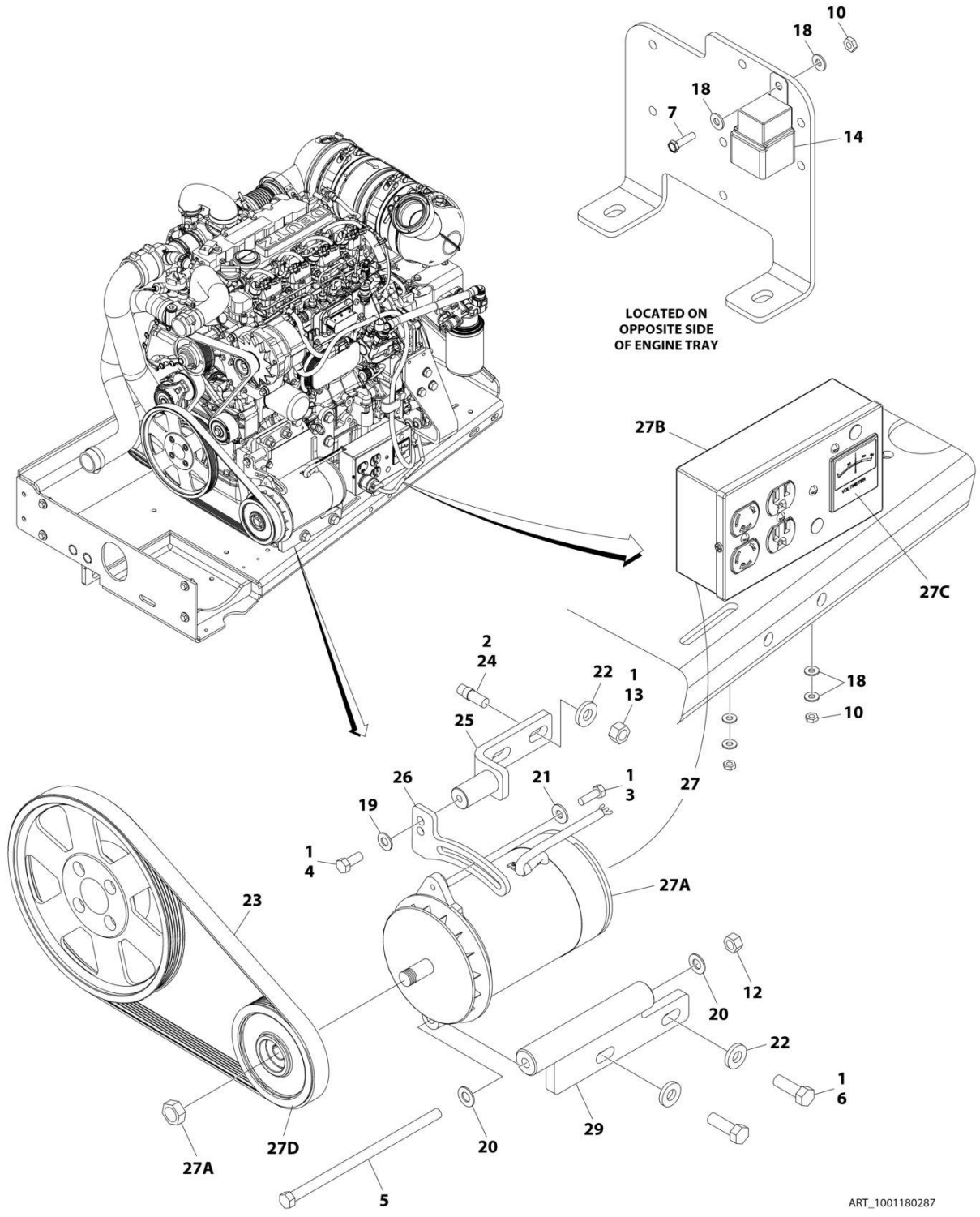
## SECTION 3 - ENGINE

**FIGURE 3-65. 2500W/110V/60HZ GENERATOR INSTALLATION - DEUTZ D2011 ENGINES**

ITEM	PART NUMBER	QTY	DESCRIPTION	REV
	1001115405	Ref	2500W GENERATOR INSTALLATION - 110V/60Hz	B
1	3580158	1	Pulley	
2	2460055	1	Generator and Control Box Assembly:	
2A	7012558	1	Generator Only - 110V/60Hz	
2A		Ref	Note: Replacement Generators come standard with p/n 3580134 pulley. This pulley may not be correct for all applications. Refer to pulley options below.	
2A	7026199	1	Armature with Slip Rings	
2A	7012513	4	Cap, Brush Holder	
2A	7020108	4	Brush	
2A	7020109	4	Holder, Brush	
2A	7012514	1	Fan	
2A	7020110	1	Bell, Front	
2A	7020111	1	Bell, Rear	
2A	7020190	1	Bearing	
2B	7019680	1	Box, Control	
2B		Ref	Receptacle Options:	
2B	4460190	1	Receptacle, Standard	
2B	4460027	1	Receptacle, Twistlock	
2B	4360542	1	Breaker, Circuit	
2B	3520028	1	Plug, Hole	
2C	2420203	1	Voltmeter	
2D	3580276	1	Pulley	
2D	7027887	1	Key, Woodruff	
3	3251243	1	Decal - 110V/60Hz	
4	0200742	1	Arm, Adjusting	
5	0480121	1	V-Belt	
7	0641610	1	Bolt 3/8 x 1-1/4	
8	0100011	AR	Compound, Locking	
9	0641772	1	Bolt 7/16 x 9	
10	4751600	6	Washer 3/8	
11	2860012	1	Key, Woodruff	
12	3311605	1	Nut 3/8	
13	3311705	1	Nut 7/16	
14	3740080	1	Relay	
16	0641508	1	Bolt 5/16 x 1	
17	4751500	AR	Washer 5/16	
18	1001112588	1	Wiring Diagram Components (Not Shown)	
18	1001112589	1	Generator Harness (Not Shown)	
18	4922641	1	Generator ON/OFF Switch Harness (Not Shown - Located at Platform)	
20	0721006	AR	Bolt #10 x 3/4	
21	3311005	3	Nut #10	
22	4751000	AR	Washer #10	
25	4360336	1	Switch, Toggle (Not Shown - Located at Platform)	
26	4740397	1	Bushing (Not Shown - Located at Platform)	
27	4060802	1	Guard, Switch (Not Shown - Located at Platform)	
29	2820031	4 in/ 10cm	Heat Shrink (Not Shown - Located at Platform)	
30	3251102	1	Decal (Not Shown - Located at Platform)	
31	4070585	AR	Shim	

# SECTION 3 - ENGINE

## FIGURE 3-66. 2500W/110V/60HZ GENERATOR INSTALLATION - DEUTZ TD2.9L4 ENGINES



ART\_1001180287

## SECTION 3 - ENGINE

**FIGURE 3-66. 2500W/110V/60HZ GENERATOR INSTALLATION - DEUTZ TD2.9L4 ENGINES**

ITEM	PART NUMBER	QTY	DESCRIPTION	REV
	1001180287	Ref	2500W GENERATOR INSTALLATION - DEUTZ TD2.9L4 (OPTIONAL)	C
1	0100011	AR	Compound, Locking	
2	0100019	AR	Compound, Locking	
3	0641508	1	Bolt 5/16 x 1	
4	0641607	1	Bolt 3/8 x 7/8	
5	0641772	1	Bolt 7/16 x 9	
6	0641812	2	Bolt 1/2 x 1-1/2	
7	0721006	1	Screw #10 x 3/4	
8	2820031	AR	Heat Shrink (Not Shown - Located at Platform)	
9	3251102	1	Name Plate - Generator On (Not Shown - Located at Platform)	
10	3311005	3	Nut #10	
12	3311705	1	Nut 7/16	
13	3311801	2	Nut 1/2	
14	3740080	1	Relay	
15	4060802	1	Guard, Switch (Not Shown - Located at Platform)	
16	4240018	AR	Strap, Cable Tie (Not Shown)	
17	4360336	1	Switch, Toggle (Not Shown - Located at Platform)	
18	4711000	6	Washer #10	
19	4711600	1	Washer 3/8	
20	4711700	2	Washer 7/16	
21	4751500	1	Washer 5/16	
22	4891800	4	Washer 1/2	
23	1001148138	1	V-Belt	
24	1001163599	2	Stud	
25	1001216015	1	Bracket	
26	1001179837	1	Arm, Adjustment	
27	1001180001	1	Generator and Control Box Assembly	
27A	7012558	1	Generator Only - 110V/60Hz	
27A		Ref	Note: Replacement Generators come standard with p/n 3580134 pulley. This pulley may not be correct for all applications. Refer to pulley options below.	
27A	7026199	1	Armature with Slip Rings	
27A	7012513	4	Cap, Brush Holder	
27A	7020108	4	Brush	
27A	7020109	4	Holder, Brush	
27A	7012514	1	Fan	
27A	7020110	1	Bell, Front	
27A	7020111	1	Bell, Rear	
27A	7020190	2	Bearing	
27B	7019680	1	Box, Control - 110V/60Hz	
27B		Ref	Receptacle Options:	
27B	4460190	1	Receptacle, Standard (110V Only)	
27B	4460027	1	Receptacle, Twistlock (110V Only)	
27B	4360542	1	Breaker, Circuit	
27B	3520028	1	Plug, Hole	
27C	2420203	1	Voltmeter	
27D	3580276	1	Pulley	
27D	7027887	1	Key, Woodruff	
28		Ref	Wiring Diagram Components (Not Shown)	

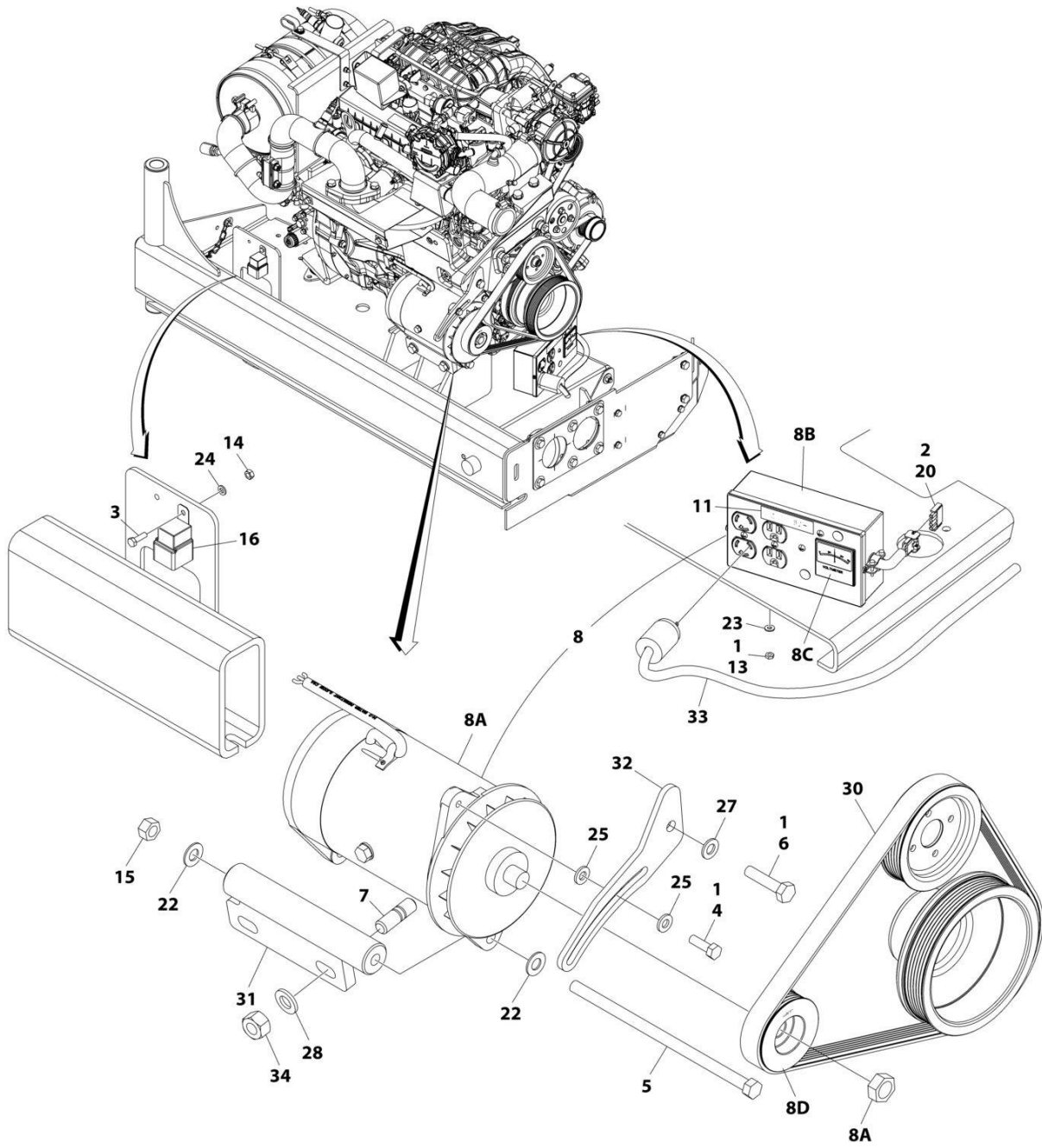
## SECTION 3 - ENGINE

ITEM	PART NUMBER	QTY	DESCRIPTION	REV
28	4922641	1	Generator On/Off Switch Harness (Not Shown - Located at Platform)	
28	1001180052	1	Generator Harness (Not Shown)	
29	1001181243	1	Mount, Generator	



# SECTION 3 - ENGINE

## FIGURE 3-67. 2500W/110V/60HZ GENERATOR INSTALLATION - FORD ENGINES



ART\_1001219619



## SECTION 3 - ENGINE

**FIGURE 3-67. 2500W/110V/60HZ GENERATOR INSTALLATION - FORD ENGINES**

ITEM	PART NUMBER	QTY	DESCRIPTION	REV
	1001219619	Ref	2500W GENERATOR INSTALLATION - FORD MACHINES (OPTIONAL)	E
1	0100011	AR	Compound, Locking	
2	0100048	AR	Grease, Dielectric	
3	0760610	1	Bolt M6 x 20	
4	0641508	1	Bolt 5/16 x 1	
5	0641772	1	Bolt 7/16 x 9	
6	0761016	1	Bolt M10 x 40	
7	1001155041	1	Stud	
8	2460051	1	Generator and Control Box Assembly	
8A	7012558	1	Generator Only - 110V/60Hz	
		Ref	Note: Replacement Generators come standard with pin 3580134 pulley. This pulley may not be correct for all applications. Refer to pulley options below.	
8A	7026199	1	Armature with Slip Rings	
8A	7012513	4	Cap, Brush Holder	
8A	7020108	4	Brush	
8A	7020109	4	Holder, Brush	
8A	7012514	1	Fan	
8A	7020110	1	Bell, Front	
8A	7020111	1	Bell, Rear	
8A	7020190	2	Bearing	
8B	7019680	1	Box, Control - 110V/60Hz	
8B		Ref	Receptacle Options:	
8B	4460190	1	Receptacle, Standard (110V Only)	
8B	4460027	1	Receptacle, Twistlock (110V Only)	
8B	4360542	1	Breaker, Circuit	
8B	3520028	1	Plug, Hole	
8C	2420203	1	Voltmeter	
8D	3580324	1	Pulley	
8D	7027887	1	Key, Woodruff	
9	2820031	1	Heat Shrink (Not Shown - Located at Platform)	
10	3251102	1	Nameplate Generator (Not Shown - Located at Platform)	
11	3251243	1	Decal - 120V-60Hz	
13	3311005	2	Nut #10	
14	3290601	1	Nut M6	
15	3311705	1	Nut 7/16	
16	3740080	1	Relay	
17	4060802	1	Guard Switch (Not Shown - Located at Platform)	
18	4240099	AR	Tie-Strap (Not Shown)	
19	4360336	1	Switch, Toggle (Not Shown - Located at Platform)	
20	4460321	1	Plug, Male - 4 Position	
22	4711700	2	Washer 7/16	
23	4751000	2	Washer #10	
24	4811700	1	Washer M6	
25	4891500	2	Washer 5/16	
27	4812000	1	Washer M10	
28	4812200	2	Washer M14	
29		Ref	Wiring Diagram Components (Not Shown)	

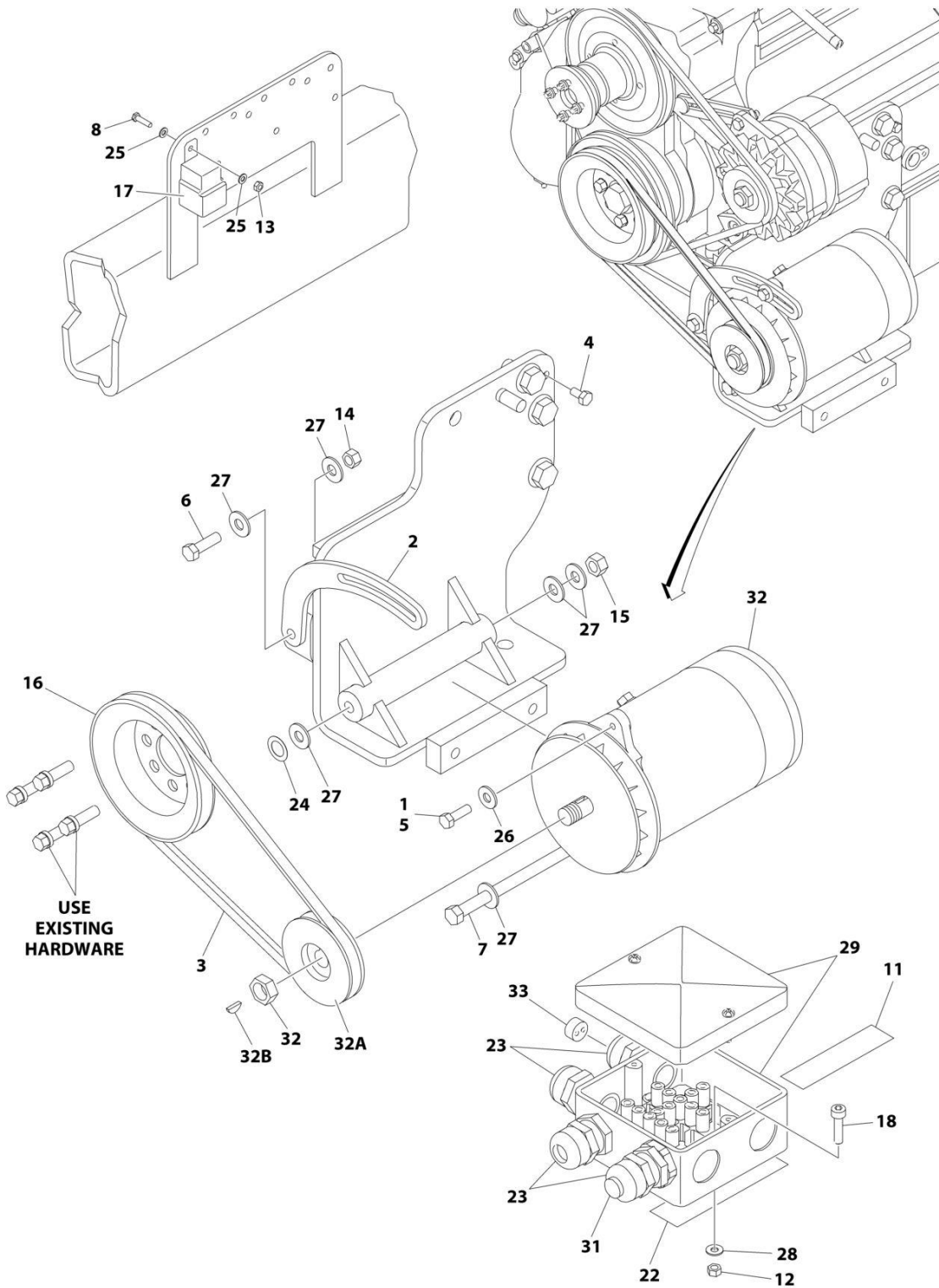
## SECTION 3 - ENGINE

ITEM	PART NUMBER	QTY	DESCRIPTION	REV
29	4922641	1	Generator On/Off Switch Harness (Not Shown - Located at Platform)	
29	4923445	1	Generator Harness (Not Shown - See Separate Breakdown in ELECTRICAL SECTION)	
30	1001216391	1	V-Belt	
31	1001219630	1	Mount, Generator	
32	1001219632	1	Arm, Adjustment	
33	4921829	1	Harness, Inverter	
34	3291201	2	Nut M12	



# SECTION 3 - ENGINE

## FIGURE 3-68. 2500W/220V/50HZ GENERATOR INSTALLATION - DEUTZ D2011 ENGINES



ART\_1001115409

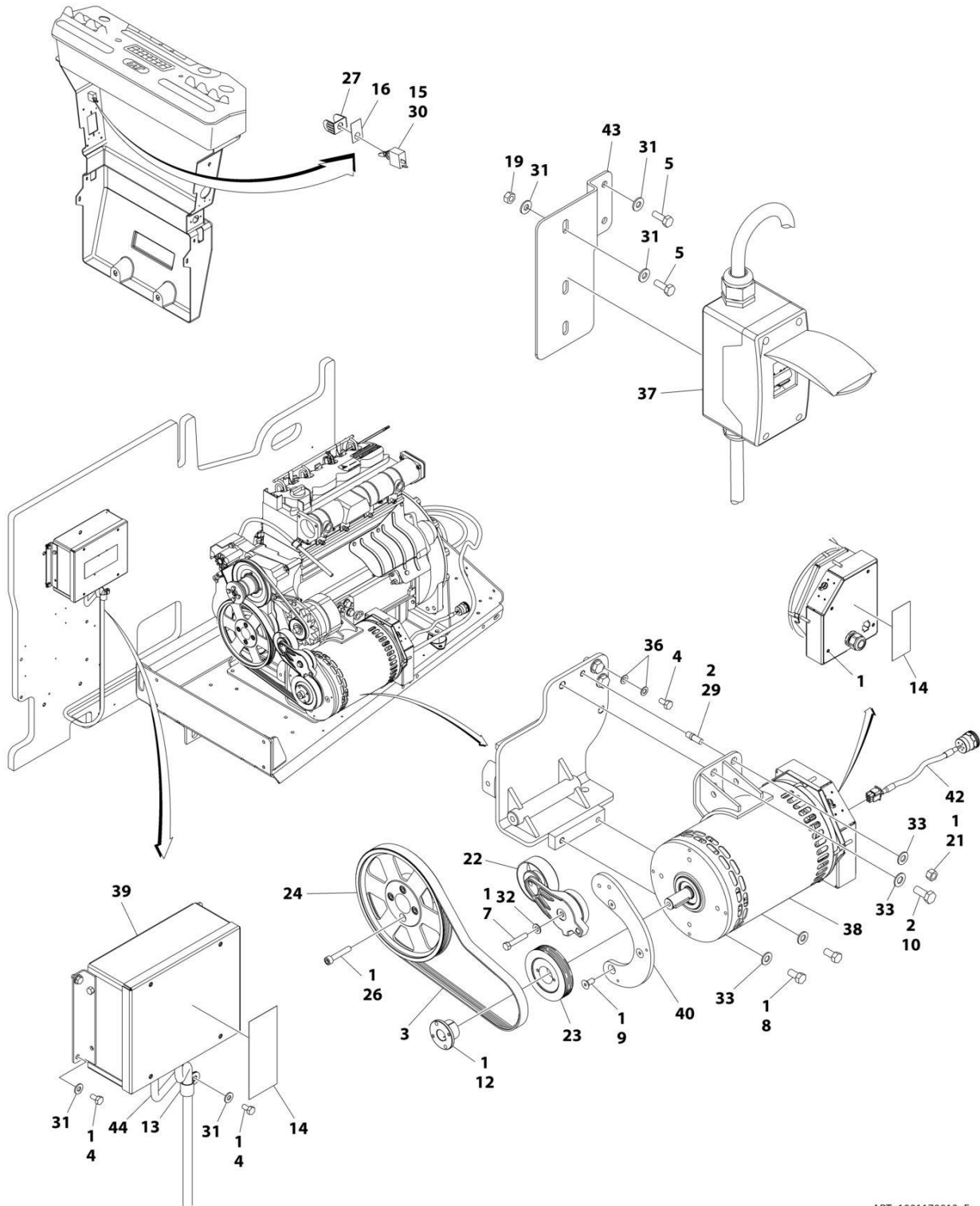
## SECTION 3 - ENGINE

**FIGURE 3-68. 2500W/220V/50HZ GENERATOR INSTALLATION - DEUTZ D2011 ENGINES**

ITEM	PART NUMBER	QTY	DESCRIPTION	REV
	1001115409	Ref	2500W GENERATOR INSTALLATION - 220V/50Hz	B
1	0100011	AR	Compound, Locking	
2	0200742	1	Arm, Adjusting	
3	0480121	1	V-Belt	
4	0641404	1	Bolt 1/4 x 1/2	
5	0641508	1	Bolt 5/16 x 1	
6	0641610	1	Bolt 3/8 x 1-1/4	
7	0641772	1	Bolt 7/16 x 9	
8	0721006	AR	Bolt #10 x 3/4	
9	2820031	4 in/10cm	Heat Shrink (Not Shown - Located at Platform)	
10	3251102	1	Decal (Not Shown - Located at Platform)	
11	3252507	2	Decal - 220V - 50Hz	
		Ref	Note: One Decal Not Shown - Located on the Inside of Platform Rail.	
12	3290505	1	Nut M5	
13	3311005	1	Nut #10	
14	3311605	1	Nut 3/8	
15	3311705	1	Nut 7/16	
16	3580158	1	Pulley	
17	3740080	1	Relay	
18	4031608	1	Bolt M5 x 20	
19	4060802	1	Guard, Switch (Not Shown - Located at Platform)	
20	4240018	1	Tie Strap (Not Shown)	
21	4360336	1	Switch, Toggle (Not Shown - Located at Platform)	
22	4420060	AR	Tape, Double Coated Acrylic Foam	
23	4460968	3	Connector, Strain Relief	
24	4740397	1	Shim	
25	4751000	2	Washer #10	
26	4751500	1	Washer 5/16	
27	4751600	6	Washer 3/8	
28	4811600	1	Washer M5	
29	1001099869	1	Box, Junction	
30		Ref	Wiring Diagram Components (Not Shown)	
30	4922641	1	Generator On/Off Switch Harness (Not Shown - Located at Platform)	
30	1001112589	1	Generator Harness (Not Shown)	
31	1001100234	1	Light, Red	
32	1001100321	1	Generator	
32	70000123	1	Armature with Slip Rings	
32	7012513	4	Cap, Brush Holder	
32	7020108	4	Brush	
32	7020109	4	Holder, Brush	
32	7012514	1	Fan	
32	7020110	1	Bell, Front	
32	7020111	1	Bell, Rear	
32	7020190	1	Bearing	
32A	3580134	1	Pulley - 50Hz	
32B	7027887	1	Key, Woodruff	
33	0962449	1	Bushing	

# SECTION 3 - ENGINE

## FIGURE 3-69. 4000W/50HZ GENERATOR INSTALLATION - DEUTZ D2011 ENGINES



ART\_1001179912\_E

## SECTION 3 - ENGINE

**FIGURE 3-69. 4000W/50HZ GENERATOR INSTALLATION - DEUTZ D2011 ENGINES**

ITEM	PART NUMBER	QTY	DESCRIPTION	REV
	1001179912	Ref	4000W/50Hz GENERATOR INSTALLATION - DEUTZ D2011 ENGINES	E
1	0100011	AR	Compound, Locking	
2	0100019	AR	Compound, Locking	
3	0480126	1	Belt, Generator (50Hz)	
4	0641404	6	Bolt 1/4 x 1/2	
5	0641406	1	Bolt 1/4 x 3/4	
7	0641616	1	Bolt 3/8 x 2	
8	0641808	2	Bolt 1/2 x 1	
9	0741607	3	Screw 3/8 x 7/8	
10	0771415	1	Bolt M14 x 35	
12	0962520	1	Bushing, Split	
13	1320318	1	Clamp	
14	1705489	1	Decal - Hazardous Voltage	
15	2820031	0.33 ft /0.1m	Heat Shrink	
16	3251102	1	Nameplate - Generator	
19	3311405	1	Nut 1/4	
21	3311801	1	Nut 1/2	
22	3580317	1	Tensioner, Belt with Pulley	
23	3580319	1	Pulley, Generator	
24	3580320	1	Pulley, Engine	
26	4032015	4	Capscrew M10 x 55	
27	4060802	1	Guard, Switch	
28	4240018	AR	Tie-Strap (Not Shown)	
29	4300157	1	Stud	
30	4360336	1	Switch, Toggle	
31	4711400	11	Washer 1/4	
32	4711600	1	Washer 3/8	
33	4711800	3	Washer 1/2	
36	4791400	2	Washer 1/4	
37	1001165368	1	Breaker Box Kit (Not Shown - See Separate Breakdown in ELECTRICAL SECTION)	
38	1001138565	1	Generator Assembly (50Hz)	
38	70003709	1	Ring, Retaining (External)	
38	70003708	1	Ring, Retaining (Internal)	
38	70001966	1	Bearing	
38	70004092	1	Endbell (Shaft End)	
38	70004171	1	Key	
38	70004676	1	Rotor	
38	70004677	1	Stator (50Hz)	
38	70004678	1	Endbell (Rear)	
38	70004679	1	Cover, Endbell (Rear)	
38	70004680	1	Enclosure, Wiring	
38	70004681	1	Cover, Enclosure (50Hz)	
38	70004682	1	Switch, Reset (Located on Enclosure Cover)	
38	70004683	1	Connector, Strain Relief (50Hz) (Located on Enclosure Cover)	
39	1001138566	1	Control Box Assembly	
39	70006552	1	Capacitor	
39	70006553	1	Relay	

### SECTION 3 - ENGINE

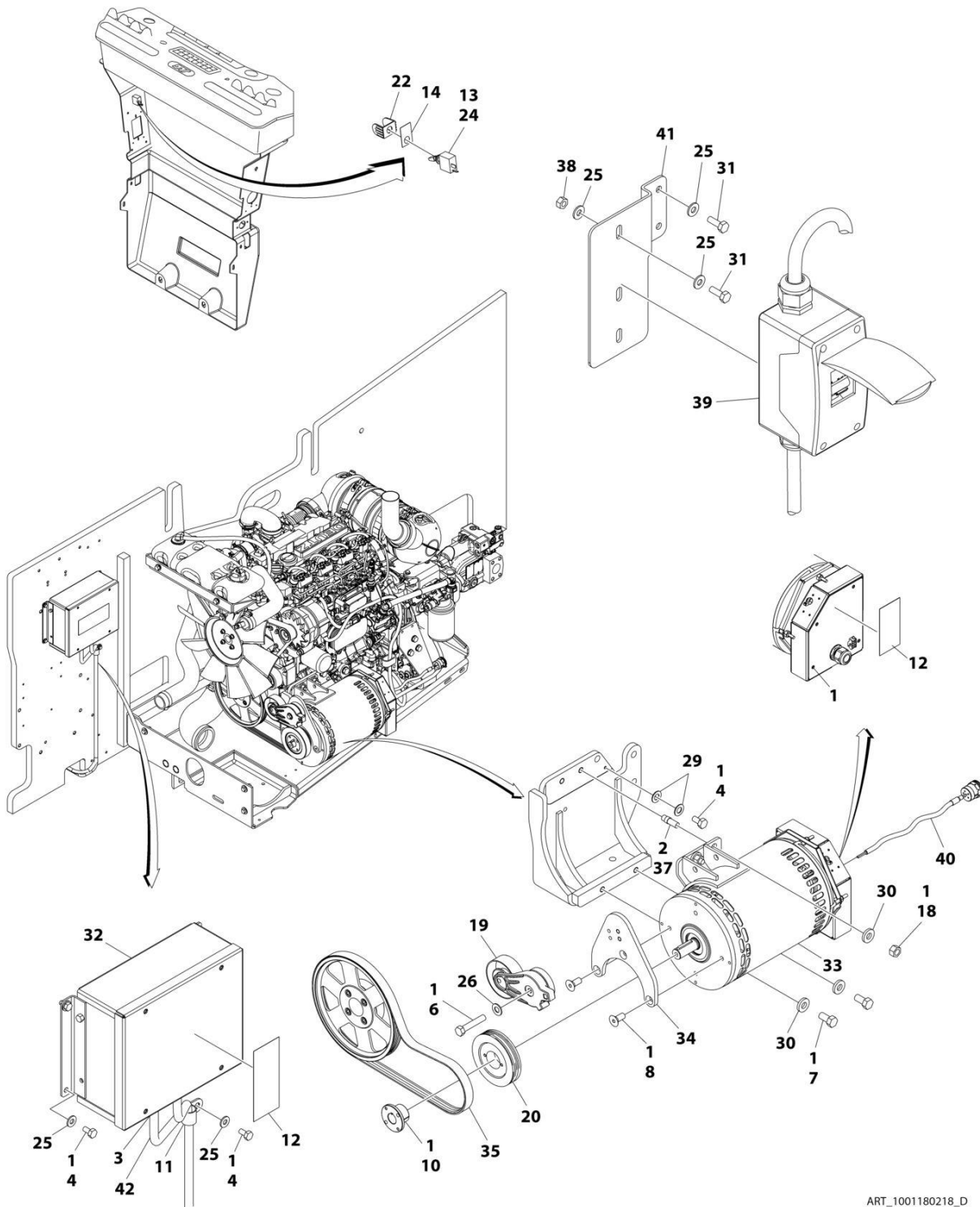
ITEM	PART NUMBER	QTY	DESCRIPTION	REV
40	1001139357	1	Mount, Tensioner	
42	1001152532	1	Generator to Control Box, Harness (See Separate Breakdown in ELECTRICAL SECTION)	
43	1001177035	1	Bracket	
44	1001153197	1	Generator Control Box to Engine Harness (See Separate Breakdown in ELECTRICAL SECTION)	





# SECTION 3 - ENGINE

## FIGURE 3-70. 4000W/50HZ GENERATOR INSTALLATION - DEUTZ TD2.9L4 ENGINES AND DEUTZ TD2.9L4 (STAGE V) ENGINES



ART\_1001180218\_D

## SECTION 3 - ENGINE

**FIGURE 3-70. 4000W/50HZ GENERATOR INSTALLATION - DEUTZ TD2.9L4 ENGINES AND DEUTZ TD2.9L4 (STAGE V) ENGINES**

ITEM	PART NUMBER	QTY	DESCRIPTION	REV
	1001180218	1	4000W/Hz GENERATOR INSTALLATION - DEUTZ TD2.9L4 ENGINES	D
1	0100011	AR	Compound, Locking	
2	0100019	AR	Compound, Locking	
3	0100048	AR	Grease Dielectric	
4	0641404	6	Bolt 1/4 x 1/2	
6	0641616	1	Bolt 3/8 x 2	
7	0641808	2	Bolt 1/2 x 1	
8	0741607	3	Screw 3/8 x 7/8	
10	0962520	1	Bushing, Split	
11	1320318	1	Clamp	
12	1705489	2	Decal - Hazardous Voltage	
13	2820031	0.33 ft /0.1m	Heat Shrink	
14	3251102	1	Nameplate, Generator	
18	3311801	2	Nut 1/2	
19	3580317	1	Tensioner, Belt with Pulley	
20	3580319	1	Pulley, Generator	
22	4060802	1	Guard, Switch	
23	4240018	AR	Tie-Strap (Not Shown)	
24	4360336	1	Switch, Toggle	
25	4711400	11	Washer 1/4	
26	4711600	1	Washer 3/8	
29	4791400	2	Washer 1/4	
30	4891800	4	Washer 1/2	
31	0641406	4	Bolt 1/4 x 3/4	
32	1001138566	1	Control Box Assembly	
32	70006552	1	Capacitor	
32	70006553	1	Relay	
33	1001140347	1	Generator Assembly	
33	70003709	1	Ring, Retaining (External)	
33	70003708	1	Ring, Retaining (Internal)	
33	70001966	1	Bearing	
33	70004092	1	Endbell (Shaft End)	
33	70004099	1	Key	
33	70004676	1	Rotor	
33	70004686	1	Stator	
33	70004678	1	Endbell (Rear)	
33	70004679	1	Cover, Endbell (Rear)	
33	70004680	1	Enclosure, Wiring	
33	70004681	1	Cover, Enclosure	
33	70004682	1	Switch, Reset (Located on Enclosure Cover)	
33	70004683	1	Connector, Strain Relief (Located on Enclosure Cover)	
33	4460224	1	Connector - 6 Position (Located on Enclosure Cover)	
33	4460294	2	Pin, Male (Located on Enclosure Cover)	
34	1001142643	1	Support, Tensioner	
35	1001142645	1	Belt, Generator	
37	1001163599	2	Stud	
38	3311405	4	Nut 1/4	

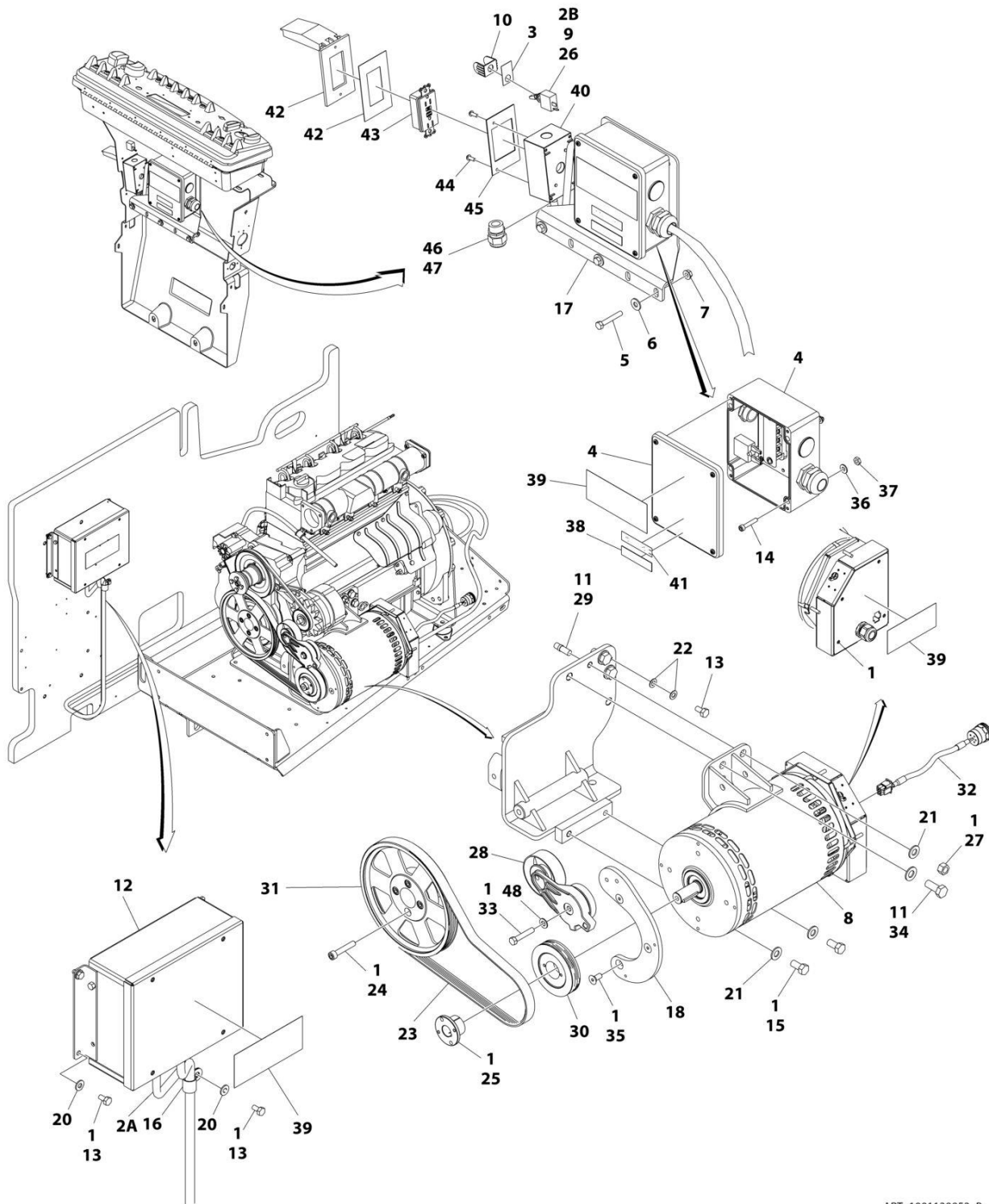
## SECTION 3 - ENGINE

ITEM	PART NUMBER	QTY	DESCRIPTION	REV
39	1001165368	1	Breaker Box Kit (Not Shown - See Separate Breakdown in ELECTRICAL SECTION)	
40	1001152532	1	Generator to Control Box Harness (See Separate Breakdown in ELECTRICAL SECTION)	
41	1001177035	1	Bracket	
42	1001153259	1	Generator Control Box to Engine Harness (See Separate Breakdown in ELECTRICAL SECTION)	



# SECTION 3 - ENGINE

## FIGURE 3-71. 4000W/60HZ GENERATOR INSTALLATION - DEUTZ D2011 ENGINES



ART\_1001139952\_B

## SECTION 3 - ENGINE

**FIGURE 3-71. 4000W/60HZ GENERATOR INSTALLATION - DEUTZ D2011 ENGINES**

ITEM	PART NUMBER	QTY	DESCRIPTION	REV
	1001139952	Ref	4000W/60Hz GENERATOR INSTALLATION - DEUTZ D2011 ENGINES	B
1	0100011	AR	Compound, Locking	
2		Ref	Wiring Diagram Components (Not Shown)	
2A	1001153197	1	Generator Control Box to Engine Harness (See Separate Breakdown in ELECTRICAL SECTION)	
2B	4462641	1	Generator On/Off Switch Harness	
3	3251102	1	Nameplate - Generator	
4	1001152457	1	Junction Box Assembly	
4	3300396	1	Cover, Breaker	
4	4360070	1	Breaker, Circuit - 15Amp	
4	4460425	1	Connector, Strain Relief (LH Side)	
4	4460426	1	Connector, Strain Relief (RH Side)	
5	0641516	3	Bolt 5/16 x 2	
6	4751500	3	Washer 5/16	
7	3311508	3	Nut 5/16	
8	1001129858	1	Generator Assembly	
8	70003709	1	Ring, Retaining (External)	
8	70003708	1	Ring, Retaining (Internal)	
8	70001966	1	Bearing	
8	70004092	1	Endbell (Shaft End)	
8	70004171	1	Key	
8	70004676	1	Rotor	
8	70004684	1	Stator	
8	70004678	1	Endbell (Rear)	
8	70004679	1	Cover, Endbell (Rear)	
8	70004680	1	Enclosure, Wiring	
8	70004685	1	Cover, Enclosure	
8	70004682	1	Switch, Reset (Located on Enclosure Cover)	
8	70004098	1	Connector, Strain Relief (Located on Enclosure Cover)	
9	4360336	1	Switch, Toggle	
10	4060802	1	Guard, Switch	
11	0100019	AR	Compound, Locking	
12	1001138566	1	Control Box Assembly	
12	70006552	1	Capacitor	
12	70006553	1	Relay	
13	0641404	6	Bolt 1/4 x 1/2	
14	3931016	4	Capscrew #10 x 1	
15	0641808	2	Bolt 1/2 x 1	
16	1320318	1	Clamp	
17	0902888	1	Bracket	
18	1001139357	1	Mount, Tensioner	
19	4240018	AR	Tie-Strap (Not Shown)	
20	4711400	5	Washer 1/4	
21	4711800	3	Washer 1/2	
22	4791400	2	Washer 1/4	
23	0480129	1	Belt, Generator	
24	4032015	4	Capscrew M10 x 55	
25	0962520	1	Bushing, Split	

## SECTION 3 - ENGINE

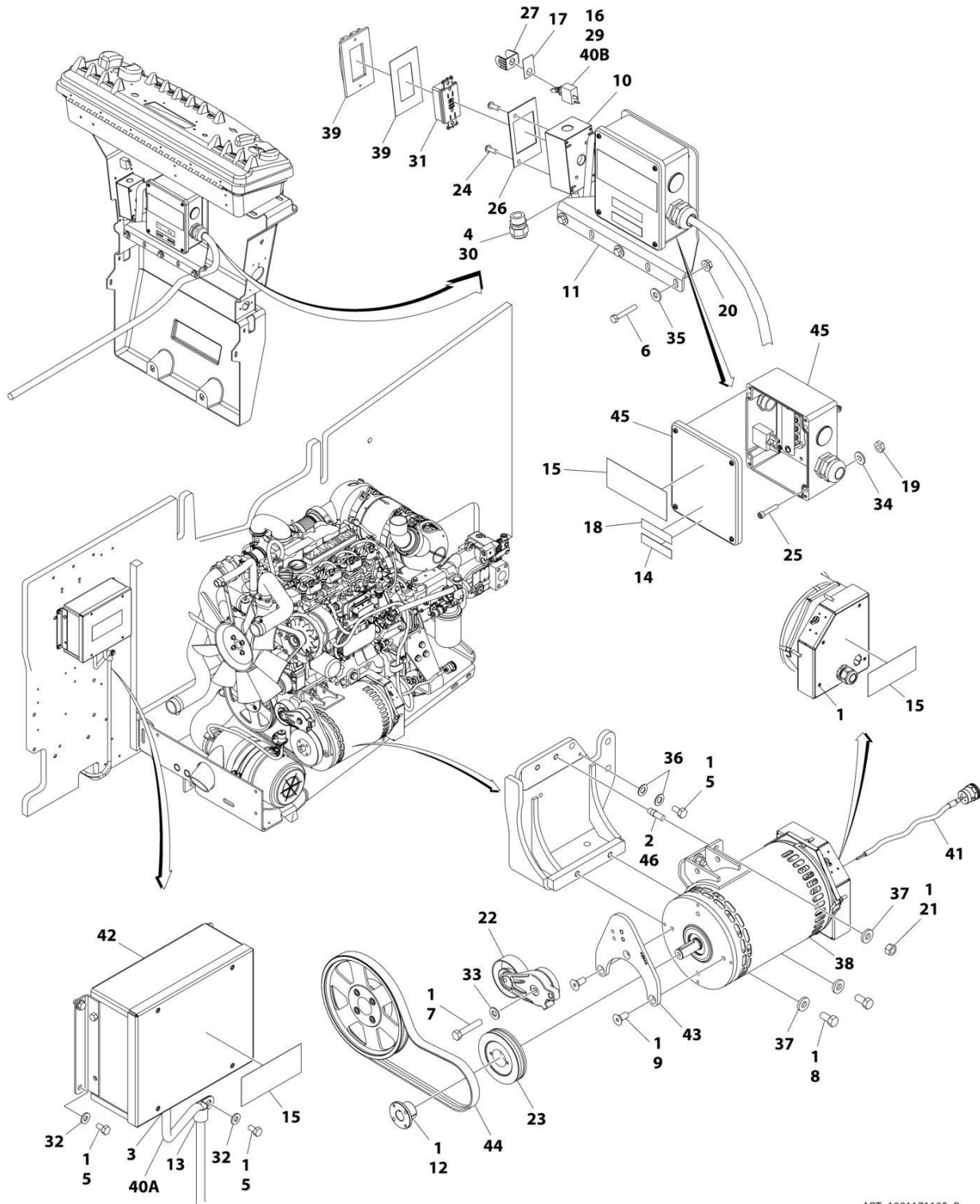
ITEM	PART NUMBER	QTY	DESCRIPTION	REV
26	2820031	0.33 ft /0.1m	Heat Shrink	
27	3311801	1	Nut 1/2	
28	3580317	1	Tensioner, Belt with Pulley	
29	4300157	1	Stud	
30	3580318	1	Pulley, Generator	
31	3580320	1	Pulley, Engine	
32	1001152532	1	Generator to Control Box Harness (See Separate Breakdown in ELECTRICAL SECTION)	
33	0641616	1	Bolt 3/8 x 2	
34	0771415	1	Bolt M14 x 35	
35	0741607	3	Screw 3/8 x 7/8	
36	4751000	4	Washer #10	
37	3311005	4	Nut #10	
38	1705374	1	Decal - 240V	
39	1705387	3	Decal - Hazardous Voltage	
40	0860038	1	Box, Switch - Weatherhead	
41	3251243	1	Decal - 120V	
42	1001110873	1	Cover, Receptacle	
43	4460346	1	Receptacle	
44	3910606	4	Screw #6 x 3/8	
45	3960422	1	Gasket	
46	0100020	AR	Sealant #567	
47	4460071	1	Connector	
48	4711600	1	Washer 3/8	





# SECTION 3 - ENGINE

## FIGURE 3-72. 4000W/60HZ GENERATOR INSTALLATION - DEUTZ TD2.9L4 ENGINES



ART\_1001171125\_B

## SECTION 3 - ENGINE

**FIGURE 3-72. 4000W/60HZ GENERATOR INSTALLATION - DEUTZ TD2.9L4 ENGINES**

ITEM	PART NUMBER	QTY	DESCRIPTION	REV
	1001171125	1	4000W/60Hz GENERATOR INSTALLATION	B
1	0100011	AR	Compound, Locking	
2	0100019	AR	Compound, Locking	
3	0100048	AR	Grease Dielectric	
4	0100079	AR	Sealant	
5	0641404	6	Bolt 1/4 x 1/2	
6	0641516	3	Bolt 5/16 x 2	
7	0641616	1	Bolt 3/8 x 2	
8	0641808	2	Bolt 1/2 x 1	
9	0741607	3	Screw 3/8 x 7/8	
10	0860038	1	Box, Switch	
11	0902888	1	Bracket, Junction Box	
12	0962520	1	Bushing, Split	
13	1320318	1	Clamp	
14	1705374	1	Decal - 240V	
15	1705387	3	Decal - Hazardous Voltage	
16	2820031	0.33 ft /0.1m	Heat Shrink	
17	3251102	1	Nameplate, Generator	
18	3251243	1	Decal - 120V	
19	3311005	4	Nut #10	
20	3311508	3	Nut 5/16	
21	3311801	2	Nut 1/2	
22	3580317	1	Tensioner, Belt with Pulley	
23	3580318	1	Pulley, Generator	
24	3910606	4	Screw 6 x 3/8	
25	3931016	4	Capscrew #10 x 1	
26	3960422	1	Gasket, AC Receptacle	
27	4060802	1	Guard, Switch	
28	4240018	AR	Tie-Strap (Not Shown)	
29	4360336	1	Switch, Toggle	
30	4460071	1	Connector, Strain Relief	
31	4460346	1	Receptacle	
32	4711400	5	Washer 1/4	
33	4711600	1	Washer 3/8	
34	4751000	4	Washer #10	
35	4751500	3	Washer 5/16	
36	4791400	2	Washer 1/4	
37	4891800	4	Washer 1/2	
38	1001140346	1	Generator Assembly	
38	70003709	1	Ring, Retaining (External)	
38	70003708	1	Ring, Retaining (Internal)	
38	70001966	1	Bearing	
38	70004092	1	Endbell (Shaft End)	
38	70004099	1	Key	
38	70004676	1	Rotor	
38	70004687	1	Stator	
38	70004678	1	Endbell (Rear)	
38	70004679	1	Cover, Endbell (Rear)	
38	70004680	1	Enclosure, Wiring	

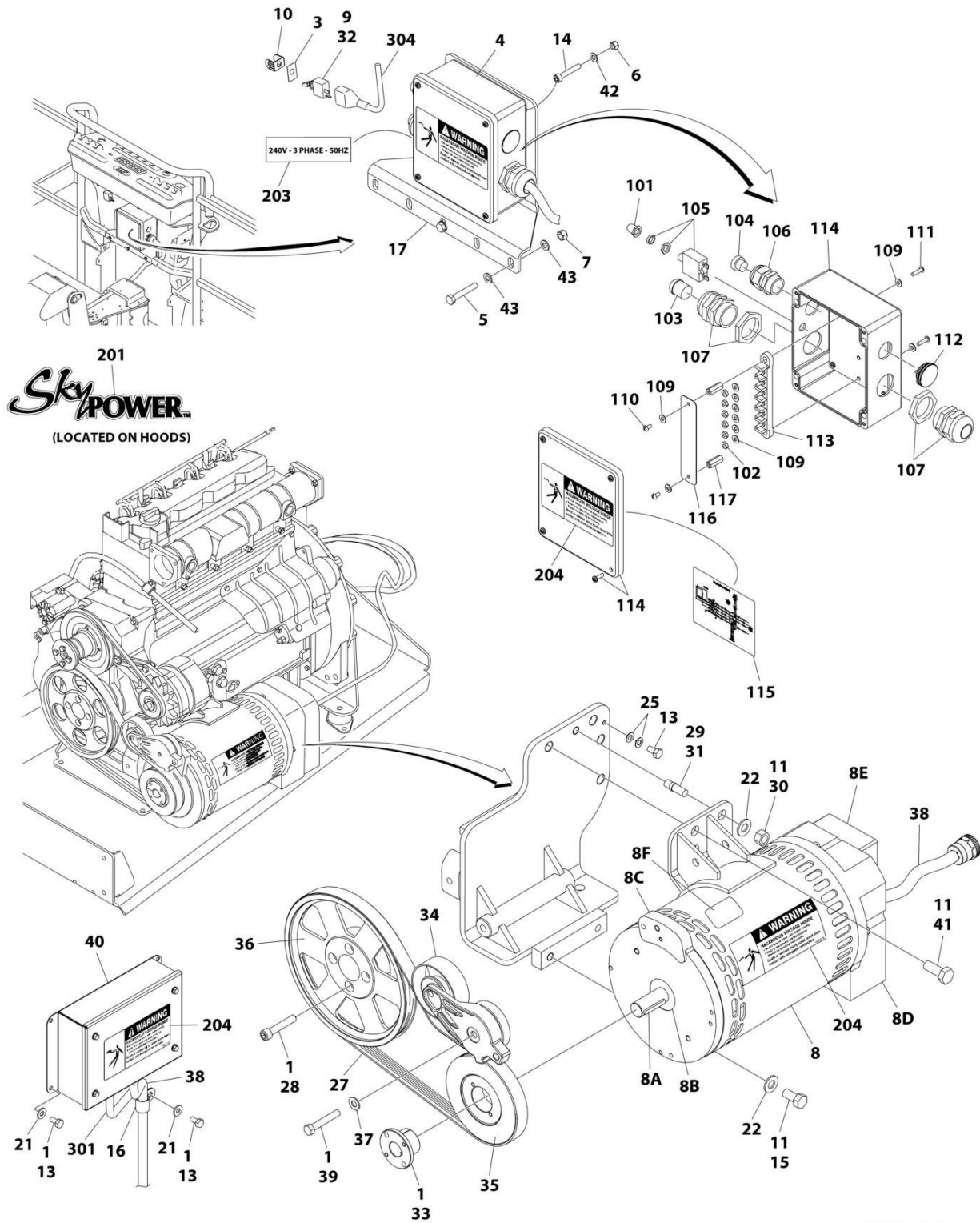
## SECTION 3 - ENGINE

ITEM	PART NUMBER	QTY	DESCRIPTION	REV
38	70004685	1	Cover, Enclosure	
38	70004682	1	Switch, Reset (Located on Enclosure Cover)	
38	70004098	1	Connector, Strain Relief (Located on Enclosure Cover)	
39	1001110873	1	Cover, Receptacle	
40		Ref	Wiring Diagram Components (Not Shown)	
40A	1001153259	1	Generator Control Box to Engine Harness (See Separate Breakdown in ELECTRICAL SECTION)	
40B	4922641	1	Generator On/Off Switch Harness	
41	1001152532	1	Generator to Control Box (See Separate Breakdown in ELECTRICAL SECTION)	
42	1001138566	1	Control Box Assembly	
42	70006552	1	Capacitor	
42	70006553	1	Relay	
43	1001142643	1	Support, Tensioner	
44	1001142646	1	Belt, Generator	
45	1001152457	1	Junction Box Assembly	
45	3300396	1	Cover, Breaker	
45	4360070	1	Breaker, Circuit - 15Amp	
45	4460425	1	Connector, Strain Relief (LH Side)	
45	4460426	1	Connector, Strain Relief (RH Side)	
46	1001163599	2	Stud	



# SECTION 3 - ENGINE

## FIGURE 3-73. 7500W/50HZ SKYPOWER GENERATOR INSTALLATION - DEUTZ D2011 ENGINES



ART\_1001115389\_E

## SECTION 3 - ENGINE

**FIGURE 3-73. 7500W/50HZ SKYPOWER GENERATOR INSTALLATION - DEUTZ D2011 ENGINES**

ITEM	PART NUMBER	QTY	DESCRIPTION	REV
	1001115389	Ref	7500W/50HZ SKYPOWER GENERATOR INSTALLATION - DEUTZ D2011 ENGINE MACHINES	E
1	0100011	AR	Compound, Locking	
3	3252764	1	Nameplate	
4	1001157525	1	Junction Box Assembly (See Items 101-117 for Breakdown)	
5	0641516	3	Bolt 5/16 x 2	
6	3311005	4	Nut #10	
7	3311508	3	Nut 5/16	
8	2460048	1	Generator Assembly (Deutz D2011 Engines)	
8	70001100	1	Rotor (Includes p/n 70001384 & 70000863) (Not Shown)	
8	70001384	1	Bearing, Ball Radial (Not Shown):	
8	70000863	1	Fan (Not Shown)	
8	70002088	1	Stator	
8	70002297	1	Stud	
8	7024484	NLA	Brushholder Assembly (Not Shown) (Use p/n 70003631)	
8A	7024561	NLA	Key	
8B	70001966	1	Bearing, Ball Radial (Located in Belt Tensioner Endbell)	
8B	70003708	1	Ring, Internal Retaining (Located in Belt Tensioner Endbell)	
8B	70003709	1	Ring, External Retaining (Located in Belt Tensioner Endbell)	
8C	70001953	1	Endbell, Belt Tensioner	
8D	70001385	NLA	Endbell, Brush Block (use p/n 70004169)	
8E	70002290	NLA	Shroud (Use p/n 70004169)	
8E	See Note	NSS	Insulator, Endbell (Note: Not Available for Purchase)	
8E	7027799	1	Block, Connector 6 Position (Not Shown)	
8E	70002460	1	Nut, Brass (Attaches p/n 7027799 to Cover) (Not Shown)	
8E	7024485	1	Breaker, Circuit 30Amp (Not Shown):	
8E	70001696	1	Boot, Breaker (Not Shown):	
8E	7026626	1	Connector, 6 Position (Includes Seal) (Not Shown - Plugs into Item 36)	
8E	7026597	1	Connector, W/Leads (Not Shown)	
8E	7026188	1	Clamp, Cable (Not Shown)	
8E	70004169	1	Plate, End Panel	
8E	70001974	1	Decal - Terminal Connections	
8F	70001973	1	Decal - Warning Moving Parts	
9	4360336	1	Switch, Toggle	
10	4060802	1	Guard, Switch	
11	0100019	AR	Compound, Locking	
13	0641404	6	Bolt 1/4 x 1/2	
14	3931016	4	Capscrew 3/8 x 1	
15	0641808	2	Bolt 1/2 x 1	
16	1320318	1	Clamp	
17	0902888	1	Bracket, Box Mounting	
20	4240018	AR	Tie-Strap (Not Shown)	
21	4711400	5	Washer 1/4	
22	4711800	3	Washer 1/2	
25	4791400	2	Washer 1/4	
27	0480126	1	Belt, Drive	
28	4032015	4	Capscrew M10 x 55	
29	4300157	1	Stud	
30	3311801	1	Nut 1/2	

## SECTION 3 - ENGINE

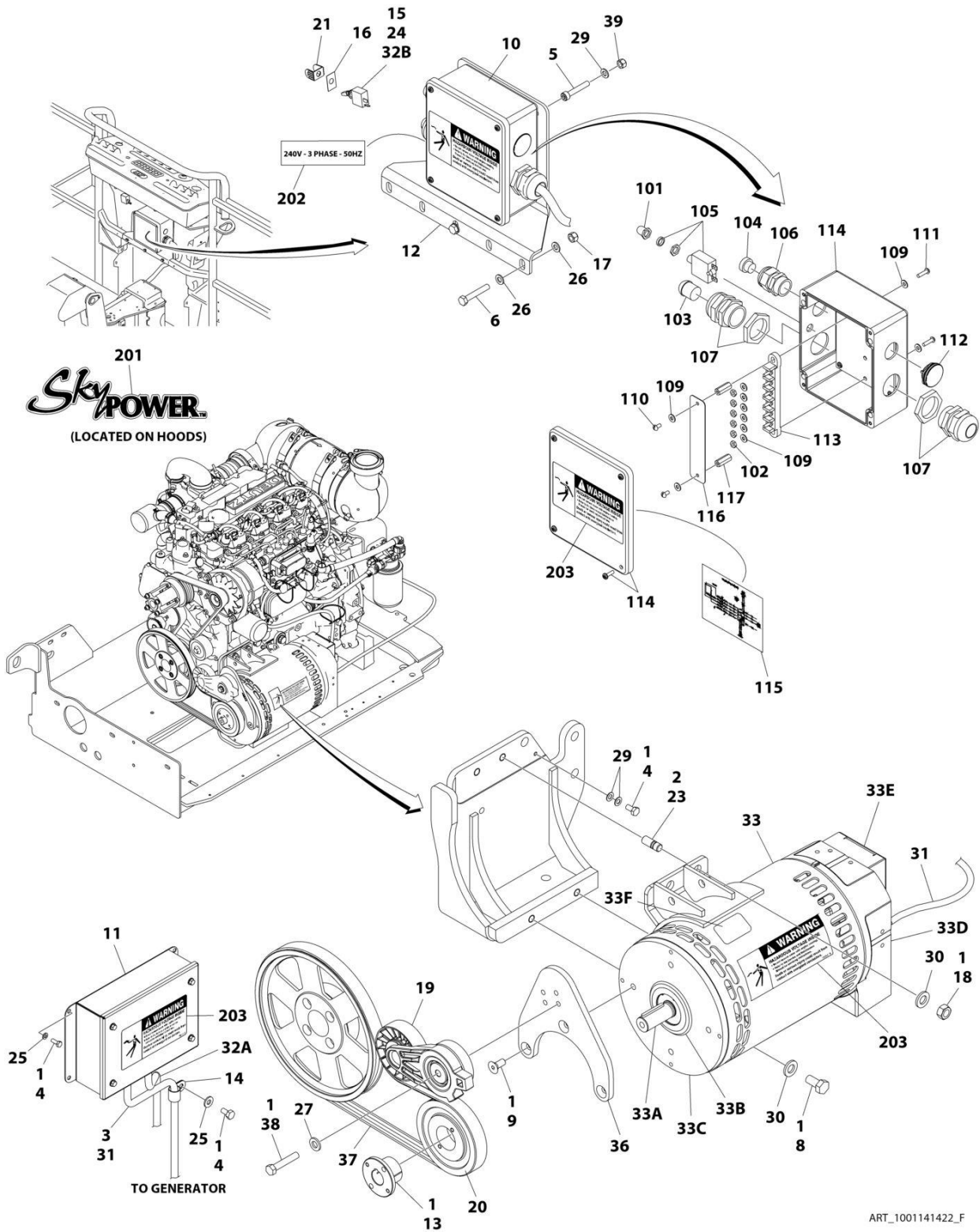
ITEM	PART NUMBER	QTY	DESCRIPTION	REV
31	0100062	AR	Adhesive (Not Shown)	
32	2820031	1	Insulator	
33	0962520	1	Bushing, Split Taper	
34	3580317	1	Tensioner, Belt	
35	3580319	1	Pulley	
36	3580320	1	Pulley	
37	4711600	1	Washer 3/8	
38	4922925	1	Generator to Control Box Harness (See Separate Breakdown in ELECTRICAL SECTION)	
39	0641618	1	Bolt 3/8 x 2-1/4	
40	0861572	1	Control Box Assembly	
40	7024488	1	Card, Circuit - Generator Power	
40	See Note	1	Fuse (Note: Not Available - Purchase Locally)	
40	70000619	1	Harness, Control Box (Internal)	
40	7024489	1	Card, Circuit - Control	
		Ref	Note: Same Circuit Card (P/N 7024489) is used for both 60Hz & 50Hz Specs. When replacing card, rocker switch on card must be set for required application.	
41	0771415	1	Bolt M14 x 35 Grade 10.9	
42	4751000	4	Washer #10	
43	4751500	3	Washer 5/16	
	1001157525	Ref	JUNCTION BOX ASSEMBLY	B
101	3300396	1	Cover, Fuse	
102	3311001	6	Nut #10-24	
103	3520189	1	Plug	
104	3520192	1	Plug	
105	4360070	1	Circuit Breaker - 15 Amp	
106	4460425	1	Connector, Strain Relief	
107	4460426	2	Connector, Strain Relief	
109	4711000	10	Washer #10	
110	10702077	2	Screw #10 x 3/8	
111	10702082	2	Screw #10 x 3/4	
112	1001152525	1	Plug	
113	1001157520	1	Block, Terminal	
114	1001157521	1	Box, Junction	
115	1001157528	1	Decal - Wiring Schematic	
116	1001158007	1	Cover, PVC	
117	1001158008	2	Stand-Off	
	0272589	Ref	DECAL INSTALLATION	A
201	1705460	2	Decal - SkyPower	
203	1705461	1	Decal - 240V - 3 Phase	
204	1705489	3	Decal, Hazardous Voltage	
	1001157769	Ref	ELECTRICAL DIAGRAM COMPONENTS	B
301	1001152429	1	Generator Harness (See Separate Breakdown in ELECTRICAL SECTION)	
304	4922641	1	Switch Harness	





# SECTION 3 - ENGINE

**FIGURE 3-74. 7500W/50HZ SKYPOWER GENERATOR INSTALLATION - DEUTZ TD2.9L4 ENGINES AND DEUTZ TD2.9L4 (STAGE V) ENGINES**



## SECTION 3 - ENGINE

**FIGURE 3-74. 7500W/50HZ SKYPOWER GENERATOR INSTALLATION - DEUTZ TD2.9L4 ENGINES  
AND DEUTZ TD2.9L4 (STAGE V) ENGINES**

ITEM	PART NUMBER	QTY	DESCRIPTION	REV
	1001141422	Ref	7500W SKYPOWER GENERATOR INSTALLATION	F
1	0100011	AR	Compound, Locking	
2	0100019	AR	Compound, Locking	
3	0100048	AR	Compound Terminal	
4	0641404	6	Bolt 1/4 x 1/2	
5	3931016	4	Capscrew #10 x 1	
6	0641516	3	Bolt 5/16 x 2	
8	0641808	2	Bolt 1/2 x 1	
9	0741607	3	Screw 3/8 x 7/8	
10	1001157525	1	Junction Box Assembly (See Items 101 - 117 for Breakdown)	
11	0861572	1	Control Box Assembly	
11	0860038	1	Box, Receptacle	
11	7024488	1	Card, Circuit - Generator Power	
11	See Note	NSS	Fuse (Note: Not Available - Purchase Locally)	
11	7024489	1	Card, Circuit - Control	
11	70000619	1	Harness, Control Box (Internal)	
11		Ref	Note: Same Circuit Card (P/N 7024489) is used for both 60Hz and 50Hz. When replacing card, rocker switch on card must be set for required application.	
12	0902888	1	Bracket	
13	0962520	1	Bushing, Split	
14	1320318	1	Clamp	
15	2820031	AR	Heat Shrink	
16	3252764	1	Nameplate - AC & Weld	
17	3311505	3	Nut 5/16	
18	3311801	2	Nut 1/2	
19	3580317	1	Tensioner, Belt	
20	3580319	1	Pulley	
21	4060802	1	Guard, Switch	
22	4240018	AR	Tie - Strap (Not Shown)	
23	1001163599	2	Stud	
24	4360336	1	Switch, Toggle	
25	4711400	5	Washer 1/4	
26	4711500	6	Washer 5/16	
27	4711600	1	Washer 3/8	
28	4751000	4	Washer #10	
29	4791400	2	Washer 1/4	
30	4891800	4	Washer 1/2	
31	4922925	1	Generator to Control Box Harness (See Separate Breakdown in ELECTRICAL SECTION)	
32		Ref	Wiring Diagram Components (Not Shown)	
32A	1001119968	1	Generator to Engine Harness (See Separate Breakdown in ELECTRICAL SECTION)	
32B	4922641	1	Generator On/Off Switch Harness	
33	1001212223	1	Generator Assembly	
33	70001100	1	Rotor (Includes p/n 70001384 & 70000863) (Not Shown)	
33	70001384	1	Bearing, Ball Radial (Not Shown)	
33	70000863	1	Fan (Not Shown)	
33	70006093	1	Stator (Not Shown)	
33	70002297	1	Stud	

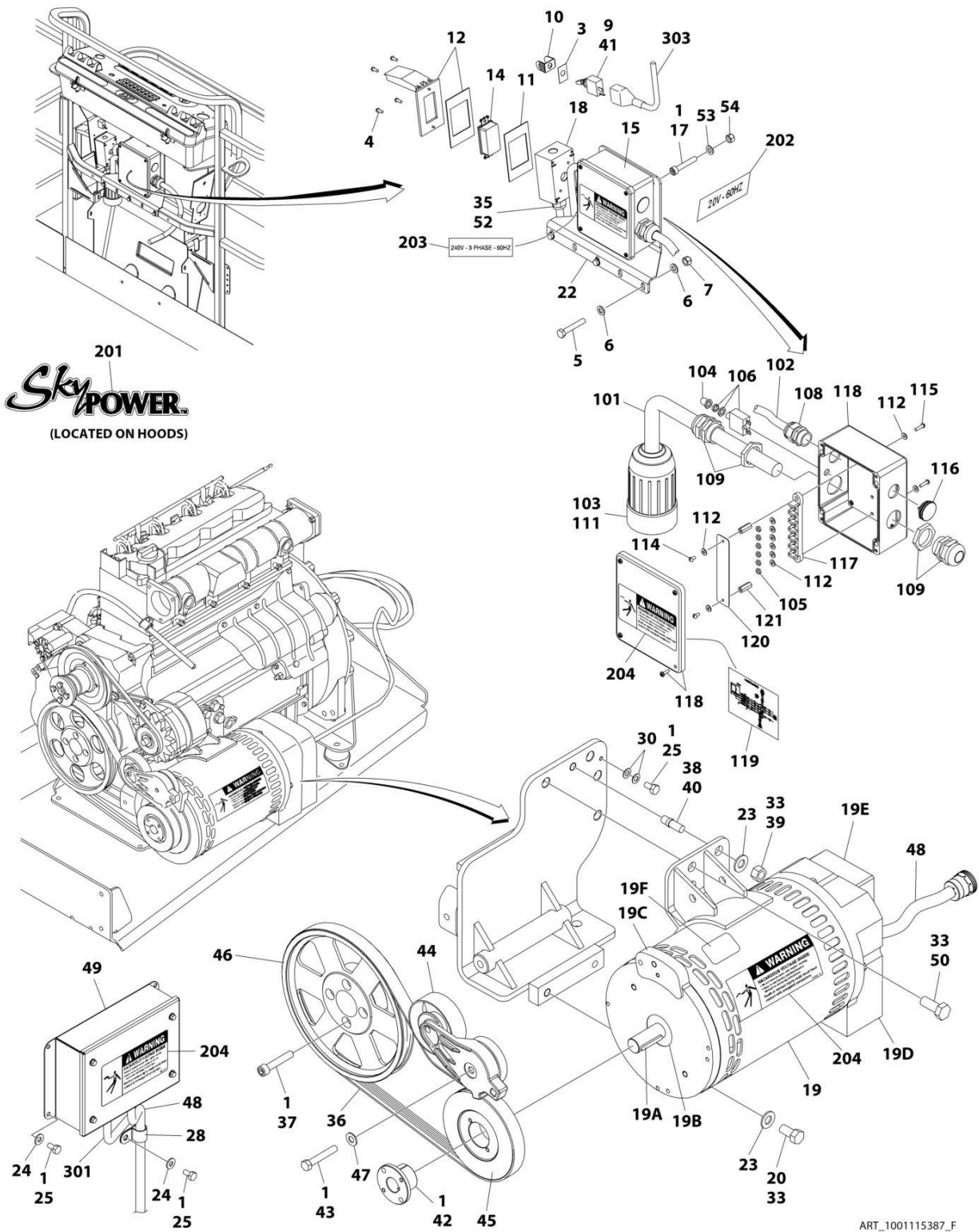
## SECTION 3 - ENGINE

ITEM	PART NUMBER	QTY	DESCRIPTION	REV
33	70003631	1	Brushholder Assembly (Not Shown) (was p/n 7024484)	
33A	70004099	1	Key	
33B	70001966	1	Bearing, Ball Radial (Located in Belt Tensioner Endbell)	
33B	70003708	1	Ring, Internal Retaining (Located in Belt Tensioner Endbell)	
33B	70003709	1	Ring, External Retaining (Located in Belt Tensioner Endbell)	
33C	70004092	1	Endbell, Belt Tensioner	
33D	70004094	1	Endbell, Brush Block	
33E	70006094	1	Shroud	
33E	70002291	1	Insulator, Endbell	
33E	7027799	1	Block, Connector - 6 Position (Not Shown)	
33E	70002460	1	Nut, Brass (Attaches p/n 7027799 to Cover) (Not Shown)	
33E	70006095	1	Breaker, Circuit 30Amp (Not Shown)	
33E	70006096	1	Boot, Breaker (Not Shown)	
33E	7026626	1	Connector, 6 Position (Includes Seal) (Not Shown - Plugs into Item 45)	
33E	7026597	1	Connector with Leads (Not Shown)	
33E	70004098	1	Clamp, Cable (Not Shown)	
33E	70006097	1	Plate, End Panel	
33E	70001974	1	Decal - Terminal Connections	
33F	70001973	1	Decal - Warning Moving Parts	
36	1001142643	1	Support	
37	1001142645	1	Belt	
38	0641616	1	Bolt 3/8 x 2	
39	3311005	4	Nut #10	
	1001157525	Ref	JUNCTION BOX ASSEMBLY	B
101	3300396	1	Cover, Fuse	
102	3311001	6	Nut #10	
103	3520189	1	Plug	
104	3520192	1	Plug	
105	4360070	1	Circuit Breaker - 15Amp	
106	4460425	1	Connector, Strain Relief	
107	4460426	2	Connector, Strain Relief	
109	4711000	10	Washer #10	
110	10702077	2	Screw #10 x 3/8	
111	10702082	2	Screw #10 x 3/4	
112	1001152525	1	Plug	
113	1001152520	1	Block, Terminal	
114	1001157521	1	Box, Junction	
115	1001157528	1	Decal - Wiring Schematic	
116	1001158007	1	Cover, PVC	
117	1001158008	2	Stand-Off	
	0272589	Ref	DECAL INSTALLATION	A
201	1705460	2	Decal - SkyPower	
202	1705461	1	Decal - 240V - 3 Phase - 50Hz	
203	1705489	3	Decal - Hazardous Voltage	



# SECTION 3 - ENGINE

## FIGURE 3-75. 7500W/60HZ SKYPOWER GENERATOR INSTALLATION - DEUTZ D2011 ENGINES



ART\_1001115387\_F

## SECTION 3 - ENGINE

**FIGURE 3-75. 7500W/60HZ SKYPOWER GENERATOR INSTALLATION - DEUTZ D2011 ENGINES**

ITEM	PART NUMBER	QTY	DESCRIPTION	REV
	1001115387	Ref	7500W 60HZ SKYPOWER GENERATOR INSTALLATION - DEUTZ D2011 ENGINE MACHINES	F
1	0100011	AR	Compound, Locking	
3	3252764	1	Nameplate	
4	3910606	4	Screw #6 x 3/8	
5	0641516	3	Bolt 5/16 x 2	
6	4751500	3	Washer 5/16	
7	3311508	3	Nut 5/16	
9	4360336	1	Switch, Toggle	
10	4060802	1	Guard, Switch	
11	3960422	1	Gasket	
12	1001110873	1	Cover, Receptacle (60Hz Specs)	
14	4460346	1	Receptacle, Female	
15	1001157592	1	Junction Box Assembly (See Items 101-124 for Breakdown)	
17	3931016	4	Capscrew 3/8 x 1	
18	0860038	1	Box, Switch	
19	2460048	1	Generator Assembly (Deutz D2011 Engines)	
19	70001100	1	Rotor (Includes p/n 70001384 & 70000863) (Not Shown)	
19	70001384	1	Bearing, Ball Radial (Not Shown):	
19	70000863	1	Fan (Not Shown)	
19	70002088	1	Stator	
19	70002297	1	Stud	
19	7024484	NLA	Brushholder Assembly (Not Shown) (Use p/n 70003631)	
19A	7024561	NLA	Key - 2460048 Generator (Use p/n 70004171)	
19B	70001966	1	Bearing, Ball Radial (Located in Belt Tensioner Endbell)	
19B	70003708	1	Ring, Internal Retaining (Located in Belt Tensioner Endbell)	
19B	70003709	1	Ring, External Retaining (Located in Belt Tensioner Endbell)	
19C	70001953	1	Endbell, Belt Tensioner	
19D	70001385	NLA	Endbell, Brush Block - (Use p/n 70004169)	
19E	70002290	NLA	Shroud - (Use p/n 70004169)	
19E	See Note	NSS	Insulator, Endbell (Note: Not Available for Purchase)	
19E	7027799	1	Block, Connector 6 Position (Not Shown)	
19E	70002460	1	Nut, Brass (Attaches p/n 7027799 to Cover) (Not Shown)	
19E	7024485	1	Breaker, Circuit 30Amp (Not Shown)	
19E	70006095	1	Breaker - 1001212223 Generator	
19E	70001696	1	Boot, Breaker (Not Shown):	
19E	7026626	1	Connector, 6 Position (Includes Seal) (Not Shown - Plugs into Item 36)	
19E	7026597	1	Connector, W/Leads (Not Shown)	
19E	7026188	1	Clamp, Cable (Not Shown)	
19E	70004169	1	Plate, End Panel:	
19E	70001974	1	Decal - Terminal Connections	
19F	70001973	1	Decal - Warning Moving Parts	
20	0641808	2	Bolt 1/2 x 1	
22	0902888	1	Bracket, Box Mounting	
23	4711800	3	Washer 1/2	
24	4711400	5	Washer 1/4	
25	0641404	6	Bolt 1/4 x 1/2	
28	1320318	1	Clamp	
29	4240018	AR	Tie-Strap (Not Shown)	

## SECTION 3 - ENGINE

ITEM	PART NUMBER	QTY	DESCRIPTION	REV
30	4791400	2	Washer 1/4	
33	0100019	AR	Compound, Locking	
35	4460071	1	Connector, Strain Relief	
36	0480129	1	Belt, Drive	
37	4032015	4	Capscrew M10 x 55	
38	4300157	1	Stud	
39	3311801	1	Nut 1/2-13	
40	0100062	AR	Compound, Locking	
41	2820031	1	Insulator	
42	0962520	1	Bushing, Split Taper	
43	0641618	1	Bolt 3/8 x 2-1/4	
44	3580317	1	Tensioner, Belt	
45	3580318	1	Pulley	
46	3580320	1	Pulley	
47	4711600	1	Washer 3/8	
48	4922925	1	Generator to Control Box Harness (See Separate Breakdown in ELECTRICAL SECTION)	
49	0861538	1	Control Box Assembly	
49	7024488	1	Card, Circuit - Generator Power	
49	See Note	1	Fuse (Note: Not Available - Purchase Locally)	
49	70000619	1	Harness, Control Box (Internal)	
49	7024489	1	Card, Circuit - Control	
49		Ref	Note: Same Circuit Card (P/N 7024489) is used for both 60Hz & 50Hz Specs. When replacing card, rocker switch on card must be set for required application.	
50	0771415	1	Bolt M14 x 35 Grade 10.9	
52	0100020	AR	Sealant	
53	4751000	4	Washer #10	
54	3311005	4	Nut #10	
	1001157592	Ref	JUNCTION BOX ASSEMBLY	C
101	1060343	1.5 ft /.46m	Cable, Electrical 10/4	
102	1001179154	2.5 ft /.76m	Cable, Electrical 12/3	
103	1671092	1	Cover	
104	3300396	1	Cover, Fuse	
105	3311001	6	Nut #10	
106	4360070	1	Circuit Breaker - 15 Amp	
108	4460425	1	Connector, Strain Relief	
109	4460426	2	Connector, Strain Relief	
111	4460963	1	Connector	
112	4711000	4	Washer #10	
114	10702077	2	Screw #10 x 3/8	
115	10702082	2	Screw #10 x 3/4	
116	1001152525	1	Plug	
117	1001157520	1	Block, Terminal	
118	1001157521	1	Box, Junction	
119	1001157528	1	Decal - Wiring Schematic	
120	1001158007	1	Cover, PVC	
121	1001158008	1	Stand-Off	
	0272435	Ref	DECAL INSTALLATION	D
201	1705460	2	Decal - SkyPower	

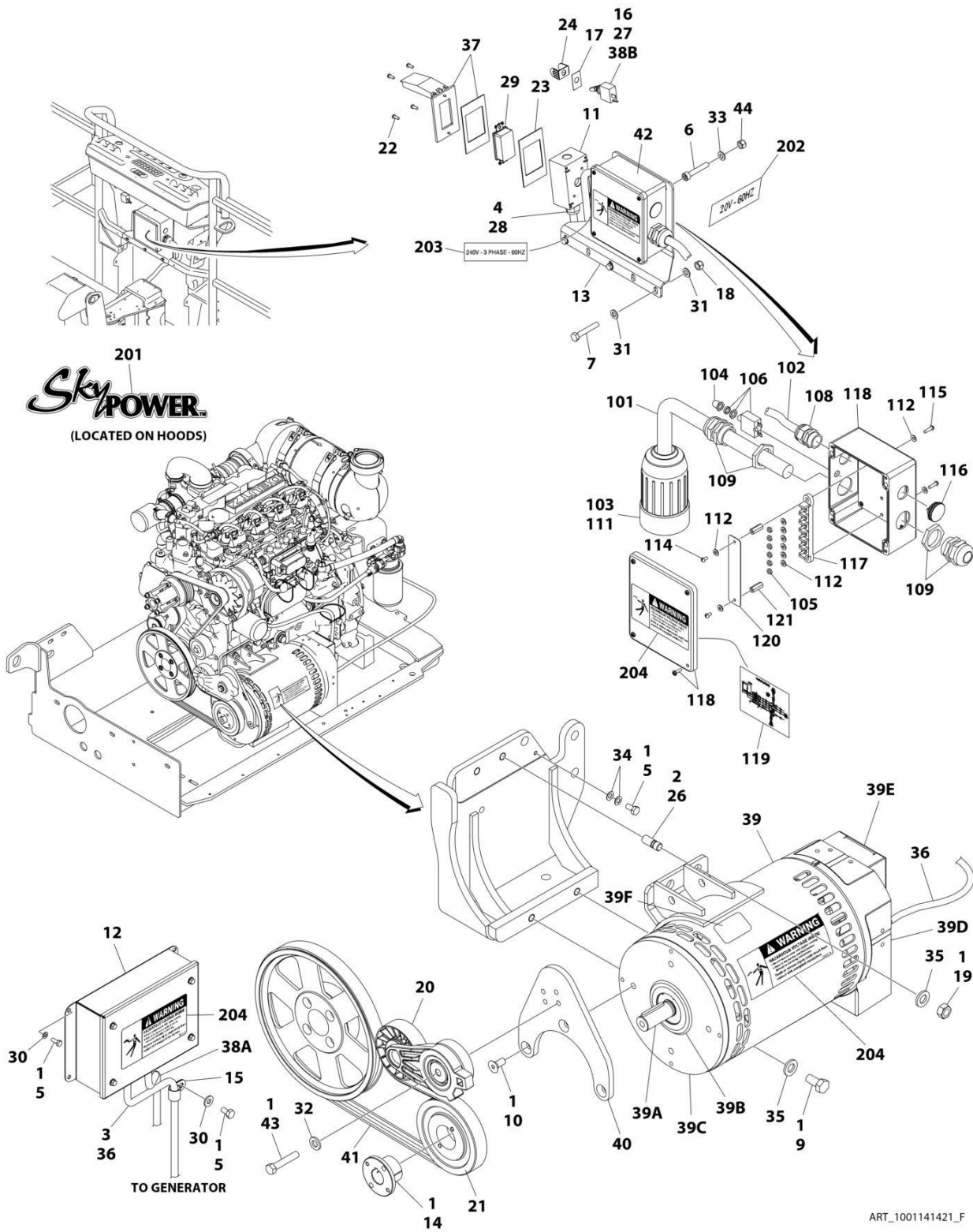


## SECTION 3 - ENGINE

ITEM	PART NUMBER	QTY	DESCRIPTION	REV
202	3251243	1	Decal - 120V - 60Hz (Not Shown - Located on Platform Receptacle)	
203	1705375	1	Decal - 240V - 3 Phase	
204	1705387	3	Decal, Hazardous Voltage	
	1001157769	Ref	ELECTRICAL DIAGRAM COMPONENTS	B
301	1001152429	1	Generator Harness (See Separate Breakdown in ELECTRICAL SECTION)	C
303	4922641	1	Switch Harness	

# SECTION 3 - ENGINE

## FIGURE 3-76. 7500W/60HZ SKYPOWER GENERATOR INSTALLATION - DEUTZ TD2.9L4 ENGINES



## SECTION 3 - ENGINE

**FIGURE 3-76. 7500W/60HZ SKYPOWER GENERATOR INSTALLATION - DEUTZ TD2.9L4 ENGINES**

ITEM	PART NUMBER	QTY	DESCRIPTION	REV
	1001141421	Ref	7500W SKYPOWER GENERATOR INSTALLATION	F
1	0100011	AR	Compound, Locking	
2	0100019	AR	Compound, Locking	
3	0100048	AR	Compound Terminal	
4	0100079	AR	Sealant	
5	0641404	6	Bolt 1/4 x 1/2	
6	3931016	4	Capscrew #10 x 1	
7	0641516	3	Bolt 5/16 x 2	
9	0641808	2	Bolt 1/2 x 1	
10	0741607	3	Screw 3/8 x 7/8	
11	0860038	1	Box, Receptacle	
12	0861538	1	Control Box Assembly	
12	7024488	1	Card, Circuit - Generator Power	
12	See Note	NSS	Fuse (Note: Not Available - Purchase Locally)	
12	7024489	1	Card, Circuit - Control	
12	70000619	1	Harness, Control Box (Internal)	
		Ref	Note: Same Circuit Card (P/N 7024489) is used for both 60Hz and 50Hz. When replacing card, rocker switch on card must be set for required application.	
13	0902888	1	Bracket	
14	0962520	1	Bushing, Split	
15	1320318	1	Clamp	
16	2820031	AR	Heat Shrink	
17	3252764	1	Nameplate - AC & Weld	
18	3311505	3	Nut 5/16	
19	3311801	2	Nut 1/2	
20	3580317	1	Tensioner, Belt	
21	3580318	1	Pulley	
22	3910606	4	Screw #6 x 3/8	
23	3960422	1	Gasket	
24	4060802	1	Guard, Switch	
25	4240018	AR	Tie - Strap (Not Shown)	
26	1001163599	2	Stud	
27	4360336	1	Switch, Toggle	
28	4460071	1	Connector, Strain Relief	
29	4460346	1	Receptacle	
30	4711400	5	Washer 1/4	
31	4711500	6	Washer 5/16	
32	4711600	1	Washer 3/8	
33	4751000	4	Washer #10	
34	4791400	2	Washer 1/4	
35	4891800	4	Washer 1/2	
36	4922925	1	Generator to Control Box Harness (See Separate Breakdown in ELECTRICAL SECTION)	
37	1001110873	1	Cover	
38		Ref	Wiring Diagram Components (Not Shown)	
38A	1001119968	1	Generator to Engine Harness (See Separate Breakdown in ELECTRICAL SECTION)	
38B	4922641	1	Generator ON/OFF Switch Harness	
39	1001212223	1	Generator Assembly	

## SECTION 3 - ENGINE

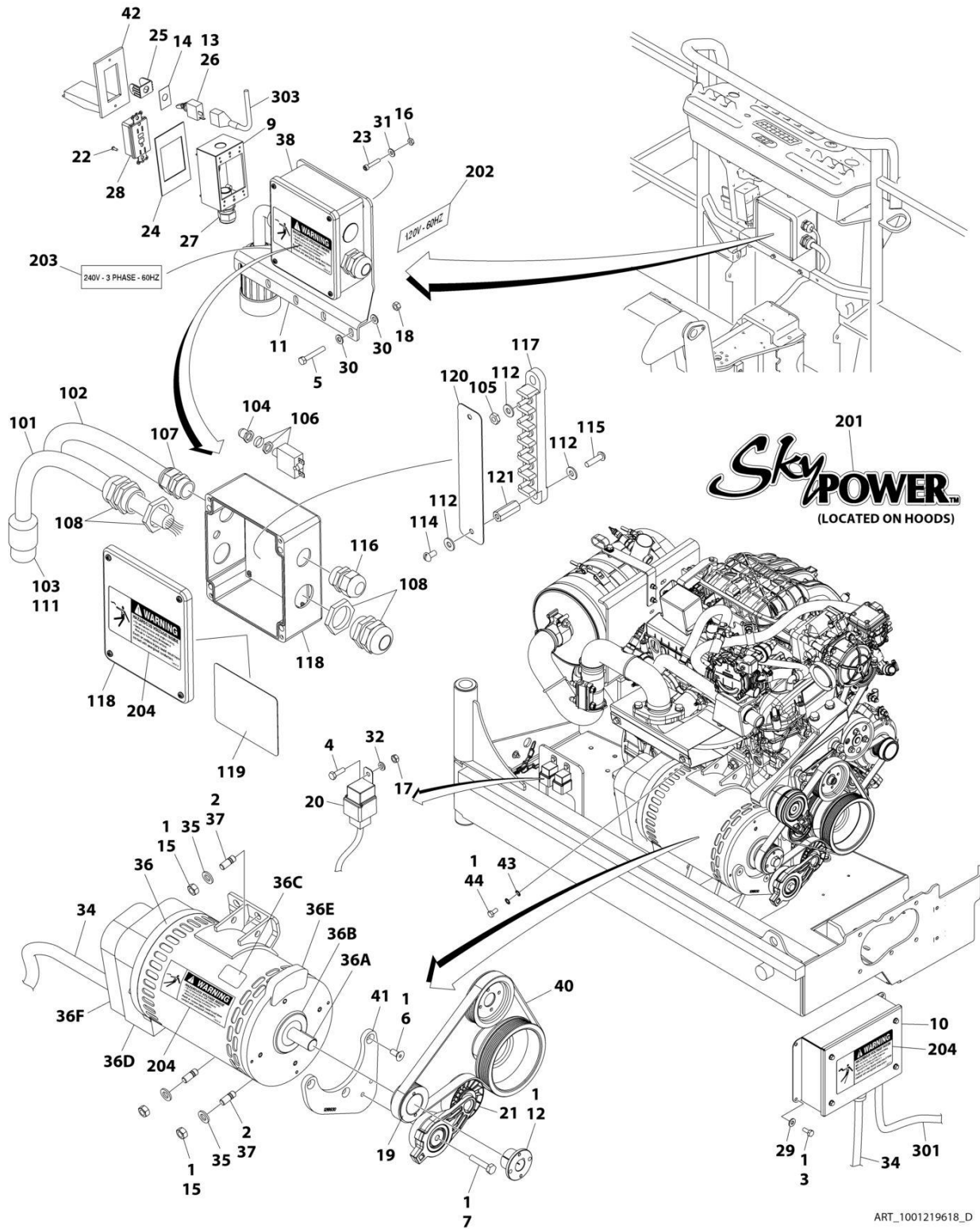
ITEM	PART NUMBER	QTY	DESCRIPTION	REV
39	70001100	1	Rotor (Includes p/n 70001384 & 70000863) (Not Shown)	
39	70001384	1	Bearing, Ball Radial (Not Shown)	
39	70000863	1	Fan (Not Shown)	
39	70006093	1	Stator (Not Shown)	
39	70002297	1	Stud	
39	70003631	1	Brushholder Assembly (Not Shown) (was p/n 7024484)	
39A	70004099	1	Key	
39B	70001966	1	Bearing, Ball Radial (Located in Belt Tensioner Endbell)	
39B	70003708	1	Ring, Internal Retaining (Located in Belt Tensioner Endbell)	
39B	70003709	1	Ring, External Retaining (Located in Belt Tensioner Endbell)	
39C	70004092	1	Endbell, Belt Tensioner	
39D	70004094	1	Endbell, Brush Block	
39E	70006094	1	Shroud	
39E	70002291	1	Insulator, Endbell	
39E	7027799	1	Block, Connector - 6 Position (Not Shown)	
39E	70002460	1	Nut, Brass (Attaches p/n 7027799 to Cover) (Not Shown)	
39E	70006095	1	Breaker, Circuit 30Amp (Not Shown)	
39E	70006096	1	Boot, Breaker (Not Shown)	
39E	7026626	1	Connector, 6 Position (Includes Seal) (Not Shown - Plugs into Item 45)	
39E	7026597	1	Connector with Leads (Not Shown)	
39E	70004098	1	Clamp, Cable (Not Shown)	
39E	70006097	1	Plate, End Panel	
39E	70001974	1	Decal - Terminal Connections	
39F	70001973	1	Decal - Warning Moving Parts	
40	1001142643	1	Support	
41	1001142646	1	Belt	
42	1001157592	1	Junction Box Assembly (See Items 101-121 for Breakdown)	
43	0641616	1	Bolt 3/8 x 2	
44	3311005	4	Nut #10	
	1001157592	Ref	JUNCTION BOX ASSEMBLY	C
101	1060343	1.5 ft/ 0.5m	Cable, Electrical 10/4	
102	1001179154	2.5 ft/ 76cm	Cable, Electrical 12/3	
103	1671092	1	Cover, Connector	
104	3300396	1	Cover, Fuse	
105	3311001	6	Nut #10	
106	4360070	1	Circuit Breaker - 15Amp	
108	4460425	1	Connector, Strain Relief	
109	4460426	2	Connector, Strain Relief	
111	4460963	1	Connector	
112	4711000	4	Washer #10	
114	10702077	2	Screw #10 x 3/8	
115	10702082	2	Screw #10 x 3/4	
116	1001152525	1	Plug	
117	1001157520	1	Block, Terminal	
118	1001157521	1	Box, Junction	
119	1001157528	1	Decal - Wiring Schematic	
120	1001158007	1	Cover, PVC	
121	1001158008	1	Stand-Off	
	0272435	Ref	DECAL INSTALLATION	D

## SECTION 3 - ENGINE

ITEM	PART NUMBER	QTY	DESCRIPTION	REV
201	1705460	2	Decal - SkyPower	
202	3251243	1	Decal - 120V-60Hz	
203	1705375	1	Decal - 240V - 3 Phase - 60Hz	
204	1705387	3	Decal - Hazardous Voltage	

# SECTION 3 - ENGINE

FIGURE 3-77. 7500W/60HZ SKYPOWER GENERATOR INSTALLATION - FORD ENGINES



ART\_1001219618\_D

## SECTION 3 - ENGINE

**FIGURE 3-77. 7500W/60HZ SKYPOWER GENERATOR INSTALLATION - FORD ENGINES**

ITEM	PART NUMBER	QTY	DESCRIPTION	REV
	1001219618	Ref	7500W SKYPOWER GENERATOR INSTALLATION - FORD ENGINES	D
		Ref	Note: See ELECTRICAL SECTION for Boom Cable Components.	
1	0100011	AR	Compound, Locking	
2	0100019	AR	Compound, Locking	
3	0641405	4	Bolt 1/4 x 5/8	
4	0760610	2	Bolt M6 x 20	
5	0641516	3	Bolt 5/16 x 2	
6	0741607	3	Screw 3/8 x 7/8	
7	0761018	1	Bolt M10 x 50	
9	0860038	1	Box, Switch	
10	0861538	1	Control Box Assembly	
10	7024488	1	Card, Circuit - Generator Power	
10	See Note	1	Fuse (Note: Not Available - Purchase Locally)	
10	7024489	1	Card, Circuit - Control	
10	70000619	1	Harness, Circuit Card	
11	0902888	1	Bracket, Box Mounting	
12	0962520	1	Bushing, Split Taper	
13	2820031	1	Heat Shrink	
14	3252764	1	Nameplate - AC & Weld	
15	3291201	4	Nut M12	
16	3311005	4	Nut #10	
17	3290601	2	Nut M6	
18	3311505	3	Nut 5/16	
19	3580314	1	Pulley	
20	3740080	2	Relay	
21	3580317	1	Tensioner, Belt	
22	3910606	2	Screw #6 x 3/8	
23	3931016	4	Capscrew #10 x 1	
24	3960422	1	Gasket	
25	4060802	1	Guard, Switch	
26	4360336	1	Switch, Toggle	
27	4460071	1	Connector, Strain Relief	
28	4460346	1	Receptacle	
29	4711400	4	Washer 1/4	
30	4711500	6	Washer 5/16	
31	4751000	4	Washer #10	
32	4811700	2	Washer M6	
34	4922925	1	Harness, Generator	
35	5241200	4	Washer M12	
36	1001136104	1	Generator Assembly	
36	70003631	1	Brushholder Assembly (Not Shown) (was p/n 7024484)	
36	7024485	1	Breaker, Circuit 30Amp (Not Shown)	
36	70001696	1	Boot, Breaker (was p/n 7024486 - Not Shown)	
36	70001966	1	Bearing, Ball Radial (Located In Belt Tensioner Endbell - Not Shown)	
36	7027799	1	Block, Connector 6 Position (Not Shown)	
36	70002460	6	Nut, Brass (Attaches p/n 7027799 to Cover) (Not Shown)	
36	7026188	1	Clamp, Cable (Not Shown)	
36	7026597	1	Connector, W/Leads (Not Shown)	

## SECTION 3 - ENGINE

ITEM	PART NUMBER	QTY	DESCRIPTION	REV
36	7026626	1	Connector - 6 Position with Seal (Not Shown)	
36	70002088	1	Stator (Not Shown)	
36	70004169	1	Panel, End (Not Shown) (was p/n 70002255)	
36	70001974	1	Decal - Terminal Connections (Not Shown)	
36	70000863	1	Fan (Not Shown)	
36	70002297	4	Stud (Not Shown)	
36A	70004171	1	Key (was p/n 7024561)	
36A	70001100	1	Armature, Generator (Includes Radial Ball Bearing on End with Brushes and Fan)	
36A	70001384	1	Bearing, Ball Radial	
36B	70001966	1	Bearing, Radial Ball	
36B	70003708	1	Ring, Internal Retaining (Located in Belt Tensioner Endbell)	
36B	70003709	1	Ring, External Retaining (Located in Belt Tensioner Endbell)	
36C	70001973	1	Decal - Warning Moving Parts	
36D	70004169	1	Endbell, Brush Block (was p/n 70001385)	
36E	70001953	1	Endbell, Belt Tensioner	
36F	70004169	1	Endbell, Shroud Assembly (was p/n 70002290)	
37	1001196382	4	Stud	
38	1001157592	1	Junction Box Assembly (See Items 101-121 for Breakdown)	
40	1001216390	1	V-Belt	
41	1001218930	1	Mount, Tensioner	
42	1001110873	1	Cover, Receptacle	
43	4871700	2	Washer M6	
44	0760606	1	Bolt M6 x 12	
	1001157592	Ref	JUNCTION BOX ASSEMBLY	C
101	1060343	1.5 ft /0.46m	Cable, Electrical - 10/4 (60Hz Only)	
102	1001179154	2.5 ft /0.76m	Cable Electrical - 12/3	
103	1671092	1	Cover, Connector	
104	3300396	1	Cover, Fuse	
105	3311001	6	Nut #10	
106	4360070	1	Breaker, Circuit 15Amp	
107	4460425	1	Connector, Strain Relief	
108	4460426	2	Connector, Strain Relief	
111	4460963	1	Receptacle	
112	4711000	10	Washer #10	
114	10702077	2	Screw #10 x 3/8	
115	10702082	2	Screw #10 x 3/4	
116	1001152525	1	Plug, Hole	
117	1001157520	1	Block, Terminal Pole	
118	1001157521	1	Box, Junction	
119	1001157528	1	Decal - Box Junction	
120	1001158007	1	Cover	
121	1001158008	2	Standoff	
	0272435	Ref	DECAL INSTALLATION	D
201	1705460	2	Decal - SkyPower	
202	3251243	1	Decal - 120V - 60Hz (60Hz Spec Only) (Located on Opposite Side)	
203	1705375	1	Decal - 240V - 3 Phase	
204	1705387	3	Decal, Hazardous Voltage	
	1001221498	Ref	ELECTRICAL DIAGRAM COMPONENTS	B

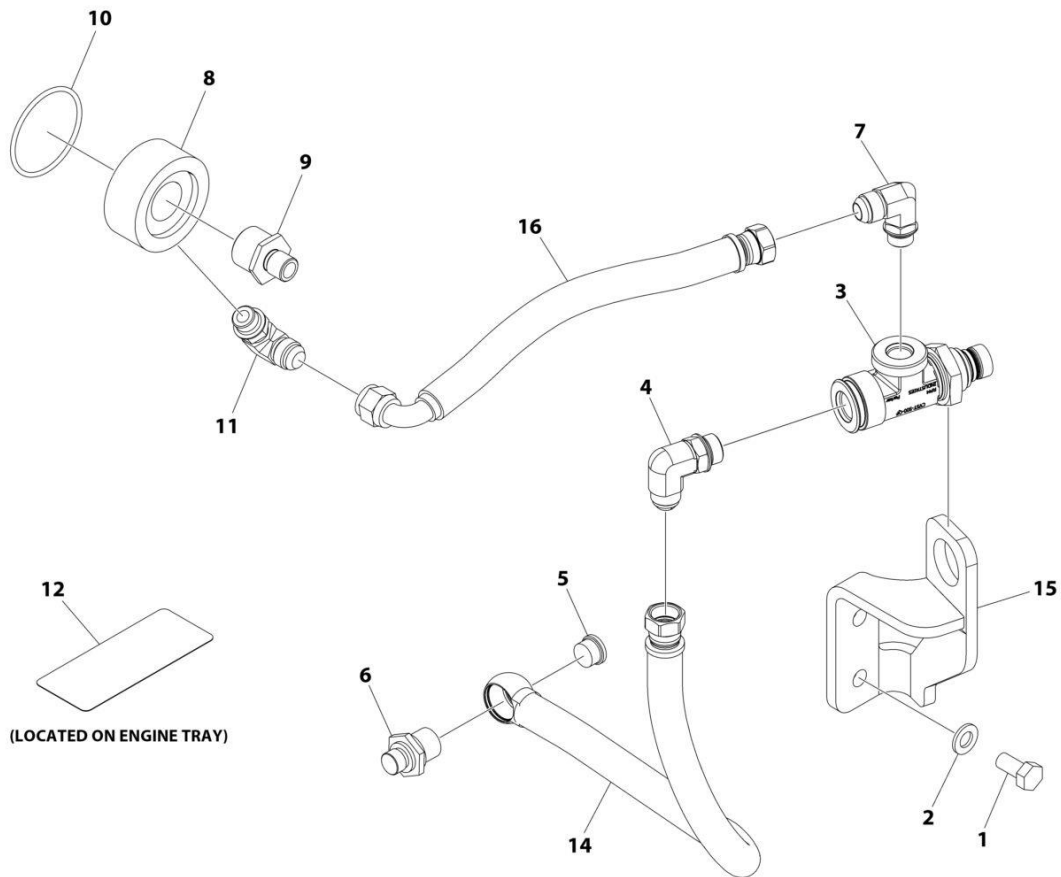


## SECTION 3 - ENGINE

ITEM	PART NUMBER	QTY	DESCRIPTION	REV
301	1001257972	1	Generator to Engine Harness (See Separate Breakdown in ELECTRICAL SECTION)	
303	4922641	1	Generator On/Off Switch Harness	

# SECTION 3 - ENGINE

## FIGURE 3-78. QUICKFIT OIL VALVE (DEUTZ ENGINES)



ART\_1001285349

## SECTION 3 - ENGINE

**FIGURE 3-78. QUICKFIT OIL VALVE (DEUTZ ENGINES)**

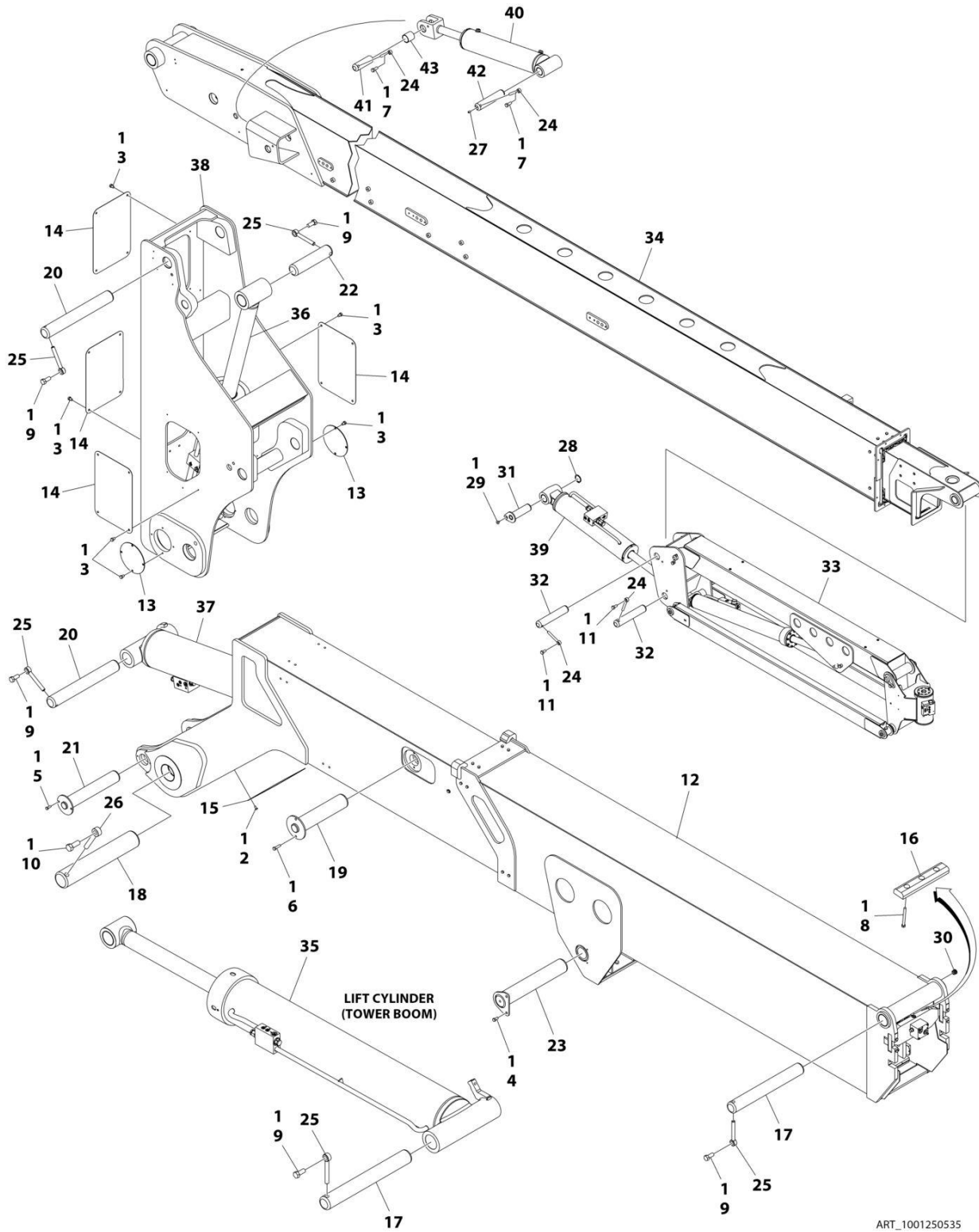
ITEM	PART NUMBER	QTY	DESCRIPTION	REV
	1001285349	Ref	QUICKFIT OIL VALVE	A
1	0761212	2	Bolt M12 x 25	
2	4812100	2	Washer M12	
3	1001281298	1	Valve, Quickfit	
4	1001281301	1	Fitting, 90	
5	1001281304	1	Plug	
6	1001281305	1	Fitting, Banjo	
7	1001281307	1	Fitting, 90	
8	1001281309	1	Filter, Ring	
9	1001281310	1	Fitting, Straight	
10	1001281311	1	O-Ring	
11	1001281359	1	Valve, Check	
12	1001281360	1	Decal - RPM Quickfit	
13	1001281656	1	Tie-Strap (Not Shown)	
14	1001284101	1	Hose	
15	1001287536	1	Bracket	
16	1001288113	1	Hose	



**SECTION 4 - BOOM**

# SECTION 4 - BOOM

## FIGURE 4-1. BOOM AND CYLINDER INSTALLATION



ART\_1001250535

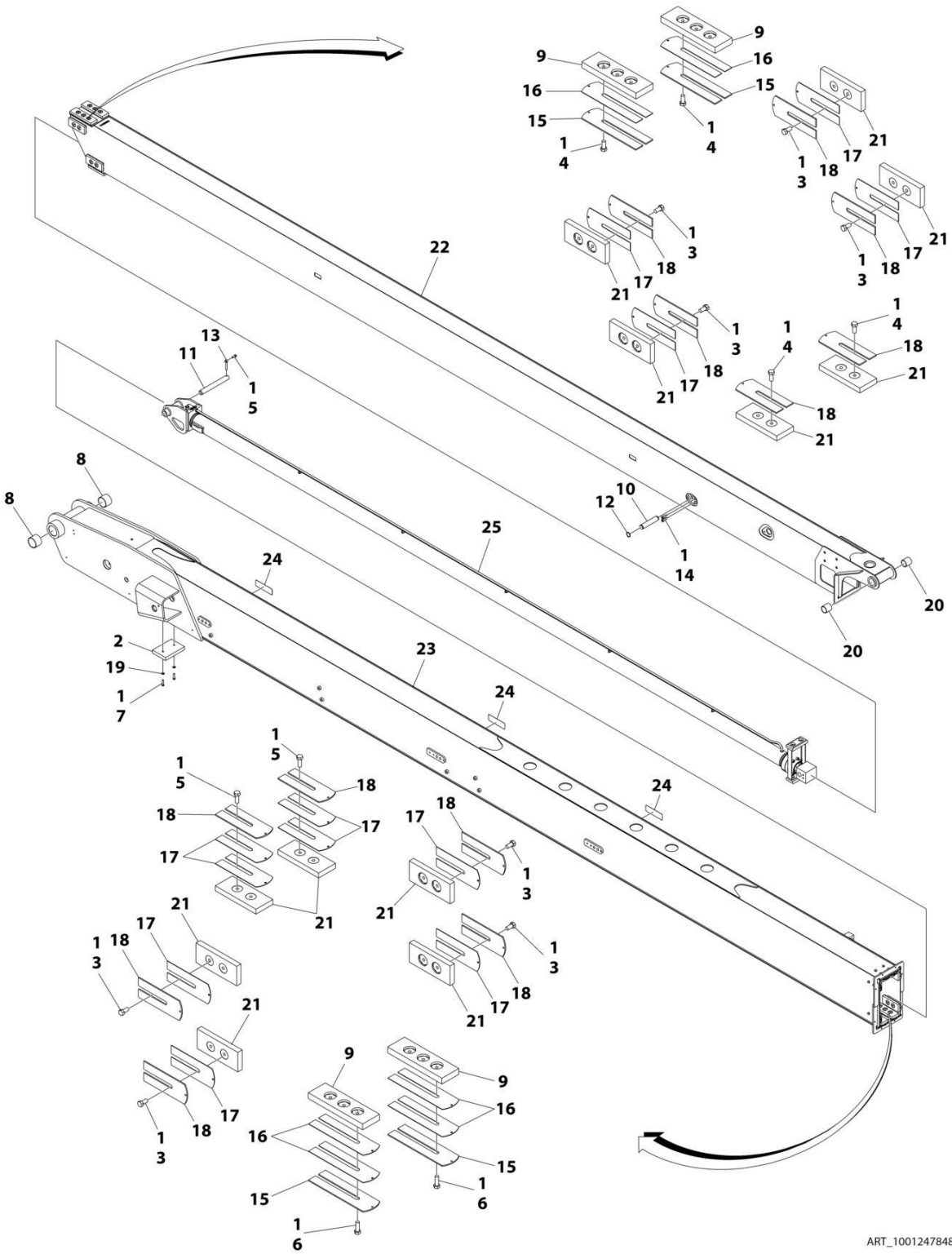
## SECTION 4 - BOOM

**FIGURE 4-1. BOOM AND CYLINDER INSTALLATION**

ITEM	PART NUMBER	QTY	DESCRIPTION	REV
	1001250535	Ref	BOOM AND CYLINDER INSTALLATION	C
1	0100011	AR	Compound, Locking	
2	0641404	4	Bolt 1/4 x 1/2	
3	0641604	24	Bolt 3/8 x 1/2	
4	0641606	2	Bolt 3/8 x 3/4	
5	0641608	2	Bolt 3/8 x 1	
6	0641611	2	Bolt 3/8 x 1-3/8	
7	0641810	2	Bolt 1/2 x 1-1/4	
8	0641840	3	Bolt 1/2 x 5	
9	0642214	5	Bolt 3/4 x 1-3/4	
10	0642620	1	Bolt 1 x 2-1/2	
11	0761212	2	Bolt M12	
12	0801132	1	Boom Assembly - Tower (See Separate Breakdown in this Section)	
13	1120510	2	Cover, Upright	
14	1670844	4	Cover, Upright	
15	1670850	1	Cover, Tower Fly	
16	3340835	1	Pad Rest	
17	3422681	2	Pin	
18	3422683	1	Pin	
19	3422684	1	Pin	
20	3422685	2	Pin	
21	3422686	1	Pin	
22	3422687	1	Pin	
23	3422729	1	Pin	
24	3841203	4	Keeper, Rod	
25	3841287	5	Keeper, Pin	
26	3841356	1	Keeper, Pin	
27	3900239	1	Set Screw	
28	1001138671	1	Ring, Snap	
29	1001192027	1	Bolt M10	
30	1001213705	1	Cap	
31	1001237142	1	Pin	
32	1001237949	2	Pin	
33	1001238331	1	Jib Assembly (See Separate Breakdown in this Section)	
34	1001247848	1	Boom Assembly - Main (See Separate Breakdown in this Section)	
35	1001251009	1	Lift Cylinder Assembly - Tower Boom (See Separate Breakdown in CYLINDER SECTION)	
36	1001251010	1	Lift Cylinder Assembly - Main Boom (See Separate Breakdown in CYLINDER SECTION)	
37	1001251041	1	Level Cylinder Assembly - Upright (See Separate Breakdown in CYLINDER SECTION)	
38	1001252315	1	Upright	
39	1001255320	1	Lift Cylinder Assembly - Jib Level (See Separate Breakdown in CYLINDER SECTION)	
40	1001255321	1	Lift Cylinder Assembly - Master (See Separate Breakdown in CYLINDER SECTION)	
41	1001256267	1	Pin	
42	1001257397	1	Pin	
43	1001118666	1	Bearing	

# SECTION 4 - BOOM

## FIGURE 4-2. MAIN BOOM ASSEMBLY



ART\_1001247848



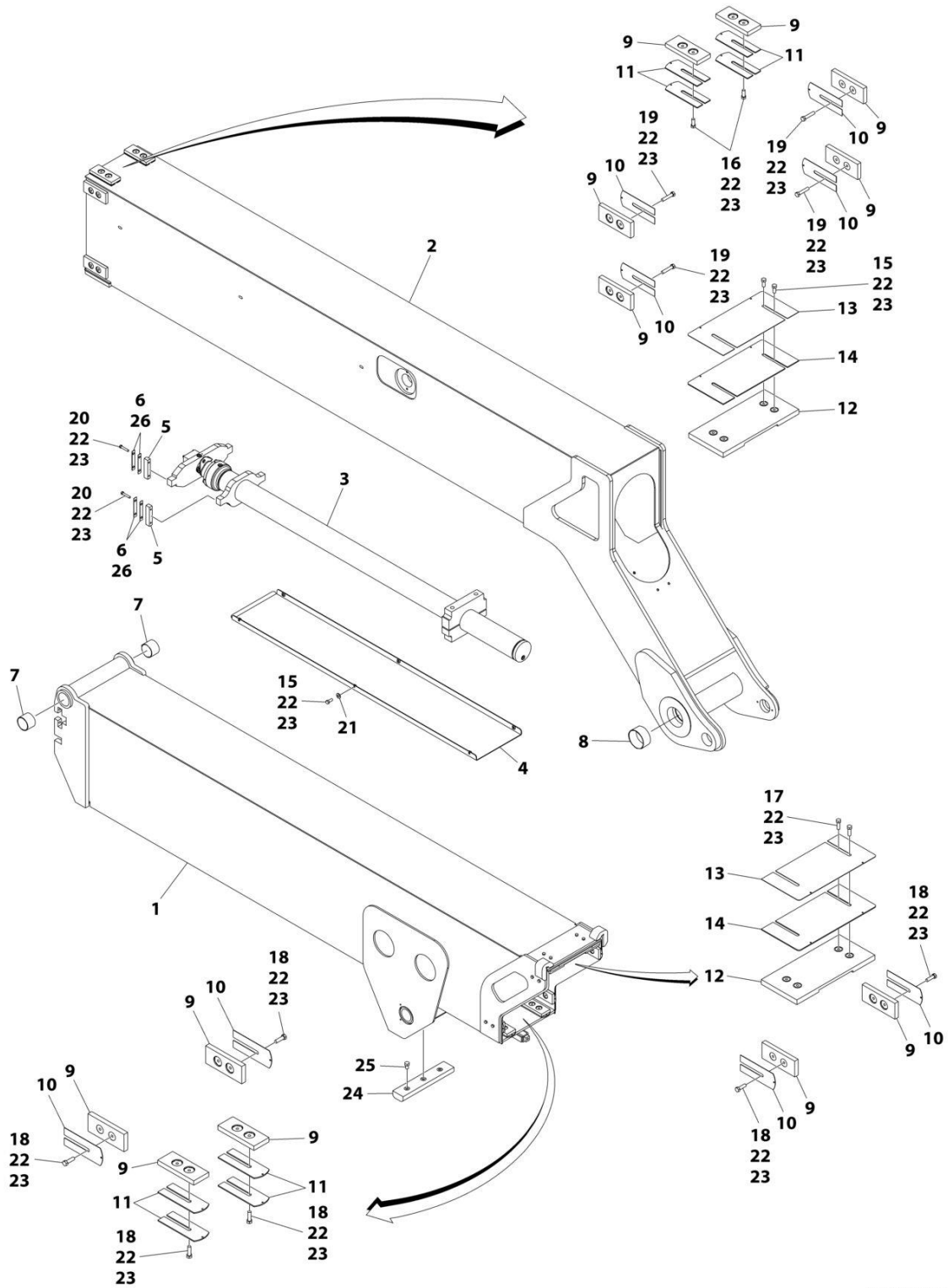
## SECTION 4 - BOOM

**FIGURE 4-2. MAIN BOOM ASSEMBLY**

ITEM	PART NUMBER	QTY	DESCRIPTION	REV
	1001247848	Ref	MAIN BOOM ASSEMBLY	A
1	0100011	AR	Compound, Locking	
2	0561295	1	Block, Boom Rest	
3	0641606	16	Bolt 3/8 x 3/4	
4	0641607	10	Bolt 3/8 x 7/8	
5	0641608	5	Bolt 3/8 x 1	
6	0641609	6	Bolt 3/8 x 1-1/8	
7	0641612	2	Bolt 3/8 x 1-1/2	
8	0962102	2	Bushing	
9	3340871	4	Pad, Wear	
10	3422457	1	Pin	
11	3422690	1	Pin	
12	3760133	2	Ring, Retaining	
13	3841143	1	Keeper, Pin	
14	3900259	4	Bolt, Shoulder	
15	4070863	4	Shim 1/8	
16	4070864	6	Shim .05	
17	4070897	12	Shim .05	
18	4070898	12	Shim 1/8	
19	4711600	2	Washer 3/8	
20	1001118666	2	Bearing	
21	1001148652	12	Pad, Wear	
22	1001247846	1	Boom, Fly	
23	1001247847	1	Boom, Base	
24	1001250737	3	Cover	
25	1001251087	1	Cylinder Assembly - Telescope (Main Boom) (See Separate Breakdown in CYLINDER SECTION)	

# SECTION 4 - BOOM

## FIGURE 4-3. TOWER BOOM ASSEMBLY



ART\_0801132\_I

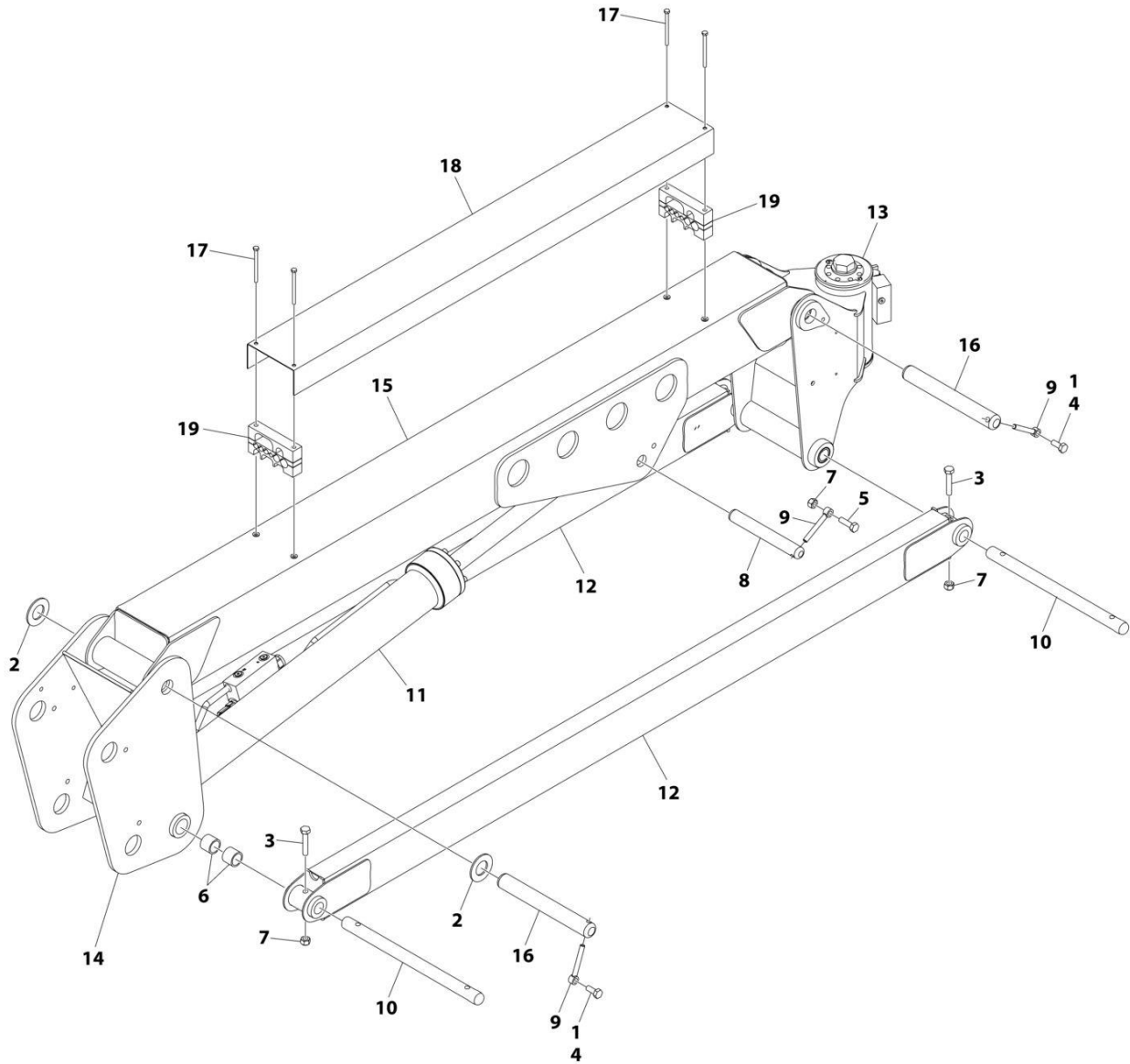
## SECTION 4 - BOOM

### FIGURE 4-3. TOWER BOOM ASSEMBLY

ITEM	PART NUMBER	QTY	DESCRIPTION	REV
	0801132	Ref	TOWER BOOM ASSEMBLY	I
1	0801594	1	Base, Boom	
2	0801496	1	Fly, Boom	
3	1001251086	1	Tower Telescope Cylinder Assembly (See Separate Breakdown in CYLINDER Section)	
4	4340706	1	Support	
5	0561185	4	Block, Attach	
6	4070929	4	Shim 1/16	
7	0962102	2	Bushing	
8	0962122	2	Bushing	
9	3340881	12	Pad, Wear	
10	4070897	8	Shim .05	
11	4070898	8	Shim .12	
12	3340828	2	Pad, Wear	
13	4070967	2	Shim .05	
14	4070968	2	Shim .12	
15	0641607	10	Bolt 3/8 x 7/8	
16	0641608	4	Bolt 3/8 x 1	
17	0641609	4	Bolt 3/8 x 1-1/8	
18	0641610	12	Bolt 3/8 x 1-1/4	
19	0641615	8	Bolt 3/8 x 1-7/8	
20	0641616	8	Bolt 3/8 x 2	
21	4711600	6	Washer 3/8	
22	0100011	AR	Compound, Locking	
23	0100038	AR	Primer, Locking	
24	3340835	1	Pad, Boom Rest	
25	0641806	3	Bolt 1/2 x 3/4	
26	4071007	4	Shim 20Ga	

# SECTION 4 - BOOM

## FIGURE 4-4. JIB ASSEMBLY



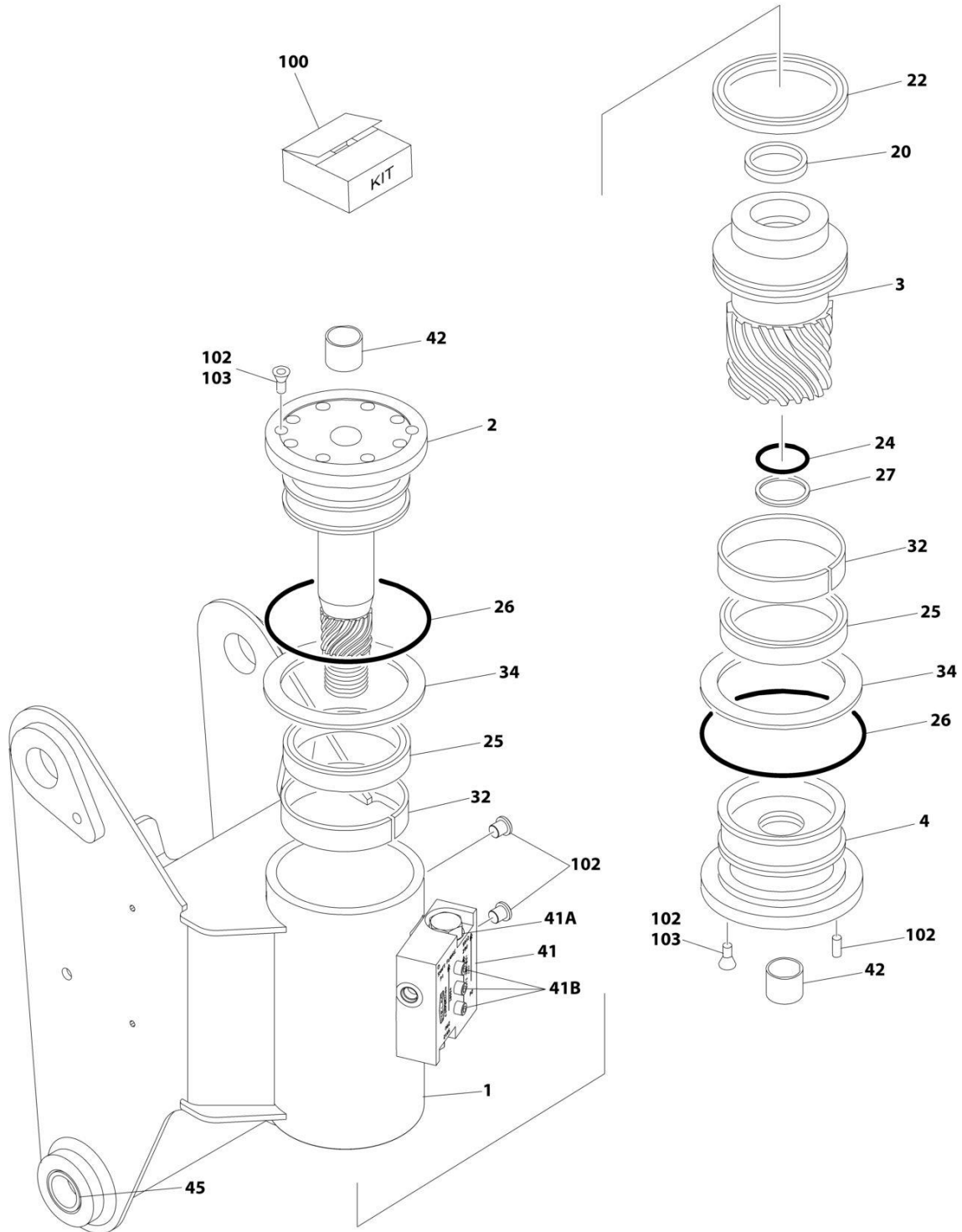
ART\_1001238331\_F

FIGURE 4-4. JIB ASSEMBLY

ITEM	PART NUMBER	QTY	DESCRIPTION	REV
	1001238331	Ref	JIB ASSEMBLY	F
1	0100011	AR	Compound, Locking	
2	0440237	2	Bearing	
3	0701020	4	Bolt M10 x 60	
4	0761012	2	Bolt M10 x 25	
5	0761015	1	Bolt M10 x 35	
6	1001134289	4	Bearing	
7	3291005	5	Nut M10	
8	3422867	1	Pin	
9	3841143	3	Keeper, Pin	
10	3422861	2	Pin	
11	1001264991	1	Cylinder Assembly - Jib (See Separate Breakdown in CYLINDER Section)	
12	4844817	2	Tube, Jib (Lower)	
13	1001234811	1	Rotator Assembly - Platform (See Separate Breakdown in this Section)	
14	1001238169	1	Pivot	
15	1001238333	1	Tube, Jib (Upper)	
16	1001238398	2	Pin	
17	0700624	4	Bolt M6 x 80	
18	1671034	1	Cover, JIB	
19	1001165350	2	Block, Clamp	

# SECTION 4 - BOOM

## FIGURE 4-5. ROTATOR ASSEMBLY



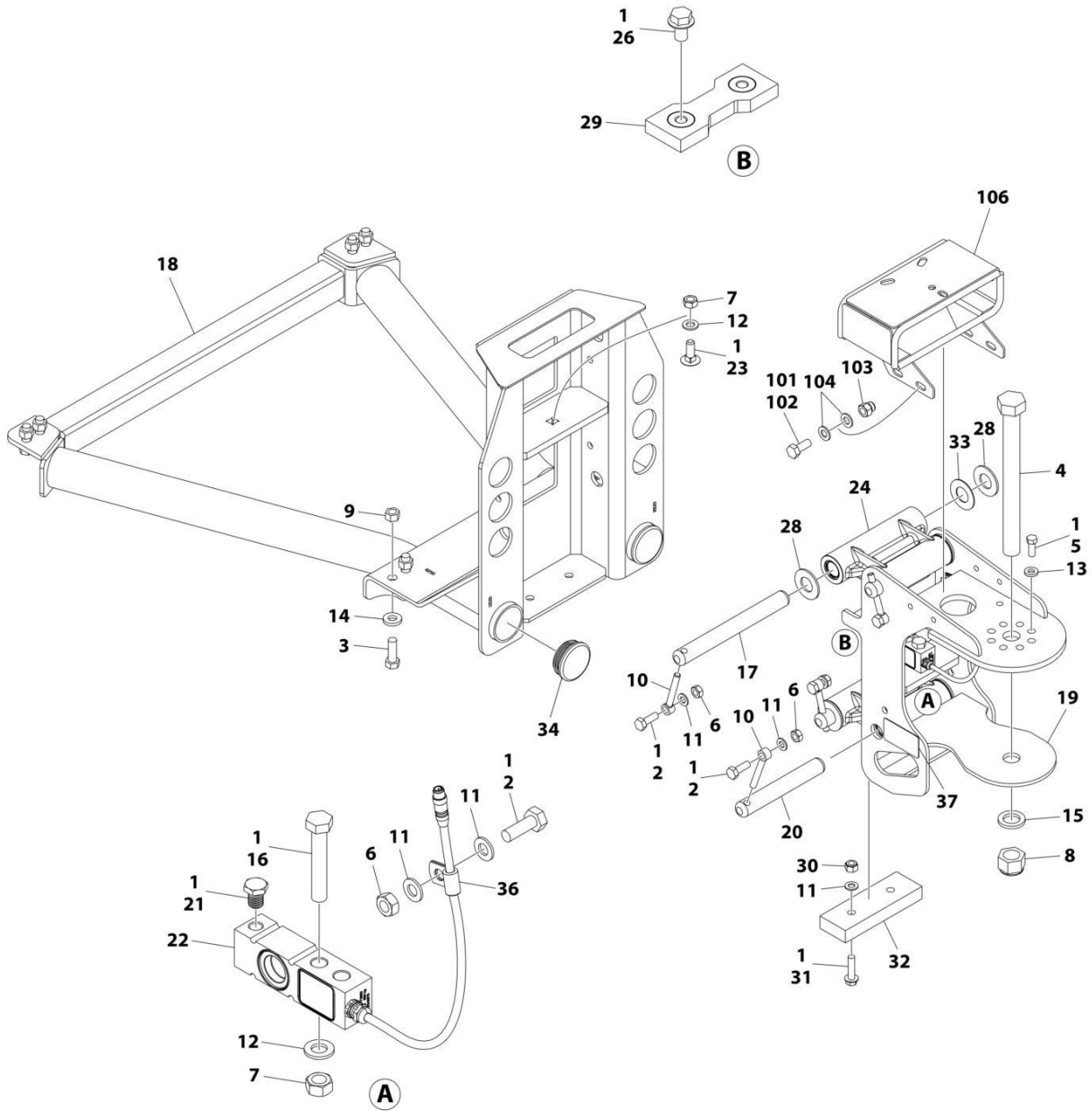
ART\_1001234811

FIGURE 4-5. ROTATOR ASSEMBLY

ITEM	PART NUMBER	QTY	DESCRIPTION	REV
	1001234811	Ref	ROTATOR ASSEMBLY	B
1	See Note	NSS	Housing/Ring Gear Assembly (Note: Not Available - Purchase Complete Rotator Assembly)	
2	7017162	1	Shaft Weldment	
3	7017163	1	Piston/Sleeve Assembly	
4	7017164	1	Cap, End	
20	See Note	NSS	T-Seal (Note: Use Item 100)	
22	See Note	NSS	T-Seal (Note: Use Item 100)	
24	See Note	NSS	O-Ring (Note: Use Item 100)	
25	See Note	NSS	Seal (Note: Use Item 100)	
26	See Note	NSS	O-Ring (Note: Use Item 100)	
27	See Note	NSS	Ring, Back-up (Note: Use Item 100)	
32	See Note	NSS	Ring, Wear (Note: Use Item 101)	
34	See Note	NSS	Washer, Thrust (Note: Use Item 101)	
41	7017172	AR	Valve Assembly	
41A	7017192	2	Cartridge, Valve	
41A	See Note	NSS	Seal Kit - 7017192 Valve (Note: Not Available for Purchase)	
41B	See Note	3	Bolt 1/4-20NC x 1-1/2 Grade 8 (Note: Not Available - Purchase Locally)	
42	7017195	2	Bushing	
45	0961947	2	Bushing 1IN ID x 1.25IN OD x 5/8IN L	
45	1001134289	2	Bushing 1IN ID x 1.5IN OD x 1IN L	
100	70000342	1	Seal Kit (Includes Items 20, 22, 24, 25, 27 & 33)	
101	7017159	1	Bearing Kit (Includes Items 32 & 34)	
102	7017142	1	Hardware Kit	
103	70001697	4	Screw, Countersunk 1/4 x 3/8 Grade 8	

# SECTION 4 - BOOM

## FIGURE 4-6. SUPPORT, PLATFORM INSTALLATION



ART\_1001167596



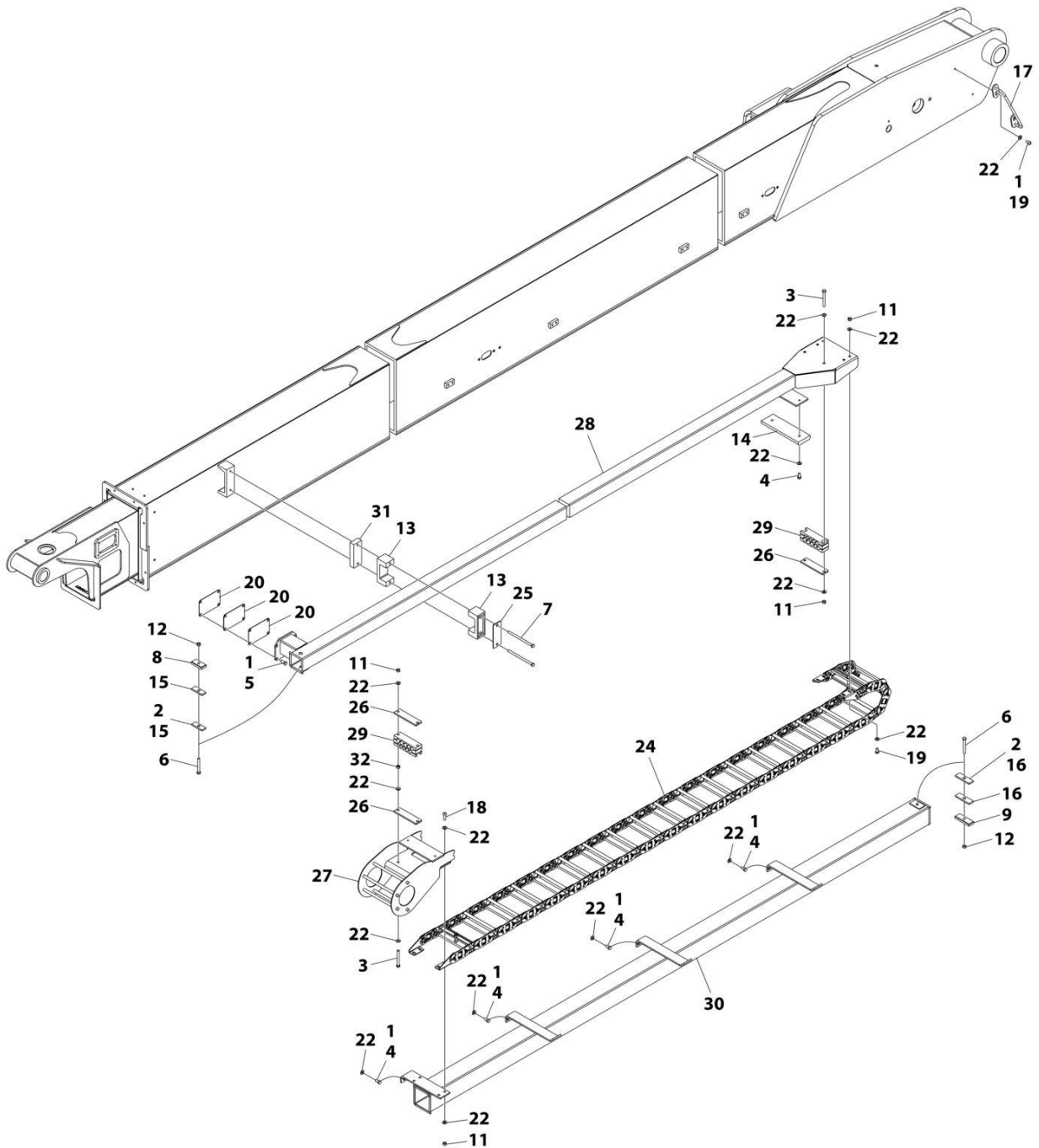
## SECTION 4 - BOOM

**FIGURE 4-6. SUPPORT, PLATFORM INSTALLATION**

ITEM	PART NUMBER	QTY	DESCRIPTION	REV
	1001167596	Ref	PLATFORM SUPPORT INSTALLATION	N
1	0100011	AR	Compound, Locking	
2	0761014	5	Bolt M10 x 30	
3	0761216	8	Bolt M12 x 40	
4	1001255133	1	Bolt 1 x 11	
5	0681608	8	Bolt 3/8 x 1 GRD8	
6	3291001	5	Nut M10	
7	3291201	3	Nut M12	
8	1001174040	1	Nut 1	
9	3291205	8	Nut M12	
10	3841143	4	Keeper, Pin	
11	4812000	8	Washer M10	
12	4812100	3	Washer M12	
13	4891600	8	Washer 3/8	
14	5241200	8	Washer M12	
15	4892600001	1	Washer 1	
16	1001098828	2	Bolt M12 x 70 CL10.9	
17	1001167565	2	Pin	
18	1001200494	1	Support, Platform	
19	1001167567	1	Support, Rotator	
20	1001168402	2	Pin	
21	1001188622	1	Screw	
22	1001247468	1	Gauge, Load Sensing	
23	1001188844	1	Bolt M12 x 35	
24	1001201351	2	Link	
26	5251008	2	Bolt M10 x 16 CL10.9	
28	1001189002	8	Bearing	
29	1001190985	1	Pad, Wear	
30	3291005	2	Nut M10	
31	5251016	2	Bolt M10 x 40 CL10.9	
32	1001200491	1	Pad, Wear	
33	1001189001	4	Bearing	
34	1001204725	2	Plug	
36	91203039	1	Clamp	
37	1001216630	2	Decal - Tie Down/No Lift	
38	1001238421	Ref	Kit, Platform Leveling (Not Shown)	
	1001202687	Ref	VALVE MOUNT INSTALLATION	B
101	0100011	AR	Compound, Locking	
102	0760810	4	Bolt M8 x 20	
103	3290806	4	Nut M8	
104	4811900	8	Washer M8	
106	1001208994	1	Mount, Valve	

# SECTION 4 - BOOM

## FIGURE 4-7. POWER TRACK INSTALLATION - MAIN BOOM



ART\_1001253658\_C

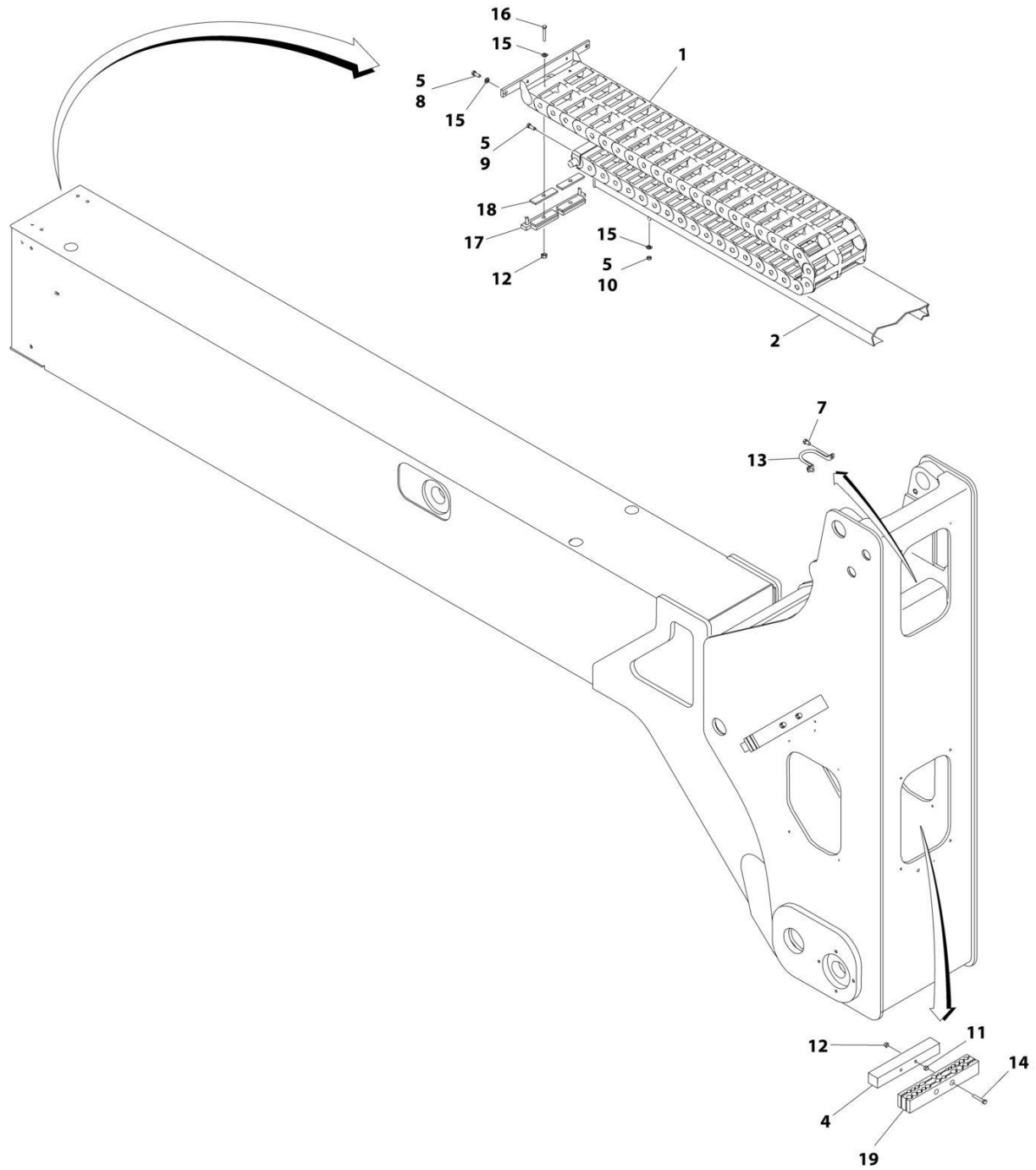
## SECTION 4 - BOOM

### FIGURE 4-7. POWER TRACK INSTALLATION - MAIN BOOM

ITEM	PART NUMBER	QTY	DESCRIPTION	REV
	1001253658	Ref	POWER TRACK INSTALLATION	C
1	0100011	AR	Compound, Locking	
2	0100081	AR	Adhesive	
3	0630593	4	Bolt 3/8 x 3-1/4	
4	0641606	10	Bolt 3/8 x 3/4	
5	0641607	4	Bolt 3/8 x 7/8	
6	0641624	2	Bolt 3/8 x 3	
7	0641648	2	Bolt 3/8 x 6	
8	1320288	1	Clamp	
9	1320289	1	Clamp	
11	3271605	12	Nut	
12	3311605	2	Nut 3/8	
13	3340764	2	Pad	
14	3340840	1	Pad	
15	3340941	2	Pad	
16	3340943	2	Pad, Rubber	
17	3841406	1	Loop, Hose	
18	3900232	4	Screw 3/8 x 1-1/4	
19	3900283	6	Screw 3/8 x 3/4	
20	4070969	3	Shim 16 Gauge	
22	4711600	38	Washer 3/8	
24	1001099837	1	Power Track Assembly	
24	70002013	1	Repair Section	
24	70002014	1	Mounting Kit	
25	1001136400	1	Plate, Backing	
26	1001249824	3	Plate	
27	1001250384	1	Mount	
28	1001253724	1	Push Tube	
29	1001253880	2	Clamp, Hose	
30	1001254317	1	Tube	
31	1001254632	1	Spacer	
32	3271601	1	Nut 3/8	

# SECTION 4 - BOOM

## FIGURE 4-8. POWER TRACK INSTALLATION - TOWER BOOM



ART\_1001261274

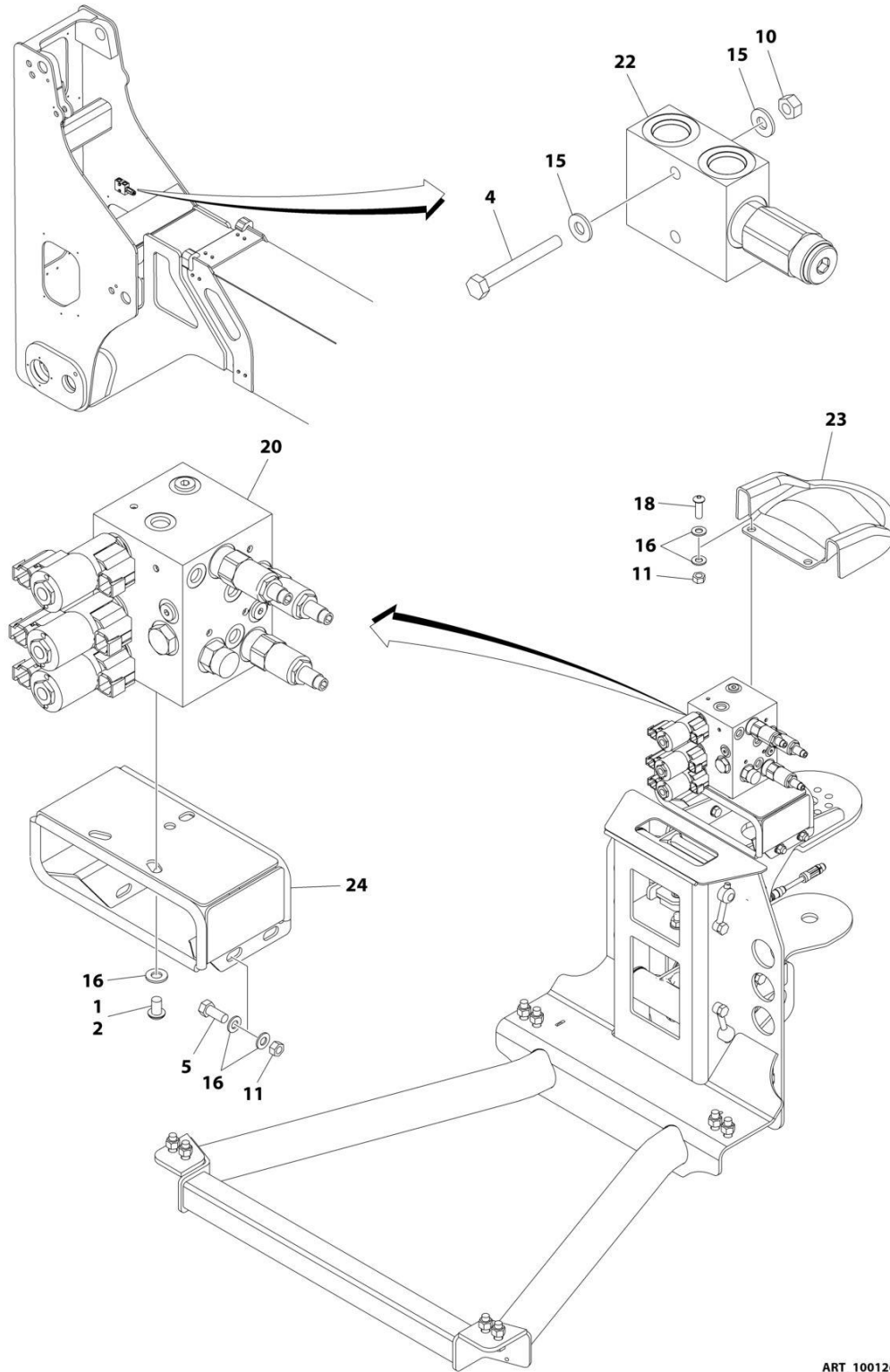
## SECTION 4 - BOOM

**FIGURE 4-8. POWER TRACK INSTALLATION - TOWER BOOM**

ITEM	PART NUMBER	QTY	DESCRIPTION	REV
	1001261274	Ref	POWER TRACK INSTALLATION	B
1	1180346	1	Track, Power	
1	7020064	1	Bracket, End (Moving)	
1	7020065	1	Bracket, End (Fixed)	
1	7020066	1	Section, Repair	
1	7020067	1	Link, Repair	
2	4845680	1	Tube, Hose	
4	1320250	2	Bar	
5	0100011	AR	Compound, Locking	
7	0641605	2	Bolt 3/8 x 5/8	
8	0641606	2	Bolt 3/8 x 3/4	
9	0641622	2	Bolt 3/8 x 2-3/4	
10	3311601	4	Nut 3/8	
11	3311602	4	Nut 3/8	
12	3311605	6	Nut 3/8	
13	3841340	1	Rod, Hose Loop	
14	3900262	4	Bolt 3/8 x 4-3/4	
15	4711600	8	Washer 3/8	
16	0641624	2	Bolt 3/8 x 3	
17	0259420	1	Clamp	
18	3340859	2	Pad	
19	1001261272	2	Clamp, Block	

# SECTION 4 - BOOM

## FIGURE 4-9. CONTROL VALVES INSTALLATION - WITH 2WS



ART\_1001260277\_20F2

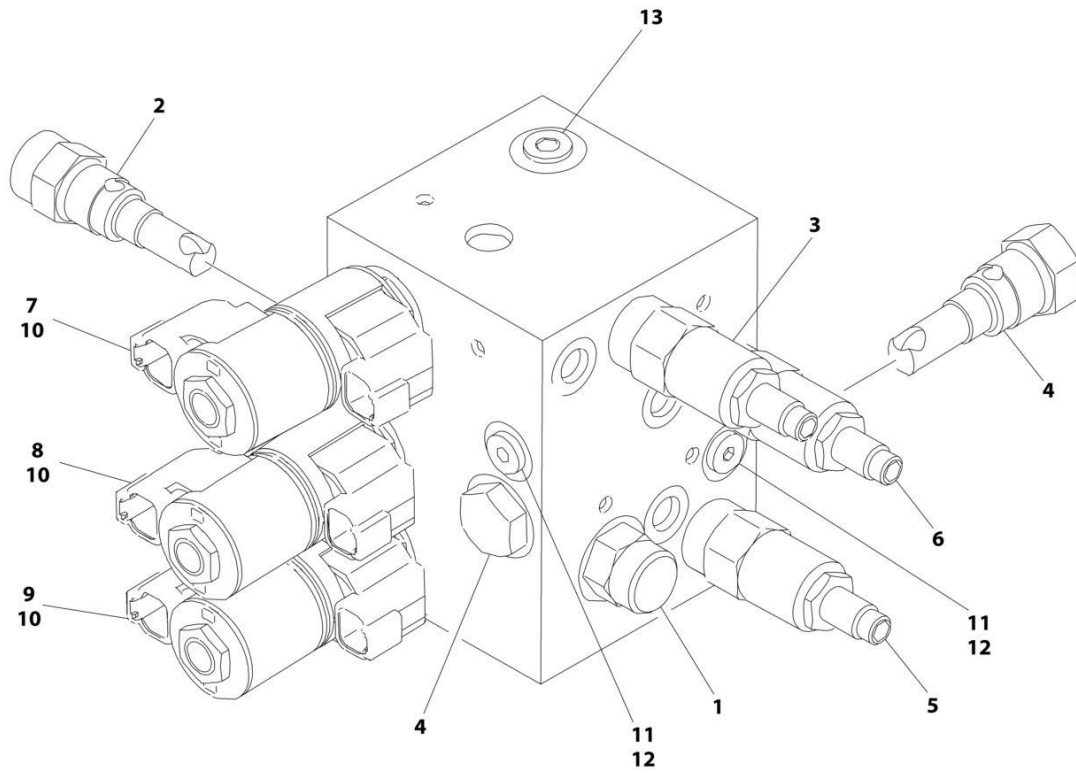
## SECTION 4 - BOOM

**FIGURE 4-9. CONTROL VALVES INSTALLATION - WITH 2WS**

ITEM	PART NUMBER	QTY	DESCRIPTION	REV
	1001260277	Ref	BOOM VALVES INSTALLATION	A
1	0100011	AR	Compound, Locking	
2	0630467	3	Screw 5/16 x 1/2	
4	0641418	4	Bolt 1/4 x 2-1/4	
5	0641507	4	Bolt 5/16 x 7/8	
10	3311405	2	Nut 1/4	
11	3311505	6	Nut 5/16	
15	4711400	11	Washer 1/4	
16	4711500	15	Washer 5/16	
18	88261024	2	Capscrew 5/16 x 1	
20	1001253677	1	Boom Valve Assembly (See Separate Breakdown in this Section)	
22	1001200054	1	Valve Assembly (Relief)	
22	7012970	1	Cartridge, Valve	
22	7012953	1	Seal Kit - 7012970 Valve	
23	1001207969	1	Cover	
24	1001208994	1	Mount	

# SECTION 4 - BOOM

## FIGURE 4-10. CONTROL VALVE ASSEMBLY



ART\_1001253677

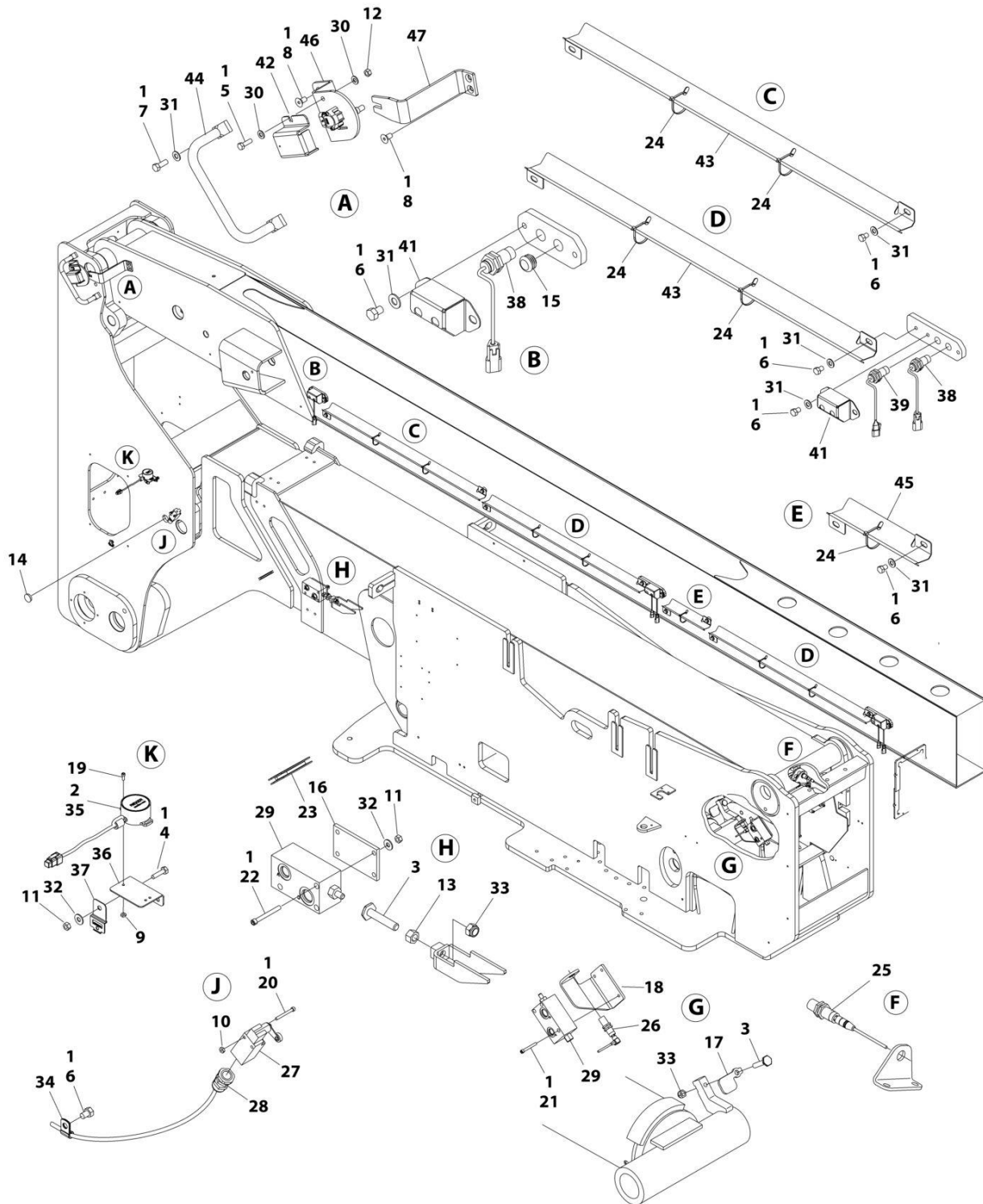


FIGURE 4-10. CONTROL VALVE ASSEMBLY

ITEM	PART NUMBER	QTY	DESCRIPTION	REV
	1001253677	Ref	BOOM VALVE ASSEMBLY	B
1	7012989	1	Valve, Flow	
1	7012953	1	Seal Kit - 7012989 Valve	
2	7012965	1	Valve, Flow	
2	7012953	1	Seal Kit - 7012965 Valve	
3	70004151	1	Valve, Relief	
3	7021653	1	Seal Kit - 70003962 Valve	
4	7012914	2	Valve, Cartridge	
4	7012918	2	Seal Kit - 7012914 Valve	
5	7023911	1	Valve, Relief	
5	7012967	1	Seal Kit - 7023911 Valve	
6	70007446	1	Valve, Relief	
6	7012998	1	Seal Kit - 70007446 Valve	
7	7017452	1	Valve, Solenoid (Jib)	
7	7017402	2	Seal Kit - 7017452 Valve	
8	7017452	1	Valve, Solenoid (Platform Level)	
8	7017402	1	Seal Kit - 7017452 Valve	
9	7017452	1	Valve, Solenoid (Rotator)	
9	7017402	2	Seal Kit - 7017452 Valve	
10	70002386	6	Coil	
11	70002064	2	Plug, Orifice	
12	2220883	2	Plug	
13	91164079	1	Plug	

# SECTION 4 - BOOM

## FIGURE 4-11. BOOM VALVES AND PROXIMITY SWITCHES INSTALLATION



ART\_1001253789

## SECTION 4 - BOOM

**FIGURE 4-11. BOOM VALVES AND PROXIMITY SWITCHES INSTALLATION**

ITEM	PART NUMBER	QTY	DESCRIPTION	REV
	1001253789	Ref	BOOM VALVE AND LIMIT SWITCHES INSTALLATION	D
1	0100011	AR	Compound, Locking	
2	0100048	AR	Grease	
3	0630427	2	Bolt	
4	0641408	2	Capscrew 1/4 x 1	
5	0641508	1	Capscrew 5/16 x 1	
6	0641604	15	Bolt 3/8 x 1/2	
7	0641608	2	Bolt 3/8 x 1	
8	0741606	4	Bolt 3/8 x 3/4	
9	3310605	3	Nut 6	
10	3310801	2	Nut #8	
11	3311405	AR	Nut 1/4	
12	3311501	1	Nut 5/16	
13	3311801	1	Nut 1/2	
14	3520035	1	Plug	
15	3520193	1	Plug	
16	3570928	1	Plate, Spacer	
17	3572606	1	Plate, Switch Target	
18	3572607	1	Plate, Switch Mount	
19	3930606	3	Capscrew #6 x 3/8	
20	3930824	2	Capscrew #8 x 1-1/2	
21	3931432	3	Capscrew 1/4 x 2	
22	3931436	3	Capscrew 1/4 x 2-1/4	
23	4060805	7 in/25cm	Trim	
24	4240033	7	Tie, Cable	
25	4360498	1	Switch, Proximity	
26	4360499	1	Switch, Proximity	
27	4360578	1	Switch, Limit	
28	4460968	1	Connector, Strain Relief	
29	4641435	2	Valve, Switch	
29	7011342	1	Valve, Check	
29	7011333	1	Seal Kit - 7011342 Valve	
30	4711500	2	Washer 5/16	
31	4711600	16	Washer 3/8	
32	4751400	AR	Washer 1/4	
33	88521008	2	Nut 1/2	
34	91203039	1	Clamp	
35	1001094400	1	Sensor, Dual Axis	
36	1001096736	1	Bracket, Tilt Sensor	
37	1001153749	1	Clip	
38	1001170847	3	Sensor, Proximity	
39	1001182570	2	Sensor, Proximity	
40	1001200497	1	Connector (Not Shown)	
41	1001204715	3	Bracket	
42	1001211588	1	Shield, Angle Sensor	
43	1001247453	3	Angle, Cable	
44	1001263612	1	Bar, Guard	
45	1001250531	1	Plate, Cable Cover	
46	1001255880	1	Sensor, Boom Angle	
46	1001204939	1	Sensor, Angle	

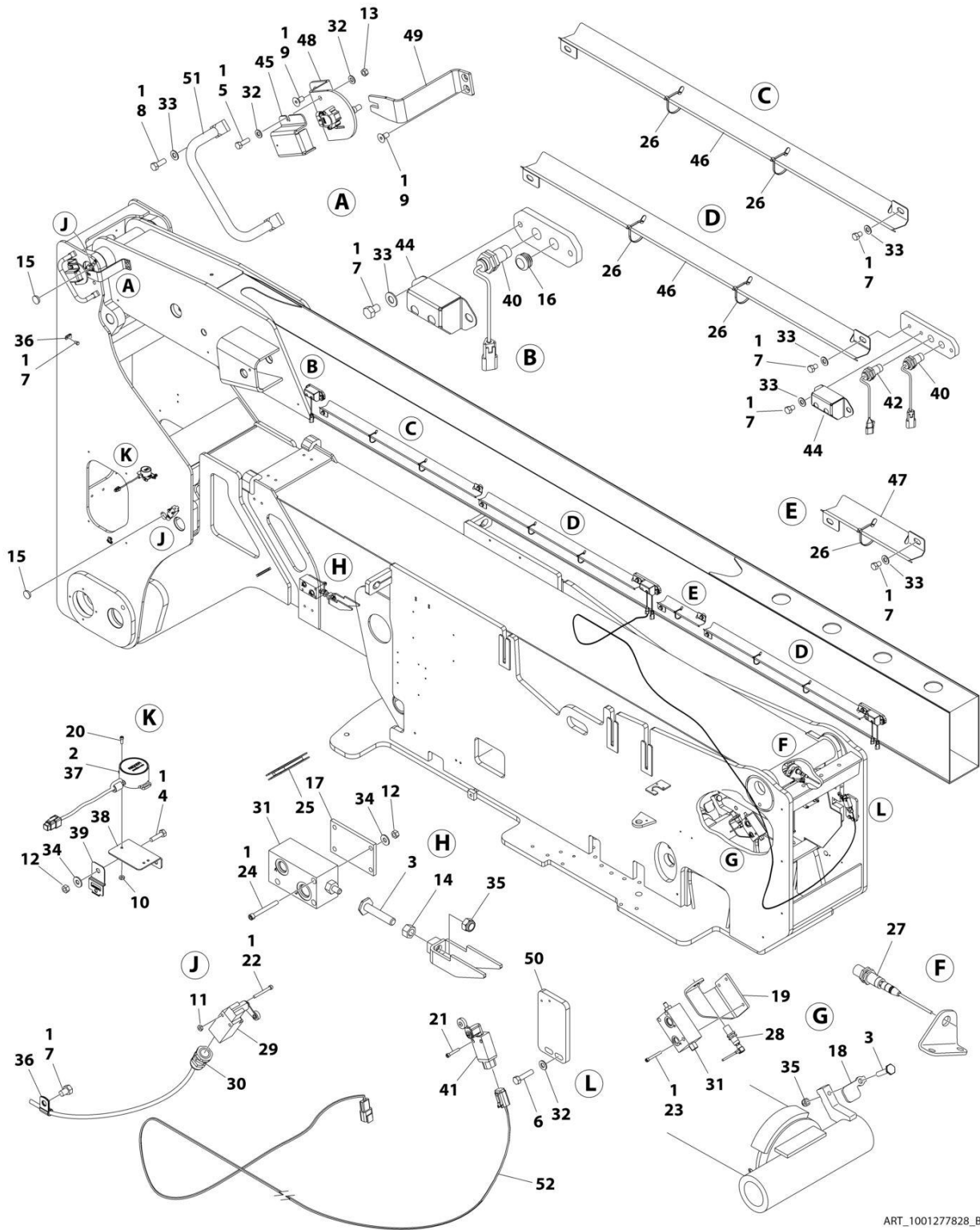
## SECTION 4 - BOOM

ITEM	PART NUMBER	QTY	DESCRIPTION	REV
46	3930820	2	Capscrew #8x1-1/4 (Sensor Screw)	
46	1001211582	1	Arm/Link	
46	4010303	1	Screw M3x6 (Arm Screw)	
47	1001255882	1	Plate, Sensor	



# SECTION 4 - BOOM

## FIGURE 4-12. BOOM VALVES AND PROXIMITY SWITCHES INSTALLATION WITH TOWER STOW



ART\_1001277828\_B

## SECTION 4 - BOOM

**FIGURE 4-12. BOOM VALVES AND PROXIMITY SWITCHES INSTALLATION WITH TOWER STOW**

ITEM	PART NUMBER	QTY	DESCRIPTION	REV
	1001277828	Ref	BOOM VALVE AND LIMIT SWITCHES INSTALLATION	B
1	0100011	AR	Compound, Locking	
2	0100048	AR	Grease	
3	0630427	2	Bolt	
4	0641408	2	Capscrew 1/4 x 1	
5	0641508	1	Capscrew 5/16 x 1	
6	0641511	2	Bolt 5/16 x 1-3/8	
7	0641604	16	Bolt 3/8 x 1/2	
8	0641608	2	Bolt 3/8 x 1	
9	0741606	4	Bolt 3/8 x 3/4	
10	3310605	3	Nut 6	
11	3310801	4	Nut #8	
12	3311405	5	Nut 1/4	
13	3311501	1	Nut 5/16	
14	3311801	1	Nut 1/2	
15	3520035	2	Plug	
16	3520193	1	Plug	
17	3570928	1	Plate, Spacer	
18	3572606	1	Plate, Switch Target	
19	3572607	1	Plate, Switch Mount	
20	3930606	3	Capscrew #6 x 3/8	
21	3930816	2	Capscrew #8 x 1-1/4	
22	3930824	4	Capscrew #8 x 1-1/2	
23	3931432	3	Capscrew 1/4 x 2	
24	3931436	3	Capscrew 1/4 x 2-1/4	
25	4060805	7 in/25cm	Trim	
26	4240033	7	Tie, Cable	
27	4360498	1	Switch, Proximity	
28	4360499	1	Switch, Proximity	
29	4360578	2	Switch, Limit	
30	4460968	2	Connector, Strain Relief	
31	4641435	2	Valve, Switch	
31	7011342	1	Valve, Check	
31	7011333	1	Seal Kit - 7011342 Valve	
32	4711500	4	Washer 5/16	
33	4711600	16	Washer 3/8	
34	4751400	5	Washer 1/4	
35	88521008	2	Nut 1/2	
36	91203039	2	Clamp	
37	1001094400	1	Sensor, Dual Axis	
38	1001096736	1	Bracket, Tilt Sensor	
39	1001153749	1	Clip	
40	1001170847	3	Sensor, Proximity	
41	1001284504	1	Switch, Limit	
42	1001182570	2	Sensor, Proximity	
43	1001200497	1	Connector (Not Shown)	
44	1001204715	3	Bracket	
45	1001211588	1	Shield, Angle Sensor	
46	1001247453	3	Angle, Cable	
47	1001250531	1	Plate, Cable Cover	

## SECTION 4 - BOOM

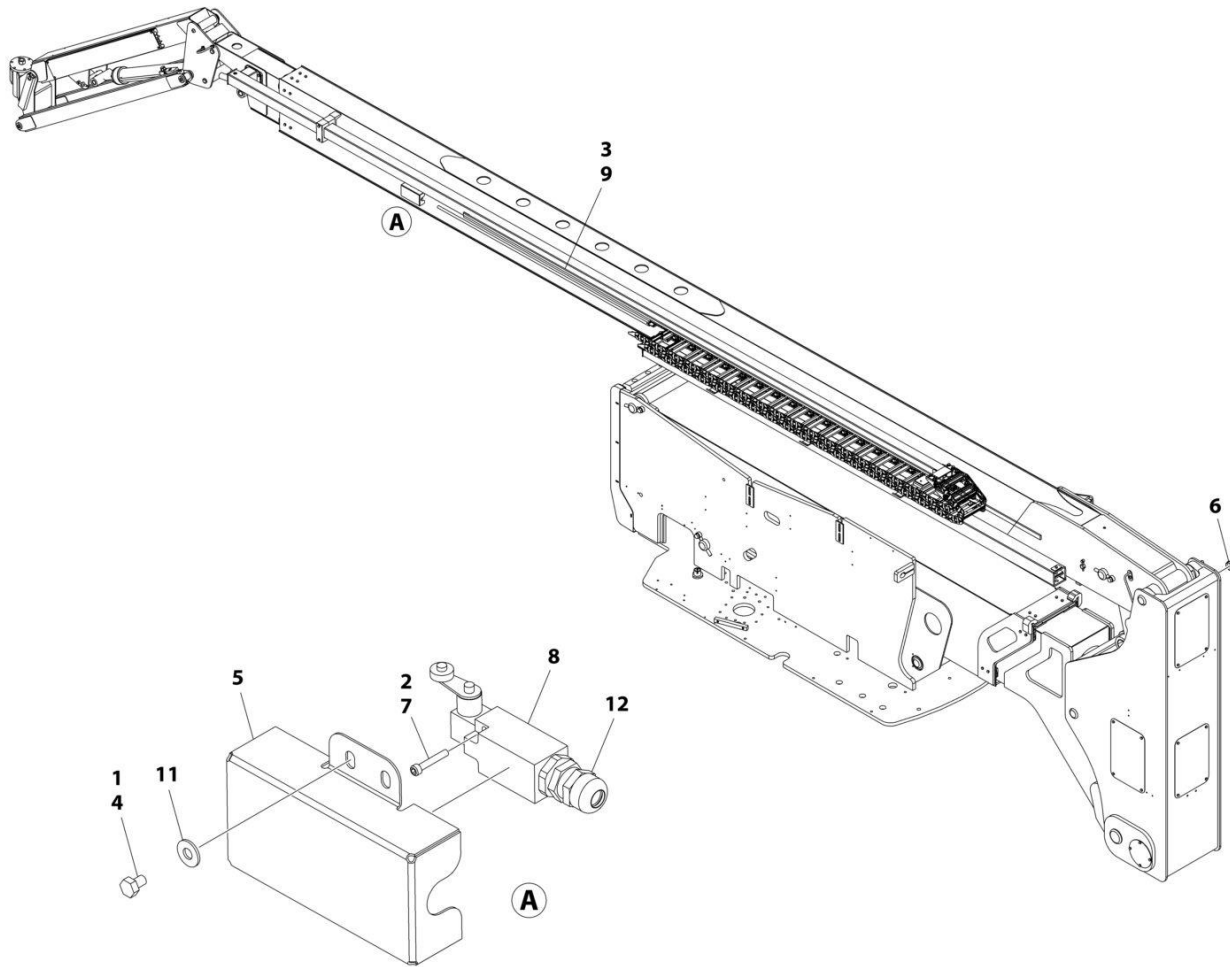
ITEM	PART NUMBER	QTY	DESCRIPTION	REV
48	1001255880	1	Sensor, Boom Angle	
48	1001204939	1	Sensor, Angle	
48	3930820	2	Capscrew #8x1-1/4 (Sensor Screw)	
48	1001211582	1	Arm/Link	
48	4010303	1	Screw M3 x 6 (Arm Screw)	
49	1001255882	1	Plate, Sensor	
50	1001260475	1	Bracket	
51	1001263612	1	Bar, Guard	
52	1001266829	1	Harness, Tower Stow (See Separate Breakdown in ELECTRICAL Section)	





# SECTION 4 - BOOM

## FIGURE 4-13. TRANSPORT POSITION SWITCH INSTALLATION



ART\_0258567

FIGURE 4-13. TRANSPORT POSITION SWITCH INSTALLATION

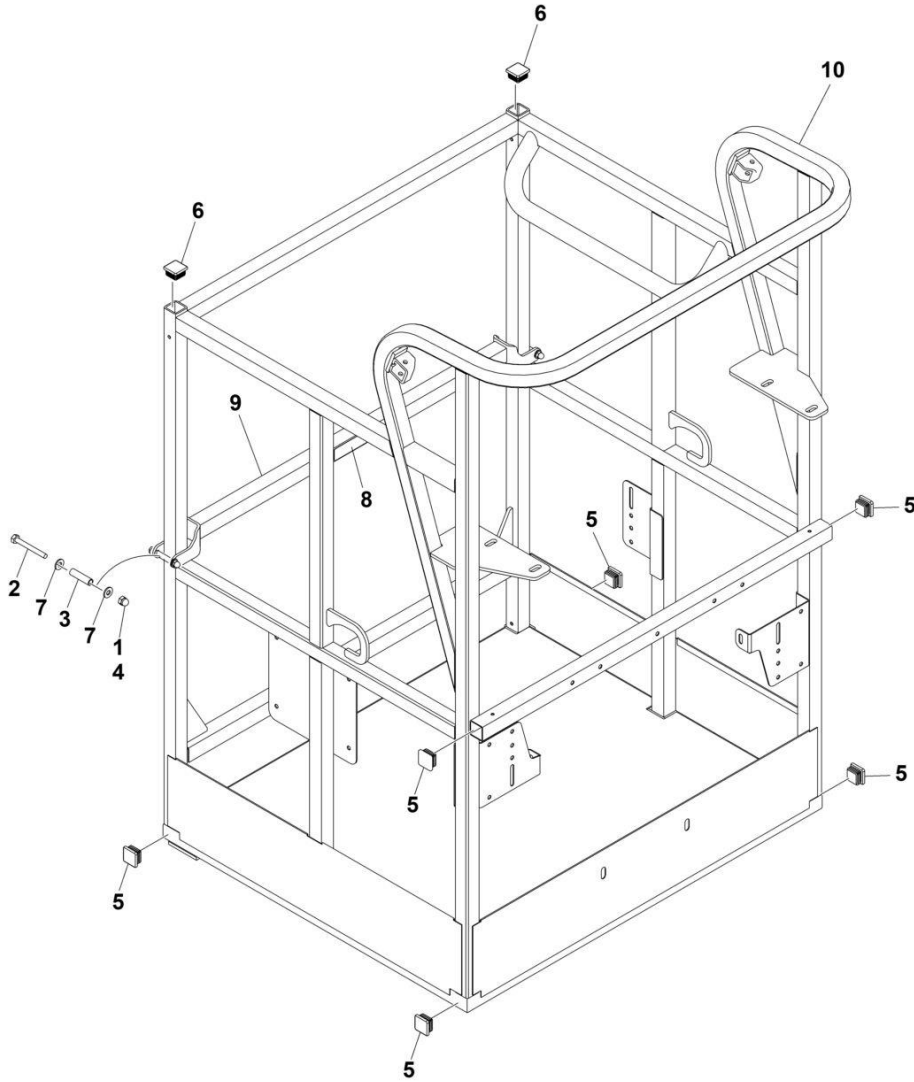
ITEM	PART NUMBER	QTY	DESCRIPTION	REV
	0258567	Ref	TRANSPORT POSITION SWITCH INSTALLATION	F
1	0100011	AR	Compound, Locking	
2	0100035	AR	Compound, Locking	
3	1001106481	1	Bar, Fiberglass	
4	0641403	4	Bolt 1/4 x 3/8	
5	3380535	1	Cover, Switch	
6	3520035	1	Plug, Cap	
7	3930816	2	Capscrew #8 x 1	
8	4360578	1	Switch, Limit	
9	4420060	AR	Tape	
11	4751400	4	Washer 1/4	
12	4460968	1	Connector, Strain Relief	



**SECTION 5 - PLATFORM**

# SECTION 5 - PLATFORM

FIGURE 5-1. PLATFORM ASSEMBLY WITH DROP-BAR - 30IN X 3FT (76CM X 1M)



ART\_1001228215

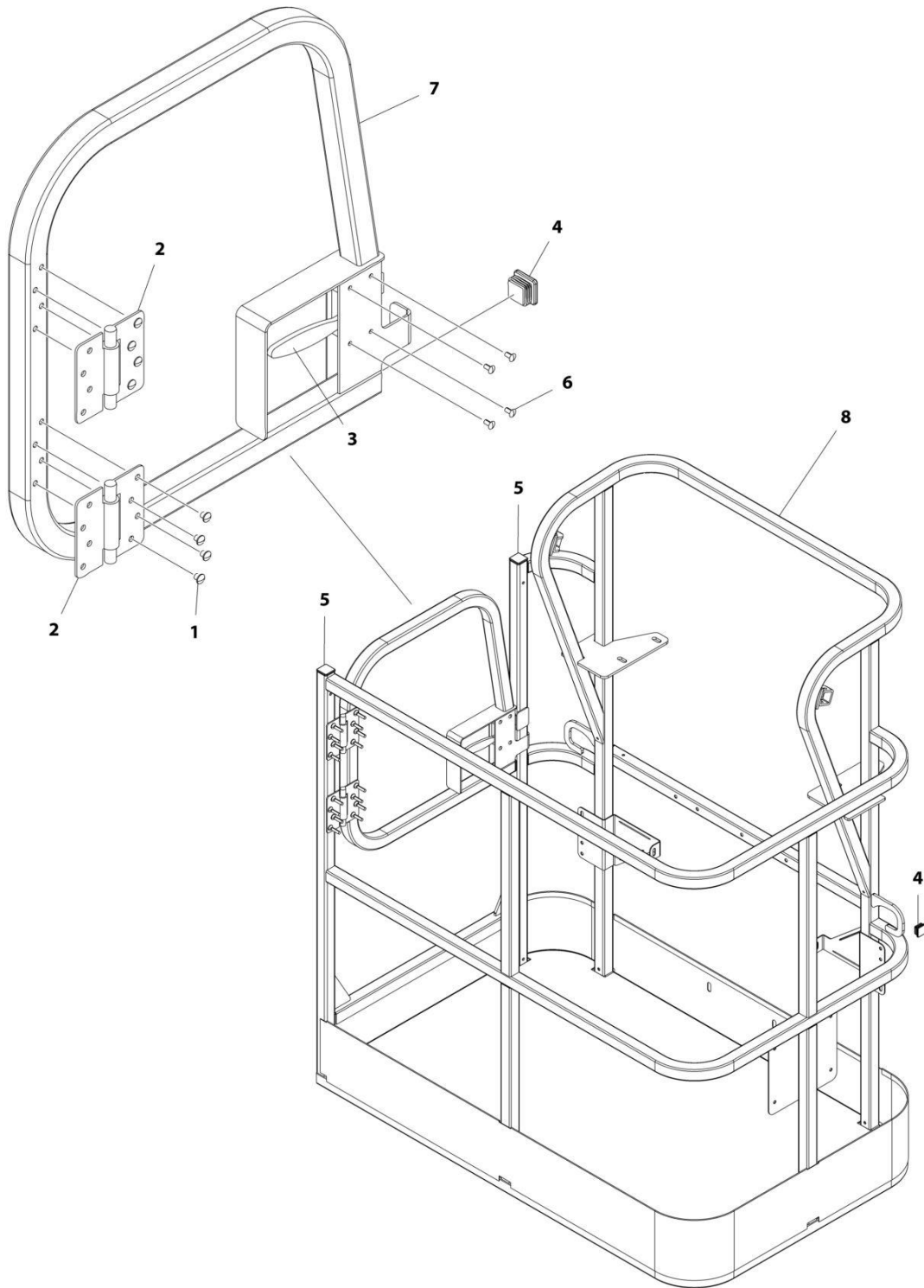
## SECTION 5 - PLATFORM

**FIGURE 5-1. PLATFORM ASSEMBLY WITH DROP-BAR - 30IN X 3FT (76CM X 1M)**

ITEM	PART NUMBER	QTY	DESCRIPTION	REV
	1001228215	Ref	PLATFORM ASSEMBLY	A
	See Note	Ref	Note: Platform and Mesh must be ordered separately for Platforms with Mesh. See SPECIAL OPTIONS SECTION for Mesh Installations.	
	See Note	Ref	Note: Replacement Decals Must be Ordered Separately - See DECAL SECTION.	
1	0100011	AR	Compound, Locking	
2	0641418	2	Bolt 1/4 x 2-1/4	
3	0961845	2	Bushing	
4	3300151	2	Nut 1/4	
5	3520072	6	Cap, Plug	
6	3520198	2	Cap, Plug	
7	4711400	4	Washer 1/4	
8	1001140429	1	Decal - Drop Bar	
9	1001226872	1	Bar, Drop	
10	See Note	NSS	Platform (Note: Not Available - Purchase Platform Assembly)	

# SECTION 5 - PLATFORM

FIGURE 5-2. PLATFORM ASSEMBLY WITH GATE - 30IN X 4FT (76CM X 1.22M)



ART\_1001186387



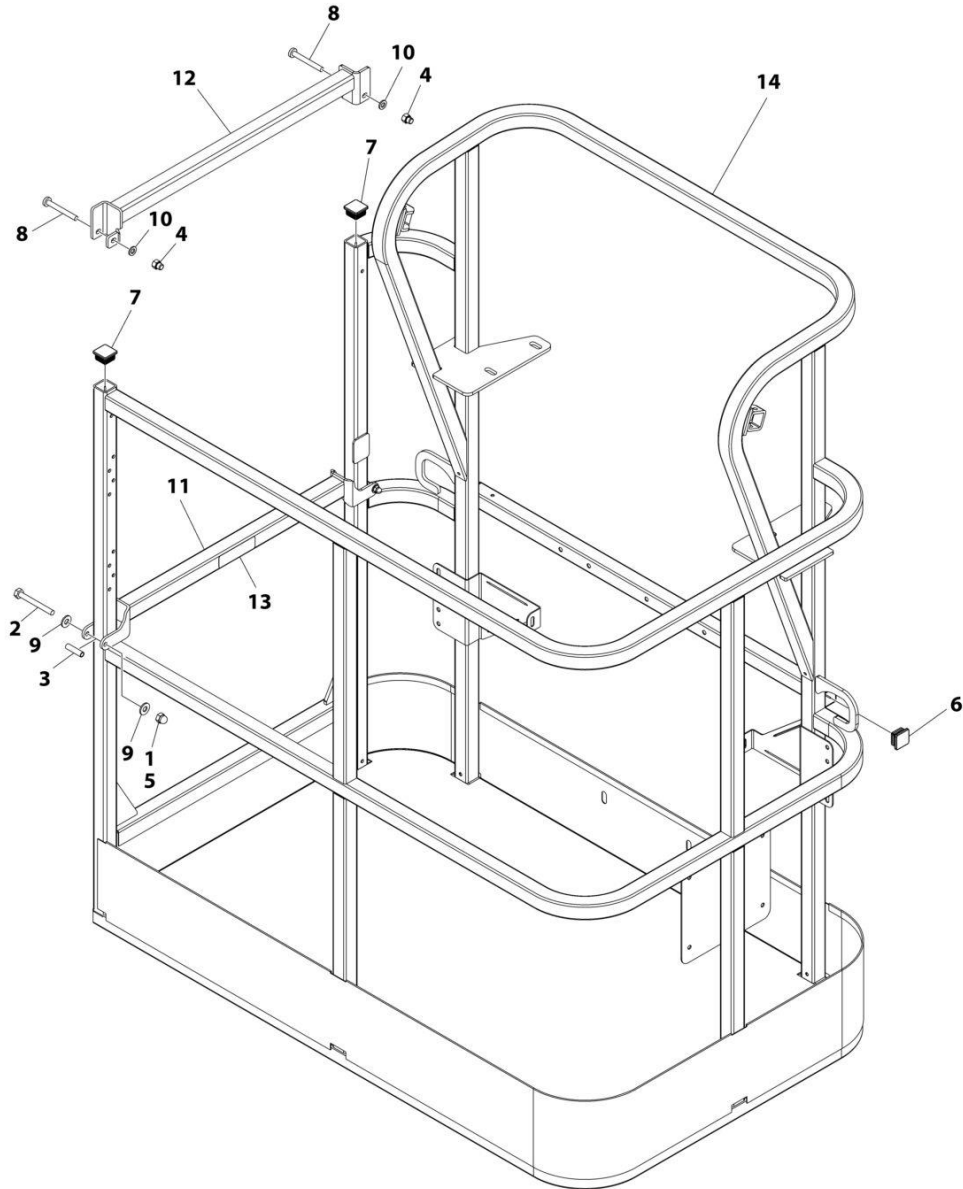
## SECTION 5 - PLATFORM

**FIGURE 5-2. PLATFORM ASSEMBLY WITH GATE - 30IN X 4FT (76CM X 1.22M)**

ITEM	PART NUMBER	QTY	DESCRIPTION	REV
	1001186387	Ref	PLATFORM ASSEMBLY	C
		Ref	Note: Platform and Mesh must be ordered separately for Platforms with Mesh. See SPECIAL OPTIONS SECTION for Mesh Installations.	
		Ref	Note: Replacement Decals Must be Ordered Separately - See DECALS SECTION.	
1	2080040	16	Fastener, Huck	
2	2600281	2	Hinge, Self-Closing	
3	2940074	1	Latch	
4	3520072	3	Plug	
5	3520198	2	Plug	
6	3820020	4	Rivet	
7	1001144629	1	Gate	
8	See Note	1	Platform (Note: Not Available - Purchase Platform Assembly)	

# SECTION 5 - PLATFORM

FIGURE 5-3. PLATFORM ASSEMBLY WITH DROP-BAR - 30IN X 4FT (76CM X 1.22M)



ART\_1001186375

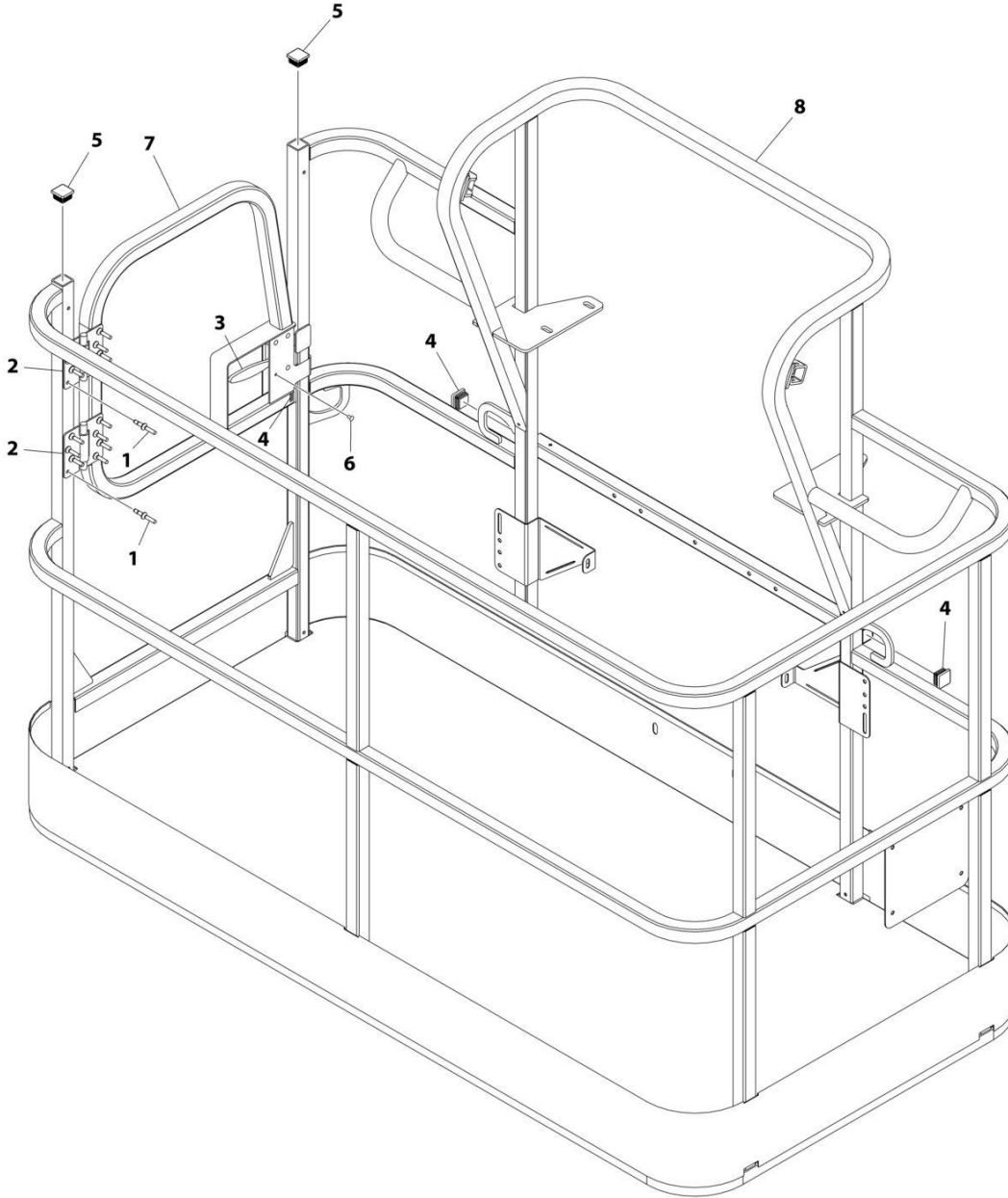
## SECTION 5 - PLATFORM

**FIGURE 5-3. PLATFORM ASSEMBLY WITH DROP-BAR - 30IN X 4FT (76CM X 1.22M)**

ITEM	PART NUMBER	QTY	DESCRIPTION	REV
	1001186375	Ref	PLATFORM ASSEMBLY	B
		Ref	Note: Platform and Mesh must be ordered separately for Platforms with Mesh. See SPECIAL OPTIONS SECTION for Mesh Installations.	
		Ref	Note: Replacement Decals Must be Ordered Separately - See DECALS SECTION.	
1	0100011	AR	Compound, Locking	
2	0641418	2	Bolt 1/4 x 2-1/4	
3	0961845	2	Bushing	
4	3290606	2	Nut M6	
5	3300151	2	Nut 1/4	
6	3520072	2	Plug	
7	3520198	2	Plug	
8	4010618	2	Screw M6 x 50	
9	4711400	4	Washer 1/4	
10	4811700	2	Washer M6	
11	1001138494	1	Bar, Drop	
12	1001138514	1	Rail - Top	
13	1001140429	1	Decal - Drop Bar	
14	See Note	1	Platform (Note: Not Available - Purchase Platform Assembly)	

# SECTION 5 - PLATFORM

FIGURE 5-4. PLATFORM ASSEMBLY WITH GATE - 30IN X 6FT (76CM X 1.83M)



ART\_1001186385

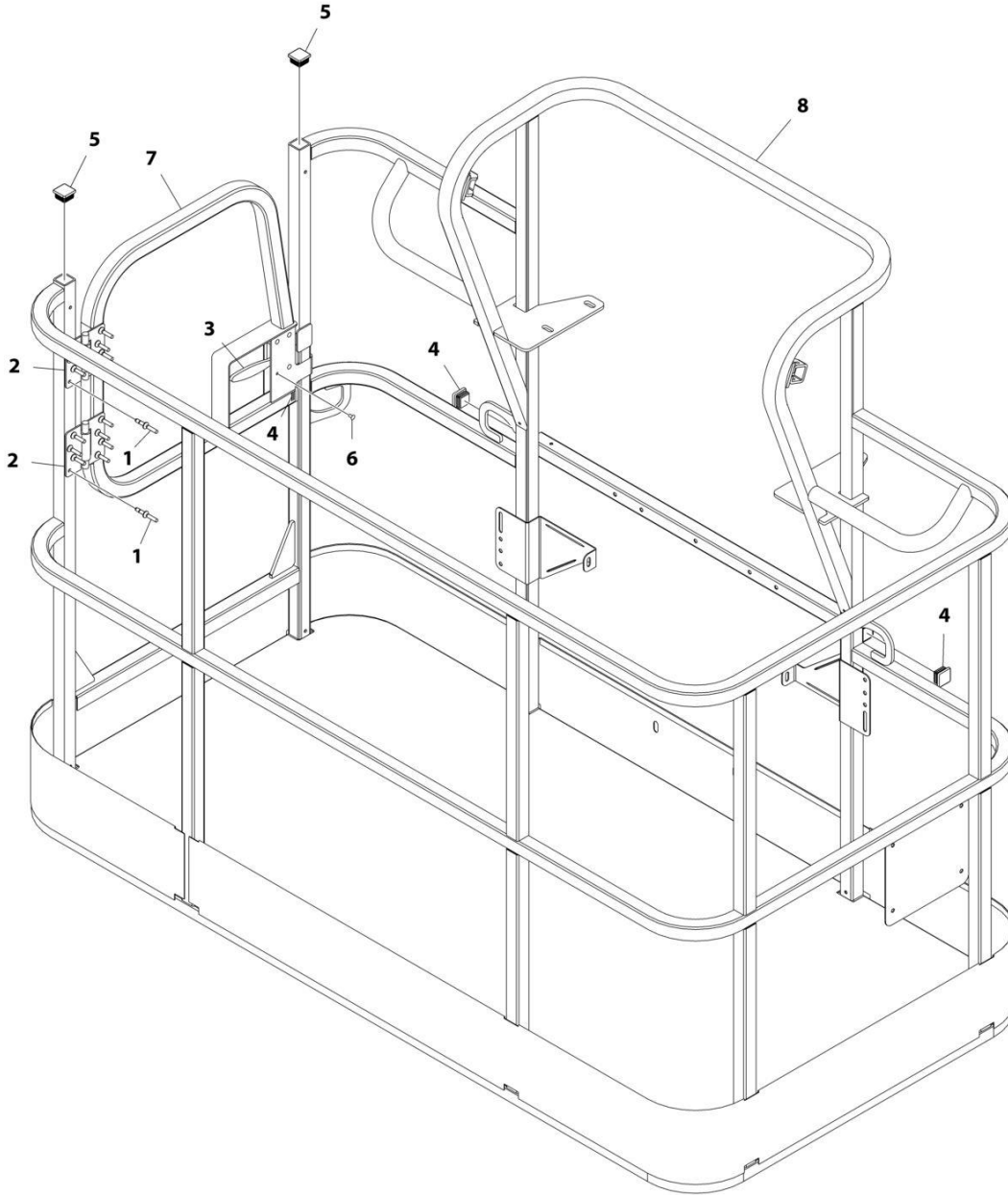
## SECTION 5 - PLATFORM

**FIGURE 5-4. PLATFORM ASSEMBLY WITH GATE - 30IN X 6FT (76CM X 1.83M)**

ITEM	PART NUMBER	QTY	DESCRIPTION	REV
	1001186385	Ref	PLATFORM ASSEMBLY	D
		Ref	Note: Platform and Mesh must be ordered separately for Platforms with Mesh. See SPECIAL OPTIONS SECTION for Mesh Installations.	
		Ref	Note: Replacement Decals Must be Ordered Separately - See DECALS SECTION.	
1	2080040	16	Fastener, Huck	
2	2600281	2	Hinge	
3	2940074	1	Latch	
4	3520072	3	Plug	
5	3520198	2	Plug	
6	3820020	4	Rivet	
7	1001144629	1	Gate	
8	See Note	NSS	Platform (Note: Not Available - Purchase Platform Assembly)	

# SECTION 5 - PLATFORM

FIGURE 5-5. PLATFORM ASSEMBLY WITH GATE- 36IN X 6FT (91.5CM X 1.83M)



ART\_1001186384

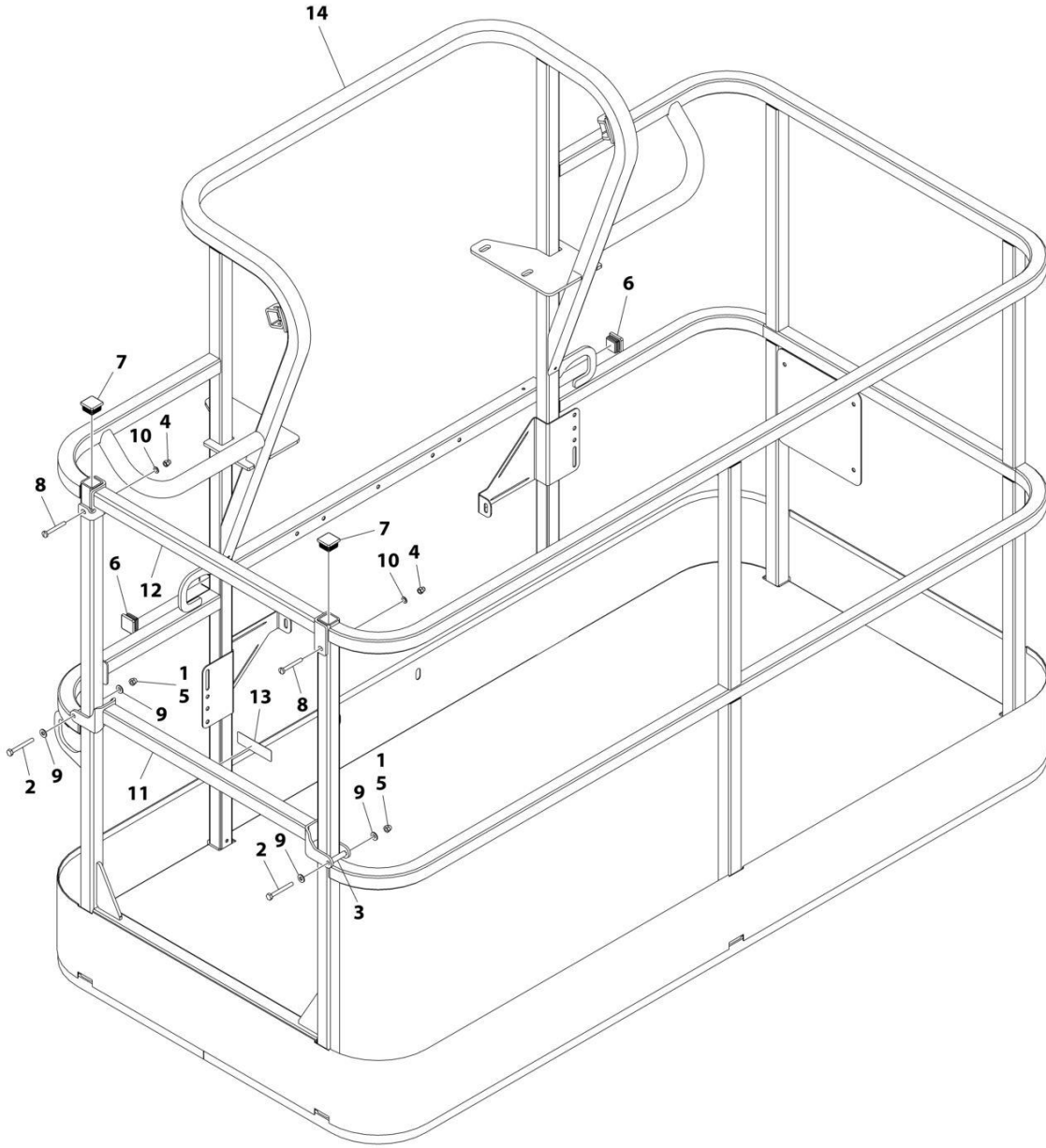
## SECTION 5 - PLATFORM

**FIGURE 5-5. PLATFORM ASSEMBLY WITH GATE- 36IN X 6FT (91.5CM X 1.83M)**

ITEM	PART NUMBER	QTY	DESCRIPTION	REV
	1001186384	Ref	PLATFORM ASSEMBLY - 36IN X 6FT (91.5CM X 1.83M) WITH SWING GATE	C
	See Note	Ref	Note: Platform and Mesh must be ordered separately for Platforms with Mesh. See SPECIAL OPTIONS SECTION for Mesh Installations.	
	See Note	Ref	Note: Replacement Decals Must be Ordered Separately - See DECALS SECTION.	
1	2080040	16	Fastener, Huck	
2	2600281	2	Hinge	
3	2940074	1	Latch	
4	3520072	3	Plug	
5	3520198	2	Plug	
6	3820020	4	Rivet	
7	1001144629	1	Gate	
8	See Note	NSS	Platform (Note: Not Available - Purchase Platform Assembly)	

# SECTION 5 - PLATFORM

FIGURE 5-6. PLATFORM ASSEMBLY WITH DROP-BAR - 30IN X 6FT (76CM X 1.83M)



ART\_1001186378



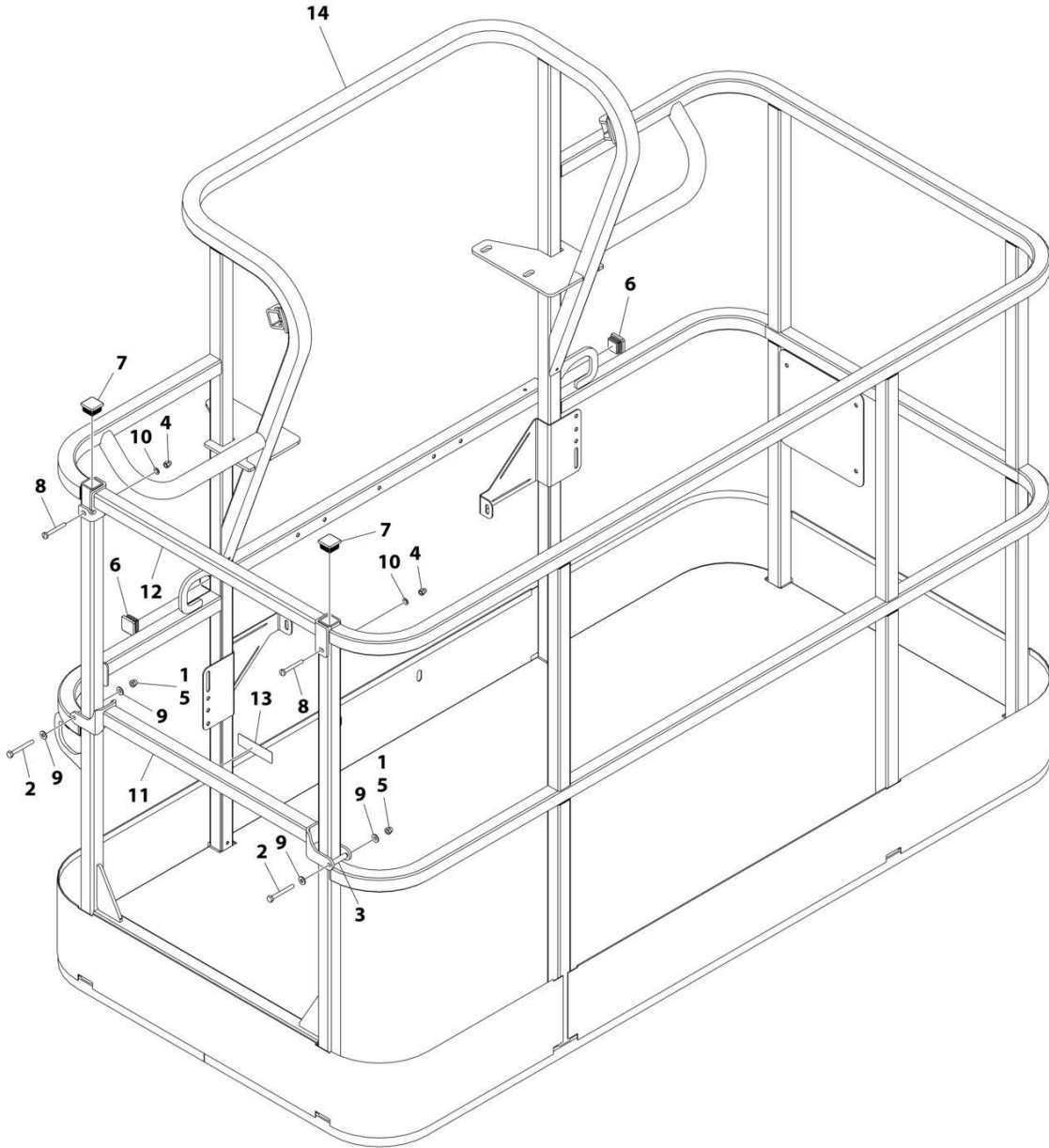
## SECTION 5 - PLATFORM

**FIGURE 5-6. PLATFORM ASSEMBLY WITH DROP-BAR - 30IN X 6FT (76CM X 1.83M)**

ITEM	PART NUMBER	QTY	DESCRIPTION	REV
	1001186378	Ref	PLATFORM ASSEMBLY	C
		Ref	Note: Platform and Mesh must be ordered separately for Platforms with Mesh. See SPECIAL OPTIONS SECTION for Mesh Installations.	
		Ref	Note: Replacement Decals Must be Ordered Separately - See DECALS SECTION.	
1	0100011	AR	Compound, Locking	
2	0641418	2	Bolt 1/4 x 2-1/4	
3	0961845	2	Bushing	
4	3290606	2	Nut M6	
5	3300151	2	Nut 1/4	
6	3520072	2	Plug	
7	3520198	2	Plug	
8	4010618	2	Screw M6 x 50	
9	4711400	4	Washer 1/4	
10	4811700	2	Washer M6	
11	1001138494	1	Bar, Drop	
12	1001138514	1	Rail (Top)	
13	1001140429	1	Decal - Drop Bar	
14	See Note	NSS	Platform (Note: Not Available - Purchase Platform Assembly)	

# SECTION 5 - PLATFORM

FIGURE 5-7. PLATFORM ASSEMBLY WITH DROP-BAR - 36IN X 6FT (91.5CM X 1.83M)



ART\_1001186379

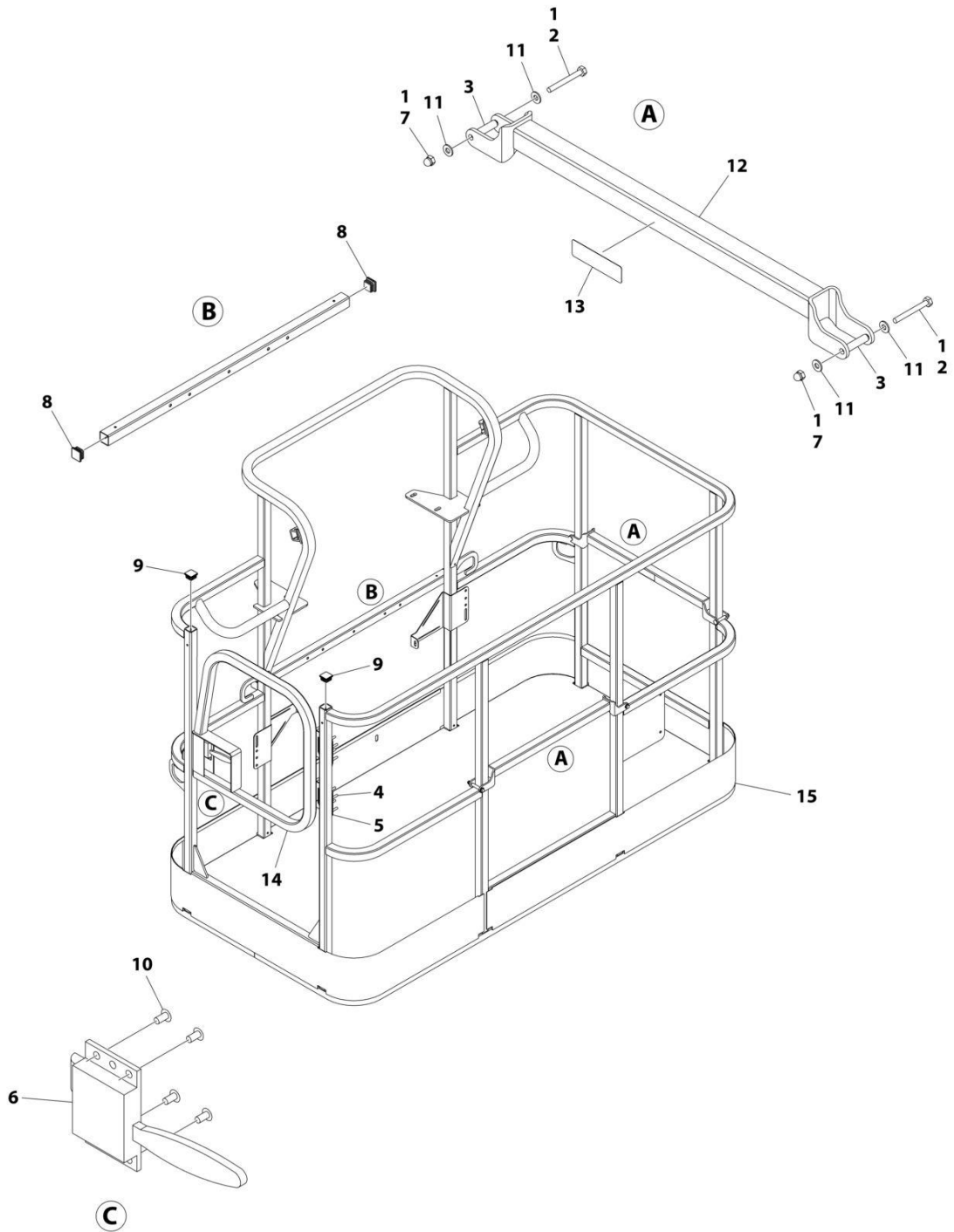
## SECTION 5 - PLATFORM

**FIGURE 5-7. PLATFORM ASSEMBLY WITH DROP-BAR - 36IN X 6FT (91.5CM X 1.83M)**

ITEM	PART NUMBER	QTY	DESCRIPTION	REV
	1001186379	Ref	PLATFORM ASSEMBLY - 36IN X 6FT (91.5CM X 1.83M) WITH DROP BAR	B
		Ref	Note: Platform and Mesh must be ordered separately for Platforms with Mesh. See SPECIAL OPTIONS SECTION for Mesh Installations.	
		Ref	Note: Replacement Decals Must be Ordered Separately - See DECALS SECTION.	
1	0100011	AR	Compound, Locking	
2	0641418	2	Bolt 1/4 x 2-1/4	
3	0961845	2	Bushing	
4	3290606	2	Nut M6	
5	3300151	2	Nut 1/4	
6	3520072	2	Plug	
7	3520198	2	Plug	
8	4010618	2	Screw M6 x 50	
9	4711400	4	Washer 1/4	
10	4811700	2	Washer M6	
11	1001138494	1	Bar, Drop	
12	1001138514	1	Rail (Top)	
13	1001140429	1	Decal - Drop Bar	
14	See Note	NSS	Platform (Note: Not Available - Purchase Platform Assembly)	

# SECTION 5 - PLATFORM

FIGURE 5-8. PLATFORM ASSEMBLY WITH 1 GATE / 2 DROP BARS (TRI-ENTRY) - 36IN X 6FT (91.5CM X 1.83M)



ART\_1001228376

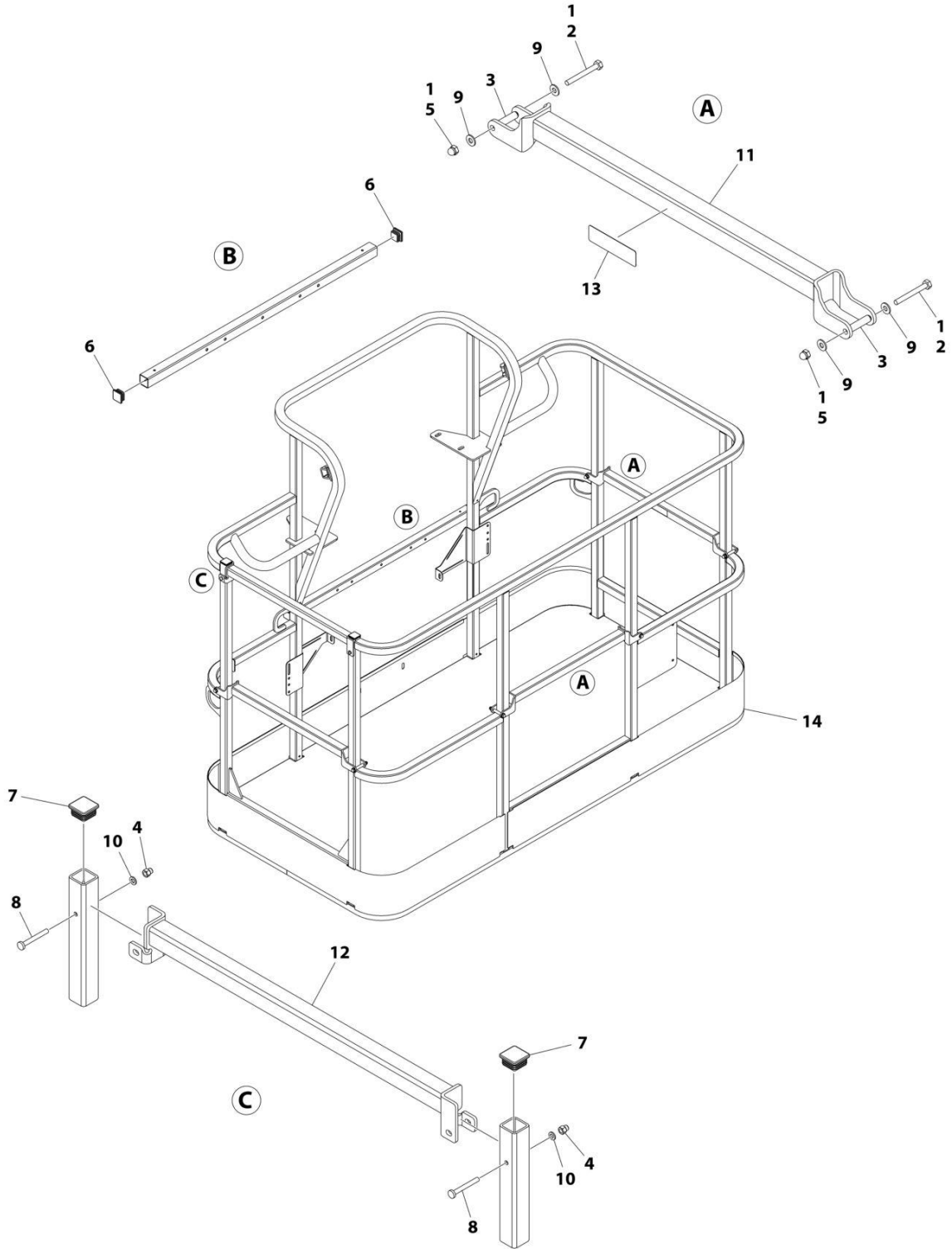
## SECTION 5 - PLATFORM

**FIGURE 5-8. PLATFORM ASSEMBLY WITH 1 GATE / 2 DROP BARS (TRI-ENTRY) - 36IN X 6FT  
(91.5CM X 1.83M)**

ITEM	PART NUMBER	QTY	DESCRIPTION	REV
	1001228376	Ref	PLATFORM ASSEMBLY - 36IN x 6FT (91.5CM x 1.83M)	B
		Ref	Note: Platform and Mesh must be ordered separately for Platforms with Mesh. See SPECIAL OPTIONS SECTION for Mesh Installations.	
		Ref	Note: Replacement Decals Must be Ordered Separately - See DECAL SECTION.	
1	0100011	AR	Compound, Locking	
2	0641418	4	Bolt 1/4 x 2-1/4	
3	0961845	4	Bushing	
4	2080040	16	Fastener	
5	2600281	2	Hinge	
6	2940074	1	Latch	
7	3300151	4	Nut 1/4	
8	3520072	3	Plug	
9	3520198	2	Plug	
10	3820020	4	Rivet	
11	4711400	8	Washer 1/4	
12	1001138494	2	Bar, Drop	
13	1001140429	2	Decal - Drop Bar	
14	1001144629	1	Gate	
15	See Note	NSS	Platform (Note: Not Available - Purchase Platform Assembly)	

# SECTION 5 - PLATFORM

FIGURE 5-9. PLATFORM ASSEMBLY WITH 3 DROP BARS (TRI-ENTRY) - 36IN X 6FT (91.5CM X 1.83M)



ART\_1001228377

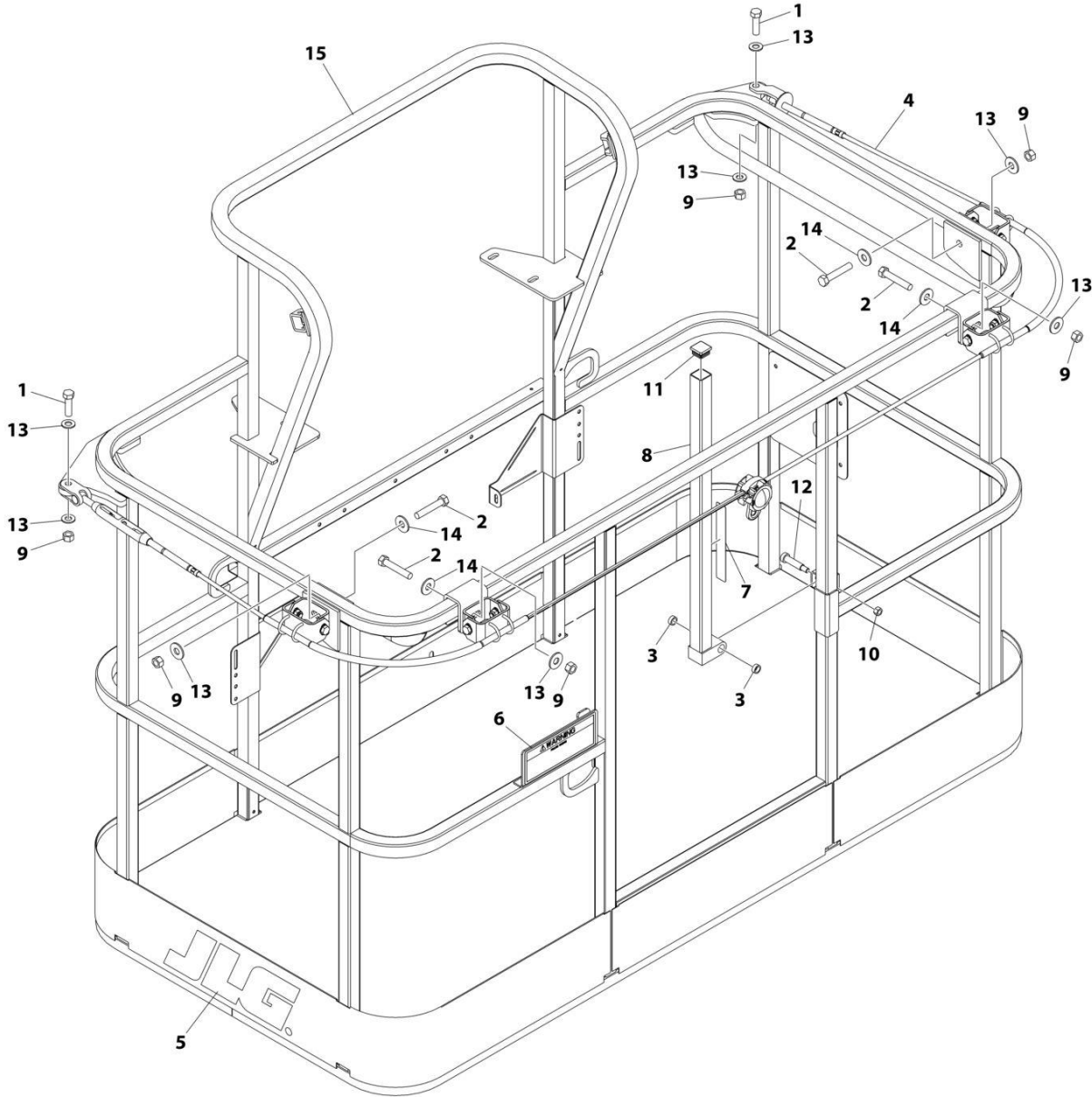
## SECTION 5 - PLATFORM

**FIGURE 5-9. PLATFORM ASSEMBLY WITH 3 DROP BARS (TRI-ENTRY) - 36IN X 6FT (91.5CM X 1.83M)**

ITEM	PART NUMBER	QTY	DESCRIPTION	REV
	1001228377	Ref	PLATFORM ASSEMBLY - 36IN x 6FT (91.5CM x 1.83M)	B
		Ref	Note: Platform and Mesh must be ordered separately for Platforms with Mesh. See SPECIAL OPTIONS SECTION for Mesh Installations.	
		Ref	Note: Replacement Decals Must be Ordered Separately - See DECAL SECTION.	
1	0100011	1	Compound, Locking	
2	0641418	6	Bolt 1/4 x 2-1/4	
3	0961845	6	Bushing	
4	3290606	2	Nut M6	
5	3300151	6	Nut 1/4	
6	3520072	2	Plug	
7	3520198	2	Plug	
8	4010618	2	Screw M6 x 50	
9	4711400	12	Washer 1/4	
10	4811700	2	Washer M6	
11	1001138494	3	Bar, Drop	
12	1001138514	1	Rail (Top)	
13	1001140429	3	Decal - Drop Bar	
14	See Note	NSS	Platform, Weldment (Note: Not Available - Purchase Platform Assembly)	

# SECTION 5 - PLATFORM

## FIGURE 5-10. PLATFORM ASSEMBLY WITH FALL ARREST (6FT)



ART\_1001186333



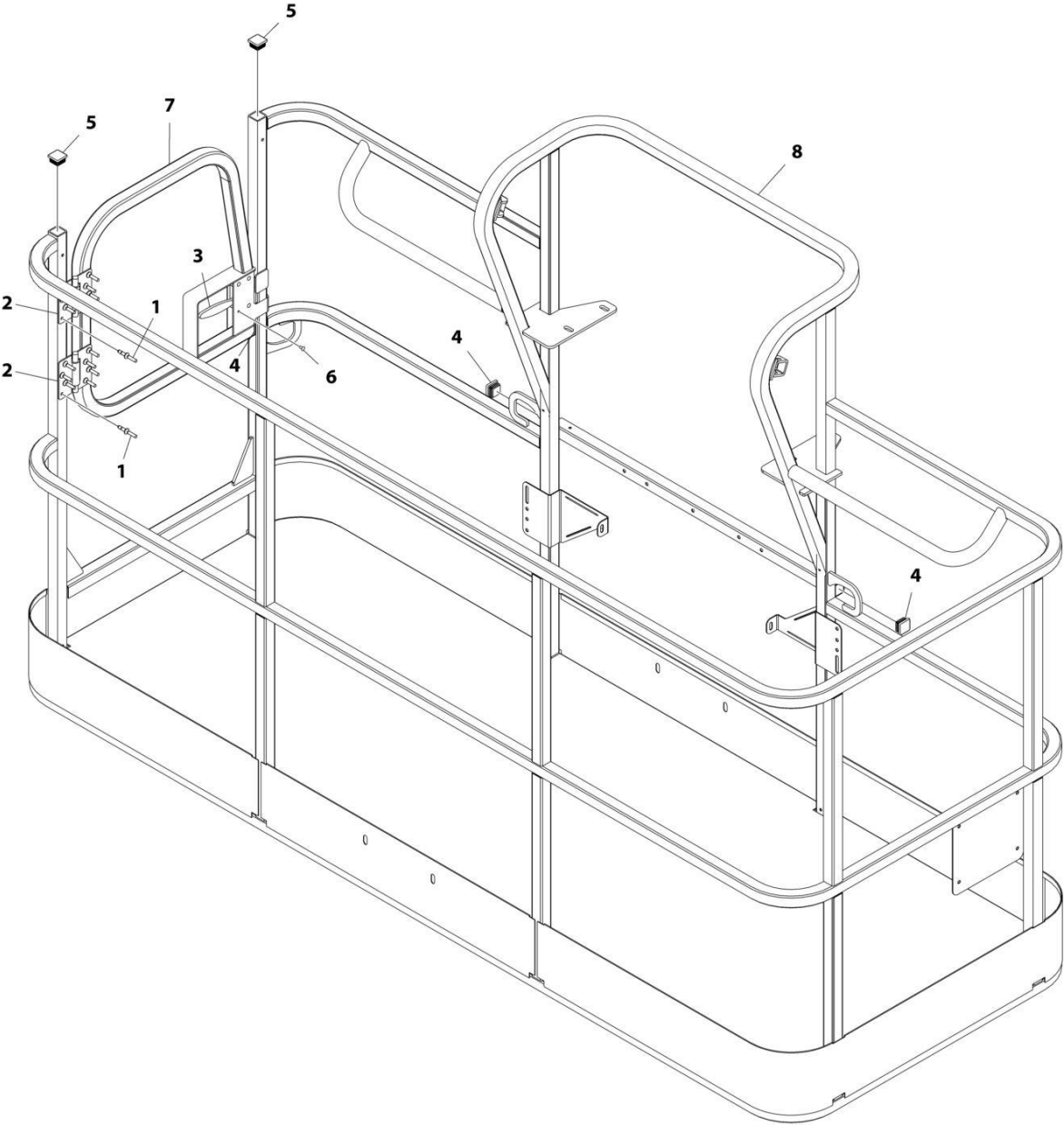
## SECTION 5 - PLATFORM

**FIGURE 5-10. PLATFORM ASSEMBLY WITH FALL ARREST (6FT)**

ITEM	PART NUMBER	QTY	DESCRIPTION	REV
	1001186333	Ref	PLATFORM ASSEMBLY	C
		Ref	Note: Replacement Decals Must be Ordered Separately - See DECALS SECTION.	
1	0681814	2	Bolt 1/2 x 1-3/4 Grade 8	
2	0681822	4	Bolt 1/2 x 2-3/4 Grade 8	
3	0962270	2	Bearing	
4	1001203655	1	Cable	
5	1702773	1	Decal - JLG	
6	1705014	1	Decal - Safety	
7	1706385	1	Decal - Drop Bar	
8	2410014	1	Bar, Drop	
9	3271805	6	Nut 1/2 Grade 8	
10	3311605	1	Nut 3/8	
11	3520072	1	Plug	
12	3900054	1	Bolt 1/2 x 1-3/4	
13	4711800	8	Washer 1/2	
14	4751800	4	Washer 1/2	
15	See Note	NSS	Platform (Note: Not Available - Purchase Platform Assembly)	

**SECTION 5 - PLATFORM**

**FIGURE 5-11. PLATFORM ASSEMBLY WITH GATE - 36IN X 8FT (91.5CM X 2.44M)**



ART\_1001186383

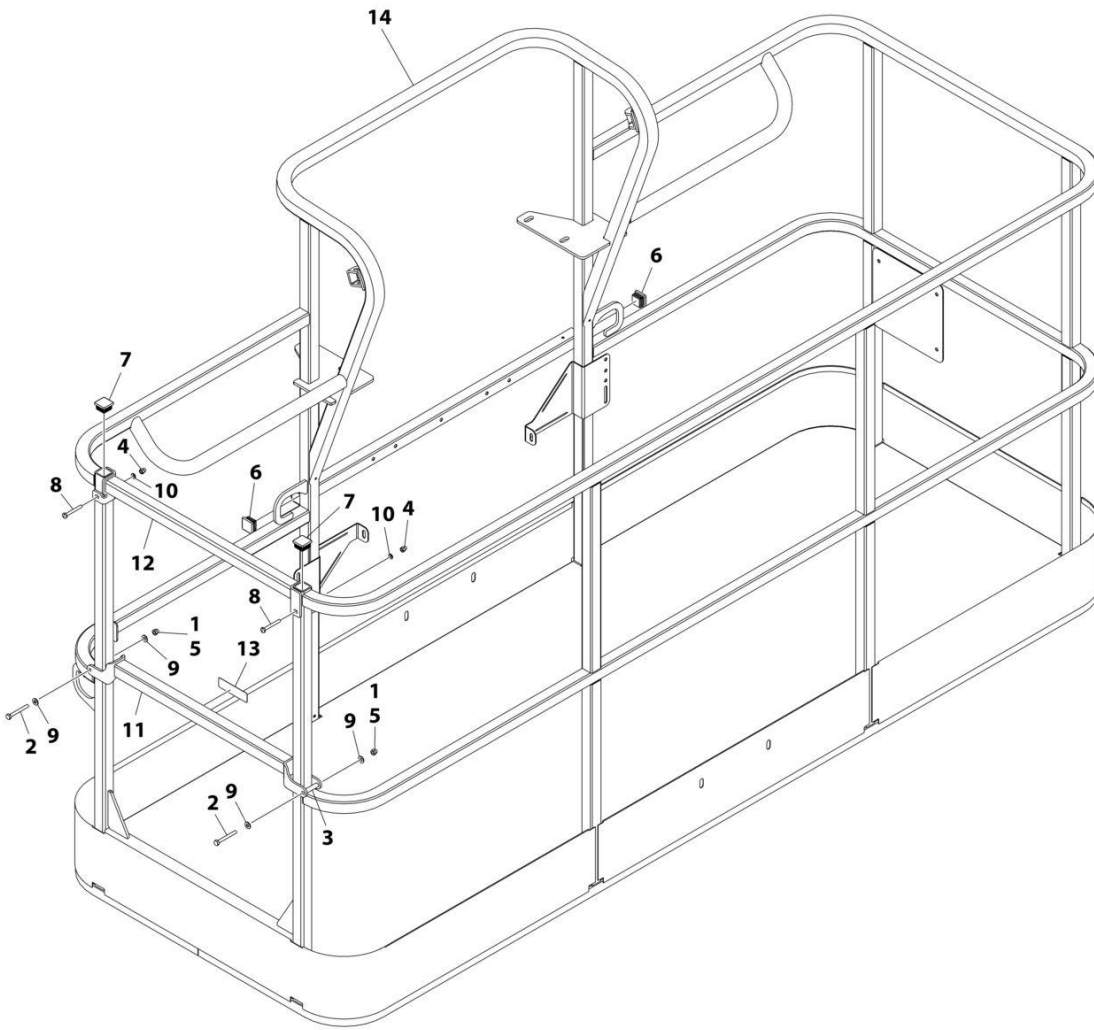
## SECTION 5 - PLATFORM

**FIGURE 5-11. PLATFORM ASSEMBLY WITH GATE - 36IN X 8FT (91.5CM X 2.44M)**

ITEM	PART NUMBER	QTY	DESCRIPTION	REV
	1001186383	Ref	PLATFORM ASSEMBLY - 36IN X 8FT (91.5CM X 2.44M) WITH SWING GATE	D
		Ref	Note: Platform and Mesh must be ordered separately for Platforms with Mesh. See SPECIAL OPTIONS SECTION for Mesh Installations.	
		Ref	Note: Replacement Decals Must be Ordered Separately - See DECALS SECTION.	
1	2080040	16	Fastener, Huck	
2	2600281	2	Hinge	
3	2940074	1	Latch	
4	3520072	3	Plug	
5	3520198	2	Plug	
6	3820020	4	Rivet	
7	1001144629	1	Gate	
8	See Note	NSS	Platform (Note: Not Available - Purchase Platform Assembly)	

# SECTION 5 - PLATFORM

FIGURE 5-12. PLATFORM ASSEMBLY WITH DROP-BAR - 36IN X 8FT (91.5CM X 2.44M)



ART\_1001186382

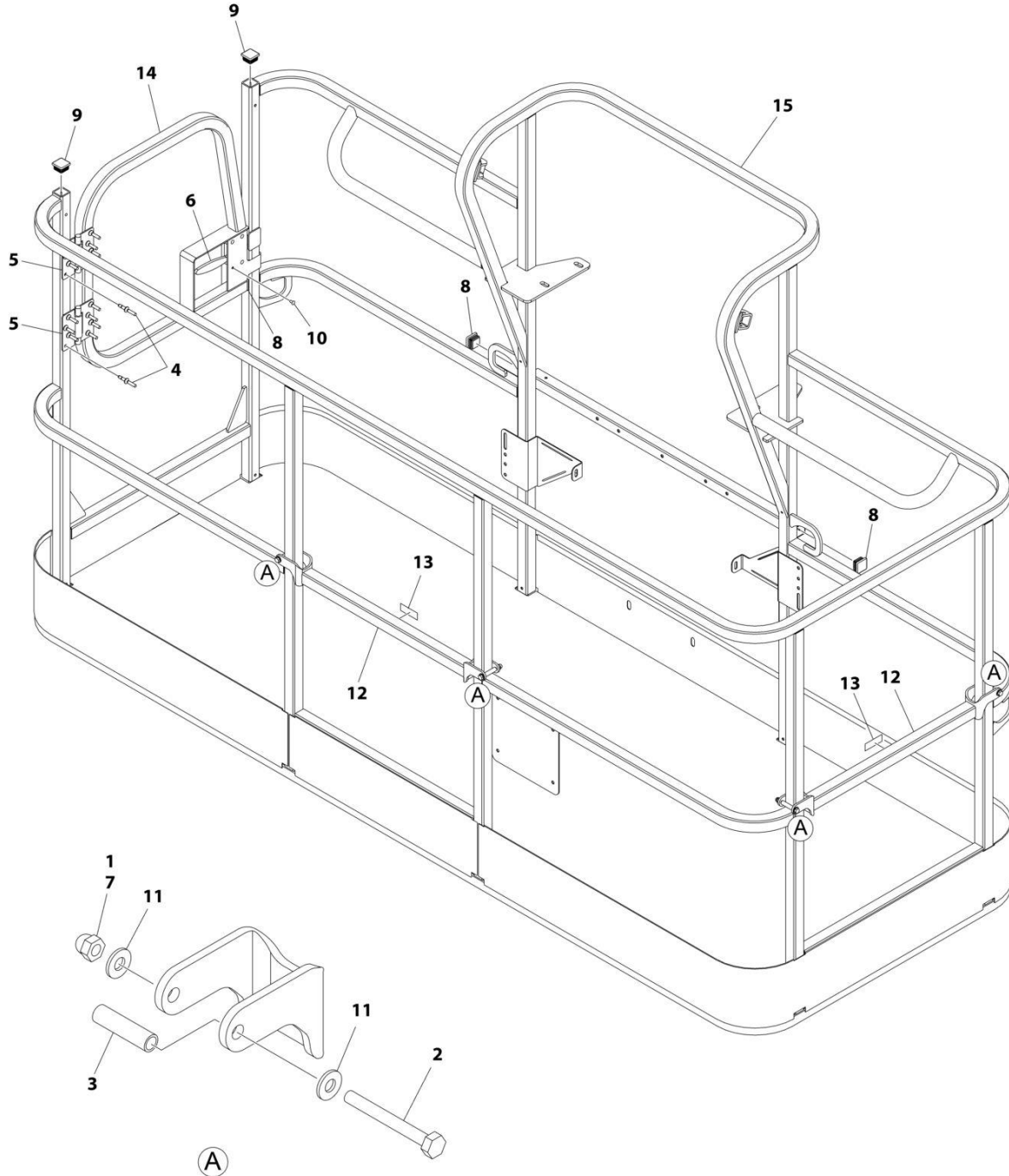
## SECTION 5 - PLATFORM

**FIGURE 5-12. PLATFORM ASSEMBLY WITH DROP-BAR - 36IN X 8FT (91.5CM X 2.44M)**

ITEM	PART NUMBER	QTY	DESCRIPTION	REV
	1001186382	Ref	PLATFORM ASSEMBLY - 36IN X 8FT (91.5CM X 2.44M) WITH DROP BAR	C
		Ref	Note: Platform and Mesh must be ordered separately for Platforms with Mesh. See SPECIAL OPTIONS SECTION for Mesh Installations.	
		Ref	Note: Replacement Decals Must be Ordered Separately - See DECALS SECTION.	
1	0100011	AR	Compound, Locking	
2	0641418	2	Bolt 1/4 x 2-1/4	
3	0961845	2	Bushing	
4	3290606	2	Nut M6	
5	3300151	2	Nut 1/4	
6	3520072	2	Plug	
7	3520198	2	Plug	
8	4010618	2	Screw M6 x 50	
9	4711400	4	Washer 1/4	
10	4811700	2	Washer M6	
11	1001138494	1	Bar, Drop	
12	1001138514	1	Rail (Top)	
13	1001140429	1	Decal - Drop Bar	
14	See Note	NSS	Platform (Note: Not Available - Purchase Platform Assembly)	

# SECTION 5 - PLATFORM

FIGURE 5-13. PLATFORM ASSEMBLY WITH 1 GATE / 2 DROP BARS (TRI-ENTRY) - 36IN X 8FT  
(91.5CM X 2.44M)



ART\_1001228243

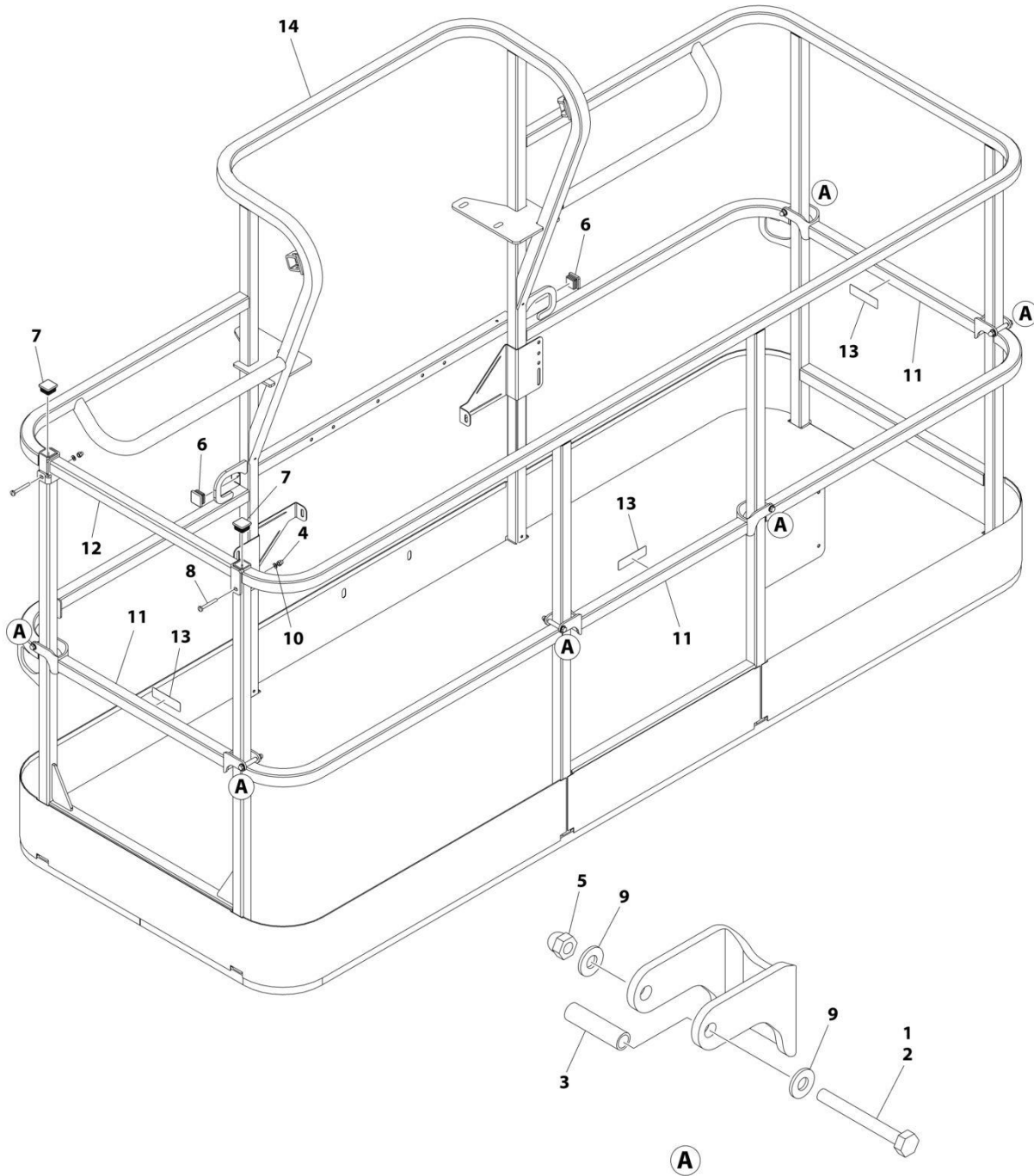
## SECTION 5 - PLATFORM

**FIGURE 5-13. PLATFORM ASSEMBLY WITH 1 GATE / 2 DROP BARS (TRI-ENTRY) - 36IN X 8FT  
(91.5CM X 2.44M)**

ITEM	PART NUMBER	QTY	DESCRIPTION	REV
	1001228243	Ref	PLATFORM ASSEMBLY - 36IN X 8FT (91.5CM X 2.44M) WITH TRI-ENTRY	A
		Ref	Note: Platform and Mesh must be ordered separately for Platforms with Mesh. See SPECIAL OPTIONS SECTION for Mesh Installations.	
1	0100011	AR	Compound, Locking	
2	0641418	4	Bolt 1/4 x 2-1/4	
3	0961845	4	Bushing	
4	2080040	16	Fastener, Huck	
5	2600281	2	Hinge, Self-Closing	
6	2940074	1	Latch	
7	3300151	4	Nut 1/4	
8	3520072	3	Cap, Plug	
9	3520198	2	Cap, Plug	
10	3820020	4	Rivet	
11	4711400	8	Washer 1/4	
12	1001138494	2	Bar, Drop	
13	1001140429	2	Decal - Drop Bar	
14	1001144629	1	Gate, Weldment	
15	See Note	1	Platform (Note: Not Available - Purchase Platform Assembly)	

# SECTION 5 - PLATFORM

FIGURE 5-14. PLATFORM ASSEMBLY WITH 3 DROP BARS (TRI-ENTRY) - 36IN X 8FT (91.5CM X 2.44M)



ART\_1001228375



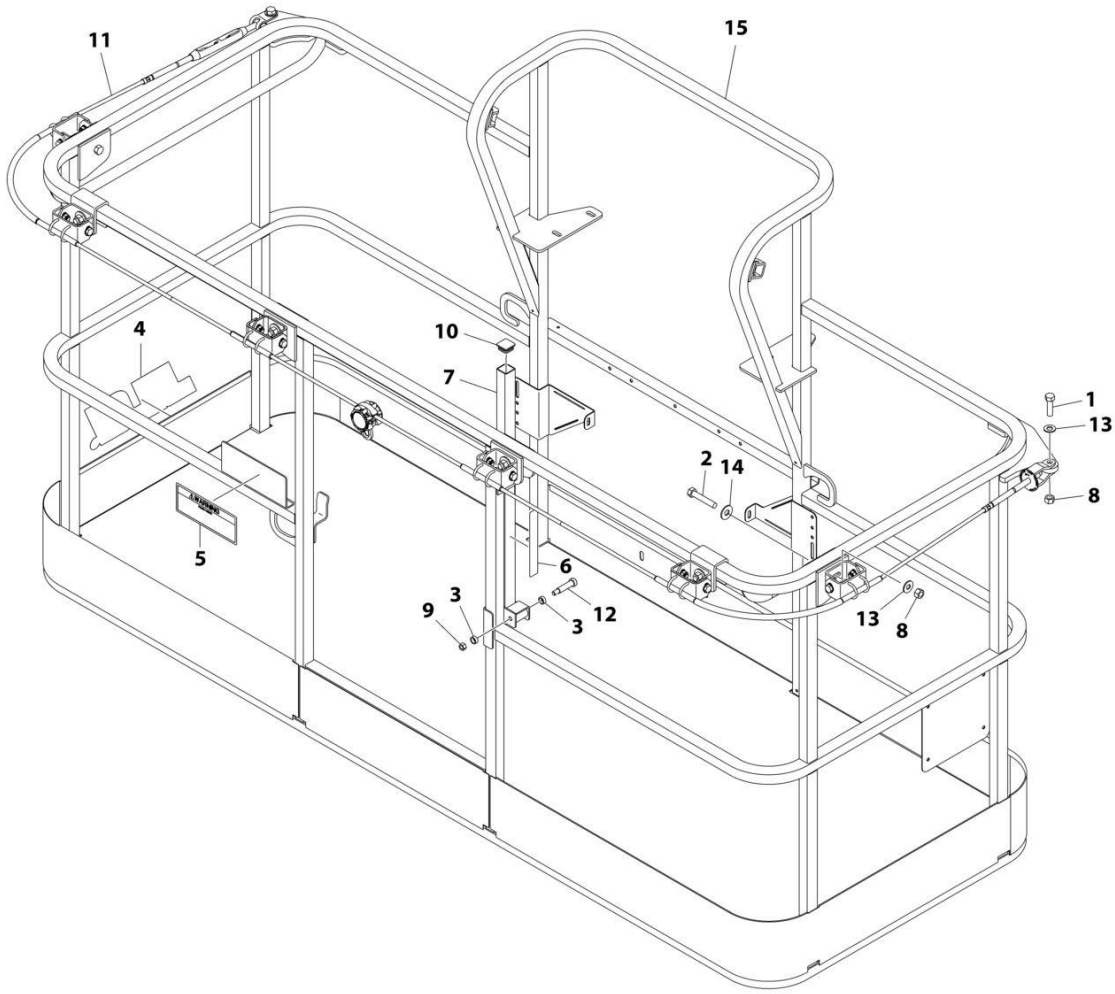
## SECTION 5 - PLATFORM

**FIGURE 5-14. PLATFORM ASSEMBLY WITH 3 DROP BARS (TRI-ENTRY) - 36IN X 8FT (91.5CM X 2.44M)**

ITEM	PART NUMBER	QTY	DESCRIPTION	REV
	1001228375	Ref	PLATFORM ASSEMBLY - 36IN X 8FT (91.5CM X 2.44M) WITH TRI-ENTRY	A
		Ref	Note: Platform and Mesh must be ordered separately for Platforms with Mesh. See SPECIAL OPTIONS SECTION for Mesh Installations.	
		Ref	Note: Replacement Decals Must be Ordered Separately - See DECAL SECTION.	
1	0100011	AR	Compound, Locking	
2	0641418	6	Bolt 1/4 x 2-1/4	
3	0961845	6	Bushing	
4	3290606	2	Nut M6 x 1	
5	3300151	6	Nut 1/4	
6	3520072	2	Cap, Plug	
7	3520198	2	Cap, Plug	
8	4010618	2	Screw M6 x 50	
9	4711400	12	Washer 1/4	
10	4811700	2	Washer M6	
11	1001138494	3	Bar, Drop	
12	1001138514	1	Rail (Top)	
13	1001140429	3	Decal - Drop Bar	
14	See Note	1	Platform (Note: Not Available - Purchase Platform Assembly)	

# SECTION 5 - PLATFORM

## FIGURE 5-15. PLATFORM ASSEMBLY WITH FALL ARREST (8FT)



ART\_1001186334

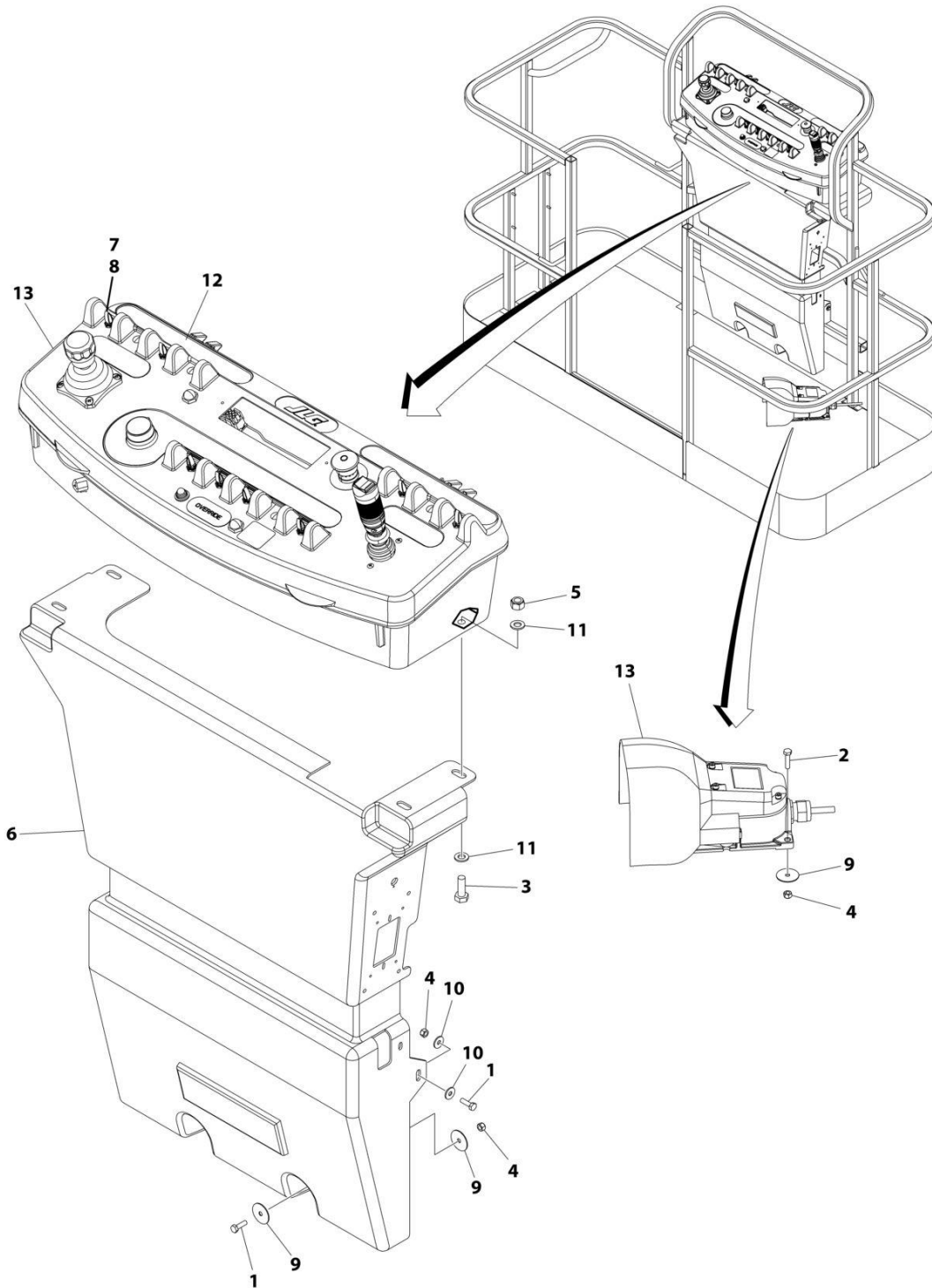
## SECTION 5 - PLATFORM

**FIGURE 5-15. PLATFORM ASSEMBLY WITH FALL ARREST (8FT)**

ITEM	PART NUMBER	QTY	DESCRIPTION	REV
	1001186334	Ref	PLATFORM ASSEMBLY	D
		Ref	Note: Replacement Decals Must be Ordered Separately - See DECALS SECTION.	
1	0681814	2	Bolt 1/2 x 1-3/4 Grade 8	
2	0681822	6	Bolt 1/2 x 2-3/4 Grade 8	
3	0962270	2	Bearing	
4	1702773	1	Decal - JLG	
5	1705014	1	Decal - Safety	
6	1706385	1	Decal - Drop Bar	
7	2410014	1	Bar, Drop	
8	3271805	8	Nut 1/2 Grade 8	
9	3311605	1	Nut 3/8	
10	3520072	1	Plug	
11	1001203656	1	Cable	
12	3900054	1	Bolt 1/2 x 1-3/4	
13	4711800	2	Washer 1/2	
14	4751800	6	Washer 1/2	
15	See Note	NSS	Platform (Note: Purchase Platform Assembly)	

# SECTION 5 - PLATFORM

## FIGURE 5-16. CONSOLE AND FOOT SWITCH INSTALLATION



ART\_1001266073

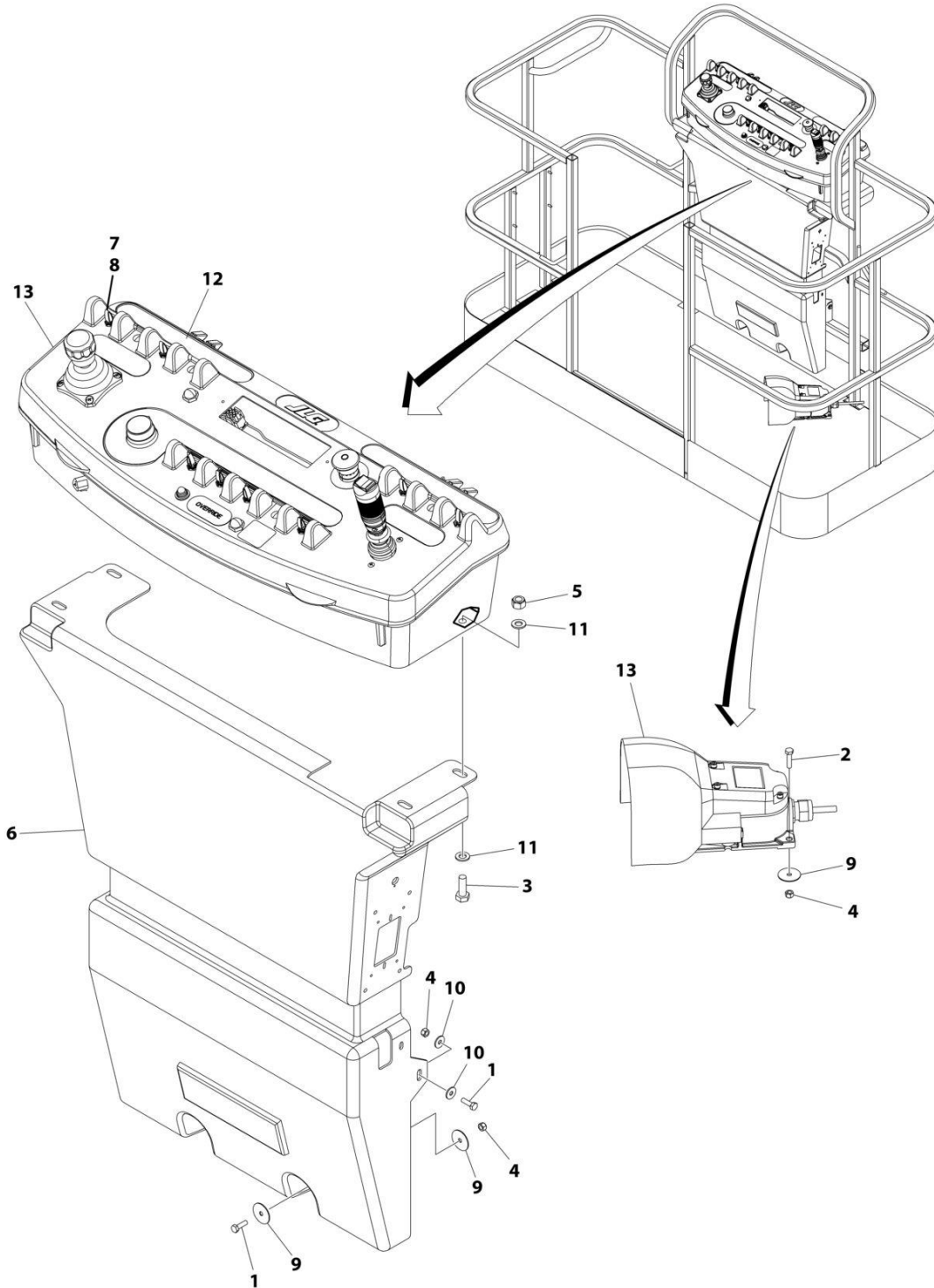
## SECTION 5 - PLATFORM

**FIGURE 5-16. CONSOLE AND FOOT SWITCH INSTALLATION**

ITEM	PART NUMBER	QTY	DESCRIPTION	REV
	1001266073	Ref	PLATFORM CONSOLE AND FOOTSWITCH INSTALLATION	A
1	0641406	4	Bolt 1/4 x 3/4	
2	0641408	3	Bolt 1/4 x 1	
3	0641610	4	Bolt 3/8 x 1-1/4	
4	3311405	7	Nut 1/4	
5	3311605	4	Nut 3/8	
6	3380434	1	Panel	
7	3790012	1	O-Ring	
8	4360331	1	Switch, Toggle	
9	4740362	7	Washer	
10	4751400	4	Washer 1/4	
11	4761600	8	Washer 3/8	
12	1001184626	1	Decal - Horn	
13	1001266069	1	Platform Console Assembly (See Separate Breakdown in this Section)	

# SECTION 5 - PLATFORM

## FIGURE 5-17. CONSOLE AND FOOT SWITCH INSTALLATION WITH TOWER STOW



ART\_1001264239

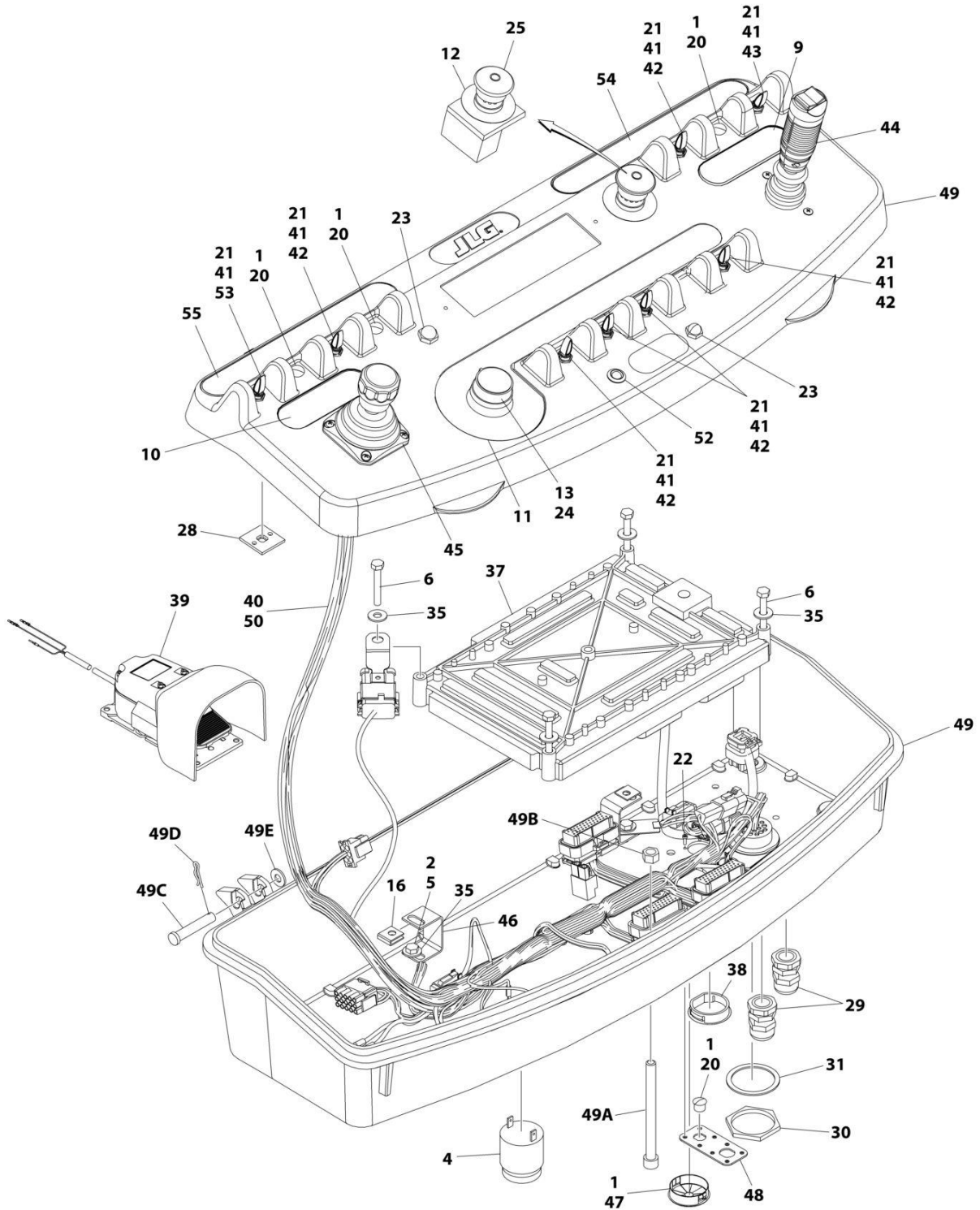
## SECTION 5 - PLATFORM

**FIGURE 5-17. CONSOLE AND FOOT SWITCH INSTALLATION WITH TOWER STOW**

ITEM	PART NUMBER	QTY	DESCRIPTION	REV
	1001264239	Ref	PLATFORM CONSOLE AND FOOTSWITCH INSTALLATION (TOWER STOW)	A
1	0641406	4	Bolt 1/4 x 3/4	
2	0641408	3	Bolt 1/4 x 1	
3	0641610	4	Bolt 3/8 x 1-1/4	
4	3311405	7	Nut 1/4	
5	3311605	4	Nut 3/8	
6	3380434	1	Panel	
7	3790012	AR	O-Ring	
8	4360331	AR	Switch, Toggle	
9	4740362	7	Washer	
10	4751400	4	Washer 1/4	
11	4761600	8	Washer 3/8	
12	1001184626	AR	Decal - Horn	
13	1001263588	1	Platform Console Assembly (See Separate Breakdown in this Section)	

# SECTION 5 - PLATFORM

## FIGURE 5-18. CONSOLE BOX ASSEMBLY WITH FOOTSWITCH



ART\_1001266069\_C



## SECTION 5 - PLATFORM

**FIGURE 5-18. CONSOLE BOX ASSEMBLY WITH FOOTSWITCH**

ITEM	PART NUMBER	QTY	DESCRIPTION	REV
	1001266069	Ref	CONSOLE BOX ASSEMBLY	C
1	0100009	AR	Sealant	
2	0100035	AR	Compound, Locking	
4	0140011	1	Alarm	
5	0641405	4	Bolt 1/4 x 5/8	
6	0641414	4	Bolt 1/4 x 1-3/4	
9	1702565	1	Decal - Drive and Steer	
10	1702566	1	Decal - Lift and Swing	
11	1702567	1	Decal - Function Speed	
12	1704260	1	Decal - Emergency Stop	
13	2560136	1	Handle, Knob	
16	3300353	4	Nut, Tinnerman	
20	3520054	4	Plug	
21	3790012	8	O-Ring	
22	3900349	8	Capscrew M2.5 x 8	
23	4360387	2	Switch, Push Button	
24	4360407	1	Controller, Speed	
24	4460224	1	Receptacle, Female - 6 Position	
24	4460226	6	Socket, Female	
24	See Note	1	Gasket "Top Hat" (Included with Switch) (Note: Not Available - Purchase Complete Controller)	
24	70003784	1	Seal	
25	1001274559	1	Switch, Emergency Stop	
28	4460234	6	Mount, Tie-Strap	
29	4460428	2	Connector, Strain Relief	
30	4460470	1	Nut, Terminal	
31	4460471	1	Washer, Terminal	
35	4751400	8	Washer 1/4	
36	4922666	1	Analyzer Harness (Not Shown)	
36	4460761	1	Receptacle, Female - 4 Position	
36	4460227	4	Pin, Male	
37	1001106938	1	Module, Platform (Note: Re-calibration Required when Replaced)	
38	1001110434	1	Plug	
39	1001117174	1	Footswitch Assembly (See Separate Breakdown in this Section)	
40	1001139135	1	Boom Valve Harness (See Separate Breakdown in ELECTRICAL Section)	
41	1001155044	8	Nut 15/32	
42	1001155045	6	Switch, Toggle	
43	1001159256	1	Switch, Toggle	
44	1001275628	1	Controller Assembly (Drive and Steer)	
45	1001275629	1	Controller Assembly (Lift and Swing)	
46	1001172760	4	Bracket	
47	1001185281	1	Plug	
48	1001213882	1	Mount	
49	1001215228	1	Console Box Assembly	
49A	0630568	1	Capscrew 3/8 x 4-1/2	
49B	3311601	1	Nut 3/8	
49C	3430616	2	Pin	
49D	3470003	2	Hairpin	
49E	4711600	2	Washer 3/8	

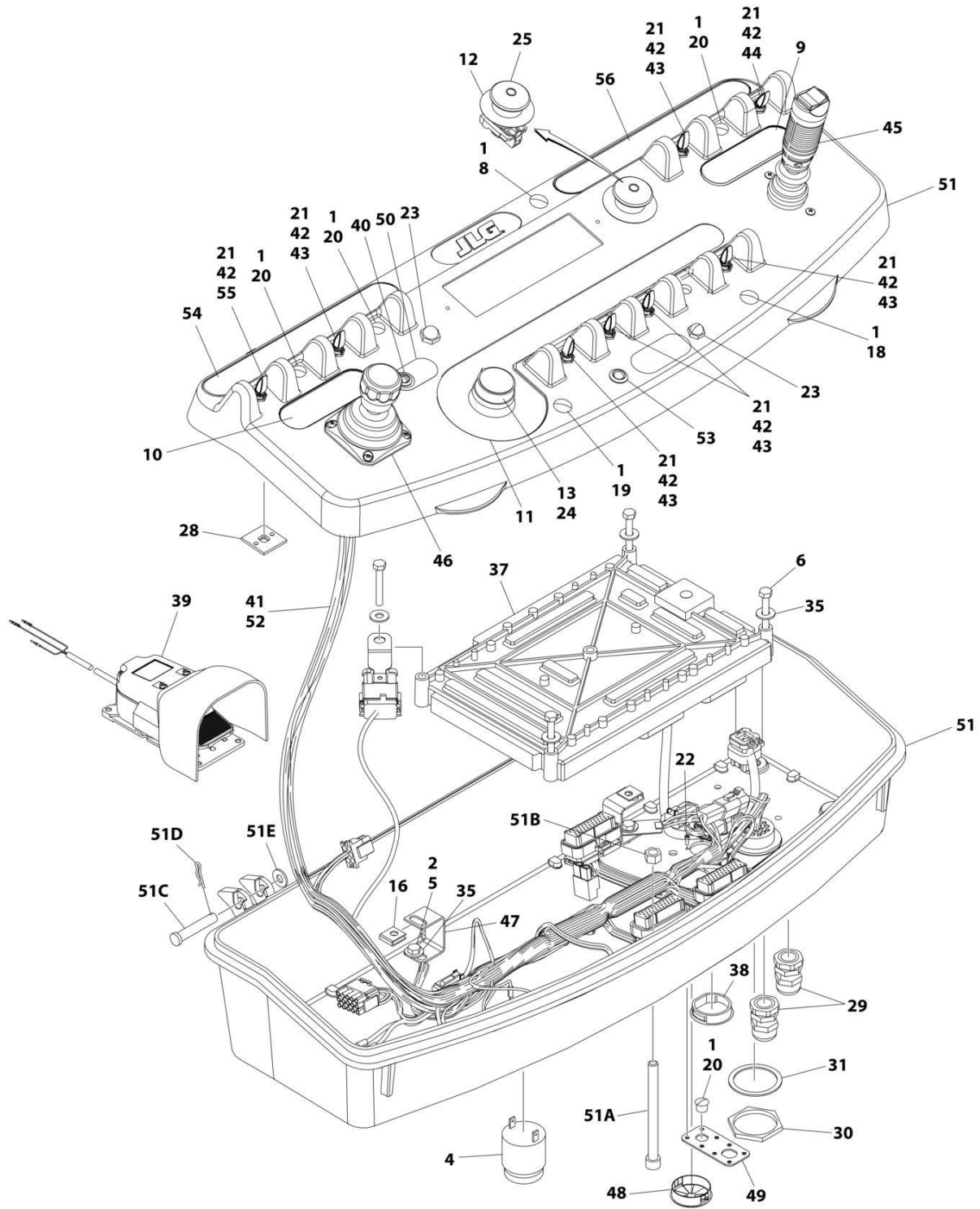
## SECTION 5 - PLATFORM

ITEM	PART NUMBER	QTY	DESCRIPTION	REV
50	1001266648	1	Platform Console Harness (See Separate Breakdown in ELECTRICAL Section)	
51	4240099	AR	Tie-Strap (Not Shown)	
52	1001206532	1	Lamp, LED Indicator Yellow	
53	1001161709	1	Switch, Toggle DPDT	
54	1001184618	1	Decal - Stop & Auxiliary Power	
55	1001184626	1	Decal - Horn	



# SECTION 5 - PLATFORM

## FIGURE 5-19. CONSOLE BOX ASSEMBLY WITH FOOTSWITCH WITH TOWER STOW



ART\_1001263588\_C

## SECTION 5 - PLATFORM

**FIGURE 5-19. CONSOLE BOX ASSEMBLY WITH FOOTSWITCH WITH TOWER STOW**

ITEM	PART NUMBER	QTY	DESCRIPTION	REV
	1001263588	Ref	CONSOLE BOX ASSEMBLY	C
1	0100009	AR	Sealant	
2	0100035	AR	Compound, Locking	
4	0140011	1	Alarm	
5	0641405	1	Bolt 1/4 x 5/8	
6	0641414	4	Bolt 1/4 x 1-3/4	
8	1671314	1	Cover	
9	1702565	1	Decal - Drive and Steer	
10	1702566	1	Decal - Lift and Swing	
11	1702567	1	Decal - Function Speed	
12	1704260	1	Decal - Emergency Stop	
13	2560136	1	Handle, Knob	
16	3300353	4	Nut, Tinnerman	
18	3520026	2	Plug	
19	3520027	1	Plug	
20	3520054	4	Plug	
21	3790012	8	O-Ring	
22	3900349	8	Capscrew M2.5 x 8	
23	4360387	2	Switch, Push Button	
24	4360407	1	Controller, Speed	
24	4460224	1	Receptacle, Female - 6 Position	
24	4460226	6	Socket, Female	
24	See Note	1	Gasket "Top Hat" (Included with Switch) (Note: Not Available - Purchase Complete Controller)	
24	70003784	1	Seal	
25	1001274559	1	Switch, Emergency Stop	
28	4460234	6	Mount, Tie-Strap	
29	4460428	2	Connector, Strain Relief	
30	4460470	1	Nut, Terminal	
31	4460471	1	Washer, Terminal	
35	4751400	8	Washer 1/4	
36	4922666	1	Analyzer Harness (Not Shown)	
36	4460761	1	Receptacle, Female - 4 Position	
36	4460227	4	Pin, Male	
37	1001106938	1	Module, Platform (Note: Re-calibration Required when Replaced)	
38	1001110434	1	Plug	
39	1001117174	1	Footswitch Assembly (See Separate Breakdown in this Section)	
40	1001137364	1	Light, Indicator	
41	1001139135	1	Boom Valve Harness (See Separate Breakdown in ELECTRICAL Section)	
42	1001155044	8	Nut 15/32	
43	1001155045	6	Switch, Toggle	
44	1001159256	1	Switch, Toggle	
45	1001275628	1	Controller Assembly (Drive and Steer)	
46	1001275629	1	Controller Assembly (Lift and Swing)	
47	1001172760	4	Bracket	
48	1001185281	1	Plug	
49	1001213882	1	Mount	
50	1001260937	1	Decal - Tower Stow	
51	1001263587	1	Console Box Assembly	

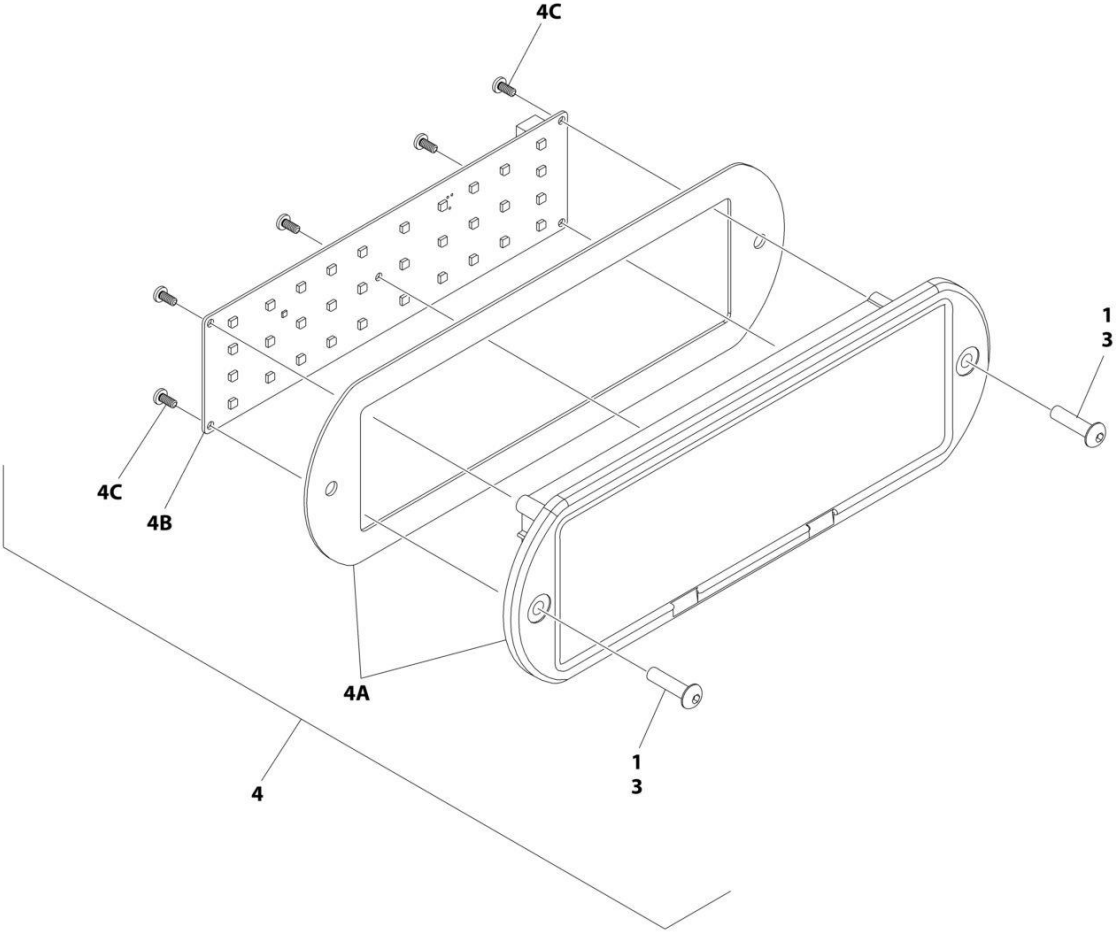
## SECTION 5 - PLATFORM

ITEM	PART NUMBER	QTY	DESCRIPTION	REV
51A	0630568	1	Capscrew 3/8 x 4-1/2	
51B	3311601	1	Nut 3/8	
51C	3430616	2	Pin	
51D	3470003	2	Hairpin	
51E	4711600	2	Washer 3/8	
52	1001266648	1	Platform Console Harness (See Separate Breakdown in ELECTRICAL Section)	
53	1001206532	1	Lamp, LED Indicator Yellow	
54	1001184626	1	Decal - Horn	
55	1001161709	1	Switch, Toggle DPDT	
56	1001184618	1	Decal - Stop & Auxiliary Power	
57	4240099	AR	Tie-Strap (Not Shown)	



**SECTION 5 - PLATFORM**

**FIGURE 5-20. LIGHT PANEL INSTALLATION**



ART\_1001241403\_E\_2OF2



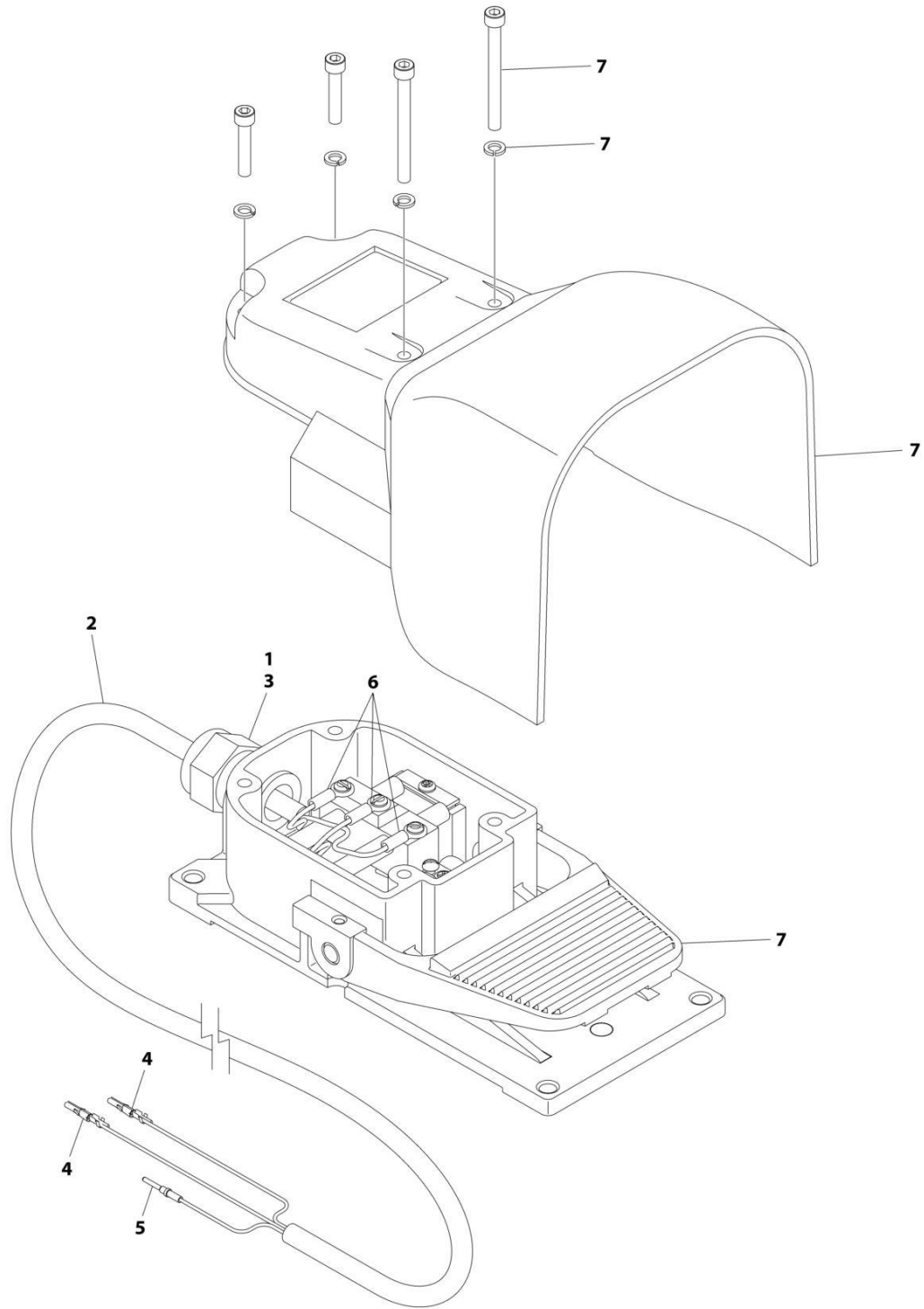
## SECTION 5 - PLATFORM

**FIGURE 5-20. LIGHT PANEL INSTALLATION**

ITEM	PART NUMBER	QTY	DESCRIPTION	REV
	1001241403	Ref	LIGHT PANEL INSTALLATION - PLATFORM CONSOLE	E
1	3300408	1	Nut, Nylon Insert	
3	0630518	2	Screw #10 x 3/4	
4	1001237545	1	Light Panel Electrical Assembly	J
4A	1001281703	1	Lens Assembly (Includes Housing Shell, Decal/Lens with Icons & Gasket)	
4B	1001282106	1	Panel, LED Light	
4C		Ref	Screw	

# SECTION 5 - PLATFORM

## FIGURE 5-21. FOOTSWITCH ASSEMBLY



ART\_1001117174

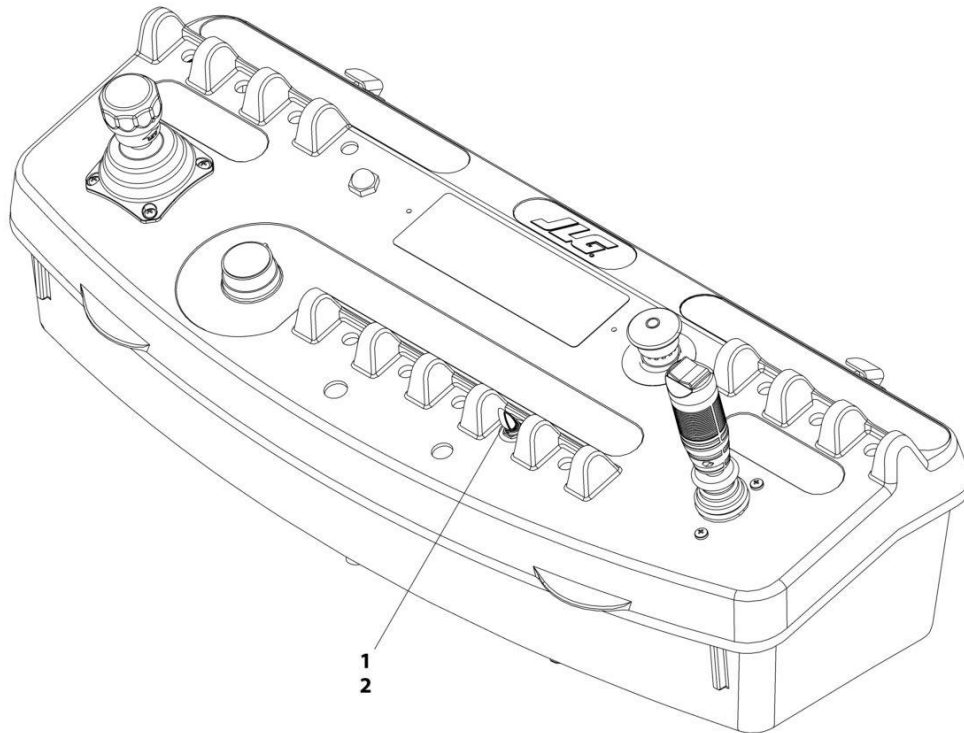
## SECTION 5 - PLATFORM

**FIGURE 5-21. FOOTSWITCH ASSEMBLY**

ITEM	PART NUMBER	QTY	DESCRIPTION	REV
	1001117174	Ref	FOOTSWITCH ASSEMBLY	C
1	0100020	AR	Sealant	
2	1060918	7.5 ft/ 2.3m	Cable, Electrical - 18/3	
3	4460071	1	Connector, Strain Relief	
4	4460226	2	Socket, Female	
5	4460464	1	Pin, Male	
6	1001098122	3	Terminal	
7	1001117172	1	Footswitch	
7	70002902	1	Switch, 20Amp	
7	70002903	1	Gasket	
7	70002905	1	Cover	
7	70002904	1	Kit, Replacement Bolt	

# SECTION 5 - PLATFORM

## FIGURE 5-22. JIB SWITCH INSTALLATION



ART\_0271340

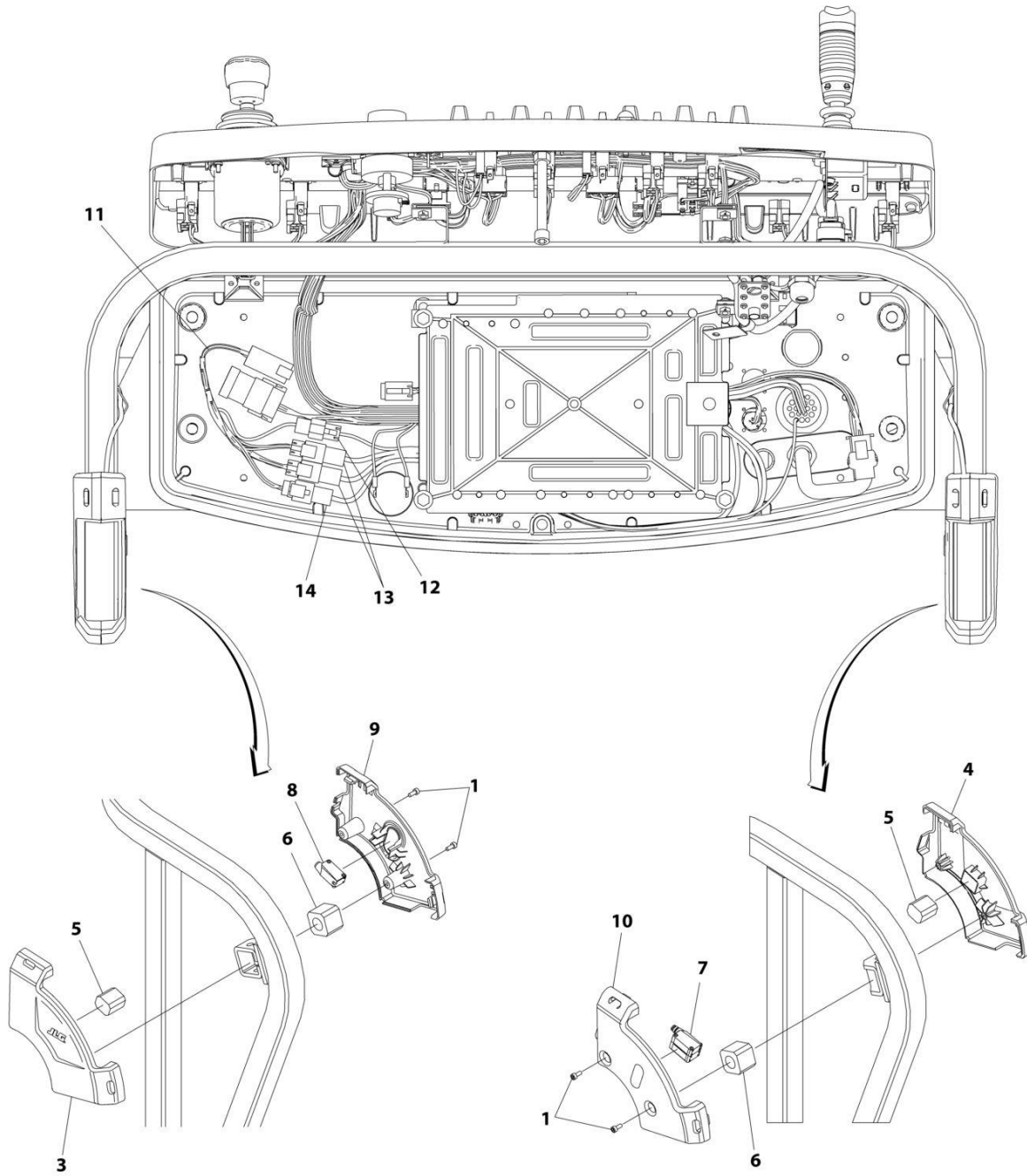
## SECTION 5 - PLATFORM

### FIGURE 5-22. JIB SWITCH INSTALLATION

ITEM	PART NUMBER	QTY	DESCRIPTION	REV
	0271340	Ref	JIB SWITCH INSTALLATION	1/A
1	4360328	1	Switch, Toggle	
2	3790012	1	O-Ring	

# SECTION 5 - PLATFORM

## FIGURE 5-23. SKYEYE INSTALLATION



ART\_1001229341

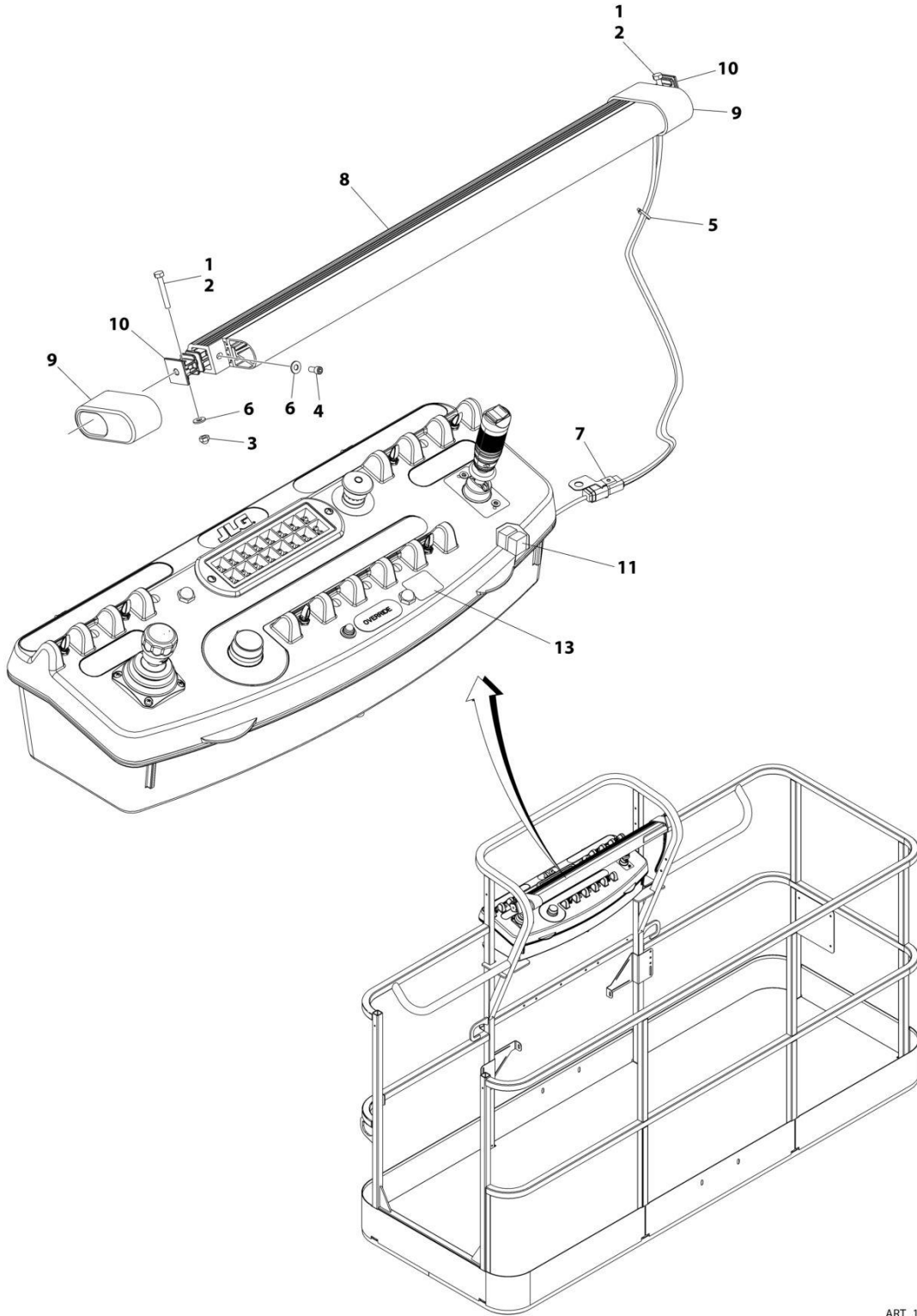
## SECTION 5 - PLATFORM

### FIGURE 5-23. SKYEYE INSTALLATION

ITEM	PART NUMBER	QTY	DESCRIPTION	REV
	1001229341	Ref	SKYEYE INSTALLATION	B
1	4031505	4	Bolt M4 x 10	
2	4240033	AR	Tie-Strap (Not Shown)	
3	1001227633	1	Housing, LH Outer	
4	1001227634	1	Housing, RH Outer	
5	1001227985	2	Shim	
6	1001227987	2	Shim	
7	1001228224	2	Sensor, Receiver	
8	1001228225	1	Sensor, Emitter	
9	1001232164	1	Housing, LH Inner	
10	1001232165	1	Housing, RH Inner	
11	1001237865	1	Harness, Skyeeye Intermediate (See Separate Breakdown in ELECTRICAL Section)	
12	1001238319	NLA	Harness, Skyeeye Drain Jumper	
12	1001187674	1	Plug, Male - 2 Position	
12	4460942	1	Terminal	
12	4460466	1	Plug, Terminal	
12	4460508	1	Pin, Male	
13	1001237863	2	Harness, Skyeeye Receiver (See Separate Breakdown in ELECTRICAL Section)	
14	1001237864	1	Harness, Skyeeye Emitter (See Separate Breakdown in ELECTRICAL Section)	

# SECTION 5 - PLATFORM

## FIGURE 5-24. SKYGUARD BAR INSTALLATION



ART\_1001238495



## SECTION 5 - PLATFORM

**FIGURE 5-24. SKYGUARD BAR INSTALLATION**

ITEM	PART NUMBER	QTY	DESCRIPTION	REV
	1001238495	Ref	SKYGUARD BAR INSTALLATION	A
1	0100011	AR	Compound, Locking	
2	0641414	2	Bolt 1/4 x 1-3/4	
3	3300430	2	Nut 1/4	
4	3931408	2	Capscrew 1/4 x 1/2	
5	4240033	8	Tie-Strap	
6	4711400	6	Washer 1/4	
7	1001120328	1	Mount	
8	1001137673	1	SkyGuard Switch Assembly	
9	1001186517	2	Cover, Platform Sensor	
10	1001209664	2	Support, Block	
11	1001186431	2	Relay	
12	1001225580	1	Interface Harness Assembly (Not Shown - Located Inside Console Box) (See Separate Breakdown in ELECTRICAL Section)	
13	1001144433	1	Decal - No Weight SkyGuard	



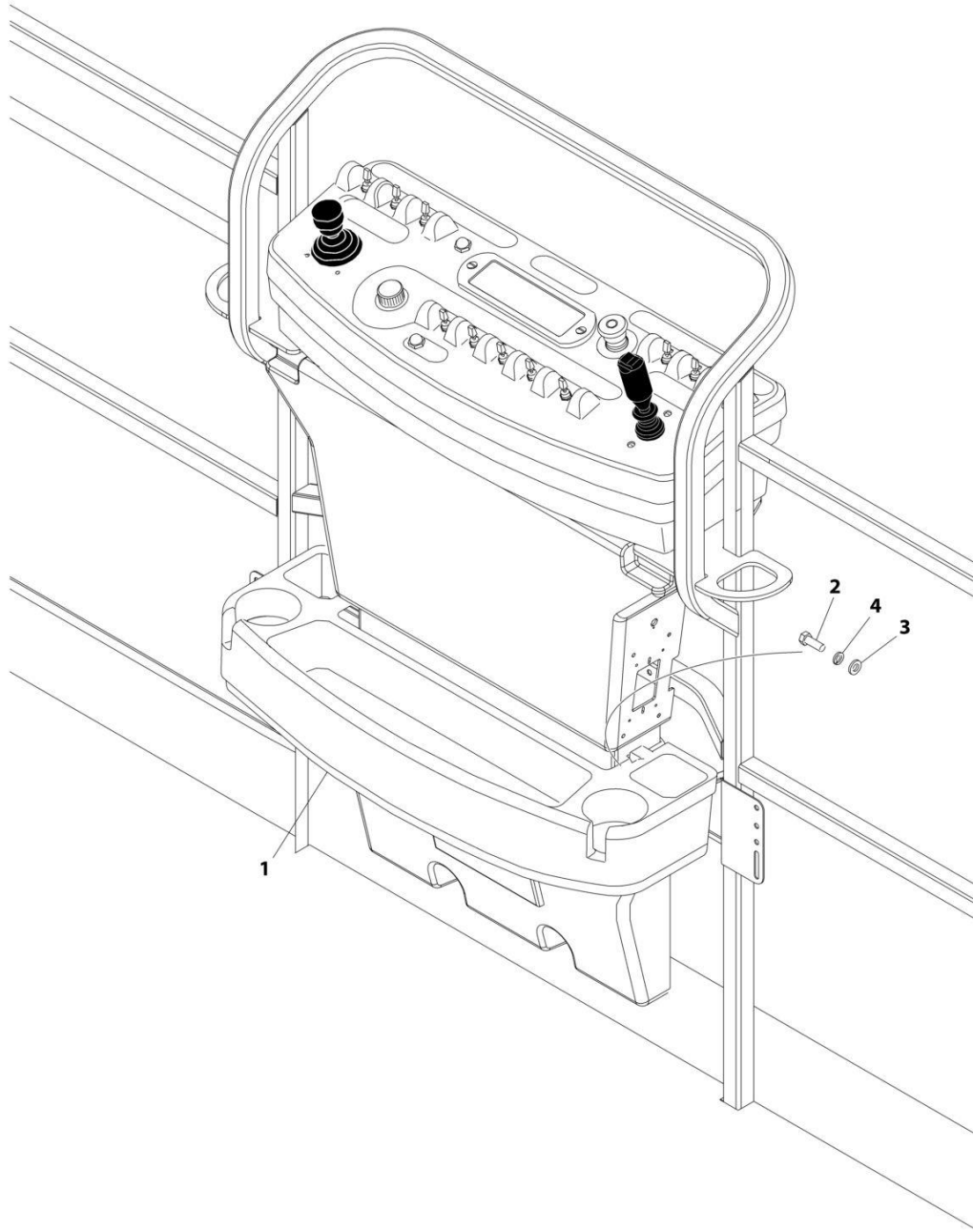
## SECTION 5 - PLATFORM

**FIGURE 5-25. SKYLINE INSTALLATION**

ITEM	PART NUMBER	QTY	DESCRIPTION	REV
	1001238559	Ref	SKYLINE INSTALLATION	D
1	0641404	2	Bolt 1/4 x 1/2	
2	0641405	2	Bolt 1/4 x 5/8	
3	3311405	2	Nut 1/4	
4	3311601	2	Nut 3/8	
5	4031516	2	Capscrew M4 x 60	
6	4240033	AR	Tie-Strap (Not Shown)	
7	4711400	4	Washer 1/4	
8	1001120328	1	Mount	
9	1001232642	1	Bracket	
11	1001232667	1	Sensor, Proximity	
11	1001311034	1	Sensor, Proximity	
14	1001236552	1	Block	
15	1001238418	1	Harness, Skyline (See Separate Breakdown in ELECTRICAL Section)	
16	1001238472	1	Mount	
17	1001254473	1	Housing, LH	
18	1001241965	1	Housing, RH	
19	1001254472	1	Rod	
20	0100011	AR	Compound, Locking	

# SECTION 5 - PLATFORM

## FIGURE 5-26. STORAGE TRAY INSTALLATION - CENTER



ART\_1580012

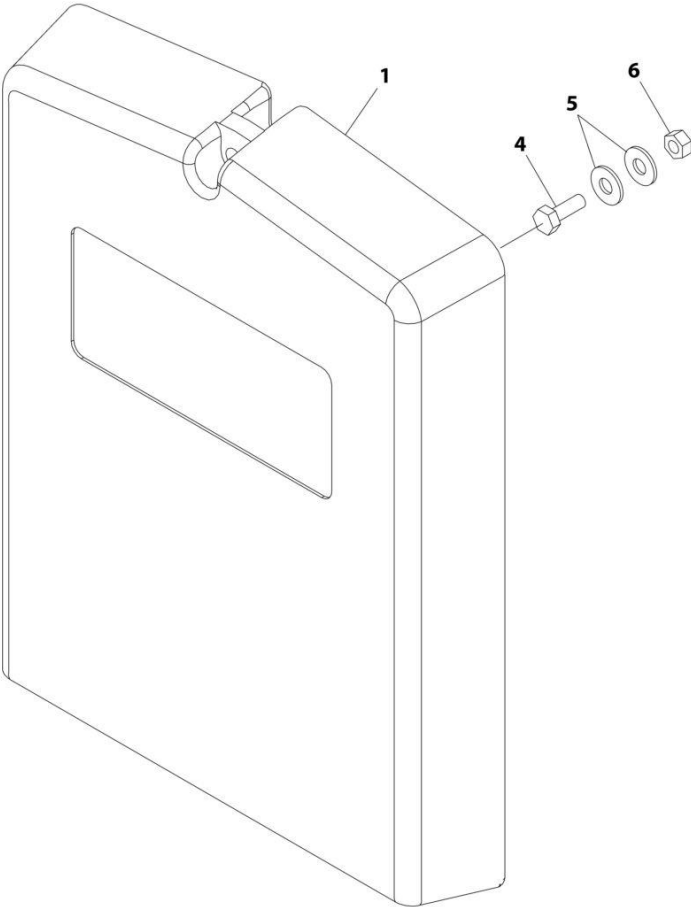
## SECTION 5 - PLATFORM

### FIGURE 5-26. STORAGE TRAY INSTALLATION - CENTER

ITEM	PART NUMBER	QTY	DESCRIPTION	REV
	1580012	Ref	TRAY ASSEMBLY	C
1	See Note	NSS	Tray, Storage (Center) (Note: Purchase p/n 1580012)	
2	0641406	2	Bolt 1/4 x 3/4	
3	4751400	2	Washer 1/4	
4	4761400	2	Washer 1/4	

**SECTION 5 - PLATFORM**

**FIGURE 5-27. MANUAL STORAGE BOX INSTALLATION**



ART\_0258671

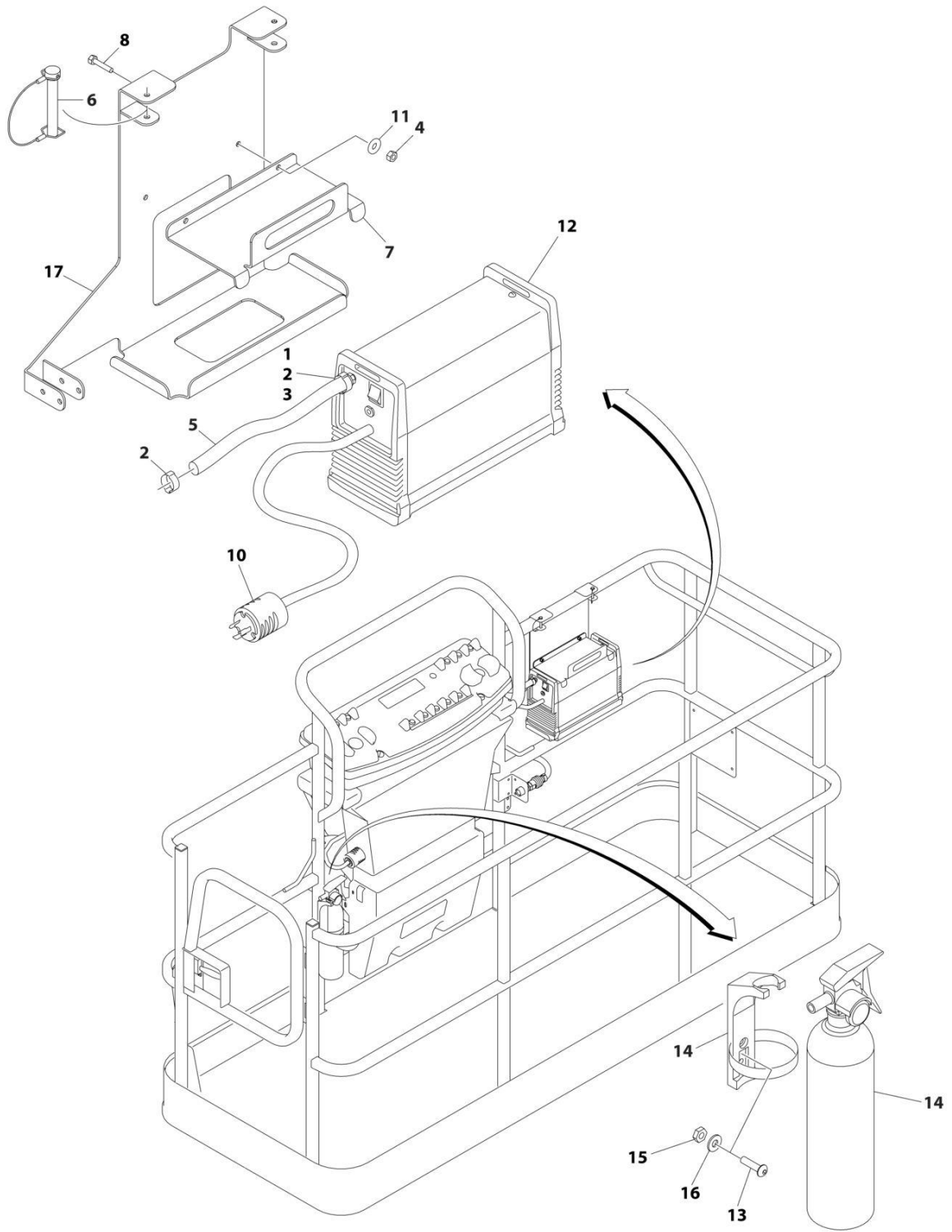
## SECTION 5 - PLATFORM

### FIGURE 5-27. MANUAL STORAGE BOX INSTALLATION

ITEM	PART NUMBER	QTY	DESCRIPTION	REV
	0258671	Ref	MANUAL STORAGE BOX INSTALLATION	C
1	0860520	1	Box, Manual Storage	
4	0641406	4	Bolt 1/4 x 3/4	
5	4751400	8	Washer 1/4	
6	3311405	4	Nut 1/4	

# SECTION 5 - PLATFORM

## FIGURE 5-28. SKYCUTTER INSTALLATION



ART\_1001098149\_D



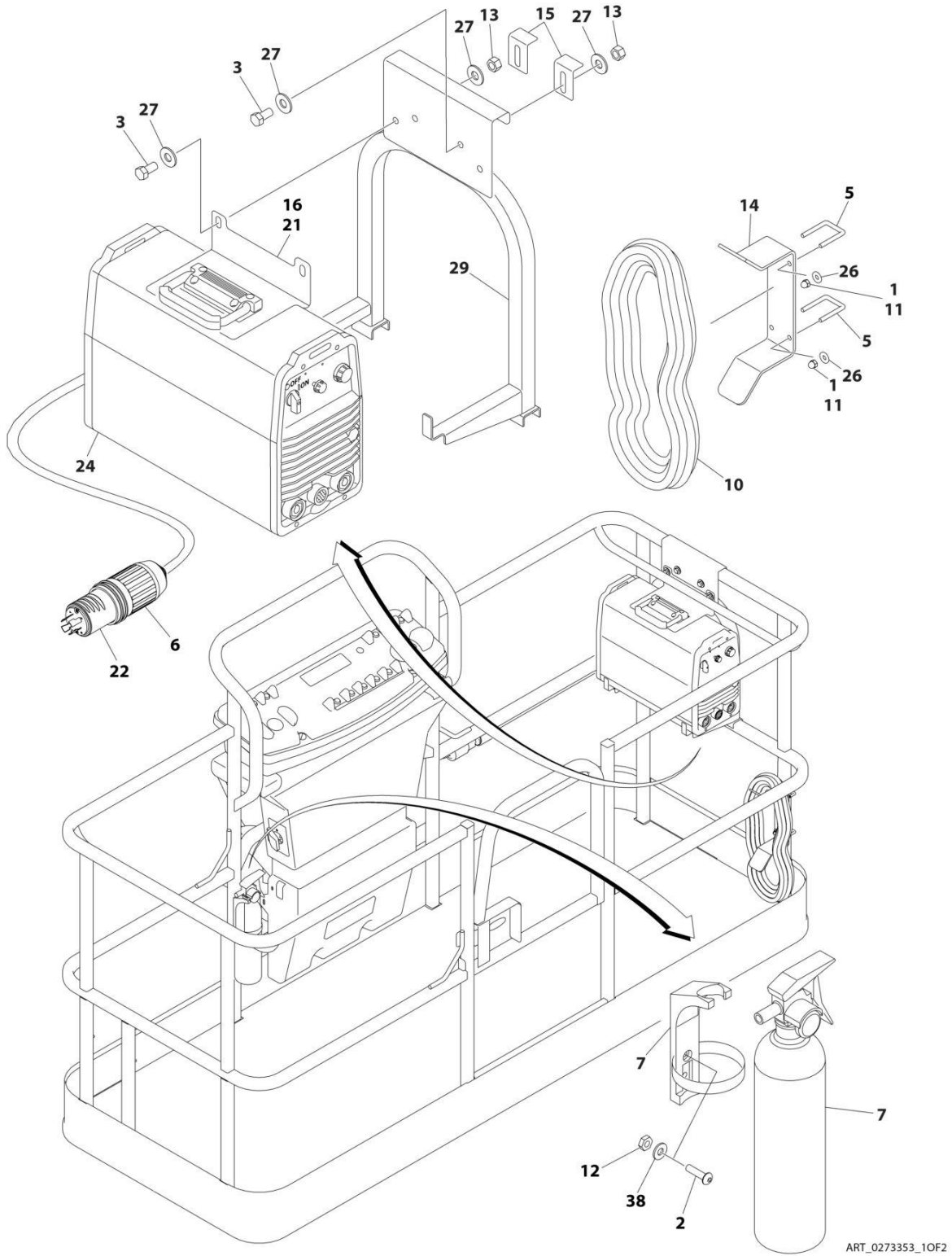
## SECTION 5 - PLATFORM

**FIGURE 5-28. SKYCUTTER INSTALLATION**

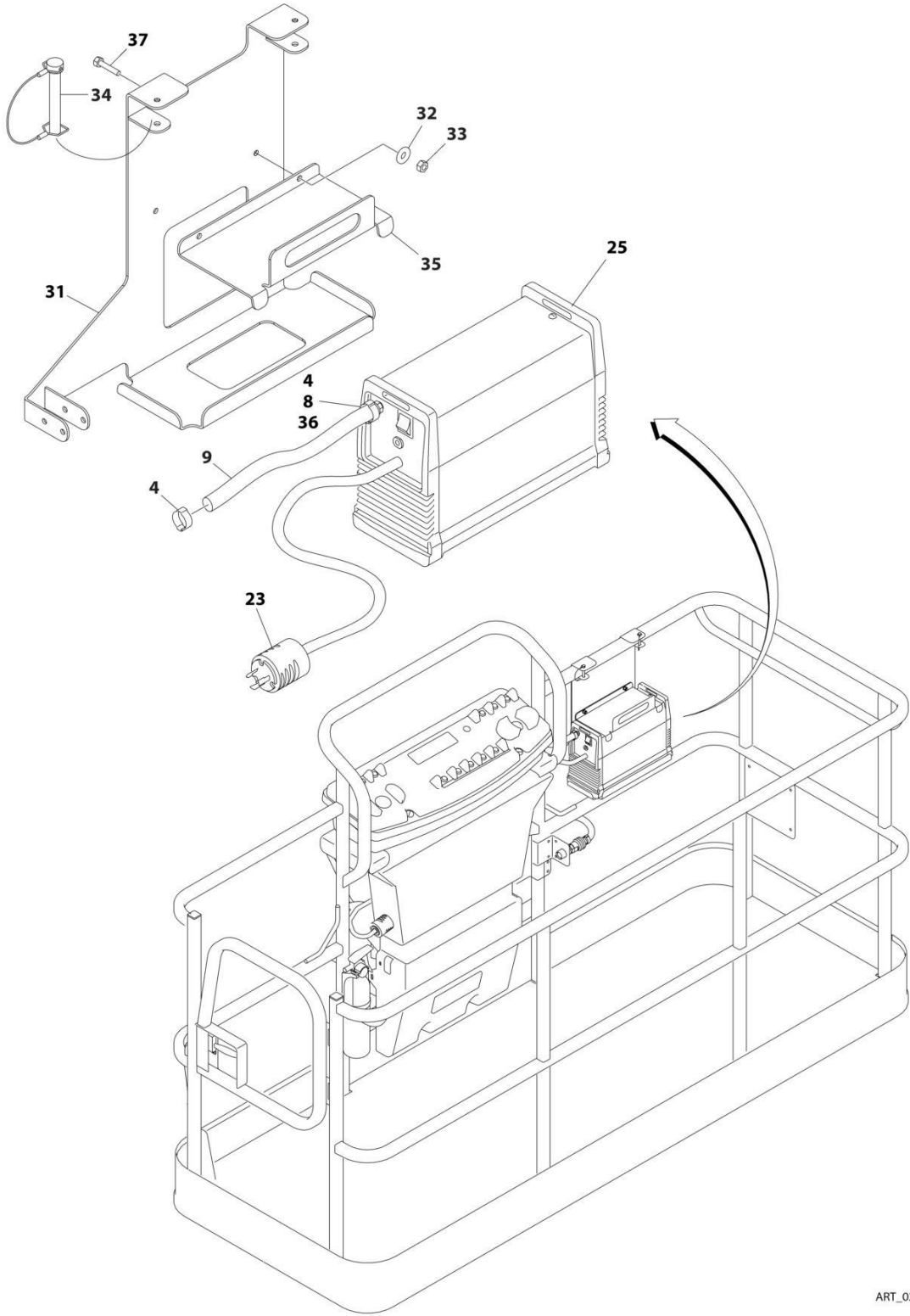
ITEM	PART NUMBER	QTY	DESCRIPTION	REV
	1001098149	Ref	SKYCUTTER INSTALLATION	D
		Ref	Note: When replacing platform on machines with SkyCutter option, new bracket p/n 1001145405 must be purchased to accommodate SkyCutter components.	
1	0100020	AR	Sealant	
2	1320177	2	Clamp, Hose	
3	2180832	1	Fitting, NPT/Barbed	
4	3290605	2	Nut M6	
5	2720160	3 ft /.9m	Hose	
6	3421453	3	Pin	
7	3576799	1	Plate, Hold-Down	
8	4010608	2	Screw M6 x 16	
10	4460971	1	Plug, Twistlock	
11	4811700	2	Washer M6	
12	1001098012	1	Plasma Cutter Assembly (See Separate Breakdown in this Section)	
13	0630518	2	Screw #10 x 3/4	
14	2030010	1	Extinguisher, Fire	
15	3311005	2	Nut #10	
16	4751000	2	Washer #10	
17	1001145405	1	Support	

# SECTION 5 - PLATFORM

## FIGURE 5-29. SKYWELDER/SKYCUTTER COMBO INSTALLATION (60HZ)



**SECTION 5 - PLATFORM**



ART\_0273353\_20F2

## SECTION 5 - PLATFORM

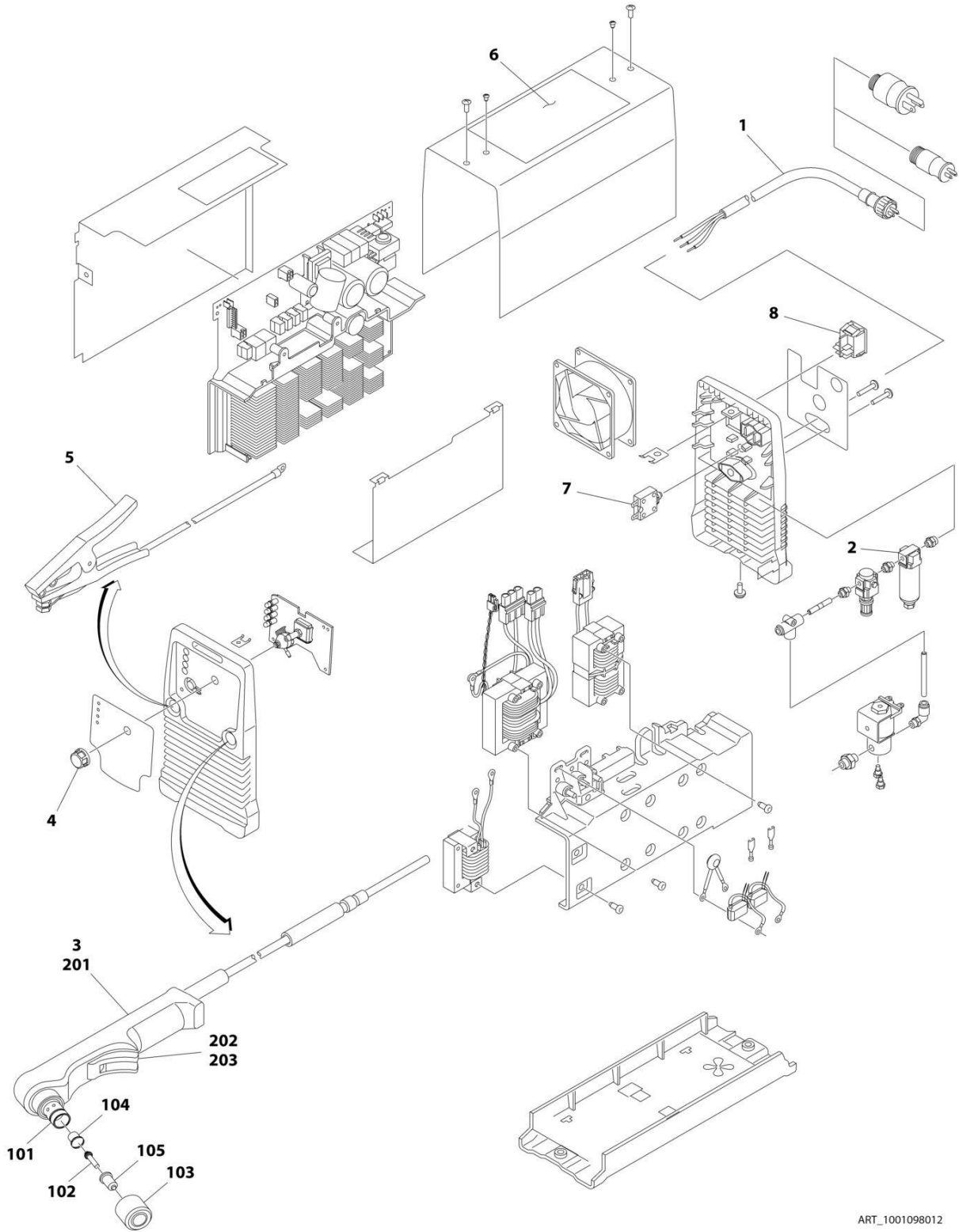
**FIGURE 5-29. SKYWELDER/SKYCUTTER COMBO INSTALLATION (60HZ)**

ITEM	PART NUMBER	QTY	DESCRIPTION	REV
	0273353	Ref	SKYWELDER/SKYCUTTER COMBO INSTALLATION (60HZ)	G
1	0100011	AR	Compound, Locking	
2	0630518	2	Screw #10 x 3/4	
3	0641606	4	Bolt 3/8 x 3/4	
4	1320177	2	Clamp	
5	1320302	2	Clamp	
6	1671093	1	Cover, Plug	
7	2030010	1	Extinguisher, Fire	
8	2180832	1	Fitting, Barbed/NPT	
9	2720160	4.5 ft /1.37m	Hose	
10	2902217	1	Weld Leads Kit	
11	3300151	4	Nut 1/4	
12	3311005	2	Nut #10	
13	3311605	4	Nut 3/8	
14	3573400	1	Bracket	
15	3577121	2	Angle	
16	3573642	1	Plate	
20	4240099	AR	Tie-Strap (Not Shown)	
21	4420037	2.36 ft /.71m	Tape	
22	4460962	1	Plug, Twist Lock	
23	4460971	1	Plug, Twist Lock	
24	4530028	1	Welder Assembly (See Separate Breakdown in this section)	
25	1001098012	1	Plasma Cutter Assembly (See Separate Breakdown in this Section)	
26	4751400	4	Washer 1/4	
27	4751600	8	Washer 3/8	
29	4846627	1	Support	
31	1001145405	1	Bracket	
32	4811700	2	Washer M6	
33	3290605	2	Nut M6	
34	3421453	3	Pin	
35	3576799	1	Plate, Hold-Down	
36	0100020	1	Sealant	
37	4010608	2	Screw M6 x 16	
38	4751000	2	Washer #10	



# SECTION 5 - PLATFORM

## FIGURE 5-30. PLASMA CUTTER ASSEMBLY



ART\_1001098012

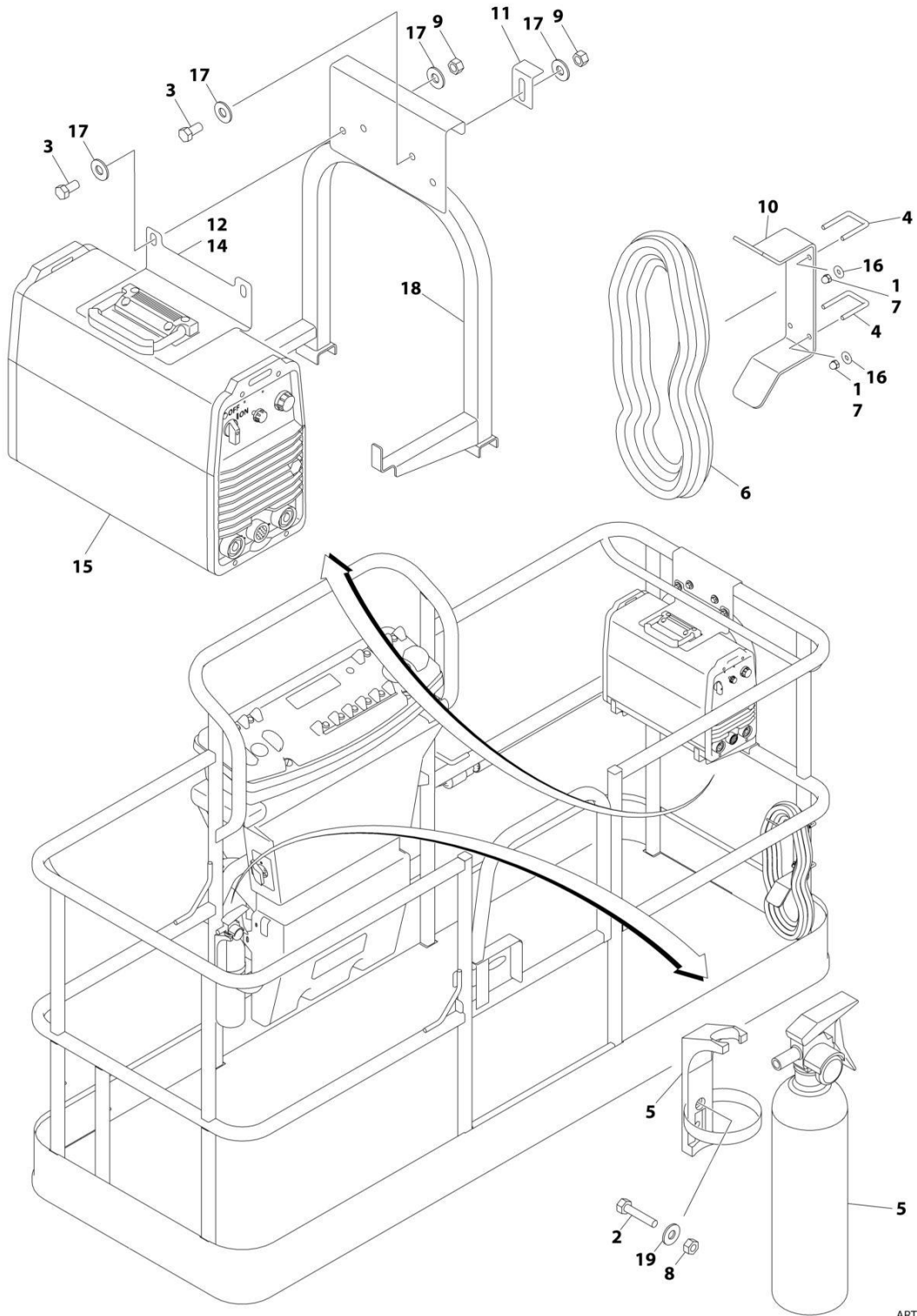
## SECTION 5 - PLATFORM

### FIGURE 5-30. PLASMA CUTTER ASSEMBLY

ITEM	PART NUMBER	QTY	DESCRIPTION	REV
	1001098012	Ref	PLASMA CUTTER ASSEMBLY	A
		Ref	Note: For Other Components, contact your Miller Welder Dealer.	
1	70001424	1	Cable, Power	
1	70001425	1	Decal - Voltage Warning	
2	70001427	1	Filter, Regulator	
3	70001428	1	Torch Assembly (See Items 101-203 for Breakdown)	
4	7024471	1	Knob	
5	70001429	1	Clamp with Cable	
6	70001430	1	Decal - Caution	
7	70001431	1	Breaker, Circuit	
8	70001432	1	Switch, Rocker	
	70001428	Ref	TORCH ASSEMBLY	
101	7024530	1	O-Ring	
102	7024531	1	Electrode	
103	7024532	1	Cup, Retaining	
104	7024533	1	Swirl Ring	
105	7024534	1	Tip	
201	7024535	1	Handle, Torch	
202	7024536	1	Switch	
203	7024537	1	Trigger	

# SECTION 5 - PLATFORM

## FIGURE 5-31. SKYWELDER INSTALLATION (50HZ)



ART\_0272521\_F



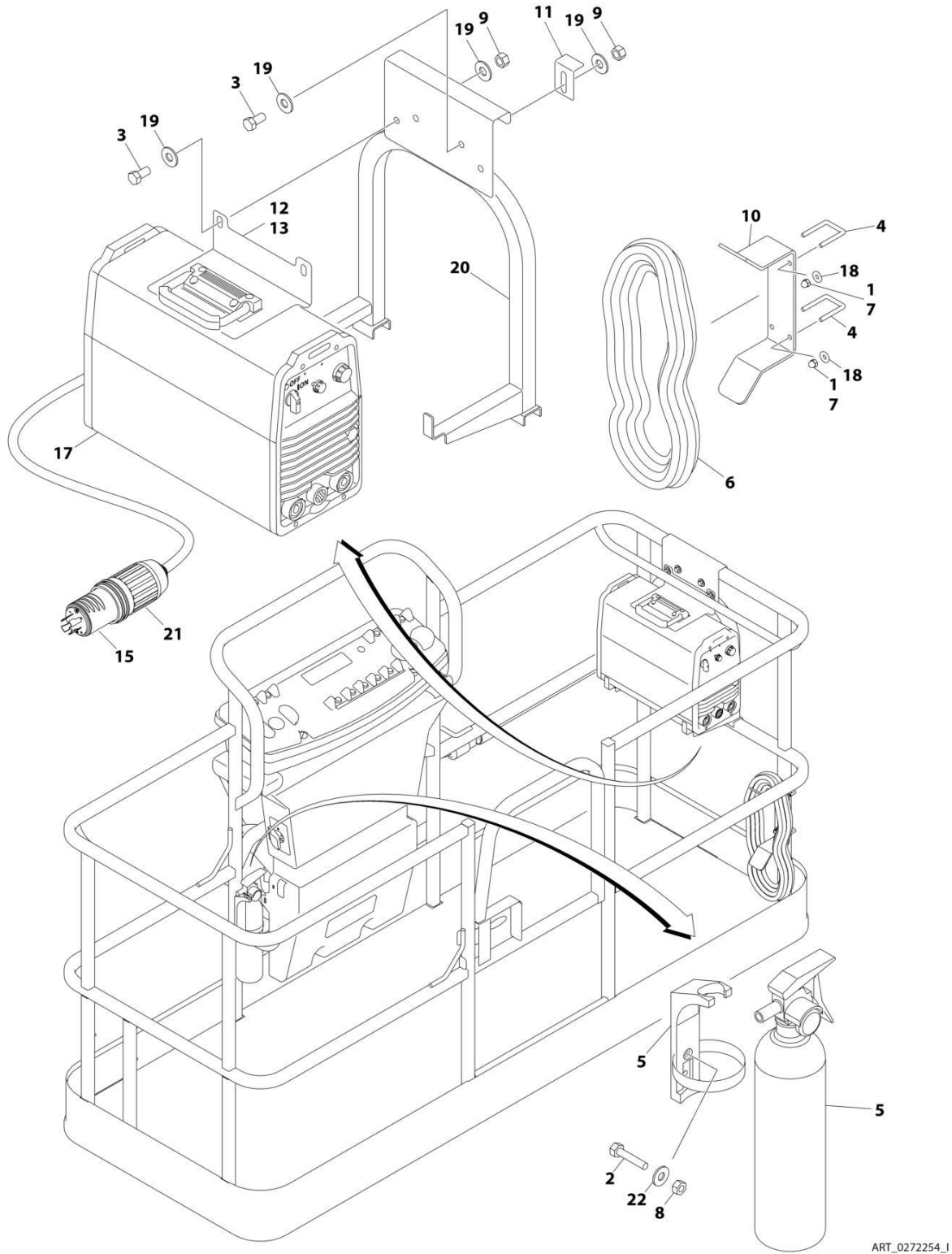
## SECTION 5 - PLATFORM

**FIGURE 5-31. SKYWELDER INSTALLATION (50HZ)**

ITEM	PART NUMBER	QTY	DESCRIPTION	REV
	0272521	Ref	SKYWELDER INSTALLATION	F
1	0100011	AR	Compound, Locking	
2	0630518	2	Screw #10 x 3/4	
3	0641606	4	Bolt 3/8 x 3/4	
4	1320302	2	U-Clamp	
5	2030010	1	Extinguisher, Fire	
6	2902217	1	Weld Leads Kit	
7	3300151	4	Nut 1/4	
8	3311005	2	Nut #10	
9	3311605	4	Nut 3/8	
10	3573400	1	Bracket	
11	3577121	2	Angle	
12	3573642	1	Plate	
13	4240099	AR	Tie-Strap (Not Shown)	
14	4420037	AR	Tape	
15	4530028	1	Welder Assembly (See Separate Breakdown in this Section)	
16	4751400	4	Washer 1/4	
17	4751600	8	Washer 3/8	
18	4846627	1	Support	
19	4751000	2	Washer #10	

# SECTION 5 - PLATFORM

## FIGURE 5-32. SKYWELDER INSTALLATION (60HZ)



ART\_0272254\_I

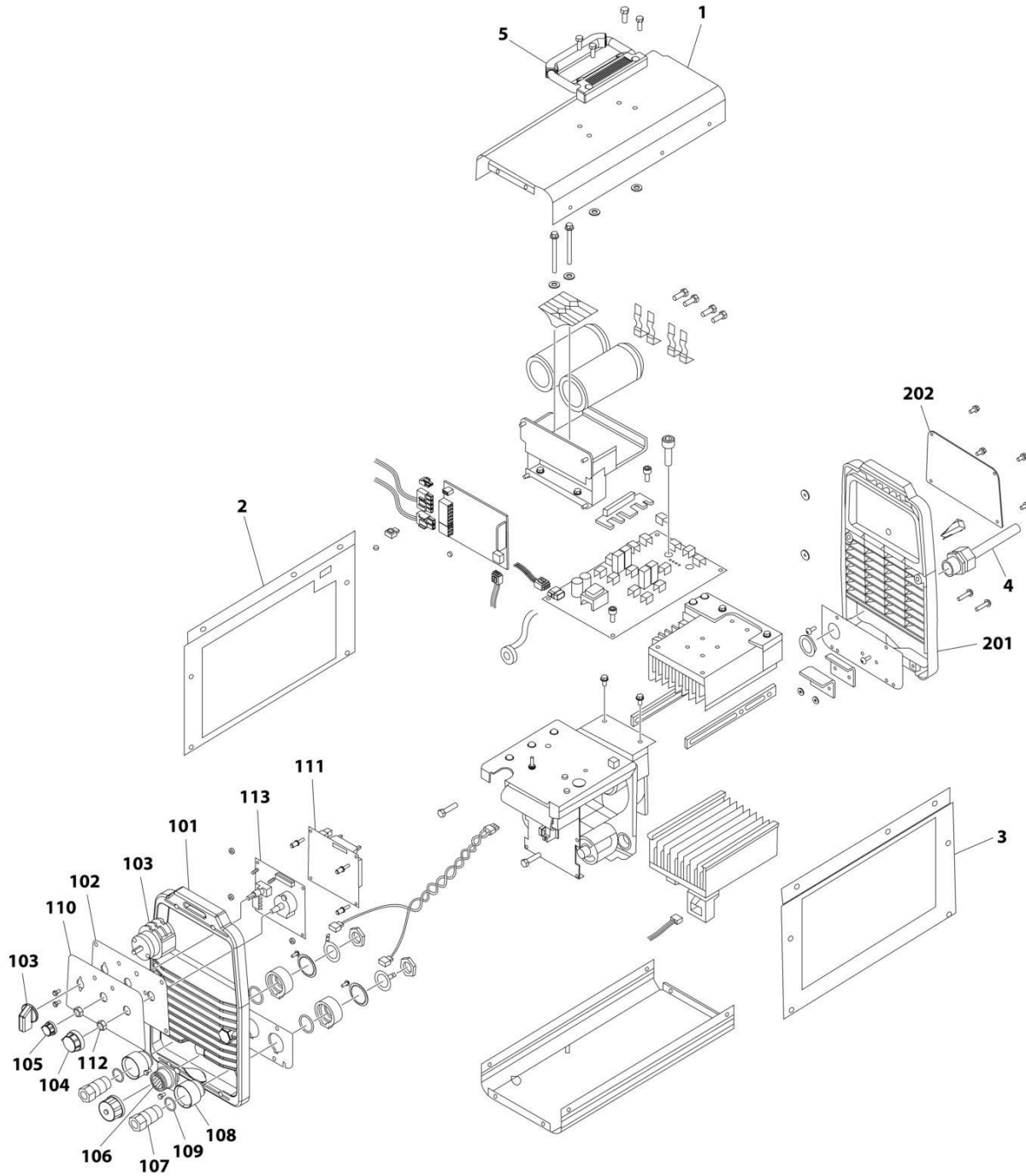
## SECTION 5 - PLATFORM

**FIGURE 5-32. SKYWELDER INSTALLATION (60HZ)**

ITEM	PART NUMBER	QTY	DESCRIPTION	REV
	0272254	Ref	SKYWELDER INSTALLATION	1
1	0100011	AR	Compound, Locking	
2	0630518	2	Screw #10 x 3/4	
3	0641606	4	Bolt 3/8 x 3/4	
4	1320302	2	U-Clamp	
5	2030010	1	Extinguisher, Fire	
6	2902217	1	Weld Leads Kit	
7	3300151	4	Nut 1/4	
8	3311005	2	Nut #10	
9	3311605	4	Nut 3/8	
10	3573400	1	Bracket	
11	3577121	2	Angle	
12	3573642	1	Plate	
13	4420037	AR	Tape	
14	4240099	AR	Tie-Strap (Not Shown)	
15	4460962	1	Plug, Male Twistlock	
17	4530028	1	Welder Assembly (See Separate Breakdown in this Section)	
18	4751400	4	Washer 1/4	
19	4751600	8	Washer 3/8	
20	4846627	1	Support	
21	1671093	1	Cover, Plug	
22	4751000	2	Washer #10	

# SECTION 5 - PLATFORM

## FIGURE 5-33. WELDER ASSEMBLY



ART\_4530028

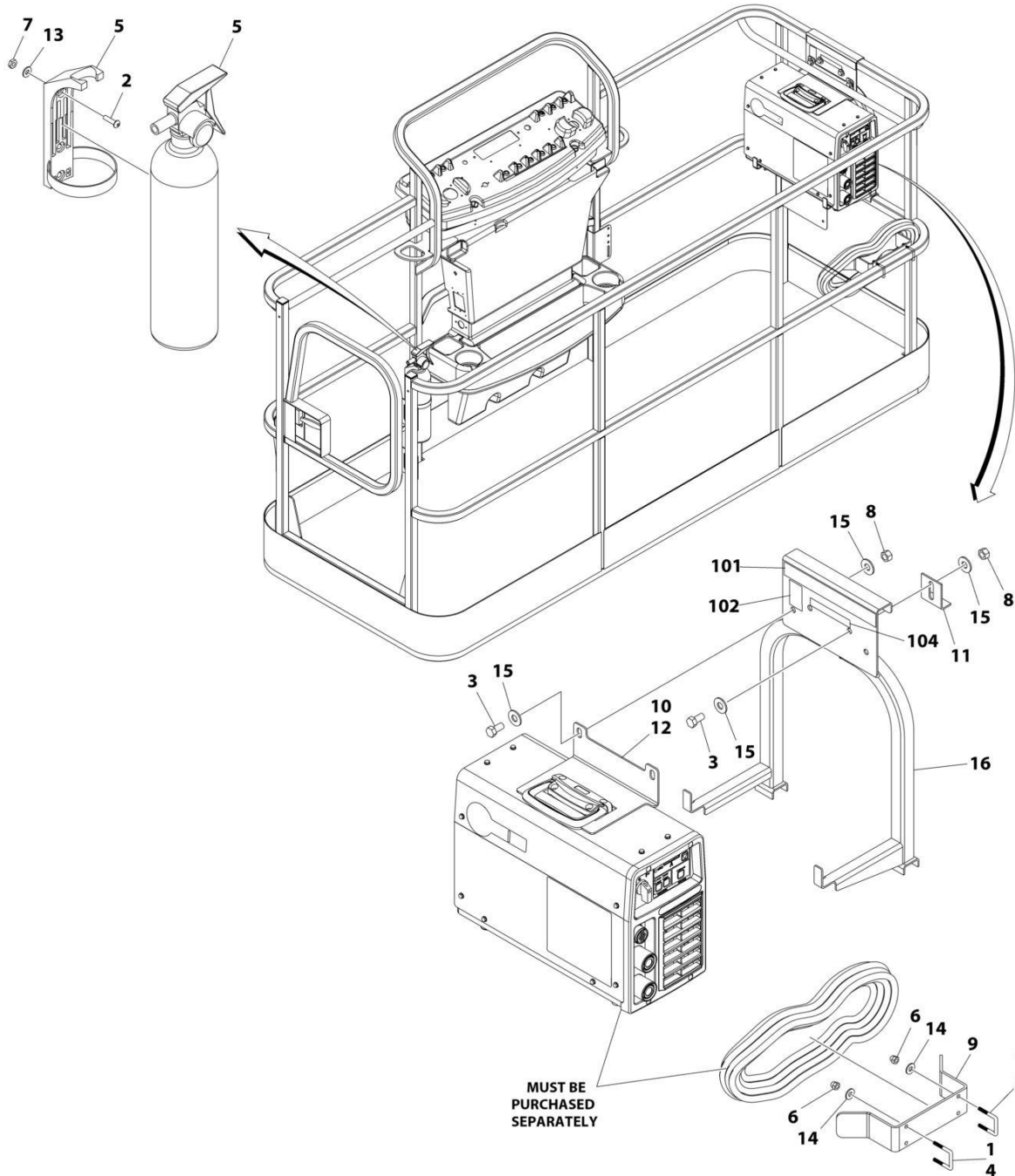
## SECTION 5 - PLATFORM

### FIGURE 5-33. WELDER ASSEMBLY

ITEM	PART NUMBER	QTY	DESCRIPTION	REV
	4530028	Ref	WELDER ASSEMBLY	B
		Ref	Note: For Other Components, contact your Miller Welder Dealer.	
1	7027773	1	Cover, Top	
1	7027774	1	Decal - Static Precautionary Warning	
2	See Note	NSS	Panel, LH Side (Note: Part of Item 1. Purchase Item 1)	
3	See Note	NSS	Panel, RH Side (Note: Part of Item 1. Purchase Item 1)	
4	7024467	1	Cable, Power	
4	7027775	1	Decal - Electrical Shock Warning (Not Shown)	
5	7027776	1	Handle, Carrying	
101	7024462	1	Panel, Front	
102	7024463	1	Panel, Console	
103	7024469	1	Switch with Lead	
104	7024470	1	Knob	
105	7024471	1	Knob	
106	7024472	1	Receptacle with Leads and Plugs	
107	7024473	2	Receptacle, Twistlock Female	
108	7024474	2	Insulator	
109	7024475	2	O-Ring	
110	7027777	1	Nameplate	
111	7027779	1	Circuit Card Assembly (Process Control)	
112	7024478	2	Nut	
113	7027778	1	Circuit Card Assembly (Operator Interface)	
201	7024462	1	Panel, Rear	
202	7027780	1	Panel, Cover	

# SECTION 5 - PLATFORM

## FIGURE 5-34. SKYWELDER PREP PACKAGE (60HZ)



ART\_1001128527\_C

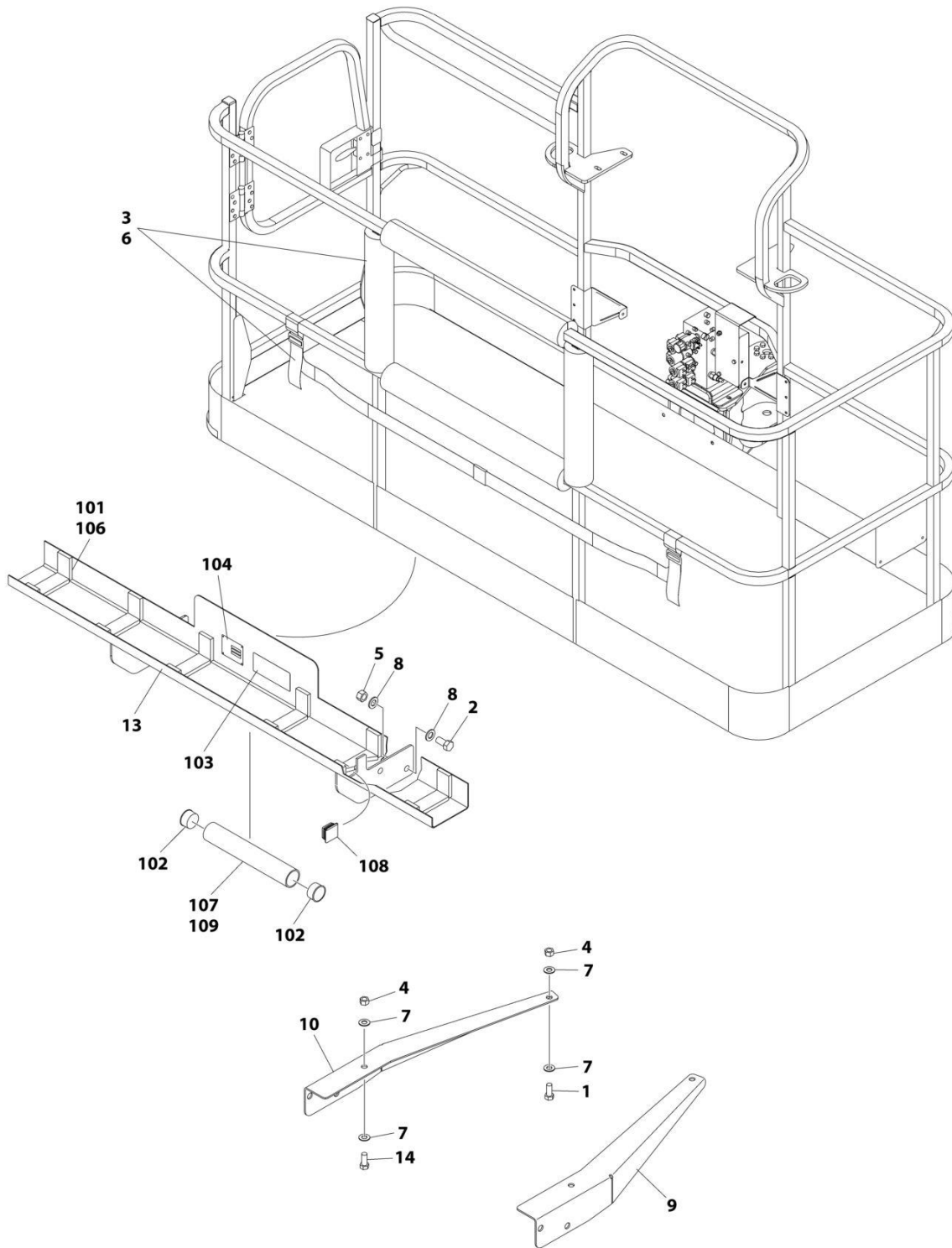
## SECTION 5 - PLATFORM

**FIGURE 5-34. SKYWELDER PREP PACKAGE (60HZ)**

ITEM	PART NUMBER	QTY	DESCRIPTION	REV
	1001128527	Ref	SKYWELDER PREP PACKAGE	C
1	0100011	AR	Compound, Locking	
2	0630518	2	Screw #10 x 3/4	
3	0641606	4	Bolt 3/8 x 3/4	
4	1320302	2	U-Clamp	
5	2030010	1	Extinguisher, Fire	
6	3300151	4	Nut 1/4	
7	3311005	2	Nut #10	
8	3311605	4	Nut 3/8	
9	3573400	1	Bracket	
10	1001269573	1	Plate	
11	3577121	2	Angle	
12	4420037	AR	Tape	
13	4751000	2	Washer #10	
14	4751400	4	Washer 1/4	
15	4751600	8	Washer 3/8	
16	1001269322	1	Support	
	1001128556	Ref	SKYWELDER DECAL INSTALLATION	D
101	1702868	1	Decal - No Hands	
102	1705305	1	Decal - Weld Lead	
104	1001228988	1	Decal - Weight	

# SECTION 5 - PLATFORM

FIGURE 5-35. SKYGLAZIER INSTALLATION (ALL SPECS EXCEPT CHINA AND JAPANESE SPECS)



ART\_1001172578\_C



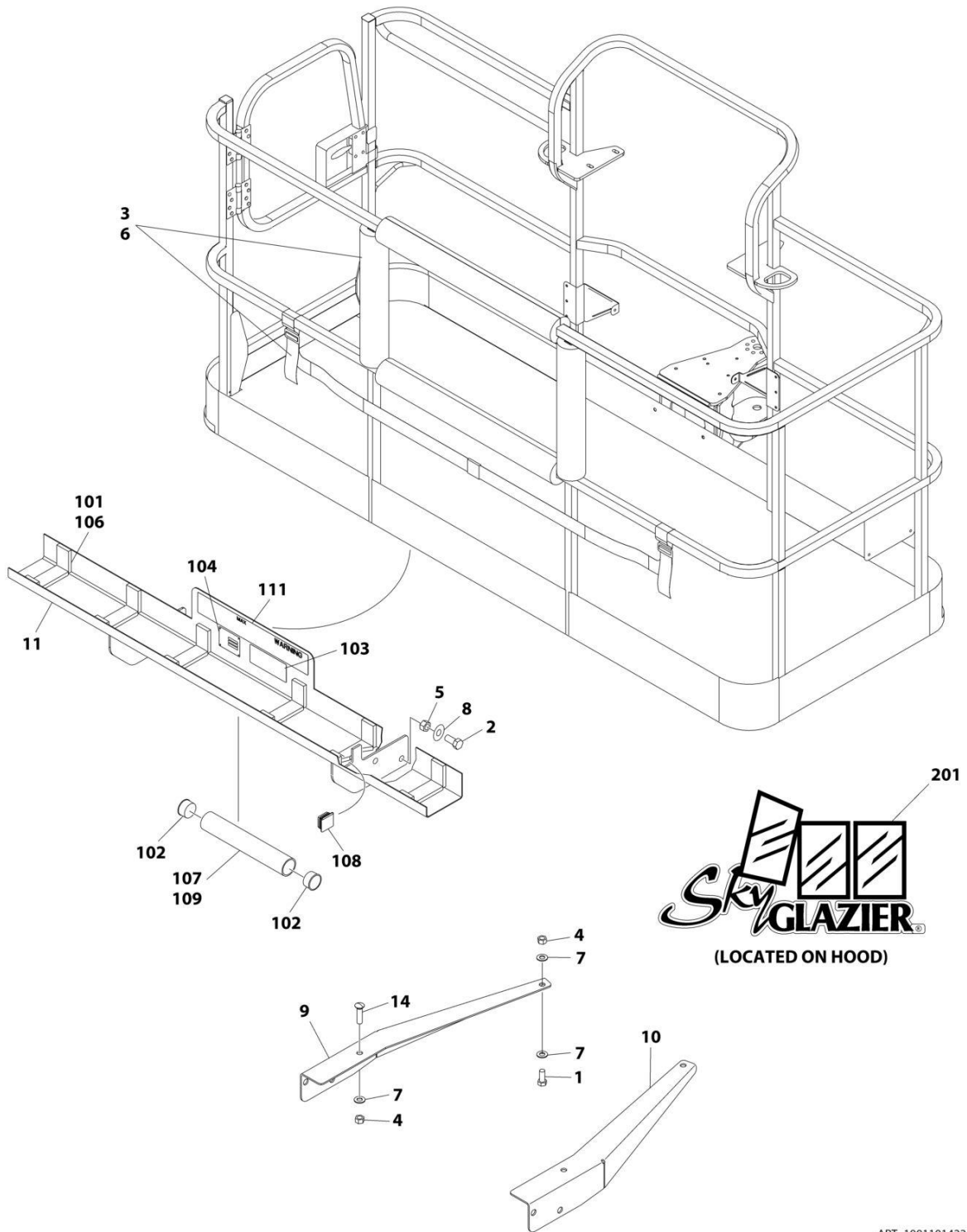
## SECTION 5 - PLATFORM

**FIGURE 5-35. SKYGLAZIER INSTALLATION (ALL SPECS EXCEPT CHINA AND JAPANESE SPECS)**

ITEM	PART NUMBER	QTY	DESCRIPTION	REV
	1001172578	Ref	SKYGLAZIER INSTALLATION	C
1	0642012	2	Bolt 5/8 x 1-1/2	
2	0642212	4	Bolt 3/4 x 1-1/2	
3	2902212	1	Bumpers and Strap Kit	
3	0940102	1	Bumper Only	
3	4240149	1	Strap Only	
4	3312005	1	Nut 5/8	
5	3312205	4	Nut 3/4	
6	4420014	AR	Tape	
7	4712000	6	Washer 5/8	
8	4712200	8	Washer 3/4	
9	1001099366	1	Support	
10	1001099367	1	Support	
13	1001172577	1	Tray Assembly (See Items 101-109 for Breakdown)	
14	8310129	2	Bolt 3/4 x 2-1/2	
	1001172577	Ref	TRAY ASSEMBLY	C
101	0100081	AR	Adhesive	
102	1120555	2	Cap, Tube	
103	1701509	1	Decal - Manual	
104	See Note	NSS	Nameplate - Serial Number (Note: Not Available for Purchase)	
106	3340956	1	Pad Kit	
107	3460334	1	Tube	
108	3520071	2	Plug	
109	4420066	AR	Tape, Double Sided	

# SECTION 5 - PLATFORM

## FIGURE 5-36. SKYGLAZIER INSTALLATION (ENGLISH LANGUAGE DECALS)



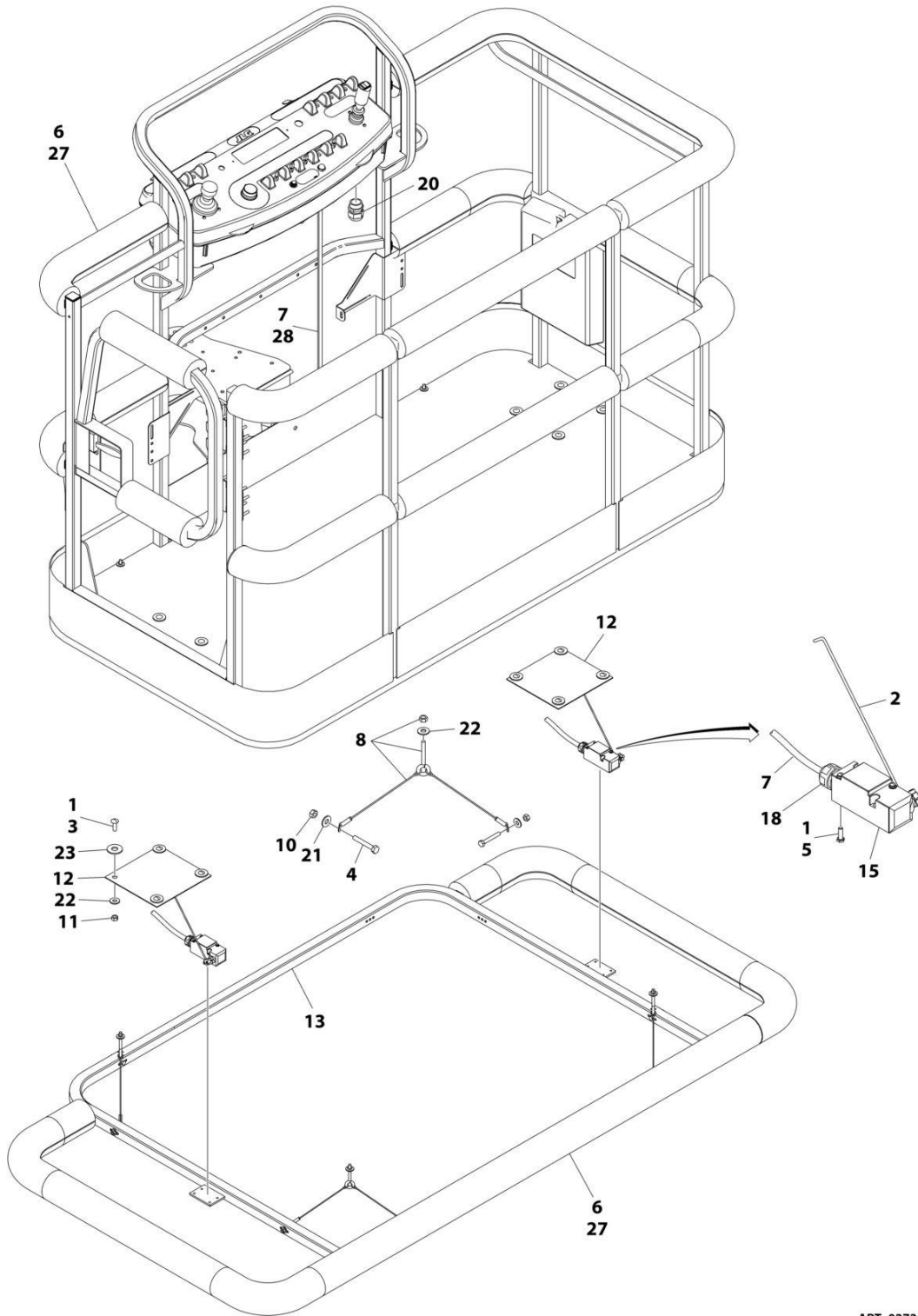
## SECTION 5 - PLATFORM

**FIGURE 5-36. SKYGLAZIER INSTALLATION (ENGLISH LANGUAGE DECALS)**

ITEM	PART NUMBER	QTY	DESCRIPTION	REV
	1001101422	Ref	SKYGLAZIER INSTALLATION	C
1	0642012	2	Bolt 5/8 x 1-1/2	
2	0642212	4	Bolt 3/4 x 1-1/2	
3	2902212	1	Bumpers and Strap Kit	
3	0940102	1	Bumper Only	
3	4240149	1	Strap Only	
4	3312005	4	Nut 5/8	
5	3312205	4	Nut 3/4	
6	4420014	AR	Tape	
7	4712000	6	Washer 5/8	
8	4712200	8	Washer 3/4	
9	1001099366	1	Support	
10	1001099367	1	Support	
11	1001101421	1	Tray Assembly (See Items 101-111 for Breakdown)	
14	8310129	2	Bolt 3/4 x 2-1/2	
	1001101421	Ref	TRAY ASSEMBLY	F
101	0100081	AR	Adhesive	
102	1120555	2	Cap, Tube	
103	1701509	1	Decal - Manual	
104	See Note	NSS	Nameplate - Serial Number (Note: Not Available for Purchase)	
106	3340956	1	Pad Kit	
107	3460334	1	Tube	
108	3520071	2	Plug	
109	4420066	AR	Tape, Double Sided	
111	1001163131	2	Decal - Glazier Capacity	
	0272418	Ref	SKYGLAZIER DECAL INSTALLATION	4
201	1705358	2	Decal - SkyGlazier	

# SECTION 5 - PLATFORM

## FIGURE 5-37. SOFT TOUCH SYSTEM INSTALLATION - 6FT/1.83M PLATFORM



ART\_0273824\_E

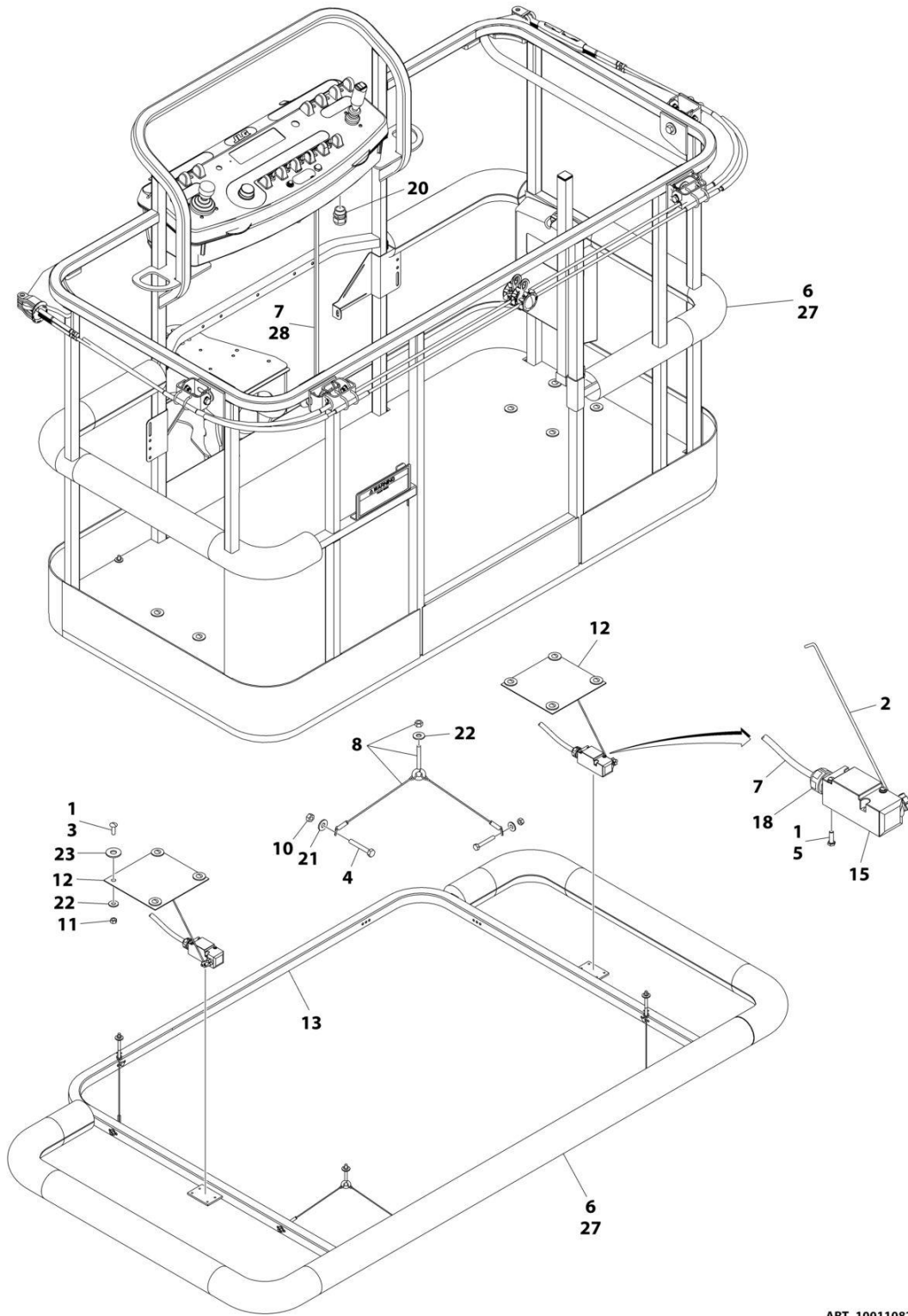
## SECTION 5 - PLATFORM

**FIGURE 5-37. SOFT TOUCH SYSTEM INSTALLATION - 6FT/1.83M PLATFORM**

ITEM	PART NUMBER	QTY	DESCRIPTION	REV
	0273824	Ref	SOFT TOUCH SYSTEM INSTALLATION	E
1	0100011	AR	Compound, Locking	
2	0200048	2	Arm, Switch	
3	0630462	8	Bolt	
4	0641414	8	Bolt 1/4 x 1-3/4	
5	0731005	4	Bolt #10 x 5/8	
6	0940134	1	Bumper Kit (Includes Corners and Enough Straight Material for One Platform)	
6	0940092	AR	Bumper (Corner)	
6	0940094	AR	Bumper (12ft Length)	
7	1060341	23 ft/7m	Cable, Soft Touch - 16/2	
8	1060903	4	Wire Rope and Eyebolt Assembly	
10	3311401	8	Nut 1/4	
11	3311501	8	Nut 5/16	
12	3575359	2	Plate, Switch Strike	
13	3641569	1	Rail, Soft Touch	
14	4240099	7	Tie-Strap (Not Shown)	
15	4360057	2	Switch, Limit	
18	4460049	2	Connector, Strain Relief	
19	4460234	7	Tie-Strap (Not Shown)	
20	4460425	1	Connector, Strain Relief	
21	4751400	8	Washer 1/4	
22	4751500	12	Washer 5/16	
23	4751800	8	Washer 1/2	
27	1001197017	AR	Tie-Strap	
28	4460226	4	Socket	

# SECTION 5 - PLATFORM

## FIGURE 5-38. SOFT TOUCH SYSTEM INSTALLATION - 6FT/1.83M FALL ARREST PLATFORM



ART\_1001108256\_D

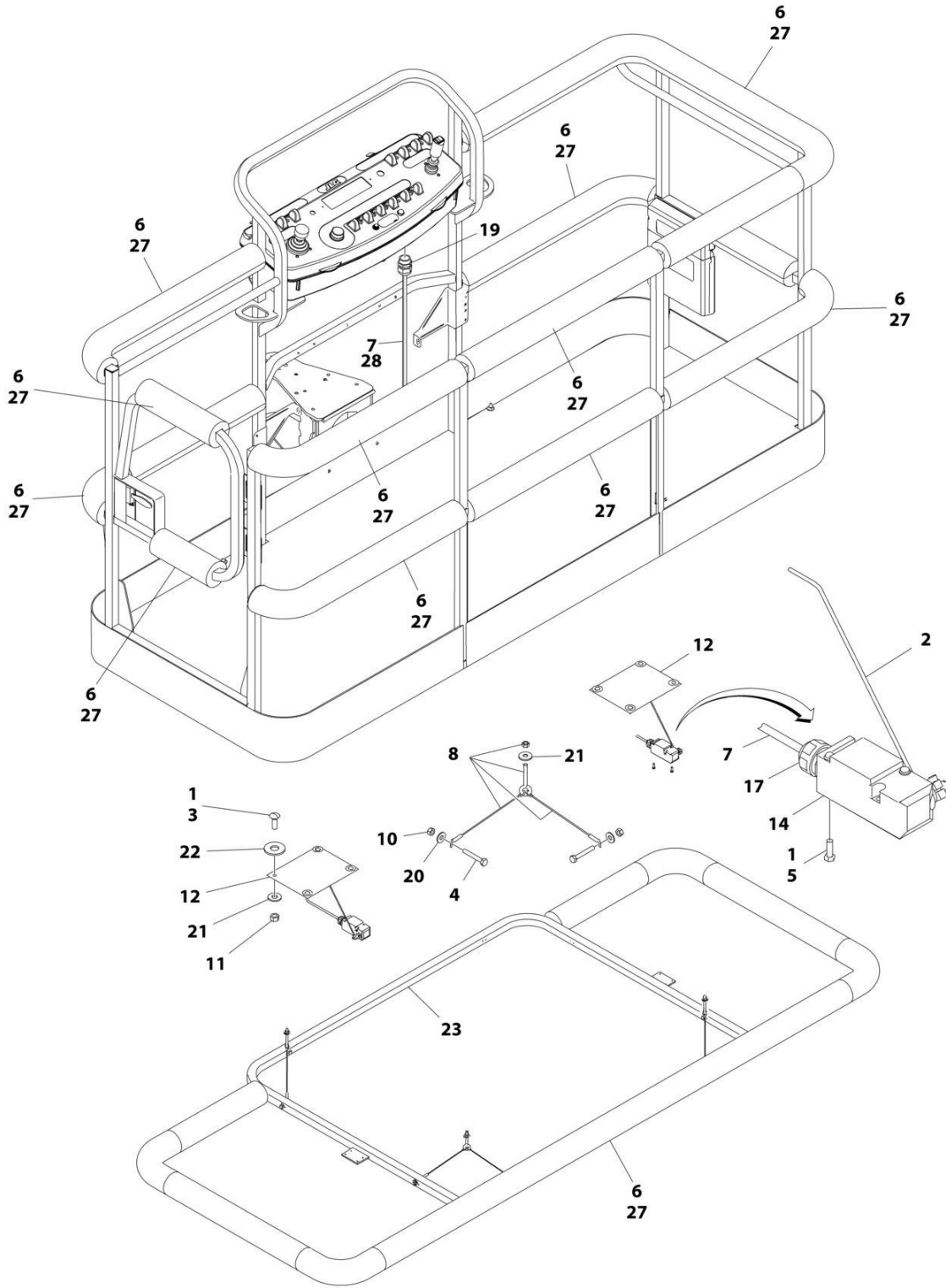
## SECTION 5 - PLATFORM

**FIGURE 5-38. SOFT TOUCH SYSTEM INSTALLATION - 6FT/1.83M FALL ARREST PLATFORM**

ITEM	PART NUMBER	QTY	DESCRIPTION	REV
	1001108256	Ref	SOFT TOUCH INSTALLATION	D
1	0100011	AR	Compound, Locking	
2	0200048	2	Arm, Switch	
3	0630462	8	Bolt	
4	0641414	8	Bolt 1/4 x 1-3/4	
5	0731005	4	Bolt #10 x 5/8	
6	0940177	1	Bumper Kit (Includes Corners and Enough Straight Material for One Platform)	
6	0940092	8	Bumper (Corner)	
6	0940094	AR	Bumper (12ft Length)	
7	1060341	23 ft/7m	Cable, Soft Touch - 16/2	
8	1060903	4	Wire Rope and Eyebolt Assembly	
10	3311401	8	Nut 1/4	
11	3311501	8	Nut 5/16	
12	3575359	2	Plate, Switch Strike	
13	3641569	1	Rail, Soft Touch	
14	4240099	7	Tie-Strap (Not Shown)	
15	4360057	2	Switch, Limit	
18	4460049	2	Connector, Strain Relief	
19	4460234	7	Tie-Strap (Not Shown)	
20	4460425	1	Connector, Strain Relief	
21	4751400	8	Washer 1/4	
22	4751500	9	Washer 5/16	
23	4751800	8	Washer 1/2	
27	1001197017	AR	Strap, Cable Tie (Yellow)	
28	4460226	4	Socket	

# SECTION 5 - PLATFORM

## FIGURE 5-39. SOFT TOUCH SYSTEM INSTALLATION - 8FT/2.44M PLATFORM



ART\_0272427\_H



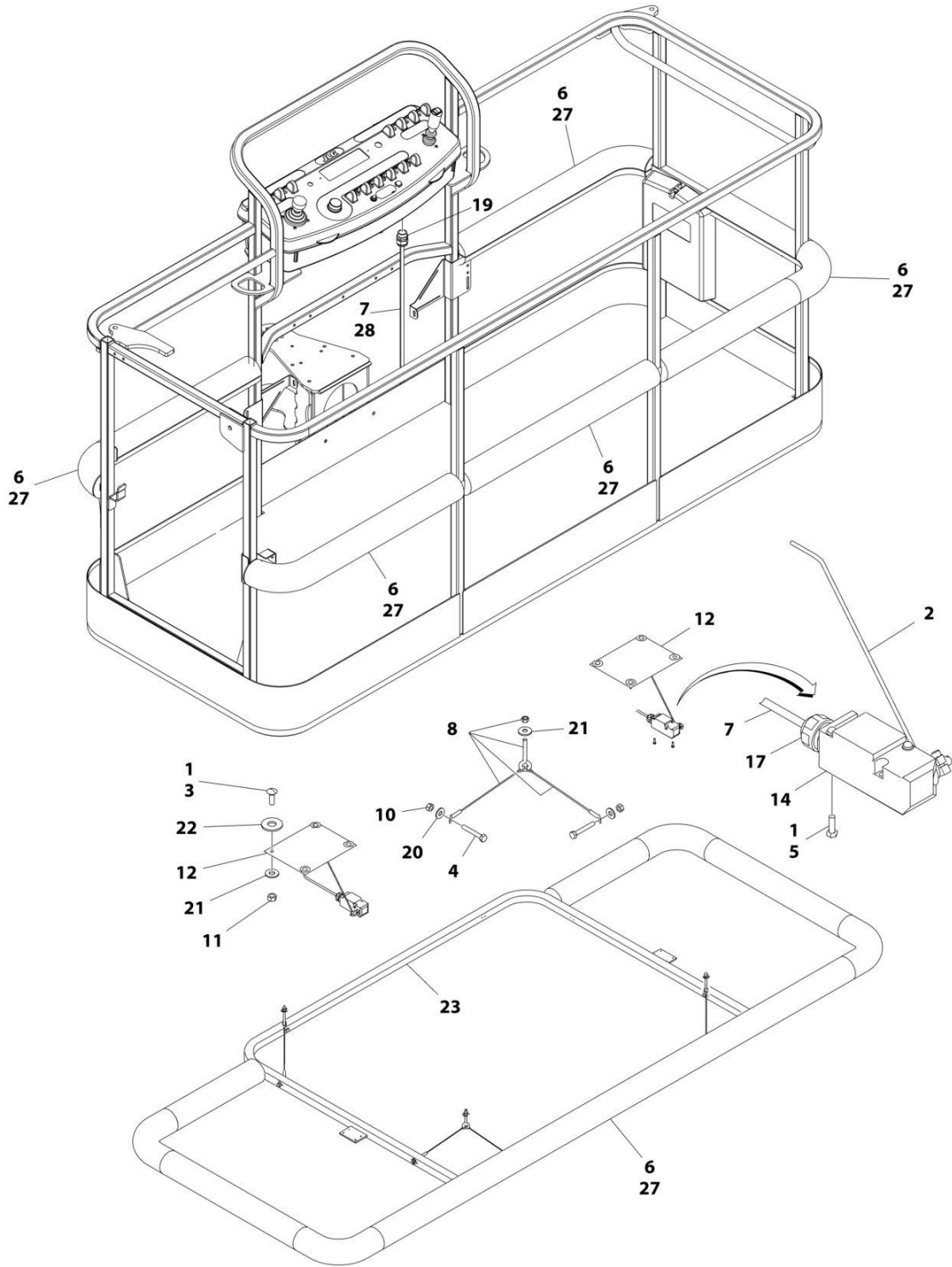
## SECTION 5 - PLATFORM

**FIGURE 5-39. SOFT TOUCH SYSTEM INSTALLATION - 8FT/2.44M PLATFORM**

ITEM	PART NUMBER	QTY	DESCRIPTION	REV
	0272427	Ref	SOFT TOUCH INSTALLATION - 36IN X 8FT (91.5CM X 2.44M) PLATFORM	H
1	0100011	AR	Compound, Locking	
2	0200048	2	Arm, Switch	
3	0630462	8	Bolt	
4	0641414	8	Bolt 1/4 x 1-3/4	
5	0721005	4	Bolt #10 x 5/8	
6	0940103	1	Bumper Kit (Includes Corners and Enough Straight Material for One Platform)	
6	0940092	12	Bumper (Corner)	
6	0940094	AR	Bumper (12ft Length)	
7	1060341	23 ft/7m	Cable, Soft Touch - 16/2	
8	1060903	4	Wire Rope and Eyebolt Assembly	
10	3311401	8	Nut 1/4	
11	3311501	8	Nut 5/16	
12	3574091	2	Plate, Switch Strike	
13	4240099	7	Tie-Strap (Not Shown)	
14	4360057	2	Switch, Limit	
17	4460049	2	Connector, Strain Relief	
18	4460234	7	Tie-Strap (Not Shown)	
19	4460425	1	Connector, Strain Relief	
20	4751400	8	Washer 1/4	
21	4751500	12	Washer 5/16	
22	4751800	8	Washer 1/2	
23	4846673	1	Rail, Soft Touch	
27	1001197017	AR	Tie-Strap	
28	4460226	1	Socket	

# SECTION 5 - PLATFORM

## FIGURE 5-40. SOFT TOUCH SYSTEM INSTALLATION - 8FT/2.44M FALL ARREST PLATFORM



ART\_0273706\_E

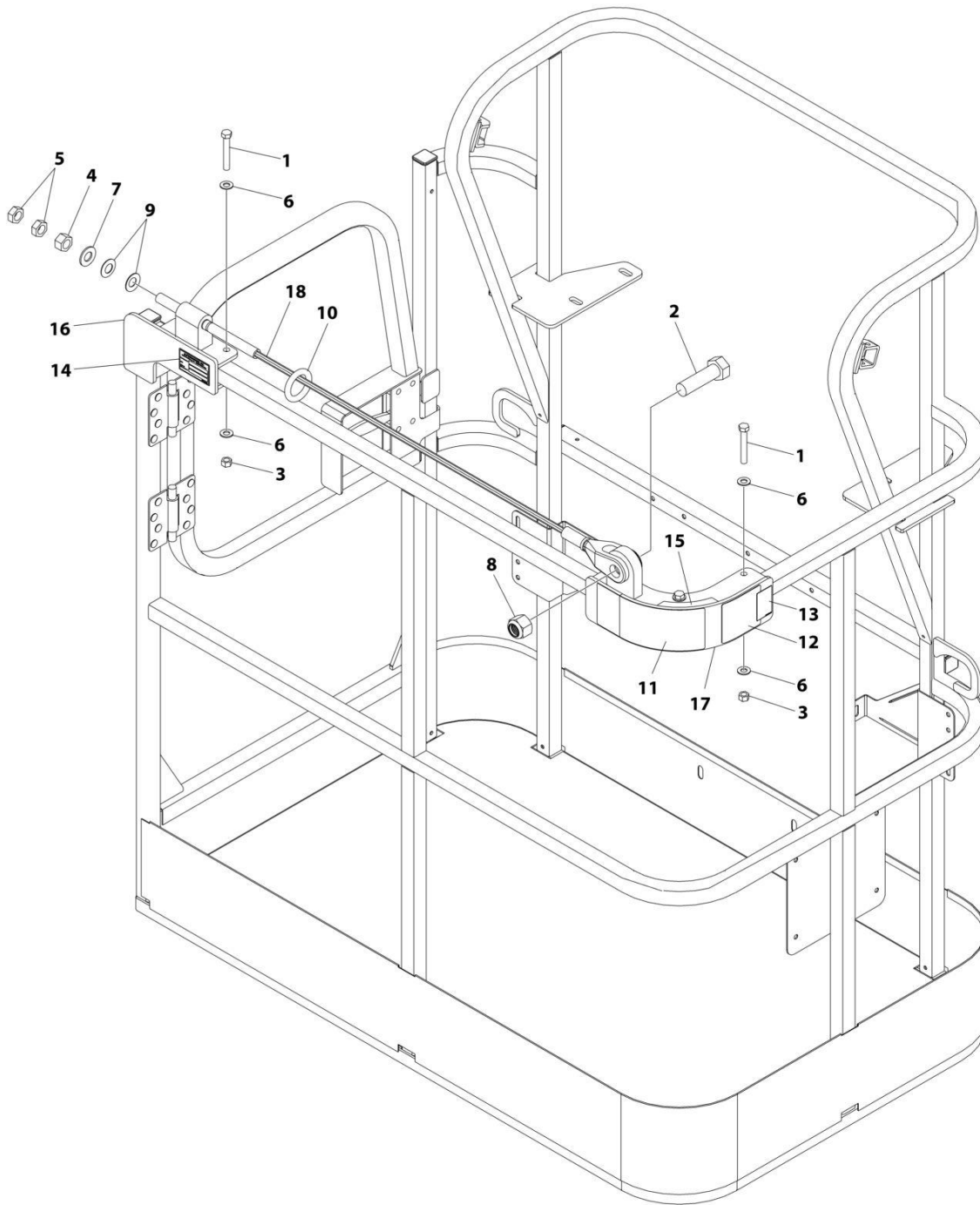
## SECTION 5 - PLATFORM

**FIGURE 5-40. SOFT TOUCH SYSTEM INSTALLATION - 8FT/2.44M FALL ARREST PLATFORM**

ITEM	PART NUMBER	QTY	DESCRIPTION	REV
	0273706	Ref	SOFT TOUCH INSTALLATION	E
1	0100011	AR	Compound, Locking	
2	0200048	2	Arm, Switch	
3	0630462	8	Bolt	
4	0641414	8	Bolt 1/4 x 1-3/4	
5	0721005	4	Bolt #10 x 5/8	
6	0940133	1	Bumper Kit (Includes Corners and Enough Straight Material for One Platform)	
6	0940092	8	Bumper (Corner)	
6	0940094	AR	Bumper (12ft Length)	
7	1060341	23 ft/7m	Cable, Soft Touch - 16/2	
8	1060903	4	Wire Rope and Eyebolt Assembly	
10	3311401	8	Nut 1/4	
11	3311501	8	Nut 5/16	
12	3574091	2	Plate, Switch Strike	
13	4240099	7	Tie-Strap (Not Shown)	
14	4360057	2	Switch, Limit	
17	4460049	2	Connector, Strain Relief	
18	4460234	7	Tie-Strap (Not Shown)	
19	4460425	1	Connector, Strain Relief	
20	4751400	8	Washer 1/4	
21	4751500	12	Washer 5/16	
22	4751800	8	Washer 1/2	
23	4846673	1	Rail, Soft Touch	
27	1001197017	AR	Tie-Strap	
28	4460226	4	Socket	

# SECTION 5 - PLATFORM

FIGURE 5-41. FALL ARREST INSTALLATION (BOLT-ON) 30IN X 4FT (76CM X 1.22M) PLATFORM



ART\_1001261338

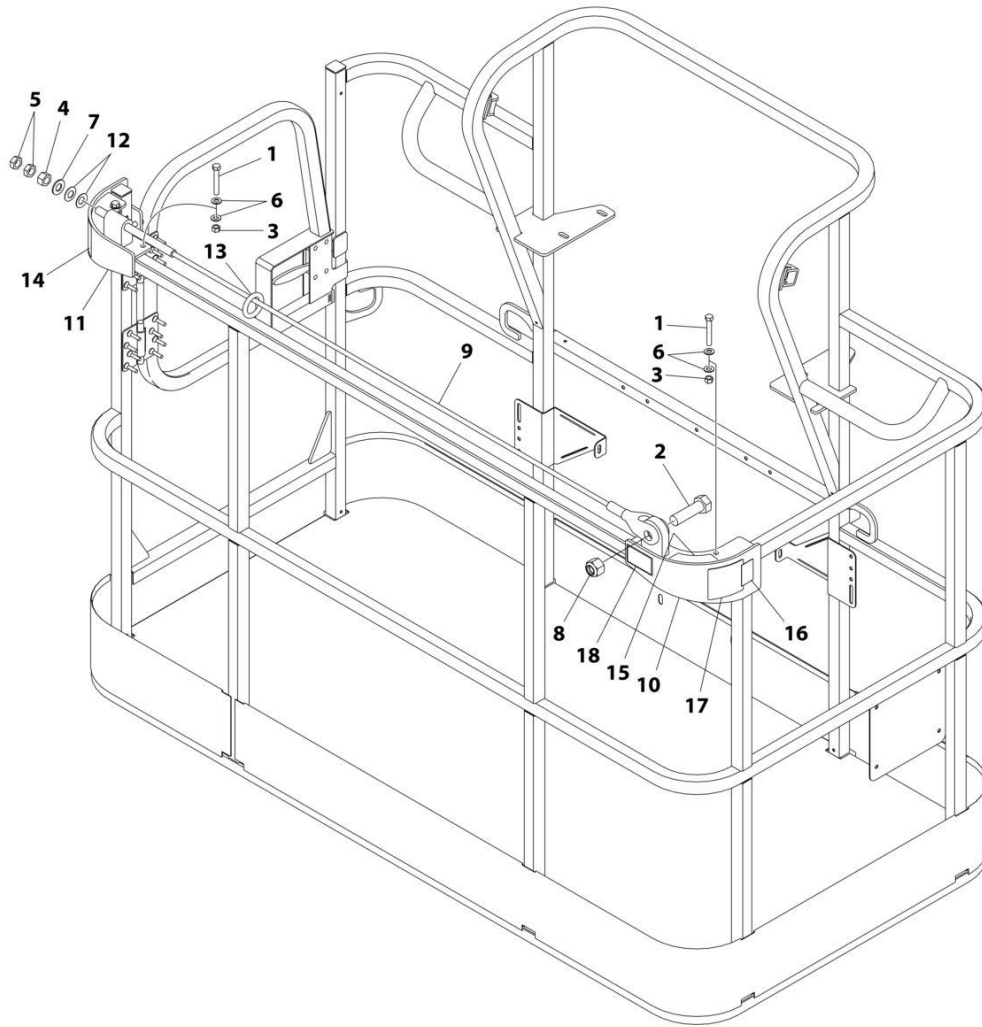
## SECTION 5 - PLATFORM

**FIGURE 5-41. FALL ARREST INSTALLATION (BOLT-ON) 30IN X 4FT (76CM X 1.22M) PLATFORM**

ITEM	PART NUMBER	QTY	DESCRIPTION	REV
	1001261338	Ref	FALL ARREST INSTALLATION	A
1	0681620	6	Bolt 3/8 x 2-1/2	
2	0682424	1	Bolt 7/8 x 3	
3	3271605	6	Nut 3/8	
4	3272001	1	Nut 5/8	
5	3312002	2	Nut 5/8	
6	4711600	12	Washer 3/8	
7	4712000	1	Washer 5/8	
8	88521214	1	Nut 7/8	
9	1001236891	2	Washer	
10	1001236895	1	Ring	
11	1001238263	1	Decal - Warning Falling Hazard	
12	1001248140	1	Decal - Bolt Fall Arrest Re-Cert	
13	1001248141	1	Decal - Incription	
14	See Note	NSS	Nameplate - Manufacturers Serial Number (Note: Not Available for Purchase)	
15	1001252629	1	Decal - Weight	
16	1001257271	1	Bracket (RH)	
17	1001257274	1	Bracket (LH)	
18	1001261335	1	Rope	

# SECTION 5 - PLATFORM

FIGURE 5-42. FALL ARREST INSTALLATION (BOLT-ON) 36IN X 6FT (91.2CM X 1.82M) PLATFORM



ART\_1001236747

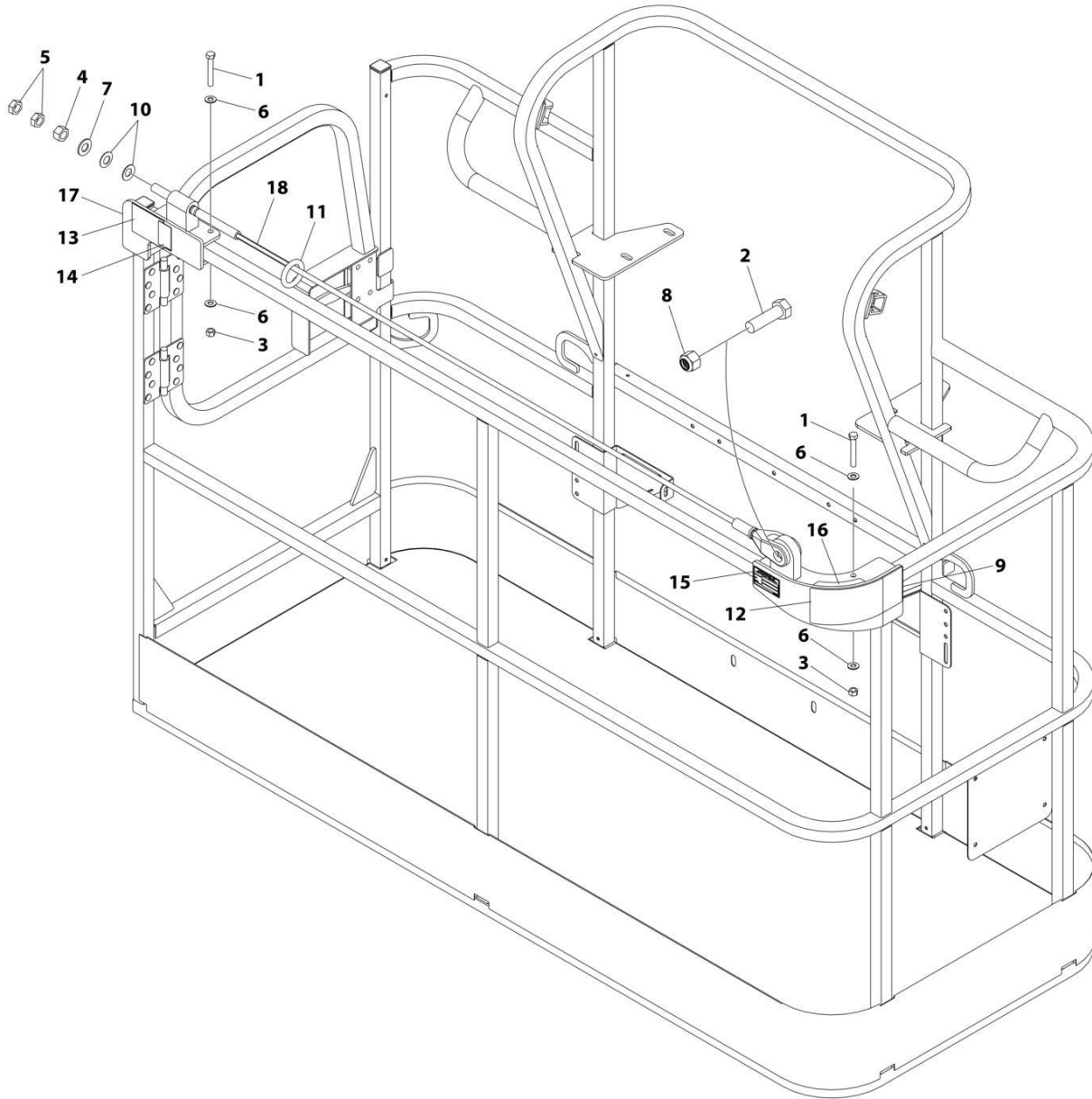
## SECTION 5 - PLATFORM

**FIGURE 5-42. FALL ARREST INSTALLATION (BOLT-ON) 36IN X 6FT (91.2CM X 1.82M) PLATFORM**

ITEM	PART NUMBER	QTY	DESCRIPTION	REV
	1001236747	Ref	FALL ARREST INSTALLATION (BOLT - ON) 6FT/1.82M PLATFORM	C
1	0681620	6	Bolt 3/8 x 2-1/2	
2	0682424	1	Bolt 7/8 x 3	
3	3271605	6	Nut 3/8	
4	3272001	1	Nut 5/8	
5	3312002	2	Nut 5/8	
6	4711600	12	Washer 3/8	
7	4712000	1	Washer 5/8	
8	88521214	1	Nut 7/8	
9	1001231950	1	Rope	
10	1001232010	1	Bracket (RH)	
11	1001232011	1	Bracket (LH)	
12	1001236891	2	Washer	
13	1001236895	1	Ring	
14	1001238263	1	Decal - Warning Falling Hazard	
15	1001252629	1	Decal - Weight	
16	1001248140	1	Decal - Bolt Fall Arrest Re-Cert	
17	1001248141	1	Decal - Inscription	

# SECTION 5 - PLATFORM

FIGURE 5-43. FALL ARREST INSTALLATION (BOLT-ON) 30IN X 6FT (76CM X 1.83M) PLATFORM



ART\_1001261339



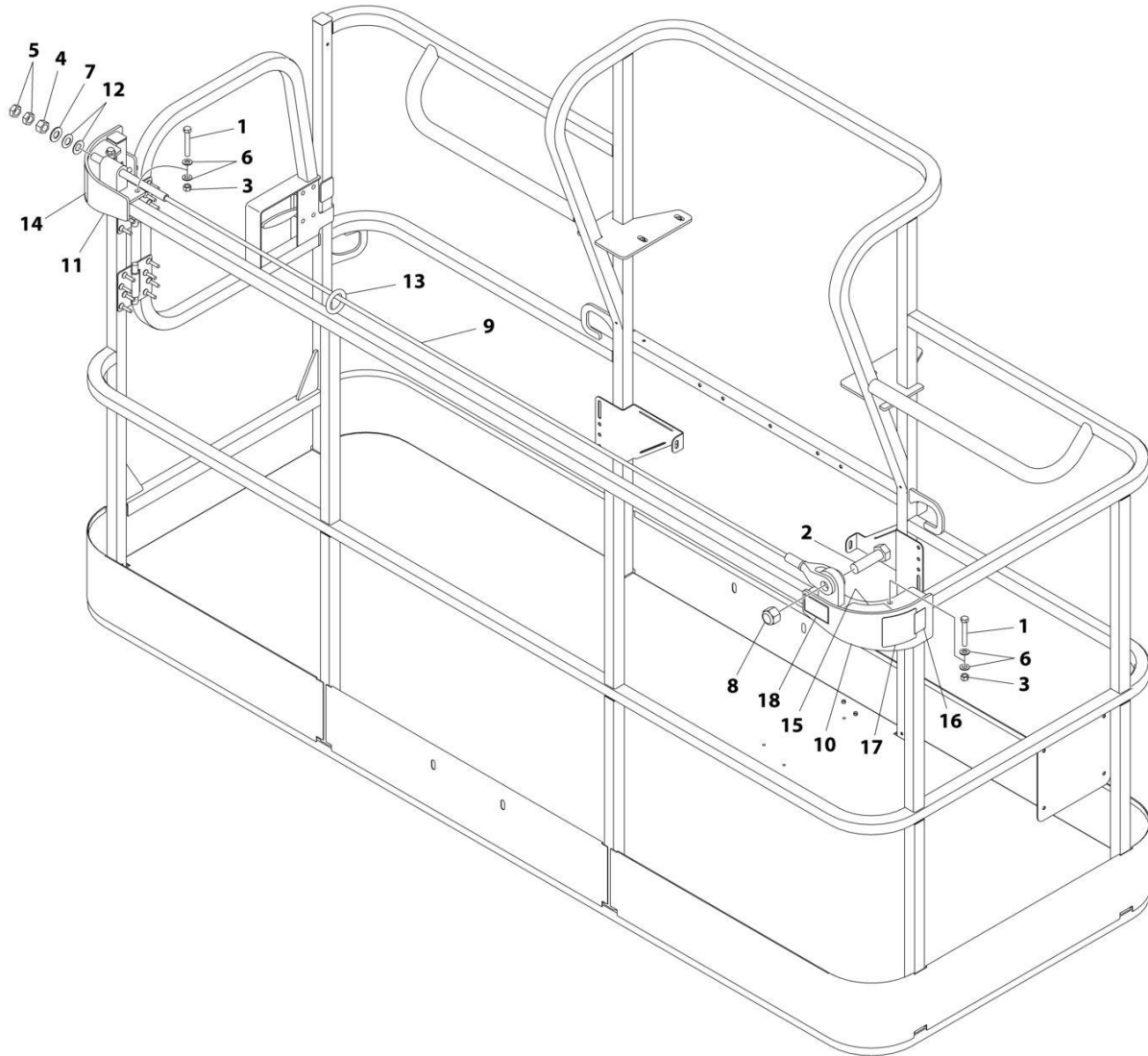
## SECTION 5 - PLATFORM

**FIGURE 5-43. FALL ARREST INSTALLATION (BOLT-ON) 30IN X 6FT (76CM X 1.83M) PLATFORM**

ITEM	PART NUMBER	QTY	DESCRIPTION	REV
	1001261339	Ref	FALL ARREST INSTALLATION (BOLT-ON) 30IN X 6FT (76CM X 1.83M) PLATFORM	A
1	0681620	6	Bolt 3/8 x 2-1/2	
2	0682424	1	Bolt 7/8 x 3	
3	3271605	6	Nut 3/8	
4	3272001	1	Nut 5/8	
5	3312002	2	Nut 5/8	
6	4711600	12	Washer 3/8	
7	4712000	1	Washer 5/8	
8	88521214	1	Nut 7/8	
9	1001232010	1	Bracket	
10	1001236891	2	Washer	
11	1001236895	1	Ring	
12	1001238263	1	Decal - Warning Falling Hazard	
13	1001248140	1	Decal - Bolt Fall Arrest Re-Cert	
14	1001248141	1	Decal - Incription	
15	See Note	NSS	Nameplate - Manufacturers Serial Number (Note: Not Available for Purchase)	
16	1001252629	1	Decal - Weight	
17	1001257271	1	Bracket	
18	1001261336	1	Rope	

# SECTION 5 - PLATFORM

FIGURE 5-44. FALL ARREST INSTALLATION (BOLT-ON) 36IN X 8FT (91.5CM X 2.4M) PLATFORM



ART\_1001236746

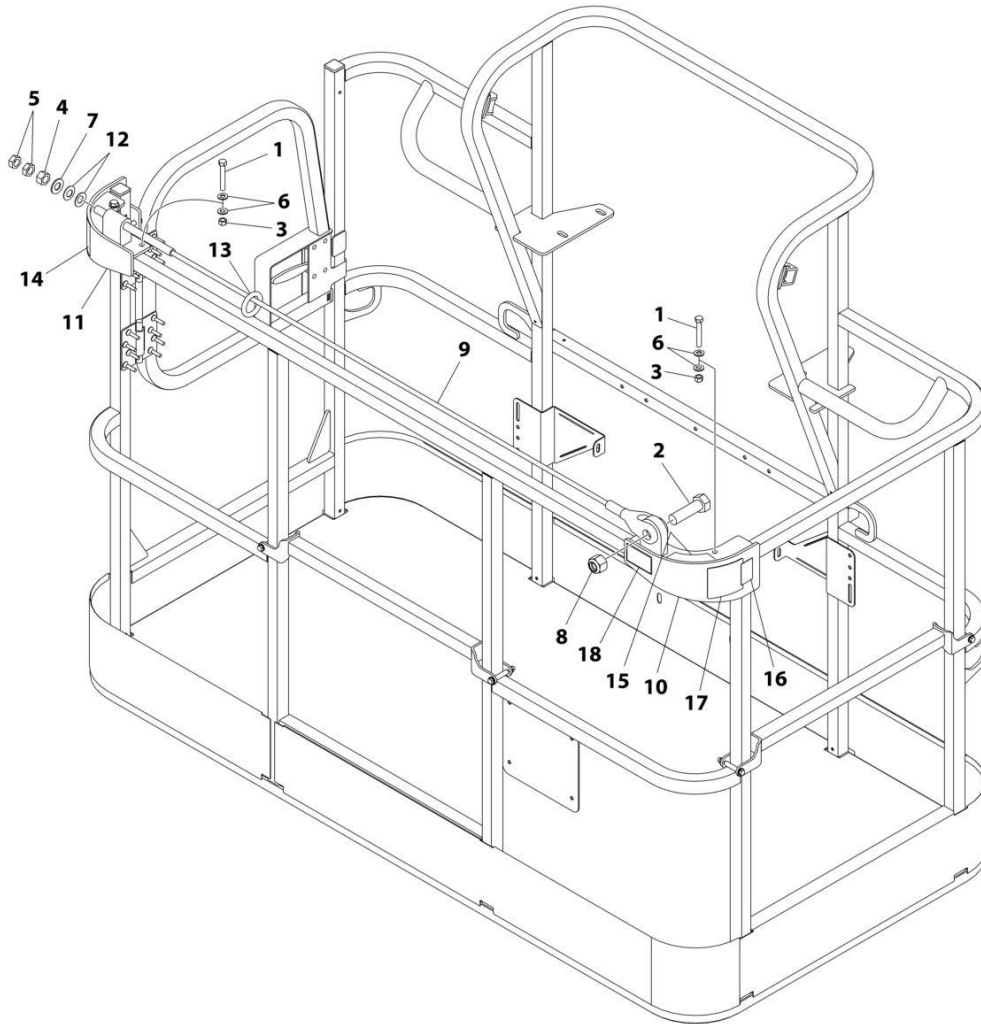
## SECTION 5 - PLATFORM

**FIGURE 5-44. FALL ARREST INSTALLATION (BOLT-ON) 36IN X 8FT (91.5CM X 2.4M) PLATFORM**

ITEM	PART NUMBER	QTY	DESCRIPTION	REV
	1001236746	Ref	FALL ARREST INSTALLATION (BOLT - ON) 8FT/2.4M PLATFORM	C
1	0681620	6	Bolt 3/8 x 2-1/2	
2	0682424	1	Bolt 7/8 x 3	
3	3271605	6	Nut 3/8	
4	3272001	1	Nut 5/8	
5	3312002	2	Nut 5/8	
6	4711600	12	Washer 3/8	
7	4712000	1	Washer 5/8	
8	88521214	1	Nut 7/8	
9	1001231949	1	Rope	
10	1001232010	1	Bracket (RH)	
11	1001232011	1	Bracket (LH)	
12	1001236891	2	Washer	
13	1001236895	1	Ring	
14	1001238263	1	Decal - Warning Falling Hazard	
15	1001252629	1	Decal - Weight 23LBS/10.4KG	
16	1001248140	1	Decal - Bolt Fall Arrest Re-Cert	
17	1001248141	1	Decal - Inscription	

# SECTION 5 - PLATFORM

FIGURE 5-45. FALL ARREST INSTALLATION (BOLT-ON) 36IN X 6FT (91.5CM X 1.82M) TRI-ENTRY PLATFORM)



ART\_1001238463

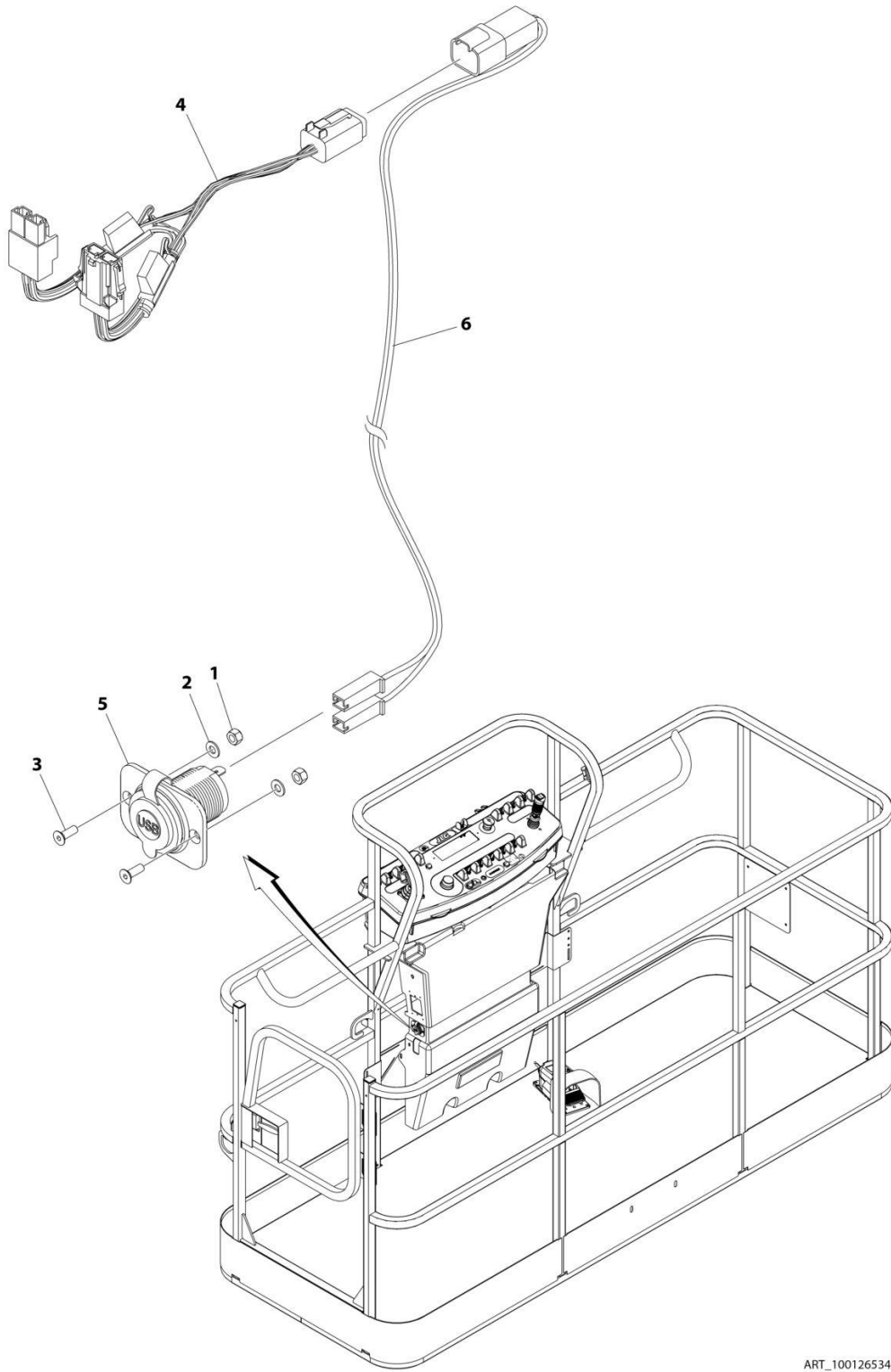
## SECTION 5 - PLATFORM

**FIGURE 5-45. FALL ARREST INSTALLATION (BOLT-ON) 36IN X 6FT (91.5CM X 1.82M) TRI-ENTRY PLATFORM)**

ITEM	PART NUMBER	QTY	DESCRIPTION	REV
	1001238463	Ref	FALL ARREST INSTALLATION (BOLT - ON) 6FT/1.82M PLATFORM	C
1	0681620	6	Bolt 3/8 x 2-1/2	
2	0682424	1	Bolt 7/8 x 3	
3	3271605	6	Nut 3/8	
4	3272001	1	Nut 5/8	
5	3312002	2	Nut 5/8	
6	4711600	12	Washer 3/8	
7	4712000	1	Washer 5/8	
8	88521214	1	Nut 7/8	
9	1001231950	1	Rope	
10	1001232010	1	Bracket (RH)	
11	1001232011	1	Bracket (LH)	
12	1001236891	2	Washer	
13	1001236895	1	Ring	
14	1001238263	1	Decal - Warning Falling Hazard	
15	1001252629	1	Decal - Weight	
16	1001248140	1	Decal - Bolt Fall Arrest Re-Cert	
17	1001248141	1	Decal - Inscription	

# SECTION 5 - PLATFORM

## FIGURE 5-46. USB CHARGER INSTALLATION



ART\_1001265342

## SECTION 5 - PLATFORM

**FIGURE 5-46. USB CHARGER INSTALLATION**

ITEM	PART NUMBER	QTY	DESCRIPTION	REV
	1001265342	Ref	USB CHARGER INSTALLATION	A
1	3290405	2	Nut M4	
2	4811400	2	Washer M4	
3	1001097244	2	Screw M4 x 12	
4	1001120484	1	Harness, Work Lights	
4	4460879	1	Plug, Male - 2 Position	
4	4460887	2	Terminal	
4	2400060	2	Fuseholder Includes Cover	
4	8229249	2	Fuse, 3 Amp	
4	4460884	1	Connector - 4 Position	
4	4460465	4	Socket, Female	
4	1001120471	1	Connector - 2 Position	
4	1001120477	2	Terminal	
5	1001210636	1	Receptacle, USB	
6	1001265163	1	Harness, USB	A
6	4460260	2	Cover, Terminal	
6	4460259	2	Terminal	
6	4460932	1	Receptacle, Bussbar - 4 Position	
6	4460464	2	Pin, Male	
6	4460466	2	Plug, Terminal	

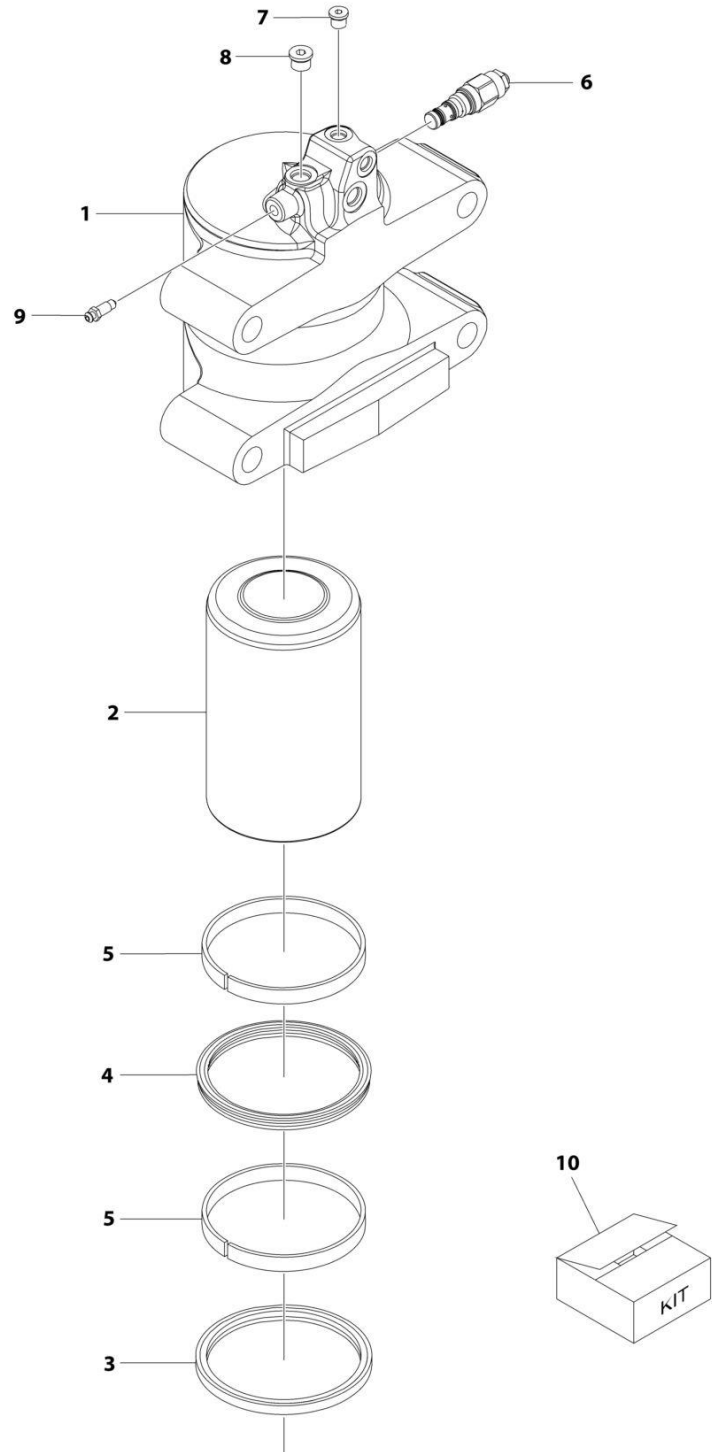




**SECTION 6 - CYLINDER**

# SECTION 6 - CYLINDER

## FIGURE 6-1. AXLE LOCKOUT CYLINDER ASSEMBLY



ART\_1001204560

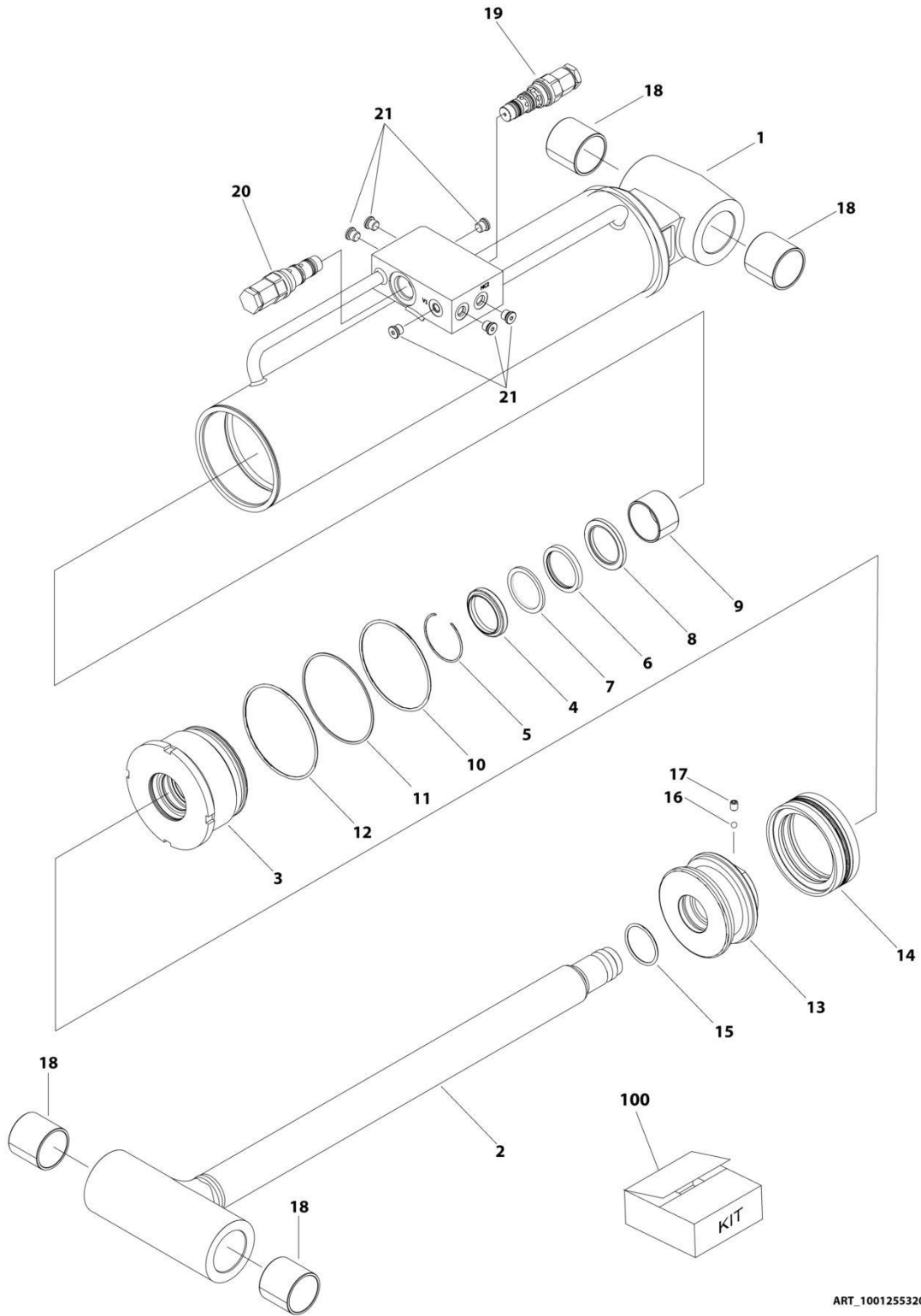
## SECTION 6 - CYLINDER

**FIGURE 6-1. AXLE LOCKOUT CYLINDER ASSEMBLY**

ITEM	PART NUMBER	QTY	DESCRIPTION	REV
	1001204560	Ref	AXLE LOCKOUT CYLINDER ASSEMBLY	D
1	1001154126	1	Barrel	
2	1001154687	1	Rod	
3	See Note	NSS	Wiper (Note: Use Item 10)	
4	See Note	NSS	Seal, Rod (Note: Use Item 10)	
5	See Note	NSS	Ring, Wear (Note: Use Item 10)	
6	1001117372	1	Cartridge, Valve (Counterbalance)	
6	70002842	1	Seal Kit - 1001117372 Valve (1 Per Assembly)	
7	2220883	1	Plug, O-Ring	
8	2220885	1	Plug, O-Ring	
9	4640858	1	Valve, Bleeder	
10	1001098167	1	Seal Kit (Includes Items 3-5)	

# SECTION 6 - CYLINDER

## FIGURE 6-2. LEVEL CYLINDER ASSEMBLY - PLATFORM SLAVE



ART\_1001255320

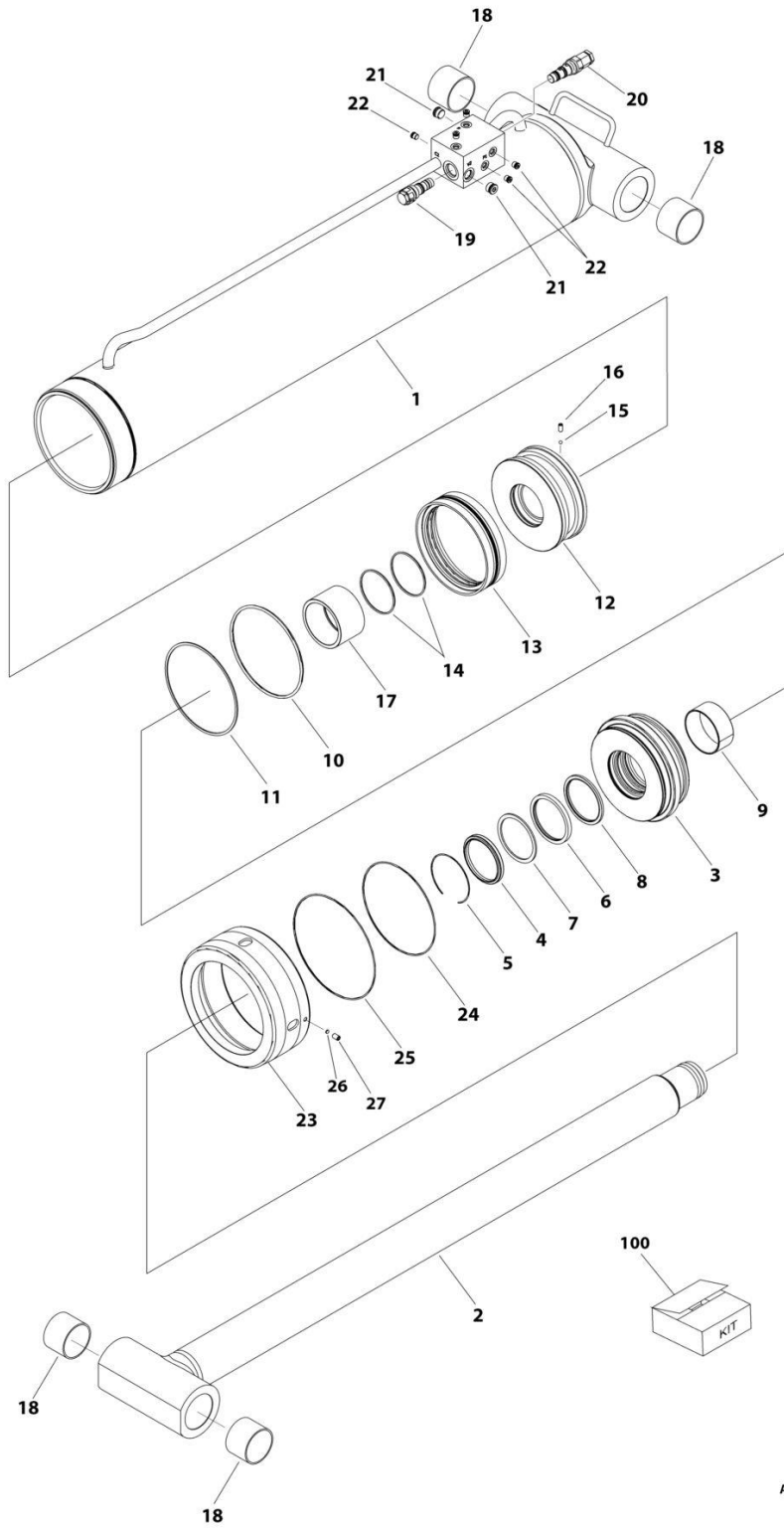
## SECTION 6 - CYLINDER

**FIGURE 6-2. LEVEL CYLINDER ASSEMBLY - PLATFORM SLAVE**

ITEM	PART NUMBER	QTY	DESCRIPTION	REV
	1001255320	Ref	LEVEL (SLAVE) CYLINDER ASSEMBLY	C
		Ref	Note: Original Cylinder may have been replaced with Service Replacement. Identify PN Stamped on Cylinder Before Ordering Parts.	
1	See Note	NSS	Barrel (Note: Not Available for Purchase)	
2	70007523	1	Rod	
3	70007157	1	Head	
4	See Note	NSS	Wiper (Note: Use Item 100)	
5	70002410	1	Ring, Retaining	
6	See Note	NSS	Seal (Note: Use Item 100)	
7	See Note	NSS	Ring, Back-up (Note: Use Item 100)	
8	See Note	NSS	Ring, Buffer (Note: Use Item 100)	
9	70004237	1	Ring, Wear	
10	See Note	NSS	O-Ring (Note: Use Item 100)	
11	See Note	NSS	Ring, Back-up (Note: Use Item 100)	
12	See Note	NSS	O-Ring (Note: Use Item 100)	
13	70007161	1	Piston	
14	See Note	NSS	Seal (Note: Use Item 100)	
15	See Note	NSS	O-Ring (Note: Use Item 100)	
16	70022564	1	Steel Ball	
17	70023369	1	Screw, Set	
18	70007159	4	Bushing	
19	4640605	1	Valve, Cartridge	
19	2900792	1	Seal Kit - 4640605 Valve	
20	4640932	1	Valve, Cartridge	
20	7011112	1	Seal Kit - 4640932 Valve	
21	2220883	6	Plug, O-Ring	
100	70007524	1	Seal Kit (Includes Items 4, 6-8, 10-12, 14 & 15)	

# SECTION 6 - CYLINDER

## FIGURE 6-3. LEVEL CYLINDER ASSEMBLY - UPRIGHT



ART\_1001251041

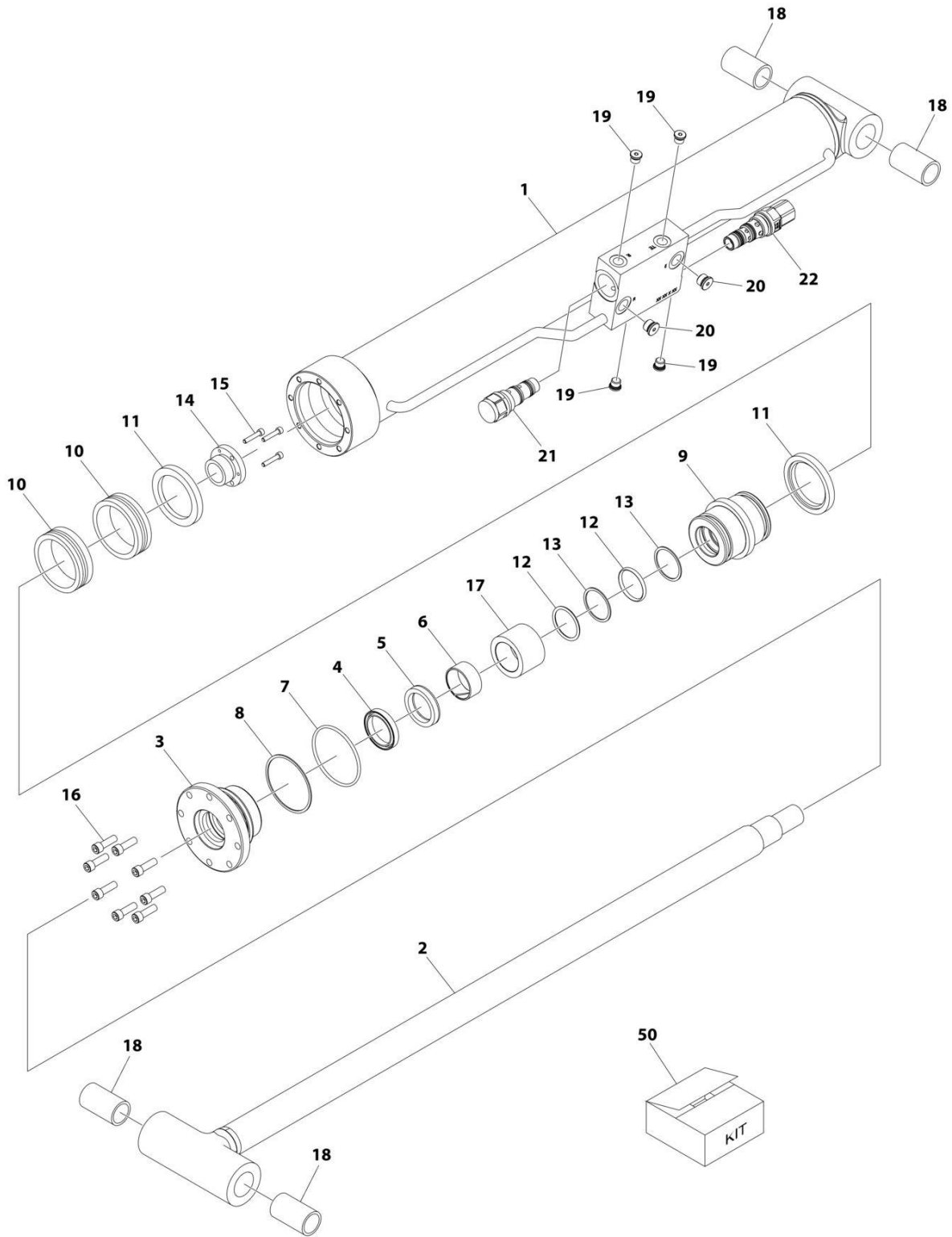
## SECTION 6 - CYLINDER

**FIGURE 6-3. LEVEL CYLINDER ASSEMBLY - UPRIGHT**

ITEM	PART NUMBER	QTY	DESCRIPTION	REV
	1001251041	Ref	LIFT CYLINDER ASSEMBLY	C
		Ref	Note: Original Cylinder may have been replaced with Service Replacement. Identify PN Stamped on Cylinder Before Ordering Parts.	
1	See Note	NSS	Barrel (Note: Not Available for Purchase)	
2	70007427	1	Rod	
3	70007422	1	Head	
4	See Note	NSS	Wiper (Note: Use Item 100)	
5	70023380	1	Ring, Retaining	
6	See Note	NSS	Seal (Note: Use Item 100)	
7	See Note	NSS	Ring, Back-up (Note: Use Item 100)	
8	See Note	NSS	Ring, Buffer (Note: Use Item 100)	
9	70007423	1	Ring, Wear	
10	See Note	NSS	O-Ring (Note: Use Item 100)	
11	See Note	NSS	Ring, Back-up (Note: Use Item 100)	
12	70007428	1	Piston	
13	See Note	NSS	Seal (Note: Use Item 100)	
14	See Note	NSS	O-Ring (Note: Use Item 100)	
15	70022564	1	Steel Ball	
16	70007246	1	Screw, Set	
17	70007429	1	Spacer	
18	0962102	4	Bushing	
19	4640509	1	Cartridge, Valve	
19	2900792	1	Seal Kit - 4640509 Valve	
20	4640605	1	Cartridge, Valve	
20	2900792	1	Seal Kit - 4640605 Valve	
21	2220886	2	Plug, O-Ring	
22	2220883	5	Plug, O-Ring	
23	70007278	1	Cap	
24	See Note	1	O-Ring (Note: Use Item 100)	
25	See Note	NSS	O-Ring (Note: Use Item 100)	
26	70007282	1	Insert, Locking	
27	70026287	1	Screw, Set	
100	70007430	1	Seal Kit (Includes Items 4, 6-8, 10, 11, 13, 14, 24 & 25)	

# SECTION 6 - CYLINDER

## FIGURE 6-4. LIFT CYLINDER ASSEMBLY - JIB



ART\_1001264991



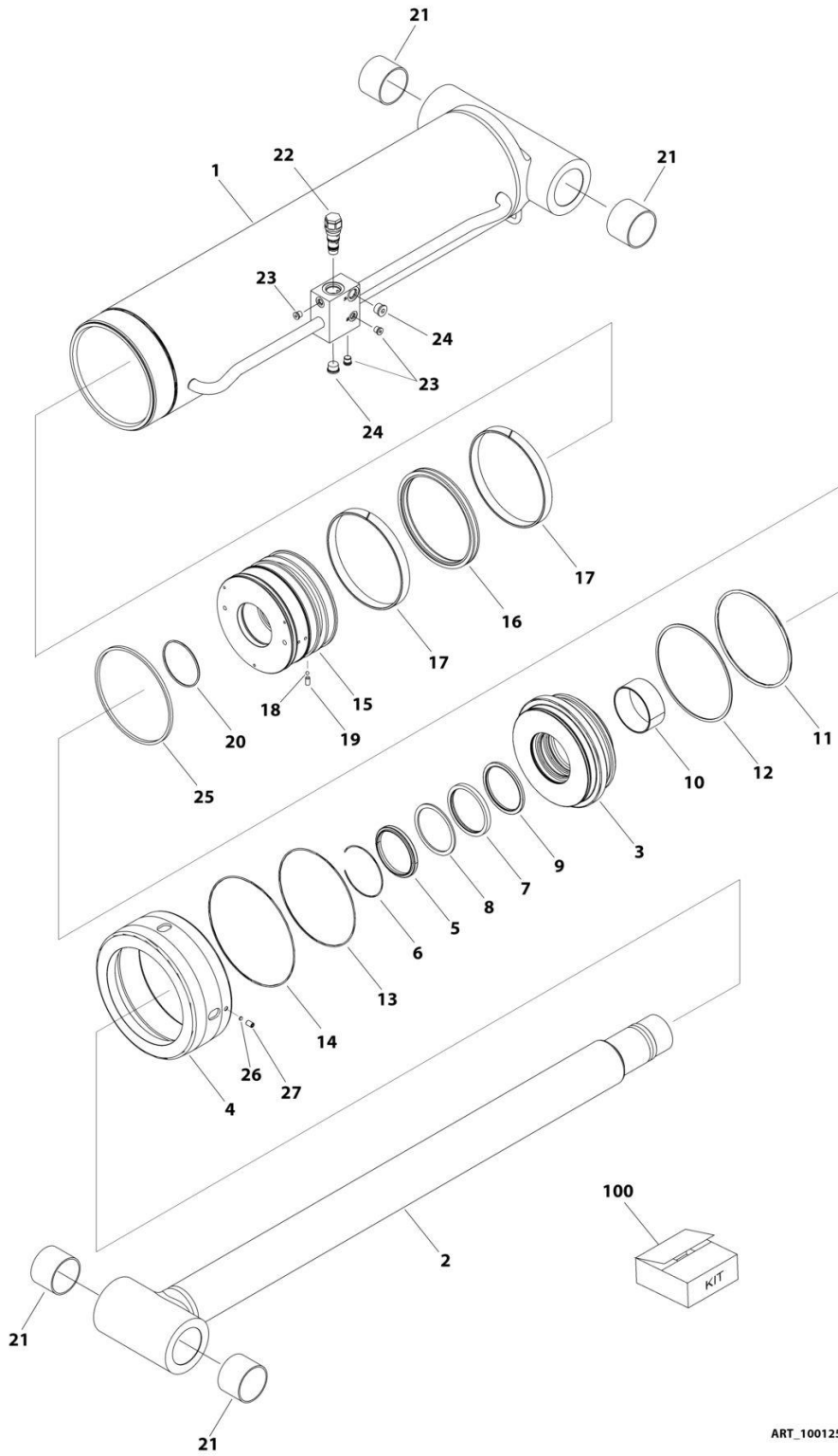
## SECTION 6 - CYLINDER

**FIGURE 6-4. LIFT CYLINDER ASSEMBLY - JIB**

ITEM	PART NUMBER	QTY	DESCRIPTION	REV
	1001264991	Ref	LIFT CYLINDER ASSEMBLY - JIB	B
		Ref	Note: Original Cylinder May Have Been Replaced with Service Replacement. Identify PN Stamped on Cylinder Before Ordering Parts.	
1	See Note	NSS	Barrel (Note: Use PN 1001264991)	
2	70006734	1	Rod	
3	70006649	1	Head	
4	See Note	NSS	Wiper (Note: Use Item 50)	
5	See Note	NSS	Seal, Rod (Note: Use Item 50)	
6	See Note	NSS	Ring, Wear (Note: Use Item 50)	
7	See Note	NSS	O-Ring (Note: Use Item 50)	
8	See Note	NSS	Ring, Back-up (Note: Use Item 50)	
9	70006650	1	Piston	
10	See Note	NSS	Ring, Hydro Lock (Note: Use Item 50)	
11	See Note	NSS	Ring, Guide Lock (Note: Use Item 50)	
12	See Note	NSS	O-Ring (Note: Use Item 50)	
13	See Note	NSS	Ring, Back-up (Note: Use Item 50)	
14	0961893	1	Bushing, Tapered	
15	0630534	3	Capscrew	
16	70006735	8	Capscrew	
17	70006736	1	Spacer	
18	0962336	4	Bearing	
19	70023370	4	Plug	
20	70023371	2	Plug	
21	4640509	1	Cartridge, Counterbalance Valve	
21	2900792	1	Seal Kit - 4640509 Valve	
22	1001263800	1	Cartridge, Counterbalance Valve	
22	70004186	1	Seal Kit - 1001263800 Valve	
50	1001138795	1	Seal Kit - 1001264991 Cylinder (Includes Items 4-8 & 10-13)	

# SECTION 6 - CYLINDER

## FIGURE 6-5. LIFT CYLINDER ASSEMBLY - MAIN BOOM



ART\_1001251010

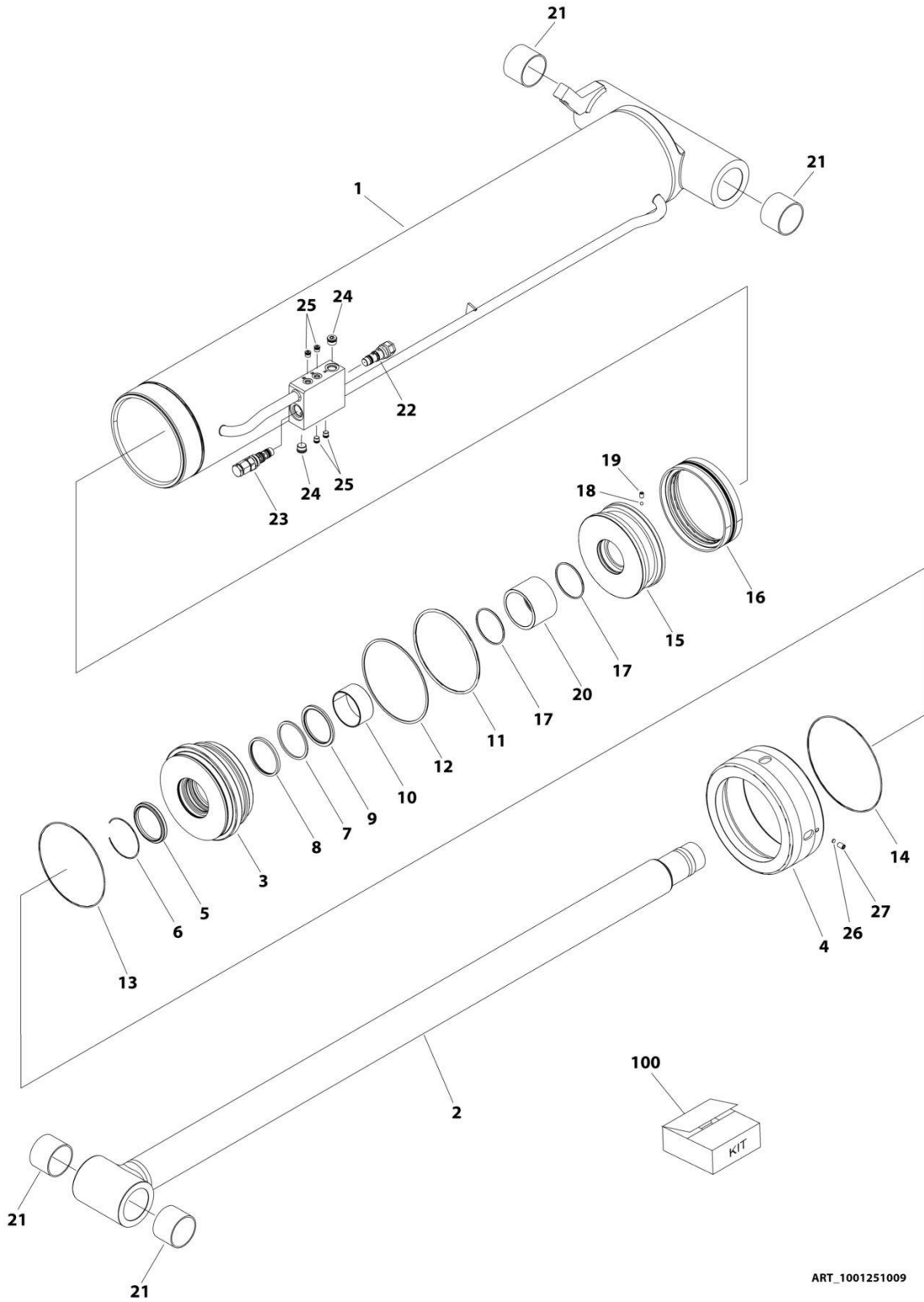
## SECTION 6 - CYLINDER

**FIGURE 6-5. LIFT CYLINDER ASSEMBLY - MAIN BOOM**

ITEM	PART NUMBER	QTY	DESCRIPTION	REV
	1001251010	Ref	LIFT CYLINDER ASSEMBLY	C
		Ref	Note: Original Cylinder may have been replaced with Service Replacement. Identify PN Stamped on Cylinder Before Ordering Parts.	
1	See Note	NSS	Barrel (Note: Not Available for Purchase)	
2	70007421	1	Rod	
3	70007422	1	Head	
4	70007278	1	Cap	
5	See Note	NSS	Wiper (Note: Use Item 100)	
6	70023380	1	Ring, Retaining	
7	See Note	NSS	Seal (Note: Use Item 100)	
8	See Note	NSS	Ring, Back-up (Note: Use Item 100)	
9	See Note	NSS	Ring, Buffer (Note: Use Item 100)	
10	70007423	1	Ring, Wear	
11	See Note	NSS	O-Ring (Note: Use Item 100)	
12	See Note	NSS	Ring, Back-up (Note: Use Item 100)	
13	See Note	NSS	O-Ring (Note: Use Item 100)	
14	See Note	NSS	O-Ring (Note: Use Item 100)	
15	70007424	1	Piston	
16	See Note	NSS	Seal (Note: Use Item 100)	
17	See Note	NSS	Ring, Wear (Note: Use Item 100)	
18	70022564	1	Steel Ball	
19	70007246	1	Screw, Set	
20	See Note	1	O-Ring (Note: Use Item 100)	
21	0962102	4	Bushing	
22	4640509	1	Cartridge, Valve	
22	2900792	1	Seal Kit - 4640509 Valve	
23	2220883	3	Plug, O-Ring	
24	2220886	2	Plug, O-Ring	
25	70007425	1	Ring, Piston	
26	70007282	1	Insert, Locking	
27	70026287	1	Screw, Set	
100	70007426	1	Seal Kit (Includes Items 5, 7-9, 11-14, 16, 17 & 20)	

# SECTION 6 - CYLINDER

## FIGURE 6-6. LIFT CYLINDER ASSEMBLY - TOWER BOOM



ART\_1001251009

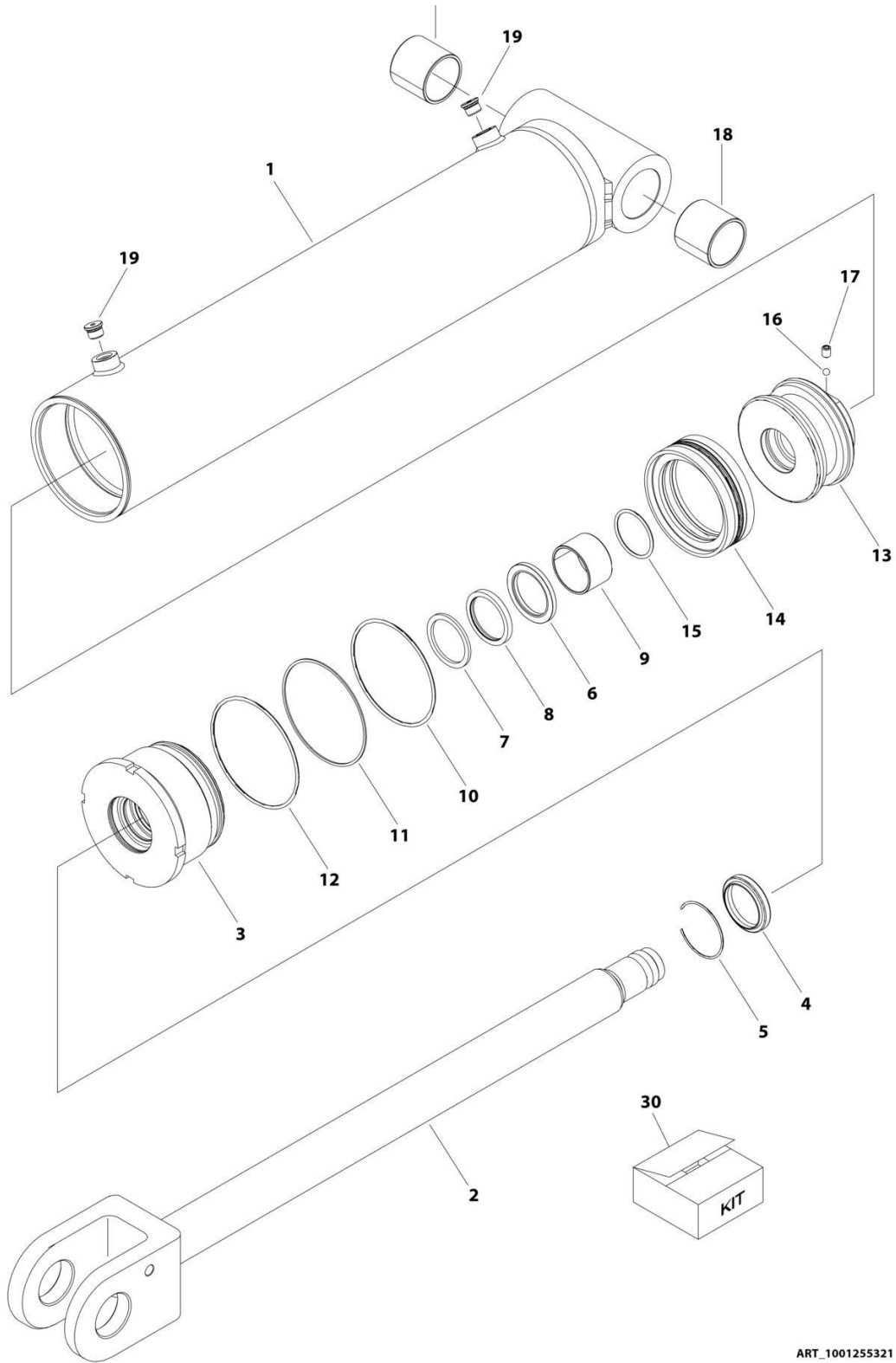
## SECTION 6 - CYLINDER

**FIGURE 6-6. LIFT CYLINDER ASSEMBLY - TOWER BOOM**

ITEM	PART NUMBER	QTY	DESCRIPTION	REV
	1001251009	Ref	LIFT CYLINDER ASSEMBLY	C
		Ref	Note: Original Cylinder may have been replaced with Service Replacement. Identify PN Stamped on Cylinder Before Ordering Parts.	
1	See Note	NSS	Barrel (Note: Not Available for Purchase)	
2	70007419	1	Rod	
3	70007277	1	Head	
4	70007278	1	Cap	
5	See Note	NSS	Wiper (Note: Use Item 100)	
6	70027750	1	Ring, Retaining	
7	See Note	NSS	Seal (Note: Use Item 100)	
8	See Note	NSS	Ring, Back-up (Note: Use Item 100)	
9	See Note	NSS	Ring, Buffer (Note: Use Item 100)	
10	70007279	1	Ring, Wear	
11	See Note	NSS	O-Ring (Note: Use Item 100)	
12	See Note	NSS	Ring, Back-up (Note: Use Item 100)	
13	See Note	NSS	O-Ring (Note: Use Item 100)	
14	See Note	NSS	O-Ring (Note: Use Item 100)	
15	70007280	1	Piston	
16	See Note	NSS	Seal (Note: Use Item 100)	
17	See Note	NSS	O-Ring (Note: Use Item 100)	
18	70022564	1	Steel Ball	
19	70029468	1	Screw, Set	
20	70007420	1	Spacer	
21	0962102	4	Bushing	
22	4640509	1	Cartridge, Valve	
22	2900792	1	Seal Kit - 4640509 Valve	
23	4640605	1	Cartridge, Valve	
23	2900792	1	Seal Kit - 4640605 Valve	
24	2220886	1	Plug, O-Ring	
25	2220883	4	Plug, O-Ring	
26	70007282	1	Insert, Locking	
27	70026287	1	Screw, Set	
100	70007283	1	Seal Kit (Includes Items 5, 7-9, 11-14, 16 & 17)	

# SECTION 6 - CYLINDER

## FIGURE 6-7. MASTER CYLINDER ASSEMBLY



ART\_1001255321

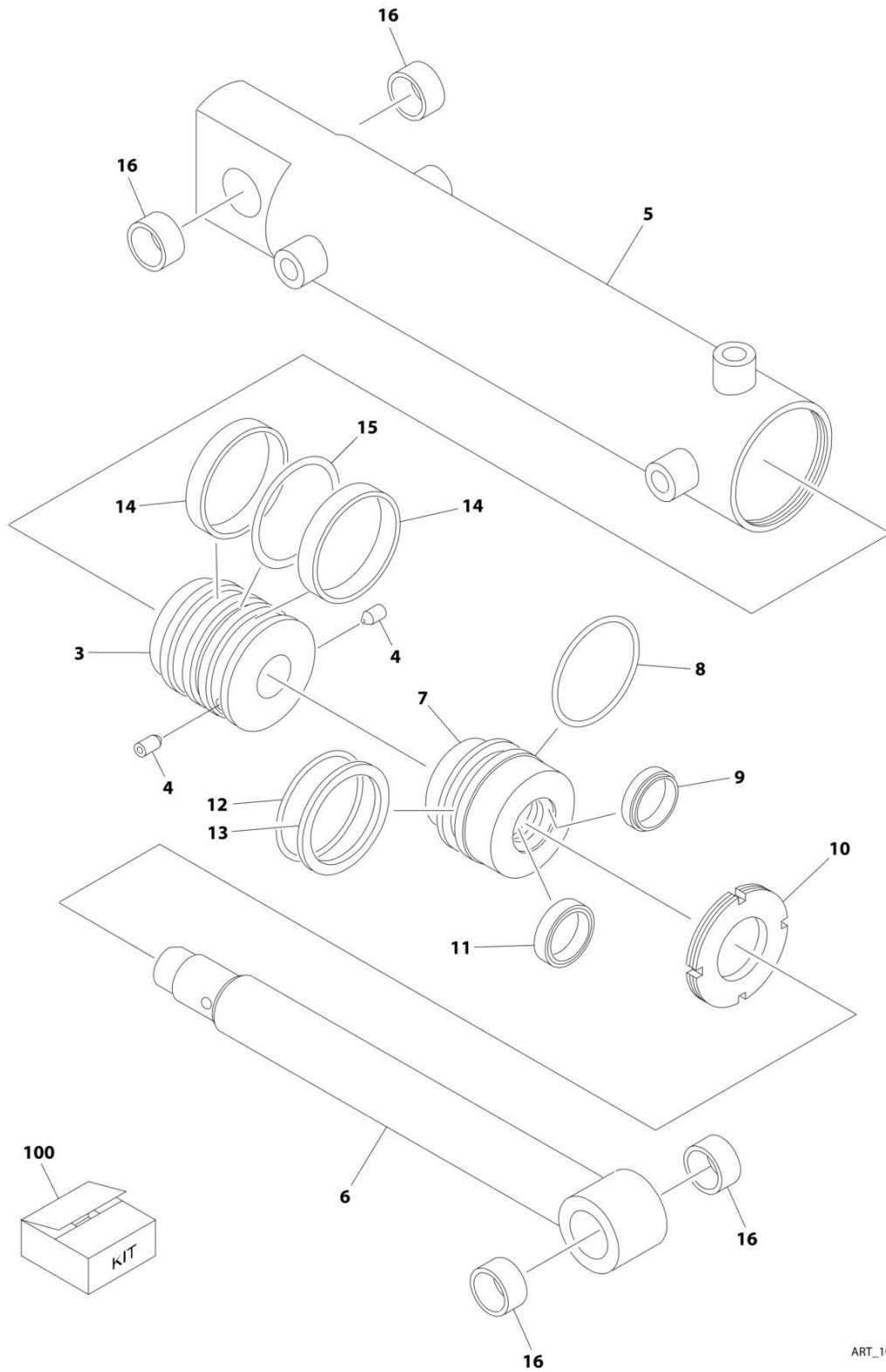
## SECTION 6 - CYLINDER

### FIGURE 6-7. MASTER CYLINDER ASSEMBLY

ITEM	PART NUMBER	QTY	DESCRIPTION	REV
	1001255321	Ref	MASTER CYLINDER ASSEMBLY	E
		Ref	Note: Original Cylinder may have been replaced with Service Replacement. Identify PN Stamped on Cylinder Before Ordering Parts.	
1	See Note	NSS	Barrel (Note: Not Available for Purchase)	
2	70007525	1	Rod	
3	70007157	1	Head	
4	See Note	NSS	Wiper (Note: Use Item 30)	
5	70002410	1	Ring, Retaining	
6	See Note	NSS	Seal, Rod (Note: Use Item 30)	
7	See Note	NSS	Ring, Back-up (Note: Use Item 30)	
8	See Note	NSS	Ring, Buffer (Note: Use Item 30)	
9	70004237	1	Ring, Wear	
10	See Note	NSS	O-Ring (Note: Use Item 30)	
11	See Note	NSS	Ring, Back-up (Note: Use Item 30)	
12	See Note	NSS	O-Ring (Note: Use Item 30)	
13	70007161	1	Piston	
14	See Note	NSS	Ring, Lock (Note: Use Item 30)	
15	See Note	NSS	O-Ring (Note: Use Item 30)	
16	70022564	1	Steel Ball	
17	70023369	1	Screw, Set	
18	70007159	1	Bushing	
19	2220885	2	Plug, O-Ring	
30	70007524	1	Seal Kit (Includes Items 4, 6-8, 10-12, 14 & 15)	

# SECTION 6 - CYLINDER

## FIGURE 6-8. STEER CYLINDER ASSEMBLY



ART\_1001150539



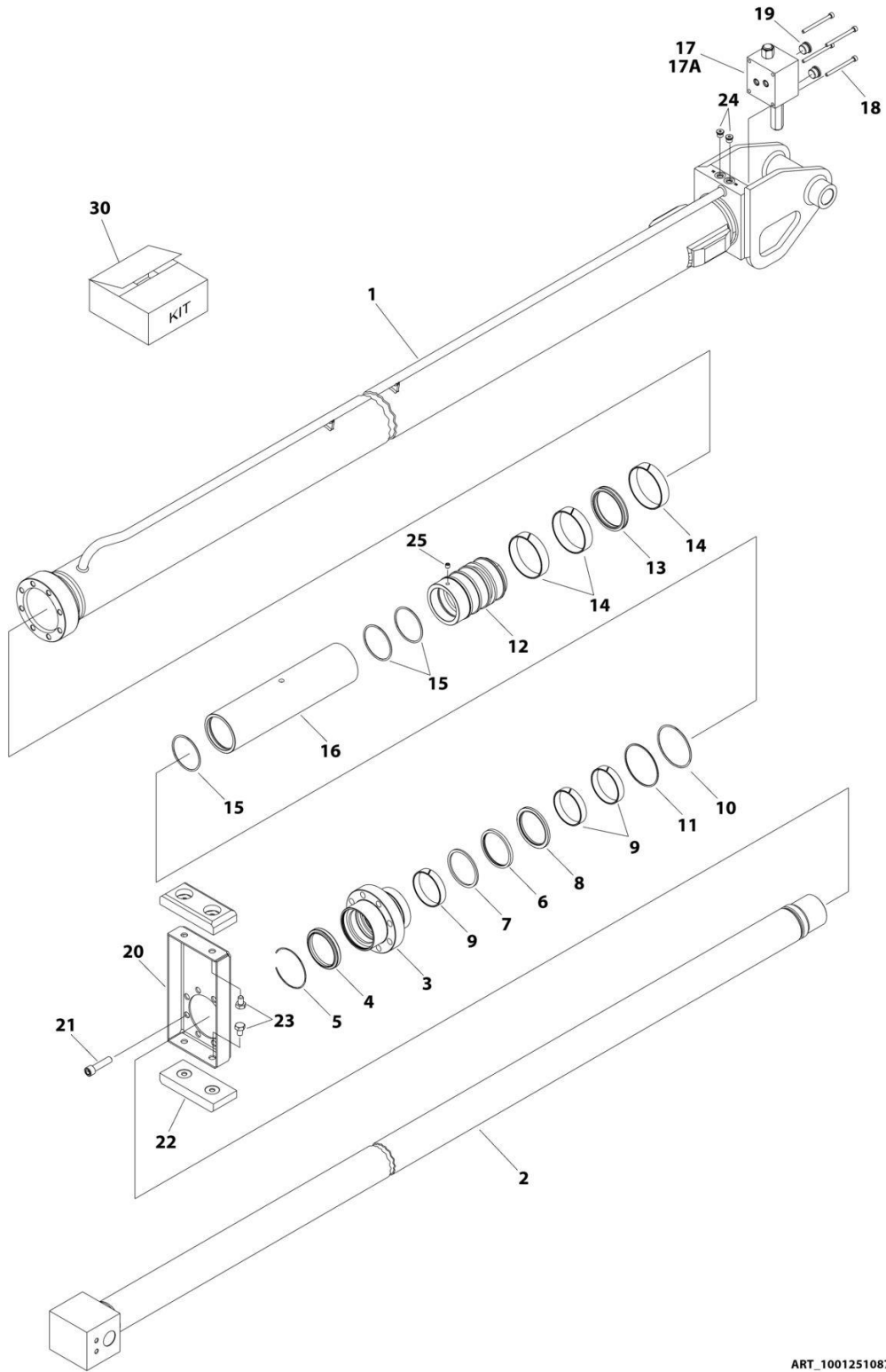
## SECTION 6 - CYLINDER

**FIGURE 6-8. STEER CYLINDER ASSEMBLY**

ITEM	PART NUMBER	QTY	DESCRIPTION	REV
	1001150539	Ref	STEER CYLINDER ASSEMBLY	F
		Ref	Note: Original Cylinder may have been replaced with Service Replacement. Identify PN Stamped on Cylinder Before Ordering Parts.	
3	70002744	1	Piston	
4	70002745	2	Setscrew M6 x 10	
5	70004381	1	Barrel	
6	70004382	1	Rod	
7	70002748	1	Head	
8	See Note	NSS	Ring (Note: Use Item 100)	
9	See Note	NSS	Wiper (Note: Use Item 100)	
10	70002749	1	Nut, Spanner	
11	See Note	NSS	Seal (Note: Use Item 100)	
12	See Note	NSS	O-Ring (Note: Use Item 100)	
13	See Note	NSS	Ring, Back-up (Note: Use Item 100)	
14	See Note	NSS	Ring, Wear (Note: Use Item 100)	
15	See Note	NSS	Seal (Note: Use Item 100)	
16	0962152	4	Bushings	
100	70002751	1	Seal Kit (Includes Items 8, 9 & 11-15)	

# SECTION 6 - CYLINDER

## FIGURE 6-9. TELESCOPE CYLINDER ASSEMBLY - MAIN BOOM



ART\_1001251087

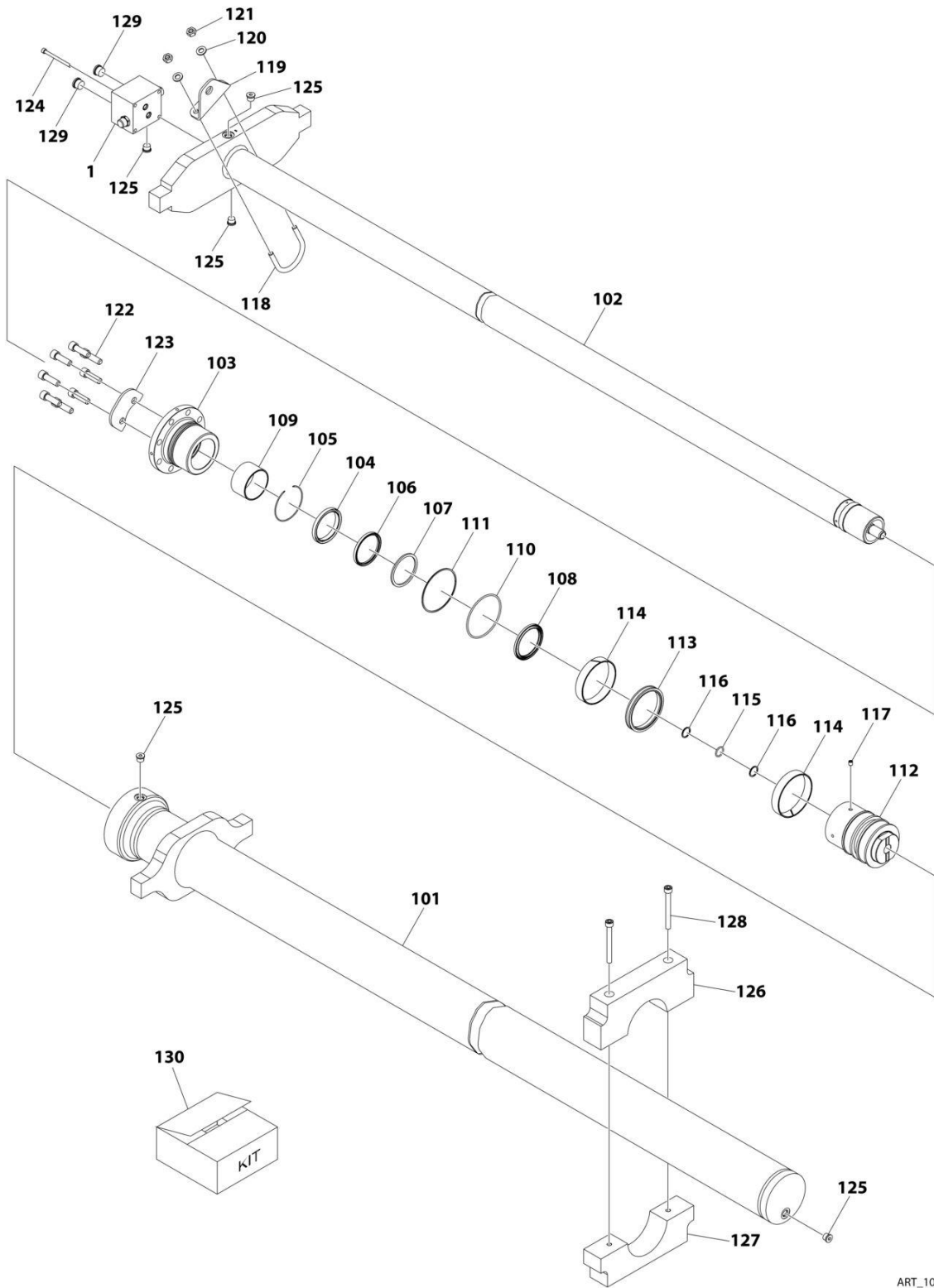
## SECTION 6 - CYLINDER

**FIGURE 6-9. TELESCOPE CYLINDER ASSEMBLY - MAIN BOOM**

ITEM	PART NUMBER	QTY	DESCRIPTION	REV
	1001251087	Ref	TELESCOPE CYLINDER ASSEMBLY	A
		Ref	Note: Original Cylinder may have been replaced with Service Replacement. Identify PN Stamped on Cylinder Before Ordering Parts.	
1	See Note	NSS	Barrel (Note: Not Available for Purchase)	
2	70007514	1	Rod	
3	70007515	1	Head	
4	See Note	NSS	Wiper (Note: Use Item 30)	
5	70027259	1	Ring, Retaining	
6	See Note	NSS	Seal, Rod (Note: Use Item 30)	
7	See Note	NSS	Ring, Back-up (Note: Use Item 30)	
8	See Note	NSS	Ring, Buffer (Note: Use Item 30)	
9	See Note	NSS	Ring, Wear (Note: Use Item 30)	
10	See Note	NSS	O-Ring (Note: Use Item 30)	
11	See Note	NSS	Ring, Back-up (Note: Use Item 30)	
12	70007516	1	Piston	
13	See Note	NSS	Seal, Piston (Note: Use Item 30)	
14	See Note	NSS	Ring, Wear (Note: Use Item 30)	
15	See Note	NSS	O-Ring (Note: Use Item 30)	
16	70007517	1	Spacer	
17	4641033	1	Valve Assembly (No serviceable parts - sold as assembly only)	
17A	7024508	2	O-Ring (Between Valve and Cylinder Barrel)	
18	70006802	4	Capscrew M6	
19	2220886	2	Plug, O-Ring	
20	70007518	1	Plate	
21	70007519	8	Capscrew M12	
22	70007520	2	Pad, Wear	
23	70007521	4	Bolt M10	
24	2220883	2	Plug, O-Ring	
25	70006799	1	Screw, Set	
30	70007522	1	Seal Kit (Includes Items 4, 6, 7, 9-11 & 13-15)	

# SECTION 6 - CYLINDER

## FIGURE 6-10. TELESCOPE CYLINDER ASSEMBLY - TOWER BOOM



ART\_1001251086

## SECTION 6 - CYLINDER

**FIGURE 6-10. TELESCOPE CYLINDER ASSEMBLY - TOWER BOOM**

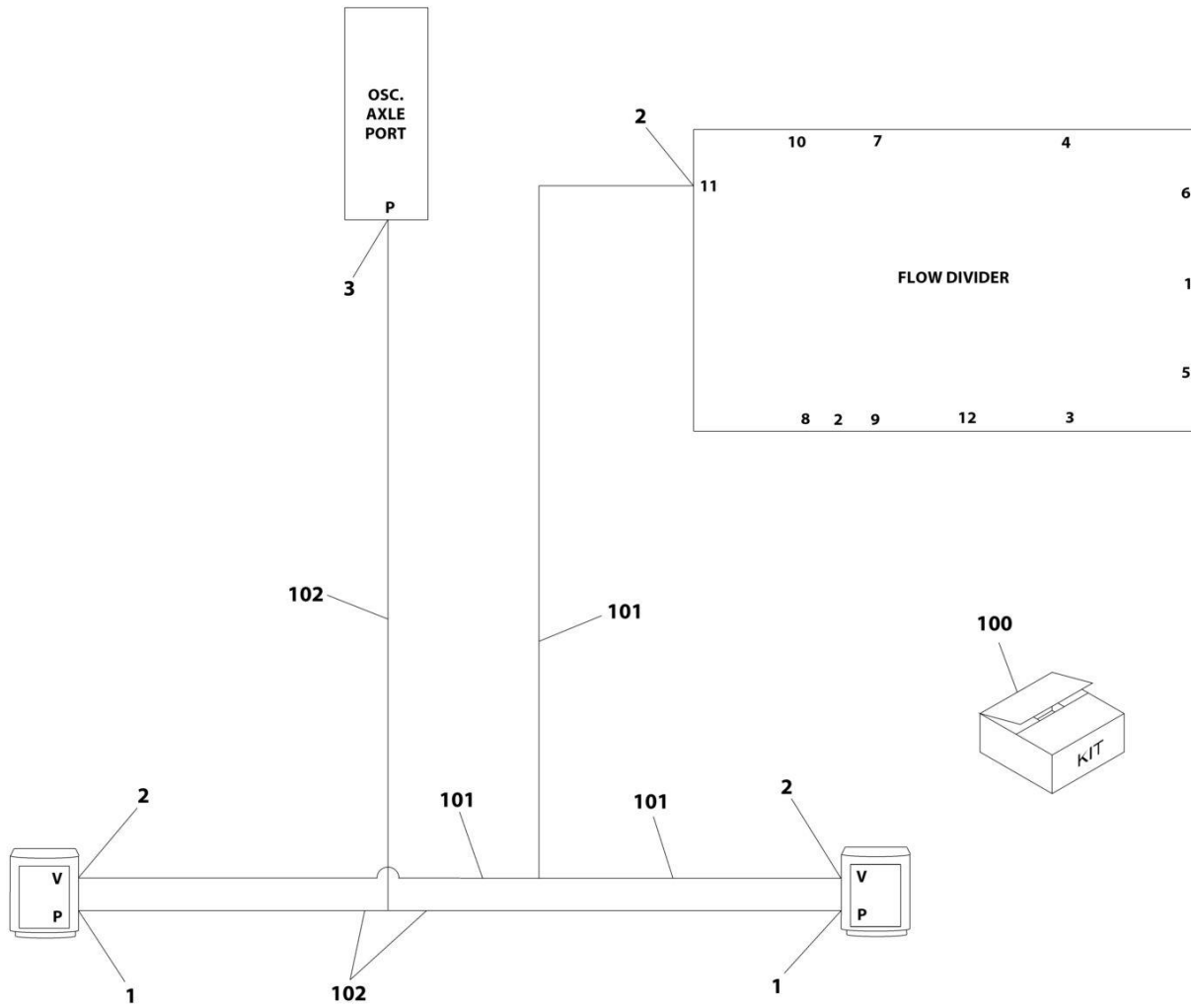
ITEM	PART NUMBER	QTY	DESCRIPTION	REV
	1001251086	Ref	TELESCOPE CYLINDER ASSEMBLY - TOWER BOOM	A
		Ref	Note: Original Cylinder May Have Been Replaced with Service Replacement. Identify PN Stamped on Cylinder Before Ordering Parts.	
1	4641032	1	Valve Assembly (No serviceable parts - sold as assembly only)	
1	7002388	1	Seal Kit	
101	See Note	NSS	Tube (Note: Not Available for Purchase)	
102	70008199	1	Rod	
103	70008200	1	Head	
104	See Note	NSS	Wiper, Dust (Note: Use Item 130)	
105	70050795	1	Ring, Retaining	
106	See Note	NSS	Seal, Rod (Note: Use Item 130)	
107	See Note	NSS	Ring, Backup (Note: Use Item 130)	
108	See Note	NSS	Ring, Buffer (Note: Use Item 130)	
109	70008201	1	Bushing	
110	See Note	NSS	O-Ring (Note: Use Item 130)	
111	See Note	NSS	Ring, Backup (Note: Use Item 130)	
112	70008202	1	Piston	
113	See Note	NSS	Seal, Piston (Note: Use Item 130)	
114	See Note	NSS	Ring, Wear (Note: Use Item 130)	
115	See Note	NSS	O-Ring (Note: Use Item 130)	
116	See Note	1	Ring, Backup (Note: Use Item 130)	
117	70005839	1	Setscrew	
118	70008203	1	U-Bolt M10 x 1.5	
119	70008204	1	Plate	
120	70006344	2	Washer M10	
121	70005594	2	Nut M12	
122	70008205	8	Bolt M12 x 40	
123	70008206	1	Plate	
124	70007981	4	Bolt M6 x 75	
125	2220885	5	Plug 9/16	
126	70008207	1	Pad	
127	70008208	1	Pad	
128	70008209	2	Bolt M10 x 95	
129	2220886	1	Plug 3/4	
130	70008210	1	Seal Kit (Includes Items 104, 106-108, 110-111 & 113-116)	



**SECTION 7 - HYDRAULIC**

# SECTION 7 - HYDRAULIC

## FIGURE 7-1. HYDRAULIC DIAGRAM - AXLE (OSCILLATING)



ART\_1001157400



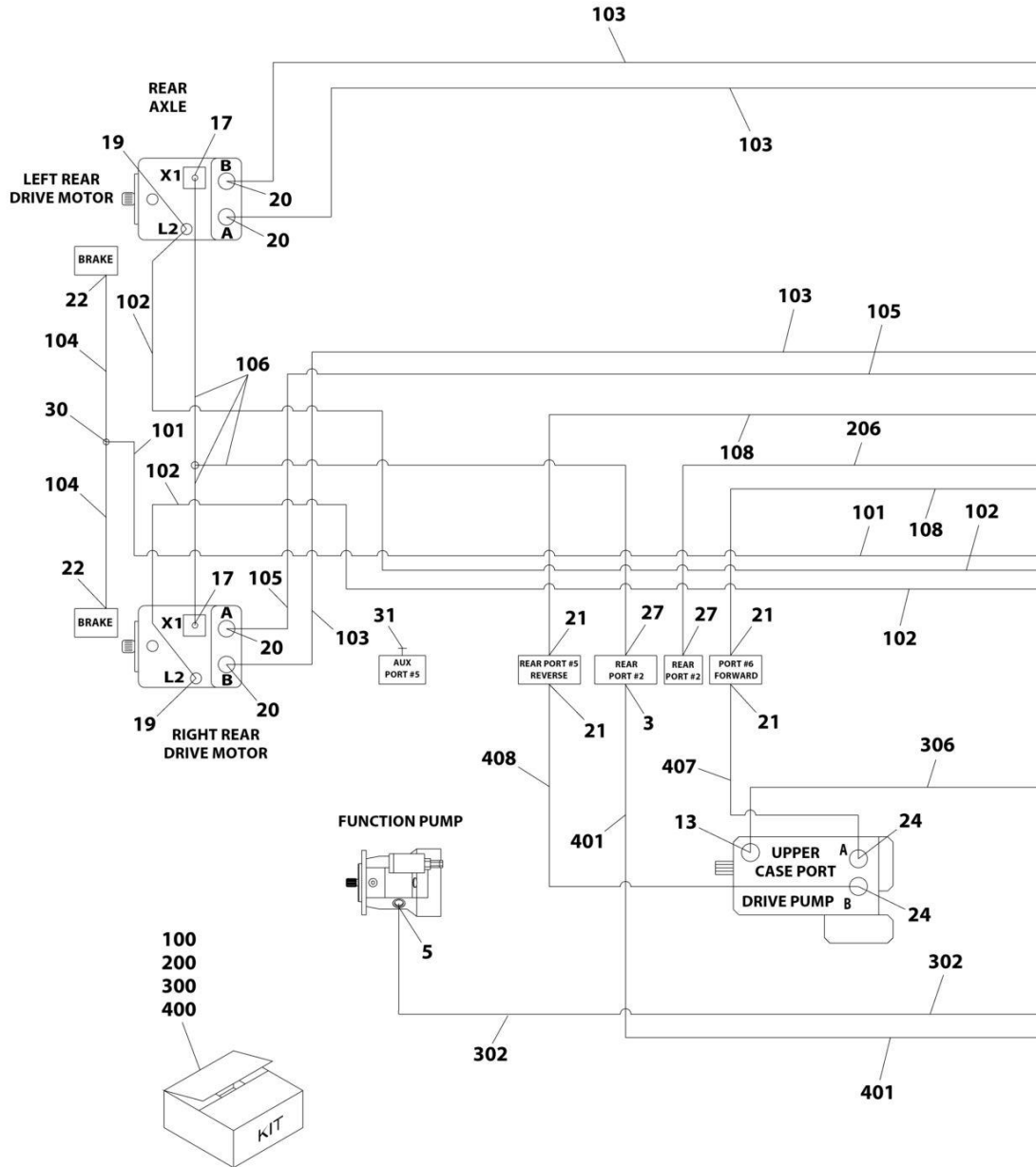
## SECTION 7 - HYDRAULIC

**FIGURE 7-1. HYDRAULIC DIAGRAM - AXLE (OSCILLATING)**

ITEM	PART NUMBER	QTY	DESCRIPTION	REV
	1001157400	Ref	AXLE LOCKOUT HYDRAULIC DIAGRAM	G
1	2110404	2	Fitting, Straight ORFS/ORB	
2	2110606	3	Fitting, Straight ORFS/ORB	
3	2110408	1	Fitting, Straight ORFS/ORB	
100	1001270068	1	Hose Lockout Kit	
101	1001198336	1	Hose with Crimped Tee	
102	1001198339	1	Hose with Crimped Tee	

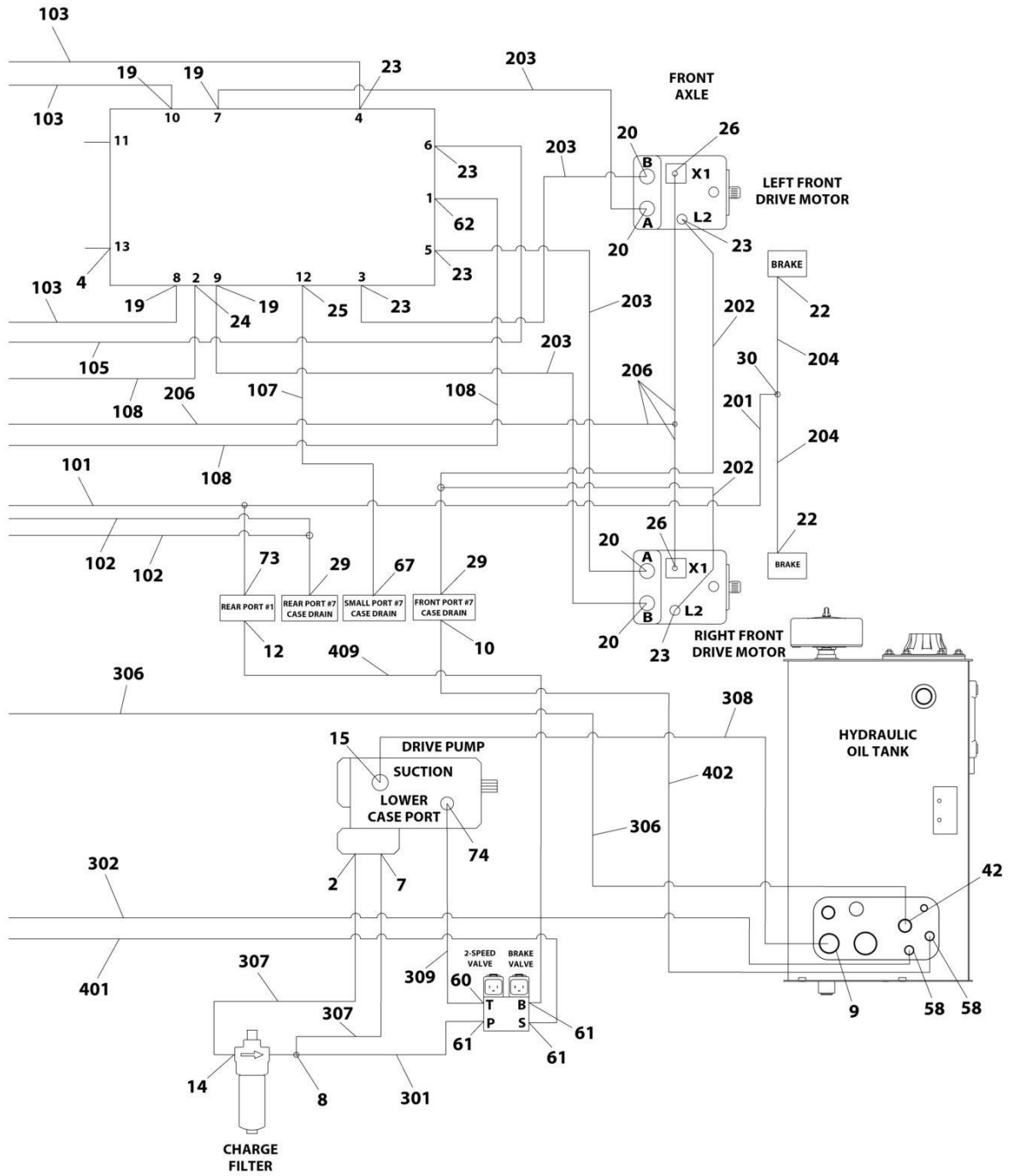
# SECTION 7 - HYDRAULIC

FIGURE 7-2. HYDRAULIC DIAGRAM - DRIVE (4WD/2WS WITHOUT TOW PACKAGE/WITHOUT ARCTIC PACKAGE)



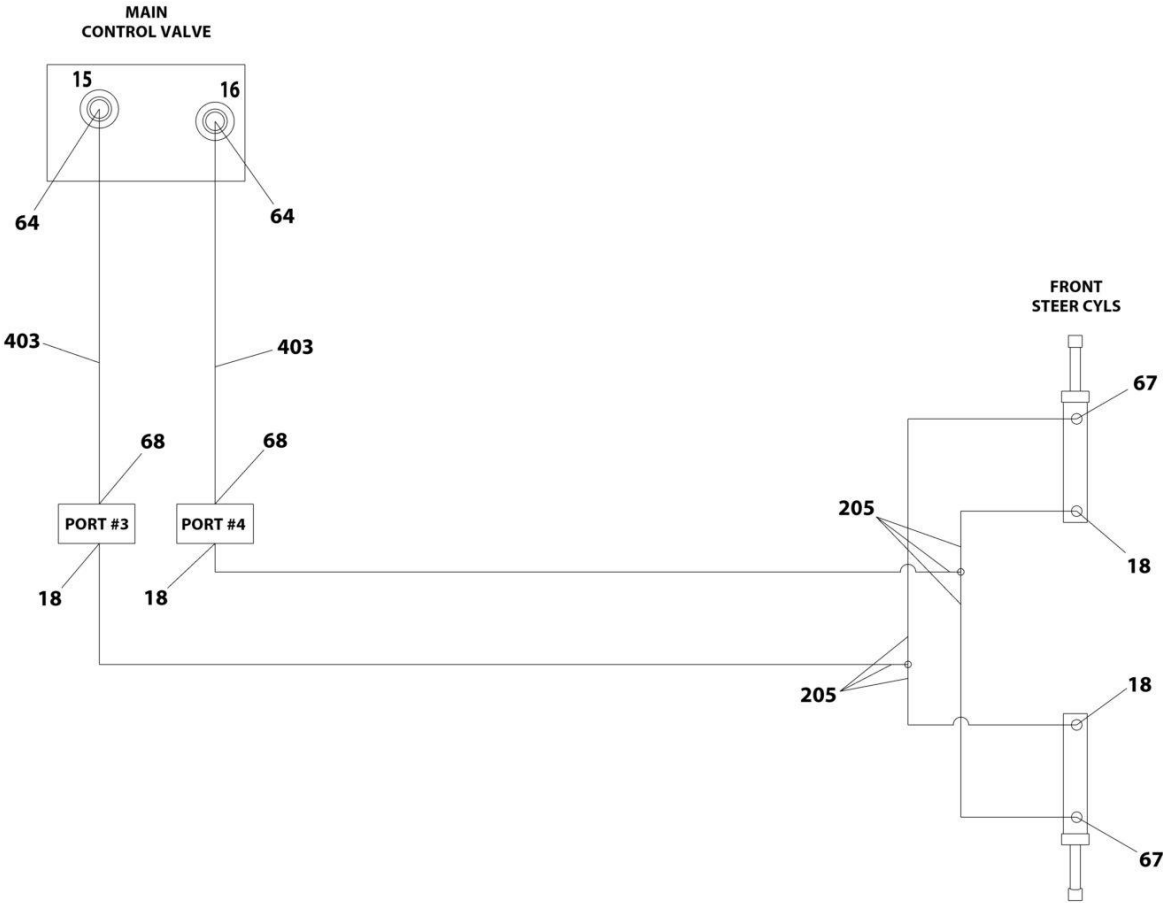
ART\_1001178204\_1OF3

# SECTION 7 - HYDRAULIC



ART\_1001178204\_2OF3

# SECTION 7 - HYDRAULIC



ART\_1001178204\_30F3

## SECTION 7 - HYDRAULIC

**FIGURE 7-2. HYDRAULIC DIAGRAM - DRIVE (4WD/2WS WITHOUT TOW PACKAGE/WITHOUT ARCTIC PACKAGE)**

ITEM	PART NUMBER	QTY	DESCRIPTION	REV
	1001178204	Ref	DRIVE HYDRAULIC DIAGRAM - 4WD/2WS	J
2	2220800	1	Fitting, Straight ORB/FL	
3	2220582	1	Fitting, Straight ORB/FL	
4	2220238	1	Plug	
5	2220671	1	Fitting, 90 JIC/ORB	
7	2220374	1	Fitting, Straight JIC/ORB	
8	1001199394	1	Fitting, Tee JIC/ORB/JIC	
9	2220380	1	Fitting, Straight ORB/FL	
10	2220375	1	Fitting, Straight ORB/FL	
12	2220468	1	Fitting, Straight ORB/FL	
13	2220578	1	Fitting, 90 JIC/ORB	
14	2220596	1	Fitting, 90 JIC/FL	
15	8770050	1	Fitting, 90 JIC/ORB	
17	2110406	2	Fitting, Straight ORFS/ORB	
18	2110606	4	Fitting, Straight ORFS/ORB	
19	2110808	6	Fitting, Straight ORFS/ORB	
20	2110812	8	Fitting, Straight ORFS/ORB	
21	2111616	4	Fitting, Straight ORFS/ORB	
22	2110404	4	Fitting, Straight ORFS/ORB	
23	2130808	6	Fitting, 90 ORFS/ORB	
24	2131616	3	Fitting, 90 ORFS/ORB	
25	2130604	1	Fitting, 90 ORFS/ORB	
26	2130406	2	Fitting, 90 ORFS/ORB	
27	2150406	2	Fitting, 45 ORFS/ORB	
29	2170408	2	Fitting, Tee ORFS/ORFS/ORB	
30	2170504	2	Fitting, Tee ORFS	
31	2220237	1	Plug	
42	2220451	1	Fitting, Straight JIC/ORB	
58	2220373	2	Fitting, Straight JIC/ORB	
60	2220940	1	Fitting, 90 ORB/FL	
61	2220466	3	Fitting, 90 ORB/FL	
62	2151616	1	Fitting, 90 ORFS/ORB	
64	2220371	2	Fitting, Straight JIC/ORB	
67	2130606	3	Fitting, 90 ORFS/ORB	
68	2220473	2	Fitting, 90 ORB/FL	
73	1001198338	1	Fitting, Tee ORFS/ORB	
74	1001215296	1	Fitting, 90 JIC/SORB	
100	1001270069	1	Arctic Towbar Hose Kit	
101	2753622	1	Hose	
102	2753686	2	Hose	
103	2753971	3	Hose	
104	2754337	2	Hose	
105	2754338	1	Hose	
106	1001198340	1	Hose	
107	2753626	1	Hose	
108	2753634	1	Hose	
200	1001270630	1	Front Hose Kit	
201	2753542	1	Hose	
202	2753628	2	Hose	

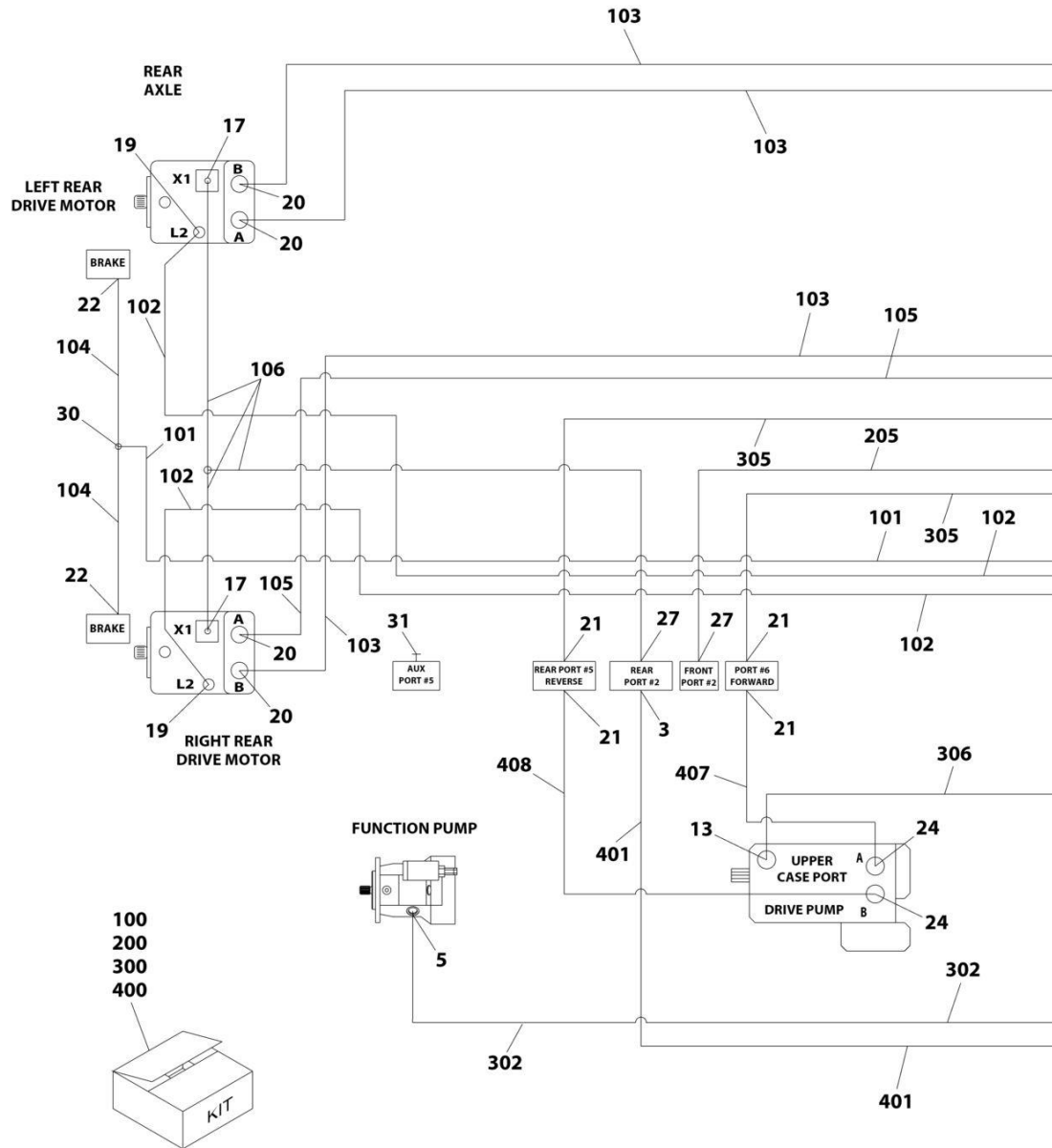
## SECTION 7 - HYDRAULIC

ITEM	PART NUMBER	QTY	DESCRIPTION	REV
203	2753970	4	Hose	
204	2754512	2	Hose	
205	1001198333	2	Hose	
206	1001198341	1	Hose	
300	1001270090	1	Arctic Towbar Hose Kit	
301	2752434	1	Hose	
302	2752938	1	Hose	
306	1001188135	1	Hose	
307	2752495	1	Hose	
308	2752754	1	Hose	
309	1001151354	1	Hose	
400	1001270091	1	Arctic Towbar Hose Kit	
401	2751399	1	Hose	
402	2751500	1	Hose	
403	2752489	2	Hose	
407	1001156332	1	Hose	
408	1001156333	1	Hose	
409	2752997	1	Hose	



# SECTION 7 - HYDRAULIC

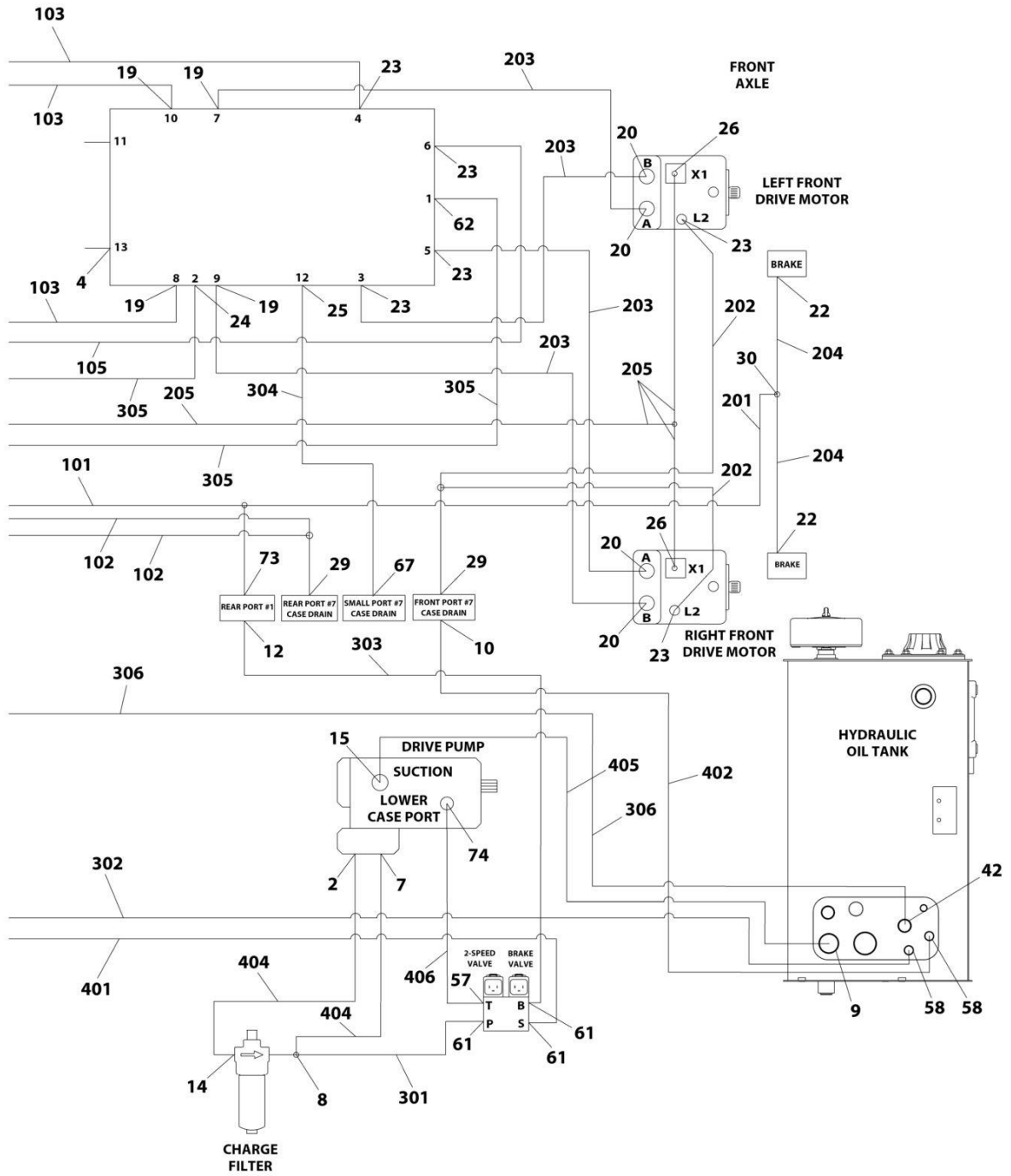
FIGURE 7-3. HYDRAULIC DIAGRAM - DRIVE (4WD/2WS WITHOUT TOW PACKAGE/WITH ARCTIC PACKAGE)



ART\_1001178205\_10F3

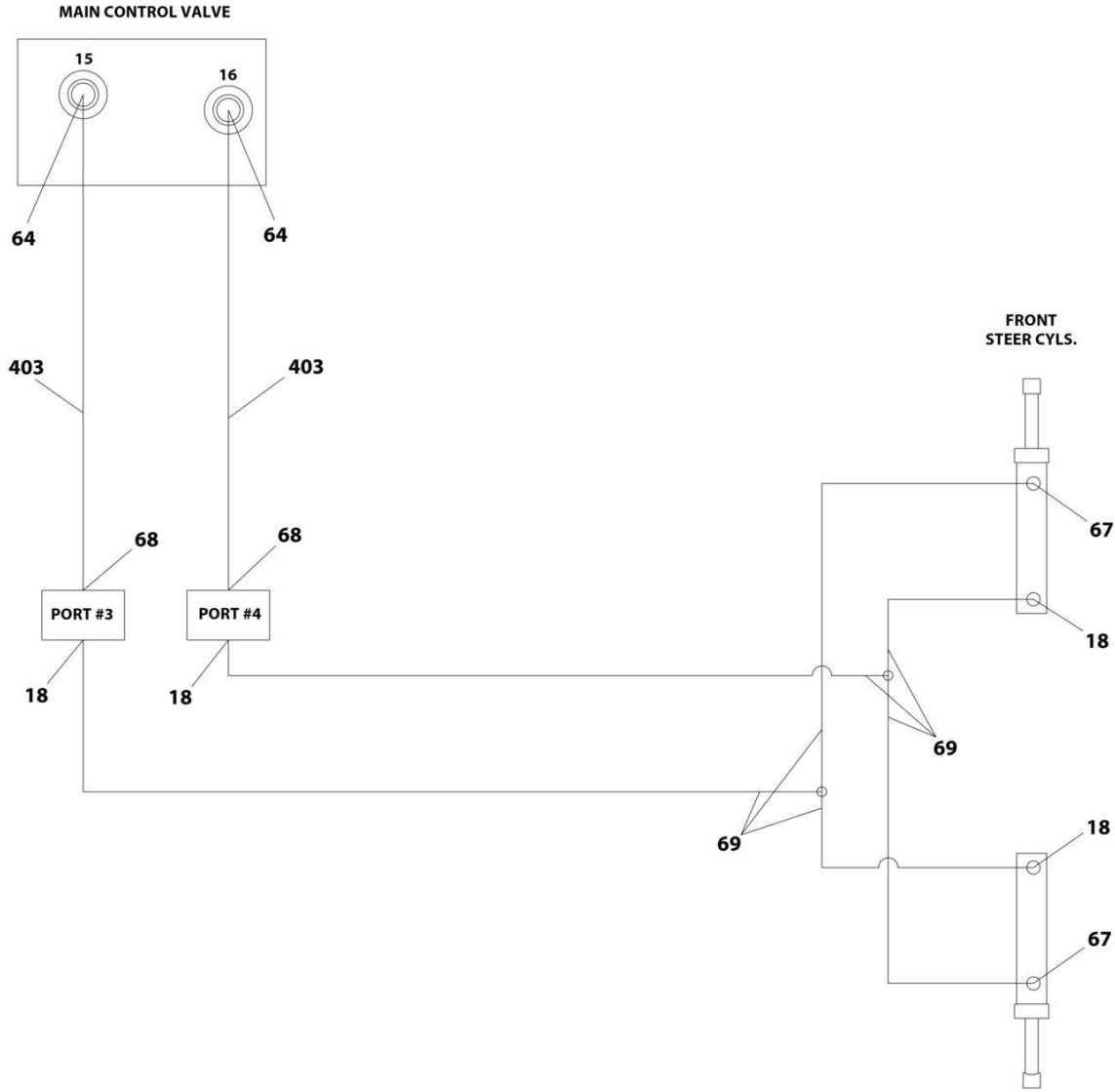


# SECTION 7 - HYDRAULIC



ART\_1001178205\_2OF3

# SECTION 7 - HYDRAULIC



ART\_1001178205\_3OF3

## SECTION 7 - HYDRAULIC

**FIGURE 7-3. HYDRAULIC DIAGRAM - DRIVE (4WD/2WS WITHOUT TOW PACKAGE/WITH ARCTIC PACKAGE)**

ITEM	PART NUMBER	QTY	DESCRIPTION	REV
	1001178205	Ref	DRIVE HYDRAULIC DIAGRAM - 4WD/2WS	H
2	2220800	1	Fitting, Straight ORB/FL	
3	2220582	1	Fitting, Straight ORB/FL	
4	2220238	1	Plug	
5	2220671	1	Fitting, 90 JIC/ORB	
7	2220374	1	Fitting, Straight JIC/ORB	
8	1001199394	1	Fitting, Tee JIC/ORB/JIC	
9	2220380	1	Fitting, Straight ORB/FL	
10	2220375	1	Fitting, Straight ORB/FL	
12	2220468	1	Fitting, Straight ORB/FL	
13	2220578	1	Fitting, 90 JIC/ORB	
14	2220596	1	Fitting, 90 JIC/FL	
15	8770050	1	Fitting, 90 JIC/ORB	
17	2110406	2	Fitting, Straight ORFS/ORB	
18	2110606	4	Fitting, Straight ORFS/ORB	
19	2110808	6	Fitting, Straight ORFS/ORB	
20	2110812	8	Fitting, Straight ORFS/ORB	
21	2111616	4	Fitting, Straight ORFS/ORB	
22	2110404	4	Fitting, Straight ORFS/ORB	
23	2130808	6	Fitting, 90 ORFS/ORB	
24	2131616	3	Fitting, 90 ORFS/ORB	
25	2130604	1	Fitting, 90 ORFS/ORB	
26	2130406	2	Fitting, 90 ORFS/ORB	
27	2150406	2	Fitting, 45 ORFS/ORB	
29	2170408	2	Fitting, Tee ORFS/ORFS/ORB	
30	2170504	2	Fitting, Tee ORFS	
31	2220237	1	Plug	
42	2220451	1	Fitting, Straight JIC/ORB	
57	2220940	1	Fitting, 90 ORB/FL	
58	2220373	2	Fitting, Straight JIC/ORB	
61	2220466	3	Fitting, 90 ORB/FL	
62	2151616	1	Fitting, 90 ORFS/ORB	
64	2220371	2	Fitting, Straight JIC/ORB	
67	2130606	3	Fitting, 90 ORFS/ORB	
68	2220473	2	Fitting, 90 ORB/FL	
69	1001198333	2	Hose	
73	1001198338	1	Fitting, Tee ORFS/ORB	
74	1001215296	1	Fitting, 90 JIC/SORB	
100	1001270069	1	Arctic Towbar Hose Kit	
101	2753622	1	Hose	
102	2753686	2	Hose	
103	2753971	3	Hose	
104	2754337	2	Hose	
105	2754338	1	Hose	
106	1001198340	1	Hose	
200	1001270073	1	Arctic Towbar Hose Kit	
201	2753542	1	Hose	
202	2754720	2	Hose	
203	2754743	4	Hose	

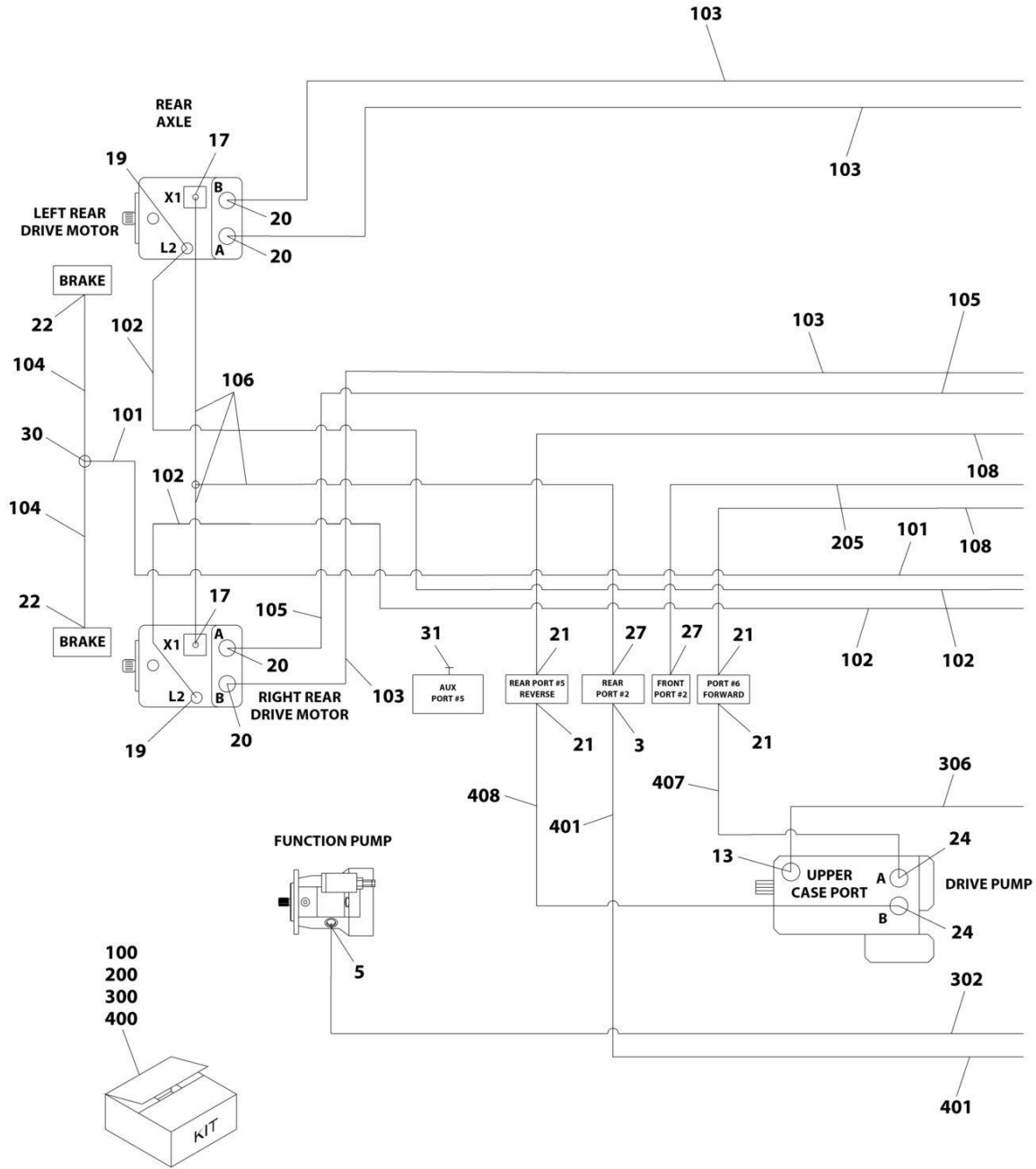
## SECTION 7 - HYDRAULIC

ITEM	PART NUMBER	QTY	DESCRIPTION	REV
204	1001106957	2	Hose	
205	1001204269	1	Hose	
300	1001270090	1	Arctic Towbar Hose Kit	
301	2752434	1	Hose	
302	2752938	1	Hose	
303	2752997	1	Hose	
304	2753626	1	Hose	
305	2753634	2	Hose	
306	1001188135	1	Hose	
400	1001270091	1	Arctic Towbar Hose Kit	
401	2751399	1	Hose	
402	2751500	1	Hose	
403	2752489	2	Hose	
404	2752495	2	Hose	
405	2752754	1	Hose	
406	1001151354	1	Hose	
407	1001156332	1	Hose	
408	1001156333	1	Hose	



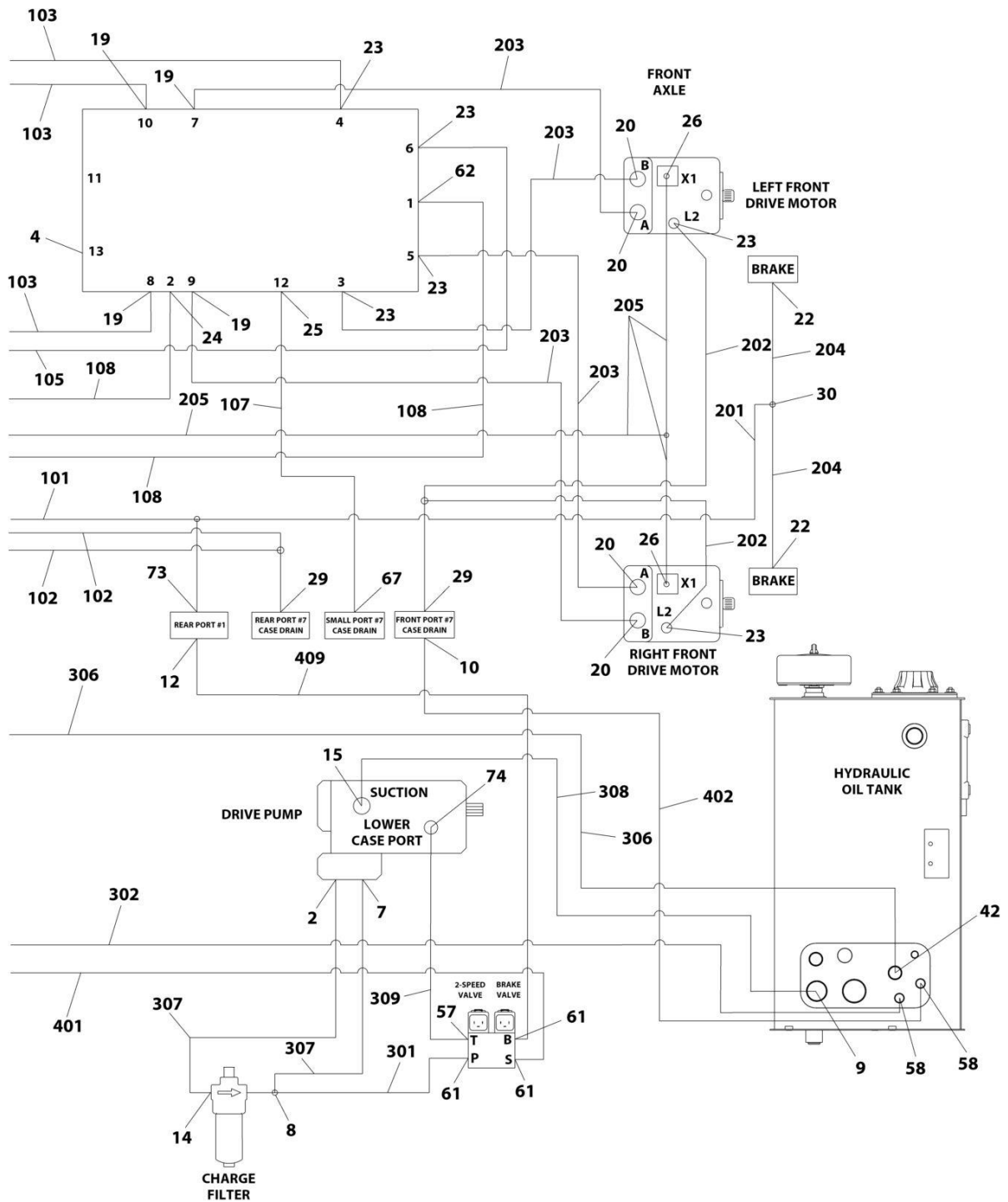
# SECTION 7 - HYDRAULIC

FIGURE 7-4. HYDRAULIC DIAGRAM - DRIVE (4WD/2WS WITH TOW PACKAGE/WITHOUT ARCTIC PACKAGE)



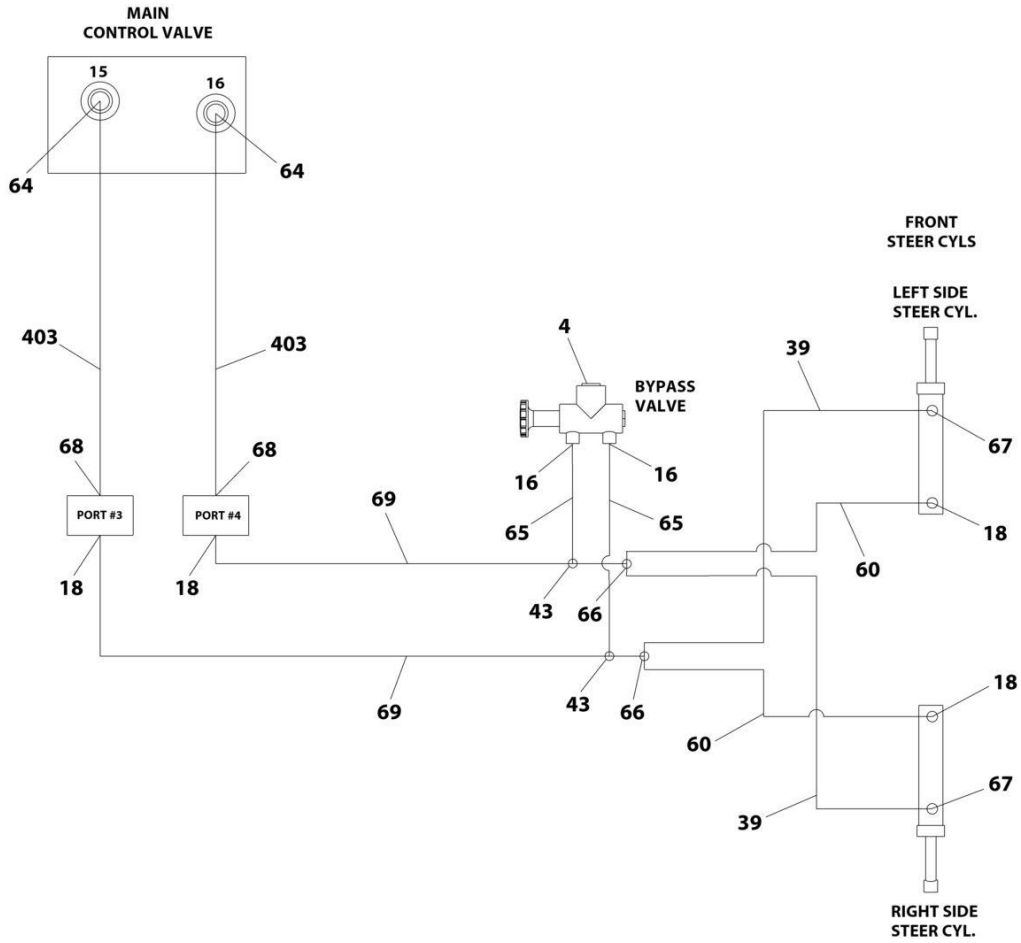
ART\_1001217196\_10F3

# SECTION 7 - HYDRAULIC



ART\_1001217196\_20F3

# SECTION 7 - HYDRAULIC



ART\_1001217196\_3OF3



## SECTION 7 - HYDRAULIC

**FIGURE 7-4. HYDRAULIC DIAGRAM - DRIVE (4WD/2WS WITH TOW PACKAGE/WITHOUT ARCTIC PACKAGE)**

ITEM	PART NUMBER	QTY	DESCRIPTION	REV
	1001217196	Ref	Drive Hydraulic Diagram - 4WD/2WS	D
2	2220800	1	Fitting, Straight ORB/FL	
3	2220582	1	Fitting, Straight ORB/FL	
4	2220238	2	Plug	
5	2220671	1	Fitting, 90 JIC/ORB	
7	2220374	1	Fitting, Straight JIC/ORB	
8	1001199394	1	Fitting, Tee JIC/ORB/JIC	
9	2220380	1	Fitting, Straight ORB/FL	
10	2220375	1	Fitting, Straight ORB/FL	
12	2220468	1	Fitting, Straight ORB/FL	
13	2220578	1	Fitting, 90 JIC/ORB	
14	2220596	1	Fitting, 90 ORB/FL	
15	8770050	1	Fitting, 90 JIC/ORB	
16	2110608	2	Fitting, Straight ORFS/ORB	
17	2110406	2	Fitting, Straight ORFS/ORB	
18	2110606	4	Fitting, Straight ORFS/ORB	
19	2110808	6	Fitting, Straight ORFS/ORB	
20	2110812	8	Fitting, Straight ORFS/OBS	
21	2131616	4	Fitting, 90 ORFS/ORB	
22	2110404	4	Fitting, Straight ORFS/ORB	
23	2130808	6	Fitting, 90 ORFS/ORB	
24	2111616	3	Fitting, Straight ORFS/ORB	
25	2130604	1	Fitting, 90 ORFS/OBS	
26	2130406	2	Fitting, 90 ORFS/OBS	
27	2150406	2	Fitting, 45 ORFS/ORB	
29	2170408	2	Fitting, Tee ORFS/ORFS/OBS	
30	2170504	2	Fitting, Tee ORFS	
31	2220237	1	Plug	
39	2753656	2	Hose	
42	2220451	1	Fitting, Straight JIC/ORB	
43	2170706	2	Fitting, Tee - ORFS/ORFS/ORFS	
57	2220940	1	Fitting, 90 ORB/FL	
58	2220373	2	Fitting, Straight JIC/ORB	
60	1001159340	2	Hose	
61	2220466	3	Fitting, 90 ORB/FL	
62	2151616	1	Fitting, 45 ORFS/ORB	
64	2220371	2	Fitting, Straight JIC/ORB	
65	2753879	2	Hose	
66	2170506	2	Fitting, Tee ORFS/ORFS/ORFS	
67	2130606	3	Fitting, 90 ORFS/ORB	
68	2220473	2	Fitting, 90 ORB/FL	
69	2753732	2	Hose	
73	1001198338	1	Fitting, Tee ORFS/ORB	
74	1001215296	1	Fitting, 90 JIC/SORB	
100	1001270069	1	Arctic Towbar Hose Kit	
101	2753622	1	Hose	
102	2753686	2	Hose	
103	2753971	3	Hose	
104	2754337	2	Hose	

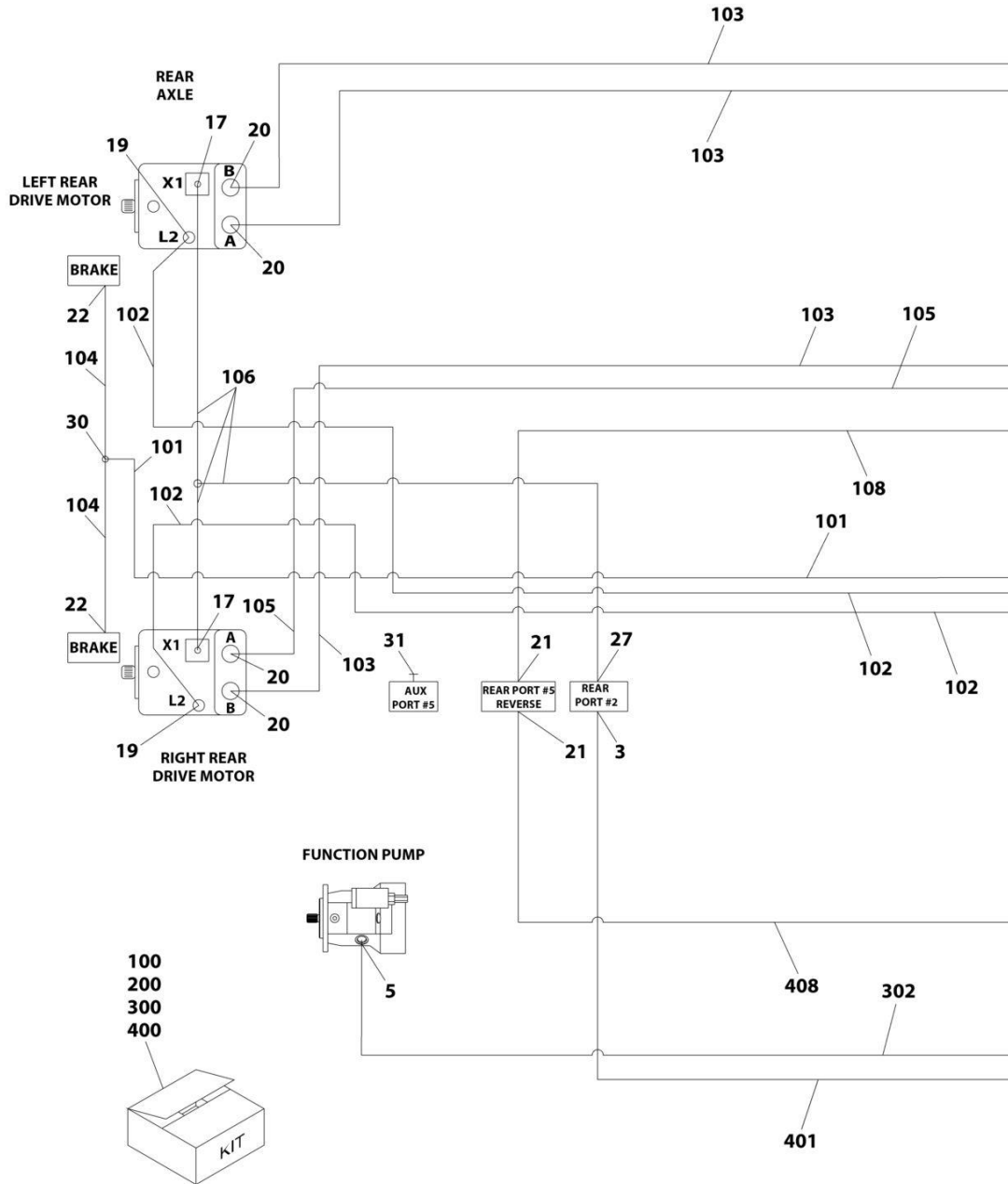
## SECTION 7 - HYDRAULIC

ITEM	PART NUMBER	QTY	DESCRIPTION	REV
105	2754338	1	Hose	
106	1001198340	1	Hose	
107	2753626	1	Hose	
108	2753634	1	Hose	
200	1001270073	1	Arctic Towbar Hose Kit	
201	2753542	1	Hose	
202	2754720	2	Hose	
203	2754743	4	Hose	
204	1001106957	2	Hose	
205	1001204269	1	Hose	
300	1001270090	1	Arctic Towbar Hose Kit	
301	2752434	1	Hose	
302	2752938	1	Hose	
306	1001188135	1	Hose	
307	2752495	1	Hose	
308	2752754	1	Hose	
309	1001151354	1	Hose	
400	1001270091	1	Arctic Towbar Hose Kit	
401	2751399	1	Hose	
402	2751500	1	Hose	
403	2752489	2	Hose	
407	1001156332	1	Hose	
408	1001156333	1	Hose	
409	2752997	1	Hose	



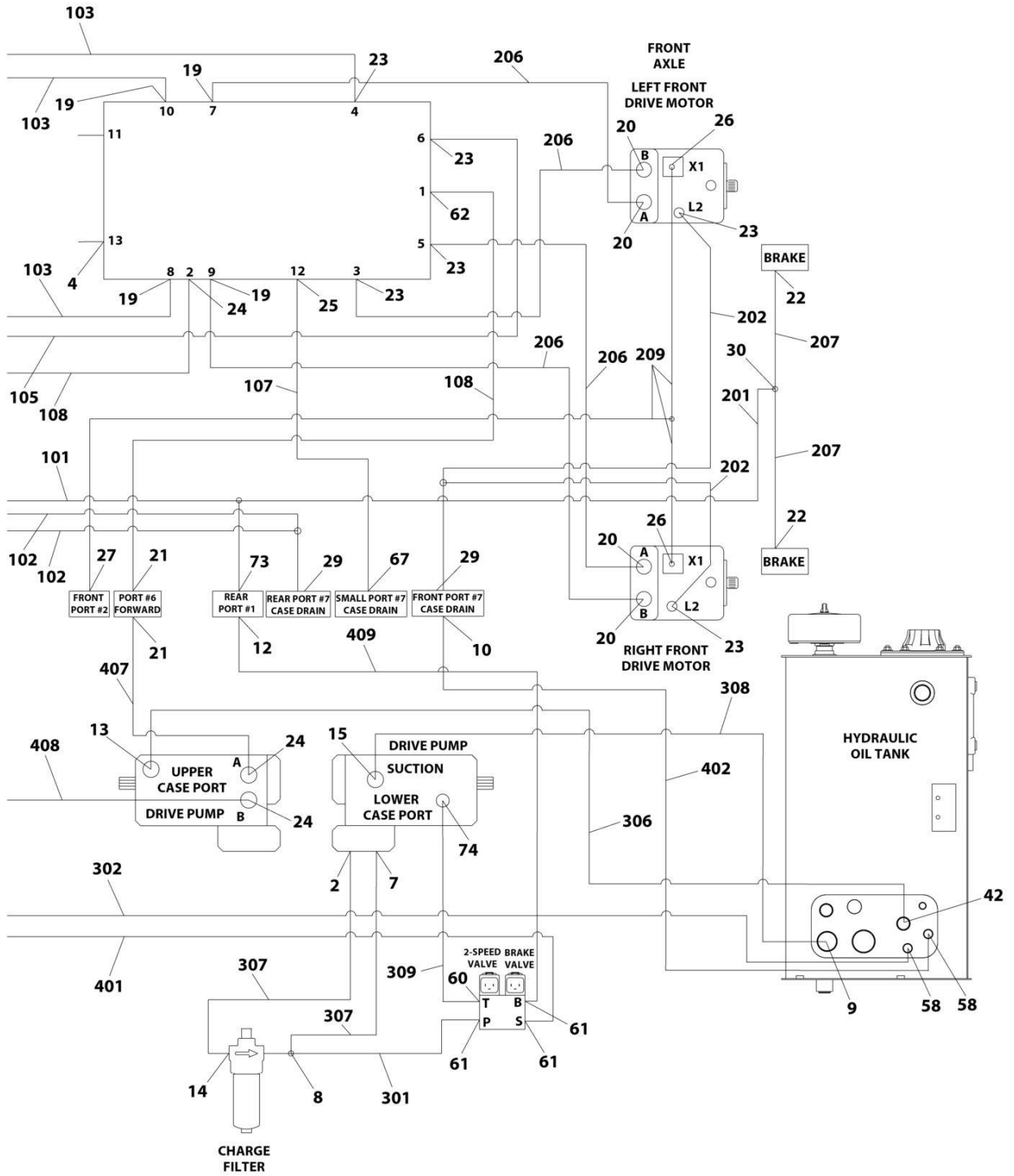
# SECTION 7 - HYDRAULIC

FIGURE 7-5. HYDRAULIC DIAGRAM - DRIVE (4WD/2WS WITH TOW PACKAGE/WITH ARCTIC PACKAGE)



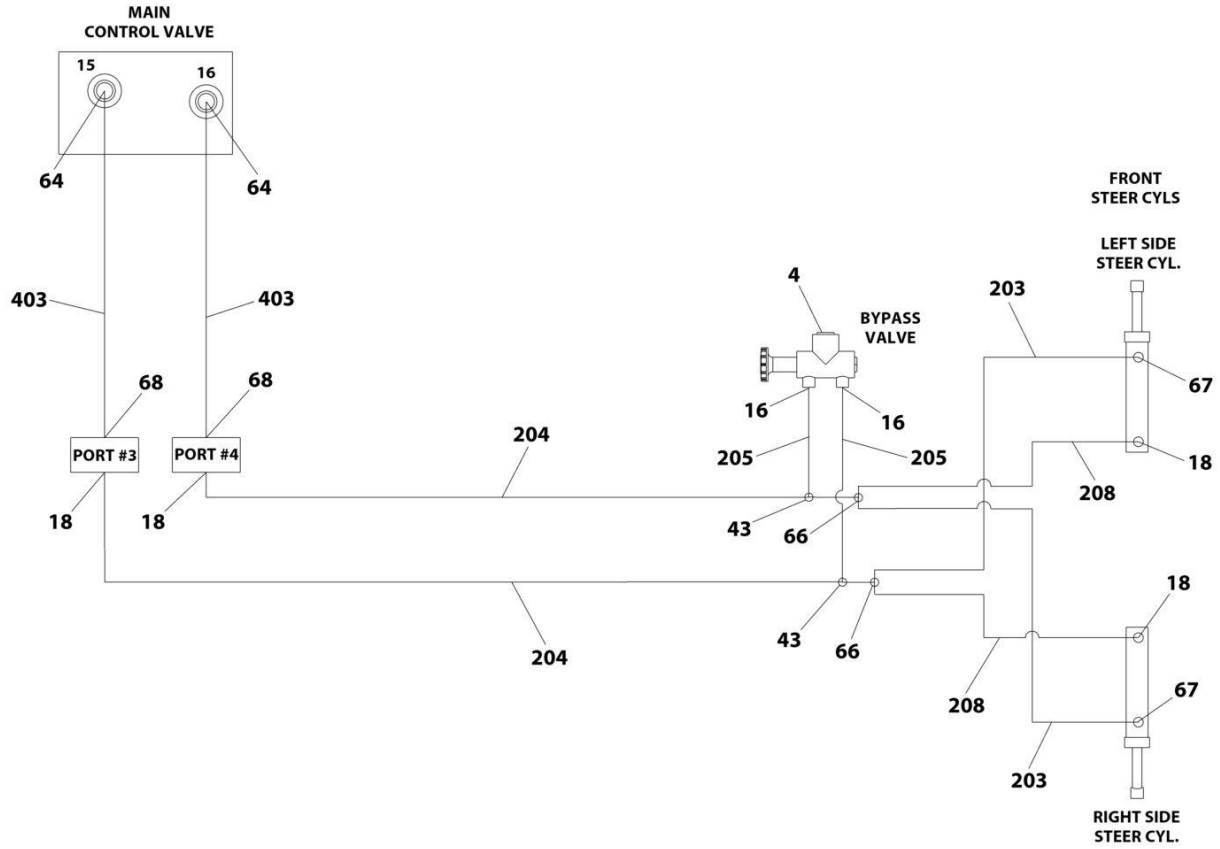
ART\_1001217195\_10F3

# SECTION 7 - HYDRAULIC



ART\_1001217195\_2OF3

# SECTION 7 - HYDRAULIC



ART\_1001217195\_3OF3

## SECTION 7 - HYDRAULIC

**FIGURE 7-5. HYDRAULIC DIAGRAM - DRIVE (4WD/2WS WITH TOW PACKAGE/WITH ARCTIC PACKAGE)**

ITEM	PART NUMBER	QTY	DESCRIPTION	REV
	1001217195	Ref	HYDRAULIC DIAGRAM - DRIVE (4WD/2WS)	D
2	2220800	1	Fitting, Straight ORB/FL	
3	2220582	1	Fitting, Straight ORB/FL	
4	2220238	2	Plug	
5	2220671	1	Fitting, 90 JIC/ORB	
7	2220374	1	Fitting, Straight JIC/ORB	
8	1001199394	1	Fitting, Tee JIC/ORB/JIC	
9	2220380	1	Fitting, Straight ORB/FL	
10	2220375	1	Fitting, Straight ORB/FL	
12	2220468	1	Fitting, Straight ORB/FL	
13	2220578	1	Fitting, 90 JIC/ORB	
14	2220596	1	Fitting, 90 ORB/FL	
15	8770050	1	Fitting, 90 JIC/ORB	
16	2110608	2	Fitting, Straight ORFS/ORB	
17	2110406	2	Fitting, Straight ORFS/ORB	
18	2110606	4	Fitting, Straight ORFS/ORB	
19	2110808	6	Fitting, Straight ORFS/ORB	
20	2110812	8	Fitting, Straight ORFS/OBS	
21	2131616	4	Fitting, 90 ORFS/ORB	
22	2110404	4	Fitting, Straight ORFS/ORB	
23	2130808	6	Fitting, 90 ORFS/ORB	
24	2111616	3	Fitting, Straight ORFS/ORB	
25	2130604	1	Fitting, 90 ORFS/OBS	
26	2130406	2	Fitting, 90 ORFS/OBS	
27	2150406	2	Fitting, 45 ORFS/ORB	
29	2170408	2	Fitting, Tee ORFS/ORFS/OBS	
30	2170504	2	Fitting, Tee ORFS	
31	2220237	1	Plug	
42	2220451	1	Fitting, Straight JIC/ORB	
43	2170706	2	Fitting, Tee - ORFS/ORFS/ORFS	
58	2220373	2	Fitting, Straight JIC/ORB	
60	2220940	1	Fitting, 90 ORB/FL	
61	2220466	3	Fitting, 90 ORB/FL	
62	2151616	1	Fitting, 45 ORFS/ORB	
64	2220371	2	Fitting, Straight JIC/ORB	
66	2170506	2	Fitting, Tee ORFS/ORFS/ORFS	
67	2130606	3	Fitting, 90 ORFS/ORB	
68	2220473	2	Fitting, 90 ORB/FL	
73	1001198338	1	Fitting, Tee ORFS/ORB	
74	1001215296	1	Fitting, 90 JIC/SORB	
100	1001270069	1	Arctic Twobar Hose Kit	
101	2753622	1	Hose	
102	2753686	2	Hose	
103	2753971	3	Hose	
104	2754337	2	Hose	
105	2754338	1	Hose	
106	1001198340	1	Hose	
107	2753626	1	Hose	
108	2753634	1	Hose	

## SECTION 7 - HYDRAULIC

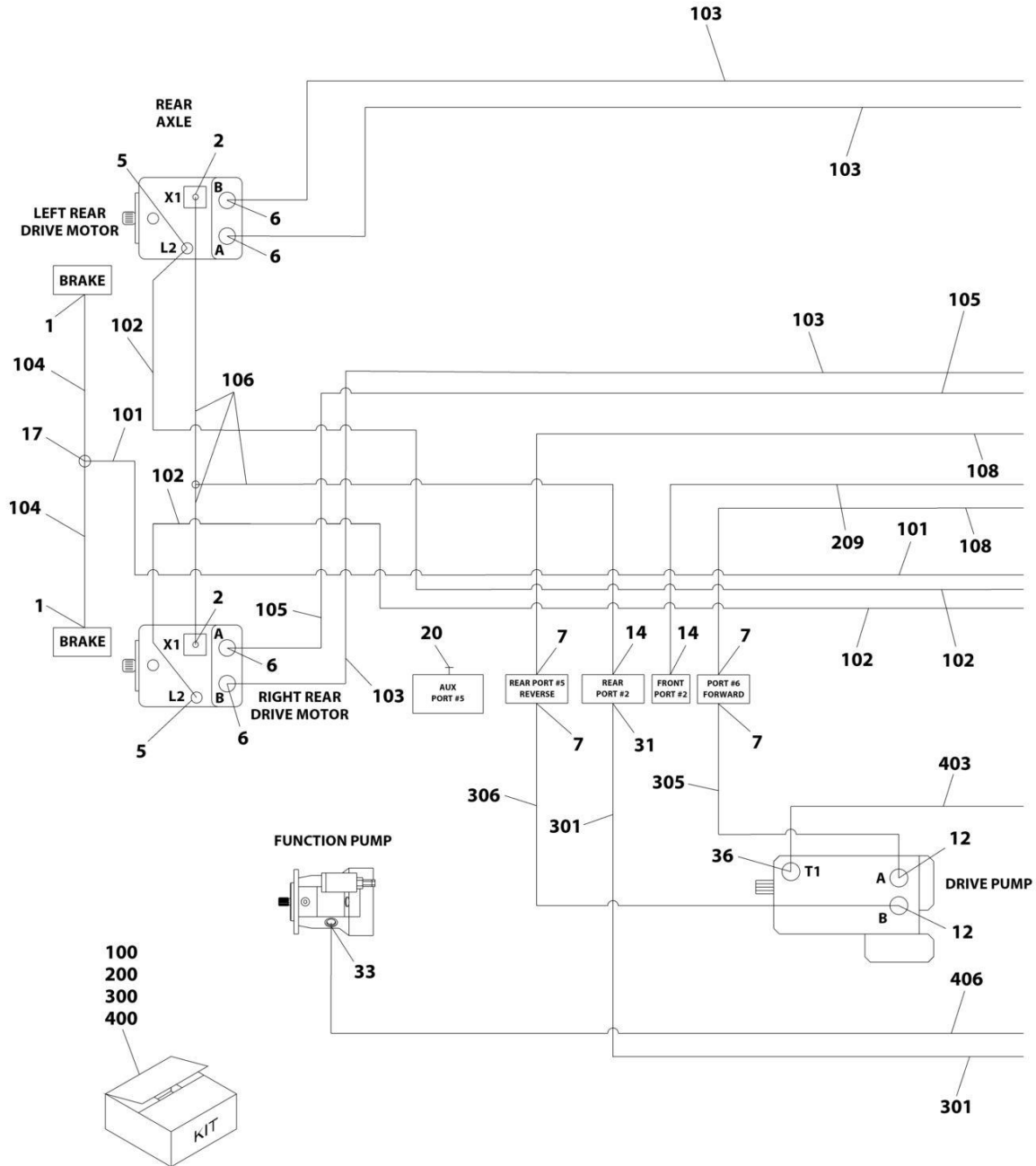
ITEM	PART NUMBER	QTY	DESCRIPTION	REV
200	1001270096	1	Towbar Front Hose Kit	
201	2753542	1	Hose	
202	2753628	2	Hose	
203	2753656	2	Hose	
204	2753732	2	Hose	
205	2753879	2	Hose	
206	2753970	4	Hose	
207	2754512	2	Hose	
208	1001159340	2	Hose	
209	1001198341	1	Hose	
300	1001270090	1	Arctic Twobar Hose Kit	
301	2752434	1	Hose	
302	2752938	1	Hose	
306	1001188135	1	Hose	
307	2752495	1	Hose	
308	2752754	1	Hose	
309	1001151354	1	Hose	
400	1001270091	1	Arctic Twobar Hose Kit	
401	2751399	1	Hose	
402	2751500	1	Hose	
403	2752489	2	Hose	
407	1001156332	1	Hose	
408	1001156333	1	Hose	
409	2752997	1	Hose	





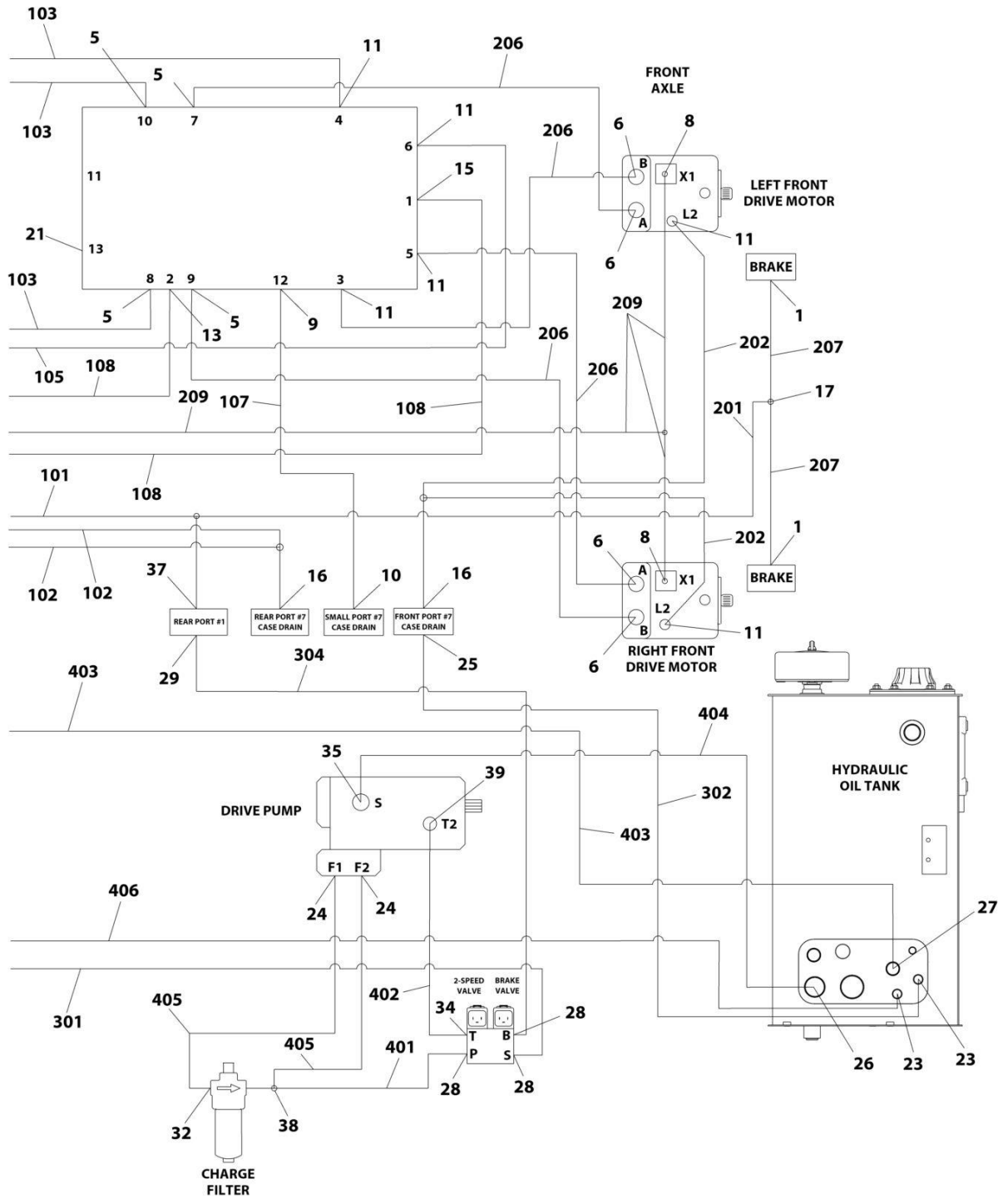
# SECTION 7 - HYDRAULIC

FIGURE 7-6. HYDRAULIC DIAGRAM - DRIVE (4WD/2WS WITH TOW PACKAGE)(CE & UK CA SPECS ONLY)



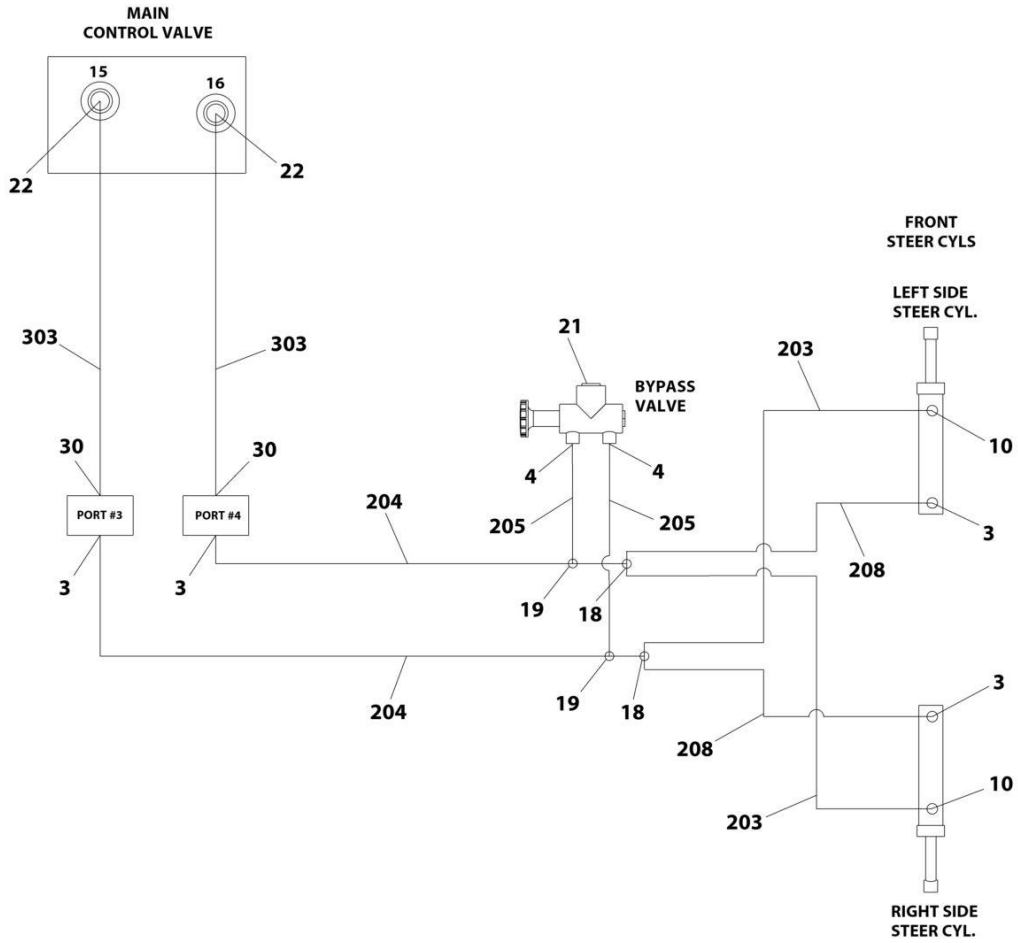
ART\_1001296909\_10F3

# SECTION 7 - HYDRAULIC



ART\_1001296909\_20F3

# SECTION 7 - HYDRAULIC



ART\_1001296909\_3OF3

## SECTION 7 - HYDRAULIC

**FIGURE 7-6. HYDRAULIC DIAGRAM - DRIVE (4WD/2WS WITH TOW PACKAGE)(CE & UK CA SPECS ONLY)**

ITEM	PART NUMBER	QTY	DESCRIPTION	REV
	1001296909	Ref	HYDRAULIC DIAGRAM - DRIVE (4WD/2WS)	A
1	2110404	2	Fitting, Straight ORFS/ORB	
2	2110406	2	Fitting, Straight ORFS/ORB	
3	2110606	4	Fitting, Straight ORFS/ORB	
4	2110608	2	Fitting, Straight ORFS/ORB	
5	2110808	6	Fitting, Straight ORFS/ORB	
6	2110812	8	Fitting, Straight ORFS/OBS	
7	2111616	4	Fitting, Straight ORFS/ORB	
8	2130406	2	Fitting, 90 ORFS/OBS	
9	2130604	1	Fitting, 90 ORFS/OBS	
10	2130606	3	Fitting, 90 ORFS/ORB	
11	2130808	6	Fitting, 90 ORFS/ORB	
12	2131612	2	Fitting, 90 ORFS/ORB	
13	2131616	1	Fitting, 90 ORFS/ORB	
14	2150406	2	Fitting, 45 ORFS/ORB	
15	2151616	1	Fitting, 45 ORFS/ORB	
16	2170408	2	Fitting, Tee ORFS/ORFS/OBS	
17	2170504	2	Fitting, Tee ORFS	
18	2170506	2	Fitting, Tee ORFS/ORFS/ORFS	
19	2170706	2	Fitting, Tee - ORFS/ORFS/ORFS	
20	2220237	1	Plug	
21	2220238	1	Plug	
22	2220371	2	Fitting, Straight JIC/ORB	
23	2220373	2	Fitting, Straight JIC/ORB	
24	2220374	2	Fitting, Straight JIC/ORB	
25	2220375	1	Fitting, Straight ORB/FL	
26	2220380	1	Fitting, Straight ORB/FL	
27	2220451	1	Fitting, Straight JIC/ORB	
28	2220466	3	Fitting, 90 ORB/FL	
29	2220468	1	Fitting, Straight ORB/FL	
30	2220473	2	Fitting, 90 ORB/FL	
31	2220582	1	Fitting, Straight ORB/FL	
32	2220596	1	Fitting, 90 ORB/FL	
33	2220671	1	Fitting, 90 JIC/ORB	
34	2220940	1	Fitting, 90 ORB/FL	
35	8770050	1	Fitting, 90 JIC/ORB	
36	8770157	1	Fitting, 90 JIC/ORB	
37	1001198338	1	Fitting, Tee ORFS/ORB	
38	1001199394	1	Fitting, Tee JIC/ORB/JIC	
39	1001215296	1	Fitting, 90 JIC/SORB	
100	1001270069	1	Hose Kit - Rear Kit	
101	2753622	1	Hose	
102	2753686	2	Hose	
103	2753971	3	Hose	
104	2754337	2	Hose	
105	2754338	1	Hose	
106	1001198340	1	Hose	
107	2753626	1	Hose	
108	2753634	2	Hose	

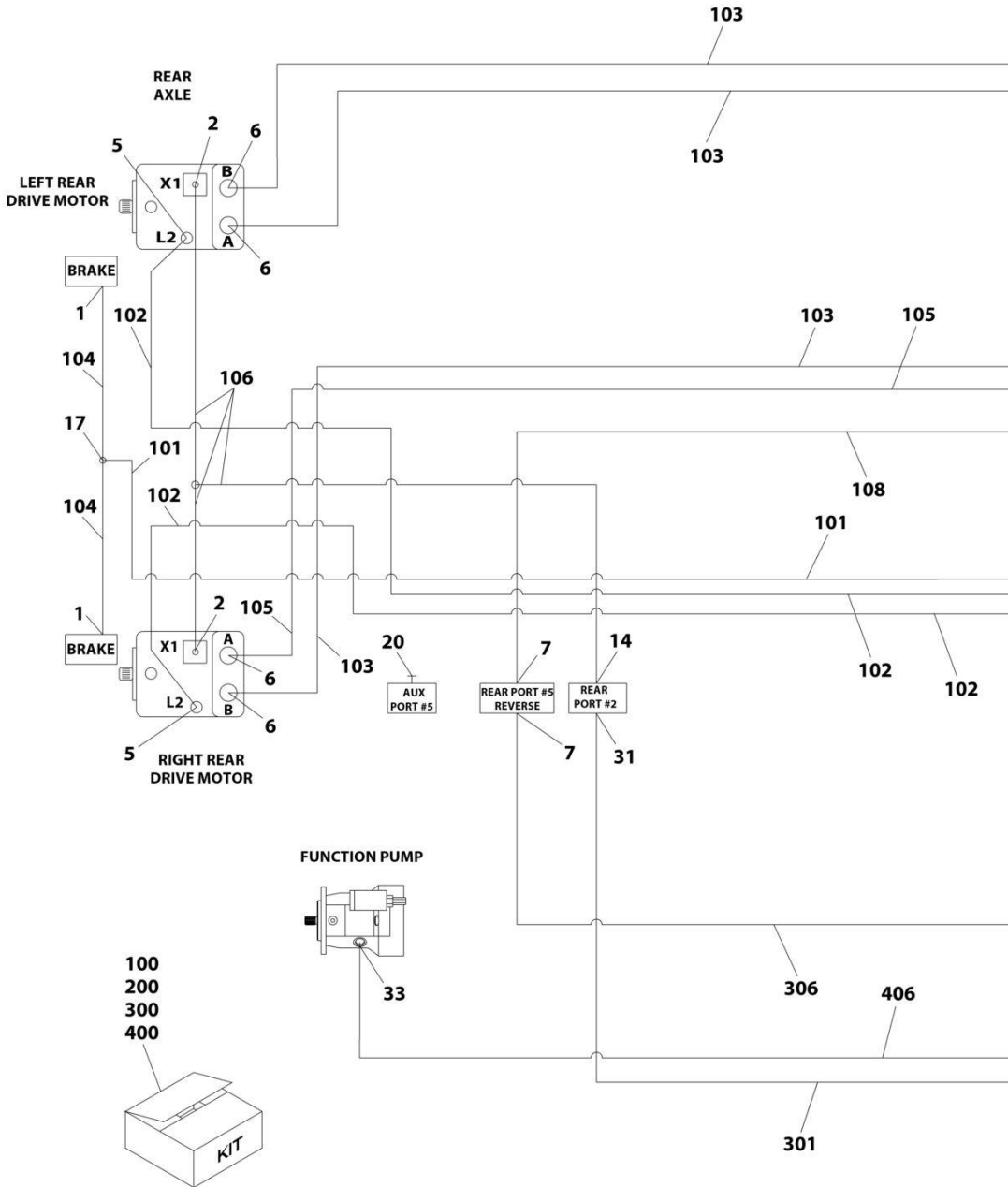
## SECTION 7 - HYDRAULIC

ITEM	PART NUMBER	QTY	DESCRIPTION	REV
200	1001270096	1	Hose Kit - Towbar Front	
201	2753542	1	Hose	
202	2753628	2	Hose	
203	2753656	2	Hose	
204	2753732	2	Hose	
205	2753879	2	Hose	
206	2753970	4	Hose	
207	2754512	2	Hose	
208	1001159340	2	Hose	
209	1001198341	1	Hose	
300	1001296858	1	Hose Kit - 4WD/2WS TT	
301	2751399	1	Hose	
302	2751500	1	Hose	
303	2752489	2	Hose	
304	2752997	1	Hose	
305	1001296839	1	Hose	
306	1001296840	1	Hose	
400	1001296859	1	Hose Kit - 4WD/2WS TT	
401	2752434	1	Hose	
402	1001296841	1	Hose	
403	1001296842	1	Hose	
404	1001296843	1	Hose	
405	1001296844	2	Hose	
406	1001296913	1	Hose	



# SECTION 7 - HYDRAULIC

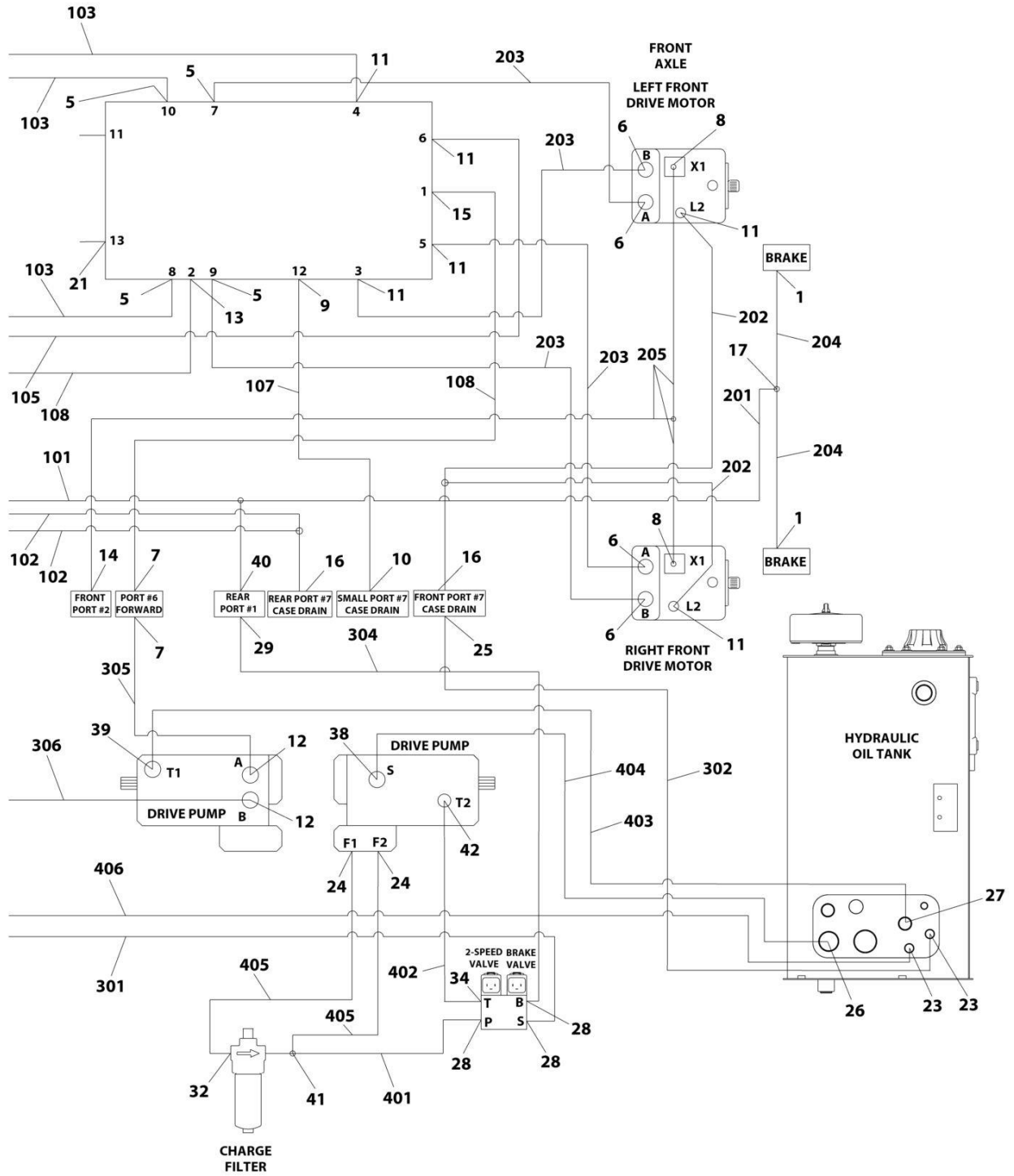
FIGURE 7-7. HYDRAULIC DIAGRAM - DRIVE (4WD/2WS WITH TOW PACKAGE AND ARCTIC PACKAGE)(ANSI SPEC ONLY)



ART\_1001296910\_10F3

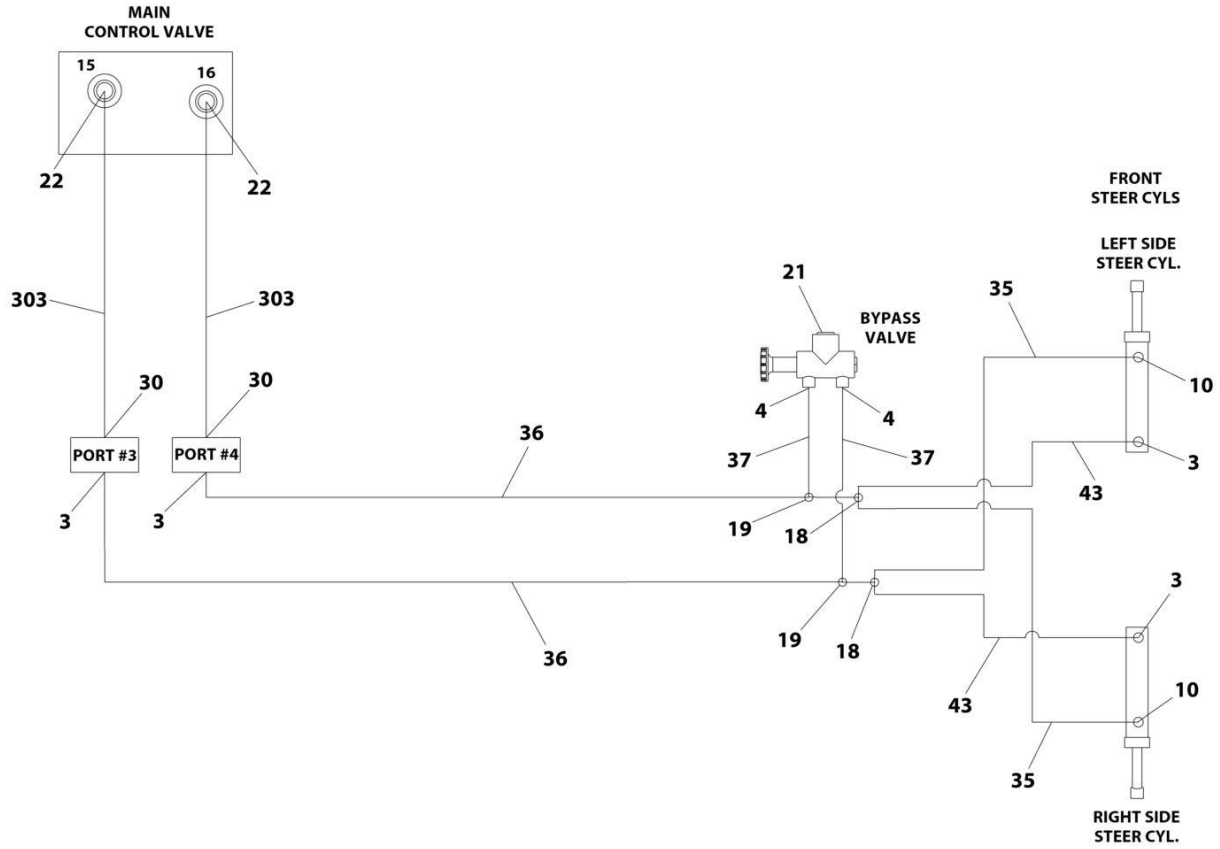


# SECTION 7 - HYDRAULIC



ART\_1001296910\_2OF3

# SECTION 7 - HYDRAULIC



ART\_1001296910\_30F3

## SECTION 7 - HYDRAULIC

**FIGURE 7-7. HYDRAULIC DIAGRAM - DRIVE (4WD/2WS WITH TOW PACKAGE AND ARCTIC PACKAGE)(ANSI SPEC ONLY)**

ITEM	PART NUMBER	QTY	DESCRIPTION	REV
	1001296910	Ref	HYDRAULIC DIAGRAM - DRIVE (4WD/2WS)	A
1	2110404	4	Fitting, Straight ORFS/ORB	
2	2110406	2	Fitting, Straight ORFS/ORB	
3	2110606	4	Fitting, Straight ORFS/ORB	
4	2110608	2	Fitting, Straight ORFS/ORB	
5	2110808	6	Fitting, Straight ORFS/ORB	
6	2110812	8	Fitting, Straight ORFS/ORB	
7	2111616	4	Fitting, Straight ORFS/ORB	
8	2130406	2	Fitting, 90 ORFS/ORB	
9	2130604	1	Fitting, 90 ORFS/OBS	
10	2130606	3	Fitting, 90 ORFS/ORB	
11	2130808	6	Fitting, 90 ORFS/ORB	
12	2131612	2	Fitting, 90 ORFS/ORB	
13	2131616	1	Fitting, 90 ORFS/ORB	
14	2150406	2	Fitting, 45 ORFS/ORB	
15	2151616	1	Fitting, 45 ORFS/ORB	
16	2170408	2	Fitting, Tee ORFS/ORB/ORFS	
17	2170504	2	Fitting, Tee ORFS/ORFS/ORFS	
18	2170506	2	Fitting, Tee ORFS/ORFS/ORFS	
19	2170706	2	Fitting, Tee - ORFS/FSORFS/ORFS	
20	2220237	1	Plug 3/8	
21	2220238	2	Plug 1/2	
22	2220371	2	Fitting, Straight JIC/ORB	
23	2220373	2	Fitting, Straight JIC/ORB	
24	2220374	2	Fitting, Straight JIC/ORB	
25	2220375	1	Fitting, Straight JIC/ORB	
26	2220380	1	Fitting, Straight JIC/ORB	
27	2220451	1	Fitting, Straight JIC/ORB	
28	2220466	3	Fitting, 90 JIC/ORB	
29	2220468	1	Fitting, Straight JIC/ORB	
30	2220473	2	Fitting, 90 JIC/ORB	
31	2220582	1	Fitting, Straight JIC/ORB	
32	2220596	1	Fitting, 90 JIC/ORB	
33	2220671	1	Fitting, 90 JIC/ORB	
34	2220940	1	Fitting, 90 JIC/ORB	
35	2753656	2	Hose	
36	2753732	2	Hose	
37	2753879	2	Hose	
38	8770050	1	Fitting, 90	
39	8770157	1	Fitting, 90 JIC/ORB	
40	1001198338	1	Fitting, Tee ORFS/ORB	
41	1001199394	1	Fitting, Tee JIC/ORB/JIC	
42	1001215296	1	Fitting, 90 JIC/SORB	
43	1001159340	2	Hose	
100	1001270069	1	Hose Kit - Rear Kit	
101	2753622	1	Hose	
102	2753686	2	Hose	
103	2753971	3	Hose	
104	2754337	2	Hose	

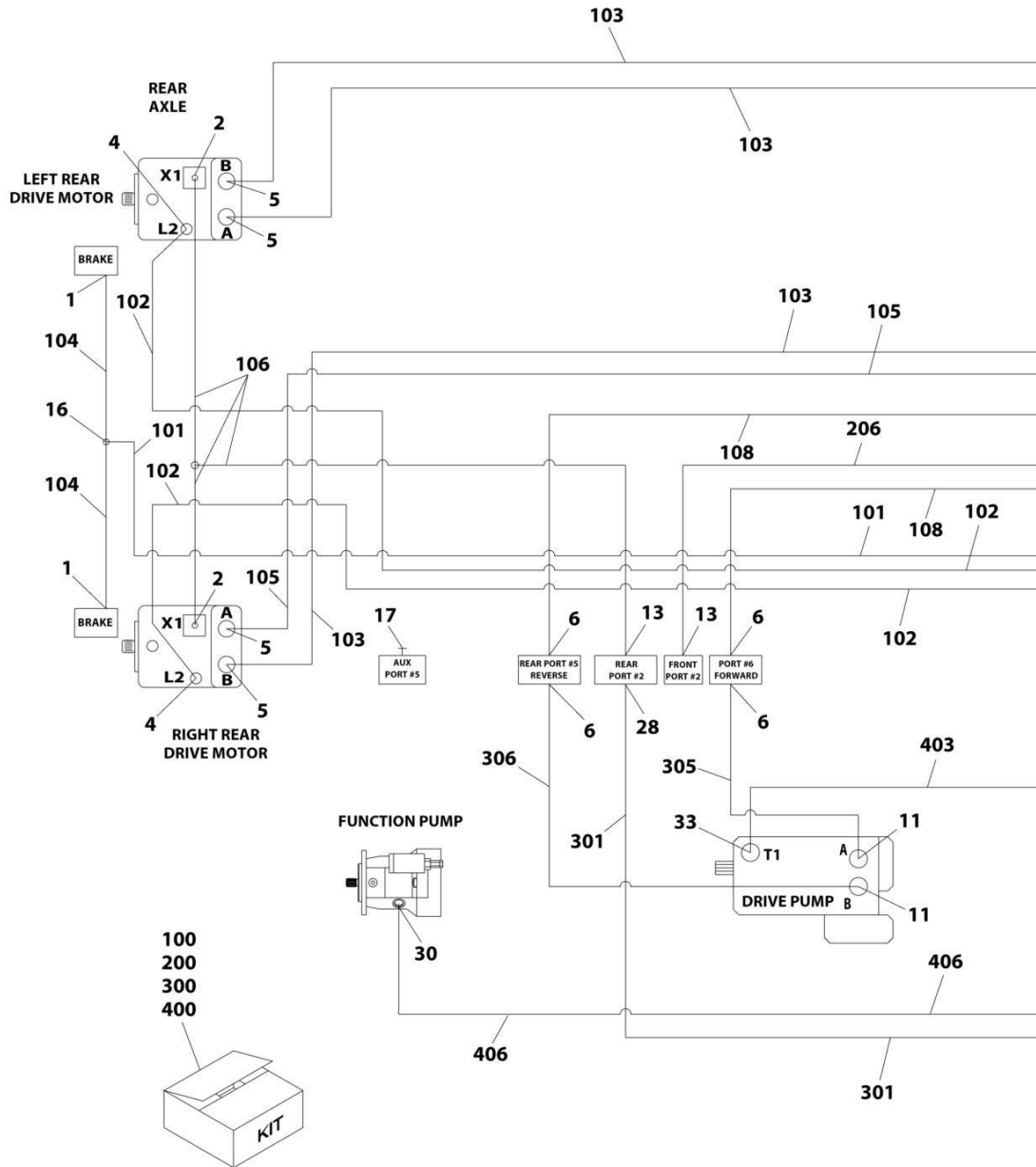
## SECTION 7 - HYDRAULIC

ITEM	PART NUMBER	QTY	DESCRIPTION	REV
105	2754338	2	Hose	
106	1001198340	4	Hose	
107	2753626	2	Hose	
108	2753634	2	Hose	
200	1001270073	1	Hose Kit - Front Kit	
201	2753542	1	Hose	
202	2754720	2	Hose	
203	2754743	4	Hose	
204	1001106957	2	Hose	
205	1001204269	1	Hose	
300	1001296858	1	Hose Kit - 4WS/2WS TT	
301	2751399	1	Hose	
302	2751500	1	Hose	
303	2752489	2	Hose	
304	2752997	1	Hose	
305	1001296839	1	Hose	
306	1001296840	1	Hose	
400	1001296859	1	Hose Kit - 4WS/2WS TT	
401	2752434	1	Hose	
402	1001296841	1	Hose	
403	1001296842	1	Hose	
404	1001296843	1	Hose	
405	1001296844	2	Hose	
406	1001296913	1	Hose	



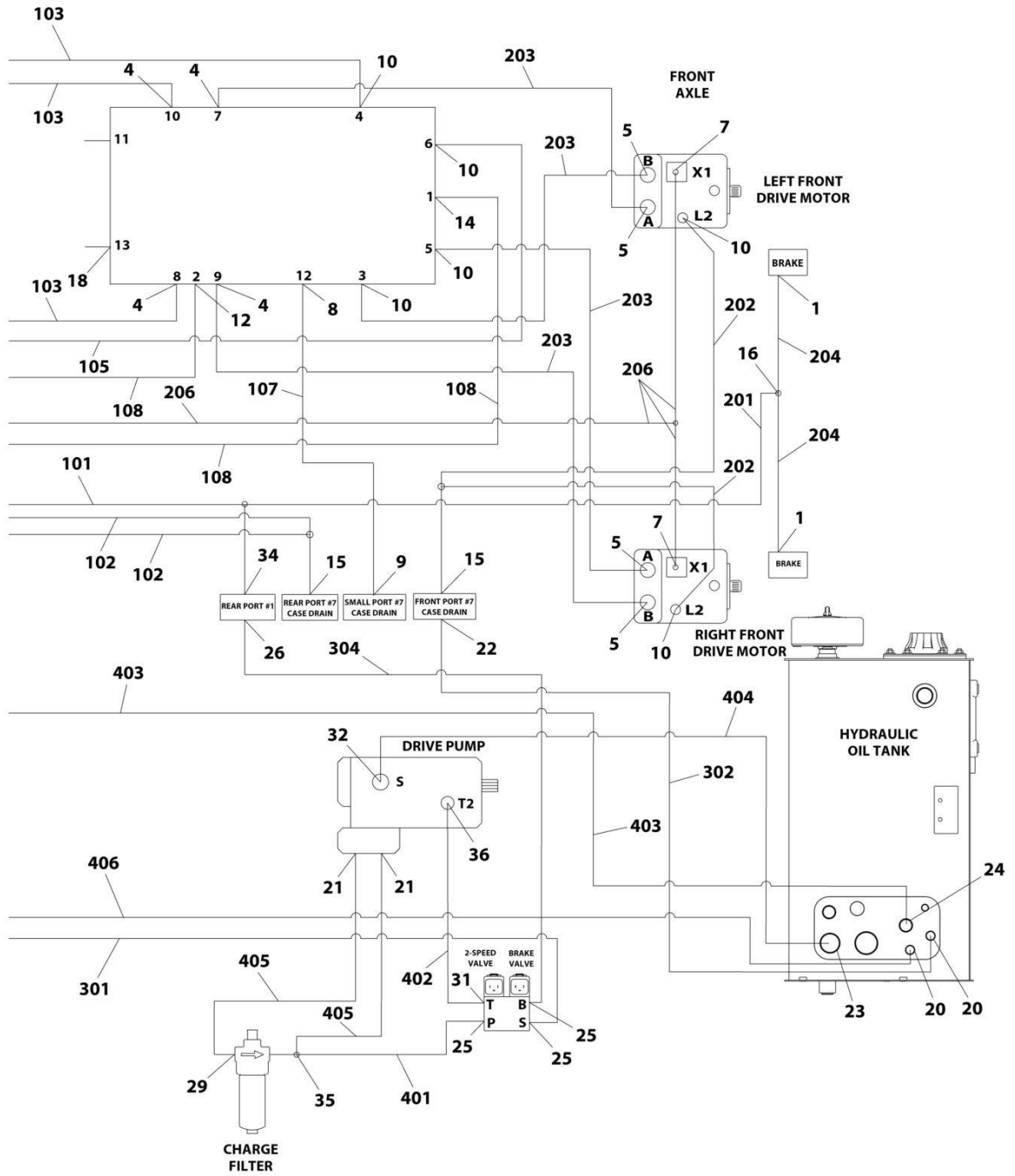
# SECTION 7 - HYDRAULIC

FIGURE 7-8. HYDRAULIC DIAGRAM - DRIVE (4WD/2WS WITHOUT TOW PACKAGE AND WITHOUT ARCTIC PACKAGE)(ALL SPECS)



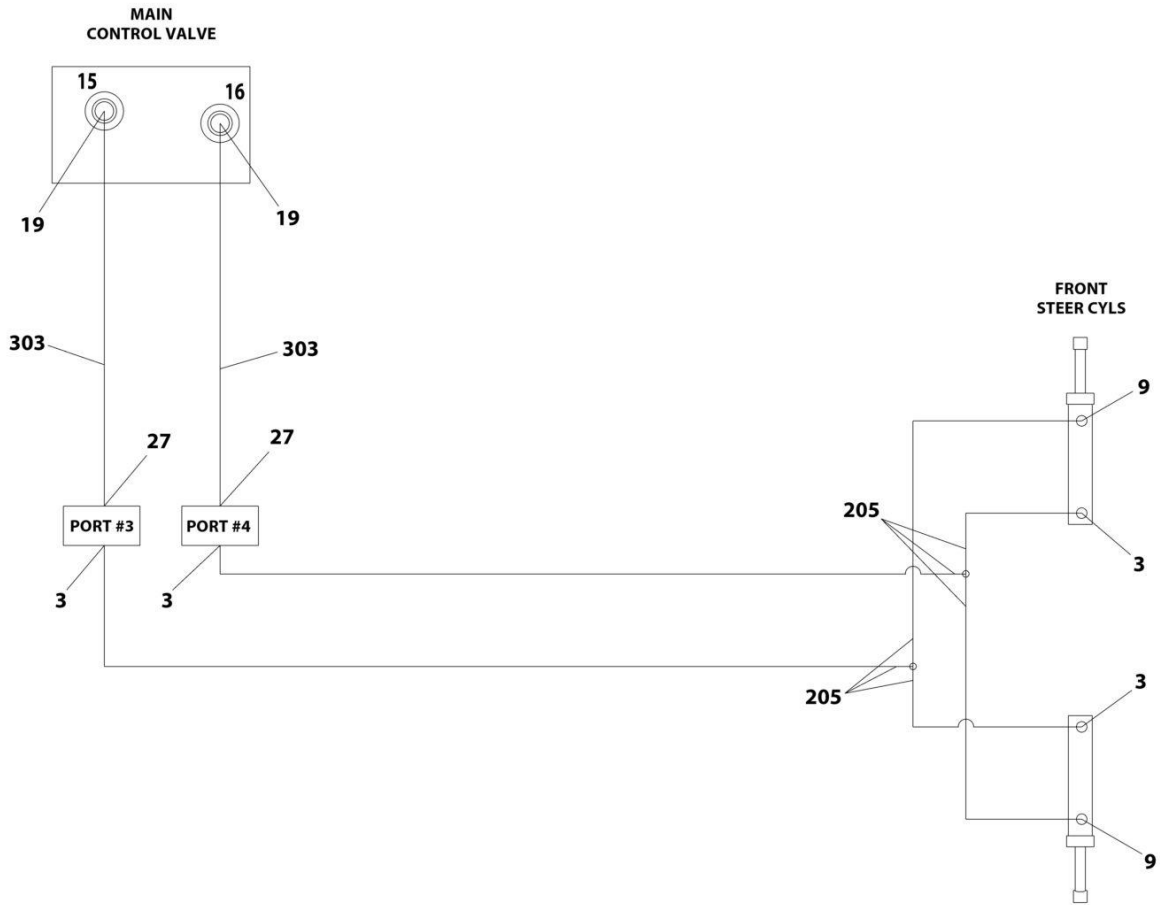
ART\_1001296911\_10F3

# SECTION 7 - HYDRAULIC



ART\_1001296911\_20F3

# SECTION 7 - HYDRAULIC



ART\_1001296911\_30F3



## SECTION 7 - HYDRAULIC

**FIGURE 7-8. HYDRAULIC DIAGRAM - DRIVE (4WD/2WS WITHOUT TOW PACKAGE AND WITHOUT ARCTIC PACKAGE)(ALL SPECS)**

ITEM	PART NUMBER	QTY	DESCRIPTION	REV
	1001296911	Ref	HYDRAULIC DIAGRAM - DRIVE (4WD/2WS)	A
1	2110404	4	Fitting, Straight ORFS/ORB	
2	2110406	2	Fitting, Straight ORFS/ORB	
3	2110606	4	Fitting, Straight ORFS/ORB	
4	2110808	6	Fitting, Straight ORFS/ORB	
5	2110812	8	Fitting, Straight ORFS/ORB	
6	2111616	4	Fitting, Straight ORFS/ORB	
7	2130406	2	Fitting, 90 ORFS/ORB	
8	2130604	1	Fitting, 90 ORFS/ORB	
9	2130606	3	Fitting, 90 ORFS/ORB	
10	2130808	6	Fitting, 90 ORFS/ORB	
11	2131612	2	Fitting, 90 ORFS/ORB	
12	2131616	1	Fitting, 90 ORFS/ORB	
13	2150406	2	Fitting, 45 ORFS/ORB	
14	2151616	1	Fitting, 45 ORFS/ORB	
15	2170408	2	Fitting, Tee ORFS/ORB/ORFS	
16	2170504	2	Fitting, Tee ORFS	
17	2220237	1	Plug 3/8	
18	2220238	1	Plug 1/2	
19	2220371	2	Fitting, Straight JIC/ORB	
20	2220373	2	Fitting, Straight JIC/ORB	
21	2220374	2	Fitting, Straight JIC/ORB	
22	2220375	1	Fitting, Straight JIC/ORB	
23	2220380	1	Fitting, Straight JIC/ORB	
24	2220451	1	Fitting, Straight JIC/ORB	
25	2220466	3	Fitting, 90 JIC/ORB	
26	2220468	1	Fitting, Straight JIC/ORB	
27	2220473	2	Fitting, 90 JIC/ORB	
28	2220582	1	Fitting, Straight JIC/ORB	
29	2220596	1	Fitting, 90 JIC/ORB	
30	2220671	1	Fitting, 90 JIC/ORB	
31	2220940	1	Fitting, 90 JIC/ORB	
32	8770050	1	Fitting, 90	
33	8770157	1	Fitting, 90 JIC/ORB	
34	1001198338	1	Fitting, Tee ORFS/ORB	
35	1001199394	1	Fitting, Tee JIC/ORB/JIC	
36	1001215296	1	Fitting, 90 JIC/SORB	
100	1001270069	1	Hose Kit - Rear Kit	
101	2753622	1	Hose	
102	2753686	2	Hose	
103	2753971	3	Hose	
104	2754337	2	Hose	
105	2754338	1	Hose	
106	1001198340	1	Hose	
107	2753626	1	Hose	
108	2753634	2	Hose	
200	1001270630	1	Hose Kit - Front Kit	
201	2753542	1	Hose	
202	2753628	2	Hose	

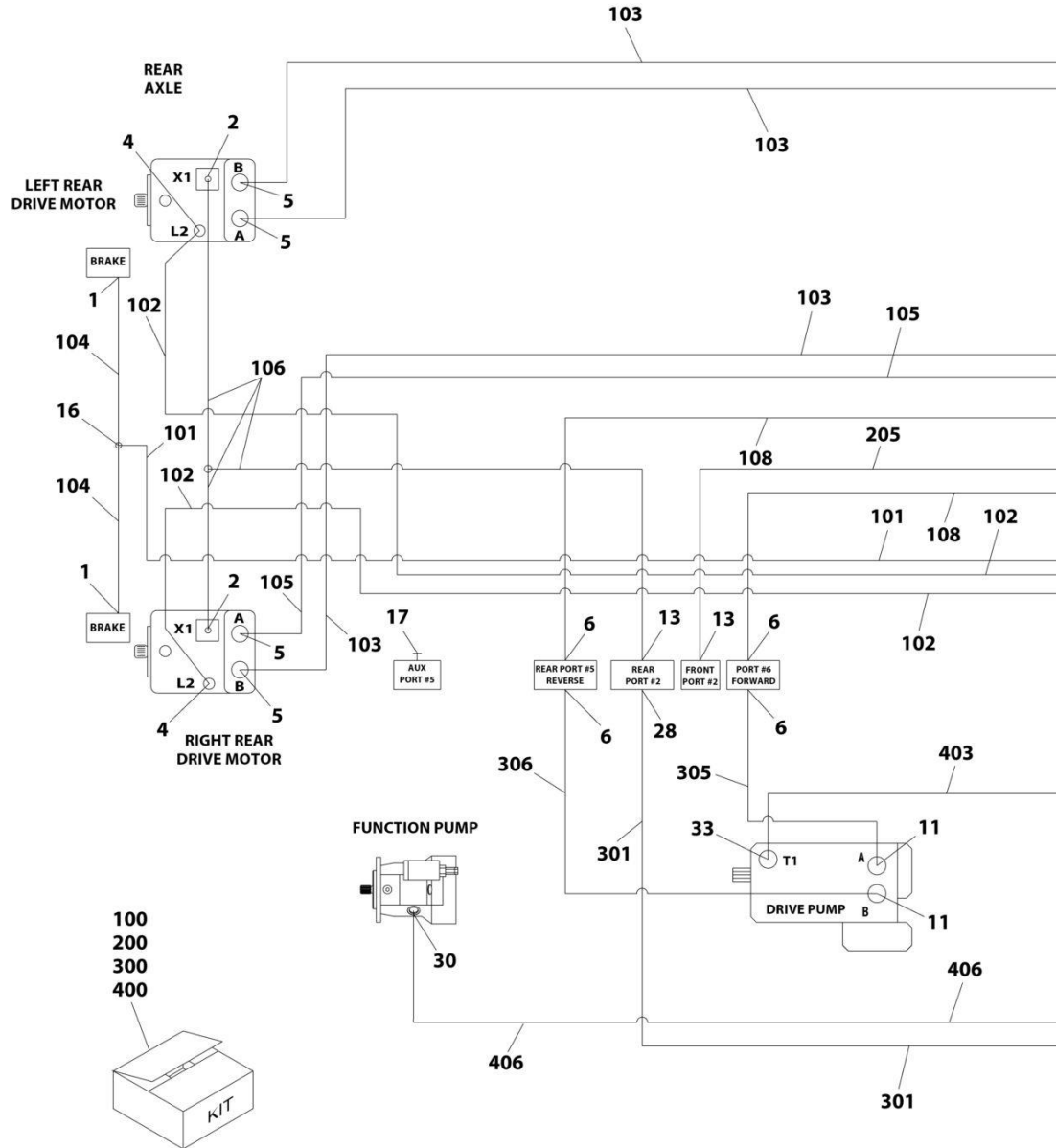
## SECTION 7 - HYDRAULIC

ITEM	PART NUMBER	QTY	DESCRIPTION	REV
203	2753970	4	Hose	
204	2754512	2	Hose	
205	1001198333	2	Hose	
206	1001198341	1	Hose	
300	1001296858	1	Hose Kit - 4WD/2WS TT	
301	2751399	1	Hose	
302	2751500	1	Hose	
303	2752489	2	Hose	
304	2752997	1	Hose	
305	1001296839	1	Hose	
306	1001296840	1	Hose	
400	1001296859	1	Hose Kit - 4WD/2WS TT	
401	2752434	1	Hose	
402	1001296841	1	Hose	
403	1001296842	1	Hose	
404	1001296843	1	Hose	
405	1001296844	2	Hose	
406	1001296913	1	Hose	



# SECTION 7 - HYDRAULIC

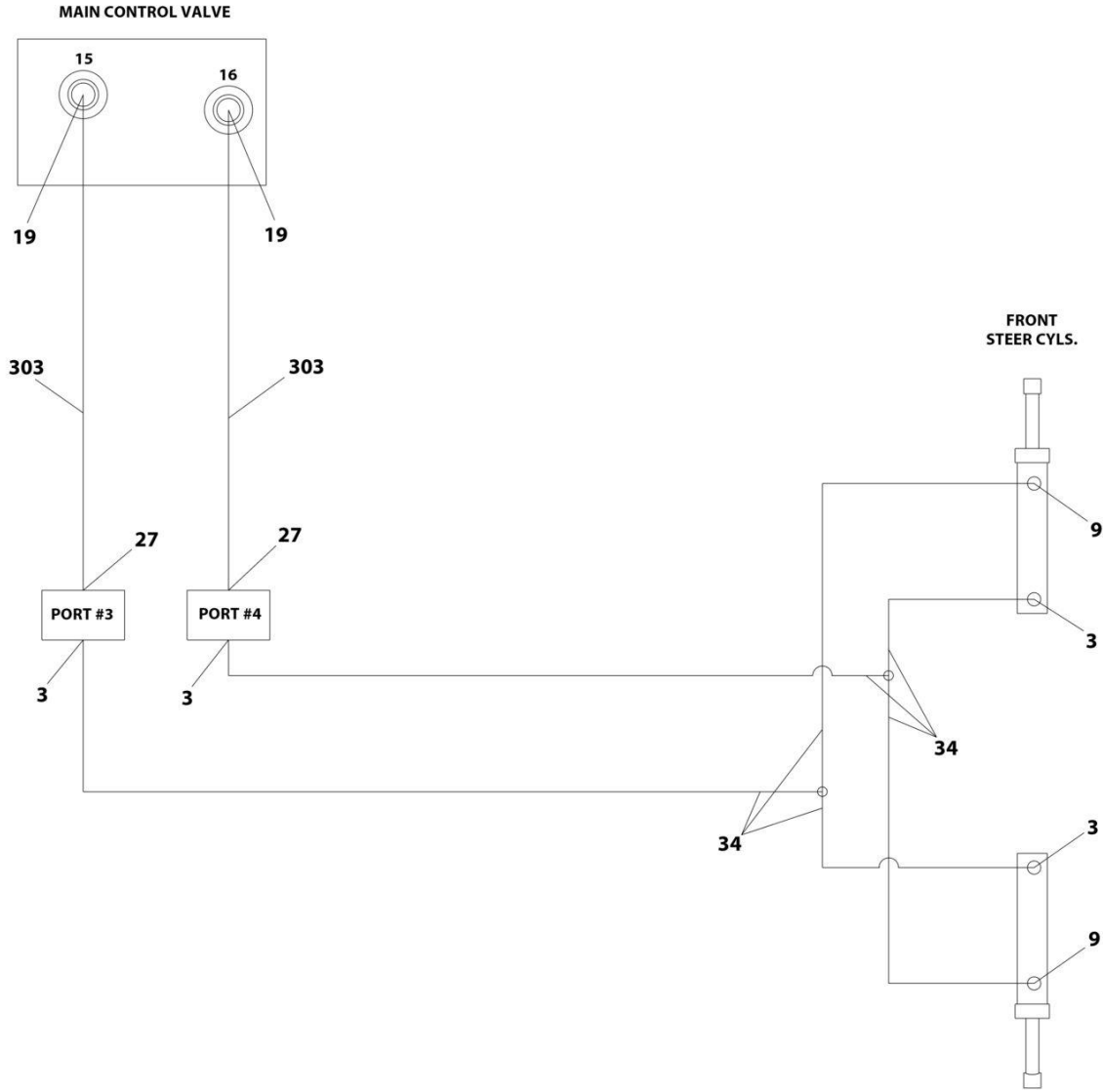
FIGURE 7-9. HYDRAULIC DIAGRAM - DRIVE (4WD/2WS WITHOUT TOW PACKAGE AND WITH ARCTIC PACKAGE)(CSA AND ANSI SPECS)



ART\_1001296912\_10F3



# SECTION 7 - HYDRAULIC



ART\_1001296912\_3OF3

## SECTION 7 - HYDRAULIC

**FIGURE 7-9. HYDRAULIC DIAGRAM - DRIVE (4WD/2WS WITHOUT TOW PACKAGE AND WITH ARCTIC PACKAGE)(CSA AND ANSI SPECS)**

ITEM	PART NUMBER	QTY	DESCRIPTION	REV
	1001296912	Ref	HYDRAULIC DIAGRAM - DRIVE (4WD/2WS)	A
1	2110404	4	Fitting, Straight ORFS/ORB	
2	2110406	2	Fitting, Straight ORFS/ORB	
3	2110606	4	Fitting, Straight ORFS/ORB	
4	2110808	6	Fitting, Straight ORFS/ORB	
5	2110812	8	Fitting, Straight ORFS/ORB	
6	2111616	4	Fitting, Straight ORFS/ORB	
7	2130406	2	Fitting, 90 ORFS/ORB	
8	2130604	1	Fitting, 90 ORFS/ORB	
9	2130606	3	Fitting, 90 ORFS/ORB	
10	2130808	6	Fitting, 90 ORFS/ORB	
11	2131612	2	Fitting, 90 ORFS/ORB	
12	2131616	1	Fitting, 90 ORFS/ORB	
13	2150406	2	Fitting, 45 ORFS/ORB	
14	2151616	1	Fitting, 45 ORFS/ORB	
15	2170408	2	Fitting, Tee ORFS/ORB/ORFS	
16	2170504	2	Fitting, Tee ORFS	
17	2220237	1	Plug 3/8	
18	2220238	1	Plug 1/2	
19	2220371	2	Fitting, Straight JIC/ORB	
20	2220373	2	Fitting, Straight JIC/ORB	
21	2220374	2	Fitting, Straight JIC/ORB	
22	2220375	1	Fitting, Straight JIC/ORB	
23	2220380	1	Fitting, Straight JIC/ORB	
24	2220451	1	Fitting, Straight JIC/ORB	
25	2220466	3	Fitting, 90 JIC/ORB	
26	2220468	1	Fitting, Straight JIC/ORB	
27	2220473	2	Fitting, 90 JIC/ORB	
28	2220582	1	Fitting, Straight JIC/ORB	
29	2220596	1	Fitting, 90 JIC/ORB	
30	2220671	1	Fitting, 90 JIC/ORB	
31	2220940	1	Fitting, 90 JIC/ORB	
32	8770050	1	Fitting, 90	
33	8770157	1	Fitting, 90 JIC/ORB	
34	1001198333	2	Hose	
35	1001198338	1	Fitting, Tee ORFS/ORB	
36	1001199394	1	Fitting, Tee JIC/ORB/JIC	
37	1001215296	1	Fitting, 90 JIC/SORB	
100	1001270069	1	Hose Kit - Rear Kit	
101	2753622	1	Hose	
102	2753686	2	Hose	
103	2753971	3	Hose	
104	2754337	2	Hose	
105	2754338	1	Hose	
106	1001198340	1	Hose	
107	2753626	1	Hose	
108	2753634	2	Hose	
200	1001270073	1	Hose Kit - Front Kit	
201	2753542	1	Hose	

## SECTION 7 - HYDRAULIC

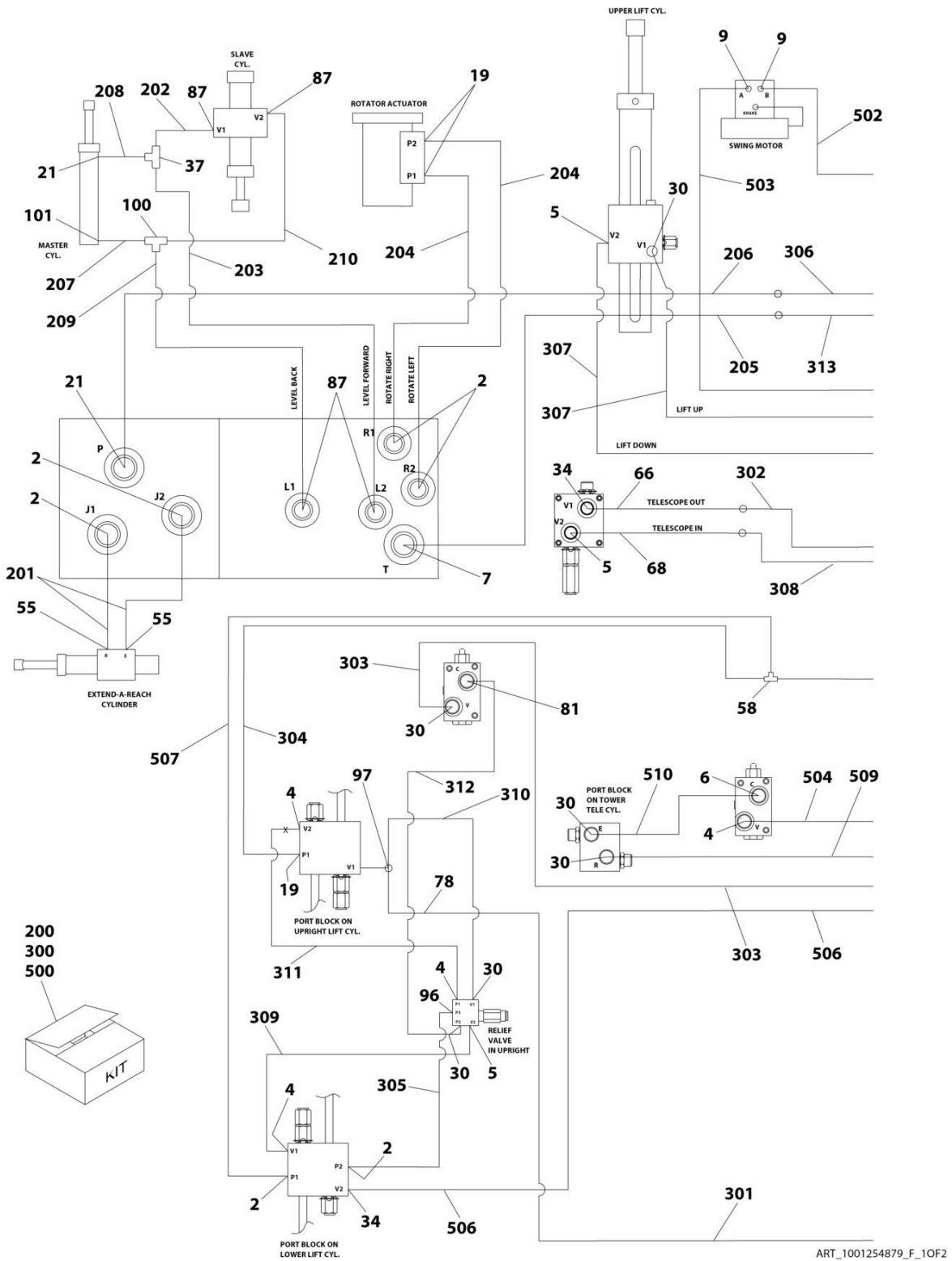
ITEM	PART NUMBER	QTY	DESCRIPTION	REV
202	2754720	2	Hose	
203	2754743	4	Hose	
204	1001106957	2	Hose	
205	1001204269	2	Hose	
300	1001296858	1	Hose Kit - 4WD/2WS TT	
301	2751399	1	Hose	
302	2751500	1	Hose	
303	2752489	2	Hose	
304	2752997	1	Hose	
305	1001296839	1	Hose	
306	1001296840	1	Hose	
400	1001296859	1	Hose Kit - 4WD/2WS TT	
401	2752434	1	Hose	
402	1001296841	1	Hose	
403	1001296842	1	Hose	
404	1001296843	1	Hose	
405	1001296844	2	Hose	
406	1001296913	1	Hose	



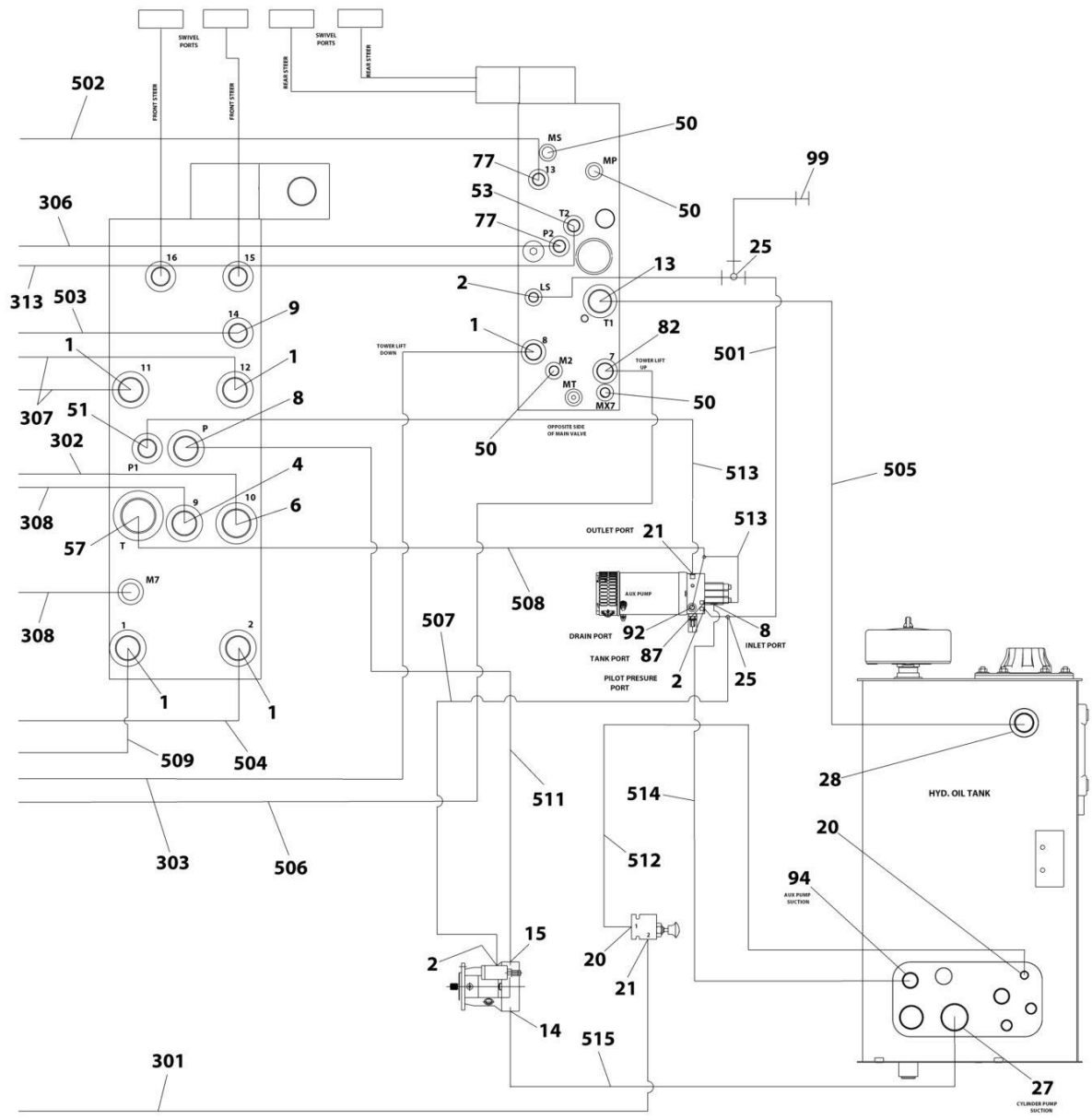


# SECTION 7 - HYDRAULIC

## FIGURE 7-10. HYDRAULIC DIAGRAM - STANDARD



# SECTION 7 - HYDRAULIC



ART\_1001254879\_F\_20F2

# SECTION 7 - HYDRAULIC

## FIGURE 7-10. HYDRAULIC DIAGRAM - STANDARD

ITEM	PART NUMBER	QTY	DESCRIPTION	REV
	1001254879	Ref	STANDARD HYDRAULIC DIAGRAM	F
1	2220381	5	Fitting, Straight ORB/FL	
2	2220415	9	Fitting, Straight ORB/FL	
4	2220373	5	Fitting, Straight ORB/FL	
5	2220500	3	Fitting, 45 ORB/FL	
6	2220947	2	Fitting, Straight ORB/FL	
7	2220600	1	Fitting, Straight JIC/ORB	
8	2220593	2	Fitting, Straight ORB/FL	
9	2220371	3	Fitting, Straight ORB/FL	
13	1001179329	1	Fitting, Straight JIC/ORB	
14	2220737	1	Split Flange Kit #24	
15	2220478	1	Split Flange Kit #16	
19	2220466	3	Fitting, 90 ORB/FL	
20	2220582	2	Fitting, Straight JIC/ORB	
21	2220473	4	Fitting, 90 ORB/FL	
25	2220605	2	Fitting, Tee FL/FL	
27	2220765	1	Fitting, Straight ORB/FL	
28	2220377	1	Fitting, Straight JIC/ORB	
30	2220596	6	Fitting, 90 ORB/FL	
34	2220852	2	Fitting, Straight ORB/FL	
37	2220490	1	Fitting, Tee FL/FL	
50	2221086	4	Fitting, Diagnostic Test Port, EM3A	
51	4640780	1	Fitting, Check Valve	
53	1001136881	1	Fitting, 45 ORB/FG	
55	2220472	2	Fitting, 90 ORB/FL (800AJ)	
57	2220577	1	Fitting, Straight ORB/FL	
58	2221034	1	Fitting, Tee FL/FL/ORB	
66	2752767	1	Hose	
68	2753190	1	Hose	
77	2220501	2	Fitting, 45 ORB/FL	
78	4567757	1	Tube	
79	4100062	4	Protection, Hose (Not Shown - Located at Tower Boom Power Track)	
81	2221036	1	Fitting, 90 ORB/FL	
82	2220950	1	Fitting, 45 ORB/FL	
87	2220603	5	Fitting, Straight ORB/FL	
92	2220899	1	Fitting, Tee ORB/FL/FL	
94	2220451	1	Fitting, Straight JIC/ORB	
96	2220468	1	Fitting, Straight JIC/ORB	
97	1001215289	1	Fitting, Tee JIC/ORB/JIC	
99	91143177	1	Fitting - Diagnostic Test Port	
100	2220362	1	Fitting, Tee FL/FL/FL	
101	2220726	1	Adapter, 90 SJIC/ORB	
102	1001136358	1	Sleeve, Abrasion (Not Shown)	
103	4240032	2	Tie-Strap (Not Shown)	
200	1001256059	1	Upper Boom Hose Kit	
202	1001119602	1	Hose	
203	1001155673	1	Hose	
204	1001159707	2	Hose	
205	1001254846	1	Hose	

## SECTION 7 - HYDRAULIC

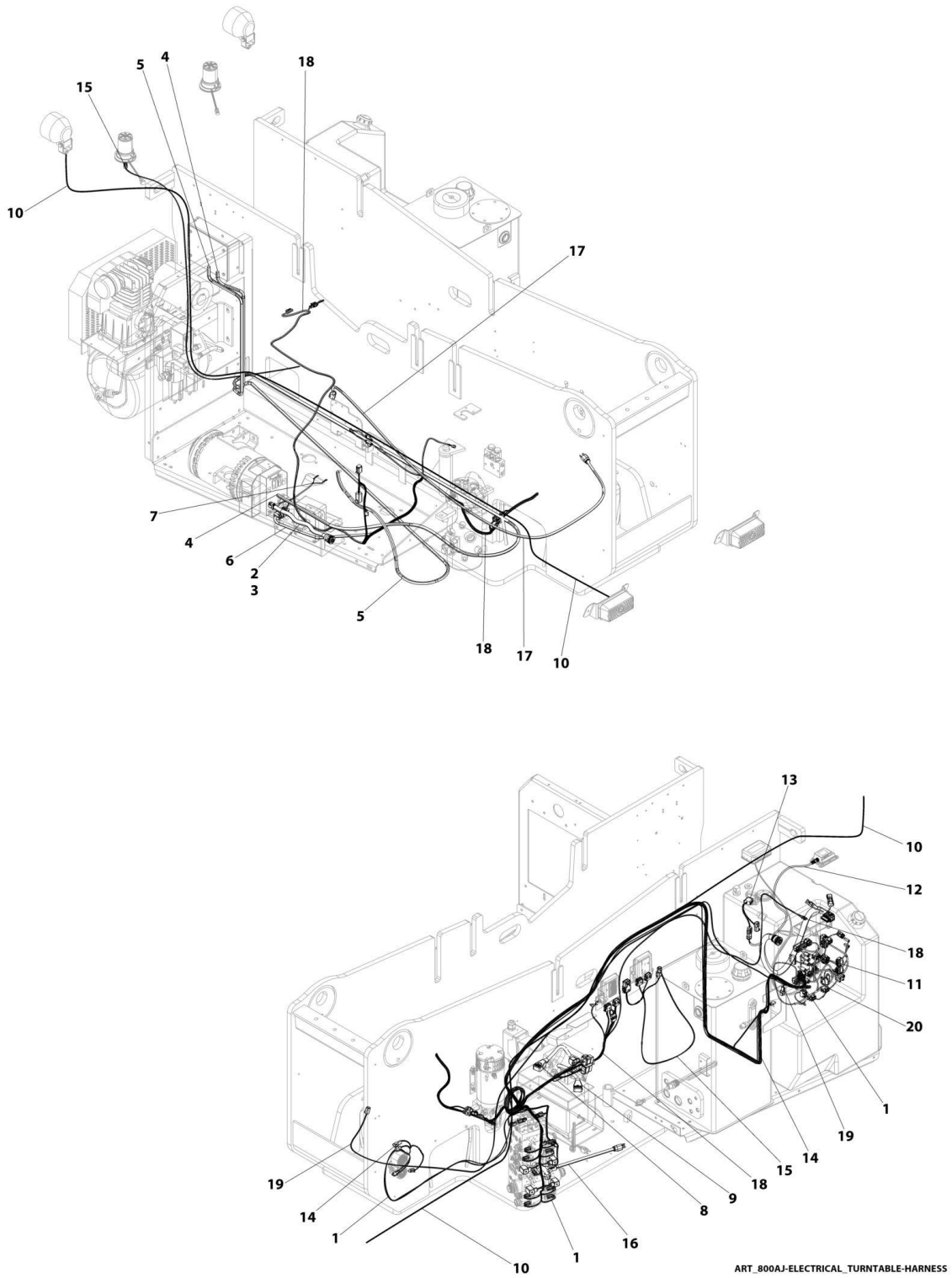
ITEM	PART NUMBER	QTY	DESCRIPTION	REV
206	1001254847	1	Hose	
207	1001259466	1	Hose	
208	1001259467	1	Hose	
209	1001259468	1	Hose	
210	1001259470	1	Hose	
300	1001183226	1	Lower Boom Hose Kit	
301	2752468	1	Hose	
302	2752766	1	Hose	
303	2752930	1	Hose	
304	2752978	1	Hose	
305	2753008	1	Hose	
306	2753123	1	Hose	
307	2753189	2	Hose	
308	2753191	1	Hose	
309	2753195	1	Hose	
310	2753196	1	Hose	
311	2753197	1	Hose	
312	2753199	1	Hose	
313	1001182162	1	Hose	
500	1001270089	1	Turntable Hose Kit	
501	2752434	1	Hose	
502	2752461	1	Hose	
503	2752484	1	Hose	
504	2752494	1	Hose	
505	2752723	1	Hose	
506	2752768	1	Hose	
507	2753010	2	Hose	
508	2753118	1	Hose	
509	2753192	1	Hose	
510	2753200	1	Hose	
511	2753231	1	Hose	
512	2753274	1	Hose	
513	1001109690	2	Hose	
514	1001149410	1	Hose	
515	1001179079	1	Hose	



**SECTION 8 - ELECTRICAL**

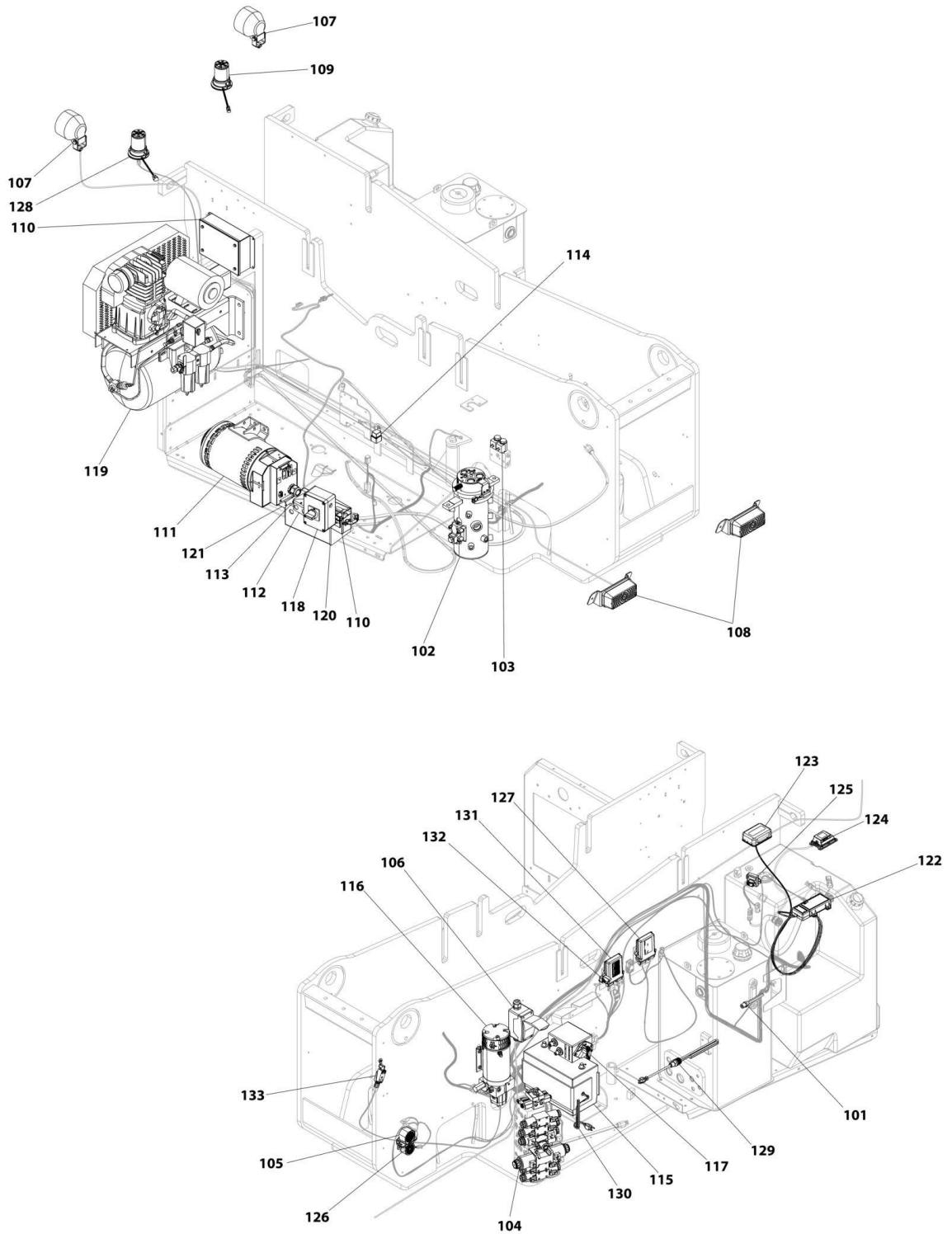
# SECTION 8 - ELECTRICAL

## FIGURE 8-1. 800AJ HC3 ELECTRICAL LAYOUT



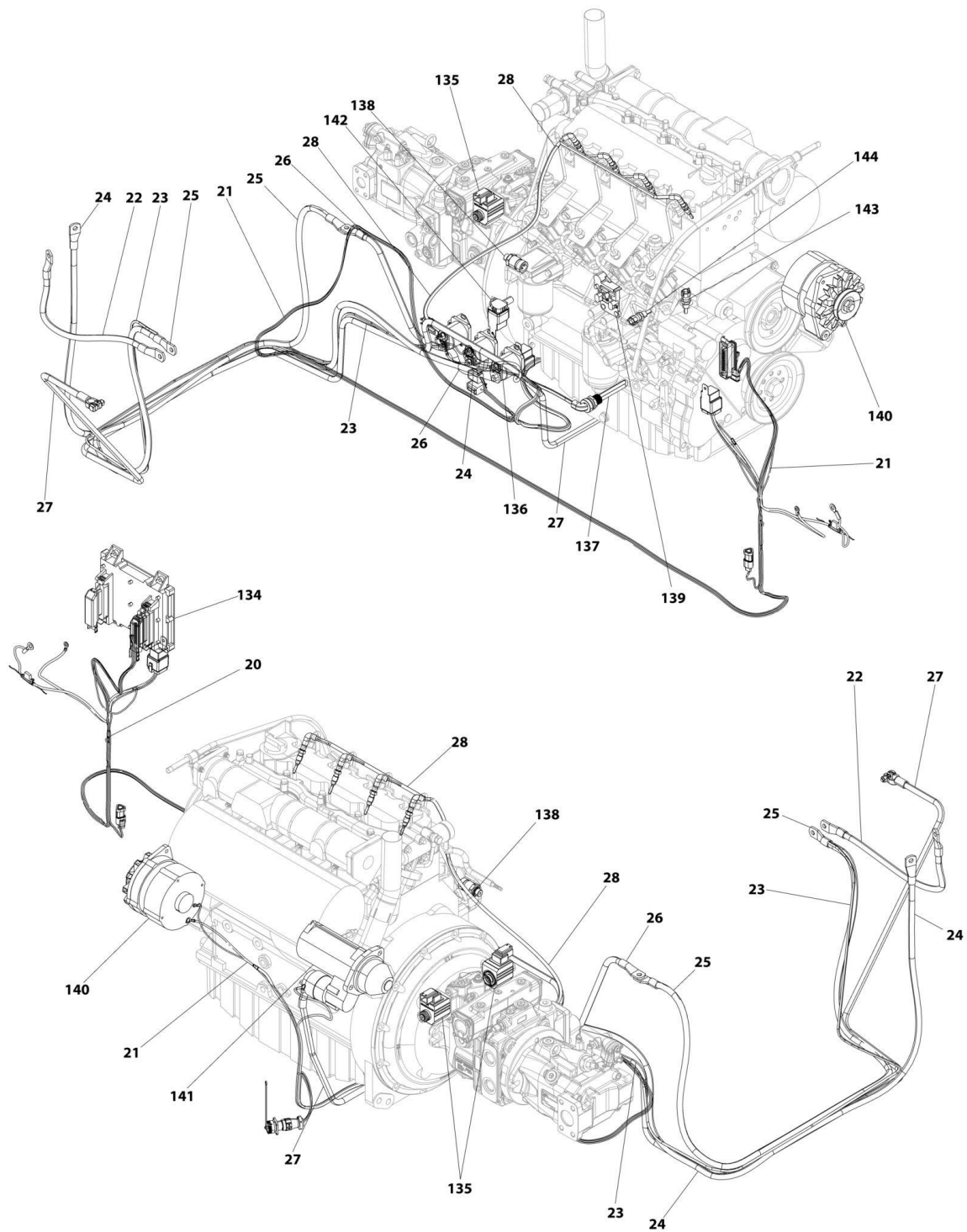


# SECTION 8 - ELECTRICAL



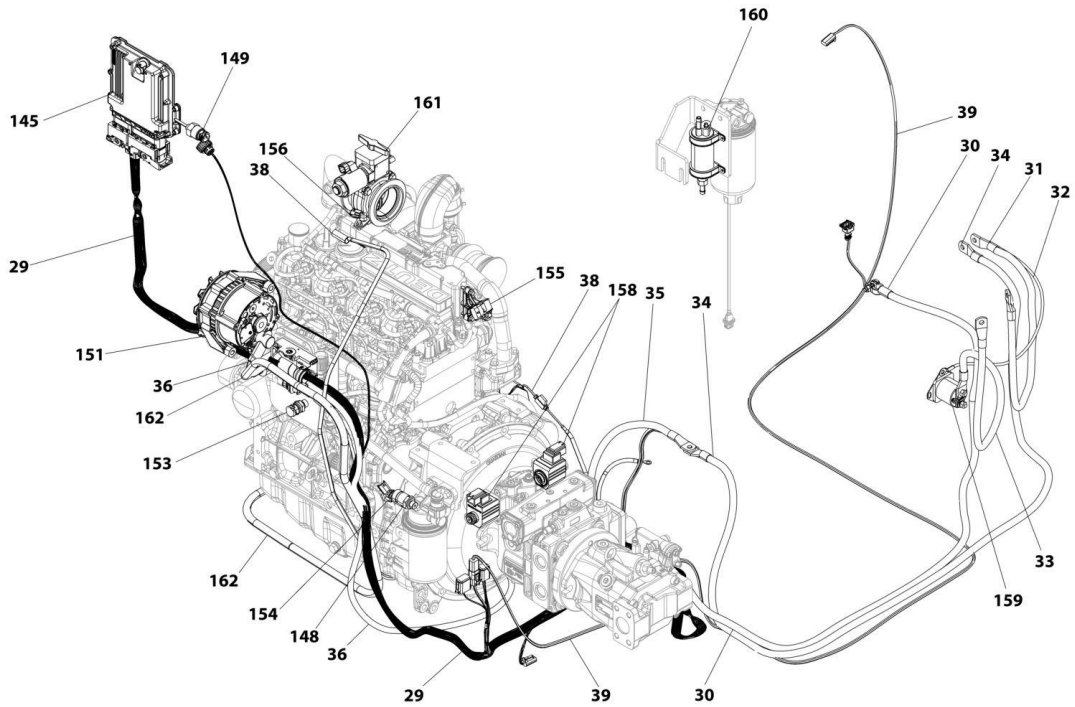
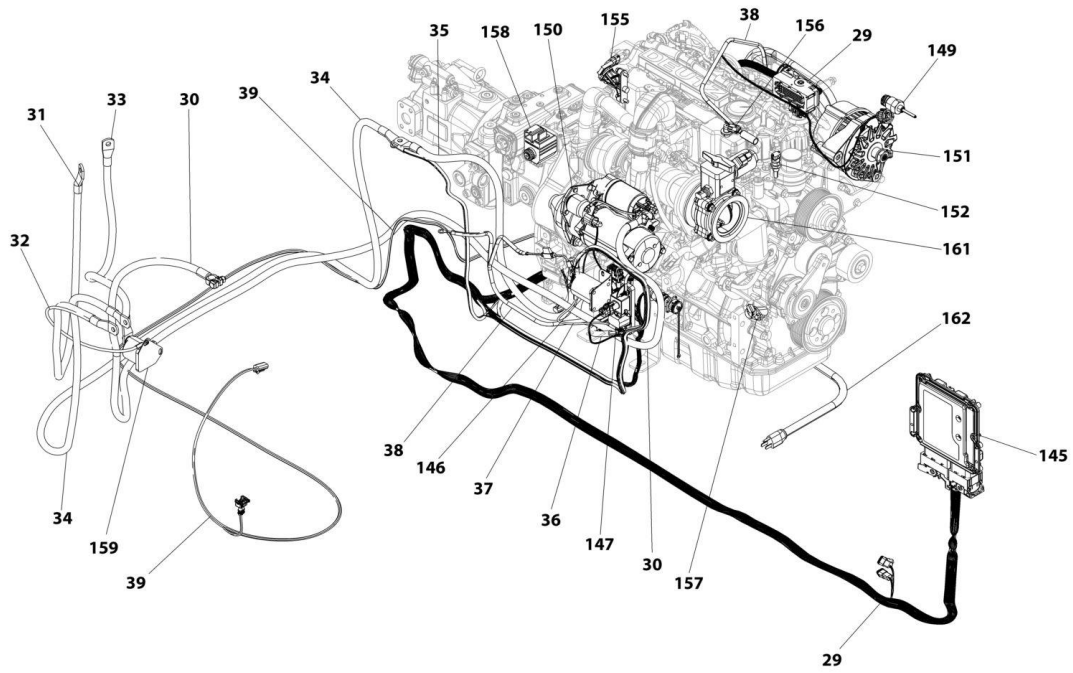
ART\_800AJ-ELECTRICAL\_TURNTABLE-COMPONENT

# SECTION 8 - ELECTRICAL



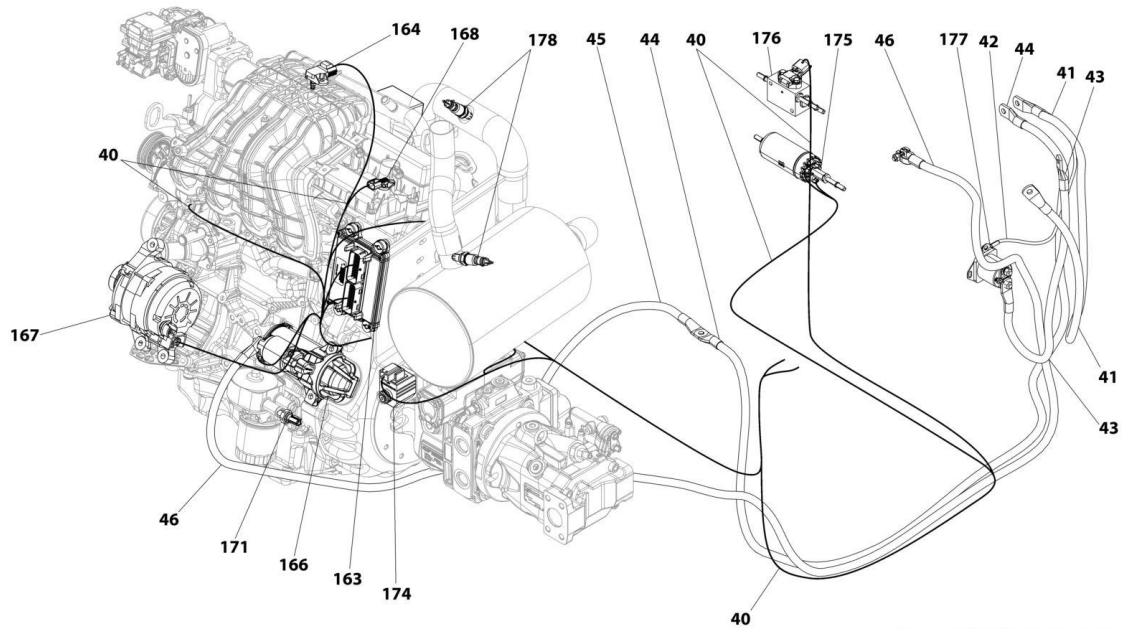
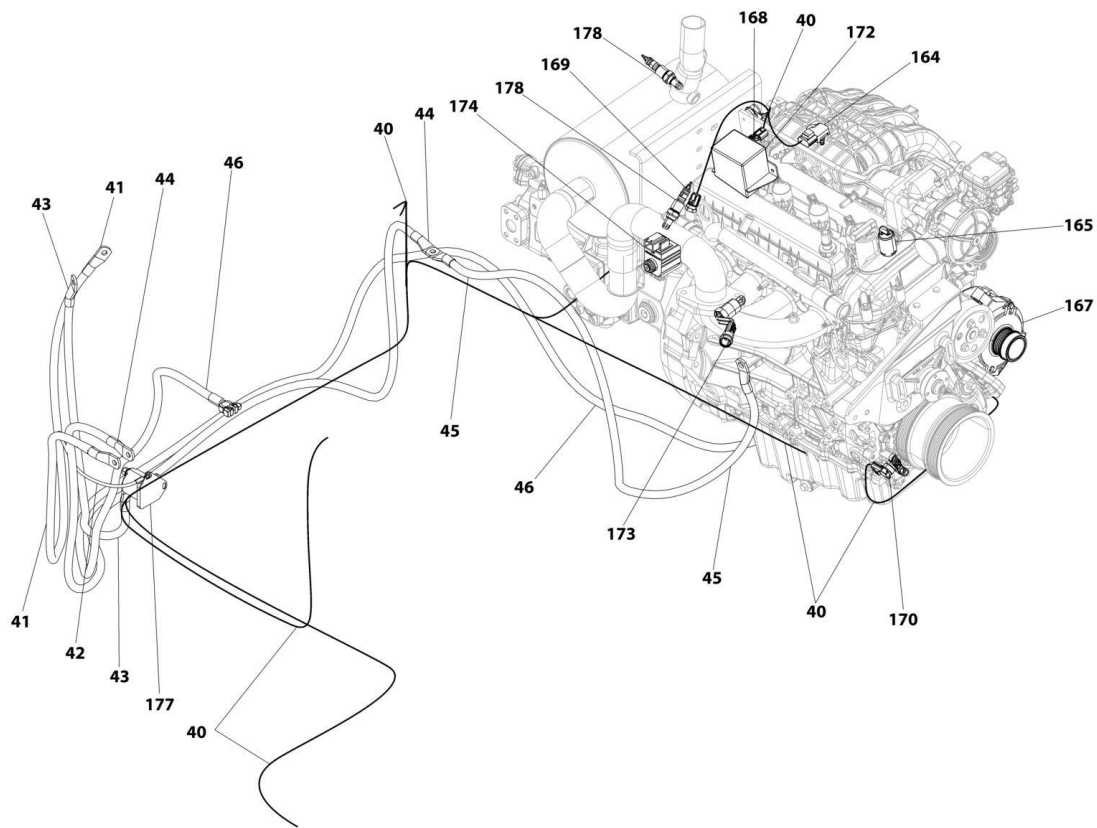
ART\_800AJ-ELECTRICAL\_ENGINE\_DEUTZ-D2011

# SECTION 8 - ELECTRICAL



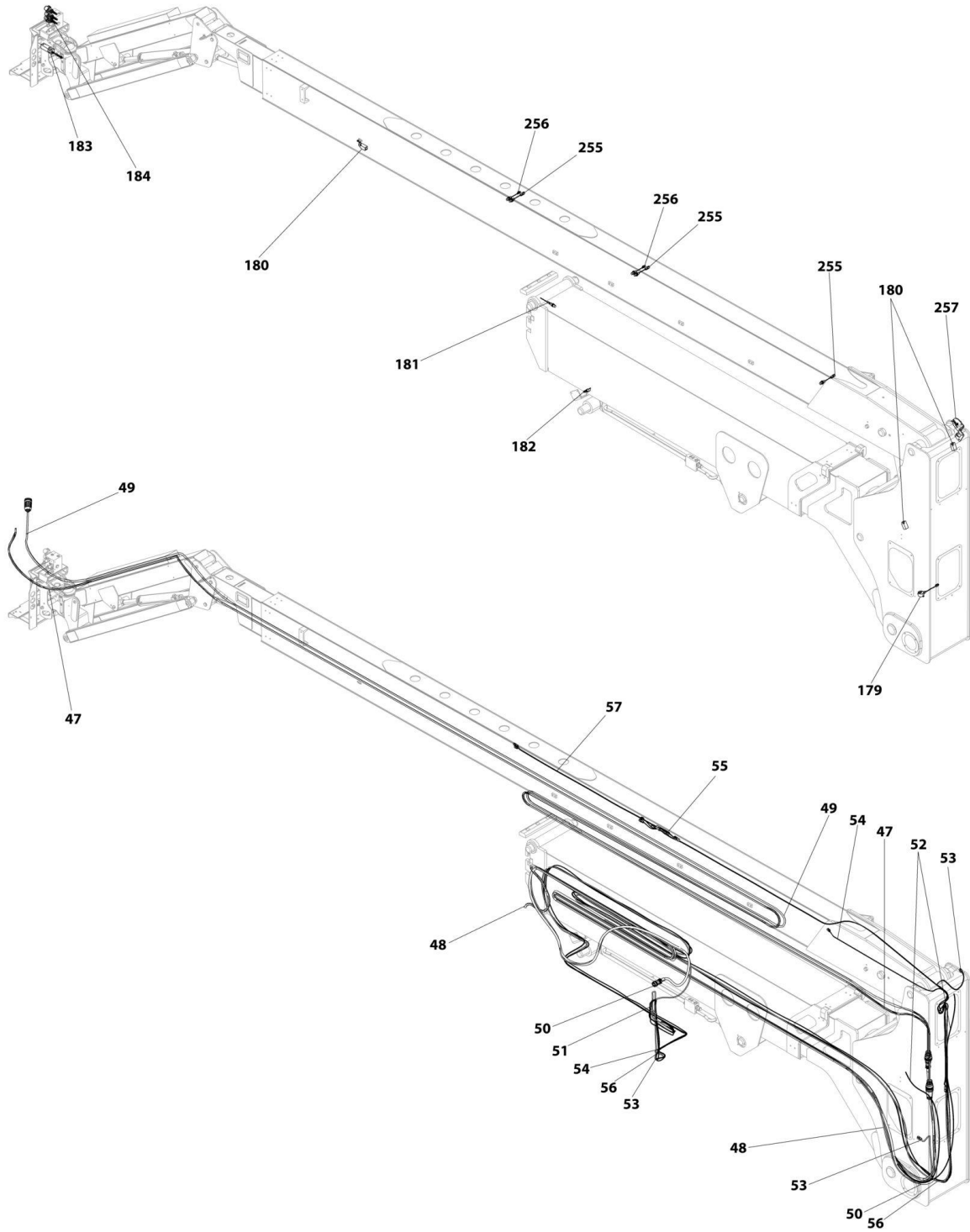
ART\_800AJ-ELECTRICAL\_ENGINE\_DEUTZ-2.9L4

# SECTION 8 - ELECTRICAL



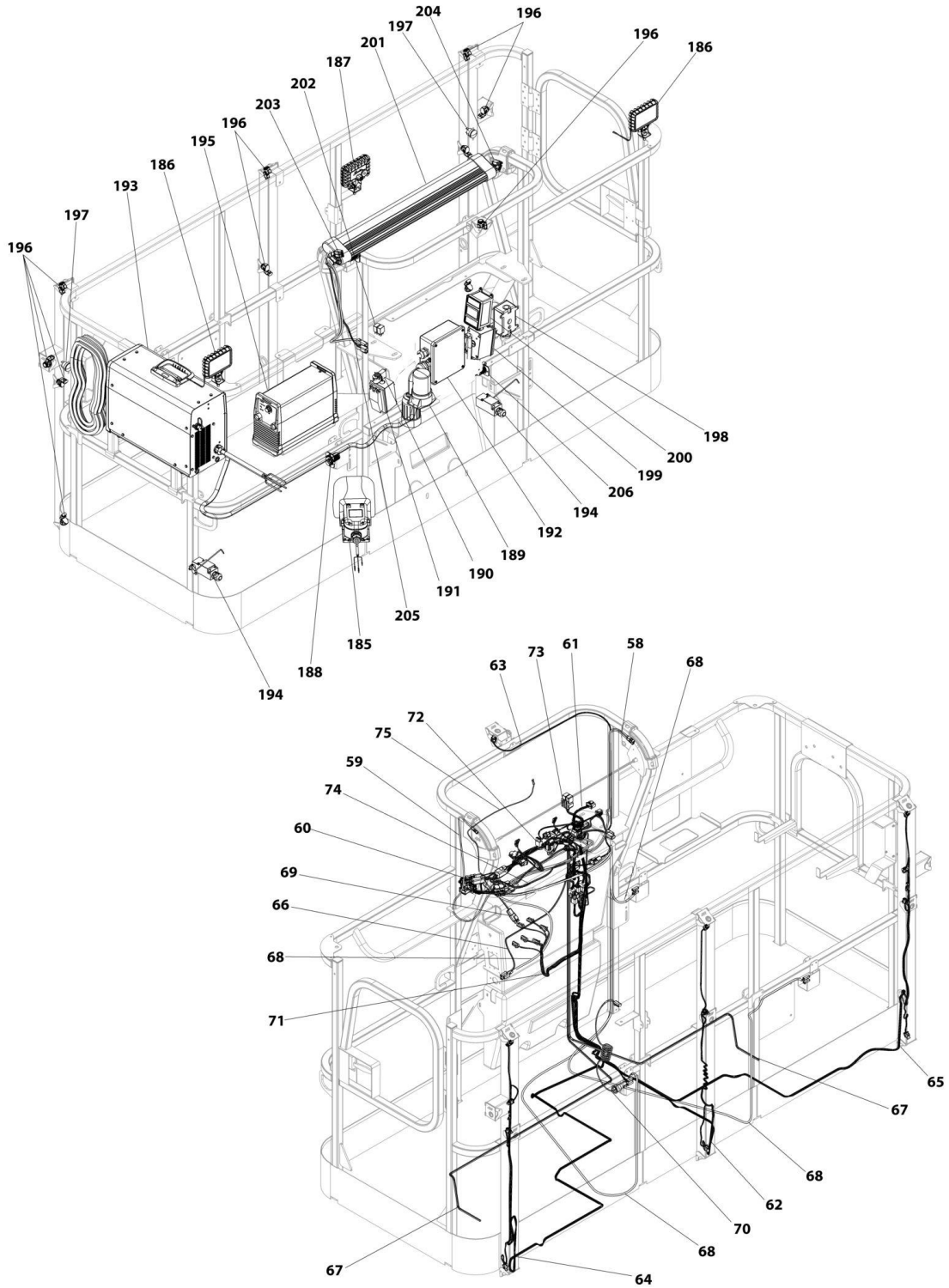
ART\_800AJ-ELECTRICAL\_ENGINE\_FORD-DF

# SECTION 8 - ELECTRICAL



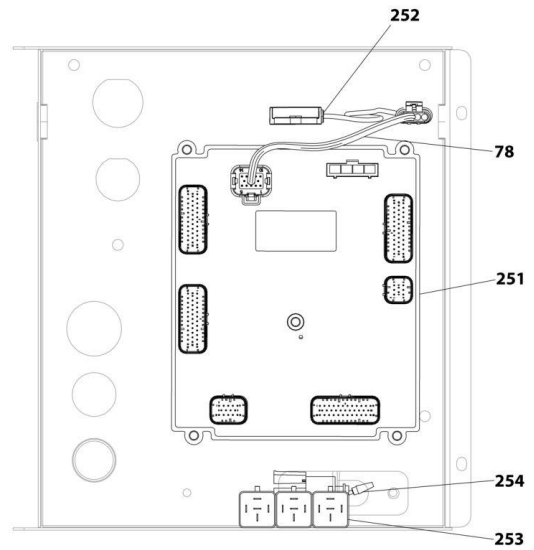
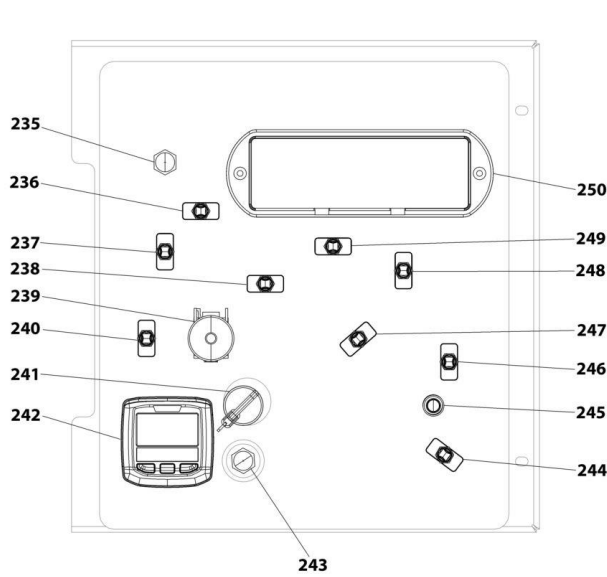
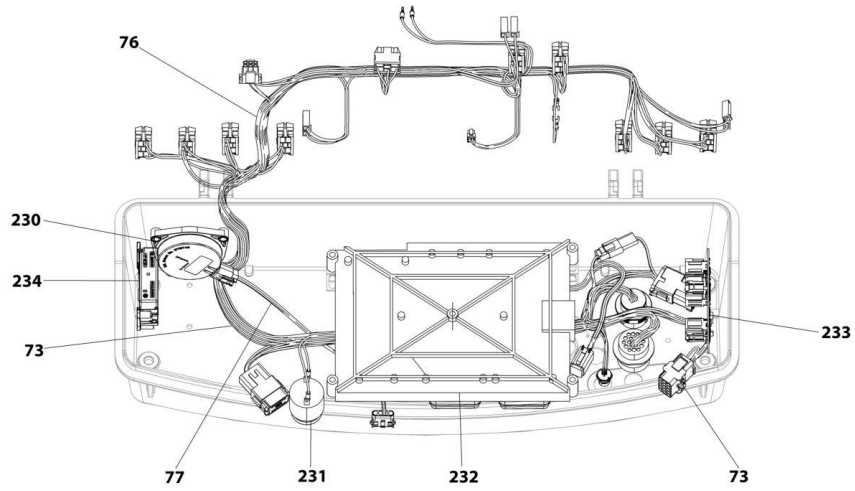
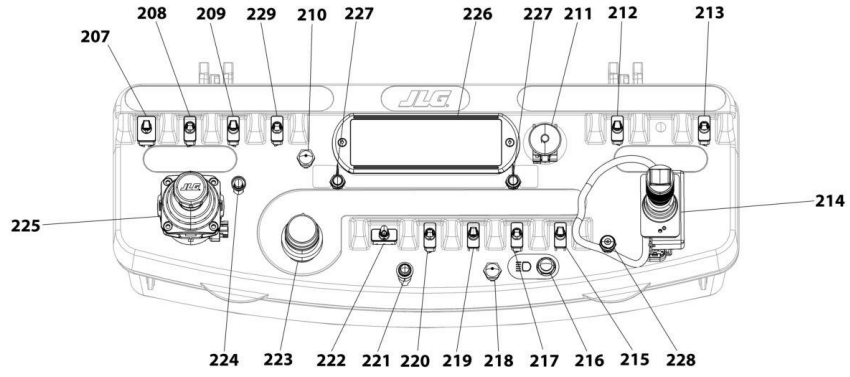
ART\_800AJ\_HC3-ELECTRICAL\_BOOM

# SECTION 8 - ELECTRICAL



ART\_800AJ\_HC3-ELECTRICAL\_PLATFORM

# SECTION 8 - ELECTRICAL



ART\_800AJ\_HC3-ELECTRICAL\_CONTROLS

# SECTION 8 - ELECTRICAL

## FIGURE 8-1. 800AJ HC3 ELECTRICAL LAYOUT

ITEM	PART NUMBER	QTY	DESCRIPTION	REV
		Ref	HARNESS LIST	
		Ref	Note: This figure is for part identification only.	
1		Ref	Harness, Main Valve	
2		Ref	Harness, 7500W Generator	
3		Ref	Harness, 4000W Generator	
4		Ref	Harness, Generator to Control Box	
5		Ref	Harness, Generator Control Box to Engine	
6		Ref	Harness, 2500W Generator	
7		Ref	Harness, Hourmeter	
8		Ref	Cable, Battery (+) to Disconnect	
9		Ref	Cable, Battery (-) to Disconnect	
10		Ref	Harness, Head and Tail Light	
11		Ref	Harness, Clearsky	
12		Ref	Harness, Telematics	
13		Ref	Harness, Xirgo Jumper	
14		Ref	Harness, White Noise Alarm	
15		Ref	Harness, Strobe Light Control	
16		Ref	3-Way Plug	
17		Ref	Cable, Extension	
18		Ref	Harness, ASOV	
19		Ref	Harness, Tower Stow	
20		Ref	Harness, Ground Control	
21		Ref	Harness, Engine	
22		Ref	Cable, Battery (-) to Aux Pump	
23		Ref	Cable, Battery (-) to Relay	
24		Ref	Cable, Aux Pump to Relay	
25		Ref	Cable, Battery (-) to Ground	
26		Ref	Cable, Engine Ground	
27		Ref	Cable, Battery (+) to Starter	
28		Ref	Harness, Glow Plug	
29		Ref	Harness, Engine	
30		Ref	Cable, Battery (+) to Starter	
31		Ref	Cable, Battery (-) to Aux Pump	
32		Ref	Cable, Battery (-) to Relay	
33		Ref	Cable, Aux Pump to Relay	
34		Ref	Cable, Battery (-) to Ground	
35		Ref	Cable, Engine Ground	
36		Ref	Harness, Alternator Power	
37		Ref	Harness, Glow Plug Fuse	
38		Ref	Heater, Breather	
39		Ref	Harness, Fuel Pump	
40		Ref	Harness, Engine	
41		Ref	Cable, Battery (-) to Aux Pump	
42		Ref	Cable, Battery (-) to Relay	
43		Ref	Cable, Aux Pump to Relay	
44		Ref	Cable, Battery (-) to Ground	
45		Ref	Cable, Engine Ground	
46		Ref	Cable, Battery (+) to Starter	
47		Ref	Cable, AC Ground to Platform (Upper)	
48		Ref	Cable, AC Ground to Platform (Lower)	



## SECTION 8 - ELECTRICAL

ITEM	PART NUMBER	QTY	DESCRIPTION	REV
49		Ref	Cable, Boom (Upper)	
50		Ref	Cable, Boom (Lower)	
51		Ref	Harness, Tilt Sensor	
52		Ref	Harness, Proximity Sensor	
53		Ref	Harness, Main Boom Angle Sensor	
54		Ref	Harness, Transport Proximity Sensor	
55		Ref	Harness, Capacity (Upper)	
56		Ref	Harness, Capacity (Lower)	
57		Ref	Harness, Capacity Proximity (Upper)	
58		Ref	Harness, SkyEye Receiver	
59		Ref	Harness, SkyEye Emitter	
60		Ref	Harness, SkyEye Intermediate	
61		Ref	Harness, SkySense Main	
62		Ref	Harness, SkySense Mid Tube	
63		Ref	Harness SkySense Overhead Sensor	
64		Ref	Harness, SkySense Left Tube	
65		Ref	Harness, SkySense Right Tube	
66		Ref	Harness, USB	
67		Ref	Cable, Soft Touch	
68		Ref	Harness, Portable Work Light	
69		Ref	Harness, Portable Light Power	
70		Ref	Harness, Portable Work Light Extension	
71		Ref	Harness, Platform Valve	
72		Ref	Harness, Platform Work Light	
73		Ref	Harness, SkyLine	
74		Ref	Harness, SkyGuard	
75		Ref	Harness, Platform Strobe Light	
76		Ref	Harness, Platform Console	
77		Ref	Harness, Tilt Sensor	
78		Ref	Harness, Tilt Sensor	
		Ref	COMPONENT LIST	
101		Ref	Sensor, Fuel Level	
102		Ref	Rotary Coupling	
103		Ref	Solenoids, Axle Valve	
104		Ref	Solenoids, Main Control Valve	
105		Ref	Alarm	
106		Ref	AC Breaker Box	
107		Ref	Headlight	
108		Ref	Taillight	
109		Ref	Light, Strobe (Amber)	
110		Ref	Box, Generator Control	
111		Ref	Generator	
112		Ref	Generator Junction Box	
113		Ref	Light, Generator	
114		Ref	Relay	
115		Ref	Battery	
116		Ref	Auxiliary Pump/Motor	
117		Ref	Switch, Battery Disconnect	
118		Ref	Box, Air Compressor Control	
119		Ref	Air Compressor	
120		Ref	Transformer, Cold Weather	

## SECTION 8 - ELECTRICAL

ITEM	PART NUMBER	QTY	DESCRIPTION	REV
121		Ref	Generator Hourmeter	
122		Ref	Module, ClearSky Telematics CANBUS	
123		Ref	Antenna, ClearSky Telematics	
124		Ref	Module, ClearSky Telematics 3-Wire	
125		Ref	Voltage Regulator, ClearSky Telematics	
126		Ref	Alarm, White Noise	
127		Ref	Module, Strobe Control	
128		Ref	Light, Strobe	
129		Ref	Heater, Immersion	
130		Ref	Heater, Battery	
131		Ref	Module, ASOV Control	
132		Ref	Switch, ASOV	
133		Ref	Sensor, Tower Stow	
134		Ref	Module, Engine Control	
135		Ref	Solenoids, Hydrostatic Pump	
136		Ref	Relays	
137		Ref	Heater, Engine Block	
138		Ref	Sensor, Temperature	
139		Ref	Sensor	
140		Ref	Alternator	
141		Ref	Starter	
142		Ref	Sensor, Speed	
143		Ref	Sensor, Engine Coolant Temperature	
144		Ref	Sensor, Pressure	
145		Ref	Module, Engine Control	
146		Ref	Relay	
147		Ref	Relay	
148		Ref	Sensor, Pressure	
149		Ref	Sensor, Coolant Level	
150		Ref	Starter	
151		Ref	Alternator	
152		Ref	Sensor, Engine Coolant Temperature	
153		Ref	Sensor, Pressure	
154		Ref	Sensor, Speed	
155		Ref	Sensor, Oil Pressure	
156		Ref	Sensor, Temperature	
157		Ref	Sensor, Speed	
158		Ref	Solenoids, Hydrostatic Pump	
159		Ref	Relay	
160		Ref	Fuel Pump	
161		Ref	Air Shut Off Valve (ASOV)	
162		Ref	Heater, Engine Block	
163		Ref	Module, Engine Control	
164		Ref	Sensor, TMAP	
165		Ref	Solenoid, Timing	
166		Ref	Starter	
167		Ref	Alternator	
168		Ref	Sensor, Speed	
169		Ref	Engine Coolant Temperature Sensor	
170		Ref	Sensor, Speed	
171		Ref	Sensor, Oil Pressure	

## SECTION 8 - ELECTRICAL

ITEM	PART NUMBER	QTY	DESCRIPTION	REV
172		Ref	Fuse Box	
173		Ref	Heater, Engine Block	
174		Ref	Solenoids, Hydrostatic Pump	
175		Ref	Fuel Pump	
176		Ref	Fuel Block	
177		Ref	Relay	
178		Ref	Sensor, O2	
179		Ref	Sensor, Tilt	
180		Ref	Sensor, Transport Position	
181		Ref	Sensor, Proximity	
182		Ref	Sensor, Proximity	
183		Ref	Cell, Load Sensing	
184		Ref	Solenoids, Platform Valve	
185		Ref	Footswitch	
186		Ref	Platform Work Light	
187		Ref	Portable Work Light	
188		Ref	AC Receptacle	
189		Ref	Light, Platform Strobe	
190		Ref	Switch, Generator	
191		Ref	AC Receptacle	
192		Ref	Junction Box	
193		Ref	Welding Machine	
194		Ref	Switch, Soft Touch Limit	
195		Ref	Plasma Cutter	
196		Ref	Sensor, SkySense	
197		Ref	Alarm	
198		Ref	AC Receptacle	
199		Ref	AC Receptacle	
200		Ref	AC Receptacle/Breaker Box	
201		Ref	Switch, SkyGuard	
202		Ref	Relay	
203		Ref	Sensor, SkyEye Receiver	
204		Ref	Sensor, SkyEye Emitter	
205		Ref	Sensor, SkyLine Proximity	
206		Ref	USB Receptacle	
207		Ref	Switch, Drive Speed/ Torque Select	
208		Ref	Switch, Steer Select	
209		Ref	Switch, Platform Leveling Override	
210		Ref	Switch, Horn	
211		Ref	Switch, Emergency Stop	
212		Ref	Switch, Start/Auxilliary Power	
213		Ref	Switch, Drive Orientation Override	
214		Ref	Controller, Drive/Steer	
215		Ref	Switch, Boom Telescope	
216		Ref	Switch, Lights	
217		Ref	Switch, Jib Up/Down	
218		Ref	Switch, Soft Touch/SkyGuard/SkySense Override	
219		Ref	Switch, Tower Telescope	
220		Ref	Switch, Tower Lift	
221		Ref	Light, Soft Touch/SkyGuard/SkySense Indicator	
222		Ref	Switch, Platform Rotate	

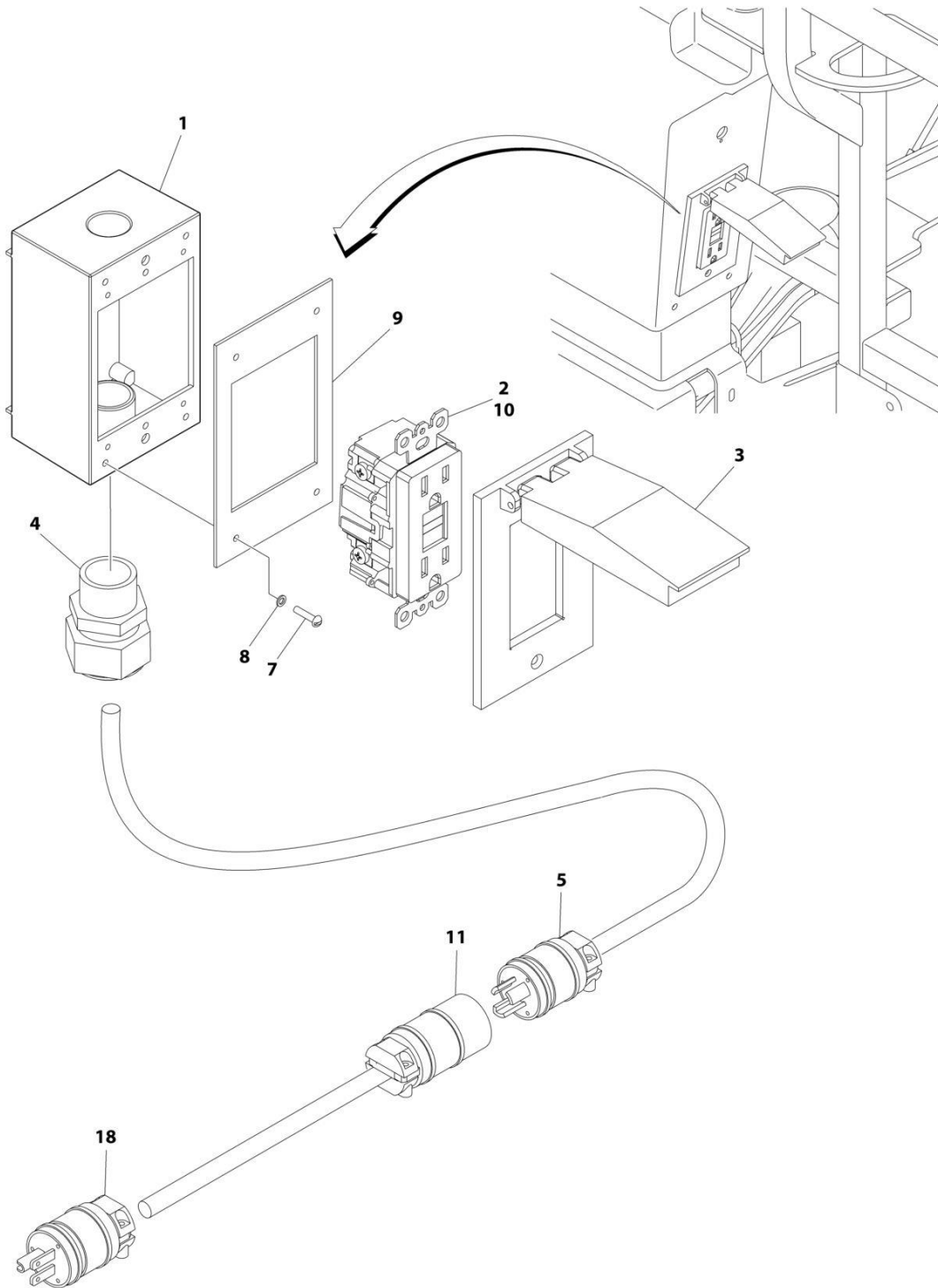
## SECTION 8 - ELECTRICAL

ITEM	PART NUMBER	QTY	DESCRIPTION	REV
223		Ref	Switch, Function Speed Control	
224		Ref	Light, Boom Stow Indicator	
225		Ref	Controller, Main Lift/Swing	
226		Ref	Display, Platform	
227		Ref	Light, SkySense Indicator	
228		Ref	Switch, SkySense	
229		Ref	Switch, Fuel Select	
230		Ref	Sensor, Tilt	
231		Ref	Alarm	
232		Ref	Module, Platform	
233		Ref	Module, SkySense Control	
234		Ref	Module, SkySense Sensor	
235		Ref	Switch, Diesel Particulate Filter (DPF)	
236		Ref	Switch, Platform Rotate	
237		Ref	Switch, Platform Leveling Override	
238		Ref	Switch, Jib Up/Down	
239		Ref	Switch, Emergency Stop	
240		Ref	Switch, Engine Start/ Auxiliary Power	
241		Ref	Switch, Key	
242		Ref	Display, Ground	
243		Ref	Switch, Machine Safety System Override (MSSO)	
244		Ref	Switch, Turntable Swing	
245		Ref	Light, Boom Stow/ASOV Indicator	
246		Ref	Switch, Tower Lift	
247		Ref	Switch, Tower Telescope	
248		Ref	Switch, Boom Lift	
249		Ref	Switch, Boom Telescope	
250		Ref	Indicator Panel	
251		Ref	Module, Ground Control	
252		Ref	Sensor, Tilt	
253		Ref	Relay	
254		Ref	Switch, Cribbing	
255		Ref	Sensor, Proximity	
256		Ref	Sensor, Proximity	
257		Ref	Sensor, Boom Angle	



# SECTION 8 - ELECTRICAL

FIGURE 8-2. AC BOX AT PLATFORM INSTALLATION - 110V GFI RECEPTACLE (ALL SPECS EXCEPT AUSTRALIAN, CE & UK CA SPECS)



ART\_0272259

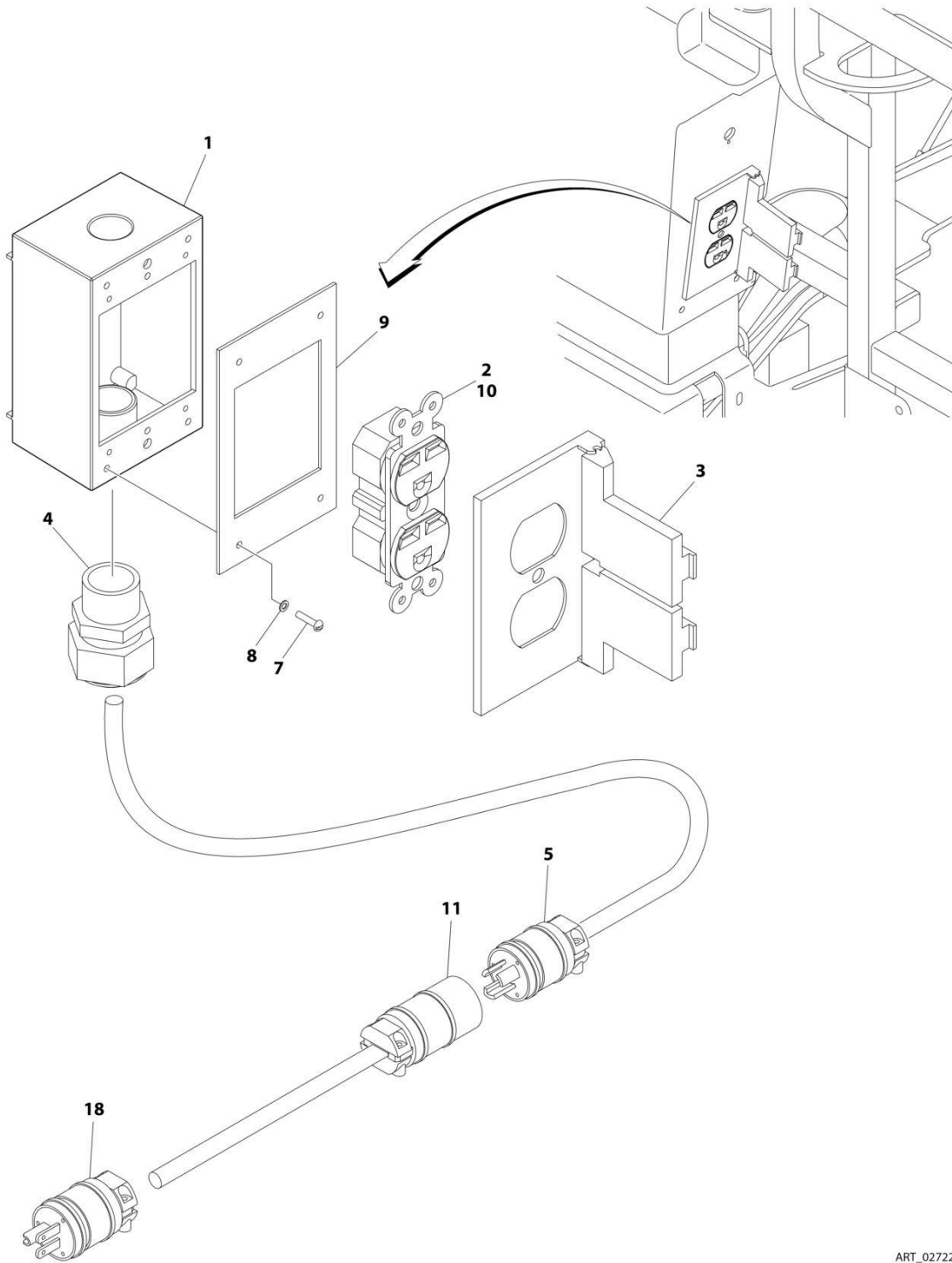
## SECTION 8 - ELECTRICAL

**FIGURE 8-2. AC BOX AT PLATFORM INSTALLATION - 110V GFI RECEPTACLE (ALL SPECS EXCEPT AUSTRALIAN, CE & UK CA SPECS)**

ITEM	PART NUMBER	QTY	DESCRIPTION	REV
	0272259	Ref	AC BOX AT PLATFORM INSTALLATION - 110V GFI RECEPTACLE	C
1	0860038	1	Box, Switch	
2	4460346	1	Receptacle	
3	1001110873	1	Shield, Cover	
4	4460051	1	Connector, Strain Relief	
5	1001213584	1	Plug, Male	
7	3910610	4	Screw #6 x 5/8	
8	4760600	4	Washer #6	
9	3960422	1	Gasket	
10	4460315	3	Terminal, Spade	
11	1001213585	1	Receptacle, Female	
18	4460205	1	Plug, Male	

# SECTION 8 - ELECTRICAL

FIGURE 8-3. AC BOX AT PLATFORM INSTALLATION - 220V (ANSI, CSA & JAPANESE SPECS)



ART\_0272260



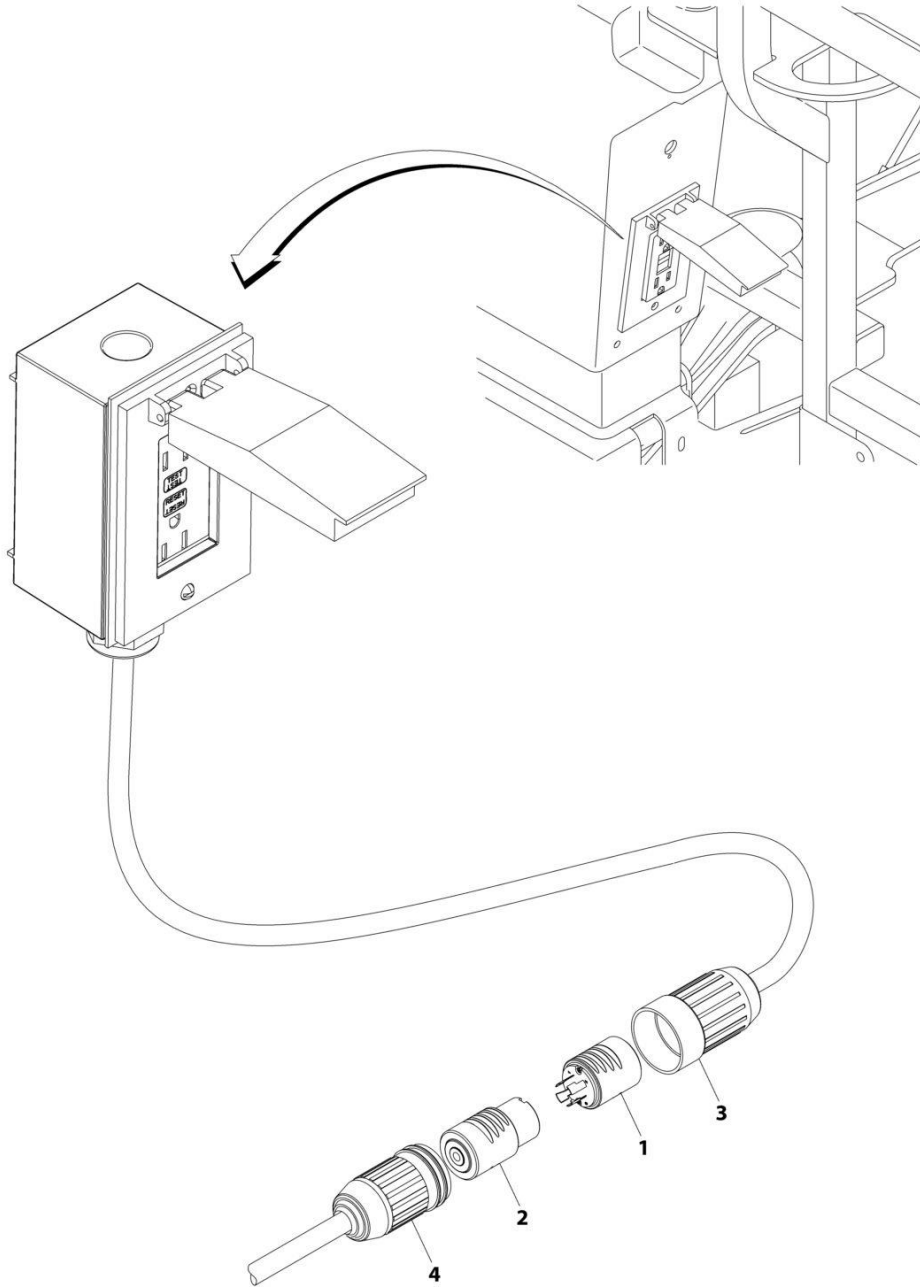
## SECTION 8 - ELECTRICAL

**FIGURE 8-3. AC BOX AT PLATFORM INSTALLATION - 220V (ANSI, CSA & JAPANESE SPECS)**

ITEM	PART NUMBER	QTY	DESCRIPTION	REV
	0272260	Ref	AC BOX AT PLATFORM INSTALLATION - 220V	C
1	0860038	1	Box, Switch	
2	4460125	1	Receptacle	
3	4060092	1	Shield	
4	4460051	1	Connector, Strain Relief	
5	1001213584	2	Plug, Male	
7	3910610	4	Screw #6 x 5/8	
8	4760600	4	Washer #6	
9	3960422	1	Gasket	
10	4460315	1	Terminal, Spade	
11	1001213585	1	Receptacle, Female	
18	4460233	1	Plug, Male	

## SECTION 8 - ELECTRICAL

**FIGURE 8-4. AC BOX AT PLATFORM MID-BOOM PLUG INSTALLATION (WITH 4000W/60HZ GENERATOR) (ANSI, ANSI EXPORT, CSA & JAPANESE SPECS)**



ART\_1001160272

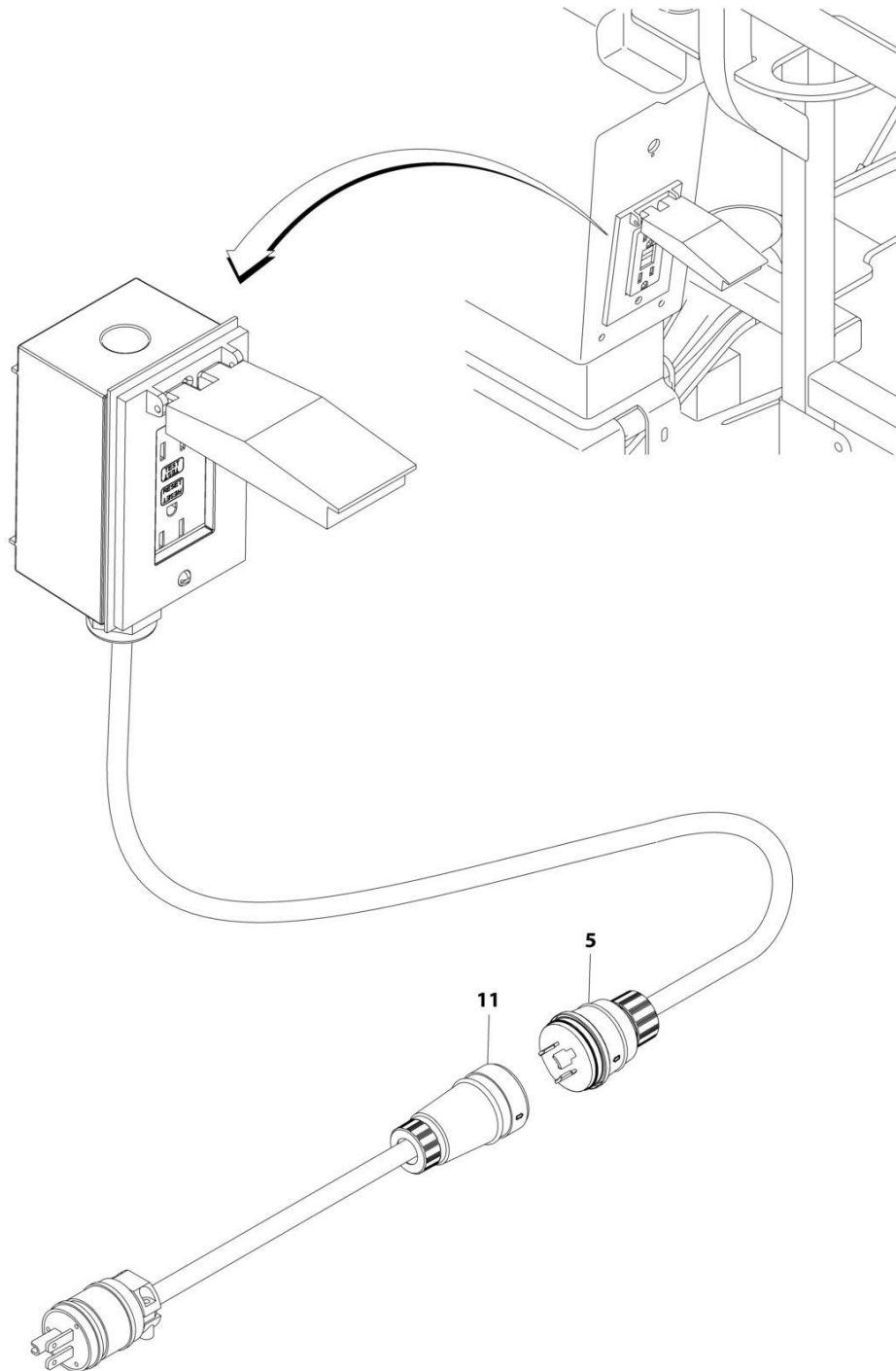
## SECTION 8 - ELECTRICAL

**FIGURE 8-4. AC BOX AT PLATFORM MID-BOOM PLUG INSTALLATION (WITH 4000W/60HZ GENERATOR) (ANSI, ANSI EXPORT, CSA & JAPANESE SPECS)**

ITEM	PART NUMBER	QTY	DESCRIPTION	REV
	1001160272	Ref	AC CABLE CONNECTOR INSTALLATION – 4000W GENERATOR	A
1	4460962	1	Plug, Male	
2	4460963	1	Connector	
3	1671092	1	Cover	
4	1671093	1	Plug	

## SECTION 8 - ELECTRICAL

**FIGURE 8-5. AC BOX AT PLATFORM MID-BOOM PLUG INSTALLATION (WITHOUT 7500W SKYPOWER GENERATOR) (ALL SPECS EXCEPT ANSI, JAPANESE & CSA SPECS)**



ART\_0256202

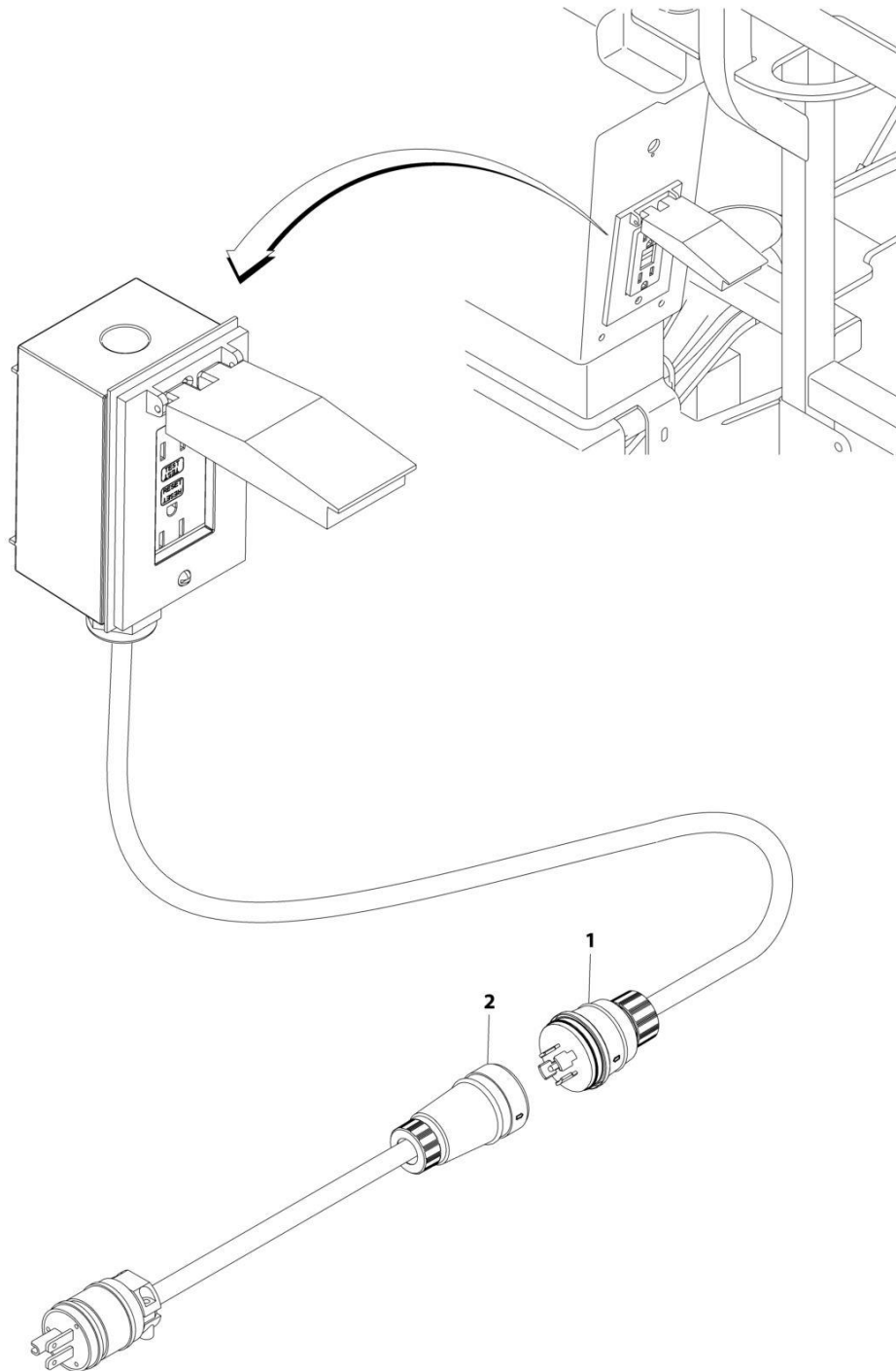
## SECTION 8 - ELECTRICAL

**FIGURE 8-5. AC BOX AT PLATFORM MID-BOOM PLUG INSTALLATION (WITHOUT 7500W SKYPOWER GENERATOR) (ALL SPECS EXCEPT ANSI, JAPANESE & CSA SPECS)**

ITEM	PART NUMBER	QTY	DESCRIPTION	REV
	0256202	Ref	AC BOX AT PLATFORM MID-BOOM PLUG INSTALLATION	D
5	1001213584	1	Plug	
11	1001213585	1	Receptacle	

## SECTION 8 - ELECTRICAL

FIGURE 8-6. AC BOX AT PLATFORM MID-BOOM PLUG INSTALLATION (WITH 7500W SKYPOWER GENERATOR)



ART\_0272433

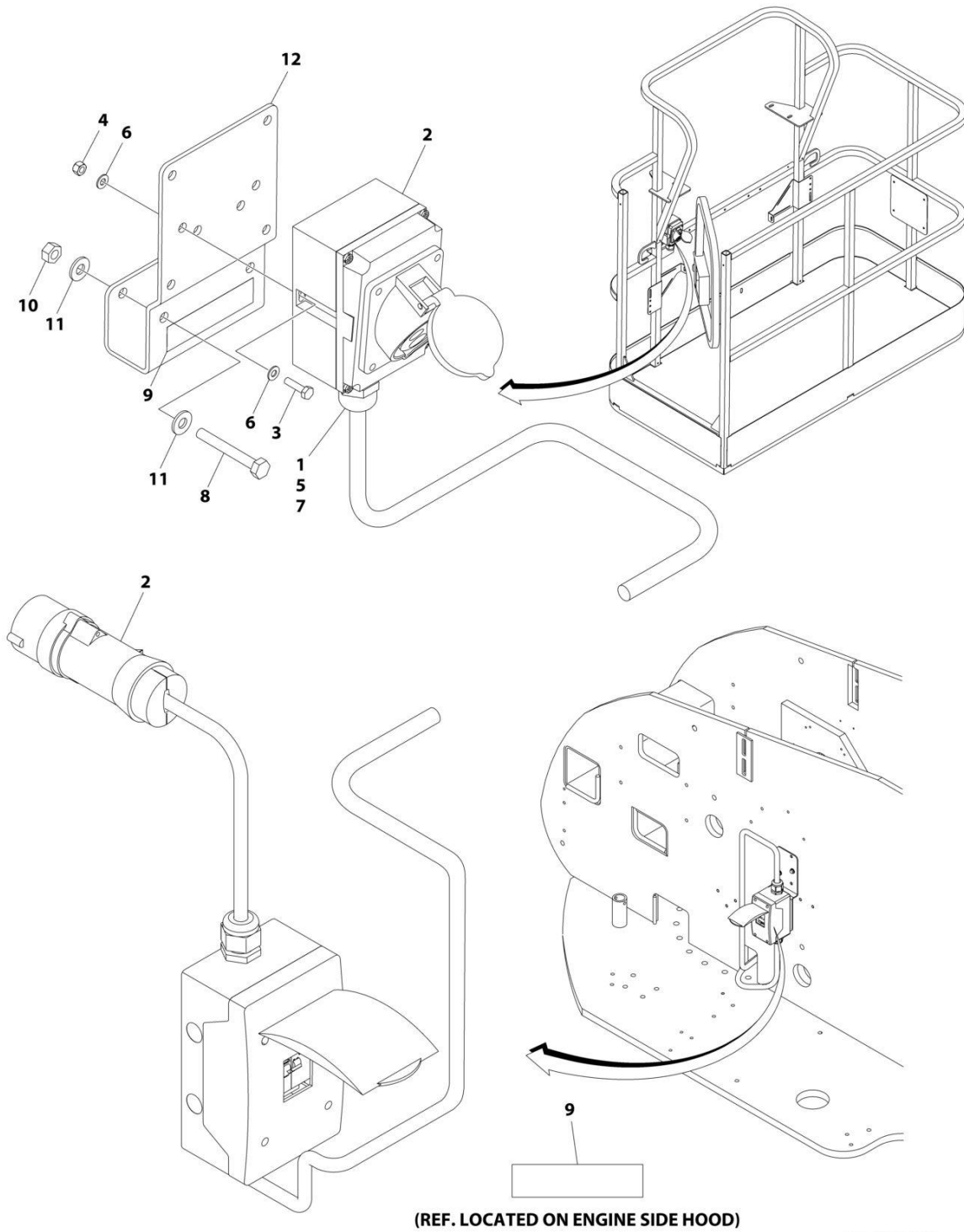
## SECTION 8 - ELECTRICAL

**FIGURE 8-6. AC BOX AT PLATFORM MID-BOOM PLUG INSTALLATION (WITH 7500W SKYPOWER GENERATOR)**

ITEM	PART NUMBER	QTY	DESCRIPTION	REV
	0272433	Ref	AC CABLE INSTALLATION - 110V/220V	D
1	1001218622	1	Plug, Male	
2	1001218623	1	Plug, Female	

# SECTION 8 - ELECTRICAL

**FIGURE 8-7. AC BOX AT PLATFORM INSTALLATION - 110V IEC YELLOW (CE & UK CA SPECS)  
(MACHINES WITH 2500W GENERATOR OR NO GENERATOR OPTION)**



ART\_1001091969



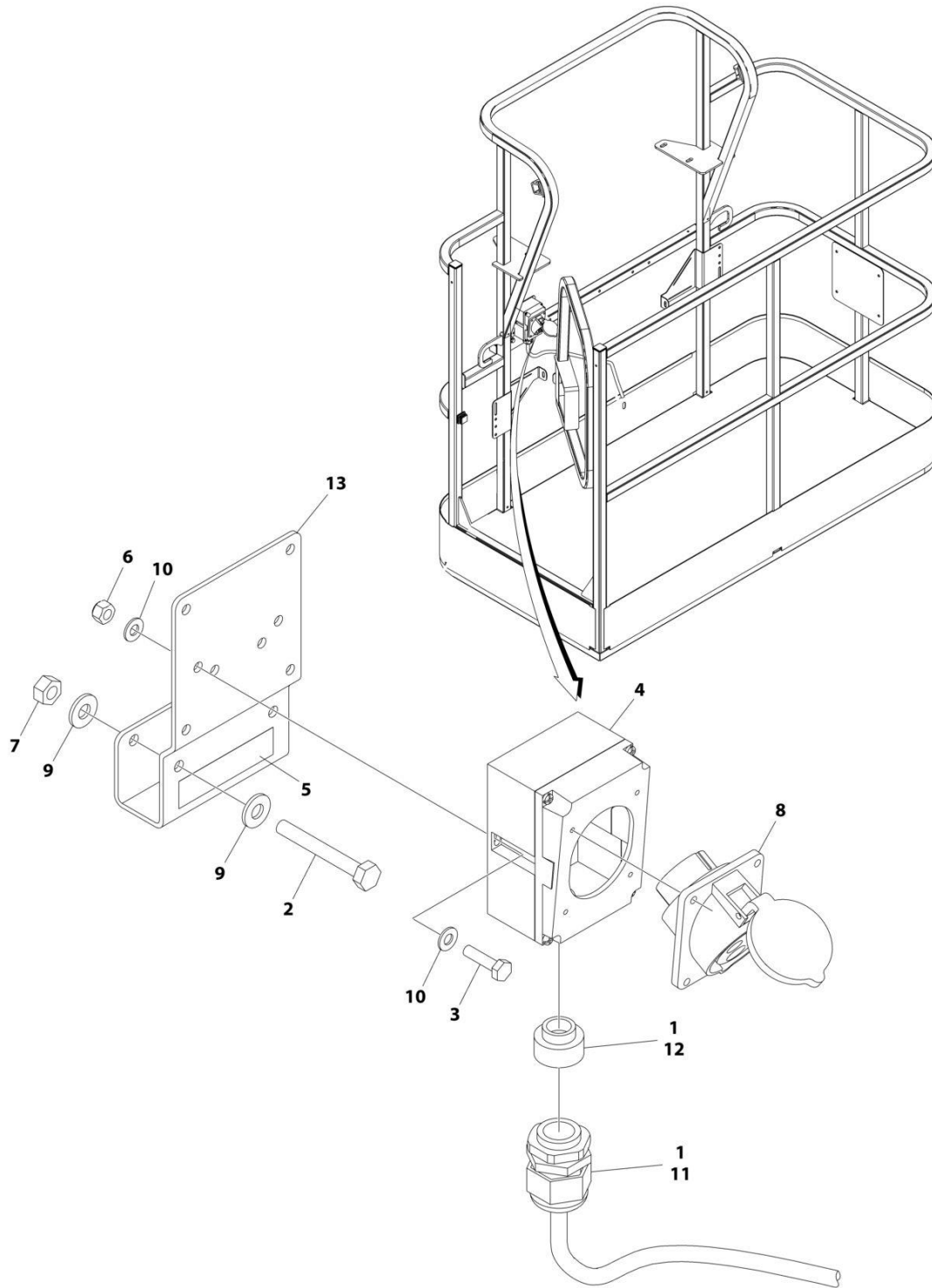
## SECTION 8 - ELECTRICAL

**FIGURE 8-7. AC BOX AT PLATFORM INSTALLATION - 110V IEC YELLOW (CE & UK CA SPECS)  
(MACHINES WITH 2500W GENERATOR OR NO GENERATOR OPTION)**

ITEM	PART NUMBER	QTY	DESCRIPTION	REV
	1001091969	Ref	AC BOX AT PLATFORM INSTALLATION - 110V IEC YELLOW	D
1	0100020	AR	Sealant, Pipe	
2	0275216	1	Receptacle Box Kit (See Separate Breakdown in this Section)	
3	0700408	2	Bolt M4 x 16	
4	3290405	2	Nut M4	
5	1001101196	1	Adapter	
6	4811400	4	Washer M4	
7	1001101191	1	Connector, Strain Relief	
8	0641416	2	Bolt 1/4 x 2	
9	1705325	2	Decal - 110V	
10	3311405	2	Nut 1/4	
11	4711400	4	Washer 1/4	
12	1001193018	1	Bracket	

# SECTION 8 - ELECTRICAL

**FIGURE 8-8. AC BOX AT PLATFORM INSTALLATION - 110V IEC YELLOW (CE & UK CA SPECS)  
(MACHINES WITH 4000W GENERATOR)**



ART\_1001206253

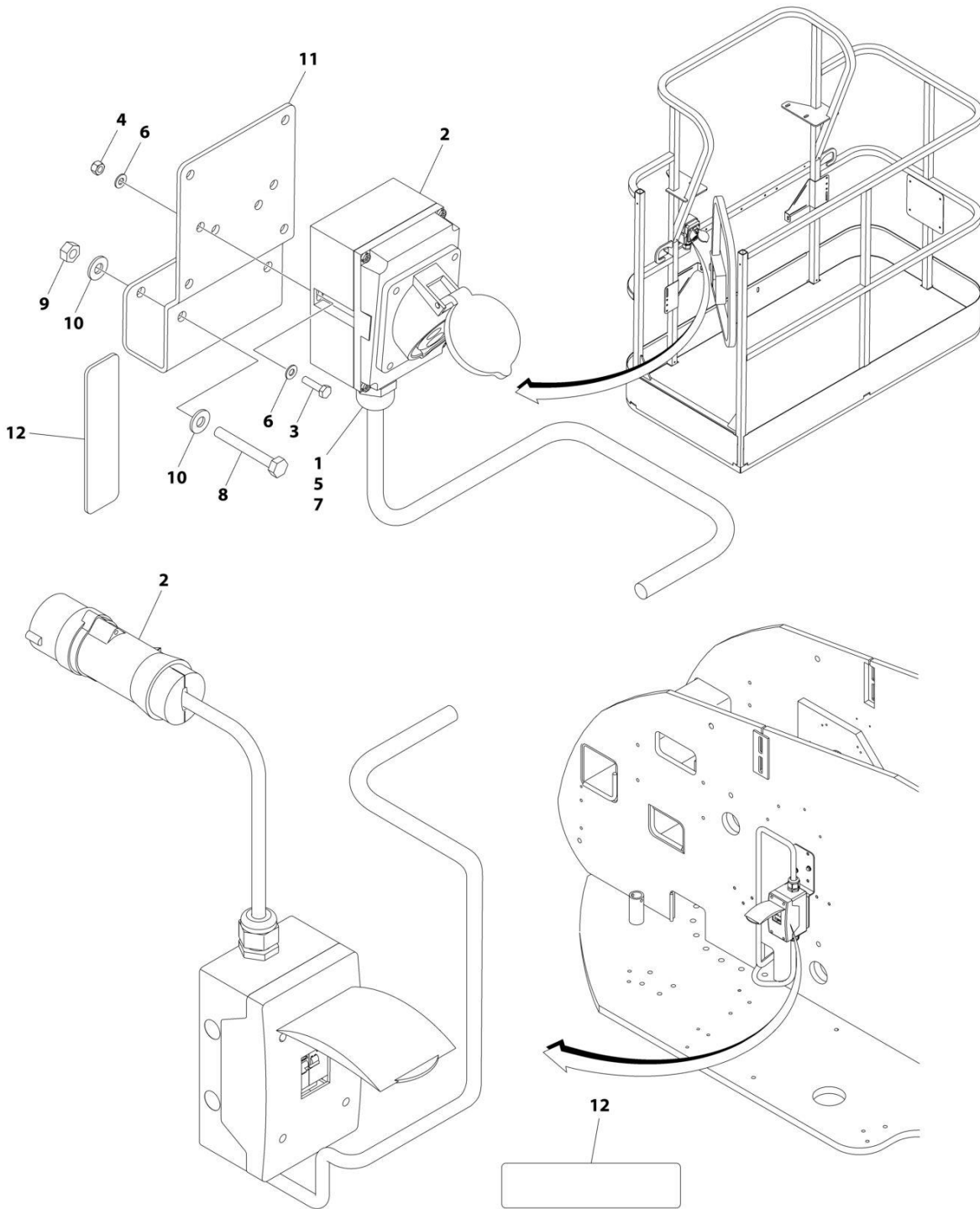
## SECTION 8 - ELECTRICAL

**FIGURE 8-8. AC BOX AT PLATFORM INSTALLATION - 110V IEC YELLOW (CE & UK CA SPECS)  
(MACHINES WITH 4000W GENERATOR)**

ITEM	PART NUMBER	QTY	DESCRIPTION	REV
	1001206253	Ref	AC BOX AT PLATFORM INSTALLATION - 110V IEC 60309 YELLOW WITHOUT 4000W GENERATOR	A
1	0100020	AR	Sealant, Pipe	
2	0641416	2	Bolt 1/4 x 2	
3	0700408	2	Bolt M4 x 16	
4	0861781	1	Box, Switch	
5	1705325	1	Decal - 110V	
6	3290405	2	Nut M4	
7	3311405	2	Nut 1/4	
8	4461198	1	Receptacle	
9	4711400	4	Washer 1/4	
10	4811400	4	Washer M4	
11	1001101191	1	Connector, Strain Relief	
12	1001101196	1	Adapter	
13	1001193018	1	Bracket, AC Receptacle	

# SECTION 8 - ELECTRICAL

**FIGURE 8-9. AC BOX AT PLATFORM INSTALLATION - 220V IEC BLUE (CE & UK CA SPECS)  
(MACHINES WITH 2500W GENERATOR OR NO GENERATOR OPTION)**



(REF. LOCATED ON ENGINE SIDE HOOD)

ART\_1001091970

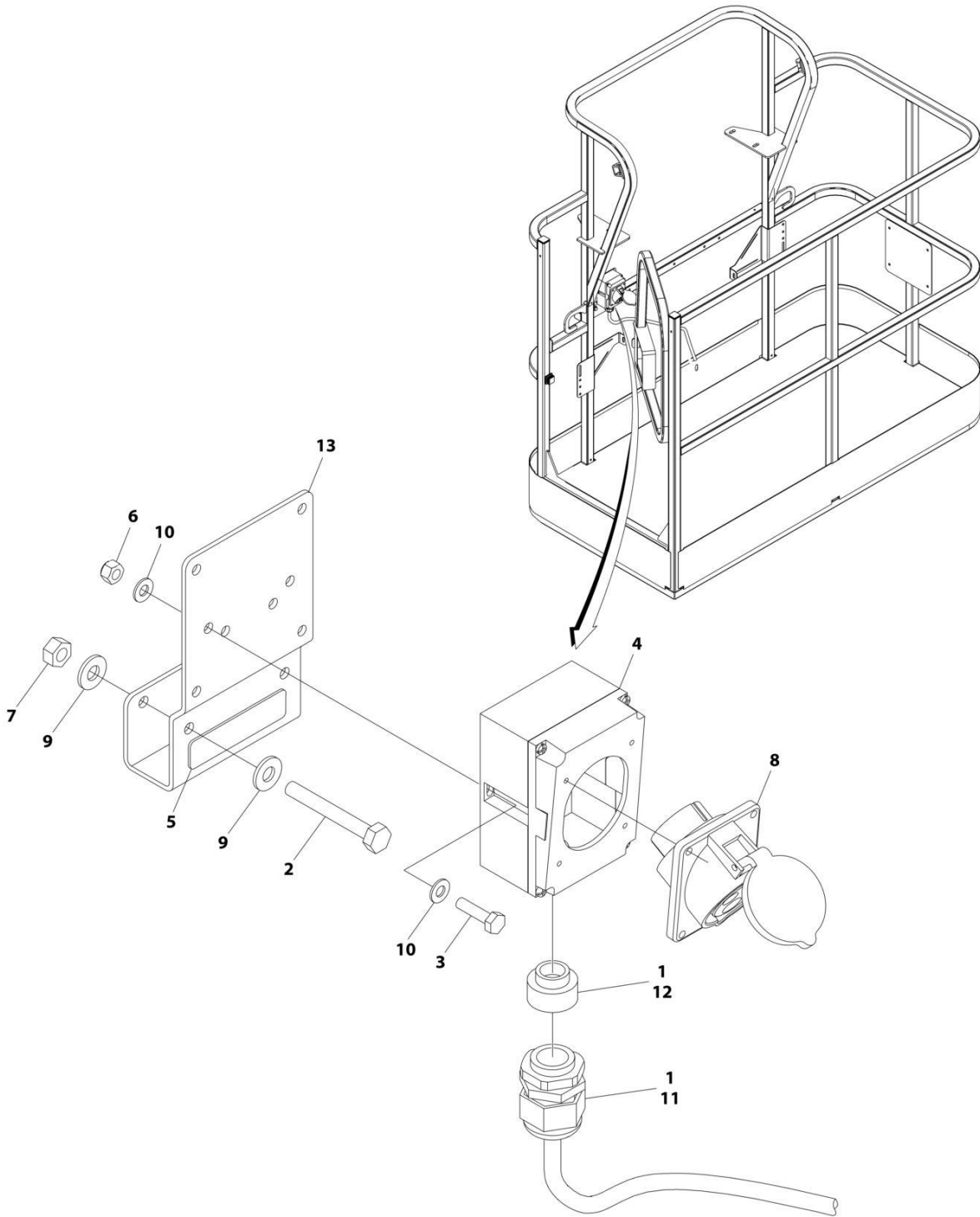
## SECTION 8 - ELECTRICAL

**FIGURE 8-9. AC BOX AT PLATFORM INSTALLATION - 220V IEC BLUE (CE & UK CA SPECS)  
(MACHINES WITH 2500W GENERATOR OR NO GENERATOR OPTION)**

ITEM	PART NUMBER	QTY	DESCRIPTION	REV
	1001091970	Ref	AC BOX AT PLATFORM INSTALLATION - 220V IEC BLUE	D
1	0100020	AR	Sealant, Pipe	
2	0275217	1	Receptacle Box Kit (See Separate Breakdown in this Section)	
3	0700408	2	Bolt M4 x 16	
4	3290405	2	Nut M4	
5	1001101196	1	Adapter	
6	4811400	4	Washer M4	
7	1001101191	1	Connector, Strain Relief	
8	0641416	2	Bolt 1/4 x 2	
9	3311405	2	Nut 1/4	
10	4711400	4	Washer 1/4	
11	1001193018	1	Bracket	
12	3251242	2	Decal - 240V/50Hz	

# SECTION 8 - ELECTRICAL

FIGURE 8-10. AC BOX AT PLATFORM INSTALLATION - 220V IEC BLUE (CE & UK CA SPECS)  
(MACHINES WITH 4000W GENERATOR)



ART\_1001206254

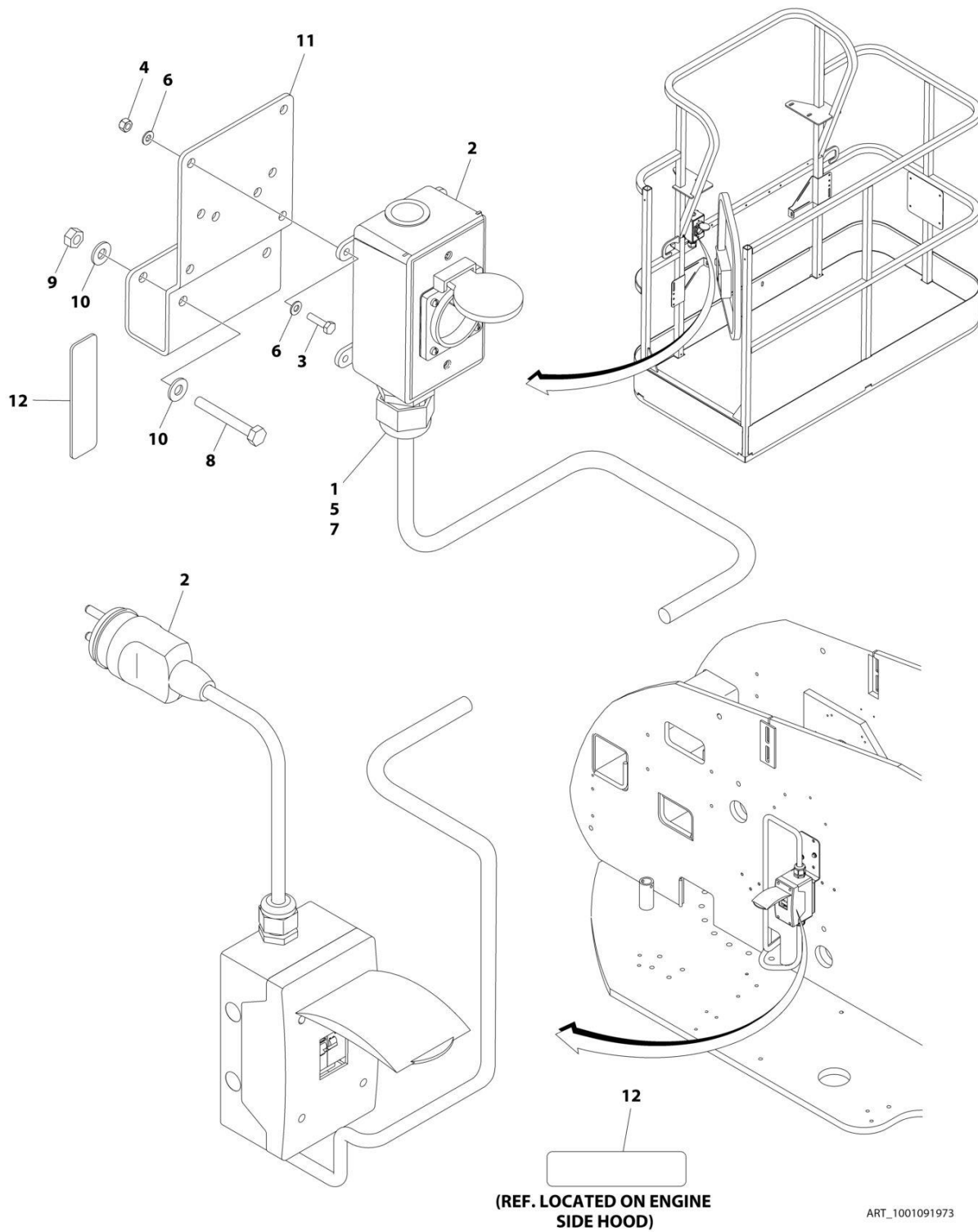
## SECTION 8 - ELECTRICAL

**FIGURE 8-10. AC BOX AT PLATFORM INSTALLATION - 220V IEC BLUE (CE & UK CA SPECS)  
(MACHINES WITH 4000W GENERATOR)**

ITEM	PART NUMBER	QTY	DESCRIPTION	REV
	1001206254	Ref	AC BOX AT PLATFORM INSTALLATION - 220V IEC BLUE	A
1	0100020	AR	Sealant, Pipe	
2	0641416	2	Bolt 1/4 x 2	
3	0700408	2	Bolt M4 x 16	
4	0861781	1	Box, Switch	
5	3251242	1	Decal - 240V/50Hz	
6	3290405	2	Nut M4	
7	3311405	2	Nut 1/4	
8	4461201	1	Receptacle	
9	4711400	4	Washer 1/4	
10	4811400	4	Washer M4	
11	1001101191	1	Connector, Strain Relief	
12	1001101196	1	Adapter	
13	1001193018	1	Bracket, AC Receptacle	

## SECTION 8 - ELECTRICAL

**FIGURE 8-11. AC BOX AT PLATFORM INSTALLATION - 220V CEE7 POST GROUND (CE & UK CA SPECS) (MACHINES WITH 2500W GENERATOR OR NO GENERATOR OPTION)**





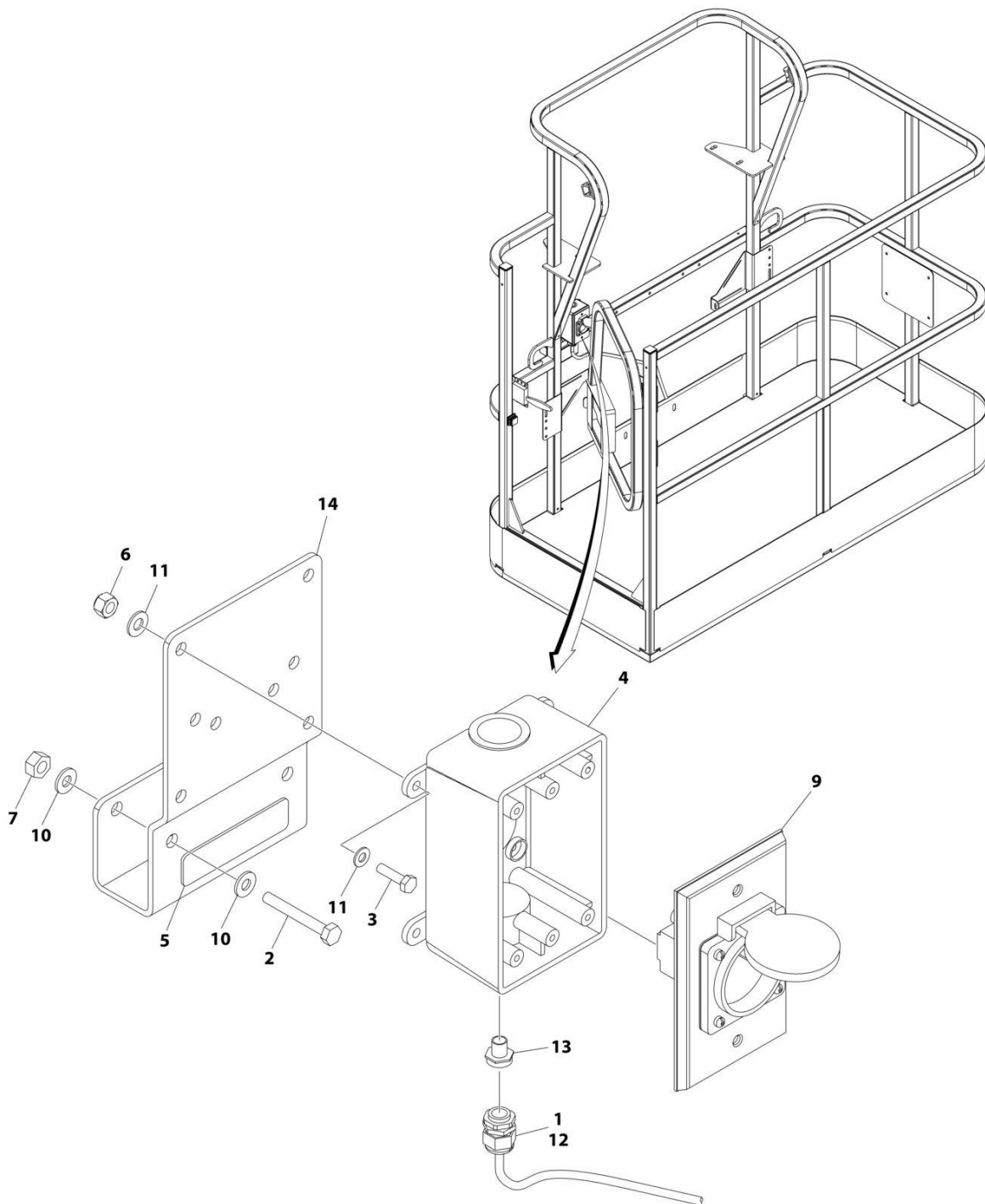
## SECTION 8 - ELECTRICAL

**FIGURE 8-11. AC BOX AT PLATFORM INSTALLATION - 220V CEE7 POST GROUND (CE & UK CA SPECS) (MACHINES WITH 2500W GENERATOR OR NO GENERATOR OPTION)**

ITEM	PART NUMBER	QTY	DESCRIPTION	REV
	1001091973	Ref	AC BOX AT PLATFORM INSTALLATION - 220V CEE7 2X4 BOX POST GROUND	F
1	0100020	AR	Sealant, Pipe	
2	0275452	1	Receptacle Box Kit (See Separate Breakdown in this Section)	
3	0700408	4	Bolt M4 x 16	
4	3290405	4	Nut M4	
5	1001101197	1	Adapter	
6	4811400	8	Washer M4	
7	1001101191	1	Connector, Strain Relief	
8	0641416	2	Bolt 1/4 x 2	
9	3311405	2	Nut 1/4	
10	4711400	4	Washer 1/4	
11	1001193018	1	Bracket	
12	3251242	2	Decal - 240V/50Hz	
13	4460806	2	Terminal, Fork (Not Shown)	
14	1001205958	1	Terminal (Not Shown)	

## SECTION 8 - ELECTRICAL

FIGURE 8-12. AC BOX AT PLATFORM INSTALLATION - 220V CEE7 POST GROUND (CE & UK CA SPECS) (MACHINES WITH 4000W GENERATOR)



ART\_1001206250

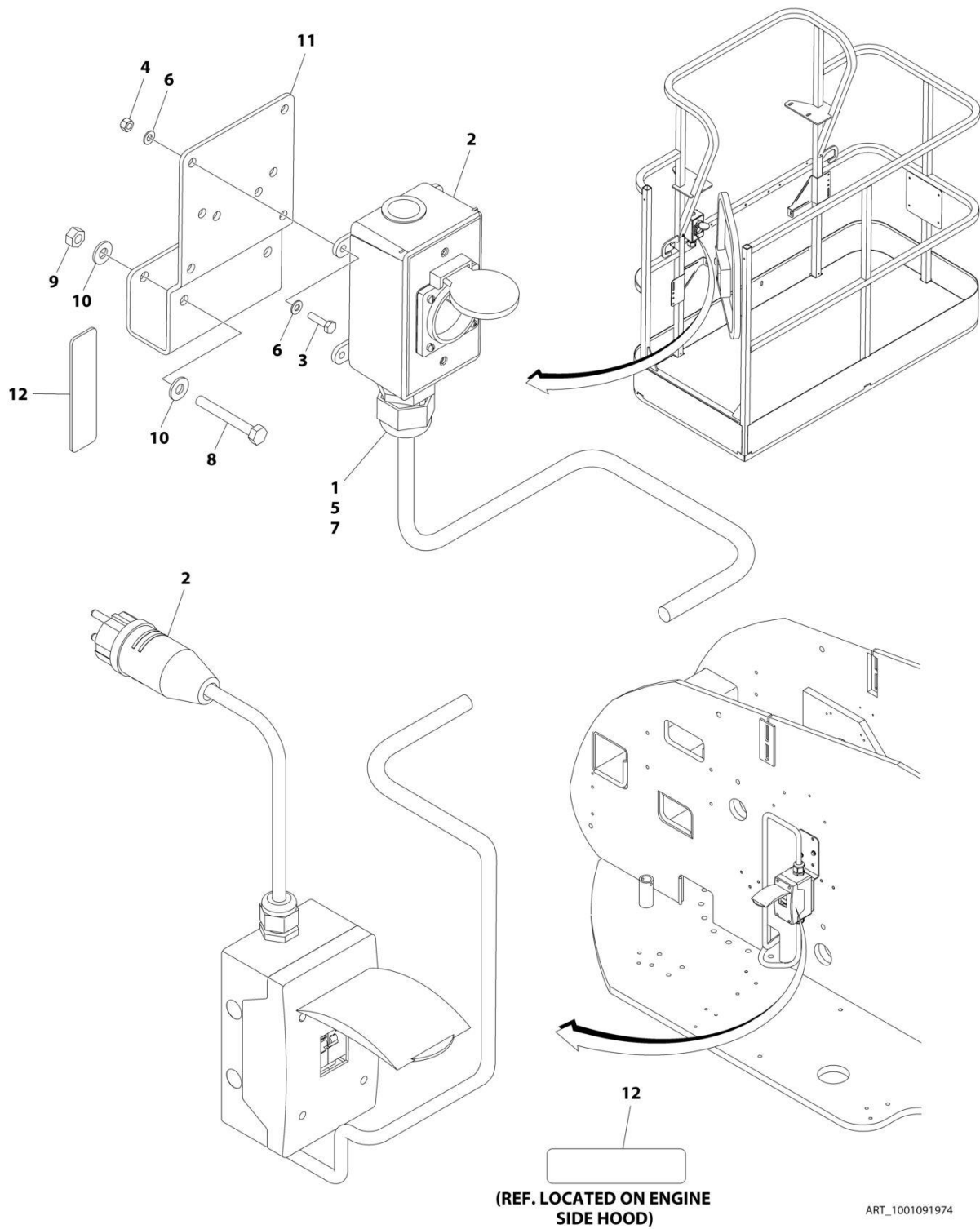
## SECTION 8 - ELECTRICAL

**FIGURE 8-12. AC BOX AT PLATFORM INSTALLATION - 220V CEE7 POST GROUND (CE & UK CA SPECS) (MACHINES WITH 4000W GENERATOR)**

ITEM	PART NUMBER	QTY	DESCRIPTION	REV
	1001206250	Ref	AC BOX AT PLATFORM INSTALLATION - 220V CEE7 2X4 BOX POST GROUND	A
1	0100020	AR	Sealant, Pipe	
2	0641416	2	Bolt 1/4 x 2	
3	0700408	4	Bolt M4 x 16	
4	0861731	1	Box, Switch	
5	3251242	1	Decal - 240V/50Hz	
6	3290405	4	Nut M4	
7	3311405	2	Nut 1/4	
8	4460806	2	Terminal, Fork (Not Shown)	
9	4461244	1	Receptacle	
10	4711400	4	Washer 1/4	
11	4811400	8	Washer M4	
12	1001101191	1	Connector, Strain Relief	
13	1001101197	1	Adapter	
14	1001193018	1	Bracket, AC Receptacle	
15	1001205958	1	Terminal (Not Shown)	

# SECTION 8 - ELECTRICAL

**FIGURE 8-13. AC BOX AT PLATFORM INSTALLATION - 220V CEE7 SIDE GROUND (CE & UK CA SPECS) (MACHINES WITH 2500W GENERATOR OR NO GENERATOR OPTION)**



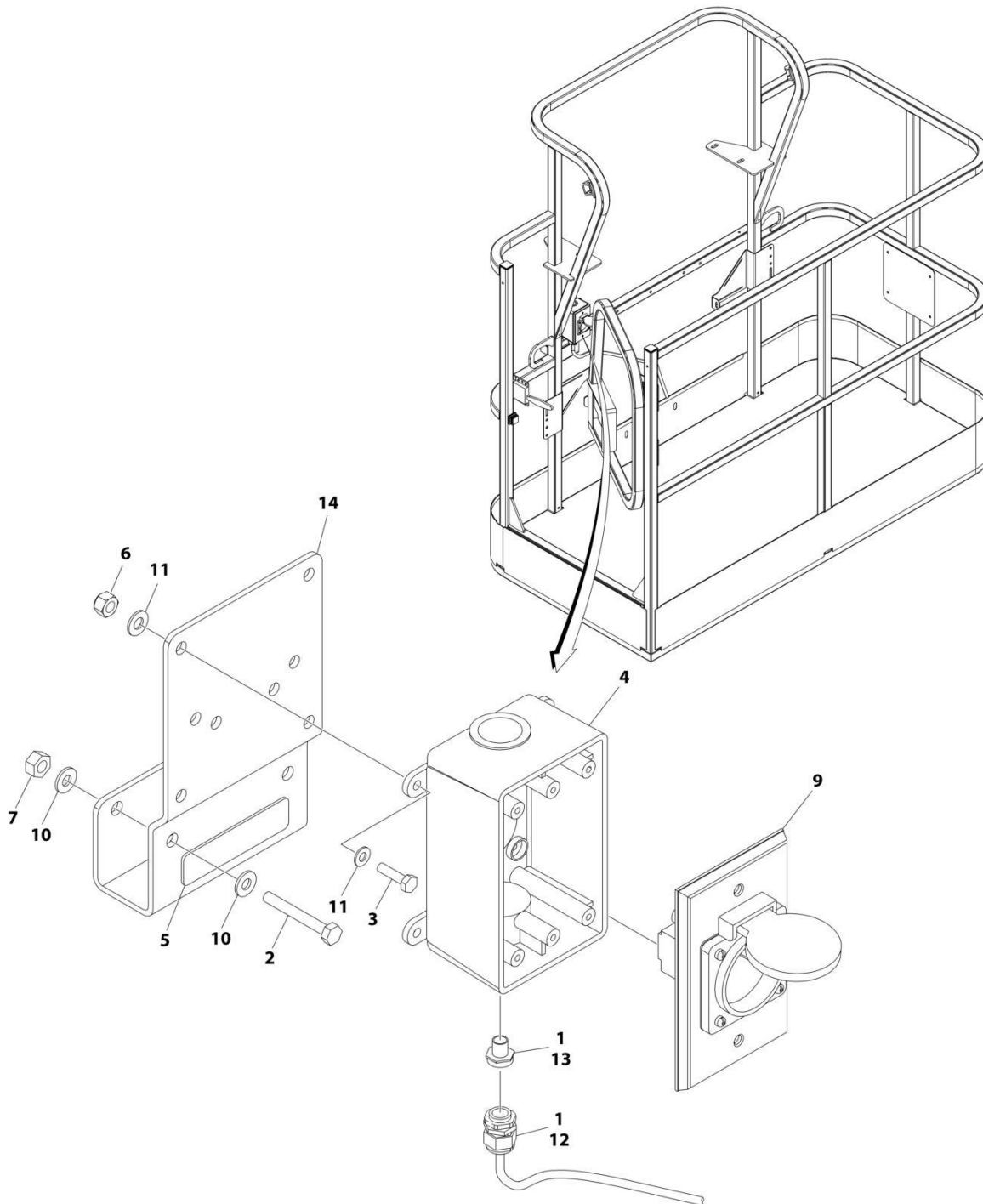
## SECTION 8 - ELECTRICAL

**FIGURE 8-13. AC BOX AT PLATFORM INSTALLATION - 220V CEE7 SIDE GROUND (CE & UK CA SPECS) (MACHINES WITH 2500W GENERATOR OR NO GENERATOR OPTION)**

ITEM	PART NUMBER	QTY	DESCRIPTION	REV
	1001091974	Ref	AC BOX AT PLATFORM INSTALLATION - 220V CEE7 2X4 BOX SIDE GROUND	F
1	0100020	AR	Sealant, Pipe	
2	0275453	1	Receptacle Box Kit (See Separate Breakdown in this Section)	
3	0700408	4	Bolt M4 x 16	
4	3290405	4	Nut M4	
5	1001101197	1	Adapter	
6	4811400	8	Washer M4	
7	1001101191	1	Connector, Strain Relief	
8	0641416	2	Bolt 1/4 x 2	
9	3311405	2	Nut 1/4	
10	4711400	4	Washer 1/4	
11	1001193018	1	Bracket	
12	3251242	2	Decal - 240V/50Hz	
13	4460806	2	Terminal, Fork (Not Shown)	
14	1001205958	1	Terminal (Not Shown)	

# SECTION 8 - ELECTRICAL

**FIGURE 8-14. AC BOX AT PLATFORM INSTALLATION - 220V CEE7 SIDE GROUND (CE & UK CA SPECS) (MACHINES WITH 4000W GENERATOR)**



ART\_1001206251

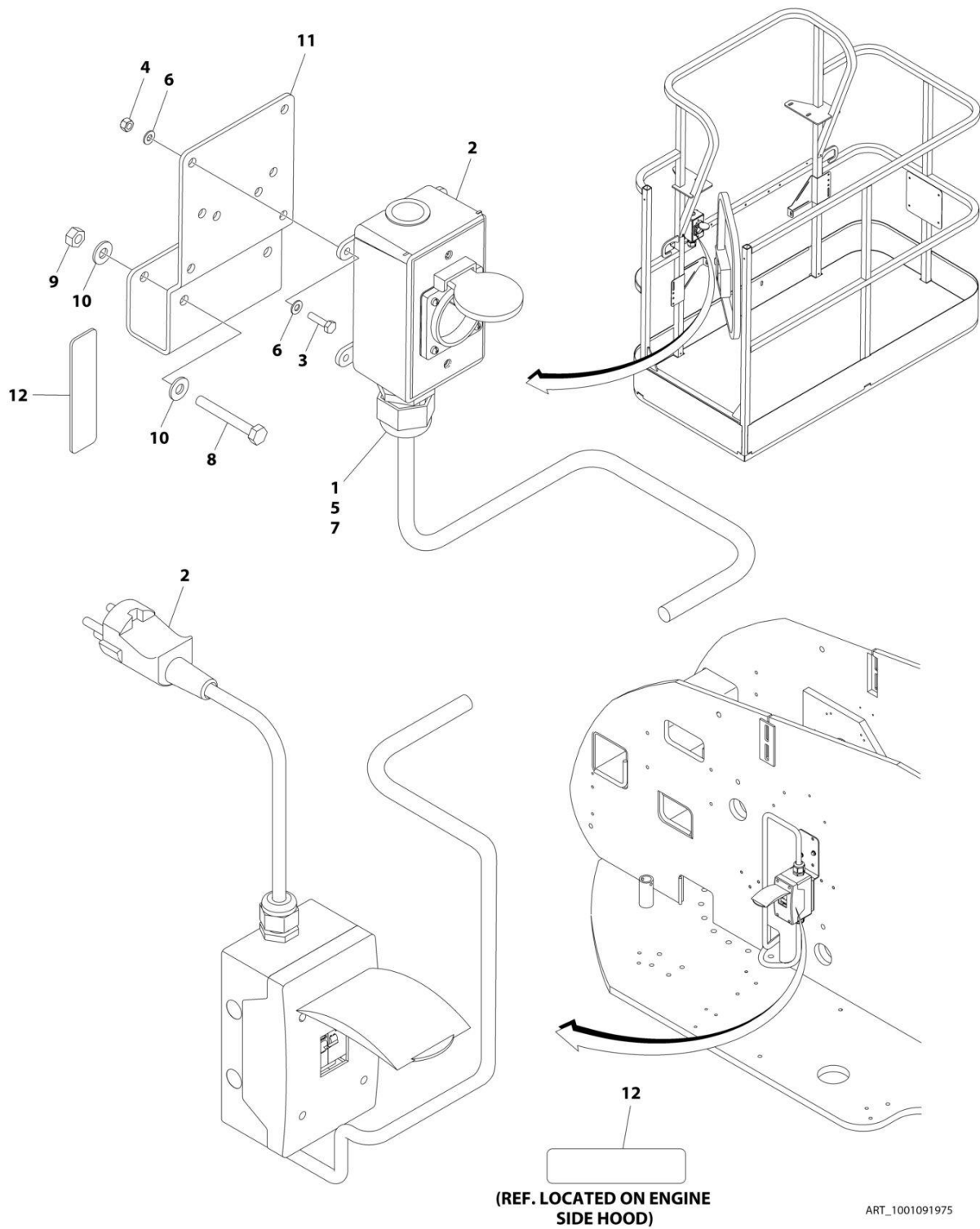
## SECTION 8 - ELECTRICAL

**FIGURE 8-14. AC BOX AT PLATFORM INSTALLATION - 220V CEE7 SIDE GROUND (CE & UK CA SPECS) (MACHINES WITH 4000W GENERATOR)**

ITEM	PART NUMBER	QTY	DESCRIPTION	REV
	1001206251	Ref	AC BOX AT PLATFORM INSTALLATION - 220V CEE7 2X4 BOX SIDE GROUND	A
1	0100020	AR	Sealant, Pipe	
2	0641416	2	Bolt 1/4 x 2	
3	0700408	4	Bolt M4 x 16	
4	0861731	1	Box, Switch	
5	3251242	1	Decal - 240V/50Hz	
6	3290405	4	Nut M4	
7	3311405	2	Nut 1/4	
8	4460806	2	Terminal, Fork (Not Shown)	
9	4461245	1	Receptacle	
10	4711400	4	Washer 1/4	
11	4811400	8	Washer M4	
12	1001101191	1	Connector, Strain Relief	
13	1001101197	1	Adapter	
14	1001193018	1	Bracket, AC Receptacle	
15	1001205958	1	Terminal (Not Shown)	

# SECTION 8 - ELECTRICAL

**FIGURE 8-15. AC BOX AT PLATFORM INSTALLATION - 220V AFSINT 107 KEYED GROUND (CE & UK CA SPECS) (MACHINES WITH 2500W GENERATOR OR NO GENERATOR OPTION)**





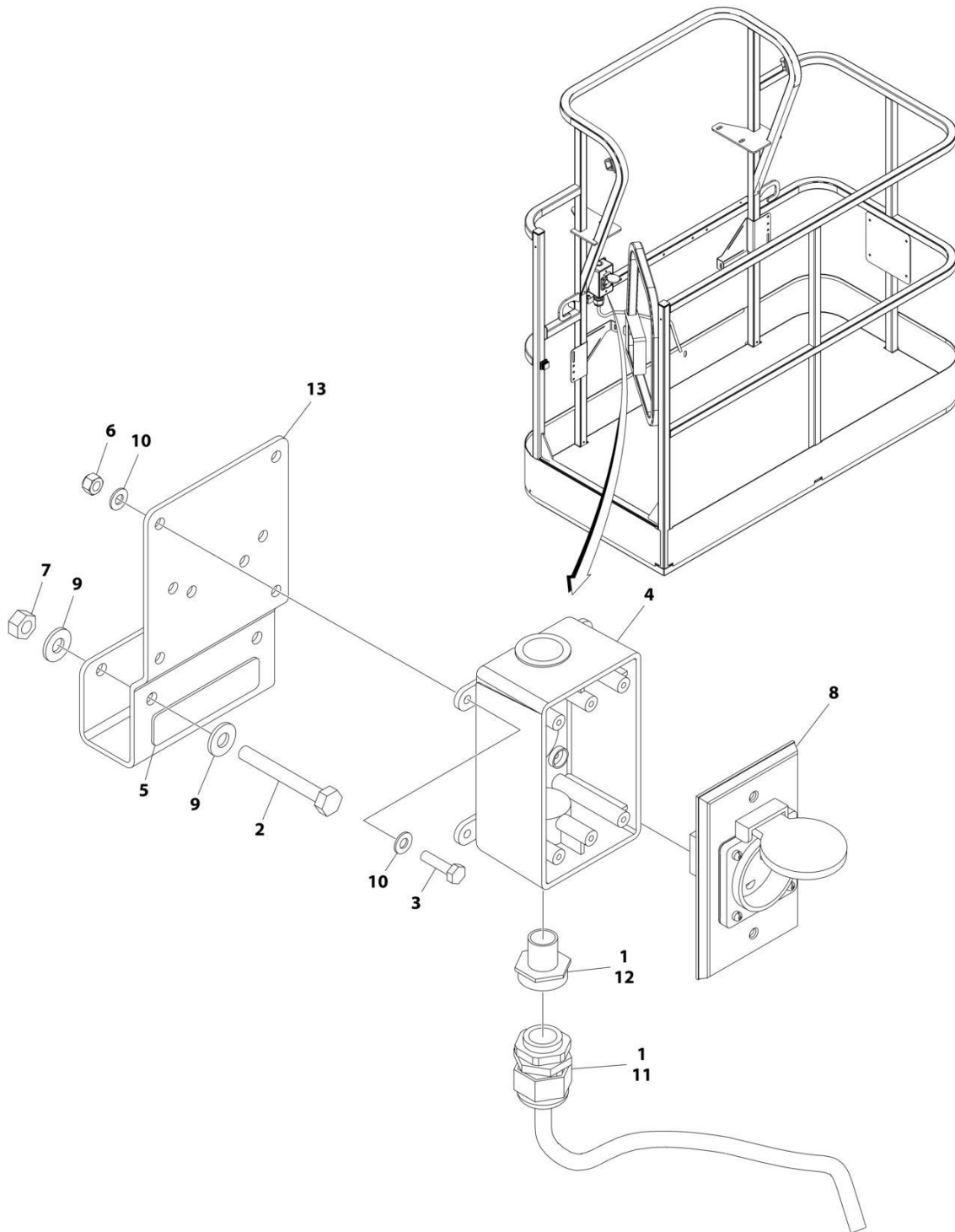
## SECTION 8 - ELECTRICAL

**FIGURE 8-15. AC BOX AT PLATFORM INSTALLATION - 220V AFSINT 107 KEYED GROUND (CE & UK CA SPECS) (MACHINES WITH 2500W GENERATOR OR NO GENERATOR OPTION)**

ITEM	PART NUMBER	QTY	DESCRIPTION	REV
	1001091975	Ref	AC BOX AT PLATFORM INSTALLATION - 220V AFSINT 107 2X4 BOX KEYED GROUND	F
1	0100020	AR	Sealant, Pipe	
2	0275454	1	Receptacle Box Kit (See Separate Breakdown in this Section)	
3	0700408	4	Bolt M4 x 16	
4	3290405	4	Nut M4	
5	1001101197	1	Adapter	
6	4811400	8	Washer M4	
7	1001101191	1	Connector, Strain Relief	
8	0641416	2	Bolt 1/4 x 2	
9	3311405	2	Nut 1/4	
10	4711400	4	Washer 1/4	
11	1001193018	1	Bracket	
12	3251242	2	Decal - 240V/50Hz	
13	1001205958	3	Terminal (Not Shown)	

## SECTION 8 - ELECTRICAL

FIGURE 8-16. AC BOX AT PLATFORM INSTALLATION - 220V AFSINT 107 KEYED GROUND (CE & UK CA SPECS) (MACHINES WITH 4000W GENERATOR)



ART\_1001206252

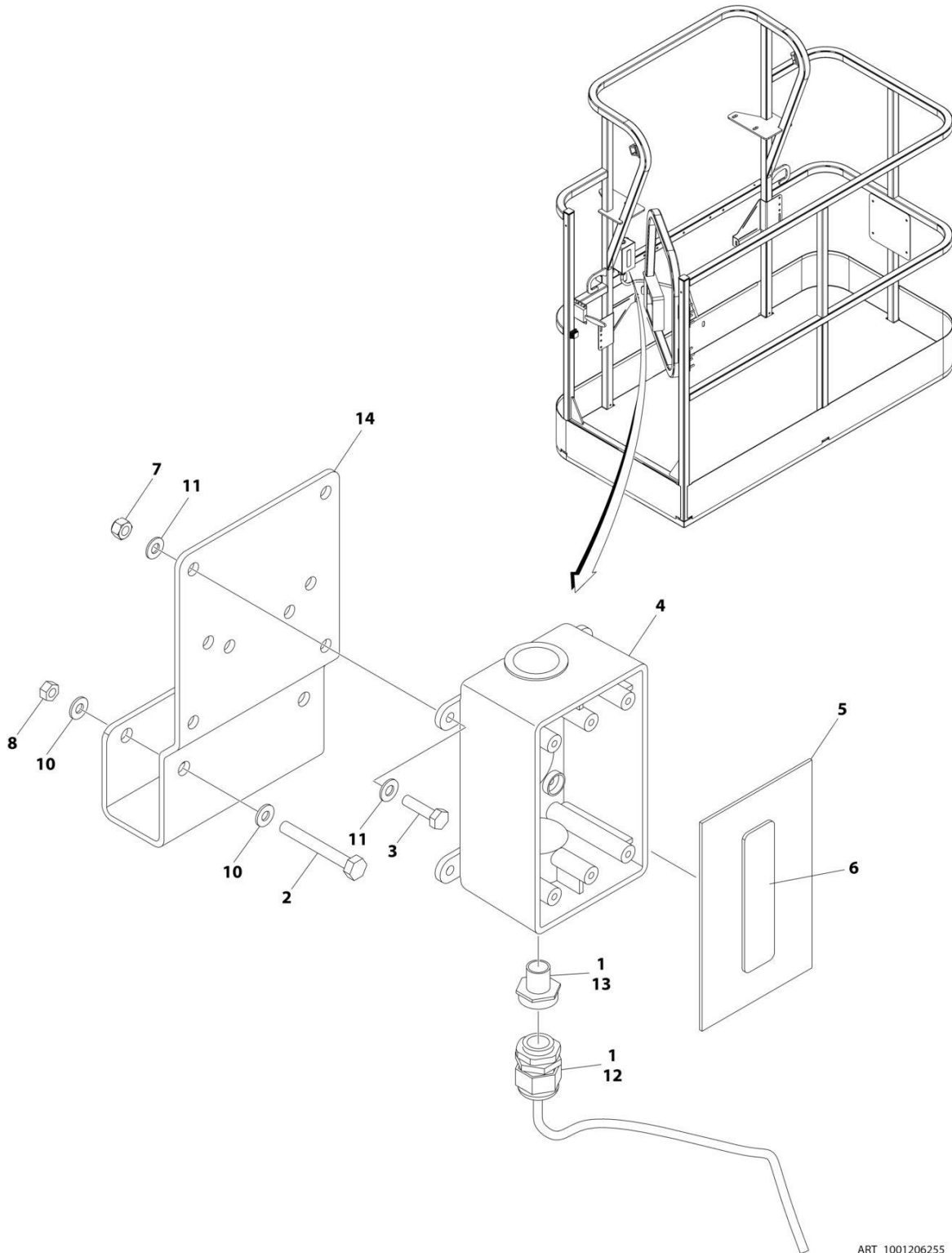
## SECTION 8 - ELECTRICAL

**FIGURE 8-16. AC BOX AT PLATFORM INSTALLATION - 220V AFSINT 107 KEYED GROUND (CE & UK CA SPECS) (MACHINES WITH 4000W GENERATOR)**

ITEM	PART NUMBER	QTY	DESCRIPTION	REV
	1001206252	Ref	AC BOX AT PLATFORM INSTALLATION - 220V AFSINT 107 2x4 BOX KEYED GROUND	A
1	0100020	AR	Sealant, Pipe	
2	0641416	2	Bolt 1/4 x 2	
3	0700408	4	Bolt M4 x 16	
4	0861731	1	Box, Switch	
5	3251242	1	Decal - 240V/50Hz	
6	3290405	4	Nut M4	
7	3311405	2	Nut 1/4	
8	4461246	1	Receptacle	
9	4711400	4	Washer 1/4	
10	4811400	8	Washer M4	
11	1001101191	1	Connector, Strain Relief	
12	1001101197	1	Adapter	
13	1001193018	1	Bracket, AC Receptacle	
14	1001205958	3	Terminal (Not Shown)	

# SECTION 8 - ELECTRICAL

FIGURE 8-17. AC BOX AT PLATFORM INSTALLATION - 220V (2X4 BOX & COVER ONLY - LOCALLY SUPPLIED RECEPTACLE) (4000W GENERATOR)



ART\_1001206255

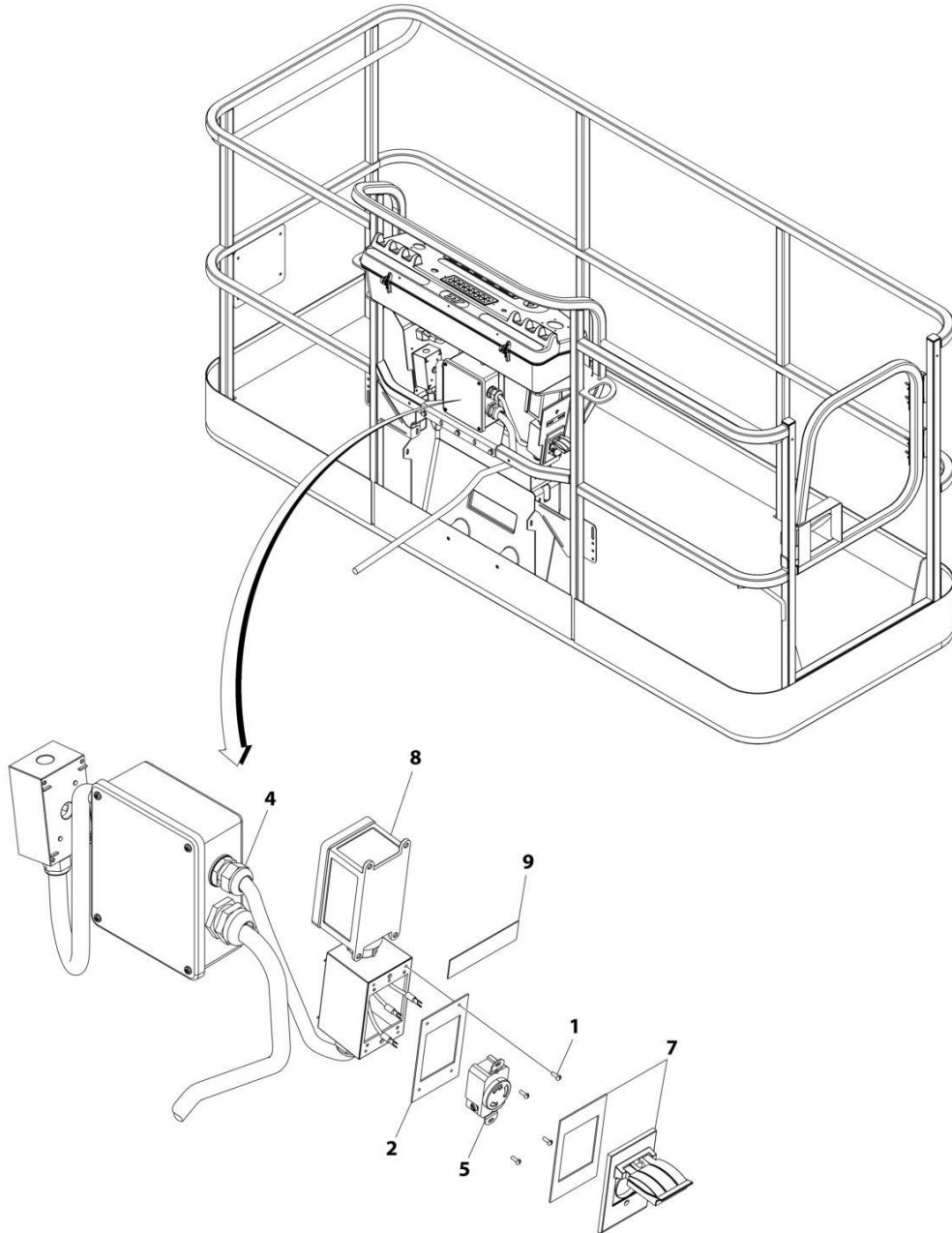
## SECTION 8 - ELECTRICAL

**FIGURE 8-17. AC BOX AT PLATFORM INSTALLATION - 220V (2X4 BOX & COVER ONLY - LOCALLY SUPPLIED RECEPTACLE) (4000W GENERATOR)**

ITEM	PART NUMBER	QTY	DESCRIPTION	REV
	1001206255	Ref	AC BOX AT PLATFORM INSTALLATION - BOX WITH COVER (2X4 BOX) WITH 4000W GENERATOR	A
1	0100020	AR	Sealant, Pipe	
2	0641416	2	Bolt 1/4 x 2	
3	0700408	4	Bolt M4 x 16	
4	0861731	1	Box, Switch	
5	1670603	1	Cover	
6	3251242	1	Decal - 240V-50Hz	
7	3290405	4	Nut M4	
8	3311405	2	Nut 1/4	
10	4711400	4	Washer 1/4	
11	4811400	8	Washer M4	
12	1001101191	1	Connector, Strain Relief	
13	1001101197	1	Adapter	
14	1001193018	1	Bracket, AC Receptacle	

## SECTION 8 - ELECTRICAL

**FIGURE 8-18. AC BOX AT PLATFORM INSTALLATION - 240V GFCI RECEPTACLE (ALL SPECS EXCEPT CE, UK CA, AUSTRALIAN & CHINESE SPECS WITH 4000W SKYPOWER GENERATOR)**



ART\_1001171131

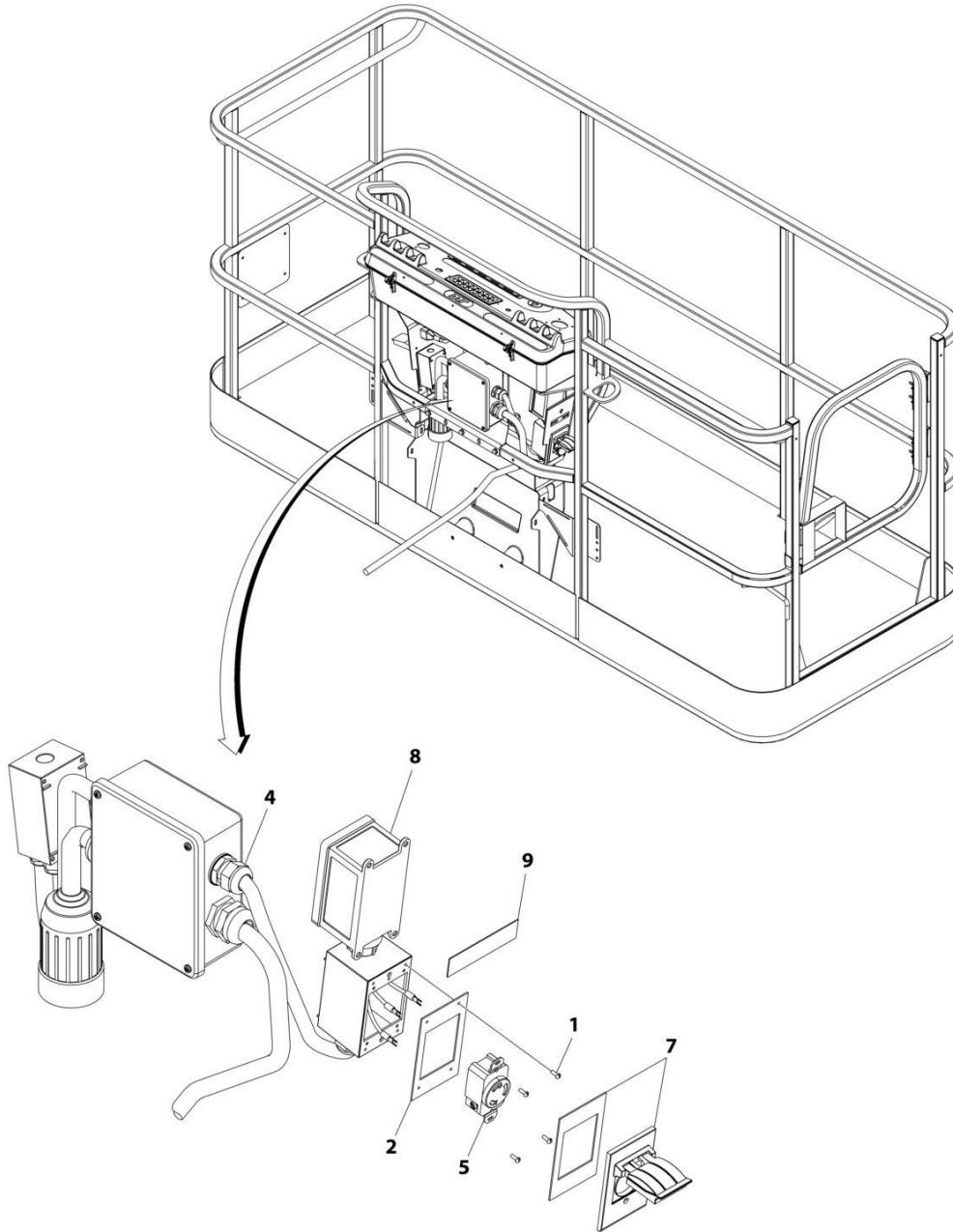
## SECTION 8 - ELECTRICAL

**FIGURE 8-18. AC BOX AT PLATFORM INSTALLATION - 240V GFCI RECEPTACLE (ALL SPECS EXCEPT CE, UK CA, AUSTRALIAN & CHINESE SPECS WITH 4000W SKYPOWER GENERATOR)**

ITEM	PART NUMBER	QTY	DESCRIPTION	REV
	1001171131	Ref	AC BOX AT PLATFORM INSTALLATION - 240V RECEPTACLE	B
1	3910606	4	Screw 6 x 3/8	
2	3960422	1	Gasket	
3	4240018	AR	Tie-Strap (Not Shown)	
4	4460425	1	Connector, Strain Relief	
5	1001176862	1	Receptacle	
7	1001110872	1	Cover, Receptacle	
8	1001159120	1	Receptacle/Breaker Box Assembly	
8	1001148675	1	Box, Receptacle	
8	1001159118	1	Breaker GFCI 30Amp 240VAC	
8	4460612	1	Connector, Strain Relief	
8	1001159119	1	Connector (Between Boxes)	
9	1705374	1	Decal - 240V/60Hz	

## SECTION 8 - ELECTRICAL

**FIGURE 8-19. AC BOX AT PLATFORM INSTALLATION - 240V GFCI RECEPTACLE (ALL SPECS EXCEPT CE, UK CA, AUSTRALIAN & CHINESE SPECS WITH 7500W SKYPOWER GENERATOR)**



ART\_1001159121



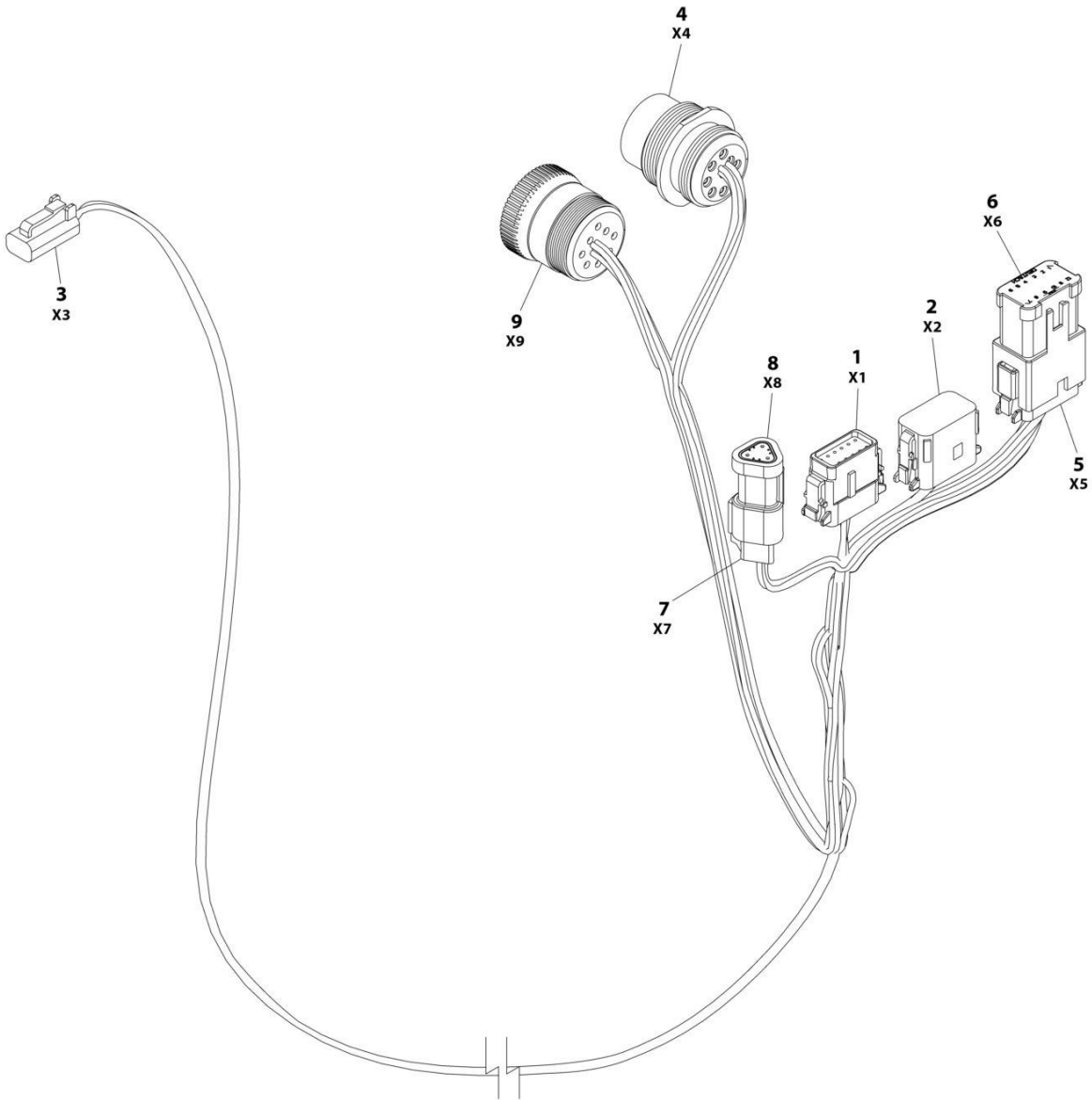
## SECTION 8 - ELECTRICAL

**FIGURE 8-19. AC BOX AT PLATFORM INSTALLATION - 240V GFCI RECEPTACLE (ALL SPECS EXCEPT CE, UK CA, AUSTRALIAN & CHINESE SPECS WITH 7500W SKYPOWER GENERATOR)**

ITEM	PART NUMBER	QTY	DESCRIPTION	REV
	1001159121	Ref	AC BOX AT PLATFORM INSTALLATION - 240V RECEPTACLE	B
1	3910606	4	Screw 6 x 3/8	
2	3960422	1	Gasket	
3	4240018	AR	Tie-Strap (Not Shown)	
4	4460425	1	Connector, Strain Relief	
5	4460958	1	Receptacle	
7	1001110872	1	Cover, Receptacle	
8	1001159120	1	Receptacle/Breaker Box Assembly	
8	1001148675	1	Box, Receptacle	
8	1001159118	1	Breaker Box Assembly	
8	4460612	1	Connector, Strain Relief	
8	1001159119	1	Connector (Between Boxes)	
9	1705374	1	Decal - 240V/60Hz	

# SECTION 8 - ELECTRICAL

## FIGURE 8-20. BEACON CONTROL HARNESS (BLUE AND RED STROBE LIGHTS)



ART\_1001142736

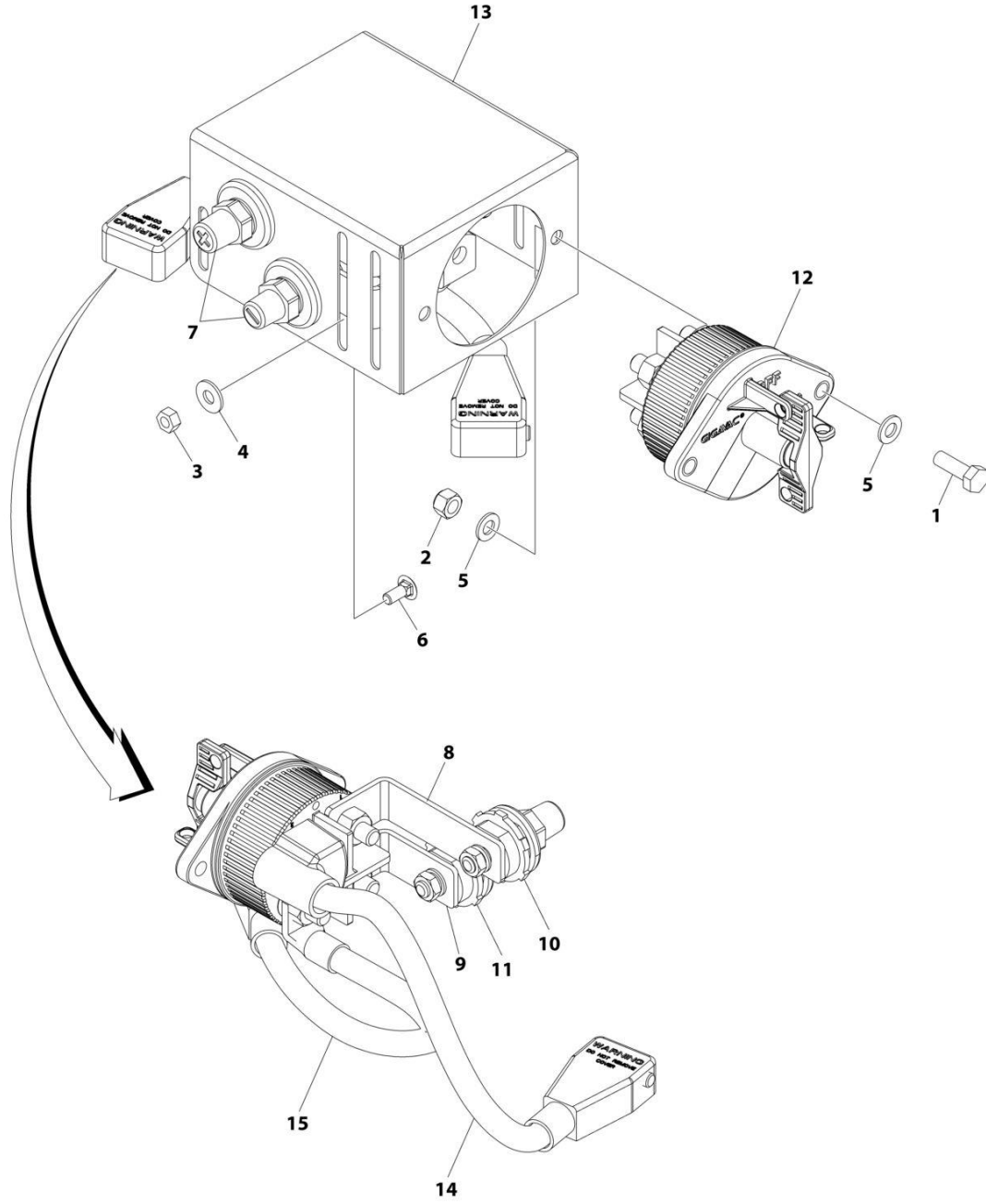
## SECTION 8 - ELECTRICAL

**FIGURE 8-20. BEACON CONTROL HARNESS (BLUE AND RED STROBE LIGHTS)**

ITEM	PART NUMBER	QTY	DESCRIPTION	REV
	1001142736	Ref	STROBE LIGHT HARNESS	F
1	1001116808	1	Plug, Male - 12 Position	
1	4460928	3	Socket, Female	
1	4460518	9	Plug, Terminal	
2	1001116774	1	Plug, Male - 12 Position	
2	4460928	3	Socket, Female	
2	4460518	9	Plug, Terminal	
3	4460891	1	Plug, Male - 2 Position	
3	4460465	2	Socket, Female	
4	1001112612	1	Connector - 9 Position	
4	4460464	6	Pin, Male	
4	4460466	3	Plug, Terminal	
5	4460933	1	Plug, Male - 12 Position	
5	4460465	12	Socket, Female	
6	1001119020	1	Bussbar - 12 Position	
7	4461095	1	Plug, Male - 3 Position	
7	4460465	3	Socket, Female	
8	4461070	1	Bussbar - 3 Position	
9	1001112796	1	Connector - 9 Position	
9	4460465	6	Socket, Female	
9	4460466	3	Plug, Terminal	

# SECTION 8 - ELECTRICAL

## FIGURE 8-21. BATTERY DISCONNECT



ART\_1001236304

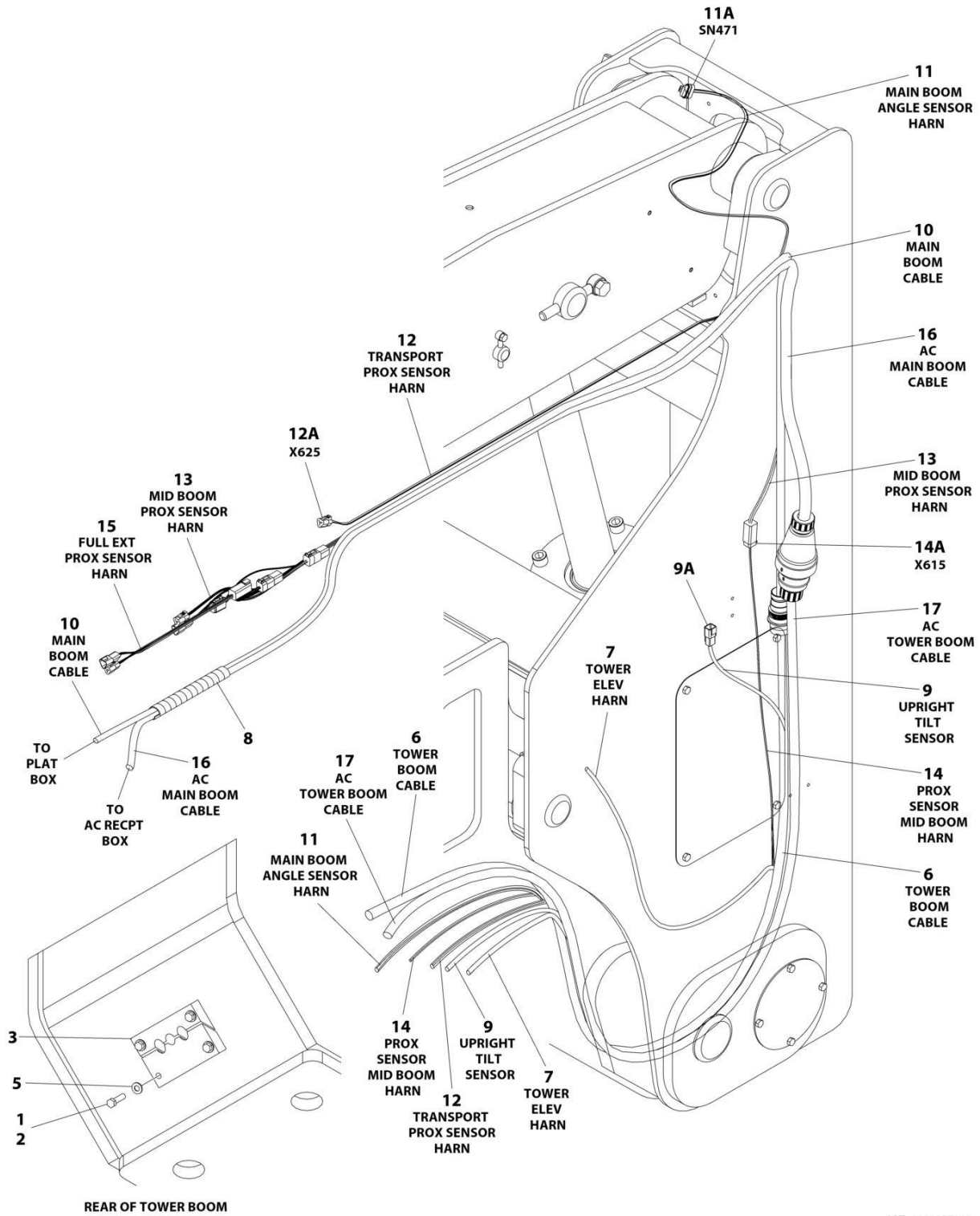
## SECTION 8 - ELECTRICAL

### FIGURE 8-21. BATTERY DISCONNECT

ITEM	PART NUMBER	QTY	DESCRIPTION	REV
	1001236304	Ref	BATTERY DISCONNECT SWITCH INSTALLATION	A
1	0760812	2	Bolt M8 x 25	
2	3290805	2	Nut M8	
3	3311405	3	Nut 1/4	
4	4751400	3	Washer 1/4	
5	4811900	4	Washer M8	
6	88411013	3	Bolt 1/4 x 3/4	
7	1001206476	1	Connectors, Post	
8	1001209432	1	Bussbar	
9	1001209474	1	Bussbar	
10	1001214570	1	Connector (Red)	
11	1001214571	1	Connector (Black)	
12	1001225346	1	Switch, Battery	
13	1001226531	1	Mount	
14	1001236504	1	Cable, Battery (+)	
15	1001236505	1	Cable, Battery (-)	

# SECTION 8 - ELECTRICAL

## FIGURE 8-22. BOOM CABLES INSTALLATION - WITH 2500W GENERATOR



ART\_1001257902

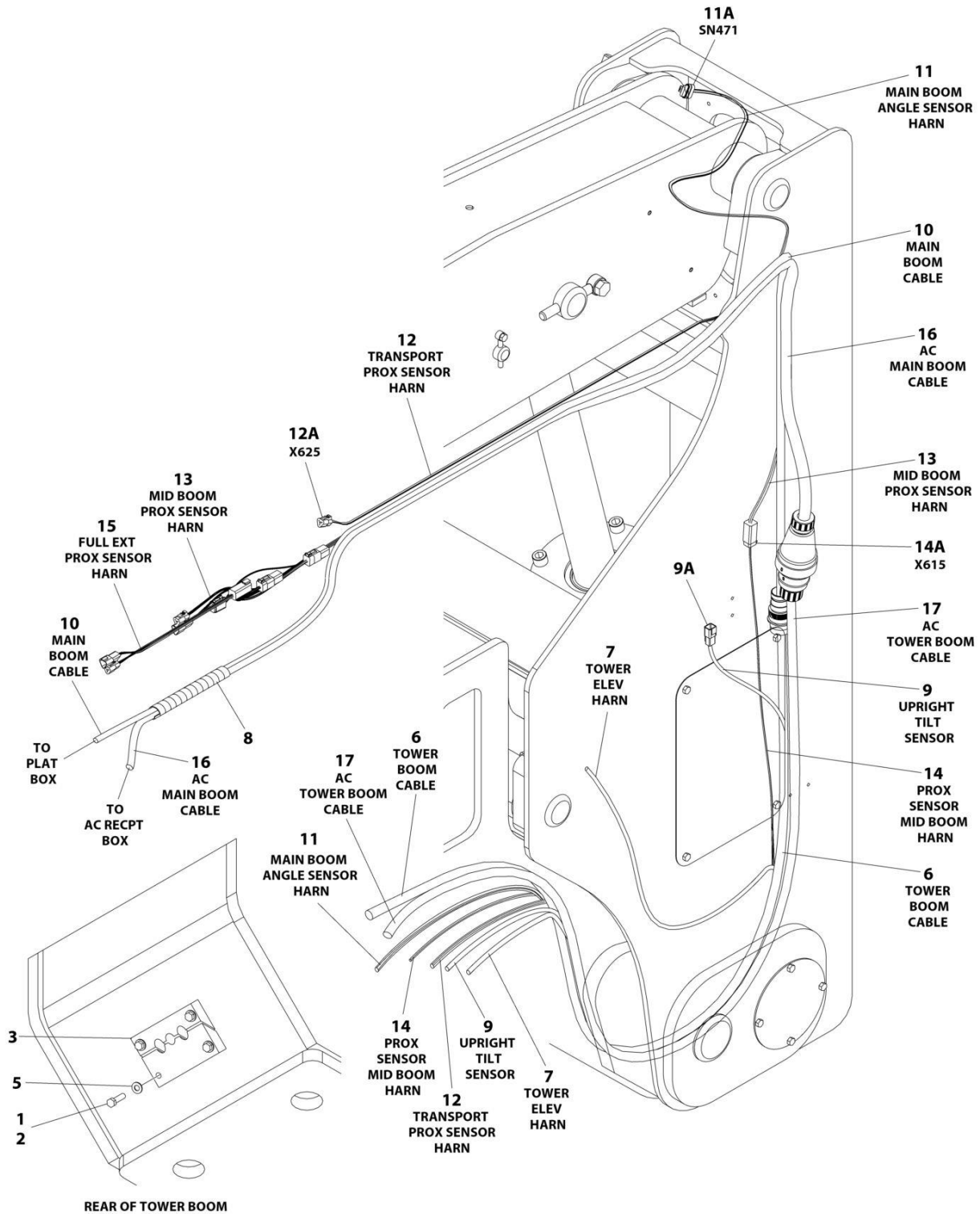
## SECTION 8 - ELECTRICAL

**FIGURE 8-22. BOOM CABLES INSTALLATION - WITH 2500W GENERATOR**

ITEM	PART NUMBER	QTY	DESCRIPTION	REV
	1001257902	Ref	BOOM CABLES INSTALLATION	A
1	0100011	AR	Compound, Locking	
2	0641612	4	Bolt 3/8 x 1-1/2	
3	1320256	1	Clamp, Block	
4	4240033	3	Tie, Cable (Not Shown)	
5	4711600	4	Washer 3/8	
6	4922576	1	Boom Cable - Tower Boom (See Separate Breakdown in this Section)	
7	4922578	1	Harness, Tower Boom Elevation Limit Switch	
8	1001181923	1	Shield, Cable/Hose	
9	1001227359	1	Harness, Tilt Sensor Harness	
9	4460944	3	Socket, Female (at GC Box)	
9A	1001097051	1	Connector - 4 Position	
9A	1001097082	1	Terminal	
9A	4460518	1	Plug, Terminal	
10	1001227488	1	Boom Cable - Main Boom (See Separate Breakdown in this Section)	
11	1001258707	1	Harness, Main Boom Angle Sensor	
11A	1001230931	1	Connector - 6 Position	
11A	1001116748	6	Terminal	
12	1001258708	1	Harness, Transport Proximity Sensor	
12A	4460539	1	Plug, Male - 3 Position	
12A	4460465	3	Socket, Female	
13	1001258709	1	Harness, Mid Boom Proximity Sensor (Main Boom) (See Separate Breakdown in this Section)	
14	1001258710	1	Cable, Middle Boom Proximity Sensor, Lower	
14A	4460894	1	Plug, Male - 6 Position	
14A	4460465	6	Socket, Female	
15	1001258711	1	Cable, Full Extension Proximity Sensor	
16	4922218	1	AC Cable, 10/3 (Main Boom)	
17	4922220	1	AC Cable, 10/3 (Tower Boom)	

# SECTION 8 - ELECTRICAL

FIGURE 8-23. BOOM CABLES INSTALLATION - WITH 4000W GENERATOR (50HZ)



ART\_1001257902



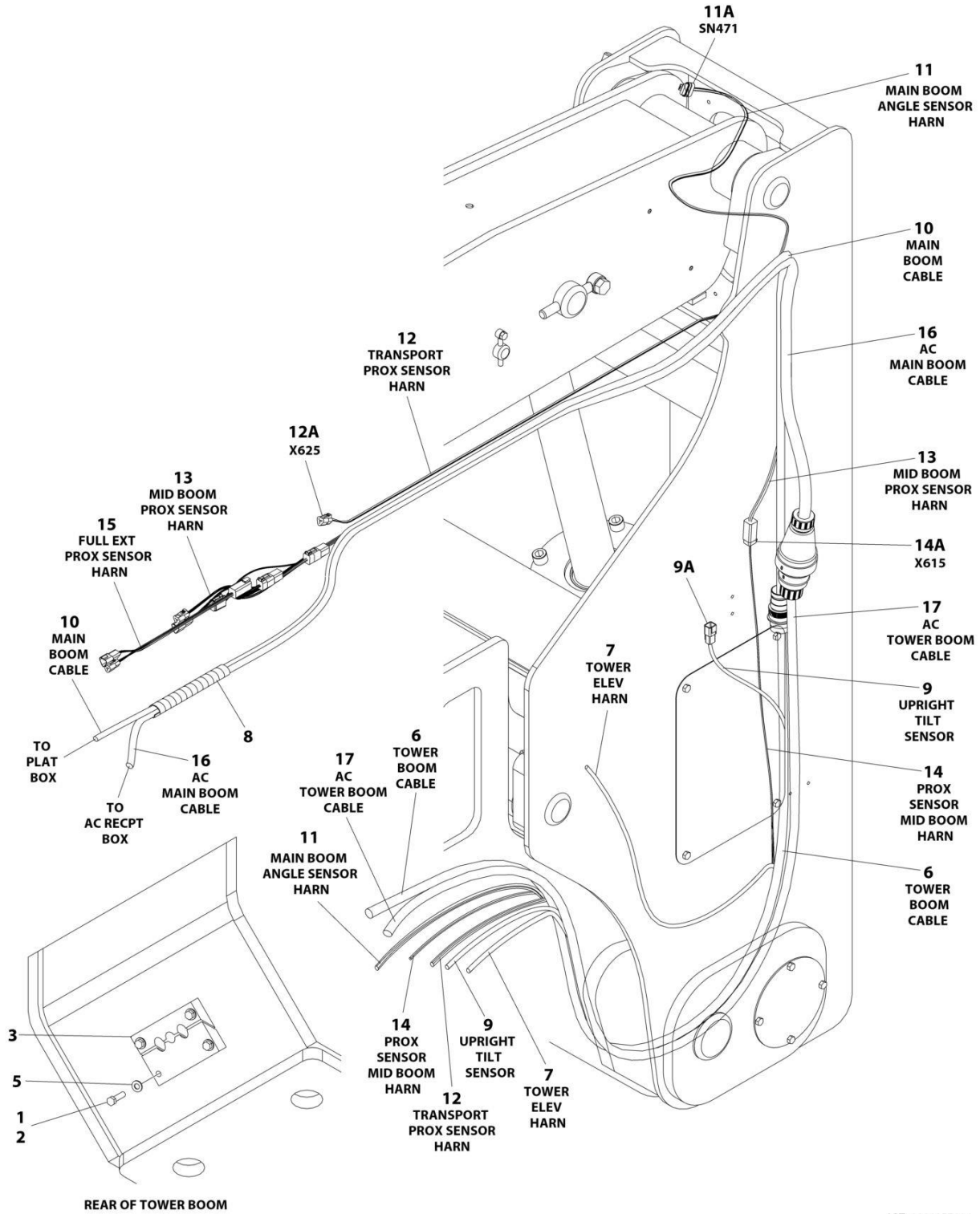
## SECTION 8 - ELECTRICAL

**FIGURE 8-23. BOOM CABLES INSTALLATION - WITH 4000W GENERATOR (50HZ)**

ITEM	PART NUMBER	QTY	DESCRIPTION	REV
	1001257902	Ref	BOOM CABLES INSTALLATION	A
1	0100011	AR	Compound, Locking	
2	0641612	4	Bolt 3/8 x 1-1/2	
3	1320256	1	Clamp, Block	
4	4240033	3	Tie, Cable (Not Shown)	
5	4711600	4	Washer 3/8	
6	4922576	1	Boom Cable - Tower Boom (See Separate Breakdown in this Section)	
7	4922578	1	Harness, Tower Boom Elevation Limit Switch	
8	1001181923	1	Shield, Cable/Hose	
9	1001227359	1	Harness, Tilt Sensor Harness	
9	4460944	3	Socket, Female (at GC Box)	
9A	1001097051	1	Connector - 4 Position	
9A	1001097082	1	Terminal	
9A	4460518	1	Plug, Terminal	
10	1001227488	1	Boom Cable - Main Boom (See Separate Breakdown in this Section)	
11	1001258707	1	Harness, Main Boom Angle Sensor	
11A	1001230931	1	Connector - 6 Position	
11A	1001116748	6	Terminal	
12	1001258708	1	Harness, Transport Proximity Sensor	
12A	4460539	1	Plug, Male - 3 Position	
12A	4460465	3	Socket, Female	
13	1001258709	1	Harness, Mid Boom Proximity Sensor (Main Boom) (See Separate Breakdown in this Section)	
14	1001258710	1	Cable, Middle Boom Proximity Sensor, Lower	
14A	4460894	1	Plug, Male - 6 Position	
14A	4460465	6	Socket, Female	
15	1001258711	1	Cable, Full Extension Proximity Sensor	
16	4922218	1	AC Cable, 10/3 (Main Boom)	
17	4922220	1	AC Cable, 10/3 (Tower Boom)	

# SECTION 8 - ELECTRICAL

FIGURE 8-24. BOOM CABLES INSTALLATION - WITH 4000W GENERATOR (60HZ)



ART\_1001257904

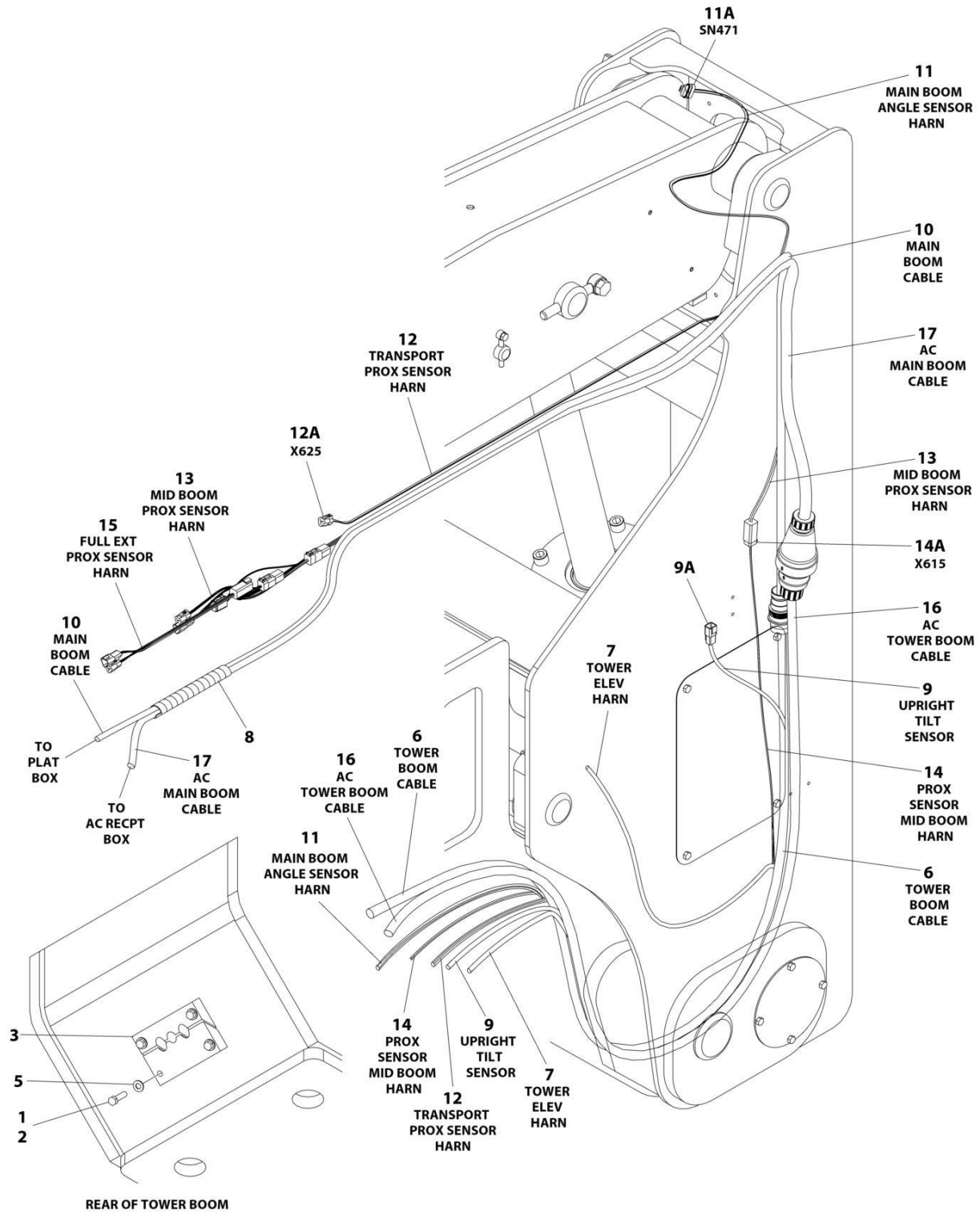
## SECTION 8 - ELECTRICAL

**FIGURE 8-24. BOOM CABLES INSTALLATION - WITH 4000W GENERATOR (60HZ)**

ITEM	PART NUMBER	QTY	DESCRIPTION	REV
	1001257904	Ref	BOOM CABLES INSTALLATION	A
1	0100011	AR	Compound, Locking	
2	0641612	4	Bolt 3/8 x 1-1/2	
3	1320256	1	Clamp, Block	
4	4240033	3	Tie, Cable (Not Shown)	
5	4711600	4	Washer 3/8	
6	4922576	1	Boom Cable - Tower Boom (See Separate Breakdown in this Section)	
7	4922578	1	Harness, Tower Boom Elevation Limit Switch	
8	1001181923	1	Shield, Cable/Hose	
9	1001227359	1	Harness, Tilt Sensor Harness	
9	4460944	3	Socket, Female (at GC Box)	
9A	1001097051	1	Connector - 4 Position	
9A	1001097082	1	Terminal	
9A	4460518	1	Plug, Terminal	
10	1001227488	1	Boom Cable - Main Boom (See Separate Breakdown in this Section)	
11	1001258707	1	Harness, Main Boom Angle Sensor	
11A	1001230931	1	Connector - 6 Position	
11A	1001116748	6	Terminal	
12	1001258708	1	Harness, Transport Proximity Sensor	
12A	4460539	1	Plug, Male - 3 Position	
12A	4460465	3	Socket, Female	
13	1001258709	1	Harness, Mid Boom Proximity Sensor (Main Boom) (See Separate Breakdown in this Section)	
14	1001258710	1	Cable, Middle Boom Proximity Sensor, Lower	
14A	4460894	1	Plug, Male - 6 Position	
14A	4460465	6	Socket, Female	
15	1001258711	1	Cable, Full Extension Proximity Sensor	
16	1001156695	1	AC Cable, 10/4 (Main Boom)	
17	1001156693	1	AC Cable, 10/4 (Tower Boom)	

# SECTION 8 - ELECTRICAL

## FIGURE 8-25. BOOM CABLES INSTALLATION - WITH 7500W SKYPOWER GENERATOR



ART\_1001257903

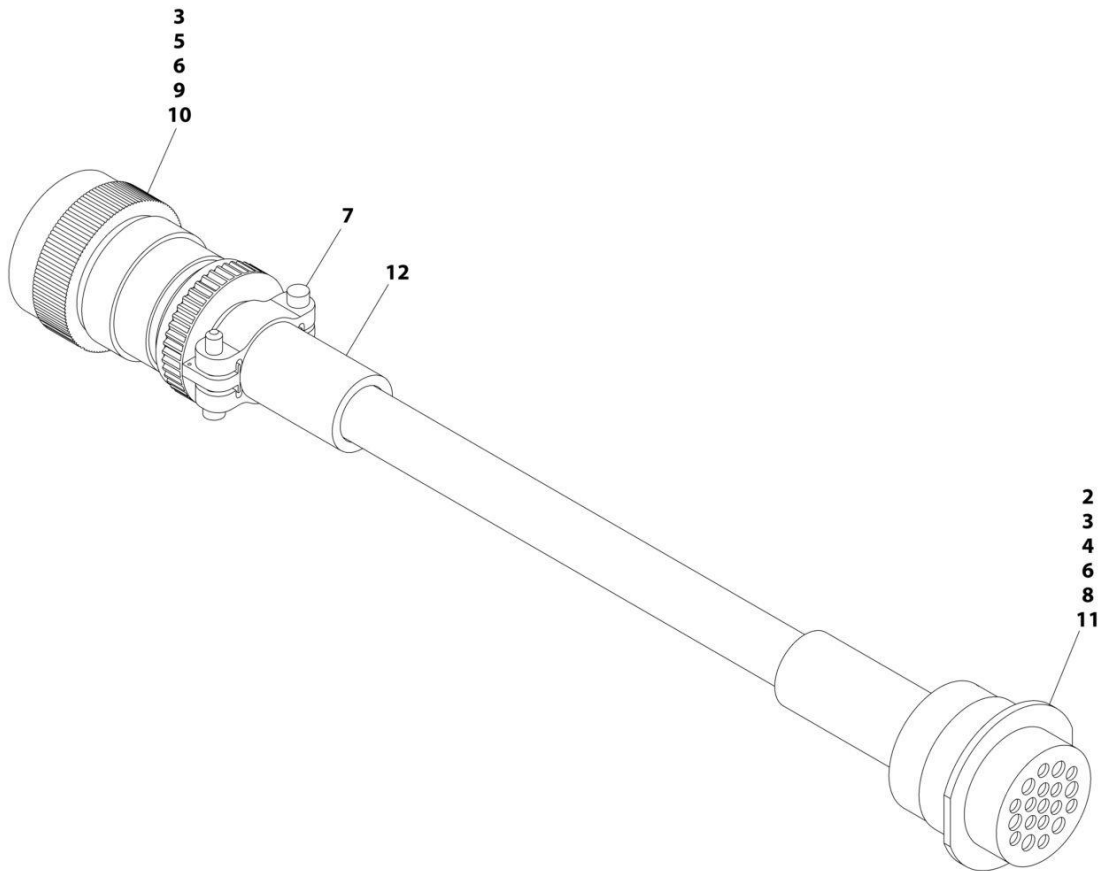
## SECTION 8 - ELECTRICAL

**FIGURE 8-25. BOOM CABLES INSTALLATION - WITH 7500W SKYPOWER GENERATOR**

ITEM	PART NUMBER	QTY	DESCRIPTION	REV
	1001257903	Ref	BOOM CABLES INSTALLATION	A
1	0100011	AR	Compound, Locking	
2	0641612	4	Bolt 3/8 x 1-1/2	
3	1320256	1	Clamp, Block	
4	4240033	3	Tie, Cable (Not Shown)	
5	4711600	4	Washer 3/8	
6	4922576	1	Boom Cable - Tower Boom (See Separate Breakdown in this Section)	
7	4922578	1	Harness, Tower Boom Elevation Limit Switch	
8	1001181923	1	Shield, Cable/Hose	
9	1001227359	1	Harness, Tilt Sensor Harness	
9	4460944	3	Socket, Female (at GC Box)	
9A	1001097051	1	Connector - 4 Position	
9A	1001097082	1	Terminal	
9A	4460518	1	Plug, Terminal	
10	1001227488	1	Boom Cable - Main Boom (See Separate Breakdown in this Section)	
11	1001258707	1	Harness, Main Boom Angle Sensor	
11A	1001230931	1	Connector - 6 Position	
11A	1001116748	6	Terminal	
12	1001258708	1	Harness, Transport Proximity Sensor	
12A	4460539	1	Plug, Male - 3 Position	
12A	4460465	3	Socket, Female	
13	1001258709	1	Harness, Mid Boom Proximity Sensor (Main Boom) (See Separate Breakdown in this Section)	
14	1001258710	1	Cable, Middle Boom Proximity Sensor, Lower	
14A	4460894	1	Plug, Male - 6 Position	
14A	4460465	6	Socket, Female	
15	1001258711	1	Cable, Full Extension Proximity Sensor	
16	1001125125	1	AC Cable, 8/5 (Tower Boom)	
17	1001125127	1	AC Cable, 8/5 (Main Boom)	

# SECTION 8 - ELECTRICAL

## FIGURE 8-26. BOOM CABLE - MAIN BOOM



ART\_1001227488

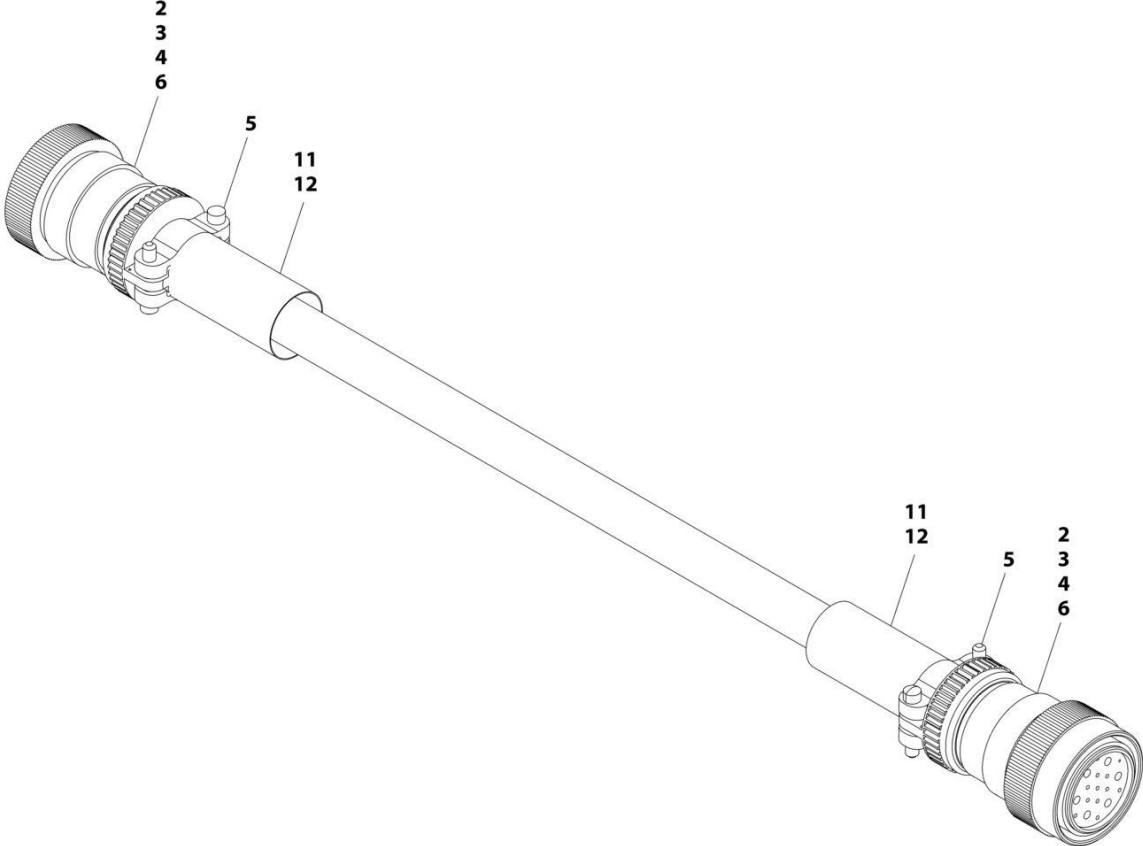
## SECTION 8 - ELECTRICAL

### FIGURE 8-26. BOOM CABLE - MAIN BOOM

ITEM	PART NUMBER	QTY	DESCRIPTION	REV
	1001227488	Ref	BOOM CABLE - MAIN BOOM	A
2	2820031	AR	Heatshrink	
3	2820118	AR	Heatshrink, Clear	
4	4460464	8	Pin, Male	
5	4460465	11	Socket, Female	
6	4460466	11	Plug, Terminal	
7	4460473	1	Clamp	
8	4460508	4	Pin, Male	
9	4460509	4	Socket, Female	
10	4460865	1	Connector - 19 Position	
11	4460866	1	Connector - 19 Position	
12	1001226400	1	Insulate, Heatshrink	

**SECTION 8 - ELECTRICAL**

**FIGURE 8-27. BOOM CABLE (TOWER BOOM)**



ART\_4922576



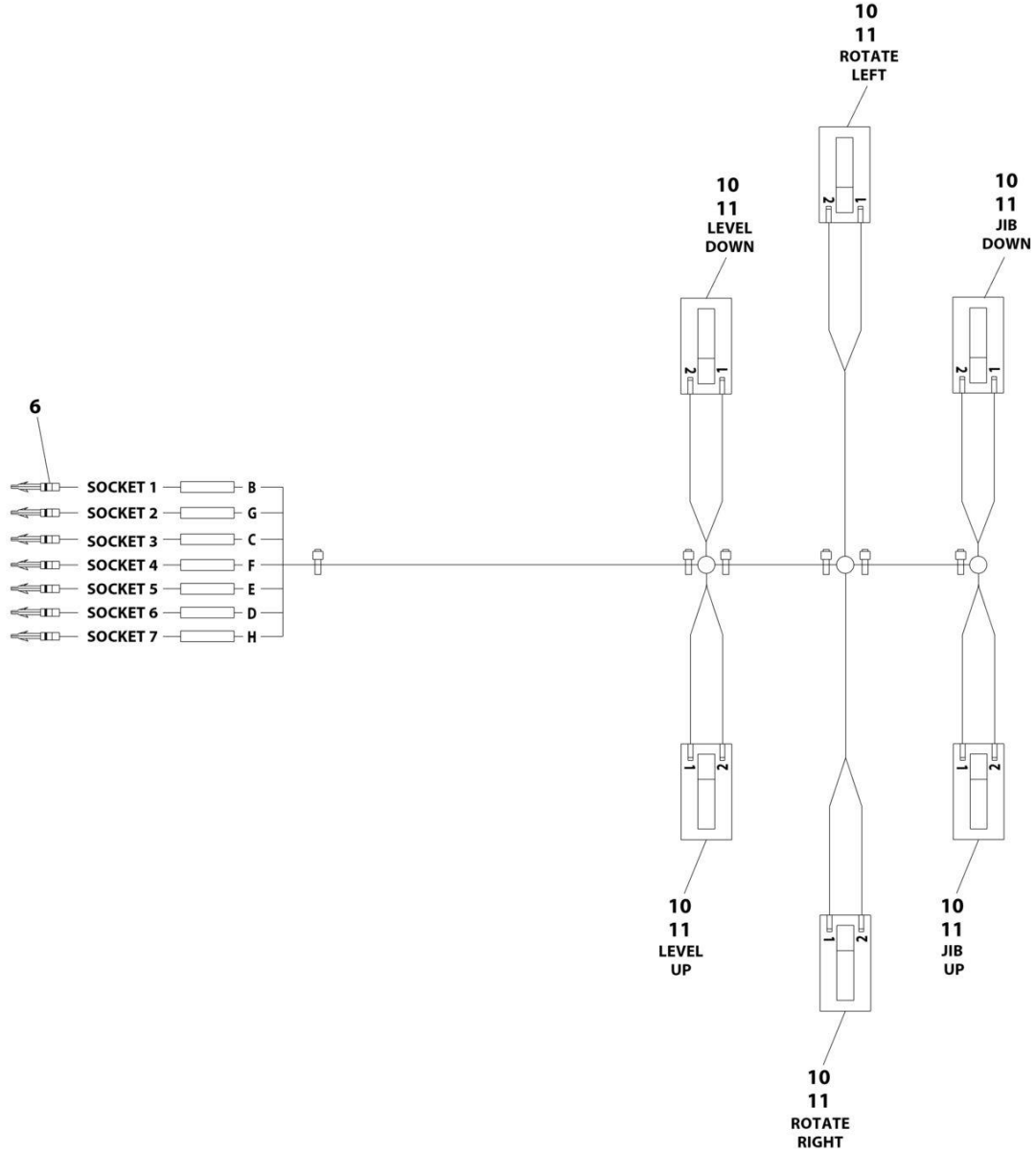
## SECTION 8 - ELECTRICAL

### FIGURE 8-27. BOOM CABLE (TOWER BOOM)

ITEM	PART NUMBER	QTY	DESCRIPTION	REV
	4922576	Ref	BOOM CABLE - TOWER BOOM	E
2	4460465	22	Socket, Female	
3	4460865	2	Connector - 19 Position	
4	4460509	8	Socket, Female	
5	4460473	2	Clamp	
6	4460466	8	Plug, Terminal	
11	2820118	AR	Heatshrink, Clear	
12	1001226400	AR	Insulate, Heatshrink	

# SECTION 8 - ELECTRICAL

## FIGURE 8-28. BOOM VALVE HARNESS



ART\_1001139135

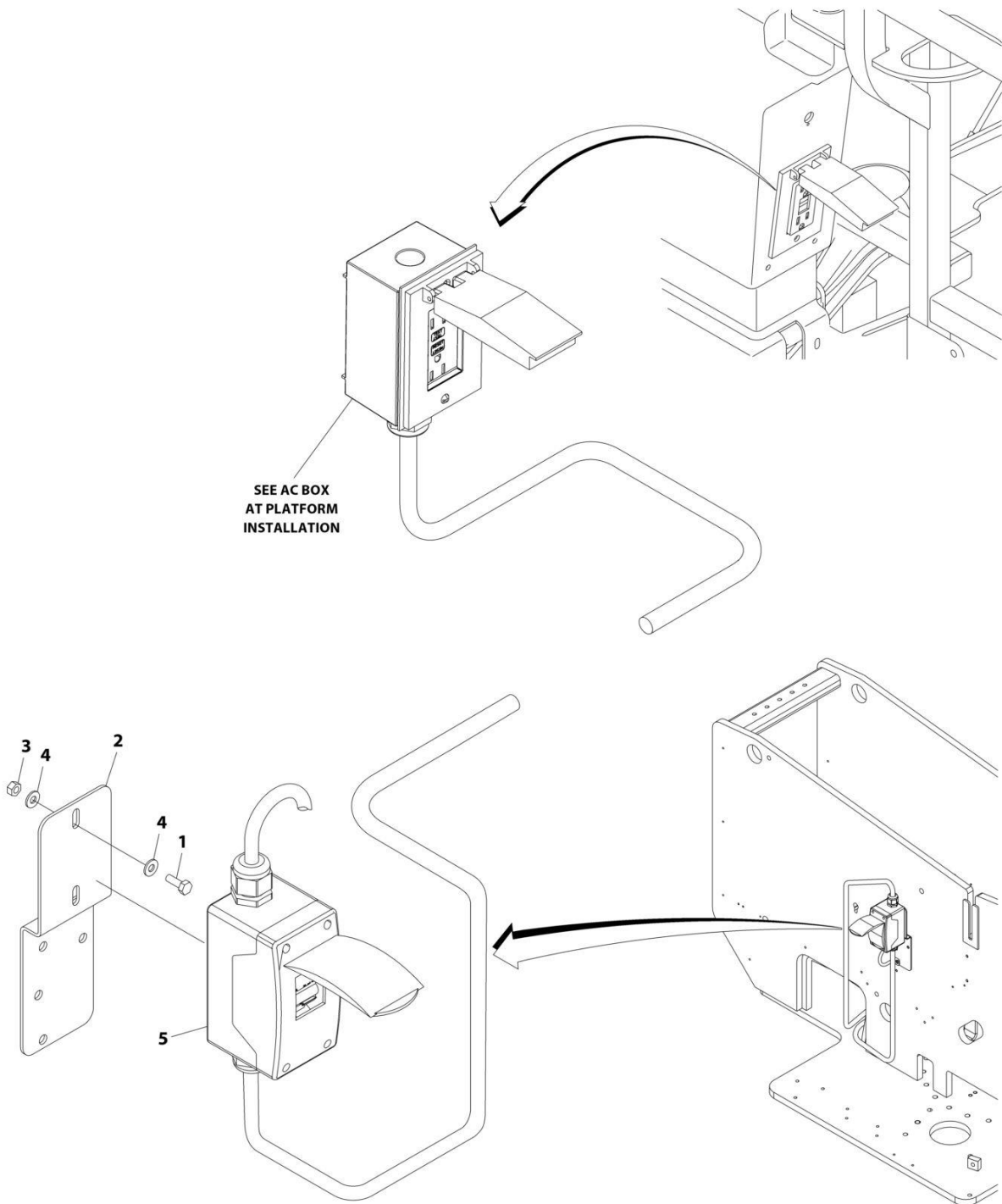
## SECTION 8 - ELECTRICAL

### FIGURE 8-28. BOOM VALVE HARNESS

ITEM	PART NUMBER	QTY	DESCRIPTION	REV
	1001139135	Ref	BOOM VALVE HARNESS	3
6	4460226	7	Terminal, Socket	
10	4460891	6	Deutsch connector	
11	1001116692	12	Socket	

# SECTION 8 - ELECTRICAL

## FIGURE 8-29. BREAKER BOX INSTALLATION (BRAZIL SPECS)



ART\_1001171016

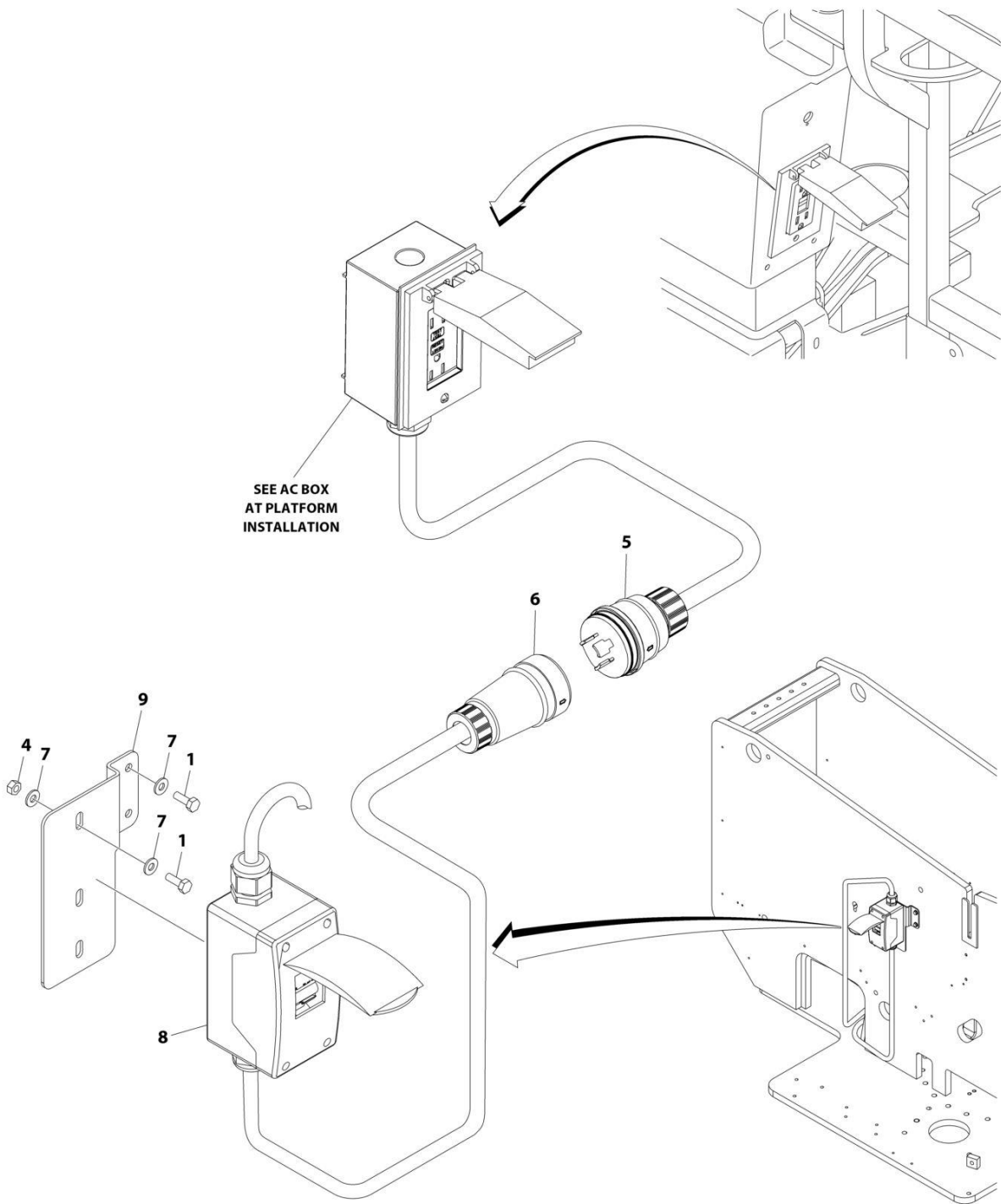
## SECTION 8 - ELECTRICAL

**FIGURE 8-29. BREAKER BOX INSTALLATION (BRAZIL SPECS)**

ITEM	PART NUMBER	QTY	DESCRIPTION	REV
	1001171016	Ref	AC BREAKER BOX INSTALLATION	B
1	0641406	2	Bolt 1/4 x 3/4	
2	0903697	1	Bracket	
3	3311405	2	Nut 1/4	
4	4711400	4	Washer 1/4	
5	1001109654	1	Breaker Box Kit - With 2 Breakers (See Separate Breakdown in this Section)	

# SECTION 8 - ELECTRICAL

FIGURE 8-30. BREAKER BOX INSTALLATION (CE & UK CA SPECS WITHOUT 4000W GENERATOR)



ART\_1001177710

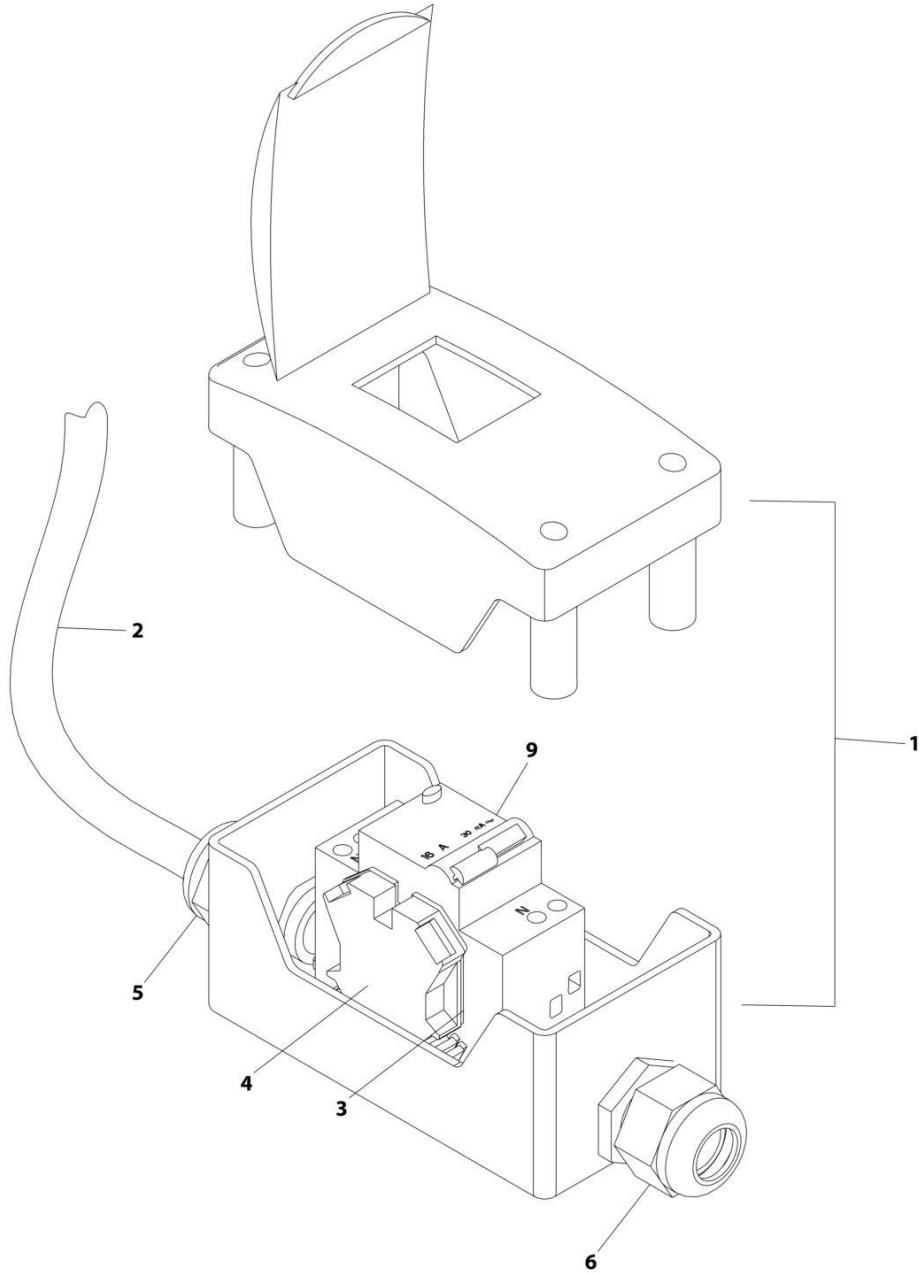
## SECTION 8 - ELECTRICAL

**FIGURE 8-30. BREAKER BOX INSTALLATION (CE & UK CA SPECS WITHOUT 4000W GENERATOR)**

ITEM	PART NUMBER	QTY	DESCRIPTION	REV
	1001177710	Ref	AC BREAKER BOX INSTALLATION	D
1	0641406	4	Bolt 1/4 x 3/4	
4	3311405	2	Nut 1/4	
5	1001213584	1	Plug, Male	
6	1001213585	1	Receptacle, Female	
7	4711400	6	Washer 1/4	
8	1001109654	1	Breaker Box Kit - With 2 Breakers (See Separate Breakdown in this Section)	
9	1001177035	1	Bracket	

# SECTION 8 - ELECTRICAL

**FIGURE 8-31. BREAKER BOX KIT - ONE DOUBLE 16AMP BREAKER (BRAZIL, CE & UK CA SPECS WITHOUT 4000W GENERATOR)**



ART\_1001109654



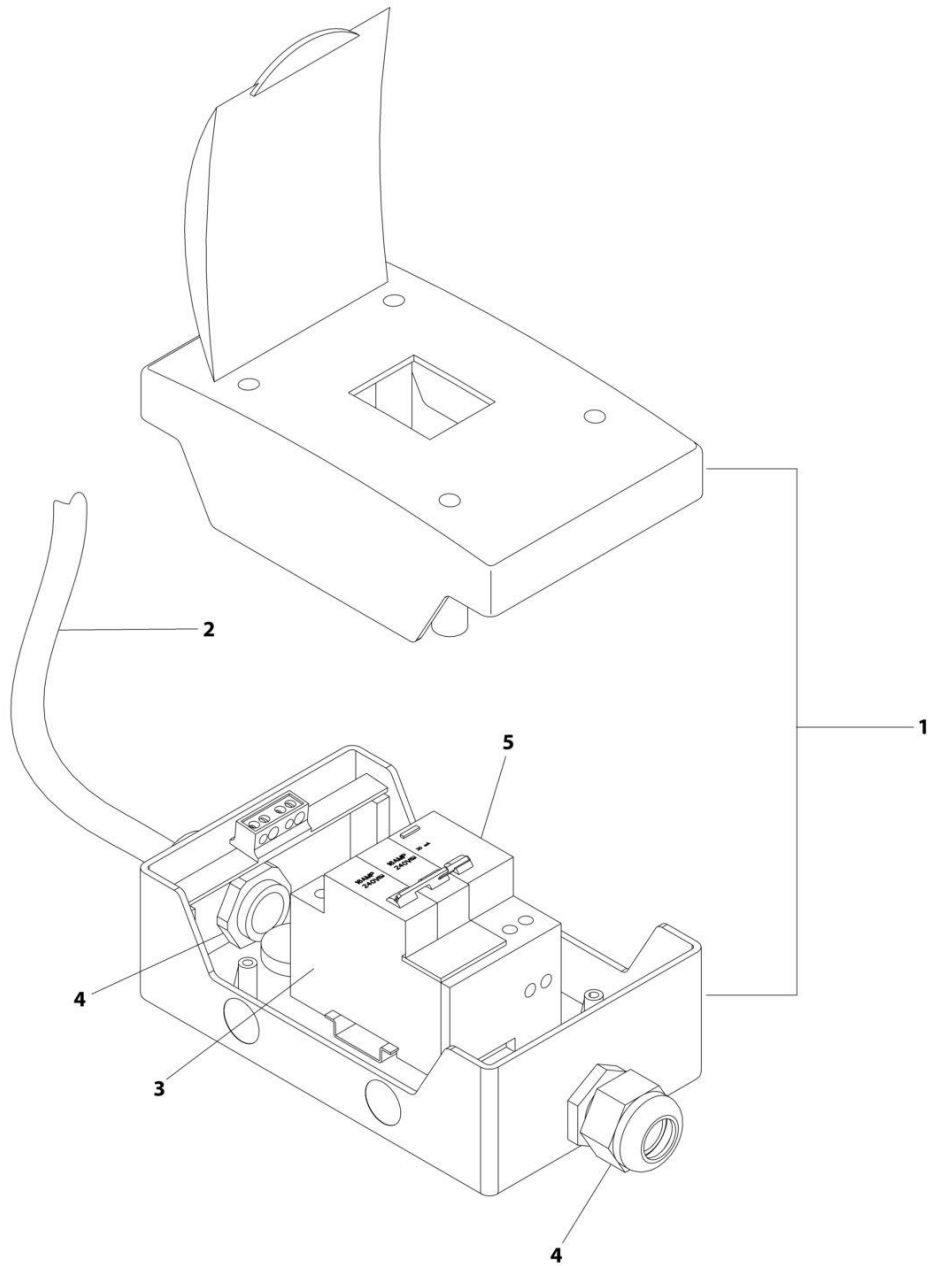
## SECTION 8 - ELECTRICAL

**FIGURE 8-31. BREAKER BOX KIT - ONE DOUBLE 16AMP BREAKER (BRAZIL, CE & UK CA SPECS WITHOUT 4000W GENERATOR)**

ITEM	PART NUMBER	QTY	DESCRIPTION	REV
	1001109654	Ref	BREAKER BOX KIT	C
1	0861880	1	Box, Breaker	
2	1060908	12 ft/ 3.6m	Cable 12/3	
3	4460956	1	Barrier, Terminal Block End	
4	4460957	1	Block, Terminal	
5	1001097150	1	Connector, Strain Relief	
6	1001101191	1	Connector, Strain Relief	
9	1001181045	1	Breaker - 30mA/16Amp	
10	1001100231	3	Terminal (Not Shown)	

# SECTION 8 - ELECTRICAL

FIGURE 8-32. BREAKER BOX KIT - WITH 3 BREAKERS (CE & UK CA SPECS WITH 4000W GENERATOR)



ART\_1001205690

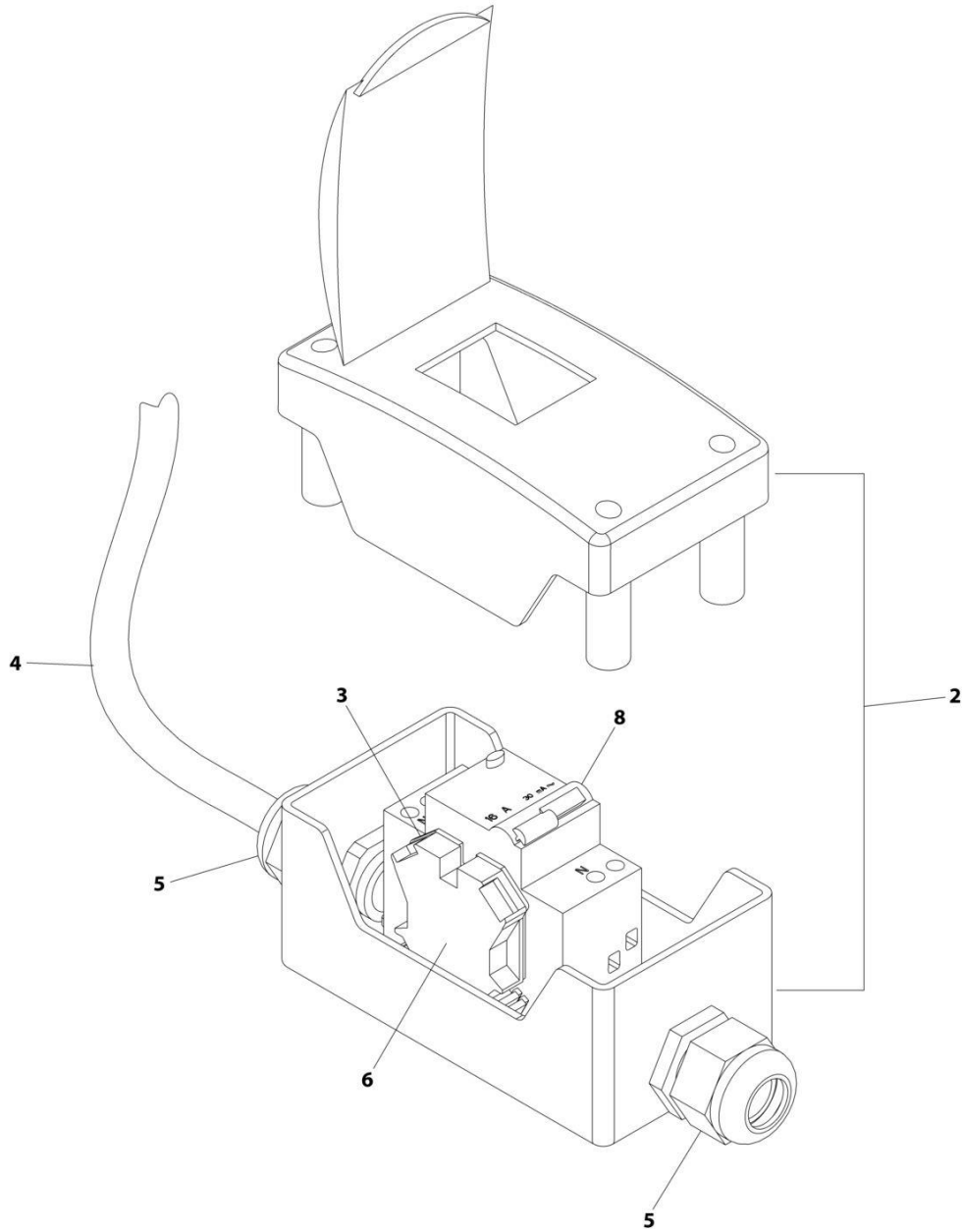
## SECTION 8 - ELECTRICAL

**FIGURE 8-32. BREAKER BOX KIT - WITH 3 BREAKERS (CE & UK CA SPECS WITH 4000W GENERATOR)**

ITEM	PART NUMBER	QTY	DESCRIPTION	REV
	1001205690	Ref	BREAKER BOX KIT	B
1	1001152483	1	Box, Breaker	
2	1060545	12 ft / 3.6m	Cable, Electrical 10/3	
3	1001189172	1	Breaker 16Amp Double	
4	1001101191	2	Connector, Strain Relief	
5	1001189171	1	Breaker 30mA	

# SECTION 8 - ELECTRICAL

**FIGURE 8-33. BREAKER BOX KIT - ONE DOUBLE 16AMP BREAKER (CE & UK CA SPECS WITH 4000W GENERATOR)**



ART\_1001165368\_B

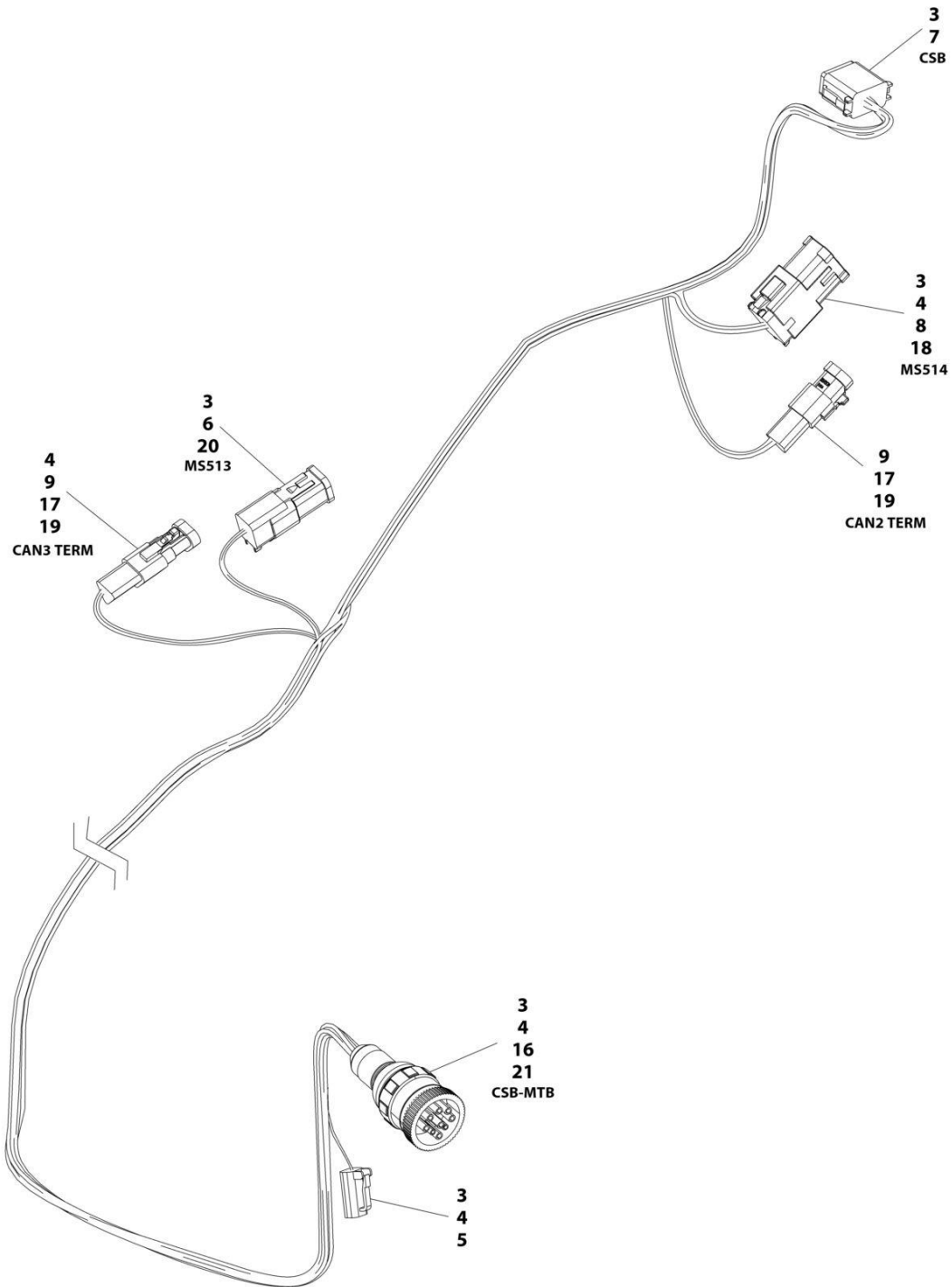
## SECTION 8 - ELECTRICAL

**FIGURE 8-33. BREAKER BOX KIT - ONE DOUBLE 16AMP BREAKER (CE & UK CA SPECS WITH 4000W GENERATOR)**

ITEM	PART NUMBER	QTY	DESCRIPTION	REV
	1001165368	Ref	BREAKER BOX KIT	B
2	0861880	1	Box, Circuit Breaker	
3	4460956	1	Barrier, Terminal Block End	
4	1060545	12 ft/ 3.6m	Cable, Electrical 10/3	
5	1001101191	2	Connector, Strain Relief	
6	4460957	1	Block, Terminal	
8	1001181045	1	Breaker 30mA/16Amp	

# SECTION 8 - ELECTRICAL

## FIGURE 8-34. CBS HARNESS



ART\_1001286622

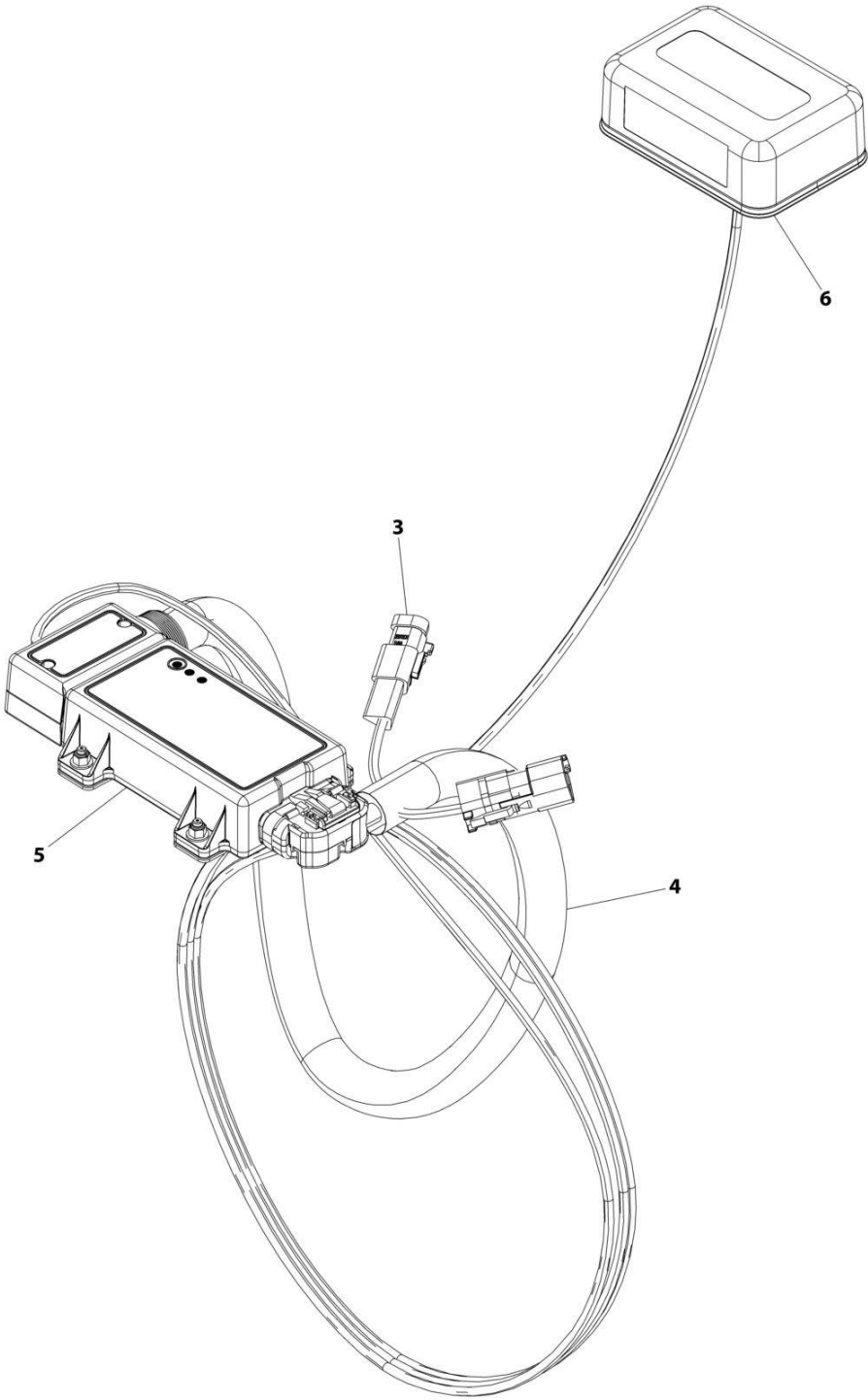
## SECTION 8 - ELECTRICAL

### FIGURE 8-34. CBS HARNESS

ITEM	PART NUMBER	QTY	DESCRIPTION	REV
	1001286622	Ref	CSB HARNESS	C
3	4460465	32	Socket	
4	4460466	6	Plug, Terminal	
5	4460891	1	Connector	
6	4460894	1	Connector	
7	4460930	1	Connector	
8	4460933	1	Connector	
9	4460943	6	Pin	
16	1001112796	1	Connector	
17	1001116815	2	Connector	
18	1001119020	1	Connector	
19	1001144147	2	Pin	
20	1001226541	1	Connector	
21	4461042	1	Connector	

**SECTION 8 - ELECTRICAL**

**FIGURE 8-35. CLEARSKY INSTALLATION - CANBUS (ANSI SPECS)**



ART\_1001227448



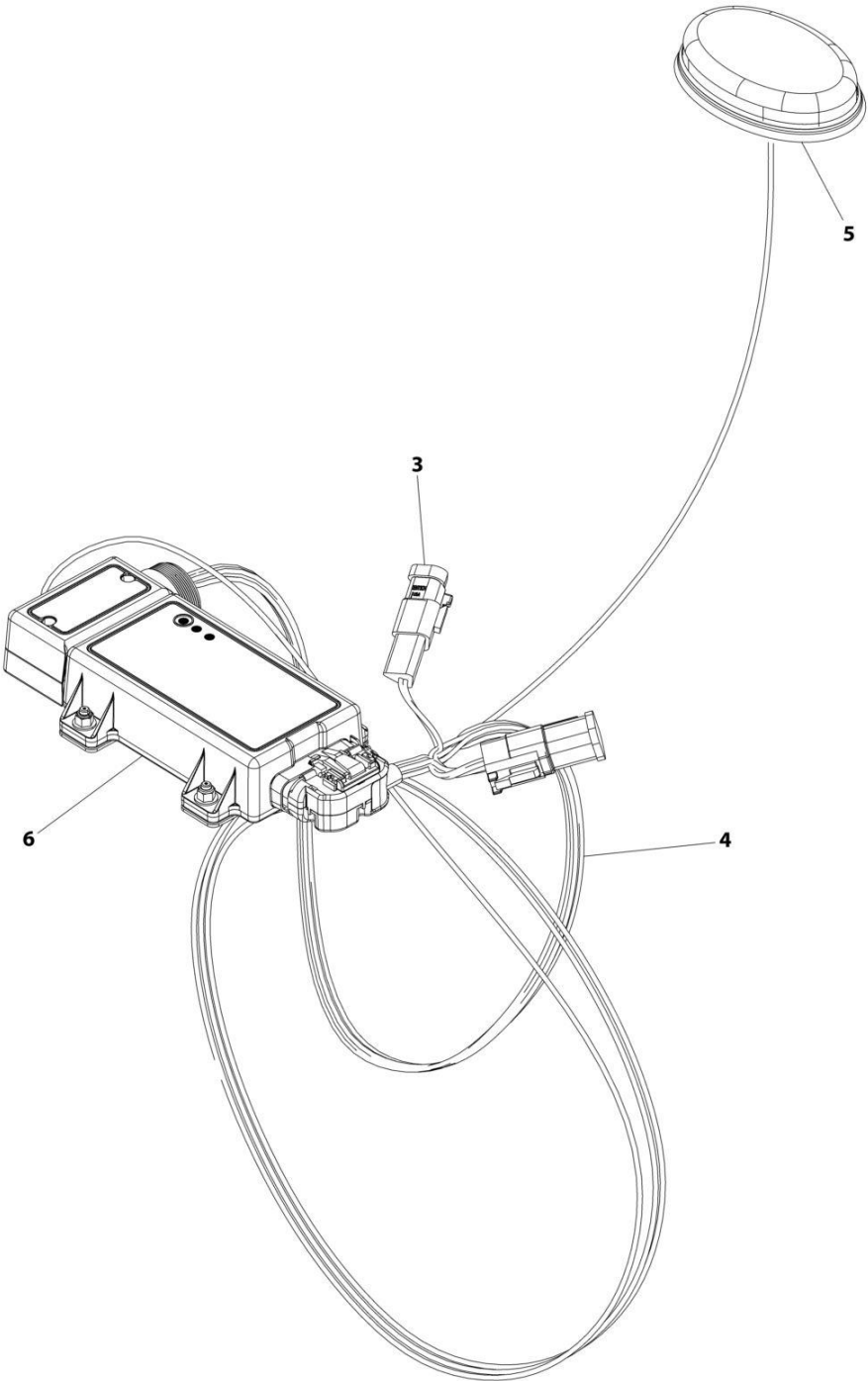
## SECTION 8 - ELECTRICAL

**FIGURE 8-35. CLEARSKY INSTALLATION - CANBUS (ANSI SPECS)**

ITEM	PART NUMBER	QTY	DESCRIPTION	REV
	1001227448	REF	CLEARSKY INSTALLATION - CANBUS	B
1	4240032	AR	Tie-Strap (Not Shown)	
2	4460234	AR	Mount, Cable -Tie (Not Shown)	
3	1001116815	1	Plug, Connector	
4	1001226739	1	ClearSky Telematics Harness (See Separate Breakdown in this Section)	
5	1001262322	1	Module, ClearSky	
6	1001262326	1	Antenna	

**SECTION 8 - ELECTRICAL**

**FIGURE 8-36. CLEARSKY INSTALLATION - CANBUS (AUSTRALIAN SPECS)**



ART\_1001246473

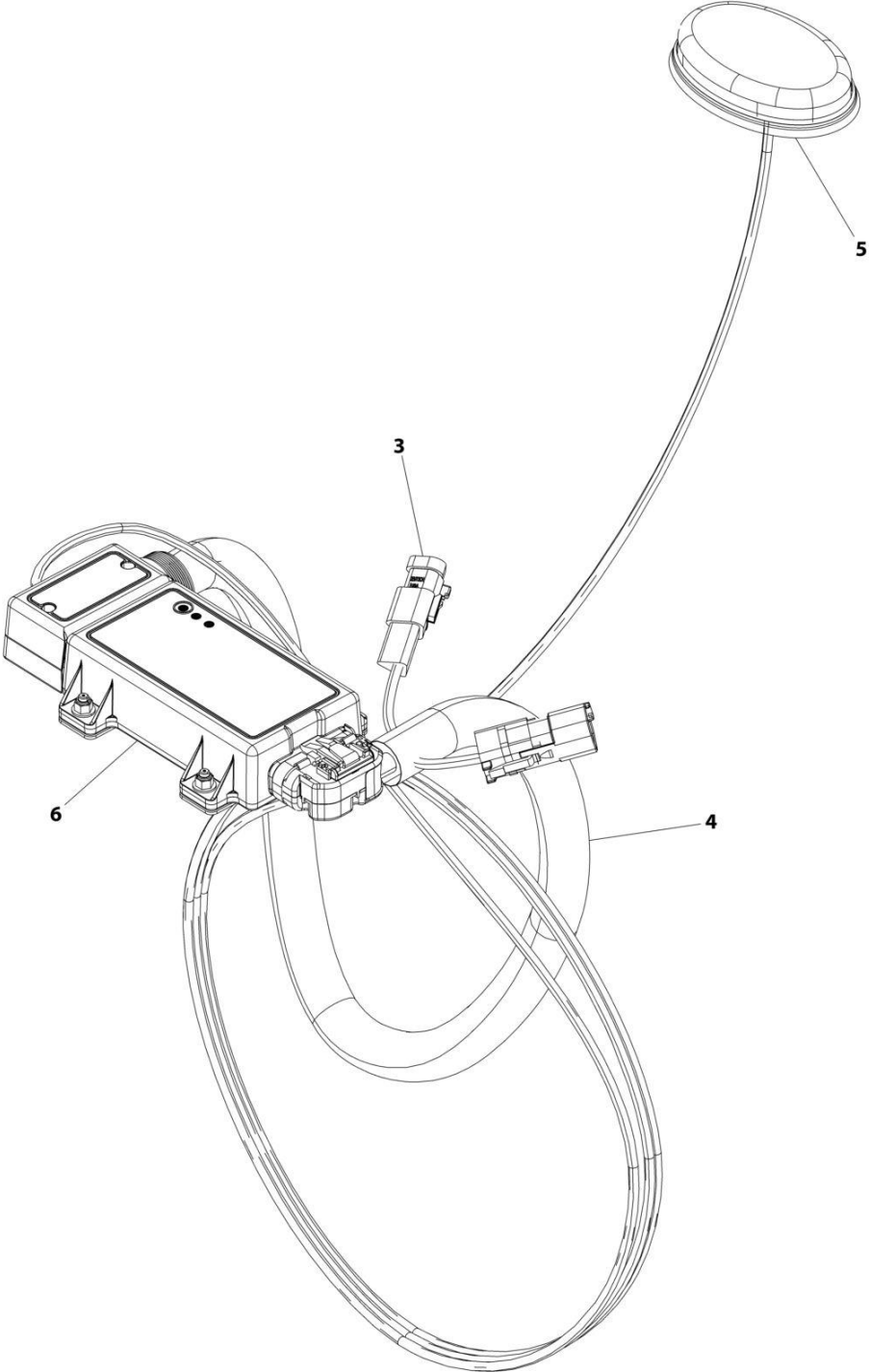
## SECTION 8 - ELECTRICAL

**FIGURE 8-36. CLEARSKY INSTALLATION - CANBUS (AUSTRALIAN SPECS)**

ITEM	PART NUMBER	QTY	DESCRIPTION	REV
	1001246473	REF	CLEARSKY INSTALLATION - CANBUS	A
1	4240032	AR	Tie-Strap (Not Shown)	
2	4460234	AR	Mount, Cable -Tie (Not Shown)	
3	1001116815	1	Plug, Connector	
4	1001226739	1	ClearSky Telematics Harness (See Separate Breakdown in this Section)	
5	1001226799	1	Antenna	
6	1001246144	1	Module, ClearSky	

**SECTION 8 - ELECTRICAL**

**FIGURE 8-37. CLEARSKY INSTALLATION - CANBUS (CE SPECS)**



ART\_1001228949

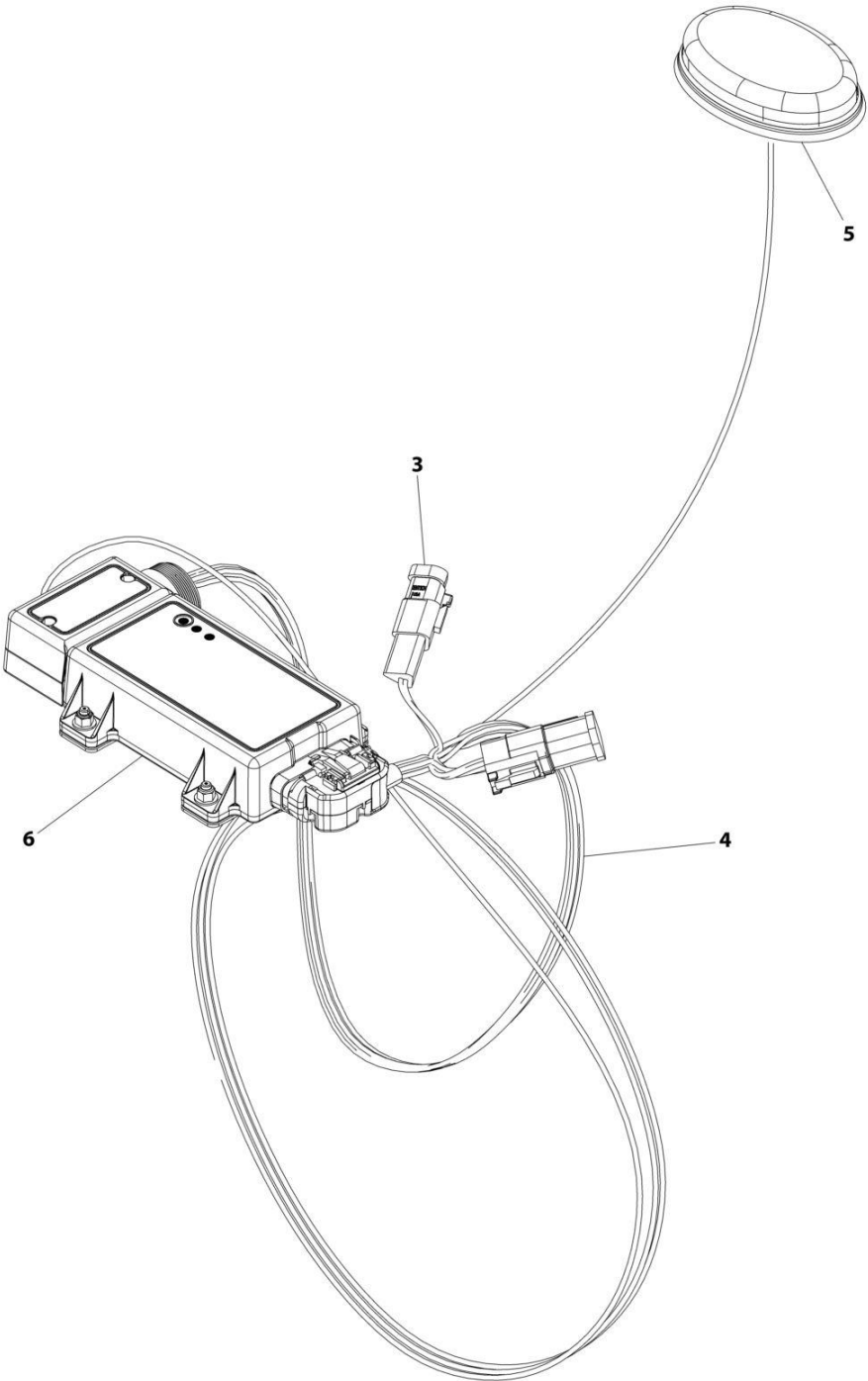
## SECTION 8 - ELECTRICAL

### FIGURE 8-37. CLEARSKY INSTALLATION - CANBUS (CE SPECS)

ITEM	PART NUMBER	QTY	DESCRIPTION	REV
	1001228949	REF	CLEARSKY INSTALLATION - CANBUS	A
1	4240032	AR	Tie-Strap (Not Shown)	
2	4460234	AR	Mount, Cable -Tie (Not Shown)	
3	1001116815	1	Plug, Connector	
4	1001226739	1	ClearSky Telematics Harness (See Separate Breakdown in this Section)	
5	1001226799	1	Antenna	
6	1001228954	1	Module, ClearSky	

**SECTION 8 - ELECTRICAL**

**FIGURE 8-38. CLEARSKY INSTALLATION - CANBUS (CHINA SPECS)**



ART\_1001246474

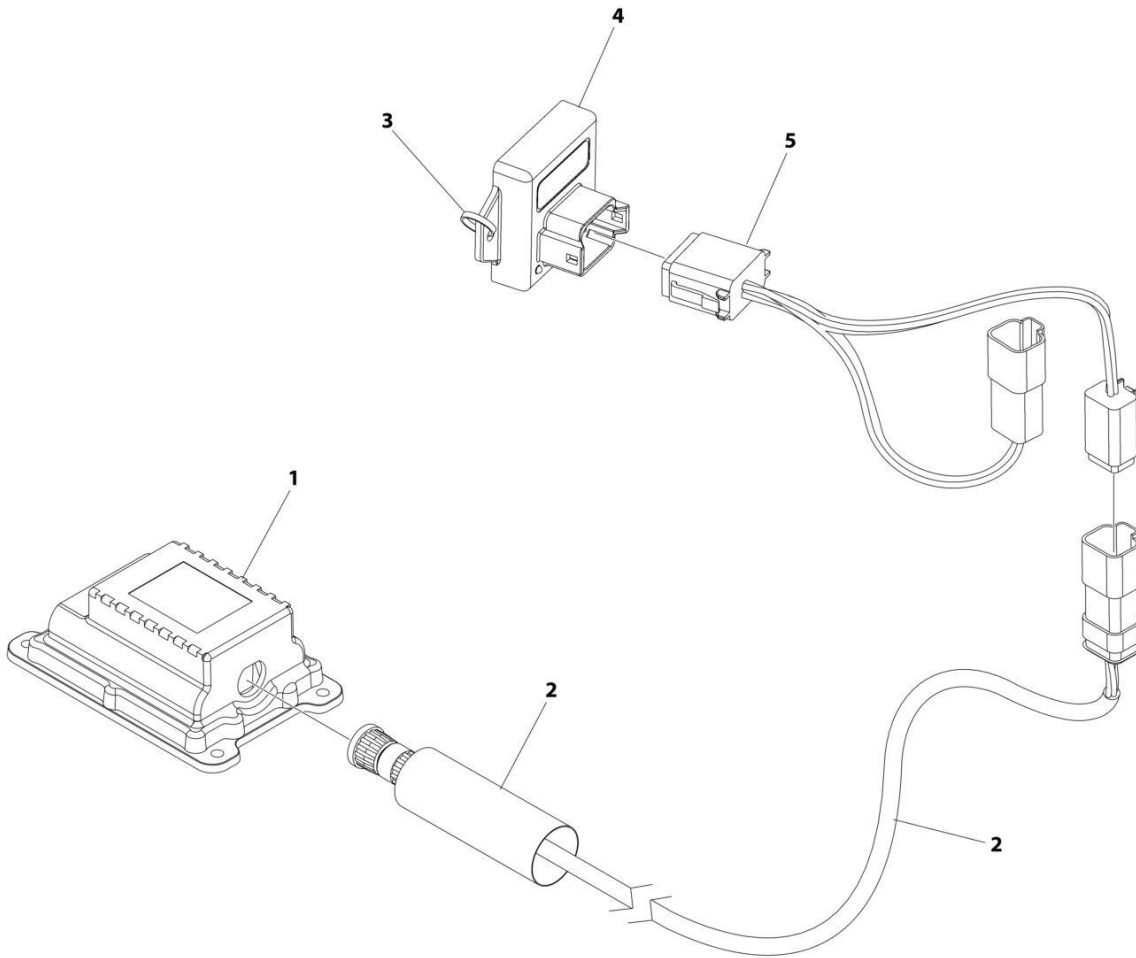
## SECTION 8 - ELECTRICAL

**FIGURE 8-38. CLEARSKY INSTALLATION - CANBUS (CHINA SPECS)**

ITEM	PART NUMBER	QTY	DESCRIPTION	REV
	1001246474	Ref	CLEARSKY INSTALLATION - CANBUS	A
1	4240032	AR	Tie-Strap (Not Shown)	
2	4460234	AR	Mount, Cable -Tie (Not Shown)	
3	1001116815	1	Plug, Connector	
4	1001226739	1	ClearSky Telematics Harness (See Separate Breakdown in this Section)	
5	1001226799	1	Antenna	
6	1001246145	1	Module, ClearSky	

# SECTION 8 - ELECTRICAL

## FIGURE 8-39. CLEARSKY INSTALLATION - 3-WIRE (ANSI & CSA SPECS)



ART\_1001229107



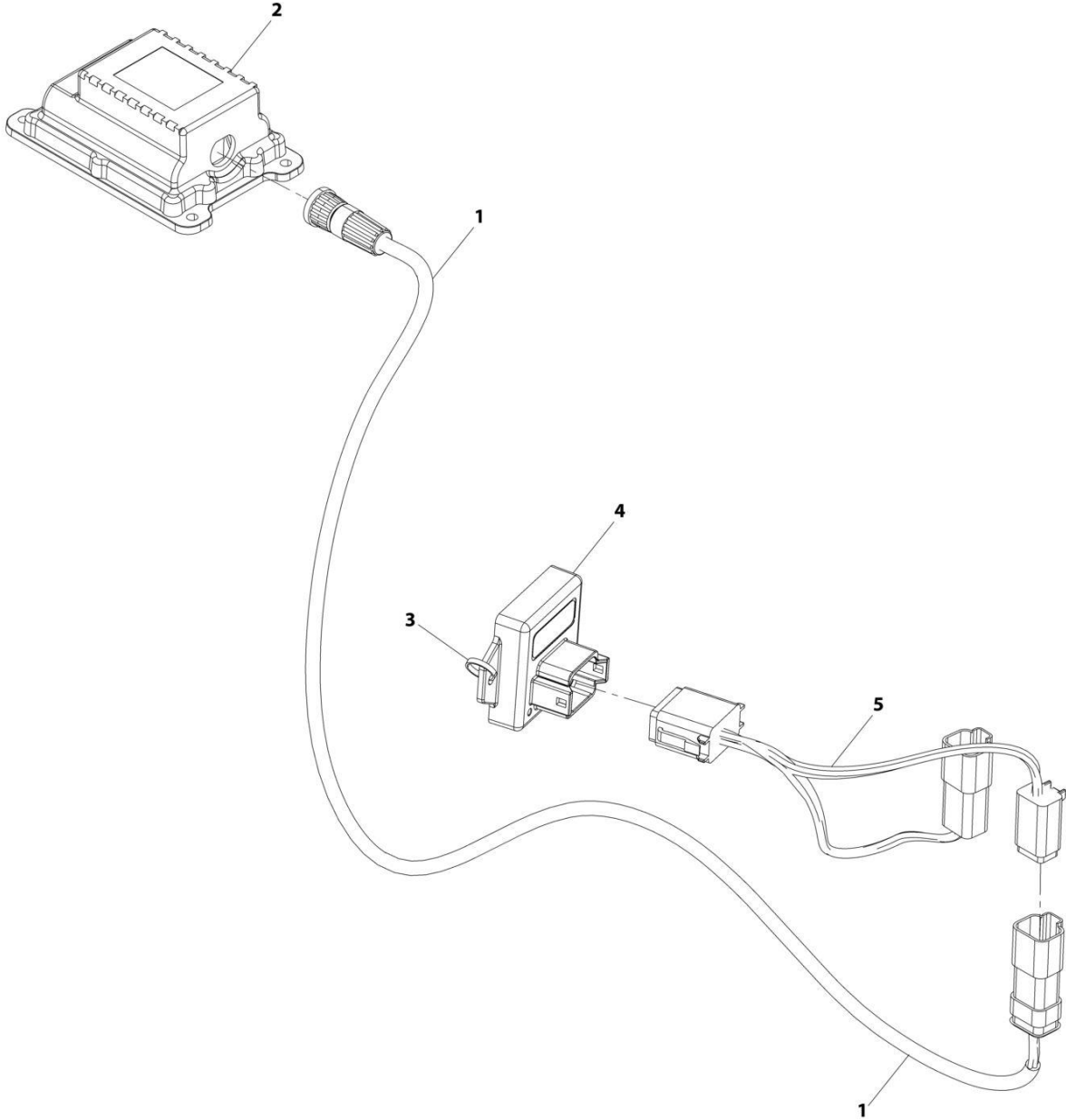
## SECTION 8 - ELECTRICAL

**FIGURE 8-39. CLEARSKY INSTALLATION - 3-WIRE (ANSI & CSA SPECS)**

ITEM	PART NUMBER	QTY	DESCRIPTION	REV
	1001229107	Ref	CLEARSKY INSTALLATION 3-WIRE	D
1	1001226328	1	Module, 3W TCU	
2	1001227066	1	Telematics ClearSky Harness (See Separate Breakdown in this Section)	
3	4240032	AR	Tie-Strap	
4	1001262960	1	Voltage Regulator	
5	1001262963	1	Harness, Xirgo Jumper	

**SECTION 8 - ELECTRICAL**

**FIGURE 8-40. CLEARSKY INSTALLATION - 3-WIRE (ANSI EXPORT, CE & UK CA SPECS)**



ART\_1001233237

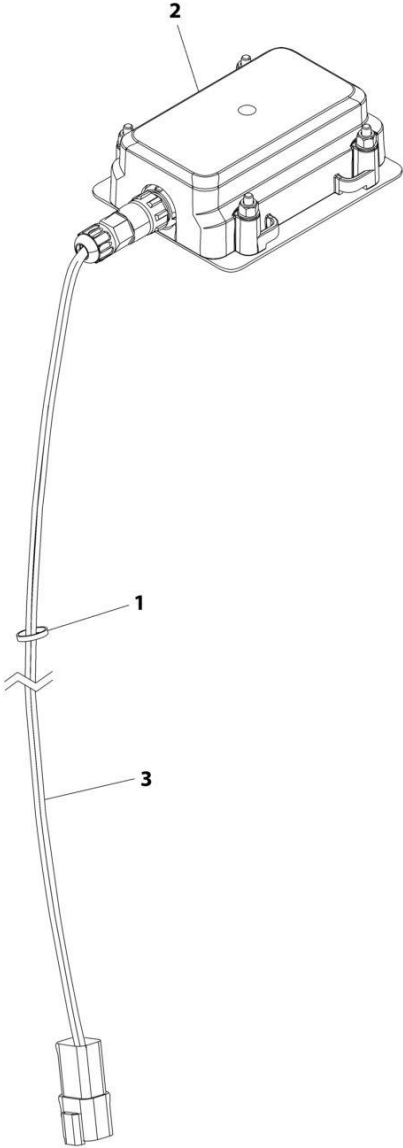
## SECTION 8 - ELECTRICAL

**FIGURE 8-40. CLEARSKY INSTALLATION - 3-WIRE (ANSI EXPORT, CE & UK CA SPECS)**

ITEM	PART NUMBER	QTY	DESCRIPTION	REV
	1001233237	Ref	Clearsky Installation 3-Wire (CE)	E
1	1001227066	1	Telematics Harness (See Separate Breakdown in this Section)	
2	1001233236	1	Module, 3W TCU	
3	4240032	AR	Tie Strap	
4	1001262960	1	Voltage Regulator	
5	1001262963	1	Harness, Xirgo Jumper	

**SECTION 8 - ELECTRICAL**

**FIGURE 8-41. CLEARSKY INSTALLATION 3-WIRE CONNECTION (ALL SPECS)**



ART\_1001276610

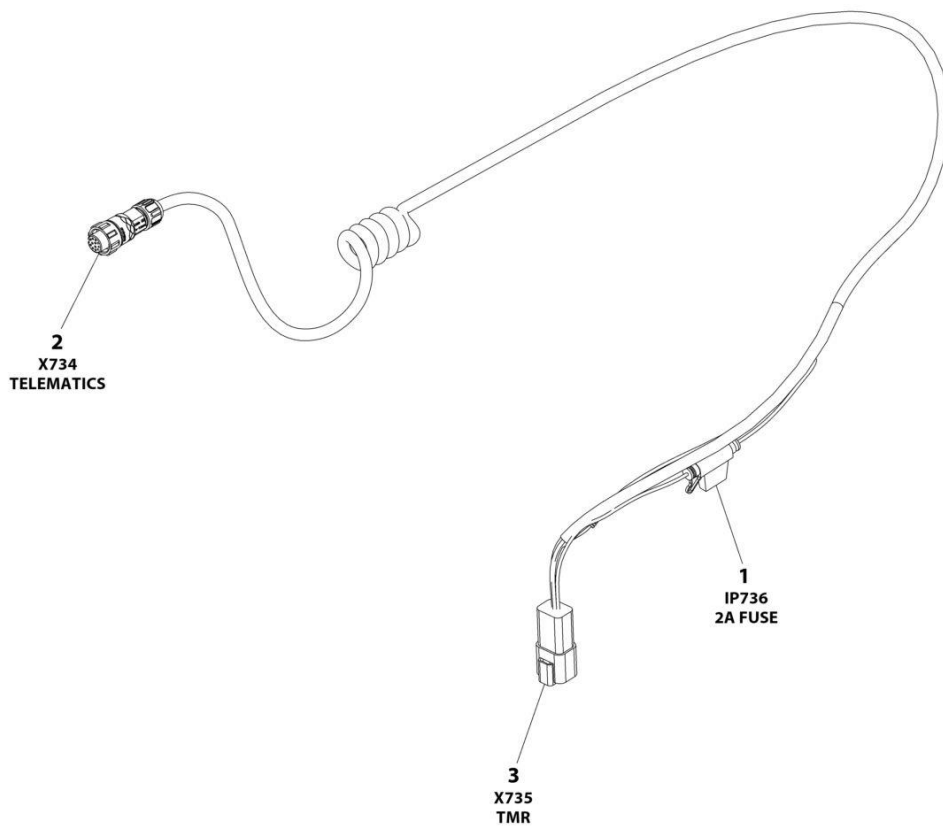
## SECTION 8 - ELECTRICAL

**FIGURE 8-41. CLEARSKY INSTALLATION 3-WIRE CONNECTION (ALL SPECS)**

ITEM	PART NUMBER	QTY	DESCRIPTION	REV
	1001276610	Ref	CLEARSKY INSTALLATION 3-WIRE CONNECTION	A
1	4240032	AR	Tie-Strap	
2	1001272659	1	Telematics Control Module Assembly (Note: Re-calibration Required when Replaced)	
3	1001273012	1	ClearSky Harness (See Separate Breakdown in this Section)	

# SECTION 8 - ELECTRICAL

## FIGURE 8-42. CLEARSKY TELEMATICS HARNESS (3-WIRE)



ART\_1001273012

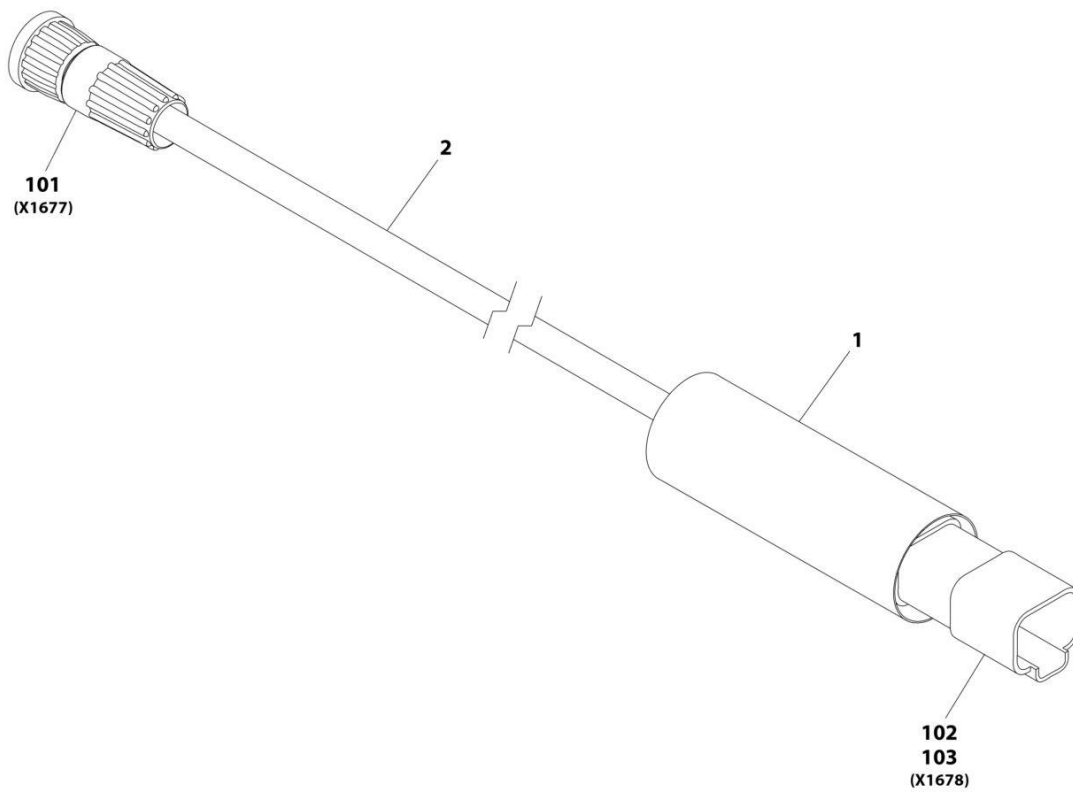
## SECTION 8 - ELECTRICAL

### FIGURE 8-42. CLEARSKY TELEMATICS HARNESS (3-WIRE)

ITEM	PART NUMBER	QTY	DESCRIPTION	REV
	1001273012	Ref	CLEARSKY TELEMATICS HARNESS - GT1030	D
1	1001255901	1	Fuseholder	
1	1001196634	1	Fuse - 2Amp	
2	1001272997	1	Connector - 12 Position	
2		Ref	Terminal	
3	4460932	1	Receptacle, Female - 4 Position	
3	4460464	4	Pin, Male	

# SECTION 8 - ELECTRICAL

## FIGURE 8-43. CLEARSKY TELEMATICS HARNESS



ART\_1001227066-A



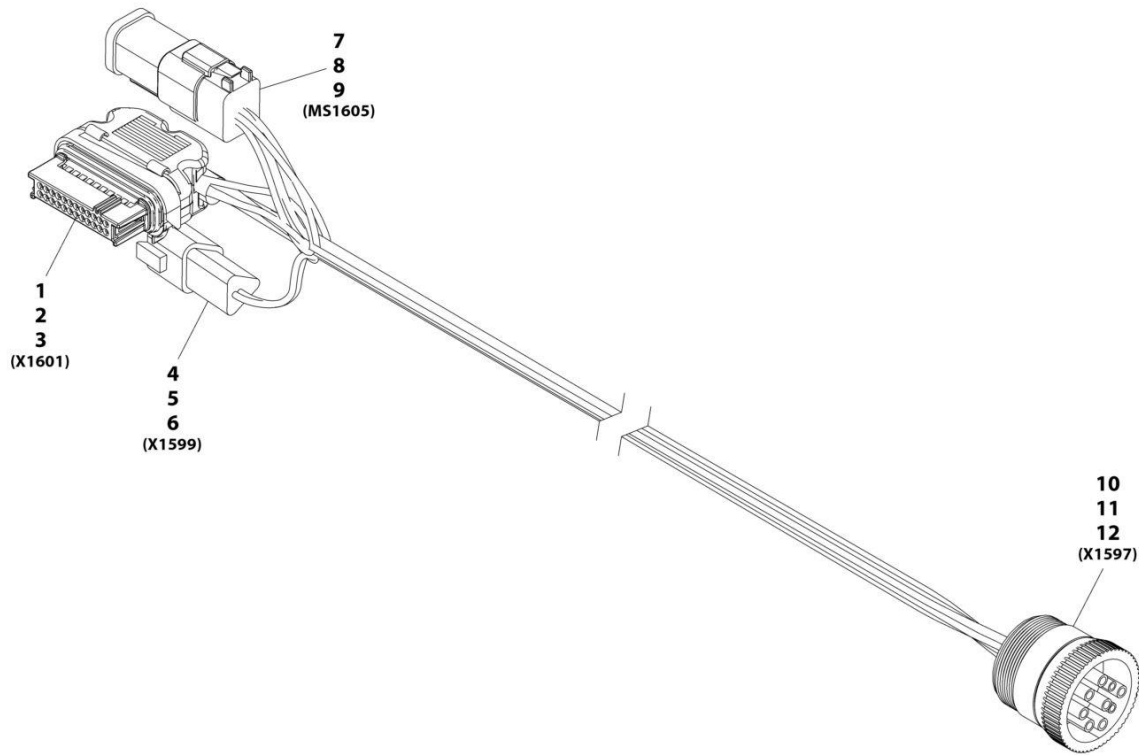
## SECTION 8 - ELECTRICAL

### FIGURE 8-43. CLEARSKY TELEMATICS HARNESS

ITEM	PART NUMBER	QTY	DESCRIPTION	REV
	1001227066	Ref	CLEARSKY TELEMATICS HARNESS	A
1	1001226400	0.33 ft	Insulate, Heat Shrink	
2	1001227068	3.3 ft	Cable	
101	1001227266	1	Connector	
102	1001129407	1	Connector	
103	4460464	4	Terminal	

# SECTION 8 - ELECTRICAL

## FIGURE 8-44. CLEARSKY TELEMATICS HARNESS (CANBUS)



ART\_1001226739-A

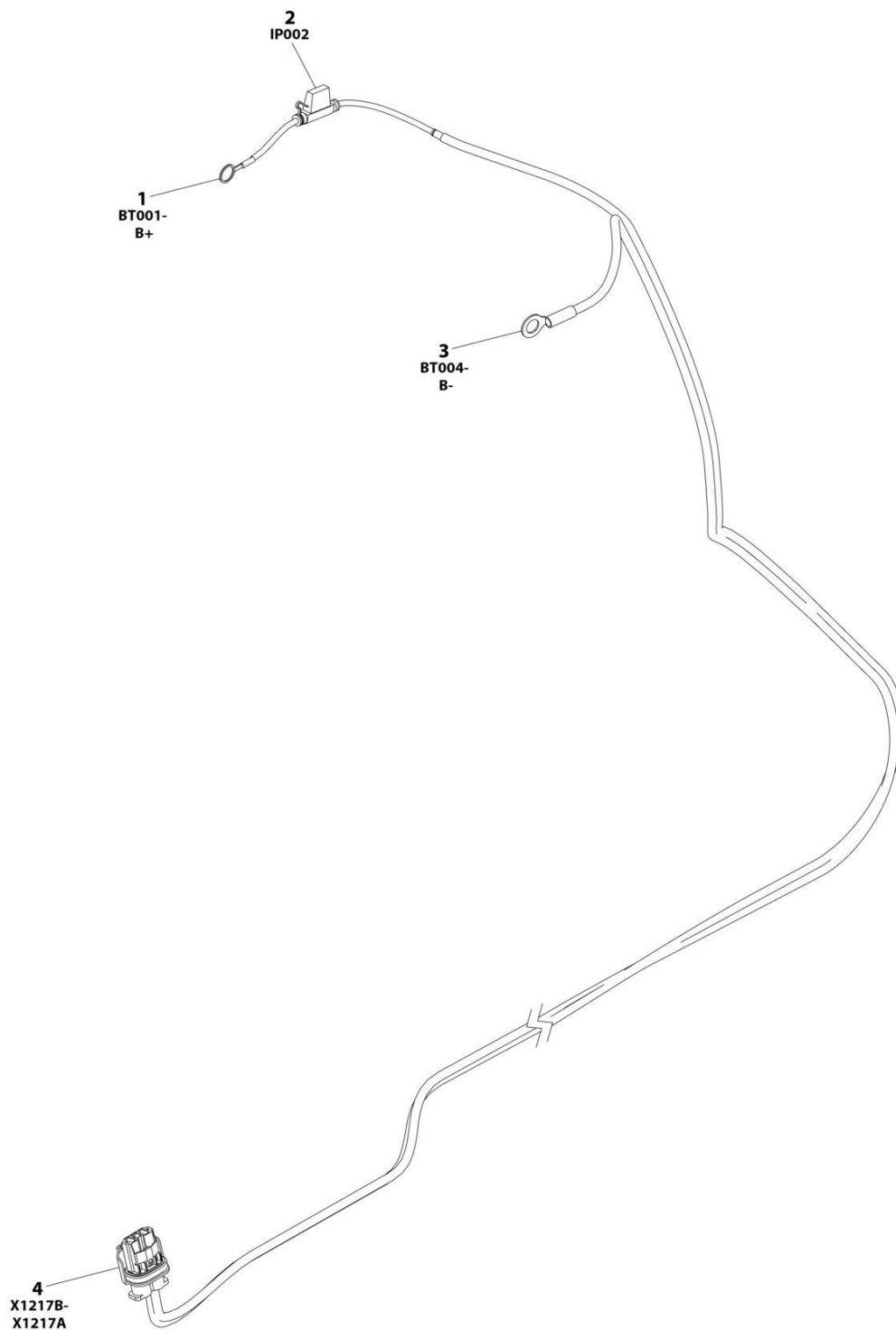
## SECTION 8 - ELECTRICAL

### FIGURE 8-44. CLEARSKY TELEMATCIS HARNESS (CANBUS)

ITEM	PART NUMBER	QTY	DESCRIPTION	REV
	1001226739	Ref	Clearsky Harness	A
1	1001226636	1	Connector	
2	1001116731	16	Plug, Terminal	
3	1001226637	8	Terminal	
4	1001144147	1	Connector	
5	4460464	2	Terminal	
6	4460466	1	Plug, Terminal	
7	4460894	1	Connector	
8	4460465	6	Terminal	
9	1001226541	1	Connector- 6 Pin Bussbar	
10	1001112796	1	Connector	
11	4460465	8	Terminal	
12	4460466	1	Plug, Terminal	

# SECTION 8 - ELECTRICAL

## FIGURE 8-45. ECU POWER JUMPER HARNESS



ART\_1001289593

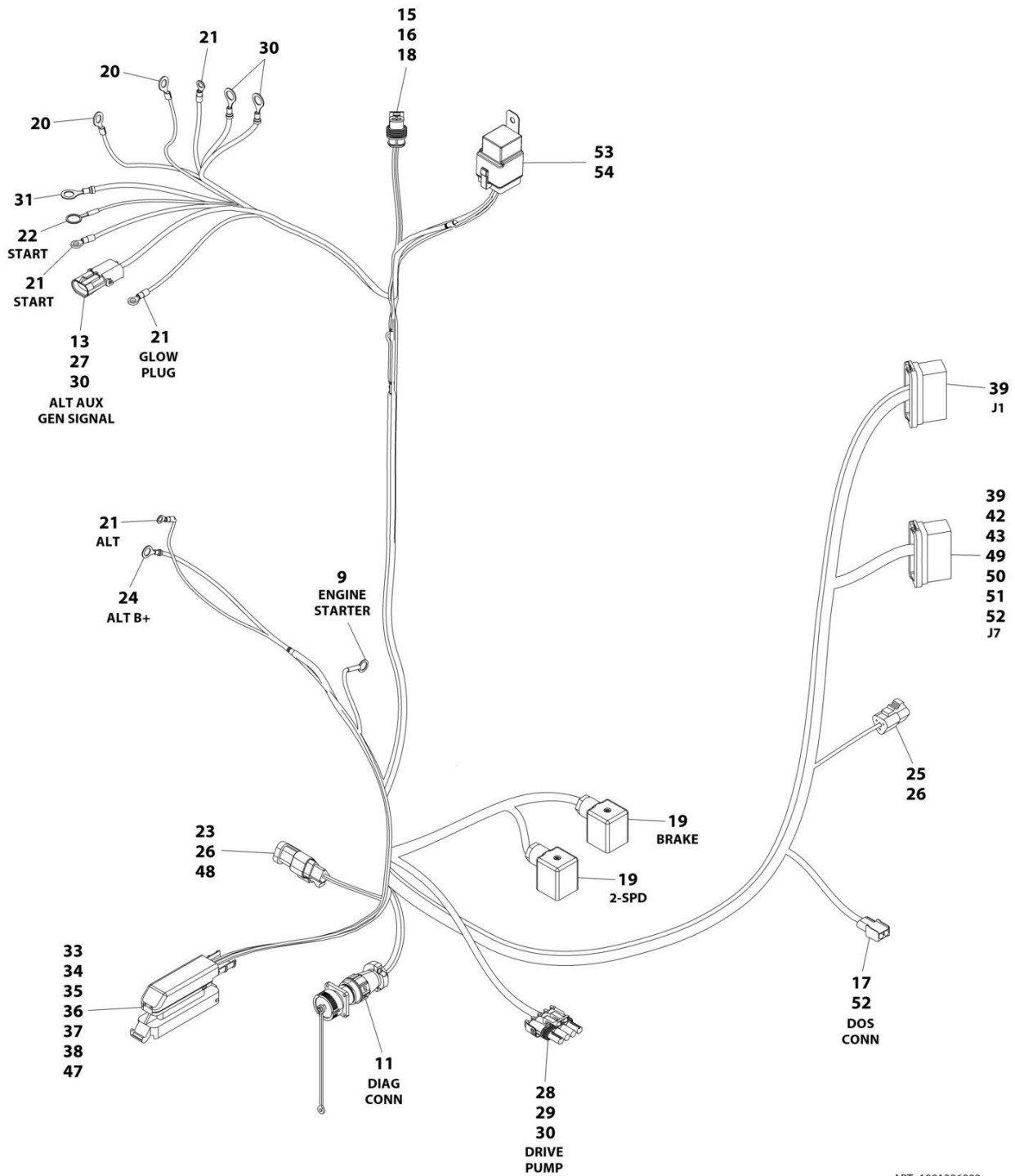
## SECTION 8 - ELECTRICAL

### FIGURE 8-45. ECU POWER JUMPER HARNESS

ITEM	PART NUMBER	QTY	DESCRIPTION	REV
	1001289593	Ref	ECU POWER JUMPER HARNESS	A
1	4460019	1	Terminal Ring	
2	1001172064	1	Fuse Holder	
2	1001172065	1	Fuse 30Amp	
3	8220164	1	Terminal Ring	
4	1001142938	1	Connector	
4	1001142940	2	Terminal	
4	1001142941	2	Seal	

# SECTION 8 - ELECTRICAL

## FIGURE 8-46. ENGINE HARNESS - DEUTZ D2011 ENGINES



ART\_1001286032

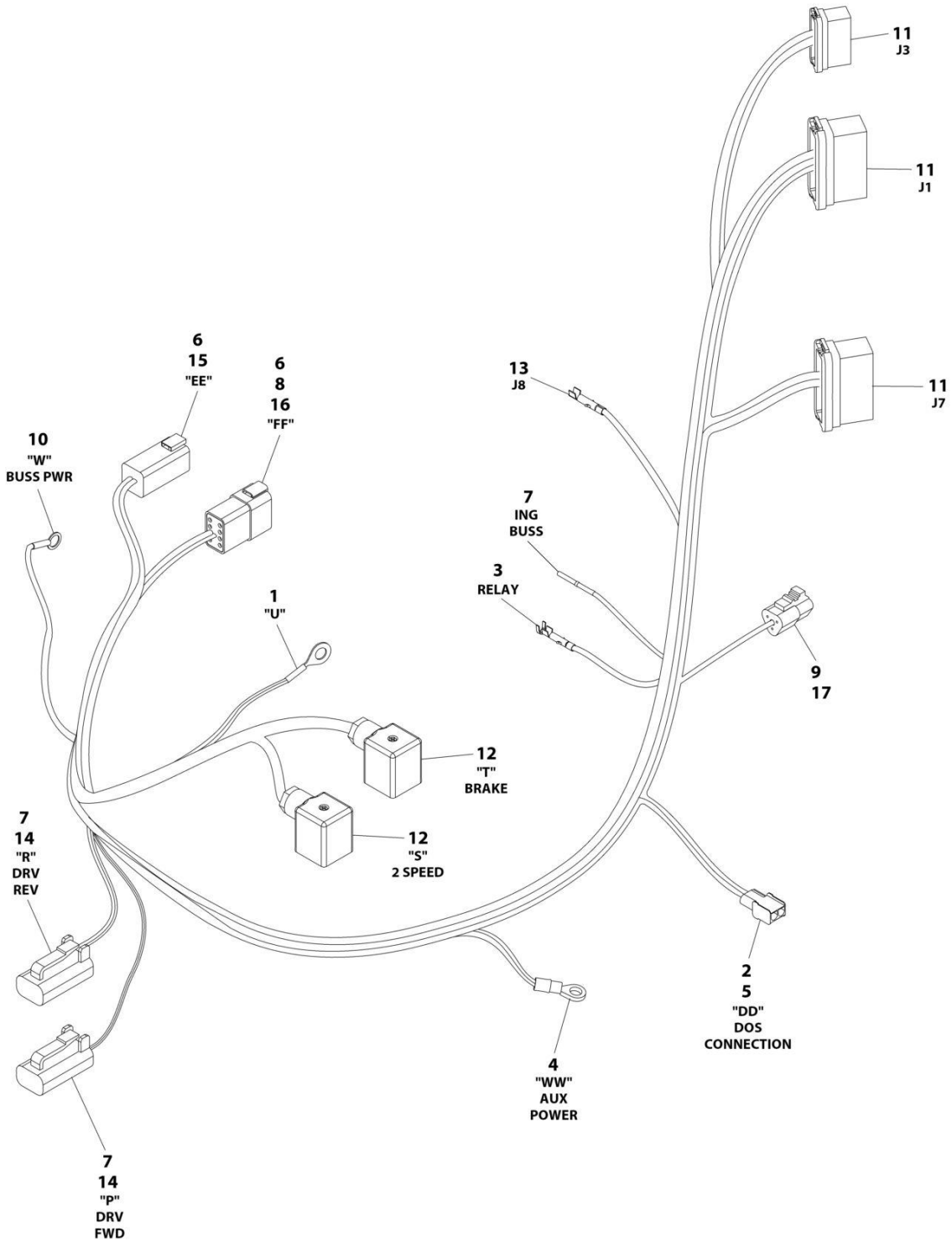
## SECTION 8 - ELECTRICAL

**FIGURE 8-46. ENGINE HARNESS - DEUTZ D2011 ENGINES**

ITEM	PART NUMBER	QTY	DESCRIPTION	REV
	1001286032	Ref	ENGINE HARNESS - DEUTZ D2011 ENGINES	A
9	4460142	1	Terminal, Ring	
11	2902443	1	Kit, Receptacle	
11	4461073	1	Cap, Dust	
13	4461157	1	Connector	
15	1001102290	1	Connector	
16	1001102291	2	Terminal	
17	4460424	1	Connector	
18	1001102304	2	Seal	
19	1001263923	2	Connector	
20	4460312	2	Terminal, Ring	
21	4460313	4	Terminal, Ring	
22	4460019	1	Terminal, Ring	
23	4461070	1	Connector	
24	4460043	1	Terminal, Ring	
25	4460539	1	Pin	
26	4460944	6	Socket	
27	4460979	2	Pin	
28	4460460	1	Connector	
29	4460457	4	Sleeve	
30	4460458	6	Seal	
31	4460670	3	Terminal, Ring	
33	4461052	1	Connector	
34	4461005	5	Terminal	
35	4461060	2	Terminal	
36	4461006	5	Seal	
37	4461054	2	Seal	
38	4461008	18	Plug, Terminal	
39	4460871	10	Socket	
43	4460887	1	Terminal	
47	4461053	1	Cover	
48	4461095	1	Pin	
49	4460465	2	Socket	
50	4460259	1	Terminal	
51	4460260	1	Cover, Terminal	
52	4460226	4	Socket	
53	4460374	1	Plug	
54	4460375	4	Terminal	

# SECTION 8 - ELECTRICAL

## FIGURE 8-47. GROUND CONTROL ENGINE HARNESS - DEUTZ TD2.9L4 (STAGE V) ENGINE



ART\_1001295732



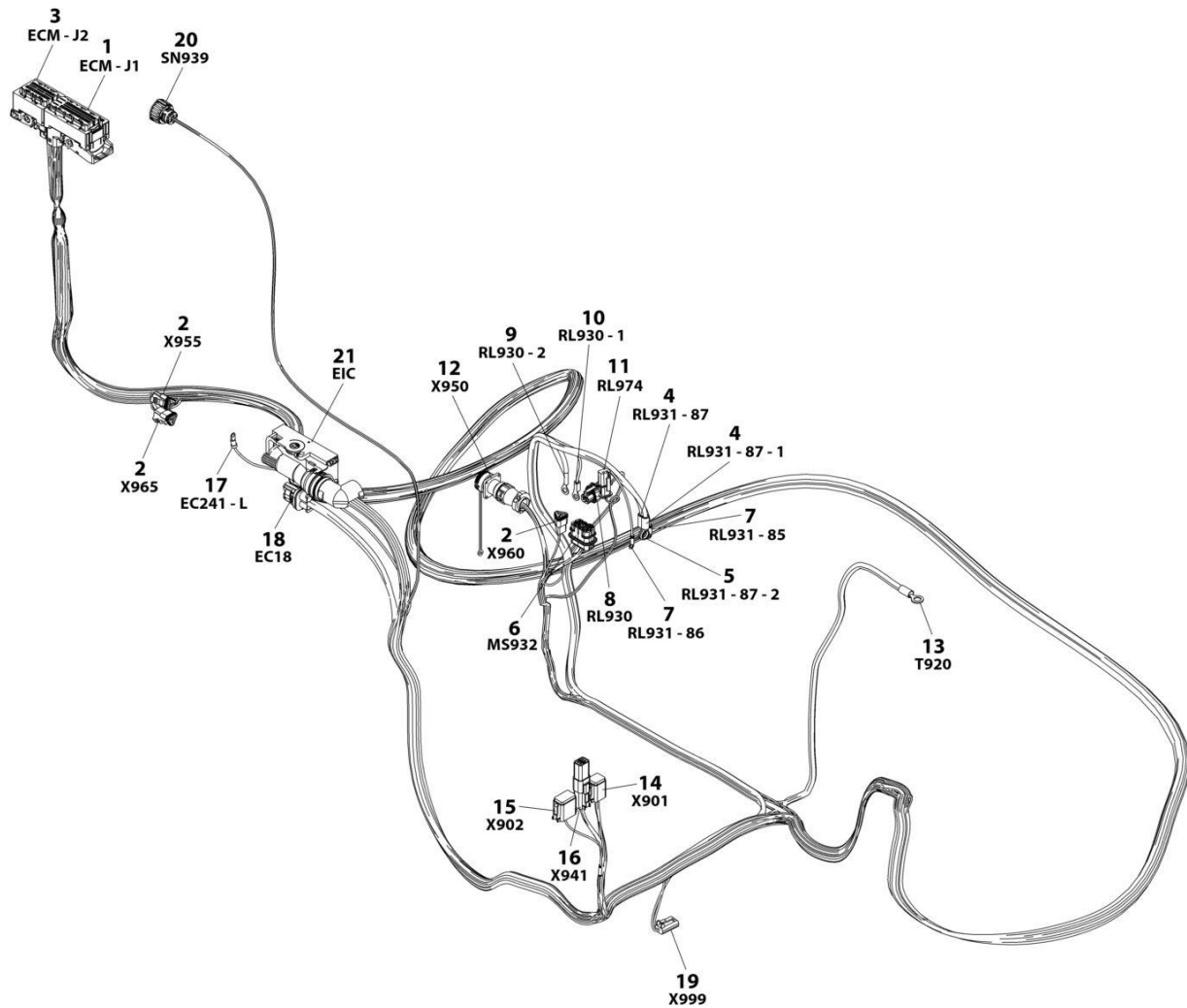
## SECTION 8 - ELECTRICAL

**FIGURE 8-47. GROUND CONTROL ENGINE HARNESS - DEUTZ TD2.9L4 (STAGE V) ENGINE**

ITEM	PART NUMBER	QTY	DESCRIPTION	REV
	1001295732	Ref	GROUND CONTROL ENGINE HARNESS	A
1	4460019	1	Ring, Terminal	
2	4460226	2	Socket	
3	4460268	1	Socket	
4	4460313	1	Ring, Terminal	
5	4460424	1	Connector	
6	4460464	10	Pin	
7	4460465	7	Pin	
8	4460466	4	Plug	
9	4460539	1	Connector	
10	4460738	1	Ring, Terminal	
11	4460871	11	Socket	
12	4460880	2	Connector	
13	4460887	1	Socket	
14	4460891	2	Connector	
15	4460899	1	Connector	
16	4460931	1	Connector	
17	4460944	3	Pin	

# SECTION 8 - ELECTRICAL

## FIGURE 8-48. ENGINE HARNESS - DEUTZ TD2.9L4 ENGINES AND DEUTZ TD2.9L4 (STAGE V PRE-BUY) ENGINES



ART\_1001143726

## SECTION 8 - ELECTRICAL

**FIGURE 8-48. ENGINE HARNESS - DEUTZ TD2.9L4 ENGINES AND DEUTZ TD2.9L4 (STAGE V PRE-BUY) ENGINES**

ITEM	PART NUMBER	QTY	DESCRIPTION	REV
	1001143726	Ref	ENGINE HARNESS	L
1	1001133956	1	Connector - 94 Position	
1	1001126351	2	Terminal	
1	1001126352	6	Terminal	
1	1001126384	21	Terminal	
1	1001126357	2	Plug, Terminal	
1	1001126356	63	Plug, Terminal	
2	4461095	3	Plug, Male - 3 Position	
2	4460944	6	Socket, Female	
2	4460466	3	Plug, Terminal	
3	1001133957	1	Connector - 60 Position	
3	1001126351	13	Terminal	
3	1001126384	17	Terminal	
3	1001126357	11	Plug, Terminal	
3	1001126356	19	Plug, Terminal	
4	1001117107	2	Terminal, Ring	
5	4460703	1	Terminal, Ring	
6	80484084	1	Plug, Male - 8 Position	
6	8229242	1	Fuse - 5Amp	
6	80983191	1	Fuse - 10Amp	
6	1001116728	4	Socket, Female	
6	1001116727	4	Plug, Terminal	
6	4460458	4	Seal, Terminal	
6	1001147264	1	Cap	
7	4460247	2	Terminal, Ring	
8	1001116952	1	Plug, Male - 2 Position	
8	4460465	2	Socket, Female	
9	1001117106	1	Terminal, Ring	
10	4460043	1	Terminal, Ring	
11	1001138110	1	Connector - 2 Position	
11	1001138111	2	Terminal	
11	1001138113	2	Seal	
12	2902443	1	Receptacle Kit	
12	4461073	1	Cap, Dust	
12	4461071	6	Terminal	
13	8220115	1	Terminal, Ring	
14	4460894	1	Plug, Male - 6 Position	
14	4460465	3	Socket, Female	
14	4460944	2	Socket, Female	
14	4460466	1	Plug, Terminal	
15	4460930	1	Plug, Male - 8 Position	
15	4460465	1	Socket, Female	
15	4460466	7	Plug, Terminal	
16	1001220379	1	Plug, Male - 4 Position	
16	4460465	2	Socket, Female	
16	4460942	2	Socket, Female	
16	4460932	1	Receptacle, Bussbar - 4 Position	
17	4460042	1	Terminal, Ring	
18	1001142938	1	Plug, Male - 2 Position	

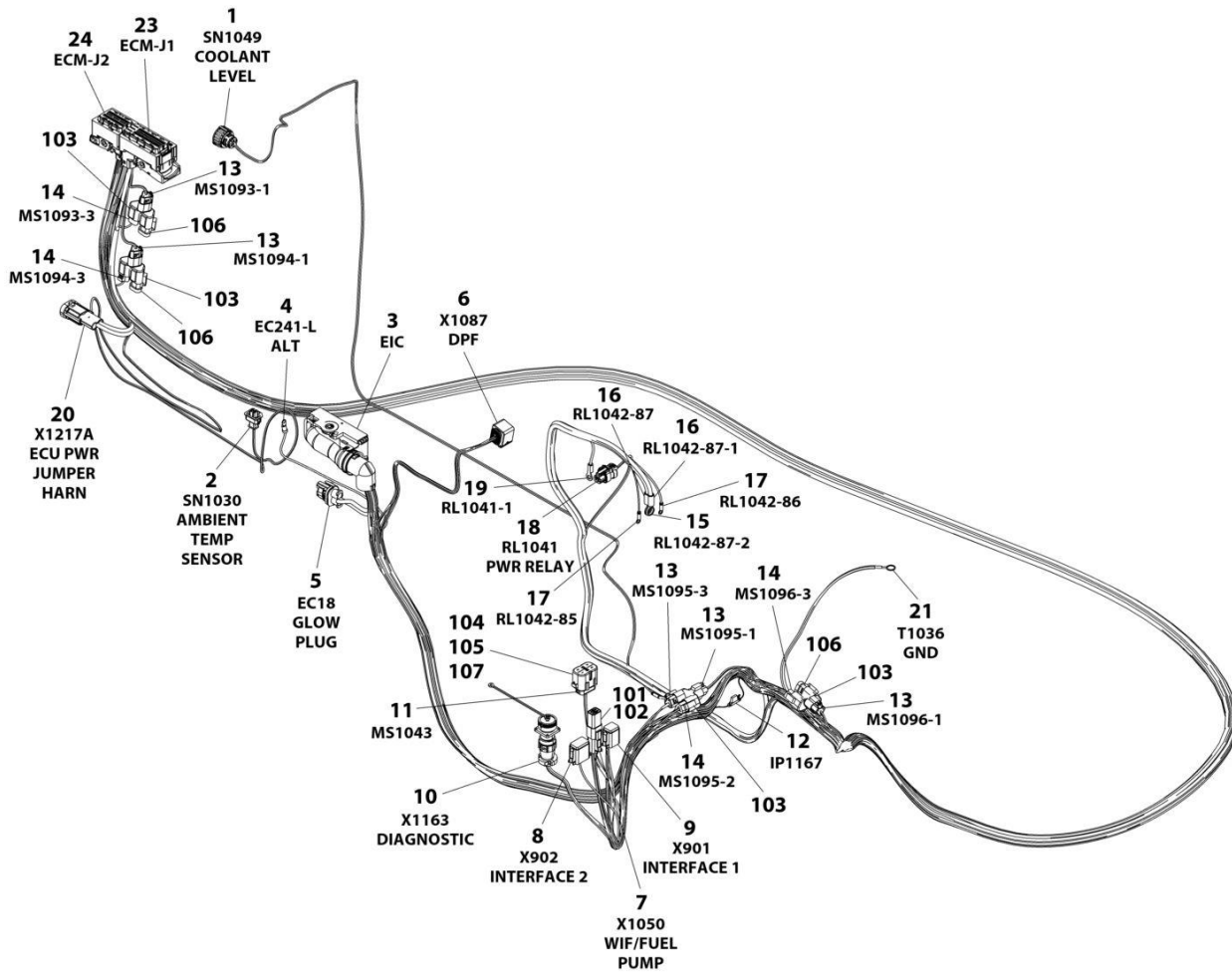
## SECTION 8 - ELECTRICAL

ITEM	PART NUMBER	QTY	DESCRIPTION	REV
18	1001142940	2	Terminal	
18	1001142941	2	Seal	
19	4460891	1	Plug, Male - 4 Position	
19	4460465	2	Socket, Female	
19	1001171403	1	Resistor Assembly	
19	4460897	1	Receptacle, Female - 4 Position	
20	1001133714	1	Connector - 4 Position	
20	1001133715	3	Terminal	
20	1001135650	3	Seal, Terminal	
20	1001135651	1	Plug, Terminal	
21	1001126362	1	Connector - 62 Position	
21	1001126363	23	Terminal	
21	1001126392	10	Terminal	
21	1001126365	2	Terminal	
21	1001126391	23	Plug, Terminal	
21	4461008	4	Plug, Terminal	
21	1001256506	2	Seal, Terminal	
21	1001126364	21	Seal, Terminal	
21	1001223459	10	Seal, Terminal	
21	4461008	4	Plug, Terminal	
21	1001151856	1	Elbow	



# SECTION 8 - ELECTRICAL

## FIGURE 8-49. ENGINE HARNESS - DEUTZ TD2.9L4 (STAGE V) ENGINES



ART\_1001276644

## SECTION 8 - ELECTRICAL

**FIGURE 8-49. ENGINE HARNESS - DEUTZ TD2.9L4 (STAGE V) ENGINES**

ITEM	PART NUMBER	QTY	DESCRIPTION	REV
	1001276644	Ref	Engine Harness - Deutz Engines	B
1	1001133714	1	Connector	
1	1001133715	3	Terminal	
1	1001135650	3	Seal, Terminal	
1	1001135651	1	Plug, Terminal	
2	1001126487	1	Connector	
2	1001167635	2	Terminal	
2	1001126485	2	Seal, Terminal	
3	1001126362	1	Connector	
3	1001126363	37	Terminal	
3	1001126392	12	Terminal	
3	1001126391	7	Plug, Terminal	
3	4461008	4	Plug, Terminal	
3	1001167632	2	Terminal	
3	1001126364	37	Seal, Terminal	
3	1001223459	12	Seal, Terminal	
3	4461054	2	Seal, Terminal	
4	4460042	1	Terminal, Ring	
5	1001142938	1	Plug	
5	1001142940	2	Terminal	
5	1001142941	2	Seal	
6	1001239202	1	Connector	
6	1001126363	7	Terminal	
6	1001126391	1	Plug, Terminal	
6	1001126364	7	Seal, Terminal	
7	4460884	1	Connector	
7	4460465	2	Socket	
7	4460942	2	Socket	
8	4460930	1	Plug	
8	4460465	1	Socket	
8	4460466	7	Plug, Terminal	
9	4460894	1	Plug	
9	4460465	2	Socket	
9	4460944	2	Socket	
9	4460466	2	Plug, Terminal	
10	2902443	1	Receptacle Kit	
10	4461073	1	Cap, Dust	
10	4461071	6	Terminal	
11	80484084	1	Plug	
11	4460748	4	Seal, Terminal	
11	4460746	3	Terminal	
11	1001234800	1	Terminal	
11	4460458	4	Seal, Terminal	
12	1001170764	1	Fuse Holder, Includes Resistor	
12	1001197719	1	Resistor 0.5W	
13	1001116812	5	Plug	
13	4460944	10	Socket	
13	4460466	5	Plug, Terminal	
14	4460539	4	Connector	
14	4460944	8	Socket	

## SECTION 8 - ELECTRICAL

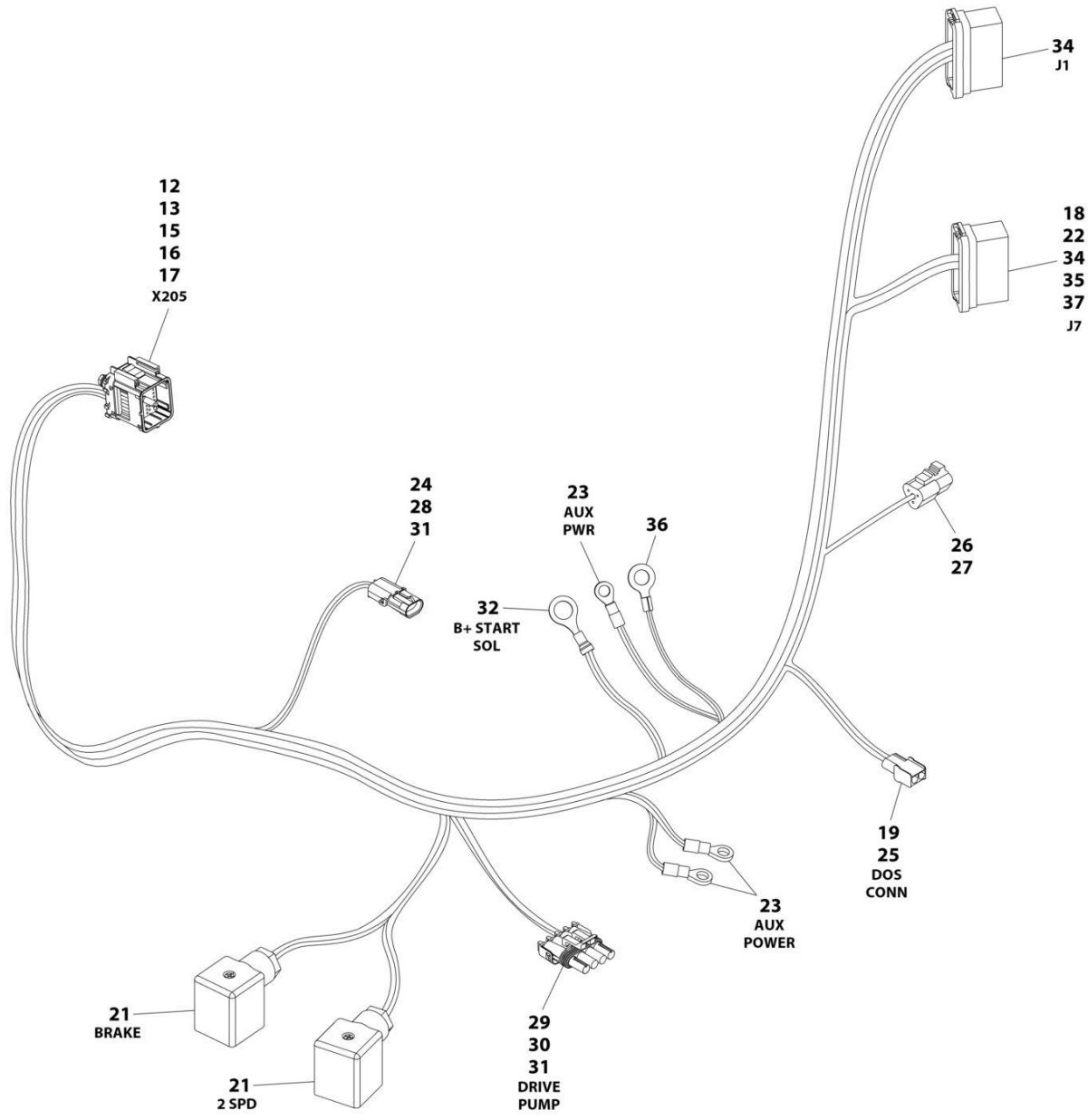
ITEM	PART NUMBER	QTY	DESCRIPTION	REV
14	4460466	4	Plug, Terminal	
15	4460703	1	Terminal, Ring	
16	1001117107	2	Terminal, Ring	
17	4460247	2	Terminal, Ring	
18	1001116952	1	Plug	
18	4460465	2	Socket	
19	4460043	1	Terminal, Ring	
20	1001289552	1	Connector	
20	1001289553	2	Socket	
20	1001142941	2	Seal	
21	4460019	1	Terminal, Ring	
23	1001133956	1	Connector	
23	1001126351	3	Terminal	
23	1001182361	6	Terminal	
23	1001230934	25	Terminal	
23	1001230935	55	Plug, Terminal	
23	1001252527	4	Terminal	
23	1001230936	1	Plug, Terminal	
23	1001182365	6	Seal, Terminal	
24	1001133957	1	Connector	
24	1001126351	13	Terminal	
24	1001230935	10	Plug, Terminal	
24	1001230934	26	Terminal	
24	1001230936	11	Plug, Terminal	
101	4460466	4	Seal, Terminal	
102	4460932	1	Connector	
103	4460945	4	Receptacle	
104	8229242	1	Fuse - 5Amp	
105	80983191	1	Fuse - 10Amp	
106	1001116815	3	Connector	
107	1001147264	1	Cap	





# SECTION 8 - ELECTRICAL

## FIGURE 8-50. ENGINE HARNESS - FORD ENGINES



ART\_1001286033

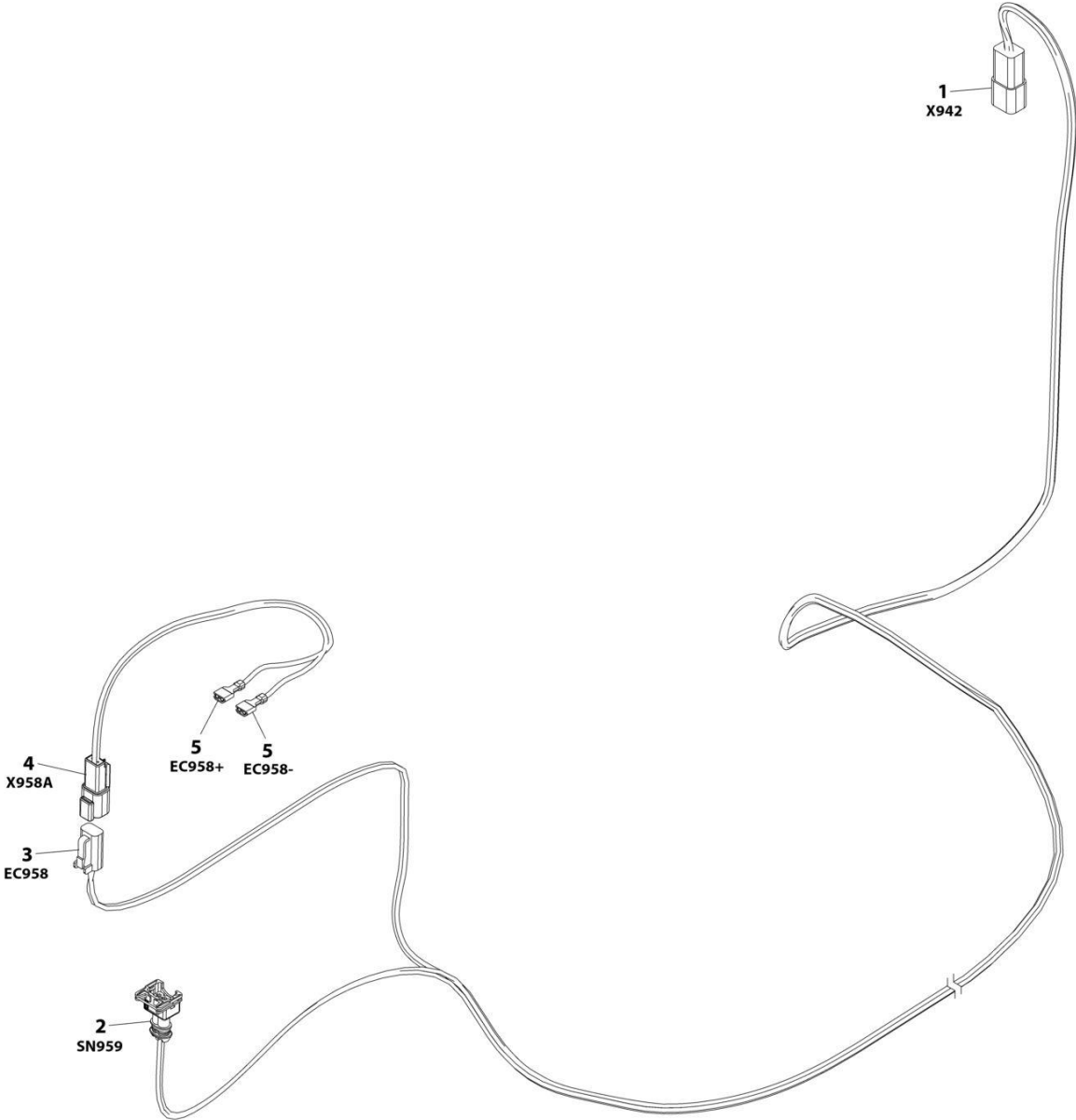
## SECTION 8 - ELECTRICAL

**FIGURE 8-50. ENGINE HARNESS - FORD ENGINES**

ITEM	PART NUMBER	QTY	DESCRIPTION	REV
	1001286033	Ref	ENGINE HARNESS - FORD ENGINES	A
12	1001216213	3	Terminal, Plug	
13	1001216212	1	Terminal	
15	1001215534	33	Plug, Terminal	
16	1001215091	5	Terminal	
17	1001215016	NLA	Connector	
17	1001265676	1	Connector	
18	4460260	1	Cover Terminal	
19	4460424	1	Connector	
21	4460880	2	Connector	
22	4460259	1	Terminal	
23	4460313	3	Terminal, Ring	
24	4460979	2	Terminal	
25	4460226	3	Socket	
26	4460539	1	Pin	
27	4460944	3	Socket	
28	4461157	1	Connector	
29	4460460	1	Connector	
30	4460457	4	Sleeve	
31	4460458	6	Seal	
32	4460738	1	Terminal, Ring	
34	4460871	9	Socket	
35	4460465	2	Socket	
36	4460312	1	Terminal, Ring	
37	4460887	1	Terminal	

**SECTION 8 - ELECTRICAL**

**FIGURE 8-51. FUEL PUMP HARNESS - DEUTZ TD2.9L4 ENGINES**



ART\_1001138491

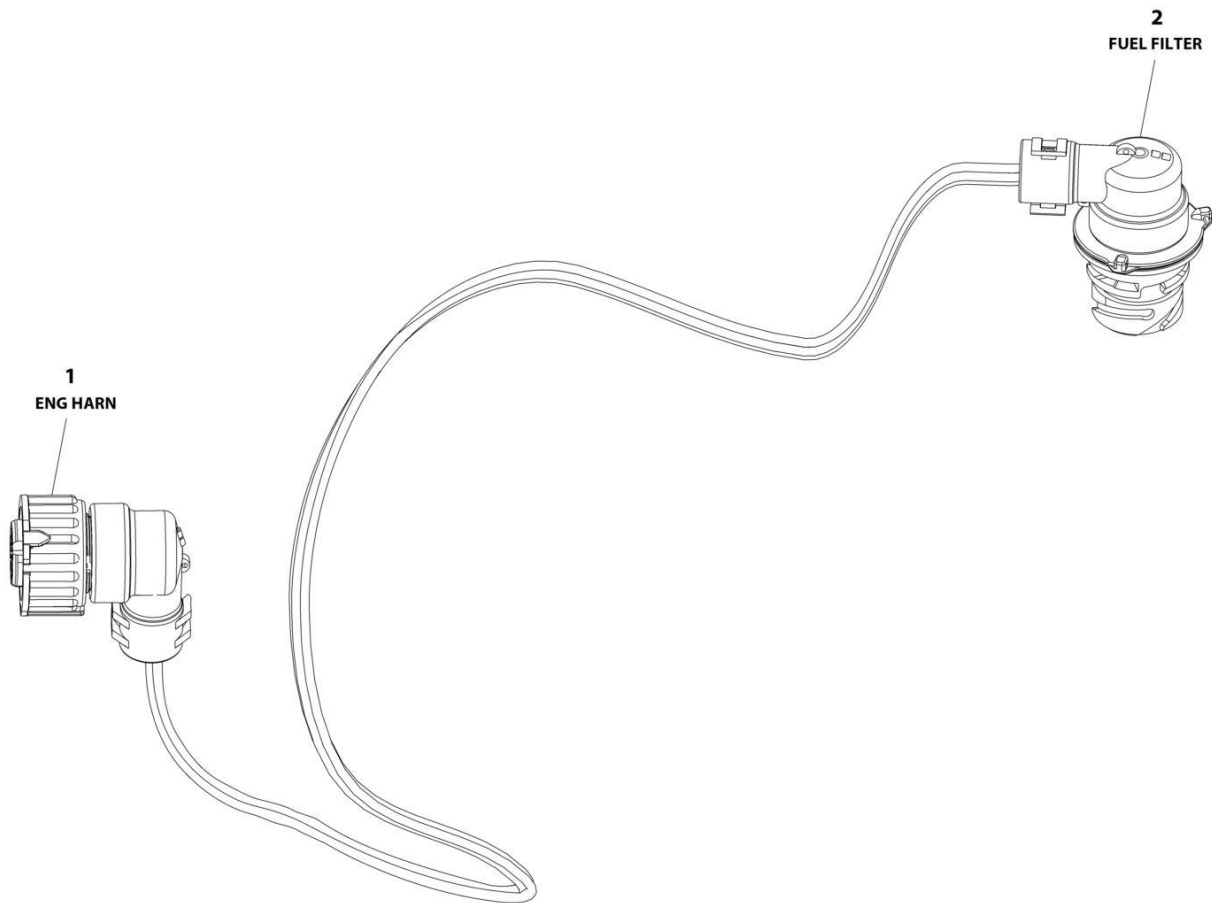
## SECTION 8 - ELECTRICAL

**FIGURE 8-51. FUEL PUMP HARNESS - DEUTZ TD2.9L4 ENGINES**

ITEM	PART NUMBER	QTY	DESCRIPTION	REV
	1001138491	Ref	FUEL PUMP HARNESS	D
1	4460932	1	Receptacle, Female - 4 Position	
1	4460941	2	Pin, Male	
1	4460464	2	Pin, Male	
2	1001116983	1	Plug, Male - 2 Position	
2	1001116710	2	Socket, Female	
2	4461054	2	Seal	
3	4460891	1	Plug, Male - 2 Position	
3	4460942	2	Socket, Female	
4	4460897	1	Connector - 2 Position	
4	4460941	2	Pin, Male	
5	8220051	2	Terminal, Ring	

## SECTION 8 - ELECTRICAL

FIGURE 8-52. FUEL HARNESS - DEUTZ TD2.9L4 (STAGE V) ENGINE



ART\_1001245913

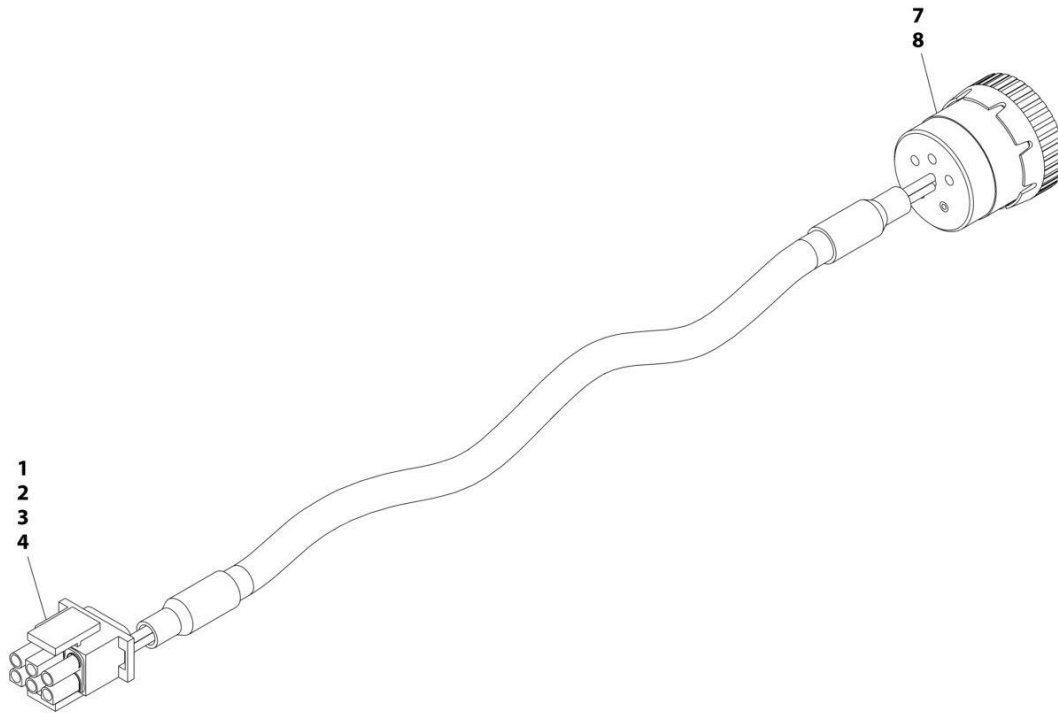
## SECTION 8 - ELECTRICAL

**FIGURE 8-52. FUEL HARNESS - DEUTZ TD2.9L4 (STAGE V) ENGINE**

ITEM	PART NUMBER	QTY	DESCRIPTION	REV
	1001245913	Ref	FUEL HARNESS - DEUTZ (STAGE V) ENGINE	D
1	1001148842	1	Connector - 4 Position	
1	1001148841	4	Pin, Male	
1	1001135650	4	Seal	
2	1001133714	1	Plug, Male - 4 Position	
2	1001133715	4	Socket, Female	
2	1001135650	4	Seal	

# SECTION 8 - ELECTRICAL

## FIGURE 8-53. GENERATOR HARNESS - 4000W GENERATOR



ART\_1001152532



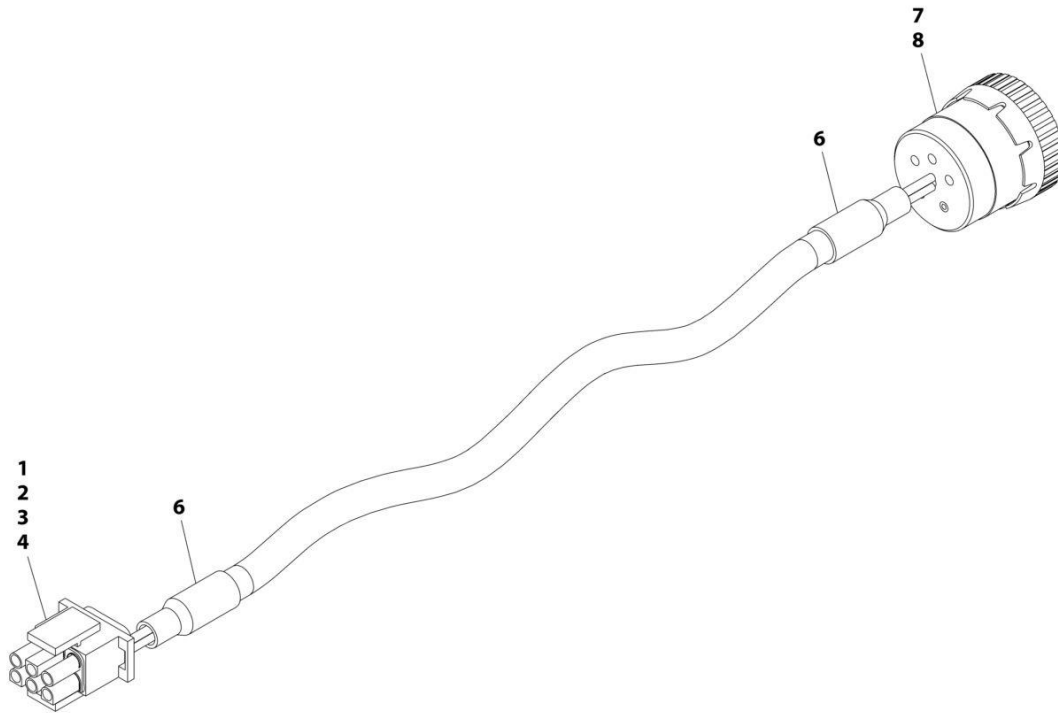
## SECTION 8 - ELECTRICAL

### FIGURE 8-53. GENERATOR HARNESS - 4000W GENERATOR

ITEM	PART NUMBER	QTY	DESCRIPTION	REV
	1001152532	Ref	GENERATOR HARNESS	A
1	4460225	1	Connector - 6 Position	
2	4460268	2	Socket, Female	
3	4460807	1	Seal	
4	4460808	1	Seal	
7	4460465	2	Socket, Female	
8	77363233	1	Connector - 6 Position	

# SECTION 8 - ELECTRICAL

## FIGURE 8-54. GENERATOR HARNESS - 7500W SKYPOWER GENERATOR



ART\_4922925

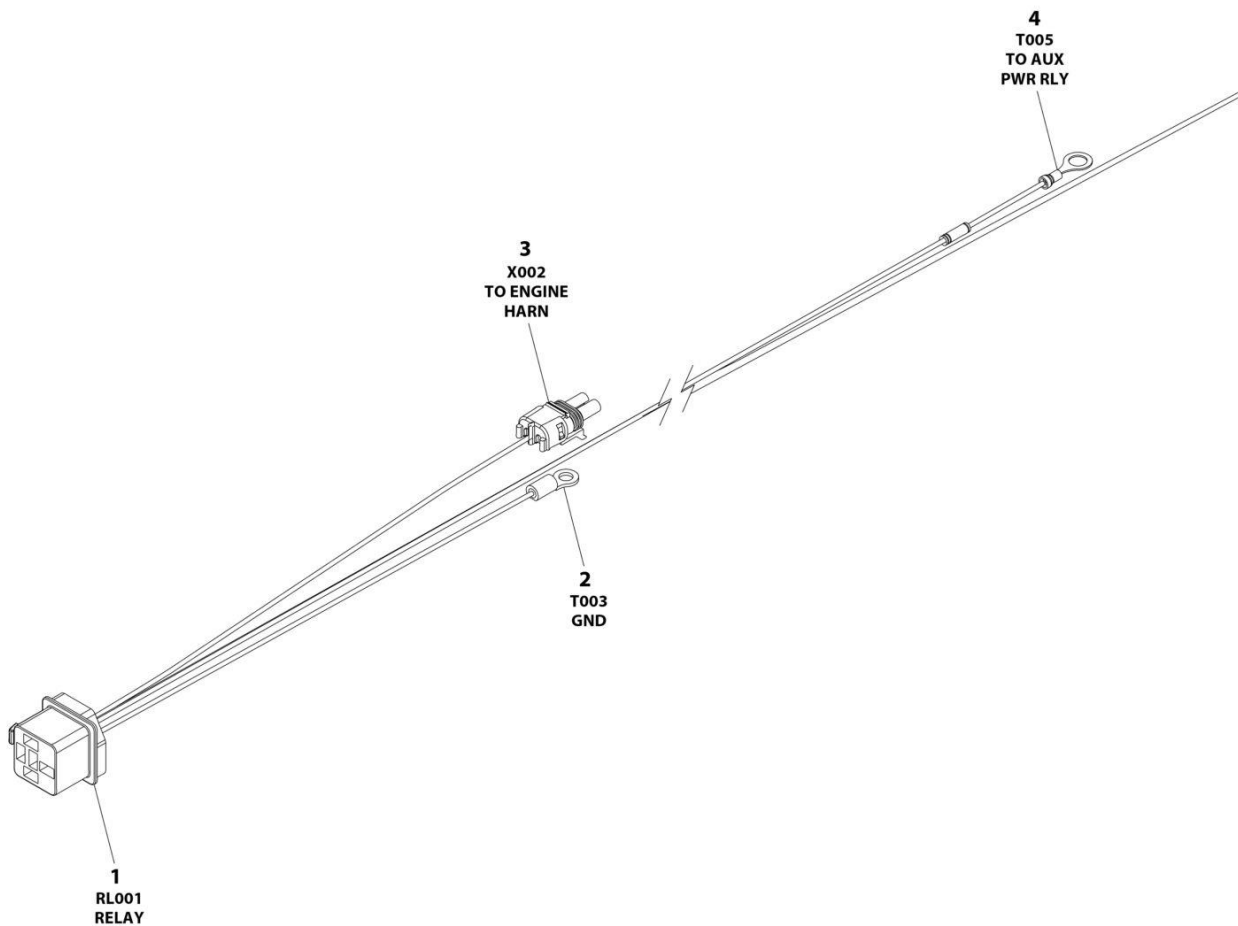
## SECTION 8 - ELECTRICAL

**FIGURE 8-54. GENERATOR HARNESS - 7500W SKYPOWER GENERATOR**

ITEM	PART NUMBER	QTY	DESCRIPTION	REV
	4922925	Ref	GENERATOR TO CONTROL BOX HARNESS (7500W GENERATOR)	C
1	4460225	1	Plug, Male - 2 Position	
2	4460268	6	Socket, Female	
3	4460807	1	Seal	
4	4460808	1	Seal	
6	2820019	AR	Heat Shrink	
7	4460465	6	Socket, Female	
8	77363233	1	Connector - 6 Position	

# SECTION 8 - ELECTRICAL

## FIGURE 8-55. GENERATOR TO ENGINE HARNESS - 2500W (FORD ENGINES)



ART\_4923445

## SECTION 8 - ELECTRICAL

**FIGURE 8-55. GENERATOR TO ENGINE HARNESS - 2500W (FORD ENGINES)**

ITEM	PART NUMBER	QTY	DESCRIPTION	REV
	4923445	Ref	GENERATOR TO ENGINE HARNESS	B
1	4460374	1	Plug, Sealed Relay	
1	1001116734	2	Socket, Female	
1	1001116733	2	Socket, Female	
2	4460043	1	Terminal, Ring	
3	4460742	1	Plug, Male - 2 Position	
3	4460457	1	Socket, Female	
3	4460458	1	Seal, Terminal	
3	1001116727	1	Plug, Terminal	
4	4460670	1	Terminal, Ring	

**SECTION 8 - ELECTRICAL**

**FIGURE 8-56. GENERATOR TO ENGINE HARNESS - 4000W (DEUTZ D2011 ENGINES)**



ART\_1001153197

## SECTION 8 - ELECTRICAL

**FIGURE 8-56. GENERATOR TO ENGINE HARNESS - 4000W (DEUTZ D2011 ENGINES)**

ITEM	PART NUMBER	QTY	DESCRIPTION	REV
	1001153197	Ref	GENERATOR TO ENGINE HARNESS	B
1	4460967	1	Plug, Male - 3 Position	
1	4460465	2	Socket, Female	
2	4460043	1	Terminal, Ring	
3	4460742	1	Plug, Male - 2 Position	
3	4460743	1	Socket, Female	
3	4460458	1	Seal, Terminal	
3	1001116727	1	Plug, Terminal	

# SECTION 8 - ELECTRICAL

## FIGURE 8-57. GENERATOR TO ENGINE HARNESS - 4000W (DEUTZ TD2.9L4 ENGINES)



ART\_1001153259



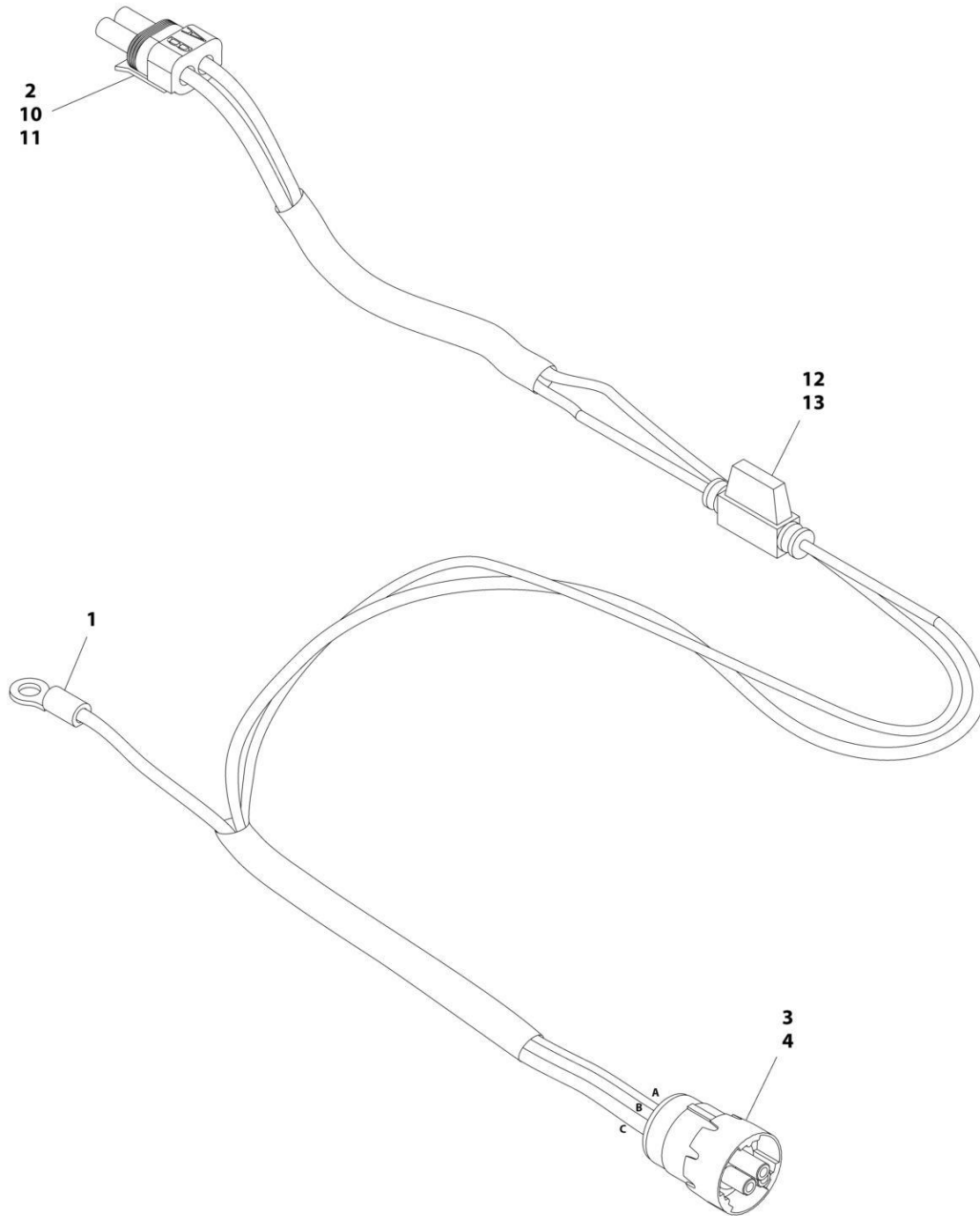
## SECTION 8 - ELECTRICAL

**FIGURE 8-57. GENERATOR TO ENGINE HARNESS - 4000W (DEUTZ TD2.9L4 ENGINES)**

ITEM	PART NUMBER	QTY	DESCRIPTION	REV
	1001153259	Ref	GENERATOR TO PLATFORM HARNESS (4000W-60HZ GENERATOR)	B
1	4460967	1	Connector - 3 Position	
1	4460465	2	Socket, Female	
2	4460465	2	Socket, Female	

# SECTION 8 - ELECTRICAL

FIGURE 8-58. GENERATOR TO ENGINE HARNESS - 7500W SKYPOWER GENERATOR (DEUTZ D2011 ENGINES)



ART\_1001152429

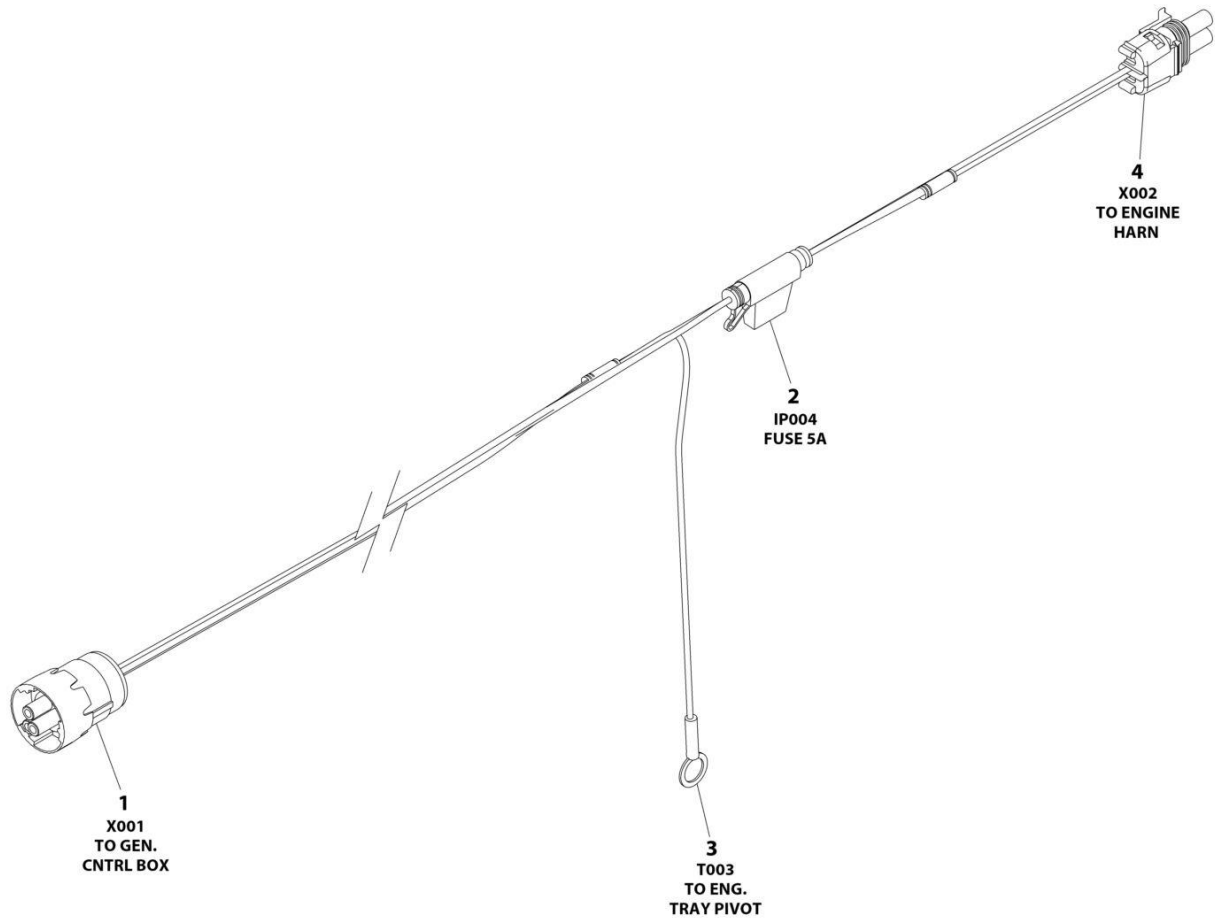
## SECTION 8 - ELECTRICAL

**FIGURE 8-58. GENERATOR TO ENGINE HARNESS - 7500W SKYPOWER GENERATOR (DEUTZ D2011 ENGINES)**

ITEM	PART NUMBER	QTY	DESCRIPTION	REV
	1001152429	Ref	GENERATOR TO ENGINE HARNESS	C
1	4460043	1	Terminal, Ring	
2	4460742	1	Plug, Male - 2 Position	
3	4460967	1	Connector - 3 Position	
4	4460465	3	Socket, Female	
10	4460743	2	Terminal, Female	
11	4460458	2	Seal	
12	2400060	1	Fuseholder (Includes Cover)	
13	2400064	1	Fuse - 5Amp	

# SECTION 8 - ELECTRICAL

FIGURE 8-59. GENERATOR TO ENGINE HARNESS - 7500W SKYPOWER (FORD DF 2.5L ENGINES)



ART\_1001257972

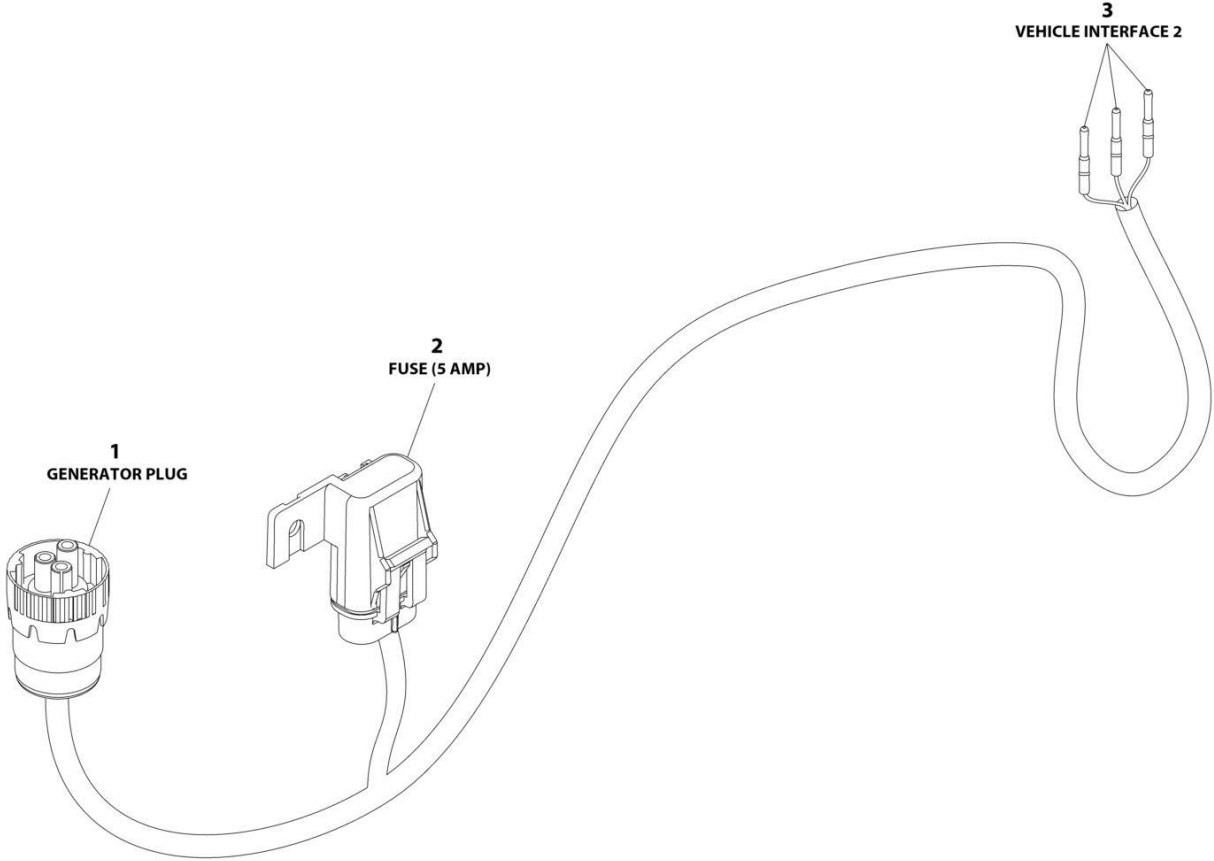
## SECTION 8 - ELECTRICAL

**FIGURE 8-59. GENERATOR TO ENGINE HARNESS - 7500W SKYPOWER (FORD DF 2.5L ENGINES)**

ITEM	PART NUMBER	QTY	DESCRIPTION	REV
	1001257972	Ref	GENERATOR TO ENGINE HARNESS	A
1	4460967	1	Plug, Male - 3 Position	
1	4460465	3	Socket, Female	
2	2400060	1	Fuse-holder (Includes Cover)	
2	2400064	1	Fuse - 5Amp	
3	4460256	1	Terminal, Ring	
4	4460742	1	Plug, Male - 2 Position	
4	4460457	2	Socket, Female	
4	4460458	2	Seal, Terminal	

**SECTION 8 - ELECTRICAL**

**FIGURE 8-60. GENERATOR HARNESS - 7500W SKYPOWER (DEUTZ TD2.9L4 T4F ENGINES)**



ART\_1001119968

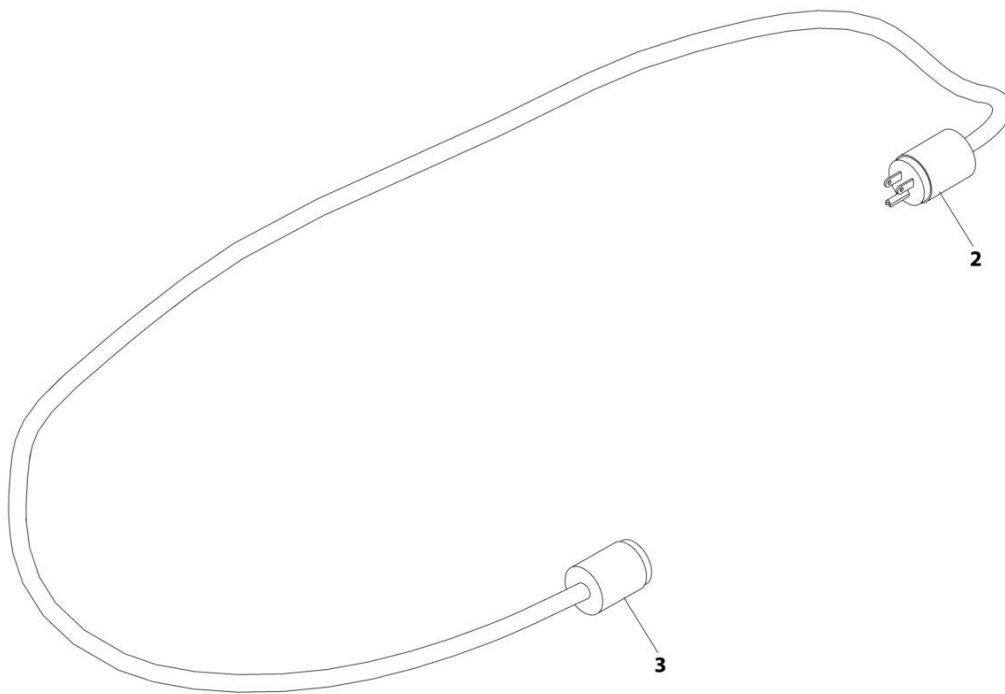
## SECTION 8 - ELECTRICAL

**FIGURE 8-60. GENERATOR HARNESS - 7500W SKYPOWER (DEUTZ TD2.9L4 T4F ENGINES)**

ITEM	PART NUMBER	QTY	DESCRIPTION	REV
	1001119968	Ref	GENERATOR HARNESS - 7500W GENERATOR	C
1	4460967	1	Connector - 3 Position	
1	4460465	3	Socket, Female	
2	1001117078	1	Connector, Metri-Pack with 5Amp Fuse	
3	4460465	3	Socket, Female	

# SECTION 8 - ELECTRICAL

FIGURE 8-61. GENERATOR TO REAR OF BOOM HARNESS - 110V



ART\_4921829



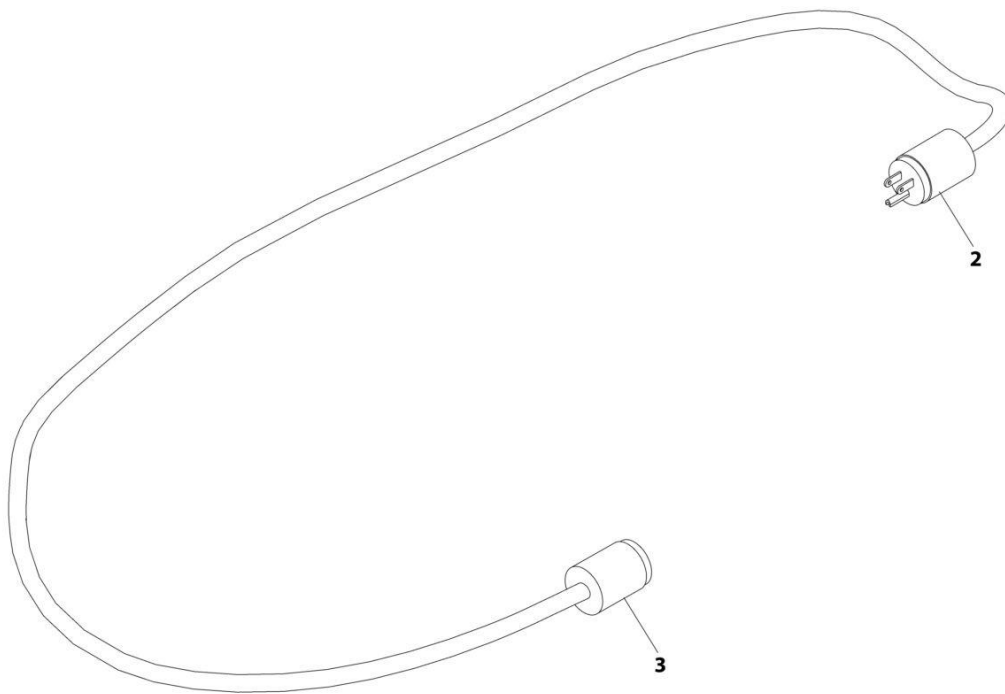
## SECTION 8 - ELECTRICAL

**FIGURE 8-61. GENERATOR TO REAR OF BOOM HARNESS - 110V**

ITEM	PART NUMBER	QTY	DESCRIPTION	REV
	4921829	Ref	GENERATOR TO REAR OF BOOM HARNESS - 110V	Z-A
2	4460205	1	Plug, Male	
3	4460134	1	Connector, Female	

# SECTION 8 - ELECTRICAL

FIGURE 8-62. GENERATOR TO REAR OF BOOM HARNESS - 220V



ART\_4921955

## SECTION 8 - ELECTRICAL

FIGURE 8-62. GENERATOR TO REAR OF BOOM HARNESS - 220V

ITEM	PART NUMBER	QTY	DESCRIPTION	REV
	4921955	Ref	GENERATOR TO REAR OF BOOM HARNESS - 220V	A
2	4460233	1	Terminal, Plug	
3	4460701	1	Terminal, Connector	



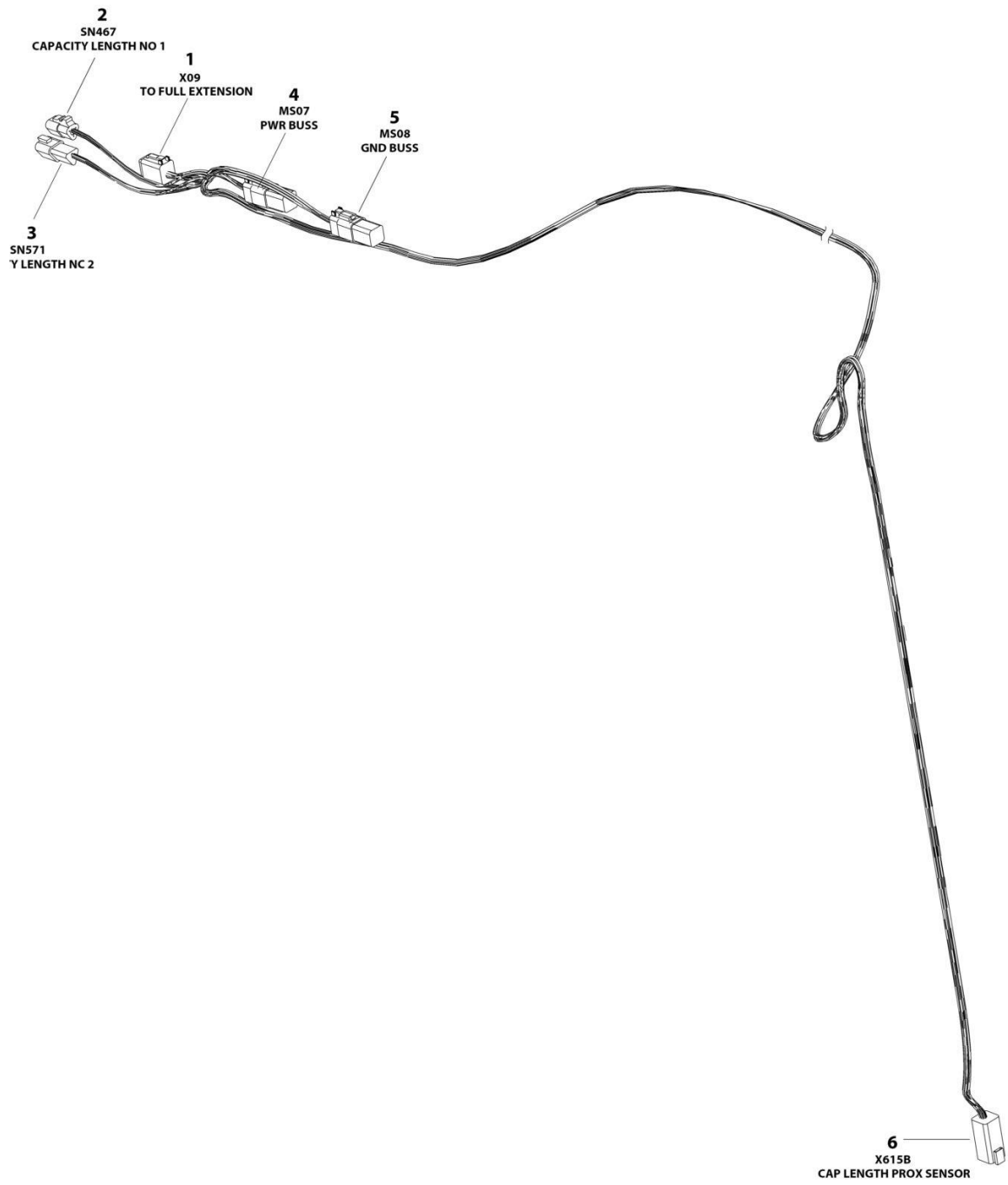
## SECTION 8 - ELECTRICAL

### FIGURE 8-63. GROUND CONTROL BOX HARNESS

ITEM	PART NUMBER	QTY	DESCRIPTION	REV
	1001285346	Ref	GROUND CONTROL BOX HARNESS	C
1	2400060	2	Fuse Holder	
6	3990010	2	Diode, 6 Amp	
8	4460142	4	Terminal, Ring	
9	4460227	36	Pin	
10	4460259	11	Socket	
11	4460260	15	Housing, Terminal	
12	4460297	4	Socket	
13	4460313	3	Terminal, Ring	
14	4460320	1	Connector	
15	4460418	9	Connector, Switch	
16	4460419	8	Socket	
17	4460434	2	Connector	
18	4460464	27	Terminal	
19	4460465	45	Terminal	
20	4460466	9	Plug, Terminal	
21	4460508	4	Pin	
22	4460536	1	Connector	
23	4460761	1	Connector	
24	4460806	5	Terminal, Fork	
25	4460866	1	Terminal	
26	4460868	1	Connector	
27	4460871	88	Socket	
28	4460872	1	Connector	
29	4460873	1	Connector	
30	4460874	1	Connector	
31	4460875	1	Connector	
32	4460876	1	Connector	
33	4460877	4	Socket	
34	4460878	1	Housing, Terminal	
35	4460884	1	Connector	
36	4460887	3	Socket	
37	1001229530	1	Connector	
38	4460894	1	Plug	
39	4460905	2	Seal	
40	4460911	1	Plug, Terminal	
42	4460933	3	Connector	
43	4460943	8	Terminal	
66	8229242	3	Fuse 5 Amp	
67	1001112612	2	Connector	
67	1001249095	2	Connector	
68	1001113961	1	Plug	
69	1001116694	3	Terminal	
70	1001255901	1	Fuse Holder	
71	1001237668	5	Socket	
72	1001119020	3	Connector	
73	1001237667	1	Connector	
74	1001159186	18	Socket	
75	1001200497	1	Connector	
76	1001201885	2	Terminal	

# SECTION 8 - ELECTRICAL

## FIGURE 8-64. MID BOOM PROXIMITY SENSOR HARNESS



ART\_1001258709

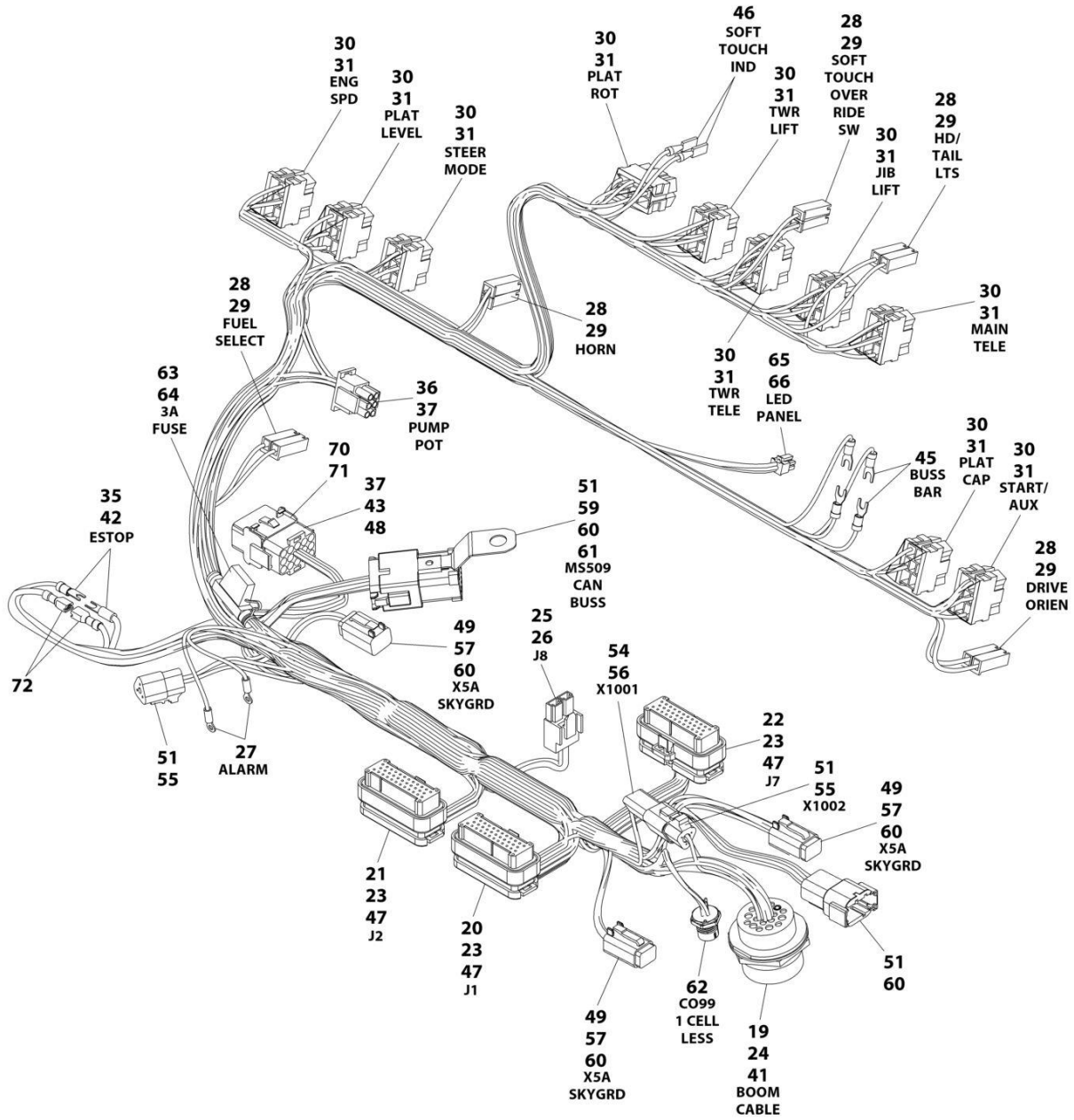
## SECTION 8 - ELECTRICAL

### FIGURE 8-64. MID BOOM PROXIMITY SENSOR HARNESS

ITEM	PART NUMBER	QTY	DESCRIPTION	REV
	1001258709	Ref	MID BOOM PROX SENSOR HARNESS	B
1	4460894	1	Plug, Male - 6 Position	
1	4460465	6	Socket, Female	
2	4460539	1	Plug, Male - 3 Position	
2	4460465	3	Socket, Female	
3	4460536	1	Receptacle, Female - 3 Position	
3	4460464	3	Pin, Male	
4	4460894	2	Plug, Male - 6 Position	
4	4460465	10	Socket, Female	
4	4460466	2	Plug, Terminal	
4	4460892	2	Connector, Buss Bar - 6 Position	
5	4460899	1	Connector - 6 Position	
5	4460465	6	Socket, Female	

# SECTION 8 - ELECTRICAL

## FIGURE 8-65. PLATFORM CONSOLE BOX HARNESS



ART\_1001266648



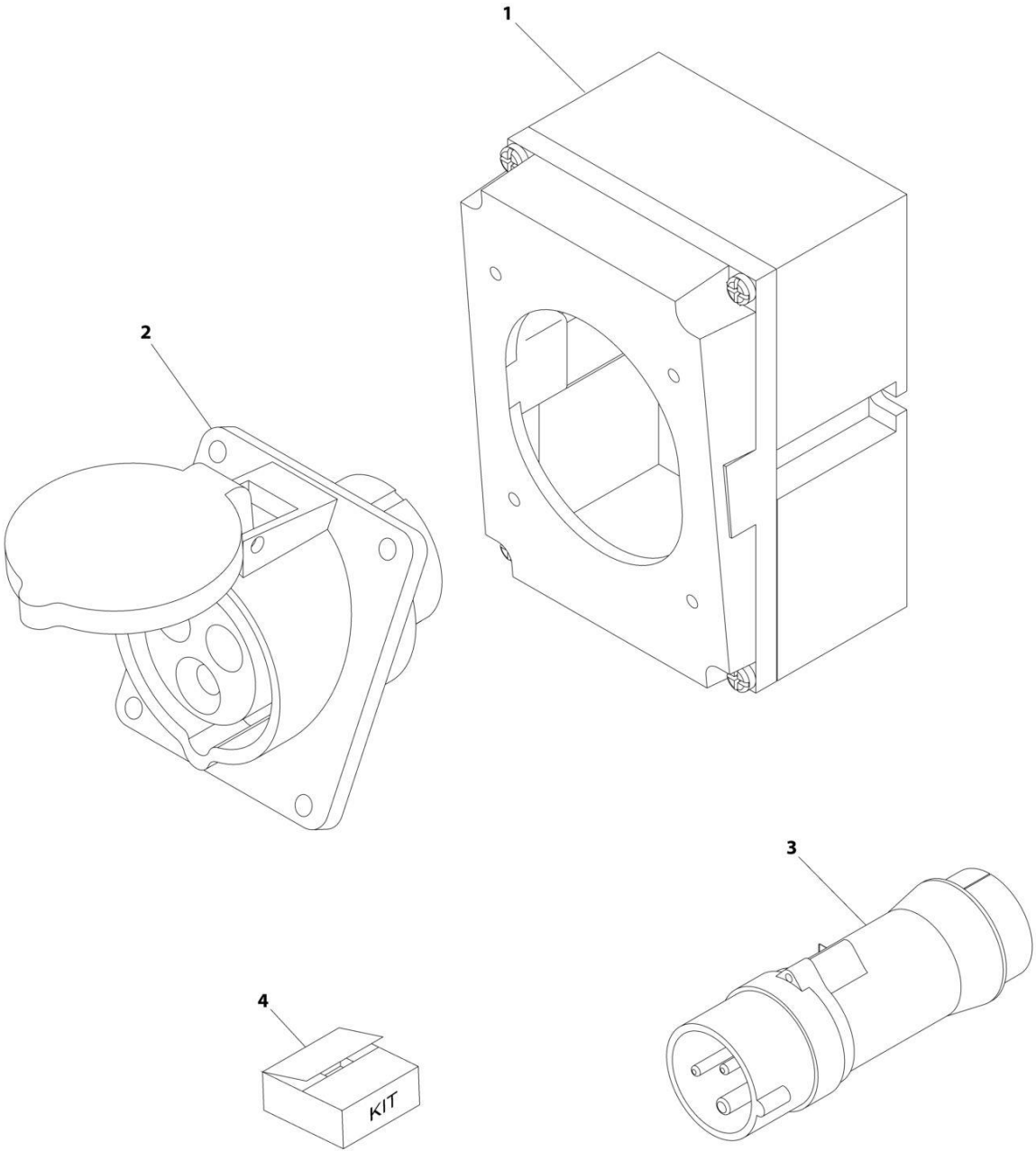
## SECTION 8 - ELECTRICAL

**FIGURE 8-65. PLATFORM CONSOLE BOX HARNESS**

ITEM	PART NUMBER	QTY	DESCRIPTION	REV
	1001266648	Ref	PLATFORM CONSOLE BOX HARNESS	B
19	4460866	1	Connector - 19 Position	
20	4460874	1	Connector - 35 Position	
21	4460875	1	Connector - 35 Position	
22	4460873	1	Connector - 35 Position	
23	4460871	81	Socket, Female	
24	4460464	6	Pin, Male	
25	4460879	1	Plug, Male - 2 Position	
26	4460887	2	Terminal	
27	1001098122	2	Terminal, Ring	
28	4460260	10	Housing, Terminal	
29	4460259	10	Terminal	
30	4460418	9	Connector, Switch	
31	4460419	27	Terminal	
32	4120035	14	Socket, Light (Not Shown)	
33	4460634	14	Socket, Lamp (Single Wire) (Not Shown)	
34	4460635	14	Socket, Lamp (Double Wire) (Not Shown)	
35	4460888	1	Terminal, Fork	
36	4460225	1	Plug, Male - 6 Position	
37	4460227	31	Pin, Male	
41	4460508	3	Pin, Male	
42	4460806	1	Terminal, Fork	
43	4460434	2	Connector - 15 Position	
44	2920129	14	Bulb (Not Shown)	
45	4460183	4	Terminal, Fork	
46	4460016	2	Terminal	
47	4460905	24	Plug, Terminal	
48	4460267	1	Pin, Male	
49	4460465	5	Socket, Female	
51	4460944	11	Socket, Female	
54	4460536	1	Receptacle, Female - 3 Position	
55	4460539	1	Plug, Male - 3 Position	
56	4460943	3	Pin, Male	
57	4460894	2	Plug, Male - 6 Position	
59	4460933	2	Plug, Male - 12 Position	
60	4460466	5	Plug, Terminal	
61	1001119020	1	Connector, Buss Bar - 12 Position	
62	1001213447	1	Connector - 5 Position	
63	2400060	1	Fuseholder Includes Cover	
64	8229249	1	Fuse, 3 Amp	
65	1001237667	1	Plug, Male - 6 Position	
66	1001237668	4	Socket, Female	
70	4460708	2	Connector - 15 Position	
71	4460226	2	Socket, Female	
72	1001201885	2	Terminal	

**SECTION 8 - ELECTRICAL**

**FIGURE 8-66. RECEPTACLE BOX KIT - 110V IEC YELLOW (CE & UK CA SPECS)**



ART\_0275216

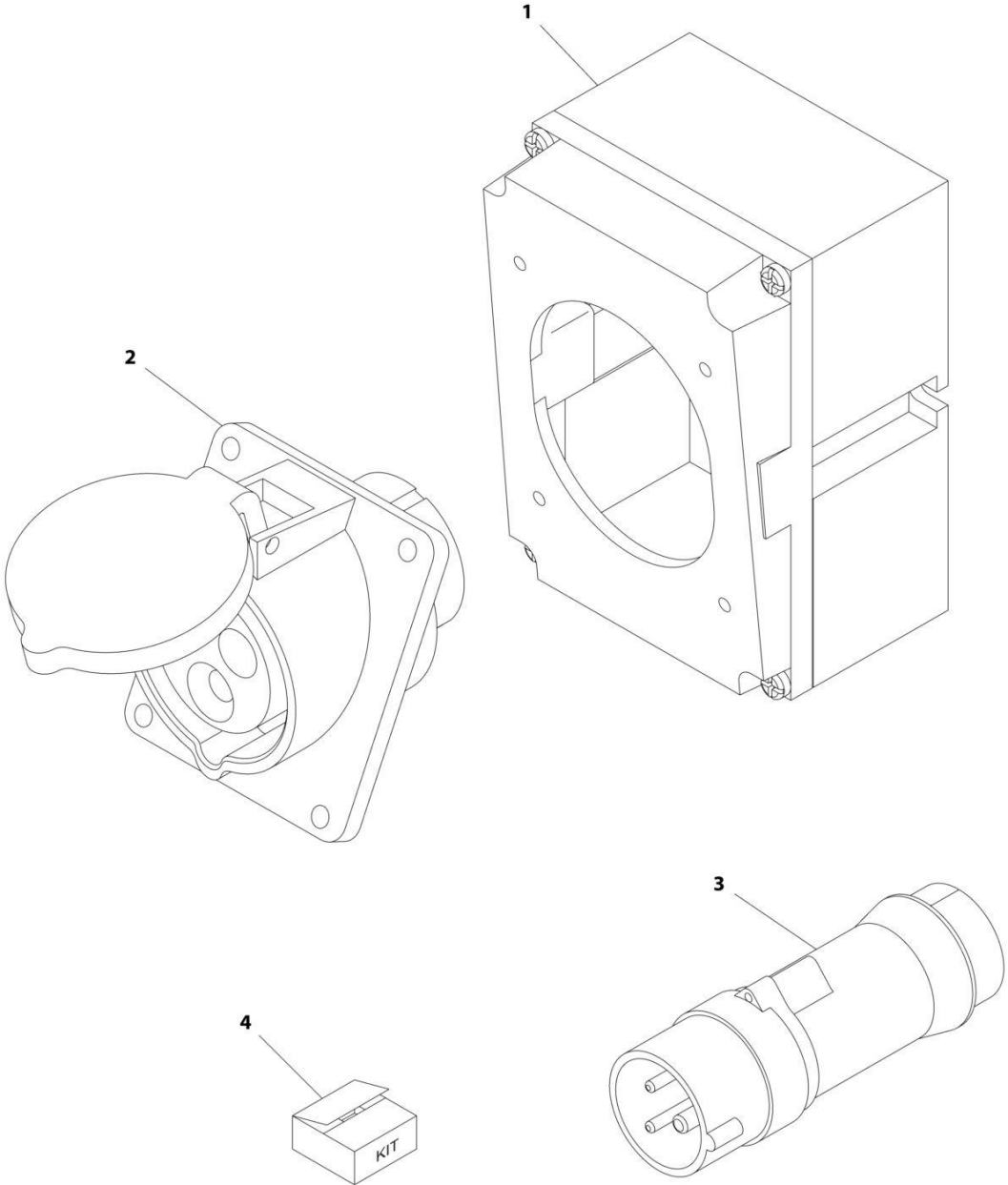
## SECTION 8 - ELECTRICAL

**FIGURE 8-66. RECEPTACLE BOX KIT - 110V IEC YELLOW (CE & UK CA SPECS)**

ITEM	PART NUMBER	QTY	DESCRIPTION	REV
	0275216	Ref	RECEPTACLE BOX KIT - 110V IEC YELLOW	B
1	0861781	1	Box, Switch	
2	4461198	1	Receptacle	
3	4461196	1	Plug, Male	
4	1001100341	1	Plug and Socket Kit (Includes Items 1-3 and Female Plug p/n 4461197)	

**SECTION 8 - ELECTRICAL**

**FIGURE 8-67. RECEPTACLE BOX KIT - 220V IEC BLUE (CE & UK CA SPECS)**



ART\_0275217

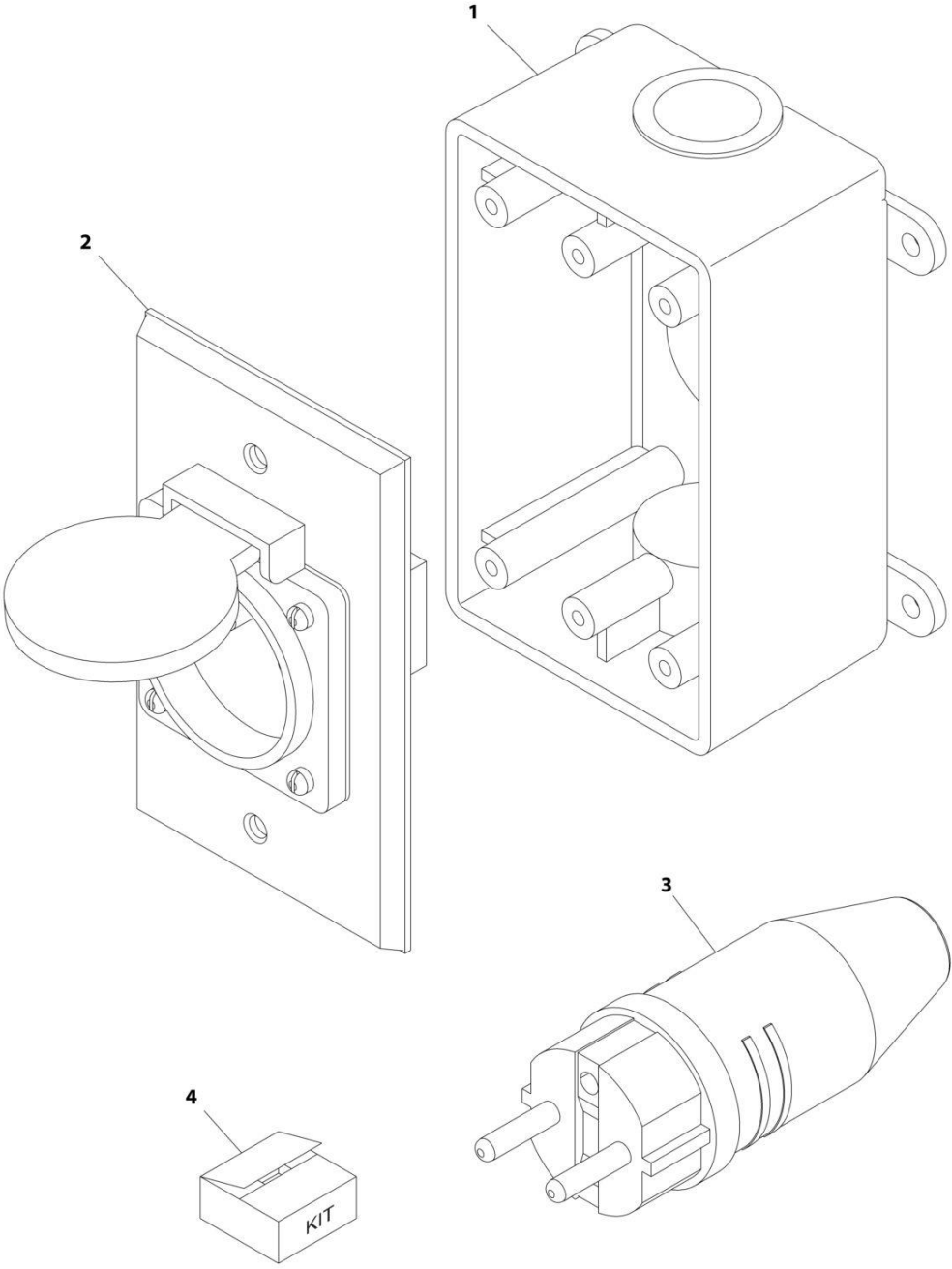
## SECTION 8 - ELECTRICAL

**FIGURE 8-67. RECEPTACLE BOX KIT - 220V IEC BLUE (CE & UK CA SPECS)**

ITEM	PART NUMBER	QTY	DESCRIPTION	REV
	0275217	Ref	RECEPTACLE BOX KIT - 220V IEC BLUE	B
1	0861781	1	Box, Switch	
2	4461201	1	Receptacle	
3	4461199	1	Plug, Male	
4	1001100342	1	Plug and Socket Kit (Includes Items 1-3 and Female Plug p/n 4461200)	

**SECTION 8 - ELECTRICAL**

**FIGURE 8-68. RECEPTACLE BOX KIT - 220V CEE7 POST GROUND 2X4 BOX (CE & UK CA SPEC)**



ART\_0275452-C

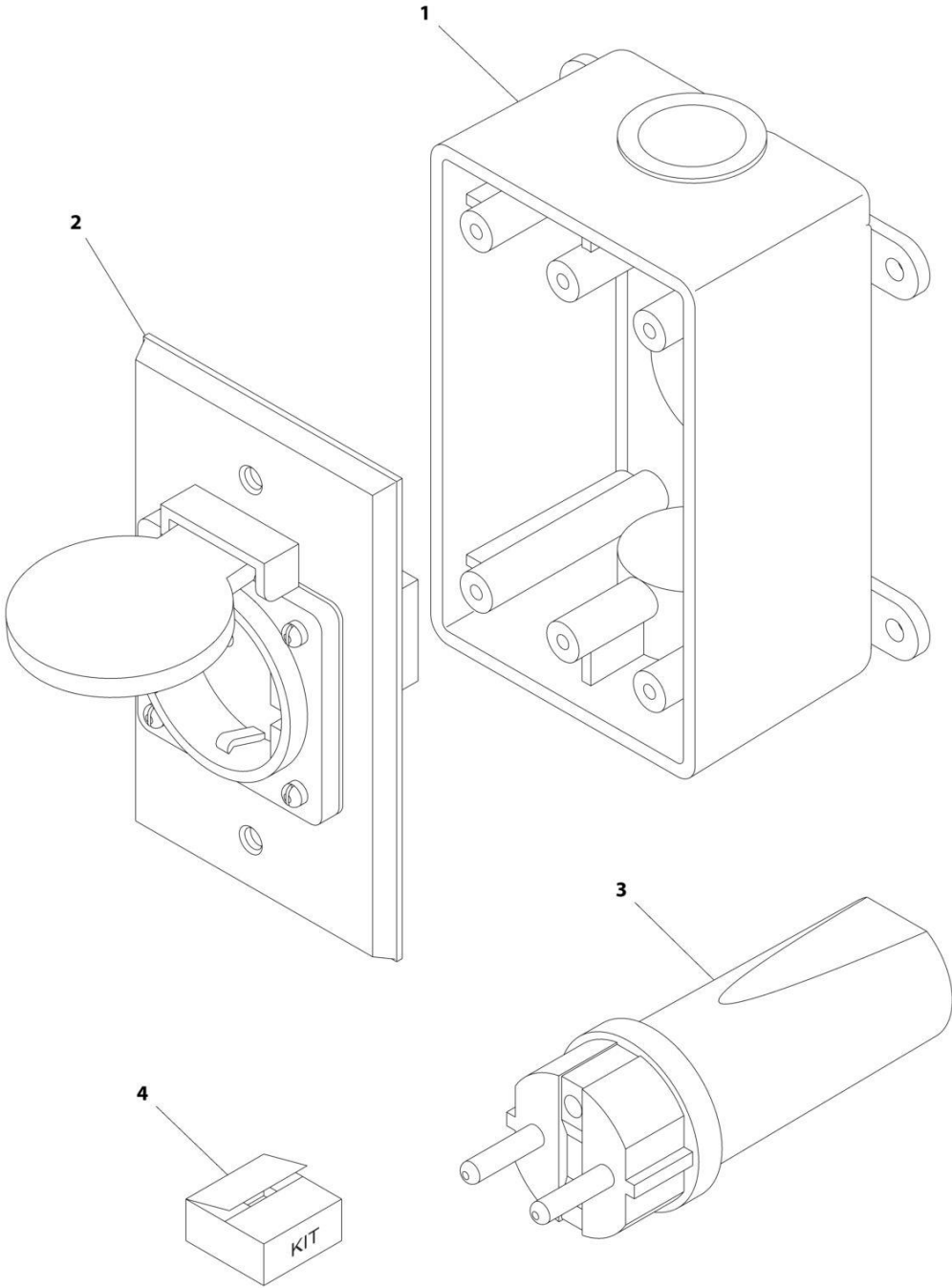
## SECTION 8 - ELECTRICAL

**FIGURE 8-68. RECEPTACLE BOX KIT - 220V CEE7 POST GROUND 2X4 BOX (CE & UK CA SPEC)**

ITEM	PART NUMBER	QTY	DESCRIPTION	REV
	0275452	Ref	RECEPTACLE BOX KIT - 220V CEE7 POST GROUND 2IN X 4IN BOX	C
1	0861731	1	Box, Switch	
2	4461244	1	Receptacle	
3	4461205	1	Plug, Male	
4	1001100345	1	Plug and Socket Kit (Includes Items 1-3 and Female Plug p/n 4461203)	

**SECTION 8 - ELECTRICAL**

**FIGURE 8-69. RECEPTACLE BOX KIT - 220V CEE7 SIDE GROUND 2X4 BOX (CE & UK CA SPEC)**



ART\_0275453



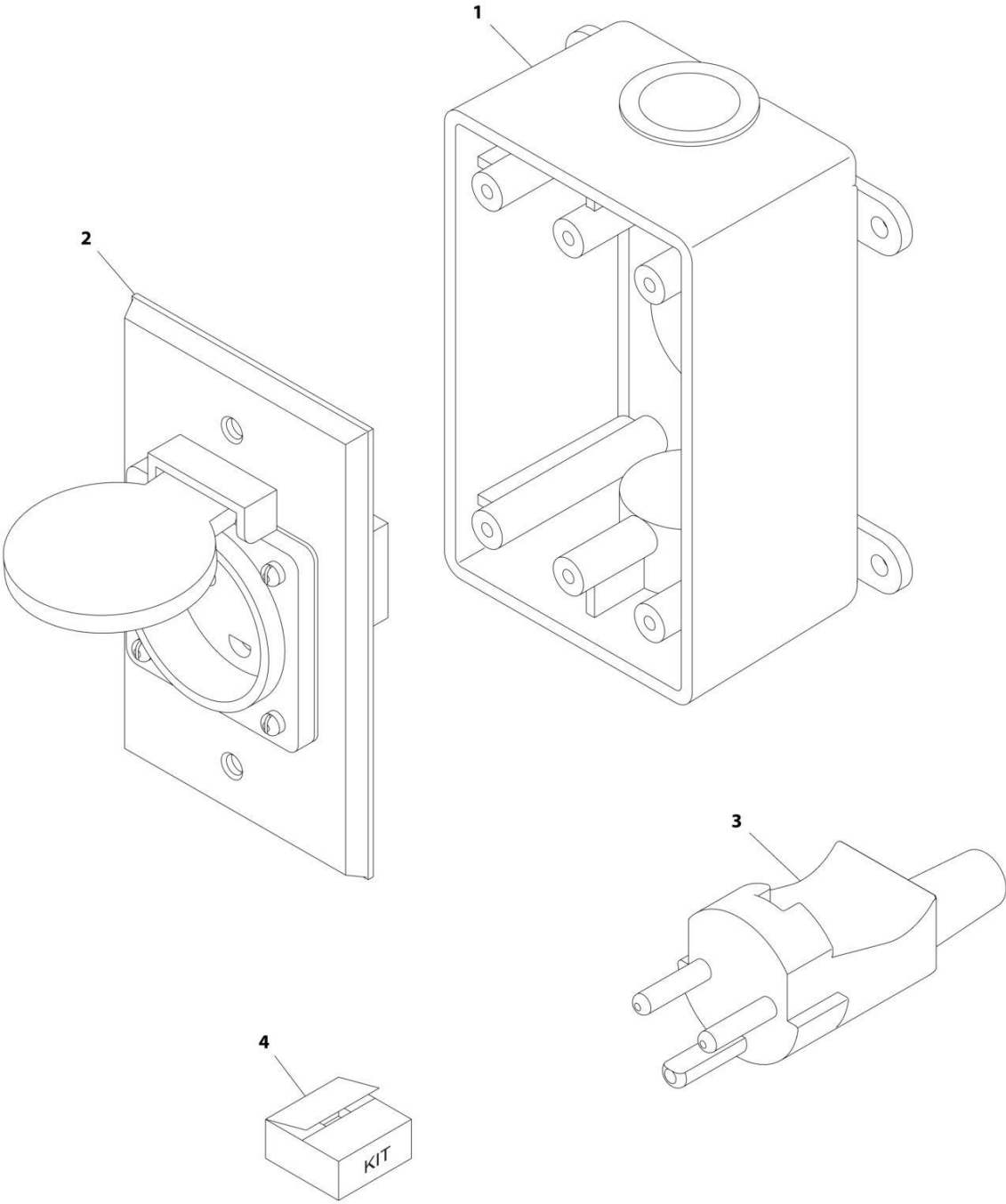
## SECTION 8 - ELECTRICAL

**FIGURE 8-69. RECEPTACLE BOX KIT - 220V CEE7 SIDE GROUND 2X4 BOX (CE & UK CA SPEC)**

ITEM	PART NUMBER	QTY	DESCRIPTION	REV
	0275453	Ref	RECEPTACLE BOX KIT - 220V CEE7 SIDE GROUND	B
1	0861731	1	Box, Switch	
2	4461245	1	Receptacle	
3	4461205	1	Plug, Male	
4	1001100347	1	Plug and Socket Kit (Includes Items 1-3 and Female Plug p/n 4461206)	

**SECTION 8 - ELECTRICAL**

**FIGURE 8-70. RECEPTACLE BOX KIT - 220V AFSINT107 KEYED GROUND (CE & UK CA SPECS)**



ART\_0275454

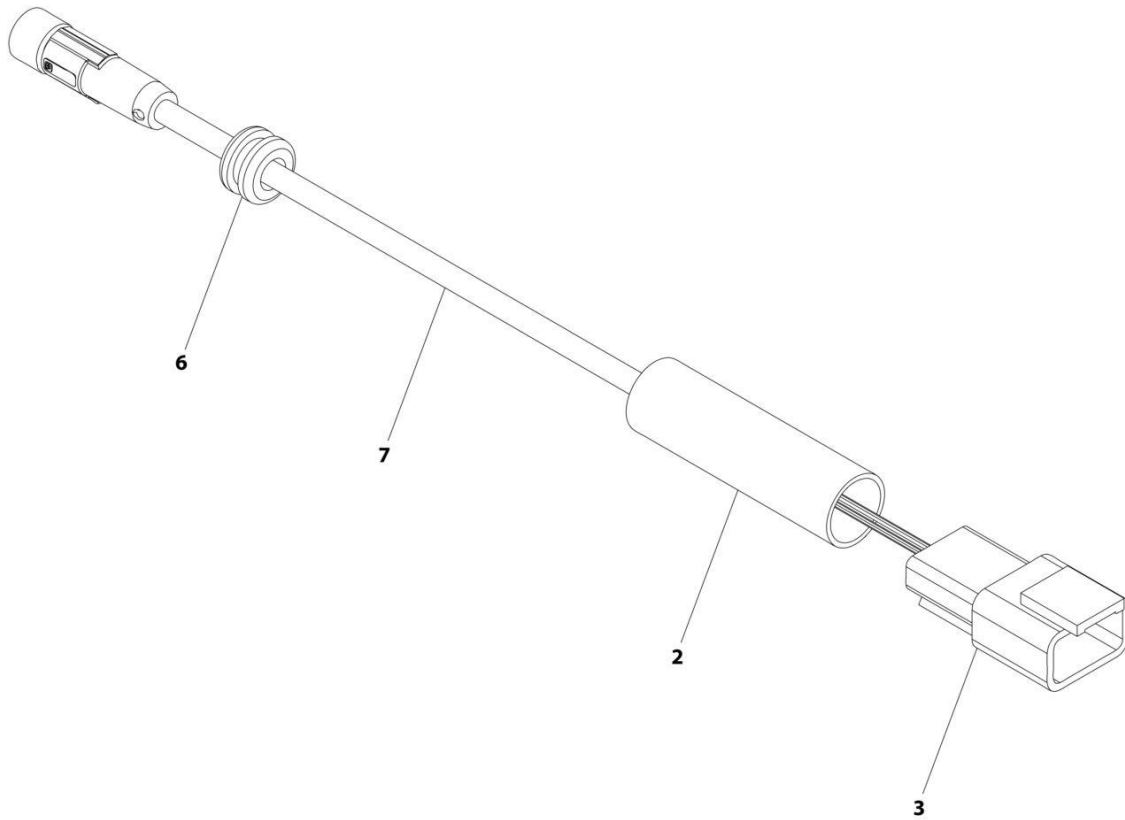
## SECTION 8 - ELECTRICAL

**FIGURE 8-70. RECEPTACLE BOX KIT - 220V AFSINT107 KEYED GROUND (CE & UK CA SPECS)**

ITEM	PART NUMBER	QTY	DESCRIPTION	REV
	0275454	Ref	RECEPTACLE BOX KIT - 220V AFSINT 107	B
1	0861731	1	Box, Switch	
2	4461246	1	Receptacle	
3	4461249	1	Plug, Male	
4	1001100346	1	Plug and Socket Kit (Includes Items 1-3 and Female Plug p/n 4461250)	

# SECTION 8 - ELECTRICAL

## FIGURE 8-71. SKYEYE EMITTER HARNESS



ART\_1001237864

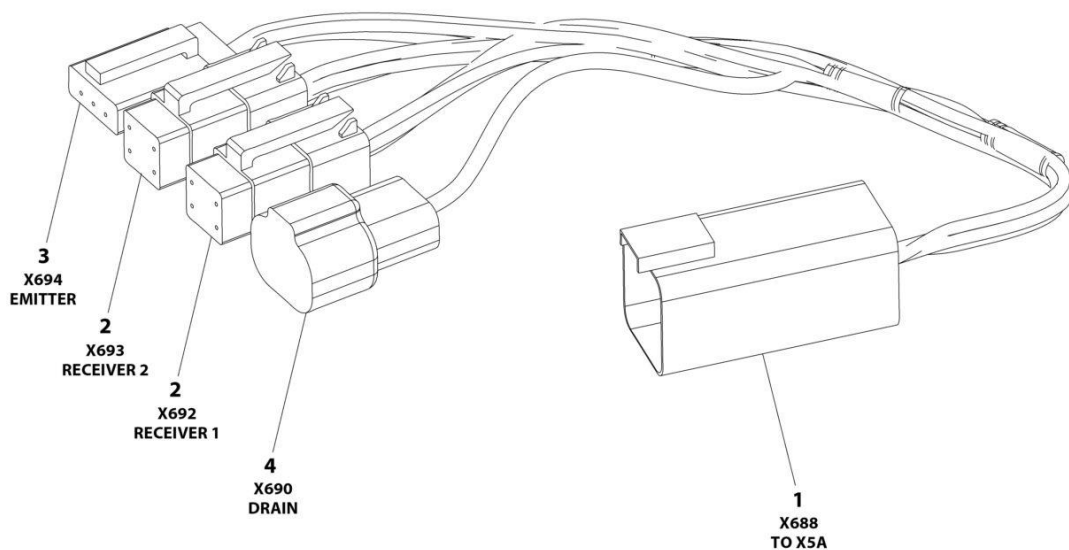
## SECTION 8 - ELECTRICAL

### FIGURE 8-71. SKYEYE EMITTER HARNESS

ITEM	PART NUMBER	QTY	DESCRIPTION	REV
	1001237864	Ref	SKYEYE EMITTER HARNESS	A
2	2820247	AR	Tubing, Heat Shrink	
3	4460910	1	Connector - 3 Position	
3	1001119620	3	Pin, Male	
6	1001227996	1	Grommet	
7	1001237862	1	Cable, M8 Female Cordset	

# SECTION 8 - ELECTRICAL

## FIGURE 8-72. SKYEYE INTERMEDIATE HARNESS



ART\_1001237865

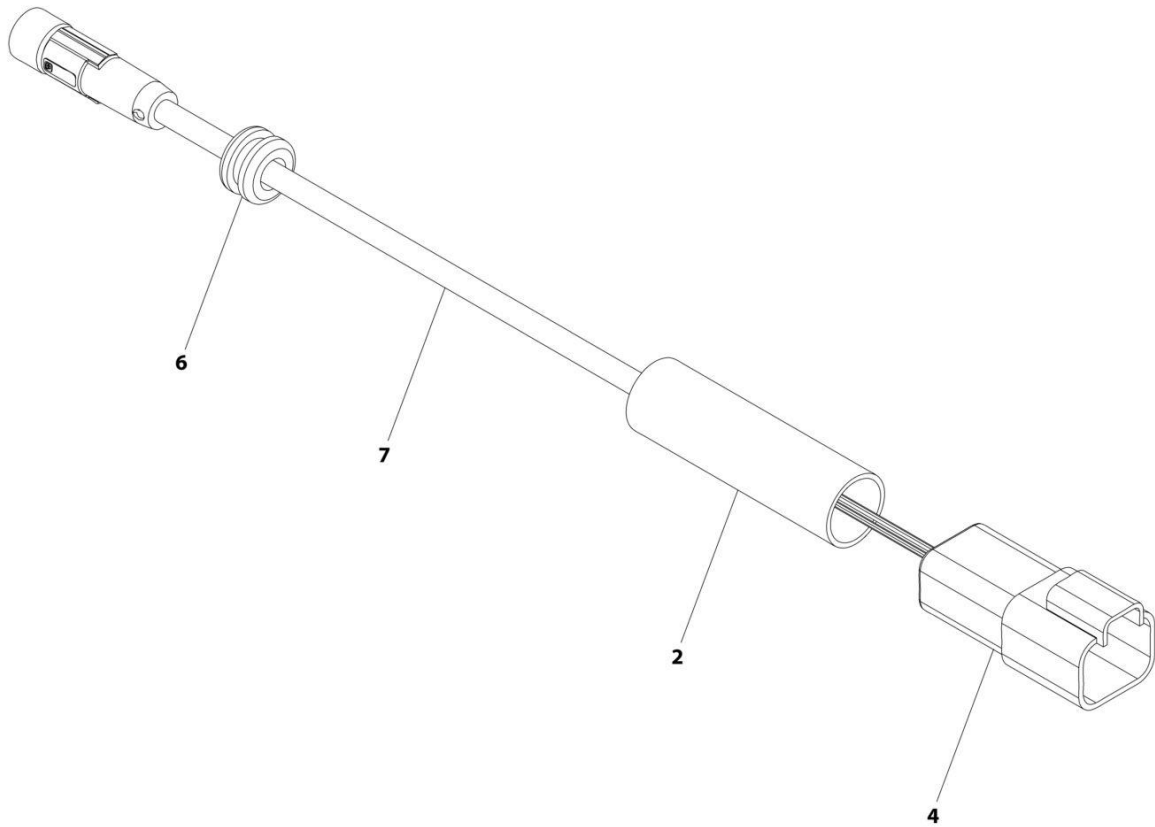
## SECTION 8 - ELECTRICAL

### FIGURE 8-72. SKYEYE INTERMEDIATE HARNESS

ITEM	PART NUMBER	QTY	DESCRIPTION	REV
	1001237865	Ref	SKYEYE INTERMEDIATE HARNESS	A
1	4460899	1	Connector - 6 Position	
1	4460943	4	Pin, Male	
1	4460466	2	Plug, Terminal	
2	4461077	2	Connector - 4 Position	
2	1001119619	8	Socket, Female	
3	4460911	1	Connector - 3 Position	
3	1001119619	3	Socket, Female	
4	1001187681	1	Connector - 2 Position	
4	4460941	1	Pin, Male	
4	4460466	1	Plug, Terminal	

# SECTION 8 - ELECTRICAL

## FIGURE 8-73. SKYEYE RECEIVER HARNESS



ART\_1001237863



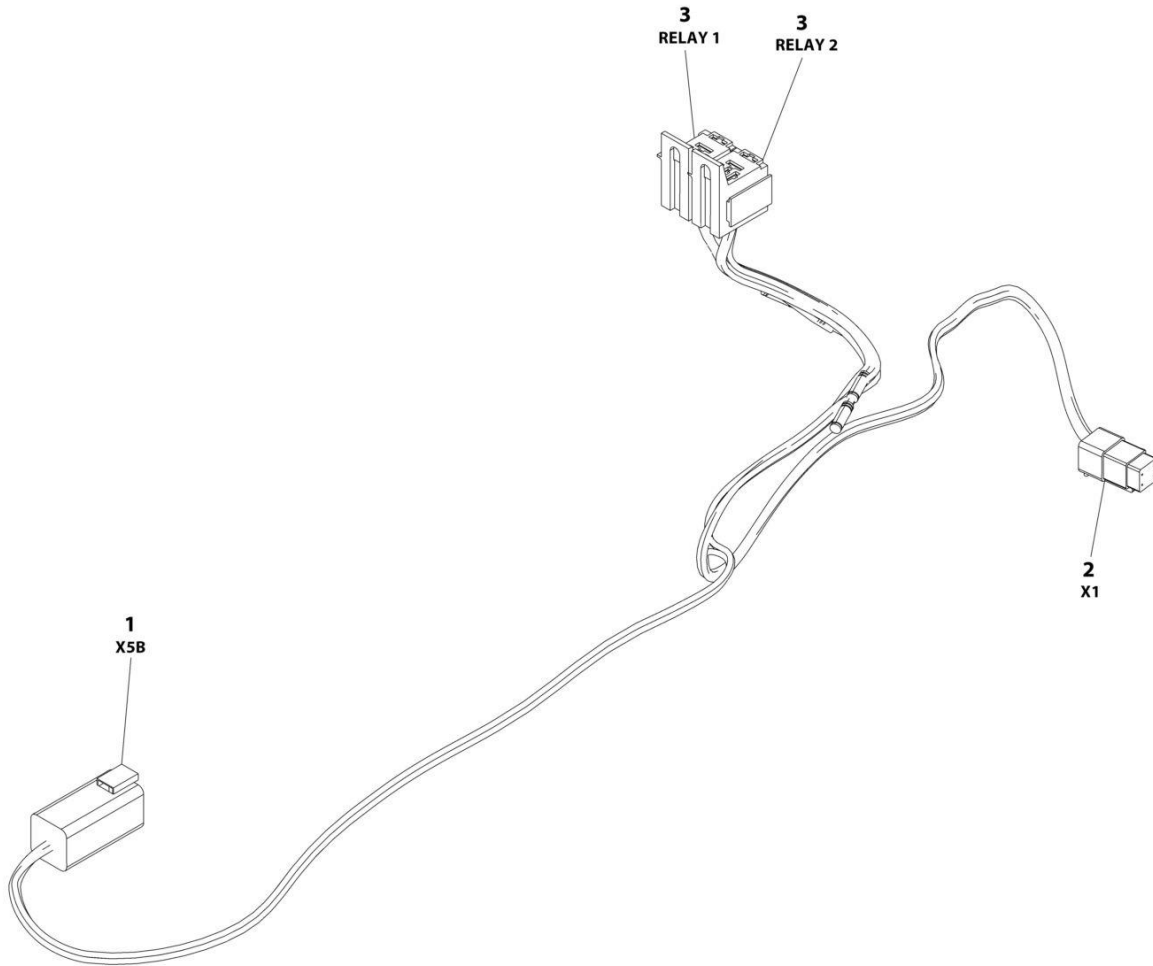
## SECTION 8 - ELECTRICAL

### FIGURE 8-73. SKYEYE RECEIVER HARNESS

ITEM	PART NUMBER	QTY	DESCRIPTION	REV
	1001237863	Ref	SKYEYE RECEIVER HARNESS	A
2	2820247	AR	Tubing, Heat Shrink	
4	1001097051	1	Connector - 4 Position	
4	1001119620	4	Pin, Male	
6	1001227996	1	Grommet	
7	1001237862	1	Cable, M8 Female Cordset	

# SECTION 8 - ELECTRICAL

## FIGURE 8-74. SKYLINE HARNESS



ART\_1001238418

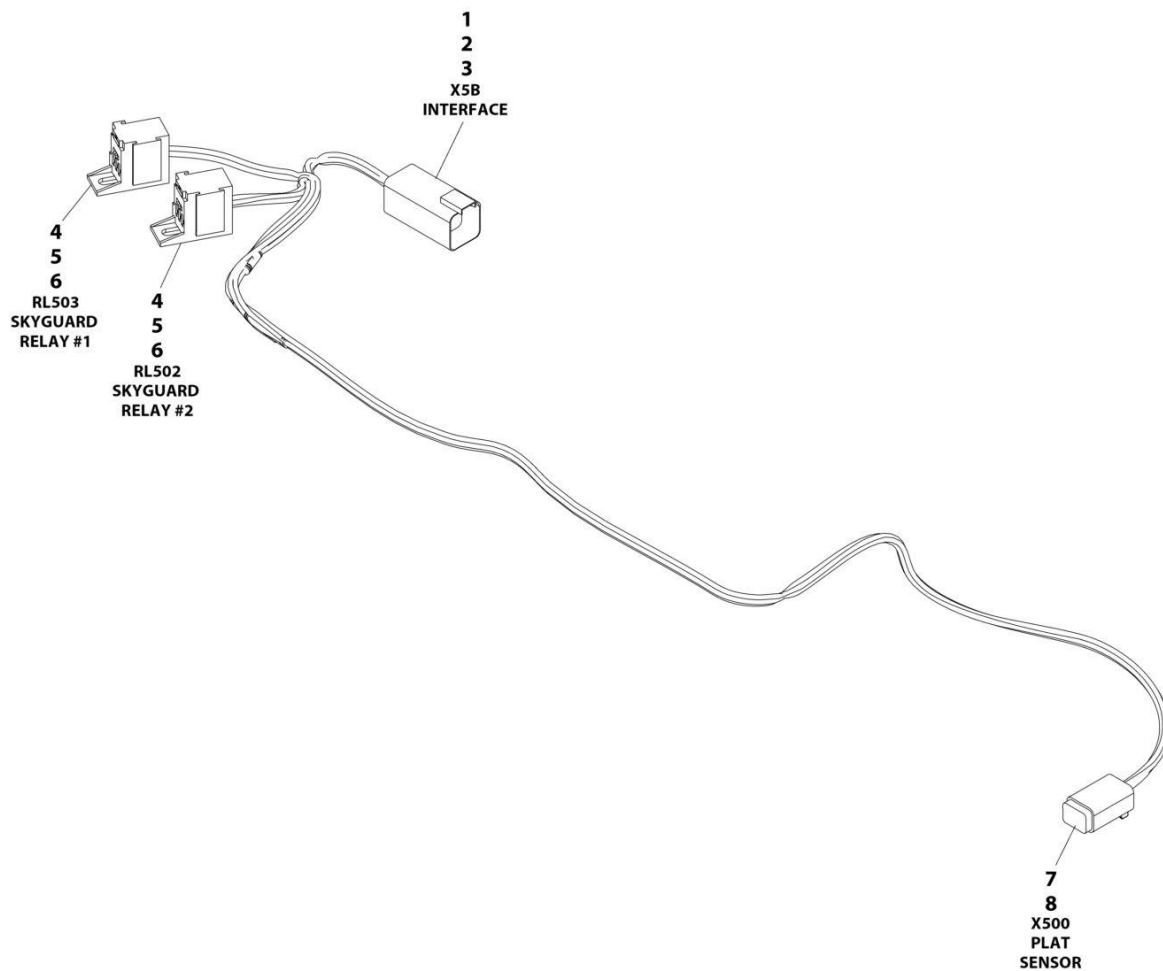
## SECTION 8 - ELECTRICAL

### FIGURE 8-74. SKYLINE HARNESS

ITEM	PART NUMBER	QTY	DESCRIPTION	REV
	1001238418	Ref	SKYLINE HARNESS	B
1	4460899	1	Connector - 6 Position	
1	4460464	4	Pin, Male	
1	4460466	2	Plug, Terminal	
2	4461077	1	Connector - 4 Position	
2	1001126009	4	Socket, Female	
3	1001186432	2	Plug, Relay	
3	1001118388	5	Terminal	
3	1001118384	3	Terminal	
3	3740086	2	Relay	

# SECTION 8 - ELECTRICAL

## FIGURE 8-75. SKYGUARD INTERFACE HARNESS



ART\_1001225580\_E

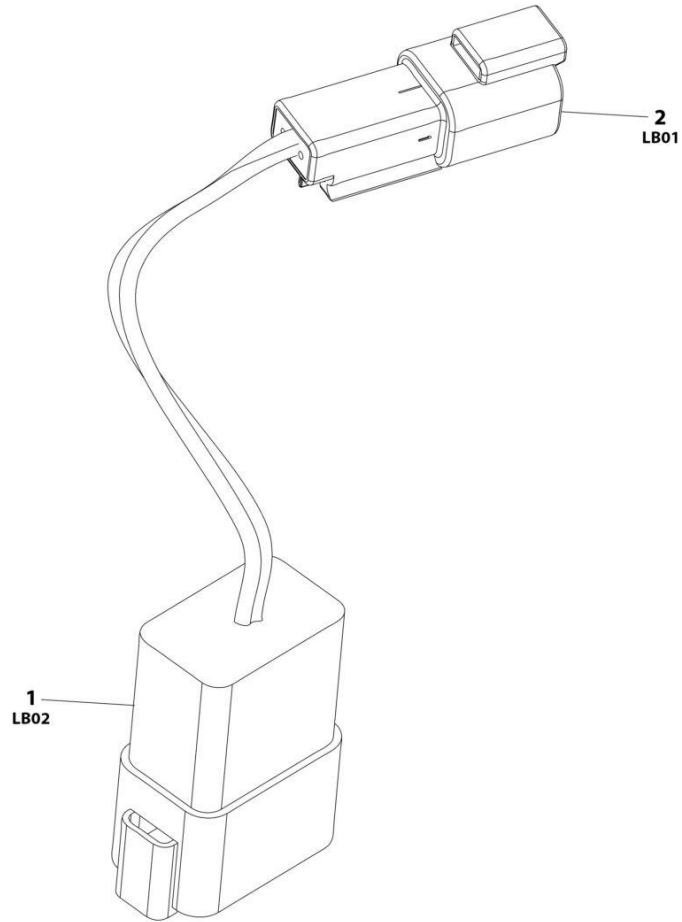
## SECTION 8 - ELECTRICAL

### FIGURE 8-75. SKYGUARD INTERFACE HARNESS

ITEM	PART NUMBER	QTY	DESCRIPTION	REV
	1001225580	Ref	PLATFORM INTERFACE HARNESS - WITH 1 CELL LSS	E
1	4460899	1	Connector	
2	4460464	4	Terminal	
3	4460466	2	Plug	
4	1001186432	2	Connector	
5	1001253375	4	Terminal	
6	1001104519	4	Terminal	
7	4460884	1	Connector	
8	4460465	4	Terminal	

# SECTION 8 - ELECTRICAL

## FIGURE 8-76. STROBE LIGHT JUMPER HARNESS



ART\_1001283776

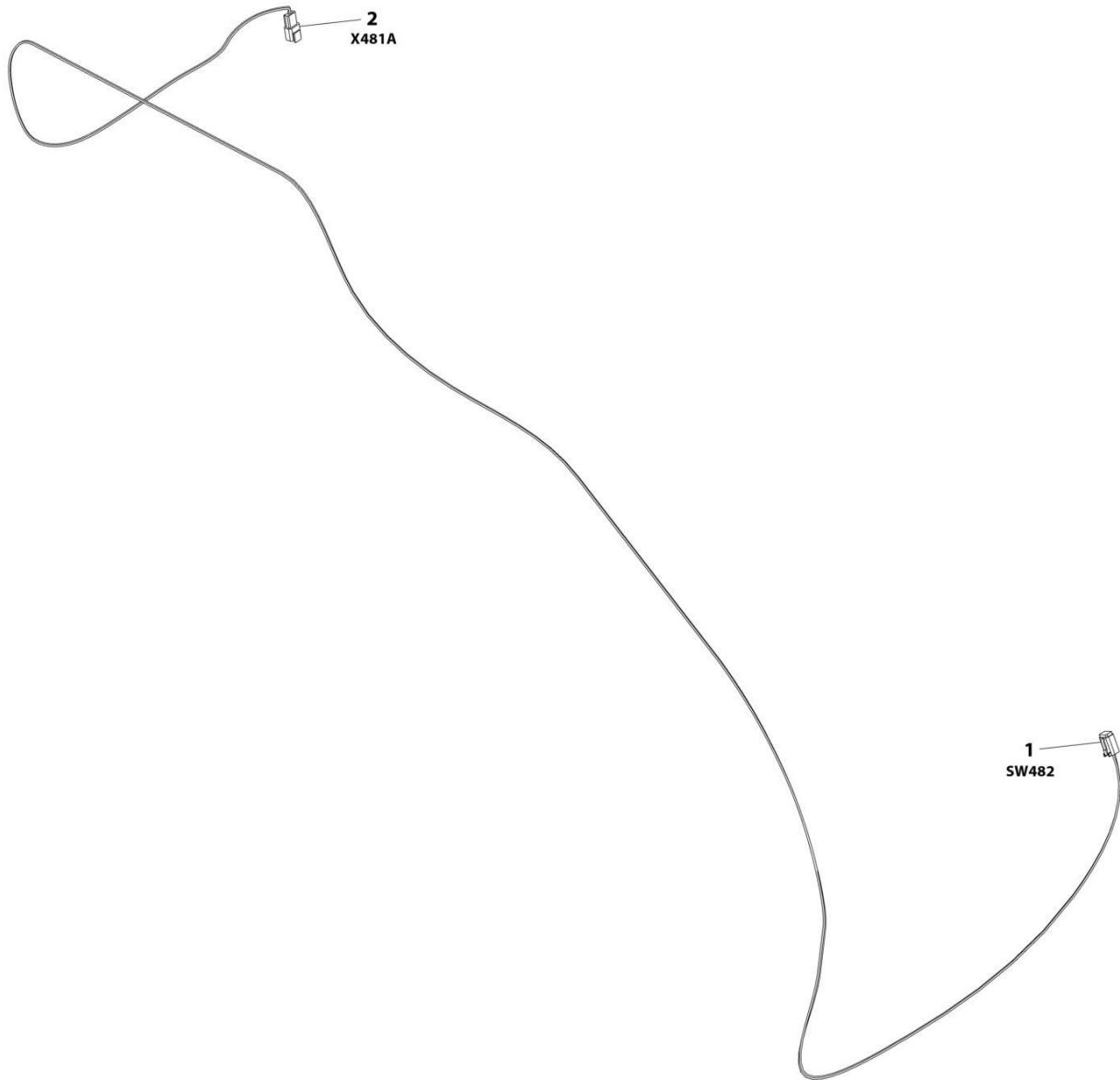
## SECTION 8 - ELECTRICAL

### FIGURE 8-76. STROBE LIGHT JUMPER HARNESS

ITEM	PART NUMBER	QTY	DESCRIPTION	REV
	1001283776	Ref	STROBE LIGHT HARNESS (AMBER)	A
1	4460931	1	Connector	
1	4460464	2	Pin	
1	4460466	6	Plug	
2	4460897	1	Connector	
2	4460464	2	Pin	

# SECTION 8 - ELECTRICAL

## FIGURE 8-77. TOWER STOW HARNESS



ART\_1001266829



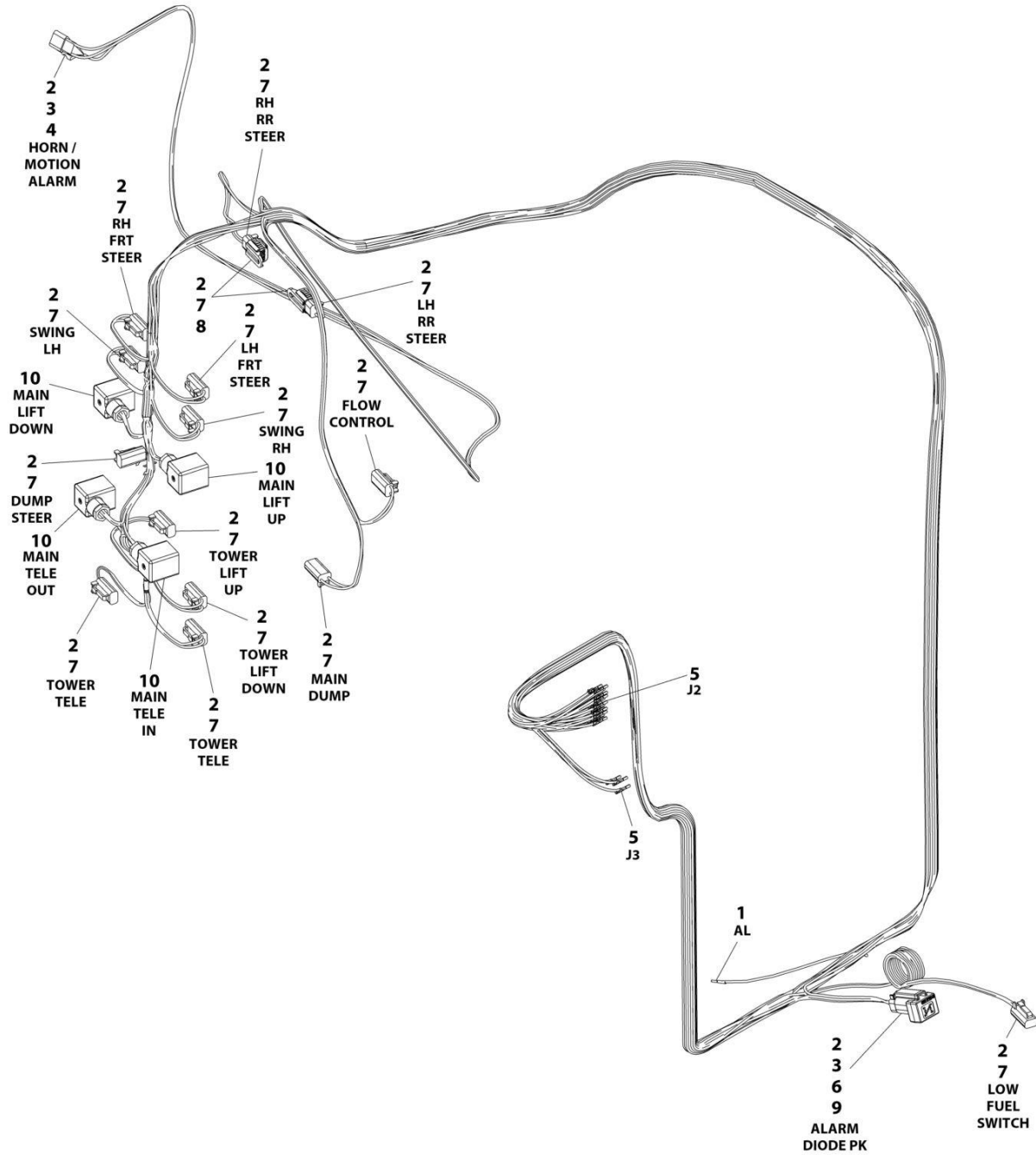
## SECTION 8 - ELECTRICAL

### FIGURE 8-77. TOWER STOW HARNESS

ITEM	PART NUMBER	QTY	DESCRIPTION	REV
	1001266829	Ref	TOWER STOW HARNESS	A
1	4460884	1	Connector	
1	4460465	2	Socket, Female	
1	4460466	2	Plug	
2	4460910	1	Connector	
2	1001116695	2	Pin	
2	4460518	1	Plug	

# SECTION 8 - ELECTRICAL

## FIGURE 8-78. VALVE HARNESS



ART\_1001285016

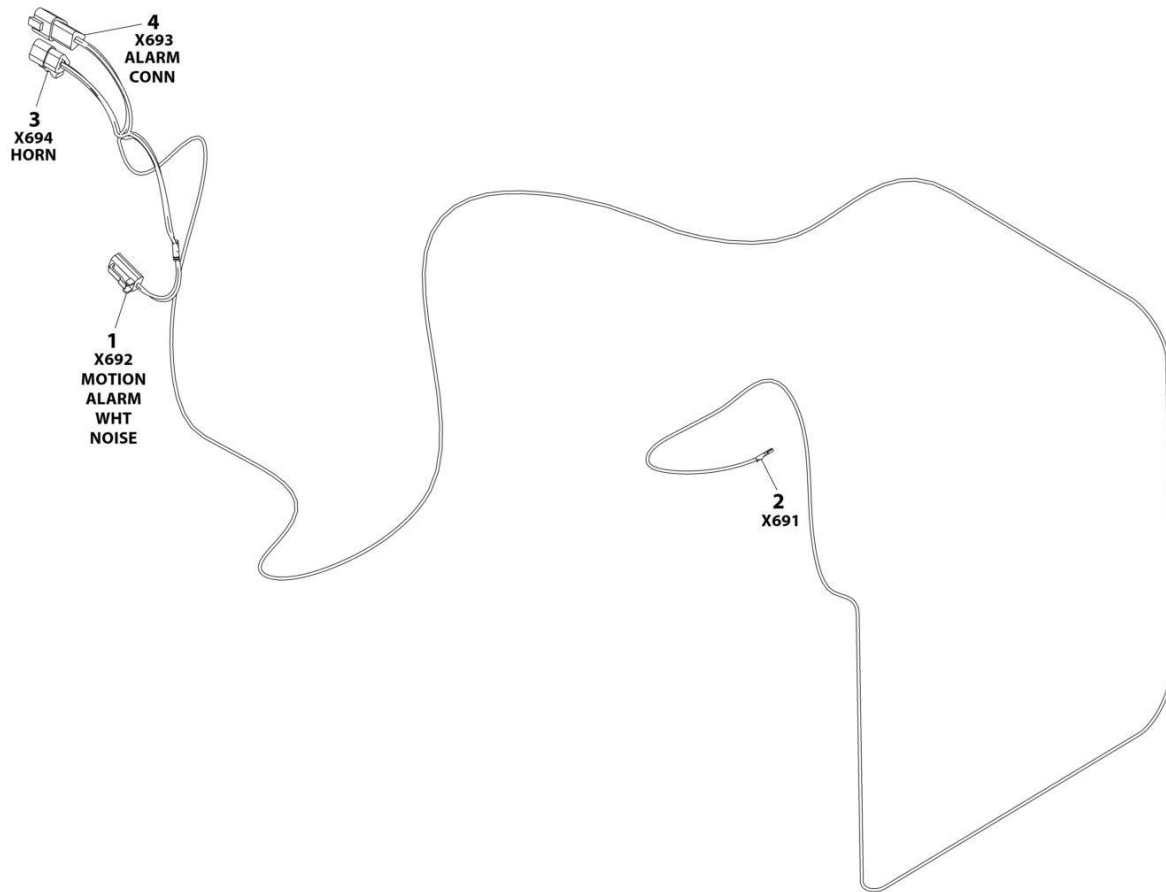
## SECTION 8 - ELECTRICAL

### FIGURE 8-78. VALVE HARNESS

ITEM	PART NUMBER	QTY	DESCRIPTION	REV
	1001285016	Ref	VALVE HARNESS	D
1	4460464	1	Terminal	
2	4460465	33	Socket	
3	4460466	3	Plug, Terminal	
4	4460539	1	Connector	
5	4460871	27	Socket	
6	4460884	1	Connector	
7	4460891	14	Connector	
8	1001144295	2	Cap, Dust	
9	1001152266	1	Connector	
10	1001263923	4	Connector	
11	4460897	1	Connector (Not Shown)	

# SECTION 8 - ELECTRICAL

## FIGURE 8-79. WHITE NOISE ALARM HARNESS



ART\_1001243682

## SECTION 8 - ELECTRICAL

### FIGURE 8-79. WHITE NOISE ALARM HARNESS

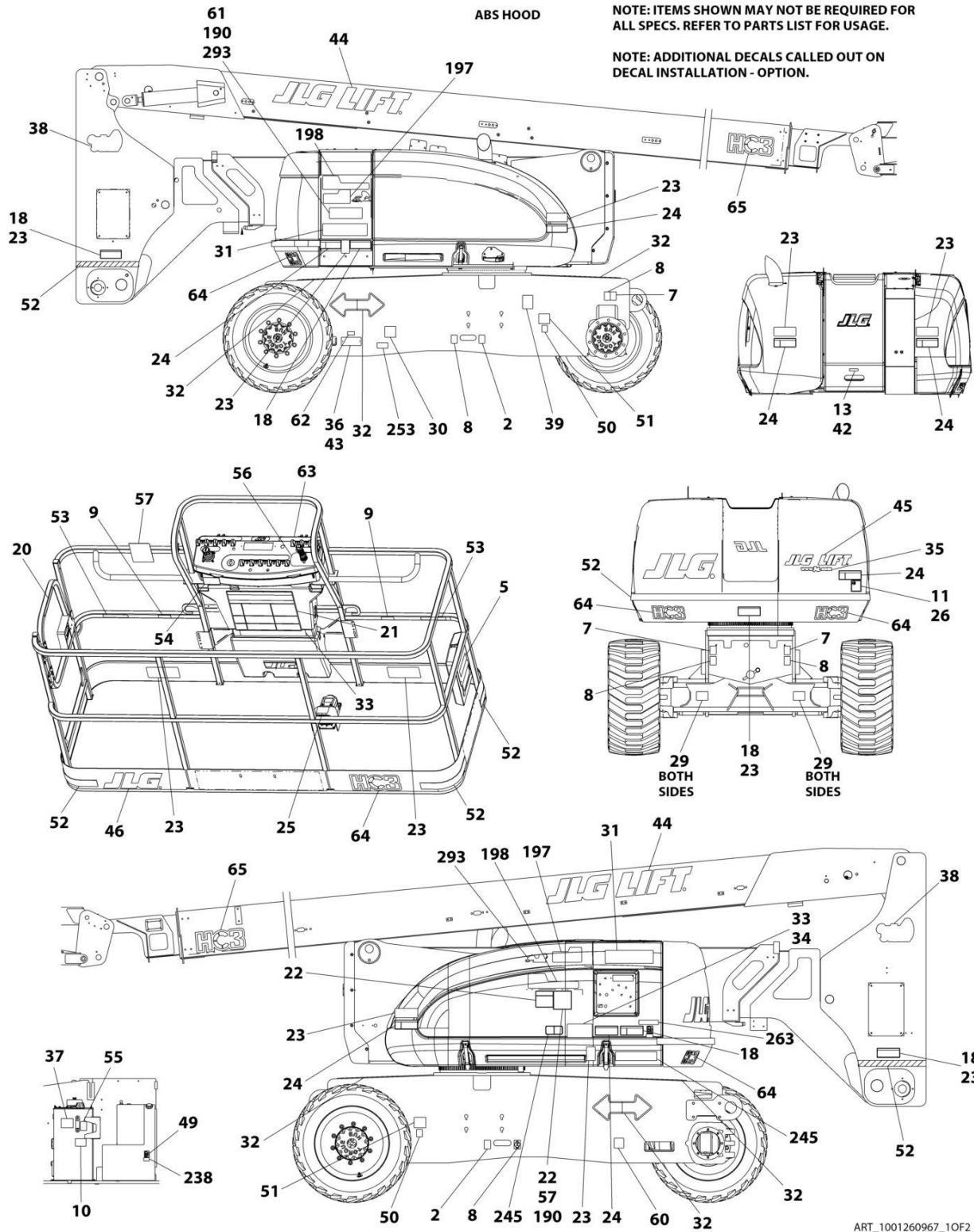
ITEM	PART NUMBER	QTY	DESCRIPTION	REV
	1001243682	Ref	WHITE NOISE ALARM HARNESS	A
1	4460891	1	Plug, Male - 2 Position	
1	4460465	2	Socket, Female	
2	4460871	1	Terminal	
3	4460539	1	Plug, Male- 3 Position	
3	4460465	3	Socket, Female	
4	4460536	1	Receptacle, Female- 3 Position	
4	4460464	3	Pin, Male	



**SECTION 9 - DECALS**

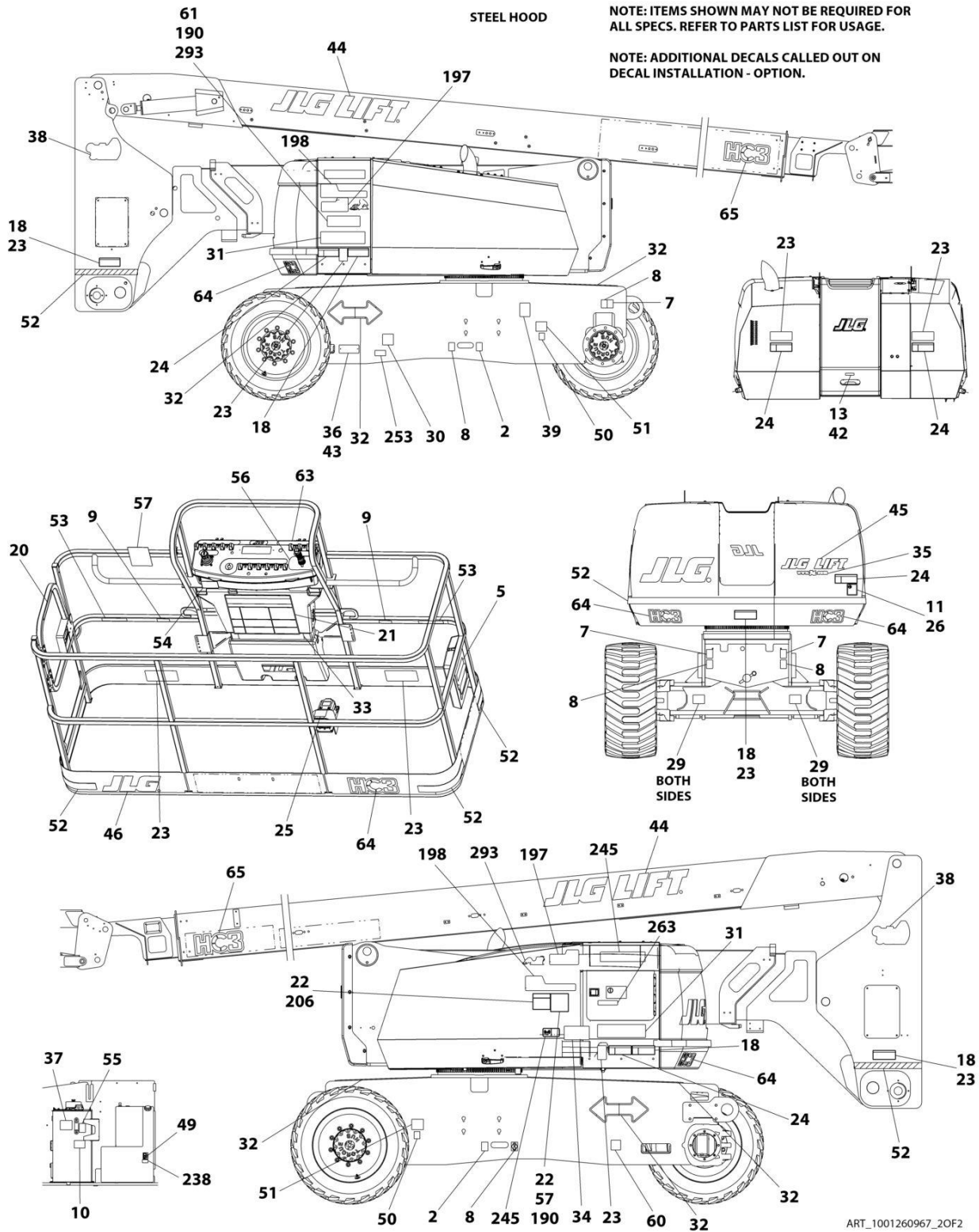
# SECTION 9 - DECALS

## FIGURE 9-1. DECAL INSTALLATION (ANSI SPECS)





# SECTION 9 - DECALS



## SECTION 9 - DECALS

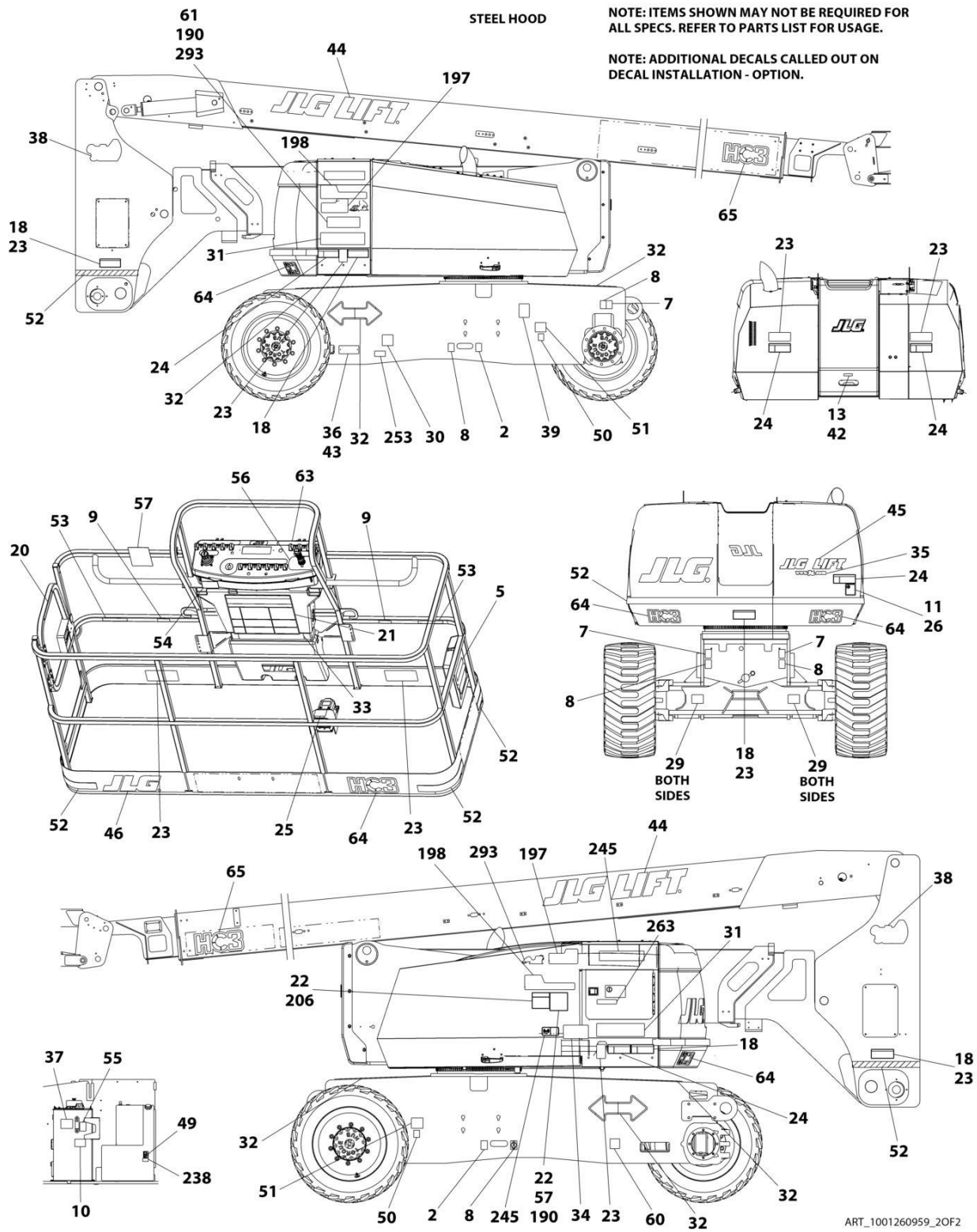
**FIGURE 9-1. DECAL INSTALLATION (ANSI SPECS)**

ITEM	PART NUMBER	QTY	DESCRIPTION	REV
	1001260967	Ref	DECAL INSTALLATION	E
	1001260969	Ref	REFERENCE CHART	B
2	1701499	2	Decal - No Lifting	
5	1701509	1	Decal - Manual	
7	1703811	4	Decal - Lifting Lug	
8	1703814	6	Decal - Tie Down	
9	1704277	3	Decal - Lanyard Attach Graphic	
10	1704412	1	Decal - Hydraulic Oil Chart	
13	3251243	1	Nameplate - 120V-60Hz	
18	1703953	5	Decal - Warning Crushing	
20	1702868	2	Decal - No Hands	
21	1703797	1	Decal - Warning/Danger	
22	1705336	1	Decal - Warning Inspection	
23	1703804	4	Decal - Warning Crushing	
24	1703805	5	Decal - Danger Electrocuton	
25	3252347	1	Decal - Footswitch	
29	1703482	4	Decal - Maximum Tire Load	
30	See Note	NSS	Decal - Bar Code (Note: Not Available for Purchase)	
31	1001267312	2	Decal - 800AJ	
32	1701501	4	Decal - Arrow	
33	1001234425	1	Decal - Warning Maximum Capacity	
34	1001234426	1	Decal - Warning Maximum Capacity	
37	1001096141	1	Decal - Upright Level Override	
38	1703959	2	Decal - Quick Stick	
39	1001131269	1	Decal - Patent	
43	3820001	2	Rivet	
52	4420051	23 ft /7m	Tape, Safety	
56	1705351	1	Decal - Drive/Steer Instructions	
60	1001223055	1	Decal - Yearly Inspection	
61	1001263941	1	Decal - Lift Diagram	
62	1001223453	1	Decal - ICES	
63	1001131168	1	Decal - Stop	





# SECTION 9 - DECALS



## SECTION 9 - DECALS

**FIGURE 9-2. DECAL INSTALLATION (AUSTRALIAN SPECS)**

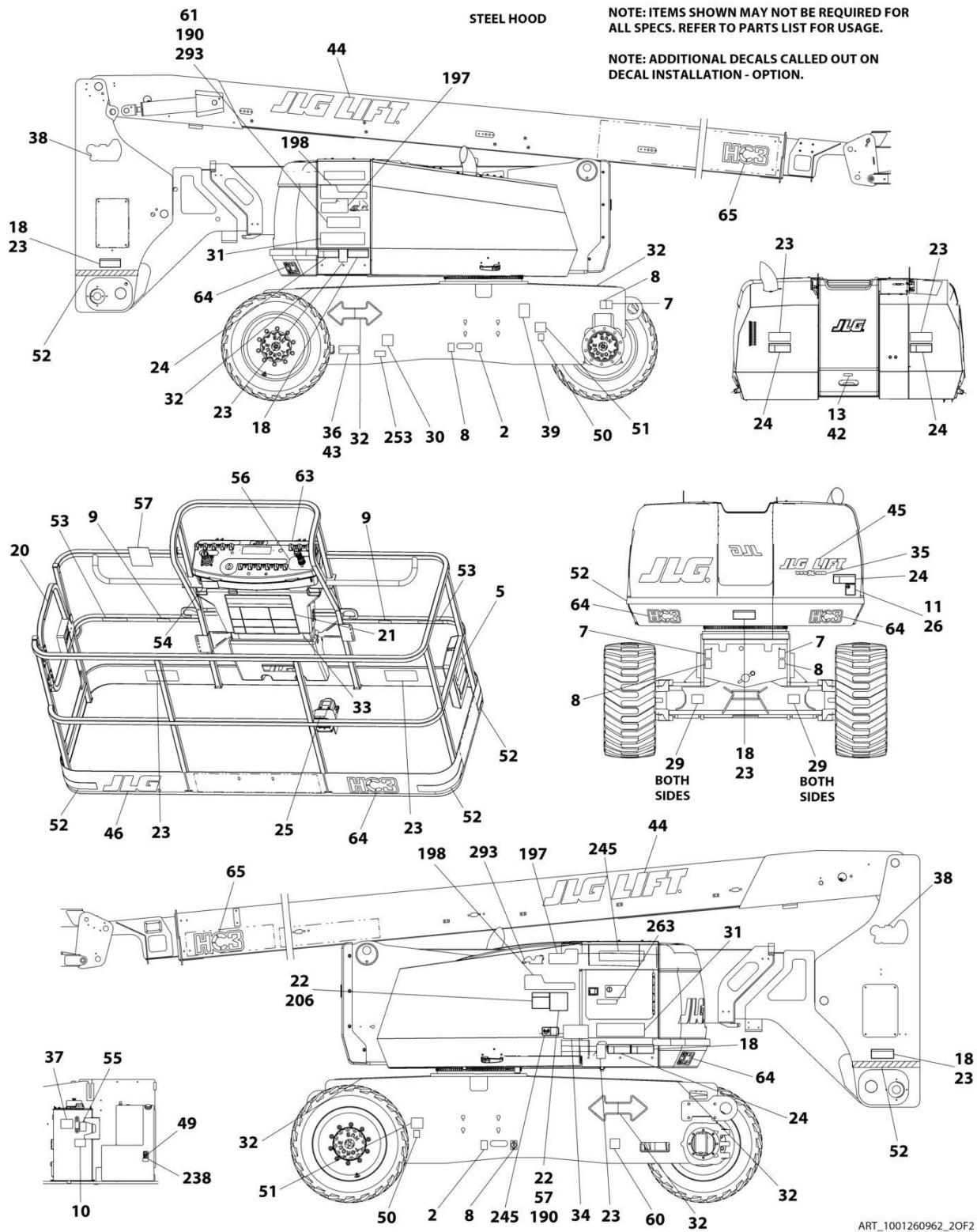
ITEM	PART NUMBER	QTY	DESCRIPTION	REV
	1001260959	Ref	DECAL INSTALLATION	D
	1001260969	Ref	REFERENCE CHART	B
2	1701499	2	Decal - No Lifting	
5	1701509	1	Decal - Manual	
7	1703811	4	Decal - Lifting Lug	
8	1703814	6	Decal - Tie Down	
9	1704277	3	Decal - Lanyard Attach Graphic	
10	1704412	1	Decal - Hydraulic Oil Chart	
21	1705921	1	Decal - Tipping	
22	1705822	1	Decal - Danger	
23	1701518	9	Decal - Warning Crushing	
24	1705961	5	Decal - Danger Electrocution	
25	1705828	1	Decal - Footswitch	
29	1703482	4	Decal - Maximum Tire Load	
30	See Note	NSS	Decal - Bar Code (Note: Not Available for Purchase)	
31	1001267312	2	Decal - 800AJ	
32	1701501	4	Decal - Arrow	
33	1001234439	2	Decal - Warning Maximum Capacity	
37	1705977	1	Decal - Upright Level	
38	1703959	2	Decal - Quick Stick	
43	3820001	2	Rivet	
52	4420051	23 ft /7m	Tape, Safety	
57	1001112551	1	Decal - Emergency Control	
61	1001263941	1	Decal - Lift Diagram	
63	1001184618	1	Decal - Stop	







# SECTION 9 - DECALS



ART\_1001260962\_20F2

## SECTION 9 - DECALS

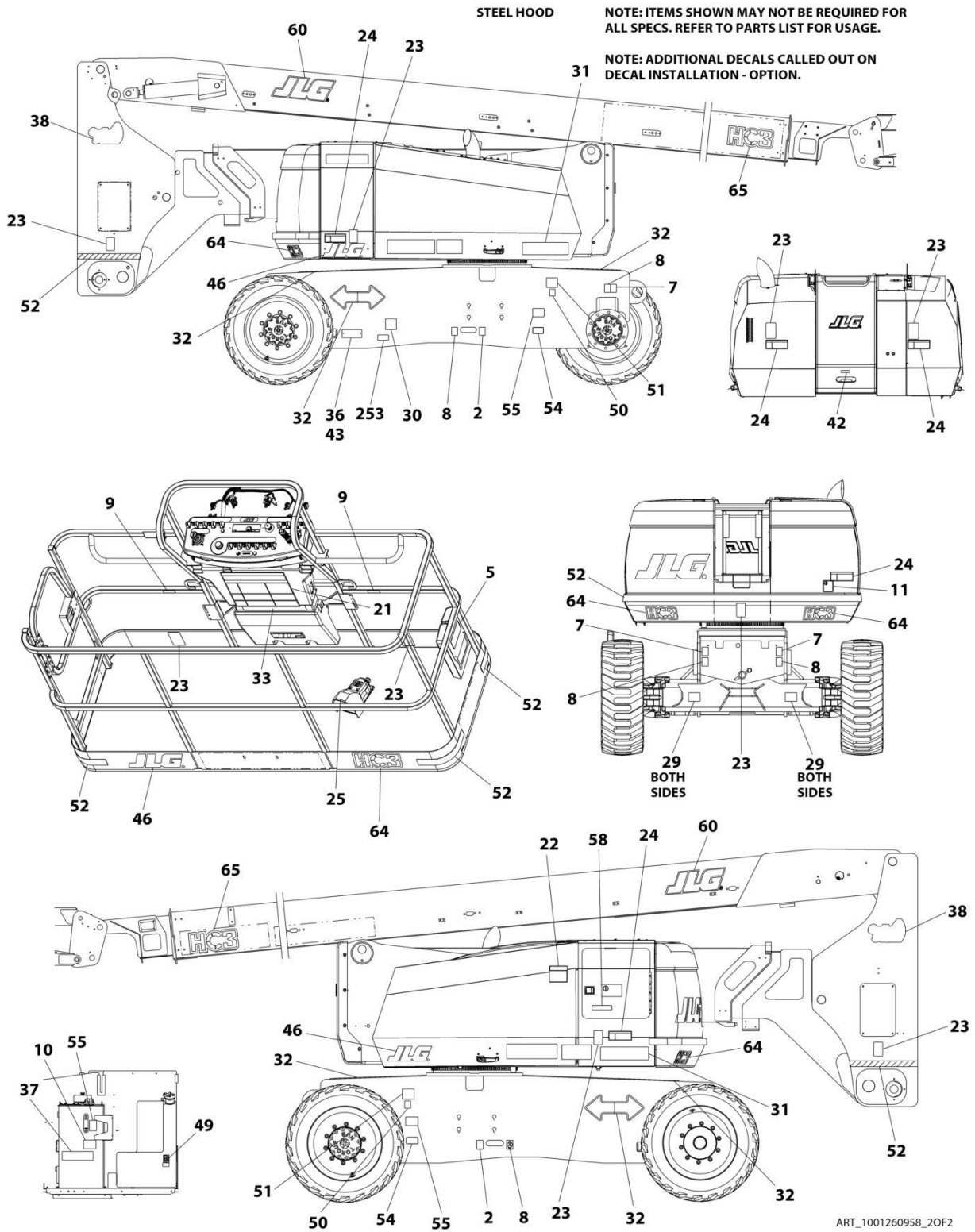
FIGURE 9-3. DECAL INSTALLATION (BRAZILIAN SPECS)

ITEM	PART NUMBER	QTY	DESCRIPTION	REV
	1001260962	Ref	DECAL INSTALLATION	D
	1001260969	Ref	REFERENCE CHART	B
2	1701499	2	Decal - No Lifting	
5	1701509	1	Decal - Manual	
7	1703811	4	Decal - Lifting Lug	
8	1703814	6	Decal - Tie Down	
9	1704277	3	Decal - Lanyard Attach Graphic	
10	1704412	1	Decal - Hydraulic Oil Chart	
18	1703943	5	Decal - Warning Crushing	
20	1705967	2	Decal - No Hands	
21	1705895	1	Decal - Warning/Danger	
22	1705896	1	Decal - Warning Inspection	
23	1705898	4	Decal - Warning Crushing	
24	1705897	5	Decal - Danger Electrocution	
25	1705902	1	Decal - Footswitch	
29	1703482	4	Decal - Maximum Tire Load	
30	See Note	NSS	Decal - Bar Code (Note: Not Available for Purchase)	
31	1001267312	2	Decal - 800AJ	
32	1701501	4	Decal - Arrow	
33	1001234437	1	Decal - Warning Maximum Capacity	
34	1001234438	1	Decal - Warning Maximum Capacity	
37	1705977	1	Decal - Upright Level	
38	1703959	2	Decal - Quick Stick	
43	3820001	2	Rivet	
52	4420051	23 ft /7m	Tape, Safety	
56	1705905	1	Decal - Drive/Steer	
60	1001224052	1	Decal - Yearly Inspection	
61	1001263941	1	Decal - Lift Diagram	
63	1001184618	1	Decal - Stop	





# SECTION 9 - DECALS



ART\_1001260958\_20F2

## SECTION 9 - DECALS

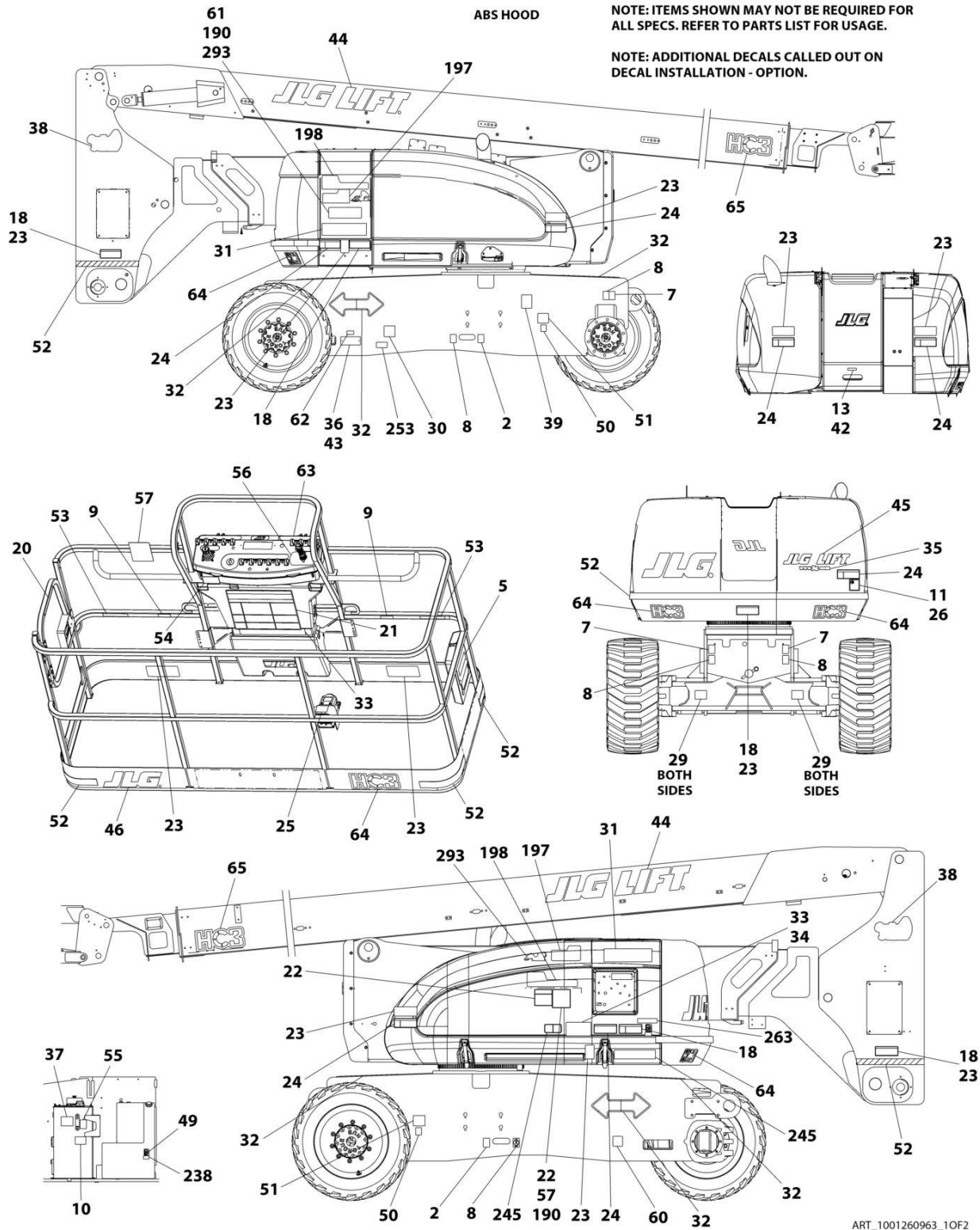
FIGURE 9-4. DECAL INSTALLATION (CE & UK CA SPECS)

ITEM	PART NUMBER	QTY	DESCRIPTION	REV
	1001260958	Ref	DECAL INSTALLATION	D
	1001260968	Ref	REFERENCE CHART	B
2	1701499	2	Decal - No Lifting	
5	1701509	1	Decal - Manual	
7	1703811	4	Decal - Lifting Lug	
8	1703814	6	Decal - Tie Down	
9	1704277	3	Decal - Lanyard Attach Graphic	
10	1704412	1	Decal - Hydraulic Oil Chart	
21	1705921	1	Decal - Tipping	
22	1705822	1	Decal - Danger	
23	1701518	9	Decal - Warning Crushing	
24	1705961	5	Decal - Danger Electrocution	
25	1705828	1	Decal - Footswitch	
29	1703482	4	Decal - Maximum Tire Load	
30	See Note	NSS	Decal - Bar Code (Note: Not Available for Purchase)	
31	1001267312	2	Decal - 800AJ	
32	1701501	4	Decal - Arrow	
33	1001234439	1	Decal - Warning Maximum Capacity	
37	1705977	1	Decal - Upright Level	
38	1703959	2	Decal - Quick Stick	
43	3820001	2	Rivet	
52	4420051	23 ft /7m	Tape, Safety	
61	1001263941	1	Decal - Lift Diagram	
63	1001184618	1	Decal - Stop	



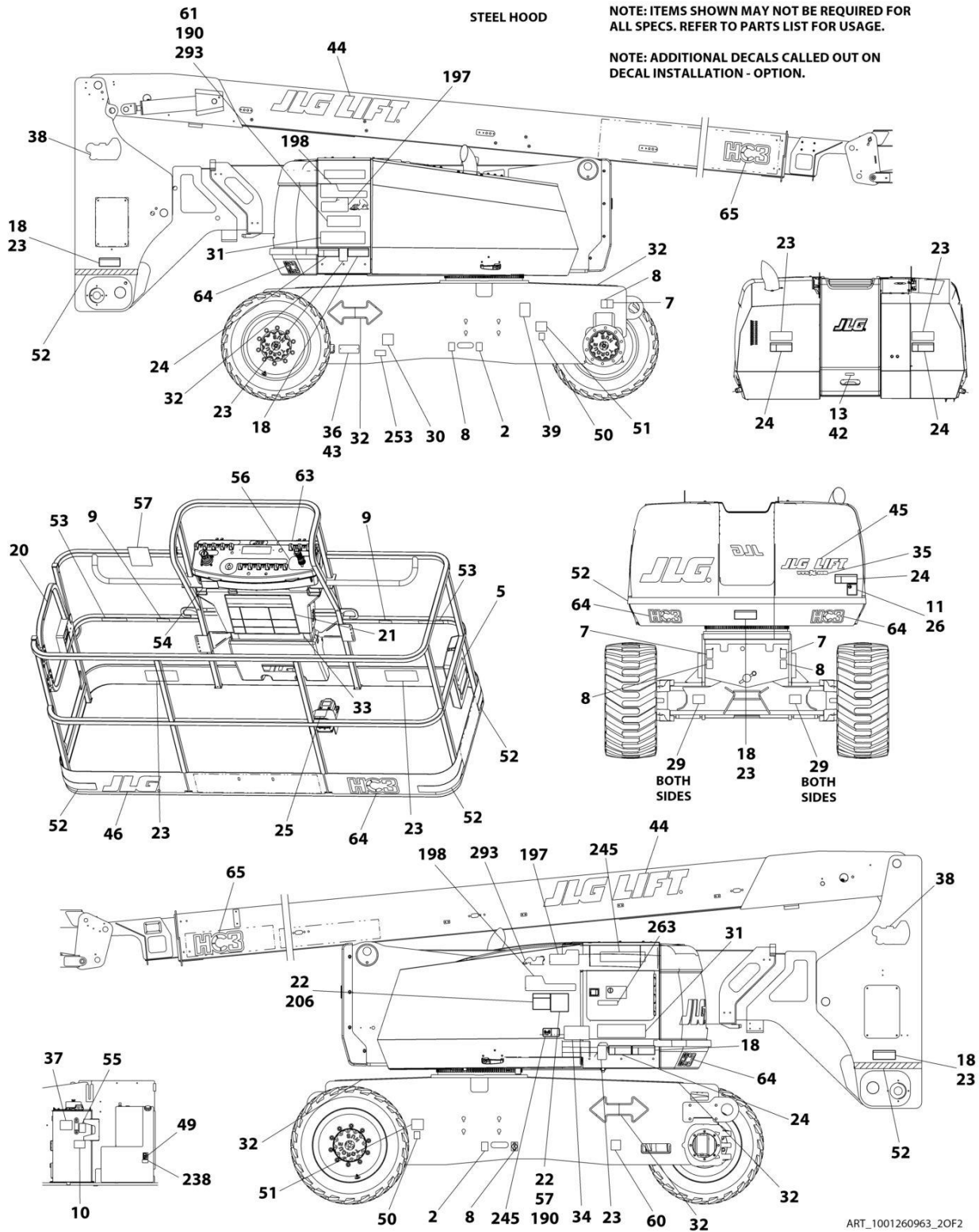
# SECTION 9 - DECALS

## FIGURE 9-5. DECAL INSTALLATION (CHINA SPECS)





# SECTION 9 - DECALS



## SECTION 9 - DECALS

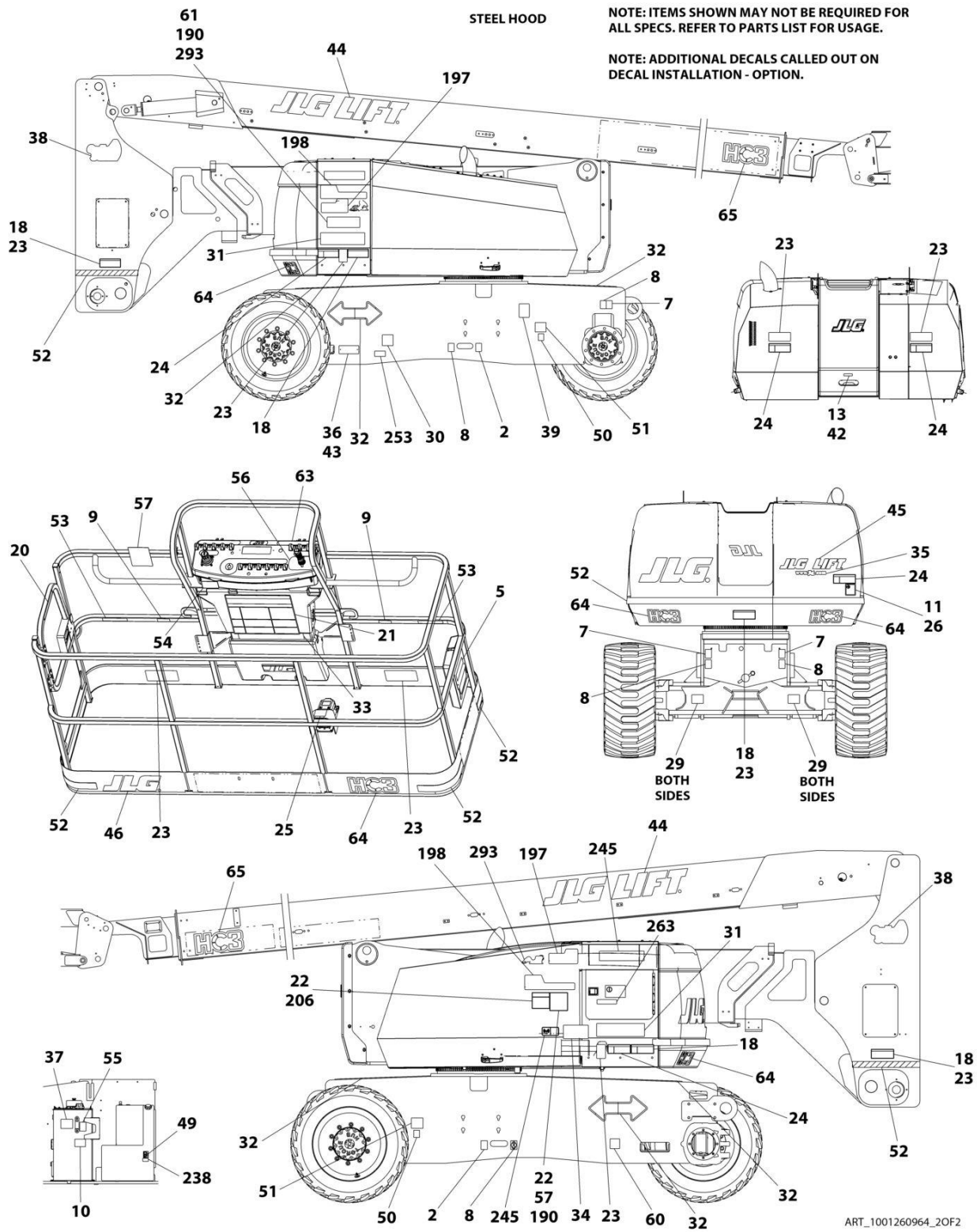
FIGURE 9-5. DECAL INSTALLATION (CHINA SPECS)

ITEM	PART NUMBER	QTY	DESCRIPTION	REV
	1001260963	Ref	DECAL INSTALLATION	D
	1001260969	Ref	REFERENCE CHART	B
2	1701499	2	Decal - No Lifting	
5	1701509	1	Decal - Manual	
7	1703811	4	Decal - Lifting Lug	
8	1703814	6	Decal - Tie Down	
9	1704277	3	Decal - Lanyard Attach Graphic	
10	1704412	1	Decal - Hydraulic Oil Chart	
18	1703943	5	Decal - Warning Crushing	
20	1705968	2	Decal - No Hands	
21	1703925	1	Decal - Warning/Danger	
22	1705348	1	Decal - Warning Inspection	
23	1703949	4	Decal - Warning Crushing	
24	1703937	5	Decal - Danger Electrocution	
25	1703982	1	Decal - Footswitch	
29	1703482	4	Decal - Maximum Tire Load	
30	See Note	NSS	Decal - Bar Code (Note: Not Available for Purchase)	
31	1001267312	2	Decal - 800AJ	
32	1701501	4	Decal - Arrow	
33	1001234435	1	Decal - Warning Maximum Capacity	
34	1001234436	1	Decal - Warning Maximum Capacity	
37	1705977	1	Decal - Upright Level	
38	1703959	2	Decal - Quick Stick	
43	3820001	2	Rivet	
52	4420051	23 ft /7m	Tape, Safety	
60	1001224050	1	Decal - Yearly Inspection	
61	1001263941	1	Decal - Lift Diagram	
63	1001184618	1	Decal - Stop	





# SECTION 9 - DECALS



## SECTION 9 - DECALS

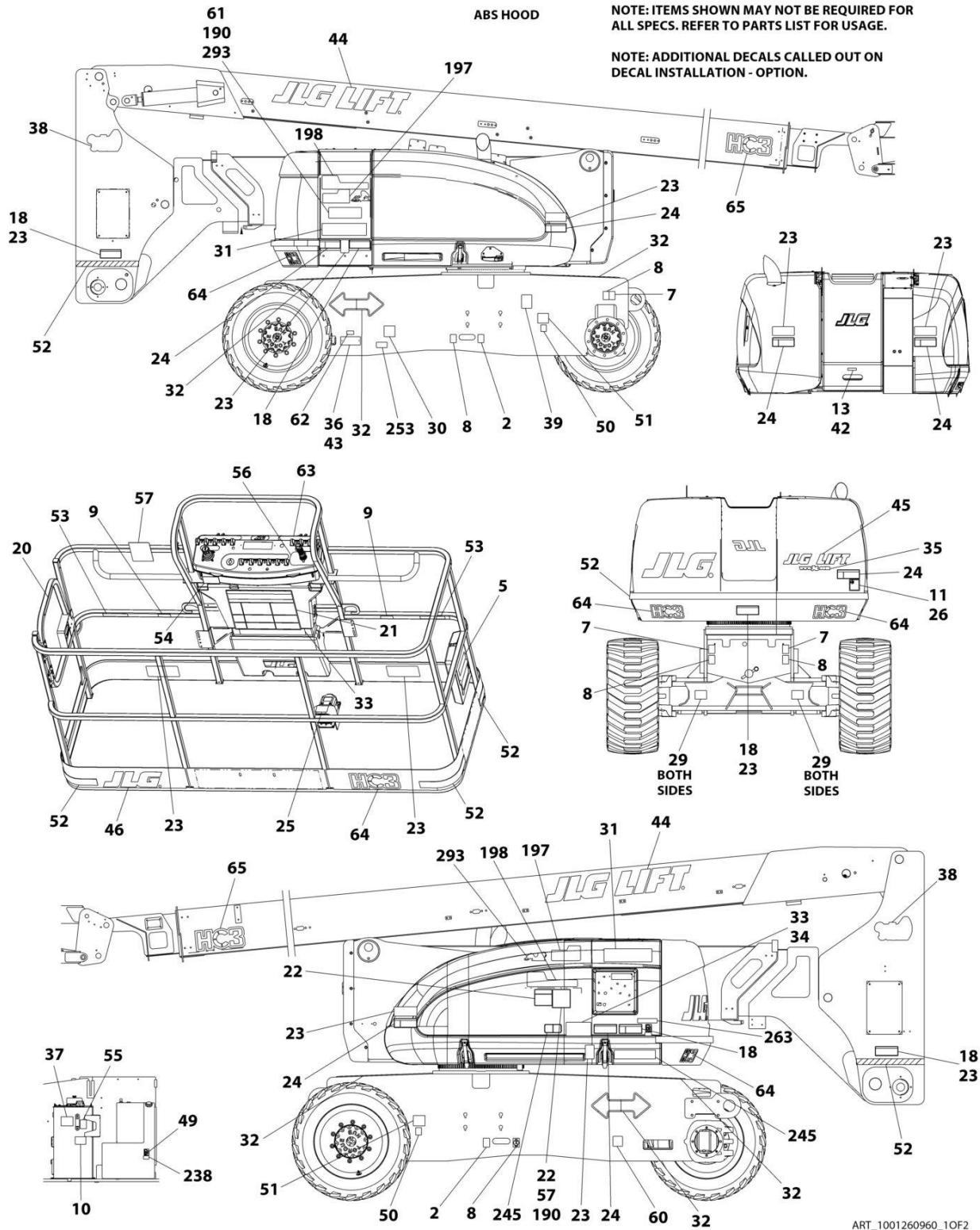
**FIGURE 9-6. DECAL INSTALLATION (CSA SPECS)**

ITEM	PART NUMBER	QTY	DESCRIPTION	REV
	1001260964	Ref	DECAL INSTALLATION	D
	1001260969	Ref	REFERENCE CHART	B
2	1701499	2	Decal - No Lifting	
5	1701509	1	Decal - Manual	
7	1703811	4	Decal - Lifting Lug	
8	1703814	6	Decal - Tie Down	
9	1704277	3	Decal - Lanyard Attach Graphic	
10	1704412	1	Decal - Hydraulic Oil Chart	
13	3251243	1	Decal - Nameplate	
18	1703942	5	Decal - Warning Crushing	
20	1704000	2	Decal - No Hands	
21	1703924	1	Decal - Warning/Danger	
22	1705347	1	Decal - Warning Inspection	
23	1703948	4	Decal - Warning Crushing	
24	1703936	5	Decal - Danger Electrocution	
25	1703984	1	Decal - Footswitch	
29	1703482	4	Decal - Maximum Tire Load	
30	See Note	NSS	Decal - Bar Code (Note: Not Available for Purchase)	
31	1001267312	2	Decal - 800AJ	
32	1701501	4	Decal - Arrow	
33	1001234433	1	Decal - Warning Maximum Capacity	
34	1001234434	1	Decal - Warning Maximum Capacity	
37	1705977	1	Decal - Upright Level	
38	1703959	2	Decal - Quick Stick	
43	3820001	2	Rivet	
52	4420051	23 ft /7m	Tape, Safety	
56	1705429	1	Decal - Drive/Steer	
60	1001223971	1	Decal - Yearly Inspection	
61	1001263941	1	Decal - Lift Diagram	
62	1001223453	1	Decal - ICES	
63	1001184618	1	Decal - Stop	



# SECTION 9 - DECALS

## FIGURE 9-7. DECAL INSTALLATION (JAPANESE SPECS)







## SECTION 9 - DECALS

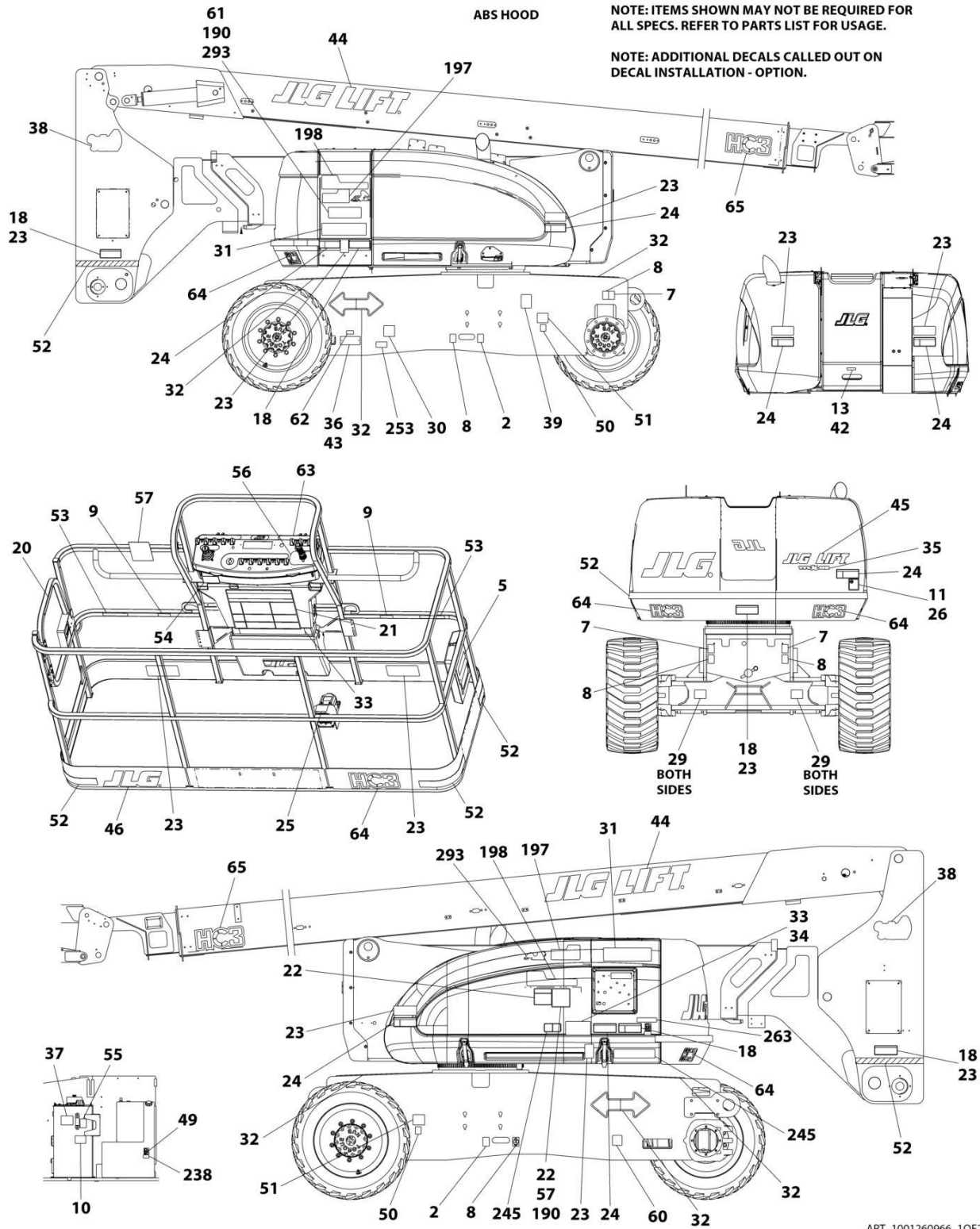
FIGURE 9-7. DECAL INSTALLATION (JAPANESE SPECS)

ITEM	PART NUMBER	QTY	DESCRIPTION	REV
	1001260960	Ref	DECAL INSTALLATION	D
	1001260969	Ref	REFERENCE CHART	B
2	1701499	2	Decal - No Lifting	
5	1701509	1	Decal - Manual	
7	1703811	4	Decal - Lifting Lug	
8	1703814	6	Decal - Tie Down	
9	1704277	3	Decal - Lanyard Attach Graphic	
10	1704412	1	Decal - Hydraulic Oil Chart	
13	3251243	1	Decal - Nameplate	
18	1703944	5	Decal - Warning Crushing	
21	1703926	1	Decal - Warning/Danger	
22	1705344	1	Decal - Warning Inspection	
23	1703950	4	Decal - Warning Crushing	
24	1703938	5	Decal - Danger Electrocution	
25	1703980	1	Decal - Footswitch	
29	1703482	4	Decal - Maximum Tire Load	
30	See Note	NSS	Decal - Bar Code (Note: Not Available for Purchase)	
31	1001267312	2	Decal - 800AJ	
32	1701501	4	Decal - Arrow	
33	1001234428	1	Decal - Warning Maximum Capacity	
34	1001234429	1	Decal - Warning Maximum Capacity	
37	1705977	1	Decal - Upright Level	
38	1703959	2	Decal - Quick Stick	
43	3820001	2	Rivet	
52	4420051	23 ft /7m	Tape, Safety	
56	1705426	1	Decal - Drive/Steer	
60	1001224053	1	Decal - Yearly Inspection	
61	1001263941	1	Decal - Lift Diagram	
63	1001184618	1	Decal - Stop	



# SECTION 9 - DECALS

## FIGURE 9-8. DECAL INSTALLATION (KOREAN SPECS)



ART\_1001260966\_10F2



## SECTION 9 - DECALS

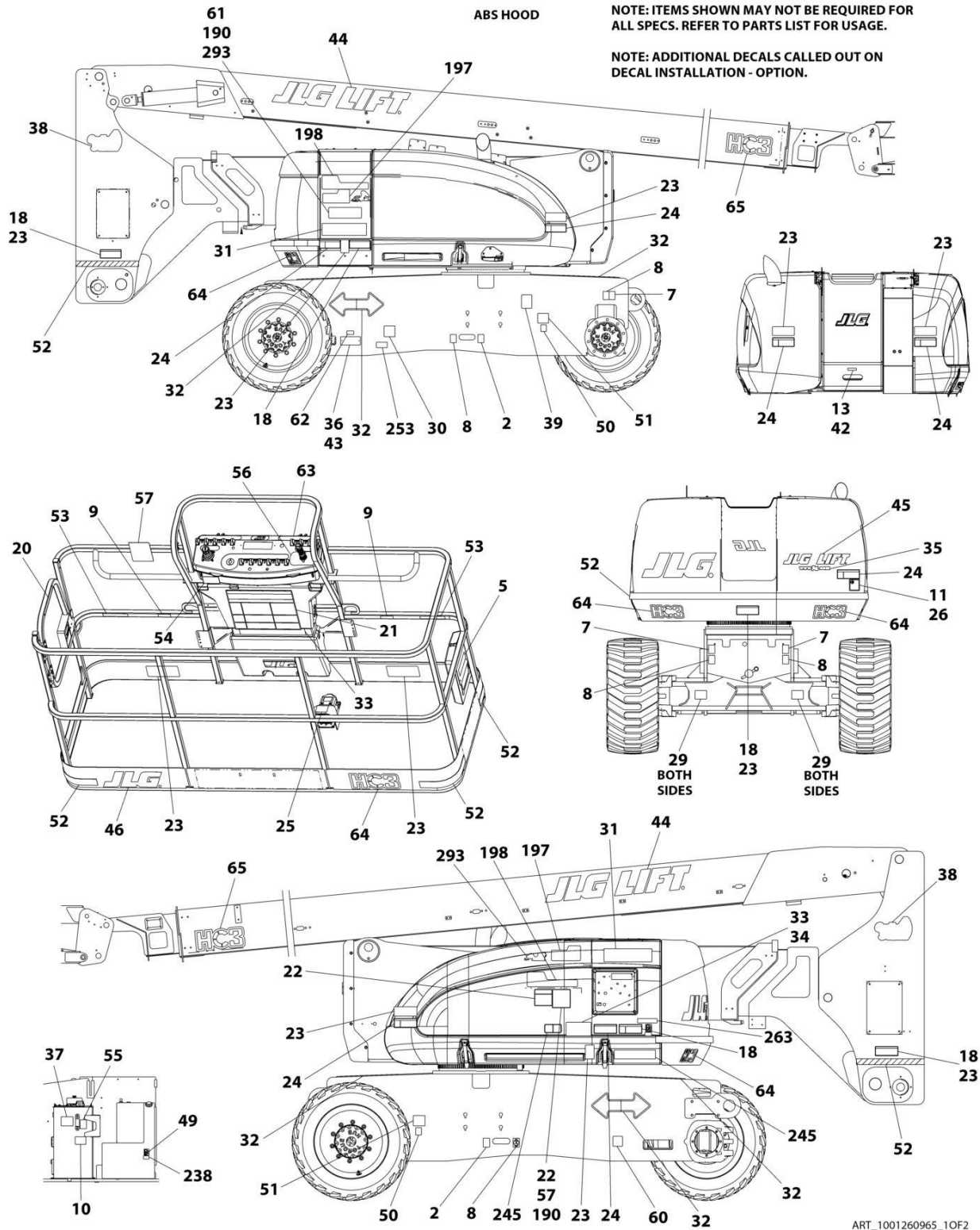
FIGURE 9-8. DECAL INSTALLATION (KOREAN SPECS)

ITEM	PART NUMBER	QTY	DESCRIPTION	REV
	1001260966	Ref	DECAL INSTALLATION	D
	1001260969	Ref	REFERENCE CHART	B
1	1001263941	1	Decal - Lift Diagram	
2	1701499	2	Decal - No Lifting	
5	1701509	1	Decal - Manual	
7	1703811	4	Decal - Lifting Lug	
8	1703814	6	Decal - Tie Down	
9	1704277	3	Decal - Lanyard Attach Graphic	
10	1704412	1	Decal - Hydraulic Oil Chart	
18	1703945	5	Decal - Warning Crushing	
20	1705969	2	Decal - No Hands	
22	1703927	1	Decal - Warning/Danger	
23	1703951	4	Decal - Warning Crushing	
24	1703939	5	Decal - Danger Electrocution	
25	1703981	1	Decal - Footswitch	
29	1703482	4	Decal - Maximum Tire Load	
30	See Note	NSS	Decal - Bar Code (Note: Not Available for Purchase)	
31	1001267312	2	Decal - 800AJ	
32	1701501	4	Decal - Arrow	
33	1001234430	1	Decal - Warning Maximum Capacity	
34	1001235585	1	Decal - Warning Maximum Capacity	
37	1705977	1	Decal - Upright Level	
38	1703959	2	Decal - Quick Stick	
43	3820001	2	Rivet	
52	4420051	23 ft /7m	Tape, Safety	
56	1705427	1	Decal - Drive/Steer Instructions	
60	1001224048	1	Decal - Yearly Inspection	
63	1001184618	1	Decal - Stop	



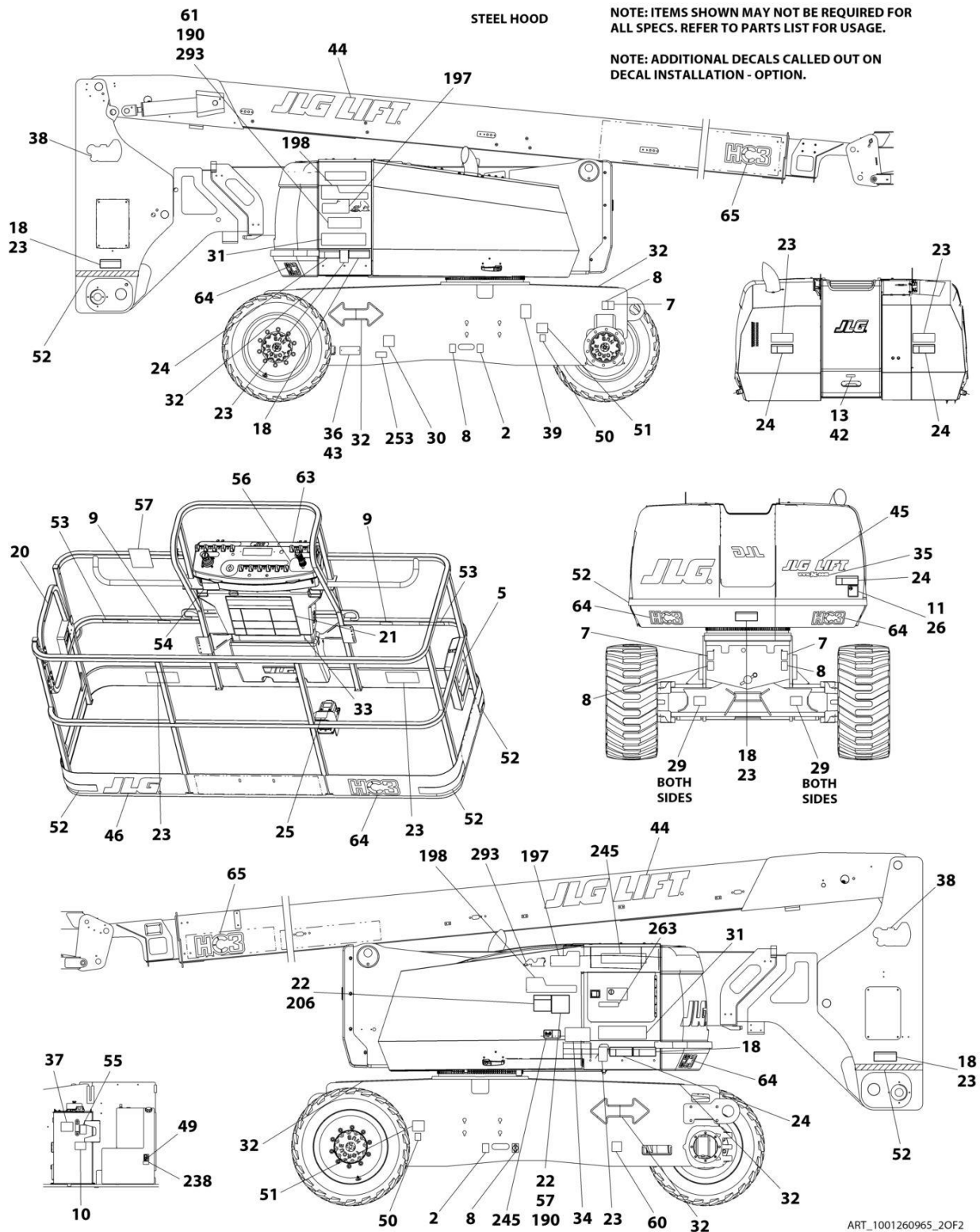
# SECTION 9 - DECALS

## FIGURE 9-9. DECAL INSTALLATION (LATIN AMERICAN SPECS)





# SECTION 9 - DECALS



## SECTION 9 - DECALS

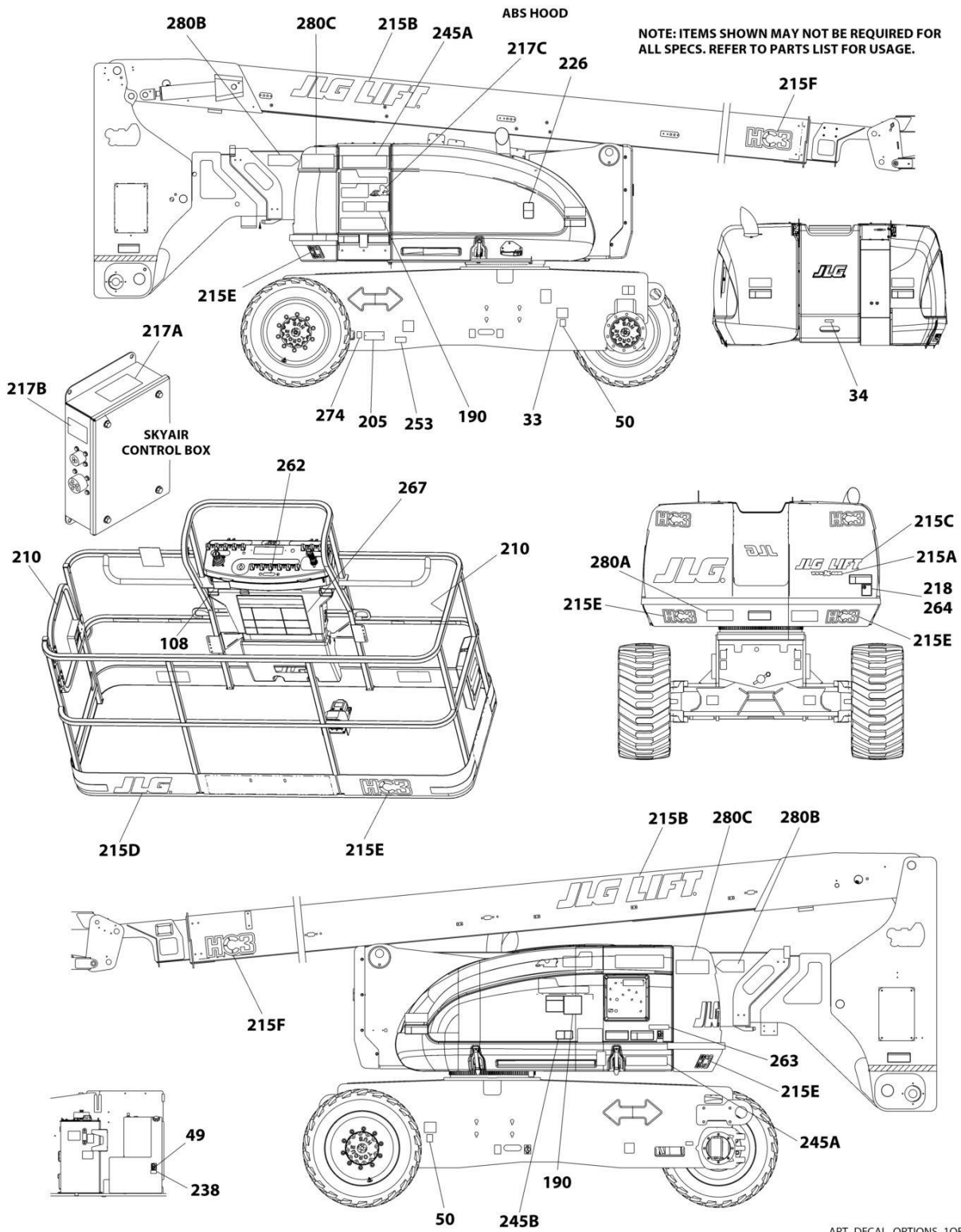
**FIGURE 9-9. DECAL INSTALLATION (LATIN AMERICAN SPECS)**

ITEM	PART NUMBER	QTY	DESCRIPTION	REV
	1001260965	Ref	DECAL INSTALLATION	D
	1001260969	Ref	REFERENCE CHART	B
2	1701499	2	Decal - No Lifting	
5	1701509	1	Decal - Manual	
7	1703811	4	Decal - Lifting Lug	
8	1703814	6	Decal - Tie Down	
9	1704277	3	Decal - Lanyard Attach Graphic	
10	1704412	1	Decal - Hydraulic Oil Chart	
18	1703943	5	Decal - Warning Crushing	
20	1704001	2	Decal - No Hands	
21	1703923	1	Decal - Warning/Danger	
22	1705917	1	Decal - Warning Inspection	
23	1703947	4	Decal - Warning Crushing	
24	1703935	5	Decal - Danger Electrocution	
25	1703983	1	Decal - Footswitch	
29	1703482	4	Decal - Maximum Tire Load	
30	See Note	NSS	Decal - Bar Code (Note: Not Available for Purchase)	
31	1001267312	2	Decal - 800AJ	
32	1701501	4	Decal - Arrow	
33	1001234431	1	Decal - Warning Maximum Capacity	
34	1001234432	1	Decal - Warning Maximum Capacity	
37	1705977	1	Decal - Upright Level	
38	1703959	2	Decal - Quick Stick	
43	3820001	2	Rivet	
52	4420051	23 ft /7m	Tape, Safety	
60	1001224049	1	Decal - Yearly Inspection	
61	1001263941	1	Decal - Lift Diagram	
63	1001184618	1	Decal - Stop	



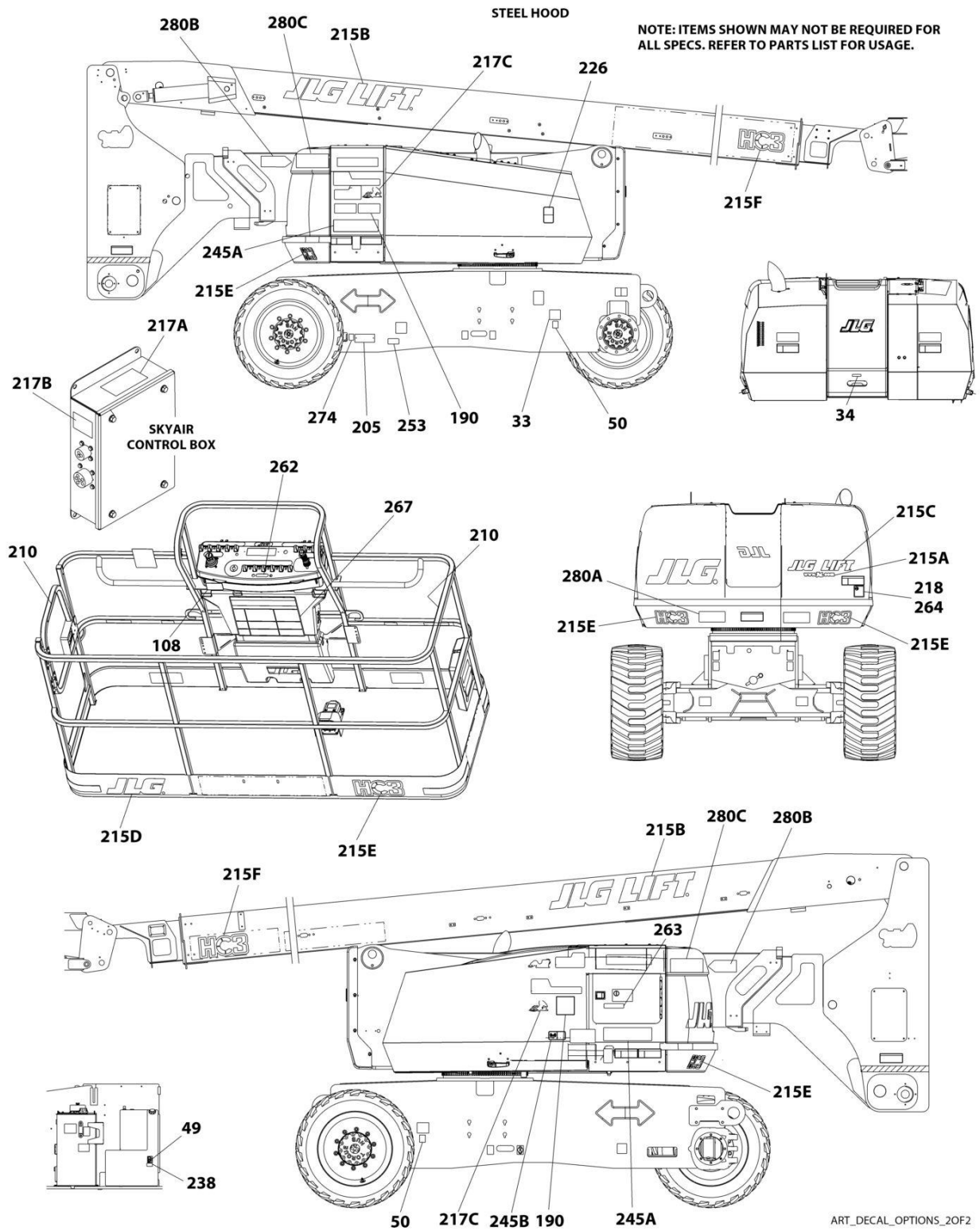
# SECTION 9 - DECALS

## FIGURE 9-10. DECAL INSTALLATION - OPTIONS



ART\_DECAL\_OPTIONS\_10F2

# SECTION 9 - DECALS



ART\_DECAL\_OPTIONS\_20F2

## SECTION 9 - DECALS

**FIGURE 9-10. DECAL INSTALLATION - OPTIONS**

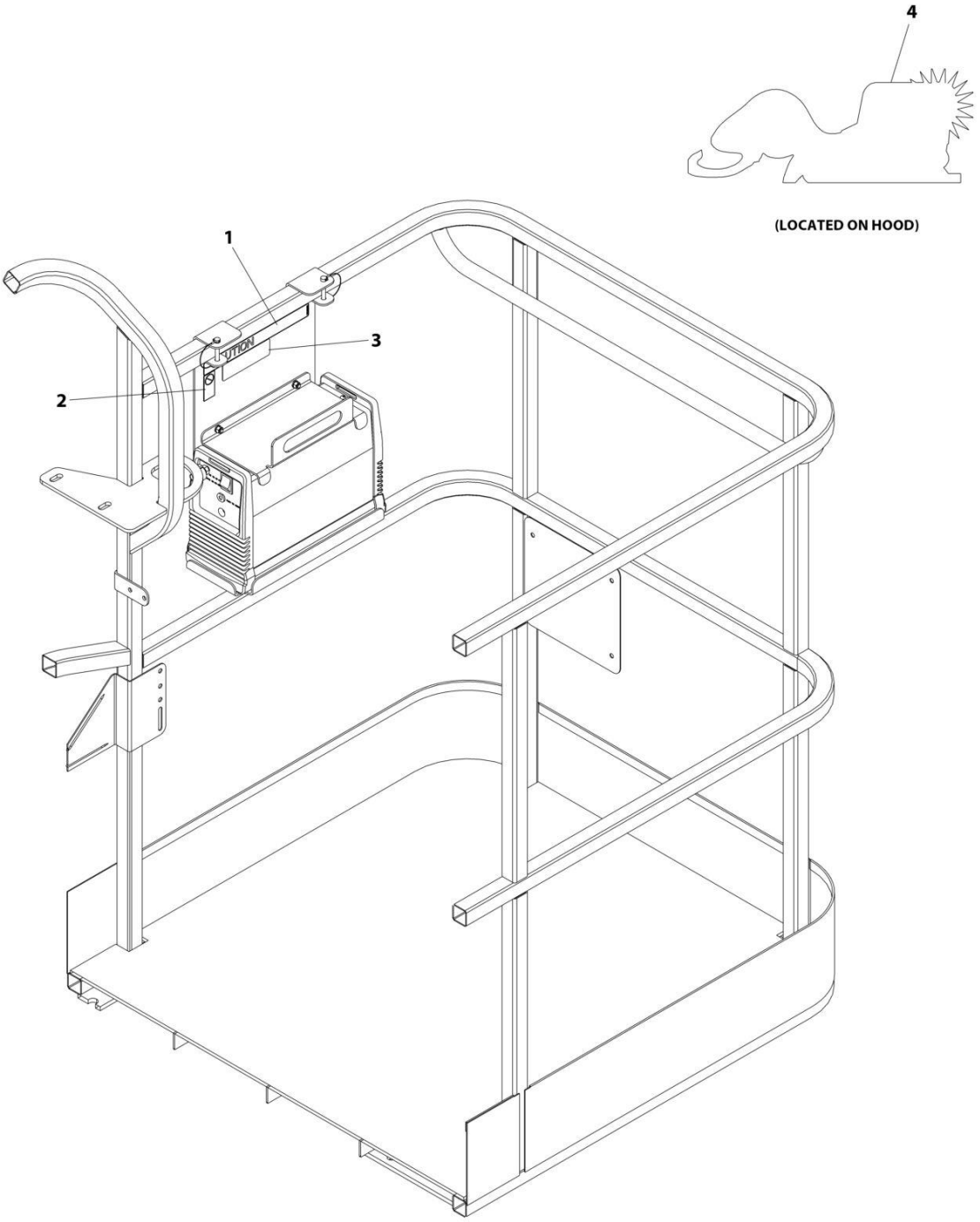
ITEM	PART NUMBER	QTY	DESCRIPTION	REV
		Ref	DECAL INSTALLATION - OPTIONS	
33	1700818	1	Decal - Fuel (LP Gas Machines) (English Language) (ANSI, CSA & Australian Specs)	
33	1704271	1	Decal - Fuel (LP Gas Machines) (English/French Languages) (CSA Specs)	
33	1702720	1	Decal - Fuel (LP Gas Machines) (English/Spansih Languages) (ANSI Export Specs)	
34	3251242	1	Nameplate - 240-50HZ (CE & UK CA Specs)	
49	1701505	1	Decal - Fuel (Diesel)	
49	1701542	1	Decal - Fuel (Gas)	
50	1701543	2	Decal - LP Gas (LP GASS Machines)	
108	1001231801	1	Decal - Warning Proposition 65 (ANSI Specs)	
190		Ref	Decal Installation - SkyGlazier Options:	
190	1001262102	1	Decal Installation - SkyGlazier (ANSI/CSA Specs)	
190	1001262105	1	Decal Installation - SkyGlazier (Australian Specs)	
190	1001262104	1	Decal Installation - SkyGlazier (Brazil & Chinese Specs)	
190	1001262103	1	Decal Installation - SkyGlazier (Latin American & Chinese Specs)	
205	See Note	1	Nameplate - Manufacturers Serial Number (Note: Not Available for Purchase)	
210	1702868	2	Decal - No Hands (English Language)	
210	1705968	2	Decal - No Hands (English/Chinese Language)	
210	1704000	2	Decal - No Hands (English/French Language)	
210	1705969	2	Decal - No Hands (English/Korean Language)	
210	1705967	2	Decal - No Hands (English/Portuguese Language)	
210	1704001	2	Decal - No Hands (English/Spanish Language)	
215	1001260957	1	Decal - Logo Installation (All Specs Except CE & UK CA Specs)	A
215	1001263022	1	Decal - Logo Installation (CE & UK CA Specs)	A
215A	1704885	1	Decal - Website	
215B	1702861	2	Decal - JLG Lift	
215C	1702774	2	Decal - JLG Lift	
215D	1702773	1	Decal - JLG	
215E	1001244212	1	Decal - HC3	
215F	1001256906	1	Decal - HC3	
215G	1001159323	1	Decal - JLG (CE & UK CA Specs) (Not Shown)	
217	0273687	Ref	Decal - SkyAir (Machines with SkyAir Option)	
217A	1705836	1	Decal - Hazardous Voltage	
217B	1705837	1	Decal - Air Compressor	
217C	1705886	1	Decal - SkyAir	
218	3251813	1	Decal - USA	
226	1704972	1	Decal - Warning Explosion/ Fire (English Language) (Diesel Machines) (ANSI Specs)	
226	1706098	1	Decal - Warning Explosion/Fire (English Language) (Diesel Machines) (Australian, CE & UK CA Specs)	
226	1706059	1	Decal - Warning Explosion/Fire (English/Portuguese Language) (Diesel Machines) (Brazil Specs)	
226	1706060	1	Decal - Warning Explosion/Fire (English/Chinese Language) (Diesel Machines) (Chinese Specs)	
226	1706064	1	Decal - Warning Explosion/Fire (English Language) (Diesel Machines) (CSA Specs)	
226	1706062	1	Decal - Warning Explosion/Fire (English/Japanes Language) (Diesel Machines) (Japanese Specs)	

## SECTION 9 - DECALS

ITEM	PART NUMBER	QTY	DESCRIPTION	REV
226	1706061	1	Decal - Warning Explosion/Fire (English/Korean Language) (Diesel Machines) (Korean Specs)	
226	1706063	1	Decal - Warning Explosion/Fire - (English/Spanish Language) (Diesel Machines) (Latin American Specs)	
238	1001125387	1	Decal - Ultra Low Sulfur Fuel (Diesel Machines) (ANSI & CSA Specs)	
238	1001139654	1	Decal - Ultra Low Sulfur Fuel (Diesel Machines) (CE, UK CA & Chinese Specs)	
245	1001127094	Ref	Decal Installation - ClearSky (Machiens with ClearSky Option)	
245A	1001116208	2	Decal - ClearSky	
245B	1001120989	1	Decal - Radio Frequency	
245	1001294757	Ref	Smart Fleet ClearSky Decal Installation	
245A	1001120989	1	Decal - Radio Frequency	
245B	1001294815	1	Decal - ClearSky	
253	1001143852	1	Decal - Emission Compliance (Diesel Machines) (ANSI Export, Australian, China, CE & UK CA Specs)	
262	1001141300	1	Decal - SkyGuard Override (Machines without Soft Touch Option)	
262	1001141302	1	Decal - SkyGuard Override (Machines with Soft Touch Option)	
263	1001197408	1	Decal - MSSO (CE & UK CA Specs)	
264	1705980	1	Decal - Sound Power (106dB) (Machines with Deutz D2011 Engines) (Australian, CE & UK CA Specs)	
	1001191525	1	Decal - Sound Power (108dB) (Machines with Deutz TD2.9L4 Stage V Engines (CE & UK CA Specs)	
267	1001200124	1	Decal - Quick Start Guide (Danish Language)	
267	1001200121	1	Decal - Quick Start Guide (Dutch Language)	
267	1001180861	1	Decal - Quick Start Guide (English Language)	
267	1001200120	1	Decal - Quick Start Guide (French Language)	
267	1001200122	1	Decal - Quick Start Guide (German Language)	
267	1001200127	1	Decal - Quick Start Guide (Norwegian Language)	
267	1001200125	1	Decal - Quick Start Guide (Swedish Language)	
267	1001200126	1	Decal - Quick Start Guide (Spanish Language)	
274	1001214030	Ref	Decal Installation- EAC (Russian/CIS Specs)	
274	1001173703	1	Decal - EAC	
280	1001220864	Ref	Decal Kit - Boom Transport Position	
280A	1001220512	2	Decal - Lower Boom	
280B	1001220510	2	Decal - Warning Arrow	
280C	1001220511	2	Decal - Warning Stripe	

**SECTION 9 - DECALS**

**FIGURE 9-11. SKYCUTTER DECAL INSTALLATION**



ART\_0272599



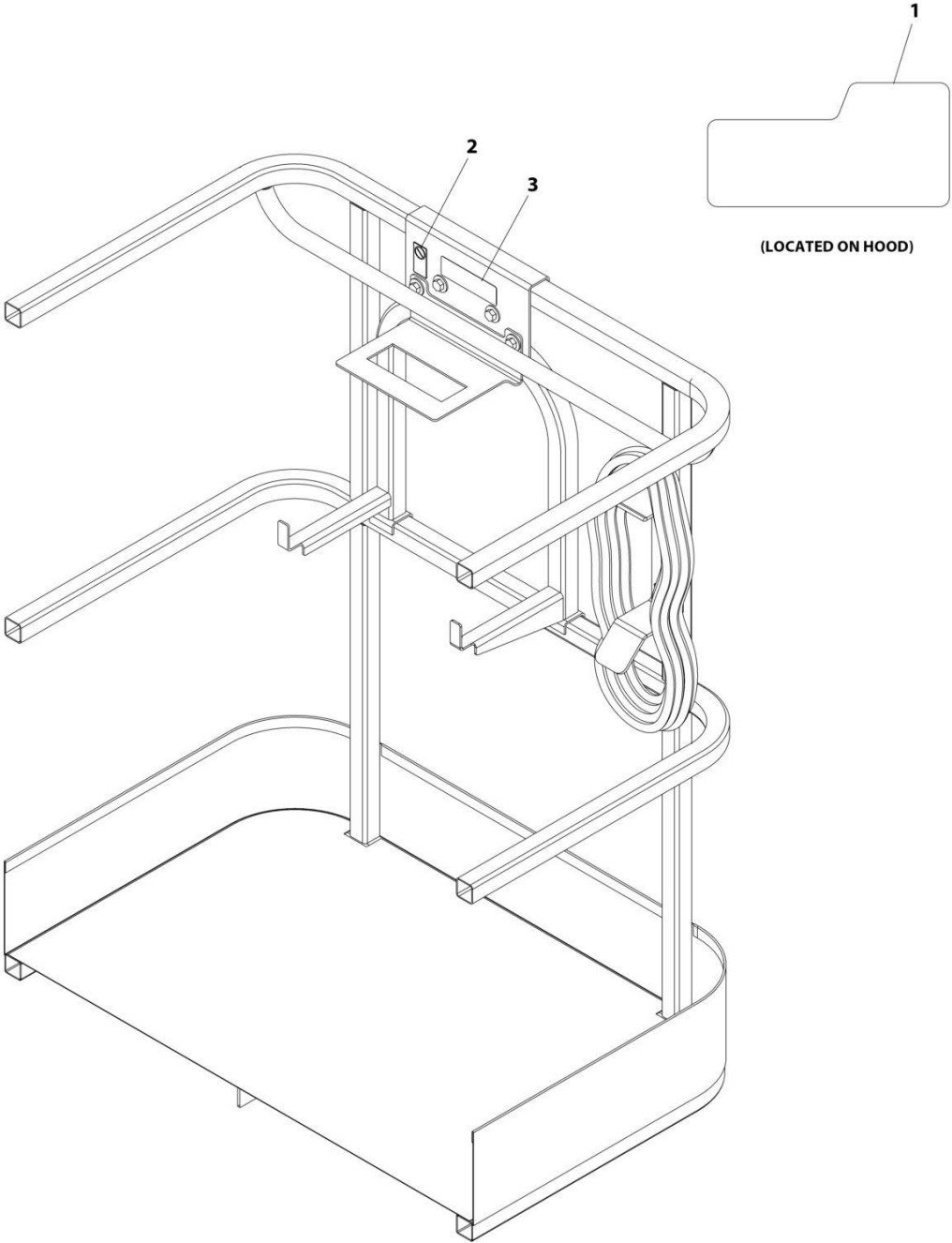
## SECTION 9 - DECALS

### FIGURE 9-11. SKYCUTTER DECAL INSTALLATION

ITEM	PART NUMBER	QTY	DESCRIPTION	REV
	0272599	Ref	SKYCUTTER DECAL INSTALLATION	C
1	1702868	1	Decal - No Hands	
2	1705305	1	Decal - Weld Leads	
3	1001252627	1	Decal - Weight	
4	1705490	2	Decal - SkyCutter	

**SECTION 9 - DECALS**

**FIGURE 9-12. SKYWELDER DECAL INSTALLATION - 50HZ**



ART\_0272588

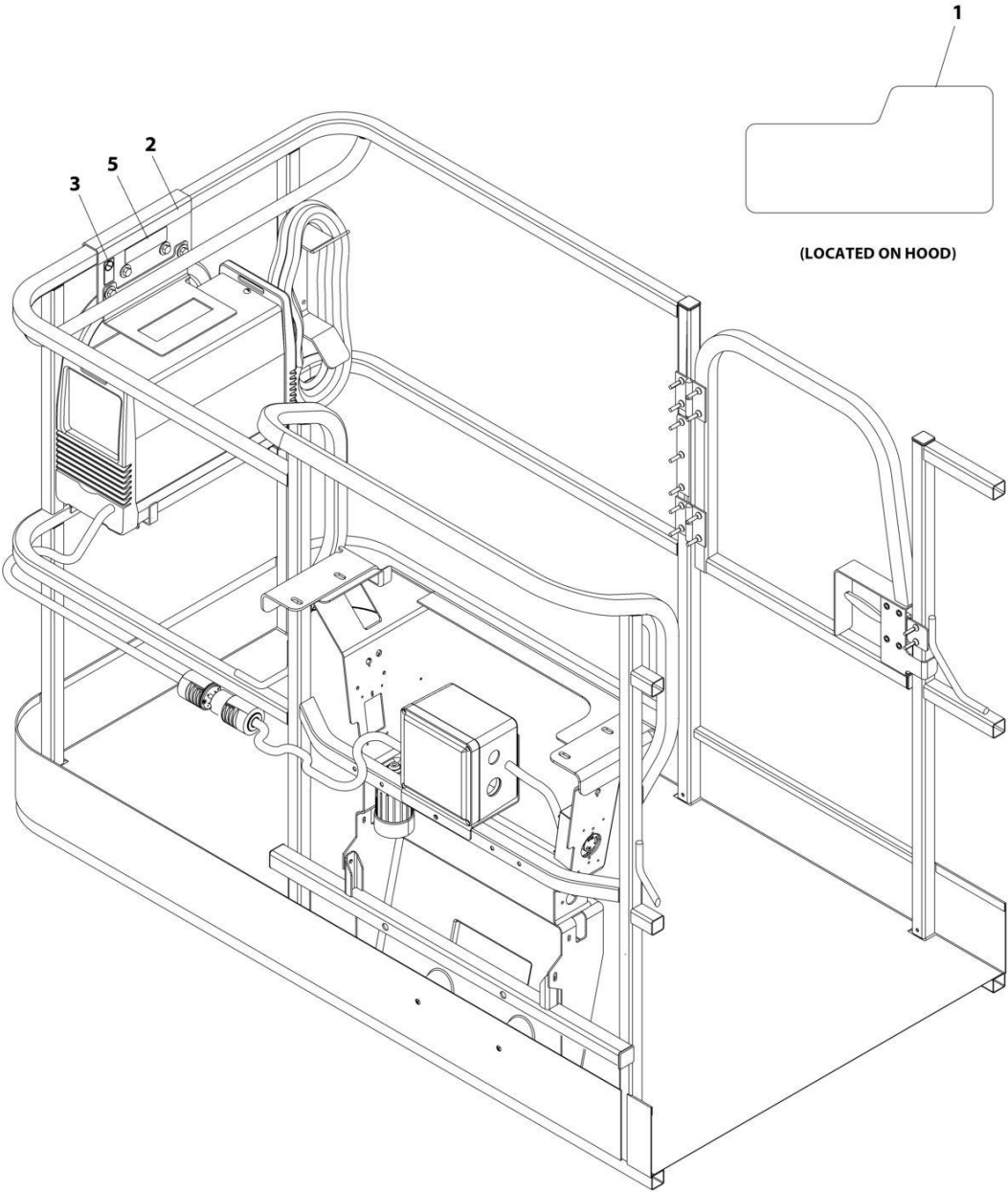
## SECTION 9 - DECALS

**FIGURE 9-12. SKYWELDER DECAL INSTALLATION - 50HZ**

ITEM	PART NUMBER	QTY	DESCRIPTION	REV
	0272588	Ref	SKYWELDER DECAL INSTALLATION - 50Hz	B
1	1705355	2	Decal - SkyWelder	
2	1705305	1	Decal - Weld Lead	
3	1001228988	1	Decal - Weight	

**SECTION 9 - DECALS**

**FIGURE 9-13. DECAL INSTALLATION - SKYWELDER (60HZ)**



ART\_0272448\_D

## SECTION 9 - DECALS

**FIGURE 9-13. DECAL INSTALLATION - SKYWELDER (60HZ)**

ITEM	PART NUMBER	QTY	DESCRIPTION	REV
	0272448	Ref	SKYWELDER DECAL INSTALLATION - 60Hz	D
1	1705355	2	Decal - SkyWelder	
2	1702868	1	Decal - No Hands	
3	1705305	1	Decal - Weld Lead	
5	1001228988	1	Decal - Weight	



## **SECTION 10 - RECOMMENDED SERVICE PARTS STOCK**

## **SECTION 10 - RECOMMENDED SERVICE PARTS STOCK**

# SECTION 10 - RECOMMENDED SERVICE PARTS STOCK

FIGURE 10-1. RECOMMENDED SERVICE PARTS STOCK

ITEM	PART NUMBER	QTY	DESCRIPTION	REV
	Note	Ref	<b>Note: The following list will service one machine (built to current production per date on the front cover) with emergency repair parts which can be installed in the field. Parts from the list should be replaced when inventory is depleted to keep service parts stock supplied. For further information, contact your JLG dealer or the JLG Industries Parts Department.</b>	
	4360070	1	Breaker, Circuit 15Amp (4000W/60HZ & 7500W Generators)	
	1001189172	1	Breaker, Circuit 16Amp Double (Breaker Box Kit with Three Breakers)	
	4360542	1	Breaker, Circuit 20Amp (2500W/60HZ Generators)	
	7024485	1	Breaker, Circuit 30Amp (7500W Generators with Deutz D2011 or Ford Engines)	
	70006095	1	Breaker, Circuit 30Amp (7500W Generator with Deutz TD2.9L4 Engine and 7500W/60HZ Generator with Deutz D2011 Engine)	
	1001181045	1	Breaker, Circuit 30mA/16Amp (Breaker Box Kit with One Double Breaker)	
	1001189171	1	Breaker, Circuit 30mA (Breaker Box Kit with Three Breakers)	
	1001159118	1	Breaker GFCI 30Amp 240VAC (240V AC Box at Platform)	
	70001431	1	Breaker, Circuit (Plasma Cutter)	
	70005708	1	Breather Assembly (Hydraulic Tank)	
	70002386	1	Coil (Boom Control Valve Assembly)	
	7012944	1	Coil (Control Valve Installation)	
	7018991	1	Coil (Control Valve Assembly)	
	70004460	1	Coil (Control Valve Assembly)	
	70004463	1	Coil (Control Valve Assembly)	
	70004595	1	Coil (Control Valve Assembly)	
	70004653	1	Coil (Control Valve Assembly)	
	70006956	1	Coil (Control Valve Assembly)	
	4360476	1	Contactora (Ground Control Boxes and Platform Console Boxes)	
	7020176	1	Contactora (Ground Control Boxes and Platform Console Boxes)	
	4360407	1	Controller, Speed (Platform Console Box)	
	1001129555	1	Controller Assembly (Lift and Swing) (Platform Console Box)	
	1001212415	1	Controller Assembly (Drive and Steer) (Platform Console Box)	
	1001117174	1	Controller, Footswitch	
	3990010	1	Diode, 6 Amp (Ground Control Box Harness)	
		Ref	Engine - Deutz D2011	
	70004020	12	Filter, Air	
	7016328	12	Filter, Fuel	
	7016331	12	Filter, Oil	
	7027795	1	Module, Control	
	3740067	1	Relay	
	3740080	1	Relay	
	70004058	1	Relay	
		Ref	Engine - Deutz TD2.9L4	
	91403102	12	Filter, Air	
	70025153	12	Filter, Fuel (Frame Mounted Filter)	
	70025161	12	Filter, Fuel (Engine Mounted Filter)	
	7016331	12	Filter, Oil	
	1001196634	2	Fuse, 2Amp (Breather Heater Harness)	
	8229242	2	Fuse, 5Amp	



## SECTION 10 - RECOMMENDED SERVICE PARTS STOCK

ITEM	PART NUMBER	QTY	DESCRIPTION	REV
	80983191	2	Fuse, 10Amp	
	70023592	2	Fuse, 20Amp	
	70023593	2	Fuse, 30Amp	
	70025210	1	Module, ECU	
	3740067	1	Relay	
	70005648	1	Relay	
	1001117308	1	Relay	
		Ref	Engine - Deutz TD2.9L4 (Stage V)	
	91403102	12	Filter, Air	
	70025153	12	Filter, Fuel (Frame Mounted Filter)	
	70025161	12	Filter, Fuel (Engine Mounted Filter)	
	7016331	12	Filter, Oil	
	1001196634	2	Fuse, 2Amp (Breather Heater Harness)	
	8229242	2	Fuse, 5Amp	
	80983191	2	Fuse, 10Amp	
	70023592	2	Fuse, 20Amp	
	70023593	2	Fuse, 30Amp	
	70025210	1	Module, ECU	
	3740067	1	Relay	
	70005648	1	Relay	
	1001117308	1	Relay	
		Ref	Engine - Deutz TD2.9L4 (China III)	
	91403102	12	Filter, Air	
	1001225432	12	Filter, Fuel (Engine Mounted Filter)	
	1001225430	12	Filter, Fuel (Frame Mounted Filter)	
	7016331	12	Filter, Oil	
	70025210	1	Module, ECU	
	3740067	1	Relay	
	70005648	1	Relay	
	1001117308	1	Relay	
		Ref	Engine - Ford	
	70005008	12	Filter, Primary Air	
	70006460	12	Filter, Secondary Air	
	70006155	12	Filter, Fuel	
	70006213	12	Filter, Oil	
	70006175	2	Fuse, 20Amp	
	70006176	1	Module, Engine Control Unit	
	3740067	1	Relay	
	70006171	1	Relay	
	70006172	1	Relay	
	2120210	12	Element, Filter (Control Valves Installation)	
	8229249	2	Fuse, 3Amp (USB Charger & Platform Console Box Harness)	
	2400064	2	Fuse, 5Amp (Generator to Engine Harness)	
	8229242	2	Fuse, 5Amp (Control Box Harness)	
	2860030	1	Key, Replacement (Ground Control Boxes)	
	2940074	1	Latch (Platform Assemblies with Gates)	
	1001142683	1	Module, Control (Strobe Light Installations)	
	1001103667	1	Module, Ground Control	
	1001106938	1	Module, Platform	
	3740080	1	Relay (2500W Generators and 7500W Generator with Ford Engine)	
	70006553	1	Relay (4000W Generators)	

## SECTION 10 - RECOMMENDED SERVICE PARTS STOCK

ITEM	PART NUMBER	QTY	DESCRIPTION	REV
	3740049	1	Relay (Ground Control Boxes)	
	3740086	1	Relay (SkyLine Harness)	
	1001186431	1	Relay (SkyGuard)	
	1001204939	1	Sensor, Angle (Boom Valves and Proximity Switches Installation)	
	1001094400	1	Sensor, Dual Axis (Boom Valves and Proximity Switches Installation)	
	1001228225	1	Sensor, Emitter (SkyEye)	
	4360436	1	Sensor, Fuel Level (Tank Installations)	
	4360578	1	Sensor, Limit (Boom Valves and Proximity Switches Installation and Transport Position Switch)	
	1001172271	1	Sensor, Limit (Boom Valves and Proximity Switches Installation with Tower Stow)	
	4360057	1	Sensor, Limit (Soft Touch Installation)	
	7026638	1	Sensor, Pressure (Air Compressor)	
	4360498	1	Sensor, Proximity (Boom Valves and Proximity Switches Installation)	
	4360499	1	Sensor, Proximity (Boom Valves and Proximity Switches Installation)	
	1001170847	1	Sensor, Proximity (Boom Valves and Proximity Switches Installation)	
	1001182570	1	Sensor, Proximity (Boom Valves and Proximity Switches Installation)	
	1001232667	1	Sensor, Proximity (SkyLine)	
	4360517	1	Sensor, Proximity (Rotary Coupling)	
	1001228224	1	Sensor, Receiver (SkyEye)	
	1001225346	1	Switch, Battery (Battery Disconnect Installation)	
	4360475	1	Switch, Emergency Stop (Ground Control and Platform Conosole Boxes)	
	4360469	1	Switch, Key (Ground Control Boxes)	
	70001432	1	Switch, Rocker (Plasma Cutter)	
	4360387	1	Switch, Push Button (CE & UK CA Ground Control Boxes, Platform Console Boxes, and Soft Touch)	
	4360274	1	Switch, Push Button (Ground Control Boxes with Deutz Stage V Engine)	
	4360336	1	Switch, Toggle (Generator Installations)	
	1001155045	1	Switch, Toggle (Ground Control and Platform Console Boxes)	
	4360328	1	Switch, Toggle (Jib Switch Installation)	
	4360331	1	Switch, Toggle (Platform Console Boxes)	
	1001159256	1	Switch, Toggle (Platform Console Boxes)	
	7024469	1	Switch with Lead (Welder Assembly)	

**SECTION 11 - SPECIAL OPTIONS**

## SECTION 11 - SPECIAL OPTIONS

FIGURE 11-1. SPECIAL OPTIONS/ACCESSORES/KITS

ITEM	PART NUMBER	QTY	DESCRIPTION	REV
		Ref	Note: This list is to accommodate machines ordered with special equipment. Options may not be applicable to all models. For more specific parts information contact JLG Parts Department.	
		Ref	MISCELLANEOUS SPECIAL OPTIONS/ACCESSORES/KITS	
	1001229762	Ref	Air Intake Shut-off Valve (Deutz TD2.9L4 Engines) (Factory Installed)	
	1001260970	Ref	Airline to Platform Installation - 1/2in	
	1001092092	Ref	Airline to Platform Installation - 1/2in (Cold Weather Package)	
	1001249695	Ref	Analyzer and Cable Kit	
	1001249941	Ref	Battery Powered Analyzer Installation Kit	
	1001260886	Ref	Bellows Installation - Boom	
	1001158259	Ref	Bellows Installation - Chassis (Fixed Axle 2WS)	
	2910887	Ref	Boom Wear Pad Kit	
	1001260858	Ref	Boom Wipers Installation	
	1001233047	Ref	Breather Heater Kit (Deutz TD2.9L4 Engines)	
	1001172045	Ref	Cable Ladder Carrier Installation	
		Ref	ClearSky Telematics Kits (Dealer Installed)	
	1001242409	Ref	ClearSky Telematics Access Control Add-on Kit	
	1001243183	Ref	ClearSky Telematics Access Control Add-on Kit - Canbus (ANSI & CSA Specs)	
	1001243184	Ref	ClearSky Telematics Access Control Add-on Kit - Canbus (ANSI Export, CE & UK CA Specs)	
	1001246142	Ref	ClearSky Telematics Add-On Kit (Australian Specs)	
	1001119939	Ref	ClearSky Telematics Add-On Kit (ANSI Spec)	
	1001119947	Ref	ClearSky Telematics Add-On Kit (CSA Spec)	
	1001276923	Ref	ClearSky Telematics Add-On Kit (Contact JLG for Approved Countries)	
	1001289850	Ref	ClearSky (Telematics) CS550 Installation	
	1001178208	Ref	Cold Weather Package Installation - Deutz D2011 Engines	
	1001178207	Ref	Cold Weather Package Installation - Deutz TD2.9L4 Engines	
	1001255807	Ref	Cold Weather Package Installation - Deutz TD2.9L4 (Stage V) Engines	
	1001219840	Ref	Cold Weather Package Installation - Ford Engines	
	0274883	Ref	Cold Weather Transformer Installation (ANSI Export, Australian, China and Japanese Specs Only)	
	1001115918	Ref	Cribbing Installation	
	1001264254	Ref	Cylinder Kit - Level/Upright (Includes 2 Cylinders - Tower Lift & Upright Level)	
	1001264148	Ref	Cylinder Kit - Lift (Includes 1 Cylinder and Service info)	
		Ref	Decals Kits:	
	1001273008	1	Machine - ANSI	
	1001108721	Ref	Platform	
	1001273009	1	Platform - ANSI	
	1001119563	Ref	Platform Console	
	1001273010	1	Platform Console - ANSI	
	2902396	Ref	Drive/Steer Cutout Kit	
	1001148902	Ref	Electrical Connector Kits - Amp	
	1001148903	Ref	Electrical Connector Kits - Deutsch DT	
	1001148904	Ref	Electrical Connector Kits - Deutsch HD	
	1001148905	Ref	Electrical Connector Kits - Packard	

## SECTION 11 - SPECIAL OPTIONS

ITEM	PART NUMBER	QTY	DESCRIPTION	REV
	1001148906	Ref	Electrical Connector Kits - Various	
	1001218022	Ref	Engine Block Heater Installation - Ford Engines	
	1001108962	Ref	Exhaust Rain Cap Installation (Australian, CE & UK CA Specs)	
	1001269630	Ref	Fall Arrest (Bolt-On) Add-On Kit (30inch x 4 Ft/1.22m Platform)	
	1001269629	Ref	Fall Arrest (Bolt-On) Add-On Kit (30inch x 5 Ft/1.52m Platform)	
	1001269631	Ref	Fall Arrest (Bolt-On) Add-On Kit (30inch x 6 Ft/1.82m Platform)	
	1001237883	Ref	Fall Arrest (Bolt-On) Add-On Kit (6 Ft/1.82m Platform) (ANSI, ANSI Export, China, CSA & Japanese Specs)	
	1001237882	Ref	Fall Arrest (Bolt-On) Add-On Kit (8 Ft/2.4m Platform) (ANSI, ANSI Export, China, CSA & Japanese Specs)	
		Ref	Fan Cover/Grille Options	
	1001182599	Ref	Fan Cover Installation (Deutz D2011 Engines)	
	1001177694	Ref	Fan Grille Installation (Deutz TD2.9L4 Engines and Deutz TD2.9L4 (Stage V) Engines (Modine Radiator)	
		Ref	Filter Kits:	
		Ref	Combined Filter Kit Options (Hydraulic/Air and Fuel/Engine Oil)	
	1001241774	Ref	Deutz D2011 Engine Machines	
	1001195533	Ref	Deutz TD2.9L4 Engine Machines	
	1001241776	Ref	Ford Engine Machines	
	1001139099	Ref	Fire Extinguisher Installation (20lb)	
	1001274833	Ref	Floor Mat Add-on Kit (30x48 Platform) (Dealer Installed)	
	1001274831	Ref	Floor Mat Add-on Kit (30x72 Platform) (Dealer Installed)	
	1001274830	Ref	Floor Mat Add-on Kit (36x72 Platform) (Dealer Installed)	
	1001274829	Ref	Floor Mat Add-on Kit (36x96 Platform) (Dealer Installed)	
	1001117294	Ref	Footswitch Shield (Note: Move Decal to Shield)	
	1001205441	Ref	Fuel Cap Cover Installation (Red) (Note: Lock p/n 1001102157 must be Purchased Separately)	
	1001202749	Ref	Fuel Cap Cover Installation (Black) (Note: Lock p/n 1001102157 must be Purchased Separately)	
	1001191395	Ref	Fuel Cap Cover Installation (Green) (Diesel Machines) (Note: Lock p/n 1001102157 must be Purchased Separately)	
	1001094475	Ref	Generator Hourmeter Installation	
	0257195	Ref	Government Warranty Decal Installation	
	1001293369	Ref	Hood Plug Installation	
	1001281423	Ref	Hostile Environment Add-on Kit - Boom/Turntable	
	1001241413	Ref	Hostile Environment Add-on Kit - 2WD	
	1001241415	Ref	Hostile Environment Add-on Kit - 4WD	
	1001209632	Ref	Hose Kit - Platform Valve	
	1001268736	Ref	Jib Link Kit	
	1001148971	Ref	Lanyard (Bolt-On) Kit Installation	
		Ref	Light Options:	
	1001286022	Ref	Limit Switch Replacement Kit (Roller Switch	
	0271768	Ref	Headlights & Taillights Installation (ABS Hoods)	
	1001164786	Ref	Headlights & Taillights Installation (Steel Hoods)	
	0273485	Ref	Platform Worklights Installation	
	1001257561	Ref	Portable Worklights Installation	
	1001152965	Ref	Strobe Light Installation - Platform Mounted (Amber)	
	1001236951	Ref	Low Temperature Cutout Installation (Russian Specs)	
	1001290375	Ref	Oil Drain Kit (Ford Engines)	
		Ref	Oil Cooler Options:	
	1001297086	Ref	Oil Cooler Installation - Deutz D2011 Engine Machines	
	1001184569	Ref	Oil Cooler Installation - Deutz TD2.9L4 Engine and Deutz TD2.9L4 (Stage V) Engine Machines	

## SECTION 11 - SPECIAL OPTIONS

ITEM	PART NUMBER	QTY	DESCRIPTION	REV
	1001219633	Ref	Oil Cooler Installation - Ford Engine Machines	
	1001200700	Ref	Oil Cooler Replacement Kit (RCP to YMER)	
	1001272166	Ref	Pipe Rack Kit	
	1001195304	Ref	Platform Console Cover Installation (Factory Installed)	
	1001266290	Ref	Platform Console Enclosure Cover Installation - Steel (Factory Installed)	
	1001270482	Ref	Platform Console Enclosure Cover Installation - Steel (Dealer Installed)	
	2915228	Ref	Platform Conversion Kit (Front to Side Entry)	
	1001142504	Ref	Platform Entry Kit - Drop Bar (Replaces Swing Gate with Drop Bar)	
	1001142505	Ref	Platform Entry Kit - Swing Gate (Replaces Drop Bar with Swing Gate)	
		Ref	<b>Platform Mesh to Mid Rail Installation (Factory Installed)</b>	
			<b>Options:</b>	
	1001266098	Ref	Platform Mesh to Mid Rail Installation - 3ft x 8ft Platforms (Vinyl) (ANSI, ANSI Export, Australian, China, and CSA Specs)	
	1001269389	Ref	Platform Mesh to Mid Rail Installation - 3ft x 8ft Platforms (Steel) (ANSI, ANSI Export, Australian, China, and CSA Specs)	
		Ref	<b>Platform Mesh to Mid Rail Add-on Kits (Dealer Installed):</b>	
	1001281457	Ref	Platform Mesh to Mid Rail Add-on Kit - 36IN x 8FT (Dealer Installed)	
		Ref	Platform Mesh to Top Rail Installation (Factory Installed) Options:	
	1001272182	Ref	Platform Mesh to Top Rail Installation - 2.5ft x 4ft Platforms (Steel) (ANSI, ANSI Export, China, and CSA Specs)	
	1001266807	Ref	Platform Mesh to Top Rail Installation - 2.5ft x 4ft Platforms (Vinyl) (ANSI, ANSI Export, China, and CSA Specs)	
	1001271642	Ref	Platform Mesh to Top Rail Installation - 3ft x 6ft Platforms (Steel) (ANSI, ANSI Export, China, and CSA Specs)	
	1001266489	Ref	Platform Mesh to Top Rail Installation - 3ft x 6ft Platforms (Vinyl) (ANSI, ANSI Export, China, and CSA Specs)	
	1001269187	Ref	Platform Mesh to Top Rail Installation - 3ft x 8ft Platforms (Steel) (ANSI, ANSI Export, China, and CSA Specs)	
	1001266056	Ref	Platform Mesh to Top Rail Installation - 3ft x 8ft Platforms (Vinyl) (ANSI, ANSI Export, China, and CSA Specs)	
		Ref	Platform Mesh to Top Rail Add-on Kits (Dealer Installed):	
	1001281456	Ref	Platform Mesh to Top Rail Add-on Kit - 30in x 6ft Platforms (Dealer Installed) (ANSI/ANSI Export, CSA, and China Specs)	
	1001281453	Ref	Platform Mesh to Top Rail Add-on Kit - 3ft x 6ft Platforms (Dealer Installed) (ANSI/ANSI Export, CSA, and China Specs)	
	1001281452	Ref	Platform Mesh to Top Rail Add-on Kit - 3ft x 8ft Platforms (Dealer Installed) (ANSI/ANSI Export, CSA, and China Specs)	
	0272733	Ref	Platform, Top Rail Extension Installation - 3ft x 6ft Platforms	
	0272725	Ref	Platform, Top Rail Extension Installation - 3ft x 8ft Platforms	
	1580013	Ref	Platform Storage Tray	
	1001209059	Ref	Platform Work Surface Installation	
	1001162546	Ref	Pump Coupling Replacement Kit	
	1001199488	Ref	Radiator Replacement Kit (RCP to Modine Radiator)	
	1001190888	Ref	Service Kits	R
	1001241547	Ref	SkyEye Housing Kit (Left Side)	
	1001241548	Ref	SkyEye Housing Kit (Right Side)	
	1001247073	Ref	SkyEye Retrofit Kit	
	1001206477	Ref	SkyGuard Complete Add-On Kit (Blue Beacon) (UGM Machines) (Note: Requires 7500W SkyPower Generator)	

## SECTION 11 - SPECIAL OPTIONS

ITEM	PART NUMBER	QTY	DESCRIPTION	REV
	1001210026	Ref	SkyGuard Complete Add-On Kit (Red Beacon) (UGM Machines) (Note: Requires 7500W SkyPower Generator)	
	1001137672	Ref	SkyGuard Platform Sensor Kit (UGM Machines)	
	1001137440	1	SkyGuard Sensor Harness	
	1001186431	2	Relay	
	1001206311	Ref	SkyGuard Strobe Light Kit - Hood Mounted (Blue Beacon)	
	1001210025	Ref	SkyGuard Strobe Light Kit - Hood Mounted (Red Beacon)	
	1001250595	Ref	SkyGuard 6-Pin Retrofit Installation Kit	
	1001249052	Ref	SkyGuard Retrofit Kit (Dealer Installed)	
	1001262016	Ref	SkyLine Add-on (Dealer Installed)	
	1001289905	1	SkySense/Enhanced Detection System (EDS) Level 1 (2-Bar) Add-on Kit (Dealer Installed)	
	1001289906	1	SkySense/Enhanced Detection System (EDS) Level 2 (3-Bar) Add-on Kit (Dealer Installed)	
	1001253618	Ref	SkySense/Enhanced Detection System (EDS) Level 1 (2-Bar) Module Kit (Dealer Installed)	
	1001253619	Ref	SkySense/Enhanced Detection System (EDS) Level 2 (3-Bar) Module Kit (Dealer Installed)	
	1001289831	Ref	SkySense/Enhanced Detection System (EDS) Level 1 (2-Bar) Installation Kit (Factory Installed)	
	1001289832	Ref	SkySense/Enhanced Detection System (EDS) Level 2 (3-Bar) Installation Kit (Factory Installed)	
	1001282461	Ref	SkySense Padding Installation - For 30 x 48 Platforms equipped with SkySense	
	1001275643	Ref	SkySense Padding Installation - For 30 x 72 Platforms equipped with SkySense	
	1001275642	Ref	SkySense Padding Installation - For 36 x 72 Platforms equipped with SkySense	
	1001269655	Ref	SkySense Padding Installation - For 36 x 96 Platforms equipped with SkySense	
	1001231235	Ref	SkyWelder Locking Bracket	
	1001157013	Ref	Softtouch Counterweight Installation (Required with Soft Touch Option)	
		Ref	Tools for Service	
	1600244	1	Analyzer, Machine System	
	7002840	1	Antirotaion Pin Removal Tool	
	8896941	1	Wire Stripper	
	7002821	1	Wire Crimper (To install wire ends to wires)	
	7002823	1	Pin/Socket Extractor - Universal (To Remove Pins/Sockets from Connectors)	
	4460467	1	Extractor - 16-18 Gauge (For Removal of Pin/Sockets from Deutsch Connectors)	
	4460510	1	Extractor - 12-14 Gauge (For Removal of Pin/Sockets from Deutsch Connectors)	
	7002822	1	Screwdriver, Potentiometer (To Adjust Drive Controllers)	
	7016654	1	Screwdriver, Magnetic	
	7004275	1	Seal Installation Tool - 1in	
	7004276	1	Seal Installation Tool - 1-1/2in	
	7002826	1	Seal Installation Tool - 2in	
	7016655	1	Wire Rope Sheave Gauge	
	7016652	1	Huck Bolt Fastener (For Small Huck Bolts Only)	
	70000017	1	ADE Software CD	
	1001137005	1	Software Cable Kit	
	70005663	1	Tool, Port Plate for Pump p/n 1001142522	
	1001258953	Ref	Tower Stow Indicator Add-on Kit (Dealer Installed)	

## SECTION 11 - SPECIAL OPTIONS

ITEM	PART NUMBER	QTY	DESCRIPTION	REV
	2915094	Ref	Turntable Bearing Kit	
	1001262959	Ref	Voltage Regulator Relocation Kit	
	1001273007	Ref	Wear Pad Kit	
	0258827	Ref	Weld Lead	
	1001228544	Ref	Wheel Drive Kit (Replaces Hub 2780272)	
	0256196	Ref	Wheel Covers	
		Ref	<b>Platform Mesh to Top Rail Installation (Factory Installed):</b>	



**PART NUMBER INDEX**

## SECTION 11 - SPECIAL OPTIONS

0100009.....505, 509	0200048 ... 549, 551, 553, 555	0630593 ..... 451	439, 441, 451, 453, 532, 537, 539, 543
0100011....19, 21, 23, 25, 27, 41, 43, 45, 51, 63, 67, 69, 71, 73, 75, 77, 79, 81, 83, 85, 93, 95, 99, 103, 107, 111, 115, 119, 123, 127, 131, 137, 149, 153, 157, 158, 162, 163, 166, 167, 170, 171, 179, 181, 187, 189, 193, 195, 198, 202, 209, 213, 217, 221, 225, 229, 231, 233, 235, 237, 241, 246, 252, 258, 264, 281, 285, 288, 293, 297, 300, 309, 313, 318, 322, 325, 327, 330, 336, 341, 343, 345, 375, 377, 387, 389, 393, 397, 399, 403, 407, 411, 415, 419, 423, 427, 431, 439, 441, 443, 445, 449, 451, 453, 455, 459, 463, 467, 471, 475, 481, 483, 485, 487, 493, 495, 497, 521, 523, 532, 537, 539, 543, 549, 551, 553, 555, 703, 705, 707, 709	0200742 ..... 387, 397 0232121 ..... 43, 45, 47 0256196 ..... 880 0256202 ..... 669 0257195 ..... 877 0258567 ..... 467 0258671 ..... 527 0258728 ..... 383 0258827 ..... 880 0259420 ..... 453 0270888 ..... 33 0271090 ..... 33 0271091 ..... 33 0271340 ..... 517 0271768 ..... 877 0272254 ..... 539 0272259 ..... 663 0272260 ..... 665 0272418 ..... 547 0272427 ..... 553 0272433 ..... 671 0272435 .... 424, 428, 432 0272448 ..... 869 0272521 ..... 537 0272588 ..... 867 0272589 ..... 416, 420 0272599 ..... 865 0272725 ..... 878 0272733 ..... 878 0273353 ..... 532 0273485 ..... 877 0273687 ..... 862 0273706 ..... 555 0273824 ..... 549 0274031 ..... 179 0274883 ..... 876 0275216 ..... 673, 795 0275217 ..... 677, 797 0275452 ..... 681, 799 0275453 ..... 685, 801 0275454 ..... 689, 803 0360406 ..... 47 0362770 .... 149, 153, 157 0400075 ..... 93, 95 0440237 ..... 445 0440244 ..... 63 0480121 ..... 387, 397 0480126 ..... 399, 415 0480129 ..... 407, 424 0561185 ..... 443 0561295 ..... 441 0630407 ... 241, 246, 252, 258, 264, 288, 300 0630427 ..... 459, 463 0630462 ... 549, 551, 553, 555 0630467 ..... 455 0630485 .... 162, 166, 170 0630518 ... 135, 513, 529, 532, 537, 539, 543 0630534 ..... 577 0630548 ..... 99, 103, 107, 111, 115, 119, 123, 127, 131 0630568 ..... 505, 510	0641403 ..... 467 0641404 .... 99, 103, 107, 111, 115, 119, 123, 127, 131, 397, 399, 403, 407, 411, 415, 419, 423, 427, 439, 523 0641405 ... 137, 179, 181, 431, 505, 509, 523 0641406 ... 139, 141, 149, 153, 157, 173, 175, 183, 209, 213, 217, 221, 225, 229, 231, 233, 235, 237, 241, 246, 252, 258, 264, 281, 285, 288, 293, 297, 300, 318, 322, 379, 381, 399, 403, 501, 503, 525, 527, 717, 719 0641407 .... 99, 103, 107, 111, 115, 119, 123, 127, 131, 139, 193, 195, 198, 202, 325, 327, 379 0641408 ... 162, 166, 170, 319, 323, 459, 463, 501, 503 0641409 .... 179, 187, 189 0641410 .... 41, 179, 181, 187, 189, 198, 202 0641412 ... 209, 213, 217, 221, 225, 281, 293 0641414 .... 51, 505, 509, 521, 549, 551, 553, 555 0641416 ... 673, 675, 677, 679, 681, 683, 685, 687, 689, 691, 693 0641418 .... 51, 455, 471, 475, 481, 483, 485, 487, 493, 495, 497 0641420 ..... 318, 322 0641506 .... 99, 103, 107, 111, 115, 119, 123, 127, 131, 150, 154, 157, 183 0641507 ..... 455 0641508 ... 43, 45, 81, 83, 85, 149, 153, 157, 162, 166, 170, 187, 189, 209, 213, 217, 221, 225, 281, 293, 318, 322, 387, 389, 393, 397, 459, 463 0641510 ..... 198, 202 0641511 ..... 463 0641512 ..... 198, 202 0641516 ... 407, 411, 415, 419, 423, 427, 431 0641518 ... 241, 246, 252, 258, 264, 288, 300 0641560 ..... 27 0641604 .... 439, 459, 463 0641605 ... 241, 246, 252, 258, 264, 288, 300, 453 0641606 41, 51, 150, 154, 158, 181, 198, 202,	0641607....23, 25, 69, 71, 73, 75, 77, 79, 81, 83, 85, 162, 166, 170, 318, 322, 389, 441, 443, 451 0641608....149, 150, 153, 154, 157, 158, 163, 167, 170, 173, 175, 177, 241, 246, 252, 258, 264, 288, 300, 373, 439, 441, 443, 459, 463 0641609....149, 153, 157, 162, 166, 170, 181, 198, 202, 241, 246, 252, 258, 264, 288, 300, 375, 377, 383, 441, 443 0641610....145, 147, 183, 187, 189, 198, 202, 209, 213, 217, 221, 225, 281, 293, 309, 311, 313, 318, 322, 371, 387, 397, 443, 501, 503 0641611.....67, 209, 213, 217, 221, 225, 281, 293, 439 0641612....241, 246, 252, 258, 264, 288, 300, 318, 322, 441, 703, 705, 707, 709 0641614....51, 69, 71, 73, 75, 77, 79, 81, 83, 85 0641615.....443 0641616....183, 399, 403, 408, 411, 420, 428, 443 0641617.....39 0641618.....416, 424 0641622.....453 0641624.....451, 453 0641648.....451 0641708....241, 246, 252, 258, 264, 288, 300 0641772....387, 389, 393, 397 0641806.....258, 443 0641808....187, 189, 209, 213, 217, 221, 225, 229, 231, 233, 235, 237, 281, 285, 293, 297, 318, 322, 325, 327, 399, 403, 407, 411, 415, 419, 423, 427 0641810 23, 25, 179, 181, 439 0641812.....67, 193, 195, 229, 231, 233, 235, 237, 285, 297, 325, 327, 389 0641818..81, 83, 85, 377, 383, 385 0641820.....67, 198, 202, 375 0641840.....439

## SECTION 11 - SPECIAL OPTIONS

0642010 ... 187, 189, 318, 322	0741605 ... 241, 246, 252, 258, 264, 288, 300	0861731....683, 687, 691, 693, 799, 801, 803	1001094400 ..... 459, 463, 874
0642012 ... 209, 213, 217, 221, 225, 281, 293, 545, 547	0741606 ..... 459, 463	0861781....675, 679, 795, 797	1001094475 ..... 877
0642038 ..... 47	0741607 ... 399, 403, 408, 411, 419, 427, 431	0861880.....721, 725	1001094595 ..... 325, 327, 355
0642212 19, 21, 545, 547	0741609 ..... 25	0902143.....149, 153, 157	1001096141 ..... 826
0642214 ..... 439	0760605 ... 241, 246, 252, 258, 264, 288, 300, 341	0902161.....149, 153, 157	1001096736 ..... 459, 463
0642620 ..... 439	0760606 ..... 432	0902219.....149, 153, 157	1001097051 ..... 703, 705, 707, 709, 809
0651406 ..... 51	0760608 ..... 330, 336	0902412.....149, 153, 157	1001097082 ..... 703, 705, 707, 709
0681608 19, 21, 187, 189, 209, 213, 217, 221, 225, 241, 248, 254, 266, 281, 288, 293, 300, 449	0760610 ... 330, 336, 343, 393, 431	0902491.....149, 153, 157	1001097150 ..... 721
0681620 ... 557, 559, 561, 563, 565	0760612 ... 100, 104, 108, 112, 116, 120, 124, 128, 132, 330, 336	0902888....407, 411, 415, 419, 423, 427, 431	1001097244 ..... 567
0681814 ..... 489, 499	0760615 ..... 343	0903088.....179, 181	1001098012 ..... 529, 532, 535
0681820 ... 241, 246, 252, 258, 264, 288, 300	0760807 ..... 341	0903242.....67	1001098122 ..... 515, 793
0681822 ..... 27, 241, 248, 254, 258, 264, 288, 300, 489, 499	0760810 ... 241, 246, 252, 258, 264, 288, 300, 318, 322, 330, 336, 449	0903308.....149	1001098149 ..... 529
0682016 ..... 27	0760812 .... 330, 336, 701	0903697.....717	1001098167 ..... 571
0682023 ..... 63	0760814 ... 241, 264, 330, 336	0940049....149, 153, 157, 162, 166, 170	1001098828 ..... 449
0682032 ..... 63	0760815 ... 241, 264, 330, 336	0940070....198, 202, 241, 246, 252, 258, 264, 288, 300, 332, 338	1001099121 ..... 150
0682216 ..... 57	0760817 ..... 343	0940071.....149, 153, 157	1001099137 ..... 149
0682236 ..... 19, 21	0761008 ... 209, 213, 221, 225, 281, 293, 318, 322	0940088.....150, 154, 157	1001099138 ..... 149, 150
0682424 ... 557, 559, 561, 563, 565	0761010 ..... 445	0940092....549, 551, 553, 555	1001099366 ..... 545, 547
0700408 ... 673, 675, 677, 679, 681, 683, 685, 687, 689, 691, 693	0761014 ... 330, 336, 385, 449	0940094....549, 551, 553, 555	1001099367 ..... 545, 547
0700615 ..... 145, 147	0761015 ... 241, 248, 254, 258, 264, 288, 300, 330, 336, 445	0940102.....545, 547	1001099837 ..... 451
0700618 .... 163, 167, 171	0761016 .... 330, 336, 393	0940103.....553	1001099869 ..... 397
0700624 ..... 445	0761018 ..... 431	0940133.....555	1001100231 ..... 721
0700808 ..... 198, 202	0761210 ... 241, 246, 252, 258, 264, 288, 300	0940134.....549	1001100234 ..... 397
0700810 ..... 330, 336	0761212 ..... 435, 439	0940177.....551	1001100321 ..... 397
0700812 ..... 330, 336	0761216 ..... 449	0961845....471, 475, 481, 483, 485, 487, 493, 495, 497	1001100341 ..... 795
0700814 ... 248, 254, 258, 288, 300, 330, 336	0771014 ..... 330, 336	0961893.....577	1001100342 ..... 797
0700816 ..... 343	0771212 ... 209, 213, 217, 221, 225, 241, 246, 252, 264, 281, 288, 293, 300	0961947.....447	1001100345 ..... 799
0700818 ..... 343	0771414 ... 198, 202, 241, 246, 252, 258, 264, 288, 300	0961986....198, 202, 241, 246, 252, 258, 264, 288, 300, 330, 336	1001100346 ..... 803
0701014 ..... 343	0771415 ... 241, 248, 254, 258, 264, 288, 300, 399, 408, 416, 424	0962051.....383, 385	1001100347 ..... 801
0701020 ..... 445	0801132 ..... 439, 443	0962102 19, 21, 441, 443, 575, 579, 581	1001100825 ..... 325, 327, 367
0701022 ..... 241, 266	0801496 ..... 443	0962122.....443	1001101191 ..... 673, 675, 677, 679, 681, 683, 685, 687, 689, 691, 693, 721, 723, 725
0701025 ..... 241, 264	0801594 ..... 443	0962152.....25, 585	1001101196 ..... 673, 675, 677, 679
0701026 ..... 345	0811608 ... 69, 71, 73, 75, 77, 79, 81, 83, 85	0962181.....25	1001101197 ..... 681, 683, 685, 687, 689, 691, 693
0710827 ..... 343	0811610 .... 162, 166, 170	0962270.....489, 499	1001101421 ..... 547
0711014 ..... 332, 338	0811612 ..... 93, 95	0962336.....577	1001101422 ..... 547
0711020 ..... 330, 336	0811812 ... 149, 153, 157, 162, 166, 170	0962348.....25	1001101600 ..... 187, 189
0711215 ... 193, 195, 229, 231, 233, 235, 237, 258, 285, 297	0860038 ... 408, 411, 419, 423, 427, 431, 663, 665	0962449.....397	1001101623 ..... 150
0711216 ..... 343	0860520 ..... 527	0962520....399, 403, 407, 411, 416, 419, 424, 427, 431	1001101673 ..... 150
0711223 ..... 332, 338	0861538 .... 424, 427, 431	1001001939.....198, 202	1001102290 ..... 751
0711414 ..... 375, 377	0861572 ..... 416, 419	1001080707....75, 77, 79	1001102291 ..... 751
0720804 ..... 39	0861642 ..... 179, 181	1001091460.....29	1001102304 ..... 751
0721005 ..... 553, 555		1001091461.....29	1001103308 99, 103, 107, 111, 115, 119, 123, 127, 131
0721006 ... 149, 153, 157, 309, 311, 313, 387, 389, 397		1001091969.....673	1001103667 ..... 873
0721008 .... 150, 154, 158		1001091970.....677	1001103810 ..... 23, 25
0731005 ... 69, 71, 73, 75, 77, 79, 81, 83, 85, 549, 551		1001091973.....681	1001104519 ..... 813
		1001091974.....685	1001106481 ..... 467
		1001091975.....689	1001106736 99, 103, 107, 111, 115, 119, 123, 127, 131
		1001092092.....876	1001106938 ..... 505, 509, 873
		1001093382.....93, 95	1001106957 ..... 604, 610, 628, 640
			1001106974 ..... 67

## SECTION 11 - SPECIAL OPTIONS

1001107529.....67	1001117307 ..... 162, 166, 170	1001135650 ..... 756, 759, 767	1001140429.....471, 475, 481, 483, 485, 487, 493, 495, 497
1001108256.....551	1001117308 ..... 242, 247, 253, 259, 265, 289, 301, 873	1001135651 ..... 756, 759	1001140448.....243, 247, 253, 259, 266, 289, 301
1001108721 .....876	1001117372 ..... 571	1001135679 ..... 247, 253, 289, 301	1001140450.....243, 247, 253, 259, 266, 289, 301
1001108962.....877	1001117598 ..... 162, 166, 170	1001136104 ..... 431	1001140454.....243, 247, 253, 259, 266, 289, 301
1001109654.....717, 719, 721	1001118133 .... 81, 83, 85	1001136358 ..... 644	1001140564.....247, 253, 290, 302
1001109690.....645	1001118384 ..... 811	1001136400 ..... 451	1001141300.....863
1001110166 .....162, 166, 170	1001118388 ..... 811	1001136834 ..... 242, 247, 253, 259, 265, 289, 301	1001141302.....863
1001110425 51, 181, 187, 189, 209, 213, 217, 221, 225, 281, 293	1001118666 ..... 439, 441	1001136881 ..... 644	1001141304.....242, 247, 253, 259, 265, 289, 301
1001110434 .....505, 509	1001119020 ..... 699, 727, 789, 793	1001137005 ..... 879	1001141370.....242, 247, 253, 259, 265, 289, 301
1001110872 .....695, 697	1001119563 ..... 876	1001137276 ..... 242, 247, 253, 259, 265, 289, 301	1001141419.....259
1001110873 .....408, 412, 423, 427, 432, 663	1001119602 ..... 644	1001137336 ..... 327	1001141421.....427
1001112551 .....830	1001119619 ..... 807	1001137364 ..... 103, 111, 119, 127, 131, 509	1001141422.....419
1001112588 .....387	1001119620 ..... 805, 809	1001137440 ..... 879	1001141585.....242, 247, 253, 259, 265, 289, 301, 331, 337
1001112589 .....387, 397	1001119939 ..... 876	1001137460 .... 93, 95, 97	1001141586.....259
1001112612 .....699, 789	1001119947 ..... 876	1001137672 ..... 879	1001141718.....313
1001112796 .....699, 727, 747	1001119968 ..... 419, 427, 783	1001137673 ..... 521	1001141870.....309, 311, 313
1001113047 .....162, 166, 170	1001120328 ..... 521, 523	1001138110 ..... 755	1001141995.....242, 247, 253, 259, 265, 289, 301, 331, 337
1001113961 .....789	1001120471 ..... 567	1001138111 ..... 755	1001142031.....379, 381
1001115387 .....423	1001120477 ..... 567	1001138113 ..... 755	1001142032.....379, 381
1001115389 .....415	1001120484 ..... 567	1001138173 ..... 242, 247, 253, 259, 265, 289, 301, 331, 337	1001142501.....209, 213, 217, 281, 293, 309, 311, 313
1001115405 .....387	1001120989 ..... 863	1001138175 ..... 243, 247, 253, 259, 266, 289, 301, 331, 337	1001142504.....878
1001115409 .....397	1001121122 ..... 170	1001138228 ..... 242, 247, 253, 259, 265, 289, 301	1001142505.....878
1001115918 .....876	1001121123 ..... 170	1001138248 ..... 242, 247, 253, 259, 265, 289, 301, 332, 337	1001142623.....259
1001116208 .....863	1001125125 ..... 709	1001138489 ..... 242, 247, 254, 259, 266, 289, 301	1001142643.....403, 412, 420, 428
1001116290 .....163, 167, 171	1001125127 ..... 709	1001138491 ..... 209, 213, 217, 221, 225, 281, 293, 765	1001142645.....403, 420
1001116456 .....173	1001125387 ..... 863	1001138494 ..... 475, 481, 483, 485, 487, 493, 495, 497	1001142646.....412, 428
1001116457 .....177	1001125492 ..... 57	1001138514 ..... 475, 481, 483, 487, 493, 497	1001142683.....145, 147, 873
1001116692 .....715	1001126009 ..... 811	1001138557 ..... 242, 247, 253, 259, 265, 289, 301	1001142722.....145, 147
1001116694 .....789	1001126351 ..... 755, 760	1001138565 ..... 399	1001142736.....145, 147, 699
1001116694 .....789	1001126352 ..... 755	1001138566 ..... 399, 403, 407, 412	1001142938.....749, 755, 759
1001116695 .....817	1001126356 ..... 755	1001138671 ..... 439	1001142940.....749, 756, 759
1001116710 .....765	1001126357 ..... 755	1001138795 ..... 577	1001142941.....749, 756, 759, 760
1001116727 .....755, 773, 775	1001126362 ..... 756, 759	1001138827 ..... 247, 253, 290, 302	1001143390.....199, 203, 242, 247, 253, 259, 265, 289, 301
1001116728 .....755	1001126363 ..... 756, 759	1001139099 ..... 877	1001143449.....379, 381
1001116731 .....747	1001126364 ..... 756, 759	1001139135 ..... 505, 509, 715	1001143483.....381
1001116733 .....773	1001126365 ..... 756	1001139240 ..... 243, 247, 253, 289, 301	1001143484.....379
1001116734 .....773	1001126384 ..... 755	1001139357 ..... 400, 407	1001143525.....379, 381
1001116748 .....703, 705, 707, 709	1001126391 ..... 756, 759	1001139409 ..... 242, 247, 253, 259, 265, 289, 301	1001143607.....153, 154
1001116774 .....699	1001126392 ..... 756, 759	1001139654 ..... 863	1001143609.....153
1001116808 .....699	1001126485 ..... 759	1001139952 ..... 407	1001143611.....154
1001116812 .....759	1001126487 ..... 759	1001140312 ..... 254, 289	1001143726.....247, 253, 265, 755
1001116815 .....727, 729, 731, 733, 735, 760	1001127094 ..... 863	1001140346 ..... 411	1001143736.....209, 213, 217, 221, 225, 281, 293
1001116952 .....755, 760	1001128527 ..... 543	1001140347 ..... 403	
1001116983 .....765	1001128556 ..... 543		
1001117078 .....783	1001128901 ..... 331, 337		
1001117106 .....755	1001129407 ..... 745		
1001117107 .....755, 760	1001129555 ..... 872		
1001117140 .....154, 158	1001129858 ..... 407		
1001117172 .....515	1001131168 ..... 826		
1001117174 .....505, 509, 515, 872	1001131269 ..... 826		
1001117219 .....163, 167, 171	1001133714 ..... 756, 759, 767		
1001117234 .....162, 166, 170	1001133715 ..... 756, 759, 767		
1001117249 .....162, 166	1001133956 ..... 755, 760		
1001117294 .....877	1001133957 ..... 755, 760		
	1001134289 ..... 445, 447		
	1001134488 ..... 247, 253, 290, 302, 331, 338		
	1001135138 ..... 247, 253, 259, 265, 289, 301		

## SECTION 11 - SPECIAL OPTIONS

1001143797 ..... 242, 247, 253, 259, 265, 289, 301	1001152266..... 819	1001156333.....598, 604, 610, 616	1001162335 ..... 248, 254, 309
1001143852 ..... 863	1001152429..... 416, 425, 779	1001156693.....707	1001162497 ..... 187, 190, 209, 214, 217, 221, 225, 282, 293, 318, 323
1001143858 ..... 153, 158	1001152457..... 407, 412	1001156695.....707	1001162546 ..... 878
1001143860 ..... 379	1001152459..... 199, 203	1001156710..... 19, 21	1001162915 ..... 167
1001143907 ..... 242, 247, 253, 259, 265, 289, 301	1001152483..... 723	1001156798.....65	1001163101 ..... 175
1001144147 ..... 727, 747	1001152489..... 242, 248, 253, 259, 265, 289, 301	1001157013.....879	1001163131 ..... 547
1001144295 ..... 819	1001152520..... 420	1001157016.....27	1001163599 ..... 389, 403, 412, 419, 427
1001144433 ..... 521	1001152525..... 416, 420, 424, 428, 432	1001157049.....63	1001164786 ..... 877
1001144438 ..... 181	1001152532..... 400, 404, 408, 412, 769	1001157058.....63	1001165035 ..... 210, 214, 218, 221, 225, 282, 293, 332, 336
1001144447 ..... 181	1001152566..... 154	1001157208..... 163, 171	1001165350 ..... 445
1001144527 ..... 175	1001152719..... 19	1001157209..... 163, 167, 171	1001165368 ..... 399, 404, 725
1001144629 ..... 473, 477, 479, 485, 491, 495	1001152965..... 877	1001157400.....593	1001165657 ..... 23, 25
1001145154 ..... 243, 247, 253, 259, 266, 289, 301	1001153197..... 400, 407, 775	1001157520..... 416, 424, 428, 432	1001165842 ..... 259
1001145405 ..... 529, 532	1001153259..... 404, 412, 777	1001157521 ..... 416, 420, 424, 428, 432	1001166806 ..... 45
1001146273 ..... 198, 202	1001153282..... 199, 203, 242, 246, 253, 259, 265, 289, 301, 351	1001157525..... 415, 416, 419, 420	1001167042 ..... 242, 248, 254, 259, 265, 290, 301
1001146588 ..... 217, 259	1001153359..... 209, 214, 217, 221, 225, 282, 293, 318, 323	1001157528..... 416, 420, 424, 428, 432	1001167565 ..... 449
1001147264 ..... 755, 760	1001153396..... 193, 198	1001157592..... 423, 424, 428, 432	1001167567 ..... 449
1001147812 ..... 198, 202	1001153414..... 199, 203	1001157612..... 162, 166, 170	1001167596 ..... 449
1001147813 ..... 198, 202	1001153435..... 154	1001157726..... 162, 166, 170	1001167632 ..... 759
1001147820 ..... 198, 202	1001153749..... 459, 463	1001157769..... 416, 425	1001167635 ..... 759
1001147823 ..... 198, 202, 205	1001153779..... 195, 202	1001157867 ..... 162, 166, 170	1001168018 ..... 331, 337
1001148138 ..... 389	1001154126..... 571	1001158007..... 416, 420, 424, 428, 432	1001168402 ..... 449
1001148652 ..... 441	1001154405..... 209, 214, 217, 225, 282, 293, 309, 311, 313, 373	1001158008..... 416, 420, 424, 428, 432	1001169054 ..... 242, 248, 254, 259, 265, 290, 302, 331, 337
1001148675 ..... 695, 697	1001154584..... 19	1001158077..... 162, 166, 171	1001169138 ..... 242, 248, 254, 259, 265, 290, 302, 331, 337
1001148841 ..... 767	1001154687..... 571	1001158167 ..... 173	1001169754 ..... 35
1001148842 ..... 767	1001154875..... 21	1001158175..... 162, 166, 171	1001169755 ..... 35
1001148902 ..... 876	1001154931..... 25	1001158187 ..... 41	1001169756 ..... 35
1001148903 ..... 876	1001155035..... 25	1001158188 ..... 41	1001169757 ..... 35
1001148904 ..... 876	1001155041..... 393	1001158203..... 41	1001169967 ..... 331, 337
1001148905 ..... 876	1001155043 99, 103, 107, 111, 115, 119, 123, 127, 131	1001158258..... 43	1001170035 ..... 331, 337
1001148906 ..... 877	1001155044 99, 103, 107, 111, 115, 119, 123, 127, 131, 505, 509	1001158259..... 876	1001170764 ..... 759
1001148971 ..... 877	1001155045 99, 103, 107, 111, 115, 119, 123, 127, 131, 505, 509, 874	1001158364..... 137	1001170847 ..... 459, 463, 874
1001149160 ..... 341	1001155143..... 187, 189	1001158522..... 43, 45	1001171016 ..... 717
1001149410 ..... 645	1001155192..... 25	1001159118..... 695, 697, 872	1001171125 ..... 411
1001149639 ..... 331, 337	1001155194..... 21	1001159119..... 695, 697	1001171131 ..... 695
1001149673 ..... 154, 158	1001155673..... 644	1001159120..... 695, 697	1001171403 ..... 756
1001149703 ..... 375	1001155823..... 209, 214, 217, 221, 225, 282, 293	1001159121..... 697	1001172045 ..... 876
1001149704 ..... 198, 202	1001155895..... 162, 166, 170	1001159186..... 789	1001172064 ..... 749
1001149705 ..... 198, 202	1001155899..... 162, 166, 170	1001159256..... 505, 509, 874	1001172065 ..... 749
1001149793 ..... 199, 203	1001156107..... 259	1001159323..... 862	1001172271 ..... 874
1001149908 ..... 363	1001156136..... 57	1001159340..... 609, 616, 622, 627	1001172577 ..... 545
1001150260 ..... 149, 153, 158, 162, 166, 170	1001156188..... 162	1001159707..... 644	1001172578 ..... 545
1001150372 ..... 23, 25	1001156190..... 69, 71, 73, 75, 77, 79, 81, 83, 85	1001160077 ..... 143	1001172760 ..... 505, 509
1001150539 .. 23, 25, 585	1001156332..... 598, 604, 610, 616	1001160272..... 667	1001173535 ..... 332, 338
1001150561 ..... 173		1001160780..... 43, 45	1001173703 ..... 863
1001150890 ..... 377		1001161089..... 162, 166, 171	1001173876 ..... 166
1001150915 ..... 199, 203		1001161355..... 23, 25	1001173878 ..... 175
1001150918 ..... 189, 214, 282, 322		1001161399..... 23, 25	1001174040 ..... 449
1001150937 ..... 23, 25		1001161709..... 506, 510	1001174486 ..... 318, 323
1001150998 ..... 199, 203			1001174745 ..... 379, 381
1001151010 ..... 39			1001174746 ..... 381
1001151034 ..... 23			1001176027 ..... 229, 246
1001151070 ..... 187, 189			1001176035 ..... 231, 252
1001151252 ..... 377			1001176329 ..... 331, 337
1001151253 ..... 375			
1001151354 ..... 598, 604, 610, 616			
1001151856 ..... 756			
1001151980 ..... 23			

## SECTION 11 - SPECIAL OPTIONS

1001176469.....108, 112, 124, 128	1001186251 ..... 162, 166, 171	1001198336 ..... 593	1001209432.....701
1001176862.....695	1001186254 ..... 163, 167, 171	1001198338 ..... 597, 603, 609, 615, 621, 627, 633, 639	1001209474.....701
1001177035.....400, 404, 719	1001186333 ..... 489	1001198339 ..... 593	1001209632.....877
1001177359.....242, 248, 254, 260, 266, 290, 302	1001186334 ..... 499	1001198340 ..... 597, 603, 610, 615, 621, 628, 633, 639	1001209664.....521
1001177694.....877	1001186375 ..... 475	1001198341 ..... 598, 616, 622, 634	1001209982.....37
1001177710.....719	1001186378 ..... 481	1001199394 ..... 597, 603, 609, 615, 621, 627, 633, 639	1001210025.....879
1001177844.....242, 248, 254, 260, 265, 290, 302	1001186379 ..... 483	1001199488 ..... 878	1001210026.....879
1001177845.....242, 248, 254, 260, 265, 290, 302	1001186382 ..... 493	1001199733 ..... 371	1001210448.....343, 347
1001178057.....69, 75, 81, 87	1001186383 ..... 491	1001200054 ..... 455	1001210636.....567
1001178174.....69	1001186384 ..... 479	1001200120 ..... 863	1001211556.....273
1001178175.....81	1001186385 ..... 477	1001200121 ..... 863	1001211582.....460, 464
1001178204.....597	1001186387 ..... 473	1001200122 ..... 863	1001211588.....459, 463
1001178205.....603	1001186426 ..... 331, 337	1001200124 ..... 863	1001211794.....341, 343
1001178207.....876	1001186431 ..... 521, 874, 879	1001200125 ..... 863	1001212223.....419, 427
1001178208.....876	1001186432 ..... 811, 813	1001200126 ..... 863	1001212415.....872
1001178223.....243, 248, 254, 260, 266, 290, 302	1001186517 ..... 521	1001200127 ..... 863	1001213447.....793
1001178797.....373	1001186985 ..... 243, 248, 254, 260, 266, 290, 302	1001200491 ..... 449	1001213584.....663, 665, 669, 719
1001178876.....248, 254, 290, 302	1001187674 ..... 519	1001200494 ..... 449	1001213585.....663, 665, 669, 719
1001179079.....645	1001187681 ..... 807	1001200497 ..... 459, 463, 789	1001213705.....439
1001179154.....424, 428, 432	1001187781 ..... 330, 336	1001200700 ..... 878	1001213810.....341
1001179329.....644	1001188135 ..... 598, 604, 610, 616	1001201351 ..... 449	1001213882.....505, 509
1001179837.....389	1001188622 ..... 449	1001201885 ..... 789, 793	1001214030.....863
1001179912.....399	1001188844 ..... 449	1001202280 ..... 371	1001214570.....701
1001180001.....389	1001188874 99, 104, 108, 112, 115, 119, 124, 128, 131	1001202281 ..... 371	1001214571.....701
1001180052.....390	1001188884 ..... 371	1001202368 ..... 247, 253, 260, 290, 302	1001214827.....343
1001180218.....403	1001188887 ..... 371	1001202687 ..... 449	1001215016.....763
1001180287.....389	1001188972 ..... 190, 214, 282, 323	1001202749 ..... 877	1001215091.....763
1001180620.....242, 248, 254, 260, 265, 290, 302, 331, 337	1001189001 ..... 449	1001203655 ..... 489	1001215228.....505
1001180861 ..... 863	1001189002 ..... 449	1001203656 ..... 499	1001215289.....644
1001181045.....721, 725, 872	1001189171 ..... 723, 872	1001204269 ..... 604, 610, 628, 640	1001215296.....597, 603, 609, 615, 621, 627, 633, 639
1001181243.....390	1001189172 ..... 723, 872	1001204325 ..... 243, 248, 254, 260, 266, 290, 302	1001215384.....343
1001181895.....254, 290	1001189979 ..... 332, 337	1001204560 .. 19, 21, 571	1001215534.....763
1001181899.....242, 248, 252, 265, 290, 302	1001190610 ..... 242, 248, 254, 260, 266, 290, 302	1001204667 ..... 371	1001215681.....331, 337
1001181923.....703, 705, 707, 709	1001190888 ..... 878	1001204715 ..... 459, 463	1001215974.....331, 337
1001182162.....645	1001190985 ..... 449	1001204725 ..... 449	1001216015.....389
1001182361.....760	1001191395 ..... 877	1001204939 ..... 459, 464, 874	1001216065.....341, 343
1001182365.....760	1001191525 ..... 863	1001205441 ..... 877	1001216071.....343
1001182570.....459, 463, 874	1001191599 ..... 279	1001205690 ..... 723	1001216075.....331, 337
1001182599.....877	1001191610 ..... 331, 337	1001205958 ..... 681, 683, 685, 687, 689, 691	1001216092.....331, 337
1001182806.....139	1001191620 ..... 218, 260	1001206250 ..... 683	1001216144.....343
1001182997.....69, 75, 81, 85	1001192027 ..... 439	1001206251 ..... 687	1001216201.....331, 337
1001183226.....645	1001193018 ..... 673, 675, 677, 679, 681, 683, 685, 687, 689, 691, 693	1001206252 ..... 691	1001216212.....763
1001184569.....877	1001195304 ..... 878	1001206253 ..... 675	1001216213.....763
1001184618.....506, 510, 830, 834, 838, 842, 846, 850, 854, 858	1001195533 ..... 877	1001206254 ..... 679	1001216220.....363
1001184626.....501, 503, 506, 510	1001195967 ..... 379	1001206255 ..... 693	1001216300.....345
1001184682.....141	1001196382 ..... 432	1001206311 ..... 879	1001216390.....432
1001185281.....505, 509	1001196634 ..... 315, 743, 872, 873	1001206476 ..... 701	1001216391.....394
	1001196768 ..... 163, 167, 171	1001206477 ..... 878	1001216393.....337
	1001197017 ..... 549, 551, 553, 555	1001206532 ..... 506, 510	1001216531.....332, 338
	1001197408 ..... 863	1001207558 ..... 149, 153, 158	1001216532.....325, 327
	1001197719 ..... 759	1001207969 ..... 455	1001216534.....325, 327
	1001198333 ..... 598, 603, 634, 639	1001208994 ..... 449, 455	1001216535.....325, 327
		1001209059 ..... 878	1001216568.....318, 323
			1001216619.....345
			1001216630.....449
			1001216768.....341
			1001216769.....341
			1001216910.....331, 337, 341
			1001216919.....331, 337
			1001217032.....331, 337
			1001217046.....331, 337
			1001217090.....331, 337

## SECTION 11 - SPECIAL OPTIONS

1001217170 ..... 325, 327	1001221212..... 221, 225, 243, 265	1001227634..... 519	1001234435 ..... 842
1001217174 ..... 331, 337	1001221219..... 243, 265	1001227666..... 332, 338	1001234436 ..... 842
1001217175 ..... 331, 337	1001221397..... 367	1001227667..... 332, 338	1001234437 ..... 834
1001217183 ..... 331, 337	1001221464..... 325	1001227769..... 341	1001234438 ..... 834
1001217185 ..... 331, 337	1001221488..... 318, 322	1001227772..... 343	1001234439 ..... 830, 838
1001217186 ..... 331, 337	1001221498..... 432	1001227985..... 519	1001234800 ..... 759
1001217191 ..... 325, 330	1001221545..... 343	1001227987..... 519	1001234811 ..... 445, 447
1001217192 ..... 319, 325	1001221615..... 332, 338	1001227996..... 805, 809	1001235585 ..... 854
1001217195 ..... 615	1001222033..... 332, 338	1001228170..... 51, 53	1001235949 ..... 260, 290, 302, 311
1001217196 ..... 609	1001222641..... 343	1001228215..... 471	1001236303 ..... 95
1001217199 ..... 318	1001222817..... 373	1001228224..... 519, 874	1001236304 ..... 701
1001217317 ..... 331, 337	1001223042..... 331, 337	1001228225..... 519, 874	1001236334 ..... 365
1001217477 ..... 367	1001223055..... 826	1001228243..... 495	1001236335 ..... 365
1001217478 ..... 367	1001223453..... 826, 846	1001228375..... 497	1001236386 ..... 157
1001217543 ..... 331, 337	1001223459..... 756, 759	1001228376..... 485	1001236387 ..... 158
1001218022 ..... 877	1001223584..... 330, 336	1001228377..... 487	1001236389 ..... 158
1001218085 ..... 325, 327	1001223591..... 265, 277	1001228544..... 880	1001236504 ..... 701
1001218089 ..... 367	1001223923..... 331, 337	1001228949..... 733	1001236505 ..... 701
1001218362 ..... 331, 338	1001223971..... 846	1001228954..... 733	1001236552 ..... 523
1001218449 ..... 331, 338	1001224048..... 854	1001228988..... 543, 867, 869	1001236746 ..... 563
1001218547 ..... 385	1001224049..... 858	1001229107..... 737	1001236747 ..... 559
1001218572 ..... 93, 95	1001224050..... 842	1001229341..... 519	1001236871 ..... 158
1001218622 ..... 671	1001224052..... 834	1001229530..... 789	1001236891 ..... 557, 559, 561, 563, 565
1001218623 ..... 671	1001224053..... 850	1001229542..... 247, 253, 290, 302	1001236895 ..... 557, 559, 561, 563, 565
1001218930 ..... 432	1001224486..... 332, 338	1001229762..... 876	1001236951 ..... 877
1001219219 ..... 27, 29	1001224489..... 332, 338	1001229810..... 57, 60	1001237142 ..... 439
1001219259 ..... 331, 338	1001224936..... 243, 266	1001230032..... 373	1001237545 ..... 513
1001219345 ..... 331, 338	1001224937..... 243, 266	1001230635..... 243, 247, 253, 260, 266, 290, 302	1001237547 ..... 135
1001219361 ..... 331, 338	1001224940..... 243, 266	1001230931..... 703, 705, 707, 709	1001237667 ..... 789, 793
1001219363 ..... 331, 338	1001225346..... 701, 874	1001230934..... 760	1001237668 ..... 789, 793
1001219364 ..... 319, 323	1001225430..... 274, 277, 305, 873	1001230935..... 760	1001237862 ..... 805, 809
1001219365 ..... 319, 323	1001225431..... 274, 306	1001230936..... 760	1001237863 ..... 519, 809
1001219366 ..... 319, 323	1001225432..... 278, 873	1001230936..... 760	1001237864 ..... 519, 805
1001219367 ..... 319, 323	1001225442..... 331, 337	1001231235..... 879	1001237865 ..... 519, 807
1001219368 ..... 319, 323	1001225510..... 332, 338	1001231801..... 862	1001237882 ..... 877
1001219369 ..... 319, 323	1001225580..... 521, 813	1001231886..... 139	1001237883 ..... 877
1001219370 ..... 319, 323	1001225745..... 325, 327, 353	1001231888..... 69, 71, 73, 75, 77, 79	1001237949 ..... 439
1001219480 ..... 331, 338	1001226328..... 737	1001231949..... 563	1001238169 ..... 445
1001219601 ..... 100, 104, 108, 112, 116, 120, 124, 128, 132	1001226400..... 711, 713, 745	1001231950..... 559, 565	1001238263 ..... 557, 559, 561, 563, 565
1001219608 ..... 327, 336	1001226531..... 701	1001232010..... 559, 561, 563, 565	1001238268 ..... 260
1001219609 ..... 323, 327	1001226541..... 727, 747	1001232011..... 559, 563, 565	1001238319 ..... 519
1001219610 ..... 322	1001226636..... 747	1001232164..... 519	1001238331 ..... 439, 445
1001219611 ..... 331, 338	1001226637..... 747	1001232165..... 519	1001238333 ..... 445
1001219612 ..... 331, 338	1001226739..... 729, 731, 733, 735, 747	1001232165..... 519	1001238398 ..... 445
1001219613 ..... 331, 338	1001226799..... 731, 733, 735	1001232642..... 523	1001238418 ..... 523, 811
1001219618 ..... 431	1001226872..... 471	1001232667..... 523, 874	1001238421 ..... 449
1001219619 ..... 393	1001226923..... 373	1001232842..... 315	1001238463 ..... 565
1001219630 ..... 394	1001227066..... 737, 739, 745	1001233047..... 876	1001238472 ..... 523
1001219632 ..... 394	1001227068..... 745	1001233089..... 243, 265	1001238495 ..... 521
1001219633 ..... 878	1001227224..... 222, 225, 313	1001233236..... 739	1001238559 ..... 523
1001219809 ..... 319, 323	1001227266..... 745	1001233237..... 739	1001239202 ..... 759
1001219840 ..... 876	1001227359..... 703, 705, 707, 709	1001233763..... 214, 282, 315	1001239347 ..... 141
1001219881 ..... 385	1001227448..... 729	1001234425..... 826	1001239462 ..... 95
1001220002 ..... 171	1001227488..... 703, 705, 707, 709, 711	1001234426..... 826	1001239470 ..... 93
1001220067 ..... 171	1001227614..... 235, 264	1001234428..... 850	1001241385 ..... 139
1001220141 ..... 367	1001227620..... 222, 225	1001234429..... 850	1001241403 ..... 135, 513
1001220189 ..... 177	1001227633..... 519	1001234430..... 854	1001241413 ..... 877
1001220190 ..... 170		1001234431..... 858	1001241415 ..... 877
1001220379 ..... 755		1001234432..... 858	1001241547 ..... 878
1001220404 ..... 345		1001234433..... 846	1001241548 ..... 878
1001220510 ..... 863		1001234434..... 846	1001241774 ..... 877
1001220511 ..... 863			1001241776 ..... 877
1001220512 ..... 863			1001241965 ..... 523
1001220864 ..... 863			
1001221203 ..... 243, 266			

## SECTION 11 - SPECIAL OPTIONS

1001242255.....145	1001254317.....451	1001260969.....826, 830, 834, 842, 846, 850, 854, 858	1001267256.....243, 247, 253, 266, 290, 302
1001242256.....147	1001254472.....523	1001260970.....876	1001267312.....826, 830, 834, 838, 842, 846, 850, 854, 858
1001242409.....876	1001254473.....523	1001261045.....260	1001267678....71, 77, 83, 89
1001243183.....876	1001254632.....451	1001261085.....260	1001268736.....877
1001243184.....876	1001254846.....644	1001261272.....453	1001269187.....878
1001243414.....163, 167, 171	1001254847.....645	1001261274.....453	1001269322.....543
1001243645.....37	1001255133.....449	1001261335.....557	1001269389.....878
1001243682.....139, 141, 821	1001255320.....439, 573	1001261336.....561	1001269573.....543
1001243895.....315	1001255321.....439, 583	1001261338.....557	1001269629.....877
1001244212.....862	1001255807.....876	1001261339.....561	1001269630.....877
1001245049.....37	1001255880.....459, 464	1001262016.....879	1001269631.....877
1001245913.....260, 767	1001255882.....460, 464	1001262102.....862	1001269655.....879
1001246142.....876	1001255901.....743, 789	1001262103.....862	1001270068.....593
1001246144.....731	1001256059.....644	1001262104.....862	1001270069.....597, 603, 609, 615, 621, 627, 633, 639
1001246145.....735	1001256267.....439	1001262105.....862	1001270073.....603, 610, 628, 639
1001246473.....731	1001256506.....756	1001262322.....729	1001270089.....645
1001246474.....735	1001256879.....218	1001262326.....729	1001270090.....598, 604, 610, 616
1001247013.....222, 225	1001256906.....862	1001262959.....880	1001270091.....598, 604, 610, 616
1001247073.....878	1001257271.....557, 561	1001262960.....737, 739	1001270096.....616, 622
1001247358.....39	1001257274.....557	1001262963.....737, 739	1001270099.....158
1001247359.....332, 338	1001257278.....243, 265	1001263022.....862	1001270482.....878
1001247453.....459, 463	1001257283.....369	1001263355.....112	1001270594.....143
1001247468.....449	1001257397.....439	1001263356.....104, 120, 132	1001270630.....597, 633
1001247846.....441	1001257412.....243, 266	1001263357.....128	1001271642.....878
1001247847.....441	1001257561.....877	1001263360.....119	1001271794.....100, 104, 108, 112, 116, 120, 124, 128, 132
1001247848.....439, 441	1001257902.....703, 705	1001263361.....103	1001272166.....878
1001248140.....557, 559, 561, 563, 565	1001257903.....709	1001263362.....111	1001272182.....878
1001248141.....557, 559, 561, 563, 565	1001257904.....707	1001263363.....131	1001272659.....741
1001249052.....879	1001257972.....433, 781	1001263364.....127	1001272681.....145
1001249095.....789	1001258707.....703, 705, 707, 709	1001263587.....509	1001272682.....147
1001249695.....876	1001258708.....703, 705, 707, 709	1001263588.....503, 509	1001272997.....743
1001249824.....451	1001258709.....703, 705, 707, 709, 791	1001263612.....459, 464	1001273007.....880
1001249941.....876	1001258710.....703, 705, 707, 709	1001263800.....577	1001273008.....876
1001249942.....247, 253, 269	1001258711.....703, 705, 707, 709	1001263923.....751, 819	1001273009.....876
1001250292.....163, 167, 171	1001258800.....260	1001263941.....826, 830, 834, 838, 842, 846, 850, 854, 858	1001273010.....876
1001250293.....162, 166, 170	1001258953.....879	1001264148.....876	1001273012.....741, 743
1001250384.....451	1001259466.....645	1001264239.....503	1001274219....69, 71, 73, 75, 77, 79, 81, 83, 85
1001250531.....459, 463	1001259467.....645	1001264254.....876	1001274559.....115, 119, 123, 127, 505, 509
1001250535.....439	1001259468.....645	1001264991.....445, 577	1001274829.....877
1001250595.....879	1001259470.....645	1001265163.....567	1001274830.....877
1001250643.....75	1001260277.....51, 455	1001265342.....567	1001274831.....877
1001250737.....441	1001260412.....243, 248, 254, 260, 266, 290, 302	1001265676.....763	1001274833.....877
1001251009.....439, 581	1001260413.....243, 248, 254, 260, 266, 290, 302	1001266056.....878	1001275149.....143
1001251010.....439, 579	1001260475.....464	1001266069.....501, 505	1001275628.....505, 509
1001251041.....439, 575	1001260858.....876	1001266073.....501	1001275629.....505, 509
1001251086.....443, 589	1001260886.....876	1001266098.....878	1001275642.....879
1001251087.....441, 587	1001260937.....509	1001266290.....878	1001275643.....879
1001252315.....439	1001260957.....862	1001266489.....878	1001276143.....100, 104, 108, 112, 116, 120, 124, 128, 132
1001252527.....760	1001260958.....838	1001266499.....243, 266	1001276376.....193, 195, 229, 231, 233, 235, 237, 285, 297, 361
1001252627.....865	1001260959.....830	1001266525.....243, 248, 254, 265, 290, 302	
1001252629.....557, 559, 561, 563, 565	1001260960.....850	1001266648.....506, 510, 793	
1001253375.....813	1001260962.....834	1001266807.....878	
1001253618.....879	1001260963.....842	1001266829.....464, 817	
1001253619.....879	1001260964.....846	1001266874.....108	
1001253658.....451	1001260965.....858	1001266875.....115	
1001253677.....455, 457	1001260966.....854	1001266876.....100, 116	
1001253724.....451	1001260967.....826	1001266878.....124	
1001253789.....459	1001260968.....838	1001266893.....99	
1001253880.....451		1001266894.....107	
		1001266896.....123	



## SECTION 11 - SPECIAL OPTIONS

1001276377 ..... 193, 195, 229, 231, 233, 235, 237, 285, 297, 359	1001286622..... 143, 727	1001296913.....622, 628, 634, 640	1321339... 187, 189, 209, 213, 217, 221, 225, 281, 293, 318, 322
1001276610 ..... 741	100128746799, 103, 107, 111, 115, 119, 123, 127, 131	1001297086.....877	1321384 .... 150, 154, 158
1001276644 ..... 242, 260, 290, 302, 759	1001287536.....435	1001297391..... 108, 112, 124, 128	1380147 ..... 383, 385
1001276923 ..... 876	1001288113.....435	1001301717.....290, 302, 305	1580012 ..... 525
1001277592 ..... 260, 273	1001289552..... 760	1001301719.....297, 300	1580013 ..... 878
1001277598 ..... 233, 258	1001289553..... 760	1001301943.....294, 297	1600244 ..... 879
1001277828 ..... 463	1001289593.....218, 225, 282, 294, 749	1001301949.....282, 285	1670603 ..... 693
1001278845 ..... 145	1001289831..... 879	1001301950.....285, 288	1670842 ... 149, 153, 157, 162, 166, 170
1001278850 ..... 145, 147	1001289832..... 879	1001302019.....293	1670844 ..... 439
1001280403 ..... 100, 104, 115, 119, 132	1001289850..... 876	1001302096.....281	1670850 ..... 439
100128060099, 103, 107, 111, 115, 119, 123, 127, 131	1001289874..... 163, 167, 171	1001303818.....332, 338	1671034 ..... 445
1001281192 ..... 260	1001289905..... 879	1001311034.....523	1671092... 424, 428, 432, 667
1001281298 ..... 435	1001289906..... 879	1060341....549, 551, 553, 555	1671093 .... 532, 539, 667
1001281301 ..... 435	1001289964..... 242	1060343....424, 428, 432	1671228... 149, 150, 153, 154, 157, 158
1001281304 ..... 435	1001290021..... 149, 153, 157	1060545.....723, 725	1671230 ..... 150
1001281305 ..... 435	1001290252..... 331, 337	1060626....189, 213, 281, 322	1671231 .... 150, 154, 158
1001281307 ..... 435	1001290375..... 877	1060637....187, 189, 229, 231, 233, 235, 237, 285, 297, 325, 327	1671232 .... 150, 154, 158
1001281309 ..... 435	1001290382..... 163, 171	1060903....549, 551, 553, 555	1671233 ..... 149
1001281310 ..... 435	1001290383..... 167	1060908.....721	1671314 ..... 509
1001281311 ..... 435	1001291401.....243, 248, 254, 260, 266, 290, 302	1060918.....515	1700818 ..... 862
1001281359 ..... 435	1001291681..... 243	1062255.....217	1701499... 826, 830, 834, 838, 842, 846, 850, 854, 858
1001281360 ..... 435	1001293369..... 877	10702077..416, 420, 424, 428, 432	1701501 ... 826, 830, 834, 838, 842, 846, 850, 854, 858
1001281423 ..... 877	1001294757..... 863	10702082..416, 420, 424, 428, 432	1701505 ... 187, 189, 209, 213, 217, 221, 225, 281, 293, 862
1001281452 ..... 878	1001294815..... 863	10836804....99, 103, 107, 112, 115, 119, 123, 128, 131	1701509... 545, 547, 826, 830, 834, 838, 842, 846, 850, 854, 858
1001281453 ..... 878	1001295732..... 115, 119, 123, 127, 753	1120510.....439	1701518 ..... 830, 838
1001281456 ..... 878	1001296319..... 226, 237	1120555.....545, 547	1701542 .... 318, 322, 862
1001281457 ..... 878	1001296324..... 225	1120601.... 150, 154, 157, 162, 166, 170	1701543 .... 318, 322, 862
1001281609 ..... 237, 241	1001296326..... 190, 195	1180346.....453	1702565 ..... 505, 509
1001281656 ..... 435	1001296335..... 210, 229	1260017.....43, 45, 65	1702566 ..... 505, 509
1001281703 ..... 135, 513	1001296336..... 209	1260135.....47	1702567 ..... 505, 509
1001281985 ..... 243, 290, 302	1001296359..... 214, 231	1320011..... 221, 225	1702720 ..... 862
1001281986 ..... 243, 290, 302	1001296360..... 213	1320016..... 198, 202	1702773 .... 489, 499, 862
1001282106 ..... 135, 513	1001296394..... 189	1320022.....187, 189, 371	1702774 ..... 862
1001282461 ..... 879	1001296474..... 222, 235	1320061....209, 213, 217, 221, 225, 281, 293	1702861 ..... 862
1001283776 ..... 143, 815	1001296475..... 221	1320110.....330, 336	1702868... 543, 826, 862, 865, 869
1001284101 ..... 435	1001296652..... 187, 193	1320127 .....39	1702941 ... 189, 213, 281, 322
1001284504 ..... 463	1001296653..... 187	1320176.....187, 189	1702942 ... 189, 213, 281, 322
1001284872 ..... 77	1001296655..... 218, 233	1320177.....529, 532	1702943 ... 189, 213, 281, 322
1001284873 ..... 71	1001296656..... 217	1320218.....39	1702944 ... 189, 213, 281, 322
1001284874 ..... 83	1001296788..... 81, 85	1320220.....39	1703162... 198, 202, 241, 246, 252, 258, 264, 288, 300, 330, 336
1001284961 ..... 83	1001296839..... 622, 628, 634, 640	1320223..81, 83, 85, 198, 202	1703482 ... 826, 830, 834, 838, 842, 846, 850, 854, 858
1001284962 .... 69, 71, 79	1001296840..... 622, 628, 634, 640	1320224..... 187, 189	1703797 ..... 826
1001284963 .... 73, 75, 77	1001296841..... 622, 628, 634, 640	1320250.....453	1703804 ..... 826
100128501699, 103, 107, 111, 115, 119, 123, 127, 131, 819	1001296842..... 622, 628, 634, 640	1320256....703, 705, 707, 709	1703805 ..... 826
1001285346 ..... 100, 104, 108, 112, 115, 120, 124, 128, 132, 789	1001296843..... 622, 628, 634, 640	1320288.....451	
1001285349 ..... 435	1001296844..... 622, 628, 634, 640	1320289.....451	
1001285677 ... 73, 79, 85, 91	1001296858..... 622, 628, 634, 640	1320302....532, 537, 539, 543	
1001285832 ..... 73	1001296859..... 622, 628, 634, 640	1320318....399, 403, 407, 411, 415, 419, 423, 427	
1001285833 ..... 85	1001296909..... 621	1321283.....318, 322	
1001285834 ..... 79	1001296910..... 627		
1001286022 ..... 877	1001296911..... 633		
100128603299, 103, 107, 111, 751	1001296912..... 639		
1001286033 ..... 132, 763			

## SECTION 11 - SPECIAL OPTIONS

1703811....826, 830, 834, 838, 842, 846, 850, 854, 858	1705460... 416, 420, 424, 429, 432	2130606 ... 597, 603, 609, 615, 621, 627, 633, 639	2220468....597, 603, 609, 615, 621, 627, 633, 639, 644
1703814....826, 830, 834, 838, 842, 846, 850, 854, 858	1705461 ..... 416, 420	2130808 ... 597, 603, 609, 615, 621, 627, 633, 639	2220472..... 644
1703923.....858	1705489... 399, 403, 416, 420	2131612 ... 621, 627, 633, 639	2220473....597, 603, 609, 615, 621, 627, 633, 639, 644
1703924.....846	1705490..... 865	2131616 ... 597, 603, 609, 615, 621, 627, 633, 639	2220478..... 644
1703925.....842	1705822 ..... 830, 838	2150406 ... 597, 603, 609, 615, 621, 627, 633, 639	2220490..... 644
1703926.....850	1705836 ..... 862	2151616 ... 597, 603, 609, 615, 621, 627, 633, 639	2220500..... 644
1703927.....854	1705837 ..... 862	2170408 ... 597, 603, 609, 615, 621, 627, 633, 639	2220501..... 644
1703935.....858	1705886 ..... 862	2170504 ... 597, 603, 609, 615, 621, 627, 633, 639	2220577..... 644
1703936.....846	1705895 ..... 834	2170506 ... 609, 615, 621, 627	2220578....597, 603, 609, 615
1703937.....842	1705896 ..... 834	2170706 ... 609, 615, 621, 627	2220582....597, 603, 609, 615, 621, 627, 633, 639, 644
1703938.....850	1705897 ..... 834	2180348 ... 187, 189, 332, 338, 371	2220593..... 644
1703939.....854	1705898 ..... 834	2180387 ..... 39	2220596....597, 603, 609, 615, 621, 627, 633, 639, 644
1703942.....846	1705902 ..... 834	2180388 ..... 39	2220600..... 644
1703943....834, 842, 858	1705905 ..... 834	2180389 ..... 39	2220605..... 644
1703944.....850	1705917 ..... 858	2180418 .... 39, 318, 322, 332, 338	2220671....597, 603, 609, 615, 621, 627, 633, 639
1703945.....854	1705921 ..... 830, 838	2180467 ..... 330, 336	2220726..... 644
1703947.....858	1705961 ..... 830, 838	2180832 ... 209, 213, 217, 221, 225, 281, 293, 529, 532	2220737..... 644
1703948.....846	1705967 ..... 834, 862	2200222 ..... 69, 71, 73	2220750..... 179, 181
1703949.....842	1705968 ..... 842, 862	2200233 ..... 81, 83	2220765..... 644
1703950.....850	1705969 ..... 854, 862	2220237 ... 597, 603, 609, 615, 621, 627, 633, 639	2220800....597, 603, 609, 615
1703951.....854	1705977 ... 830, 834, 838, 842, 846, 850, 854, 858	2220238 ... 597, 603, 609, 615, 621, 627, 633, 639	2220816..... 371, 373
1703953.....826	1705980 ..... 863	2220252 ..... 179, 181	2220852..... 644
1703959....826, 830, 834, 838, 842, 846, 850, 854, 858	1706059 ..... 862	2220261 ..... 39, 332, 338	2220883.....31, 457, 571, 573, 575, 579, 581, 587
1703980.....850	1706060 ..... 862	2220313 ... 187, 189, 209, 213, 217, 221, 225, 281, 293	2220885....571, 583, 589
1703981.....854	1706061 ..... 863	2220315 ... 241, 246, 252, 258, 264, 288, 300	2220888.....31, 575, 579, 581, 587, 589
1703982.....842	1706062 ..... 862	2220362 ..... 644	2220888..... 31
1703983.....858	1706063 ..... 863	2220371 ... 597, 603, 609, 615, 621, 627, 633, 639, 644	2220899..... 644
1703984.....846	1706064 ..... 862	2220373 ... 597, 603, 609, 615, 621, 627, 633, 639, 644	2220940....597, 603, 609, 615, 621, 627, 633, 639
1704000.....846, 862	1706098 ..... 862	2220374 ... 597, 603, 609, 615, 621, 627, 633, 639	2220947..... 644
1704001.....858, 862	1706385 ..... 489, 499	2220375 ... 597, 603, 609, 615, 621, 627, 633, 639	2220950..... 644
1704260.....505, 509	1706957 ..... 45	2220377 ..... 644	2221024..... 39
1704271.....862	1706960 ..... 45	2220380 ... 597, 603, 609, 615, 621, 627, 633, 639	2221034..... 644
1704277....826, 830, 834, 838, 842, 846, 850, 854, 858	2030010 ... 529, 532, 537, 539, 543	2220381 ..... 644	2221036..... 644
1704412....826, 830, 834, 838, 842, 846, 850, 854, 858	2060025 ..... 198, 202	2220387 ... 597, 603, 609, 615, 621, 627, 633, 639	2221037..... 179, 181
1704578.....43	2080040 ... 162, 166, 170, 473, 477, 479, 485, 491, 495	2220388 ... 597, 603, 609, 615, 621, 627, 633, 639	2221086..... 644
1704885.....862	2080072 .... 162, 166, 170	2220374 ... 597, 603, 609, 615, 621, 627, 633, 639	2221176.... 187, 189, 318, 322
1704972.....862	2110404 ... 593, 597, 603, 609, 615, 621, 627, 633, 639	2220375 ... 597, 603, 609, 615, 621, 627, 633, 639	2221197..... 39, 318, 322
1705014.....489, 499	2110406 ... 597, 603, 609, 615, 621, 627, 633, 639	2220377 ..... 644	2300016..... 27
1705090.....43	2110408 ..... 593	2220380 ... 597, 603, 609, 615, 621, 627, 633, 639	2400060....315, 567, 779, 781, 789, 793
1705305....543, 865, 867, 869	2110606 ... 593, 597, 603, 609, 615, 621, 627, 633, 639	2220381 ..... 644	2400064....779, 781, 873
1705325.....673, 675	2110608 ... 609, 615, 621, 627	2220415 ..... 644	2410014..... 489, 499
1705336.....826	2110808 ... 597, 603, 609, 615, 621, 627, 633, 639	2220418 ..... 39	2420203....387, 389, 393
1705344.....850	2110812 ... 597, 603, 609, 615, 621, 627, 633, 639	2220451 ... 198, 202, 597, 603, 609, 615, 621, 627, 633, 639, 644	2460048..... 415, 423
1705347.....846	2111616 ... 597, 603, 609, 615, 621, 627, 633, 639	2220466 ... 597, 603, 609, 615, 621, 627, 633, 639, 644	2460051..... 393
1705348.....842	2120209 ..... 51	2220468 ... 597, 603, 609, 615, 621, 627, 633, 639, 644	2460055..... 387
1705351.....826	2120210 ..... 51, 873	2220472 ..... 644	2560136..... 505, 509
1705355.....867, 869	2130406 ... 597, 603, 609, 615, 621, 627, 633, 639	2220473....597, 603, 609, 615, 621, 627, 633, 639, 644	2560187.... 163, 167, 171
1705358.....547	2130604 ... 597, 603, 609, 615, 621, 627, 633, 639	2220478..... 644	2580024.... 189, 213, 281, 322
1705374....408, 411, 695, 697	2170506 ... 609, 615, 621, 627	2220478..... 644	2580062..... 203
1705375....425, 429, 432	2170706 ... 609, 615, 621, 627	2220490..... 644	
1705387....408, 411, 425, 429, 432	2180348 ... 187, 189, 332, 338, 371	2220500..... 644	
1705426.....850	2180387 ..... 39	2220501..... 644	
1705427.....854	2180388 ..... 39	2220577..... 644	
1705429.....846	2180418 .... 39, 318, 322, 332, 338	2220578....597, 603, 609, 615	

## SECTION 11 - SPECIAL OPTIONS

2600209 .... 150, 154, 158	2753628 ... 597, 616, 622, 633	3200401 .... 199, 203, 241, 246, 252, 258, 264, 288, 300, 375, 377	3300396 ... 407, 412, 416, 420, 424, 428, 432
2600233 .... 150, 154, 158	2753634 ... 597, 604, 610, 615, 621, 628, 633, 639	3200406 ..... 198, 202	3300408 .... 99, 103, 107, 111, 115, 119, 123, 127, 131, 135, 513
2600244 .... 149, 153, 157	2753656 ... 609, 616, 622, 627	3250872 ..... 43	3300430 ..... 521
2600281 ... 473, 477, 479, 485, 491, 495	2753686 ... 597, 603, 609, 615, 621, 627, 633, 639	3251102 .... 387, 389, 393, 397, 399, 403, 407, 411	3300454 ..... 179, 181
2720015 ... 241, 246, 252, 264, 288, 300	2753732 ... 609, 616, 622, 627	3251242 .... 677, 679, 681, 683, 685, 687, 689, 691, 693, 862	3310401 ... 241, 246, 252, 264, 288, 300
2720058 ... 187, 189, 332, 336, 371	2753879 ... 609, 616, 622, 627	3251243 .... 387, 393, 408, 411, 425, 429, 432, 826, 846, 850	3310601 ..... 383, 385
2720144 ..... 39	2753970 ... 598, 616, 622, 634	3251813 ..... 862	3310605 ..... 459, 463
2720160 ..... 529, 532	2753971 ... 597, 603, 609, 615, 621, 627, 633, 639	3252347 ..... 826	3310801 ..... 459, 463
2720340 ... 241, 246, 252, 258, 264, 288, 300	2754337 ... 597, 603, 609, 615, 621, 627, 633, 639	3252507 ..... 397	3310805 ..... 39
2720398 ..... 198, 202	2754338 ... 597, 603, 610, 615, 621, 628, 633, 639	3252764 .... 415, 419, 423, 427, 431	3311001 ... 149, 150, 153, 154, 157, 158, 309, 311, 313, 416, 420, 424, 428, 432
2720545 ..... 179, 181	2754338 ... 597, 603, 610, 615, 621, 628, 633, 639	3271601 ..... 158, 451	3311005 ... 387, 389, 393, 397, 408, 411, 415, 420, 424, 428, 431, 529, 532, 537, 539, 543
2750532 ... 187, 189, 209, 213, 217, 221, 225, 281, 293	2754512 ... 598, 616, 622, 634	3271605 .... 451, 557, 559, 561, 563, 565	3311401 43, 45, 549, 551, 553, 555
2751399 ... 598, 604, 610, 616, 622, 628, 634, 640	2754720 ... 603, 610, 628, 640	3271801 .... 241, 246, 252, 258, 264, 288, 300	3311405 .... 99, 103, 107, 111, 115, 119, 123, 127, 131, 139, 141, 149, 153, 157, 162, 166, 170, 173, 175, 179, 181, 183, 187, 189, 193, 195, 198, 202, 209, 213, 217, 221, 225, 229, 231, 233, 235, 237, 241, 246, 252, 258, 264, 281, 285, 288, 293, 297, 300, 318, 322, 325, 327, 379, 381, 399, 403, 455, 459, 463, 501, 503, 523, 527, 673, 675, 677, 679, 681, 683, 685, 687, 689, 691, 693, 701, 717, 719
2751500 ... 598, 604, 610, 616, 622, 628, 634, 640	2754743 ... 603, 610, 628, 640	3271805 ..... 67, 489, 499	3311501 ... 170, 154, 157, 162, 166, 170, 459, 463, 549, 551, 553, 555
2752434 ... 598, 604, 610, 616, 622, 628, 634, 640, 645	2792700 ..... 45	3272001 .... 557, 559, 561, 563, 565	3311505 ... 27, 81, 83, 85, 149, 153, 157, 163, 167, 171, 198, 202, 241, 246, 252, 258, 264, 288, 300, 419, 427, 431, 455
2752461 ..... 645	2820019 ..... 771	3290405 .... 143, 145, 147, 318, 322, 567, 673, 675, 677, 679, 681, 683, 685, 687, 689, 691, 693	3311508 ... 407, 411, 415, 423
2752468 ..... 645	2820031 ... 387, 389, 393, 397, 399, 403, 408, 411, 416, 419, 424, 427, 431, 711	3290505 ..... 318, 322, 397	3311601 ... 69, 71, 73, 75, 77, 79, 149, 153, 157, 162, 166, 170, 453, 505, 510, 523
2752489 ... 598, 604, 610, 616, 622, 628, 634, 640	2820035 ..... 315	3290601 .... 163, 167, 171, 330, 336, 343, 393, 431	3311602 ..... 453
2752494 ..... 645	2820118 ..... 711, 713	3290605 .... 100, 104, 108, 112, 116, 120, 124, 128, 132, 330, 336, 529, 532	3311605 ... 39, 69, 71, 73, 75, 77, 79, 81, 83, 85, 149, 150, 153, 154, 157, 162, 166, 170, 173, 175, 177, 181, 183, 187, 189, 198, 202, 241, 246, 252, 258, 264, 288, 300,
2752495 ... 598, 604, 610, 616	2820233 ..... 150	3290606 .... 475, 481, 483, 487, 493, 497	
2752723 ..... 645	2820234 ..... 150	3290607 .... 145, 147, 330, 336	
2752754 ... 598, 604, 610, 616	2820235 ..... 150	3290801 .... 241, 264, 318, 322, 330, 336	
2752766 ..... 645	2820247 ..... 805, 809	3290805 ..... 330, 336, 701	
2752767 ..... 644	2840016 ..... 383, 385	3290806 ..... 449	
2752768 ..... 645	2860012 ..... 387	3291001 .... 330, 336, 449	
2752930 ..... 645	2860030 .... 99, 103, 107, 111, 115, 119, 123, 127, 131, 873	3291005 .... 241, 248, 254, 258, 264, 288, 300, 330, 336, 445, 449	
2752938 ... 598, 604, 610, 616	2900708 ..... 51	3291007 ..... 385	
2752978 ..... 645	2900756 ..... 27	3291201 .... 330, 336, 394, 431, 449	
2752997 ... 598, 604, 610, 616, 622, 628, 634, 640	2900792 ... 573, 575, 577, 579, 581	3291205 ..... 449	
2753008 ..... 645	2902212 ..... 545, 547	3300007 ..... 27	
2753010 ..... 645	2902217 ... 532, 537, 539	3300151 .... 471, 475, 481, 483, 485, 487, 493, 495, 497, 532, 537, 539, 543	
2753118 ..... 645	2902396 ..... 876	3300205 ..... 99, 103, 107, 111, 115, 119, 123, 127, 131	
2753123 ..... 645	2902443 ... 751, 755, 759	3300353 ..... 99, 103, 107, 111, 115, 119, 123, 127, 131, 505, 509	
2753189 ..... 645	2910887 ..... 876	3300364 .... 162, 166, 170	
2753190 ..... 644	2915094 ..... 63, 880		
2753191 ..... 645	2915228 ..... 878		
2753192 ..... 645	2920129 ..... 793		
2753195 ..... 645	2940045 ... 162, 166, 170		
2753196 ..... 645	2940074 ... 473, 477, 479, 485, 491, 495, 873		
2753197 ..... 645	2940088 ... 150, 154, 158		
2753199 ..... 645	2940173 ... 163, 167, 170		
2753200 ..... 645	2940188 ... 150, 154, 157		
2753231 ..... 645	3020021 ..... 351		
2753274 ..... 645	3020029 ..... 63		
2753542 ... 597, 603, 610, 616, 622, 628, 633, 639	3020037 ..... 233		
2753622 ... 597, 603, 609, 615, 621, 627, 633, 639	3020039 ..... 19, 21		
2753626 ... 597, 604, 610, 615, 621, 628, 633, 639	3160348 ..... 27, 31		

## SECTION 11 - SPECIAL OPTIONS

309, 311, 313, 318, 322, 373, 375, 377, 383, 387, 397, 451, 453, 489, 499, 501, 503, 532, 537, 539, 543	3520026 ..... 509	3740086 ..... 811, 874	3960389..... 149, 153, 157, 162, 166, 170, 187, 189
3311705.....387, 389, 393, 397	3520027 ..... 509	3760133 ..... 441	3960407..... 198, 202
3311801.....27, 187, 189, 229, 231, 233, 235, 237, 285, 297, 389, 399, 403, 408, 411, 415, 419, 424, 427, 459, 463	3520028 .... 387, 389, 393	3760170 ..... 47, 65	3960422..... 408, 411, 423, 427, 431, 663, 665, 695, 697
3311805..... 198, 202, 325, 327, 375, 377, 383, 385	3520030 .... 163, 167, 170	3790012 ... 318, 322, 501, 503, 505, 509, 517	3960438..... 150, 154, 158
3312001.....47	3520031 ..... 99, 103, 107, 111, 115, 119, 123, 127, 131	3790044 ... 193, 195, 229, 231, 233, 235, 237, 285, 297, 325, 327	3960453..... 149
3312002.....57, 557, 559, 561, 563, 565	3520035 .... 459, 463, 467	3820001 ..... 43, 826, 830, 834, 838, 842, 846, 850, 854, 858	3960462..... 150, 154, 158
3312005.....545, 547	3520054 ... 198, 202, 241, 266, 505, 509	3820020 ... 473, 477, 479, 485, 491, 495	3960464..... 150, 154, 158
3312205.....545, 547	3520071 ..... 545, 547	3841143 ... 187, 189, 209, 213, 217, 221, 225, 281, 293, 318, 322, 441, 445, 449	3960468.... 198, 202, 229, 231, 233, 235, 237, 285, 297
3312602..... 143, 145, 147	3520072 ... 471, 473, 475, 477, 479, 481, 483, 485, 487, 489, 491, 493, 495, 497, 499	3841203 ..... 439	3960469.... 198, 202, 229, 231, 233, 235, 237, 285, 297, 325, 327
3321501..... 150, 154, 157	3520189 ..... 416, 420	3841287 ..... 19, 21, 439	3960470..... 149, 153, 157
3322201.....67	3520192 ..... 416, 420	3841340 ..... 51, 453	3960526..... 27
3340764..... 451	3520193 ..... 459, 463	3841356 ..... 439	3980007.... 189, 213, 281, 322
3340828..... 443	3520198 ... 471, 473, 475, 477, 479, 481, 483, 485, 487, 491, 493, 495, 497	3841406 ..... 451	3990010..... 789, 872
3340835..... 439, 443	3537445 ..... 383	3841520 ..... 23, 25	4010303..... 460, 464
3340840..... 451	3537446 ..... 383, 385	3900054 ..... 489, 499	4010608..... 529, 532
3340859..... 453	3538047 ..... 19, 21	3900210 ... 162, 163, 166, 167, 170, 171	4010618.... 475, 481, 483, 487, 493, 497
3340871..... 441	3570928 ..... 459, 463	3900232 ... 149, 150, 153, 157, 158, 451	4031505..... 519
3340881..... 443	3571712 ..... 149	3900239 ..... 439	4031509.... 143, 145, 147
3340941..... 451	3572423 ..... 81, 83, 85	3900259 ..... 441	4031516..... 523
3340943..... 451	3572606 ..... 459, 463	3900262 ..... 453	4031608..... 397
3340956..... 545, 547	3572607 ..... 459, 463	3900268 ..... 99, 103, 107, 111, 115, 119, 123, 127, 131	4031711..... 330, 336
3340966..... 25	3573400 ... 532, 537, 539, 543	3900283 ..... 451	4031912..... 241
3380434..... 501, 503	3573642 .... 532, 537, 539	3900293 ..... 57	4031914.... 246, 252, 258, 264, 288, 300
3380444.... 149, 153, 157	3574091 ..... 553, 555	3900316 ... 154, 162, 166, 170	4032014.... 246, 252, 288, 300
3380535..... 467	3575359 ..... 549, 551	3900349 ..... 505, 509	4032015.... 399, 407, 415, 424
3420292..... 43, 45	3575874 ..... 179, 181	3900363 .... 163, 167, 171	4060092..... 665
3420372..... 47	3576755 ..... 81, 83, 85	3910408 ... 241, 246, 252, 264, 288, 300	4060802.... 387, 389, 393, 397, 399, 403, 407, 411, 415, 419, 423, 427, 431
3420447..... 47	3576799 ..... 529, 532	3910606 ... 408, 411, 423, 427, 431, 695, 697	4060805.... 198, 202, 241, 246, 252, 258, 264, 288, 300, 332, 338, 459, 463
3421453..... 529, 532	3577121 ... 532, 537, 539, 543	3910608 ..... 383, 385	4070410..... 149, 153, 157
3421565..... 65	3580134 ..... 397	3910610 ..... 663, 665	4070411.... 149, 153, 157
3422417..... 23, 25	3580158 ..... 387, 397	3910804 ..... 99, 103, 107, 111, 115, 119, 123, 127, 131	4070412.... 149, 153, 157
3422446.... 187, 189, 209, 213, 217, 221, 225, 281, 293, 318, 322	3580276 ..... 387, 389	3930606 ..... 459, 463	4070450..... 47
3422457..... 441	3580314 ..... 431	3930816 ..... 463, 467	4070560..... 47
3422532.... 193, 195, 229, 231, 233, 235, 237, 285, 297, 325, 327	3580317 ... 399, 403, 408, 411, 416, 419, 424, 427, 431	3930820 ..... 460, 464	4070561..... 47
3422681..... 439	3580318 ... 408, 411, 424, 427	3930824 ..... 459, 463	4070585..... 387
3422683..... 439	3580319 ... 399, 403, 416, 419	3931016 ... 407, 411, 415, 419, 423, 427, 431	4070863..... 441
3422684..... 439	3580320 ... 246, 252, 288, 300, 399, 408, 416, 424	3931408 ..... 521	4070864..... 441
3422685..... 439	3580324 ..... 393	3931424 ..... 181	4070878..... 19, 21
3422686..... 439	3600386 .... 179, 181, 183	3931432 ... 241, 246, 252, 258, 264, 288, 300, 459, 463	4070879..... 19, 21
3422687..... 439	3641569 ..... 549, 551	3931436 ..... 459, 463	4070897..... 441, 443
3422690..... 441	3720021 ..... 179, 181	3931512 ... 241, 246, 252, 258, 264, 288, 300	4070898..... 441, 443
3422729..... 439	3740049 ..... 99, 103, 107, 111, 115, 119, 123, 127, 131, 874	3931628 ... 246, 252, 288, 300	4070929..... 443
3422790..... 23, 25	3740067 ... 198, 202, 209, 213, 217, 221, 225, 281, 293, 318, 322, 872, 873	3931644 ..... 330, 336	4070967..... 443
3422848..... 25	3740080 ... 198, 202, 387, 389, 393, 397, 431, 872, 873	3952020 ..... 57	4070968..... 443
3422861..... 445			4070969..... 451
3422867..... 445			4070991..... 99, 103, 107, 111, 115, 119, 123, 127, 131
3430616..... 505, 510			4071007..... 443
3430816..... 383, 385			
3450404..... 383, 385			
3460334..... 545, 547			
3470003..... 505, 510			

## SECTION 11 - SPECIAL OPTIONS

4071059.....	25	4420014.....	545, 547	4460426.....	99, 103, 107,	4460703.....	755, 760
4071122.....	318, 322	4420037 ...	532, 537, 539,	111, 115, 119, 123,		4460708.....	793
4100062.....	644	543		127, 131, 407, 412,		4460722.....	315
4120035.....	793	4420038 ...	69, 71, 73, 75,	416, 420, 424, 428, 432		4460738.....	753, 763
4160139....	149, 153, 157	77, 79, 81, 83, 85		4460428.....	179, 505, 509	4460742 ...	773, 775, 779,
4160143....	149, 153, 157	4420051 43, 45, 826, 830,		4460434.....	789, 793	781	
4160194....	162, 166, 170	834, 838, 842, 846,		4460457....	751, 763, 773,	4460743.....	775, 779
4240017.....	143	850, 854, 858		781		4460746.....	759
4240018 ...	389, 397, 399,	4420060.....	397, 467	4460458....	751, 755, 759,	4460748.....	759
403, 407, 411, 415,		4420066.....	545, 547	763, 773, 775, 779, 781		4460761 ...	505, 509, 789
419, 423, 427, 695, 697		4460016.....	793	4460460.....	751, 763	4460806... 681, 683, 685,	
4240032 ...	145, 147, 243,	4460019 ...	749, 751, 753,	4460464....	515, 567, 699,	687, 789, 793	
248, 254, 260, 266,		760		711, 743, 745, 747,		4460807.....	769, 771
288, 300, 644, 729,		4460027 ....	387, 389, 393	753, 765, 789, 791,		4460808.....	769, 771
731, 733, 735, 737,		4460042.....	755, 759	793, 811, 813, 815,		4460865.....	711, 713
739, 741		4460043 ...	315, 751, 755,	819, 821		4460866....	711, 789, 793
4240033 ...	145, 147, 209,	760, 773, 775, 779		4460465....	143, 145, 147,	4460868.....	789
213, 221, 225, 281,		4460049 ...	549, 551, 553,	567, 699, 703, 705,		4460871 ...	751, 753, 763,
293, 459, 463, 519,		555		707, 709, 711, 713,		789, 793, 819, 821	
521, 523, 703, 705,		4460051.....	663, 665	727, 747, 751, 753,		4460872.....	789
707, 709		4460071 ...	408, 411, 424,	755, 756, 759, 760,		4460873.....	789, 793
4240099... 217, 241, 246,		427, 431, 515		763, 769, 771, 775,		4460874.....	789, 793
252, 258, 264, 288,		4460125.....	665	777, 779, 781, 783,		4460875.....	789, 793
300, 315, 319, 322,		4460134.....	785	789, 791, 793, 813,		4460876.....	789
330, 336, 393, 506,		4460142.....	751, 789	817, 819, 821		4460877.....	789
510, 532, 537, 539,		4460183.....	793	4460466....	519, 567, 699,	4460878.....	789
549, 551, 553, 555		4460190....	387, 389, 393	711, 713, 727, 747,		4460879.....	567, 793
4240113 ...	69, 71, 73, 75,	4460205.....	663, 785	753, 755, 759, 760,		4460880.....	753, 763
77, 79		4460224 ....	403, 505, 509	789, 791, 793, 807,		4460884... 567, 759, 789,	
4240149.....	545, 547	4460225 ....	769, 771, 793	811, 813, 815, 817, 819		813, 817, 819	
4280296.....	41	4460226 ...	505, 509, 515,	4460467.....	879	4460887... 567, 751, 753,	
4300157 ...	399, 408, 415,	549, 551, 553, 555,		4460470.....	99, 103, 107,	763, 789, 793	
424		715, 751, 753, 763, 793		111, 115, 119, 123,		4460888.....	793
4340706.....	443	4460227 ...	505, 509, 789,	127, 131, 505, 509		4460891 ...	143, 145, 147,
4340747.....	179	793		4460471.....	99, 103, 107,	699, 715, 727, 753,	
4360057 ...	549, 551, 553,	4460233.....	665, 787	111, 115, 119, 123,		756, 765, 819, 821	
555, 874		4460234 ...	143, 505, 509,	127, 131, 505, 509		4460892.....	791
4360070 ...	407, 412, 416,	549, 551, 553, 555,		4460473.....	711, 713	4460894 ...	703, 705, 707,
420, 424, 428, 432, 872		729, 731, 733, 735		4460488.....	99, 103, 107,	709, 727, 747, 755,	
4360274....	123, 127, 874	4460247.....	755, 760	111, 115, 119, 123,		759, 789, 791, 793	
4360328.....	517, 874	4460256.....	781	127, 131, 145, 147		4460897 ...	756, 765, 815,
4360331....	501, 503, 874	4460259 ...	567, 751, 763,	4460496.....	99, 103, 107,	819	
4360336... 318, 322, 387,		789, 793		111, 115, 119, 123,		4460899... 753, 791, 807,	
389, 393, 397, 399,		4460260 ...	567, 751, 763,	127, 131		811, 813	
403, 407, 411, 415,		789, 793		4460497.....	99, 103, 107,	4460905.....	789, 793
419, 423, 427, 431, 874		4460267.....	793	111, 115, 119, 123,		4460910.....	805, 817
4360387 ...	107, 111, 123,	4460268....	753, 769, 771	127, 131		4460911.....	789, 807
127, 505, 509, 874		4460294.....	403	4460508....	519, 711, 789,	4460928.....	699
4360407....	505, 509, 872	4460297.....	789	793		4460930....	727, 755, 759
4360436.....	874	4460312.....	751, 763	4460509.....	711, 713	4460931.....	753, 815
4360469....	99, 103, 107,	4460313 ...	751, 753, 763,	4460510.....	879	4460932... 567, 743, 755,	
111, 115, 119, 123,		789		4460518....	699, 703, 705,	760, 765	
127, 131, 874		4460315.....	663, 665	707, 709, 817		4460933... 699, 727, 789,	
4360475....	99, 103, 107,	4460320.....	789	4460526.....	99, 103, 107,	793	
111, 131, 874		4460321.....	393	111, 115, 119, 123,		4460941.....	765, 807
4360476....	99, 103, 107,	4460346 ...	408, 411, 423,	127, 131		4460942... 519, 755, 759,	
111, 115, 119, 123,		427, 431, 663		4460536....	789, 791, 793,	765	
127, 131, 872		4460374.....	751, 773	821		4460943... 727, 789, 793,	
4360498....	459, 463, 874	4460375.....	751	4460539....	703, 705, 707,	807	
4360499....	459, 463, 874	4460418.....	789, 793	709, 751, 753, 759,		4460944... 703, 705, 707,	
4360517.....	67, 874	4460419.....	789, 793	763, 791, 793, 819, 821		709, 751, 753, 755,	
4360542... 387, 389, 393,		4460424....	751, 753, 763	4460612.....	695, 697	759, 763, 793	
872		4460425 ...	407, 412, 416,	4460633.....	179, 181	4460945.....	760
4360578... 459, 463, 467,		420, 424, 428, 432,		4460634.....	793	4460956.....	721, 725
874		549, 551, 553, 555,		4460635.....	793	4460957.....	721, 725
4400275.....	39	695, 697		4460670.....	751, 773	4460958.....	697
4400420.....	39			4460701.....	787	4460962....	532, 539, 667

## SECTION 11 - SPECIAL OPTIONS

4460963....424, 428, 432, 667	381, 399, 403, 407, 411, 415, 419, 423,	119, 123, 127, 131, 150, 153, 157, 162,	318, 322, 330, 336, 341, 343, 449, 701
4460967....775, 777, 779, 781, 783	427, 431, 455, 471, 475, 481, 483, 485,	163, 166, 167, 170, 171, 173, 175, 193,	4811902....242, 248, 254, 259, 265, 289, 301, 330, 336, 343
4460968....397, 459, 463, 467	487, 493, 495, 497, 521, 523, 673, 675,	195, 229, 231, 233, 235, 237, 242, 246,	4812000....209, 213, 221, 225, 242, 247, 253, 259, 265, 281, 289, 293, 301, 318, 322, 330, 336, 343, 385, 393, 449
4460971.....529, 532	677, 679, 681, 683, 685, 687, 689, 691,	252, 258, 265, 285, 289, 297, 301, 318,	4812002....330, 336, 345
4460979.....751, 763	693, 717, 719	322, 325, 327, 459, 463, 467, 501, 503,	4812100....209, 213, 217, 221, 225, 242, 247, 253, 259, 265, 281, 289, 293, 301, 343, 435, 449
4461005.....751	4711500 ... 27, 81, 83, 85, 163, 167, 171, 242,	505, 509, 525, 527, 532, 537, 539, 543, 549, 551, 553, 555, 701	4812200....198, 202, 242, 247, 253, 259, 265, 289, 301, 375, 377, 393
4461006.....751	246, 252, 258, 264, 288, 300, 419, 427,	4751500 ... 43, 45, 93, 95, 150, 153, 157, 162, 166, 170, 242, 246,	4843777.....47
4461008....751, 756, 759	431, 455, 459, 463	252, 258, 265, 289, 301, 387, 389, 397, 407, 411, 416, 423, 549, 551, 553, 555	4844817.....445
4461042.....727	4711600 . 19, 21, 51, 150, 154, 158, 181, 198,	4751600 ... 39, 41, 69, 71, 73, 75, 77, 79, 81, 83, 85, 145, 147, 150, 153, 154, 157, 158, 162, 166, 170, 173, 175, 177, 183, 187, 189, 198, 202, 209, 213, 217, 221, 225, 242, 246, 252, 258, 265, 281, 289, 293, 301, 318, 322, 375, 377, 387, 397, 532, 537, 539, 543	4844958.....65
4461052.....751	202, 209, 213, 217, 221, 225, 281, 293, 309, 311, 313, 318,	4751800 ... 67, 81, 83, 85, 179, 181, 187, 189, 229, 231, 233, 235, 237, 285, 297, 325, 327, 489, 499, 549, 551, 553, 555	4845680.....453
4461053.....751	322, 371, 373, 389, 399, 403, 408, 411, 416, 419, 424, 427, 441, 443, 451, 453, 459, 463, 505, 510, 557, 559, 561, 563, 565, 703, 705, 707, 709	4752000 ... 187, 189, 209, 213, 217, 221, 225, 281, 293, 318, 322	4846627....532, 537, 539
4461054....751, 759, 765	4711700 ... 242, 246, 252, 258, 264, 289, 301, 371, 389, 393	4770600 .....383, 385	4846673.....553, 555
4461060.....751	4711800 ... 258, 383, 385, 399, 407, 415, 423, 489, 499	4791400 ... 198, 202, 399, 403, 407, 411, 415, 419, 424, 427	4860225.....33, 35
4461070.....699, 751	4712000 ... 545, 547, 557, 559, 561, 563, 565	4811400 ... 143, 145, 147, 567, 673, 675, 677, 679, 681, 683, 685, 687, 689, 691, 693	4871700.....432
4461071.....755, 759	4712200 ..... 545, 547	4811600 ..... 397	4891500.....99, 103, 107, 111, 115, 119, 123, 127, 131, 259, 393
4461073....751, 755, 759	4740036 ..... 47	4811700 ... 100, 104, 108, 112, 116, 120, 124, 128, 132, 145, 147, 330, 336, 343, 393, 431, 475, 481, 483, 487, 493, 497, 529, 532	4891600.....67, 163, 167, 171, 383, 449
4461077.....807, 811	4740057 ..... 57	4811702 ... 242, 246, 252, 258, 265, 289, 301, 341	4891800.....27, 193, 195, 229, 231, 233, 235, 237, 242, 247, 253, 259, 265, 285, 289, 297, 301, 325, 327, 383, 385, 389, 403, 411, 419, 427
4461095....699, 751, 755	4740076 .... 149, 153, 157	4811900 ... 242, 247, 253, 258, 265, 289, 301,	4892000.....27, 63
4461157.....751, 763	4740119 ..... 383	4811900 ... 41, 43, 45, 99, 103, 107, 111, 115,	4892200.....19, 21
4461196.....795	4740155 ..... 25		4892600001.....449
4461198.....675, 795	4740256 ..... 23, 25		4921829.....394, 785
4461199.....797	4740274 ... 198, 202, 375, 377		4921955.....787
4461201.....679, 797	4740362 ..... 501, 503		4922218.....703, 705
4461205.....799, 801	4740397 .... 99, 103, 107, 111, 115, 119, 123, 127, 131, 387, 397		4922220.....703, 705
4461244.....683, 799	4740444 ..... 123, 127		4922576....703, 705, 707, 709, 713
4461245.....687, 801	4740463 ..... 23, 25		4922578....703, 705, 707, 709
4461246.....691, 803	4740472 ..... 19, 21		4922641....387, 390, 394, 397, 412, 416, 419, 425, 427, 433
4461249.....803	4740473 ..... 23, 25		4922666.....505, 509
4462641.....407	4740500 .... 150, 154, 158		4922925....416, 419, 424, 427, 431, 771
4520253.....33	4740518 .... 99, 103, 107, 111, 115, 119, 123, 127, 131		4923379.....198, 202
4520256.....37	4750400 ... 242, 246, 252, 264, 289, 301		4923445.....394, 773
4530028....532, 537, 539, 541	4750800 ..... 39		5240800....248, 254, 259, 289, 301
4567757.....644	4751000 ... 69, 71, 73, 75, 77, 79, 81, 83, 85, 150, 153, 154, 157, 158, 387, 393, 397, 408, 411, 416, 419, 424, 427, 431, 529, 532, 537, 539, 543		5241000.....330, 336
4568119.....81, 83, 85	4751400 ... 41, 43, 45, 99, 103, 107, 111, 115,		5241200....330, 336, 431, 449
4640261.....43, 45			5250605.....341, 343
4640509....575, 577, 579, 581			5250810....248, 254, 289, 301
4640605....573, 575, 581			
4640751....241, 246, 252, 258, 264, 288, 300			
4640780.....644			
4640858.....571			
4640866.....51			
4640932.....573			
4641022.....81, 83, 85			
4641032.....589			
4641033.....587			
4641122.....33, 35, 37			
4641303.....27			
4641317.....51			
4641435.....459, 463			
4711000....309, 311, 313, 389, 416, 420, 424, 428, 432			
471140051, 99, 103, 107, 111, 115, 119, 123, 127, 131, 137, 139, 141, 179, 181, 187, 189, 198, 202, 209, 213, 217, 221, 225, 241, 246, 252, 258, 264, 281, 288, 293, 300, 318, 322, 379,			

## SECTION 11 - SPECIAL OPTIONS

5251008 .....	449	70001973 .415, 420, 423,	70003475.....	205	70004343 .....	353
5251010 .....	259	428, 432	70003478.....	205	70004344 .....	353
5251016 .....	449	70001974 .415, 420, 423,	70003631...420, 428, 431		70004345 .....	353
5251210 .....	217	428, 432	70003708..399, 403, 407,		70004346 .....	353
5260600 .....	341, 343	70002013 .....	411, 415, 420, 423,		70004347 .....	353
5272010 .....	332, 336	451	428, 432		70004348 .....	353
70000017 .....	879	70002014 .....	70003709..399, 403, 407,		70004349 .....	353
70000044 .....	205	457	411, 415, 420, 423,		70004350 .....	353
70000123 .....	397	70002066 .....	428, 432		70004351 .....	353
70000342 .....	447	60	70003784.....	505, 509	70004352 .....	353
70000345 .206, 269, 273,		70002085 .....	70003935.....	27	70004381 .....	585
279, 305		60	70003936.....	27	70004382 .....	585
70000619 .416, 419, 424,		70002088 ..415, 423, 432	70003989.....	97	70004457 .....	53
427, 431		70002112 .75, 77, 79, 87,	70003992.....	97	70004459 .....	53
		89	70003993.....	97	70004460 .....	53, 872
70000797 .....	31	7000213 .....	70004020...198, 202, 872		70004461 .....	53, 54
70000800 .....	206	60	70004037.....	60	70004463 .....	53, 872
70000863 .415, 419, 423,		7000217 .....	70004040.....	60	70004501 .....	278
428, 432		60	70004041.....	60	70004504 ..270, 273, 305	
70000912 .....	205	7000229 .....	70004042.....	60	70004505 .269, 274, 277,	
70000913 .....	205	60	70004043.....	60	306	
70000914 .....	205	70002290 .....	70004044.....	60	70004506 .269, 274, 277,	
70000915 .....	205	415, 423	70004045.....	60	306	
70000916 .....	205	70002291 .....	70004047.....	60	70004507 .269, 274, 277,	
70000917 .....	205	420, 428	70004050.....	53	306	
70000918 .....	205	70002297 .415, 419, 423,	70004051.....	53	70004508 .269, 274, 277,	
70000919 .....	205	428, 432	70004052.....	53	306	
70001002 .....	205	7000230 .....	70004055.....	53	70004509 .269, 274, 277,	
70001100 .415, 419, 423,		70002386 .....	70004056.....	205	306	
428, 432		457, 872	70004058.....	205, 872	70004510 .269, 274, 277,	
70001181 .....	206	7000239 .....	70004060.....	205	306	
70001248 .....	67	29	70004092..399, 403, 407,		70004511 .....	278
70001384 .415, 419, 423,		7000240 .....	411, 420, 428		70004513 .....	278
428, 432		29	70004094.....	420, 428	70004584 .....	53
70001385 .....	415, 423	70002410 .....	70004098..407, 412, 420,		70004594 .....	53
70001424 .....	535	573, 583	428		70004595 .....	53, 872
70001425 .....	535	70002415 .....	70004099..403, 411, 420,		70004596 .....	53
70001427 .....	535	206	428		70004597 .....	53
70001428 .....	535	70002416 .....	70004125.....	97	70004598 .....	53
70001429 .....	535	206	70004149.....	81, 83, 85	70004653 .....	53, 872
70001430 .....	535	70002417 .....	70004151.....	457	70004657 .....	53
70001431 .....	535, 872	206	70004169...415, 423, 432		70004665 .....	53
70001432 .....	535, 874	70002418 .....	70004171...399, 407, 432		70004667 .....	53
70001435 .....	205	206, 274, 277,	70004183.....	351	70004676 .399, 403, 407,	
70001663 .....	183	306	70004184.....	69, 71, 73	411	
70001696 ..415, 423, 431		70002744 .....	70004186.....	577	70004677 .....	399
70001697 .....	447	585	70004199.....	87, 89	70004678 .399, 403, 407,	
7000180 .....	278	70002745 .....	70004237.....	573, 583	411	
70001835 .....	205	585	70004272.....	205	70004679 .399, 403, 407,	
70001836 .....	205	70002749 .....	70004276..270, 273, 279,		411	
70001837 .....	205	70002751 .....	305		70004680 .399, 403, 407,	
70001841 .....	205	70002814 .....	70004277..270, 274, 279,		411	
70001844 .....	206	87, 89	306		70004681 .....	399, 403
70001850 .....	205	70002839 .....	70004279.....	269	70004682 .399, 403, 407,	
70001866 .....	205	87, 89	70004280...206, 274, 277		412	
70001868 .....	205	7000284 .....	70004282.....	279	70004683 .....	399, 403
70001870 .205, 269, 274,		29	70004287.....	205	70004684 .....	407
277, 306		70002842 .....	70004289.....	206	70004685 .....	407, 412
70001871 .....	205	571	70004329.....	353	70004686 .....	403
70001872 .....	206	7000289 .....	70004331.....	353	70004687 .....	411
70001953 ..415, 423, 432		29	70004332.....	353	70004795 .....	87, 89
70001954 .....	355	70002902 .....	70004333.....	353	70005008 ..332, 337, 873	
70001955 .....	355	515	70004336.....	353	70005171 ..269, 274, 306	
70001956 .....	355	70002903 .....	70004337.....	353	70005172 .269, 274, 277,	
70001957 .....	355	515	70004338.....	353	306	
70001966 .399, 403, 407,		70002904 .....	70004340.....	353	70005173 .269, 274, 277,	
411, 415, 420, 423,		515	70004342.....	353	306	
428, 431, 432		70002905 .....				
		70002948 .....				
		179, 181				
		70003019 .....				
		53				
		70003136 .....				
		205				
		70003454 .....				
		67				
		70003464 .....				
		205				
		70003465 .....				
		205				
		70003466 .....				
		205				
		70003472 .....				
		205				

## SECTION 11 - SPECIAL OPTIONS

70005176...269, 274, 306	70006152..... 347	70006403..... 373	70007426..... 579
70005177...269, 274, 278, 306	70006153..... 347	70006404..... 373	70007427..... 575
70005181..... 278	70006154..... 347	70006405..... 373	70007428..... 575
70005184..270, 273, 278, 305	70006155..... 347, 873	70006406..... 373	70007429..... 575
70005188..... 278	70006157..... 347	70006407..... 373	70007430..... 575
70005189..... 278	70006158..... 347	70006408..... 373	70007446..... 457
70005191..... 270, 279	70006159..... 347	70006409..... 373	70007489..... 270
70005194..... 53	70006160..... 347	70006410..... 373	70007508..... 75, 77, 79
70005195..... 53	70006161..... 347	70006460 .. 332, 337, 873	70007514..... 587
70005196..... 53	70006162..... 347	70006461 ..... 332, 337	70007515..... 587
70005197..... 53	70006163..... 347	70006552 . 399, 403, 407, 412	70007516..... 587
70005198..... 53	70006164..... 347	70006553 . 399, 403, 407, 412, 873	70007517..... 587
70005199..... 54	70006165..... 347	70006649 ..... 577	70007518..... 587
70005200..... 54	70006166..... 347	70006650 ..... 577	70007519..... 587
70005201..... 54	70006167..... 347	70006652 ..... 270, 279	70007520..... 587
70005202..... 54	70006168..... 347	70006653 ..... 270, 279	70007522..... 587
70005203..... 60	70006169..... 347	70006673 ..... 29	70007523..... 573
70005458..... 353	70006170..... 347	70006674 ..... 29	70007524..... 573, 583
70005459..... 353	70006171 ..... 347, 873	70006675 ..... 29	70007525..... 583
70005460..... 353	70006172 ..... 347, 873	70006676 ..... 29	70007603..... 273, 305
70005461..... 353	70006173..... 347	70006677 ..... 29	70007725..... 89
70005462..... 353	70006174..... 347	70006678 ..... 29	70007726..... 89
70005463..... 353	70006175..... 347, 873	70006679 ..... 29	70007727..... 89
70005464..... 353	70006176..... 347, 873	70006680 ..... 29	70007785..... 359
70005465..... 353	70006177 ..... 347	70006684 ..... 29	70007786..... 359
70005504..... 273	70006178..... 347	70006685 ..... 29	70007787..... 359
70005527..... 270, 279	70006179..... 347	70006690 ..... 29	70007788..... 359
70005594..... 589	70006180..... 347	70006691 ..... 29	70007789..... 359
70005647..... 270, 279	70006181 ..... 347	70006692 ..... 29	70007790..... 359
70005648...270, 279, 873	70006182..... 347	70006734 ..... 577	70007791..... 359
70005663..... 879	70006183..... 347	70006735 ..... 577	70007792..... 359
70005708..... 87, 872	70006184..... 347	70006736 ..... 577	70007793..... 359
70005839..... 589	70006185..... 347	70006799 ..... 587	70007794..... 359
70005916..... 206	70006186..... 347	70006802 ..... 587	70007795..... 359
70005917..... 206	70006187 ..... 347	70006832 ..... 29	70007796..... 359
70005920..... 269, 277	70006188..... 347	70006833 ..... 29	70007797..... 359
70005922..... 277	70006189..... 347	70006941 ..... 277	70007798..... 359
70005923..... 278	70006191 ..... 347	7000695 ..... 206	70007799..... 359
70005924..... 278	70006194 ..... 347	70006955 ..... 53	70007800..... 359
70005926..... 278	70006195..... 347	70006956 ..... 53, 872	70007801..... 359
70005928..... 278	70006196..... 348	70006957 ..... 53	70007802..... 359
70005929..... 270, 278	70006197 ..... 348	70006961 ..... 53	70007803..... 273
70005931..270, 273, 278, 305	70006198..... 348	70007108 ..... 348	70007981..... 589
70005932..... 279	70006199..... 348	70007157 ..... 573, 583	70008199..... 589
70005933..... 279	70006200..... 348	70007159 ..... 573, 583	70008200..... 589
70005934..... 279	70006202..... 348	70007161 ..... 573, 583	70008201..... 589
70005938...274, 277, 306	70006203..... 348	70007246 ..... 575, 579	70008202..... 589
70005941...269, 274, 306	70006205..... 348	70007277 ..... 581	70008203..... 589
70005942..269, 274, 277, 306	70006206..... 348	70007278 .. 575, 579, 581	70008204..... 589
70006093..... 419, 428	70006207 ..... 348	70007279 ..... 581	70008205..... 589
70006094..... 420, 428	70006208..... 348	70007280 ..... 581	70008206..... 589
70006095..420, 423, 428, 872	70006210..... 348, 873	70007282 .. 575, 579, 581	70008207..... 589
70006096..... 420, 428	70006215..... 348	70007283 ..... 581	70008208..... 589
70006097..... 420, 428	70006217 ..... 348	70007325 .. 270, 273, 305	70008209..... 589
70006134..... 341	70006219..... 348	70007326 .. 269, 273, 305	70008210..... 589
70006135..... 341	70006221 ..... 348	70007327 ..... 305	70008296..... 306
70006136..... 341	70006225 ..... 348	70007331 ..... 270	70008422..... 274, 306
70006144..... 269, 277	70006232..... 348	70007354 .. 269, 273, 305	70008434..... 305
70006145..... 347	70006233..... 347	70007355 ..... 270, 305	70008435..... 305
70006147..... 347	70006235..... 348	70007419 ..... 581	70008497..... 361
70006150..... 347	70006236..... 348	70007420 ..... 581	70008498..... 361
70006151..... 347	70006264..... 277	70007421 ..... 579	70008500..... 361
	70006265..... 277	70007422 ..... 575, 579	70008501..... 361
	70006266..... 277	70007423 ..... 575, 579	70008502..... 361
	70006294..... 270	70007424 ..... 579	70008504..... 361
	70006304 ..... 60	70007425 ..... 579	70008505..... 361
	70006344 ..... 589		



## SECTION 11 - SPECIAL OPTIONS

70008511 .....	361	70025139 .....	277	70029409.....	273	7017028.....	29, 60
70008538 .....	274	70025140 .....	269, 277	70029433.....	270	7017047.....	29
70008564 .....	273	70025142 .....	270, 273, 278,	70029451.....	269	7017070.....	60
70008600 .....	361	305	70025144 .....	70029468.....	581	7017072.....	60
70008601 .....	361	70025144 .....	269, 274, 277,	70029512.....	305	7017080.....	60
70008602 .....	361	306	70025145 .....	70029517...270, 273, 305		7017082.....	29
70009020 .....	319, 323	70025145 .....	269, 274, 277,	70029520...270, 273, 305		7017085.....	60
7001928 .....	29	306	70025146 .....	70029557.....	273, 305	7017142.....	447
70022564 .....	573, 575, 579,	70025146 .....	269, 277	70029797.....	270	7017159.....	447
581, 583		70025148 .....	278	70030097.....	274, 305	7017162.....	447
70023369 .....	573, 583	70025148 .....	278	70030099.....	274, 305	7017163.....	447
70023370 .....	577	70025151 .....	270, 278	70030359.....	274	7017164.....	447
70023371 .....	577	70025152 .....	269, 274, 277,	70030360.....	273, 305	7017172.....	447
70023380 .....	575, 579	306	70025153 .....	70030381.....	274, 306	7017192.....	447
70023592 .....	247, 253, 289,	70025153 .....	269, 872, 873	70031055.....	273, 305	7017195.....	447
301, 873		70025154 .....	269, 277	70031095.....	269, 306	7017402.....	457
70023593 .....	247, 253, 289,	70025155 .....	278	70031136.....	273	7017452.....	457
301, 873		70025158 .....	278	70031138.....	273	7017466.....	51
70023859 .....	53	70025161 .....	270, 872, 873	70031143.....	273, 305	7018942.....	54
70023860 .....	53	70025164 .....	269, 273, 279,	70031144.....	273, 305	7018951.....	54
70023862 .....	53	305	70025175 .....	70031388.....	273, 305	7018991.....	53, 872
7002388 .....	589	70025179 .....	278, 279	70031474.....	273, 305	7018992.....	53
70024441 .....	89	70025180 .....	278	70031475.....	273, 305	7019680 ....	387, 389, 393
70024484 .....	279	70025181 .....	269, 274, 277,	7004275.....	879	7020064.....	453
70024488 .....	277	306	70025182 .....	7004276.....	879	7020065.....	453
70024494 .....	269, 277	70025182 .....	270, 278	7004906.....	353	7020066.....	453
70024502 .....	278	70025183 .....	270, 278	7004907.....	353	7020067.....	453
70024504 .....	273, 305	70025184 .....	270, 278	7004908.....	353	7020108 ...	387, 389, 393,
70024505 .....	273	70025185 .....	278	70050795.....	589	397	
70024507 .....	270, 273, 279,	70025192 .....	279	7007415.....	355, 356	7020109 ...	387, 389, 393,
305		70025200 .....	270, 278	7007437.....	31	397	
70024509 .....	270, 279	70025203 .....	278	7007438.....	31	7020110 ...	387, 389, 393,
70024513 .....	269, 273, 277,	70025205 .....	269	7007439.....	31	397	
305		70025210 .....	270, 278, 873	7007446.....	31	7020111 ...	387, 389, 393,
70024517 .....	269, 277	70025212 .....	270, 279	7007633.....	60	397	
70024904 .....	269, 274, 277,	70025231 .....	269, 273, 279,	7010492.....	60	7020175 ....	99, 103, 107,
306		305	70025233 .....	7010543.....	51	111, 131	
70024905 .....	269, 274, 277,	70025235 .....	279	7011112.....	573	7020176 ....	99, 103, 107,
306		70025239 .....	270, 278	7011333.....	459, 463	111, 131, 872	
70024906 .....	269, 274, 277,	70025239 .....	269, 278	7011342.....	459, 463	7020190 ...	387, 389, 393,
306		70025240 .....	278	70124410.....	206	397	
70024912 .....	270, 273	70025242 .....	270, 274, 305	70124440.....	206	7020403.....	205
70024915 .....	270, 279	70025477 .....	279	7012513....	387, 389, 393,	7020408.....	205
70024917 .....	270, 279	70025660 .....	277	397		7020465 ...	205, 269, 274,
70024918 .....	279	70025733 .....	279	7012514....	387, 389, 393,	277, 306	
70024920 .....	270, 273, 278,	70025752 .....	206	397		7020468.....	205
279, 305		70025753 .....	206	7012558....	387, 389, 393	7020471.....	206
70024922 .....	270, 279	70025788 .....	270	7012773.....	53	7020479.....	205
70024924 .....	269, 277	70026210 .....	270, 273, 279,	7012914.....	457	7020492 ....	273, 278, 305
70024925 .....	269, 277	305	70026287 .....	7012918.....	457	7021249.....	31
70024961 .....	269, 277	70026287 .....	575, 579, 581	7012941.....	51	7021275.....	31, 356
70025077 .....	279	70026995 .....	279	7012944.....	51, 872	7021276.....	31
70025082 .....	205, 206, 277	70027259 .....	587	7012953.....	455, 457	7021277.....	31
70025084 .....	278	70027405 .....	273	7012959.....	51	7021375.....	53, 54
70025101 .....	278	70027432 .....	274, 306	7012965.....	457	7021625.....	27
70025107 .....	278	70027750 .....	581	7012967.....	457	7021639.....	27
70025109 .....	278	70028185 .....	277, 306	7012970.....	455	7021653.....	457
70025111 .....	269, 277	7002821 .....	879	7012989.....	457	7022162.....	347
70025112 .....	278	7002822 .....	879	7012998.....	457	7022302.....	31
70025115 .....	278	7002823 .....	879	7016314.....	69, 71, 73	7022305.....	31
70025120 .....	270, 279	7002826 .....	879	7016328.....	205, 872	7022310.....	31
70025124 .....	278	7002840 .....	879	7016331....	205, 269, 274,	7022311.....	31, 356
70025130 .....	273, 279, 305	70028538 .....	270, 278, 279	277, 306, 872, 873		7022312.....	31
70025132 .....	279	70028540 .....	270, 273, 305	7016652.....	879	7022314.....	31, 356
70025133 .....	278	70028699 .....	306	7016654.....	879	7022318.....	355
70025135 .....	269, 274, 277,	70028802 .....	278	7016655.....	879	7022326.....	31
306		70029407 .....	273	7017023.....	60	7022328.....	31

## SECTION 11 - SPECIAL OPTIONS

7022368.....	31	7024535 .....	535	7027053 .....	187, 189	8310129.....	545, 547
7022371.....	31	7024536 .....	535	7027084 ...	209, 213, 217, 221, 281, 293, 318, 323	8310548.....	330, 336
7022372.....	31	7024537 .....	535	7027085 ...	209, 213, 217, 221, 281, 293, 318, 323	83304173.....	87, 89
7022397.....	27	7024561 .....	415, 423	7027086 ...	209, 213, 217, 221, 281, 293, 318, 323	8405006....	209, 213, 217, 221, 225, 281, 293, 309, 311, 313, 330, 336, 373
7022399.....	27	7024579 ...	206, 269, 274, 277, 306	7027087 ...	209, 213, 217, 221, 281, 293	8405007....	242, 247, 253, 259, 265, 289, 301
7023907.....	31	7024598 .....	383, 385	7027088 ...	209, 214, 217, 221, 281, 293, 318, 323	8405009....	242, 247, 253, 259, 265, 289, 301, 330, 337
7023908.....	31	7024704 .....	60	7027092 .....	187, 189	8405102.....	330, 337
7023910.....	31	7024762 .....	60	7027093 .....	187, 189	8405104....	242, 247, 253, 259, 265, 289, 301, 330, 337
7023911.....	457	7024763 .....	60	7027094 .....	187, 189	8405203.....	330, 337
7023917.....	27	7024782 .....	29	7027095 .....	187, 190	8405204.....	259
7023933.....	27	7024784 .....	60	7027236 .....	205	8406102....	209, 213, 217, 221, 225, 242, 247, 253, 265, 281, 289, 293, 301
7023947.....	355	7024854 .....	31	7027276 .....	205	8406109....	242, 247, 253, 259, 265, 289, 301, 331, 337
7023948.....	355	7024864 .....	356	7027404 .....	348	8406110....	242, 247, 253, 259, 265, 289, 301
7023949.....	355	7024866 .....	356	7027773 .....	541	8406201....	181, 259, 319, 323, 332, 338
7023950.....	355	7024867 .....	355	7027774 .....	541	8410001.....	331, 337
7023951.....	355	7024868 .....	31, 355	7027775 .....	541	8410009.....	332, 338
7023952.....	355	7024881 .....	27	7027776 .....	541	8410011....	242, 247, 253, 259, 265, 289, 301, 331, 337
7023956.....	355	7026188 ...	415, 423, 431	7027777 .....	541	8410013....	209, 213, 217, 221, 225, 242, 247, 253, 259, 265, 281, 289, 293, 301
7023957.....	355	7026197 .....	67	7027778 .....	541	85031405.....	259
7023958.....	355	7026199 ...	387, 389, 393	7027779 .....	541	8580420.....	41
7023960.....	355	7026503 .....	67	7027780 .....	541	85941018.....	318, 322
7023961.....	355	7026504 .....	67	7027781 .....	179, 181	8770050....	597, 603, 609, 615, 621, 627, 633, 639
7023962.....	355	7026505 .....	67	7027782 .....	179, 181	8770157....	621, 627, 633, 639
7023964.....	355, 356	7026506 .....	67	7027783 .....	179, 181	88261024.....	455
7023965.....	355	7026507 .....	67	7027784 .....	179, 181	88261039.....	154
7023966.....	356	7026509 .....	67	7027787 ...	387, 389, 393, 397	88411013.....	701
7023967.....	356	7026597 ...	415, 420, 423, 428, 431	7027788 ...	387, 389, 393, 397	88521008.....	459, 463
7024021.....	53	7026626 ...	415, 420, 423, 428, 432	7027789 .....	205	88521205.....	93, 95
7024100.....	60	7026632 .....	183	7027791 .....	205	88521214..	557, 559, 561, 563, 565
7024149.....	29	7026633 .....	183	7027792 .....	205	88662523... 162, 166, 170	
7024151.....	29	7026634 .....	183	7027795 .....	206, 872	8896941.....	879
7024154.....	29	7026635 .....	183	7027796 .....	206	91143177.....	644
7024190.....	29	7026636 .....	183	7027799 ...	415, 420, 423, 428, 431	91164079.....	457
7024191.....	29	7026637 .....	183	7027887 ...	387, 389, 393, 397	91203039... 449, 459, 463	
7024404.....	67	7026638 .....	183, 874	77143013 ...	99, 103, 107, 111, 115, 119, 123, 127, 131	91401281.....	93
7024441.....	87	7026639 .....	183	77363233 .....	769, 771	91403102..	242, 247, 254, 266, 872, 873
7024462.....	541	7026640 .....	183	80344004 .....	29		
7024463.....	541	7026641 .....	184	80484084 .....	755, 759		
7024467.....	541	7026642 .....	184	80934561 .....	67		
7024469.....	541, 874	7026643 .....	184	80983191 ..	755, 760, 873		
7024470.....	541	7026644 .....	184	8220051 .....	765		
7024471.....	535, 541	7026645 .....	184	8220115 .....	755		
7024472.....	541	7026646 .....	184	8220164 .....	749		
7024473.....	541	7026647 .....	184	8229242 ...	755, 760, 789, 872, 873		
7024474.....	541	7026648 .....	184	8229249 ...	567, 793, 873		
7024475.....	541	7026649 .....	184	8270147 ...	187, 189, 209, 213, 217, 221, 281, 293, 318, 323		
7024478.....	541	7026650 .....	184	8273291 .....	332, 337		
7024484.....	415, 423	7026651 .....	183	8305401 .....	330, 336		
7024485....	415, 423, 431, 872	7026652 .....	183	8307109 .....	330, 336		
7024488....	416, 419, 424, 427, 431	7026653 .....	183	8310070 ....	162, 166, 170		
7024489....	416, 419, 424, 427, 431	7026654 .....	183				
7024508.....	587	7026655 .....	183				
7024530.....	535	7026656 .....	183				
7024531.....	535	7026658 .....	184				
7024532.....	535	7026659 .....	183				
7024533.....	535	7026660 .....	183				
7024534.....	535	7026661 .....	183				





**Corporate Office  
JLG Industries, Inc.  
1 JLG Drive  
McConnellsburg, PA 17233-9533 USA  
☎ (717) 485-5161 (Corporate)  
☎ (877) 554-5438 (Customer Support)  
📠 (717) 485-6417**

**Visit our website for JLG Worldwide Locations.  
[www.jlg.com](http://www.jlg.com)**



**OSHKOSH™**