



Illustrated Parts Manual

***Model
660SJC***

**PVC
2307**

**P/N
31222419**

January 8, 2024 - Rev B

ANSI

CE



**UK
CA**

AS/NZS



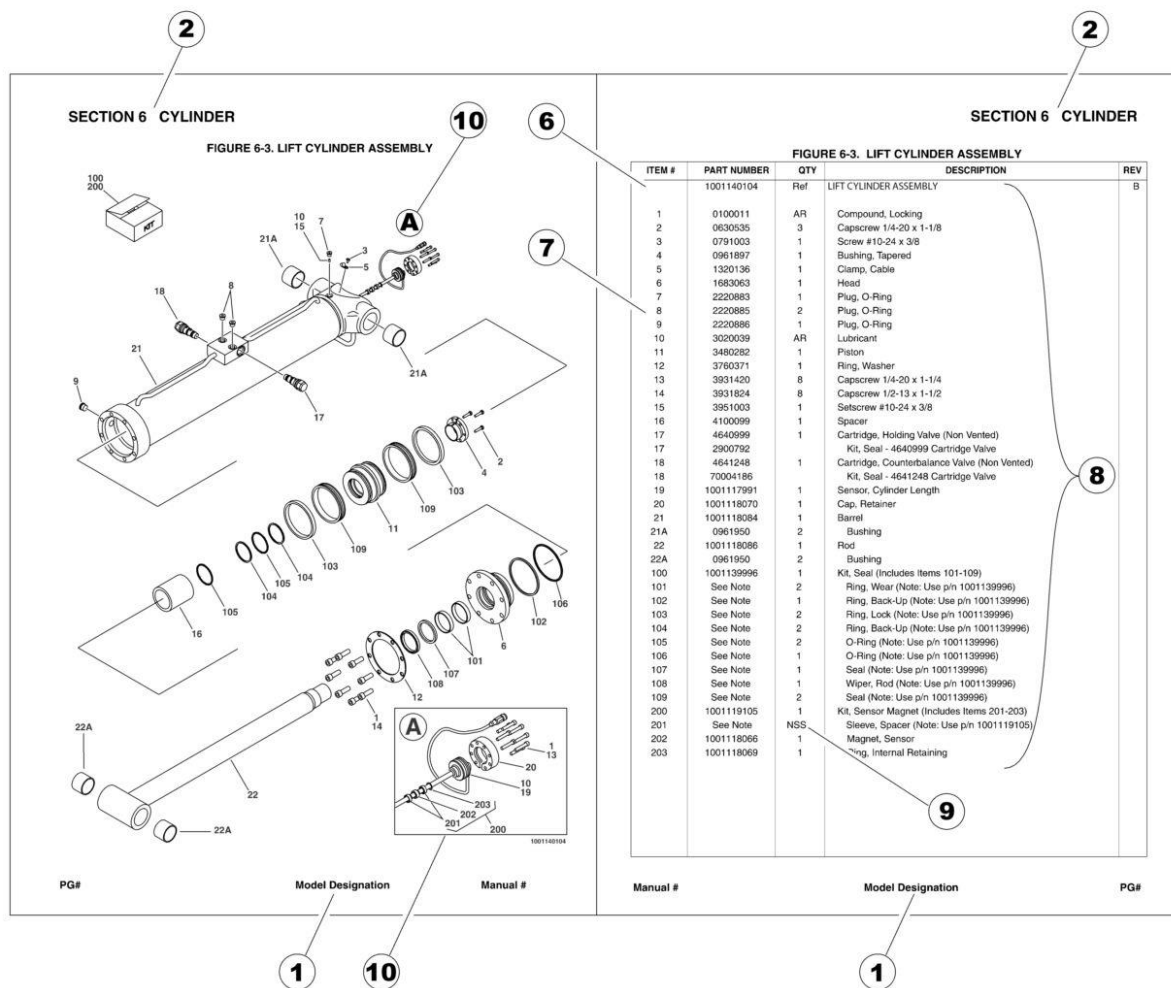
An Oshkosh Corporation Company

REVISION LOG

July 1, 2023 - A - Original Issue of Manual (Edited to B/M 1001250516 Revision AU)

January 8, 2024 - B - Revised Manual (Edited to B/M 1001250516 Revision AU)

GENERAL INFORMATION



1) MACHINE IDENTIFICATION

Machines are identified by model and in some cases a combination of models, serial number (SN) or regional standard (i.e ANSI, CE, CSA). Components may also be identified by SN or manufacturer. Common components that may be identified by these characteristics are engines and hydraulic components.

2) PARTS MANUAL ORGANIZATION

Product information in this manual is organized under section titles. Frame, Cylinder, Hydraulic and Electrical are a few examples. Each section is organized by figure and page number. The information within the Figure is then organized by item number, part number, description and corresponding illustration (s).

3) TABLE OF CONTENTS (NOT SHOWN)

A table of contents is found toward the beginning of the manual. Figure number, description and page number are provided for quick reference to the page containing the related information.

4) RECOMMENDED SPARE PARTS (NOT SHOWN)

The Recommended Spare Parts List, located near the end of the manual, reference most frequently used maintenance parts.

5) PART NUMBER INDEX (NOT SHOWN)

A numerical index listing all part numbers and the corresponding page number(s) appears at the back of the manual.

GENERAL INFORMATION

6) NON-SERVICED PARTS

In some instances, it is necessary to display non-serviced parts, assemblies or installations. In the case of assemblies and installations there will be a Ref in the Qty. column. In case of parts that are not available for service within assemblies or components, there will be a NSS (Not Sold Separately) or NLA (No Longer Available) listed in the Qty. column of the manual.

7) PARTS LIST ITEM NUMBERS

Numbers shown in the item# column correspond to numbers used in the associated illustration (s). Item numbers which are missing from the sequence in the parts list are not used on that page.

8) INDENTED PARTS DESCRIPTION

An indented part description is included in the item under which it is indented.

9) ABBREVIATION AND SYMBOLS

AC.....	Alternating Current	L.....	Liter
ADE.....	Advanced Design Electronics	LB(LBS).....	Pounds
AG.....	Agricultural	LCD.....	Liquid Crystal Display
ANSI.....	American National Standards Institute	LED.....	Light Emitting Diodes
AR.....	As Required	LH.....	Left Hand
ASSY.....	Assembly	LRC.....	Low Rated Countries
AUS.....	Australia	LSS.....	Load Sensing System
AUX.....	Auxiliary	M(m).....	Metric/Meter
AWG.....	American Wire Gauge	MM(mm).....	Milimeter
B/M.....	Bill of Material	mA.....	Miliamps
CAC.....	Charge Air Cooler	NLA.....	No Longer Available
CE.....	European Conformity	NPT.....	National Pipe Threads
CCW.....	Counter Clockwise	NSS.....	Not Sold Separately
CM.....	Centimeter	OD.....	Outside Diameter
CW.....	Clockwise	ORB.....	O-Ring Boss
CSA.....	Canadian Standards Association	ORFS.....	O-Ring Face Seal
CYL.....	Cylinder	OZ (oz).....	Ounces
DIA.....	Diameter	PG.....	Page
DC.....	Direct Current	PN.....	Part Number
DEF.....	Diesel Exhaust Fluid	QT(qt.).....	Quarts
EMS.....	Emergency Stop	QTY.....	Quantity
ENG.....	Engine	REF.....	Reference
FT(ft).....	Feet	REV.....	Revision Level
GA(Ga).....	Gauge	RH.....	Right Hand
HRC.....	High Rated Countries	SAE.....	Society of Automotive Engineers
HVAC.....	Heating, Ventilating, and Air Conditioning	SN.....	Serial Number
HYD.....	Hydraulic	SPEC(S).....	Specifications
Hz.....	Hertz	T/T.....	Turntable
ID.....	Inside Diameter	UGM.....	Universal Ground Module
IN.....	inches	V.....	Volts
ISO.....	International Organization for Standards	W.....	Watts
JIC.....	Joint Industry Council	#.....	Number
KG.....	Kilogram		

10) ILLUSTRATION REFERENCE LETTERS

When necessary, illustrations may contain reference letters that are intended to track information (i. e. hoses, harnesses) from one point to another or to track visual enlargement of components to show details that may be located in another area on the illustration.

Note: Due to continuous product improvements, JLG Industries, Inc. reserves the right to make specification changes without prior notification. Contact JLG Industries, Inc. for updated information.

TABLE OF CONTENTS

SECTION 1 - FRAME.....	13
FIGURE 1-1. HINOWA FRAME ASSEMBLY (WITH STEEL TRACKS)	14
FIGURE 1-2. HINOWA FRAME ASSEMBLY (WITH RUBBER TRACKS).....	16
FIGURE 1-3. HINOWA FRAME ASSEMBLY (WITH RUBBER PADS)	18
SECTION 2 - TURNTABLE.....	21
FIGURE 2-1. VALVE INSTALLATION	22
FIGURE 2-2. MAIN VALVE ASSEMBLY	24
FIGURE 2-3. SWING DRIVE INSTALLATION	28
FIGURE 2-4. SWING MOTOR/HUB ASSEMBLY.....	30
FIGURE 2-5. TURNTABLE BEARING AND LUBE INSTALLATION	34
FIGURE 2-6. TURNTABLE LOCK INSTALLATION.....	36
FIGURE 2-7. ROTARY COUPLING INSTALLATION.....	38
FIGURE 2-8. TANKS INSTALLATION - DIESEL MACHINES (POLY FUEL TANK) (HELGESEN HYDRAULIC TANK)	40
FIGURE 2-9. TANKS INSTALLATION - DIESEL MACHINES (POLY FUEL TANK) (JIANGYING HYDRAULIC TANK).....	42
FIGURE 2-10. TANKS INSTALLATION - DIESEL MACHINES (STEEL FUEL TANK) (HELGESEN HYDRAULIC TANK).....	44
FIGURE 2-11. TANKS INSTALLATION - DIESEL MACHINES (STEEL FUEL TANK) (JIANGYING HYDRAULIC TANK).....	46
FIGURE 2-12. HYDRAULIC TANK ASSEMBLY (HELGESEN HYDRAULIC TANK).....	48
FIGURE 2-13. HYDRAULIC TANK ASSEMBLY (JIANGYING HYDRAULIC TANK).....	50
FIGURE 2-14. BATTERY AND AUXILIARY PUMP INSTALLATION.....	52
FIGURE 2-15. BATTERY AND AUXILIARY PUMP W/DISCONNECT SWITCH INSTALLATION	54
FIGURE 2-16. ELECTRICAL COMPONENTS INSTALLATION.....	56
FIGURE 2-17. ELECTRICAL COMPONENTS INSTALLATION (DEUTZ TD2.9L4 (STAGE V) ENGINES).....	58
FIGURE 2-18. GROUND CONTROL PANEL ASSEMBLY.....	60
FIGURE 2-19. GROUND CONTROL PANEL ASSEMBLY - WITH DEUTZ TD2.9L4 (STAGE V) ENGINE	62
FIGURE 2-20. KEYSWITCH INSTALLATION (ALL SPECS EXCEPT CE & UK CA SPECS).....	64
FIGURE 2-21. KEYSWITCH INSTALLATION (CE & UK CA SPECS).....	66
FIGURE 2-22. LIGHT PANEL INSTALLTION.....	68
FIGURE 2-23. STROBE LIGHT INSTALLATION - AMBER (OPTIONAL).....	70
FIGURE 2-24. STROBE LIGHT INSTALLATION - BLUE (OPTIONAL)	72
FIGURE 2-25. STROBE LIGHT INSTALLATION - RED (OPTIONAL)	74
FIGURE 2-26. WHITE NOISE ALARM INSTALLATION.....	76
FIGURE 2-27. HOODS INSTALLATIONS - ABS.....	78
FIGURE 2-28. HOOD ASSEMBLY - TANK SIDE (ABS)	82
FIGURE 2-29. HOOD ASSEMBLY - ENGINE SIDE (ABS)	84
FIGURE 2-30. HOODS INSTALLATIONS - STEEL.....	86
FIGURE 2-31. HOOD ASSEMBLY - TANK SIDE (STEEL).....	90
FIGURE 2-32. HOOD ASSEMBLY - ENGINE SIDE (STEEL).....	92
FIGURE 2-33. HOOD INSULATION INSTALLATION (STEEL HOODS).....	94
FIGURE 2-34. HOOD PLUG INSTALLATION (NO BEACON)	96
FIGURE 2-35. NOISE REDUCTION PACKAGE	98
FIGURE 2-36. COVERS INSTALLATION	100
SECTION 3 - ENGINE	103
FIGURE 3-1. DEUTZ D2011 ENGINE INSTALLATION - WITHOUT ARCTIC PACKAGE	104
FIGURE 3-2. DEUTZ D2011 ENGINE AND PUMPS SUB-ASSEMBLY - WITHOUT ARCTIC PACKAGE	106
FIGURE 3-3. DEUTZ D2011 ENGINE ASSEMBLY - WITHOUT ARCTIC PACKAGE	108
FIGURE 3-4. DEUTZ D2011 ENGINE INSTALLATION - WITH ARCTIC PACKAGE.....	112
FIGURE 3-5. DEUTZ D2011 ENGINE AND PUMPS SUB-ASSEMBLY - WITH ARCTIC PACKAGE	114
FIGURE 3-6. DEUTZ D2011 ENGINE ASSEMBLY - WITH ARCTIC PACKAGE.....	116
FIGURE 3-7. DEUTZ D2011 ENGINE COMPONENTS	120
FIGURE 3-8. DEUTZ TD2.9L4 ENGINE INSTALLATION - WITHOUT ARCTIC PACKAGE	124
FIGURE 3-9. DEUTZ TD2.9L4 ENGINE AND PUMPS SUB-ASSEMBLY - WITHOUT ARCTIC PACKAGE	126
FIGURE 3-10. DEUTZ TD2.9L4 ENGINE ASSEMBLY - WITHOUT ARCTIC PACKAGE	130
FIGURE 3-11. DEUTZ TD2.9L4 ENGINE INSTALLATION - WITH ARCTIC PACKAGE	136
FIGURE 3-12. DEUTZ TD2.9L4 ENGINE AND PUMPS SUB-ASSEMBLY - WITH ARCTIC PACKAGE.....	140
FIGURE 3-13. DEUTZ TD2.9L4 ENGINE ASSEMBLY - WITH ARCTIC PACKAGE.....	144
FIGURE 3-14. DEUTZ TD2.9L4 ENGINE COMPONENTS	150
FIGURE 3-15. DEUTZ TD2.9L4 ENGINE INSTALLATION - WITHOUT ARCTIC PACKAGE (CHINA SPECS ONLY).....	156
FIGURE 3-16. DEUTZ TD2.9L4 ENGINE AND PUMPS SUB-ASSEMBLY - WITHOUT ARCTIC PACKAGE (CHINA SPECS ONLY).....	158
FIGURE 3-17. DEUTZ TD2.9L4 ENGINE ASSEMBLY - WITHOUT ARCTIC PACKAGE (CHINA SPECS ONLY).....	160
FIGURE 3-18. DEUTZ TD2.9L4 ENGINE INSTALLATION - WITH ARCTIC PACKAGE (CHINA SPECS ONLY).....	164

TABLE OF CONTENTS

FIGURE 3-19. DEUTZ TD2.9L4 ENGINE AND PUMPS SUB-ASSEMBLY - WITH ARCTIC PACKAGE (CHINA SPECS ONLY)	168
FIGURE 3-20. DEUTZ TD2.9L4 ENGINE ASSEMBLY - WITH ARCTIC PACKAGE (CHINA SPECS ONLY)	170
FIGURE 3-21. DEUTZ TD2.9L4 ENGINE COMPONENTS (CHINA SPECS ONLY)	174
FIGURE 3-22. DEUTZ TD2.9L4 (STAGE V PRE-BUY) ENGINE INSTALLATION	178
FIGURE 3-23. DEUTZ TD2.9L4 (STAGE V PRE-BUY) ENGINE AND PUMP SUB-ASSEMBLY	180
FIGURE 3-24. DEUTZ TD2.9L4 (STAGE V PRE-BUY) ENGINE ASSEMBLY	184
FIGURE 3-25. DEUTZ TD2.9L4 (STAGE V PRE-BUY) ENGINE COMPONENTS	188
FIGURE 3-26. DEUTZ TD2.9L4 (STAGE V) ENGINE INSTALLATION	194
FIGURE 3-27. DEUTZ TD2.9L4 (STAGE V) ENGINE AND PUMP SUB-ASSEMBLY	198
FIGURE 3-28. DEUTZ TD2.9L4 (STAGE V) ENGINE ASSEMBLY	202
FIGURE 3-29. DEUTZ TD2.9L4 (STAGE V) ENGINE COMPONENTS	208
FIGURE 3-30. DEUTZ D2.9L4 - EMR5 ENGINE INSTALLATION WITH ARCTIC PACKAGE	210
FIGURE 3-31. DEUTZ D2.9L4 - EMR5 ENGINE AND PUMPS SUB-ASSEMBLY WITH ARCTIC PACKAGE	214
FIGURE 3-32. DEUTZ D2.9L4 - EMR5 ENGINE ASSEMBLY WITH ARCTIC PACKAGE	218
FIGURE 3-33. DEUTZ D2.9L4 - EMR5 ENGINE INSTALLATION WITHOUT ARCTIC PACKAGE	224
FIGURE 3-34. DEUTZ D2.9L4 - EMR5 ENGINE AND PUMPS SUB-ASSEMBLY WITHOUT ARCTIC PACKAGE	226
FIGURE 3-35. DEUTZ D2.9L4 - EMR5 (67HP) ENGINE ASSEMBLY WITHOUT ARCTIC PACKAGE	230
FIGURE 3-36. PUMP COUPLING KIT (DEUTZ ENGINES)	236
FIGURE 3-37. PISTON PUMP ASSEMBLY- FRONT	238
FIGURE 3-38. PISTON PUMP ASSEMBLY- REAR	242
FIGURE 3-39. FUEL FILTER INSTALLATION (STEEL FUEL TANK) (DEUTZ D2011 ENGINES)	246
FIGURE 3-40. FUEL FILTER INSTALLATION (DEUTZ TD2.9L4 ENGINES)	248
FIGURE 3-41. FUEL FILTER ASSEMBLY (DEUTZ TD2.9L4 ENGINES)	250
FIGURE 3-42. BREATHER HEATER INSTALLATION - DEUTZ D2.9L4 ENGINE WITH ARCTIC PACKAGE	252
FIGURE 3-43. DEUTZ 2.9L4 EXHAUST INSTALLATION (CHINA SPECS ONLY)	254
FIGURE 3-44. ENGINE HOOD Baffles INSTALLATION - ABS HOODS	256
FIGURE 3-45. ENGINE HOOD Baffles INSTALLATION - STEEL HOODS	258
FIGURE 3-46. TRAY JACK INSTALLATION	260
FIGURE 3-47. MOTOR MOUNT INSTALLATION - WITHOUT GENERATOR (DEUTZ D2011 ENGINES)	262
FIGURE 3-48. MOTOR MOUNT INSTALLATION - WITH GENERATOR (DEUTZ D2011 ENGINES)	264
FIGURE 3-49. MOTOR MOUNT INSTALLATION - WITHOUT GENERATOR (DEUTZ TD2.9L4 ENGINES)	266
FIGURE 3-50. MOTOR MOUNT INSTALLATION - WITH GENERATOR (DEUTZ TD2.9L4 ENGINES)	268
FIGURE 3-51. 2500W GENERATOR INSTALLATION - 220V/50HZ (DEUTZ D2011 ENGINES) (OPTIONAL)	270
FIGURE 3-52. 2500W GENERATOR INSTALLATION - 110V/60HZ (DEUTZ D2011 ENGINES) (OPTIONAL)	272
FIGURE 3-53. 2500W GENERATOR INSTALLATION - 110V/60HZ (DEUTZ TD2.9L4 ENGINES) (OPTIONAL)	274
FIGURE 3-54. 4000W GENERATOR INSTALLATION - 220V/50HZ (DEUTZ D2011 ENGINES) (OPTIONAL)	278
FIGURE 3-55. 4000W GENERATOR INSTALLATION - 110V/60HZ (DEUTZ D2011 ENGINES) (OPTIONAL)	282
FIGURE 3-56. 4000W GENERATOR INSTALLATION - 220V/50HZ (DEUTZ TD2.9L4 ENGINES) (OPTIONAL)	286
FIGURE 3-57. 4000W GENERATOR INSTALLATION - 110V/60HZ (DEUTZ TD2.9L4 ENGINES) (OPTIONAL)	290
FIGURE 3-58. 7500W SKYPOWER GENERATOR INSTALLATION - 220V/50HZ (DEUTZ D2011 ENGINES) (OPTIONAL)	294
FIGURE 3-59. 7500W SKYPOWER GENERATOR INSTALLATION - 110V/60HZ (DEUTZ D2011 ENGINES) (OPTIONAL)	298
FIGURE 3-60. 7500W GENERATOR INSTALLATION - 220V/50HZ (DEUTZ TD2.9L4 ENGINES) (OPTIONAL)	302
FIGURE 3-61. 7500W SKYPOWER GENERATOR INSTALLATION - 110V/60HZ (DEUTZ TD2.9L4 ENGINES) (OPTIONAL)	306
SECTION 4 - BOOM	311
FIGURE 4-1. BOOM INSTALLATION	312
FIGURE 4-2. BOOM ASSEMBLY	316
FIGURE 4-3. JIB ASSEMBLY	320
FIGURE 4-4. PLATFORM ROTATOR ASSEMBLY	322
FIGURE 4-5. POWER TRACK INSTALLATION WITH PLASTIC CLAMP	324
FIGURE 4-6. POWER TRACK INSTALLATION WITH STEEL CLAMP	326
FIGURE 4-7. BOOM VALVES INSTALLATION	328
FIGURE 4-8. PLATFORM VALVE ASSEMBLY	330
FIGURE 4-9. BOOM SENSORS INSTALLATION	332
FIGURE 4-10. PLATFORM SUPPORT INSTALLATION - WITH LSS	334
SECTION 5 - PLATFORM	337
FIGURE 5-1. PLATFORM ASSEMBLY - 30IN X 3FT (76CM X .91M) - DROP BAR ENTRY	338
FIGURE 5-2. PLATFORM ASSEMBLY - 36IN X 6FT (91.5CM X 1.83M) WITH SWING GATE	340
FIGURE 5-3. PLATFORM ASSEMBLY - 36IN X 6FT (91.5CM X 1.83M) WITH DROP BAR	342
FIGURE 5-4. PLATFORM ASSEMBLY - 36IN X 6FT (91.5CM X 1.83M) TRI-ENTRY WITH SWING GATE	344
FIGURE 5-5. PLATFORM ASSEMBLY - 36IN X 6FT (91.5CM X 1.83M) TRI-ENTRY WITH DROPBAR	346
FIGURE 5-6. PLATFORM ASSEMBLY - 36IN X 8FT (91.5CM X 2.44M) TRI-ENTRY WITH DROPBAR	348
FIGURE 5-7. PLATFORM ASSEMBLY - 36IN X 8FT (91.5CM X 2.44M) TRI-ENTRY WITH DROPGATE	350

TABLE OF CONTENTS

FIGURE 5-8. PLATFORM ASSEMBLY - 36IN X 8FT (91.5CM X 2.44M) WITH SWING GATE.....	352
FIGURE 5-9. PLATFORM ASSEMBLY - 36IN X 8FT (91.5CM X 2.44M) WITH DROP BAR.....	354
FIGURE 5-10. TRAY ASSEMBLY.....	356
FIGURE 5-11. PLATFORM CONSOLE AND FOOTSWITCH INSTALLATION.....	358
FIGURE 5-12. CONSOLE BOX ASSEMBLY.....	360
FIGURE 5-13. JOYSTICK (DRIVE/STEER).....	362
FIGURE 5-14. LIGHT PANEL INSTALLATION.....	364
FIGURE 5-15. FOOTSWITCH ASSEMBLY.....	366
FIGURE 5-16. SKYGUARD BAR INSTALLATION.....	368
FIGURE 5-17. SKYEYE INSTALLATION.....	370
FIGURE 5-18. SKYGLAZIER INSTALLATION (ANSI, AUSTRALIAN AND CSA SPECS).....	372
FIGURE 5-19. SKYLINE INSTALLATION.....	374
FIGURE 5-20. SKYWELDER INSTALLATION (50HZ).....	376
FIGURE 5-21. SKYWELDER INSTALLATION (60HZ).....	378
FIGURE 5-22. SKYWELDER PREP PACKAGE (60HZ).....	380
FIGURE 5-23. USB CHARGER INSTALLATION.....	382
FIGURE 5-24. WELDER ASSEMBLY.....	384
SECTION 6 - CYLINDER.....	387
FIGURE 6-1. LEVEL CYLINDER ASSEMBLY - PLATFORM SLAVE.....	388
FIGURE 6-2. LIFT CYLINDER ASSEMBLY - BOOM.....	390
FIGURE 6-3. LIFT CYLINDER ASSEMBLY - JIB.....	392
FIGURE 6-4. TELESCOPE CYLINDER ASSEMBLY.....	394
SECTION 7 - HYDRAULIC.....	397
FIGURE 7-1. STANDARD HYDRAULIC DIAGRAM.....	398
SECTION 8 - ELECTRICAL.....	407
FIGURE 8-1. 660SJC ELECTRICAL LAYOUT.....	408
FIGURE 8-2. AC BOX AT PLATFORM INSTALLATION -110V (ALL SPECS EXCEPT AUSTRALIAN, CE & UK CA SPECS)...	420
FIGURE 8-3. AC BOX AT PLATFORM INSTALLATION - 110V IEC YELLOW (CE & UK CA SPECS WITHOUT 4000W/50HZ GENERATOR).....	422
FIGURE 8-4. AC BOX AT PLATFORM INSTALLATION - 110V IEC YELLOW (CE & UK CA SPECS WITH 4000W/50HZ GENERATOR).....	424
FIGURE 8-5. AC BOX AT PLATFORM INSTALLATION - 220V IEC BLUE (CE & UK CA SPECS WITHOUT 4000W/50HZ GENERATOR).....	426
FIGURE 8-6. AC BOX AT PLATFORM INSTALLATION - 220V IEC BLUE (CE & UK CA SPECS WITH 4000W/50HZ GENERATOR).....	428
FIGURE 8-7. AC BOX AT PLATFORM INSTALLATION - 220V CEE7 2IN X 4IN POST GROUND (CE & UK CA SPECS WITHOUT 4000W/50HZ GENERATOR).....	430
FIGURE 8-8. AC BOX AT PLATFORM INSTALLATION - 220V CEE7 2IN X 4IN POST GROUND (CE & UK CA SPECS WITH 4000W/50HZ GENERATOR).....	432
FIGURE 8-9. AC BOX AT PLATFORM INSTALLATION - 220V CEE7 2IN X 4IN SIDE GROUND (CE & UK CA SPECS WITHOUT 4000W/50HZ GENERATOR).....	434
FIGURE 8-10. AC BOX AT PLATFORM INSTALLATION - 220V CEE7 2IN X 4IN SIDE GROUND (CE & UK CA SPECS WITH 4000W/50HZ GENERATOR).....	436
FIGURE 8-11. AC BOX AT PLATFORM INSTALLATION - 220V AFSINT107 (CE & UK CA SPECS WITHOUT 4000W/50HZ GENERATOR).....	438
FIGURE 8-12. AC BOX AT PLATFORM INSTALLATION - 220V AFSINT107 (CE & UK CA SPECS WITH 4000W/50HZ GENERATOR).....	440
FIGURE 8-13. AC BOX AT PLATFORM INSTALLATION - 220V CUSTOMER SUPPLIED COMPONENTS (ANSI EXPORT, AUSTRALIAN, CHINA, CE & UK CA SPECS).....	442
FIGURE 8-14. AC BOX AT PLATFORM INSTALLATION - 240V (WITH 4000W GENERATOR) (ALL SPECS EXCEPT AUSTRALIAN, CE & UK CA SPECS).....	444
FIGURE 8-15. AC BOX AT PLATFORM INSTALLATION - 240V (WITH 7500WSKYPOWER GENERATOR) (ALL SPECS EXCEPT AUSTRALIAN, CE & UK CA SPECS).....	446
FIGURE 8-16. AC BREAKER BOX INSTALLATION - SINGLE DOUBLE POLE BREAKER.....	448
FIGURE 8-17. AC BREAKER BOX INSTALLATION - 3 BREAKERS.....	450
FIGURE 8-18. AC CABLES AND CLAMPS INSTALLATION - WITHOUT GENERATOR (ALL SPECS EXCEPT ANSI & CSA SPECS).....	452
FIGURE 8-19. AC CABLES AND CLAMPS INSTALLATION - WITHOUT GENERATOR (ANSI & CSA SPECS).....	454
FIGURE 8-20. AC CABLES AND CLAMPS INSTALLATION - WITH 2500W GENERATOR.....	456
FIGURE 8-21. AC CABLES AND CLAMPS INSTALLATION - WITH 4000W-50HZ GENERATOR.....	458
FIGURE 8-22. AC CABLES AND CLAMPS INSTALLATION - WITH 4000W-60HZ GENERATOR.....	460

TABLE OF CONTENTS

FIGURE 8-23. AC CABLES AND CLAMPS INSTALLATION - WITH 7500W SKYPOWER GENERATOR	462
FIGURE 8-24. BATTERY DISCONNECT SWITCH INSTALLATION	464
FIGURE 8-25. BREAKER BOX KIT - SINGLE DOUBLE POLE BREAKER (WITHOUT 4000W/50HZ GENERATOR)	466
FIGURE 8-26. BREAKER BOX KIT - SINGLE DOUBLE POLE BREAKER (WITH 4000W/50HZ GENERATOR)	468
FIGURE 8-27. BREAKER BOX KIT - 3 BREAKERS	470
FIGURE 8-28. BOOM ANGLE SENSOR HARNESS	472
FIGURE 8-29. BOOM CABLE - LOWER	474
FIGURE 8-30. BOOM CABLE - UPPER	476
FIGURE 8-31. CAPACITY PROXIMITY HARNESS	478
FIGURE 8-32. CAPACITY PROXIMITY HARNESS	480
FIGURE 8-33. CAPACITY PROXIMITY HARNESS (DEUTZ TD2.9L4 (STAGE V) ENGINES)	482
FIGURE 8-34. CLEARSKY INSTALLATION 3-WIRE CONNECTION (ALL SPECS EXCEPT CHINA SPECS)	484
FIGURE 8-35. CLEARSKY (TELEMATICS) INSTALLATION - CANBUS (ANSI & CSA SPECS)	486
FIGURE 8-36. CLEARSKY (TELEMATICS) INSTALLATION - CANBUS (ANSI EXPORT, CE & UK CA SPECS)	488
FIGURE 8-37. CLEARSKY HARNESS - 3 WIRE GT1030	490
FIGURE 8-38. CLEARSKY (TELEMATICS) HARNESS	492
FIGURE 8-39. ECU POWER JUMPER HARNESS	494
FIGURE 8-40. ELECTRICAL COMPONENTS INSTALLATION	496
FIGURE 8-41. ELECTRICAL COMPONENTS INSTALLATION (DEUTZ TD2.9L4 (STAGE V) ENGINES)	498
FIGURE 8-42. ENGINE HARNESS - DEUTZ D2011 ENGINES	500
FIGURE 8-43. ENGINE HARNESS - DEUTZ TD2.9L4 ENGINES AND DEUTZ TD2.9L4 (STAGE V PRE-BUY) ENGINES	502
FIGURE 8-44. ENGINE HARNESS - DEUTZ TD2.9L4 (STAGE V) ENGINES	506
FIGURE 8-45. FUEL PUMP HARNESS - DEUTZ TD2.9L4 ENGINE	510
FIGURE 8-46. FUEL HARNESS - DEUTZ TD2.2L4 (STAGE V) ENGINE	512
FIGURE 8-47. GENERATOR HARNESS - 2500W	514
FIGURE 8-48. GENERATOR HARNESS - 4000W	516
FIGURE 8-49. GENERATOR HARNESS - 7500W SKYPOWER	518
FIGURE 8-50. GENERATOR TO ENGINE HARNESS - 7500W SKYPOWER GENERATOR (DEUTZ D2011 ONLY)	520
FIGURE 8-51. GROUND CONTROL HARNESS	522
FIGURE 8-52. HOUR METER JUMPER HARNESS	524
FIGURE 8-53. INTERFACE HARNESS - WITH 1 CELL LSS	526
FIGURE 8-54. LEFT DRIVE HARNESS	528
FIGURE 8-55. LIFT CYLINDER HARNESS	530
FIGURE 8-56. MAIN VALVE HARNESS	532
FIGURE 8-57. PLATFORM CONSOLE HARNESS	534
FIGURE 8-58. PLATFORM VALVE HARNESS	538
FIGURE 8-59. RECEPTACLE BOX KIT - 110V IEC YELLOW (CE & UK CA SPEC)	540
FIGURE 8-60. RECEPTACLE BOX KIT - 220V IEC BLUE (CE & UK CA SPEC)	542
FIGURE 8-61. RECEPTACLE BOX KIT - 220V CEE7 POST GROUND 2X4 BOX (CE & UK CA SPEC)	544
FIGURE 8-62. RECEPTACLE BOX KIT - 220V CEE7 SIDE GROUND (CE & UK CA SPEC)	546
FIGURE 8-63. RECEPTACLE BOX KIT - 220V AFSINT107 (CE & UK CA SPEC)	548
FIGURE 8-64. SKYEYE INTERMEDIATE HARNESS	550
FIGURE 8-65. SKYEYE EMITTER HARNESS	552
FIGURE 8-66. 4. SKYEYE RECEIVER HARNESS	554
FIGURE 8-67. SKYLINE HARNESS	556
FIGURE 8-68. STROBE LIGHT CONTROL HARNESS	558
FIGURE 8-69. STROBE JUMPER HARNESS (RED & BLUE)	560
FIGURE 8-70. STROBE JUMPER HARNESS (AMBER)	562
FIGURE 8-71. TELE PROXIMITY HARNESS	564
FIGURE 8-72. TURNTABLE HARNESS	566
FIGURE 8-73. TURNTABLE HARNESS	570
FIGURE 8-74. WHITE NOISE ALARM HARNESS	574
SECTION 9 - DECALS	577
FIGURE 9-1. DECAL INSTALLATION - 660SJC (ANSI SPECS - ENGLISH LANGUAGE)	578
FIGURE 9-2. DECAL INSTALLATION - 660SJC (BRAZIL SPECS - PORTUGUESE/SPANISH LANGUAGES)	580
FIGURE 9-3. DECAL INSTALLATION - 660SJC (CE & UK CA SPECS - ENGLISH LANGUAGE)	582
FIGURE 9-4. DECAL INSTALLATION - 660SJC (CHINESE SPECS - ENGLISH/SIMPLIFIED CHINESE LANGUAGES)	584
FIGURE 9-5. DECAL INSTALLATION - 660SJC (CHINESE SPECS - ENGLISH/TRADITIONAL CHINESE LANGUAGES)	586
FIGURE 9-6. DECAL INSTALLATION - 660SJC (CSA SPECS - ENGLISH/FRENCH LANGUAGES)	588
FIGURE 9-7. DECAL INSTALLATION - 660SJC (JAPANESE SPECS - ENGLISH/JAPANESE LANGUAGES)	590
FIGURE 9-8. DECAL INSTALLATION - 660SJC (KOREAN SPECS - ENGLISH/KOREAN LANGUAGES)	592
FIGURE 9-9. DECAL INSTALLATION - 660SJC (LATIN AMERICA SPECS - ENGLISH/SPANISH LANGUAGES)	594
FIGURE 9-10. DECAL INSTALLATION - OPTIONS	596
FIGURE 9-11. SKYWELDER DECAL INSTALLATION - 50HZ (AUSTRALIAN, CE & UK CA SPECS)	600
FIGURE 9-12. SKYWELDER DECAL INSTALLATION - 60HZ (ALL SPECS EXCEPT AUSTRALIAN, CE & UK CA SPECS)	602

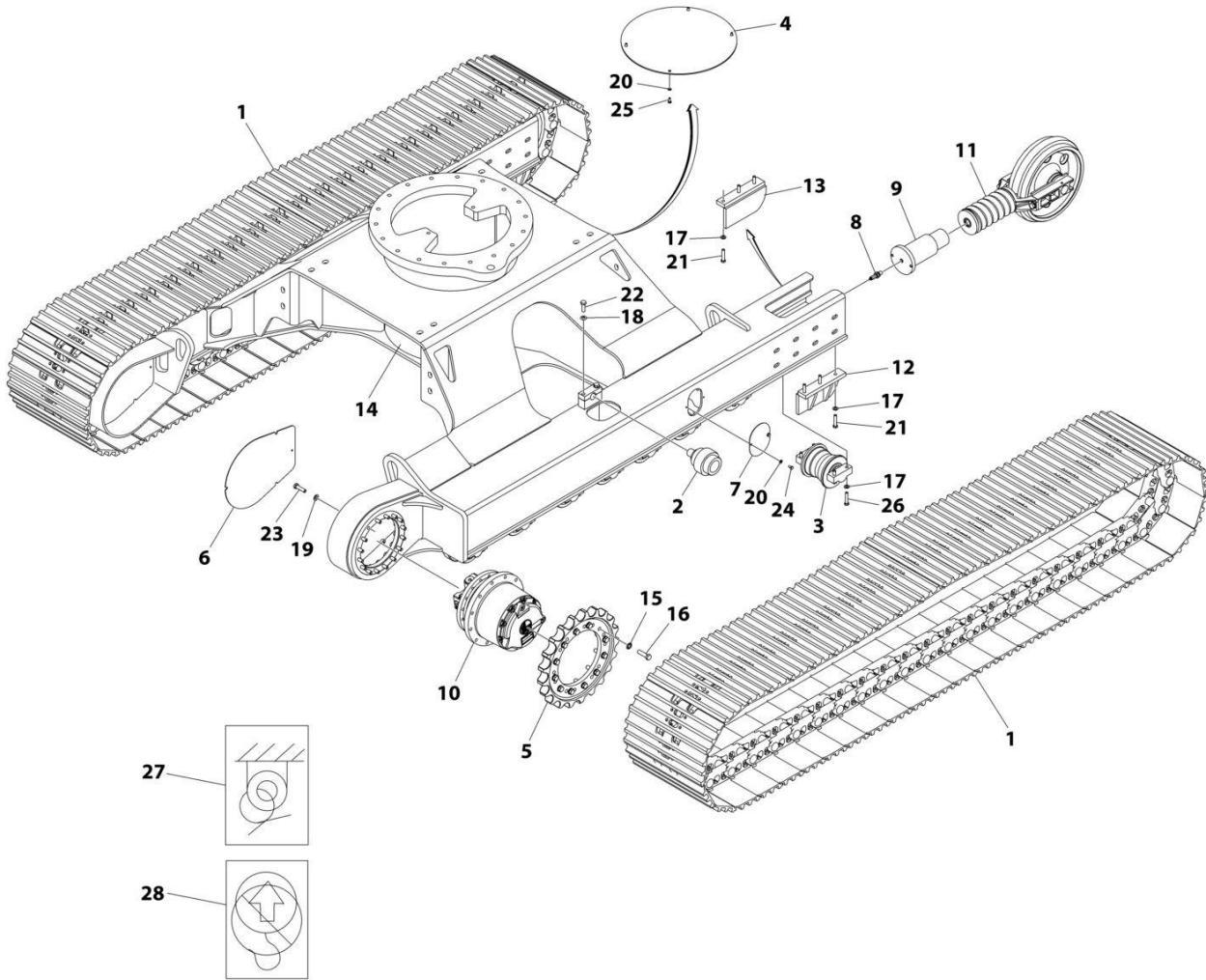
TABLE OF CONTENTS

SECTION 10 - RECOMMENDED SERVICE PARTS STOCK	605
FIGURE 10-1. RECOMMENDED SERVICE PARTS STOCK	606
SECTION 11 - SPECIAL OPTIONS/ACCESSORIES/KITS	609
FIGURE 11-1. SPECIAL OPTIONS/ACCESSORIES/KITS	610
PART NUMBER INDEX	615

SECTION 1 - FRAME

SECTION 1 - FRAME

FIGURE 1-1. HINOWA FRAME ASSEMBLY (WITH STEEL TRACKS)



ART_1001231884

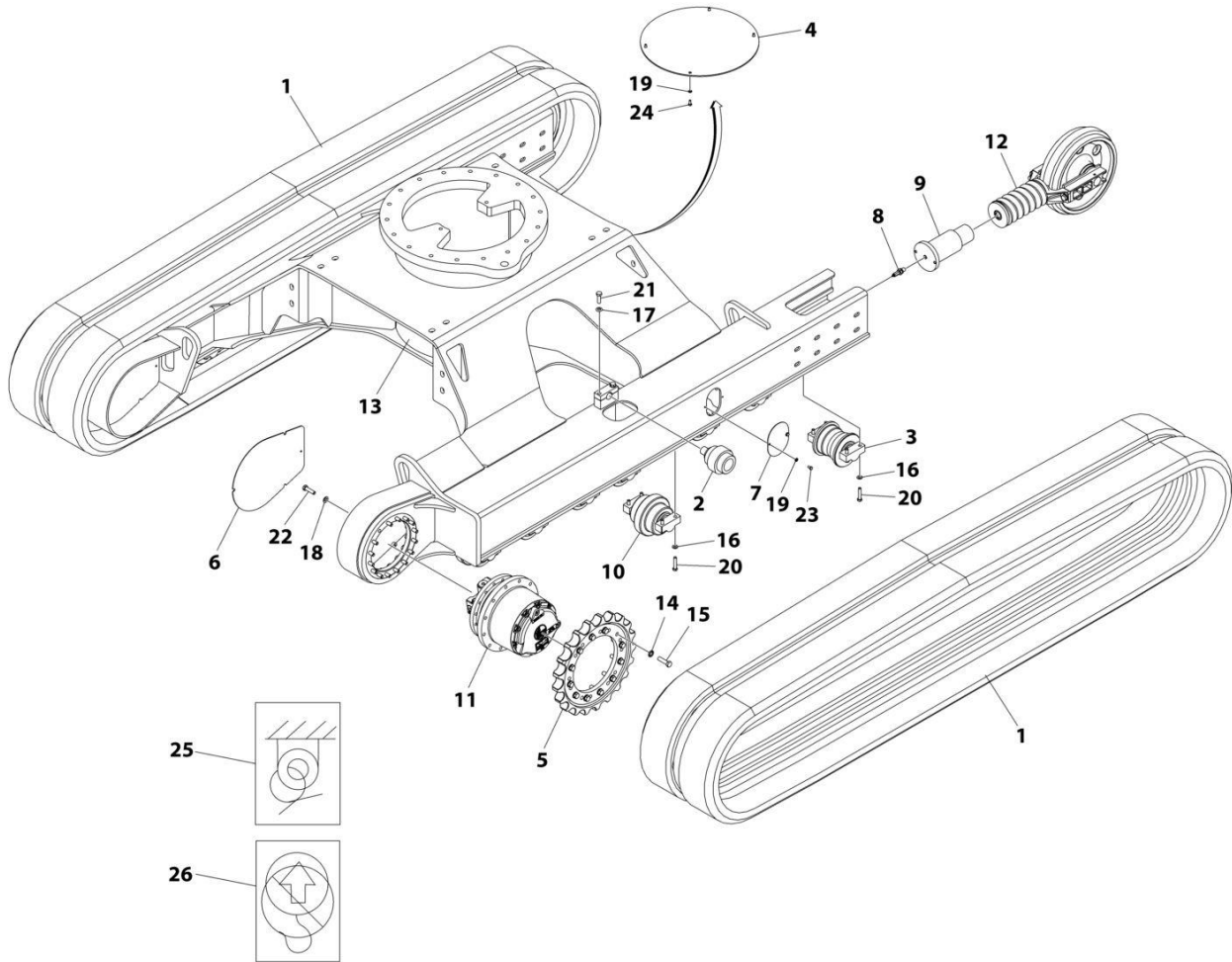
SECTION 1 - FRAME

FIGURE 1-1. HINOWA FRAME ASSEMBLY (WITH STEEL TRACKS)

ITEM	PART NUMBER	QTY	DESCRIPTION	REV
	1001231884	Ref	FRAME ASSEMBLY	B
1	70007394	2	Track (Steel)	
2	70007395	2	Roller	
3	70007396	2	Roller	
4	70005283	1	Plate, Cover	
5	70007397	2	Sprocket	
6	70007398	2	Cover	
7	70007399	2	Cover	
8	70007400	2	Fitting, Grease	
9	70007401	2	Track Tension Cylinder	
10	70007402	2	Hub	
11	70007403	2	Wheel, Idler Tension	
12	70007404	2	Bracket (Right)	
13	70007405	2	Bracket (Left)	
14	See Note	NSS	Frame (Note: Use p/n 1001231884)	
15	70007406	36	Washer	
16	70007407	36	Screw	
17	70007408	14	Washer	
18	70007409	4	Washer	
19	70007410	AR	Washer	
20	70005284	6	Washer	
21	70007411	6	Screw M12 x 60	
22	70007412	4	Screw M14 x 45	
23	70007413	AR	Screw M14 x 55	
24	70005286	2	Bolt, M8 x 16	
25	70005285	4	Bolt, M8 x 20	
26	70007414	8	Screw M12 x 40	
27	1703814	4	Decal - Tie Down	
28	1701499	4	Decal - No Lift	

SECTION 1 - FRAME

FIGURE 1-2. HINOWA FRAME ASSEMBLY (WITH RUBBER TRACKS)



ART_1001232368

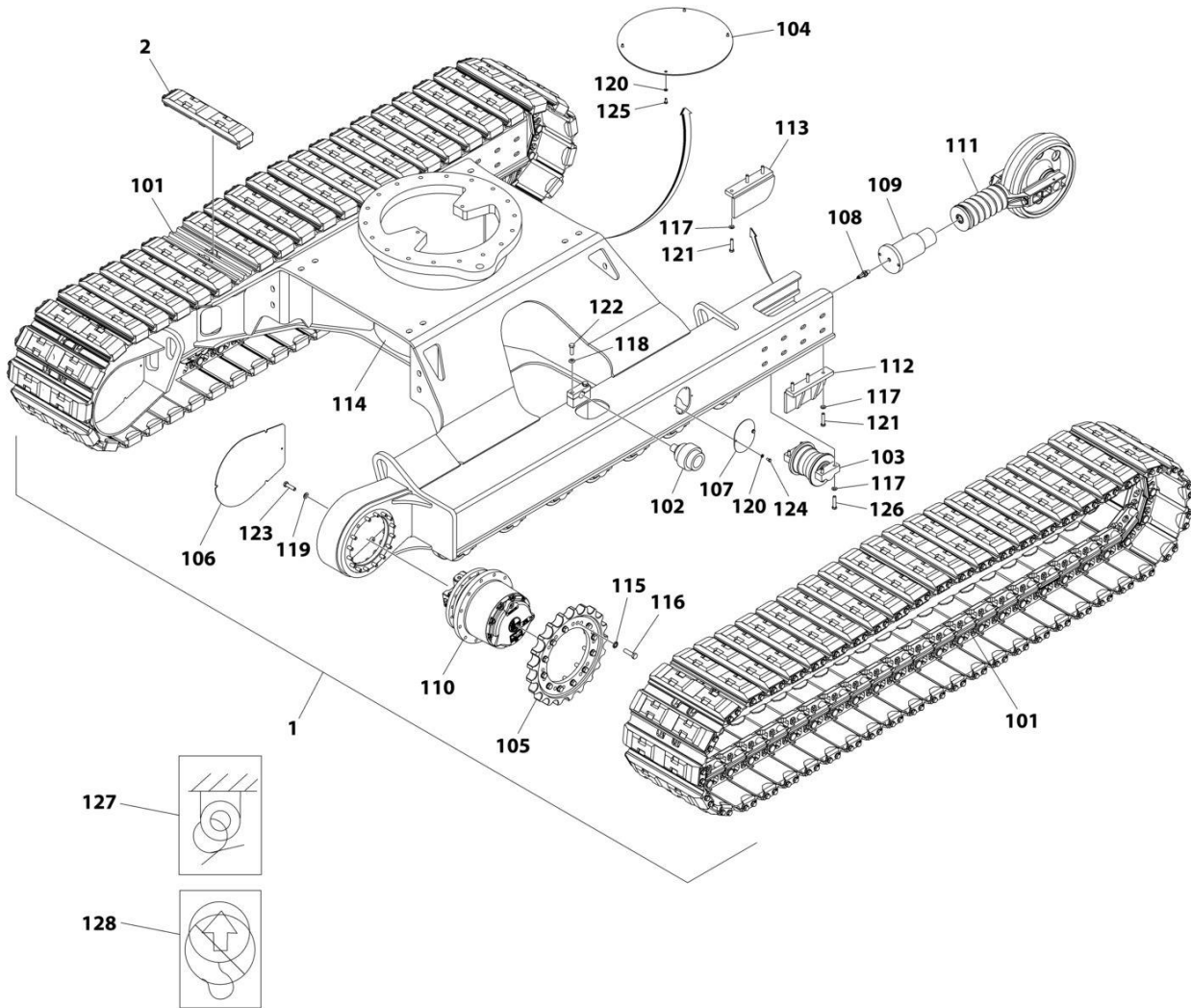
SECTION 1 - FRAME

FIGURE 1-2. HINOWA FRAME ASSEMBLY (WITH RUBBER TRACKS)

ITEM	PART NUMBER	QTY	DESCRIPTION	REV
	1001232368	Ref	FRAME ASSEMBLY	B
1	70007417	2	Track (Rubber)	
2	70007395	2	Roller	
3	70007396	2	Roller	
4	70005283	1	Plate, Cover	
5	70007397	2	Sprocket	
6	70007398	2	Cover	
7	70007399	2	Cover	
8	70007400	2	Fitting, Grease	
9	70007401	2	Track Tension Cylinder	
10	70007415	1	Roller	
11	70007402	2	Hub	
12	70007416	1	Wheel, Idler Tension	
13	See Note	NSS	Frame (Note: Use p/n 1001232368)	
14	70007406	36	Washer	
15	70007407	36	Screw	
16	70007408	16	Washer	
17	70007409	4	Washer	
18	70007410	AR	Washer	
19	70005284	8	Washer	
20	70007411	16	Screw M12 x 60	
21	70007412	4	Screw M14 x 45	
22	70007413	AR	Screw M14 x 55	
23	70005286	4	Bolt, M8 x 16	
24	70005285	4	Bolt, M8 x 20	
25	1703814	4	Decal - Tie Down	
26	1701499	4	Decal - No Lift	

SECTION 1 - FRAME

FIGURE 1-3. HINOWA FRAME ASSEMBLY (WITH RUBBER PADS)



ART_1001233220

SECTION 1 - FRAME

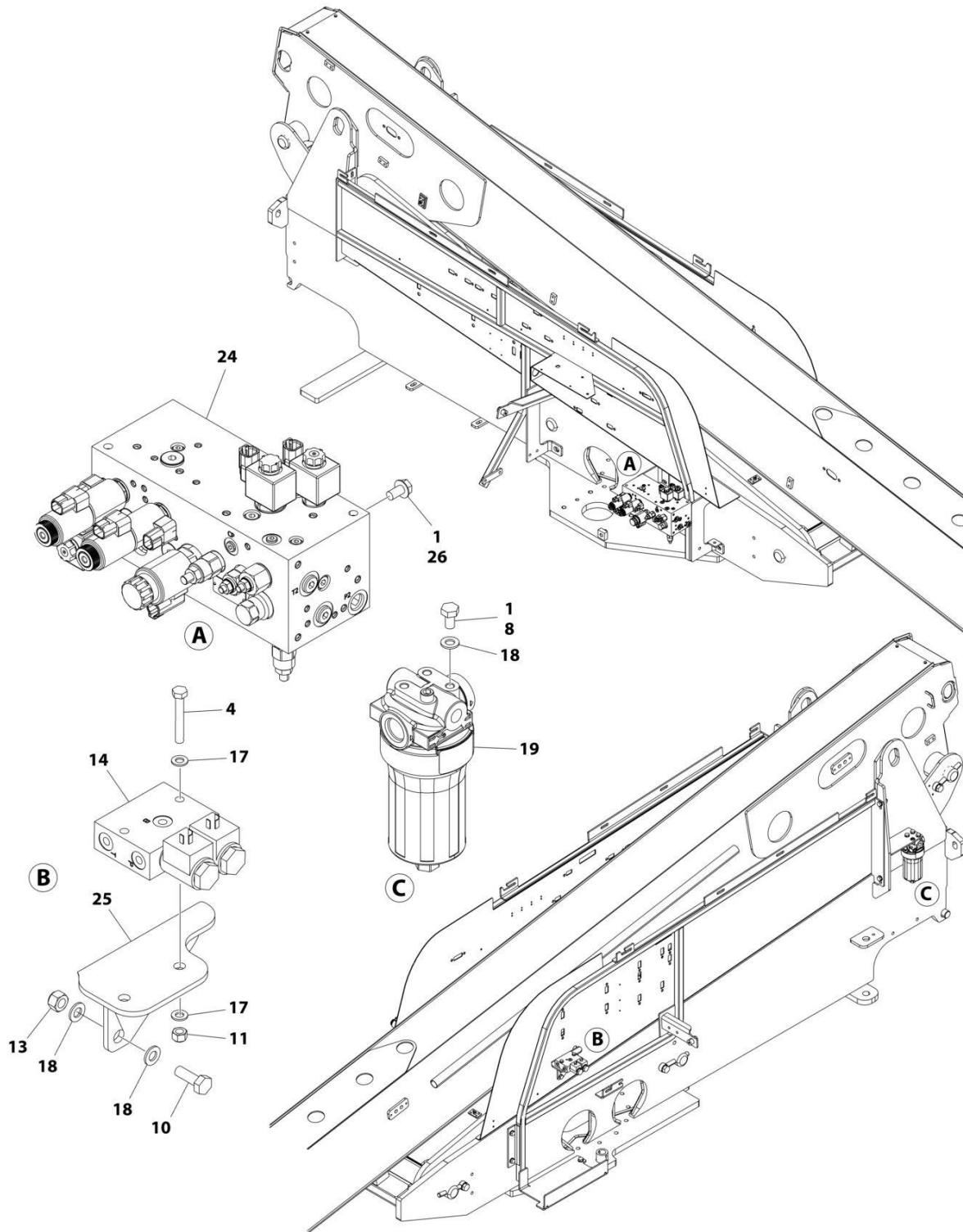
FIGURE 1-3. HINOWA FRAME ASSEMBLY (WITH RUBBER PADS)

ITEM	PART NUMBER	QTY	DESCRIPTION	REV
	1001233220	Ref	FRAME ASSEMBLY WITH PADS	A
1	1001231884	1	Frame Assembly without Pads (See Items 101-128 for Breakdown)	
2	1001233218	1	Pad, Rubber Track	
	1001231884	Ref	FRAME ASSEMBLY WITHOUT PADS	B
101	70007394	2	Track (Steel)	
102	70007395	2	Roller	
103	70007396	2	Roller	
104	70005283	1	Plate, Cover	
105	70007397	2	Sprocket	
106	70007398	2	Cover	
107	70007399	2	Cover	
108	70007400	2	Fitting, Grease	
109	70007401	2	Track Tension Cylinder	
110	70007402	2	Hub	
111	70007403	2	Wheel, Idler Tension	
112	70007404	2	Bracket (Right)	
113	70007405	2	Bracket (Left)	
114	See Note	NSS	Frame (Note: Use p/n 1001231884)	
115	70007406	36	Washer	
116	70007407	36	Screw	
117	70007408	14	Washer	
118	70007409	4	Washer	
119	70007410	AR	Washer	
120	70005284	6	Washer	
121	70007411	6	Screw M12 x 60	
122	70007412	4	Screw M14 x 45	
123	70007413	AR	Screw M14 x 55	
124	70005286	2	Bolt, M8 x 16	
125	70005285	4	Bolt, M8 x 20	
126	70007414	8	Screw M12 x 40	
127	1703814	4	Decal - Tie Down	
128	1701499	4	Decal - No Lift	

SECTION 2 - TURNTABLE

SECTION 2 - TURNTABLE

FIGURE 2-1. VALVE INSTALLATION



ART_1001197143_10F2

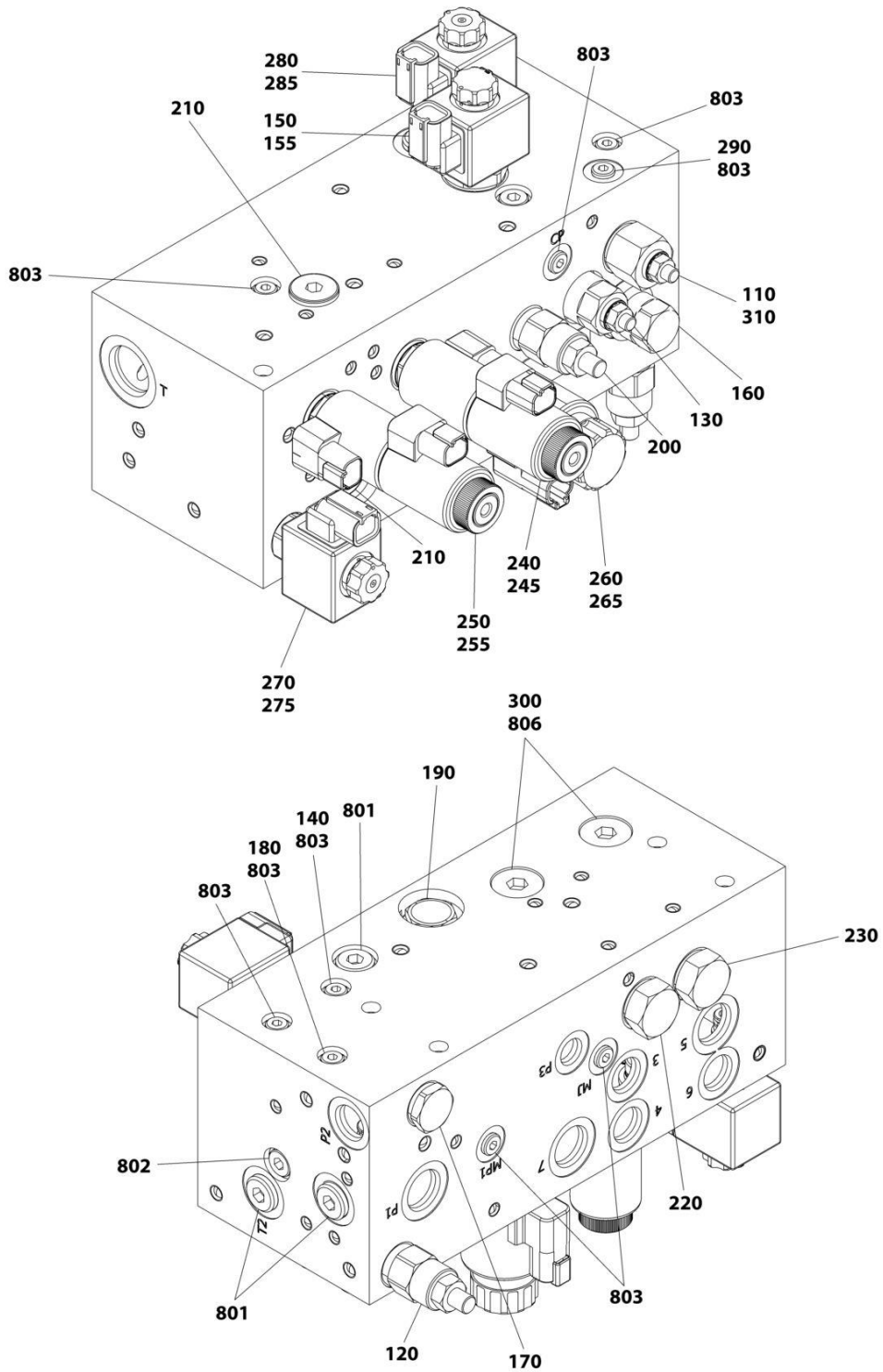
SECTION 2 - TURNTABLE

FIGURE 2-1. VALVE INSTALLATION

ITEM	PART NUMBER	QTY	DESCRIPTION	REV
	1001197143	Ref	VALVE INSTALLATION	E
1	0100011	AR	Compound, Locking	
4	0700819	2	Bolt M8 x 55	
8	0761009	6	Bolt M10 x 18	
10	0761014	2	Bolt M10 x 30	
11	3290805	4	Nut M8	
13	3291005	2	Nut M10	
14	4641317	1	Brake/Two Speed Valve Assembly	
14	7012941	2	Cartridge Less Coil	
14	7010543	2	Seal Kit - 7012941 Valve	
14	7012944	2	Coil	
17	4811900	9	Washer M8	
18	4812000	10	Washer M10	
19	1001208874	1	Filter, Hydraulic	
19	70010383	1	Element, Filter	
24	1001196595	1	Main Valve Assembly (See Separate Breakdown in this Section)	
25	1001196803	1	Bracket	
26	5251009	4	Bolt M10 x 18	

SECTION 2 - TURNTABLE

FIGURE 2-2. MAIN VALVE ASSEMBLY



ART_1001196595

SECTION 2 - TURNTABLE

FIGURE 2-2. MAIN VALVE ASSEMBLY

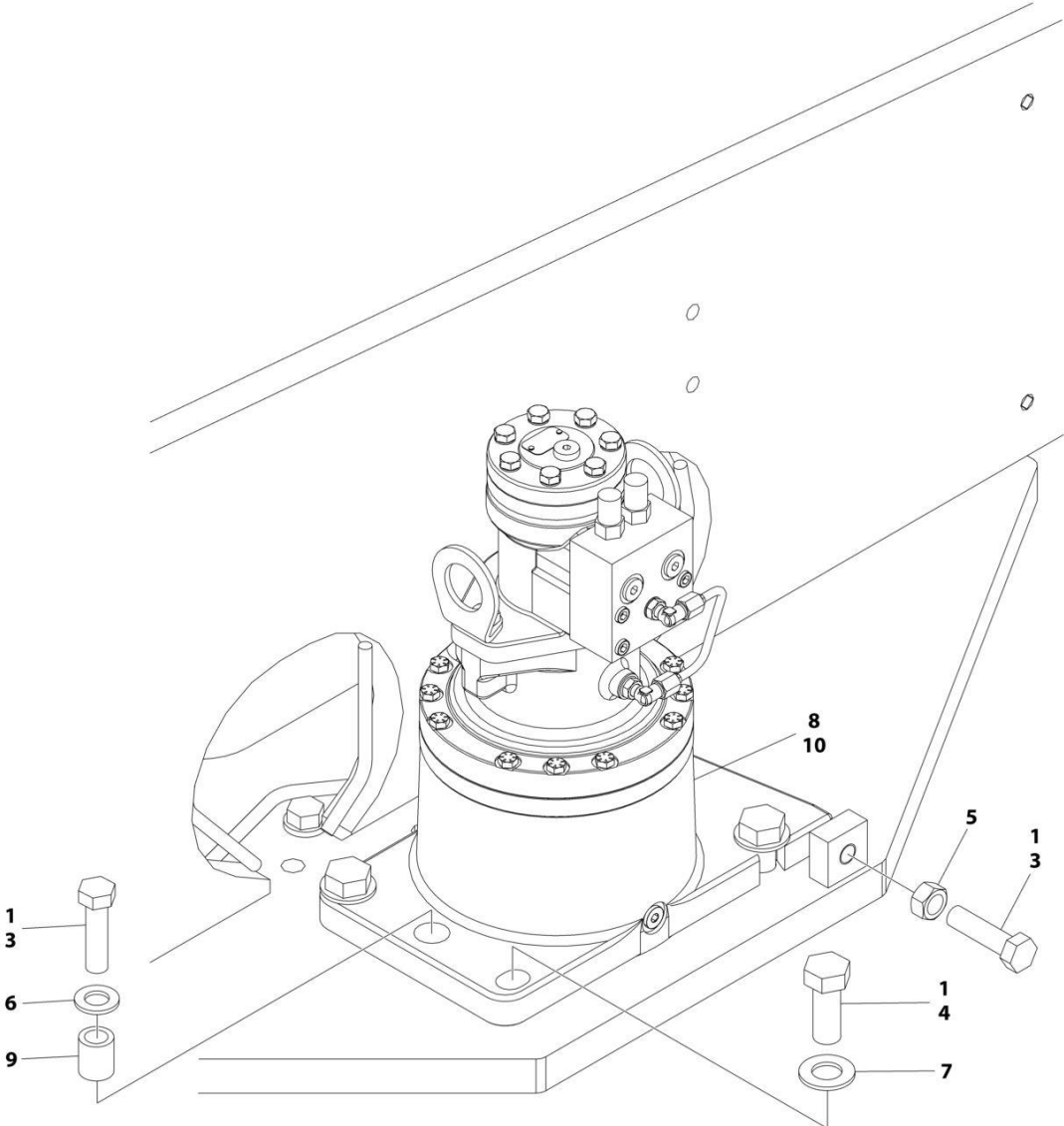
ITEM	PART NUMBER	QTY	DESCRIPTION	REV
	1001196595	Ref	MAIN VALVE ASSEMBLY	C
110	70006109	1	Valve, Flow/Pressure Control	
110	70006110	1	Cap	
110	70004656	1	Seal Kit - 70006109 Valve	
120	70003019	1	Valve, Relief	
120	70004052	1	Seal Kit - 70003019 Valve	
130	70004607	1	Valve, Relief	
130	70004602	1	Seal Kit - 70004607 Valve	
140	70004668	1	Orifice	
150	70006111	1	Valve, Solenoid without Coil	
150	70004584	1	Seal Kit - 70006111 Valve	
150	70004051	1	Coil Nut & Pole Tube O-Ring Kit	
155	70004653	1	Coil	
160	70006112	1	Valve, Load Sense	
160	70006113	1	Seal Kit - 70006112 Valve	
170	70005952	1	Valve, Check	
170	70004052	1	Seal Kit - 70005952 Valve	
180	7022527	1	Orifice 2mm	
190	70003027	1	Valve, Flow/Pressure Control	
190	70004052	1	Seal Kit - 70003027 Valve	
200	70003019	1	Valve, Relief	
200	70004052	1	Seal Kit - 70003019 Valve	
210	70023859	4	Valve, Relief	
210	70023860	4	Seal Kit - 70023859 Valve	
220	70006114	1	Valve, Pressure Compensator	
220	70004656	1	Seal Kit - 70006114 Valve	
230	70006114	1	Valve, Pressure Compensator	
230	70004656	1	Seal Kit - 70006114 Valve	
240	70006115	1	Valve, Solenoid without Coil (Swing)	
240	70006116	1	Seal Kit - 70006115 Valve	
240	70004661	1	Nut, Coil	
240	70024457	1	O-Ring at Coil Nut	
240	70004662	1	O-Ring at Bottom of Pole Tube	
245	80434249	2	Coil	
250	70006117	1	Valve, Solenoid without Coil (Tele)	
250	70006116	1	Seal Kit - 70006117 Valve	
250	70004661	1	Nut, Coil	
250	70024457	1	O-Ring at Coil Nut	
250	70004662	1	O-Ring at Bottom of Pole Tube	
255	80434249	2	Coil	
260	70004657	1	Valve, Solenoid (Lift)	
260	70004594	1	Seal Kit - 70004657 Valve	
260	70004597	1	Nut, Coil	
260	70004596	1	O-Ring at Coil Nut	
265	70004595	1	Coil	
270	70004598	1	Valve, Solenoid (Lift)	
270	70004055	1	Seal Kit - 70004598 Valve	
270	70005947	1	Coil Nut & Pole Tube O-Ring Kit	
275	70004653	1	Coil	
280	70006118	1	Valve, Solenoid (Lift)	

SECTION 2 - TURNTABLE

ITEM	PART NUMBER	QTY	DESCRIPTION	REV
280	70004052	1	Seal Kit - 70006118 Valve	
280	70004051	1	Coil Nut & Pole Tube O-Ring Kit	
285	70004653	1	Coil	
290	7023821	1	Orifice .8mm	
300	70006119	1	Valve, Check	
310	70006357	1	Orifice 4mm	
801	70002759	4	Plug	
802	70004617	2	Plug	
803	70002758	9	Plug	
806	70006120	2	Plug	

SECTION 2 - TURNTABLE

FIGURE 2-3. SWING DRIVE INSTALLATION



ART_1001185842

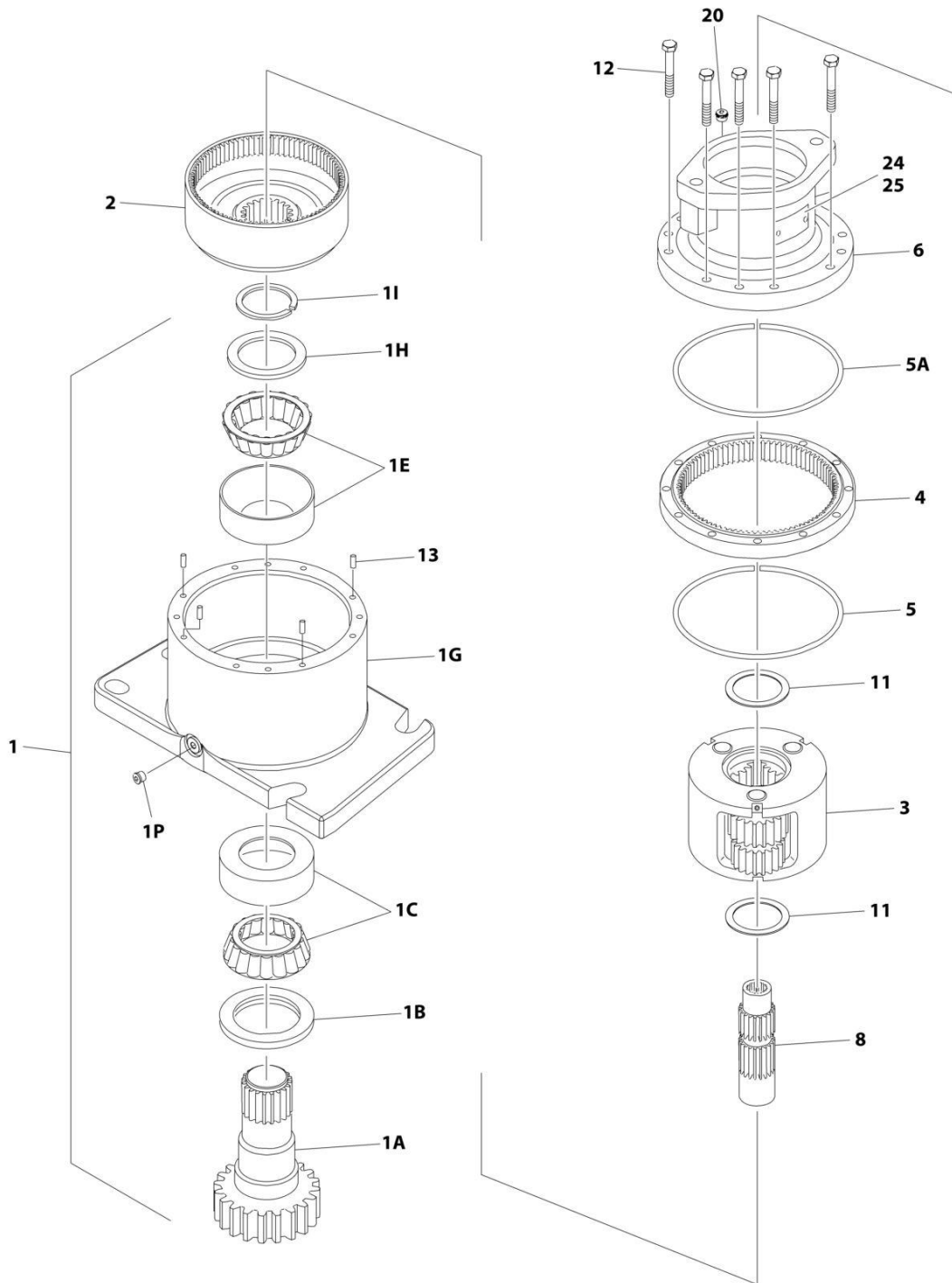
SECTION 2 - TURNTABLE

FIGURE 2-3. SWING DRIVE INSTALLATION

ITEM	PART NUMBER	QTY	DESCRIPTION	REV
	1001185842	Ref	SWING DRIVE INSTALLATION	B
1	0100019	AR	Compound, Locking	
3	0771620	2	Bolt M16 x 60	
4	0772018	4	Bolt M20 x 50	
5	3291601	1	Nut M16	
6	5241600	1	Washer M16	
7	5242000	4	Washer M20	
8	1001125492	1	Shim	
9	1001134543	1	Spacer	
10	1001187855	1	Swing Motor/Hub Assembly (See Separate Breakdown in this Section)	

SECTION 2 - TURNTABLE

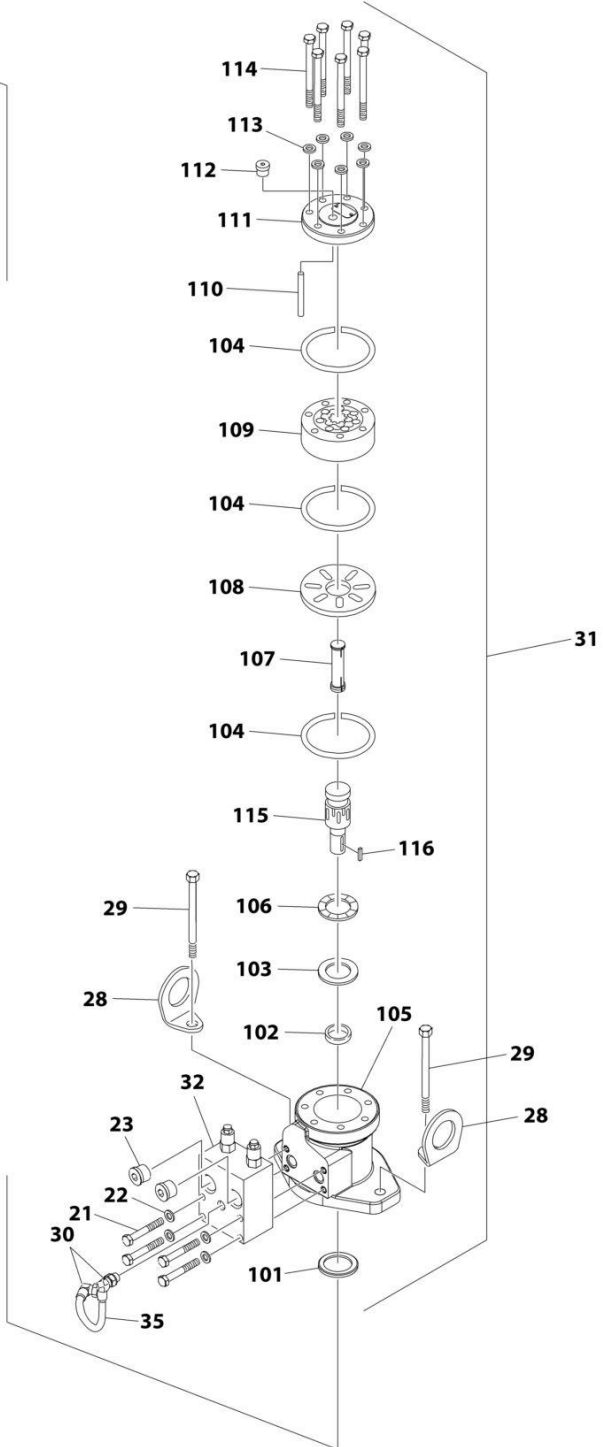
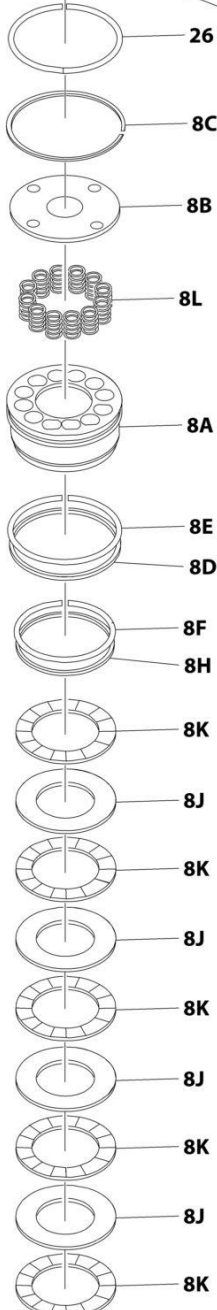
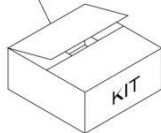
FIGURE 2-4. SWING MOTOR/HUB ASSEMBLY



ART_1001187855_1OF2

SECTION 2 - TURNTABLE

40
120



ART_1001187855_2OF2

SECTION 2 - TURNTABLE

FIGURE 2-4. SWING MOTOR/HUB ASSEMBLY

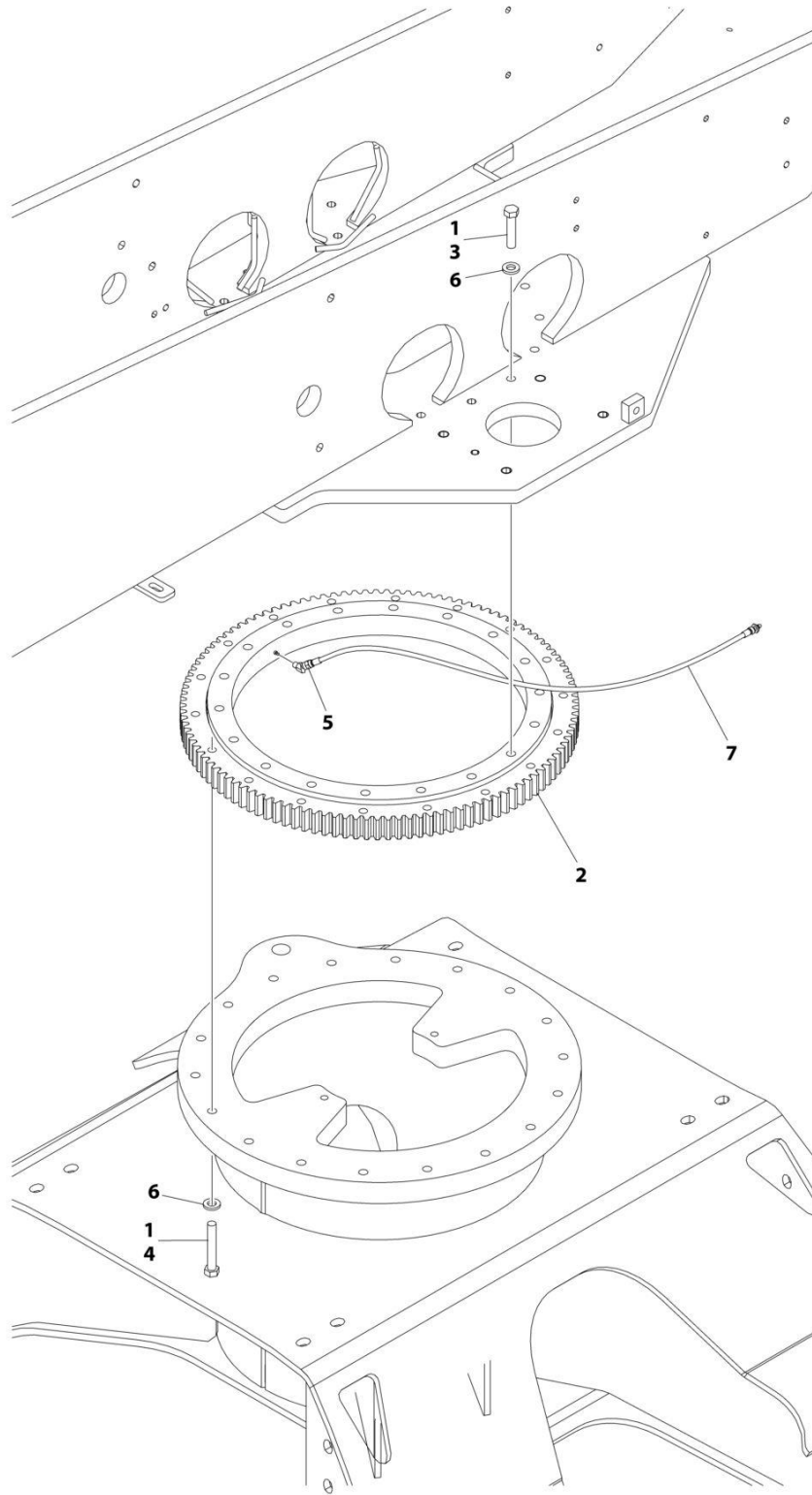
ITEM	PART NUMBER	QTY	DESCRIPTION	REV
	1001187855	Ref	SWING MOTOR/HUB ASSEMBLY	D
1	See Note	NSS	Housing/Shaft Assembly (Note: Not Available - Purchase Complete Swing Motor/Hub Assembly)	
1A	7010492	1	Shaft, Output	
1B	7000228	1	Seal, Lip	
1C	7000255	1	Bearing Kit (Includes Cup and Cone)	
1E	7000257	1	Bearing Kit (Includes Cup and Cone)	
1G	See Note	1	Housing (Note: Not Available for Purchase)	
1H	7007633	1	Thrustwasher	
1I	7000229	1	Ring, Retaining	
1P	7017072	1	Plug, Pipe	
2	7000246	1	Gear, Internal	
3	7000247	1	Carrier Assembly	
3A	7001931	1	Carrier	
3B	7001985	6	Washer, Tanged	
3C	7001909	96	Bearing, Needle	
3D	7000263	3	Thrustwasher	
3E	7001911	3	Shaft, Planet	
3F	7001912	3	Gear, Cluster	
3G	7010474	3	Roll Pin	
4	7000248	1	Gear, Ring	
5	7000230	1	O-Ring (Black)	
5A	7017070	1	O-Ring (White)	
6	See Note	NSS	Housing, Brake (Note: Not Available for Purchase)	
7	70005203	1	Gear, Sun	
8		Ref	Brake Components	
8A	70004037	1	Piston, Brake	
8B	7024743	1	Plate, Pressure	
8C	70004039	1	Ring, Retaining	
8D	70004041	1	O-Ring	
8E	70004044	1	Ring, Back-up	
8F	70004042	1	O-Ring	
8H	70004043	1	Ring, Back-up	
8J	See Note	NSS	Rotor, Brake (Note: Use p/n 70002085)	
8K	See Note	NSS	Stator, Brake (Note: Use p/n 70002085)	
8L	70002066	7	Spring, Brake	
11	7000253	2	Thrustwasher	
12	7000217	12	Bolt, 5/16 x 2-1/4 Grade 8	
13	7017080	4	Pin, Dowel	
20	7017072	1	Plug, Pipe	
21	7024704	4	Bolt 5/16 x 2 Grade 8	
22	70004045	4	Lockwasher	
23	7017023	2	Plug, Pipe	
24	See Note	NSS	Plate, ID (Note: Not Available for Purchase)	
25	See Note	NSS	Rivet	
26	7024763	1	O-Ring	
28	See Note	NSS	Lug, Lifting (Note: Not Available for Purchase)	
29	70004040	2	Bolt 1/2 x 1-1/2 Grade 8	
30	7017085	2	Elbow	
31	70006304	1	Motor Assembly (See Items 101-120 for Breakdown)	

SECTION 2 - TURNTABLE

ITEM	PART NUMBER	QTY	DESCRIPTION	REV
32	7024784	1	Valve (No Serviceable Parts)	
33	7017082	1	Plug, Pipe (Not Shown)	
35	70004047	1	Tube	
40	7024100	1	Seal Kit - Hub (Includes Items 1B, 1I, 5, 5A & 11)	
	70006304	Ref	Motor Assembly	
101	See Note	NSS	Seal, Dust (Note: Use Item 120)	
102	See Note	NSS	Seal, Shaft (Note: Use Item 120)	
103	See Note	NSS	Thrustwasher (Note: Use Item 120)	
104	See Note	NSS	Seal, Ring (Note: Use Item 120)	
105	See Note	NSS	Housing (Note: Purchase Complete Assembly)	
106	70006306	1	Bearing, Thrust	
107	7005889	1	Link, Drive	
108	70006307	1	Plate, Wear	
109	70006310	1	Rotor Set	
110	7005891	1	Pin	
111	70006308	1	Cover, End	
112	See Note	NSS	Plug (Note: Purchase Complete Assembly)	
113	70006309	1	Washer Kit (Includes 7 Washers)	
114	70006313	1	Bolt Kit (Includes 7 Bolts)	
115	See Note	NSS	Shaft (Note: Purchase Complete Assembly)	
116	See Note	NSS	Key (Note: Purchase Complete Assembly)	
120	70006305	1	Seal Kit - Motor (Includes Items 101-104)	

SECTION 2 - TURNTABLE

FIGURE 2-5. TURNTABLE BEARING AND LUBE INSTALLATION



ART_1001233176

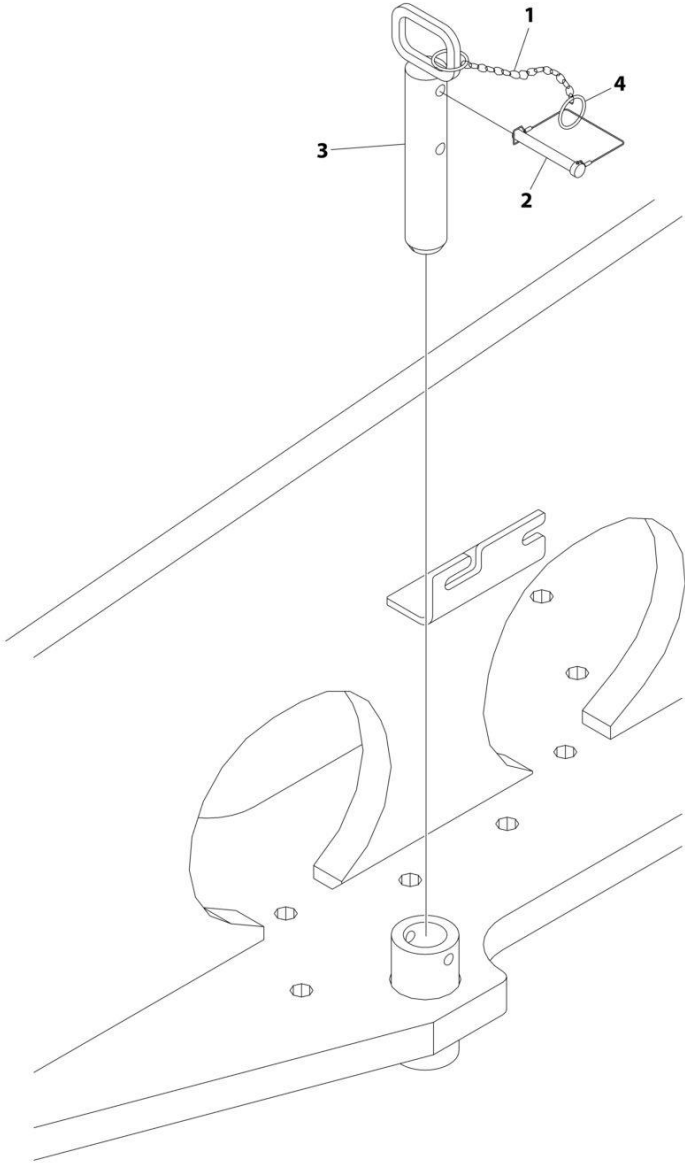
SECTION 2 - TURNTABLE

FIGURE 2-5. TURNTABLE BEARING AND LUBE INSTALLATION

ITEM	PART NUMBER	QTY	DESCRIPTION	REV
	1001233176	Ref	TURNTABLE BEARING AND LUBE INSTALLATION	A
1	0100019	AR	Compound, Locking	
2	0440233	1	Turntable Bearing	
3	0682023	18	Bolt 5/8 x 2-7/8, Grade 8	
4	0682032	18	Bolt 5/8 x 2-4, Grade 8	
5	2220124	1	Fitting	
6	4892000	36	Washer 5/8	
7	1001188125	1	Hose	

SECTION 2 - TURNTABLE

FIGURE 2-6. TURNTABLE LOCK INSTALLATION



ART_1001187022_B

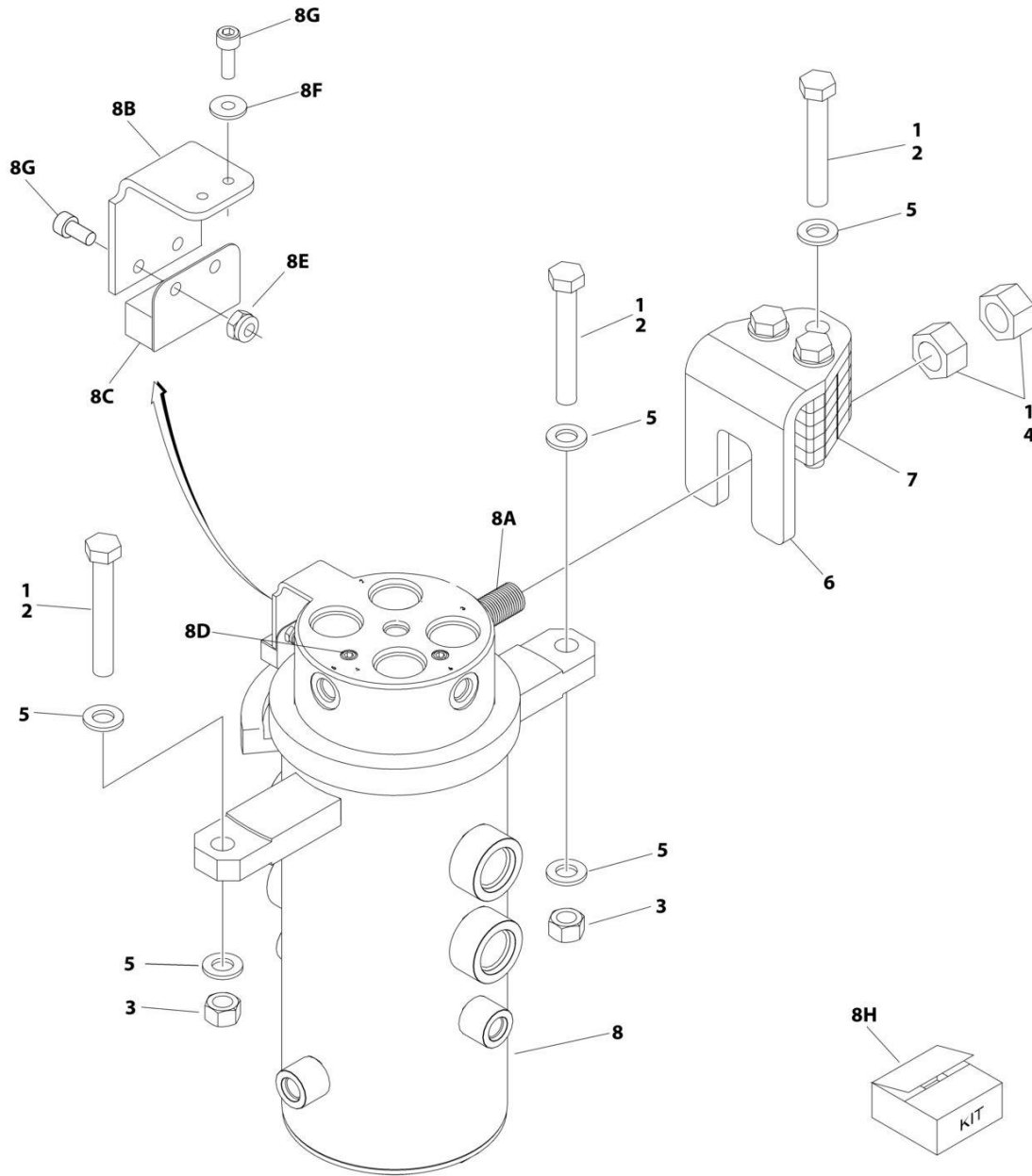
SECTION 2 - TURNTABLE

FIGURE 2-6. TURNTABLE LOCK INSTALLATION

ITEM	PART NUMBER	QTY	DESCRIPTION	REV
	1001187022	Ref	TURNTABLE LOCK INSTALLATION	B
1	1260017	9 in/23cm	Chain	
2	3421565	1	Snap-Pin	
3	1001169582	1	Pin, Lock	
4	3760170	2	Ring	

SECTION 2 - TURNTABLE

FIGURE 2-7. ROTARY COUPLING INSTALLATION



ART_1001233177

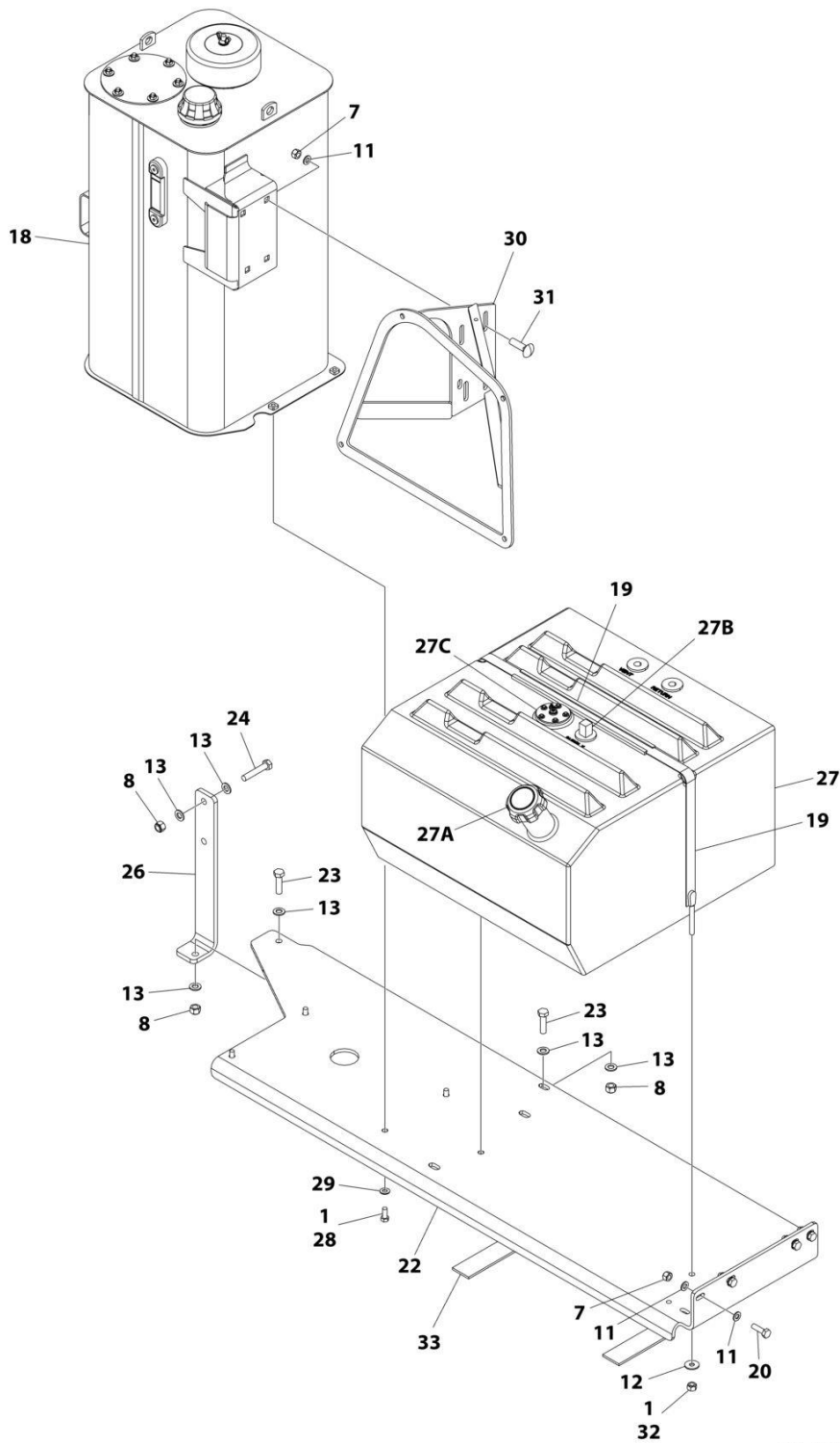
SECTION 2 - TURNTABLE

FIGURE 2-7. ROTARY COUPLING INSTALLATION

ITEM	PART NUMBER	QTY	DESCRIPTION	REV
	1001233177	Ref	ROTARY COUPLING INSTALLATION	A
1	0100011	AR	Compound, Locking	
2	0701226	5	Bolt M12 x 90	
3	3291207	2	Nut M12	
4	3322201	2	Nut 3/4	
5	4812100	7	Washer M12	
6	1001103837	1	Mount	
7	1001189522	5	Shim, Swivel Mount	
8	1001189523	1	Coupling, Swivel 7 Port	
8A	70005244	1	Lug	
8B	70003454	1	Bracket, Switch Mounting	
8C	4360517	1	Switch, Proximity	
8D	2200221	2	Plug	
8E	3311005	2	Nut, Lock #10	
8F	4711000	2	Washer #10	
8G	3931008	2	Screw #10 x 1/2	
8H	70005322	1	Seal Kit - 1001233177 Coupling	

SECTION 2 - TURNTABLE

FIGURE 2-8. TANKS INSTALLATION - DIESEL MACHINES (POLY FUEL TANK) (HELGESEN HYDRAULIC TANK)



ART_1001188257_L

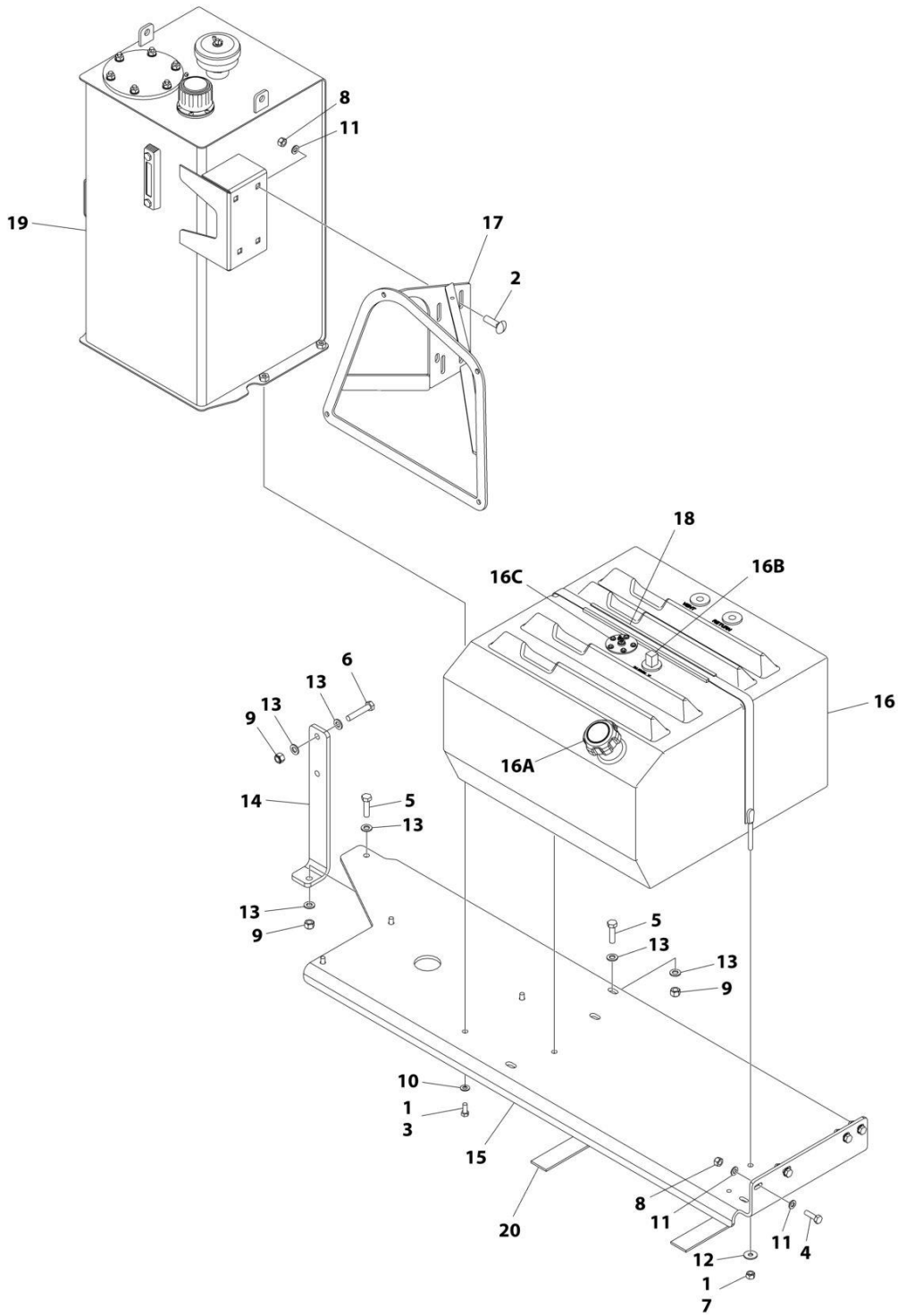
SECTION 2 - TURNTABLE

FIGURE 2-8. TANKS INSTALLATION - DIESEL MACHINES (POLY FUEL TANK) (HELGESEN HYDRAULIC TANK)

ITEM	PART NUMBER	QTY	DESCRIPTION	REV
	1001188257	Ref	TANKS INSTALLATION	L
1	0100011	AR	Compound, Locking	
7	3291005	8	Nut M10	
8	3291205	4	Nut M12	
11	4812000	12	Washer M10	
12	4812002	2	Washer M10	
13	4812100	8	Washer M12	
18	1001178057	1	Hydraulic Tank Assembly (See Separate Breakdown in this Section)	
19	1001238954	1	Strap Assembly	
19	1001189119	1	Strap	
19	4280295	48 in/ 122cm	Strip, Protector	
20	0701015	4	Bolt M10 x 35	
22	1001199933	1	Tray	
23	0701217	2	Bolt M12 x 45	
24	0701221	2	Bolt M12 x 65	
26	1001199883	1	Support	
27	1001201325	1	Tank, Fuel	
27A	70004414	1	Cap, Fill	
27B	7020043	1	Tube, Pickup	
27C	1001148607	1	Sender, Fuel Level	
27C	0731005	5	Screw #10 x 5/8	
27C	4751000	5	Washer #10	
28	0641608	4	Bolt 3/8 x 1	
29	4711600	4	Washer 3/8	
30	1001213251	1	Support, Ground Control	
31	0630613	4	Bolt M10 x 30	
32	3291001	2	Nut M10	
33	4420038	AR	Tape	

SECTION 2 - TURNTABLE

FIGURE 2-9. TANKS INSTALLATION - DIESEL MACHINES (POLY FUEL TANK) (JIANGYING HYDRAULIC TANK)



ART_1001267284

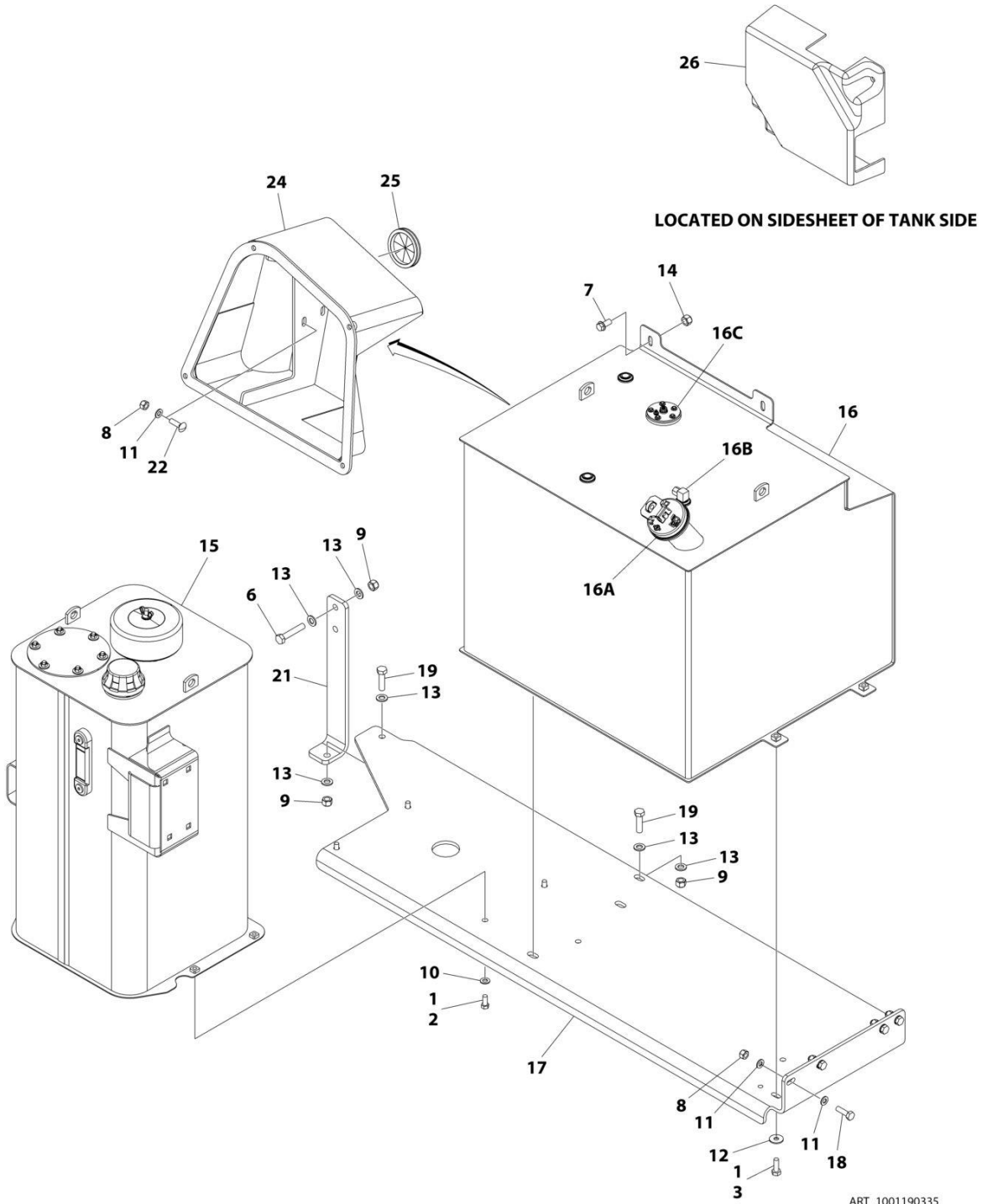
SECTION 2 - TURNTABLE

FIGURE 2-9. TANKS INSTALLATION - DIESEL MACHINES (POLY FUEL TANK) (JIANGYING HYDRAULIC TANK)

ITEM	PART NUMBER	QTY	DESCRIPTION	REV
	1001267284	Ref	TANKS INSTALLATION – DIESEL MACHINES	A
1	0100011	AR	Compound, Locking	
2	0630613	4	Bolt M10 x 30	
3	0641608	4	Bolt 3/8 x 1	
4	0701015	4	Bolt M10 x 35	
5	0701217	2	Bolt M12 x 45	
6	0701221	2	Bolt M12 x 65	
7	3291001	2	Nut M10	
8	3291005	8	Nut M10	
9	3291205	4	Nut M12	
10	4711600	4	Washer 3/8	
11	4812000	12	Washer M10	
12	4812002	2	Washer M10	
13	4812100	8	Washer M12	
14	1001199883	1	Support	
15	1001199933	1	Tray	
16	1001201325	1	Tank, Fuel	
16A	70004414	1	Cap, Fill	
16B	7020043	1	Tube, Pickup	
16C	1001148607	1	Sender, Fuel Level	
16C	0731005	5	Screw #10 x 5/8	
16C	4751000	5	Washer #10	
17	1001213251	1	Support, Ground Control	
18	1001238954	1	Strap Assembly	
18	1001189119	1	Strap	
18	4280295	48 in/ 122 cm	Strip, Protector	
19	1001267678	1	Hydraulic Tank Assembly	
20	4420038	30 in/ 76.2 cm	Tape, Rubber	

SECTION 2 - TURNTABLE

FIGURE 2-10. TANKS INSTALLATION - DIESEL MACHINES (STEEL FUEL TANK) (HELGESEN HYDRAULIC TANK)



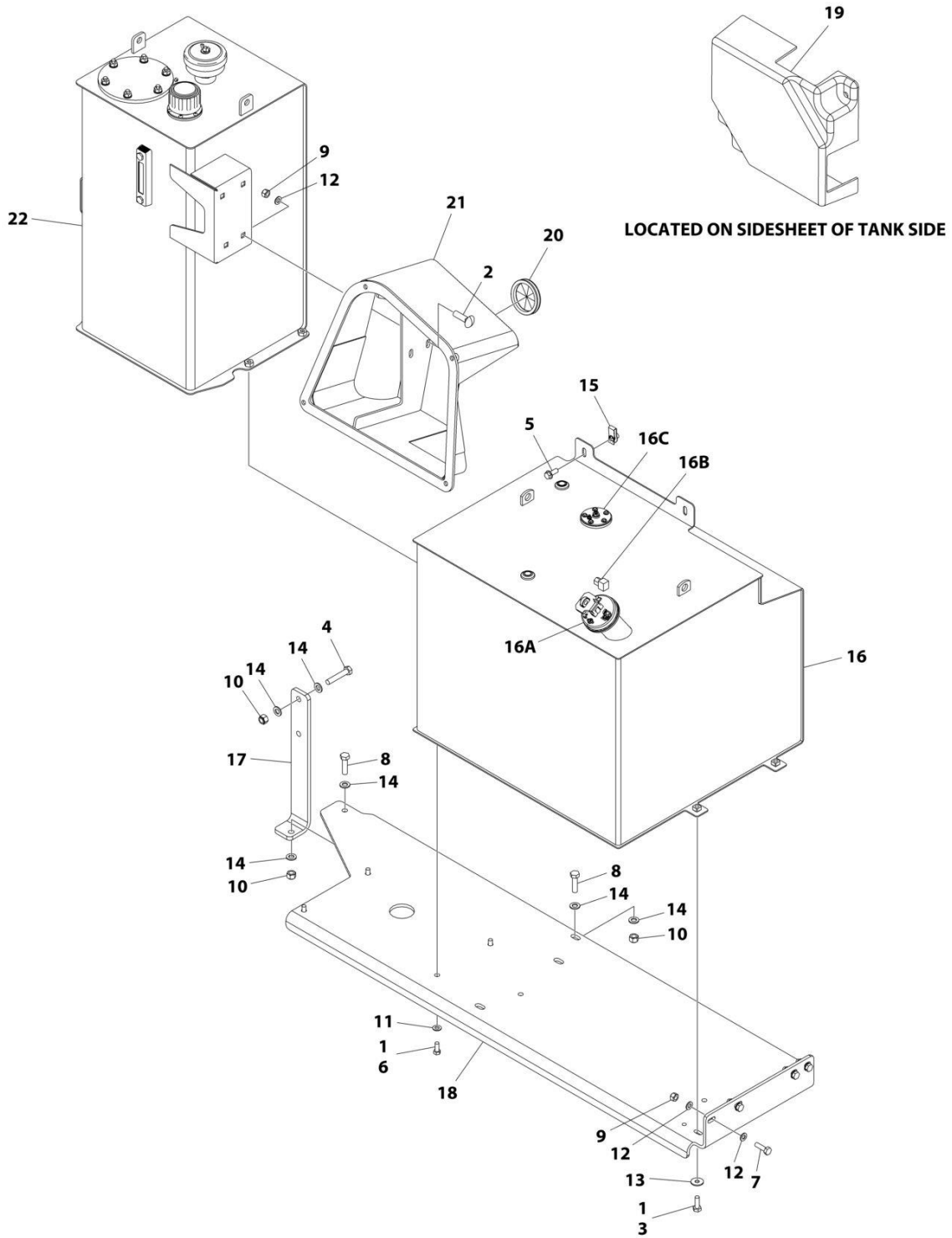
SECTION 2 - TURNTABLE

FIGURE 2-10. TANKS INSTALLATION - DIESEL MACHINES (STEEL FUEL TANK) (HELGESEN HYDRAULIC TANK)

ITEM	PART NUMBER	QTY	DESCRIPTION	REV
	1001190335	Ref	TANKS INSTALLATION	I
1	0100011	AR	Compound, Locking	
2	0641607	4	Bolt 3/8 x 7/8	
2	0641608	4	Bolt 3/8 x 1	
3	0761014	4	Bolt M10 x 30	
6	0701221	2	Bolt M12 x 65	
7	5251012	2	Bolt M10 x 25	
8	3291005	8	Nut M10	
9	3291205	4	Nut M12	
10	4711600	4	Washer 3/8	
11	4812000	12	Washer M10	
12	4812002	4	Washer M10	
13	4812100	8	Washer M12	
14	1001118972	1	Nut, Tinnerman M10	
15	1001178057	1	Hydraulic Tank Assembly (See Separate Breakdown in this Section)	
16	1001189764	1	Tank, Fuel	
16A	1001080707	1	Cap, Fill	
16B	70006314	1	Tube, Pickup	
16C	1001189800	1	Sender, Fuel Level	
16C	0731005	5	Screw #10 x 5/8	
16C	4751000	5	Washer #10	
17	1001199933	1	Tray	
18	0701015	4	Bolt M10 x 35	
19	0701217	2	Bolt M12 x 45	
21	1001199883	1	Support	
22	1001228406	4	Bolt M10 x 35	
22	0630613	4	Bolt M10 x 30	
24	1001229572	1	Mount, Ground Control	
25	1001218676	1	Grommet	
26	1001218539	1	Cover	

SECTION 2 - TURNTABLE

FIGURE 2-11. TANKS INSTALLATION - DIESEL MACHINES (STEEL FUEL TANK) (JIANGYING HYDRAULIC TANK)



ART_1001267285

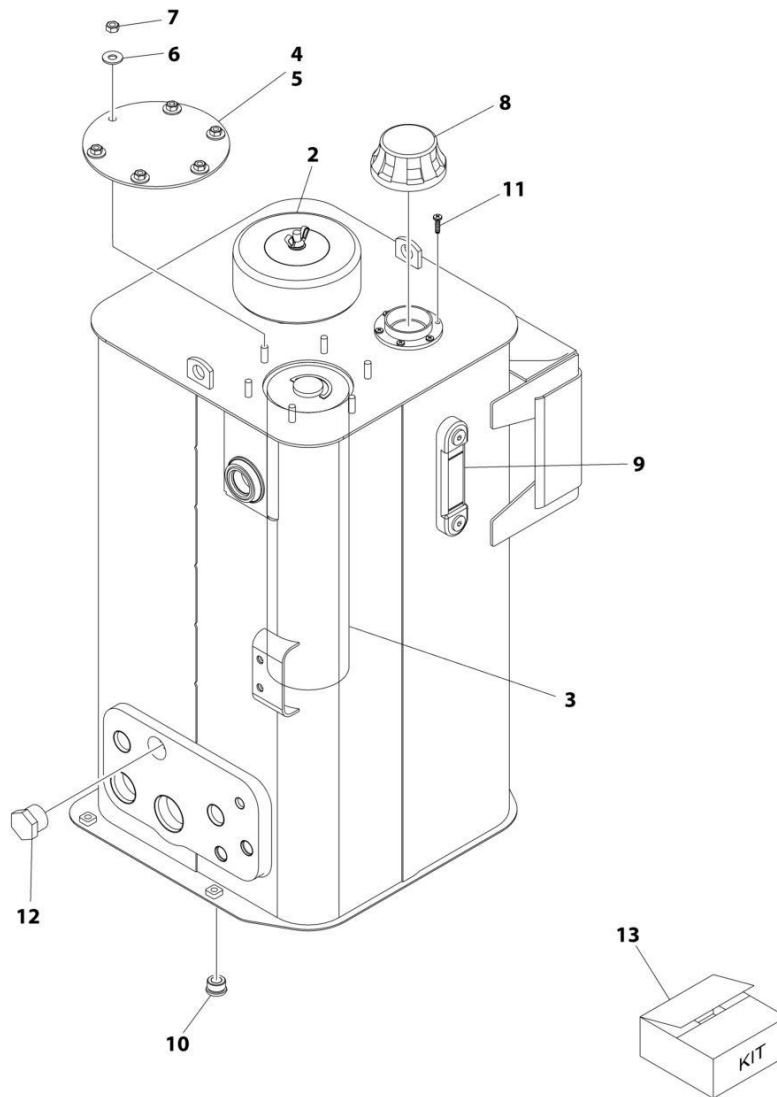
SECTION 2 - TURNTABLE

FIGURE 2-11. TANKS INSTALLATION - DIESEL MACHINES (STEEL FUEL TANK) (JIANGYING HYDRAULIC TANK)

ITEM	PART NUMBER	QTY	DESCRIPTION	REV
	1001267285	Ref	TANKS INSTALLATION – DIESEL MACHINES	A
1	0100011	AR	Compound, Locking	
2	0630613	4	Bolt M10 x 30	
3	0761014	4	Bolt M10 x 30	
4	0701221	2	Bolt M12 x 65	
5	5251012	1	Bolt M10 x 25	
6	0641608	4	Bolt 3/8 x 1	
7	0701015	4	Bolt M10 x 35	
8	0701217	2	Bolt M12 x 45	
9	3291005	8	Nut M10	
10	3291205	4	Nut M12	
11	4711600	4	Washer 3/8	
12	4812000	12	Washer M10	
13	4812002	4	Washer M10	
14	4812100	8	Washer M12	
15	1001118972	1	Nut, Tinnerman M10	
16	1001189764	1	Tank, Fuel	
16A	1001080707	1	Cap, Fill	
16B	70006314	1	Tube, Pickup	
16C	1001189800	1	Sender, Fuel Level	
16C	0731005	5	Screw #10 x 5/8	
16C	4751000	5	Washer #10	
17	1001199883	1	Support	
18	1001199933	1	Tray	
19	1001218539	1	Cover	
20	1001218676	1	Grommet	
21	1001229572	1	Mount, Ground Control	
22	1001267678	1	Hydraulic Tank Assembly	

SECTION 2 - TURNTABLE

FIGURE 2-12. HYDRAULIC TANK ASSEMBLY (HELGESEN HYDRAULIC TANK)



ART_1001178057

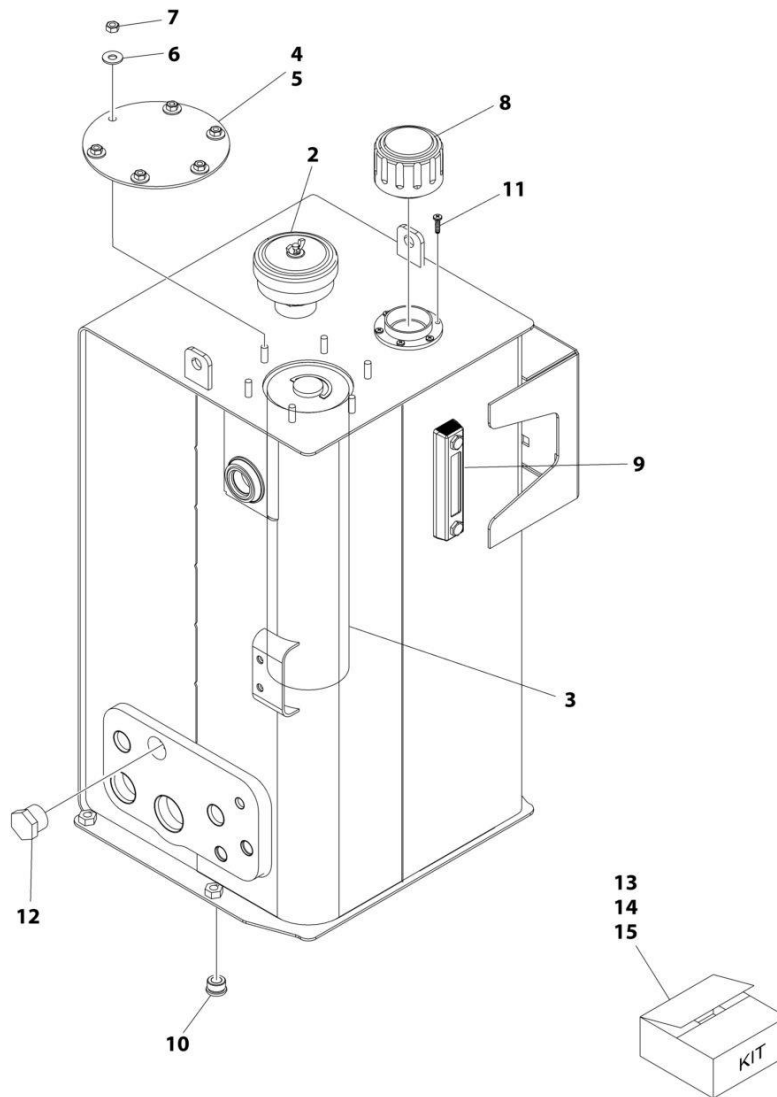
SECTION 2 - TURNTABLE

FIGURE 2-12. HYDRAULIC TANK ASSEMBLY (HELGESEN HYDRAULIC TANK)

ITEM	PART NUMBER	QTY	DESCRIPTION	REV
	1001178057	Ref	HYDRAULIC TANK ASSEMBLY	D
2	70005708	1	Breather Assembly (Includes Breather, Element and Wingnut)	
2	See Note	NSS	Element, Breather (Note: Use p/n 70005708 or Item 13)	
3	See Note	NSS	Element, Hydraulic (Note: Use Item 13)	
4	70002839	1	Gasket	
5	See Note	NSS	Cover (Note: Not Available for Purchase)	
6	83304173	6	Washer 5/16	
7	70004199	6	Nut 5/16	
8	70002838	1	Cap, Fill	
9	7024441	1	Gauge, Level	
10	70002112	1	Plug	
11	70004795	6	Screw #10 x 3/4	
12	See Note	NSS	Plug (Note: Not Available - Purchase Locally)	
13	70002814	1	Hydraulic Tank Service Kit (Includes Items 2-4)	

SECTION 2 - TURNTABLE

FIGURE 2-13. HYDRAULIC TANK ASSEMBLY (JIANGYING HYDRAULIC TANK)



ART_1001267678

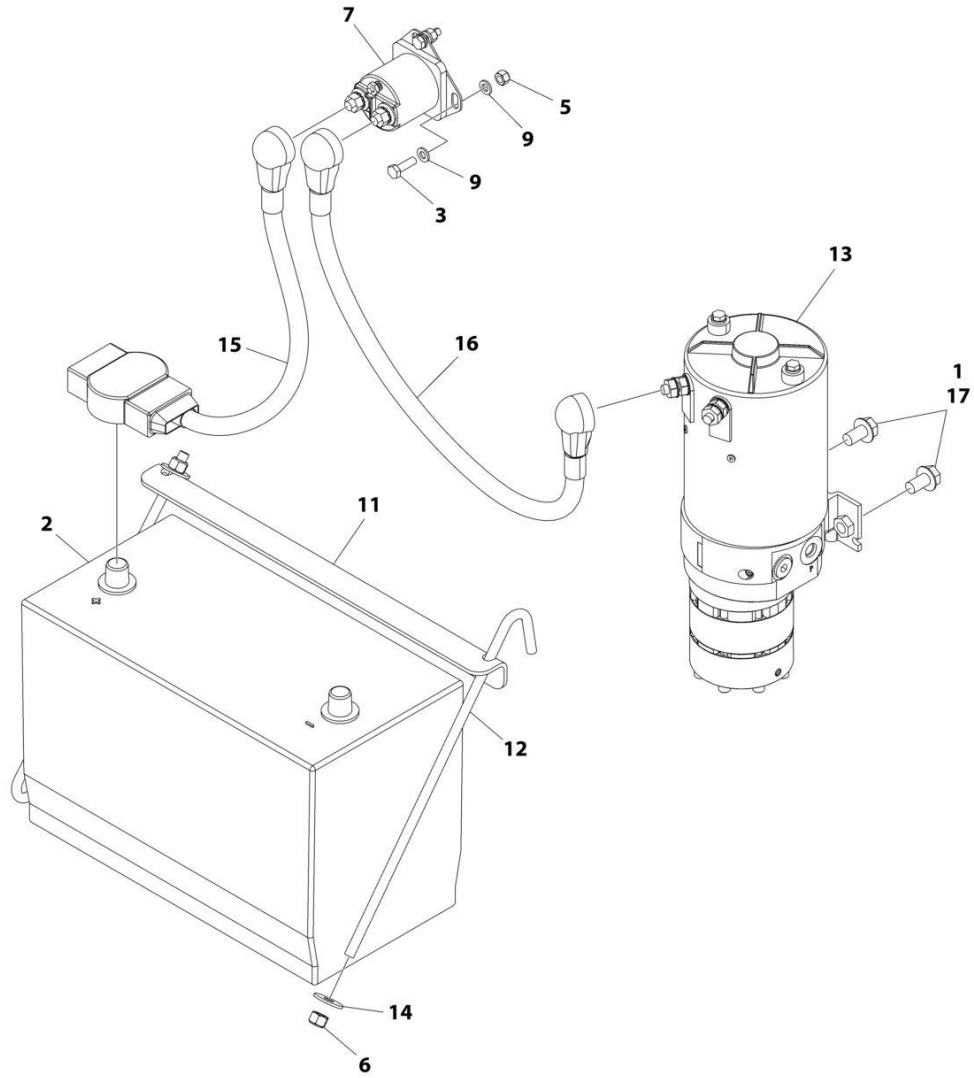
SECTION 2 - TURNTABLE

FIGURE 2-13. HYDRAULIC TANK ASSEMBLY (JIANGYING HYDRAULIC TANK)

ITEM	PART NUMBER	QTY	DESCRIPTION	REV
	1001267678	REF	HYDRAULIC TANK ASSEMBLY	A
1	See Note	NSS	Hydraulic Tank Weldment (Not Shown) (Note: Not Available for Purchase)	
2	See Note	NSS	Breather Assembly (Note: Use Item 13)	
3	See Note	NSS	Element, Filter (Note: Use Item Use Item 14)	
4	70002839	1	Gasket	
5	See Note	NSS	Cover (Note: Not Available for Purchase)	
6	83304173	6	Washer 1/4	
7	70004199	6	Nut 5/16	
8	70002838	1	Cap, Fill	
9	70024441	1	Gauge, Level	
10	70002112	1	Plug	
11	70004795	6	Screw 10 x 3/4	
12	See Note	NSS	Plug (Note: Not Available for Purchase)	
13	70007726	1	Breather Kit (Note: Includes Item 2)	
14	70007727	1	Return Filter Kit (Note: Includes Item 3)	
15	70007725	1	Level Gauge Kit	

SECTION 2 - TURNTABLE

FIGURE 2-14. BATTERY AND AUXILIARY PUMP INSTALLATION



ART_1001186346

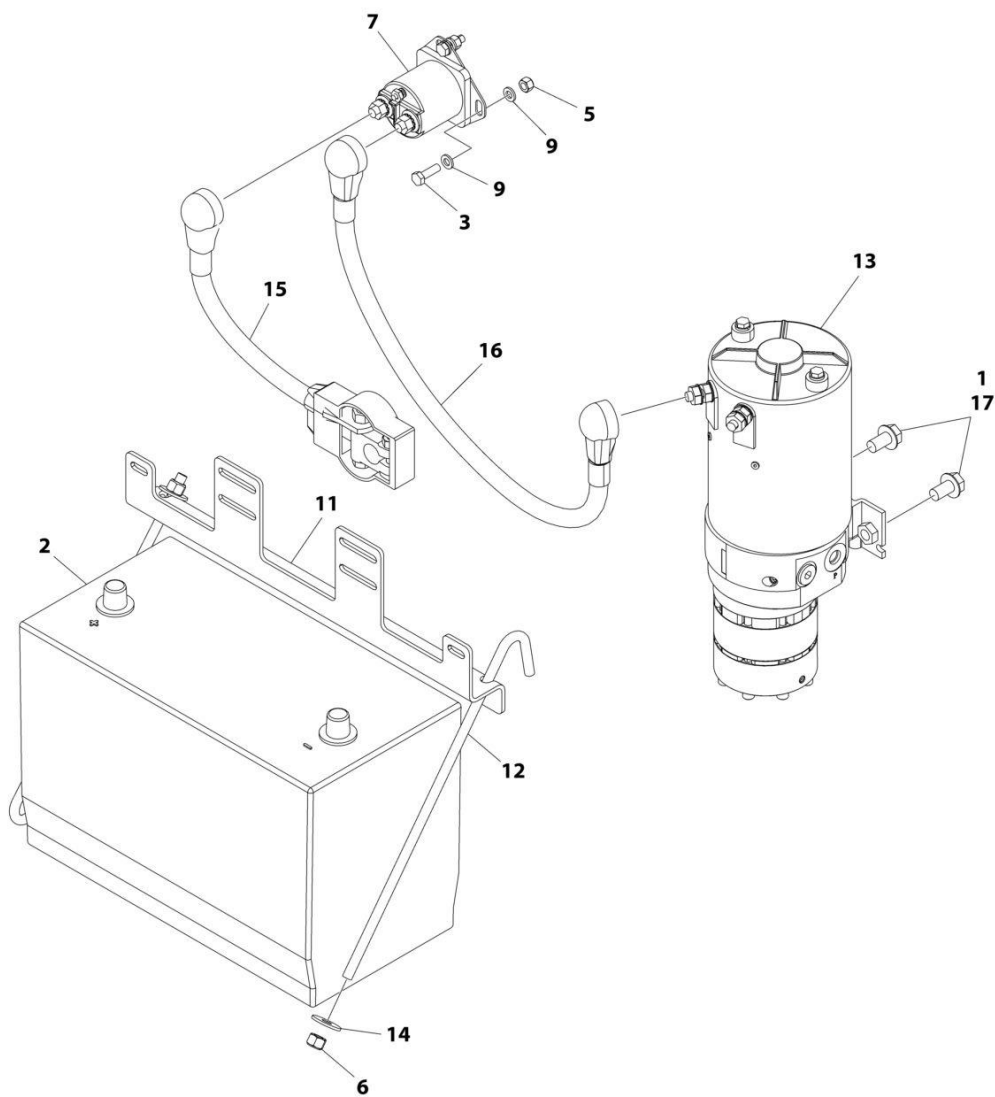
SECTION 2 - TURNTABLE

FIGURE 2-14. BATTERY AND AUXILIARY PUMP INSTALLATION

ITEM	PART NUMBER	QTY	DESCRIPTION	REV
	1001186346	Ref	BATTERY AND AUXILIARY PUMP INSTALLATION	G
1	0100011	AR	Compound, Locking	
2	0400075	1	Battery	
3	0700610	2	Bolt M6 x 20	
5	3290605	2	Nut M6	
6	3290805	2	Nut M8	
7	3740067	1	Relay	
9	4811700	4	Washer M6	
11	91401281	1	Bracket, Hold Down	
12	1001192012	2	J-Bolt	
13	1001187808	1	Auxiliary Pump/Motor Assembly (Note: Replacement Motor is only Service Component Available. For Other Components, Replace Complete Assembly.)	
13	70003998	1	Motor, Replacement	
14	4811902	2	Washer M8	
15	1001188664	1	Cable, Battery (+)	
16	1001188666	1	Cable, Aux Relay to Aux Pump	
17	5251009	2	Bolt M10 x 18	

SECTION 2 - TURNTABLE

FIGURE 2-15. BATTERY AND AUXILIARY PUMP W/DISCONNECT SWITCH INSTALLATION



ART_1001238663

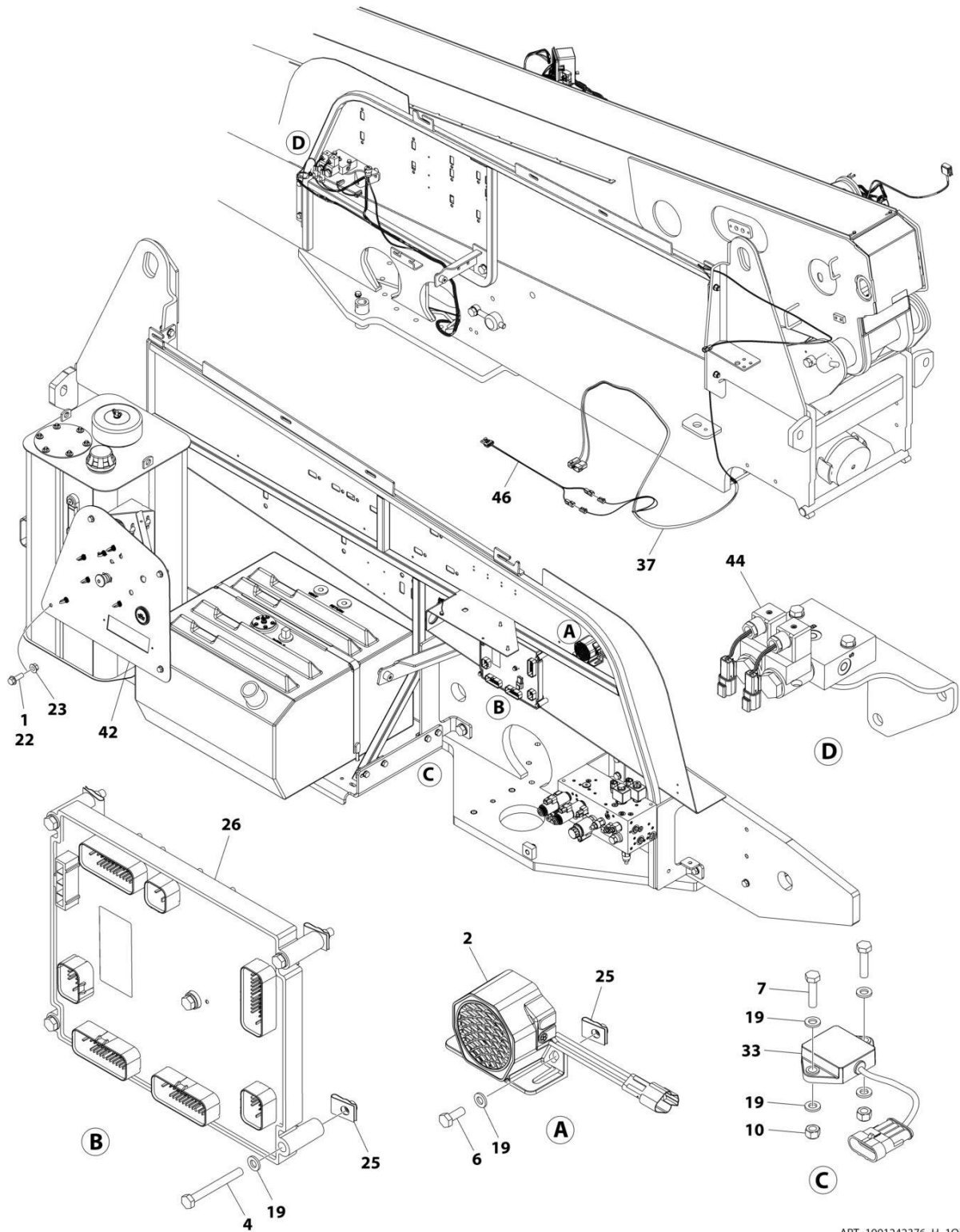
SECTION 2 - TURNTABLE

FIGURE 2-15. BATTERY AND AUXILIARY PUMP W/DISCONNECT SWITCH INSTALLATION

ITEM	PART NUMBER	QTY	DESCRIPTION	REV
	1001238663	Ref	BATTERY AND AUXILIARY PUMP W/DISCONNECT SWITCH INSTALLATION	B
1	0100011	AR	Compound, Locking	
2	0400075	1	Battery	
3	0700610	2	Bolt M6 x 20	
5	3290605	2	Nut M6	
6	3290805	2	Nut M8	
7	3740067	1	Relay	
9	4811700	4	Washer M6	
11	1001236303	1	Bracket, Hold Down	
12	1001192012	2	J-Bolt	
13	1001187808	1	Auxiliary Pump/Motor Assembly (Note: Replacement Motor is only Service Component Available. For Other Components, Replace Complete Assembly.)	
13	70003998	1	Motor, Replacement	
14	4811902	2	Washer M8	
15	1001188664	1	Cable, Battery (+)	
16	1001188666	1	Cable, Aux Relay to Aux Pump	
17	5251009	2	Bolt M10 x 18	

SECTION 2 - TURNTABLE

FIGURE 2-16. ELECTRICAL COMPONENTS INSTALLATION



ART_1001242376_H_10F2

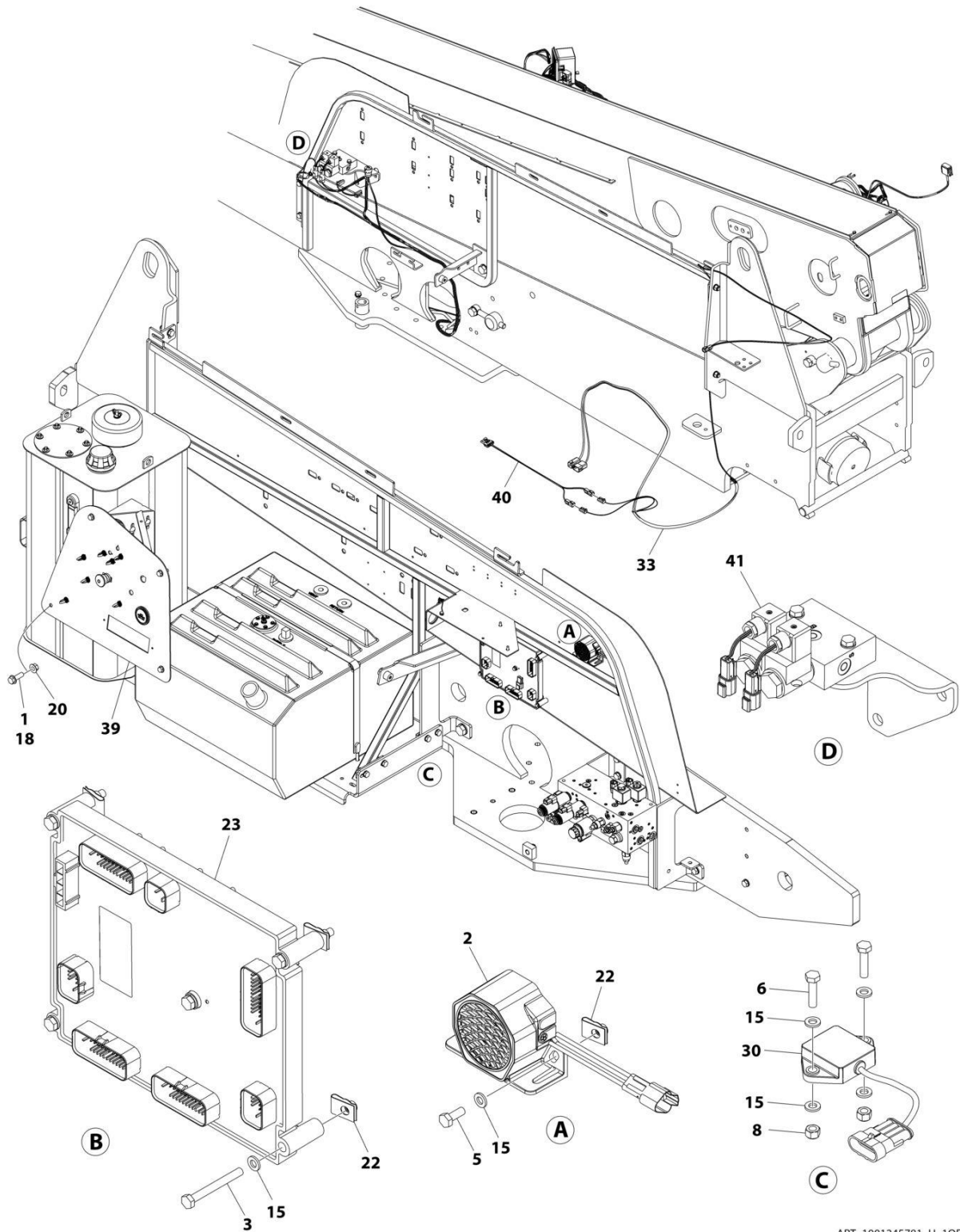
SECTION 2 - TURNTABLE

FIGURE 2-16. ELECTRICAL COMPONENTS INSTALLATION

ITEM	PART NUMBER	QTY	DESCRIPTION	REV
	1001242376	Ref	ELECTRICAL COMPONENTS INSTALLATION	H
1	0100011	AR	Compound, Locking	
2	0140043	1	Alarm	
4	0700619	5	Bolt M6 x 55	
6	0760608	2	Bolt M6 x 16	
7	0760612	2	Bolt M6 x 25	
10	3290605	2	Bolt M6 x 1	
19	4811700	11	Washer M6	
22	5251014	4	Bolt M10 x 30	
23	5261000	4	Nut M10	
25	1001130220	7	Nut M6	
26	1001187200	1	Module, Ground Control (Note: Re-calibration Required when Replaced)	
26	1001280340	1	Module, Ground Control (Note: Re-calibration Required when Replaced)	
33	1001219601	1	Tilt Sensor, Dual Axis	
37	1001282065	1	Turntable Harness Assembly (See Separate Breakdown ELECTRICAL Section)	
42	1001241588	1	Control Panel Installation (See Separate Breakdown in this Section)	
44	1001246010	2	Can Field Harness	
44	4460897	1	Receptacle, Female - 2 Position	
44	4640464	2	Pin, Male	
44	4460880	1	Connector, DIN	
46	1001241304	1	Left Drive Harness (See Separate Breakdown ELECTRICAL Section)	
51	1001296426	1	Harness, Hourmeter Jumper (Not Shown) (See Separate Breakdown in ELECTRICAL Section)	

SECTION 2 - TURNTABLE

FIGURE 2-17. ELECTRICAL COMPONENTS INSTALLATION (DEUTZ TD2.9L4 (STAGE V) ENGINES)



ART_1001245781_H_10F2

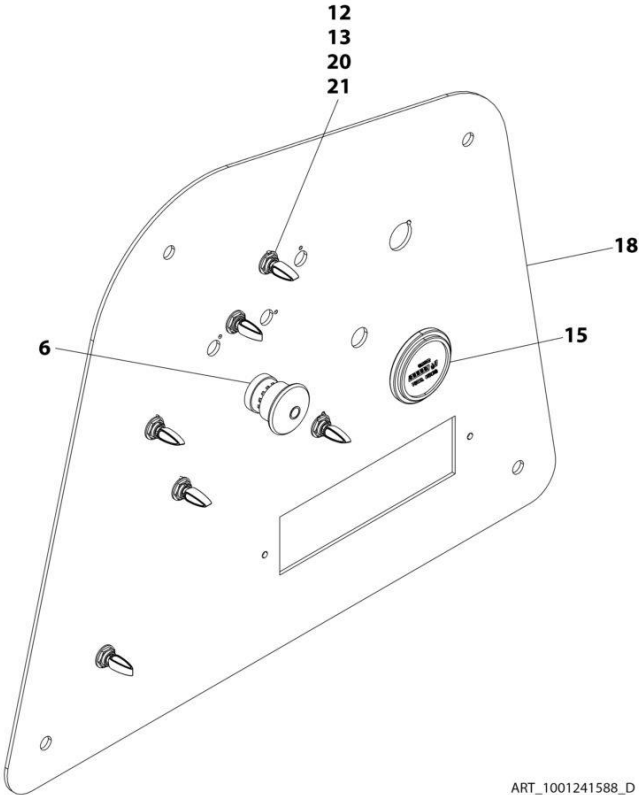
SECTION 2 - TURNTABLE

FIGURE 2-17. ELECTRICAL COMPONENTS INSTALLATION (DEUTZ TD2.9L4 (STAGE V) ENGINES)

ITEM	PART NUMBER	QTY	DESCRIPTION	REV
	1001245781	Ref	ELECTRICAL COMPONENTS INSTALLATION	H
1	0100011	AR	Compound, Locking	
2	0140043	1	Alarm	
3	0700619	5	Bolt M6 x 55	
5	0760608	2	Bolt M6 x 16	
6	0760612	2	Bolt M6 x 25	
8	3290605	2	Nut M6	
15	4811700	11	Washer M6	
18	5251014	4	Bolt M10 x 30	
20	5261000	4	Nut M10	
22	1001130220	7	Nut M6	
23	1001187200	1	Module, Ground Control (Note: Re-calibration Required when Replaced)	
23	1001280340	1	Module, Ground Control (Note: Re-calibration Required when Replaced)	
30	1001219601	1	Tilt Sensor, Dual Axis	
33	1001282065	1	Turntable Harness Assembly (See Separate Breakdown ELECTRICAL Section)	
39	1001245775	1	Control Panel Installation (See Separate Breakdown in this Section)	
40	1001241304	1	Left Drive Harness (See Separate Breakdown ELECTRICAL Section)	
41	1001246010	2	Can Field Harness	
41	4460897	1	Receptacle, Female - 2 Position	
41	4640464	2	Pin, Male	
41	4460880	1	Connector, DIN	
47	1001296426	1	Harness, Hourmeter Jumper (Not Shown) (See Separate Breakdown in ELECTRICAL Section)	

SECTION 2 - TURNTABLE

FIGURE 2-18. GROUND CONTROL PANEL ASSEMBLY



ART_1001241588_D

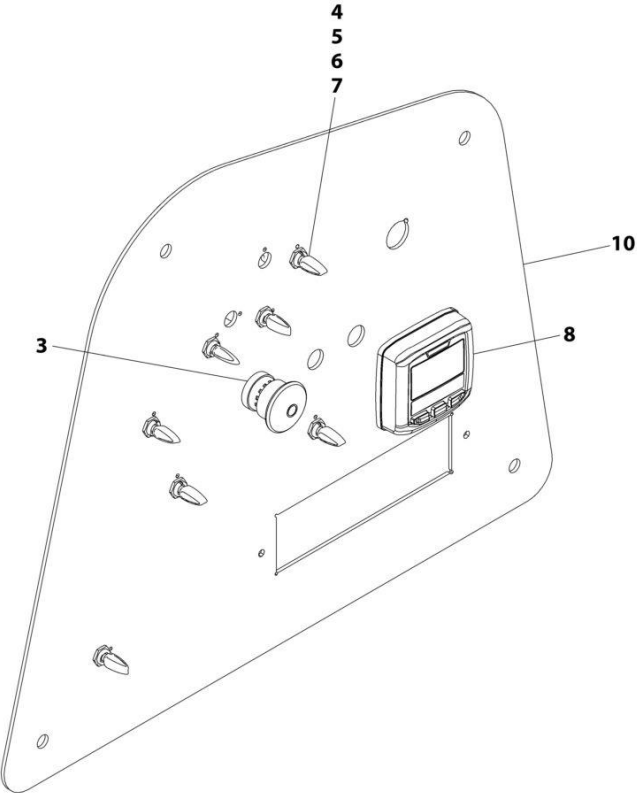
SECTION 2 - TURNTABLE

FIGURE 2-18. GROUND CONTROL PANEL ASSEMBLY

ITEM	PART NUMBER	QTY	DESCRIPTION	REV
	1001241588	Ref	GROUND CONTROL PANEL ASSEMBLY	D
6	1001274559	1	Switch, Emergency Stop	
12	1001155043	6	Washer	
13	1001155044	6	Nut 15/32	
15	10836804	1	Guage	
18	1001297383	1	Plate	
20	4740397	6	Washer	
21	1001155045	6	Switch, Toggle	

SECTION 2 - TURNTABLE

FIGURE 2-19. GROUND CONTROL PANEL ASSEMBLY - WITH DEUTZ TD2.9L4 (STAGE V) ENGINE



ART_1001245775_C

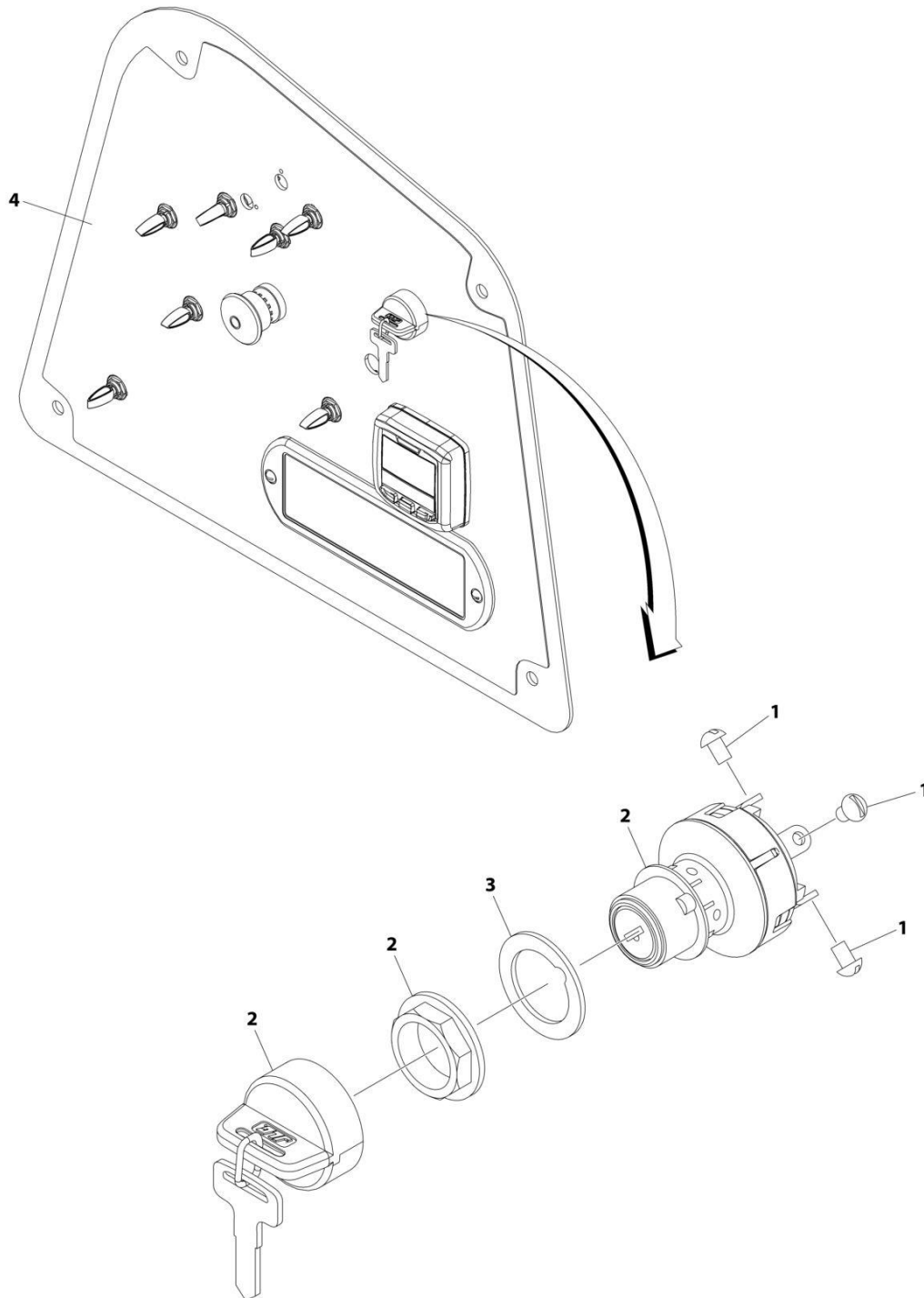
SECTION 2 - TURNTABLE

FIGURE 2-19. GROUND CONTROL PANEL ASSEMBLY - WITH DEUTZ TD2.9L4 (STAGE V) ENGINE

ITEM	PART NUMBER	QTY	DESCRIPTION	REV
	1001245775	Ref	GROUND CONTROL PANEL ASSEMBLY	C
3	1001274559	1	Switch, Emergency Stop	
4	4740397	7	Washer	
5	1001155043	7	Washer	
6	1001155044	7	Nut 15/32	
7	1001155045	7	Switch, Toggle	
8	1001171482	1	Gauge	
10	1001245773	1	Plate	

SECTION 2 - TURNTABLE

FIGURE 2-20. KEYSWITCH INSTALLATION (ALL SPECS EXCEPT CE & UK CA SPECS)



ART_1001250629

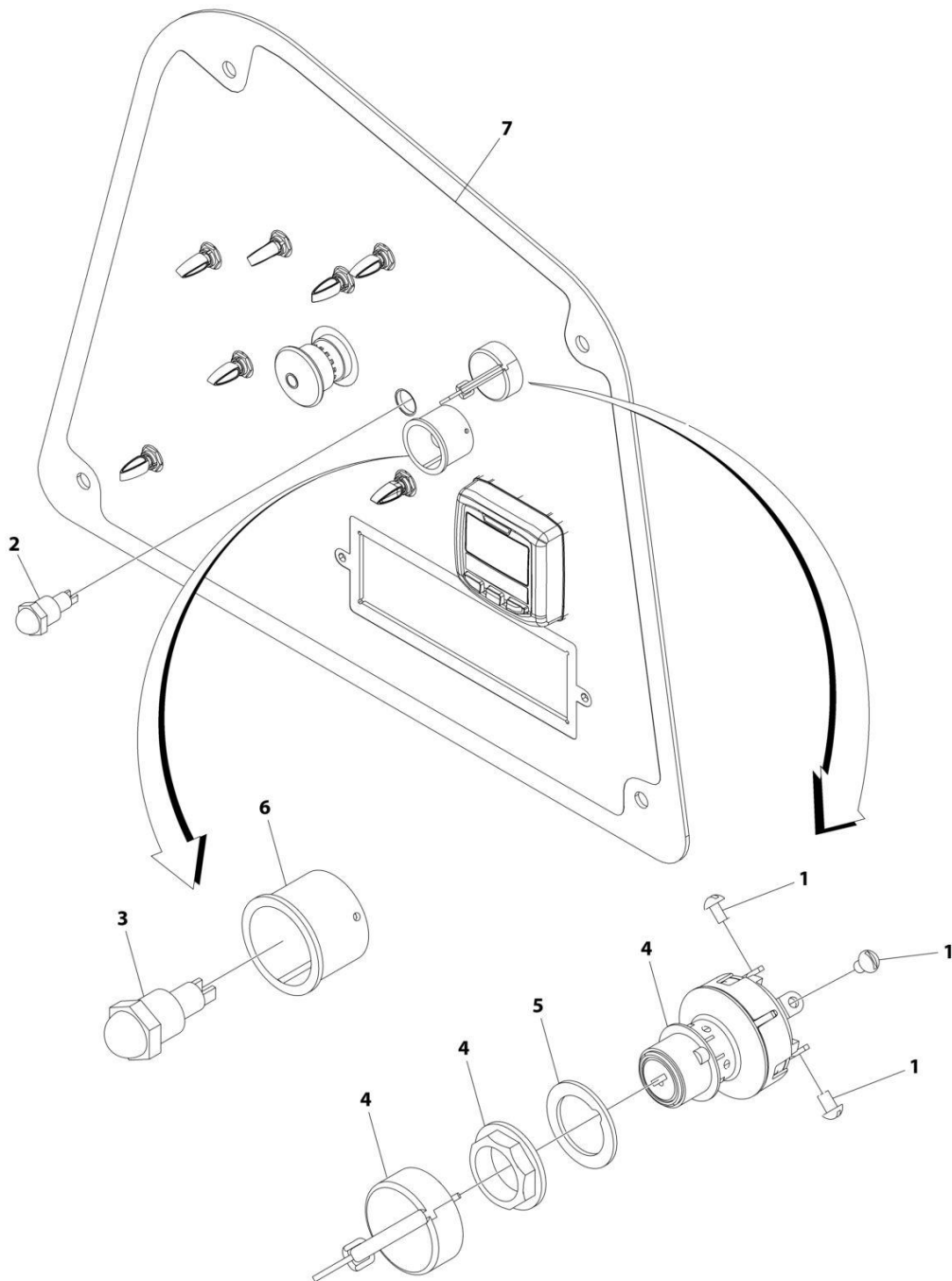
SECTION 2 - TURNTABLE

FIGURE 2-20. KEYSWITCH INSTALLATION (ALL SPECS EXCEPT CE & UK CA SPECS)

ITEM	PART NUMBER	QTY	DESCRIPTION	REV
	1001250629	Ref	KEYSWITCH INSTALLATION	A
1	3910804	6	Screw #8 x 1/4	
2	4360469	1	Switch, Key	
2A	2860030	1 Set	Key, Replacement	
3	1001151393	1	Shim	
4	1001250633	1	Decal - Ground Control Panel	

SECTION 2 - TURNTABLE

FIGURE 2-21. KEYSWITCH INSTALLATION (CE & UK CA SPECS)



ART_1001245785

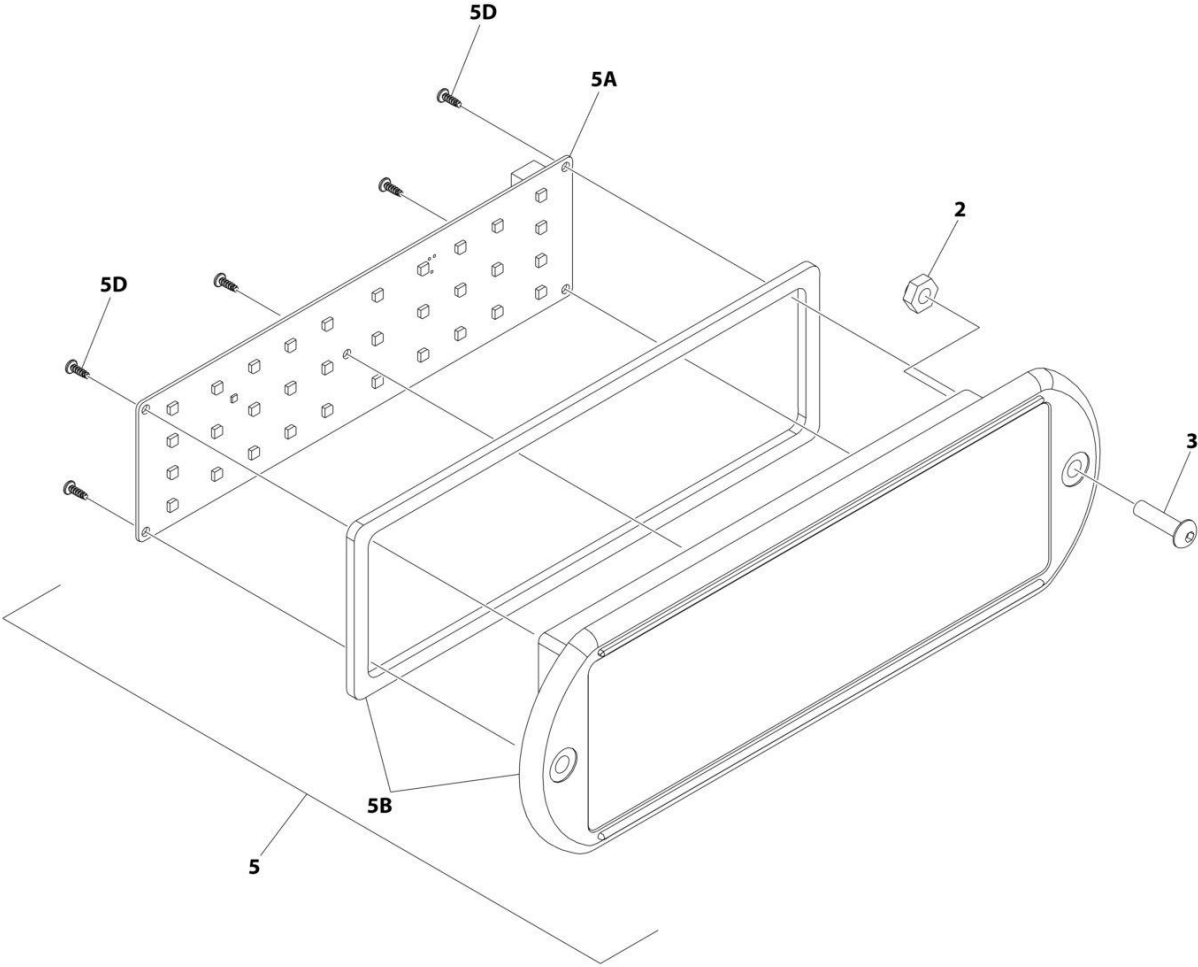
SECTION 2 - TURNTABLE

FIGURE 2-21. KEYSWITCH INSTALLATION (CE & UK CA SPECS)

ITEM	PART NUMBER	QTY	DESCRIPTION	REV
	1001245785	Ref	KEYSWITCH INSTALLATION	B
1	3910804	6	Screw #8 x 1/4	
2	4360274	1	Switch, Push Button	
3	4360387	1	Switch, Push Button	
4	4360469	1	Switch, Key	
4A	2860030	1 Set	Key, Replacement	
5	1001151393	1	Shim	
6	1001176469	1	Shroud, Switch	
7	1001245772	1	Decal - Ground Control Panel	

SECTION 2 - TURNTABLE

FIGURE 2-22. LIGHT PANEL INSTALLTION



ART_1001233959_D_10F2

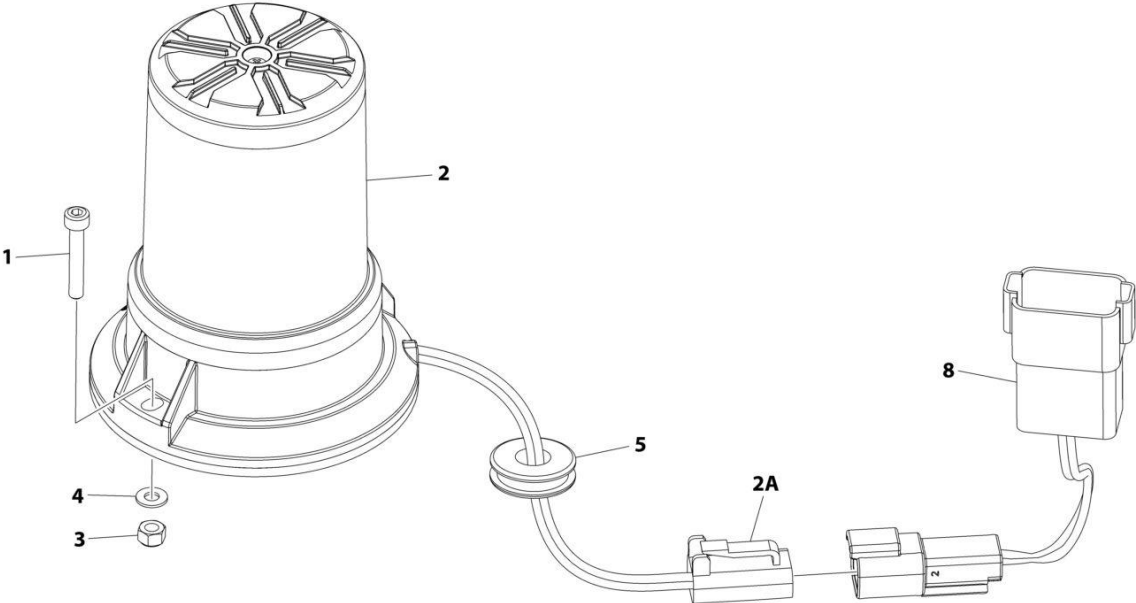
SECTION 2 - TURNTABLE

FIGURE 2-22. LIGHT PANEL INSTALLTION

ITEM	PART NUMBER	QTY	DESCRIPTION	REV
	1001233959	Ref	LIGHT PANEL INSTALLATION	D
2	3300408	2	Nut, Nylon Insert	
3	0630518	2	Screw #10 x 3/4	
5	1001237546	1	Light Panel Assembly	J
5A	1001282106	1	Panel, LED Light	
5B	1001236091	1	Lens, Icon (Includes Gasket)	
5D		Ref	Screw	

SECTION 2 - TURNTABLE

FIGURE 2-23. STROBE LIGHT INSTALLATION - AMBER (OPTIONAL)



ART_1001191557_F

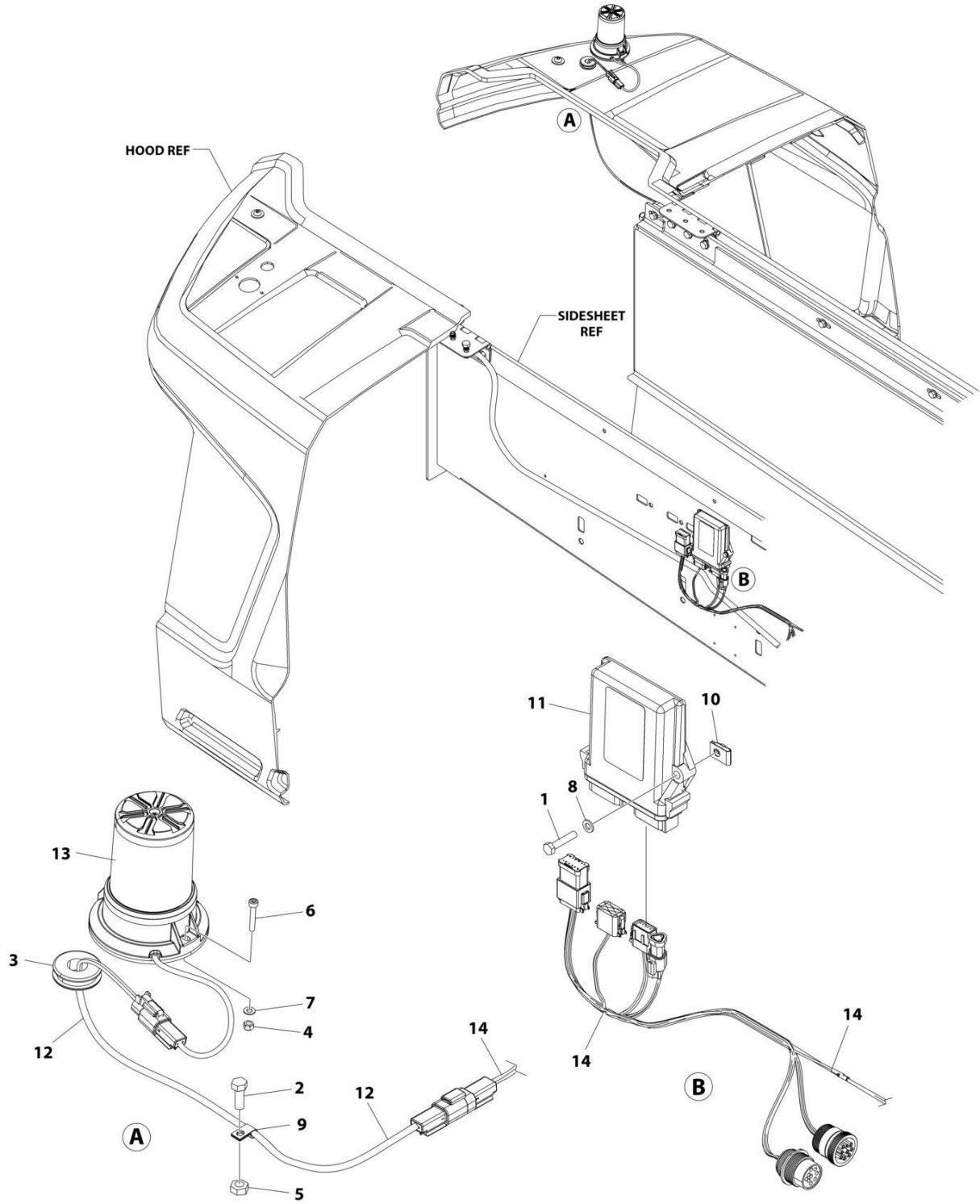
SECTION 2 - TURNTABLE

FIGURE 2-23. STROBE LIGHT INSTALLATION - AMBER (OPTIONAL)

ITEM	PART NUMBER	QTY	DESCRIPTION	REV
	1001191557	Ref	STROBE LIGHT INSTALLATION	F
1	4031509	2	Screw M4 x 25	
2	1001270594	1	Light Strobe (Amber)	
2A	4460891	1	Plug, Male - 2 Position	
2A	4460465	2	Socket, Female	
3	3290405	2	Nut, Lock M4	
4	4811400	2	Washer M4	
5	2540020	1	Grommet	
7	4240099	AR	Tie-Strap (Not Shown)	
8	1001283776	1	Strobe Jumper Harness (See Separate Breakdown in ELECTRICAL Section)	

SECTION 2 - TURNTABLE

FIGURE 2-24. STROBE LIGHT INSTALLATION - BLUE (OPTIONAL)



ART_1001243464_C

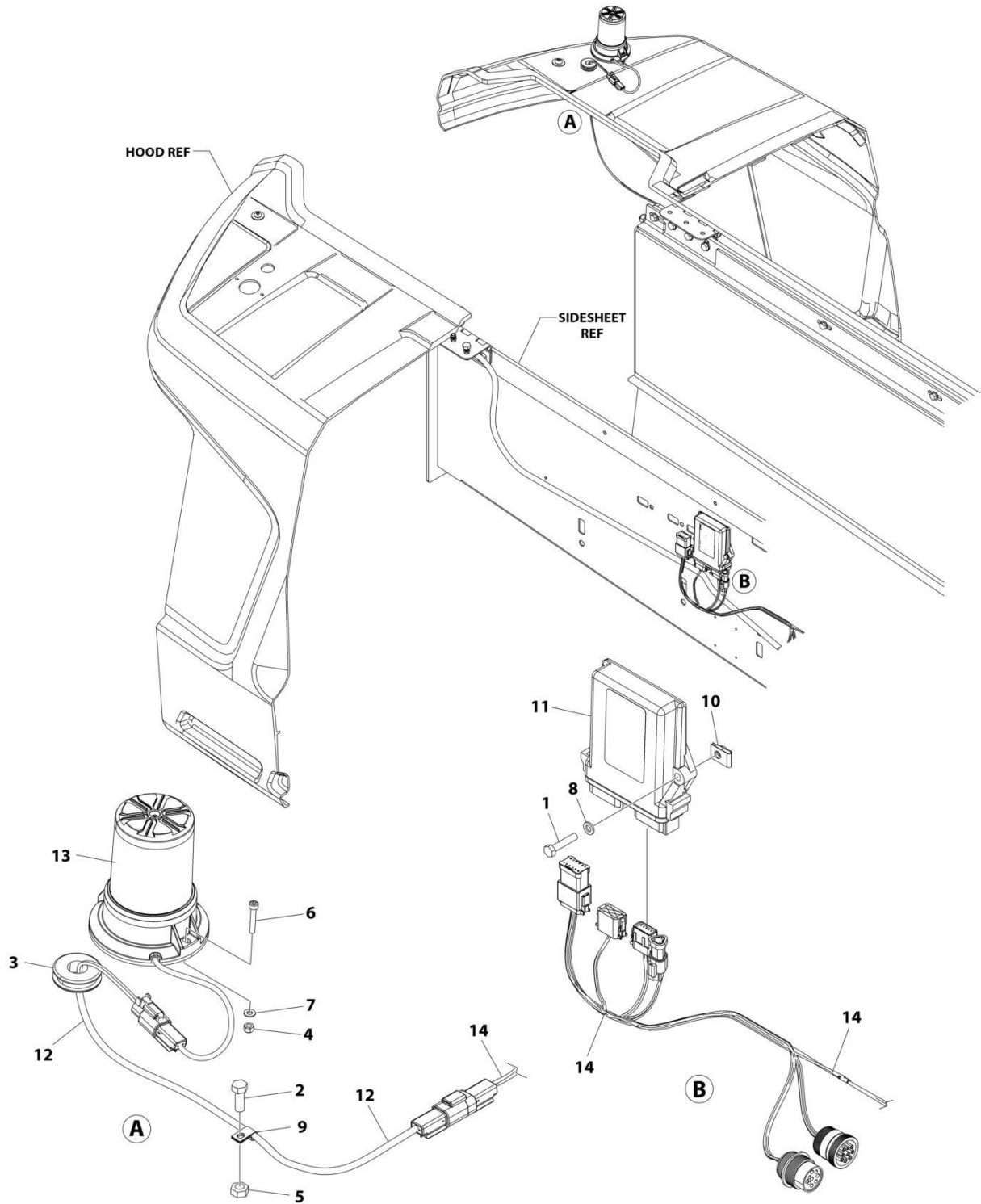
SECTION 2 - TURNTABLE

FIGURE 2-24. STROBE LIGHT INSTALLATION - BLUE (OPTIONAL)

ITEM	PART NUMBER	QTY	DESCRIPTION	REV
	1001243464	Ref	STROBE LIGHT INSTALLATION	C
1	0760614	2	Bolt M6 x 30	
2	0761016	1	Bolt M10 x 40	
3	2540020	1	Grommet	
4	3290405	2	Nut, Lock M4	
5	3291005	1	Nut, Lock M10	
6	4031509	2	Screw M4 x 25	
7	4811400	2	Washer M4	
8	4811700	2	Washer M6	
9	8406110	1	Clip	
10	1001130220	2	Nut, Tinnerman M6	
11	1001142683	1	Module, Beacon Control	
12	1001142736	1	Strobe Light Control Harness (See Separate Breakdown in ELECTRICAL Section)	
13	1001272681	1	Light, Strobe (Blue)	
13	4460897	2	Receptacle, Female - 2 Position	
13	4460464	4	Pin, Male	
14	1001285733	1	Strobe Jumper Harness (See Separate Breakdown in ELECTRICAL Section)	

SECTION 2 - TURNTABLE

FIGURE 2-25. STROBE LIGHT INSTALLATION - RED (OPTIONAL)



ART_1001243465_C

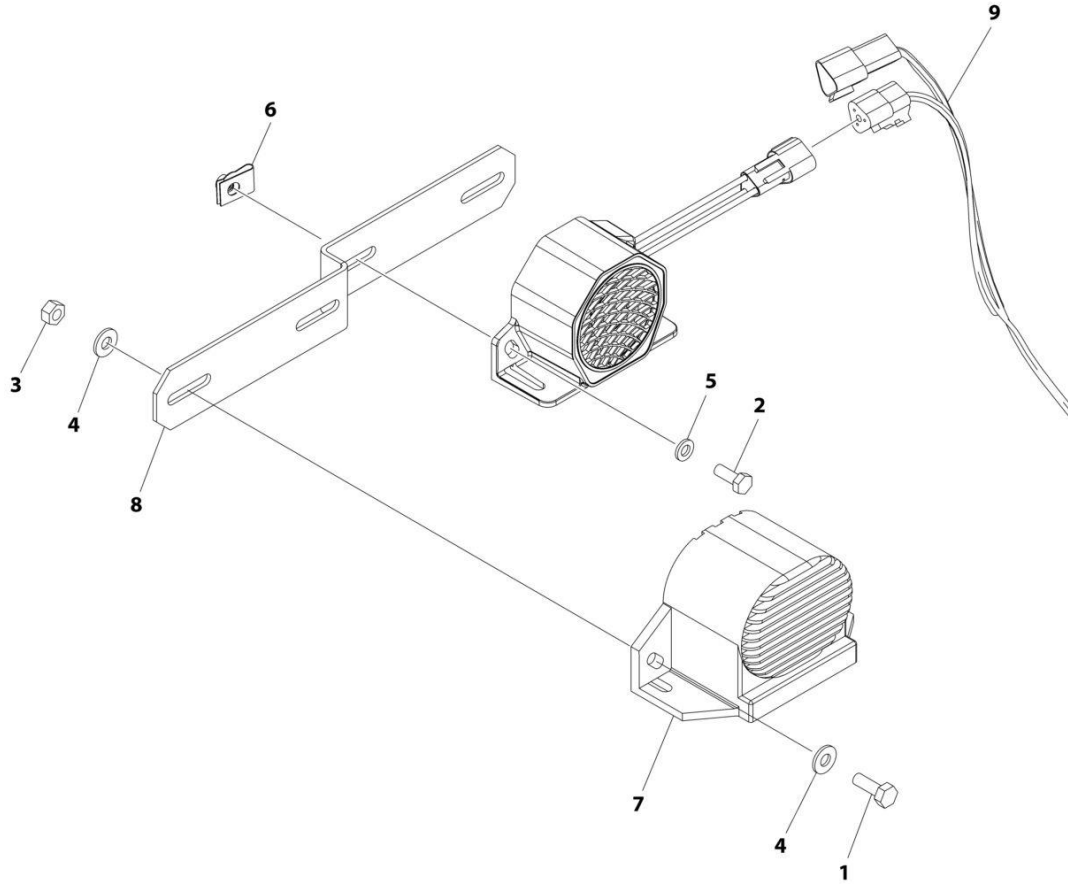
SECTION 2 - TURNTABLE

FIGURE 2-25. STROBE LIGHT INSTALLATION - RED (OPTIONAL)

ITEM	PART NUMBER	QTY	DESCRIPTION	REV
	1001243465	Ref	STROBE LIGHT INSTALLATION	C
1	0760614	2	Bolt M6 x 30	
2	0761016	1	Bolt M10 x 40	
3	2540020	1	Grommet	
4	3290405	2	Nut, Lock M4	
5	3291005	1	Nut, Lock M10	
6	4031509	2	Screw M4 x 25	
7	4811400	2	Washer M4	
8	4811700	2	Washer M6	
9	8406110	1	Clip	
10	1001130220	2	Nut, Tinnerman M6	
11	1001142683	1	Module, Beacon Control	
12	1001142736	1	Strobe Light Control Harness (See Separate Breakdown in ELECTRICAL Section)	
13	1001272682	1	Light, Strobe (Red)	
13	4460897	2	Receptacle, Female - 2 Position	
13	4460464	4	Pin, Male	
14	1001285733	1	Strobe Jumper Harness (See Separate Breakdown in ELECTRICAL Section)	

SECTION 2 - TURNTABLE

FIGURE 2-26. WHITE NOISE ALARM INSTALLATION



ART_1001247386

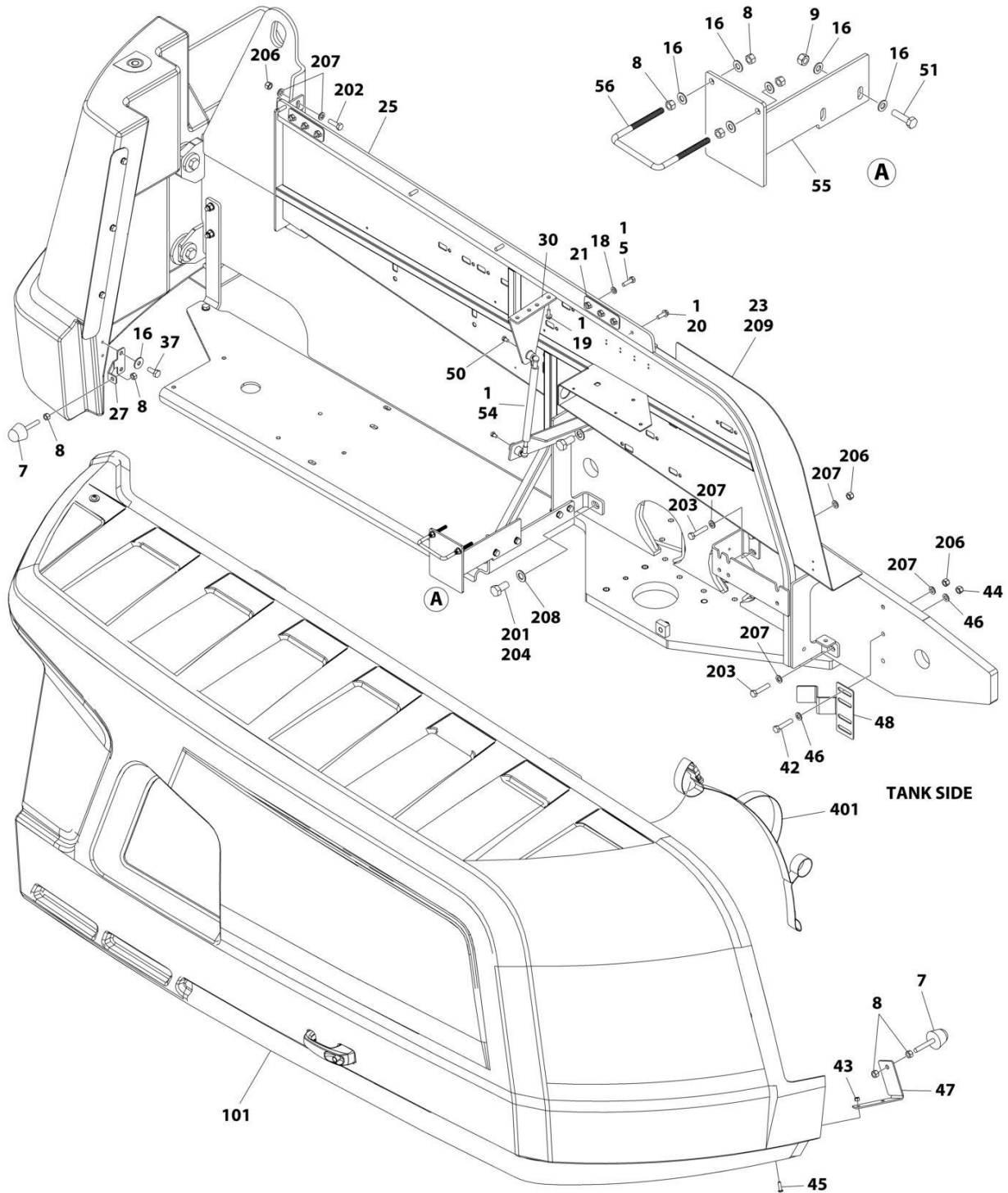
SECTION 2 - TURNTABLE

FIGURE 2-26. WHITE NOISE ALARM INSTALLATION

ITEM	PART NUMBER	QTY	DESCRIPTION	REV
	1001247386	Ref	WHITE NOISE ALARM INSTALLATION	A
1	0641406	2	Bolt 1/4 x 3/4	
2	0760608	2	Bolt M6 x 16	
3	3311405	2	Nut 1/4	
4	4711400	4	Washer 1/4	
5	4811700	2	Washer M6	
6	1001130220	2	Nut, Tinnerman M6	
7	1001182806	1	Alarm	
8	1001231711	1	Bracket	
9	1001243682	1	White Noise Alarm Harness (See Separate Breakdown in ELECTRICAL SECTION)	

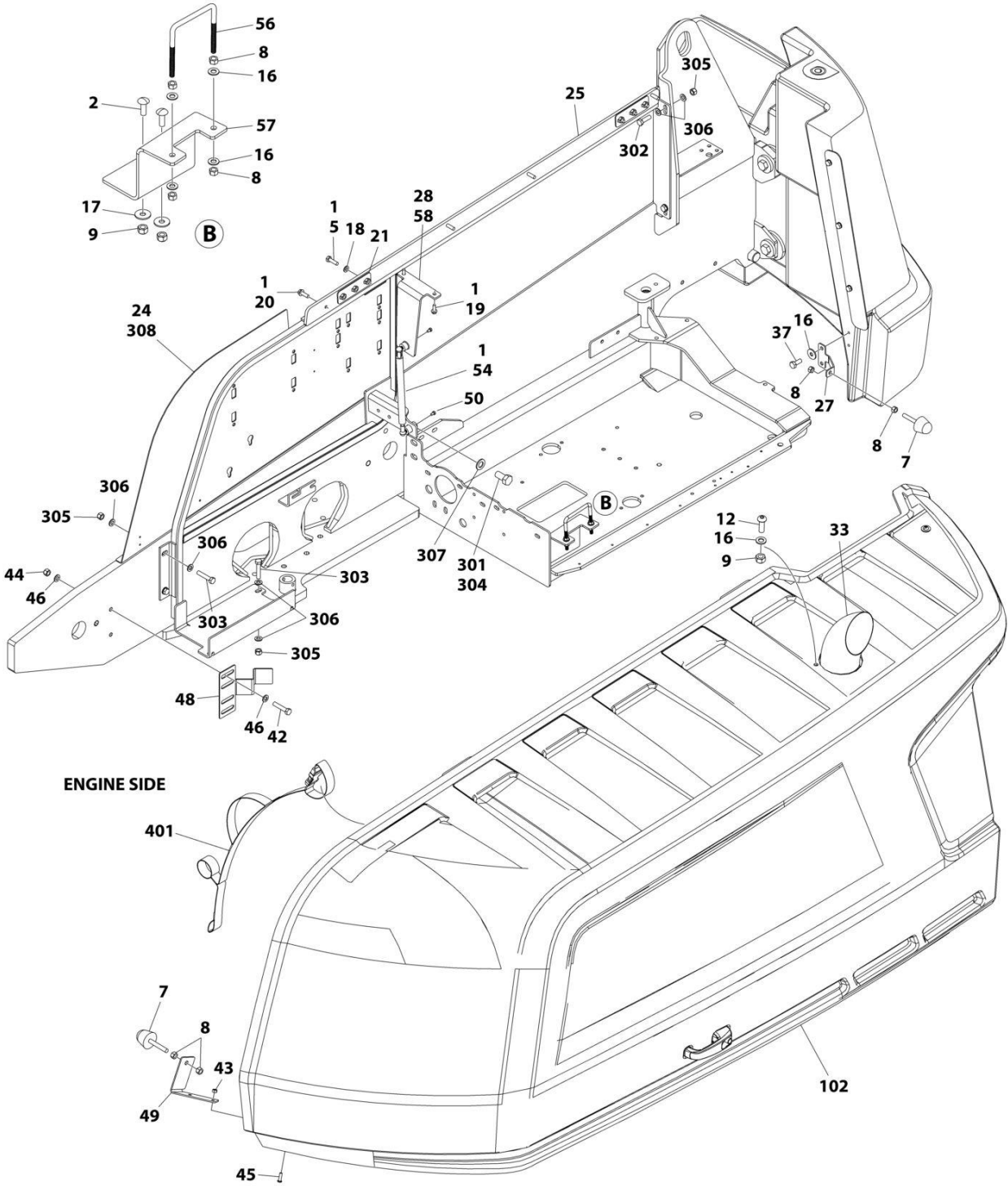
SECTION 2 - TURNTABLE

FIGURE 2-27. HOODS INSTALLATIONS - ABS



ART_1001186186_L_10F2

SECTION 2 - TURNTABLE



ART_1001186186_L_20F2

SECTION 2 - TURNTABLE

FIGURE 2-27. HOODS INSTALLATIONS - ABS

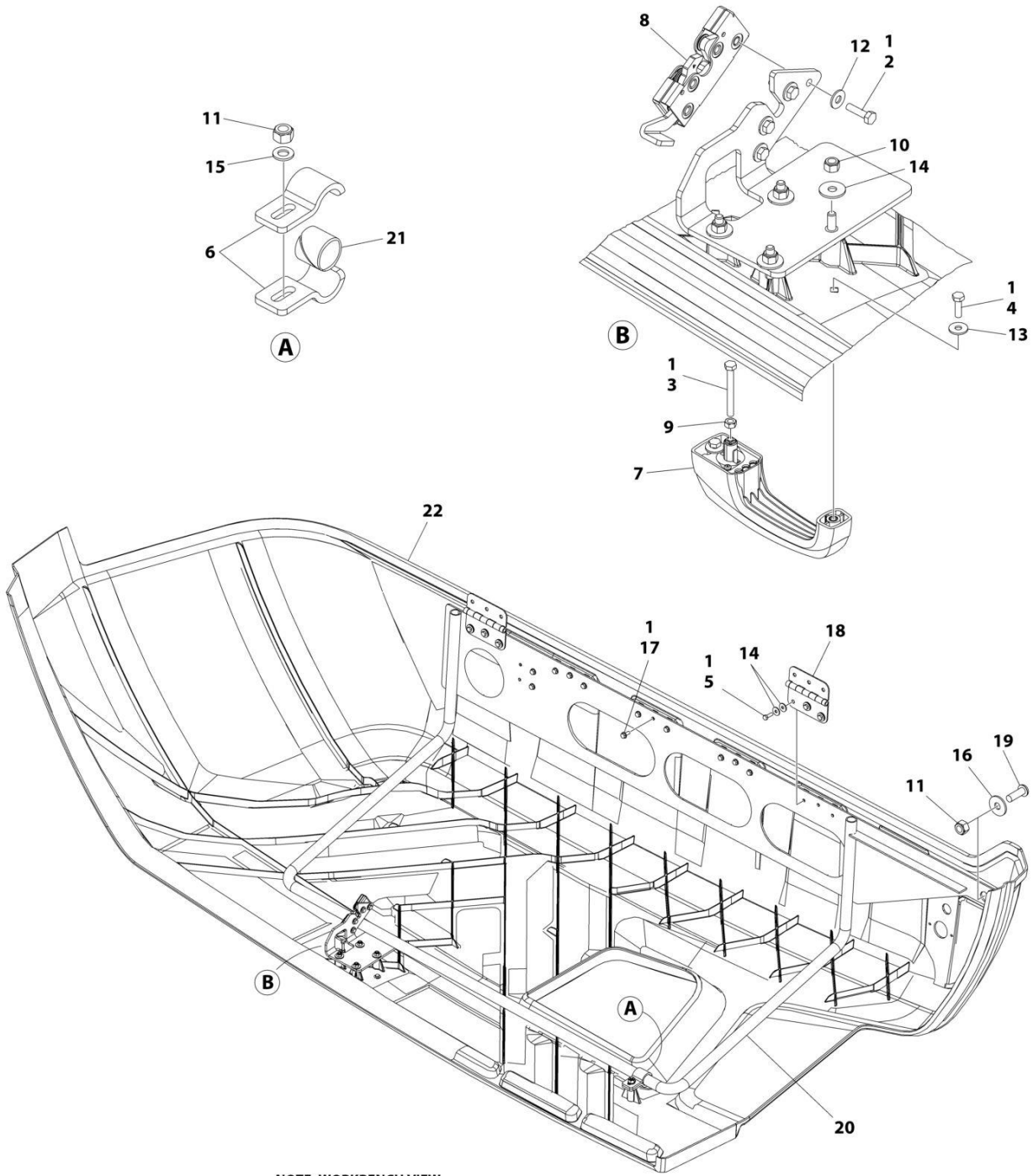
ITEM	PART NUMBER	QTY	DESCRIPTION	REV
	1001186186	Ref	HOODS INSTALLATIONS	I
1	0100011	AR	Compound, Locking	
2	0630613	2	Bolt M10 x 30	
5	0761015	12	Bolt M10 x 35	
7	1001206314	4	Bumper	
8	3311601	16	Nut 3/8	
9	3291005	6	Nut M10	
12	1001174673	2	Screw M10 x 30	
16	4812000	14	Washer M10	
17	4812002	4	Washer M10	
18	5241000	12	Washer M10	
19	5250812	4	Bolt M8 x 25	
20	5251014	8	Bolt M10 x 30	
21	1001169046	4	Nut, Hinge	
23	1001187950	1	Side-Sheet Assembly - Tank Side (See Items 201-209 for Breakdown)	
24	1001187951	1	Side-Sheet Assembly - Engine Side (See Items 301-308 for Breakdown)	
25	1001189067	2	Mount	
27	1001190338	2	Bracket	
30	1001192841	1	Bracket	
33	1001193760	1	Pipe, Exhaust	
37	0701012	2	Bolt M10 x 25	
42	0701220	2	Bolt M12 x 60	
43	3290605	4	Nut M6	
44	3291205	2	Nut M12	
45	3900364	4	Screw M6 x 20	
46	4812100	4	Washer M12	
47	1001213543	1	Bracket	
48	1001231310	2	Bracket	
49	1001213744	1	Bracket	
50	0641504	4	Bolt 5/16 x 1/2	
51	0701016	2	Bolt M10 x 40	
54	1001213794	2	Spring, Gas	
55	1001243171	1	Support	
56	1001243414	2	U-Bolt 3/8	
57	1001243522	1	Bracket	
58	1001243654	1	Bracket	
100	1001285344	1	Hood Kit (Not Shown)	
101	1001285343	1	Hood Assembly - Tank Side (See Separate Breakdown in this Section)	
102	1001195455	1	Hood Assembly - Engine Side (See Separate Breakdown in this Section)	
	1001187950	Ref	SIDE-SHEET ASSEMBLY - TANK SIDE	C
201	0100011	AR	Compound, Locking	
202	0701216	2	Bolt M12 x 40	
203	0701220	4	Bolt M12 x 60	
204	0762016	2	Bolt M20 x 40	
206	3291205	6	Nut M12	
207	4812100	12	Washer M12	

SECTION 2 - TURNTABLE

ITEM	PART NUMBER	QTY	DESCRIPTION	REV
208	4812500	2	Washer M20	
209	1001188194	1	Side-Sheet, Tank Side	
	1001187951	Ref	SIDE-SHEET ASSEMBLY - ENGINE SIDE	B
301	0100011	AR	Compound, Locking	
302	0701216	2	Bolt M12 x 40	
303	0701220	3	Bolt M12 x 60	
304	0762016	1	Bolt M20 x 40	
305	3291205	5	Nut M12	
306	4812100	10	Washer M12	
307	4812500	1	Washer M20	
308	1001188187	1	Side-Sheet, Engine Side	
	1001253940	Ref	STRAP INSTALLATION	A
401	1001160505	2	Strap, Hand	

SECTION 2 - TURNTABLE

FIGURE 2-28. HOOD ASSEMBLY - TANK SIDE (ABS)



NOTE: WORKBENCH VIEW

ART_1001285343

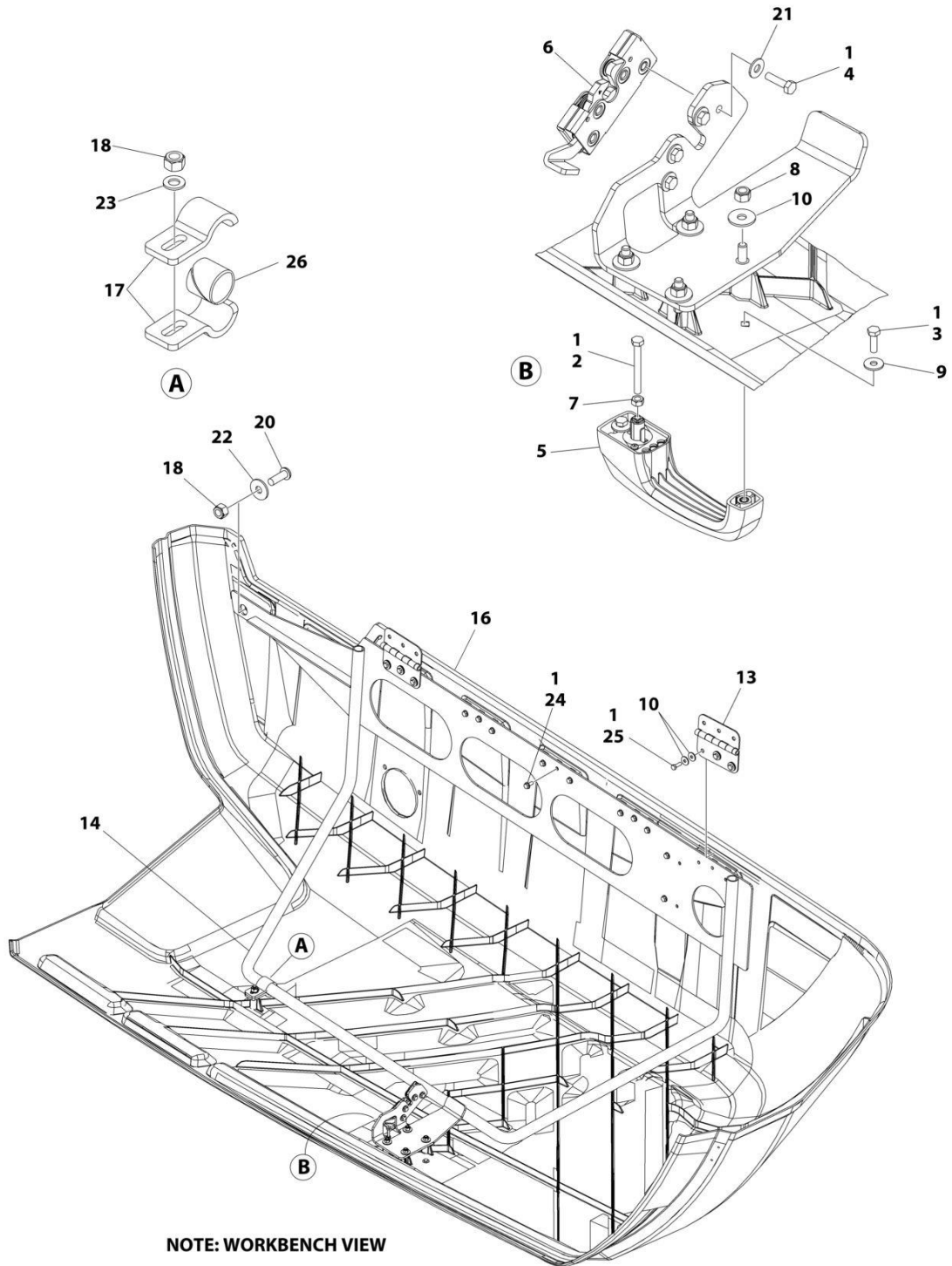
SECTION 2 - TURNTABLE

FIGURE 2-28. HOOD ASSEMBLY - TANK SIDE (ABS)

ITEM	PART NUMBER	QTY	DESCRIPTION	REV
	1001285343	Ref	HOOD ASSEMBLY	A
1	0100011	AR	Compound, Locking	
2	0641408	4	Bolt 1/4 x 1	
3	0700619	1	Bolt M6 x 55	
4	0760610	2	Bolt M6 x 20	
5	0760812	6	Bolt M8 x 25	
6	1321384	2	Clamp	
7	2560187	1	Handle, Push Button	
8	2940173	1	Latch, Rotary	
9	3290601	1	Nut M6	
10	3290805	4	Nut M8	
11	3291005	2	Nut M10	
12	4751400	4	Washer 1/4	
13	4811702	2	Washer M6	
14	4811902	16	Washer M8	
15	4812000	1	Washer M10	
16	4812002	1	Washer M10	
17	5250810	11	Bolt M8 x 20	
18	1001139384	2	Hinge	
19	1001174673	1	Screw M10 x 30	
20	1001204303	1	Support	
21	1001227367	1	Bearing	
22	1001285342	1	Hood	

SECTION 2 - TURNTABLE

FIGURE 2-29. HOOD ASSEMBLY - ENGINE SIDE (ABS)



ART_1001195455

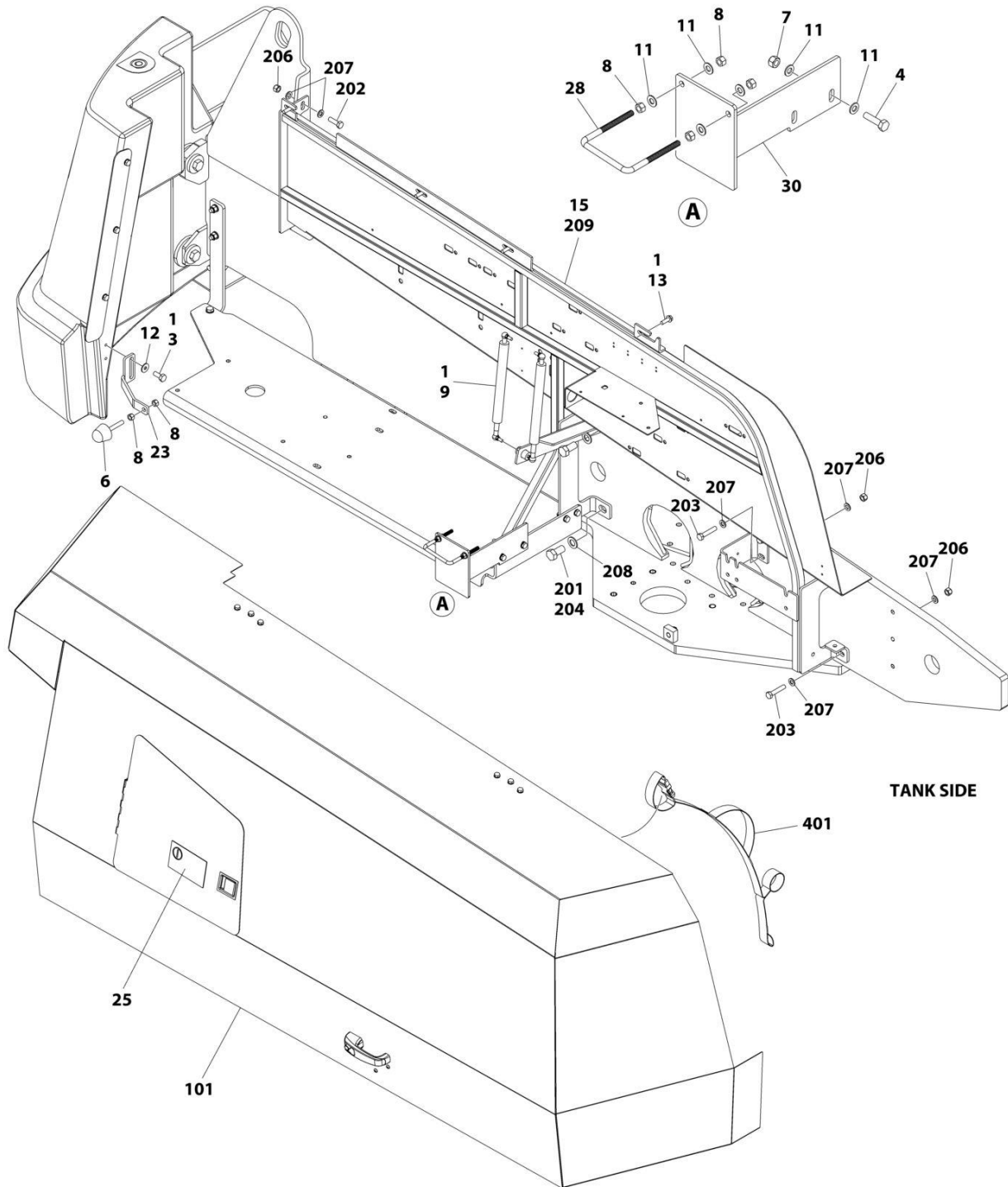
SECTION 2 - TURNTABLE

FIGURE 2-29. HOOD ASSEMBLY - ENGINE SIDE (ABS)

ITEM	PART NUMBER	QTY	DESCRIPTION	REV
	1001195455	Ref	HOOD ASSEMBLY	H
1	0100011	AR	Compound, Locking	
2	0700619	1	Bolt M6 x 55	
3	0760610	2	Bolt M6 x 20	
4	0641408	4	Bolt 1/4 x 1	
5	2560187	1	Handle, Push Button	
6	2940173	1	Latch, Rotary	
7	3290601	1	Nut M6	
8	3290805	4	Nut M8	
9	4811702	2	Washer M6	
10	4811902	16	Washer M8	
13	1001139384	2	Hinge	
14	1001204251	1	Support	
16	1001193169	1	Hood	
17	1321384	2	Clamp	
18	3291005	2	Nut M10	
20	1001174673	1	Screw M10 x 30	
21	4751400	4	Washer 1/4	
22	4812002	1	Washer M10	
23	4812000	1	Washer M10	
24	5250810	11	Bolt M8 x 20	
25	0760812	6	Bolt M8 x 25	
26	1001227367	1	Bearing	

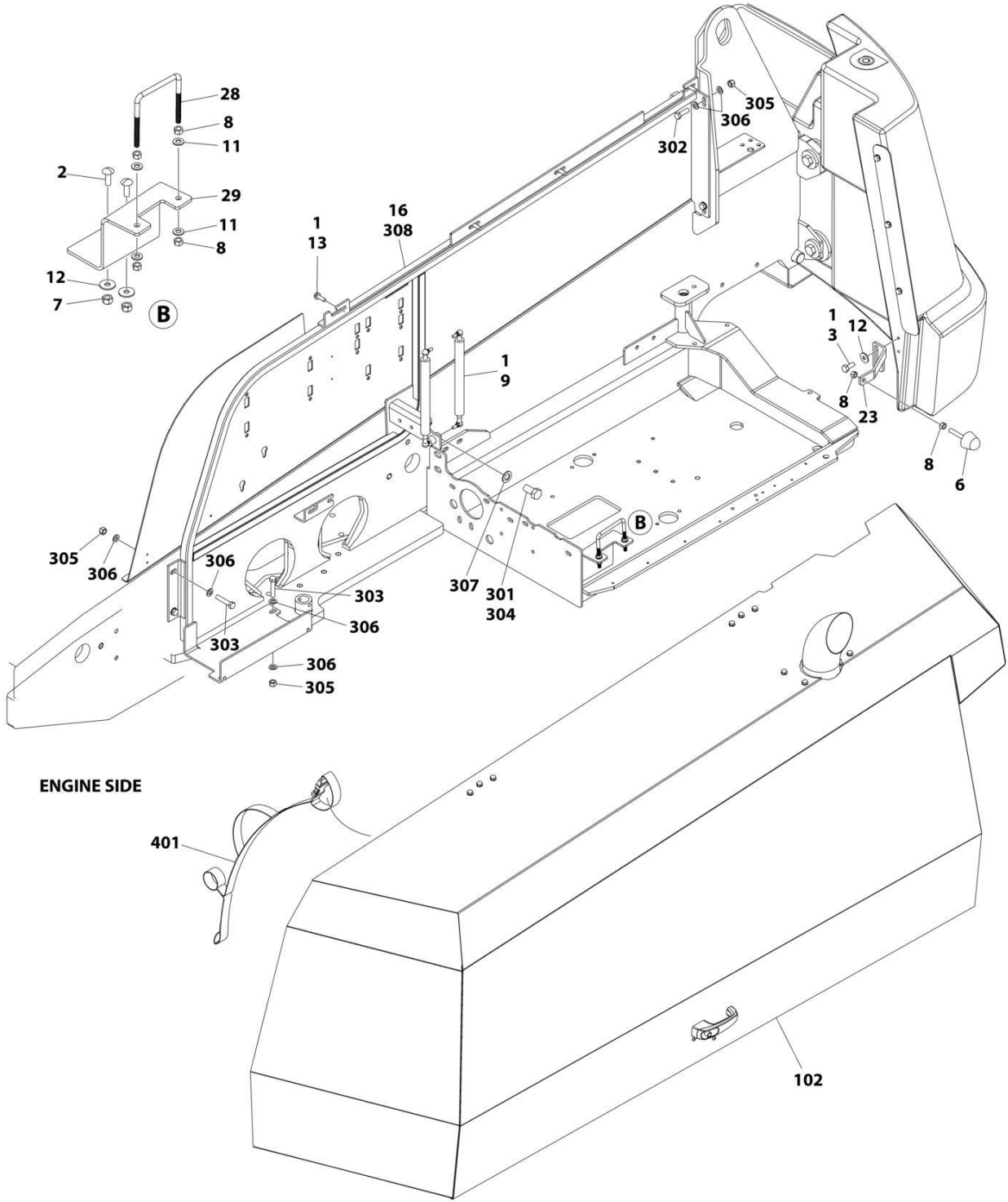
SECTION 2 - TURNTABLE

FIGURE 2-30. HOODS INSTALLATIONS - STEEL



ART_1001184327_M_10F2

SECTION 2 - TURNTABLE



ART_1001184327_M_20F2

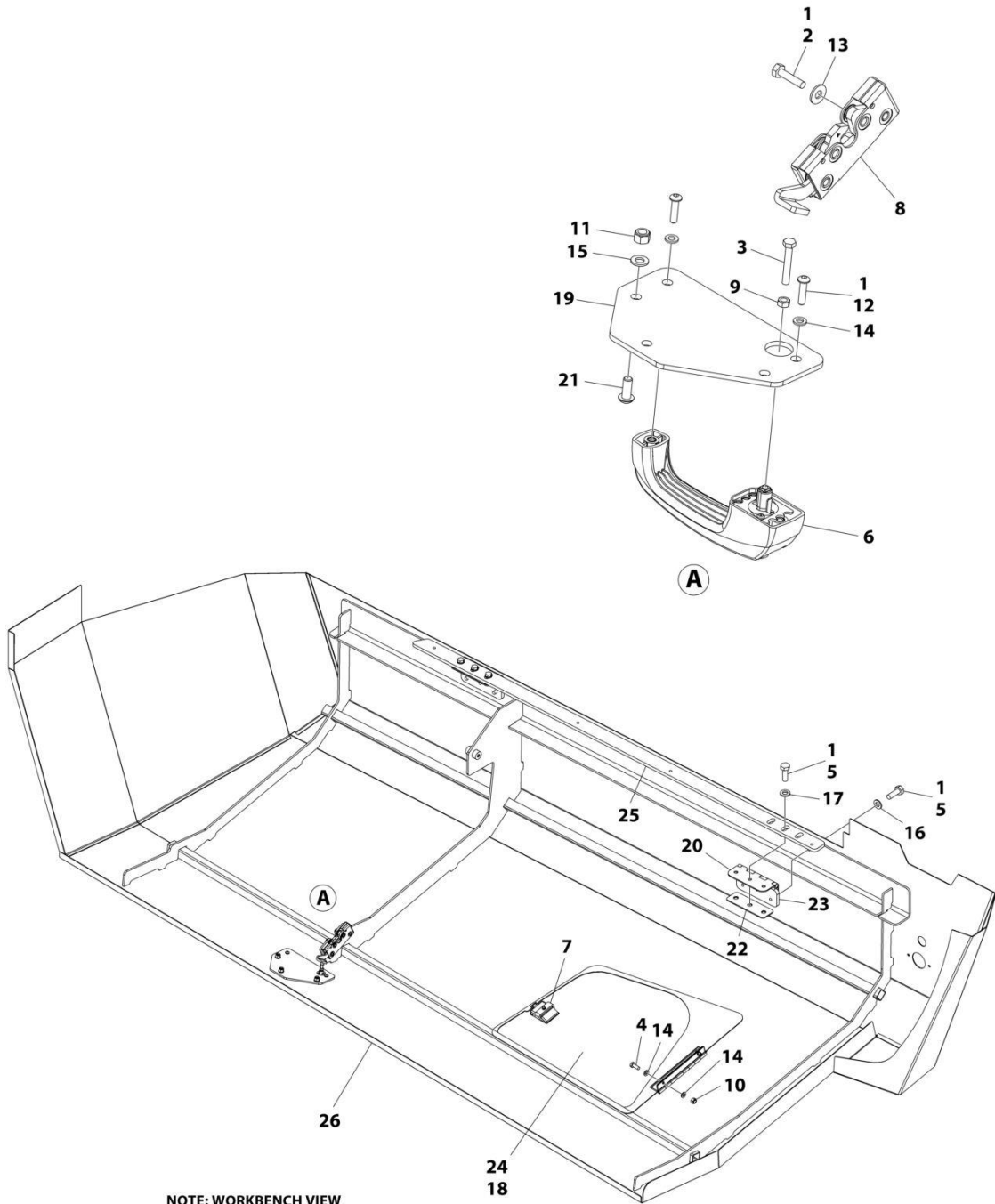
SECTION 2 - TURNTABLE

FIGURE 2-30. HOODS INSTALLATIONS - STEEL

ITEM	PART NUMBER	QTY	DESCRIPTION	REV
	1001184327	Ref	HOODS INSTALLATIONS	M
1	0100011	AR	Compound, Locking	
2	0630613	2	Bolt M10 x 30	
3	0701012	2	Bolt M10 x 25	
4	0701016	2	Bolt M10 x 40	
6	1001206314	2	Bumper	
7	3291005	4	Nut M10	
8	3311601	12	Nut 3/8	
9	1001219138	4	Spring, Gas	
11	4812000	12	Washer M10	
12	4812002	4	Washer M10	
13	5251014	8	Bolt M10 x 30	
15	1001187950	1	Side-Sheet Assembly - Tank Side (See Items 201-209 for Breakdown)	
16	1001187951	1	Side-Sheet Assembly - Engine Side (See Items 301-308 for Breakdown)	
23	1001212333	2	Bracket	
25	1001117307	1	Decal - Emergency Stop	
28	1001243414	2	U-Bolt 3/8	
29	1001243522	1	Bracket	
30	1001243171	1	Support	
100	1001285146	1	Hood Kit (Not Shown)	
101	1001285145	1	Hood Assembly - Tank Side (See Separate Breakdown in this Section)	
102	1001211774	1	Hood Assembly - Engine Side (See Separate Breakdown in this Section)	
	1001187950	Ref	SIDE-SHEET ASSEMBLY - TANK SIDE	C
201	0100011	AR	Compound, Locking	
202	0701216	2	Bolt M12 x 40	
203	0701220	4	Bolt M12 x 60	
204	0762016	2	Bolt M20 x 40	
206	3291205	6	Nut M12	
207	4812100	12	Washer M12	
208	4812500	2	Washer M20	
209	1001188194	1	Side-Sheet, Tank Side	
	1001187951	Ref	SIDE-SHEET ASSEMBLY - ENGINE SIDE	B
301	0100011	AR	Compound, Locking	
302	0701216	2	Bolt M12 x 40	
303	0701220	3	Bolt M12 x 60	
304	0762016	1	Bolt M20 x 40	
305	3291205	5	Nut M12	
306	4812100	10	Washer M12	
307	4812500	1	Washer M20	
308	1001188187	1	Side-Sheet, Engine Side	
	1001253953	Ref	STRAP INSTALLATION	B
401	1001160505	2	Strap, Hand	

SECTION 2 - TURNTABLE

FIGURE 2-31. HOOD ASSEMBLY - TANK SIDE (STEEL)



ART_1001285145

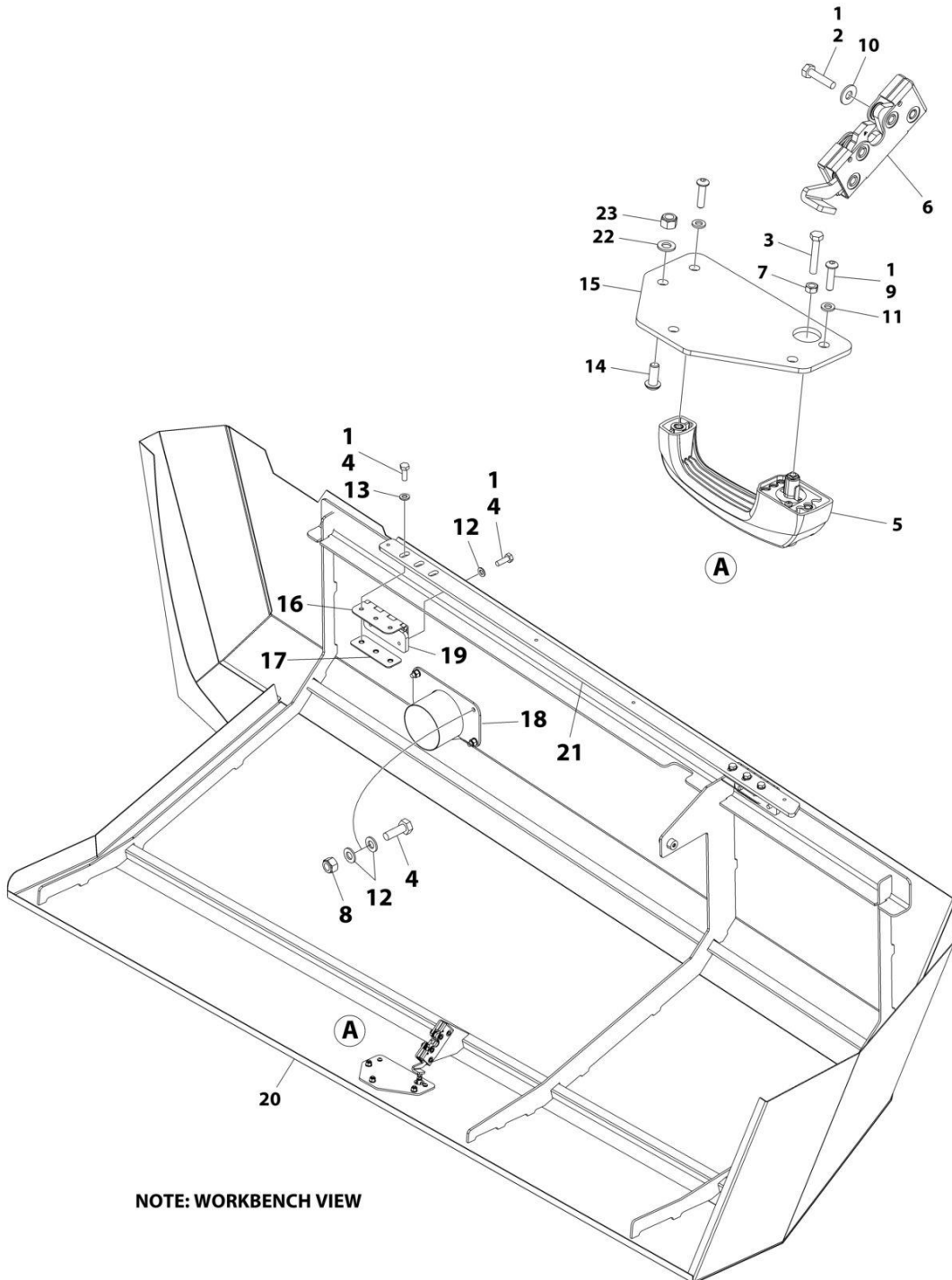
SECTION 2 - TURNTABLE

FIGURE 2-31. HOOD ASSEMBLY - TANK SIDE (STEEL)

ITEM	PART NUMBER	QTY	DESCRIPTION	REV
	1001285145	Ref	HOOD ASSEMBLY	A
1	0100011	AR	Compound, Locking	
2	0641409	4	Bolt 1/4 x 1-1/8	
3	0700616	1	Bolt M6 x 40	
4	0760608	2	Bolt M6 x 16	
5	0761014	12	Bolt M10 x 30	
6	2560187	1	Handle, Push Button	
7	2940045	1	Latch, Paddle	
8	2940173	1	Latch, Rotary	
9	3290601	1	Nut M6	
10	3290605	2	Nut M6	
11	3290805	3	Nut M8	
12	3900363	2	Screw M6 x 25	
13	4751400	4	Washer 1/4	
14	4811700	6	Washer M6	
15	4811900	3	Washer M8	
16	4812000	6	Washer M10	
17	5241000	6	Washer M10	
18	1001113047	78 in /2 m	Seal	
19	1001116290	1	Plate	
20	1001139384	2	Hinge	
21	1001164726	3	Screw M8 x 20	
22	1001169046	2	Nut, Hinge	
23	1001202333	2	Plate, Nut	
24	1001211760	1	Door	
25	1001211761	1	Plate	
26	1001285144	1	Hood	

SECTION 2 - TURNTABLE

FIGURE 2-32. HOOD ASSEMBLY - ENGINE SIDE (STEEL)



ART_1001211774

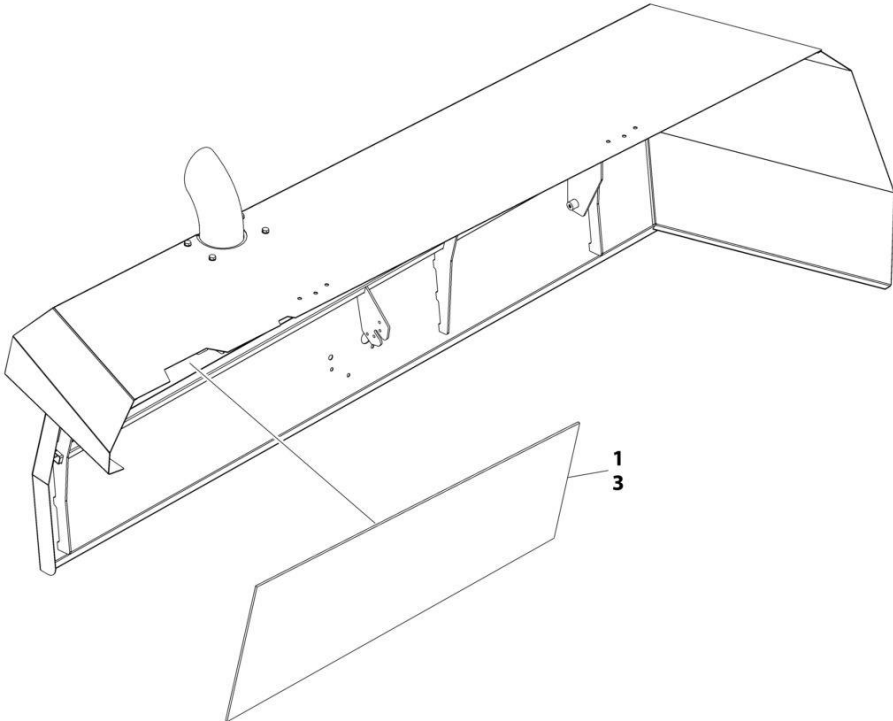
SECTION 2 - TURNTABLE

FIGURE 2-32. HOOD ASSEMBLY - ENGINE SIDE (STEEL)

ITEM	PART NUMBER	QTY	DESCRIPTION	REV
	1001211774	Ref	HOOD ASSEMBLY	J
1	0100011	AR	Compound, Locking	
2	0641409	4	Bolt 1/4 x 1-1/8	
3	0700615	1	Bolt M6 x 35	
4	0761014	16	Bolt M10 x 30	
5	2560187	1	Handle , Push Button	
6	2940173	1	Latch, Rotary	
7	3290601	1	Nut M6	
8	3291005	4	Nut M10	
9	3900363	2	Screw M6 x 25	
10	4751400	4	Washer 1/4	
11	4811700	2	Washer M6	
12	4812000	14	Washer M10	
13	5241000	6	Washer M10	
14	1001164726	3	Screw M8 x 20	
15	1001116290	1	Plate	
16	1001139384	2	Hinge	
17	1001169046	2	Nut, Hinge	
18	1001194888	1	Pipe, Exhaust	
19	1001202333	2	Plate, Nut	
20	1001211767	1	Hood	
21	1001211773	1	Plate	
22	4811900	3	Washer M8	
23	3290805	3	Nut M8	

SECTION 2 - TURNTABLE

FIGURE 2-33. HOOD INSULATION INSTALLATION (STEEL HOODS)



ART_1001237894

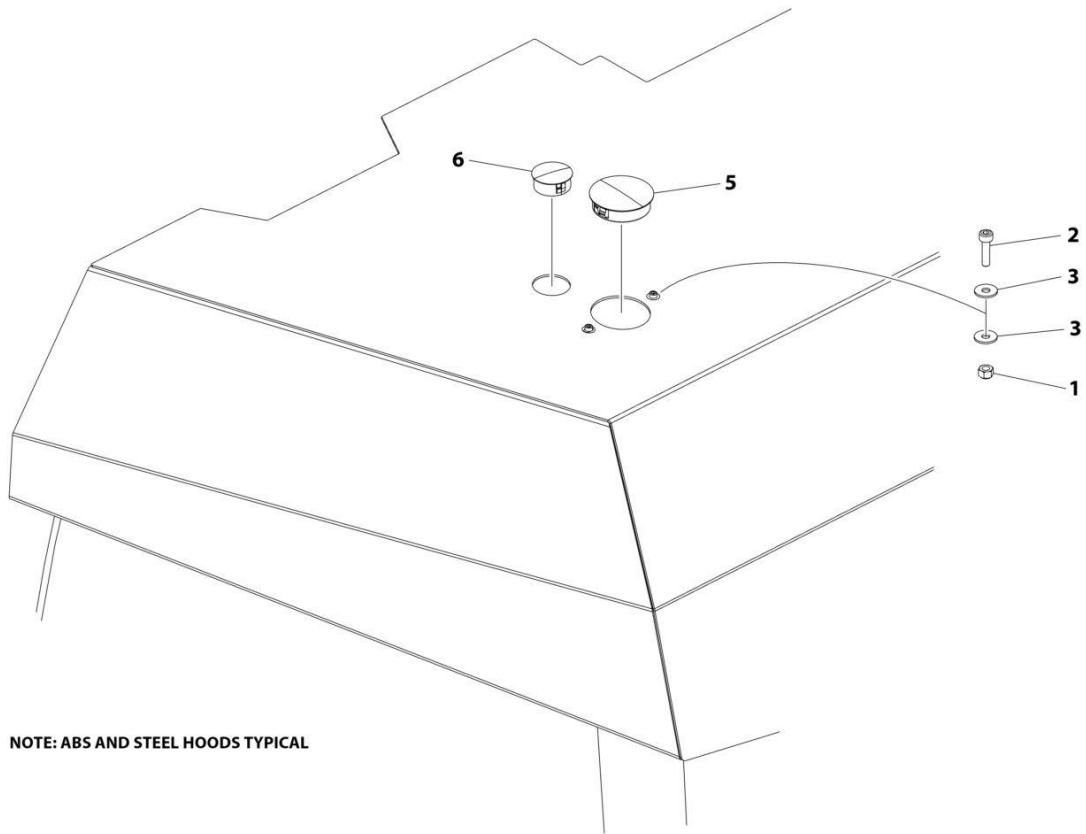
SECTION 2 - TURNTABLE

FIGURE 2-33. HOOD INSULATION INSTALLATION (STEEL HOODS)

ITEM	PART NUMBER	QTY	DESCRIPTION	REV
	1001237894	Ref	HOOD INSULATION INSTALLATION (STEEL HOODS)	A
1	1001117140	AR	Tape	
2	1001184327	1	Hood Installation (Not Shown - See Separate Breakdown in this Section)	
3	1001237895	1	Insulate, Heat Shield	

SECTION 2 - TURNTABLE

FIGURE 2-34. HOOD PLUG INSTALLATION (NO BEACON)



NOTE: ABS AND STEEL HOODS TYPICAL

ART_1001285811

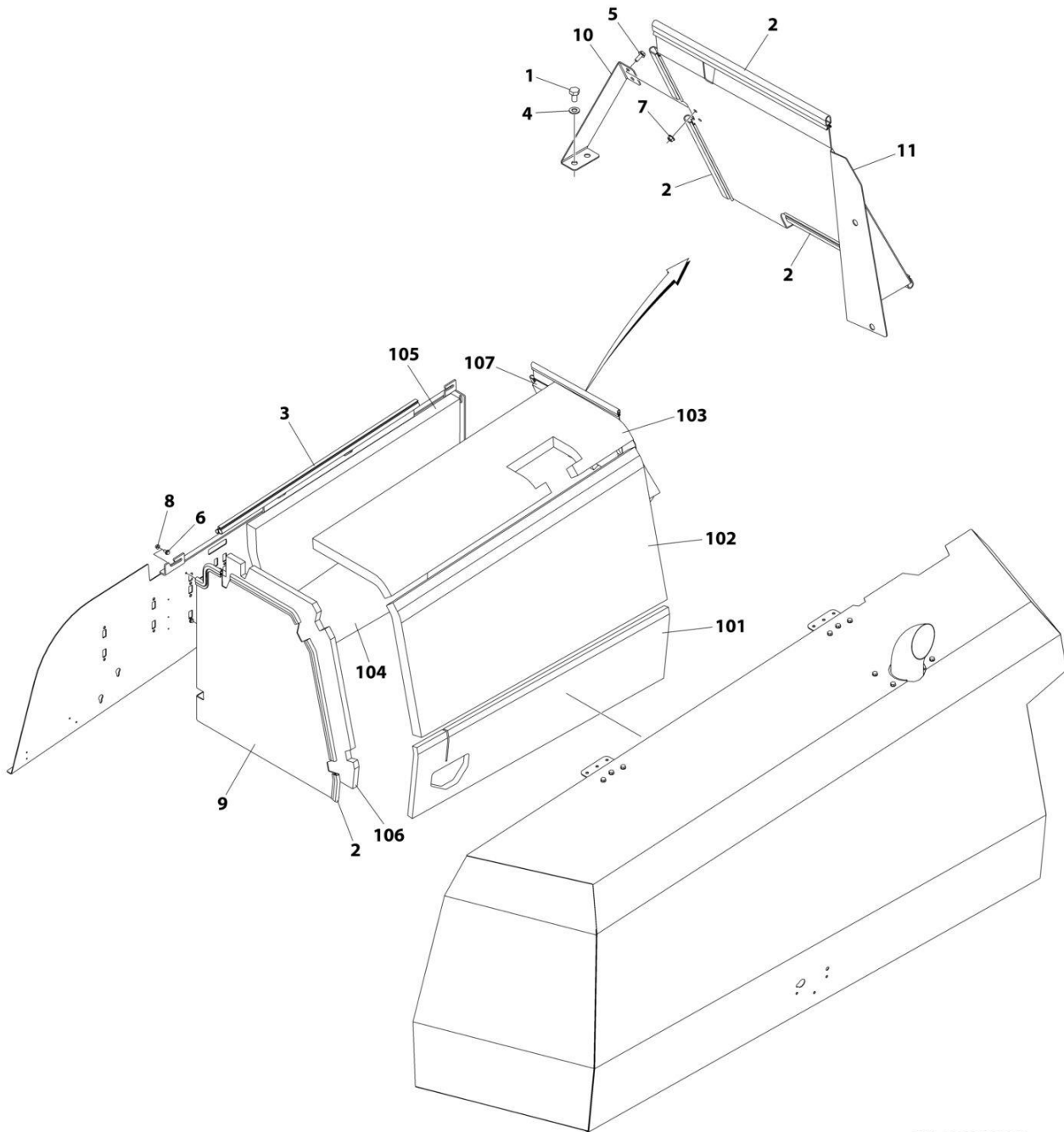
SECTION 2 - TURNTABLE

FIGURE 2-34. HOOD PLUG INSTALLATION (NO BEACON)

ITEM	PART NUMBER	QTY	DESCRIPTION	REV
	1001285811	Ref	HOOD PLUGS INSTALLATION	A
1	3290405	2	Nut M4	
2	4031507	2	Capscrew M4 x 16	
3	1001091102	4	Washer M6	
4	1001244462	1	Cap, Dust (Not Shown)	
5	1001285891	1	Plug	
6	1001285892	1	Plug	

SECTION 2 - TURNTABLE

FIGURE 2-35. NOISE REDUCTION PACKAGE



ART_1001234080_B

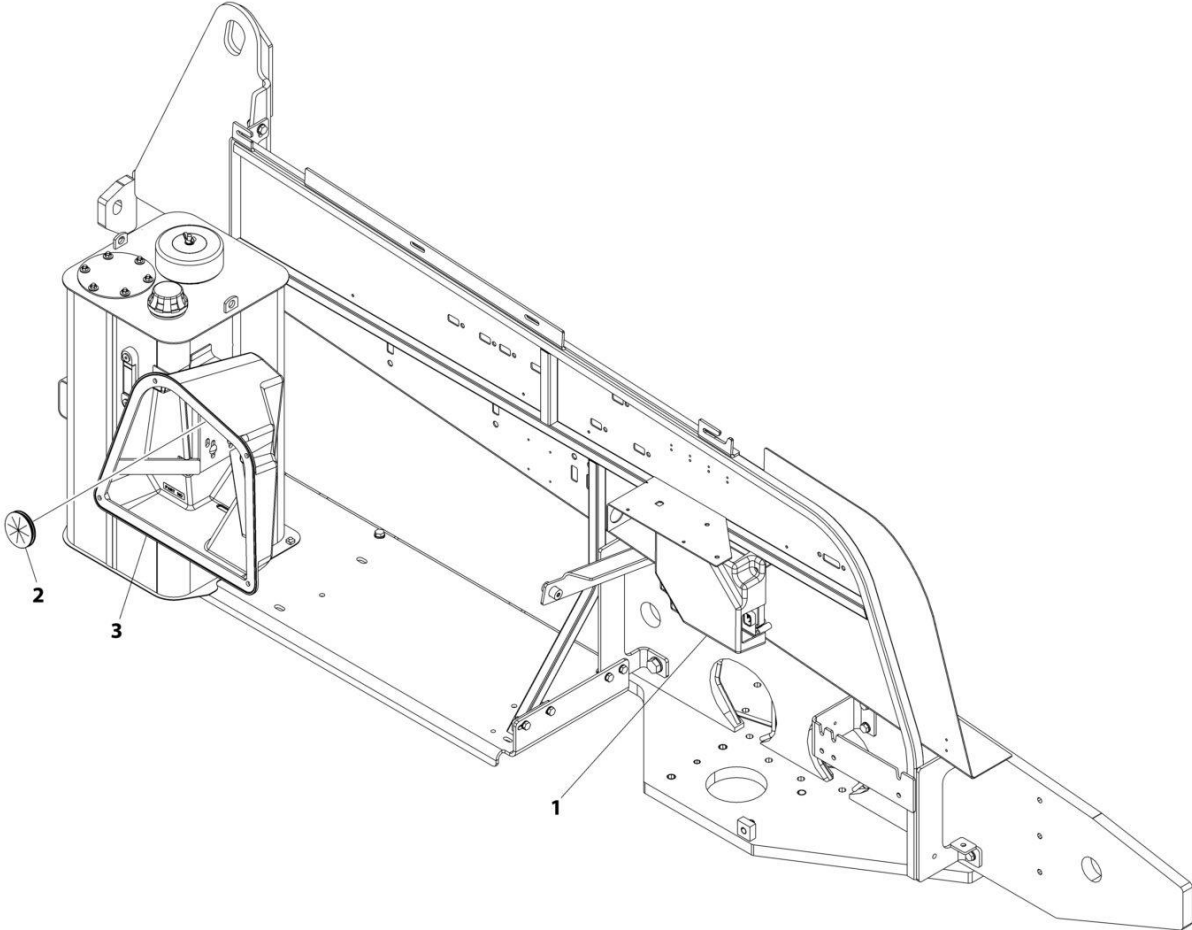
SECTION 2 - TURNTABLE

FIGURE 2-35. NOISE REDUCTION PACKAGE

ITEM	PART NUMBER	QTY	DESCRIPTION	REV
	1001234080	Ref	SOUND REDUCTION PACKAGE	B
1	0761009	2	Bolt M10 x 18	
2	3960389	8.2 ft/ 2.49m	Seal	
3	3960464	3.6 ft/ 1.10m	Seal	
4	4812000	2	Washer M10	
5	5250608	2	Bolt M6 x 16	
6	5250808	2	Bolt M8 x 16	
7	5260600	2	Nut M6	
8	5260800	2	Nut M8	
9	1001241729	1	Plate	
10	1001233948	1	Bracket	
11	1001233949	1	Plate	
100	1001237550	1	Sound Foam Insulate Kit (Includes Items 101-107)	B
101	1001233953	1	Insulate	
102	1001233954	1	Insulate	
103	1001233955	1	Insulate	
104	1001233966	1	Insulate	
105	1001233967	1	Insulate	
106	1001234269	1	Insulate	
107	1001234270	1	Insulate	

SECTION 2 - TURNTABLE

FIGURE 2-36. COVERS INSTALLATION



ART_1001219128

SECTION 2 - TURNTABLE

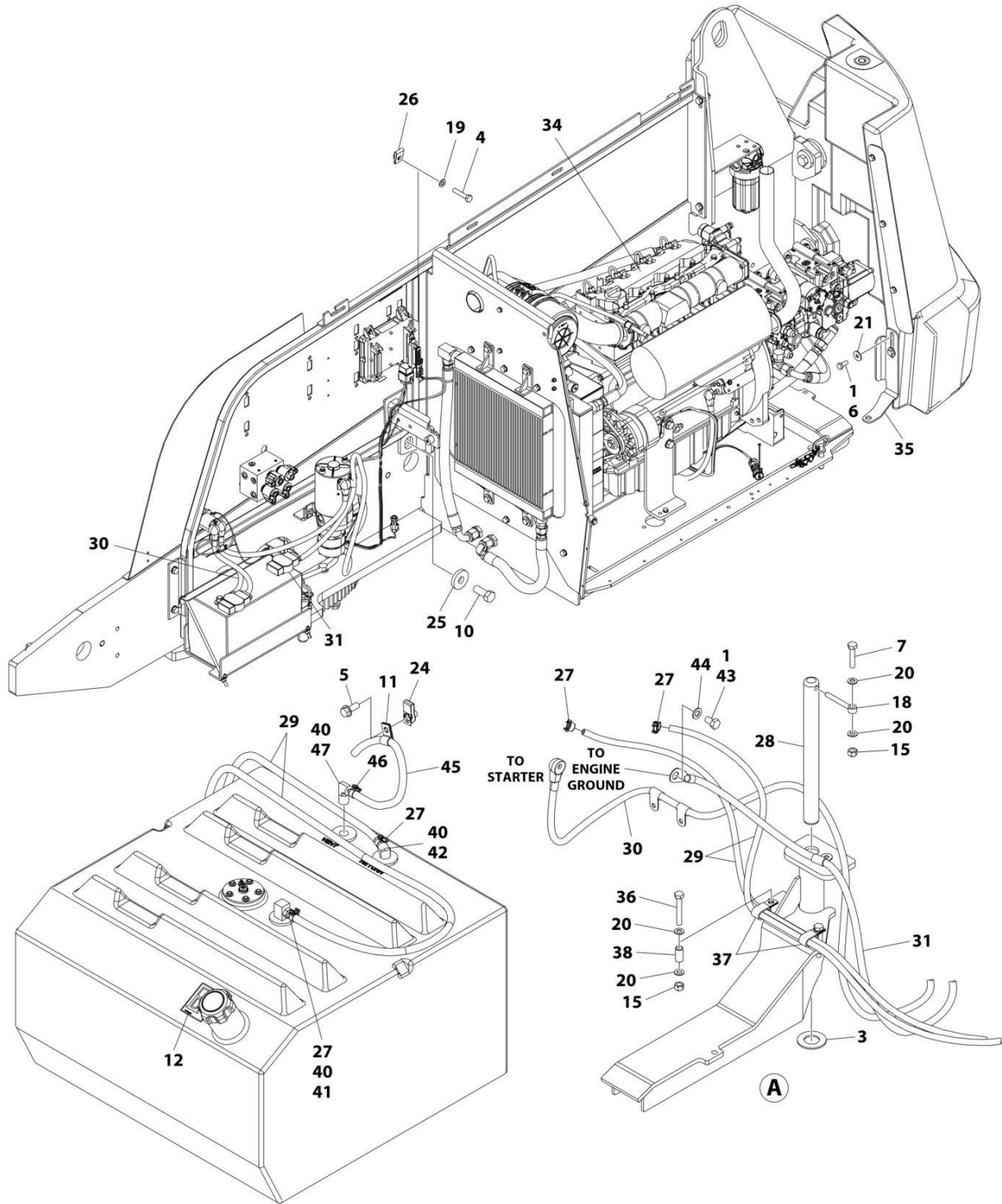
FIGURE 2-36. COVERS INSTALLATION

ITEM	PART NUMBER	QTY	DESCRIPTION	REV
	1001219128	Ref	COVERS INSTALLATION	A
1	1001218539	1	Cover, Controller	
2	1001218676	1	Grommet	
3	1001220638	1	Cover, Ground Control	

SECTION 3 - ENGINE

SECTION 3 - ENGINE

FIGURE 3-1. DEUTZ D2011 ENGINE INSTALLATION - WITHOUT ARCTIC PACKAGE



ART_1001196565_G

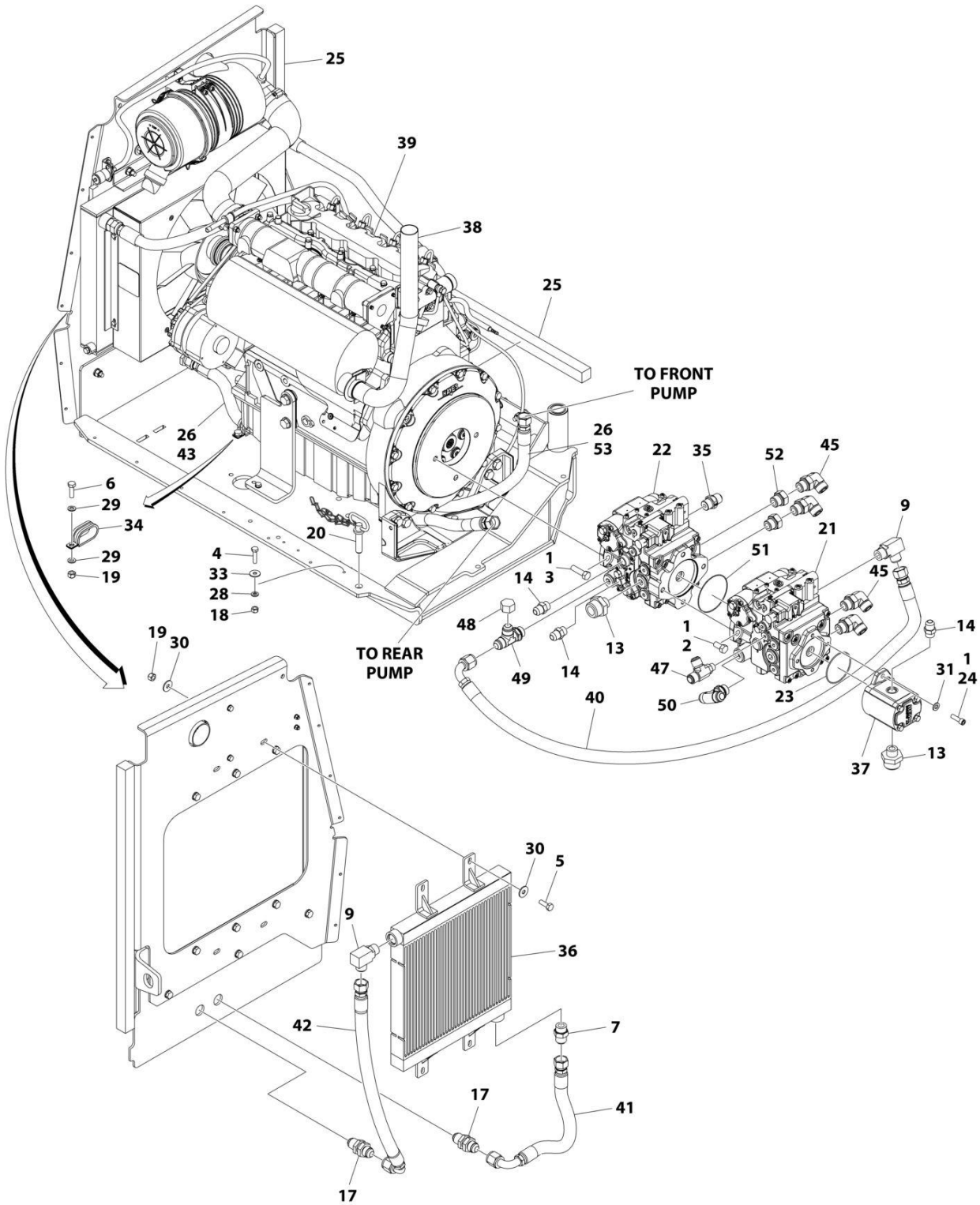
SECTION 3 - ENGINE

FIGURE 3-1. DEUTZ D2011 ENGINE INSTALLATION - WITHOUT ARCTIC PACKAGE

ITEM	PART NUMBER	QTY	DESCRIPTION	REV
	1001196565	Ref	DEUTZ D2011 ENGINE INSTALLATION	G
1	0100011	AR	Compound, Locking	
3	0440162	1	Bearing	
4	0700614	4	Bolt M6 x 30	
5	5251012	1	Bolt M10 x 25	
6	0701012	2	Bolt M10 x 25	
7	0711018	1	Bolt M10 x 50	
10	0772018	1	Bolt M20 x 50	
11	8406110	1	Clip	
12	1701505	1	Decal - Diesel Fuel	
15	3291005	3	Nut M10	
18	3841143	1	Keeper, Pin	
19	4811700	4	Washer M6	
20	4812000	6	Washer M10	
21	4812002	2	Washer M10	
24	1001118972	1	Nut, Tinnerman M10	
25	1001119051	1	Washer	
26	1001130220	4	Nut, Tinnerman M6	
27	1001174486	4	Clamp	
28	1001155094	1	Pin	
29	2720058	288 in/ 7.3m	Hose, Fuel	
30	1001188667	1	Cable, Battery (+) to Aux Relay to Starter	
31	1001188670	1	Cable, Battery (-) to Aux Pump and Ground	
34	1001196572	1	Deutz D2011 Engine and Pumps Sub-Assembly (See Separate Breakdown in this Section)	
35	1001197881	1	Bracket	
36	0701022	2	Bolt M10 x 70	
37	1001026127	2	Clamp	
38	1001200731	2	Tube	
39	4240099	6	Tie-Strap (Not Shown)	
40	0100020	AR	Sealant	
41	2180348	1	Fitting, Straight NPT x Barb	
42	2221176	1	Fitting, 90 Barbed	
43	0761210	1	Bolt M12 x 20	
44	4812100	1	Washer M12	
45	1001165035	20 in/ 0.5m	Hose	
46	1001136975	1	Clamp	
47	2220313	1	Fitting, 90 NPTF/Barb	
100	1001235699	1	Battery Cable Kit (Includes Items 30 & 31) (Not Shown)	

SECTION 3 - ENGINE

FIGURE 3-2. DEUTZ D2011 ENGINE AND PUMPS SUB-ASSEMBLY - WITHOUT ARCTIC PACKAGE



ART_1001196572_G

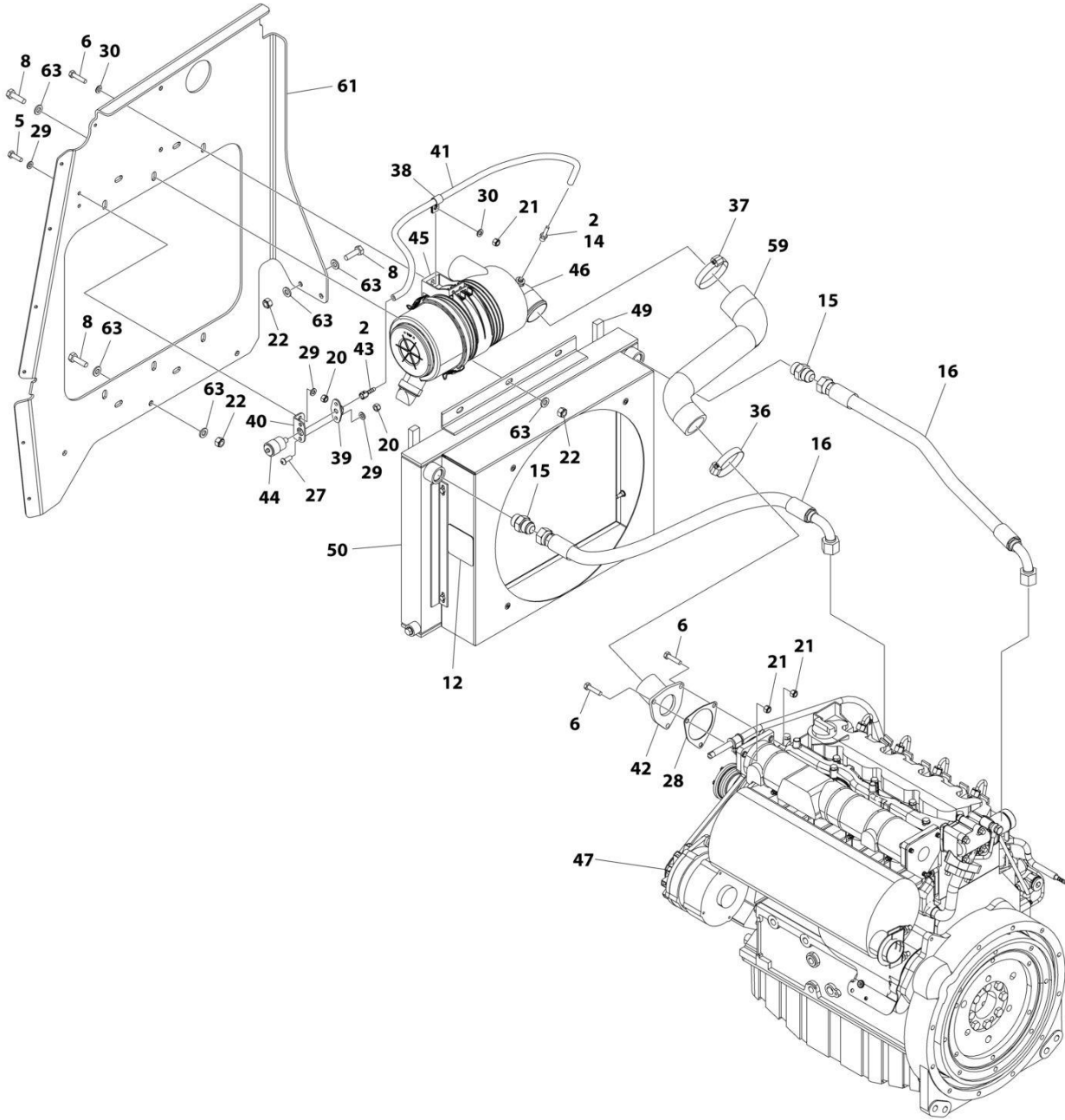
SECTION 3 - ENGINE

FIGURE 3-2. DEUTZ D2011 ENGINE AND PUMPS SUB-ASSEMBLY - WITHOUT ARCTIC PACKAGE

ITEM	PART NUMBER	QTY	DESCRIPTION	REV
	1001196572	Ref	DEUTZ D2011 ENGINE AND PUMPS SUB-ASSEMBLY	G
1	0100011	AR	Compound, Locking	
2	0641808	2	Bolt 1/2 x 1	
3	0641814	2	Bolt 1/2 x 1-3/4	
4	0760612	1	Bolt M6 x 25	
5	0761014	4	Bolt M10 x 30	
6	0761015	2	Bolt M10 x 35	
7	2220451	1	Fitting, Straight JIC/ORB	
9	2220578	2	Fitting, 90 JIC/ORB	
13	2220946	2	Fitting, Straight JIC/ORB	
14	2220947	3	Fitting, Straight JIC/ORB	
17	2230027	2	Fitting, Straight	
18	3290605	1	Nut M6	
19	3291005	6	Nut M10	
20	3422532	1	Pin	
21	3600359	1	Piston Pump Assembly - Rear (See Separate Breakdown in this Section)	
22	3600363	1	Piston Pump Assembly - Front (See Separate Breakdown in this Section)	
23	3790152	1	O-Ring	
24	3931618	2	Capscrew 3/8 x 1-1/8	
25	3960469	2	Seal	
26	4061032	3	Shield	
27	4240099	AR	Tie-Strap (Not Shown)	
28	4811700	1	Washer M6	
29	4812000	4	Washer M10	
30	4812002	8	Washer M10	
31	5241000	2	Washer M10	
33	4811702	1	Washer M6	
34	1001164196	2	Clamp	
35	1001179156	1	Valve, Check	
36	1001188601	1	Radiator, Oil Cooler	
37	1001190143	1	Gear Pump Assembly	
37	70006356	1	Seal Kit - 1001190143 Pump	
38	1001191273	1	Pipe, Exhaust	
39	1001196571	1	Deutz D2011 Engine Assembly (See Separate Breakdown in this Section)	
40	1001200216	1	Hose	
41	1001195504	1	Hose	
42	1001195505	1	Hose	
43	1001195509	1	Hose	
45	2131212	4	Fitting, 90 ORFS/ORB	
47	1001213814	1	Fitting, Tee JIC/ORB/JIC	
48	2220518	1	Cap	
49	2220738	1	Fitting, Tee JIC/ORB/JIC	
50	2220695	1	Fitting, Tee JIC/ORB/JIC	
51	3790045	1	O-Ring	
52	1001233450	2	Fitting, Straight ORB/ORB	
53	1001235110	1	Hose	

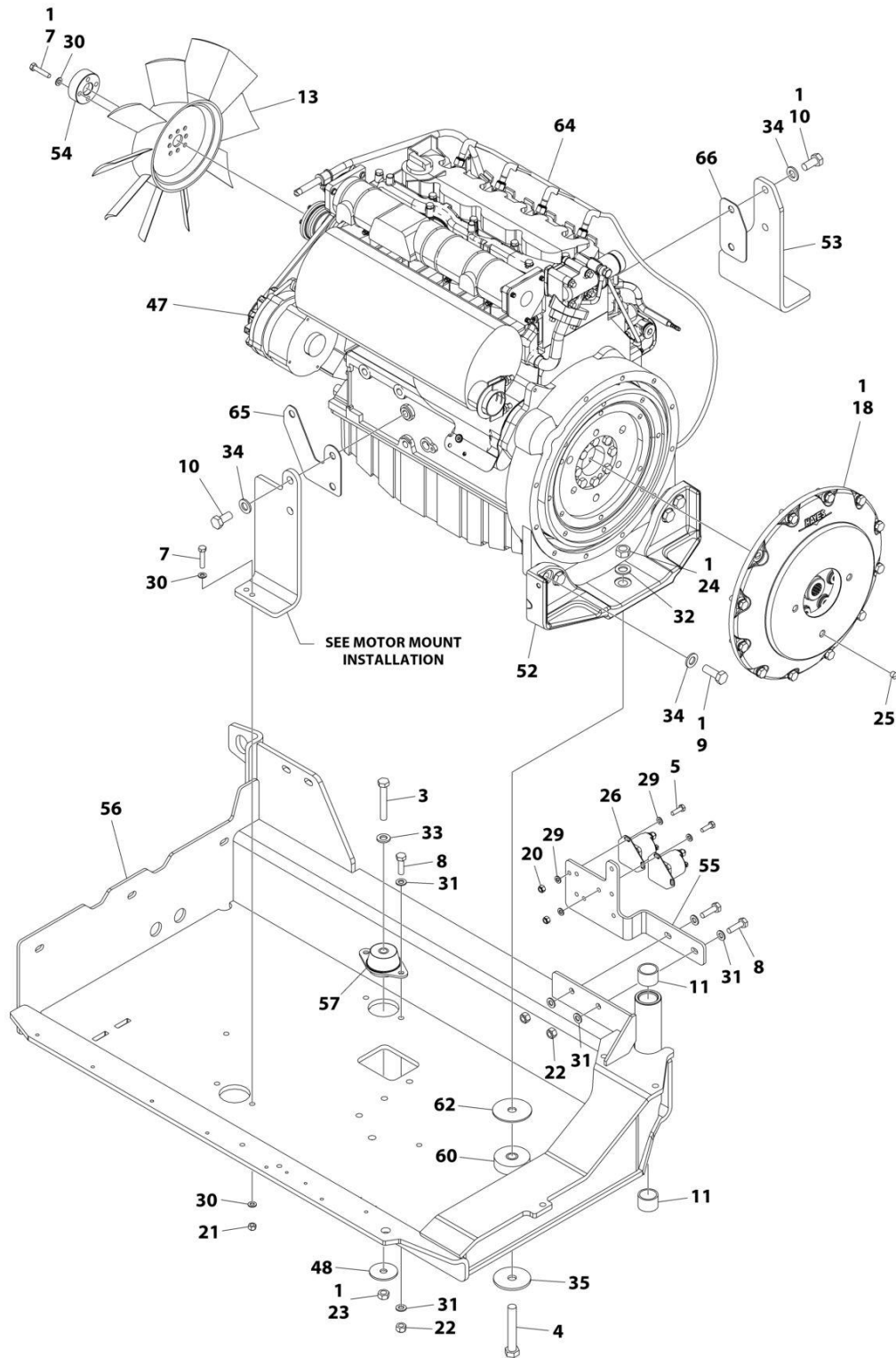
SECTION 3 - ENGINE

FIGURE 3-3. DEUTZ D2011 ENGINE ASSEMBLY - WITHOUT ARCTIC PACKAGE



ART_1001196571_Q_10F2

SECTION 3 - ENGINE



ART_1001196571_Q_20F2

SECTION 3 - ENGINE

FIGURE 3-3. DEUTZ D2011 ENGINE ASSEMBLY - WITHOUT ARCTIC PACKAGE

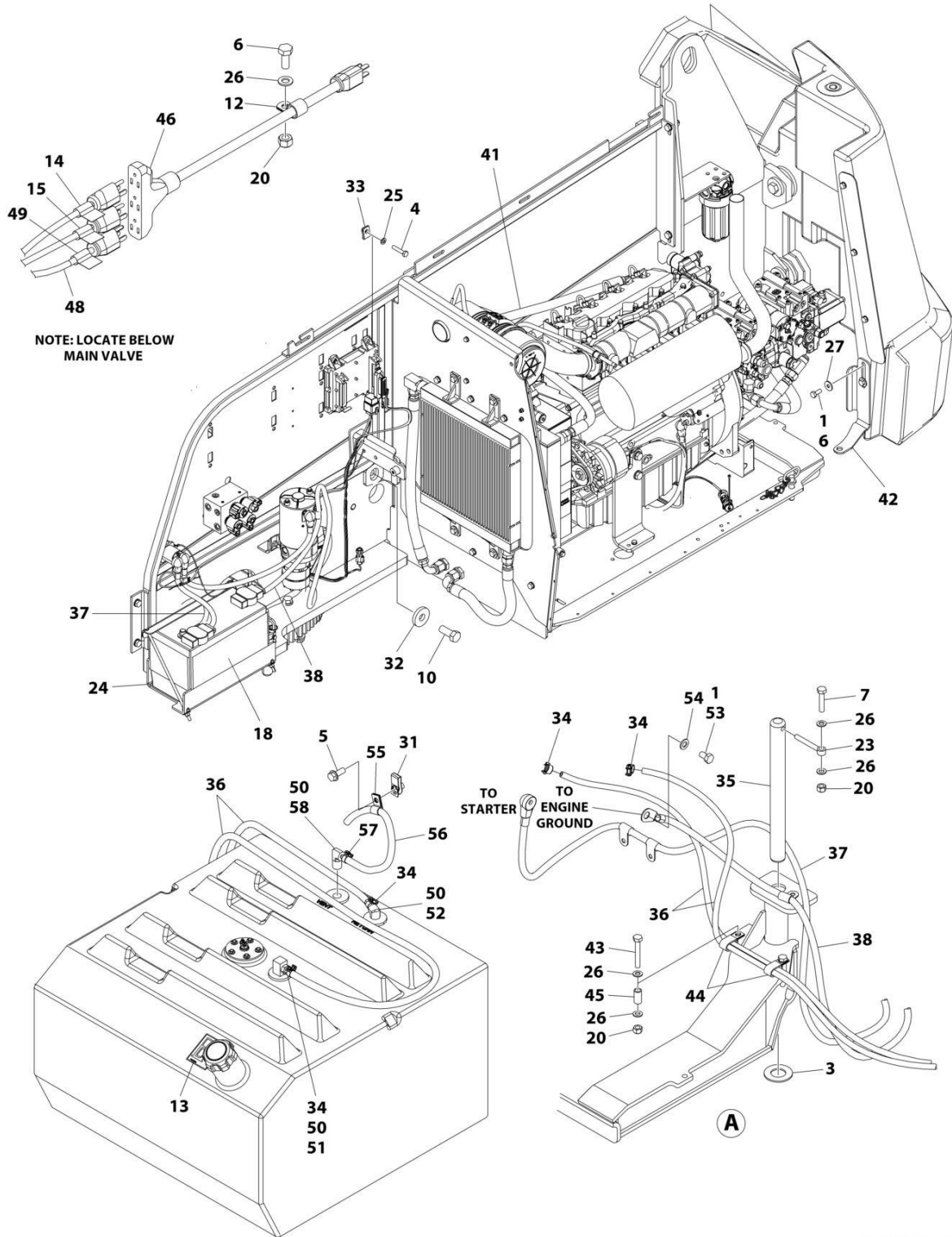
ITEM	PART NUMBER	QTY	DESCRIPTION	REV
	1001196571	Ref	DEUTZ D2011 ENGINE ASSEMBLY	Q
1	0100011	AR	Compound, Locking	
2	0100020	AR	Sealant	
3	0711224	1	Bolt M12 x 80	
4	0711627	1	Bolt M16 x 100	
5	0760610	6	Bolt M6 x 20	
6	0760815	5	Bolt M8 x 35	
7	0760816	5	Bolt M8 x 40	
8	0761015	15	Bolt M10 x 35	
9	0771416	4	Bolt M14 x 40	
10	0771414	4	Bolt M14 x 30	
11	0961951	2	Bushing	
12	1703162	2	Decal - Fan Blade	
13	2060025	1	Fan	
14	2220315	1	Fitting, Straight Barbed	
15	2220451	2	Fitting, Straight ORB/JIC	
16	2720398	2	Hose	
18	2902065	1	Pump Coupling Kit (See Separate Breakdown in this Section)	
20	3290605	8	Nut M6	
21	3290805	6	Nut M8	
22	3291005	15	Nut M10	
23	3331211	1	Nut M12	
24	3331611	1	Nut M16	
25	3520054	2	Plug	
26	3740067	2	Relay	
27	3900357	2	Screw M6 x 16	
28	3960407	1	Gasket, Air Intake Adapter	
29	4811700	14	Washer M6	
30	4811900	10	Washer M8	
31	4812000	8	Washer M10	
32	4812300	1	Washer M16	
33	5241200	1	Washer M12	
34	5241400	8	Washer M14	
35	7300435	1	Washer	
36	8405203	1	Clamp	
37	8405204	1	Clamp	
38	8406109	1	Clip	
39	1001138173	1	Support	
40	1001138175	1	Bracket	
41	1001138248	3 in/1 m	Tube	
42	1001139819	1	Adapter	
43	1001141995	1	Fitting, Straight NPT/Barbed	
44	1001143390	1	Indicator, Air Filter Service	
45	1001147812	1	Clamp	
46	1001147813	1	Filter, Air	
46	70004020	1	Element, Filter	
47	1001147823	1	Deutz D2011 Engine Components (See Separate Breakdown in this Section)	
48	1001168018	1	Washer	
49	1001168166	2	Seal	

SECTION 3 - ENGINE

ITEM	PART NUMBER	QTY	DESCRIPTION	REV
50	1001187082	1	Radiator	
51	1001188236	1	Engine Harness - Deutz D2011 Engines (Not Shown) (See Separate Breakdown in ELECTRICAL Section)	
52	1001188535	1	Bracket, Engine - Rear	
53	1001189026	1	Bracket, Engine - Right	
54	1001189161	1	Adapter, Fan	
55	1001203885	1	Plate	
56	1001200435	1	Tray	
57	1001191610	1	Mount, Motor	
59	1001195711	1	Hose	
60	1001197149	1	Support	
61	1001200793	1	Support	
62	1001197725	1	Spacer	
63	5241000	22	Washer M10	
64	1001234396	1	Glow Plug Harness	
65	1001201843	1	Shim .079	
66	1001201844	1	Shim .079	

SECTION 3 - ENGINE

FIGURE 3-4. DEUTZ D2011 ENGINE INSTALLATION - WITH ARCTIC PACKAGE



ART_1001196566_G

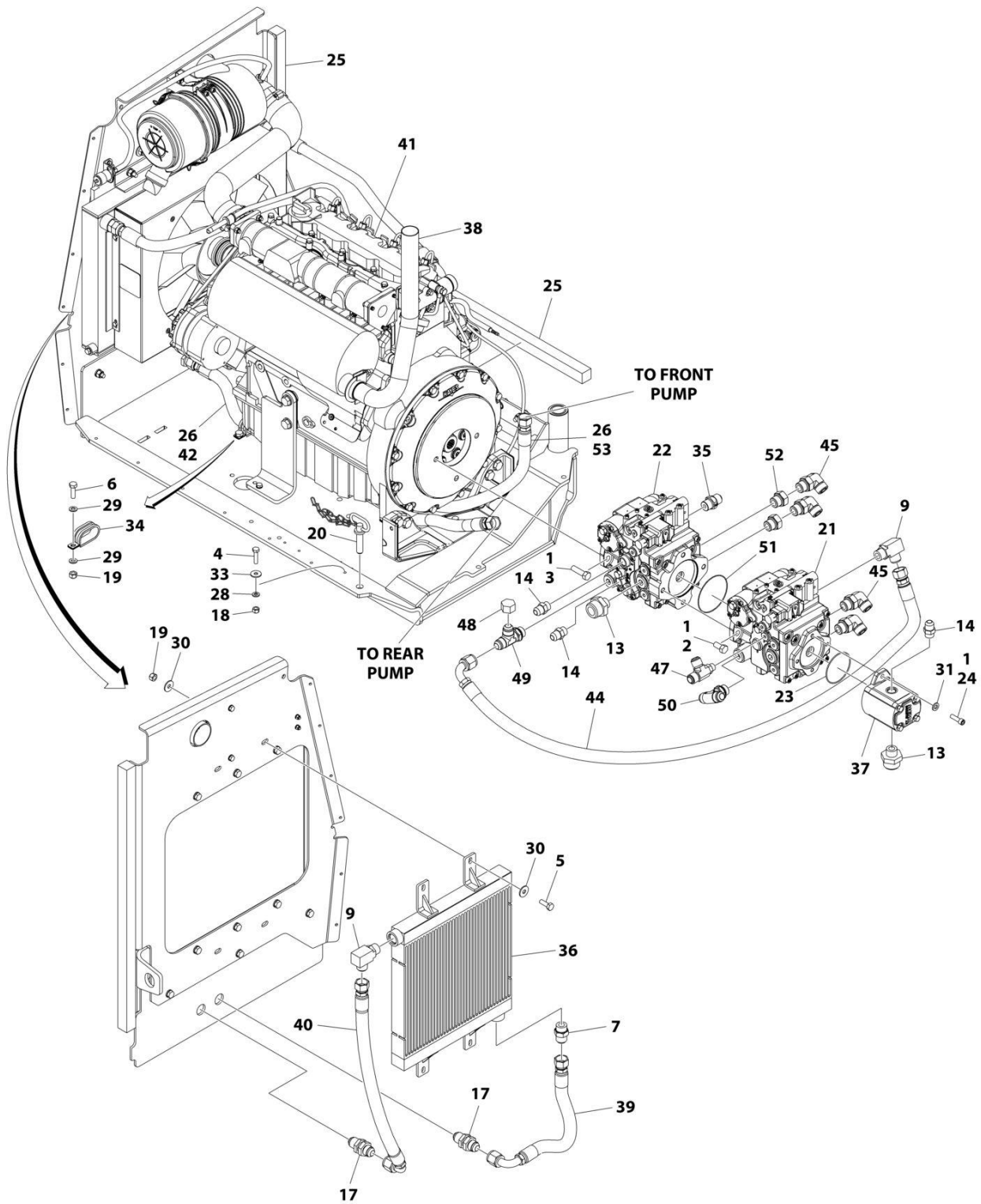
SECTION 3 - ENGINE

FIGURE 3-4. DEUTZ D2011 ENGINE INSTALLATION - WITH ARCTIC PACKAGE

ITEM	PART NUMBER	QTY	DESCRIPTION	REV
	1001196566	Ref	DEUTZ D2011 ENGINE INSTALLATION	G
1	0100011	AR	Compound, Locking	
3	0440162	1	Bearing	
4	0700614	4	Bolt M6 x 30	
5	5251012	1	Bolt M10 x 25	
6	0701012	3	Bolt M10 x 25	
7	0711018	1	Bolt M10 x 50	
10	0772018	1	Bolt M20 x 50	
12	1320061	1	Clamp	
13	1701505	1	Decal - Diesel Fuel	
14	1702941	1	Decal - Battery Heater	
15	1702943	1	Decal - Hydraulic Tank Heater	
18	2580024	1	Heater, Battery	
19	1001188972	1	Heater, Immersion (Not Shown - Located on Hydraulic Tank)	
20	3291005	4	Nut M10	
23	3841143	1	Keeper, Pin	
24	3980007	1	Seal, Battery	
25	4811700	4	Washer M6	
26	4812000	7	Washer M10	
27	4812002	2	Washer M10	
31	1001118972	1	Nut, Tinnerman M10	
32	1001119051	1	Washer	
33	1001130220	4	Nut, Tinnerman M6	
34	1001174486	5	Clamp	
35	1001155094	1	Pin	
36	2720058	308 in/ 7.9m	Hose, Fuel	
37	1001188667	1	Cable, Battery (+) to Aux Relay to Starter	
38	1001188670	1	Cable, Battery (-) to Aux Pump and Ground	
41	1001196574	1	Deutz D2011 Engine and Pumps Sub-Assembly (See Separate Breakdown in this Section)	
42	1001197881	1	Bracket	
43	0701022	2	Bolt M10 x 70	
44	1001026127	2	Clamp	
45	1001200731	2	Tube	
46	1060626	1	Plug, 3 Way	
47	4240099	1	Tie-Strap (Not Shown)	
48	1001150918	1	Cable, Extension	
49	1702942	1	Decal - Engine Block Heater	
50	0100020	AR	Sealant	
51	2180348	1	Fitting, Straight NPT/Barbed	
52	2221176	1	Fitting, 90 Barbed	
53	0761210	1	Bolt M12 x 20	
54	4812100	1	Washer M12	
55	8406110	1	Clip	
56	1001165035	20 in/ 0.5m	Hose	
57	1001136975	1	Clamp	
58	2220313	1	Fitting, 90 NPTF/Barb	
100	1001235699	1	Battery Cable Kit (Includes Items 37 & 38) (Not Shown)	

SECTION 3 - ENGINE

FIGURE 3-5. DEUTZ D2011 ENGINE AND PUMPS SUB-ASSEMBLY - WITH ARCTIC PACKAGE



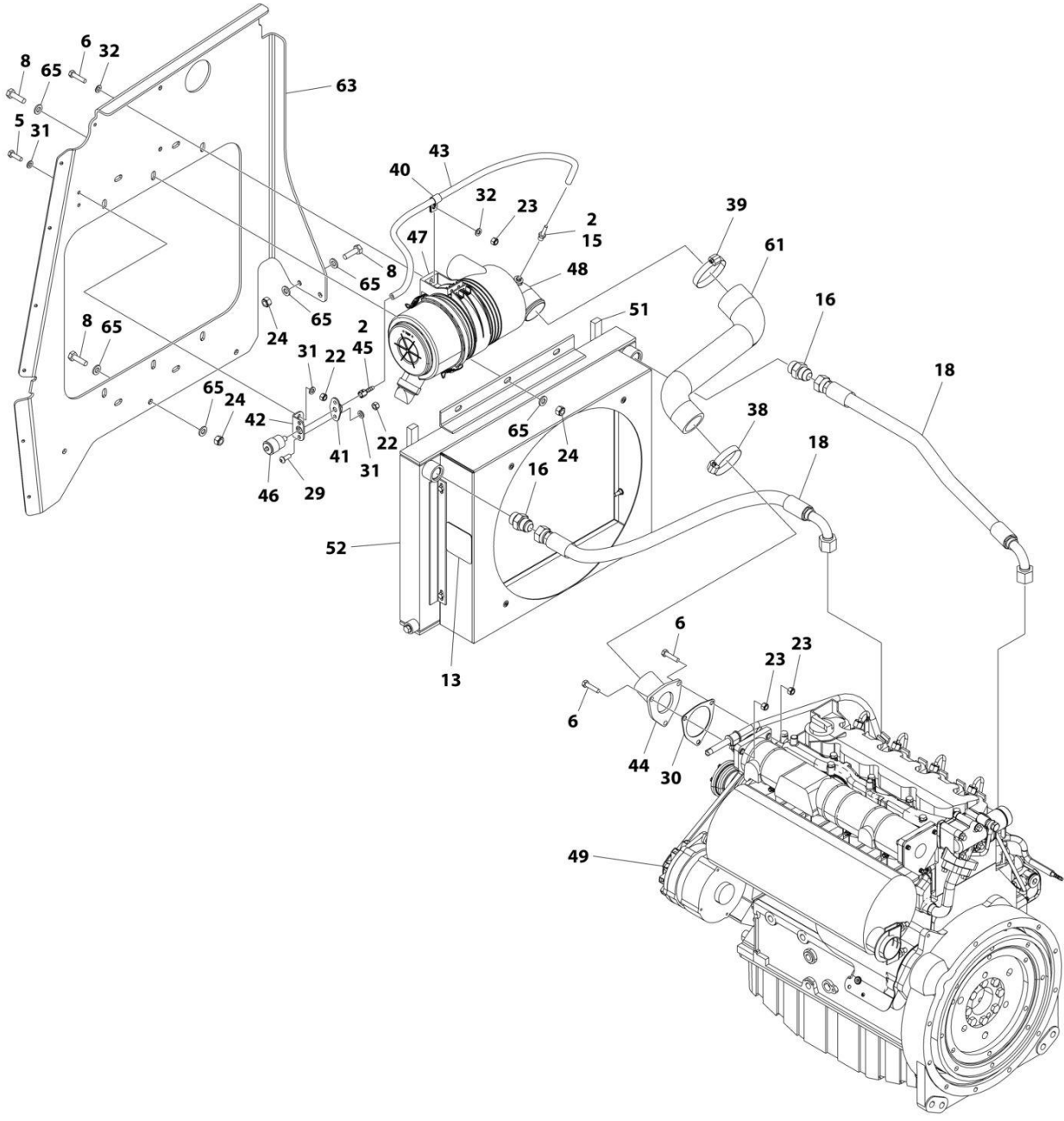
SECTION 3 - ENGINE

FIGURE 3-5. DEUTZ D2011 ENGINE AND PUMPS SUB-ASSEMBLY - WITH ARCTIC PACKAGE

ITEM	PART NUMBER	QTY	DESCRIPTION	REV
	1001196574	Ref	DEUTZ D2011 ENGINE AND PUMPS SUB-ASSEMBLY	G
1	0100011	AR	Compound, Locking	
2	0641808	2	Bolt 1/2 x 1	
3	0641814	2	Bolt 1/2 x 1-3/4	
4	0760612	1	Bolt M6 x 25	
5	0761014	4	Bolt M10 x 30	
6	0761015	2	Bolt M10 x 35	
7	2220451	1	Fitting, Straight JIC/ORB	
9	2220578	1	Fitting, 90 JIC/ORB	
13	2220946	2	Fitting, Straight JIC/ORB	
14	2220947	3	Fitting, Straight JIC/ORB	
17	2230027	2	Fitting, Straight	
18	3290605	1	Nut M6	
19	3291005	6	Nut M10	
20	3422532	1	Pin	
21	3600359	1	Piston Pump Assembly - Rear (See Separate Breakdown in this Section)	
22	3600363	1	Piston Pump Assembly - Front (See Separate Breakdown in this Section)	
23	3790152	1	O-Ring	
24	3931618	2	Capscrew 3/8 x 1-1/8	
25	3960469	2	Seal	
26	4061032	3	Shield	
27	4240099	AR	Tie-Strap (Not Shown)	
28	4811700	1	Washer M6	
29	4812000	4	Washer M10	
30	4812002	8	Washer M10	
31	5241000	2	Washer M10	
33	4811702	1	Washer M6	
34	1001164196	2	Clamp	
35	1001179156	1	Valve, Check	
36	1001188601	1	Radiator, Oil Cooler	
37	1001190143	1	Gear Pump Assembly	
37	70006356	1	Seal Kit - 1001190143 Pump	
38	1001191273	1	Pipe	
39	1001195504	1	Hose	
40	1001195505	1	Hose	
41	1001196573	1	Deutz D2011 Engine Assembly (See Separate Breakdown in this Section)	
42	1001195509	1	Hose	
44	1001200216	1	Hose	
45	2131212	4	Fitting, 90 ORFS/ORB	
47	1001213814	1	Fitting, Tee JIC/ORB/JIC	
48	2220518	1	Cap	
49	2220738	1	Fitting, Tee JIC/ORB/JIC	
50	2220695	1	Fitting, Tee JIC/ORB/JIC	
51	3790045	1	O-Ring	
52	1001233450	2	Fitting, Straight ORB/ORB	
53	1001235110	1	Hose	

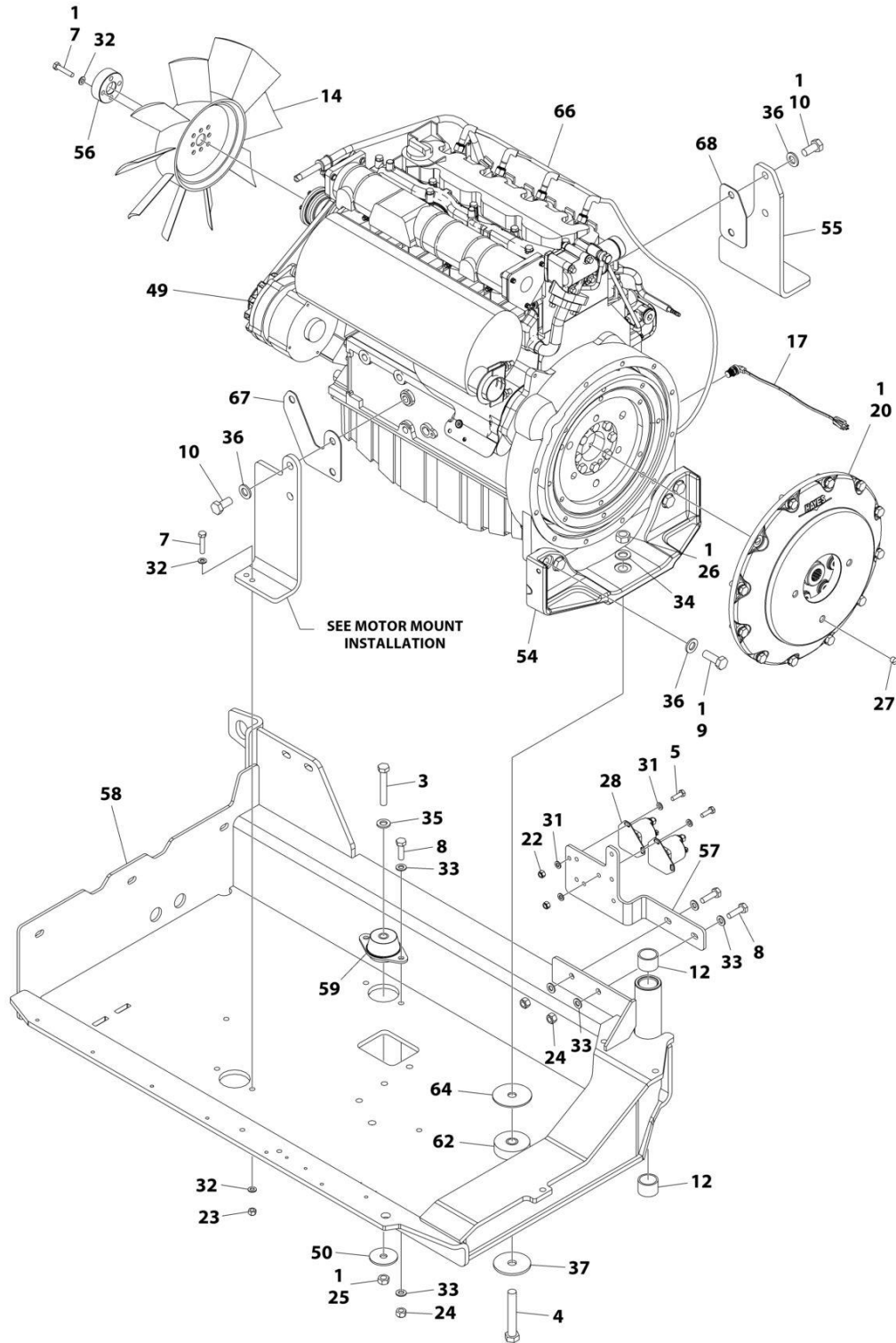
SECTION 3 - ENGINE

FIGURE 3-6. DEUTZ D2011 ENGINE ASSEMBLY - WITH ARCTIC PACKAGE



ART_1001196573_Q_1OF2

SECTION 3 - ENGINE



ART_1001196573_Q_20F2

SECTION 3 - ENGINE

FIGURE 3-6. DEUTZ D2011 ENGINE ASSEMBLY - WITH ARCTIC PACKAGE

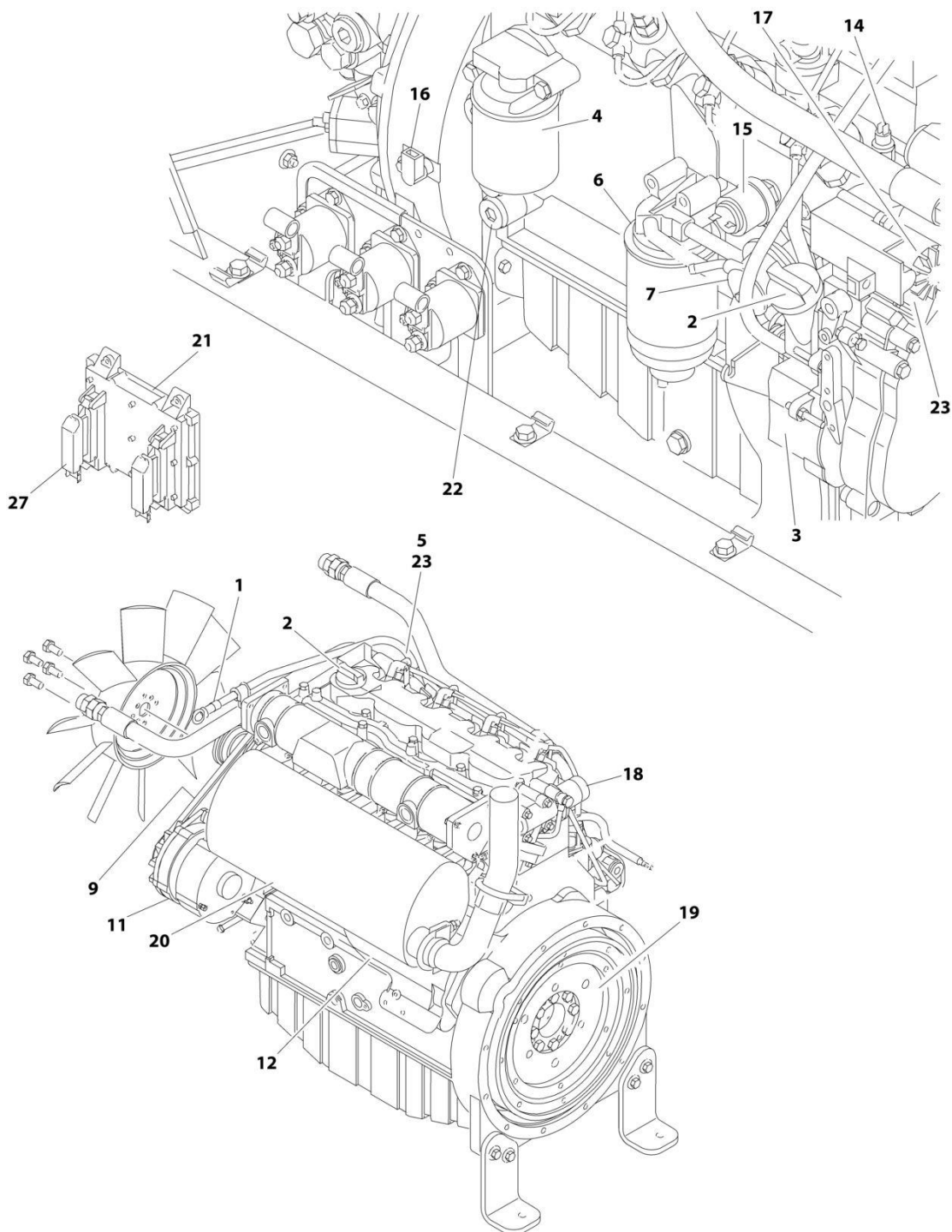
ITEM	PART NUMBER	QTY	DESCRIPTION	REV
	1001196573	Ref	DEUTZ D2011 ENGINE ASSEMBLY	Q
1	0100011	AR	Compound, Locking	
2	0100020	AR	Sealant	
3	0701224	1	Bolt M12 x 80	
4	0711627	1	Bolt M16 x 100	
5	0760610	6	Bolt M6 x 20	
6	0760815	5	Bolt M8 x 35	
7	0760816	5	Bolt M8 x 40	
8	0761015	15	Bolt M10 x 35	
9	0771416	4	Bolt M14 x 40	
10	0771414	4	Bolt M14 x 30	
12	0961951	2	Bushing	
13	1703162	2	Decal - Fan Blade	
14	2060025	1	Fan	
15	2220315	1	Fitting, Straight Barbed	
16	2220451	2	Fitting, Straight ORB/JIC	
17	2580062	1	Heater, Engine Block	
18	2720398	2	Hose	
20	2902065	1	Pump Coupling Kit (See Separate Breakdown in this Section)	
22	3290605	8	Nut M6	
23	3290805	6	Nut M8	
24	3291005	15	Nut M10	
25	3331211	1	Nut M12	
26	3331611	1	Nut M16	
27	3520054	2	Plug	
28	3740067	2	Relay	
29	3900357	2	Screw M6 x 16	
30	3960407	1	Gasket, Air Intake Adapter	
31	4811700	14	Washer M6	
32	4811900	10	Washer M8	
33	4812000	8	Washer M10	
34	4812300	1	Washer M16	
35	5241200	1	Washer M12	
36	5241400	8	Washer M14	
37	7300435	1	Washer	
38	8405203	1	Clamp	
39	8405204	1	Clamp	
40	8406109	1	Clip	
41	1001138173	1	Support	
42	1001138175	1	Bracket	
43	1001138248	3 ft/1 m	Tube	
44	1001139819	1	Adapter	
45	1001141995	1	Fitting, Straight NPT/Barbed	
46	1001143390	1	Indicator, Air Filter Service	
47	1001147812	1	Clamp	
48	1001147813	1	Filter, Air	
48	70004020	1	Element, Filter	
49	1001147823	1	Deutz D2011 Engine Components (See Separate Breakdown in this Section)	
50	1001168018	1	Washer	

SECTION 3 - ENGINE

ITEM	PART NUMBER	QTY	DESCRIPTION	REV
51	1001168166	2	Seal	
52	1001187082	1	Radiator	
53	1001188236	1	Engine Harness - Deutz D2011 Engines (Not Shown) (See Separate Breakdown in ELECTRICAL Section)	
54	1001188535	1	Bracket, Engine - Rear	
55	1001189026	1	Bracket, Engine - Right	
56	1001189161	1	Adapter, Fan	
57	1001203885	1	Plate	
58	1001200435	1	Tray	
59	1001191610	1	Mount, Motor	
61	1001195711	1	Hose	
62	1001197149	1	Support	
63	1001200793	1	Support	
64	1001197725	1	Spacer	
65	5241000	22	Washer M10	
66	1001234396	1	Glow Plug Harness	
67	1001201843	1	Shim .079	
68	1001201844	1	Shim .079	

SECTION 3 - ENGINE

FIGURE 3-7. DEUTZ D2011 ENGINE COMPONENTS



ART_1001147823

SECTION 3 - ENGINE

FIGURE 3-7. DEUTZ D2011 ENGINE COMPONENTS

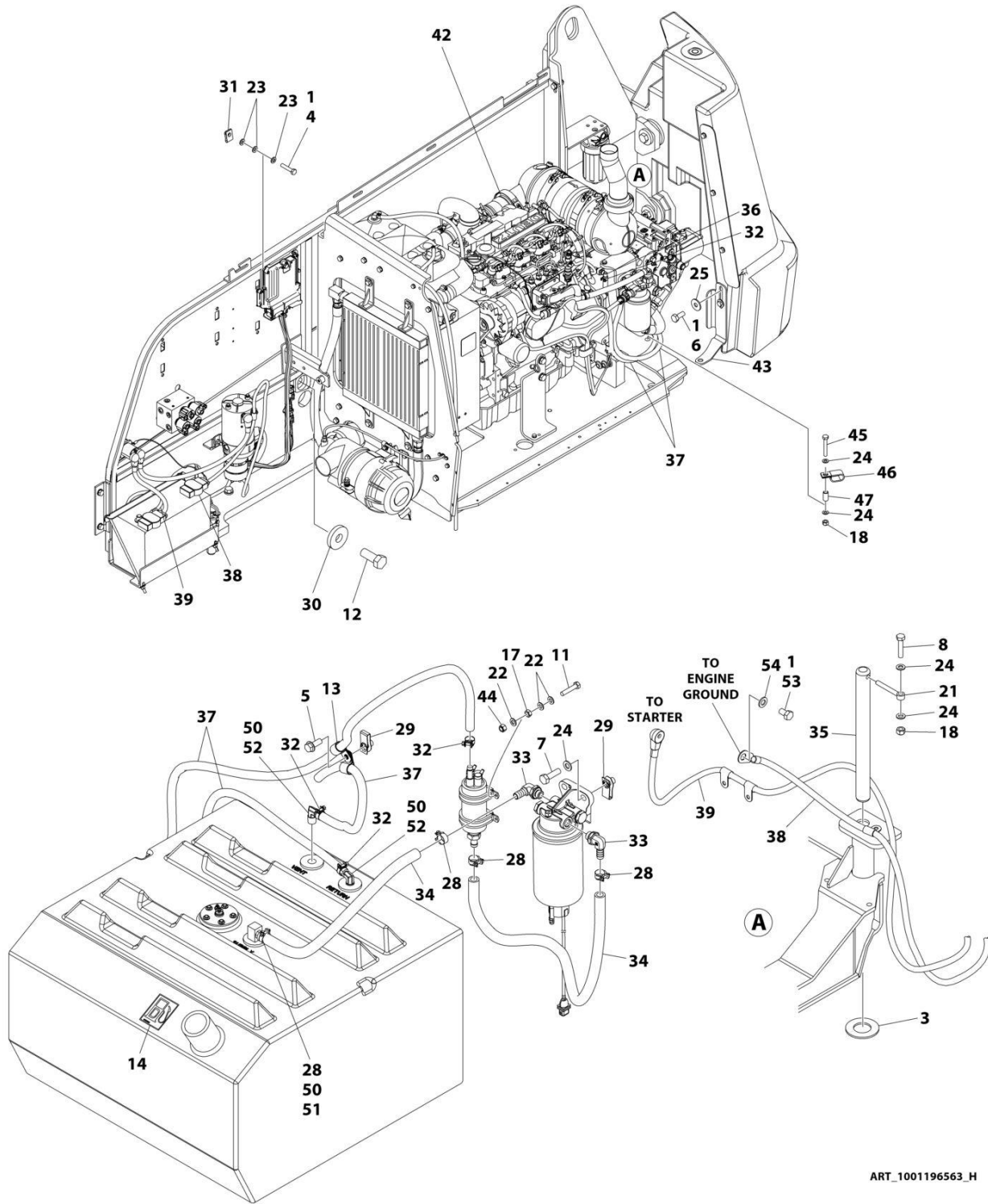
ITEM	PART NUMBER	QTY	DESCRIPTION	REV
	1001147823	Ref	ENGINE COMPONENTS	C
1	70004287	1	Dipstick	
1	70000044	1	Seal, Dipstick	
1	70001002	1	Tube, Dipstick	
1	7020403	1	Seal, Dipstick Tube	
2	7020465	2	Cap, Filler	
3	70001850	1	Pump, Oil Lube	
3	7020468	1	Seal Between Oil Pump and Engine Block (Not Shown)	
4	7016331	1	Filter, Oil	
4	70003472	1	Bracket, Oil Filter	
4	7027236	1	Sender, Temperature	
4	70025082	1	Ring, Sealing	
5	70000912	4	Series A Injector	
5	70000913	4	Series B Injector	
5	70000914	4	Series C Injector	
5	70000915	4	Series D Injector	
5	70003464	4	Seal/Gasket, Pump (1 Per Injector)	
5	70003478	4	Injector, Fuel	
5	70003136	4	Seal/Gasket, Pump (1 Per Injector)	
6	7016328	1	Filter, Fuel	
6	70003465	1	Sensor	
6	70003466	1	Seal, Sensor	
7	70000916	1	Pump, Fuel Supply	
7	70001435	1	Repair Kit for Fuel Supply Pump	
7	70000919	1	Hand Pump for Fuel Supply Pump	
7	70000917	1	O - Seal Between Fuel Pump and Engine Block	
7	70000918	1	O - Seal Between Fuel Pump and Hand Pump	
8	70001871	4	Gasket, Intake Manifold	
9	7020408	1	V-Belt	
10		Ref	Exhaust Manifold Components (Not Shown)	
10	70001835	1	Gasket, Exhaust Adapter to Exhaust Rail	
10	70001841	1	Valve, Exhaust (Fits into Exhaust Adapter)	
10	70001836	1	Gasket, Exhaust Rail to Cylinder Head	
10	70001837	1	Gasket, Exhaust Manifold to Muffler	
10	70002200	4	Stud, Mounting	
10	See Note	AR	Nut, Exhaust Manifold	
11	70004056	1	Alternator	
11	70001868	1	Regulator, Voltage (Not Shown)	
11	70001866	1	Seal, Gasket for Voltage Regulator (Not Shown)	
11	70002234	1	Bar, Alternator Adjustment	
12	7020479	1	Starter	
12	70004058	1	Relay	
13	70004060	2	Plug-In Connector	
14	7027791	1	Transmitter, Temperature	
15	7027790	1	Sensor, Oil Pressure	
16	70004272	1	Sensor, Speed	
17	7027792	1	Throttle Actuator	
17	7027276	2	Spring	
18	70003475	1	Thermostat (Located at rear of engine block - Not Shown)	
19	70001870	1	Flywheel with Ring Gear	

SECTION 3 - ENGINE

ITEM	PART NUMBER	QTY	DESCRIPTION	REV
19	7024579	1	Gear, Ring 110 Tooth	
20	7000695	1	Muffler	
20	70001844	1	U-Ciamp	
20	7020471	4	Gasket	
21	7027795	1	Module, Control	
22	70001181	1	Valve, Pressure Control	
22	70124410	1	Spring	
22	70025082	1	Seal	
22	70124440	1	Screw, Locking	
23	70000345	4	Plug, Glow	
24	70000800	1	Camshaft Pulley Repair Kit (Not Shown)	
26	70002415	1	Gasket, Head with 1 Notch (Not Shown)	
62	70002416	1	Gasket, Head with 2 Notch (Not Shown)	
26	70002417	1	Gasket, Head with 3 Notch (Not Shown)	
27	7027796	1	Harness, Engine (Connects to Item 421)	
27	70001872	1	Harness, Engine (Connects to p/n 7027796)	
28		Ref	Gaskets and Seals - Miscellaneous (Not Shown)	
28	70004289	1	Gasket Set	
28	70002718	1	Seal, Rear Main	
28	70004280	1	Seal, Front Main	
29	70025752	1	Valve, Pressure Relief (Not Shown - Located at Engine Front Left)	
29	70025753	1	Spring	
29	70005916	1	Seal	
29	70005917	1	Plug, Locking	

SECTION 3 - ENGINE

FIGURE 3-8. DEUTZ TD2.9L4 ENGINE INSTALLATION - WITHOUT ARCTIC PACKAGE



ART_1001196563_H

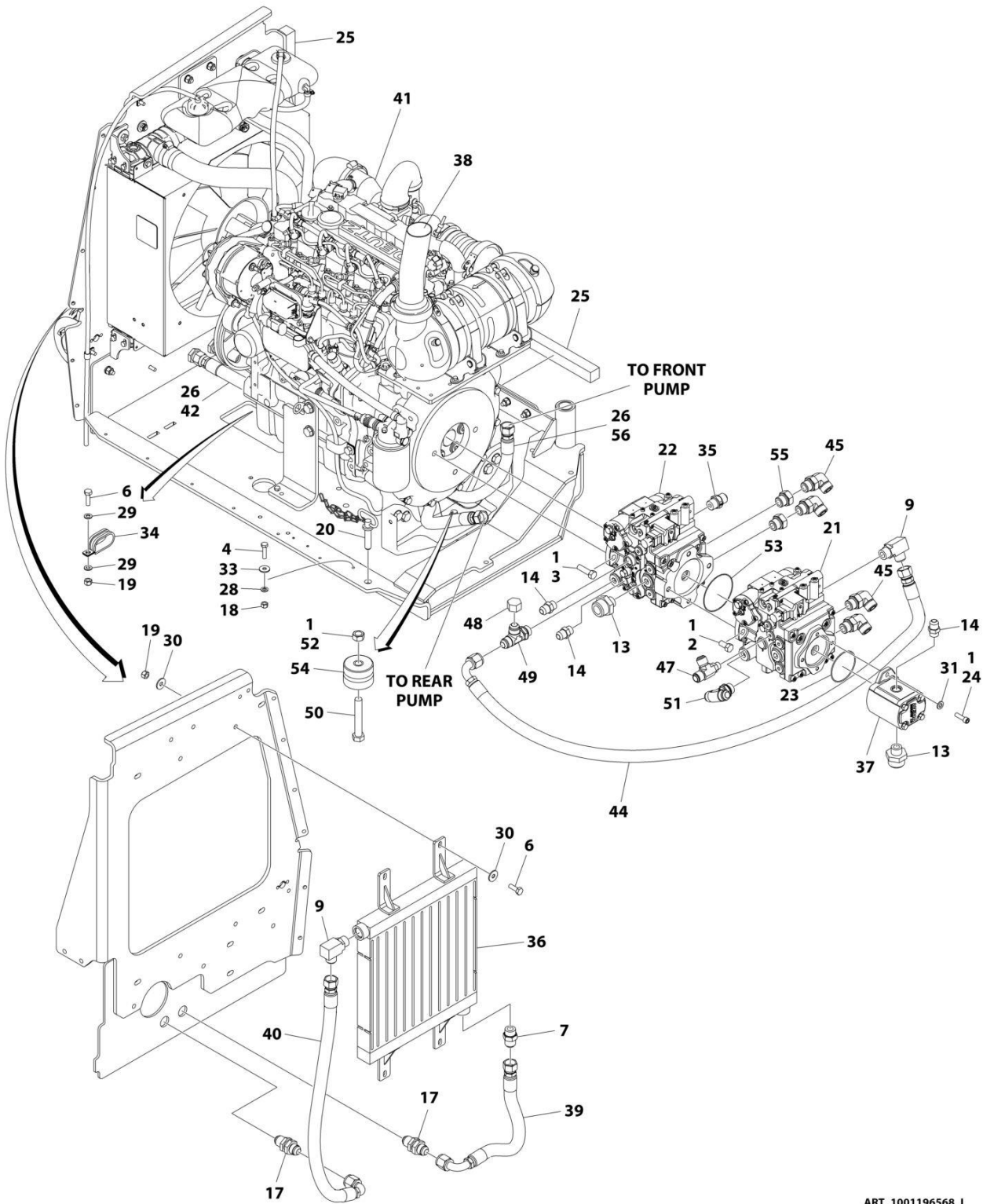
SECTION 3 - ENGINE

FIGURE 3-8. DEUTZ TD2.9L4 ENGINE INSTALLATION - WITHOUT ARCTIC PACKAGE

ITEM	PART NUMBER	QTY	DESCRIPTION	REV
	1001196563	Ref	DEUTZ TD2.9L4 ENGINE INSTALLATION	H
1	0100011	AR	Compound, Locking	
3	0440162	1	Bearing	
4	0700614	4	Bolt M6 x 30	
5	5251012	1	Bolt M10 x 25	
6	0701012	2	Bolt M10 x 25	
7	0701015	2	Bolt M10 x 35	
8	0711018	1	Bolt M10 x 50	
11	0760512	4	Bolt M5 x 25	
12	0772018	1	Bolt M20 x 50	
13	1320061	2	Clamp	
14	1701505	1	Decal - Diesel Fuel	
17	3290501	4	Nut M5	
18	3291005	2	Nut M10	
21	3841143	1	Keeper, Pin	
22	4811600	12	Washer M5	
23	4811700	12	Washer M6	
24	4812000	6	Washer M10	
25	4812002	2	Washer M10	
28	1001175568	4	Clip	
29	1001118972	3	Nut, Tinnerman M10	
30	1001119051	1	Washer	
31	1001130220	4	Nut, Tinnerman M6	
32	1001136975	5	Clamp	
33	1001142501	2	Fitting, 90 Barbed	
34	1001154405	33 in/ 0.8m	Hose	
35	1001155094	1	Pin	
36	1001155823	1	Fitting, 90 Quick Connect	
37	1001165035	27 ft/ 8.2m	Hose	
38	1001188668	1	Cable, Battery (-) to Aux Pump and Ground	
39	1001188669	1	Cable, Battery (+) to Aux Relay to Starter	
42	1001196568	1	Deutz TD2.9L4 T4F Engine and Pump Sub-Assembly (See Separate Breakdown in this Section)	
43	1001197881	1	Bracket	
44	3290505	4	Nut M5	
45	0701022	1	Bolt M10 x 70	
46	1001026127	1	Clamp	
47	1001200731	1	Tube	
48	4240099	1	Tie-Strap (Not Shown)	
49	1001190444	1	Fuel Pump Harness - Deutz TD2.9L4 Engine (Not Shown) (See Separate Breakdown in ELECTRICAL SECTION)	
50	0100020	AR	Sealant	
51	2180832	1	Fitting, Straight Barbed	
52	2220313	2	Fitting, 90 NPTF/Barb	
53	0761210	1	Bolt M12 x 20	
54	4812100	1	Washer M12	
100	1001235532	1	Battery Cable Kit (Includes Items 38 & 39) (Not Shown)	

SECTION 3 - ENGINE

FIGURE 3-9. DEUTZ TD2.9L4 ENGINE AND PUMPS SUB-ASSEMBLY - WITHOUT ARCTIC PACKAGE



ART_1001196568_I

SECTION 3 - ENGINE

FIGURE 3-9. DEUTZ TD2.9L4 ENGINE AND PUMPS SUB-ASSEMBLY - WITHOUT ARCTIC PACKAGE

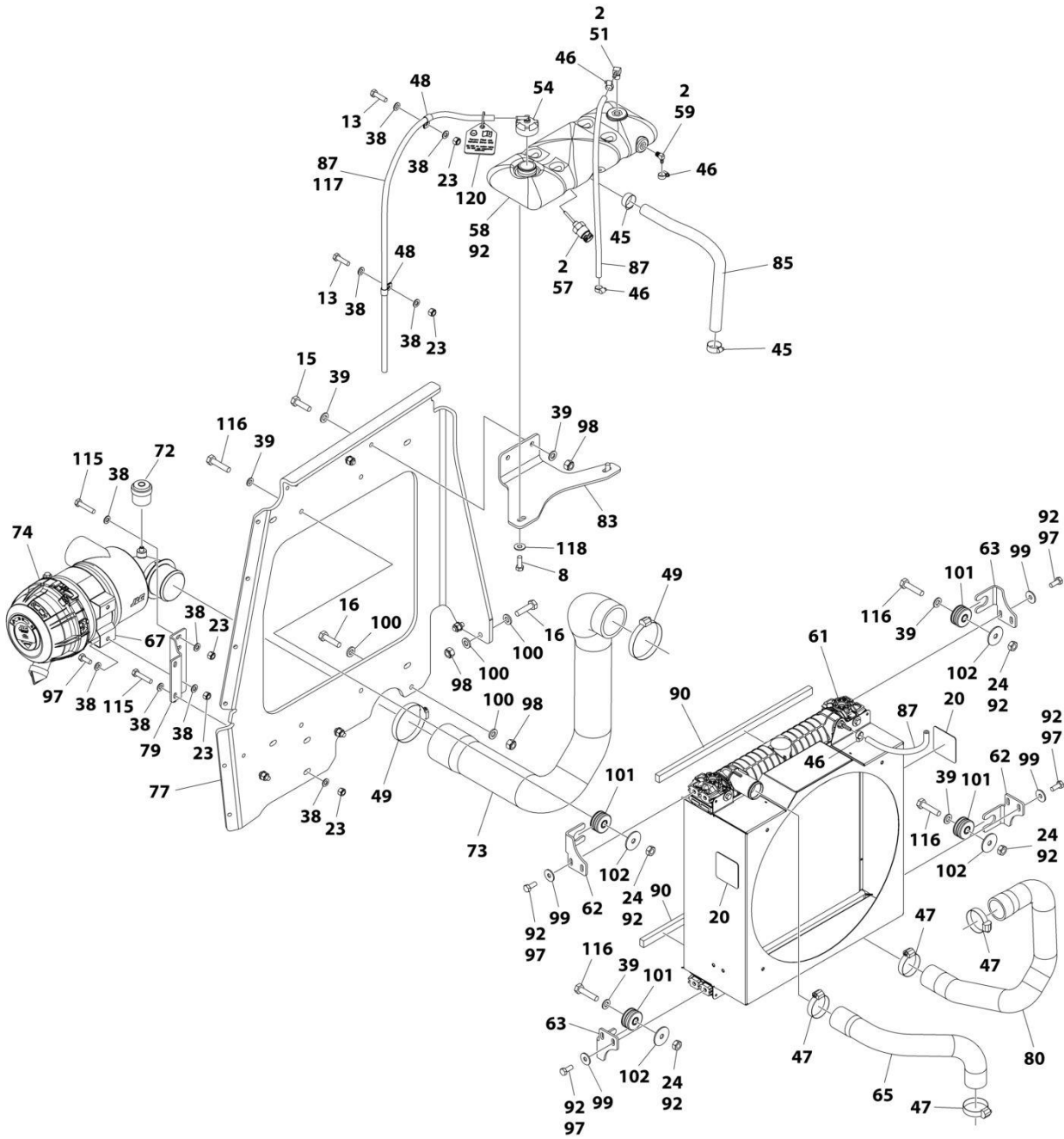
ITEM	PART NUMBER	QTY	DESCRIPTION	REV
	1001196568	Ref	DEUTZ TD2.9L4 ENGINE AND PUMPS SUB-ASSEMBLY	I
1	0100011	AR	Compound, Locking	
2	0641808	2	Bolt 1/2 x 1	
3	0641814	2	Bolt 1/2 x 1-3/4	
4	0760612	1	Bolt M6 x 25	
6	0761015	6	Bolt M10 x 35	
7	2220451	1	Fitting, Straight JIC/ORB	
9	2220578	2	Fitting, 90 JIC/ORB	
13	2220946	2	Fitting, Straight JIC/ORB	
14	2220947	3	Fitting, Straight JIC/ORB	
17	2230027	2	Fitting, Straight	
18	3290605	1	Nut M6	
19	3291005	6	Nut M10	
20	3422532	1	Pin	
21	3600359	1	Piston Pump Assembly - Rear (See Separate Breakdown in this Section)	
22	3600363	1	Piston Pump Assembly - Front (See Separate Breakdown in this Section)	
23	3790152	1	O-Ring	
24	3931620	2	Capscrew 3/8 x 1-1/4	
24	3931618	2	Capscrew 3/8 x 1-1/8	
25	3960469	2	Seal	
26	4061032	AR	Shield	
27	4240099	AR	Tie-Strap (Not Shown)	
28	4811700	1	Washer M6	
29	4812000	4	Washer M10	
30	4812002	8	Washer M10	
31	5241000	2	Washer M10	
33	4811702	1	Washer M6	
34	1001164196	2	Clamp	
35	1001179156	1	Valve, Check	
36	1001188171	1	Radiator, Oil Cooler	
37	1001190143	1	Gear Pump Assembly	
37	70006356	1	Seal Kit - 1001190143 Pump	
38	1001239207	1	Pipe, Exhaust	
39	1001195504	1	Hose	
40	1001195506	1	Hose	
41	1001186812	1	Deutz TD2.9L4 Engine Assembly (See Separate Breakdown in this Section)	
42	1001195509	1	Hose	
44	1001200216	1	Hose	
45	2131212	4	Fitting, 90 ORFS/ORB	
47	1001213814	1	Fitting, Tee JIC/ORB/JIC	
48	2220518	1	Cap	
49	2220738	1	Fitting, Tee JIC/ORB/JIC	
50	0711627	1	Bolt M16 x 100	
51	2220695	1	Fitting, Tee JIC/ORB/JIC	
52	3331611	1	Nut M16	
53	3790045	1	O-Ring	
54	1001197149	1	Mount, Engine	

SECTION 3 - ENGINE

ITEM	PART NUMBER	QTY	DESCRIPTION	REV
55	1001233450	2	Fitting, Straight ORB/ORB	
56	1001235110	1	Hose	

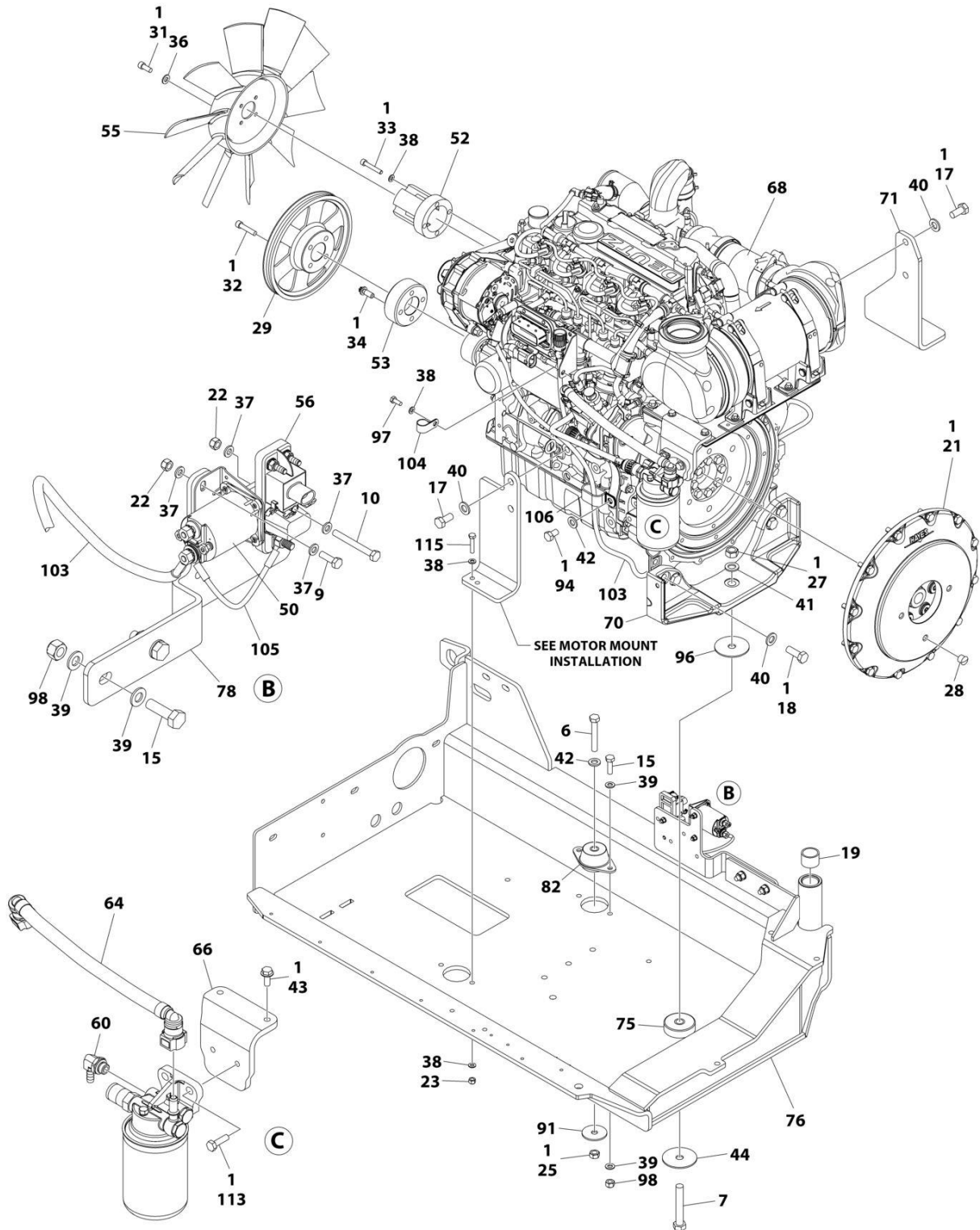
SECTION 3 - ENGINE

FIGURE 3-10. DEUTZ TD2.9L4 ENGINE ASSEMBLY - WITHOUT ARCTIC PACKAGE



ART_1001186812_AA_10F2

SECTION 3 - ENGINE



ART_1001186812_AA_20F2

SECTION 3 - ENGINE

FIGURE 3-10. DEUTZ TD2.9L4 ENGINE ASSEMBLY - WITHOUT ARCTIC PACKAGE

ITEM	PART NUMBER	QTY	DESCRIPTION	REV
	1001186812	Ref	DEUTZ TD2.9L4 - 67HP ENGINE ASSEMBLY	AA
1	0100011	AR	Compound, Locking	
2	0100020	AR	Sealant	
6	0711224	1	Bolt M12 x 80	
7	0711627	1	Bolt M16 x 100	
8	0681608	2	Bolt 3/8 x 1	
9	0760610	2	Bolt M6 x 20	
10	0760619	1	Bolt M6 x 55	
13	0760814	AR	Bolt M8 x 30	
15	0761015	6	Bolt M10 x 35	
16	0761016	5	Bolt M10 x 40	
17	0771414	4	Bolt M14 x 30	
18	0771416	4	Bolt M14 x 40	
19	0961951	2	Bushing	
20	1703162	2	Decal - Fan Blade	
21	2902065	1	Pump Coupling Kit (See Separate Breakdown in this Section)	
22	3290605	AR	Nut M6	
23	3290805	AR	Nut M8	
24	3291001	4	Nut M10	
25	3331211	1	Nut M12	
27	3331611	1	Nut M16	
28	3520054	1	Plug	
29	3580320	1	Pulley	
31	3931512	4	Capscrew 5/16 x 3/4	
32	3931628	4	Capscrew 3/8 x 1-3/4	
33	4031914	4	Capscrew M8 x 50	
34	4032014	4	Capscrew M10 x 50	
36	4711500	4	Washer 5/16	
37	4811700	AR	Washer M6	
38	4811900	AR	Washer M8	
39	4812000	20	Washer M10	
40	5241400	8	Washer M14	
41	4812300	1	Washer M16	
42	5241200	2	Washer M12	
43	5250810	2	Bolt M8 x 20	
44	7300435	1	Washer	
45	8405007	2	Clamp	
46	8405009	4	Clamp	
47	8405104	4	Clamp	
48	8406109	AR	Clip	
49	8410011	2	Clamp	
50	1001117308	1	Contactora	
51	1001134488	1	Fitting, 90 Barbed (Part of Item 58)	
52	1001135138	1	Adapter, Fan	
53	1001135679	1	Adapter	
54	1001136834	1	Cap, Tank	
55	1001137276	1	Fan	
56	1001138228	1	Relay	
57	1001138827	1	Sensor, Coolant Level (Part of Item 58)	
58	1001230635	1	Tank, Surge (Include Items 51, 57 & 59)	

SECTION 3 - ENGINE

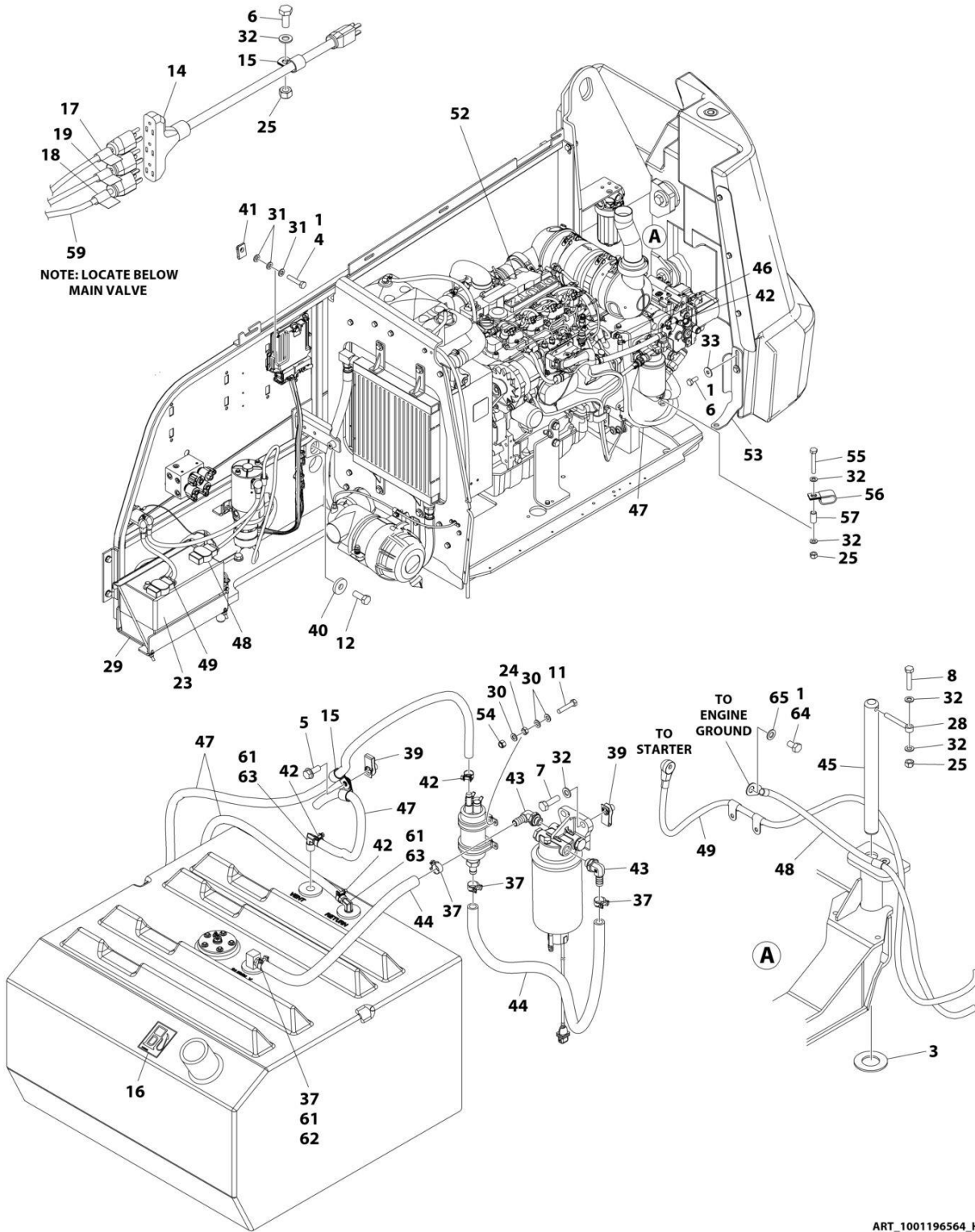
ITEM	PART NUMBER	QTY	DESCRIPTION	REV
59	1001140564	1	Fitting, 90 Barbed (Part of Item 58)	
60	1001152489	1	Fitting, 90 Barbed	
61	1001167042	1	Radiator	
62	1001169967	2	Bracket	
63	1001170035	2	Bracket	
64	1001177359	1	Hose	
65	1001177844	1	Hose, Radiator (Top)	
66	1001231805	1	Mount	
67	1001186426	1	Clamp, Air Cleaner	
68	1001249943	1	Deutz TD2.9L4 - 67HP Engine (See Separate Breakdown in this Section)	
69	1001233895	1	Engine Harness - Deutz TD2.9L4 - 67HP Engines (Not Shown - See Separate Breakdown in ELECTRICAL Section)	
70	1001188535	1	Bracket, Engine - Rear	
71	1001189026	1	Bracket, Engine - Right	
72	1001166716	1	Restriction, Indicator	
73	1001189913	1	Hose	
74	1001189979	1	Filter, Air	
74	70005008	1	Element, Filter	
75	1001190164	1	Mount, Motor	
76	1001200745	1	Tray	
77	1001229091	1	Support, Radiator	
78	1001203885	1	Plate	
79	1001190942	1	Support	
80	1001191025	1	Hose, Radiator (Bottom)	
82	1001191610	1	Mount, Motor	
83	1001192400	1	Bracket	
85	1001193049	1	Hose	
87	2720015	AR	Hose	
90	1001168166	2	Seal	
91	1001168018	1	Washer	
92	1001180620	AR	Adhesive	
94	0761210	1	Bolt M12 x 20	
96	1001197725	1	Spacer	
97	0760810	11	Bolt M8 x 20	
98	3291005	11	Nut M10	
99	4811902	8	Washer M8	
100	5241000	10	Washer M10	
101	1001169054	4	Isolator	
102	1001169138	4	Pad, Snubbing	
103	1001190442	1	Harness, Alternator Power	
103	1001098764	1	Boot - Red	
104	1320202	1	Clamp	
105	1001141304	1	Harness, Glow Fuse	
106	1001181899	1	Clamp	
108	4240099	1	Tie-Strap (Not Shown)	
113	5251012	2	Bolt M10 x 25	
115	0760816	3	Bolt M8 x 40	
116	0761017	4	Bolt M10 x 45	
117	1001138248	4 ft /2 m	Tube	
118	4751600	2	Washer 3/8	
119	4240032	1	Tie-Strap (Not Shown)	

SECTION 3 - ENGINE

ITEM	PART NUMBER	QTY	DESCRIPTION	REV
120	1001291401	1	Tag, Coolant	

SECTION 3 - ENGINE

FIGURE 3-11. DEUTZ TD2.9L4 ENGINE INSTALLATION - WITH ARCTIC PACKAGE



ART_1001196564_H

SECTION 3 - ENGINE

FIGURE 3-11. DEUTZ TD2.9L4 ENGINE INSTALLATION - WITH ARCTIC PACKAGE

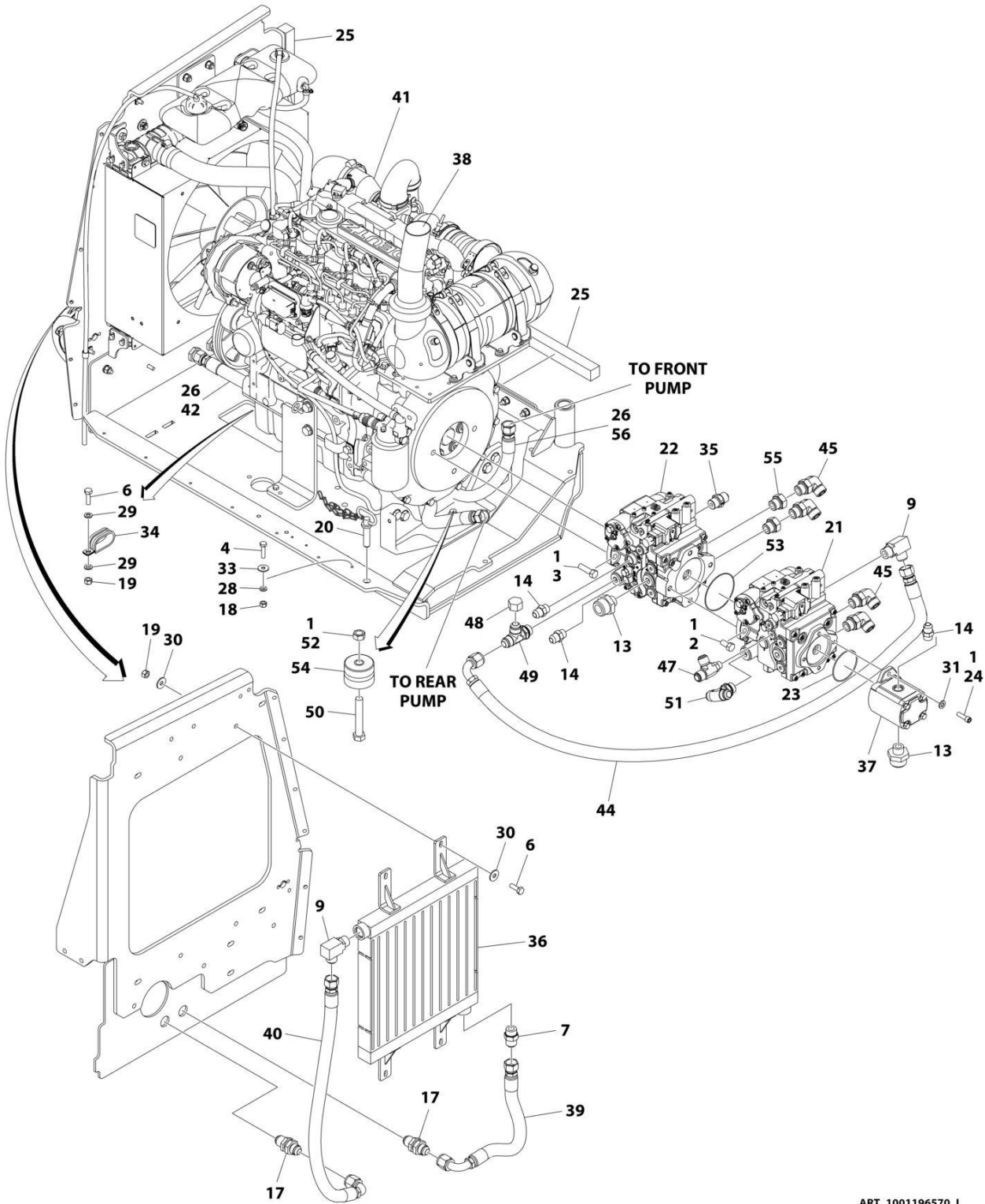
ITEM	PART NUMBER	QTY	DESCRIPTION	REV
	1001196564	Ref	DEUTZ TD2.9L4 ENGINE INSTALLATION	H
1	0100011	AR	Compound, Locking	
3	0440162	1	Bearing	
4	0700614	4	Bolt M6 x 30	
5	5251012	1	Bolt M10 x 25	
6	0701012	3	Bolt M10 x 25	
7	0701015	2	Bolt M10 x 35	
8	0711018	1	Bolt M10 x 50	
11	0760512	4	Bolt M5 x 25	
12	0772018	1	Bolt M20 x 50	
14	1060626	1	Plug, 3 Way	
15	1320061	3	Clamp	
16	1701505	1	Decal - Diesel Fuel	
17	1702941	1	Decal - Battery Heater	
18	1702942	1	Decal - Engine Block Heater	
19	1702943	1	Decal - Hydraulic Tank Heater	
23	2580024	1	Heater, Battery	
24	3290501	4	Nut M5	
25	3291005	3	Nut M10	
28	3841143	1	Keeper, Pin	
29	3980007	1	Seat, Battery	
30	4811600	12	Washer M5	
31	4811700	12	Washer M6	
32	4812000	7	Washer M10	
33	4812002	2	Washer M10	
37	1001175568	4	Clip	
38	1001188972	1	Heater, Immersion (Not Shown - Located on Hydraulic Tank)	
39	1001118972	3	Nut, Tinnerman M10	
40	1001119051	1	Washer	
41	1001130220	4	Nut, Tinnerman M6	
42	1001136975	5	Clamp	
43	1001142501	2	Fitting, 90 Barbed	
44	1001154405	33 in/ 0.8m	Hose	
45	1001155094	1	Pin	
46	1001155823	1	Fitting, 90 Quick Connect	
47	1001165035	27 ft/ 8.2m	Hose	
48	1001188668	1	Cable, Battery (-) to Aux Pump and Ground	
49	1001188669	1	Cable, Battery (+) to Aux Relay to Starter	
52	1001196570	1	Deutz TH2.9L4 Engine and Pumps Sub-Assembly (See Separate Breakdown in this Section)	
53	1001197881	1	Bracket	
54	3290505	4	Nut M5	
55	0701022	1	Bolt M10 x 70	
56	1001026127	1	Clamp	
57	1001200731	1	Tube	
58	4240099	1	Tie-Strap (Not Shown)	
59	1001150918	1	Cable, Extension	
60	1001190444	1	Engine Harness - Deutz TD2.9L4 Engines (Not Shown) (See	

SECTION 3 - ENGINE

ITEM	PART NUMBER	QTY	DESCRIPTION	REV
			Separate Breakdown in ELECTRICAL SECTION)	
61	0100020	AR	Sealant	
62	2180832	1	Fitting, Straight Barbed	
63	2220313	2	Fitting, 90 NPTF/Barb	
64	0761210	1	Bolt M12 x 20	
65	4812100	1	Washer M12	
66	1001233763	1	Deutz Breather Heater Installation (Not Shown - See Separate Breakdown in this Section)	
66	4240099	AR	Tie-Strap	
66	1001196634	1	Fuse 2amp	
66	1001232842	1	Heater, Deutz Breather Kit	
66	2400060	1	Fuse, Holder	
100	1001235532	1	Battery Cable Kit (Includes Items 48 & 49) (Not Shown)	

SECTION 3 - ENGINE

FIGURE 3-12. DEUTZ TD2.9L4 ENGINE AND PUMPS SUB-ASSEMBLY - WITH ARCTIC PACKAGE



ART_1001196570_1

SECTION 3 - ENGINE

FIGURE 3-12. DEUTZ TD2.9L4 ENGINE AND PUMPS SUB-ASSEMBLY - WITH ARCTIC PACKAGE

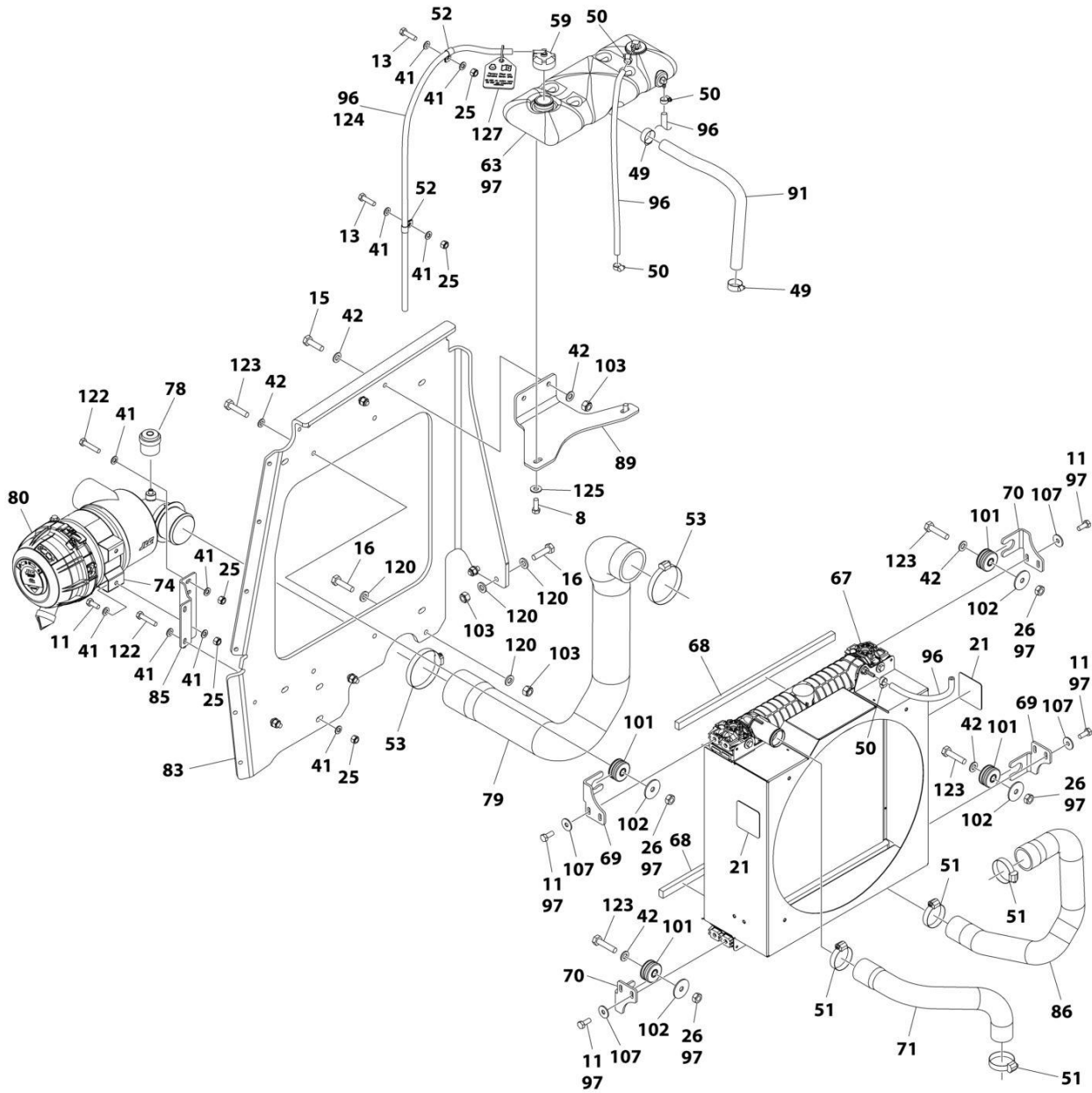
ITEM	PART NUMBER	QTY	DESCRIPTION	REV
	1001196570	Ref	DEUTZ TD2.9L4 ENGINE AND PUMPS SUB-ASSEMBLY	I
1	0100011	AR	Compound, Locking	
2	0641808	2	Bolt 1/2 x 1	
3	0641814	2	Bolt 1/2 x 1-3/4	
4	0760612	1	Bolt M6 x 25	
6	0761015	6	Bolt M10 x 35	
7	2220451	1	Fitting, Straight JIC/ORB	
9	2220578	2	Fitting, 90 JIC/ORB	
13	2220946	2	Fitting, Straight JIC/ORB	
14	2220947	3	Fitting, Straight JIC/ORB	
17	2230027	2	Fitting, Straight	
18	3290605	1	Nut M6	
19	3291005	6	Nut M10	
20	3422532	1	Pin	
21	3600359	1	Piston Pump Assembly - Rear (See Separate Breakdown in this Section)	
22	3600363	1	Piston Pump Assembly - Front (See Separate Breakdown in this Section)	
23	3790152	1	O-Ring	
24	3931618	2	Capscrew 3/8 x 1-1/8	
25	3960469	2	Seal	
26	4061032	AR	Shield	
27	4240099	AR	Tie-Strap (Not Shown)	
28	4811700	1	Washer M6	
29	4812000	4	Washer M10	
30	4812002	8	Washer M10	
31	5241000	2	Washer M10	
33	4811702	1	Washer M6	
34	1001164196	2	Clamp	
35	1001179156	1	Valve, Check	
36	1001188171	1	Radiator, Oil Cooler	
37	1001190143	1	Gear Pump Assembly	
37	70006356	1	Seal Kit - 1001190143 Pump	
38	1001239207	1	Pipe, Exhaust	
39	1001195504	1	Hose	
40	1001195506	1	Hose	
41	1001186814	1	Deutz TD2.9L4 Engine Assembly (See Separate Breakdown in this Section)	
42	1001195509	1	Hose	
44	1001200216	1	Hose	
45	2131212	4	Fitting, 90 ORFS/ORB	
47	1001213814	1	Fitting, Tee JIC/ORB/JIC	
48	2220518	1	Cap	
49	2220738	1	Fitting, Tee JIC/ORB/JIC	
50	0711627	1	Bolt M16 x 100	
51	2220695	1	Fitting, Tee JIC/ORB/JIC	
52	3331611	1	Nut M16	
53	3790045	1	O-Ring	
54	1001197149	1	Mount	
55	1001233450	2	Fitting, Straight ORB/ORB	

SECTION 3 - ENGINE

ITEM	PART NUMBER	QTY	DESCRIPTION	REV
56	1001235110	1	Hose	

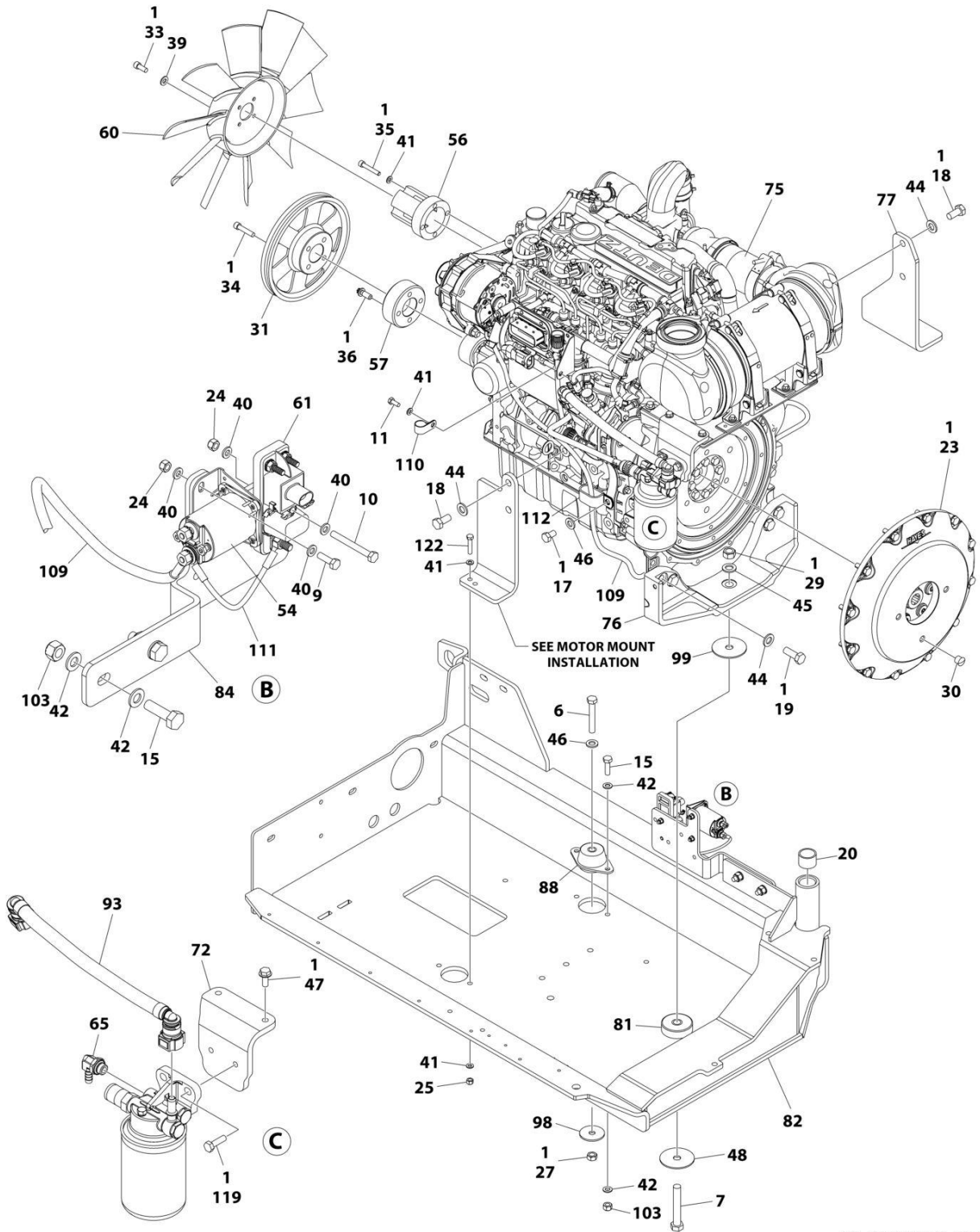
SECTION 3 - ENGINE

FIGURE 3-13. DEUTZ TD2.9L4 ENGINE ASSEMBLY - WITH ARCTIC PACKAGE



ART_1001186814_AA_10F2

SECTION 3 - ENGINE



ART_1001186814_AA_20F2

SECTION 3 - ENGINE

FIGURE 3-13. DEUTZ TD2.9L4 ENGINE ASSEMBLY - WITH ARCTIC PACKAGE

ITEM	PART NUMBER	QTY	DESCRIPTION	REV
	1001186814	Ref	DEUTZ TD2.9L4 - 67HP ENGINE ASSEMBLY	AA
1	0100011	AR	Compound, Locking	
2	0100020	AR	Sealant	
6	0711224	1	Bolt M12 x 80	
7	0711627	1	Bolt M16 x 100	
8	0681608	2	Bolt 3/8 x 1	
9	0760610	2	Bolt M6 x 20	
10	0760619	1	Bolt M6 x 55	
11	0760810	11	Bolt M8 x 20	
13	0760814	AR	Bolt M8 x 30	
15	0761015	6	Bolt M10 x 35	
16	0761016	5	Bolt M10 x 40	
17	0761210	1	Bolt M12 x 20	
18	0771414	4	Bolt M14 x 30	
19	0771416	4	Bolt M14 x 40	
20	0961951	2	Bushing	
21	1703162	2	Decal - Fan Blade	
23	2902065	1	Pump Coupling Kit (See Separate Breakdown in this Section)	
24	3290605	AR	Nut M6	
25	3290805	AR	Nut M8	
26	3291001	4	Nut M10	
27	3331211	1	Nut M12	
29	3331611	1	Nut M16	
30	3520054	1	Plug	
31	3580320	1	Pulley	
33	3931512	4	Capscrew 5/16 x 3/4	
34	3931628	4	Capscrew 3/8 x 1-3/4	
35	4031914	4	Capscrew M8 x 50	
36	4032014	4	Capscrew M10 x 50	
39	4711500	4	Washer 5/16	
40	4811700	AR	Washer M6	
41	4811900	AR	Washer M8	
42	4812000	20	Washer M10	
44	5241400	8	Washer M14	
45	4812300	1	Washer M16	
46	5241200	2	Washer M12	
47	5250810	2	Bolt M8 x 20	
48	7300435	1	Washer	
49	8405007	2	Clamp	
50	8405009	4	Clamp	
51	8405104	4	Clamp	
52	8406109	AR	Clip	
53	8410011	2	Clamp	
54	1001117308	1	Contactactor	
55	1001134488	1	Fitting, 90 Barbed (Part of Item 63)	
56	1001135138	1	Adapter	
57	1001135679	1	Adapter	
59	1001136834	1	Cap, Tank	
60	1001137276	1	Fan	
61	1001138228	1	Relay	

SECTION 3 - ENGINE

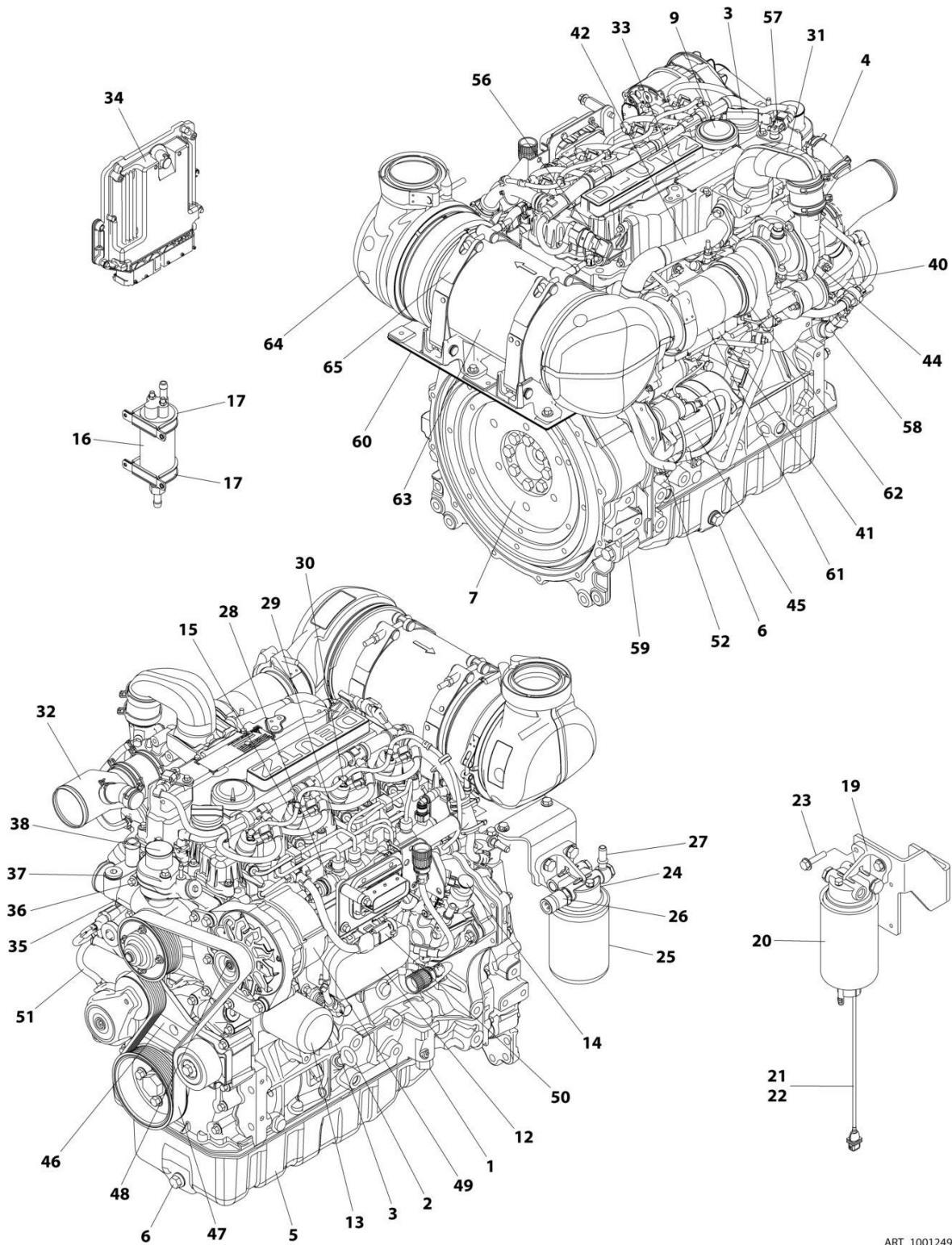
ITEM	PART NUMBER	QTY	DESCRIPTION	REV
62	1001138827	1	Sensor, Coolant Level (Part of Item 63)	
63	1001230635	1	Tank, Surge (Includes Items 55, 62 & 64)	
64	1001140564	1	Fitting, 90 Barbed (Part of Item 63)	
65	1001152489	1	Fitting, 90 Pipe/Barbed	
67	1001167042	1	Radiator	
68	1001168166	2	Seal	
69	1001169967	2	Bracket	
70	1001170035	2	Bracket	
71	1001177844	1	Hose, Radiator (Top)	
72	1001231805	1	Mount	
74	1001186426	1	Clamp, Air Cleaner	
75	1001249943	1	Deutz TD2.9L4 - 67HP Engine (See Separate Breakdown in this Section)	
76	1001188535	1	Bracket, Engine - Rear	
77	1001189026	1	Bracket, Engine - Right	
78	1001166716	1	Restriction, Indicator	
79	1001189913	1	Hose	
80	1001189979	1	Filter, Air	
80	70005008	1	Element, Filter	
81	1001190164	1	Mount, Motor	
82	1001200745	1	Tray	
83	1001229091	1	Support, Radiator	
84	1001203885	1	Plate	
85	1001190942	1	Support	
86	1001191025	1	Hose, Radiator (Bottom)	
88	1001191610	1	Mount, Motor	
89	1001192400	1	Bracket	
91	1001193049	1	Hose	
92	1001140312	1	Heater, Engine Block	
93	1001177359	1	Hose	
94	1001233895	1	Engine Harness - Deutz TD2.9L4 - 67HP Engines (Not Shown - See Separate Breakdown in ELECTRICAL Section)	
96	2720015	AR	Hose	
97	1001180620	AR	Adhesive	
98	1001168018	1	Washer	
99	1001197725	1	Spacer	
101	1001169054	4	Isolator	
102	1001169138	4	Pad, Snubbing	
103	3291005	11	Nut M10	
107	4811902	8	Washer M8	
108	1001181895	AR	Adhesive	
109	1001190442	1	Harness, Alternator Power	
109	1001098764	1	Boot - Red	
110	1320202	1	Clamp	
111	1001141304	1	Harness, Glow Fuse	
112	1001181899	1	Clamp	
114	4240099	1	Tie-Strap (Not Shown)	
119	5251012	2	Bolt M10 x 25	
120	5241000	10	Washer M10	
122	0760816	3	Bolt M8 x 40	
123	0761017	4	Bolt M10 x 45	
124	1001138248	4 ft / 2 m	Tube	

SECTION 3 - ENGINE

ITEM	PART NUMBER	QTY	DESCRIPTION	REV
125	4751600	2	Washer 3/8	
126	4240032	1	Tie-Strap (Not Shown)	
127	1001291401	1	Tag, Coolant	

SECTION 3 - ENGINE

FIGURE 3-14. DEUTZ TD2.9L4 ENGINE COMPONENTS



ART_1001249943

SECTION 3 - ENGINE

FIGURE 3-14. DEUTZ TD2.9L4 ENGINE COMPONENTS

ITEM	PART NUMBER	QTY	DESCRIPTION	REV
	1001249943	Ref	ENGINE ASSEMBLY	A
1	70006265	1	Spring	
1	70006266	1	Seal	
1	70025660	1	Plug	
1	70006264	1	Valve, Plunger	
2	70024904	1	Dipstick	
2	70024905	2	Seal	
3	7020465	1	Cap, Fill	
4	70005920	1	Line, Breather	
4	70025111	2	Clamp	
5	70025162	1	Oil Pan	
6	70005942	1	Seal	
6	70005941	1	Plug	
7	70001870	1	Flywheel	
7	7024579	1	Ring Gear	
7	70025139	8	Bolt	
8	70024906	1	Gasket, Cylinder Head (Not Shown)	
9	70005921	1	Valve Cover	
9	70025205	1	Gasket	
10		Ref	Gasket & Seal Options (Not Shown)	
10	70005938	1	Gasket Kit	
10	70005171	1	Gasket	
10	70002718	1	Seal, Rear Main	
10	70028185	1	Gasket, Front Cover	
10	70004280	1	Seal, Front Main	
11	70005172	1	Pump, Lube (Not Shown - Located RH Rear)	
11	70025125	4	Bolt	
11	70025135	1	O-Seal	
11	70005173	1	Gasket	
12	70024494	1	Cooler, Oil	
12	70024925	1	Gasket, Oil Filter	
12	70025125	6	Bolt	
13	70025137	1	Bushing, Oil Filter	
13	7016331	1	Filter, Oil	
14	70024924	1	Pump, High Pressure	
14	70024517	1	Gasket (Spacer to Block)	
14	70025104	3	Nut	
14	70025152	1	Gasket (Spacer to Pump)	
14	70004505	1	Valve, Overflow	
14	70004506	1	Gasket, Overflow	
14	70004507	1	Gasket, Overflow	
14	70004508	1	Valve, Volume Control	
14	70004509	1	Seal, Ring	
14	70004510	1	Gasket	
14	70027415	2	Bolt	
15	70025181	4	Injector	
15	70025140	4	Washer, Sealing	
15	70025146	4	Clamp	
15	70025145	4	O-Seal	
15	70025154	4	Shoe/Pad, Clamping	

SECTION 3 - ENGINE

ITEM	PART NUMBER	QTY	DESCRIPTION	REV
15	70025147	4	Bolt	
16	70006144	1	Pump, Fuel Supply	
17	70025144	2	Clip, Clamp	
18	70029393	2	Receptacle Plug (Not Shown)	
19	70024961	1	Fuel Filter Assembly	
20	1001225430	1	Element, Filter	
21	70024513	1	Cable, Sensor	
22	70025239	1	Seal, Ring	
23	70025121	4	Bolt	
24	70029451	1	Fuel Filter Assembly	
25	1001225431	1	Element, Filter	
26	70028538	1	Cable, Sensor	
26	70024920	1	O-Seal	
27	70004513	2	Seal (at Hollow Bolt)	
28	70025151	1	Rail, Fuel	
28	70028186	2	Bolt	
28	70025235	1	Repair Kit - Fuel Rail	
28	70025240	1	O-Ring	
29	70025182	1	Tube, Fuel - Cylinders 1 & 2	
29	70025183	1	Tube, Fuel - Cylinders 3 & 4	
29	70025184	1	Tube, Fuel	
30	70024502	1	Pipe, Fuel Leakage	
30	70025185	1	Hose, Fuel	
30	70025158	1	Manifold	
30	70025109	2	Clamp, Spring	
30	70025115	1	Clamp	
30	70001655	1	Bolt	
30	70025101	2	Clamp	
30	70025148	1	Connector, Plug-in	
31	70005928	1	Elbow, Air Charge	
31	70025122	2	Bolt	
32	70004501	1	Sleeve, Rubber	
32	70025112	2	Clamp	
32	70005926	1	Elbow	
33	70005176	1	O-Ring	
33	70005177	1	Gasket, Charger Air Manifold	
33	70005178	2	Bolt	
33	70005179	9	Bolt	
34	70025210	1	Module, ECU	
35	70029797	1	Pump, Coolant	
35	70025200	1	Ring, Sealing (Pump to Block)	
35	70007325	1	Gasket, Coolant Pump	
36	70025129	4	Bolt	
37	7020492	2	Ring, Sealing	
38	70005929	1	Thermostat	
38	70005184	1	O-Seal (Thermostat to Housing)	
38	70025142	1	Cover, Thermostat	
38	70025124	2	Bolt	
38	70005931	1	O-Seal (Thermostat to Pump)	
39	70004282	1	Manifold, Exhaust (Not Shown)	
39	70025130	8	Bolt, Manifold (Not Shown)	

SECTION 3 - ENGINE

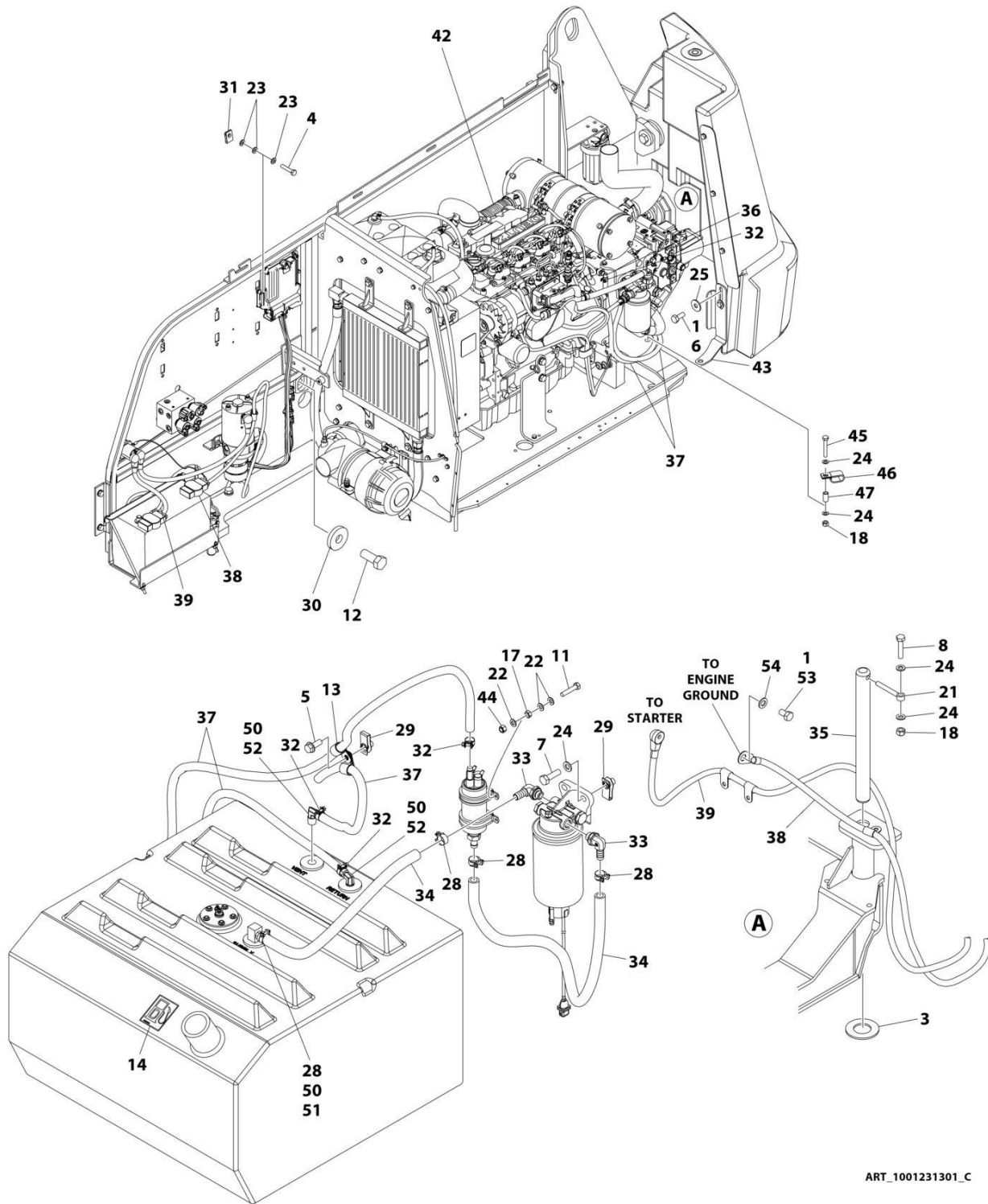
ITEM	PART NUMBER	QTY	DESCRIPTION	REV
39	70025164	1	Gasket, Manifold to Head (Not Shown)	
40	70025179	1	Gasket, Manifold to Elbow	
40	70007354	1	Gasket, Elbow End	
41	70007326	1	Gasket, EGR	
41	70007327	1	Valve, EGR Control	
41	70027428	4	Bolt	
41	70025106	4	Bolt, EGR Module	
41	70025155	2	Plug, EGR	
41	70025696	2	Bolt, EGR Valve Housing	
42	70029557	2	Gasket, Exhaust Pipe	
42	70025098	4	Bolt, Exhaust Pipe	
43	70024912	1	Gasket, Exhaust Manifold (Not Shown)	
43	70025676	4	Bolt, Exhaust Manifold (Not Shown)	
44	70004276	1	Turbocharger	
44	70024509	1	Gasket (Turbocharger to Oil Return Tube Housing)	
44	70025095	2	Bolt, Turbocharger	
44	70006294	1	O-Seal	
45	70024915	1	Starter	
45	70005647	1	Switch, Solenoid	
45	70005648	1	Relay	
45	70025099	2	Starter Bolt	
46	70028699	1	Belt Tensioner	
47	70004277	1	Belt	
48	70025733	1	Pulley, Alternator	
49	70006652	1	Generator	
49	70006653	1	Voltage, Regulator	
49	70029015	1	Fan	
49	70029402	1	Nut, Pulley	
49	70029403	1	Nut	
49	70029404	1	Washer	
50	70025231	1	Harness, Glow Plug	
50	70025233	1	Connector, Plug-in	
50	70000345	4	Glow Plug (Not Shown)	
51	70025226	1	Plug-In Connector	
51	70007086	4	Plug-In Connector	
51	70007087	5	Plug-In Connector	
51	70007088	1	Plug-In Connector	
51	70007089	1	Plug-In Connector	
51	70027440	1	Plug-In Connector	
51	70025221	2	Plug-In Connector	
51	70025327	1	Plug-In Connector	
51	70025216	1	Adapter	
51	70025215	1	Fixing, Bracket	
51	70025134	4	Screw	
51	70025165	1	Retaining Plate	
51	70025228	2	Bracket	
51	70025229	1	Wire Fastener	
51	70025217	4	Clamping Band	
51	70025224	3	Clamping Band	
51	70025225	2	Support, Cable	
51	70027446	1	Clamp, Support	

SECTION 3 - ENGINE

ITEM	PART NUMBER	QTY	DESCRIPTION	REV
51	70025214	1	Cover, Cap	
52	70025166	1	Angle, Support	
52	70001655	1	Bolt	
52	70025126	6	Bolt	
53	70028540	1	Sender, Temperature (Not Shown)	
54	70028538	1	Sensor, Pressure (Not Shown)	
54	70024920	1	O-Seal	
55	70026210	1	Tacho-Generator (Not Shown)	
55	70005191	1	Ring, Seal	
56	70005179	2	Bolt	
56	70005933	1	Adapter	
56	70005934	1	O-Seal	
56	70024507	1	Sensor, Pressure	
56	70025120	1	O-Seal	
56	70001655	2	Bolt	
57	70024922	1	Sender, Temperature	
57	70025212	1	O-Seal	
58	70025128	1	Bolt	
58	70026210	1	Sensor, Speed	
58	70024917	1	O-Seal	
59	70025192	1	Housing	
59	70025113	2	Straight, Pin	
59	70025108	4	Bolt	
60	70005935	1	Bracket	
60	70005936	4	Bolt	
61	70004504	1	Compensator	
61	70025242	1	Gasket	
62	70005527	1	Clip	
62	70029433	1	Clip	
62	70025788	1	Nut, Clip	
63	70007355	1	Inlet, Muffler	
63	70029517	1	Clip	
63	70029250	1	Gasket, Inlet	
64	70007331	1	Outlet, Muffler	
64	70029517	1	Clip	
64	70029250	1	Gasket, Outlet	
65	70029415	2	Bracket, Muffler	
65	70025098	8	Bolt	

SECTION 3 - ENGINE

FIGURE 3-15. DEUTZ TD2.9L4 ENGINE INSTALLATION - WITHOUT ARCTIC PACKAGE (CHINA SPECS ONLY)



ART_1001231301_C

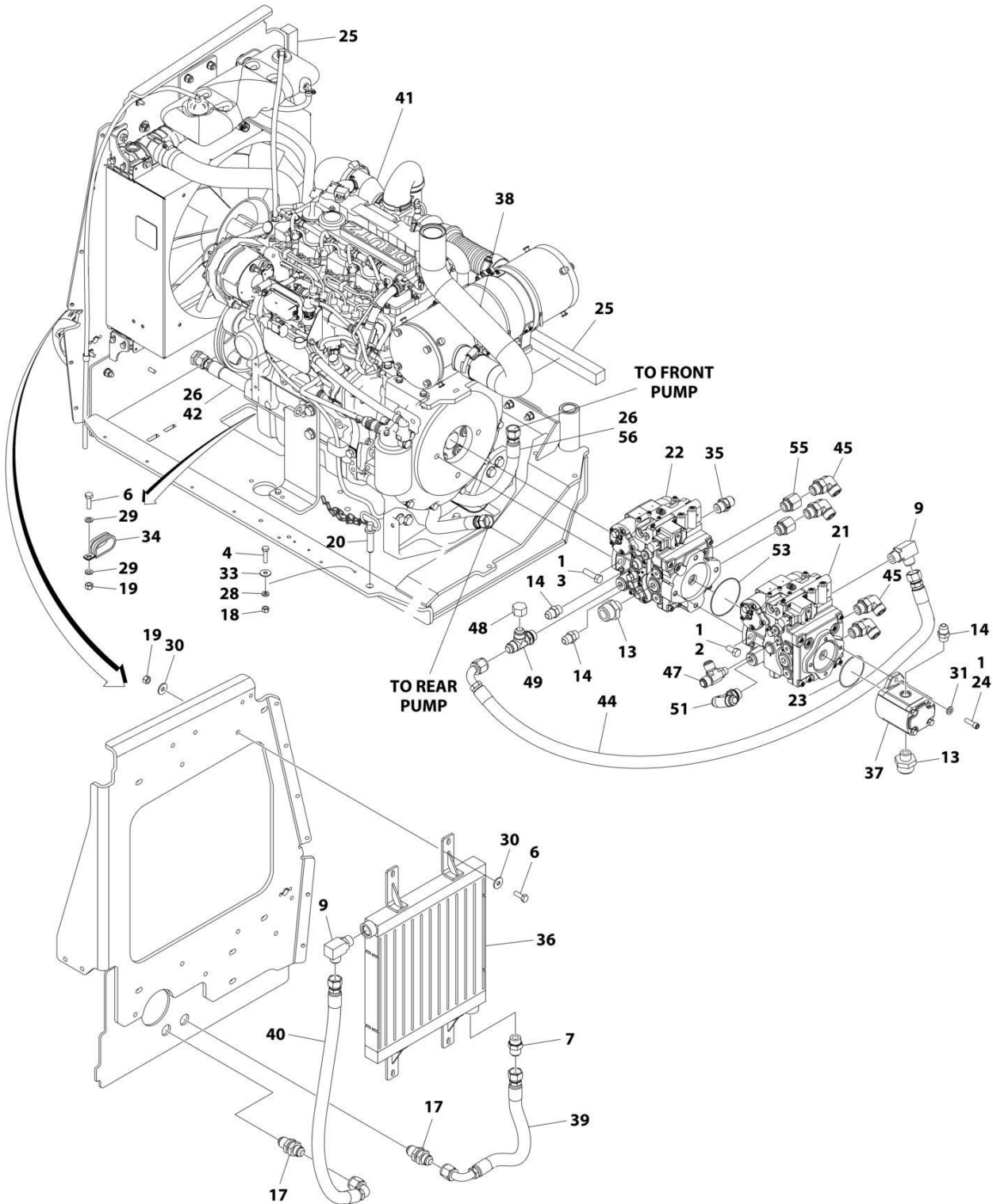
SECTION 3 - ENGINE

FIGURE 3-15. DEUTZ TD2.9L4 ENGINE INSTALLATION - WITHOUT ARCTIC PACKAGE (CHINA SPECS ONLY)

ITEM	PART NUMBER	QTY	DESCRIPTION	REV
	1001231301	Ref	DEUTZ TD2.9L4 ENGINE INSTALLATION	C
1	0100011	AR	Compound, Locking	
3	0440162	1	Bearing	
4	0700614	4	Bolt M6 x 30	
5	5251012	1	Bolt M10 x 25	
6	0701012	2	Bolt M10 x 25	
7	0701015	2	Bolt M10 x 35	
8	0711018	1	Bolt M10 x 50	
11	0760512	4	Bolt M5 x 25	
12	0772018	1	Bolt M20 x 50	
13	1320061	2	Clamp	
14	1701505	1	Decal - Diesel Fuel	
17	3290501	4	Nut M5	
18	3291005	2	Nut M10	
21	3841143	1	Keeper, Pin	
22	4811600	12	Washer M5	
23	4811700	12	Washer M6	
24	4812000	6	Washer M10	
25	4812002	2	Washer M10	
28	1001175568	4	Clip	
29	1001118972	3	Nut, Tinnerman M10	
30	1001119051	1	Washer	
31	1001130220	4	Nut, Tinnerman M6	
32	1001136975	5	Clamp	
33	1001142501	2	Fitting, 90 Barbed	
34	1001154405	33 in/ 0.8m	Hose	
35	1001155094	1	Pin	
36	1001155823	1	Fitting, 90 Quick Connect	
37	1001165035	27 ft/ 8.2m	Hose	
38	1001188668	1	Cable, Battery (-) to Aux Pump and Ground	
39	1001188669	1	Cable, Battery (+) to Aux Relay to Starter	
42	1001231302	1	Deutz TD2.9L4 T4F Engine and Pump Sub-Assembly (See Separate Breakdown in this Section)	
43	1001197881	1	Bracket	
44	3290505	4	Nut M5	
45	0701022	1	Bolt M10 x 70	
46	1001026127	1	Clamp	
47	1001200731	1	Tube	
48	4240099	7	Tie-Strap (Not Shown)	
49	1001190444	1	Fuel Pump Harness - Deutz TD2.9L4 Engine (Not Shown) (See Separate Breakdown in ELECTRICAL SECTION)	
50	0100020	AR	Sealant	
51	2180832	1	Fitting, Straight Barbed	
52	2220313	2	Fitting, 90 NPTF/Barb	
53	0761210	1	Bolt M12 x 20	
54	4812100	1	Washer M12	
100	1001235532	1	Battery Cable Kit (Includes Items 38 & 39) (Not Shown)	

SECTION 3 - ENGINE

FIGURE 3-16. DEUTZ TD2.9L4 ENGINE AND PUMPS SUB-ASSEMBLY - WITHOUT ARCTIC PACKAGE (CHINA SPECS ONLY)



ART_1001231302_D

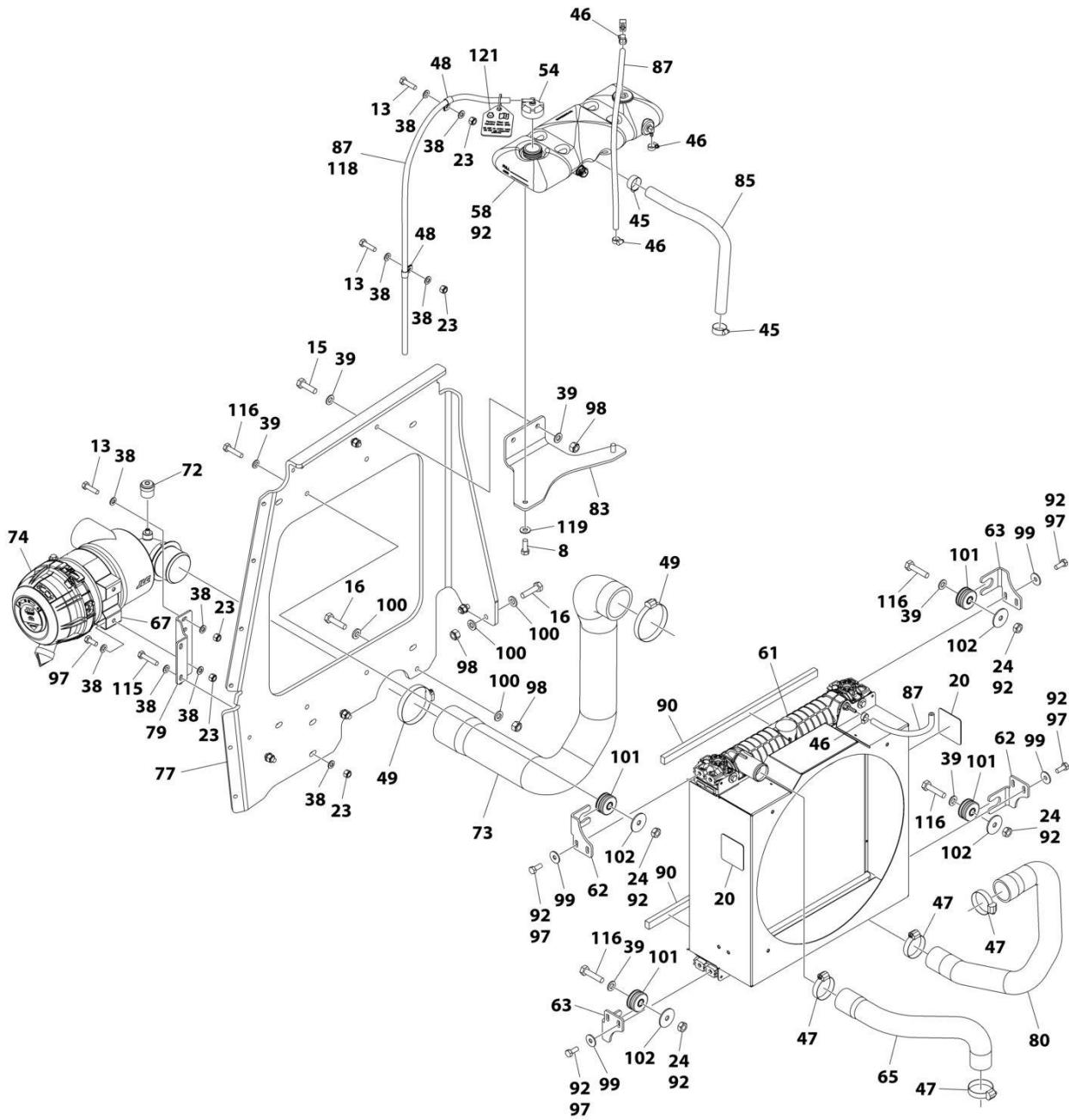
SECTION 3 - ENGINE

**FIGURE 3-16. DEUTZ TD2.9L4 ENGINE AND PUMPS SUB-ASSEMBLY - WITHOUT ARCTIC PACKAGE
(CHINA SPECS ONLY)**

ITEM	PART NUMBER	QTY	DESCRIPTION	REV
	1001231302	Ref	DEUTZ TD2.9L4 ENGINE AND PUMPS SUB-ASSEMBLY	D
1	0100011	AR	Compound, Locking	
2	0641808	2	Bolt 1/2 x 1	
3	0641814	2	Bolt 1/2 x 1-3/4	
4	0760612	1	Bolt M6 x 25	
6	0761015	6	Bolt M10 x 35	
7	2220451	1	Fitting, Straight JIC/ORB	
9	2220578	2	Fitting, 90 JIC/ORB	
13	2220946	2	Fitting, Straight JIC/ORB	
14	2220947	3	Fitting, Straight JIC/ORB	
17	2230027	2	Fitting, Straight	
18	3290605	1	Nut M6	
19	3291005	6	Nut M10	
20	3422532	1	Pin	
21	3600359	1	Piston Pump Assembly - Rear (See Separate Breakdown in this Section)	
22	3600363	1	Piston Pump Assembly - Front (See Separate Breakdown in this Section)	
23	3790152	1	O-Ring	
24	3931618	2	Capscrew 3/8 x 1-1/8	
25	3960469	2	Seal	
26	4061032	3	Shield	
27	4240099	AR	Tie-Strap (Not Shown)	
28	4811700	1	Washer M6	
29	4812000	4	Washer M10	
30	4812002	8	Washer M10	
31	5241000	2	Washer M10	
33	4811702	1	Washer M6	
34	1001164196	2	Clamp	
35	1001179156	1	Valve, Check	
36	1001188171	1	Radiator, Oil Cooler	
37	1001190143	1	Gear Pump Assembly	
37	70006356	1	Seal Kit - 1001190143 Pump	
38	1001257156	1	Pipe, Exhaust	
39	1001195504	1	Hose	
40	1001195506	1	Hose	
41	1001231308	1	Deutz TD2.9L4 Engine Assembly (See Separate Breakdown in this Section)	
42	1001195509	1	Hose	
44	1001200216	1	Hose	
45	2131212	4	Fitting, 90 ORFS/ORB	
47	1001213814	1	Fitting, Tee JIC/ORB/JIC	
48	2220518	1	Cap	
49	2220738	1	Fitting, Tee JIC/ORB/JIC	
51	2220695	1	Fitting, Tee JIC/ORB/JIC	
53	3790045	1	O-Ring	
55	1001233450	2	Fitting, Straight ORB/ORB	
56	1001235110	1	Hose	

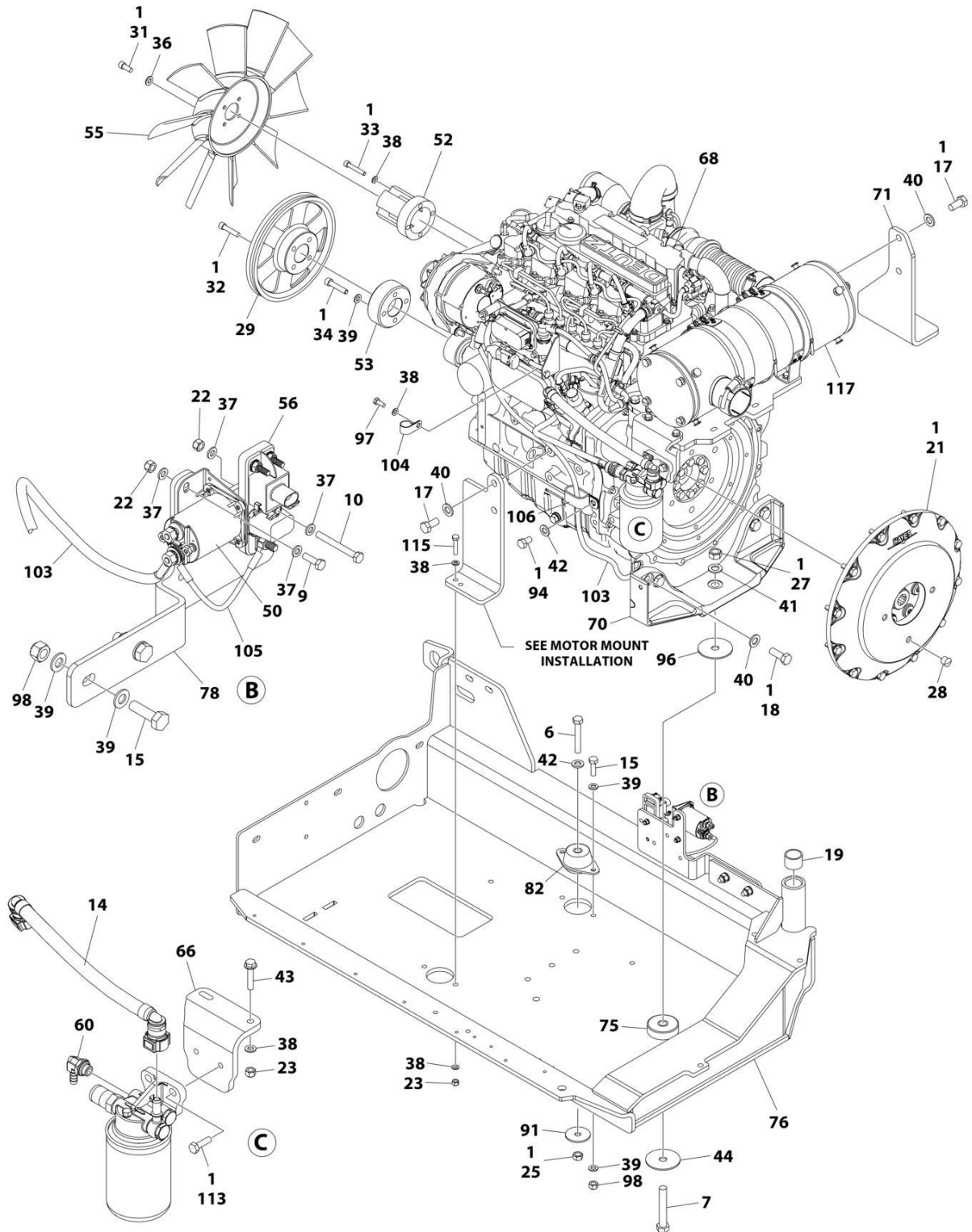
SECTION 3 - ENGINE

FIGURE 3-17. DEUTZ TD2.9L4 ENGINE ASSEMBLY - WITHOUT ARCTIC PACKAGE (CHINA SPECS ONLY)



ART_1001231308_P_10F2

SECTION 3 - ENGINE



ART_1001231308_P_20F2

SECTION 3 - ENGINE

FIGURE 3-17. DEUTZ TD2.9L4 ENGINE ASSEMBLY - WITHOUT ARCTIC PACKAGE (CHINA SPECS ONLY)

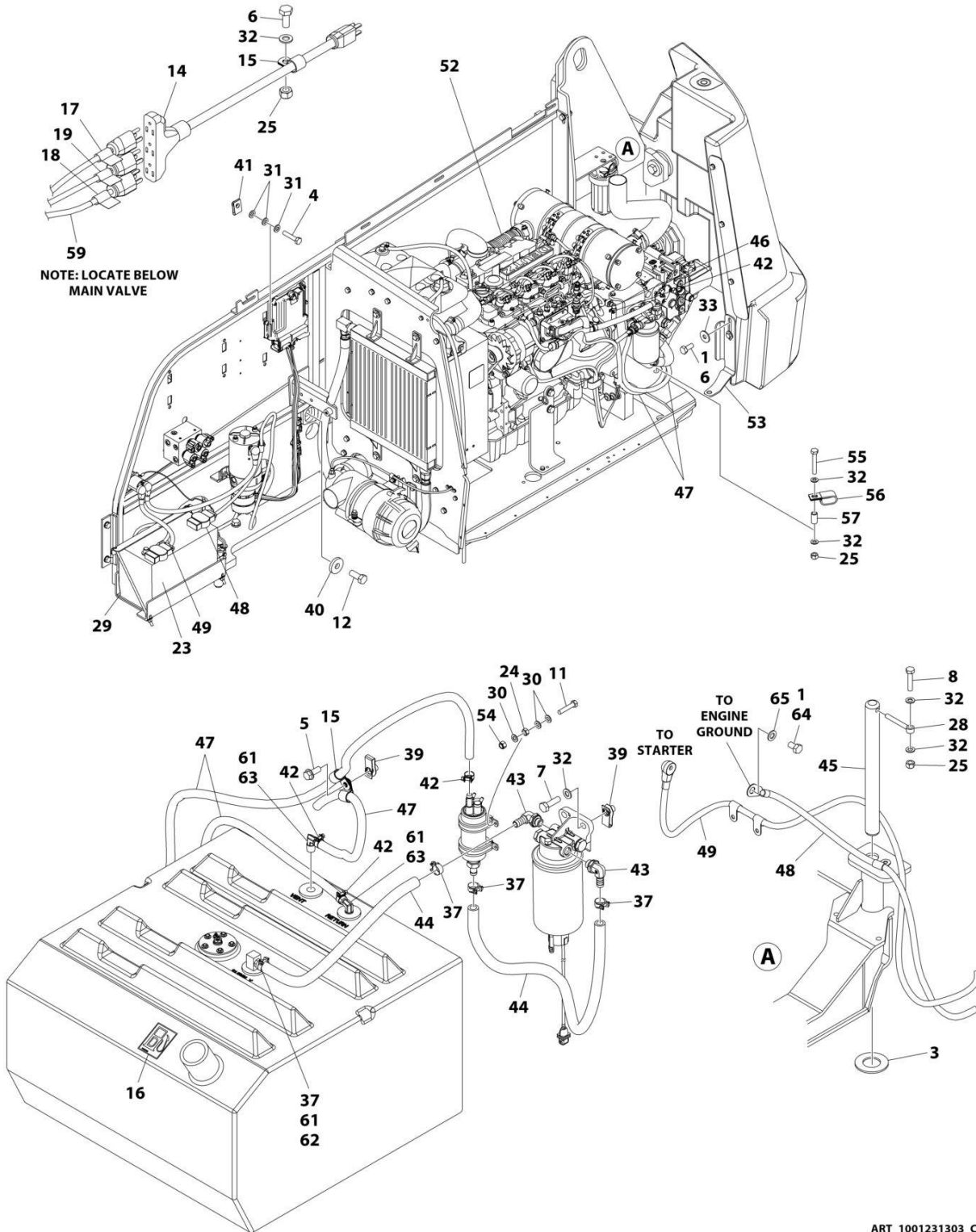
ITEM	PART NUMBER	QTY	DESCRIPTION	REV
	1001231308	Ref	DEUTZ TD2.9L4 ENGINE ASSEMBLY	P
1	0100011	AR	Compound, Locking	
6	0711224	1	Bolt M12 x 80	
7	0711627	1	Bolt M16 x 100	
8	0681608	2	Screw 3/8 x 1	
9	0760610	2	Bolt M6 x 20	
10	0760619	1	Bolt M6 x 55	
13	0760814	2	Bolt M8 x 30	
14	1001177359	1	Hose	
15	0761015	6	Bolt M10 x 35	
16	0761016	5	Bolt M10 x 40	
17	0771414	4	Bolt M14 x 30	
18	0771416	4	Bolt M14 x 40	
19	0961951	2	Bushing	
20	1703162	2	Decal - Fan Blade	
21	2902065	1	Pump Coupling Kit (See Separate Breakdown in this Section)	
22	3290605	3	Nut M6	
23	3290805	9	Nut M8	
24	3291001	4	Nut M10	
25	3331211	1	Nut M12	
27	3331611	1	Nut M16	
28	3520054	1	Plug	
29	3580320	1	Pulley	
31	3931512	4	Capscrew 5/16 x 3/4	
32	3931628	4	Capscrew 3/8 x 1-3/4	
33	4031914	4	Capscrew M8 x 50	
34	4032014	4	Capscrew M10 x 50	
36	4711500	4	Washer 5/16	
37	4811700	6	Washer M6	
38	4811900	21	Washer M8	
39	4812000	20	Washer M10	
40	5241400	8	Washer M14	
41	4812300	1	Washer M16	
42	5241200	2	Washer M12	
43	5250816	2	Bolt M8 x 40	
44	7300435	1	Washer	
45	8405007	2	Clamp	
46	8405009	4	Clamp	
47	8405104	4	Clamp	
48	8406109	2	Clip	
49	8410011	2	Clamp	
50	1001117308	1	Contactora	
52	1001135138	1	Adapter, Fan	
53	1001135679	1	Adapter	
54	1001136834	1	Cap, Tank	
55	1001137276	1	Fan	
56	1001138228	1	Relay	
58	1001230635	1	Tank, Surge	
60	1001152489	1	Fitting, 90 Barbed	

SECTION 3 - ENGINE

ITEM	PART NUMBER	QTY	DESCRIPTION	REV
61	1001167042	1	Radiator	
62	1001169967	2	Bracket	
63	1001170035	2	Bracket	
65	1001177844	1	Hose, Radiator (Top)	
66	1001231805	1	Bracket	
67	1001186426	1	Clamp, Air Cleaner	
68	1001223591	1	Deutz TD2.9L4 Engine (See Separate Breakdown in this Section)	
69	1001233895	1	Engine Harness - Deutz TD2.9L4 Engines (Not Shown) (See Separate Breakdown in ELECTRICAL Section)	
70	1001188535	1	Bracket, Engine - Rear	
71	1001189026	1	Bracket, Engine - Right	
72	1001166716	1	Restriction, Indicator	
73	1001189913	1	Hose	
74	1001189979	1	Filter, Air	
74	70005008	1	Element, Filter	
75	1001197149	1	Mount, Motor	
76	1001200745	1	Tray	
77	1001229091	1	Support, Radiator	
78	1001203885	1	Plate	
79	1001190942	1	Support	
80	1001191025	1	Hose, Radiator (Bottom)	
82	1001191610	1	Mount, Motor	
83	1001192400	1	Bracket	
85	1001193049	1	Hose	
87	2720015	AR	Hose	
90	1001168166	2	Seal	
91	1001168018	1	Washer	
92	1001180620	AR	Adhesive	
94	0761210	1	Bolt M12 x 20	
96	1001197725	1	Spacer	
97	0760810	11	Bolt M8 x 20	
98	3291005	11	Nut M10	
99	4811902	8	Washer M8	
100	5241000	10	Washer M10	
101	1001169054	4	Isolator	
102	1001169138	4	Pad, Snubbing	
103	1001190442	1	Harness, Alternator Power	
103	1001098764	1	Boot - Red	
104	1320202	1	Clamp	
105	1001141304	1	Harness, Glow Fuse	
106	1001181899	1	Clamp	
108	4240099	3	Tie-Strap (Not Shown)	
113	5251012	2	Bolt M10 x 25	
115	0760816	3	Bolt M8 x 40	
116	0761017	4	Bolt M10 x 45	
117	1001231649	1	Deutz TD2.9L4 Engine Exhaust Installation (See Separate Breakdown in this Section)	
118	1001138248	4 ft /2 m	Tube	
119	4751600	2	Washer 3/8	
120	4240032	1	Tie-Strap (Not Shown)	
121	1001291401	1	Tag, Coolant	

SECTION 3 - ENGINE

FIGURE 3-18. DEUTZ TD2.9L4 ENGINE INSTALLATION - WITH ARCTIC PACKAGE (CHINA SPECS ONLY)



SECTION 3 - ENGINE

FIGURE 3-18. DEUTZ TD2.9L4 ENGINE INSTALLATION - WITH ARCTIC PACKAGE (CHINA SPECS ONLY)

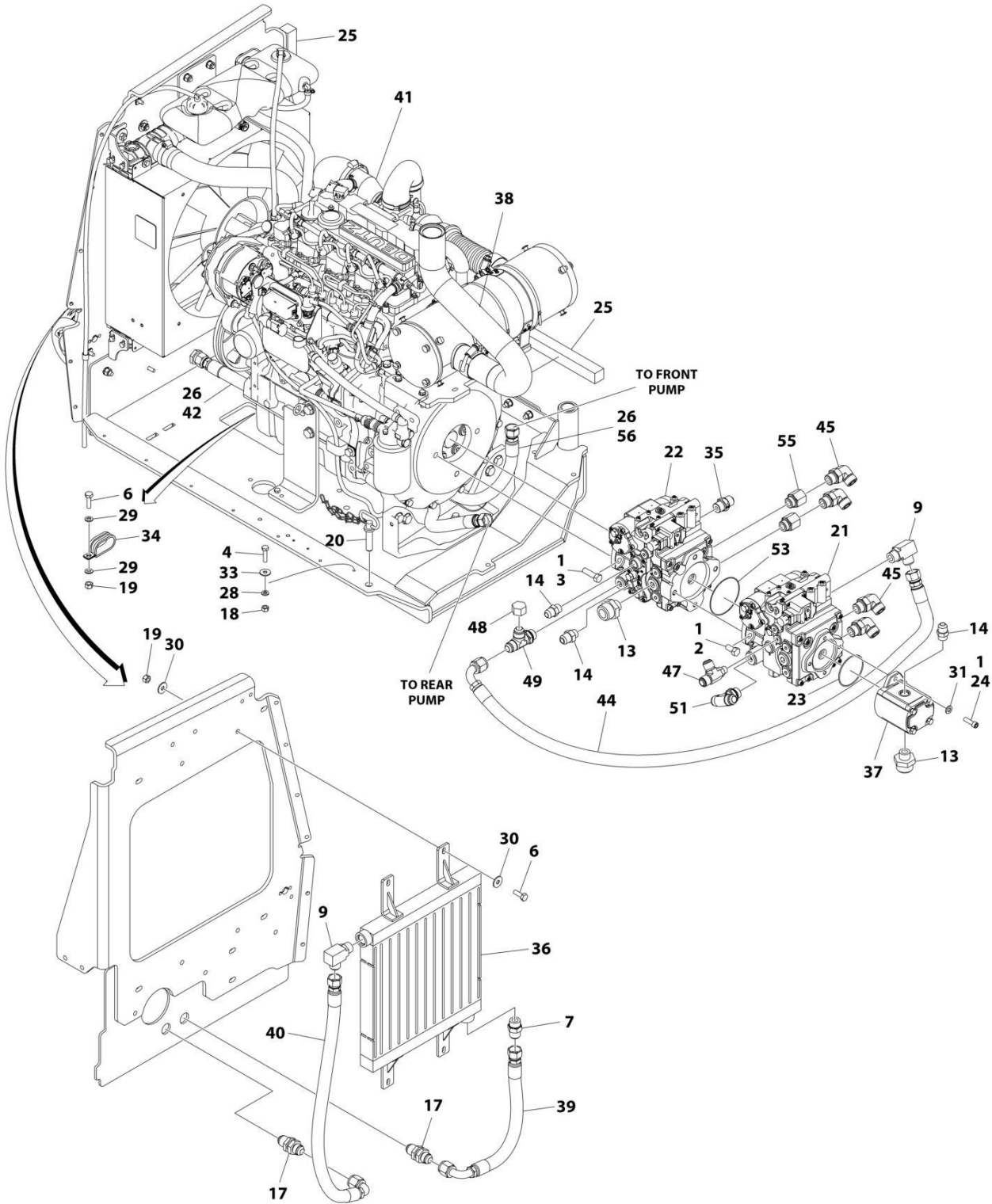
ITEM	PART NUMBER	QTY	DESCRIPTION	REV
	1001231303	Ref	DEUTZ TD2.9L4 ENGINE INSTALLATION	C
1	0100011	AR	Compound, Locking	
3	0440162	1	Bearing	
4	0700614	4	Bolt M6 x 30	
5	5251012	1	Bolt M10 x 25	
6	0701012	3	Bolt M10 x 25	
7	0701015	2	Bolt M10 x 35	
8	0711018	1	Bolt M10 x 50	
11	0760512	4	Bolt M5 x 25	
12	0772018	1	Bolt M20 x 50	
14	1060626	1	Plug, 3 Way	
15	1320061	3	Clamp	
16	1701505	1	Decal - Diesel Fuel	
17	1702941	1	Decal - Battery Heater	
18	1702942	1	Decal - Engine Block Heater	
19	1702943	1	Decal - Hydraulic Tank Heater	
23	2580024	1	Heater, Battery	
24	3290501	4	Nut M5	
25	3291005	3	Nut M10	
28	3841143	1	Keeper, Pin	
29	3980007	1	Seat, Battery	
30	4811600	12	Washer M5	
31	4811700	12	Washer M6	
32	4812000	7	Washer M10	
33	4812002	2	Washer M10	
37	1001175568	4	Clip	
38	1001188972	1	Heater, Immersion (Not Shown - Located on Hydraulic Tank)	
39	1001118972	3	Nut, Tinnerman M10	
40	1001119051	1	Washer	
41	1001130220	4	Nut, Tinnerman M6	
42	1001136975	5	Clamp	
43	1001142501	2	Fitting, 90 Barbed	
44	1001154405	42 in/ 1.1m	Hose	
45	1001155094	1	Pin	
46	1001155823	1	Fitting, 90 Quick Connect	
47	1001165035	25 ft/ 7.6m	Hose	
48	1001188668	1	Cable, Battery (-) to Aux Pump and Ground	
49	1001188669	1	Cable, Battery (+) to Aux Relay to Starter	
52	1001231305	1	Deutz TH2.9L4 Engine and Pumps Sub-Assembly (See Separate Breakdown in this Section)	
53	1001197881	1	Bracket	
54	3290505	4	Nut M5	
55	0701022	1	Bolt M10 x 70	
56	1001026127	1	Clamp	
57	1001200731	1	Tube	
58	4240099	1	Tie-Strap (Not Shown)	
59	1001150918	1	Cable, Extension	

SECTION 3 - ENGINE

ITEM	PART NUMBER	QTY	DESCRIPTION	REV
60	1001190444	1	Engine Harness - Deutz TD2.9L4 Engines (Not Shown) (See Separate Breakdown in ELECTRICAL SECTION)	
61	0100020	AR	Sealant	
62	2180832	1	Fitting, Straight Barbed	
63	2220313	2	Fitting, 90 NPTF/Barb	
64	0761210	1	Bolt M12 x 20	
65	4812100	1	Washer M12	
66	1001233763	1	Deutz Breather Heater Installation (Not Shown - See Separate Breakdown in this Section)	
66	4240099	AR	Tie-Strap	
66	1001196634	1	Fuse 2amp	
66	1001232842	1	Heater, Deutz Breather Kit	
66	2400060	1	Fuse, Holder	
100	1001235532	1	Battery Cable Kit (Includes Items 48 & 49) (Not Shown)	

SECTION 3 - ENGINE

FIGURE 3-19. DEUTZ TD2.9L4 ENGINE AND PUMPS SUB-ASSEMBLY - WITH ARCTIC PACKAGE (CHINA SPECS ONLY)



ART_1001231305_D

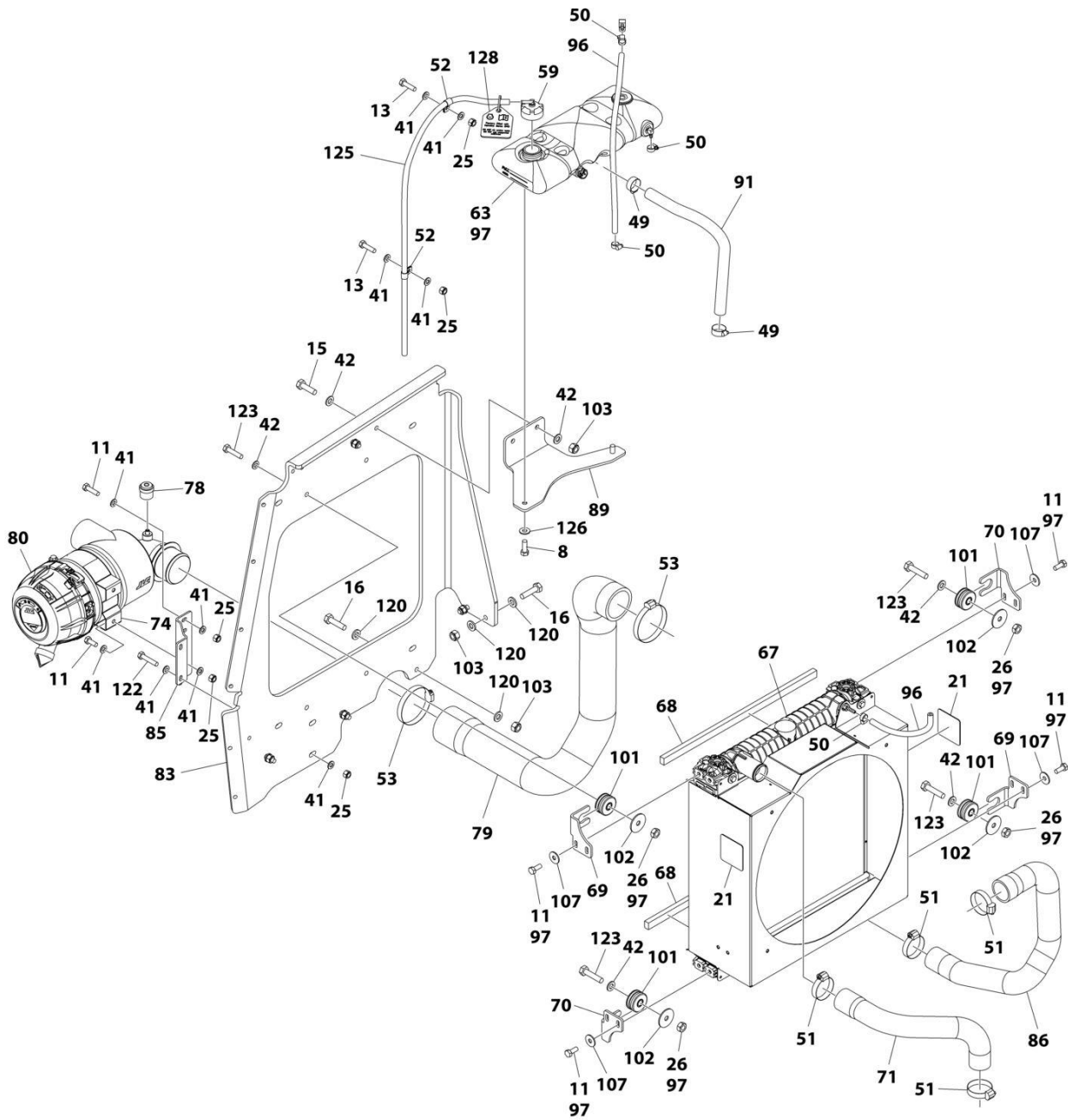
SECTION 3 - ENGINE

**FIGURE 3-19. DEUTZ TD2.9L4 ENGINE AND PUMPS SUB-ASSEMBLY - WITH ARCTIC PACKAGE
(CHINA SPECS ONLY)**

ITEM	PART NUMBER	QTY	DESCRIPTION	REV
	1001231305	Ref	DEUTZ TD2.9L4 ENGINE AND PUMPS SUB-ASSEMBLY	D
1	0100011	AR	Compound, Locking	
2	0641808	2	Bolt 1/2 x 1	
3	0641814	2	Bolt 1/2 x 1-3/4	
4	0760612	1	Bolt M6 x 25	
6	0761015	6	Bolt M10 x 35	
7	2220451	1	Fitting, Straight JIC/ORB	
9	2220578	2	Fitting, 90 JIC/ORB	
13	2220946	2	Fitting, Straight JIC/ORB	
14	2220947	3	Fitting, Straight JIC/ORB	
17	2230027	2	Fitting, Straight	
18	3290605	1	Nut M6	
19	3291005	6	Nut M10	
20	3422532	1	Pin	
21	3600359	1	Piston Pump Assembly - Rear (See Separate Breakdown in this Section)	
22	3600363	1	Piston Pump Assembly - Front (See Separate Breakdown in this Section)	
23	3790152	1	O-Ring	
24	3931618	2	Capscrew 3/8 x 1-1/8	
25	3960469	2	Seal	
26	4061032	3	Shield	
27	4240099	AR	Tie-Strap (Not Shown)	
28	4811700	1	Washer M6	
29	4812000	4	Washer M10	
30	4812002	8	Washer M10	
31	5241000	2	Washer M10	
33	4811702	1	Washer M6	
34	1001164196	2	Clamp	
35	1001179156	1	Valve, Check	
36	1001188171	1	Radiator, Oil Cooler	
37	1001190143	1	Gear Pump Assembly	
37	70006356	1	Seal Kit - 1001190143 Pump	
38	1001257156	1	Pipe, Exhaust	
39	1001195504	1	Hose	
40	1001195506	1	Hose	
41	1001231307	1	Deutz TD2.9L4 Engine Assembly (See Separate Breakdown in this Section)	
42	1001195509	1	Hose	
44	1001200216	1	Hose	
45	2131212	4	Fitting, 90 ORFS/ORB	
47	1001213814	1	Fitting, Tee JIC/ORB/JIC	
48	2220518	1	Cap	
49	2220738	1	Fitting, Tee JIC/ORB/JIC	
51	2220695	1	Fitting, Tee JIC/ORB/JIC	
53	3790045	1	O-Ring	
55	1001233450	2	Fitting, Straight ORB/ORB	
56	1001235110	1	Hose	

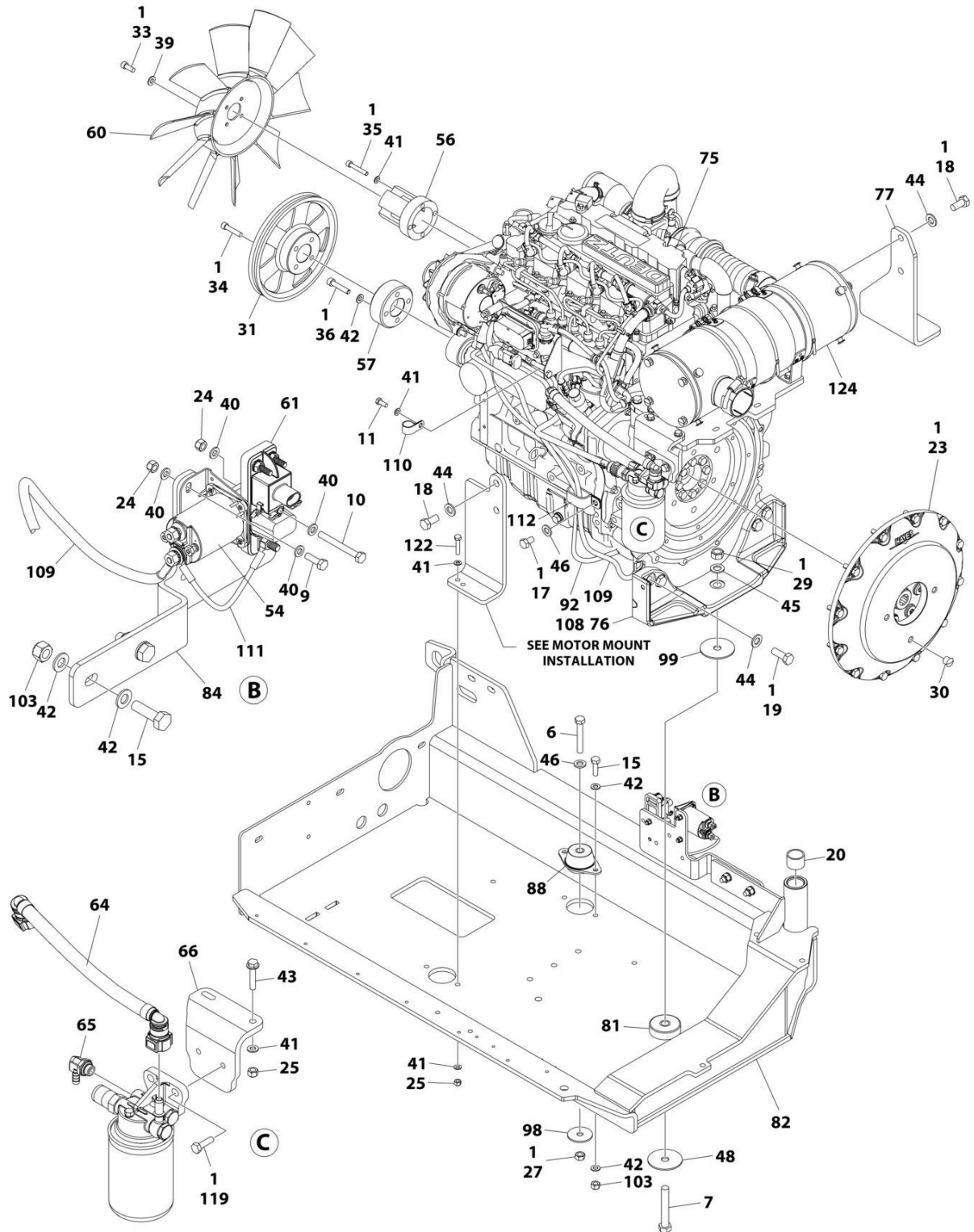
SECTION 3 - ENGINE

FIGURE 3-20. DEUTZ TD2.9L4 ENGINE ASSEMBLY - WITH ARCTIC PACKAGE (CHINA SPECS ONLY)



ART_1001231307_O_10F2

SECTION 3 - ENGINE



ART_1001231307_O_20F2

SECTION 3 - ENGINE

FIGURE 3-20. DEUTZ TD2.9L4 ENGINE ASSEMBLY - WITH ARCTIC PACKAGE (CHINA SPECS ONLY)

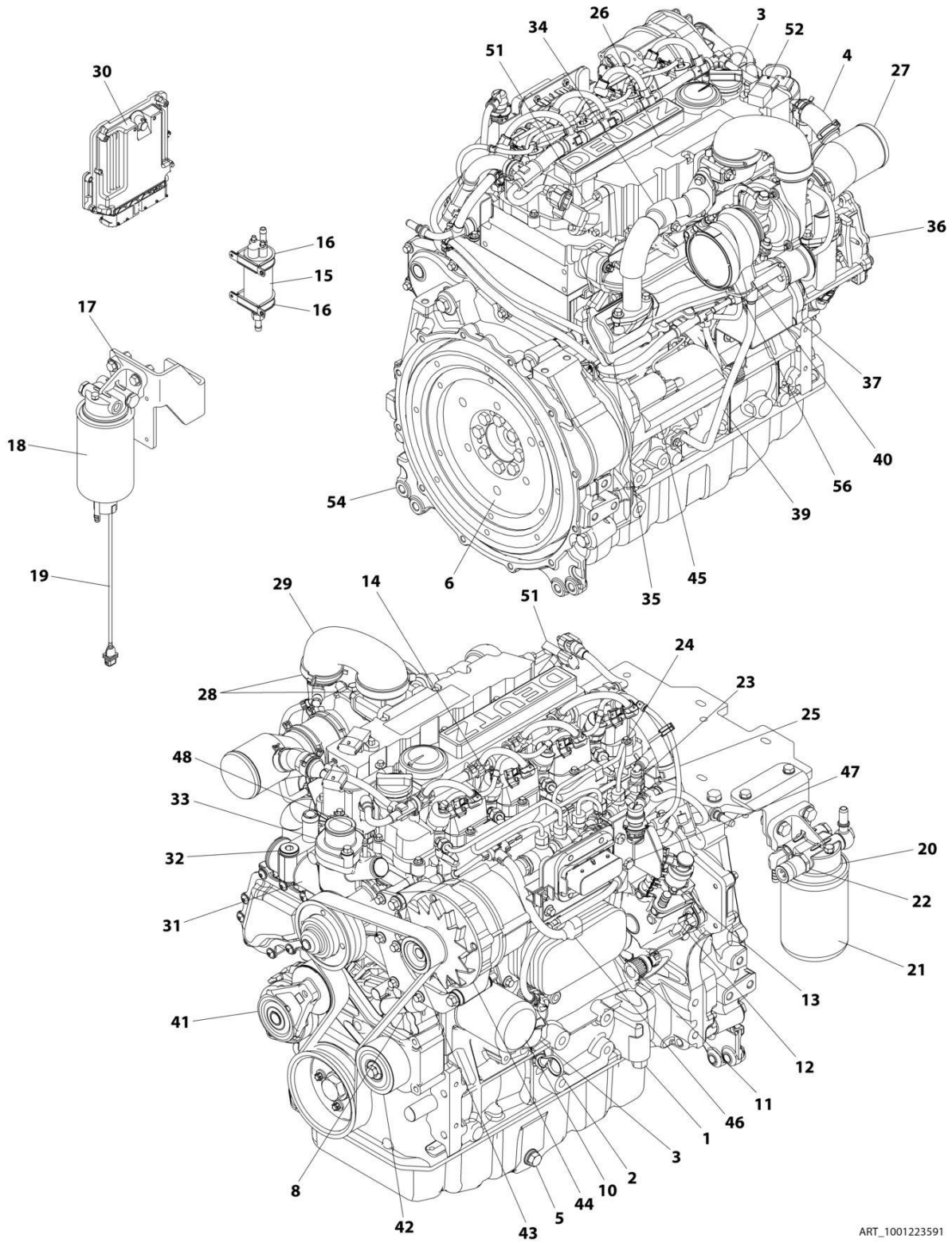
ITEM	PART NUMBER	QTY	DESCRIPTION	REV
	1001231307	Ref	DEUTZ TD2.9L4 ENGINE ASSEMBLY	O
1	0100011	AR	Compound, Locking	
6	0711224	1	Bolt M12 x 80	
7	0711627	1	Bolt M16 x 100	
8	0681608	2	Screw 3/8 x 1	
9	0760610	2	Bolt M6 x 20	
10	0760619	1	Bolt M6 x 55	
11	0760810	11	Bolt M8 x 20	
13	0760814	2	Bolt M8 x 30	
15	0761015	6	Bolt M10 x 35	
16	0761016	5	Bolt M10 x 40	
17	0761210	1	Bolt M12 x 20	
18	0771414	4	Bolt M14 x 30	
19	0771416	4	Bolt M14 x 40	
20	0961951	2	Bushing	
21	1703162	2	Decal - Fan Blade	
23	2902065	1	Pump Coupling Kit (See Separate Breakdown in this Section)	
24	3290605	3	Nut M6	
25	3290805	9	Nut M8	
26	3291001	4	Nut M10	
27	3331211	1	Nut M12	
29	3331611	1	Nut M16	
30	3520054	1	Plug	
31	3580320	1	Pulley	
33	3931512	4	Capscrew 5/16 x 3/4	
34	3931628	4	Capscrew 3/8 x 1-3/4	
35	4031914	4	Capscrew M8 x 50	
36	4032014	4	Capscrew M10 x 50	
39	4711500	4	Washer 5/16	
40	4811700	6	Washer M6	
41	4811900	21	Washer M8	
42	4812000	20	Washer M10	
43	5250816	2	Bolt M8 x 40	
44	5241400	8	Washer M14	
45	4812300	1	Washer M16	
46	5241200	2	Washer M12	
48	7300435	1	Washer	
49	8405007	2	Clamp	
50	8405009	4	Clamp	
51	8405104	4	Clamp	
52	8406109	2	Clip	
53	8410011	AR	Clamp	
54	1001117308	1	Contactactor	
56	1001135138	1	Adapter	
57	1001135679	1	Adapter	
59	1001136834	1	Cap, Tank	
60	1001137276	1	Fan	
61	1001138228	1	Relay	
63	1001230635	1	Tank, Surge	
64	1001177359	1	Hose	

SECTION 3 - ENGINE

ITEM	PART NUMBER	QTY	DESCRIPTION	REV
65	1001152489	1	Fitting, 90 Pipe/Barbed	
66	1001231805	1	Bracket	
67	1001167042	1	Radiator	
68	1001168166	2	Seal	
69	1001169967	2	Bracket	
70	1001170035	2	Bracket	
71	1001177844	1	Hose, Radiator (Top)	
74	1001186426	1	Clamp, Air Cleaner	
75	1001223591	1	Deutz TD2.9L4 Engine (See Separate Breakdown in this Section)	
76	1001188535	1	Bracket, Engine - Rear	
77	1001189026	1	Bracket, Engine - Right	
78	1001166716	1	Restriction, Indicator	
79	1001189913	1	Hose	
80	1001189979	1	Filter, Air	
80	70005008	1	Element, Filter	
81	1001197149	1	Mount, Motor	
82	1001200745	1	Tray	
83	1001229091	1	Support, Radiator	
84	1001203885	1	Plate	
85	1001190942	1	Support	
86	1001191025	1	Hose, Radiator (Bottom)	
88	1001191610	1	Mount, Motor	
89	1001192400	1	Bracket	
91	1001193049	1	Hose	
92	1001140312	1	Heater, Engine Block	
94	1001233895	1	Engine Harness - Deutz TD2.9L4 Engines (Not Shown) (See Separate Breakdown in ELECTRICAL Section)	
96	2720015	AR	Hose	
97	1001180620	AR	Adhesive	
98	1001168018	1	Washer	
99	1001197725	1	Spacer	
101	1001169054	4	Isolator	
102	1001169138	4	Pad, Snubbing	
103	3291005	11	Nut M10	
107	4811902	8	Washer M8	
108	1001181895	AR	Adhesive	
109	1001190442	1	Harness, Alternator Power	
109	1001098764	1	Boot - Red	
110	1320202	1	Clamp	
111	1001141304	1	Harness, Glow Fuse	
112	1001181899	1	Clamp	
114	4240099	3	Tie-Strap (Not Shown)	
119	5251012	2	Bolt M10 x 25	
120	5241000	10	Washer M10	
122	0760816	3	Bolt M8 x 40	
123	0761017	4	Bolt M10 x 45	
124	1001231649	1	Deutz TD2.9L4 Engine Exhaust Installation (See Separate Breakdown in this Section)	
125	1001138248	4 ft /2 m	Tube	
126	4751600	2	Washer 3/8	
127	4240032	1	Tie-Strap (Not Shown)	
128	1001291401	1	Tag, Coolant	

SECTION 3 - ENGINE

FIGURE 3-21. DEUTZ TD2.9L4 ENGINE COMPONENTS (CHINA SPECS ONLY)



ART_1001223591

SECTION 3 - ENGINE

FIGURE 3-21. DEUTZ TD2.9L4 ENGINE COMPONENTS (CHINA SPECS ONLY)

ITEM	PART NUMBER	QTY	DESCRIPTION	REV
	1001223591	Ref	DEUTZ TD2.9L4 ENGINE COMPONENTS	C
1	70025660	1	Plug	
1	70006264	1	Valve, Plunger	
1	70006265	1	Spring	
1	70006266	1	Seal	
2	70024904	1	Dipstick	
2	70024905	2	Seal	
3	7020465	2	Cap, Fill	
4	70005920	1	Line, Breather	
4	70025111	2	Clamp	
5	70006941	2	Plug	
5	70005942	2	Seal	
6	70001870	1	Flywheel	
6	7024579	1	Ring Gear	
6	70025139	8	Bolt	
7		Ref	Gasket & Seal Options (Not Shown):	
7	70005938	1	Gasket Kit	
7	70024906	1	Gasket, Head	
7	70005922	1	Gasket, Valve Cover	
7	70028185	1	Gasket, Front Cover	
7	70004280	1	Seal, Front Main	
7	70002718	1	Seal, Rear Main	
8	See Note	NSS	Valve, Slide (Note: Not Available for Purchase)	
8	70025082	1	Seal	
9	70005172	1	Pump, Lube (Not Shown - Located RH Rear)	
9	70025135	1	O-Seal	
9	70005173	1	Gasket	
10	7016331	1	Filter, Oil	
11	70024494	1	Cooler, Oil	
11	70024925	1	Gasket, Oil Filter	
12	70024924	1	Pump, High Pressure	
12	70025152	1	Gasket (Spacer to Pump)	
12	70024488	1	Spacer	
12	70024517	1	Gasket (Spacer to Block)	
12	70004505	1	Valve, Overflow	
12	70004506	1	Gasket, Overflow	
12	70004507	1	Gasket, Overflow	
13	70004508	1	Valve, Volume Control	
13	70004509	1	O-Ring	
13	70004510	1	Gasket	
14	70025181	4	Injector	
14	70025140	4	Washer, Sealing	
14	70025146	4	Clamp	
14	70025145	4	O-Seal	
14	70025154	4	Shoe/Pad, Clamping	
15	70006144	NLA	Pump, Fuel Supply (Use p/n 1001226098)	
16	70025144	2	Clip, Clamp	
17	70024961	1	Fuel Filter Assembly	
18	1001225430	1	Element, Filter	
19	70024513	1	Cable, Sensor	

SECTION 3 - ENGINE

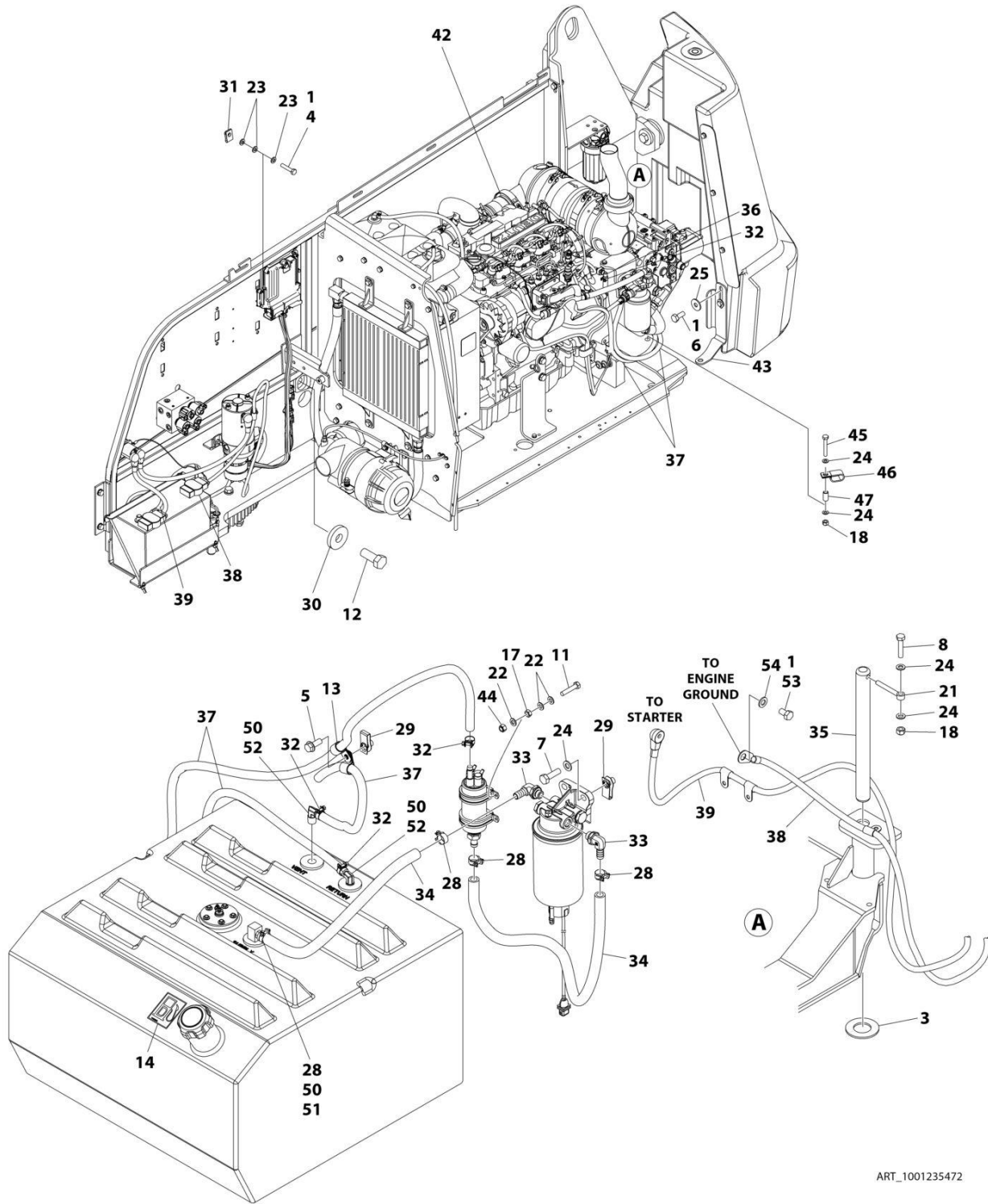
ITEM	PART NUMBER	QTY	DESCRIPTION	REV
19	70025239	1	Seal, Ring	
20	70004511	1	Fuel Filter Assembly	
20	70004513	2	Seal (at Hollow Bolt)	
21	1001225432	1	Element, Filter	
22	70028538	1	Sensor, Pressure	
22	70024920	1	O-Seal	
23	70025151	1	Rail, Fuel	
23	70025235	1	Repair Kit - Fuel Rail	
23	70025240	1	O-Ring	
24	70025182	1	Tube, Fuel - Cylinders 1 & 2	
24	70025183	1	Tube, Fuel - Cylinders 3 & 4	
24	70025184	1	Tube, Fuel	
25	70024502	1	Pipe, Fuel Leakage	
25	70025185	1	Hose, Fuel	
25	70025158	1	Manifold	
25	70025109	2	Clamp, Spring	
25	70025115	1	Clamp	
25	70025133	1	Hose	
25	70025101	2	Clamp	
25	70025148	1	Connector, Plug-in	
26	70005923	1	Manifold, Charger Air	
26	70005177	1	Gasket, Charger Air Manifold	
26	70005924	1	Seal (Manifold to Elbow)	
26	7000180	1	Line, Breather (Not Shown)	
26	70005181	1	O-Seal (Breather to Manifold)	
27	70005926	1	Elbow	
27	70025112	2	Clamp	
27	70004501	1	Sleeve, Rubber	
28	See Note	NSS	Sleeve (Note: Not Available for Purchase)	
28	70025107	2	Clamp	
29	70005928	1	Elbow, Air Charge	
30	70025210	1	Module, ECU	
31	70028802	1	Pump, Coolant	
31	70025200	1	Ring, Sealing (Pump to Block)	
32	70025084	2	Plug	
32	7020492	2	Ring, Sealing	
33	70005929	1	Thermostat	
33	70005184	1	O-Seal (Thermostat to Housing)	
33	70025142	1	Housing, Thermostat	
33	70005931	1	O-Seal (Thermostat to Pump)	
33	70025124	2	Bolt	
34	See Note	NSS	Tube (Note: Not Available for Purchase)	
34	70025179	2	Gasket (at Either End of Tube)	
35	See Note	NSS	Valve, Shuttle (Note: Not Available for Purchase)	
35	70025180	1	Gasket	
35	See Note	NSS	Housing, Shuttle Valve (Note: Not Available for Purchase)	
35	70025175	1	Cap, Shuttle Valve	
36	70025203	1	Module, EGR	
36	70025155	1	Plug (Not Shown)	
37	70005188	1	Valve, EGR Control	
37	70005189	1	Seal (Valve to Module)	

SECTION 3 - ENGINE

ITEM	PART NUMBER	QTY	DESCRIPTION	REV
38	70004282	1	Manifold, Exhaust (Not Shown)	
38	70025164	1	Gasket, Manifold to Head (Not Shown)	
38	70025130	8	Bolt, Manifold (Not Shown)	
38	70026995	1	Elbow, Exhaust (Not Shown)	
38	70025179	2	Gasket, Manifold to Elbow (Not Shown)	
39	70005932	1	Tube, Oil Return	
39	70025132	1	O-Seal	
40	70004276	1	Turbocharger	
40	70024509	1	Gasket (Turbocharger to Oil Return Tube Housing)	
40	1001191599	1	Gasket (Turbocharger to Exhaust)	
41	70025477	1	Tensioner, Belt	
42	70024484	1	Roller, Idler	
43	70004277	1	Belt	
44	70025733	1	Pulley, Alternator	
44	70006652	1	Alternator	
44	70006653	1	Controller	
44	See Note	NSS	Fan (Note: Not Available for Purchase)	
45	70024915	1	Starter	
45	70005647	1	Switch, Solenoid	
45	70005648	1	Relay	
46	70000345	4	Glow Plug	
46	70025231	1	Harness, Glow Plug	
46	70025233	1	Connector, Plug-in	
47	70025077	1	Harness, Engine	
48	70024918	1	Sender, Temperature	
49	70028538	1	Sensor, Pressure (Not Shown - RH Front)	
49	70024920	1	O-Seal	
50	70026210	1	Sensor, Speed (Not Shown - Front)	
50	70005191	1	Ring, Seal	
51	70024507	1	Sensor, Pressure	
51	70025120	1	O-Seal	
51	70005933	1	Adapter	
51	70005934	1	O-Seal	
52	70024922	1	Sender, Temperature	
52	70025212	1	O-Seal	
53	70026210	1	Sensor, Speed (Not Shown - Front)	
53	70024917	1	O-Seal	
54	70025192	1	Housing	
56	70005527	1	Clip	

SECTION 3 - ENGINE

FIGURE 3-22. DEUTZ TD2.9L4 (STAGE V PRE-BUY) ENGINE INSTALLATION



ART_1001235472

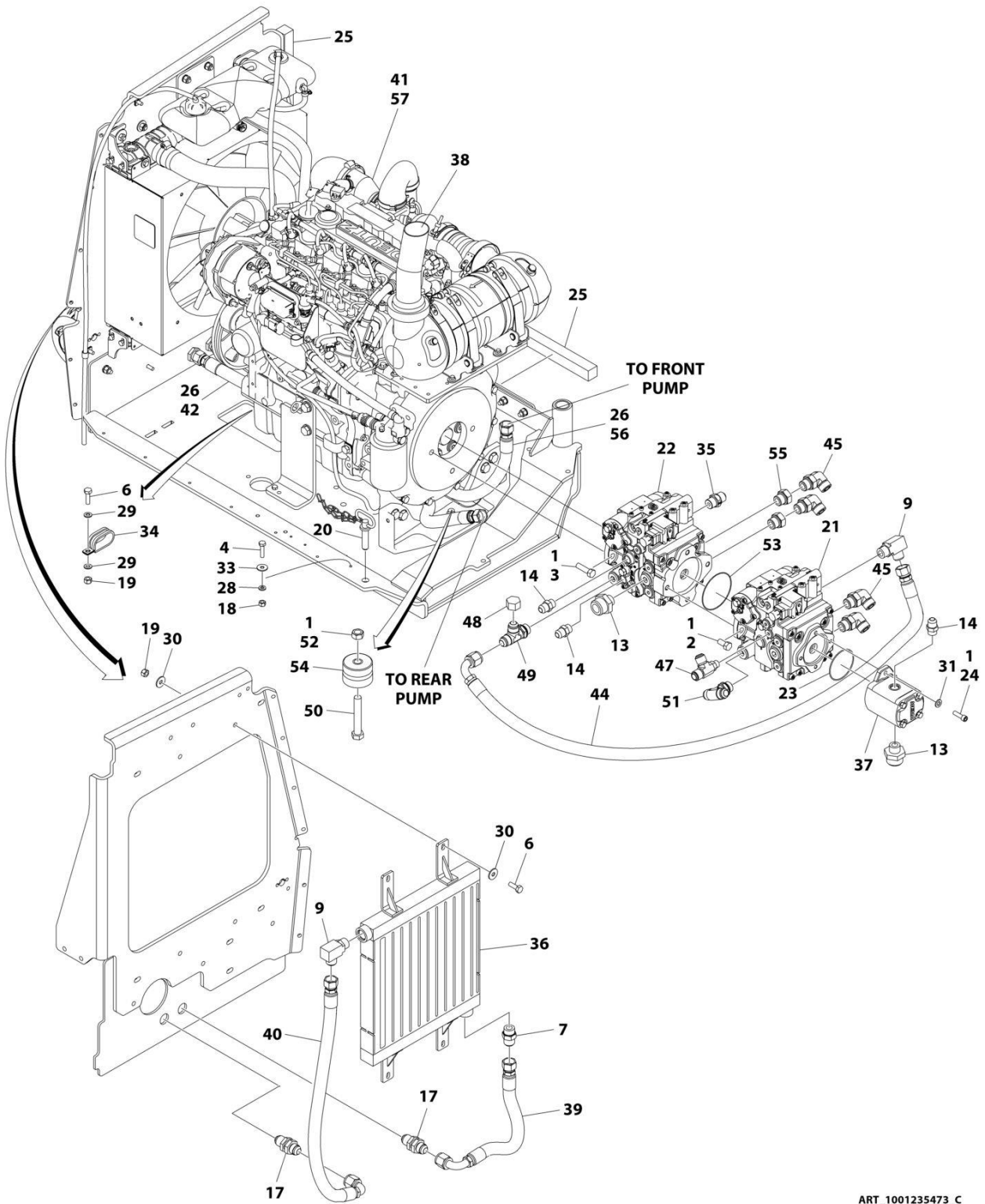
SECTION 3 - ENGINE

FIGURE 3-22. DEUTZ TD2.9L4 (STAGE V PRE-BUY) ENGINE INSTALLATION

ITEM	PART NUMBER	QTY	DESCRIPTION	REV
	1001235472	Ref	DEUTZ TD2.9L4 (STAGE V) ENGINE INSTALLATION	C
1	0100011	AR	Compound, Locking	
3	0440162	1	Bearing	
4	0700614	4	Bolt M6 x 30	
5	5251012	1	Bolt M10 x 25	
6	0701012	2	Bolt M10 x 25	
7	0701015	2	Bolt M10 x 35	
8	0711018	1	Bolt M10 x 50	
11	0760512	4	Bolt M5 x 25	
12	0772018	1	Bolt M20 x 50	
13	1320061	2	Clamp	
14	1701505	1	Decal - Diesel Fuel	
17	3290501	4	Nut M5	
18	3291005	2	Nut M10	
21	3841143	1	Keeper, Pin	
22	4811600	12	Washer M5	
23	4811700	12	Washer M6	
24	4812000	6	Washer M10	
25	4812002	2	Washer M10	
28	1001175568	4	Clip	
29	1001118972	3	Nut, Tinnerman M10	
30	1001119051	1	Washer	
31	1001130220	4	Nut, Tinnerman M6	
32	1001136975	5	Clamp	
33	1001142501	2	Fitting, 90 Barbed	
34	1001154405	33 in/ 0.8m	Hose	
35	1001155094	1	Pin	
36	1001155823	1	Fitting, 90 Quick Connect	
37	1001165035	27 ft/ 8.2m	Hose	
38	1001188668	1	Cable, Battery (-) to Aux Pump and Ground	
39	1001188669	1	Cable, Battery (+) to Aux Relay to Starter	
42	1001235473	1	Deutz TD2.9L4 (Stage V) Engine and Pump Sub-Assembly (See Separate Breakdown in this Section)	
43	1001197881	1	Bracket	
44	3290505	4	Nut M5	
45	0701022	1	Bolt M10 x 70	
46	1001026127	1	Clamp	
47	1001200731	1	Tube	
48	4240099	1	Tie-Strap (Not Shown)	
49	1001190444	1	Fuel Pump Harness - Deutz TD2.9L4 Engine (Not Shown) (See Separate Breakdown in ELECTRICAL Section)	
50	0100020	AR	Sealant	
51	2180832	1	Fitting, Straight Barbed	
52	2220313	2	Fitting, 90 NPTF/Barb	
53	0761210	1	Bolt M12 x 20	
54	4812100	1	Washer M12	
100	1001235532	1	Battery Cable Kit (Includes Items 38 & 39) (Not Shown)	

SECTION 3 - ENGINE

FIGURE 3-23. DEUTZ TD2.9L4 (STAGE V PRE-BUY) ENGINE AND PUMP SUB-ASSEMBLY



ART_1001235473_C

SECTION 3 - ENGINE

FIGURE 3-23. DEUTZ TD2.9L4 (STAGE V PRE-BUY) ENGINE AND PUMP SUB-ASSEMBLY

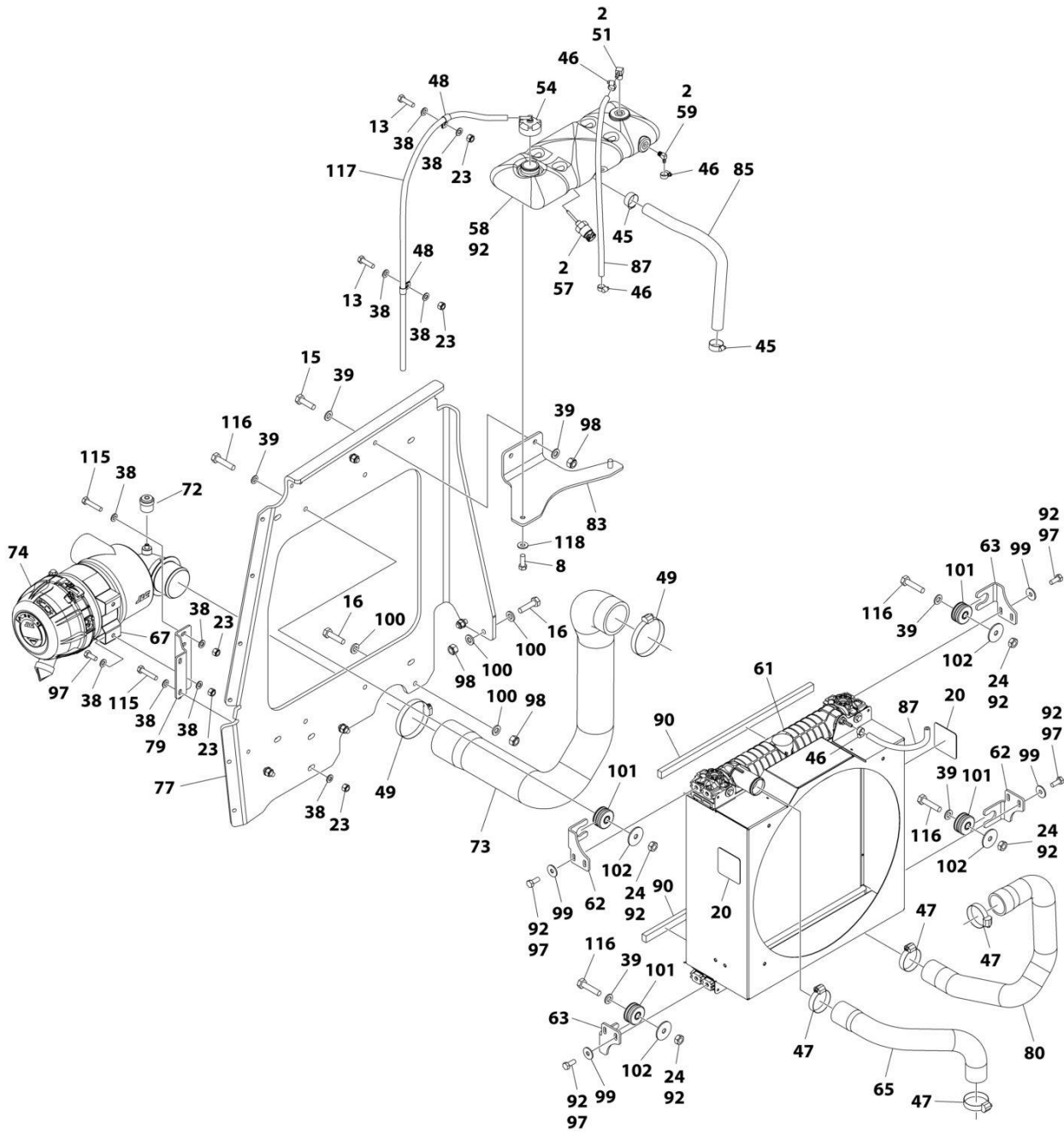
ITEM	PART NUMBER	QTY	DESCRIPTION	REV
	1001235473	Ref	DEUTZ TD2.9L4 (STAGE V) ENGINE AND PUMP SUB-ASSEMBLY	C
1	0100011	AR	Compound, Locking	
2	0641808	2	Bolt 1/2 x 1	
3	0641814	2	Bolt 1/2 x 1-3/4	
4	0760612	1	Bolt M6 x 25	
6	0761015	6	Bolt M10 x 35	
7	2220451	1	Fitting, Straight JIC/ORB	
9	2220578	2	Fitting, 90 JIC/ORB	
13	2220946	2	Fitting, Straight JIC/ORB	
14	2220947	3	Fitting, Straight JIC/ORB	
17	2230027	2	Fitting, Straight	
18	3290605	1	Nut M6	
19	3291005	6	Nut M10	
20	3422532	1	Pin	
21	3600359	1	Piston Pump Assembly - Rear (See Separate Breakdown in this Section)	
22	3600363	1	Piston Pump Assembly - Front (See Separate Breakdown in this Section)	
23	3790152	1	O-Ring	
24	3931618	2	Capscrew 3/8 x 1-1/8	
25	3960469	2	Seal	
26	4061032	3	Shield	
27	4240099	AR	Tie-Strap (Not Shown)	
28	4811700	1	Washer M6	
29	4812000	4	Washer M10	
30	4812002	8	Washer M10	
31	5241000	2	Washer M10	
33	4811702	1	Washer M6	
34	1001164196	2	Clamp	
35	1001179156	1	Valve, Check	
36	1001188171	1	Radiator, Oil Cooler	
37	1001190143	1	Gear Pump Assembly	
37	70006356	1	Seal Kit - 1001190143 Pump	
38	1001239207	1	Pipe, Exhaust	
39	1001195504	1	Hose	
40	1001195506	1	Hose	
41	1001235474	1	Deutz TD2.9L4 (Stage V) Engine Assembly (See Separate Breakdown in this Section)	
42	1001195509	1	Hose	
44	1001200216	1	Hose	
45	2131212	4	Fitting, 90 ORFS/ORB	
47	1001213814	1	Fitting, Tee JIC/ORB/JIC	
48	2220518	1	Cap	
49	2220738	1	Fitting, Tee JIC/ORB/JIC	
50	0711627	1	Bolt M16 x 100	
51	2220695	1	Fitting, Tee JIC/ORB/JIC	
52	3331611	1	Nut M16	
53	3790045	1	O-Ring	
54	1001197149	1	Mount, Engine	

SECTION 3 - ENGINE

ITEM	PART NUMBER	QTY	DESCRIPTION	REV
55	1001233450	2	Fitting, Straight ORB/ORB	
56	1001235110	1	Hose	
57	1001235458	1	Deutz TD2.9L4 (Stage V) Engine (See Separate Breakdown in this Section)	

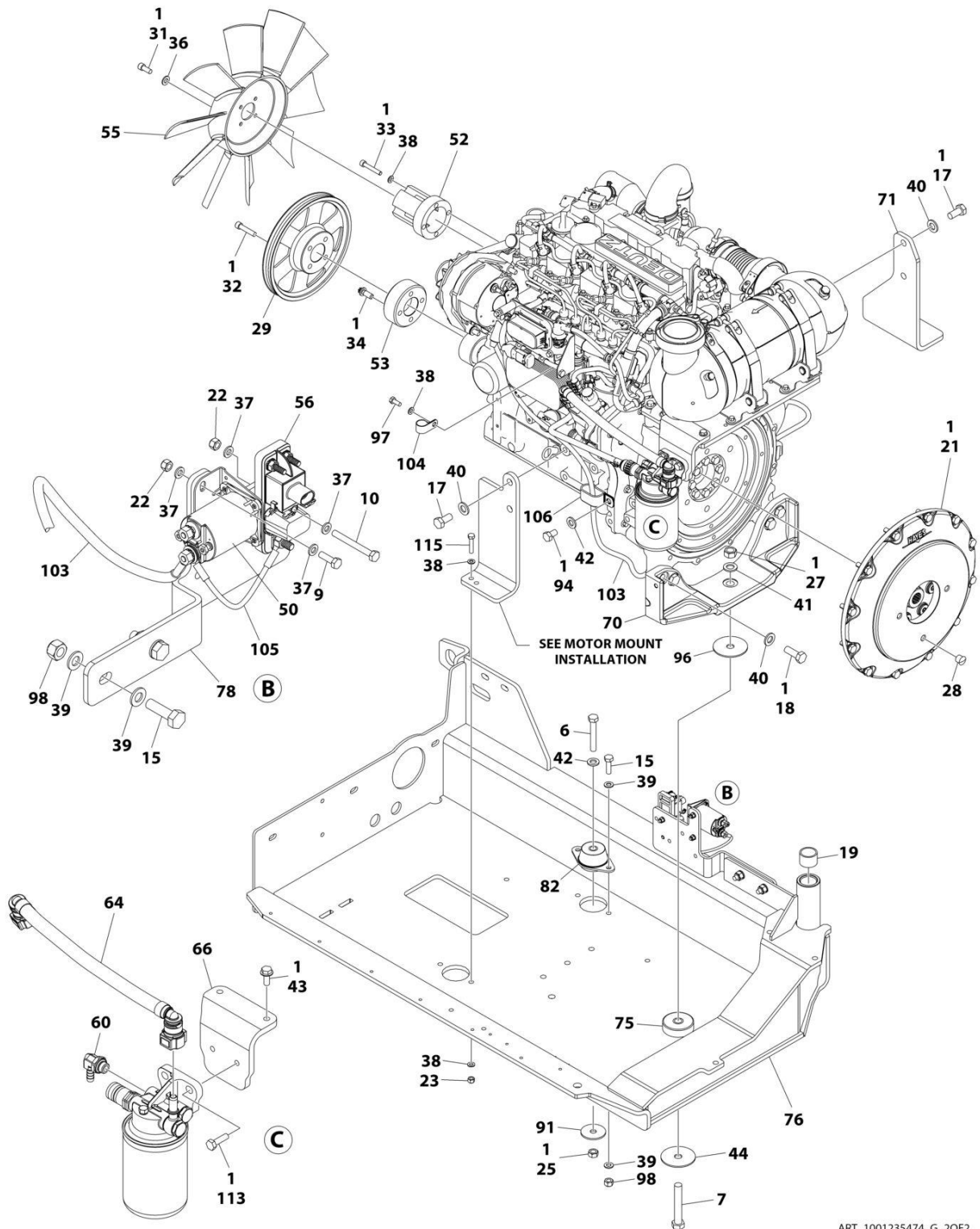
SECTION 3 - ENGINE

FIGURE 3-24. DEUTZ TD2.9L4 (STAGE V PRE-BUY) ENGINE ASSEMBLY



ART_1001235474_G_10F2

SECTION 3 - ENGINE



ART_1001235474_G_20F2

SECTION 3 - ENGINE

FIGURE 3-24. DEUTZ TD2.9L4 (STAGE VPRE-BUY) ENGINE ASSEMBLY

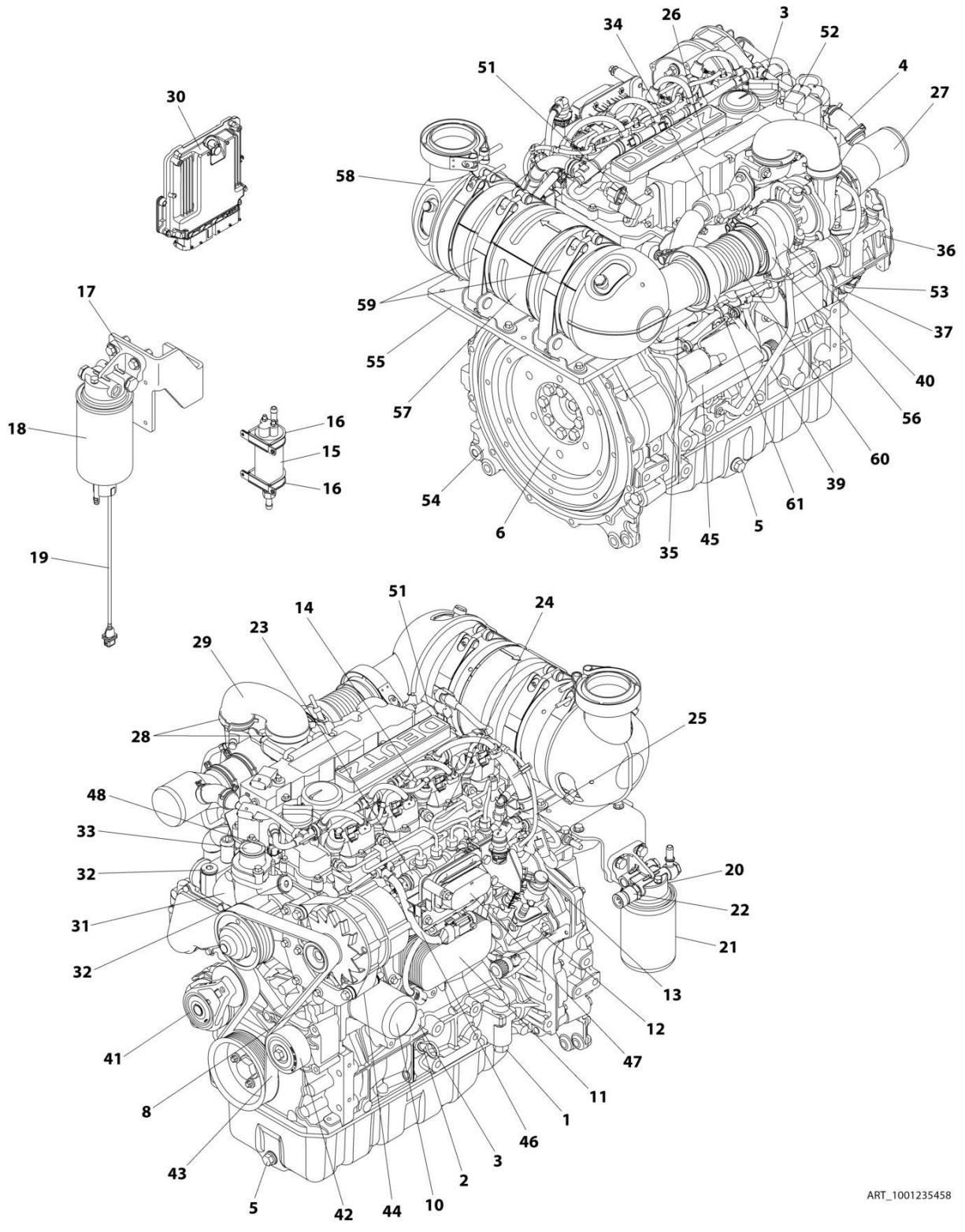
ITEM	PART NUMBER	QTY	DESCRIPTION	REV
	1001235474	Ref	DEUTZ TD2.9L4 (STAGE V) ENGINE ASSEMBLY	G
1	0100011	AR	Compound, Locking	
2	0100020	AR	Sealant (Part of Item 58)	
6	0711224	1	Bolt M12 x 80	
7	0711627	1	Bolt M16 x 100	
8	0681608	2	Screw 3/8 x 1	
9	0760610	2	Bolt M6 x 20	
10	0760619	1	Bolt M6 x 55	
13	0760814	2	Bolt M8 x 30	
15	0761015	6	Bolt M10 x 35	
16	0761016	5	Bolt M10 x 40	
17	0771414	4	Bolt M14 x 30	
18	0771416	4	Bolt M14 x 40	
19	0961951	2	Bushing	
20	1703162	2	Decal - Fan Blade	
21	2902065	1	Pump Coupling Kit (See Separate Breakdown in this Section)	
22	3290605	3	Nut M6	
23	3290805	7	Nut M8	
24	3291001	4	Nut M10	
25	3331211	1	Nut M12	
27	3331611	1	Nut M16	
28	3520054	1	Plug	
29	3580320	1	Pulley	
31	3931512	4	Capscrew 5/16 x 3/4	
32	3931628	4	Capscrew 3/8 x 1-3/4	
33	4031914	4	Capscrew M8 x 50	
34	4032014	4	Capscrew M10 x 50	
36	4711500	4	Washer 5/16	
37	4811700	6	Washer M6	
38	4811900	19	Washer M8	
39	4812000	20	Washer M10	
40	5241400	8	Washer M14	
41	4812300	1	Washer M16	
42	5241200	2	Washer M12	
43	5250810	2	Bolt M8 x 20	
44	7300435	1	Washer	
45	8405007	2	Clamp	
46	8405009	4	Clamp	
47	8405104	4	Clamp	
48	8406109	2	Clip	
49	8410011	2	Clamp	
50	1001117308	1	Contactora	
51	1001134488	1	Fitting, 90 Barbed (Part of Item 58)	
52	1001135138	1	Adapter, Fan	
53	1001135679	1	Adapter	
54	1001136834	1	Cap, Tank	
55	1001137276	1	Fan	
56	1001138228	1	Relay	
57	1001138827	1	Sensor, Coolant Level (Part of Item 58)	
58	1001230635	1	Tank, Surge (Include Items 2, 51, 57 & 59)	

SECTION 3 - ENGINE

ITEM	PART NUMBER	QTY	DESCRIPTION	REV
59	1001140564	1	Fitting, 90 Barbed (Part of Item 58)	
60	1001152489	1	Fitting, 90 Barbed	
61	1001167042	1	Radiator	
62	1001169967	2	Bracket	
63	1001170035	2	Bracket	
64	1001177359	1	Hose	
65	1001177844	1	Hose, Radiator (Top)	
66	1001231805	1	Mount	
67	1001186426	1	Clamp, Air Cleaner	
69	1001233895	1	Engine Harness - Deutz Engines (Not Shown) (See Separate Breakdown in ELECTRICAL Section)	
70	1001188535	1	Bracket, Engine - Rear	
71	1001189026	1	Bracket, Engine - Right	
72	1001166716	1	Restriction, Indicator	
73	1001189913	1	Hose	
74	1001189979	1	Filter, Air	
74	70005008	1	Element, Filter	
75	1001190164	1	Mount, Motor	
76	1001200745	1	Tray	
77	1001229091	1	Support, Radiator	
78	1001203885	1	Plate	
79	1001190942	1	Support	
80	1001191025	1	Hose, Radiator (Bottom)	
82	1001191610	1	Mount, Motor	
83	1001192400	1	Bracket	
85	1001193049	1	Hose	
87	2720015	AR	Hose	
90	1001168166	2	Seal	
91	1001168018	1	Washer	
92	1001180620	AR	Adhesive	
94	0761210	1	Bolt M12 x 20	
96	1001197725	1	Spacer	
97	0760810	11	Bolt M8 x 20	
98	3291005	11	Nut M10	
99	4811902	8	Washer M8	
100	5241000	10	Washer M10	
101	1001169054	4	Isolator	
102	1001169138	4	Pad, Snubbing	
103	1001190442	1	Harness, Alternator Power	
103	1001098764	1	Boot - Red	
104	1320202	1	Clamp	
105	1001141304	1	Harness, Glow Fuse	
106	1001181899	1	Clamp	
108	4240099	1	Tie-Strap (Not Shown)	
113	5251012	2	Bolt M10 x 25	
115	0760816	3	Bolt M8 x 40	
116	0761017	4	Bolt M10 x 45	
117	1001138248	4 ft/1.25m	Tube	
118	4751600	2	Washer 3/8	

SECTION 3 - ENGINE

FIGURE 3-25. DEUTZ TD2.9L4 (STAGE V PRE-BUY) ENGINE COMPONENTS



ART_1001235458

SECTION 3 - ENGINE

FIGURE 3-25. DEUTZ TD2.9L4 (STAGE V PRE-BUY) ENGINE COMPONENTS

ITEM	PART NUMBER	QTY	DESCRIPTION	REV
	1001235458	Ref	DEUTZ TD2.9L4 (STAGE V) ENGINE COMPONENTS	B
1	70025660	1	Plug	
1	70006264	1	Valve, Plunger	
1	70006265	1	Spring	
1	70006266	1	Seal	
2	70024904	1	Dipstick	
2	70024905	2	Seal	
3	7020465	2	Cap, Fill	
4	70005920	1	Line, Breather	
4	70025111	2	Clamp	
5	70006941	2	Plug	
5	70005942	2	Seal	
6	70001870	1	Flywheel	
6	7024579	1	Ring Gear	
6	70025139	8	Bolt	
7		Ref	Gasket & Seal Options (Not Shown):	
7	70005938	1	Gasket Kit	
7	70024906	1	Gasket, Head	
7	70005922	1	Gasket, Valve Cover	
7	70028185	1	Gasket, Front Cover	
7	70004280	1	Seal, Front Main	
7	70002718	1	Seal, Rear Main	
8	70025091	1	Plug	
8	70025076	1	Valve, Plunger	
8	70025176	1	Spring	
8	70025082	1	Seal	
9	70005172	1	Pump, Lube (Not Shown - Located RH Rear)	
9	70025135	1	O-Seal	
9	70005173	1	Gasket	
10	7016331	1	Filter, Oil	
10	70025137	1	Bushing, Oil Filter	
11	70024494	1	Cooler, Oil	
11	70024925	1	Gasket, Oil Filter	
12	70024924	1	Pump, High Pressure	
12	70025152	1	Gasket (Spacer to Pump)	
12	70024488	1	Spacer	
12	70024517	1	Gasket (Spacer to Block)	
12	70004505	1	Valve, Overflow	
12	70004506	1	Gasket, Overflow	
12	70004507	1	Gasket, Overflow	
13	70004508	1	Valve, Volume Control	
13	70004509	1	O-Ring	
13	70004510	1	Gasket	
14	70025181	4	Injector	
14	70025140	4	Washer, Sealing	
14	70025146	4	Clamp	
14	70025145	4	O-Seal	
14	70025154	4	Shoe/Pad, Clamping	
15	1001226098	1	Pump, Fuel Supply (was p/n 70005174 & 70006144)	
16	70025144	2	Clip, Clamp	

SECTION 3 - ENGINE

ITEM	PART NUMBER	QTY	DESCRIPTION	REV
17	70024961	1	Fuel Filter Assembly	
18	70025153	1	Element, Filter	
19	70024513	1	Cable, Sensor	
19	70025239	1	Seal, Ring	
20	70025160	1	Fuel Filter Assembly	
20	70004513	2	Seal (at Hollow Bolt)	
21	70025161	1	Element, Filter	
22	70024504	1	Sensor, Pressure	
22	70024920	1	O-Seal	
23	70025151	1	Rail, Fuel	
23	70025235	1	Repair Kit - Fuel Rail	
23	70025240	1	O-Ring	
24	70025182	1	Tube, Fuel - Cylinders 1 & 2	
24	70025183	1	Tube, Fuel - Cylinders 3 & 4	
24	70025184	1	Tube, Fuel	
25	70024502	1	Pipe, Fuel Leakage	
25	70025185	1	Hose, Fuel	
25	70025158	1	Manifold	
25	70025109	2	Clamp, Spring	
25	70025115	1	Clamp	
25	70025133	1	Hose	
25	70025101	2	Clamp	
25	70025148	1	Connector, Plug-in	
26	70005923	1	Manifold, Charger Air	
26	70005177	1	Gasket, Charger Air Manifold	
26	70005924	1	Seal (Manifold to Elbow)	
26	70005925	1	Line, Breather (Not Shown)	
26	70005181	1	O-Seal (Breather to Manifold)	
27	70005926	1	Elbow	
27	70025112	2	Clamp	
27	70004501	1	Sleeve, Rubber	
28	70005927	1	Sleeve	
28	70025107	2	Clamp	
29	70005928	1	Elbow, Air Charge	
30	70025210	1	Module, ECU	
31	70024910	1	Pump, Coolant	
31	70025200	1	Ring, Sealing (Pump to Block)	
32	70025084	2	Plug	
32	7020492	2	Ring, Sealing	
33	70005929	1	Thermostat	
33	70005184	1	O-Seal (Thermostat to Housing)	
33	70005930	1	Housing, Thermostat	
33	70005931	1	O-Seal (Thermostat to Pump)	
33	70025124	2	Bolt	
34	70025178	1	Tube	
34	70025179	2	Gasket (at Either End of Tube)	
35	70025768	1	Valve, Shuttle	
35	70025180	1	Gasket	
35	70025174	1	Housing, Shuttle Valve	
35	70025175	1	Cap, Shuttle Valve	
36	70025203	1	Module, EGR	

SECTION 3 - ENGINE

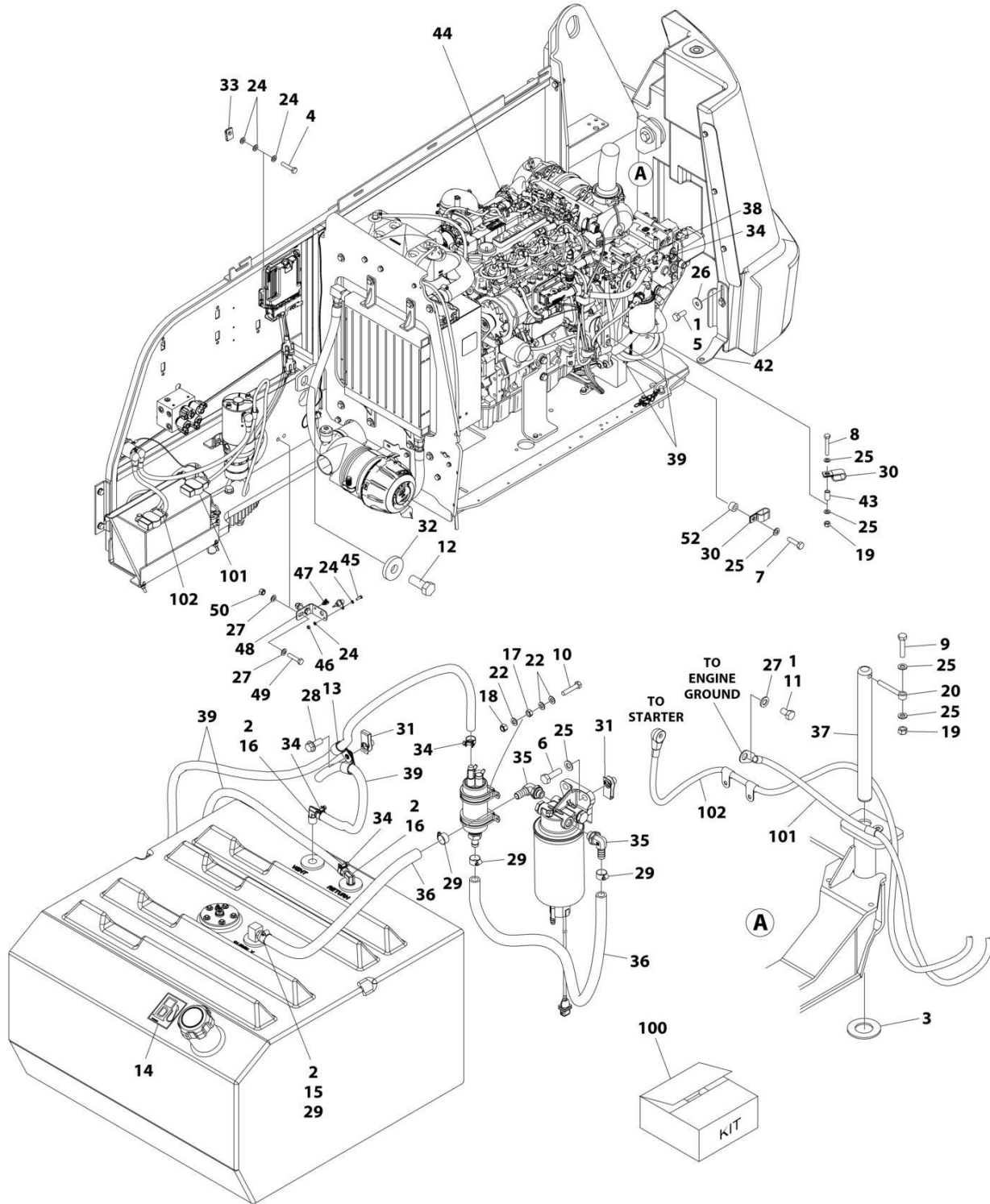
ITEM	PART NUMBER	QTY	DESCRIPTION	REV
36	70025155	1	Plug (Not Shown)	
37	70005188	1	Valve, EGR Control	
37	70005189	1	Seal (Valve to Module)	
38	70004282	1	Manifold, Exhaust (Not Shown)	
38	70025164	1	Gasket, Manifold to Head (Not Shown)	
38	70025130	8	Bolt, Manifold (Not Shown)	
38	70026995	1	Elbow, Exhaust (Not Shown)	
38	70025179	2	Gasket, Manifold to Elbow (Not Shown)	
39	70005932	1	Tube, Oil Return	
39	70025132	1	O-Seal	
40	70004276	1	Turbocharger	
40	70024509	1	Gasket (Turbocharger to Oil Return Tube Housing)	
40	1001191599	1	Gasket (Turbocharger to Exhaust)	
41	70025477	1	Tensioner, Belt	
42	70024484	1	Roller, Idler	
43	70004277	1	Belt	
44	70025733	1	Pulley, Alternator	
44	70024914	1	Alternator	
44	70025149	1	Controller	
44	70025131	1	Fan	
45	70024915	1	Starter	
45	70005647	1	Switch, Solenoid	
45	70005648	1	Relay	
46	70000345	4	Glow Plug	
46	70025231	1	Harness, Glow Plug	
46	70025233	1	Connector, Plug-in	
47	70025077	1	Harness, Engine	
48	70024918	1	Sender, Temperature	
49	70024504	1	Sensor, Pressure (Not Shown - RH Front)	
49	70024920	1	O-Seal	
50	70026210	1	Sensor, Speed (Not Shown - Front)	
50	70005191	1	Ring, Seal	
51	70024507	1	Sensor, Pressure	
51	70025120	1	O-Seal	
51	70005933	1	Adapter	
51	70005934	1	O-Seal	
52	70024922	1	Sender, Temperature	
52	70025212	1	O-Seal	
53	70026210	1	Sensor, Speed (Not Shown - Front)	
53	70024917	1	O-Seal	
54	70025192	1	Housing	
55	70005935	1	Bracket	
56	70025877	1	Clip	
56	70025242	1	Gasket	
56	70025877	1	Clip	
56	70025242	1	Gasket	
57	70005937	1	Muffler, DOC	
58	70025246	1	Outlet, Muffler	
59	70025245	2	Clamp	
60	70004504	1	Compensator	
60	70025242	1	Gasket	

SECTION 3 - ENGINE

ITEM	PART NUMBER	QTY	DESCRIPTION	REV
60	70005527	1	Clip	
61	70025877	1	Clip	

SECTION 3 - ENGINE

FIGURE 3-26. DEUTZ TD2.9L4 (STAGE V) ENGINE INSTALLATION



ART_1001243749_I

SECTION 3 - ENGINE

FIGURE 3-26. DEUTZ TD2.9L4 (STAGE V) ENGINE INSTALLATION

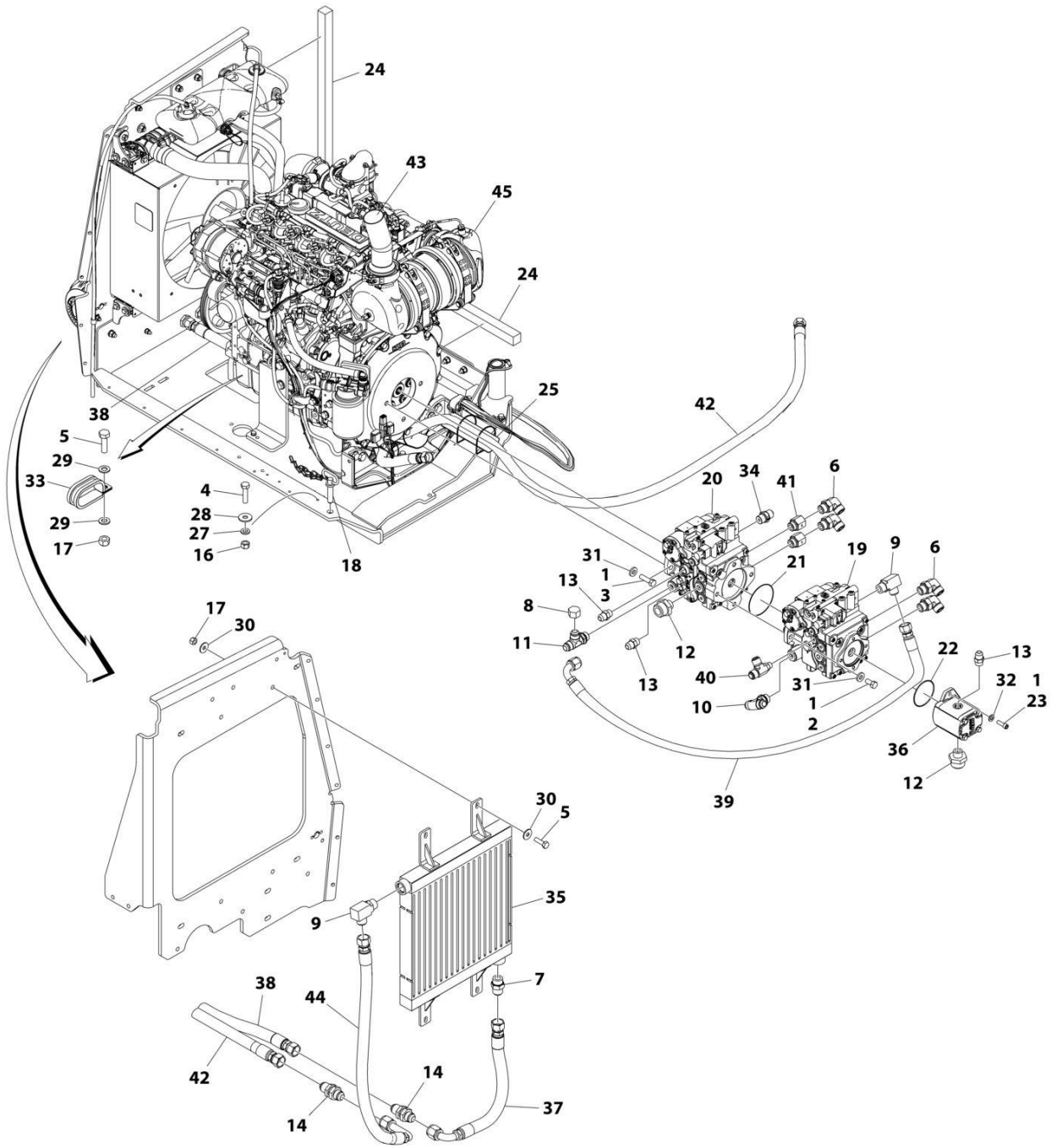
ITEM	PART NUMBER	QTY	DESCRIPTION	REV
	1001243749	Ref	DEUTZ TD2.9L4 (STAGE V) ENGINE INSTALLATION	I
1	0100011	AR	Compound, Locking	
2	0100020	AR	Sealant	
3	0440162	1	Bearing	
4	0700614	4	Bolt M6 x 30	
5	0701012	2	Bolt M10 x 25	
6	0701015	2	Bolt M10 x 35	
7	0761014	1	Bolt M10 x 30	
8	0701022	1	Bolt M10 x 70	
9	0711018	1	Bolt M10 x 50	
10	0760512	4	Bolt M5 x 25	
11	0761210	1	Bolt M12 x 20	
12	0772018	1	Bolt M20 x 50	
13	1320061	2	Clamp	
14	1701505	1	Decal - Diesel Fuel	
15	2180832	1	Fitting, Straight Barbed	
16	2220313	2	Fitting, 90 NPTF/Barb	
17	3290501	4	Nut M5	
18	3290505	4	Nut M5	
19	3291005	2	Nut M10	
20	3841143	1	Keeper, Pin	
21	4240099	AR	Tie-Strap (Not Shown)	
22	4811600	12	Washer M5	
24	4811700	14	Washer M6	
25	4812000	7	Washer M10	
26	4812002	2	Washer M10	
27	4812100	5	Washer M12	
28	5251012	1	Bolt M10 x 25	
29	8405006	4	Clamp	
30	1001026127	2	Clamp	
31	1001118972	3	Nut, Tinnerman M10	
32	1001119051	1	Washer	
33	1001130220	4	Nut, Tinnerman M6	
34	1001136975	5	Clamp	
35	1001142501	2	Fitting, 90 Barbed	
36	1001154405	33 in /1 m	Hose	
37	1001155094	1	Pin	
38	1001155823	1	Fitting, 90 Quick Connect	
39	1001165035	27 ft /9 m	Hose	
40	1001190444	1	Fuel Pump Harness - Deutz TD2.9L4 Engine (Not Shown) (See Separate Breakdown in ELECTRICAL Section)	
42	1001197881	1	Bracket	
43	1001200731	1	Tube	
44	1001277605	1	Deutz TD2.9L4 (Stage V) Engine and Pump Sub-Assembly (See Separate Breakdown in this Section)	
45	0641406	1	Bolt 1/4 x 3/4	
46	3311405	1	Nut 1/4	
47	1001146588	1	Tie-Strap (Not Shown)	
48	1001256879	1	Bracket	
49	0701220	2	Bolt M12 x 60	

SECTION 3 - ENGINE

ITEM	PART NUMBER	QTY	DESCRIPTION	REV
50	3291205	2	Nut M12	
51	1062255	1	Tie Strap (Not Shown)	
52	1001220266	1	Spacer M12	
53	1001289594	1	ECU Power Jumper Harness (Not Shown) (See Separate Breakdown in ELECTRICAL Section)	
100	1001235532	1	Battery Cable Kit (Includes Items 38 & 39)	
101	1001188668	1	Cable, Battery (-) to Aux Pump and Ground	
102	1001188669	1	Cable, Battery (+) to Aux Relay to Starter	

SECTION 3 - ENGINE

FIGURE 3-27. DEUTZ TD2.9L4 (STAGE V) ENGINE AND PUMP SUB-ASSEMBLY



ART_1001277605

SECTION 3 - ENGINE

FIGURE 3-27. DEUTZ TD2.9L4 (STAGE V) ENGINE AND PUMP SUB-ASSEMBLY

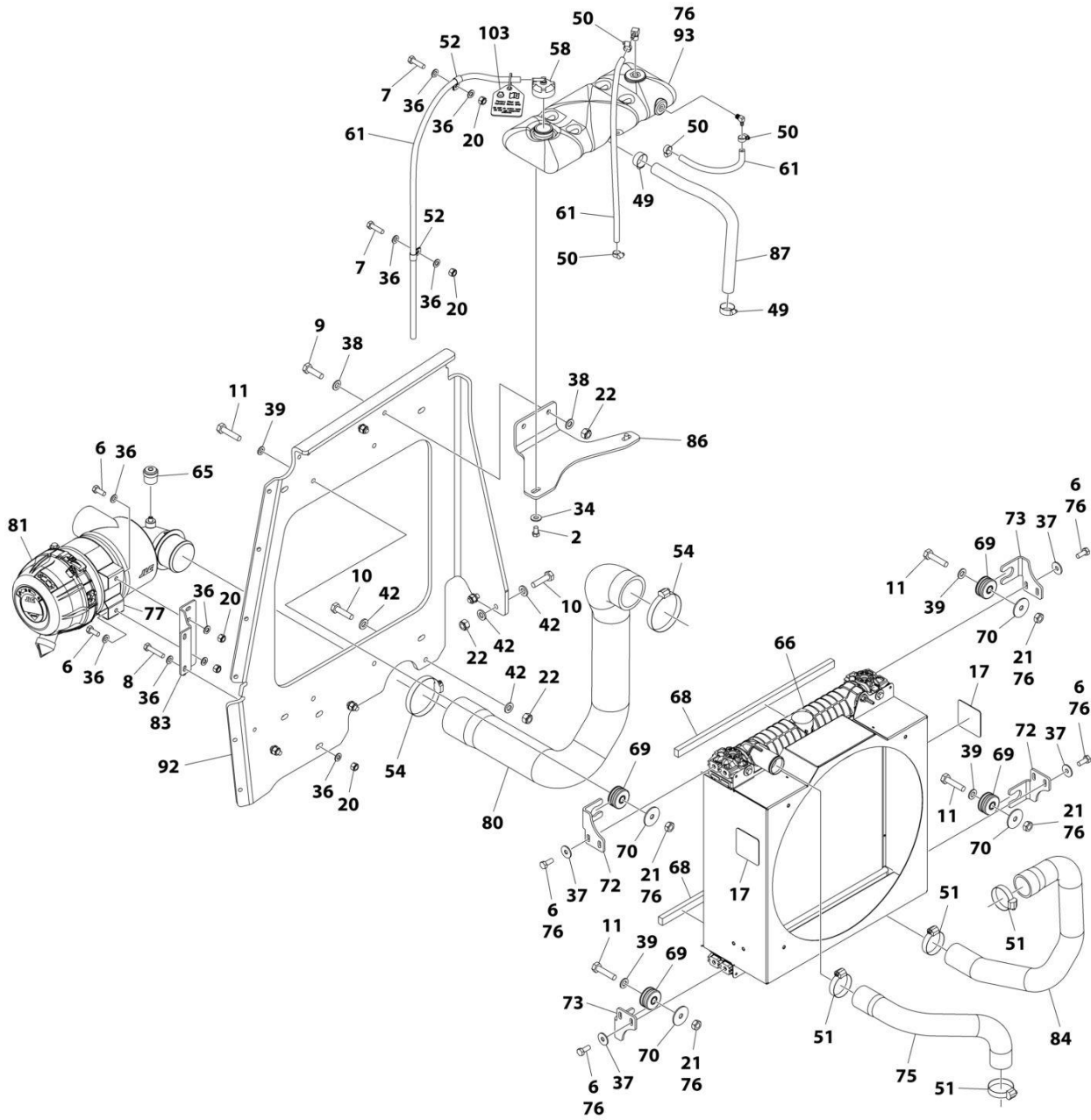
ITEM	PART NUMBER	QTY	DESCRIPTION	REV
	1001277605	Ref	DEUTZ TD2.9L4 (STAGE V) ENGINE AND PUMP SUB-ASSEMBLY	A
1	0100011	AR	Compound, Locking	
2	0641808	2	Bolt 1/2 x 1	
3	0641814	2	Bolt 1/2 x 1-3/4	
4	0760612	1	Bolt M6 x 25	
5	0761015	6	Bolt M10 x 35	
6	2131212	4	Fitting, 90 ORFS/ORB	
7	2220451	1	Fitting, Straight JIC/ORB	
8	2220518	1	Cap	
9	2220578	2	Fitting, 90 JIC/ORB	
10	2220695	1	Fitting, Tee JIC/ORB/JIC	
11	2220738	1	Fitting, Tee JIC/ORB/JIC	
12	2220946	2	Fitting, Straight JIC/ORB	
13	2220947	3	Fitting, Straight JIC/ORB	
14	2230027	2	Fitting, Straight	
15	3020037	AR	Lubricant	
16	3290605	1	Nut M6	
17	3291005	6	Nut M10	
18	3422532	1	Pin	
19	3600359	1	Piston Pump Assembly - Rear (See Separate Breakdown in this Section)	
20	3600363	1	Piston Pump Assembly - Front (See Separate Breakdown in this Section)	
21	3790045	1	O-Ring	
22	3790152	1	O-Ring	
23	3931618	2	Capscrew 3/8 x 1-1/8	
24	3960469	2	Seal	
25	4061032	3	Shield	
26	4240099	9	Tie-Strap (Not Shown)	
27	4811700	1	Washer M6	
28	4811702	1	Washer M6	
29	4812000	4	Washer M10	
30	4812002	8	Washer M10	
31	4891800	4	Washer 1/2	
32	5241000	2	Washer M10	
33	1001164196	2	Clamp	
34	1001179156	1	Valve, Check	
35	1001188171	1	Radiator, Oil Cooler	
36	1001190143	1	Gear Pump Assembly	
36	70006356	1	Seal Kit - 1001190143 Pump	
37	1001195504	1	Hose	
38	1001195509	1	Hose	
39	1001200216	1	Hose	
40	1001213814	1	Fitting, Tee JIC/ORB/JIC	
41	1001233450	2	Fitting, Straight ORB/ORB	
42	1001235110	1	Hose	
43	1001244880	1	Pipe, Exhaust	
44	1001247544	1	Hose	
45	1001277597	1	Deutz TD2.9L4 (Stage V) Engine Assembly (See Separate	

SECTION 3 - ENGINE

ITEM	PART NUMBER	QTY	DESCRIPTION	REV
			Breakdown in this Section)	

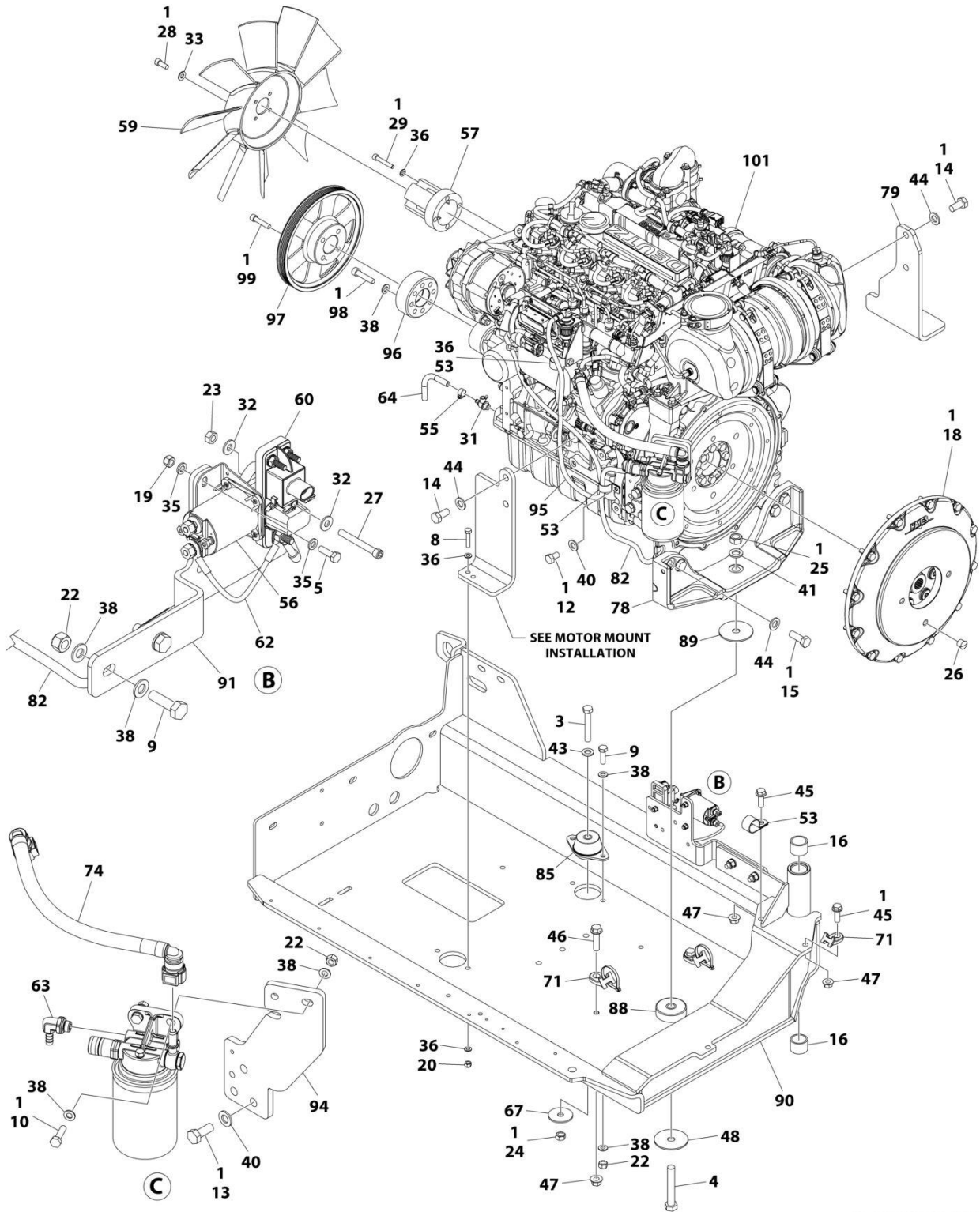
SECTION 3 - ENGINE

FIGURE 3-28. DEUTZ TD2.9L4 (STAGE V) ENGINE ASSEMBLY



ART_1001277597_D_10F2

SECTION 3 - ENGINE



ART_1001277597_D_20F2

SECTION 3 - ENGINE

FIGURE 3-28. DEUTZ TD2.9L4 (STAGE V) ENGINE ASSEMBLY

ITEM	PART NUMBER	QTY	DESCRIPTION	REV
	1001277597	Ref	DEUTZ TD2.9L4 (STAGE V) ENGINE ASSEMBLY	D
1	0100011	AR	Compound, Locking	
2	0681605	2	Bolt 3/8 x 5/8	
3	0711224	1	Bolt M12 x 80	
4	0711627	1	Bolt M16 x 100	
5	0760610	2	Bolt M6 x 20	
6	0760810	10	Bolt M8 x 20	
7	0760814	2	Bolt M8 x 30	
8	0760816	3	Bolt M8 x 40	
9	0761015	6	Bolt M10 x 35	
10	0761016	7	Bolt M10 x 40	
11	0761017	4	Bolt M10 x 45	
12	0761210	1	Bolt M12 x 20	
13	0761214	3	Bolt M12 x 30	
14	0771414	4	Bolt M14 x 30	
15	0771416	4	Bolt M14 x 40	
16	0961951	2	Bushing	
17	1703162	2	Decal - Fan Blade	
18	2902065	1	Pump Coupling Kit (See Separate Breakdown in this Section)	
19	3290605	2	Nut M6	
20	3290805	7	Nut M8	
21	3291001	4	Nut M10	
22	3291005	13	Nut M10	
23	3311405	1	Nut 1/4	
24	3331211	1	Nut M12	
25	3331611	1	Nut M16	
26	3520054	1	Plug	
27	3931432	1	Screw 1/4 x 2	
28	3931512	4	Capscrew 5/16 x 3/4	
29	4031914	4	Capscrew M8 x 50	
30	4240099	AR	Tie-Strap (Not Shown)	
31	4640751	1	Valve, Oil Drain	
32	4711400	2	Washer 1/4	
33	4711500	4	Washer 5/16	
34	4751600	2	Washer 3/8	
35	4811700	4	Washer M6	
36	4811900	19	Washer M8	
37	4811902	8	Washer M8	
38	4812000	20	Washer M10	
39	4812002	4	Washer M10	
40	4812100	4	Washer M12	
41	4812300	1	Washer M16	
42	5241000	10	Washer M10	
43	5241200	1	Washer M12	
44	5241400	8	Washer M14	
45	5251014	2	Bolt M10 x 30	
46	5251016	2	Bolt M10 x 40	
47	5261000	2	Nut M10	
48	7300435	1	Washer	
49	8405007	2	Clamp	

SECTION 3 - ENGINE

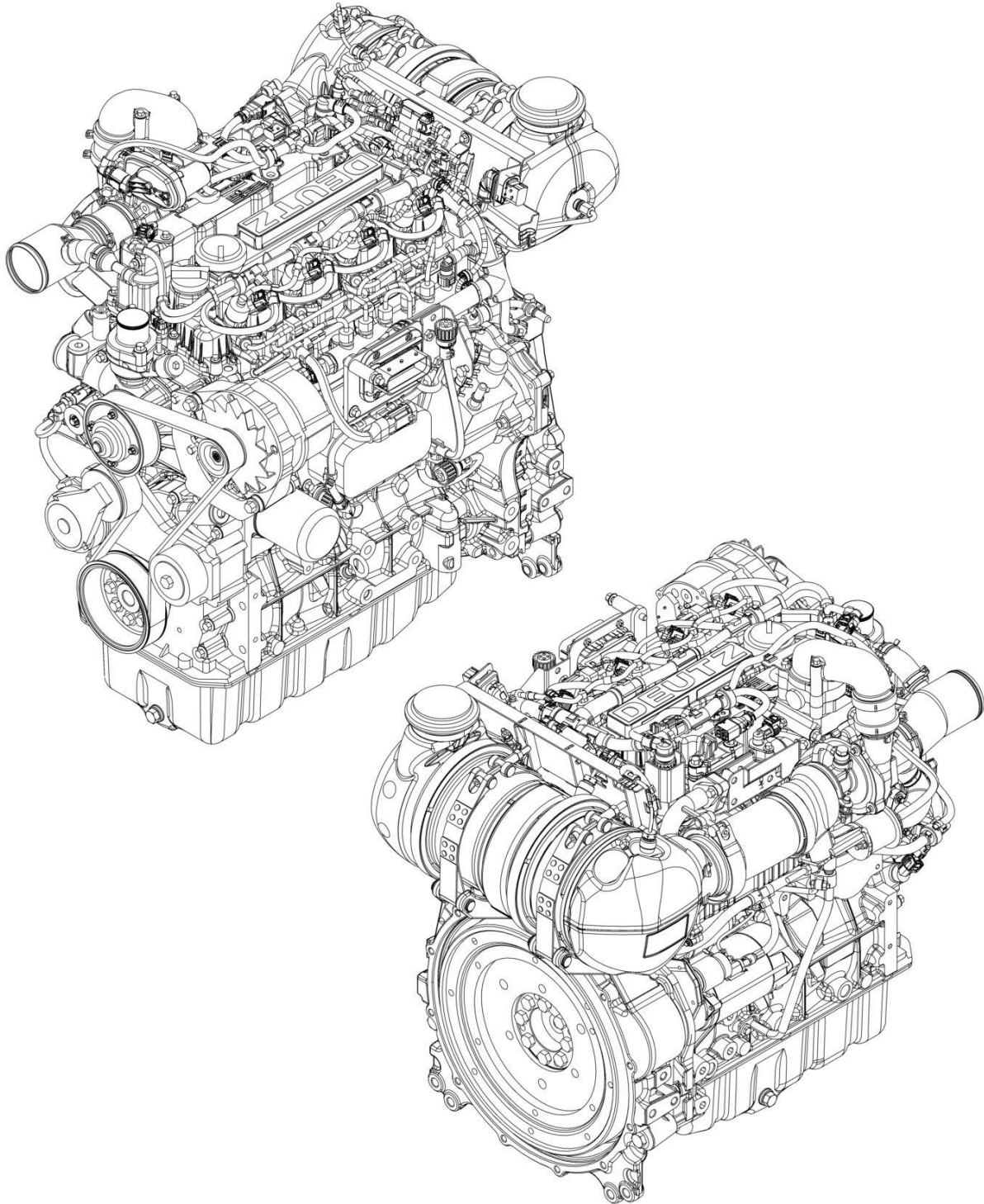
ITEM	PART NUMBER	QTY	DESCRIPTION	REV
50	8405009	4	Clamp	
51	8405104	4	Clamp	
52	8406109	2	Clip	
53	8406201	3	Clip	
54	8410011	2	Clamp	
55	8410013	1	Clamp	
56	1001117308	1	Contactora	
57	1001135138	1	Adapter, Fan	
58	1001136834	1	Cap, Tank	
59	1001137276	1	Fan	
60	1001138228	1	Relay	
61	1001138248	7 ft /2 m	Tube	
62	1001141304	1	Harness, Glow Fuse	
63	1001152489	1	Fitting, 90 Barbed	
64	1001165035	7 in /18 cm	Hose	
65	1001166716	1	Restriction, Indicator	
66	1001167042	1	Radiator	
67	1001168018	1	Washer	
68	1001168166	2	Seal	
69	1001169054	4	Isolator	
70	1001169138	4	Pad, Snubbing	
71	1001169146	3	Mount	
72	1001169967	2	Bracket	
73	1001170035	2	Bracket	
74	1001177359	1	Hose	
75	1001177844	1	Hose, Radiator (Top)	
76	1001180620	AR	Adhesive	
77	1001186426	1	Clamp, Air Cleaner	
78	1001188535	1	Bracket, Engine - Rear	
79	1001189026	1	Bracket, Engine - Right	
80	1001189913	1	Hose	
81	1001189979	1	Filter, Air	
81	70005008	1	Element, Filter	
82	1001190442	1	Harness, Alternator Power	
82	1001098764	1	Boot - Red	
83	1001190942	1	Support	
84	1001191025	1	Hose, Radiator (Bottom)	
85	1001191610	1	Mount, Motor	
86	1001192400	1	Bracket	
87	1001193049	1	Hose	
88	1001197149	1	Mount, Engine	
89	1001197725	1	Spacer	
90	1001200745	1	Tray	
91	1001203885	1	Plate	
92	1001229091	1	Support, Radiator	
93	1001230635	1	Tank, Surge	
93	1001134488	1	Fitting, 90 Barbed	
93	1001138827	1	Sensor, Coolant Level	
93	1001140564	1	Fitting, 90 Barbed	
94	1001237947	1	Mount	
95	1001245913	1	Harness, Fuel Filter (Deutz TD2.2L4 (Stage V) Engine) (See	

SECTION 3 - ENGINE

ITEM	PART NUMBER	QTY	DESCRIPTION	REV
			Separate Breakdown in ELECTRICAL Section)	
96	1001258800	1	Adapter	
97	1001281192	1	Pulley	
98	1001261045	4	Capscrew M10 x 45	
99	1001261085	4	Capscrew M10 x 85	
100	1001276644	1	Engine Harness - Deutz Engines (Not Shown) (See Separate Breakdown in ELECTRICAL Section)	
101	1001277591	1	Deutz TD2.9L4 (Stage V) Engine (See Separate Breakdown in this Section)	
102	4240032	1	Tie-Strap (Not Shown)	
103	1001291401	1	Tag, Coolant	

SECTION 3 - ENGINE

FIGURE 3-29. DEUTZ TD2.9L4 (STAGE V) ENGINE COMPONENTS



ART_1001277591

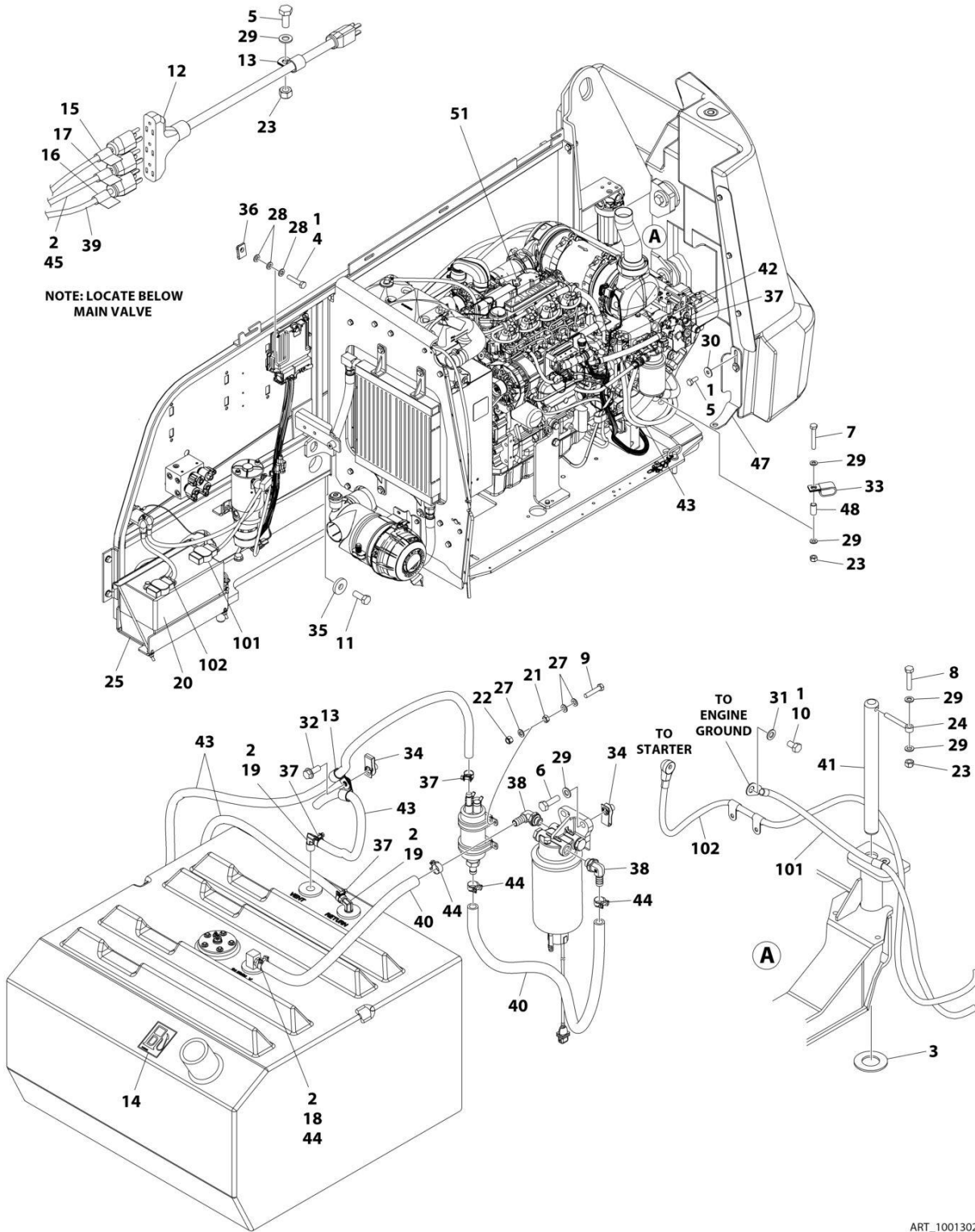
SECTION 3 - ENGINE

FIGURE 3-29. DEUTZ TD2.9L4 (STAGE V) ENGINE COMPONENTS

ITEM	PART NUMBER	QTY	DESCRIPTION	REV
	1001277591 See Note	Ref 1	DEUTZ ENGINE COMPONENTS Note: No Service Parts Available at Time of Printing	A

SECTION 3 - ENGINE

FIGURE 3-30. DEUTZ D2.9L4 - EMR5 ENGINE INSTALLATION WITH ARCTIC PACKAGE



ART_1001302519

SECTION 3 - ENGINE

FIGURE 3-30. DEUTZ D2.9L4 - EMR5 ENGINE INSTALLATION WITH ARCTIC PACKAGE

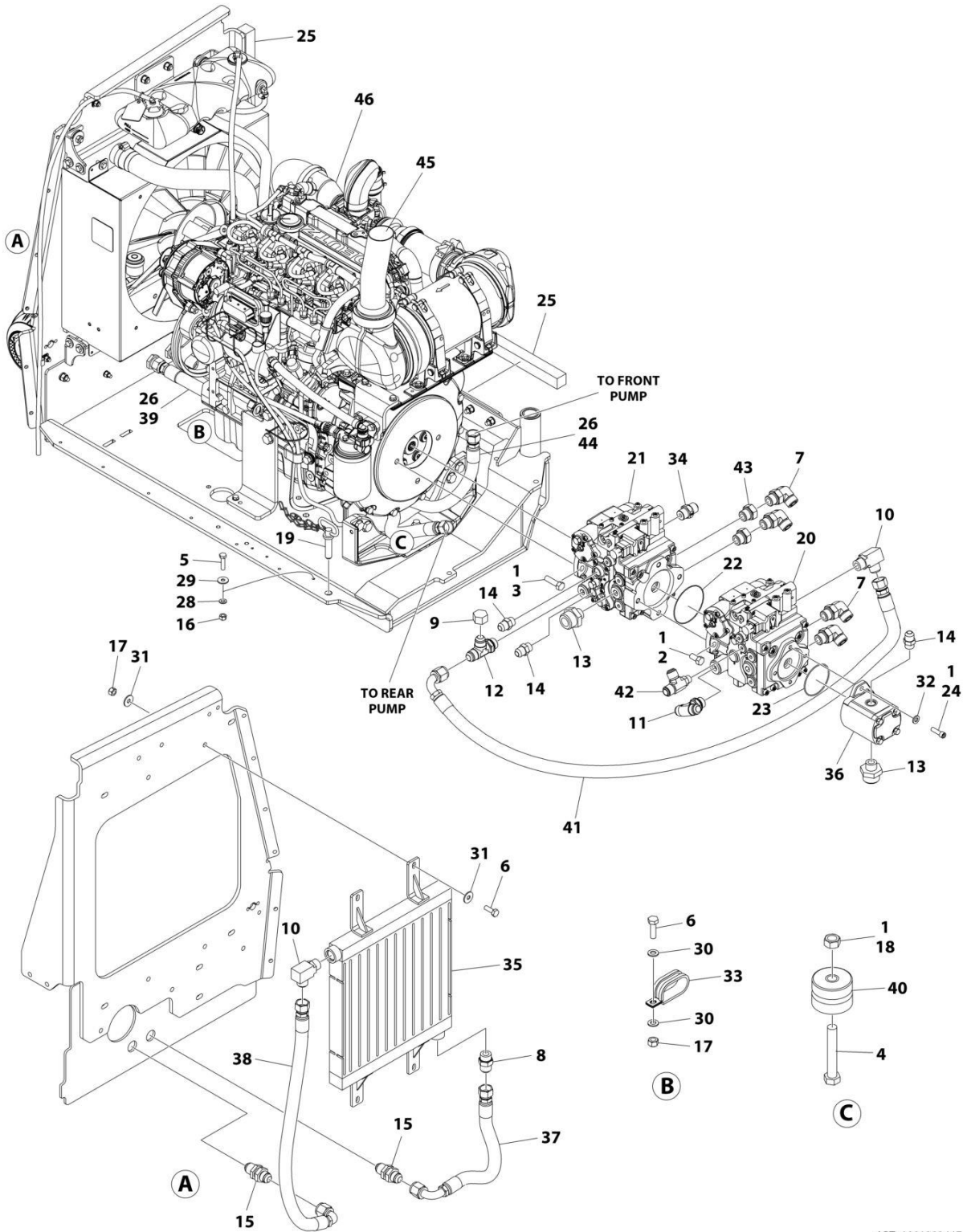
ITEM	PART NUMBER	QTY	DESCRIPTION	REV
	1001302519	Ref	ENGINE INSTALLATION EMR5 WITH ARCTIC PACKAGE	A
1	0100011	AR	Compound, Locking	
2	0100020	AR	Sealant, Pipe	
3	0440162	1	Bearing	
4	0700614	4	Bolt M6 x 30	
5	0701012	3	Bolt M10 x 25	
6	0701015	2	Bolt M10 x 35	
7	0701022	1	Bolt M10 x 70	
8	0711018	1	Bolt M10 x 50	
9	0760512	4	Bolt M5 x 25	
10	0761210	1	Bolt M12 x 20	
11	0772018	1	Bolt M20 x 50	
12	1060626	1	Plug, 3 Way	
13	1320061	3	Clamp	
14	1701505	1	Decal - Diesel	
15	1702941	1	Decal - Battery Heater	
16	1702942	1	Decal - Engine Block Heater	
17	1702943	1	Decal - Hydraulic Tank Heater	
18	2180832	1	Fitting, Straight Barbed	
19	2220313	2	Fitting, 90 NPTF/Barbed	
20	2580024	1	Heater, Battery	
21	3290501	4	Nut M5	
22	3290505	4	Nut M5	
23	3291005	3	Nut M10	
24	3841143	1	Keeper, Pin	
25	3980007	1	Seat, Battery	
26	4240099	AR	Tie-Strap (Not Shown)	
27	4811600	12	Washer M5	
28	4811700	12	Washer M6	
29	4812000	7	Washer M10	
30	4812002	2	Washer M10	
31	4812100	1	Washer M12	
32	5251012	1	Bolt M10 x 25	
33	1001026127	1	Clamp, Double	
34	1001118972	3	Nut M10	
35	1001119051	1	Washer	
36	1001130220	4	Nut, Tinnerman M6	
37	1001136975	5	Clamp	
38	1001142501	2	Fitting, 90 Barbed	
39	1001150918	1	Cord, Extension	
40	1001154405	33 in /84 cm	Hose	
41	1001155094	1	Pin	
42	1001155823	1	Fitting, 90 Quick Connect	
43	1001165035	27 ft /8.2 m	Hose	
44	1001175568	4	Clip	
45	1001188972	1	Heater, Immersion	
46	1001190444	1	Fuel Pump Harness (Not Shown - See Separate Breakdown in ELECTRICAL Section)	

SECTION 3 - ENGINE

ITEM	PART NUMBER	QTY	DESCRIPTION	REV
47	1001197881	1	Bracket	
48	1001200731	1	Tube	
49	1001233763	1	Breather Heater Installation (Not Shown - See Separate Breakdown in this Section)	
50	1001289594	1	ECU Power Jumper Harness (Not Shown - See Separate Breakdown in ELECTRICAL Section)	
51	1001302447	1	Deutz D2.9L4 - EMR5 Engine and Pump Sub-Assembly (See Separate Breakdown in this Section)	
100	1001235532	1	Battery Cable Kit	
101	1001188668	1	Cable, Battery (-) to Aux Pump and Ground	
102	1001188669	1	Cable, Battery (+) to Aux Relay to Starter	

SECTION 3 - ENGINE

FIGURE 3-31. DEUTZ D2.9L4 - EMR5 ENGINE AND PUMPS SUB-ASSEMBLY WITH ARCTIC PACKAGE



ART_1001302447

SECTION 3 - ENGINE

FIGURE 3-31. DEUTZ D2.9L4 - EMR5 ENGINE AND PUMPS SUB-ASSEMBLY WITH ARCTIC PACKAGE

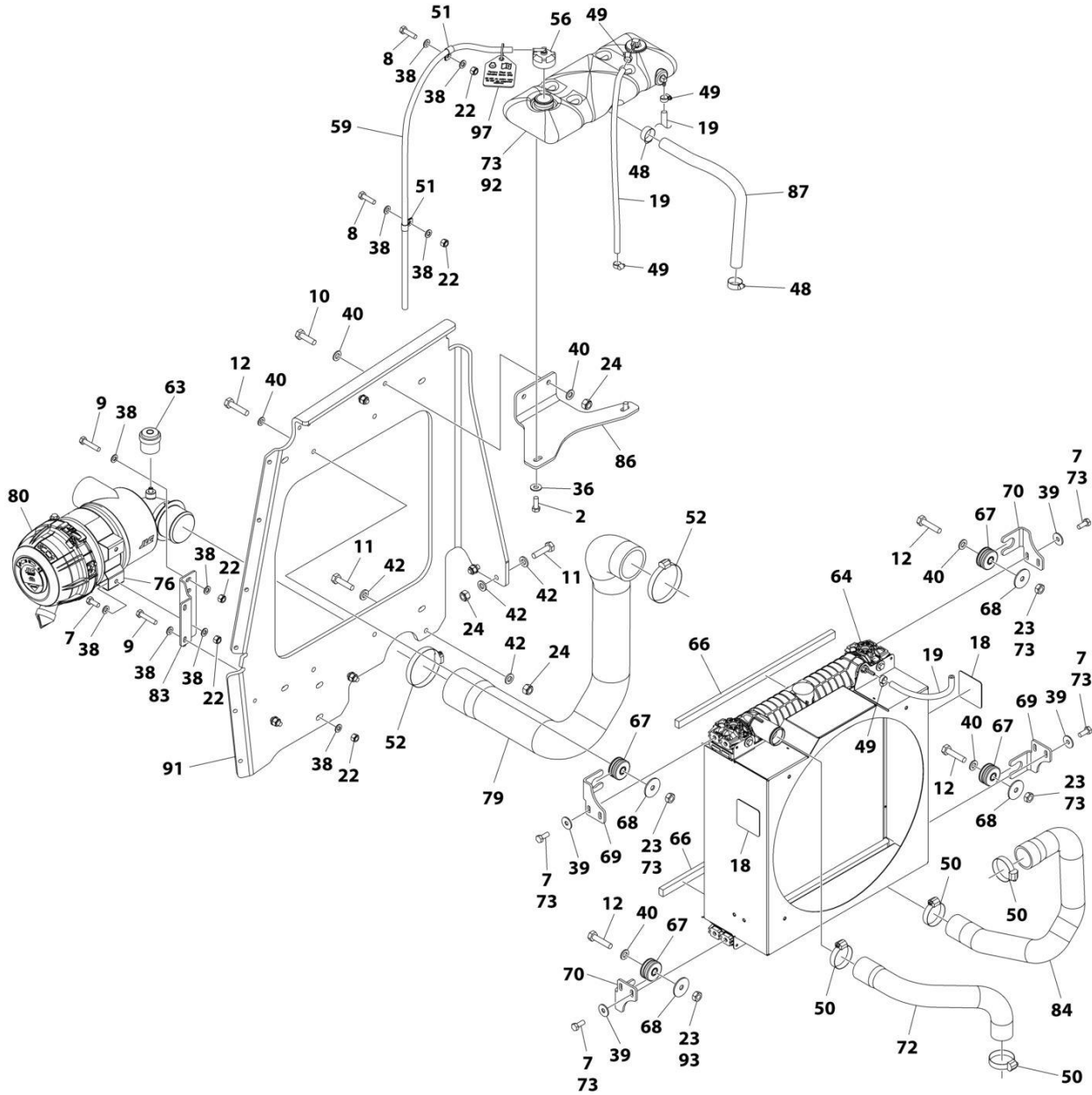
ITEM	PART NUMBER	QTY	DESCRIPTION	REV
	1001302447	Ref	ENGINE AND PUMPS SUB-ASSEMBLY - EMR5	A
1	0100011	AR	Compound, Locking	
2	0641808	2	Bolt 1/2 x 1	
3	0641814	2	Bolt 1/2 x 1-3/4	
4	0711627	1	Bolt M16 x 100	
5	0760612	1	Bolt M6 x 25	
6	0761015	6	Bolt M10 x 35	
7	2131212	4	Fitting, 90 ORFS/ORB	
8	2220451	1	Fitting, Straight JIC/ORB	
9	2220518	1	Fitting, Cap	
10	2220578	2	Fitting, 90 JIC/ORB	
11	2220695	1	Fitting, Tee JIC/ORB/JIC	
12	2220738	1	Fitting, Tee JIC/ORB/JIC	
13	2220946	2	Fitting, Straight JIC/ORB	
14	2220947	3	Fitting, Straight JIC/ORB	
15	2230027	2	Fitting, Straight	
16	3290605	1	Nut M6	
17	3291005	6	Nut M10	
18	3331611	1	Nut M16	
19	3422532	1	Pin	
20	3600359	1	Piston Pump Assembly - Rear (See Separate Breakdown in this Section)	
21	3600363	1	Piston Pump Assembly - Front (See Separate Breakdown in this Section)	
22	3790045	1	O-Ring	
23	3790152	1	O-Ring	
24	3931618	2	Capscrew 3/8 x 1-1/8	
25	3960469	2	Seal	
26	4061032	3	Shield	
27	4240099	AR	Tie-Strap (Not Shown)	
28	4811700	1	Washer M6	
29	4811702	1	Washer M6	
30	4812000	4	Washer M10	
31	4812002	8	Washer M10	
32	5241000	2	Washer M10	
33	1001164196	2	Clamp	
34	1001179156	1	Valve, Check	
35	1001188171	1	Radiator	
36	1001190143	1	Gear Pump Assembly	
36	70006356	1	Seal Kit - 1001190143 Pump	
37	1001195504	1	Hose	
38	1001195506	1	Hose	
39	1001195509	1	Hose	
40	1001197149	1	Mount	
41	1001200216	1	Hose	
42	1001213814	1	Fitting, Tee JIC/ORB/JIC	
43	1001233450	2	Fitting, Straight ORB/ORB	
44	1001235110	1	Hose	
45	1001239207	1	Pipe, Exhaust	

SECTION 3 - ENGINE

ITEM	PART NUMBER	QTY	DESCRIPTION	REV
46	1001302437	1	Deutz D2.9L4 - EMR5 Engine Assembly (See Separate Breakdown in this Section)	

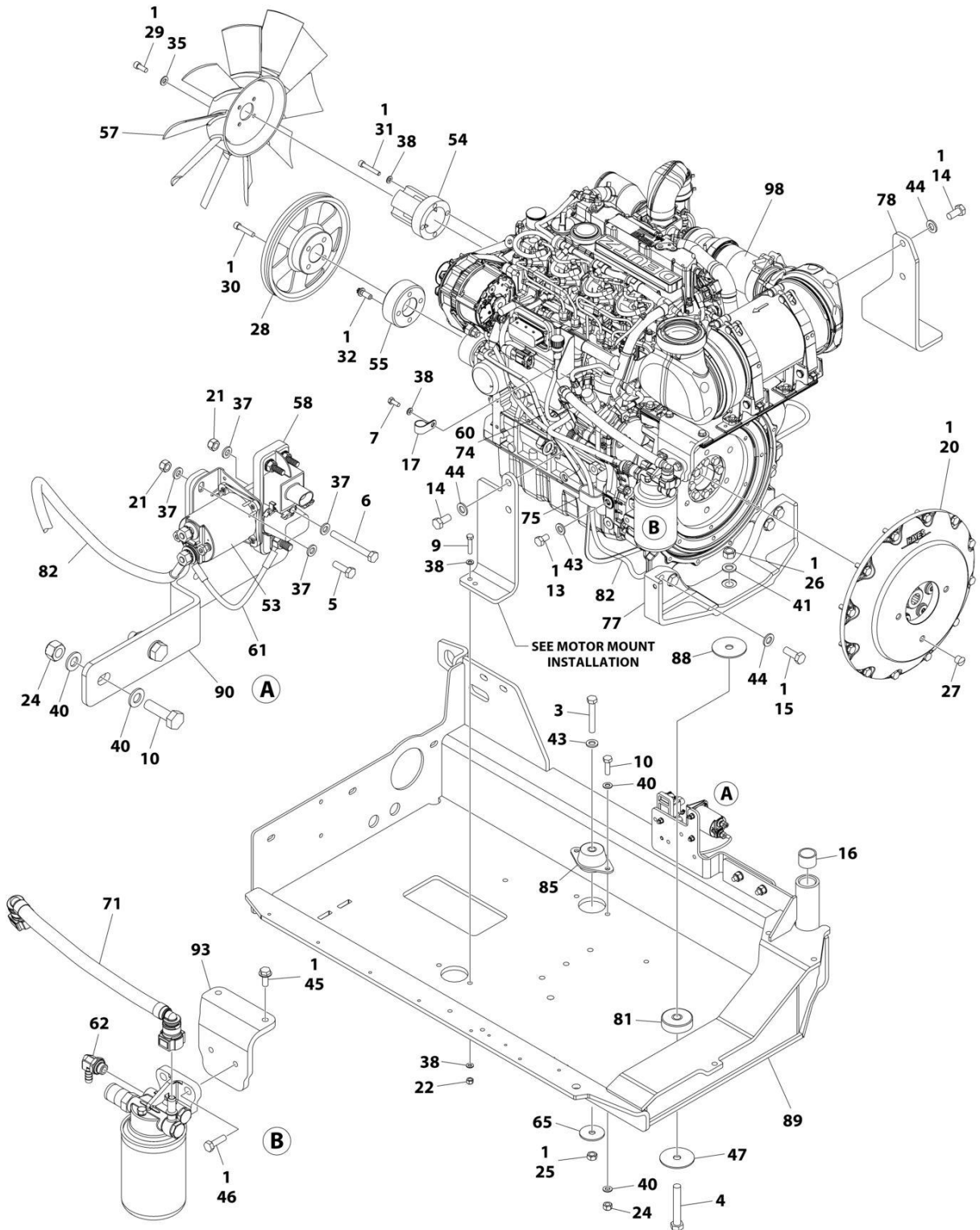
SECTION 3 - ENGINE

FIGURE 3-32. DEUTZ D2.9L4 - EMR5 ENGINE ASSEMBLY WITH ARCTIC PACKAGE



ART_1001302437_10F2

SECTION 3 - ENGINE



ART_1001302437_20F2

SECTION 3 - ENGINE

FIGURE 3-32. DEUTZ D2.9L4 - EMR5 ENGINE ASSEMBLY WITH ARCTIC PACKAGE

ITEM	PART NUMBER	QTY	DESCRIPTION	REV
	1001302437	Ref	ENGINE AND PUMPS SUB-ASSEMBLY - EMR5 (67HP)	A
1	0100011	AR	Compound, Locking	
2	0681608	2	Bolt 3/8 x 1	
3	0711224	1	Bolt M12 x 80	
4	0711627	1	Bolt M16 x 100	
5	0760610	2	Bolt M6 x 20	
6	0760619	1	Bolt M6 x 55	
7	0760810	11	Bolt M8 x 20	
8	0760814	2	Bolt M8 x 30	
9	0760816	3	Bolt M8 x 40	
10	0761015	6	Bolt M10 x 35	
11	0761016	5	Bolt M10 x 40	
12	0761017	4	Bolt M10 x 45	
13	0761210	1	Bolt M12 x 20	
14	0771414	4	Bolt M14 x 30	
15	0771416	4	Bolt M14 x 40	
16	0961951	2	Bushing	
17	1320202	1	Clamp	
18	1703162	2	Decal - Fan Blade	
19	2720015	30 in /77 cm	Hose	
20	2902065	1	Pump Coupling Kit (See Separate Breakdown in this Section)	
21	3290605	3	Nut M6	
22	3290805	7	Nut M8	
23	3291001	4	Nut M10	
24	3291005	11	Nut M10	
25	3331211	1	Nut M12	
26	3331611	1	Nut M16	
27	3520054	1	Plug	
28	3580320	1	Pulley	
29	3931512	4	Capscrew 5/16 x 3/4	
30	3931628	4	Capscrew 3/8 x 1-3/4	
31	4031914	4	Capscrew M8 x 50	
32	4032014	4	Capscrew M10 x 50	
33	4240032	AR	Tie-Strap (Not Shown)	
34	4240099	AR	Tie-Strap (Not Shown)	
35	4711500	4	Washer 5/16	
36	4751600	2	Washer 3/8	
37	4811700	6	Washer M6	
38	4811900	19	Washer M8	
39	4811902	8	Washer M8	
40	4812000	20	Washer M10	
41	4812300	1	Washer M16	
42	5241000	10	Washer M10	
43	5241200	2	Washer M12	
44	5241400	8	Washer M14	
45	5250810	2	Bolt M8 x 20	
46	5251012	2	Bolt M10 x 25	
47	7300435	1	Washer	
48	8405007	2	Clamp	

SECTION 3 - ENGINE

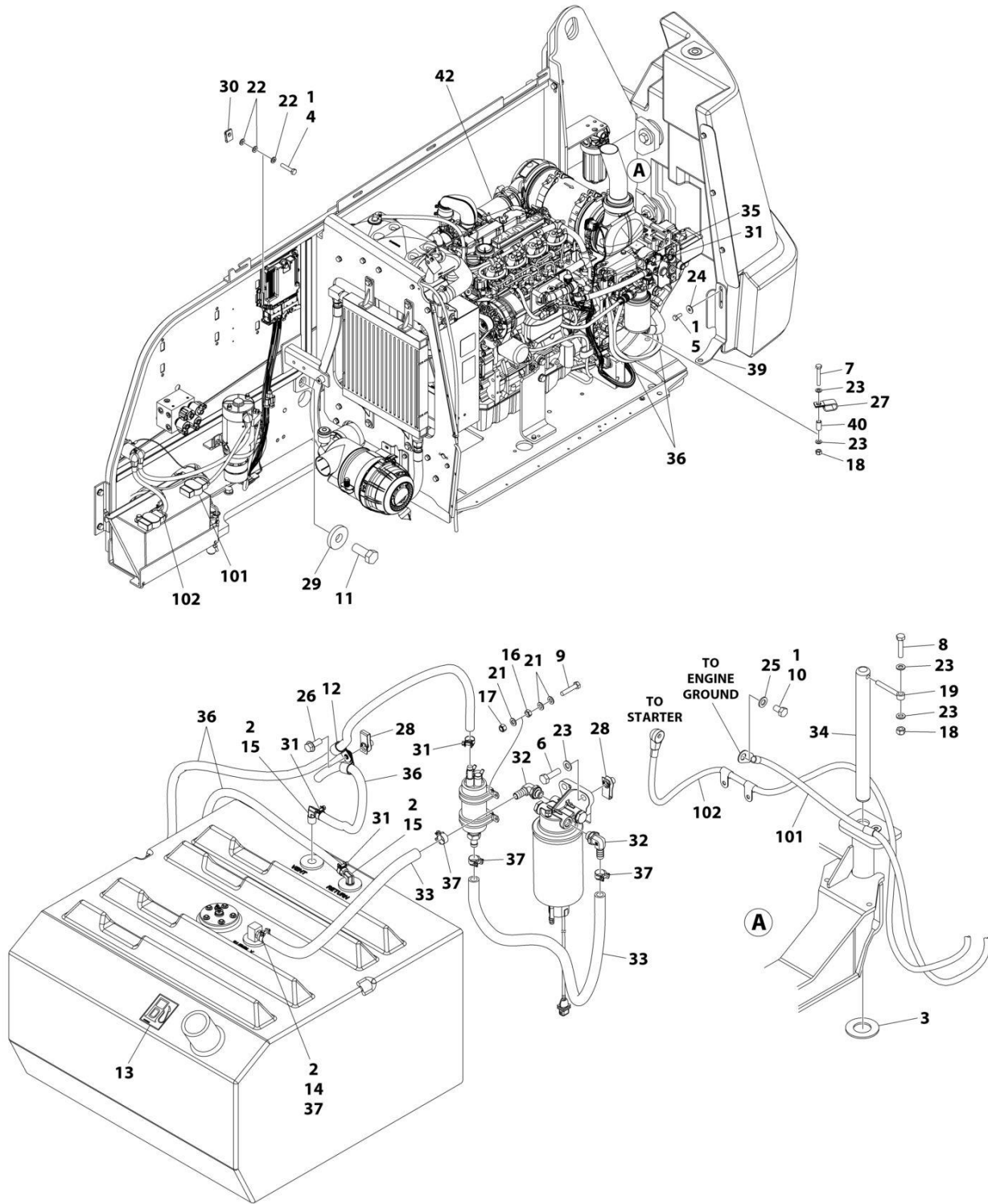
ITEM	PART NUMBER	QTY	DESCRIPTION	REV
49	8405009	4	Clamp	
50	8405104	4	Clamp	
51	8406109	1	Clip	
52	8410011	2	Clamp	
53	1001117308	1	Contactora	
54	1001135138	1	Adapter	
55	1001135679	1	Adapter	
56	1001136834	1	Cap, Tank	
57	1001137276	1	Fan	
58	1001138228	1	Relay	
59	1001138248	4 ft /1.3 m	Hose	
60	1001140312	1	Heater, Engine Block	
61	1001141304	1	Harness, Glow Fuse	
62	1001152489	1	Fitting, 90 Barbed	
63	1001166716	1	Indicator	
64	1001167042	1	Radiator	
65	1001168018	1	Washer	
66	1001168166	2	Seal	
67	1001169054	4	Isolator	
68	1001169138	4	Pad	
69	1001169967	2	Bracket	
70	1001170035	2	Bracket	
71	1001177359	1	Hose	
72	1001177844	1	Hose, Radiator (Upper)	
73	1001180620	AR	Adhesive	
74	1001181895	AR	Adhesive	
75	1001181899	1	Clamp, Double	
76	1001186426	1	Clamp	
77	1001188535	1	Bracket	
78	1001189026	1	Bracket	
79	1001189913	1	Hose	
80	1001189979	1	Filter, Air	
81	1001190164	1	Mount	
82	1001190442	1	Cable, Alternator Power	
83	1001190942	1	Support	
84	1001191025	1	Hose, Radiator (Bottom)	
85	1001191610	1	Mount	
86	1001192400	1	Bracket	
87	1001193049	1	Hose	
88	1001197725	1	Spacer	
89	1001200745	1	Tray	
90	1001203885	1	Plate	
91	1001229091	1	Support	
92	1001230635	1	Tank	
92	1001134488	1	Fitting, 90 Barbed	
92	1001138827	1	Sensor, Coolant Level	
92	1001140564	1	Fitting, 90 Barbed	
93	1001231805	1	Bracket	
94	1001276644	1	Engine Harness (Not Shown) (See Separate Breakdown in ELECTRICAL Section)	
95	1001281985	1	Connector (Not Shown)	
96	1001281986	1	Connector (Not Shown)	

SECTION 3 - ENGINE

ITEM	PART NUMBER	QTY	DESCRIPTION	REV
97	1001291401	1	Tag, Coolant	
98	1001301727	1	Deutz D2.9L4 - EMR5 Engine (See Separate Breakdown in this Section)	

SECTION 3 - ENGINE

FIGURE 3-33. DEUTZ D2.9L4 - EMR5 ENGINE INSTALLATION WITHOUT ARCTIC PACKAGE



ART_1001302515

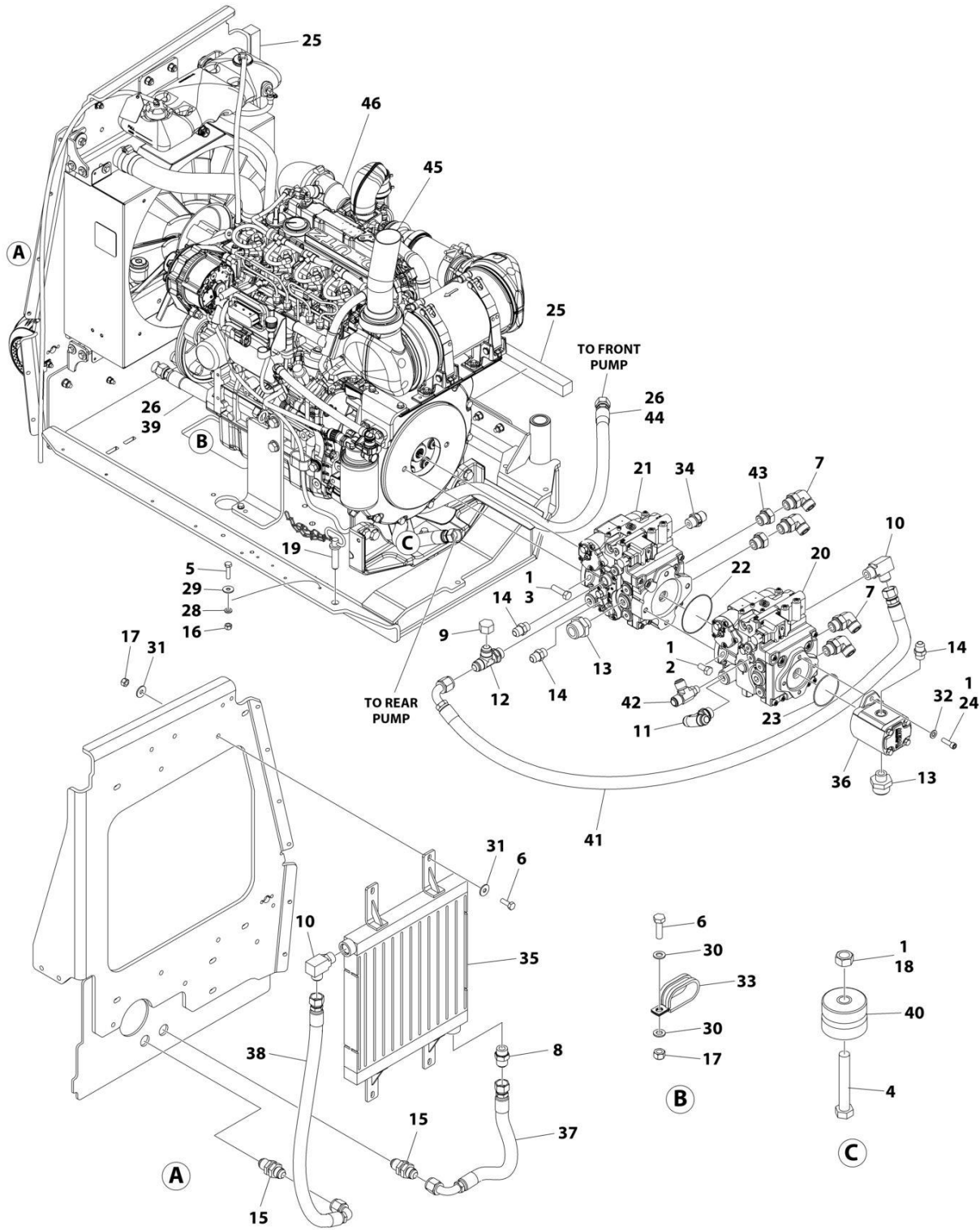
SECTION 3 - ENGINE

FIGURE 3-33. DEUTZ D2.9L4 - EMR5 ENGINE INSTALLATION WITHOUT ARCTIC PACKAGE

ITEM	PART NUMBER	QTY	DESCRIPTION	REV
	1001302515	Ref	ENGINE INSTALLATION EMR5 WITHOUT ARCTIC	A
1	0100011	AR	Compound, Locking	
2	0100020	AR	Sealant, Pipe	
3	0440162	1	Bearing	
4	0700614	4	Bolt M6 x 30	
5	0701012	2	Bolt M10 x 25	
6	0701015	2	Bolt M10 x 35	
7	0701022	1	Bolt M10 x 70	
8	0711018	1	Bolt M10 x 50	
9	0760512	4	Bolt M5 x 25	
10	0761210	1	Bolt M12 x 20	
11	0772018	1	Bolt M20 x 50	
12	1320061	2	Clamp	
13	1701505	1	Decal - Diesel	
14	2180832	1	Fitting, Straight Barbed	
15	2220313	2	Fitting, 90 NPTF/Barbed	
16	3290501	4	Nut M5	
17	3290505	4	Nut M5	
18	3291005	2	Nut M10	
19	3841143	1	Keeper, Pin	
20	4240099	AR	Tie-Strap (Not Shown)	
21	4811600	12	Washer M5	
22	4811700	12	Washer M6	
23	4812000	6	Washer M10	
24	4812002	2	Washer M10	
25	4812100	1	Washer M12	
26	5251012	1	Bolt M10 x 25	
27	1001026127	1	Clamp, Double	
28	1001118972	3	Nut M10	
29	1001119051	1	Washer	
30	1001130220	4	Nut, Tinnerman M6	
31	1001136975	5	Clamp	
32	1001142501	2	Fitting, 90 Barbed	
33	1001154405	33 in /84 cm	Hose	
34	1001155094	1	Pin	
35	1001155823	1	Fitting, 90 Quick Connect	
36	1001165035	27 ft /8.2 m	Hose	
37	1001175568	4	Clip	
38	1001190444	1	Fuel Pump Harness (Not Shown - See Separate Breakdown in ELECTRICAL Section)	
39	1001197881	1	Bracket	
40	1001200731	1	Tube	
41	1001289594	1	ECU Power Jumper Harness (Not Shown - See Separate Breakdown in ELECTRICAL Section)	
42	1001302396	1	Deutz D2.9L4 - EMR5 Engine and Pump Sub-Assembly (See Separate Breakdown in this Section)	
100	1001235532	1	Battery Cable Kit	
101	1001188668	1	Cable, Battery (-) to Aux Pump and Ground	
102	1001188669	1	Cable, Battery (+) to Aux Relay to Starter	

SECTION 3 - ENGINE

FIGURE 3-34. DEUTZ D2.9L4 - EMR5 ENGINE AND PUMPS SUB-ASSEMBLY WITHOUT ARCTIC PACKAGE



ART_1001302396

SECTION 3 - ENGINE

FIGURE 3-34. DEUTZ D2.9L4 - EMR5 ENGINE AND PUMPS SUB-ASSEMBLY WITHOUT ARCTIC PACKAGE

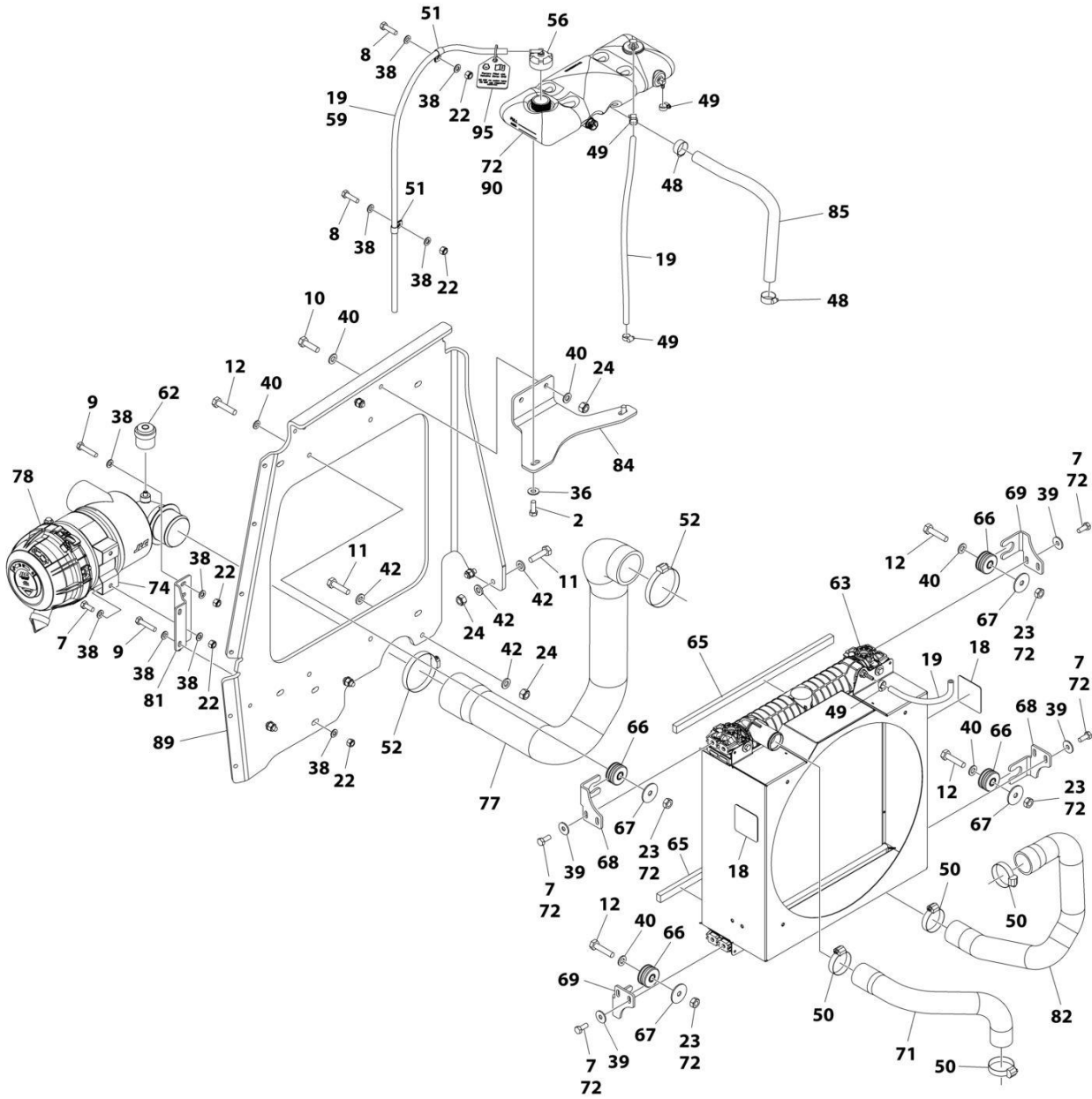
ITEM	PART NUMBER	QTY	DESCRIPTION	REV
	1001302396	Ref	ENGINE AND PUMPS SUB-ASSEMBLY - EMR5	A
1	0100011	AR	Compound, Locking	
2	0641808	2	Bolt 1/2 x 1	
3	0641814	2	Bolt 1/2 x 1-3/4	
4	0711627	1	Bolt M16 x 100	
5	0760612	1	Bolt M6 x 25	
6	0761015	6	Bolt M10 x 35	
7	2131212	4	Fitting, 90 ORFS/ORB	
8	2220451	1	Fitting, Straight JIC/ORB	
9	2220518	1	Fitting, Cap	
10	2220578	2	Fitting, 90 JIC/ORB	
11	2220695	1	Fitting, Tee JIC/ORB/JIC	
12	2220738	1	Fitting, Tee JIC/ORB/JIC	
13	2220946	2	Fitting, Straight JIC/ORB	
14	2220947	3	Fitting, Straight JIC/ORB	
15	2230027	2	Fitting, Straight	
16	3290605	1	Nut M6	
17	3291005	6	Nut M10	
18	3331611	1	Nut M16	
19	3422532	1	Pin	
20	3600359	1	Piston Pump Assembly - Rear (See Separate Breakdown in this Section)	
21	3600363	1	Piston Pump Assembly - Front (See Separate Breakdown in this Section)	
22	3790045	1	O-Ring	
23	3790152	1	O-Ring	
24	3931618	2	Capscrew 3/8 x 1-1/8	
25	3960469	2	Seal	
26	4061032	3	Shield	
27	4240099	AR	Tie-Strap (Not Shown)	
28	4811700	1	Washer M6	
29	4811702	1	Washer M6	
30	4812000	4	Washer M10	
31	4812002	8	Washer M10	
32	5241000	2	Washer M10	
33	1001164196	2	Clamp	
34	1001179156	1	Valve, Check	
35	1001188171	1	Radiator	
36	1001190143	1	Gear Pump Assembly	
36	70006356	1	Seal Kit - 1001190143 Pump	
37	1001195504	1	Hose	
38	1001195506	1	Hose	
39	1001195509	1	Hose	
40	1001197149	1	Mount	
41	1001200216	1	Hose	
42	1001213814	1	Fitting, Tee JIC/ORB/JIC	
43	1001233450	2	Fitting, Straight ORB/ORB	
44	1001235110	1	Hose	
45	1001239207	1	Pipe, Exhaust	

SECTION 3 - ENGINE

ITEM	PART NUMBER	QTY	DESCRIPTION	REV
46	1001302381	1	Deutz D2.9L4 - EMR5 Engine Assembly (See Separate Breakdown in this Section)	

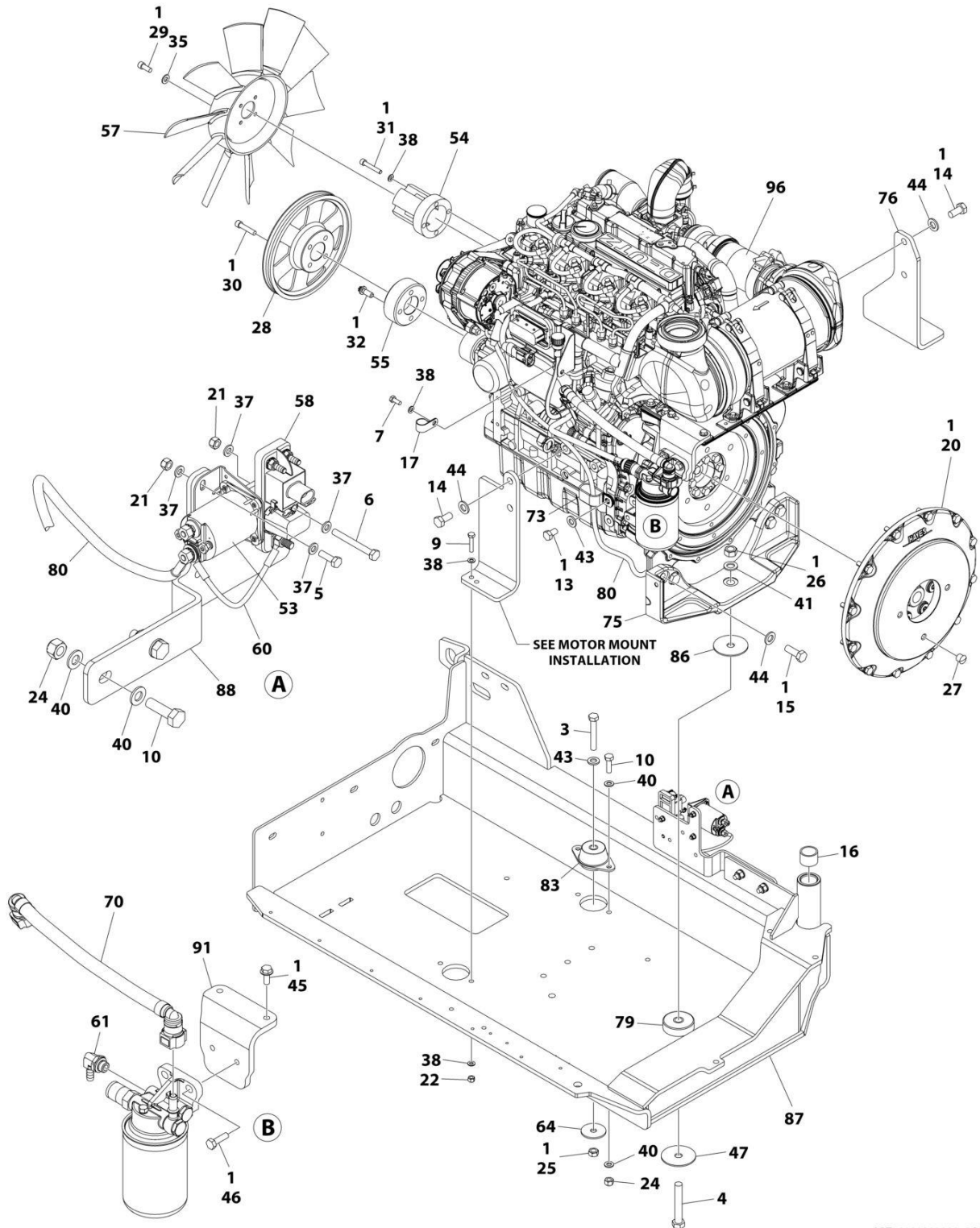
SECTION 3 - ENGINE

FIGURE 3-35. DEUTZ D2.9L4 - EMR5 (67HP) ENGINE ASSEMBLY WITHOUT ARCTIC PACKAGE



ART_1001302381_10F2

SECTION 3 - ENGINE



ART_1001302381_20F2

SECTION 3 - ENGINE

FIGURE 3-35. DEUTZ D2.9L4 - EMR5 (67HP) ENGINE ASSEMBLY WITHOUT ARCTIC PACKAGE

ITEM	PART NUMBER	QTY	DESCRIPTION	REV
	1001302381	Ref	ENGINE AND PUMPS SUB-ASSEMBLY - EMR5 (67HP)	A
1	0100011	AR	Compound, Locking	
2	0681608	2	Bolt 3/8 x 1	
3	0711224	1	Bolt M12 x 80	
4	0711627	1	Bolt M16 x 100	
5	0760610	2	Bolt M6 x 20	
6	0760619	1	Bolt M6 x 55	
7	0760810	11	Bolt M8 x 20	
8	0760814	2	Bolt M8 x 30	
9	0760816	3	Bolt M8 x 40	
10	0761015	6	Bolt M10 x 35	
11	0761016	5	Bolt M10 x 40	
12	0761017	4	Bolt M10 x 45	
13	0761210	1	Bolt M12 x 20	
14	0771414	4	Bolt M14 x 30	
15	0771416	4	Bolt M14 x 40	
16	0961951	2	Bushing	
17	1320202	1	Clamp	
18	1703162	2	Decal - Fan Blade	
19	2720015	3 ft /1 m	Hose	
20	2902065	1	Pump Coupling Kit (See Separate Breakdown in this Section)	
21	3290605	3	Nut M6	
22	3290805	7	Nut M8	
23	3291001	4	Nut M10	
24	3291005	11	Nut M10	
25	3331211	1	Nut M12	
26	3331611	1	Nut M16	
27	3520054	1	Plug	
28	3580320	1	Pulley	
29	3931512	4	Capscrew 5/16 x 3/4	
30	3931628	4	Capscrew 3/8 x 1-3/4	
31	4031914	4	Capscrew M8 x 50	
32	4032014	4	Capscrew M10 x 50	
33	4240032	AR	Tie-Strap (Not Shown)	
34	4240099	AR	Tie-Strap (Not Shown)	
35	4711500	4	Washer 5/16	
36	4751600	2	Washer 3/8	
37	4811700	6	Washer M6	
38	4811900	19	Washer M8	
39	4811902	8	Washer M8	
40	4812000	20	Washer M10	
41	4812300	1	Washer M16	
42	5241000	10	Washer M10	
43	5241200	2	Washer M12	
44	5241400	8	Washer M14	
45	5250810	2	Bolt M8 x 20	
46	5251012	2	Bolt M10 x 25	
47	7300435	1	Washer	
48	8405007	2	Clamp	
49	8405009	4	Clamp	

SECTION 3 - ENGINE

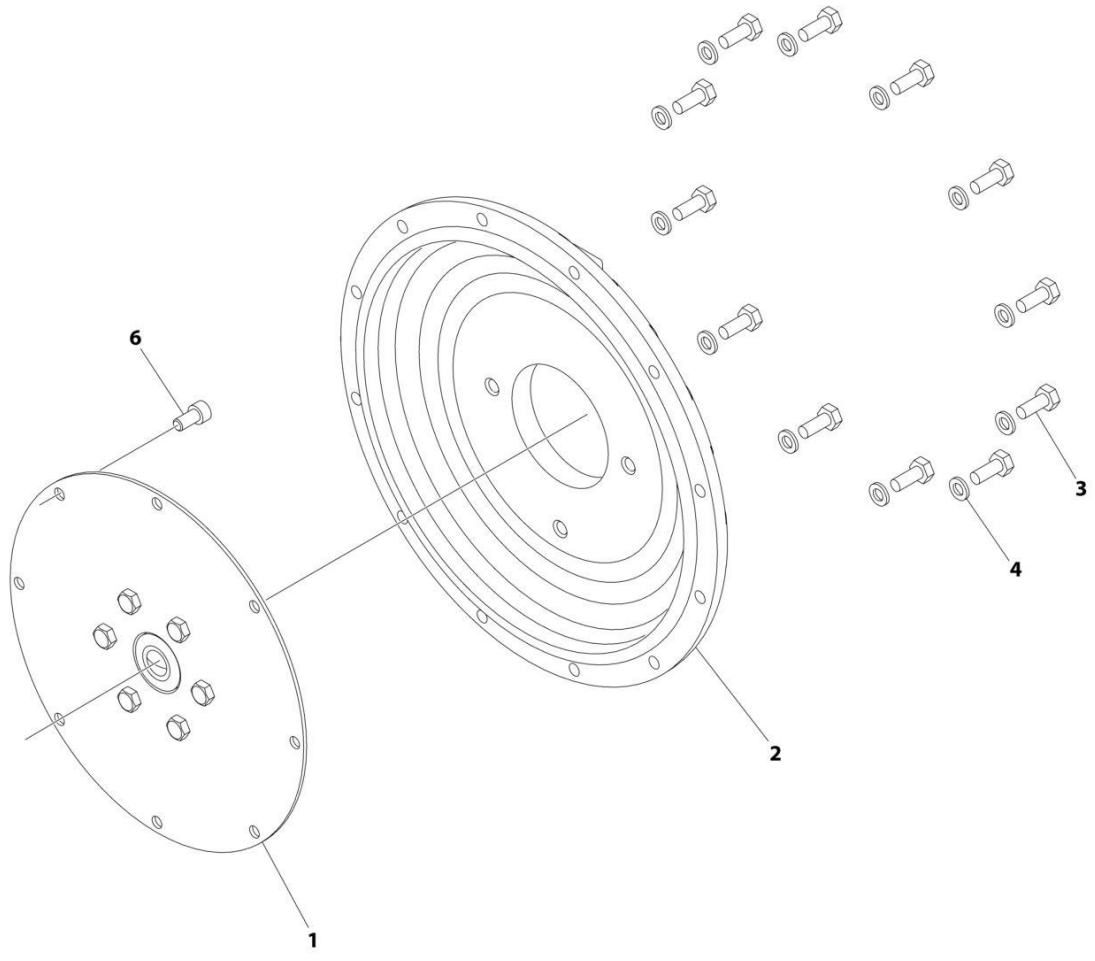
ITEM	PART NUMBER	QTY	DESCRIPTION	REV
50	8405104	4	Clamp	
51	8406109	2	Clip	
52	8410011	2	Clamp	
53	1001117308	1	Contactora	
54	1001135138	1	Adapter, Fan	
55	1001135679	1	Adapter	
56	1001136834	1	Cap, Tank	
57	1001137276	1	Fan	
58	1001138228	1	Relay	
59	1001138248	4 ft /2 m	Tube	
60	1001141304	1	Harness, Glow Fuse	
61	1001152489	1	Fitting, 90 Barbed	
62	1001166716	1	Restriction, Indicator	
63	1001167042	1	Radiator	
64	1001168018	1	Washer	
65	1001168166	2	Seal	
66	1001169054	4	Isolator	
67	1001169138	4	Pad, Snubbing	
68	1001169967	2	Bracket	
69	1001170035	2	Bracket	
70	1001177359	1	Hose	
71	1001177844	1	Hose, Upper Radiator	
72	1001180620	AR	Adhesive	
73	1001181899	1	Clamp, Double	
74	1001186426	1	Clamp	
75	1001188535	1	Bracket, Engine - Rear	
76	1001189026	1	Bracket, Engine - Right	
77	1001189913	1	Hose	
78	1001189979	1	Filter, Air	
78	70005008	1	Element, Filter	
79	1001190164	1	Mount	
80	1001190442	1	Cable, Alternator Power	
81	1001190942	1	Support	
82	1001191025	1	Hose, Radiator (Bottom)	
83	1001191610	1	Mount	
84	1001192400	1	Bracket	
85	1001193049	1	Hose	
86	1001197725	1	Spacer	
87	1001200745	1	Tray	
88	1001203885	1	Plate	
89	1001229091	1	Support	
90	1001230635	1	Tank	
90	1001134488	1	Fitting, 90 Barbed	
90	1001138827	1	Sensor, Coolant Level	
90	1001140564	1	Fitting, 90 Barbed	
91	1001231805	1	Bracket	
92	1001276644	1	Engine Harness (Not Shown - See Separate Breakdown in ELECTRICAL Section)	
93	1001281985	1	Connector (Not Shown)	
94	1001281986	1	Connector (Not Shown)	
95	1001291401	1	Tag, Coolant	
96	1001301727	1	Deutz D2.9L4 - EMR5 (67HP) Engine (See Separate Breakdown	

SECTION 3 - ENGINE

ITEM	PART NUMBER	QTY	DESCRIPTION	REV
			in this Section)	

SECTION 3 - ENGINE

FIGURE 3-36. PUMP COUPLING KIT (DEUTZ ENGINES)



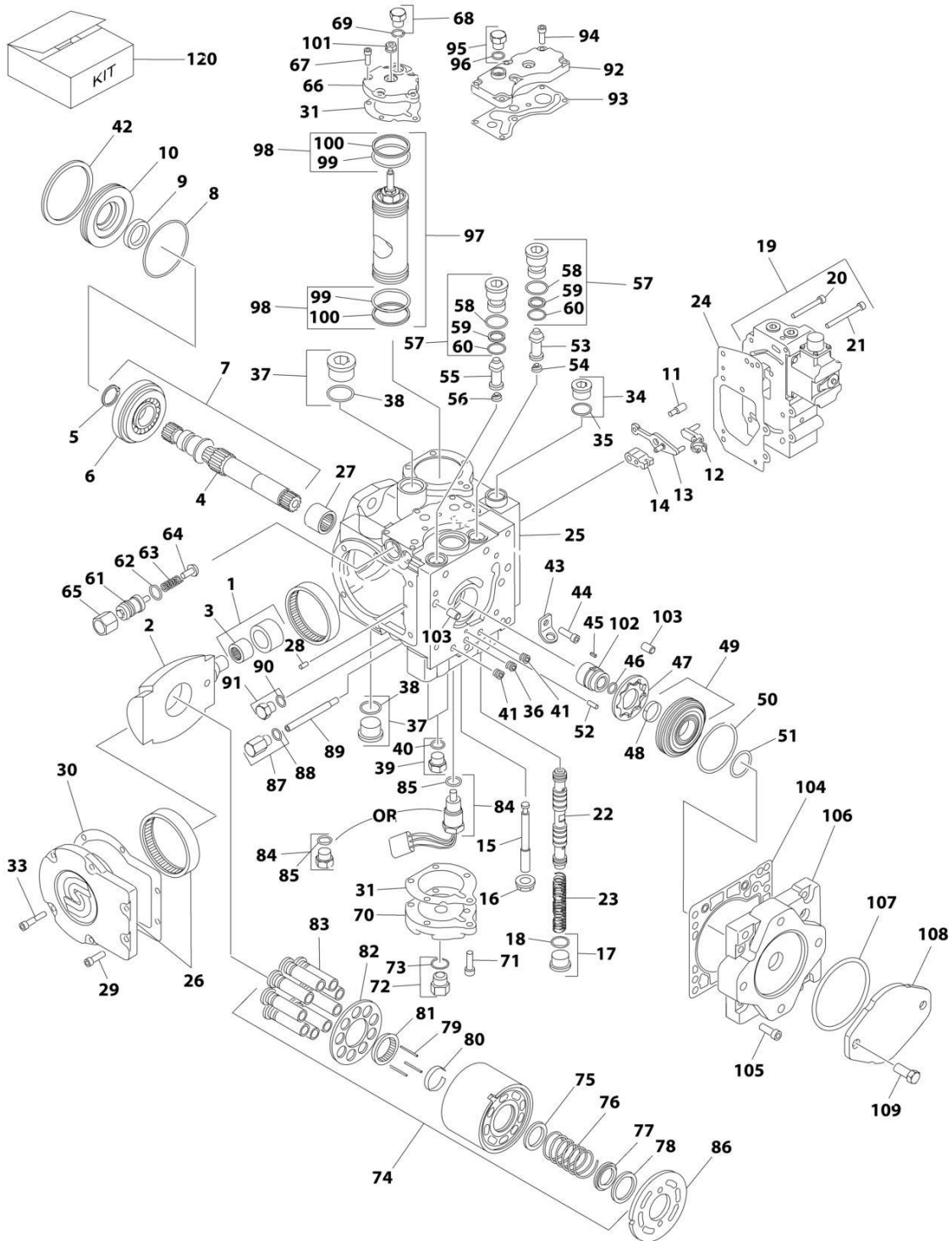
ART_2902065

SECTION 3 - ENGINE**FIGURE 3-36. PUMP COUPLING KIT (DEUTZ ENGINES)**

ITEM	PART NUMBER	QTY	DESCRIPTION	REV
	2902065	Ref	PUMP COUPLING KIT	L
1	70000793	1	Coupling, Hayes	
2	See Note	NSS	Plate, Pump Adapter (Note: Use p/n 2902065)	
3	See Note	NSS	Bolt M10 x 30 Grade 10.9 (Note: Use p/n 2902065)	
4	See Note	NSS	Washer M10 (Note: Use p/n 2902065)	
6	See Note	NSS	Bolt M10 x 20 Grade 10.9 (Note: Use p/n 2902065)	

SECTION 3 - ENGINE

FIGURE 3-37. PISTON PUMP ASSEMBLY- FRONT



ART_3600363

SECTION 3 - ENGINE

FIGURE 3-37. PISTON PUMP ASSEMBLY- FRONT

ITEM	PART NUMBER	QTY	DESCRIPTION	REV
	3600363	Ref	PISTON PUMP ASSEMBLY	B
1	7024805	1	Cam Follower Bearing Assembly (Includes Item 3)	
2	7022330	1	Swashplate	
3	7021236	1	Bearing, Needle	
4	7021237	1	Shaft	
5	7021238	1	Ring, Retaining	
6	7021239	1	Bearing, Roller	
7	7021240	1	Shaft (Includes Items 4-6)	
8	See Note	NSS	O-Ring (Note: Use Item 120)	
9	See Note	NSS	Seal, Lip (Note: Use Item 120)	
10	7021243	1	Carrier, Shaft Seal	
11	7023996	1	Screw	
12	7022331	1	Link, Control Summing	
13	7022332	1	Link, Control Feedback	
14	7022333	1	Link, Neutral Adjust	
15	7022334	1	Screw, Neutral Adjust	
16	7023997	1	Nut, Seal	
17	7022321	1	Plug (Includes Item 18)	
18	See Note	NSS	O-Ring (Note: Use Item 17 or 120)	
19	7022335	1	Control Kit (Includes Items 20 & 21)	
20	7023998	4	Screw	
21	7021267	3	Screw	
22	7022336	1	Spool Assembly	
23	7022337	1	Spring	
24	7022338	1	Gasket, Control	
25	7023999	1	Housing Assembly (Includes Items 27, 32, 36 & 41)	
26	7021248	1	Side Cover Assembly	
27	7021249	1	Bearing, Needle	
28	7021250	1	Pin	
29	7021251	2	Screw	
30	See Note	NSS	Gasket, Side Cover (Note: Use Item 120)	
31	7021253	2	Gasket, Servo Cover	
33	7021255	4	Screw	
34	7022321	1	Plug (Includes Item 35)	
35	See Note	NSS	O-Ring (Note: Use Item 34 or 120)	
36	7001485	1	Plug	
37	7007419	2	Plug (Includes Item 38)	
38	See Note	NSS	O-Ring (Note: Use Item 37 or 120)	
39	7007470	2	Plug (Includes Item 40)	
40	See Note	NSS	O-Ring (Note: Use Item 39 or 120)	
41	7001485	2	Plug, Pipe	
42	7021257	1	Ring, Retaining	
43	7022340	1	Bracket, Lifting	
44	7021251	1	Screw	
45	7022342	1	Key	
46	7022341	1	Ring, Retaining	
47	7022343	1	Gerotor Assembly	
48	7021259	1	Bearing, Journal	
49	7022344	1	Cover Assembly (Gerotor) (Includes Item 48):	
50	See Note	1	O-Ring (Note: No longer required per supplier. Pressure is the	

SECTION 3 - ENGINE

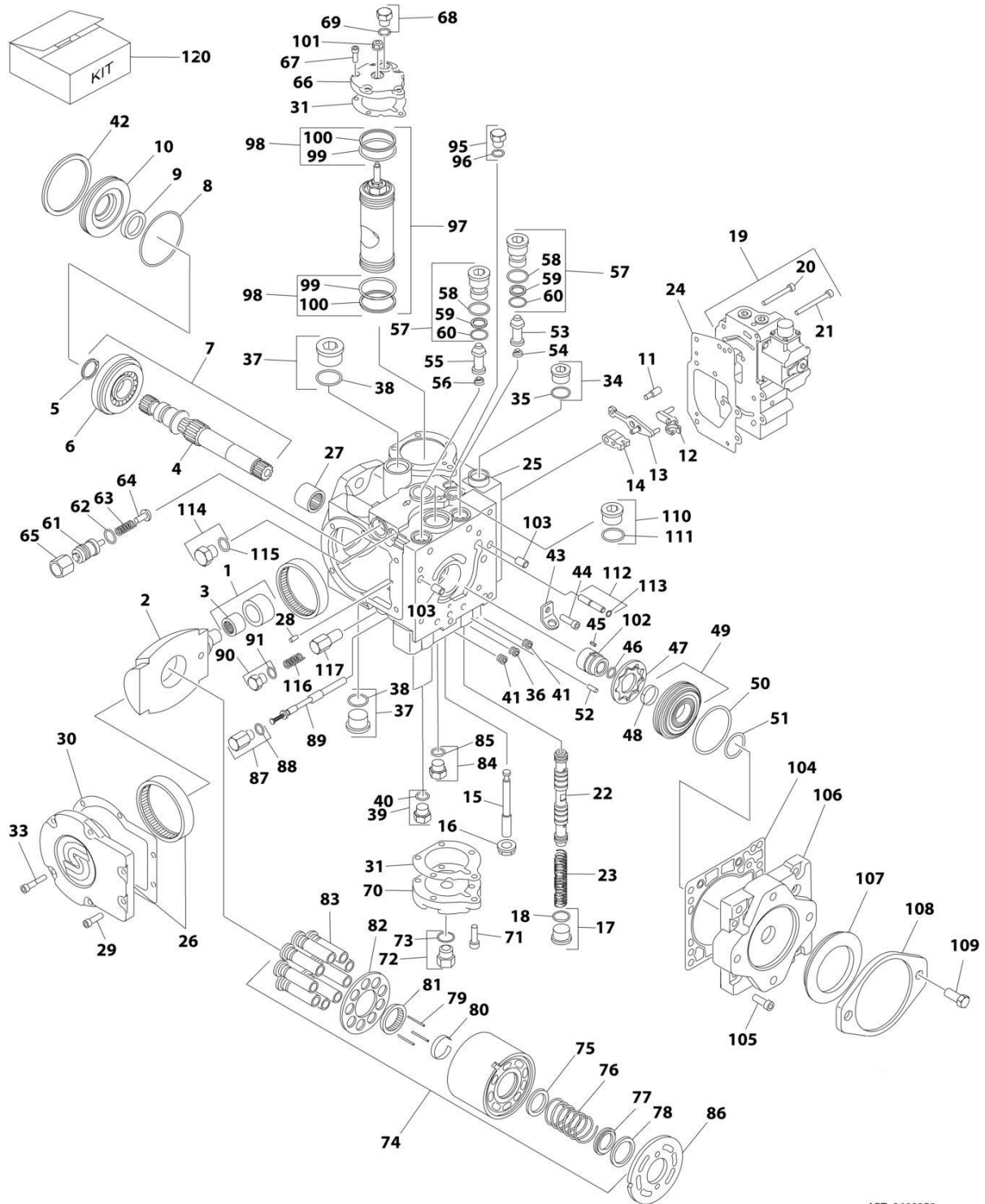
ITEM	PART NUMBER	QTY	DESCRIPTION	REV
			same on either side of o-ring)	
51	See Note	NSS	O-Ring (Note: Use Item 120)	
52	See Note	1	Pin (Note: Not Available for Purchase)	
53	7022345	1	Valve, SCR	
54	7024800	1	Spring	
55	7022345	1	Valve, SCR	
56	7024800	1	Spring	
57	7021265	2	Bypass Valve Assembly (Includes Items 58, 59 & 60)	
58	See Note	NSS	O-Ring (Note: Use Item 57 or 120)	
59	See Note	NSS	Ring, Back-up (Note: Use Item 57 or 120)	
60	See Note	NSS	O-Ring (Note: Use Item 57 or 120)	
61	7022346	1	Adjuster	
62	7021289	1	O-Ring	
63	7022347	1	Spring	
64	7024804	1	Poppet	
65	7022190	1	Nut	
66	7022348	1	Cover, Servo	
67	7021255	5	Screw, Torx	
68	7007470	1	Plug (Includes Item 69)	
69	See Note	NSS	O-Ring (Note: Use Item 68 or 120)	
70	7001268	1	Cover, Servo	
71	7021255	5	Screw, Torx	
72	7007470	1	Plug (Includes Item 73)	
73	See Note	NSS	O-Ring (Note: Use Item 72 or 120)	
74	7022349	1	Cylinder Block Kit Options (Includes Items 75 to 83)	
75	7021271	1	Washer, Special	
76	7021272	1	Spring, Cylinder Block	
77	7021273	1	Washer, Special	
78	7021274	1	Ring, Retaining	
79	7021275	3	Pin, Slipper Hold Down	
80	7021276	1	Retainer, Pin	
81	7021277	1	Guide, Retainer	
82	7021278	1	Retainer, Slipper	
83	7021279	9	Piston Assembly	
84	7022350	1	Sensor, Speed (Includes Item 85)	
85	See Note	NSS	O-Ring (Note: Use Item 84 or 120)	
86	7021281	1	Plate, Valve (Right Side)	
87	7007470	1	Plug (Includes Item 88)	
88	See Note	NSS	O-Ring (Note: Use Item 87 or 120)	
89	7024801	1	Spool, Loop Flushing	
90	7021283	1	Plug (Includes Item 91)	
91	See Note	NSS	O-Ring (Note: Use Item 90 or 120)	
92	7021285	1	Adapter, Remote Filter	
93	See Note	NSS	Gasket, Filter Adapter	
94	7021255	7	Screw (Front Pump Only)	
95	7007470	1	Plug (Includes Item 96)	
96	See Note	NSS	O-Ring (Note: Use Item 95 or 120)	
97	7022351	1	Servo Piston Kit (Includes Qty 2 of Item 98)	
98	7007412	2	Servo Piston Ring Kit (Includes Items 99 & 100)	
99	See Note	NSS	O-Ring (Note: Use Item 97, 98 or 120)	
100	See Note	NSS	Ring, Piston (Note: Use Item 97, 98 or 120)	

SECTION 3 - ENGINE

ITEM	PART NUMBER	QTY	DESCRIPTION	REV
101	See Note	NSS	Nut, Seal (Note: Use Item 120)	
102	7022352	1	Coupling	
103	7001481	2	Pin	
104	See Note	NSS	Gasket, Charge Pump (Note: Use Item 120)	
105	7021296	6	Screw, Torx	
106	7022353	1	Cover, Charge Pump	
107	See Note	NSS	O-Ring (Note: Use Item 120)	
108	7021229	1	Cover, Flange	
109	7007289	2	Screw	
120	7021280	1	Seal Kit - Complete (Includes Items 8, 9, 16, 18, 30, 31, 35, 38, 40, 51, 58, 59, 60, 69, 73, 85, 88, 91, 93, 96, 99, 100, 101, 104, 107, 111, 113 & 115)	

SECTION 3 - ENGINE

FIGURE 3-38. PISTON PUMP ASSEMBLY- REAR



ART_3600359

SECTION 3 - ENGINE

FIGURE 3-38. PISTON PUMP ASSEMBLY- REAR

ITEM	PART NUMBER	QTY	DESCRIPTION	REV
	3600359	Ref	PISTON PUMP ASSEMBLY	A
1	7024805	1	Cam Follower Bearing Assembly (Includes Item 3)	
2	7022330	1	Swashplate	
3	7021236	1	Bearing, Needle	
4	7022354	1	Shaft	
5	7021238	1	Ring, Retaining	
6	7021239	1	Bearing, Roller	
7	7022355	1	Shaft (Includes Items 4, 5 & 6)	
8	See Note	NSS	O-Ring (Note: Use Item 120)	
9	See Note	NSS	Seal, Lip (Note: Use Item 120)	
10	7021243	1	Carrier, Shaft Seal	
11	7023996	1	Screw	
12	7022331	1	Link, Control Summing	
13	7022332	1	Link, Control Feedback	
14	7022333	1	Link, Neutral Adjust	
15	7022334	1	Screw, Neutral Adjust	
16	7023997	1	Nut, Seal	
17	7022321	1	Plug (Includes Item 18)	
18	See Note	NSS	O-Ring (Note: Use Item 17 or 120)	
19	7022335	1	Control Kit (Includes Items 20 & 21)	
20	7023998	4	Screw	
21	7021267	3	Screw	
22	7022336	1	Spool Assembly	
23	7022337	1	Spring	
24	7022338	1	Gasket, Control	
25	See Note	NLA	Housing Assembly (Note: Not Available - Purchase Complete Rear Pump)	
26	7021248	1	Side Cover Assembly	
27	7021249	1	Bearing, Needle	
28	7021250	1	Pin	
29	7021251	2	Screw	
30	See Note	NSS	Gasket, Side Cover (Note: Use Item 120)	
31	7021253	2	Gasket, Servo Cover	
33	7021255	4	Screw	
34	7022321	1	Plug (Includes Item 35)	
35	See Note	NSS	O-Ring (Note: Use Item 34 or 120)	
36	7001485	1	Plug	
37	7007419	2	Plug (Includes Item 38)	
38	See Note	NSS	O-Ring (Note: Use Item 37 or 120)	
39	7007470	2	Plug (Includes Item 40)	
40	See Note	NSS	O-Ring (Note: Use Item 39 or 120)	
41	7001485	2	Plug, Pipe	
42	7021257	1	Ring, Retaining	
43	7022340	1	Bracket, Lifting	
44	7021251	1	Screw	
45	7022342	1	Key	
46	7022341	1	Ring, Retaining	
47	7022357	1	Spacer	
48	7021259	1	Bearing, Journal	
49	7021260	1	Cover Assembly (Includes Item 48)	

SECTION 3 - ENGINE

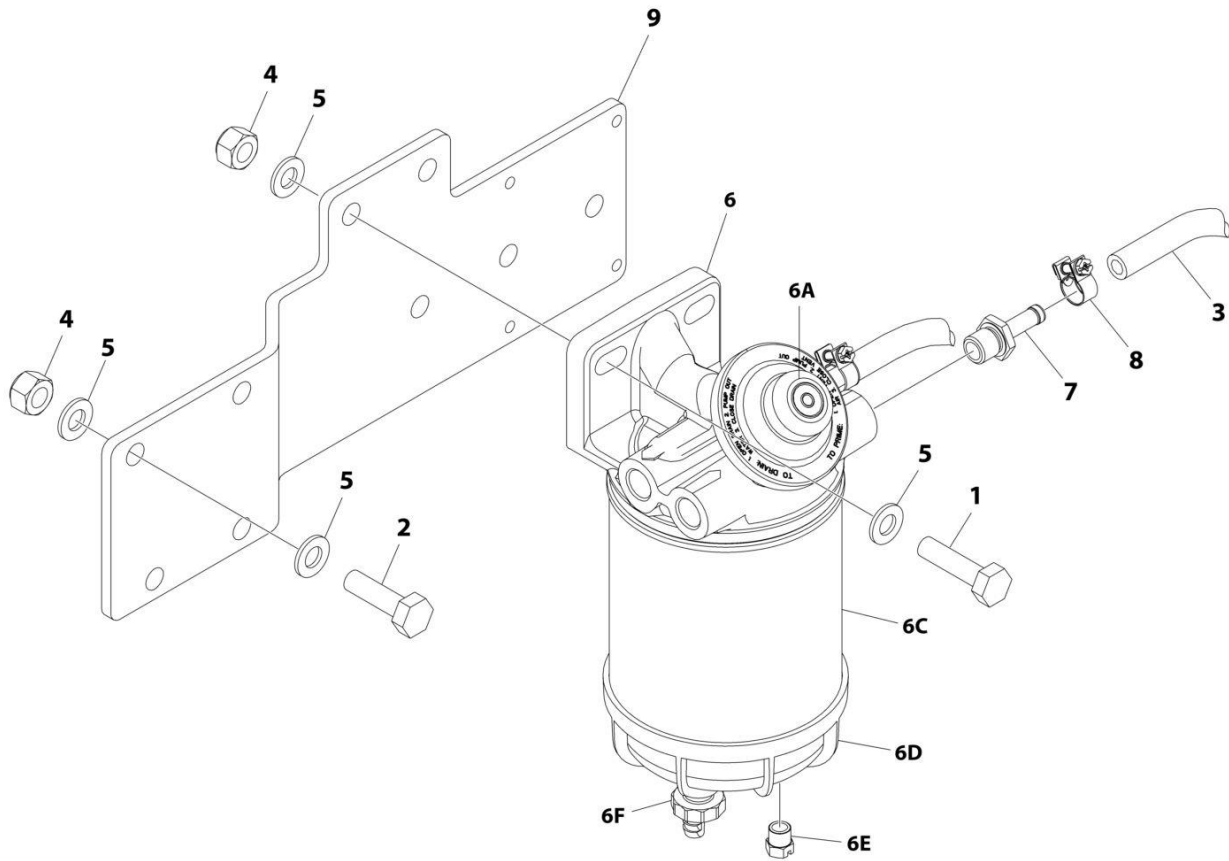
ITEM	PART NUMBER	QTY	DESCRIPTION	REV
50	See Note	1	O-Ring (Note: No longer required per supplier. Pressure is the same on either side of o-ring)	
51	See Note	NSS	O-Ring (Note: Use Item 120)	
52	See Note	1	Pin (Note: Not Available for Purchase)	
53	7022345	1	Valve, SCR	
54	7024800	1	Spring	
55	7022345	1	Valve, SCR	
56	7024800	1	Spring	
57	7021265	2	Bypass Valve Assembly (Includes Items 58, 59 & 60)	
58	See Note	NSS	O-Ring (Note: Use Item 57 or 120)	
59	See Note	NSS	Ring, Back-up (Note: Use Item 57 or 120)	
60	See Note	NSS	O-Ring (Note: Use Item 57 or 120)	
61	7022346	1	Adjuster	
62	7021289	1	O-Ring	
63	7022347	1	Spring	
64	7024804	1	Poppet	
65	7022190	1	Nut	
66	7022348	1	Cover, Servo	
67	7021255	5	Screw, Torx	
68	7007470	1	Plug (Includes Item 69)	
69	See Note	NSS	O-Ring (Note: Use Item 68 or 120)	
70	7001268	1	Cover, Servo	
71	7021255	5	Screw, Torx	
72	7007470	1	Plug (Includes Item 73)	
73	See Note	NSS	O-Ring (Note: Use Item 72 or 120)	
74	7021269	1	Cylinder Block Kit (Includes Items 75 to 83)	
75	7021271	1	Washer, Special	
76	7021272	1	Spring, Cylinder Block	
77	7021273	1	Washer, Special	
78	7021274	1	Ring, Retaining	
79	7021275	3	Pin, Slipper Hold Down	
80	7021276	1	Retainer, Pin	
81	7021277	1	Guide, Retainer	
82	7021278	1	Retainer, Slipper	
83	7021279	9	Piston Assembly	
84	7007470	1	Plug (Includes Item 85)	
85	See Note	NSS	O-Ring (Note: Use Item 84 or 120)	
86	7021281	1	Plate, Valve (Right Side)	
87	7007470	1	Plug (Includes Item 88)	
88	See Note	NSS	O-Ring (Note: Use Item 87 or 120)	
89	7024801	1	Spool, Loop Flushing	
90	7021283	1	Plug (Includes Item 91)	
91	See Note	NSS	O-Ring (Note: Use Item 90 or 120)	
95	7007470	1	Plug (Includes Item 96)	
96	See Note	NSS	O-Ring (Note: Use Item 95 or 120)	
97	7022351	1	Servo Piston Kit (Includes Qty 2 of Item 98)	
98	7007412	2	Servo Piston Ring Kit (Includes Items 99 & 100)	
99	See Note	NSS	O-Ring (Note: Use Item 97, 98 or 120)	
100	See Note	NSS	Ring, Piston (Note: Use Item 97, 98 or 120)	
101	See Note	NSS	Nut, Seal (Note: Use Item 120)	
102	7022359	1	Coupling	
103	7001481	2	Pin	

SECTION 3 - ENGINE

ITEM	PART NUMBER	QTY	DESCRIPTION	REV
104	See Note	NSS	Gasket, Charge Pump (Note: Use Item 120)	
105	7021296	6	Screw, Torx	
106	7021297	1	Cover, Charge Pump	
107	7021298	1	Seal	
108	7021299	1	Cover, Flange	
109	7007289	2	Screw	
110	7007419	1	Plug (Rear Pump Only)	
111	See Note	NSS	O-Ring (Rear Pump Only) (Note: Use Item 110 or 120)	
112	7022358	1	Plug (Include Item 113)	
113	See Note	NSS	O-Ring (Note: Use Item 112 or 120)	
114	7021256	1	Plug (Include Item 115) (Rear Pump Only)	
115	See Note	NSS	O-Ring (Rear Pump Only) (Note: Use Item 114 or 120)	
116	7024802	1	Spring	
117	7024803	1	Poppet	
120	7021280	1	Seal Kit - Complete (Includes Items 8, 9, 16, 18, 30, 31, 35, 38, 40, 51, 58, 59, 60, 69, 73, 85, 88, 91, 93, 96, 99, 100, 101, 104, 107, 111, 113 & 115)	

SECTION 3 - ENGINE

FIGURE 3-39. FUEL FILTER INSTALLATION (STEEL FUEL TANK) (DEUTZ D2011 ENGINES)



ART_1001225054

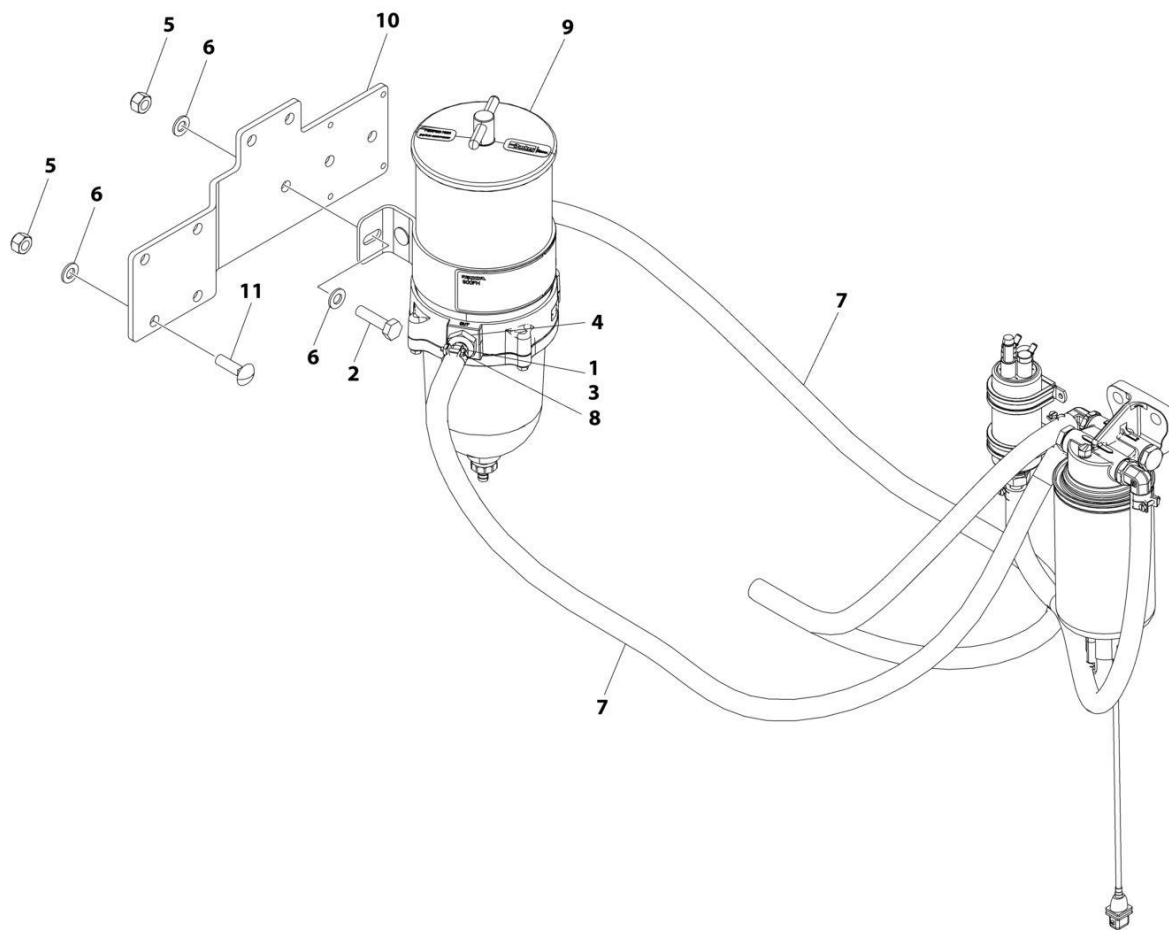
SECTION 3 - ENGINE

FIGURE 3-39. FUEL FILTER INSTALLATION (STEEL FUEL TANK) (DEUTZ D2011 ENGINES)

ITEM	PART NUMBER	QTY	DESCRIPTION	REV
	1001225054	Ref	FUEL FILTER INSTALLATION	B
1	0761016	2	Bolt M10 x 40	
2	0761015	2	Bolt M10 x 35	
2	1001228406	2	Bolt M10 x 35	
3	2720058	32 in/ 80cm	Hose, Fuel Line	
4	3291005	4	Nut M10	
5	4812000	AR	Washer M10	
6	1001149452	1	Fuel Filter/Water Separator Assembly	
6A	See Note	NSS	Indicator, Restriction (Note: Use p/n 1001149452)	
6B	70004064	1	Bypass Valve Kit (Not Shown)	
6C	70004065	1	Gasket, Head to Element	
6C	70004066	1	Element, Filter	
6D	70004067	1	Gasket, Element to Bowl	
6D	70004068	1	Bowl Kit (Includes Bowl, Element and Plug)	
6E	70004069	1	Plug	
6F	70004070	1	Drain	
7	1001149469	2	Fitting, Straight Barbed	
8	1001174486	2	Clamp	
9	1001224967	1	Bracket	

SECTION 3 - ENGINE

FIGURE 3-40. FUEL FILTER INSTALLATION (DEUTZ TD2.9L4 ENGINES)



ART_1001224474

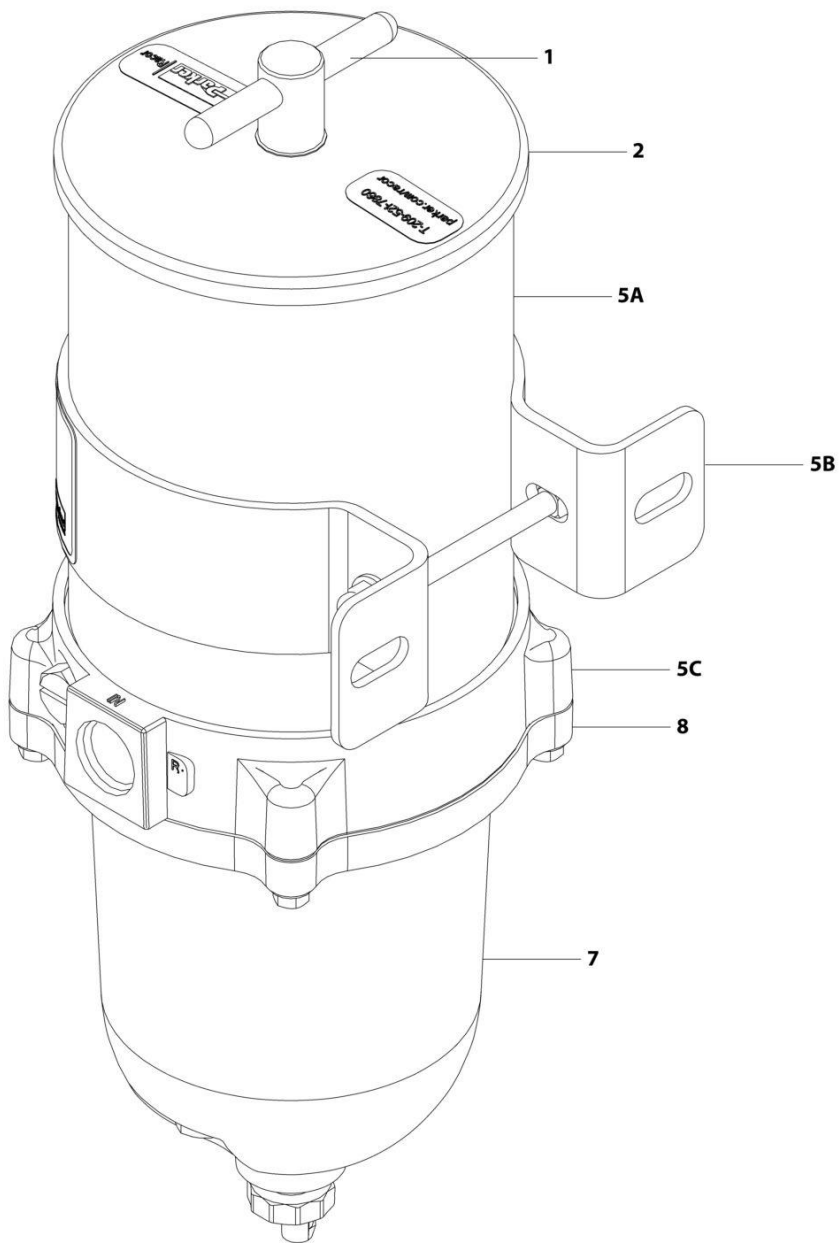
SECTION 3 - ENGINE

FIGURE 3-40. FUEL FILTER INSTALLATION (DEUTZ TD2.9L4 ENGINES)

ITEM	PART NUMBER	QTY	DESCRIPTION	REV
	1001224473	Ref	FUEL FILTER INSTALLATION	B
1	0100020	AR	Sealant	
2	0761016	2	Bolt M10 x 40	
3	2180832	2	Fitting, Straight Barbed	
4	2220816	2	Fitting, Straight NPT	
5	3291005	4	Nut M10	
6	4812000	6	Washer M10	
7	1001154405	42 in/ 1.1m	Hose	
8	1001175568	2	Clip	
9	1001222817	1	Fuel Filter Assembly (See Separate Breakdown in this Section)	
10	1001224967	1	Bracket	
11	1001228406	2	Bolt M10 x 35, GRADE 8.8	

SECTION 3 - ENGINE

FIGURE 3-41. FUEL FILTER ASSEMBLY (DEUTZ TD2.9L4 ENGINES)



ART_1001222817

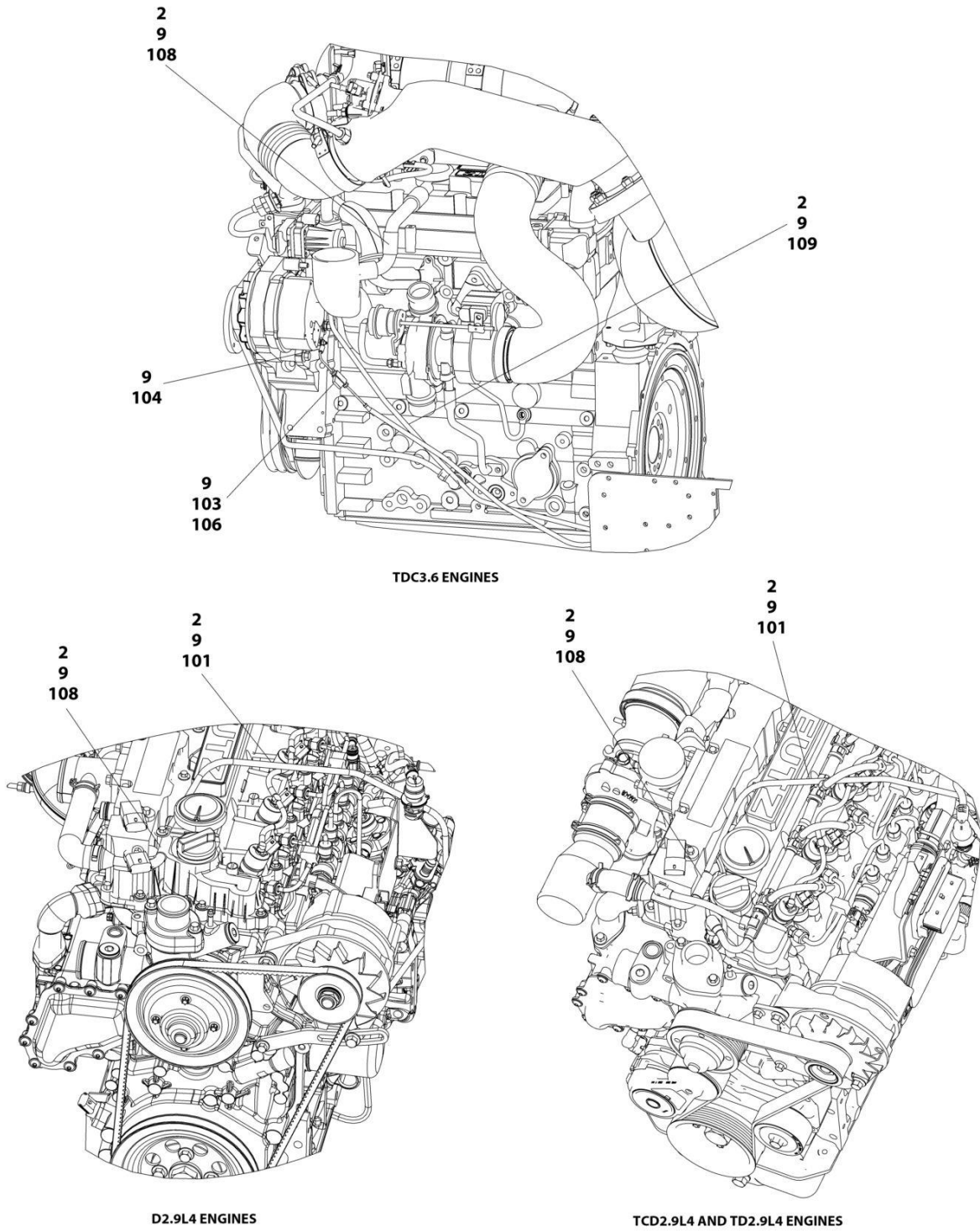
SECTION 3 - ENGINE

FIGURE 3-41. FUEL FILTER ASSEMBLY (DEUTZ TD2.9L4 ENGINES)

ITEM	PART NUMBER	QTY	DESCRIPTION	REV
	1001222817	Ref	FUEL FILTER ASSEMBLY	A
1	70006403	1	Handle Kit (Includes Handle, Handle O-Ring & Lid Gasket)	
2	70006404	1	Lid Kit (Includes Lid, Handle O-Ring & Lid Gasket)	
3	70006405	1	Element, Filter (Not Shown)	
5A	See Note	NSS	Housing (Note: Use p/n 1001222817)	
5B	See Note	NSS	Bracket (Note: Use p/n 1001222817)	
5C	See Note	NSS	Tube, Return (Note: Use p/n 1001222817)	
6	70006407	1	Certrfuge & Baffle Kit (Not Shown - Located at Bottom of 5C) (Also Includes p/n 70006406 & Bowl Gasket)	
6	70006406	1	Checkball & Gasket Kit (Not Shown - Located at Bottom of 5C)	
7	70006409	1	Bowl Kit (Includes Bowl Gasket, Plug with O-Ring & Drain)	
7	70006408	1	Gasket, Bowl	
8	70006410	1	Bowl Ring Kit (Includes Bowl Gasket & Bolts)	

SECTION 3 - ENGINE

FIGURE 3-42. BREATHER HEATER INSTALLATION - DEUTZ D2.9L4 ENGINE WITH ARCTIC PACKAGE



TDC3.6 ENGINES

D2.9L4 ENGINES

TCD2.9L4 AND TD2.9L4 ENGINES

ART_1001233763

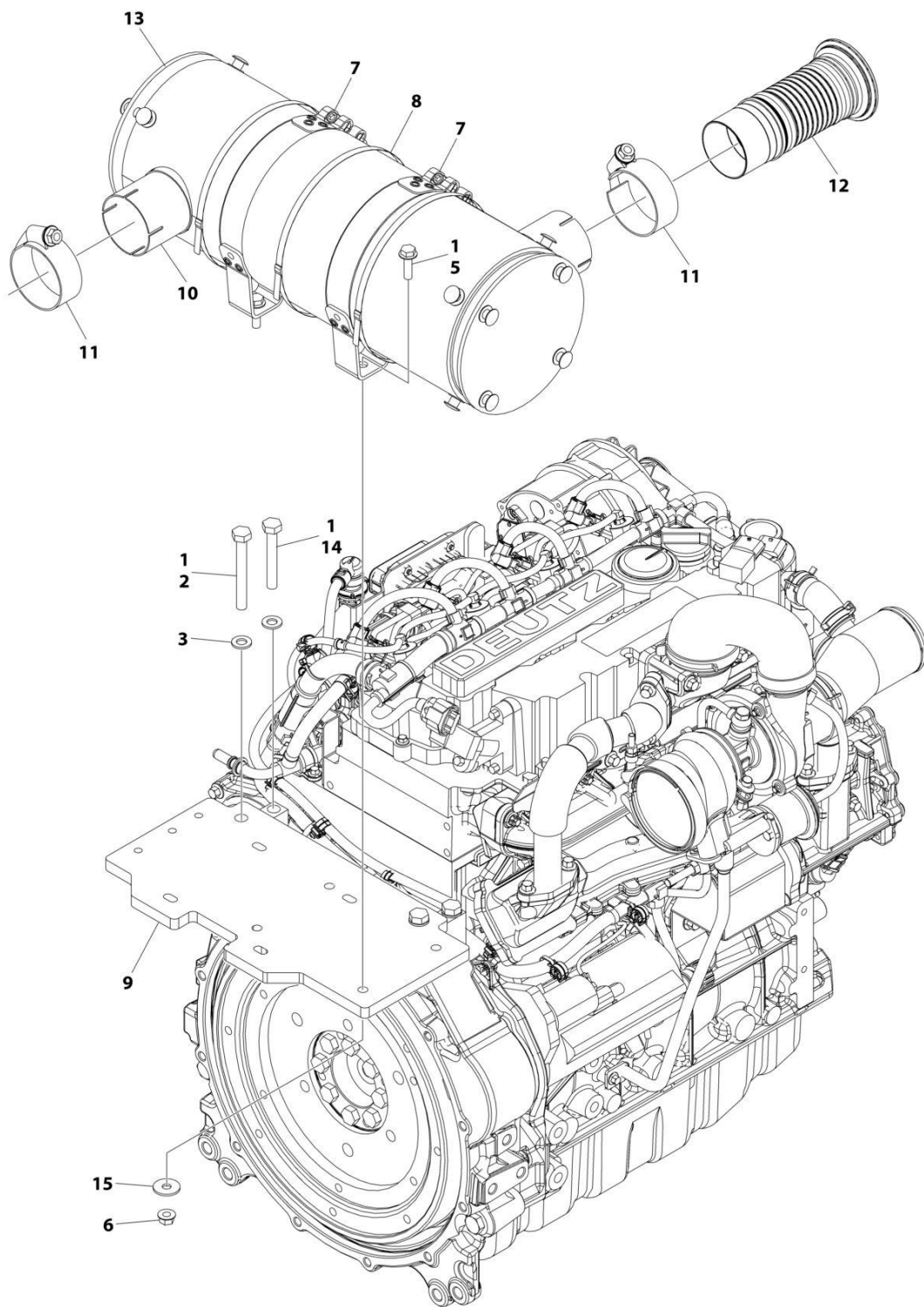
SECTION 3 - ENGINE

FIGURE 3-42. BREATHER HEATER INSTALLATION - DEUTZ D2.9L4 ENGINE WITH ARCTIC PACKAGE

ITEM	PART NUMBER	QTY	DESCRIPTION	REV
	1001233763	Ref	BREATHER HEATER INSTALLATION - DEUTZ ENGINES	D
2	4240099	AR	Tie-Strap	
9	1001243895	1	Breather Heater Harness	C
101	2820035	AR	Insulation	
103	2400060	1	Fuseholder with Cover	
104	4460043	1	Terminal, Ring	
105	4460722	1	Terminal, Ring (Not Shown)	
106	1001196634	1	Fuse - 2 Amp	
108	1001232842	1	Breather Heater Kit	

SECTION 3 - ENGINE

FIGURE 3-43. DEUTZ 2.9L4 EXHAUST INSTALLATION (CHINA SPECS ONLY)



ART_1001231649_F

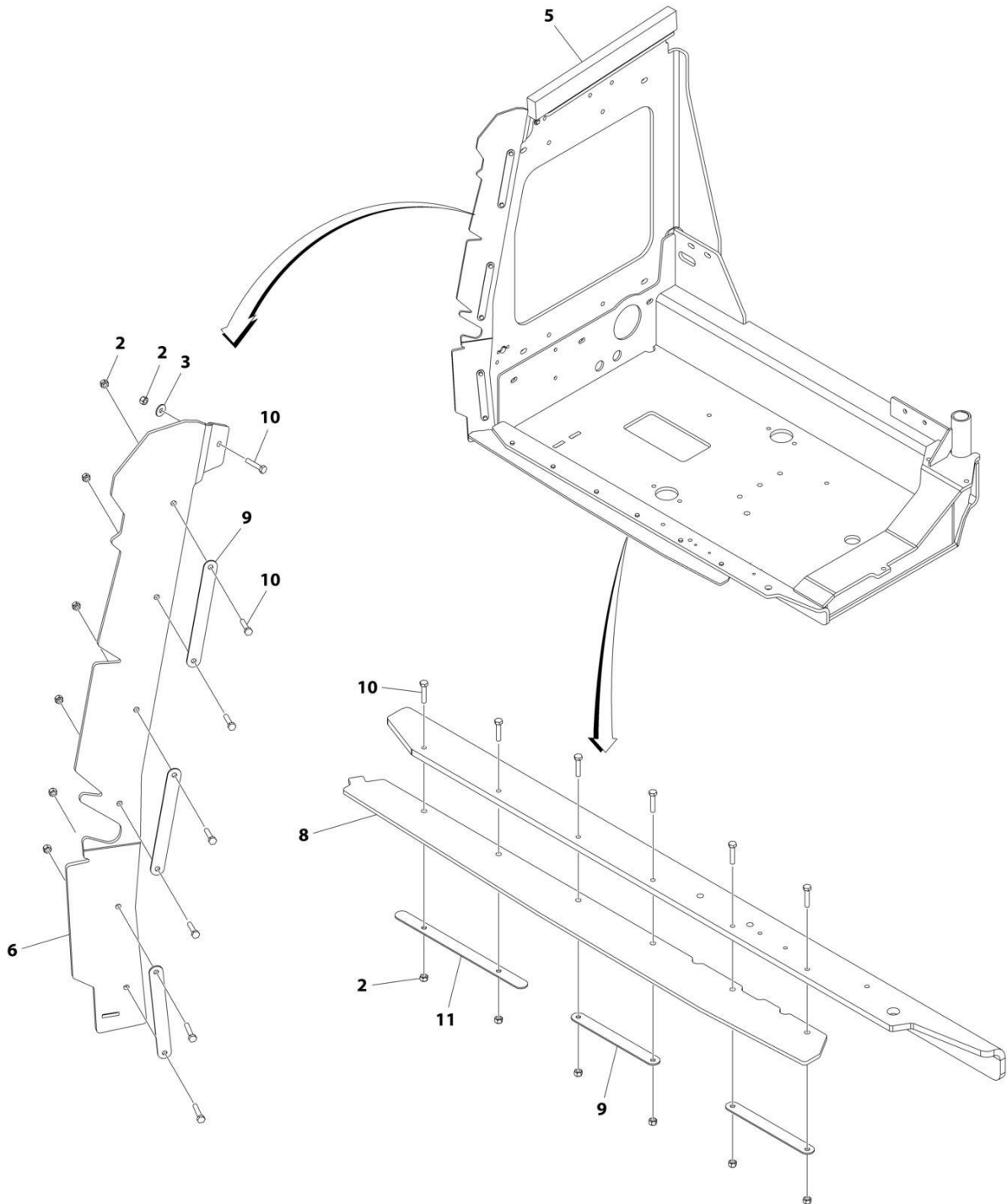
SECTION 3 - ENGINE

FIGURE 3-43. DEUTZ 2.9L4 EXHAUST INSTALLATION (CHINA SPECS ONLY)

ITEM	PART NUMBER	QTY	DESCRIPTION	REV
	1001231649	Ref	DEUTZ 2.9L4 EXHAUST INSTALLATION	F
1	0100011	AR	Compound, Locking	
2	0701025	2	Bolt M10 x 85	
3	4812000	4	Washer M10	
4	4920385	AR	Wire, Safety (Not Shown)	
5	5250813	4	Bolt M8 x 28	
6	5260800	4	Nut M8 Grade 10.9	
7	1001119727	2	Clamp	
8	1001137336	3	Strap	
9	1001221203	1	Bracket	
10	1001151432	1	Muffler	
11	1001221212	2	Clamp	
12	1001221217	1	Pipe	
13	1001221427	1	Wrap, Muffler	
14	0701022	2	Bolt M10 x 70	
15	4811902	4	Washer M8	

SECTION 3 - ENGINE

FIGURE 3-44. ENGINE HOOD Baffles INSTALLATION - ABS HOODS



ART_1001197268_G

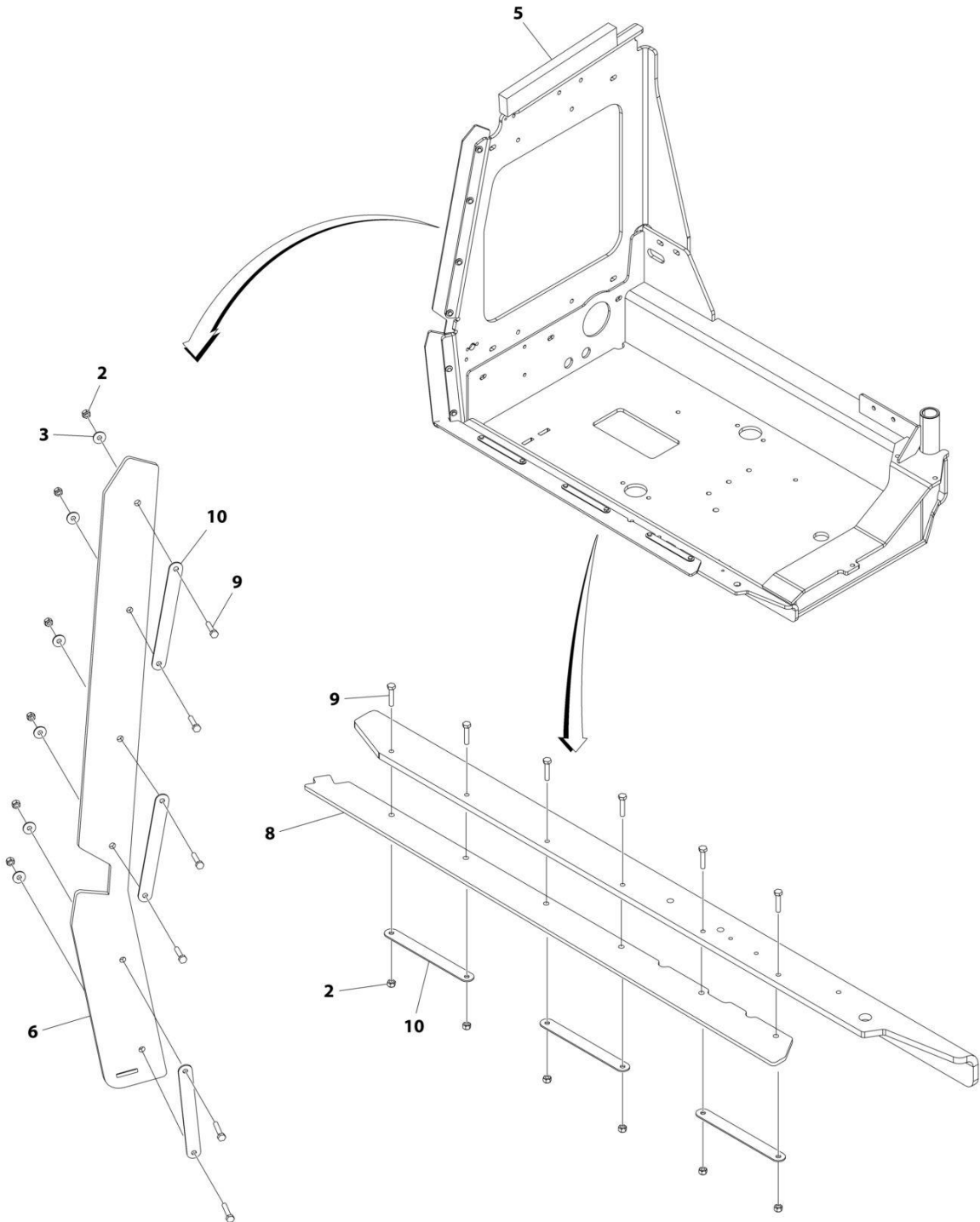
SECTION 3 - ENGINE

FIGURE 3-44. ENGINE HOOD BAFFLES INSTALLATION - ABS HOODS

ITEM	PART NUMBER	QTY	DESCRIPTION	REV
	1001197268	Ref	ENGINE HOOD BAFFLES INSTALLATION	G
2	3290605	13	Nut M6	
3	4811702	8	Washer M6	
5	1001197389	1	Seal	
6	1001234370	1	Seal	
8	1001234371	1	Seal	
9	1001167164	5	Support	
10	0760614	13	Bolt M6 x 30	
11	1001233429	1	Support	

SECTION 3 - ENGINE

FIGURE 3-45. ENGINE HOOD Baffles INSTALLATION - STEEL HOODS



ART_1001197269_F

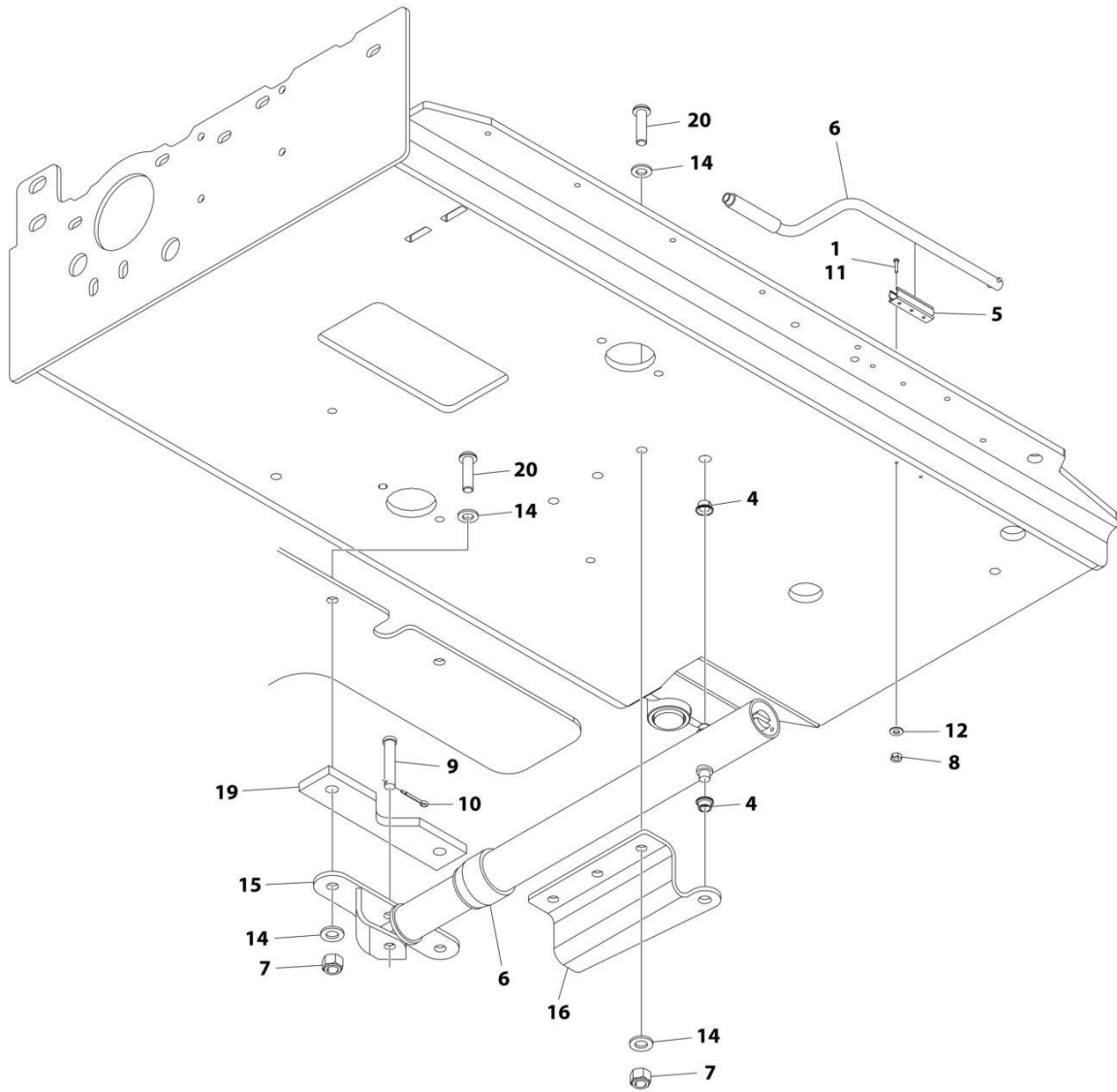
SECTION 3 - ENGINE

FIGURE 3-45. ENGINE HOOD BAFFLES INSTALLATION - STEEL HOODS

ITEM	PART NUMBER	QTY	DESCRIPTION	REV
	1001197269	Ref	ENGINE HOOD BAFFLES INSTALLATION	F
2	3290605	AR	Nut M6	
3	4811702	AR	Washer M6	
5	1001234281	1	Seal	
6	1001234299	1	Seal	
8	1001234283	1	Seal	
9	0760614	AR	Bolt M6 x 30	
10	1001167164	6	Support	

SECTION 3 - ENGINE

FIGURE 3-46. TRAY JACK INSTALLATION



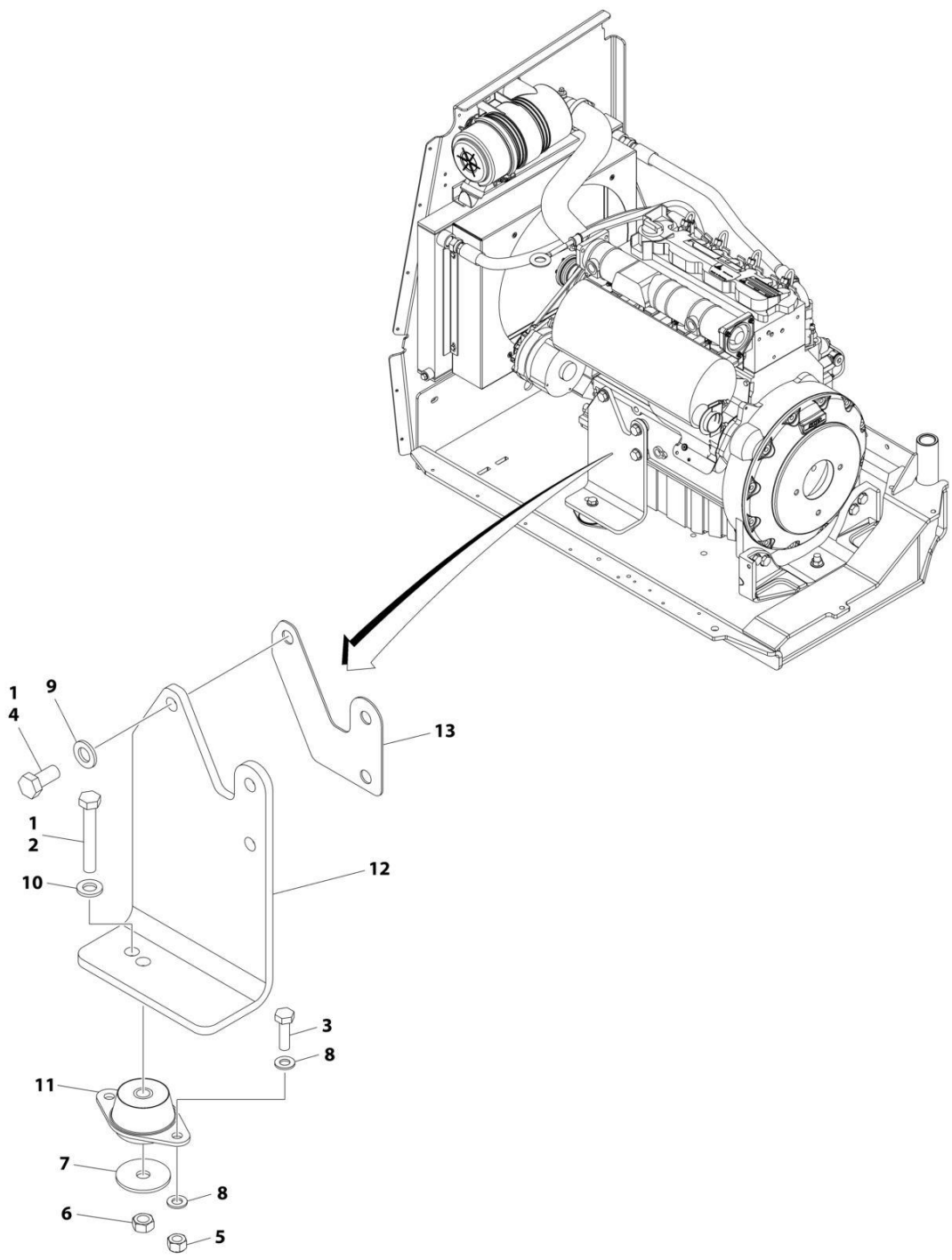
ART_1001186980_E

FIGURE 3-46. TRAY JACK INSTALLATION

ITEM	PART NUMBER	QTY	DESCRIPTION	REV
	1001186980	Ref	TRAY JACK INSTALLATION	E
1	0100011	AR	Compound, Locking	
4	0962051	2	Bearing	
5	1380147	1	Clip	
6	2840016	1	Jack and Handle Assembly	
6	7024598	1	Handle	
7	3291205	5	Nut M12	
8	3290301	2	Nut M3	
9	3430820	1	Pin	
10	1001236121	1	Pin	
11	4010308	2	Screw M3 x 16	
12	4811400	2	Washer M4	
14	4812100	10	Washer M12	
15	1001166894	1	Support	
16	1001175073	1	Support	
19	1001186981	1	Plate	
20	1001102978	5	Screw M12 x 45 Grade 10.9	

SECTION 3 - ENGINE

FIGURE 3-47. MOTOR MOUNT INSTALLATION - WITHOUT GENERATOR (DEUTZ D2011 ENGINES)



ART_1001192443

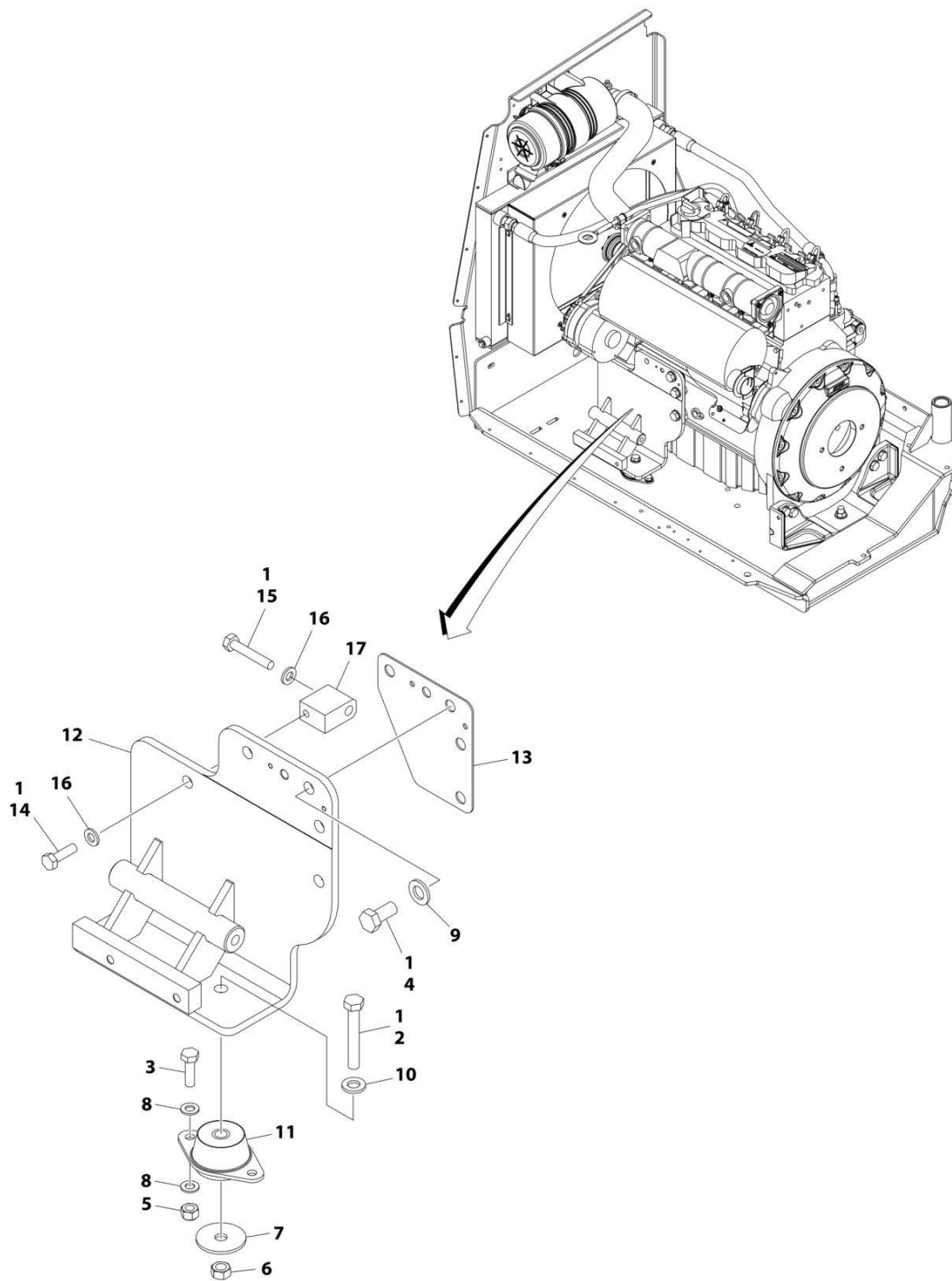
SECTION 3 - ENGINE

FIGURE 3-47. MOTOR MOUNT INSTALLATION - WITHOUT GENERATOR (DEUTZ D2011 ENGINES)

ITEM	PART NUMBER	QTY	DESCRIPTION	REV
	1001192443	Ref	MOTOR MOUNT INSTALLATION	D
1	0100011	AR	Compound, Locking	
2	0711224	1	Bolt M12 x 80	
3	0761015	2	Bolt M10 x 35	
4	0771414	3	Bolt M14 x 30	
5	3291005	2	Nut M10	
6	3331211	1	Nut M12	
7	1001168018	1	Washer	
8	4812000	4	Washer M10	
9	5241400	3	Washer M14	
10	5241200	1	Washer M12	
11	1001191610	1	Mount, Motor	
12	1001189227	1	Mount	
13	1001201843	1	Shim	

SECTION 3 - ENGINE

FIGURE 3-48. MOTOR MOUNT INSTALLATION - WITH GENERATOR (DEUTZ D2011 ENGINES)



ART_1001191856

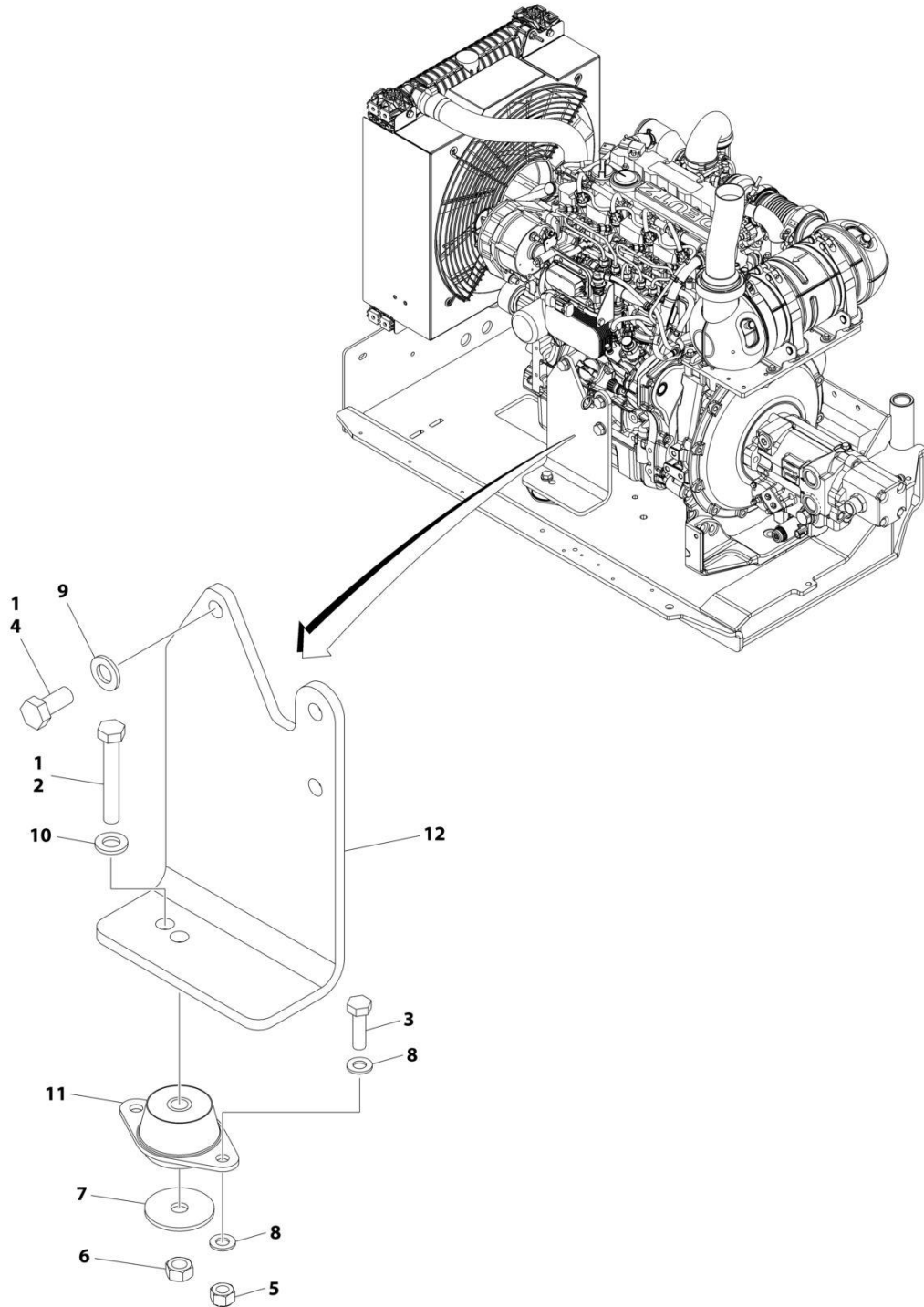
SECTION 3 - ENGINE

FIGURE 3-48. MOTOR MOUNT INSTALLATION - WITH GENERATOR (DEUTZ D2011 ENGINES)

ITEM	PART NUMBER	QTY	DESCRIPTION	REV
	1001191856	Ref	MOTOR MOUNT INSTALLATION	F
1	0100011	AR	Compound, Locking	
2	0711224	1	Bolt M12 x 80	
3	0761015	2	Bolt M10 x 35	
4	0771415	3	Bolt M14 x 35	
5	3291005	2	Nut M10	
6	3331211	1	Nut M12	
7	1001168018	1	Washer	
8	4812000	4	Washer M10	
9	5241400	3	Washer M14	
10	5241200	1	Washer M12	
11	1001191610	1	Mount, Engine	
12	1001239710	1	Bracket	
13	1001205957	1	Shim	
14	0711015	1	Bolt M10 x 35	
15	0711020	1	Bolt M10 x 60	
16	5241000	2	Washer M10	
17	1001239715	1	Block	

SECTION 3 - ENGINE

FIGURE 3-49. MOTOR MOUNT INSTALLATION - WITHOUT GENERATOR (DEUTZ TD2.9L4 ENGINES)



ART_1001192442

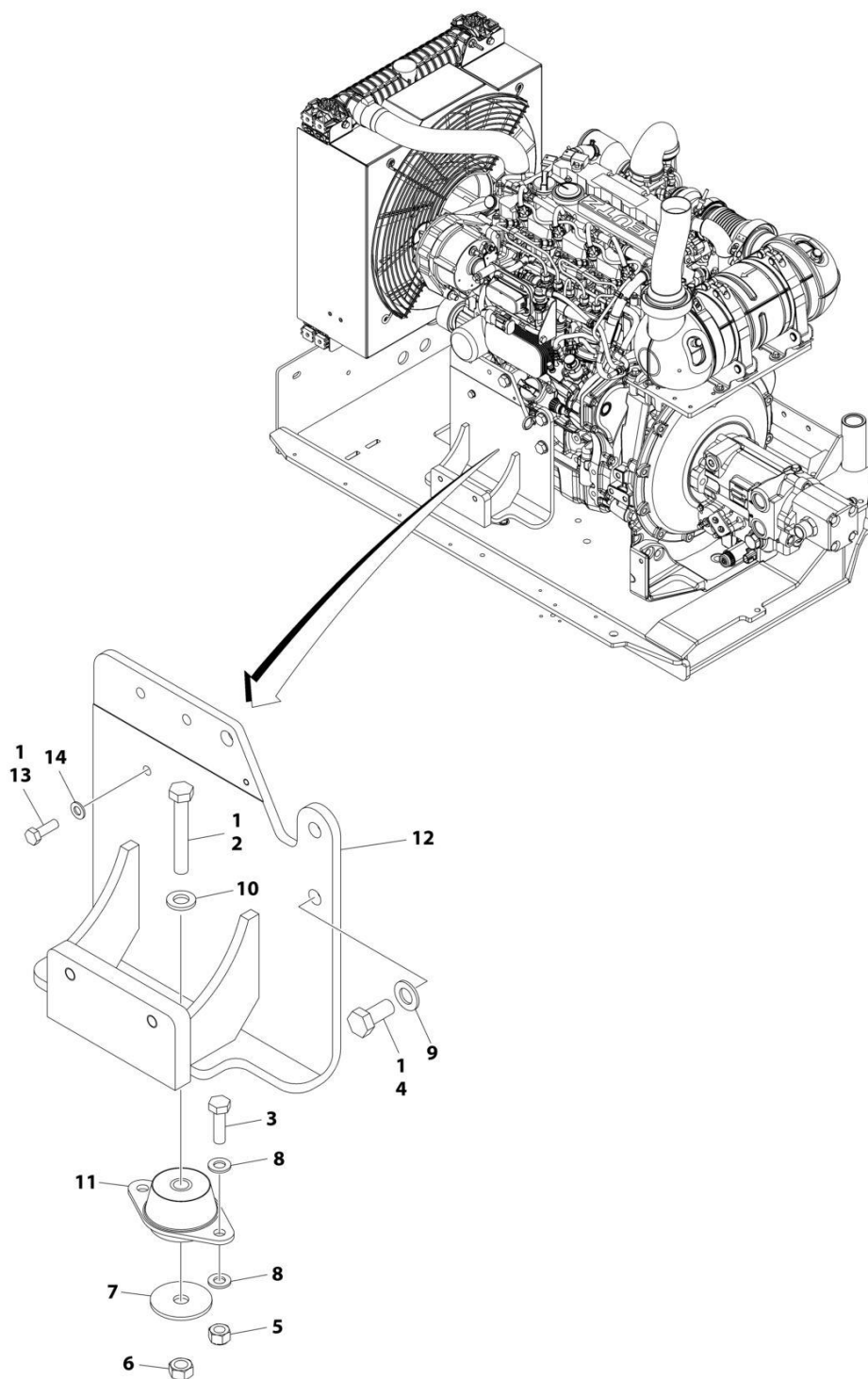
SECTION 3 - ENGINE

FIGURE 3-49. MOTOR MOUNT INSTALLATION - WITHOUT GENERATOR (DEUTZ TD2.9L4 ENGINES)

ITEM	PART NUMBER	QTY	DESCRIPTION	REV
	1001192442	Ref	MOTOR MOUNT INSTALLATION	D
1	0100011	AR	Compound, Locking	
2	0711224	1	Bolt M12 x 80	
3	0761015	2	Bolt M10 x 35	
4	0771414	3	Bolt M14 x 30	
5	3291005	2	Nut M10	
6	3331211	1	Nut M12	
7	1001168018	1	Washer	
8	4812000	4	Washer M10	
9	5241400	3	Washer M14	
10	5241200	1	Washer M12	
11	1001191610	1	Mount, Motor	
12	1001189227	1	Mount	

SECTION 3 - ENGINE

FIGURE 3-50. MOTOR MOUNT INSTALLATION - WITH GENERATOR (DEUTZ TD2.9L4 ENGINES)



ART_1001192008

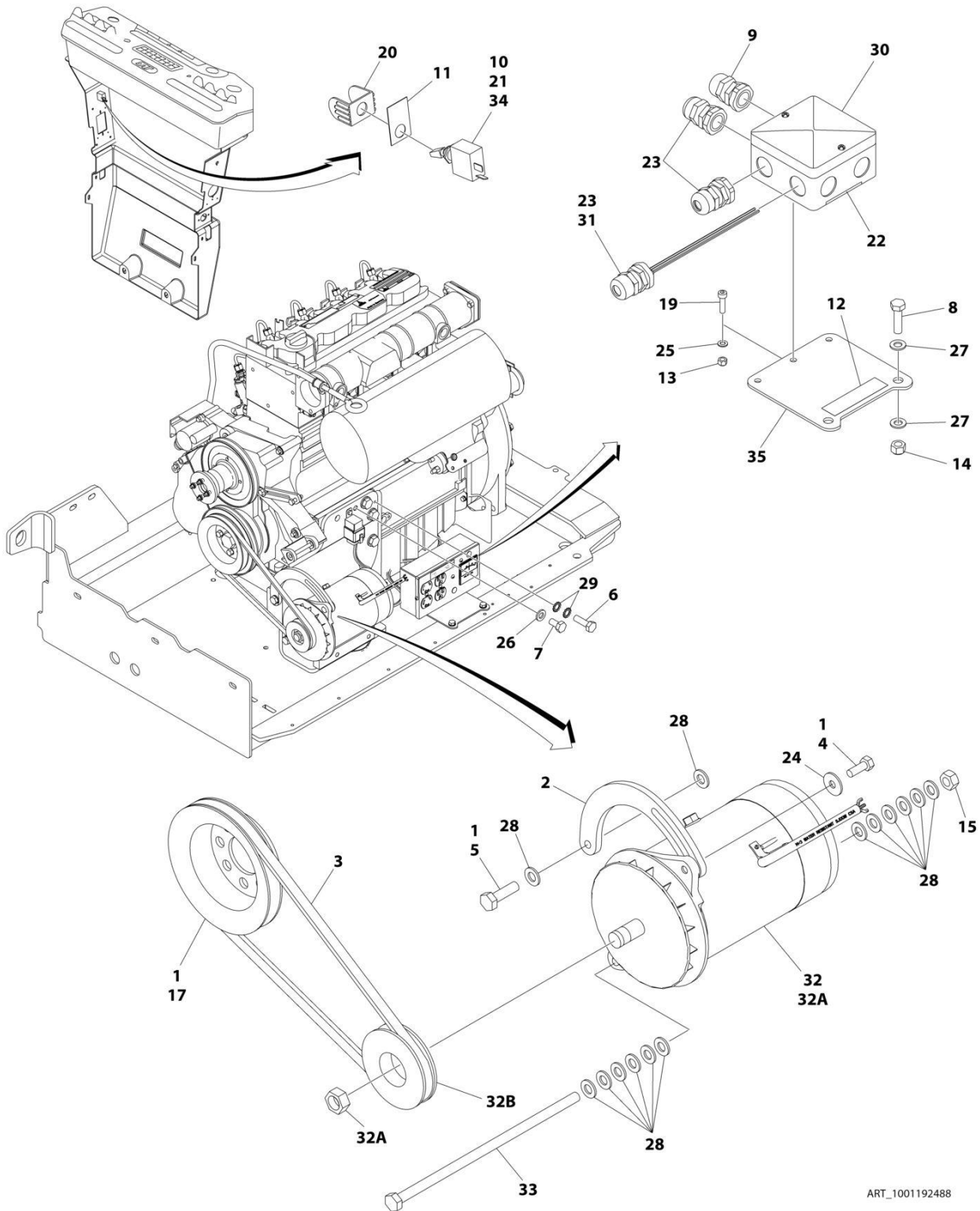
SECTION 3 - ENGINE

FIGURE 3-50. MOTOR MOUNT INSTALLATION - WITH GENERATOR (DEUTZ TD2.9L4 ENGINES)

ITEM	PART NUMBER	QTY	DESCRIPTION	REV
	1001192008	Ref	MOTOR MOUNT INSTALLATION	F
1	0100011	AR	Compound, Locking	
2	0711224	1	Bolt M12 x 80	
3	0761015	2	Bolt M10 x 35	
4	0771415	3	Bolt M14 x 35	
5	3291005	2	Nut M10	
6	3331211	1	Nut M12	
7	1001168018	1	Washer	
8	4812000	4	Washer M10	
9	5241400	3	Washer M14	
10	5241200	1	Washer M12	
11	1001191610	1	Mount, Motor	
12	1001209016	1	Mount	
13	0770814	1	Bolt M8 x 30	
14	5240800	1	Washer M8	

SECTION 3 - ENGINE

FIGURE 3-51. 2500W GENERATOR INSTALLATION - 220V/50HZ (DEUTZ D2011 ENGINES) (OPTIONAL)



ART_1001192488

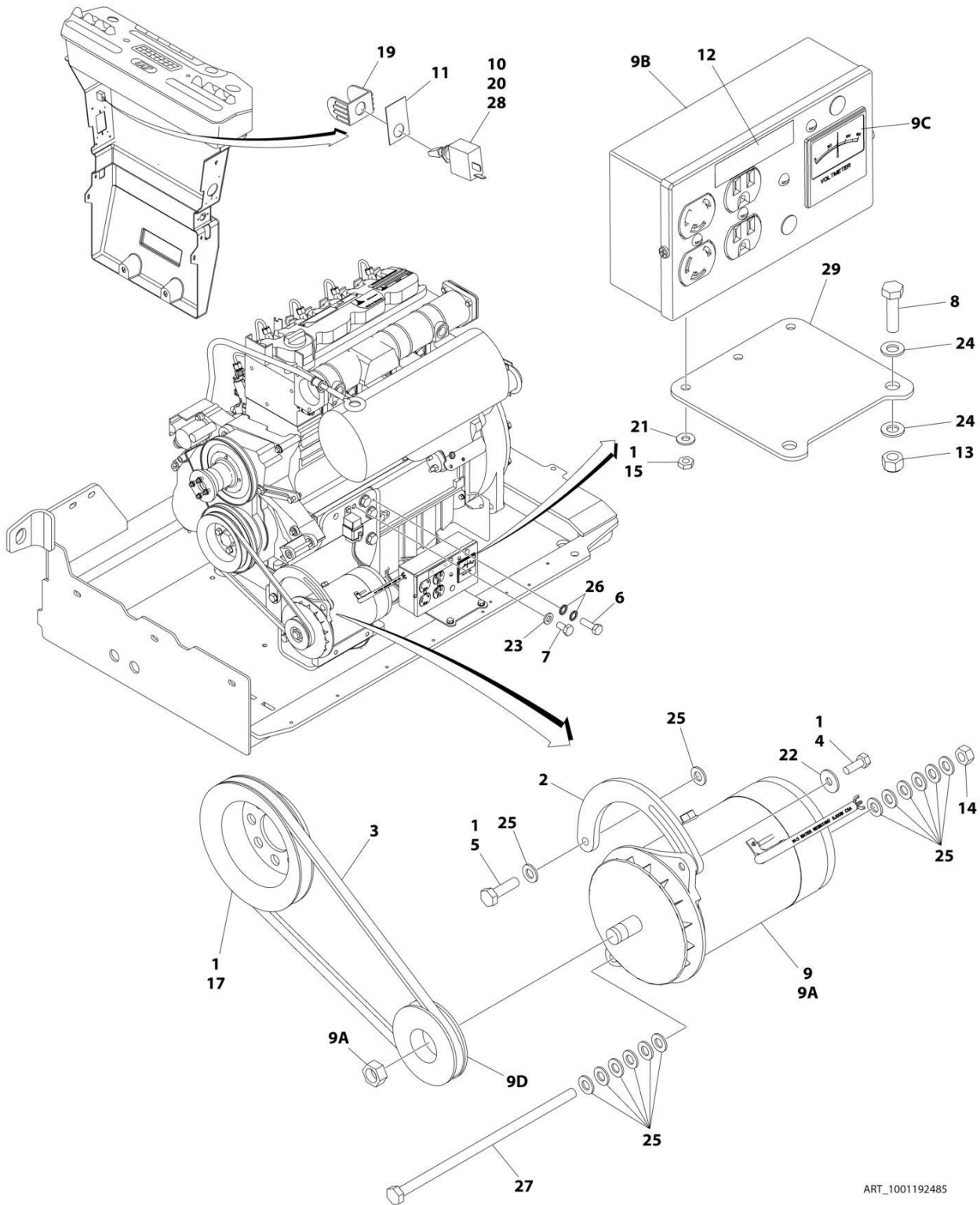
SECTION 3 - ENGINE

**FIGURE 3-51. 2500W GENERATOR INSTALLATION - 220V/50HZ (DEUTZ D2011 ENGINES)
(OPTIONAL)**

ITEM	PART NUMBER	QTY	DESCRIPTION	REV
	1001192488	Ref	2500W GENERATOR INSTALLATION	F
1	0100011	AR	Compound, Locking	
2	1001239716	1	Arm, Adjusting	
3	0480124	1	Belt, Generator	
4	0641508	1	Bolt 5/16 x 1	
5	0761012	1	Bolt M10 x 25	
6	0700610	1	Bolt M6 x 20	
7	0760606	1	Bolt M6 x 12	
8	0760814	2	Bolt M8 x 30	
9	0962449	1	Bushing	
10	2820031	AR	Heat Shrink	
11	3251102	1	Nameplate - Generator On/Off	
12	3252507	1	Decal - 220 Volt	
13	3290505	1	Nut M5	
14	3290805	2	Nut M8	
15	3291007	1	Nut M10	
17	3580158	1	Pulley	
19	4031608	1	Capscrew M5 x 20	
20	4060802	1	Guard, Switch	
21	4360336	1	Switch, Toggle	
22	4420060	1	Tape	
23	4460968	3	Connector, Strain Relief	
24	4811902	1	Washer M8	
25	4811600	1	Washer M5	
26	4811700	1	Washer M6	
27	4811900	4	Washer M8	
28	4812000	14	Washer M10	
29	4871700	2	Washer M6	
30	1001099869	1	Box, Junction	
31	1001100234	1	Lamp, Red	
32	1001100321	1	Generator Assembly	
32A		Ref	Note: Replacement Generators come standard with p/n 3580134 pulley. This pulley may not be correct for all applications. Refer to pulley options below.	
32A	70000123	1	Armature with Slip Rings	
32A	7012513	4	Cap, Brush Holder	
32A	7020108	4	Brush	
32A	7020109	4	Holder, Brush	
32A	7012514	1	Fan	
32A	7020110	1	Bell, Front	
32A	7020111	1	Bell, Rear	
32A	7020190	2	Bearing	
32B	3580134	1	Pulley	
32B	7027887	1	Key, Woodruff	
33	1001119280	1	Bolt M10 x 260	
34	4922641	1	Generator Switch Harness	
35	1001193167	1	Plate	
36	1001194114	1	Generator Harness - 2500W (Not Shown) (See Separate Breakdown in ELECTRICAL SECTION)	

SECTION 3 - ENGINE

FIGURE 3-52. 2500W GENERATOR INSTALLATION - 110V/60HZ (DEUTZ D2011 ENGINES) (OPTIONAL)



ART_1001192485

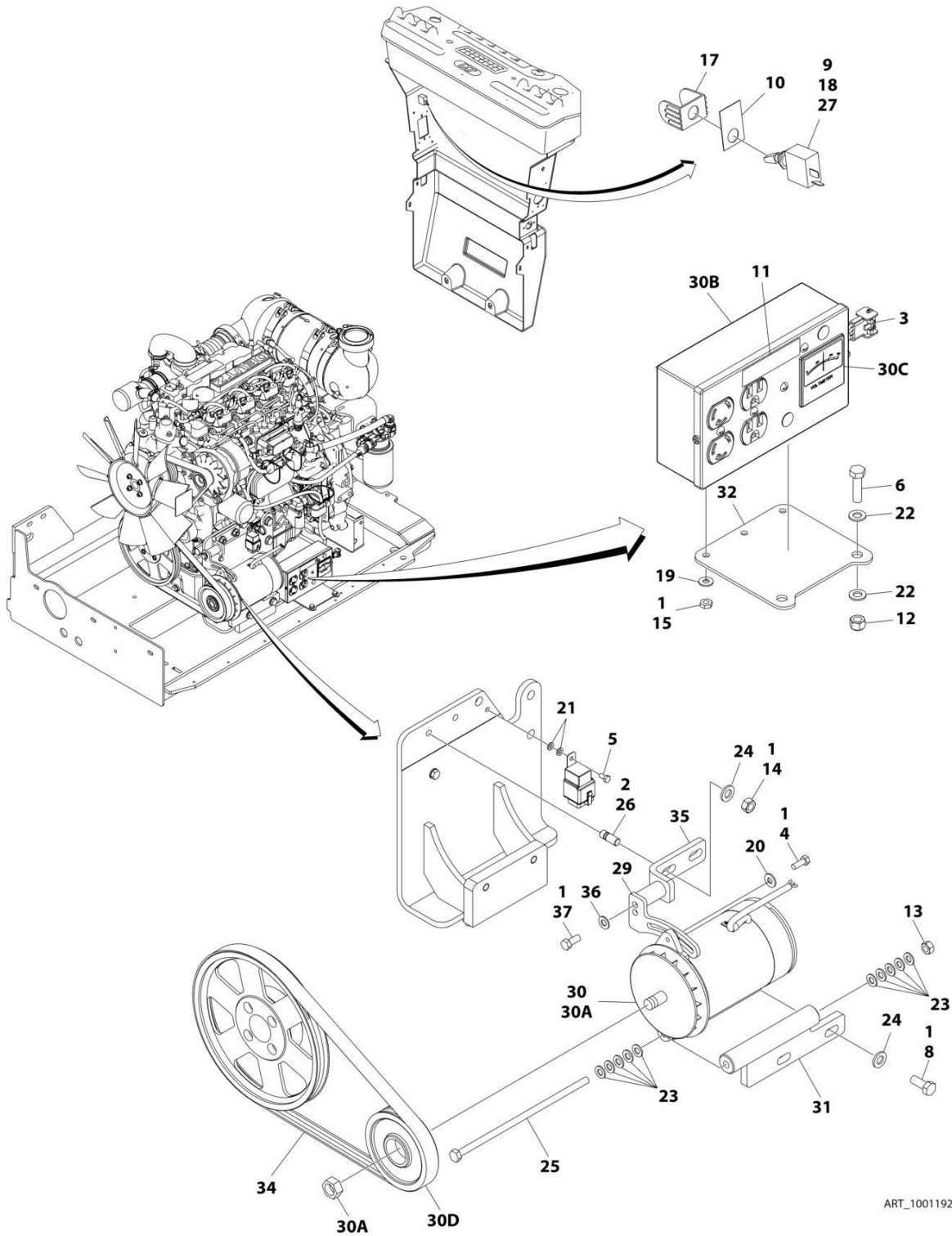
SECTION 3 - ENGINE

**FIGURE 3-52. 2500W GENERATOR INSTALLATION - 110V/60HZ (DEUTZ D2011 ENGINES)
(OPTIONAL)**

ITEM	PART NUMBER	QTY	DESCRIPTION	REV
	1001192485	Ref	2500W GENERATOR INSTALLATION	F
1	0100011	AR	Compound, Locking	
2	1001239716	1	Arm, Adjusting	
3	0480124	1	Belt	
4	0641508	1	Bolt 5/16 x 1	
5	0761012	1	Bolt M10 x 25	
6	0700610	1	Bolt M6 x 20	
7	0760606	1	Bolt M6 x 12	
8	0760814	2	Bolt M8 x 30	
9	2460055	1	Generator and Control Box Assembly	
9A	7012558	1	Generator, Replacement	
9A		Ref	Note: Replacement Generators come standard with p/n 3580134 pulley. This pulley may not be correct for all applications. Refer to pulley options below.	
9A	7012513	4	Cap, Brush Holder	
9A	7020108	4	Brush	
9A	7020109	4	Holder, Brush	
9A	7012514	1	Fan	
9A	7020190	2	Bearing	
9A	7020110	1	Bell, Front	
9A	7020111	1	Bell, Rear	
9B	7019680	1	Box, Control	
9B	4360542	1	Breaker, Circuit	
9B	4460190	AR	Receptacle, Standard	
9B	4460027	AR	Receptacle, Twistlock	
9C	2420203	1	Voltmeter	
9D	3580276	1	Pulley	
9D	7027887	1	Key, Woodruff	
10	2820031	AR	Heat Shrink	
11	3251102	1	Nameplate - Generator On/Off	
12	3251243	1	Decal - 120V-60Hz	
13	3290805	2	Nut M8	
14	3291007	1	Nut M10	
15	3311001	2	Nut #10	
17	3580158	1	Pulley	
19	4060802	1	Guard, Switch	
20	4360336	1	Switch, Toggle	
21	4751000	1	Washer #10	
22	4811902	1	Washer M8	
23	4811700	1	Washer M6	
24	4811900	4	Washer M8	
25	4812000	14	Washer M10	
26	4871700	2	Washer M6	
27	1001119280	1	Bolt M10 x 260	
28	4922641	1	Generator Switch Harness	
29	1001193167	1	Plate, Mounting	
30	1001194114	1	Generator Harness - 2500W (Not Shown) (See Separate Breakdown in ELECTRICAL SECTION)	

SECTION 3 - ENGINE

FIGURE 3-53. 2500W GENERATOR INSTALLATION - 110V/60HZ (DEUTZ TD2.9L4 ENGINES) (OPTIONAL)



ART_1001192280

SECTION 3 - ENGINE

**FIGURE 3-53. 2500W GENERATOR INSTALLATION - 110V/60HZ (DEUTZ TD2.9L4 ENGINES)
(OPTIONAL)**

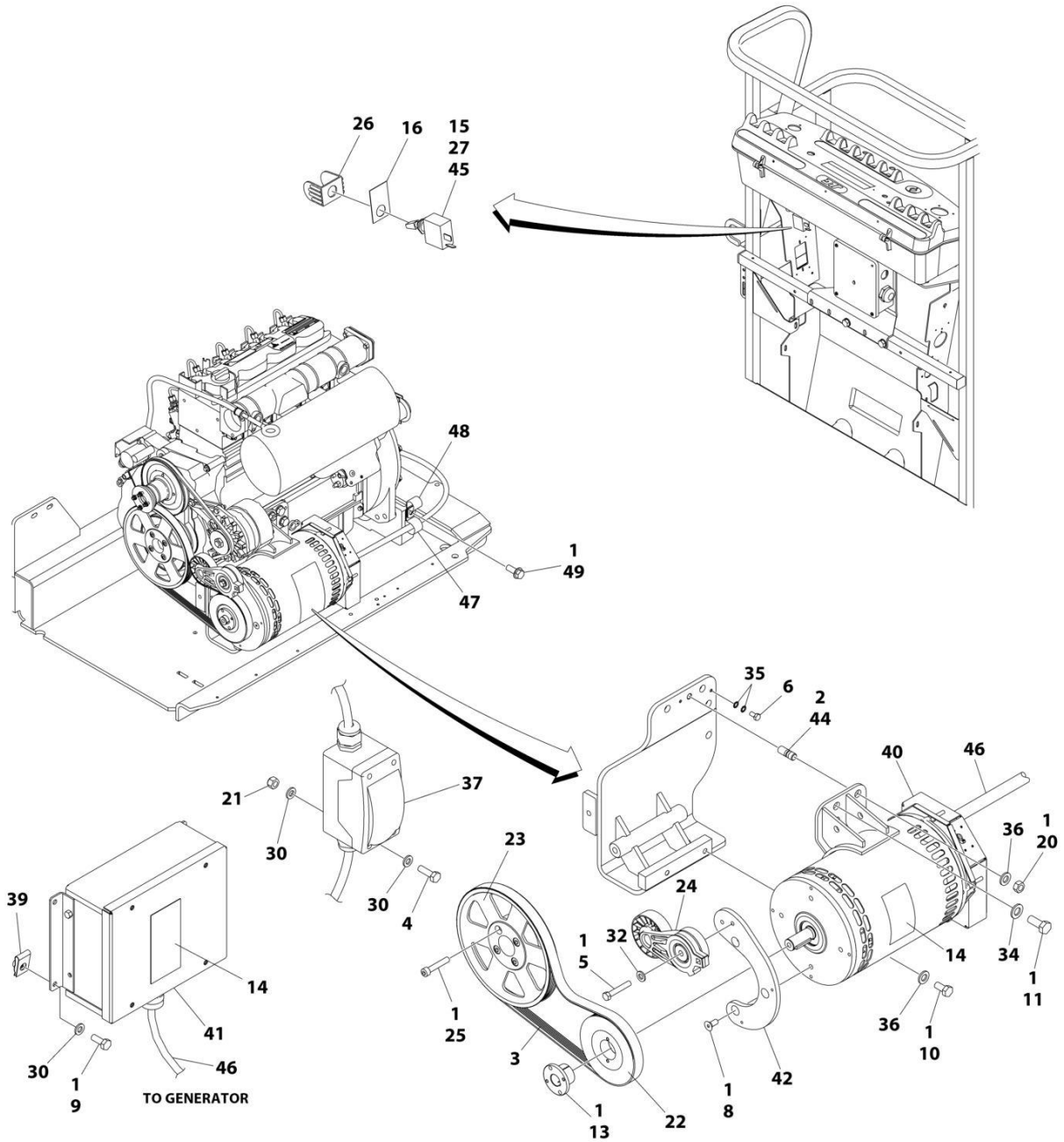
ITEM	PART NUMBER	QTY	DESCRIPTION	REV
	1001192280	Ref	2500W GENERATOR INSTALLATION	F
1	0100011	AR	Compound, Locking	
2	0100019	AR	Compound, Locking	
3	0100048	AR	Silicone	
4	0641507	1	Bolt 5/16 x 7/8	
5	0760606	1	Bolt M6 x 12	
6	0760814	2	Bolt M8 x 30	
8	0761214	2	Bolt M12 x 30	
9	2820031	AR	Heat Shrink	
10	3251102	1	Nameplate - Generator On/Off	
11	3251243	1	Decal - 120V-60Hz	
12	3290805	2	Nut M8	
13	3291007	1	Nut M10	
14	3291201	2	Nut M12	
15	3311001	2	Nut #10	
17	4060802	1	Guard, Switch	
18	4360336	1	Switch, Toggle	
19	4751000	2	Washer #10	
20	4751500	1	Washer 5/16	
21	4811700	2	Washer M6	
22	4811900	4	Washer M8	
23	4812000	10	Washer M10	
24	5241200	4	Washer M12	
25	1001119280	1	Bolt M10 x 260	
26	1001196382	2	Stud	
27	4922641	1	Generator Switch Harness	
29	1001179837	1	Arm, Adjusting	
30	1001180001	1	Generator and Control Box Assembly	
30A	7012558	1	Generator, Replacement	
30A		Ref	Note: Replacement Generators come standard with p/n 3580134 pulley. This Pulley may not be correct for all applications. Refer to Pulley options below.	
30A	7026199	1	Armature with Slip Rings	
30A	7012513	4	Cap, Brush Holder	
30A	7020108	4	Brush	
30A	7020109	4	Holder, Brush	
30A	7012514	1	Fan	
30A	7020110	1	Bell, Front	
30A	7020111	1	Bell, Rear	
30A	7020190	2	Bearing	
30B	7019680	1	Box, Control	
30B		Ref	Receptacle Options:	
30B	4460190	1	Receptacle, Standard	
30B	4460027	1	Receptacle, Twistlock	
30B	4360542	1	Breaker, Circuit	
30B	3520028	1	Plug, Hole	
30C	2420203	1	Voltmeter	
30D	3580276	1	Pulley	
30D	7027887	1	Key, Woodruff	

SECTION 3 - ENGINE

ITEM	PART NUMBER	QTY	DESCRIPTION	REV
31	1001181243	1	Mount (Lower)	
32	1001193167	1	Plate	
33	1001194114	1	Generator Harness - 2500W (Not Shown) (See Separate Breakdown in ELECTRICAL SECTION)	
34	1001148138	1	Belt	
35	1001216015	1	Mount (Upper)	
36	4711600	1	Washer 3/8	
37	0641607	1	Bolt 3/8 x 7/8	

SECTION 3 - ENGINE

FIGURE 3-54. 4000W GENERATOR INSTALLATION - 220V/50HZ (DEUTZ D2011 ENGINES) (OPTIONAL)



ART_1001192487

SECTION 3 - ENGINE

**FIGURE 3-54. 4000W GENERATOR INSTALLATION - 220V/50HZ (DEUTZ D2011 ENGINES)
(OPTIONAL)**

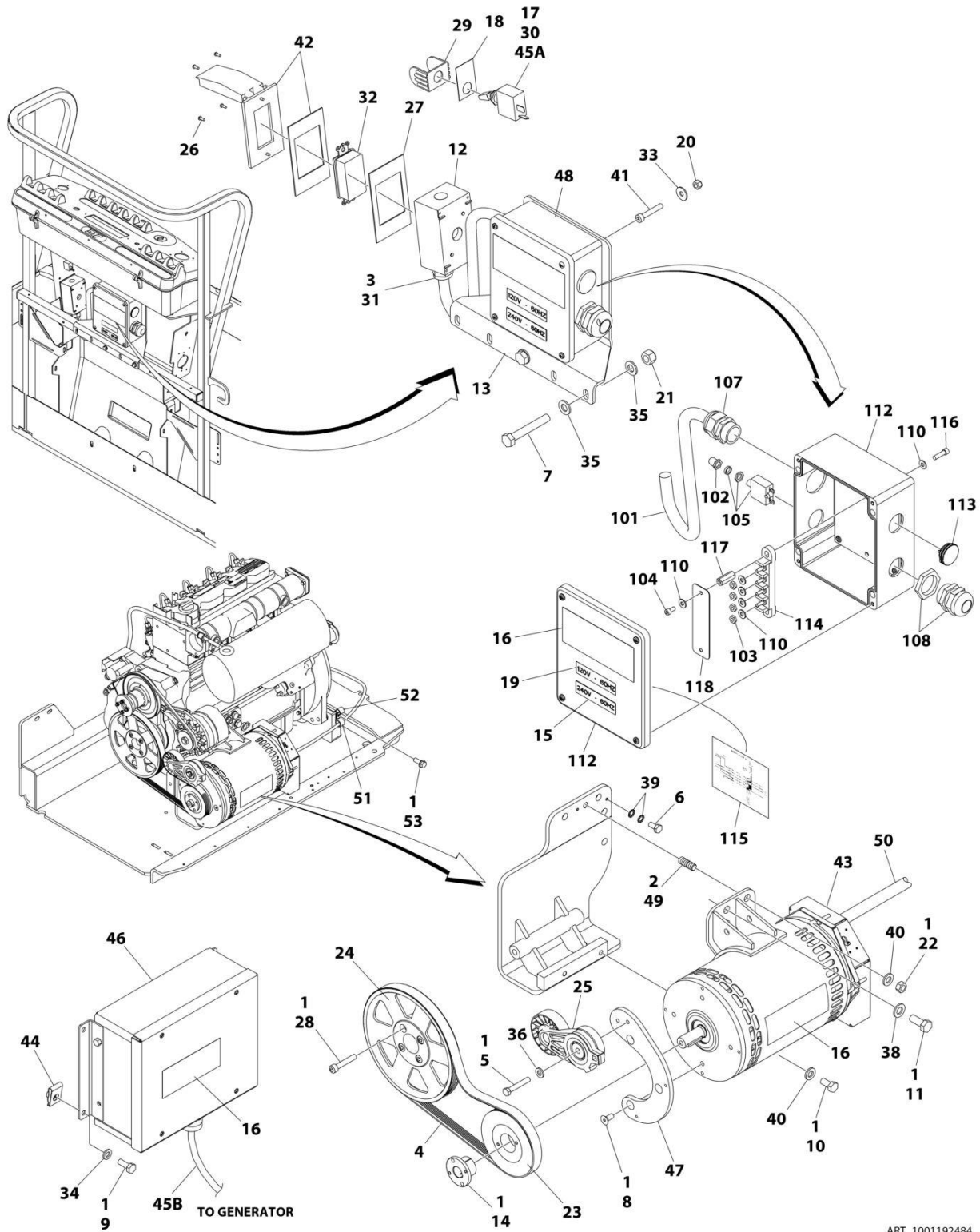
ITEM	PART NUMBER	QTY	DESCRIPTION	REV
	1001192487	Ref	4000W GENERATOR INSTALLATION	H
1	0100011	AR	Compound, Locking	
2	0100019	AR	Compound, Locking	
3	1001141814	1	Belt	
4	0760610	2	Bolt M6 x 20	
5	0641618	1	Bolt 3/8 x 2-1/4	
6	0760606	1	Bolt M6 x 12	
8	0741607	3	Screw 3/8 x 7/8	
9	0760608	4	Bolt M6 x 16	
10	0761212	2	Bolt M12 x 25	
11	0771415	1	Bolt 14 x 35	
13	0962520	1	Bushing, Split	
14	1705489	2	Decal - Hazardous Voltage	
15	2820031	AR	Heat Shrink	
16	3251102	1	Nameplate - Generator On/Off	
20	3291201	1	Nut M12	
21	3290605	2	Nut M6	
22	3580319	1	Pulley	
23	3580320	1	Pulley	
24	3580317	1	Tensioner, Belt	
25	4032015	4	Capscrew M10 x 55	
26	4060802	1	Guard, Switch	
27	4360336	1	Switch, Toggle	
30	4811700	8	Washer M6	
32	5241000	1	Washer M10	
34	5241400	1	Washer M14	
35	4871700	2	Washer M6	
36	5241200	3	Washer M12	
37	1001096070	1	Breaker Box Kit (See Separate Breakdown in ELECTRICAL SECTION)	
39	1001130220	4	Nut, Tinnerman M6	
40	1001138565	1	Generator Assembly (50Hz)	
40	70003709	1	Ring, Retaining (External)	
40	70003708	1	Ring, Retaining (Internal)	
40	70001966	1	Bearing	
40	70004092	1	Endbell (Shaft End)	
40	70004171	1	Key	
40	70004676	1	Rotor	
40	70004677	1	Stator	
40	70004678	1	Endbell (Rear)	
40	70004679	1	Cover, Endbell (Rear)	
40	70004680	1	Enclosure, Wiring	
40	70004681	1	Cover, Enclosure	
40	70004682	1	Switch, Reset (Located on Enclosure Cover)	
40	70004683	1	Connector, Strain Relief (Located on Enclosure Cover)	
41	1001138566	1	Box, Control	
41	70006552	1	Capacitor	
41	70006553	1	Relay	
42	1001139357	1	Mount	

SECTION 3 - ENGINE

ITEM	PART NUMBER	QTY	DESCRIPTION	REV
44	1001196382	1	Stud	
45	4922641	1	Generator Switch Harness	
46	1001152532	1	Generator Harness (See Separate Breakdown in ELECTRICAL SECTION)	
47	7274000040	1	Clamp	
48	1320061	1	Clamp	
49	5251012	1	Bolt M10 x 25	

SECTION 3 - ENGINE

**FIGURE 3-55. 4000W GENERATOR INSTALLATION - 110V/60HZ (DEUTZ D2011 ENGINES)
(OPTIONAL)**



ART_1001192484

SECTION 3 - ENGINE

**FIGURE 3-55. 4000W GENERATOR INSTALLATION - 110V/60HZ (DEUTZ D2011 ENGINES)
(OPTIONAL)**

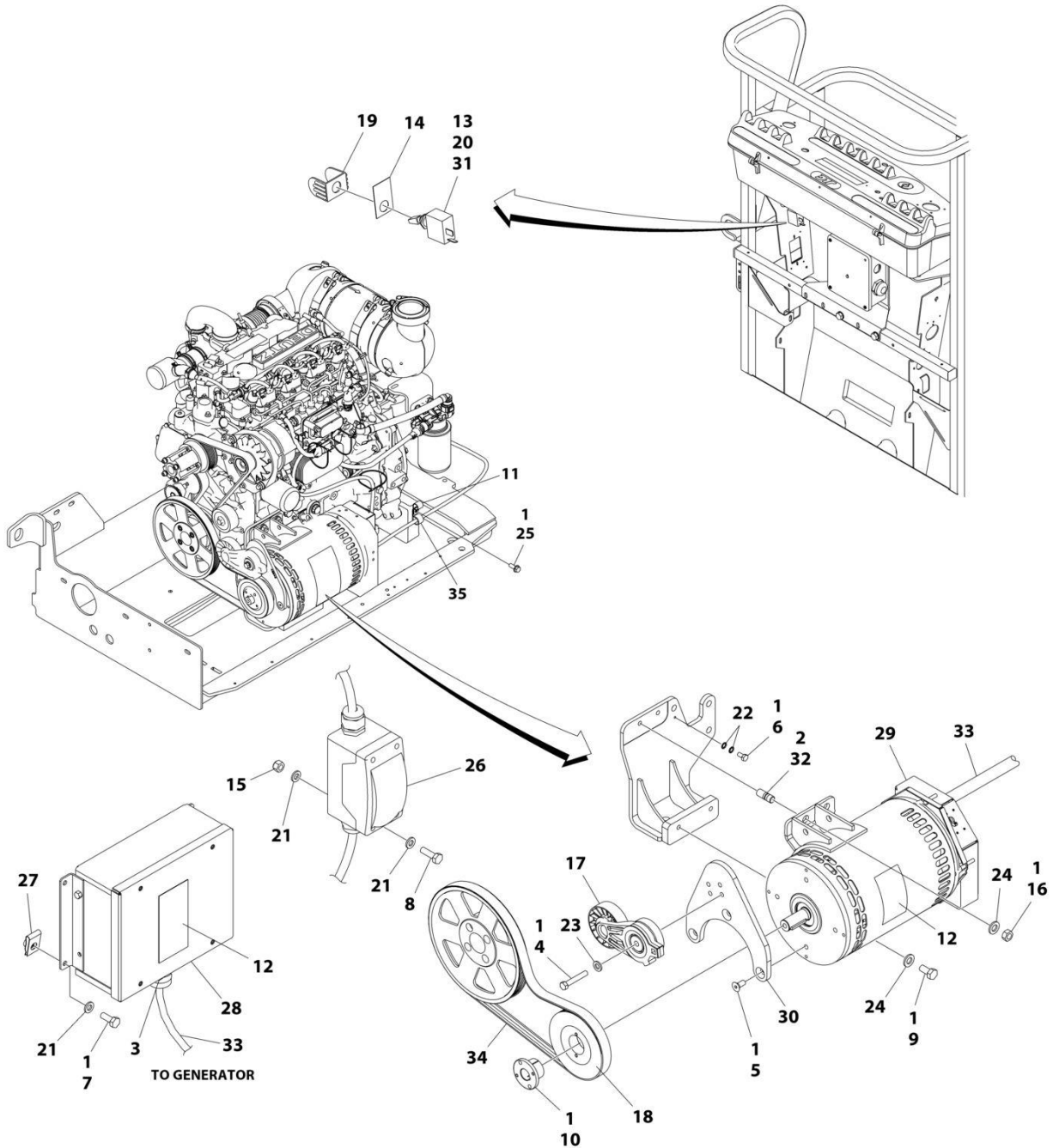
ITEM	PART NUMBER	QTY	DESCRIPTION	REV
	1001192484	Ref	4000W GENERATOR INSTALLATION	H
1	0100011	AR	Compound, Locking	
2	0100019	AR	Compound, Locking	
3	0100079	AR	Sealant	
4	1001136356	1	Belt	
5	0641618	1	Bolt 3/8 x 2-1/4	
6	0760606	1	Bolt M6 x 12	
7	0700819	1	Bolt M8 x 55	
8	0741607	3	Screw 3/8 x 7/8	
9	0760608	4	Bolt M6 x 16	
10	0761212	2	Bolt M12 x 25	
11	0771415	1	Bolt M14 x 35	
12	0860038	1	Box, Receptacle	
13	0902888	1	Bracket	
14	0962520	1	Bushing, Split	
15	1705374	1	Decal - 240V-60Hz	
16	1705387	3	Decal - Hazardous Voltage	
17	2820031	AR	Heat Shrink	
18	3251102	1	Nameplate - Generator On/Off	
19	3251243	1	Decal - 120V-60Hz	
20	3290505	4	Nut M5	
21	3290805	2	Nut M8	
22	3291201	1	Nut M12	
23	3580318	1	Pulley	
24	3580320	1	Pulley	
25	3580317	1	Tensioner, Belt	
26	3910606	4	Screw #6 x 3/8	
27	3960422	1	Gasket	
28	4032015	4	Capscrew M10 x 55	
29	4060802	1	Guard, Switch	
30	4360336	1	Switch, Toggle	
31	4460071	1	Connector, Strain Relief	
32	4460346	1	Receptacle	
33	4811602	4	Washer M5	
34	4811700	4	Washer M6	
35	4811900	4	Washer M8	
36	5241000	1	Washer M10	
38	5241400	1	Washer M14	
39	4871700	2	Washer M6	
40	5241200	3	Washer M12	
41	1001104029	4	Capscrew M5 x 30 Grade 12.9	
42	1001110873	1	Cover, Receptacle	
43	1001129858	1	Generator Assembly (60Hz)	
43	70003709	1	Ring, Retaining (External)	
43	70003708	1	Ring, Retaining (Internal)	
43	70001966	1	Bearing	
43	70004092	1	Endbell (Shaft End)	
43	70004171	1	Key	
43	70004676	1	Rotor	

SECTION 3 - ENGINE

ITEM	PART NUMBER	QTY	DESCRIPTION	REV
43	70004684	1	Stator	
43	70004678	1	Endbell (Rear)	
43	70004679	1	Cover, Endbell (Rear)	
43	70004680	1	Enclosure, Wiring	
43	70004685	1	Cover, Enclosure	
43	70004682	1	Switch, Reset (Located on Enclosure Cover)	
43	70004098	1	Connector, Strain Relief (Located on Enclosure Cover)	
44	1001130220	4	Nut, Tinnerman M6	
45A	4922641	1	Generator Switch Harness	
45B	1001153197	1	Generator to Engine Harness	
45B	4460967	1	Connector - 3 Position	
45B	4460465	2	Socket, Female	
46	1001138566	1	Box, Control	
46	70006552	1	Capacitor	
46	70006553	1	Relay	
47	1001139357	1	Mount	
48	1001152457	1	Junction Box Assembly (See Items 101-118 for Breakdown)	
49	1001196382	1	Stud	
50	1001152532	1	Generator Harness (See Separate Breakdown in ELECTRICAL SECTION)	
51	7274000040	1	Clamp	
52	1320061	1	Clamp	
53	5251012	1	Bolt M10 x 25	
	1001152457	Ref	JUNCTION BOX ASSEMBLY	
101	1001179154	2.5 ft/ 0.8m	Cable, Electrical - 12/3	
102	3300396	1	Cover, Breaker	
103	3311001	4	Nut #10	
104	3900300	2	Screw	
105	4360070	1	Breaker, Circuit - 15Amp	
107	4460425	1	Connector, Strain Relief (LH Side)	
108	4460426	1	Connector, Strain Relief (RH Side)	
110	4711000	8	Washer #10	
112	1001152456	1	Box, Junction	
113	1001152525	1	Plug	
114	1001152530	1	Terminal, Block	
115	1001153260	1	Decal - Wiring Diagram	
116	3900267	2	Screw	
117	1001158008	2	Stand-Off	
118	1001158363	1	Cover, Terminal Block	

SECTION 3 - ENGINE

FIGURE 3-56. 4000W GENERATOR INSTALLATION - 220V/50HZ (DEUTZ TD2.9L4 ENGINES) (OPTIONAL)



ART_1001230953

SECTION 3 - ENGINE

**FIGURE 3-56. 4000W GENERATOR INSTALLATION - 220V/50HZ (DEUTZ TD2.9L4 ENGINES)
(OPTIONAL)**

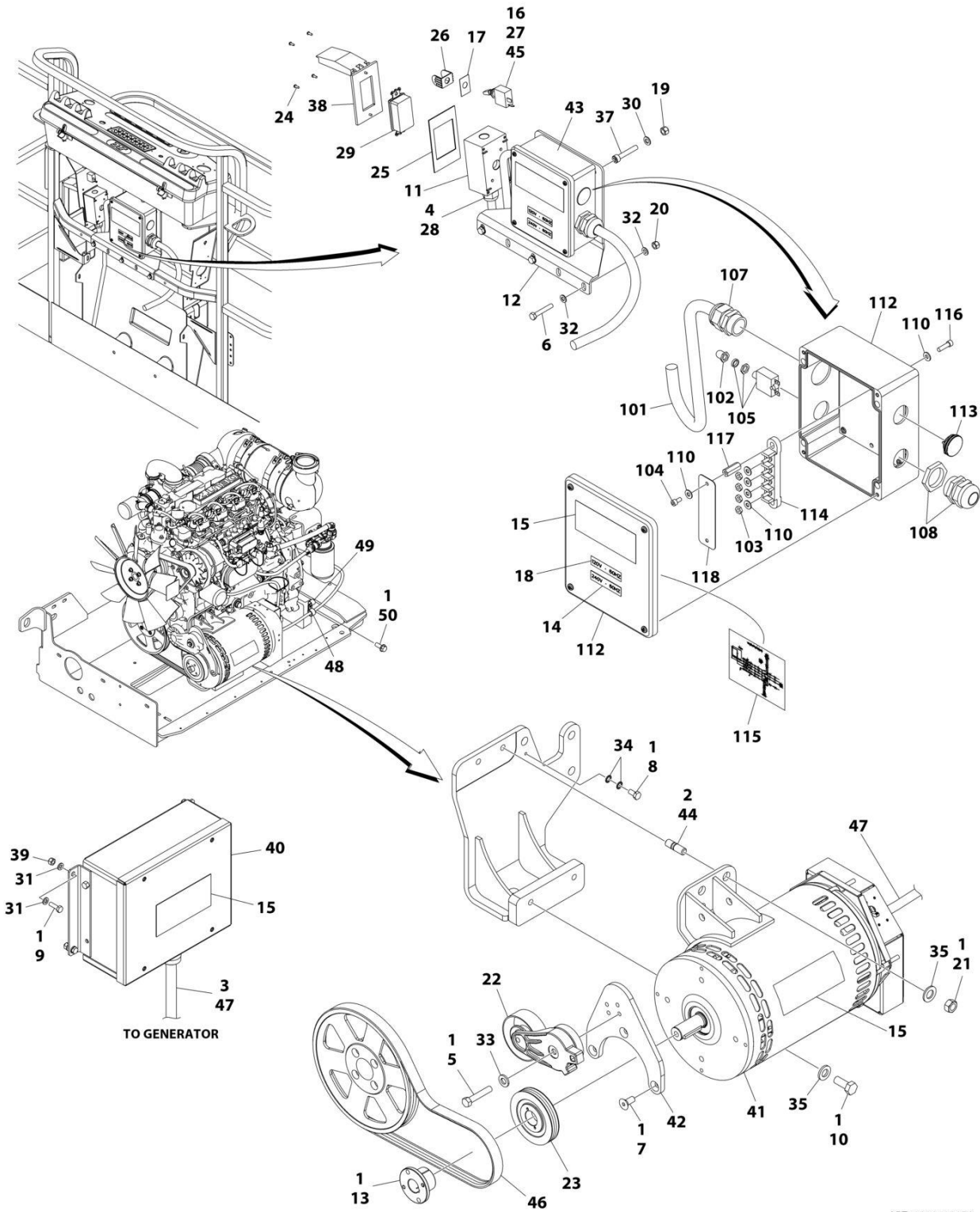
ITEM	PART NUMBER	QTY	DESCRIPTION	REV
	1001230953	Ref	4000W GENERATOR INSTALLATION	A
1	0100011	AR	Compound, Locking	
2	0100019	AR	Compound, Locking	
3	0100048	AR	Grease, Terminal	
4	0641616	1	Bolt 3/8 x 2	
5	0741607	3	Screw 3/8 x 7/8	
6	0760606	1	Bolt M6 x 12	
7	0760608	4	Bolt M6 x 16	
8	0760610	2	Bolt M6 x 20	
9	0761212	2	Bolt M12 x 25	
10	0962520	1	Bushing, Split	
11	1320061	1	Clamp	
12	1705489	2	Decal - Hazardous Voltage	
13	2820031	AR	Heatshrink	
14	3251102	1	Nameplate - Generator	
15	3290605	2	Nut M6	
16	3291201	2	Nut M12	
17	3580317	1	Tensioner, Belt	
18	3580319	1	Pulley	
19	4060802	1	Guard, Switch	
20	4360336	1	Switch, Toggle	
21	4811700	8	Washer M6	
22	4871700	2	Washer M6	
23	5241000	1	Washer M10	
24	5241200	4	Washer M12	
25	5251012	1	Bolt M10 x 25	
26	1001096070	1	Box & Breaker Kit (See Separate Breakdown in ELECTRICAL SECTION)	
27	1001130220	4	Nut, Tinnerman M6	
28	1001138566	1	Box, Control	
28	70006552	1	Capacitor	
28	70006553	1	Relay	
29	1001140347	1	Generator Assembly - 50Hz	
29	70003709	1	Ring, Retaining (External)	
29	70003708	1	Ring, Retaining (Internal)	
29	70001966	1	Bearing	
29	70004092	1	Endbell (Shaft End)	
29	70004099	1	Key	
29	70004676	1	Rotor	
29	70004686	1	Stator	
29	70004678	1	Endbell (Rear)	
29	70004679	1	Cover, Endbell (Rear)	
29	70004680	1	Enclosure, Wiring	
29	70004681	1	Cover, Enclosure	
29	70004682	1	Switch, Reset (Located on Enclosure Cover)	
29	70004683	1	Connector, Strain Relief (Located on Enclosure Cover)	
29	4460224	1	Connector - 6 Position (Located on Enclosure Cover)	
29	4460294	1	Pin, Male (Located on Enclosure Cover)	
30	1001142643	1	Support	

SECTION 3 - ENGINE

ITEM	PART NUMBER	QTY	DESCRIPTION	REV
31	4922641	1	Switch Harness	
32	1001196382	2	Stud	
33	1001152532	1	Generator Harness (See Separate Breakdown in ELECTRICAL SECTION)	
34	1001214683	1	V-Belt	
35	7274000040	1	Clamp	

SECTION 3 - ENGINE

FIGURE 3-57. 4000W GENERATOR INSTALLATION - 110V/60HZ (DEUTZ TD2.9L4 ENGINES) (OPTIONAL)



ART_1001192279

SECTION 3 - ENGINE

**FIGURE 3-57. 4000W GENERATOR INSTALLATION - 110V/60HZ (DEUTZ TD2.9L4 ENGINES)
(OPTIONAL)**

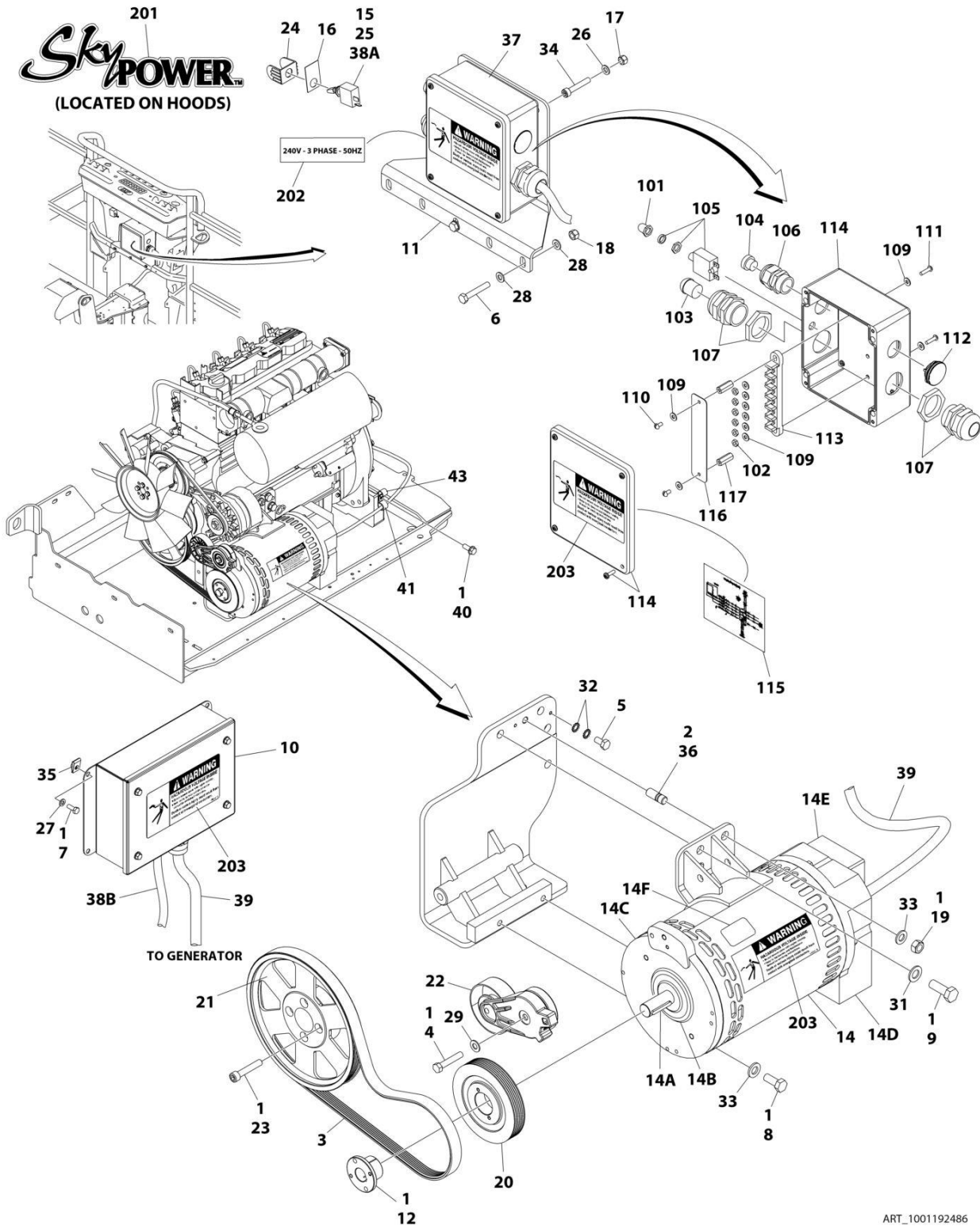
ITEM	PART NUMBER	QTY	DESCRIPTION	REV
	1001192279	Ref	4000W GENERATOR INSTALLATION	F
1	0100011	AR	Compound, Locking	
2	0100019	AR	Compound, Locking	
3	0100048	AR	Compound, Locking	
4	0100079	AR	Sealant	
5	0641616	1	Bolt 3/8 x 2	
6	0700819	2	Bolt M8 x 55	
7	0741607	3	Screw 3/8 x 7/8	
8	0760606	1	Bolt M6 x 12	
9	0760608	4	Bolt M6 x 16	
10	0761212	2	Bolt M12 x 25	
11	0860038	1	Box, Receptacle	
12	0902888	1	Bracket	
13	0962520	1	Bushing, Split	
14	1705374	1	Decal - 240V-60Hz	
15	1705387	3	Decal - Hazardous Voltage	
16	2820031	AR	Heat Shrink	
17	3251102	1	Nameplate - Generator On/Off	
18	3251243	1	Decal - 120V-60Hz	
19	3290505	4	Nut M5	
20	3290805	2	Nut M8	
21	3291201	2	Nut M12	
22	3580317	1	Tensioner, Belt	
23	3580318	1	Pulley	
24	3910606	4	Screw #6 x 3/8	
25	3960422	1	Gasket	
26	4060802	1	Guard, Switch	
27	4360336	1	Switch, Toggle	
28	4460071	1	Connector, Strain Relief	
29	4460346	1	Receptacle	
30	4811602	4	Washer M5	
31	4811700	4	Washer M6	
32	4811900	4	Washer M8	
33	5241000	1	Washer M10	
34	4871700	2	Washer M6	
35	5241200	4	Washer M12	
37	1001104029	4	Capscrew M5 x 30 Grade 12.9	
38	1001110873	1	Cover	
39	1001130220	4	Nut, Tinnerman M6	
40	1001138566	1	Box, Control	
40	70006552	1	Capacitor	
40	70006553	1	Relay	
41	1001140346	1	Generator Assembly (60Hz)	
41	70003709	1	Ring, Retaining (External)	
41	70003708	1	Ring, Retaining (Internal)	
41	70001966	1	Bearing	
41	70004092	1	Endbell (Shaft End)	
41	70004099	1	Key	
41	70004676	1	Rotor	

SECTION 3 - ENGINE

ITEM	PART NUMBER	QTY	DESCRIPTION	REV
41	70004687	1	Stator	
41	70004678	1	Endbell (Rear)	
41	70004679	1	Cover, Endbell (Rear)	
41	70004680	1	Enclosure, Wiring	
41	70004685	1	Cover, Enclosure	
41	70004682	1	Switch, Reset (Located on Enclosure Cover)	
41	70004098	1	Connector, Strain Relief (Located on Enclosure Cover)	
42	1001142643	1	Support	
43	1001152457	1	Junction Box Assembly (See Items 101-118 for Breakdown)	
44	1001196382	2	Stud	
45	4922641	1	Generator Switch Harness	
46	1001142646	1	Belt	
47	1001152532	1	Generator Harness (See Separate Breakdown in ELECTRICAL SECTION)	
48	7274000040	1	Clamp	
49	1320061	1	Clamp	
50	5251012	1	Bolt M10 x 25	
	1001152457	Ref	JUNCTION BOX ASSEMBLY	
101	1001179154	2.5 ft/ 0.8m	Cable, Electrical - 12/3	
102	3300396	1	Cover, Breaker	
103	3311001	4	Nut #10	
104	3900300	2	Screw	
105	4360070	1	Breaker, Circuit - 15Amp	
107	4460425	1	Connector, Strain Relief (LH Side)	
108	4460426	1	Connector, Strain Relief (RH Side)	
110	4711000	8	Washer #10	
112	1001152456	1	Box, Junction	
113	1001152525	1	Plug	
114	1001152530	1	Terminal, Block	
115	1001153260	1	Decal - Wiring Diagram	
116	3900267	2	Screw	
117	1001158008	2	Stand-Off	
118	1001158363	1	Cover, Terminal Block	

SECTION 3 - ENGINE

FIGURE 3-58. 7500W SKYPOWER GENERATOR INSTALLATION - 220V/50HZ (DEUTZ D2011 ENGINES) (OPTIONAL)



SECTION 3 - ENGINE

FIGURE 3-58. 7500W SKYPOWER GENERATOR INSTALLATION - 220V/50HZ (DEUTZ D2011 ENGINES) (OPTIONAL)

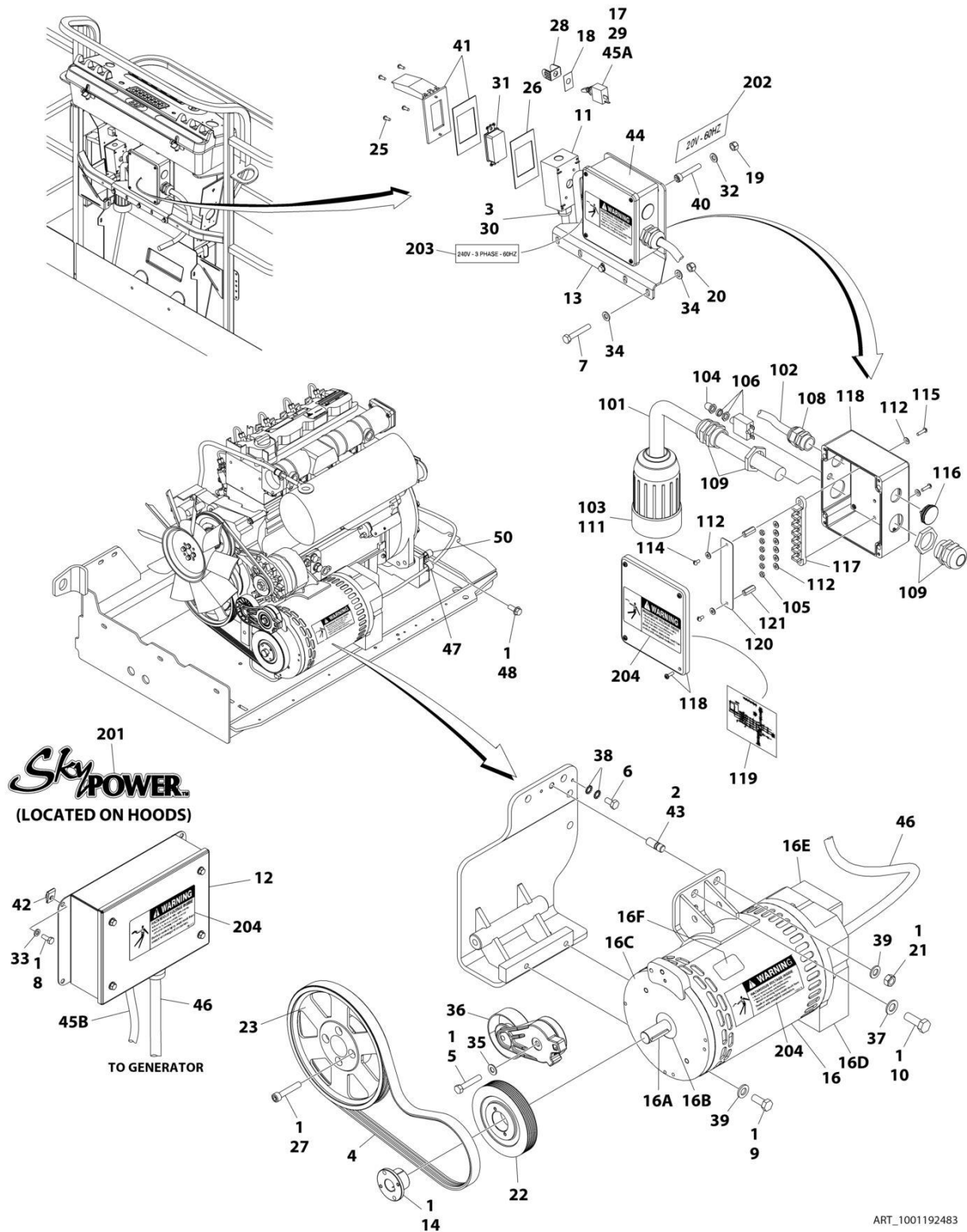
ITEM	PART NUMBER	QTY	DESCRIPTION	REV
	1001192486	Ref	7500W SKYPOWER GENERATOR INSTALLATION	I
1	0100011	AR	Compound, Locking	
2	0100019	AR	Compound, Locking	
3	1001141814	1	Belt	
4	0641618	1	Bolt 3/8 x 2-1/4	
5	0760606	1	Bolt M6 x 12	
6	0700819	2	Bolt M8 x 55	
7	0760608	4	Bolt M6 x 16	
8	0761212	2	Bolt M12 x 25	
9	0771415	1	Bolt M14 x 35	
10	0861572	1	Control Box Assembly	
10	7024488	1	Card, Circuit - Generator Power	
10	See Note	NSS	Fuse (Note: Not Available - Purchase Locally)	
10	7024489	1	Card, Circuit - Control	
10	70000619	1	Harness, Control Box (Internal)	
11	0902888	1	Bracket	
12	0962520	1	Bushing, Split	
14	2460048	1	Generator Assembly	
14	70001100	1	Rotor (Includes p/n 70001384 & 70000863) (Not Shown)	
14	70001384	1	Bearing, Ball Radial (Not Shown)	
14	70000863	1	Fan (Not Shown)	
14	70002088	1	Stator (Not Shown)	
14	70002297	1	Stud	
14	70003631	1	Brushholder Assembly (Not Shown)	
14A	70004171	1	Key	
14B	70001966	1	Bearing, Ball Radial (Located in Belt Tensioner Endbell)	
14B	70003708	1	Ring, Internal Retaining (Located in Belt Tensioner Endbell)	
14B	70003709	1	Ring, External Retaining (Located in Belt Tensioner Endbell)	
14C	70001953	1	Endbell, Belt Tensioner	
14D	70004169	1	Endbell, Brush Block	
14E	70004169	1	Shroud	
14E	See Note	NSS	Insulator, Endbell (Note: Not Available for Purchase)	
14E	7027799	1	Block, Connector 6 Position (Not Shown)	
14E	70002460	1	Nut, Brass (Attaches p/n 7027799 to Cover) (Not Shown)	
14E	7024485	1	Breaker, Circuit 30Amp (Not Shown)	
14E	70001696	1	Boot, Breaker (Not Shown)	
14E	7026626	1	Connector, 6 Position (Includes Seal) (Not Shown - Plugs into Item 39)	
14E	7026597	1	Connector, with Leads (Not Shown)	
14E	7026188	1	Clamp, Cable Options (Not Shown)	
14E	70004169	1	Plate, End Panel	
14E	70001974	1	Decal - Terminal Connections	
14F	70001973	1	Decal - Warning Moving Parts	
15	2820031	AR	Heat Shrink	
16	3252764	1	Nameplate - AC & Weld	
17	3290505	4	Nut M5	
18	3290805	2	Nut M8	
19	3291201	1	Nut M12	
20	3580319	1	Pulley	

SECTION 3 - ENGINE

ITEM	PART NUMBER	QTY	DESCRIPTION	REV
21	3580320	1	Pulley	
22	3580317	1	Tensioner, Belt	
23	4032015	4	Capscrew M10 x 55	
24	4060802	1	Guard, Switch	
25	4360336	1	Switch, Toggle	
26	4811602	4	Washer M5	
27	4811700	4	Washer M6	
28	4811900	4	Washer M8	
29	5241000	1	Washer M10	
31	5241400	1	Washer M14	
32	4871700	2	Washer M6	
33	5241200	3	Washer M12	
34	1001104029	4	Capscrew M5 x 30 Grade 12.9	
35	1001130220	4	Nut, Tinnerman M6	
36	1001196382	1	Stud	
37	1001157525	1	Junction Box Assembly (See Items 101-117 for Breakdown)	
38A	4922641	1	Generator Switch Harness	
38B	1001152429	1	Generator to Engine Harness (See Separate Breakdown in ELECTRICAL SECTION)	
39	4922925	1	Generator Harness (See Separate Breakdown in ELECTRICAL SECTION)	
40	5251012	1	Bolt M10 x 25	
41	7274000040	1	Clamp	
43	1320061	1	Clamp	
	1001157525	Ref	JUNCTION BOX ASSEMBLY	B
101	3300396	1	Cover, Fuse	
102	3311001	6	Nut #10	
103	3520189	1	Plug	
104	3520192	1	Plug	
105	4360070	1	Circuit Breaker - 15Amp	
106	4460425	1	Connector, Strain Relief	
107	4460426	2	Connector, Strain Relief	
109	4711000	10	Washer #10	
110	10702077	2	Screw #10 x 3/8	
111	10702082	2	Screw #10 x 3/4	
112	1001152525	1	Plug	
113	1001152520	1	Block, Terminal	
114	1001157521	1	Box, Junction	
115	1001157528	1	Decal - Wiring Schematic	
116	1001158007	1	Cover, PVC	
117	1001158008	2	Stand-Off	
	0272589	Ref	DECAL INSTALLATION	A
201	1705460	2	Decal - SkyPower	
202	1705461	1	Decal - 240V - 3 Phase - 50Hz	
203	1705489	3	Decal - Hazardous Voltage	

SECTION 3 - ENGINE

FIGURE 3-59. 7500W SKYPOWER GENERATOR INSTALLATION - 110V/60HZ (DEUTZ D2011 ENGINES) (OPTIONAL)



SECTION 3 - ENGINE

FIGURE 3-59. 7500W SKYPOWER GENERATOR INSTALLATION - 110V/60HZ (DEUTZ D2011 ENGINES) (OPTIONAL)

ITEM	PART NUMBER	QTY	DESCRIPTION	REV
	1001192483	Ref	7500W SKYPOWER GENERATOR INSTALLATION	I
1	0100011	AR	Compound, Locking	
2	0100019	AR	Compound, Locking	
3	0100079	AR	Sealant	
4	1001136356	1	Belt	
5	0641618	1	Bolt 3/8 x 2-1/4	
6	0760606	1	Bolt M6 x 12	
7	0700819	2	Bolt M8 x 55	
8	0760608	4	Bolt M6 x 16	
9	0761212	2	Bolt M12 x 25	
10	0771415	1	Bolt M14 x 35	
11	0860038	1	Box, Receptacle	
12	0861538	1	Control Box Assembly	
12	7024488	1	Card, Circuit - Generator Power	
12	See Note	NSS	Fuse (Note: Not Available - Purchase Locally)	
12	7024489	1	Card, Circuit - Control	
12	70000619	1	Harness, Control Box (Internal)	
13	0902888	1	Bracket	
14	0962520	1	Bushing, Split	
16	2460048	1	Generator Assembly	
16	70001100	1	Rotor (Includes p/n 70001384 & 70000863) (Not Shown)	
16	70001384	1	Bearing, Ball Radial (Not Shown)	
16	70000863	1	Fan (Not Shown)	
16	70002088	1	Stator (Not Shown)	
16	70002297	1	Stud	
16	70003631	1	Brushholder Assembly (Not Shown)	
16A	70004171	1	Key	
16B	70001966	1	Bearing, Ball Radial (Located in Belt Tensioner Endbell)	
16B	70003708	1	Ring, Internal Retaining (Located in Belt Tensioner Endbell)	
16B	70003709	1	Ring, External Retaining (Located in Belt Tensioner Endbell)	
16C	70001953	1	Endbell, Belt Tensioner	
16D	70004169	1	Endbell, Brush Block	
16E	70004169	1	Shroud	
16E	See Note	NSS	Insulator, Endbell (Note: Not Available for Purchase)	
16E	7027799	1	Block, Connector - 6 Position (Not Shown)	
16E	70002460	1	Nut, Brass (Attaches p/n 7027799 to Cover) (Not Shown)	
16E	7024485	1	Breaker, Circuit 30Amp (Not Shown)	
16E	70001696	1	Boot, Breaker (Not Shown)	
16E	7026626	1	Connector, 6 Position (Includes Seal) (Not Shown - Plugs into Item 39)	
16E	7026597	1	Connector, with Leads (Not Shown)	
16E	7026188	1	Clamp, Cable Options (Not Shown)	
16E	70004169	1	Plate, End Panel	
16E	70001974	1	Decal - Terminal Connections	
16F	70001973	1	Decal - Warning Moving Parts	
17	2820031	AR	Heat Shrink	
18	3252764	1	Nameplate - AC & Weld	
19	3290505	4	Nut M5	
20	3290805	2	Nut M8	

SECTION 3 - ENGINE

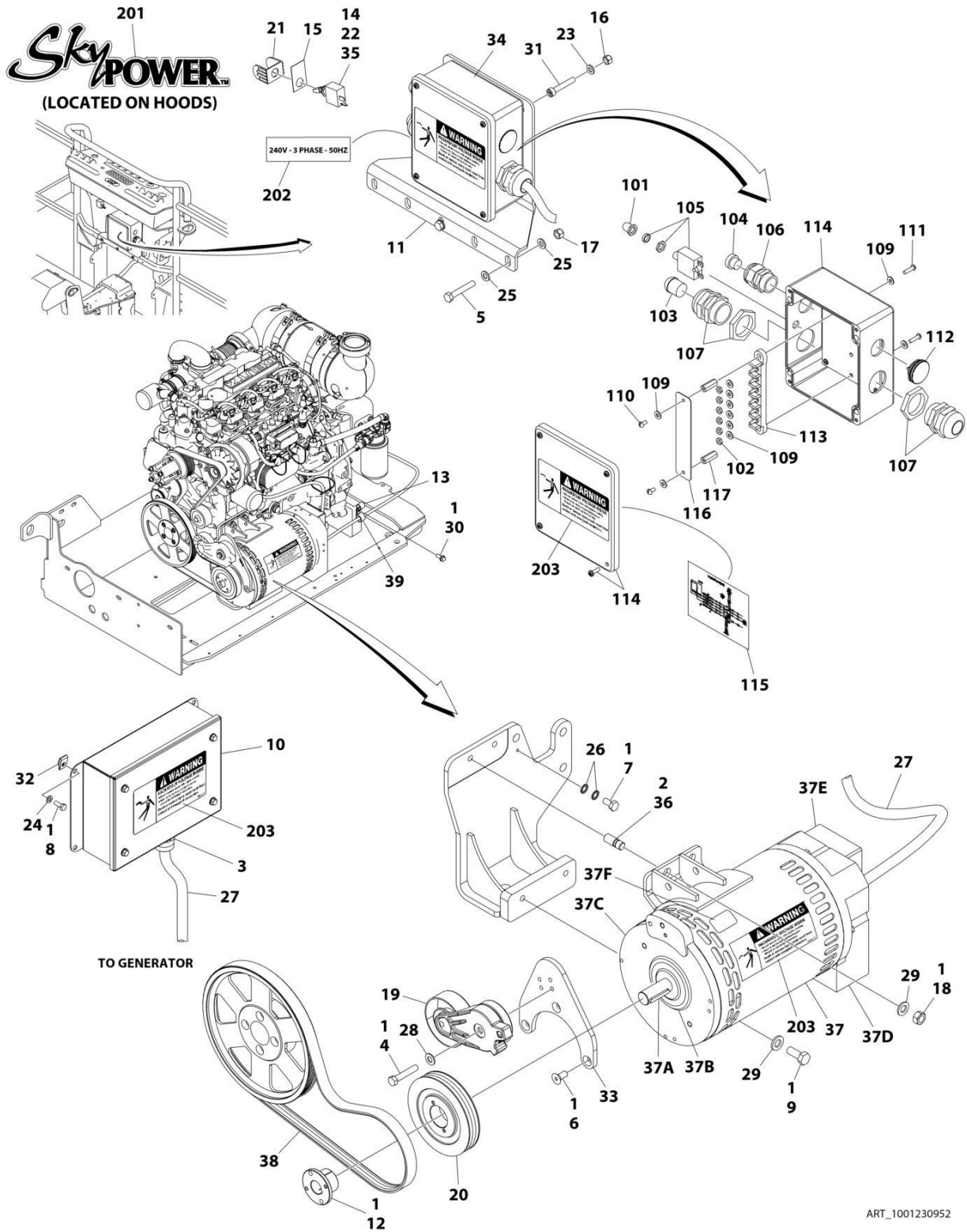
ITEM	PART NUMBER	QTY	DESCRIPTION	REV
21	3291201	1	Nut M12	
22	3580318	1	Pulley	
23	3580320	1	Pulley	
25	3910606	4	Screw #6 x 3/8	
26	3960422	1	Gasket	
27	4032015	4	Capscrew M10 x 55	
28	4060802	1	Guard, Switch	
29	4360336	1	Switch, Toggle	
30	4460071	1	Connector, Strain Relief	
31	4460346	1	Receptacle	
32	4811602	4	Washer M5	
33	4811700	4	Washer M6	
34	4811900	4	Washer M8	
35	5241000	1	Washer M10	
36	3580317	1	Tensioner, Belt	
37	5241400	1	Washer M14	
38	4871700	2	Washer M6	
39	5241200	3	Washer M12	
40	1001104029	4	Capscrew M5 x 30 Grade 12.9	
41	1001110873	1	Cover	
42	1001130220	4	Nut, Tinnerman M6	
43	1001196382	1	Stud	
44	1001157592	1	Junction Box Assembly (See Items 101-121 for Breakdown)	
45A	4922641	1	Generator Switch Harness	
45B	1001152429	1	Generator to Engine Harness (See Separate Breakdown in ELECTRICAL SECTION)	
46	4922925	1	Generator Harness (See Separate Breakdown in ELECTRICAL SECTION)	
47	7274000040	1	Clamp	
48	5251012	1	Bolt M10 x 25	
50	1320061	1	Clamp	
	1001157592	Ref	JUNCTION BOX ASSEMBLY	C
101	1060343	1.5 ft/ 0.5m	Cable, Electrical 10/4	
102	1001179154	2.5 ft/ 0.8m	Cable, Electrical 12/3	
103	1671092	1	Cover	
104	3300396	1	Cover, Fuse	
105	3311001	6	Nut #10	
106	4360070	1	Circuit Breaker - 15Amp	
108	4460425	1	Connector, Strain Relief	
109	4460426	2	Connector, Strain Relief	
111	4460963	1	Connector	
112	4711000	10	Washer #10	
114	10702077	2	Screw #10 x 3/8	
115	10702082	2	Screw #10 x 3/4	
116	1001152525	1	Plug	
117	1001157520	1	Block, Terminal	
118	1001157521	1	Box, Junction	
119	1001157528	1	Decal - Wiring Schematic	
120	1001158007	1	Cover, PVC	
121	1001158008	2	Stand-Off	

SECTION 3 - ENGINE

ITEM	PART NUMBER	QTY	DESCRIPTION	REV
	0272435	Ref	DECAL INSTALLATION	D
201	1705460	2	Decal - SkyPower	
202	3251243	1	Decal - 120V-60Hz	
203	1705375	1	Decal - 240V - 3 Phase - 60Hz	
204	1705387	3	Decal - Hazardous Voltage	

SECTION 3 - ENGINE

FIGURE 3-60. 7500W GENERATOR INSTALLATION - 220V/50HZ (DEUTZ TD2.9L4 ENGINES) (OPTIONAL)



SECTION 3 - ENGINE

**FIGURE 3-60. 7500W GENERATOR INSTALLATION - 220V/50HZ (DEUTZ TD2.9L4 ENGINES)
(OPTIONAL)**

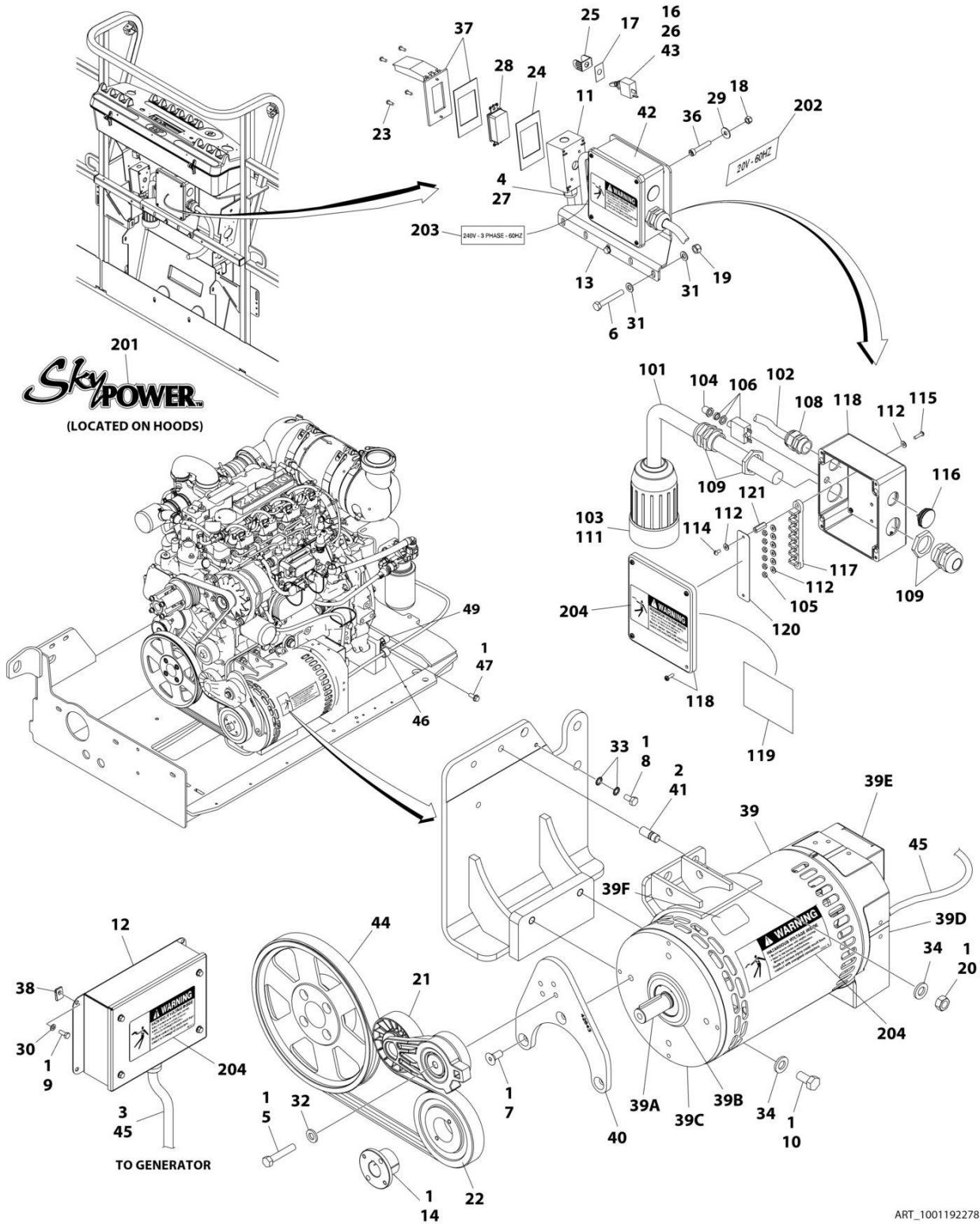
ITEM	PART NUMBER	QTY	DESCRIPTION	REV
	1001230952	Ref	7500W GENERATOR INSTALLATION	A
1	0100011	AR	Compound, Locking	
2	0100019	AR	Compound, Locking	
3	0100048	AR	Grease, Terminal	
4	0641616	1	Bolt 3/8 x 2	
5	0700819	2	Bolt M8 x 55	
6	0741607	3	Screw 3/8 x 7/8	
7	0760606	1	Bolt M6 x 12	
8	0760608	4	Bolt M6 x 16	
9	0761212	2	Bolt M12 x 25	
10	0861572	1	Control Box Assembly	
10	7024488	1	Card, Circuit - Generator Power	
10	See Note	NSS	Fuse (Note: Not Available - Purchase Locally)	
10	7024489	1	Card, Circuit - Control	
10	70000619	1	Harness, Control Box (Internal)	
11	0902888	1	Bracket	
12	0962520	1	Bushing, Split	
13	1320061	1	Clamp	
14	2820031	AR	Heatshrink	
15	3252764	1	Nameplate - AC & Weld	
16	3290505	4	Nut M5	
17	3290805	2	Nut M8	
18	3291201	2	Nut M12	
19	3580317	1	Tensioner, Belt	
20	3580319	1	Pulley	
21	4060802	1	Guard, Switch	
22	4360336	1	Switch, Toggle	
23	4811602	4	Washer M5	
24	4811700	4	Washer M6	
25	4811900	4	Washer M8	
26	4871700	2	Washer M6	
27	4922925	1	Generator Harness (See Separate Breakdown in ELECTRICAL SECTION)	
28	5241000	1	Washer M10	
29	5241200	4	Washer M12	
30	5251012	1	Bolt M10 x 25	
31	1001104029	4	Capscrew M5 x 30, Grade 12.9	
32	1001130220	4	Nut, Tinnerman M6	
33	1001142643	1	Support	
34	1001157525	1	Junction Box Assembly (See Items 101-117 for Breakdown)	
35	4922641	1	Switch Harness	
36	1001196382	2	Stud	
37	1001212223	1	Generator Assembly - 50Hz	
37	70001100	1	Rotor (Includes p/n 70001384 & 70000863) (Not Shown)	
37	70001384	1	Bearing, Ball Radial (Not Shown)	
37	70000863	1	Fan (Not Shown)	
37	70006093	1	Stator (Not Shown)	
37	70002297	1	Stud	
37	70003631	1	Brushholder Assembly (Not Shown) (was p/n 7024484)	

SECTION 3 - ENGINE

ITEM	PART NUMBER	QTY	DESCRIPTION	REV
37A	70004099	1	Key	
37B	70001966	1	Bearing, Ball Radial (Located in Belt Tensioner Endbell)	
37B	70003708	1	Ring, Internal Retaining (Located in Belt Tensioner Endbell)	
37B	70003709	1	Ring, External Retaining (Located in Belt Tensioner Endbell)	
37C	70004092	1	Endbell, Belt Tensioner	
37D	70004094	1	Endbell, Brush Block	
37E	70006094	1	Shroud	
37E	70002291	1	Insulator, Endbell	
37E	7027799	1	Block, Connector - 6 Position (Not Shown)	
37E	70002460	1	Nut, Brass (Attaches p/n 7027799 to Cover) (Not Shown)	
37E	70006095	1	Breaker, Circuit 30Amp (Not Shown)	
37E	70006096	1	Boot, Breaker (Not Shown)	
37E	7026626	1	Connector - 6 Position (Includes Seal) (Not Shown - Plugs into Item 36)	
37E	7026597	1	Connector with Leads (Not Shown)	
37E	70004098	1	Clamp, Cable (Not Shown)	
37E	70006097	1	Plate, End Panel	
37E	70001974	1	Decal - Terminal Connections	
37F	70001973	1	Decal - Warning Moving Parts	
38	1001214683	1	Belt	
39	7274000040	1	Clamp	
	1001157525	1	JUNCTION BOX ASSEMBLY	B
101	3300396	1	Cover, Fuse	
102	3311001	6	Nut #10	
103	3520189	1	Plug	
104	3520192	1	Plug	
105	4360070	1	Circuit Breaker - 15Amp	
106	4460425	1	Connector, Strain Relief	
107	4460426	2	Connector, Strain Relief	
109	4711000	10	Washer #10	
110	10702077	2	Screw #10 x 3/8	
111	10702082	2	Screw #10 x 3/4	
112	1001152525	1	Plug	
113	1001157520	1	Block, Terminal	
114	1001157521	1	Box, Junction	
115	1001157528	1	Decal - Wiring Schematic	
116	1001158007	1	Cover, PVC	
117	1001158008	2	Stand-Off	
	0272589	Ref	DECAL INSTALLATION	A
201	1705460	2	Decal - SkyPower	
202	1705461	1	Decal - 240V - 3 Phase - 50Hz	
203	1705489	3	Decal - Hazardous Voltage	

SECTION 3 - ENGINE

FIGURE 3-61. 7500W SKYPOWER GENERATOR INSTALLATION - 110V/60HZ (DEUTZ TD2.9L4 ENGINES) (OPTIONAL)



SECTION 3 - ENGINE

FIGURE 3-61. 7500W SKYPOWER GENERATOR INSTALLATION - 110V/60HZ (DEUTZ TD2.9L4 ENGINES) (OPTIONAL)

ITEM	PART NUMBER	QTY	DESCRIPTION	REV
	1001192278	Ref	7500W SKYPOWER GENERATOR INSTALLATION	G
1	0100011	AR	Compound, Locking	
2	0100019	AR	Compound, Locking	
3	0100048	AR	Compound Terminal	
4	0100079	AR	Sealant	
5	0641616	1	Bolt 3/8 x 2	
6	0700819	2	Bolt M8 x 55	
7	0741607	3	Screw 3/8 x 7/8	
8	0760606	1	Bolt M6 x 12	
9	0760608	4	Bolt M6 x 16	
10	0761212	2	Bolt M12 x 25	
11	0860038	1	Box, Receptacle	
12	0861538	1	Control Box Assembly	
12	7024488	1	Card, Circuit - Generator Power	
12	See Note	NSS	Fuse (Note: Not Available - Purchase Locally)	
12	7024489	1	Card, Circuit - Control	
12	70000619	1	Harness, Control Box (Internal)	
		Ref	Note: Same Circuit Card (P/N 7024489) is used for both 60Hz and 50Hz. When replacing card, rocker switch on card must be set for required application.	
13	0902888	1	Bracket	
14	0962520	1	Bushing, Split	
16	2820031	AR	Heat Shrink	
17	3252764	1	Nameplate - AC & Weld	
18	3290505	4	Nut M5	
19	3290805	2	Nut M8	
20	3291201	2	Nut M12	
21	3580317	1	Tensioner, Belt	
22	3580318	1	Pulley	
23	3910606	4	Screw #6 x 3/8	
24	3960422	1	Gasket	
25	4060802	1	Guard, Switch	
26	4360336	1	Switch, Toggle	
27	4460071	1	Connector, Strain Relief	
28	4460346	1	Receptacle	
29	4811602	4	Washer M5	
30	4811700	4	Washer M6	
31	4811900	4	Washer M8	
32	5241000	1	Washer M10	
33	4871700	2	Washer M6	
34	5241200	4	Washer M12	
36	1001104029	1	Capscrew M5 x 30 Grade 12.9	
37	1001110873	1	Cover	
38	1001130220	4	Nut, Tinnerman M6	
39	1001212223	1	Generator Assembly	
39	70001100	1	Rotor (Includes p/n 70001384 & 70000863) (Not Shown)	
39	70001384	1	Bearing, Ball Radial (Not Shown)	
39	70000863	1	Fan (Not Shown)	

SECTION 3 - ENGINE

ITEM	PART NUMBER	QTY	DESCRIPTION	REV
39	70006093	1	Stator (Not Shown)	
39	70002297	1	Stud	
39	70003631	1	Brushholder Assembly (Not Shown) (was p/n 7024484)	
39A	70004099	1	Key	
39B	70001966	1	Bearing, Ball Radial (Located in Belt Tensioner Endbell)	
39B	70003708	1	Ring, Internal Retaining (Located in Belt Tensioner Endbell)	
39B	70003709	1	Ring, External Retaining (Located in Belt Tensioner Endbell)	
39C	70004092	1	Endbell, Belt Tensioner	
39D	70004094	1	Endbell, Brush Block	
39E	70006094	1	Shroud	
39E	70002291	1	Insulator, Endbell	
39E	7027799	1	Block, Connector - 6 Position (Not Shown)	
39E	70002460	1	Nut, Brass (Attaches p/n 7027799 to Cover) (Not Shown)	
39E	70006095	1	Breaker, Circuit 30Amp (Not Shown)	
39E	70006096	1	Boot, Breaker (Not Shown)	
39E	7026626	1	Connector, 6 Position (Includes Seal) (Not Shown - Plugs into Item 45)	
39E	7026597	1	Connector with Leads (Not Shown)	
39E	70004098	1	Clamp, Cable (Not Shown)	
39E	70006097	1	Plate, End Panel	
39E	70001974	1	Decal - Terminal Connections	
39F	70001973	1	Decal - Warning Moving Parts	
40	1001142643	1	Support	
41	1001196382	2	Stud	
42	1001157592	1	Junction Box Assembly (See Items 101-121 for Breakdown)	
43	4922641	1	Generator Switch Harness	
44	1001142646	1	Belt	
45	4922925	1	Generator Harness (See Separate Breakdown in ELECTRICAL SECTION)	
46	7274000040	1	Clamp	
47	5251012	1	Bolt M10 x 25	
49	1320061	1	Clamp	
	1001157592	Ref	JUNCTION BOX ASSEMBLY	C
101	1060343	1.5 ft/ 0.5m	Cable, Electrical 10/4	
102	1001179154	2.5 ft/ 76cm	Cable, Electrical 12/3	
103	1671092	1	Cover, Connector	
104	3300396	1	Cover, Fuse	
105	3311001	6	Nut #10	
106	4360070	1	Circuit Breaker - 15Amp	
108	4460425	1	Connector, Strain Relief	
109	4460426	2	Connector, Strain Relief	
111	4460963	1	Connector	
112	4711000	4	Washer #10	
114	10702077	2	Screw #10 x 3/8	
115	10702082	2	Screw #10 x 3/4	
116	1001152525	1	Plug	
117	1001157520	1	Block, Terminal	
118	1001157521	1	Box, Junction	
119	1001157528	1	Decal - Wiring Schematic	
120	1001158007	1	Cover, PVC	

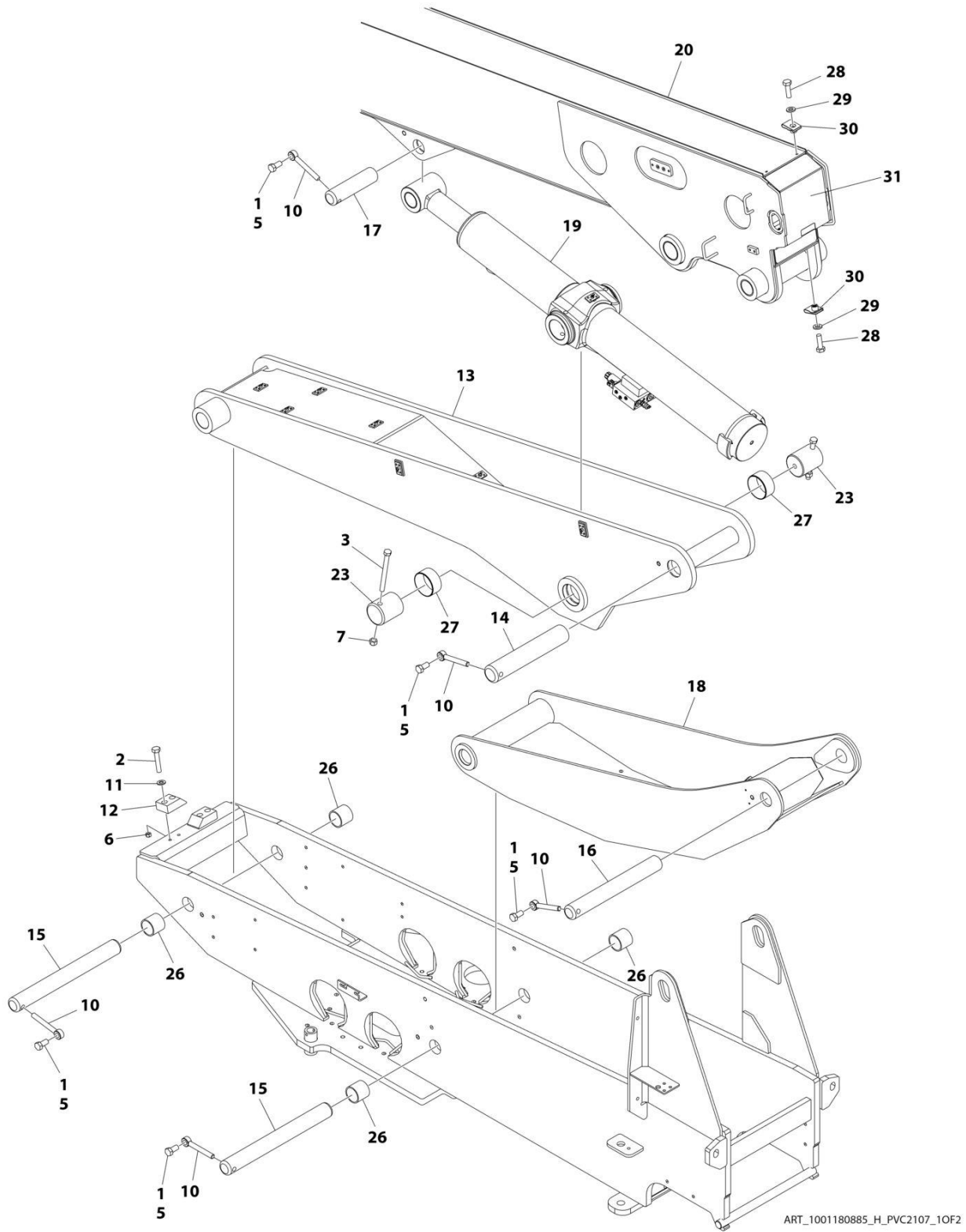
SECTION 3 - ENGINE

ITEM	PART NUMBER	QTY	DESCRIPTION	REV
121	1001158008	1	Stand-Off	D
	0272435	Ref	DECAL INSTALLATION	
201	1705460	2	Decal - SkyPower	
202	3251243	1	Decal - 120V-60Hz	
203	1705375	1	Decal - 240V - 3 Phase - 60Hz	
204	1705387	3	Decal - Hazardous Voltage	

SECTION 4 - BOOM

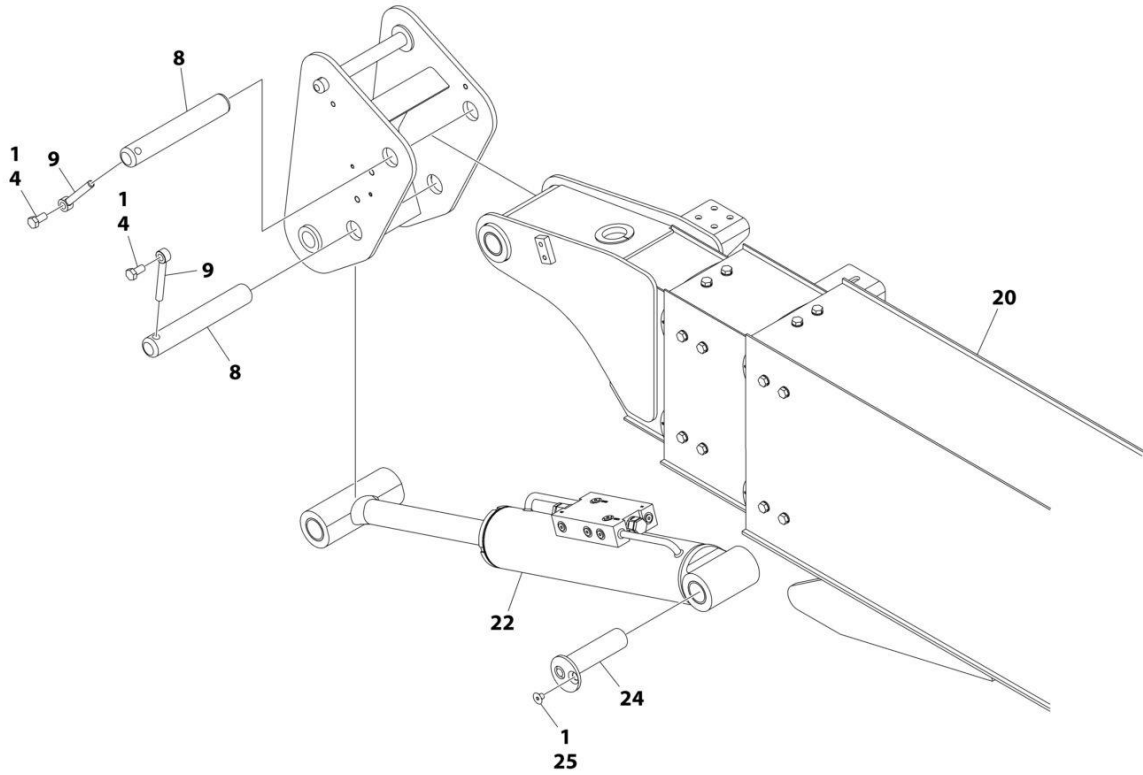
SECTION 4 - BOOM

FIGURE 4-1. BOOM INSTALLATION



ART_1001180885_H_PVC2107_10F2

SECTION 4 - BOOM



ART_1001180885_H_PVC2107_20F2

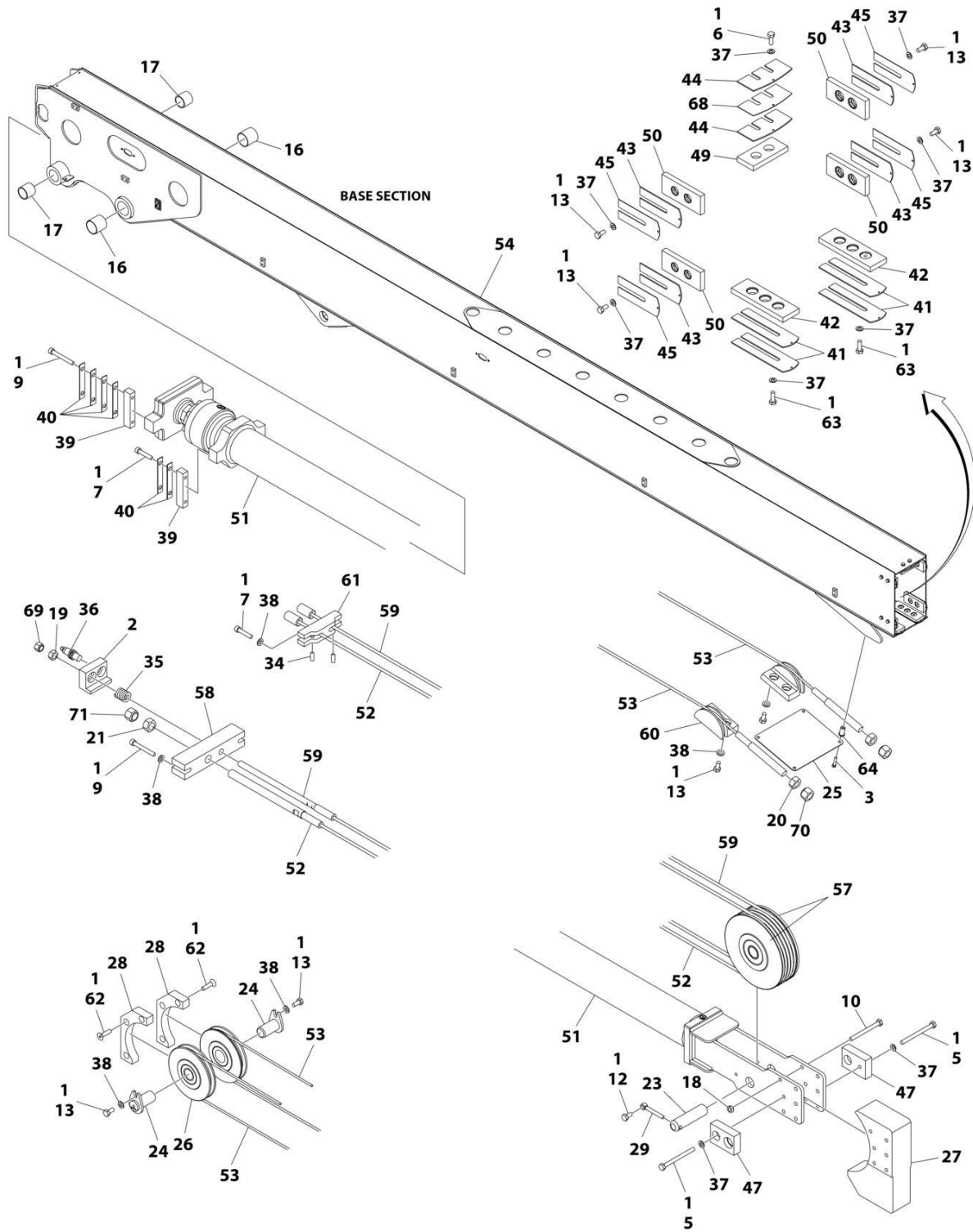
SECTION 4 - BOOM

FIGURE 4-1. BOOM INSTALLATION

ITEM	PART NUMBER	QTY	DESCRIPTION	REV
	1001180885	Ref	BOOM INSTALLATION	H
1	0100011	AR	Compound, Locking	
2	0701019	4	Bolt M10 x 55	
3	0711635	2	Bolt M16 x 180	
4	0761212	2	Bolt M12 x 25	
5	0762016	5	Bolt M20 x 40	
6	3291005	4	Nut M10	
7	3291605	2	Nut M16	
8	3422793	2	Pin	
9	3841203	2	Keeper, Pin	
10	3841287	5	Keeper, Pin	
11	4812000	4	Washer M10	
12	1001138459	2	Pad	
13	1001174231	1	Link	
14	1001174250	1	Pin	
15	1001174252	2	Pin	
16	1001174253	1	Pin	
17	1001174254	1	Pin	
18	1001174256	1	Link	
19	1001272076	1	Lift Cylinder Assembly (See Separate Breakdown in CYLINDER Section)	
20	1001176217	1	Boom Assembly (See Separate Breakdown in this Section)	
22	1001184957	1	Level Cylinder Assembly - Platform Slave (See Separate Breakdown in CYLINDER Section)	
23	1001183926	2	Pin	
24	1001192052	1	Pin	
25	1001192027	1	Screw M10 x 12	
26	0962423	4	Bearing	
27	1001174251	2	Bearing	
28	0760610	4	Bolt M6 x 20	
29	4811700	4	Washer M6	
30	1001130220	4	Nut - Tinnerman M6	
31	1001228177	1	Cover	

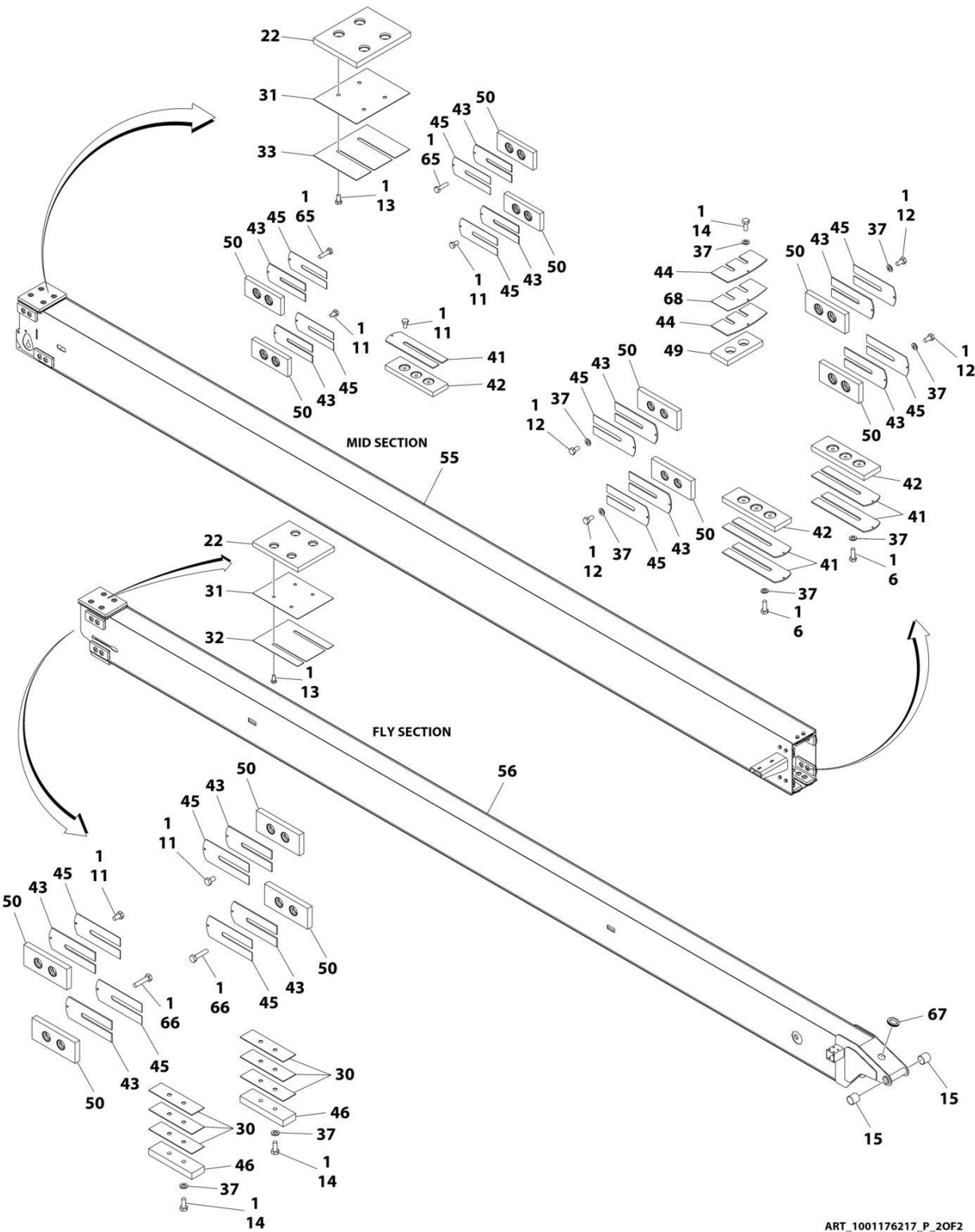
SECTION 4 - BOOM

FIGURE 4-2. BOOM ASSEMBLY



ART_1001176217_P_10F2

SECTION 4 - BOOM



ART_1001176217_P_20F2

SECTION 4 - BOOM

FIGURE 4-2. BOOM ASSEMBLY

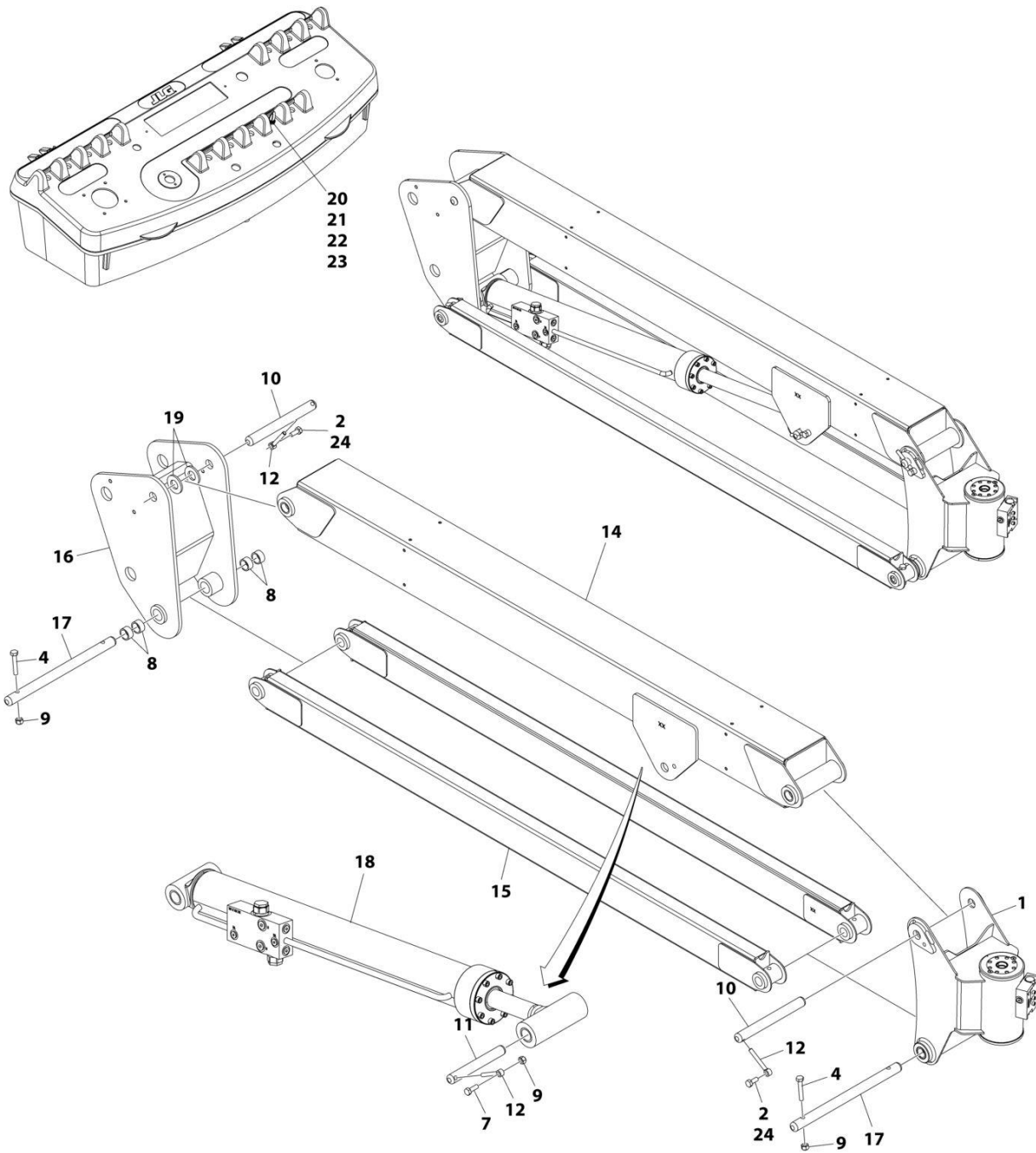
ITEM	PART NUMBER	QTY	DESCRIPTION	REV
	1001176217	Ref	BOOM ASSEMBLY	P
1	0100011	AR	Compound, Locking	
2	0561508	1	Block	
3	0760614	4	Bolt M6 x 30	
5	0701029	2	Bolt M10 x 120	
6	0701013	8	Bolt M10 x 28	
7	4032014	6	Capscrew M10 x 50	
9	4032020	6	Capscrew M10 x 80	
10	0701028	4	Bolt M10 x 110	
11	0761009	10	Bolt M10 x 18	
12	0761010	9	Bolt M10 x 20	
13	0761011	22	Bolt M10 x 22	
14	0761012	6	Bolt M10 x 25	
15	0961948	2	Bearing	
16	0962033	2	Bushing	
17	0962423	2	Bearing	
18	3291001	4	Nut M10	
19	3291601	1	Nut M16	
20	3292001	2	Nut M20	
21	3292201	1	Nut M22	
22	1001191385	2	Pad, Wear	
23	3422417	1	Pin	
24	3422424	2	Pin	
25	3539622	1	Cover	
26	3580243	2	Sheave, Retract	
26	0961951	2	Bushing (1 Per Sheave)	
27	3580248	1	Guard, Sheave (Extend)	
28	3580249	2	Guard, Sheave (Retract)	
29	3841143	1	Keeper, Pin	
30	4070895	6	Shim 16Ga	
31	4070896	2	Shim .06	
32	4070939	1	Shim 16Ga	
33	4070940	1	Shim 16Ga	
34	4092009	2	Setscrew M10 x 25	
35	4160149	1	Spring	
36	1001285877	1	Switch, Proximity	
37	4812000	38	Washer M10	
38	5241000	10	Washer M10	
39	1001135488	4	Block	
40	1001136571	12	Shim 16Ga	
41	1001136575	9	Shim 11Ga	
42	1001136583	5	Pad, Wear	
43	4070898	16	Shim, Wear Pad	
44	1001138436	4	Shim 11Ga	
45	4070897	16	Shim, Wear Pad	
46	1001148650	2	Pad, Wear	
47	1001191384	2	Pad, Wear	
49	1001136587	2	Pad, Wear	
50	1001153398	16	Pad, Wear	
51	1001251079	1	Telescope Cylinder Assembly (See Separate Breakdown in	

SECTION 4 - BOOM

ITEM	PART NUMBER	QTY	DESCRIPTION	REV
			CYLINDER Section)	
52	1001175998	1	Rope, Wire (Extend)	
53	1001175999	2	Rope, Wire (Retract)	
54	1001176208	1	Base, Boom	
55	1001176212	1	Mid, Boom	
56	1001176216	1	Fly, Boom	
57	1001184913	2	Sheave, Extend	
57	1001184918	2	Bushing (1 per Sheave)	
57	1001184917	2	Sleeve, Bronze (1 per Sheave)	
57	1001184915	2	Ring, Retaining (1 per Sheave)	
58	1001186541	1	Block	
59	1001189859	1	Rope, Wire (Extend)	
60	1001191048	2	Sheave, Block	
61	1001191202	1	Block	
62	1001191205	6	Screw M10 x 40	
63	0761014	6	Bolt M10 x 30	
64	1001203719	4	Wellnut M6	
65	0761016	4	Bolt M10 x 40	
66	0761017	4	Bolt M10 x45	
67	4060805	6 in/ 16cm	Flex - Trim	
68	1001136590	2	Shim	
69	3291605	1	Nut M16	
70	3292005	2	Nut M20	
71	3292205	1	Nut M22	

SECTION 4 - BOOM

FIGURE 4-3. JIB ASSEMBLY



ART_1001182046_H

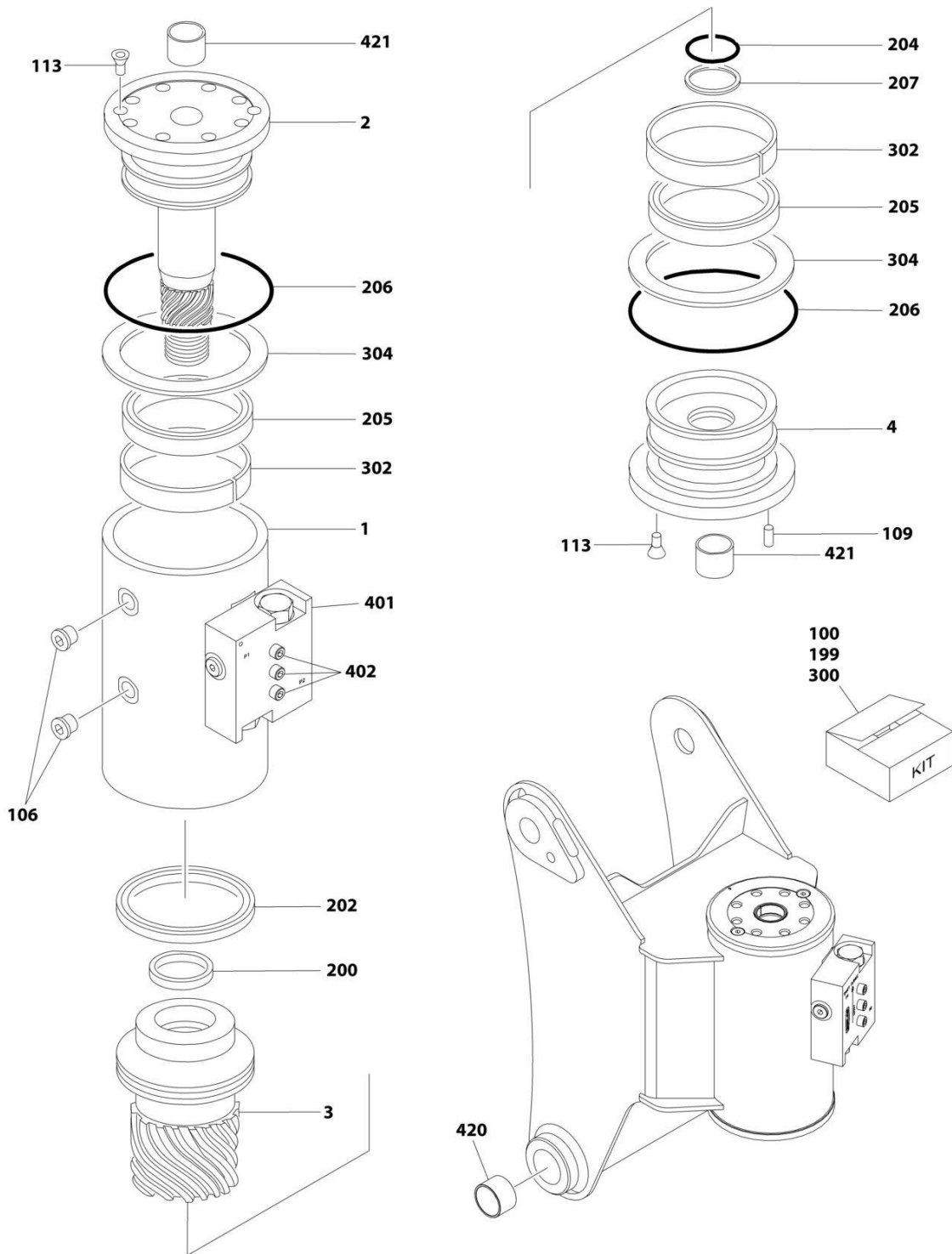
SECTION 4 - BOOM

FIGURE 4-3. JIB ASSEMBLY

ITEM	PART NUMBER	QTY	DESCRIPTION	REV
	1001182046	Ref	JIB ASSEMBLY	H
1	1001190580	1	Platform Rotator Assembly (See Separate Breakdown in this Section)	
2	0100011	AR	Compound, Locking	
4	0701020	4	Bolt M10 x 60	
7	0761014	1	Bolt M10 x 30	
8	0961947	4	Bearing	
9	3291005	1	Nut M10	
10	3422860	2	Pin	
11	3422867	1	Pin	
12	3841143	3	Keeper, Pin	
14	4844816	1	Tube, JIB	
14	0962335	4	Bushing	
15	4844817	2	Link	
16	1001181962	1	Pivot	
17	3422861	2	Pin	
18	1001228013	1	Lift Cylinder Assembly - JIB (See Separate Breakdown in CYLINDER Section)	
19	4740439	2	Washer	
20	3790012	1	O-Ring	
21	4740397	1	Spacer	
22	1001155044	1	Nut 15/32	
23	1001155045	1	Switch, Toggle	
24	0761012	2	Bolt M10 x 25	

SECTION 4 - BOOM

FIGURE 4-4. PLATFORM ROTATOR ASSEMBLY



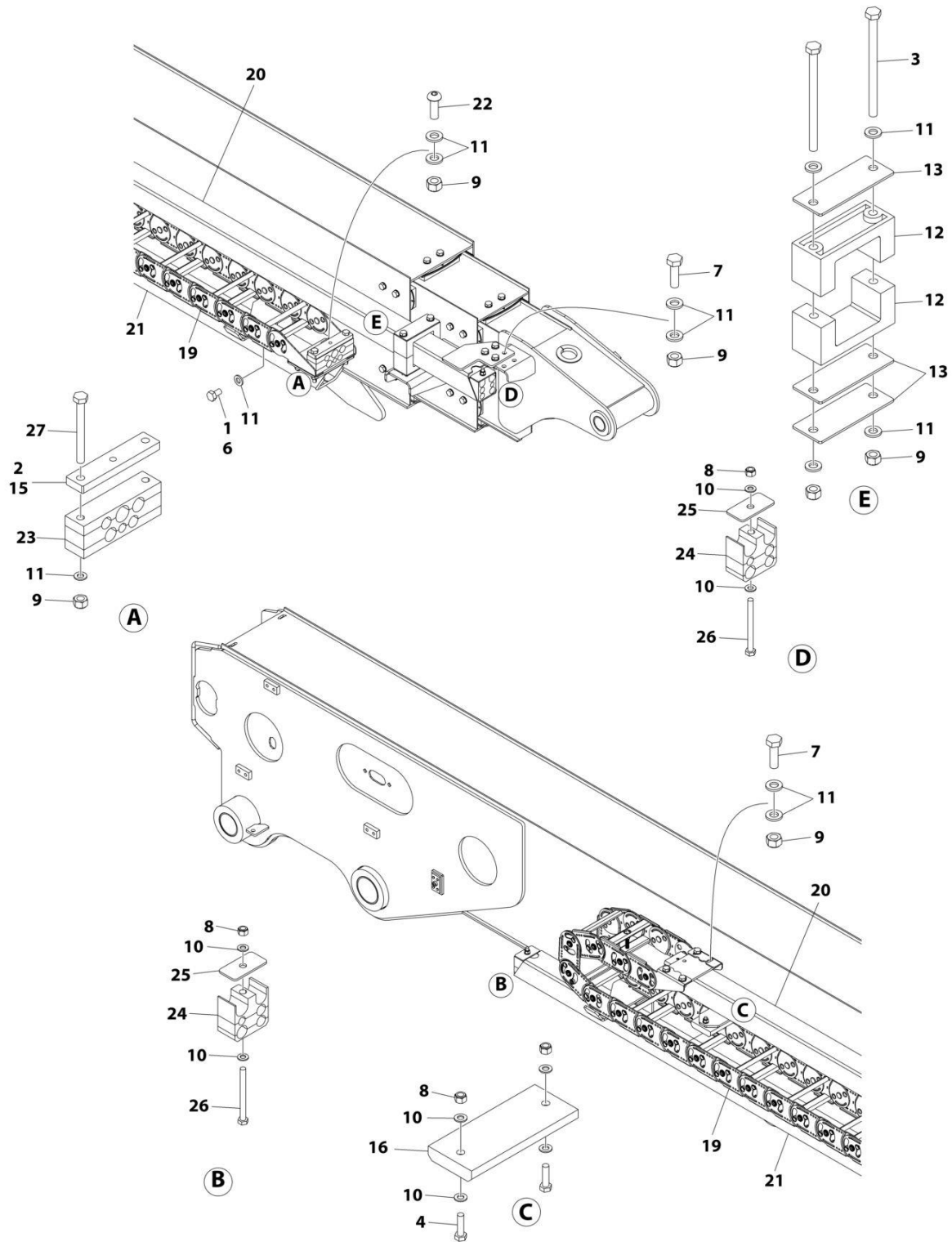
ART_1001190580

FIGURE 4-4. PLATFORM ROTATOR ASSEMBLY

ITEM	PART NUMBER	QTY	DESCRIPTION	REV
	1001190580	Ref	PLATFORM ROTATOR ASSEMBLY	F
1	See Note	NSS	Housing/Ring Gear (Note: Purchase Complete Assembly)	
2	7017162	1	Shaft	
3	7017163	1	Piston	
4	7017164	1	Cap	
100	7017142	1	Hardware Kit (Includes Items 106-109)	
106	See Note	NSS	Plug (Note: Use Item 100)	
109	See Note	NSS	Pin, Dowel (Note: Use Item 100)	
113	70001697	6	Screw 1/4 x 3/8	
199	70000342	1	Seal Kit - Low Temperature (Includes Items 200-207)	
200	See Note	NSS	T-Seal (Note: Use Item 199)	
202	See Note	NSS	T-Seal (Note: Use Item 199)	
204	See Note	NSS	O-Ring (Note: Use Item 199)	
205	See Note	NSS	Seal (Note: Use Item 199)	
206	See Note	NSS	Ring, Back-up (Note: Use Item 199)	
207	See Note	NSS	Ring, Back-up (Note: Use Item 199)	
300	7017159	1	Bearing Kit (Includes Items 302-304)	
302	See Note	NSS	Bearing (Note: Use Item 300)	
304	See Note	NSS	Washer, Thrust (Note: Use Item 300)	
401	7017172	1	Valve, Control (Note: Sold as Assembly Only)	
401	7017192	2	Cartridge, Valve - Counterbalance (Seal Kit Not Available)	
401	See Note	1	Cartridge, Valve - Check (Seal Kit Not Available) (Note: Use p/n 7017172)	
402	See Note	NSS	Bolt 1/4 x 1-1/2 Grade 8 (Note: Purchase Locally)	
420	0961947	2	Bushing	
421	7017195	1	Bushing	

SECTION 4 - BOOM

FIGURE 4-5. POWER TRACK INSTALLATION WITH PLASTIC CLAMP



ART_1001174630_J

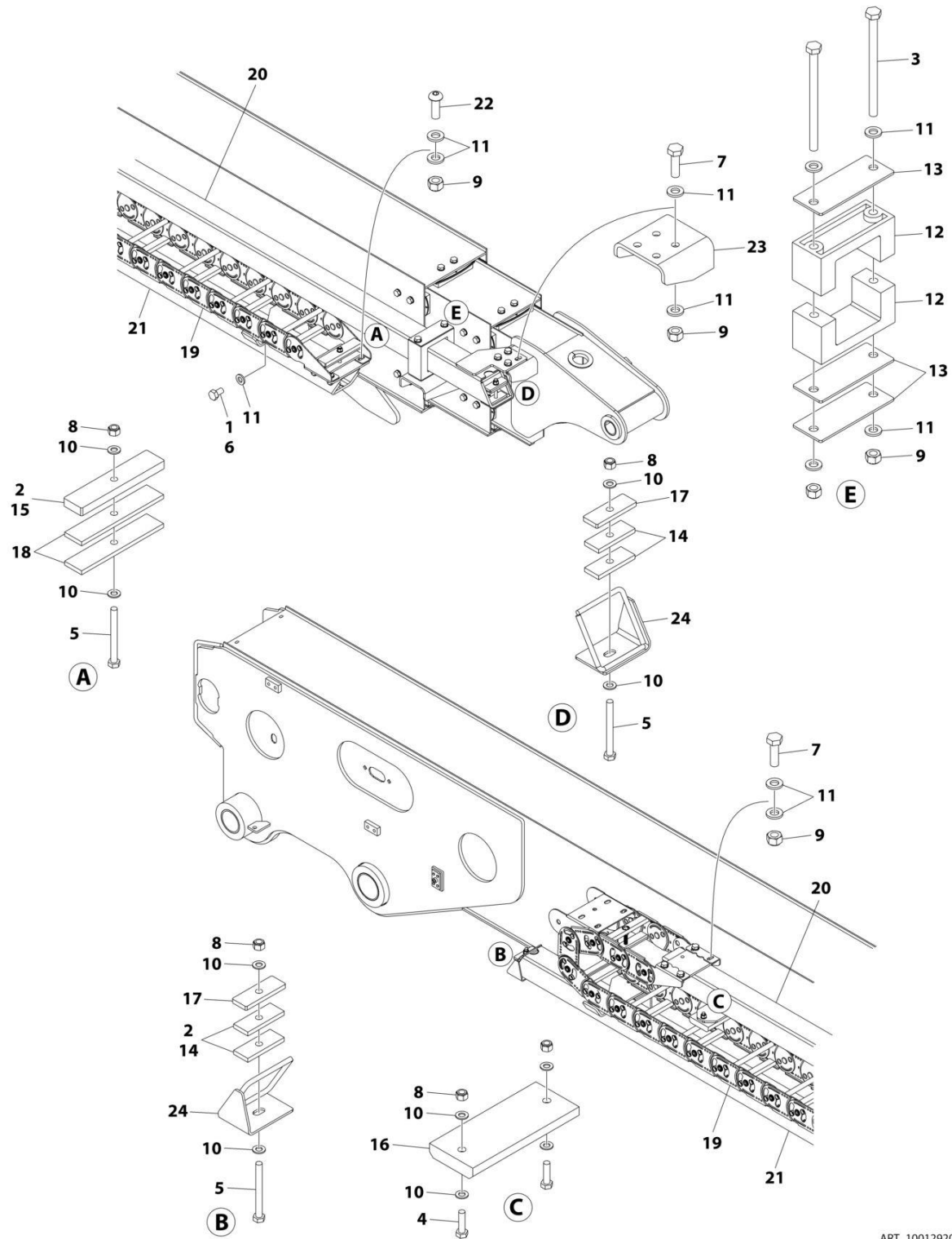
SECTION 4 - BOOM

FIGURE 4-5. POWER TRACK INSTALLATION WITH PLASTIC CLAMP

ITEM	PART NUMBER	QTY	DESCRIPTION	REV
	1001174630	Ref	POWER TRACK INSTALLATION	J
1	0100011	AR	Compound, Locking	
2	0100081	AR	Adhesive	
3	0701032	2	Bolt M10 x 150	
4	0760814	2	Bolt M8 x 30	
6	0761009	8	Bolt M10 x 18	
7	0761015	8	Bolt M10 x 35	
8	3290805	4	Nut M8	
9	3291005	14	Nut M10	
10	4811900	10	Washer M8	
11	5241000	34	Washer M10	
12	3340764	2	Pad	
13	1001136400	AR	Plate	
15	1001136461	1	Plate	
16	3340787	1	Pad, Wear	
19	1001174631	1	Powertrack Assembly	
19	70005683	AR	Repair Section - Power Track	
19	70005684	1	Mounting Kit - Power Track (Includes Mounting Feet and Hardware)	
20	1001174632	1	Tube, Push	
21	1001174636	1	Support	
22	1001174673	2	Screw M10 x 30	
23	1001281169	1	Clamp	
24	1001281188	2	Clamp	
25	1001281170	2	Bar, Clamp	
26	0700826	2	Bolt M8 x 90	
27	0761027	2	Bolt M10 x 100	

SECTION 4 - BOOM

FIGURE 4-6. POWER TRACK INSTALLATION WITH STEEL CLAMP



ART_1001292030

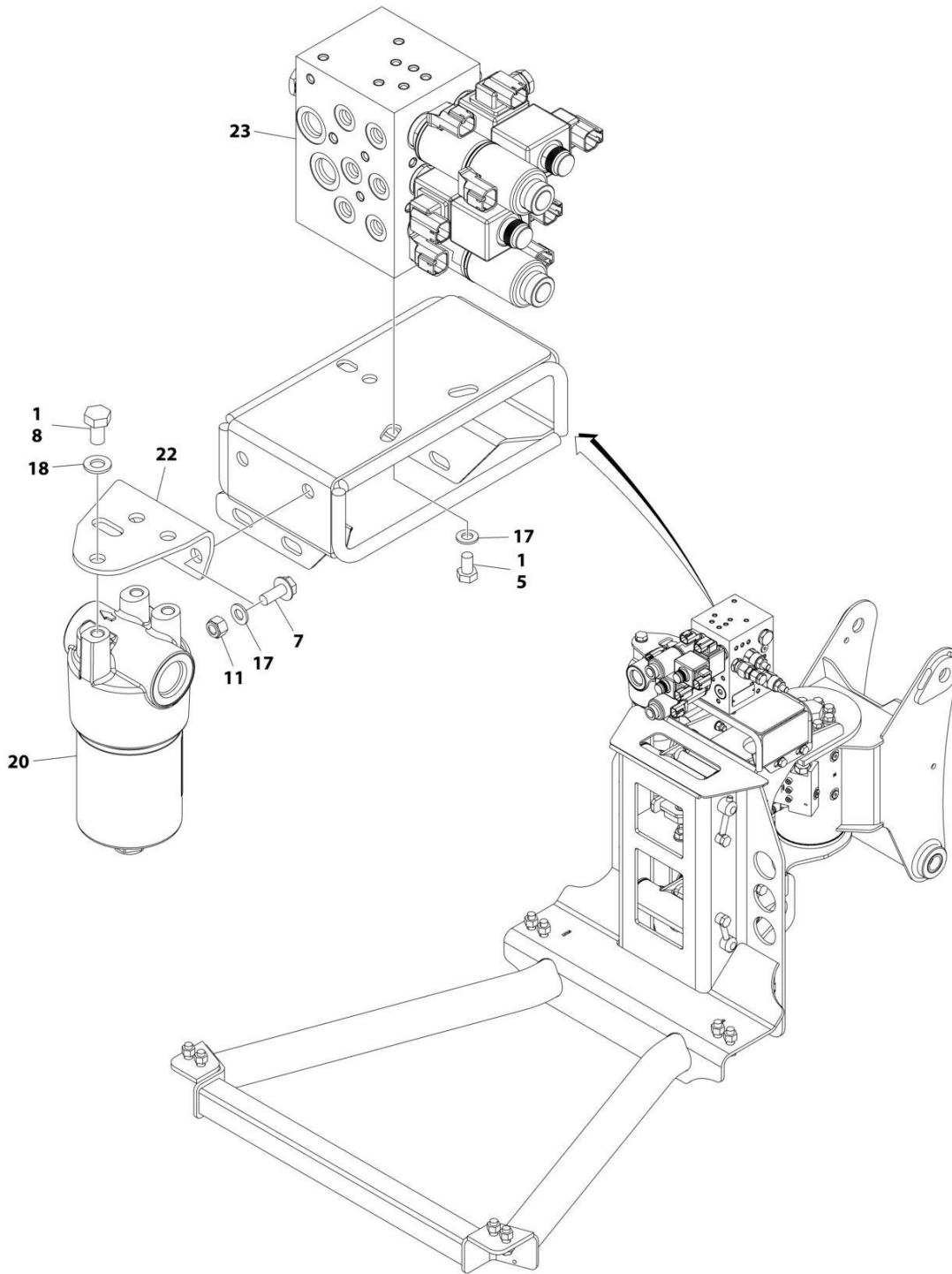
SECTION 4 - BOOM

FIGURE 4-6. POWER TRACK INSTALLATION WITH STEEL CLAMP

ITEM	PART NUMBER	QTY	DESCRIPTION	REV
	1001292030	Ref	POWER TRACK INSTALLATION - WITH STEEL CLAMP	A
1	0100011	AR	Compound, Locking	
2	0100081	AR	Adhesive	
3	0701032	2	Bolt M10 x 150	
4	0760814	2	Bolt M8 x 30	
5	0700823	3	Bolt M8 x 75	
6	0761009	8	Bolt M10 x 18	
7	0761015	8	Bolt M10 x 35	
8	3290805	5	Nut M8	
9	3291005	14	Nut M10	
10	4811900	10	Washer M8	
11	5241000	36	Washer M10	
12	3340764	2	Pad	
13	1001136400	AR	Plate	
14	1001136402	4	Pad	
15	1001136431	1	Plate, Hose Clamp	
16	3340787	1	Pad, Wear	
17	1001139078	2	Plate	
18	1001151192	2	Pad, Hose Clamp	
19	1001174631	1	Powertrack Assembly	
19	70005683	AR	Repair Section - Power Track	
19	70005684	1	Mounting Kit - Power Track (Includes Mounting Feet and Hardware)	
20	1001174632	1	Push Tube	
21	1001174636	1	Support, Power Track	
22	1001174673	4	Screw M10 x 30	
23	1001177476	1	Plate	
24	1001293256	2	Bracket	

SECTION 4 - BOOM

FIGURE 4-7. BOOM VALVES INSTALLATION



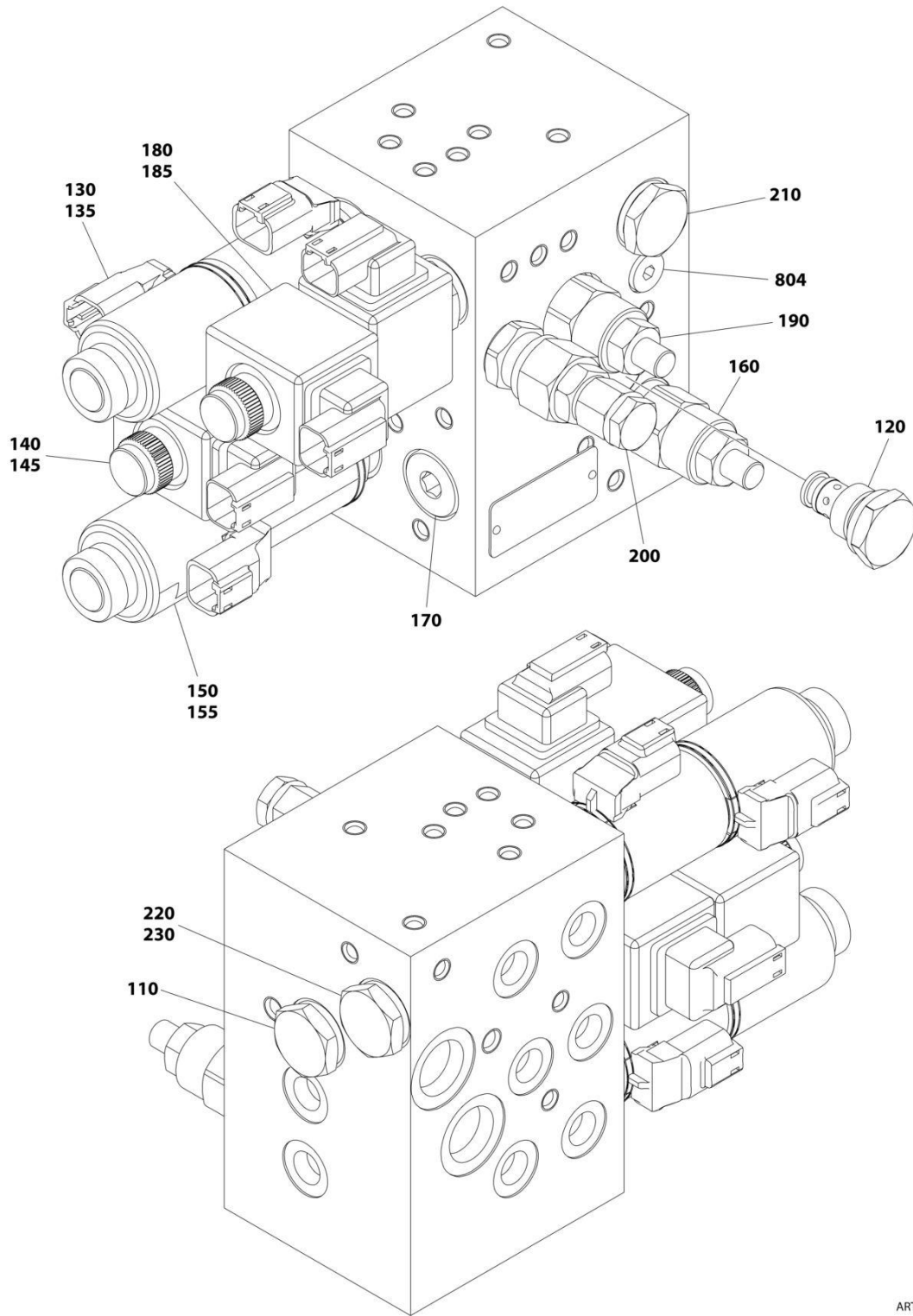
ART_1001197143_2OF2

FIGURE 4-7. BOOM VALVES INSTALLATION

ITEM	PART NUMBER	QTY	DESCRIPTION	REV
	1001197143	Ref	BOOM VALVES INSTALLATION	E
1	0100011	AR	Compound, Locking	
5	0760807	3	Bolt M8 x 14	
7	5250810	2	Bolt M8 x 20	
8	0761009	3	Bolt M10 x 18	
11	3290805	2	Nut M8	
17	4811900	5	Washer M8	
18	4812000	3	Washer M10	
20	1001201511	1	Filter, High Pressure	
20	70005335	1	Element, Filter	
20	70005682	1	Repair Kit (Includes Element O-Ring, Bowl O-Ring & Back-up Ring)	
22	1001188302	1	Plate	
23	1001190286	1	Platform Valve Assembly - 660SJC (See Separate Breakdown in this Section)	

SECTION 4 - BOOM

FIGURE 4-8. PLATFORM VALVE ASSEMBLY



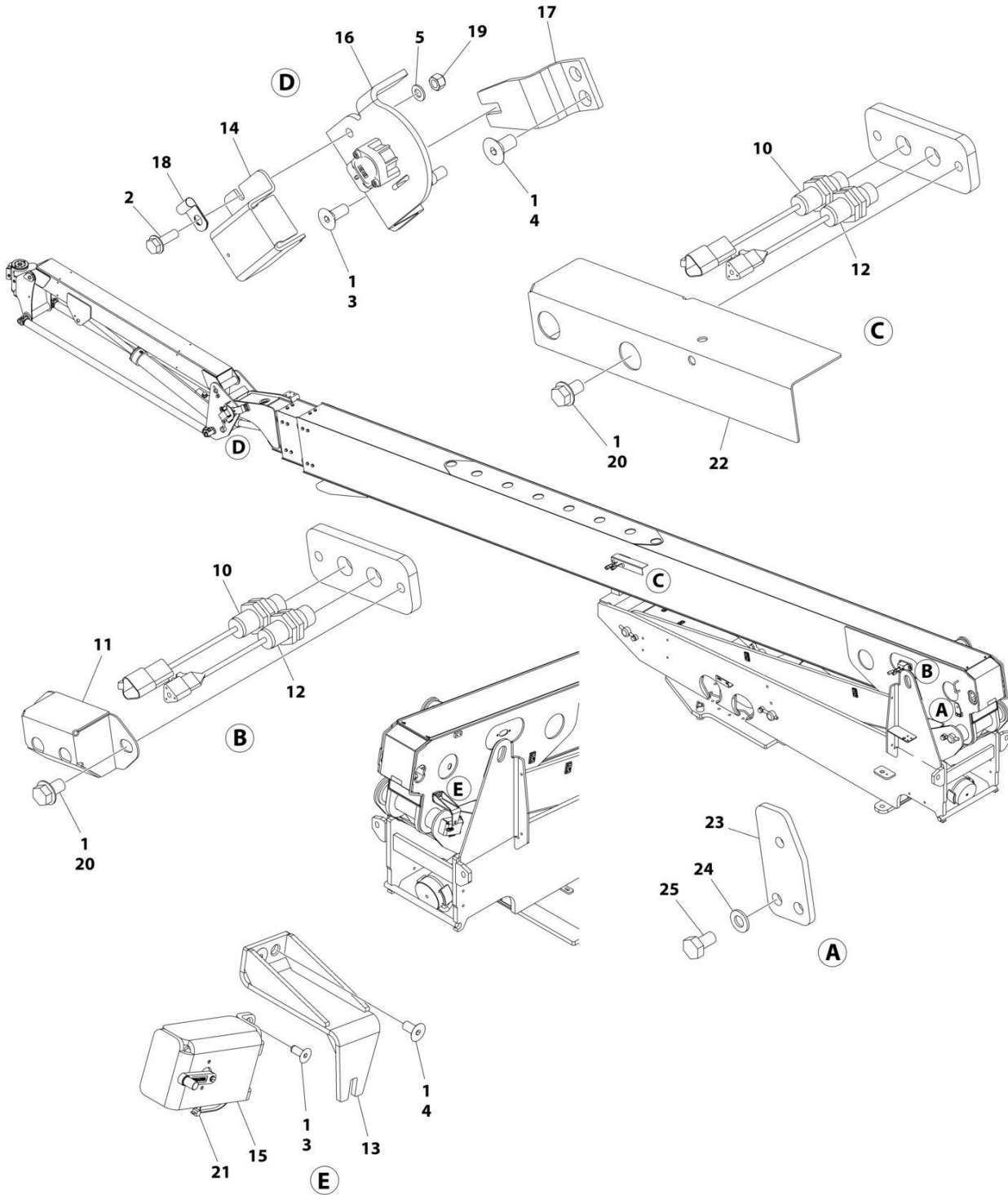
ART_1001190286

FIGURE 4-8. PLATFORM VALVE ASSEMBLY

ITEM	PART NUMBER	QTY	DESCRIPTION	REV
	1001190286	Ref	PLATFORM VALVE ASSEMBLY	D
110	70005951	1	Valve, Check	
110	70004052	1	Seal Kit - 70005951 Valve	
120	70003027	1	Valve, Flow/Pressure Control	
120	70004052	1	Seal Kit - 70003027 Valve	
130	70006121	1	Valve, Solenoid (Platform Level)	
130	70006116	1	Seal Kit - 70006121 Valve	
135	70006122	2	Coil	
140	70005627	1	Valve, Solenoid (Platform Swing)	
140	70004053	1	Seal Kit - 70005627 Valve	
140	70006123	1	Coil Nut & Pole Tube O-Ring Kit	
145	70004653	2	Coil	
150	70006121	1	Valve, Solenoid (JIB Up/Down)	
150	70006116	1	Seal Kit - 70006121 Valve	
155	70006122	2	Coil	
160	70003019	1	Valve, Relief	
160	70004052	1	Seal Kit - 70003019 Valve	
170	70004613	1	Valve, Relief	
170	70023860	1	Seal Kit - 70004613 Valve	
180	70006124	1	Valve, Solenoid	
180	70023862	1	Seal Kit - 70006124 Valve	
180	70006123	1	Coil Nut & Pole Tube O-Ring Kit	
185	70004653	2	Coil	
190	70003019	1	Valve, Relief	
190	70004052	1	Seal Kit - 70003019 Valve	
200	70006125	1	Valve, Relief	
200	70006126	1	Seal Kit - 70006125 Valve	
210	70005952	1	Valve, Check	
210	70004052	1	Seal Kit - 70003019 Valve	
220	7022524	1	Orifice 0.5mm	
230	70005952	1	Valve, Check	
230	70004052	1	Seal Kit - 70005952 Valve	
804	70005200	1	Plug	

SECTION 4 - BOOM

FIGURE 4-9. BOOM SENSORS INSTALLATION



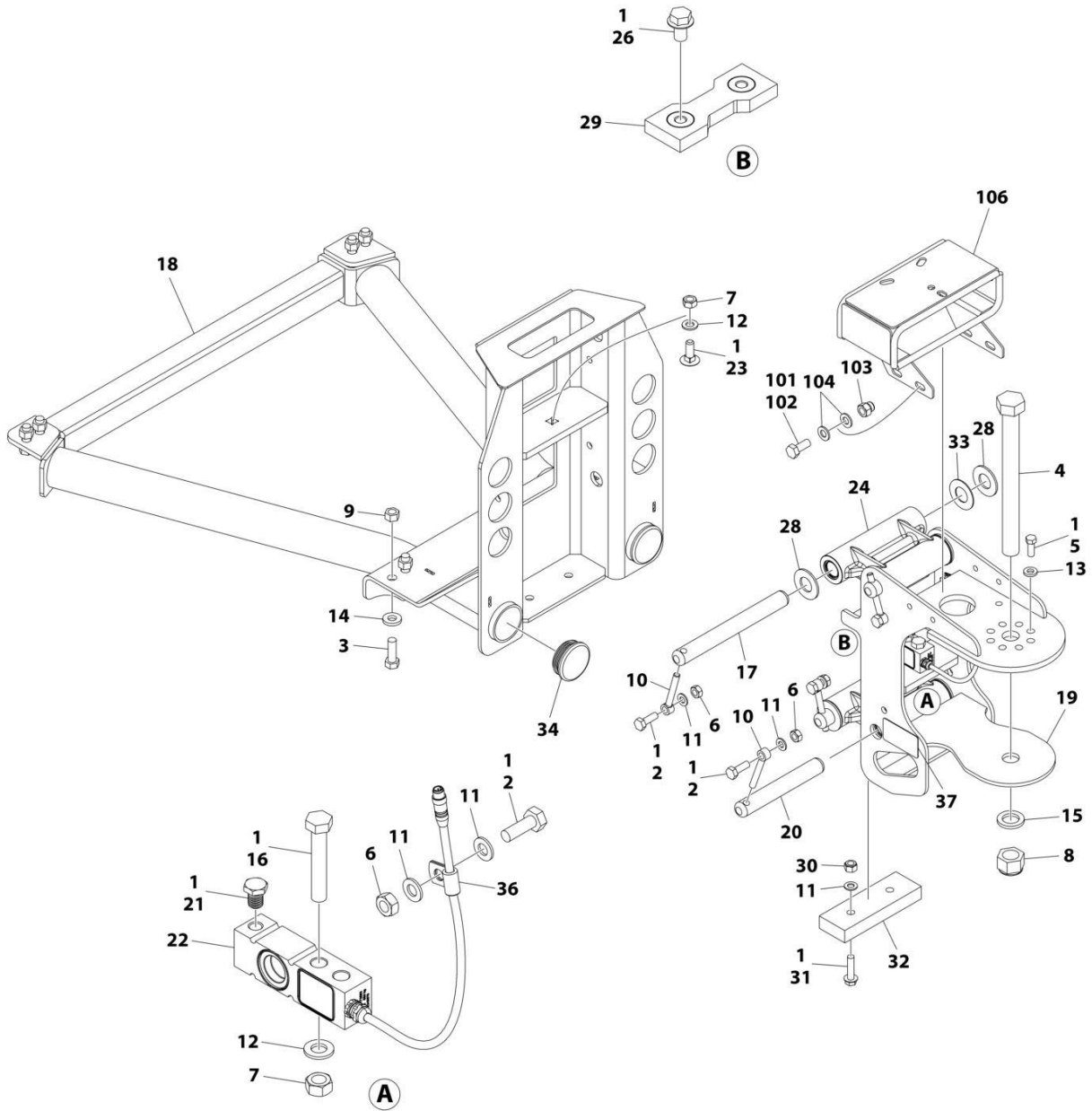
ART_1001187606_F

FIGURE 4-9. BOOM SENSORS INSTALLATION

ITEM	PART NUMBER	QTY	DESCRIPTION	REV
	1001187606	Ref	BOOM SENSORS INSTALLATION	F
1	0100011	AR	Compound, Locking	
2	5250812	1	Bolt M8 x 25	
3	1001137125	4	Screw M8 x 20	
4	1001155441	4	Screw M10 x 20 Grade 10.9	
5	4811900	1	Washer M8	
10	1001170847	2	Sensor, Proximity	
11	1001204715	1	Bracket	
12	1001182570	2	Sensor, Proximity	
13	1001272835	1	Plate	
14	1001211588	1	Shield	
15	1001277991	1	Sensor (Lower)	
15	4010303	1	Screw Posi-drive M3 x 6	
15	1001204939	1	Sensor, Angle	
15	1001273619	1	Bracket	
15	1001211582	1	Link, Angle Sensor Arm	
16	1001211579	1	Sensor (Upper)	
16	4010303	1	Screw Posi-drive M3 x 6	
16	1001191020	1	Sensor, Angle	
16	1001211581	1	Bracket	
16	1001211584	1	Link, Angle Sensor Arm	
17	1001211587	1	Plate	
18	8406003	1	Clip	
19	3290805	1	Nut M8	
20	5251008	4	Bolt M10 x 16	
21	4240033	2	Tie-Strap (Not Shown)	
22	1001227792	1	Plate	
23	1001278387	1	Plate	
24	4812000	2	Washer M10	
25	0761009	2	Bolt M10 x 18	

SECTION 4 - BOOM

FIGURE 4-10. PLATFORM SUPPORT INSTALLATION - WITH LSS



ART_1001167596

SECTION 4 - BOOM

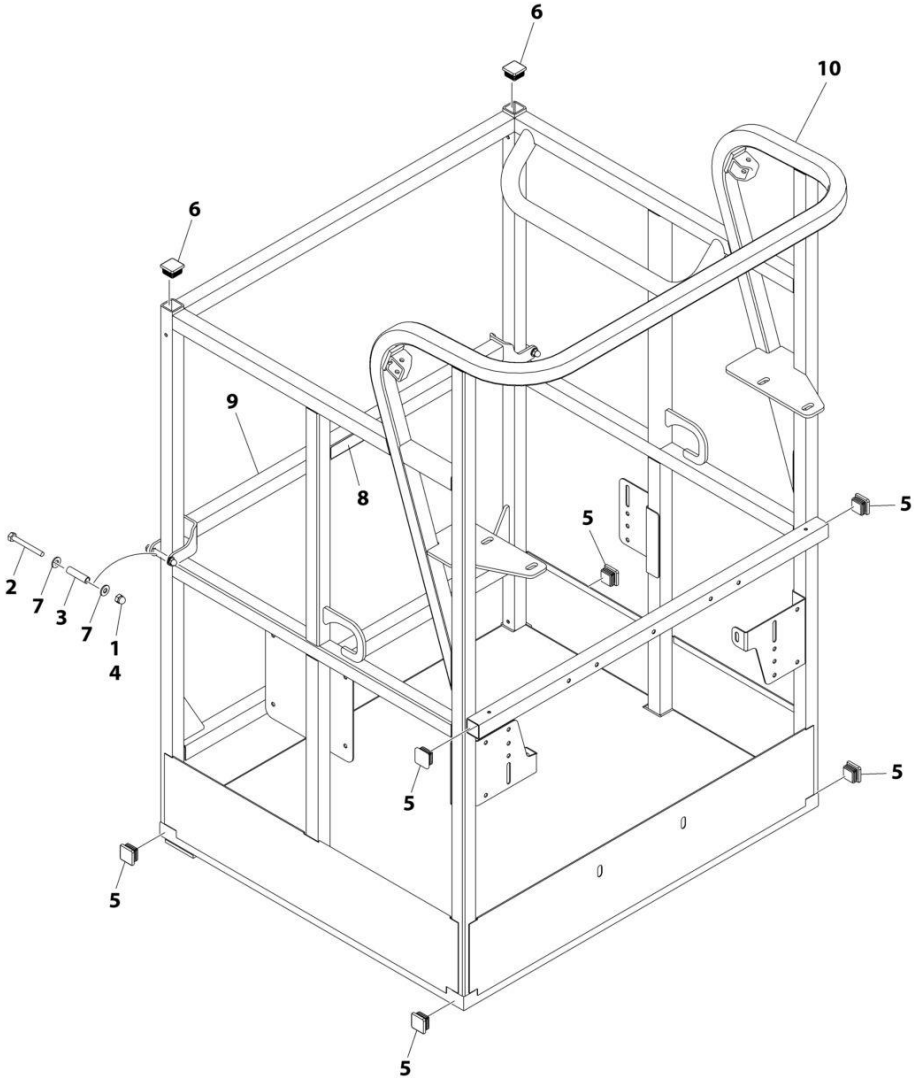
FIGURE 4-10. PLATFORM SUPPORT INSTALLATION - WITH LSS

ITEM	PART NUMBER	QTY	DESCRIPTION	REV
	1001167596	Ref	PLATFORM SUPPORT INSTALLATION	N
1	0100011	AR	Compound, Locking	
2	0761014	5	Bolt M10 x 30	
3	0761216	8	Bolt M12 x 40	
4	1001255133	1	Bolt 1 x 11	
5	0681608	8	Bolt 3/8 x 1	
6	3291001	5	Nut M10	
7	3291201	3	Nut M12	
8	1001174040	1	Nut 1	
9	3291205	8	Nut M12	
10	3841143	4	Keeper, Pin	
11	4812000	8	Washer M10	
12	4812100	3	Washer M12	
13	4891600	8	Washer 3/8	
14	5241200	8	Washer M12	
15	4892600001	1	Washer 1	
16	1001098828	2	Bolt M12 x 70 Grade 10.9	
17	1001167565	2	Pin	
18	1001200494	1	Support, Platform	
19	1001167567	1	Support, Rotator	
20	1001168402	2	Pin	
21	1001188622	1	Screw	
22	1001247468	1	Gauge, Load Sensing	
23	1001188844	1	Bolt M12 x 35	
24	1001201351	2	Link	
26	5251008	2	Bolt M10 x 16	
28	1001189002	8	Bearing	
29	1001190985	1	Pad, Wear	
30	3291005	2	Nut M10	
31	5251016	2	Bolt M10 x 40	
32	1001200491	1	Pad, Wear	
33	1001189001	4	Bearing	
34	1001204725	2	Plug	
36	91203039	1	Clamp	
37	1001216630	2	Decal - Tie Down/No Lift	
38	1001238421	Ref	Kit, Platform Leveling (Not Shown)	
	1001202687	Ref	VALVE MOUNT INSTALLATION	B
101	0100011	AR	Compound, Locking	
102	0760810	4	Bolt M8 x 20	
103	3290806	4	Nut M8	
104	4811900	8	Washer M8	
106	1001208994	1	Mount, Valve	

SECTION 5 - PLATFORM

SECTION 5 - PLATFORM

FIGURE 5-1. PLATFORM ASSEMBLY - 30IN X 3FT (76CM X .91M) - DROP BAR ENTRY



ART_1001228215

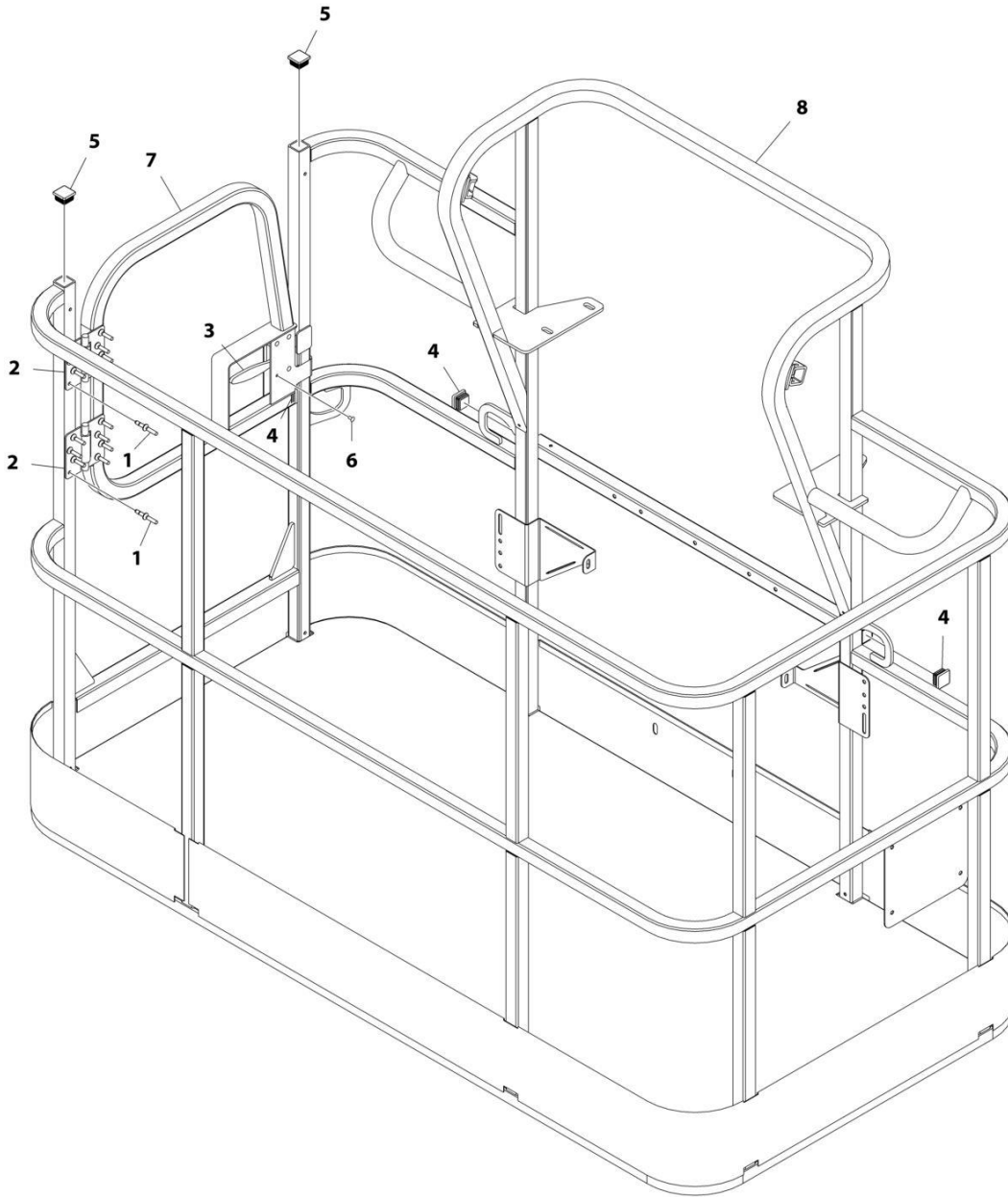
SECTION 5 - PLATFORM

FIGURE 5-1. PLATFORM ASSEMBLY - 30IN X 3FT (76CM X .91M) - DROP BAR ENTRY

ITEM	PART NUMBER	QTY	DESCRIPTION	REV
	1001228215	Ref	PLATFORM ASSEMBLY	A
	See Note	Ref	Note: Platform and Mesh must be ordered separately for Platforms with Mesh. See SPECIAL OPTIONS SECTION for Mesh Installations.	
	See Note	Ref	Note: Replacement Decals Must be Ordered Separately - See DECAL SECTION.	
1	0100011	AR	Compound, Locking	
2	0641418	2	Bolt 1/4 x 2-1/4	
3	0961845	2	Bushing	
4	3300151	2	Nut 1/4	
5	3520072	6	Cap, Plug	
6	3520198	2	Cap, Plug	
7	4711400	4	Washer 1/4	
8	1001140429	1	Decal - Drop Bar	
9	1001226872	1	Bar, Drop	
10	See Note	NSS	Platform (Note: Not Available - Purchase Platform Assembly)	

SECTION 5 - PLATFORM

FIGURE 5-2. PLATFORM ASSEMBLY - 36IN X 6FT (91.5CM X 1.83M) WITH SWING GATE



ART_1001186384

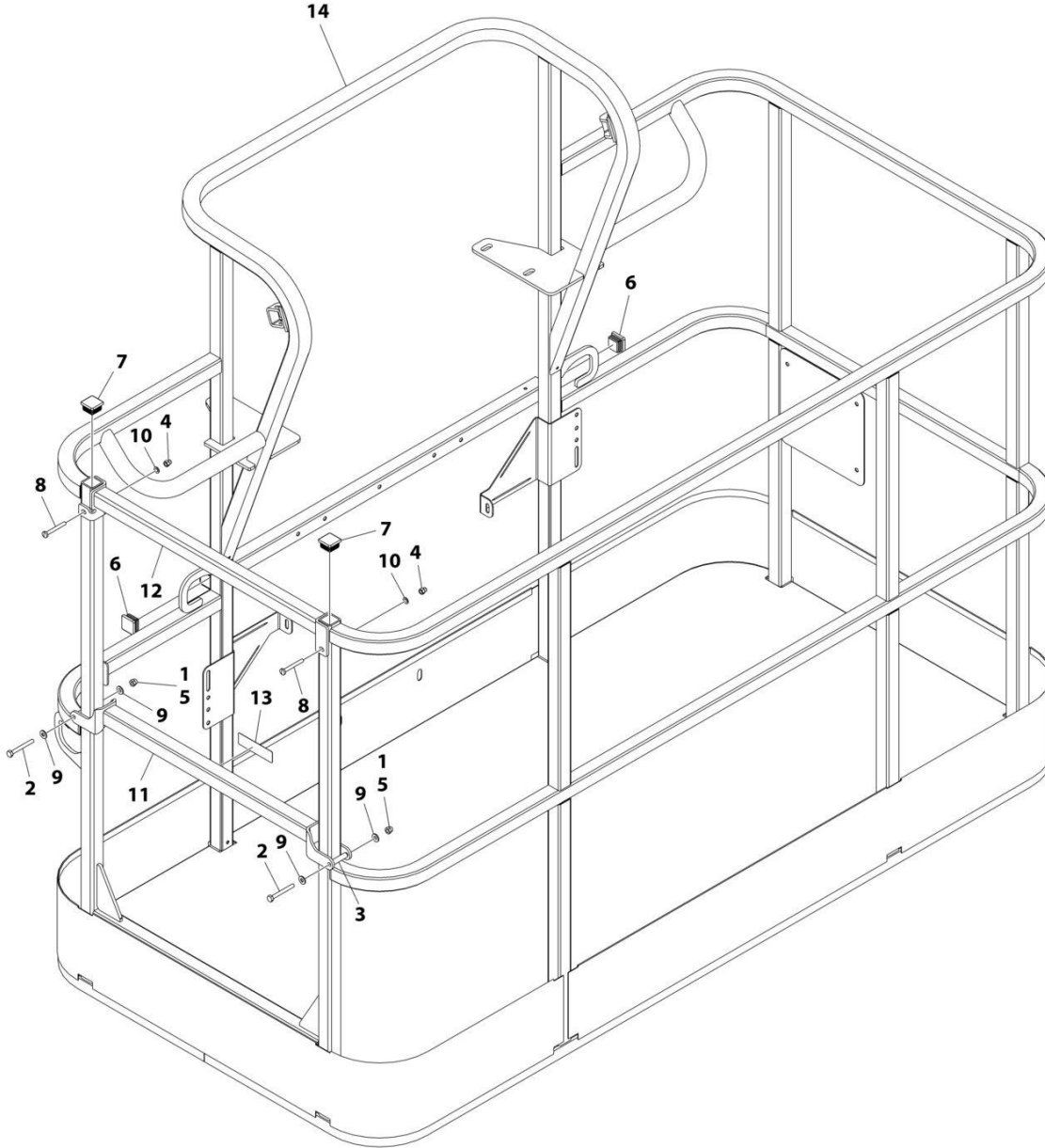
SECTION 5 - PLATFORM

FIGURE 5-2. PLATFORM ASSEMBLY - 36IN X 6FT (91.5CM X 1.83M) WITH SWING GATE

ITEM	PART NUMBER	QTY	DESCRIPTION	REV
	1001186384	Ref	PLATFORM ASSEMBLY - 36IN X 6FT (91.5CM X 1.83M) WITH SWING GATE	C
	See Note	Ref	Note: Platform and Mesh must be ordered separately for Platforms with Mesh. See SPECIAL OPTIONS SECTION for Mesh Installations.	
	See Note	Ref	Note: Replacement Decals Must be Ordered Separately - See DECALS SECTION.	
1	2080040	16	Fastener, Huck	
2	2600281	2	Hinge	
3	2940074	1	Latch	
4	3520072	3	Plug	
5	3520198	2	Plug	
6	3820020	4	Rivet	
7	1001144629	1	Gate	
8	See Note	NSS	Platform (Note: Not Available - Purchase Platform Assembly)	

SECTION 5 - PLATFORM

FIGURE 5-3. PLATFORM ASSEMBLY - 36IN X 6FT (91.5CM X 1.83M) WITH DROP BAR



ART_1001186379

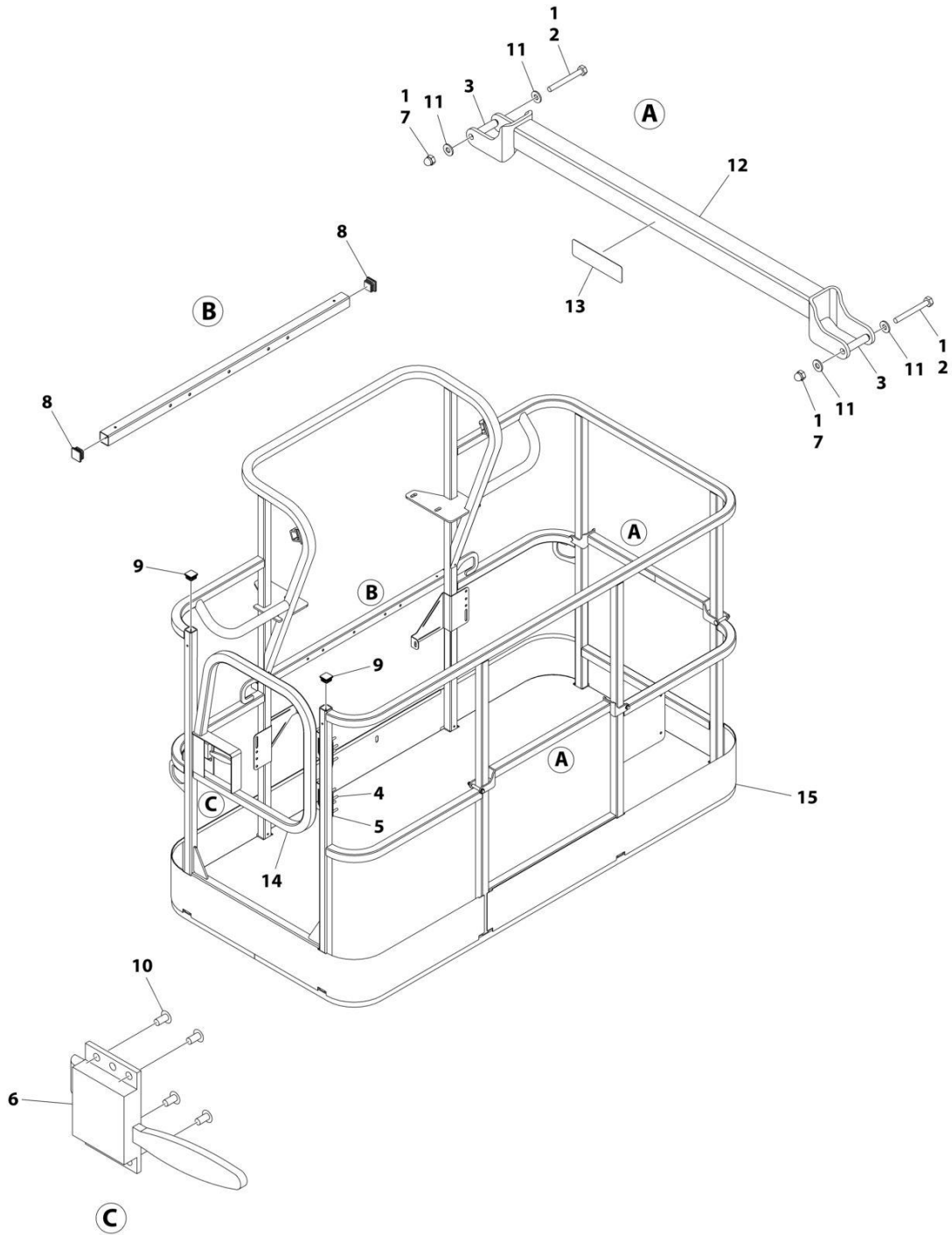
SECTION 5 - PLATFORM

FIGURE 5-3. PLATFORM ASSEMBLY - 36IN X 6FT (91.5CM X 1.83M) WITH DROP BAR

ITEM	PART NUMBER	QTY	DESCRIPTION	REV
	1001186379	Ref	PLATFORM ASSEMBLY - 36IN X 6FT (91.5CM X 1.83M) WITH DROP BAR	B
		Ref	Note: Platform and Mesh must be ordered separately for Platforms with Mesh. See SPECIAL OPTIONS SECTION for Mesh Installations.	
		Ref	Note: Replacement Decals Must be Ordered Separately - See DECALS SECTION.	
1	0100011	AR	Compound, Locking	
2	0641418	2	Bolt 1/4 x 2-1/4	
3	0961845	2	Bushing	
4	3290606	2	Nut M6	
5	3300151	2	Nut 1/4	
6	3520072	2	Plug	
7	3520198	2	Plug	
8	4010618	2	Screw M6 x 50	
9	4711400	4	Washer 1/4	
10	4811700	2	Washer M6	
11	1001138494	1	Bar, Drop	
12	1001138514	1	Rail (Top)	
13	1001140429	1	Decal - Drop Bar	
14	See Note	NSS	Platform (Note: Not Available - Purchase Platform Assembly)	

SECTION 5 - PLATFORM

FIGURE 5-4. PLATFORM ASSEMBLY - 36IN X 6FT (91.5CM X 1.83M) TRI-ENTRY WITH SWING GATE



ART_1001228376

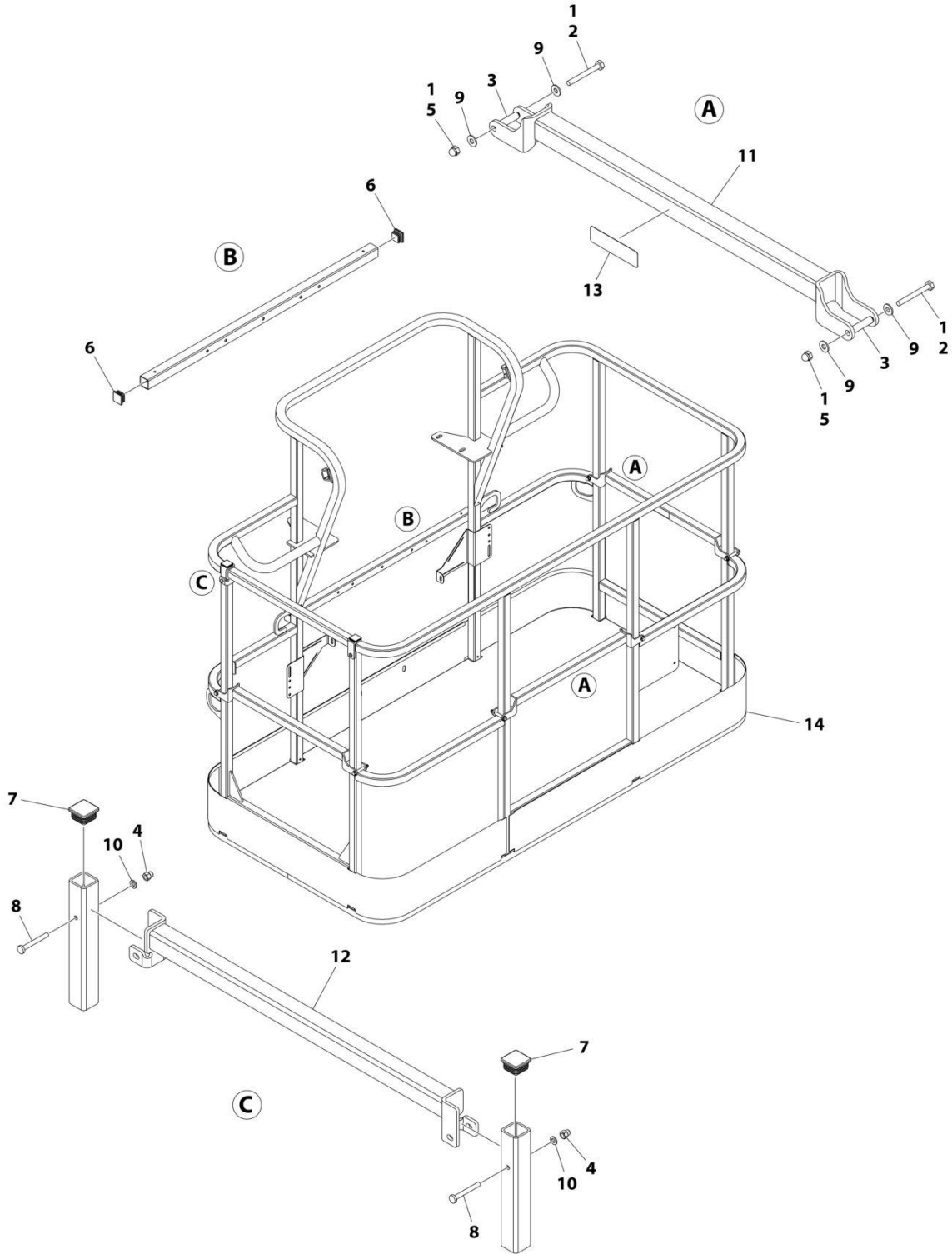
SECTION 5 - PLATFORM

FIGURE 5-4. PLATFORM ASSEMBLY - 36IN X 6FT (91.5CM X 1.83M) TRI-ENTRY WITH SWING GATE

ITEM	PART NUMBER	QTY	DESCRIPTION	REV
	1001228376	Ref	PLATFORM ASSEMBLY - 36IN x 6FT (91.5CM x 1.83M)	B
		Ref	Note: Platform and Mesh must be ordered separately for Platforms with Mesh. See SPECIAL OPTIONS SECTION for Mesh Installations.	
		Ref	Note: Replacement Decals Must be Ordered Separately - See DECAL SECTION.	
1	0100011	AR	Compound, Locking	
2	0641418	4	Bolt 1/4 x 2-1/4	
3	0961845	4	Bushing	
4	2080040	16	Fastener	
5	2600281	2	Hinge	
6	2940074	1	Latch	
7	3300151	4	Nut 1/4	
8	3520072	3	Plug	
9	3520198	2	Plug	
10	3820020	4	Rivet	
11	4711400	8	Washer 1/4	
12	1001138494	2	Bar, Drop	
13	1001140429	2	Decal - Drop Bar	
14	1001144629	1	Gate	
15	See Note	NSS	Platform (Note: Not Available - Purchase Platform Assembly)	

SECTION 5 - PLATFORM

FIGURE 5-5. PLATFORM ASSEMBLY - 36IN X 6FT (91.5CM X 1.83M) TRI-ENTRY WITH DROPBAR



ART_1001228377

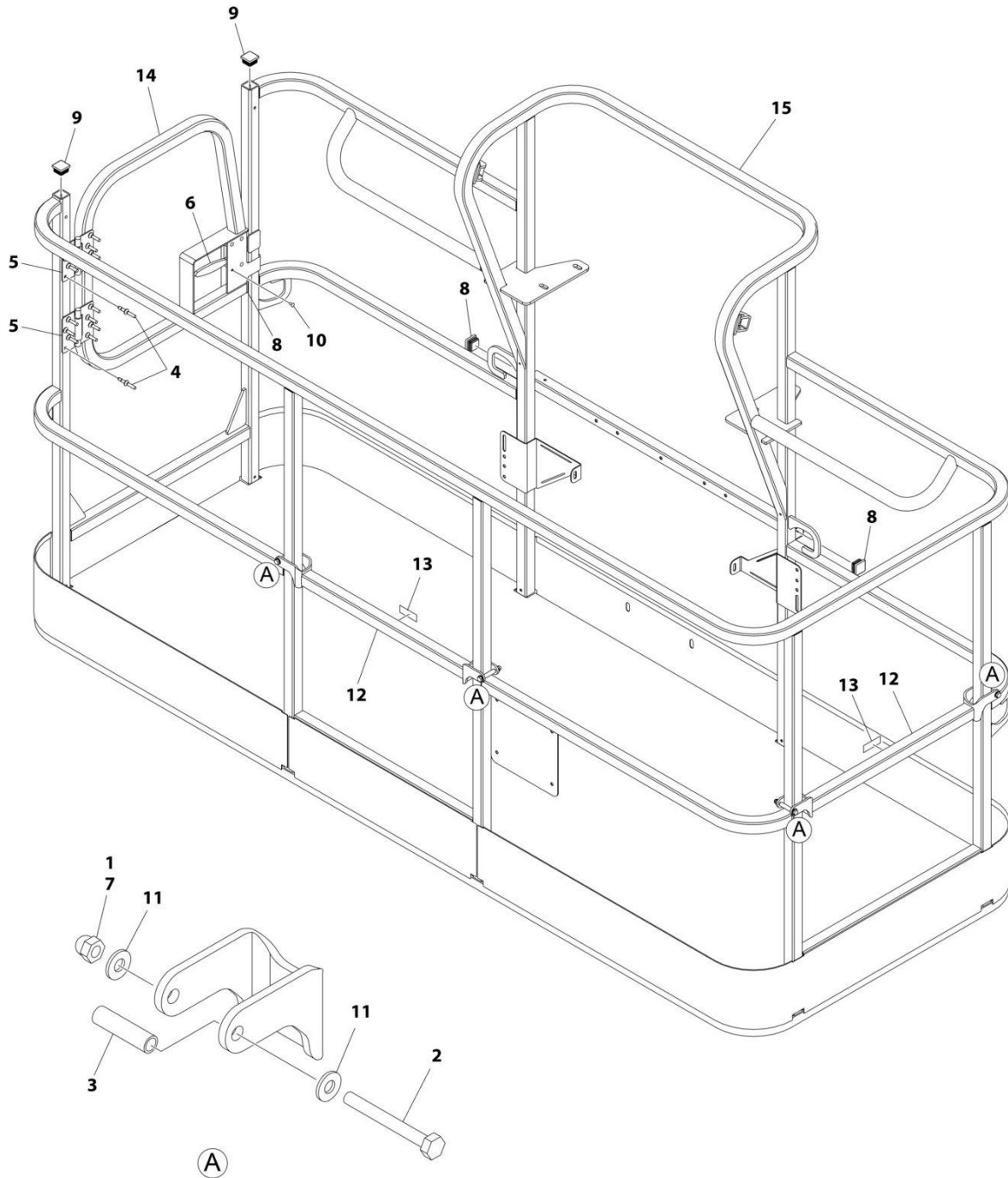
SECTION 5 - PLATFORM

FIGURE 5-5. PLATFORM ASSEMBLY - 36IN X 6FT (91.5CM X 1.83M) TRI-ENTRY WITH DROPBAR

ITEM	PART NUMBER	QTY	DESCRIPTION	REV
	1001228377	Ref	PLATFORM ASSEMBLY - 36IN x 6FT (91.5CM x 1.83M)	B
		Ref	Note: Platform and Mesh must be ordered separately for Platforms with Mesh. See SPECIAL OPTIONS SECTION for Mesh Installations.	
		Ref	Note: Replacement Decals Must be Ordered Separately - See DECAL SECTION.	
1	0100011	1	Compound, Locking	
2	0641418	6	Bolt 1/4 x 2-1/4	
3	0961845	6	Bushing	
4	3290606	2	Nut M6	
5	3300151	6	Nut 1/4	
6	3520072	2	Plug	
7	3520198	2	Plug	
8	4010618	2	Screw M6 x 50	
9	4711400	12	Washer 1/4	
10	4811700	2	Washer M6	
11	1001138494	3	Bar, Drop	
12	1001138514	1	Rail (Top)	
13	1001140429	3	Decal - Drop Bar	
14	See Note	NSS	Platform, Weldment (Note: Not Available - Purchase Platform Assembly)	

SECTION 5 - PLATFORM

FIGURE 5-6. PLATFORM ASSEMBLY - 36IN X 8FT (91.5CM X 2.44M) TRI-ENTRY WITH DROPBAR



ART_1001228243

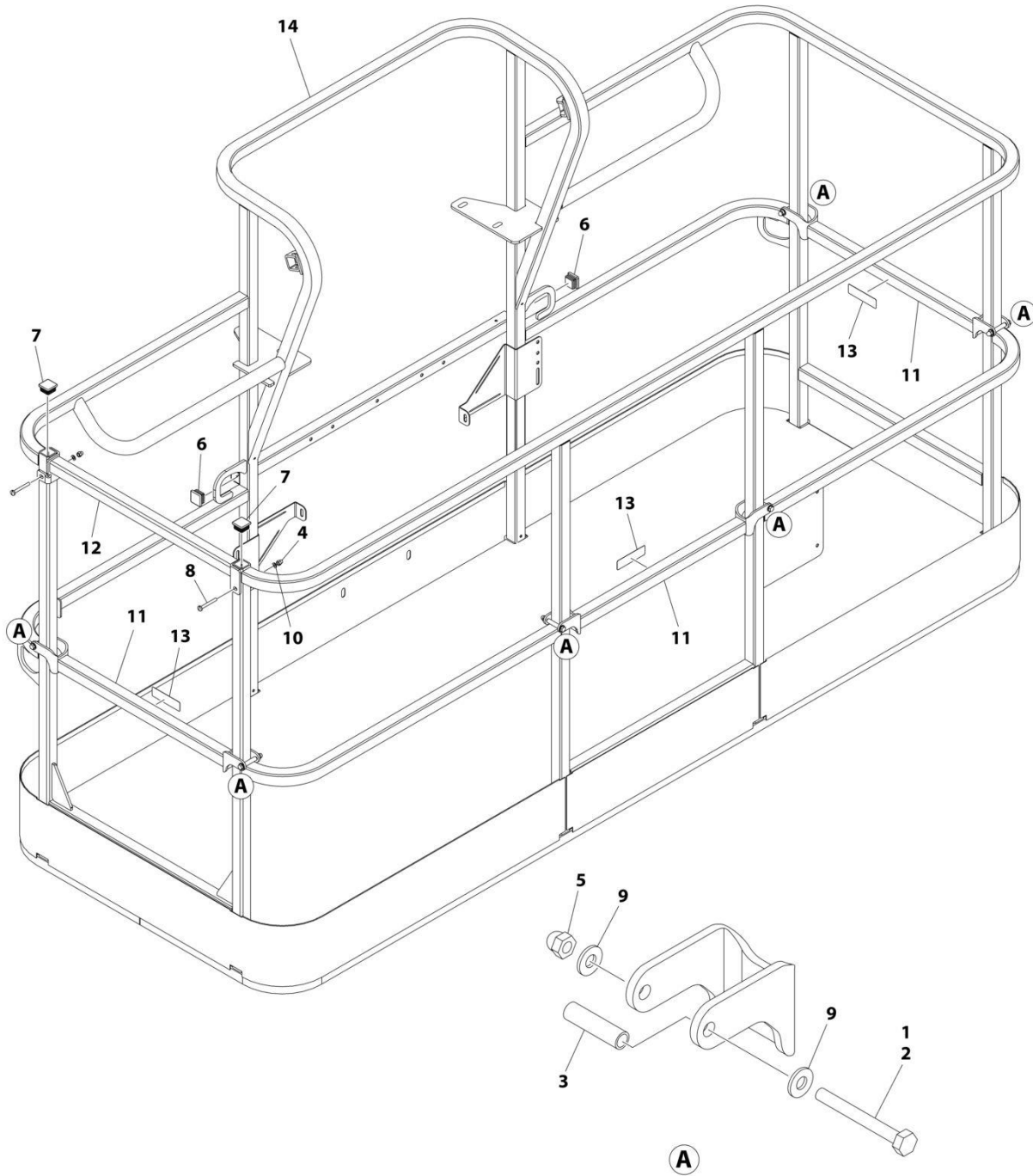
SECTION 5 - PLATFORM

FIGURE 5-6. PLATFORM ASSEMBLY - 36IN X 8FT (91.5CM X 2.44M) TRI-ENTRY WITH DROPBAR

ITEM	PART NUMBER	QTY	DESCRIPTION	REV
	1001228243	Ref	PLATFORM ASSEMBLY - 36IN X 8FT (91.5CM X 2.44M) WITH TRI-ENTRY	A
		Ref	Note: Platform and Mesh must be ordered separately for Platforms with Mesh. See SPECIAL OPTIONS SECTION for Mesh Installations.	
1	0100011	AR	Compound, Locking	
2	0641418	4	Bolt 1/4 x 2-1/4	
3	0961845	4	Bushing	
4	2080040	16	Fastener, Huck	
5	2600281	2	Hinge, Self-Closing	
6	2940074	1	Latch	
7	3300151	4	Nut 1/4	
8	3520072	3	Cap, Plug	
9	3520198	2	Cap, Plug	
10	3820020	4	Rivet	
11	4711400	8	Washer 1/4	
12	1001138494	2	Bar, Drop	
13	1001140429	2	Decal - Drop Bar	
14	1001144629	1	Gate, Weldment	
15	See Note	1	Platform (Note: Not Available - Purchase Platform Assembly)	

SECTION 5 - PLATFORM

FIGURE 5-7. PLATFORM ASSEMBLY - 36IN X 8FT (91.5CM X 2.44M) TRI-ENTRY WITH DROPGATE



ART_1001228375

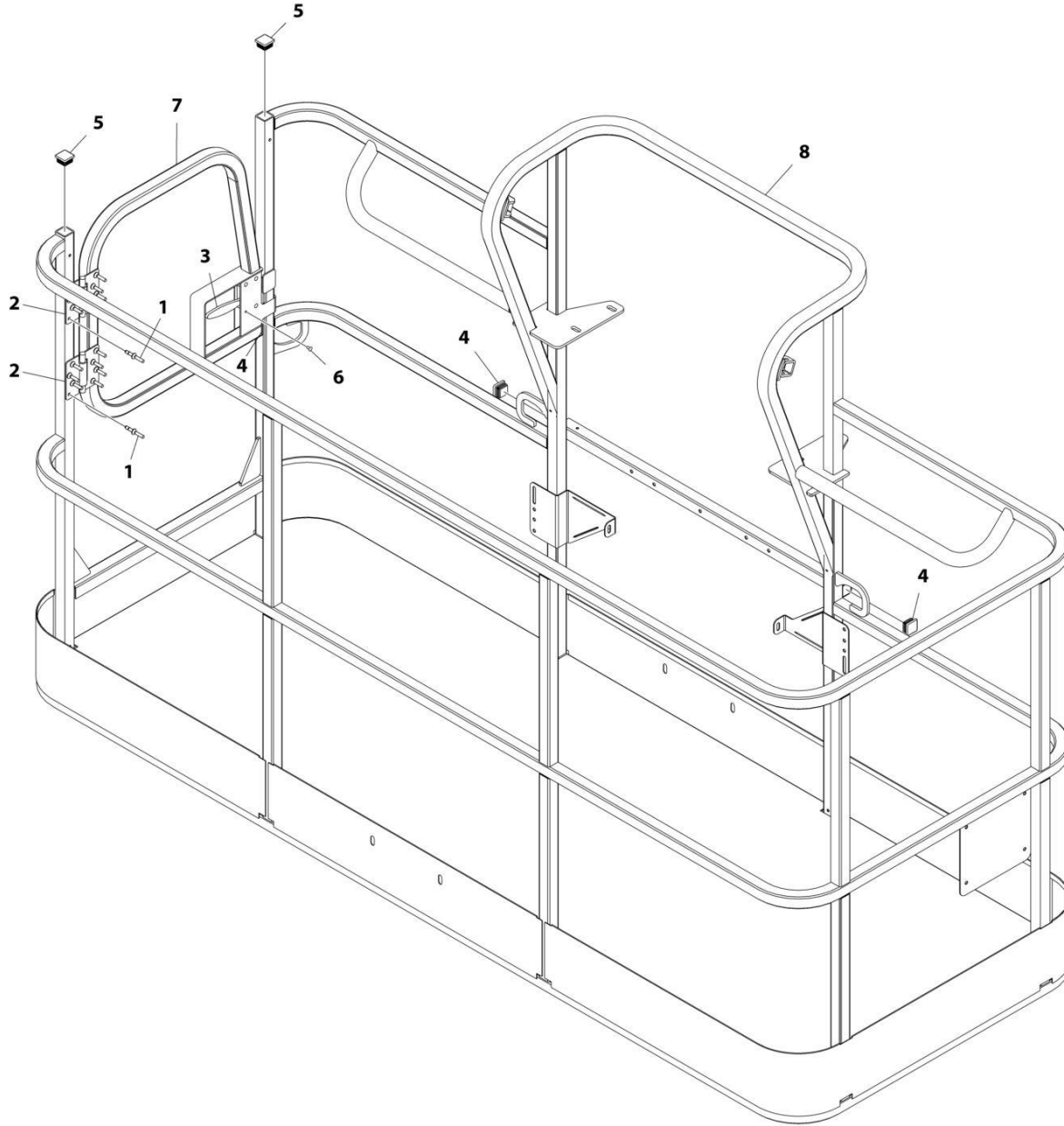
SECTION 5 - PLATFORM

FIGURE 5-7. PLATFORM ASSEMBLY - 36IN X 8FT (91.5CM X 2.44M) TRI-ENTRY WITH DROPGATE

ITEM	PART NUMBER	QTY	DESCRIPTION	REV
	1001228375	Ref	PLATFORM ASSEMBLY - 36IN X 8FT (91.5CM X 2.44M) WITH TRI-ENTRY	A
		Ref	Note: Platform and Mesh must be ordered separately for Platforms with Mesh. See SPECIAL OPTIONS SECTION for Mesh Installations.	
		Ref	Note: Replacement Decals Must be Ordered Separately - See DECAL SECTION.	
1	0100011	AR	Compound, Locking	
2	0641418	6	Bolt 1/4 x 2-1/4	
3	0961845	6	Bushing	
4	3290606	2	Nut M6 x 1	
5	3300151	6	Nut 1/4	
6	3520072	2	Cap, Plug	
7	3520198	2	Cap, Plug	
8	4010618	2	Screw M6 x 50	
9	4711400	12	Washer 1/4	
10	4811700	2	Washer M6	
11	1001138494	3	Bar, Drop	
12	1001138514	1	Rail (Top)	
13	1001140429	3	Decal - Drop Bar	
14	See Note	1	Platform (Note: Not Available - Purchase Platform Assembly)	

SECTION 5 - PLATFORM

FIGURE 5-8. PLATFORM ASSEMBLY - 36IN X 8FT (91.5CM X 2.44M) WITH SWING GATE



ART_1001186383

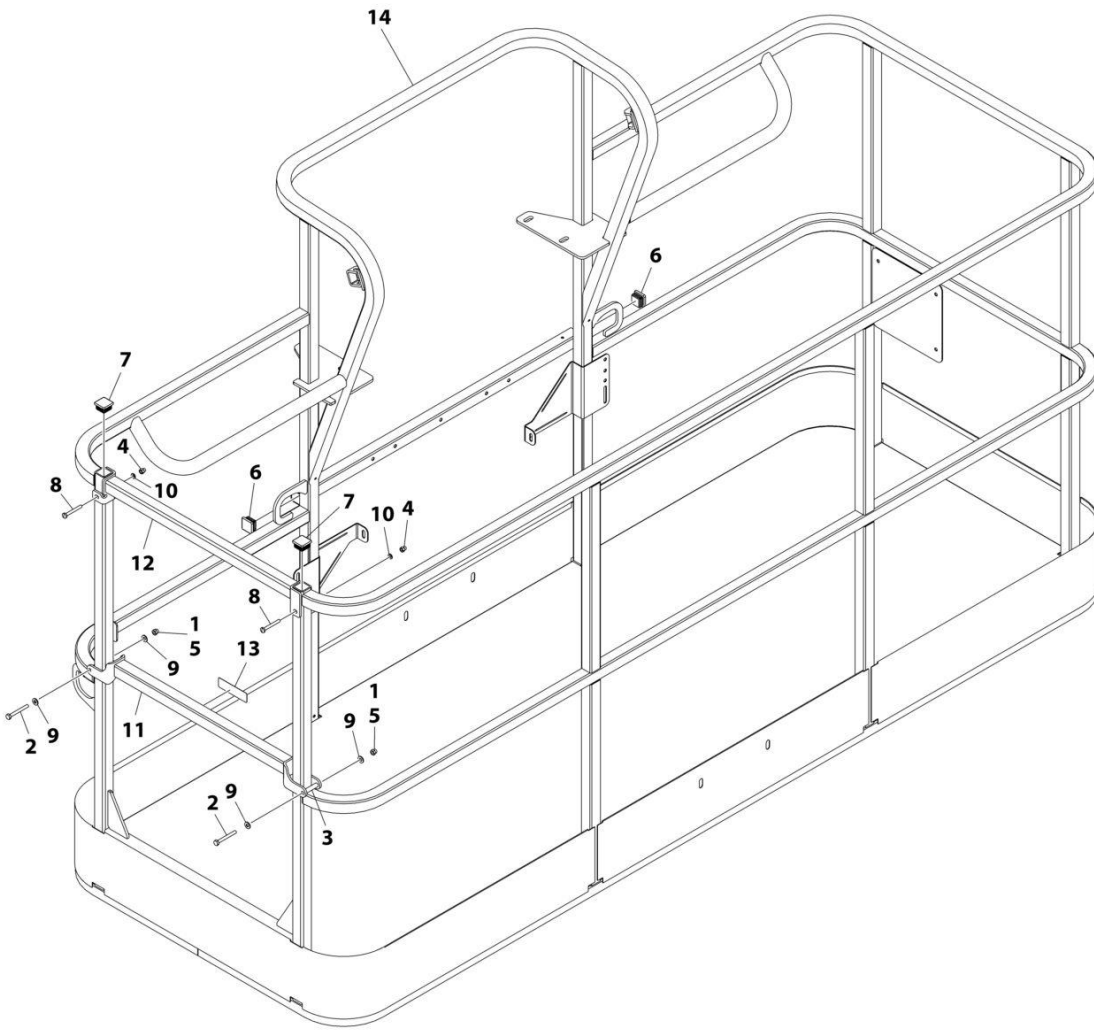
SECTION 5 - PLATFORM

FIGURE 5-8. PLATFORM ASSEMBLY - 36IN X 8FT (91.5CM X 2.44M) WITH SWING GATE

ITEM	PART NUMBER	QTY	DESCRIPTION	REV
	1001186383	Ref	PLATFORM ASSEMBLY - 36IN X 8FT (91.5CM X 2.44M) WITH SWING GATE	D
		Ref	Note: Platform and Mesh must be ordered separately for Platforms with Mesh. See SPECIAL OPTIONS SECTION for Mesh Installations.	
		Ref	Note: Replacement Decals Must be Ordered Separately - See DECALS SECTION.	
1	2080040	16	Fastener, Huck	
2	2600281	2	Hinge	
3	2940074	1	Latch	
4	3520072	3	Plug	
5	3520198	2	Plug	
6	3820020	4	Rivet	
7	1001144629	1	Gate	
8	See Note	NSS	Platform (Note: Not Available - Purchase Platform Assembly)	

SECTION 5 - PLATFORM

FIGURE 5-9. PLATFORM ASSEMBLY - 36IN X 8FT (91.5CM X 2.44M) WITH DROP BAR



ART_1001186382

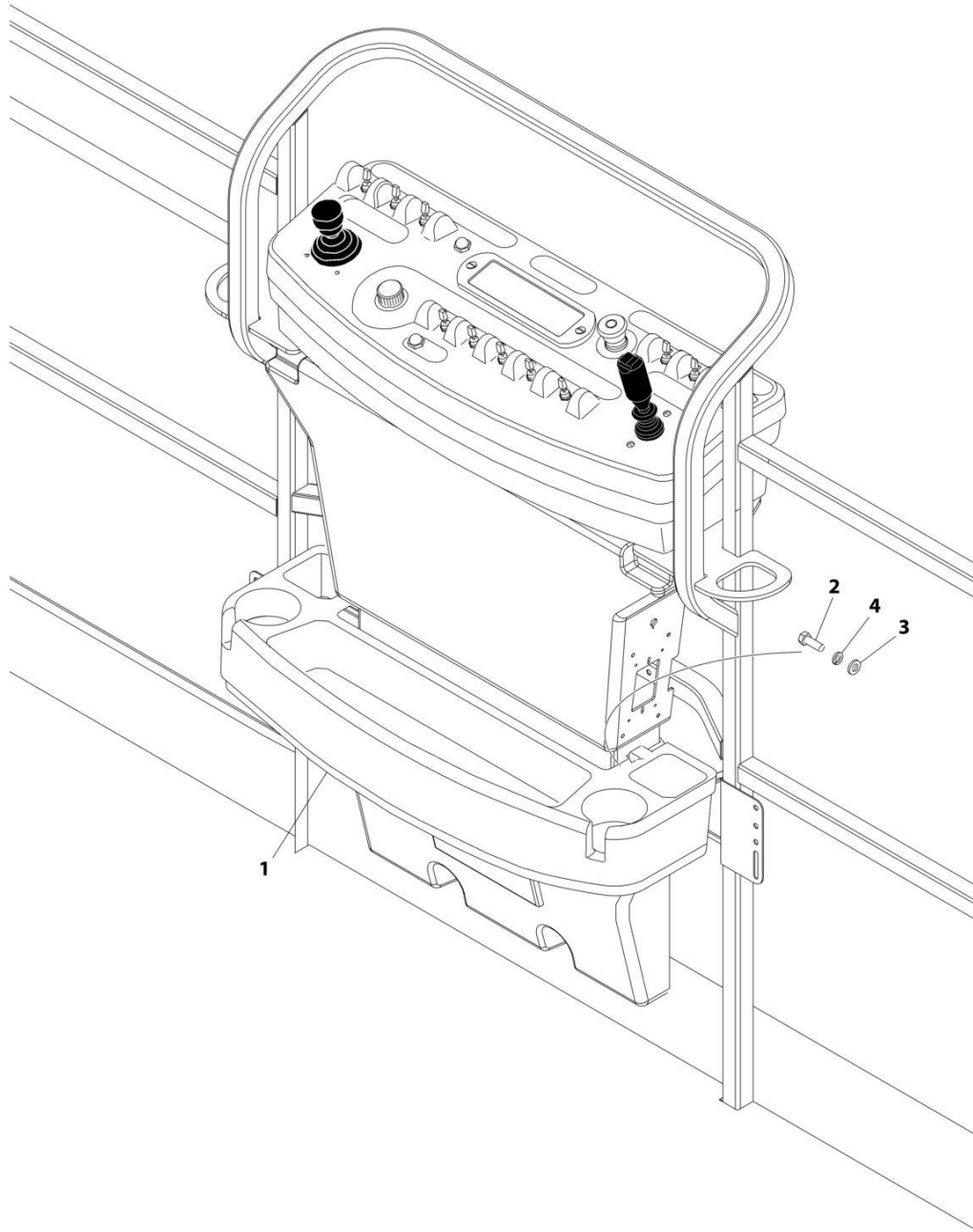
SECTION 5 - PLATFORM

FIGURE 5-9. PLATFORM ASSEMBLY - 36IN X 8FT (91.5CM X 2.44M) WITH DROP BAR

ITEM	PART NUMBER	QTY	DESCRIPTION	REV
	1001186382	Ref	PLATFORM ASSEMBLY - 36IN X 8FT (91.5CM X 2.44M) WITH DROP BAR	C
		Ref	Note: Platform and Mesh must be ordered separately for Platforms with Mesh. See SPECIAL OPTIONS SECTION for Mesh Installations.	
		Ref	Note: Replacement Decals Must be Ordered Separately - See DECALS SECTION.	
1	0100011	AR	Compound, Locking	
2	0641418	2	Bolt 1/4 x 2-1/4	
3	0961845	2	Bushing	
4	3290606	2	Nut M6	
5	3300151	2	Nut 1/4	
6	3520072	2	Plug	
7	3520198	2	Plug	
8	4010618	2	Screw M6 x 50	
9	4711400	4	Washer 1/4	
10	4811700	2	Washer M6	
11	1001138494	1	Bar, Drop	
12	1001138514	1	Rail (Top)	
13	1001140429	1	Decal - Drop Bar	
14	See Note	NSS	Platform (Note: Not Available - Purchase Platform Assembly)	

SECTION 5 - PLATFORM

FIGURE 5-10. TRAY ASSEMBLY



ART_1580012

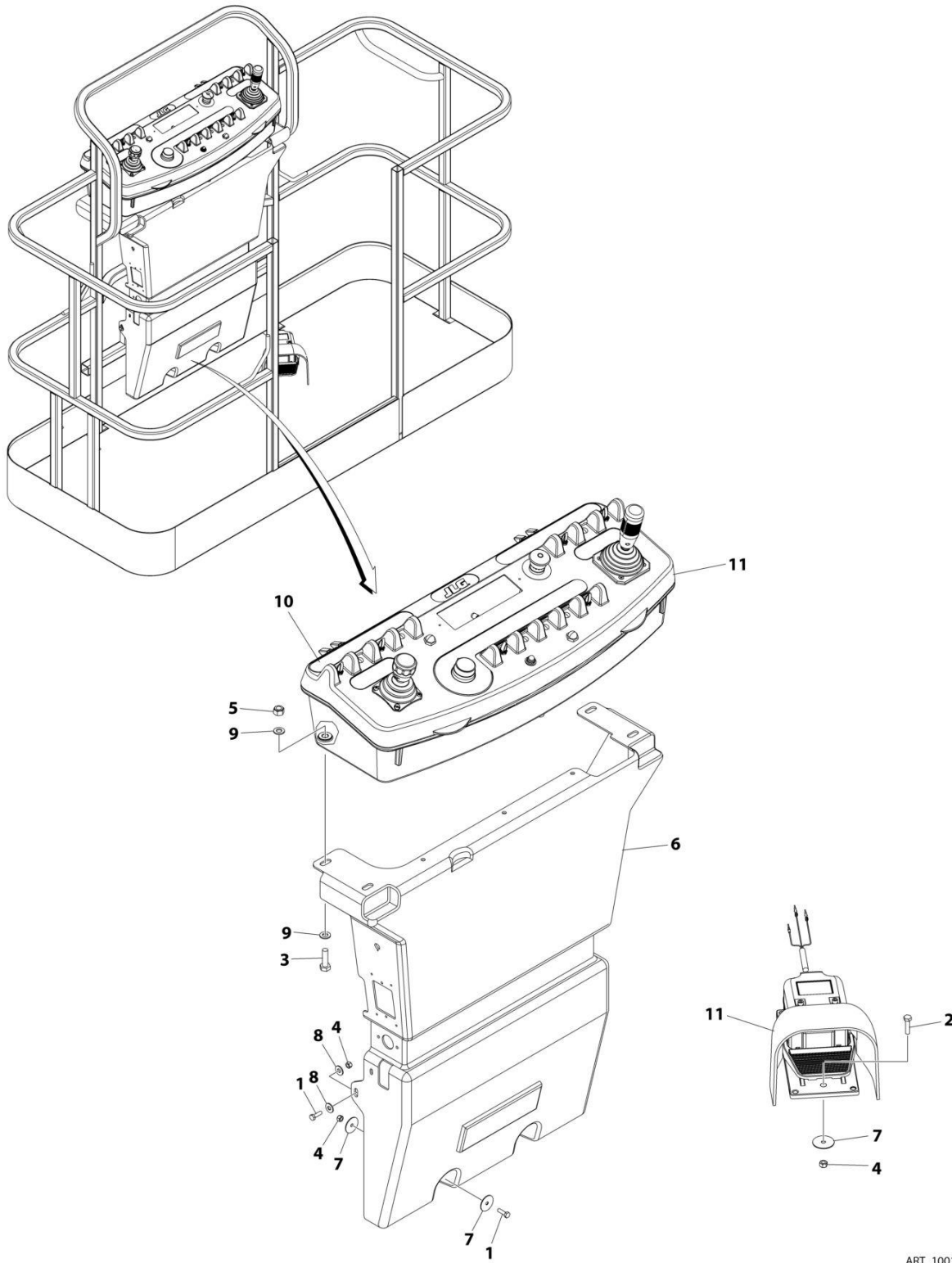
SECTION 5 - PLATFORM

FIGURE 5-10. TRAY ASSEMBLY

ITEM	PART NUMBER	QTY	DESCRIPTION	REV
	1580012	Ref	TRAY ASSEMBLY	C
1	See Note	NSS	Tray, Storage (Center) (Note: Purchase p/n 1580012)	
2	0641406	2	Bolt 1/4 x 3/4	
3	4751400	2	Washer 1/4	
4	4761400	2	Washer 1/4	

SECTION 5 - PLATFORM

FIGURE 5-11. PLATFORM CONSOLE AND FOOTSWITCH INSTALLATION



ART_1001242200

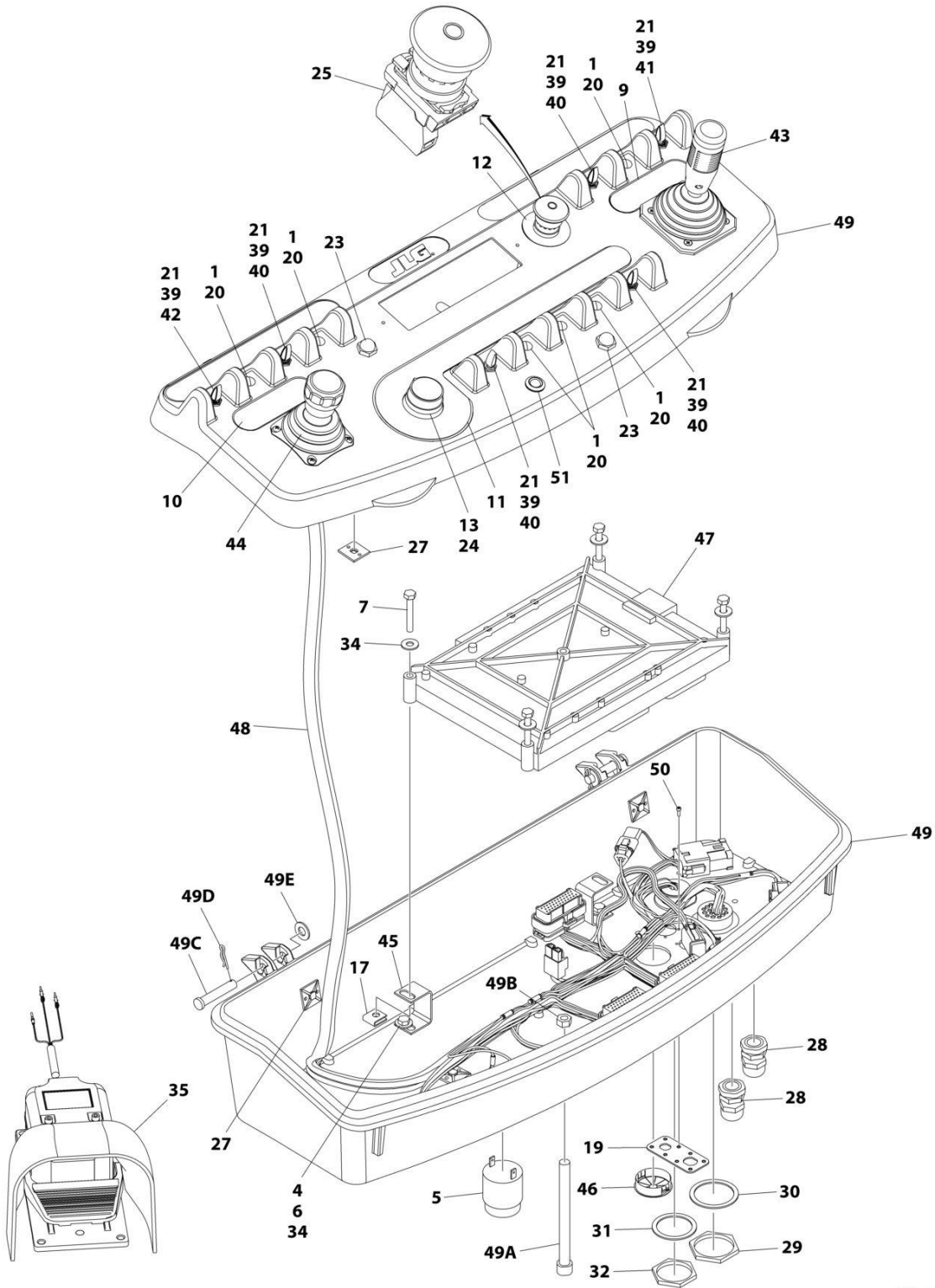
SECTION 5 - PLATFORM

FIGURE 5-11. PLATFORM CONSOLE AND FOOTSWITCH INSTALLATION

ITEM	PART NUMBER	QTY	DESCRIPTION	REV
	1001242200	Ref	PLATFORM CONSOLE AND FOOTSWITCH INSTALLATION	B
1	0700610	4	Bolt M6 x 20	
2	0700612	3	Bolt M6 x 25	
3	0761015	4	Bolt M10 x 35	
4	3290605	7	Nut M6	
5	3291005	4	Nut M10	
6	3380434	1	Panel	
7	4740362	7	Washer 1/4	
8	4751400	4	Washer 1/4	
9	4812000	8	Washer M10	
10	1001184626	1	Decal - Horn	
11	1001242201	1	Platform Console Assembly (See Separate Breakdown in this Section)	

SECTION 5 - PLATFORM

FIGURE 5-12. CONSOLE BOX ASSEMBLY



ART_1001242201_E

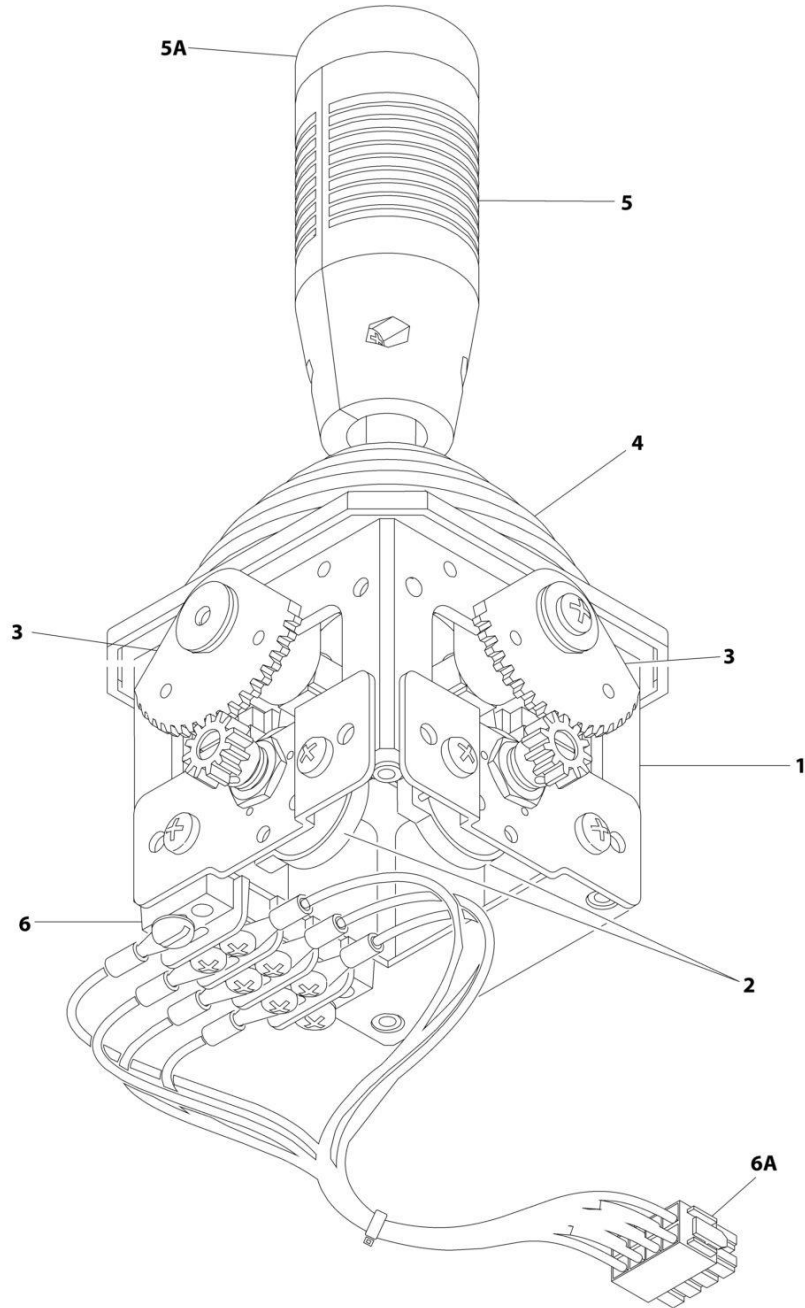
SECTION 5 - PLATFORM

FIGURE 5-12. CONSOLE BOX ASSEMBLY

ITEM	PART NUMBER	QTY	DESCRIPTION	REV
	1001242201	Ref	CONSOLE BOX ASSEMBLY	E
1	0100009	AR	Sealant	
4	0100035	AR	Compound, Locking	
5	0140011	1	Alarm	
6	0641405	4	Bolt 1/4 x 5/8	
7	0641414	4	Bolt 1/4 x 1-3/4	
9	1704460	1	Decal - Drive and Steer	
10	1702566	1	Decal - Lift and Swing	
11	1702567	1	Decal - Function Speed	
12	1704260	1	Decal - Emergency Stop	
13	2560136	1	Handle, Knob	
17	3300353	4	Nut, Tinnerman	
19	1001213882	1	Mount, Connector	
20	3520054	6	Plug	
21	3790012	6	O-Ring	
23	4360387	2	Switch, Push Button	
24	4360407	1	Controller, Speed	
25	1001274559	1	Switch, Emergency Stop	
27	4460234	6	Mount, Tie-Strap	
28	4460428	2	Connector, Strain Relief	
29	4460470	1	Nut, Terminal	
30	4460471	1	Washer, Terminal	
31	4460496	1	Washer, Terminal	
32	4460497	1	Nut, Terminal	
34	4751400	8	Washer 1/4	
35	1001117174	1	Footswitch Assembly (See Separate Breakdown in this Section)	
39	1001155044	6	Nut 15/32	
40	1001155045	4	Switch, Toggle	
41	1001159256	1	Switch, Toggle	
42	1001161709	1	Switch, Toggle	
43	1600359	1	Controller Assembly (Drive and Steer) (See Separate Breakdown in this Section)	
44	1001275629	1	Controller Assembly (Lift and Swing)	
45	1001172760	4	Bracket	
46	1001185281	1	Plug	
47	1001185726	1	Module, Platform (Note: Re-calibration Required when Replaced)	
48	1001238409	1	Platform Console Harness (See Separate Breakdown in ELECTRICAL Section)	
49	1001215229	1	Console Box Assembly	
49A	0630568	1	Capscrew 3/8 x 4-1/2	
49B	3311601	1	Nut 3/8	
49C	3430616	2	Pin	
49D	3470003	2	Hairpin	
49E	4711600	2	Washer 3/8	
50	3900349	8	Capscrew M2.5 x 8	
51	1001206532	1	Lamp, LED Indicator Yellow	
52	4240099	AR	Tie-Strap (Not Shown)	

SECTION 5 - PLATFORM

FIGURE 5-13. JOYSTICK (DRIVE/STEER)



ART_1600359

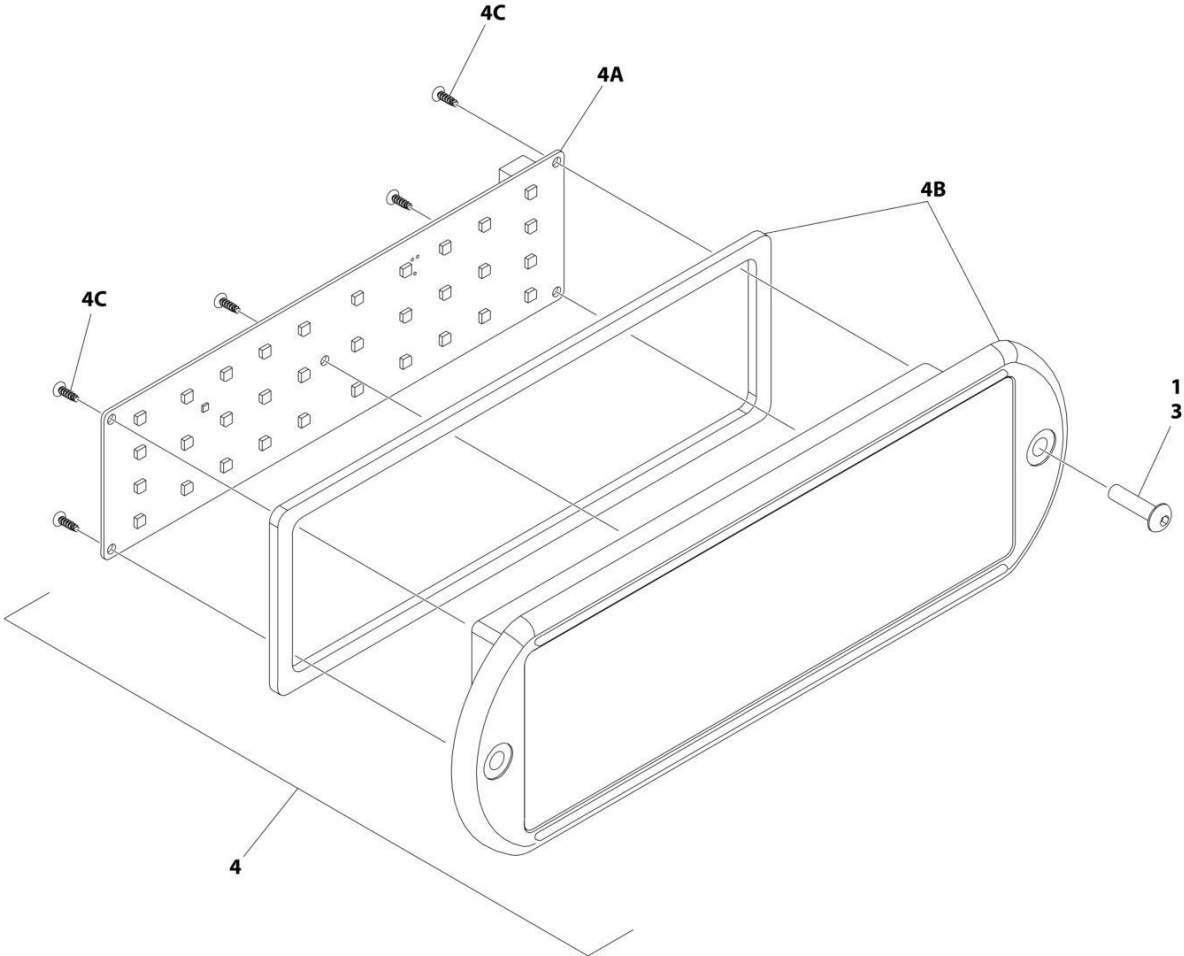
SECTION 5 - PLATFORM

FIGURE 5-13. JOYSTICK (DRIVE/STEER)

ITEM	PART NUMBER	QTY	DESCRIPTION	REV
	1600359	Ref	CONTROLLER ASSEMBLY	A
1	7022832	1	Housing Assembly (Includes Casting, Gimbles, etc)	
2	7022833	2	Potentiometer Plate	
2	7003974	2	Potentiometer	
3	7022834	2	Drive Gear Assembly	
4	7022835	1	Boot Assembly	
5	7022836	1	Handle Assembly	
5A	7022839	1	Cap, Rubber	
5A	7022838	1	Switch, Push Button	
6	7022837	1	Terminal Block/PC Board Assembly	
6A	See Note	NSS	Plug, Male 8 Position (Note: Not Available for Purchase)	
6A	4460871	6	Socket, Female	

SECTION 5 - PLATFORM

FIGURE 5-14. LIGHT PANEL INSTALLATION



ART_1001233959_D_20F2

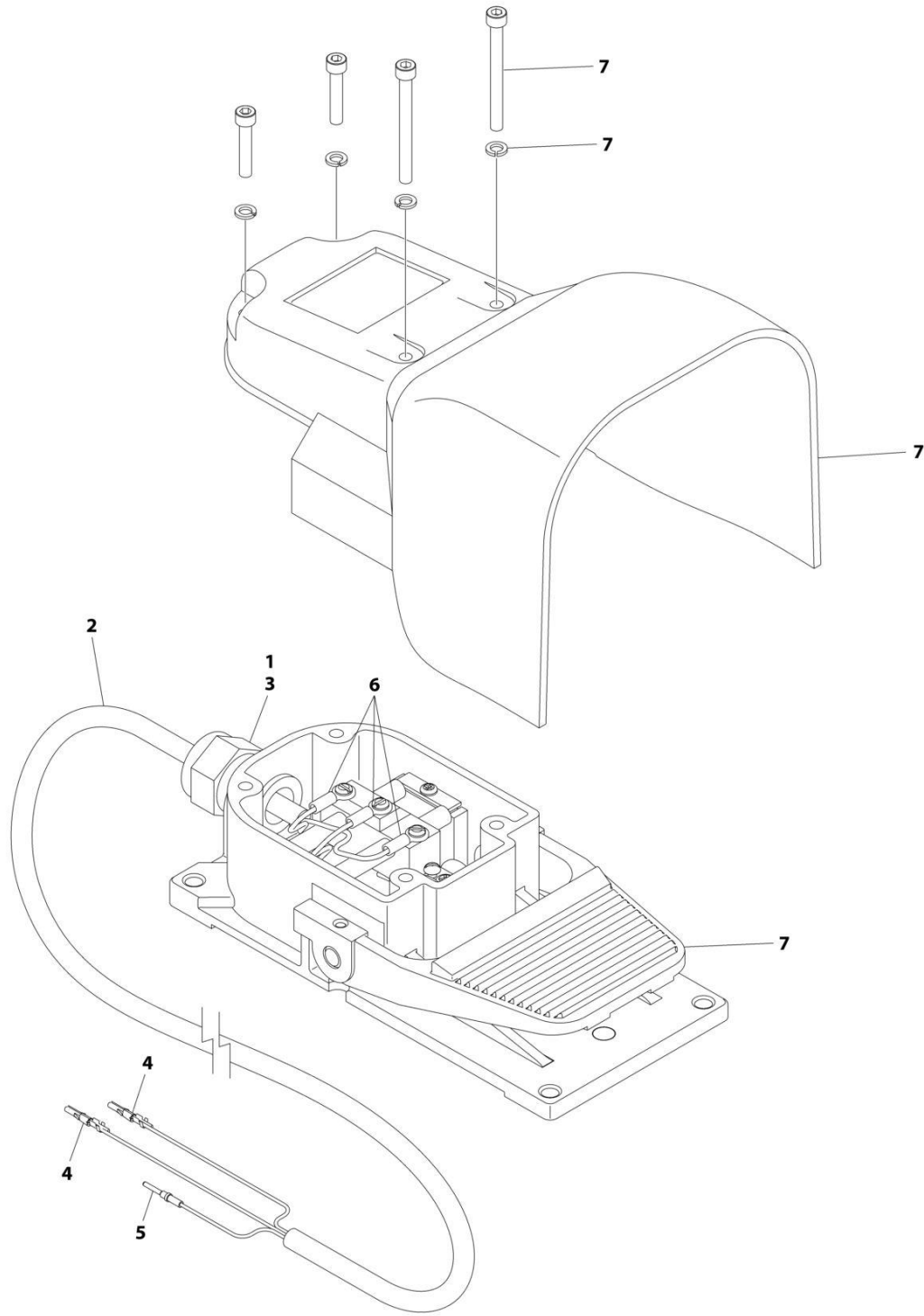
SECTION 5 - PLATFORM

FIGURE 5-14. LIGHT PANEL INSTALLATION

ITEM	PART NUMBER	QTY	DESCRIPTION	REV
	1001233959	Ref	LIGHT PANEL INSTALLATION - PLATFORM CONSOLE	D
1	0100035	AR	Compound, Locking	
3	0630518	2	Screw #10 x 3/4	
4	1001284583	1	Light Panel Assembly	A
4A	1001282106	1	Panel, LED Light	
4B	1001284582	1	Lens, Icon (Includes Gasket)	
4C		Ref	Screw	

SECTION 5 - PLATFORM

FIGURE 5-15. FOOTSWITCH ASSEMBLY



ART_1001117174

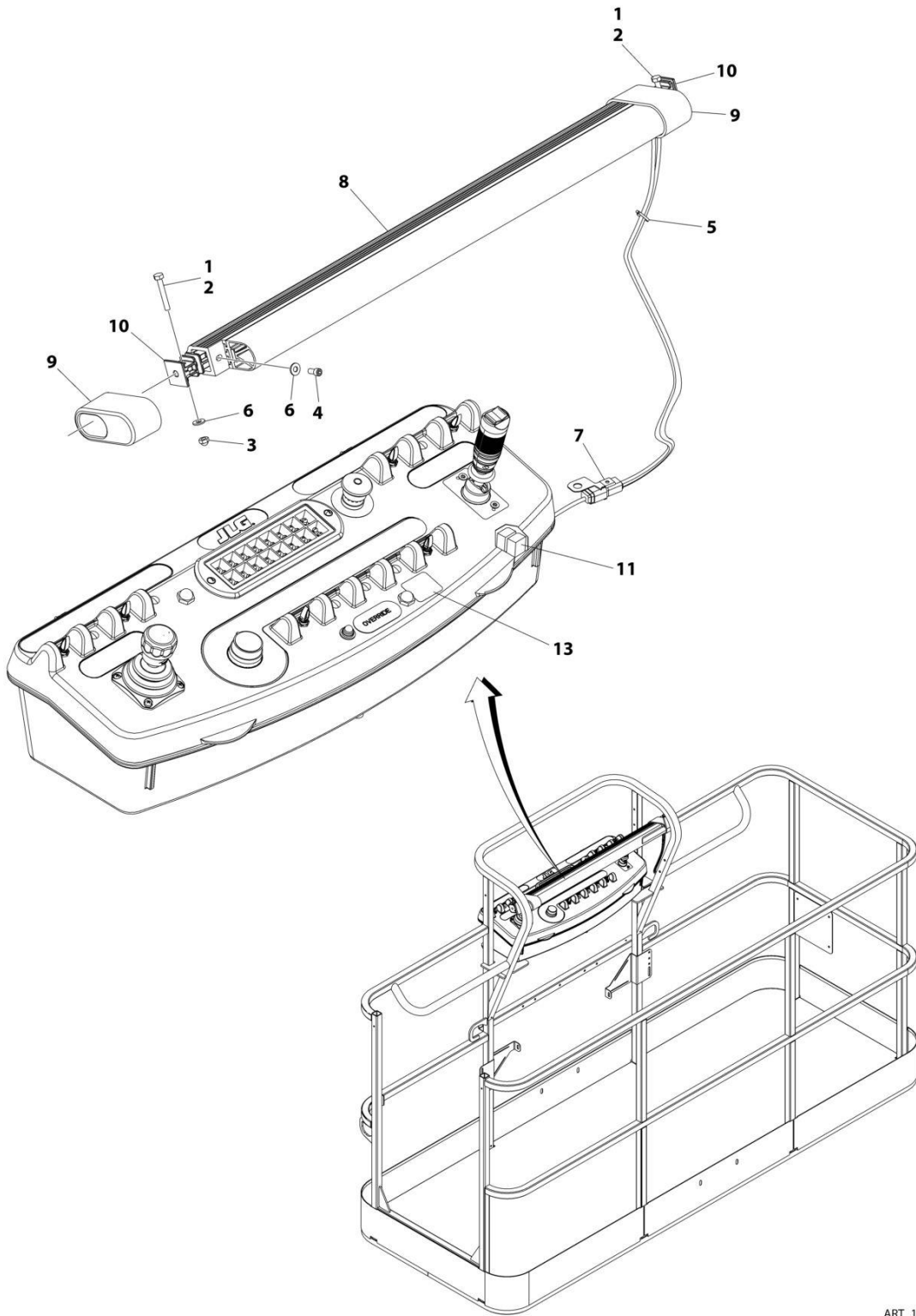
SECTION 5 - PLATFORM

FIGURE 5-15. FOOTSWITCH ASSEMBLY

ITEM	PART NUMBER	QTY	DESCRIPTION	REV
	1001117174	Ref	FOOTSWITCH ASSEMBLY	C
1	0100020	AR	Sealant	
2	1060918	7.5 ft/ 2.3m	Cable, Electrical - 18/3	
3	4460071	1	Connector, Strain Relief	
4	4460226	2	Socket, Female	
5	4460464	1	Pin, Male	
6	1001098122	3	Terminal	
7	1001117172	1	Footswitch	
7	70002902	1	Switch, 20Amp	
7	70002903	1	Gasket	
7	70002905	1	Cover	
7	70002904	1	Kit, Replacement Bolt	

SECTION 5 - PLATFORM

FIGURE 5-16. SKYGUARD BAR INSTALLATION



ART_1001238495

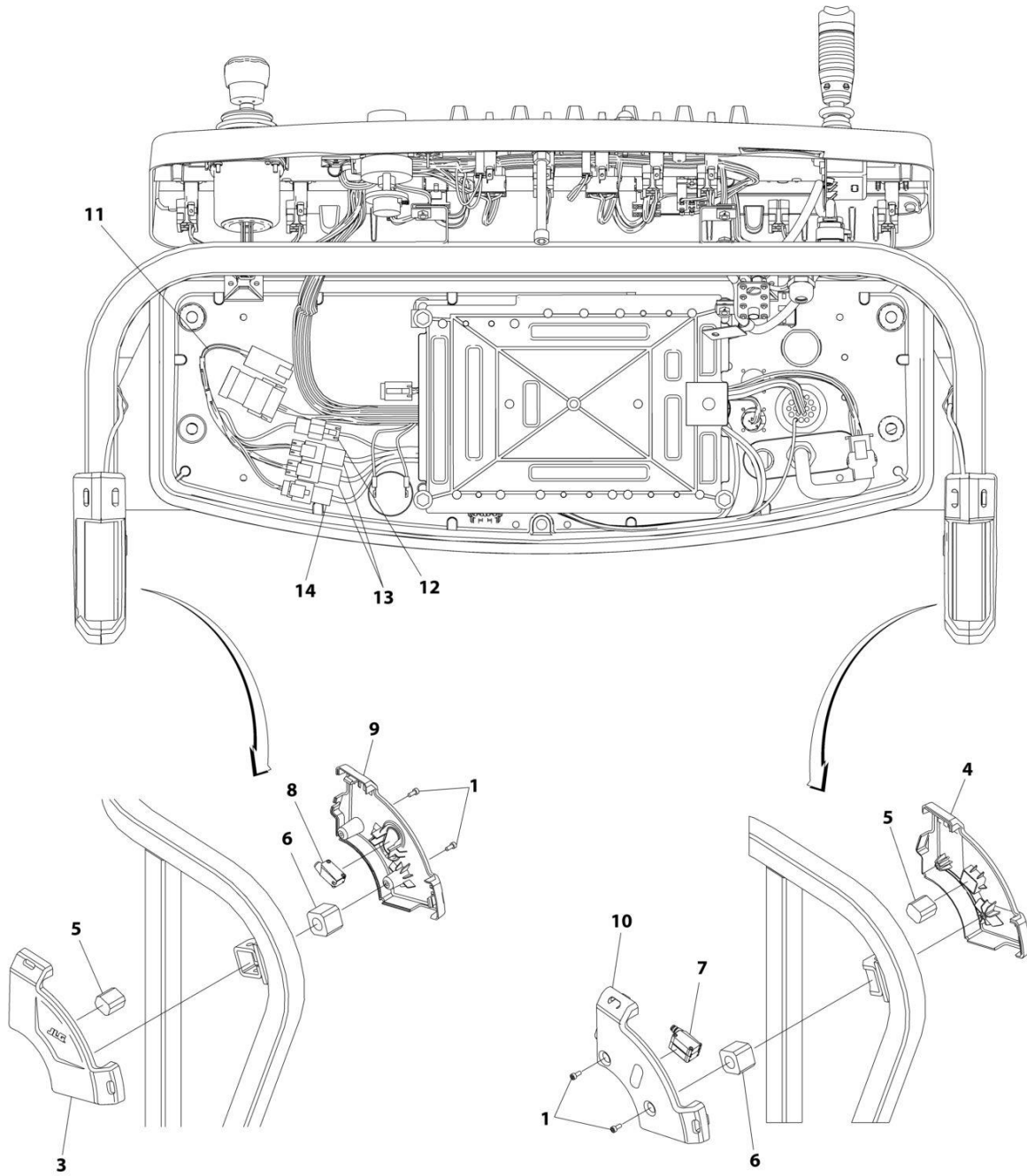
SECTION 5 - PLATFORM

FIGURE 5-16. SKYGUARD BAR INSTALLATION

ITEM	PART NUMBER	QTY	DESCRIPTION	REV
	1001238495	Ref	SKYGUARD BAR INSTALLATION	A
1	0100011	AR	Compound, Locking	
2	0641414	2	Bolt 1/4 x 1-3/4	
3	3300430	2	Nut 1/4	
4	3931408	2	Capscrew 1/4 x 1/2	
5	4240033	8	Tie-Strap	
6	4711400	6	Washer 1/4	
7	1001120328	1	Mount	
8	1001137673	1	SkyGuard Switch Assembly	
9	1001186517	2	Cover, Platform Sensor	
10	1001209664	2	Support, Block	
11	1001186431	2	Relay	
12	1001225580	1	Interface Harness Assembly (Not Shown - Located Inside Console Box) (See Separate Breakdown in ELECTRICAL Section)	
13	1001144433	1	Decal - No Weight SkyGuard	

SECTION 5 - PLATFORM

FIGURE 5-17. SKYEYE INSTALLATION



ART_1001229341

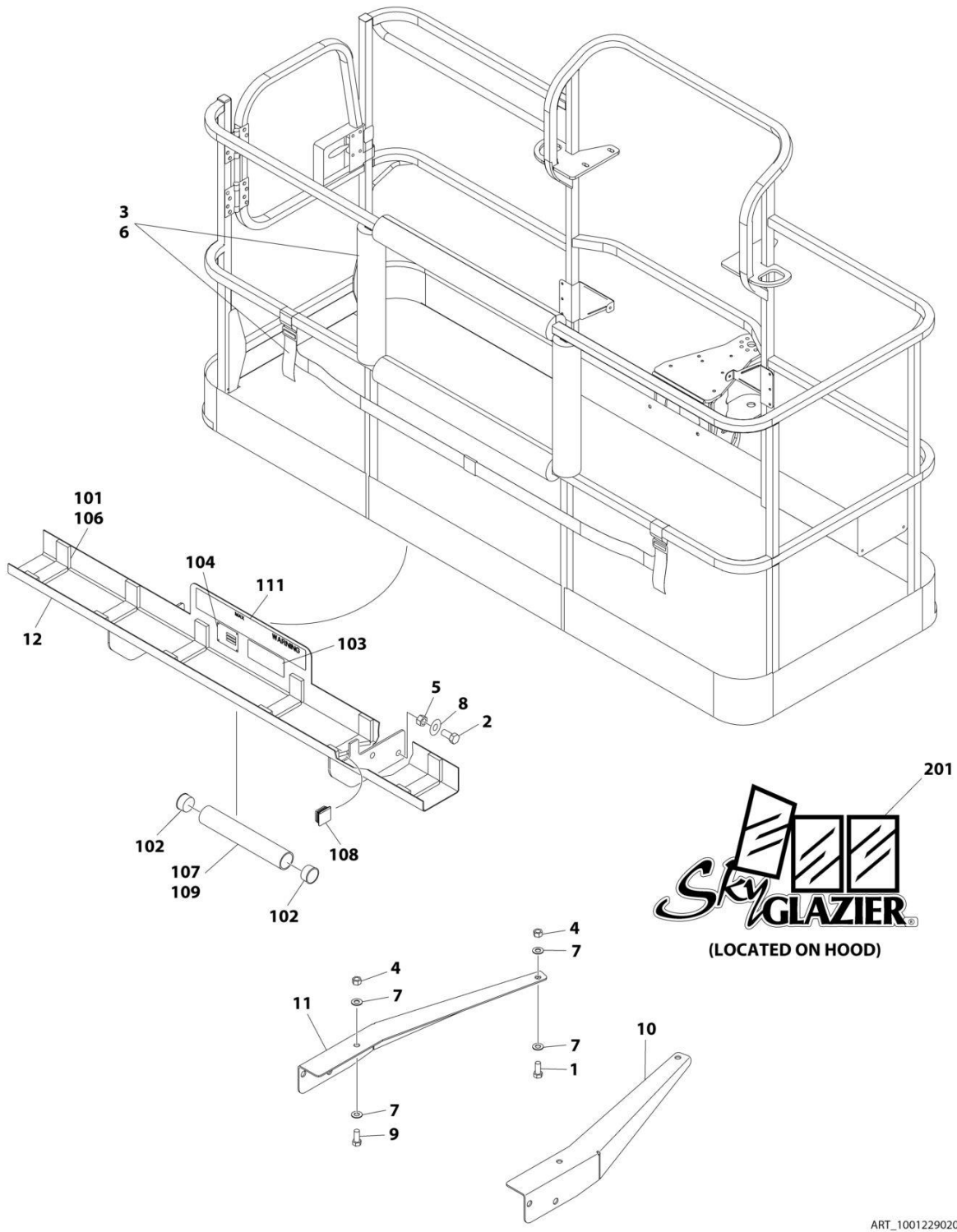
SECTION 5 - PLATFORM

FIGURE 5-17. SKYEYE INSTALLATION

ITEM	PART NUMBER	QTY	DESCRIPTION	REV
	1001229341	Ref	SKYEYE INSTALLATION	B
1	4031505	4	Bolt M4 x 10	
2	4240033	AR	Tie-Strap (Not Shown)	
3	1001227633	1	Housing, LH Outer	
4	1001227634	1	Housing, RH Outer	
5	1001227985	2	Shim	
6	1001227987	2	Shim	
7	1001228224	2	Sensor, Receiver	
8	1001228225	1	Sensor, Emitter	
9	1001232164	1	Housing, LH Inner	
10	1001232165	1	Housing, RH Inner	
11	1001237865	1	Harness, Skyeeye Intermediate (See Separate Breakdown in ELECTRICAL Section)	
12	1001238319	NLA	Harness, Skyeeye Drain Jumper	
12	1001187674	1	Plug, Male - 2 Position	
12	4460942	1	Terminal	
12	4460466	1	Plug, Terminal	
12	4460508	1	Pin, Male	
13	1001237863	2	Harness, Skyeeye Receiver (See Separate Breakdown in ELECTRICAL Section)	
14	1001237864	1	Harness, Skyeeye Emitter (See Separate Breakdown in ELECTRICAL Section)	

SECTION 5 - PLATFORM

FIGURE 5-18. SKYGLAZIER INSTALLATION (ANSI, AUSTRALIAN AND CSA SPECS)



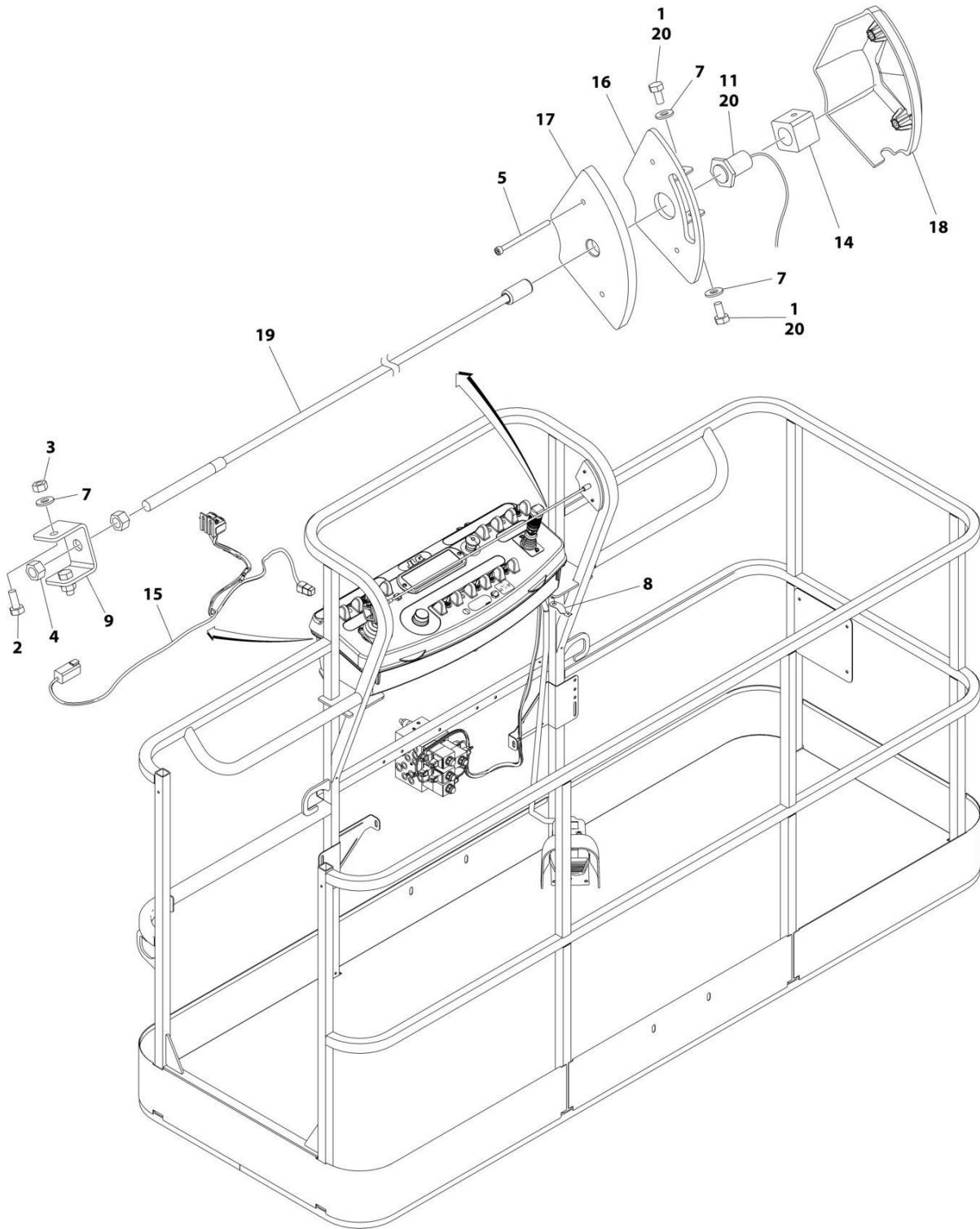
SECTION 5 - PLATFORM

FIGURE 5-18. SKYGLAZIER INSTALLATION (ANSI, AUSTRALIAN AND CSA SPECS)

ITEM	PART NUMBER	QTY	DESCRIPTION	REV
	1001229020	Ref	SKYGLAZIER INSTALLATION	A
1	0642012	2	Bolt 5/8 x 1-1/2	
2	0642212	4	Bolt 3/4 x 1-1/2	
3	2902212	1	Bumpers and Strap Kit	
3	0940102	1	Bumper Only	
3	4240149	1	Strap Only	
4	3312005	4	Nut 5/8	
5	3312205	4	Nut 3/4	
6	4420014	AR	Tape	
7	4712000	6	Washer 5/8	
8	4712200	8	Washer 3/4	
9	8310129	2	Bolt 3/4 x 2-1/2	
10	1001099366	1	Support	
11	1001099367	1	Support	
12	1001229082	1	Tray Assembly (See Items 101-111 for Breakdown)	
	1001229082	Ref	TRAY ASSEMBLY	B
101	0100081	AR	Adhesive	
102	1120555	2	Cap, Tube	
103	1701509	1	Decal - Manual	
104	See Note	NSS	Nameplate - Serial Number (Note: Not Available for Purchase)	
106	3340956	1	Pad Kit	
107	3460334	1	Tube	
108	3520071	2	Plug	
109	4420066	AR	Tape, Double Sided	
111	1001199035	2	Decal - Glazier Capacity	
	0272418	Ref	SKYGLAZIER DECAL INSTALLATION	4
201	1705358	2	Decal - SkyGlazier	

SECTION 5 - PLATFORM

FIGURE 5-19. SKYLINE INSTALLATION



ART_1001238559_D

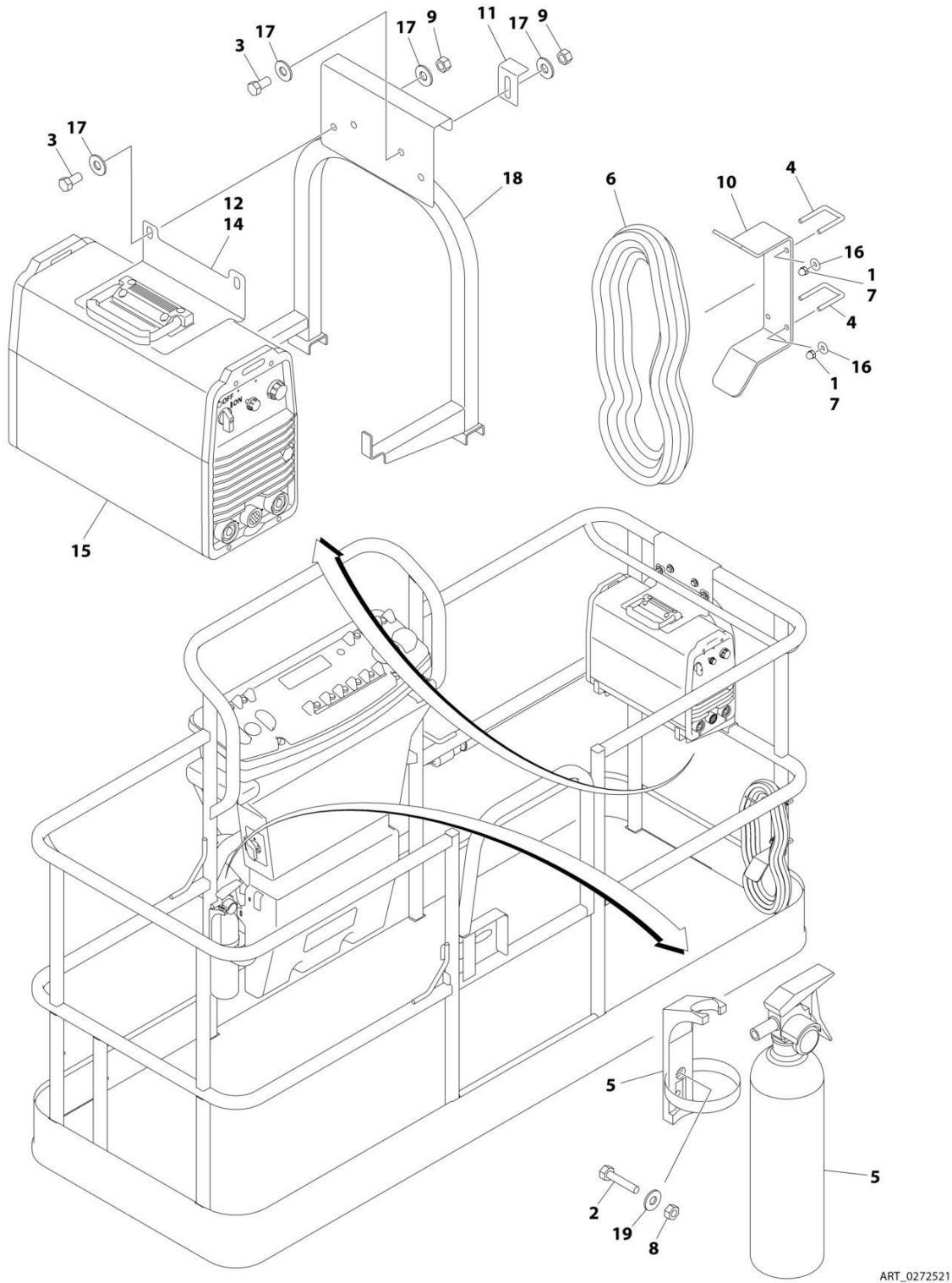
SECTION 5 - PLATFORM

FIGURE 5-19. SKYLINE INSTALLATION

ITEM	PART NUMBER	QTY	DESCRIPTION	REV
	1001238559	Ref	SKYLINE INSTALLATION	D
1	0641404	2	Bolt 1/4 x 1/2	
2	0641405	2	Bolt 1/4 x 5/8	
3	3311405	2	Nut 1/4	
4	3311601	2	Nut 3/8	
5	4031516	2	Capscrew M4 x 60	
6	4240033	AR	Tie-Strap (Not Shown)	
7	4711400	4	Washer 1/4	
8	1001120328	1	Mount	
9	1001232642	1	Bracket	
11	1001232667	1	Sensor, Proximity	
14	1001236552	1	Block	
15	1001238418	1	Harness, Skyline (See Separate Breakdown in ELECTRICAL Section)	
16	1001238472	1	Mount	
17	1001254473	1	Housing, LH	
18	1001241965	1	Housing, RH	
19	1001254472	1	Rod	
20	0100011	AR	Compound, Locking	

SECTION 5 - PLATFORM

FIGURE 5-20. SKYWELDER INSTALLATION (50HZ)



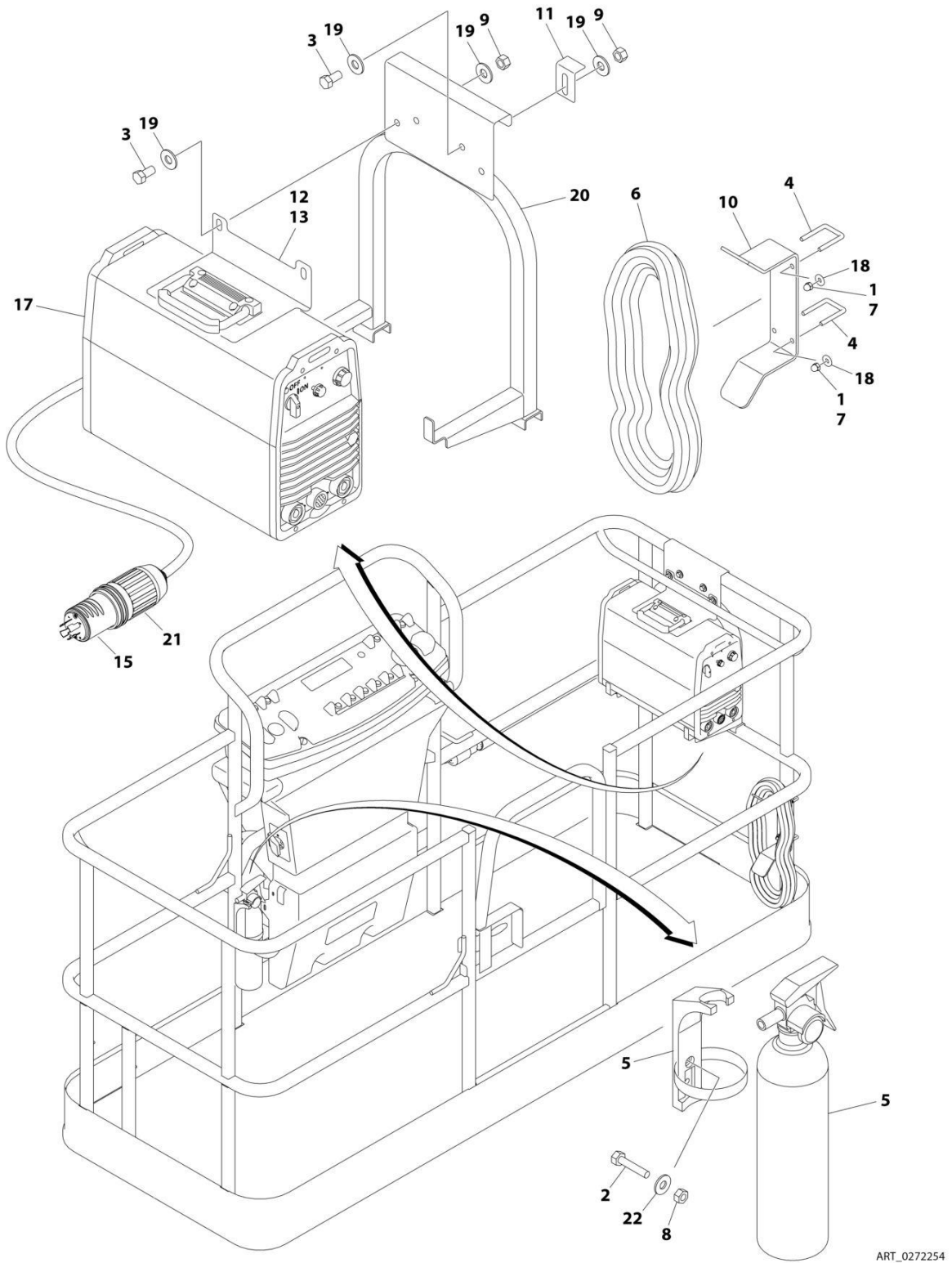
SECTION 5 - PLATFORM

FIGURE 5-20. SKYWELDER INSTALLATION (50HZ)

ITEM	PART NUMBER	QTY	DESCRIPTION	REV
	0272521	Ref	SKYWELDER INSTALLATION	F
1	0100011	AR	Compound, Locking	
2	0630518	2	Screw #10 x 3/4	
3	0641606	4	Bolt 3/8 x 3/4	
4	1320302	2	U-Clamp	
5	2030010	1	Extinguisher, Fire	
6	2902217	1	Weld Leads Kit	
7	3300151	4	Nut 1/4	
8	3311005	2	Nut #10	
9	3311605	4	Nut 3/8	
10	3573400	1	Bracket	
11	3577121	2	Angle	
12	3573642	1	Plate	
13	4240099	AR	Tie-Strap (Not Shown)	
14	4420037	AR	Tape	
15	4530028	1	Welder Assembly (See Separate Breakdown in this Section)	
16	4751400	4	Washer 1/4	
17	4751600	8	Washer 3/8	
18	4846627	1	Support	
19	4751000	2	Washer #10	

SECTION 5 - PLATFORM

FIGURE 5-21. SKYWELDER INSTALLATION (60HZ)



ART_0272254

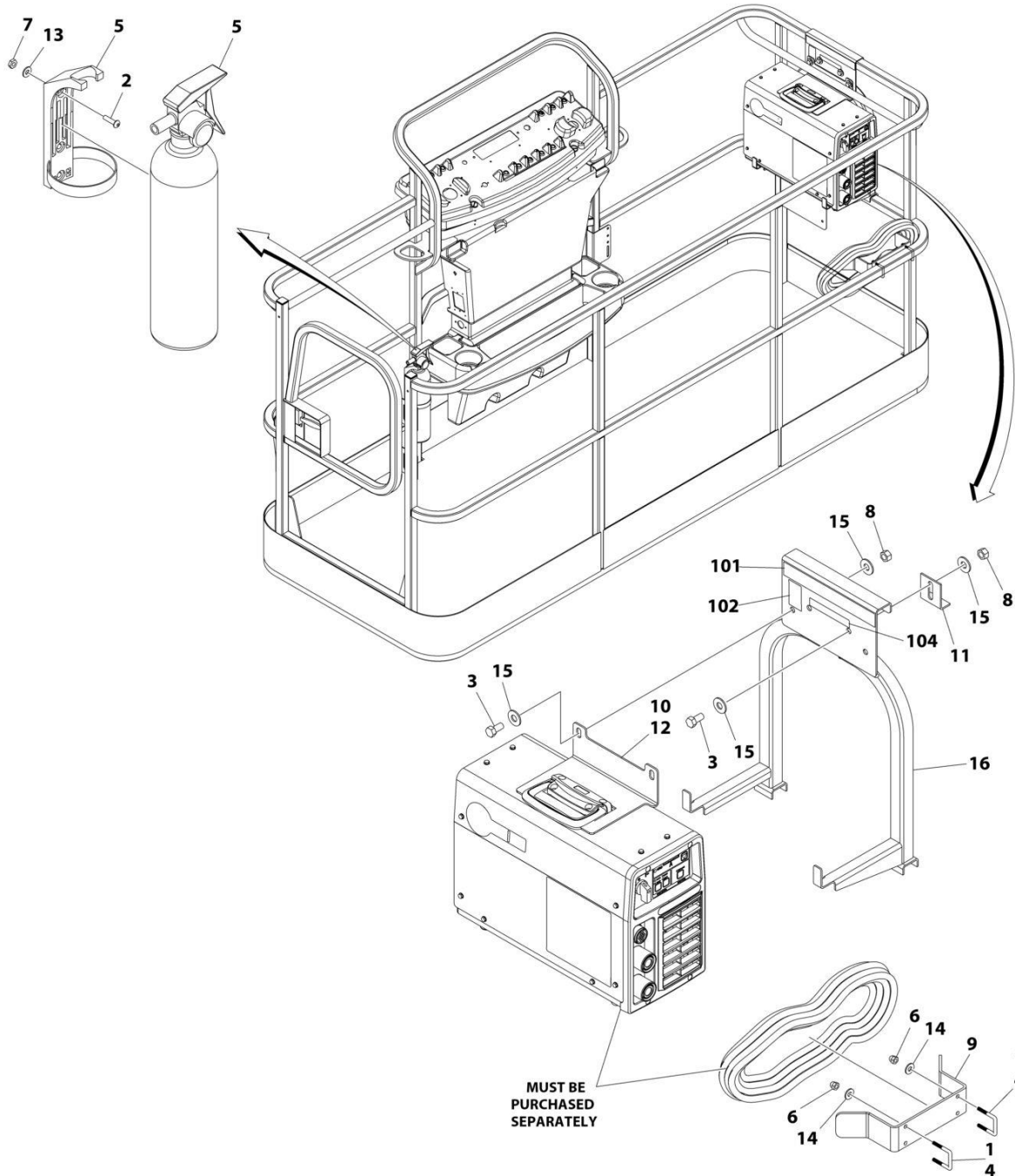
SECTION 5 - PLATFORM

FIGURE 5-21. SKYWELDER INSTALLATION (60HZ)

ITEM	PART NUMBER	QTY	DESCRIPTION	REV
	0272254	Ref	SKYWELDER INSTALLATION	1
1	0100011	AR	Compound, Locking	
2	0630518	2	Screw #10 x 3/4	
3	0641606	4	Bolt 3/8 x 3/4	
4	1320302	2	U-Clamp	
5	2030010	1	Extinguisher, Fire	
6	2902217	1	Weld Leads Kit	
7	3300151	4	Nut 1/4	
8	3311005	2	Nut #10	
9	3311605	4	Nut 3/8	
10	3573400	1	Bracket	
11	3577121	2	Angle	
12	3573642	1	Plate	
13	4420037	AR	Tape	
14	4240099	AR	Tie-Strap (Not Shown)	
15	4460962	1	Plug, Male Twistlock	
17	4530028	1	Welder Assembly (See Separate Breakdown in this Section)	
18	4751400	4	Washer 1/4	
19	4751600	8	Washer 3/8	
20	4846627	1	Support	
21	1671093	1	Cover, Plug	
22	4751000	2	Washer #10	

SECTION 5 - PLATFORM

FIGURE 5-22. SKYWELDER PREP PACKAGE (60HZ)



ART_1001128527_C

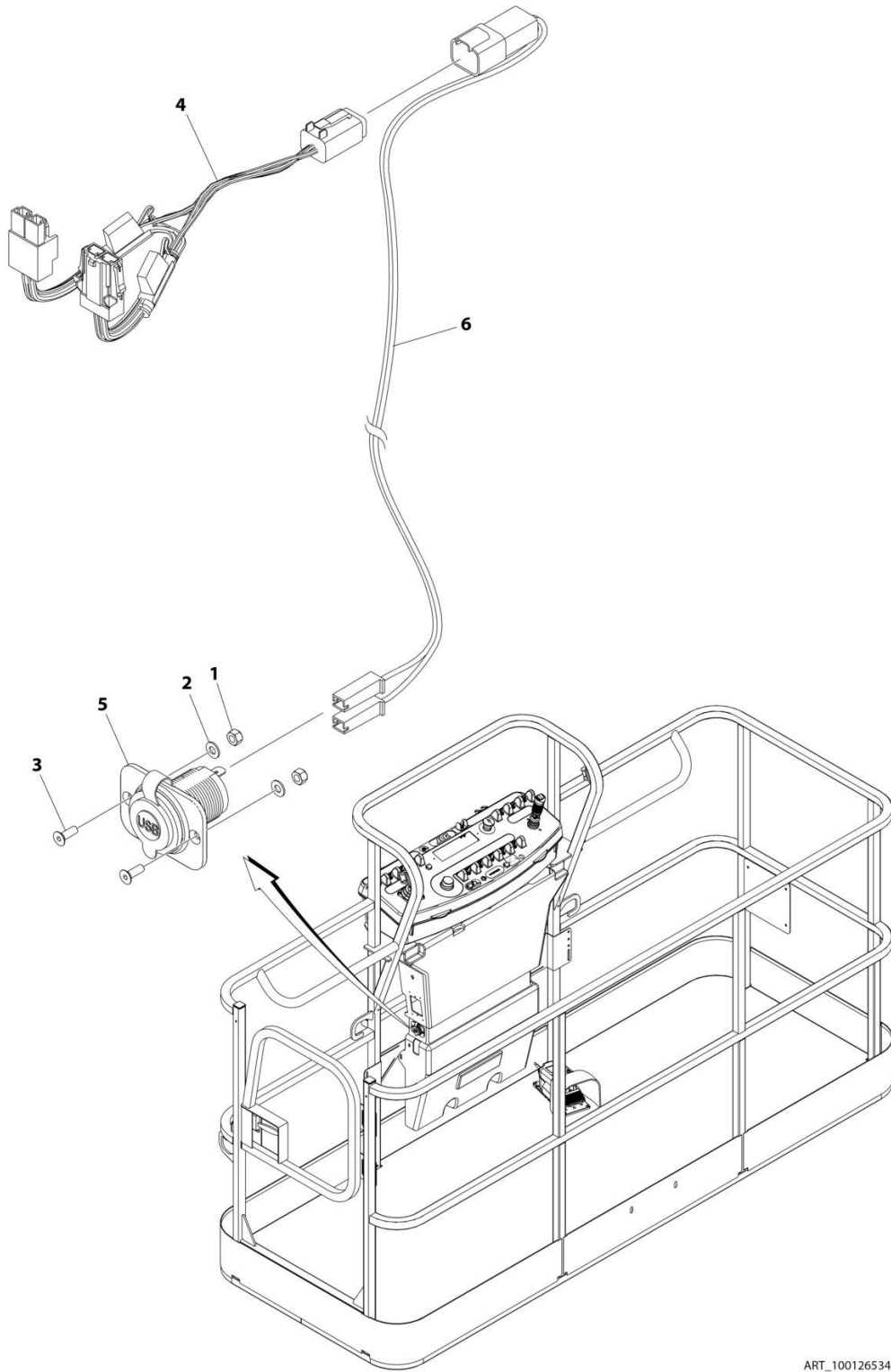
SECTION 5 - PLATFORM

FIGURE 5-22. SKYWELDER PREP PACKAGE (60HZ)

ITEM	PART NUMBER	QTY	DESCRIPTION	REV
	1001128527	Ref	SKYWELDER PREP PACKAGE	C
1	0100011	AR	Compound, Locking	
2	0630518	2	Screw #10 x 3/4	
3	0641606	4	Bolt 3/8 x 3/4	
4	1320302	2	U-Clamp	
5	2030010	1	Extinguisher, Fire	
6	3300151	4	Nut 1/4	
7	3311005	2	Nut #10	
8	3311605	4	Nut 3/8	
9	3573400	1	Bracket	
10	1001269573	1	Plate	
11	3577121	2	Angle	
12	4420037	AR	Tape	
13	4751000	2	Washer #10	
14	4751400	4	Washer 1/4	
15	4751600	8	Washer 3/8	
16	1001269322	1	Support	
	1001128556	Ref	SKYWELDER DECAL INSTALLATION	D
101	1702868	1	Decal - No Hands	
102	1705305	1	Decal - Weld Lead	
104	1001228988	1	Decal - Weight	

SECTION 5 - PLATFORM

FIGURE 5-23. USB CHARGER INSTALLATION



ART_1001265342

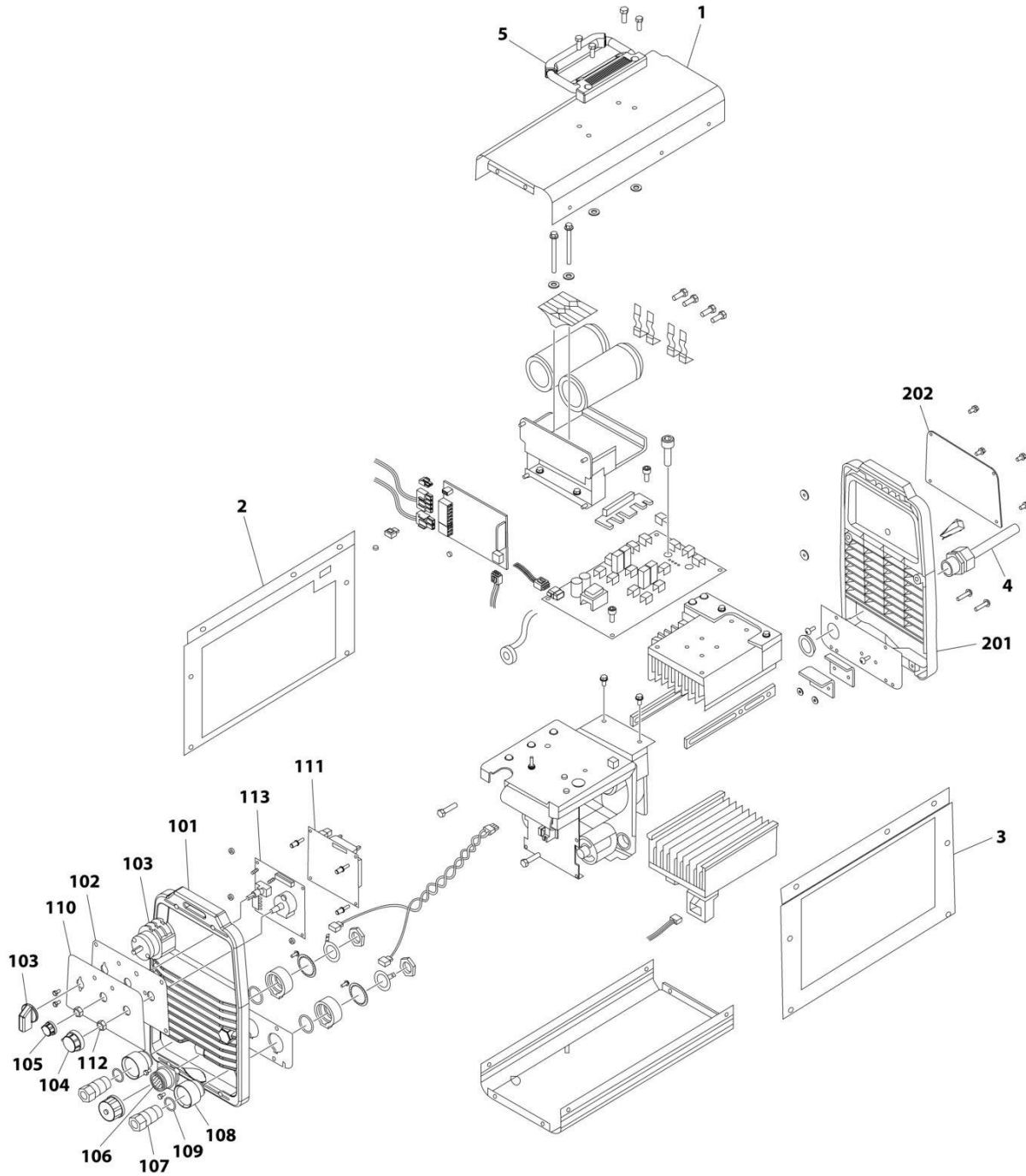
SECTION 5 - PLATFORM

FIGURE 5-23. USB CHARGER INSTALLATION

ITEM	PART NUMBER	QTY	DESCRIPTION	REV
	1001265342	Ref	USB CHARGER INSTALLATION	A
1	3290405	2	Nut M4	
2	4811400	2	Washer M4	
3	1001097244	2	Screw M4 x 12	
4	1001120484	1	Harness, Work Lights	
4	4460879	1	Plug, Male - 2 Position	
4	4460887	2	Terminal	
4	2400060	2	Fuseholder Includes Cover	
4	8229249	2	Fuse, 3 Amp	
4	4460884	1	Connector - 4 Position	
4	4460465	4	Socket, Female	
4	1001120471	1	Connector - 2 Position	
4	1001120477	2	Terminal	
5	1001210636	1	Receptacle, USB	
6	1001265163	1	Harness, USB	A
6	4460260	2	Cover, Terminal	
6	4460259	2	Terminal	
6	4460932	1	Receptacle, Bussbar - 4 Position	
6	4460464	2	Pin, Male	
6	4460466	2	Plug, Terminal	

SECTION 5 - PLATFORM

FIGURE 5-24. WELDER ASSEMBLY



ART_4530028

SECTION 5 - PLATFORM

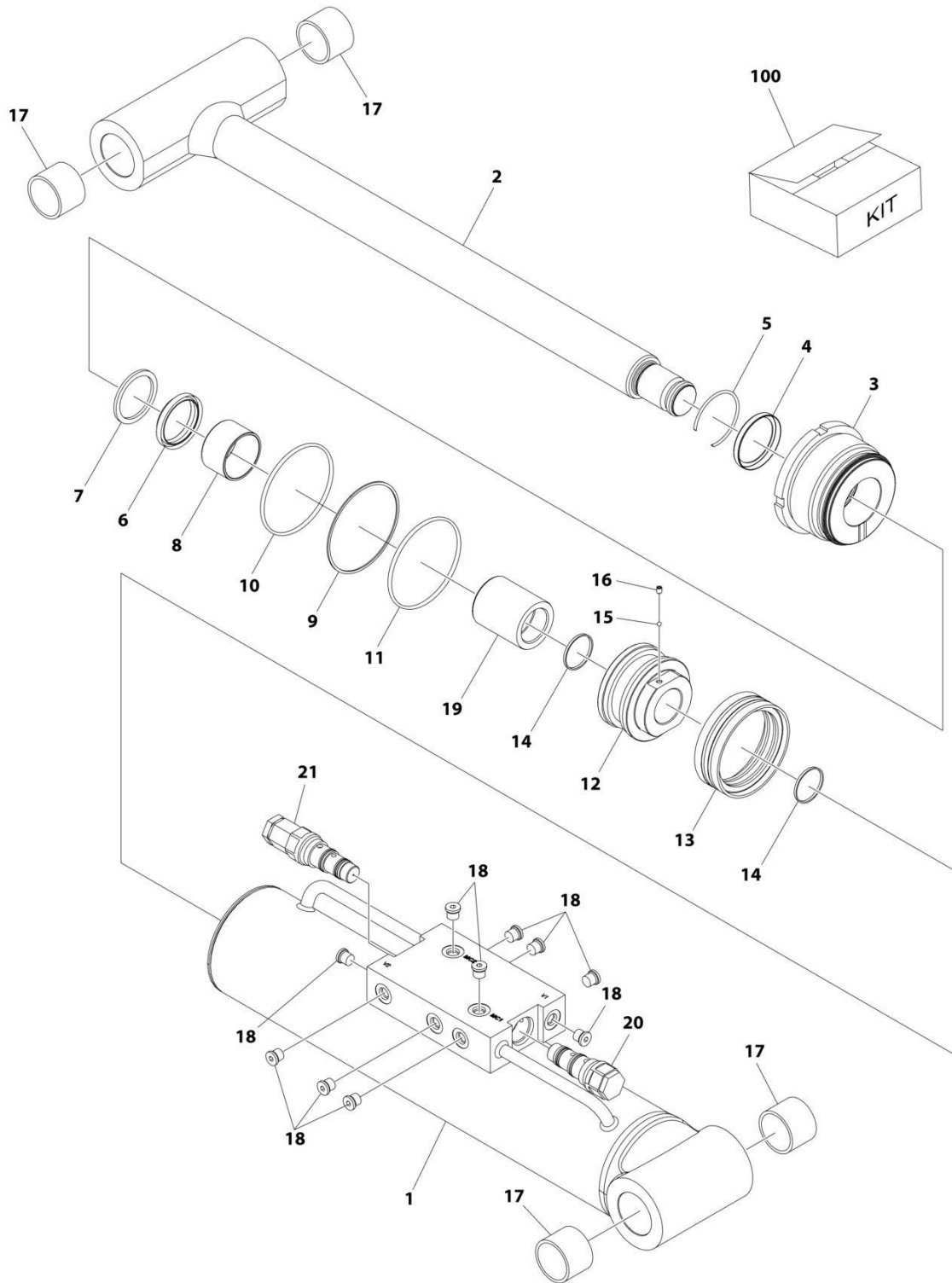
FIGURE 5-24. WELDER ASSEMBLY

ITEM	PART NUMBER	QTY	DESCRIPTION	REV
	4530028	Ref	WELDER ASSEMBLY	B
		Ref	Note: For Other Components, contact your Miller Welder Dealer.	
1	7027773	1	Cover, Top	
1	7027774	1	Decal - Static Precautionary Warning	
2	See Note	NSS	Panel, LH Side (Note: Part of Item 1. Purchase Item 1)	
3	See Note	NSS	Panel, RH Side (Note: Part of Item 1. Purchase Item 1)	
4	7024467	1	Cable, Power	
4	7027775	1	Decal - Electrical Shock Warning (Not Shown)	
5	7027776	1	Handle, Carrying	
101	7024462	1	Panel, Front	
102	7024463	1	Panel, Console	
103	7024469	1	Switch with Lead	
104	7024470	1	Knob	
105	7024471	1	Knob	
106	7024472	1	Receptacle with Leads and Plugs	
107	7024473	2	Receptacle, Twistlock Female	
108	7024474	2	Insulator	
109	7024475	2	O-Ring	
110	7027777	1	Nameplate	
111	7027779	1	Circuit Card Assembly (Process Control)	
112	7024478	2	Nut	
113	7027778	1	Circuit Card Assembly (Operator Interface)	
201	7024462	1	Panel, Rear	
202	7027780	1	Panel, Cover	

SECTION 6 - CYLINDER

SECTION 6 - CYLINDER

FIGURE 6-1. LEVEL CYLINDER ASSEMBLY - PLATFORM SLAVE



ART_1001184957

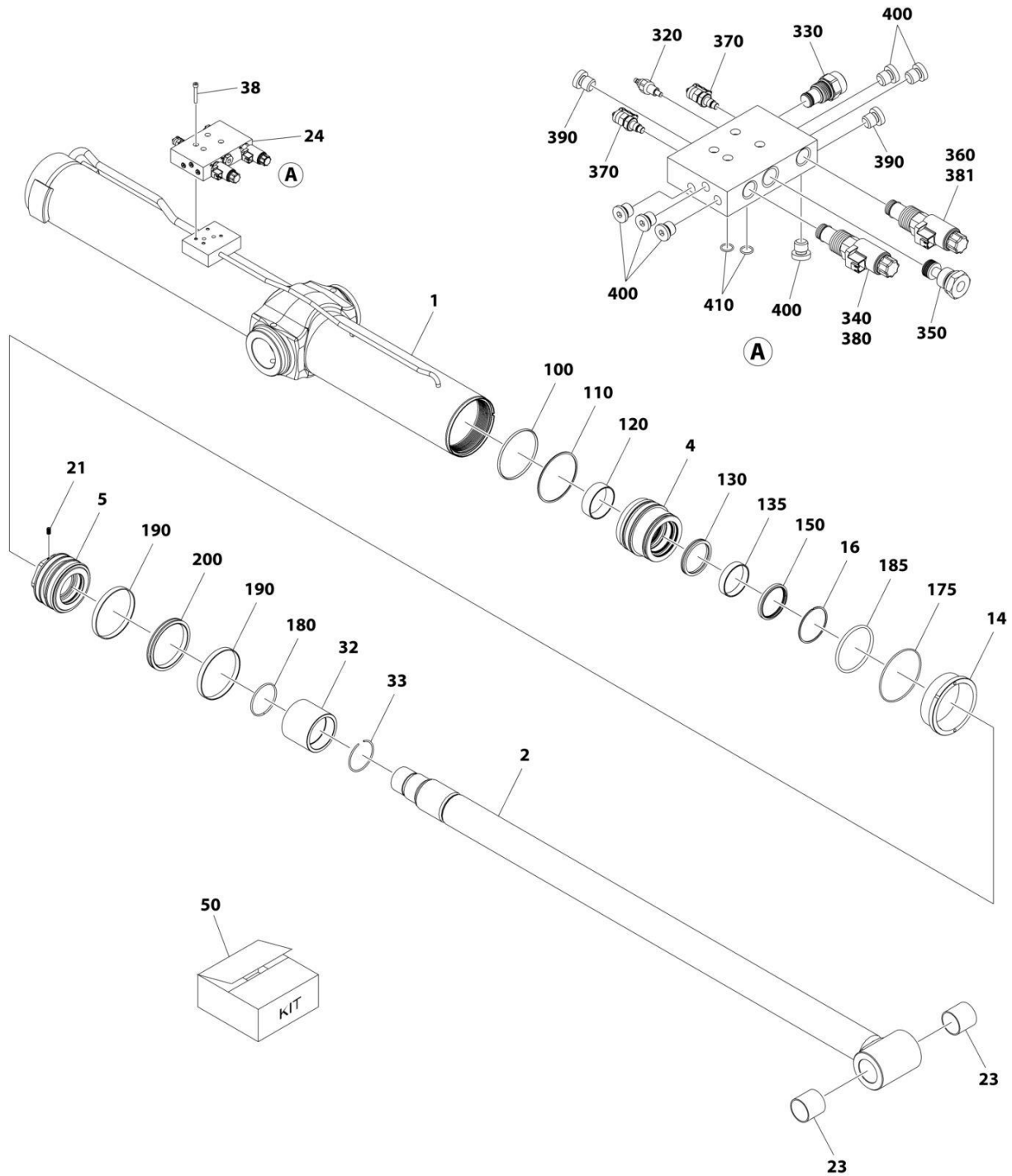
SECTION 6 - CYLINDER

FIGURE 6-1. LEVEL CYLINDER ASSEMBLY - PLATFORM SLAVE

ITEM	PART NUMBER	QTY	DESCRIPTION	REV
	1001184957	Ref	LEVEL CYLINDER ASSEMBLY	D
		Ref	Note: Original Cylinder may have been replaced with Service Replacement. Identify PN Stamped on Cylinder Before Ordering Parts.	
1	70005698	1	Barrel	
2	70005699	1	Rod	
3	70005700	1	Head	
4	See Note	NSS	Wiper (Note: Use Item 100)	
5	70002410	1	Ring, Retaining	
6	See Note	NSS	Seal, Rod (Note: Use Item 100)	
7	See Note	NSS	Ring, Back-up (Note: Use Item 100)	
8	70004237	1	Bearing	
9	See Note	NSS	O-Ring (Note: Use Item 100)	
10	See Note	NSS	Ring, Back-up (Note: Use Item 100)	
11	See Note	NSS	O-Ring (Note: Use Item 100)	
12	70005701	1	Piston	
13	See Note	NSS	Seal, Piston (Note: Use Item 100)	
14	See Note	NSS	O-Ring (Note: Use Item 100)	
15	70022564	1	Ball	
16	70023369	1	Setscrew	
17	0961948	4	Bearing	
18	2220883	10	Plug	
19	70005702	1	Spacer	
20	4640999	1	Valve, Counterbalance	
20	2900792	1	Seal Kit - 4640999 Valve	
21	4640932	1	Valve, Counterbalance	
21	7011112	1	Seal Kit - 4640932 Valve	
100	70005703	1	Seal Kit - 1001184957 Cylinder (Include Items 4, 6, 7, 9, 10, 11, 13 & 14)	

SECTION 6 - CYLINDER

FIGURE 6-2. LIFT CYLINDER ASSEMBLY - BOOM



ART_1001272076

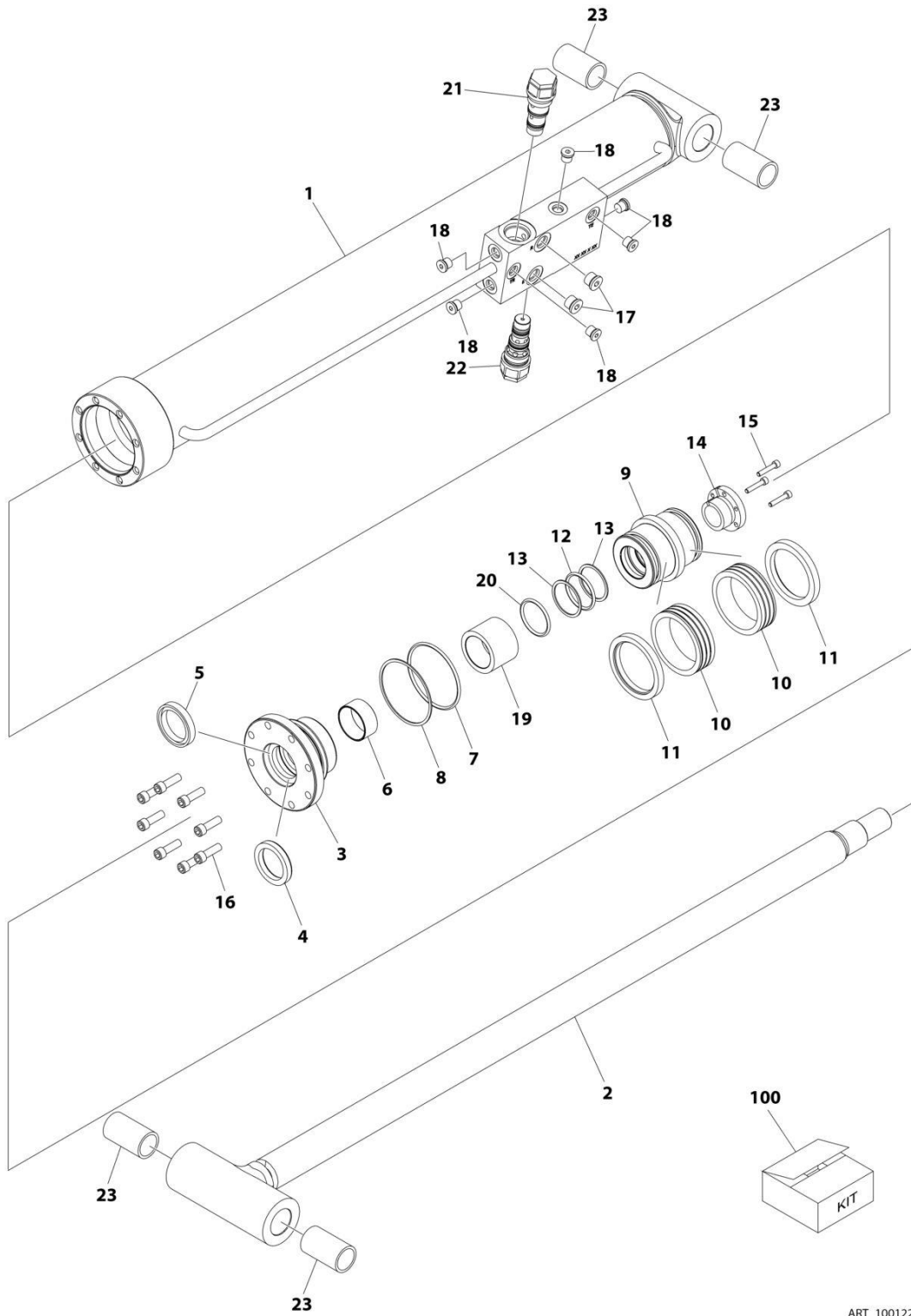
SECTION 6 - CYLINDER

FIGURE 6-2. LIFT CYLINDER ASSEMBLY - BOOM

ITEM	PART NUMBER	QTY	DESCRIPTION	REV
	1001272076	Ref	LIFT CYLINDER ASSEMBLY	A
		Ref	Note: Original Cylinder May Have Been Replaced with Service Replacement. Identify PN Stamped on Cylinder Before Ordering Parts.	
1	See Note	NSS	Barrel (Note: Use PN 1001272076)	
2	See Note	NSS	Rod (Note: Use PN 1001272076)	
4	70005572	1	Head	
5	70025580	1	Piston	
14	70026164	1	Lock	
16	70000699	1	Ring, Retaining	
21	70025582	1	Set Screw M10 x 20	
23	70007838	2	Bushing	
24	See Note	NSS	Valve Assembly (Note: Complete Assembly Not Available - Purchase Individual Components) (See Items 320-410)	
32	70006260	1	Spacer	
33	70005575	1	Ring, Retaining	
38	70007334	4	Capscrew M8 x 55	
50	70005563	1	Seal Kit - 1001272076 Cylinder (Includes Items 100-200)	
100	See Note	NSS	O-Ring (Note: Use Item 50)	
110	See Note	NSS	Ring, Back-Up (Note: Use Item 50)	
120	See Note	NSS	Ring, Wear (Note: Use Item 50)	
130	See Note	NSS	Seal (Note: Use Item 50)	
135	See Note	NSS	Ring, Wear (Note: Use Item 50)	
150	See Note	NSS	Wiper (Note: Use Item 50)	
175	See Note	NSS	O-Ring (Note: Use Item 50)	
180	See Note	NSS	O-Ring (Note: Use Item 50)	
185	See Note	NSS	O-Ring (Note: Use Item 50)	
190	See Note	NSS	Ring (Note: Use Item 50)	
200	See Note	NSS	Seal (Note: Use Item 50)	
320	70007341	1	Cartridge	
320	70004867	1	Seal Kit - 70007341 Valve	
330	70007342	1	Cartridge, Relief	
330	7024502	1	Seal Kit - 70007342 Valve	
340	70007343	1	Cartridge, Solenoid	
350	1001271454	1	Plug	
360	70007345	1	Cartridge, Solenoid	
360	7024503	1	Seal Kit - 70007345 Valve	
370	2221086	2	Fitting, Test	
380	70007323	1	Coil	
381	70006004	1	Coil	
390	70007346	2	Orifice	
400	70026973	6	Plug 1/8	
410	70007347	2	O-Ring	

SECTION 6 - CYLINDER

FIGURE 6-3. LIFT CYLINDER ASSEMBLY - JIB



ART_1001228013

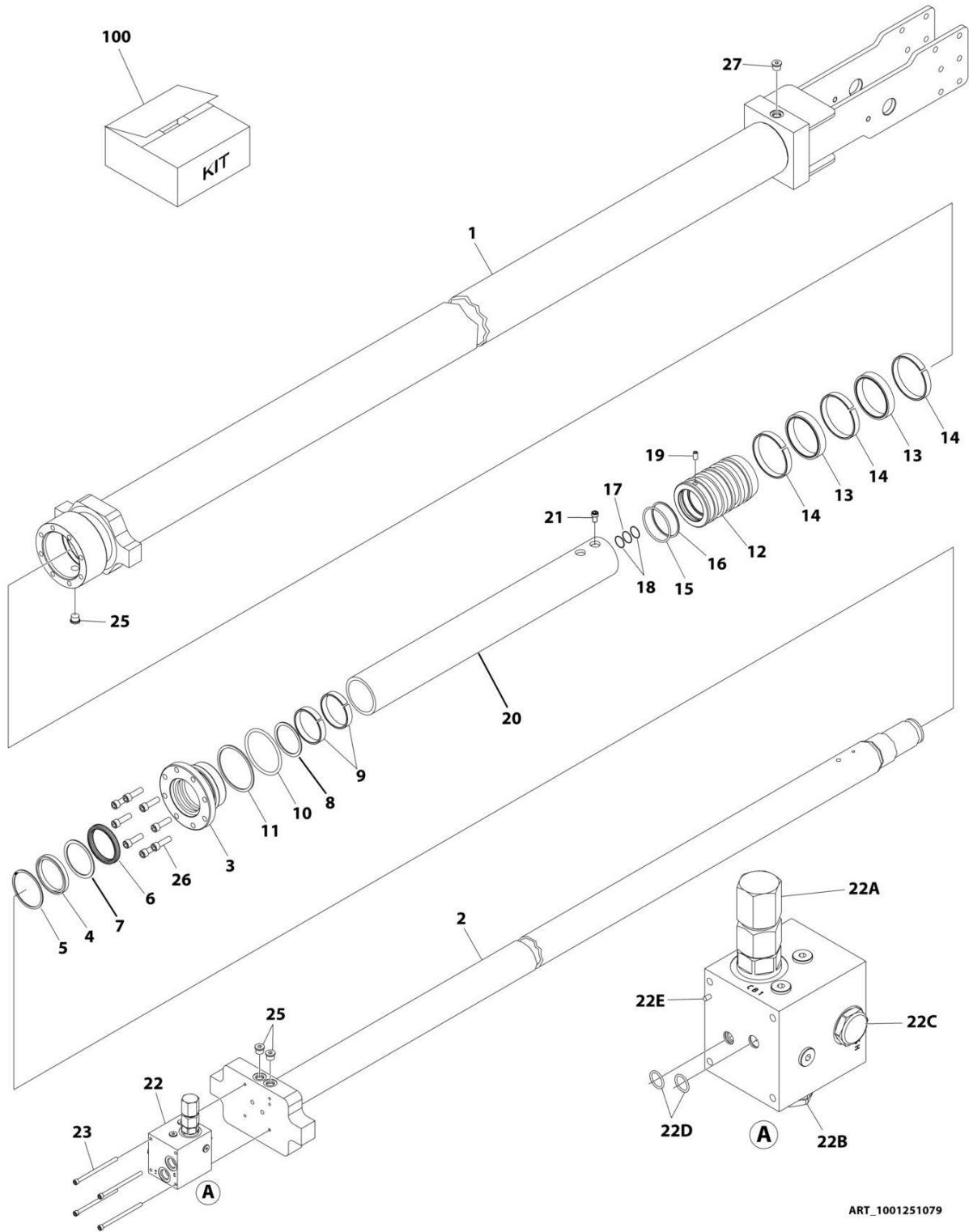
SECTION 6 - CYLINDER

FIGURE 6-3. LIFT CYLINDER ASSEMBLY - JIB

ITEM	PART NUMBER	QTY	DESCRIPTION	REV
	1001228013	Ref	LIFT CYLINDER ASSEMBLY	D
		Ref	Note: Original Cylinder May Have Been Replaced with Service Replacement. Identify PN Stamped on Cylinder Before Ordering Parts.	
1	See Note	NSS	Barrel (Note: Not Available for Purchase)	
2	70006734	1	Rod	
3	70006649	1	Head	
4	See Note	NSS	Wiper (Note: Use Item 100)	
5	See Note	NSS	Seal, Rod (Note: Use Item 100)	
6	See Note	NSS	Ring, Wear (Note: Use Item 100)	
7	See Note	NSS	O-Ring (Note: Use Item 100)	
8	See Note	NSS	Ring, Back-up (Note: Use Item 100)	
9	70006650	1	Piston	
10	See Note	NSS	Seal (Note: Use Item 100)	
11	See Note	NSS	Ring, Lock (Note: Use Item 100)	
12	See Note	NSS	O-Ring (Note: Use Item 100)	
13	See Note	NSS	Ring, Back-up (Note: Use Item 100)	
14	0961893	1	Bushing, Tapered	
15	0630534	3	Bolt #10-24NC x 1in	
16	70006735	8	Capscrew 5/16 x 1	
17	2220885	2	Plug, O-Ring #6	
18	2220883	6	Plug, O-Ring #4	
19	70006736	1	Spacer, Tube	
20	See Note	NSS	O-Ring (Note: Use Item 100)	
21	4640509	1	Cartridge, Valve	
21	2900792	1	Seal Kit - 4640509 Valve	
22	1001231963	1	Cartridge, Valve	
22	70004186	1	Seal Kit - 1001231963 Valve	
23	0962336	4	Bushing	
100	2901303	1	Seal Kit (Includes Items 4-8, 10-13 & 20)	

SECTION 6 - CYLINDER

FIGURE 6-4. TELESCOPE CYLINDER ASSEMBLY



ART_1001251079

SECTION 6 - CYLINDER

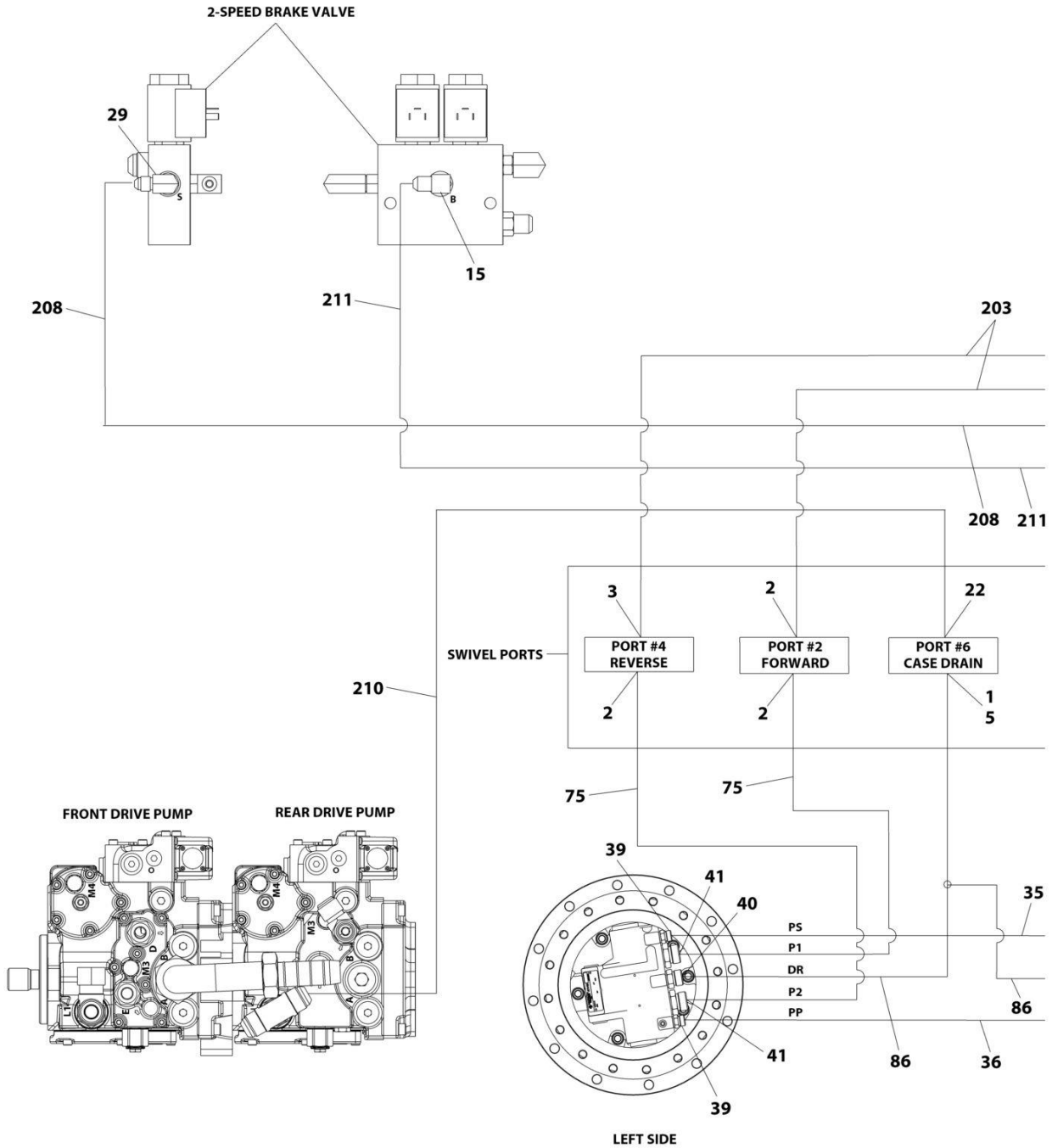
FIGURE 6-4. TELESCOPE CYLINDER ASSEMBLY

ITEM	PART NUMBER	QTY	DESCRIPTION	REV
	1001251079	Ref	TELESCOPE CYLINDER ASSEMBLY	B
	See Note	Ref	Note: Original Cylinder may have been replaced with Service Replacement. Identify PN Stamped on Cylinder Before Ordering Parts.	
1	See Note	NSS	Barrel (Note: Use PN 1001251079)	
2	70006978	1	Rod	
3	70006979	1	Head	
4	See Note	NSS	Wiper (Note: Use Item 100)	
5	70050795	1	Ring, Retaining	
6	See Note	NSS	Seal, Rod (Note: Use Item 100)	
7	See Note	NSS	Ring, Back-up (Note: Use Item 100)	
8	See Note	NSS	Ring, Buffer (Note: Use Item 100)	
9	See Note	NSS	Ring, Wear (Note: Use Item 100)	
10	See Note	NSS	O-Ring (Note: Use Item 100)	
11	See Note	NSS	Ring, Back-up (Note: Use Item 100)	
12	70006980	1	Piston	
13	See Note	NSS	Seal, Piston (Note: Use Item 100)	
14	See Note	NSS	Ring, Wear (Note: Use Item 100)	
15	See Note	NSS	O-Ring (Note: Use Item 100)	
16	See Note	NSS	Ring, Back-up (Note: Use Item 100)	
17	See Note	NSS	O-Ring (Note: Use Item 100)	
18	See Note	NSS	Ring, Back-up (Note: Use Item 100)	
19	70005839	1	Setscrew M8 x 12	
20	70006981	1	Spacer	
21	70006731	1	Bolt M8 x 12	
22	1001133245	1	Valve Assembly	
22A	70003926	1	Cartridge, Valve	
22A	70004186	1	Seal Kit - 70003926 Valve	
22B	70004155	1	Cartridge, Valve	
22B	70004186	1	Seal Kit - 70004155 Valve	
22C	70003928	1	Cartridge, Valve	
22C	70003929	1	Seal Kit - 70003928 Valve	
22D	70003982	2	Seal	
22E	70003930	1	Roll Pin	
23	70005595	4	Bolt M6 x 100	
25	2220885	3	Plug 9/16	
26	70006982	8	Bolt M10 x 45	
27	2220883	1	Plug 7/16	
100	70006983	1	Seal Kit - 1001251079 Cylinder (Includes Items 4, 6-11 & 13-18)	

SECTION 7 - HYDRAULIC

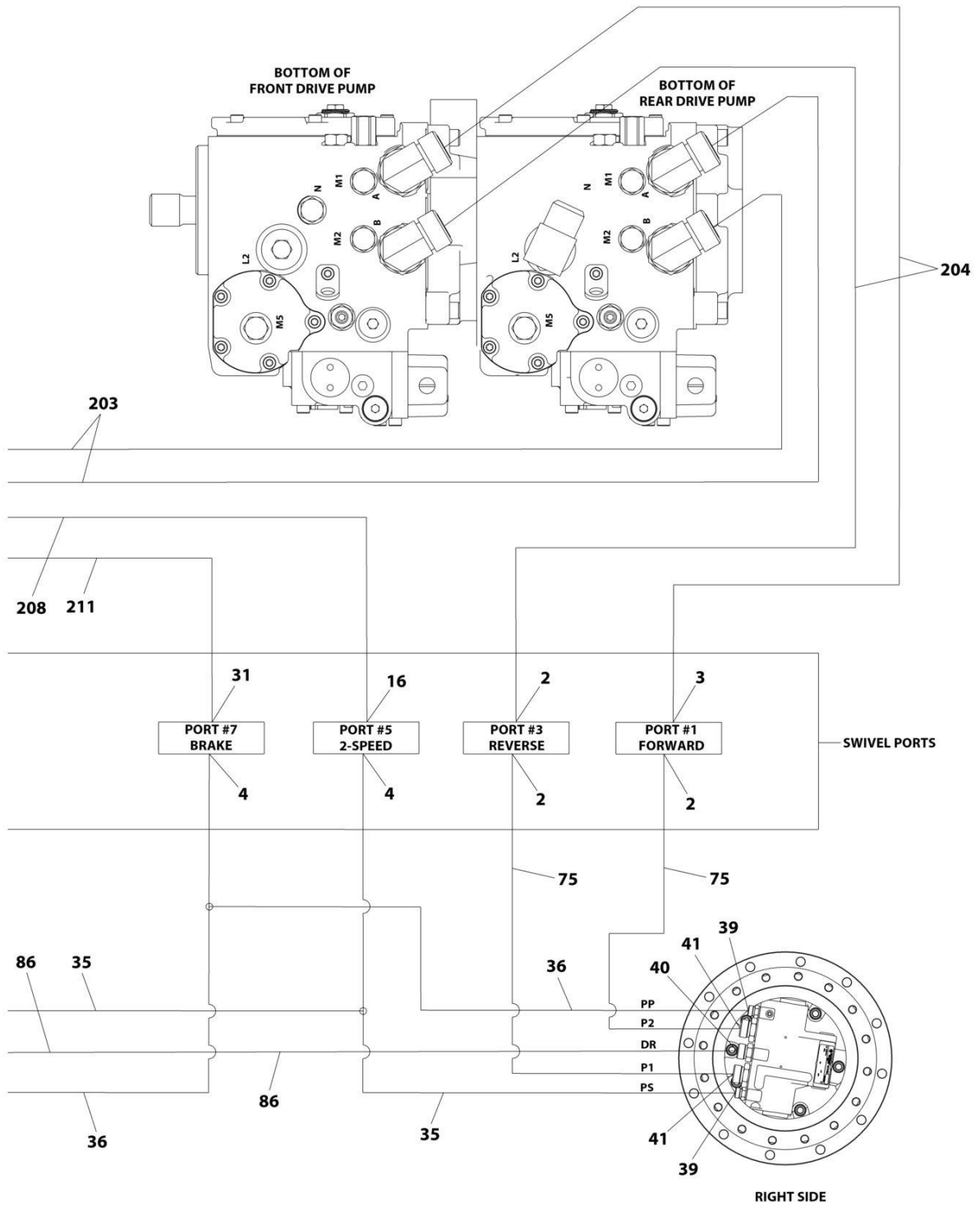
SECTION 7 - HYDRAULIC

FIGURE 7-1. STANDARD HYDRAULIC DIAGRAM



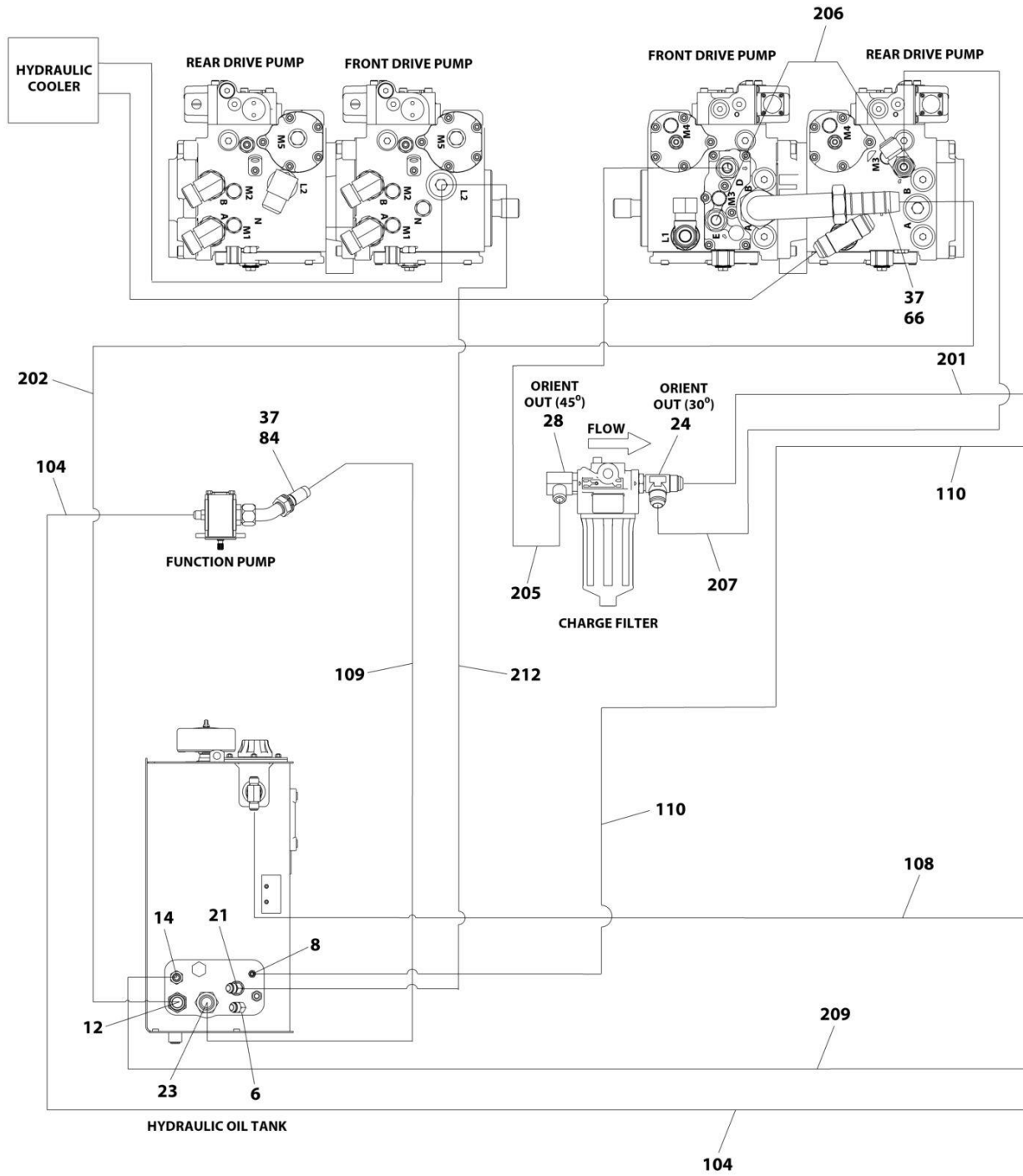
ART_1001234795_10F6

SECTION 7 - HYDRAULIC



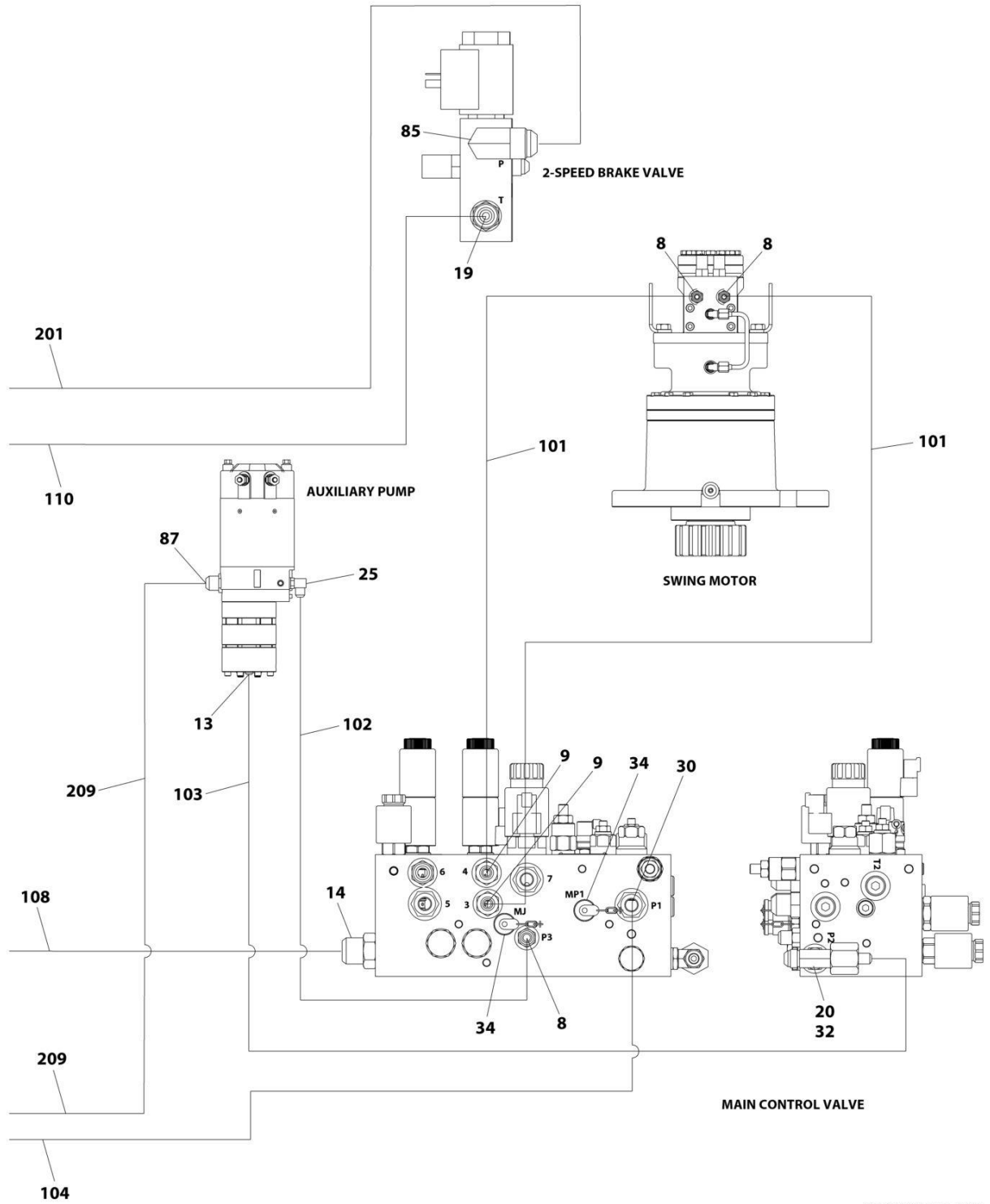
ART_1001234795_2OF6

SECTION 7 - HYDRAULIC



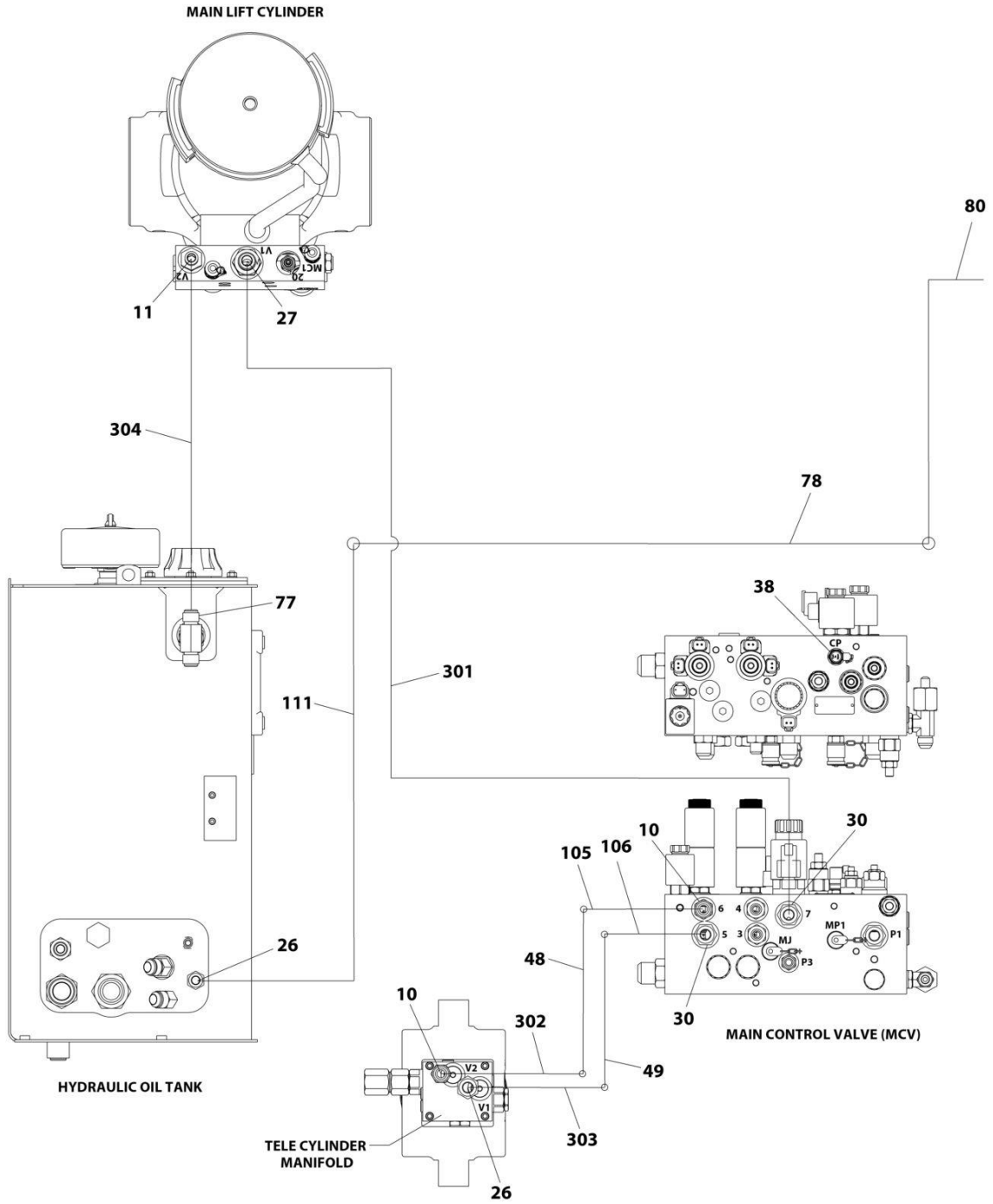
ART_1001234795_3OF6

SECTION 7 - HYDRAULIC



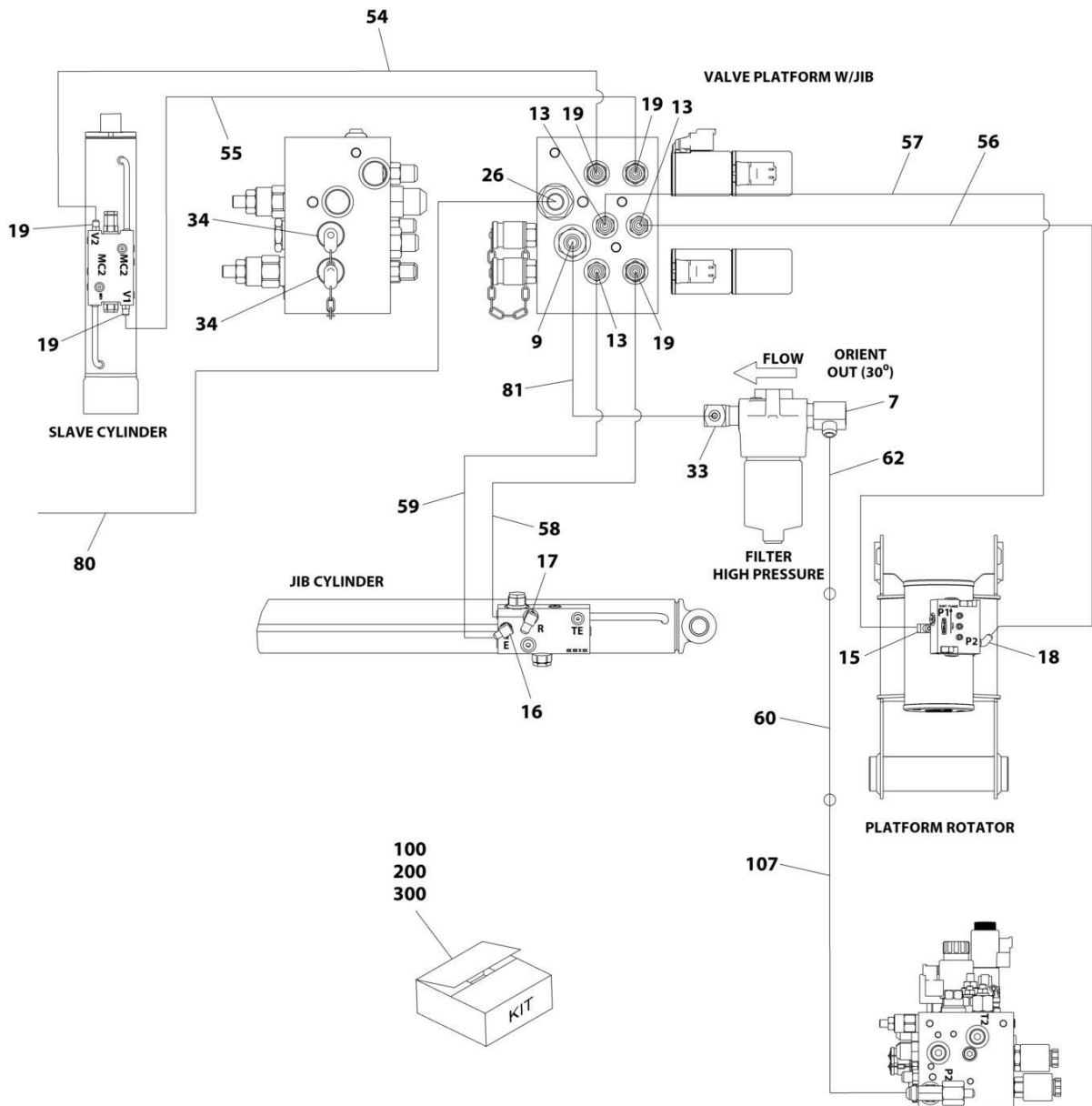
ART_1001234795_4OF6

SECTION 7 - HYDRAULIC



ART_1001234795_SOF6

SECTION 7 - HYDRAULIC



ART_1001234795_60F6

SECTION 7 - HYDRAULIC

FIGURE 7-1. STANDARD HYDRAULIC DIAGRAM

ITEM	PART NUMBER	QTY	DESCRIPTION	REV
	1001234795	Ref	HYDRAULIC DIAGRAM	F
1	2110806	1	Fitting, Straight	
2	2111212	6	Fitting, Straight	
3	2170112	2	Fitting, Straight	
4	2170406	2	Fitting	
5	2170708	1	Fitting	
6	2221345	1	Fitting, 45	
7	2220366	1	Fitting, 90	
8	2220371	4	Fitting, Straight	
9	2220372	3	Fitting, Straight	
10	2220373	2	Fitting, Straight	
11	2220374	1	Fitting, Straight	
12	2220380	1	Fitting, Straight	
13	2220415	4	Fitting, Straight	
14	2220451	2	Fitting, Straight	
15	2220466	2	Fitting, 90	
16	2220472	2	Fitting, 90	
17	2220473	1	Fitting, 90	
18	2220502	1	Fitting, 45	
19	2220603	6	Fitting, Straight	
20	2220618	1	Fitting, Straight	
21	2220498	1	Fitting, 45	
22	2220726	1	Fitting, 90	
23	2220733	1	Fitting, Straight	
24	2220738	1	Fitting	
25	2220775	1	Fitting, 90	
26	2220852	3	Fitting, Straight	
27	2220865	1	Fitting, Straight	
28	2220906	1	Fitting, 90	
29	2220940	1	Fitting, Elbow	
30	2220947	3	Fitting, Straight	
31	2220998	1	Fitting, Straight	
32	2220999	1	Fitting	
33	2221048	1	Fitting, 90	
34	2221086	4	Fitting	
35	2753727	2	Hose	
36	2754472	2	Hose	
37	80633030	2	Clamp	
38	1001119455	1	Valve, Oil Sampling	
39	1001191362	4	Fitting, Straight	
40	1001191364	2	Fitting, Straight	
41	1001191365	4	Fitting, Straight	
48	1001192693	1	Pipe	
49	1001192694	1	Pipe	
54	1001193927	1	Hose	
55	1001193928	1	Hose	
56	1001193929	1	Hose	
57	1001193930	1	Hose	
58	1001269096	1	Hose	
59	1001269097	1	Hose	

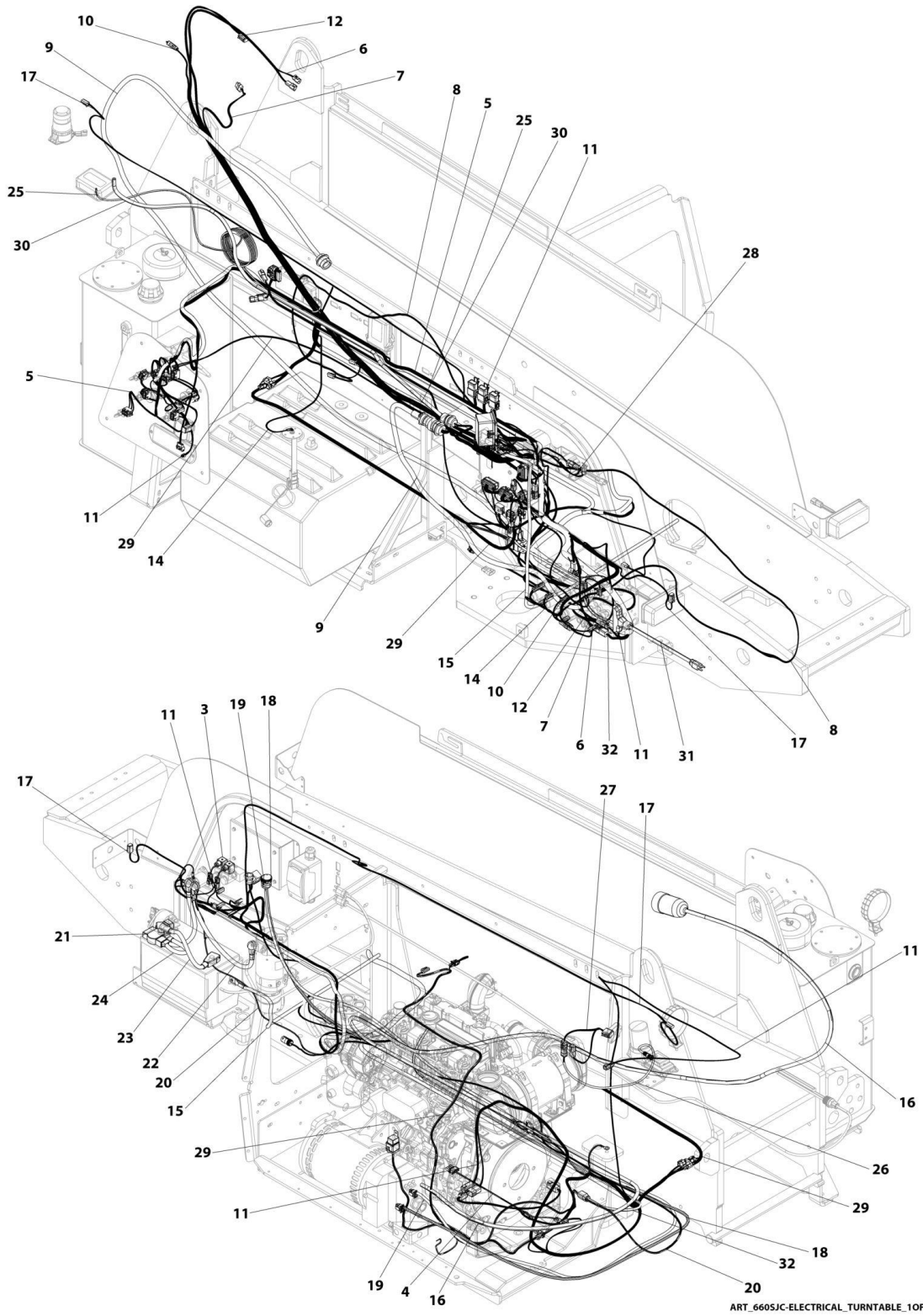
SECTION 7 - HYDRAULIC

ITEM	PART NUMBER	QTY	DESCRIPTION	REV
60	1001201255	1	Pipe	
62	1001203426	1	Hose	
66	1001205824	1	Fitting, 90	
75	1001213673	4	Hose	
77	1001214408	1	Fitting, Tee	
78	1001220903	1	Pipe	
80	1001221016	1	Hose	
81	1001222522	1	Hose	
84	1001230217	1	Fitting, 45	
85	1001232948	1	Fitting, 90	
86	1001233073	2	Hose	
87	2220408	1	Fitting, Straight	
100	1001269916	1	Hose Kit - Turntable (Tank Side)	
101	1001192651	2	Hose	
102	1001192654	1	Hose	
103	1001192655	1	Hose	
104	1001192679	1	Hose	
105	1001192695	1	Hose	
106	1001192698	1	Hose	
107	1001203424	1	Hose	
108	1001203430	1	Hose	
109	1001211283	1	Hose	
110	1001214149	1	Hose	
111	1001220912	1	Hose	
200	1001269917	1	Hose Kit - Turntable (Engine Side)	
201	1001192673	1	Hose	
202	1001203432	1	Hose	
203	1001211281	2	Hose	
204	1001211282	2	Hose	
205	1001211286	1	Hose	
206	1001211287	1	Hose	
207	1001211288	1	Hose	
208	1001211292	1	Hose	
209	1001274118	1	Hose	
210	1001229337	1	Hose	
211	1001234071	1	Hose	
212	1001235487	1	Hose	
300	1001269914	1	Hose Kit - Boom	
301	1001192641	1	Hose	
302	1001192696	1	Hose	
303	1001192699	1	Hose	
304	1001204645	1	Hose	

SECTION 8 - ELECTRICAL

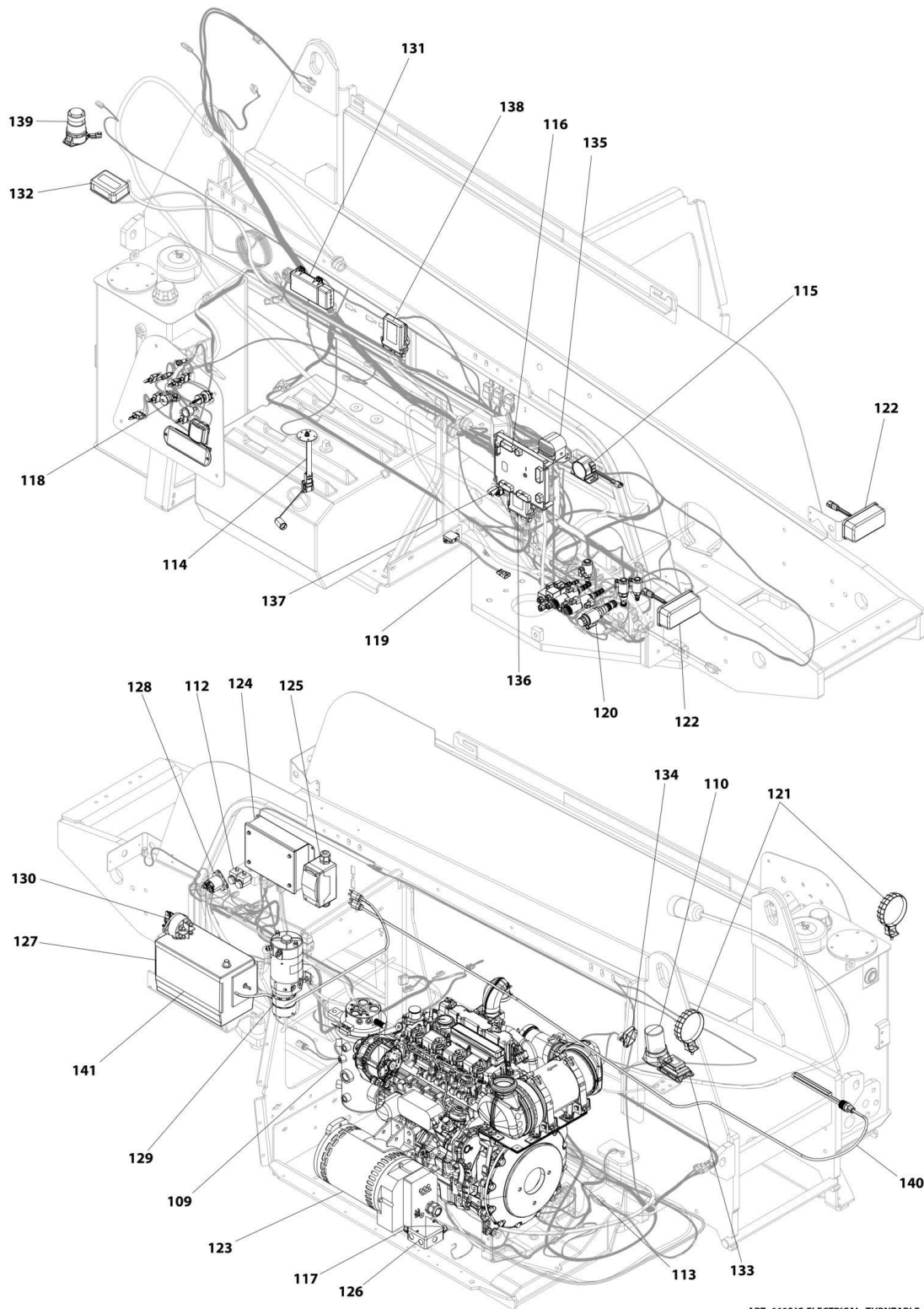
SECTION 8 - ELECTRICAL

FIGURE 8-1. 660SJC ELECTRICAL LAYOUT



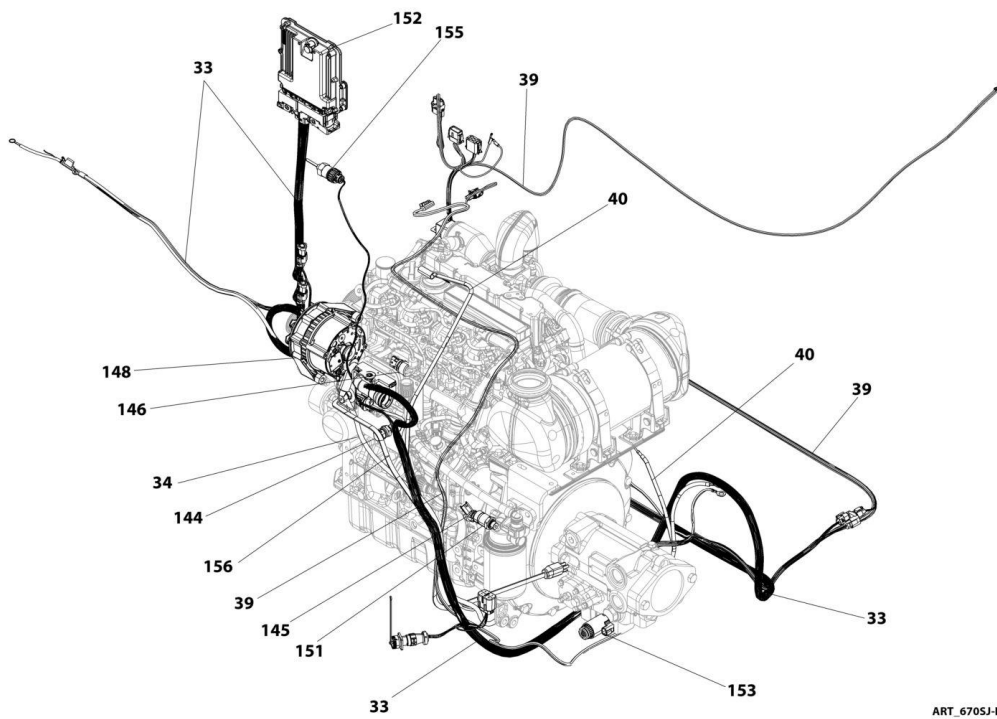
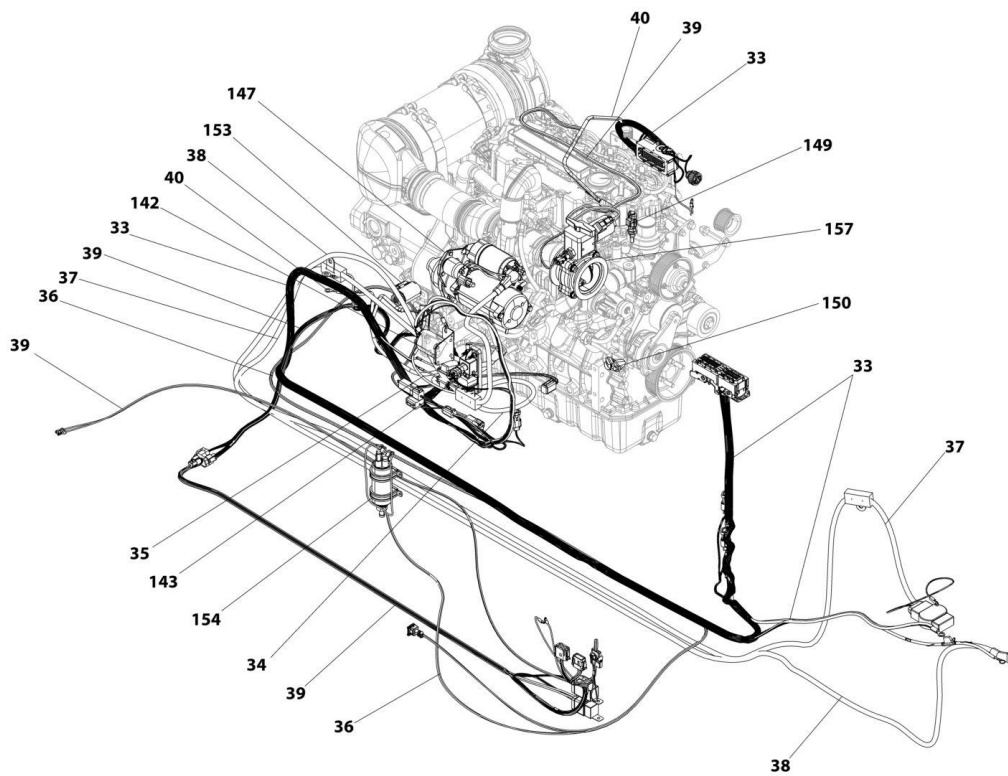
ART_660SJC-ELECTRICAL_TURNTABLE_10F2

SECTION 8 - ELECTRICAL



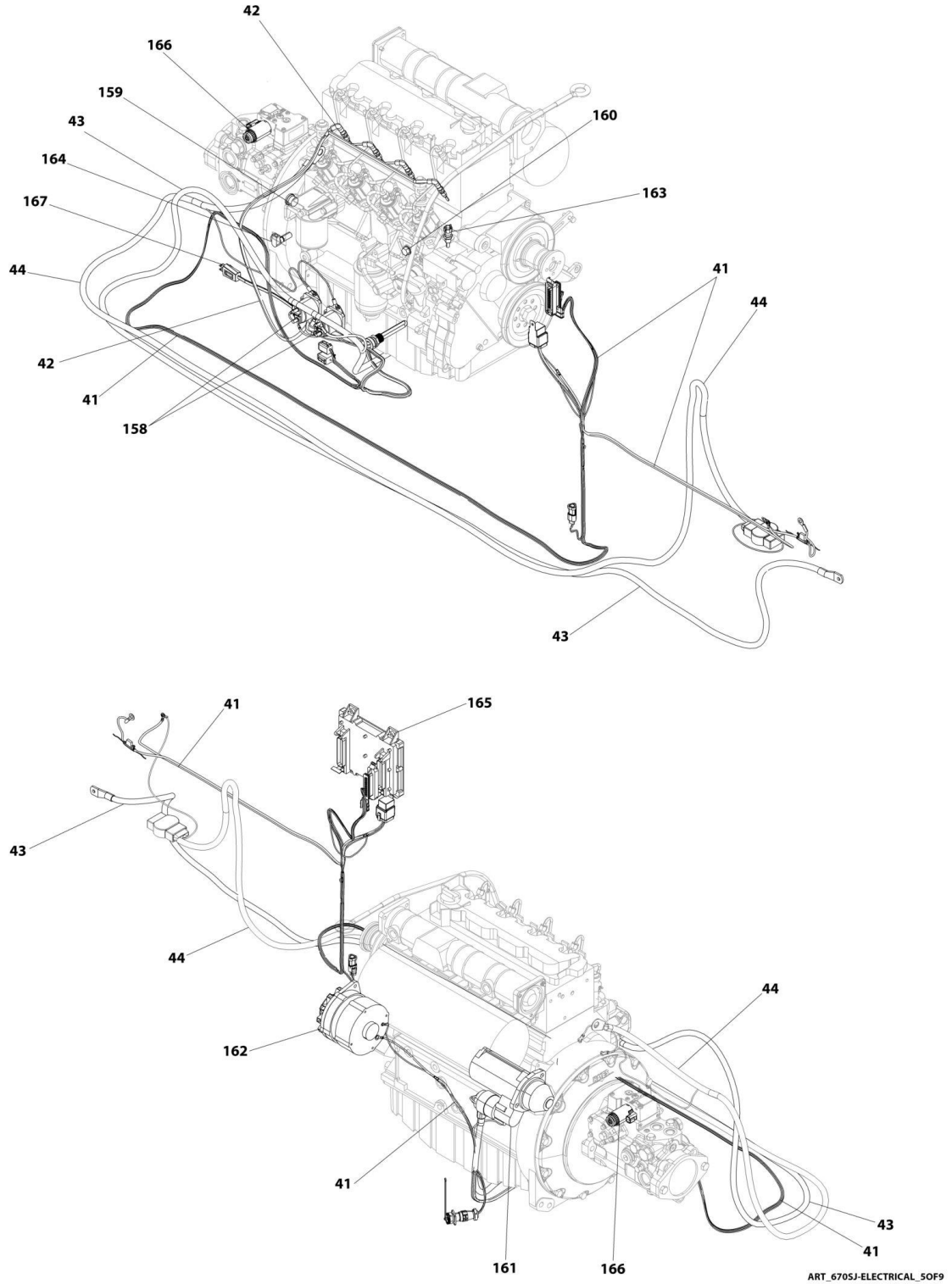
ART_660SJC-ELECTRICAL_TURNTABLE_20F2

SECTION 8 - ELECTRICAL

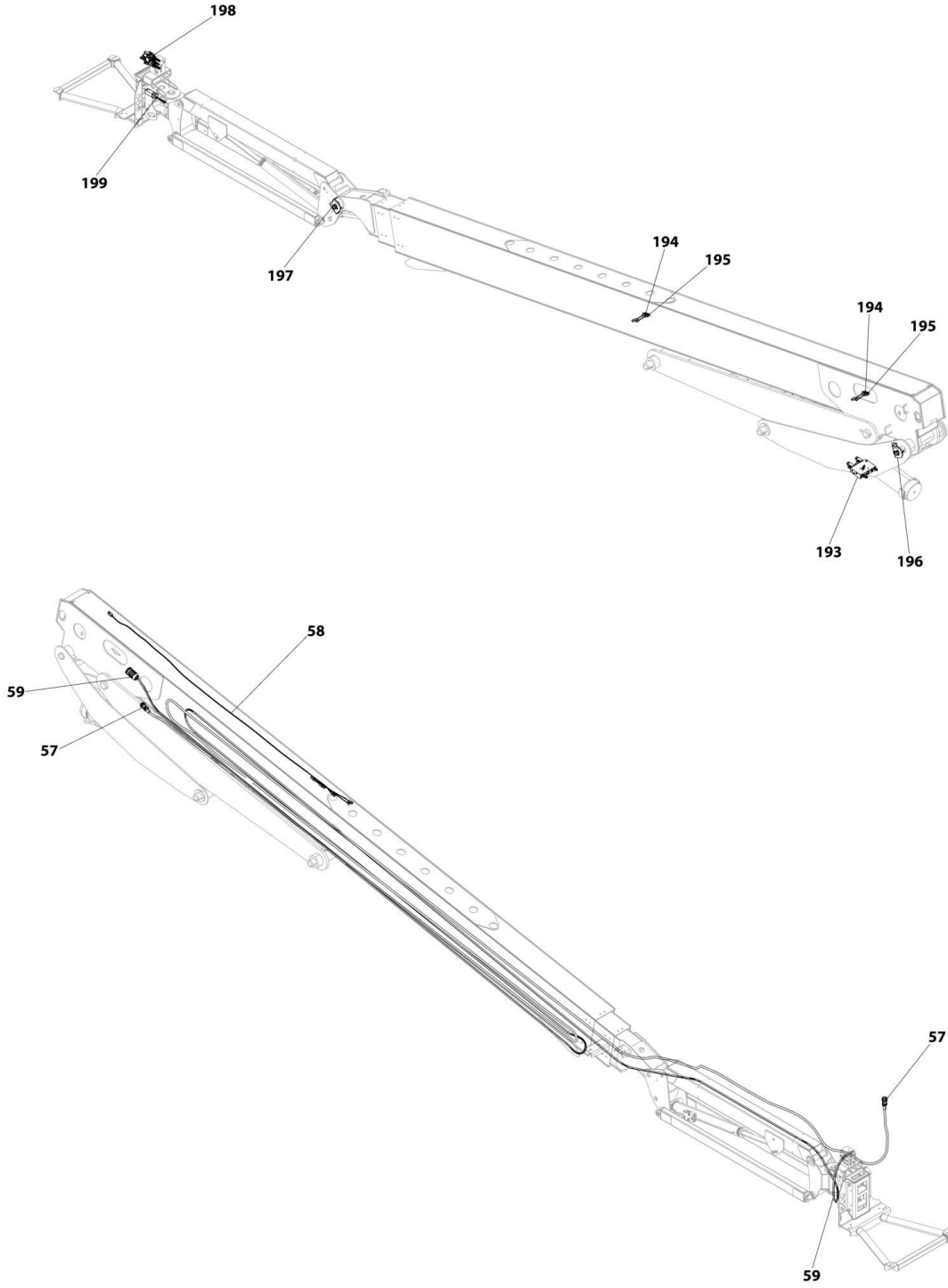


ART_670SJ-ELECTRICAL_40F9

SECTION 8 - ELECTRICAL

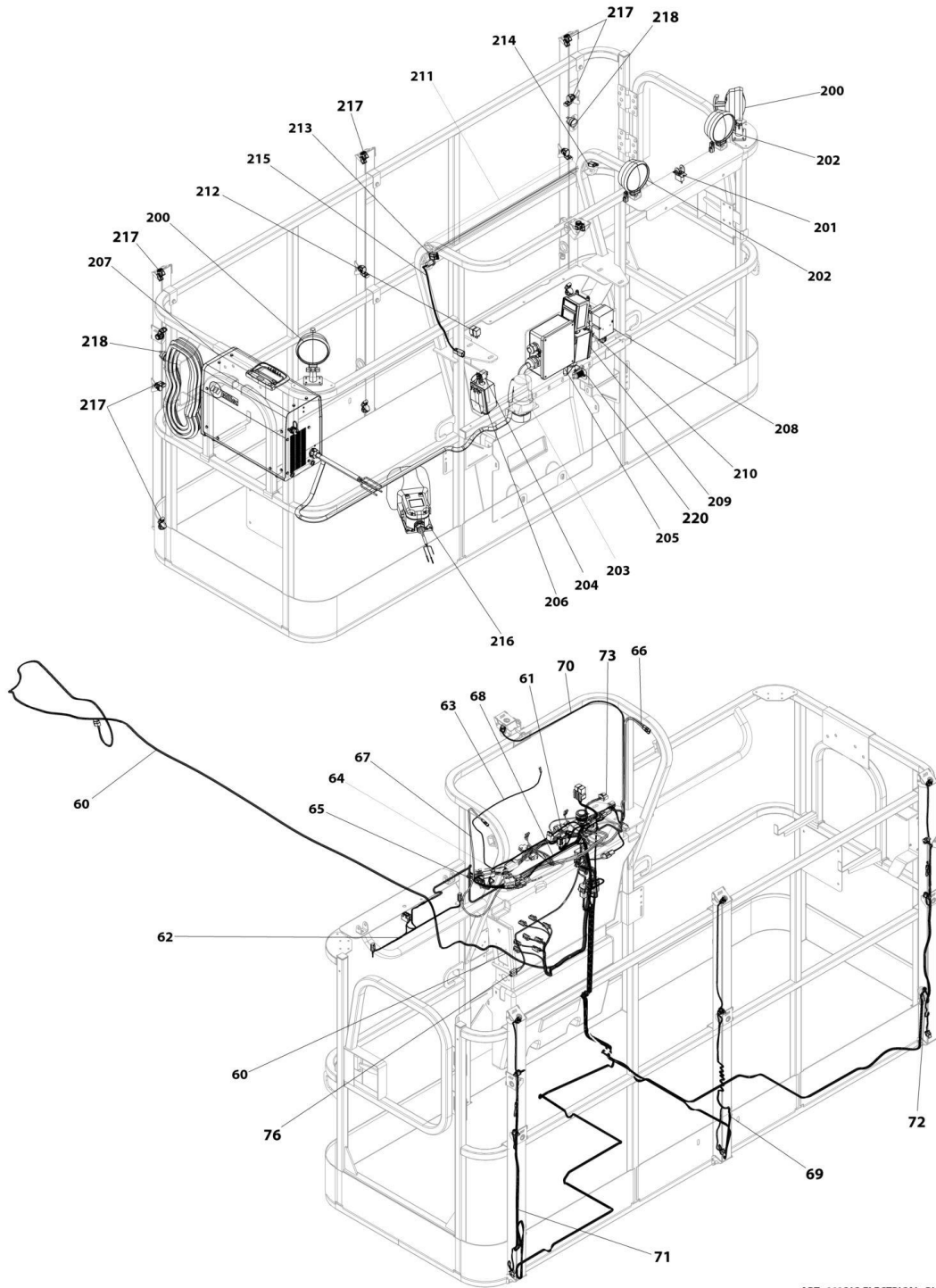


SECTION 8 - ELECTRICAL



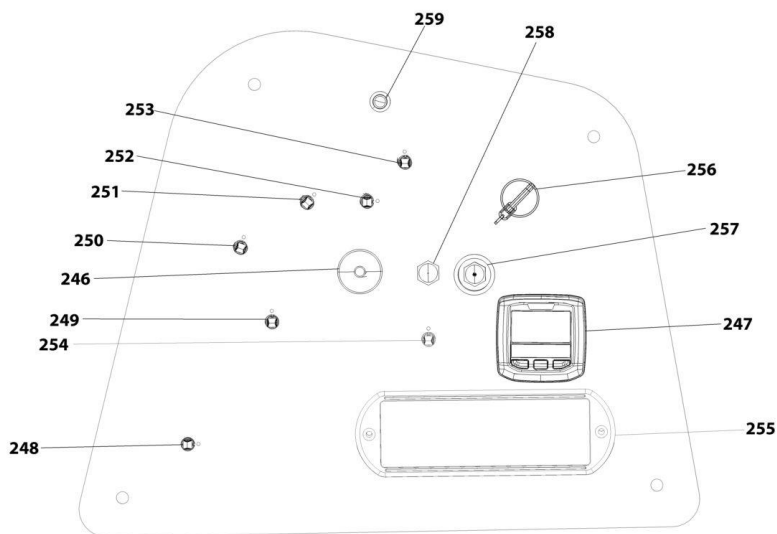
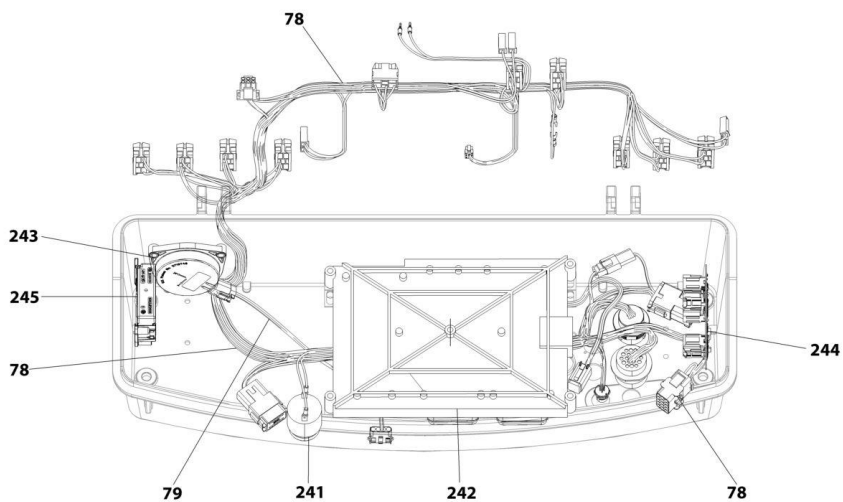
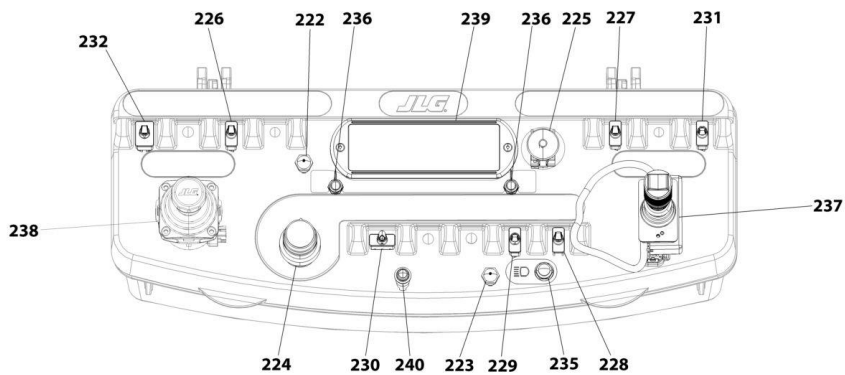
ART_660SJ-ELECTRICAL_BOOM

SECTION 8 - ELECTRICAL



ART_660SJC-ELECTRICAL_PLATFORM

SECTION 8 - ELECTRICAL



ART_660SJC-ELECTRICAL_CONTROLS

SECTION 8 - ELECTRICAL

FIGURE 8-1. 660SJC ELECTRICAL LAYOUT

ITEM	PART NUMBER	QTY	DESCRIPTION	REV
		Ref	HARNESS LIST	
		Ref	Note: This figure is for part identification only.	
3		Ref	Harness, Can Field	
4		Ref	Harness, Left Drive	
5		Ref	Harness, Ground Control	
6		Ref	Harness, Tele Retract	
7		Ref	Harness, Boom Angle Sensor	
8		Ref	Harness, Lift Cylinder	
9		Ref	Cable, Boom (Lower)	
10		Ref	Harness, Boom Cable Service	
11		Ref	Harness, Turntable	
12		Ref	Harness, Capacity (Lower)	
14		Ref	Harness, Main Valve	
15		Ref	Harness, Ground Module	
16		Ref	Cable, AC Ground to Platform	
17		Ref	Harness, Head and Tail Light	
18		Ref	Harness, 7500W Generator	
19		Ref	Harness, 4000W Generator	
20		Ref	Harness, 2500W Generator	
21		Ref	Cable, Battery (+) to Aux Relay	
22		Ref	Cable, Aux Relay to Aux Pump	
23		Ref	Cable, Battery (+) to Disconnect	
24		Ref	Cable, Battery (-) to Disconnect	
25		Ref	Harness, Clearsky	
26		Ref	Harness, Telematics	
27		Ref	Harness, Xirgo Jumper	
28		Ref	Harness, White Noise Alarm	
29		Ref	Harness, ASOV	
30		Ref	Harness, Strobe Light Control	
31		Ref	3-Way Plug	
32		Ref	Cable, Extension	
33		Ref	Harness, Engine	
34		Ref	Harness, Alternator Power	
35		Ref	Harness, Glow Plug Fuse	
36		Ref	Harness, Fuel Pump	
37		Ref	Cable, Battery (-) to Aux Pump to Ground	
38		Ref	Cable, Battery (+) to Relay to Starter	
39		Ref	Harness, ASOV	
40		Ref	Breather Tube Heater	
41		Ref	Harness, Engine	
42		Ref	Harness, Glow Plug Fuse	
43		Ref	Cable, Battery (+) to Relay to Starter	
44		Ref	Cable, Battery (-) to Aux Pump to Ground	
57		Ref	Cable, Boom (Upper)	
58		Ref	Harness, Capacity (Upper)	
59		Ref	Cable, AC Ground to Platform	
60		Ref	Harness, Platform Valve	
61		Ref	Harness, Platform Work Light	
62		Ref	Harness, Platform Flood Light	
63		Ref	Harness, Platform Strobe Light	

SECTION 8 - ELECTRICAL

ITEM	PART NUMBER	QTY	DESCRIPTION	REV
64		Ref	Harness, SkyGuard	
65		Ref	Harness, SkyEye Intermediate	
66		Ref	Harness, SkyEye Receiver	
67		Ref	Harness, SkyEye Emitter	
68		Ref	Harness, SkyLine	
69		Ref	Harness, SkySense Mid Tube	
70		Ref	Harness SkySense Overhead Sensor	
71		Ref	Harness, SkySense Left Tube	
72		Ref	Harness, SkySense Right Tube	
73		Ref	Harness, SkySense Main	
76		Ref	Harness, USB	
78		Ref	Harness, Platform Console	
79		Ref	Harness, Tilt Sensor	
		Ref	COMPONENT LIST	
109		Ref	Rotary Coupling	
110		Ref	Light, Strobe (Amber)	
112		Ref	Solenoids, Axle Valve	
113		Ref	Engine	
114		Ref	Sensor, Fuel Level	
115		Ref	Alarm	
116		Ref	Module, Ground Control	
117		Ref	Light, Generator	
118		Ref	Ground Control Panel	
119		Ref	Sensor, Tilt	
120		Ref	Solenoids, Main Control Valve	
121		Ref	Headlight	
122		Ref	Taillight	
123		Ref	Generator	
124		Ref	Box, Generator Control	
125		Ref	AC Breaker Box	
126		Ref	Generator Junction Box	
127		Ref	Battery	
128		Ref	Relay	
129		Ref	Auxiliary Pump/Motor	
130		Ref	Switch, Battery Disconnect	
131		Ref	Module, ClearSky Telematics CANBUS	
132		Ref	Antenna, ClearSky Telematics	
133		Ref	Module, ClearSky Telematics 3-Wire	
134		Ref	Voltage Regulator, ClearSky Telematics	
135		Ref	Alarm, White Noise	
136		Ref	Module, ASOV Control	
137		Ref	Switch, ASOV	
138		Ref	Module, Strobe Control	
139		Ref	Light, Strobe	
140		Ref	Heater, Immersion	
141		Ref	Heater, Battery	
142		Ref	Contactors	
143		Ref	Relay	
144		Ref	Sensor, Oil Pressure	
145		Ref	Sensor, Speed	
146		Ref	Sensor, Fuel Rail Pressure	

SECTION 8 - ELECTRICAL

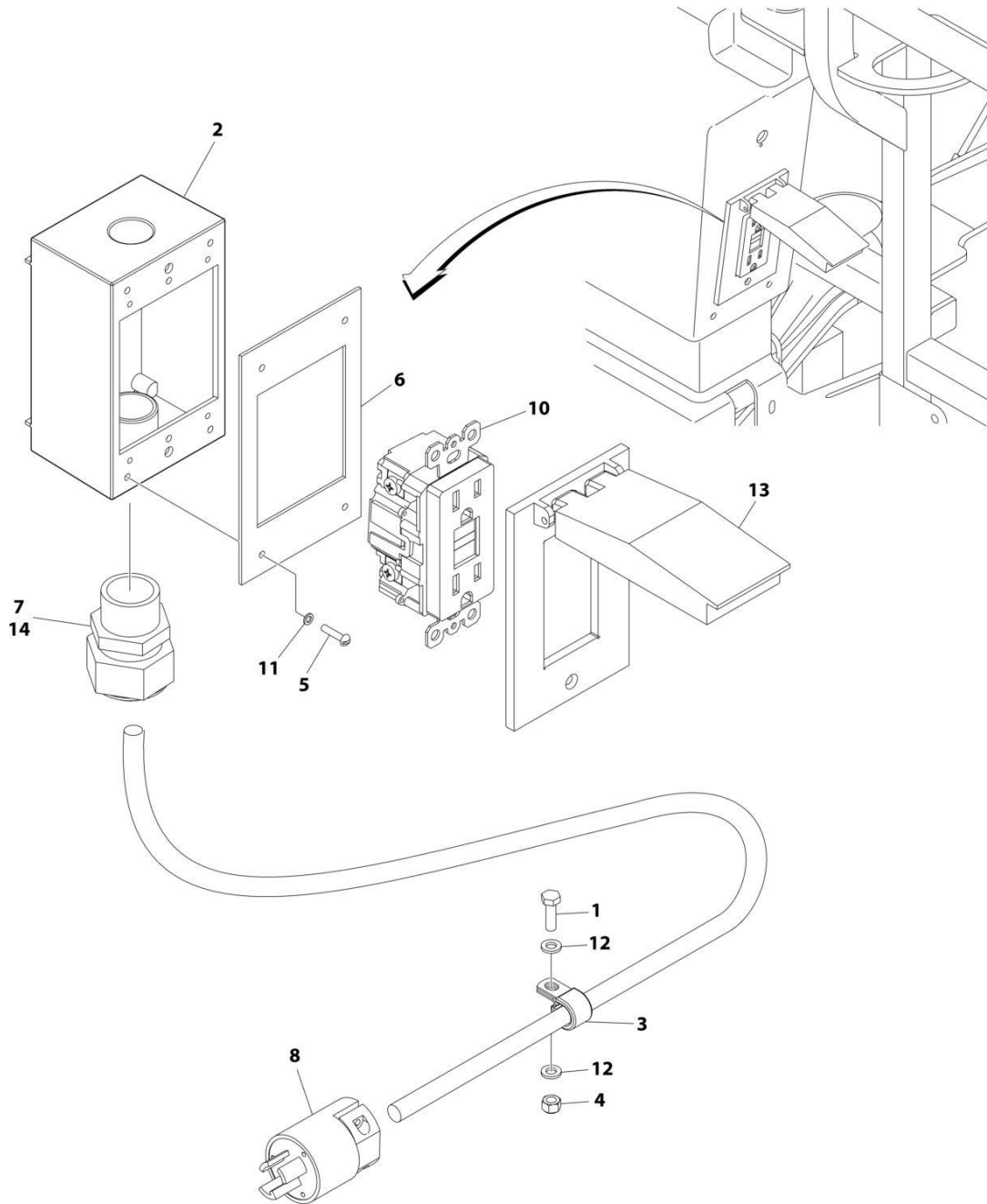
ITEM	PART NUMBER	QTY	DESCRIPTION	REV
147		Ref	Starter	
148		Ref	Alternator	
149		Ref	Engine Coolant Temperature Sensor	
150		Ref	Sensor, Speed	
151		Ref	Sensor, Fuel Pressure	
152		Ref	Module, Engine Control	
153		Ref	Solenoids, Piston Pump	
154		Ref	Fuel Pump	
155		Ref	Sensor, Coolant Level	
156		Ref	Heater, Engine Block	
157		Ref	Air Shut Off Valve (ASOV)	
158		Ref	Relay	
159		Ref	Sensor, Temperature	
160		Ref	Sensor, Oil Pressure	
161		Ref	Starter	
162		Ref	Alternator	
163		Ref	Engine Coolant Temperature Sensor	
164		Ref	Sensor, Speed	
165		Ref	Module, Engine Control	
166		Ref	Solenoids, Gear Pump	
167		Ref	Heater, Engine Block	
193		Ref	Solenoid, Lift Cylinder	
194		Ref	Sensor, Proximity	
195		Ref	Sensor, Proximity	
196		Ref	Sensor, Lower Angle	
197		Ref	Sensor, Upper Angle	
198		Ref	Solenoids, Platform Valve	
199		Ref	Cell, Load Sensing	
200		Ref	Platform Work Light	
201		Ref	Switch, Platform Flood Light	
202		Ref	Platform Flood Light	
203		Ref	Light, Platform Strobe	
204		Ref	Switch, Generator	
205		Ref	Junction Box	
206		Ref	AC Receptacle	
207		Ref	Welding Machine	
208		Ref	AC Receptacle	
209		Ref	AC Receptacle	
210		Ref	AC Receptacle/Breaker Box	
211		Ref	Switch, SkyGuard	
212		Ref	Relay	
213		Ref	Sensor, SkyEye Receiver	
214		Ref	Sensor, SkyEye Emitter	
215		Ref	Sensor, SkyLine Proximity	
216		Ref	Footswitch	
217		Ref	Sensor, SkySense	
218		Ref	Alarm	
220		Ref	USB Receptacle	
222		Ref	Switch, Horn	
223		Ref	Switch, Soft Touch/SkyGuard/SkySense Override	
224		Ref	Switch, Function Speed Control	

SECTION 8 - ELECTRICAL

ITEM	PART NUMBER	QTY	DESCRIPTION	REV
225		Ref	Switch, Power/Emergency Stop	
226		Ref	Switch, Platform Leveling Override	
227		Ref	Switch, Start/Auxilliary Power	
228		Ref	Switch, Boom Telescope	
229		Ref	Switch, Jib Up/Down	
230		Ref	Switch, Platform Rotate	
231		Ref	Switch, Drive Orientation Override	
232		Ref	Switch, Drive Speed/ Torque Select	
235		Ref	Switch, Lights	
236		Ref	Light, SkySense Indicator	
237		Ref	Controller, Drive/Steer	
238		Ref	Controller, Main Lift/Swing	
239		Ref	Display, Platform	
240		Ref	Light, Soft Touch/SkyGuard/SkySense Indicator	
241		Ref	Alarm	
242		Ref	Module, Platform	
243		Ref	Sensor, Tilt	
244		Ref	Module, SkySense Control	
245		Ref	Module, SkySense Sensor	
246		Ref	Switch, Emergency Stop	
247		Ref	Display, Ground	
248		Ref	Switch, Turntable Swing	
249		Ref	Switch, Boom Lift	
250		Ref	Switch, Boom Telescope	
251		Ref	Switch, Jib Up/Down	
252		Ref	Switch, Platform Rotate	
253		Ref	Switch, Platform Leveling Override	
254		Ref	Switch, Engine Start/ Auxiliary Power	
255		Ref	Indicator Panel	
256		Ref	Switch, Key	
257		Ref	Switch, Machine Safety System Override (MSSO)	
258		Ref	Switch, Diesel Particulate Filter (DPF)	
259		Ref	Light, ASOV	

SECTION 8 - ELECTRICAL

FIGURE 8-2. AC BOX AT PLATFORM INSTALLATION -110V (ALL SPECS EXCEPT AUSTRALIAN, CE & UK CA SPECS)



ART_1001190773

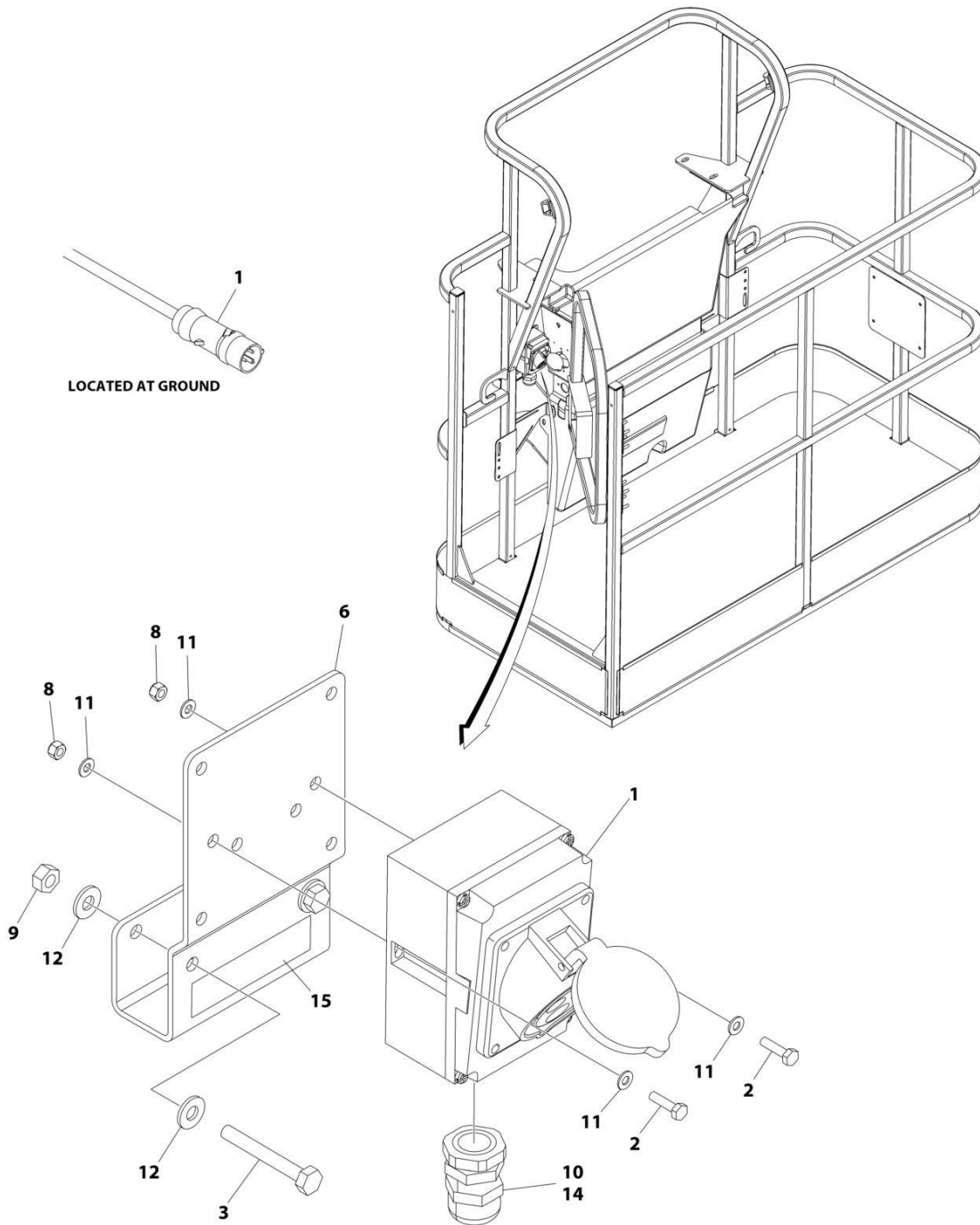
SECTION 8 - ELECTRICAL

FIGURE 8-2. AC BOX AT PLATFORM INSTALLATION -110V (ALL SPECS EXCEPT AUSTRALIAN, CE & UK CA SPECS)

ITEM	PART NUMBER	QTY	DESCRIPTION	REV
	1001190773	Ref	AC BOX AT PLATFORM INSTALLATION	C
1	0760610	1	Bolt M6 x 20	
2	0860038	1	Box, Switch	
3	1320041	1	Clamp	
4	3290605	1	Nut M6	
5	3910610	4	Screw #6 x 5/8	
6	3960422	1	Gasket	
7	4460071	1	Connector, Strain Relief	
8	4460205	1	Plug, Male	
9	4460315	1	Terminal, Spade (Not Shown)	
10	4460346	1	Receptacle	
11	4760600	4	Washer #6	
12	4811700	2	Washer M6	
13	1001110873	1	Shield, Cover	
14	0100079	AR	Sealant	

SECTION 8 - ELECTRICAL

FIGURE 8-3. AC BOX AT PLATFORM INSTALLATION - 110V IEC YELLOW (CE & UK CA SPECS WITHOUT 4000W/50HZ GENERATOR)



ART_1001190493

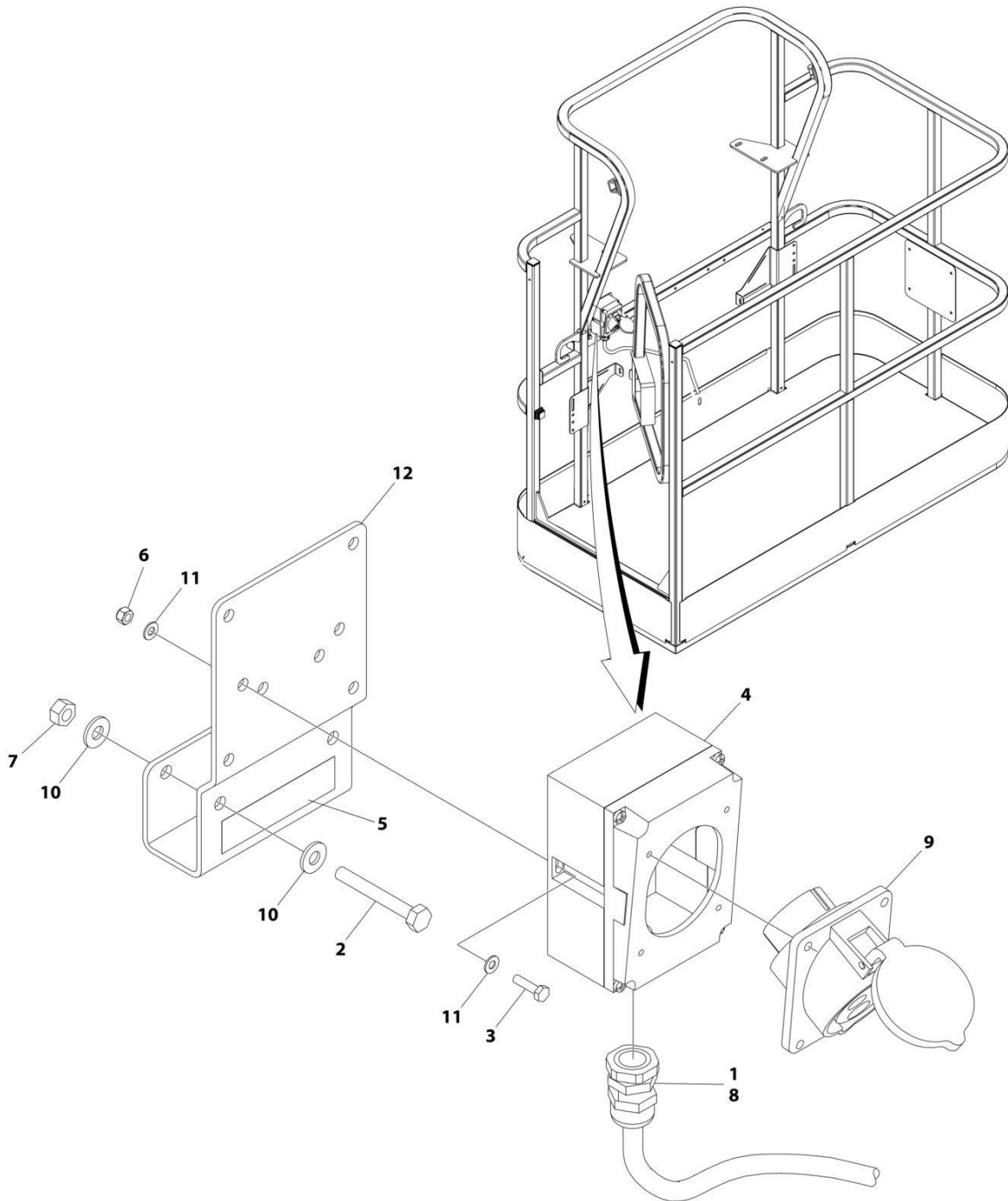
SECTION 8 - ELECTRICAL

FIGURE 8-3. AC BOX AT PLATFORM INSTALLATION - 110V IEC YELLOW (CE & UK CA SPECS WITHOUT 4000W/50HZ GENERATOR)

ITEM	PART NUMBER	QTY	DESCRIPTION	REV
	1001190493	Ref	AC BOX AT PLATFORM INSTALLATION	C
1	0275216	1	Receptacle Box Kit - 110V IEC Yellow (See Separate Breakdown in this Section)	
2	0700408	2	Bolt M4 x 16	
3	0700618	2	Bolt M6 x 50	
6	1001193018	1	Bracket	
8	3290405	2	Nut M4	
9	3290605	2	Nut M6	
10	4460968	1	Connector, Strain Relief	
11	4811400	4	Washer M4	
12	4811700	4	Washer M6	
14	0100079	AR	Sealant	
15	1705325	1	Decal - 110V	

SECTION 8 - ELECTRICAL

FIGURE 8-4. AC BOX AT PLATFORM INSTALLATION - 110V IEC YELLOW (CE & UK CA SPECS WITH 4000W/50HZ GENERATOR)



ART_1001194203

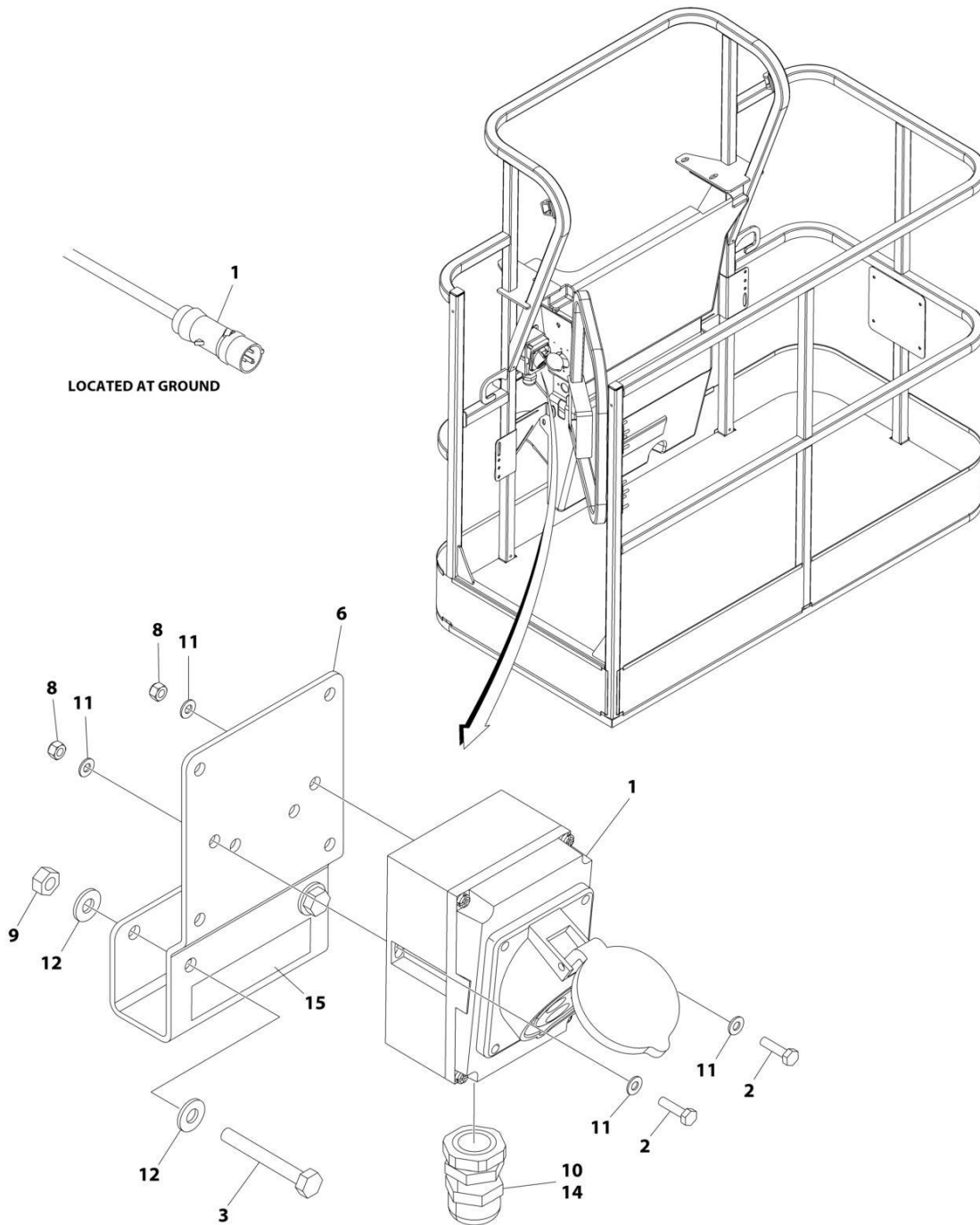
SECTION 8 - ELECTRICAL

FIGURE 8-4. AC BOX AT PLATFORM INSTALLATION - 110V IEC YELLOW (CE & UK CA SPECS WITH 4000W/50HZ GENERATOR)

ITEM	PART NUMBER	QTY	DESCRIPTION	REV
	1001194203	Ref	AC BOX AT PLATFORM INSTALLATION	B
1	0100020	AR	Sealant, Pipe	
2	0641416	2	Bolt 1/4 x 2	
3	0700408	2	Bolt M4 x 16	
4	0861781	1	Box, Switch	
5	1705325	1	Decal - 110V	
6	3290405	2	Nut M4	
7	3311405	2	Nut 1/4	
8	4460968	1	Connector, Strain Relief	
9	4461198	1	Receptacle	
10	4711400	4	Washer 1/4	
11	4811400	4	Washer M4	
12	1001193018	1	Bracket, AC Receptacle	

SECTION 8 - ELECTRICAL

FIGURE 8-5. AC BOX AT PLATFORM INSTALLATION - 220V IEC BLUE (CE & UK CA SPECS WITHOUT 4000W/50HZ GENERATOR)



ART_1001190495

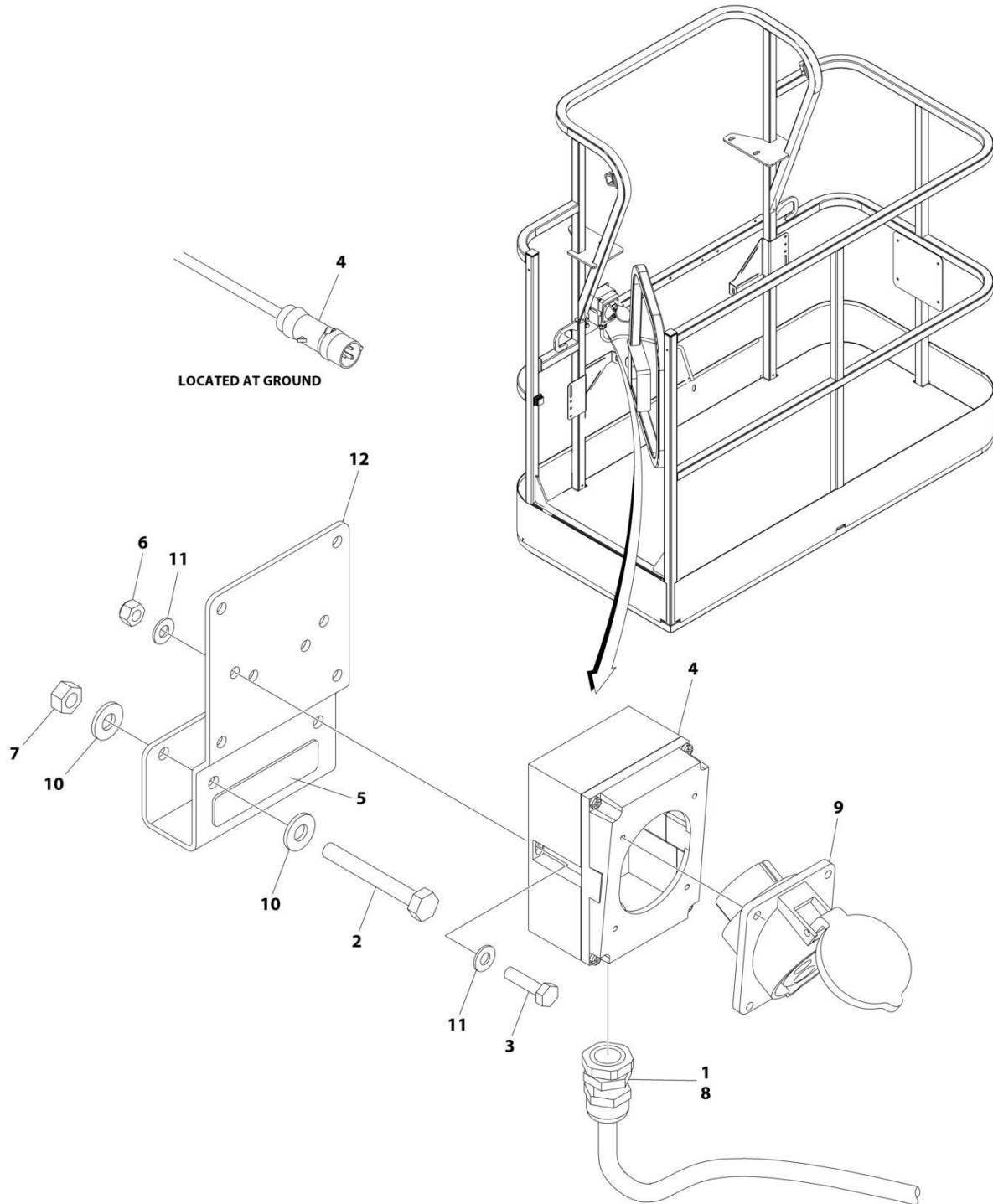
SECTION 8 - ELECTRICAL

FIGURE 8-5. AC BOX AT PLATFORM INSTALLATION - 220V IEC BLUE (CE & UK CA SPECS WITHOUT 4000W/50HZ GENERATOR)

ITEM	PART NUMBER	QTY	DESCRIPTION	REV
	1001190495	Ref	AC BOX AT PLATFORM INSTALLATION	C
1	0275217	1	Receptacle Box Kit - 220V IEC Blue (See Separate Breakdown in this Section)	
2	0700408	2	Bolt M4 x 16	
3	0700618	2	Bolt M6 x 50	
6	1001193018	1	Bracket	
8	3290405	2	Nut M4	
9	3290605	2	Nut M6	
10	4460968	1	Connector, Strain Relief	
11	4811400	4	Washer M4	
12	4811700	4	Washer M6	
14	0100079	AR	Sealant	
15	3252507	1	Decal - 220 Volt	

SECTION 8 - ELECTRICAL

FIGURE 8-6. AC BOX AT PLATFORM INSTALLATION - 220V IEC BLUE (CE & UK CA SPECS WITH 4000W/50HZ GENERATOR)



ART_1001194204

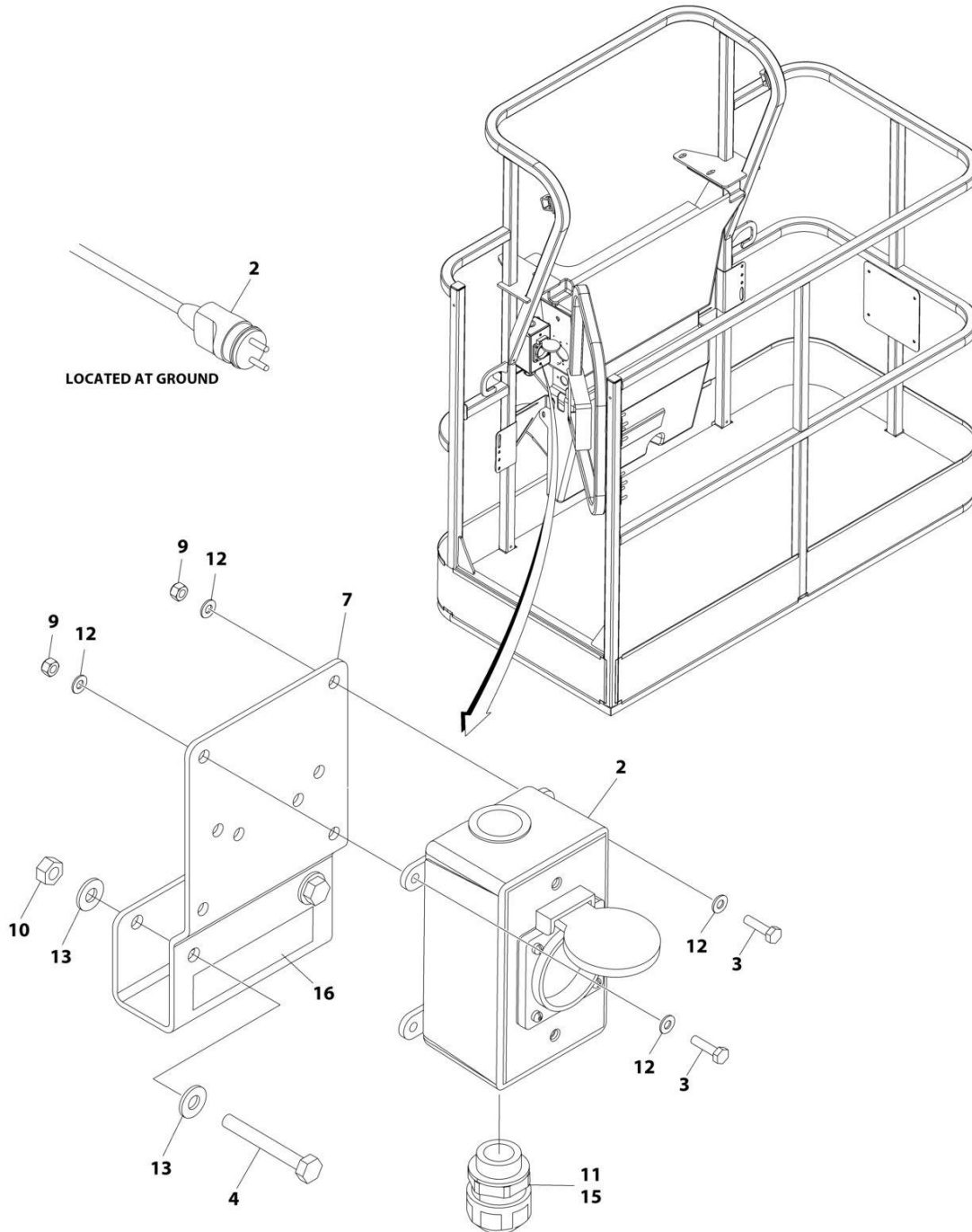
SECTION 8 - ELECTRICAL

FIGURE 8-6. AC BOX AT PLATFORM INSTALLATION - 220V IEC BLUE (CE & UK CA SPECS WITH 4000W/50HZ GENERATOR)

ITEM	PART NUMBER	QTY	DESCRIPTION	REV
	1001194204	Ref	AC BOX AT PLATFORM INSTALLATION	B
1	0100020	AR	Sealant, Pipe	
2	0641416	2	Bolt 1/4 x 2	
3	0700408	2	Bolt M4 x 16	
4	0861781	1	Box, Switch	
5	3251242	1	Decal - 240V/50Hz	
6	3290405	2	Nut M4	
7	3311405	2	Nut 1/4	
8	4460968	1	Connector, Strain Relief	
9	4461201	1	Receptacle	
10	4711400	4	Washer 1/4	
11	4811400	4	Washer M4	
12	1001193018	1	Bracket, AC Receptacle	

SECTION 8 - ELECTRICAL

FIGURE 8-7. AC BOX AT PLATFORM INSTALLATION - 220V CEE7 2IN X 4IN POST GROUND (CE & UK CA SPECS WITHOUT 4000W/50HZ GENERATOR)



ART_1001190441

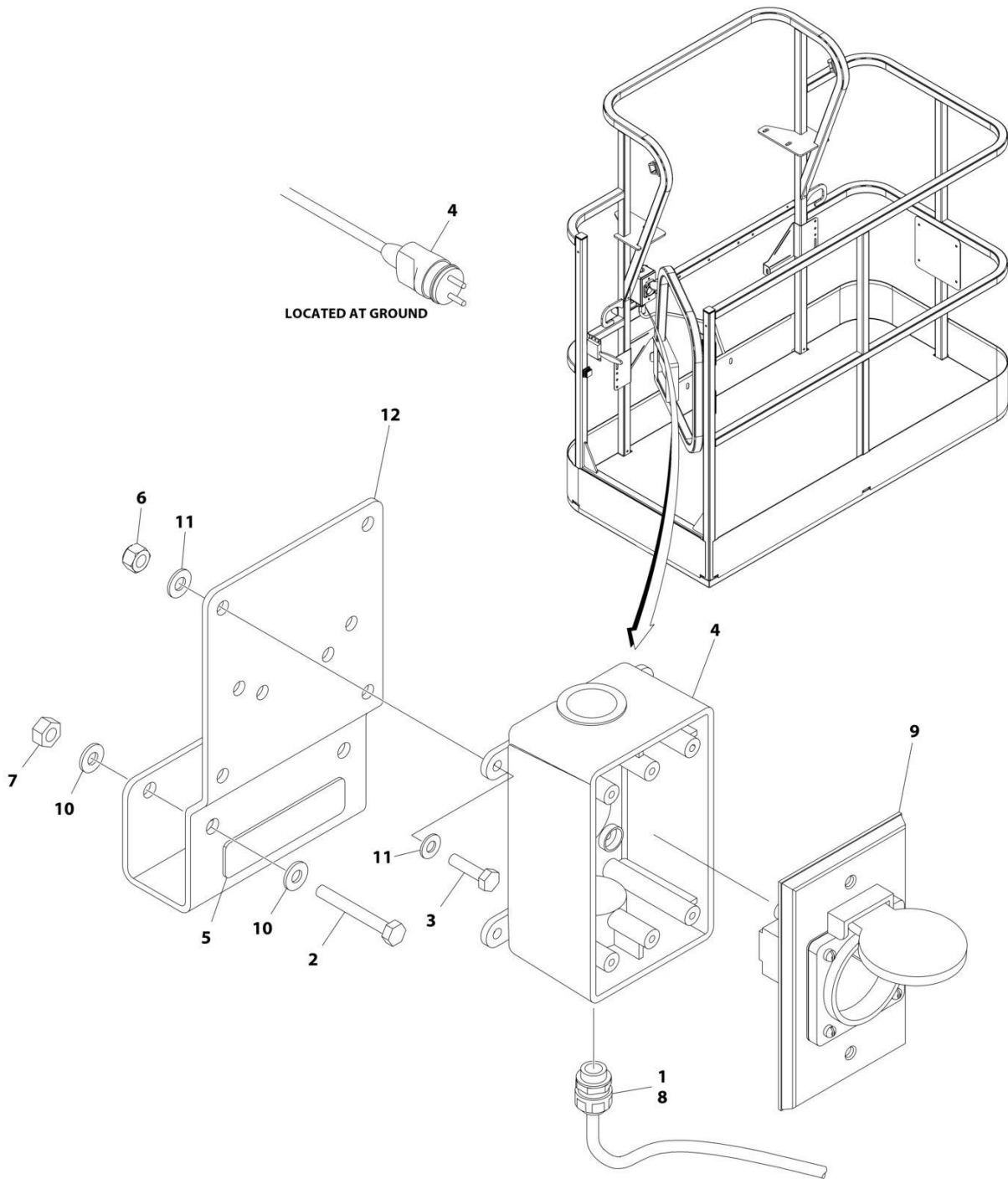
SECTION 8 - ELECTRICAL

FIGURE 8-7. AC BOX AT PLATFORM INSTALLATION - 220V CEE7 2IN X 4IN POST GROUND (CE & UK CA SPECS WITHOUT 4000W/50HZ GENERATOR)

ITEM	PART NUMBER	QTY	DESCRIPTION	REV
	1001190441	Ref	AC BOX AT PLATFORM INSTALLATION	D
2	0275452	1	Receptacle Box Kit - 220V CEE7 Post Ground 2in x 4in (See Separate Breakdown in this Section)	
3	0700408	4	Bolt M4 x 16	
4	0700618	2	Bolt M6 x 50	
7	1001193018	1	Bracket	
9	3290405	4	Nut M4	
10	3290605	2	Nut M6	
11	4460662	1	Connector, Strain Relief	
12	4811400	8	Washer M4	
13	4811700	4	Washer M6	
15	0100079	AR	Sealant	
16	3252507	1	Decal - 220 Volt	

SECTION 8 - ELECTRICAL

FIGURE 8-8. AC BOX AT PLATFORM INSTALLATION - 220V CEE7 2IN X 4IN POST GROUND (CE & UK CA SPECS WITH 4000W/50HZ GENERATOR)



ART_1001194197

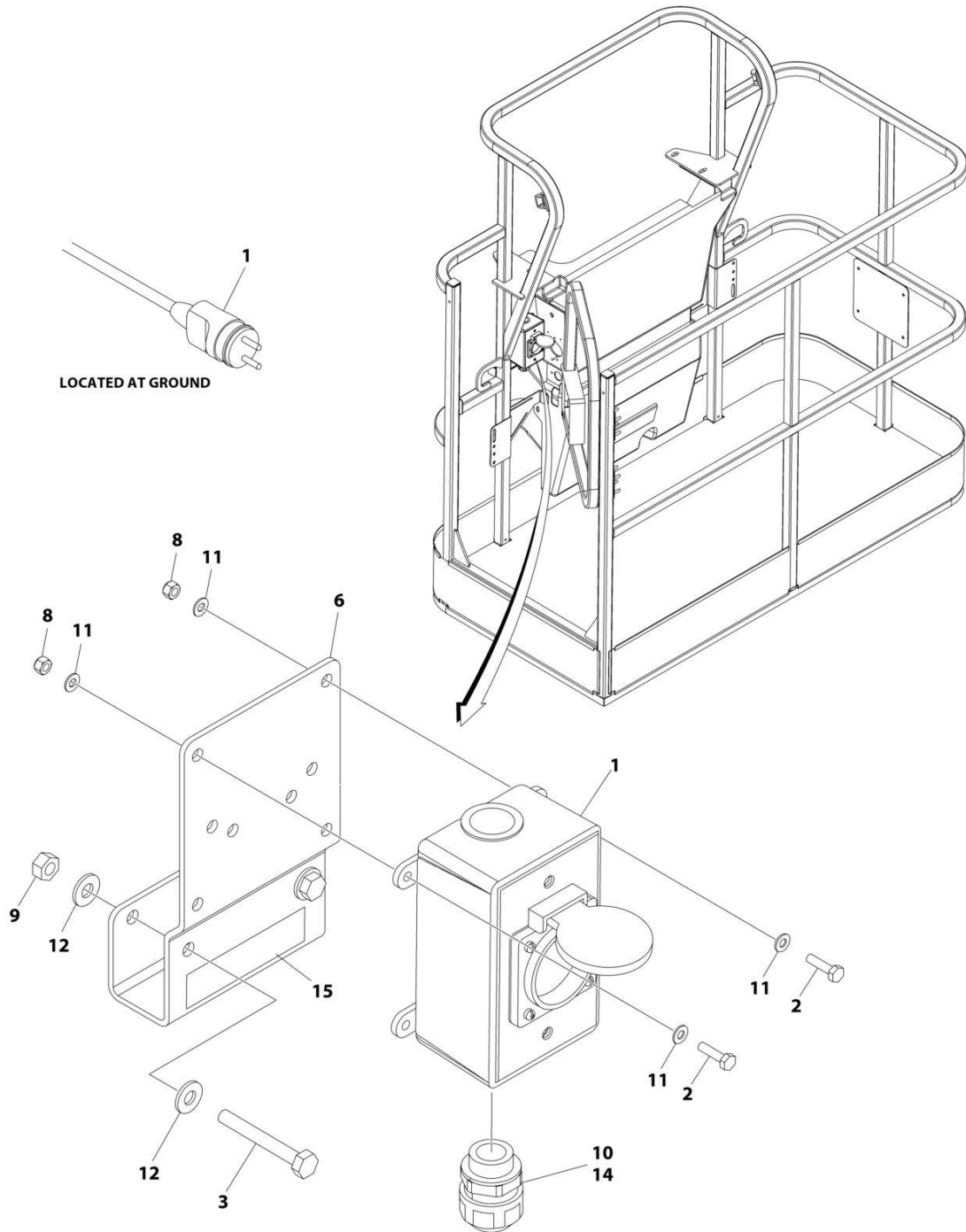
SECTION 8 - ELECTRICAL

FIGURE 8-8. AC BOX AT PLATFORM INSTALLATION - 220V CEE7 2IN X 4IN POST GROUND (CE & UK CA SPECS WITH 4000W/50HZ GENERATOR)

ITEM	PART NUMBER	QTY	DESCRIPTION	REV
	1001194197	Ref	AC BOX AT PLATFORM INSTALLATION	B
1	0100020	AR	Sealant, Pipe	
2	0641416	2	Bolt 1/4 x 2	
3	0700408	4	Bolt M4 x 16	
4	0861731	1	Box, Switch	
5	3251242	1	Decal - 240V/50Hz	
6	3290405	4	Nut M4	
7	3311405	2	Nut 1/4	
8	4460662	1	Connector, Strain Relief	
9	4461244	1	Receptacle	
10	4711400	4	Washer 1/4	
11	4811400	8	Washer M4	
12	1001193018	1	Bracket, AC Receptacle	
13	4460806	2	Terminal, Fork (Not Shown)	
14	1001205958	1	Terminal (Not Shown)	

SECTION 8 - ELECTRICAL

FIGURE 8-9. AC BOX AT PLATFORM INSTALLATION - 220V CEE7 2IN X 4IN SIDE GROUND (CE & UK CA SPECS WITHOUT 4000W/50HZ GENERATOR)



ART_1001190484

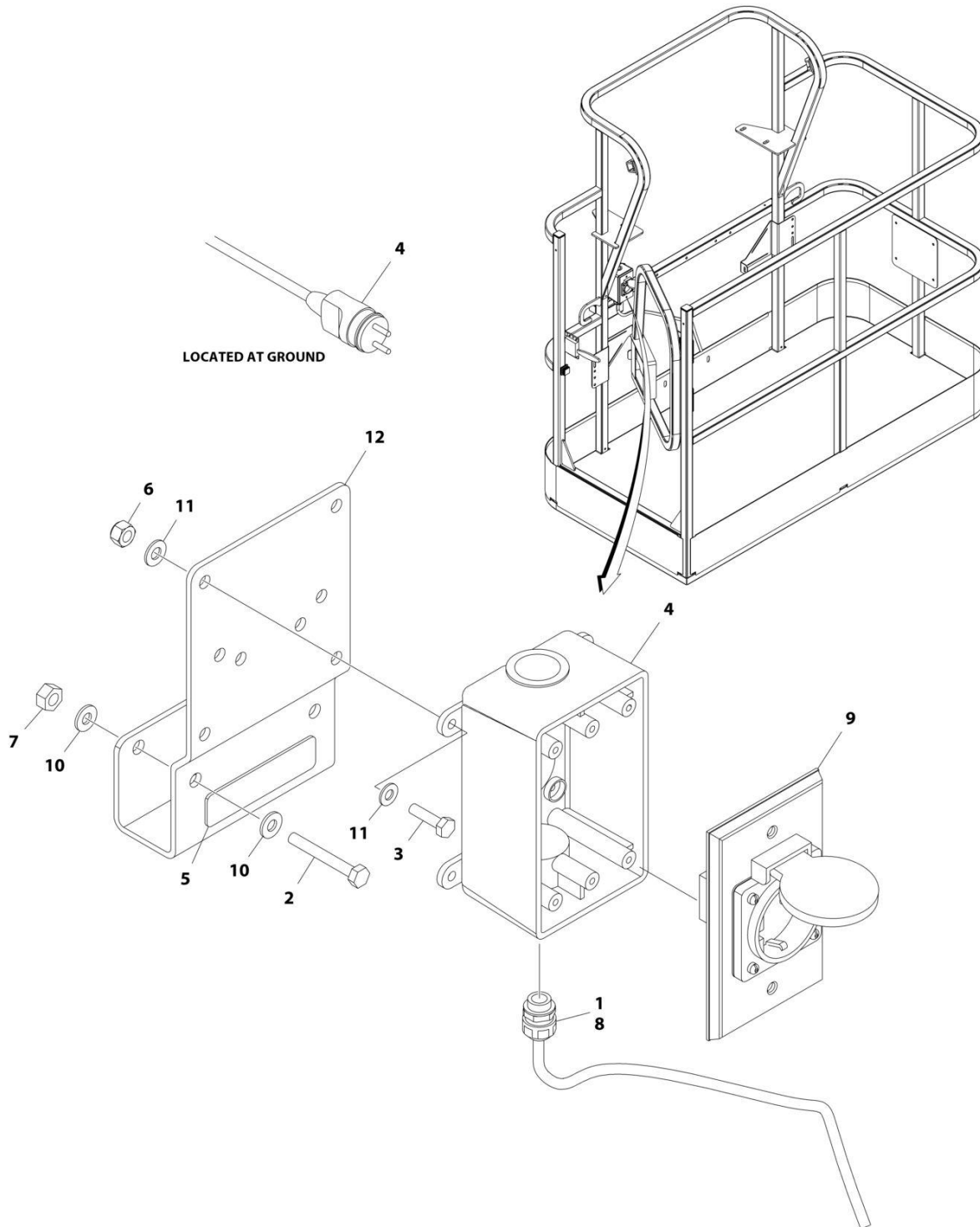
SECTION 8 - ELECTRICAL

FIGURE 8-9. AC BOX AT PLATFORM INSTALLATION - 220V CEE7 2IN X 4IN SIDE GROUND (CE & UK CA SPECS WITHOUT 4000W/50HZ GENERATOR)

ITEM	PART NUMBER	QTY	DESCRIPTION	REV
	1001190484	Ref	AC BOX AT PLATFORM INSTALLATION	D
1	0275453	1	Receptacle Box Kit - 220V CEE7 Side Ground 2in x 4in (See Separate Breakdown in this Section)	
2	0700408	4	Bolt M4 x 16	
3	0700618	2	Bolt M6 x 50	
6	1001193018	1	Bracket	
8	3290405	4	Nut M4	
9	3290605	2	Nut M6	
10	4460662	1	Connector, Strain Relief	
11	4811400	8	Washer M4	
12	4811700	4	Washer M6	
14	0100079	AR	Sealant	
15	3252507	1	Decal - 220 Volt	

SECTION 8 - ELECTRICAL

FIGURE 8-10. AC BOX AT PLATFORM INSTALLATION - 220V CEE7 2IN X 4IN SIDE GROUND (CE & UK CA SPECS WITH 4000W/50HZ GENERATOR)



ART_1001194198

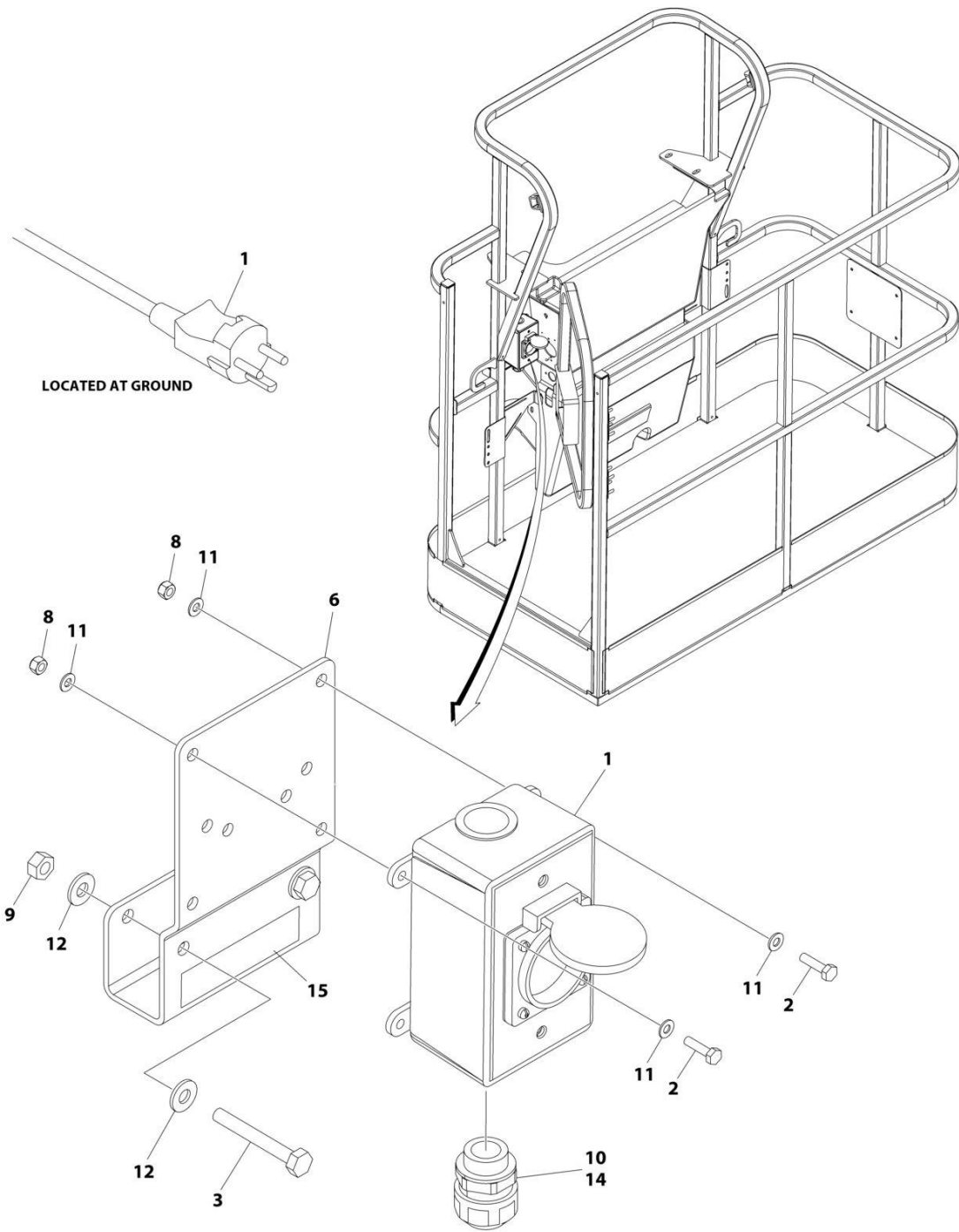
SECTION 8 - ELECTRICAL

FIGURE 8-10. AC BOX AT PLATFORM INSTALLATION - 220V CEE7 2IN X 4IN SIDE GROUND (CE & UK CA SPECS WITH 4000W/50HZ GENERATOR)

ITEM	PART NUMBER	QTY	DESCRIPTION	REV
	1001194198	Ref	AC BOX AT PLATFORM INSTALLATION	B
1	0100020	AR	Sealant, Pipe	
2	0641416	2	Bolt 1/4 x 2	
3	0700408	4	Bolt M4 x 16	
4	0861731	1	Box, Switch	
5	3251242	1	Decal - 240V/50Hz	
6	3290405	4	Nut M4	
7	3311405	2	Nut 1/4	
8	4460662	1	Connector, Strain Relief	
9	4461245	1	Receptacle	
10	4711400	4	Washer 1/4	
11	4811400	8	Washer M4	
12	1001193018	1	Bracket, AC Receptacle	
13	4460806	2	Terminal, Fork (Not Shown)	
14	1001205958	1	Terminal (Not Shown)	

SECTION 8 - ELECTRICAL

FIGURE 8-11. AC BOX AT PLATFORM INSTALLATION - 220V AFSINT107 (CE & UK CA SPECS WITHOUT 4000W/50HZ GENERATOR)



ART_1001190485

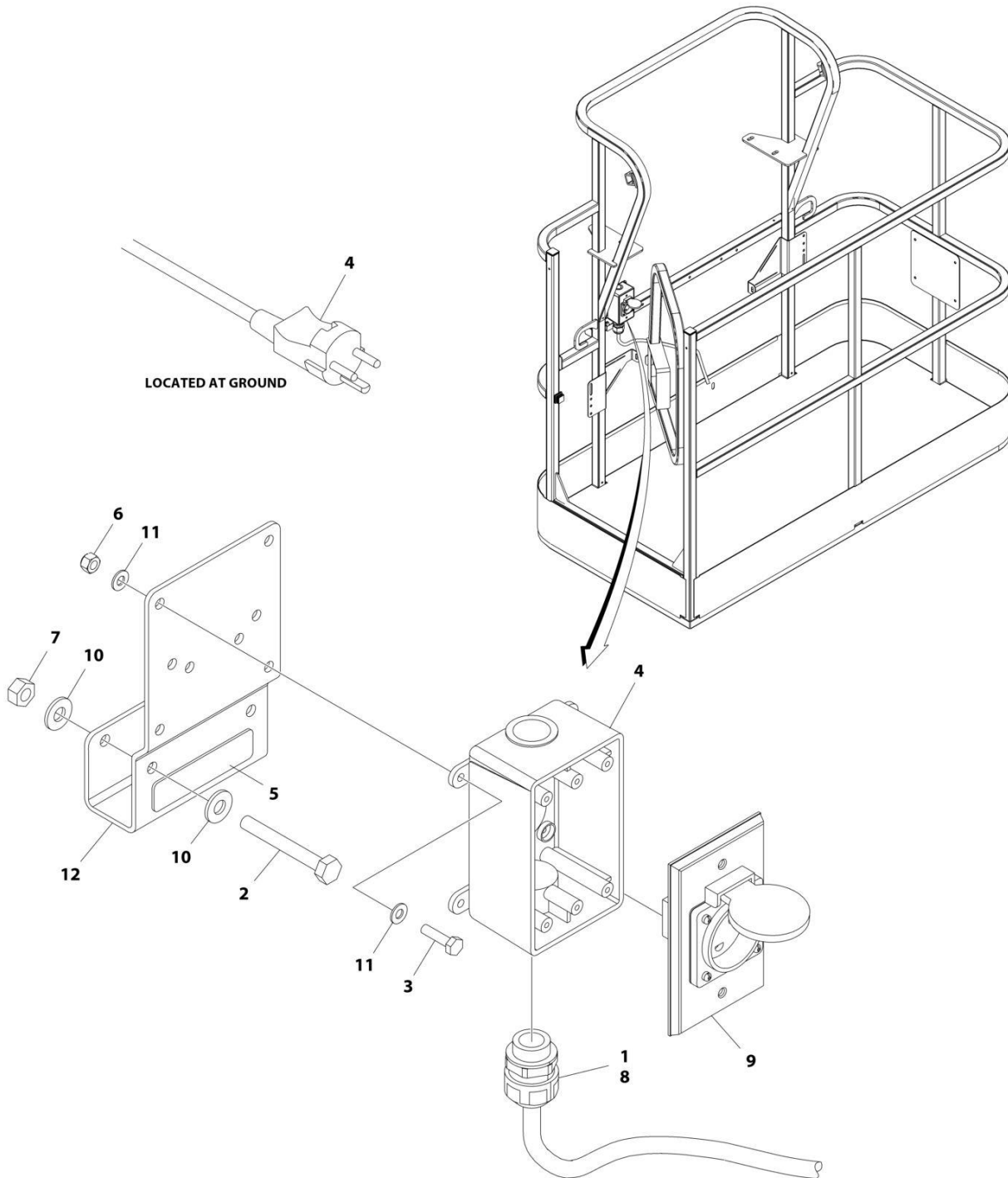
SECTION 8 - ELECTRICAL

FIGURE 8-11. AC BOX AT PLATFORM INSTALLATION - 220V AFSINT107 (CE & UK CA SPECS WITHOUT 4000W/50HZ GENERATOR)

ITEM	PART NUMBER	QTY	DESCRIPTION	REV
	1001190485	Ref	AC BOX AT PLATFORM INSTALLATION	C
1	0275454	1	Receptacle Box Kit - 220V AFSINT107 (See Separate Breakdown in this Section)	
2	0700408	4	Bolt M4 x 16	
3	0700618	2	Bolt M6 x 50	
6	1001193018	1	Bracket	
8	3290405	4	Nut M4	
9	3290605	2	Nut M6	
10	4460662	1	Connector, Strain Relief	
11	4811400	8	Washer M4	
12	4811700	4	Washer M6	
14	0100079	AR	Sealant	
15	3252507	1	Decal - 220 Volt	

SECTION 8 - ELECTRICAL

FIGURE 8-12. AC BOX AT PLATFORM INSTALLATION - 220V AFSINT107 (CE & UK CA SPECS WITH 4000W/50HZ GENERATOR)



ART_1001194200

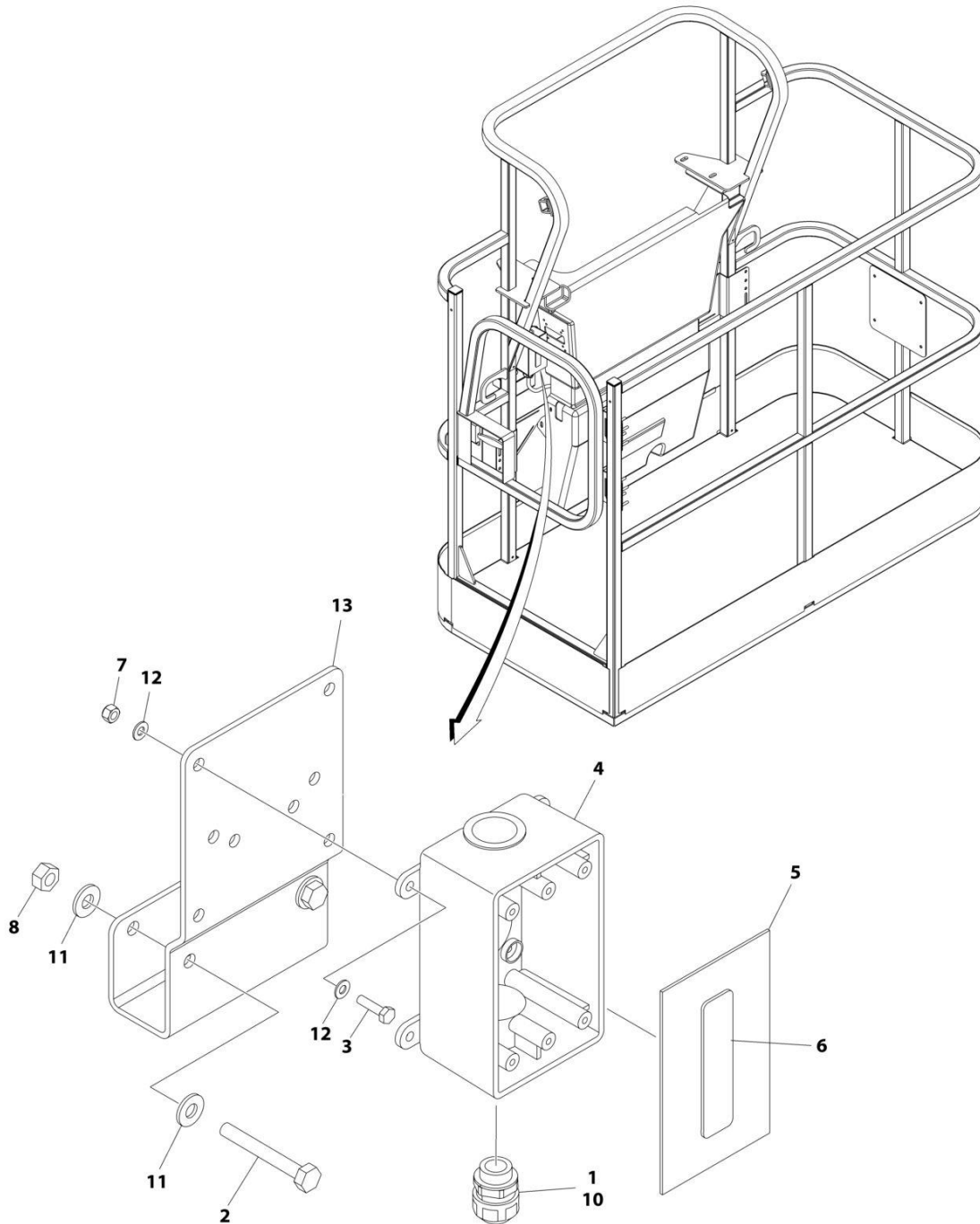
SECTION 8 - ELECTRICAL

FIGURE 8-12. AC BOX AT PLATFORM INSTALLATION - 220V AFSINT107 (CE & UK CA SPECS WITH 4000W/50HZ GENERATOR)

ITEM	PART NUMBER	QTY	DESCRIPTION	REV
	1001194200	Ref	AC BOX AT PLATFORM INSTALLATION	B
1	0100020	AR	Sealant, Pipe	
2	0641416	2	Bolt 1/4 x 2	
3	0700408	4	Bolt M4 x 16	
4	0861731	1	Box, Switch	
5	3251242	1	Decal - 240V/50Hz	
6	3290405	4	Nut M4	
7	3311405	2	Nut 1/4	
8	4460662	1	Connector, Strain Relief	
9	4461246	1	Receptacle	
10	4711400	4	Washer 1/4	
11	4811400	8	Washer M4	
12	1001193018	1	Bracket, AC Receptacle	
13	1001205958	1	Terminal (Not Shown)	

SECTION 8 - ELECTRICAL

FIGURE 8-13. AC BOX AT PLATFORM INSTALLATION - 220V CUSTOMER SUPPLIED COMPONENTS
(ANSI EXPORT, AUSTRALIAN, CHINA, CE & UK CA SPECS)



ART_1001194365

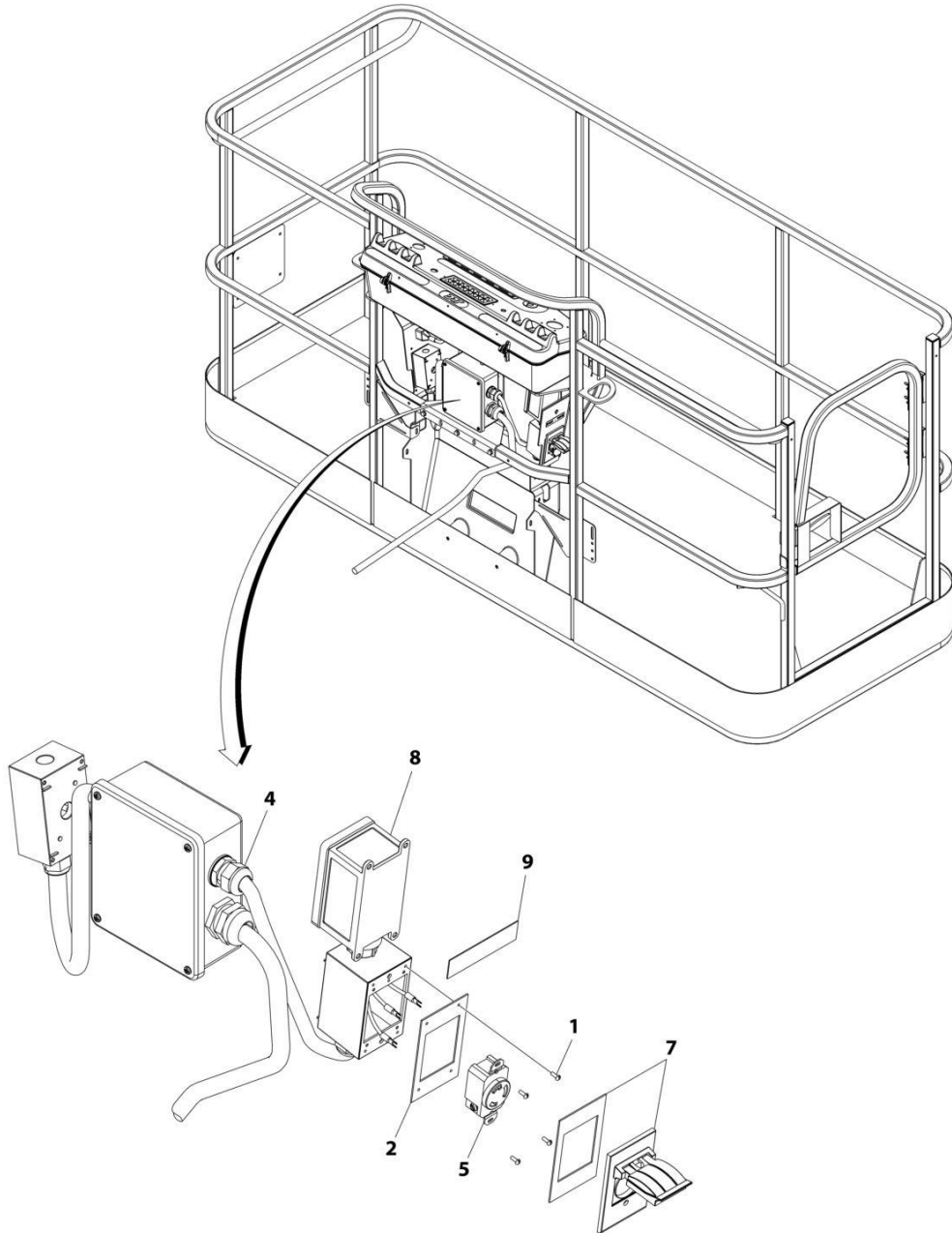
SECTION 8 - ELECTRICAL

**FIGURE 8-13. AC BOX AT PLATFORM INSTALLATION - 220V CUSTOMER SUPPLIED COMPONENTS
(ANSI EXPORT, AUSTRALIAN, CHINA, CE & UK CA SPECS)**

ITEM	PART NUMBER	QTY	DESCRIPTION	REV
	1001194365	Ref	AC BOX AT PLATFORM INSTALLATION - BOX WITH COVER (2X4 BOX)	A
1	0100020	AR	Sealant	
2	0641416	2	Bolt 1/4 x 2	
3	0700408	4	Bolt M4 x 16	
4	0861731	1	Box, Switch	
5	1670603	1	Cover	
6	3251242	1	Decal - 240V/50Hz	
7	3290405	4	Nut M4	
8	3311405	2	Nut 1/4	
9	4460384	3	Terminal (Not Shown)	
10	4460662	1	Connector, Strain Relief	
11	4711400	4	Washer 1/4	
12	4811400	8	Washer M4	
13	1001193018	1	Bracket, AC Receptacle	

SECTION 8 - ELECTRICAL

FIGURE 8-14. AC BOX AT PLATFORM INSTALLATION - 240V (WITH 4000W GENERATOR) (ALL SPECS EXCEPT AUSTRALIAN, CE & UK CA SPECS)



ART_1001171131

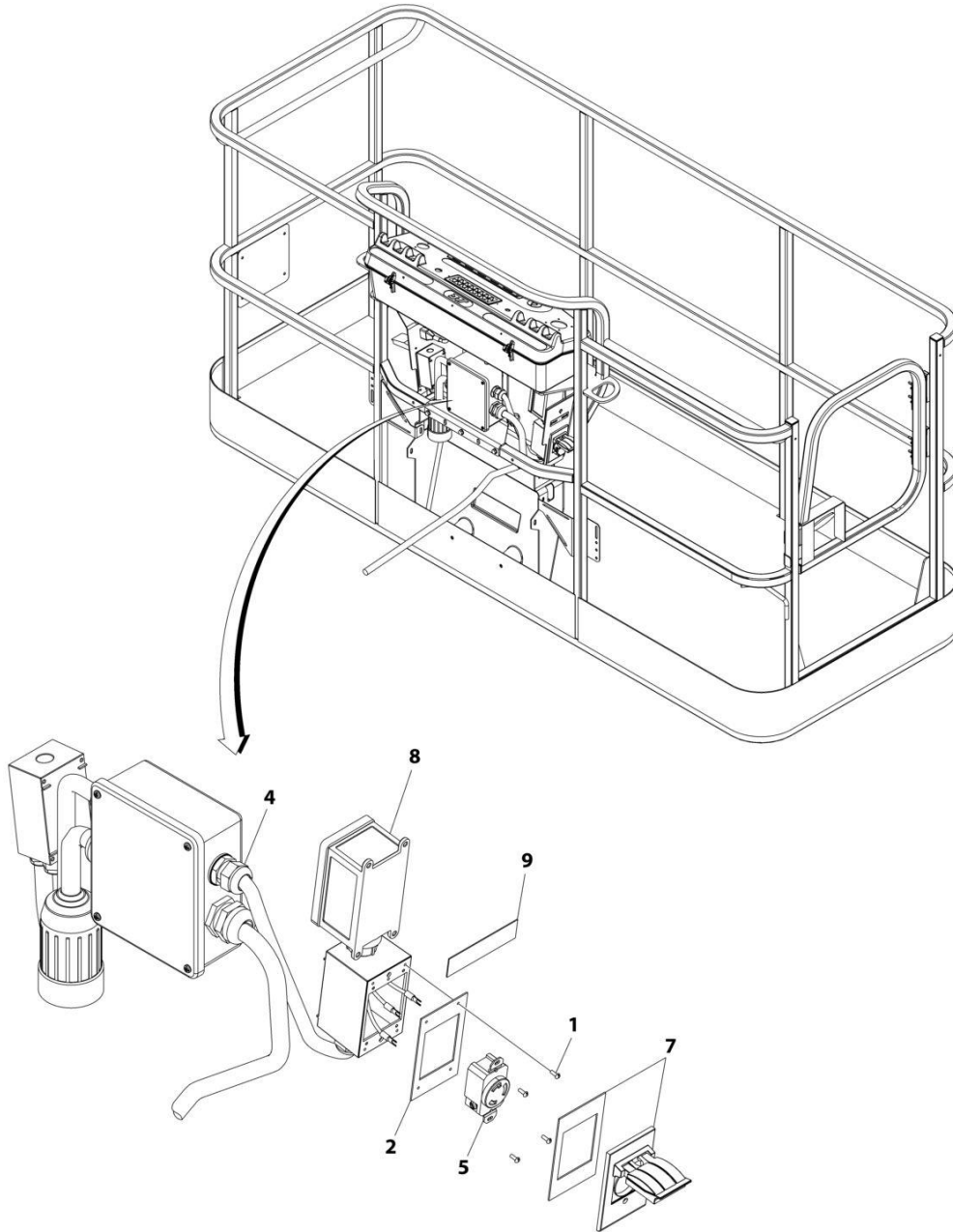
SECTION 8 - ELECTRICAL

FIGURE 8-14. AC BOX AT PLATFORM INSTALLATION - 240V (WITH 4000W GENERATOR) (ALL SPECS EXCEPT AUSTRALIAN, CE & UK CA SPECS)

ITEM	PART NUMBER	QTY	DESCRIPTION	REV
	1001171131	Ref	AC BOX AT PLATFORM INSTALLATION - 240V RECEPTACLE	B
1	3910606	4	Screw 6 x 3/8	
2	3960422	1	Gasket	
3	4240018	AR	Tie-Strap (Not Shown)	
4	4460425	1	Connector, Strain Relief	
5	1001176862	1	Receptacle	
7	1001110872	1	Cover, Receptacle	
8	1001159120	1	Receptacle/Breaker Box Assembly	
8	1001148675	1	Box, Receptacle	
8	1001159118	1	Breaker GFCI 30Amp 240VAC	
8	4460612	1	Connector, Strain Relief	
8	1001159119	1	Connector (Between Boxes)	
9	1705374	1	Decal - 240V/60Hz	

SECTION 8 - ELECTRICAL

FIGURE 8-15. AC BOX AT PLATFORM INSTALLATION - 240V (WITH 7500WSKYPOWER GENERATOR) (ALL SPECS EXCEPT AUSTRALIAN, CE & UK CA SPECS)



ART_1001159121

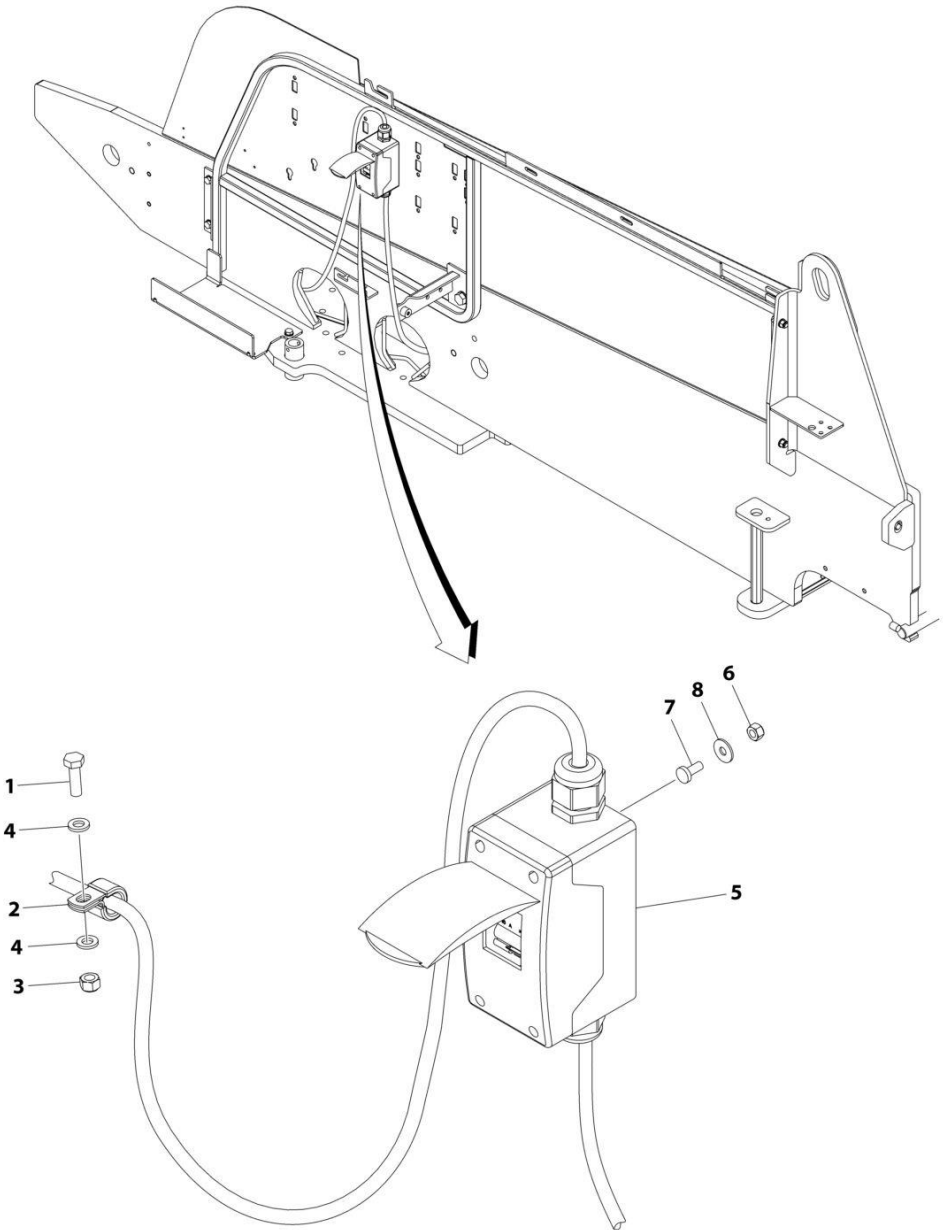
SECTION 8 - ELECTRICAL

FIGURE 8-15. AC BOX AT PLATFORM INSTALLATION - 240V (WITH 7500WSKYPOWER GENERATOR) (ALL SPECS EXCEPT AUSTRALIAN, CE & UK CA SPECS)

ITEM	PART NUMBER	QTY	DESCRIPTION	REV
	1001159121	Ref	AC BOX AT PLATFORM INSTALLATION - 240V RECEPTACLE	B
1	3910606	4	Screw 6 x 3/8	
2	3960422	1	Gasket	
3	4240018	AR	Tie-Strap (Not Shown)	
4	4460425	1	Connector, Strain Relief	
5	4460958	1	Receptacle	
7	1001110872	1	Cover, Receptacle	
8	1001159120	1	Receptacle/Breaker Box Assembly	
8	1001148675	1	Box, Receptacle	
8	1001159118	1	Breaker Box Assembly	
8	4460612	1	Connector, Strain Relief	
8	1001159119	1	Connector (Between Boxes)	
9	1705374	1	Decal - 240V/60Hz	

SECTION 8 - ELECTRICAL

FIGURE 8-16. AC BREAKER BOX INSTALLATION - SINGLE DOUBLE POLE BREAKER



ART_1001190774

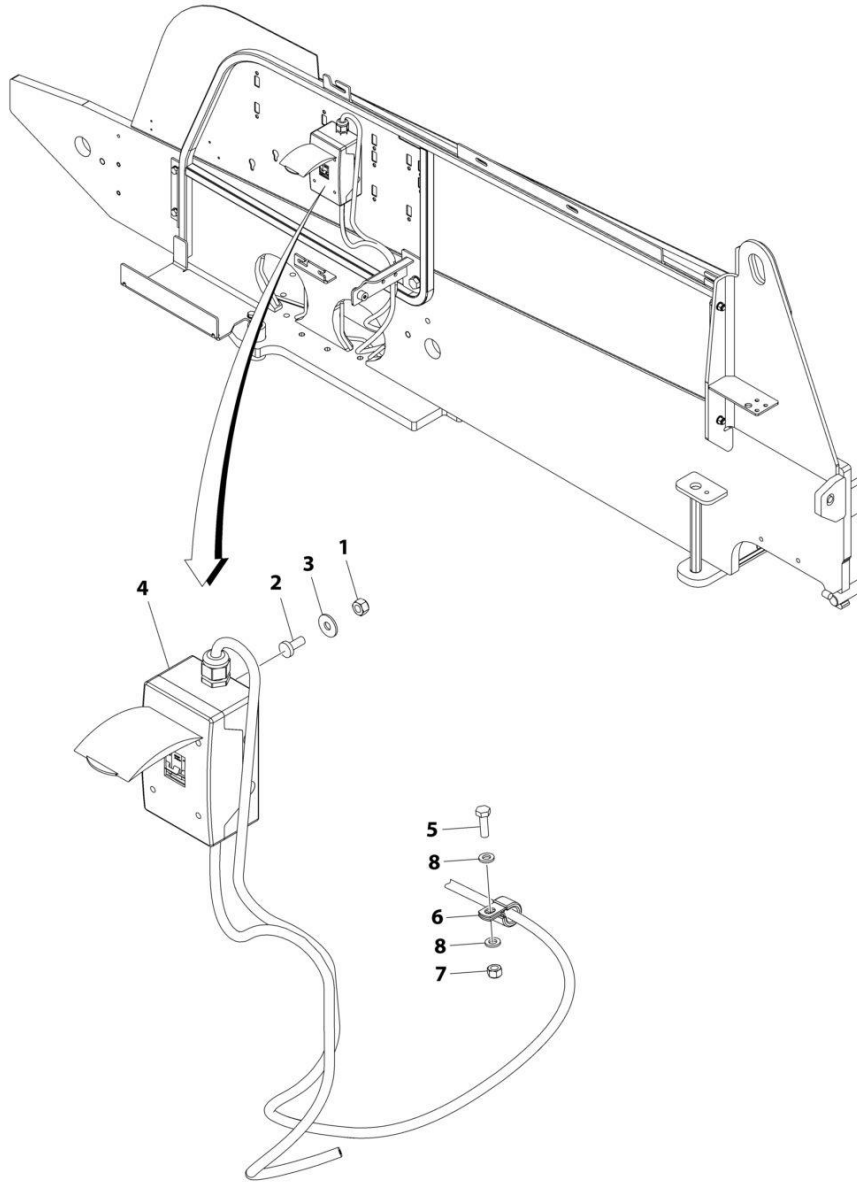
SECTION 8 - ELECTRICAL

FIGURE 8-16. AC BREAKER BOX INSTALLATION - SINGLE DOUBLE POLE BREAKER

ITEM	PART NUMBER	QTY	DESCRIPTION	REV
	1001190774	Ref	AC BREAKER BOX INSTALLATION	C
1	0760610	1	Bolt M6 x 20	
2	1320041	1	Clamp	
3	3290605	1	Nut M6	
4	4811700	2	Washer M6	
5	2902549	1	Breaker Box Kit - Single Double Pole Breaker (See Separate Breakdown in this Section)	
6	3290405	2	Nut M4	
7	4010405	2	Screw M4 x 10	
8	1001091102	2	Washer M4	

SECTION 8 - ELECTRICAL

FIGURE 8-17. AC BREAKER BOX INSTALLATION - 3 BREAKERS



ART_1001211049_C

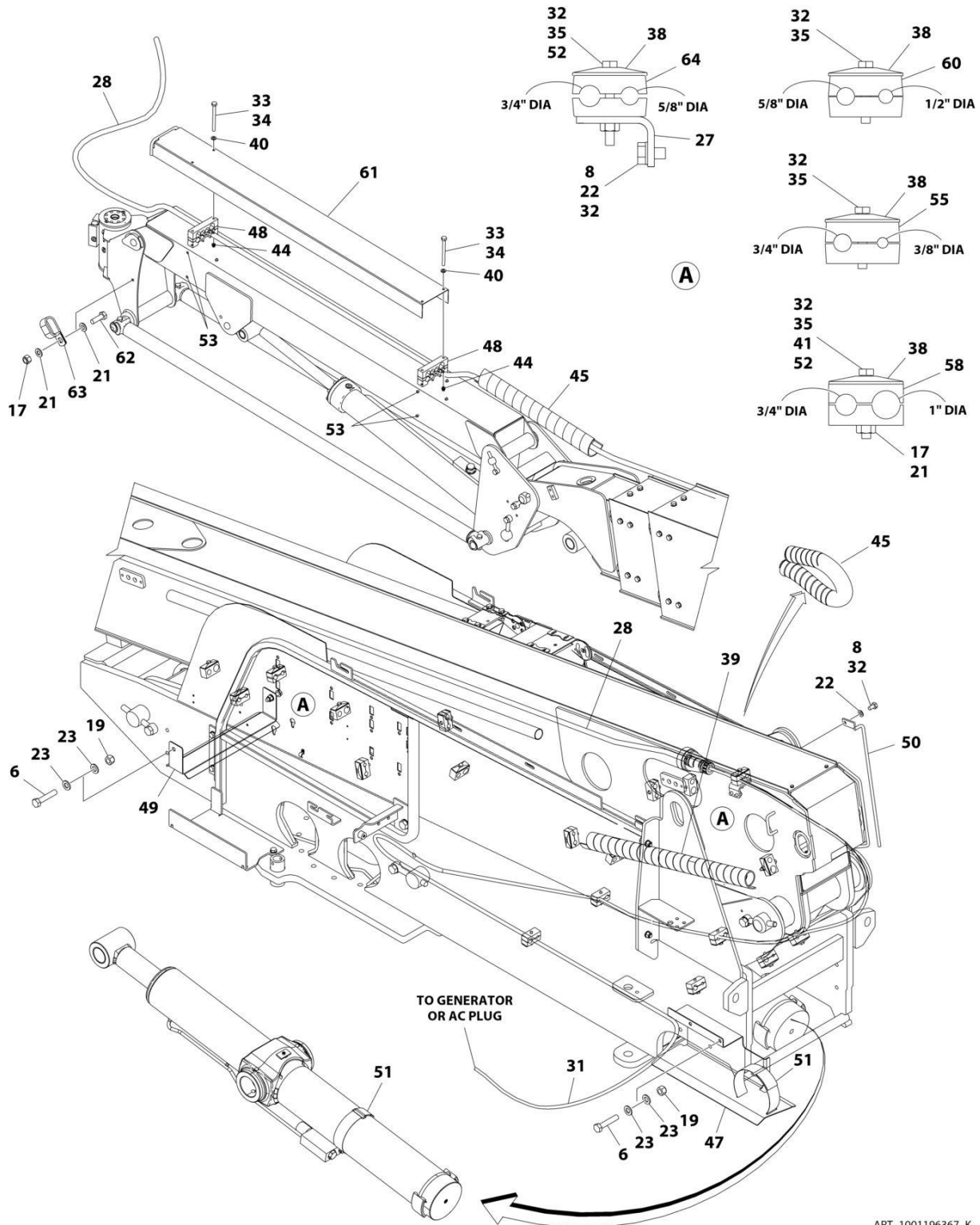
SECTION 8 - ELECTRICAL

FIGURE 8-17. AC BREAKER BOX INSTALLATION - 3 BREAKERS

ITEM	PART NUMBER	QTY	DESCRIPTION	REV
	1001211049	Ref	AC BREAKER BOX INSTALLATION	C
1	3290405	2	Nut M4	
2	4010405	2	Screw M4 x 10	
3	1001091102	2	Washer M4	
4	1001152486	1	Breaker Box Kit - 3 Breakers (See Separate Breakdown in this Section)	
5	0760610	1	Bolt M6 x 20	
6	1320041	1	Clamp	
7	3290605	1	Nut M6	
8	4811700	2	Washer M6	

SECTION 8 - ELECTRICAL

FIGURE 8-18. AC CABLES AND CLAMPS INSTALLATION - WITHOUT GENERATOR (ALL SPECS EXCEPT ANSI & CSA SPECS)



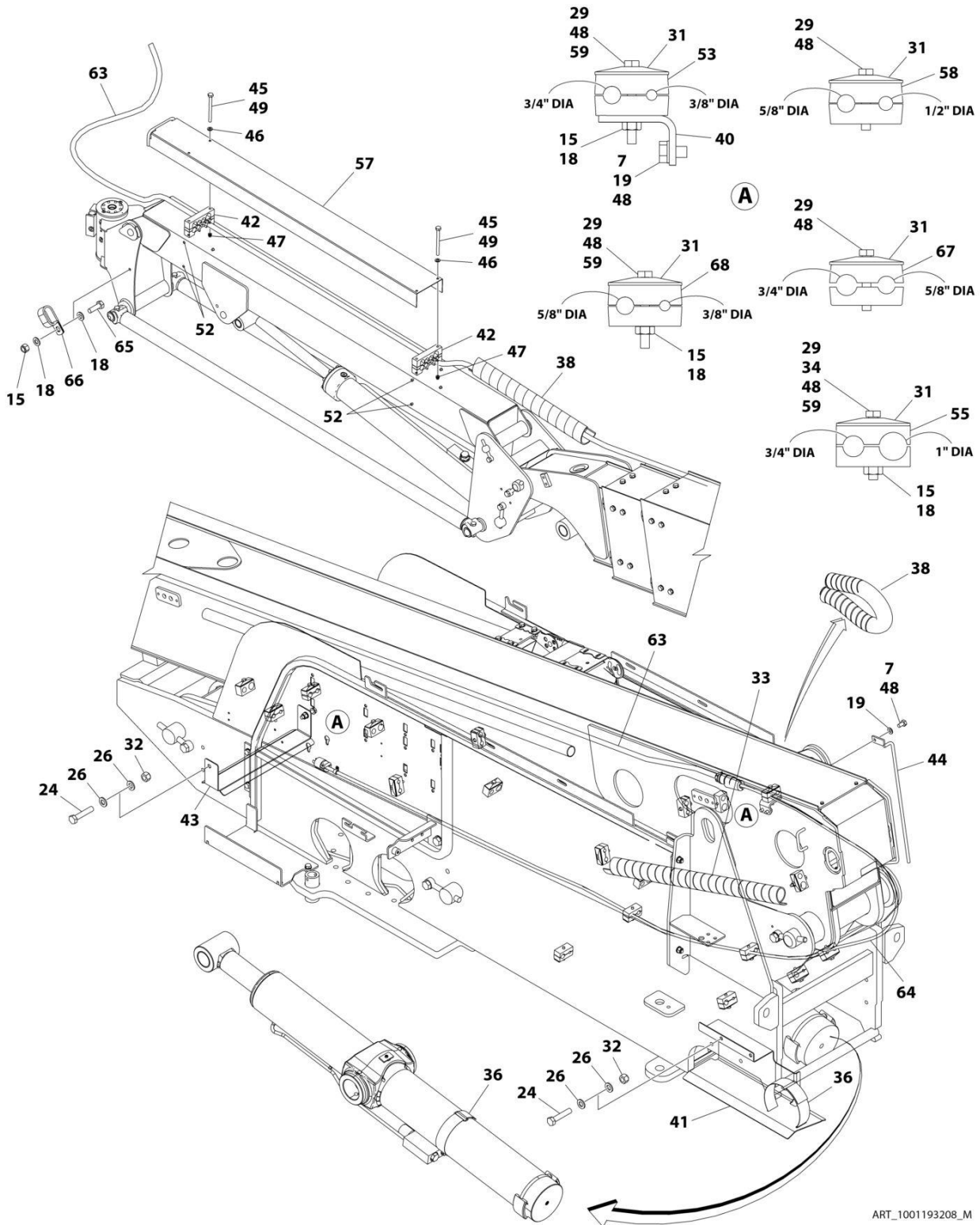
SECTION 8 - ELECTRICAL

FIGURE 8-18. AC CABLES AND CLAMPS INSTALLATION - WITHOUT GENERATOR (ALL SPECS EXCEPT ANSI & CSA SPECS)

ITEM	PART NUMBER	QTY	DESCRIPTION	REV
	1001196367	Ref	AC CABLES AND CLAMPS INSTALLATION	K
6	0701220	4	Bolt M12 x 60	
8	0761009	3	Bolt M10 x 18	
17	3290805	4	Nut M8	
19	3291205	4	Nut M12	
21	4811900	5	Washer M8	
22	4812000	3	Washer M10	
23	4812100	8	Washer M12	
24	1001146588	4	Tie-Strap (Not Shown)	
27	1001229637	1	Bracket	
28	1001195226	1	AC Ground to Platform Cable (Upper)	
28	1001214095	1	Plug, Male	
31	1001196368	1	AC Ground to Platform Cable (Lower)	
31	1001214096	1	Receptacle, Female	
32	0100011	AR	Compound, Locking	
33	0100035	AR	Compound, Locking	
34	0700626	AR	Bolt M6 x 90	
34	0641424	AR	Bolt 1/4 x 3	
35	0700818	16	Bolt M8 x 50	
38	77133137	AR	Cover, Clamp	
39	1001204690	1	Shield, Tube	
40	4811700	4	Washer M6	
41	5281918	1	Capscrew M8 x 70	
44	1001176636	AR	Rivet - Nut M6	
44	2080044	AR	Rivet - Nut 1/4	
45	1001181923	AR	Shield, Tube	
47	1001252945	1	Support	
48	1001201090	2	Block, Clamp	
49	1001201342	1	Support	
50	1001202936	1	Guide	
51	1001143645	2	Strap, Cinch	
52	0700822	2	Bolt M8 x 70	
53	3520034	8	Plug	
54	4240018	4	Tie-Strap (Not Shown)	
55	1001209948	3	Clamp	
58	1001209951	6	Clamp	
60	1001209953	7	Clamp	
61	1001209957	1	Cover	
62	0760812	1	Bolt M8 x 25	
63	1001116792	1	Clamp	
64	1001209949	3	Clamp	

SECTION 8 - ELECTRICAL

FIGURE 8-19. AC CABLES AND CLAMPS INSTALLATION - WITHOUT GENERATOR (ANSI & CSA SPECS)



ART_1001193208_M

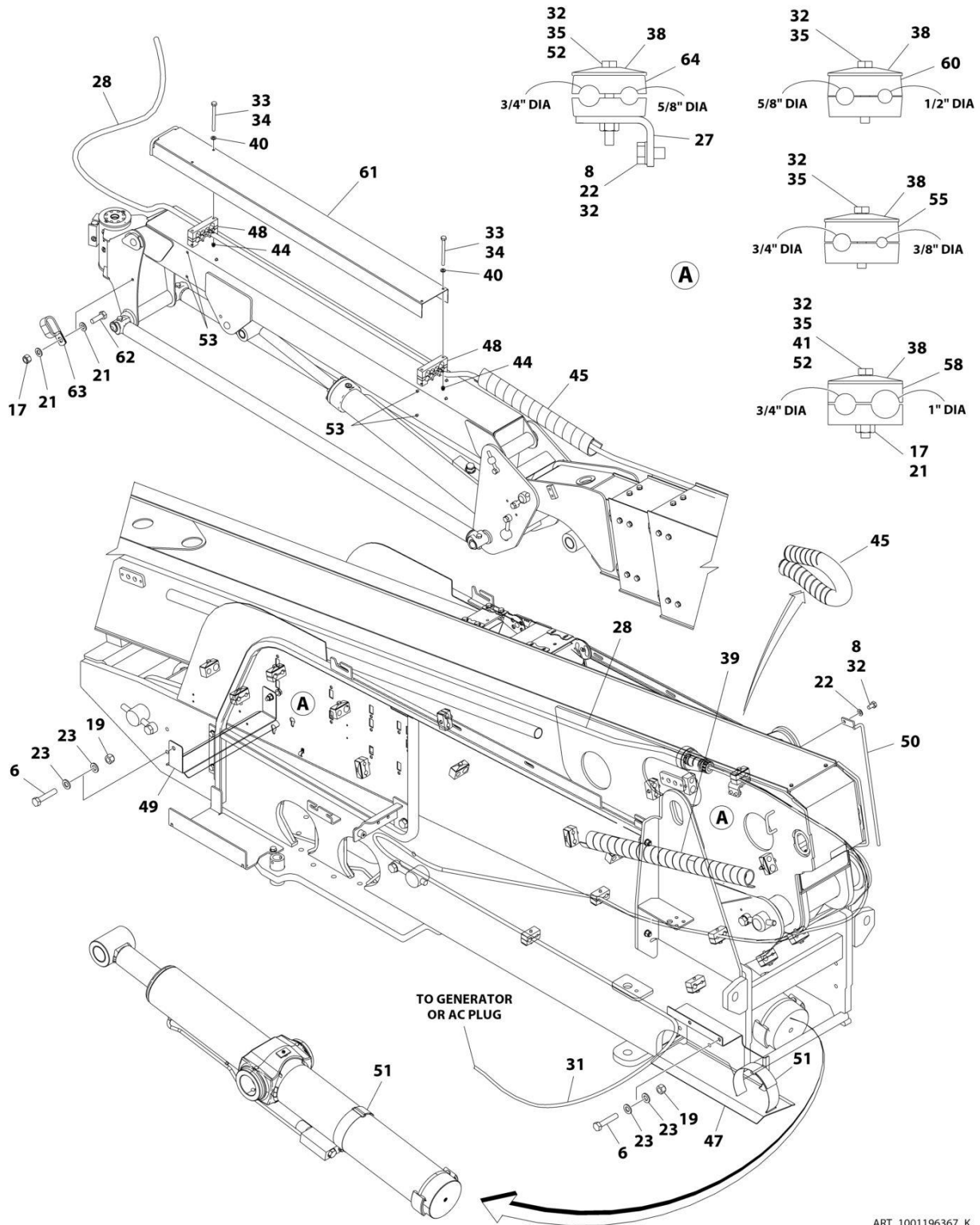
SECTION 8 - ELECTRICAL

FIGURE 8-19. AC CABLES AND CLAMPS INSTALLATION - WITHOUT GENERATOR (ANSI & CSA SPECS)

ITEM	PART NUMBER	QTY	DESCRIPTION	REV
	1001193208	Ref	AC CABLES AND CLAMPS INSTALLATION	M
7	0761009	3	Bolt M10 x 18	
15	3290805	3	Nut M8	
18	4811900	3	Washer M8	
19	4812000	3	Washer M10	
20	1001146588	4	Tie-Strap (Not Shown)	
24	0701220	4	Bolt M12 x 60	
26	4812100	8	Washer M12	
29	0700818	16	Bolt M8 x 50	
31	77133137	19	Cover, Clamp	
32	3291205	4	Nut M12	
33	1001204690	1	Shield, Tube	
34	5281918	1	Capscrew M8 x 70	
36	1001143645	2	Strap, Cinch	
38	1001181923	AR	Shield, Tube	
40	1001229637	1	Bracket	
41	1001252945	1	Support	
42	1001201090	2	Block, Clamp	
43	1001201342	1	Support	
44	1001202936	1	Guide	
45	0641424	4	Bolt 1/4 x 3	
46	4811700	4	Washer M6	
47	2080044	4	Rivet - Nut 1/4	
48	0100011	AR	Compound, Locking	
49	0100035	AR	Compound, Locking	
51	4240018	4	Tie-Strap (Not Shown)	
52	3520034	8	Plug	
53	1001209948	3	Clamp	
55	1001209951	6	Clamp	
57	1001209957	1	Cover	
58	1001209953	3	Clamp	
59	0700822	2	Bolt M8 x 70	
63	1001195228	1	AC Ground to Platform Cable (Upper)	
63	1001120204	1	Plug, Male	
64	1001195525	1	AC Ground to Platform Cable (Lower)	
64	1001120205	1	Receptacle, Female	
65	0760812	1	Bolt M8 x 25	
66	1001116792	1	Clamp	
67	1001209949	3	Clamp	
68	1001228809	4	Clamp	

SECTION 8 - ELECTRICAL

FIGURE 8-20. AC CABLES AND CLAMPS INSTALLATION - WITH 2500W GENERATOR



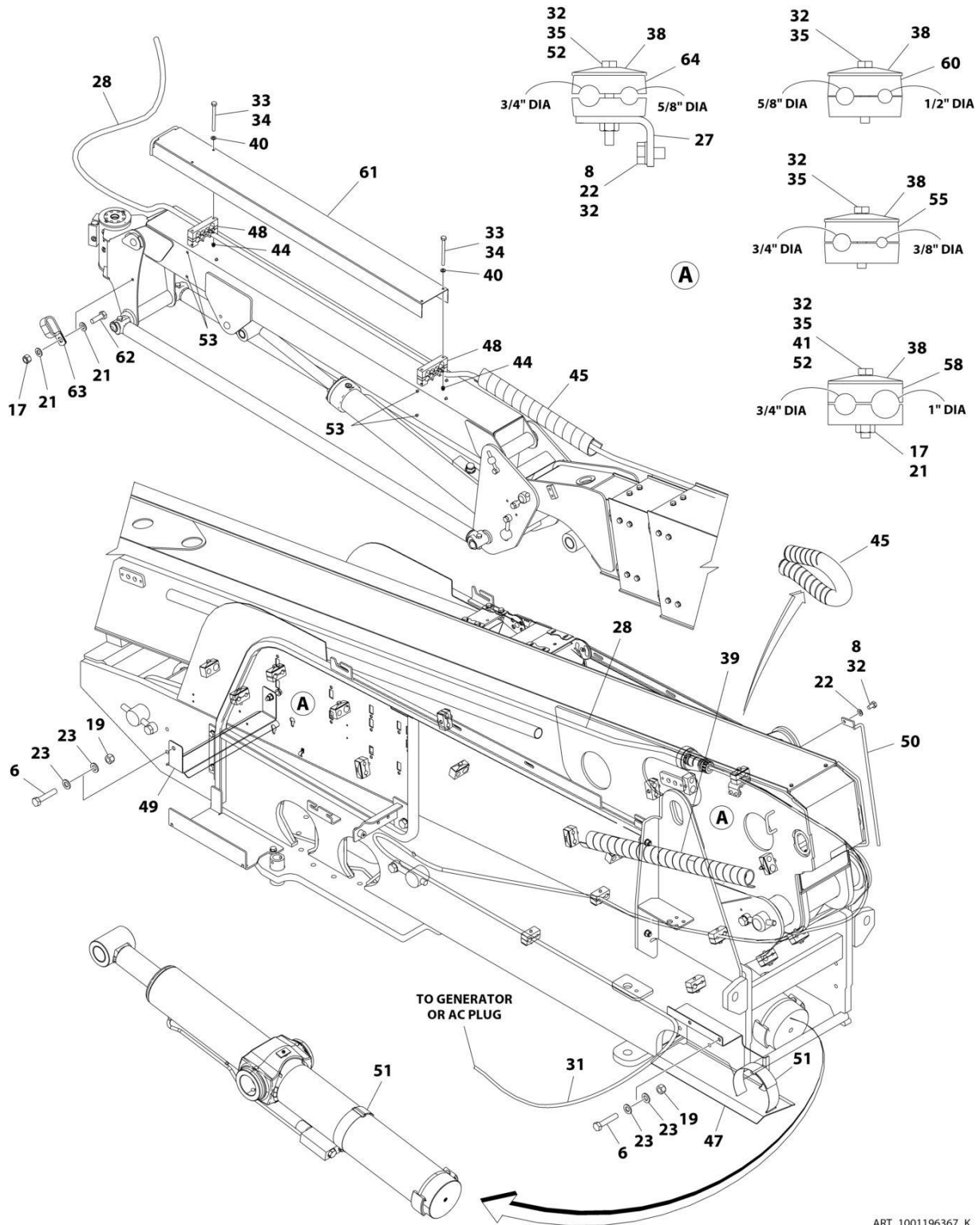
SECTION 8 - ELECTRICAL

FIGURE 8-20. AC CABLES AND CLAMPS INSTALLATION - WITH 2500W GENERATOR

ITEM	PART NUMBER	QTY	DESCRIPTION	REV
	1001196367	Ref	AC CABLES AND CLAMPS INSTALLATION	K
6	0701220	4	Bolt M12 x 60	
8	0761009	3	Bolt M10 x 18	
17	3290805	4	Nut M8	
19	3291205	4	Nut M12	
21	4811900	5	Washer M8	
22	4812000	3	Washer M10	
23	4812100	8	Washer M12	
24	1001146588	4	Tie-Strap (Not Shown)	
27	1001229637	1	Bracket	
28	1001195226	1	AC Ground to Platform Cable (Upper)	
28	1001214095	1	Plug, Male	
31	1001196368	1	AC Ground to Platform Cable (Lower)	
31	1001214096	1	Receptacle, Female	
32	0100011	AR	Compound, Locking	
33	0100035	AR	Compound, Locking	
34	0700626	AR	Bolt M6 x 90	
34	0641424	AR	Bolt 1/4 x 3	
35	0700818	16	Bolt M8 x 50	
38	77133137	AR	Cover, Clamp	
39	1001204690	1	Shield, Tube	
40	4811700	4	Washer M6	
41	5281918	1	Capscrew M8 x 70	
44	1001176636	AR	Rivet - Nut M6	
44	2080044	AR	Rivet - Nut 1/4	
45	1001181923	AR	Shield, Tube	
47	1001252945	1	Support	
48	1001201090	2	Block, Clamp	
49	1001201342	1	Support	
50	1001202936	1	Guide	
51	1001143645	2	Strap, Cinch	
52	0700822	2	Bolt M8 x 70	
53	3520034	8	Plug	
54	4240018	4	Tie-Strap (Not Shown)	
55	1001209948	3	Clamp	
58	1001209951	6	Clamp	
60	1001209953	7	Clamp	
61	1001209957	1	Cover	
62	0760812	1	Bolt M8 x 25	
63	1001116792	1	Clamp	
64	1001209949	3	Clamp	

SECTION 8 - ELECTRICAL

FIGURE 8-21. AC CABLES AND CLAMPS INSTALLATION - WITH 4000W-50HZ GENERATOR



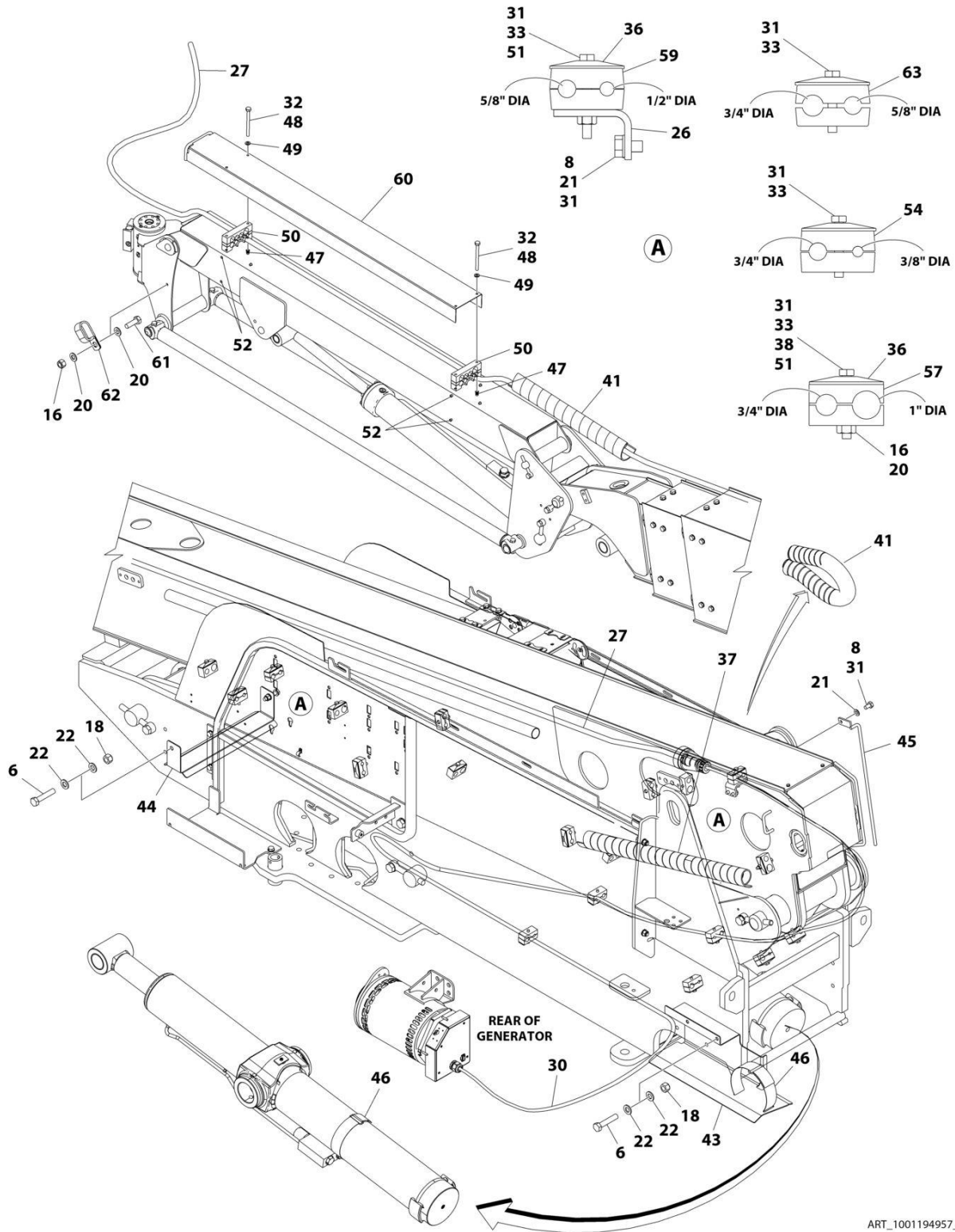
SECTION 8 - ELECTRICAL

FIGURE 8-21. AC CABLES AND CLAMPS INSTALLATION - WITH 4000W-50HZ GENERATOR

ITEM	PART NUMBER	QTY	DESCRIPTION	REV
	1001196367	Ref	AC CABLES AND CLAMPS INSTALLATION	K
6	0701220	4	Bolt M12 x 60	
8	0761009	3	Bolt M10 x 18	
17	3290805	4	Nut M8	
19	3291205	4	Nut M12	
21	4811900	5	Washer M8	
22	4812000	3	Washer M10	
23	4812100	8	Washer M12	
24	1001146588	4	Tie-Strap (Not Shown)	
27	1001229637	1	Bracket	
28	1001195226	1	AC Ground to Platform Cable (Upper)	
28	1001214095	1	Plug, Male	
31	1001196368	1	AC Ground to Platform Cable (Lower)	
31	1001214096	1	Receptacle, Female	
32	0100011	AR	Compound, Locking	
33	0100035	AR	Compound, Locking	
34	0700626	AR	Bolt M6 x 90	
34	0641424	AR	Bolt 1/4 x 3	
35	0700818	16	Bolt M8 x 50	
38	77133137	AR	Cover, Clamp	
39	1001204690	1	Shield, Tube	
40	4811700	4	Washer M6	
41	5281918	1	Capscrew M8 x 70	
44	1001176636	AR	Rivet - Nut M6	
44	2080044	AR	Rivet - Nut 1/4	
45	1001181923	AR	Shield, Tube	
47	1001252945	1	Support	
48	1001201090	2	Block, Clamp	
49	1001201342	1	Support	
50	1001202936	1	Guide	
51	1001143645	2	Strap, Cinch	
52	0700822	2	Bolt M8 x 70	
53	3520034	8	Plug	
54	4240018	4	Tie-Strap (Not Shown)	
55	1001209948	3	Clamp	
58	1001209951	6	Clamp	
60	1001209953	7	Clamp	
61	1001209957	1	Cover	
62	0760812	1	Bolt M8 x 25	
63	1001116792	1	Clamp	
64	1001209949	3	Clamp	

SECTION 8 - ELECTRICAL

FIGURE 8-22. AC CABLES AND CLAMPS INSTALLATION - WITH 4000W-60HZ GENERATOR



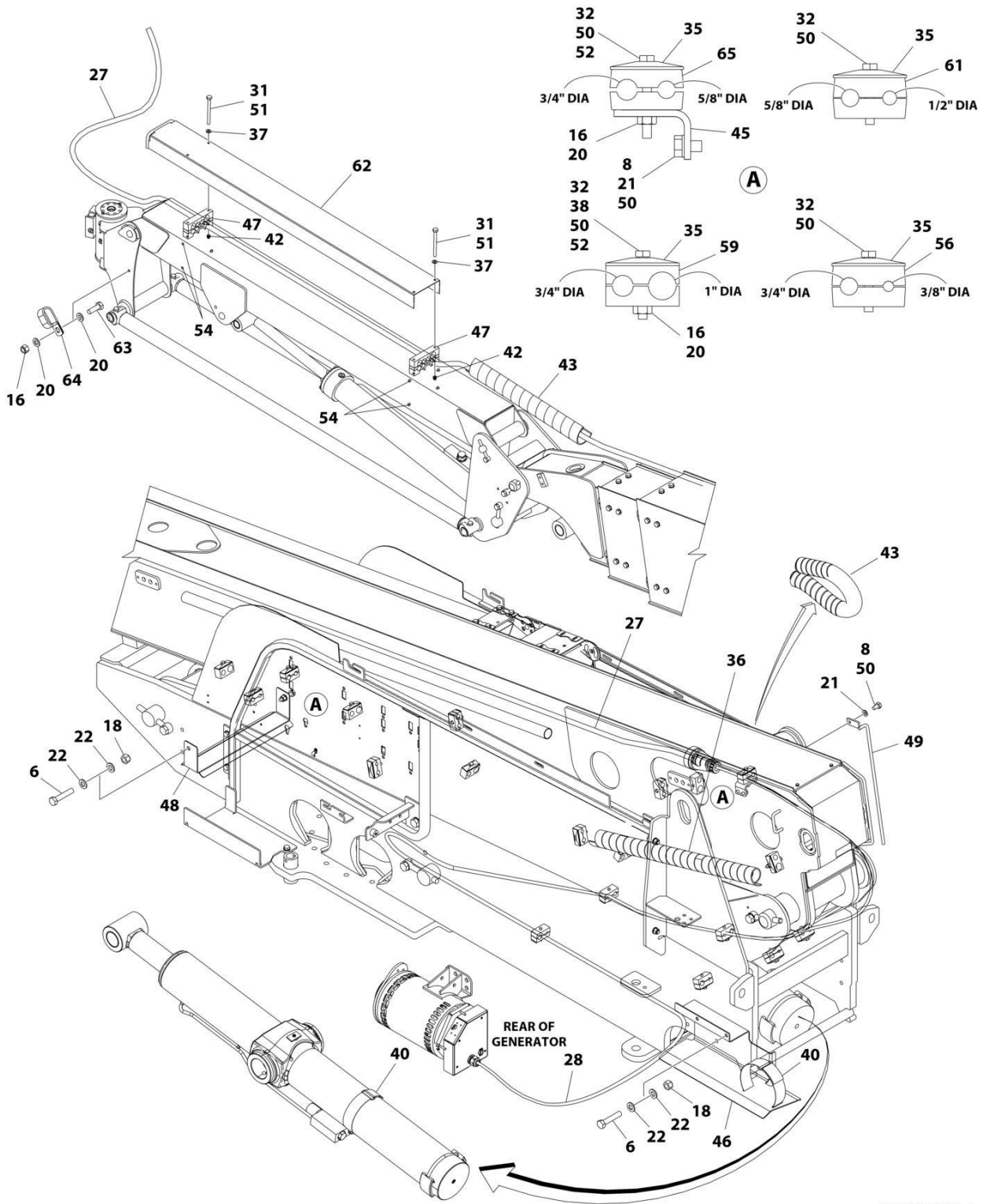
SECTION 8 - ELECTRICAL

FIGURE 8-22. AC CABLES AND CLAMPS INSTALLATION - WITH 4000W-60HZ GENERATOR

ITEM	PART NUMBER	QTY	DESCRIPTION	REV
	1001194957	Ref	AC CABLES AND CLAMPS INSTALLATION	L
6	0701220	4	Bolt M12 x 60	
8	0761009	3	Bolt M10 x 18	
16	3290805	4	Nut M8	
18	3291205	4	Nut M12	
20	4811900	5	Washer M8	
21	4812000	3	Washer M10	
22	4812100	8	Washer M12	
23	1001146588	4	Tie-Strap (Not Shown)	
26	1001229637	1	Bracket	
27	1001228187	1	AC Ground to Platform Cable (Upper)	
27	4460959	1	Plug, Male	
27	1671093	1	Cover, Plug	
30	1001228188	1	AC Ground to Platform Cable (Lower)	
30	4460960	1	Receptacle, Female	
30	1671092	1	Cover, Receptacle	
31	0100011	AR	Compound, Locking	
32	0100035	AR	Compound, Locking	
33	0700818	16	Bolt M8 x 50	
36	77133137	13	Cover, Clamp	
37	1001204690	1	Shield, Tube	
38	5281918	1	Capscrew M8 x 70	
41	1001181923	AR	Shield, Tube	
43	1001252945	1	Support	
44	1001201342	1	Support	
45	1001202936	1	Guide	
46	1001143645	2	Strap, Cinch	
47	1001176636	4	Rivet - Nut M6	
47	1001260680	4	Rivet - Nut M6	
48	0700626	4	Bolt M6 x 90	
49	4811700	4	Washer M6	
50	1001201090	2	Block, Clamp	
51	0700822	2	Bolt M8 x 70	
52	3520034	8	Plug	
53	4240018	4	Tie-Strap (Not Shown)	
54	1001209948	3	Clamp	
57	1001209951	6	Clamp	
59	1001209953	7	Clamp	
60	1001209957	1	Cover	
61	0760812	1	Bolt M8 x 25	
62	1001116792	1	Clamp	
63	1001209949	3	Clamp	

SECTION 8 - ELECTRICAL

FIGURE 8-23. AC CABLES AND CLAMPS INSTALLATION - WITH 7500W SKYPOWER GENERATOR



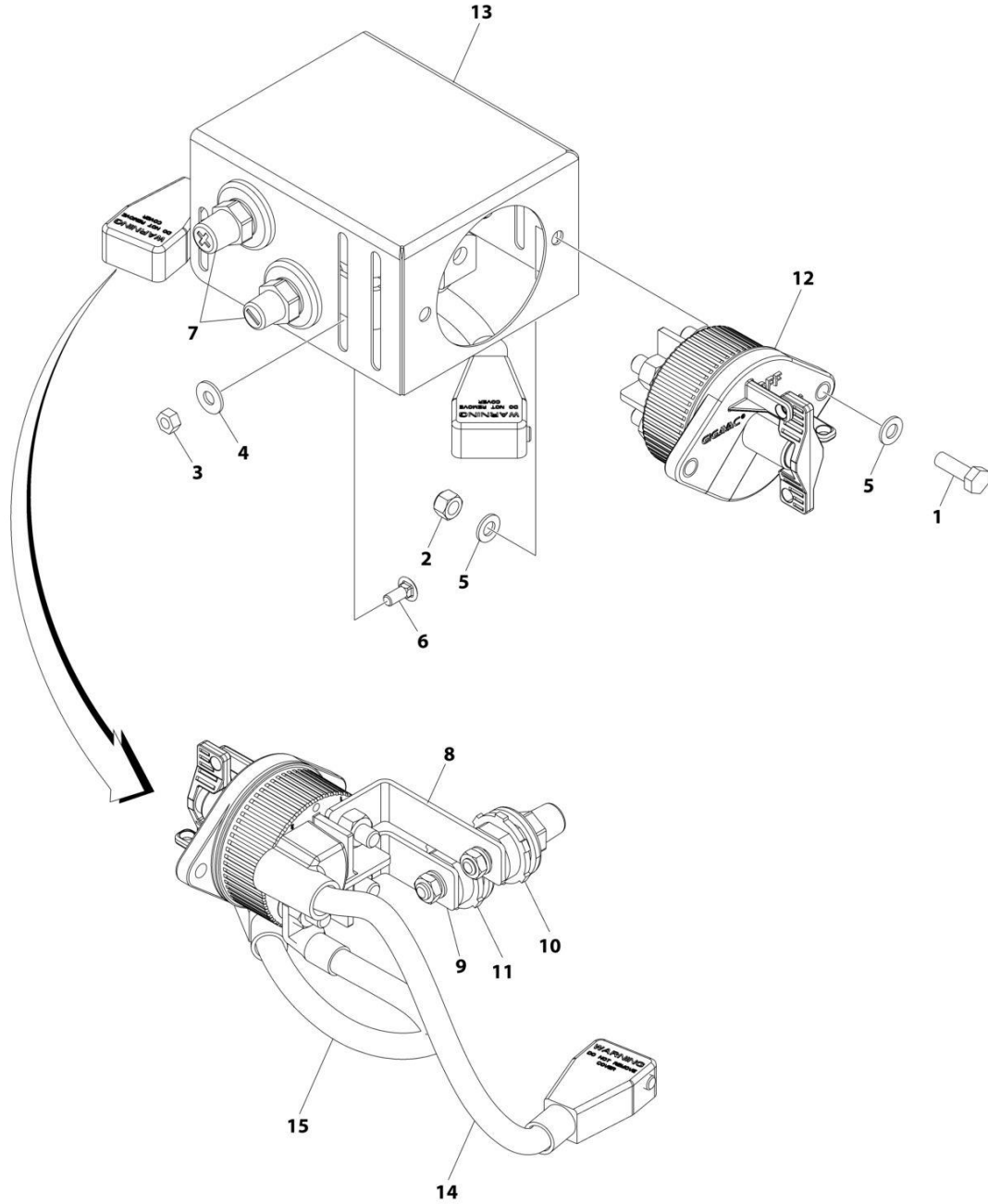
SECTION 8 - ELECTRICAL

FIGURE 8-23. AC CABLES AND CLAMPS INSTALLATION - WITH 7500W SKYPOWER GENERATOR

ITEM	PART NUMBER	QTY	DESCRIPTION	REV
	1001194962	Ref	AC CABLES AND CLAMPS INSTALLATION	L
6	0701220	4	Bolt M12 x 60	
8	0761009	3	Bolt M10 x 18	
16	3290805	4	Nut M8	
18	3291205	4	Nut M12	
20	4811900	5	Washer M8	
21	4812000	3	Washer M10	
22	4812100	8	Washer M12	
23	1001146588	4	Tie-Strap (Not Shown)	
27	1001227075	1	AC Ground to Platform Cable (Upper)	
27	4460959	1	Plug, Male	
27	1671093	1	Cover, Plug	
28	1001226304	1	AC Ground to Platform Cable (Lower)	
28	4460960	1	Receptacle, Female	
28	1671092	1	Cover, Receptacle	
31	0700626	AR	Bolt M6 x 90	
31	0641424	AR	Bolt 1/4 x 3	
32	0700818	16	Bolt M8 x 50	
35	77133137	AR	Cover, Clamp	
36	1001204690	1	Shield, Tube	
37	4811700	4	Washer M6	
38	5281918	1	Capscrew M8 x 70	
40	1001143645	2	Strap, Cinch	
42	1001176636	AR	Rivet - Nut M6	
42	2080044	AR	Rivet - Nut 1/4	
43	1001181923	AR	Shield, Tube	
45	1001229637	1	Bracket	
46	1001252945	1	Support	
47	1001201090	2	Block, Clamp	
48	1001201342	1	Support	
49	1001202936	1	Guide	
50	0100011	AR	Compound, Locking	
51	0100035	AR	Compound, Locking	
52	0700822	2	Bolt M8 x 70	
54	3520034	8	Plug	
55	4240018	4	Tie-Strap (Not Shown)	
56	1001209948	3	Clamp	
59	1001209951	6	Clamp	
61	1001209953	3	Clamp	
62	1001209957	1	Cover	
63	0760812	1	Bolt M8 x 25	
64	1001116792	1	Clamp	
65	1001209949	7	Clamp	
66	0700819	1	Bolt M8 x 55 (Not Shown)	

SECTION 8 - ELECTRICAL

FIGURE 8-24. BATTERY DISCONNECT SWITCH INSTALLATION



ART_1001236304

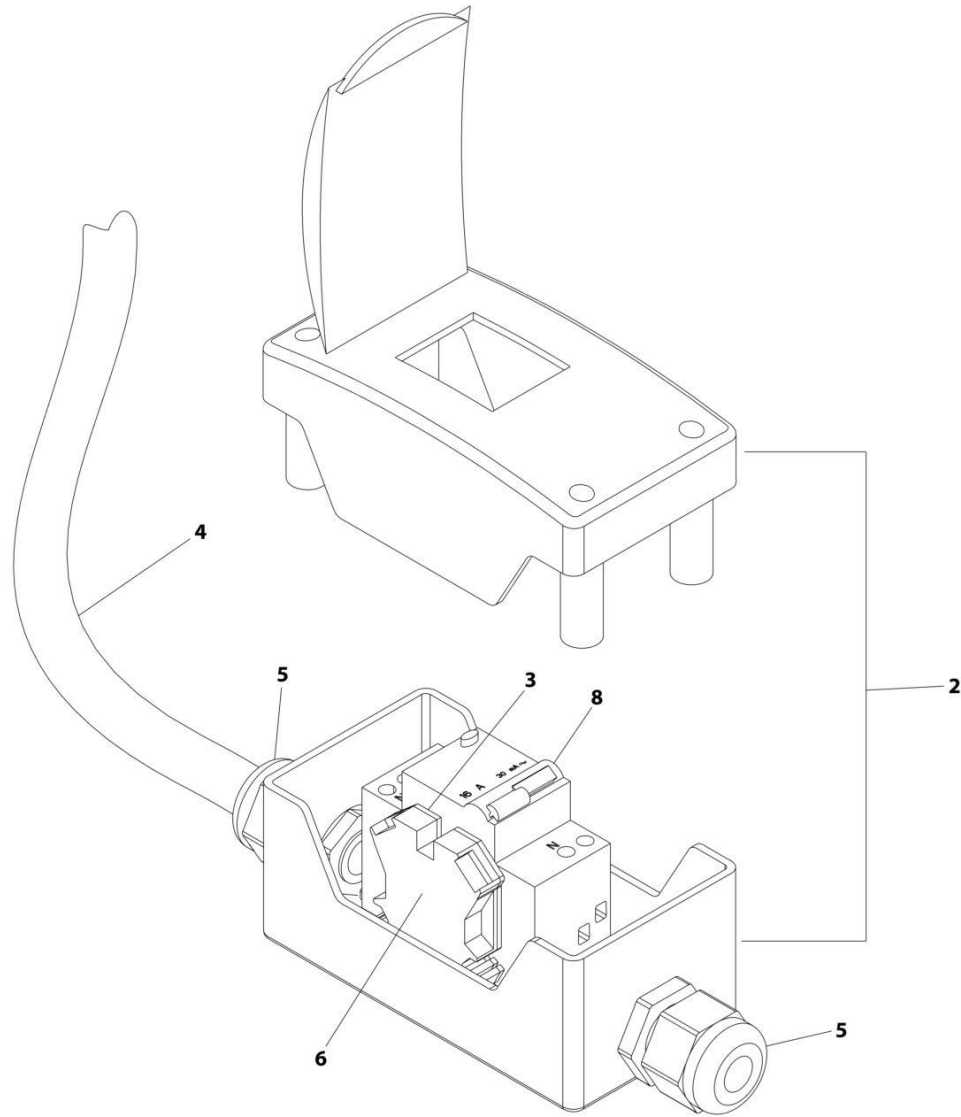
SECTION 8 - ELECTRICAL

FIGURE 8-24. BATTERY DISCONNECT SWITCH INSTALLATION

ITEM	PART NUMBER	QTY	DESCRIPTION	REV
	1001236304	Ref	BATTERY DISCONNECT SWITCH INSTALLATION	A
1	0760812	2	Bolt M8 x 25	
2	3290805	2	Nut M8	
3	3311405	3	Nut 1/4	
4	4751400	3	Washer 1/4	
5	4811900	4	Washer M8	
6	88411013	3	Bolt 1/4 x 3/4	
7	1001206476	1	Connectors, Post	
8	1001209432	1	Bussbar	
9	1001209474	1	Bussbar	
10	1001214570	1	Connector (Red)	
11	1001214571	1	Connector (Black)	
12	1001225346	1	Switch, Battery	
13	1001226531	1	Mount	
14	1001236504	1	Cable, Battery (+)	
15	1001236505	1	Cable, Battery (-)	

SECTION 8 - ELECTRICAL

FIGURE 8-25. BREAKER BOX KIT - SINGLE DOUBLE POLE BREAKER (WITHOUT 4000W/50HZ GENERATOR)



ART_2902549

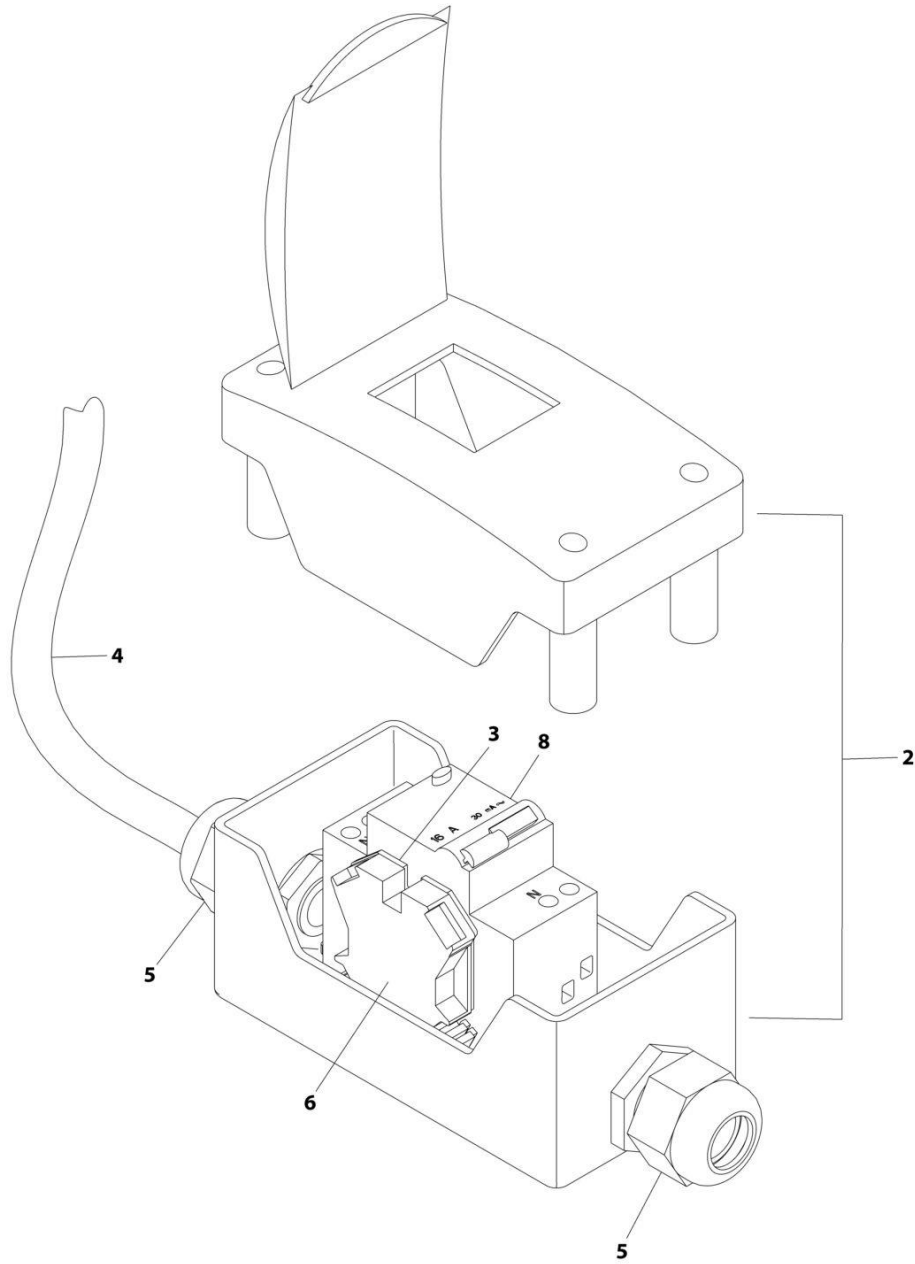
SECTION 8 - ELECTRICAL

FIGURE 8-25. BREAKER BOX KIT - SINGLE DOUBLE POLE BREAKER (WITHOUT 4000W/50HZ GENERATOR)

ITEM	PART NUMBER	QTY	DESCRIPTION	REV
	2902549	Ref	BREAKER BOX KIT - 110/220V 16AMP BREAKER	F
2	0861880	1	Box	
3	4460956	1	Barrier, Terminal	
4	1060908	6 ft/1.8m	Cable, 12/3	
5	1001097150	2	Connector, Strain Relief	
6	4460957	1	Block, Terminal	
8	1001181045	1	Breaker, Combination 16Amp/30mAmp	

SECTION 8 - ELECTRICAL

FIGURE 8-26. BREAKER BOX KIT - SINGLE DOUBLE POLE BREAKER (WITH 4000W/50HZ GENERATOR)



ART_1001096070

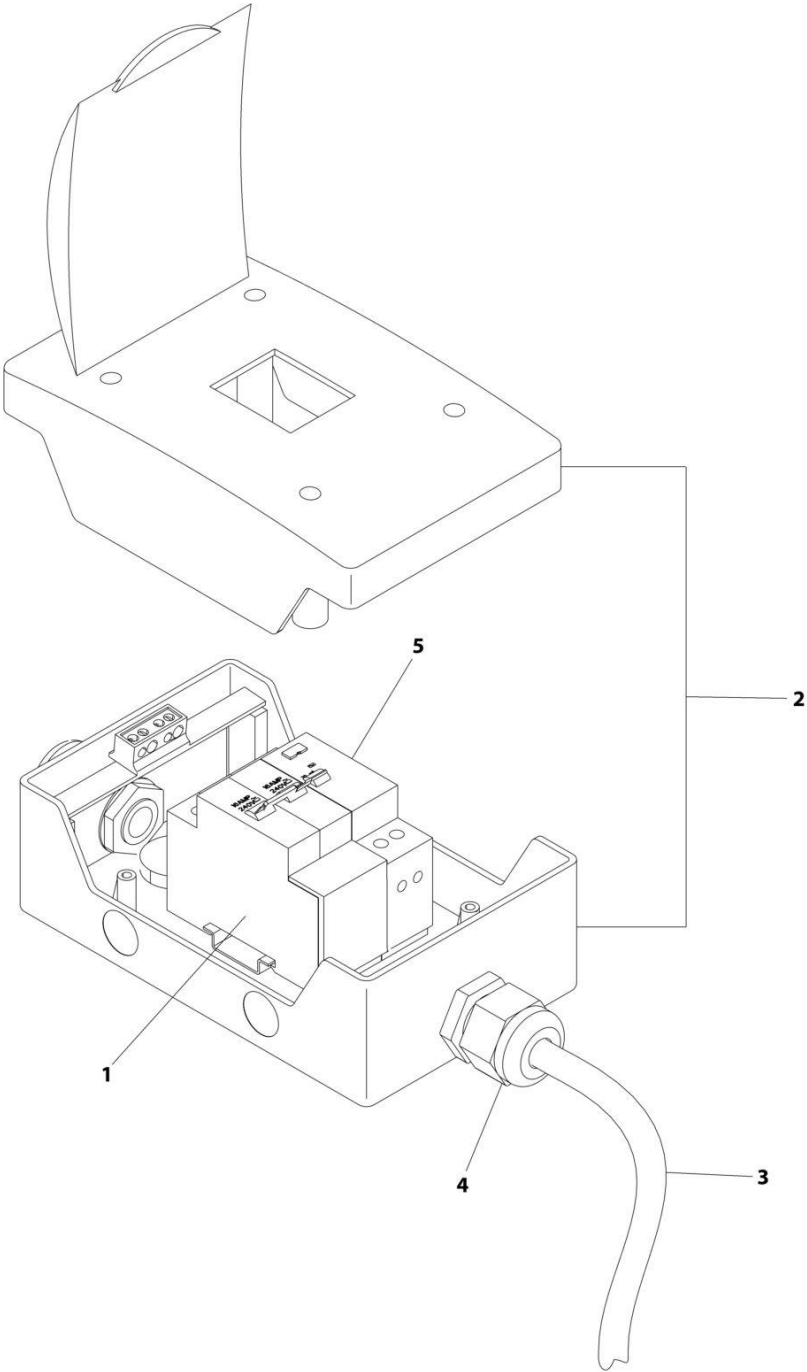
SECTION 8 - ELECTRICAL

FIGURE 8-26. BREAKER BOX KIT - SINGLE DOUBLE POLE BREAKER (WITH 4000W/50HZ GENERATOR)

ITEM	PART NUMBER	QTY	DESCRIPTION	REV
	1001096070	Ref	BREAKER BOX KIT	E
2	0861880	1	Box	
3	4460956	1	Barrier, Terminal Block End	
4	1060908	12 ft/ 3.6m	Cable, 12/3	
5	1001097150	2	Connector, Strain Relief	
6	4460957	1	Block, Terminal	
8	1001181045	1	Breaker, 16Amp	

SECTION 8 - ELECTRICAL

FIGURE 8-27. BREAKER BOX KIT - 3 BREAKERS



ART_1001152486_C

SECTION 8 - ELECTRICAL

FIGURE 8-27. BREAKER BOX KIT - 3 BREAKERS

ITEM	PART NUMBER	QTY	DESCRIPTION	REV
	1001152486	Ref	BREAKER BOX KIT	C
1	1001189172	1	Breaker, 16 Amp (Double)	
2	1001152483	1	Box	
3	1060908	12 ft/ 3.66m	Cable, 12/3	
4	1001097150	1	Connector, Strain Relief	
5	1001189171	1	Breaker, 30mA	

SECTION 8 - ELECTRICAL

FIGURE 8-28. BOOM ANGLE SENSOR HARNESS



ART_1001189005

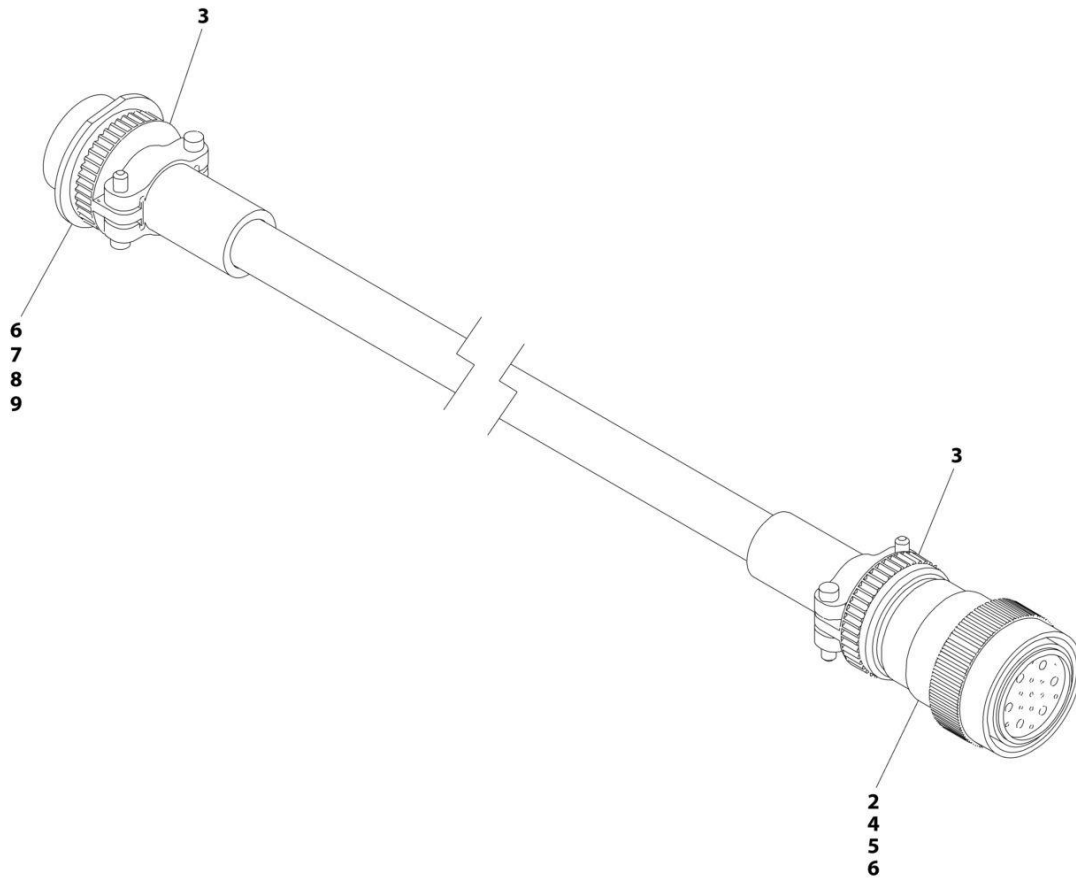
SECTION 8 - ELECTRICAL

FIGURE 8-28. BOOM ANGLE SENSOR HARNESS

ITEM	PART NUMBER	QTY	DESCRIPTION	REV
	1001189005	Ref	BOOM ANGLE SENSOR HARNESS	D
1	1001230931	1	Plug, Male - 6 Position	
1	1001116748	6	Terminal	
2	4460932	1	Receptacle, Female - 4 Position	
2	4460464	4	Pin, Male	

SECTION 8 - ELECTRICAL

FIGURE 8-29. BOOM CABLE - LOWER



ART_1001206082

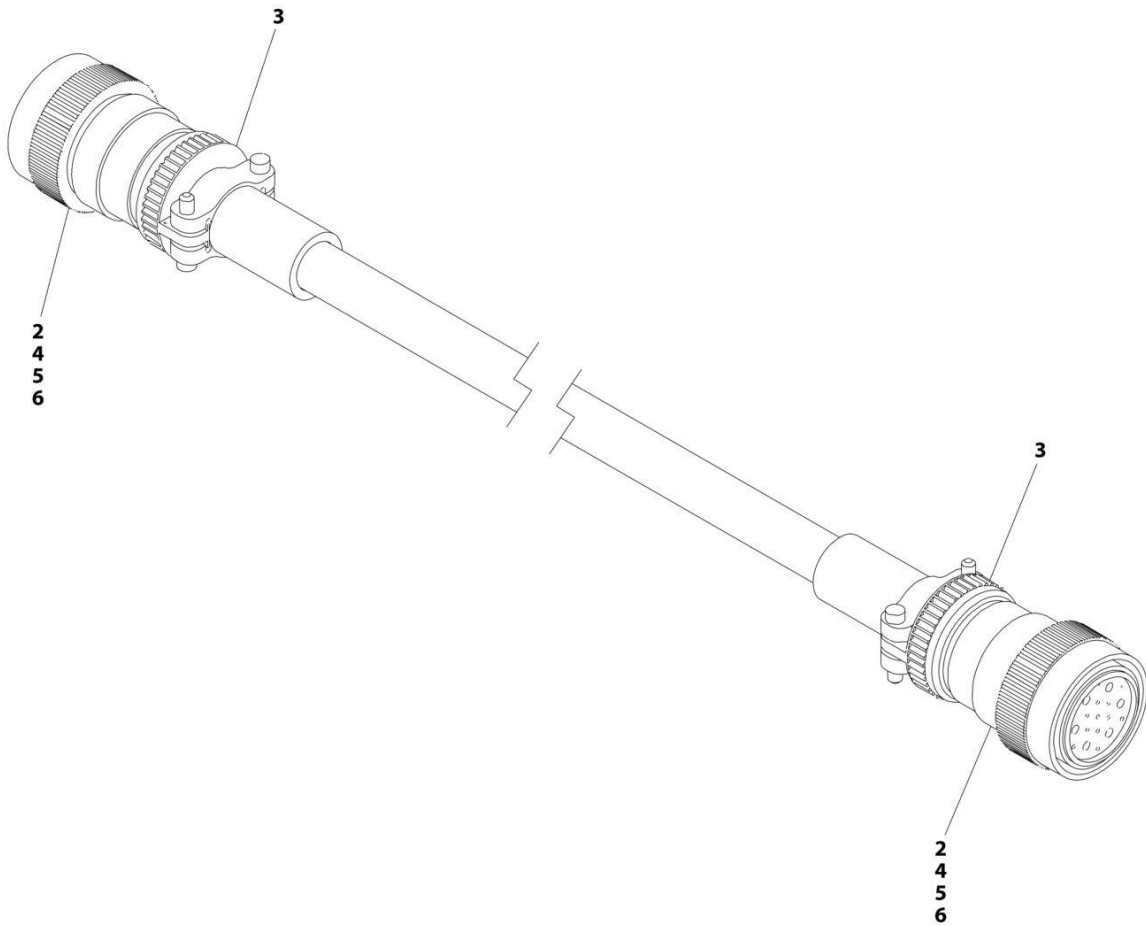
SECTION 8 - ELECTRICAL

FIGURE 8-29. BOOM CABLE - LOWER

ITEM	PART NUMBER	QTY	DESCRIPTION	REV
	1001206082	Ref	BOOM CABLE	C
2	4460865	1	Connector - 19 Position	
3	4460473	2	Clamp	
4	4460465	10	Socket, Female	
5	4460509	4	Socket, Female	
6	4460466	10	Plug, Socket	
7	4460866	1	Connector - 19 Position	
8	4460508	4	Pin, Male	
9	4460464	10	Pin, Male	

SECTION 8 - ELECTRICAL

FIGURE 8-30. BOOM CABLE - UPPER



ART_1001188534

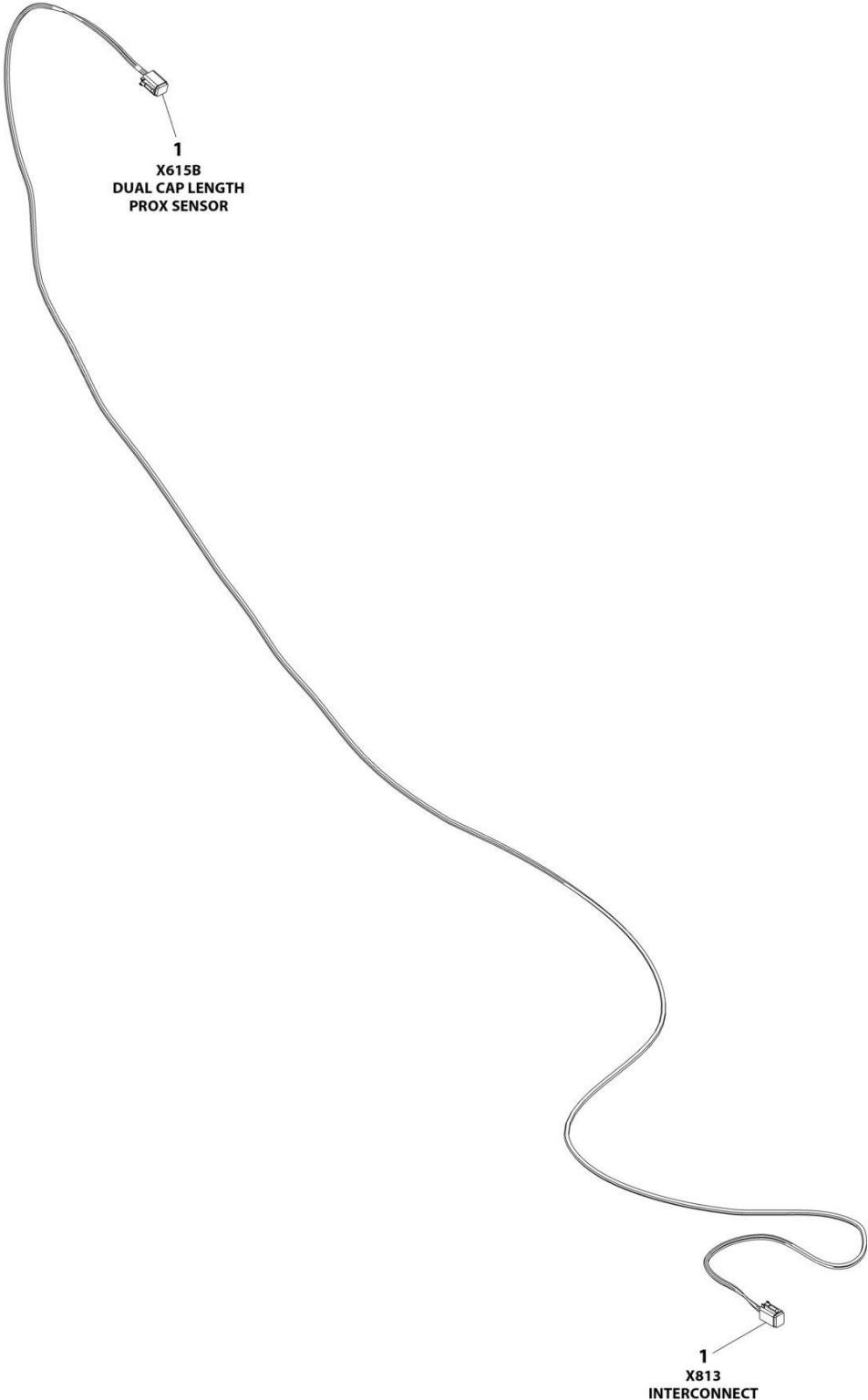
SECTION 8 - ELECTRICAL

FIGURE 8-30. BOOM CABLE - UPPER

ITEM	PART NUMBER	QTY	DESCRIPTION	REV
	1001188534	Ref	BOOM CABLE	C
2	4460865	2	Connector - 19 Position	
3	4460473	2	Clamp	
4	4460465	20	Socket, Female	
5	4460509	8	Socket, Female	
6	4460466	10	Plug, Socket	
7	1001226400	2	Heat Shrink (Not Shown)	

SECTION 8 - ELECTRICAL

FIGURE 8-31. CAPACITY PROXIMITY HARNESS



ART_1001242908

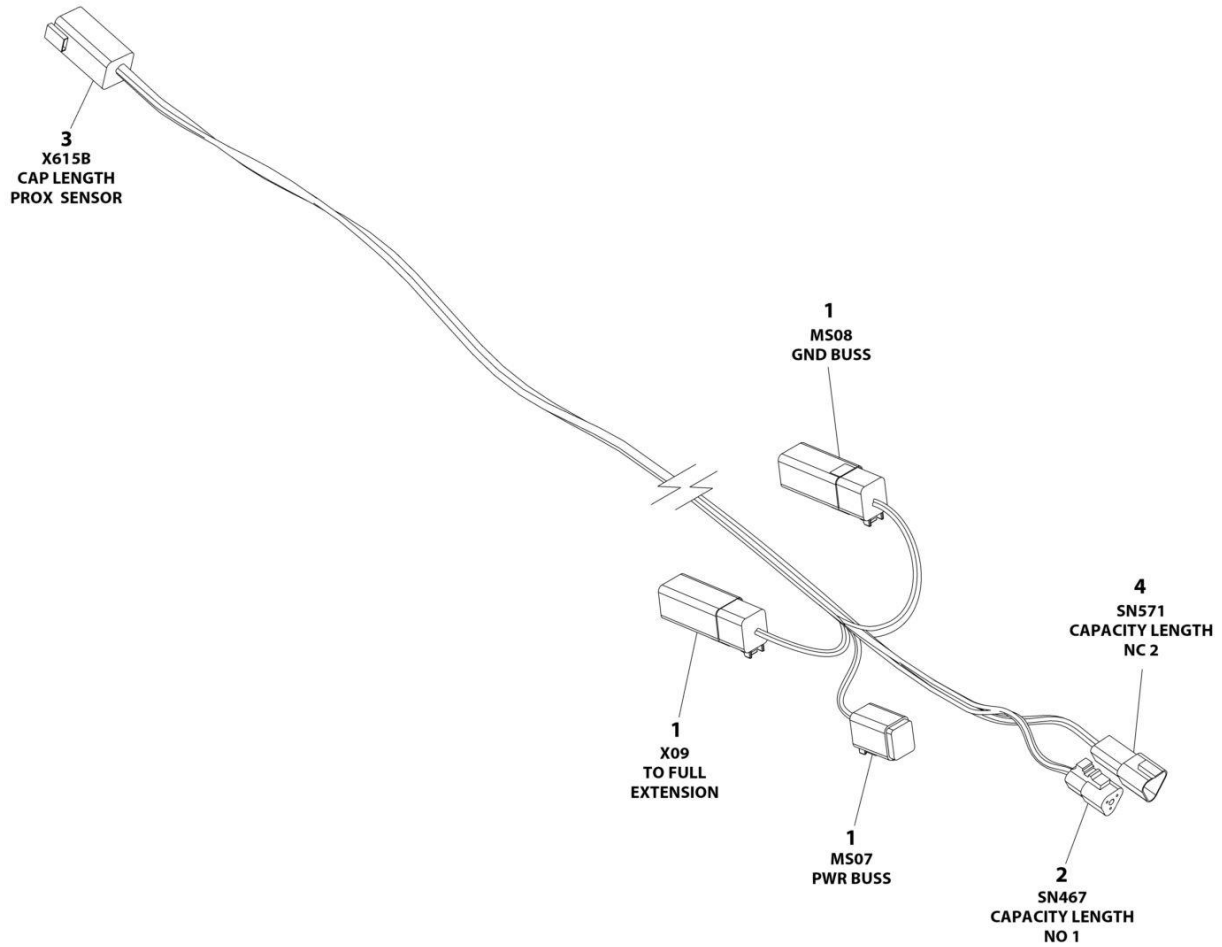
SECTION 8 - ELECTRICAL

FIGURE 8-31. CAPACITY PROXIMITY HARNESS

ITEM	PART NUMBER	QTY	DESCRIPTION	REV
	1001242908	Ref	CAPACITY PROXIMITY HARNESS	B
1	4460894	2	Plug, Male - 6 Position	
1	4460465	12	Socket, Female	

SECTION 8 - ELECTRICAL

FIGURE 8-32. CAPACITY PROXIMITY HARNESS



ART_1001238191

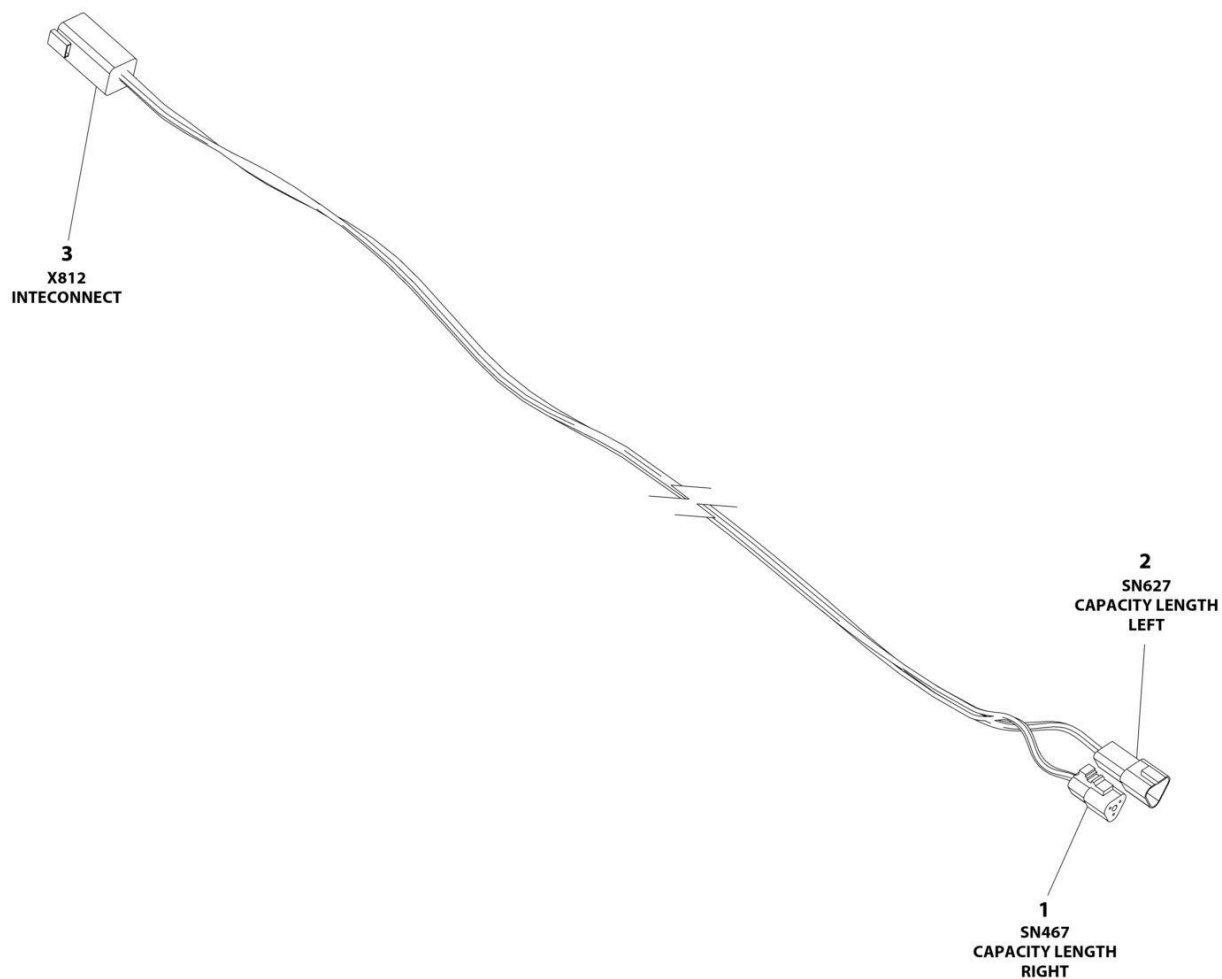
SECTION 8 - ELECTRICAL

FIGURE 8-32. CAPACITY PROXIMITY HARNESS

ITEM	PART NUMBER	QTY	DESCRIPTION	REV
	1001238191	Ref	CAPACITY PROXIMITY HARNESS	D
1	4460894	3	Plug, Male - 6 Position	
1	4460465	16	Socket, Female	
1	4460466	2	Plug, Terminal	
1	4460892	2	Bussbar - 6 Position	
2	4460539	1	Plug, Male - 3 Position	
2	4460465	3	Socket, Female	
3	4460899	1	Receptacle, Female - 6 Position	
3	4460464	6	Pin, Male	
4	4460536	1	Receptacle, Female - 3 Position	
4	4640464	3	Pin, Male	

SECTION 8 - ELECTRICAL

FIGURE 8-33. CAPACITY PROXIMITY HARNESS (DEUTZ TD2.9L4 (STAGE V) ENGINES)



ART_1001242907

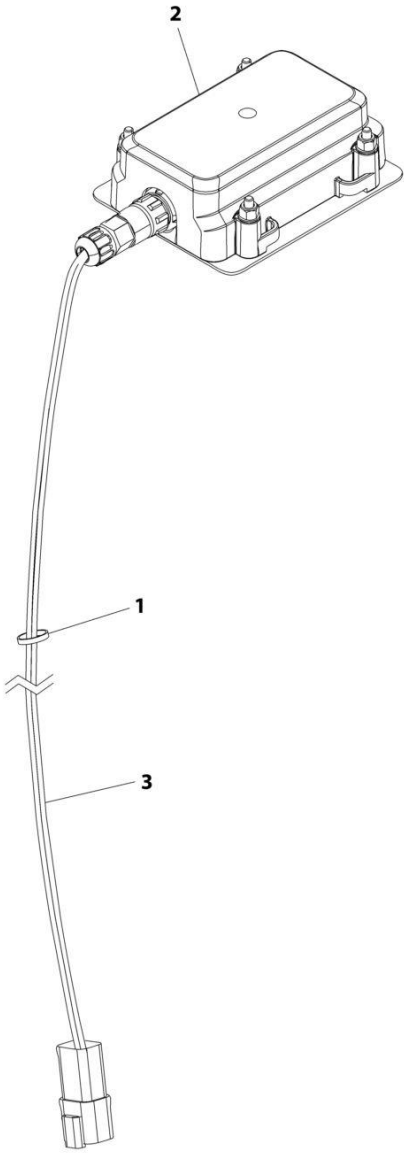
SECTION 8 - ELECTRICAL

FIGURE 8-33. CAPACITY PROXIMITY HARNESS (DEUTZ TD2.9L4 (STAGE V) ENGINES)

ITEM	PART NUMBER	QTY	DESCRIPTION	REV
	1001242907	Ref	CAPACITY PROXIMITY HARNESS	B
1	4460539	1	Plug, Male - 3 Position	
1	4460465	3	Socket, Female	
2	4460536	1	Receptacle, Female - 3 Position	
2	4640464	3	Pin, Male	
3	4460899	1	Receptacle, Female - 6 Position	
3	4460464	6	Pin, Male	

SECTION 8 - ELECTRICAL

FIGURE 8-34. CLEARSKY INSTALLATION 3-WIRE CONNECTION (ALL SPECS EXCEPT CHINA SPECS)



ART_1001276610

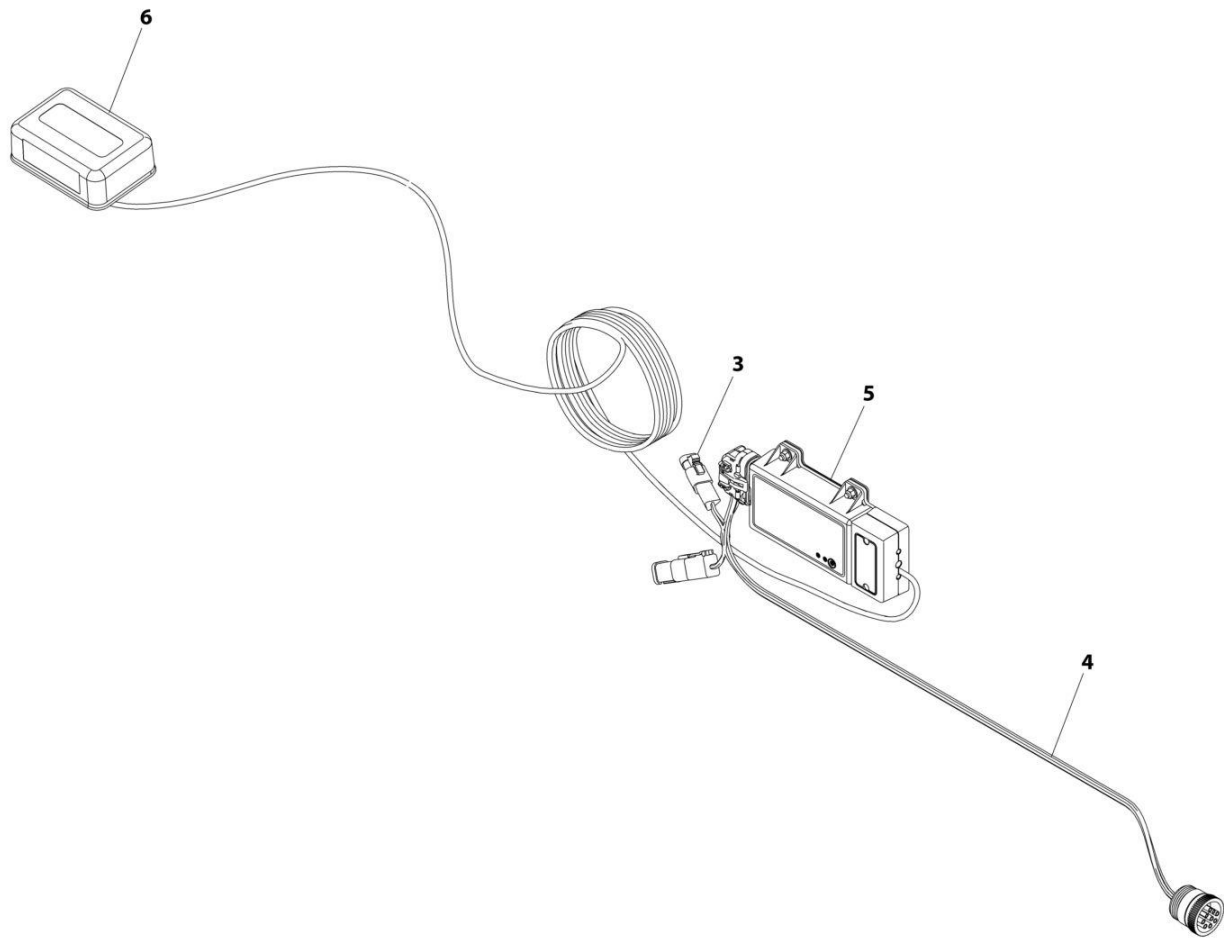
SECTION 8 - ELECTRICAL

FIGURE 8-34. CLEARSKY INSTALLATION 3-WIRE CONNECTION (ALL SPECS EXCEPT CHINA SPECS)

ITEM	PART NUMBER	QTY	DESCRIPTION	REV
	1001276610	Ref	CLEARSKY INSTALLATION 3-WIRE CONNECTION	A
1	4240032	AR	Tie-Strap	
2	1001272659	1	Telematics Control Module Assembly (Note: Re-calibration Required when Replaced)	
3	1001273012	1	ClearSky Harness (See Separate Breakdown in this Section)	

SECTION 8 - ELECTRICAL

FIGURE 8-35. CLEARSKY (TELEMATICS) INSTALLATION - CANBUS (ANSI & CSA SPECS)



ART_1001227404

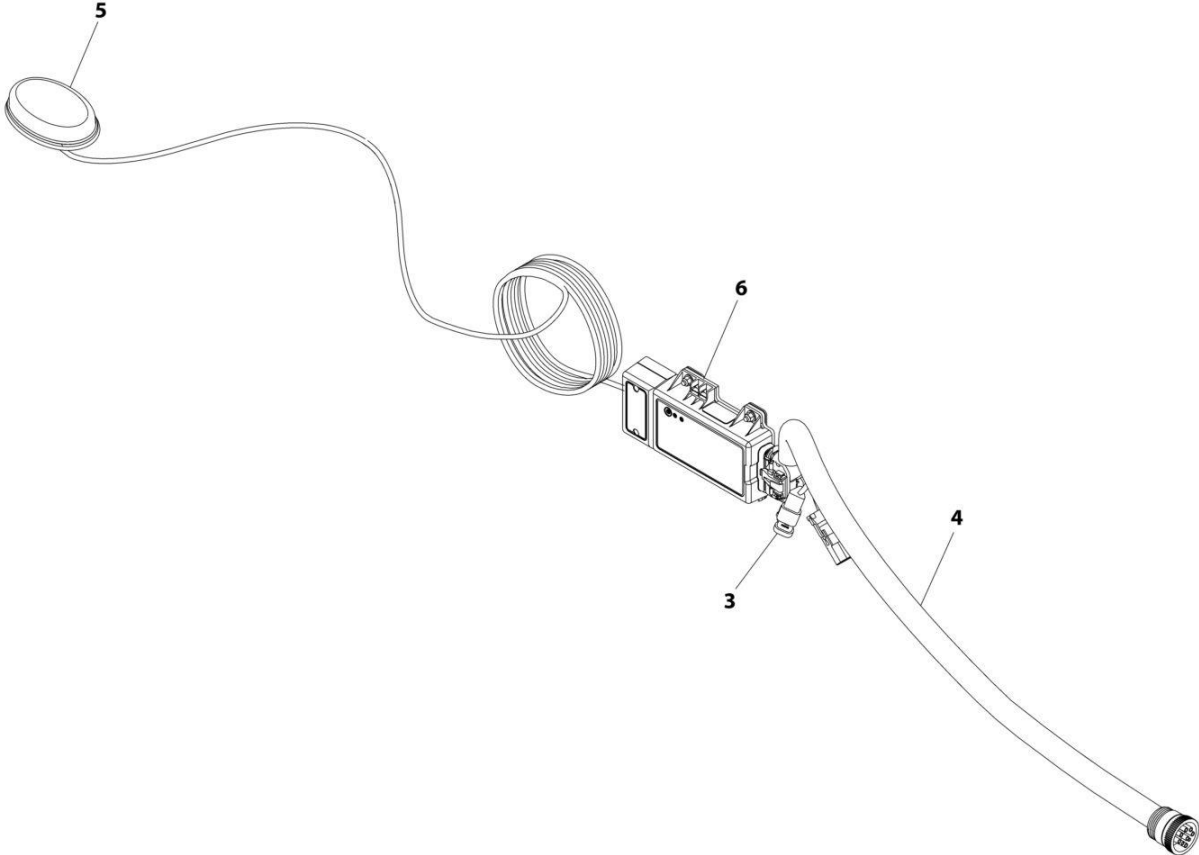
SECTION 8 - ELECTRICAL

FIGURE 8-35. CLEARSKY (TELEMATICS) INSTALLATION - CANBUS (ANSI & CSA SPECS)

ITEM	PART NUMBER	QTY	DESCRIPTION	REV
	1001227404	Ref	CLEARSKY INSTALLATION	B
1	4240032	AR	Tie-Strap (Not Shown)	
2	4460234	AR	Mount, Tie-Strap (Not Shown)	
3	1001129408	1	Connector	
4	1001226739	1	ClearSky Harness (See Separate Breakdown in ELECTRICAL Section)	
5	1001262322	1	ClearSky Module	
6	1001262326	1	Antenna	

SECTION 8 - ELECTRICAL

FIGURE 8-36. CLEARSKY (TELEMATICS) INSTALLATION - CANBUS (ANSI EXPORT, CE & UK CA SPECS)



ART_1001228947

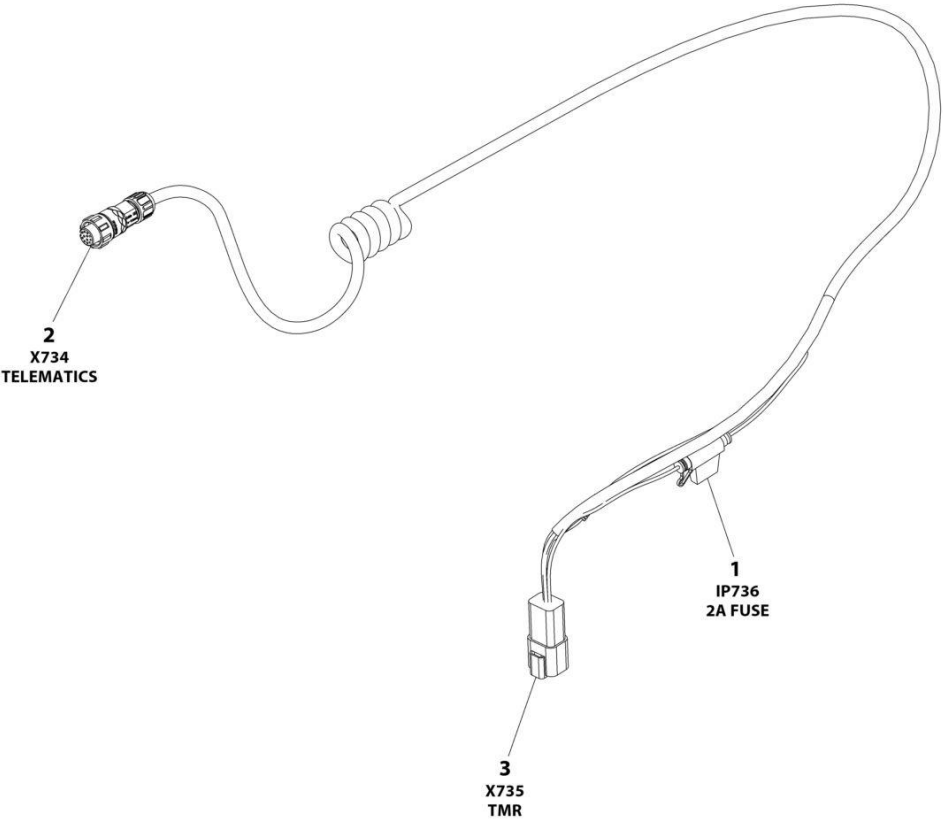
SECTION 8 - ELECTRICAL

FIGURE 8-36. CLEARSKY (TELEMATICS) INSTALLATION - CANBUS (ANSI EXPORT, CE & UK CA SPECS)

ITEM	PART NUMBER	QTY	DESCRIPTION	REV
	1001228947	Ref	CLEARSKY INSTALLATION	A
1	4240032	AR	Tie-Strap (Not Shown)	
2	4460234	AR	Mount, Tie-Strap (Not Shown)	
3	1001116815	1	Connector	
4	1001226739	1	ClearSky Harness (See Separate Breakdown in ELECTRICAL Section)	
5	1001226799	1	Antenna	
6	1001228954	1	ClearSky Module	

SECTION 8 - ELECTRICAL

FIGURE 8-37. CLEARSKY HARNESS - 3 WIRE GT1030



ART_1001273012

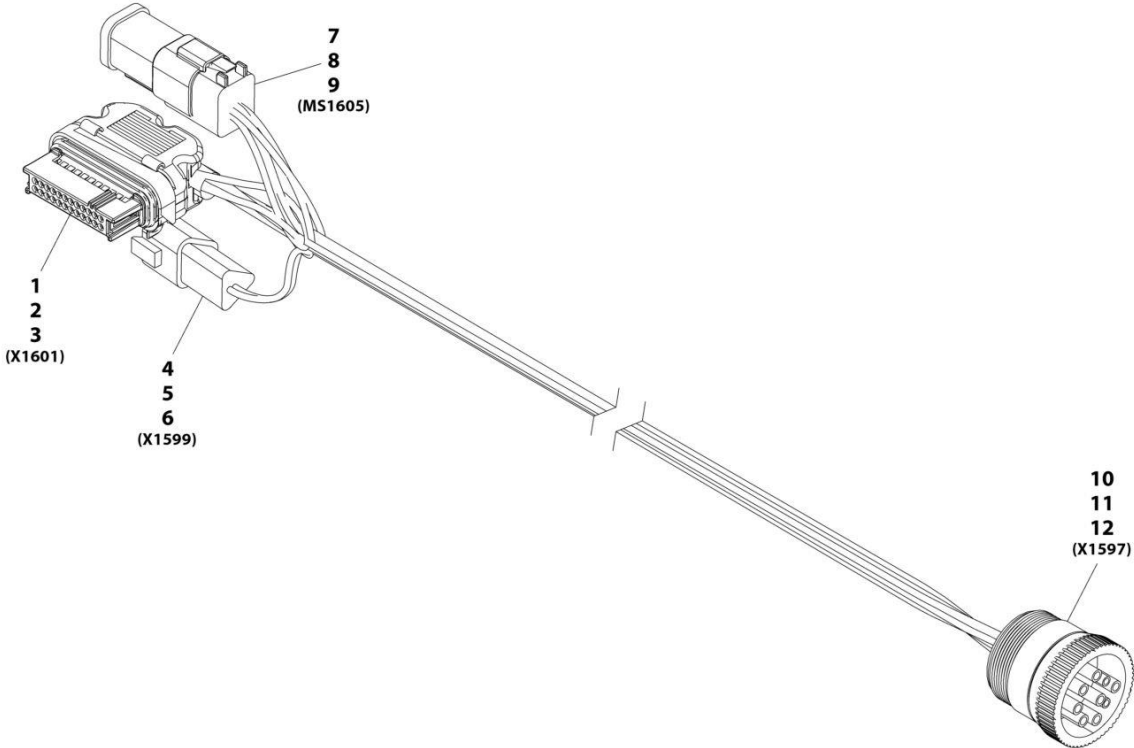
SECTION 8 - ELECTRICAL

FIGURE 8-37. CLEARSKY HARNESS - 3 WIRE GT1030

ITEM	PART NUMBER	QTY	DESCRIPTION	REV
	1001273012	Ref	CLEARSKY TELEMATICS HARNESS - GT1030	D
1	1001255901	1	Fuseholder	
1	1001196634	1	Fuse - 2Amp	
2	1001272997	1	Connector - 12 Position	
2		Ref	Terminal	
3	4460932	1	Receptacle, Female - 4 Position	
3	4460464	4	Pin, Male	

SECTION 8 - ELECTRICAL

FIGURE 8-38. CLEARSKY (TELEMATICS) HARNESS



ART_1001226739-A

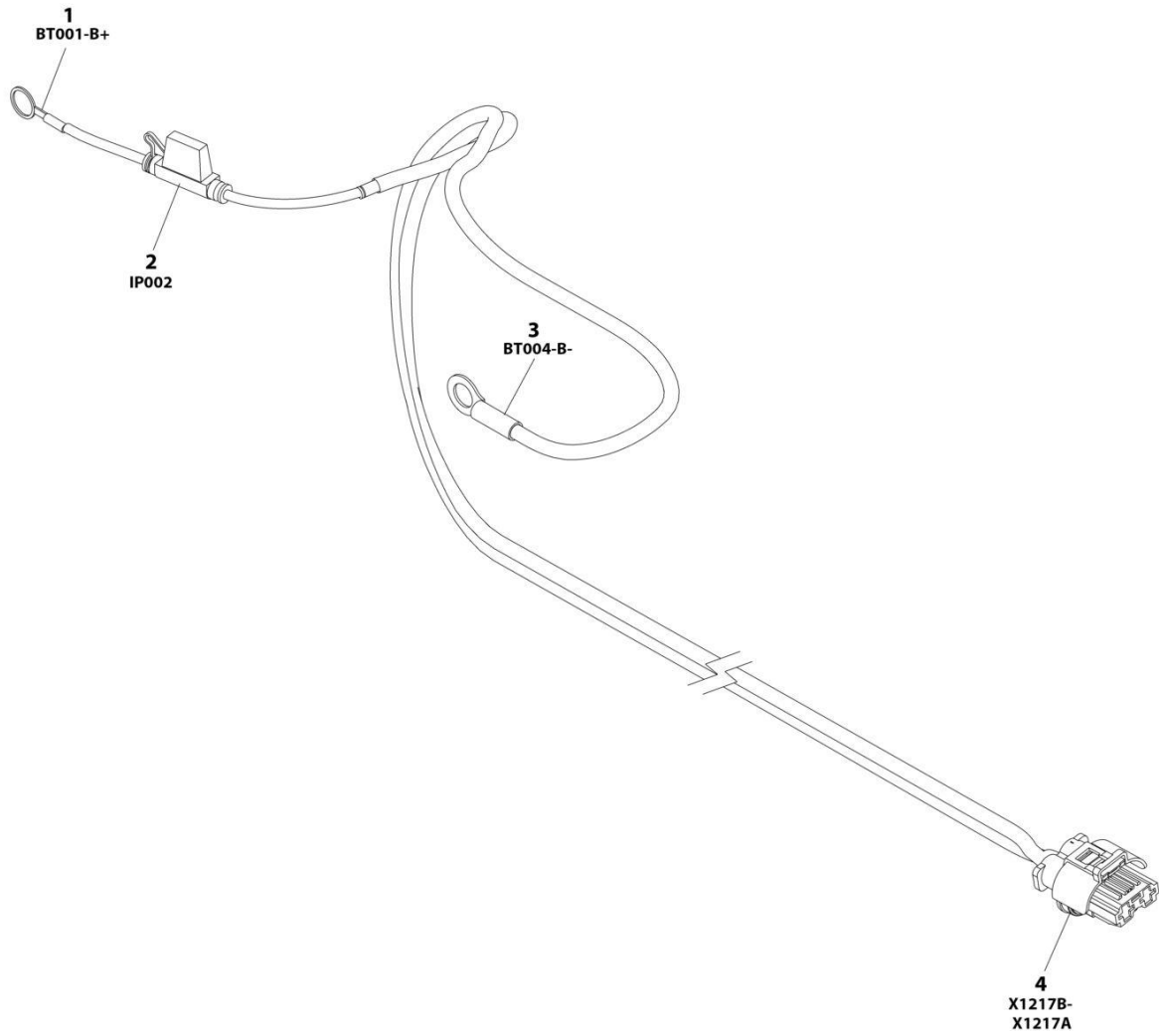
SECTION 8 - ELECTRICAL

FIGURE 8-38. CLEARSKY (TELEMATICS) HARNESS

ITEM	PART NUMBER	QTY	DESCRIPTION	REV
	1001226739	Ref	Clearsky Harness	A
1	1001226636	1	Connector	
2	1001116731	16	Plug, Terminal	
3	1001226637	8	Terminal	
4	1001144147	1	Connector	
5	4460464	2	Terminal	
6	4460466	1	Plug, Terminal	
7	4460894	1	Connector	
8	4460465	6	Terminal	
9	1001226541	1	Connector- 6 Pin Bussbar	
10	1001112796	1	Connector	
11	4460465	8	Terminal	
12	4460466	1	Plug, Terminal	

SECTION 8 - ELECTRICAL

FIGURE 8-39. ECU POWER JUMPER HARNESS



ART_1001289594

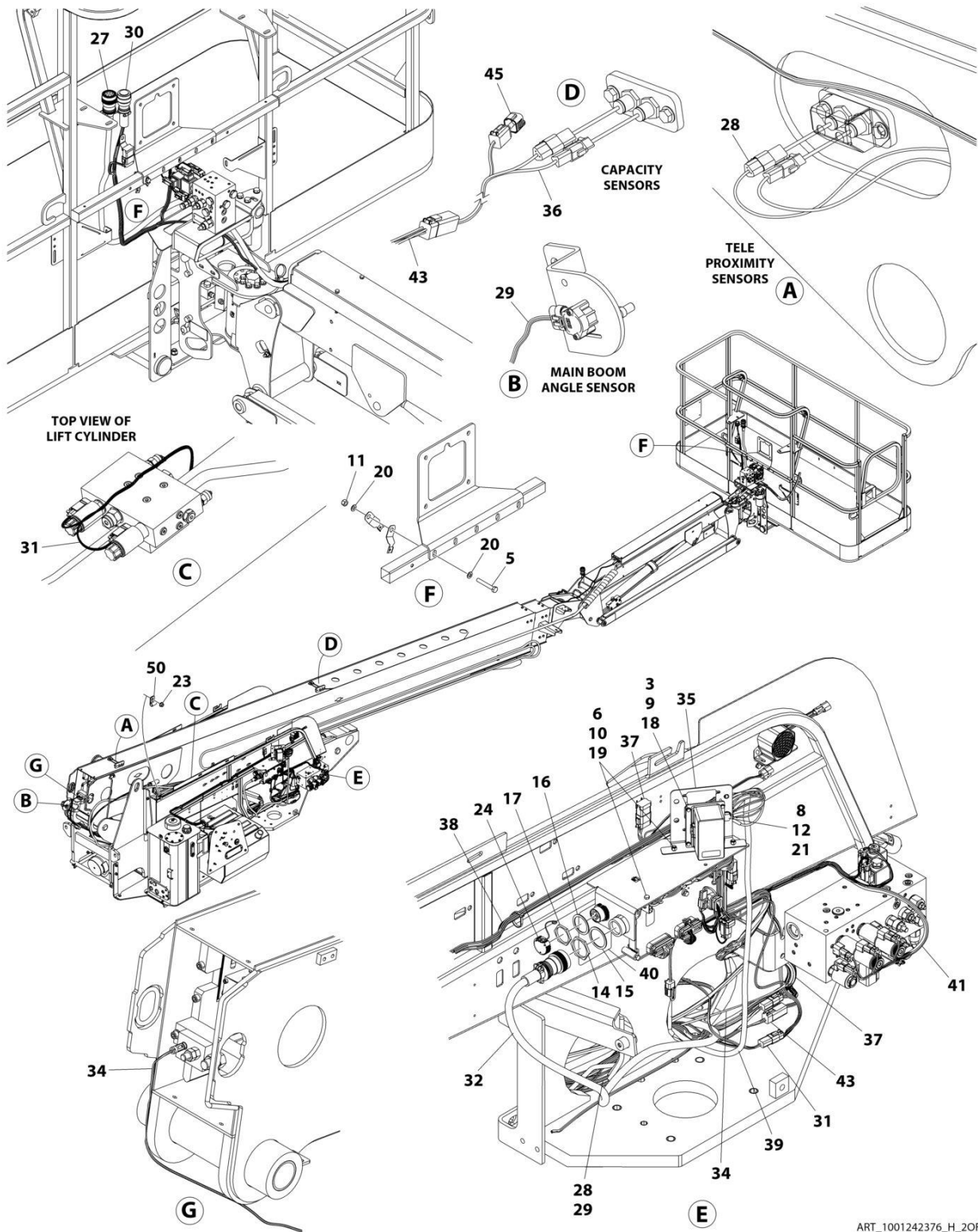
SECTION 8 - ELECTRICAL

FIGURE 8-39. ECU POWER JUMPER HARNESS

ITEM	PART NUMBER	QTY	DESCRIPTION	REV
	1001289594	Ref	ECU POWER JUMPER HARNESS	A
1	4460019	1	Terminal Ring	
2	1001172064	1	Fuse Holder	
2	1001172065	1	Fuse 30Amp	
3	8220164	1	Terminal Ring	
4	1001142938	1	Connector	
4	1001142940	2	Terminal	
4	1001142941	2	Seal	

SECTION 8 - ELECTRICAL

FIGURE 8-40. ELECTRICAL COMPONENTS INSTALLATION



ART_1001242376_H_20F2

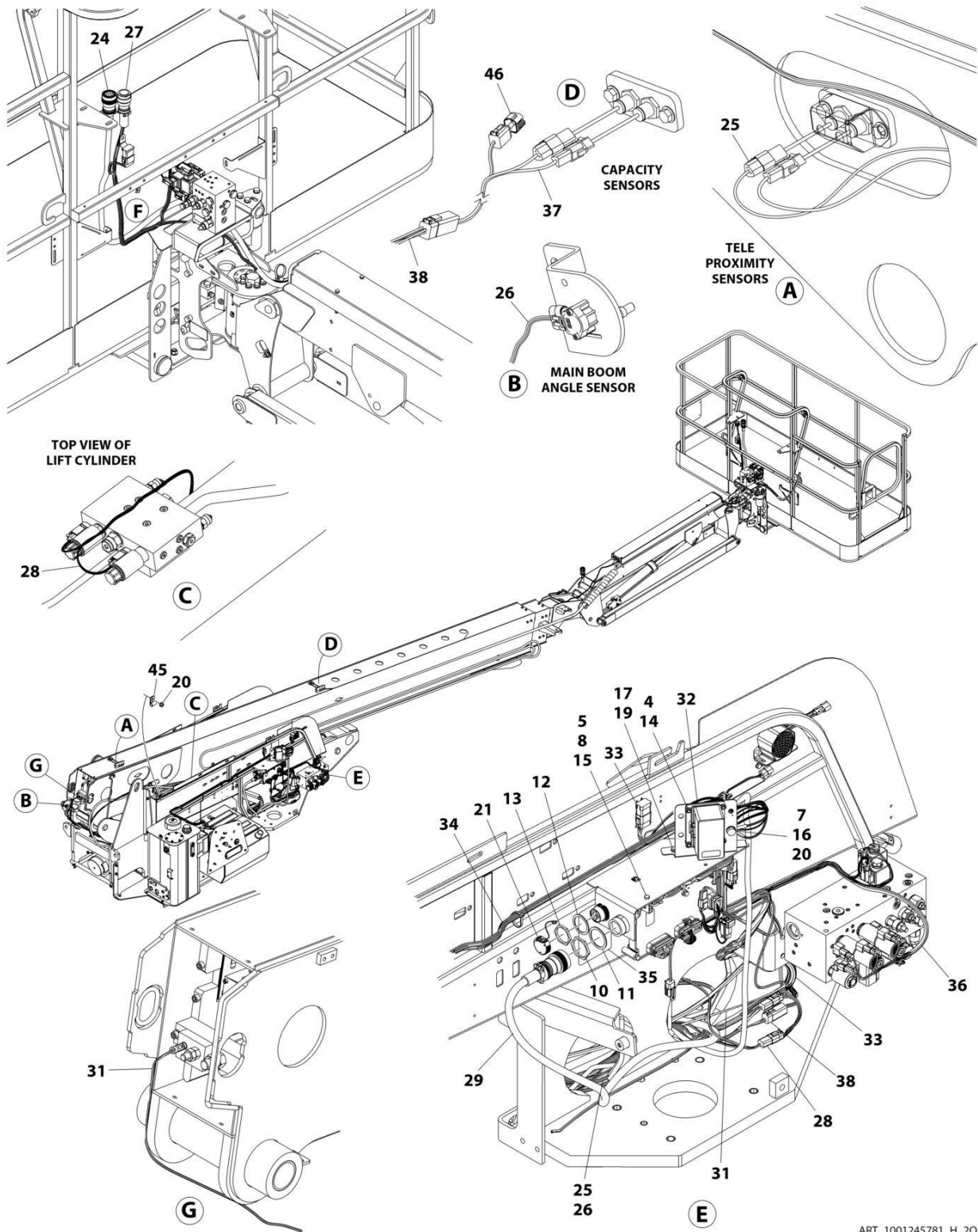
SECTION 8 - ELECTRICAL

FIGURE 8-40. ELECTRICAL COMPONENTS INSTALLATION

ITEM	PART NUMBER	QTY	DESCRIPTION	REV
	1001242376	Ref	ELECTRICAL COMPONENTS INSTALLATION	H
3	0700412	4	Bolt M4 x 25	
5	0700819	1	Bolt M8 x 55	
6	0760608	3	Bolt M6 x 16	
7	0760612	2	Bolt M6 x 25	
8	0761014	1	Bolt M10 x 30	
9	3290405	4	Nut M4 x 0.7	
10	3290605	3	Nut M6	
11	3290805	1	Nut M8	
12	3291001	1	Nut M10 x 1.5	
13	4240099	AR	Tie-Strap (Not Shown)	
14	4460470	1	Nut, Terminal	
15	4460471	1	Washer, Terminal	
16	4460496	1	Washer, Terminal	
17	4460497	1	Nut, Terminal	
18	4811400	8	Washer M4	
19	4811700	6	Washer M6	
20	4811900	2	Washer M8	
21	4812000	2	Washer M10	
23	5261000	1	Nut M10 Class 10	
24	1001106736	1	Cap, Dust	
27	1001188534	1	Boom Cable - Upper (See Separate Breakdown in this Section)	
28	1001189003	1	Tele Proximity Harness (See Separate Breakdown in this Section)	
29	1001189005	1	Boom Angle Sensor Harness (See Separate Breakdown in this Section)	
30	1001264338	1	Valve Harness - Platform Valve (See Separate Breakdown in this Section)	
31	1001205923	1	Lift Cylinder Harness (See Separate Breakdown in this Section)	
32	1001206082	1	Boom Cable - Lower (See Separate Breakdown in this Section)	
34	1001227527	1	Cable Service	
35	1001237822	1	Plate, Fuse Box	
36	1001238191	1	Capacity Proximity Harness (See Separate Breakdown in this Section)	
37	1001282065	1	Turntable Harness (See Separate Breakdown in this Section)	
38	1001238408	1	Ground Control Harness (See Separate Breakdown in this Section)	
39	1001239290	1	UGM Ground Cable	
40	1001239512	1	Decal - Fuse Box	
41	1001284772	1	Valve Harness - Main Valve (See Separate Breakdown in this Section)	
43	1001242908	1	Capacity Proximity Harness (See Separate Breakdown in this Section)	
45	1001213448	1	Connector, Dust Cap	
48	4240032	AR	Tie-Strap (Not Shown)	
49	4460234	AR	Cable Tie (Not Shown)	
50	1001080996	1	Clamp	

SECTION 8 - ELECTRICAL

FIGURE 8-41. ELECTRICAL COMPONENTS INSTALLATION (DEUTZ TD2.9L4 (STAGE V) ENGINES)



ART_1001245781_H_20F2

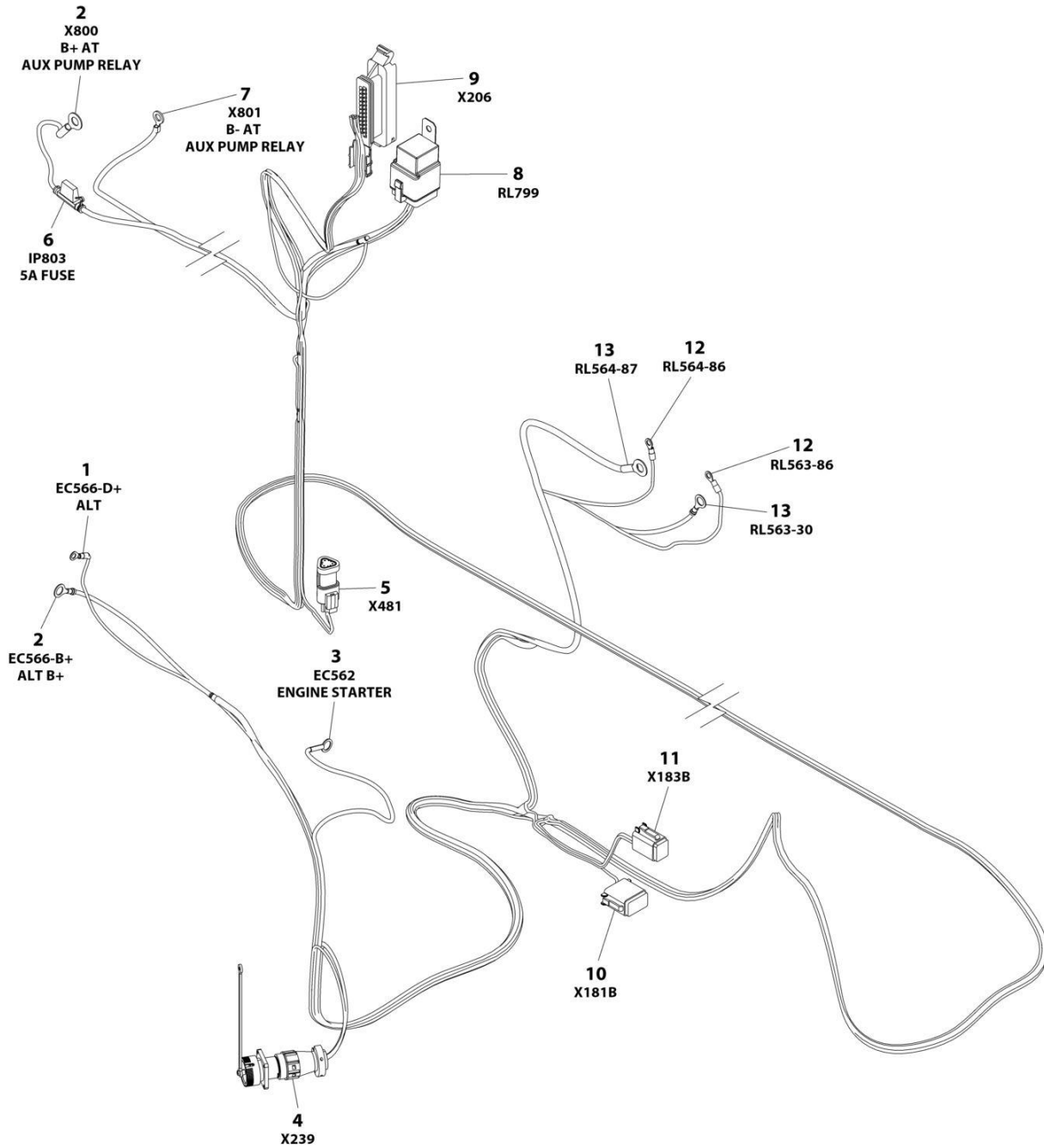
SECTION 8 - ELECTRICAL

FIGURE 8-41. ELECTRICAL COMPONENTS INSTALLATION (DEUTZ TD2.9L4 (STAGE V) ENGINES)

ITEM	PART NUMBER	QTY	DESCRIPTION	REV
	1001245781	Ref	ELECTRICAL COMPONENTS INSTALLATION	H
4	0731005	4	Screw #10 x 5/8	
5	0760608	1	Bolt M6 x 16	
7	0761012	1	Bolt M10 x 25	
8	3290605	1	Nut M6	
9	4240099	AR	Tie-Strap (Not Shown)	
10	4460470	1	Nut, Terminal	
11	4460471	1	Washer, Terminal	
12	4460496	1	Washer, Terminal	
13	4460497	1	Nut, Terminal	
14	4711000	4	Washer #10	
15	4811700	2	Washer M6	
16	4812000	1	Washer M10	
17	5250608	2	Bolt M6 x 16	
19	5260600	3	Nut M6 (Not Shown - Located on back of Fuse Box)	
20	5261000	2	Nut M10	
21	1001106736	1	Cap, Dust	
24	1001188534	1	Boom Cable - Upper (See Separate Breakdown in this Section)	
25	1001189003	1	Tele Proximity Harness (See Separate Breakdown in this Section)	
26	1001189005	1	Boom Angle Sensor Harness (See Separate Breakdown in this Section)	
27	1001264338	1	Valve Harness - Platform Valve (See Separate Breakdown in this Section)	
28	1001205923	1	Lift Cylinder Harness (See Separate Breakdown in this Section)	
29	1001206082	1	Boom Cable - Lower (See Separate Breakdown in this Section)	
31	1001227527	1	Cable Service	
32	1001237822	1	Plate, Fuse Box	
33	1001282065	1	Turntable Harness (See Separate Breakdown in this Section)	
34	1001238408	1	Ground Control Harness (See Separate Breakdown in this Section)	
35	1001239512	1	Decal - Fuse Box	
36	1001284772	1	Valve Harness - Main Valve (See Separate Breakdown in this Section)	
37	1001238191	1	Capacity Proximity Harness (See Separate Breakdown in this Section)	
38	1001242908	1	Capacity Proximity Harness (See Separate Breakdown in this Section)	
43	4240032	AR	Tie-Strap (Not Shown)	
44	4460234	AR	Cable Tie (Not Shown)	
45	1001080996	1	Clamp	
46	1001213448	1	Connector	

SECTION 8 - ELECTRICAL

FIGURE 8-42. ENGINE HARNESS - DEUTZ D2011 ENGINES



ART_1001188236_F

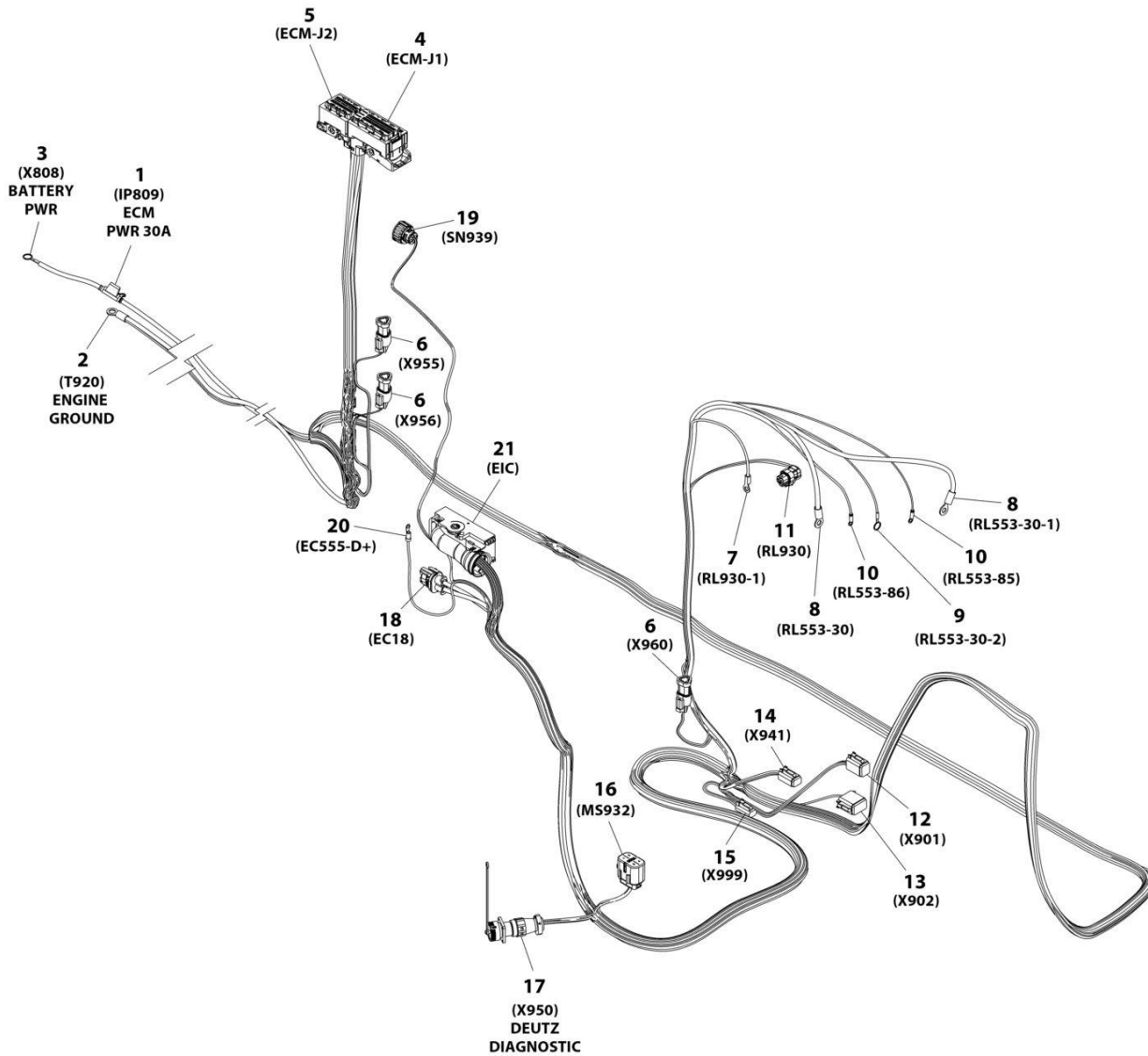
SECTION 8 - ELECTRICAL

FIGURE 8-42. ENGINE HARNESS - DEUTZ D2011 ENGINES

ITEM	PART NUMBER	QTY	DESCRIPTION	REV
	1001188236	Ref	ENGINE HARNESS	F
1	4460042	1	Terminal, Ring	
2	8220045	2	Terminal, Ring	
3	4460142	1	Terminal, Ring	
4	2902443	1	Receptacle Kit	
4	4461073	1	Cap, Dust	
5	4461095	1	Plug, Male - 3 Position	
5	4460944	2	Socket, Female	
5	4460466	1	Plug, Terminal	
5	4461070	1	Receptacle, Female - 3 Position	
5	4460943	3	Pin, Male	
6	2600066	2	Fuseholder with 5Amp Fuse	
6	See Note	NSS	Fuse - 5Amp (Note: Purchase Locally)	
7	4460312	1	Terminal, Ring	
8	1001117025	1	Plug, Relay	
8	1001116734	1	Terminal	
8	1001116732	3	Terminal	
8	1001128128	1	Plug, Terminal	
9	4461052	1	Connector - 25 Position	
9	4461060	1	Terminal	
9	4461005	6	Terminal	
9	4461008	18	Plug, Terminal	
9	4461054	1	Seal	
9	4461006	6	Seal	
9	4461053	1	Cover	
10	4460930	1	Plug, Male - 8 Position	
10	4460465	8	Socket, Female	
10	4460466	7	Plug, Terminal	
11	4460894	1	Plug, Male - 6 Position	
11	4460465	3	Socket, Female	
11	4460944	2	Socket, Female	
11	4460466	1	Plug, Terminal	
12	4460313	2	Terminal, Ring	
13	8220164	2	Terminal, Ring	

SECTION 8 - ELECTRICAL

FIGURE 8-43. ENGINE HARNESS - DEUTZ TD2.9L4 ENGINES AND DEUTZ TD2.9L4 (STAGE V PRE-BUY) ENGINES



ART_1001233895_H

SECTION 8 - ELECTRICAL

FIGURE 8-43. ENGINE HARNESS - DEUTZ TD2.9L4 ENGINES AND DEUTZ TD2.9L4 (STAGE V PRE-BUY) ENGINES

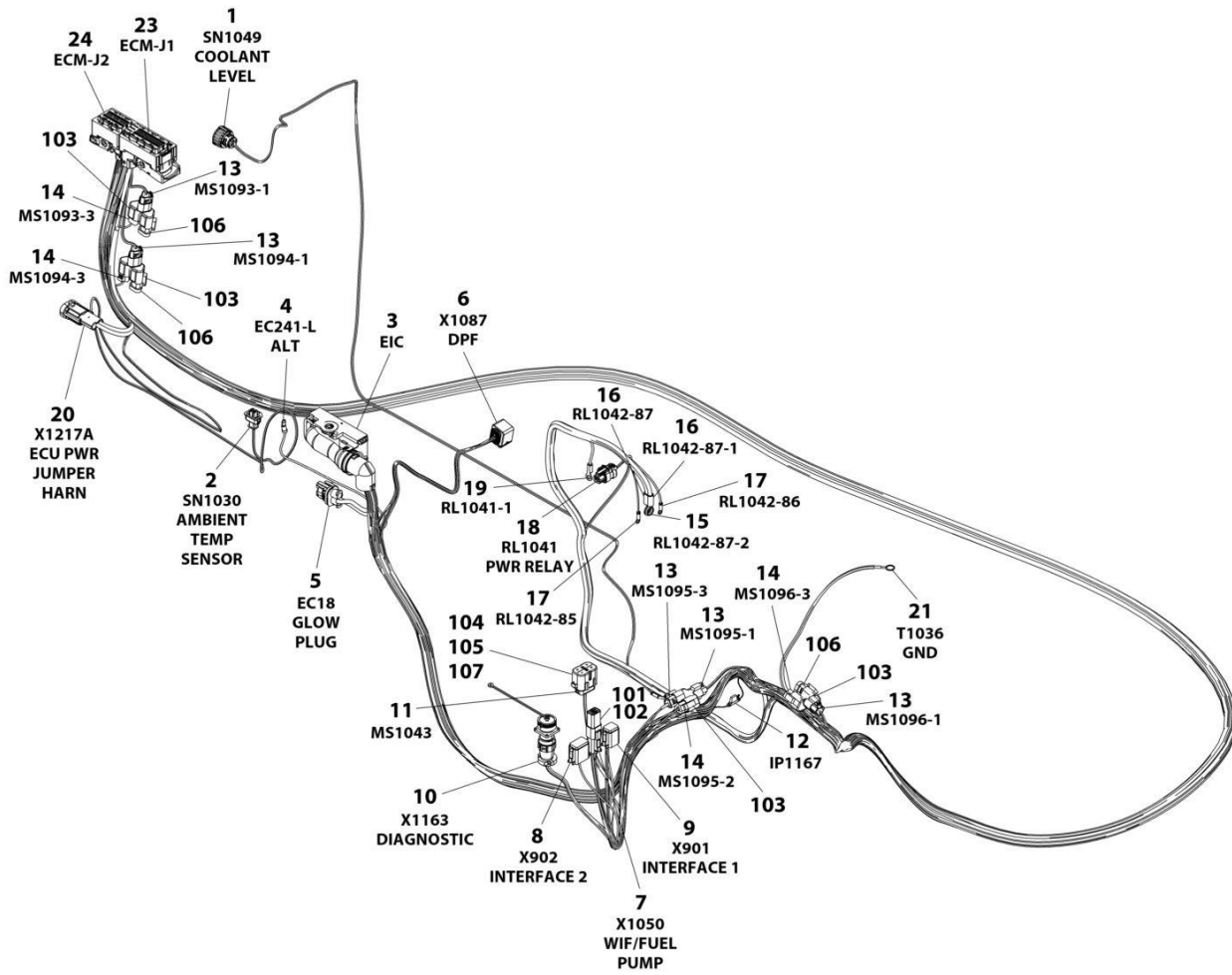
ITEM	PART NUMBER	QTY	DESCRIPTION	REV
	1001233895	Ref	ENGINE HARNESS	H
1	1001172064	1	Fuseholder with 30Amp Fuse	
1	1001172065	1	Fuse - 30A	
2	8220115	1	Terminal, Ring	
3	4460019	1	Terminal, Ring	
4	1001133956	1	Connector - 94 Position	
4	1001182361	6	Terminal	
4	1001230934	17	Terminal	
4	1001126351	2	Terminal	
4	1001256507	4	Terminal	
4	1001230936	2	Plug, Terminal	
4	1001230935	63	Plug, Terminal	
4	1001182365	6	Seal, Terminal	
5	1001133957	1	Connector - 60 Position	
5	1001126351	13	Terminal	
5	1001230934	11	Terminal	
5	1001252527	4	Terminal	
5	1001256507	2	Terminal	
5	1001230936	11	Plug, Terminal	
5	1001230935	19	Plug, Terminal	
6	4461095	3	Plug, Male - 3 Position	
6	4460944	6	Socket, Female	
6	4460466	3	Plug, Terminal	
6	4461070	3	Receptacle, Female - 3 Position	
7	4460043	1	Terminal, Ring	
8	1001117107	2	Terminal, Ring	
9	4460703	1	Terminal, Ring	
10	4460313	2	Terminal, Ring	
11	1001116952	1	Plug, Male - 2 Position	
11	4460465	2	Socket, Female	
12	4460894	1	Plug, Male - 6 Position	
12	4460465	3	Socket, Female	
12	4460944	2	Socket, Female	
12	4460466	1	Plug, Terminal	
13	4460930	1	Plug, Male - 8 Position	
13	4460465	1	Socket, Female	
13	4460466	7	Plug, Terminal	
14	1001220379	1	Plug, Male - 4 Position	
14	4460465	2	Socket, Female	
14	4460942	2	Socket, Female	
15	4460891	1	Plug, Male - 4 Position	
15	4460465	2	Socket, Female	
16	80484084	1	Plug, Male - 8 Position	
16	8229242	1	Fuse - 5Amp	
16	80983191	1	Fuse - 10Amp	
16	4460746	3	Socket, Female	
16	1001234800	1	Socket, Female	
16	4460748	4	Plug, Terminal	
16	4460458	4	Plug, Terminal	

SECTION 8 - ELECTRICAL

ITEM	PART NUMBER	QTY	DESCRIPTION	REV
16	1001147264	1	Cap	
17	2902443	1	Receptacle Kit	
17	4461073	1	Cap, Dust	
17	4461071	6	Terminal	
18	1001142938	1	Plug, Male - 2 Position	
18	1001142940	2	Terminal	
18	1001142941	2	Seal	
19	1001133714	1	Connector - 4 Position	
19	1001133715	3	Terminal	
19	1001135651	1	Plug, Terminal	
19	1001135650	3	Seal, Terminal	
20	4460042	1	Terminal, Ring	
21	1001126362	1	Connector - 62 Position	
21	1001126363	25	Terminal	
21	1001126392	10	Terminal	
21	1001126365	2	Terminal	
21	1001126391	21	Plug, Terminal	
21	4461008	4	Plug, Terminal	
21	1001223459	10	Seal	
21	4461054	2	Seal	
21	1001126364	23	Seal, Terminal	
21	1001256506	2	Seal, Terminal	
21	1001151856	1	Elbow	

SECTION 8 - ELECTRICAL

FIGURE 8-44. ENGINE HARNESS - DEUTZ TD2.9L4 (STAGE V) ENGINES



ART_1001276644

SECTION 8 - ELECTRICAL

FIGURE 8-44. ENGINE HARNESS - DEUTZ TD2.9L4 (STAGE V) ENGINES

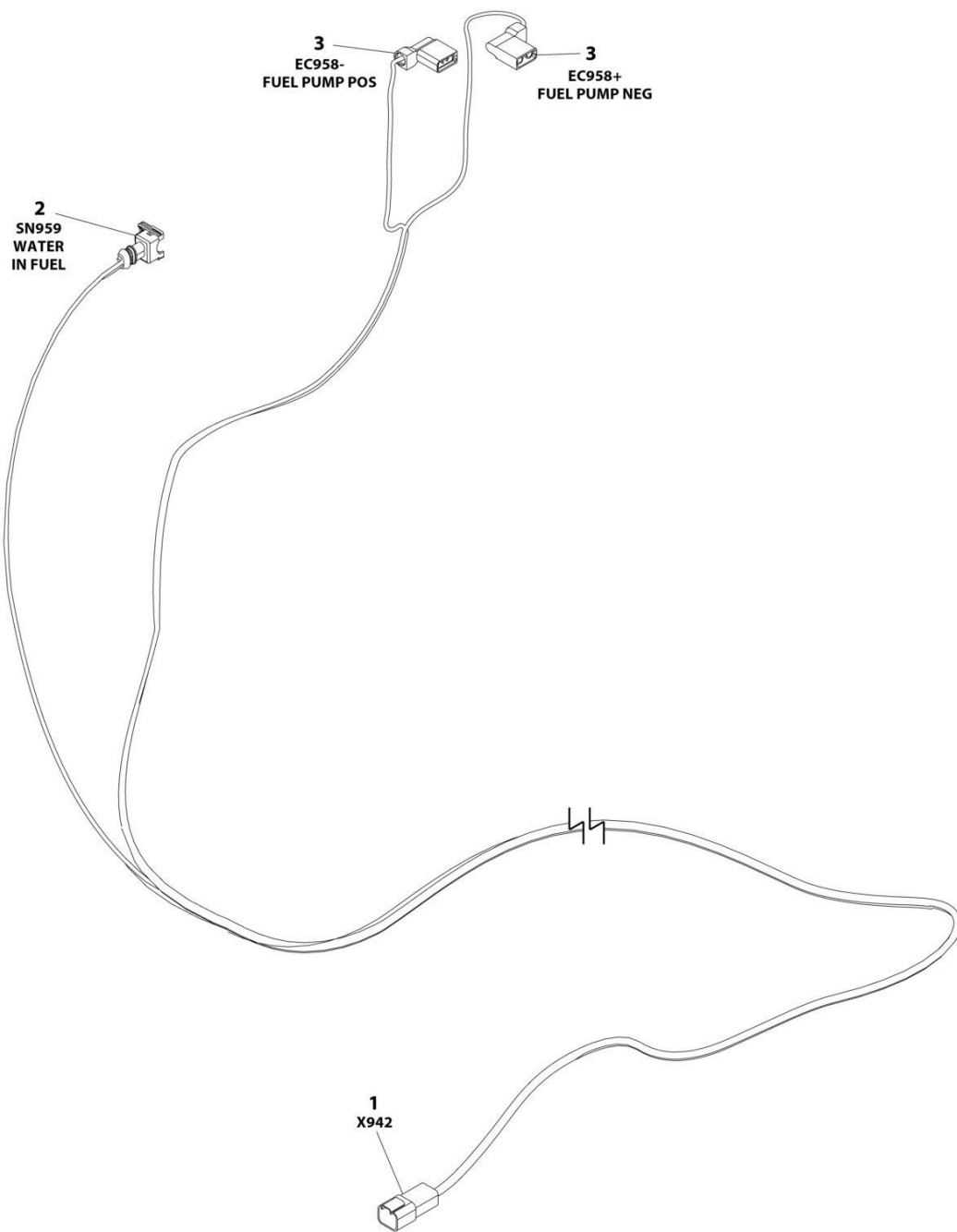
ITEM	PART NUMBER	QTY	DESCRIPTION	REV
	1001276644	Ref	Engine Harness - Deutz Engines	B
1	1001133714	1	Connector	
1	1001133715	3	Terminal	
1	1001135650	3	Seal, Terminal	
1	1001135651	1	Plug, Terminal	
2	1001126487	1	Connector	
2	1001167635	2	Terminal	
2	1001126485	2	Seal, Terminal	
3	1001126362	1	Connector	
3	1001126363	37	Terminal	
3	1001126392	12	Terminal	
3	1001126391	7	Plug, Terminal	
3	4461008	4	Plug, Terminal	
3	1001167632	2	Terminal	
3	1001126364	37	Seal, Terminal	
3	1001223459	12	Seal, Terminal	
3	4461054	2	Seal, Terminal	
4	4460042	1	Terminal, Ring	
5	1001142938	1	Plug	
5	1001142940	2	Terminal	
5	1001142941	2	Seal	
6	1001239202	1	Connector	
6	1001126363	7	Terminal	
6	1001126391	1	Plug, Terminal	
6	1001126364	7	Seal, Terminal	
7	4460884	1	Connector	
7	4460465	2	Socket	
7	4460942	2	Socket	
8	4460930	1	Plug	
8	4460465	1	Socket	
8	4460466	7	Plug, Terminal	
9	4460894	1	Plug	
9	4460465	2	Socket	
9	4460944	2	Socket	
9	4460466	2	Plug, Terminal	
10	2902443	1	Receptacle Kit	
10	4461073	1	Cap, Dust	
10	4461071	6	Terminal	
11	80484084	1	Plug	
11	4460748	4	Seal, Terminal	
11	4460746	3	Terminal	
11	1001234800	1	Terminal	
11	4460458	4	Seal, Terminal	
12	1001170764	1	Fuse Holder, Includes Resistor	
12	1001197719	1	Resistor 0.5W	
13	1001116812	5	Plug	
13	4460944	10	Socket	
13	4460466	5	Plug, Terminal	
14	4460539	4	Connector	
14	4460944	8	Socket	

SECTION 8 - ELECTRICAL

ITEM	PART NUMBER	QTY	DESCRIPTION	REV
14	4460466	4	Plug, Terminal	
15	4460703	1	Terminal, Ring	
16	1001117107	2	Terminal, Ring	
17	4460247	2	Terminal, Ring	
18	1001116952	1	Plug	
18	4460465	2	Socket	
19	4460043	1	Terminal, Ring	
20	1001289552	1	Connector	
20	1001289553	2	Socket	
20	1001142941	2	Seal	
21	4460019	1	Terminal, Ring	
23	1001133956	1	Connector	
23	1001126351	3	Terminal	
23	1001182361	6	Terminal	
23	1001230934	25	Terminal	
23	1001230935	55	Plug, Terminal	
23	1001252527	4	Terminal	
23	1001230936	1	Plug, Terminal	
23	1001182365	6	Seal, Terminal	
24	1001133957	1	Connector	
24	1001126351	13	Terminal	
24	1001230935	10	Plug, Terminal	
24	1001230934	26	Terminal	
24	1001230936	11	Plug, Terminal	
101	4460466	4	Seal, Terminal	
102	4460932	1	Connector	
103	4460945	4	Receptacle	
104	8229242	1	Fuse - 5Amp	
105	80983191	1	Fuse - 10Amp	
106	1001116815	3	Connector	
107	1001147264	1	Cap	

SECTION 8 - ELECTRICAL

FIGURE 8-45. FUEL PUMP HARNESS - DEUTZ TD2.9L4 ENGINE



ART_1001190444

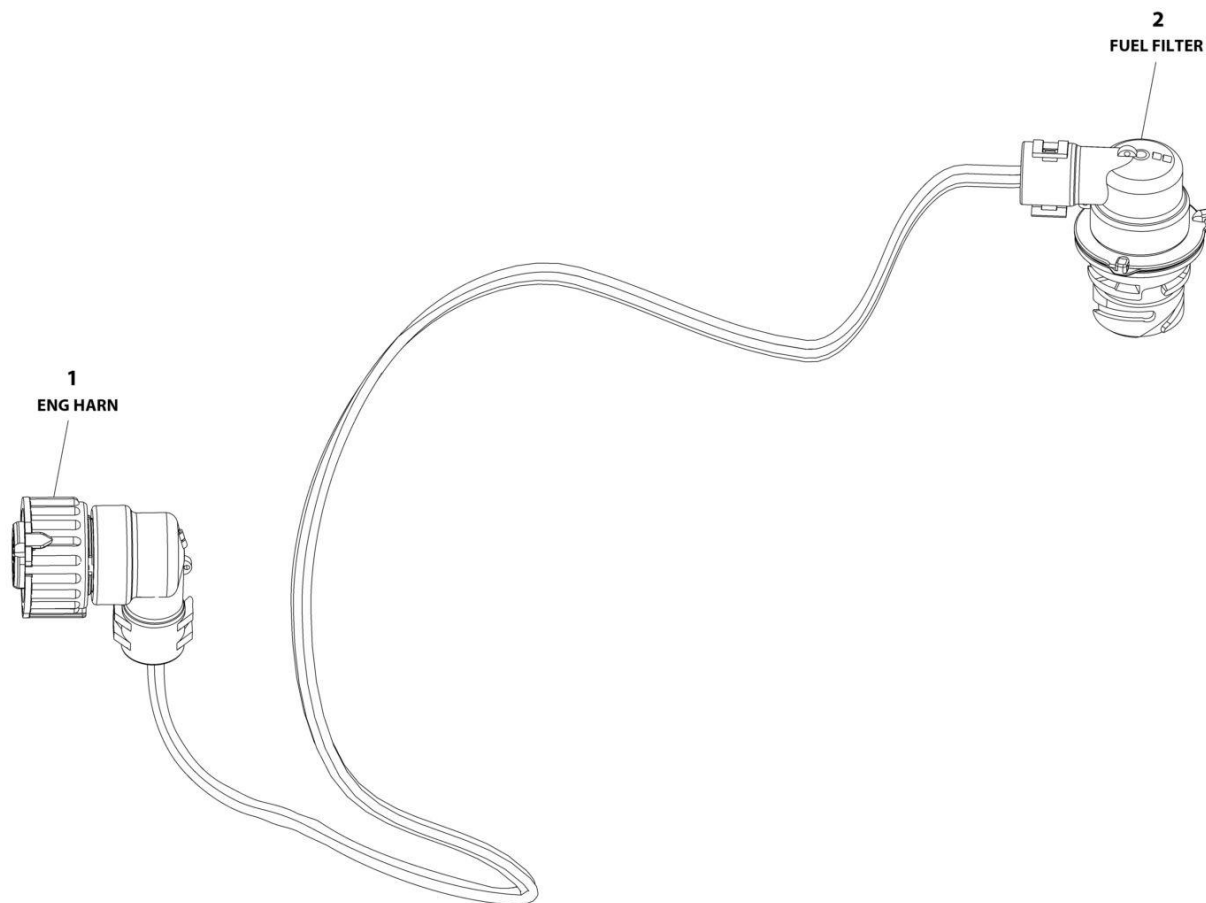
SECTION 8 - ELECTRICAL

FIGURE 8-45. FUEL PUMP HARNESS - DEUTZ TD2.9L4 ENGINE

ITEM	PART NUMBER	QTY	DESCRIPTION	REV
	1001190444	Ref	FUEL PUMP HARNESS	D
1	4460932	1	Receptacle, Female - 4 Position	
1	4460941	4	Pin, Male	
2	1001116983	1	Plug, Male - 2 Posiiton	
2	1001227507	2	Socket, Female	
2	4461054	2	Seal	
3	1001223045	2	Connector	

SECTION 8 - ELECTRICAL

FIGURE 8-46. FUEL HARNESS - DEUTZ TD2.2L4 (STAGE V) ENGINE



ART_1001245913

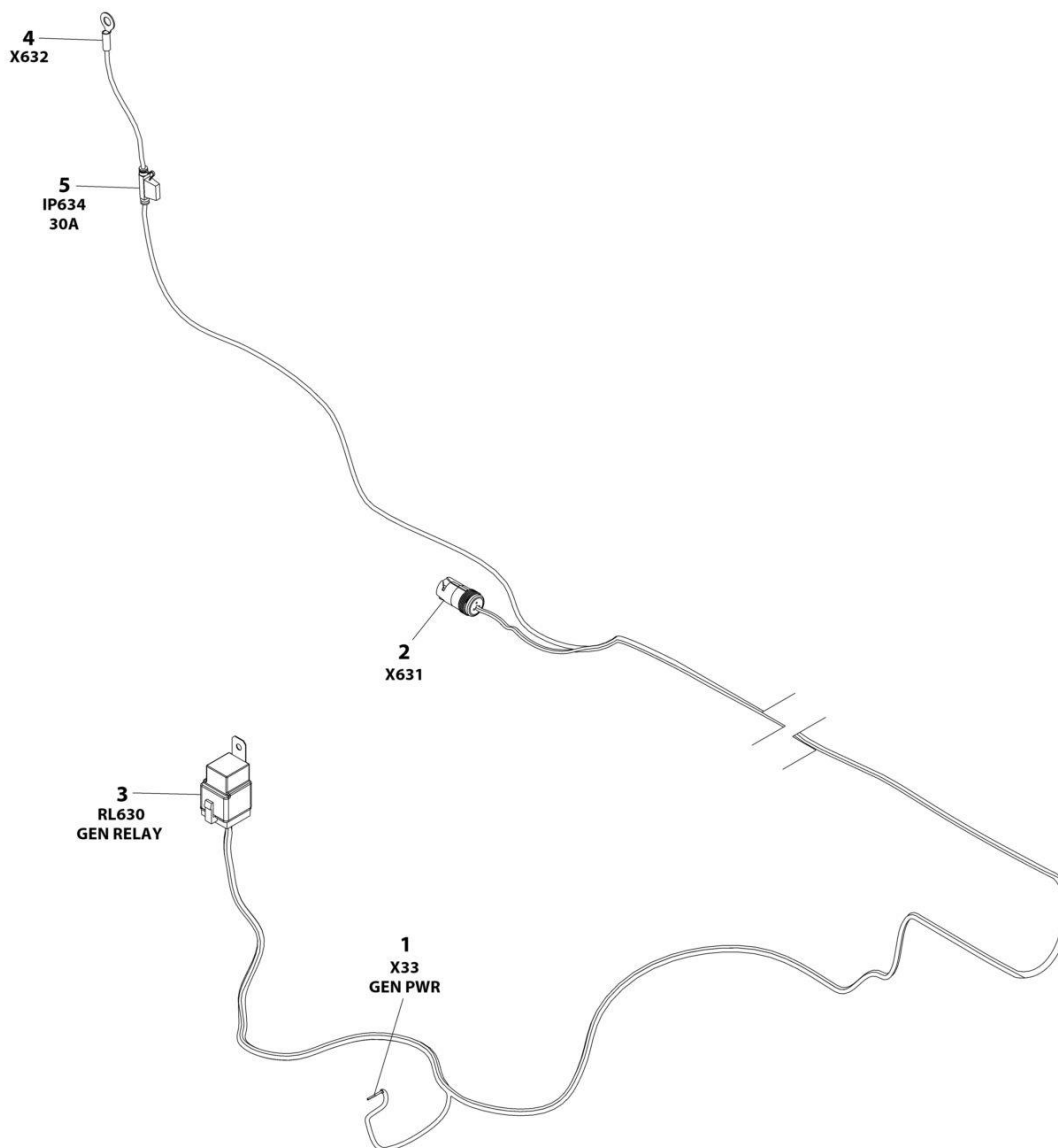
SECTION 8 - ELECTRICAL

FIGURE 8-46. FUEL HARNESS - DEUTZ TD2.2L4 (STAGE V) ENGINE

ITEM	PART NUMBER	QTY	DESCRIPTION	REV
	1001245913	Ref	FUEL HARNESS - DEUTZ (STAGE V) ENGINE	D
1	1001148842	1	Connector - 4 Position	
1	1001148841	4	Pin, Male	
1	1001135650	4	Seal	
2	1001133714	1	Plug, Male - 4 Position	
2	1001133715	4	Socket, Female	
2	1001135650	4	Seal	

SECTION 8 - ELECTRICAL

FIGURE 8-47. GENERATOR HARNESS - 2500W



ART_1001194114_B

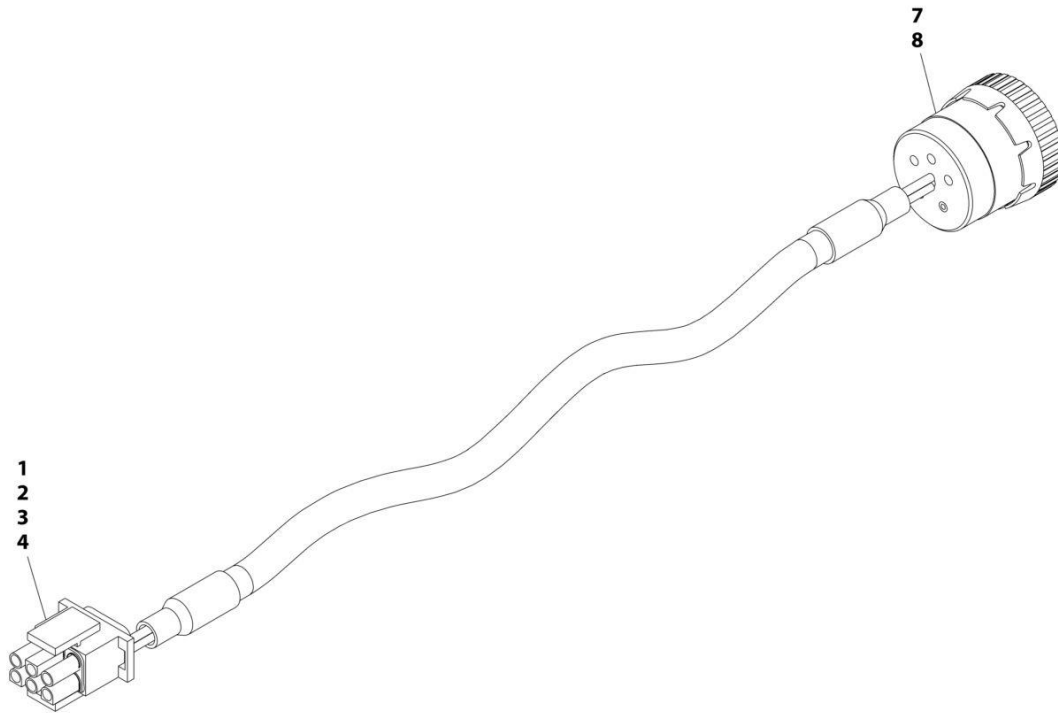
SECTION 8 - ELECTRICAL

FIGURE 8-47. GENERATOR HARNESS - 2500W

ITEM	PART NUMBER	QTY	DESCRIPTION	REV
	1001194114	Ref	GENERATOR HARNESS	B
1	4460906	1	Socket, Female	
2	1001154726	1	Receptacle, Female - 3 Position	
2	4460464	2	Pin, Male	
2	4460466	1	Plug, Terminal	
3	1001120851	1	Connector, Relay	
3	1001116734	2	Terminal	
3	1001116732	2	Terminal	
3	3740080	1	Relay	
4	8220045	1	Terminal, Ring	
5	2400060	1	Fuseholder - 30Amp (Includes Cover)	
5	8229245	1	Fuse - 30Amp	

SECTION 8 - ELECTRICAL

FIGURE 8-48. GENERATOR HARNESS - 4000W



ART_1001152532

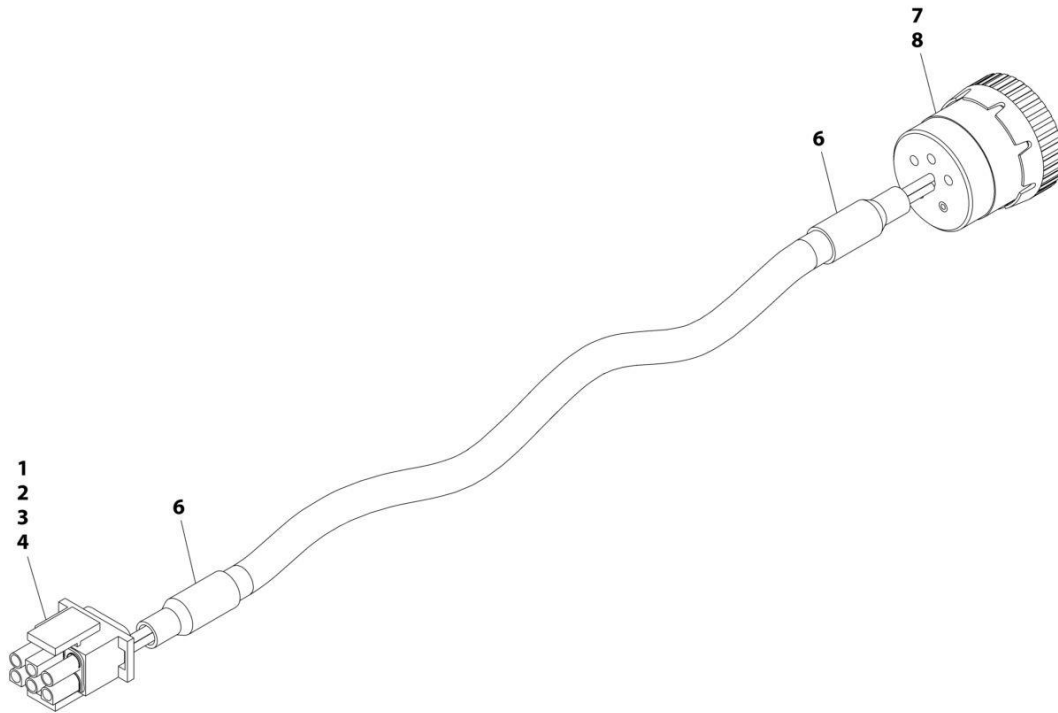
SECTION 8 - ELECTRICAL

FIGURE 8-48. GENERATOR HARNESS - 4000W

ITEM	PART NUMBER	QTY	DESCRIPTION	REV
	1001152532	Ref	GENERATOR HARNESS	A
1	4460225	1	Connector - 6 Position	
2	4460268	2	Socket, Female	
3	4460807	1	Seal	
4	4460808	1	Seal	
7	4460465	2	Socket, Female	
8	77363233	1	Connector - 6 Position	

SECTION 8 - ELECTRICAL

FIGURE 8-49. GENERATOR HARNESS - 7500W SKYPOWER



ART_4922925

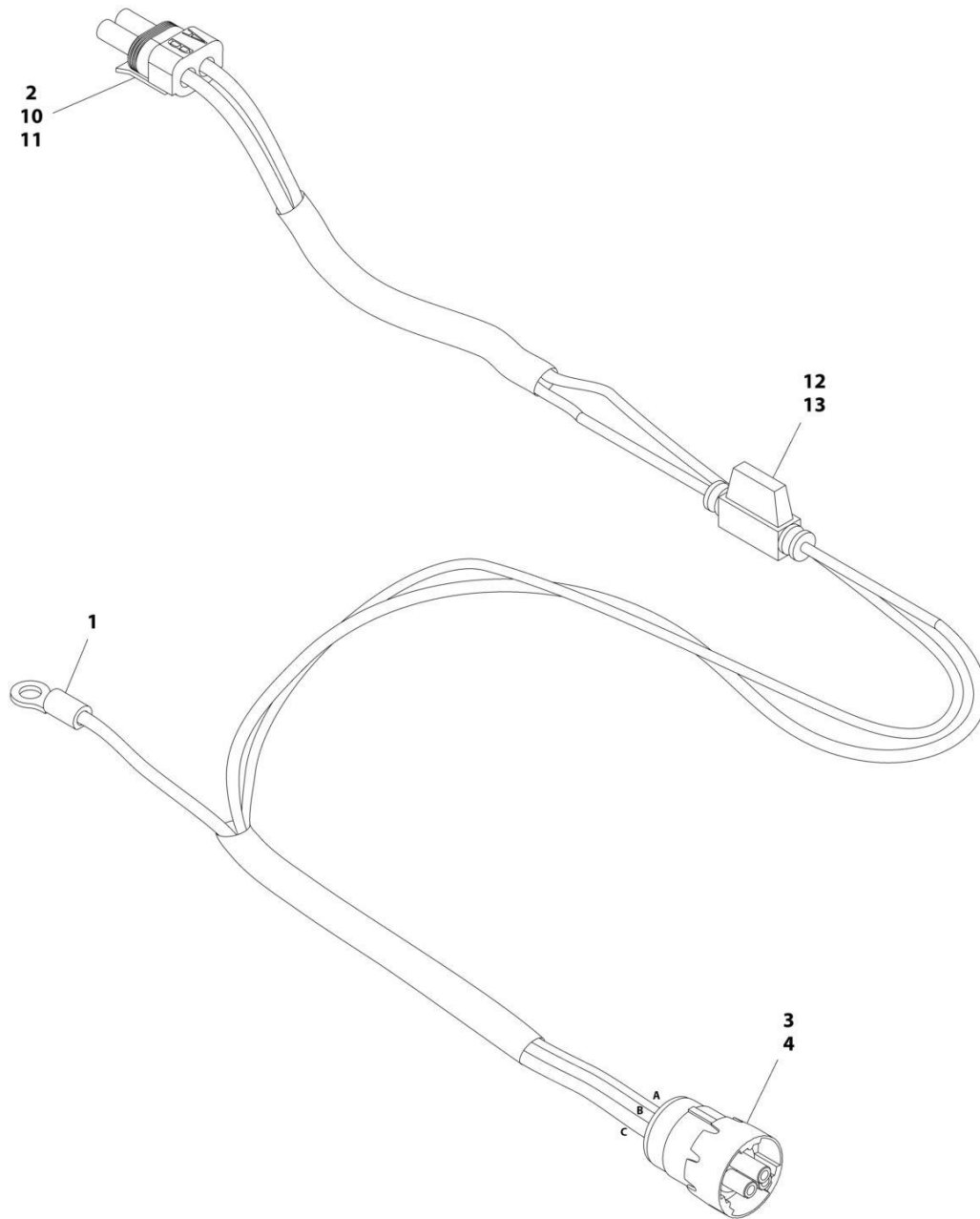
SECTION 8 - ELECTRICAL

FIGURE 8-49. GENERATOR HARNESS - 7500W SKYPOWER

ITEM	PART NUMBER	QTY	DESCRIPTION	REV
	4922925	Ref	GENERATOR TO CONTROL BOX HARNESS (7500W GENERATOR)	C
1	4460225	1	Plug, Male - 2 Position	
2	4460268	6	Socket, Female	
3	4460807	1	Seal	
4	4460808	1	Seal	
6	2820019	AR	Heat Shrink	
7	4460465	6	Socket, Female	
8	77363233	1	Connector - 6 Position	

SECTION 8 - ELECTRICAL

FIGURE 8-50. GENERATOR TO ENGINE HARNESS - 7500W SKYPOWER GENERATOR (DEUTZ D2011 ONLY)



ART_1001152429

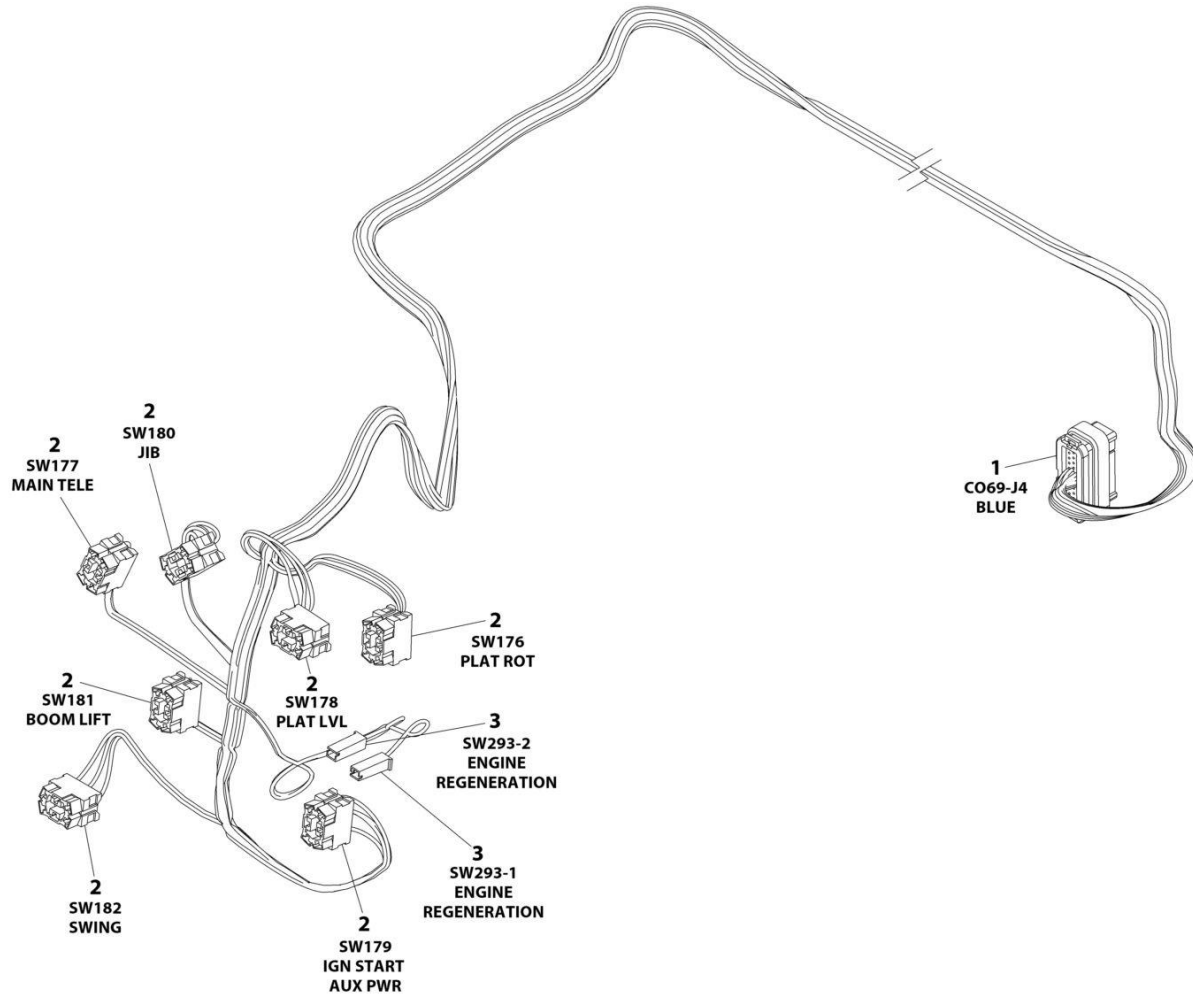
SECTION 8 - ELECTRICAL

FIGURE 8-50. GENERATOR TO ENGINE HARNESS - 7500W SKYPOWER GENERATOR (DEUTZ D2011 ONLY)

ITEM	PART NUMBER	QTY	DESCRIPTION	REV
	1001152429	Ref	GENERATOR TO ENGINE HARNESS	C
1	4460043	1	Terminal, Ring	
2	4460742	1	Plug, Male - 2 Position	
3	4460967	1	Connector - 3 Position	
4	4460465	3	Socket, Female	
10	4460743	2	Terminal, Female	
11	4460458	2	Seal	
12	2400060	1	Fuseholder (Includes Cover)	
13	2400064	1	Fuse - 5Amp	

SECTION 8 - ELECTRICAL

FIGURE 8-51. GROUND CONTROL HARNESS



ART_1001238408

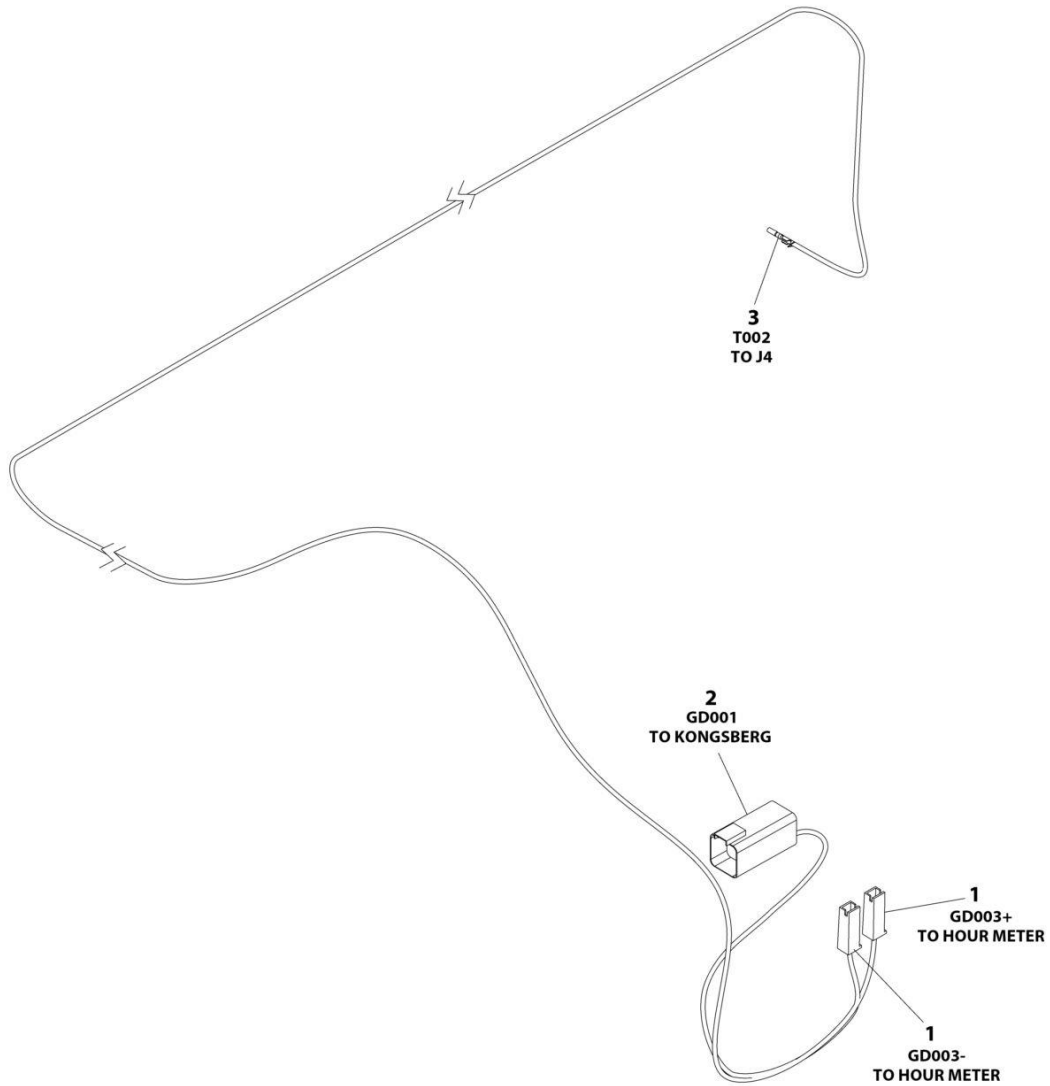
SECTION 8 - ELECTRICAL

FIGURE 8-51. GROUND CONTROL HARNESS

ITEM	PART NUMBER	QTY	DESCRIPTION	REV
	1001238408	Ref	GROUND CONTROL HARNESS	B
1	4460876	1	Connector - 35 Position	
1	4460871	16	Socket, Female	
1	4460905	19	Plug, Terminal	
2	4460418	7	Connector, Switch	
2	4460419	14	Terminal	
2	1001159186	14	Terminal	
3	4460260	2	Terminal	
3	4460259	2	Terminal	

SECTION 8 - ELECTRICAL

FIGURE 8-52. HOUR METER JUMPER HARNESS



ART_1001296426

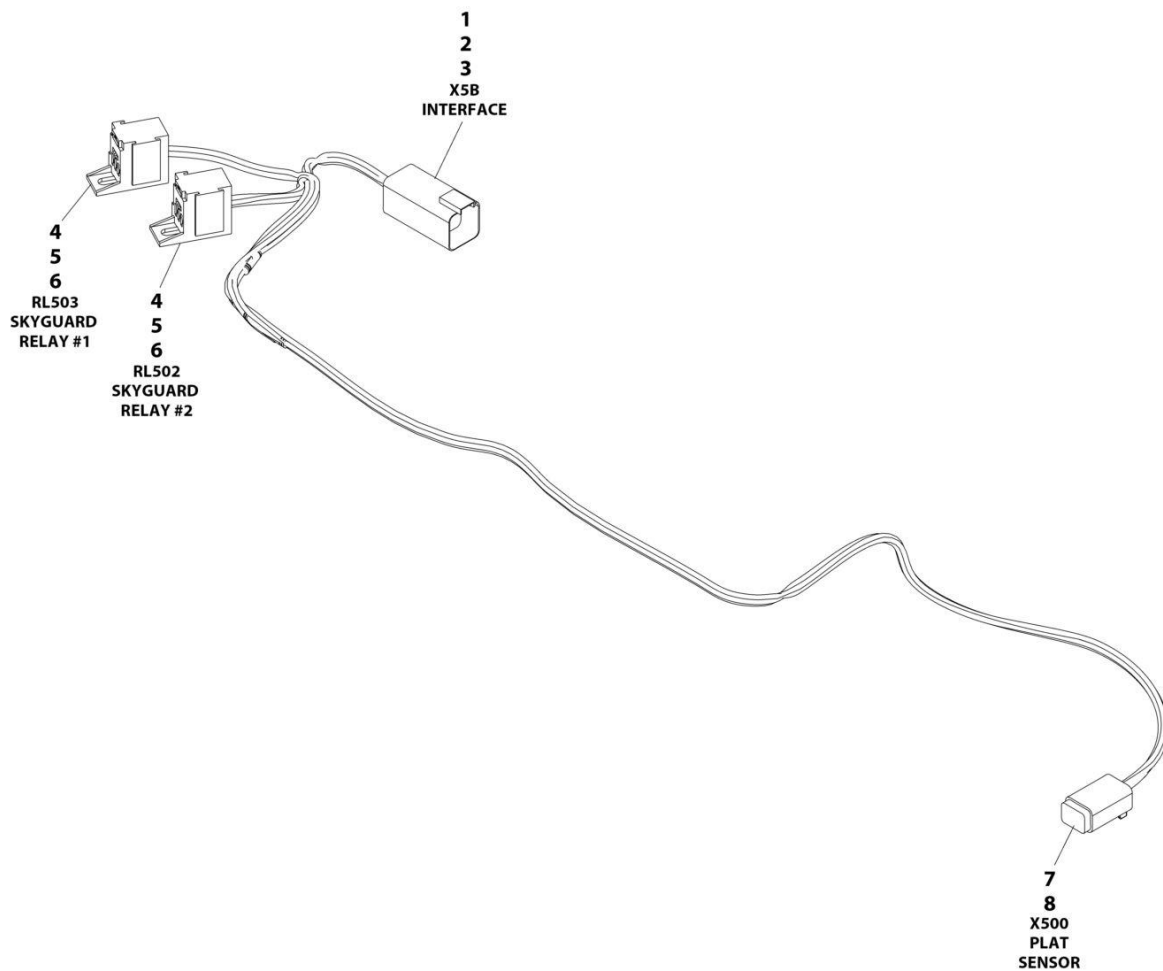
SECTION 8 - ELECTRICAL

FIGURE 8-52. HOUR METER JUMPER HARNESS

ITEM	PART NUMBER	QTY	DESCRIPTION	REV
	1001296426	Ref	HOUR METER JUMPER HARNESS	A
1	4460260	2	Connector	
2	4460899	1	Connector	
3	4460871	1	Socket	

SECTION 8 - ELECTRICAL

FIGURE 8-53. INTERFACE HARNESS - WITH 1 CELL LSS



ART_1001225580

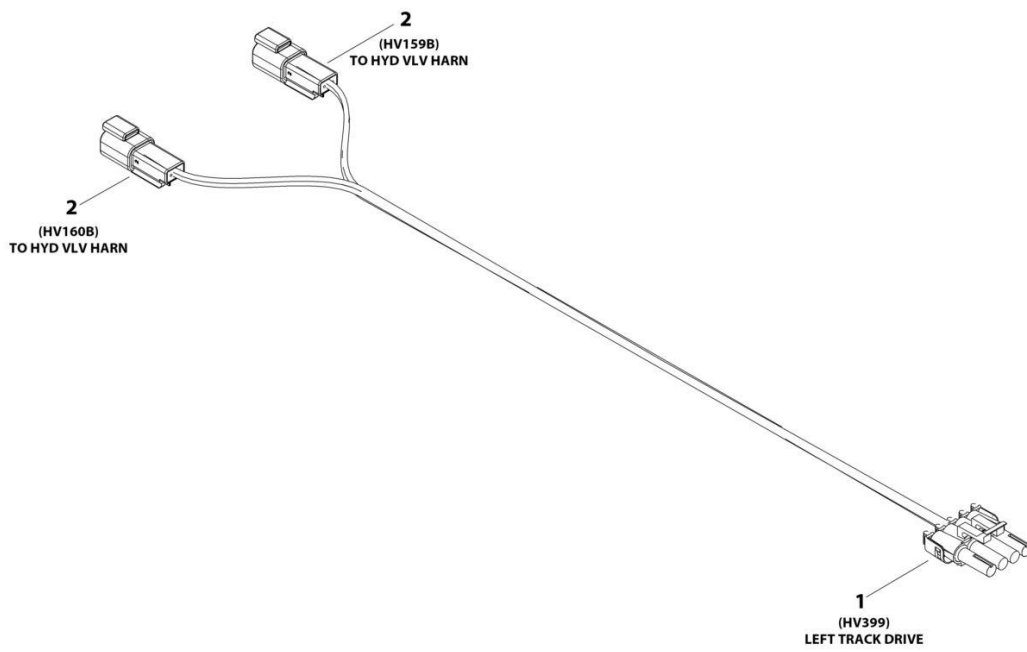
SECTION 8 - ELECTRICAL

FIGURE 8-53. INTERFACE HARNESS - WITH 1 CELL LSS

ITEM	PART NUMBER	QTY	DESCRIPTION	REV
	1001225580	Ref	INTERFACE HARNESS - WITH 1 CELL LSS	D
1	4460899	1	Connector	
2	4460464	4	Terminal	
3	4460466	2	Plug	
4	1001186432	2	Connector	
5	1001116720	4	Terminal	
6	1001118388	4	Terminal	
7	4460884	1	Connector	
8	4460465	4	Terminal	

SECTION 8 - ELECTRICAL

FIGURE 8-54. LEFT DRIVE HARNESS



ART_1001241304

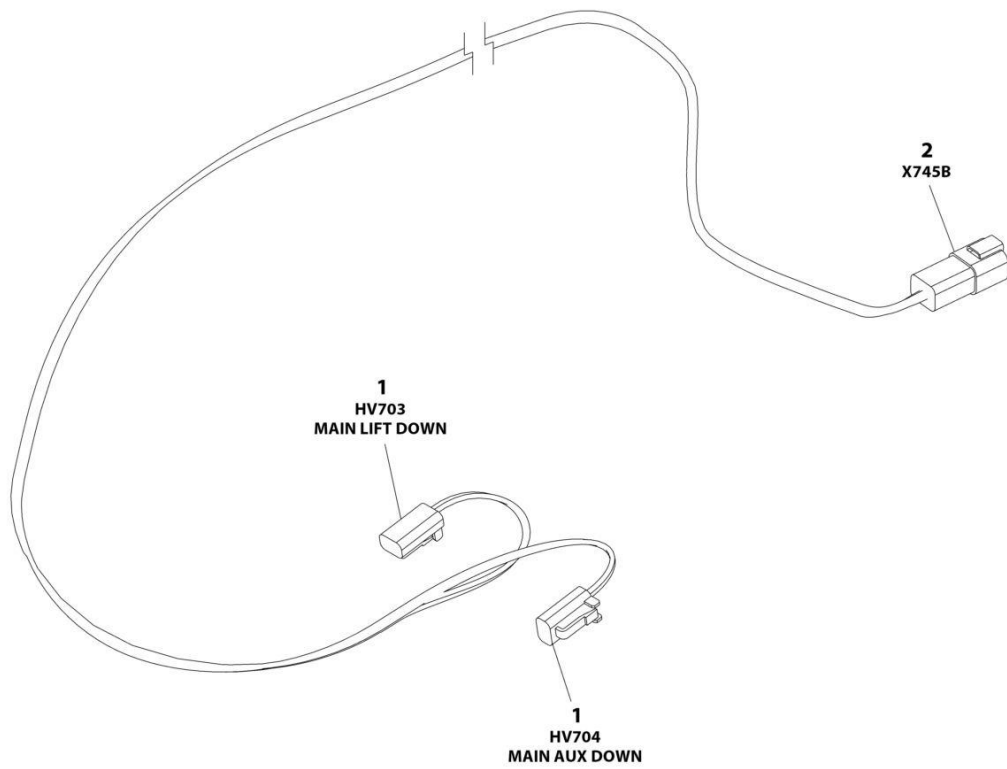
SECTION 8 - ELECTRICAL

FIGURE 8-54. LEFT DRIVE HARNESS

ITEM	PART NUMBER	QTY	DESCRIPTION	REV
	1001241304	Ref	LEFT DRIVE HARNESS	C
1	4460460	1	Receptacle, Female - 4 Position	
1	4460457	4	Terminal	
1	4460458	4	Seal	
2	4460897	2	Receptacle, Female - 2 Position	
2	4460464	4	Pin, Male	

SECTION 8 - ELECTRICAL

FIGURE 8-55. LIFT CYLINDER HARNESS



ART_1001205923

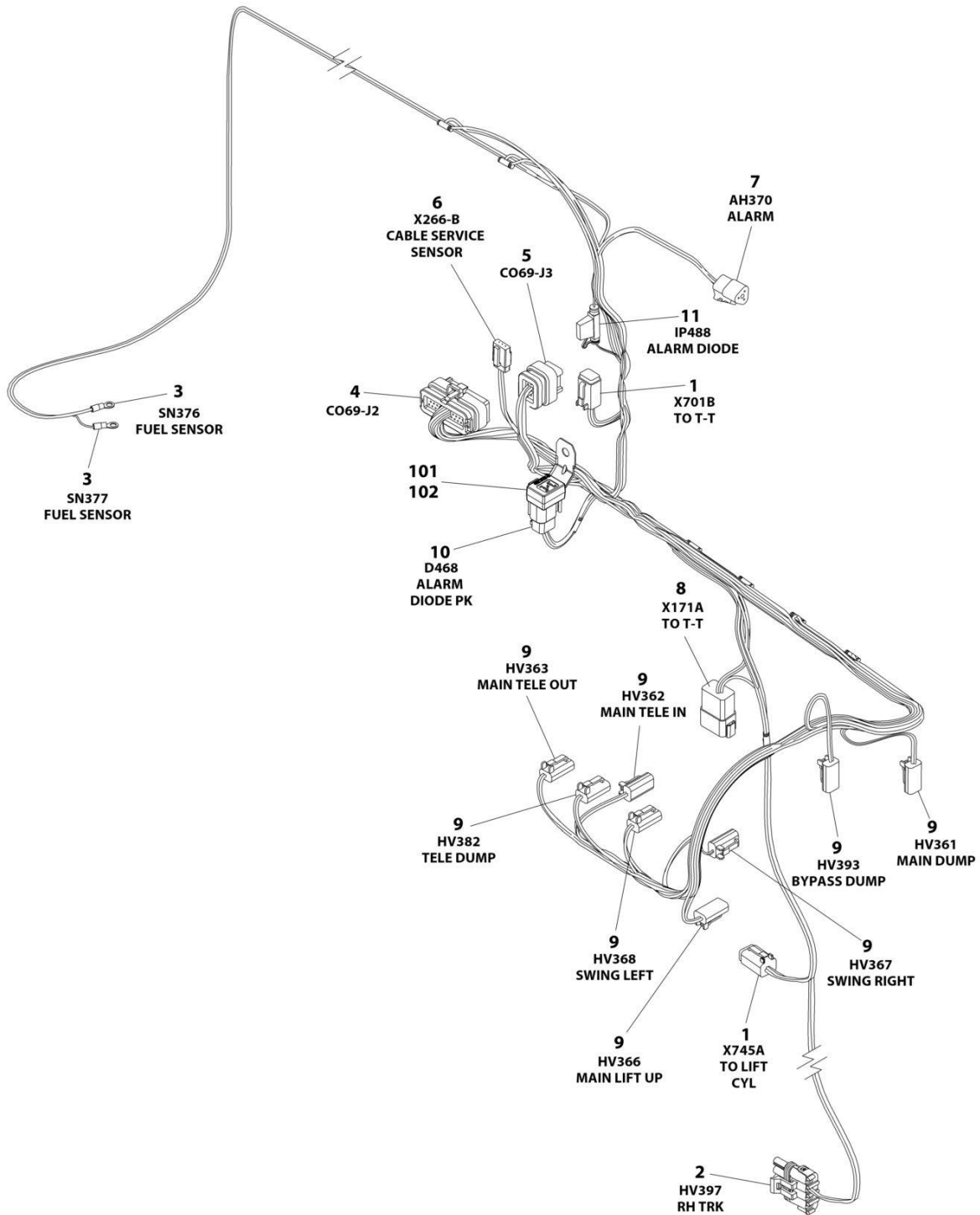
SECTION 8 - ELECTRICAL

FIGURE 8-55. LIFT CYLINDER HARNESS

ITEM	PART NUMBER	QTY	DESCRIPTION	REV
	1001205923	Ref	LIFT CYLINDER HARNESS	C
1	4460891	2	Plug, Male - 2 Position	
1	4460465	4	Socket, Female	
2	4460932	1	Receptacle, Female - 4 Position	
2	4460464	4	Pin, Male	

SECTION 8 - ELECTRICAL

FIGURE 8-56. MAIN VALVE HARNESS



ART_1001284772

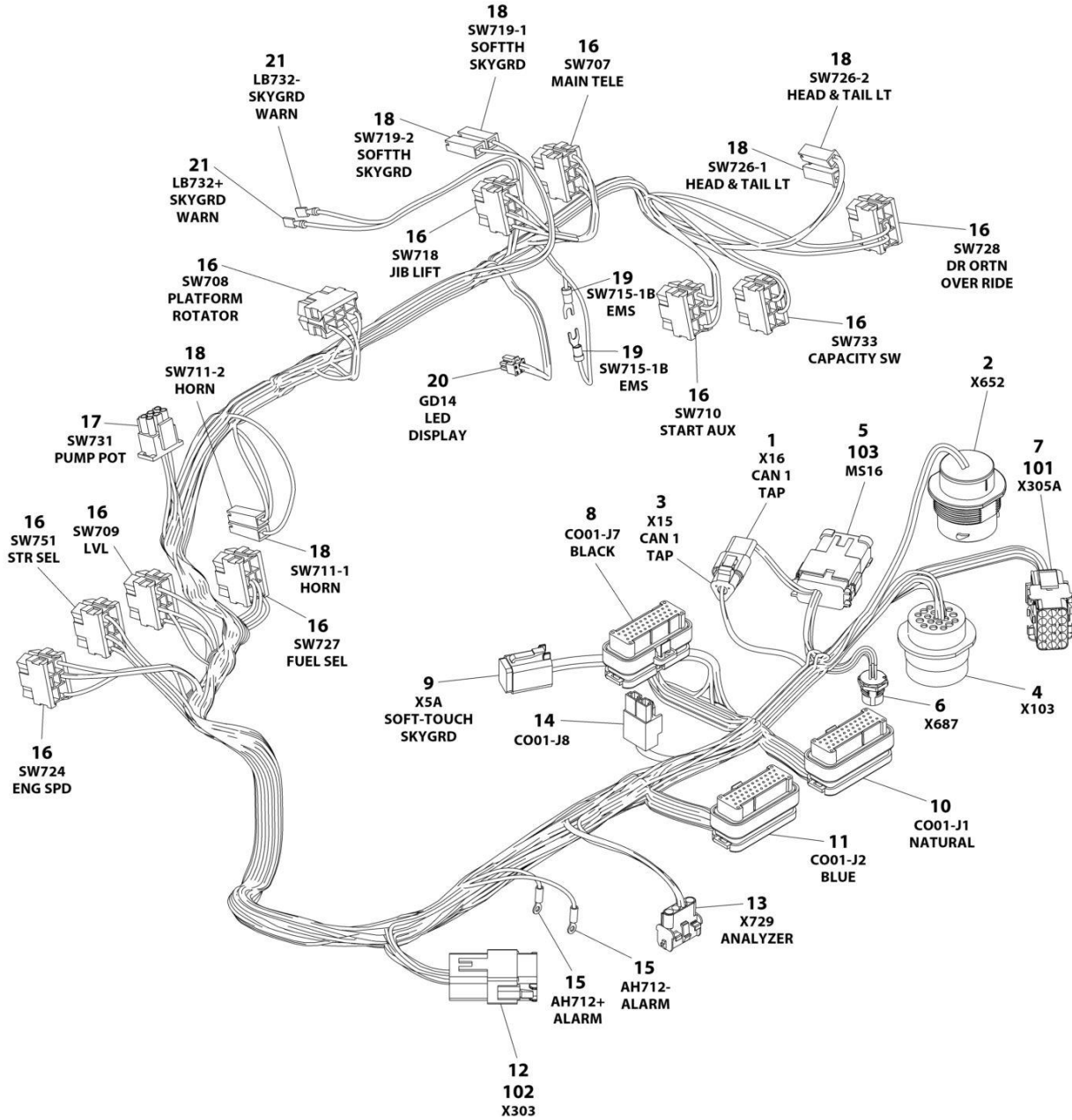
SECTION 8 - ELECTRICAL

FIGURE 8-56. MAIN VALVE HARNESS

ITEM	PART NUMBER	QTY	DESCRIPTION	REV
	1001284772	Ref	MAIN VALVE HARNESS	A
1	4460884	2	Connector	
1	4460465	8	Socket	
2	4460460	1	Connector	
2	4460457	4	Terminal	
3	4460313	2	Terminal, Ring	
4	4460875	1	Connector	
4	4460871	23	Socket	
4	4460905	12	Plug, Terminal	
5	4460872	1	Connector	
5	4460871	11	Socket	
5	4460905	3	Plug, Terminal	
6	4460911	1	Connector	
6	1001116694	3	Socket	
7	4460539	1	Connector	
7	4460465	3	Socket	
8	4460931	1	Connector	
8	4460464	7	Pin	
8	4460466	1	Plug	
9	4460891	8	Connector	
9	4460465	16	Socket	
10	4460884	1	Connector	
10	4460465	4	Socket	
11	1001170764	1	Holder. Fuse	
11	1001196636	1	Diode, 1Amp	
101	1001152266	1	Connector	
101	1001155743	1	Terminal, Holder	

SECTION 8 - ELECTRICAL

FIGURE 8-57. PLATFORM CONSOLE HARNESS



ART_1001238409

SECTION 8 - ELECTRICAL

FIGURE 8-57. PLATFORM CONSOLE HARNESS

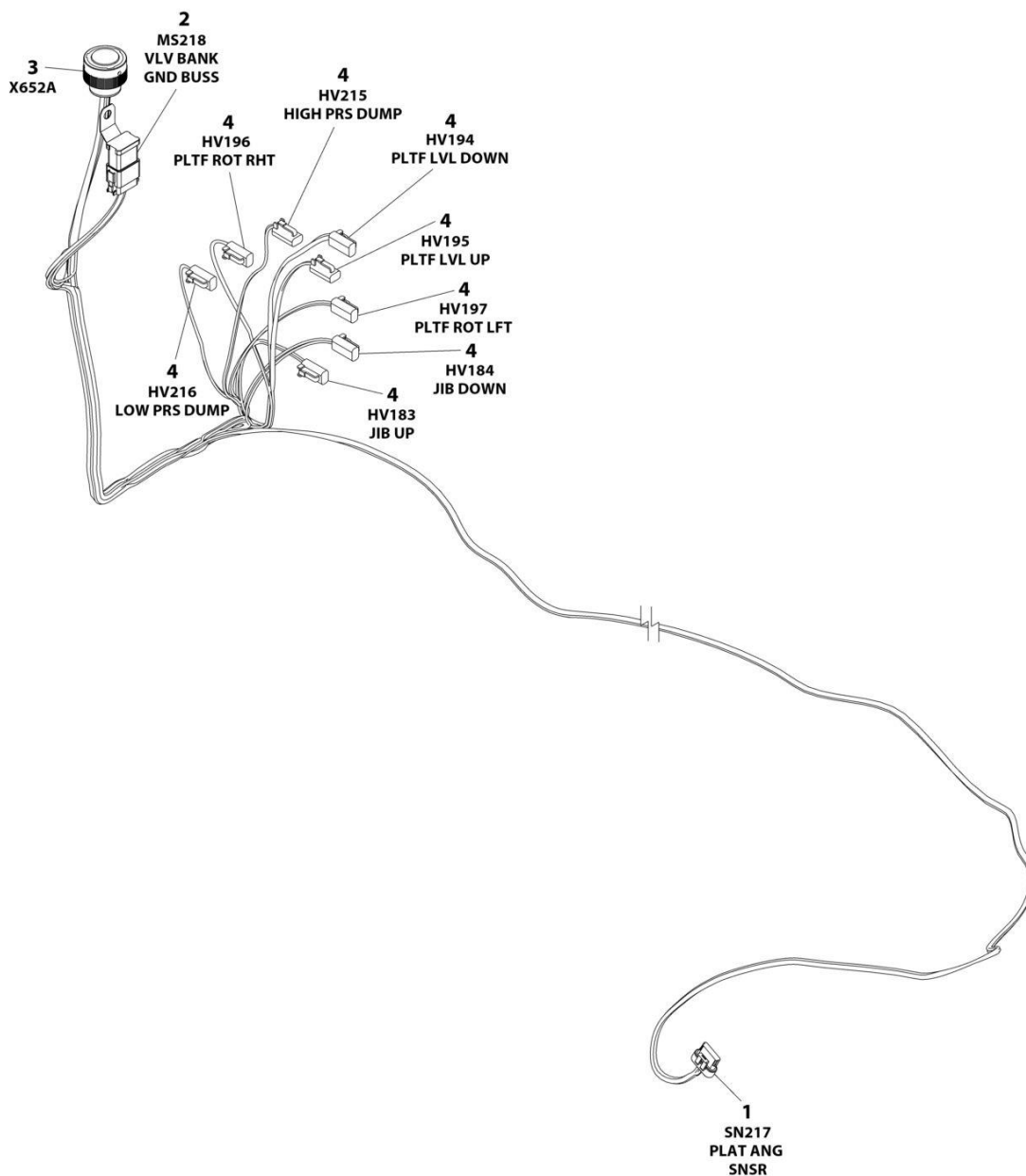
ITEM	PART NUMBER	QTY	DESCRIPTION	REV
	1001238409	Ref	PLATFORM CONSOLE HARNESS	J
1	4460536	1	Receptacle, Female - 3 Position	
1	4460943	2	Pin, Male	
1	4460466	1	Plug, Terminal	
2	4460925	1	Connector - 21 Position	
2	1001116695	15	Pin, Male	
2	4460518	6	Plug, Terminal	
3	4460539	1	Plug, Male - 3 Position	
3	4460944	2	Socket, Female	
3	4460466	1	Plug, Terminal	
4	4460866	1	Connector - 19 Position	
4	4460464	7	Pin, Male	
4	4460943	2	Pin, Male	
4	4460508	1	Pin, Male	
4	4460466	8	Plug, Terminal	
5	4460933	1	Plug, Male - 12 Position	
5	4460465	10	Socket, Female	
5	4460466	2	Plug, Terminal	
6	1001213447	1	Connector - 4 Position	
6	See Note	NSS	Terminal (Note: Purchase p/n 1001213447)	
7	4460434	1	Connector - 15 Position	
7	4460267	8	Pin, Male	
8	4460873	1	Connector - 35 Position	
8	4460871	24	Socket, Female	
8	4460905	11	Plug, Terminal	
9	4460894	1	Plug, Male - 6 Position	
9	4460465	6	Socket, Female	
10	4460874	1	Connector - 35 Position	
10	4460871	29	Socket, Female	
10	4460905	6	Plug, Terminal	
11	4460876	1	Connector - 35 Position	
11	4460871	12	Socket, Female	
11	4460905	23	Plug, Terminal	
12	4460970	1	Receptacle, Female - 12 Position	
12	1001116693	6	Pin, Male	
12	4460466	6	Plug, Terminal	
13	4460761	1	Receptacle, Female - 4 Position	
13	1001118378	4	Pin, Male	
14	4460879	1	Plug, Male - 2 Position	
14	4460887	2	Terminal	
15	1001098122	2	Terminal, Ring	
16	4460418	10	Connector - 6 Position	
16	4460419	20	Terminal	
16	1001159186	18	Terminal	
17	4460225	1	Plug, Male - 6 Position	
17	4460227	6	Pin, Male (Note: Used on Pump Potentiometer Connection Only)	
17	4460267	2	Terminal	
18	4460260	6	Housing, Terminal	
18	4460259	6	Terminal	
19	4460183	2	Terminal, Fork	

SECTION 8 - ELECTRICAL

ITEM	PART NUMBER	QTY	DESCRIPTION	REV
20	1001237667	1	Connector - 6 Position	
20	1001237668	4	Terminal	
21	1001271497	1	Terminal	
101	4460708	1	Connector - 12 Position	
102	4460933	1	Plug, Male - 12 Position	
103	1001125677	1	Connector, Bussbar	

SECTION 8 - ELECTRICAL

FIGURE 8-58. PLATFORM VALVE HARNESS



ART_1001264338_B

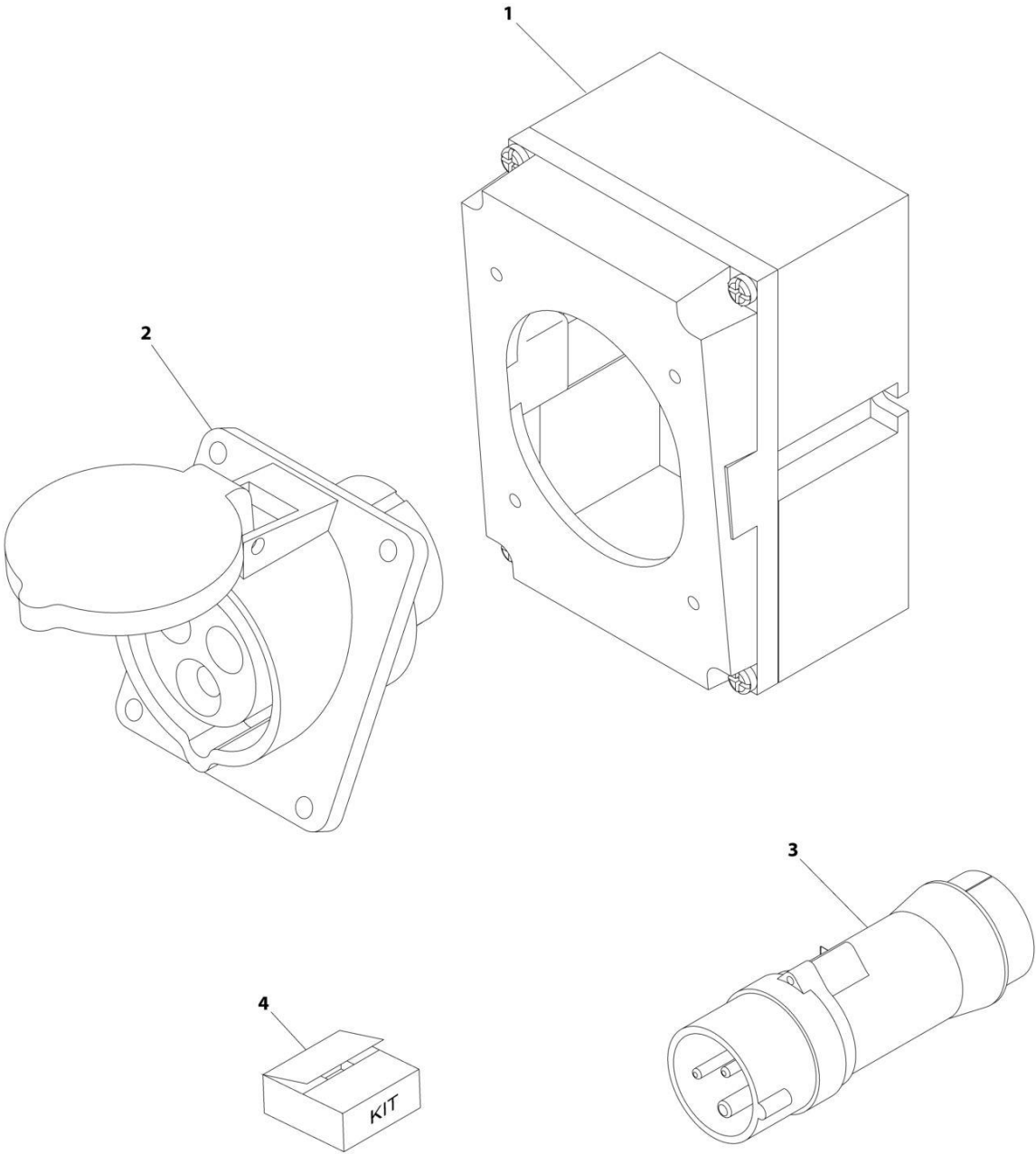
SECTION 8 - ELECTRICAL

FIGURE 8-58. PLATFORM VALVE HARNESS

ITEM	PART NUMBER	QTY	DESCRIPTION	REV
	1001264338	Ref	PLATFORM VALVE HARNESS	B
1	1001230931	1	Plug	
1	1001116748	6	Terminal	
2	4460836	1	Plug	
2	4460465	9	Socket	
2	4460466	3	Plug	
2	4460837	1	Connector	
2	1001120328	1	Clip, Mounting	
3	1001283549	1	Connector	
3	4460492	1	Clamp	
3	4460928	15	Socket	
3	4460518	6	Plug	
4	4460891	8	Plug	
4	4460465	16	Socket	

SECTION 8 - ELECTRICAL

FIGURE 8-59. RECEPTACLE BOX KIT - 110V IEC YELLOW (CE & UK CA SPEC)



ART_0275216

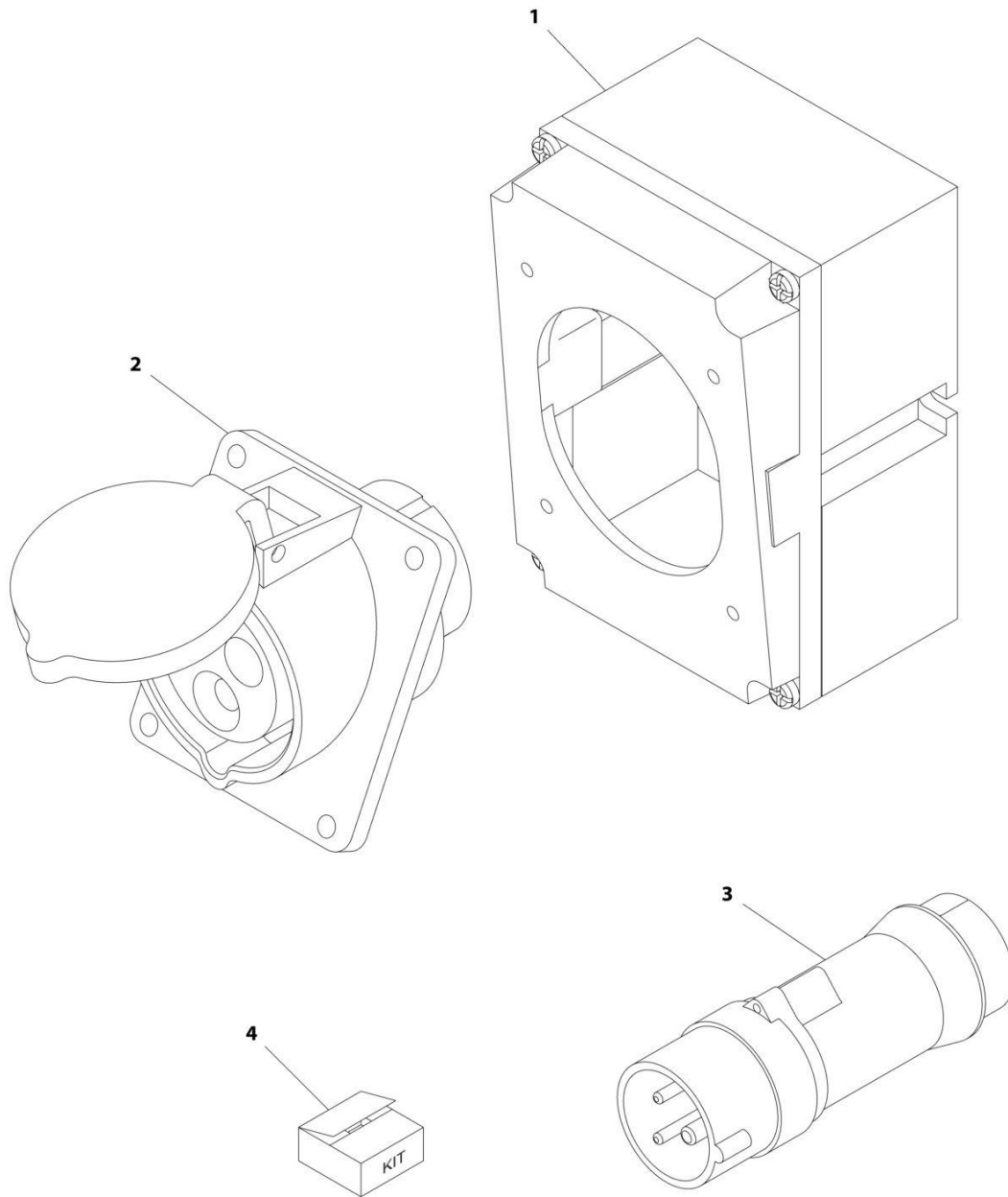
SECTION 8 - ELECTRICAL

FIGURE 8-59. RECEPTACLE BOX KIT - 110V IEC YELLOW (CE & UK CA SPEC)

ITEM	PART NUMBER	QTY	DESCRIPTION	REV
	0275216	Ref	RECEPTACLE BOX KIT - 110V IEC YELLOW	B
1	0861781	1	Box, Switch	
2	4461198	1	Receptacle	
3	4461196	1	Plug, Male	
4	1001100341	1	Plug and Socket Kit (Includes Items 1-3 and Female Plug p/n 4461197)	

SECTION 8 - ELECTRICAL

FIGURE 8-60. RECEPTACLE BOX KIT - 220V IEC BLUE (CE & UK CA SPEC)



ART_0275217

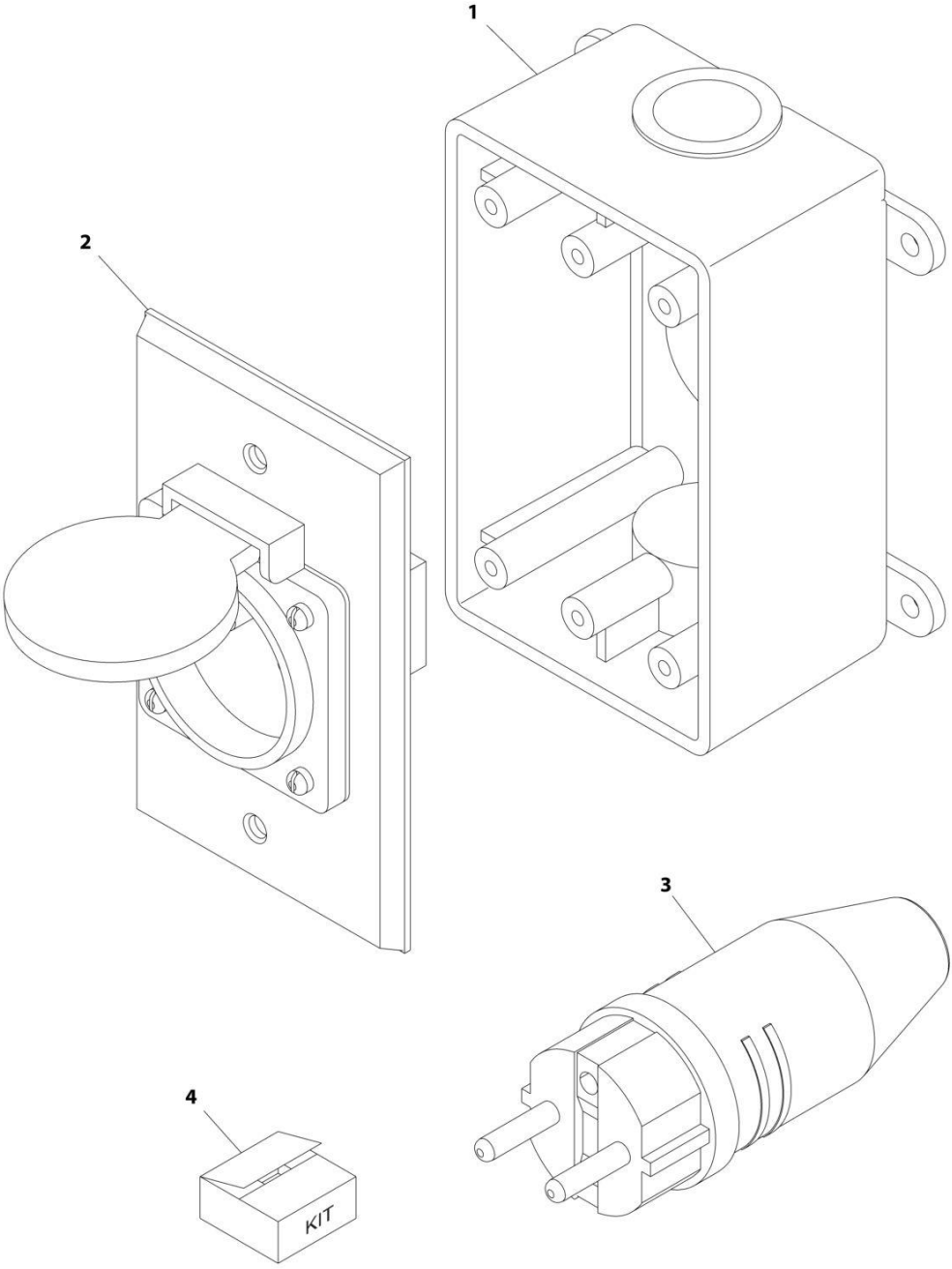
SECTION 8 - ELECTRICAL

FIGURE 8-60. RECEPTACLE BOX KIT - 220V IEC BLUE (CE & UK CA SPEC)

ITEM	PART NUMBER	QTY	DESCRIPTION	REV
	0275217	Ref	RECEPTACLE BOX KIT - 220V IEC BLUE	B
1	0861781	1	Box, Switch	
2	4461201	1	Receptacle	
3	4461199	1	Plug, Male	
4	1001100342	1	Plug and Socket Kit (Includes Items 1-3 and Female Plug p/n 4461200)	

SECTION 8 - ELECTRICAL

FIGURE 8-61. RECEPTACLE BOX KIT - 220V CEE7 POST GROUND 2X4 BOX (CE & UK CA SPEC)



ART_0275452-C

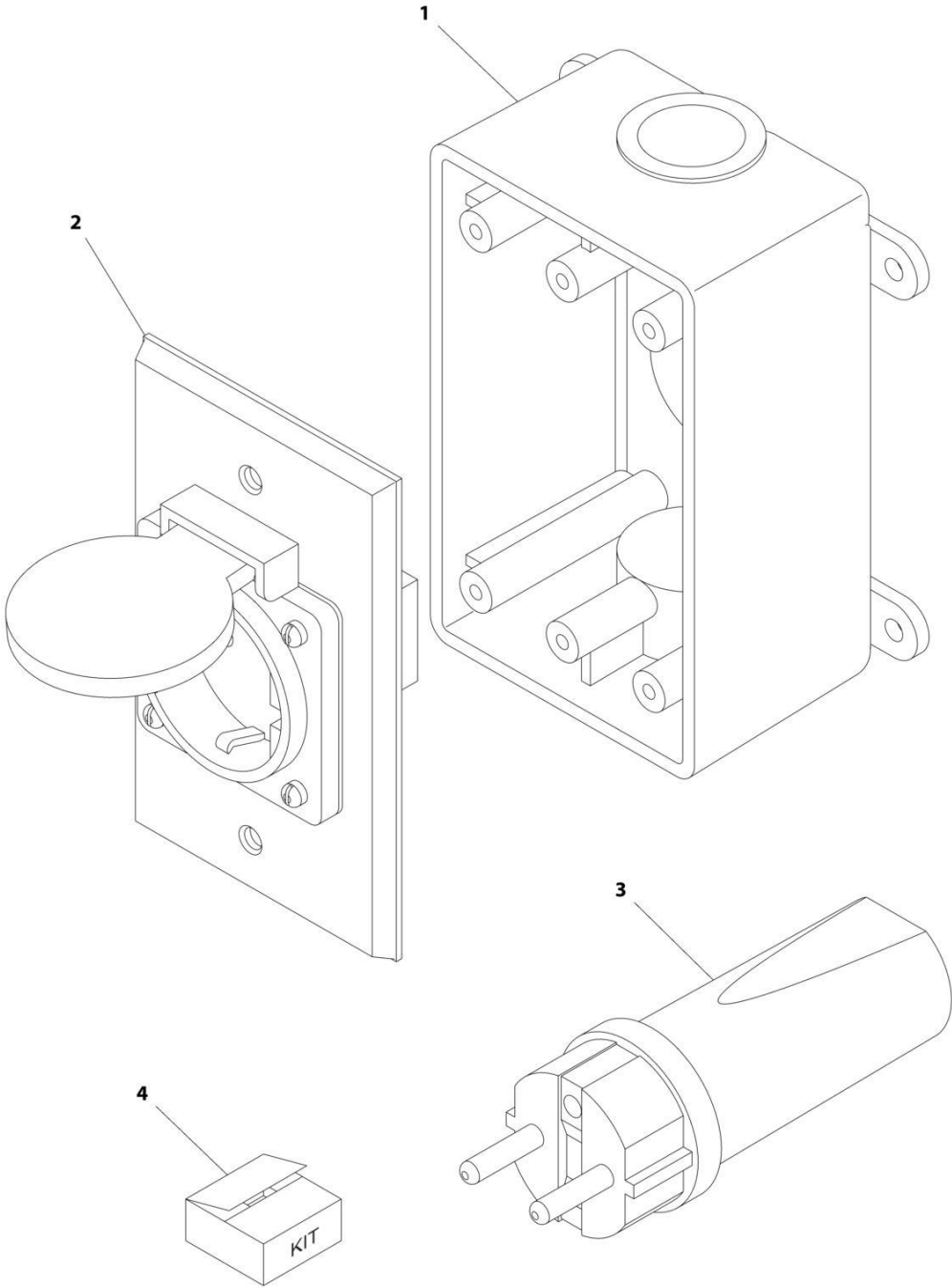
SECTION 8 - ELECTRICAL

FIGURE 8-61. RECEPTACLE BOX KIT - 220V CEE7 POST GROUND 2X4 BOX (CE & UK CA SPEC)

ITEM	PART NUMBER	QTY	DESCRIPTION	REV
	0275452	Ref	RECEPTACLE BOX KIT - 220V CEE7 POST GROUND 2IN X 4IN BOX	C
1	0861731	1	Box, Switch	
2	4461244	1	Receptacle	
3	4461205	1	Plug, Male	
4	1001100345	1	Plug and Socket Kit (Includes Items 1-3 and Female Plug p/n 4461203)	

SECTION 8 - ELECTRICAL

FIGURE 8-62. RECEPTACLE BOX KIT - 220V CEE7 SIDE GROUND (CE & UK CA SPEC)



ART_0275453

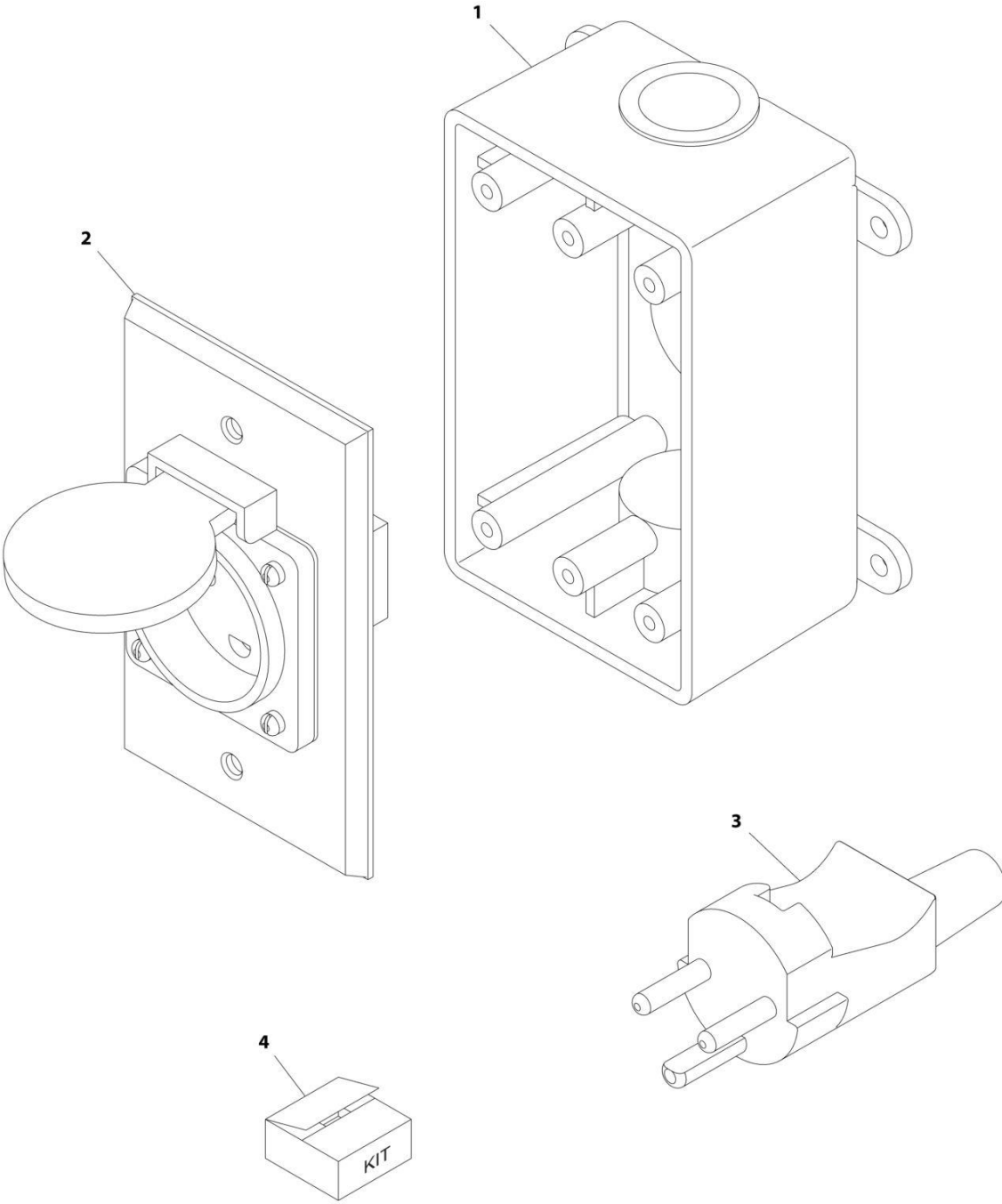
SECTION 8 - ELECTRICAL

FIGURE 8-62. RECEPTACLE BOX KIT - 220V CEE7 SIDE GROUND (CE & UK CA SPEC)

ITEM	PART NUMBER	QTY	DESCRIPTION	REV
	0275453	Ref	RECEPTACLE BOX KIT - 220V CEE7 SIDE GROUND	B
1	0861731	1	Box, Switch	
2	4461245	1	Receptacle	
3	4461205	1	Plug, Male	
4	1001100347	1	Plug and Socket Kit (Includes Items 1-3 and Female Plug p/n 4461206)	

SECTION 8 - ELECTRICAL

FIGURE 8-63. RECEPTACLE BOX KIT - 220V AFSINT107 (CE & UK CA SPEC)



ART_0275454

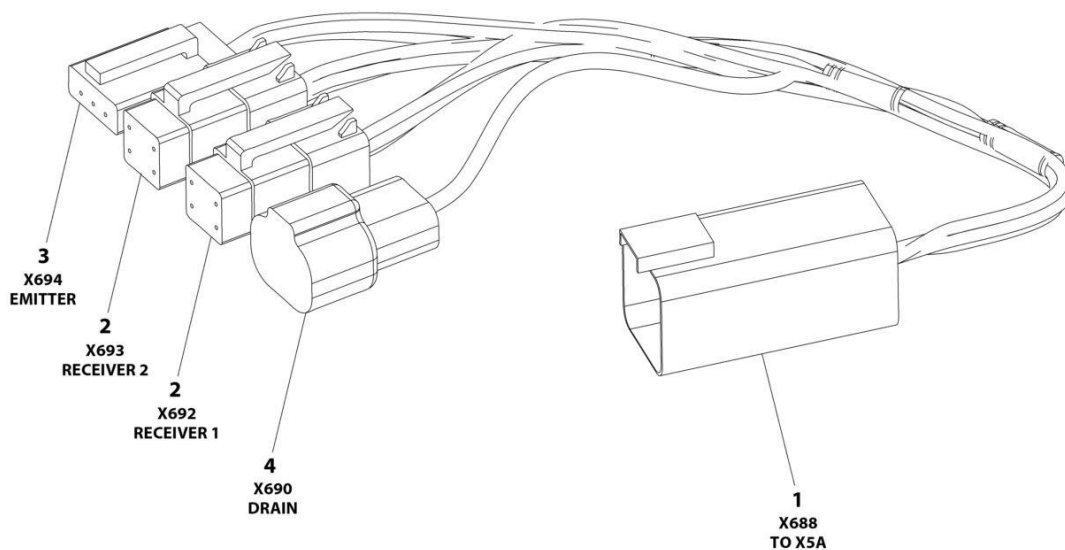
SECTION 8 - ELECTRICAL

FIGURE 8-63. RECEPTACLE BOX KIT - 220V AFSINT107 (CE & UK CA SPEC)

ITEM	PART NUMBER	QTY	DESCRIPTION	REV
	0275454	Ref	RECEPTACLE BOX KIT - 220V AFSINT 107	B
1	0861731	1	Box, Switch	
2	4461246	1	Receptacle	
3	4461249	1	Plug, Male	
4	1001100346	1	Plug and Socket Kit (Includes Items 1-3 and Female Plug p/n 4461250)	

SECTION 8 - ELECTRICAL

FIGURE 8-64. SKYEYE INTERMEDIATE HARNESS



ART_1001237865

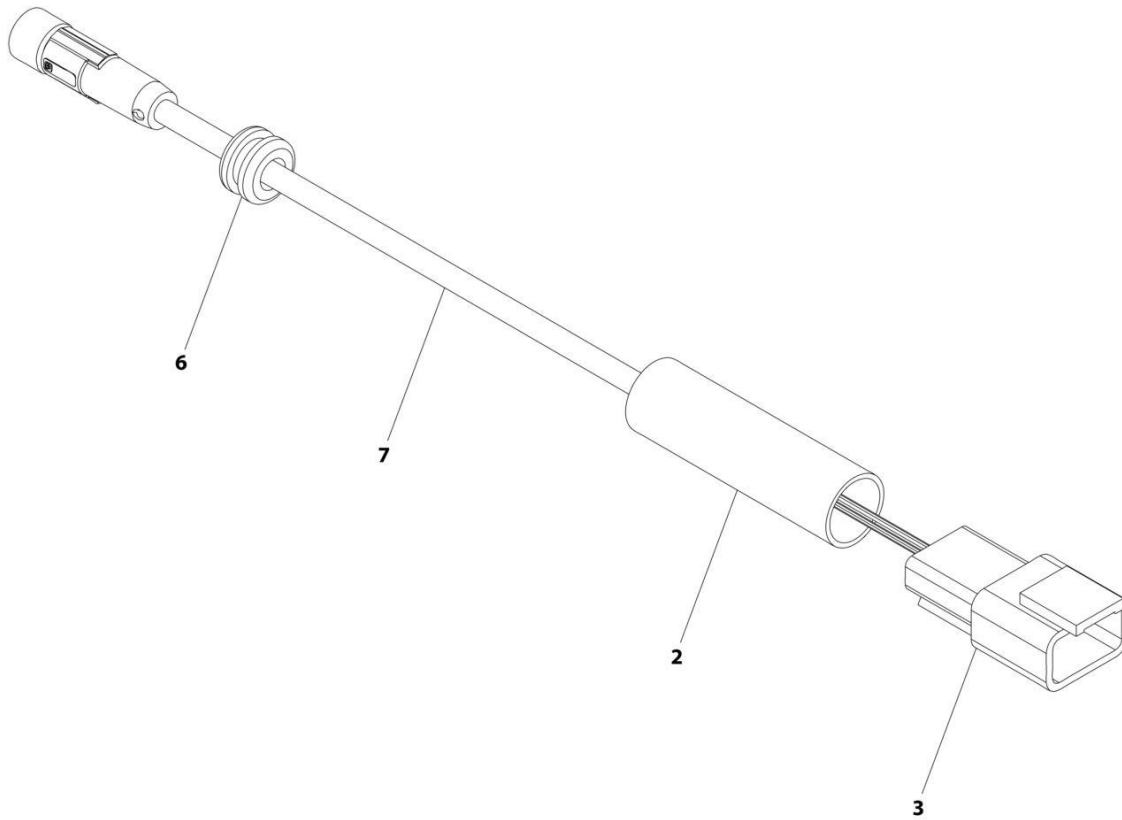
SECTION 8 - ELECTRICAL

FIGURE 8-64. SKYEYE INTERMEDIATE HARNESS

ITEM	PART NUMBER	QTY	DESCRIPTION	REV
	1001237865	Ref	SKYEYE INTERMEDIATE HARNESS	A
1	4460899	1	Connector - 6 Position	
1	4460943	4	Pin, Male	
1	4460466	2	Plug, Terminal	
2	4461077	2	Connector - 4 Position	
2	1001119619	8	Socket, Female	
3	4460911	1	Connector - 3 Position	
3	1001119619	3	Socket, Female	
4	1001187681	1	Connector - 2 Position	
4	4460941	1	Pin, Male	
4	4460466	1	Plug, Terminal	

SECTION 8 - ELECTRICAL

FIGURE 8-65. SKYEYE EMITTER HARNESS



ART_1001237864

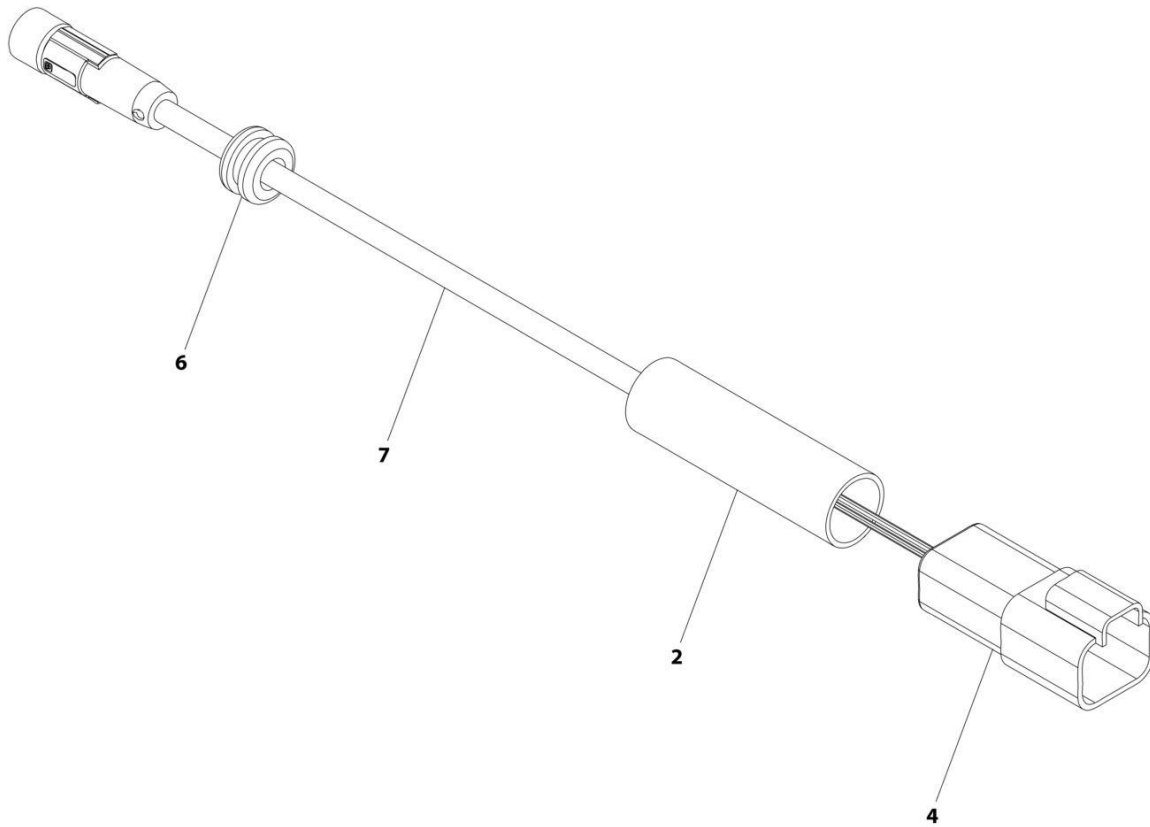
SECTION 8 - ELECTRICAL

FIGURE 8-65. SKYEYE EMITTER HARNESS

ITEM	PART NUMBER	QTY	DESCRIPTION	REV
	1001237864	Ref	SKYEYE EMITTER HARNESS	A
2	2820247	AR	Tubing, Heat Shrink	
3	4460910	1	Connector - 3 Position	
3	1001119620	3	Pin, Male	
6	1001227996	1	Grommet	
7	1001237862	1	Cable, M8 Female Cordset	

SECTION 8 - ELECTRICAL

FIGURE 8-66. 4. SKYEYE RECEIVER HARNESS



ART_1001237863

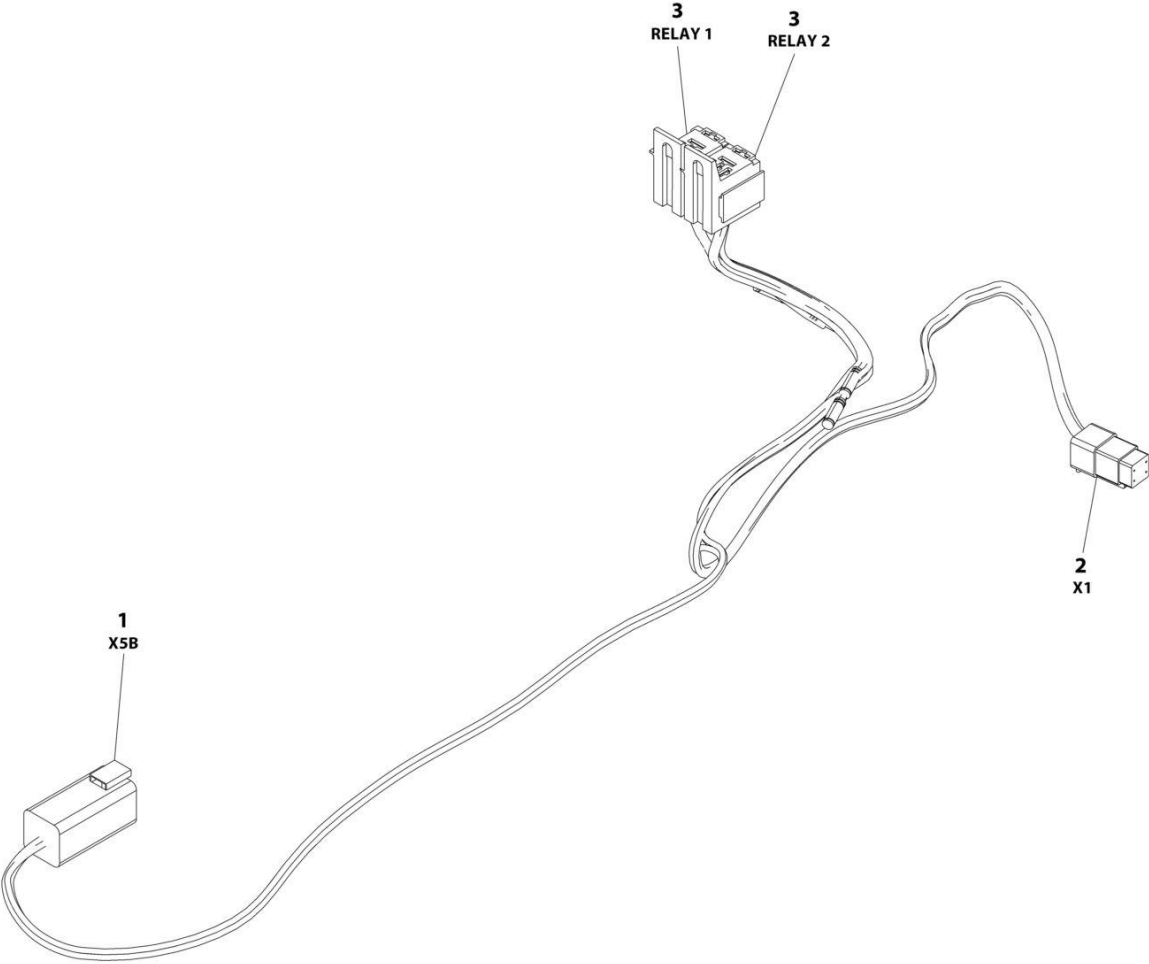
SECTION 8 - ELECTRICAL

FIGURE 8-66. 4. SKYEYE RECEIVER HARNESS

ITEM	PART NUMBER	QTY	DESCRIPTION	REV
	1001237863	Ref	SKYEYE RECEIVER HARNESS	A
2	2820247	AR	Tubing, Heat Shrink	
4	1001097051	1	Connector - 4 Position	
4	1001119620	4	Pin, Male	
6	1001227996	1	Grommet	
7	1001237862	1	Cable, M8 Female Cordset	

SECTION 8 - ELECTRICAL

FIGURE 8-67. SKYLINE HARNESS



ART_1001238418

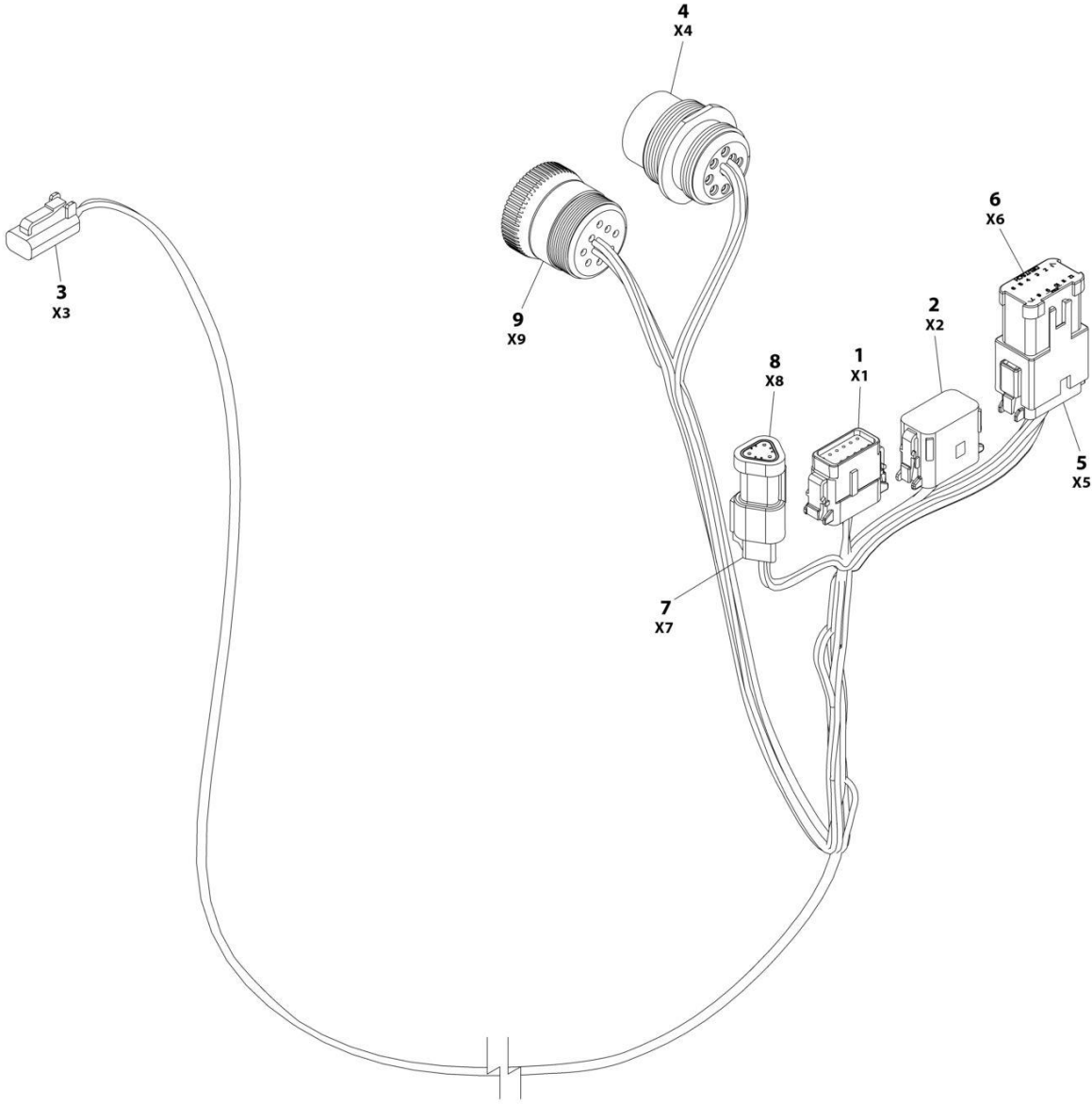
SECTION 8 - ELECTRICAL

FIGURE 8-67. SKYLINE HARNESS

ITEM	PART NUMBER	QTY	DESCRIPTION	REV
	1001238418	Ref	SKYLINE HARNESS	B
1	4460899	1	Connector - 6 Position	
1	4460464	4	Pin, Male	
1	4460466	2	Plug, Terminal	
2	4461077	1	Connector - 4 Position	
2	1001126009	4	Socket, Female	
3	1001186432	2	Plug, Relay	
3	1001118388	5	Terminal	
3	1001118384	3	Terminal	
3	3740086	2	Relay	

SECTION 8 - ELECTRICAL

FIGURE 8-68. STROBE LIGHT CONTROL HARNESS



ART_1001142736

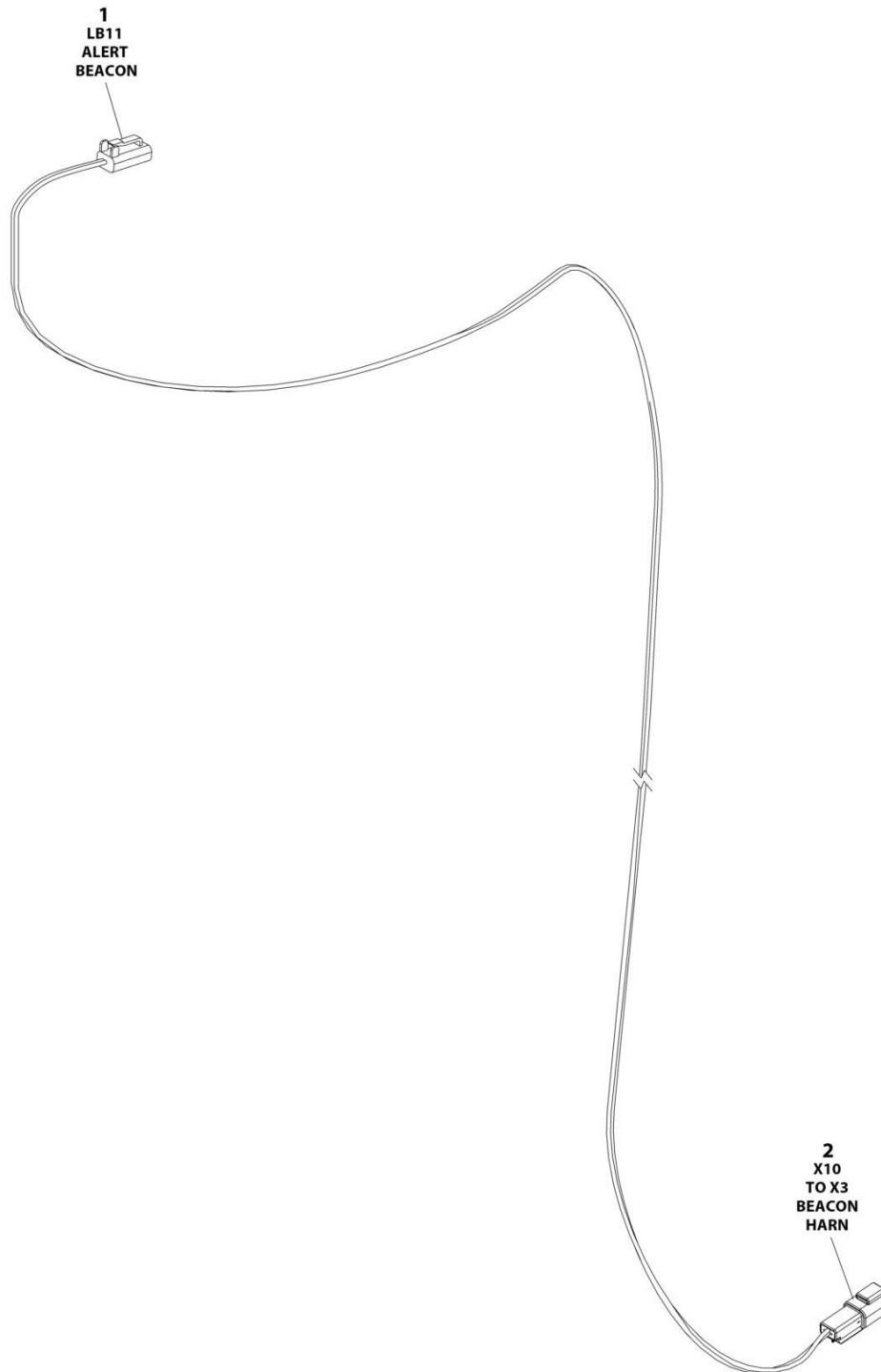
SECTION 8 - ELECTRICAL

FIGURE 8-68. STROBE LIGHT CONTROL HARNESS

ITEM	PART NUMBER	QTY	DESCRIPTION	REV
	1001142736	Ref	STROBE LIGHT HARNESS	F
1	1001116808	1	Plug, Male - 12 Position	
1	4460928	3	Socket, Female	
1	4460518	9	Plug, Terminal	
2	1001116774	1	Plug, Male - 12 Position	
2	4460928	3	Socket, Female	
2	4460518	9	Plug, Terminal	
3	4460891	1	Plug, Male - 2 Position	
3	4460465	2	Socket, Female	
4	1001112612	1	Connector - 9 Position	
4	4460464	6	Pin, Male	
4	4460466	3	Plug, Terminal	
5	4460933	1	Plug, Male - 12 Position	
5	4460465	12	Socket, Female	
6	1001119020	1	Bussbar - 12 Position	
7	4461095	1	Plug, Male - 3 Position	
7	4460465	3	Socket, Female	
8	4461070	1	Bussbar - 3 Position	
9	1001112796	1	Connector - 9 Position	
9	4460465	6	Socket, Female	
9	4460466	3	Plug, Terminal	

SECTION 8 - ELECTRICAL

FIGURE 8-69. STOBE JUMPER HARNESS (RED & BLUE)



ART_1001285733

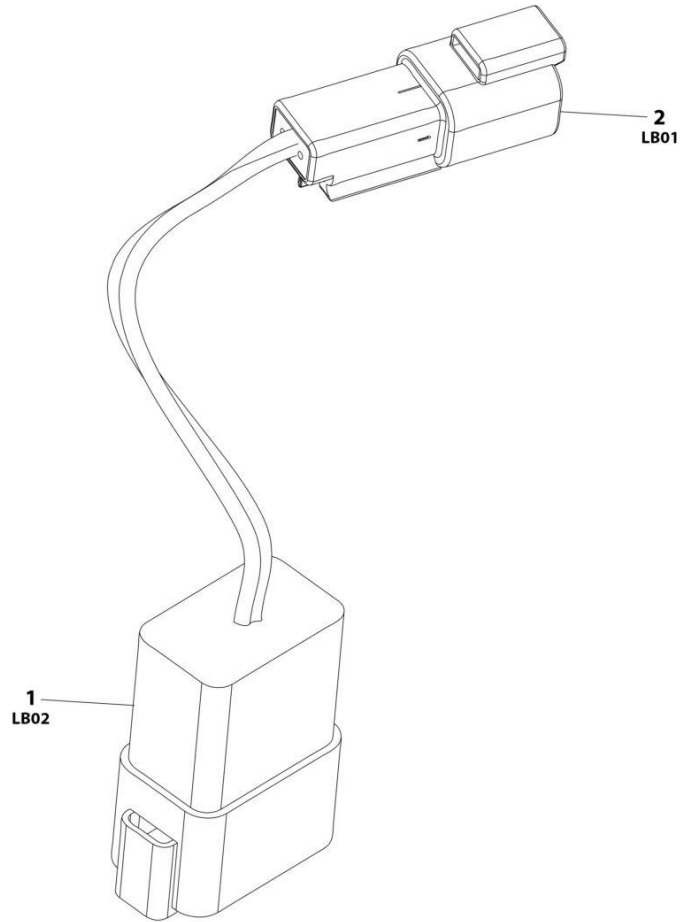
SECTION 8 - ELECTRICAL

FIGURE 8-69. STOBE JUMPER HARNESS (RED & BLUE)

ITEM	PART NUMBER	QTY	DESCRIPTION	REV
	1001285733	Ref	BEACON JUMPER HARNESS	A
1	4460891	1	Connector	
1	4460465	2	Socket	
2	4460897	1	Connector	
2	4460464	2	Pin	

SECTION 8 - ELECTRICAL

FIGURE 8-70. STROBE JUMPER HARNESS (AMBER)



ART_1001283776

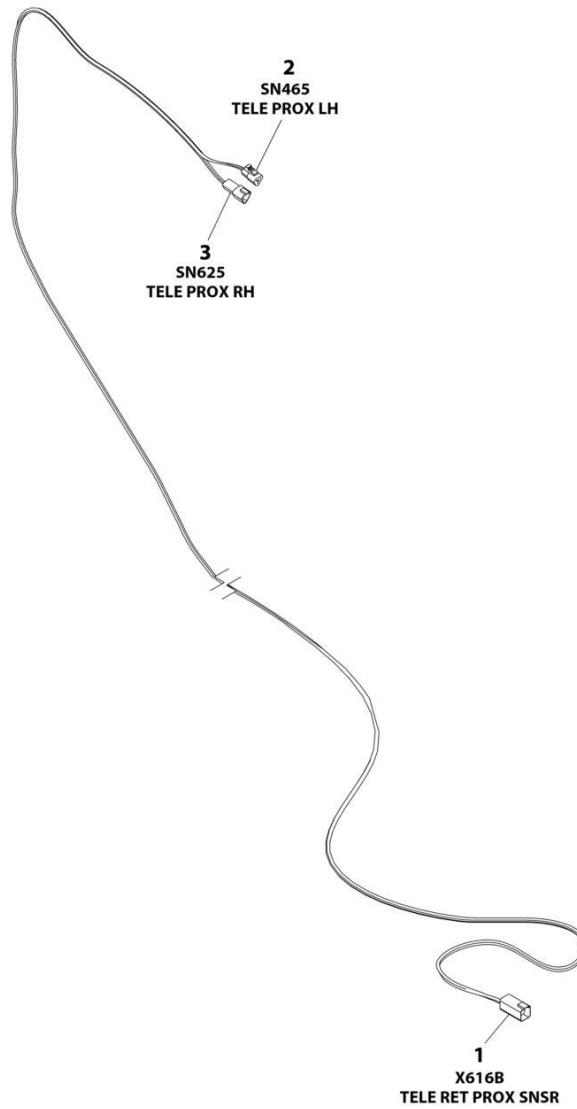
SECTION 8 - ELECTRICAL

FIGURE 8-70. STROBE JUMPER HARNESS (AMBER)

ITEM	PART NUMBER	QTY	DESCRIPTION	REV
	1001283776	Ref	STROBE LIGHT HARNESS (AMBER)	A
1	4460931	1	Connector	
1	4460464	2	Pin	
1	4460466	6	Plug	
2	4460897	1	Connector	
2	4460464	2	Pin	

SECTION 8 - ELECTRICAL

FIGURE 8-71. TELE PROXIMITY HARNESS



ART_1001189003

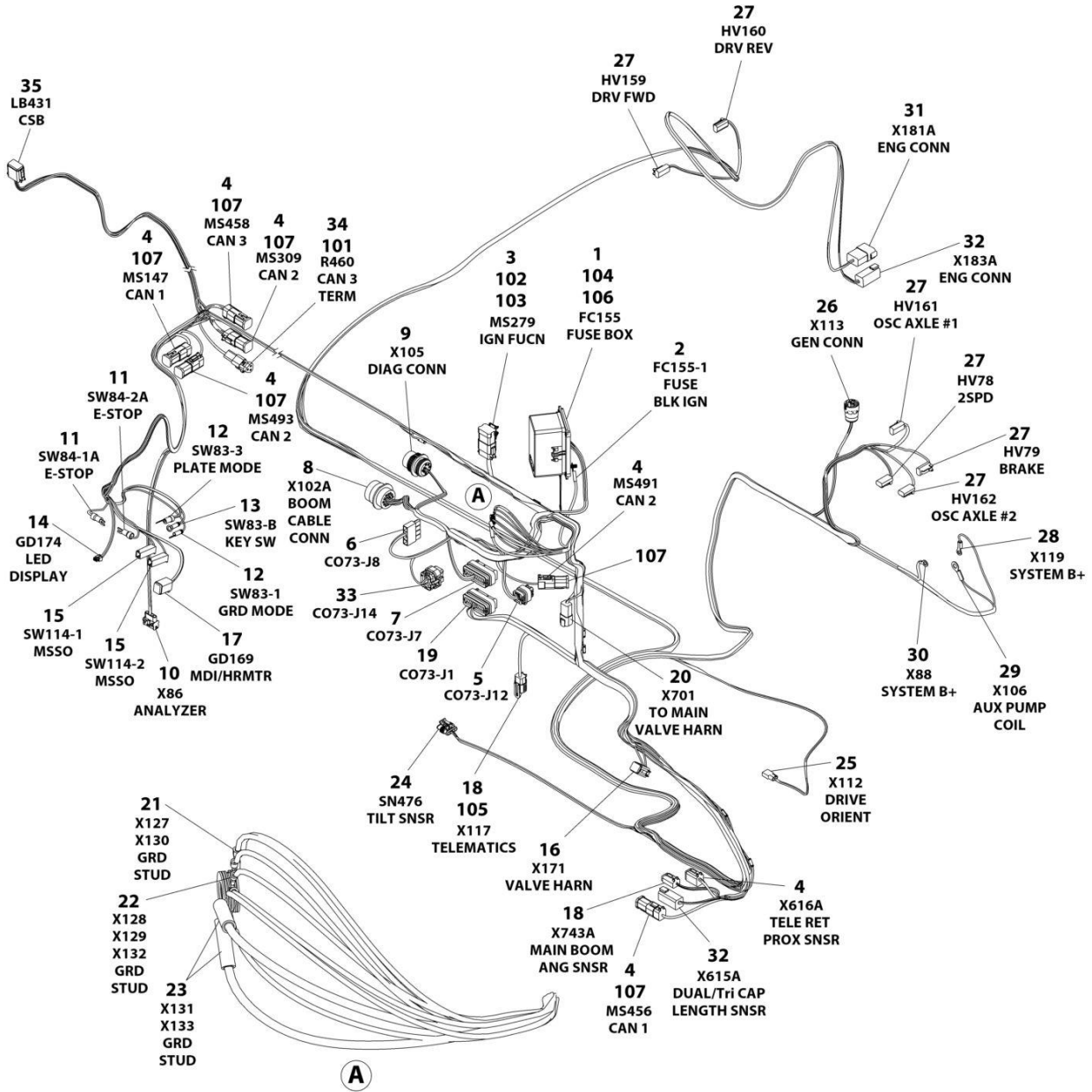
SECTION 8 - ELECTRICAL

FIGURE 8-71. TELE PROXIMITY HARNESS

ITEM	PART NUMBER	QTY	DESCRIPTION	REV
	1001189003	Ref	TELE PROXIMITY HARNESS	E
1	4460899	1	Receptacle, Female - 6 Position	
1	4460464	6	Pin, Male	
2	4460539	1	Plug, Male - 3 Position	
2	4460465	3	Socket, Female	
3	4460536	1	Receptacle, Female - 3 Position	
3	4460464	3	Pin, Male	

SECTION 8 - ELECTRICAL

FIGURE 8-72. TURNTABLE HARNESS



ART_1001282065

SECTION 8 - ELECTRICAL

FIGURE 8-72. TURNTABLE HARNESS

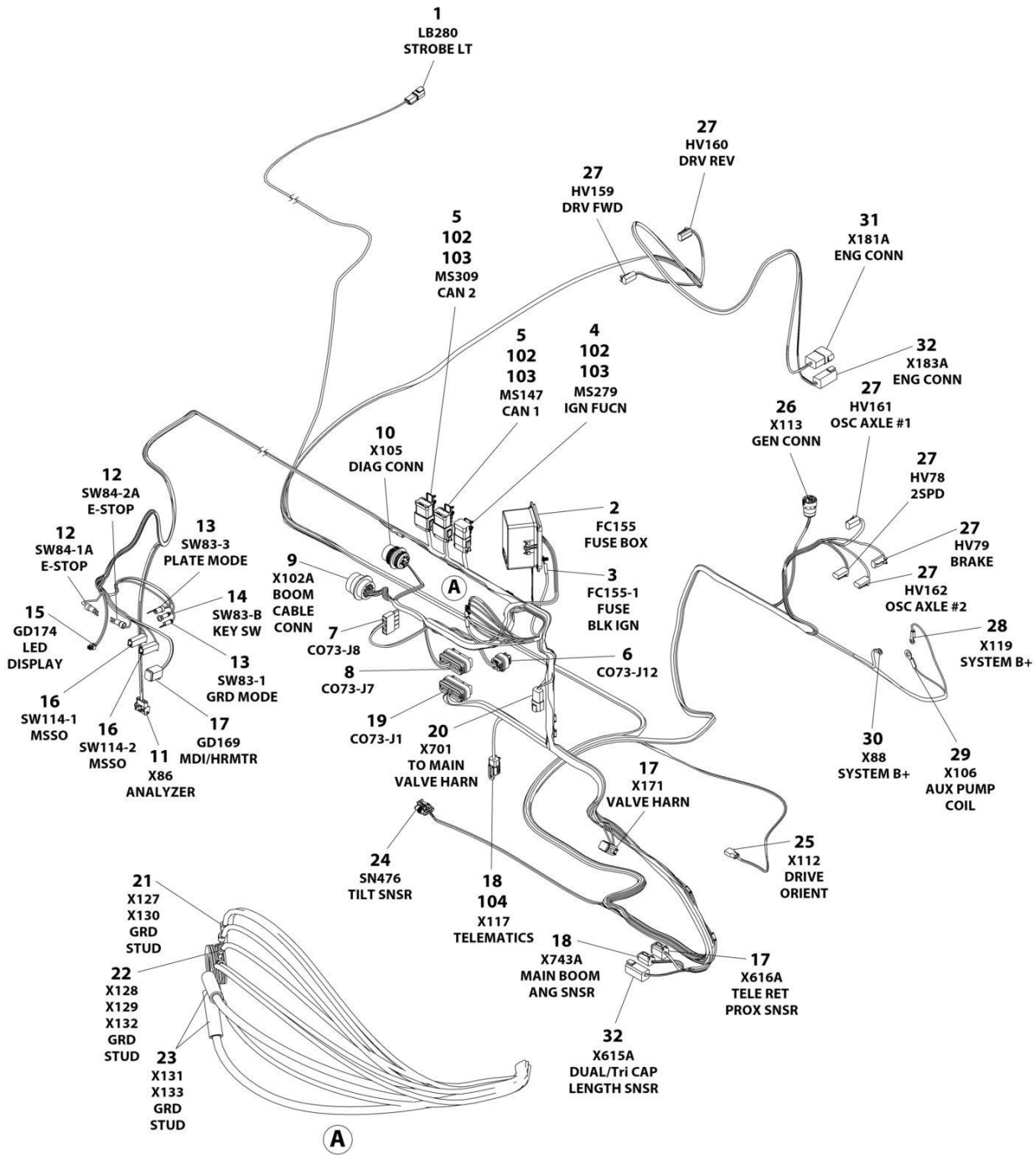
ITEM	PART NUMBER	QTY	DESCRIPTION	REV
	1001282065	Ref	TURNTABLE HARNESS	B
1	1001196602	1	Box, Fuse Less Fuses	
1	1001196604	1	Cover, Box	
1	1001190921	1	Spacer, Foam	
1	1001196634	2	Fuse 2 Amp	
1	8229242	7	Fuse 5 Amp	
1	8229244	2	Fuse 15Amp	
1	1001095704	2	Relay	
1	1001196636	2	Diode 1 Amp	
1	8220098	6	Terminal	
1	8220089	6	Seal, Terminal	
1	8220097	19	Terminal	
1	4460458	19	Seal, Terminal	
1	4460748	10	Plug, Terminal	
2	1001117106	1	Terminal, Ring	
3	4460933	1	Connector	
3	4460465	8	Socket	
3	4460466	4	Seal, Terminal	
4	4460894	7	Connector	
4	4460465	42	Socket	
5	1001113961	1	Connector	
5	4460871	5	Socket	
5	4460905	3	Plug, Terminal	
6	4460878	1	Connector	
6	4460887	2	Socket	
7	4460873	1	Connector	
7	4460871	26	Socket	
7	4460905	9	Plug, Terminal	
8	4460866	1	Connector	
8	4460464	10	Pin	
8	4460508	2	Pin	
8	4460466	7	Plug, Terminal	
9	1001112612	1	Connector	
9	4460464	5	Pin	
9	4460466	4	Plug, Terminal	
10	1001119032	1	Connector	
10	1001118378	4	Pin	
11	4460183	2	Terminal, Ring	
12	4460042	2	Terminal, Ring	
13	4460247	1	Terminal, Ring	
14	1001237667	1	Connector	
14	1001237668	5	Terminal	
15	4460260	2	Cover, Terminal	
15	4460259	2	Terminal	
16	4460930	1	Connector	
16	4460465	4	Plug, Terminal	
16	4460466	4	Plug, Terminal	
17	4460894	1	Connector	
17	4460465	4	Socket	
17	4460466	2	Plug, Terminal	

SECTION 8 - ELECTRICAL

ITEM	PART NUMBER	QTY	DESCRIPTION	REV
18	4460884	2	Connector	
18	4460465	8	Socket	
19	4460874	1	Connector	
19	4460871	21	Socket	
19	4460905	14	Plug, Terminal	
20	4460932	1	Connector	
20	4460464	4	Pin	
21	1001187078	2	Terminal, Ring	
22	1001187077	3	Terminal, Ring	
23	1001117110	2	Terminal, Ring	
24	1001103012	1	Connector	
24	1001107854	4	Socket	
25	4460424	1	Connector	
25	4460226	2	Socket	
26	4460967	1	Connector	
26	4460465	3	Socket	
27	4460891	6	Connector	
27	4460465	12	Socket	
28	4460703	1	Terminal, Ring	
29	4460702	1	Terminal, Ring	
30	8220045	1	Terminal, Ring	
31	4460931	1	Connector	
31	4460464	5	Pin	
31	4460466	3	Socket	
32	4460899	2	Connector	
32	4460464	11	Pin	
32	4460466	1	Seal, Terminal	
33	1001246859	1	Connector	
33	4460871	4	Socket	
33	4460905	10	Plug	
34	1001144147	1	Connector	
34	4460943	2	Pin	
34	4460466	1	Plug, Terminal	
35	4460930	1	Connector	
35	4460465	6	Socket	
101	1001116815	1	Connector	
102	1001121172	1	Mounting, Bracket	
103	1001125677	1	Connector	
104	1001190921	1	Seal	
105	1001192401	1	Connector	
106	1001196604	1	Cover	
107	1001226541	6	Connector, Bussbar	

SECTION 8 - ELECTRICAL

FIGURE 8-73. TURNTABLE HARNESS



ART_1001238405

SECTION 8 - ELECTRICAL

FIGURE 8-73. TURNTABLE HARNESS

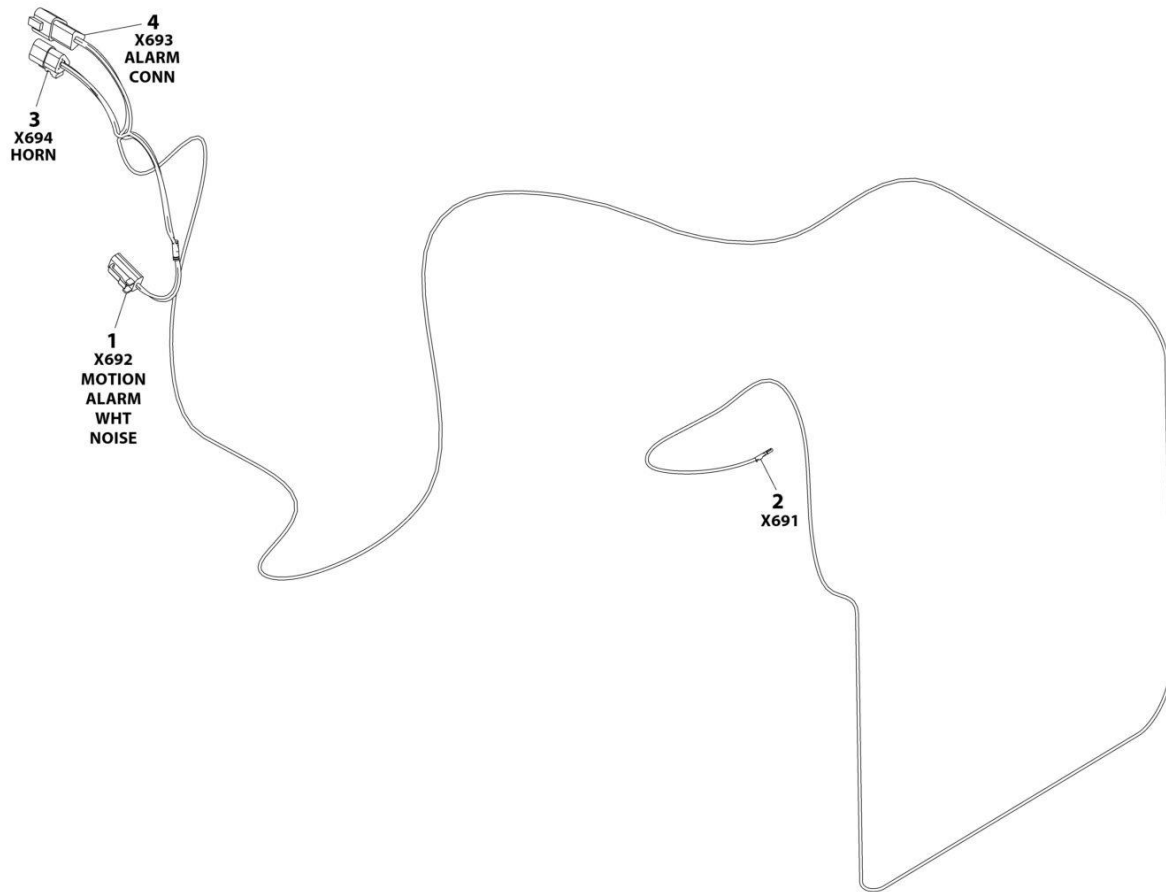
ITEM	PART NUMBER	QTY	DESCRIPTION	REV
	1001238405	Ref	TURNTABLE HARNESS	H
1	4460897	1	Receptacle, Female - 2 Position	
1	4460464	9	Pin, Male	
2	1001196602	1	Box, Fuse Less Fuses	
2	1001196604	1	Cover, Box	
2	1001190921	1	Spacer, Foam	
2	1001196634	2	Fuse 2 Amp	
2	8229242	7	Fuse 5 Amp	
2	8229244	2	Fuse 15Amp	
2	1001095704	2	Relay	
2	1001196636	2	Diode 1 Amp	
2	8220098	6	Terminal	
2	8220089	6	Seal, Terminal	
2	8220097	19	Terminal	
2	4460458	19	Seal, Terminal	
2	4460748	10	Plug, Terminal	
3	1001117106	1	Terminal, Ring	
4	4460933	1	Plug, Male - 12 Position	
4	4460465	8	Socket, Female	
4	4460466	4	Seal, Terminal	
5	4460933	2	Plug, Male - 12 Position	
5	4460465	16	Socket, Female	
5	4460466	8	Plug, Terminal	
6	1001113961	1	Connector - 8 Position	
6	4460871	5	Socket, Female	
6	4460905	3	Plug, Terminal	
7	4460878	1	Plug, Male - 4 Position	
7	4460887	2	Socket, Female	
8	4460873	1	Connector - 35 Position	
8	4460871	26	Socket, Female	
8	4460905	9	Plug, Terminal	
9	4460866	1	Connector - 19 Position	
9	4460464	10	Pin, Male	
9	4460508	2	Pin, Male	
9	4460466	7	Plug, Terminal	
10	1001112612	1	Connector - 9 Position	
10	4460464	5	Pin, Male	
10	4460466	4	Plug, Terminal	
11	1001119032	1	Receptacle, Female - 4 Position	
11	1001118378	4	Pin, Male	
12	4460183	2	Terminal, Ring	
13	4460042	2	Terminal, Ring	
14	4460247	1	Terminal, Ring	
15	1001237667	1	Plug, Male - 6 Position	
15	1001237668	5	Terminal	
16	4460260	2	Cover, Terminal	
16	4460259	2	Terminal	
17	4460894	3	Plug, Male - 6 Position	
17	4460465	13	Socket, Female	
17	4460466	5	Plug, Terminal	

SECTION 8 - ELECTRICAL

ITEM	PART NUMBER	QTY	DESCRIPTION	REV
18	4460884	2	Plug, Male - 4 Position	
18	4460465	8	Socket, Female	
19	4460874	1	Connector - 35 Position	
19	4460871	21	Socket, Female	
19	4460905	14	Plug, Terminal	
20	4460932	1	Receptacle, Female - 4 Position	
20	4460464	4	Pin, Male	
21	1001187078	2	Terminal, Ring	
22	1001187077	3	Terminal, Ring	
23	1001117110	2	Terminal, Ring	
24	1001103012	1	Plug, Male - 4 Position	
24	1001107854	4	Terminal	
25	4460424	1	Receptacle, Female - 2 Position	
25	4460226	2	Socket, Female	
26	4460967	1	Plug, Male - 3 Position	
26	4460465	3	Socket, Female	
27	4460891	6	Plug, Male - 2 Position	
27	4460465	12	Socket, Female	
28	4460703	1	Terminal, Ring	
29	4460702	1	Terminal, Ring	
30	8220045	1	Terminal, Ring	
31	4460931	1	Receptacle, Female - 8 Position	
31	4460464	5	Pin, Male	
31	4460466	3	Socket, Female	
32	4460899	2	Receptacle, Female - 6 Position	
32	4460464	11	Pin, Male	
32	4460466	1	Seal, Terminal	
102	1001125677	3	Connector, Bussbar	
103	1001121172	3	Mount, Connector	
104	1001192401	1	Cap, Dust	

SECTION 8 - ELECTRICAL

FIGURE 8-74. WHITE NOISE ALARM HARNESS



ART_1001243682

SECTION 8 - ELECTRICAL

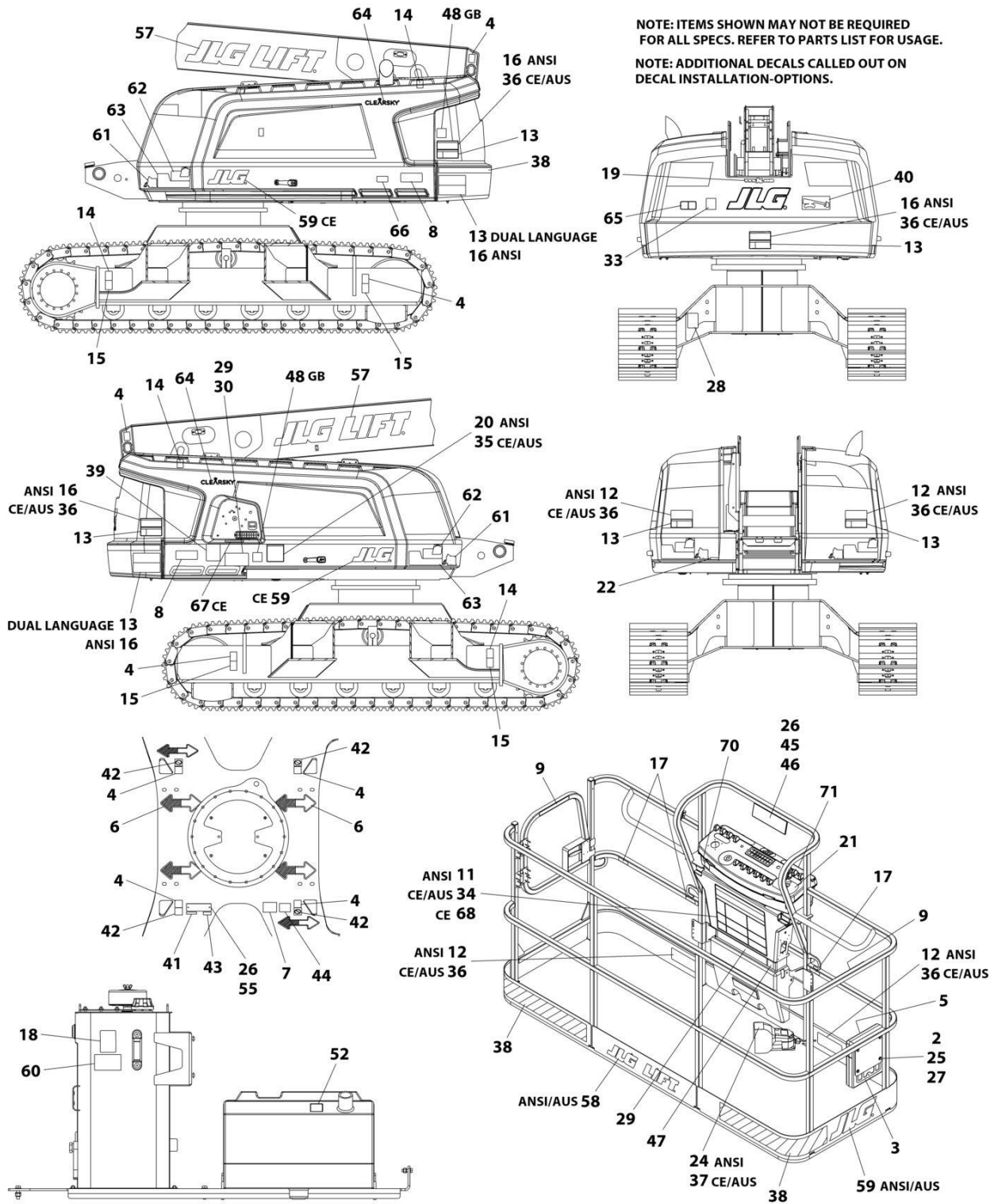
FIGURE 8-74. WHITE NOISE ALARM HARNESS

ITEM	PART NUMBER	QTY	DESCRIPTION	REV
	1001243682	Ref	WHITE NOISE ALARM HARNESS	A
1	4460891	1	Plug, Male - 2 Position	
1	4460465	2	Socket, Female	
2	4460871	1	Terminal	
3	4460539	1	Plug, Male- 3 Position	
3	4460465	3	Socket, Female	
4	4460536	1	Receptacle, Female- 3 Position	
4	4460464	3	Pin, Male	

SECTION 9 - DECALS

SECTION 9 - DECALS

FIGURE 9-1. DECAL INSTALLATION - 660SJC (ANSI SPECS - ENGLISH LANGUAGE)



ART_1001250792_F

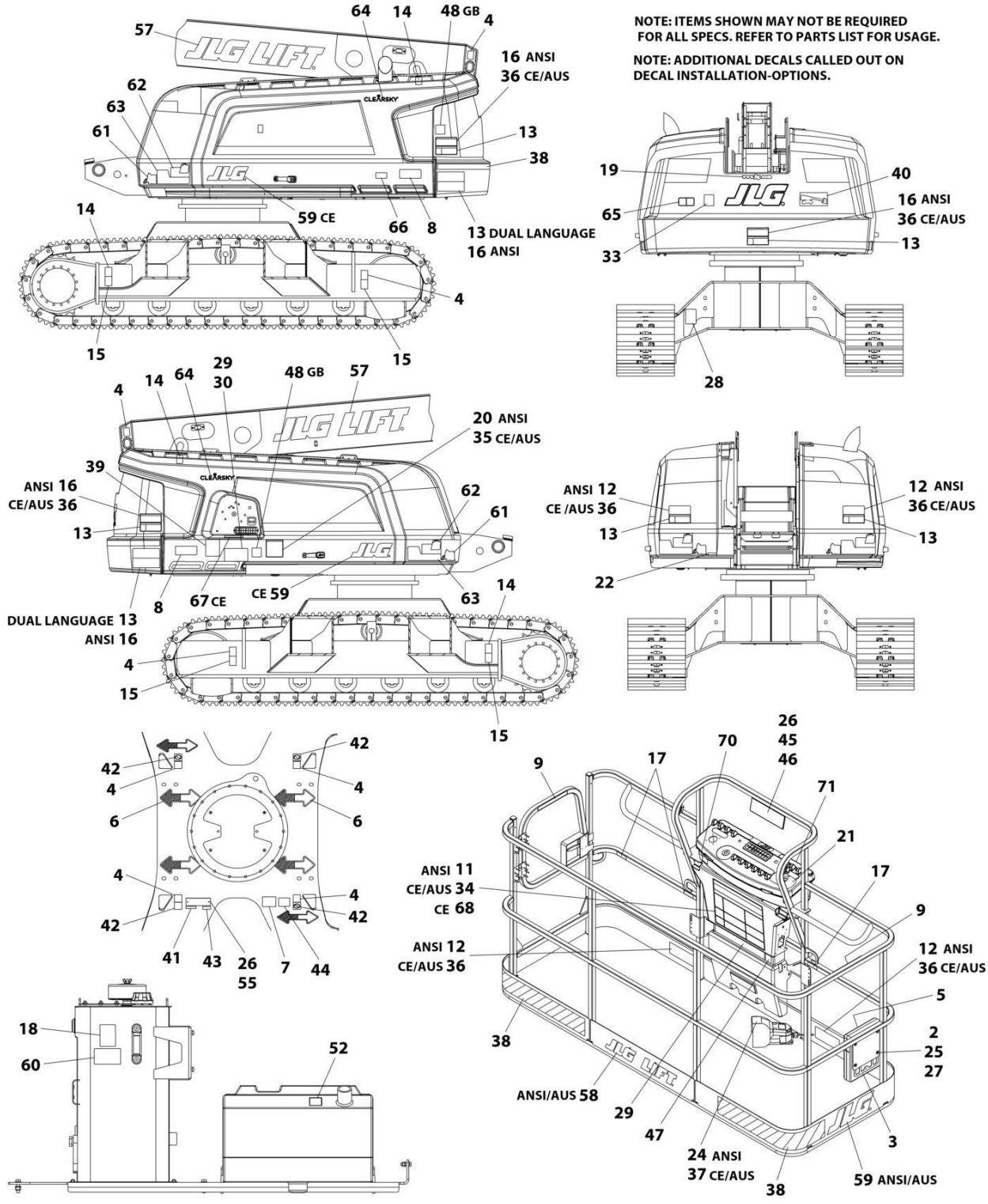
SECTION 9 - DECALS

FIGURE 9-1. DECAL INSTALLATION - 660SJC (ANSI SPECS - ENGLISH LANGUAGE)

ITEM	PART NUMBER	QTY	DESCRIPTION	REV
	1001250792	Ref	DECAL INSTALLATION	F
2	0700610	4	Bolt M6 x 20	
3	91403230	1	Box, Manual Storage	
4	1701499	4	Decal - No Lifting	
5	1701509	1	Decal - Manual	
6	1701529	6	Decal - Arrow	
7	See Note	NSS	Decal - Bar Code (Note: Not Available For Purchase)	
8	1001267317	2	Decal - 660SJC	
9	1702868	2	Decal - No Hand	
11	1703797	1	Decal - Warning/Danger	
12	1703804	4	Decal - Warning Crushing	
13	1703805	5	Decal - Electrocution	
14	1703811	4	Decal - Lifting Lug	
15	1703814	4	Decal - Tie Down	
16	1703953	3	Decal - Warning Crushing	
17	1704277	3	Decal - Lanyard Attach	
18	1704412	1	Decal - Hydraulic Oil Chart	
19	1704885	1	Decal - Website	
20	1705336	1	Decal - Warning Inspection	
21	1705351	1	Decal - Drive/Steer Instruction	
22	3251243	1	Decal - Nameplate	
24	3252347	1	Decal - Foot Switch	
25	3290605	4	Nut M6	
26	3820001	5	Rivet	
27	4811700	8	Washer M6	
28	1001131269	1	Decal - Boom Lift	
29	1001255220	1	Decal - Warning Dual Cap	
30	1001255221	1	Decal - Warning Dual Cap	
38	4420051	AR	Tape, Safety	
40	1001284685	1	Decal - Lift Diagram	
42	1704461	4	Decal - No Tie Down	
43	1001223453	1	Decal - ICES	
44	1001223055	1	Decal - Yearly Inspection	
45	3572044	1	Decal - Mounting	
46	1704468	1	Decal - Motion Hazard	
71	1001184618	1	Decal - Stop and Auxiliary Power	

SECTION 9 - DECALS

FIGURE 9-2. DECAL INSTALLATION - 660SJC (BRAZIL SPECS - PORTUGUESE/SPANISH LANGUAGES)



NOTE: ITEMS SHOWN MAY NOT BE REQUIRED FOR ALL SPECS. REFER TO PARTS LIST FOR USAGE.
 NOTE: ADDITIONAL DECALS CALLED OUT ON DECAL INSTALLATION-OPTIONS.

ART_1001250798_F

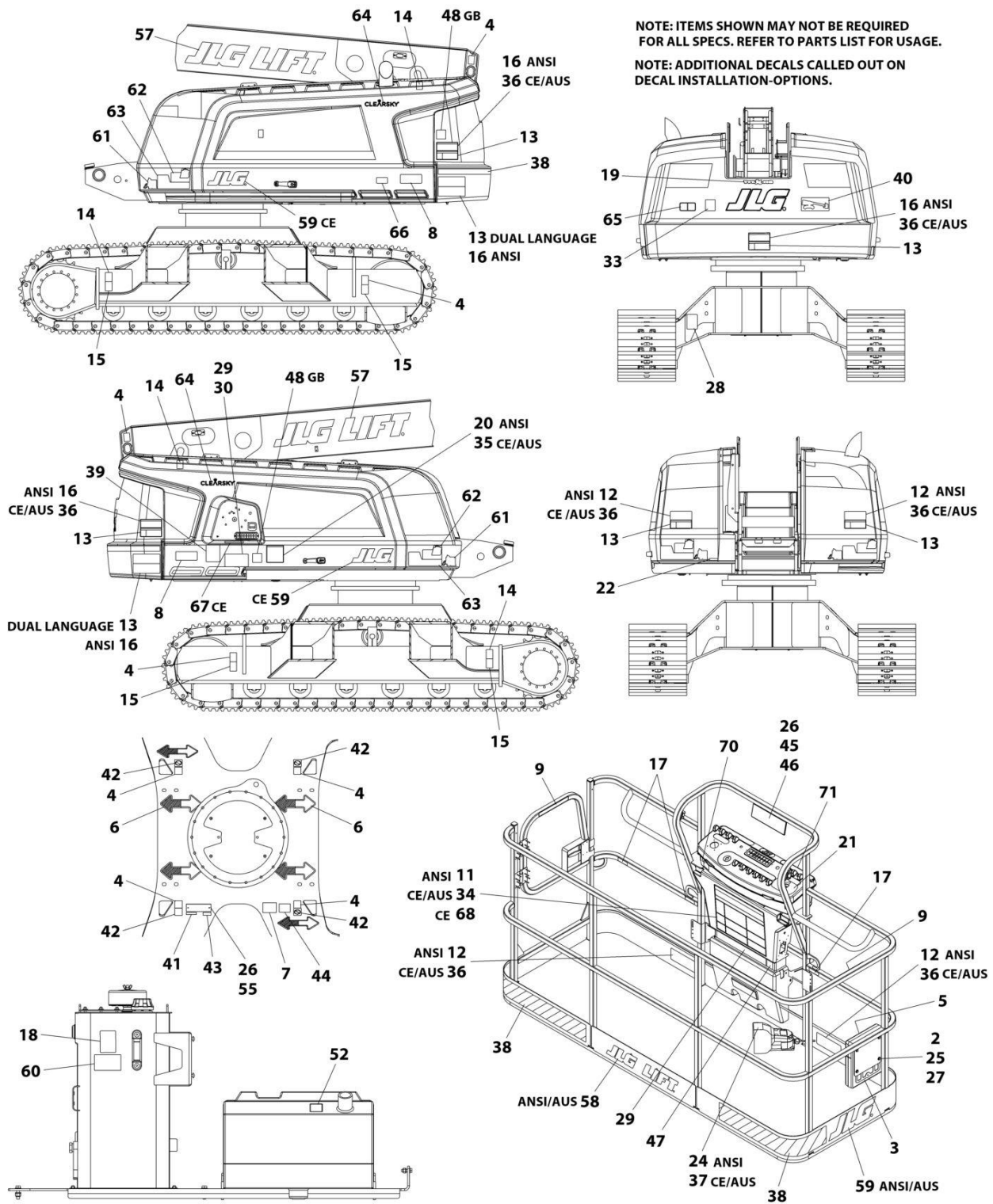
SECTION 9 - DECALS

FIGURE 9-2. DECAL INSTALLATION - 660SJC (BRAZIL SPECS - PORTUGUESE/SPANISH LANGUAGES)

ITEM	PART NUMBER	QTY	DESCRIPTION	REV
	1001250798	Ref	DECAL INSTALLATION	F
2	0700610	4	Bolt M6 x 20	
3	91403230	1	Box, Manual Storage	
4	1701499	4	Decal - No Lifting	
5	1701509	1	Decal - Manual	
6	1701529	6	Decal - Arrow	
7	See Note	NSS	Decal - Bar Code (Note: Not Available For Purchase)	
8	1001267317	2	Decal - 660SJC	
9	1704002	2	Decal - No Hand	
11	1703928	1	Decal - Warning/Danger	
12	1703952	4	Decal - Warning Crushing	
13	1703940	5	Decal - Electrocution	
14	1703811	4	Decal - Lifting Lug	
15	1703814	4	Decal - Tie Down	
16	1703946	3	Decal - Warning Crushing	
17	1704277	3	Decal - Lanyard Attach	
18	1704412	1	Decal - Hydraulic Oil Chart	
19	1704885	1	Decal - Website	
20	1705349	1	Decal - Warning Inspection	
21	1001113680	1	Decal - Drive/Steer Instruction	
22	3251243	1	Decal - Nameplate	
24	1703985	1	Decal - Foot Switch	
25	3290605	4	Nut M6	
26	3820001	5	Rivet	
27	4811700	8	Washer M6	
29	1001255230	1	Decal - Warning Dual Cap	
30	1001255231	1	Decal - Warning Dual Cap	
38	4420051	AR	Tape, Safety	
40	1001284685	1	Decal - Lift Diagram	
42	1704461	4	Decal - No Tie Down	
44	1001224052	1	Decal - Yearly Inspection	
45	1001093553	1	Decal - Mounting	
46	1001233313	1	Decal - Motion Hazard	
71	1001184618	1	Decal - Stop and Auxiliary Power	

SECTION 9 - DECALS

FIGURE 9-3. DECAL INSTALLATION - 660SJC (CE & UK CA SPECS - ENGLISH LANGUAGE)



ART_1001250796_F

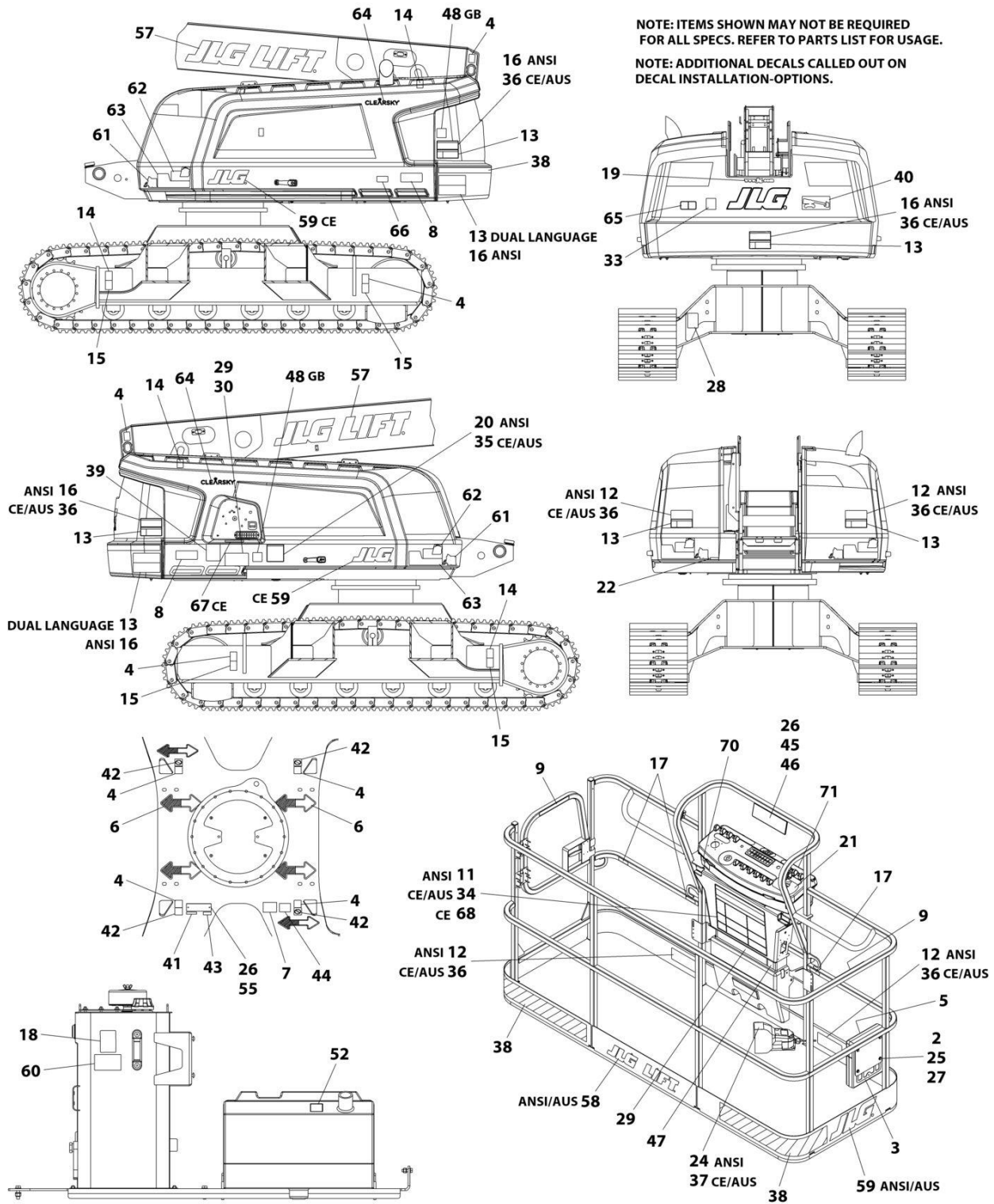
SECTION 9 - DECALS

FIGURE 9-3. DECAL INSTALLATION - 660SJC (CE & UK CA SPECS - ENGLISH LANGUAGE)

ITEM	PART NUMBER	QTY	DESCRIPTION	REV
	1001250796	Ref	DECAL INSTALLATION	F
2	0700610	4	Bolt M6 x 20	
3	91403230	1	Box, Manual Storage	
4	1701499	4	Decal - No Lifting	
5	1701509	1	Decal - Manual	
6	1701529	6	Decal - Arrow	
7	See Note	NSS	Decal - Bar Code (Note: Not Available For Purchase)	
8	1001267317	2	Decal - 660SJC	
13	1705961	5	Decal - Electrocution	
14	1703811	4	Decal - Lifting Lug	
15	1703814	4	Decal - Tie Down	
17	1704277	3	Decal - Lanyard Attach	
18	1704412	1	Decal - Hydraulic Oil Chart	
25	3290605	4	Nut M6	
26	3820001	5	Rivet	
27	4811700	8	Washer M6	
29	1001194236	2	Decal - Warning Max Cap	
34	1705921	1	Decal - Tipping/Electric	
35	1705822	1	Decal - Safety Manual	
36	1701518	7	Decal - Chrushing	
37	1705828	1	Decal - Footswitch	
38	4420051	AR	Tape, Safety	
40	1001284685	1	Decal - Lift Diagram	
42	1704461	4	Decal - No Tie Down	
45	3572044	1	Decal - Mounting	
46	1001202228	1	Decal - Motion Hazard	
57	1001159323	2	Decal - JLG	
59	1702773	3	Decal - JLG	
71	1001184618	1	Decal - Stop and Auxiliary Power	

SECTION 9 - DECALS

FIGURE 9-4. DECAL INSTALLATION - 660SJC (CHINESE SPECS - ENGLISH/SIMPLIFIED CHINESE LANGUAGES)



ART_1001250802_F

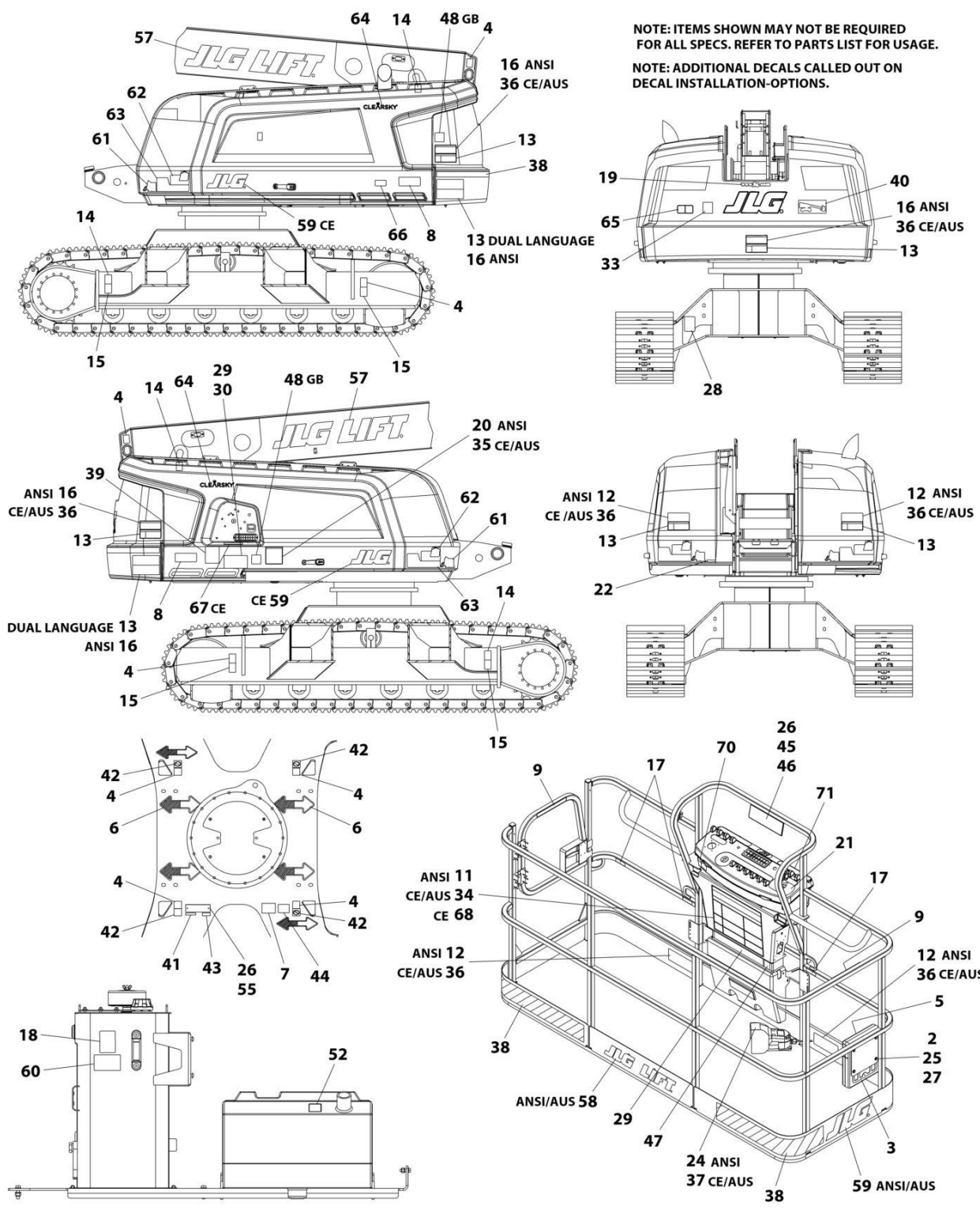
SECTION 9 - DECALS

FIGURE 9-4. DECAL INSTALLATION - 660SJC (CHINESE SPECS - ENGLISH/SIMPLIFIED CHINESE LANGUAGES)

ITEM	PART NUMBER	QTY	DESCRIPTION	REV
	1001250802	Ref	DECAL INSTALLATION	F
2	0700610	4	Bolt M6 x 20	
3	91403230	1	Box, Manual Storage	
4	1701499	4	Decal - No Lifting	
5	1701509	1	Decal - Manual	
6	1701529	6	Decal - Arrow	
7	See Note	NSS	Decal - Bar Code (Note: Not Available For Purchase)	
8	1001267317	2	Decal - 660SJC	
9	1705968	2	Decal - No Hand	
11	1001116847	1	Decal - Warning/Danger	
12	1001116850	4	Decal - Warning Crushing	
13	1703937	5	Decal - Electrocution	
14	1703811	4	Decal - Lifting Lug	
15	1703814	4	Decal - Tie Down	
16	1001116845	3	Decal - Warning Crushing	
17	1704277	3	Decal - Lanyard Attach	
18	1704412	1	Decal - Hydraulic Oil Chart	
19	1704885	1	Decal - Website	
20	1001116848	1	Decal - Warning Inspection	
21	1705430	1	Decal - Drive/Steer Instruction	
22	3251243	1	Decal - Nameplate	
24	1001116852	1	Decal - Foot Switch	
25	3290605	4	Nut M6	
26	3820001	5	Rivet	
27	4811700	8	Washer M6	
29	1001255228	1	Decal - Warning Dual Cap	
30	1001255229	1	Decal - Warning Dual Cap	
38	4420051	AR	Tape, Safety	
40	1001284685	1	Decal - Lift Diagram	
42	1704461	4	Decal - No Tie Down	
44	1001224051	1	Decal - Yearly Inspection	
45	1001093553	1	Decal - Mounting	
46	1001116963	1	Decal - Motion Hazard	
71	1001184618	1	Decal - Stop and Auxiliary Power	

SECTION 9 - DECALS

FIGURE 9-5. DECAL INSTALLATION - 660SJC (CHINESE SPECS - ENGLISH/TRADITIONAL CHINESE LANGUAGES)



NOTE: ITEMS SHOWN MAY NOT BE REQUIRED FOR ALL SPECS. REFER TO PARTS LIST FOR USAGE.
 NOTE: ADDITIONAL DECALS CALLED OUT ON DECAL INSTALLATION-OPTIONS.

ART_1001250800_F

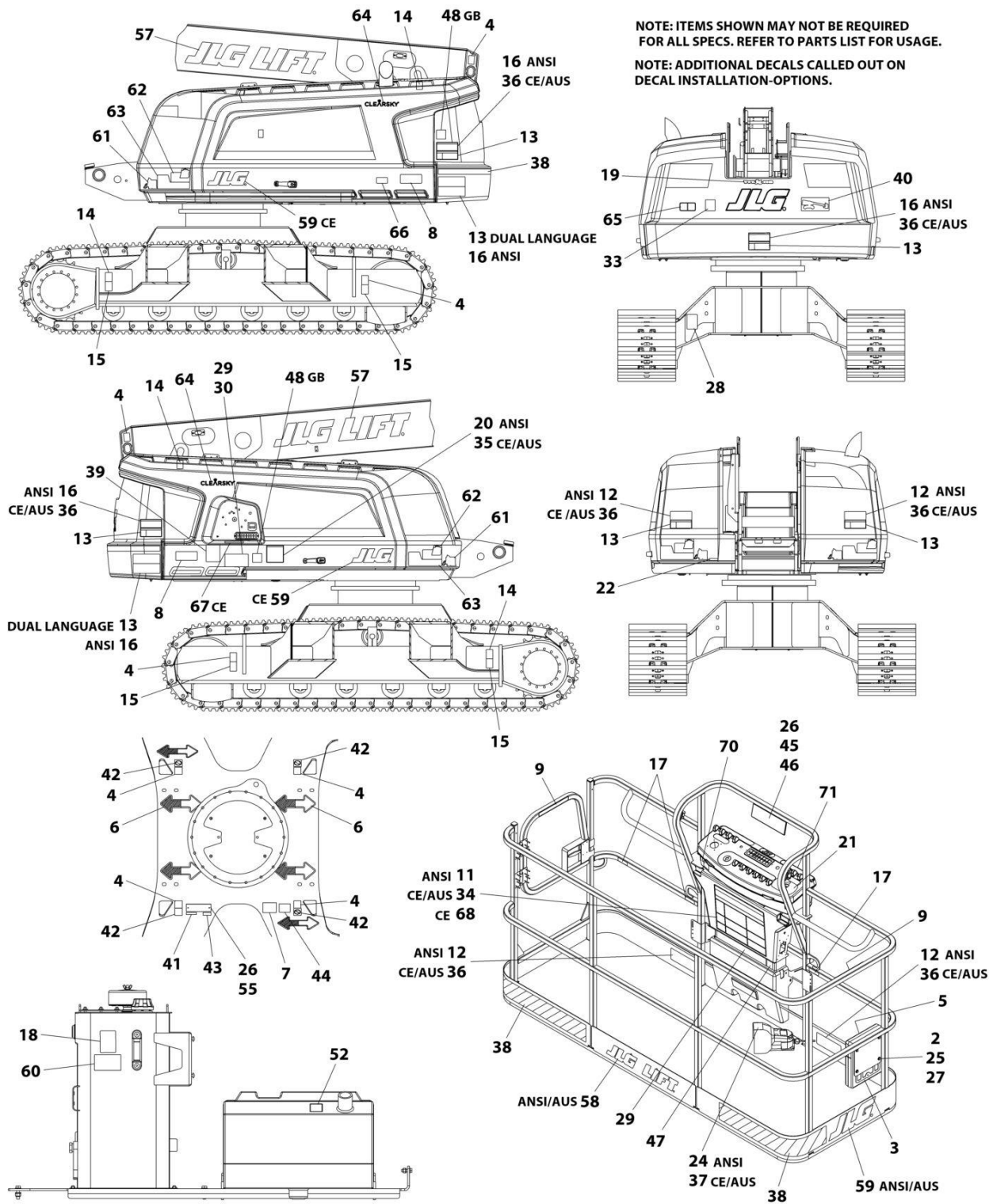
SECTION 9 - DECALS

FIGURE 9-5. DECAL INSTALLATION - 660SJC (CHINESE SPECS - ENGLISH/TRADITIONAL CHINESE LANGUAGES)

ITEM	PART NUMBER	QTY	DESCRIPTION	REV
	1001250800	Ref	DECAL INSTALLATION	F
2	0700610	4	Bolt M6 x 20	
3	91403230	1	Box, Manual Storage	
4	1701499	4	Decal - No Lifting	
5	1701509	1	Decal - Manual	
6	1701529	6	Decal - Arrow	
7	See Note	NSS	Decal - Bar Code (Note: Not Available For Purchase)	
8	1001267317	2	Decal - 660SJC	
9	1001116846	2	Decal - No Hand	
11	1703925	1	Decal - Warning/Danger	
12	1703949	4	Decal - Warning Crushing	
13	1001116851	5	Decal - Electrocution	
14	1703811	4	Decal - Lifting Lug	
15	1703814	4	Decal - Tie Down	
16	1703943	3	Decal - Warning Crushing	
17	1704277	3	Decal - Lanyard Attach	
18	1704412	1	Decal - Hydraulic Oil Chart	
19	1704885	1	Decal - Website	
20	1001116849	1	Decal - Warning Inspection	
21	1001116863	1	Decal - Drive/Steer Instruction	
22	3251243	1	Decal - Nameplate	
24	1703982	1	Decal - Foot Switch	
25	3290605	4	Nut M6	
26	3820001	5	Rivet	
27	4811700	8	Washer M6	
29	1001255226	1	Decal - Warning Dual Cap	
30	1001255227	1	Decal - Warning Dual Cap	
38	4420051	AR	Tape, Safety	
40	1001284685	1	Decal - Lift Diagram	
42	1704461	4	Decal - No Tie Down	
44	1001224050	1	Decal - Yearly Inspection	
45	1001093553	1	Decal - Mounting	
46	1001116964	1	Decal - Motion Hazard	
71	1001184618	1	Decal - Stop and Auxiliary Power	

SECTION 9 - DECALS

FIGURE 9-6. DECAL INSTALLATION - 660SJC (CSA SPECS - ENGLISH/FRENCH LANGUAGES)



ART_1001250794_F

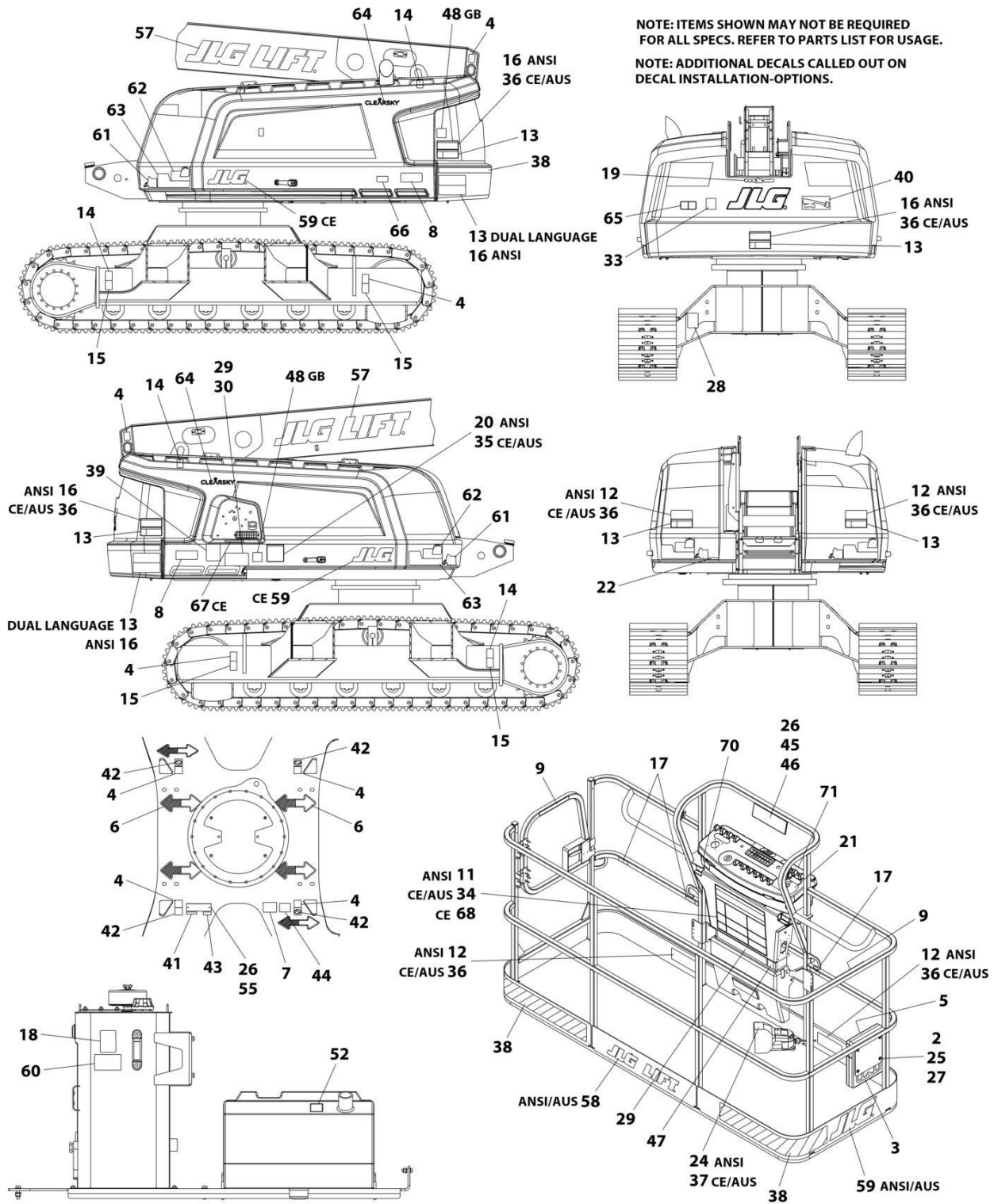
SECTION 9 - DECALS

FIGURE 9-6. DECAL INSTALLATION - 660SJC (CSA SPECS - ENGLISH/FRENCH LANGUAGES)

ITEM	PART NUMBER	QTY	DESCRIPTION	REV
	1001250794	Ref	DECAL INSTALLATION	F
2	0700610	4	Bolt M6 x 20	
3	91403230	1	Box, Manual Storage	
4	1701499	4	Decal - No Lifting	
5	1701509	1	Decal - Manual	
6	1701529	6	Decal - Arrow	
7	See Note	NSS	Decal - Bar Code (Note: Not Available For Purchase)	
8	1001267317	2	Decal - 660SJC	
9	1704000	2	Decal - No Hand	
11	1703924	1	Decal - Warning/Danger	
12	1703948	4	Decal - Warning Crushing	
13	1703936	5	Decal - Electrocution	
14	1703811	4	Decal - Lifting Lug	
15	1703814	4	Decal - Tie Down	
16	1703942	3	Decal - Warning Crushing	
17	1704277	3	Decal - Lanyard Attach	
18	1704412	1	Decal - Hydraulic Oil Chart	
19	1704885	1	Decal - Website	
20	1705347	1	Decal - Warning Inspection	
21	1705429	1	Decal - Drive/Steer Instruction	
22	3251243	1	Decal - Nameplate	
24	1703984	1	Decal - Foot Switch	
25	3290605	4	Nut M6	
26	3820001	5	Rivet	
27	4811700	8	Washer M6	
28	1001131269	1	Decal - Boom Lift	
29	1001255222	1	Decal - Warning Dual Cap	
30	1001255223	1	Decal - Warning Dual Cap	
38	4420051	AR	Tape, Safety	
40	1001284685	1	Decal - Lift Diagram	
42	1704461	4	Decal - No Tie Down	
43	1001223453	1	Decal - ICES	
44	1001223971	1	Decal - Yearly Inspection	
45	1001093553	1	Decal - Mounting	
46	1001093684	1	Decal - Motion Hazard	
71	1001184618	1	Decal - Stop and Auxiliary Power	

SECTION 9 - DECALS

FIGURE 9-7. DECAL INSTALLATION - 660SJC (JAPANESE SPECS - ENGLISH/JAPANESE LANGUAGES)



ART_1001250804_F

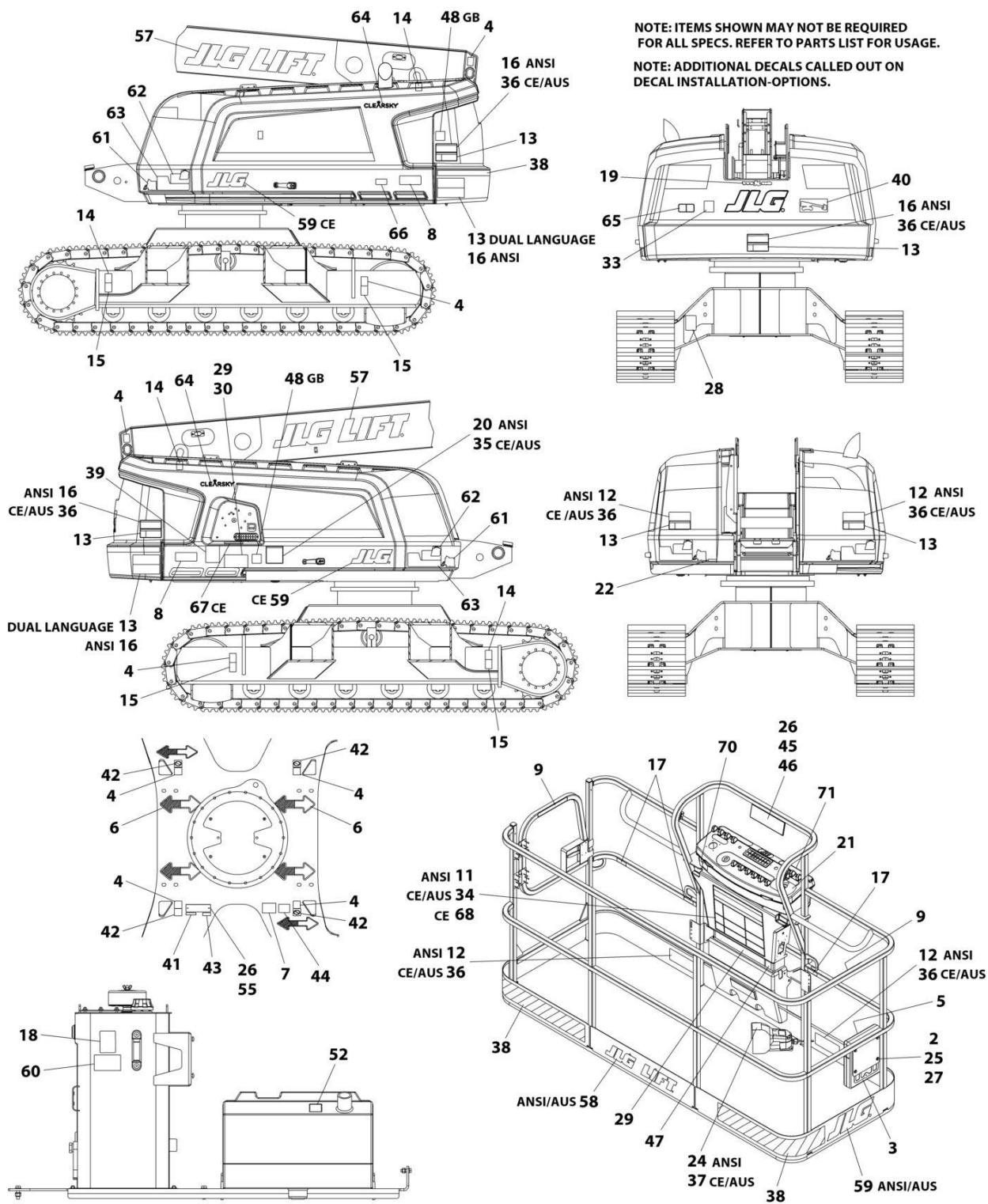
SECTION 9 - DECALS

FIGURE 9-7. DECAL INSTALLATION - 660SJC (JAPANESE SPECS - ENGLISH/JAPANESE LANGUAGES)

ITEM	PART NUMBER	QTY	DESCRIPTION	REV
	1001250804	Ref	DECAL INSTALLATION	F
2	0700610	4	Bolt M6 x 20	
3	91403230	1	Box, Manual Storage	
4	1701499	4	Decal - No Lifting	
5	1701509	1	Decal - Manual	
6	1701529	6	Decal - Arrow	
7	See Note	NSS	Decal - Bar Code (Note: Not Available For Purchase)	
8	1001267317	2	Decal - 660SJC	
11	1703926	1	Decal - Warning/Danger	
12	1703950	1	Decal - Warning Crushing	
13	1703938	1	Decal - Electrocution	
14	1703811	4	Decal - Lifting Lug	
15	1703814	4	Decal - Tie Down	
16	1703944	1	Decal - Warning Crushing	
17	1704277	3	Decal - Lanyard Attach	
18	1704412	1	Decal - Hydraulic Oil Chart	
19	1704885	1	Decal - Website	
20	1705344	1	Decal - Warning Inspection	
21	1705426	1	Decal - Drive/Steer Instruction	
22	3251243	1	Decal - Nameplate	
24	1703980	1	Decal - Foot Switch	
25	3290605	4	Nut M6	
26	3820001	5	Rivet	
27	4811700	8	Washer M6	
29	1001255234	1	Decal - Warning Dual Cap	
30	1001255235	1	Decal - Warning Dual Cap	
38	4420051	AR	Tape, Safety	
40	1001284685	1	Decal - Lift Diagram	
42	1704461	4	Decal - No Tie Down	
44	1001224053	1	Decal - Yearly Inspection	
45	1001093553	1	Decal - Mounting	
46	1001215285	1	Decal - Motion Hazard	
71	1001184618	1	Decal - Stop and Auxiliary Power	

SECTION 9 - DECALS

FIGURE 9-8. DECAL INSTALLATION - 660SJC (KOREAN SPECS - ENGLISH/KOREAN LANGUAGES)



NOTE: ITEMS SHOWN MAY NOT BE REQUIRED FOR ALL SPECS. REFER TO PARTS LIST FOR USAGE.
 NOTE: ADDITIONAL DECALS CALLED OUT ON DECAL INSTALLATION-OPTIONS.

ART_1001250806_G

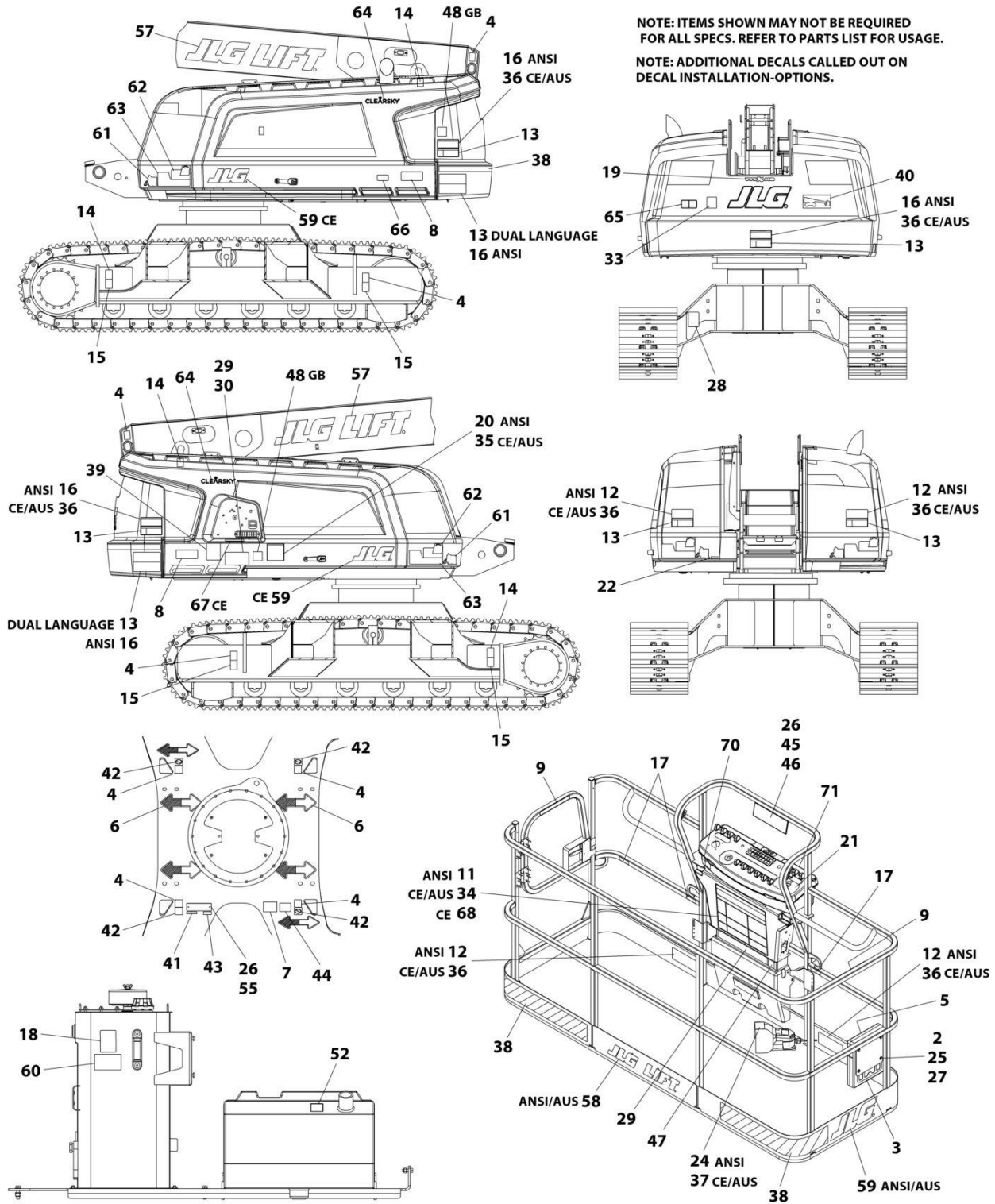
SECTION 9 - DECALS

FIGURE 9-8. DECAL INSTALLATION - 660SJC (KOREAN SPECS - ENGLISH/KOREAN LANGUAGES)

ITEM	PART NUMBER	QTY	DESCRIPTION	REV
	1001250806	Ref	DECAL INSTALLATION	G
2	0700610	4	Bolt M6 x 20	
3	91403230	1	Box, Manual Storage	
4	1701499	4	Decal - No Lifting	
5	1701509	1	Decal - Manual	
6	1701529	6	Decal - Arrow	
7	See Note	NSS	Decal - Bar Code (Note: Not Available For Purchase)	
8	1001267317	2	Decal - 660SJC	
9	1705969	2	Decal - Caution No Hand	
11	1703927	1	Decal - Warning/Danger	
12	1703951	4	Decal - Warning Crushing	
13	1703939	5	Decal - Electrocution	
14	1703811	4	Decal - Lifting Lug	
15	1703814	4	Decal - Tie Down	
16	1703945	3	Decal - Warning Crushing	
17	1704277	3	Decal - Lanyard Attach	
18	1704412	1	Decal - Hydraulic Oil Chart	
19	1704885	1	Decal - Website	
20	1705345	1	Decal - Warning Inspection	
21	1705427	1	Decal - Drive/Steer Instruction	
22	3251243	1	Decal - Nameplate	
24	1703981	1	Decal - Foot Switch	
25	3290605	4	Nut M6	
26	3820001	5	Rivet	
27	4811700	8	Washer M6	
29	1001255224	1	Decal - Warning Dual Cap	
30	1001255225	1	Decal - Warning Dual Cap	
38	4420051	AR	Tape, Safety	
40	1001284685	1	Decal - Lift Diagram	
42	1704461	4	Decal - Lift Diagram	
44	1001224048	1	Decal - Yearly Inspection	
45	1001093553	1	Decal - Mounting	
46	1001215286	1	Decal - Motion Hazard	
71	1001184618	1	Decal - Stop and Auxiliary Power	

SECTION 9 - DECALS

FIGURE 9-9. DECAL INSTALLATION - 660SJC (LATIN AMERICA SPECS - ENGLISH/SPANISH LANGUAGES)



ART_1001254993_F

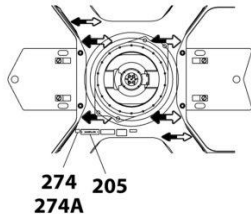
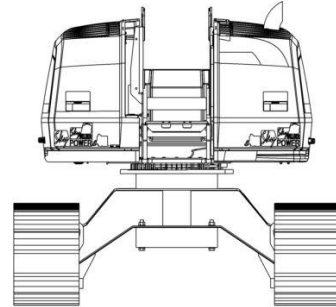
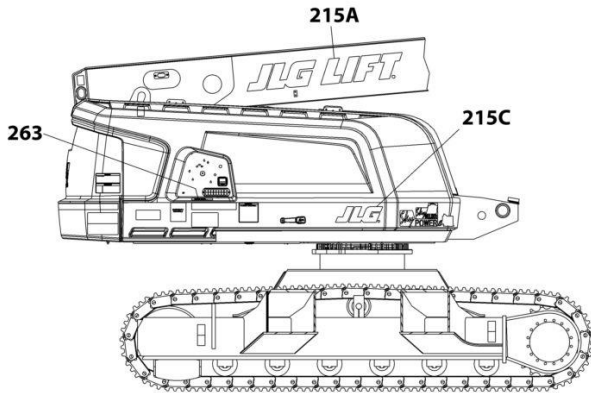
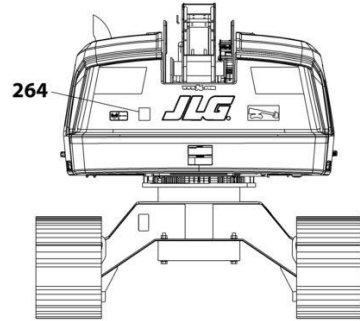
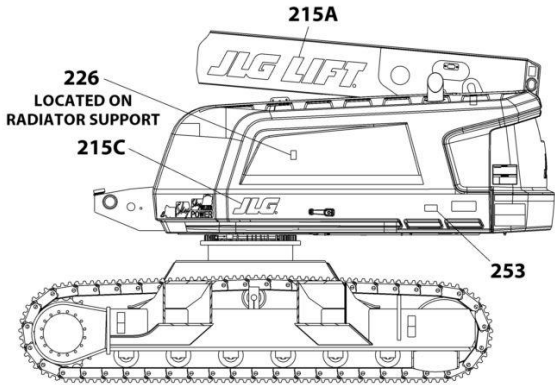
SECTION 9 - DECALS

FIGURE 9-9. DECAL INSTALLATION - 660SJC (LATIN AMERICA SPECS - ENGLISH/SPANISH LANGUAGES)

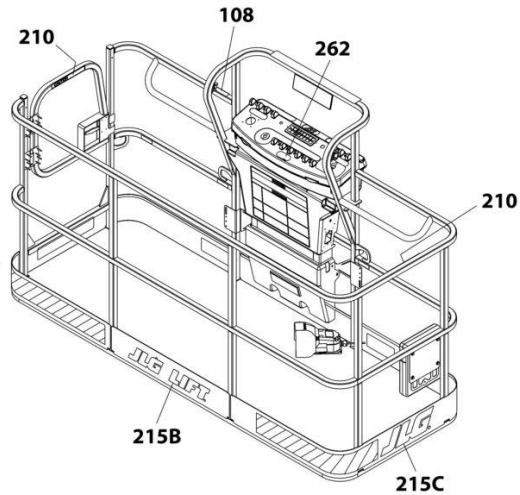
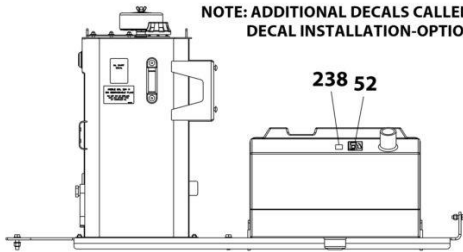
ITEM	PART NUMBER	QTY	DESCRIPTION	REV
	1001254993	Ref	DECAL INSTALLATION	F
2	0700610	4	Bolt M6 x 20	
3	91403230	1	Box, Manual Storage	
4	1701499	4	Decal - No Lifting	
5	1701509	1	Decal - Manual	
6	1701529	6	Decal - Arrow	
7	See Note	NSS	Decal - Bar Code (Note: Not Available For Purchase)	
8	1001267317	2	Decal - 660SJC	
9	1704001	2	Decal - Caution No Hand	
11	1703923	1	Decal - Warning/Danger	
12	1703947	4	Decal - Warning Crushing	
13	1703935	5	Decal - Electrocution	
14	1703811	4	Decal - Lifting Lug	
15	1703814	4	Decal - Tie Down	
16	1703941	3	Decal - Warning Crushing	
17	1704277	3	Decal - Lanyard Attach	
18	1704412	1	Decal - Hydraulic Oil Chart	
19	1704885	1	Decal - Website	
20	1705917	1	Decal - Warning Inspection	
21	1705910	1	Decal - Drive/Steer Instruction	
22	3251243	1	Decal - Nameplate	
24	1703983	1	Decal - Foot Switch	
25	3290605	4	Nut M6	
26	3820001	5	Rivet	
27	4811700	8	Washer M6	
29	1001255232	1	Decal - Warning Dual Cap	
30	1001255233	1	Decal - Warning Dual Cap	
38	4420051	AR	Tape, Safety	
40	1001284685	1	Decal - Lift Diagram	
44	1001224049	1	Decal - Yearly Inspection	
45	1001093553	1	Decal - Mounting	
46	1001233312	1	Decal - Motion Hazard	
71	1001184618	1	Decal - Stop and Auxiliary Power	

SECTION 9 - DECALS

FIGURE 9-10. DECAL INSTALLATION - OPTIONS



NOTE: ITEMS SHOWN MAY NOT BE REQUIRED FOR ALL SPECS. REFER TO PARTS LIST FOR USAGE.
NOTE: ADDITIONAL DECALS CALLED OUT ON DECAL INSTALLATION-OPTIONS.



ART_DECAL_OPTIONS

SECTION 9 - DECALS

FIGURE 9-10. DECAL INSTALLATION - OPTIONS

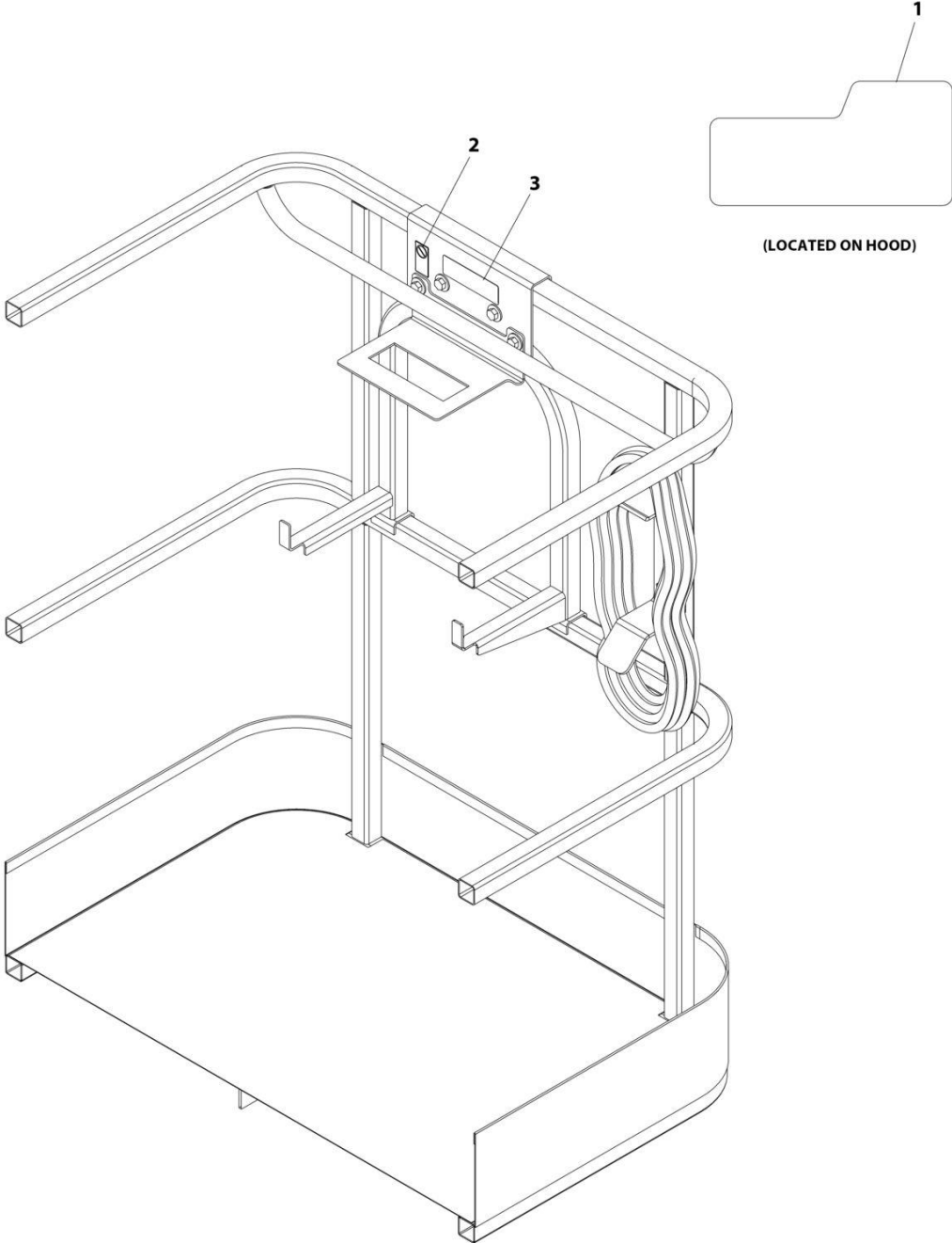
ITEM	PART NUMBER	QTY	DESCRIPTION	REV
	1001256735	1	DECAL INSTALLATION - REFERENCE CHART	E
	1001250516	1	DECAL INSTALLATION - OPTIONS	H
52	1701505	1	Decal - Diesel Fuel	
108	1001231801	1	Decal - Proposition 65 Warning (Diesel Engines)	
205	See Note	NSS	Nameplate - Manufacturers Serial Number (Note: Not Available for Purchase)	
210		Ref	Decal - No Hands Options (Machines with Platform Mesh/Soft-Touch Options):	
210	1702868	2	Decal - No Hands (ANSI, ANSI Export, Australian, CE & UK CA Specs) (English Language)	
210	1704002	2	Decal - No Hands (Brazil Specs) (Portuguese and Spanish Languages)	
210	1705968	2	Decal - No Hands (China Specs) (English and Simplified Chinese Languages)	
210	1001116846	2	Decal - No Hands (China Specs) (English and Traditional Chinese Languages)	
210	1704000	2	Decal - No Hands (CSA Specs) (English and French Languages)	
210	1705969	2	Decal - No Hands (Korean Specs) (English and Korean Languages)	
210	1704001	2	Decal - No Hands (Latin American Specs) (English and Spanish Languages)	
215	1001206816	1	Decal Installation - JLG Logo (Not Shown)	A
215A	1702861	2	Decal - JLG Lift	
215B	1702774	1	Decal - JLG Lift	
215C	1702773	AR	Decal - JLG	
226		Ref	Decal - Warning Explosion/Fire Options (Diesel Engine Machines Only):	
226	1704972	1	Decal - Warning Explosion/Fire (ANSI and ANSI Export Specs)	
226	1706098	1	Decal - Warning Explosion/Fire (Australian, CE & UK CA Specs)	
226	1706059	1	Decal - Warning Explosion/Fire (Brazil Spec - Dual Language English/Portuguese)	
226	1706060	1	Decal - Warning Explosion/Fire (Chinese Spec - Dual Language English/Chinese)	
226	1706064	1	Decal - Warning Explosion/Fire (CSA Spec - Dual Language English/French)	
226	1706062	1	Decal - Warning Explosion/Fire (Japanese Spec - Dual Language English/Japanese)	
226	1706061	1	Decal - Warning Explosion/Fire (Korean Spec - Dual Language English/Korean)	
226	1706063	1	Decal - Warning Explosion/Fire (Latin American - Dual Language English/Spanish)	
238	1001125387	1	Decal - Ultra Low Sulfur Fuel (ANSI and CSA Specs)	
238	1001139654	1	Decal - Ultra Low Sulfur Fuel (ANSI Export HRC, Japanese, CE & UK CA Specs)	
253	1001143852	1	Decal - Emission Compliance (Machines with Diesel Engines) (ANSI Export Specs) (Not Shown)	
262	1001141300	1	Decal - SkyGuard Override (Without Soft-Touch)	
263	1001197408	1	Decal - MSSO (CE & UK CA Specs)	
264	1705084	1	Decal - Sound Power - 104Db (Deutz D2011L04 Engines) (CIS, Russia, CE & UK CA Specs)	
264	1001191525	1	Decal - Sound Power - 108Db (Deutz DT2.9L4 Stage V Engine) (CE & UK CA Specs)	

SECTION 9 - DECALS

ITEM	PART NUMBER	QTY	DESCRIPTION	REV
264	1705515	1	Decal - Sound Power - 109Db (Deutz DT2.9L4 Engines) (ANSI, ANSI Export, CSA and Japanese Specs)	
274	1001214030	1	Decal - EAC Installation (CIS and Russia Specs)	
274A	1001173703	1	Decal - EAC	

SECTION 9 - DECALS

FIGURE 9-11. SKYWELDER DECAL INSTALLATION - 50HZ (AUSTRALIAN, CE & UK CA SPECS)



ART_0272588

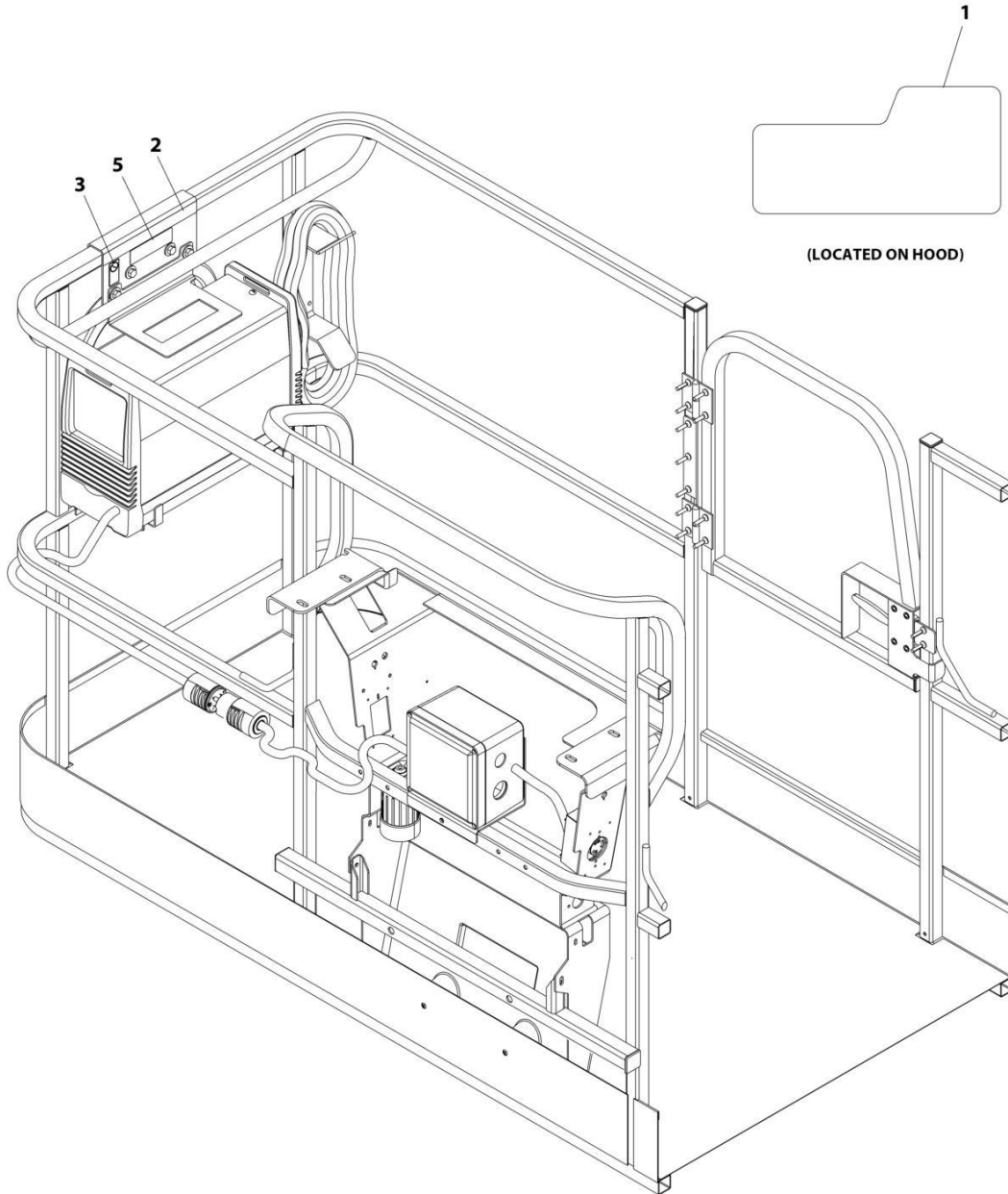
SECTION 9 - DECALS

FIGURE 9-11. SKYWELDER DECAL INSTALLATION - 50HZ (AUSTRALIAN, CE & UK CA SPECS)

ITEM	PART NUMBER	QTY	DESCRIPTION	REV
	0272588	Ref	SKYWELDER DECAL INSTALLATION - 50Hz	B
1	1705355	2	Decal - SkyWelder	
2	1705305	1	Decal - Weld Lead	
3	1001228988	1	Decal - Weight	

SECTION 9 - DECALS

FIGURE 9-12. SKYWELDER DECAL INSTALLATION - 60HZ (ALL SPECS EXCEPT AUSTRALIAN, CE & UK CA SPECS)



ART_0272448_D

SECTION 9 - DECALS

FIGURE 9-12. SKYWELDER DECAL INSTALLATION - 60HZ (ALL SPECS EXCEPT AUSTRALIAN, CE & UK CA SPECS)

ITEM	PART NUMBER	QTY	DESCRIPTION	REV
	0272448	Ref	SKYWELDER DECAL INSTALLATION - 60Hz	D
1	1705355	2	Decal - SkyWelder	
2	1702868	1	Decal - No Hands	
3	1705305	1	Decal - Weld Lead	
5	1001228988	1	Decal - Weight	

SECTION 10 - RECOMMENDED SERVICE PARTS STOCK

SECTION 10 - RECOMMENDED SERVICE PARTS STOCK

SECTION 10 - RECOMMENDED SERVICE PARTS STOCK

FIGURE 10-1. RECOMMENDED SERVICE PARTS STOCK

ITEM	PART NUMBER	QTY	DESCRIPTION	REV
		Ref	Note: The following list will service one machine (built to current production per date on the front cover) with emergency repair parts which can be installed in the field. Parts from the list should be replaced when inventory is depleted to keep service parts stock supplied. For further information, contact your JLG dealer or the JLG Industries Parts Department.	
	70010383	1	Element, Filter (Includes O-Ring)	
	4360070	1	Breaker, Circuit 15Amp (Machines with 4000W or 7500W Generator)	
	1001181045	1	Breaker, Circuit 16A (CE & UK CA Specs Machines with Single Breaker Box)	
	1001152479	1	Breaker, Circuit 16A Double (CE & UK CA Specs Machines with 3 Breaker Box)	
	1001152482	1	Breaker, Circuit 30mA (CE & UK CA Specs Machines with 3 Breaker Box)	
	70004653	1	Coil	
	80434249	1	Coil	
	70004595	1	Coil	
	70006122	1	Coil	
	70006004	1	Coil	
	1600359	1	Controller, Drive and Steer	
	1001129555	1	Controller, Lift and Swing	
	4360407	1	Controller, Speed	
	70004066	12	Element, Filter	
	70005335	12	Element, High Pressure Filter	
		Ref	ENGINE COMPONENTS - DEUTZ D2011	
	70004020	12	Element, AC Filter (Deutz D2011 Engines)	
	7016328	12	Element, Fuel Filter (Deutz D2011 Engines)	
	7016331	12	Element, Oil Filter (Deutz D2011 Engine)	
	7027795	1	Module, Engine Control (ECU) (Deutz D2011 Engines)	
		Ref	ENGINE COMPONENTS - DEUTZ TD2.9L4	
	70005008	12	Element, AC Filter (Deutz TD2.9L4 Engines)	
	1001225430	12	Element, Fuel Filter (Primary) (Deutz TD2.9L4 Engines)	
	1001225431	12	Element, Fuel Filter (Secondary) (Deutz TD2.9L4 Engines)	
	7016331	12	Element, Oil Filter (Deutz TD2.9L4 Engines)	
	70025210	1	Module, Engine Control (ECM/ECU) (Deutz TD2.9L4 Engines)	
		Ref	ENGINE COMPONENTS - DEUTZ TD2.9L4 (China Specs)	
	70005008	12	Element, AC Filter (Deutz TD2.9L4 Engines - China Specs)	
	1001225430	12	Element, Fuel Filter (Primary) (Deutz TD2.9L4 Engines - China Specs)	
	1001225432	12	Element, Fuel Filter (Secondary) (Deutz TD2.9L4 Engines - China Specs)	
	7016331	12	Element, Oil Filter (Deutz TD2.9L4 Engines - China Specs)	
	70025210	1	Module, Engine Control (ECM/ECU) (Deutz TD2.9L4 Engines - China Specs)	
		Ref	ENGINE COMPONENTS - DEUTZ TD2.9L4 (STAGE V PRE-BUY)	
	70005008	12	Element, AC Filter (Deutz TD2.9L4 Engines - STAGE V PRE-BUY)	
	70025153	12	Element, Fuel Filter (Deutz TD2.9L4 Engines - STAGE V PRE-BUY)	
	70025161	12	Element, Fuel Filter (Deutz TD2.9L4 Engines - STAGE V PRE-BUY)	

SECTION 10 - RECOMMENDED SERVICE PARTS STOCK

ITEM	PART NUMBER	QTY	DESCRIPTION	REV
	7016331	12	Element, Oil Filter (Deutz TD2.9L4 Engines - STAGE V PRE-BUY)	
	70025210	1	Module, Engine Control (ECM/ECU) (Deutz TD2.9L4 Engines - STAGE V Pre-Buy)	
	1001117174	1	Footswitch Assembly	
	8229242	2	Fuse - 5Amp	
	2400064	2	Fuse - 5Amp (Deutz D2011 Engine Machines with 7500W SkyPower Generator)	
	80983191	2	Fuse - 10Amp (Deutz TD2.9L4 Engines)	
	8229244	2	Fuse - 15Amp	
	8229245	2	Fuse - 30Amp	
	70002814	12	Hydraulic Tank Service Kit	
	2860030	1 Set	Key, Replacement	
	2940074	1	Latch (Machines with Gate Entry Platform)	
	1001142683	1	Module (Used with Blue or Red Beacons)	
	1001187200	1	Module, Ground Control	
	1001185726	1	Module, Platform	
	1001095704	1	Relay	
	1001186431	1	Relay	
	3740067	1	Relay (Deutz D2011 Engines)	
	1001138228	1	Relay (Deutz TD2.9L4 Engines)	
	3740080	1	Relay (Machines with 2500W Generator)	
	70005683	1	Repair Section - Powertrack	
	1001219601	1	Sensor	
	1001211577	1	Sensor (Lower)	
	1001211579	1	Sensor (Upper) (660SJC)	
	1001170847	1	Sensor, Proximity	
	1001182570	1	Sensor, Proximity	
	4360469	1	Switch, Key	
	4360475	1	Switch, Mushroom	
	4360517	1	Switch, Proximity	
	1001214831	1	Switch, Proximity (Boom)	
	4360387	1	Switch, Push Button	
	1001137673	1	Switch, SkyGuard	
	1001155045	1	Switch, Toggle	
	1001159256	1	Switch, Toggle	
	1001161709	1	Switch, Toggle	
	4360336	1	Switch, Toggle (Generator Options)	

SECTION 11 - SPECIAL OPTIONS/ACCESSORIES/KITS

SECTION 11 - SPECIAL OPTIONS/ACCESSORIES/KITS

SECTION 11 - SPECIAL OPTIONS/ACCESSORIES/KITS

FIGURE 11-1. SPECIAL OPTIONS/ACCESSORIES/KITS

ITEM	PART NUMBER	QTY	DESCRIPTION	REV
	Note	Ref	Note: This list is to accommodate machines ordered with special equipment. Options may not be applicable to all models. For more specific parts information contact JLG Parts Department.	
		Ref	SPECIAL OPTIONS/ACCESSORIES/KITS	
		Ref	Airline to Platform Installation Options:	
	1001193215	Ref	Airline Installation (Without Arctic Package)	
	1001194045	Ref	Airline Installation (With Arctic Package)	
	1001235884	Ref	Air Intake Shutoff Valve (Deutz TD2.9L4 Engines)	
	1001205024	Ref	Arctic Package Installation Kit - With Deutz TD2.9L4 Engines and Without SkyPower	
	1001205023	Ref	Arctic Package Installation Kit - With Deutz TD2.9L4 Engines and With SkyPower	
	1001273493	Ref	ASO Valve Booms	
	1001273494	Ref	ASO Valve	
	1001189170	Ref	Bellows Installation - Boom	
	1001236701	Ref	Boom Cable/Hose Protection Installation	
	1001272836	Ref	Boom Cable / Hose Protection - Platform and Jib Installation	
	1001195235	Ref	Boom Wipers Installation	
		Ref	ClearSky Telematics (Factory Installed)	
	1001227404	Ref	ClearSky Telematics Installation - Canbus Connection (ANSI & CSA Specs)	
	1001228947	Ref	ClearSky Telematics Installation - Canbus Connection (ANSI Export, CE & UK CA Specs)	
	1001276610	Ref	ClearSky Telematics Installation - 3 Wire Connection (All Specs)	
		Ref	ClearSky Telematics (Dealer Installed)	
	1001242639	Ref	ClearSky Access Control Installation Kit (ANSI, ANSI Export, CE, CSA & UK CA Specs)	
	1001234099	Ref	ClearSky Telematics Kit (CE & UK CA Specs)	
	1001265378	Ref	ClearSky Telematics Kit (ANSI, ANSI Export and CSA Specs)	
	1001243184	Ref	ClearSky Telematics Kit (CE & UK CA Specs)	
	1001276923	Ref	ClearSky Telematics Kit (Contact JLG for Approved Countries)	
		Ref	Cold Weather Package Installation Options:	
	1001192489	Ref	Cold Weather Package Installation (Deutz TD2011L04 Engine Machines)	
	1001192475	Ref	Cold Weather Package Installation (Deutz TD2.9L4 Engine Machines)	
	1001255807	1	Cold Weather Package Installation (Deutz Stage V Engine Machines)	
		Ref	Decal Installations Options:	
	1001120992	Ref	Decal - ClearSky (ANSI Spec) (ANSI, ANSI Export, Australian, Brazilian, CSA, CE & UK CA Specs Only)	
	0257195	Ref	Decal - Government Warranty	
	1001200131	Ref	Decal - Quick Reference (Danish) (Lomax Rentals)	
	1001200129	Ref	Decal - Quick Reference (Dutch) (Lomax Rentals)	
	1001181145	Ref	Decal - Quick Reference (English) (Lomax Rentals)	
	1001200128	Ref	Decal - Quick Reference (French) (Lomax Rentals)	
	1001200130	Ref	Decal - Quick Reference (German) (Lomax Rentals)	
	1001200134	Ref	Decal - Quick Reference (Norwegian) (Lomax Rentals)	
	1001200133	Ref	Decal - Quick Reference (Spanish) (Lomax Rentals)	
	1001200132	Ref	Decal - Quick Reference (Swedish) (Lomax Rentals)	
		Ref	Decal Kits	

SECTION 11 - SPECIAL OPTIONS/ACCESSORIES/KITS

ITEM	PART NUMBER	QTY	DESCRIPTION	REV
	1001272087	Ref	Platform Console Box Decal Kit	
		Ref	Electrical Connector Kits	
	1001290270	1	ECM Power Jumper Stage V	
	1001148902	Ref	Amp/Tyco Electrical Connector Kit	
	1001148903	Ref	Deutsch DT Electrical Connector Kit	
	1001148904	Ref	Deutsch HD Electrical Connector Kit	
	1001148905	Ref	Packard Electrical Connector Kit	
	1001148906	Ref	Various Electrical Connectors Kit	
	1001220390	Ref	Engine Block Heater Installation (Ford Engine Machines)	
	1001192610	Ref	Fan Grille Installation (Deutz D2011 Engines)	
	1001192482	Ref	Fan Grille Installation (Deutz DT2.9L4 Engines)	
	1001282840	Ref	Fan Spacer Kit (Deutz Engines)	
		Ref	Filter Kits:	
		Ref	Combined Filter Kit (Hydraulic/Air and Fuel/Engine Oil)	
	1001238962	1	Deutz D2011 Engines	
	1001238961	1	Deutz TD2.9L4 Engines	
	1001274833	Ref	Floor Mat Add-on Kit (30x48 Platform) (Dealer Installed)	
	1001274832	Ref	Floor Mat Add-on Kit (30x60 Platform) (Dealer Installed)	
	1001274830	Ref	Floor Mat Add-on Kit (36x72 Platform) (Dealer Installed)	
	1001274829	Ref	Floor Mat Add-on Kit (36x96 Platform) (Dealer Installed)	
	1001117294	Ref	Footswitch Shield (Note: Move Decal to Shield)	
	1001202749	Ref	Fuel Cap Cover Installation (Black) (Note: Lock p/n 1001102157 must be Purchased Separately)	
	1001191395	Ref	Fuel Cap Cover Installation (Green) (Note: Lock p/n 1001102157 must be Purchased Separately)	
		Ref	Hood (Steel) Replacement Kit	
	1001126286	Ref	Deutz Engine Machines	
	1001281467	Ref	Hood Latch Service Kit (Steel Hoods)	
	1001238904	Ref	Hose Kit - Upper Power Track	
	1001265700	Ref	Hydraulic Tank Lock	
	1001268737	Ref	Jib Link Service Kit	
	1001148971	Ref	Lanyard (Bolt-On) Kit Installation	
	1001271456	Ref	Lift Cylinder Enhancement Kit	
	1001249437	Ref	Lift Cylinder Valve Kit	
		Ref	Light Options:	
	1001190717	Ref	Headlights & Taillights Installation	
	1001178951	Ref	Platform Mounted Strobe Light Installation	
	1001120467	Ref	Platform Floodlights Installation	
	1001120466	Ref	Platform Worklights Installation	
	1001282215	Ref	Platform Worklights Kit	
	1001183407	Ref	Low Temperature Cutout Installation (Russian Specs)	
	1001253618	Ref	Module Box Assembly Kit (Service Kit for P/N 1001246867)	
	1001253619	Ref	Module Box Assembly Kit (Service Kit for P/N 1001246860)	
	1001233035	Ref	Pinion Shield Installation	
	1001272166	Ref	Pipe Rack Kit	
		Ref	Platform Console Cover Installations	
	1001195304	Ref	Platform Console Cover Installation (Clear Polycarbonate)	
	1001110974	Ref	Platform Console Cover Installation (Steel)	
	1001125230	Ref	Platform Console Cover Installation (Steel) (Chinese Specs)	
	1001125229	Ref	Platform Console Cover Installation (Steel) (Korean Specs)	
	1001270482	Ref	Platform Console Cover Service Kit	
		Ref	Platform Entry Kit	

SECTION 11 - SPECIAL OPTIONS/ACCESSORIES/KITS

ITEM	PART NUMBER	QTY	DESCRIPTION	REV
	1001142504	Ref	Kit, Replace Swing Gate with Drop Bar	
	1001142505	Ref	Kit, Replace Drop Bar with Swing Gate	
		Ref	Platform Extension (Top Rail)	
	0272733	Ref	36in x 72in Platforms	
	0272725	Ref	36in x 96in Platforms	
		Ref	Platform Mesh to Top Rail Add-on Kits (Dealer Installed)::	
	1001281453	Ref	36in x 6ft (91.5cm x 1.83m) with Gate	
	1001281452	Ref	36in x 8ft (91.5cm x 2.44m) with Gate	
		Ref	Platform Mesh to Top Rail Installations (Factory Installed):	
	0273149	Ref	36in x 6ft (91.5cm x 1.83m)	
	0273145	Ref	36in x 8ft (91.5cm x 2.44m)	
	1580013	Ref	Platform Tray (Corner Mounted)	
	1001238906	Ref	Platform Valve Hose Kit - 660SJC	
	1001211366	Ref	Service Tools & Kits	Z
	1001241547	Ref	SkyEye Housing Repair Kit – LH	
	1001241548	Ref	SkyEye Housing Repair Kit – RH	
	1001247073	Ref	SkyEye Retrofit Kit	
	1001101422	Ref	SkyGlazier Kit (Platform not Included)	
	1001250035	Ref	SkyGuard Platform Sensor Kit	
	1001186431	Ref	Sensor Relay	
	1001137672	Ref	SkyGuard Kit (Dealer Installed) (Old Style Platform)	
	1001197016	Ref	SkyGuard Kit (Dealer Installed) (New Style Platform)	
	1001249052	Ref	SkyGuard Retrofit Kit	
	1001206311	Ref	SkyGuard Blue Beacon Installation Kit	
	1001262016	Ref	SkyLine Kit (Dealer Installed)	
	1001217055	Ref	SkyPower Kit (Deutz TD2.9L4 Engine)	
	1001250595	Ref	SkyGuard 6-Pin Retrofit Installation Kit	
	1001289831	Ref	SkySense (EDS) Level 1 Booms Installation (Factory Installed)	
	1001289832	Ref	SkySense (EDS) Level 2 Booms Installation (Factory Installed)	
	1001289905	Ref	SkySense Enhanced Detection System (EDS) Level 1 (2-Bar) Add-on Kit (Dealer Installed)	
	1001289906	Ref	SkySense Enhanced Detection System (EDS) Level 2 (3-Bar) Add-on Kit (Dealer Installed)	
	1001231235	Ref	SkyWelder Locking Bracket	
	1001234061	Ref	Track Kit - Steel to Rubber	
	1001234251	Ref	Track Kit - Rubber to Steel	
		Ref	Tools for Service	
	1001249695	1	Analyzer and Cable Kit	
	1001249941	1	Analyzer and Cable Kit (Battery Powered)	
	7002840	1	Anti-Rotation Pin Removal Tool	
	8896941	1	Wire Stripper	
	7002821	1	Wire Crimper (To install wire ends to wires)	
	7002823	1	Pin/Socket Extractor - Universal (To Remove Pins/Sockets from Connectors)	
	4460467	1	Extractor - 16-18 Gauge (For Removal of Pin/Sockets from Deutsch Connectors)	
	4460510	1	Extractor - 12-14 Gauge (For Removal of Pin/Sockets from Deutsch Connectors)	
	7002822	1	Screwdriver, Potentiometer (To Adjust Drive Controllers)	
	7016654	1	Screwdriver, Magnetic	
	7004275	1	Seal Installation Tool - 1in	
	7004276	1	Seal Installation Tool - 1-1/2in	

SECTION 11 - SPECIAL OPTIONS/ACCESSORIES/KITS

ITEM	PART NUMBER	QTY	DESCRIPTION	REV
	7002826	1	Seal Installation Tool - 2in	
	7016655	1	Wire Rope Sheave Gauge	
	7016652	1	Huck Bolt FASTER (For Small Huck Bolts Only)	
	1001137005	1	Software Cable Kit	
	2915096	Ref	Turntable Bearing Kit	
	1001228580	Ref	Telematics Gateway (Dealer Installed)	
	1001284517	Ref	Telematics Gateway Plus (Dealer Installed)	
	1001149676	Ref	UGM Retrofit Kit	
	1001277839	Ref	UGM Retrofit Kit (1001187200 Module)	
	1001277840	Ref	UGM Retrofit Kit (1001103667 Module)	
	1001277848	Ref	UGM Retrofit Kit (1600312, 1600327, 1600411 Modules)	
	1001274249	Ref	USB Charger Add-on Kit (Dealer Installed)	
	1001262959	Ref	Voltage Regulator Relocation Kit	
	1001238901	Ref	Wear Pad Kit	
	1001238907	Ref	Wire Rope Kit	
	1001270717	Ref	White Noise Alarm Add-on Kit (Dealer Installed)	
	1001270718	Ref	White Noise Alarm (Ambient) Add-on Kit (Dealer Installed)	

SECTION 11 - SPECIAL OPTIONS/ACCESSORIES/KITS

PART NUMBER INDEX

SECTION 11 - SPECIAL OPTIONS/ACCESSORIES/KITS

0100009.....361	0630518..... 69, 365, 377, 379, 381	0700822 ... 453, 455, 457, 459, 461, 463	0760619.... 132, 146, 162, 172, 186, 220, 232
0100011....23, 39, 41, 43, 45, 47, 53, 55, 57, 59, 80, 81, 83, 85, 88, 91, 93, 105, 107, 110, 113, 115, 118, 125, 127, 132, 137, 141, 146, 157, 159, 162, 165, 169, 172, 179, 181, 186, 195, 199, 204, 211, 215, 220, 225, 227, 232, 255, 261, 263, 265, 267, 269, 271, 273, 275, 279, 283, 287, 291, 295, 299, 303, 307, 314, 318, 321, 325, 327, 329, 333, 335, 339, 343, 345, 347, 349, 351, 355, 369, 375, 377, 379, 381, 453, 455, 457, 459, 461, 463	0630534..... 393	0700823 327	0760807.....329
010001929, 35, 275, 279, 283, 287, 291, 295, 299, 303, 307	0630568..... 361	0700826 325	0760810.... 133, 146, 163, 172, 187, 204, 220, 232, 335
0100020....105, 110, 113, 118, 125, 132, 138, 146, 157, 166, 179, 186, 195, 211, 225, 249, 367, 425, 429, 433, 437, 441, 443	0630613... 41, 43, 45, 47, 80, 88	070101280, 88, 105, 113, 125, 137, 157, 165, 179, 195, 211, 225	076081283, 85, 453, 455, 457, 459, 461, 463, 465
0100035....361, 365, 453, 455, 457, 459, 461, 463	0641404..... 375	0701013 318	0760814.... 132, 146, 162, 172, 186, 204, 220, 232, 271, 273, 275, 325, 327
0100048....275, 287, 291, 303, 307	0641405..... 361, 375	0701015 ... 41, 43, 45, 47, 125, 137, 157, 165, 179, 195, 211, 225	0760815..... 110, 118
0100079....283, 291, 299, 307, 421, 423, 427, 431, 435, 439	0641406..... 77, 195, 357	0701016 80, 88	0760816.... 110, 118, 133, 147, 163, 173, 187, 204, 220, 232
0100081....325, 327, 373	0641408..... 83, 85	0701019 314	076100923, 99, 318, 325, 327, 329, 333, 453, 455, 457, 459, 461, 463
0140011.....361	0641409..... 91, 93	0701020 321	0761010.....318
0140043.....57, 59	0641414..... 361, 369	0701022 ... 105, 113, 125, 137, 157, 165, 179, 195, 211, 225, 255	0761011.....318
0257195.....610	0641416... 425, 429, 433, 437, 441, 443	0701025 255	0761012....271, 273, 318, 321, 499
0272254.....379	0641418... 339, 343, 345, 347, 349, 351, 355	0701028 318	0761014....23, 45, 47, 91, 93, 107, 115, 195, 319, 321, 335, 497
0272418.....373	0641504..... 80	0701029 318	0761015.....80, 107, 110, 115, 118, 127, 132, 141, 146, 159, 162, 169, 172, 181, 186, 199, 204, 215, 220, 227, 232, 247, 263, 265, 267, 269, 325, 327, 359
0272435.....301, 309	0641507 275	0701032 325, 327	076101673, 75, 132, 146, 162, 172, 186, 204, 220, 232, 247, 249, 319
0272448.....603	0641508 271, 273	0701033 325, 327	0761017.... 133, 147, 163, 173, 187, 204, 220, 232, 319
0272521.....377	0641606... 377, 379, 381	0701034 325, 327	0761027.....325
0272588.....601	0641607 45, 276	0701216 80, 81, 88	0761210.... 105, 113, 125, 133, 138, 146, 157, 163, 166, 172, 179, 187, 195, 204, 211, 220, 225, 232
0272589.....296, 304	0641608... 41, 43, 45, 47	0701217 41, 43, 45, 47	0761212....279, 283, 287, 291, 295, 299, 303, 307, 314
0272725.....612	0641616... 287, 291, 303, 307	0701220 .80, 81, 88, 195, 453, 455, 457, 459, 461, 463	0761214.....204, 275
0272733.....612	0641618... 279, 283, 295, 299	0701221 41, 43, 45, 47	0761216.....335
0273145.....612	0641808... 107, 115, 127, 141, 159, 169, 181, 199, 215, 227	0701222 118	0762016...80, 81, 88, 314
0273149.....612	0641814... 107, 115, 127, 141, 159, 169, 181, 199, 215, 227	0701226 39	0770814.....269
0275216.....423, 541	0642012 373	0711015 265	0771414.... 110, 118, 132, 146, 162, 172, 186, 204, 220, 232, 263, 267
0275217.....427, 543	0642212 373	0711018 ... 105, 113, 125, 137, 157, 165, 179, 195, 211, 225	0771415....265, 269, 279, 283, 295, 299
0275452.....431, 545	0681605 204	0711020 265	0771416.... 110, 118, 132, 146, 162, 172, 186, 204, 220, 232
0275453.....435, 547	0681608... 132, 146, 162, 172, 186, 220, 232, 335	0711224 ... 110, 132, 146, 162, 172, 186, 204, 220, 232, 263, 265, 267, 269	0771620.....29
0275454.....439, 549	0682023 35	0711226 39	0772018.....29, 105, 113, 125, 137, 157, 165, 179, 195, 211, 225
0400075.....53, 55	0682032 35	0711227 39	
0440162.... 105, 113, 125, 137, 157, 165, 179, 195, 211, 225	0700408... 423, 425, 427, 429, 431, 433, 435, 437, 439, 441, 443	0711635 314	
0440233.....35	0700412 497	0731005 ... 41, 43, 45, 47, 499	
0480124.....271, 273	070061053, 55, 271, 273, 359, 579, 581, 583, 585, 587, 589, 591, 593, 595	0741607 ... 279, 283, 287, 291, 303, 307	
0561508.....318	0700612 359	0760512 ... 125, 137, 157, 165, 179, 195, 211, 225	
	0700614 ... 105, 113, 125, 137, 157, 165, 179, 195, 211, 225	0760606 ... 271, 273, 275, 279, 283, 287, 291, 295, 299, 303, 307	
	0700615 93	0760608 ... 57, 59, 77, 91, 279, 283, 287, 291, 295, 299, 303, 307, 497, 499	
	0700616 91	076061083, 85, 110, 118, 132, 146, 162, 172, 186, 204, 220, 232, 279, 287, 314, 421, 449, 451	
	0700618... 423, 427, 431, 435, 439	076061257, 59, 107, 115, 127, 141, 159, 169, 181, 199, 215, 227, 497	
	0700619 57, 59, 83, 85	076061473, 75, 257, 259, 318	
	0700626 ... 453, 457, 459, 461, 463		
	0700818... 453, 455, 457, 459, 461, 463		
	0700819..... 23, 283, 291, 295, 299, 303, 307, 463, 497		

SECTION 11 - SPECIAL OPTIONS/ACCESSORIES/KITS

0860038 ... 283, 291, 299, 307, 421	1001110872..... 445, 447	1001119619..... 551	1001136431 327
0861538 299, 307	1001110873..... 283, 291, 300, 307, 421	1001119620..... 553, 555	1001136461 325
0861572 295, 303	1001110974..... 611	1001119727..... 255	1001136571 318
0861731 ... 433, 437, 441, 443, 545, 547, 549	1001112612..... 559, 567, 571	1001120204..... 455	1001136575 318
0861781 ... 425, 429, 541, 543	1001112796..... 493, 559	1001120205..... 455	1001136583 318
0861880 467, 469	1001113047..... 91	1001120328..... 369, 375, 539	1001136587 318
0902888 ... 283, 291, 295, 299, 303, 307	1001113680..... 581	1001120466..... 611	1001136590 319
0940102 373	1001113961..... 567, 571	1001120467..... 611	1001136834 132, 146, 162, 172, 186, 205, 221, 233
0961845 ... 339, 343, 345, 347, 349, 351, 355	1001116290..... 91, 93	1001120471..... 383	1001136975 105, 113, 125, 137, 157, 165, 179, 195, 211, 225
0961893 393	1001116693..... 535	1001120477..... 383	1001137005 613
0961947 321, 323	1001116694..... 533	1001120484..... 383	1001137125 333
0961948 318, 389	1001116695..... 535	1001120851..... 515	1001137276 132, 146, 162, 172, 186, 205, 221, 233
0961951 ... 110, 118, 132, 146, 162, 172, 186, 204, 220, 232, 318	1001116720..... 527	1001120992..... 610	1001137336 255
0962033 318	1001116731..... 493	1001121172..... 568, 572	1001137672 612
0962051 261	1001116732..... 501, 515	1001125229..... 611	1001137673 369, 607
0962335 321	1001116734..... 501, 515	1001125230..... 611	1001138173 110, 118
0962336 393	1001116748..... 473, 539	1001125387..... 597	1001138175 110, 118
0962423 314, 318	1001116774..... 559	1001125492..... 29	1001138228 132, 146, 162, 172, 186, 205, 221, 233, 607
0962449 271	1001116792..... 453, 455, 457, 459, 461, 463	1001125677..... 536, 568, 572	1001138248 110, 118, 133, 147, 163, 173, 187, 205, 221, 233
0962520 ... 279, 283, 287, 291, 295, 299, 303, 307	1001116808..... 559	1001126009..... 557	1001138436 318
1001026127 105, 113, 125, 137, 157, 165, 179, 195, 211, 225	1001116812..... 507	1001126286..... 611	1001138459 314
1001080707 45, 47	1001116815..... 489, 508, 568	1001126351..... 503, 508	1001138494 343, 345, 347, 349, 351, 355
1001080996 497, 499	1001116845..... 585	1001126362..... 504, 507	1001138514 343, 347, 351, 355
1001091102 97, 449, 451	1001116846..... 587, 597	1001126363..... 504, 507	1001138565 279
1001093553 581, 585, 587, 589, 591, 593, 595	1001116847..... 585	1001126364..... 504, 507	1001138566 279, 284, 287, 291
1001093684 589	1001116848..... 585	1001126365..... 504	1001138827 132, 147, 186, 205, 221, 233
1001095704 567, 571, 607	1001116849..... 587	1001126391..... 504, 507	1001139078 327
1001096070 279, 287, 469	1001116850..... 585	1001126392..... 504, 507	1001139357 279, 284
1001097051 555	1001116851..... 587	1001126485..... 507	1001139384 ... 83, 85, 91, 93
1001097150 467, 469, 471	1001116852..... 585	1001126487..... 507	1001139654 597
1001097244 383	1001116855..... 587	1001128128..... 501	1001139819 110, 118
1001098122 367, 535	1001116857..... 587	1001128527..... 381	1001140312 147, 173, 221
1001098764 133, 147, 163, 173, 187, 205	1001116863..... 587	1001128556..... 381	1001140346 291
1001098828 335	1001116952..... 503, 508	1001129408..... 487	1001140347 287
1001099366 373	1001116963..... 585	1001129555..... 606	1001140429 339, 343, 345, 347, 349, 351, 355
1001099367 373	1001116964..... 587	1001129858..... 283	1001140564 133, 147, 187, 205, 221, 233
1001099869 271	1001116983..... 511	1001130220.... 57, 59, 73, 75, 77, 105, 113, 125, 137, 157, 165, 179, 195, 211, 225, 279, 284, 287, 291, 296, 300, 303, 307, 314	1001141300 597
1001100234 271	1001117025..... 501	1001131269..... 579, 589	1001141304 133, 147, 163, 173, 187, 205, 221, 233
1001100321 271	1001117106..... 567, 571	1001133245..... 395	1001141814 279, 295
1001100341 541	1001117107..... 503, 508	1001133714..... 504, 507, 513	1001141995 110, 118
1001100342 543	1001117110..... 568, 572	1001133715..... 504, 507, 513	1001142501 125, 137, 157, 165, 179, 195, 211, 225
1001100345 545	1001117140..... 95	1001133956..... 503, 508	1001142504 612
1001100346 549	1001117172..... 367	1001133957..... 503, 508	1001142505 612
1001100347 547	1001117174..... 361, 367, 607	1001134488..... 132, 146, 186, 205, 221, 233	1001142643 287, 292, 303, 308
1001101422 612	1001117294..... 611	1001134543..... 29	
1001102978 261	1001117307..... 88	1001135138..... 132, 146, 162, 172, 186, 205, 221, 233	
1001103012 568, 572	1001117308..... 132, 146, 162, 172, 186, 205, 221, 233	1001135488..... 318	
1001103837 39	1001117378..... 535, 567, 571	1001135650..... 504, 507, 513	
1001104029 283, 291, 296, 300, 303, 307	1001118378..... 535, 567, 571	1001135651..... 504, 507	
1001106736 497, 499	1001118384..... 557	1001135679..... 132, 146, 162, 172, 186, 221, 233	
1001107854 568, 572	1001118388..... 527, 557	1001136356..... 283, 299	
	1001118972.. 45, 47, 105, 113, 125, 137, 157, 165, 179, 195, 211, 225	1001136400..... 325, 327	
	1001119020..... 559	1001136402..... 327	
	1001119032..... 567, 571		
	1001119051..... 105, 113, 125, 137, 157, 165, 179, 195, 211, 225		
	1001119280..... 271, 273, 275		
	1001119455..... 404		

SECTION 11 - SPECIAL OPTIONS/ACCESSORIES/KITS

1001142646.....292, 308	1001154405..... 125, 137, 157, 165, 179, 195, 211, 225, 249	1001168402 335	1001179156..... 107, 115, 127, 141, 159, 169, 181, 199, 215, 227
1001142683...73, 75, 607	1001154726 515	1001169046 80, 91, 93	1001179837.....275
1001142736...73, 75, 559	1001155043 61, 63	1001169054 133, 147, 163, 173, 187, 205, 221, 233	1001180001.....275
1001142938.....495, 504, 507	1001155044. 61, 63, 321, 361	1001169138 133, 147, 163, 173, 187, 205, 221, 233	1001180620..... 133, 147, 163, 173, 187, 205, 221, 233
1001142940.....495, 504, 507	1001155045. 61, 63, 321, 361, 607	1001169146 205	1001180885..... 314
1001142941.....495, 504, 507, 508	1001155094 105, 113, 125, 137, 157, 165, 179, 195, 211, 225	1001169582 37	1001181045.....467, 469, 606
1001143390..... 110, 118	1001155441 333	1001169967 133, 147, 163, 173, 187, 205, 221, 233	1001181145..... 610
1001143645.....453, 455, 457, 459, 461, 463	1001155743 533	1001170035 133, 147, 163, 173, 187, 205, 221, 233	1001181243.....276
1001143852.....597	1001155823 125, 137, 157, 165, 179, 195, 211, 225	1001170764 507, 533	1001181895..... 147, 173, 221
1001144147493, 568	1001157520 300, 304, 308	1001170847 333, 607	1001181899..... 133, 147, 163, 173, 187, 221, 233
1001144433369	1001157521 296, 300, 304, 308	1001171131 445	1001181923.....453, 455, 457, 459, 461, 463
1001144629.....341, 345, 349, 353	1001157525 296, 303, 304	1001171482 63	1001181962..... 321
1001146588.....195, 453, 455, 457, 459, 461, 463	1001157528 296, 300, 304, 308	1001172064 495, 503	1001182046..... 321
1001147264.....504, 508	1001158007 296, 300, 304, 308	1001172065 495, 503	1001182361..... 503, 508
1001147812..... 110, 118	1001158008 284, 292, 296, 300, 304, 309	1001172760 361	1001182365503, 508
1001147813..... 110, 118	1001158363 284, 292	1001173703 598	1001182570..... 333, 607
1001147823.....110, 118, 121	1001159118 445, 447	1001174040 335	1001182806.....77
1001148138.....276	1001159119 445, 447	1001174231 314	1001183407..... 611
100114860741, 43	1001159120 445, 447	1001174250 314	1001183926..... 314
1001148650.....318	1001159121 447	1001174251 314	1001184327.....88, 95
1001148675.....445, 447	1001159186 523, 535	1001174252 314	1001184618.....579, 581, 583, 585, 587, 589, 591, 593, 595
1001148841513	1001159256 361, 607	1001174253 314	1001184626..... 359
1001148842513	1001159323 583	1001174254 314	1001184913..... 319
1001148902611	1001160505 81, 88	1001174256 314	1001184915..... 319
1001148903611	1001161709 361, 607	1001174486 105, 113, 247	1001184917..... 319
1001148904611	1001164196 107, 115, 127, 141, 159, 169, 181, 199, 215, 227	1001174630 325	1001184918..... 319
1001148905611	1001164726 91, 93	1001174631 325, 327	1001184957..... 314, 389
1001148906611	1001165035 105, 113, 125, 137, 157, 165, 179, 195, 205, 211, 225	1001174632 325, 327	1001185281..... 361
1001148971611	1001166716 133, 147, 163, 173, 187, 205, 221, 233	1001174636 325, 327	1001185726.....361, 607
1001149452247	1001166894 261	1001174673 ... 80, 83, 85, 325, 327	1001185842.....29
1001149469247	1001167042 133, 147, 163, 173, 187, 205, 221, 233	1001175073 261	1001186186..... 80
1001149676.....613	1001167565 335	1001175568 125, 137, 157, 165, 179, 211, 225, 249	1001186346.....53
1001150918.....113, 137, 165, 211	1001167567 335	1001175998 319	1001186379..... 343
1001151192327	1001167596 335	1001175999 319	1001186382..... 355
100115139365, 67	1001167632 507	1001176208 319	1001186383..... 353
1001151432255	1001167635 507	1001176212 319	1001186384..... 341
1001151856504	1001168018 110, 118, 133, 147, 163, 173, 187, 205, 221, 233,	1001176216 319	1001186426..... 133, 147, 163, 173, 187, 205, 221, 233
1001152266.....533	1001168057 41, 45, 49	1001176217 314, 318	1001186431.....369, 607, 612
1001152429.....296, 300, 521	1001168166 110, 119, 133, 147, 163, 173, 187, 205, 221, 233	1001176469 67	1001186432.....527, 557
1001152456284, 292		1001176636 453, 457, 459, 461, 463	1001186517..... 369
1001152457284, 292		1001176862 445	1001186541..... 319
1001152479606		1001177359 133, 147, 162, 172, 187, 205, 221, 233	1001186812..... 127, 132
1001152482606		1001177476 327	1001186814..... 141, 146
1001152483471		1001177844 133, 147, 163, 173, 187, 205, 221, 233	1001186980.....261
1001152486451, 471		1001178057 41, 45, 49	1001186981.....261
1001152489.....133, 147, 162, 173, 187, 205, 221, 233		1001178951 611	1001187022..... 37
1001152520296		1001179154 284, 292, 300, 308	1001187077.....568, 572
1001152525284, 292, 296, 300, 304, 308			1001187078.....568, 572
1001152530284, 292			1001187082..... 111, 119
1001152532.....280, 284, 288, 292, 517			1001187200... 57, 59, 607
1001153197284			1001187606..... 333
1001153260.....284, 292			1001187674.....371
1001153398318			1001187681.....551
			1001187808.....53, 55

SECTION 11 - SPECIAL OPTIONS/ACCESSORIES/KITS

1001187855..... 29, 32	1001190338..... 80	1001192641..... 405	1001196564..... 137
1001187950..... 80, 88	1001190441..... 431	1001192651..... 405	1001196565..... 105
1001187951..... 80, 81, 88	1001190442..... 133, 147,	1001192654..... 405	1001196566..... 113
1001188125..... 35	163, 173, 187, 205,	1001192655..... 405	1001196568..... 125, 127
1001188171..... 127, 141,	221, 233	1001192673..... 405	1001196570..... 137, 141
159, 169, 181, 199,	1001190444..... 125, 137,	1001192679..... 405	1001196571..... 107, 110
215, 227	157, 166, 179, 195,	1001192693..... 404	1001196572..... 105, 107
1001188187..... 81, 88	211, 225, 511	1001192694..... 404	1001196573..... 115, 118
1001188194..... 81, 88	1001190484..... 435	1001192695..... 405	1001196574..... 113, 115
1001188236..... 111, 119,	1001190485..... 439	1001192696..... 405	1001196595..... 23, 25
501	1001190493..... 423	1001192698..... 405	1001196602..... 567, 571
1001188257..... 41	1001190495..... 427	1001192699..... 405	1001196604..... 567, 568,
1001188302..... 329	1001190580..... 321, 323	1001192841..... 80	571
1001188534..... 477, 497,	1001190717..... 611	1001193018..... 423, 425,	1001196634..... 138, 166,
499	1001190773..... 421	427, 429, 431, 433,	253, 491, 567, 571
1001188535..... 111, 119,	1001190774..... 449	435, 437, 439, 441, 443	1001196636..... 533, 567,
133, 147, 163, 173,	1001190921..... 567, 568,	1001193049..... 133, 147,	571
187, 205, 221, 233	571	163, 173, 187, 205,	1001196803..... 23
1001188601..... 107, 115	1001190942..... 133, 147,	221, 233	1001197016..... 612
1001188622..... 335	163, 173, 187, 205,	1001193167..... 271, 273,	1001197143..... 23, 329
1001188664..... 53, 55	221, 233	276	1001197149..... 111, 119,
1001188666..... 53, 55	1001190985..... 335	1001193169..... 85	127, 141, 163, 173,
1001188667..... 105, 113	1001191020..... 333	1001193208..... 455	181, 205, 215, 227
1001188668..... 125, 137,	1001191025..... 133, 147,	1001193215..... 610	1001197268..... 257
157, 165, 179, 196,	163, 173, 187, 205,	1001193760..... 80	1001197269..... 259
212, 225	221, 233	1001193927..... 404	1001197389..... 257
1001188669..... 125, 137,	1001191048..... 319	1001193928..... 404	1001197408..... 597
157, 165, 179, 196,	1001191202..... 319	1001193929..... 404	1001197719..... 507
212, 225	1001191205..... 319	1001193930..... 404	1001197725..... 111, 119,
1001188670..... 105, 113	1001191273..... 107, 115	1001194045..... 610	133, 147, 163, 173,
1001188844..... 335	1001191362..... 404	1001194114..... 271, 273,	187, 205, 221, 233
1001188972..... 113, 137,	1001191364..... 404	276, 515	1001197881..... 105, 113,
165, 211	1001191365..... 404	1001194197..... 433	125, 137, 157, 165,
1001189001..... 335	1001191384..... 318	1001194198..... 437	179, 195, 212, 225
1001189002..... 335	1001191385..... 318	1001194200..... 441	1001199035..... 373
1001189003..... 497, 499,	1001191395..... 611	1001194203..... 425	1001199883..... 41, 43, 45,
565	1001191525..... 597	1001194204..... 429	47
1001189005..... 473, 497,	1001191557..... 71	1001194236..... 583	1001199933..... 41, 43, 45,
499	1001191599..... 177, 191	1001194365..... 443	47
1001189026..... 111, 119,	1001191610..... 111, 119,	1001194888..... 93	1001200128..... 610
133, 147, 163, 173,	133, 147, 163, 173,	1001194957..... 461	1001200129..... 610
187, 205, 221, 233	187, 205, 221, 233,	1001194962..... 463	1001200130..... 610
1001189067..... 80	263, 265, 267, 269	1001195226..... 453, 457,	1001200131..... 610
1001189119..... 41, 43	1001191856..... 265	459	1001200132..... 610
1001189161..... 111, 119	1001192008..... 269	1001195228..... 455	1001200133..... 610
1001189170..... 610	1001192012..... 53, 55	1001195235..... 610	1001200134..... 610
1001189171..... 471	1001192027..... 314	1001195304..... 611	1001200216..... 107, 115,
1001189172..... 471	1001192052..... 314	1001195455..... 80, 85	127, 141, 159, 169,
1001189227..... 263, 267	1001192278..... 307	1001195504..... 107, 115,	181, 199, 215, 227
1001189522..... 39	1001192279..... 291	127, 141, 159, 169,	1001200435..... 111, 119
1001189523..... 39	1001192280..... 275	181, 199, 215, 227	1001200491..... 335
1001189764..... 45, 47	1001192400..... 133, 147,	1001195505..... 107, 115	1001200494..... 335
1001189800..... 45, 47	163, 173, 187, 205,	1001195506..... 127, 141,	1001200731..... 105, 113,
1001189859..... 319	221, 233	159, 169, 181, 215, 227	125, 137, 157, 165,
1001189913..... 133, 147,	1001192401..... 568, 572	1001195509..... 107, 115,	179, 195, 212, 225
163, 173, 187, 205,	1001192442..... 267	127, 141, 159, 169,	1001200745..... 133, 147,
221, 233	1001192443..... 263	181, 199, 215, 227	163, 173, 187, 205,
1001189979..... 133, 147,	1001192475..... 610	1001195525..... 455	221, 233
163, 173, 187, 205,	1001192482..... 611	1001195711..... 111, 119	1001200793..... 111, 119
221, 233	1001192483..... 299	1001196367..... 453, 457,	1001201090..... 453, 455,
1001190143..... 107, 115,	1001192484..... 283	459	457, 459, 461, 463
127, 141, 159, 169,	1001192485..... 273	1001196368..... 453, 457,	1001201255..... 405
181, 199, 215, 227	1001192486..... 295	459	1001201325..... 41, 43
1001190164..... 133, 147,	1001192487..... 279	1001196382..... 275, 280,	1001201342..... 453, 455,
187, 221, 233	1001192488..... 271	284, 288, 292, 296,	457, 459, 461, 463
1001190286..... 329, 331	1001192489..... 610	300, 303, 308	1001201351..... 335
1001190335..... 45	1001192610..... 611	1001196563..... 125	1001201511..... 329

SECTION 11 - SPECIAL OPTIONS/ACCESSORIES/KITS

1001201843.....111, 119, 263	1001211579 333, 607	1001224049 595	1001230635.....132, 147, 162, 172, 186, 205, 221, 233
1001201844.....111, 119	1001211581 333	1001224050 587	1001230931.....473, 539
1001202228.....583	1001211582 333	1001224051 585	1001230934.....503, 508
1001202333.....91, 93	1001211584 333	1001224052 581	1001230935.....503, 508
1001202687.....335	1001211587 333	1001224053 591	1001230936.....503, 508
1001202749.....611	1001211588 333	1001224473 249	1001230952.....303
1001202936.....453, 455, 457, 459, 461, 463	1001211760 91	1001224967 247, 249	1001230953.....287
1001203424.....405	1001211761 91	1001225054 247	1001231235.....612
1001203426.....405	1001211767 93	1001225346 465	1001231301.....157
1001203430.....405	1001211773 93	1001225430 152, 175, 606	1001231302.....157, 159
1001203432.....405	1001211774 88, 93	1001225431 152, 606	1001231303.....165
1001203719.....319	1001212223 303, 307	1001225432 176, 606	1001231305.....165, 169
1001203885.....111, 119, 133, 147, 163, 173, 187, 205, 221, 233	1001212333 88	1001225580 369, 527	1001231307.....169, 172
1001204251.....85	10012123251 41, 43	1001226098 189	1001231308.....159, 162
1001204303.....83	1001213447 535	1001226304 463	1001231310.....80
1001204645.....405	1001213448 497, 499	1001226400 477	1001231649.....163, 173, 255
1001204690.....453, 455, 457, 459, 461, 463	1001213543 80	1001226531 465	1001231711.....77
1001204715.....333	1001213673 405	1001226541 493, 568	1001231801.....597
1001204725.....335	1001213744 80	1001226636 493	1001231805.....133, 147, 163, 173, 187, 221, 233
1001204939.....333	1001213794 80	1001226637 493	1001231884.....15, 19
1001205023.....610	1001213814 107, 115, 127, 141, 159, 169, 181, 199, 215, 227	1001226739 487, 489, 493	1001231963.....393
1001205024.....610	1001213882 361	1001226799 489	1001232164.....371
1001205824.....405	1001214030 598	1001226872 339	1001232165.....371
1001205923.....497, 499, 531	1001214095 453, 457, 459	1001227075 463	1001232368.....17
1001205957.....265	1001214096 453, 457, 459	1001227367 83, 85	1001232642.....375
1001205958.....433, 437, 441	1001214149 405	1001227404 487, 610	1001232667.....375
1001206082.....475, 497, 499	1001214408 405	1001227507 511	1001232842.....138, 166, 253
1001206311.....612	1001214570 465	1001227527 497, 499	1001232948.....405
1001206314.....80, 88	1001214571 465	1001227633 371	1001233035.....611
1001206476.....465	1001214571 465	1001227634 371	1001233073.....405
1001206532.....361	1001214683 288, 304	1001227792 333	1001233176.....35
1001206816.....597	1001214831 607	1001227985 371	1001233177.....39
1001208874.....23	1001215229 361	1001227987 371	1001233218.....19
1001208994.....335	1001215285 591	1001227996 553, 555	1001233220.....19
1001209016.....269	1001215286 593	1001228013 321, 393	1001233312.....595
1001209432.....465	1001216015 276	1001228177 314	1001233313.....581
1001209474.....465	1001216630 335	1001228187 461	1001233429.....257
1001209664.....369	1001217055 612	1001228188 461	1001233450.....107, 115, 128, 141, 159, 169, 182, 199, 215, 227
1001209948.....453, 455, 457, 459, 461, 463	1001218539 .. 45, 47, 101	1001228215 339	1001233763.....138, 166, 212, 253
1001209949.....453, 455, 457, 459, 461, 463	1001218676 .. 45, 47, 101	1001228224 371	1001233895.....133, 147, 163, 173, 187, 503
1001209951.....453, 455, 457, 459, 461, 463	1001219128 101	1001228225 371	1001233948.....99
1001209953.....453, 455, 457, 459, 461, 463	1001219138 88	1001228243 349	1001233949.....99
1001209957.....453, 455, 457, 459, 461, 463	1001219601 .. 57, 59, 607	1001228375 351	1001233953.....99
1001210636.....383	1001220266 196	1001228376 345	1001233954.....99
1001211049.....451	1001220266 196	1001228377 347	1001233955.....99
1001211281.....405	1001220379 503	1001228406 45, 247, 249	1001233959.....69, 365
1001211282.....405	1001220390 611	1001228580 613	1001233966.....99
1001211283.....405	1001220638 101	1001228809 455	1001233967.....99
1001211286.....405	1001220903 405	1001228947 489, 610	1001234061.....612
1001211287.....405	1001220912 405	1001228954 489	1001234071.....405
1001211288.....405	1001221016 405	1001228988 381, 601, 603	1001234080.....99
1001211292.....405	1001221203 255	1001229020 373	1001234099.....610
1001211366.....612	1001221212 255	1001229082 373	1001234251.....612
1001211577.....607	1001221217 255	1001229091 133, 147, 163, 173, 187, 205, 221, 233	1001234269.....99
	1001221427 255	1001229337 405	1001234270.....99
	1001222522 405	1001229341 371	1001234281.....259
	1001222817 249, 251	1001229572 45, 47	1001234283.....259
	1001223045 511	1001229637 453, 455, 457, 459, 461, 463	1001234299.....259
	1001223055 579	1001230217 405	
	1001223453 579, 589		
	1001223459 504, 507		
	1001223591 163, 173, 175		
	1001223971 589		
	1001224048 593		

SECTION 11 - SPECIAL OPTIONS/ACCESSORIES/KITS

1001234370..... 257	1001239716..... 271, 273	1001254993..... 595	1001272836..... 610
1001234371..... 257	1001241304... 57, 59, 529	1001255133..... 335	1001272997..... 491
1001234396..... 111, 119	1001241547..... 612	1001255220..... 579	1001273012..... 485, 491
1001234795..... 404	1001241548..... 612	1001255221..... 579	1001273493..... 610
1001234800..... 503, 507	1001241588..... 57, 61	1001255222..... 589	1001273494..... 610
1001235110..... 107, 115, 128, 142, 159, 169, 182, 199, 215, 227	1001241729..... 99	1001255223..... 589	1001273619..... 333
1001235458..... 182, 189	1001241965..... 375	1001255224..... 593	1001274118..... 405
1001235472..... 179	1001242200..... 359	1001255225..... 593	1001274249..... 613
1001235473..... 179, 181	1001242201..... 359, 361	1001255226..... 587	1001274559.. 61, 63, 361
1001235474..... 181, 186	1001242376..... 57, 497	1001255227..... 587	1001274829..... 611
1001235487..... 405	1001242639..... 610	1001255228..... 585	1001274830..... 611
1001235532..... 125, 138, 157, 166, 179, 196, 212, 225	1001242907..... 483	1001255229..... 585	1001274832..... 611
1001235699..... 105, 113	1001242908..... 479, 497, 499	1001255230..... 581	1001274833..... 611
1001235884..... 610	1001243171..... 80, 88	1001255231..... 581	1001275629..... 361
1001236091..... 69	1001243184..... 610	1001255232..... 595	1001276610..... 485, 610
1001236121..... 261	1001243414..... 80, 88	1001255233..... 595	1001276644..... 206, 221, 233, 507
1001236303..... 55	1001243464..... 73	1001255234..... 591	1001276923..... 610
1001236304..... 465	1001243465..... 75	1001255235..... 591	1001277591..... 206, 209
1001236504..... 465	1001243522..... 80, 88	1001255807..... 610	1001277597..... 199, 204
1001236505..... 465	1001243654..... 80	1001255901..... 491	1001277605..... 195, 199
1001236552..... 375	1001243682..... 77, 575	1001256506..... 504	1001277605..... 195, 199
1001236701..... 610	1001243749..... 195	1001256507..... 503	1001277839..... 613
1001237546..... 69	1001243895..... 253	1001256735..... 597	1001277840..... 613
1001237550..... 99	1001244462..... 97	1001256879..... 195	1001277848..... 613
1001237667..... 536, 567, 571	1001244880..... 199	1001257156..... 159, 169	1001277991..... 333
1001237668..... 536, 567, 571	1001245772..... 67	1001258800..... 206	1001278387..... 333
1001237822..... 497, 499	1001245773..... 63	1001260680..... 461	1001280340..... 57, 59
1001237862..... 553, 555	1001245775..... 59, 63	1001261045..... 206	1001281169..... 325
1001237863..... 371, 555	1001245781..... 59, 499	1001261085..... 206	1001281170..... 325
1001237864..... 371, 553	1001245785..... 67	1001262016..... 612	1001281188..... 325
1001237865..... 371, 551	1001245913..... 205, 513	1001262322..... 487	1001281192..... 206
1001237894..... 95	1001246010..... 57, 59	1001262326..... 487	1001281452..... 612
1001237895..... 95	1001246859..... 568	1001262959..... 613	1001281453..... 612
1001237947..... 205	1001247073..... 612	1001264338..... 497, 499, 539	1001281467..... 611
1001238191..... 481, 497, 499	1001247386..... 77	1001265163..... 383	1001281985..... 221, 233
1001238319..... 371	1001247468..... 335	1001265342..... 383	1001281986..... 221, 233
1001238405..... 571	1001247544..... 199	1001265378..... 610	1001282065.. 57, 59, 497, 499, 567
1001238408..... 497, 499, 523	1001249052..... 612	1001265700..... 611	1001282106..... 69, 365
1001238409..... 361, 535	1001249437..... 611	1001267284..... 43	1001282215..... 611
1001238418..... 375, 557	1001249695..... 612	1001267285..... 47	1001282840..... 611
1001238421..... 335	1001249941..... 612	1001267317..... 579, 581, 583, 585, 587, 589, 591, 593, 595	1001283549..... 539
1001238472..... 375	1001249943..... 133, 147, 151	1001267678..... 43, 47, 51	1001283776..... 71, 563
1001238495..... 369	1001250035..... 612	1001268737..... 611	1001284517..... 613
1001238559..... 375	1001250516..... 597	1001269096..... 404	1001284582..... 365
1001238663..... 55	1001250595..... 612	1001269097..... 404	1001284583..... 365
1001238901..... 613	1001250629..... 65	1001269322..... 381	1001284685..... 579, 581, 583, 585, 587, 589, 591, 593, 595
1001238904..... 611	1001250633..... 65	1001269573..... 381	1001284772..... 497, 499, 533
1001238906..... 612	1001250792..... 579	1001269914..... 405	1001285144..... 91
1001238907..... 613	1001250794..... 589	1001269916..... 405	1001285145..... 88, 91
1001238954..... 41, 43	1001250796..... 583	1001269917..... 405	1001285146..... 88
1001238961..... 611	1001250798..... 581	1001270482..... 611	1001285342..... 83
1001238962..... 611	1001250800..... 587	1001270594..... 71	1001285343..... 80, 83
1001239202..... 507	1001250802..... 585	1001270717..... 613	1001285344..... 80
1001239207..... 127, 141, 181, 215, 227	1001250804..... 591	1001270718..... 613	1001285733.. 73, 75, 561
1001239290..... 497	1001250806..... 593	1001271454..... 391	1001285811..... 97
1001239512..... 497, 499	1001251079..... 318, 395	1001271456..... 611	1001285877..... 318
1001239710..... 265	1001252527..... 503, 508	1001271497..... 536	1001285891..... 97
1001239715..... 265	1001252945..... 453, 455, 457, 459, 461, 463	1001272076..... 314, 391	1001285892..... 97
	1001253618..... 611	1001272087..... 611	1001289552..... 508
	1001253619..... 611	1001272166..... 611	1001289553..... 508
	1001253940..... 81	1001272659..... 485	1001289594..... 196, 212, 225, 495
	1001253953..... 88	1001272681..... 73	1001289831..... 612
	1001254472..... 375	1001272682..... 75	
	1001254473..... 375	1001272835..... 333	

SECTION 11 - SPECIAL OPTIONS/ACCESSORIES/KITS

1001289832.....612	1702868 ... 381, 579, 597, 603	1704972 597	2220371.....404
1001289905.....612	1702941 ... 113, 137, 165, 211	1705084 597	2220372.....404
1001289906.....612	1702942 ... 113, 137, 165, 211	1705305 381, 601, 603	2220373.....404
1001290270.....611	1702943 ... 113, 137, 165, 211	1705325 423, 425	2220374.....404
1001291401.....134, 148, 163, 173, 206, 222, 233	1703162 ... 110, 118, 132, 146, 162, 172, 186, 204, 220, 232	1705336 579	2220380.....404
1001292030.....327	1703797 579	1705344 591	2220408.....405
1001293256.....327	1703804 579	1705345 593	2220415.....404
1001296426...57, 59, 525	1703805 579	1705347 589	2220451.... 107, 110, 115, 118, 127, 141, 159, 169, 181, 199, 215, 227, 404
1001297383.....61	1703811 ... 579, 581, 583, 585, 587, 589, 591, 593, 595	1705349 581	2220466.....404
1001301727.....222, 233	1703814. 15, 17, 19, 579, 581, 583, 585, 587, 589, 591, 593, 595	1705351 579	2220472.....404
1001302381.....228, 232	1703923 595	1705355 601, 603	2220473.....404
1001302396.....225, 227	1703924 589	1705358 373	2220498.....404
1001302437.....216, 220	1703925 587	1705374 ... 283, 291, 445, 447	2220502.....404
1001302447.....212, 215	1703926 591	1705375 301, 309	2220518.... 107, 115, 127, 141, 159, 169, 181, 199, 215, 227
1001302515.....225	1703927 593	1705387 ... 283, 291, 301, 309	2220578.... 107, 115, 127, 141, 159, 169, 181, 199, 215, 227
1001302519.....211	1703928 581	1705426 591	2220603.....404
1060343.....300, 308	1703928 581	1705427 593	2220618.....404
1060626.... 113, 137, 165, 211	1703935 595	1705429 589	2220695.... 107, 115, 127, 141, 159, 169, 181, 199, 215, 227
1060908....467, 469, 471	1703936 589	1705430 585	2220726.....404
1060918.....367	1703937 585	1705460 ... 296, 301, 304, 309	2220733.....404
1062255.....196	1703938 591	1705461 296, 304	2220738.... 107, 115, 127, 141, 159, 169, 181, 199, 215, 227, 404
10702077..296, 300, 304, 308	1703939 593	1705489 ... 279, 287, 296, 304	2220775.....404
10702082..296, 300, 304, 308	1703940 581	1705515 598	2220816.....249
10836804.....61	1703941 595	1705822 583	2220852.....404
1120555.....373	1703942 589	1705828 583	2220865.....404
1260017.....37	1703943 587	1705910 595	2220883.... 389, 393, 395
1320041.... 421, 449, 451	1703944 591	1705917 595	2220885.....393, 395
1320061.... 113, 125, 137, 157, 165, 179, 195, 211, 225, 280, 284, 287, 292, 296, 300, 303, 308	1703945 593	1705921 583	2220906.....404
1320202.... 133, 147, 163, 173, 187, 220, 232	1703946 581	1705961 583	2220940.....404
1320302.....377, 379, 381	1703947 595	1705968 585, 597	2220946.... 107, 115, 127, 141, 159, 169, 181, 199, 215, 227
1321384.....83, 85	1703947 595	1705969 593, 597	2220947.... 107, 115, 127, 141, 159, 169, 181, 199, 215, 227, 404
1380147.....261	1703948 589	1706059 597	2220998.....404
1580012.....357	1703949 587	1706060 597	2220999.....404
1580013.....612	1703950 591	1706061 597	2221048.....404
1600359.... 361, 363, 606	1703951 593	1706062 597	2221086.....391, 404
1670603.....443	1703952 581	1706063 597	2221176.....105, 113
1671092.... 300, 308, 461, 463	1703953 579	1706064 597	2221345.....404
1671093.... 379, 461, 463	1703980 591	1706098 597	2230027.... 107, 115, 127, 141, 159, 169, 181, 199, 215, 227
1701499..15, 17, 19, 579, 581, 583, 585, 587, 589, 591, 593, 595	1703981 593	2030010 377, 379, 381	2400060.... 138, 166, 253, 383, 515, 521
1701505.... 105, 113, 125, 137, 157, 165, 179, 195, 211, 225, 597	1703982 587	2060025 110, 118	2400064.....521, 607
1701509.... 373, 579, 581, 583, 585, 587, 589, 591, 593, 595	1703983 595	2080040 ... 341, 345, 349, 353	2420203.....273, 275
1701518.....583	1703984 589	2080044 ... 453, 455, 457, 459, 463	2460048.....295, 299
1701529.... 579, 581, 583, 585, 587, 589, 591, 593, 595	1703985 581	2110806 404	2460055.....273
1702566.....361	1704000 589, 597	2111212 404	2540020.....71, 73, 75
1702567.....361	1704001 595, 597	2131212 ... 107, 115, 127, 141, 159, 169, 181, 199, 215, 227	2560136.....361
1702773.....583, 597	1704002 581, 597	2170112 404	2560187.... 83, 85, 91, 93
1702774.....597	1704260 361	2170406 404	2580024.... 113, 137, 165, 211
1702861.....597	1704277 ... 579, 581, 583, 585, 587, 589, 591, 593, 595	2170708 404	2580062.....118
	1704412 ... 579, 581, 583, 585, 587, 589, 591, 593, 595	2180348 105, 113	
	1704460 361	2180832 ... 125, 138, 157, 166, 179, 195, 211, 225, 249	
	1704461 ... 579, 581, 583, 585, 587, 589, 591, 593	2200221 39	
	1704468 579	2220124 35	
	1704885 ... 579, 581, 585, 587, 589, 591, 593, 595	2220313 ... 105, 113, 125, 138, 157, 166, 179, 195, 211, 225	
		2220315 110, 118	
		2220366 404	

SECTION 11 - SPECIAL OPTIONS/ACCESSORIES/KITS

2600066 501	449, 451, 497, 499,	3331211.... 110, 118, 132,	3740067 53, 55, 110, 118,
2600281 ... 341, 345, 349,	579, 581, 583, 585,	146, 162, 172, 186,	607
353	587, 589, 591, 593, 595	204, 220, 232, 263,	3740080 515, 607
2720015 ... 133, 147, 163,	3290606 ... 343, 347, 351,	265, 267, 269	3740086 557
173, 187, 220, 232	355	3331611.... 110, 118, 127,	3760170 37
2720058 105, 113, 247	3290805 ... 23, 53, 55, 83,	132, 141, 146, 162,	3790012 321, 361
2720398 110, 118	85, 91, 93, 110, 118,	172, 181, 186, 204,	3790045... 107, 115, 127,
2753727 404	132, 146, 162, 172,	215, 220, 227, 232	141, 159, 169, 181,
2754472 404	186, 204, 220, 232,	3340764..... 325, 327	199, 215, 227
2820019 519	271, 273, 275, 283,	3340787 325, 327	3790152 ... 107, 115, 127,
2820031 ... 271, 273, 275,	291, 295, 299, 303,	3340956..... 373	141, 159, 169, 181,
279, 283, 287, 291,	307, 325, 327, 329,	3380434..... 359	199, 215, 227
295, 299, 303, 307	333, 453, 455, 457,	3421565..... 37	3820001 ... 579, 581, 583,
2820035 253	459, 461, 463, 465, 497	3422417 318	585, 587, 589, 591,
2820247 553, 555	3290806 335	3422424 318	593, 595
2840016 261	3291001 41, 43, 132, 146,	3422532.... 107, 115, 127,	3820020 ... 341, 345, 349,
2860030 65, 67, 607	162, 172, 186, 204,	141, 159, 169, 181,	353
2900792 389, 393	220, 232, 318, 335, 497	199, 215, 227	3841143... 105, 113, 125,
2901303 393	3291005 ... 23, 41, 43, 45,	3422793..... 314	137, 157, 165, 179,
2902065 ... 110, 118, 132,	47, 73, 75, 80, 83, 85,	3422860..... 321	195, 211, 225, 318,
146, 162, 172, 186,	88, 93, 105, 107, 110,	3422861 321	321, 335
204, 220, 232, 237	113, 115, 118, 125,	3422867 321	3841203 314
2902212 373	127, 133, 137, 141,	3430616..... 361	3841287 314
2902217 377, 379	147, 157, 159, 163,	3430820..... 261	3900267 284, 292
2902443 501, 504, 507	165, 169, 173, 179,	3460334..... 373	3900300 284, 292
2902549 449, 467	181, 187, 195, 199,	3470003..... 361	3900349 361
2915096 613	204, 211, 215, 220,	3520028..... 275	3900357 110, 118
2940045 91	225, 227, 232, 247,	3520034.... 453, 455, 457,	3900363 91, 93
2940074 ... 341, 345, 349,	249, 263, 265, 267,	459, 461, 463	3900364 80
353, 607	269, 314, 321, 325,	3520054.... 110, 118, 132,	3910606... 283, 291, 300,
2940173 83, 85, 91, 93	327, 335, 359	146, 162, 172, 186,	307, 445, 447
3020037 199	3291007 271, 273, 275	204, 220, 232, 361	3910610 421
3251102 ... 271, 273, 275,	3291201 ... 275, 279, 283,	3520071 373	3910804 65, 67
279, 283, 287, 291	287, 291, 295, 300,	3520072.... 339, 341, 343,	3931008 39
3251242 ... 429, 433, 437,	303, 307, 335	345, 347, 349, 351,	3931408 369
441, 443	3291205 ... 41, 43, 45, 47,	353, 355	3931432 204
3251243 ... 273, 275, 283,	80, 81, 88, 196, 261,	3520189..... 296, 304	3931512... 132, 146, 162,
291, 301, 309, 579,	335, 453, 455, 457,	3520192..... 296, 304	172, 186, 204, 220, 232
581, 585, 587, 589,	459, 461, 463	3520198.... 339, 341, 343,	3931618... 107, 115, 127,
591, 593, 595	3291207 39	345, 347, 349, 351,	141, 159, 169, 181,
3252347 579	3291601 29, 318	353, 355	199, 215, 227
3252507 ... 271, 427, 431,	3291605 314, 319	3539622..... 318	3931620 127
435, 439	3292001 318	3572044 579, 583	3931628 ... 132, 146, 162,
3252764 ... 295, 299, 303,	3292005 319	3573400.... 377, 379, 381	172, 186, 220, 232
307	3292201 318	3573642 377, 379	3960389 99
3290301 261	3292205 319	3577121.... 377, 379, 381	3960407 110, 118
3290405 ... 71, 73, 75, 97,	3300151 ... 339, 343, 345,	3580134..... 271	3960422... 283, 291, 300,
383, 423, 425, 427,	347, 349, 351, 355,	3580158..... 271, 273	307, 421, 445, 447
429, 431, 433, 435,	377, 379, 381	3580243..... 318	3960464 99
437, 439, 441, 443,	3300353 361	3580248..... 318	3960469... 107, 115, 127,
449, 451, 497	3300396 ... 284, 292, 296,	3580249..... 318	141, 159, 169, 181,
3290501 ... 125, 137, 157,	300, 304, 308	3580276..... 273, 275	199, 215, 227
165, 179, 195, 211, 225	3300408 69	3580317.... 279, 283, 287,	3980007 ... 113, 137, 165,
3290505 ... 125, 137, 157,	3300430 369	291, 296, 300, 303, 307	211
165, 179, 195, 211,	3311001 ... 273, 275, 284,	3580318.... 283, 291, 300,	4010303 333
225, 271, 283, 291,	292, 296, 300, 304, 308	307	4010308 261
295, 299, 303, 307	3311005 39, 377, 379,	3580319.... 279, 287, 295,	4010405 449, 451
3290601 83, 85, 91, 93	381	303	4010618... 343, 347, 351,
3290605 ... 53, 55, 57, 59,	3311405 77, 195, 204,	3580320.... 132, 146, 162,	355
80, 91, 107, 110, 115,	375, 425, 429, 433,	172, 186, 220, 232,	4031505 371
118, 127, 132, 141,	437, 441, 443, 465	279, 283, 296, 300	4031507 97
146, 159, 162, 169,	3311601 80, 88, 361, 375	3600359.... 107, 115, 127,	4031509 71, 73, 75
172, 181, 186, 199,	3311605 377, 379, 381	141, 159, 169, 181,	4031516 375
204, 215, 220, 227,	3312005 373	199, 215, 227, 243	4031608 271
232, 257, 259, 279,	3312205 373	3600363.... 107, 115, 127,	4031914... 132, 146, 162,
287, 359, 421, 423,	3322201 39	141, 159, 169, 181,	172, 186, 204, 220, 232
427, 431, 435, 439,		199, 215, 227, 239	

SECTION 11 - SPECIAL OPTIONS/ACCESSORIES/KITS

4032014.... 132, 146, 162, 172, 186, 220, 232, 318	4460142 501	4460509 475, 477	4460932.... 383, 473, 491, 508, 511, 531, 568, 572
4032015.... 279, 283, 296, 300	4460183 535, 567, 571	4460510 612	4460933.... 535, 536, 559, 567, 571
4032020..... 318	4460190 273, 275	4460518 535, 539, 559	4460941..... 511, 551
4060802.... 271, 273, 275, 279, 283, 287, 291, 296, 300, 303, 307	4460205 421	4460536 ... 481, 483, 535, 565, 575	4460942.... 371, 503, 507
4060805..... 319	4460224 287	4460539 ... 481, 483, 507, 533, 535, 565, 575	4460943.... 501, 535, 551, 568
4061032.... 107, 115, 127, 141, 159, 169, 181, 199, 215, 227	4460225 517, 519, 535	4460612 445, 447	4460944.... 501, 503, 507, 535
4070895..... 318	4460226 367, 568, 572	4460662 ... 431, 433, 435, 437, 439, 441, 443	4460945..... 508
4070896..... 318	4460227 535	4460702 568, 572	4460956..... 467, 469
4070897..... 318	4460234 ... 361, 487, 489, 497, 499	4460703 ... 503, 508, 568, 572	4460957..... 467, 469
4070898..... 318	4460247 ... 508, 567, 571	4460708 536	4460958..... 447
4070939..... 318	4460259 ... 383, 523, 535, 567, 571	4460722 253	4460959..... 461, 463
4070940..... 318	4460260 ... 383, 523, 525, 535, 567, 571	4460742 521	4460960..... 461, 463
4092009..... 318	4460267 535	4460743 521	4460962..... 379
4160149..... 318	4460268 517, 519	4460746 503, 507	4460963..... 300, 308
4240018.... 445, 447, 453, 455, 457, 459, 461, 463	4460294 287	4460748 ... 503, 507, 567, 571	4460967.... 284, 521, 568, 572
4240032.... 133, 148, 163, 173, 206, 220, 232, 485, 487, 489, 497, 499	4460312 501	4460761 535	4460968.... 271, 423, 425, 427, 429
4240033.... 333, 369, 371, 375	4460313 ... 501, 503, 533	4460806 433, 437	4460970..... 535
4240099.... 71, 105, 107, 113, 115, 125, 127, 133, 137, 138, 141, 147, 157, 159, 163, 165, 166, 169, 173, 179, 181, 187, 195, 199, 204, 211, 215, 220, 225, 227, 232, 253, 361, 377, 379, 497, 499	4460315 421	4460807 517, 519	4461005..... 501
4240149..... 373	4460346 ... 283, 291, 300, 307, 421	4460808 517, 519	4461006..... 501
4280295..... 41, 43	4460384 443	4460836 539	4461008.... 501, 504, 507
4360070.... 284, 292, 296, 300, 304, 308, 606	4460418 523, 535	4460837 539	4461052..... 501
4360274..... 67	4460419 523, 535	4460865 475, 477	4461053..... 501
4360336.... 271, 273, 275, 279, 283, 287, 291, 296, 300, 303, 307, 607	4460424 568, 572	4460866 ... 475, 535, 567, 571	4461054.... 501, 504, 507, 511
4360387..... 67, 361, 607	4460425 ... 284, 292, 296, 300, 304, 308, 445, 447	4460871 ... 363, 523, 525, 533, 535, 567, 568, 571, 572, 575	4461060..... 501
4360407..... 361, 606	4460426 ... 284, 292, 296, 300, 304, 308	4460872 533	4461070.... 501, 503, 559
4360469..... 65, 67, 607	4460428 361	4460873 535, 567, 571	4461071..... 504, 507
4360475..... 607	4460434 535	4460874 535, 568, 572	4461073.... 501, 504, 507
4360517..... 39, 607	4460457 529, 533	4460875 533	4461077..... 551, 557
4360542..... 273, 275	4460458 ... 503, 507, 521, 529, 567, 571	4460876 523, 535	4461095.... 501, 503, 559
4420014..... 373	4460460 529, 533	4460877 567, 571	4461196..... 541
4420037.... 377, 379, 381	4460464 73, 75, 367, 383, 473, 475, 481, 483, 491, 493, 515, 527, 529, 531, 533, 535, 557, 559, 561, 563, 565, 567, 568, 571, 572, 575	4460878 567, 571	4461198..... 425, 541
4420038..... 41, 43	4460465 71, 284, 383, 475, 477, 479, 481, 483, 493, 501, 503, 507, 508, 517, 519, 521, 527, 531, 533, 535, 539, 559, 561, 565, 567, 568, 571, 572, 575	4460879 383, 535	4461199..... 543
4420051.... 579, 581, 583, 585, 587, 589, 591, 593, 595	4460466 ... 371, 383, 475, 477, 481, 493, 501, 503, 507, 508, 515, 527, 533, 535, 539, 551, 557, 559, 563, 567, 568, 571, 572	4460880 57, 59	4461201..... 429, 543
4420060..... 271	4460467 612	4460884 ... 383, 507, 527, 533, 568, 572	4461205..... 545, 547
4420066..... 373	4460470 361, 497, 499	4460887 ... 383, 535, 567, 571	4461244..... 433, 545
4460019.... 495, 503, 508	4460471 361, 497, 499	4460891 71, 503, 531, 533, 539, 559, 561, 568, 572, 575	4461245..... 437, 547
4460027..... 273, 275	4460473 475, 477	4460892 481	4461246..... 441, 549
4460042.... 501, 504, 507, 567, 571	4460492 539	4460894 ... 479, 481, 493, 501, 503, 507, 535, 567, 571	4461249..... 549
4460043.... 253, 503, 508, 521	4460496 361, 497, 499	4460897 ... 57, 59, 73, 75, 529, 561, 563, 571	4530028.... 377, 379, 385
4460071.... 283, 291, 300, 307, 367, 421	4460497 ... 361, 497, 499	4460899 ... 481, 483, 525, 527, 551, 557, 565, 568, 572	4640464. 57, 59, 481, 483
	4460508 ... 371, 475, 535, 567, 571	4460905 ... 523, 533, 535, 567, 568, 571, 572	4640509..... 393
		4460906 515	4640751..... 204
		4460910 553	4640932..... 389
		4460911 533, 551	4640999..... 389
		4460925 535	4641317..... 23
		4460928 539, 559	4711000.... 39, 284, 292, 296, 300, 304, 308, 499
		4460930 ... 501, 503, 507, 567, 568	4711400.... 77, 204, 339, 343, 345, 347, 349, 351, 355, 369, 375, 425, 429, 433, 437, 441, 443
		4460931 ... 533, 563, 568, 572	4711500.... 132, 146, 162, 172, 186, 204, 220, 232
			4711600.... 41, 43, 45, 47, 276, 361
			4712000..... 373
			4712200..... 373
			4740362..... 359
			4740397..... 61, 63, 321

SECTION 11 - SPECIAL OPTIONS/ACCESSORIES/KITS

4740439.....	321	249, 255, 263, 265,	5250812.....	80, 333	70001973.	295, 299, 304,
4751000 ...	41, 43, 45, 47,	267, 269, 271, 273,	5250813.....	255	308	
	273, 275, 377, 379, 381	275, 314, 318, 329,	5250816.....	162, 172	70001974.	295, 299, 304,
4751400 ...	83, 85, 91, 93,	333, 335, 359, 453,	5251008.....	333, 335	308	
	357, 359, 361, 377,	455, 457, 459, 461,	5251009.....	23, 53, 55	70002066.....	32
	379, 381, 465	463, 497, 499	525101245, 47, 105, 113,		70002088.....	295, 299
4751500.....	275	4812002 ...	125, 133, 137, 147,		70002112.....	49, 51
4751600 ...	133, 148, 163,	80, 83, 85, 88, 105,	157, 163, 165, 173,		7000217.....	32
	173, 187, 204, 220,	107, 113, 115, 125,	179, 187, 195, 211,		70002200.....	121
	232, 377, 379, 381	127, 137, 141, 157,	220, 225, 232, 280,		70002234.....	121
4760600.....	421	159, 165, 169, 179,	284, 287, 292, 296,		7000228.....	32
4761400.....	357	181, 195, 199, 204,	300, 303, 308		7000229.....	32
4811400 .	71, 73, 75, 261,	211, 215, 225, 227	5251014....	57, 59, 80, 88,	70002291.....	304, 308
	383, 423, 425, 427,	4812100 ...	204		70002297.	295, 299, 303,
	429, 431, 433, 435,	39, 41, 43, 45,	5251016.....	204, 335	308	
	437, 439, 441, 443, 497	47, 80, 81, 88, 105,	5260600.....	99, 499	7000230.....	32
4811600 ...	125, 137, 157,	113, 125, 138, 157,	5260800.....	99, 255	70002410.....	389
	165, 179, 195, 211,	166, 179, 195, 204,	526100057, 59, 204, 497,		70002415.....	122
	225, 271	211, 225, 261, 335,	499		70002416.....	122
4811602 ...	283, 291, 296,	453, 455, 457, 459,	5281918....	453, 455, 457,	70002417.....	122
	300, 303, 307	461, 463	459, 461, 463		7000246.....	32
4811700 ...	53, 55, 57, 59,	4812300 ...	70000044.....	121	70002460.	295, 299, 304,
	73, 75, 77, 91, 93, 105,	110, 118, 132,	70000123.....	271	308	
	107, 110, 113, 115,	146, 162, 172, 186,	70000342.....	323	7000247.....	32
	118, 125, 127, 132,	204, 220, 232	70000345..	122, 153, 177,	7000248.....	32
	137, 141, 146, 157,	4812500.....	191		7000253.....	32
	159, 162, 165, 169,	81, 88	70000619..	295, 299, 303,	7000255.....	32
	172, 179, 181, 186,	4844816.....	307		7000257.....	32
	195, 199, 204, 211,	321	70000699.....	391	7000263.....	32
	215, 220, 225, 227,	4844817.....	70000793.....	237	70002718.	122, 151, 175,
	232, 271, 273, 275,	321	70000800.....	122	189	
	279, 283, 287, 291,	4846627.....	70000863..	295, 299, 303,	70002758.....	26
	296, 300, 303, 307,	377, 379	307		70002759.....	26
	314, 343, 347, 351, 355,	4871700 ...	70000912.....	121	70002814.....	49, 607
	421, 423, 427, 431,	271, 273, 279,	70000913.....	121	70002838.....	49, 51
	435, 439, 449, 451,	283, 287, 291, 296,	70000914.....	121	70002839.....	49, 51
	453, 455, 457, 459,	300, 303, 307	70000915.....	121	70002902.....	367
	461, 463, 497, 499,	4891600.....	70000916.....	121	70002903.....	367
	579, 581, 583, 585,	335	70000917.....	121	70002904.....	367
	587, 589, 591, 593, 595	4891800.....	70000918.....	121	70002905.....	367
481170283, 85, 107, 115,		199	70000919.....	121	70003019.....	25, 331
	127, 141, 159, 169,	4892000.....	70001002.....	121	70003027.....	25, 331
	181, 199, 215, 227,	35	70001100..	295, 299, 303,	70003136.....	121
	257, 259	4892600001.....	307		70003454.....	39
4811900 .	23, 91, 93, 110,	335	70001181.....	122	70003464.....	121
	118, 132, 146, 162,	4920385.....	70001384..	295, 299, 303,	70003465.....	121
	172, 186, 204, 220,	255	307		70003466.....	121
	232, 271, 273, 275,	4922641 ...	70001435.....	121	70003472.....	121
	283, 291, 296, 300,	271, 273, 275,	70001655.....	152, 154	70003475.....	121
	303, 307, 325, 327,	280, 284, 288, 292,	70001696.....	295, 299	70003478.....	121
	329, 333, 335, 453,	296, 300, 303, 308	70001697.....	323	70003631.	295, 299, 303,
	455, 457, 459, 461,	4922925 ...	7000180.....	176	308	
	463, 465, 497	296, 300, 303,	70001835.....	121	70003708.	279, 283, 287,
4811902 ...	53, 55, 83, 85,	308, 519	70001836.....	121	291, 295, 299, 304, 308	
	133, 147, 163, 173,	5240800.....	70001837.....	121	70003709.	279, 283, 287,
	187, 204, 220, 232,	269	70001841.....	121	291, 295, 299, 304, 308	
	255, 271, 273	5241000 .	70001844.....	122	70003926.....	395
4812000 ...	23, 41, 43, 45,	80, 91, 93, 107,	70001850.....	121	70003928.....	395
	47, 80, 83, 85, 88, 91,	111, 115, 119, 127,	70001866.....	121	70003929.....	395
	93, 99, 105, 107, 110,	133, 141, 147, 159,	70001868.....	121	70003930.....	395
	113, 115, 118, 125,	163, 169, 173, 181,	70001870..	121, 151, 175,	70003982.....	395
	127, 132, 137, 141,	187, 199, 204, 215,	189		70003998.....	53, 55
	146, 157, 159, 162,	220, 227, 232, 265,	70001871.....	121	70004020..	110, 118, 606
	165, 169, 172, 179,	279, 283, 287, 291,	70001872.....	122	70004037.....	32
	181, 186, 195, 199,	296, 300, 303, 307, 335	70001953.....	295, 299	70004039.....	32
	204, 211, 215, 220,	5241400 ...	70001966..	279, 283, 287,	70004040.....	32
	225, 227, 232, 247,	110, 118, 132,	291, 295, 299, 304, 308		70004041.....	32
		146, 162, 172, 186,				
		204, 220, 232, 263,				
		265, 267, 269, 275,				
		279, 283, 287, 291,				
		296, 300, 303, 307, 335				
		5241600.....				
		29				
		5242000.....				
		29				
		5250608.....				
		99, 499				
		5250808.....				
		99				
		525081083, 85, 132, 146,				
		186, 220, 232, 329				

SECTION 11 - SPECIAL OPTIONS/ACCESSORIES/KITS

70004042.....32	70004662..... 25	70005922 175, 189	70006405.....251
70004043.....32	70004668..... 25	70005923 176, 190	70006406.....251
70004044.....32	70004676 . 279, 283, 287, 291	70005924 176, 190	70006407.....251
70004045.....32	70004677 279	70005925 190	70006408.....251
70004047.....33	70004678 . 279, 284, 287, 292	70005926 .. 152, 176, 190	70006409.....251
70004051.....25, 26	70004679 . 279, 284, 287, 292	70005927 190	70006410.....251
70004052.....25, 26, 331	70004680 . 279, 284, 287, 292	70005928 .. 152, 176, 190	70006552..279, 284, 287, 291
70004053.....331	70004681 279, 287	70005929 .. 152, 176, 190	70006553..279, 284, 287, 291
70004055.....25	70004682 . 279, 284, 287, 292	70005930 190	70006649.....393
70004056.....121	70004683 279, 287	70005931 .. 152, 176, 190	70006650.....393
70004058.....121	70004684 284, 292	70005932 177, 191	70006652..... 153, 177
70004060.....121	70004685 284, 292	70005933 .. 154, 177, 191	70006653..... 153, 177
70004064.....247	70004686 287	70005934 .. 154, 177, 191	70006731.....395
70004065.....247	70004687 292	70005935 154, 191	70006734.....393
70004066.....247, 606	70004795 49, 51	70005936 154	70006735.....393
70004067.....247	70004867 391	70005937 191	70006736.....393
70004068.....247	70005008 . 133, 147, 163, 173, 187, 205, 233, 606	70005938 .. 151, 175, 189	70006941..... 175, 189
70004069.....247	70005171 151	70005941 151	7000695.....122
70004070.....247	70005172 .. 151, 175, 189	70005942 .. 151, 175, 189	70006978.....395
70004092..279, 283, 287, 291, 304, 308	70005173 .. 151, 175, 189	70005947 25	70006979.....395
70004094.....304, 308	70005176 152	70005951 331	70006980.....395
70004098..284, 292, 304, 308	70005177 .. 152, 176, 190	70005952 25, 331	70006981.....395
70004099..287, 291, 304, 308	70005178 152	70006004 391, 606	70006982.....395
70004155.....395	70005179 152, 154	70006093 303, 308	70006983.....395
70004169.....295, 299	70005181 176, 190	70006094 304, 308	70007086.....153
70004171..279, 283, 295, 299	70005184 .. 152, 176, 190	70006095 304, 308	70007087.....153
70004186.....393, 395	70005188 176, 191	70006096 304, 308	70007088.....153
70004199.....49, 51	70005189 176, 191	70006097 304, 308	70007089.....153
70004237.....389	70005191 .. 154, 177, 191	70006109 25	70007323.....391
70004272.....121	70005200 331	70006110 25	70007325.....152
70004276... 153, 177, 191	70005203 32	70006111 25	70007326.....153
70004277... 153, 177, 191	70005244 39	70006112 25	70007327.....153
70004280..122, 151, 175, 189	70005283 15, 17, 19	70006113 25	70007331.....154
70004282... 152, 177, 191	70005284 15, 17, 19	70006114 25	70007334.....391
70004287.....121	70005285 15, 17, 19	70006115 25	70007341.....391
70004289.....122	70005286 15, 17, 19	70006116 25, 331	70007342.....391
70004414.....41, 43	70005322 39	70006117 25	70007343.....391
70004501... 152, 176, 190	70005335 329, 606	70006118 25	70007345.....391
70004504..... 154, 191	70005527 .. 154, 177, 192	70006119 26	70007346.....391
70004505... 151, 175, 189	70005563 391	70006120 26	70007347.....391
70004506... 151, 175, 189	70005572 391	70006121 331	70007354.....153
70004507... 151, 175, 189	70005575 391	70006122 331, 606	70007355.....154
70004508... 151, 175, 189	70005595 395	70006123 331	70007355.....154
70004509... 151, 175, 189	70005627 331	70006124 331	70007394..... 15, 19
70004510... 151, 175, 189	70005647 .. 153, 177, 191	70006125 331	70007395..... 15, 17, 19
70004511.....176	70005648 .. 153, 177, 191	70006126 331	70007396..... 15, 17, 19
70004513... 152, 176, 190	70005682 329	70006144 152, 175	70007397..... 15, 17, 19
70004584.....25	70005683 .. 325, 327, 607	70006260 391	70007398..... 15, 17, 19
70004594.....25	70005684 325, 327	70006264 .. 151, 175, 189	70007399..... 15, 17, 19
70004595.....25, 606	70005698 389	70006265 .. 151, 175, 189	70007400..... 15, 17, 19
70004596.....25	70005699 389	70006266 .. 151, 175, 189	70007401..... 15, 17, 19
70004597.....25	70005700 389	70006294 153	70007402..... 15, 17, 19
70004598.....25	70005701 389	70006304 32, 33	70007403..... 15, 19
70004602.....25	70005702 389	70006305 33	70007404..... 15, 19
70004607.....25	70005703 389	70006306 33	70007405..... 15, 19
70004613.....331	70005708 49	70006307 33	70007406..... 15, 17, 19
70004617.....26	70005839 395	70006308 33	70007407..... 15, 17, 19
70004653.....25, 26, 331, 606	70005916 122	70006309 33	70007408..... 15, 17, 19
70004656.....25	70005917 122	70006310 33	70007409..... 15, 17, 19
70004657.....25	70005920 .. 151, 175, 189	70006313 33	70007410..... 15, 17, 19
70004661.....25	70005921 151	70006314 45, 47	70007411..... 15, 17, 19
		70006356 . 107, 115, 127, 141, 159, 169, 181, 199, 215, 227	70007412..... 15, 17, 19
		70006357 26	70007413..... 15, 17, 19
		70006403 251	70007414..... 15, 19
		70006404 251	70007415..... 17
			70007416..... 17

SECTION 11 - SPECIAL OPTIONS/ACCESSORIES/KITS

70007417	17	70025124 ..	152, 176, 190	70025242.....	154, 191	7012514	271, 273, 275
70007725	51	70025125	151	70025245.....	191	7012558	273, 275
70007726	51	70025126	154	70025246.....	191	7012941	23
70007727	51	70025128	154	70025327.....	153	7012944	23
70007838	391	70025129	152	70025477.....	177, 191	7016328	121, 606
70010383	23, 606	70025130 ..	152, 177, 191	70025580.....	391	7016331 ...	121, 151, 175, 189, 606, 607
7001268	240, 244	70025131	191	70025582.....	391	7016652.....	613
7001481	241, 244	70025132	177, 191	70025660... 151, 175, 189		7016654.....	612
7001485	239, 243	70025133	176, 190	70025676.....	153	7016655.....	613
7001909	32	70025134	153	70025696.....	153	7017023	32
7001911	32	70025135 ..	151, 175, 189	70025733... 153, 177, 191		7017070	32
7001912	32	70025137	151, 189	70025752.....	122	7017072	32
7001931	32	70025139 ..	151, 175, 189	70025753.....	122	7017080	32
7001985	32	70025140 ..	151, 175, 189	70025768.....	190	7017082	33
70022564	389	70025142	152, 176	70025788.....	154	7017085	32
70023369	389	70025144 ..	152, 175, 189	70025877.....	191, 192	7017142	323
70023859	25	70025145 ..	151, 175, 189	70026164.....	391	7017159	323
70023860	25, 331	70025146 ..	151, 175, 189	70026210... 154, 177, 191		7017162	323
70023862	331	70025147	152	70026973.....	391	7017163	323
70024441	51	70025148 ..	152, 176, 190	70026995.....	177, 191	7017164	323
70024457	25	70025149	191	70027415.....	151	7017172	323
70024484	177, 191	70025151 ..	152, 176, 190	70027428.....	153	7017192	323
70024488	175, 189	70025152 ..	151, 175, 189	70027440.....	153	7017195	323
70024494 ..	151, 175, 189	70025153	190, 606	70027446.....	153	7019680	273, 275
70024502 ..	152, 176, 190	70025154 ..	151, 175, 189	70028185... 151, 175, 189		7020043	41, 43
70024504	190, 191	70025155 ..	153, 176, 191	70028186.....	152	7020108	271, 273, 275
70024507 ..	154, 177, 191	70025158 ..	152, 176, 190	7002821.....	612	7020109	271, 273, 275
70024509 ..	153, 177, 191	70025160	190	7002822.....	612	7020110	271, 273, 275
70024513 ..	152, 175, 190	70025161	190, 606	7002823.....	612	7020111	271, 273, 275
70024517 ..	151, 175, 189	70025162	151	7002826.....	613	7020190	271, 273, 275
70024904 ..	151, 175, 189	70025164 ..	153, 177, 191	7002840.....	612	7020403	121
70024905 ..	151, 175, 189	70025165	153	70028538.. 152, 154, 176, 177		7020408	121
70024906 ..	151, 175, 189	70025166	154	70028540.....	154	7020465 ...	121, 151, 175, 189
70024910	190	70025174	190	70028699.....	153	7020468	121
70024912	153	70025175	176, 190	70028802.....	176	7020471	122
70024914	191	70025176	189	70029015.....	153	7020479	121
70024915 ..	153, 177, 191	70025178	190	70029250.....	154	7020492	152, 176, 190
70024917 ..	154, 177, 191	70025179 ..	153, 176, 177, 190, 191	70029393.....	152	7021229	241
70024918	177, 191	70025180	176, 190	70029402.....	153	7021236	239, 243
70024920 ..	152, 154, 176, 177, 190, 191	70025181 ..	151, 175, 189	70029403.....	153	7021237	239
70024922 ..	154, 177, 191	70025182 ..	152, 176, 190	70029404.....	153	7021238	239, 243
70024924 ..	151, 175, 189	70025183 ..	152, 176, 190	70029415.....	154	7021239	239, 243
70024925 ..	151, 175, 189	70025184 ..	152, 176, 190	70029433.....	154	7021240	239
70024961 ..	152, 175, 190	70025185 ..	152, 176, 190	70029451.....	152	7021243	239, 243
70025076	189	70025192 ..	154, 177, 191	70029517.....	154	7021248	239, 243
70025077	177, 191	70025200 ..	152, 176, 190	70029557.....	153	7021249	239, 243
70025082 ..	121, 122, 175, 189	70025203	176, 190	70029797.....	152	7021250	239, 243
70025084	176, 190	70025205	151	7003974.....	363	7021251	239, 243
70025091	189	70025210 ..	152, 176, 190, 606, 607	7004275.....	612	7021253	239, 243
70025095	153	70025212 ..	154, 177, 191	7004276.....	612	7021255 ...	239, 240, 243, 244
70025098	153, 154	70025214	154	70050795.....	395	7021256	245
70025099	153	70025215	153	7005889.....	33	7021257	239, 243
70025101 ..	152, 176, 190	70025216	153	7005891.....	33	7021259	239, 243
70025104	151	70025217	153	7007289.....	241, 245	7021260	243
70025106	153	70025218	153	7007412.....	240, 244	7021265	240, 244
70025107	176, 190	70025221	153	7007419....	239, 243, 245	7021267	239, 243
70025108	154	70025224	153	7007470....	239, 240, 243, 244	7021269	244
70025109 ..	152, 176, 190	70025225	153	7007633.....	32	7021271	240, 244
70025111 ..	151, 175, 189	70025226	153	7010474.....	32	7021272	240, 244
70025112 ..	152, 176, 190	70025228	153	7010492.....	32	7021273	240, 244
70025113	154	70025229	153	7010543.....	23	7021274	240, 244
70025115 ..	152, 176, 190	70025231 ..	153, 177, 191	7011112.....	389	7021275	240, 244
70025120 ..	154, 177, 191	70025233 ..	153, 177, 191	70124410.....	122	7021276	240, 244
70025121	152	70025235 ..	152, 176, 190	70124440.....	122	7021277	240, 244
70025122	152	70025239 ..	152, 176, 190	7012513....	271, 273, 275		
		70025240 ..	152, 176, 190				

SECTION 11 - SPECIAL OPTIONS/ACCESSORIES/KITS

7021278.....240, 244	7022527 25	7024801 240, 244	8220045.... 501, 515, 568,
7021279.....240, 244	7022832 363	7024802 245	572
7021280.....241, 245	7022833 363	7024803 245	8220089..... 567, 571
7021281.....240, 244	7022834 363	7024804 240, 244	8220097..... 567, 571
7021283.....240, 244	7022835 363	7024805 239, 243	8220098..... 567, 571
7021285.....240	7022836 363	7026188 295, 299	8220115..... 503
7021289.....240, 244	7022837 363	7026199 275	8220164..... 495, 501
7021296.....241, 245	7022838 363	7026597 ... 295, 299, 304,	8229242.... 503, 508, 567,
7021297.....245	7022839 363	308	571, 607
7021298.....245	7023821 26	7026626 ... 295, 299, 304,	8229244.... 567, 571, 607
7021299.....245	7023996 239, 243	308	8229245..... 515, 607
7022190.....240, 244	7023997 239, 243	7027236 121	8229249..... 383
7022321 239, 243	7023998 239, 243	7027276 121	8310129..... 373
7022330..... 239, 243	7023999 239	7027773 385	83304173..... 49, 51
7022331 239, 243	7024100 33	7027774 385	8405006..... 195
7022332 239, 243	7024441 49	7027775 385	8405007.... 132, 146, 162,
7022333..... 239, 243	7024462 385	7027776 385	172, 186, 204, 220, 232
7022334..... 239, 243	7024463 385	7027777 385	8405009.... 132, 146, 162,
7022335..... 239, 243	7024467 385	7027778 385	172, 186, 205, 221, 232
7022336..... 239, 243	7024469 385	7027779 385	8405104.... 132, 146, 162,
7022337..... 239, 243	7024470 385	7027780 385	172, 186, 205, 221, 233
7022338..... 239, 243	7024471 385	7027790 121	8405203..... 110, 118
7022340..... 239, 243	7024472 385	7027791 121	8405204..... 110, 118
7022341..... 239, 243	7024473 385	7027792 121	8406003..... 333
7022342..... 239, 243	7024474 385	7027795 122, 606	8406109.... 110, 118, 132,
7022343..... 239	7024475 385	7027796 122	146, 162, 172, 186,
7022344..... 239	7024478 385	7027799 ... 295, 299, 304,	205, 221, 233
7022345..... 240, 244	7024485 295, 299	308	8406110. 73, 75, 105, 113
7022346..... 240, 244	7024488 ... 295, 299, 303,	7027887 271, 273, 275	8406201..... 205
7022347..... 240, 244	307	7274000040 280, 284,	8410011.... 132, 146, 162,
7022348..... 240, 244	7024489 ... 295, 299, 303,	288, 292, 296, 300,	172, 186, 205, 221, 233
7022349..... 240	307	304, 308	8410013..... 205
7022350..... 240	7024502 391	7300435 ... 110, 118, 132,	88411013..... 465
7022351..... 240, 244	7024503 391	146, 162, 172, 186,	8896941..... 612
7022352..... 241	7024579 ... 122, 151, 175,	204, 220, 232	91203039..... 335
7022353..... 241	189	77133137 . 453, 455, 457,	91401281..... 53
7022354..... 243	7024598 261	459, 461, 463	91403230.. 579, 581, 583,
7022355..... 243	7024704 32	77363233 517, 519	585, 587, 589, 591,
7022357..... 243	7024743 32	80434249 25, 606	593, 595
7022358..... 245	7024763 32	80484084 503, 507	
7022359..... 244	7024784 33	80633030 404	
7022524..... 331	7024800 240, 244	80983191 .. 503, 508, 607	



Corporate Office
JLG Industries, Inc.
1 JLG Drive
McConnellsburg, PA 17233-9533 USA
☎ **(717) 485-5161 (Corporate)**
☎ **(877) 554-5438 (Customer Support)**
📠 **(717) 485-6417**

Visit our website for JLG Worldwide Locations.
www.jlg.com



OSHKOSH™