



Illustrated Parts Manual

Models
E400Anarrow
E400AJP
E400AJPnarrow
M400AJP
M400AJPnarrow

SN 0300189901
through 0300208528
(See Revision Log Page
for Inclusions)

P/N
3121646

July 15, 2021 - Rev H

ANSI

CE



An Oshkosh Corporation Company

REVISION LOG

List of Inclusions: 0300185900,0300186011,0300189900

September 15, 2014 - A - Original Issue Of Manual (Edit to B/M 1001164638 Revision D)

April 3, 2015 - B - Revised (Manual edited to B/M 1001164638 Revision K)

July 6, 2015 - C - Revised (Manual edited to B/M 1001164638 Revision K)

October 30, 2015 - D - Revised Manual

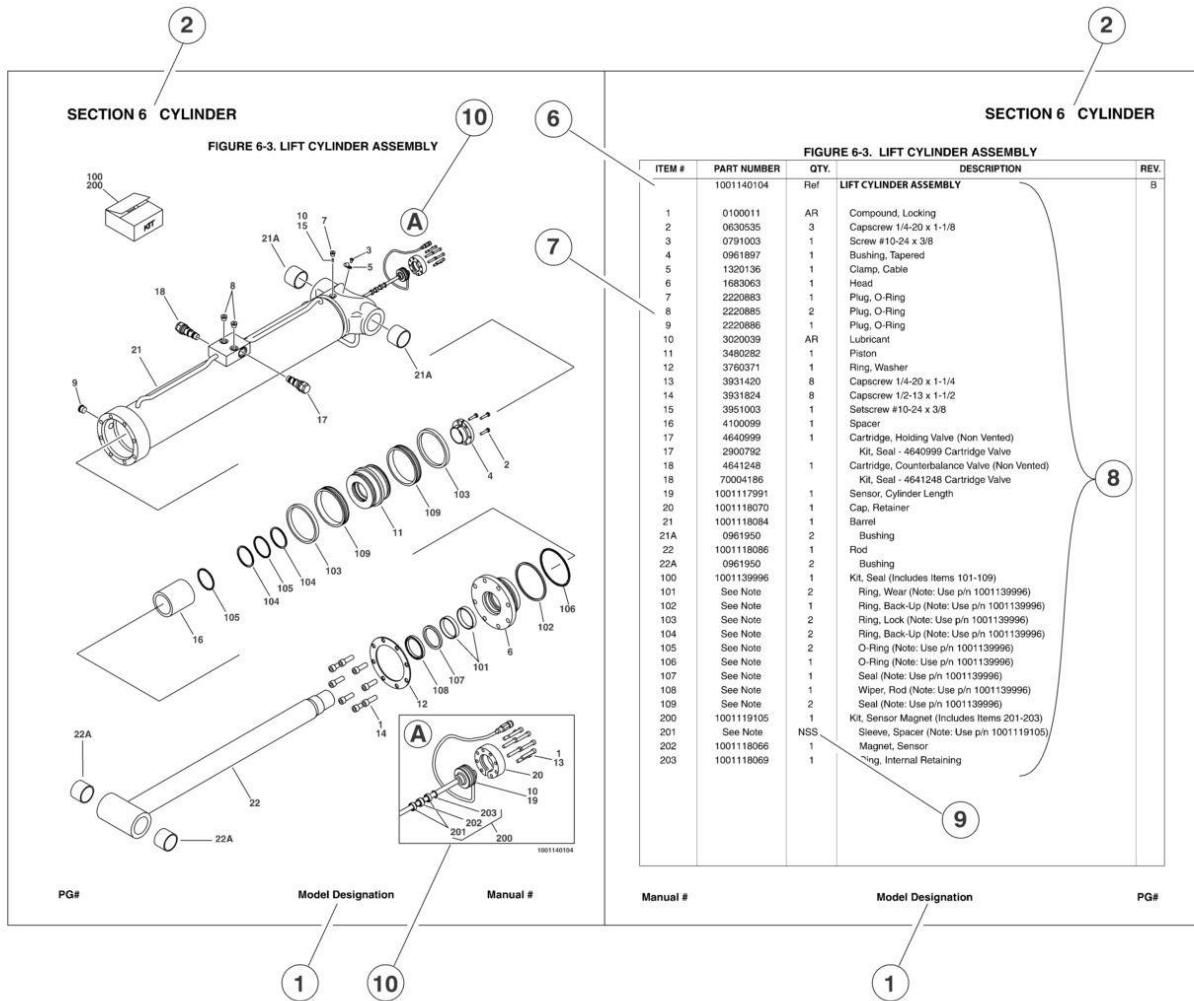
April 29, 2016 - E - Revised Manual

April 28, 2017 - F - Revised Manual

November 16, 2018 - G - Revised Manual

July 15, 2021 - H - Revised Manual

GENERAL INFORMATION



1) MACHINE IDENTIFICATION

Machines are identified by model and in some cases a combination of models, serial number (SN) or regional standard (i.e. ANSI, CE, CSA). Components may also be identified by SN or manufacturer. Common components that may be identified by these characteristics are engines and hydraulic components.

2) PARTS MANUAL ORGANIZATION

Product information in this manual is organized under section titles. Frame, Cylinder, Hydraulic and Electrical are a few examples. Each section is organized by figure and page number. The information within the Figure is then organized by item number, part number, description and corresponding illustration(s).

3) TABLE OF CONTENTS

A table of contents is found toward the beginning of the manual. Figure number, description and page number are provided for quick reference to the page containing the related information.

4) RECOMMENDED SPARE PARTS

The Recommended Spare Parts, located near the end of the manual, reference most frequently used maintenance parts.

5) PART NUMBER INDEX

A numerical index listing all part numbers and the corresponding page number(s) appears at the back of the manual.

GENERAL INFORMATION

6) NON-SERVICED PARTS

In some instances, it is necessary to display non-serviced parts, assemblies or installations. In the case of assemblies and installations there will be a Ref in the Qty column. In case of parts that are not available for service within assemblies and components, there will be a NSS (Not Sold Separately) or NLA (No Longer Available) listed in the Qty. column of the manual.

7) PARTS LIST ITEM NUMBERS

Numbers shown in the item# column correspond to numbers used in the associated illustration (s). Item numbers which are missing from the sequence in the parts list are not used on that page

8) INDENTED PARTS DESCRIPTION

An indented part description is included in the item under which it is indented.

9) ABBREVIATION AND SYMBOLS

AC.....	.. Alternating Current	LCD.....	Liquid Crystal Display
ADE.....	Advanced Design Electronics	LED.....	Light Emitting Diodes
ANSI.....	..American National Standards Institute	LH.....	Left Hand
AR.....	..As Required	LSS.....	..Load Sensing System
ASSY.....	Assembly	M(m).....	Metric/Meter
AUX.....	Auxiliary	MM (mm).....	Milimeter
AWG.....	..American Wire Gauge	mA.....	Miliamps
B/M.....	..Bill of Material	NLA.....	No Longer Available
CE.....	..European Conformity	NPT.....	National Pipe Threads
CCW.....	..Counter Clockwise	NSS.....	Not Sold Separately
cm.....	Centimeter	OD.....	..Outside Diameter
CW.....	..Clockwise	ORB.....	O-Ring Boss
CSA.....	..Canadian Standard Association	ORFS.....	O-Ring Face Seal
CYL.....	Cylinder	OZ (oz).....	..Ounces
DIA.....	Diameter	PG.....	..Page
DC.....	Direct Current	P/N.....	..Part Number
EMS.....	Emergency Stop	qt.....	..Quarts
ENG.....	Engine	QTY.....	..Quantity
FT(ft).....	Feet	REF.....	..Reference
GA(Ga).....	Gauge	REV.....	..Revision Level
HYD.....	Hydraulic	RH.....	..Right Hand
Hz.....	Hertz	SAE.....	Society of Automotive Engineers
ID.....	Inside Diameter	SN.....	..Serial Number
in.....	inches	SPEC(S).....	..Specifications
ISO.....	International Organization for Standards	T/T.....	..Turntable
JIC.....	Joint Industry Council	UGM.....	..Universal Ground Module
KG.....	..Kilogram	V.....	..Volts
L.....	..Liter	W.....	..Watts
LB.....	..Pounds	#.....	..Number

10) ILLUSTRATION REFERENCE LETTERS

When necessary, illustrations may contain reference letters that are intended to track information (i. e. hoses, harness) from one point to another or to track visual enlargement of components to show details that may be located in another area on the illustration.

Note: Due to continuous product improvements, JLG Industries, Inc. reserves the right to make specification changes without prior notification. Contact JLG Industries, Inc. for updated information.

TABLE OF CONTENTS

SECTION 1 - FRAME.....	13
FIGURE 1-1. STEERING INSTALLATION - E400AJP/M400AJP	14
FIGURE 1-2. STEERING INSTALLATION - E400ANARROW/E400AJPNARROW/M400AJPNARROW	16
FIGURE 1-3. HUB - SPINDLE ASSEMBLY - RH - E400AJP/M400AJP	18
FIGURE 1-4. HUB - SPINDLE ASSEMBLY - LH - E400AJP/M400AJP.....	20
FIGURE 1-5. HUB - SPINDLE ASSEMBLY - RH - E400ANARROW/E400AJPNARROW/M400AJPNARROW	22
FIGURE 1-6. HUB - SPINDLE ASSEMBLY - LH - E400ANARROW/E400AJPNARROW/M400AJPNARROW	24
FIGURE 1-7. WHEEL DRIVE INSTALLATION - E400ANARROW/E400AJP/E400AJPNARROW	26
FIGURE 1-8. WHEEL DRIVE INSTALLATION - E400ANARROW/E400AJP/E400AJPNARROW - UL LISTED	30
FIGURE 1-9. WHEEL DRIVE INSTALLATION - M400AJP/M400AJPNARROW	34
FIGURE 1-10. HUB - DRIVE ASSEMBLY.....	38
FIGURE 1-11. DRIVE MOTOR ASSEMBLY.....	42
FIGURE 1-12. TIRE/WHEEL - IN240/55-17.5 PNEUMATIC	44
FIGURE 1-13. TIRE/WHEEL - IN240/55 - 17.5 FOAM FILL	46
FIGURE 1-14. TIRE/WHEEL - SOLID NON-MARKING	48
FIGURE 1-15. TIRE/WHEEL - 26 X 7 X 20 - SOLID NON MARKING	50
FIGURE 1-16. TIRE/WHEEL - IN240/55-17.5 PNEUMATIC NON MARKING	52
FIGURE 1-17. TIRE/WHEEL - IN240/55-17.5 FOAM FILL NON MARKING	54
FIGURE 1-18. TIRE/WHEEL - IN240/55-17.5 PNEUMATIC TS.....	56
FIGURE 1-19. WHEEL COVER INSTALLATION - IN240/55-17.5 TIRES ONLY.....	58
FIGURE 1-20. MOTOR/PUMP/TANK - E400ANARROW/E400AJP/E400AJPNARROW	60
FIGURE 1-21. MOTOR/PUMP/TANK - M400AJP	62
FIGURE 1-22. MOTOR/PUMP/TANK - E400ANARROW/E400AJP/E400AJPNARROW - UL LISTED	64
FIGURE 1-23. MOTOR/PUMP/TANK - M400AJPNARROW	66
FIGURE 1-24. MOTOR/PUMP ASSEMBLY	68
FIGURE 1-25. HYDRAULIC TANK ASSEMBLY - E400ANARROW/E400AJP/E400AJPNARROW	70
FIGURE 1-26. HYDRAULIC TANK ASSEMBLY - M400AJP/M400AJPNARROW.....	72
FIGURE 1-27. VALVE INSTALLATION - FRAME MOUNTED - E400ANARROW.....	74
FIGURE 1-28. VALVE INSTALLATION - FRAME MOUNTED - E400AJP/E400AJPNARROW.....	76
FIGURE 1-29. VALVE INSTALLATION - FRAME MOUNTED - M400AJP/M400AJPNARROW	78
FIGURE 1-30. BRAKE/STEER VALVE ASSEMBLY	80
FIGURE 1-31. BATTERY BOX INSTALLATION.....	82
FIGURE 1-32. BATTERY BOX INSTALLATION - AGM BATTERIES.....	84
FIGURE 1-33. BATTERY BOX INSTALLATION - CE AND AUSTRALIAN SPECS.....	86
FIGURE 1-34. BATTERY BOX INSTALLATION - AGM BATTERIES (CE AND AUSTRALIAN SPECS).....	88
FIGURE 1-35. BATTERY CHARGER INSTALLATION - E400ANARROW/E400AJP/E400AJPNARROW (ALL SPECS EXCEPT CE AND AUSTRALIAN SPECS).....	90
FIGURE 1-36. BATTERY CHARGER INSTALLATION - E400AJP/E400AJPNARROW (AUSTRALIAN SPEC).....	92
FIGURE 1-37. BATTERY CHARGER INSTALLATION - E400ANARROW/E400AJP/E400AJPNARROW (ANSI EXPORT AND CE SPECS)	94
FIGURE 1-38. BATTERY CHARGER INSTALLATION - M400AJP (ALL SPECS EXCEPTED CE, AUSTRALIAN AND UL SPECS)	96
FIGURE 1-39. BATTERY CHARGER INSTALLATION - M400AJP (AUSTRALIAN SPEC).....	98
FIGURE 1-40. BATTERY CHARGER INSTALLATION - M400AJP (ANSI EXPORT AND CE SPECS)	100
FIGURE 1-41. BATTERY CHARGER INSTALLATION - M400AJPNARROW	102
FIGURE 1-42. BATTERY CHARGER INSTALLATION - M400AJPNARROW (AUSTRALIAN SPEC).....	104
FIGURE 1-43. BATTERY CHARGER INSTALLATION - M400AJPNARROW (ANSI EXPORT AND CE SPECS)	106
FIGURE 1-44. INVERTER INSTALLATION - E400AJP/M400AJP.....	108
FIGURE 1-45. INVERTER INSTALLATION - E400ANARROW/E400AJPNARROW/M400AJPNARROW	110
FIGURE 1-46. FRAME COVER INSTALLATION - E400AJP	112
FIGURE 1-47. FRAME COVER INSTALLATION - M400AJP.....	114
FIGURE 1-48. FRAME COVER INSTALLATION - E400ANARROW/E400AJPNARROW	116
FIGURE 1-49. FRAME COVER INSTALLATION - M400AJPNARROW.....	118
SECTION 2 - TURNTABLE.....	121
FIGURE 2-1. VALVE INSTALLATION - TURNTABLE MOUNTED - E400ANARROW.....	122
FIGURE 2-2. VALVE INSTALLATION - TURNTABLE MOUNTED - E400AJP/E400AJPNARROW	124
FIGURE 2-3. VALVE INSTALLATION - TURNTABLE MOUNTED - M400AJP/M400AJPNARROW	126
FIGURE 2-4. MAIN CONTROL VALVE ASSEMBLY	128
FIGURE 2-5. RELEVELING VALVE ASSEMBLY.....	132
FIGURE 2-6. JIB VALVE ASSEMBLY.....	134
FIGURE 2-7. MOTION ALARM INSTALLATION	136
FIGURE 2-8. TURNTABLE BEARING AND SWING DRIVE INSTALLATION	138
FIGURE 2-9. SWING BEARING ASSEMBLY.....	140

TABLE OF CONTENTS

FIGURE 2-10. SWING MOTOR ASSEMBLY	142
FIGURE 2-11. REMOTE BEARING LUBE INSTALLATION - OPTIONAL	144
FIGURE 2-12. DRIVE ORIENTATION INSTALLATION	146
FIGURE 2-13. FUEL TANK AND BATTERY INSTALLATION - M400AJP/M400AJPNARROW	148
FIGURE 2-14. GROUND CONTROL BOX ASSEMBLY - E400A & E400ANARROW (ALL SPECS EXCEPT CE SPEC)	150
FIGURE 2-15. GROUND CONTROL BOX ASSEMBLY - E400A & E400ANARROW (CE SPEC) (Prior to SN 0300200792)	152
FIGURE 2-16. GROUND CONTROL BOX ASSEMBLY - E400A (CE SPEC) (SN 0300200792 through 0300208528)	154
FIGURE 2-17. GROUND CONTROL BOX ASSEMBLY - E400AJP/E400AJPNARROW/M400AJP/M400AJPNARROW (ALL SPECS EXCEPT CE SPEC)	156
FIGURE 2-18. GROUND CONTROL BOX ASSEMBLY - E400AJP/E400AJPNARROW/M400AJP/M400AJPNARROW (CE SPEC) (Prior to SN 0300200792)	158
FIGURE 2-19. GROUND CONTROL BOX ASSEMBLY - E400AJP/E400AJPNARROW/M400AJP/M400AJPNARROW (CE SPEC) (SN 0300200792 through 0300208528)	160
FIGURE 2-20. MOTOR CONTROLS INSTALLATION - M400AJP/M400AJPNARROW	162
FIGURE 2-21. STROBE LIGHT INSTALLATION (AMBER) - OPTIONAL	164
FIGURE 2-22. STROBE LIGHT INSTALLATION - UL LISTED - OPTIONAL	166
FIGURE 2-23. STROBE LIGHT ASSEMBLY (AMBER)	168
FIGURE 2-24. HOOD INSTALLATION - E400ANARROW	170
FIGURE 2-25. HOOD INSTALLATION - E400AJP/E400AJPNARROW/M400AJP/M400AJPNARROW	172
FIGURE 2-26. BEACON LIGHT INSTALLATION - BLUE (SN 0300200116 through 0300208528)	174
SECTION 3 - ENGINE	177
FIGURE 3-1. KUBOTA MOTOR/GENERATOR INSTALLATION - M400AJP/M400AJPNARROW	178
FIGURE 3-2. KUBOTA MOTOR/GENERATOR ASSEMBLY - M400AJP/M400AJPNARROW	180
FIGURE 3-3. KUBOTA MOTOR/GENERATOR COMPONENTS	182
SECTION 4 - BOOM	185
FIGURE 4-1. BOOM AND CYLINDERS INSTALLATION - E400ANARROW	186
FIGURE 4-2. BOOM AND CYLINDERS INSTALLATION - E400AJP/E400AJPNARROW/M400AJP/M400AJPNARROW	188
FIGURE 4-3. MAIN BOOM ASSEMBLY - E400ANARROW	192
FIGURE 4-4. MAIN BOOM ASSEMBLY - E400AJP/E400AJPNARROW/M400AJP/M400AJPNARROW	196
FIGURE 4-5. JIB INSTALLATION	198
FIGURE 4-6. ROTATOR ASSEMBLY - E400ANARROW	200
FIGURE 4-7. ROTATOR ASSEMBLY - PLATFORM SUPPORT TO JIB - E400AJP/E400AJPNARROW/M400AJP/M400AJPNARROW	202
FIGURE 4-8. ROTATOR ASSEMBLY - MAIN BOOM TO JIB - E400AJP/E400AJPNARROW/M400AJP/M400AJPNARROW	204
FIGURE 4-9. PLATFORM SUPPORT WITHOUT LOAD SENSING	206
FIGURE 4-10. PLATFORM SUPPORT INSTALLATION - WITH LSS - E400AJP/M400AJP/E400AJPNARROW/M400AJPNARROW	208
FIGURE 4-11. PLATFORM SUPPORT INSTALLATION - WITH LSS - E400ANARROW	212
FIGURE 4-12. CABLES AND CLAMPS INSTALLATION - E400ANARROW	216
FIGURE 4-13. CABLES AND CLAMPS INSTALLATION - E400AJP/E400AJPNARROW/M400AJP/M400AJPNARROW	218
FIGURE 4-14. LIMIT SWITCHES INSTALLATION	220
SECTION 5 - PLATFORM	223
FIGURE 5-1. PLATFORM ASSEMBLY - 4FT/1.22M - SIDE GATE ENTRY (SN 0300189901 through 0300200791)	224
FIGURE 5-2. PLATFORM ASSEMBLY - 4FT/1.22M - SIDE GATE ENTRY (SN 0300200792 through 0300208528)	226
FIGURE 5-3. PLATFORM ASSEMBLY - 5FT/1.52M - SIDE GATE ENTRY (SN 0300189901 through 0300200791)	228
FIGURE 5-4. PLATFORM ASSEMBLY - 5FT/1.52M - SIDE GATE ENTRY (SN 0300200792 through 0300208528)	230
FIGURE 5-5. PLATFORM ASSEMBLY - 5FT/1.52M - WITH STOP (SN 0300189901 through 0300200791)	232
FIGURE 5-6. PLATFORM ASSEMBLY - 6FT/1.83M - SIDE GATE ENTRY (SN 0300200792 through 0300208528)	234
FIGURE 5-7. PLATFORM ASSEMBLY - 4FT/1.22M - DROP BAR ENTRY (SN 0300189901 through 0300200791)	236
FIGURE 5-8. PLATFORM ASSEMBLY - 4FT/1.22M - DROP BAR ENTRY (SN 0300200792 through 0300208528)	238
FIGURE 5-9. PLATFORM ASSEMBLY - 5FT/1.52M - DROP BAR ENTRY (SN 0300189901 through 0300200791)	240
FIGURE 5-10. PLATFORM ASSEMBLY - 5FT/1.52M - DROP BAR ENTRY (SN 0300200792 through 0300208528)	242
FIGURE 5-11. TRAY ASSEMBLY	244
FIGURE 5-12. PLATFORM CONSOLE AND FOOTSWITCH INSTALLATION - E400ANARROW	246
FIGURE 5-13. PLATFORM CONSOLE AND FOOTSWITCH INSTALLATION - E400ANARROW -UL LISTED	248
FIGURE 5-14. PLATFORM CONSOLE AND FOOTSWITCH INSTALLATION - WITH SKYGUARD (SN 0300200792 through 0300208528)	250
FIGURE 5-15. PLATFORM CONSOLE AND FOOTSWITCH INSTALLATION - E400ANARROW WITH SKYGUARD (SN 0300200792 through 0300208528)	252
FIGURE 5-16. PLATFORM CONSOLE AND FOOTSWITCH INSTALLATION - E400AJP/E400AJPNARROW/M400AJP/M400AJPNARROW	254

TABLE OF CONTENTS

FIGURE 5-17. PLATFORM CONSOLE AND FOOTSWITCH INSTALLATION - E400AJP/E400AJPNARROW/M400AJP/E400AJPNARROW - UL LISTED	256
FIGURE 5-18. PLATFORM CONSOLE ASSEMBLY - E400ANARROW (SN 0300189901 through 0300194237)	258
FIGURE 5-19. PLATFORM CONSOLE ASSEMBLY - E400ANARROW (SN 0300194238 through 0300208528)	262
FIGURE 5-20. PLATFORM CONSOLE ASSEMBLY - UL LISTED - E400ANARROW (SN 0300189901 through 0300194237) ..	266
FIGURE 5-21. PLATFORM CONSOLE ASSEMBLY - E400ANARROW - UL LISTED (SN 0300194238 through 0300208528) ..	270
FIGURE 5-22. PLATFORM CONSOLE ASSEMBLY - E400ANARROW (SN 0300189901 through 0300194237)	274
FIGURE 5-23. PLATFORM CONSOLE ASSEMBLY - E400AJP/E400AJPNARROW/M400AJP/M400AJPNARROW (SN 0300194238 through 0300208528)	278
FIGURE 5-24. PLATFORM CONSOLE ASSEMBLY - E400ANARROW - UL LISTED (SN 0300189901 through 0300194237) ..	282
FIGURE 5-25. PLATFORM CONSOLE ASSEMBLY - E400AJP/E400AJPNARROW/M400AJP/M400AJPNARROW - UL LISTED (SN 0300194238 through 0300208528)	286
FIGURE 5-26. PLATFORM CONSOLE ASSEMBLY - WITH SKYGUARD (SN 0300200792 through 0300208528)	290
FIGURE 5-27. PLATFORM CONSOLE ASSEMBLY - WITH SKYGUARD - E400ANARROW (SN 0300200792 through 0300208528)	294
FIGURE 5-28. LIGHT PANEL DECAL INSTALLATION	298
FIGURE 5-29. SEALED ENCLOSURES - UL LISTED	300
FIGURE 5-30. CONTROLLER ASSEMBLY - DRIVE AND STEER (SN 0300189901 through 0300194237)	302
FIGURE 5-31. CONTROLLER ASSEMBLY - DRIVE AND STEER (SN 0300194238 through 0300208528)	304
FIGURE 5-32. CONTROLLER ASSEMBLY - LIFT AND SWING (SN 0300189901 through 0300194237)	306
FIGURE 5-33. CONTROLLER ASSEMBLY - LIFT AND SWING (SN 0300194238 through 0300208528)	308
FIGURE 5-34. FOOTSWITCH ASSEMBLY	312
FIGURE 5-35. MOTOR CONTROLS INSTALLATION - M400AJP/M400AJPNARROW	314
FIGURE 5-36. CROSS RAIL INSTALLATION	316
FIGURE 5-37. PIPE RACK INSTALLATION	318
SECTION 6 - CYLINDER	321
FIGURE 6-1. JIB CYLINDER ASSEMBLY - E400AJP/E400AJPNARROW/M400AJP/M400AJPNARROW	322
FIGURE 6-2. LIFT CYLINDER ASSEMBLY - LOWER - E400ANARROW (ORIGINAL EQUIPMENT)	324
FIGURE 6-3. LIFT CYLINDER ASSEMBLY - LOWER - E400ANARROW (SERVICE REPLACEMENT)	326
FIGURE 6-4. LIFT CYLINDER ASSEMBLY - LOWER - E400AJP/E400AJPNARROW/M400AJP/M400AJPNARROW (ORIGINAL EQUIPMENT)	328
FIGURE 6-5. LIFT CYLINDER ASSEMBLY - LOWER - E400AJP/E400AJPNARROW/M400AJP/M400AJPNARROW (SERVICE REPLACEMENT)	330
FIGURE 6-6. LIFT CYLINDER ASSEMBLY - MID - E400ANARROW (ORIGINAL EQUIPMENT)	332
FIGURE 6-7. LIFT CYLINDER ASSEMBLY - MID - E400ANARROW (SERVICE REPLACEMENT)	334
FIGURE 6-8. LIFT CYLINDER ASSEMBLY - MID - E400AJP/E400AJPNARROW/M400AJP/M400AJPNARROW (ORIGINAL EQUIPMENT)	336
FIGURE 6-9. LIFT CYLINDER ASSEMBLY - MID - E400AJP/E400AJPNARROW/M400AJP/M400AJPNARROW (SERVICE REPLACEMENT)	338
FIGURE 6-10. LIFT CYLINDER - UPPER - E400ANARROW (ORIGINAL EQUIPMENT)	340
FIGURE 6-11. LIFT CYLINDER - UPPER - E400ANARROW (SERVICE REPLACEMENT)	342
FIGURE 6-12. LIFT CYLINDER - UPPER - E400AJP/E400AJPNARROW/M400AJP/M400AJPNARROW (ORIGINAL EQUIPMENT)	344
FIGURE 6-13. LIFT CYLINDER - UPPER - E400AJP/E400AJPNARROW/M400AJP/M400AJPNARROW (SERVICE REPLACEMENT)	346
FIGURE 6-14. MASTER CYLINDER ASSEMBLY - E400ANARROW	348
FIGURE 6-15. MASTER CYLINDER ASSEMBLY - E400AJP/E400AJPNARROW/M400AJP/M400AJPNARROW	350
FIGURE 6-16. PLATFORM LEVEL CYLINDER - E400ANARROW	352
FIGURE 6-17. PLATFORM LEVEL CYLINDER - JIB - E400AJP/E400AJPNARROW/M400AJP/M400AJPNARROW	354
FIGURE 6-18. STEER CYLINDER ASSEMBLY	356
FIGURE 6-19. TELESCOPE CYLINDER ASSEMBLY - E400ANARROW	358
FIGURE 6-20. TELESCOPE CYLINDER ASSEMBLY - E400ANARROW (SERVICE REPLACEMENT)	360
FIGURE 6-21. TELESCOPE CYLINDER ASSEMBLY - E400ANARROW (SERVICE REPLACEMENT)	362
FIGURE 6-22. TELESCOPE CYLINDER ASSEMBLY - E400AJP/E400AJPNARROW/M400AJP/M400AJPNARROW (ORIGINAL EQUIPMENT)	364
FIGURE 6-23. TELESCOPE CYLINDER ASSEMBLY - E400AJP/E400AJPNARROW/M400AJP/M400AJPNARROW (SERVICE REPLACEMENT)	366
FIGURE 6-24. COUNTERBALANCE VALVE ASSEMBLY	368
SECTION 7 - HYDRAULIC	371
FIGURE 7-1. HYDRAULIC DIAGRAM - E400ANARROW	372
FIGURE 7-2. HYDRAULIC DIAGRAM - E400AJP/E400AJPNARROW	376
FIGURE 7-3. HYDRAULIC DIAGRAM - M400AJP/M400AJPNARROW	380
FIGURE 7-4. HYDRAULIC DIAGRAM LIST	384

TABLE OF CONTENTS

SECTION 8 - ELECTRICAL	385
FIGURE 8-1. ELECTRICAL DIAGRAM LIST	386
FIGURE 8-2. BATTERY CHARGER HARNESS	388
FIGURE 8-3. BEACON LIGHT HARNESS (BLUE BEACON ONLY)	390
FIGURE 8-4. CONTACTOR CABLE KIT - E400ANARROW/E400AJP/E400AJPNARROW	392
FIGURE 8-5. CONTACTOR CABLE KIT - E400ANARROW/E400AJP/E400AJPNARROW - UL LISTED	394
FIGURE 8-6. CONTACTOR CABLE KIT - M400AJP - M400AJPNARROW	396
FIGURE 8-7. CONTACTOR PLATE ASSEMBLY AND HARNESSES	398
FIGURE 8-8. CONTACTOR PLATE ASSEMBLY AND HARNESSES - UL LISTED	400
FIGURE 8-9. STEER/BRAKE HARNESS - E400ANARROW/E400AJP/E400AJPNARROW	402
FIGURE 8-10. MOTOR/STEER/BRAKE HARNESS - M400AJP/M400AJPNARROW	404
FIGURE 8-11. LED REMOTE HARNESS	406
FIGURE 8-12. BATTERY CHARGER ASSEMBLY	408
FIGURE 8-13. INVERTER HARNESS (SN 0300189901 through 0300193793)	410
FIGURE 8-14. INVERTER HARNESS (SN 0300193794 through 0300208528)	412
FIGURE 8-15. DRIVE ORIENTATION HARNESS	414
FIGURE 8-16. GROUND CONTROL FUNCTION SWITCH HARNESS ASSEMBLY	416
FIGURE 8-17. GROUND CONTROL VALVE HARNESS ASSEMBLY	418
FIGURE 8-18. TURNTABLE/FRAME HARNESS ASSEMBLY	420
FIGURE 8-19. HORN/BEACON HARNESS ASSEMBLY	422
FIGURE 8-20. POSI-TRACK MODULE CAN HARNESS ASSEMBLY	424
FIGURE 8-21. GROUND CONTROL CAN HARNESS ASSEMBLY	426
FIGURE 8-22. GENERATOR HARNESS TO GROUND CONTROL BOX	428
FIGURE 8-23. MAIN BOOM HARNESS ASSEMBLY	430
FIGURE 8-24. TOWER BOOM HARNESS ASSEMBLY	432
FIGURE 8-25. BOOM LIMIT SWITCH HARNESS - LOWER	434
FIGURE 8-26. BOOM LIMIT SWITCH HARNESS - UPPER	436
FIGURE 8-27. JIB HARNESS - E400AJP/M400AJP/E400AJPNARROW/M400AJPNARROW MODELS ONLY	438
FIGURE 8-28. INDICATOR LAMP HARNESS ASSEMBLY	440
FIGURE 8-29. PLATFORM FUNCTION SWITCH HARNESS ASSEMBLY - E400ANARROW	442
FIGURE 8-30. PLATFORM FUNCTION SWITCH HARNESS ASSEMBLY - E400AJP/E400AJPNARROW/M400AJP/M400AJPNARROW	444
FIGURE 8-31. PLATFORM CAN BUS HARNESS ASSEMBLY	446
FIGURE 8-32. ANALYZER HARNESS ASSEMBLY	448
FIGURE 8-33. DRIVE ORIENTATION HARNESS ASSEMBLY	450
FIGURE 8-34. PLUG AND RECEPTACLE INSTALLATION - 110V - ANSI SPEC	452
FIGURE 8-35. PLUG AND RECEPTACLE INSTALLATION - SUPPLIED LOCALLY	454
FIGURE 8-36. PLUG AND RECEPTACLE 220V INSTALLATION - ANSI SPEC	456
FIGURE 8-37. PLUG AND RECEPTACLE 220V INSTALLATION - CEE7 POST GROUND - 2 X 4 BOX - CE SPEC	458
FIGURE 8-38. PLUG AND RECEPTACLE 220V INSTALLATION - CEE7 SIDE GROUND - 2 X 4 BOX - CE SPEC	460
FIGURE 8-39. PLUG AND RECEPTACLE 220V INSTALLATION - AFSINT 107 KEYED GROUND - 2 X 4 BOX - CE SPEC	462
FIGURE 8-40. PLUG AND RECEPTACLE 110V INSTALLATION - IEC 60309 - YELLOW - CE SPEC	464
FIGURE 8-41. PLUG AND RECEPTACLE 220V INSTALLATION IEC 60309 BLUE - CE SPEC	466
FIGURE 8-42. PLUG AND RECEPTACLE 220V INSTALLATION - CEE7 POST GROUND - 70MM X 70MM BOX - CE SPEC	468
FIGURE 8-43. PLUG AND RECEPTACLE 220V INSTALLATION - CEE7 SIDE GROUND - 70MM X 70MM BOX - CE SPEC	470
FIGURE 8-44. LOWER BOOM 110V HARNESS ASSEMBLY	472
FIGURE 8-45. LOWER BOOM 220V HARNESS ASSEMBLY WITH BREAKER BOX - CE SPEC	474
FIGURE 8-46. LOWER BOOM 220V HARNESS ASSEMBLY WITHOUT BREAKER BOX - CE SPEC	476
FIGURE 8-47. MAIN BOOM 110V HARNESS ASSEMBLY	478
FIGURE 8-48. MAIN BOOM 220V HARNESS ASSEMBLY - CE SPEC	480
FIGURE 8-49. BREAKER BOX KIT WITH TWO BREAKERS - CE SPEC	482
FIGURE 8-50. BREAKER BOX KIT WITH THREE BREAKERS - CE SPEC	484
FIGURE 8-51. AC PLUGS AND SOCKETS INSTALLATION - CEE7 POST GROUND 2 X 4 BOX - CE SPEC	486
FIGURE 8-52. AC PLUGS AND SOCKETS INSTALLATION - CEE7 SIDE GROUND 2 X 4 BOX - CE SPEC	488
FIGURE 8-53. AC PLUGS AND SOCKETS INSTALLATION - AFSINT 107-2-01 KEYED GROUND - 2 X 4 BOX - CE SPEC	490
FIGURE 8-54. PLUGS AND SOCKETS INSTALLATION - IEC 60309 YELLOW - CE SPEC	492
FIGURE 8-55. PLUGS AND SOCKETS INSTALLATION - IEC 60309 BLUE - CE SPEC	494
FIGURE 8-56. AC PLUGS AND SOCKETS INSTALLATION - CEE7 POST GROUND - CE SPEC	496
FIGURE 8-57. AC PLUGS AND SOCKETS INSTALLATION - CEE7 POST GROUND - CE SPEC	498
FIGURE 8-58. STROBE LIGHT - AMBER - HARNESS	500
FIGURE 8-59. STROBE LIGHT HARNESS	502
FIGURE 8-60. CHARGER CORD PLUG INSTALLATION - 220V - CEE7 POST GROUND - CE SPEC	504
FIGURE 8-61. CHARGER CORD PLUG INSTALLATION - 220V - CEE7 SIDE GROUND - CE SPEC	506
FIGURE 8-62. CHARGER CORD PLUG INSTALLATION - 220V - AFSINT 107 KEYED GROUND - CE SPEC	508
FIGURE 8-63. CHARGER CORD PLUG INSTALLATION - 110V - IEC 60309 - YELLOW - CE SPEC	510
FIGURE 8-64. CHARGER CORD PLUG INSTALLATION - 220V - IEC 60309 - BLUE - CE SPEC	512

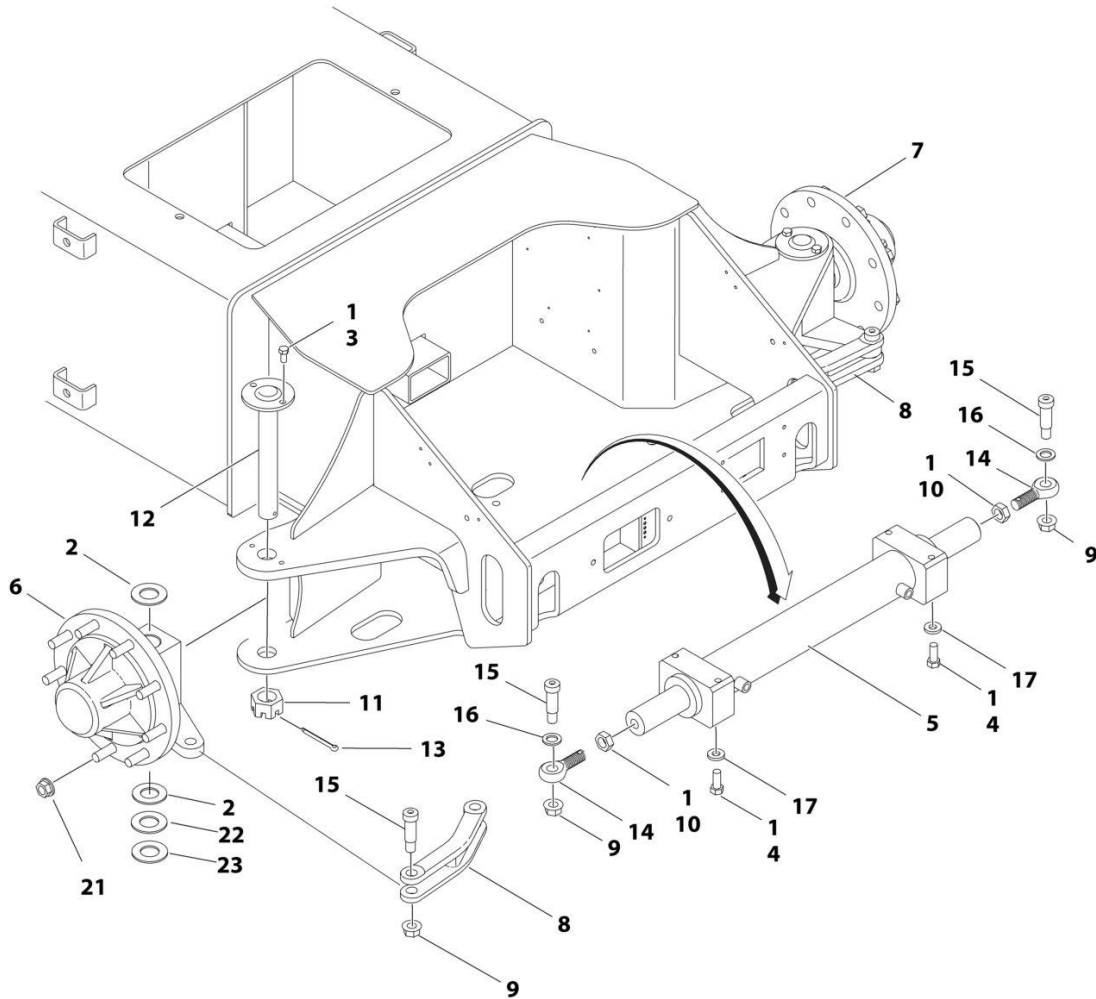
TABLE OF CONTENTS

FIGURE 8-65. SKYGUARD PLATFORM SENSOR HARNESS (SN 0300200792 through 0300208528)	514
FIGURE 8-66. SKYGUARD CAN HARNESS (SN 0300200792 through 0300208528)	516
SECTION 9 - DECALS	519
FIGURE 9-1. DECAL INSTALLATION - JLG LOGO - E400ANARROW	520
FIGURE 9-2. DECAL INSTALLATION - JLG LOGO - E400AJP/E400AJPNARROW/M400AJP/M400AJPNARROW	522
FIGURE 9-3. DECAL INSTALLATION - ANSI SPEC - E400ANARROW/E400AJP/E400AJPNARROW	524
FIGURE 9-4. DECAL INSTALLATION - ANSI SPEC - M400AJP/M400AJPNARROW	526
FIGURE 9-5. DECAL INSTALLATION - CE/AUSTRALIAN SPEC - E400ANARROW/E400AJP/E400AJPNARROW	528
FIGURE 9-6. DECAL INSTALLATION - CE SPEC - E400AJP/E400AJPNARROW (SN 0300200792 through 0300208528).....	530
FIGURE 9-7. DECAL INSTALLATION - CE/AUSTRALIAN SPEC - M400AJP/M400AJPNARROW	532
FIGURE 9-8. DECAL INSTALLATION - CE SPEC - M400AJP/M400AJPNARROW (SN 0300200792 through 0300208528)	534
FIGURE 9-9. DECAL INSTALLATION - JAPANESE SPEC - E400ANARROW/E400AJP/E400AJPNARROW	536
FIGURE 9-10. DECAL INSTALLATION - JAPANESE SPEC - M400AJP/M400AJPNARROW	538
FIGURE 9-11. DECAL INSTALLATION - KOREAN SPEC - E400ANARROW/E400AJP/E400AJPNARROW	540
FIGURE 9-12. DECAL INSTALLATION - KOREAN SPEC - M400AJP/M400AJPNARROW	542
FIGURE 9-13. DECAL INSTALLATION - SPANISH/ENGLISH SPECS - E400ANARROW/E400AJP/E400AJPNARROW	544
FIGURE 9-14. DECAL INSTALLATION - SPANISH/ENGLISH SPECS - M400AJP/M400AJPNARROW	546
FIGURE 9-15. DECAL INSTALLATION - FRENCH/ENGLISH SPECS - E400ANARROW/E400AJP/E400AJPNARROW	548
FIGURE 9-16. DECAL INSTALLATION - FRENCH/ENGLISH SPECS - M400AJP/M400AJPNARROW	550
FIGURE 9-17. DECAL INSTALLATION - CHINESE/ENGLISH - E400ANARROW/E400AJP/E400AJPNARROW	552
FIGURE 9-18. DECAL INSTALLATION - CHINESE/ENGLISH - M400AJP/M400AJPNARROW	554
FIGURE 9-19. DECAL INSTALLATION - SPANISH/PORTUGUESE - E400ANARROW/E400AJP/E400AJPNARROW	556
FIGURE 9-20. DECAL INSTALLATION - SPANISH/PORTUGUESE SPECS - M400AJP/M400AJPNARROW	558
SECTION 10 - RECOMMENDED SERVICE PARTS STOCK.....	561
FIGURE 10-1. RECOMMENDED SERVICE PARTS STOCK	562
SECTION 11 - SPECIAL OPTIONS	563
FIGURE 11-1. SPECIAL OPTIONS.....	564
PART NUMBER INDEX	566

SECTION 1 - FRAME

SECTION 1 - FRAME

FIGURE 1-1. STEERING INSTALLATION - E400AJP/M400AJP



ART_1001166414

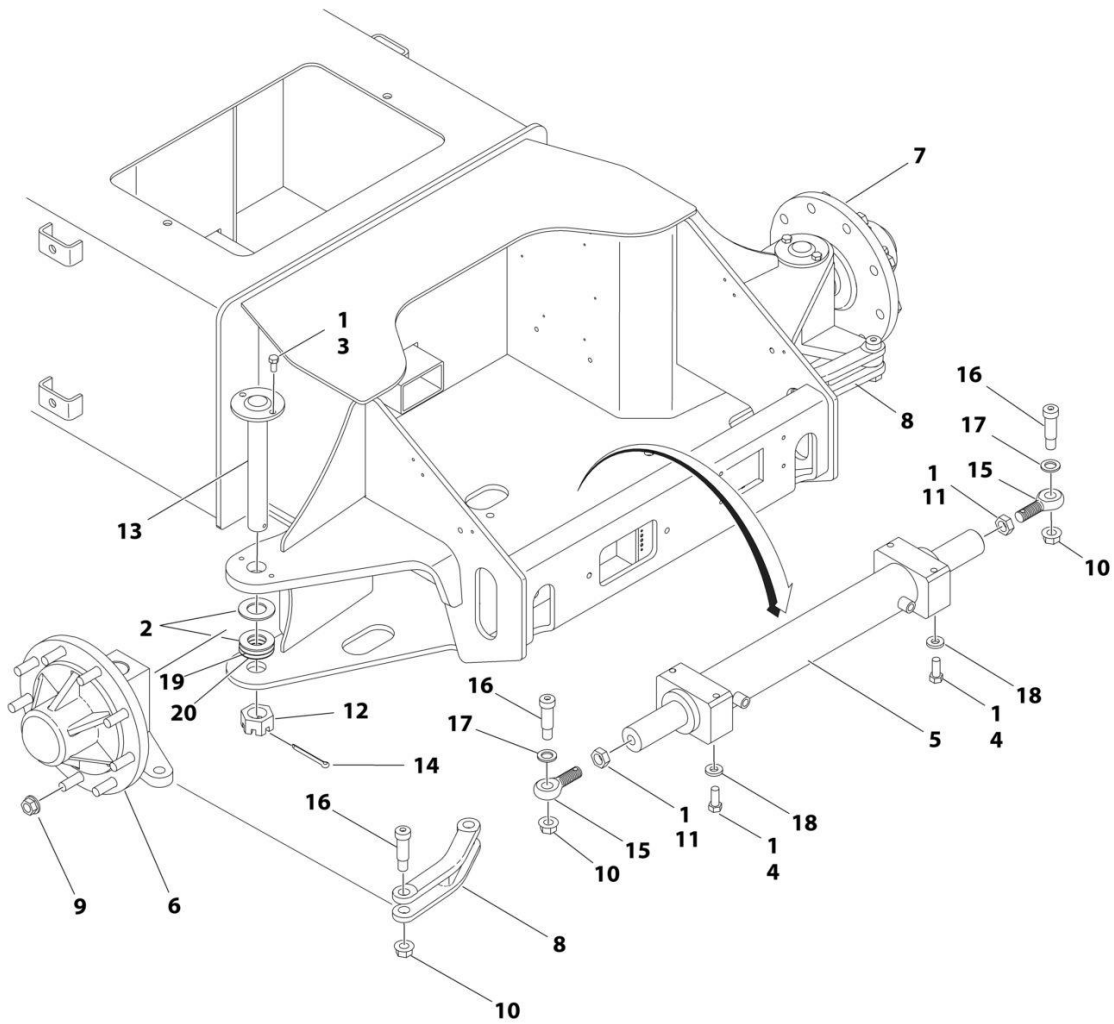
SECTION 1 - FRAME

FIGURE 1-1. STEERING INSTALLATION - E400AJP/M400AJP

ITEM	PART NUMBER	QTY	DESCRIPTION	REV
	1001166414	Ref	STEERING INSTALLATION	D
1	0100011	AR	Compound, Locking	
2	0440162	4	Bearing, Thrust	
3	0641606	4	Bolt, 3/8-16 x 3/4	
4	0681810	4	Bolt, 1/2-13 x 1-1/4, Grade 8	
5	1683591	1	Steering, Cylinder (See CYLINDER SECTION for Breakdown)	
6	2780241	1	Spindle, Hub Assembly RH (See HUB - SPINDLE ASSEMBLY for Breakdown)	
7	2780242	1	Spindle, Hub Assembly LH (See HUB - SPINDLE ASSEMBLY LH for Breakdown)	
8	1001153021	2	Link, Steering	
9	3312008	4	Nut, 5/8-11 Serrated	
10	3322202	2	Nut, Jam	
11	3323003	2	Nut, 1-1/4-12, Castle	
12	3422692	2	Pin, King	
13	3450810	2	Pin, Cotter	
14	3841517	2	End, Tie Rod	
15	3900109	4	Screw, Shoulder	
16	4740156	2	Washer, Thrust	
17	4891800	4	Washer, 1/2	
21	3300426	18	Lugnut, 5/8-18UNF	
22	1001151395	AR	Shim, .048 (SN 0300196083 through 0300208528)	
23	1001151428	AR	Shim, .036 (SN 0300196083 through 0300208528)	

SECTION 1 - FRAME

FIGURE 1-2. STEERING INSTALLATION - E400ANARROW/E400AJPNARROW/M400AJPNARROW



ART_1001171075

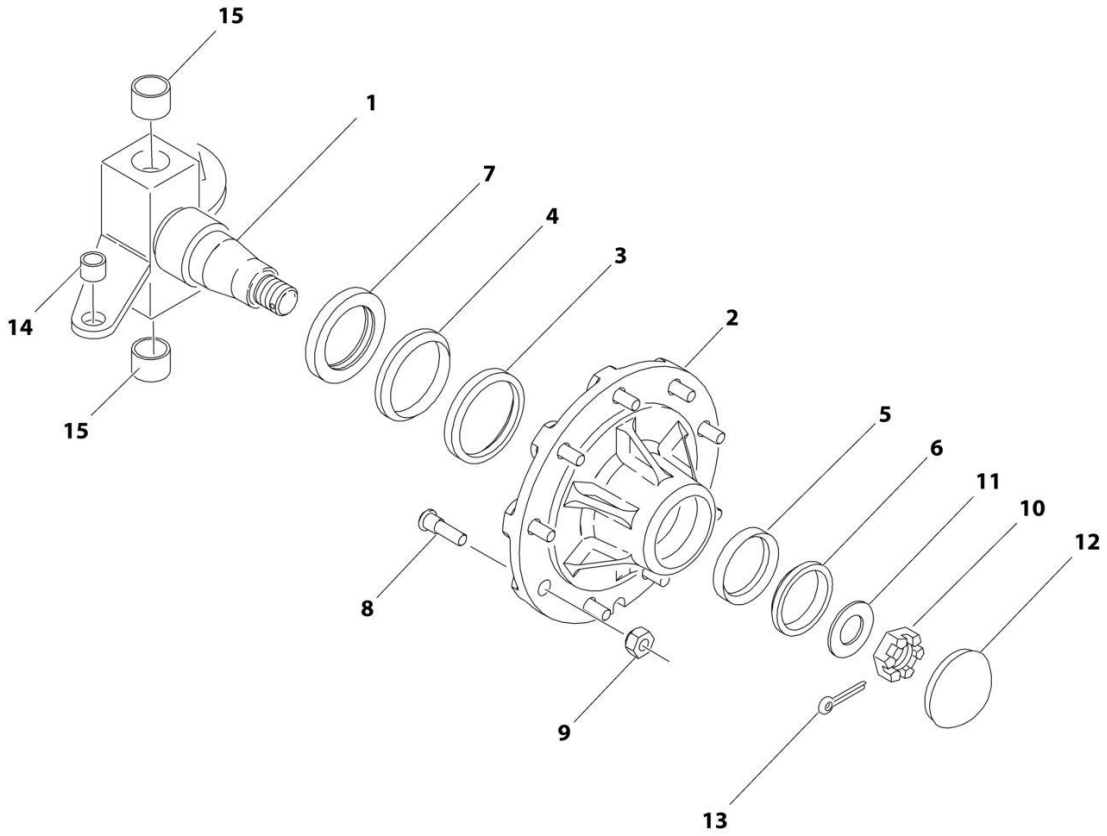
SECTION 1 - FRAME

FIGURE 1-2. STEERING INSTALLATION - E400ANARROW/E400AJPNARROW/M400AJPNARROW

ITEM	PART NUMBER	QTY	DESCRIPTION	REV
	1001171075	Ref	STEERING INSTALLATION	C
1	0100011	AR	Compound, Locking	
2	0440162	4	Bearing, Thrust	
3	0641606	4	Bolt, 3/8-16 x 3/4	
4	0681810	4	Bolt, 1/2-13 x 1-1/4, Grade 8	
5	1683591	1	Steering, Cylinder (See CYLINDER SECTION for Breakdown)	
6	2780251	1	Spindle, Hub Assembly RH (See HUB-SPINDLE ASSEMBLY RH for Breakdown)	
7	2780250	1	Spindle, Hub Assembly LH (See HUB - SPINDLE ASSEMBLY LH for Breakdown)	
8	1001153023	2	Link, Steering	
9	3300426	18	Lugnut, 5/8-18UNF	
10	3312008	4	Nut, 5/8-11 Serrated	
11	3322202	2	Nut, Jam	
12	3323003	2	Nut, 1-1/4-12, Castle	
13	3422692	2	Pin, King	
14	3450810	2	Pin, Cotter	
15	3841517	2	End, Tie Rod	
16	3900109	4	Screw, Shoulder	
17	4740156	2	Washer, Thrust	
18	4891800	4	Washer 1/2	
19	1001151395	AR	Shim, .048 (SN 0300196083 through 0300208528)	
20	1001151428	AR	Shim, .036 (SN 0300196083 through 0300208528)	

SECTION 1 - FRAME

FIGURE 1-3. HUB - SPINDLE ASSEMBLY - RH - E400AJP/M400AJP



ART_2780241

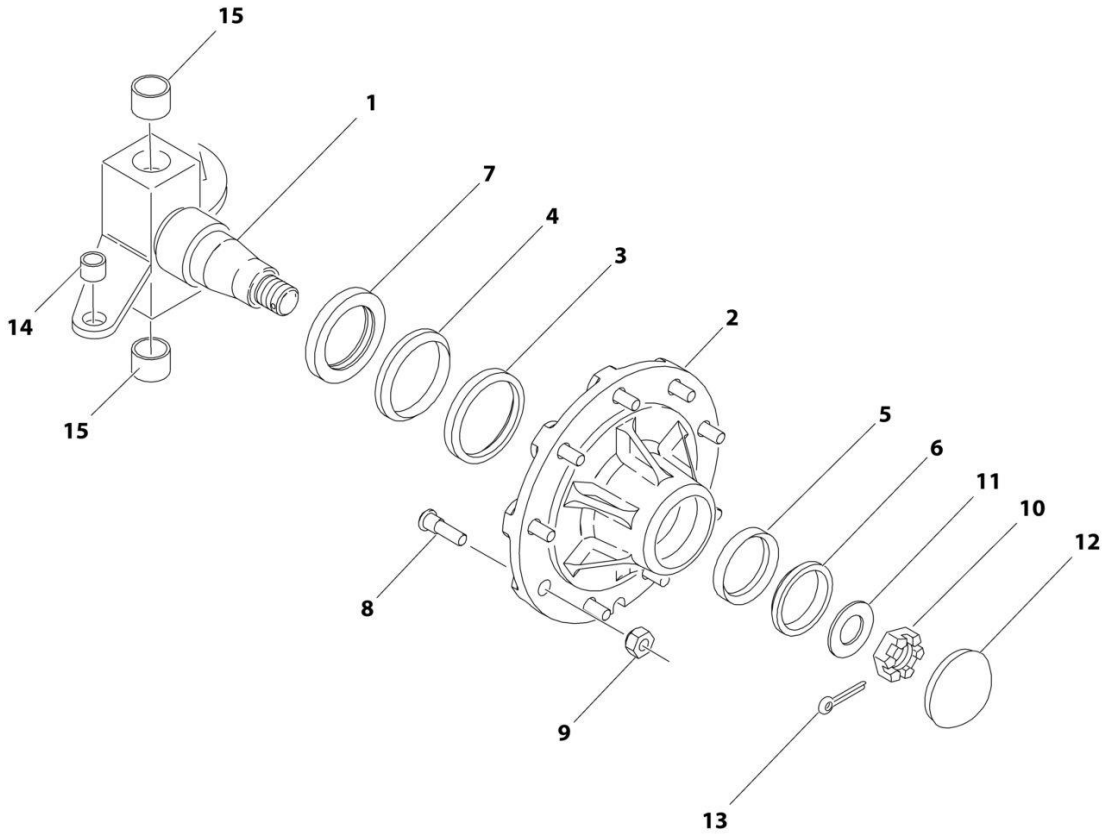
SECTION 1 - FRAME

FIGURE 1-3. HUB - SPINDLE ASSEMBLY - RH - E400AJP/M400AJP

ITEM	PART NUMBER	QTY	DESCRIPTION	REV
	2780241	Ref	HUB - SPINDLE ASSEMBLY - RH	C
1	4130351	1	Spindle RH	
2	7020035	1	Hub	
3	7020036	1	Cup, Bearing - Inner	
4	7020037	1	Cone, Bearing - Inner	
5	7020038	1	Cup, Bearing - Outer	
6	7020039	1	Cone, Bearing - Outer	
7	7020040	1	Seal	
8	7020041	9	Stud, Wheel	
9	7020042	9	Lugnut	
10	7020054	1	Nut, Castle	
11	7020055	1	Washer, Spindle	
12	7020137	1	Dust Cap	
13	7020140	1	Pin, Cotter	
14	0962140	1	Bushing	
15	0961951	2	Bushing	

SECTION 1 - FRAME

FIGURE 1-4. HUB - SPINDLE ASSEMBLY - LH - E400AJP/M400AJP



ART_2780242

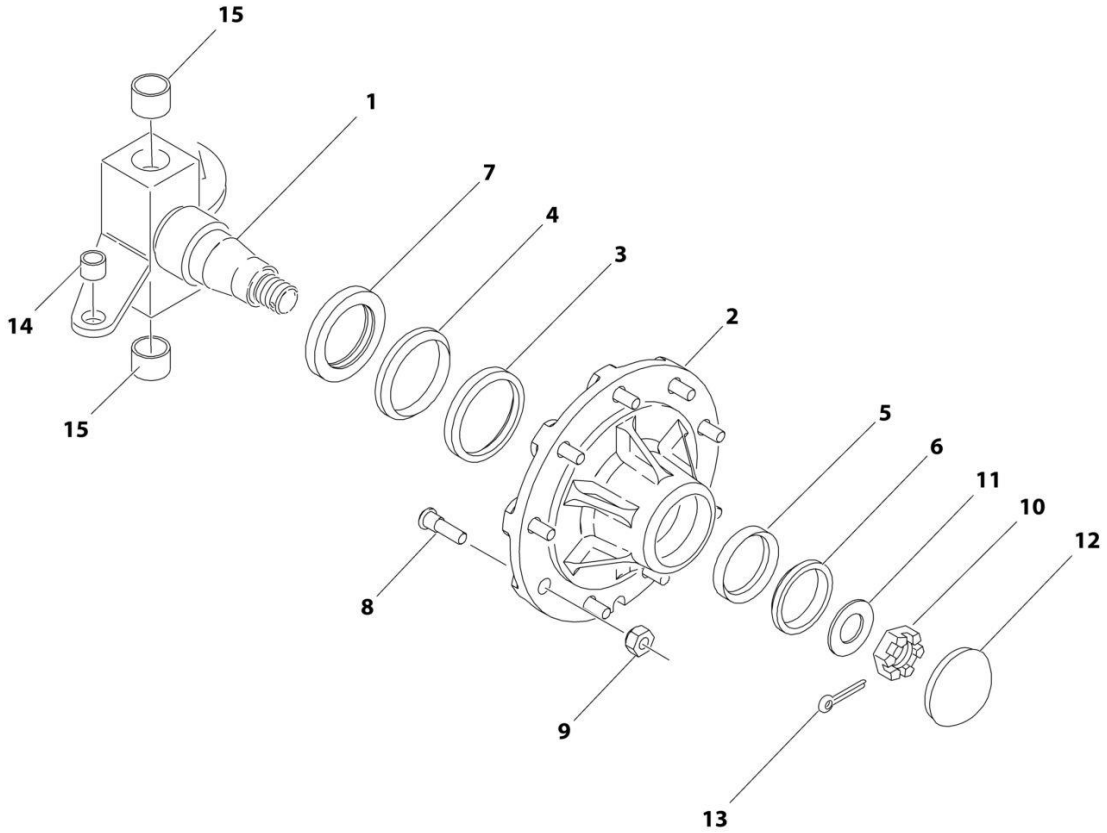
SECTION 1 - FRAME

FIGURE 1-4. HUB - SPINDLE ASSEMBLY - LH - E400AJP/M400AJP

ITEM	PART NUMBER	QTY	DESCRIPTION	REV
	2780242	Ref	HUB - SPINDLE ASSEMBLY - LH	C
1	4130350	1	Spindle, LH	
2	7020035	1	Hub	
3	7020036	1	Cup, Bearing - Inner	
4	7020037	1	Cone, Bearing - Inner	
5	7020038	1	Cup, Bearing - Outer	
6	7020039	1	Cone, Bearing - Outer	
7	7020040	1	Seal	
8	7020041	1	Stud, Wheel	
9	7020042	1	Lugnut	
10	7020054	1	Nut, Castle	
11	7020055	1	Washer, Spindle	
12	7020137	1	Dust Cap	
13	7020140	1	Pin, Cotter	
14	0962140	1	Bushing	
15	0961951	2	Bushing	

SECTION 1 - FRAME

FIGURE 1-5. HUB - SPINDLE ASSEMBLY - RH -
E400ANARROW/E400AJPNARROW/M400AJPNARROW



ART_2780251

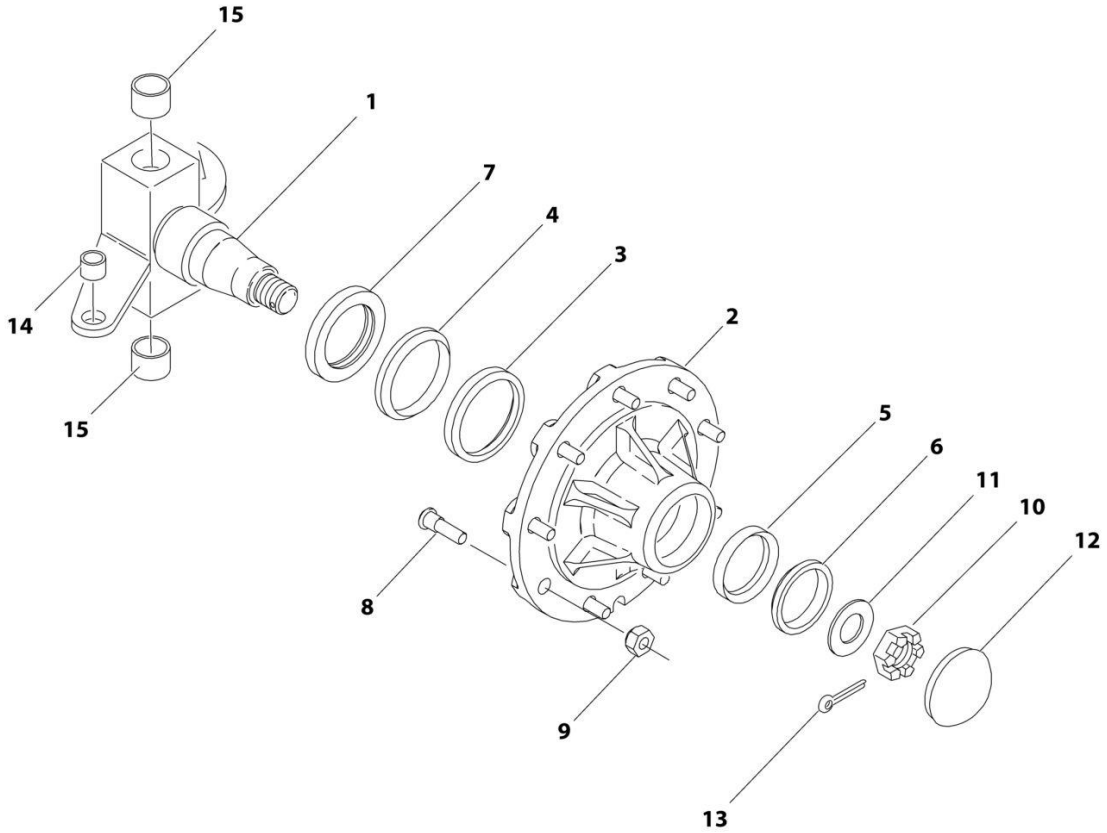
SECTION 1 - FRAME

**FIGURE 1-5. HUB - SPINDLE ASSEMBLY - RH -
E400ANARROW/E400AJPNARROW/M400AJPNARROW**

ITEM	PART NUMBER	QTY	DESCRIPTION	REV
	2780251	Ref	HUB - SPINDLE ASSEMBLY - RH	C
1	7023217	1	Spindle, RH	
2	7020035	1	Hub	
3	7020036	1	Cup, Bearing - Inner	
4	7020037	1	Cone, Bearing - Inner	
5	7020038	1	Cup, Bearing - Outer	
6	7020039	1	Cone, Bearing - Outer	
7	7020040	1	Seal	
8	7020041	9	Stud, Wheel	
9	7020042	9	Lugnut	
10	7020054	1	Nut, Castle	
11	7020055	1	Washer, Spindle	
12	7020137	1	Dust Cap	
13	7020140	1	Pin, Cotter	
14	0962140	1	Bushing	
15	0961951	2	Bushing	

SECTION 1 - FRAME

FIGURE 1-6. HUB - SPINDLE ASSEMBLY - LH -
E400ANARROW/E400AJPNARROW/M400AJPNARROW



ART_2780250

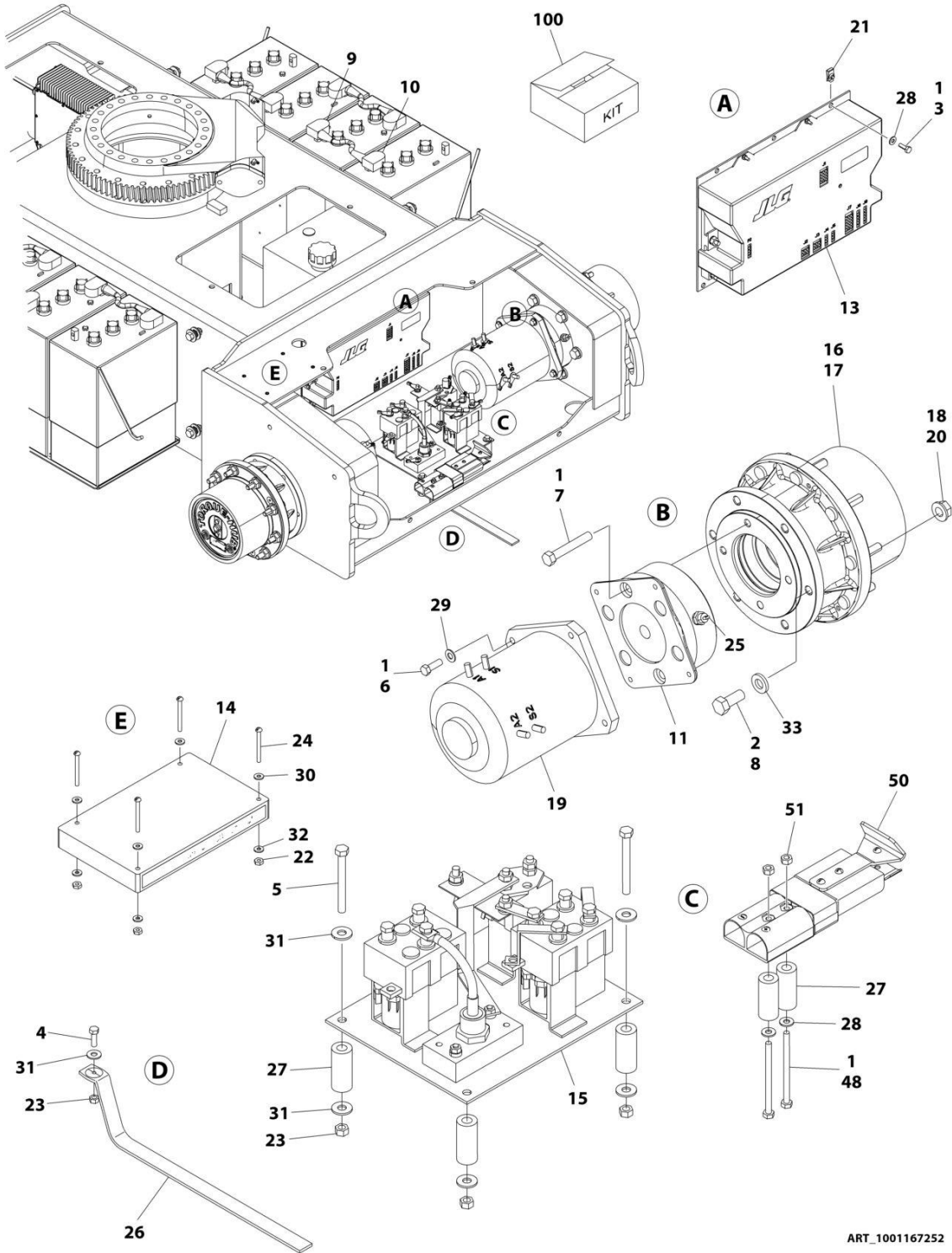
SECTION 1 - FRAME

**FIGURE 1-6. HUB - SPINDLE ASSEMBLY - LH -
E400ANARROW/E400AJPNARROW/M400AJPNARROW**

ITEM	PART NUMBER	QTY	DESCRIPTION	REV
	2780250	Ref	HUB - SPINDLE ASSEMBLY - LH	C
1	7023216	1	Spindle, LH	
2	7020035	1	Hub	
3	7020036	1	Cup, Bearing - Inner	
4	7020037	1	Cone, Bearing - Inner	
5	7020038	1	Cup, Bearing - Outer	
6	7020039	1	Cone, Bearing - Outer	
7	7020040	1	Seal	
8	7020041	1	Stud, Wheel	
9	7020042	1	Lugnut	
10	7020054	1	Nut, Castle	
11	7020055	1	Washer, Spindle	
12	7020137	1	Dust Cap	
13	7020140	1	Pin, Cotter	
14	0962140	1	Bushing	
15	0961951	2	Bushing	

SECTION 1 - FRAME

FIGURE 1-7. WHEEL DRIVE INSTALLATION - E400ANARROW/E400AJP/E400AJPNARROW



ART_1001167252

SECTION 1 - FRAME

FIGURE 1-7. WHEEL DRIVE INSTALLATION - E400ANARROW/E400AJP/E400AJPNARROW

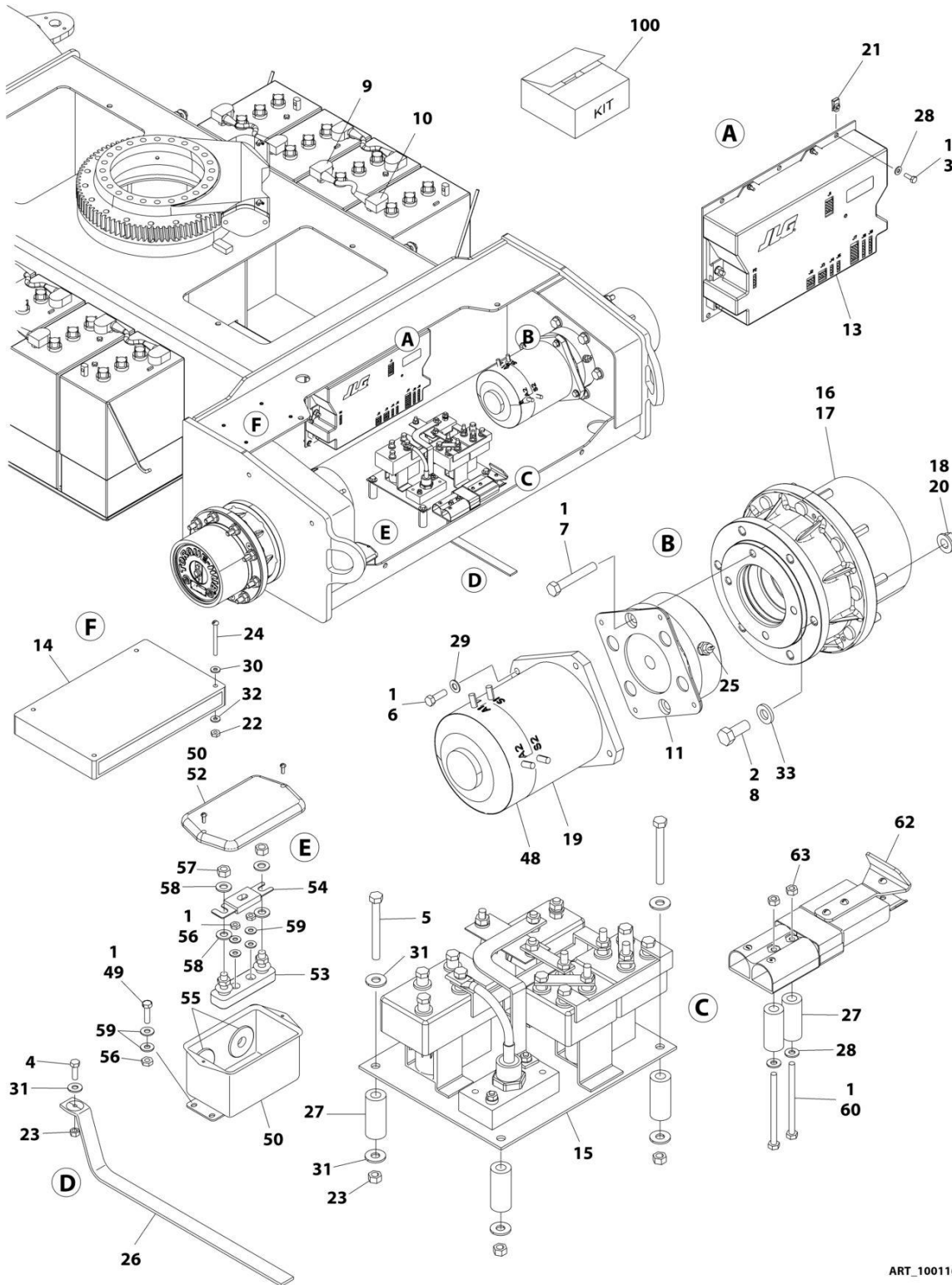
ITEM	PART NUMBER	QTY	DESCRIPTION	REV
	1001167252	Ref	WHEEL DRIVE INSTALLATION	F
1	0100011	AR	Compound, Locking	
2	0100019	AR	Compound, Locking	
3	0641406	5	Bolt, 1/4-20 x 3/4	
4	0641508	1	Bolt, 5/16-18 x 1	
5	0641524	4	Bolt, 5/16-18 x 3	
6	0641609	8	Bolt, 3/8-16 x 1-1/8	
7	0641826	4	Bolt, 1/2-13 x 3-1/4	
8	0682014	12	Bolt, 5/8-11 x 1-3/4, Grade 8	
9	0840031	8	Boot, Terminal d Shaped	
10	0840032	8	Boot, Terminal b Shaped	
11	0920113	2	Brake	
11	See Note	NSS	Ring, Sensor (Note: Use p/n 0920113)	
11	7007977	2	Ring, Bearing Retaining (Large) (1 per Assembly)	
11	7011716	2	Ring, Bearing Retaining (Small) (1 per Assembly)	
11	7007912	4	Lockwasher	
11	7007913	4	Bolt	
11	7011757	2	Complete Repair Kit (Includes Case and Oil Seals, O-Rings, Back-up Rings, Stator and Rotor Discs, Return Plate, Springs, Bearing and Brake to Hub Gasket (1 per Assembly)	
11	2900768	2	Bearing Kit (1 per Assembly)	
11	7007900	2	Seal, Oil - Front (1 per Assembly)	
11	7007933	2	Gasket, Brake to Hub (1 per Assembly)	
11	70002408	2	Gasket, Brake to Motor (1 per Assembly) (Not Included in Repair Kit)	
13	1600292	1	Controller, Power Module	
14	1600293	1	Module, Positrac/Tilt (Note: Re-calibration Required when Replaced)	
15	1600294	1	Controller, Contactor Panel (See ELECTRICAL SECTION for Breakdown)	
16	2780282	2	Drive Hub Assembly (See DRIVE HUB ASSEMBLY for Breakdown)	
17	3020008	1.5 l	Lubricant, Mobilube HD 80W-90	
18	3020037	AR	Lube, Coupling Grease	
19	3160237	2	Motor, Drive (See DRIVE MOTOR ASSEMBLY for Breakdown)	
20	3300426	18	Nut, 5/8-18UNF	
21	3300454	5	Nut, 1/4-20	
22	3310601	4	Nut, #6-32	
23	3311505	5	Nut, Lock, 5/16-18	
24	3910628	4	Screw, #6-32 x 1-3/4	
25	3990105	2	Sensor, Speed	
26	4240084	1	Strap, Anti-Static	
27	4568114	6	Spacer, Tube	
28	4711400	7	Washer, 1/4	
29	4711600	8	Washer, 3/8	
30	4750600	8	Washer, #6	
31	4751500	10	Washer, 5/16	
32	4760600	4	Washer, Lock, #6	
33	4892000	12	Washer, 5/8	
43	4922103	1	Harness, Battery (Not Shown - See ELECTRICAL SECTION for Breakdown) (Prior to SN 0300196083)	

SECTION 1 - FRAME

ITEM	PART NUMBER	QTY	DESCRIPTION	REV
48	0641430	2	Bolt, 1/4-20 x 3-3/4	
50	1320172	1	Handle, Pull	
51	3311401	2	Nut, 1/4-20	
100	1001176310	1	Cable, Kit (See ELECTRICAL SECTION for Breakdown)	

SECTION 1 - FRAME

FIGURE 1-8. WHEEL DRIVE INSTALLATION - E400ANARROW/E400AJP/E400AJPNARROW - UL LISTED



ART_1001167645

SECTION 1 - FRAME

FIGURE 1-8. WHEEL DRIVE INSTALLATION - E400ANARROW/E400AJP/E400AJPNARROW - UL LISTED

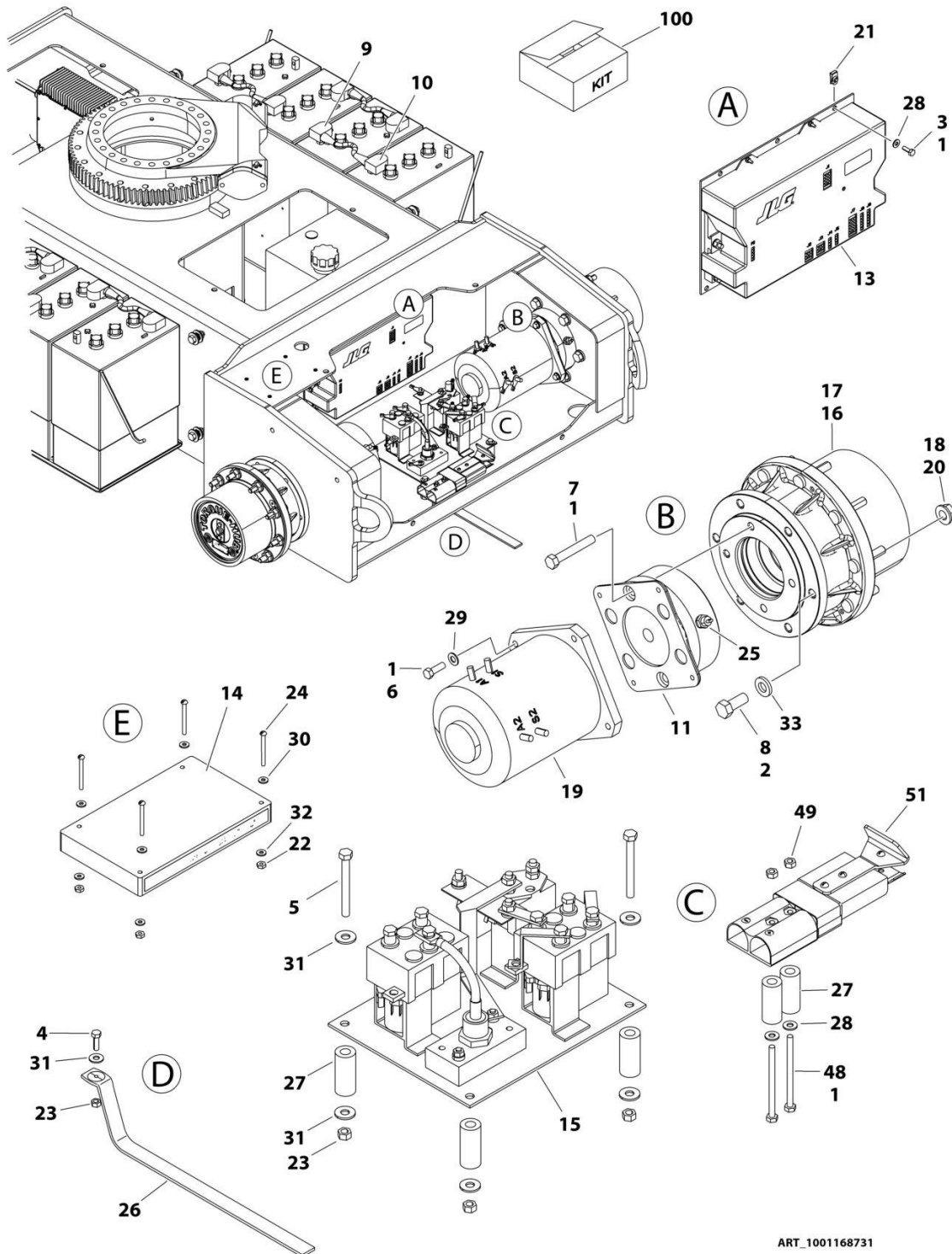
ITEM	PART NUMBER	QTY	DESCRIPTION	REV
	1001167645	Ref	WHEEL DRIVE INSTALLATION	F
1	0100011	AR	Locking Compound	
2	0100019	AR	Locking Compound	
3	0641406	5	Bolt, 1/4-20 x 3/4	
4	0641508	1	Bolt, 5/16-18 x 1	
5	0641524	4	Bolt, 5/16-18 x 3	
6	0641609	8	Bolt, 3/8-16 x 1-1/8	
7	0641826	4	Bolt, 1/2-13 x 3-1/4	
8	0682014	12	Bolt , 5/8-11 x 1-3/4, Grade 8	
9	0840031	8	Boot, Terminal d Shaped	
10	0840032	8	Boot, Terminal b Shaped	
11	0920113	2	Brake, Multi-Disc	
11	See Note	NSS	Ring, Sensor (Note: Use p/n 0920113)	
11	7007977	2	Ring, Bearing Retaining (Large) (1 per Assembly)	
11	7011716	2	Ring, Bearing Retaining (Small) (1 per Assembly)	
11	7007912	4	Lockwasher	
11	7007913	4	Bolt	
11	7011757	2	Complete Repair Kit (Includes Case and Oil Seals, O-Rings, Back-up Rings, Stator and Rotor Discs, Return Plate, Springs, Bearing and Brake to Hub Gasket (1 per Assembly)	
11	2900768	2	Bearing Kit (1 per Assembly)	
11	7007900	2	Seal, Oil - Front (1 per Assembly)	
11	7007933	2	Gasket, Brake to Hub (1 per Assembly)	
11	70002408	2	Gasket, Brake to Motor (1 per Assembly) (Not Included in Repair Kit)	
13	1600292	1	Controller, Power Module	
14	1600293	1	Module, Positrac/Tilt (Note: Re-calibration Required when Replaced)	
15	1600300	1	Controller, UL Contactor Panel (See ELECTRICAL SECTION for Breakdown)	
16	2780282	2	Drive Hub Assembly (See DRIVE HUB ASSEMBLY for Breakdown)	
17	3020008	1.5 l	Lubricant, Mobilube HD 80W-90	
18	3020037	AR	Lube, Coupling Grease	
19	3160237	2	Motor, Drive (See DRIVE MOTOR ASSEMBLY for Breakdown)	
20	3300426	18	Nut, Flange, 5/8-18UNF	
21	3300454	5	Nut, 1/4-20	
22	3310601	4	Nut, #6-32	
23	3311505	5	Nut, Lock, 5/16-18	
24	3910628	4	Screw, #6-32 x 1-3/4	
25	3990105	2	Speed Sensor, Assembly	
26	4240084	1	Strap, Anti-Static	
27	4568114	6	Tube, Spacer	
28	4711400	7	Washer, 1/4	
29	4711600	8	Washer, 3/8	
30	4750600	8	Washer, #6	
31	4751500	10	Washer, 5/16	
32	4760600	4	Washer, Lock, #6	
33	4892000	12	Washer, 5/8	
43	4922103	1	Harness, Battery Charger (Not Shown - See ELECTRICAL	

SECTION 1 - FRAME

ITEM	PART NUMBER	QTY	DESCRIPTION	REV
			SECTION for Breakdown) (Prior to SN 0300196083)	
48	0340047	2	Band, Motor	
49	0721006	4	Bolt, #10-24 x .750	
50	0861375	1	Cover	
52	1704712	1	Decal, 300Amp Fuse	
53	2400044	1	Fuse, Mounting Block	
54	2400062	1	Fuse, 300Amp	
55	2540037	2	Grommet	
56	3311001	6	Nut, #10-24	
57	3311501	2	Nut, 5/16-18	
58	4711500	4	Washer, 5/16	
59	4751000	12	Washer, #10	
60	0641430	2	Bolt, 1/4-20 x 3-3/4	
62	1320172	1	Handle, Pull	
63	3311401	2	Nut, 1/4-20	
100	1001176309	1	Cable, Kit (See ELECTRICAL SECTION for Breakdown)	

SECTION 1 - FRAME

FIGURE 1-9. WHEEL DRIVE INSTALLATION - M400AJP/M400AJPNARROW



ART_1001168731

SECTION 1 - FRAME

FIGURE 1-9. WHEEL DRIVE INSTALLATION - M400AJP/M400AJPNARROW

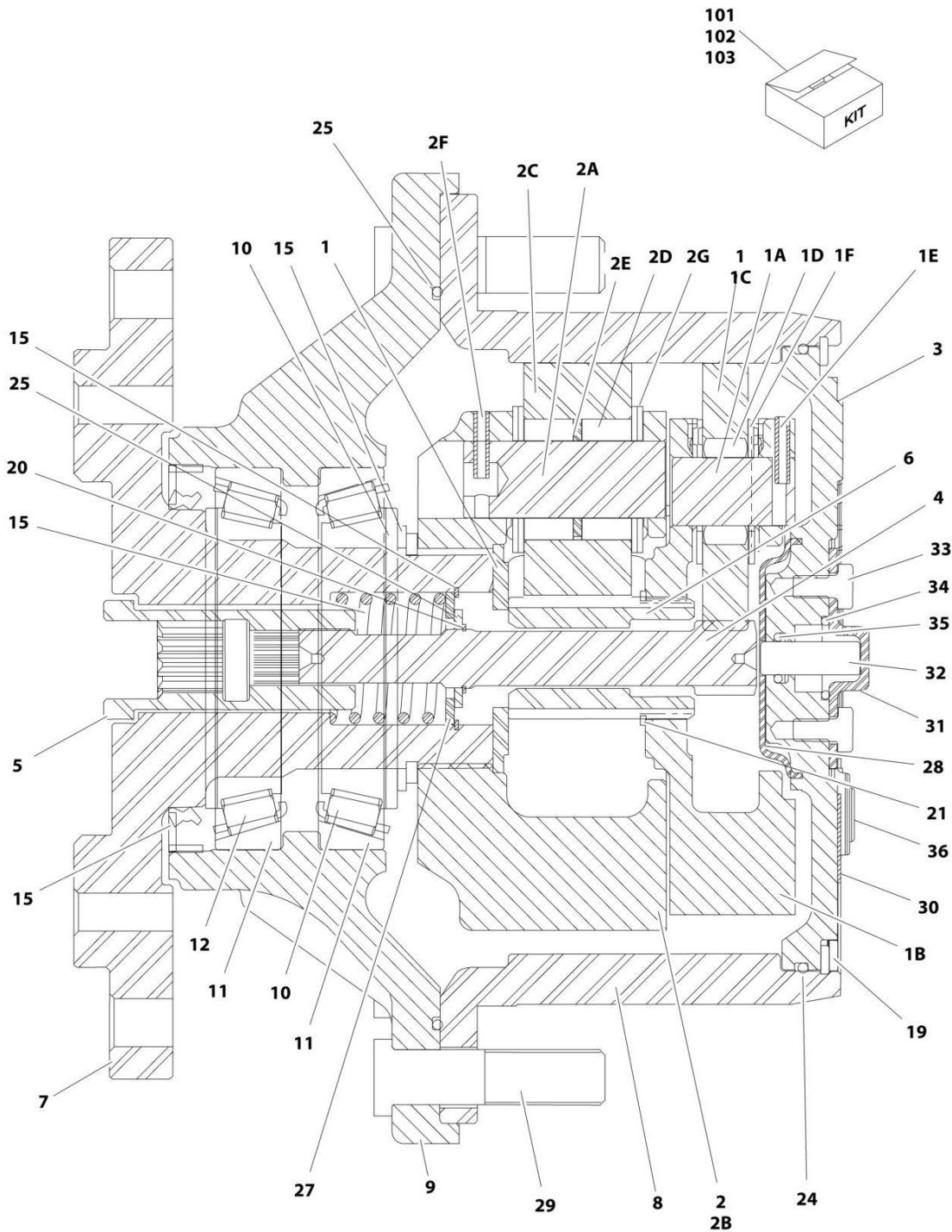
ITEM	PART NUMBER	QTY	DESCRIPTION	REV
	1001168731	Ref	WHEEL DRIVE INSTALLATION	E
1	0100011	AR	Locking Compound	
2	0100019	AR	Locking Compound	
3	0641406	5	Bolt, 1/4-20 x 3/4	
4	0641508	1	Bolt, 5/16-18 x 1	
5	0641524	4	Bolt, 5/16-18 x 3	
6	0641609	8	Bolt, 3/8-16 x 1-1/8	
7	0641826	4	Bolt, 1/2-13 x 3-1/4	
8	0682012	12	Bolt, 5/8-11 x 1-1/2, Grade 8	
9	0840031	8	Boot, Terminal d Shaped	
10	0840032	8	Boot, Terminal b Shaped	
11	0920113	2	Brake, Multi-Disc	
11	See Note	NSS	Ring, Sensor (Note: Use p/n 0920113)	
11	7007977	2	Ring, Bearing Retaining (Large) (1 per Assembly)	
11	7011716	2	Ring, Bearing Retaining (Small) (1 per Assembly)	
11	7007913	4	Bolt	
11	7011757	2	Complete Repair Kit (Includes Case and Oil Seals, O-Rings, Back-up Rings, Stator and Rotor Discs, Return Plate, Springs, Bearing and Brake to Hub Gasket (1 per Assembly)	
11	2900768	2	Bearing Kit (1 per Assembly)	
11	7007900	2	Seal, Oil - Front (1 per Assembly)	
11	7007933	2	Gasket, Brake to Hub (1 per Assembly)	
11	70002408	2	Gasket, Brake to Motor (1 per Assembly) (Not Included in Repair Kit)	
13	1600292	1	Controller, Power Module	
14	1600293	1	Module, Positrac/Tilt (Note: Re-calibration Required when Replaced)	
15	1600294	1	Contactor, Dual Motor Panel (See ELECTRICAL SECTION for Breakdown)	
16	2780282	2	Drive Hub Assembly (See DRIVE HUB ASSEMBLY for Breakdown)	
17	3020008	1.5 l	Lubricant, Mobilube HD 80W-90	
18	3020037	AR	Lube, Coupling Grease	
19	3160237	2	Motor (See DRIVE MOTOR ASSEMBLY for Breakdown)	
20	3300426	18	Nut, Flange, 5/8-18UNF	
21	3300454	5	Nut, 1/4-20	
22	3310601	4	Nut, #6-32	
23	3311505	5	Nut, Lock, 5/16-18	
24	3910624	4	Screw, 6-32 x 1-1/2	
25	3990105	2	Speed Sensor, Assembly	
26	4240084	1	Strap, Anti-Static	
27	4568114	6	Tube, Spacer	
28	4711400	7	Washer, 1/4	
29	4711600	8	Washer, 3/8	
30	4750600	8	Washer, #6	
31	4751500	10	Washer, 5/16	
32	4760600	4	Washer, Lock, #6	
33	4892000	12	Washer, 5/8	
43	4922103	1	Harness, Battery Charger (Not Shown - See ELECTRICAL SECTION for Breakdown) (Prior to SN 0300196083)	
48	0641430	2	Bolt, 1/4-20 x 3-3/4	

SECTION 1 - FRAME

ITEM	PART NUMBER	QTY	DESCRIPTION	REV
49	3311401	2	Nut, 1/4-20	
51	1320172	1	Handle, Pull	
100	1001176311	1	Cable, Kit (See ELECTRICAL SECTION for Breakdown)	

SECTION 1 - FRAME

FIGURE 1-10. HUB - DRIVE ASSEMBLY



ART_2780282

SECTION 1 - FRAME

FIGURE 1-10. HUB - DRIVE ASSEMBLY

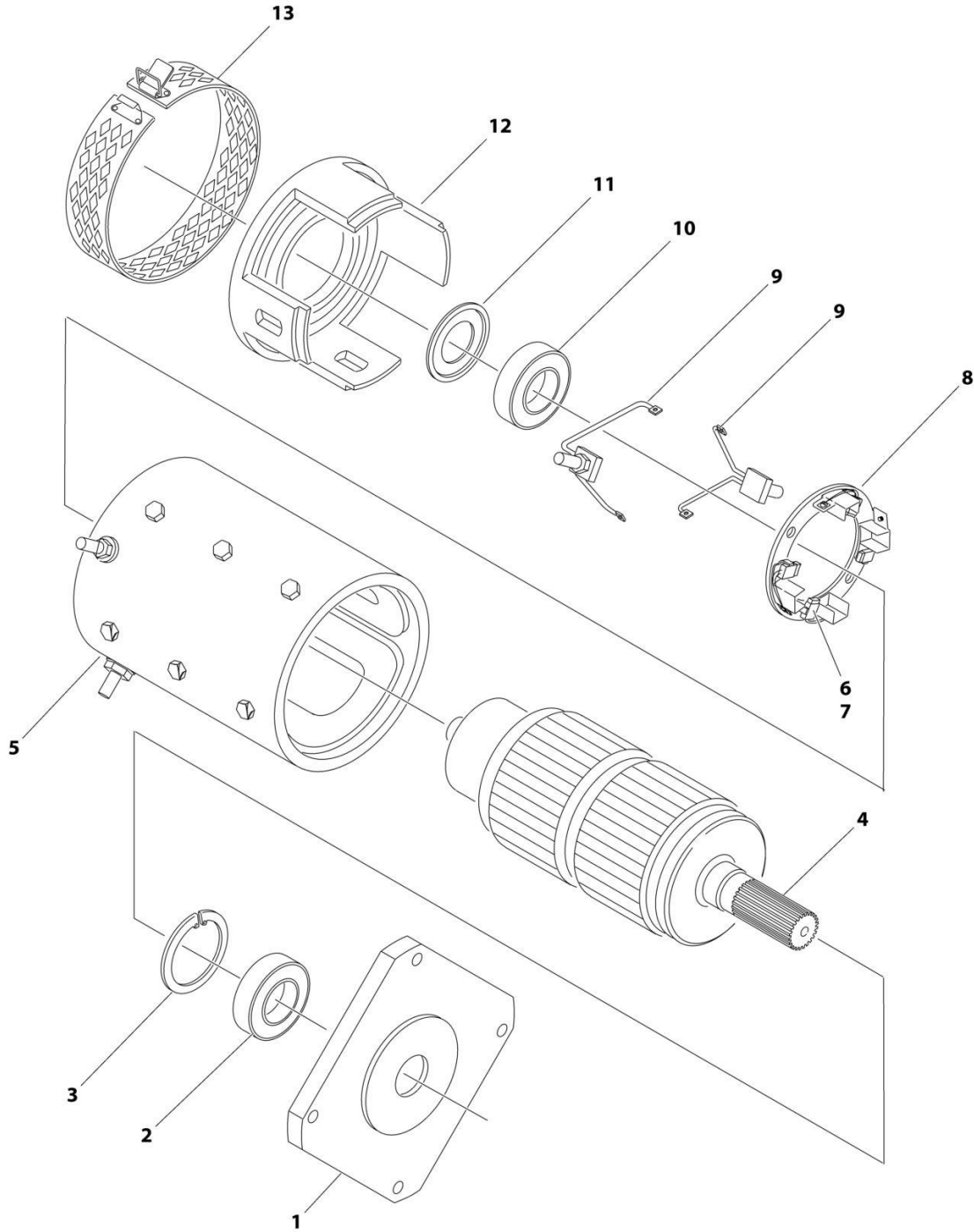
ITEM	PART NUMBER	QTY	DESCRIPTION	REV
	2780282	Ref	HUB - DRIVE ASSEMBLY	A
1	70001366	1	Carrier, Sub Assembly	
1A	See Note	NSS	Shaft, Planet (Note: Use Item 1)	
1B	See Note	NSS	Carrier (Note: Use Item 1)	
1C	See Note	NSS	Gear, Planet (Note: Use Item 1)	
1D	See Note	NSS	Bearing, Needle (Note: Use Item 1)	
1E	See Note	NSS	Pin, Roll (Note: Use Item 1)	
1F	See Note	NSS	Washer, Thrust (Note: Use Item 1)	
2	70001367	1	Carrier, Input	
2A	See Note	NSS	Shaft, Planet (Note: Use Item 2)	
2B	See Note	NSS	Carrier (Note: Use Item 2)	
2C	See Note	NSS	Gear, Planet (Note: Use Item 2)	
2D	See Note	NSS	Bearing, Needle (Note: Use Item 2)	
2E	See Note	NSS	Spacer, Thrust (Note: Use Item 2)	
2F	See Note	NSS	Pin, Roll (Note: Use Item 2)	
2G	See Note	NSS	Washer, Thrust (Note: Use Item 2)	
2H	See Note	NSS	Washer, Thrust (Note: Use Item 2)	
3	70001368	1	Cover	
4	70001369	1	Shaft, Input	
5	70001370	1	Coupling	
6	70001371	1	Shaft, Sun Gear	
7	70001372	1	Spindle	
8	70001373	1	Gear, Ring	
9	See Note	NSS	Housing (Note: Use p/n 2780282)	
10	See Note	NSS	Bearing, Tapered-Cone (Note: Use Item 101)	
11	See Note	NSS	Bearing, Tapered-Cup (Note: Use Item 101)	
12	See Note	NSS	Bearing, Tapered-Cone (Note: Use Item 101)	
13	7017009	1	Washer, Thrust	
15	See Note	NSS	Seal, Lip (Note: Use Item 102)	
16	70001374	1	Spring	
17	70001375	1	Ring, Retaining (Internal)	
18	See Note	NSS	Ring, Retaining (External) (Note: Use Item 102)	
19	7024738	1	Ring, Retaining (Internal)	
20	70001376	1	Ring, Retaining (External)	
21	70001377	1	Ring, Retaining (External)	
22	7000281	4	Screw (Not Shown - ID Plate Screws)	
23	7017022	3	Bolt, Flathead (Not Shown - Located on front of hub)	
24	See Note	NSS	O-Ring (Note: Use Item 102)	
25	See Note	NSS	O-Ring (Note: Use Item 102)	
26	70001378	1	Spacer, Thrust	
27	70001379	1	Washer, Thrust	
28	7024741	1	Spacer, Thrust	
29	7007640	9	Stub, Wheel	
30	See Note	NSS	Flange, Plate (Note: Use Item 103)	
31	See Note	NSS	Cap, Disengage (Note: Use Item 103)	
32	See Note	NSS	Pin, Dowel (Note: Use Item 103)	
33	See Note	NSS	Bolt (Note: Use Item 103)	
34	See Note	NSS	O-Ring (Note: Use Item 103)	
35	See Note	NSS	O-Ring (Note: Use Item 103)	
36	See Note	NSS	Plug (Note: Use Item 103)	

SECTION 1 - FRAME

ITEM	PART NUMBER	QTY	DESCRIPTION	REV
101	7017007	1	Bearing Kit - Planet Gear (Includes Items 10-12)	
102	70001380	1	Seal Kit - Planet Gear (Includes Items 15, 18, 24 & 25)	
103	70001368	1	Cap/Disengage Kit (Includes Items 30-36)	

SECTION 1 - FRAME

FIGURE 1-11. DRIVE MOTOR ASSEMBLY



ART_3160237

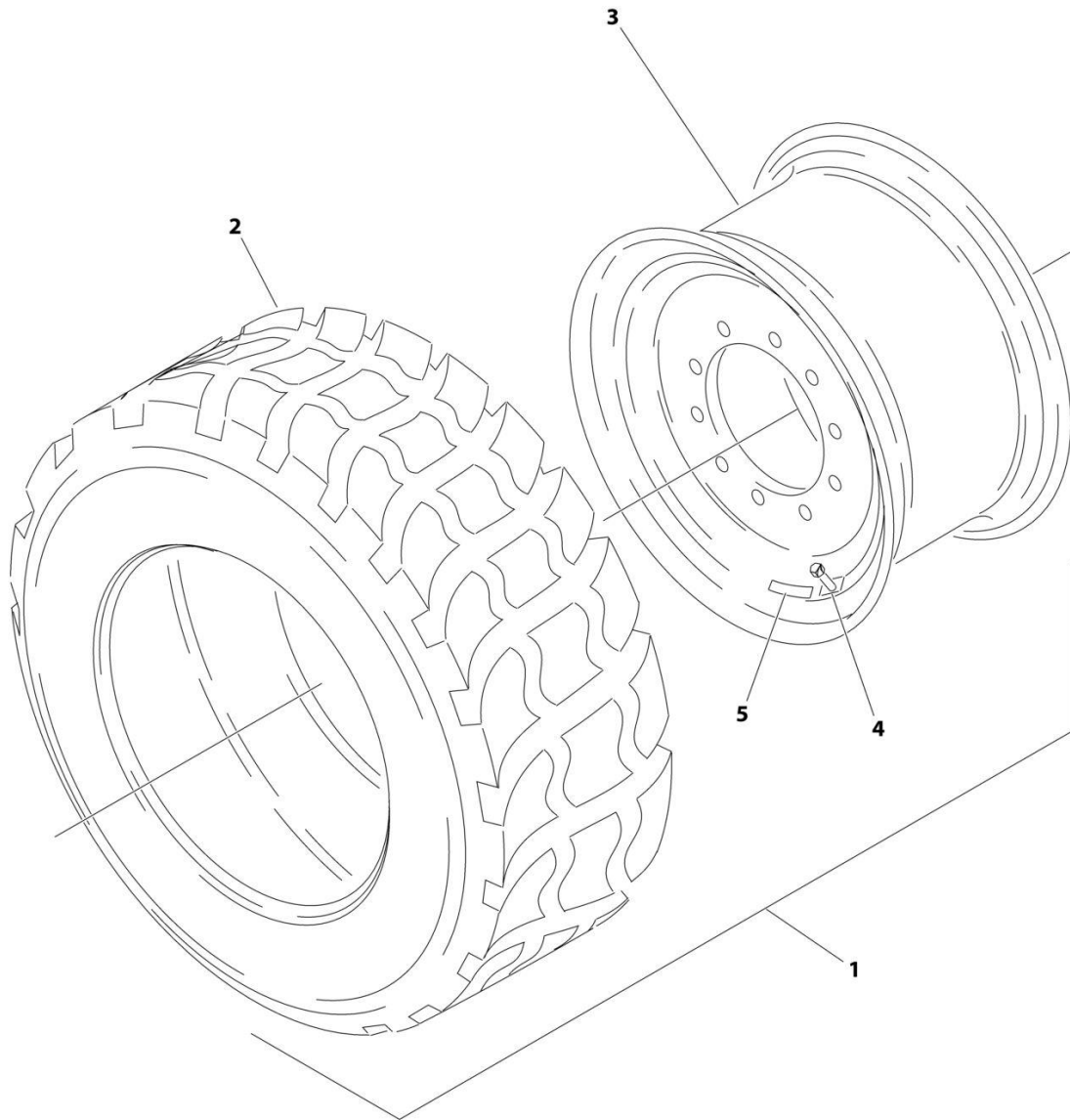
SECTION 1 - FRAME

FIGURE 1-11. DRIVE MOTOR ASSEMBLY

ITEM	PART NUMBER	QTY	DESCRIPTION	REV
	3160237	Ref	DRIVE MOTOR ASSEMBLY	F
1	7020184	1	Plate, Drive End	
2	7012545	1	Bearing	
3	7020185	1	Ring, Retaining	
4	See Note	NSS	Armature (Note: Use p/n 3160237)	
5	See Note	NSS	Frame and Field Assembly (Note: Use p/n 3160237)	
6	7012548	4	Spring, Brush	
7	7020149	4	Brush	
8	7020150	1	Holder, Brush	
9	7020151	2	Brush Lead Assembly Kit	
10	7012545	1	Bearing	
11	7012549	1	Washer	
12	7020189	1	End, Commutator	
13	7019609	1	Headband Assembly	

SECTION 1 - FRAME

FIGURE 1-12. TIRE/WHEEL - IN240/55-17.5 PNEUMATIC



ART_0258995

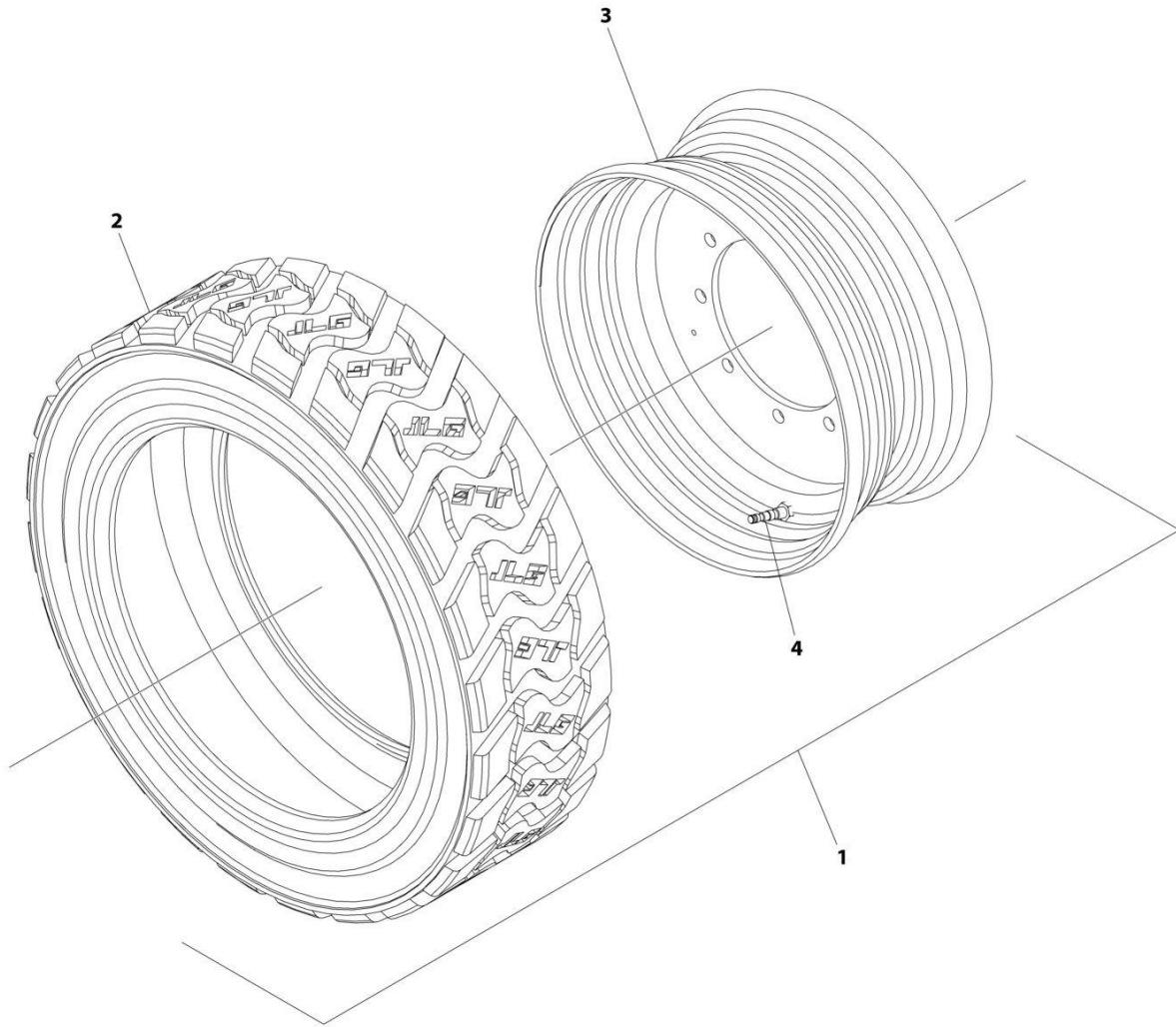
SECTION 1 - FRAME

FIGURE 1-12. TIRE/WHEEL - IN240/55-17.5 PNEUMATIC

ITEM	PART NUMBER	QTY	DESCRIPTION	REV
	0258995	Ref	TIRE/WHEEL - IN240/55-17.5 PNEUMATIC	1
1	0258688	4	Tire Assembly	2
2	4520209	1	Tire, OTR, IN240/55-17.5 Pneumatic	
3	4860191	1	Rim, Wheel	
4	4641167	1	Valve, Stem	
5	1702740	1	Decal - Tire Pressure	

SECTION 1 - FRAME

FIGURE 1-13. TIRE/WHEEL - IN240/55 - 17.5 FOAM FILL



ART_0258996

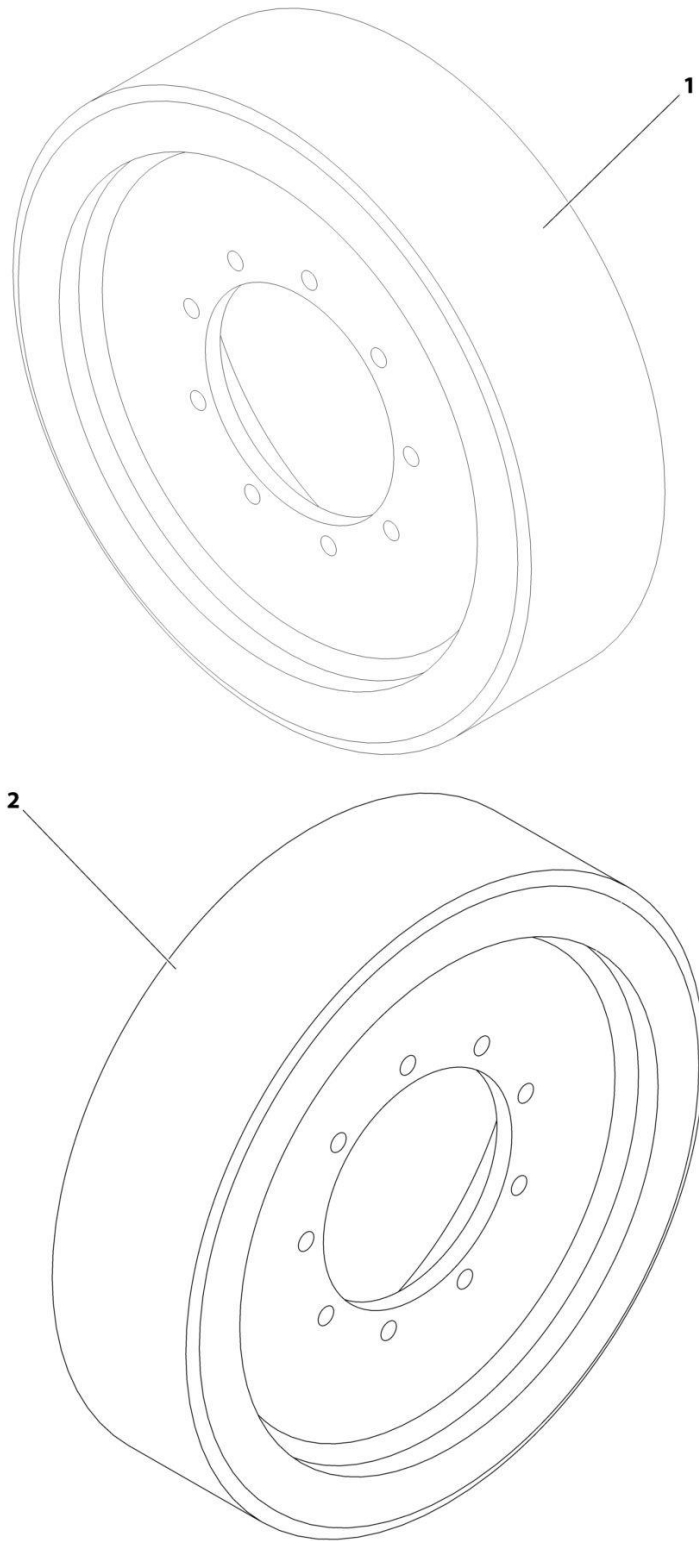
SECTION 1 - FRAME

FIGURE 1-13. TIRE/WHEEL - IN240/55 - 17.5 FOAM FILL

ITEM	PART NUMBER	QTY	DESCRIPTION	REV
1	0258996	Ref	TIRE/WHEEL - IN240/55 - 17.5 FOAM FILL	1
	0258997	4	Tire Assembly	D
	See Note	Ref	Note: Assemblies may require ballast/foam filling to manufacture's specifications prior to installing on a machine. Refer to Operation and Safety or Service and Maintenance Manuals. Purchase Individual tire and/or rim only if able to foam fill tire and wheel assembly, otherwise, purchase complete assembly	
2	4520209	1	Tire, OTR, IN240/55-17.5	
3	4860191	1	Rim, Wheel	
4	4641122	1	Valve, Stem	

SECTION 1 - FRAME

FIGURE 1-14. TIRE/WHEEL - SOLID NON-MARKING



ART_0270028

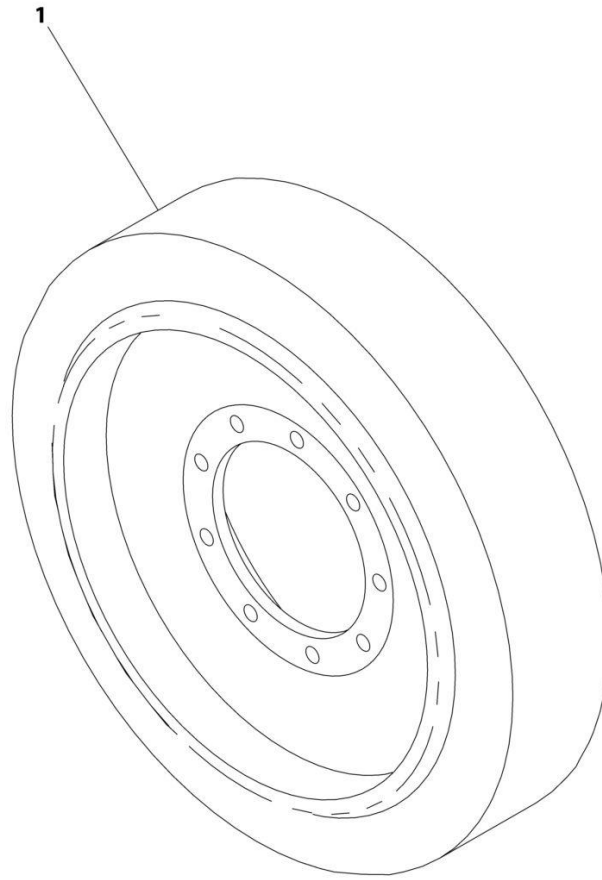
SECTION 1 - FRAME

FIGURE 1-14. TIRE/WHEEL - SOLID NON-MARKING

ITEM	PART NUMBER	QTY	DESCRIPTION	REV
	0270028	Ref	TIRE/WHEEL - SOLID NON-MARKING	C
		Ref	E400Anarrow/E400AJPnarrow/M400AJPnarrow Machines Only	
		Ref	Note: Must replace Tire and Wheel Assemblies in pairs per axle.	
1	1001110772	2	25 x 7 x 16 - Solideal Tire and Wheel (Drive Axle Tire)	
2	1001110774	2	22 x 6 x 17.75 - Solideal Tire and Wheel (Steer Axle Tire)	

SECTION 1 - FRAME

FIGURE 1-15. TIRE/WHEEL - 26 X 7 X 20 - SOLID NON MARKING



ART_0270037

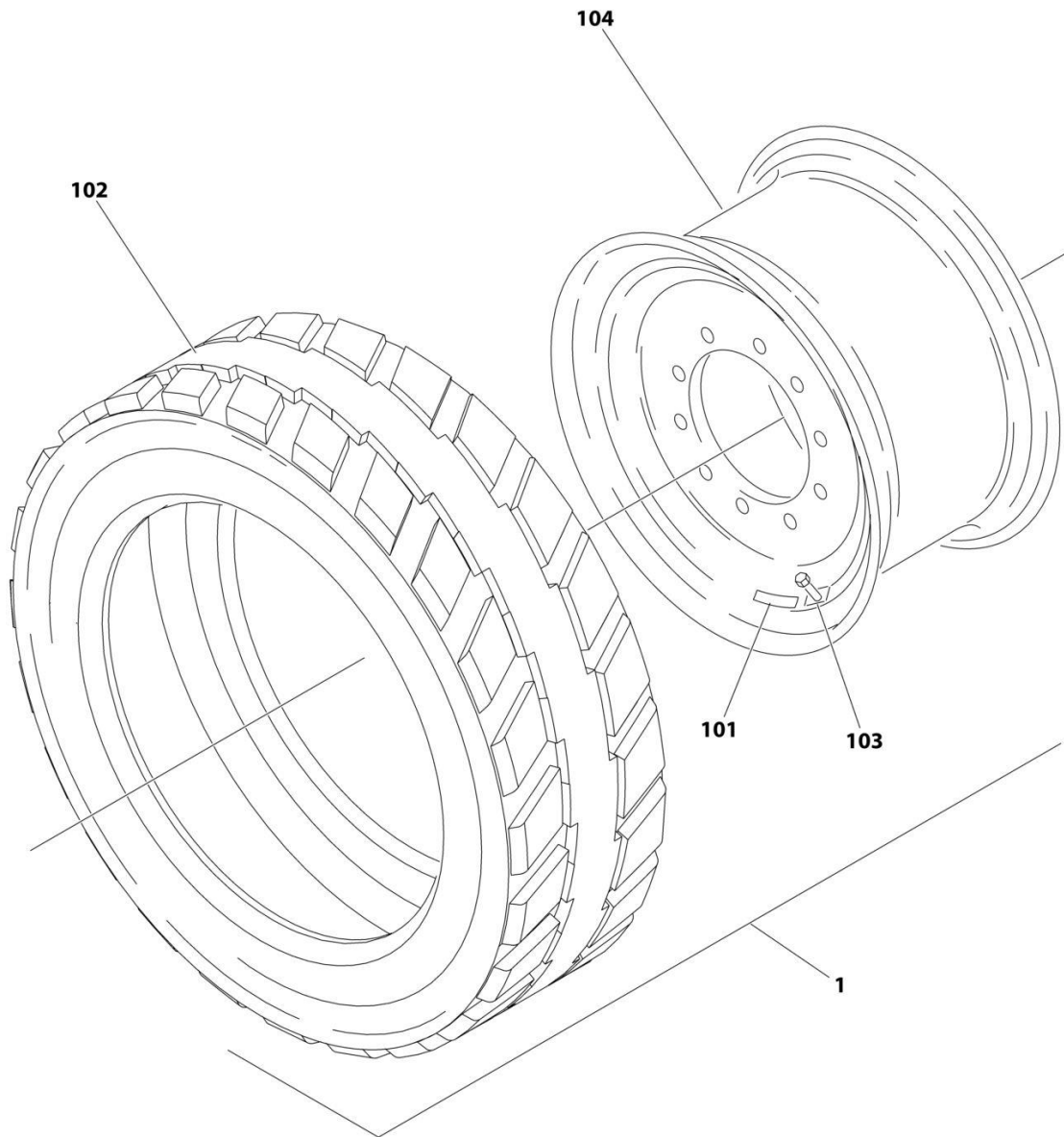
SECTION 1 - FRAME

FIGURE 1-15. TIRE/WHEEL - 26 X 7 X 20 - SOLID NON MARKING

ITEM	PART NUMBER	QTY	DESCRIPTION	REV
	0270037	Ref	TIRE/WHEEL - 26 X 7 X 20 - SOLID NON MARKING	2
	See Note	Ref	Note: Must replace Tire and Wheel Assemblies in pairs per axle.	
1	1001110775	4	Tire Assembly	B

SECTION 1 - FRAME

FIGURE 1-16. TIRE/WHEEL - IN240/55-17.5 PNEUMATIC NON MARKING



ART_0273683

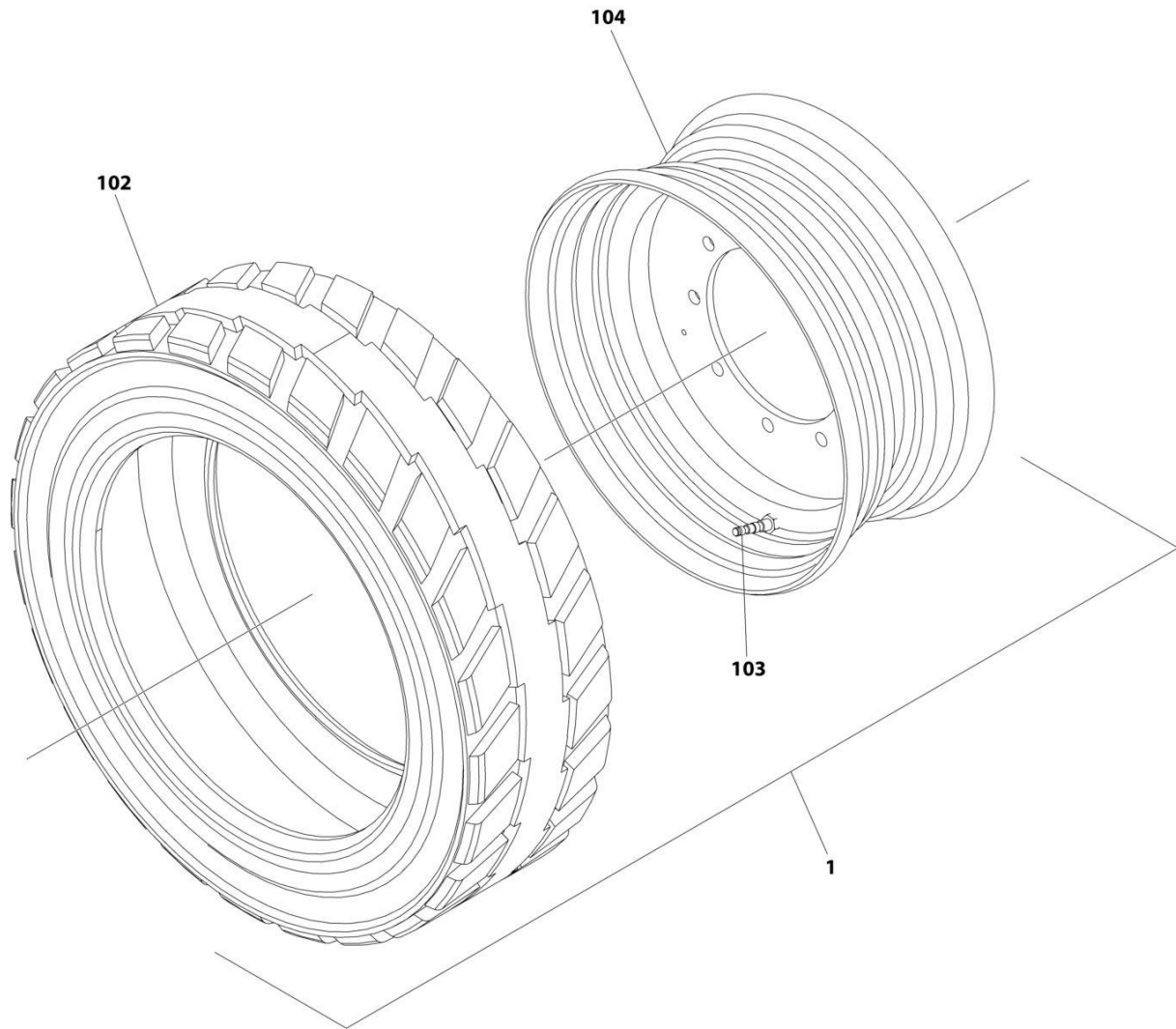
SECTION 1 - FRAME

FIGURE 1-16. TIRE/WHEEL - IN240/55-17.5 PNEUMATIC NON MARKING

ITEM	PART NUMBER	QTY	DESCRIPTION	REV
	0273683	Ref	TIRE/WHEEL - IN240/55-17.5 PNEUMATIC NON MARKING	A
		Ref	Note: Assemblies may require ballast/foam filling to manufacturer's prior to installing on a machine. Refer to Operation and Safety or Service and Maintenance Manuals. Purchase individual tire and/or rim only if able to foam fill tire and wheel assembly, otherwise purchase complete assembly.	
1	4520279	4	Tire and Wheel Assembly	
101	1702740	1	Decal - Tire Pressure	
102	4520269	1	IN240/55-17.5 Non-Marking Tire with Lighting Tread Pattern	
103	4641167	1	Valve	
104	4860191	1	Rim, Wheel	

SECTION 1 - FRAME

FIGURE 1-17. TIRE/WHEEL - IN240/55-17.5 FOAM FILL NON MARKING



ART_0273684

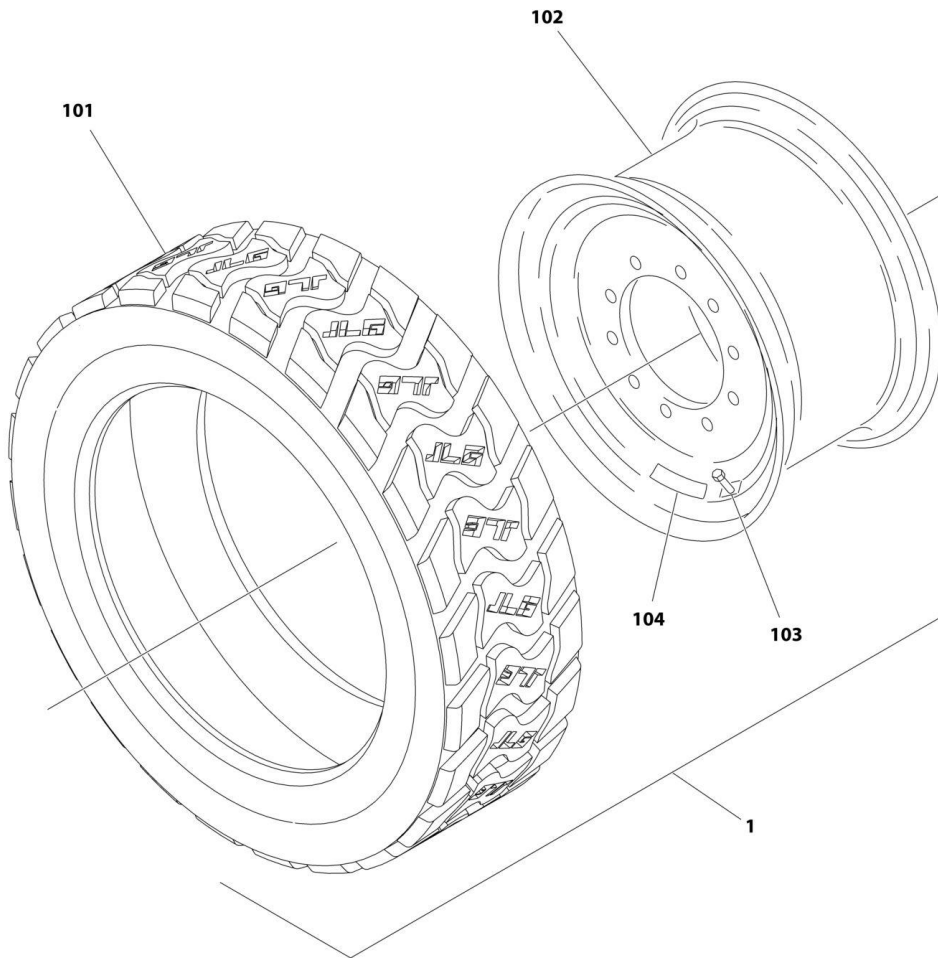
SECTION 1 - FRAME

FIGURE 1-17. TIRE/WHEEL - IN240/55-17.5 FOAM FILL NON MARKING

ITEM	PART NUMBER	QTY	DESCRIPTION	REV
	0273684	Ref	TIRE/WHEEL - IN240/55-17.5 FOAM FILL NON MARKING	A
		Ref	Note: Assemblies may require ballast/foam filling to manufacturer's specifications prior to installing on a machine. Refer to Operation and Safety or Service and Maintenance Manuals. Purchase individual tire and/or rim only if able to foam fill tire and wheel assembly, otherwise, purchase complete assembly.	
1	0273468	4	Tire Assembly	F
102	4520269	1	Tire, OTR, IN240/55-17.5 Foam Filled Non Marking	
103	4641122	1	Valve, Stem	
104	4860191	1	Rim, Wheel	

SECTION 1 - FRAME

FIGURE 1-18. TIRE/WHEEL - IN240/55-17.5 PNEUMATIC TS



ART. 0272314

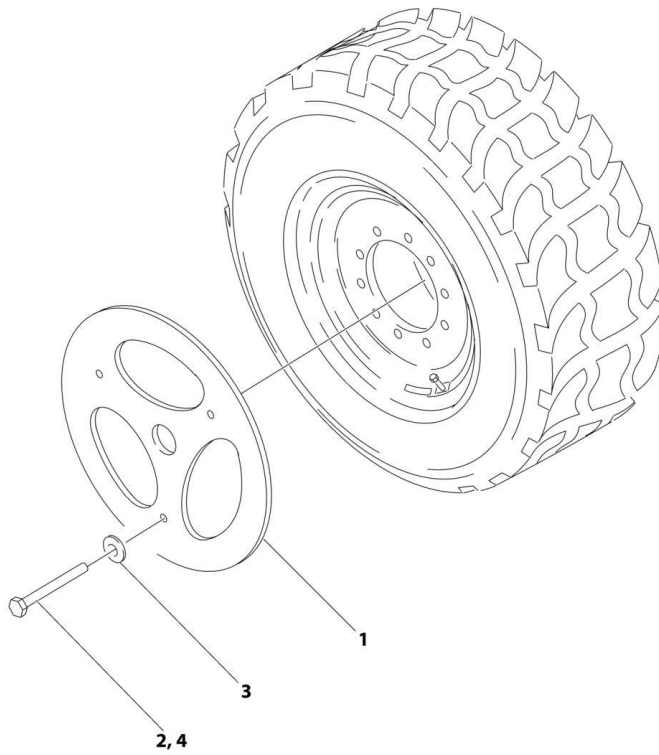
SECTION 1 - FRAME

FIGURE 1-18. TIRE/WHEEL - IN240/55-17.5 PNEUMATIC TS

ITEM	PART NUMBER	QTY	DESCRIPTION	REV
	0272314	Ref	TIRE/WHEEL - IN240/55-17.5 PNEUMATIC TS	2
1	0272335	4	Tire Assembly - ORT IN240/55-17.5 Pneumatic (Tire with JLG Pattern in Tread and Tire Sealant)	
101	4520209	1	Tire, ORT, IN240/55-17.5 (With JLG Pattern in Tread)	
102	4860191	1	Rim, Wheel	
103	4641167	1	Valve, Stem	
104	1702740	1	Decal - Tire Air Pressure	
105	1300019	1	Sealant, Tire (Not Shown)	
106	1705364	1	Decal - Tire Sealant (Not Shown)	

SECTION 1 - FRAME

FIGURE 1-19. WHEEL COVER INSTALLATION - IN240/55-17.5 TIRES ONLY



ART_0259302

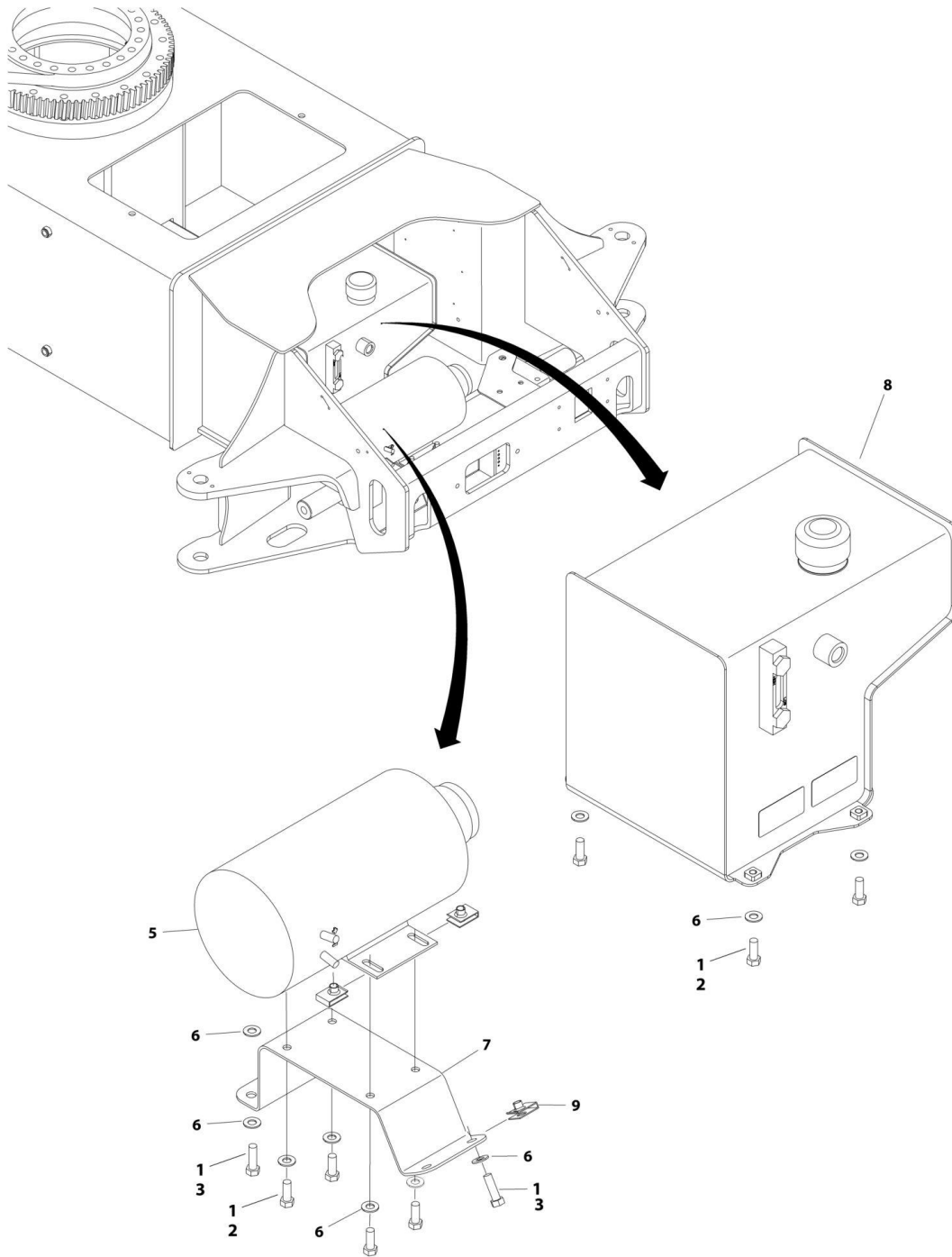
SECTION 1 - FRAME

FIGURE 1-19. WHEEL COVER INSTALLATION - IN240/55-17.5 TIRES ONLY

ITEM	PART NUMBER	QTY	DESCRIPTION	REV
	0259302	Ref	WHEEL COVER INSTALLATION - IN240/55-17.5 TIRES ONLY	1
1	1670887	4	Cover, Wheel	
2	0641542	12	Bolt, 5/16-18 x 5-1/4	
3	4711500	12	Washer, 5/16	
4	0100011	AR	Compound, Locking	

SECTION 1 - FRAME

FIGURE 1-20. MOTOR/PUMP/TANK - E400ANARROW/E400AJP/E400AJPNARROW



ART_1001166417

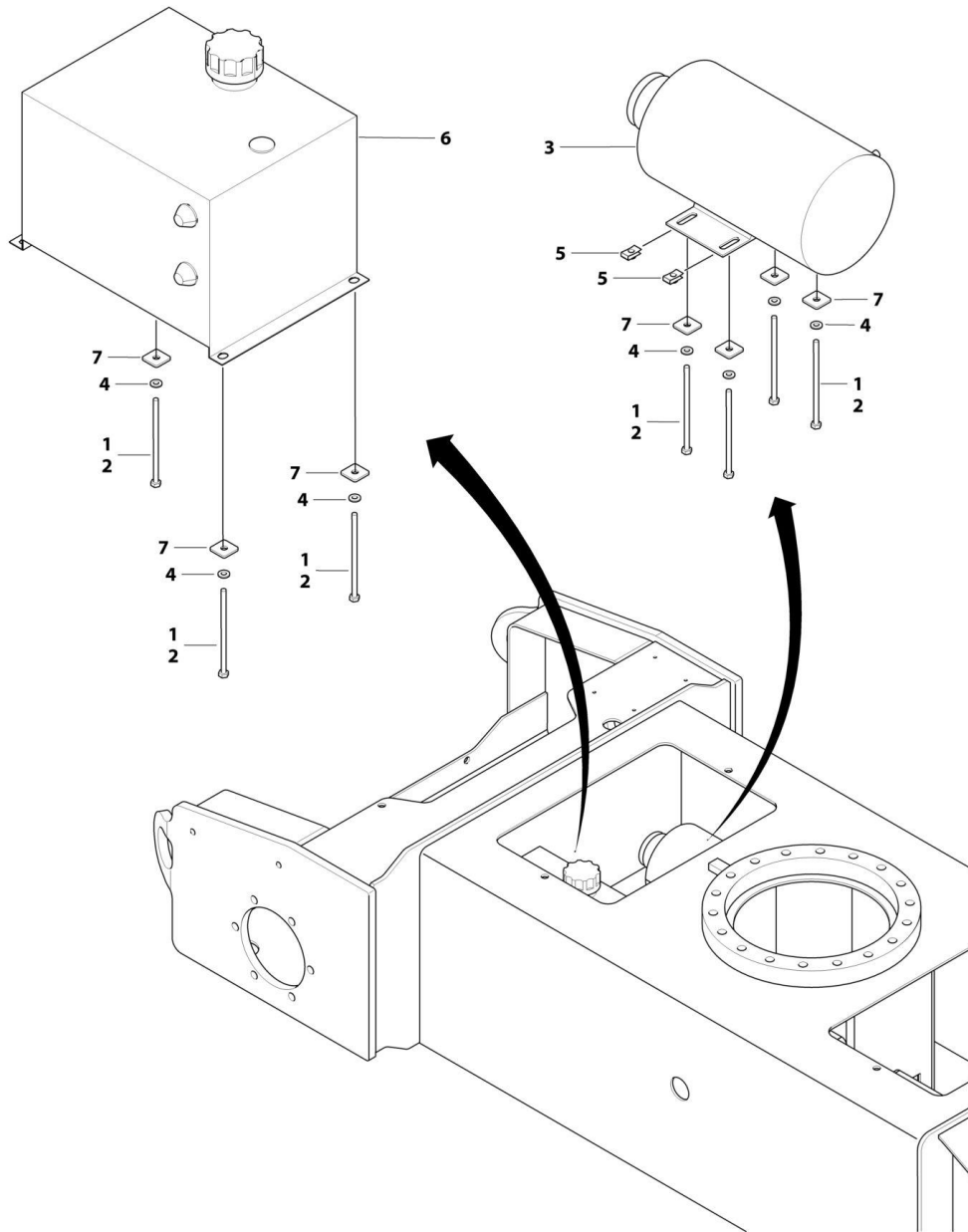
SECTION 1 - FRAME

FIGURE 1-20. MOTOR/PUMP/TANK - E400ANARROW/E400AJP/E400AJPNARROW

ITEM	PART NUMBER	QTY	DESCRIPTION	REV
	1001166417	Ref	MOTOR/PUMP/TANK	F
1	0100011	AR	Compound, Locking	
2	0641608	8	Bolt, 3/8-16 x 1	
3	0641610	4	Bolt, 3/8-16 x 1-1/4	
5	3600289	1	Motor/Pump Assembly (See MOTOR/PUMP ASSEMBLY for Breakdown)	
6	4711600	4	Washer, 3/8	
7	1001166419	1	Plate, Mounting	
8	1001171213	1	Tank, Hydraulic (See HYDRAULIC TANK ASSEMBLY for Breakdown)	
9	88662523	8	Nut, Tinnerman	
10	4891600	8	Washer, 3/8 Hardened (SN 0300195633 through 0300208528)	

SECTION 1 - FRAME

FIGURE 1-21. MOTOR/PUMP/TANK - M400AJP



ART_1001167450

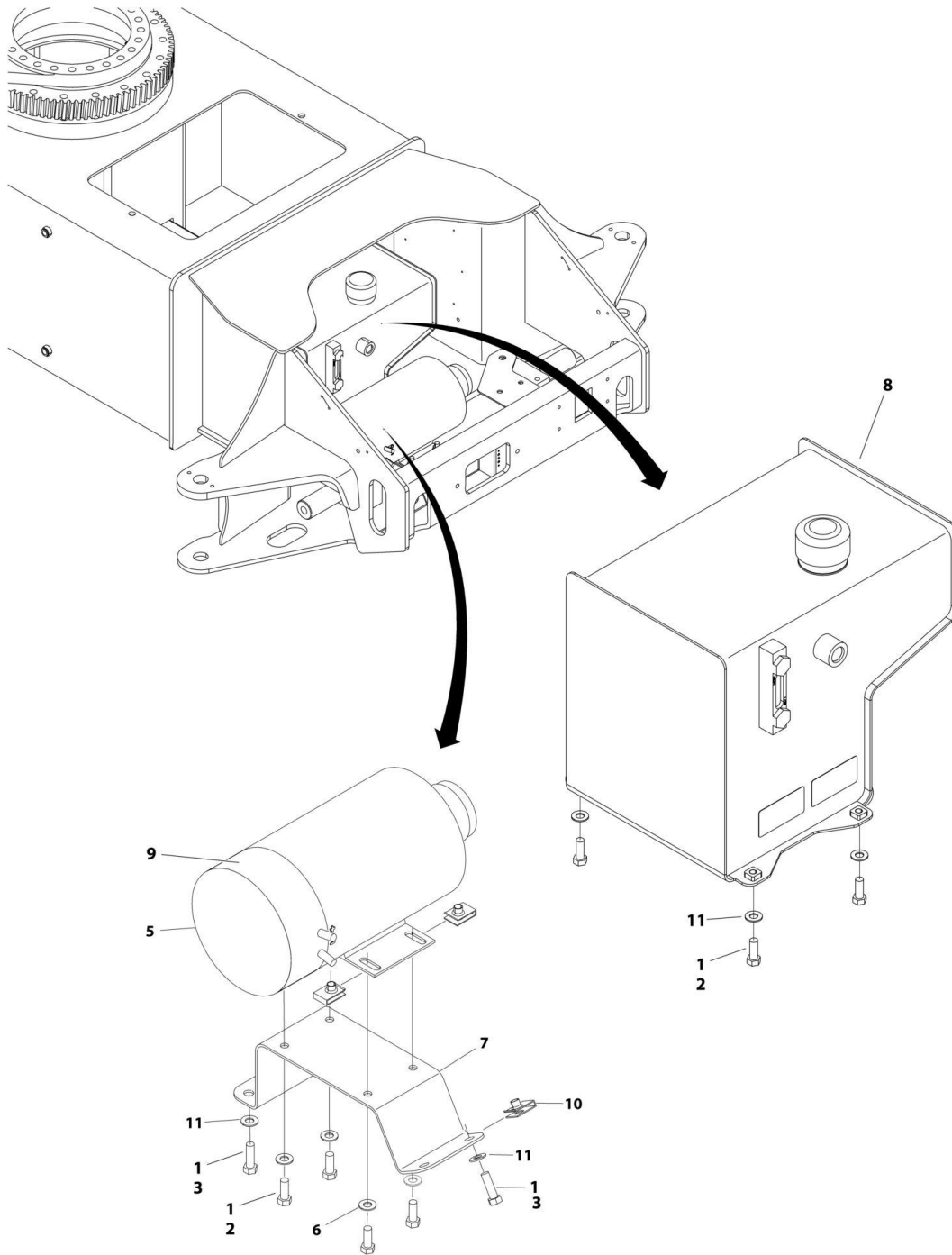
SECTION 1 - FRAME

FIGURE 1-21. MOTOR/PUMP/TANK - M400AJP

ITEM	PART NUMBER	QTY	DESCRIPTION	REV
	1001167450	Ref	MOTOR/PUMP/TANK	B
1	0100011	AR	Compound, Locking	
2	0641424	7	Bolt, 1/4-20 x 3	
3	3600289	1	Motor/Pump Assembly (See MOTOR/PUMP ASSEMBLY for Breakdown)	
4	4711400	7	Washer, 1/4	
5	3300454	4	Nut, 1/4-20	
6	1001171214	1	Tank, Hydraulic (See HYDRAULIC TANK ASSEMBLY for Breakdown)	
7	1001167291	7	Washer	

SECTION 1 - FRAME

FIGURE 1-22. MOTOR/PUMP/TANK - E400ANARROW/E400AJP/E400AJPNARROW - UL LISTED



ART_1001167487

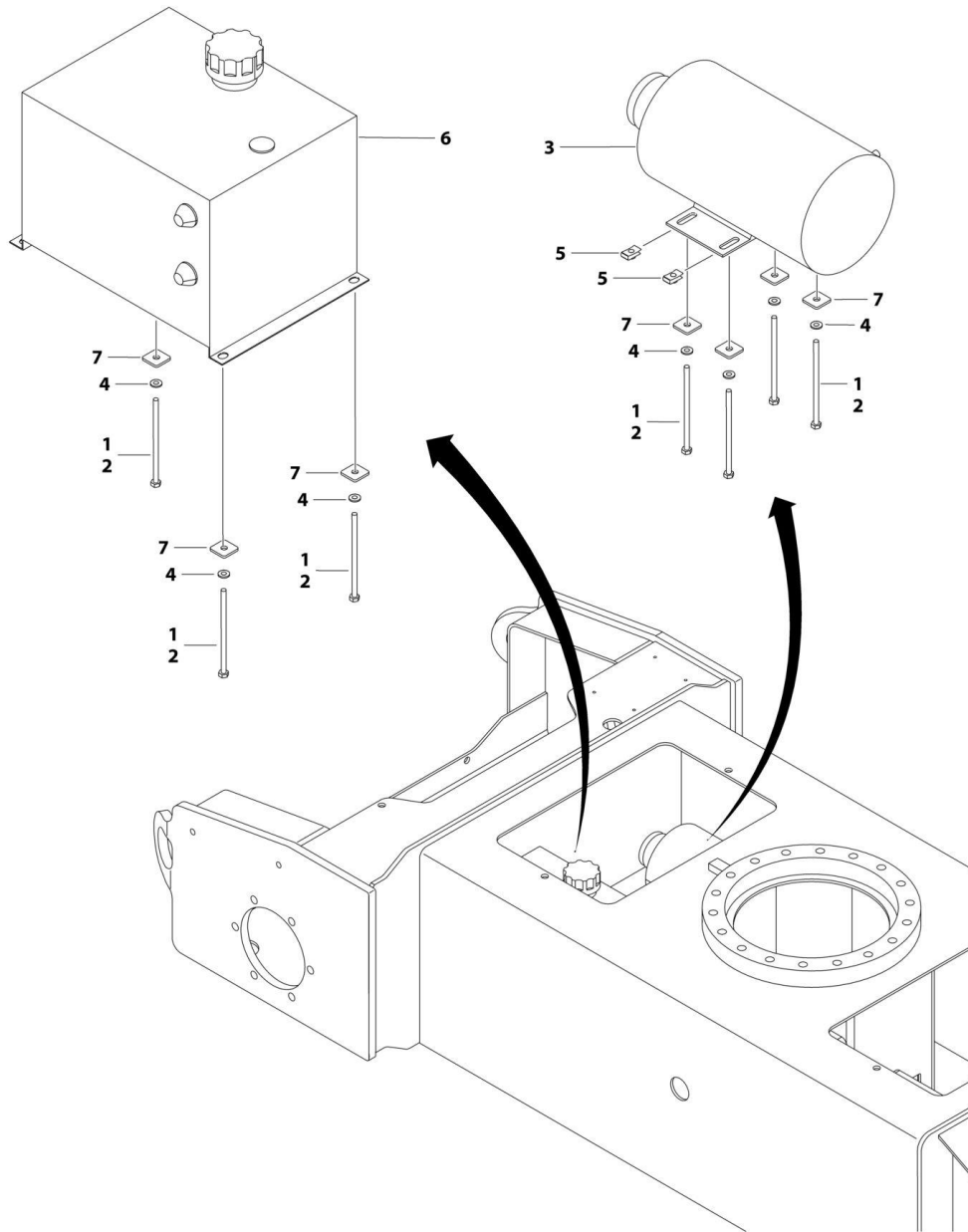
SECTION 1 - FRAME

FIGURE 1-22. MOTOR/PUMP/TANK - E400ANARROW/E400AJP/E400AJPNARROW - UL LISTED

ITEM	PART NUMBER	QTY	DESCRIPTION	REV
	1001167487	Ref	MOTOR/PUMP/TANK - UL LISTED	F
1	0100011	AR	Compound, Locking	
2	0641608	8	Bolt, 3/8-16 x 1	
3	0641610	4	Bolt, 3/8-16 x 1-1/4	
5	3600289	1	Motor/Pump Assembly (See MOTOR/PUMP ASSEMBLY for Breakdown)	
6	4711600	4	Washer, 3/8	
7	1001166419	1	Plate, Mounting	
8	1001171213	1	Tank Hydraulic (See HYDRAULIC TANK ASSEMBLY for Breakdown)	
9	0340048	1	Band, Motor	
10	88662523	8	Nut, Tinnerman	
11	4891600	8	Washer, 3/8 Hardened (SN 0300195633 through 0300208528)	

SECTION 1 - FRAME

FIGURE 1-23. MOTOR/PUMP/TANK - M400AJPNARROW



ART_1001167363

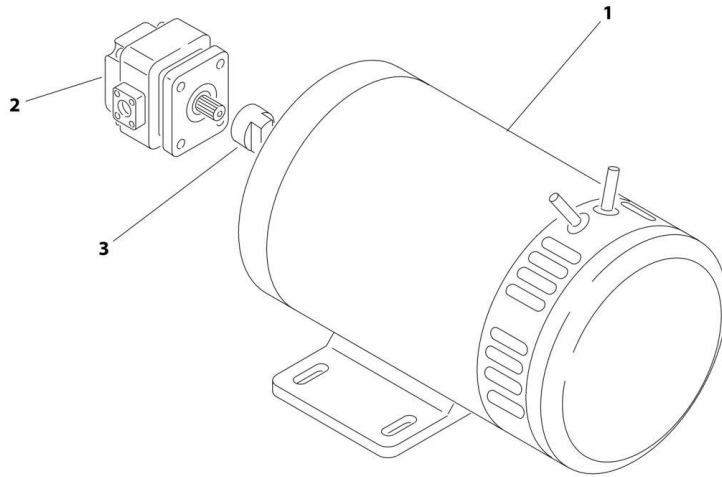
SECTION 1 - FRAME

FIGURE 1-23. MOTOR/PUMP/TANK - M400AJPNARROW

ITEM	PART NUMBER	QTY	DESCRIPTION	REV
	1001167363	Ref	MOTOR/PUMP/TANK	B
1	0100011	AR	Compound, Locking	
2	0641440	7	Bolt, 1/4-20 x 5	
3	3600289	1	Motor/Pump Assembly (See MOTOR/PUMP ASSEMBLY for Breakdown)	
4	4711400	7	Washer, 1/4	
5	3300454	4	Nut, 1/4-20	
6	1001171214	1	Tank, Hydraulic (See HYDRAULIC TANK ASSEMBLY for Breakdown)	
7	1001167291	7	Washer	

SECTION 1 - FRAME

FIGURE 1-24. MOTOR/PUMP ASSEMBLY



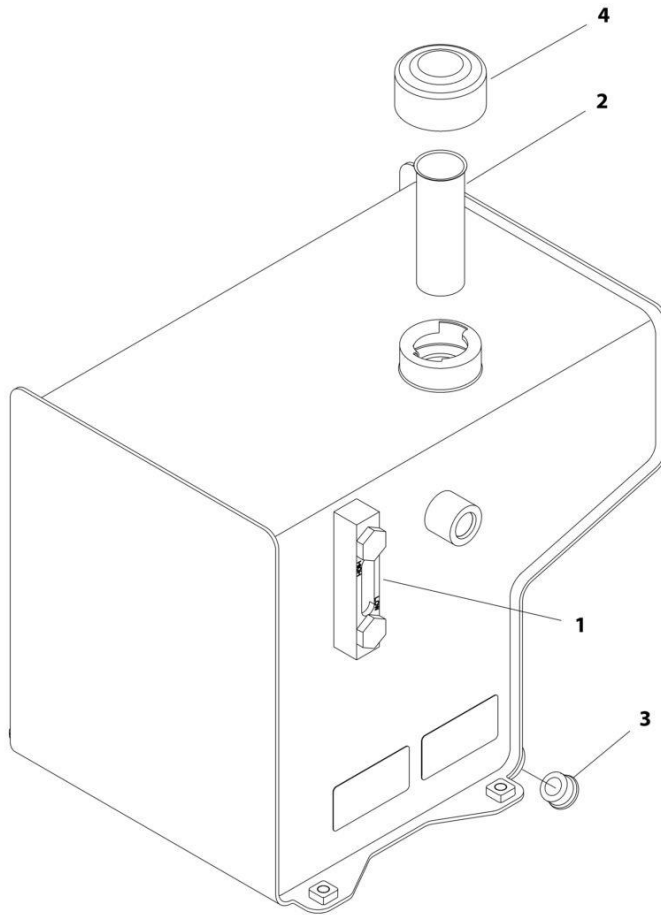
ART_3600289

FIGURE 1-24. MOTOR/PUMP ASSEMBLY

ITEM	PART NUMBER	QTY	DESCRIPTION	REV
	3600289	Ref	MOTOR/PUMP ASSEMBLY	A
1	7021318	1	Motor Assembly	
1	7021361	1	Brush Kit	
1	70003171	1	Spring, Brush	
1	70001961	1	Seal, Oil	
2	7021319	1	Pump Assembly	
2	7021377	1	Seal Kit	
3	70002523	1	Coupling	

SECTION 1 - FRAME

FIGURE 1-25. HYDRAULIC TANK ASSEMBLY - E400ANARROW/E400AJP/E400AJPNARROW



ART_1001171213

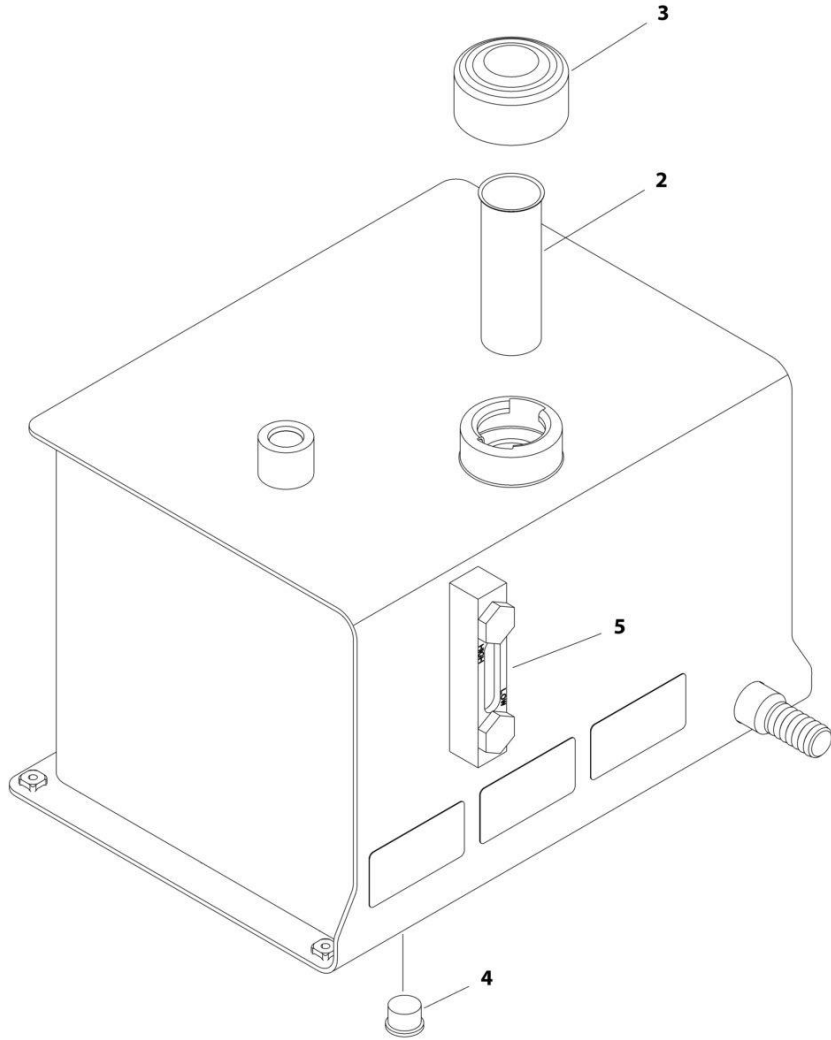
SECTION 1 - FRAME

FIGURE 1-25. HYDRAULIC TANK ASSEMBLY - E400ANARROW/E400AJP/E400AJPNARROW

ITEM	PART NUMBER	QTY	DESCRIPTION	REV
	1001171213	Ref	HYDRAULIC TANK ASSEMBLY	A
1	70005101	1	Gauge, Sight	
2	7024445	1	Strainer	
3	70002112	1	Plug, Drain	
4	7024444	1	Cap, Filler	

SECTION 1 - FRAME

FIGURE 1-26. HYDRAULIC TANK ASSEMBLY - M400AJP/M400AJPNARROW



ART_1001171214

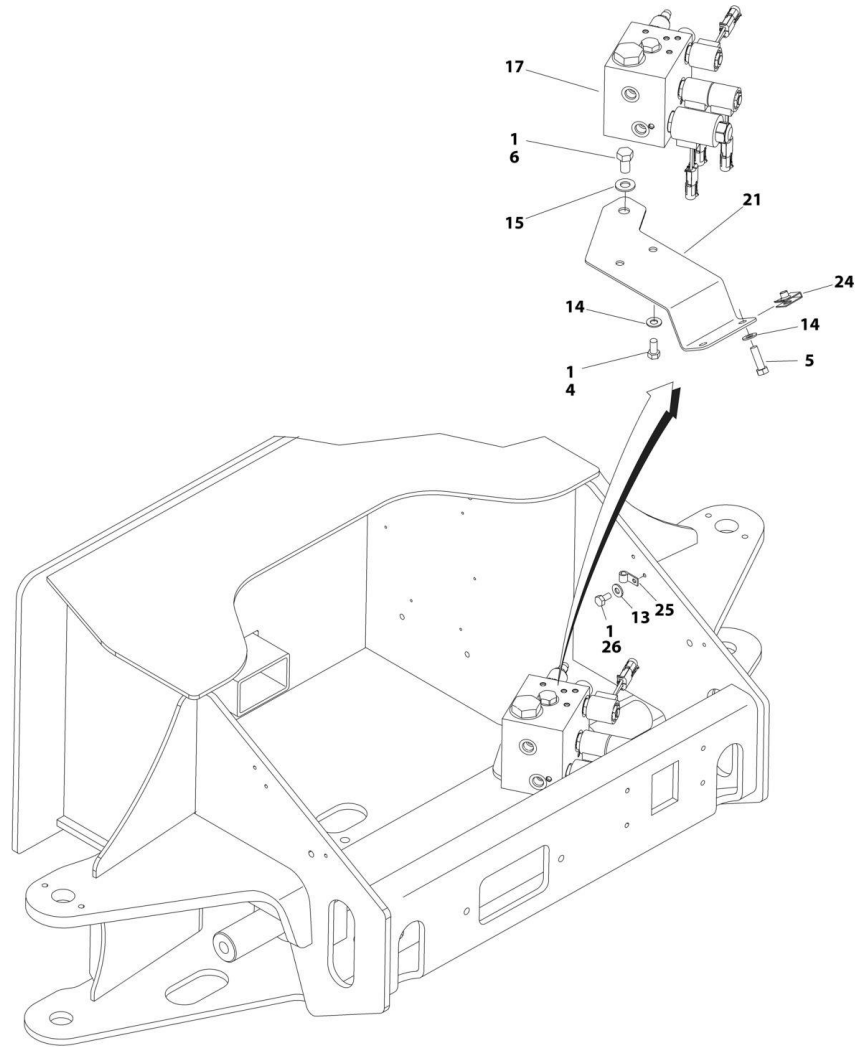
SECTION 1 - FRAME

FIGURE 1-26. HYDRAULIC TANK ASSEMBLY - M400AJP/M400AJPNARROW

ITEM	PART NUMBER	QTY	DESCRIPTION	REV
	1001171214	Ref	HYDRAULIC TANK ASSEMBLY	A
2	7024445	1	Strainer	
3	7024444	1	Cap, Filler	
4	70002112	1	Plug, Drain	
5	70005101	1	Gauge, Sight	

SECTION 1 - FRAME

FIGURE 1-27. VALVE INSTALLATION - FRAME MOUNTED - E400ANARROW



ART_1001166438_1OF2

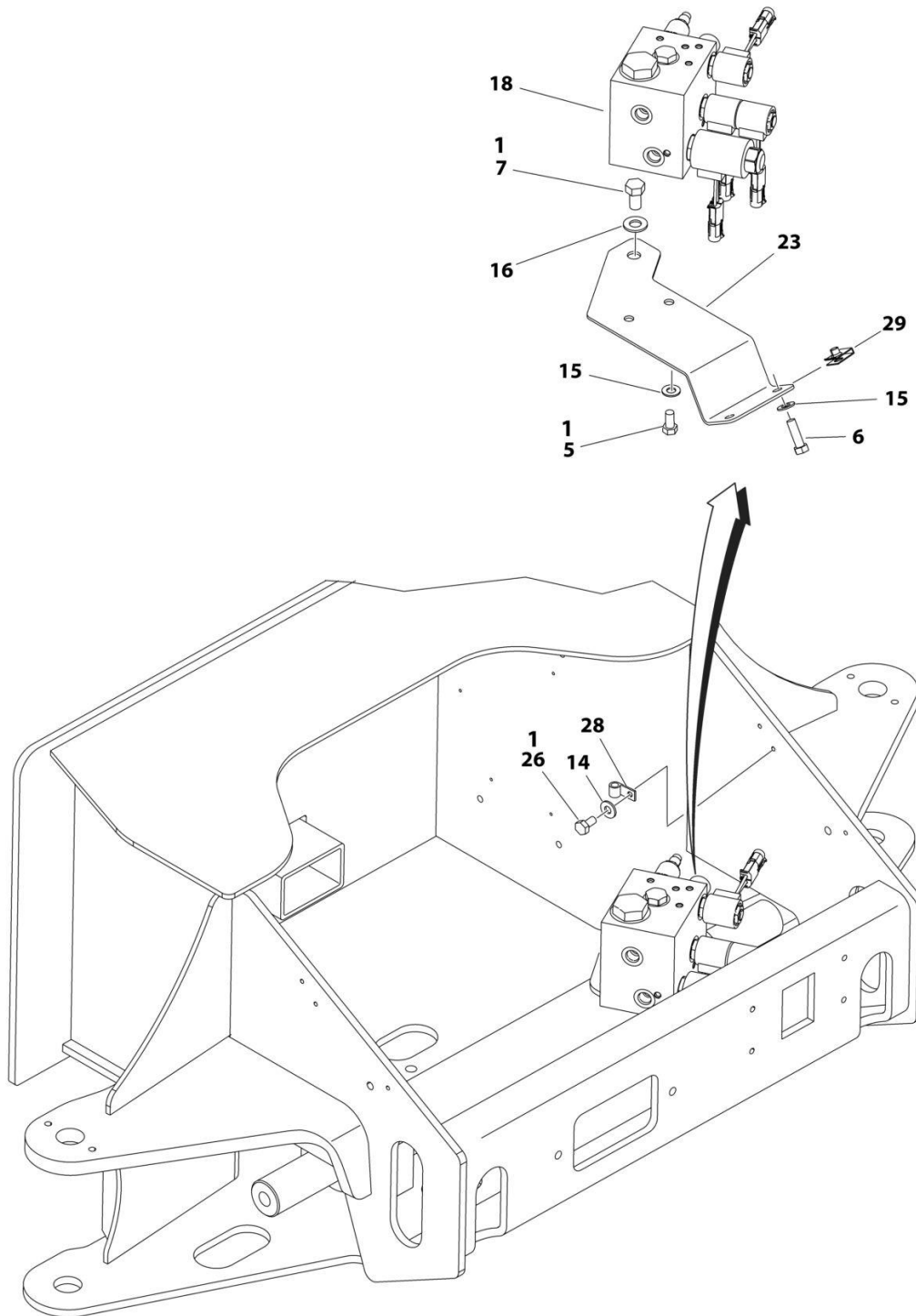
SECTION 1 - FRAME

FIGURE 1-27. VALVE INSTALLATION - FRAME MOUNTED - E400ANARROW

ITEM	PART NUMBER	QTY	DESCRIPTION	REV
	1001166438	Ref	VALVE INSTALLATION - FRAME MOUNTED	D
1	0100011	AR	Compound, Locking	
4	0641606	6	Bolt, 3/8-16 x 3/4	
5	0641610	2	Bolt, 3/8-16 x 1-1/4	
6	0641807	1	Bolt, 1/2-13 x 7/8	
12	3311605	2	Nut, Lock, 3/8-16	
13	4711400	1	Washer, 1/4	
14	4711600	4	Washer, 3/8	
15	4711800	1	Washer, 1/2	
17	1001097506	1	Brake/Steer Control Valve Assembly (See BRAKE/STEER VALVE ASSEMBLY for Breakdown)	
21	1001166420	1	Bracket, Mounting	
22	1001170991	1	Harness Assembly - Brake/Steer Control Valve (Not Shown - See ELECTRICAL SECTION for Breakdown)	
24	88662523	2	Nut, Tinnerman	
25	1320040	1	Clamp	
26	0641404	1	Bolt, 1/4-20 x 1/2	
27	4240032	1	Tie, Strap (Not Shown)	

SECTION 1 - FRAME

FIGURE 1-28. VALVE INSTALLATION - FRAME MOUNTED - E400AJP/E400AJPNARROW



ART_1001167096_10F2

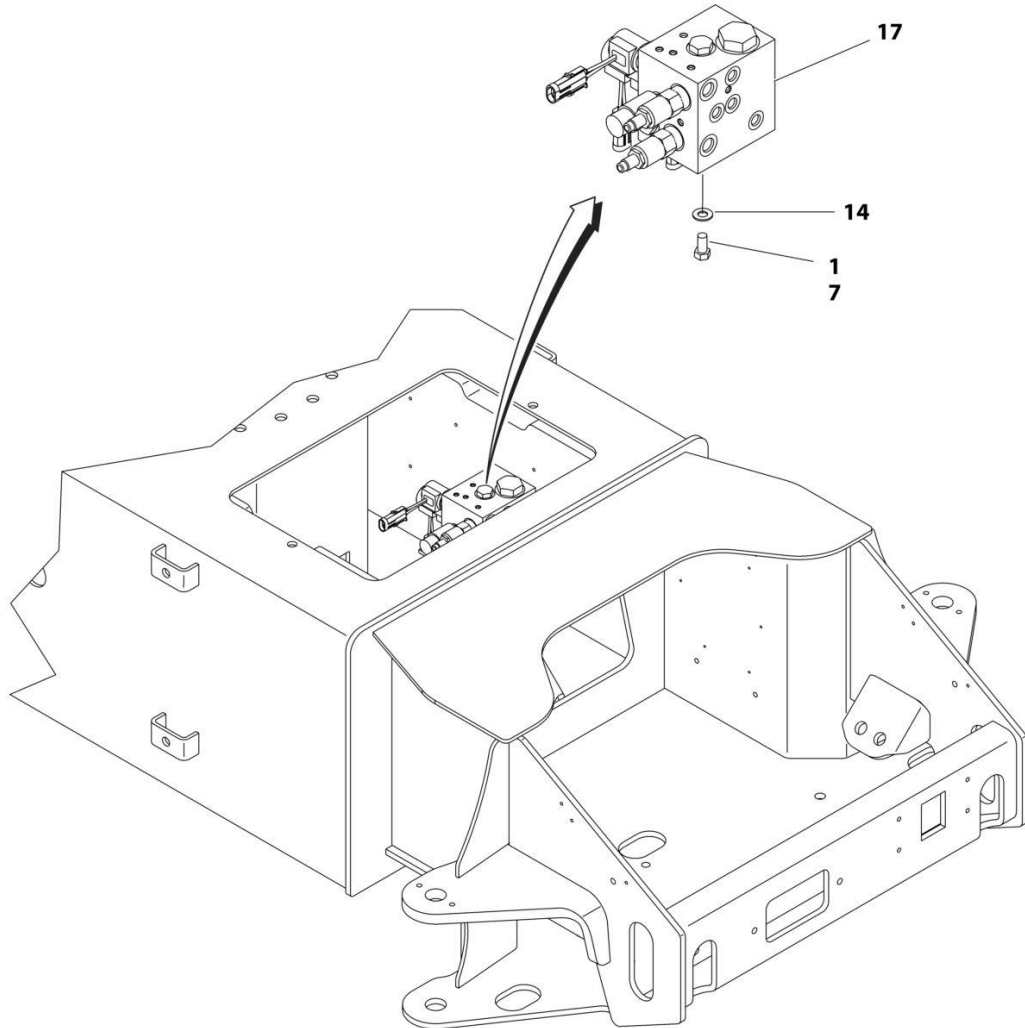
SECTION 1 - FRAME

FIGURE 1-28. VALVE INSTALLATION - FRAME MOUNTED - E400AJP/E400AJPNARROW

ITEM	PART NUMBER	QTY	DESCRIPTION	REV
	1001167096	Ref	VALVE INSTALLATION - FRAME MOUNTED	F
1	0100011	AR	Compound, Locking	
5	0641606	2	Bolt, 3/8-16 x 3/4	
6	0641610	2	Bolt, 3/8-16 x 1-1/4	
7	0641807	1	Bolt, 1/2-13 x 7/8	
14	4711400	1	Washer, 1/4	
15	4711600	6	Washer, 3/8	
16	4711800	1	Washer, 1/2	
18	1001097506	1	Brake/Steer Control Valve Assembly (See BRAKE/STEER VALVE ASSEMBLY for Breakdown)	
23	1001166420	1	Bracket, Mounting	
24	1001170991	1	Harness Assembly - Brake/Steer Control Valve (Not Shown - See ELECTRICAL SECTION for Breakdown)	
26	0641404	1	Bolt, 1/4-20 x 1/2	
27	4240032	1	Tie-Strap (Not Shown)	
28	1320040	1	Clamp	
29	88662523	2	Nut, Tinnerman	

SECTION 1 - FRAME

FIGURE 1-29. VALVE INSTALLATION - FRAME MOUNTED - M400AJP/M400AJPNARROW



ART_1001167415_10F2

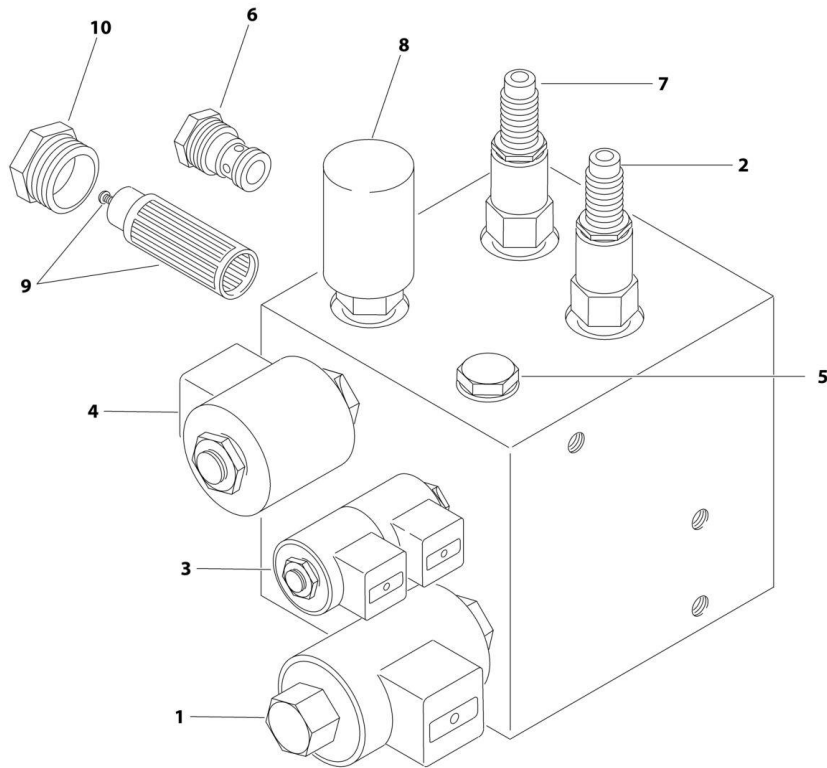
SECTION 1 - FRAME

FIGURE 1-29. VALVE INSTALLATION - FRAME MOUNTED - M400AJP/M400AJPNARROW

ITEM	PART NUMBER	QTY	DESCRIPTION	REV
	1001167415	Ref	VALVE INSTALLATION - FRAME MOUNTED	C
1	0100011	AR	Compound, Locking	
7	0641606	6	Bolt, 3/8-16 x 3/4	
14	4711600	6	Washer, 3/8	
17	1001097506	1	Brake/Steer Control Valve Assembly (See BRAKE/STEER VALVE ASSEMBLY for Breakdown)	
20	1001171115	1	Harness Assembly - Brake/Steer Control Valve (Not Shown - See ELECTRICAL SECTION for Breakdown)	

SECTION 1 - FRAME

FIGURE 1-30. BRAKE/STEER VALVE ASSEMBLY



ART_1001097506

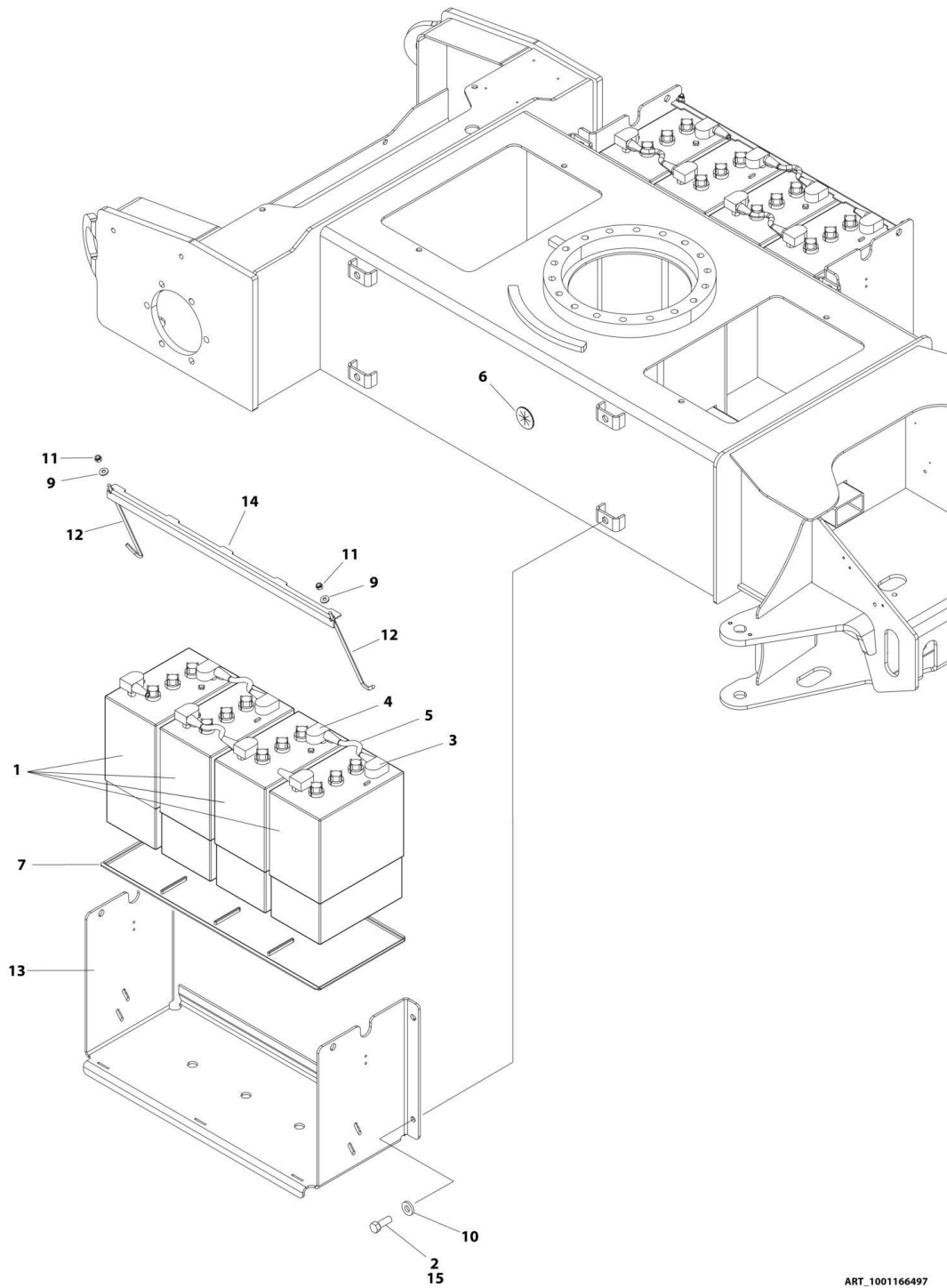
SECTION 1 - FRAME

FIGURE 1-30. BRAKE/STEER VALVE ASSEMBLY

ITEM	PART NUMBER	QTY	DESCRIPTION	REV
	1001097506	Ref	BRAKE/STEER VALVE ASSEMBLY	F
1	7021611	1	Cartridge, Proportional without Coil (Flow Control)	
1	7012518	1	Seal Kit - 7021611 Cartridge	
1	7021618	1	Coil	
2	7021659	1	Cartridge, Relief (Main)	
2	7012972	1	Seal Kit - 7021659	
3	7017433	1	Cartridge, without Coil (Steer)	
3	7017402	1	Seal Kit - 7017433 Cartridge	
3	7021609	2	Coil	
4	7012941	1	Cartridge, without Coil (Brake Release)	
4	7010543	1	Seal Kit - 7012941 Cartridge	
4	7021609	1	Coil	
5	7022391	1	Cartridge, Check	
5	7012967	1	Seal Kit - 7022391 Cartridge	
6	7010542	1	Cartridge, Shuttle	
6	7010543	1	Seal Kit - 7010542 Cartridge	
7	7017488	1	Cartridge, Relief (Steer)	
7	7012998	1	Seal Kit - 7017488 Cartridge	
8	7021619	1	Switch, Pressure	
9	7021616	1	Cartridge, Filter	
10	7024832	1	Plug	

SECTION 1 - FRAME

FIGURE 1-31. BATTERY BOX INSTALLATION



ART_1001166497

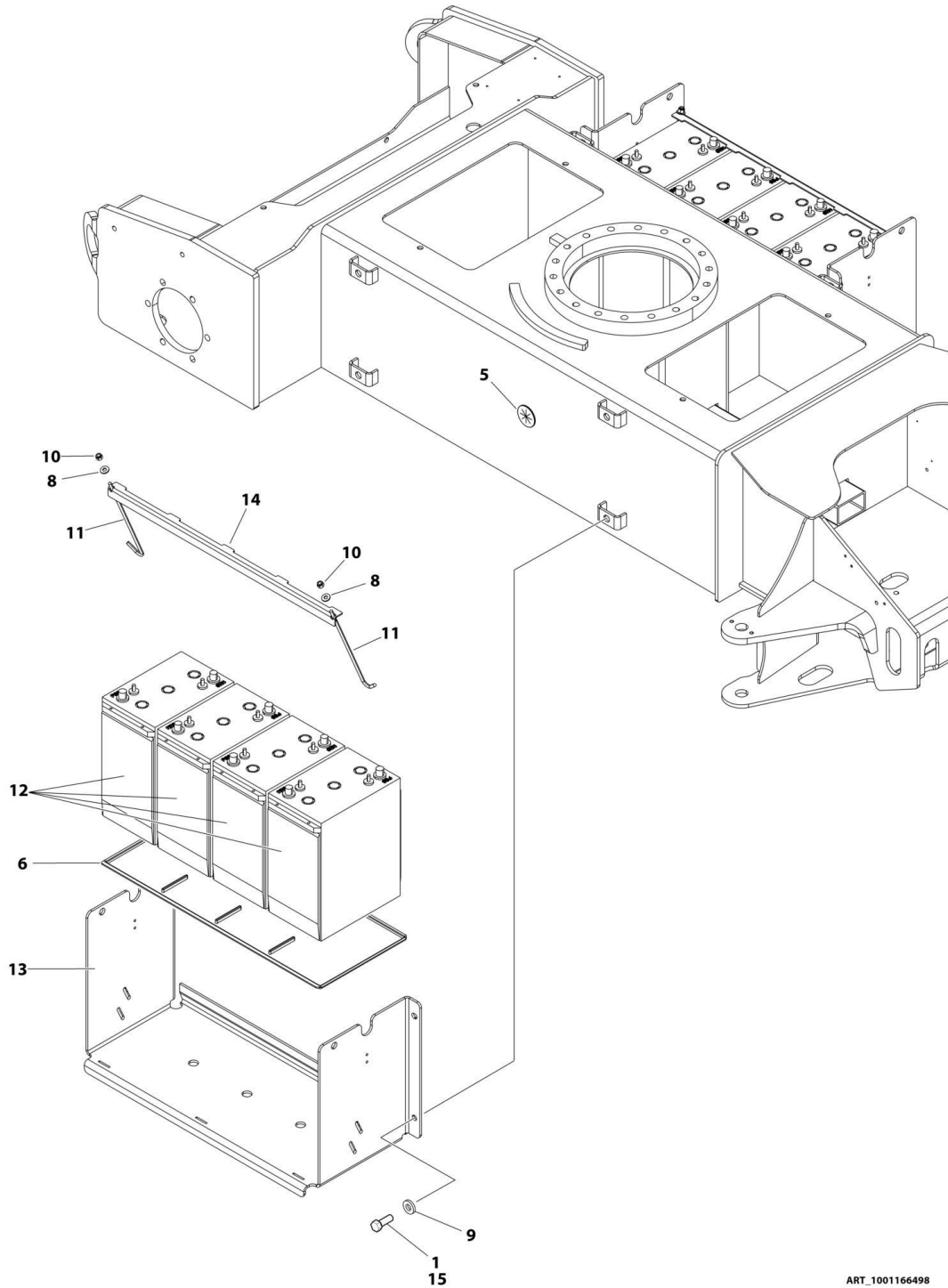
SECTION 1 - FRAME

FIGURE 1-31. BATTERY BOX INSTALLATION

ITEM	PART NUMBER	QTY	DESCRIPTION	REV
	1001166497	Ref	BATTERY BOX INSTALLATION	B
1	0400055	8	Battery (Wet)	
1	7016177	8	Battery (Dry)	
2	0641811	8	Bolt, 1/2-13 x 1-3/8	
3	0840031	8	Boot, Terminal d Shaped	
4	0840032	8	Boot, Terminal b Shaped	
5	1060092	6	Cable, Battery	
6	2540045	2	Grommet	
7	3000003	2	Liner, Battery Box	
9	4751500	4	Washer, 5/16	
10	4751800	8	Washer, 1/2	
11	88521205	4	Nut, Lock, 5/16-18	
12	1001093382	4	Bolt, J-Bolt	
13	1001166495	2	Tray, Battery	
14	1001166496	2	Battery Hold Down	
15	0100011	AR	Compound, Locking	

SECTION 1 - FRAME

FIGURE 1-32. BATTERY BOX INSTALLATION - AGM BATTERIES



ART_1001166498

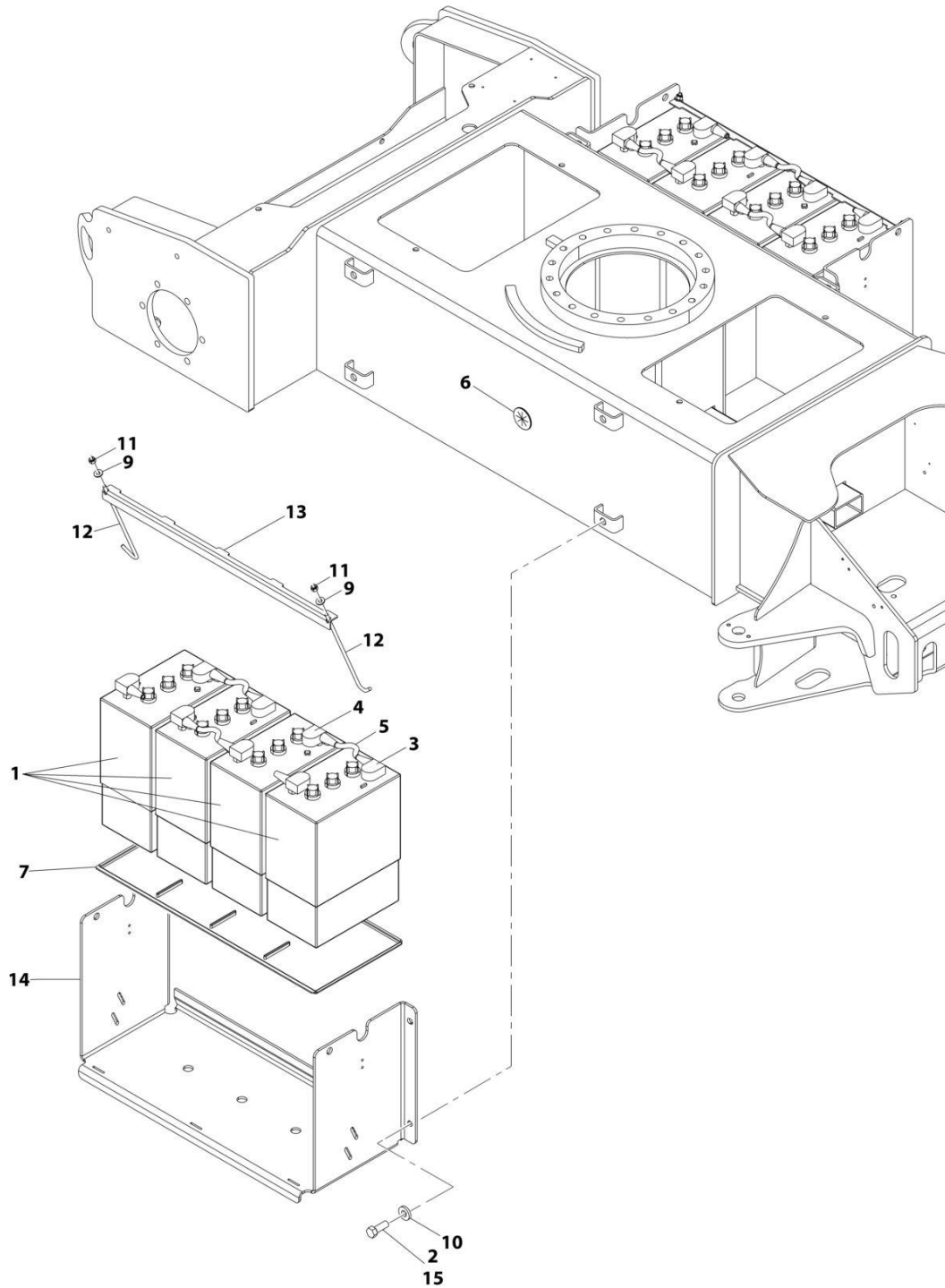
SECTION 1 - FRAME

FIGURE 1-32. BATTERY BOX INSTALLATION - AGM BATTERIES

ITEM	PART NUMBER	QTY	DESCRIPTION	REV
	1001166498	Ref	BATTERY BOX INSTALLATION (AGM BATTERIES)	C
1	0641811	8	Bolt, 1/2-13 x 1-3/8	
5	2540045	2	Grommet	
6	3000003	2	Liner, Battery Box	
8	4751500	4	Washer, 5/16	
9	4891800	8	Washer, 1/2	
10	88521205	4	Nut, Lock, 5/16-18	
11	1001093382	4	Bolt, J-Bolt	
12	1001114782	8	Battery (Wet) (AGM Batteries)	
13	1001166495	2	Tray, Battery	
14	1001166496	2	Battery Hold Down	
15	0100011	AR	Compound, Locking	

SECTION 1 - FRAME

FIGURE 1-33. BATTERY BOX INSTALLATION - CE AND AUSTRALIAN SPECS



ART_1001168670

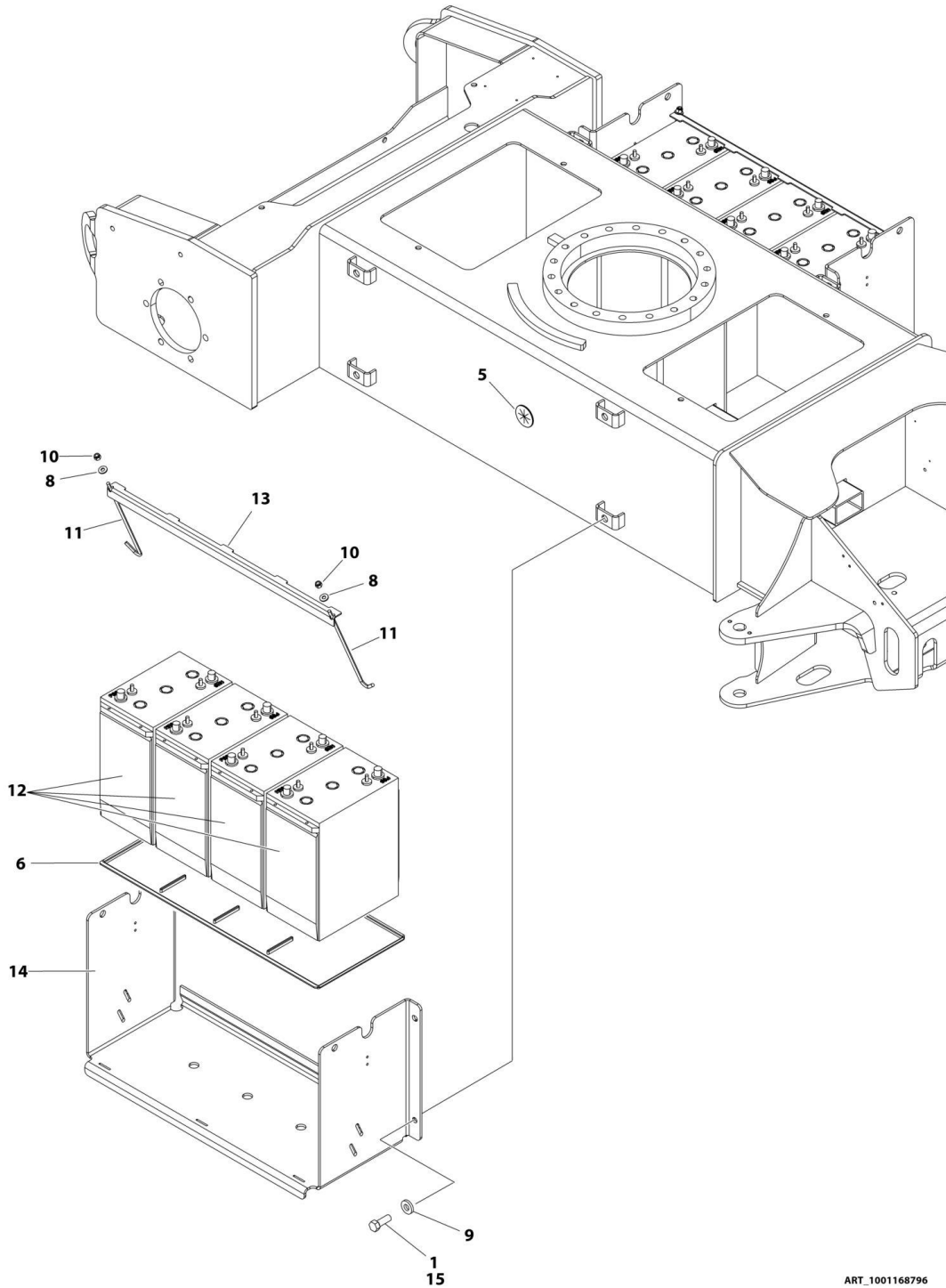
SECTION 1 - FRAME

FIGURE 1-33. BATTERY BOX INSTALLATION - CE AND AUSTRALIAN SPECS

ITEM	PART NUMBER	QTY	DESCRIPTION	REV
	1001168670	Ref	BATTERY BOX INSTALLATION - CE AND AUSTRALIAN SPECS	C
1	0400055	8	Battery (Wet)	
1	7016177	8	Battery (Dry)	
2	0641811	8	Bolt, 1/2-13 x 1-3/8	
3	0840031	8	Boot, Terminal d Shaped (SN 0300189898 through 0300196080)	
4	0840032	8	Boot, Terminal b Shaped (SN 0300189898 through 0300196080)	
5	1060092	6	Cable, Battery (SN 0300189898 through 0300196080)	
6	2540045	2	Grommet	
7	3000003	2	Liner, Battery Box	
9	4751500	4	Washer, 5/16	
10	4891800	8	Washer, 1/2 Hardened	
11	88521205	4	Nut, Lock, 5/16-18	
12	1001093382	4	Bolt, J-Bolt	
13	1001166496	2	Battery Hold Down	
14	1001168800	2	Tray, Battery	
15	0100011	AR	Compound, Locking	

SECTION 1 - FRAME

FIGURE 1-34. BATTERY BOX INSTALLATION - AGM BATTERIES (CE AND AUSTRALIAN SPECS)



ART_1001168796

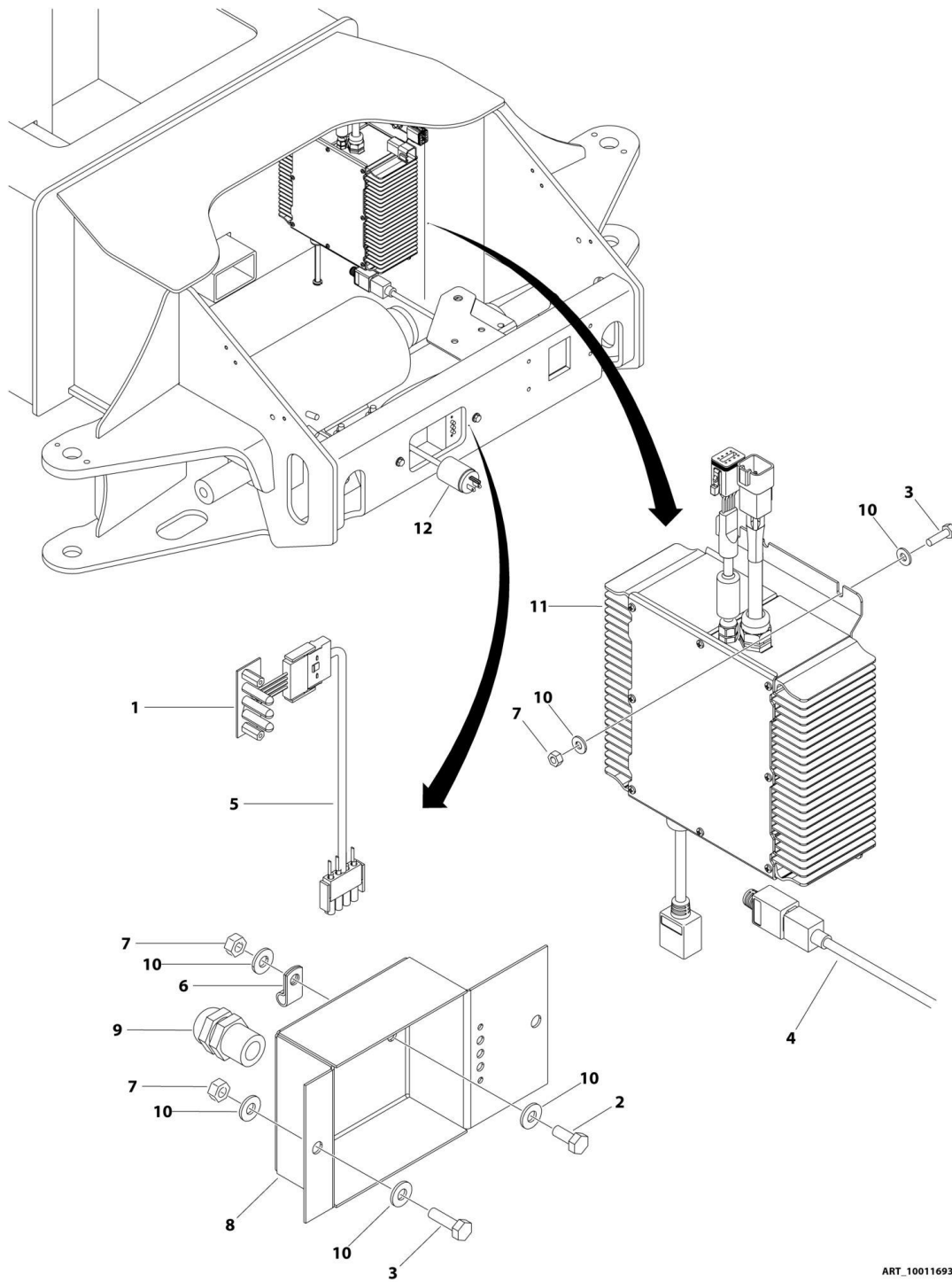
SECTION 1 - FRAME

FIGURE 1-34. BATTERY BOX INSTALLATION - AGM BATTERIES (CE AND AUSTRALIAN SPECS)

ITEM	PART NUMBER	QTY	DESCRIPTION	REV
	1001168796	Ref	BATTERY BOX INSTALLATION - AGM BATTERIES	C
1	0641811	8	Bolt 1/2 X 1-3/8	
5	2540045	2	Grommet	
6	3000003	2	Liner, Battery Box	
8	4751500	4	Washer 5/16	
9	4751800	8	Washer 1/2	
10	88521205	4	Nut 5/16	
11	1001093382	4	Bolt, J-Bolt	
12	1001114782	8	Battery	
13	1001166496	2	Battery Hold Down	
14	1001168800	2	Tray, Battery	
15	0100011	AR	Compound, Locking	

SECTION 1 - FRAME

FIGURE 1-35. BATTERY CHARGER INSTALLATION - E400ANARROW/E400AJP/E400AJPNARROW
(ALL SPECS EXCEPT CE AND AUSTRALIAN SPECS)



ART_100116939

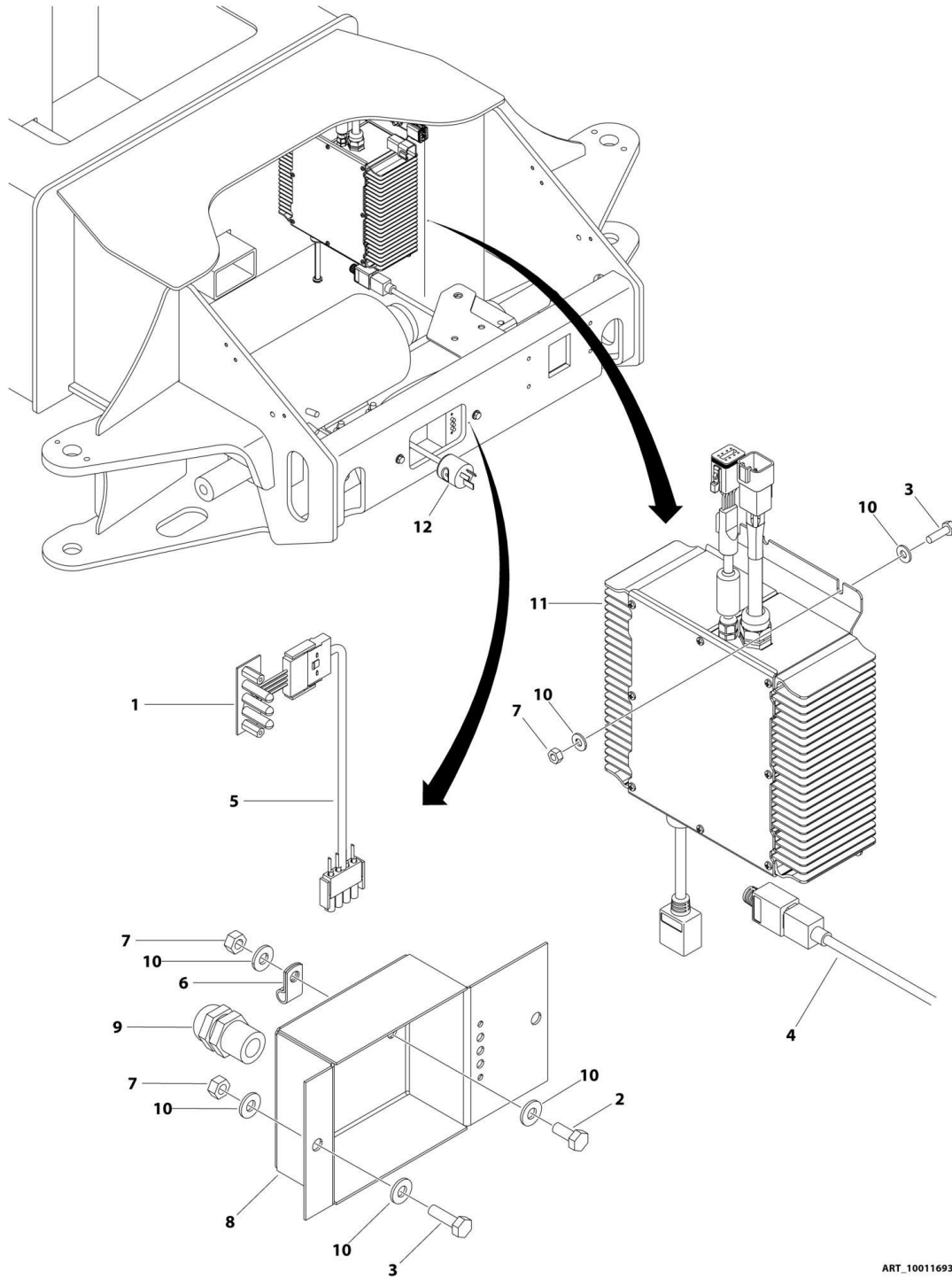
SECTION 1 - FRAME

**FIGURE 1-35. BATTERY CHARGER INSTALLATION - E400ANARROW/E400AJP/E400AJPNARROW
(ALL SPECS EXCEPT CE AND AUSTRALIAN SPECS)**

ITEM	PART NUMBER	QTY	DESCRIPTION	REV
	1001166939	Ref	BATTERY CHARGER INSTALLATION (ALL SPECS EXCEPT CE AND AUSTRALIAN SPECS)	B
1	0610131	1	Charger LED Assembly	
2	0641405	1	Bolt, 1/4-20 x 5/8	
3	0641407	6	Bolt, 1/4-20 x 7/8	
4	1060689	1	AC Cord	
5	1060778	1	LED, Remote Lead (See ELECTRICAL SECTION for Breakdown)	
6	1320136	1	Clamp	
7	3311405	7	Nut, Lock, 1/4-20	
8	3571834	1	Plate, Panel	
9	4460428	1	Connector, Strain Relief	
10	4711400	14	Washer, 1/4	
11	1001103105	1	Battery Charger Assembly (See ELECTRICAL SECTION for Breakdown)	
12	4460138	1	Plug, AC	

SECTION 1 - FRAME

FIGURE 1-36. BATTERY CHARGER INSTALLATION - E400AJP/E400AJPnarrow (AUSTRALIAN SPEC)



ART_100116938

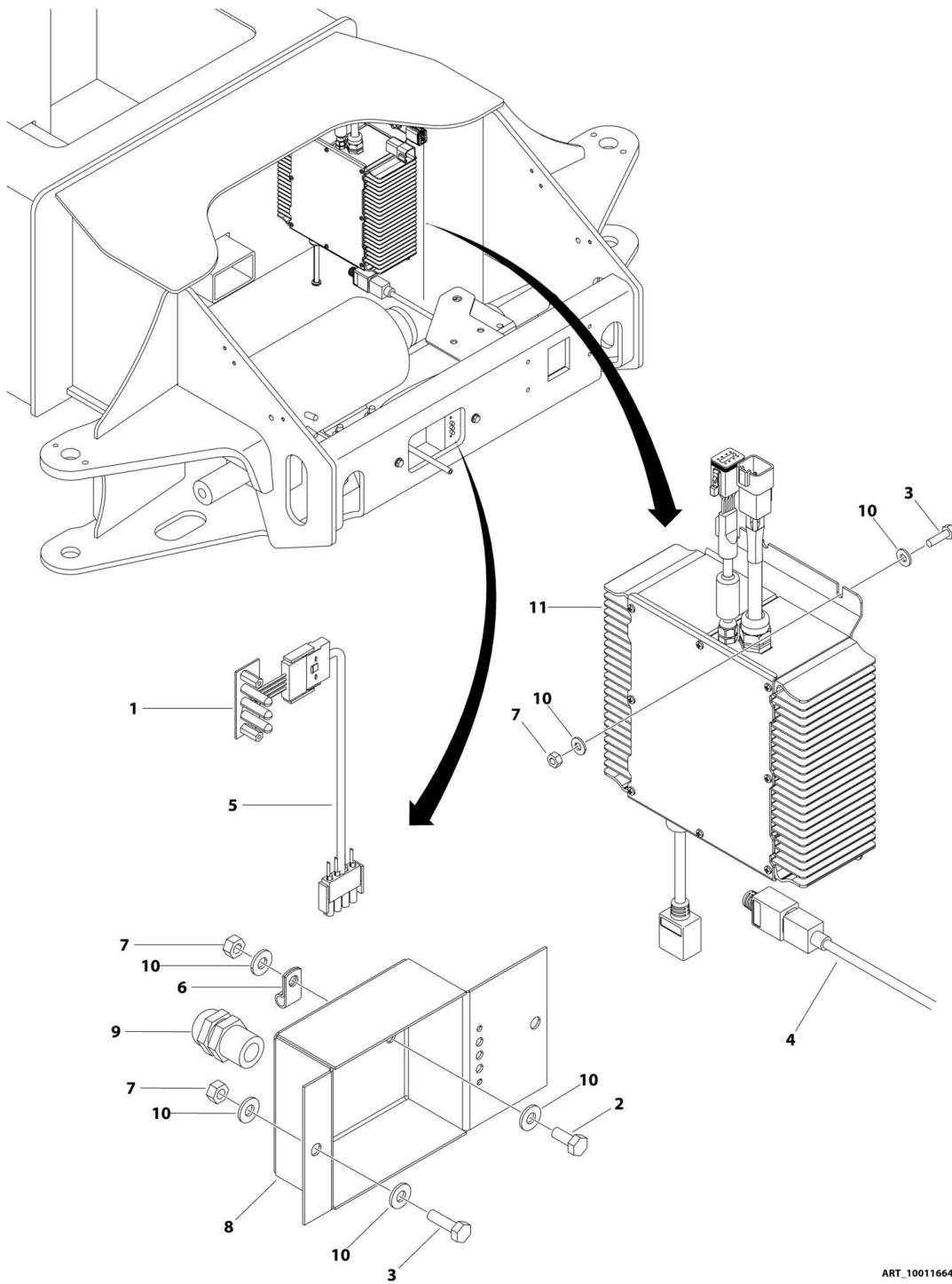
SECTION 1 - FRAME

FIGURE 1-36. BATTERY CHARGER INSTALLATION - E400AJP/E400AJPNARROW (AUSTRALIAN SPEC)

ITEM	PART NUMBER	QTY	DESCRIPTION	REV
	1001166938	Ref	BATTERY CHARGER INSTALLATION (AUSTRALIAN SPEC)	B
1	0610131	1	Charger LED Assembly	
2	0641405	1	Bolt, 1/4-20 x 5/8	
3	0641407	6	Bolt, 1/4-20 x 7/8	
4	1060689	1	AC Cord	
5	1060778	1	LED, Remote Lead (See ELECTRICAL SECTION for Breakdown)	
6	1320136	1	Clamp	
7	3311405	7	Nut, Lock, 1/4-20	
8	3571834	1	Plate, Panel	
9	4460428	1	Connector, Strain Relief	
10	4711400	14	Washer, 1/4	
11	1001103105	1	Battery Charger Assembly (See ELECTRICAL SECTION for Breakdown)	
12	4460805	1	Plug, AC	

SECTION 1 - FRAME

FIGURE 1-37. BATTERY CHARGER INSTALLATION - E400ANARROW/E400AJP/E400AJPNARROW (ANSI EXPORT AND CE SPECS)



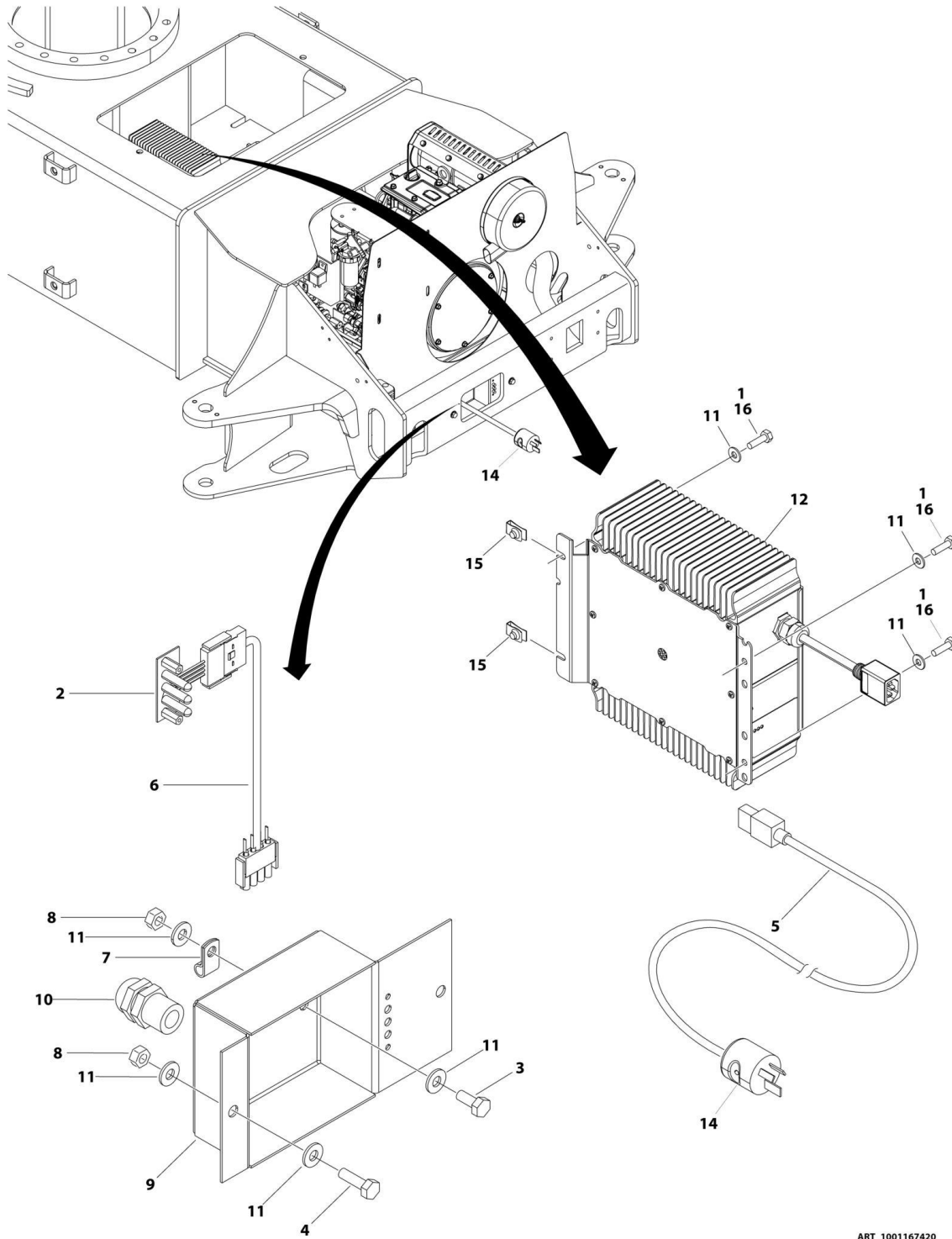
SECTION 1 - FRAME

**FIGURE 1-37. BATTERY CHARGER INSTALLATION - E400ANARROW/E400AJP/E400AJPNARROW
(ANSI EXPORT AND CE SPECS)**

ITEM	PART NUMBER	QTY	DESCRIPTION	REV
	1001166444	Ref	BATTERY CHARGER INSTALLATION (ANSI EXPORT AND CE SPECS)	B
	See Note	Ref	Note: AC Plug Supplied Locally.	
1	0610131	1	Charger LED Assembly	
2	0641405	1	Bolt, 1/4-20 x 5/8	
3	0641407	6	Bolt, 1/4-20 x 7/8	
4	1060689	1	AC Cord (Note: For Plug Options See ELECTRICAL SECTION)	
5	1060778	1	LED, Remote Harness (See ELECTRICAL SECTION for Breakdown)	
6	1320136	1	Clamp	
7	3311405	7	Nut, Lock, 1/4-20	
8	3571834	1	Plate, Panel	
9	4460428	1	Connector, Strain Relief	
10	4711400	14	Washer, 1/4	
11	1001103105	1	Battery Charger Assembly (See ELECTRICAL SECTION for Breakdown)	

SECTION 1 - FRAME

FIGURE 1-38. BATTERY CHARGER INSTALLATION - M400AJP (ALL SPECS EXCEPTED CE, AUSTRALIAN AND UL SPECS)



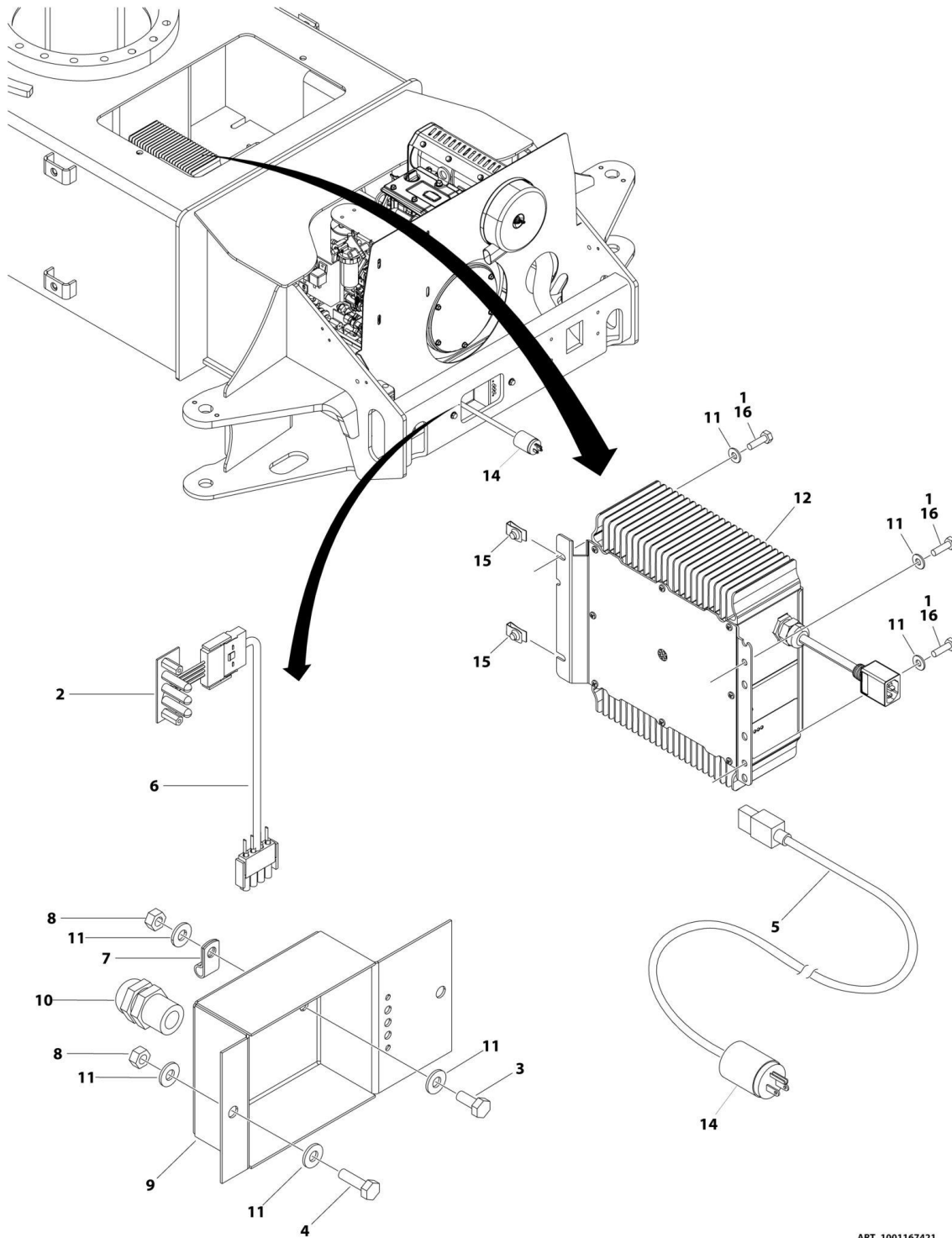
SECTION 1 - FRAME

FIGURE 1-38. BATTERY CHARGER INSTALLATION - M400AJP (ALL SPECS EXCEPTED CE, AUSTRALIAN AND UL SPECS)

ITEM	PART NUMBER	QTY	DESCRIPTION	REV
	1001167420	Ref	BATTERY CHARGER INSTALLATION (ALL SPECS EXCEPTED CE, AUSTRALIAN AND UL SPECS)	D
1	0100011	AR	Compound, Locking	
2	0610131	1	Charger LED Assembly	
3	0641405	1	Bolt, 1/4-20 x 5/8	
4	0641407	2	Bolt, 1/4-20 x 7/8	
5	1060689	1	AC Cord	
6	1060778	1	LED, Remote Lead (See ELECTRICAL SECTION for Breakdown)	
7	1320136	1	Clamp	
8	3311405	3	Nut, Lock, 1/4-20	
9	3571834	1	Plate, Panel	
10	4460428	1	Connector, Strain Relief	
11	4711400	10	Washer, 1/4	
12	1001103105	1	Battery Charger Assembly (See ELECTRICAL SECTION for Breakdown)	
14	4460805	1	AC Plug	
15	3300454	4	Nut, 1/4-20	
16	0641406	4	Bolt, 1/4-20 x 3/4	

SECTION 1 - FRAME

FIGURE 1-39. BATTERY CHARGER INSTALLATION - M400AJP (AUSTRALIAN SPEC)



ART_1001167421

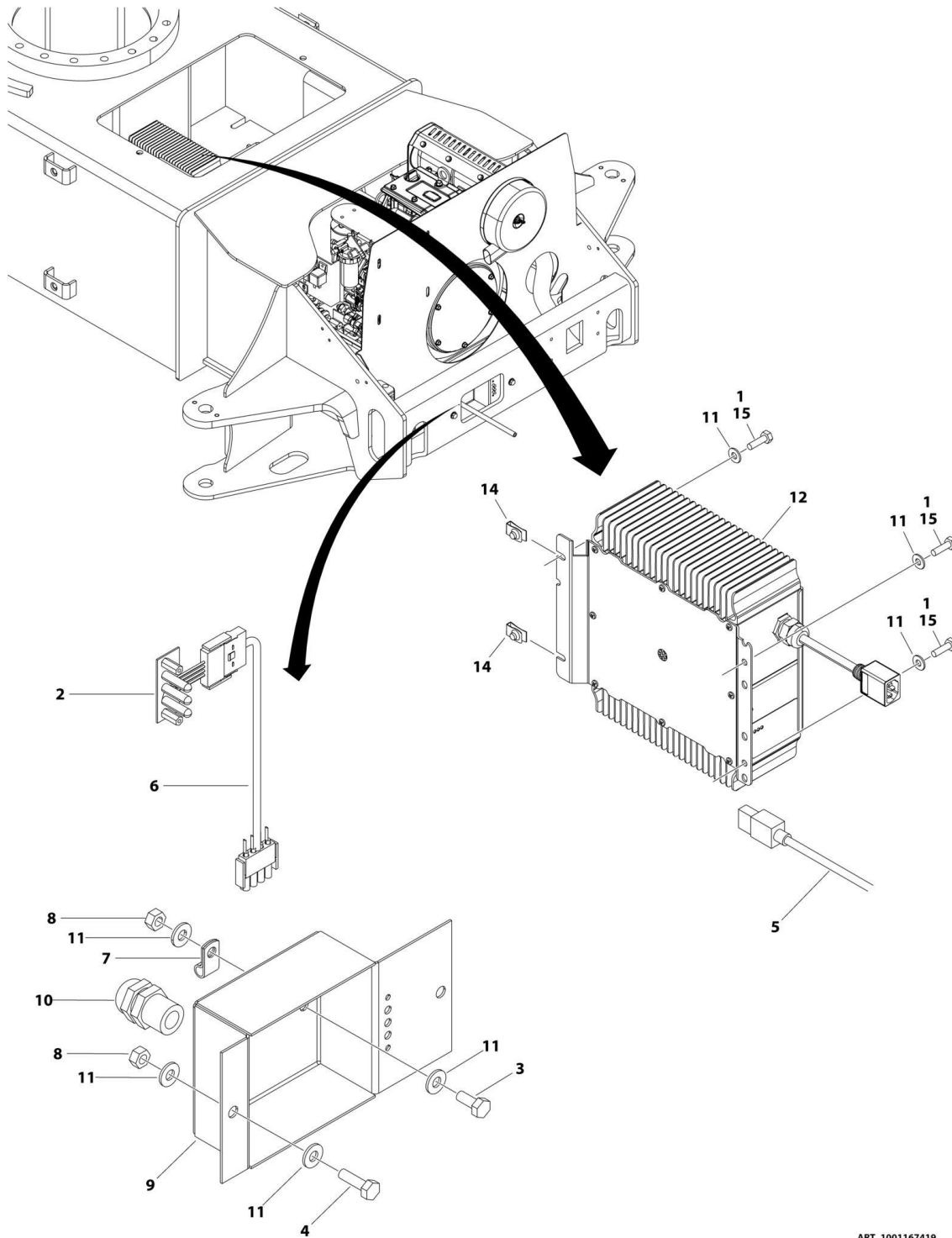
SECTION 1 - FRAME

FIGURE 1-39. BATTERY CHARGER INSTALLATION - M400AJP (AUSTRALIAN SPEC)

ITEM	PART NUMBER	QTY	DESCRIPTION	REV
	1001167421	Ref	BATTERY CHARGER INSTALLATION (AUSTRALIAN SPEC)	D
1	0100011	AR	Compound, Locking	
2	0610131	1	Charger LED Assembly	
3	0641405	1	Bolt, 1/4-20 x 5/8	
4	0641407	2	Bolt, 1/4-20 x 7/8	
5	1060689	1	AC Cord	
6	1060778	1	LED, Remote Lead (See ELECTRICAL SECTION for Breakdown)	
7	1320136	1	Clamp	
8	3311405	3	Nut, Lock, 1/4-20	
9	3571834	1	Plate, Panel	
10	4460428	1	Connector, Strain Relief	
11	4711400	10	Washer, 1/4	
12	1001103105	1	Battery Charger Assembly (See ELECTRICAL SECTION for Breakdown)	
14	4460138	1	AC Plug	
15	3300454	4	Nut, 1/4-20	
16	0641406	4	Bolt, 1/4-20 x 3/4	

SECTION 1 - FRAME

FIGURE 1-40. BATTERY CHARGER INSTALLATION - M400AJP (ANSI EXPORT AND CE SPECS)



ART_1001167419

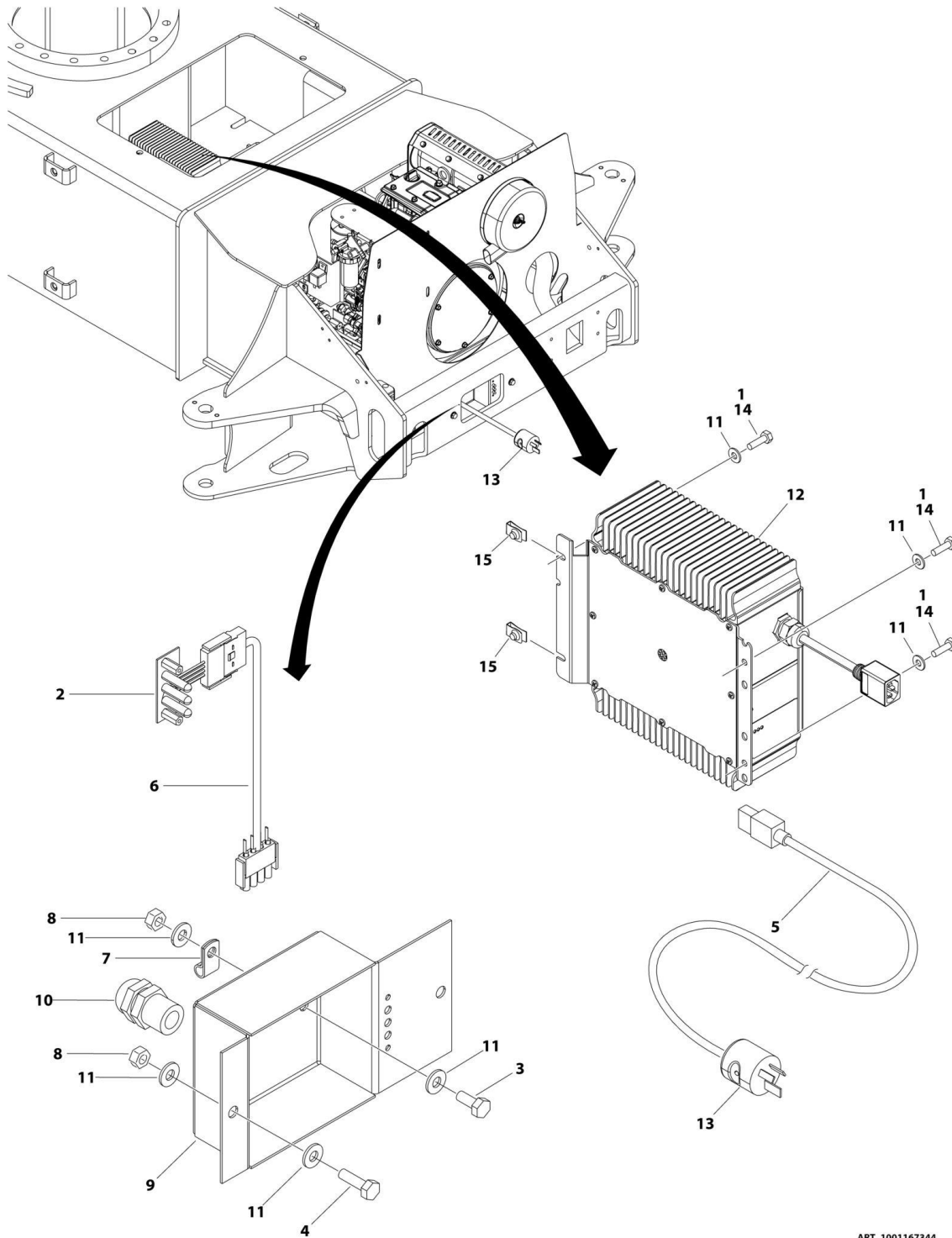
SECTION 1 - FRAME

FIGURE 1-40. BATTERY CHARGER INSTALLATION - M400AJP (ANSI EXPORT AND CE SPECS)

ITEM	PART NUMBER	QTY	DESCRIPTION	REV
	1001167419	Ref	BATTERY CHARGER INSTALLATION (ANSI EXPORT AND CE SPECS)	D
	See Note	Ref	Note: AC Plug Supplied Locally.	
1	0100011	AR	Compound, Locking	
2	0610131	1	Charger LED Assembly	
3	0641405	1	Bolt, 1/4-20 x 5/8	
4	0641407	2	Bolt, 1/4-20 x 7/8	
5	1060689	1	AC Cord (Note: For Plug Options See ELECTRICAL SECTION)	
6	1060778	1	LED, Remote Lead (See ELECTRICAL SECTION for Breakdown)	
7	1320136	1	Clamp	
8	3311405	3	Nut, Lock, 1/4-20	
9	3571834	1	Plate, Panel	
10	4460428	1	Connector, Strain Relief	
11	4711400	10	Washer, 1/4	
12	1001103105	1	Battery Charger Assembly (See ELECTRICAL SECTION for Breakdown)	
14	3300454	4	Nut, 1/4-20	
15	0641406	4	Bolt, 1/4-20 x 3/4	

SECTION 1 - FRAME

FIGURE 1-41. BATTERY CHARGER INSTALLATION - M400AJPNARROW



ART_1001167344

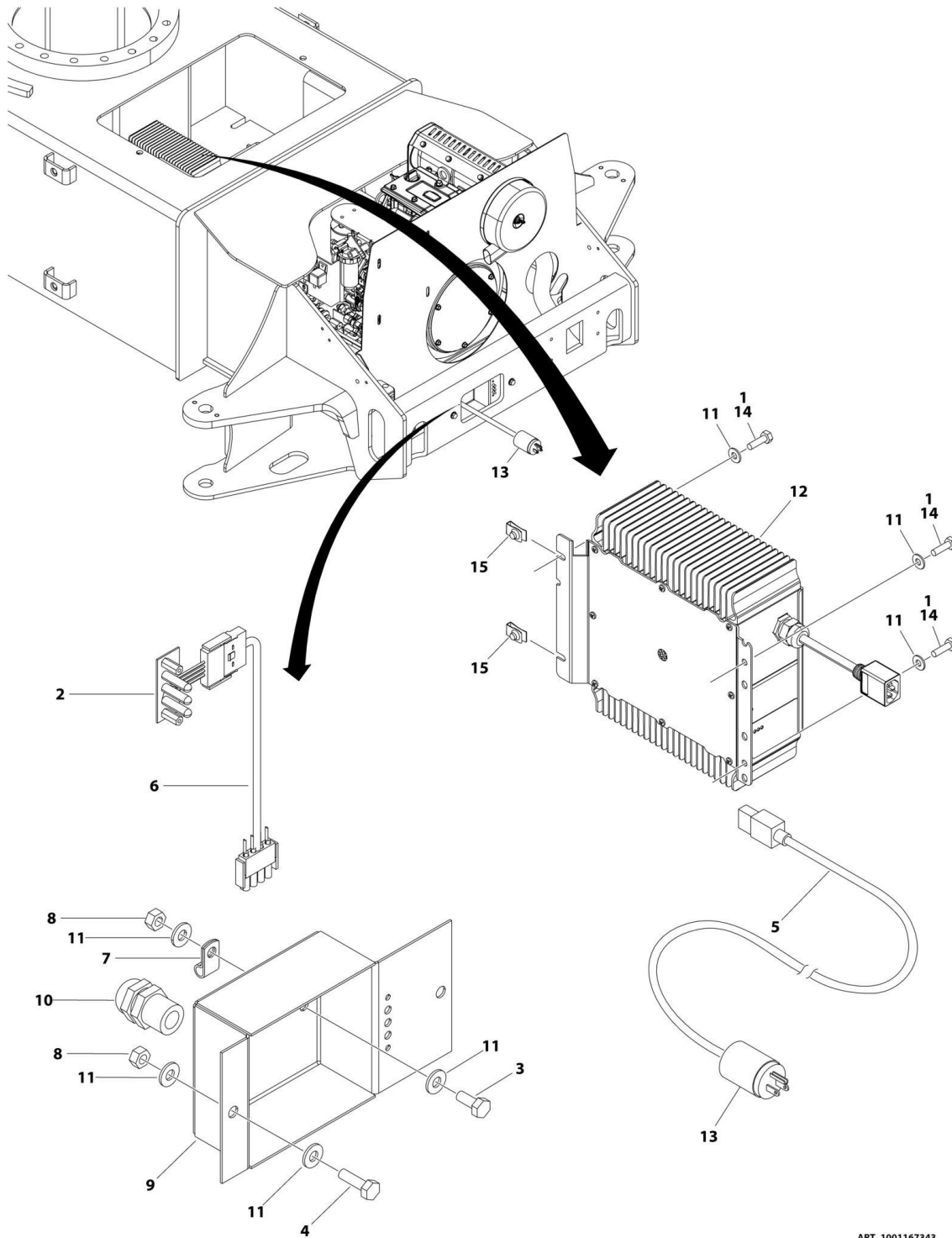
SECTION 1 - FRAME

FIGURE 1-41. BATTERY CHARGER INSTALLATION - M400AJPNARROW

ITEM	PART NUMBER	QTY	DESCRIPTION	REV
	1001167344	Ref	BATTERY CHARGER INSTALLATION (ALL SPECS EXCEPT CE, AUSTRALIAN AND UL SPECS)	B
1	0100011	AR	Compound, Locking	
2	0610131	1	Charger LED Assembly	
3	0641405	1	Bolt, 1/4-20 x 5/8	
4	0641407	6	Bolt, 1/4-20 x 7/8	
5	1060689	1	AC Cord	
6	1060778	1	LED, Remote Lead (See ELECTRICAL SECTION for Breakdown)	
7	1320136	1	Clamp	
8	3311405	3	Nut, Lock, 1/4-20	
9	3571834	1	Plate, Panel	
10	4460428	1	Connector, Strain Relief	
11	4711400	10	Washer, 1/4	
12	1001103105	1	Battery Charger Assembly (See ELECTRICAL SECTION for Breakdown)	
13	4460138	1	AC Plug	
14	0641406	4	Bolt, 1/4-20 x 3/4	
15	3300454	4	Nut, 1/4-20	

SECTION 1 - FRAME

FIGURE 1-42. BATTERY CHARGER INSTALLATION - M400AJPNARROW (AUSTRALIAN SPEC)



ART_1001167343

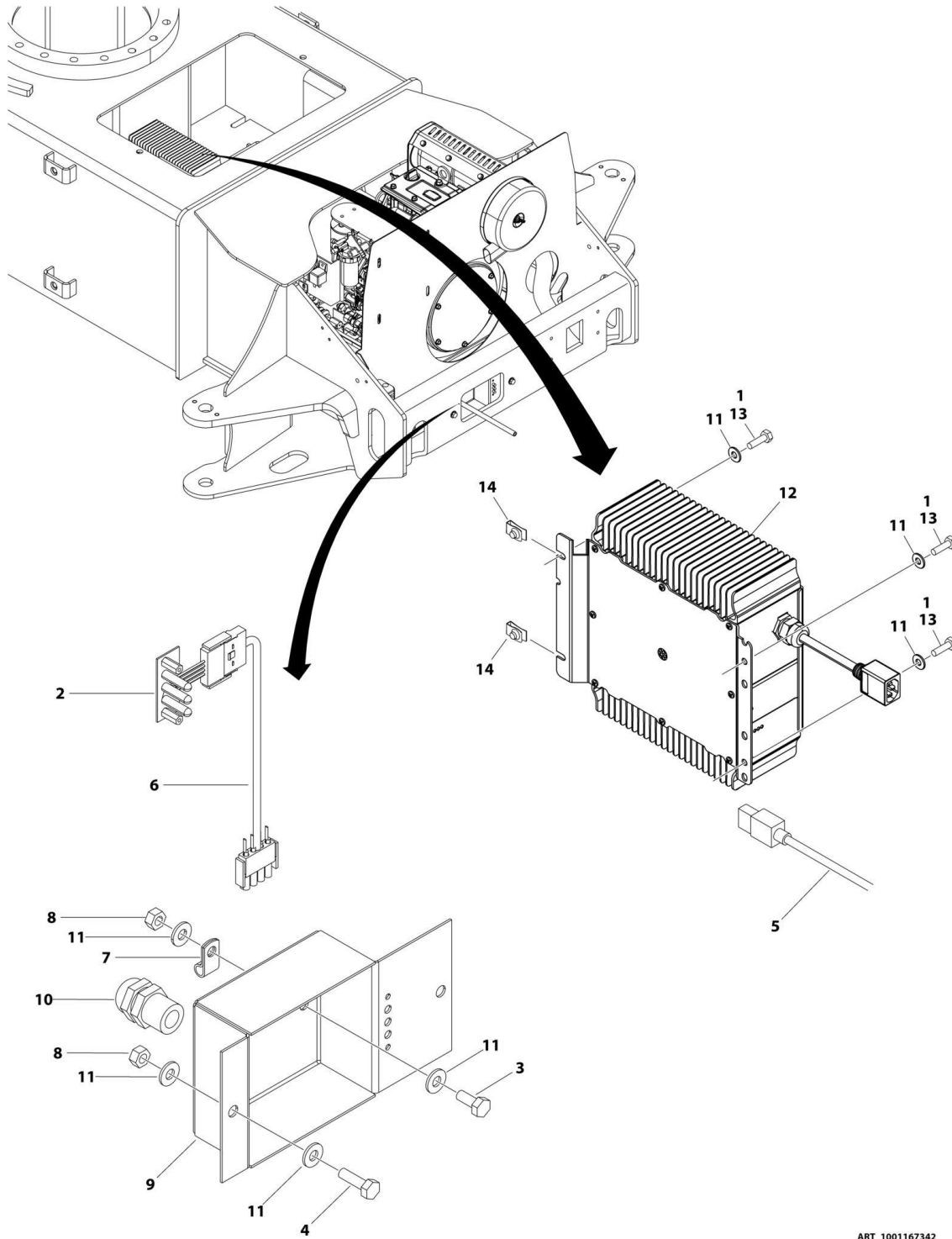
SECTION 1 - FRAME

FIGURE 1-42. BATTERY CHARGER INSTALLATION - M400AJPNARROW (AUSTRALIAN SPEC)

ITEM	PART NUMBER	QTY	DESCRIPTION	REV
	1001167343	Ref	BATTERY CHARGER INSTALLATION (AUSTRALIAN SPEC)	B
1	0100011	AR	Compound, Locking	
2	0610131	1	Charger LED Assembly	
3	0641405	1	Bolt, 1/4-20 x 5/8	
4	0641407	2	Bolt, 1/4-20 x 7/8	
5	1060689	1	AC Cord	
6	1060778	1	LED, Remote Lead (See ELECTRICAL SECTION for Breakdown)	
7	1320136	1	Clamp	
8	3311405	3	Nut, Lock, 1/4-20	
9	3571834	1	Plate, Panel	
10	4460428	1	Connector, Strain Relief	
11	4711400	10	Washer, 1/4	
12	1001103105	1	Battery Charger Assembly (See ELECTRICAL SECTION for Breakdown)	
13	4460805	1	AC Plug	
14	0641406	4	Bolt, 1/4-20 x 3/4	
15	3300454	4	Nut, 1/4-20	

SECTION 1 - FRAME

FIGURE 1-43. BATTERY CHARGER INSTALLATION - M400AJPNARROW (ANSI EXPORT AND CE SPECS)



ART_1001167342

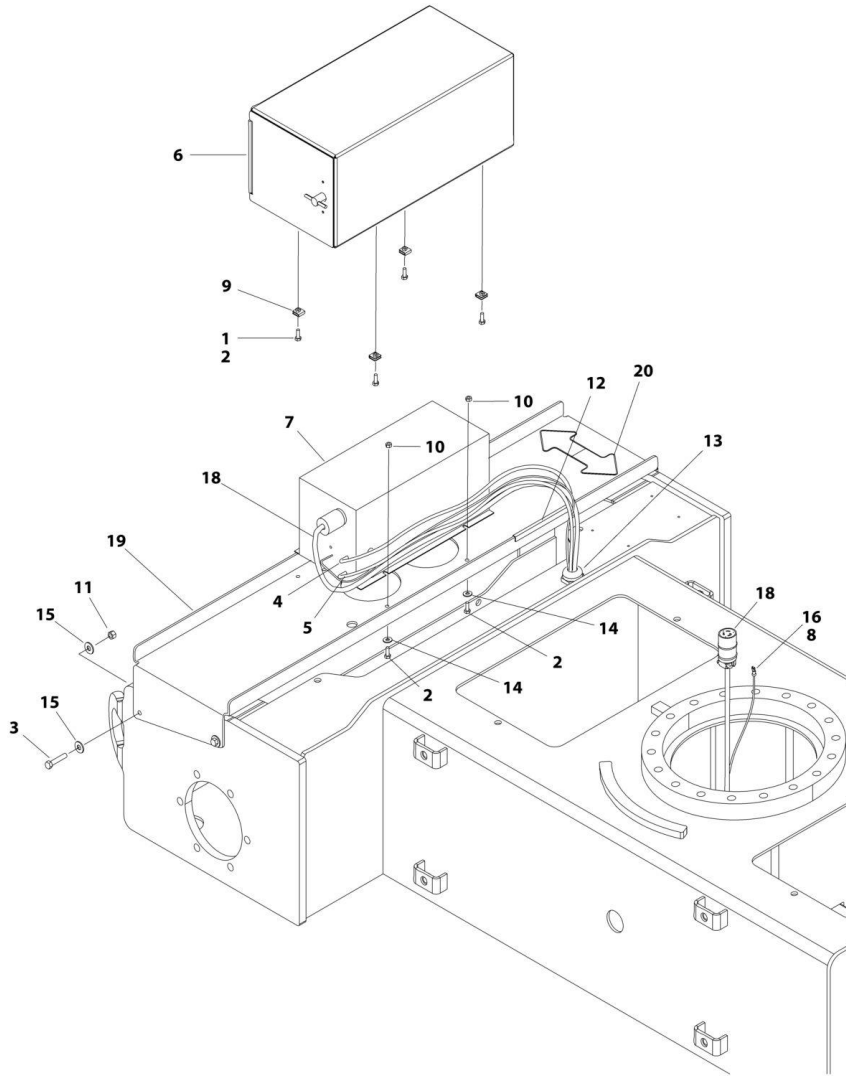
SECTION 1 - FRAME

FIGURE 1-43. BATTERY CHARGER INSTALLATION - M400AJPNARROW (ANSI EXPORT AND CE SPECS)

ITEM	PART NUMBER	QTY	DESCRIPTION	REV
	1001167342	Ref	BATTERY CHARGER INSTALLATION (ANSI EXPORT AND CE SPECS)	B
	See Note	Ref	Note: AC Plug Supplied Locally.	
1	0100011	AR	Compound, Locking	
2	0610131	1	Charger LED Assembly	
3	0641405	1	Bolt, 1/4-20 x 5/8	
4	0641407	2	Bolt, 1/4-20 x 7/8	
5	1060689	1	AC Cord (Note: For Plug Options See ELECTRICAL SECTION)	
6	1060778	1	LED, Remote Lead (See ELECTRICAL SECTION for Breakdown)	
7	1320136	1	Clamp	
8	3311405	3	Nut, Lock, 1/4-20	
9	3571834	1	Plate, Panel	
10	4460428	1	Connector, Strain Relief	
11	4711400	10	Washer, 1/4	
12	1001103105	1	Battery Charger Assembly (See ELECTRICAL SECTION for Breakdown)	
13	0641406	4	Bolt, 1/4-20 x 3/4	
14	3300454	4	Nut 1/4-20	

SECTION 1 - FRAME

FIGURE 1-44. INVERTER INSTALLATION - E400AJP/M400AJP



ART_1001167024

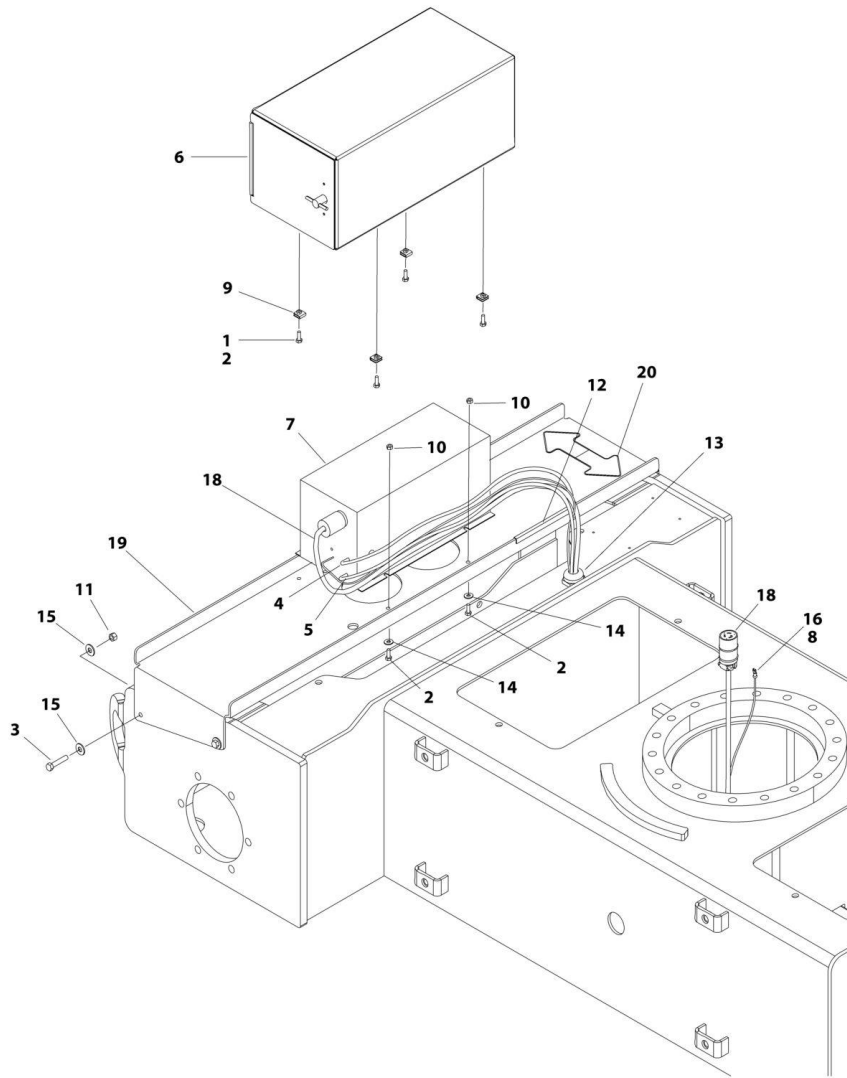
SECTION 1 - FRAME

FIGURE 1-44. INVERTER INSTALLATION - E400AJP/M400AJP

ITEM	PART NUMBER	QTY	DESCRIPTION	REV
	1001167024	Ref	INVERTER INSTALLATION	C
1	0100011	AR	Compound, Locking	
2	0641406	8	Bolt, 1/4-20 x 3/4	
3	0641614	4	Bolt, 3/8-16 x 1-3/4	
4	1060801	1	Cable, Battery	
5	1060802	1	Cable, Ground	
6	1670953	1	Cover	
7	2460037	1	Inverter	
8	2820035	10 ft /3.1m	Insulate, Tubing	
9	3300353	4	Nut, Tinnerman	
10	3311405	4	Nut, Lock, 1/4-20	
11	3311605	4	Nut, Lock, 3/8-16	
12	4060805	6 in /150mm	Shield, Flex Trim	
13	4460426	1	Connector, Strain Relief	
14	4751400	4	Washer, 1/4	
15	4751600	8	Washer, 3/8	
16	4460078	1	Terminal	
18	4922390	1	Harness, Inverter (See ELECTRICAL SECTION for Breakdown) (SN 0300189901 through 0300193793)	
18	1001182296	1	Harness, Inverter (See ELECTRICAL SECTION for Breakdown) (SN 0300193794 through 0300208528)	
19	1001167014	1	Bracket	
20	1701642	1	Decal - Arrow (SN 0300193794 through 0300208528)	

SECTION 1 - FRAME

FIGURE 1-45. INVERTER INSTALLATION - E400ANARROW/E400AJPNARROW/M400AJPNARROW



ART_1001167023

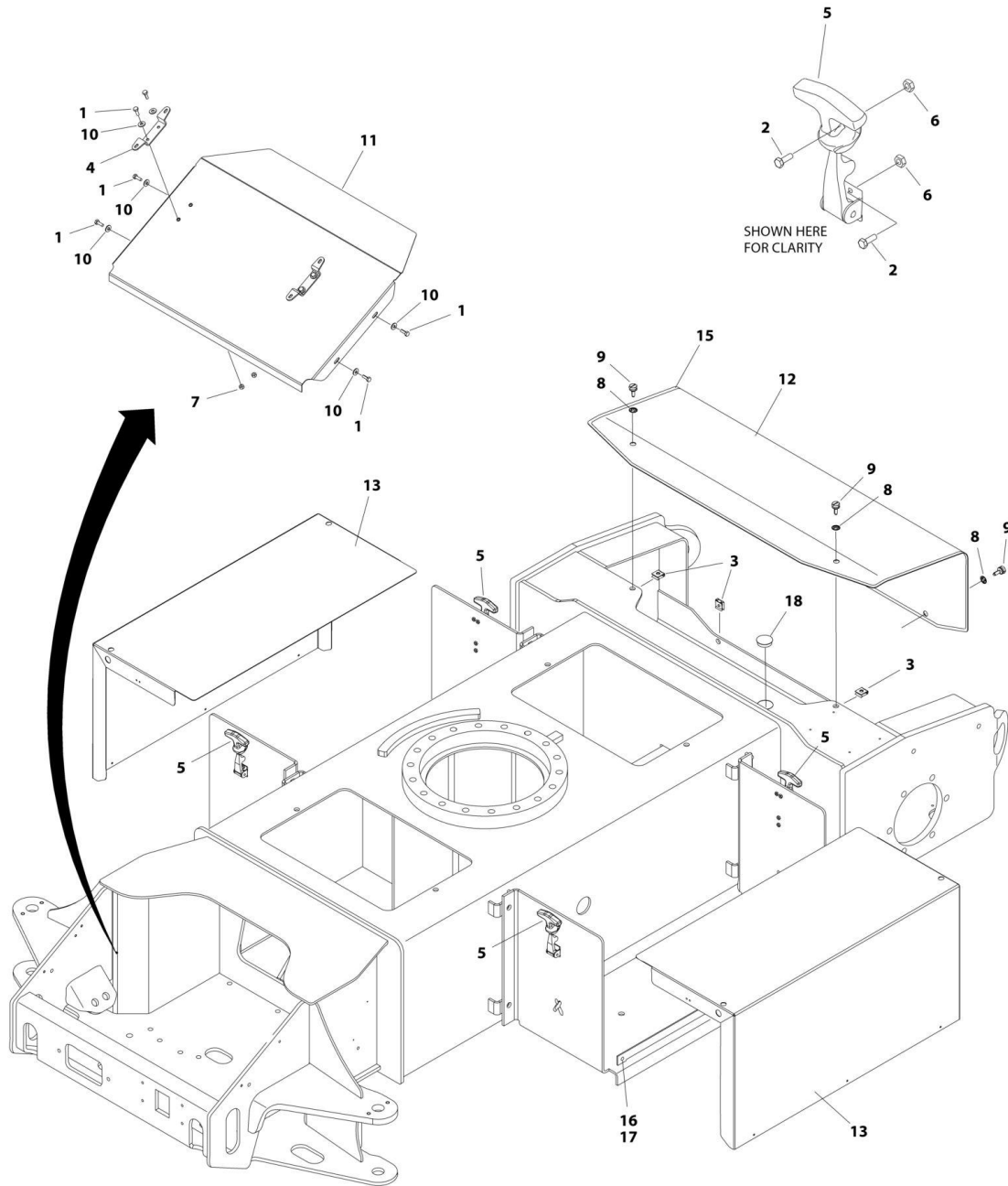
SECTION 1 - FRAME

FIGURE 1-45. INVERTER INSTALLATION - E400ANARROW/E400AJPNARROW/M400AJPNARROW

ITEM	PART NUMBER	QTY	DESCRIPTION	REV
	1001167023	Ref	INVERTER INSTALLATION	C
1	0100011	AR	Compound, Locking	
2	0641406	8	Bolt, 1/4-20 x 3/4	
3	0641614	4	Bolt, 3/8-16 x 1-3/4	
4	1060801	1	Cable, Battery	
5	1060802	1	Cable, Ground	
6	1670953	1	Cover	
7	2460037	1	Inverter	
8	2820035	10 ft /3.1m	Insulate, Tubing	
9	3300353	4	Nut, Tinnerman	
10	3311405	4	Nut, Lock, 1/4-20	
11	3311605	4	Nut, Lock, 3/8-16	
12	4060805	6 in /150mm	Shield, Flex Trim	
13	4460426	1	Connector, Strain Relief	
14	4751400	4	Washer, 1/4	
15	4751600	8	Washer, 3/8	
16	4460078	1	Terminal	
18	4922390	1	Harness, Inverter (See ELECTRICAL SECTION for Breakdown) (SN 0300189901 through 0300193793)	
18	1001182296	1	Harness, Inverter (See ELECTRICAL SECTION for Breakdown) (SN 0300193794 through 0300208528)	
19	1001167013	1	Bracket	
20	1701642	1	Decal - Arrow (SN 0300193794 through 0300208528)	

SECTION 1 - FRAME

FIGURE 1-46. FRAME COVER INSTALLATION - E400AJP



ART_1001166327

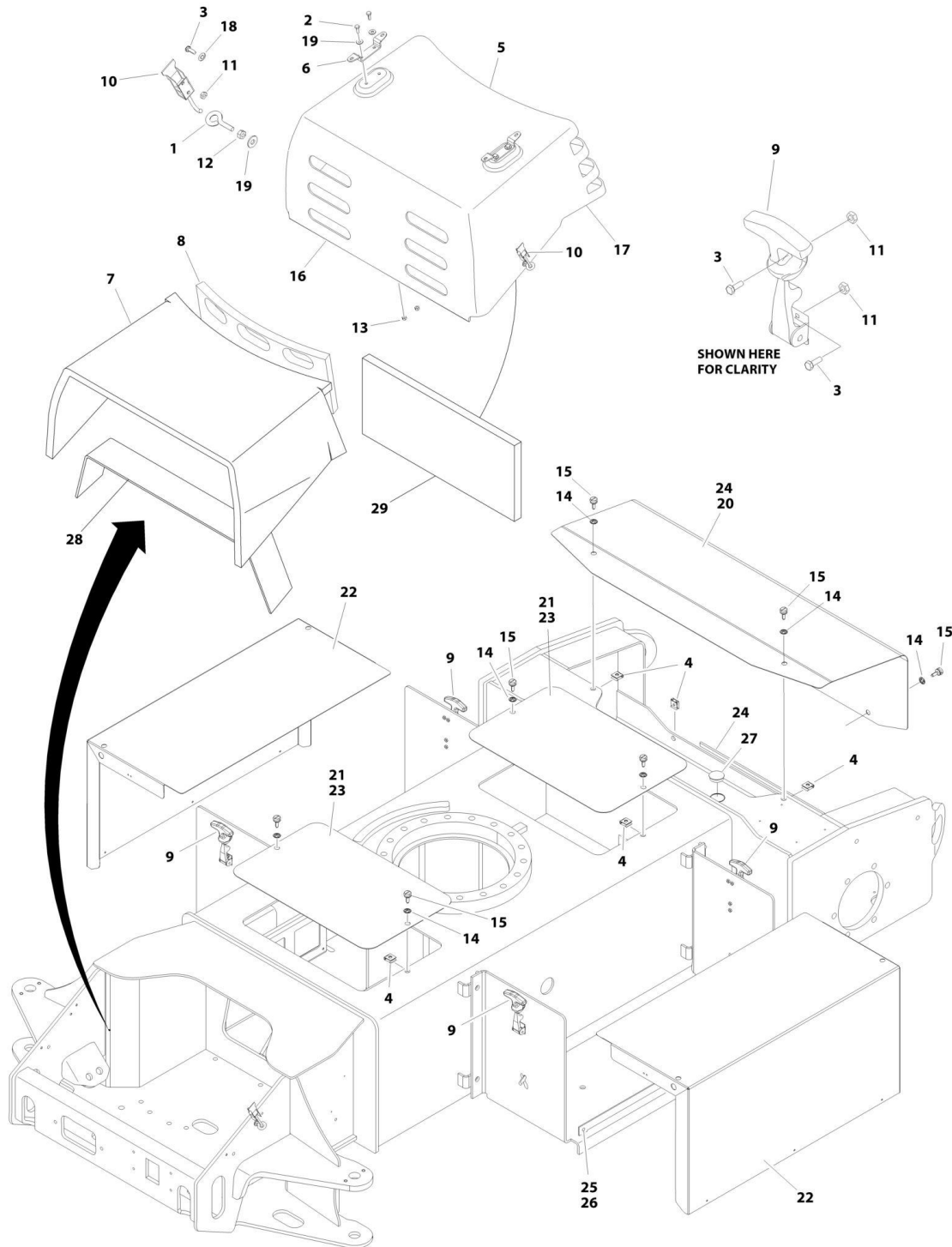
SECTION 1 - FRAME

FIGURE 1-46. FRAME COVER INSTALLATION - E400AJP

ITEM	PART NUMBER	QTY	DESCRIPTION	REV
	1001166327	Ref	FRAME COVER INSTALLATION	E
1	0641406	8	Bolt, 1/4-20 x 3/4	
2	0721004	16	Bolt, #10-24 x .500	
3	1380138	4	Clip, Receptacle	
4	2700093	2	Hook	
5	2940095	4	Latch	
6	3311005	16	Nut, Lock, #10-24	
7	3311405	4	Nut, Lock, 1/4-20	
8	3760308	4	Retainer	
9	3900174	4	Screw, Special (Prior to SN 0300195138)	
9	1001112496	4	Screw, Special (SN 0300195138 through 0300208528)	
10	4751400	8	Washer, 1/4	
11	1001166321	1	Cover	
12	1001166330	1	Axle Cover	
13	1001166493	2	Battery Cover	
15	3960447	11 ft /3.52m	Seal	
16	3820019	6	Rivet	
17	1001175025	2	Brace, Battery Tray	
18	3520035	1	Plug, Cap	

SECTION 1 - FRAME

FIGURE 1-47. FRAME COVER INSTALLATION - M400AJP



ART_1001166328

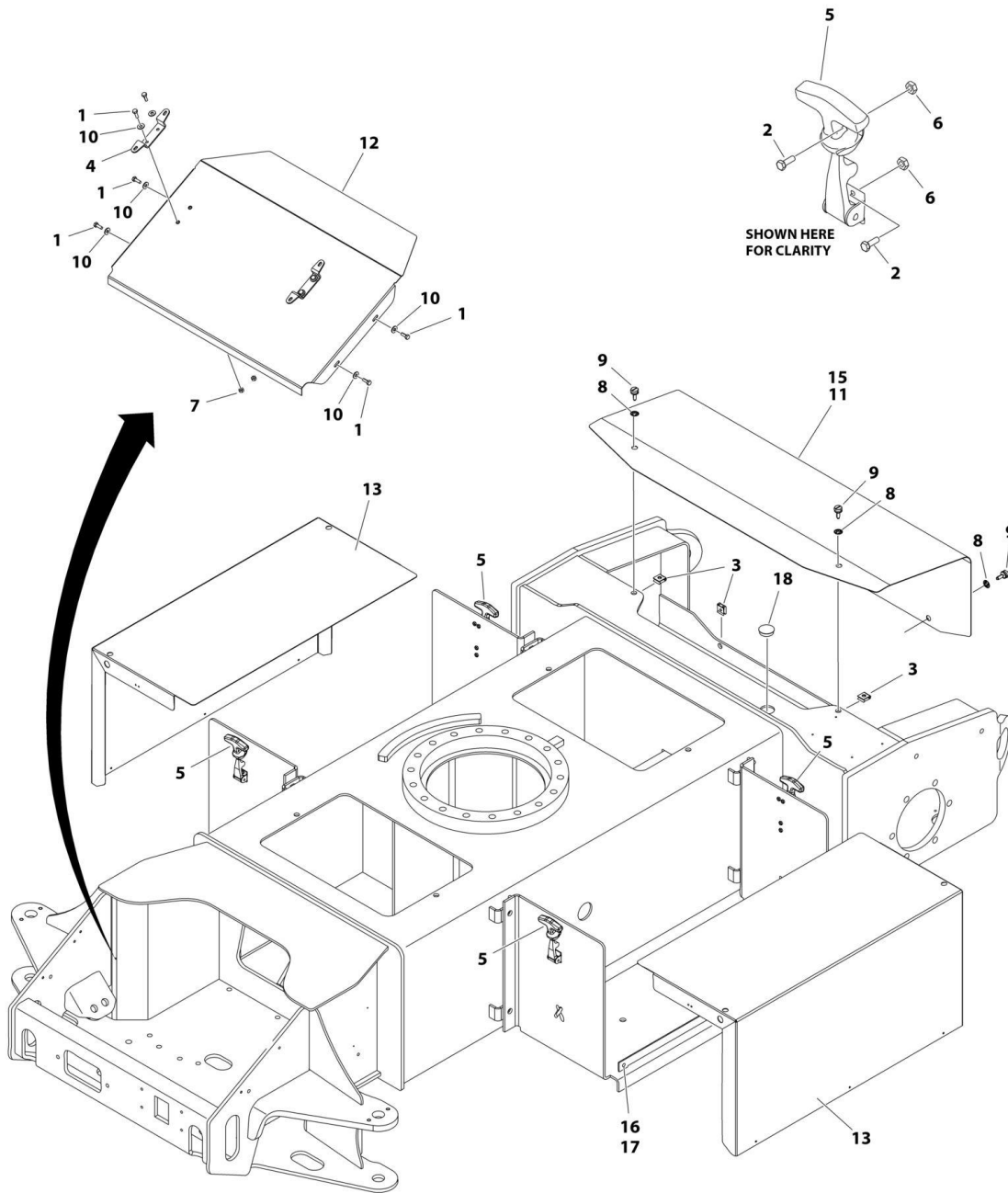
SECTION 1 - FRAME

FIGURE 1-47. FRAME COVER INSTALLATION - M400AJP

ITEM	PART NUMBER	QTY	DESCRIPTION	REV
	1001166328	Ref	FRAME COVER INSTALLATION	F
1	0630440	2	Eyebolt	
2	0641406	4	Bolt, 1/4-20 x 3/4	
3	0721004	20	Bolt, #10-24 x .500	
4	1380138	8	Clip, Receptacle	
5	1670880	1	Cover	
6	2700093	2	Hook	
7	2820105	1	Insulation, Acoustical Foam	
8	2820106	1	Insulation, Acoustic Foam	
9	2940095	4	Latch	
10	2940115	2	Latch	
11	3311005	20	Nut, Lock, #10-24	
12	3311401	2	Nut, 1/4-20	
13	3311405	4	Nut, Lock, 1/4-20	
14	3760308	8	Retainer	
15	3900174	8	Screw, Special (Prior to SN 0300195138)	
15	1001112496	8	Screw, Special (SN 0300195138 through 0300208528)	
16	3960389	2.5 ft /0.76m	Seal	
17	4060804	6.5 ft /1.9m	Flex Trim	
18	4751000	4	Washer, 10	
19	4751400	6	Washer, 1/4	
20	1001166330	1	Axle, Cover	
21	1001166377	2	Frame Cover	
22	1001166493	2	Battery Cover	
23	3960417	12 ft /3.66m	Seal	
24	3960447	11 ft /3.35m	Seal	
25	3820019	6	Rivet	
26	1001175025	2	Brace, Battery Tray	
27	3520035	1	Plug, Cap	
28	1001182709	1	Insulation	
29	2820110	1	Insulation	

SECTION 1 - FRAME

FIGURE 1-48. FRAME COVER INSTALLATION - E400ANARROW/E400AJPNARROW



ART_1001166312

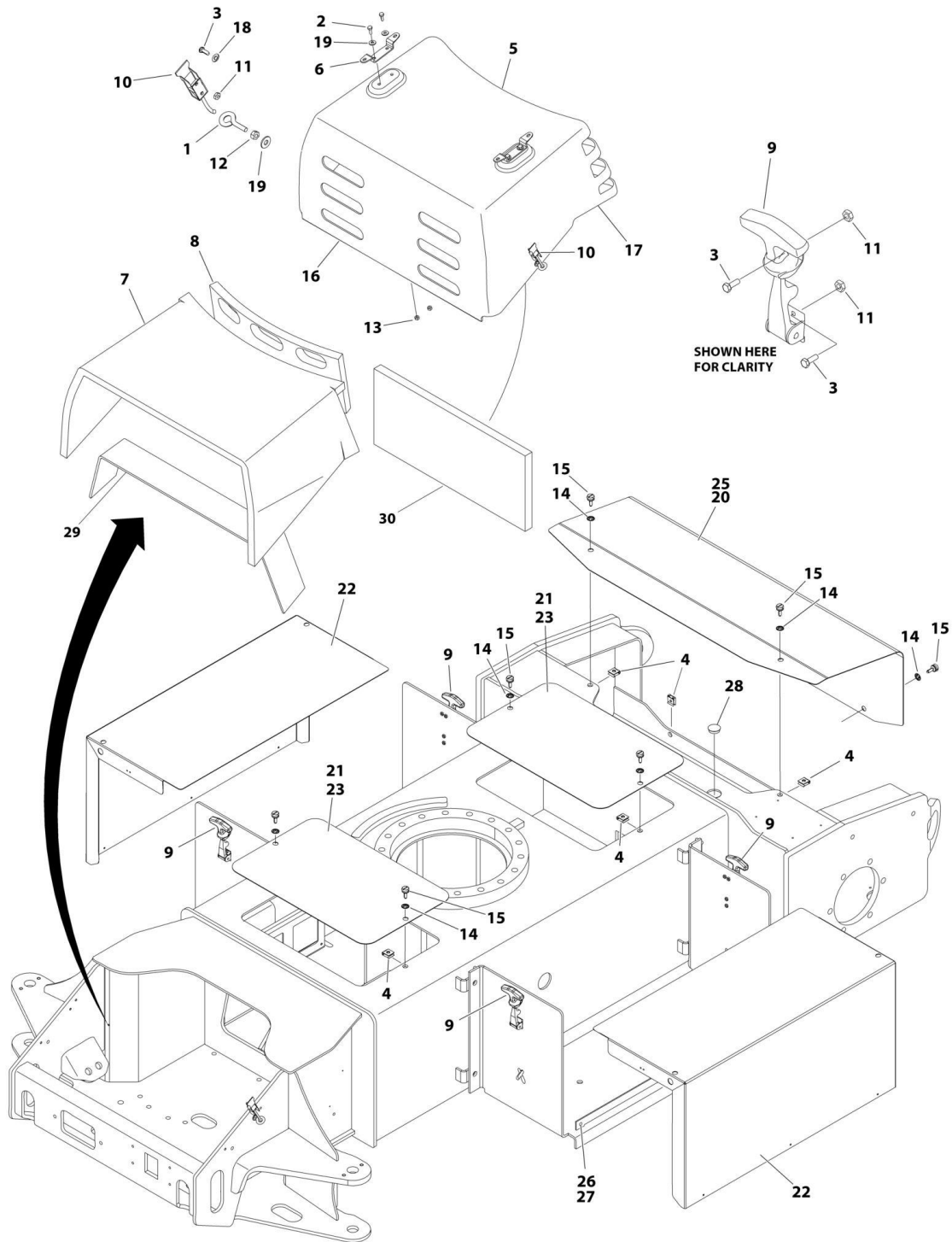
SECTION 1 - FRAME

FIGURE 1-48. FRAME COVER INSTALLATION - E400ANARROW/E400AJPNARROW

ITEM	PART NUMBER	QTY	DESCRIPTION	REV
	1001166312	Ref	FRAME COVER INSTALLATION	D
1	0641406	8	Bolt, 1/4-20 x 3/4	
2	0721004	16	Bolt, #10-24 x .500	
3	1380138	4	Clip, Receptacle	
4	2700093	2	Hook	
5	2940095	4	Latch	
6	3311005	16	Nut, Lock, #10-24	
7	3311405	5	Nut, Lock, 1/4-20	
8	3760308	4	Retainer	
9	3900174	4	Screw, Special	
10	4751400	8	Washer, 1/4	
11	1001166296	1	Axle Cover	
12	1001166321	1	Cover	
13	1001166493	2	Battery Cover	
15	3960447	9.5 ft /2.9m	Seal	
16	3820019	6	Rivet	
17	1001175025	2	Brace, Battery Tray	
18	3520035	1	Plug, Cap	

SECTION 1 - FRAME

FIGURE 1-49. FRAME COVER INSTALLATION - M400AJPNARROW



ART_1001166329

SECTION 1 - FRAME

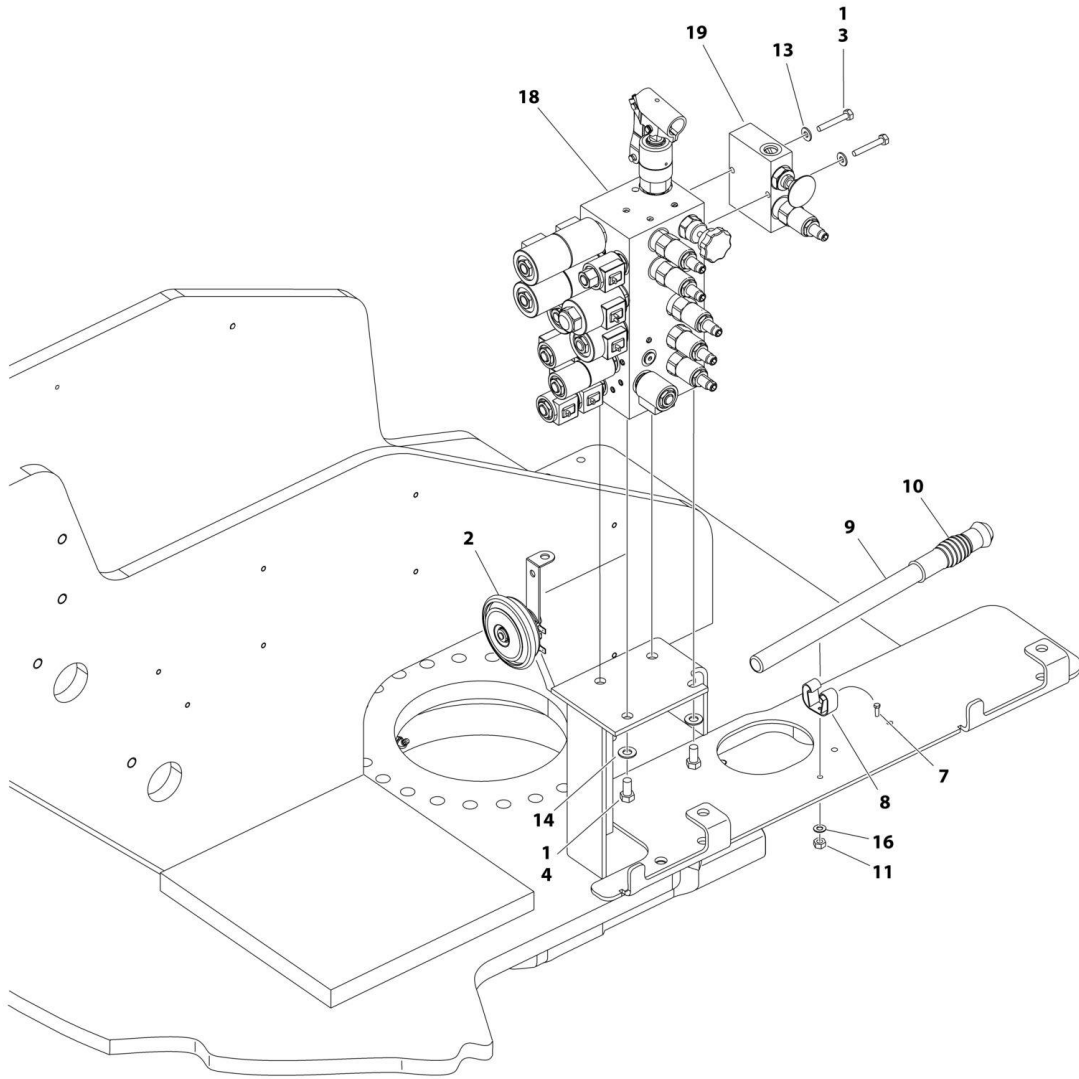
FIGURE 1-49. FRAME COVER INSTALLATION - M400AJPNARROW

ITEM	PART NUMBER	QTY	DESCRIPTION	REV
	1001166329	Ref	FRAME COVER INSTALLATION	F
1	0630440	2	Eyebolt	
2	0641406	4	Bolt, 1/4-20 x 3/4	
3	0721004	20	Bolt, #10-24 x .500	
4	1380138	8	Clip, Receptacle	
5	1670880	1	Cover	
6	2700093	2	Hook	
7	2820105	1	Insulation, Acoustical Foam	
8	2820106	1	Insulation, Acoustic Foam	
9	2940095	4	Latch	
10	2940115	2	Latch	
11	3311005	20	Nut, Lock, #10-24	
12	3311401	2	Nut, 1/4-20	
13	3311405	4	Nut, Lock, 1/4-20	
14	3760308	8	Retainer	
15	3900174	8	Screw, Special (Prior to SN 0300195138)	
15	1001112496	8	Screw, Special (SN 0300195138 through 0300208528)	
16	3960389	2.5 ft /0.76m	Seal	
17	4060804	6 ft /1.83m	Flex Trim	
18	4751000	4	Washer, 10	
19	4751400	6	Washer, 1/4	
20	1001166296	1	Axle Cover	
21	1001166377	2	Frame Cover	
22	1001166493	2	Battery Cover	
23	3960417	12 ft /3.66m	Seal	
25	3960447	9.5 ft /2.9m	Seal	
26	3820019	6	Rivet	
27	1001175025	2	Brace, Battery Tray	
28	3520035	1	Plug, Cap	
29	1001182709	1	Insulation	
30	2820110	1	Insulation	

SECTION 2 - TURNTABLE

SECTION 2 - TURNTABLE

FIGURE 2-1. VALVE INSTALLATION - TURNTABLE MOUNTED - E400ANARROW



ART_1001166438_20F2

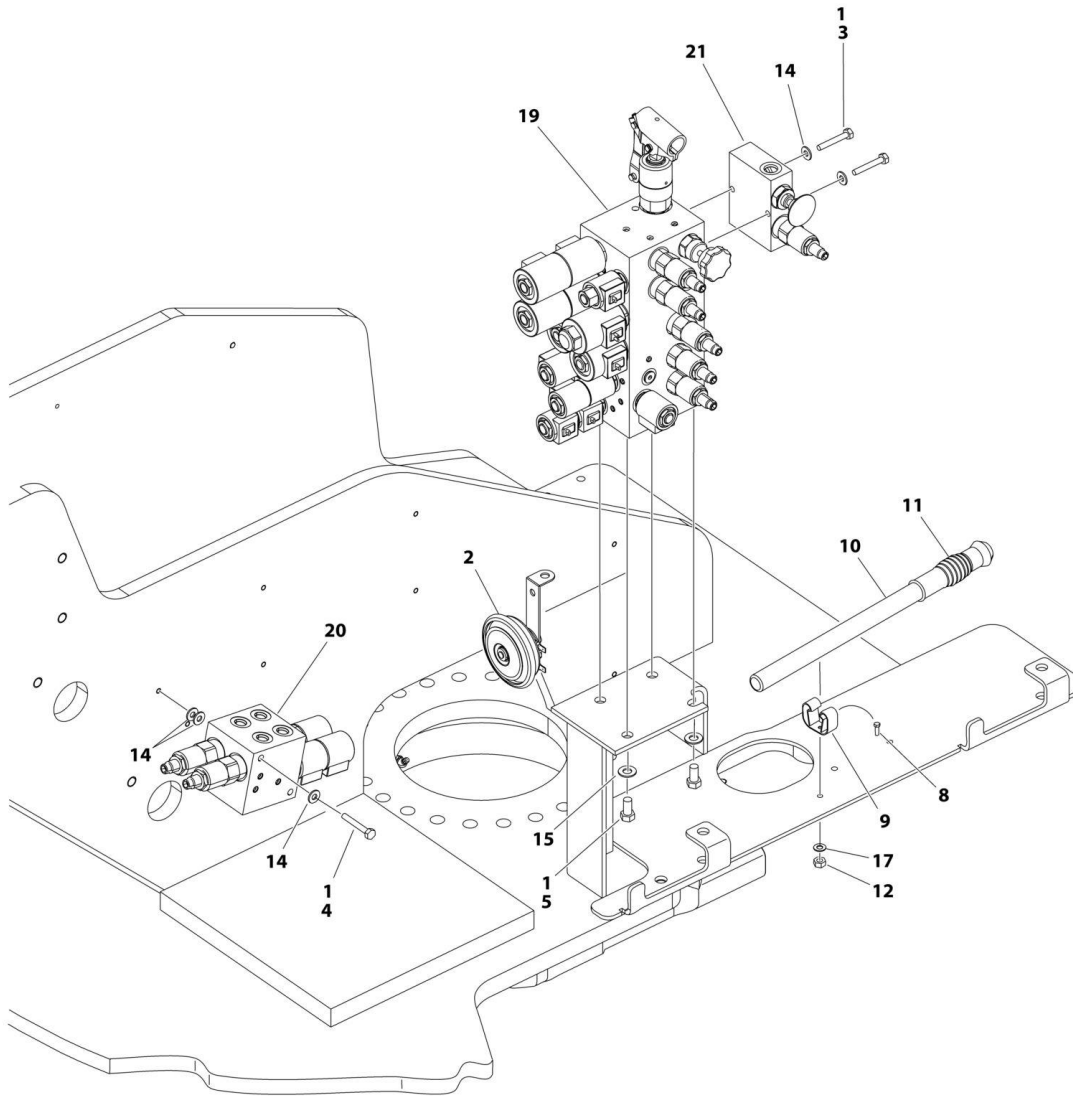
SECTION 2 - TURNTABLE

FIGURE 2-1. VALVE INSTALLATION - TURNTABLE MOUNTED - E400ANARROW

ITEM	PART NUMBER	QTY	DESCRIPTION	REV
	1001166438	Ref	VALVE INSTALLATION - TURNTABLE MOUNTED	F
1	0100011	AR	Compound, Locking	
2	0140028	1	Alarm, Horn	
3	0641413	2	Bolt, 1/4-20 x 1-5/8	
4	0641606	4	Bolt, 3/8-16 x 3/4	
7	0720804	1	Bolt, #8-32 x 1/2	
8	1380136	1	Clip	
9	2560122	1	Handle	
10	2560123	1	Handle, Grip	
11	3310805	1	Nut, Lock, #8-32	
13	4711400	2	Washer, 1/4	
14	4711600	4	Washer, 3/8	
16	4750800	1	Washer, 8	
18	1001097507	1	Main Control Valve Assembly (See MAIN CONTROL VALVE ASSEMBLY for Breakdown)	
19	1001097777	1	Releveling Valve Assembly (See RELEVELING VALVE ASSEMBLY for Breakdown)	

SECTION 2 - TURNTABLE

FIGURE 2-2. VALVE INSTALLATION - TURNTABLE MOUNTED - E400AJP/E400AJPNARROW



ART_1001167096_20F2

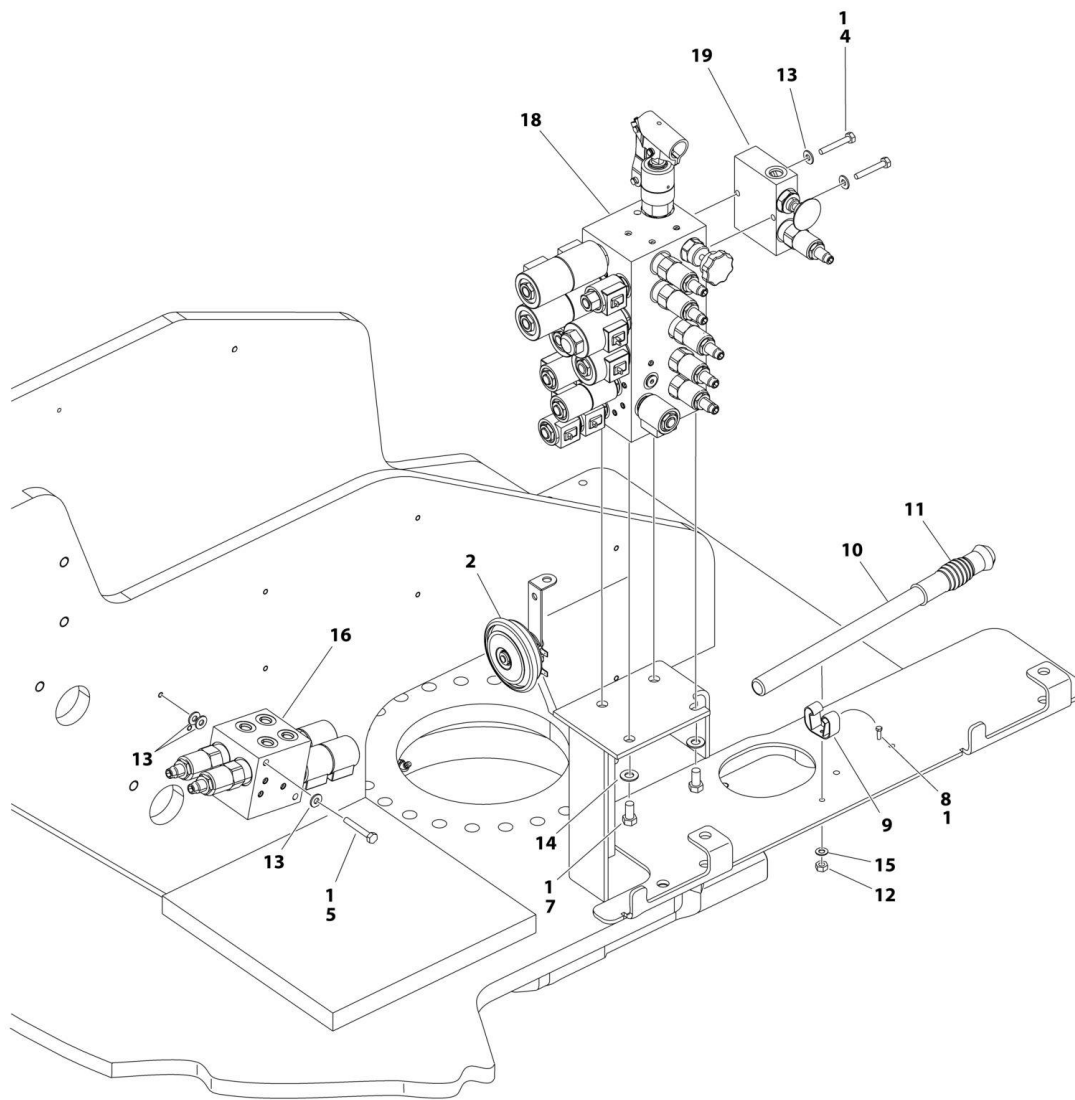
SECTION 2 - TURNTABLE

FIGURE 2-2. VALVE INSTALLATION - TURNTABLE MOUNTED - E400AJP/E400AJPNARROW

ITEM	PART NUMBER	QTY	DESCRIPTION	REV
	1001167096	Ref	VALVE INSTALLATION - TURNTABLE MOUNTED	F
1	0100011	AR	Compound, Locking	
2	0140028	1	Alarm, Horn	
3	0641413	2	Bolt, 1/4-20 x 1-5/8	
4	0641426	2	Bolt, 1/4-20 x 3-1/4	
5	0641606	4	Bolt, 3/8-16 x 3/4	
8	0720804	1	Bolt, #8-32 x 1/2	
9	1380136	1	Clip	
10	2560122	1	Handle	
11	2560123	1	Grip, Handle	
12	3310805	1	Nut, Lock, #8-32	
14	4711400	8	Washer, 1/4	
15	4711600	2	Washer, 3/8	
17	4750800	1	Washer, #8	
19	1001097507	1	Main Control Valve Assembly (See MAIN CONTROL VALVE ASSEMBLY for Breakdown)	
20	1001097505	1	Jib Valve Assembly (See JIB VALVE ASSEMBLY for Breakdown)	
21	1001097777	1	Releveling Valve Assembly (See RELEVELING VALVE ASSEMBLY for Breakdown)	

SECTION 2 - TURNTABLE

FIGURE 2-3. VALVE INSTALLATION - TURNTABLE MOUNTED - M400AJP/M400AJPNARROW



ART_1001167415_20F2

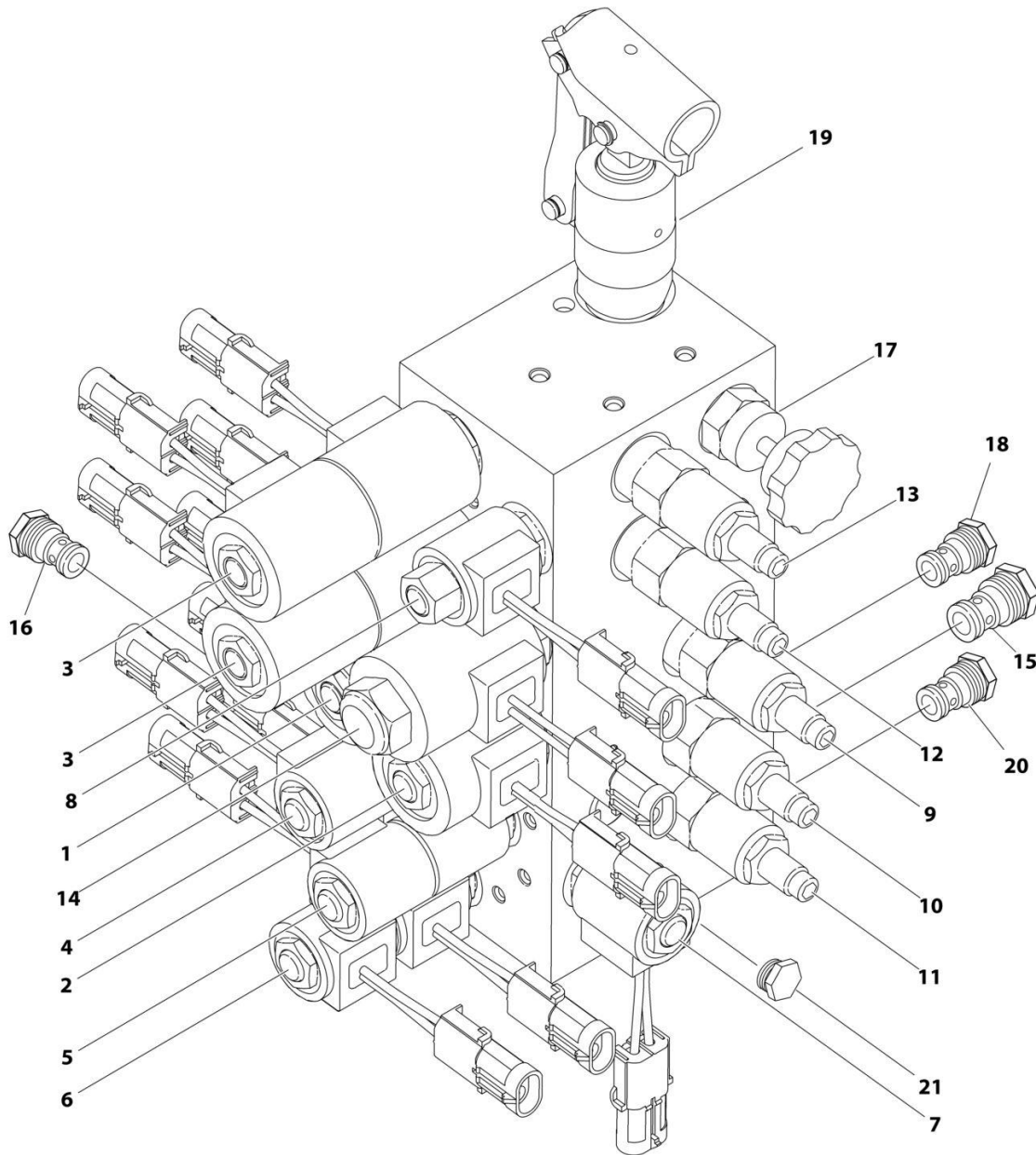
SECTION 2 - TURNTABLE

FIGURE 2-3. VALVE INSTALLATION - TURNTABLE MOUNTED - M400AJP/M400AJPNARROW

ITEM	PART NUMBER	QTY	DESCRIPTION	REV
	1001167415	Ref	VALVE INSTALLATION - TURNTABLE MOUNTED	C
1	0100011	AR	Compound, Locking	
2	0140028	1	Alarm, Horn	
4	0641413	2	Bolt, 1/4-20 x 1-5/8	
5	0641426	2	Bolt, 1/4-20 x 3-1/4	
7	0641606	4	Bolt, 3/8-16 x 3/4	
8	0720804	1	Bolt, #8-32 x 1/2	
9	1380136	1	Clip	
10	2560122	1	Handle	
11	2560123	1	Grip, Handle	
12	3310805	1	Nut, Lock, #8-32	
13	4711400	8	Washer, 1/4	
14	4711600	4	Washer, 3/8	
15	4750800	1	Washer, #8	
16	1001097505	1	Jib Valve Assembly (See JIB VALVE ASSEMBLY for Breakdown)	
18	1001097507	1	Main Control Valve Assembly (See MAIN CONTROL VALVE ASSEMBLY for Breakdown)	
19	1001097777	1	Releveling Valve Assembly (See RELEVELING VALVE ASSEMBLY for Breakdown)	

SECTION 2 - TURNTABLE

FIGURE 2-4. MAIN CONTROL VALVE ASSEMBLY



ART_1001097507

SECTION 2 - TURNTABLE

FIGURE 2-4. MAIN CONTROL VALVE ASSEMBLY

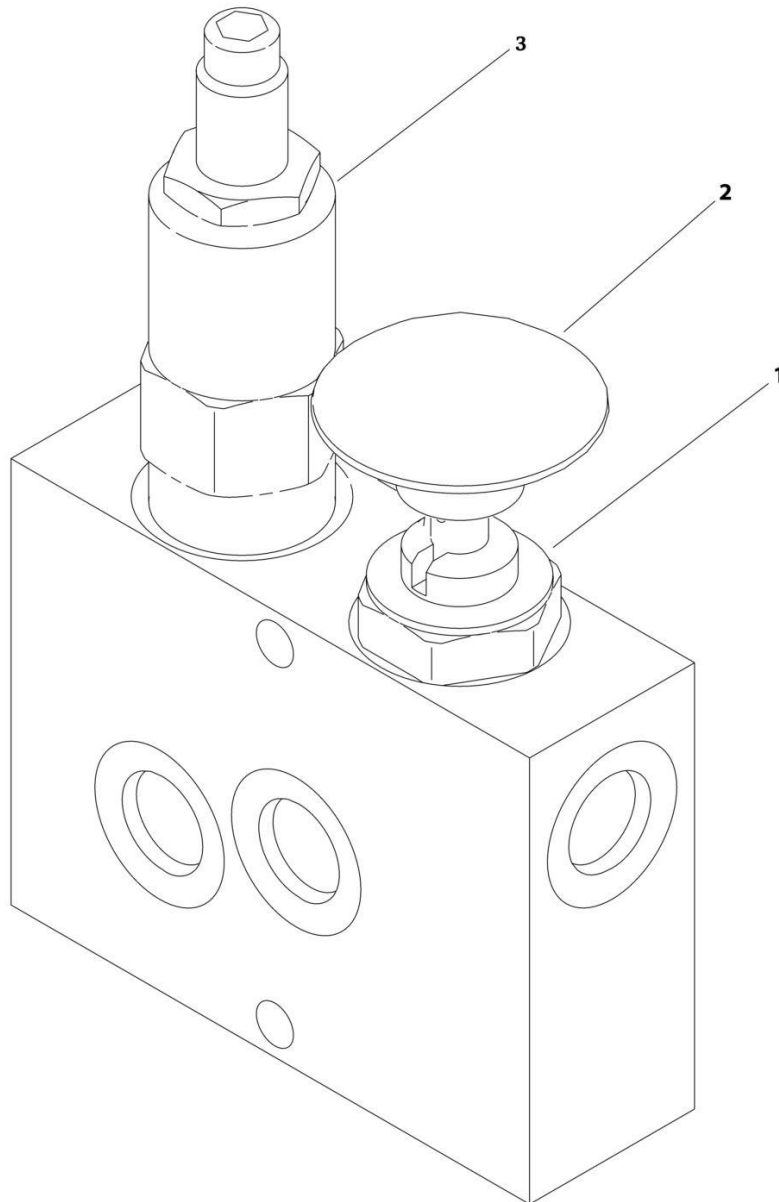
ITEM	PART NUMBER	QTY	DESCRIPTION	REV
	1001097507	Ref	MAIN CONTROL VALVE ASSEMBLY	D
1	7022394	1	Cartridge without Coil (Telescope In)	
1	7012518	1	Seal Kit - 7022394 Cartridge	
1	7021610	1	Coil	
2	7012995	1	Cartridge without Coil (Telescope Out)	
2	7012518	1	Seal Kit - 7012995 Cartridge	
2	7021610	1	Coil	
3	7021603	2	Cartridge without Coil (Lower and Upper Lift)	
3	7012903	1	Seal Kit - 7021603 Cartridge	
3	7021610	1	Coil (2 Per Valve)	
4	7017452	1	Cartridge without Coil (Platform Level)	
4	7017402	1	Seal Kit - 7017452 Cartridge	
4	7021609	1	Coil	
5	7017452	1	Cartridge without Coil (Rotator)	
5	7017402	1	Seal Kit - 7017452 Cartridge	
5	7021609	1	Coil	
6	7017433	1	Cartridge without Coil (Swing)	
6	7017402	1	Seal Kit - 7017433 Cartridge	
6	7021609	2	Coil	
7	7021604	1	Cartridge without Coil (Swing Restrictor)	
7	7012953	1	Seal Kit - 7021604 Cartridge	
7	7021609	1	Coil	
8	7017410	1	Cartridge without Coil (Bypass Unloading)	
8	7012998	1	Seal Kit - 7017410 Cartridge	
8	7021609	1	Coil	
9	7017418	1	Cartridge (Telescope)	
9	7012998	1	Seal Kit - 7017418 Cartridge	
10	7017421	1	Cartridge (Platform Level Backward Piston End)	
10	7012998	1	Seal Kit - 7017421 Cartridge	
11	7017418	1	Cartridge (Platform Level Forward Rod End)	
11	7012998	1	Seal Kit - 7017418 Cartridge	
12	70001876	1	Cartridge (Lower Lift Down)	
12	7012998	1	Seal Kit - 70001876 Cartridge	
13	70002806	1	Cartridge (Upper Lift Down)	
13	7012998	1	Seal Kit - 70002806 Cartridge	
14	7021611	1	Cartridge without Coil (Flow Regulator)	
14	7012518	1	Seal Kit - 7021611 Cartridge	
14	7021618	1	Coil	
15	7012914	1	Cartridge (Platform Level Piston Side)	
15	7021653	1	Seal Kit - 7012914 Cartridge	
16	7012914	1	Cartridge (Platform Level Rod Side)	
16	7021653	1	Seal Kit - 7012914 Cartridge	
17	7012947	1	Cartridge (Emergency Descent)	
17	7012518	1	Seal Kit - 7012947 Cartridge	
17	7012961	1	Knob	
18	10837580	1	Cartridge (Telescope)	
18	7010543	1	Seal Kit - 10837580 Cartridge	
19	70004019	1	Pump, Manual	
19	7017496	1	Seal Kit - 70004019 Pump	
20	7012975	1	Valve, Check	

SECTION 2 - TURNTABLE

ITEM	PART NUMBER	QTY	DESCRIPTION	REV
20	7012540	1	Seal Kit - 7012975 Cartridge	
21	70000381	1	Cartridge, Plug	
22	7017406	4	Plug (Not Shown)	

SECTION 2 - TURNTABLE

FIGURE 2-5. RELEVELING VALVE ASSEMBLY



ART_100109777

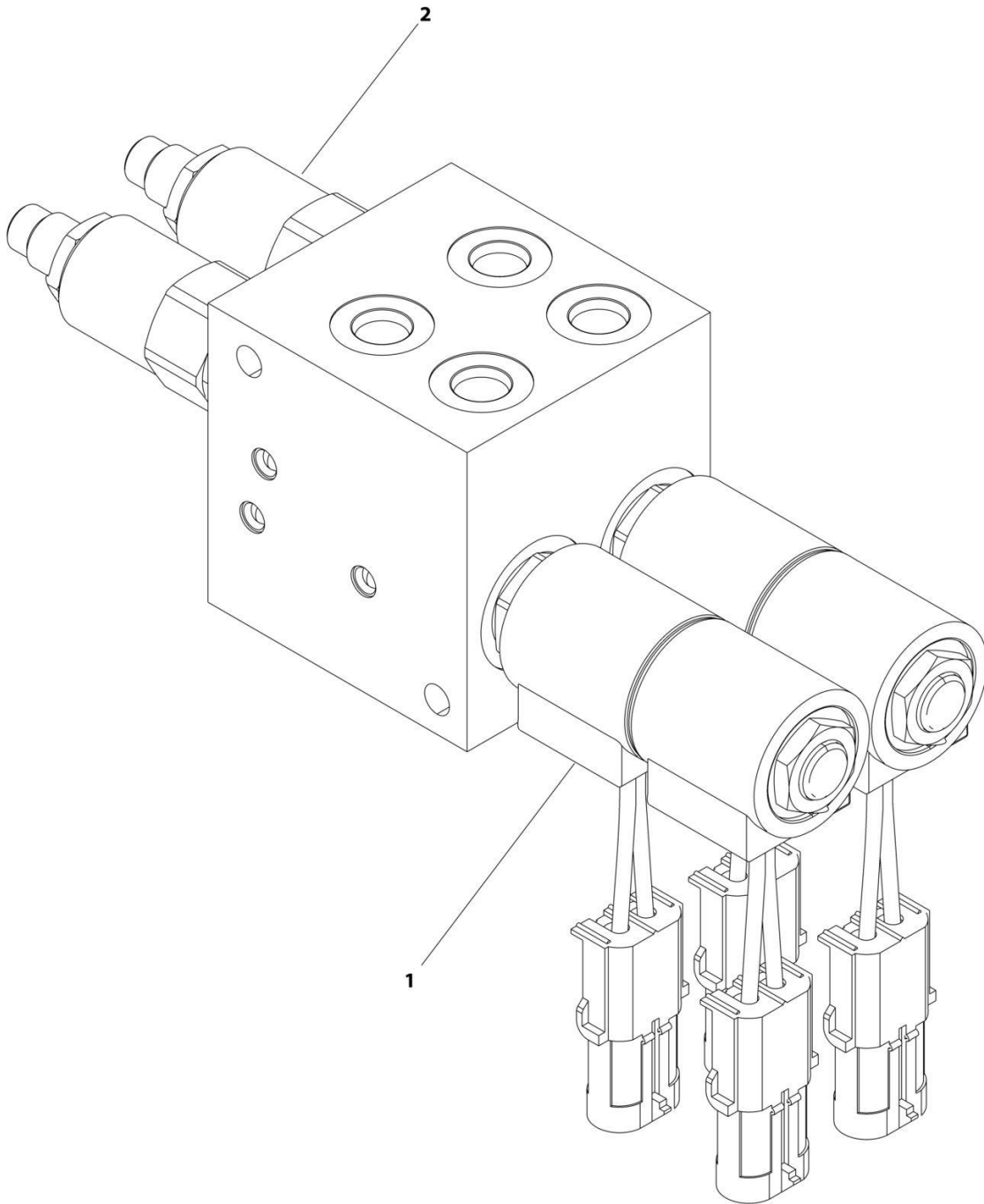
SECTION 2 - TURNTABLE

FIGURE 2-5. RELEVELING VALVE ASSEMBLY

ITEM	PART NUMBER	QTY	DESCRIPTION	REV
	1001097777	Ref	RELEVELING VALVE ASSEMBLY	A
1	7017466	1	Cartridge	
1	7017496	1	Seal Kit - 7017466 Cartridge	
2	7012959	1	Knob	
3	7024891	1	Cartridge	
3	7012953	1	Seal Kit - 7024891 Cartridge	

SECTION 2 - TURNTABLE

FIGURE 2-6. JIB VALVE ASSEMBLY



ART_1001097505

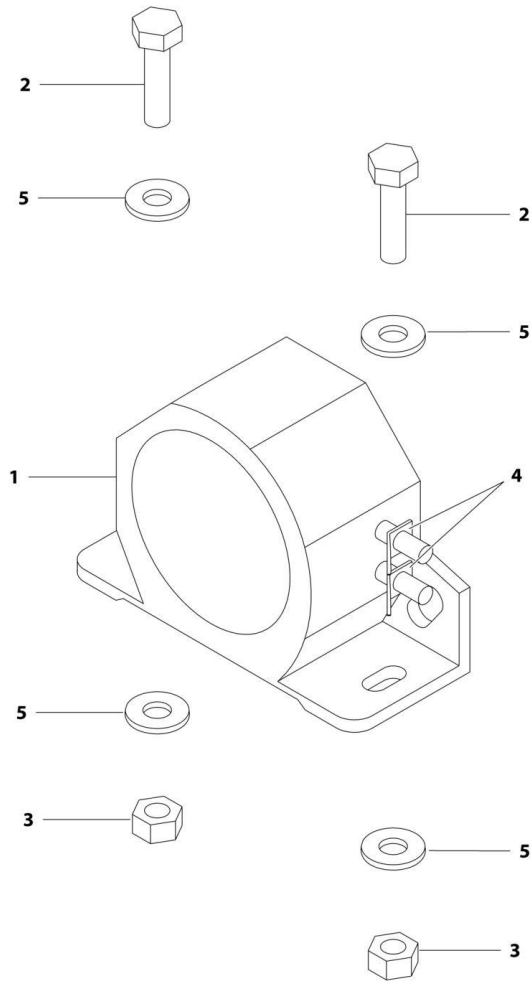
SECTION 2 - TURNTABLE

FIGURE 2-6. JIB VALVE ASSEMBLY

ITEM	PART NUMBER	QTY	DESCRIPTION	REV
	1001097505	Ref	JIB VALVE ASSEMBLY	C
1	7017452	2	Cartridge without Coil	
1	7017402	2	Seal Kit - 7017452 Cartridge	
1	7021609	4	Coil	
2	70002808	2	Cartridge	
2	7021653	2	Seal Kit - 70002808 Cartridge	

SECTION 2 - TURNTABLE

FIGURE 2-7. MOTION ALARM INSTALLATION



ART_1001166437

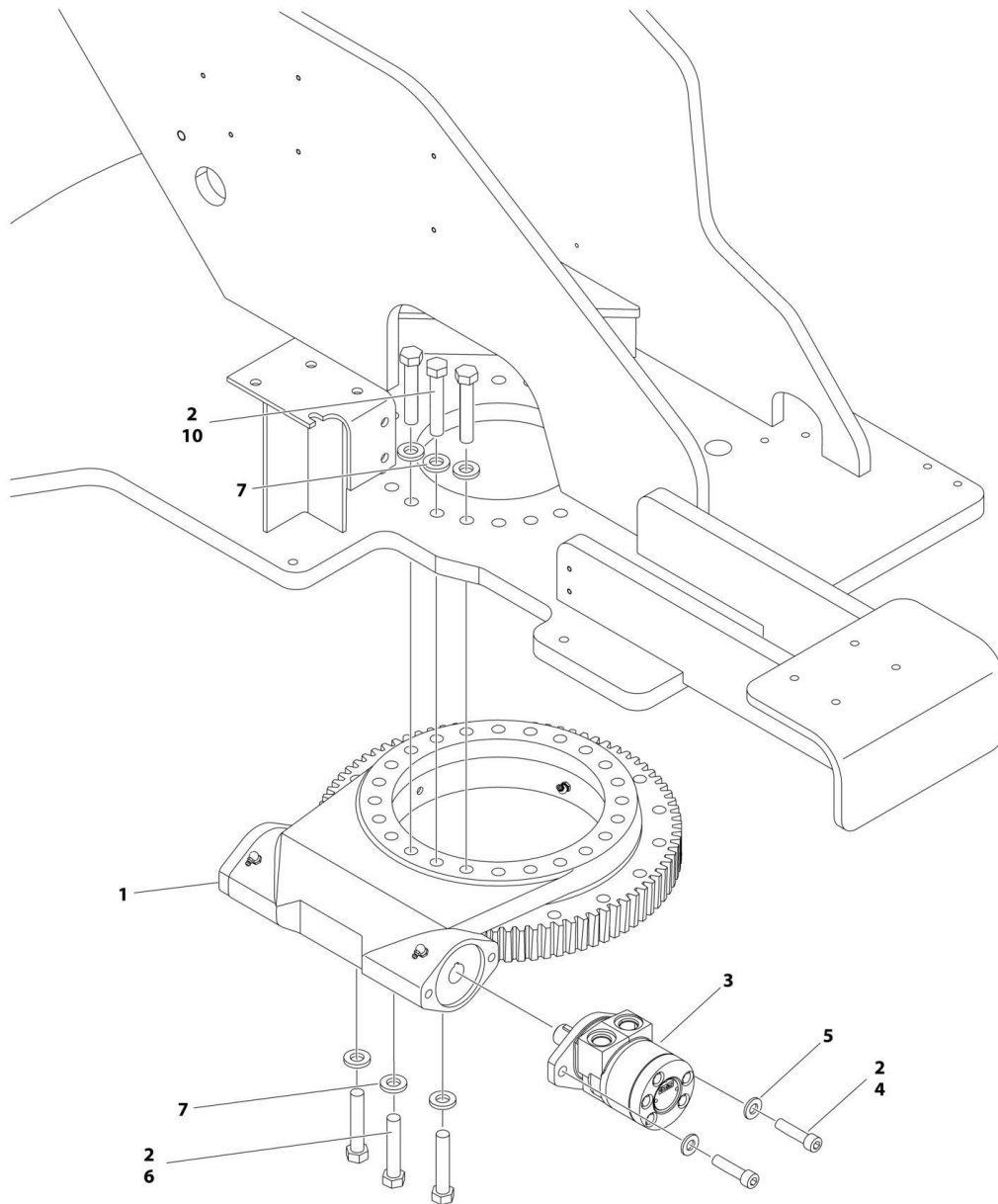
SECTION 2 - TURNTABLE

FIGURE 2-7. MOTION ALARM INSTALLATION

ITEM	PART NUMBER	QTY	DESCRIPTION	REV
	1001166437	Ref	MOTION ALARM INSTALLATION	A
1	0140031	1	Alarm, Motion	
2	0641408	2	Bolt, 1/4-20 x 1	
3	3311405	2	Nut, Lock, 1/4-20	
4	4460685	2	Terminal, Stud Mounted Tab	
5	4711400	4	Washer, 1/4	

SECTION 2 - TURNTABLE

FIGURE 2-8. TURNTABLE BEARING AND SWING DRIVE INSTALLATION



ART_1001166395

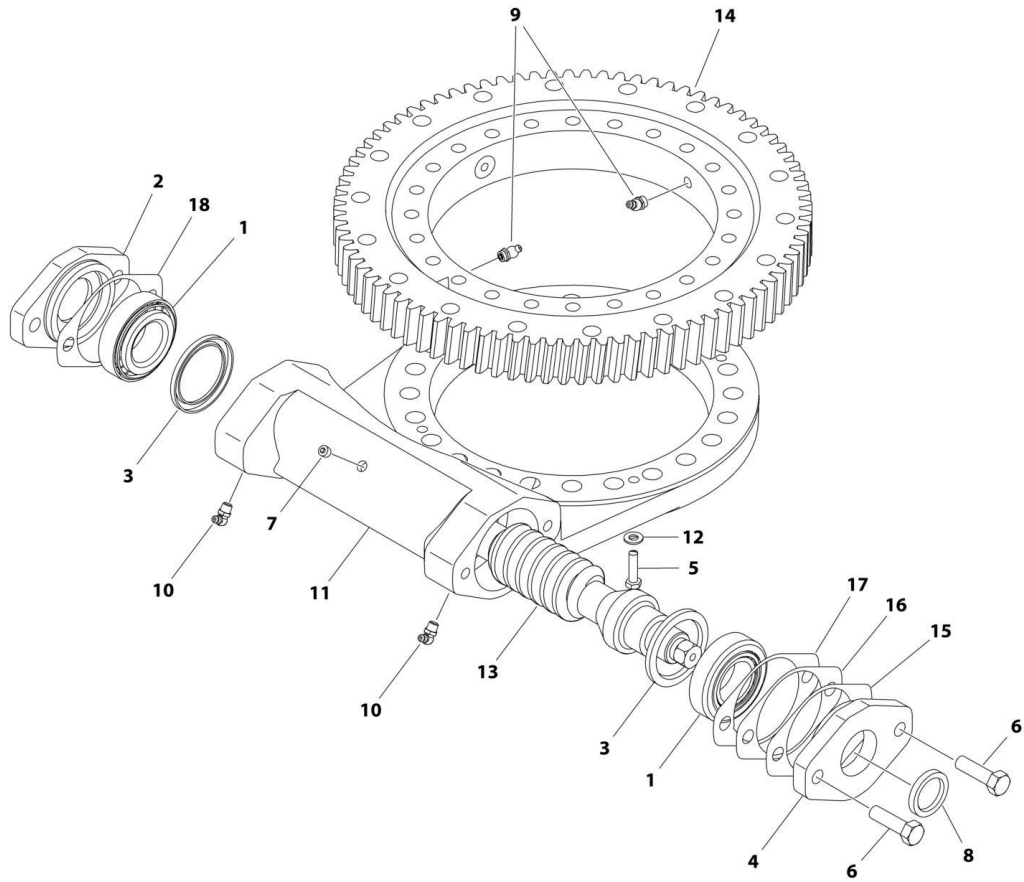
SECTION 2 - TURNTABLE

FIGURE 2-8. TURNTABLE BEARING AND SWING DRIVE INSTALLATION

ITEM	PART NUMBER	QTY	DESCRIPTION	REV
	1001166395	Ref	TURNTABLE BEARING AND SWING DRIVE INSTALLATION	B
1	1001153017	1	Turntable Bearing and Worm Gear Assembly (See SWING BEARING ASSEMBLY for Breakdown)	
2	0100019	AR	Compound, Locking	
3	1001104850	1	Swing Motor Assembly (See SWING MOTOR ASSEMBLY for Breakdown)	
4	3931832	2	Bolt, Allen Head, 1/2-13 x 2	
5	4740171	2	Washer	
6	0682026	18	Bolt, 5/8-11 x 3-1/4, Grade 8	
7	4892000	41	Washer, 5/8	
9	3020029	AR	Lube, Bearing Grease	
10	0682028	23	Bolt, 5/8-11 x 3-1/2, Grade 8	

SECTION 2 - TURNTABLE

FIGURE 2-9. SWING BEARING ASSEMBLY



ART_1001153017

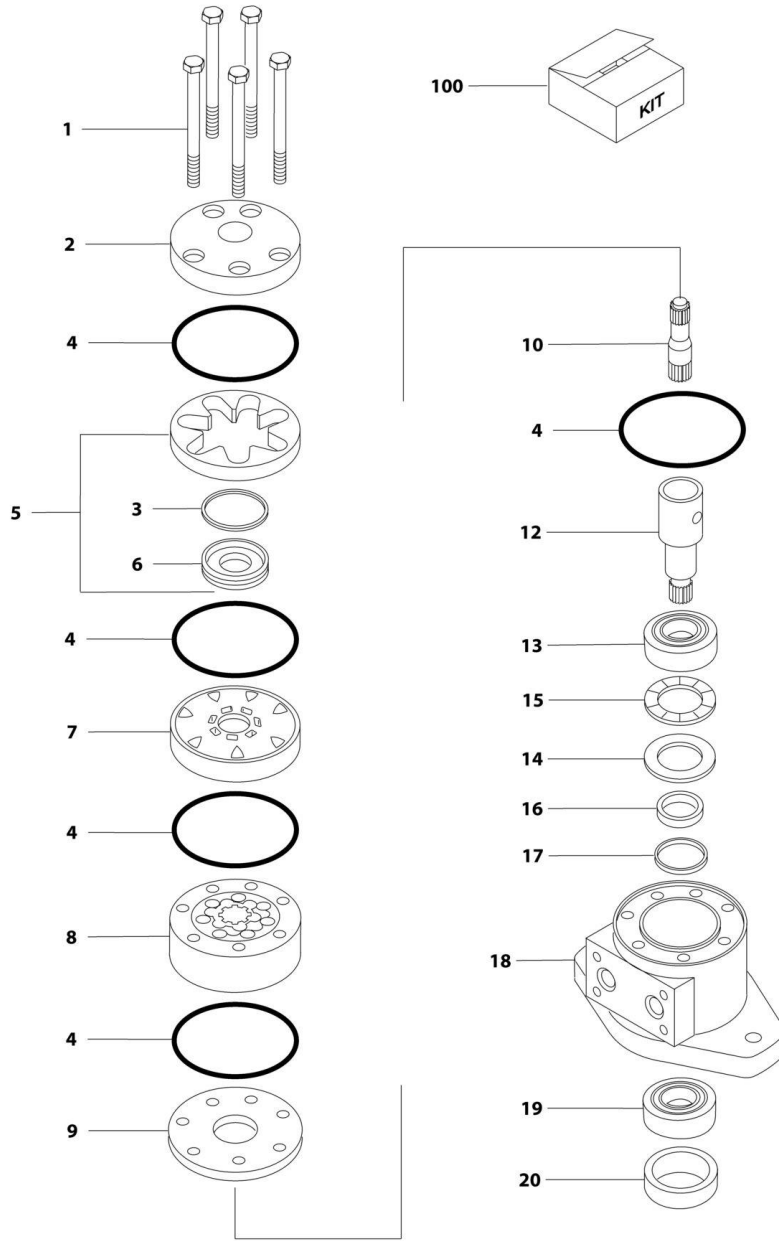
SECTION 2 - TURNTABLE

FIGURE 2-9. SWING BEARING ASSEMBLY

ITEM	PART NUMBER	QTY	DESCRIPTION	REV
	1001153017	Ref	SWING BEARING ASSEMBLY	B
1	7026042	2	Bearing, Cup	
1	7026043	2	Bearing, Cone	
2	7027356	1	Adapter, Motor	
3	7027361	2	Seal	
4	7027354	1	Cap, End	
5	0641510	2	Bolt, 5/16-18 x 1-1/4	
6	0641812	2	Bolt, 1/2-13 x 1-1/2	
7	70000865	1	Plug	
8	7027360	1	Seal	
9	7027359	2	Fitting, Grease - Straight	
9	2160003	2	Fitting, Grease - 45	
10	7027358	2	Fitting, Grease - 90	
11	See Note	1	Housing (Note: Not Sold Separate - Use 1001153017)	
12	4891500	1	Washer, 5/16	
13	7027363	1	Gear, Worm	
14	70004159	1	Ring Gear	
15	7027352	AR	Gasket (.010 - Brown)	
16	7027351	AR	Gasket (.0075 - Clear)	
17	7027350	AR	Gasket (.005 - Blue)	
18	7027353	1	Gasket (.020 - Yellow)	

SECTION 2 - TURNTABLE

FIGURE 2-10. SWING MOTOR ASSEMBLY



ART_1001104850

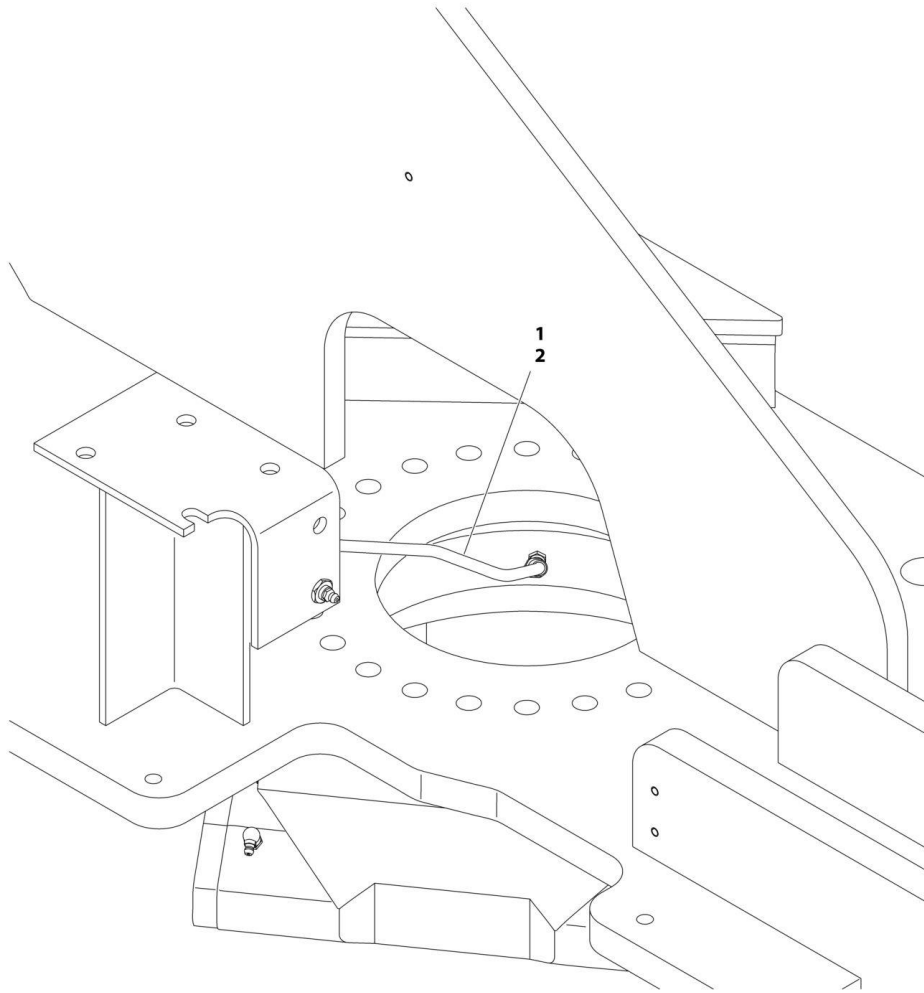
SECTION 2 - TURNTABLE

FIGURE 2-10. SWING MOTOR ASSEMBLY

ITEM	PART NUMBER	QTY	DESCRIPTION	REV
	1001104850	Ref	SWING MOTOR ASSEMBLY	A
1	See Note	5	Bolt (Note: Not Available for Purchase)	
2	7004035	1	Cover, End	
3	7023318	1	Seal, Commutator	
4	7004036	5	O-Ring	
5	7024453	1	Commutator and Ring Assembly	
6	See Note	NSS	Ring (Note: Use Item 5)	
7	7024379	1	Manifold	
8	70002206	1	Rotor Set	
9	7024380	1	Plate, Ware	
10	70002207	1	Link, Drive	
12	70000088	1	Shaft, Coupling	
12A	70000089	1	Key, Woodruff	
13	7024381	1	Bearing, Inner	
14	7004043	1	Washer, Thrust	
15	7004044	1	Bearing, Thrust	
16	7004049	1	Seal, Inner	
17	7004045	1	Ring, Back-up	
18	See Note	NSS	Housing (Note: Use p/n 1001104850)	
19	7024390	1	Bearing, Outer	
20	7004047	1	Seal	
100	7024389	1	Seal Kit (Includes Items 3, 4, 16, 17 & 20)	

SECTION 2 - TURNTABLE

FIGURE 2-11. REMOTE BEARING LUBE INSTALLATION - OPTIONAL



ART_1001166341

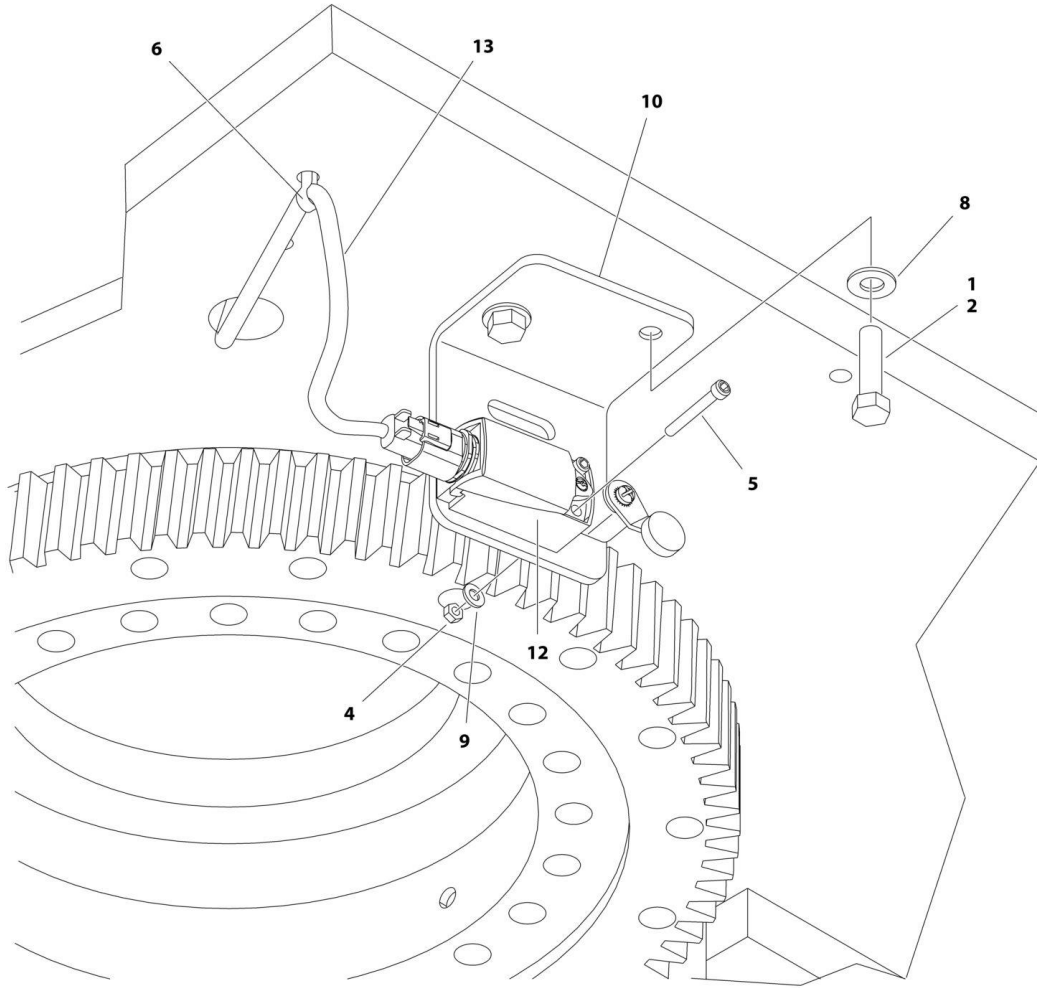
SECTION 2 - TURNTABLE

FIGURE 2-11. REMOTE BEARING LUBE INSTALLATION - OPTIONAL

ITEM	PART NUMBER	QTY	DESCRIPTION	REV
	1001166341	Ref	REMOTE BEARING LUBE INSTALLATION - OPTIONAL	B
1	1001157058	1	Hose, Remote Grease Line	
2	0100011	AR	Compound, Locking	

SECTION 2 - TURNTABLE

FIGURE 2-12. DRIVE ORIENTATION INSTALLATION



ART_1001166440

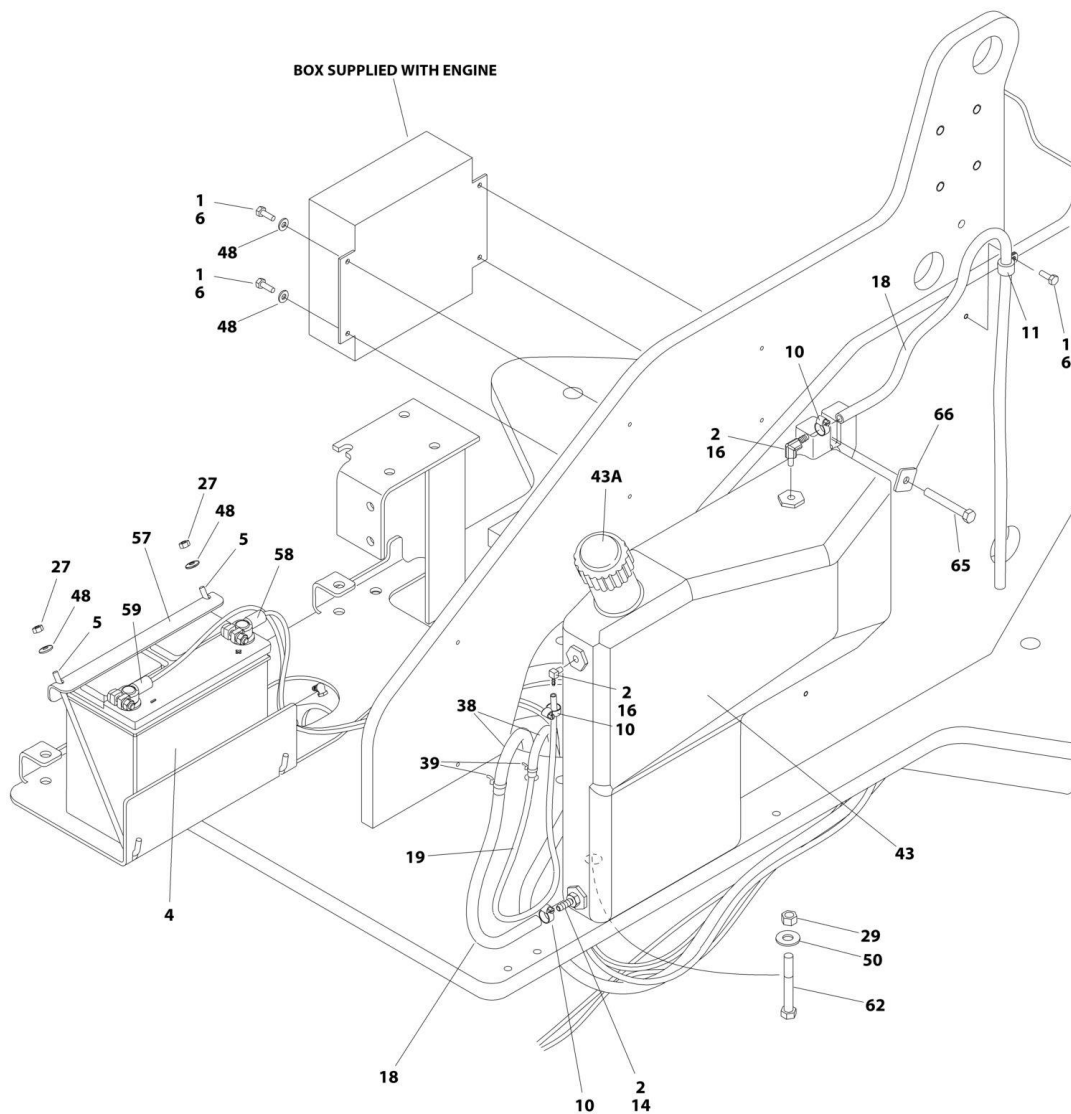
SECTION 2 - TURNTABLE

FIGURE 2-12. DRIVE ORIENTATION INSTALLATION

ITEM	PART NUMBER	QTY	DESCRIPTION	REV
	1001166440	Ref	DRIVE ORIENTATION INSTALLATION	B
1	0100011	AR	Compound, Locking	
2	0641608	2	Bolt, 3/8-16 x 1	
4	3310805	2	Nut, Lock, #8-32	
5	3930824	2	Bolt, Allen Head, #8-32 x 1-1/2	
6	4240175	1	Tie, Strap	
8	4711600	2	Washer, 3/8	
9	4750800	2	Washer, #8	
10	1001171298	1	Bracket, Mounting	
12	1001116232	1	Switch, Limit	
13	1001116522	1	Harness, Drive Orientation (See ELECTRICAL SECTION for Breakdown)	

SECTION 2 - TURNTABLE

FIGURE 2-13. FUEL TANK AND BATTERY INSTALLATION - M400AJP/M400AJPNARROW



ART_1001167699_10F4

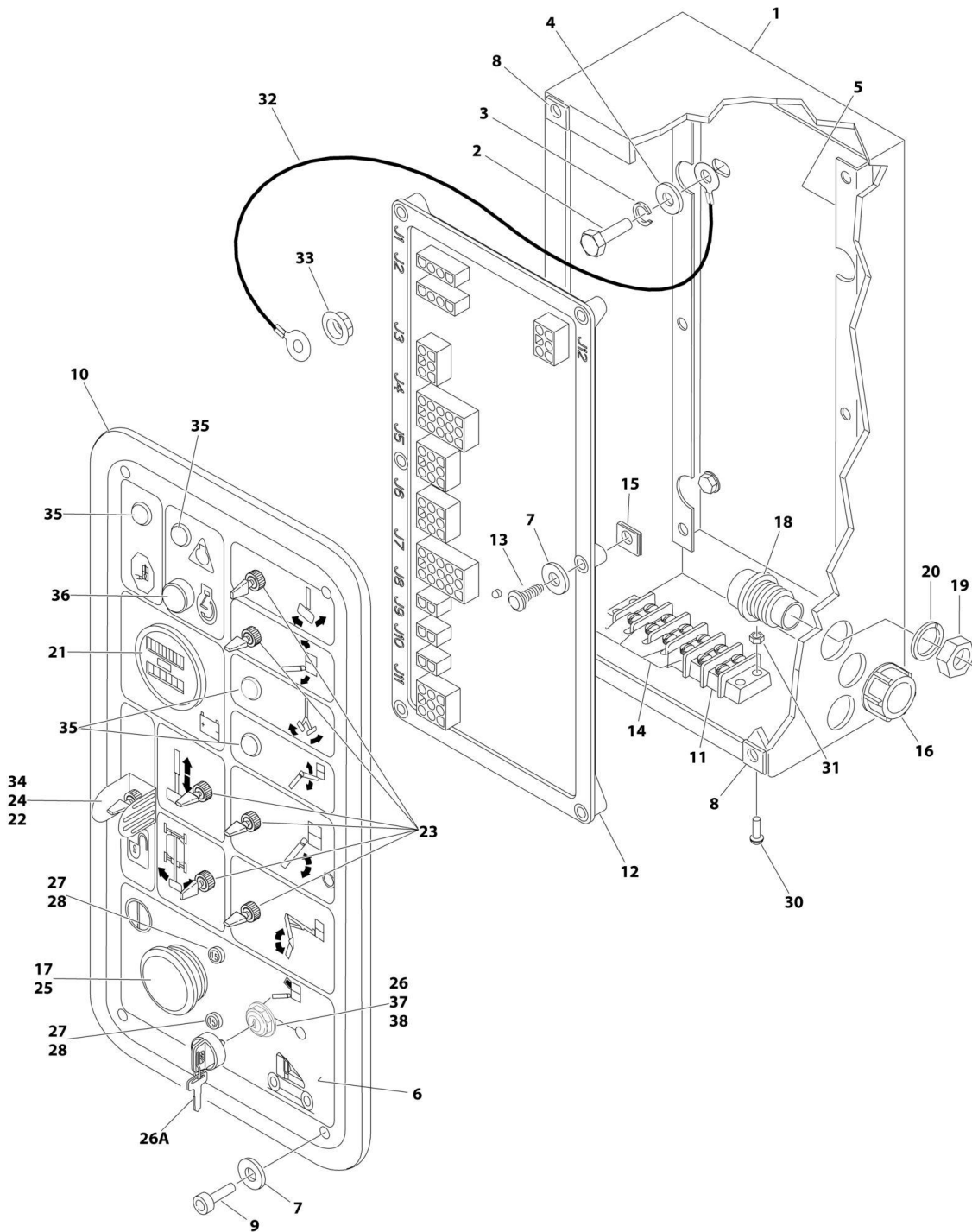
SECTION 2 - TURNTABLE

FIGURE 2-13. FUEL TANK AND BATTERY INSTALLATION - M400AJP/M400AJPNARROW

ITEM	PART NUMBER	QTY	DESCRIPTION	REV
	1001167699	Ref	FUEL TANK AND BATTERY INSTALLATION	C
1	0100011	AR	Compound, Locking	
2	0100020	AR	Sealant	
4	0400201	1	Battery	
5	0630552	2	Bolt, Battery Hold Down	
6	0641406	6	Bolt, 1/4-20 x 3/4	
10	1320022	3	Clamp	
11	1320041	1	Clamp	
14	2180348	1	Fitting, Straight, NPT - Barb	
16	2221046	1	Fitting, 90, NPT - Barb	
17	2221047	1	Fitting, 90, NPT - Barb	
18	2720058	16 ft /4.9m	Hose	
19	2720271	10 ft/3m	Hose	
27	3311405	2	Nut, Lock, 1/4-20	
29	3311605	1	Nut, Lock, 3/8-16	
38	4100026	6 ft/1.8m	Sleeve, Hose	
39	4240033	AR	Tie, Wire	
43	4400417	1	Tank, Fuel	
43A	7020179	1	Cap, Fuel (Standard)	
43A	1120487	1	Cap, Lockable (Optional)	
48	4711400	6	Washer, 1/4	
50	4751600	1	Washer, 3/8	
57	1001165977	1	Mount, Battery	
58	1001168004	1	Cable, Battery (+)	
59	1001168005	1	Cable, Battery (-)	
62	0641622	1	Bolt, 3/8-16 x 2-3/4	
65	0641518	1	Bolt, 5/16-18 x 2-1/4	
66	1001167291	1	Washer	

SECTION 2 - TURNTABLE

FIGURE 2-14. GROUND CONTROL BOX ASSEMBLY - E400A & E400ANARROW (ALL SPECS EXCEPT CE SPEC)



ART_1810136

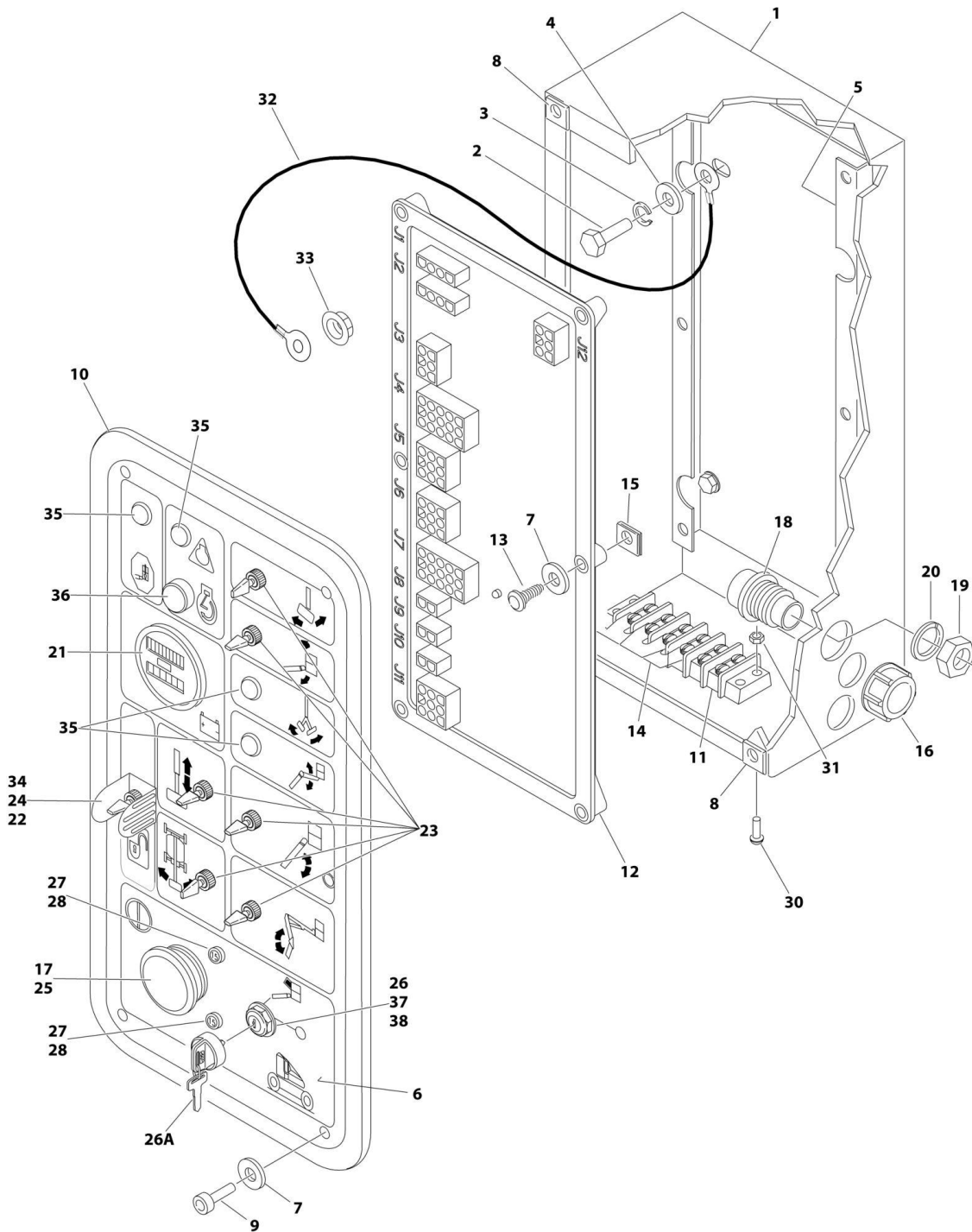
SECTION 2 - TURNTABLE

FIGURE 2-14. GROUND CONTROL BOX ASSEMBLY - E400A & E400ANARROW (ALL SPECS EXCEPT CE SPEC)

ITEM	PART NUMBER	QTY	DESCRIPTION	REV
	1810136	Ref	GROUND CONTROL BOX ASSEMBLY (ALL SPECS EXCEPT CE SPEC)	D
1	0861152	1	Box Weldment	
2	0641605	4	Bolt, 3/8-16 x 5/8	
3	4761600	4	Washer, Lock, 3/8	
4	4751600	4	Washer, 3/8	
5	0902406	1	Bracket, Module Mounting	
6	1706938	1	Nameplate	
7	4740120	12	Washer	
8	3300365	6	Nut, Retainer	
9	0630518	6	Screw #10-24 x 3/4	
10	3960438	50 in /1.26m	Seal	
11	4460007	1	Strip, Terminal - 6 Position	
12	1001109497	1	Module (Note: Re-calibration Required when Replaced)	
13	0750808	6	Screw, #8 x 1	
14	4460264	3	Buss, Terminal	
15	3300188	6	Nut, Tinnerman	
16	4460425	1	Connector, Strain Relief	
17	4360476	1	Block, Contact	
18	4460495	1	Connector - 14 Position	
19	4460497	1	Nut, Conduit	
20	4460496	1	Washer, Lock	
21	2420106	1	Gauge, Hourmeter and Battery Capacity	
22	4740397	7	Spacer	
23	4360328	6	Switch, Toggle	
24	4060802	1	Guard, Switch	
25	4360475	1	Switch, Emergency Stop	
26	4360469	1	Keyswitch	
26A	2860030	AR	Key, Replacement (Set of 2)	
27	4360070	2	Breaker, Circuit - 15Amp	
28	3300396	2	Nut, Special	
29	4933388	1	Wiring Diagram (Not Shown - See ELECTRICAL SECTION for Breakdown)	
30	0721005	2	Screw, #10-24 x 5/8	
31	3311005	2	Nut, Lock, #10-24	
32	1060584	1	Cable, Lanyard	
33	3311011	1	Nut, Push #10	
34	4360330	1	Switch, Toggle	
35	3520028	4	Plug, Hole, 1/2	
36	3520026	1	Plug, Hole, 5/8	
37	1001151393	1	Shim, Nylon	
38	3910804	6	Screw, #8-32 x 1/4	

SECTION 2 - TURNTABLE

FIGURE 2-15. GROUND CONTROL BOX ASSEMBLY – E400A & E400ANARROW (CE SPEC) (Prior to SN 0300200792)



ART_1810137

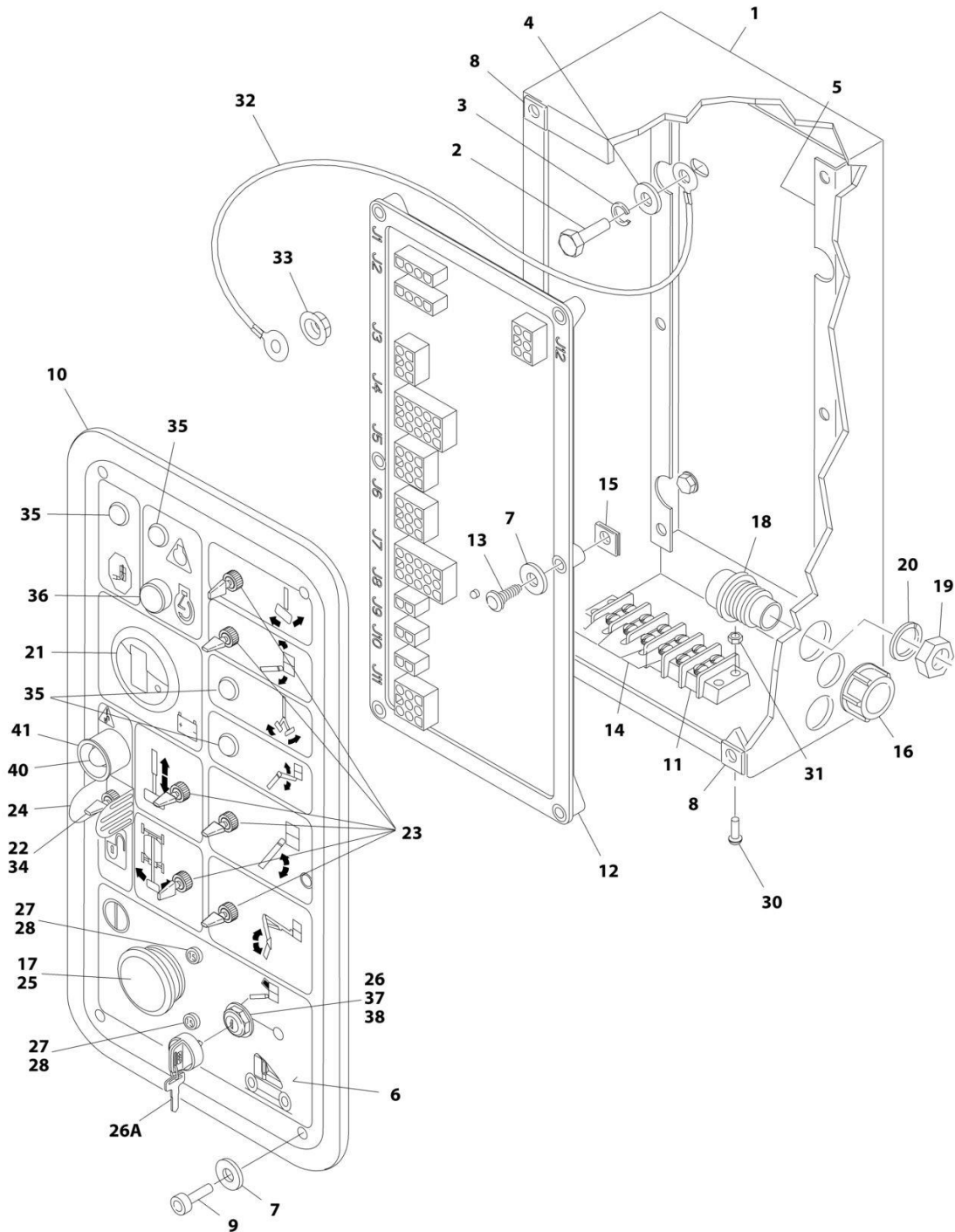
SECTION 2 - TURNTABLE

FIGURE 2-15. GROUND CONTROL BOX ASSEMBLY – E400A & E400ANARROW (CE SPEC) (Prior to SN 0300200792)

ITEM	PART NUMBER	QTY	DESCRIPTION	REV
	1810137	Ref	GROUND CONTROL BOX ASSEMBLY (CE SPEC) (Prior to SN 0300200792)	D
1	0861152	1	Box, Weldment	
2	0641605	4	Bolt, 3/8-16 x 5/8	
3	4761600	4	Washer, Lock, 3/8	
4	4751600	4	Washer, 3/8	
5	0902406	1	Bracket, Module Mounting	
6	1706938	1	Nameplate	
7	4740120	12	Washer	
8	3300365	6	Nut, Retainer	
9	0630518	6	Screw, #10-24 x 3/4	
10	3960438	50 in /1.26m	Seal	
11	4460007	1	Strip, Terminal - 6 Position	
12	1001109497	1	Module (Note: Re-calibration Required when Replaced)	
13	0750808	6	Screw, #8 x 1	
14	4460264	1	Buss, Terminal	
15	3300188	6	Nut, Tinnerman	
16	4460425	1	Connector, Strain Relief	
17	4360476	1	Block, Contact	
18	4460495	1	Connector - 14 Position	
19	4460497	1	Nut, Conduit	
20	4460496	1	Washer, Lock	
21	2420106	1	Gauge, Hourmeter/Battery Capacity	
22	4740397	7	Spacer	
23	4360328	6	Switch, Toggle	
24	4060802	1	Guard, Switch	
25	4360475	1	Switch, Emergency Stop	
26	4360470	1	Keyswitch	
26A	2860030	AR	Key, Replacement (Set of 2)	
27	4360070	2	Breaker, Circuit - 15Amp	
28	3300396	2	Nut, Special	
29	4933388	1	Wiring Diagram (Not Shown - See ELECTRICAL SECTION for Breakdown)	
30	0721005	2	Screw, #10-24 x 5/8	
31	3311005	2	Nut, Lock, #10-24	
32	1060584	1	Cable, Lanyard	
33	3311011	1	Nut, Push, #10	
34	4360330	1	Switch, Toggle	
35	3520028	4	Plug, Hole - 1/2	
36	3520026	1	Plug, Hole - 5/8	
37	1001151393	1	Shim - 0.063	
38	3910804	6	Screw, #8-32 x 1/4	

SECTION 2 - TURNTABLE

FIGURE 2-16. GROUND CONTROL BOX ASSEMBLY - E400A (CE SPEC) (SN 0300200792 through 0300208528)



ART_1001188028

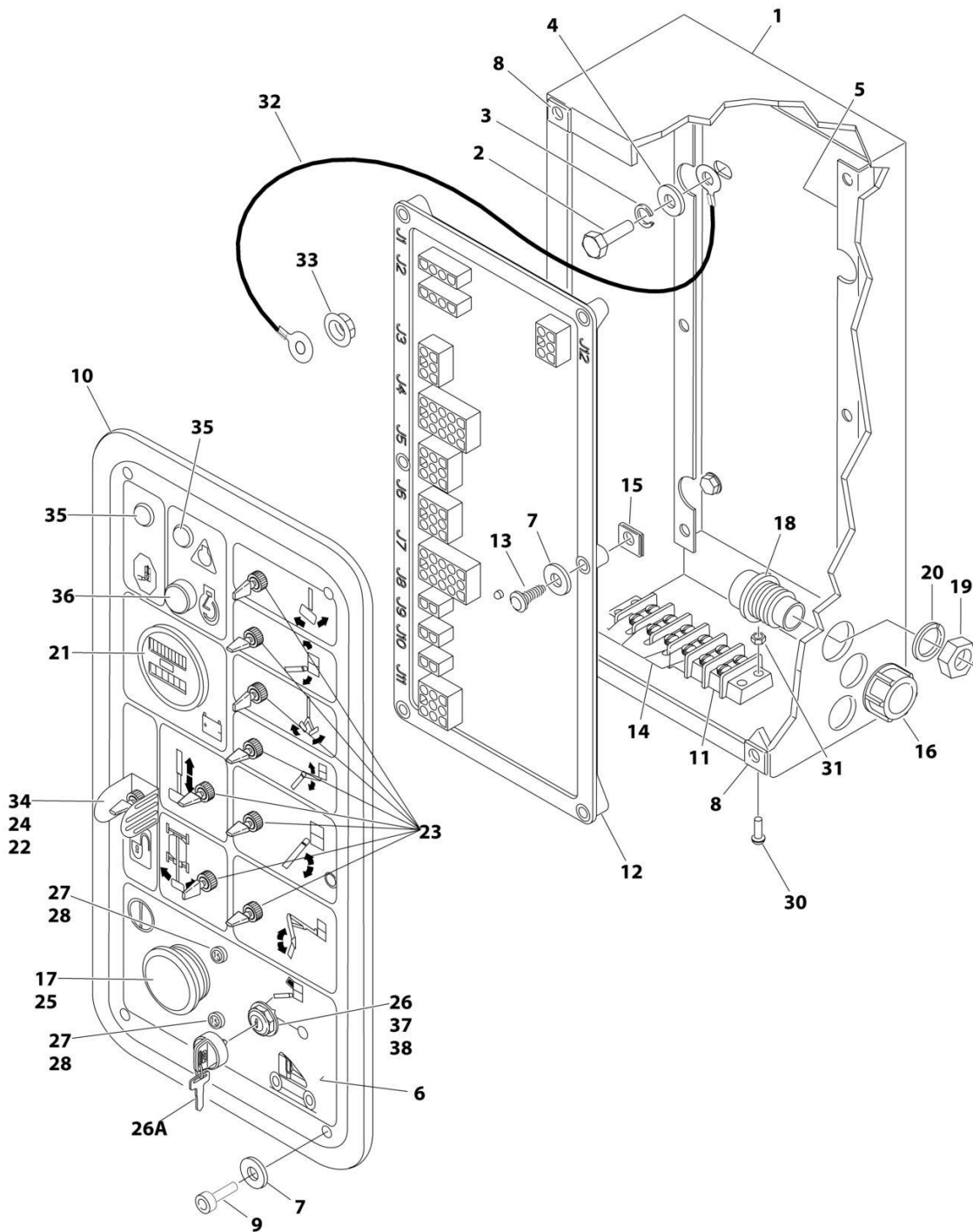
SECTION 2 - TURNTABLE

FIGURE 2-16. GROUND CONTROL BOX ASSEMBLY - E400A (CE SPEC) (SN 0300200792 through 0300208528)

ITEM	PART NUMBER	QTY	DESCRIPTION	REV
	1001188028	Ref	GROUND CONTROL BOX ASSEMBLY (CE SPEC) (SN 0300200792 through 0300208528)	B
1	0861152	1	Box, Weldment	
2	0641605	4	Bolt, 3/8-16 x 5/8	
3	4761600	4	Washer, Lock, 3/8	
4	4751600	4	Washer, 3/8	
5	0902406	1	Bracket, Module Mounting	
6	1001196786	1	Nameplate	
7	4740120	12	Washer	
8	3300365	6	Nut, Retainer	
9	0630518	6	Screw, #10-24 x 3/4	
10	3960438	50 in /1.26m	Seal	
11	4460007	1	Strip, Terminal - 6 Position	
12	1001109497	1	Module (Note: Re-calibration Required when Replaced)	
13	0750808	6	Screw, #8 x 1	
14	4460264	3	Buss, Terminal	
15	3300188	6	Nut, Tinnerman	
16	4460425	1	Connector, Strain Relief	
17	4360476	1	Block, Contact	
18	4460495	1	Connector - 14 Position	
19	4460497	1	Nut, Conduit	
20	4460496	1	Washer, Lock	
21	1001109503	1	Gauge, Indicator	
22	4740397	7	Spacer	
23	4360328	6	Switch, Toggle	
24	4060802	1	Guard, Switch	
25	4360475	1	Switch, Emergency Stop	
26	4360469	1	Keypad	
26A	2860030	AR	Key, Replacement (Set of 2)	
27	4360070	2	Breaker, Circuit - 15Amp	
28	3300396	2	Nut, Special	
29	1001189765	1	Wiring Diagram (Not Shown - See ELECTRICAL SECTION for Breakdown)	
30	0721005	2	Screw, #10-24 x 5/8	
31	3311005	2	Nut, Lock, #10-24	
32	1060584	1	Cable, Lanyard	
33	3311011	1	Nut, Push, #10	
34	4360330	1	Switch, Toggle	
35	3520028	4	Plug, Hole - 1/2	
36	3520026	1	Plug, Hole - 5/8	
37	1001151393	1	Shim - 0.063	
38	3910804	6	Screw, #8-32 x 1/4	
40	4360387	1	Switch, Push Button	
41	1001176469	1	Shroud, Push Button Switch	

SECTION 2 - TURNTABLE

FIGURE 2-17. GROUND CONTROL BOX ASSEMBLY - E400AJP/E400AJPNARROW/M400AJP/M400AJPNARROW (ALL SPECS EXCEPT CE SPEC)



ART_1810134

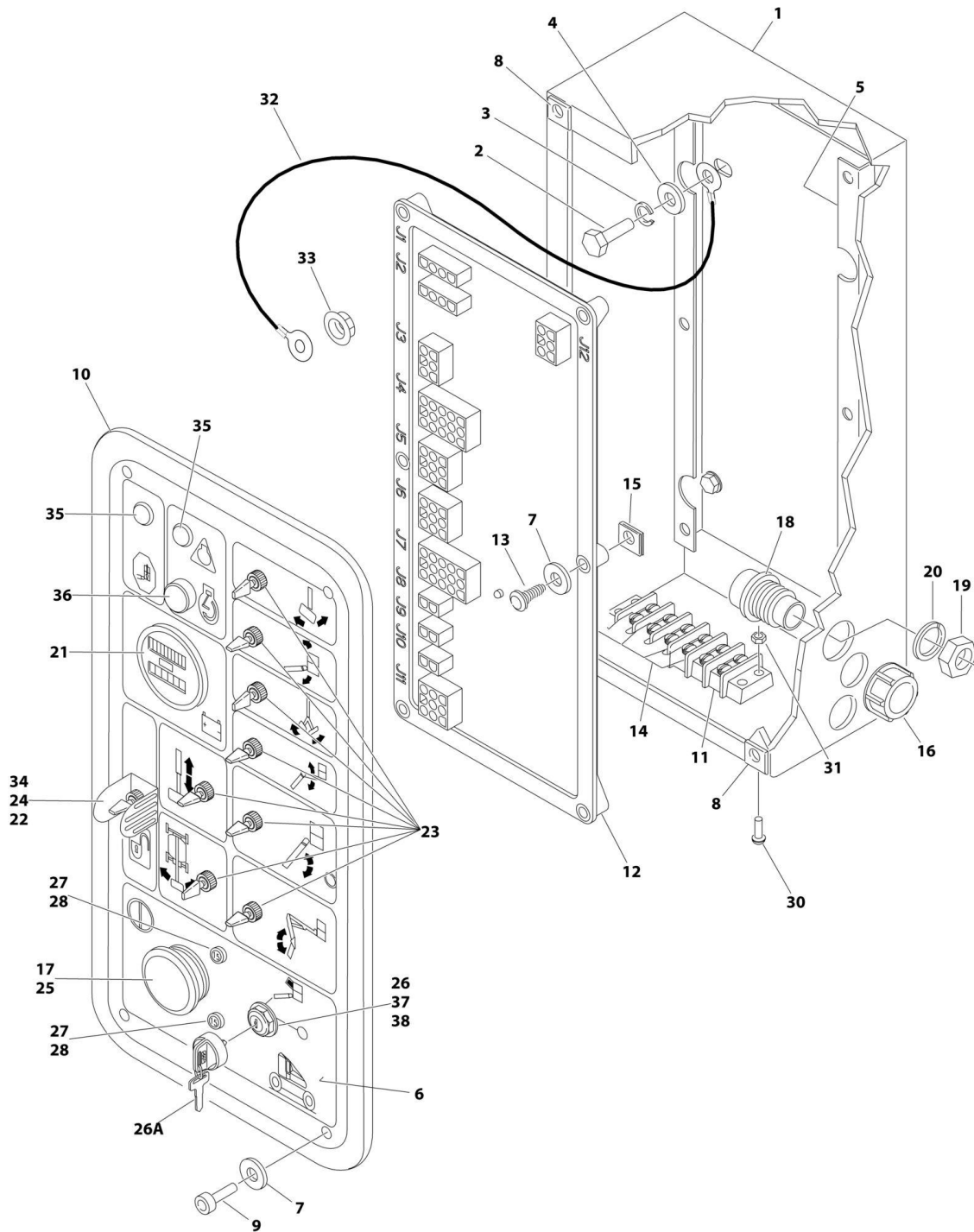
SECTION 2 - TURNTABLE

**FIGURE 2-17. GROUND CONTROL BOX ASSEMBLY -
E400AJP/E400AJPNARROW/M400AJP/M400AJPNARROW (ALL SPECS EXCEPT CE SPEC)**

ITEM	PART NUMBER	QTY	DESCRIPTION	REV
	1810134	Ref	GROUND CONTROL BOX ASSEMBLY (ALL SPECS EXCEPT CE SPEC)	D
1	0861152	1	Box Weldment	
2	0641605	4	Bolt, 3/8-16 x 5/8	
3	4761600	4	Washer, Lock, 3/8	
4	4751600	4	Washer, 3/8	
5	0902406	1	Bracket, Module Mounting	
6	1706938	1	Nameplate	
7	4740120	12	Washer	
8	3300365	6	Nut, Retainer	
9	0630518	6	Screw #10-24 x 3/4	
10	3960438	50 in /1.26m	Seal	
11	4460007	1	Strip, Terminal - 6 Position	
12	1001109497	1	Module (Note: Re-calibration Required when Replaced)	
13	0750808	6	Screw, #8 x 1	
14	4460264	3	Buss, Terminal	
15	3300188	6	Nut, Tinnerman	
16	4460425	1	Connector, Strain Relief	
17	4360476	1	Block, Contact	
18	4460495	1	Connector - 14 Position	
19	4460497	1	Nut, Conduit	
20	4460496	1	Washer, Lock	
21	2420106	1	Gauge, Hourmeter and Battery Capacity	
22	4740397	9	Spacer	
23	4360328	8	Switch, Toggle	
24	4060802	1	Guard, Switch	
25	4360475	1	Switch, Emergency Stop	
26	4360469	1	Keyswitch	
26A	2860030	AR	Key, Replacement (Set of 2)	
27	4360070	2	Breaker, Circuit - 15Amp	
28	3300396	2	Nut, Special	
29	4933388	1	Wiring Diagram (Not Shown - See ELECTRICAL SECTION for Breakdown)	
30	0721005	2	Screw, #10-24 x 5/8	
31	3311005	2	Nut, Lock, #10-24	
32	1060584	1	Cable, Lanyard	
33	3311011	1	Nut, Push #10	
34	4360330	1	Switch, Toggle	
35	3520028	2	Plug, Hole, 1/2	
36	3520026	1	Plug, Hole, 5/8	
37	1001151393	1	Shim, Nylon	
38	3910804	6	Screw, #8-32 x 1/4	

SECTION 2 - TURNTABLE

**FIGURE 2-18. GROUND CONTROL BOX ASSEMBLY -
E400AJP/E400AJPNARROW/M400AJP/M400AJPNARROW (CE SPEC) (Prior to SN 0300200792)**



ART_1810135

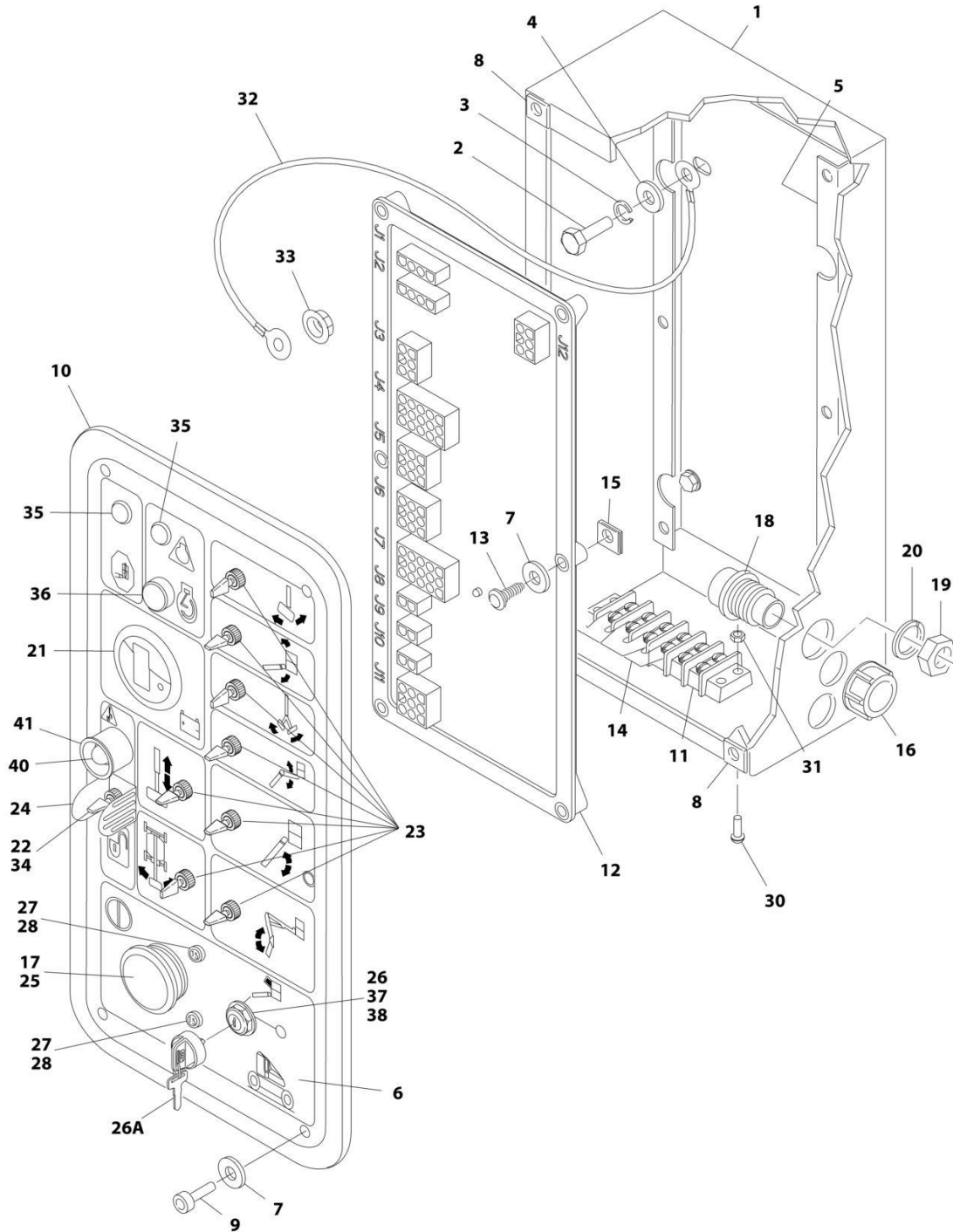
SECTION 2 - TURNTABLE

**FIGURE 2-18. GROUND CONTROL BOX ASSEMBLY -
E400AJP/E400AJPNARROW/M400AJP/M400AJPNARROW (CE SPEC) (Prior to SN 0300200792)**

ITEM	PART NUMBER	QTY	DESCRIPTION	REV
	1810135	Ref	GROUND CONTROL BOX ASSEMBLY (CE SPEC) (Prior to SN 0300200792)	D
1	0861152	1	Box, Weldment	
2	0641605	4	Bolt, 3/8-16 x 5/8	
3	4761600	4	Washer, Lock, 3/8	
4	4751600	4	Washer, 3/8	
5	0902406	1	Bracket, Module Mounting	
6	1706938	1	Nameplate	
7	4740120	12	Washer	
8	3300365	6	Nut, Retainer	
9	0630518	6	Screw, #10-24 x 3/4	
10	3960438	50 in /1.26m	Seal	
11	4460007	1	Strip, Terminal - 6 Position	
12	1001109497	1	Module (Note: Re-calibration Required when Replaced)	
13	0750808	6	Screw, #8 x 1	
14	4460264	3	Buss, Terminal	
15	3300188	6	Nut, Tinnerman	
16	4460425	1	Connector, Strain Relief	
17	4360476	1	Block, Contact	
18	4460495	1	Connector - 14 Position	
19	4460497	1	Nut, Conduit	
20	4460496	1	Washer, Lock	
21	2420106	1	Gauge, Hourmeter/Battery Capacity	
22	4740397	9	Spacer	
23	4360328	8	Switch, Toggle	
24	4060802	1	Guard, Switch	
25	4360475	1	Switch, Emergency Stop	
26	4360470	1	Keyswitch	
26A	2860030	1	Key, Replacement (Set of 2)	
27	4360070	2	Breaker, Circuit - 15Amp	
28	3300396	2	Nut, Special	
29	4933388	1	Wiring Diagram (Not Shown - See ELECTRICAL SECTION for Breakdown)	
30	0721005	2	Screw, #10-24 x 3/4	
31	3311005	2	Nut, Lock, #10-24	
32	1060584	1	Cable, Lanyard	
33	3311011	1	Nut, Push, #10	
34	4360330	1	Switch, Toggle	
35	3520028	2	Plug, Hole - 1/2	
36	3520026	1	Plug, Hole - 5/8	
37	1001151393	1	Shim - 0.063	
38	3910804	6	Screw, #8-32 x 1/4	

SECTION 2 - TURNTABLE

**FIGURE 2-19. GROUND CONTROL BOX ASSEMBLY -
E400AJP/E400AJPNARROW/M400AJP/M400AJPNARROW (CE SPEC) (SN 0300200792 through
0300208528)**



ART_1001188054

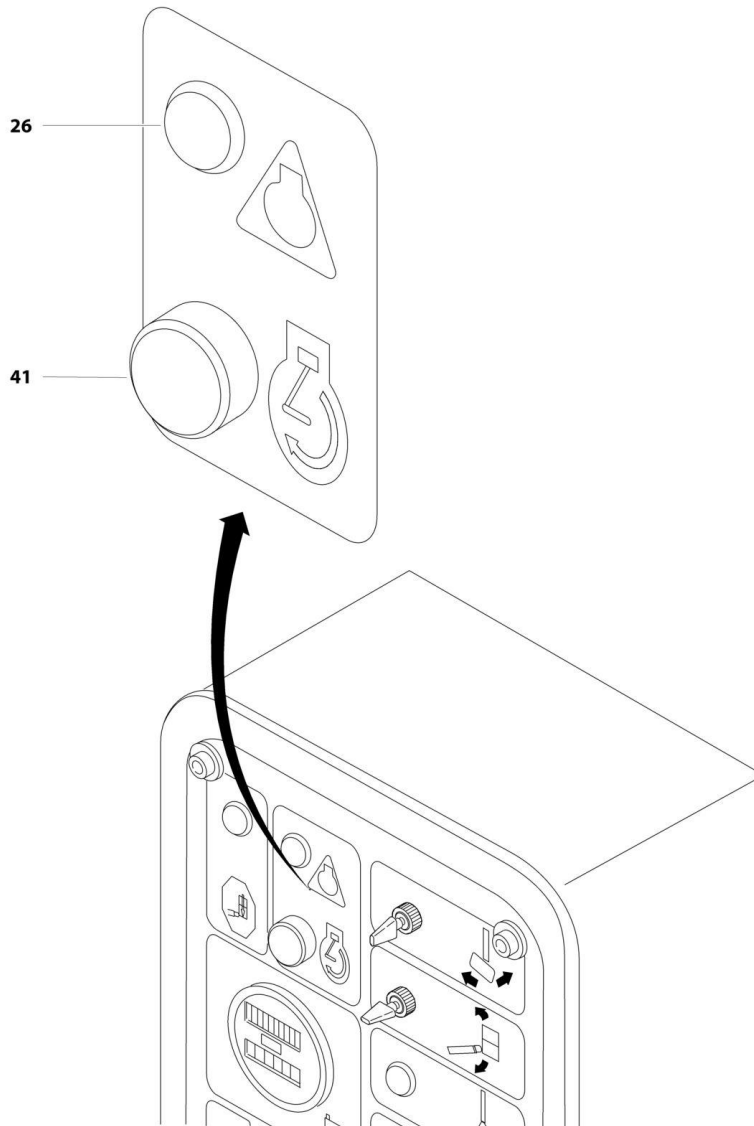
SECTION 2 - TURNTABLE

**FIGURE 2-19. GROUND CONTROL BOX ASSEMBLY -
E400AJP/E400AJPNARROW/M400AJP/M400AJPNARROW (CE SPEC) (SN 0300200792 through
0300208528)**

ITEM	PART NUMBER	QTY	DESCRIPTION	REV
	1001188054	Ref	GROUND CONTROL BOX ASSEMBLY (CE SPEC) (SN 0300200792 through 0300208528)	B
1	0861152	1	Box, Weldment	
2	0641605	4	Bolt, 3/8-16 x 5/8	
3	4761600	4	Washer, Lock, 3/8	
4	4751600	4	Washer, 3/8	
5	0902406	1	Bracket, Module Mounting	
6	1001196786	1	Decal, MTB	
7	4740120	12	Washer	
8	3300365	6	Nut, Retainer	
9	0630518	6	Screw, #10-24 x 3/4	
10	3960438	50 in /1.26m	Seal	
11	4460007	1	Strip, Terminal - 6 Position	
12	1001109497	1	Module (Note: Re-calibration Required when Replaced)	
13	0750808	6	Screw, #8 x 1	
14	4460264	3	Buss, Terminal	
15	3300188	6	Nut, Tinnerman	
16	4460425	1	Connector, Strain Relief	
17	4360476	1	Block, Contact	
18	4460495	1	Connector - 14 Position	
19	4460497	1	Nut, Conduit	
20	4460496	1	Washer, Lock	
21	1001109503	1	Gauge, Indicator	
22	4740397	9	Spacer	
23	4360328	8	Switch, Toggle	
24	4060802	1	Guard, Switch	
25	4360475	1	Switch, Emergency Stop	
26	4360469	1	Keypad	
26A	2860030	1	Key, Replacement (Set of 2)	
27	4360070	2	Breaker, Circuit - 15Amp	
28	3300396	2	Nut, Special	
29	1001189765	1	Wiring Diagram (Not Shown - See ELECTRICAL SECTION for Breakdown)	
30	0721005	2	Screw, #10-24 x 3/4	
31	3311005	2	Nut, Lock, #10-24	
32	1060584	1	Cable, Lanyard	
33	3311011	1	Nut, Push, #10	
34	4360330	1	Switch, Toggle	
35	3520028	2	Plug, Hole - 1/2	
36	3520026	1	Plug, Hole - 5/8	
37	1001151393	1	Shim - 0.063	
38	3910804	6	Screw, #8-32 x 1/4	
40	4360387	1	Switch, Yellow Push Button	
41	1001176469	1	Shroud, Push Button	

SECTION 2 - TURNTABLE

FIGURE 2-20. MOTOR CONTROLS INSTALLATION - M400AJP/M400AJPNARROW



ART_1001167699_20F4

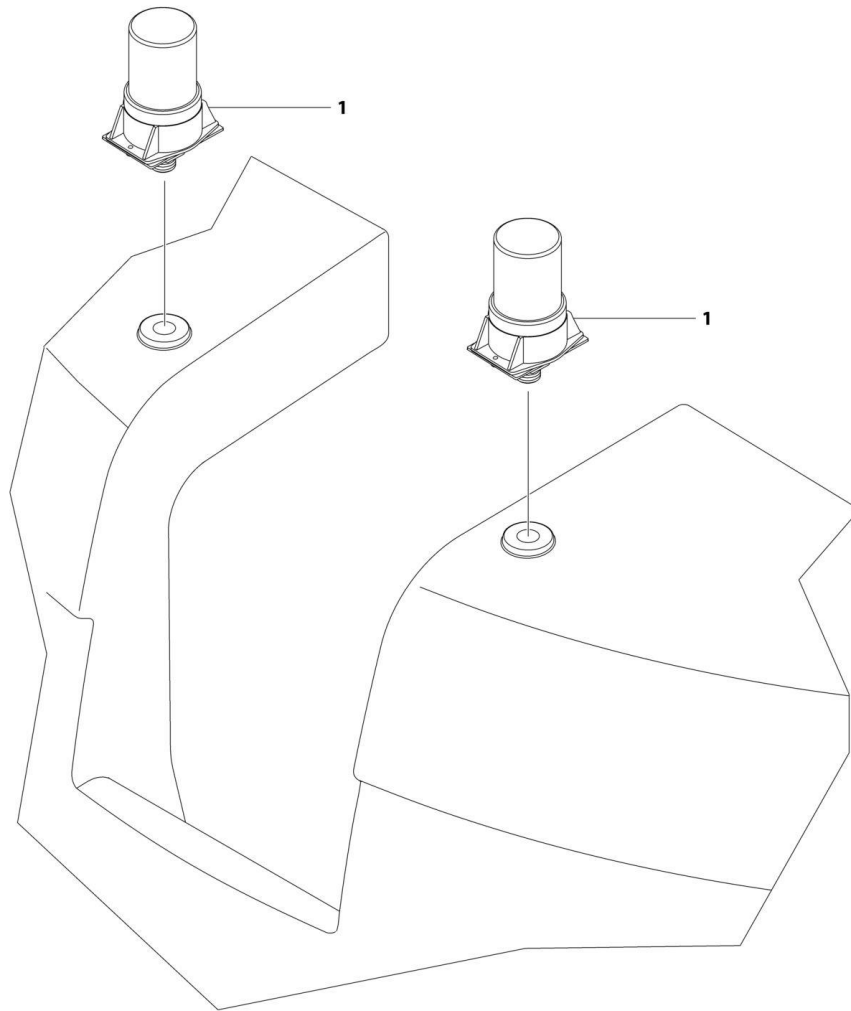
SECTION 2 - TURNTABLE

FIGURE 2-20. MOTOR CONTROLS INSTALLATION - M400AJP/M400AJPNARROW

ITEM	PART NUMBER	QTY	DESCRIPTION	REV
	1001167699	Ref	MOTOR CONTROLS INSTALLATION	C
26	2920151	1	Led (Red)	
41	4360274	1	Switch, Push Button	
54	4922319	1	Harness, Generator (Not Shown - See ELECTRICAL SECTION for Breakdown)	

SECTION 2 - TURNTABLE

FIGURE 2-21. STROBE LIGHT INSTALLATION (AMBER) - OPTIONAL



ART_1001149955

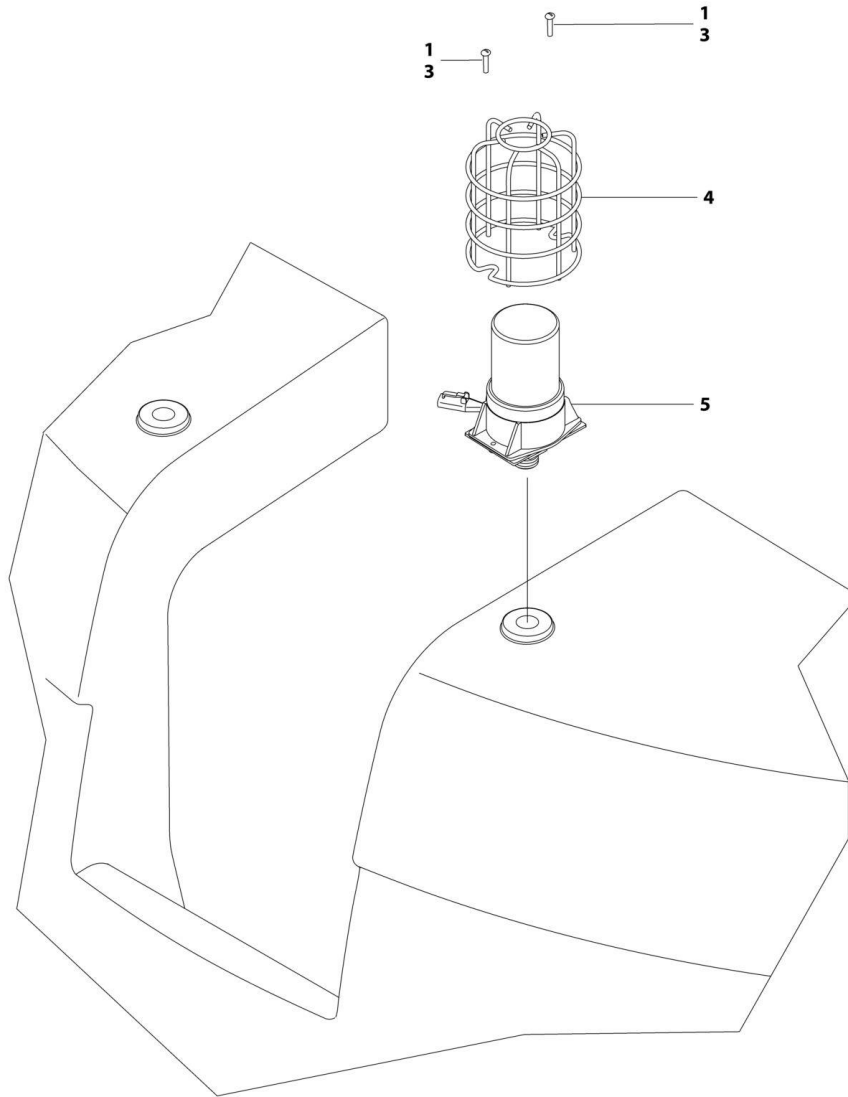
SECTION 2 - TURNTABLE

FIGURE 2-21. STROBE LIGHT INSTALLATION (AMBER) - OPTIONAL

ITEM	PART NUMBER	QTY	DESCRIPTION	REV
	1001149955	Ref	STROBE LIGHT INSTALLATION (AMBER) - OPTIONAL	A
		Ref	Note: If machine is equipped with BLUE Strobe Light, see SPECIAL OPTIONS SECTION SkyGuard Kit.	
1	1001150406	1	Strobe Light Assembly (See STROBE LIGHT ASSEMBLY for Breakdown)	
2	1001149818	1	Harness, Strobe Light (Not Shown - See ELECTRICAL SECTION for Breakdown)	

SECTION 2 - TURNTABLE

FIGURE 2-22. STROBE LIGHT INSTALLATION - UL LISTED - OPTIONAL



ART_1001158612

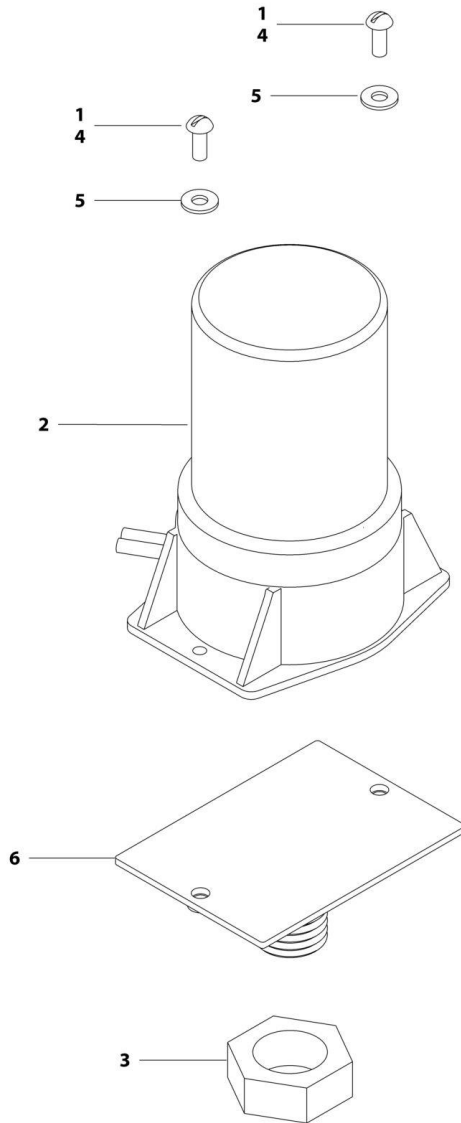
SECTION 2 - TURNTABLE

FIGURE 2-22. STROBE LIGHT INSTALLATION - UL LISTED - OPTIONAL

ITEM	PART NUMBER	QTY	DESCRIPTION	REV
	1001158612	Ref	STROBE LIGHT INSTALLATION - UL LISTED - OPTIONAL Note: If machine is equipped with BLUE Strobe Light, see SPECIAL OPTIONS SECTION SkyGuard Kit.	A
		Ref		
1	0100035	AR	Compound, Locking	
2	1001149818	1	Harness, Strobe Light (Not Shown - See ELECTRICAL SECTION for Breakdown)	
3	3900128	2	Screw #10-32 x 7/8	
4	4060865	1	Guard	
5	1001150406	1	Strobe Light Assembly (See STROBE LIGHT ASSEMBLY for Breakdown)	

SECTION 2 - TURNTABLE

FIGURE 2-23. STROBE LIGHT ASSEMBLY (AMBER)



ART_1001150406

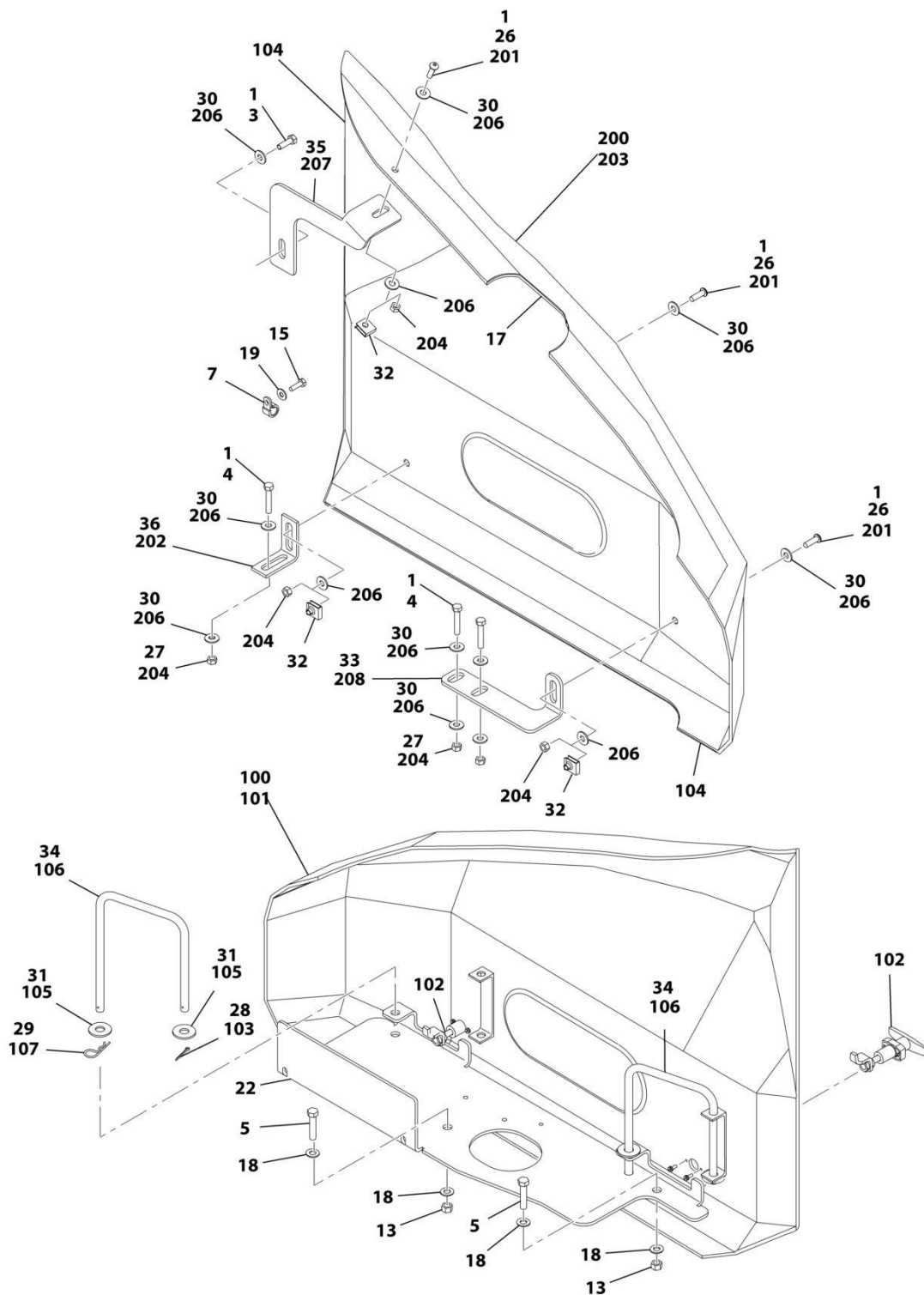
SECTION 2 - TURNTABLE

FIGURE 2-23. STROBE LIGHT ASSEMBLY (AMBER)

ITEM	PART NUMBER	QTY	DESCRIPTION	REV
	1001150406	Ref	STROBE LIGHT ASSEMBLY (AMBER)	B
		Ref	Note: If machine is equipped with BLUE Strobe Light, see SPECIAL OPTIONS SECTION SkyGuard Kit.	
1	0100035	AR	Compound, Locking	
2	2920161	1	Strobe Light/Harness Assembly (See ELECTRICAL SECTION for Breakdown)	
3	3312602	1	Nut, Jam 1-8	
4	3900085	2	Screw #10-32 x 1/2	
5	4751000	2	Washer, #10	
6	1001149994	1	Plate, Mounting	

SECTION 2 - TURNTABLE

FIGURE 2-24. HOOD INSTALLATION - E400ANARROW



ART_1001166738

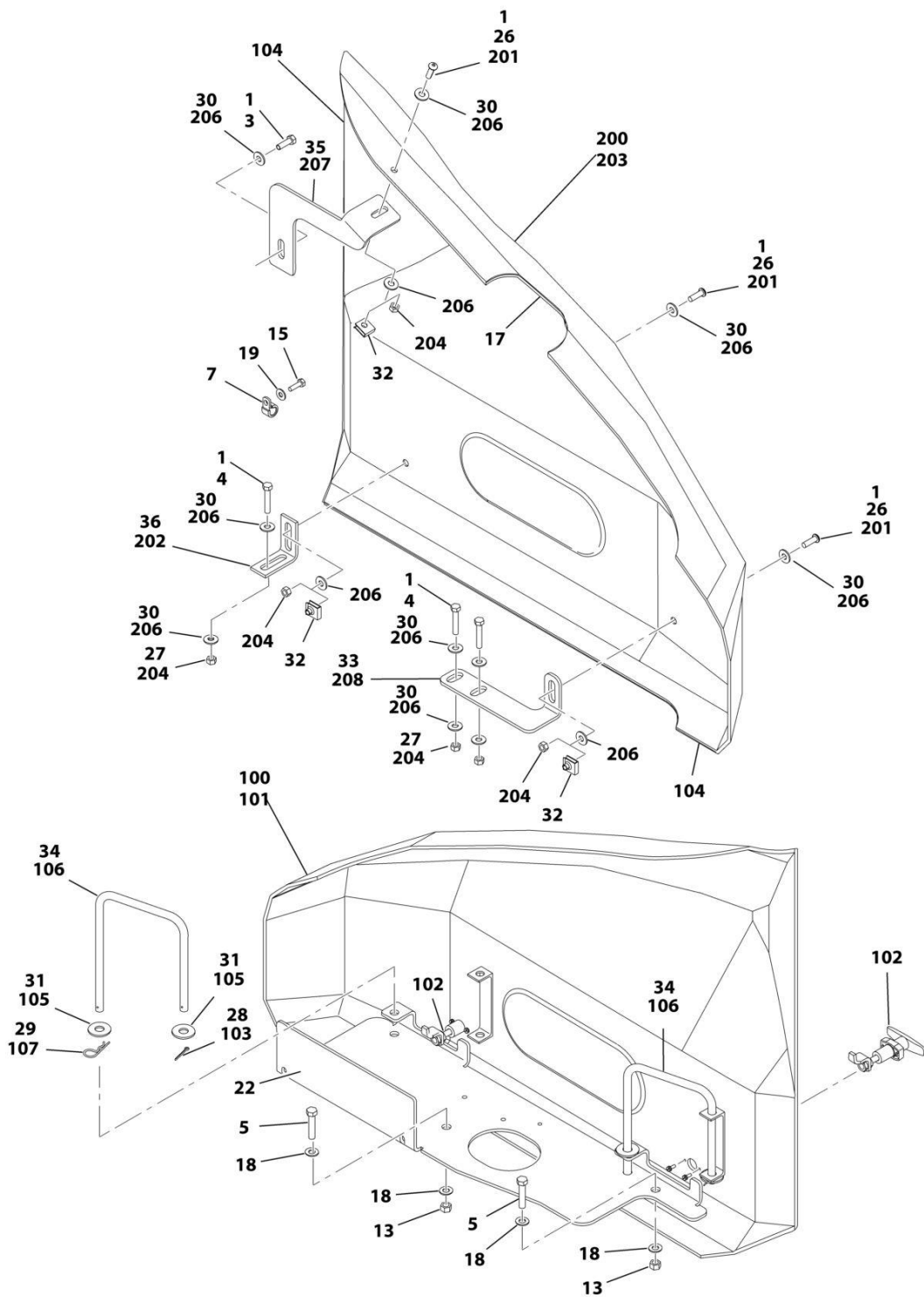
SECTION 2 - TURNTABLE

FIGURE 2-24. HOOD INSTALLATION - E400ANARROW

ITEM	PART NUMBER	QTY	DESCRIPTION	REV
	1001166738	Ref	HOOD INSTALLATION	D
1	0100011	AR	Compound, Locking	
3	0641508	1	Bolt, 5/16-18 x 1	
4	0641514	3	Bolt, 5/16-18 x 1-3/4	
5	0641614	2	Bolt, 3/8-16 x 1-3/4	
7	1320041	1	Clamp	
13	3311601	2	Nut, 3/8-16	
15	0641407	1	Bolt, 1/4-20 x 7/8	
17	4060805	8 in/0.20m	Shield, Flex Trim (Prior to SN 0300199193)	
18	4711600	4	Washer, 3/8	
19	4751400	1	Washer, 1/4	
22	1001165963	1	Plate, Tray	
26	88261024	3	Screw, 5/16-18 x 1	
27	3311501	3	Nut, 5/16-18 (SN 0300199193 through 0300208528)	
28	3420156	2	Pin, Cotter (SN 0300199193 through 0300208528)	
29	3450304	2	Pin, Cotter (SN 0300199193 through 0300208528)	
30	4751500	10	Washer, 5/16 (SN 0300199193 through 0300208528)	
31	4751800	2	Washer, 1/2 (SN 0300199193 through 0300208528)	
32	88662530	3	Nut, Tinnerman (SN 0300199193 through 0300208528)	
33	1001165981	1	Mount, Hood - Lower (SN 0300199193 through 0300208528)	
34	1001165985	2	Mount, Hood Swing (SN 0300199193 through 0300208528)	
35	1001182725	1	Mount, Hood (SN 0300199193 through 0300208528)	
36	1001183212	1	Bracket, Hood Mount (SN 0300199193 through 0300208528)	
100	1001176417	1	LH Side Hood Kit (Includes Items 101-107)	B
		Ref	Note: Replacement Decals Must be Ordered Separately - See DECAL SECTION.	
101	See Note	1	Hood, LH (Note: Use Item 100)	
102	2940071	2	Latch	
103	3420156	2	Pin, Cotter (Prior to SN 0300199193)	
104	3960453	AR	Seal, Door	
105	4751800	2	Washer, 1/2 (Prior to SN 0300199193)	
106	1001165985	2	Mount, Hood Swing (Prior to SN 0300199193)	
107	3450304	2	Pin, Cotter (Prior to SN 0300199193)	
200	1001176441	1	RH Side Hood Kit (Includes Items 203 & 205)	B
		Ref	Note: Replacement Decals Must be Ordered Separately - See DECAL SECTION.	
201	0630468	3	Bolt, 5/16-18 x 1	
202	0901923	1	Bracket, Hood Mount	
203	See Note	1	Hood, RH (Use Item 200)	
204	3311501	6	Nut, 5/16-18	
205	3960453	AR	Seal, Door	
206	4751500	14	Washer, 5/16	
207	1001165980	1	Mount, Hood	
208	1001165981	1	Mount, Hood - Lower	

SECTION 2 - TURNTABLE

FIGURE 2-25. HOOD INSTALLATION - E400AJP/E400AJPNARROW/M400AJP/M400AJPNARROW



ART_1001166250

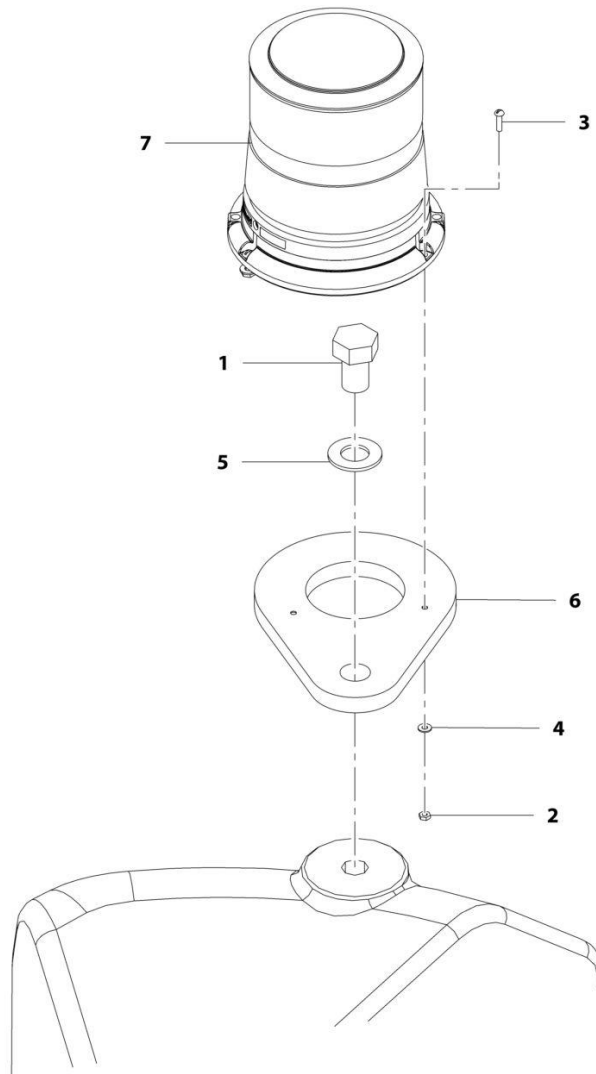
SECTION 2 - TURNTABLE

FIGURE 2-25. HOOD INSTALLATION - E400AJP/E400AJPNARROW/M400AJP/M400AJPNARROW

ITEM	PART NUMBER	QTY	DESCRIPTION	REV
	1001166250	Ref	HOOD INSTALLATION	D
1	0100011	AR	Compound, Locking	
3	0641508	1	Bolt, 5/16-18 x 1	
4	0641514	3	Bolt, 5/16-18 x 1-3/4	
5	0641614	2	Bolt, 3/8-16 x 1-3/4	
7	1320041	1	Clamp	
13	3311601	2	Nut, 3/8-16	
15	0641407	1	Bolt, 1/4-20 x 7/8	
17	4060805	8 in/0.20m	Shield, Flex Trim (Prior to SN 0300199193)	
18	4711600	4	Washer, 3/8	
19	4751400	1	Washer, 1/4	
22	1001165962	1	Plate, Tray	
26	88261024	3	Screw, 5/16-18 x 1	
27	3311501	3	Nut, 5/16-18 (SN 0300199193 through 0300208528)	
28	3420156	2	Pin, Cotter (SN 0300199193 through 0300208528)	
29	3450304	2	Pin, Cotter (SN 0300199193 through 0300208528)	
30	4751500	10	Washer, 5/16 (SN 0300199193 through 0300208528)	
31	4751800	2	Washer, 1/2 (SN 0300199193 through 0300208528)	
32	88662530	3	Nut, Tinnerman (SN 0300199193 through 0300208528)	
33	1001165981	1	Mount, Hood - Lower (SN 0300199193 through 0300208528)	
34	1001165985	2	Mount, Hood Swing (SN 0300199193 through 0300208528)	
35	1001182725	1	Mount, Hood (SN 0300199193 through 0300208528)	
36	1001183212	1	Bracket, Hood Mount (SN 0300199193 through 0300208528)	
100	1001176417	1	LH Hood Kit (Includes Items 101-107)	B
		Ref	Note: Replacement Decals Must be Ordered Separately - See DECAL SECTION.	
101	See Note	1	Hood, LH (Note: Use Item 100)	
102	2940071	2	Latch	
103	3420156	2	Pin, Cotter (Prior to SN 0300199193)	
104	3960453	AR	Seal, Door	
105	4751800	2	Washer, 1/2 (Prior to SN 0300199193)	
106	1001165985	2	Mount, Hood Swing (Prior to SN 0300199193)	
107	3450304	2	Pin, Cotter (Prior to SN 0300199193)	
200	1001176441	1	RH, Side Hood Kit (Includes Items 203 & 205)	B
		Ref	Note: Replacement Decals Must be Ordered Separately - See DECAL SECTION.	
201	0630468	3	Bolt, 5/16-18 x 1	
202	0901923	1	Bracket, Hood Mount	
203	See Note	1	Hood, RH (Note: Use Item 200)	
204	3311501	6	Nut, 5/16-18	
205	3960453	AR	Seal, Door	
206	4751500	14	Washer, 5/16	
207	1001165980	1	Mount, Hood	
208	1001165981	1	Mount, Hood - Lower	

SECTION 2 - TURNTABLE

FIGURE 2-26. BEACON LIGHT INSTALLATION - BLUE (SN 0300200116 through 0300208528)



ART_1001189194

SECTION 2 - TURNTABLE

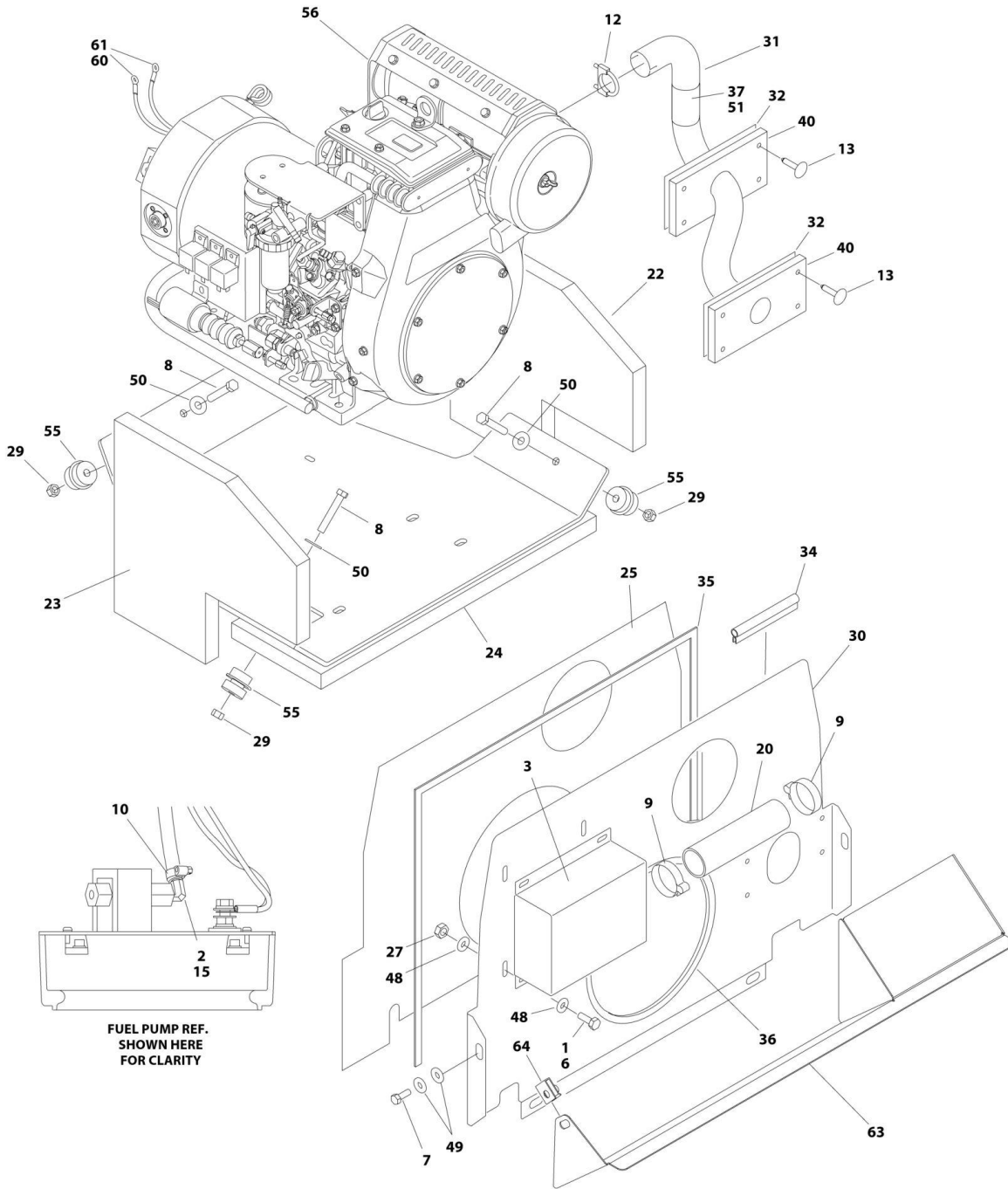
FIGURE 2-26. BEACON LIGHT INSTALLATION - BLUE (SN 0300200116 through 0300208528)

ITEM	PART NUMBER	QTY	DESCRIPTION	REV
	1001189194	Ref	BEACON LIGHT INSTALLATION - BLUE (SN 0300200116 through 0300208528)	A
1	0642612	1	Bolt, 1-8 x 1-1/2	
2	3311005	3	Nut, Lock #10-24	
3	3911012	3	Screw, 10-24 x 3/4	
4	4711000	3	Washer, #10	
5	4712600	1	Washer, 1	
6	1001142694	1	Bracket	
7	1001143431	1	Light, Beacon	
7	7028909	1	Connector - 2 Position	
7	4460943	1	Pin, Male	
8	1001149570	1	Beacon Harness (Not Shown - See ELECTRICAL SECTION for Breakdown)	

SECTION 3 - ENGINE

SECTION 3 - ENGINE

FIGURE 3-1. KUBOTA MOTOR/GENERATOR INSTALLATION - M400AJP/M400AJPNARROW



ART_1001167699_3OF4

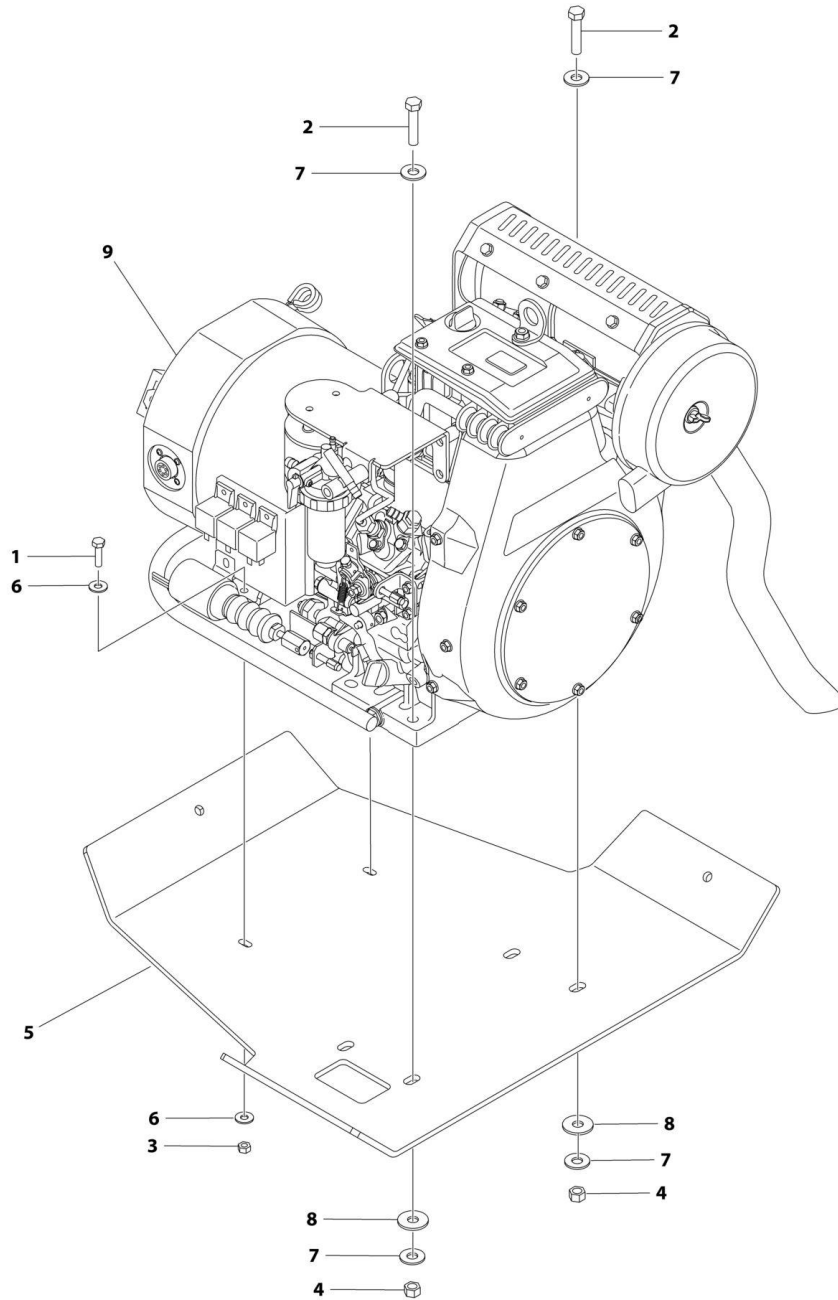
SECTION 3 - ENGINE

FIGURE 3-1. KUBOTA MOTOR/GENERATOR INSTALLATION - M400AJP/M400AJPNARROW

ITEM	PART NUMBER	QTY	DESCRIPTION	REV
	1001167699	Ref	KUBOTA MOTOR/GENERATOR INSTALLATION	C
1	0100011	AR	Compound, Locking	
2	0100020	AR	Sealant	
3	0259481	1	Plenum Box Assembly	
6	0641406	8	Bolt, 1/4-20 x 3/4	
7	0641510	2	Bolt, 5/16-18 x 1-1/4	
8	0641618	3	Bolt, 3/8-16 x 2-1/4	
9	1320012	2	Clamp	
10	1320022	2	Clamp	
12	1320135	1	Clamp	
13	1380164	8	Clip, Panel Retainer	
15	2220805	1	Fitting, NPT Coupling 90	
20	2720559	1	Hose	
22	2820112	1	Insulation, Right Side	
23	2820116	1	Insulation, Left Side	
24	2820117	1	Foam	
25	2820218	1	Insulation, Acoustic Barrier	
27	3311405	4	Nut, Lock, 1/4-20	
29	3311605	3	Nut, Lock, 3/8-16	
30	3380602	1	Shield, Heat	
31	3460457	1	Pipe, Exhaust	
32	3575961	2	Plate, Exhaust Mount	
34	3960389	2.6 ft /2380mm	Seal	
35	3960417	2.3 ft /701mm	Seal	
36	3960418	3 ft /915mm	Seal	
37	4100025	1.8 ft /549mm	Sleeve, Fiberglass	
40	4341072	2	Support, Exhaust Mount	
48	4711400	12	Washer, 1/4	
49	4751500	4	Washer, 5/16	
50	4751600	3	Washer, 3/8	
51	4920385	7.3 in /183mm	Wire, Safety	
55	1001125248	3	Mount, Engine	
56	1001159361	1	Kubota Engine Assembly (See KUBOTA ENGINE ASSEMBLY for Breakdown)	
60	1060755	1	Cable, Battery (Includes Terminal Boot) (- Generator)	
61	1060754	1	Cable, Battery (Includes Terminal Boot) (+ Generator)	
63	1001181081	1	Shield, Heat	
64	88662530	2	Nut, Tinnerman	

SECTION 3 - ENGINE

FIGURE 3-2. KUBOTA MOTOR/GENERATOR ASSEMBLY - M400AJP/M400AJPNARROW



ART_1001159361

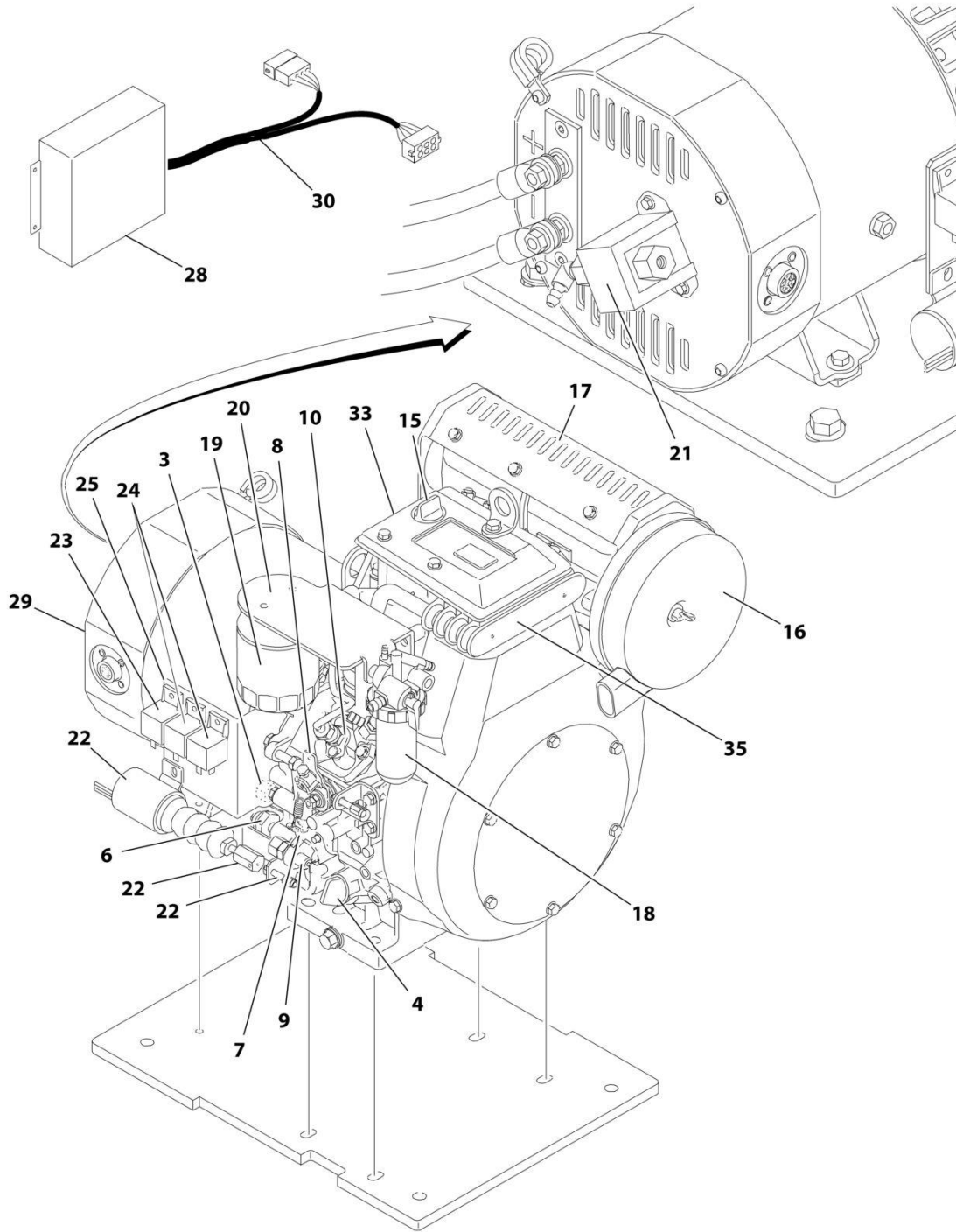
SECTION 3 - ENGINE

FIGURE 3-2. KUBOTA MOTOR/GENERATOR ASSEMBLY - M400AJP/M400AJPNARROW

ITEM	PART NUMBER	QTY	DESCRIPTION	REV
	1001159361	Ref	KUBOTA MOTOR/GENERATOR ASSEMBLY	A
1	0641408	2	Bolt, 1/4-20 x 1	
2	0641614	4	Bolt, 3/8-16 x 1-3/4	
3	3311405	2	Nut, Lock, 1/4-20	
4	3311605	4	Nut, Lock, 3/8-16	
5	3575952	1	Plate, Base	
6	4751400	4	Washer, 1/4	
7	4751600	8	Washer, 3/8	
8	4761600	4	Washer, Lock 3/8	
9	1001159355	1	Kubota Engine/Generator Assembly (See KUBOTA ENGINE/GENERATOR COMPONENTS for Breakdown)	

SECTION 3 - ENGINE

FIGURE 3-3. KUBOTA MOTOR/GENERATOR COMPONENTS



ART_1001159355

SECTION 3 - ENGINE

FIGURE 3-3. KUBOTA MOTOR/GENERATOR COMPONENTS

ITEM	PART NUMBER	QTY	DESCRIPTION	REV
	1001159355	Ref	KUBOTA MOTOR/GENERATOR COMPONENTS	A
1	70000290	1	Glow Plug (Not Shown)	
1	70000291	1	Harness, Glow Plug (Not Shown)	
2	70000292	1	Screen, Oil Sump (Includes O-Ring)	
3	70000293	1	Cap, Oil Filler (Includes O-Ring)	
4	70000294	1	Dipstick	
5	70000295	1	Pump, Oil Rotor (Not Shown - Located beside Item 6)	
5	70000296	1	O-Ring Oil Rotor Pump (Not Shown)	
6	70000297	1	Switch, Oil	
7	70000298	1	Lever, Governor	
7	70000299	1	Pin, Governor Lever	
7	70000300	1	Spring, Governor Lever	
8	70000301	1	Spring, Idling	
8	70000304	1	Lever, Spring Control	
8	70000305	1	Spring, Stop (Speed Control Lever)	
9	70000302	1	Valve, Fuel Limit (Not Shown)	
9	70000303	1	Gasket, Fuel Limit (Not Shown)	
10	70000306	1	Pump, Injection	
10	70000307	1	Kit, Pump Adjustment Shim	
11	70000308	1	Flywheel/Ring Gear Assembly (Not Shown - Located Behind Front Cover)	
11	70000309	1	Ring Gear (Not Shown)	
11	70001121	1	Stator, Engine (Not Shown - Located Behind Flywheel) (Includes Coil and Grommet)	
12	70003557	1	Regulator, Voltage (Not Shown - Located on Opposite Side of Engine)	
13	70000310	1	Starter (Not Shown - Located on Opposite of Engine)	
14	70000311	1	Solenoid, Starter (Not Shown - Located on Opposite Side of Engine)	
15	70002244	1	Cap, Oil Filler (Includes O-Ring)	
16	70000312	1	Air Filter Assembly	
16	70000313	1	Element, Air Cleaner	
16	70000314	1	Gasket, Air Cleaner	
17	70000315	1	Muffler Assembly	
17	70000316	1	Gasket, Muffler	
18	70000317	1	Inline Fuel Check Valve Assembly	
18	70000967	1	Fuel Filter Assembly	
18	70000318	1	Element, Fuel Filter	
19	70000319	1	Element, Oil Filter	
19	70001144	1	Head, Oil Filter Head (Note: Does Not Include Element)	
20	70002544	1	Bracket, Oil Filter Mount	
21	70000320	1	Pump, Fuel	
22	70000321	1	Solenoid, Fuel	
22	70003618	1	Adapter, Solenoid	
22	70003619	1	Screw	
23	70000322	1	Relay	
24	70000323	2	Relay	
25	70002083	1	Bracket, Solenoid/Relay	
26	70000324	1	Sensor, Speed (Not Shown - Located Inside Front Cover)	
26	70004265	1	Bracket, Speed Sensor (Not Show - Located Inside Front Cover)	

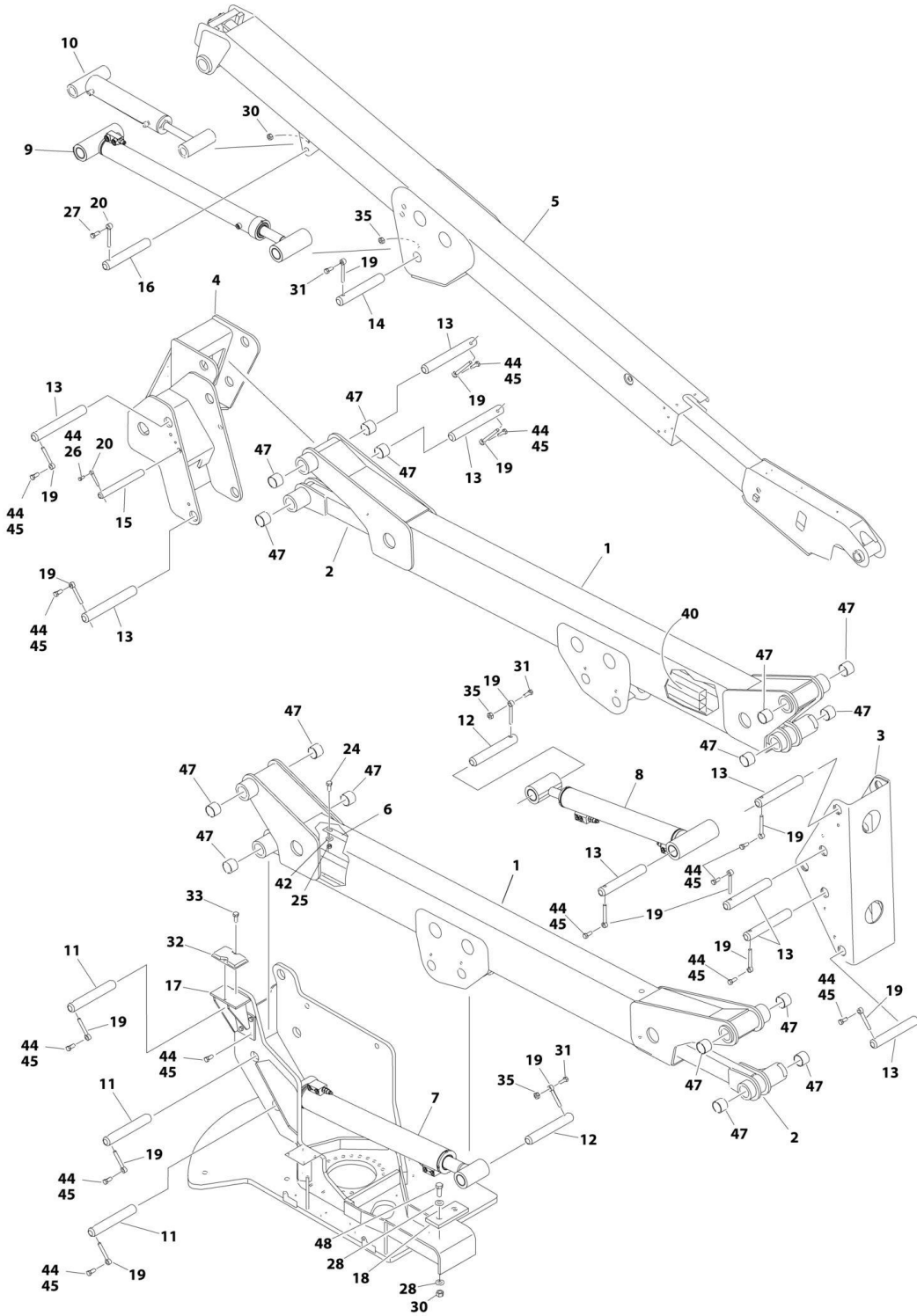
SECTION 3 - ENGINE

ITEM	PART NUMBER	QTY	DESCRIPTION	REV
27	70000325	1	Sensor, Oil Temperature (Not Shown - Located on Opposite Side of Engine Base)	
28	70000326	1	Module, Engine Control	
28	70005169	1	Cap, Connector, Anti-EMI	
29	70000327	1	Alternator	
29	70000382	1	Stator, Alternator	
29	70004394	1	Lead, Field Terminal Block Diode	
29	70004954	4	Screws	
30	70000328	1	Harness, Generator	
31	70000329	1	Fuse 15Amp (Not Shown)	
32	70000330	1	Fuse 20Amp (Not Shown)	
33	70002543	1	Engine, Kubota (Without Generator)	
34	70000289	1	Regulator, Voltage (Not Shown - Located on Opposite Side of Engine)	
35	70004785	1	Cooler, Oil	

SECTION 4 - BOOM

SECTION 4 - BOOM

FIGURE 4-1. BOOM AND CYLINDERS INSTALLATION - E400ANARROW



ART_0270724

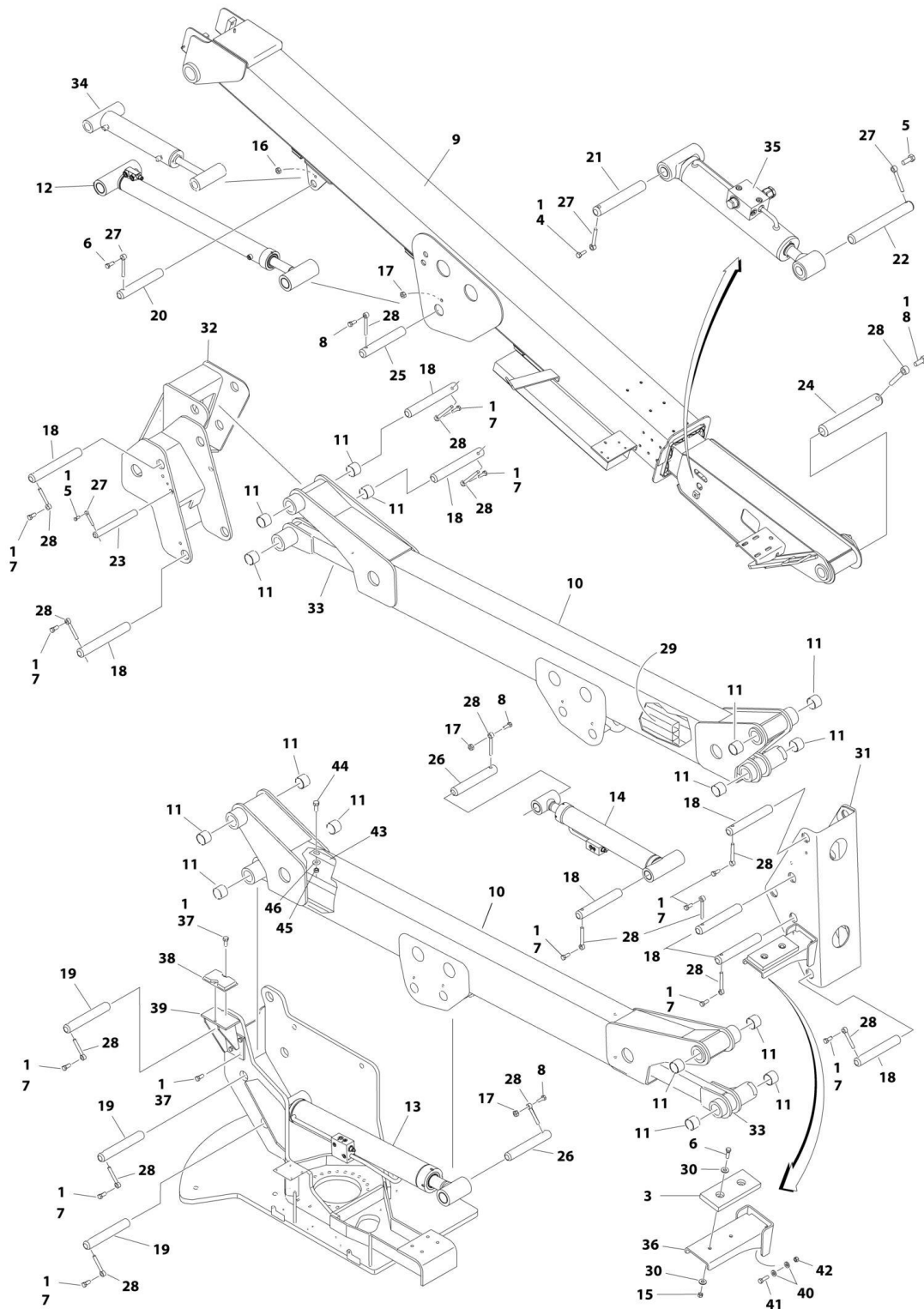
SECTION 4 - BOOM

FIGURE 4-1. BOOM AND CYLINDERS INSTALLATION - E400ANARROW

ITEM	PART NUMBER	QTY	DESCRIPTION	REV
	0270724	Ref	BOOM AND CYLINDERS INSTALLATION	H
1	0801262	2	Boom Assembly - Tower	
2	4846209	2	Level Link	
3	4844303	1	Upright Weldment - Lower	
4	4844304	1	Upright Weldment - Upper	
5	0270725	1	Boom Assembly - Main (See MAIN BOOM ASSEMBLY - E400Anarrow for Breakdown)	
6	4566427	1	Tube (Not Shown) (SN 0300189901 through 0300193895)	
6	3536491	1	Plate (SN 0300193896 through 0300208528)	
7	1684453	NLA	Lift Cylinder Assembly - Lower (Use p/n 1001228037) (Original Equipment) (See CYLINDER SECTION for Breakdown)	
7	1001228037	1	Lift Cylinder Assembly - Lower (Service Replacement) (See CYLINDER SECTION for Breakdown)	
8	1684454	NLA	Lift Cylinder Assembly - Mid (Use p/n 1001228038) (Original Equipment) (See CYLINDER SECTION for Breakdown)	
8	1001228038	1	Lift Cylinder Assembly - Mid (Service Replacement) (See CYLINDER SECTION for Breakdown)	
9	1684061	NLA	Lift Cylinder Assembly - Upper (Use p/n 1001228018) (Original Equipment) (See CYLINDER SECTION for Breakdown)	
9	1001228018	1	Lift Cylinder Assembly - Upper (Service Replacement) (See CYLINDER SECTION for Breakdown)	
10	1001140597	1	Master Cylinder Assembly (See CYLINDER SECTION for Breakdown)	
11	3422175	3	Pin	
12	3422176	2	Pin	
13	3422177	9	Pin	
14	3422178	1	Pin	
15	3422179	1	Pin	
16	3422180	1	Pin	
17	4844467	1	Boom Rest Weldment	
18	0561076	1	Block, Boom Rest	
19	3841203	15	Keeper, Pin - 1/2	
20	3841143	2	Keeper, Pin - 3/8	
24	0641506	4	Bolt, 5/16-18 x 3/4 (SN 0300193896 through 0300208528)	
25	3311505	4	Nut, Lock 5/16-18 (SN 0300193896 through 0300208528)	
26	0641608	1	Bolt, 3/8-16 x 1	
27	0641610	1	Bolt, 3/8-16 x 1-1/4	
28	4751600	4	Washer, 3/8	
30	3311605	3	Nut, Lock 3/8-16	
31	0641812	3	Bolt, 1/2-13 x 1-1/2	
32	0940048	1	Bumper	
33	0641806	2	Bolt, 1/2-13 x 3/4	
35	3311805	3	Nut, Lock 1/2-13	
40	4566427	1	Tube	
42	4751500	4	Washer, 5/16 (SN 0300193896 through 0300208528)	
44	0100011	AR	Compound, Locking	
45	0641810	15	Bolt, 1/2-13 x 1-1/4	
47	0961950	16	Bushing	
48	0641608	2	Bolt, 3/8-18 x 1 (SN 0300189901 through 0300194576)	
48	0641614	2	Bolt, 3/8-16 x 1-3/4 (SN 0300194577 through 0300208528)	

SECTION 4 - BOOM

FIGURE 4-2. BOOM AND CYLINDERS INSTALLATION - E400AJP/E400AJPNARROW/M400AJP/M400AJPNARROW



ART_1001168674

SECTION 4 - BOOM

**FIGURE 4-2. BOOM AND CYLINDERS INSTALLATION -
E400AJP/E400AJPnarrow/M400AJP/M400AJPnarrow**

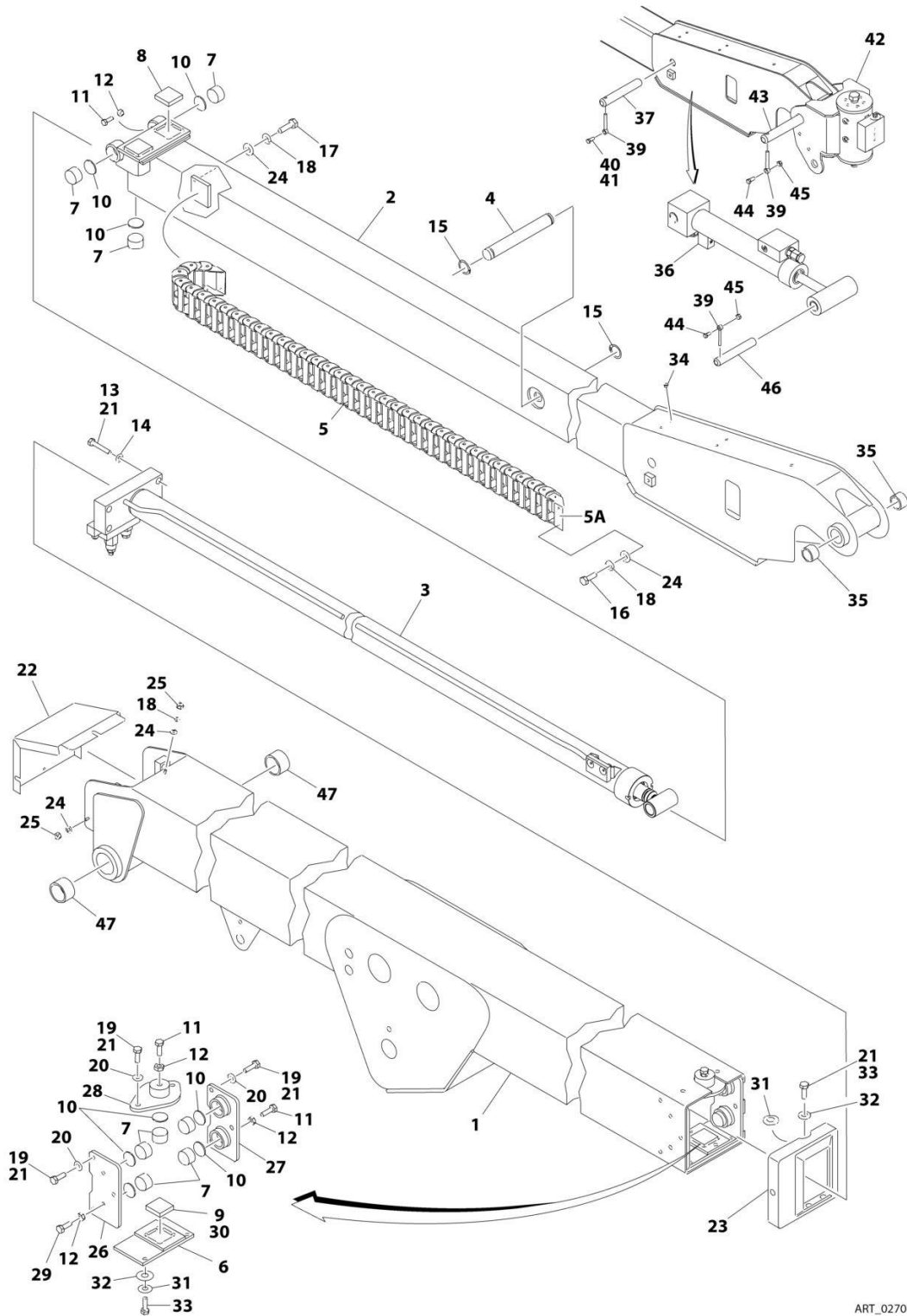
ITEM	PART NUMBER	QTY	DESCRIPTION	REV
	1001168674	Ref	BOOM AND CYLINDERS INSTALLATION	E
1	0100011	AR	Compound, Locking	
3	0561076	1	Block, Boom Rest	
4	0641607	1	Bolt, 3/8-16 x 7/8	
5	0641608	2	Bolt, 3/8-16 x 1	
6	0641610	3	Bolt, 3/8-16 x 1-1/4	
7	0641808	12	Bolt, 1/2-13 x 1	
8	0641810	13	Bolt, 1/2-13 x 1-1/4	
9	0801225	1	Boom Assembly - Main (See MAIN BOOM ASSEMBLY - E400AJP/E400AJPnarrow/M400AJP/M400AJPnarrow for Breakdown)	
10	0801227	1	Boom Assembly - Tower	
11	0961950	16	Bushing	
12	1683945	NLA	Lift Cylinder Assembly - Upper (Use p/n 1001228016) (Original Equipment) (See CYLINDER SECTION for Breakdown)	
12	1001228016	1	Lift Cylinder Assembly - Upper (Service Replacement) (See CYLINDER SECTION for Breakdown)	
13	1684451	NLA	Lift Cylinder Assembly - Lower (Use p/n 1001228035) (Original Equipment) (See CYLINDER SECTION for Breakdown)	
13	1001228035	1	Lift Cylinder Assembly - Lower (Service Replacement) (See CYLINDER SECTION for Breakdown)	
14	1684452	NLA	Lift Cylinder Assembly - Mid (Use p/n 1001228036) (Original Equipment) (See CYLINDER SECTION for Breakdown)	
14	1001228036	1	Lift Cylinder Assembly - Mid (Service Replacement) (See CYLINDER SECTION for Breakdown)	
15	3311601	2	Nut, 3/8-16	
16	3311605	1	Nut, Lock, 3/8-16	
17	3311805	3	Nut, Lock, 1/2-13	
18	3422480	9	Pin	
19	3422481	3	Pin	
20	3422582	1	Pin	
21	3422669	1	Pin	
22	3422792	1	Pin	
23	3422806	1	Pin	
24	3422814	1	Pin	
25	3422844	1	Pin	
26	3422845	2	Pin	
27	3841143	4	Keeper, 3/8	
28	3841203	16	Keeper, 1/2	
29	4566427	1	Tube	
30	4751600	4	Washer, 3/8	
31	4844427	1	Upright Weldment - Lower	
32	4846026	1	Upright Weldment - Upper	
33	4846209	2	Level Link	
34	1001140278	1	Master Cylinder Assembly (See CYLINDER SECTION for Breakdown)	
35	1001140279	1	Platform Level Cylinder (See CYLINDER SECTION for Breakdown)	
36	1001177483	1	Support, Boom Rest	
37	0641806	5	Bolt, 1/2-13 x 3/4	
38	0940048	1	Bumper	

SECTION 4 - BOOM

ITEM	PART NUMBER	QTY	DESCRIPTION	REV
39	4844467	1	Boom Rest Weldment	
40	4891600	8	Washer, 3/8	
41	0681610	4	Bolt, 3/8-16 x 1-1/4, Grade 8	
42	3271605	4	Nut, Lock, 3/8-16, Grade 8	
43	3536491	1	Plate (SN 0300193896 through 0300208528)	
44	0641506	4	Bolt, 5/16-18 x 3/4 (SN 0300193896 through 0300208528)	
45	3311505	4	Nut, Lock 5/16-18 (SN 0300193896 through 0300208528)	
46	4751500	4	Washer, 5/16 (SN 0300193896 through 0300208528)	

SECTION 4 - BOOM

FIGURE 4-3. MAIN BOOM ASSEMBLY - E400ANARROW



ART_0270725

SECTION 4 - BOOM

FIGURE 4-3. MAIN BOOM ASSEMBLY - E400ANARROW

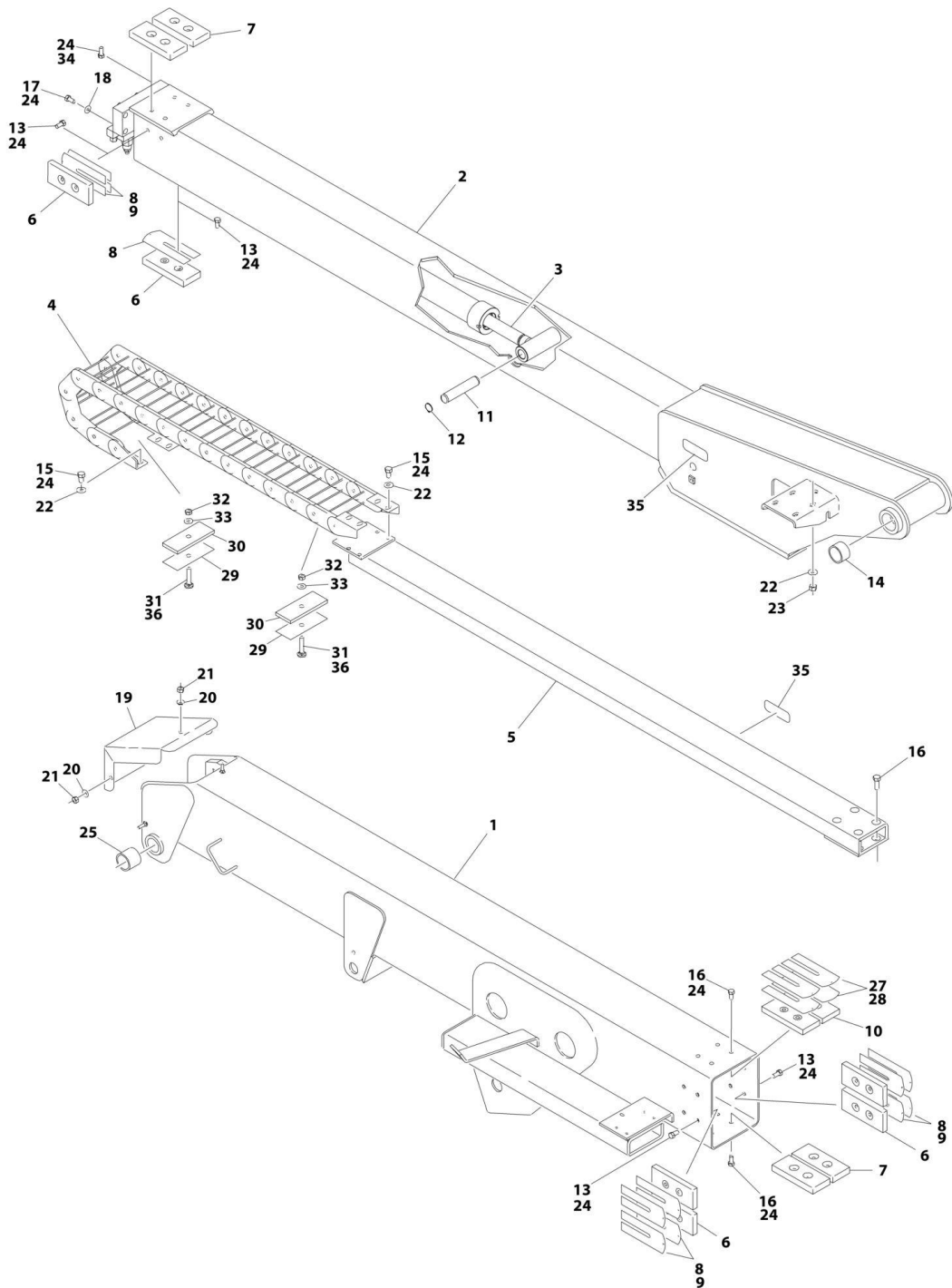
ITEM	PART NUMBER	QTY	DESCRIPTION	REV
	0270725	Ref	MAIN BOOM ASSEMBLY	D
1	0801263	1	Base, Weldment	
2	0801267	1	Fly, Weldment	
3		Ref	Telescope Cylinder Assembly (See CYLINDER SECTION for Breakdown)	
3	1684030	NLA	Telescope Cylinder Assembly (Use p/n 1001228063) (Original Equipment) (Prior to SN 0300200116)	
3	1001151497	NLA	Telescope Cylinder Assembly (Use p/n 1001228063) (Original Equipment) (SN 0300200116 through 0300208528)	
3	1001228063	1	Telescope Cylinder Assembly (Service Replacement)	
4	3422901	1	Pin	
5	1180302	1	Powertrack Assembly	
5	7019698	1	Link, Repair	
5A	7019699	1	Feet, Mounting	
6	4844579	1	Holder, Wear Pad	
7	3340663	8	Pad, Wear (Base Front Top and Sides/Fly Rear Sides and Bottom)	
8	3340820	2	Pad, Wear (Fly Rear Top)	
9	3340682	1	Pad, Wear (Base Front Bottom)	
10	1760160	8	Disc	
11	0630487	6	Bolt, 3/8-16 x 1-3/8	
12	3311602	8	Nut, Jam, 3/8-16	
13	0641818	4	Bolt, 1/2-13 x 2-1/4	
14	4761800	4	Washer, Lock, 1/2	
15	3760115	2	Ring, Snap	
16	0641405	2	Bolt, 1/4-20 x 5/8	
17	0641404	2	Bolt, 1/4-20 x 1/2	
18	4761400	7	Washer, Lock, 1/4	
19	0641606	7	Bolt, 3/8-16 x 3/4	
20	4761600	7	Washer, Lock, 3/8	
21	0100011	AR	Compound, Locking	
22	1670679	1	Cover, Boom	
23	1670698	1	Cover, Boom	
24	4751400	7	Washer, 1/4	
25	3311401	3	Nut, 1/4-20	
26	1220038	1	Holder, Wear Pad (Base Front Left Side)	
27	1220039	1	Holder, Wear Pad (Base Front Right Side)	
28	1220040	1	Holder, Wear Pad (Base Front Top)	
29	0630399	2	Bolt, Special, 3/8-16 x 2-1/4	
30	0100009	AR	Silicone	
31	4740413	5	Washer, Spacer	
32	4751600	5	Washer, 3/8	
33	0641608	5	Bolt, 3/8-16 x 1	
34	3520034	4	Plug, Hole	
35	0961951	2	Bearing	
36	1683933	1	Platform Level Cylinder Assembly (See CYLINDER SECTION for Breakdown)	
37	3422181	1	Shaft, Pin	
39	3841143	3	Keeper	
40	0641607	1	Bolt, 3/8-16 x 7/8	
41	0100011	AR	Compound, Locking	

SECTION 4 - BOOM

ITEM	PART NUMBER	QTY	DESCRIPTION	REV
42	0060052	1	Rotator Assembly (See ROTATOR ASSEMBLY for Breakdown)	
43	3422709	1	Shaft, Pin	
44	0641608	2	Bolt, 3/8-16 x 1	
45	3311605	2	Nut, Lock, 3/8-16	
46	3422180	1	Shaft, Pin	
47	0961950	2	Bearing	

SECTION 4 - BOOM

FIGURE 4-4. MAIN BOOM ASSEMBLY - E400AJP/E400AJPNARROW/M400AJP/M400AJPNARROW



ART_0801225

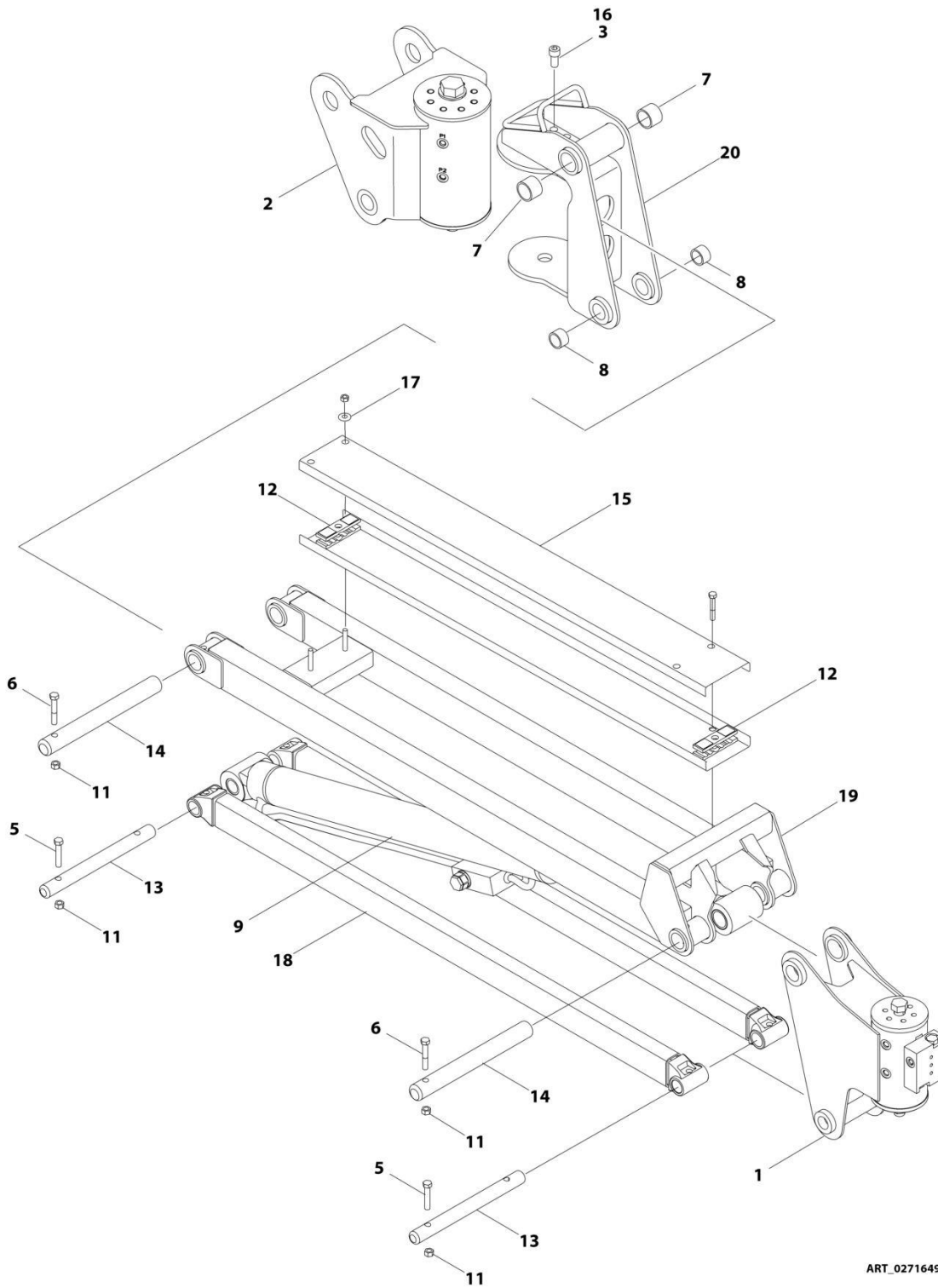
SECTION 4 - BOOM

FIGURE 4-4. MAIN BOOM ASSEMBLY - E400AJP/E400AJPNARROW/M400AJP/M400AJPNARROW

ITEM	PART NUMBER	QTY	DESCRIPTION	REV
	0801225	Ref	MAIN BOOM ASSEMBLY	J
1	0801224	1	Base, Boom	
2	0801226	1	Fly, Boom	
3	1683911	NLA	Telescope Cylinder Assembly (Use p/n 1001228015) (Original Equipment) (See CYLINDER SECTION for Breakdown)	
3	1001228015	1	Telescope Cylinder Assembly (Service Replacement) (See CYLINDER SECTION for Breakdown)	
4	1001099834	1	Powertrack	
4	70001996	1	Repair Section (Includes 4 links, 10 pins, 10 washers, 10 snap rings, 2 Rod Carriers and 4 self-tapping screws)	
4	70001998	1	Bracket Kit (Includes 2 Left and 2 Right Mounting Feet, 4 center pins, 4 center pin snap rings, 8 pins for bracket lockout, 8 washers and 8 snap rings)	
5	4846180	1	Weldment, Push Tube	
6	3340878	10	Pad, Wear	
7	3340884	4	Pad, Wear	
8	4070864	12	Shim 18Ga	
9	4070863	8	Shim 11Ga	
10	3340886	2	Pad, Wear	
11	3422804	1	Pin	
12	3760115	2	Ring, Retaining	
13	0641606	30	Bolt, 3/8-16 x 3/4	
14	0961948	2	Bearing	
15	0641605	8	Bolt, 3/8-16 x 5/8	
16	0641608	16	Bolt, 3/8-16 x 1	
17	0641818	4	Bolt, 1/2-13 x 2-1/4	
18	4761800	4	Washer, Lock, 1/2	
19	1670959	1	Cover	
20	4761400	3	Washer, Lock, 1/4	
21	3311401	3	Nut 1/4-20	
22	4711600	12	Washer, 3/8	
23	3311605	4	Nut, Lock, 3/8-16	
24	0100011	AR	Compound, Locking	
25	0961950	2	Bearing	
26	3520082	2	Plug (Not Shown) (Prior to SN 0300197380)	
27	4070997	2	Shim 16Ga	
28	4070998	2	Shim 18Ga	
29	1001106757	3	Plate, Clamp	
30	3340939	2	Pad, Rubber	
31	0630401	2	Bolt, Carriage, 5/16-18 x 2	
32	3311505	2	Nut, Lock, 5/16/18	
33	4711500	2	Washer, 5/16	
34	0741606	6	Screw, Countersunk, 3/8-16 x 3/4	
35	4060804	16 in /41cm	Flex-Trim	
36	0100081	AR	Adhesive	

SECTION 4 - BOOM

FIGURE 4-5. JIB INSTALLATION



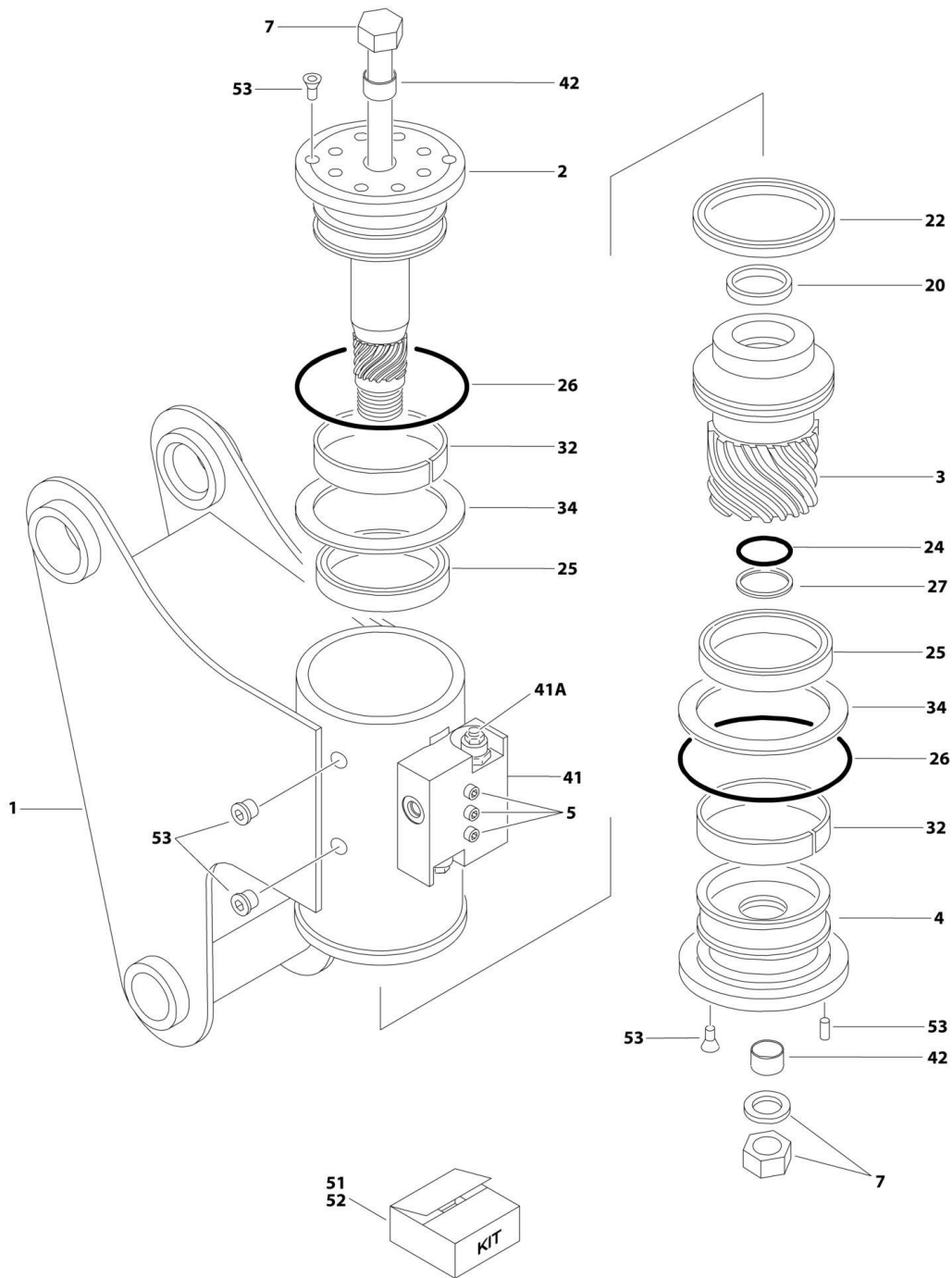
ART_0271649

FIGURE 4-5. JIB INSTALLATION

ITEM	PART NUMBER	QTY	DESCRIPTION	REV
	0271649	Ref	JIB INSTALLATION	D
1	0060044	1	Rotator Assembly - Jib to Platform Support (See ROTATOR ASSEMBLY for Breakdown)	
2	0060065	1	Rotator Assembly - Main Boom to Jib (See ROTATOR ASSEMBLY for Breakdown)	
3	0100011	AR	Compound, Locking	
4	0641516	2	Bolt, 5/16-18 x 2	
5	0641616	4	Bolt, 3/8-16 x 2	
6	0641618	2	Bolt, 3/8-16 x 2-1/4	
7	0962292	2	Bushing	
8	0961951	2	Bushing	
9	1001140280	1	Jib Cylinder Assembly (See CYLINDER SECTION for Breakdown)	
10	3311501	4	Nut, 5/16-18	
11	3311605	6	Nut, Lock, 3/8-16	
12	3340860	4	Clamp, Block	
13	3422791	2	Pin	
14	3422794	2	Pin	
15	3572551	2	Plate, Jib Cover	
16	3931816	8	Bolt, 1/2-13 x 1	
17	4751500	4	Washer, 5/16	
18	1001094670	2	Link, Lower	
19	4846278	1	Link, Upper	
20	4846502	1	Pivot	

SECTION 4 - BOOM

FIGURE 4-6. ROTATOR ASSEMBLY - E400ANARROW



ART_0060052

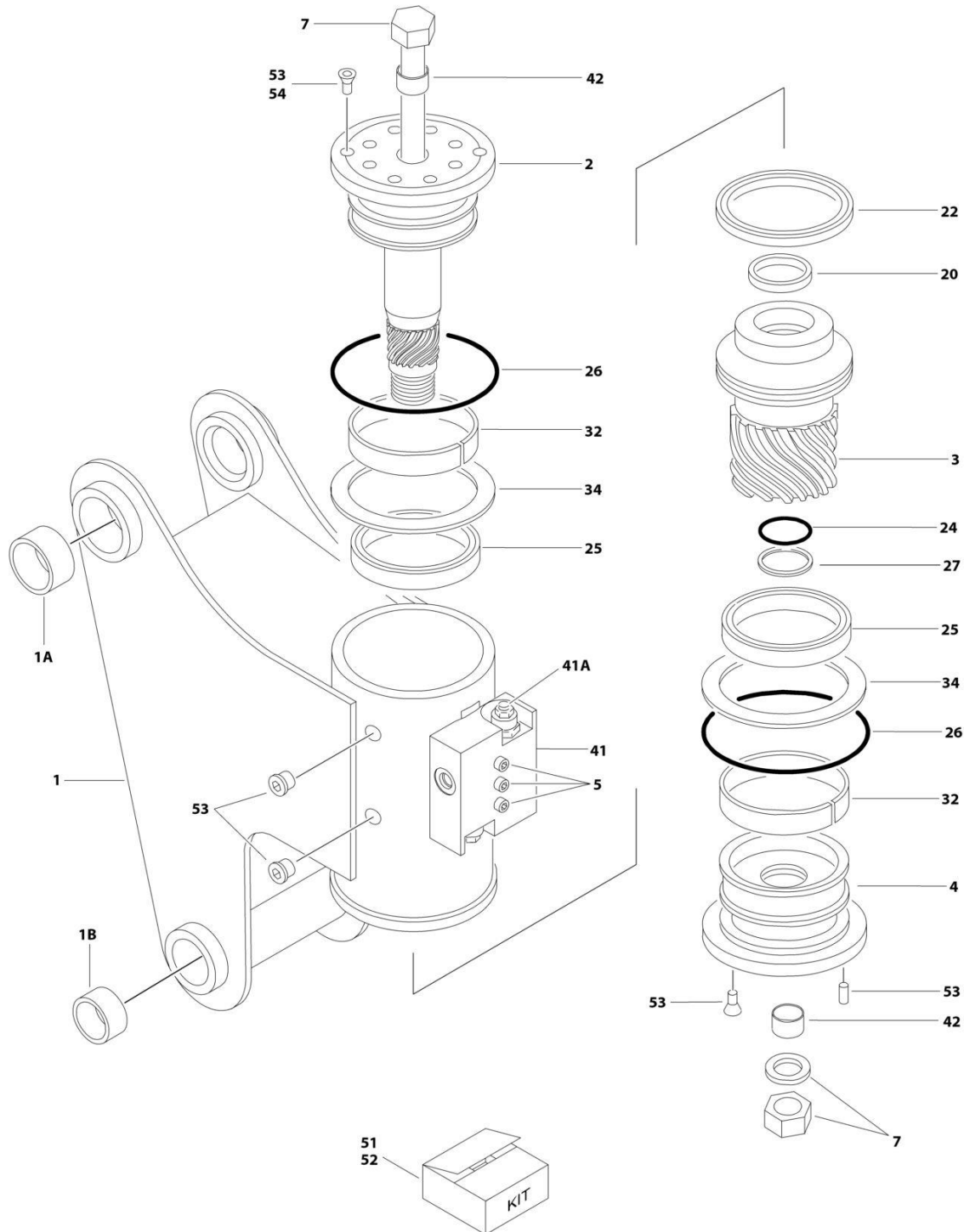
SECTION 4 - BOOM

FIGURE 4-6. ROTATOR ASSEMBLY - E400ANARROW

ITEM	PART NUMBER	QTY	DESCRIPTION	REV
	0060052	Ref	ROTATOR ASSEMBLY	F
1	See Note	1	Case/Bracket Weldment (Note: Not Available - Purchase Complete Assembly)	
2	7017120	1	Shaft (Rotator with Helac Control #26409)	
2	7017196	1	Shaft (Rotator with Helac Control #26966)	
3	7017121	1	Piston Sleeve (Rotator with Helac Control #26409)	
3	7027900	1	Piston Sleeve (Rotator with Helac Control #26966)	
4	7017153	1	Cap, End (Rotator with Helac Control #26409)	
4	7027901	1	Cap, End (Rotator with Helac Control #26966)	
5	See Note	3	Capscrew, 1/4-20, Grade 8 (Note: Not Available - Purchase Locally)	
7	7017126	1	Tie Rod Assembly	
20	See Note	1	Seal, Rod (Note: Use Item 52)	
22	See Note	1	Seal, Piston (Note: Use Item 52)	
24	See Note	1	Seal, Cap (Note: Use Item 52)	
25	See Note	2	Packing, Bearing (Note: Use Item 52)	
26	See Note	2	Seal (Note: Use Item 52)	
27	See Note	1	Ring, Back-up Cap (Note: Use Item 52)	
32	See Note	2	Bearing, Shaft (Note: Use Item 51)	
34	See Note	2	Washer, Thrust (Note: Use Item 51)	
41	7017172	1	Counterbalance Valve Assembly (Helac p/n 24327, 26553 or 26554 Stamped Beside Mounting Screws)	
41A	7011323	2	Valve, Cartridge (Helac p/n 24327 Valve)	
41A	2900770	2	Seal Kit - 7011323 Cartridge (1 Per Assembly)	
41A	7017192	2	Valve Cartridge (Helac p/n 26553 or 26554) (No Seal Kit Available)	
42	See Note	2	Bushing, Shaft (Note: Not Available for Purchase)	
51	7017122	1	Bearing Kit (Includes Items 32-34)	
52	7017127	1	Seal Kit - Standard (Includes Items 20, 22, 24, 25, 26 & 27)	
52	70000341	1	Seal Kit - Low Temperature (Includes Items 20, 22, 24, 25, 26 & 27)	
53	7017123	1	Hardware Kit	

SECTION 4 - BOOM

FIGURE 4-7. ROTATOR ASSEMBLY - PLATFORM SUPPORT TO JIB - E400AJP/E400AJPNARROW/M400AJP/M400AJPNARROW



ART_0060044

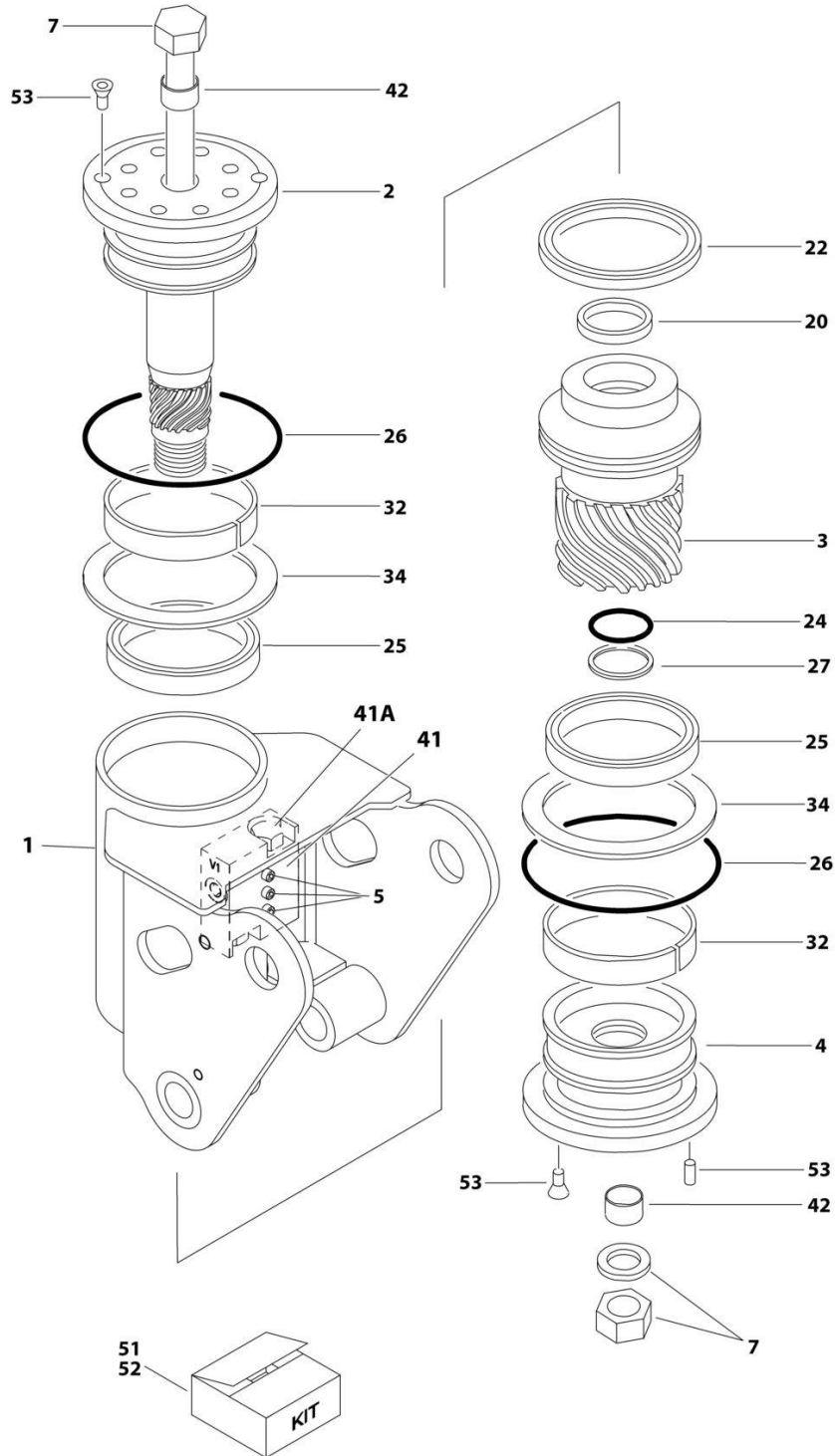
SECTION 4 - BOOM

**FIGURE 4-7. ROTATOR ASSEMBLY - PLATFORM SUPPORT TO JIB -
E400AJP/E400AJPNARROW/M400AJP/M400AJPNARROW**

ITEM	PART NUMBER	QTY	DESCRIPTION	REV
	0060044	Ref	ROTATOR ASSEMBLY - PLATFORM SUPPORT TO JIB	D
1	See Note	1	Case/Bracket Weldment (Note: Not Available - Purchase Complete Assembly)	
1A	0962257	2	Bushing	
1B	0961947	2	Bushing	
2	7017120	1	Shaft (Rotator with Helac Control #25928)	
2	7017196	1	Shaft (Rotator with Helac Control #26962)	
3	7017121	1	Piston Sleeve (Rotator with Helac Control #25928)	
3	7027900	1	Piston Sleeve (Rotator with Helac Control #26962)	
4	See Note	NSS	Cap, End (Rotator with Helac Control #25928) (Note: Use p/n 0060044)	
4	7027901	1	Cap, End (Rotator with Helac Control #26962)	
5	See Note	3	Capscrew, 1/4-20, Grade 8 (Note: Not Available - Purchase Locally)	
7	7017126	1	Tie Rod Assembly	
20	See Note	1	Seal, Rod (Note: Use Item 52)	
22	See Note	1	Seal, Piston (Note: Use Item 52)	
24	See Note	1	Seal, Cap (Note: Use Item 52)	
25	See Note	1	Packing, Bearing (Note: Use Item 52)	
26	See Note	2	Seal (Note: Use Item 52)	
27	See Note	1	Ring, Back-up Cap (Note: Use Item 52)	
32	See Note	2	Bearing, Shaft (Note: Use Item 51)	
34	See Note	2	Washer, Thrust (Note: Use Item 51)	
41	7017172	1	Counterbalance Valve Assembly (Helac p/n 24327, 26553 or 26554 Stamped Beside Mounting Screws)	
41A	7011323	2	Valve, Cartridge (Helac p/n 24327 Valve)	
41A	2900770	2	Seal Kit - 7011323 Cartridge (1 Per Assembly)	
41A	7017192	2	Valve Cartridge (Helac p/n 26553 or 26554) (No Seal Kit Available)	
42	70004323	2	Bushing, Shaft	
51	7017122	1	Bearing Kit (Includes Items 32-34)	
52	7017127	1	Seal Kit - Standard (Includes Items 20, 22, 24, 25, 26 & 27)	
52	70000341	1	Seal Kit - Low Temperature (Includes Items 20, 22, 24, 25, 26 & 27)	
53	7017123	1	Hardware Kit	
54	70001697	4	Screw, Countersunk 1/4-20NC x 3/8	

SECTION 4 - BOOM

FIGURE 4-8. ROTATOR ASSEMBLY - MAIN BOOM TO JIB - E400AJP/E400AJPNARROW/M400AJP/M400AJPNARROW



ART_0060065

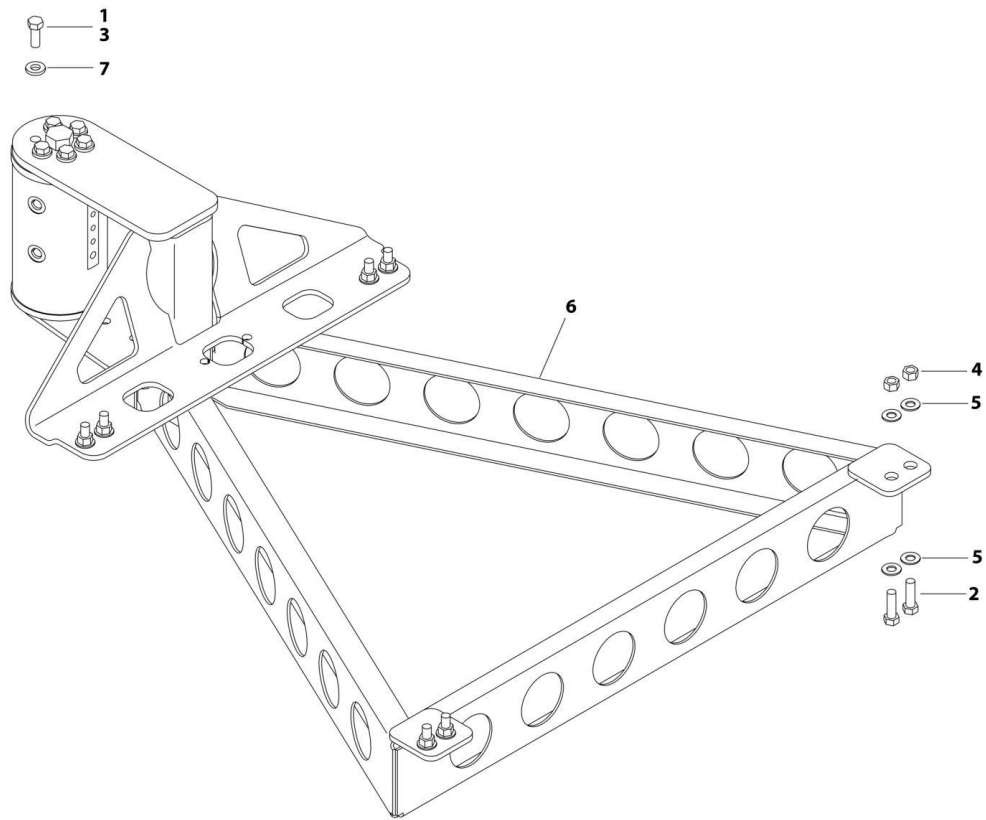
SECTION 4 - BOOM

**FIGURE 4-8. ROTATOR ASSEMBLY - MAIN BOOM TO JIB -
E400AJP/E400AJPNARROW/M400AJP/M400AJPNARROW**

ITEM	PART NUMBER	QTY	DESCRIPTION	REV
	0060065	Ref	ROTATOR ASSEMBLY - MAIN BOOM TO JIB	C
1	See Note	1	Case/Bracket Weldment (Note: Not Available - Purchase Complete Assembly)	
2	7017167	1	Shaft	
3	7017168	1	Piston Sleeve	
4	7017169	1	Cap, End	
5	See Note	3	Capscrew 1/4, Grade 8 (Note: Not Available - Purchase Locally)	
7	7017173	1	Tie Rod Assembly	
20	See Note	1	Seal, Rod (Note: Use Item 52)	
22	See Note	1	Seal, Piston (Note: Use Item 52)	
24	See Note	1	Seal, Cap (Note: Use Item 52)	
25	See Note	2	Packing, Bearing (Note: Use Item 52)	
26	See Note	2	Seal (Note: Use Item 52)	
27	See Note	1	Ring, Back-up (Note: Use Item 52)	
32	See Note	2	Bearing, Shaft (Note: Use Item 51)	
34	See Note	2	Washer, Thrust (Note: Use Item 51)	
41	7017172	1	Counterbalance Valve Assembly	
41A	7017192	2	Valve, Cartridge (No Seal Kit Available)	
42	See Note	2	Bushing, Shaft (Note: Not Available for Purchase)	
51	7017178	1	Bearing Kit (Includes Items 32-34)	
52	7017165	1	Seal Kit - Standard (Includes Items 20, 22 & 24-27,	
52	70000340	1	Seal Kit - Low Temperature (Includes Items 20,22 & 24-27)	
53	7017179	1	Hardware Kit	

SECTION 4 - BOOM

FIGURE 4-9. PLATFORM SUPPORT WITHOUT LOAD SENSING



ART_0272976

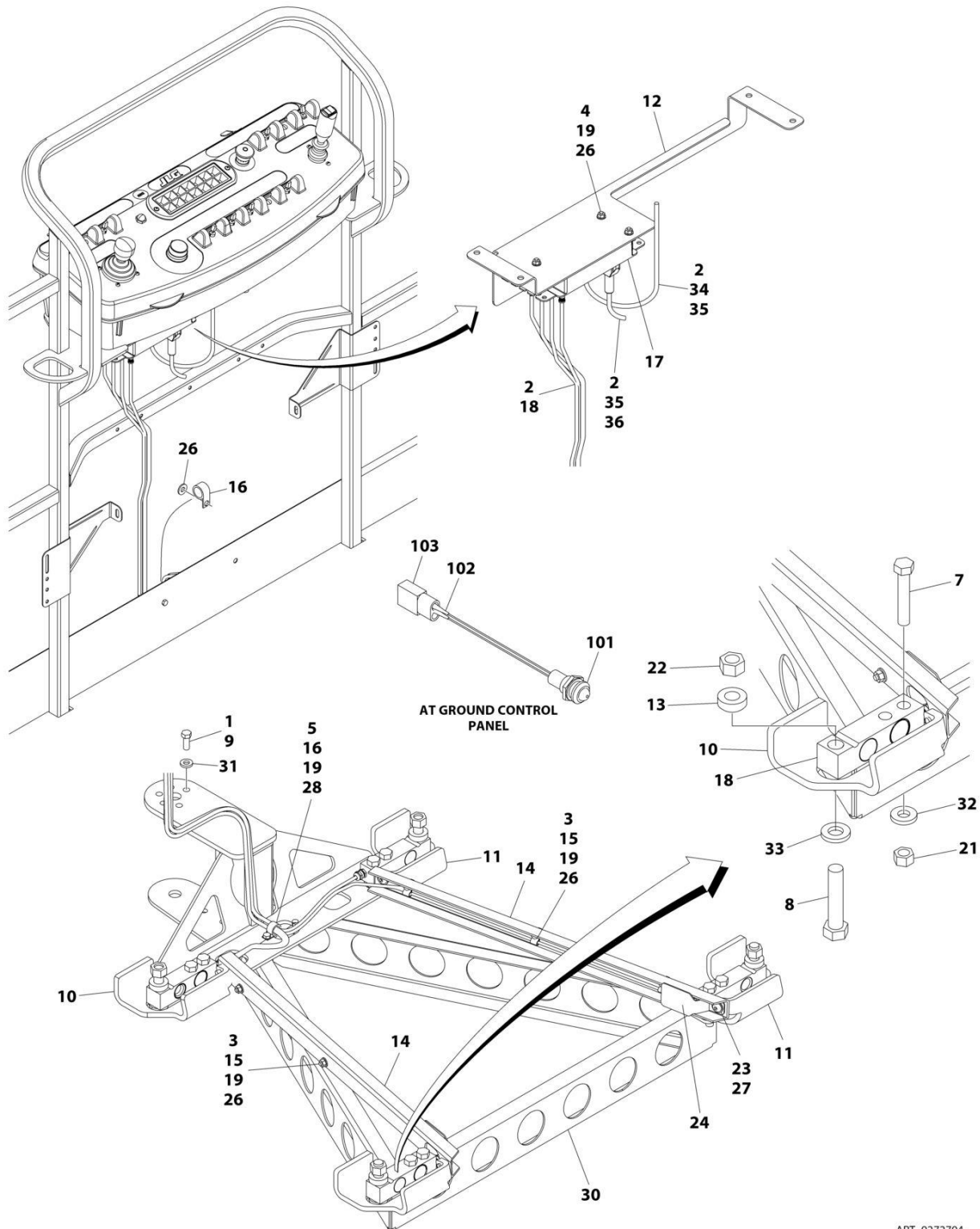
SECTION 4 - BOOM

FIGURE 4-9. PLATFORM SUPPORT WITHOUT LOAD SENSING

ITEM	PART NUMBER	QTY	DESCRIPTION	REV
	0272976	Ref	PLATFORM SUPPORT WITHOUT LOAD SENSING	A
1	0100001	AR	Compound, Locking	
2	0641610	8	Bolt, 3/8-16 x 1-1/4	
3	0681608	6	Bolt, 3/8-16 x 1, Grade 8	
4	3311605	8	Nut, Lock, 3/8-16	
5	4711600	16	Washer, 3/8	
6	4846608	1	Support, Weldment (Without Load Sensing)	
6	See Note	1	Support, Weldment (With Load Sensing) (Note: See Note Above)	
7	4891600	6	Washer, 3/8	

SECTION 4 - BOOM

FIGURE 4-10. PLATFORM SUPPORT INSTALLATION - WITH LSS - E400AJP/M400AJP/E400AJPNARROW/M400AJPNARROW



ART_0272704

SECTION 4 - BOOM

**FIGURE 4-10. PLATFORM SUPPORT INSTALLATION - WITH LSS -
E400AJP/M400AJP/E400AJPNARROW/M400AJPNARROW**

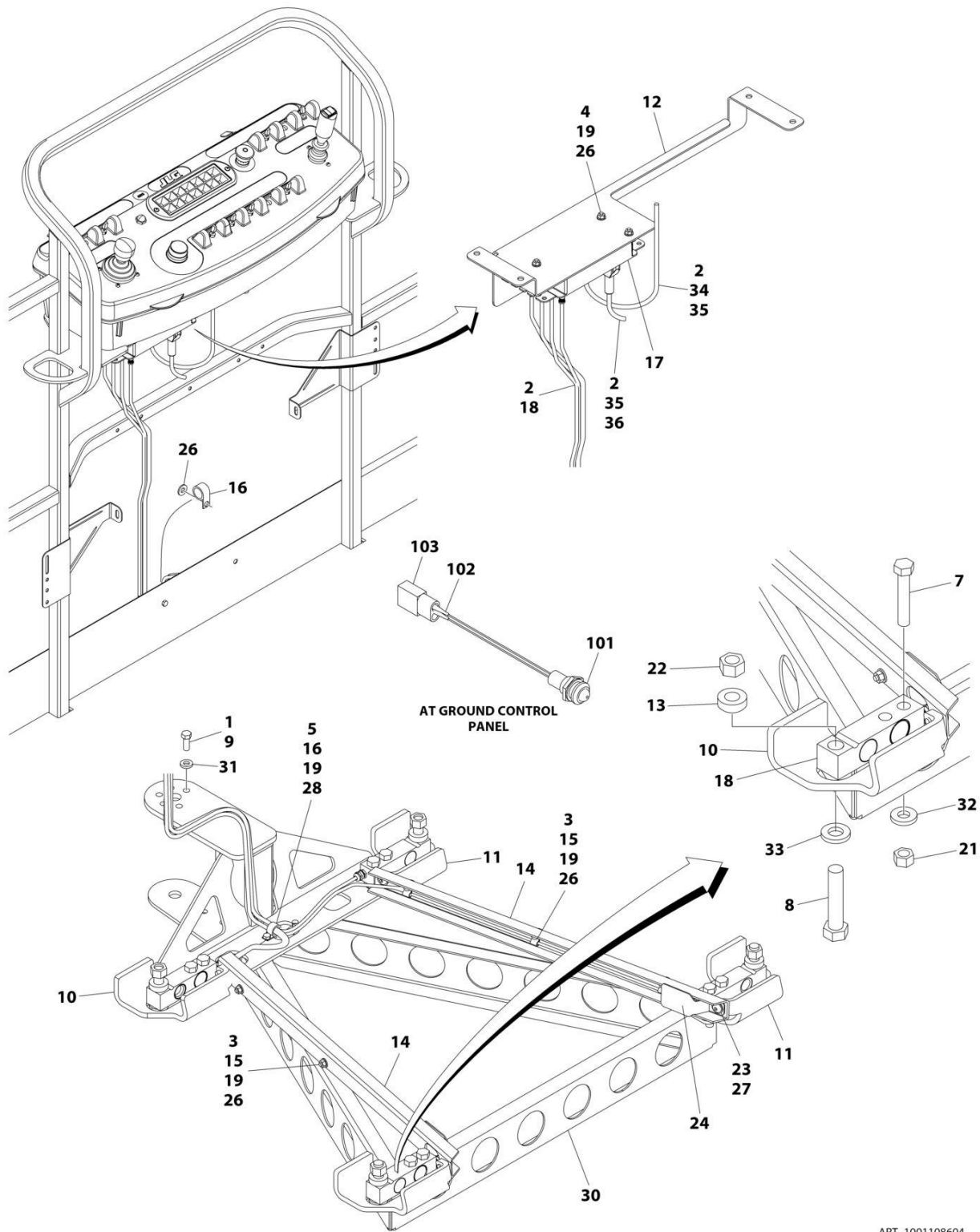
ITEM	PART NUMBER	QTY	DESCRIPTION	REV
	0272704	Ref	PLATFORM SUPPORT INSTALLATION - WITH LSS	K
1	0100011	AR	Compound, Locking	
2	0100048	AR	Grease, Dielectric	
3	0641405	6	Bolt 1/4 x 5/8	
4	0641416	3	Bolt 1/4 x 2	
5	0641407	1	Bolt 1/4 x 7/8	
7	0641822	8	Bolt 1/2 x 2-3/4	
8	0642024	4	Bolt 5/8 x 3	
9	0681608	6	Bolt 3/8 x 1	
10	0902919	2	Bracket, Cell Guard	
11	0902920	2	Bracket, Cell Guard	
12	1001113483	1	Bracket, Module Mounting	
13	0962450	4	Bushing, Spacer	
14	1271538	2	Channel	
15	1320136	6	Clamp	
16	1320224	2	Clamp	
17	1600387	1	Electronic Interface Module (Note: Re-calibration Required when Replaced)	
18	2420202	4	Load Cell Assembly	
19	3311405	10	Nut 1/4	
21	3311805	8	Nut 1/2	
22	3312005	4	Nut 5/8	
23	3900283	4	Screw 3/8 x 3/4	
24	4061054	2	Shield	
25	4240033	AR	Tie-Strap (Not Shown)	
26	4711400	13	Washer 1/4	
27	4711600	4	Washer 3/8	
28	4751400	1	Washer 1/4	
30	4846608	1	Platform Support	
31	4891600	6	Washer 3/8	
32	4891800	8	Washer 1/2	
33	4892000	4	Washer 5/8	
34	4922916	1	Harness, LSS System	
34	4460933	1	Connector - 12 Position (Grey) (J1)	
34	4460465	3	Socket, Female	
34	4460466	9	Plug, Terminal	
34	0840055	1	Boot	
34	4460313	3	Terminal, Ring	
35	4933289	1	EIM Load Cell to Platform Console Box Wiring (See Separate Breakdown in ELECTRICAL SECTION)	
36	4922917	1	Harness, Analyzer	
36	4460836	1	Connector - 12 Position (Black) (J2)	
36	4460465	4	Socket, Female	
36	4460466	8	Plug, Terminal	
36	0840055	1	Boot	
36	4460761	1	Connector - 4 Position	
36	4460227	4	Pin, Male	
	0273104	Ref	INDICATOR LIGHT INSTALLATION (LSS)	A/1
101	2920151	1	Light (Located on Ground Control Box)	

SECTION 4 - BOOM

ITEM	PART NUMBER	QTY	DESCRIPTION	REV
102	4460226	2	Socket, Female	
103	4460424	1	Connector - 2 Position	
104	4922926	1	Harness, Indicator Lamp (Not Shown - Located at Ground Control Box)	
104	4460320	1	Plug, Male - 2 Position	
104	4460227	2	Pin, Male	
104	4460042	1	Terminal, Ring	
104	4460313	1	Terminal, Ring	
104	4460265	1	Connector - 9 Position	
104	4460226	3	Socket, Female	

SECTION 4 - BOOM

FIGURE 4-11. PLATFORM SUPPORT INSTALLATION - WITH LSS - E400ANARROW



ART_1001108604

SECTION 4 - BOOM

FIGURE 4-11. PLATFORM SUPPORT INSTALLATION - WITH LSS - E400ANARROW

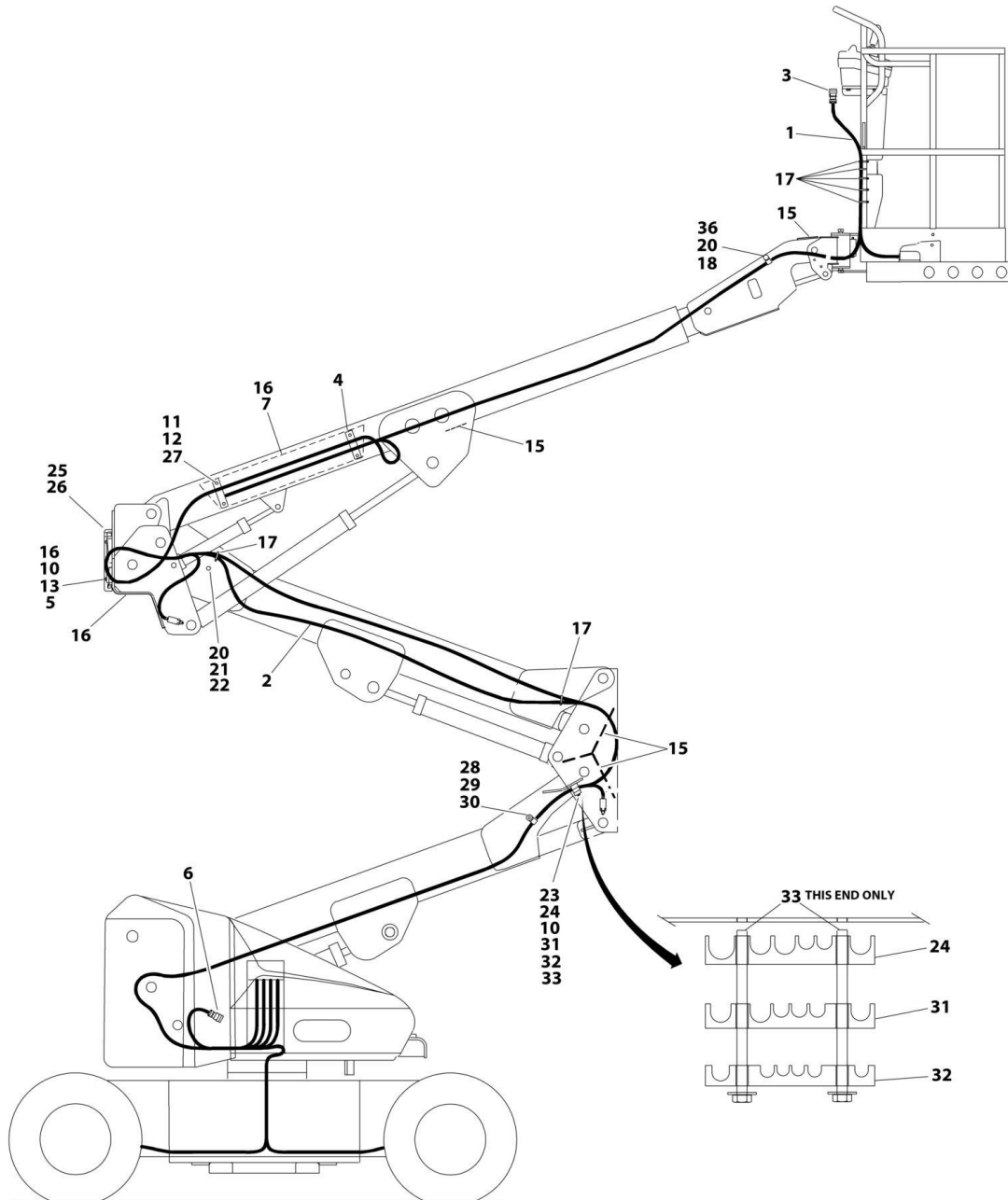
ITEM	PART NUMBER	QTY	DESCRIPTION	REV
	1001108604	Ref	PLATFORM SUPPORT INSTALLATION - WITH LSS	C
1	0100011	AR	Compound, Locking	
2	0100048	AR	Grease, Dielectric	
3	0641405	6	Bolt 1/4 x 5/8	
4	0641416	3	Bolt 1/4 x 2	
5	0641407	1	Bolt 1/4 x 7/8	
7	0641822	8	Bolt 1/2 x 2-3/4	
8	0642024	4	Bolt 5/8 x 3	
9	0681608	6	Bolt 3/8 x 1	
10	0902919	2	Bracket, Cell Guard	
11	0902920	2	Bracket, Cell Guard	
12	1001113483	1	Bracket, Module Mounting	
13	0962450	4	Bushing, Spacer	
14	1271538	2	Channel	
15	1320136	6	Clamp	
16	1320224	2	Clamp	
17	1600387	1	Electronic Interface Module (Note: Re-calibration Required when Replaced)	
18	2420202	4	Load Cell Assembly	
19	3311405	10	Nut 1/4	
21	3311805	8	Nut 1/2	
22	3312005	4	Nut 5/8	
23	3900283	4	Screw 3/8 x 3/4	
24	4061054	2	Shield	
25	4240033	AR	Tie-Strap (Not Shown)	
26	4711400	13	Washer 1/4	
27	4711600	4	Washer 3/8	
28	4751400	1	Washer 1/4	
30	4846608	1	Platform Support	
31	4891600	6	Washer 3/8	
32	4891800	8	Washer 1/2	
33	4892000	4	Washer 5/8	
34	4922916	1	Harness, LSS System	
34	4460933	1	Connector - 12 Position (Grey) (J1)	
34	4460465	3	Socket, Female	
34	4460466	9	Plug, Terminal	
34	0840055	1	Boot	
34	4460313	3	Terminal, Ring	
35	4933289	1	EIM Load Cell to Platform Console Box Wiring (See Separate Breakdown in ELECTRICAL SECTION)	
36	4922917	1	Harness, Analyzer	
36	4460836	1	Connector - 12 Position (Black) (J2)	
36	4460465	4	Socket, Female	
36	4460466	8	Plug, Terminal	
36	0840055	1	Boot	
36	4460761	1	Connector - 4 Position	
36	4460227	4	Pin, Male	
37	4460225	1	Plug, Male - 6 Position (Not Shown - Located in Platform Console Box (J8))	
	0273104	Ref	INDICATOR LIGHT INSTALLATION (LSS)	A/1

SECTION 4 - BOOM

ITEM	PART NUMBER	QTY	DESCRIPTION	REV
101	2920151	1	Light (Located on Ground Control Box)	
102	4460226	2	Socket, Female	
103	4460424	1	Connector - 2 Position	
104	4922926	1	Harness, Indicator Lamp (Not Shown - Located at Ground Control Box)	
104	4460320	1	Plug, Male - 2 Position	
104	4460227	2	Pin, Male	
104	4460042	1	Terminal, Ring	
104	4460313	1	Terminal, Ring	
104	4460265	1	Connector - 9 Position	
104	4460226	3	Socket, Female	

SECTION 4 - BOOM

FIGURE 4-12. CABLES AND CLAMPS INSTALLATION - E400ANARROW



ART_0270817

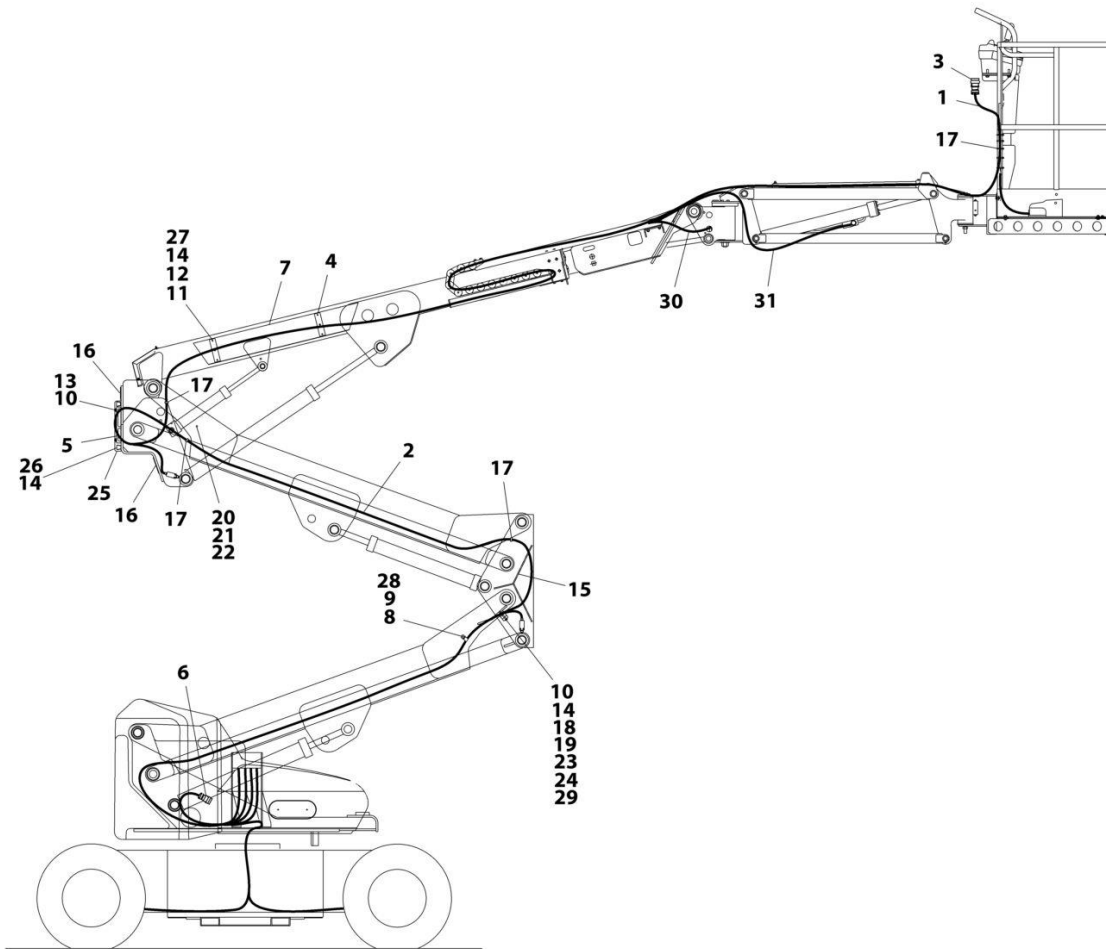
SECTION 4 - BOOM

FIGURE 4-12. CABLES AND CLAMPS INSTALLATION - E400ANARROW

ITEM	PART NUMBER	QTY	DESCRIPTION	REV
	0270817	Ref	CABLES AND CLAMPS INSTALLATION	D
1	4922496	1	Harness Assembly - Upper Boom (See ELECTRICAL SECTION for Breakdown)	
2	4922363	1	Harness Assembly - Lower Boom (See ELECTRICAL SECTION for Breakdown)	
3	4460754	1	Connector	
4	1320260	2	Block, Hose Clamp	
5	0561317	1	Block, Hose Clamp	
6	4460753	1	Connector	
7	3536999	1	Shield	
10	4751500	5	Washer, 5/16	
11	4751400	12	Washer, 1/4	
12	3311401	6	Nut, 1/4-20	
13	0641514	3	Bolt, 5/16-18 x 1-3/4	
14	0100011	AR	Compound, Locking (Not Shown)	
15	4060805	4	Trim, Flex	
16	4060808	8	Trim, Flex	
17	4240099	26	Tie, Strap	
18	0641516	1	Bolt, 5/16-18 x 2	
20	3311505	2	Nut, Lock, 5/16-18	
21	4566243	1	Roller	
22	0641560	1	Bolt, 5/16-18 x 7-1/2	
23	4300140	2	Stud, 5/16-18 x 3-5/8	
24	0561384	1	Block, Hose Clamp	
25	1670697	1	Cover, Hose	
26	0630467	4	Capscrew, Button 5/16-18 x 1/2	
27	3300151	6	Nut, 1/4-20	
28	1320043	1	Clamp, Cable	
29	0641410	1	Bolt, 1/4-20 x 1-1/4	
30	3311405	1	Nut, Lock, 1/4-20	
31	0561385	1	Block, Hose Clamp	
32	0561386	1	Block, Hose Clamp	
33	0100019	1	Compound, Locking	
36	0561424	1	Block, Hose Clamp	

SECTION 4 - BOOM

FIGURE 4-13. CABLES AND CLAMPS INSTALLATION - E400AJP/E400AJPNARROW/M400AJP/M400AJPNARROW



ART_0259970

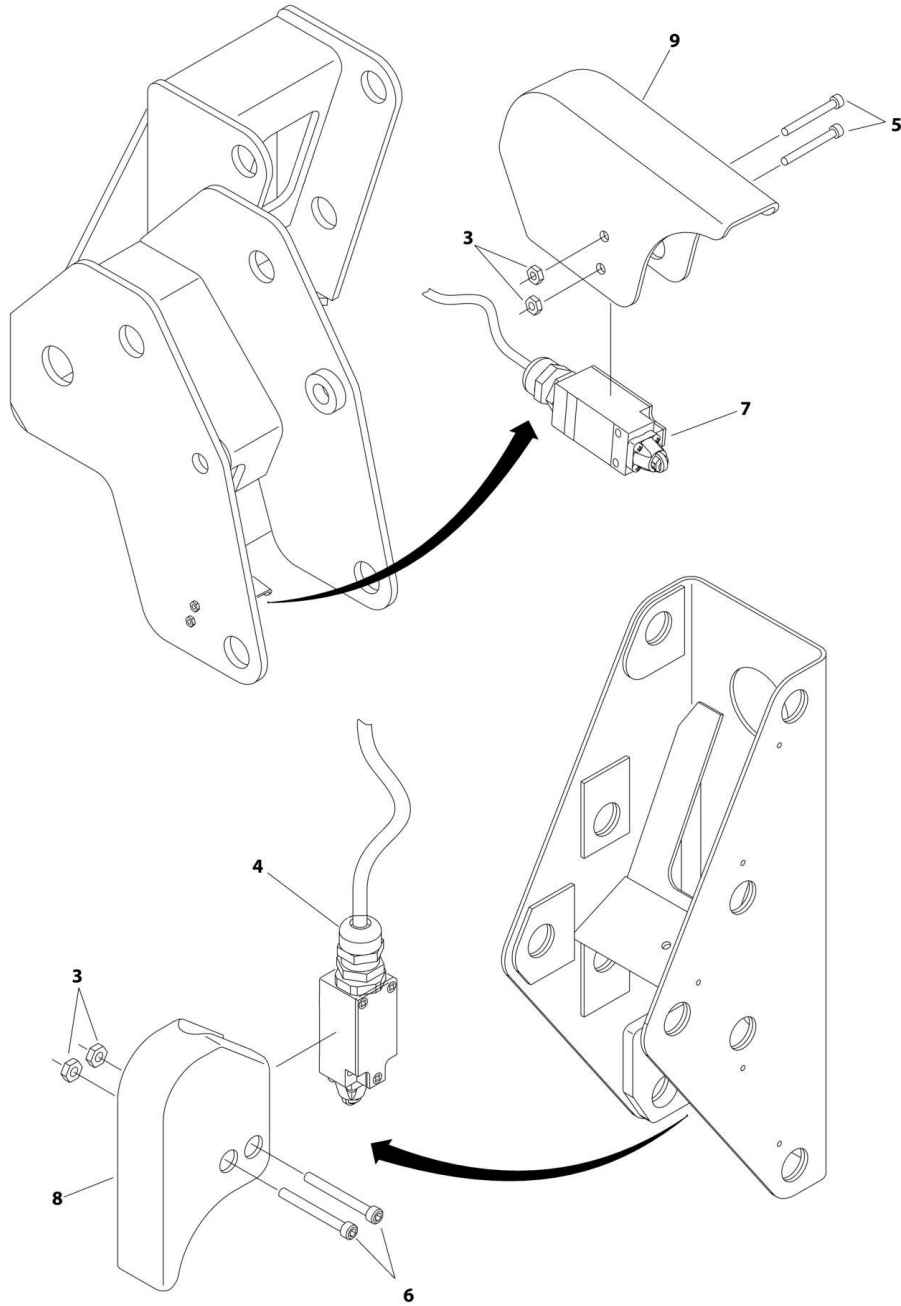
SECTION 4 - BOOM

**FIGURE 4-13. CABLES AND CLAMPS INSTALLATION -
E400AJP/E400AJPNARROW/M400AJP/M400AJPNARROW**

ITEM	PART NUMBER	QTY	DESCRIPTION	REV
	0259970	Ref	CABLES AND CLAMPS INSTALLATION	E
1	4922496	1	Harness Assembly - Upper Boom (See ELECTRICAL SECTION for Breakdown)	
2	4922363	1	Harness Assembly - Lower Boom (See ELECTRICAL SECTION for Breakdown)	
3	4460754	1	Connector	
4	1320260	2	Block, Hose Clamp	
5	0561317	1	Block, Hose Clamp	
6	4460753	1	Connector	
7	3571462	1	Shield	
8	0641410	1	Bolt, 1/4-20 x 1-1/4	
9	3311405	1	Nut, Lock, 1/4-20	
10	4751500	5	Washer, 5/16	
11	4751400	12	Washer, 1/4	
12	3311401	6	Nut, 1/4-20	
13	0641514	3	Bolt, 5/16-18 x 1-3/4	
14	0100011	AR	Compound, Locking	
15	4060805	1	Trim, 1/4	
16	4060808	8	Trim, 1/2	
17	4240099	30	Tie-Strap	
18	0561385	1	Block, Hose Clamp	
19	0561386	1	Block, Hose Clamp	
20	3311505	1	Nut, Lock, 5/16-18	
21	4566243	1	Roller	
22	0641560	1	Bolt, 5/16-18 x 7-1/2	
23	4300140	2	Stud, Weld, 5/16-18 x 3-5/8	
24	0561384	1	Block, Hose Clamp	
25	1670697	1	Cover, Hose	
26	0630467	4	Capscrew, Button, 5-16-18 x 1/2	
27	3300151	6	Nut, Acorn, 1/4-20	
28	1320043	1	Clamp, Cable	
29	0100019	AR	Compound, Locking	
30	4100067	1	Sleeve	
31	4100065	1	Sleeve	

SECTION 4 - BOOM

FIGURE 4-14. LIMIT SWITCHES INSTALLATION



ART_0271494

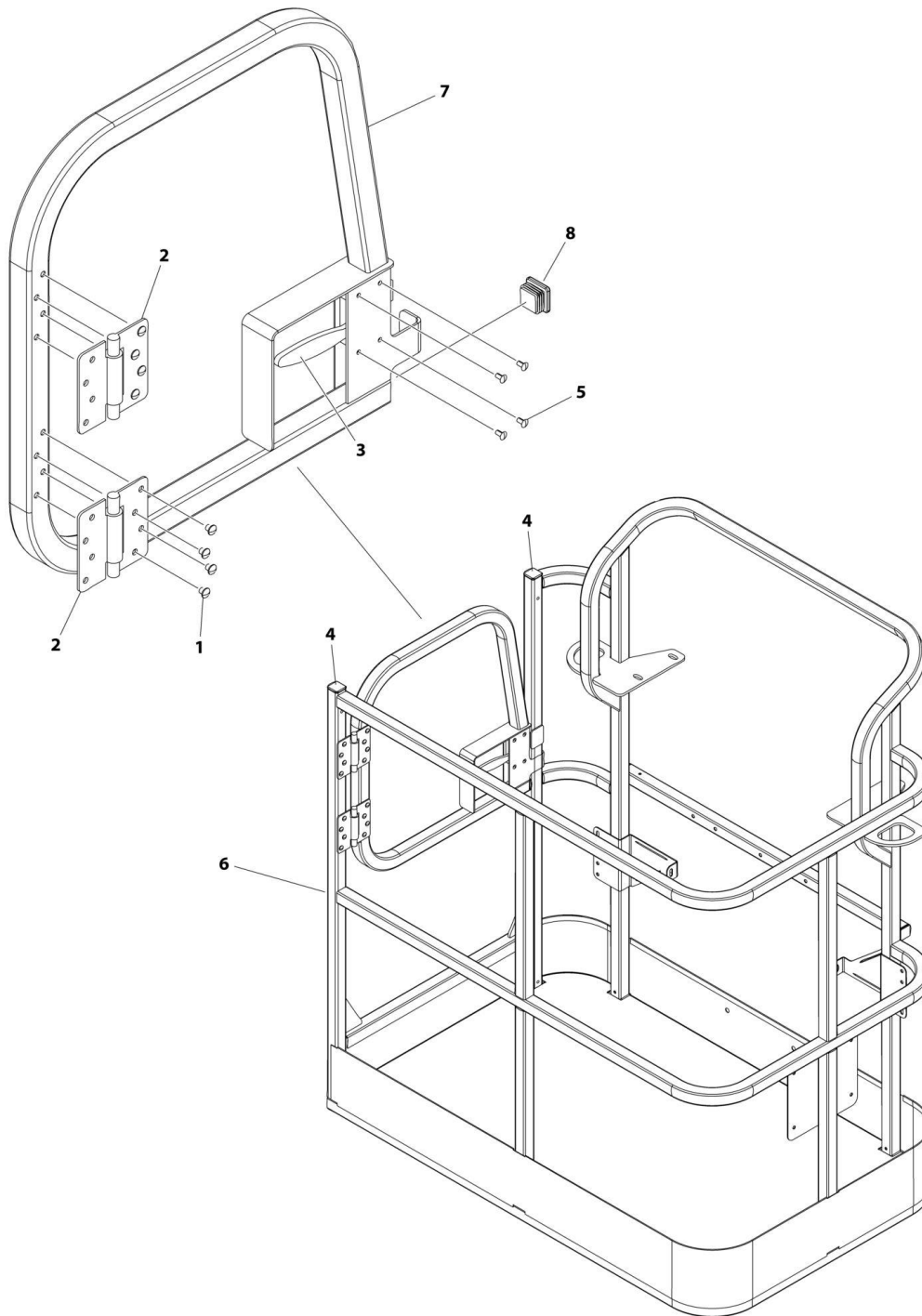
FIGURE 4-14. LIMIT SWITCHES INSTALLATION

ITEM	PART NUMBER	QTY	DESCRIPTION	REV
	0271494	Ref	BOOM LIMIT SWITCHES INSTALLATION	2
3	3311005	4	Nut, Lock, #10-24	
4	4922614	1	Limit Switch Harness - Lower (Includes Limit Switch) (See ELECTRICAL SECTION for Breakdown)	
5	3931028	2	Screw, #10-24 x 1-3/4	
6	3900104	2	Screw, Fillister Head, #10-24 x 2-1/4	
7	4922615	1	Limit Switch Harness - Upper (Includes Limit Switch) (See ELECTRICAL SECTION for Breakdown)	
8	1670832	1	Cover, Switch - Lower	
9	1670833	1	Cover, Switch - Upper	

SECTION 5 - PLATFORM

SECTION 5 - PLATFORM

FIGURE 5-1. PLATFORM ASSEMBLY - 4FT/1.22M - SIDE GATE ENTRY (SN 0300189901 through 0300200791)



ART_1001144027

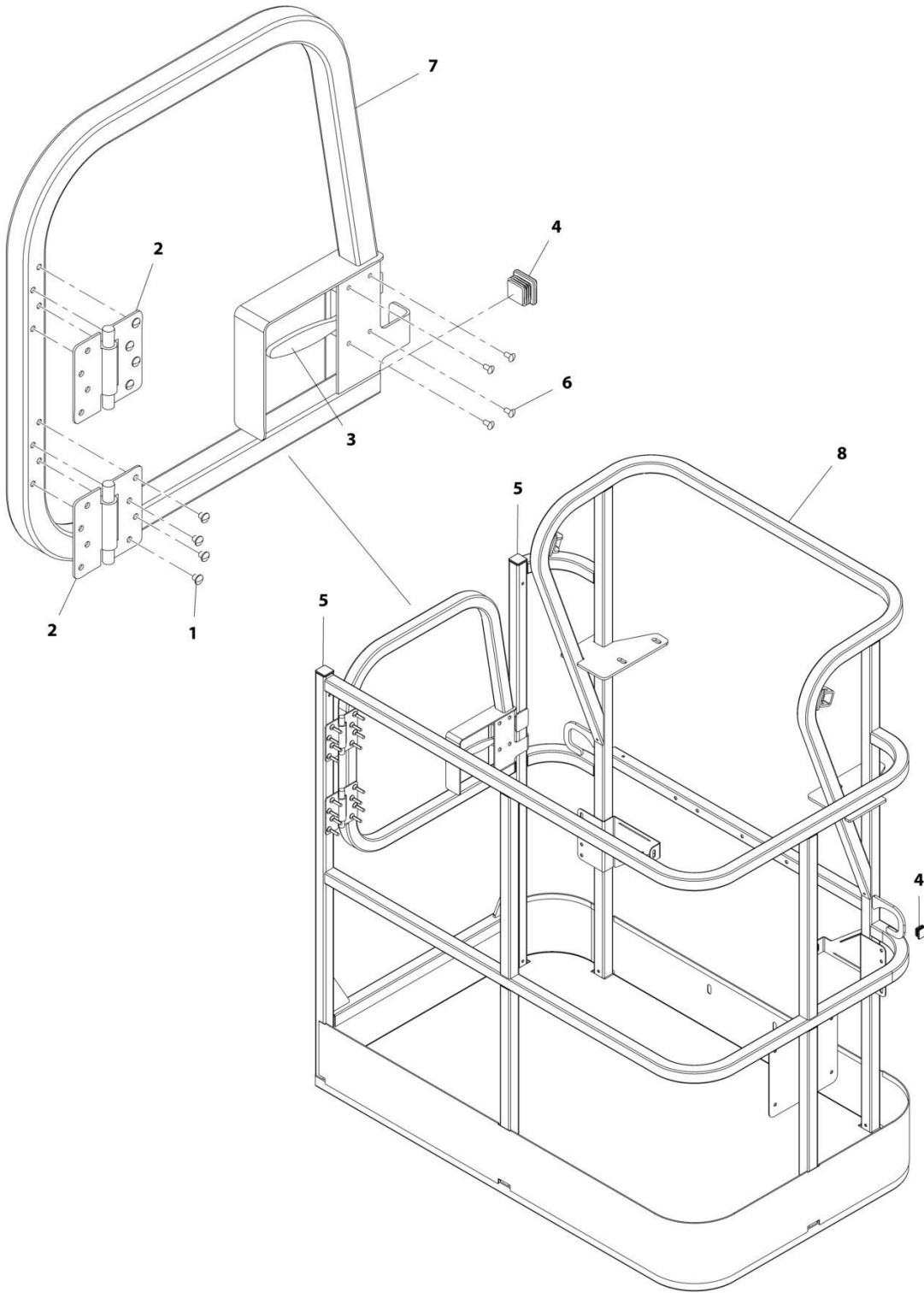
SECTION 5 - PLATFORM

FIGURE 5-1. PLATFORM ASSEMBLY - 4FT/1.22M - SIDE GATE ENTRY (SN 0300189901 through 0300200791)

ITEM	PART NUMBER	QTY	DESCRIPTION	REV
	1001144027	Ref	PLATFORM ASSEMBLY - 4ft/1.22m – SIDE GATE ENTRY (SN 0300189901 through 0300200791)	D
		Ref	Note: Platform and Mesh must be ordered separately for Platforms with Mesh. See SPECTIAL OPTIONS SECTION for Mesh Installations.	
		Ref	Note: Replacement Decals Must be Ordered Separately - See DECALS SECTION.	
1	2080040	16	Fastener, Huck	
2	2600281	2	Hinge, Self-Closing	
3	2940074	1	Latch	
4	3520198	2	Plug, Cap	
5	3820020	4	Rivet	
6	See Note	1	Platform, Weldment (Note: Not Available - Purchase Platform Assembly)	
7	1001144629	1	Gate, Weldment	
8	3520072	3	Plug, Cap	

SECTION 5 - PLATFORM

FIGURE 5-2. PLATFORM ASSEMBLY - 4FT/1.22M - SIDE GATE ENTRY (SN 0300200792 through 0300208528)



ART_1001186387

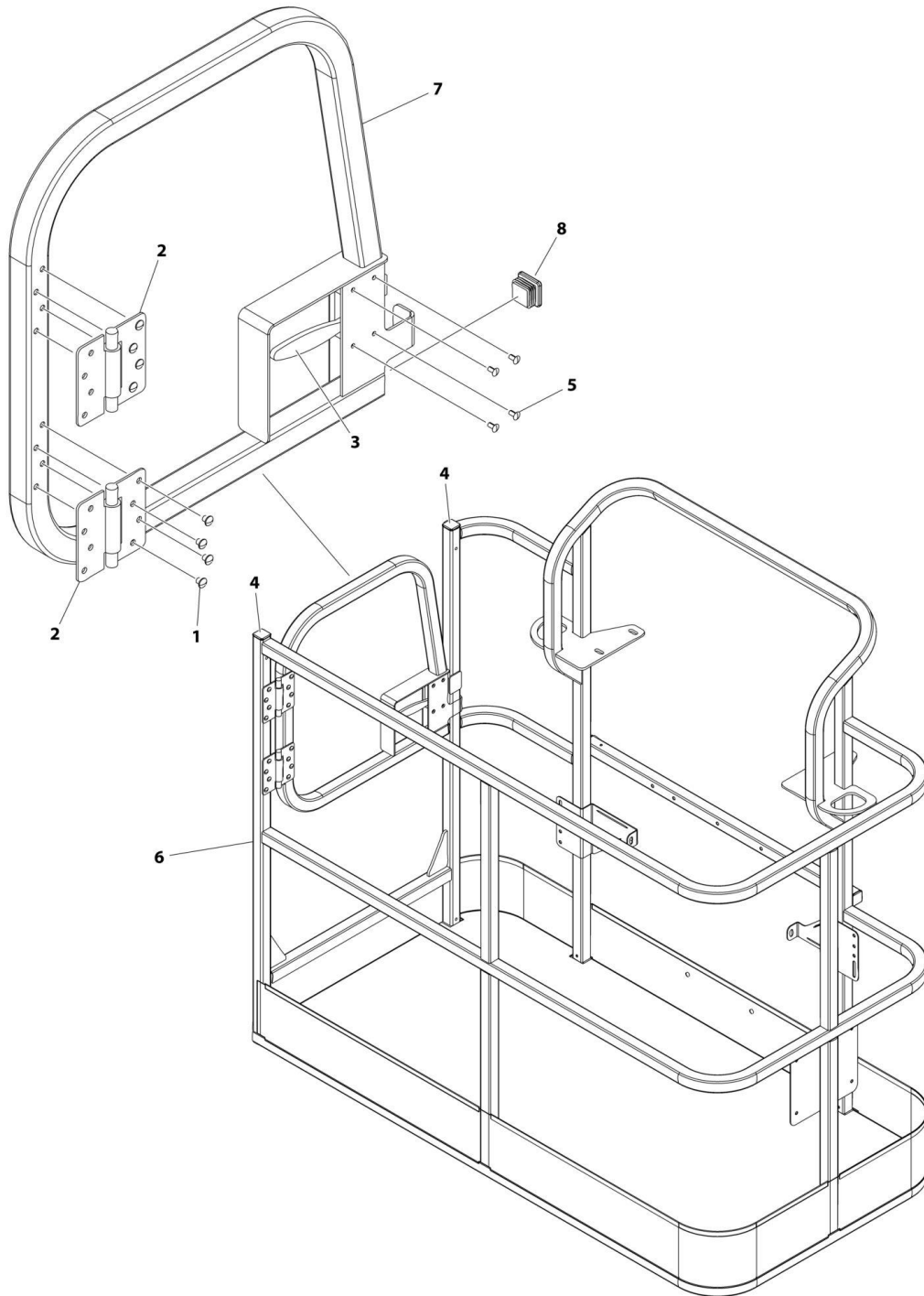
SECTION 5 - PLATFORM

FIGURE 5-2. PLATFORM ASSEMBLY - 4FT/1.22M - SIDE GATE ENTRY (SN 0300200792 through 0300208528)

ITEM	PART NUMBER	QTY	DESCRIPTION	REV
	1001186387	Ref	PLATFORM ASSEMBLY - 4ft/1.22m - SIDE GATE ENTRY (SN 0300200792 through 0300208528)	B
		Ref	Note: Platform and Mesh must be ordered separately for Platforms with Mesh. See SPECTIAL OPTIONS SECTION for Mesh Installations.	
		Ref	Note: Replacement Decals Must be Ordered Separately - See DECALS SECTION.	
1	2080040	16	Fastener, Huck	
2	2600281	2	Hinge, Self-Closing	
3	2940074	1	Latch	
4	3520072	3	Plug, Cap	
5	3520198	2	Plug, Cap	
6	3820020	4	Rivet	
7	1001144629	1	Gate, Weldment	
8	See Note	1	Platform, Weldment (Note: Not Available - Purchase Platform Assembly)	

SECTION 5 - PLATFORM

FIGURE 5-3. PLATFORM ASSEMBLY - 5FT/1.52M - SIDE GATE ENTRY (SN 0300189901 through 0300200791)



ART_1001144026

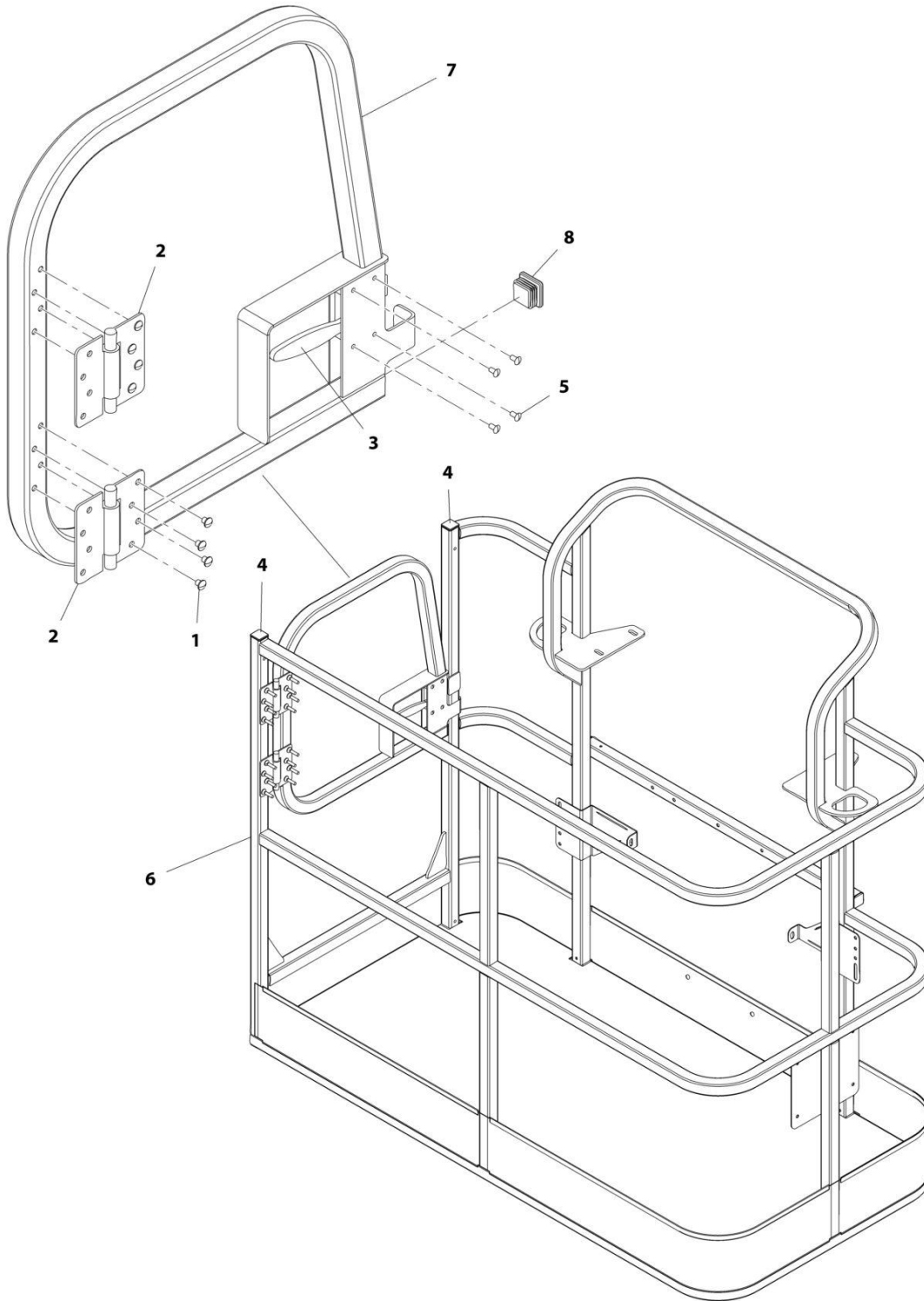
SECTION 5 - PLATFORM

FIGURE 5-3. PLATFORM ASSEMBLY - 5FT/1.52M - SIDE GATE ENTRY (SN 0300189901 through 0300200791)

ITEM	PART NUMBER	QTY	DESCRIPTION	REV
	1001144026	Ref	PLATFORM ASSEMBLY - 5ft/1.52m - SIDE GATE ENTRY (SN 0300189901 through 0300200791)	D
		Ref	Note: Platform and Mesh must be ordered separately for Platforms with Mesh. See SPECTIAL OPTIONS SECTION for Mesh Installations.	
		Ref	Note: Replacement Decals Must be Ordered Separately - See DECALS SECTION.	
1	2080040	16	Fastener, Huck	
2	2600281	2	Hinge, Self-Closing	
3	2940074	1	Latch	
4	3520198	2	Plug, Cap	
5	3820020	4	Rivet	
6	See Note	1	Platform, Weldment (Note: Not Available - Purchase Platform Assembly)	
7	1001144629	1	Gate, Weldment	
8	3520072	3	Plug, Cap	

SECTION 5 - PLATFORM

FIGURE 5-4. PLATFORM ASSEMBLY - 5FT/1.52M - SIDE GATE ENTRY (SN 0300200792 through 0300208528)



ART_1001186386

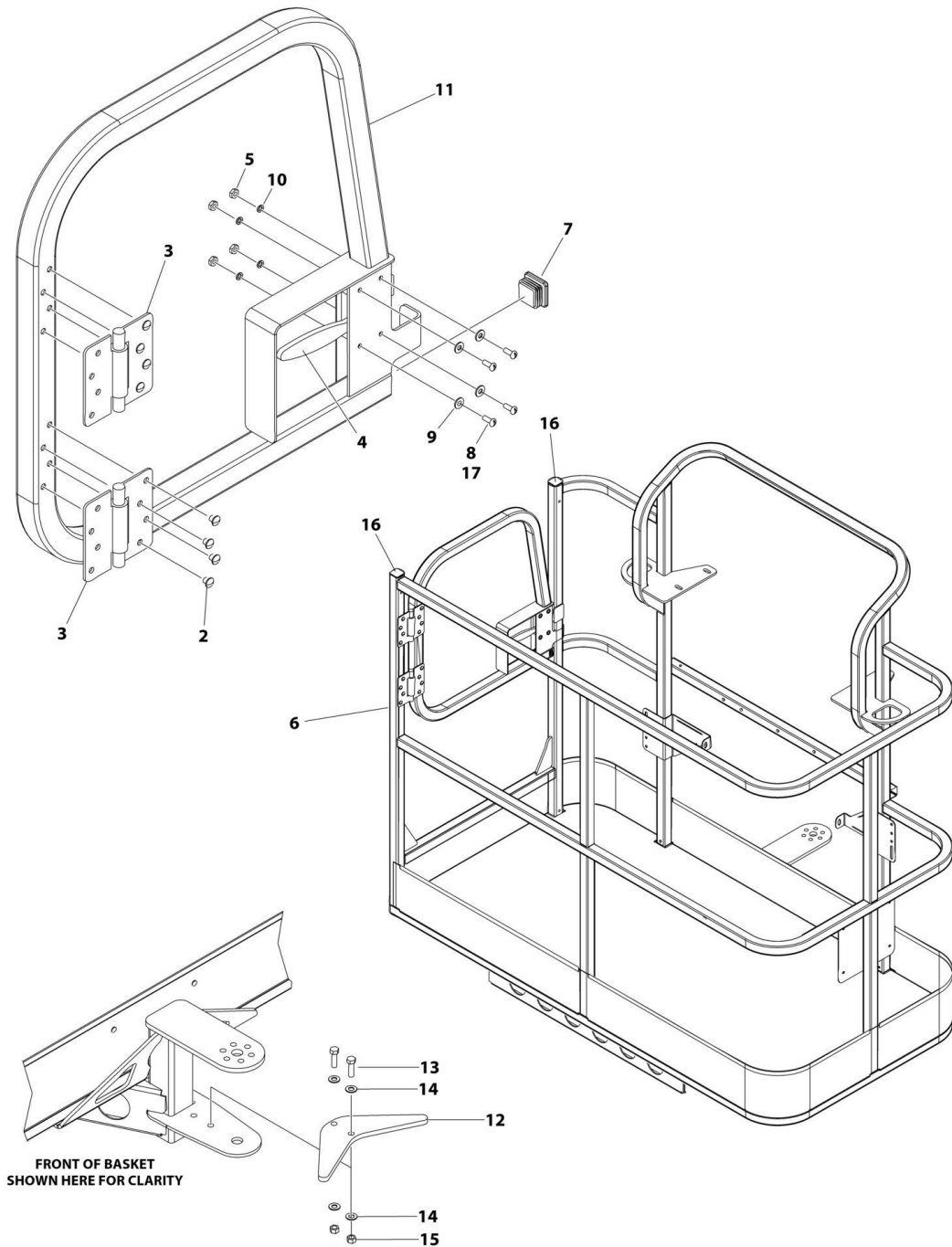
SECTION 5 - PLATFORM

FIGURE 5-4. PLATFORM ASSEMBLY - 5FT/1.52M - SIDE GATE ENTRY (SN 0300200792 through 0300208528)

ITEM	PART NUMBER	QTY	DESCRIPTION	REV
	1001186386	Ref	PLATFORM ASSEMBLY - 5ft/1.52m - SIDE GATE ENTRY (SN 0300200792 through 0300208528)	B
		Ref	Note: Platform and Mesh must be ordered separately for Platforms with Mesh. See SPECTIAL OPTIONS SECTION for Mesh Installations.	
		Ref	Note: Replacement Decals Must be Ordered Separately - See DECALS SECTION.	
1	2080040	16	Fastener, Huck	
2	2600281	2	Hinge, Self-Closing	
3	2940074	1	Latch	
4	3520198	2	Plug, Cap	
5	3820020	4	Rivet	
6	See Note	1	Platform, Weldment (Note: Not Available - Purchase Platform Assembly)	
7	1001144629	1	Gate, Weldment	
8	3520072	3	Plug, Cap	

SECTION 5 - PLATFORM

FIGURE 5-5. PLATFORM ASSEMBLY - 5FT/1.52M - WITH STOP (SN 0300189901 through 0300200791)



ART_3510844

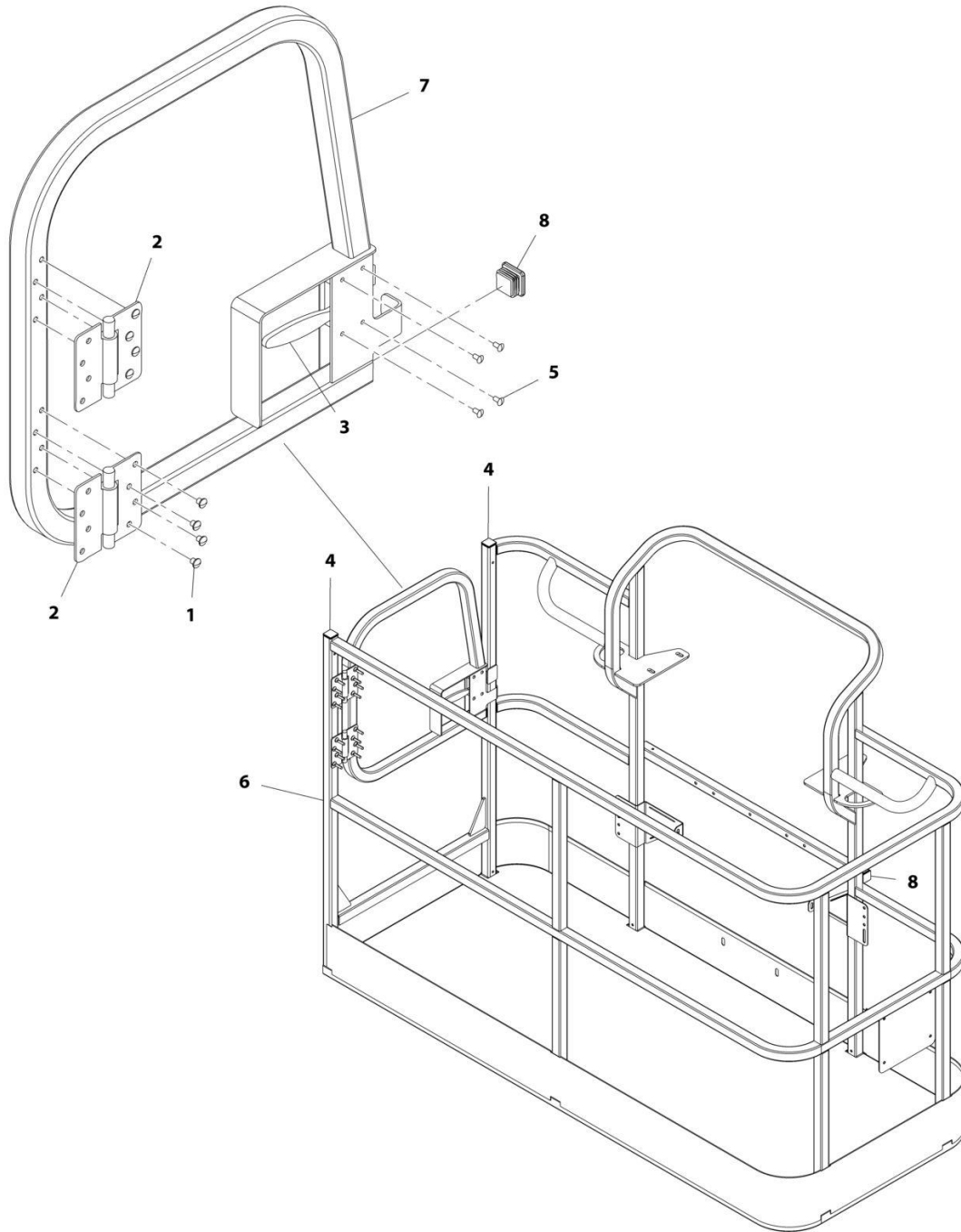
SECTION 5 - PLATFORM

FIGURE 5-5. PLATFORM ASSEMBLY - 5FT/1.52M - WITH STOP (SN 0300189901 through 0300200791)

ITEM	PART NUMBER	QTY	DESCRIPTION	REV
	3510844	Ref	PLATFORM ASSEMBLY - 5ft/1.52m - WITH STOP (SN 0300189901 through 0300200791)	F
		Ref	Note: Platform and Mesh must be ordered separately for Platforms with Mesh. See SPECTIAL OPTIONS SECTION for Mesh Installations.	
		Ref	Note: Replacement Decals Must be Ordered Separately - See DECAL SECTION.	
2	2080040	16	Fastener, Huck	
3	2600281	2	Hinge, Self-Closing	
4	2940074	1	Latch	
5	3311001	4	Nut #10-24	
6	See Note	1	Platform Weldment (Note: Not Available - Purchase Platform Assembly)	
7	1001144630	1	Cap-Plug	
8	3911008	4	Screw #10-24 x 1	
9	4751000	4	Washer, #10	
10	4761000	4	Washer, Locking #10	
11	1001144629	1	Gate Weldment	
12	3572413	1	Stop	
13	0641610	2	Bolt 3/8-16 x 1-1/4	
14	4711600	4	Washer, 3/8	
15	3311605	2	Nut, Lock, 3/8-16	
16	3520198	2	Cap-Plug	
17	0100011	AR	Compound, Locking	

SECTION 5 - PLATFORM

FIGURE 5-6. PLATFORM ASSEMBLY - 6FT/1.83M - SIDE GATE ENTRY (SN 0300200792 through 0300208528)



ART_1001144025

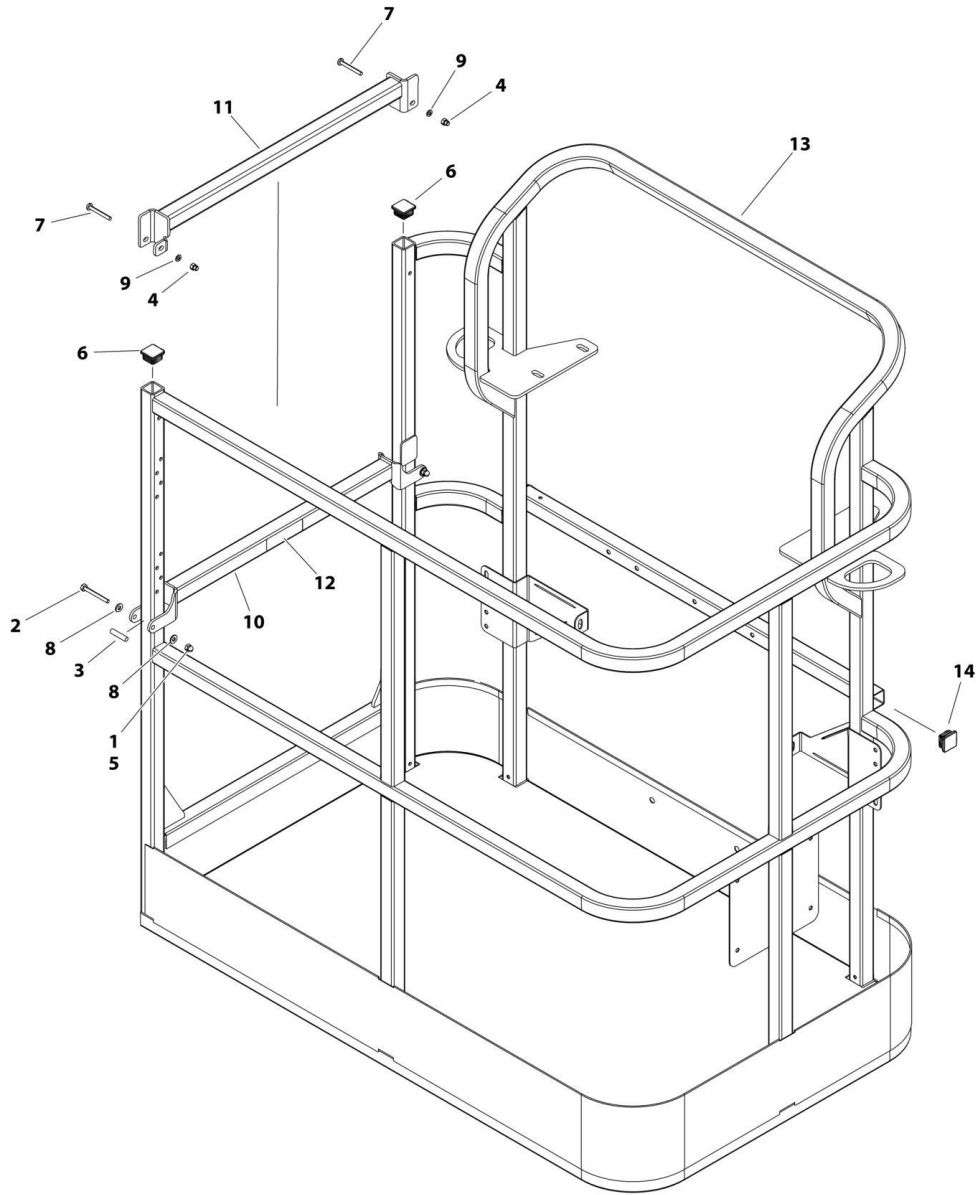
SECTION 5 - PLATFORM

FIGURE 5-6. PLATFORM ASSEMBLY - 6FT/1.83M - SIDE GATE ENTRY (SN 0300200792 through 0300208528)

ITEM	PART NUMBER	QTY	DESCRIPTION	REV
	1001144025	Ref	PLATFORM ASSEMBLY - 6ft/1.83m - SIDE GATE ENTRY (SN 0300200792 through 0300208528)	D
		Ref	Note: Platform and Mesh must be ordered separately for Platforms with Mesh. See SPECTIAL OPTIONS SECTION for Mesh Installations.	
		Ref	Note: Replacement Decals Must be Ordered Separately - See DECALS SECTION	
1	2080040	16	Fastener, Huck	
2	2600281	2	Hinge, Self-Closing	
3	2940074	1	Latch	
4	3520198	2	Plug, Cap	
5	3820020	4	Rivet	
6	See Note	1	Platform, Weldment (Note: Not Available - Purchase Platform Assembly)	
7	1001144629	1	Gate, Weldment	
8	3520072	3	Cap, Plug	

SECTION 5 - PLATFORM

FIGURE 5-7. PLATFORM ASSEMBLY - 4FT/1.22M - DROP BAR ENTRY (SN 0300189901 through 0300200791)



ART_1001144018

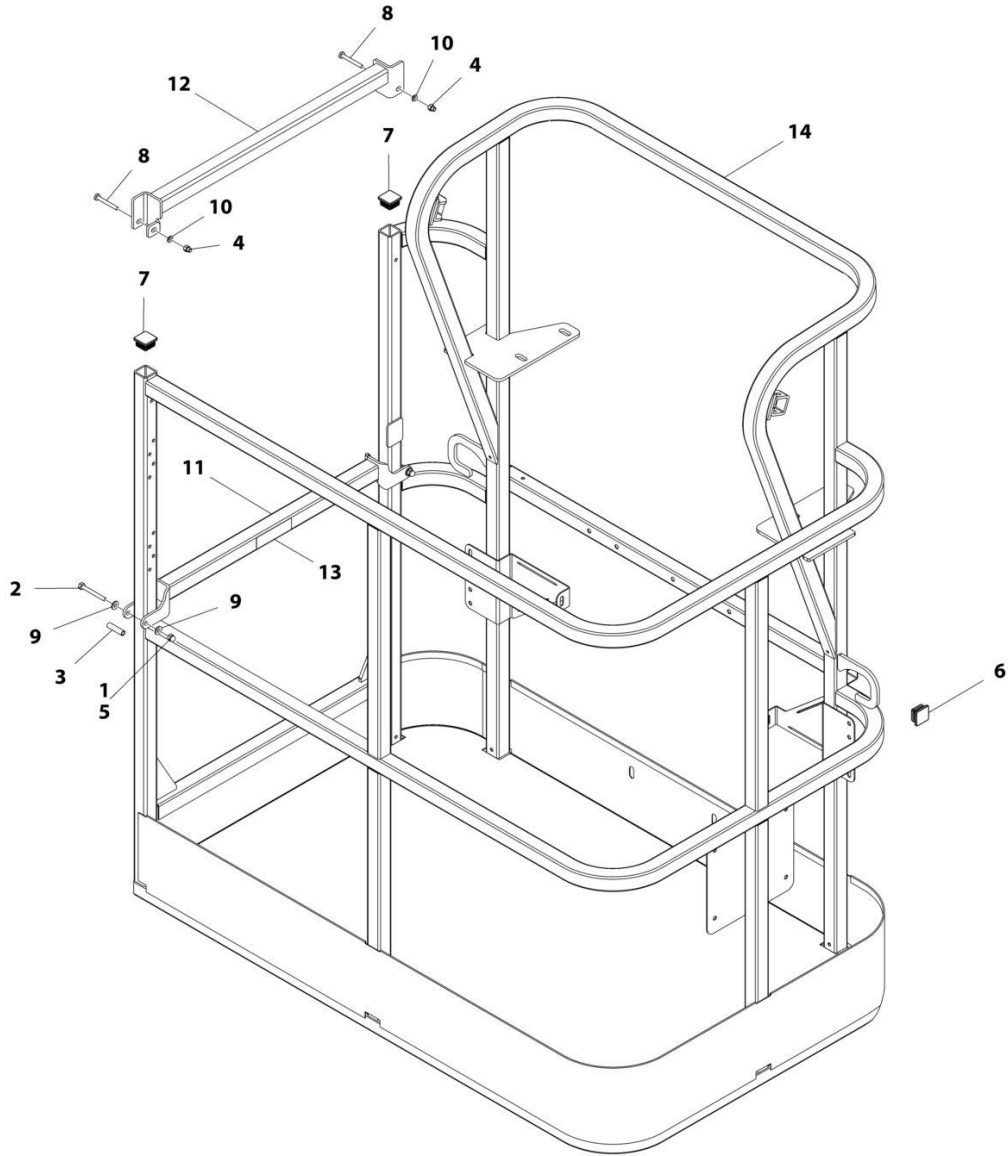
SECTION 5 - PLATFORM

FIGURE 5-7. PLATFORM ASSEMBLY - 4FT/1.22M - DROP BAR ENTRY (SN 0300189901 through 0300200791)

ITEM	PART NUMBER	QTY	DESCRIPTION	REV
	1001144018	Ref	PLATFORM ASSEMBLY - 4ft/1.22m - DROP BAR ENTRY (SN 0300189901 through 0300200791)	D
		Ref	Note: Replacement Decals Must be Ordered Separately - See DECALS SECTION	
1	0100011	AR	Compound, Locking	
2	0641418	2	Bolt, 1/4-20 x 2-1/4	
3	0961845	2	Bushing	
4	3290606	2	Nut, M6	
5	3300151	2	Nut, Acorn, 1/4-20	
6	3520198	2	Plug, Cap	
7	4010618	2	Screw, M6 x 50	
8	4711400	4	Washer, 1/4	
9	4811700	2	Washer, M6	
10	1001138494	1	Bar, Drop	
11	1001138514	1	Rail - Top	
12	1001140429	1	Decal - Drop Bar	
13	See Note	1	Platform, Weldment (Note: Not Available - Purchase Platform Assembly)	
14	3520072	2	Plug, Cap	

SECTION 5 - PLATFORM

FIGURE 5-8. PLATFORM ASSEMBLY - 4FT/1.22M - DROP BAR ENTRY (SN 0300200792 through 0300208528)



ART_1001186375

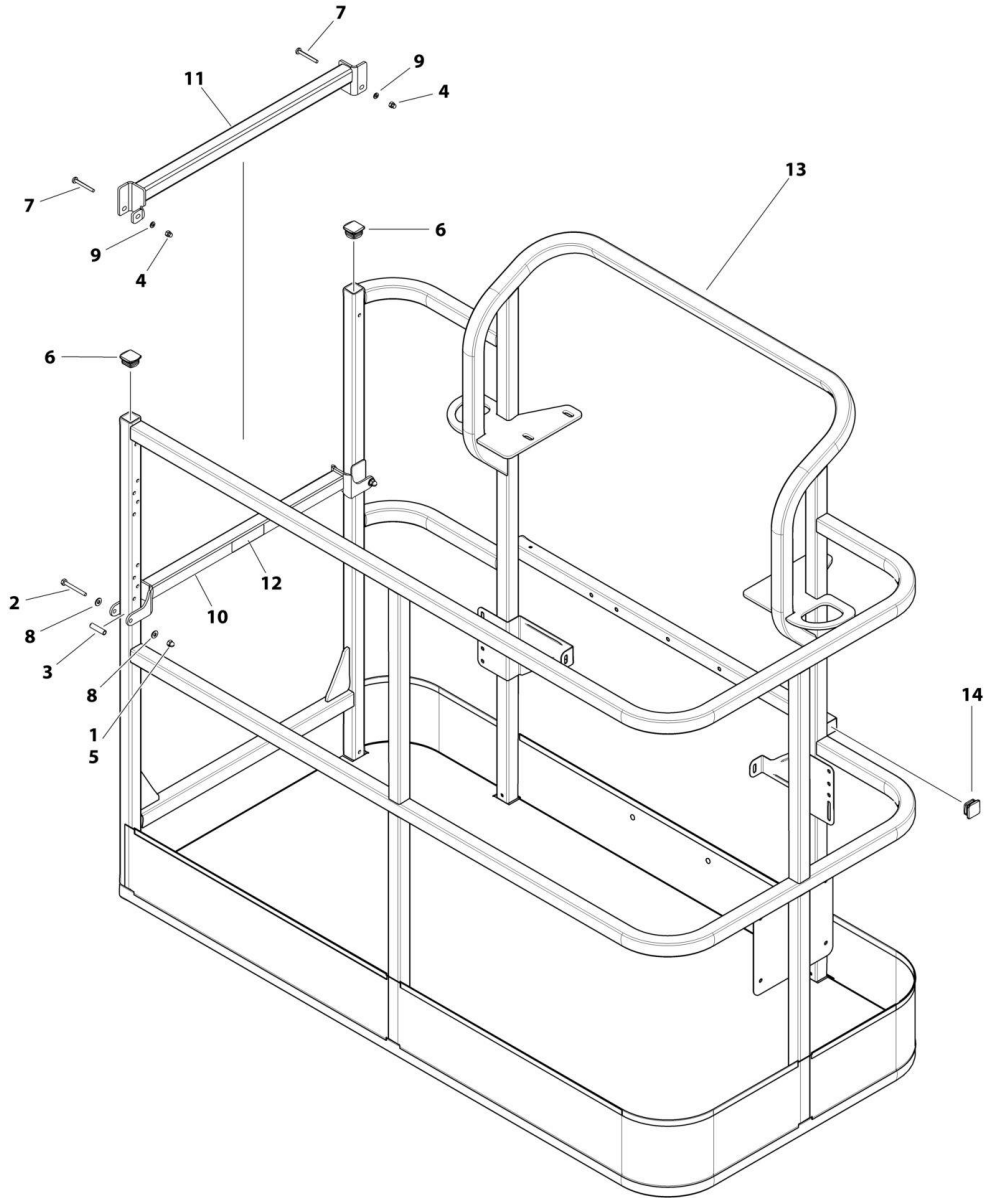
SECTION 5 - PLATFORM

FIGURE 5-8. PLATFORM ASSEMBLY - 4FT/1.22M - DROP BAR ENTRY (SN 0300200792 through 0300208528)

ITEM	PART NUMBER	QTY	DESCRIPTION	REV
	1001186375	Ref	PLATFORM ASSEMBLY - 4FT/1.22M - DROP BAR ENTRY (SN 0300200792 through 0300208528)	B
		Ref	Note: Replacement Decals Must be Ordered Separately - See DECALS SECTION	
1	0100011	AR	Compound, Locking	
2	0641418	2	Bolt, 1/4-20 x 2-1/4	
3	0961845	2	Bushing	
4	3290606	2	Nut, M6	
5	3300151	2	Nut, Acorn, 1/4-20	
6	3520072	2	Plug, Cap	
7	3520198	2	Plug, Cap	
8	4010618	2	Screw, M6 x 50	
9	4711400	4	Washer, 1/4	
10	4811700	2	Washer, M6	
11	1001138494	1	Bar, Drop	
12	1001138514	1	Rail - Top	
13	1001140429	1	Decal - Drop Bar	
14	See Note	1	Platform, Weldment (Note: Not Available - Purchase Platform Assembly)	

SECTION 5 - PLATFORM

FIGURE 5-9. PLATFORM ASSEMBLY - 5FT/1.52M - DROP BAR ENTRY (SN 0300189901 through 0300200791)



ART_1001144019

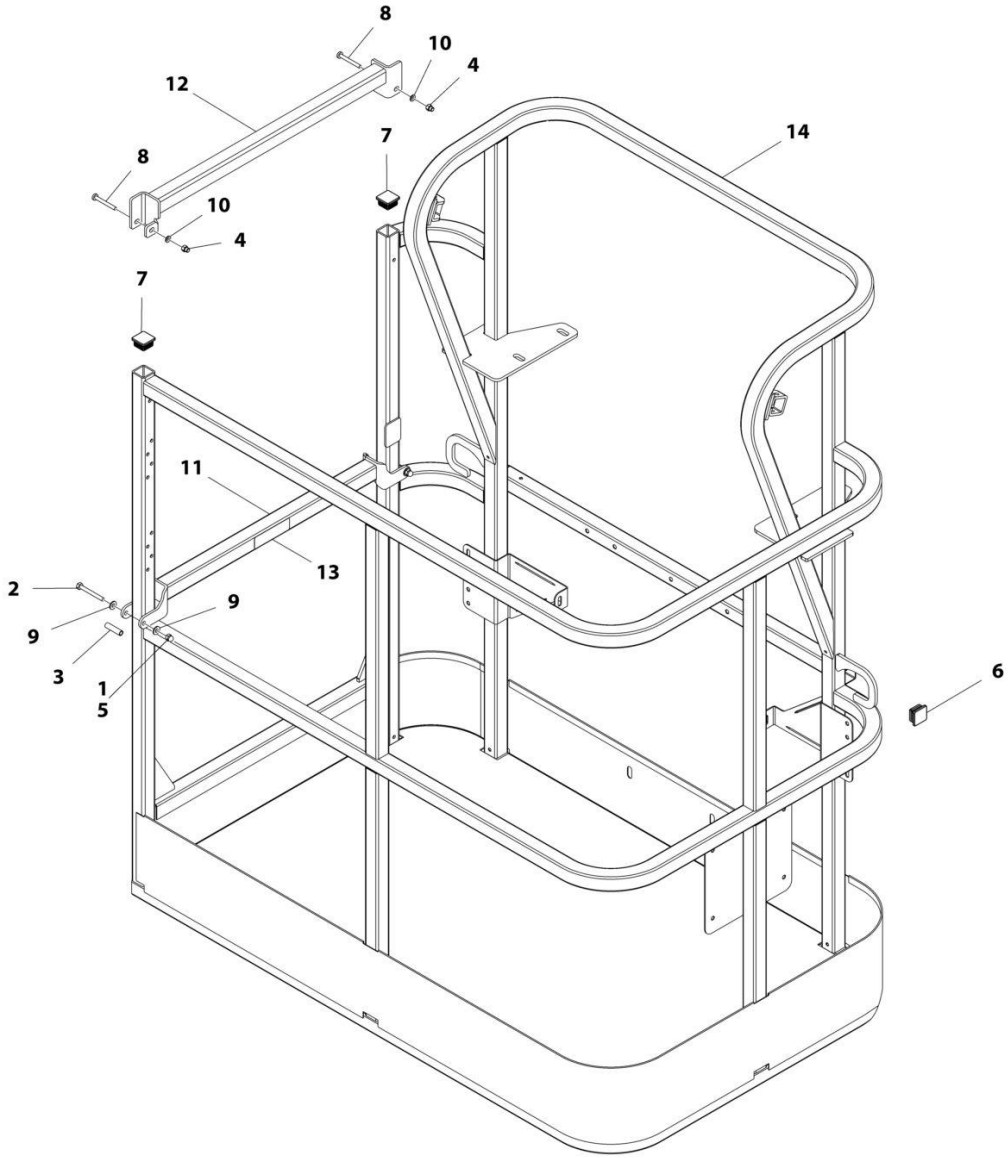
SECTION 5 - PLATFORM

FIGURE 5-9. PLATFORM ASSEMBLY - 5FT/1.52M - DROP BAR ENTRY (SN 0300189901 through 0300200791)

ITEM	PART NUMBER	QTY	DESCRIPTION	REV
	1001144019	Ref	PLATFORM ASSEMBLY - 5ft/1.52m - DROP BAR ENTRY (SN 0300189901 through 0300200791)	D
		Ref	Note: Replacement Decals Must be Ordered Separately - See DECALS SECTION	
1	0100011	AR	Compound, Locking	
2	0641418	2	Bolt, 1/4-20 x 2-1/4	
3	0961845	2	Bushing	
4	3290606	2	Nut, M6	
5	3300151	2	Nut, Acorn, 1/4-20	
6	3520198	2	Plug, Cap	
7	4010618	2	Screw, M6 x 50	
8	4711400	4	Washer, 1/4	
9	4811700	2	Washer, M6	
10	1001138494	1	Bar, Drop	
11	1001138514	1	Rail - Top	
12	1001140429	1	Decal - Drop Bar	
13	See Note	1	Platform, Weldment (Note: Not Available - Purchase Platform Assembly)	
14	3520072	2	Plug, Cap	

SECTION 5 - PLATFORM

FIGURE 5-10. PLATFORM ASSEMBLY - 5FT/1.52M - DROP BAR ENTRY (SN 0300200792 through 0300208528)



ART_1001186377

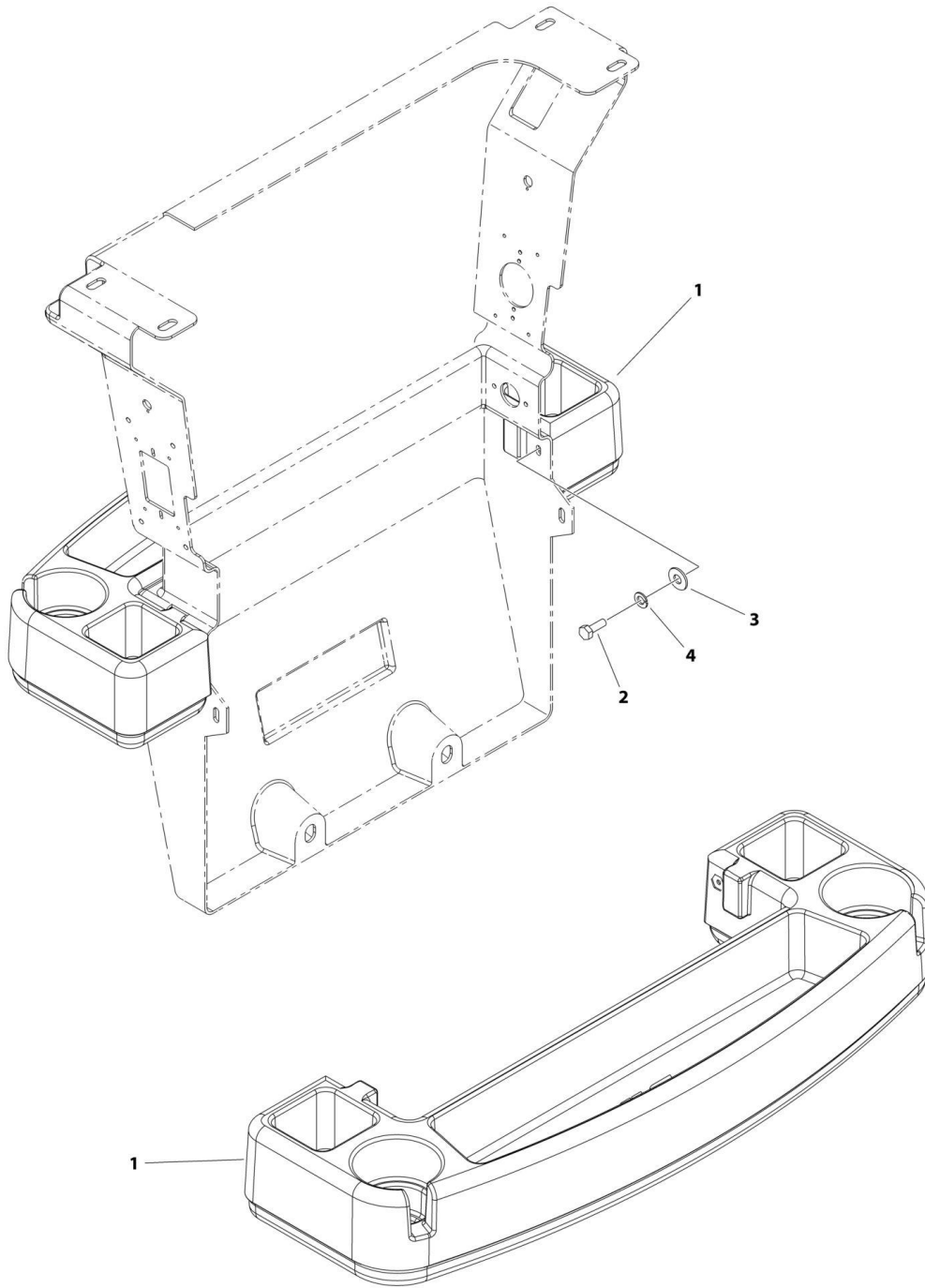
SECTION 5 - PLATFORM

FIGURE 5-10. PLATFORM ASSEMBLY - 5FT/1.52M - DROP BAR ENTRY (SN 0300200792 through 0300208528)

ITEM	PART NUMBER	QTY	DESCRIPTION	REV
	1001186377	Ref	PLATFORM ASSEMBLY - 5FT/1.52M - DROP BAR ENTRY (SN 0300200792 through 0300208528)	B
		Ref	Note: Replacement Decals Must be Ordered Separately - See DECALS SECTION	
1	0100011	AR	Compound, Locking	
2	0641418	2	Bolt, 1/4-20 x 2-1/4	
3	0961845	2	Bushing	
4	3290606	2	Nut, M6	
5	3300151	2	Nut, Acorn, 1/4-20	
6	3520072	2	Plug, Cap	
7	3520198	2	Plug, Cap	
8	4010618	2	Screw, M6 x 50	
9	4711400	4	Washer, 1/4	
10	4811700	2	Washer, M6	
11	1001138494	1	Bar, Drop	
12	1001138514	1	Rail - Top	
13	1001140429	1	Decal - Drop Bar	
14	See Note	1	Platform, Weldment (Note: Not Available - Purchase Platform Assembly)	

SECTION 5 - PLATFORM

FIGURE 5-11. TRAY ASSEMBLY



ART_1580012

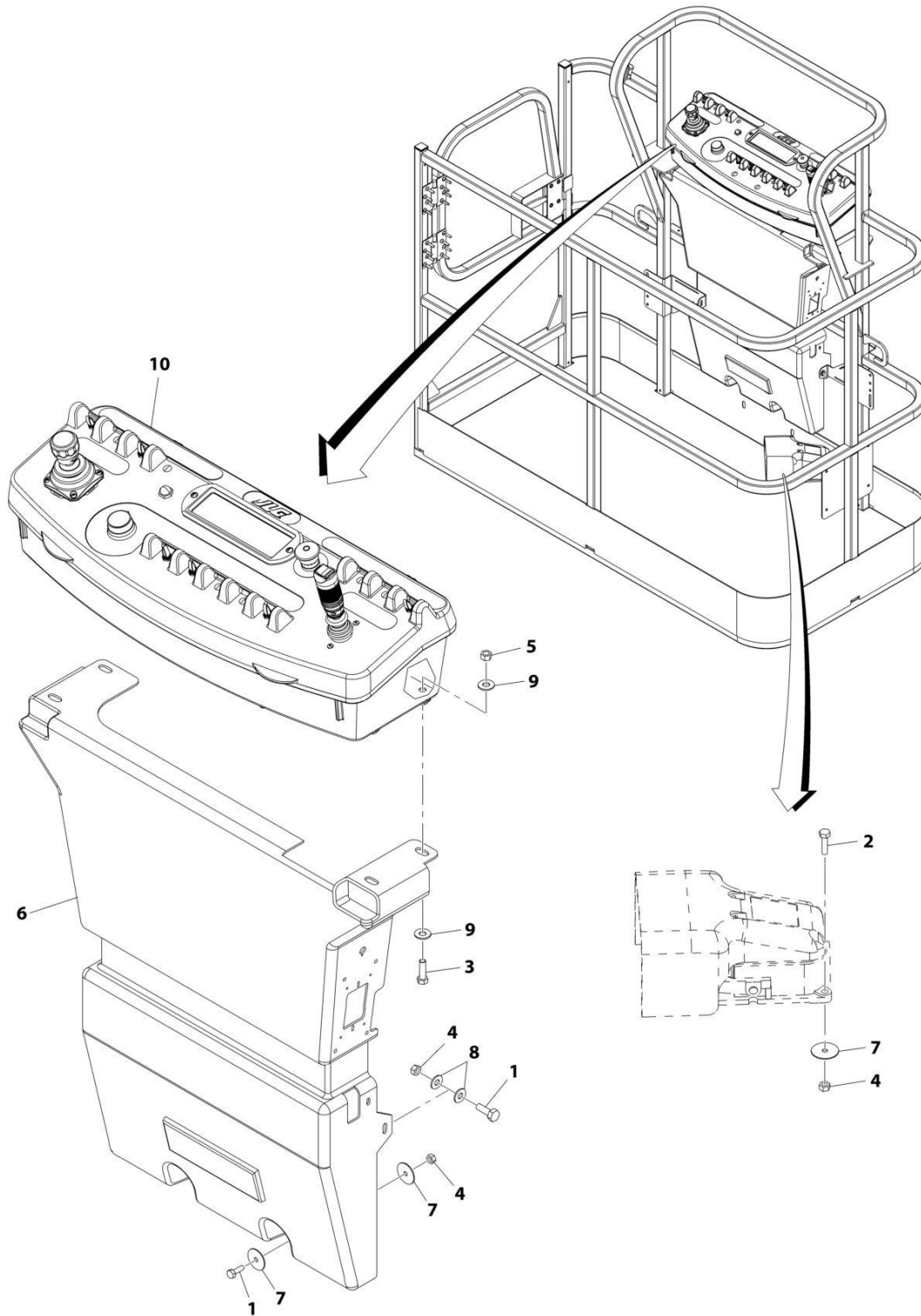
SECTION 5 - PLATFORM

FIGURE 5-11. TRAY ASSEMBLY

ITEM	PART NUMBER	QTY	DESCRIPTION	REV
	1580012	Ref	TRAY ASSEMBLY	C
1	See Note	NSS	Tray, Storage - Center (Note: Use p/n 1580012)	
2	0641406	2	Bolt, 1/4-20 x 3/4	
3	4751400	2	Washer, 1/4	
4	4761400	2	Washer, Locking, 1/4	

SECTION 5 - PLATFORM

FIGURE 5-12. PLATFORM CONSOLE AND FOOTSWITCH INSTALLATION - E400ANARROW



ART_1001146082

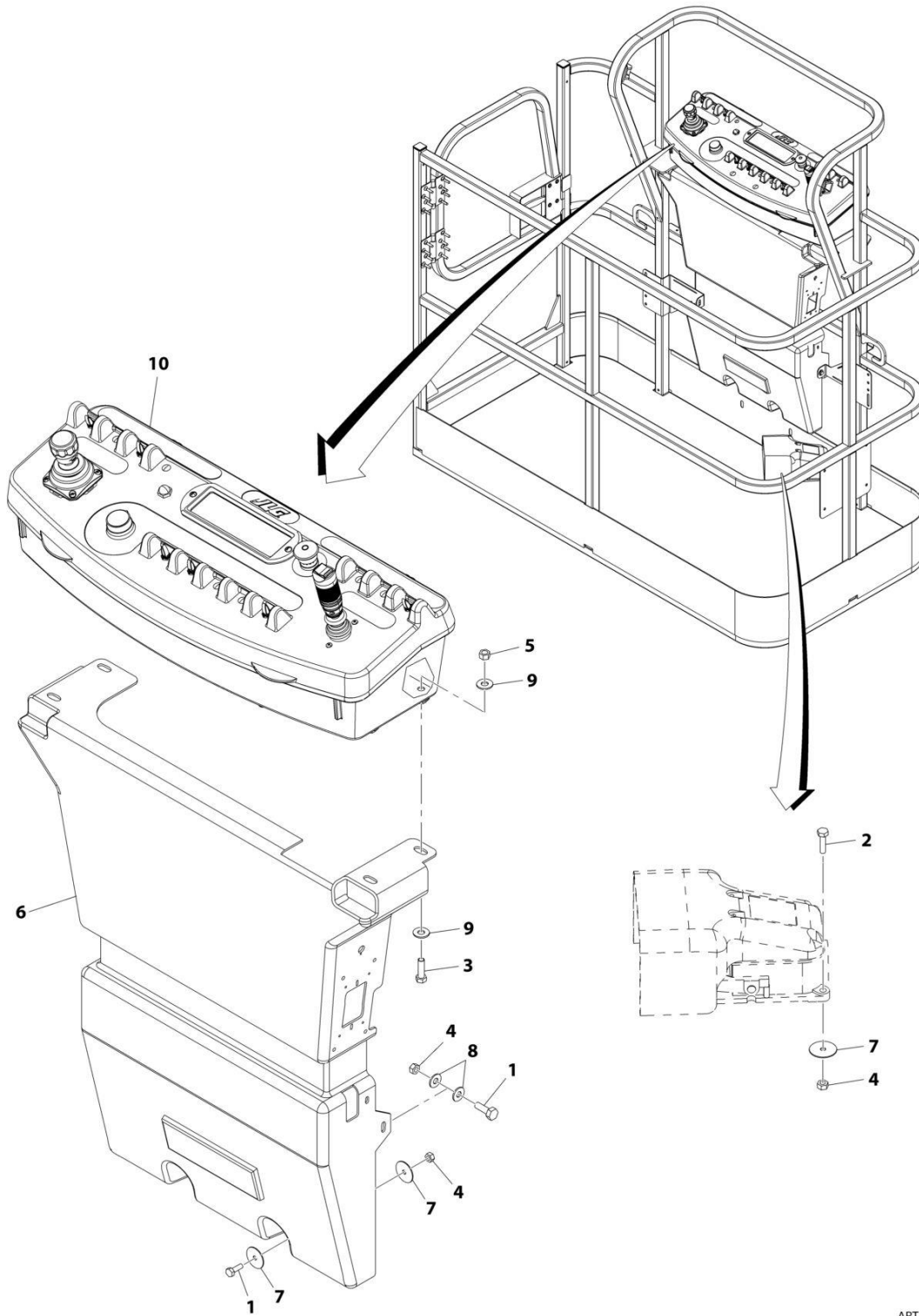
SECTION 5 - PLATFORM

FIGURE 5-12. PLATFORM CONSOLE AND FOOTSWITCH INSTALLATION - E400ANARROW

ITEM	PART NUMBER	QTY	DESCRIPTION	REV
	1001146082	Ref	PLATFORM CONSOLE AND FOOTSWITCH INSTALLATION	B
1	0641406	4	Bolt, 1/4-20 x 3/4	
2	0641408	3	Bolt, 1/4-20 x 1	
3	0641610	4	Bolt, 3/8-16 x 1-1/4	
4	3311405	7	Nut, Lock, 1/4-20	
5	3311605	4	Nut, Lock, 3/8-16	
6	3380434	1	Panel, Pedestal	
7	4740362	7	Washer, 1/4	
8	4751400	4	Washer, 1/4	
9	4751600	8	Washer, 3/8	
10	1001146083	1	Platform Console Assembly (See PLATFORM CONSOLE ASSEMBLY for Breakdown) (SN 0300189901 through 0300194237)	
10	1001175617	1	Platform Console Assembly (See PLATFORM CONSOLE ASSEMBLY for Breakdown) (SN 0300194238 through 0300208528)	

SECTION 5 - PLATFORM

FIGURE 5-13. PLATFORM CONSOLE AND FOOTSWITCH INSTALLATION - E400ANARROW -UL LISTED



ART_1001145800

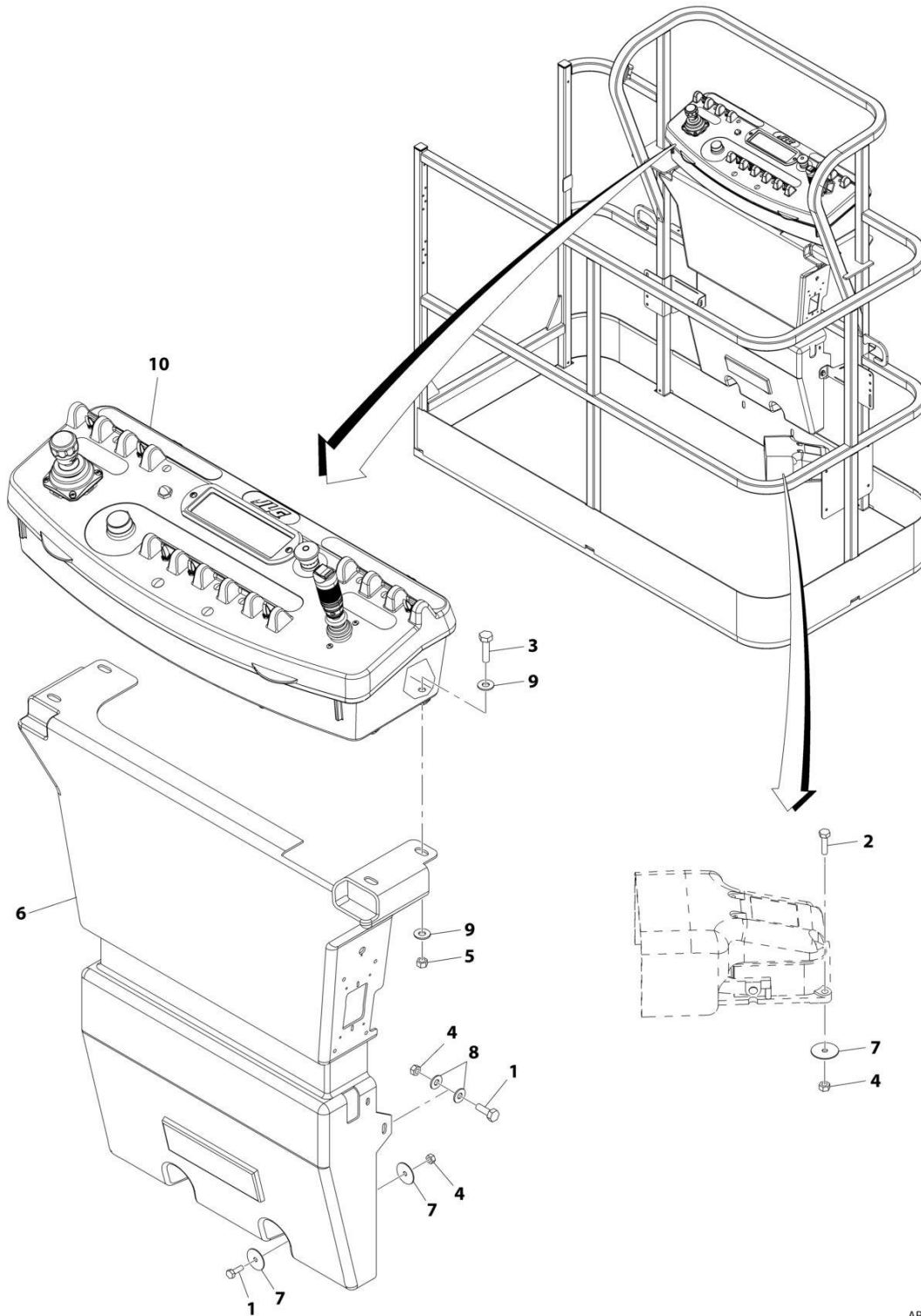
SECTION 5 - PLATFORM

FIGURE 5-13. PLATFORM CONSOLE AND FOOTSWITCH INSTALLATION - E400ANARROW -UL LISTED

ITEM	PART NUMBER	QTY	DESCRIPTION	REV
	1001145800	Ref	PLATFORM CONSOLE AND FOOTSWITCH INSTALLATION - UL LISTED	B
1	0641406	4	Bolt, 1/4-20 x 3/4	
2	0641408	3	Bolt, 1/4-20 x 1	
3	0641610	4	Bolt, 3/8-16 x 1-1/4	
4	3311405	7	Nut, Lock, 1/4-20	
5	3311605	4	Nut, Lock, 3/8-16	
6	3380434	1	Panel, Pedestal	
7	4740362	7	Washer, 1/4	
8	4751400	4	Washer, 1/4	
9	4751600	8	Washer, 3/8	
10	1001145798	1	Platform Console Assembly (See PLATFORM CONSOLE ASSEMBLY - UL LISTED for Breakdown) (SN 0300189901 through 0300194237)	
10	1001175619	1	Platform Console Assembly (See PLATFORM CONSOLE ASSEMBLY - UL LISTED for Breakdown) (SN 0300194238 through 0300208528)	

SECTION 5 - PLATFORM

FIGURE 5-14. PLATFORM CONSOLE AND FOOTSWITCH INSTALLATION - WITH SKYGUARD (SN 0300200792 through 0300208528)



ART_1001189118

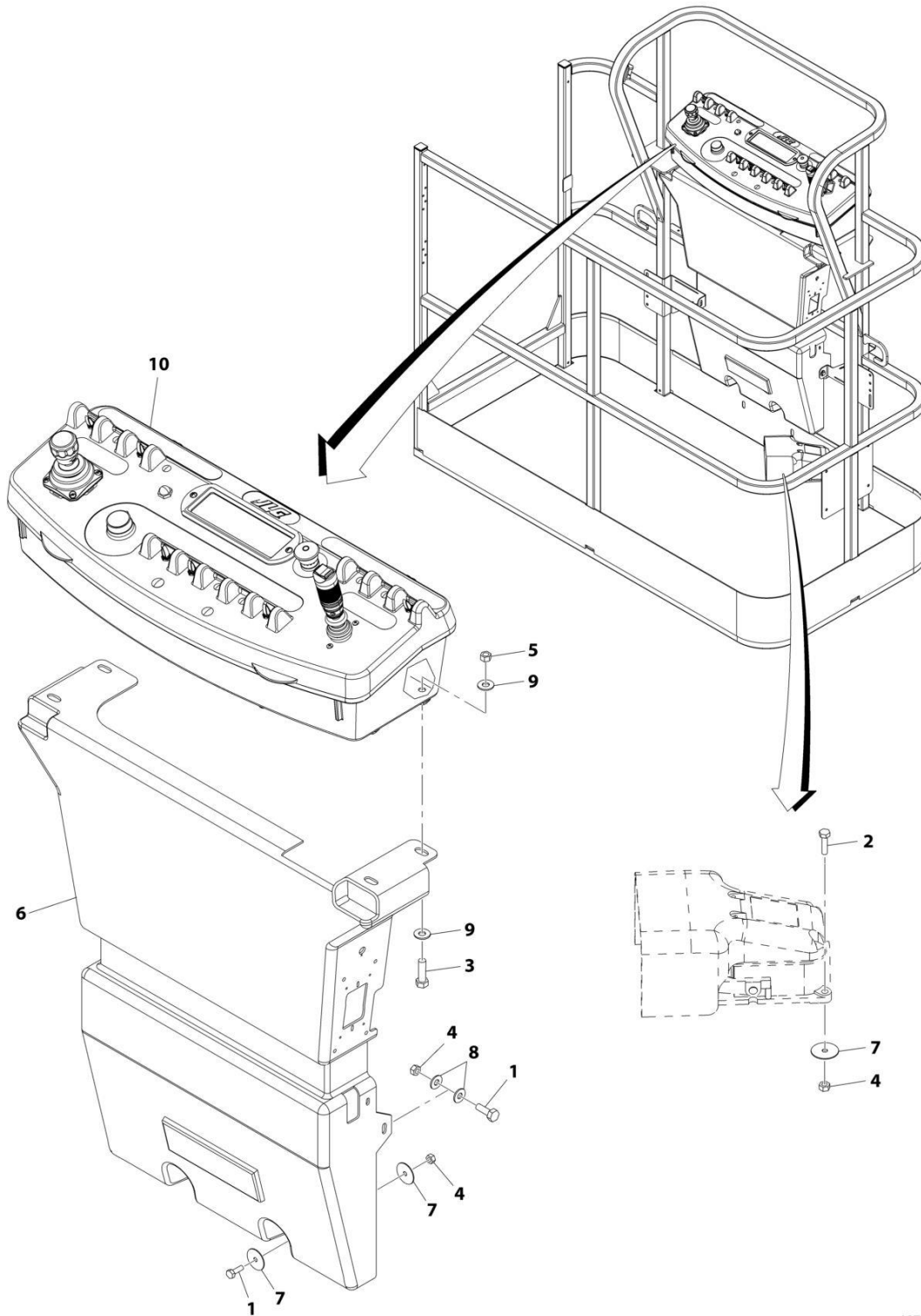
SECTION 5 - PLATFORM

FIGURE 5-14. PLATFORM CONSOLE AND FOOTSWITCH INSTALLATION - WITH SKYGUARD (SN 0300200792 through 0300208528)

ITEM	PART NUMBER	QTY	DESCRIPTION	REV
	1001189118	Ref	PLATFORM CONSOLE AND FOOTSWITCH INSTALLATION - WITH SKYGUARD (SN 0300200792 through 0300208528)	A
1	0641406	4	Bolt, 1/4-20 x 3/4	
2	0641408	3	Bolt, 1/4-20 x 1	
3	0641610	4	Bolt, 3/8-16 x 1-1/4	
4	3311405	7	Nut, Lock, 1/4-20	
5	3311605	4	Nut, Lock, 3/8-16	
6	3380434	1	Panel, Pedestal	
7	4740362	7	Washer, 1/4	
8	4751400	4	Washer, 1/4	
9	4751600	8	Washer, 3/8	
10	1001189117	1	Platform Console Assembly - SKYGUARD (See PLATFORM CONSOLE ASSEMBLY - SKYGUARD for Breakdown)	

SECTION 5 - PLATFORM

FIGURE 5-15. PLATFORM CONSOLE AND FOOTSWITCH INSTALLATION – E400ANARROW WITH SKYGUARD (SN 0300200792 through 0300208528)



ART_1001189208

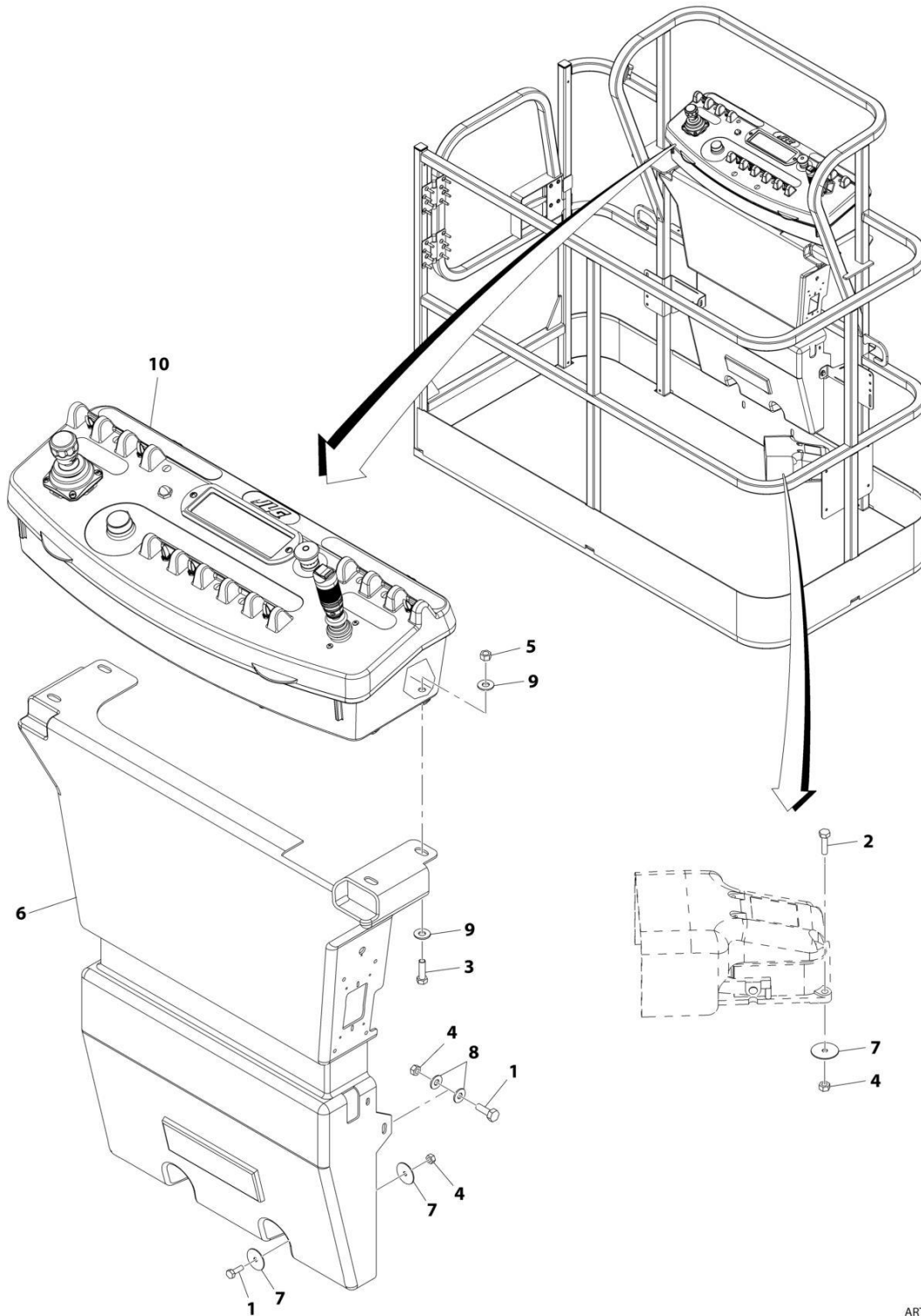
SECTION 5 - PLATFORM

FIGURE 5-15. PLATFORM CONSOLE AND FOOTSWITCH INSTALLATION – E400ANARROW WITH SKYGUARD (SN 0300200792 through 0300208528)

ITEM	PART NUMBER	QTY	DESCRIPTION	REV
	1001189208	Ref	PLATFORM CONSOLE AND FOOTSWITCH INSTALLATION WITH SKYGUARD (SN 0300200792 through 0300208528)	A
1	0641406	4	Bolt, 1/4-20 x 3/4	
2	0641408	3	Bolt, 1/4-20 x 1	
3	0641610	4	Bolt, 3/8-16 x 1-1/4	
4	3311405	7	Nut, Lock, 1/4-20	
5	3311605	4	Nut, Lock, 3/8-16	
6	3380434	1	Panel, Pedestal	
7	4740362	7	Washer, 1/4	
8	4751400	4	Washer, 1/4	
9	4751600	8	Washer, 3/8	
10	1001189210	1	Platform Console Assembly (See PLATFORM CONSOLE ASSEMBLY for Breakdown) (SN 0300200792 through 0300208528)	

SECTION 5 - PLATFORM

FIGURE 5-16. PLATFORM CONSOLE AND FOOTSWITCH INSTALLATION - E400AJP/E400AJPNARROW/M400AJP/M400AJPNARROW



ART_1001145801

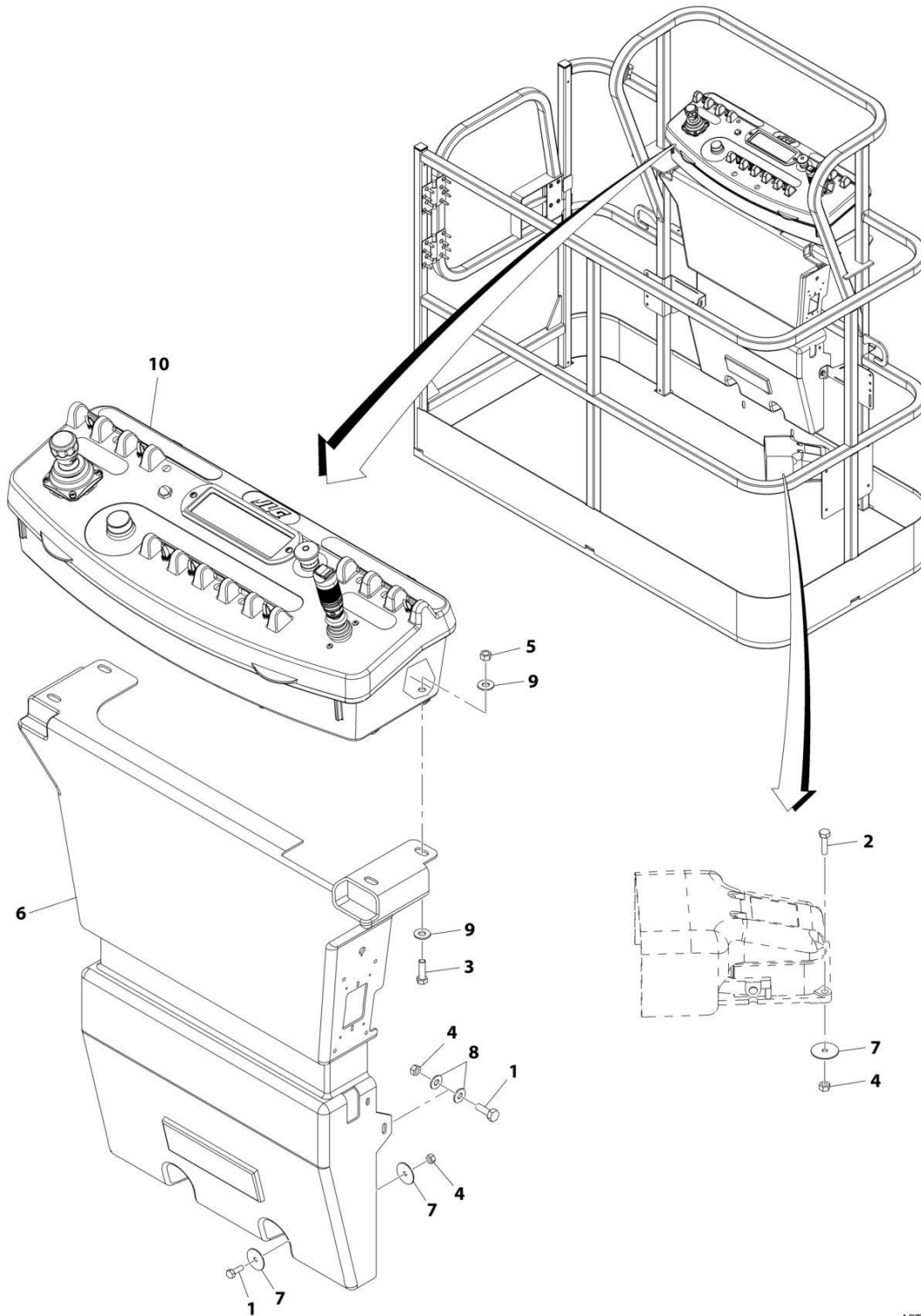
SECTION 5 - PLATFORM

**FIGURE 5-16. PLATFORM CONSOLE AND FOOTSWITCH INSTALLATION -
E400AJP/E400AJPNARROW/M400AJP/M400AJPNARROW**

ITEM	PART NUMBER	QTY	DESCRIPTION	REV
	1001145801	Ref	PLATFORM CONSOLE AND FOOTSWITCH INSTALLATION	B
1	0641406	4	Bolt, 1/4-20 x 3/4	
2	0641408	3	Bolt, 1/4-20 x 1	
3	0641610	4	Bolt, 3/8-16 x 1-1/4	
4	3311405	7	Nut, Lock, 1/4-20	
5	3311605	4	Nut, Lock, 3/8-16	
6	3380434	1	Panel, Pedestal	
7	4740362	7	Washer, 1/4	
8	4751400	4	Washer, 1/4	
9	4751600	8	Washer, 3/8	
10	1001145799	1	Platform Console Assembly (See PLATFORM CONSOLE ASSEMBLY for Breakdown) (SN 0300189901 through 0300194237)	
10	1001175620	1	Platform Console Assembly (See PLATFORM CONSOLE ASSEMBLY for Breakdown) (SN 0300194238 through 0300208528)	

SECTION 5 - PLATFORM

FIGURE 5-17. PLATFORM CONSOLE AND FOOTSWITCH INSTALLATION - E400AJP/E400AJPNARROW/M400AJP/E400AJPNARROW - UL LISTED



ART_1001145796

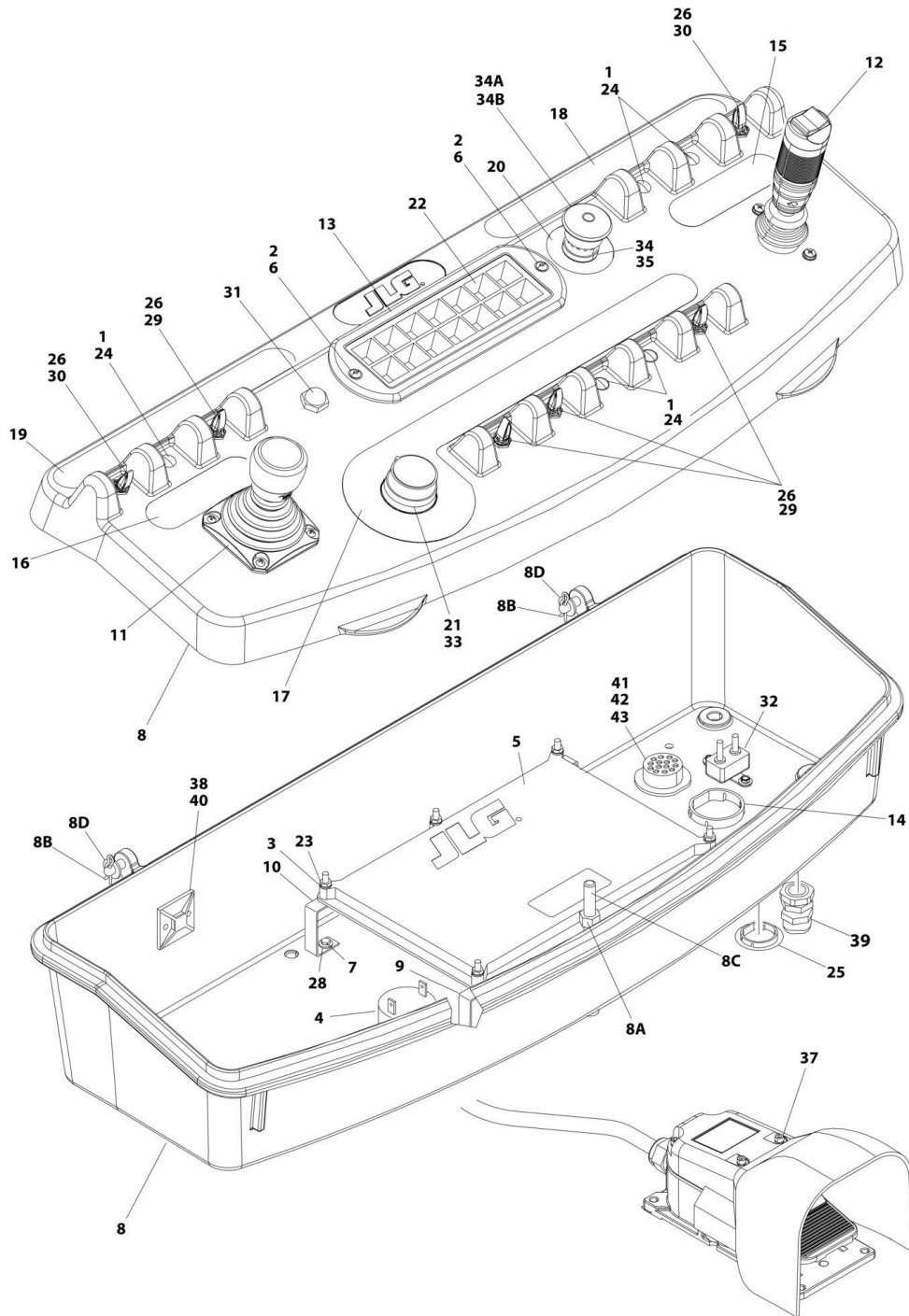
SECTION 5 - PLATFORM

FIGURE 5-17. PLATFORM CONSOLE AND FOOTSWITCH INSTALLATION - E400AJP/E400AJPNARROW/M400AJP/E400AJPNARROW - UL LISTED

ITEM	PART NUMBER	QTY	DESCRIPTION	REV
	1001145796	Ref	PLATFORM CONSOLE AND FOOTSWITCH INSTALLATION - UL LISTED	B
1	0641406	4	Bolt, 1/4-20 x 3/4	
2	0641408	3	Bolt, 1/4-20 x 1	
3	0641610	4	Bolt, 3/8-16 x 1-1/4	
4	3311405	7	Nut, Lock, 1/4-20	
5	3311605	4	Nut, Lock, 3/8-16	
6	3380434	1	Panel, Pedestal	
7	4740362	7	Washer, 1/4	
8	4751400	4	Washer, 1/4	
9	4751600	8	Washer, 3/8	
10	1001145797	1	Platform Console Assembly (See PLATFORM CONSOLE ASSEMBLY for Breakdown) (SN 0300189901 through 0300194237)	
10	1001175621	1	Platform Console Assembly (See PLATFORM CONSOLE ASSEMBLY for Breakdown) (SN 0300194238 through 0300208528)	

SECTION 5 - PLATFORM

FIGURE 5-18. PLATFORM CONSOLE ASSEMBLY - E400ANARROW (SN 0300189901 through 0300194237)



ART_1001146083

SECTION 5 - PLATFORM

FIGURE 5-18. PLATFORM CONSOLE ASSEMBLY - E400ANARROW (SN 0300189901 through 0300194237)

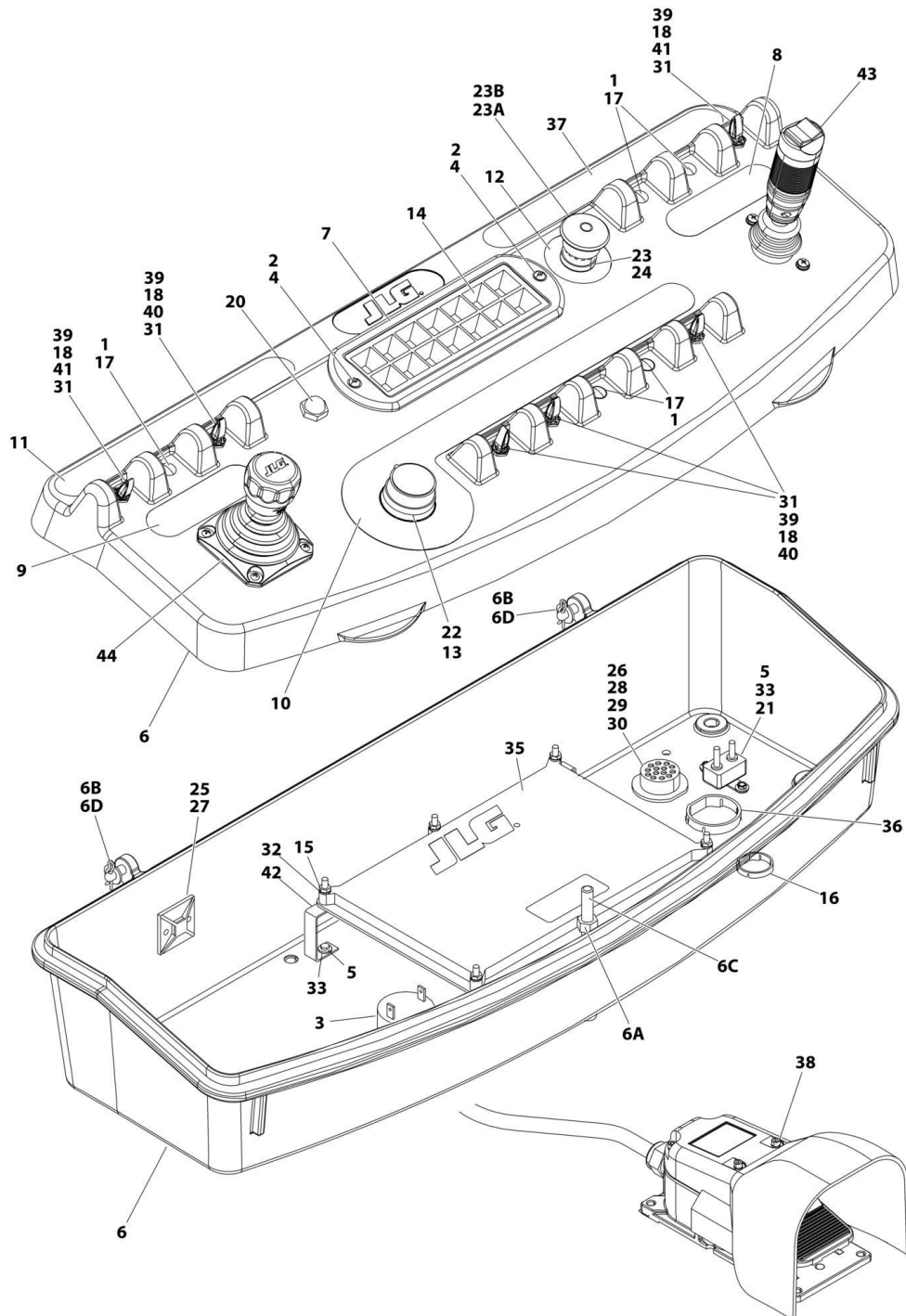
ITEM	PART NUMBER	QTY	DESCRIPTION	REV
	1001146083	Ref	PLATFORM CONSOLE ASSEMBLY (SN 0300189901 through 0300194237)	B
1	0100009	AR	Sealant	
2	0100035	AR	Compound, Locking	
3	4750600	6	Washer, #6	
4	0140011	1	Alarm	
5	1001109498	1	Module, PC (Note: Re-calibration Required when Replaced)	
6	0630464	2	Bolt, #10-24 x 1/2	
7	0720804	6	Bolt, #8-32 x 1/2	
8	0861537	1	Console Box Assembly	
8A	3311601	1	Nut, 3/8-16	
8B	3470003	2	Pin, Cotter	
8C	0630568	1	Capscrew, 3/8-16 x 4-1/2	
8D	4711500	2	Washer, 5/16	
9	0902575	1	Bracket	
10	0902588	1	Bracket	
11	1001118419	1	Controller Assembly - Lift and Swing (See CONTROLLER ASSEMBLY LIFT AND SWING for Breakdown)	
12	1001118418	1	Controller Assembly - Drive and Steer (See CONTROLLER ASSEMBLY - DRIVE AND STEER for Breakdown)	
13	1670829	1	Bezel	
14	1001110435	1	Plug, D-Shaped	
15	1702565	1	Decal - Drive and Steer	
16	1702566	1	Decal - Lift and Swing	
17	1702567	1	Decal - Function Speed	
18	1001132175	1	Decal - Stop - Generator	
19	1704240	1	Decal - Horn	
20	1704260	1	Decal - EMS	
21	2560136	1	Handle, Knob	
22	2760105	1	Fixture, Light	
23	3310601	6	Nut, #6-32	
24	3520054	5	Plug, Hole	
25	3520030	1	Plug, Hole	
26	3790012	6	O-Ring	
27	4240032	AR	Tie-Strap (Not Shown)	
28	4750800	6	Washer, #8	
29	4360328	4	Switch, Toggle	
30	4360330	2	Switch, Toggle	
31	4360387	1	Switch, Push Button	
32	4360448	1	Breaker, Circuit - 10Amp	
33	4360462	1	Switch, Potentiometer	
34	4360475	1	Switch, Emergency Stop	
34A	7020175	1	Cap, Mushroom with Sealing Ring	
34B	7020176	1	Block, Contact	
35	4360476	1	Block, Contact	
36	4933060	1	Platform Console Wiring Diagram (Not Shown - See ELECTRICAL SECTION for Breakdown)	
37	1001136889	1	Footswitch Assembly (See FOOTSWITCH ASSEMBLY for Breakdown)	
38	4460234	3	Mount, Tie-Strap	

SECTION 5 - PLATFORM

ITEM	PART NUMBER	QTY	DESCRIPTION	REV
39	4460428	1	Connector, Strain Relief	
40	4460488	1	Base, Terminal Mounting	
41	4460496	1	Washer, Lock, Terminal	
42	4460497	1	Nut, Terminal	
43	4460752	1	Connector - 14 Position	

SECTION 5 - PLATFORM

FIGURE 5-19. PLATFORM CONSOLE ASSEMBLY - E400ANARROW (SN 0300194238 through 0300208528)



ART_1001175617

SECTION 5 - PLATFORM

FIGURE 5-19. PLATFORM CONSOLE ASSEMBLY - E400ANARROW (SN 0300194238 through 0300208528)

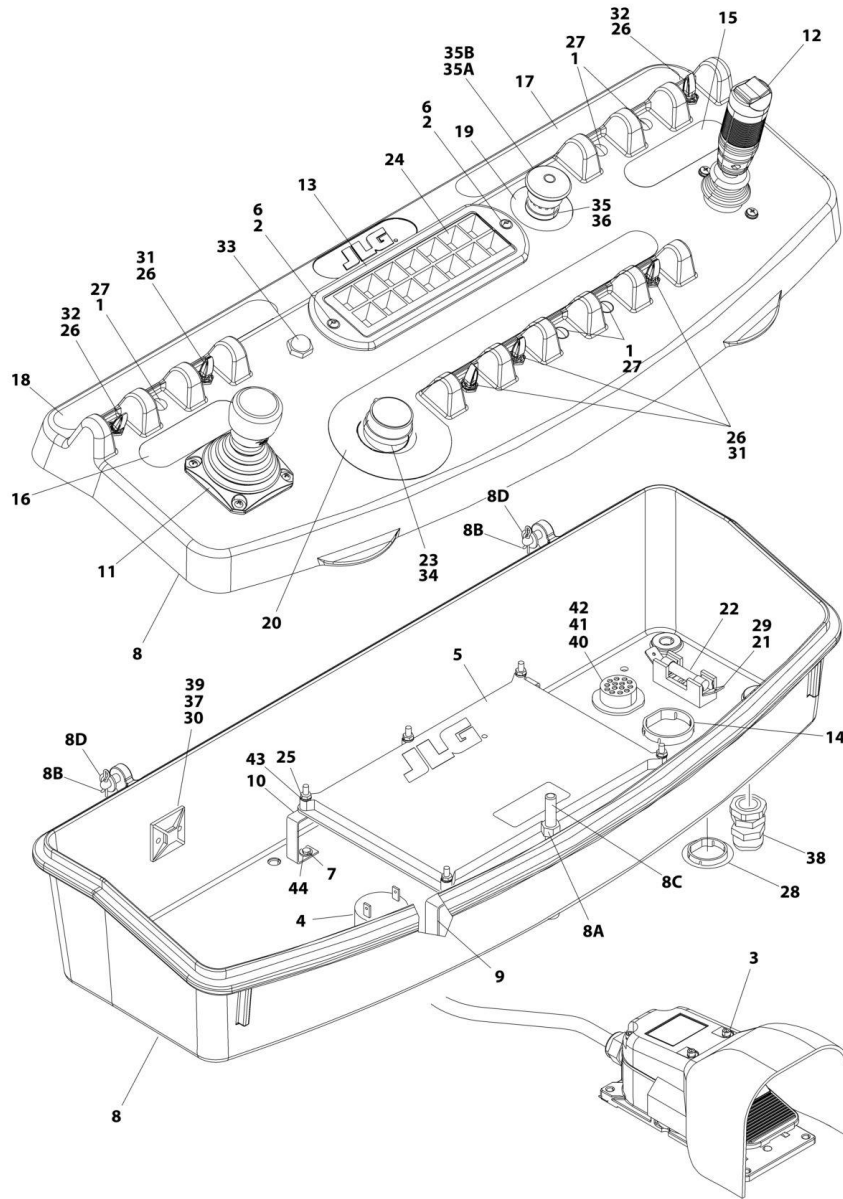
ITEM	PART NUMBER	QTY	DESCRIPTION	REV
	1001175617	Ref	PLATFORM CONSOLE ASSEMBLY (SN 0300194238 through 0300208528)	B
1	0100009	AR	Sealant	
2	0100035	AR	Compound, Locking	
3	0140011	1	Alarm	
4	0630464	2	Bolt, #10-24 x 1/2	
5	0720804	6	Bolt, #8-32 x 1/2	
6	0861537	1	Console Box Assembly	
6A	3311601	1	Nut, 3/8-16	
6B	3470003	2	Pin, Cotter	
6C	0630568	1	Capscrew, 3/8-16 x 4-1/2	
6D	4711500	2	Washer, 5/16	
7	1670829	1	Bezel	
8	1702565	1	Decal - Drive and Steer	
9	1702566	1	Decal - Lift and Swing	
10	1702567	1	Decal - Function Speed	
11	1704240	1	Decal - Horn	
12	1704260	1	Decal - EMS	
13	2560136	1	Handle, Knob	
14	2760105	1	Fixture, Light	
15	3310601	6	Nut, #6-32	
16	3520030	1	Plug, Hole	
17	3520054	5	Plug, Hole	
18	3790012	6	O-Ring	
19	4240032	AR	Tie-Strap (Not Shown)	
20	4360387	1	Switch, Push Button	
21	4360448	1	Breaker, Circuit - 10Amp	
22	4360462	1	Switch, Potentiometer	
23	4360475	1	Switch, Emergency Stop	
23A	7020175	1	Cap, Mushroom with Sealing Ring	
23B	7020176	1	Block, Contact	
24	4360476	1	Block, Contact	
25	4460234	3	Mount, Tie-Strap	
26	4460428	1	Connector, Strain Relief	
27	4460488	1	Base, Terminal Mounting	
28	4460496	1	Washer, Lock, Terminal	
29	4460497	1	Nut, Terminal	
30	4460752	1	Connector - 14 Position	
31	4740397	6	Spacer	
32	4750600	6	Washer, #6	
33	4750800	6	Washer, #8	
34	4933060	1	Platform Console Wiring Diagram (Not Shown - See ELECTRICAL SECTION for Breakdown)	
35	1001109498	1	Module, PC (Note: Re-calibration Required when Replaced)	
36	1001110435	1	Plug, D-Shaped	
37	1001132175	1	Decal - Stop - Generator	
38	1001136889	1	Footswitch Assembly (See FOOTSWITCH ASSEMBLY for Breakdown)	
39	1001155044	6	Nut, 15/32-32	

SECTION 5 - PLATFORM

ITEM	PART NUMBER	QTY	DESCRIPTION	REV
40	1001155045	4	Switch, Toggle	
41	1001159256	2	Switch, Toggle	
42	1001175597	2	Bracket, Module	
43	1001178132	1	Controller Assembly - Drive and Steer (See CONTROLLER ASSEMBLY - DRIVE AND STEER for Breakdown)	
44	1001178139	1	Controller Assembly - Lift and Swing (See CONTROLLER ASSEMBLY LIFT AND SWING for Breakdown)	

SECTION 5 - PLATFORM

FIGURE 5-20. PLATFORM CONSOLE ASSEMBLY - UL LISTED - E400ANARROW (SN 0300189901 through 0300194237)



ART_1001145798

SECTION 5 - PLATFORM

FIGURE 5-20. PLATFORM CONSOLE ASSEMBLY - UL LISTED - E400ANARROW (SN 0300189901 through 0300194237)

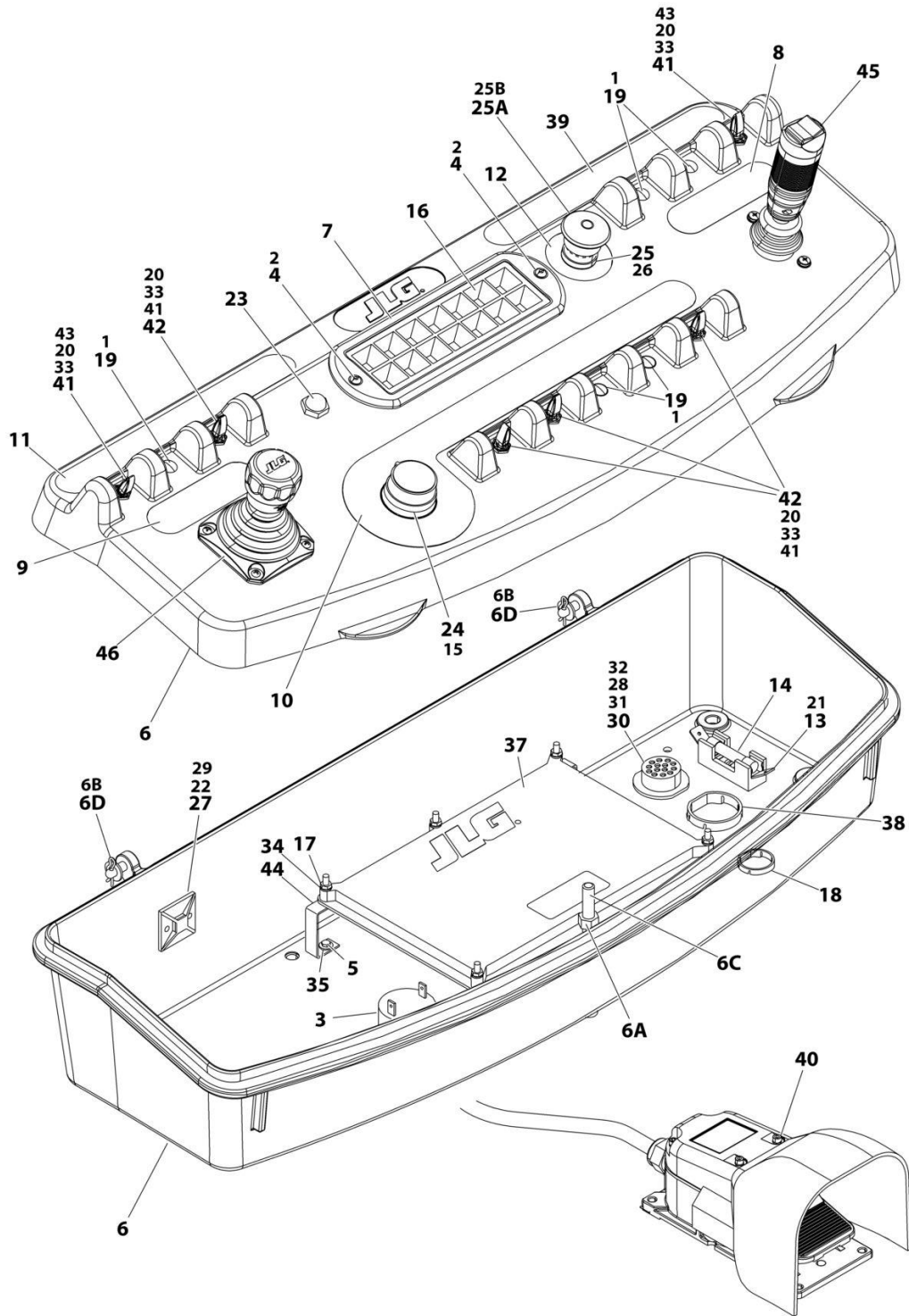
ITEM	PART NUMBER	QTY	DESCRIPTION	REV
	1001145798	Ref	PLATFORM CONSOLE ASSEMBLY - UL LISTED (SN 0300189901 through 0300194237)	B
1	0100009	AR	Sealant	
2	0100035	AR	Compound, Locking	
3	1001136889	1	Footswitch Assembly (See FOOTSWITCH ASSEMBLY for Breakdown)	
4	0140011	1	Alarm	
5	1001109498	1	Module, PC (Note: Re-calibration Required when Replaced)	
6	0630464	2	Bolt, #10-24 x 1/2	
7	0720804	4	Bolt, #8-32 x 1/2	
8	0861537	1	Console Box Assembly	
8A	3311601	1	Nut, 3/8-16	
8B	3470003	2	Pin, Cotter	
8C	0630568	1	Capscrew, 3/8-16 x 4-1/2	
8D	4711500	2	Washer, 5/16	
9	0902575	1	Bracket	
10	0902588	1	Bracket	
11	1001118419	1	Controller Assembly - Lift and Swing (See CONTROLLER ASSEMBLY LIFT AND SWING for Breakdown)	
12	1001118418	1	Controller Assembly - Drive and Steer (See CONTROLLER ASSEMBLY - DRIVE AND STEER for Breakdown)	
13	1670829	1	Bezel	
14	1001110435	1	Plug, D-Shaped	
15	1702565	1	Decal - Drive and Steer	
16	1702566	1	Decal - Lift and Swing	
17	1001132175	1	Decal - Stop - Generator	
18	1704240	1	Decal - Horn	
19	1704260	1	Decal - EMS	
20	1702567	1	Decal - Function Speed	
21	2400067	1	Holder, Fuse	
22	2400068	1	Fuse - 10Amp	
23	2560136	1	Handle, Knob	
24	2760105	1	Fixture, Light	
25	3310601	6	Nut, #6-32	
26	3790012	6	O-Ring	
27	3520054	5	Plug, Hole	
28	3520030	1	Plug, Hole	
29	3910808	1	Screw, #8-32 x 1/2	
30	4240032	AR	Tie-Strap (Not Shown)	
31	4360328	4	Switch, Toggle	
32	4360330	2	Switch, Toggle	
33	4360387	1	Switch, Push Button	
34	4360462	1	Switch, Potentiometer	
35	4360475	1	Switch, Emergency Stop	
35A	7020175	1	Cap, Mushroom with Sealing Ring	
35B	7020176	1	Block, Contact	
36	4360476	1	Block, Contact	
37	4460234	3	Mount, Tie-Strap	
38	4460428	1	Connector, Strain Relief	
39	4460488	1	Base, Terminal Mounting	

SECTION 5 - PLATFORM

ITEM	PART NUMBER	QTY	DESCRIPTION	REV
40	4460496	1	Washer, Lock, Terminal	
41	4460497	1	Nut, Terminal	
42	4460752	1	Connector - 14 Position	
43	4750600	6	Washer, #6	
44	4750800	4	Washer, #8	
45	4933181	1	Platform Console Wiring Diagram (Not Shown - See ELECTRICAL SECTION for Breakdown)	

SECTION 5 - PLATFORM

FIGURE 5-21. PLATFORM CONSOLE ASSEMBLY - E400ANARROW - UL LISTED (SN 0300194238 through 0300208528)



ART_1001175619

SECTION 5 - PLATFORM

FIGURE 5-21. PLATFORM CONSOLE ASSEMBLY - E400ANARROW - UL LISTED (SN 0300194238 through 0300208528)

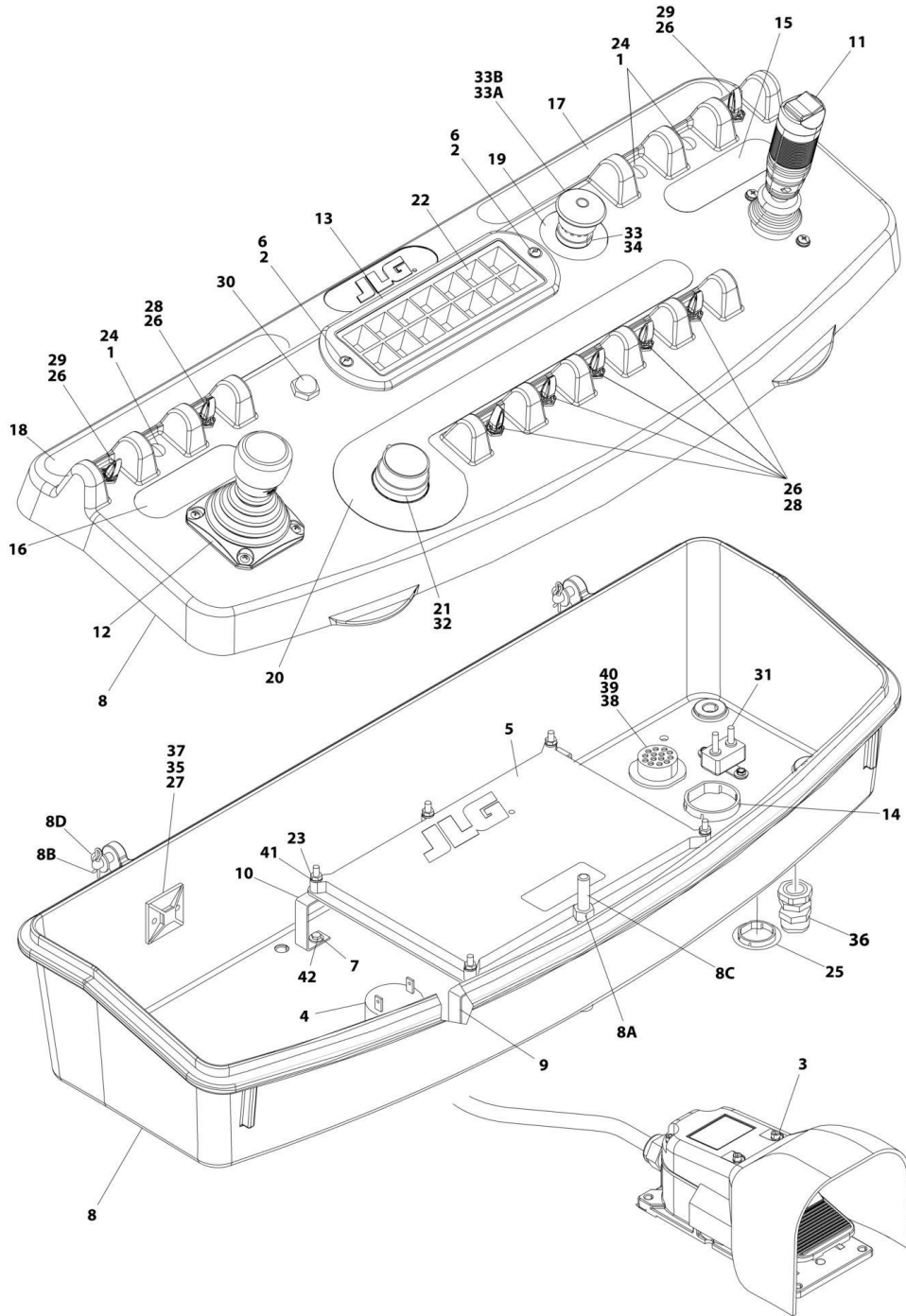
ITEM	PART NUMBER	QTY	DESCRIPTION	REV
	1001175619	Ref	PLATFORM CONSOLE ASSEMBLY - UL LISTED (SN 0300194238 through 0300208528)	B
1	0100009	AR	Sealant	
2	0100035	AR	Compound, Locking	
3	0140011	1	Alarm	
4	0630464	2	Bolt, #10-24 x 1/2	
5	0720804	4	Bolt, #8-32 x 1/2	
6	0861537	1	Console Box Assembly	
6A	3311601	1	Nut, 3/8-16	
6B	3470003	2	Pin, Cotter	
6C	0630568	1	Capscrew, 3/8-16 x 4-1/2	
6D	4711500	2	Washer, 5/16	
7	1670829	1	Bezel	
8	1702565	1	Decal - Drive and Steer	
9	1702566	1	Decal - Lift and Swing	
10	1702567	1	Decal - Function Speed	
11	1704240	1	Decal, Horn	
12	1704260	1	Decal - EMS	
13	2400067	1	Holder, Fuse	
14	2400068	1	Fuse - 10Amp	
15	2560136	1	Handle, Knob	
16	2760105	1	Fixture, Light	
17	3310601	6	Nut, #6-32	
18	3520030	1	Plug, Hole	
19	3520054	5	Plug, Hole	
20	3790012	6	O-Ring	
21	3910808	1	Screw, #8-32 x 1/2	
22	4240032	AR	Tie-Strap (Not Shown)	
23	4360387	1	Switch, Push Button	
24	4360462	1	Switch, Potentiometer	
25	4360475	1	Switch, Emergency Stop	
25A	7020175	1	Cap, Mushroom with Sealing Ring	
25B	7020176	1	Block, Contact	
26	4360476	1	Block, Contact	
27	4460234	3	Mount, Tie-Strap	
28	4460428	1	Connector, Strain Relief	
29	4460488	1	Base, Terminal Mounting	
30	4460496	1	Washer, Lock, Terminal	
31	4460497	1	Nut, Terminal	
32	4460752	1	Connector - 14 Position	
33	4740397	6	Spacer	
34	4750600	6	Washer, #6	
35	4750800	4	Washer, #8	
36	4933181	1	Platform Console Wiring Diagram (Not Shown - See ELECTRICAL SECTION for Breakdown)	
37	1001109498	1	Module, PC (Note: Re-calibration Required when Replaced)	
38	1001110435	1	Plug, D-Shaped	
39	1001132175	1	Decal - Stop - Generator	
40	1001136889	1	Footswitch Assembly (See FOOTSWITCH ASSEMBLY for	

SECTION 5 - PLATFORM

ITEM	PART NUMBER	QTY	DESCRIPTION	REV
41	1001155044	6	Breakdown) Nut, 15/32-32	
42	1001155045	4	Switch, Toggle	
43	1001159256	2	Switch, Toggle	
44	1001175597	2	Bracket, Module	
45	1001178132	1	Controller Assembly - Drive and Steer (See CONTROLLER ASSEMBLY - DRIVE AND STEER for Breakdown)	
46	1001178139	1	Controller Assembly - Lift and Swing (See CONTROL ASSEMBLY - LIFT AND SWING for Breakdown)	

SECTION 5 - PLATFORM

FIGURE 5-22. PLATFORM CONSOLE ASSEMBLY - E400ANARROW (SN 0300189901 through 0300194237)



ART_1001145799

SECTION 5 - PLATFORM

FIGURE 5-22. PLATFORM CONSOLE ASSEMBLY - E400ANARROW (SN 0300189901 through 0300194237)

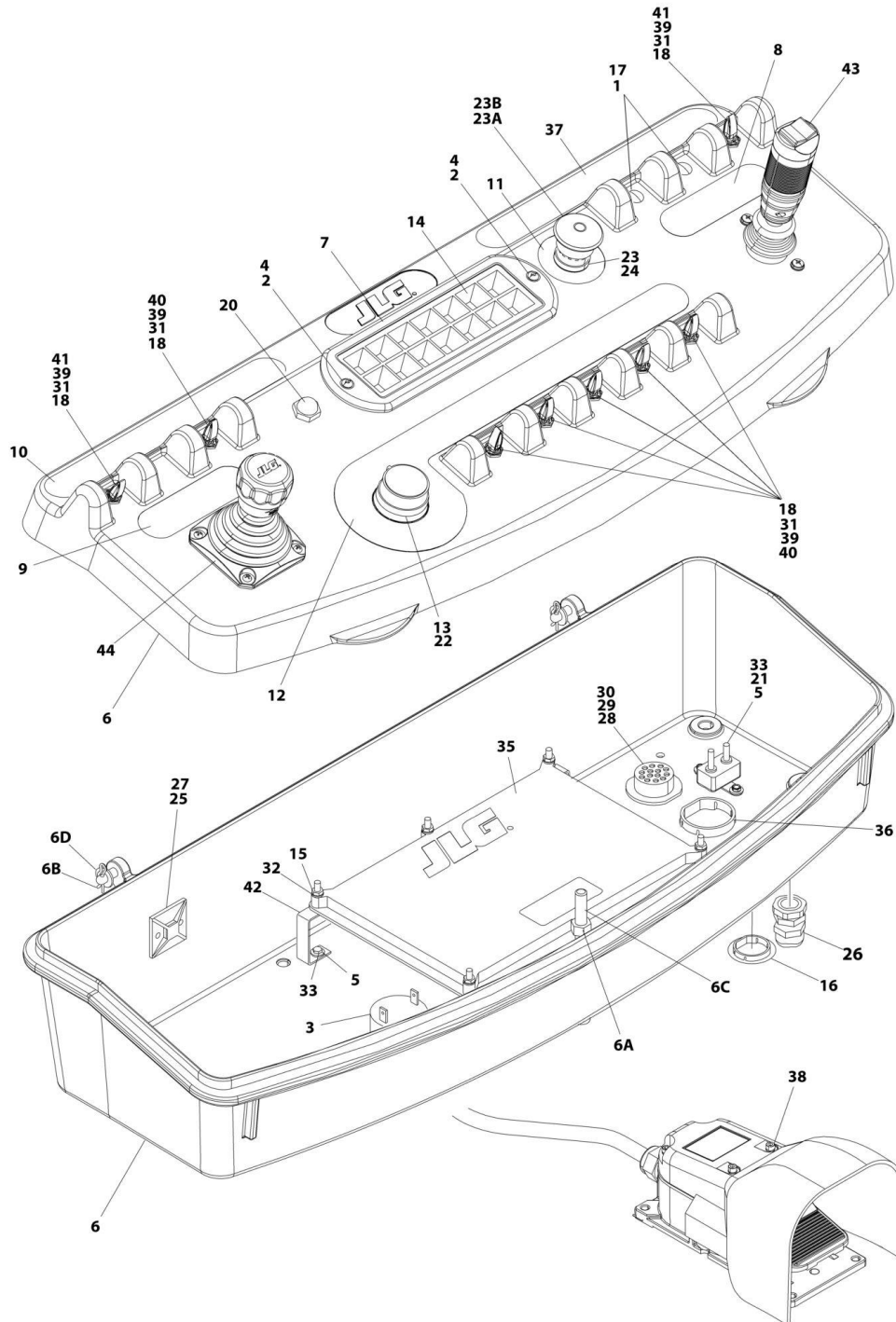
ITEM	PART NUMBER	QTY	DESCRIPTION	REV
	1001145799	Ref	PLATFORM CONSOLE ASSEMBLY (SN 0300189901 through 0300194237)	B
1	0100009	AR	Sealant	
2	0100035	AR	Compound, Locking	
3	1001136889	1	Footswitch Assembly (See FOOTSWITCH ASSEMBLY for Breakdown)	
4	0140011	1	Alarm	
5	1001109498	1	Module, PC (Note: Re-calibration Required when Replaced)	
6	0630464	2	Bolt, #10-24 x 1/2	
7	0720804	6	Bolt, #8-32 x 1/2	
8	0861537	1	Console Box Assembly	
8A	3311601	1	Nut, 3/8-16	
8B	3470003	2	Pin, Cotter	
8C	0630568	1	Capscrew, 3/8-16 x 4-1/2	
8D	4711500	2	Washer, 5/16	
9	0902575	1	Bracket	
10	0902588	1	Bracket	
11	1001118418	1	Controller Assembly - Drive and Steer (See CONTROLLER ASSEMBLY - DRIVE AND STEER for Breakdown)	
12	1001118419	1	Controller Assembly - Lift and Swing (See CONTROLLER ASSEMBLY LIFT AND SWING for Breakdown)	
13	1670829	1	Bezel	
14	1001110435	1	Plug, D-Shaped	
15	1702565	1	Decal - Drive and Steer	
16	1702566	1	Decal - Lift and Swing	
17	1001132175	1	Decal - Stop - Generator	
18	1704240	1	Decal - Horn	
19	1704260	1	Decal - EMS	
20	1704422	1	Decal - Function Speed	
21	2560136	1	Handle, Knob	
22	2760105	1	Fixture, Light	
23	3310601	6	Nut, #6-32	
24	3520054	3	Plug, Hole	
25	3520030	1	Plug, Hole	
26	3790012	8	O-Ring	
27	4240032	AR	Tie-Strap (Not Shown)	
28	4360328	4	Switch, Toggle	
29	4360330	2	Switch, Toggle	
30	4360387	1	Switch, Push Button	
31	4360448	1	Breaker, Circuit - 10Amp	
32	4360462	1	Switch, Potentiometer	
33	4360475	1	Switch, Emergency Stop	
33A	7020175	1	Cap, Mushroom with Sealing Ring	
33B	7020176	1	Block, Contact	
34	4360476	1	Block, Contact	
35	4460234	3	Mount, Tie-Strap	
36	4460428	1	Connector, Strain Relief	
37	4460488	1	Base, Terminal Mounting	
38	4460496	1	Washer, Lock, Terminal	
39	4460497	1	Nut, Terminal	

SECTION 5 - PLATFORM

ITEM	PART NUMBER	QTY	DESCRIPTION	REV
40	4460752	1	Connector - 14 Position	
41	4750600	6	Washer, #6	
42	4750800	6	Washer, #8	
43	4933105	1	Platform Console Wiring Diagram (Not Shown - See ELECTRICAL SECTION for Breakdown)	

SECTION 5 - PLATFORM

FIGURE 5-23. PLATFORM CONSOLE ASSEMBLY - E400AJP/E400AJPNARROW/M400AJP/M400AJPNARROW (SN 0300194238 through 0300208528)



ART_1001175620

SECTION 5 - PLATFORM

**FIGURE 5-23. PLATFORM CONSOLE ASSEMBLY -
E400AJP/E400AJPNARROW/M400AJP/M400AJPNARROW (SN 0300194238 through 0300208528)**

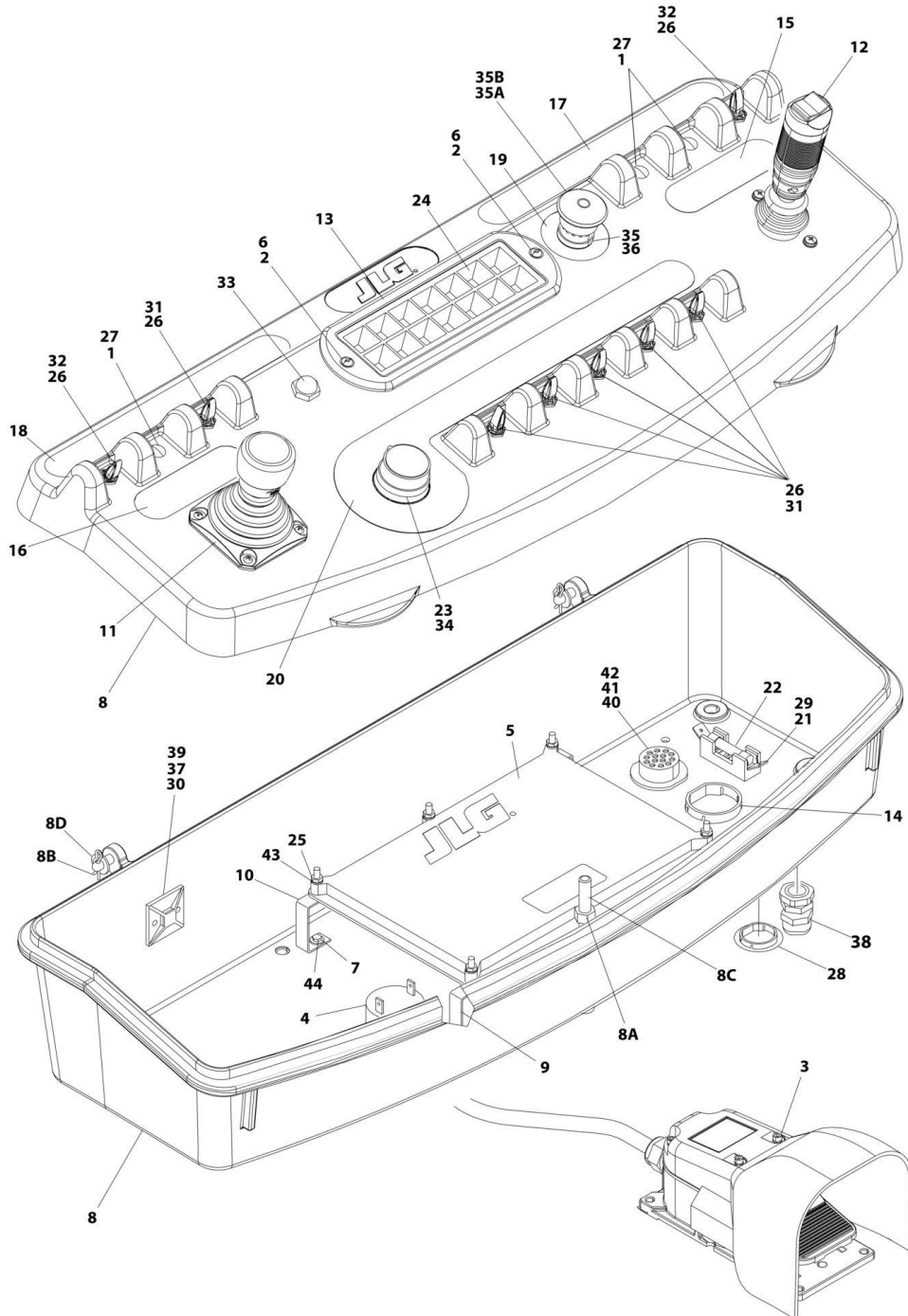
ITEM	PART NUMBER	QTY	DESCRIPTION	REV
	1001175620	Ref	PLATFORM CONSOLE ASSEMBLY (SN 0300194238 through 0300208528)	B
1	0100009	AR	Sealant	
2	0100035	AR	Compound, Locking	
3	0140011	1	Alarm	
4	0630464	2	Bolt, #10-24 x 1/2	
5	0720804	6	Bolt, #8-32 x 1/2	
6	0861537	1	Console Box Assembly	
6A	3311601	1	Nut, 3/8-16	
6B	3470003	2	Pin, Cotter	
6C	0630568	1	Capscrew, 3/8-16 x 4-1/2	
6D	4711500	2	Washer, 5/16	
7	1670829	1	Bezel	
8	1702565	1	Decal - Drive and Steer	
9	1702566	1	Decal - Lift and Swing	
10	1704240	1	Decal - Horn	
11	1704260	1	Decal - EMS	
12	1704422	1	Decal - Function Speed	
13	2560136	1	Handle, Knob	
14	2760105	1	Fixture, Light	
15	3310601	6	Nut, #6-32	
16	3520030	1	Plug, Hole	
17	3520054	3	Plug, Hole	
18	3790012	8	O-Ring	
19	4240032	AR	Tie-Strap (Not Shown)	
20	4360387	1	Switch, Push Button	
21	4360448	1	Breaker, Circuit - 10Amp	
22	4360462	1	Switch, Potentiometer	
23	4360475	1	Switch, Emergency Stop	
23A	7020175	1	Cap, Mushroom with Sealing Ring	
23B	7020176	1	Block, Contact	
24	4360476	1	Block, Contact	
25	4460234	3	Mount, Tie-Strap	
26	4460428	1	Connector, Strain Relief	
27	4460488	1	Base, Terminal Mounting	
28	4460496	1	Washer, Lock, Terminal	
29	4460497	1	Nut, Terminal	
30	4460752	1	Connector - 14 Position	
31	4740397	8	Spacer	
32	4750600	6	Washer, #6	
33	4750800	6	Washer, #8	
34	4933105	1	Platform Console Wiring Diagram (Not Shown - See ELECTRICAL SECTION for Breakdown)	
35	1001109498	1	Module, PC (Note: Re-calibration Required when Replaced)	
36	1001110435	1	Plug, D-Shaped	
37	1001132175	1	Decal - Stop - Generator	
38	1001136889	1	Footswitch Assembly (See FOOTSWITCH ASSEMBLY for Breakdown)	
39	1001155044	8	Nut, 15/32-32	

SECTION 5 - PLATFORM

ITEM	PART NUMBER	QTY	DESCRIPTION	REV
40	1001155045	6	Switch, Toggle	
41	1001159256	2	Switch, Toggle	
42	1001175597	2	Bracket, Module	
43	1001178132	1	Controller Assembly - Drive and Steer (See CONTROLLER ASSEMBLY - DRIVE AND STEER for Breakdown)	
44	1001178139	1	Controller Assembly - Lift and Swing (See CONTROLLER ASSEMBLY LIFT AND SWING for Breakdown)	

SECTION 5 - PLATFORM

FIGURE 5-24. PLATFORM CONSOLE ASSEMBLY - E400ANARROW - UL LISTED (SN 0300189901 through 0300194237)



ART_1001145797

SECTION 5 - PLATFORM

FIGURE 5-24. PLATFORM CONSOLE ASSEMBLY - E400ANARROW - UL LISTED (SN 0300189901 through 0300194237)

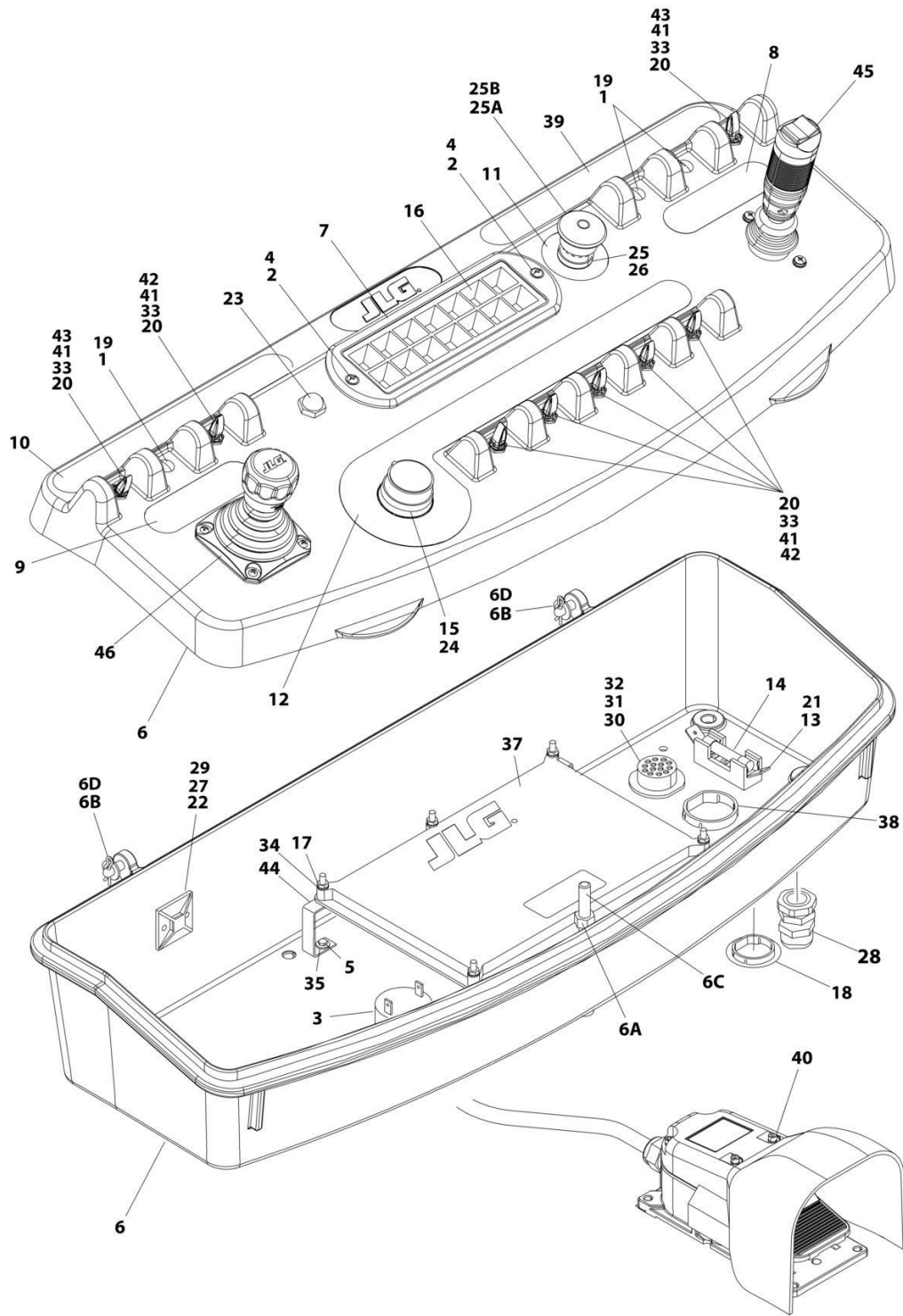
ITEM	PART NUMBER	QTY	DESCRIPTION	REV
	1001145797	Ref	PLATFORM CONSOLE ASSEMBLY - UL LISTED (SN 0300189901 through 0300194237)	B
1	0100009	AR	Sealant	
2	0100035	AR	Compound, Locking	
3	1001136889	1	Footswitch Assembly (See FOOTSWITCH ASSEMBLY for Breakdown)	
4	0140011	1	Alarm	
5	1001109498	1	Module, PC (Note: Re-calibration Required when Replaced)	
6	0630464	2	Bolt, #10-24 x 1/2	
7	0720804	4	Bolt, #8-32 x 1/2	
8	0861537	1	Console Box Assembly	
8A	3311601	1	Nut, 3/8-16	
8B	3470003	2	Pin, Cotter	
8C	0630568	1	Capscrew, 3/8-16 x 4-1/2	
8D	4711500	2	Washer, 5/16	
9	0902575	1	Bracket	
10	0902588	1	Bracket	
11	1001118419	1	Controller Assembly - Lift and Swing (See CONTROLLER ASSEMBLY LIFT AND SWING for Breakdown)	
12	1001118418	1	Controller Assembly - Drive and Steer (See CONTROLLER ASSEMBLY - DRIVE AND STEER for Breakdown)	
13	1670829	1	Bezel	
14	1001110435	1	Plug, D-Shaped	
15	1702565	1	Decal - Drive and Steer	
16	1702566	1	Decal - Lift and Swing	
17	1001132175	1	Decal - Stop - Generator	
18	1704240	1	Decal - Horn	
19	1704260	1	Decal - EMS	
20	1704422	1	Decal - Function Speed	
21	2400067	1	Holder, Fuse	
22	2400068	1	Fuse - 10Amp	
23	2560136	1	Handle, Knob	
24	2760105	1	Fixture, Light	
25	3310601	6	Nut, #6-32	
26	3790012	8	O-Ring	
27	3520054	3	Plug, Hole	
28	3520030	1	Plug, Hole	
29	3910808	1	Screw, #8-32 x 1/2	
30	4240032	AR	Tie-Strap (Not Shown)	
31	4360328	6	Switch, Toggle	
32	4360330	2	Switch, Toggle	
33	4360387	1	Switch, Push Button	
34	4360462	1	Switch, Potentiometer	
35	4360475	1	Switch, Emergency Stop	
35A	7020175	1	Cap, Mushroom with Sealing Ring	
35B	7020176	1	Block, Contact	
36	4360476	1	Block, Contact	
37	4460234	3	Mount, Tie-Strap	
38	4460428	1	Connector, Strain Relief	
39	4460488	1	Base, Terminal Mounting	

SECTION 5 - PLATFORM

ITEM	PART NUMBER	QTY	DESCRIPTION	REV
40	4460496	1	Washer, Lock, Terminal	
41	4460497	1	Nut, Terminal	
42	4460752	1	Connector - 14 Position	
43	4750600	6	Washer, #6	
44	4750800	4	Washer, #8	
45	4933182	1	Platform Console Wiring Diagram (Not Shown - See ELECTRICAL SECTION for Breakdown)	

SECTION 5 - PLATFORM

**FIGURE 5-25. PLATFORM CONSOLE ASSEMBLY -
E400AJP/E400AJPNARROW/M400AJP/M400AJPNARROW - UL LISTED (SN 0300194238 through
0300208528)**



ART_1001175621

SECTION 5 - PLATFORM

**FIGURE 5-25. PLATFORM CONSOLE ASSEMBLY -
E400AJP/E400AJPNARROW/M400AJP/M400AJPNARROW - UL LISTED (SN 0300194238 through
0300208528)**

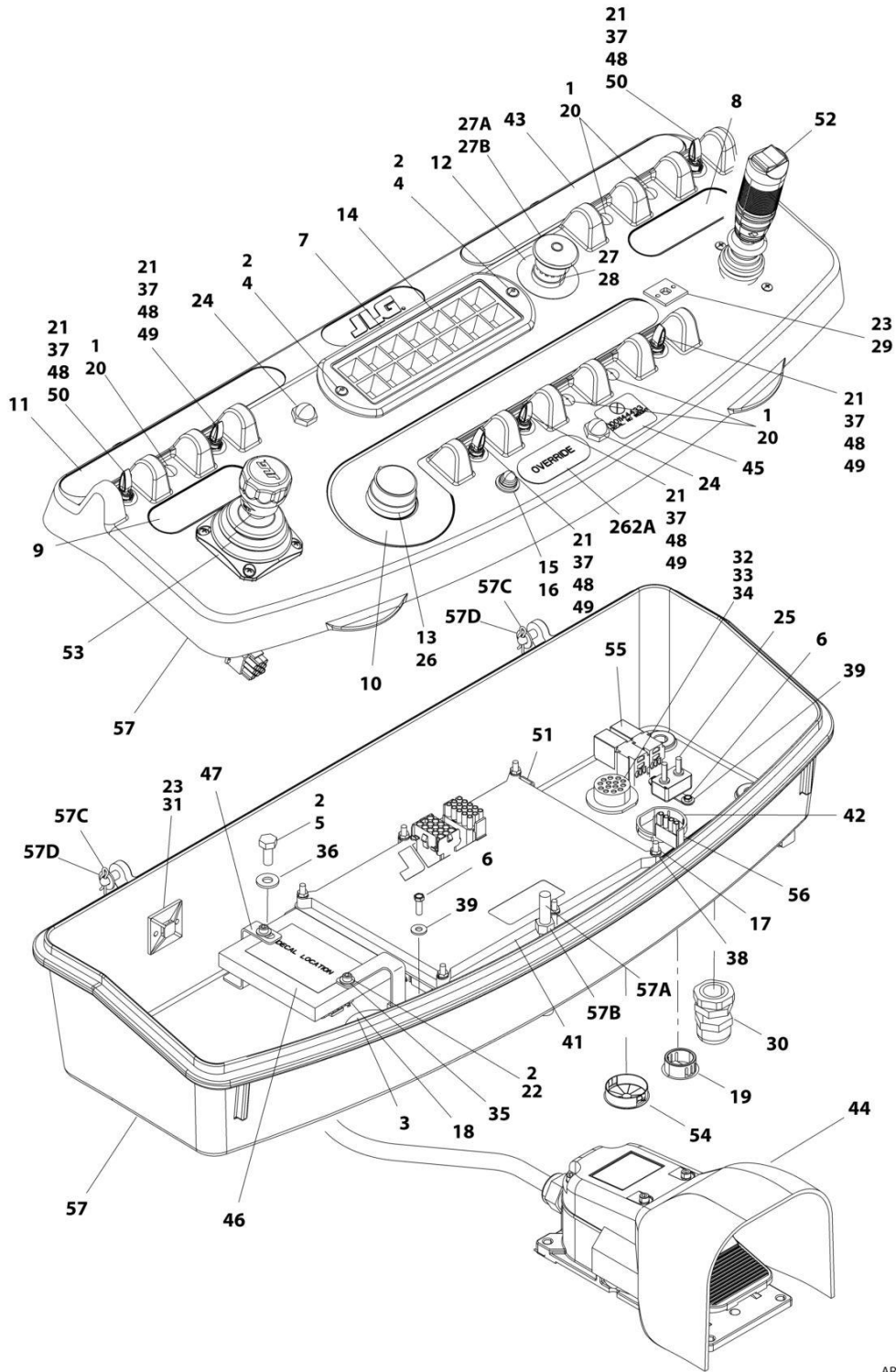
ITEM	PART NUMBER	QTY	DESCRIPTION	REV
	1001175621	Ref	PLATFORM CONSOLE ASSEMBLY - UL LISTED (SN 0300194238 through 0300208528)	B
1	0100009	AR	Sealant	
2	0100035	AR	Compound, Locking	
3	0140011	1	Alarm	
4	0630464	2	Bolt, #10-24 x 1/2	
5	0720804	4	Bolt, #8-32 x 1/2	
6	0861537	1	Console Box Assembly	
6A	3311601	1	Nut, 3/8-16	
6B	3470003	2	Pin, Cotter	
6C	0630568	1	Capscrew, 3/8-16 x 4-1/2	
6D	4711500	2	Washer, 5/16	
7	1670829	1	Bezel	
8	1702565	1	Decal - Drive and Steer	
9	1702566	1	Decal - Lift and Swing	
10	1704240	1	Decal, Horn	
11	1704260	1	Decal - EMS	
12	1704422	1	Decal - Function Speed	
13	2400067	1	Holder, Fuse	
14	2400068	1	Fuse - 10Amp	
15	2560136	1	Handle, Knob	
16	2760105	1	Fixture, Light	
17	3310601	6	Nut, #6-32	
18	3520030	1	Plug, Hole	
19	3520054	3	Plug, Hole	
20	3790012	8	O-Ring	
21	3910808	1	Screw, #8-32 x 1/2	
22	4240032	AR	Tie-Strap (Not Shown)	
23	4360387	1	Switch, Push Button	
24	4360462	1	Switch, Potentiometer	
25	4360475	1	Switch, Emergency Stop	
25A	7020175	1	Cap, Mushroom with Sealing Ring	
25B	7020176	1	Block, Contact	
26	4360476	1	Block, Contact	
27	4460234	3	Mount, Tie-Strap	
28	4460428	1	Connector, Strain Relief	
29	4460488	1	Base, Terminal Mounting	
30	4460496	1	Washer, Lock, Terminal	
31	4460497	1	Nut, Terminal	
32	4460752	1	Connector - 14 Position	
33	4740397	8	Spacer	
34	4750600	6	Washer, #6	
35	4750800	4	Washer, #8	
36	4933182	1	Platform Console Wiring Diagram (Not Shown - See ELECTRICAL SECTION for Breakdown)	
37	1001109498	1	Module, PC (Note: Re-calibration Required when Replaced)	
38	1001110435	1	Plug, D-Shaped	
39	1001132175	1	Decal - Stop - Generator	

SECTION 5 - PLATFORM

ITEM	PART NUMBER	QTY	DESCRIPTION	REV
40	1001136889	1	Footswitch Assembly (See FOOTSWITCH ASSEMBLY for Breakdown)	
41	1001155044	8	Nut, 15/32-32	
42	1001155045	6	Switch, Toggle	
43	1001159256	2	Switch, Toggle	
44	1001175597	2	Bracket, Module	
45	1001178132	1	Controller Assembly - Drive and Steer (See CONTROLLER ASSEMBLY - DRIVE AND STEER for Breakdown)	
46	1001178139	1	Controller Assembly - Lift and Swing (See CONTROL ASSEMBLY - LIFT AND SWING for Breakdown)	

SECTION 5 - PLATFORM

FIGURE 5-26. PLATFORM CONSOLE ASSEMBLY - WITH SKYGUARD (SN 0300200792 through 0300208528)



ART_1001189117

SECTION 5 - PLATFORM

FIGURE 5-26. PLATFORM CONSOLE ASSEMBLY - WITH SKYGUARD (SN 0300200792 through 0300208528)

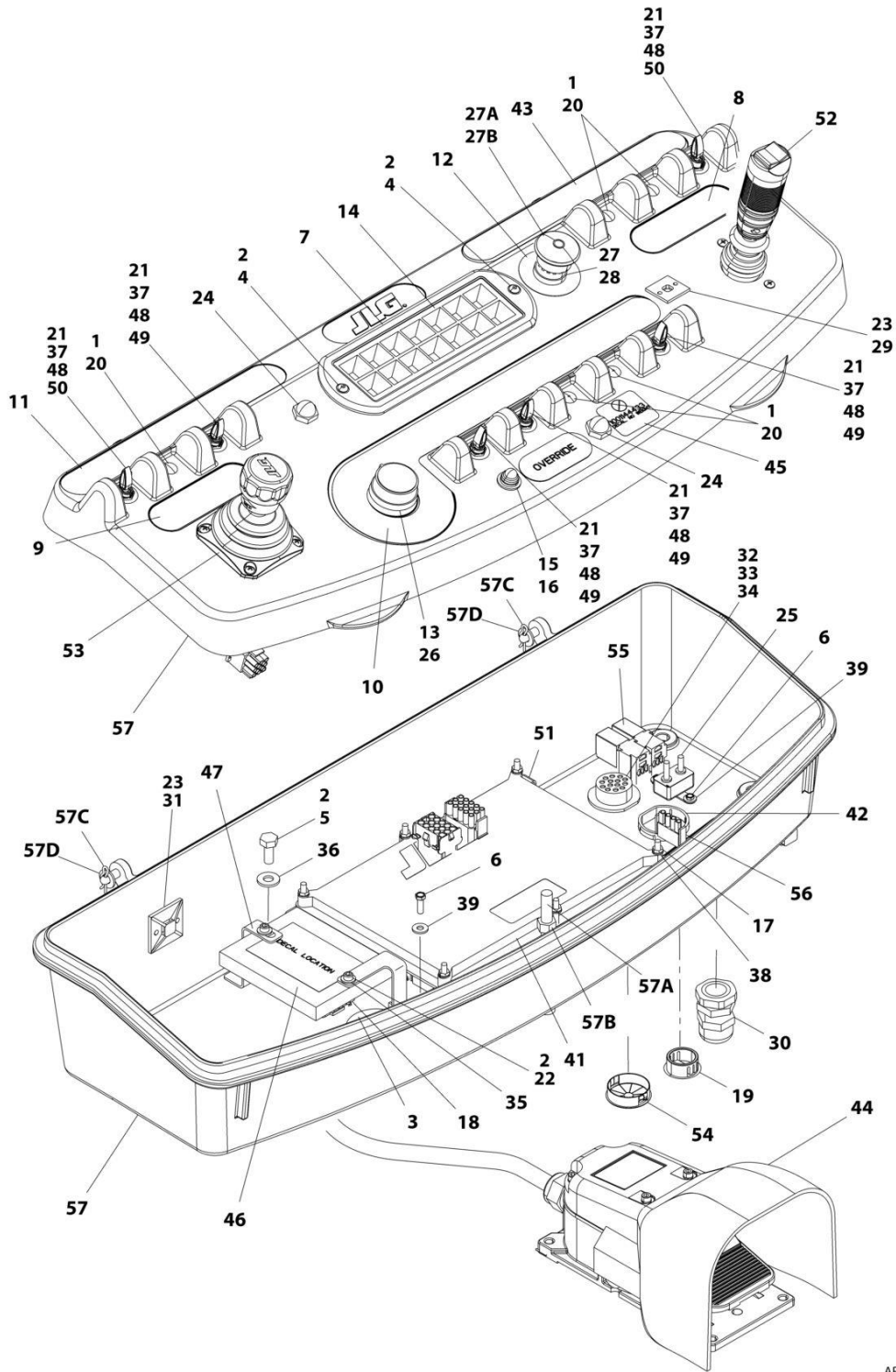
ITEM	PART NUMBER	QTY	DESCRIPTION	REV
	1001189117	Ref	PLATFORM CONSOLE ASSEMBLY - WITH SKYGUARD (SN 0300200792 through 0300208528)	A
1	0100009	AR	Sealant	
2	0100035	AR	Compound, Locking	
3	0140011	1	Alarm	
4	0630464	2	Bolt, #10-24 x 1/2	
5	0641405	2	Bolt, 1/4-20 x 5/8	
6	0720804	6	Bolt, #8-32 x 1/2	
7	1670829	1	Bezel	
8	1702565	1	Decal - Drive and Steer	
9	1702566	1	Decal - Lift and Swing	
10	1702567	1	Decal - Function Speed	
11	1704240	1	Decal, Horn	
12	1704260	1	Decal - EMS	
13	2560136	1	Handle, Knob	
14	2760105	1	Fixture, Light	
15	2920028	1	Light, Indicator	
16	2920029	1	Bulb	
17	3310601	6	Nut, #6-32	
18	3311005	2	Nut, Lock, #10-24	
19	3520030	1	Plug, Hole	
20	3520054	5	Plug, Hole	
21	3790012	6	O-Ring	
22	3931016	2	Capscrew, #10-24 x 1	
23	4240032	AR	Tie-Strap	
24	4360387	2	Switch, Push Button	
25	4360448	1	Breaker, Circuit 10Amp	
26	4360462	1	Switch, Potentiometer	
27	4360475	1	Switch, Emergency Stop	
27A	7020175	1	Cap, Mushroom with Sealing Ring	
27B	7020176	1	Block, Contact	
28	4360476	1	Block, Contact	
29	4460234	3	Mount, Tie-Strap	
30	4460428	1	Connector, Strain Relief	
31	4460488	1	Base, Terminal Mounting	
32	4460496	1	Washer, Lock, Terminal	
33	4460497	1	Nut, Terminal	
34	4460752	1	Connector - 14 Position	
35	4711000	4	Washer, #10	
36	4711400	2	Washer, 1/4	
37	4740397	6	Spacer	
38	4750600	6	Washer, #6	
39	4750800	6	Washer, #8	
40	4933105	1	Platform Console Wiring Diagram (Not Shown - See ELECTRICAL SECTION for Breakdown)	
41	1001109498	1	Module, PC (Note: Re-calibration Required when Replaced)	
42	1001110435	1	Plug, D-Shaped	
43	1001132175	1	Decal - Stop - Generator	
44	1001136889	1	Footswitch Assembly (See FOOTSWITCH ASSEMBLY for	

SECTION 5 - PLATFORM

ITEM	PART NUMBER	QTY	DESCRIPTION	REV
			Breakdown)	
45	1001144433	1	Decal - No Weight - SkyGuard	
46	1001149571	1	Module, Beacon Control	
47	1001151817	2	Bracket	
48	1001155044	6	Nut, 15/32-32	
49	1001155045	4	Switch, Toggle	
50	1001159256	2	Switch, Toggle	
51	1001175597	2	Bracket	
52	1001178132	1	Controller Assembly - Drive and Steer (See CONTROLLER ASSEMBLY - DRIVE AND STEER for Breakdown)	
53	1001178139	1	Controller Assembly - Lift and Swing (See CONTROLLER ASSEMBLY LIFT AND SWING for Breakdown)	
54	1001185281	1	Plug	
55	1001189074	1	Harness, SkyGuard (See ELECTRICAL SECTION for Breakdown)	
56	1001189076	1	Harness, SkyGuard Can (See ELECTRICAL SECTION for Breakdown)	
57	1001189116	1	Console Box Assembly	
57A	0630568	1	Capscrew, 3/8-16 x 4-1/2	
57B	3311601	1	Nut, 3/8-16	
57C	3470003	2	Pin, Cotter	
57D	4711500	2	Washer, 5/16	
262A	1001141300	1	Decal - SkyGuard Override	

SECTION 5 - PLATFORM

FIGURE 5-27. PLATFORM CONSOLE ASSEMBLY - WITH SKYGUARD – E400ANARROW (SN 0300200792 through 0300208528)



ART_1001189210

SECTION 5 - PLATFORM

FIGURE 5-27. PLATFORM CONSOLE ASSEMBLY - WITH SKYGUARD – E400ANARROW (SN 0300200792 through 0300208528)

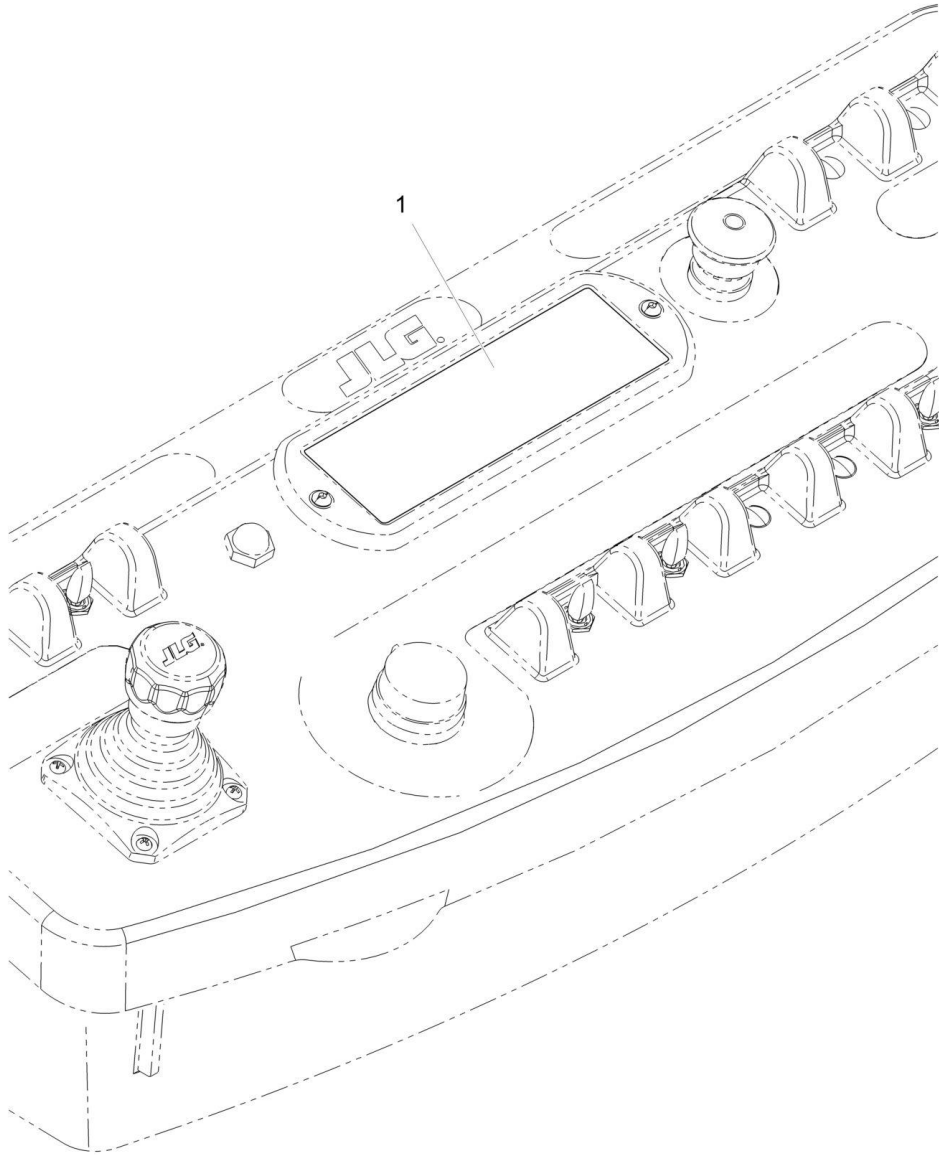
ITEM	PART NUMBER	QTY	DESCRIPTION	REV
	1001189210	Ref	PLATFORM CONSOLE ASSEMBLY - WITH SKYGUARD (SN 0300200792 through 0300208528)	A
1	0100009	AR	Sealant	
2	0100035	AR	Compound, Locking	
3	0140011	1	Alarm	
4	0630464	2	Bolt, #10-24 x 1/2	
5	0641405	2	Bolt, 1/4-20 x 5/8	
6	0720804	6	Bolt, #8-32 x 1/2	
7	1670829	1	Bezel	
8	1702565	1	Decal - Drive and Steer	
9	1702566	1	Decal - Lift and Swing	
10	1704422	1	Decal - Function Speed	
11	1704240	1	Decal, Horn	
12	1704260	1	Decal - EMS	
13	2560136	1	Handle, Knob	
14	2760105	1	Fixture, Light	
15	2920028	1	Light, Indicator	
16	2920029	1	Bulb	
17	3310601	6	Nut, #6-32	
18	3311005	2	Nut, Lock, #10-24	
19	3520030	1	Plug, Hole	
20	3520054	5	Plug, Hole	
21	3790012	6	O-Ring	
22	3931016	2	Capscrew, #10-24 x 1	
23	4240032	AR	Tie-Strap	
24	4360387	2	Switch, Push Button	
25	4360448	1	Breaker, Circuit 10Amp	
26	4360462	1	Switch, Potentiometer	
27	4360475	1	Switch, Emergency Stop	
27A	7020175	1	Cap, Mushroom with Sealing Ring	
27B	7020176	1	Block, Contact	
28	4360476	1	Block, Contact	
29	4460234	3	Mount, Tie-Strap	
30	4460428	1	Connector, Strain Relief	
31	4460488	1	Base, Terminal Mounting	
32	4460496	1	Washer, Lock, Terminal	
33	4460497	1	Nut, Terminal	
34	4460752	1	Connector - 14 Position	
35	4711000	4	Washer, #10	
36	4711400	2	Washer, 1/4	
37	4740397	6	Spacer	
38	4750600	6	Washer, #6	
39	4750800	6	Washer, #8	
40	4933105	1	Platform Console Wiring Diagram (Not Shown - See ELECTRICAL SECTION for Breakdown)	
41	1001109498	1	Module, PC (Note: Re-calibration Required when Replaced)	
42	1001110435	1	Plug, D-Shaped	
43	1001132175	1	Decal - Stop - Generator	
44	1001136889	1	Footswitch Assembly (See FOOTSWITCH ASSEMBLY for	

SECTION 5 - PLATFORM

ITEM	PART NUMBER	QTY	DESCRIPTION	REV
			Breakdown)	
45	1001144433	1	Decal - No Weight - SkyGuard	
46	1001149571	1	Module, Beacon Control	
47	1001151817	2	Bracket	
48	1001155044	6	Nut, 15/32-32	
49	1001155045	4	Switch, Toggle	
50	1001159256	2	Switch, Toggle	
51	1001175597	2	Bracket	
52	1001178132	1	Controller Assembly - Drive and Steer (See CONTROLLER ASSEMBLY - DRIVE AND STEER for Breakdown)	
53	1001178139	1	Controller Assembly - Lift and Swing (See CONTROLLER ASSEMBLY LIFT AND SWING for Breakdown)	
54	1001185281	1	Plug	
55	1001189074	1	Harness, SkyGuard (See ELECTRICAL SECTION for Breakdown)	
56	1001189076	1	Harness, SkyGuard Can (See ELECTRICAL SECTION for Breakdown)	
57	1001189116	1	Console Box Assembly	
57A	0630568	1	Capscrew, 3/8-16 x 4-1/2	
57B	3311601	1	Nut, 3/8-16	
57C	3470003	2	Pin, Cotter	
57D	4711500	2	Washer, 5/16	

SECTION 5 - PLATFORM

FIGURE 5-28. LIGHT PANEL DECAL INSTALLATION



ART_0273089

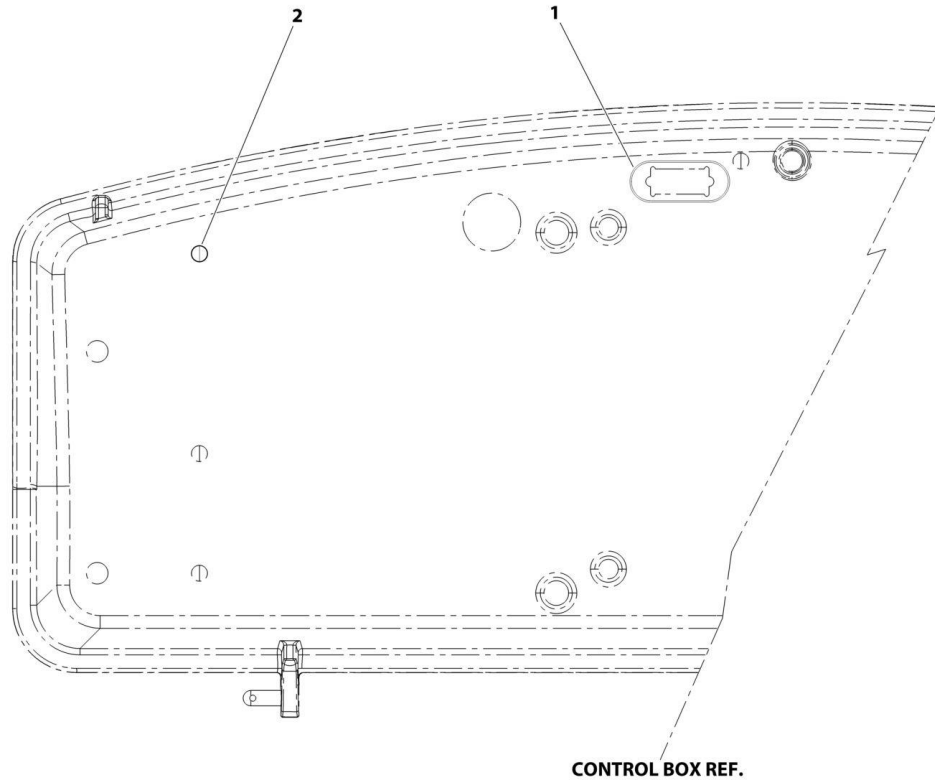
SECTION 5 - PLATFORM

FIGURE 5-28. LIGHT PANEL DECAL INSTALLATION

ITEM	PART NUMBER	QTY	DESCRIPTION	REV
1	0273089 1001110226	Ref 1	LIGHT PANEL DECAL INSTALLATION Decal - LightDisplay	B

SECTION 5 - PLATFORM

FIGURE 5-29. SEALED ENCLOSURES - UL LISTED



ART_0272111

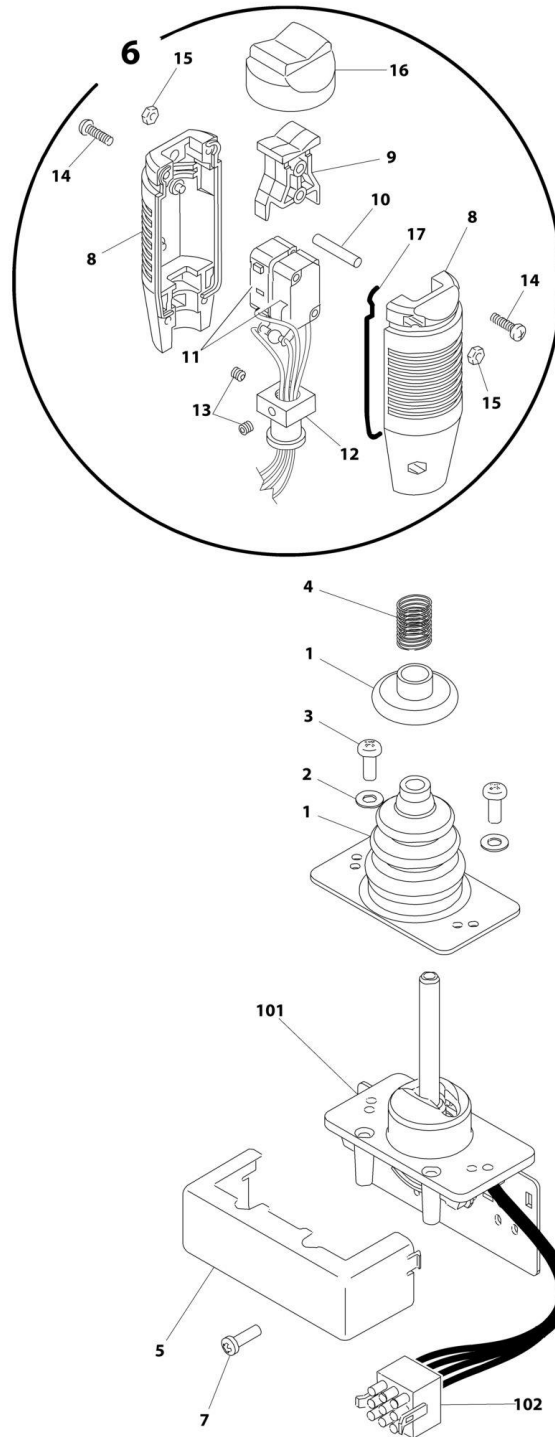
SECTION 5 - PLATFORM

FIGURE 5-29. SEALED ENCLOSURES - UL LISTED

ITEM	PART NUMBER	QTY	DESCRIPTION	REV
	0272111	Ref	SEALED ENCLOSURES - UL LISTED	B
1	0100009	AR	Sealant (Seal Around Analyzer Port)	
2	3520173	8	Plug (Located in Bottom of Console Box)	

SECTION 5 - PLATFORM

FIGURE 5-30. CONTROLLER ASSEMBLY - DRIVE AND STEER (SN 0300189901 through 0300194237)



ART_1001118418

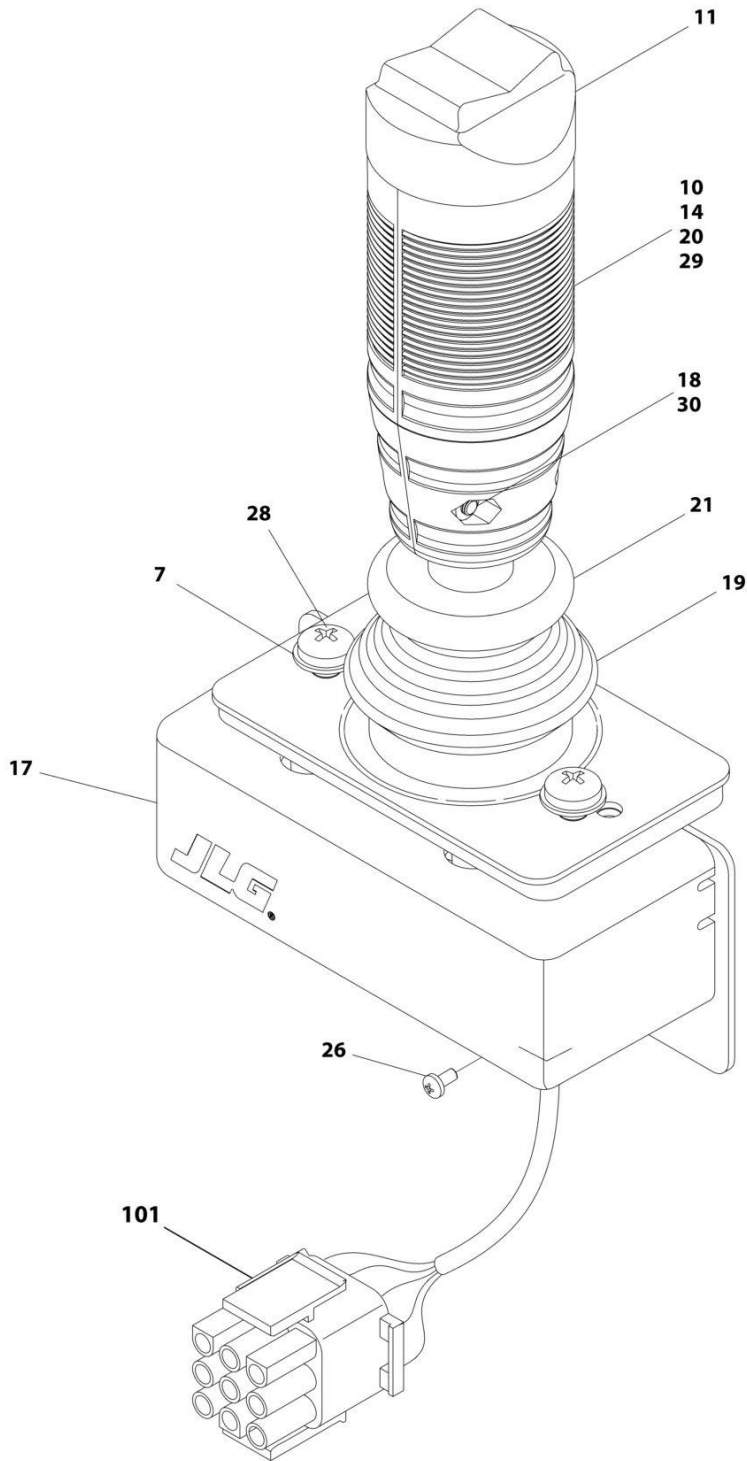
SECTION 5 - PLATFORM

FIGURE 5-30. CONTROLLER ASSEMBLY - DRIVE AND STEER (SN 0300189901 through 0300194237)

ITEM	PART NUMBER	QTY	DESCRIPTION	REV
	1001118418	Ref	CONTROLLER ASSEMBLY - DRIVE AND STEER (SN 0300189901 through 0300194237)	C
1	70002724	1	Boot and Control Lock Assembly	
2	7003941	2	Washer	
3	70002725	2	Washer	
4	7019162	1	Spring	
5	70002726	1	Enclosure	
6	70002736	1	Handle Assembly (See Items 8-17 for Breakdown)	
7	70002728	1	Screw	
8	7003973	2	Half, Handle	
9	7019165	1	Rocker	
10	7019164	1	Axle	
11	70002737	1	Wiring Assembly	
11	7003982	2	Switch, Micro	
12	7019194	1	Coupling	
13	7003983	2	Setscrew	
14	7003980	4	Screw	
15	7019167	4	Nut	
16	7003972	1	Boot, Switch	
17	7003989	2	Gasket	
101	See Note	1	Mechanical Assembly (Note: Not Available for Purchase)	
102	4460265	1	Plug, Male - 9 Position	
102	4460226	7	Socket, Female	

SECTION 5 - PLATFORM

FIGURE 5-31. CONTROLLER ASSEMBLY - DRIVE AND STEER (SN 0300194238 through 0300208528)



ART_1001178132

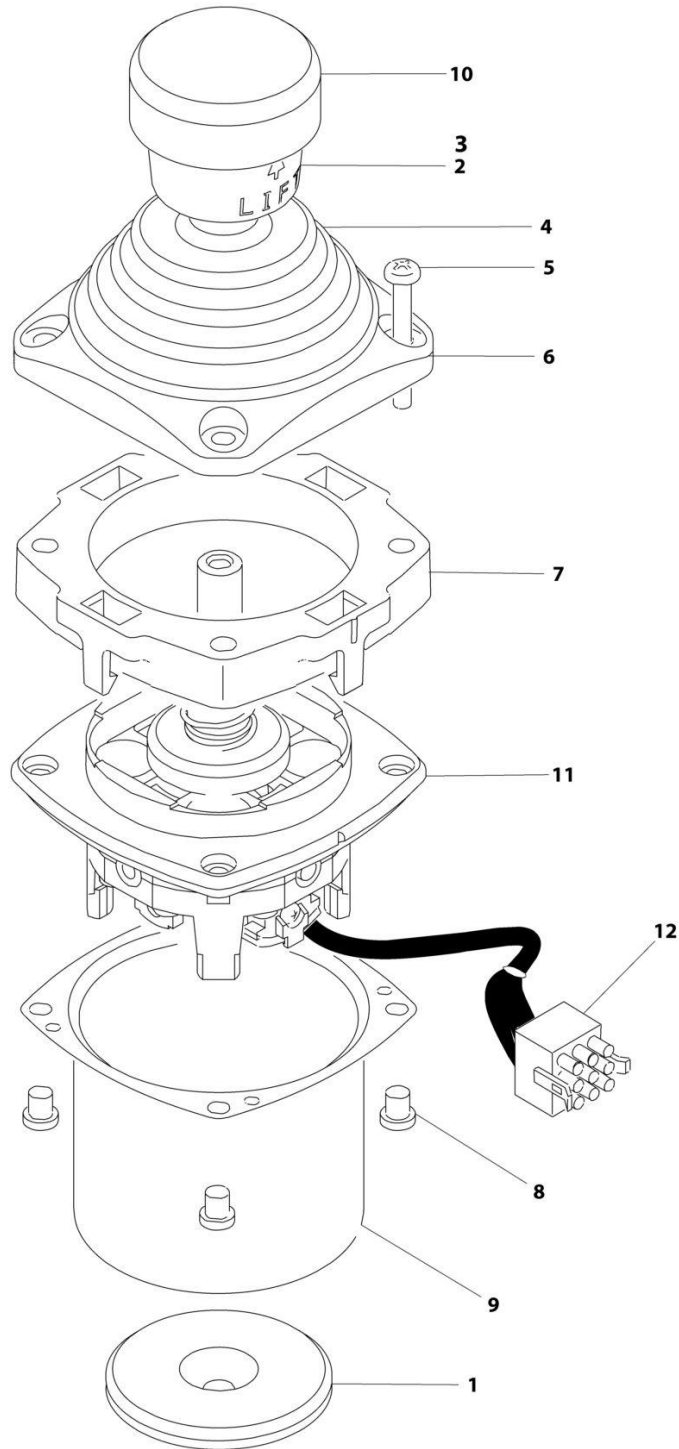
SECTION 5 - PLATFORM

FIGURE 5-31. CONTROLLER ASSEMBLY - DRIVE AND STEER (SN 0300194238 through 0300208528)

ITEM	PART NUMBER	QTY	DESCRIPTION	REV
	1001178132	Ref	CONTROLLER ASSEMBLY - DRIVE AND STEER (SN 0300194238 through 0300208528)	E
7	70004738	2	Washer	
10	70004739	1	Roller	
11	70004740	1	Boot, Switch	
14	70004741	2	Half, Handle	
17	70004742	1	Enclosure	
18	70004743	4	Nut	
19	70004744	NLA	Boot, Controller (Use p/n 70005230 Boot/Base Assembly)	
20	70004745	NLA	Tube, Locking (Use p/n 70005230 Boot/Base Assembly)	
21	70004746	NLA	Disc, Locking (Use p/n 70005230 Boot/Base Assembly)	
25	70004747	2	Seal, Rope	
26	70004748	1	Screw, M3 x 6mm	
28	70004749	2	Screw, M5 x 20mm	
29	70004750	1	Pin, Dowel	
30	70004751	4	Screw, M3 x 16mm	
101	4460265	1	Connector - 9 Position	
101	4460226	7	Socket, Female	

SECTION 5 - PLATFORM

FIGURE 5-32. CONTROLLER ASSEMBLY - LIFT AND SWING (SN 0300189901 through 0300194237)



ART_100118419

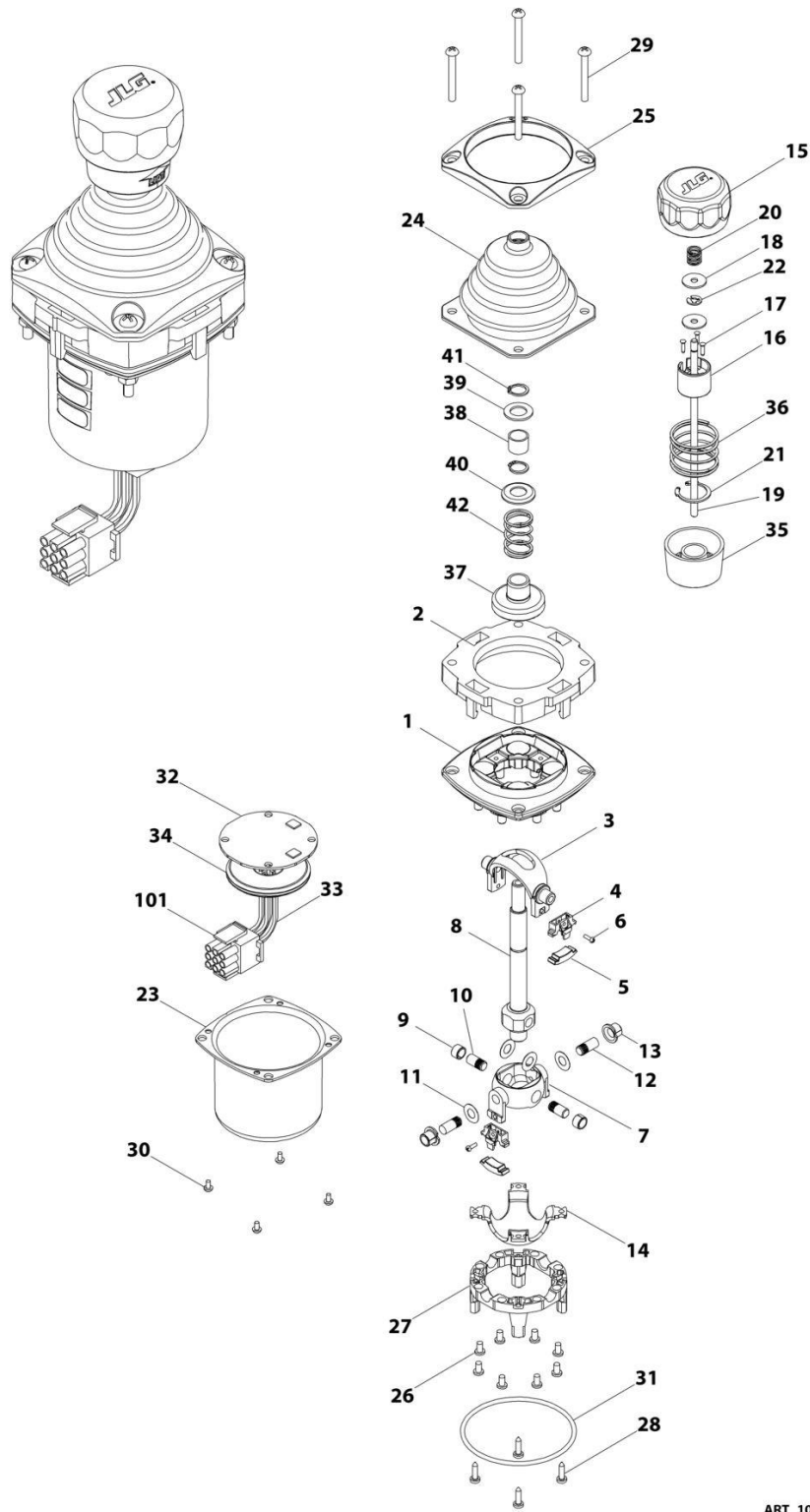
SECTION 5 - PLATFORM

FIGURE 5-32. CONTROLLER ASSEMBLY - LIFT AND SWING (SN 0300189901 through 0300194237)

ITEM	PART NUMBER	QTY	DESCRIPTION	REV
	1001118419	Ref	CONTROLLER ASSEMBLY - LIFT AND SWING (SN 0300189901 through 0300194237)	C
1	70002730	1	Gasket	
2	7003928	1	Spring	
3	7022808	1	Cap, Lift	
4	70002731	1	Boot	
5	70002732	4	Screw	
6	7022815	1	Bezel	
7	70002733	1	Adapter	
8	70002734	4	Screw	
9	70002735	1	Can, Enclosure	
10	70002906	1	Cap	
11	See Note	1	Mechanical Assembly (Note: Not Available for Purchase)	
12	4460265	1	Connector - 9 Position	
12	4460226	8	Socket, Female	

SECTION 5 - PLATFORM

FIGURE 5-33. CONTROLLER ASSEMBLY - LIFT AND SWING (SN 0300194238 through 0300208528)



ART_1001178139

SECTION 5 - PLATFORM

FIGURE 5-33. CONTROLLER ASSEMBLY - LIFT AND SWING (SN 0300194238 through 0300208528)

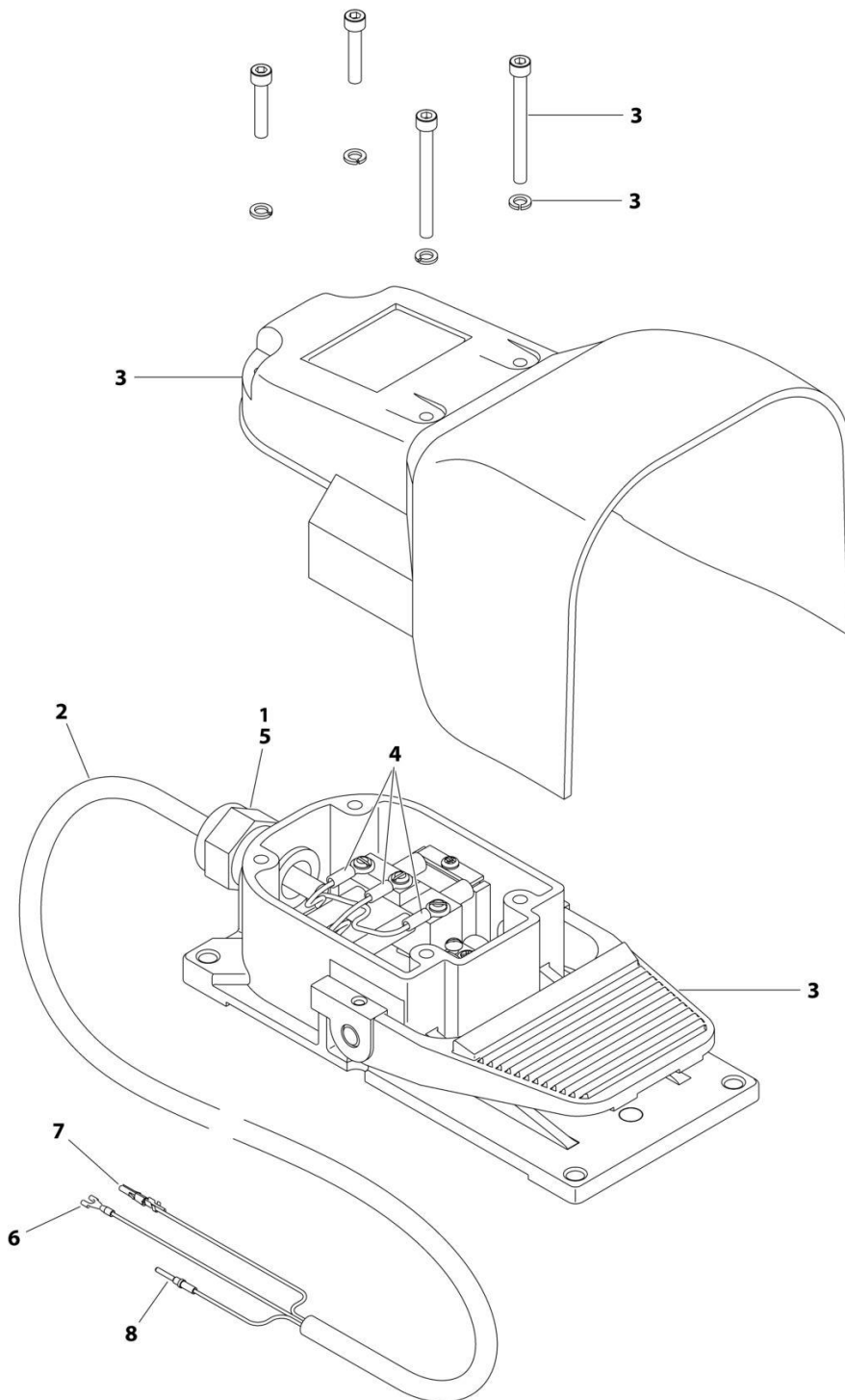
ITEM	PART NUMBER	QTY	DESCRIPTION	REV
	1001178139	Ref	CONTROLLER ASSEMBLY - LIFT AND SWING (SN 0300194238 through 0300208528)	A
1	See Note	1	Main Cast Body (Note: Not Available - Purchase Complete Assembly)	
2	70004752	1	Adapter	
3	See Note	1	Pivot Arm, Plastic (Note: Not Available - Purchase Complete Assembly)	
4	See Note	2	Holder, Magnet (Note: Not Available - Purchase Complete Assembly)	
5	See Note	2	Arc, Magnet (Note: Not Available - Purchase Complete Assembly)	
6	See Note	2	Screw (Note: Not Available for Purchase)	
7	See Note	1	Pivot Arm, Cast (Note: Not Available - Purchase Complete Assembly)	
8	See Note	1	Shaft, Main (Note: Not Available - Purchase Complete Assembly)	
9	See Note	2	Bearing (Note: Not Available - Purchase Complete Assembly)	
10	See Note	2	Pin (Note: Not Available - Purchase Complete Assembly)	
11	See Note	4	Shim (Note: Not Available - Purchase Complete Assembly)	
12	See Note	2	Pin (Note: Not Available - Purchase Complete Assembly)	
13	See Note	2	Bearing (Note: Not Available - Purchase Complete Assembly)	
14	See Note	1	Dome, Centering (Note: Not Available - Purchase Complete Assembly)	
15	70004753	1	Cap	
16	70004754	1	Insert, Cap	
17	70004755	3	Pin	
18	70004756	2	Washer	
19	70004757	1	Pin, Centering	
20	70004758	1	Spring	
21	70004759	1	Ring, Retaining	
22	70004760	1	E-Ring	
23	70004761	1	Can, Enclosure	
24	70004762	1	Boot	
25	70004763	1	Bezel	
26	See Note	8	Screw (Note: Not Available for Purchase)	
27	See Note	1	Base Mounting (Note: Not Available - Purchase Complete Assembly)	
28	See Note	4	Screw (Note: Not Available for Purchase)	
29	70004764	4	Screw	
30	70004765	4	Screw	
31	70004766	1	O-Ring	
32	See Note	1	Plate (Note: Not Available - Purchase Complete Assembly)	
33	See Note	1	Harness (Note: Not Available - Purchase Complete Assembly)	
34	70004767	1	Gromment, Rubber	
35	70004768	1	Housing	
36	70004769	1	Spring	
37	70004770	1	Stopper	
38	70004771	1	Spacer	
39	70004772	1	Washer	
40	70004773	1	Disc	
41	70004774	2	Ring, Retaining	
42	70004775	1	Spring	
101	4460265	1	Connector - 9 Position	

SECTION 5 - PLATFORM

ITEM	PART NUMBER	QTY	DESCRIPTION	REV
101	4460226	6	Socket, Female	

SECTION 5 - PLATFORM

FIGURE 5-34. FOOTSWITCH ASSEMBLY



ART_1001136889

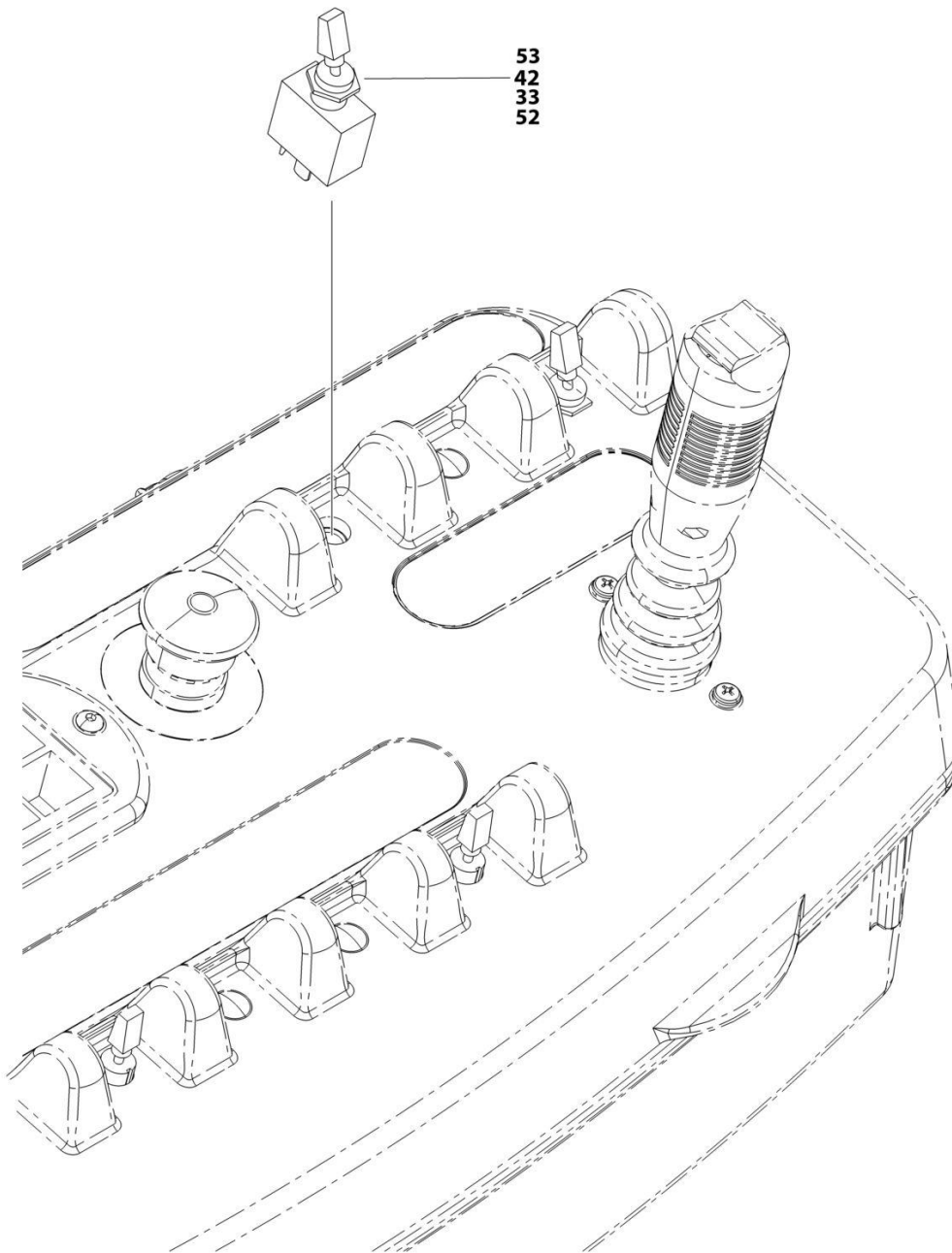
SECTION 5 - PLATFORM

FIGURE 5-34. FOOTSWITCH ASSEMBLY

ITEM	PART NUMBER	QTY	DESCRIPTION	REV
	1001136889	Ref	FOOTSWITCH ASSEMBLY	A
1	0100020	AR	Sealant	
2	1060330	1	Cable, Electrical - 16/3	
3	1001117172	1	Footswitch	
3	70002902	1	Switch, 20Amp	
3	70002903	1	Gasket	
3	70002905	1	Cover	
3	70002904	1	Kit, Replacement Bolt	
4	4460042	3	Terminal	
5	4460071	1	Connector, Strain Relief	
6	4460183	1	Terminal	
7	4460226	1	Socket, Female	
8	4460464	1	Pin, Male	

SECTION 5 - PLATFORM

FIGURE 5-35. MOTOR CONTROLS INSTALLATION - M400AJP/M400AJPNARROW



ART_1001167699_40F4

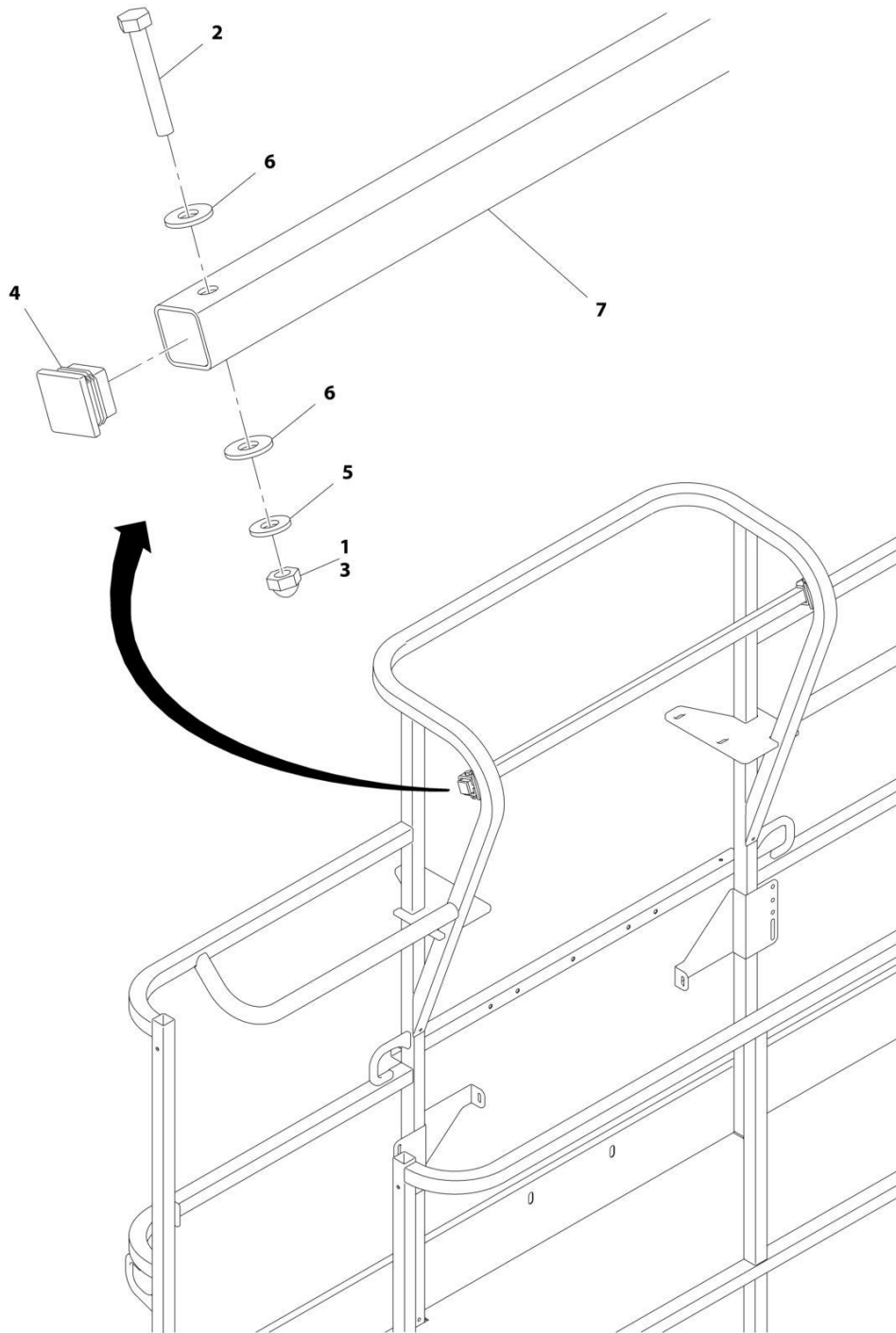
SECTION 5 - PLATFORM

FIGURE 5-35. MOTOR CONTROLS INSTALLATION - M400AJP/M400AJPNARROW

ITEM	PART NUMBER	QTY	DESCRIPTION	REV
	1001167699	Ref	MOTOR CONTROLS INSTALLATION	C
33	3790012	1	O-Ring	
42	4360336	1	Switch, Toggle	
52	4922222	1	Harness (Not Shown)	
52	4460464	1	Pin, Male	
53	4922223	1	Harness (Not Shown)	
53	4460464	1	Pin, Male	

SECTION 5 - PLATFORM

FIGURE 5-36. CROSS RAIL INSTALLATION



ART_1001182138

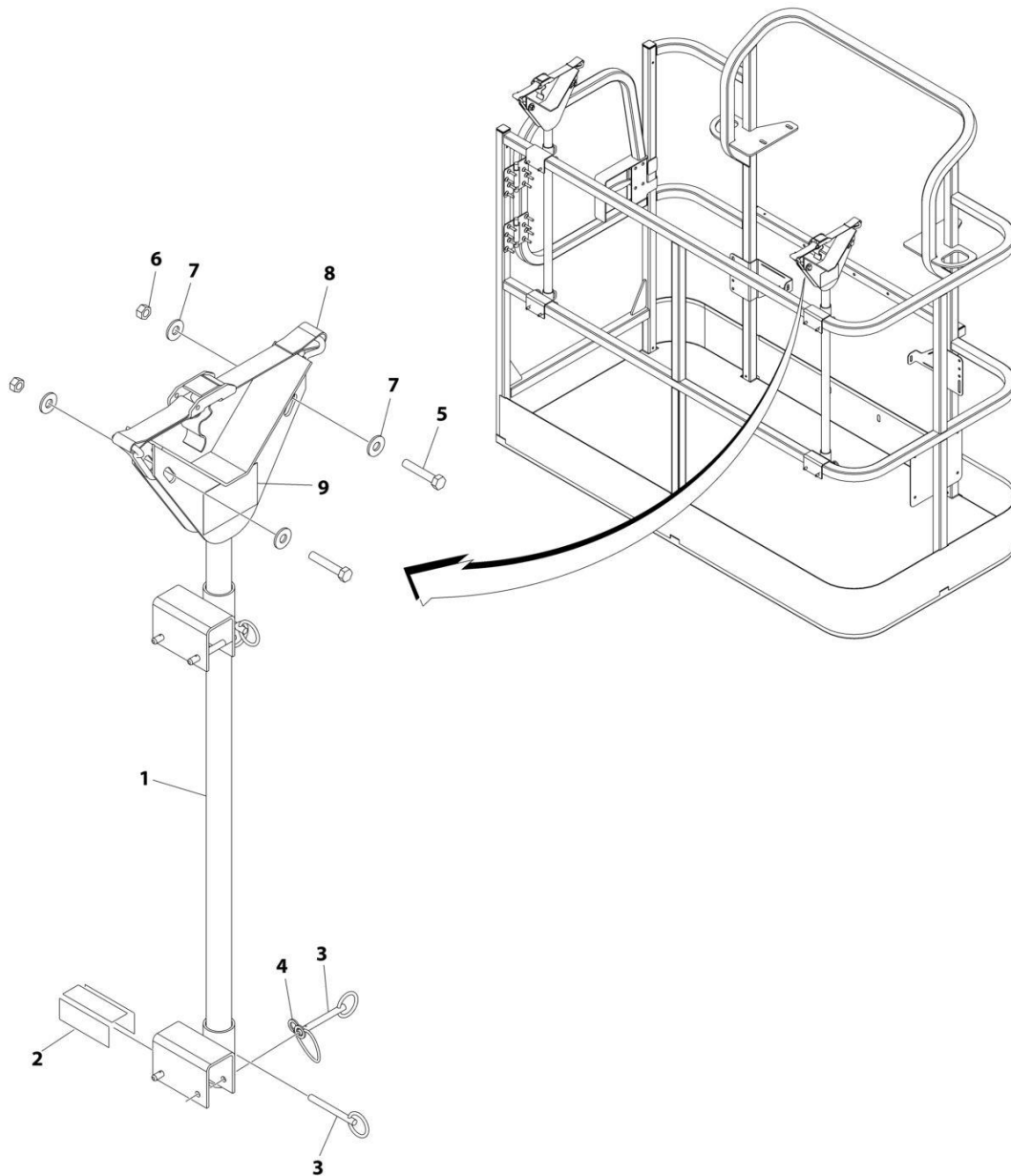
SECTION 5 - PLATFORM

FIGURE 5-36. CROSS RAIL INSTALLATION

ITEM	PART NUMBER	QTY	DESCRIPTION	REV
	1001182138	Ref	CROSS RAIL INSTALLATION	A
1	0100071	AR	Compound, Locking	
2	0641414	2	Bolt 1/4 x 1-3/4	
3	3300430	2	Nut 1/4	
4	3520182	2	Plug	
5	4711400	2	Washer 1/4	
6	4751400	4	Washer 1/4	
7	1001191708	1	Bar	

SECTION 5 - PLATFORM

FIGURE 5-37. PIPE RACK INSTALLATION



ART_0257728

SECTION 5 - PLATFORM

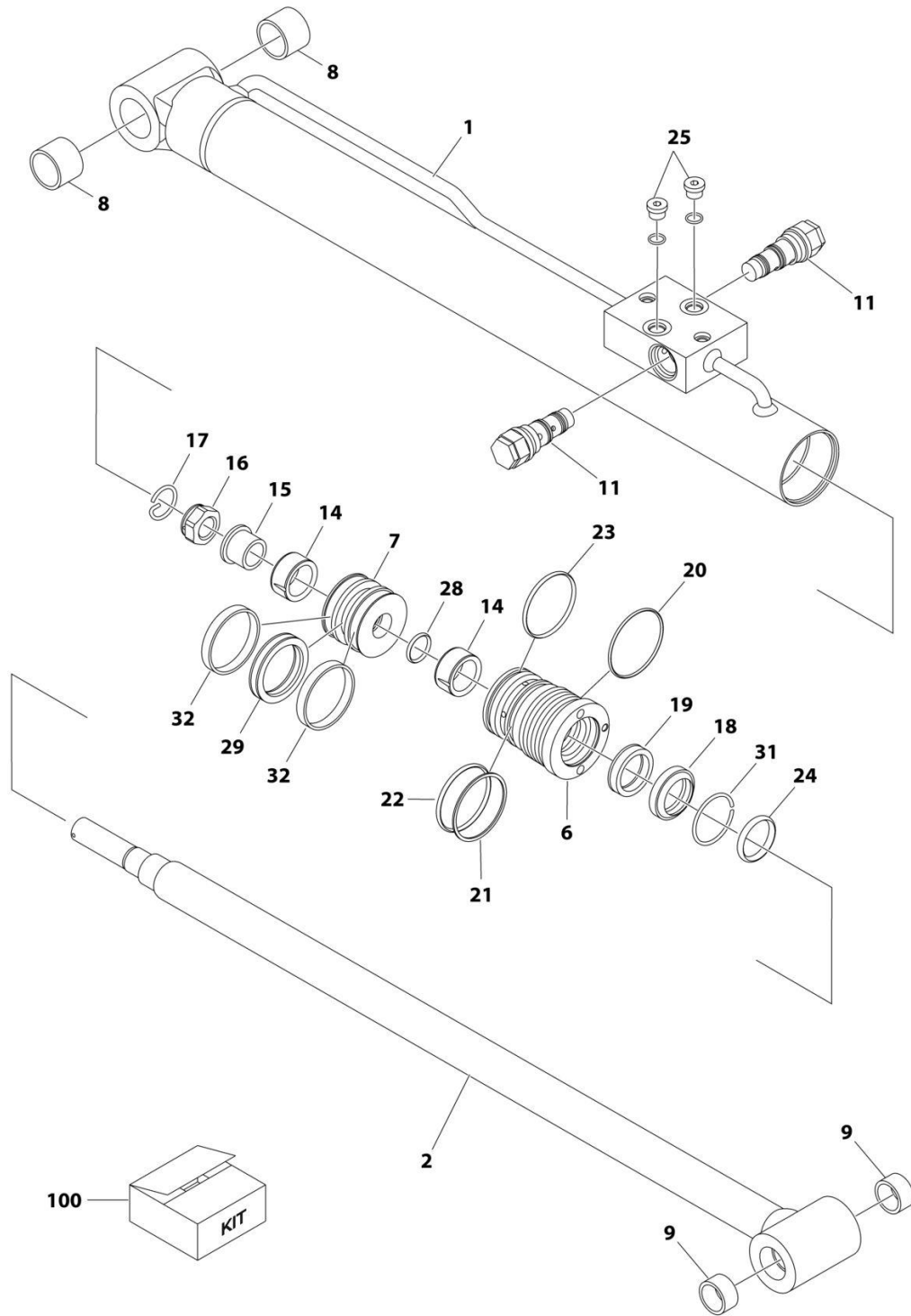
FIGURE 5-37. PIPE RACK INSTALLATION

ITEM	PART NUMBER	QTY	DESCRIPTION	REV
	0257728	Ref	PIPE RACK INSTALLATION	2/C
1	4845582	2	Rack, Pipe	
2	4420062	AR	Tape	
3	3422661	10	Pin	
4	1060379	4	Lanyard	
5	0641514	4	Bolt 5/16 x 1-3/4	
6	3311505	4	Nut 5/16	
7	4751500	8	Washer 5/16	
8	0480100	2	Tie-Down	
9	1703683	2	Decal - Capacity	

SECTION 6 - CYLINDER

SECTION 6 - CYLINDER

FIGURE 6-1. JIB CYLINDER ASSEMBLY - E400AJP/E400AJPNARROW/M400AJP/M400AJPNARROW



ART_1001140280

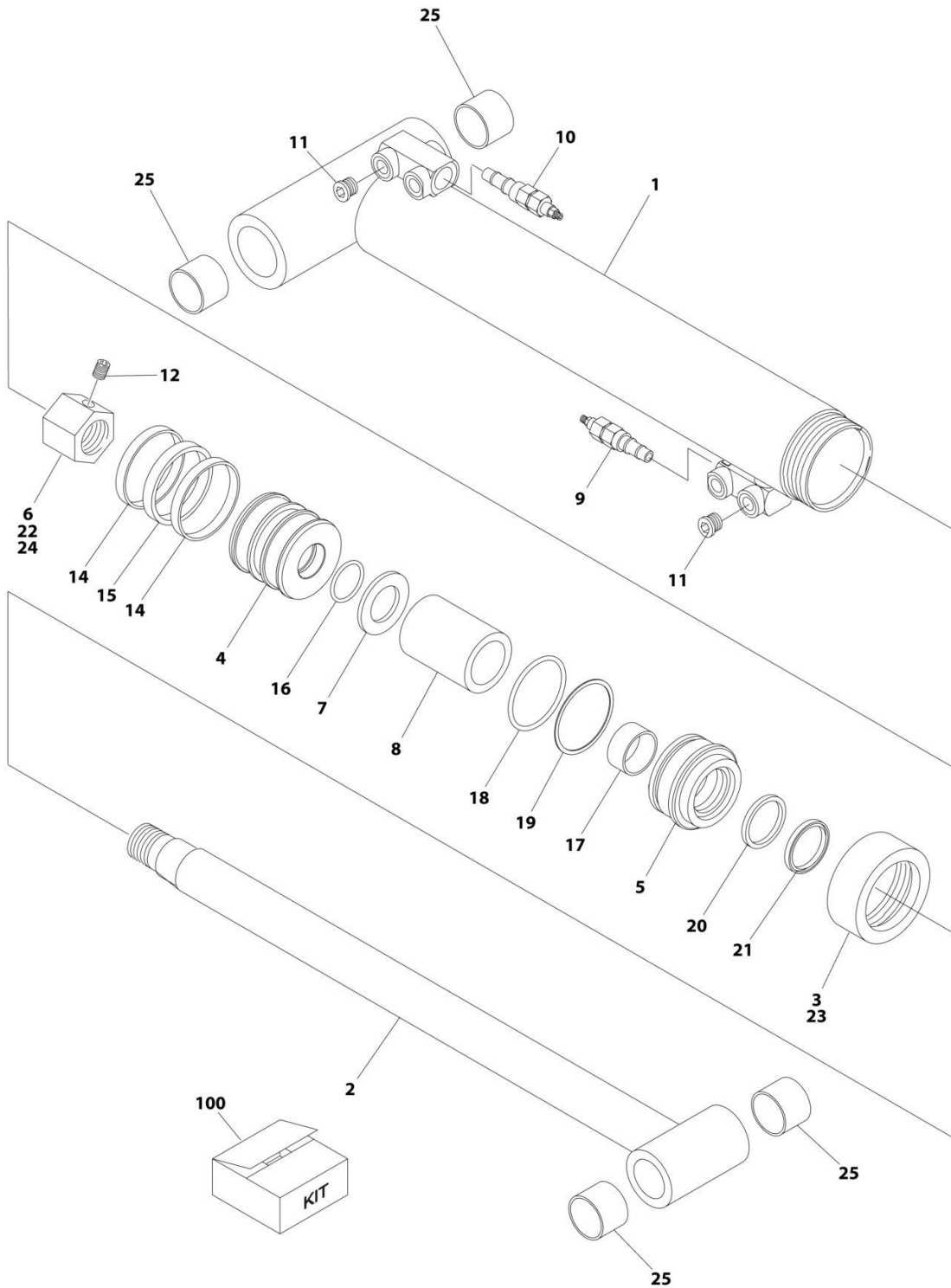
SECTION 6 - CYLINDER

FIGURE 6-1. JIB CYLINDER ASSEMBLY - E400AJP/E400AJPNARROW/M400AJP/M400AJPNARROW

ITEM	PART NUMBER	QTY	DESCRIPTION	REV
	1001140280	Ref	JIB CYLINDER ASSEMBLY	A
		Ref	Note: For Jib Cylinder with Manual Descent Valve See SPECIAL OPTIONS SECTION.	
1	70003863	1	Barrel, Weldment	
2	70003864	1	Rod, Weldment	
6	7026088	1	Head	
7	70003833	1	Piston	
8	0961951	2	Bushing	
9	0961947	2	Bushing	
11	4640509	2	Cartridge, Counterbalance Valve	
11	2900792	2	Seal Kit - 4640509	
14	7026090	2	Bushing	
15	7026091	1	Sleeve	
16	7026092	1	Nut	
17	70002223	1	Retainer	
18	See Note	NSS	Wiper, Rod (Note: Use Item 100)	
19	See Note	NSS	Seal, Rod (Note: Use Item 100)	
20	See Note	NSS	O-Ring (Note: Use Item 100)	
21	See Note	NSS	Ring, Back-up (Note: Use Item 100)	
22	See Note	NSS	O-Ring (Note: Use Item 100)	
23	See Note	NSS	O-Ring (Note: Use Item 100)	
24	7026068	1	O-Ring	
25	7024844	2	Plug	
28	See Note	NSS	O-Ring (Note: Use Item 100)	
29	See Note	NSS	Seal, Piston (Note: Use Item 100)	
31	70002220	1	Ring, Retaining	
32	See Note	NSS	Ring, Wear (Note: Use Item 100)	
100	70003836	1	Seal Kit (Includes Items 18-23, 28, 29 & 32)	

SECTION 6 - CYLINDER

FIGURE 6-2. LIFT CYLINDER ASSEMBLY - LOWER - E400ANARROW (ORIGINAL EQUIPMENT)



ART_1684453

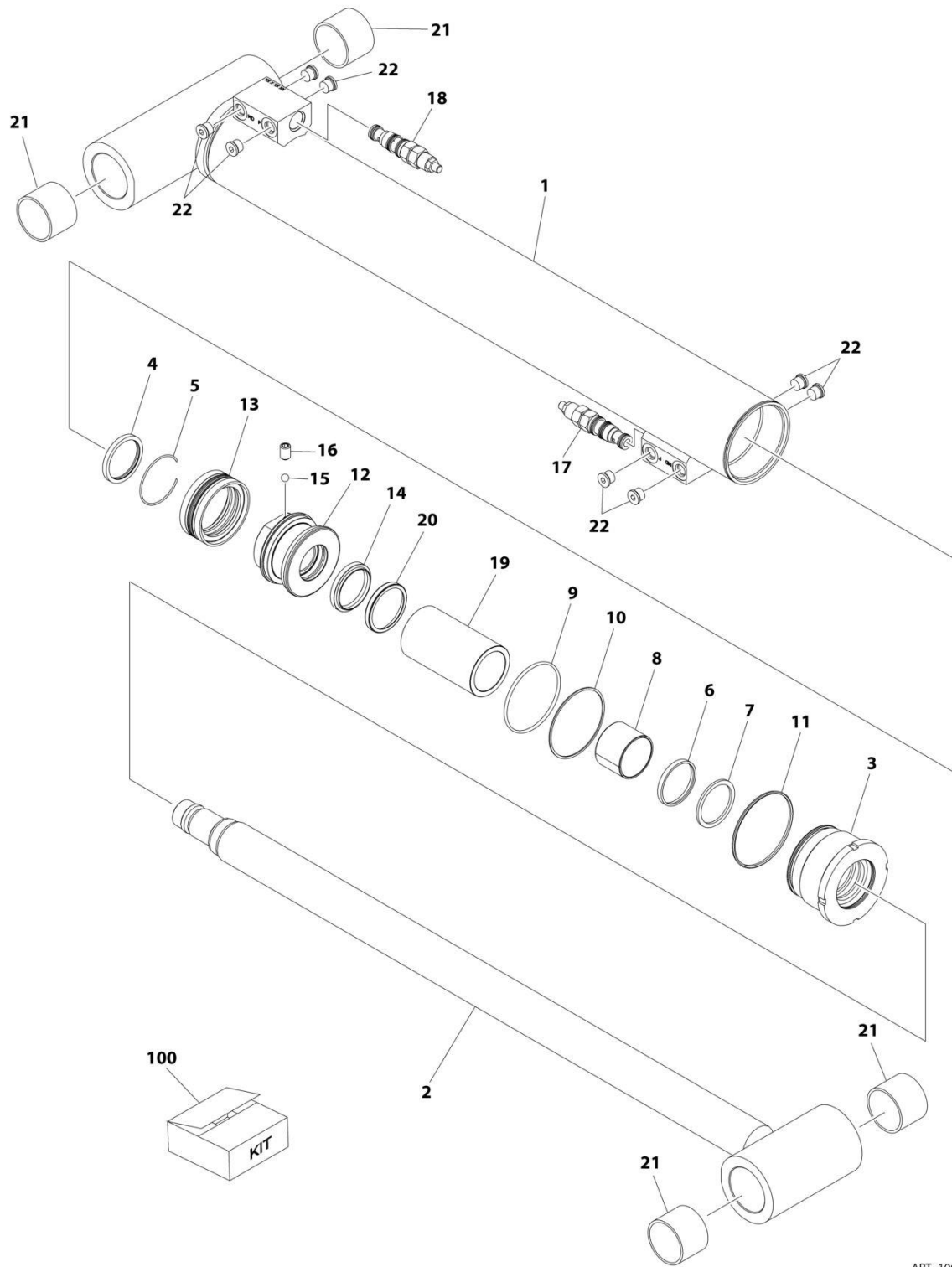
SECTION 6 - CYLINDER

FIGURE 6-2. LIFT CYLINDER ASSEMBLY - LOWER - E400ANARROW (ORIGINAL EQUIPMENT)

ITEM	PART NUMBER	QTY	DESCRIPTION	REV
	1684453	Ref	LIFT CYLINDER ASSEMBLY - LOWER	C
		Ref	Note: Original Cylinder may have been replaced with Service Replacement. Identify PN Stamped on Cylinder Before Ordering Parts.	
1	1684022	1	Barrel, Weldment	
2	1684023	1	Rod, Weldment	
3	1120305	1	Retainer	
4	3480242	1	Piston	
5	1683712	1	Head	
6	3300281	1	Nut	
7	4740207	1	Washer	
8	4565992	1	Spacer	
9	4640634	1	Cartridge, Holding Valve	
9	2900770	1	Seal Kit - 4640634 Valve	
10	4641386	1	Cartridge, Holding Valve	
10	7011376	1	Seal Kit - 4641386 Valve	
11	2220885	2	Plug	
12	3900170	1	Setscrew	
14	See Note	NSS	Ring, Wear (Note: Use Item 100)	
15	See Note	NSS	Seal, Piston (Note: Use Item 100)	
16	See Note	NSS	O-Ring (Note: Use Item 100)	
17	See Note	NSS	Ring, Wear (Note: Use Item 100)	
18	See Note	NSS	O-Ring (Note: Use Item 100)	
19	See Note	NSS	Ring, Back-up (Note: Use Item 100)	
20	See Note	NSS	Seal, Rod (Note: Use Item 100)	
21	See Note	NSS	Wiper, Rod (Note: Use Item 100)	
22	0100011	AR	Compound, Locking	
23	0100035	AR	Compound, Locking	
24	0100038	AR	Primer, Locking	
25	0961950	4	Bushing	
100	2901805	1	Seal Kit (Includes Items 14-21)	

SECTION 6 - CYLINDER

FIGURE 6-3. LIFT CYLINDER ASSEMBLY - LOWER - E400ANARROW (SERVICE REPLACEMENT)



ART_1001228037

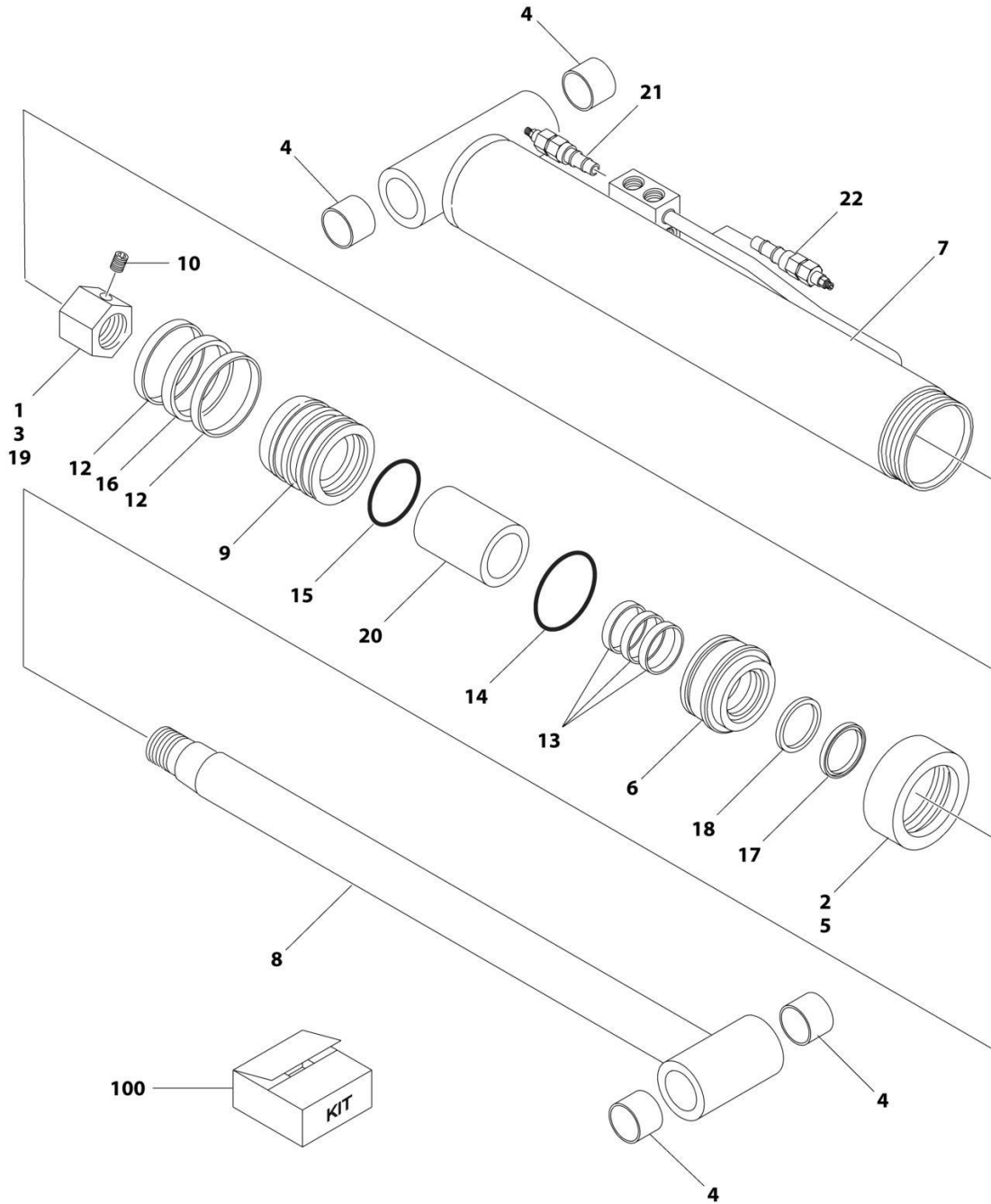
SECTION 6 - CYLINDER

FIGURE 6-3. LIFT CYLINDER ASSEMBLY - LOWER - E400ANARROW (SERVICE REPLACEMENT)

ITEM	PART NUMBER	QTY	DESCRIPTION	REV
	1001228037	Ref	LIFT CYLINDER ASSEMBLY - LOWER	A
		Ref	Note: Original Cylinder may have been replaced with Service Replacement. Identify PN Stamped on Cylinder Before Ordering Parts.	
1	See Note	NSS	Barrel (Note: Not Available for Purchase)	
2	70006593	1	Rod	
3	70006592	1	Head	
4	See Note	NSS	Wiper (Note: Use Item 100)	
5	70002412	1	Retainer	
6	See Note	NSS	Seal, Rod (Note: Use Item 100)	
7	See Note	NSS	Ring, Back-up (Note: Use Item 100)	
8	70006591	1	Bearing	
9	See Note	NSS	O-Ring (Note: Use Item 100)	
10	See Note	NSS	Ring, Back-up (Note: Use Item 100)	
11	70050801	1	O-Ring	
12	70006590	1	Piston	
13	See Note	NSS	Seal (Note: Use Item 100)	
14	See Note	NSS	O-Ring (Note: Use Item 100)	
15	70022564	1	Ball, Steel	
16	70006601	1	Setscrew	
17	4640634	1	Cartridge, Holding Valve	
17	2900770	1	Seal Kit - 4640634 Valve	
18	4641386	1	Cartridge, Holding Valve	
18	7011376	1	Seal Kit - 4641386 Valve	
19	70006589	1	Spacer	
20	70006588	1	O-Ring	
21	0961950	4	Bushing	
22	2220883	8	Plug, O-Ring	
100	70006587	1	Seal Kit (Includes Items 4, 6, 7, 9, 10, 13 & 14)	

SECTION 6 - CYLINDER

FIGURE 6-4. LIFT CYLINDER ASSEMBLY - LOWER - E400AJP/E400AJPNARROW/M400AJP/M400AJPNARROW (ORIGINAL EQUIPMENT)



ART_1684451

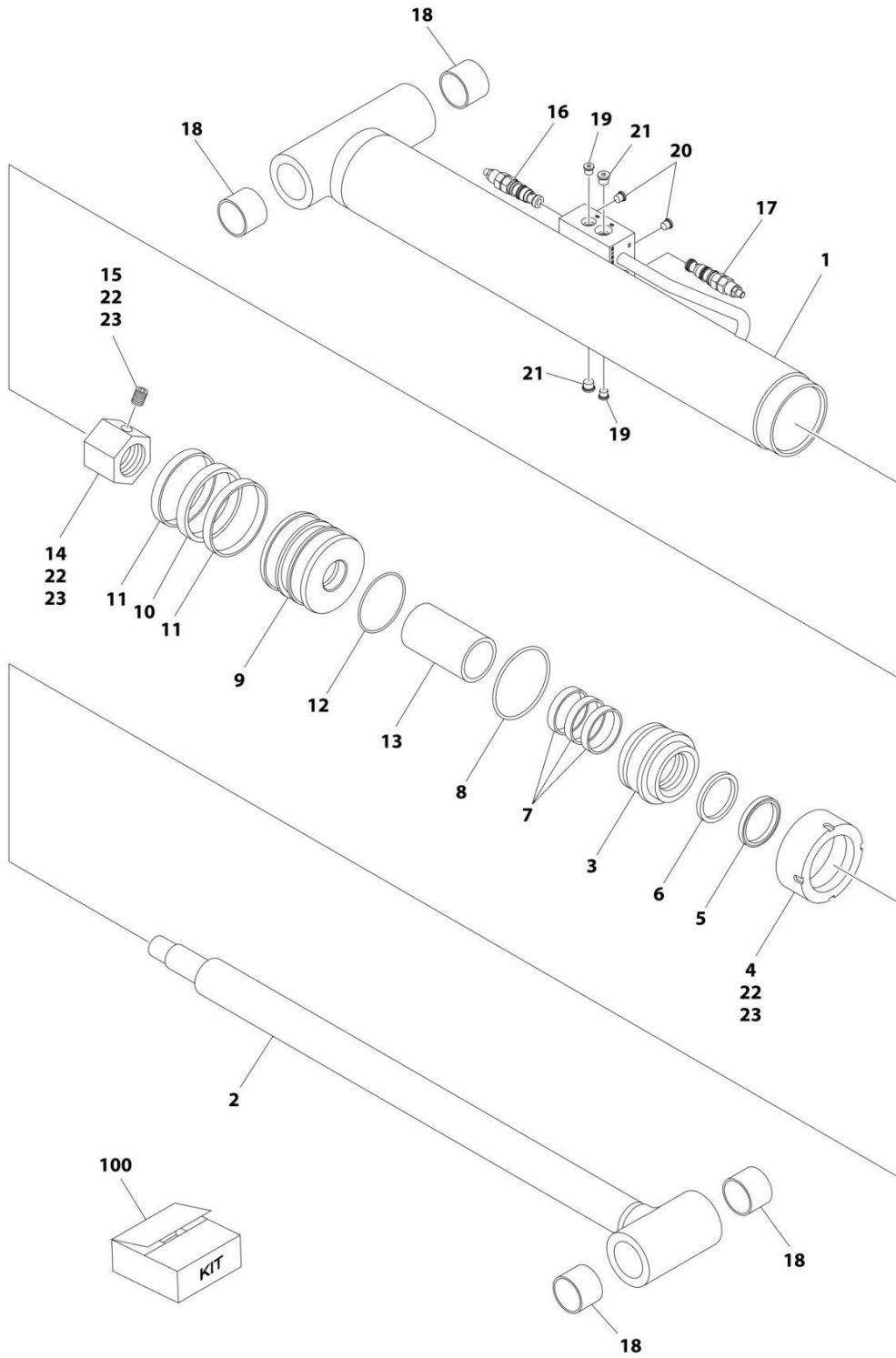
SECTION 6 - CYLINDER

**FIGURE 6-4. LIFT CYLINDER ASSEMBLY - LOWER -
E400AJP/E400AJPNARROW/M400AJP/M400AJPNARROW (ORIGINAL EQUIPMENT)**

ITEM	PART NUMBER	QTY	DESCRIPTION	REV
	1684451	Ref	LIFT CYLINDER ASSEMBLY - LOWER	D
		Ref	Note: Original Cylinder may have been replaced with Service Replacement. Identify PN Stamped on Cylinder Before Ordering Parts.	
1	0100011	AR	Compound, Locking	
2	0100035	1	Compound, Locking	
4	0961950	4	Bushing	
5	1120094	1	Retainer	
6	1683710	1	Head	
7	1683940	1	Barrel, Weldment	
8	1683941	1	Rod, Weldment	
9	3480241	1	Piston	
10	3900170	1	Setscrew	
12	See Note	NSS	Ring, Wear (Note: Use Item 100)	
13	See Note	NSS	Ring, Wear (Note: Use Item 100)	
14	See Note	NSS	O-Ring (Note: Use Item 100)	
15	See Note	NSS	O-Ring (Note: Use Item 100)	
16	See Note	NSS	Seal, Piston (Note: Use Item 100)	
17	See Note	NSS	Wiper, Rod (Note: Use Item 100)	
18	See Note	1	Seal, Rod	
19	3300281	1	Nut	
20	4566432	1	Spacer	
21	4640634	1	Cartridge, Holding Valve	
21	2900770	1	Seal Kit - 4640634 Valve	
22	4641386	1	Cartridge, Holding Valve	
22	7011376	1	Seal Kit - 4641386 Valve	
23	0100038	1	Primer, Locking	
100	2901806	1	Seal Kit (Includes Items 12-18)	

SECTION 6 - CYLINDER

FIGURE 6-5. LIFT CYLINDER ASSEMBLY - LOWER - E400AJP/E400AJPNARROW/M400AJP/M400AJPNARROW (SERVICE REPLACEMENT)



ART_1001228035

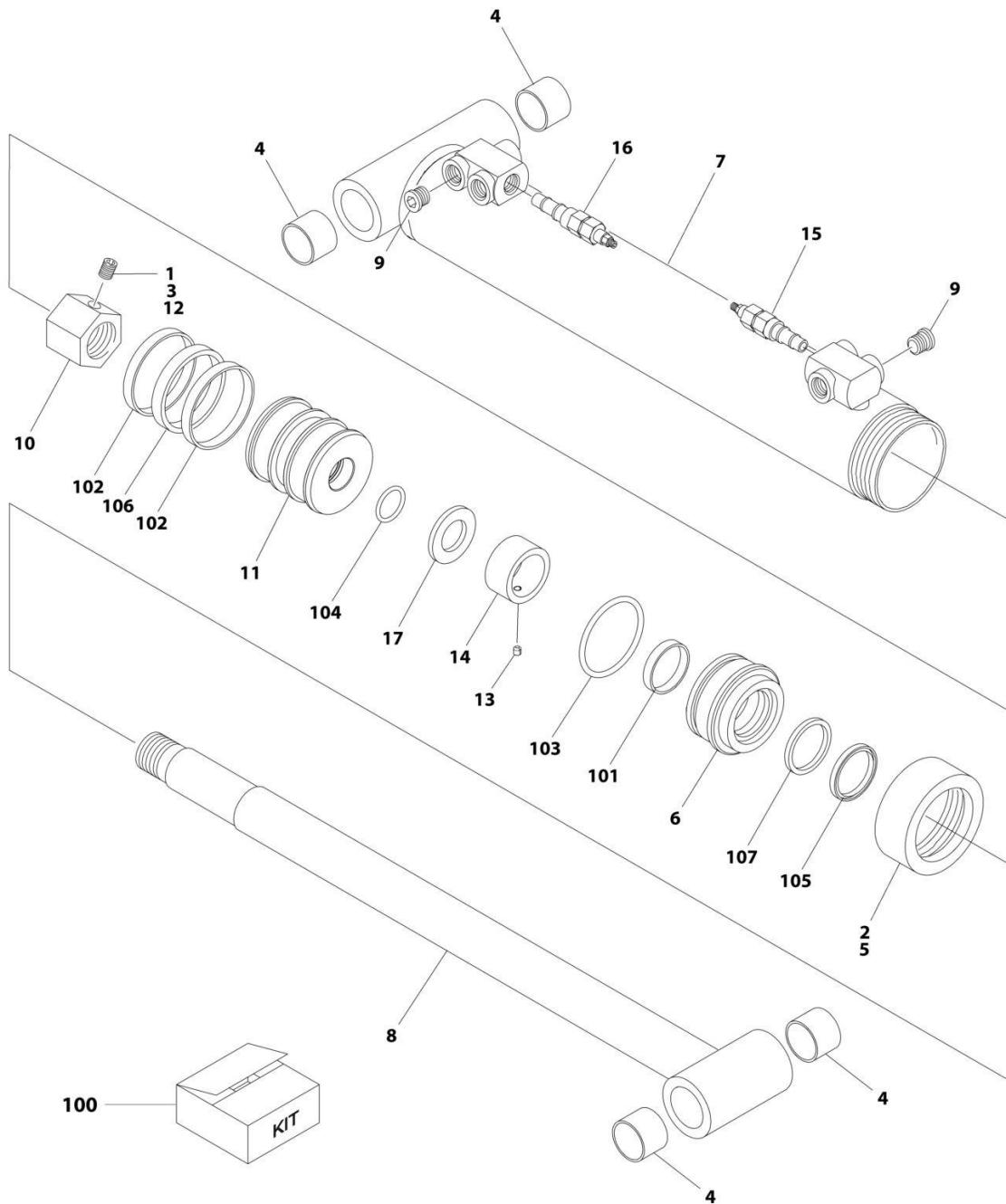
SECTION 6 - CYLINDER

**FIGURE 6-5. LIFT CYLINDER ASSEMBLY - LOWER -
E400AJP/E400AJPNARROW/M400AJP/M400AJPNARROW (SERVICE REPLACEMENT)**

ITEM	PART NUMBER	QTY	DESCRIPTION	REV
	1001228035	Ref	LIFT CYLINDER ASSEMBLY - LOWER	C
		Ref	Note: Original Cylinder may have been replaced with Service Replacement. Identify PN Stamped on Cylinder Before Ordering Parts.	
1	See Note	NSS	Barrel Weldment (Note: Not Available for Purchase)	
2	70006535	1	Rod Weldment	
3	70006533	1	Head	
4	70006533	1	Retainer	
5	See Note	NSS	Wiper (Note: Use Item 100)	
6	See Note	NSS	Seal, Rod (Note: Use Item 100)	
7	See Note	NSS	Ring, Wear (Note: Use Item 100)	
8	See Note	NSS	O-Ring (Note: Use Item 100)	
9	70006532	1	Piston	
10	See Note	NSS	Seal (Note: Use Item 100)	
11	See Note	NSS	Ring, Wear (Note: Use Item 100)	
12	See Note	NSS	O-Ring (Note: Use Item 100)	
13	70006531	1	Spacer	
14	3300281	1	Nut	
15	3900170	1	Setscrew	
16	4640634	1	Cartridge, Holding Valve	
16	2900770	1	Seal Kit - 4640634 Valve	
17	4641386	1	Cartridge, Holding Valve	
17	7011376	1	Seal Kit - 4641386 Valve	
18	0961950	4	Bushing	
19	2220883	2	Plug, O-Ring	
20	2220883	2	Plug, O-Ring	
21	2220885	2	Plug, O-Ring	
22	0100011	AR	Compound, Locking	
23	0100038	AR	Primer, Locking	
100	2901806	1	Seal Kit (Includes Items 5-8 & 10-12)	

SECTION 6 - CYLINDER

FIGURE 6-6. LIFT CYLINDER ASSEMBLY - MID - E400ANARROW (ORIGINAL EQUIPMENT)



ART_1684454

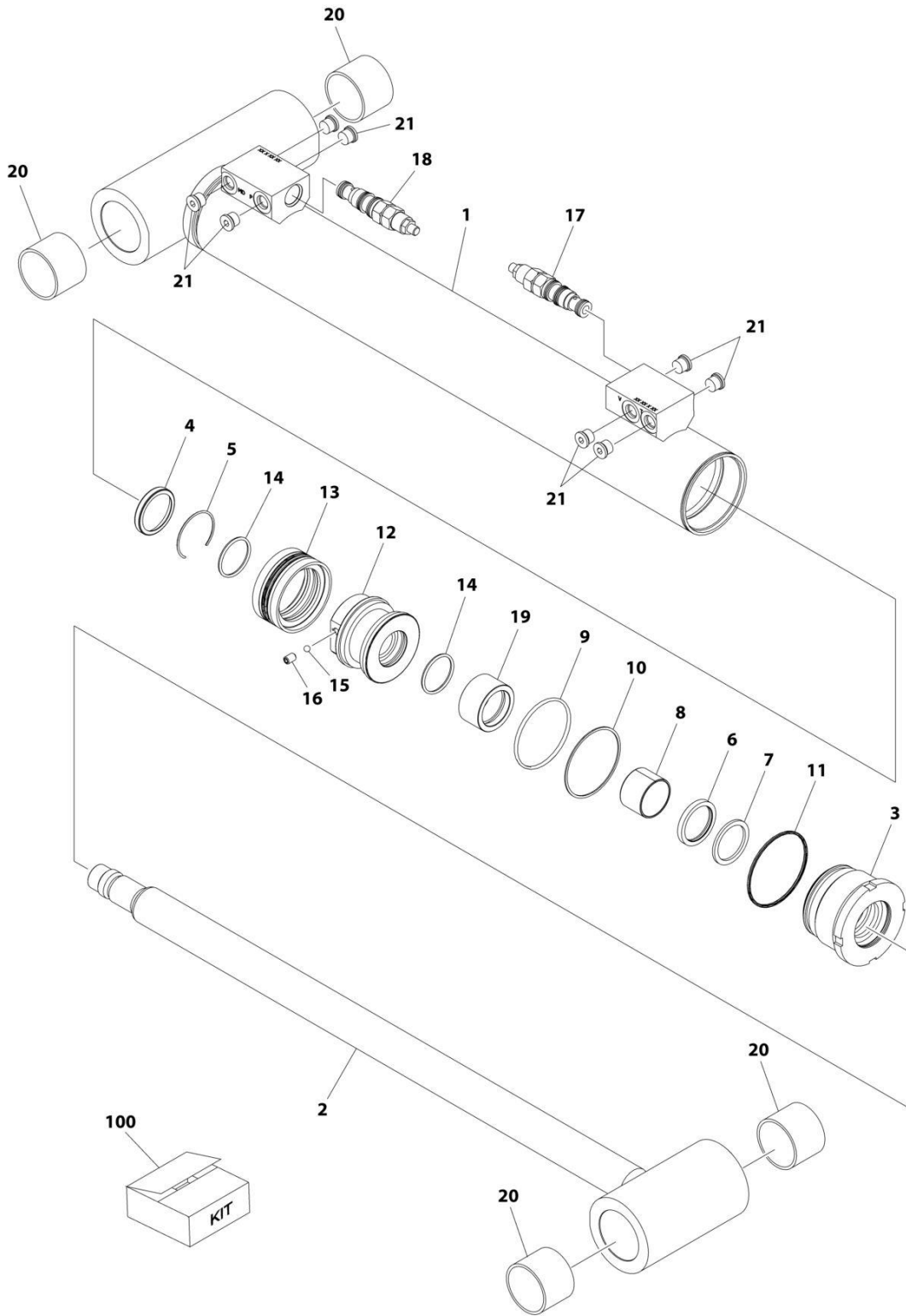
SECTION 6 - CYLINDER

FIGURE 6-6. LIFT CYLINDER ASSEMBLY - MID - E400ANARROW (ORIGINAL EQUIPMENT)

ITEM	PART NUMBER	QTY	DESCRIPTION	REV
	1684454	Ref	LIFT CYLINDER ASSEMBLY - MID	A
		Ref	Note: Original Cylinder may have been replaced with Service Replacement. Identify PN Stamped on Cylinder Before Ordering Parts.	
1	0100011	AR	Compound, Locking	
2	0100035	AR	Compound, Locking	
3	0100038	AR	Primer, Locking	
4	0961950	4	Bushing	
5	1120108	1	Retainer	
6	1681344	1	Head	
7	1684025	1	Barrel, Weldment	
8	1684026	1	Rod, Weldment	
9	2220885	2	Plug	
10	3300279	1	Nut	
11	3480240	1	Piston	
12	3900170	1	Setscrew	
13	3951402	1	Setscrew, 1/4-20 x 1/4	
14	4565994	1	Spacer	
15	4640634	1	Cartridge, Holding Valve	
15	2900770	1	Seal Kit - 4640634 Valve	
16	4641386	1	Cartridge, Holding Valve	
16	7011376	1	Seal Kit - 4641386 Valve	
17	4740394	1	Washer	
100	2902419	1	Seal Kit (Includes Items 101-107)	
101	See Note	NSS	Ring, Wear (Note: Use Item 100)	
102	See Note	NSS	Ring, Wear (Note: Use Item 100)	
103	See Note	NSS	O-Ring (Note: Use Item 100)	
104	See Note	NSS	O-Ring (Note: Use Item 100)	
105	See Note	NSS	Wiper, Rod (Note: Use Item 100)	
106	See Note	NSS	Seal, Piston (Note: Use Item 100)	
107	See Note	NSS	Seal, Rod (Note: Use Item 100)	

SECTION 6 - CYLINDER

FIGURE 6-7. LIFT CYLINDER ASSEMBLY - MID - E400ANARROW (SERVICE REPLACEMENT)



ART_1001228038

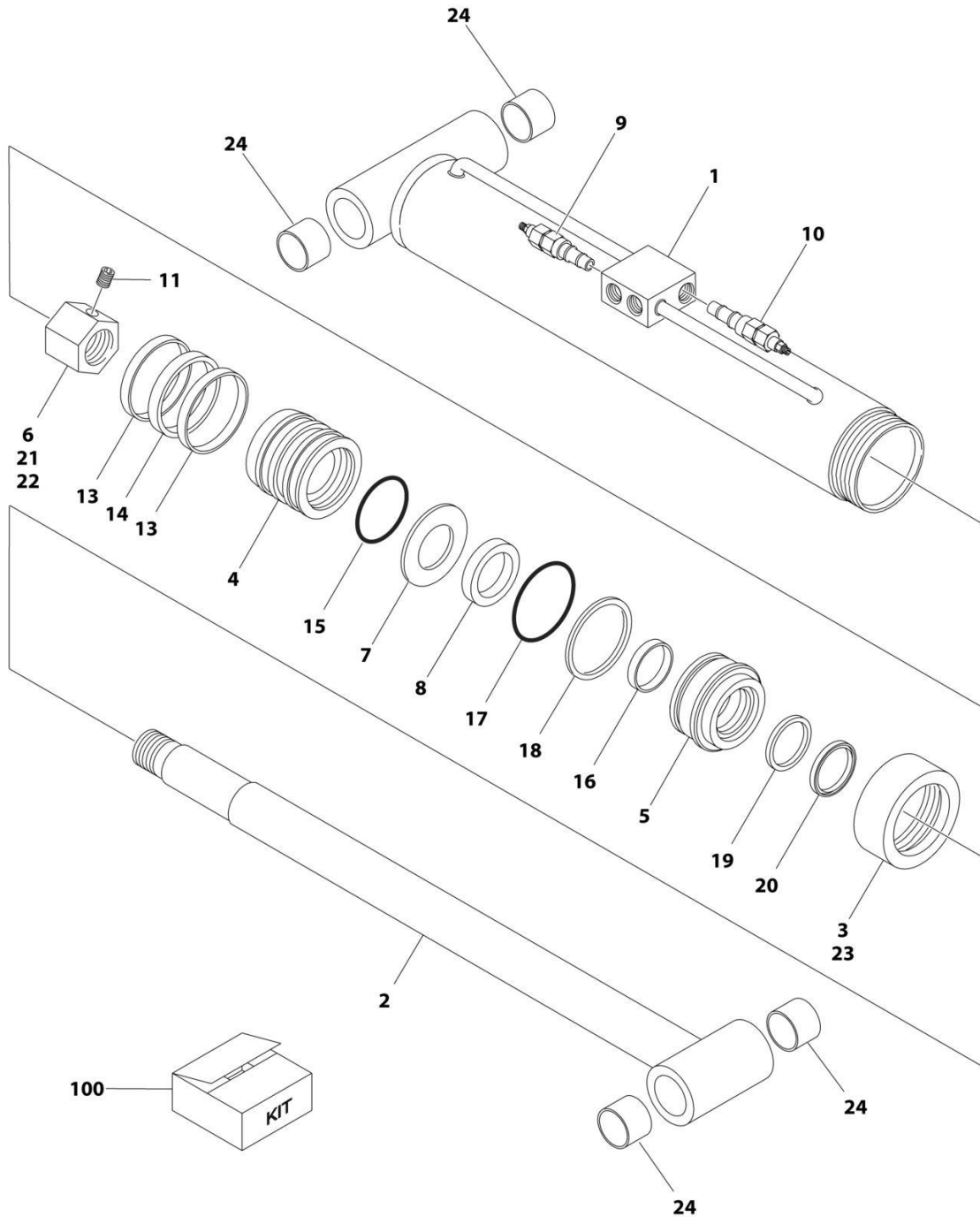
SECTION 6 - CYLINDER

FIGURE 6-7. LIFT CYLINDER ASSEMBLY - MID - E400ANARROW (SERVICE REPLACEMENT)

ITEM	PART NUMBER	QTY	DESCRIPTION	REV
	1001228038	Ref	LIFT CYLINDER ASSEMBLY - MID	A
		Ref	Note: Original Cylinder may have been replaced with Service Replacement. Identify PN Stamped on Cylinder Before Ordering Parts.	
1	See Note	NSS	Barrel Weldment (Note: Not Available for Purchase)	
2	70006600	1	Rod Weldment	
3	70006599	1	Head	
4	See Note	1	Wiper (Note: Use Item 100)	
5	70002373	1	Retainer	
6	See Note	NSS	Seal, Rod (Note: Use Item 100)	
7	See Note	NSS	Ring, Back-up (Note: Use Item 100)	
8	70005143	1	Bearing	
9	See Note	NSS	O-Ring (Note: Use Item 100)	
10	See Note	NSS	Ring, Back-up (Note: Use Item 100)	
11	70006598	1	O-Ring	
12	70006597	1	Piston	
13	See Note	NSS	Seal (Note: Use Item 100)	
14	See Note	NSS	O-Ring (Note: Use Item 100)	
15	70022564	1	Ball, Steel	
16	70006596	1	Setscrew	
17	4640634	1	Cartridge, Holding Valve	
17	2900770	1	Seal Kit - 4640634 Valve	
18	4641386	1	Cartridge, Holding Valve	
18	7011376	1	Seal Kit - 4641386 Valve	
19	70006595	1	Spacer	
20	0961950	4	Bushing	
21	2220885	8	Plug, O-Ring	
100	70006594	1	Seal Kit (Includes 4, 6, 7, 9, 10, 13 & 14)	

SECTION 6 - CYLINDER

FIGURE 6-8. LIFT CYLINDER ASSEMBLY - MID -
E400AJP/E400AJPNARROW/M400AJP/M400AJPNARROW (ORIGINAL EQUIPMENT)



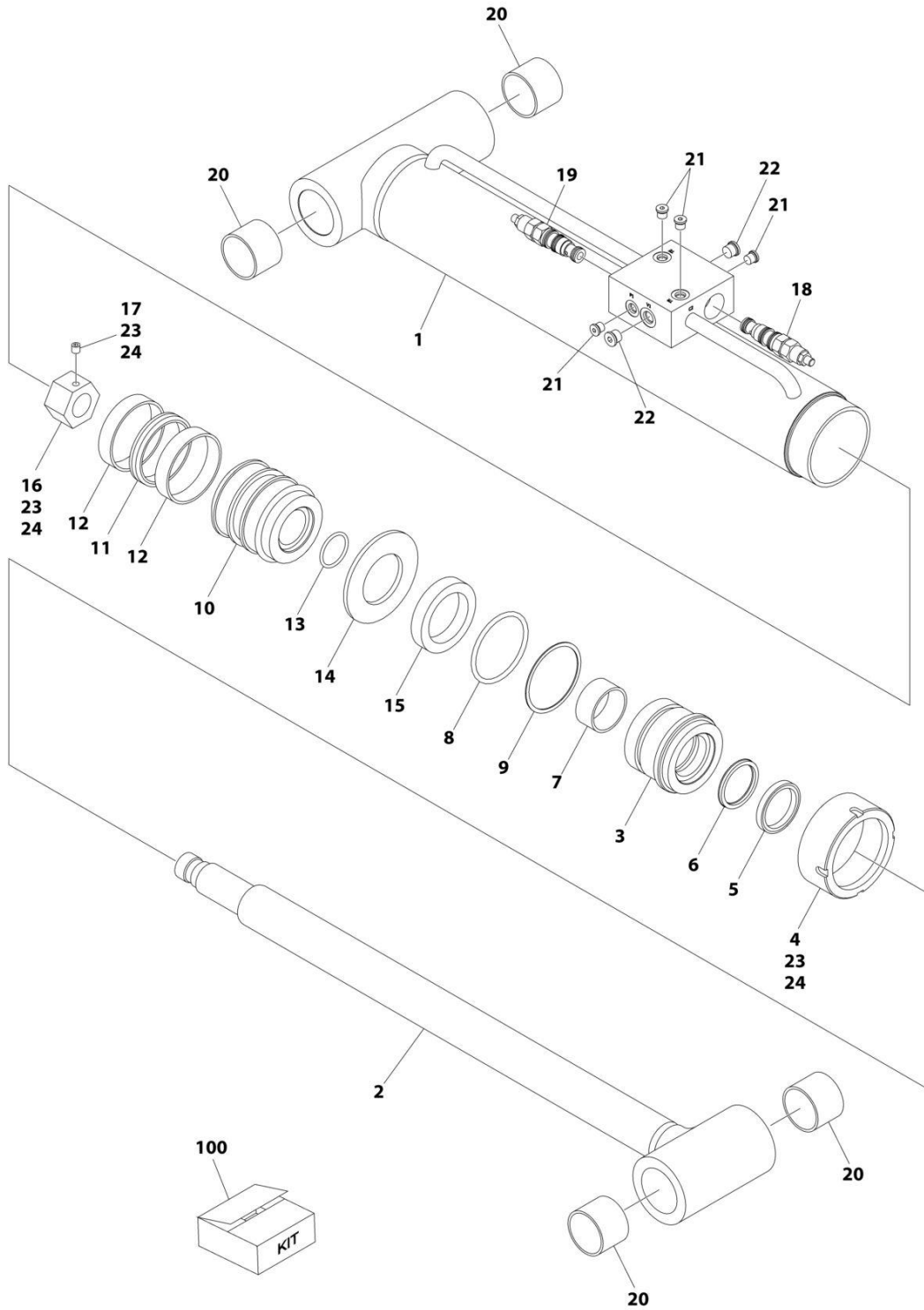
SECTION 6 - CYLINDER

**FIGURE 6-8. LIFT CYLINDER ASSEMBLY - MID -
E400AJP/E400AJPNARROW/M400AJP/M400AJPNARROW (ORIGINAL EQUIPMENT)**

ITEM	PART NUMBER	QTY	DESCRIPTION	REV
	1684452	Ref	LIFT CYLINDER ASSEMBLY - MID	C
		Ref	Note: Original Cylinder may have been replaced with Service Replacement. Identify PN Stamped on Cylinder Before Ordering Parts.	
1	1683943	1	Barrel, Weldment	
2	1683944	1	Rod, Weldment	
3	1120305	1	Retainer	
4	3480242	1	Piston	
5	1683712	1	Head	
6	3300281	1	Nut	
7	4740207	1	Washer	
8	4566435	1	Spacer	
9	4640634	1	Cartridge, Holding Valve	
9	2900770	1	Seal Kit - 4640634 Valve	
10	4641386	1	Cartridge, Holding Valve	
10	7011376	1	Seal Kit - 4641386 Valve	
11	3900170	1	Setscrew	
13	See Note	NSS	Ring, Wear (Note: Use Item 100)	
14	See Note	NSS	Seal, Piston (Note: Use Item 100)	
15	See Note	NSS	O-Ring (Note: Use Item 100)	
16	See Note	NSS	Ring, Wear (Note: Use Item 100)	
17	See Note	NSS	O-Ring (Note: Use Item 100)	
18	See Note	NSS	Ring, Back-up (Note: Use Item 100)	
19	See Note	NSS	Seal, Rod (Note: Use Item 100)	
20	See Note	NSS	Wiper, Rod (Note: Use Item 100)	
21	0100011	AR	Compound, Locking	
22	0100038	AR	Primer, Locking	
23	0100035	1	Compound, Locking	
24	0961950	4	Bushing	
100	2901805	1	Seal Kit (Includes Items 13-20)	

SECTION 6 - CYLINDER

FIGURE 6-9. LIFT CYLINDER ASSEMBLY - MID - E400AJP/E400AJPNARROW/M400AJP/M400AJPNARROW (SERVICE REPLACEMENT)



ART_1001228036

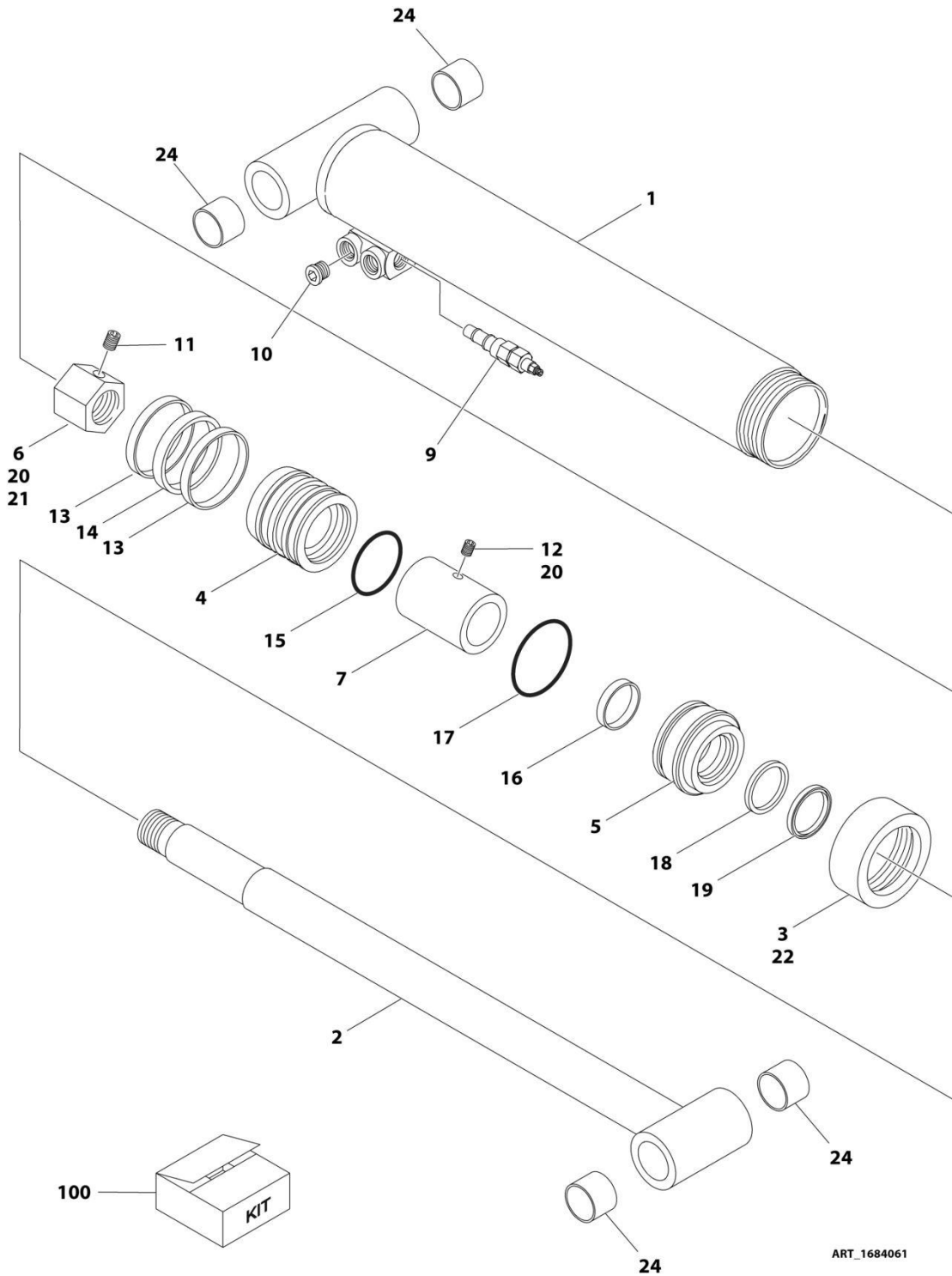
SECTION 6 - CYLINDER

**FIGURE 6-9. LIFT CYLINDER ASSEMBLY - MID -
E400AJP/E400AJPNARROW/M400AJP/M400AJPNARROW (SERVICE REPLACEMENT)**

ITEM	PART NUMBER	QTY	DESCRIPTION	REV
	1001228036	Ref	LIFT CYLINDER ASSEMBLY - MID	F
		Ref	Note: Original Cylinder may have been replaced with Service Replacement. Identify PN Stamped on Cylinder Before Ordering Parts.	
1	See Note	NSS	Barrel Weldment (Note: Not Available for Purchase)	
2	70006543	1	Rod Weldment	
3	70006542	1	Head	
4	70006533	1	Retainer	
5	See Note	NSS	Wiper (Note: Use Item 100)	
6	See Note	NSS	Seal, Rod (Note: Use Item 100)	
7	See Note	NSS	Ring, Wear (Note: Use Item 100)	
8	See Note	NSS	O-Ring (Note: Use Item 100)	
9	See Note	NSS	Ring, Back-up (Note: Use Item 100)	
10	70006532	1	Piston	
11	See Note	NSS	Seal (Note: Use Item 100)	
12	See Note	NSS	Ring, Wear (Note: Use Item 100)	
13	See Note	NSS	O-Ring (Note: Use Item 100)	
14	4740207	1	Washer	
15	70006539	1	Spacer	
16	3300281	1	Nut	
17	3900170	1	Setscrew	
18	4640634	1	Cartridge, Holding Valve	
18	2900770	1	Seal Kit - 4640634 Valve	
19	4641386	1	Cartridge, Holding Valve	
19	7011376	1	Seal Kit - 4641386 Valve	
20	0961950	4	Bushing	
21	2220883	4	Plug, O-Ring	
22	2220885	2	Plug, O-Ring	
23	0100011	AR	Compound, Locking	
24	0100038	AR	Primer, Locking	
100	2901806	1	Seal Kit (Includes Items 5-9 & 11-13)	

SECTION 6 - CYLINDER

FIGURE 6-10. LIFT CYLINDER - UPPER - E400ANARROW (ORIGINAL EQUIPMENT)



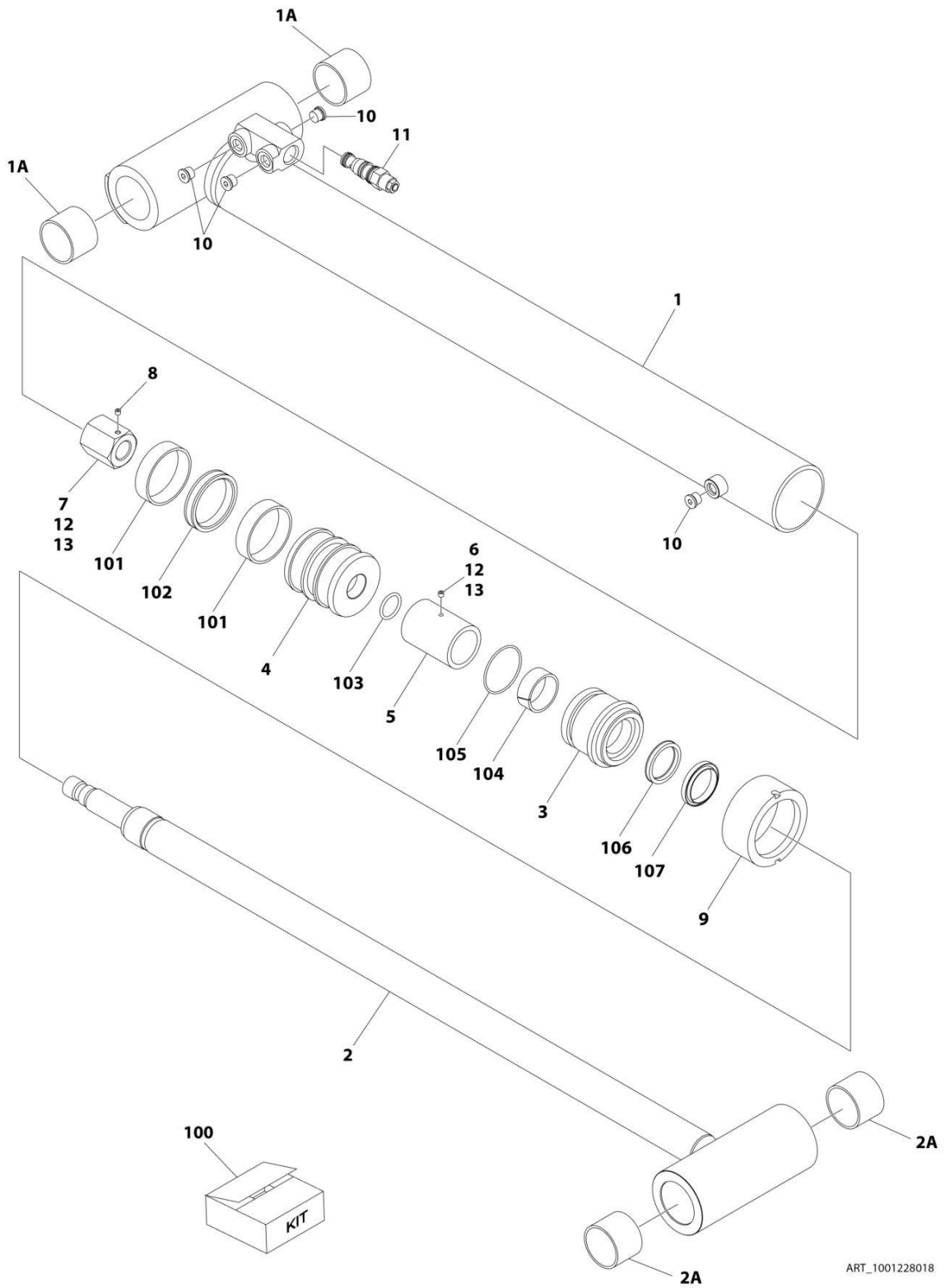
SECTION 6 - CYLINDER

FIGURE 6-10. LIFT CYLINDER - UPPER - E400ANARROW (ORIGINAL EQUIPMENT)

ITEM	PART NUMBER	QTY	DESCRIPTION	REV
	1684061	Ref	LIFT CYLINDER - UPPER	5
		Ref	Note: Original Cylinder may have been replaced with Service Replacement. Identify PN Stamped on Cylinder Before Ordering Parts.	
1	1684060	1	Barrel, Weldment	
2	1684059	1	Rod, Weldment	
3	1120108	1	Retainer	
4	3480240	1	Piston	
5	1683709	1	Head	
6	3300315	1	Nut	
7	4567177	1	Spacer	
9	4640936	1	Cartridge, Valve	
9	2900770	1	Seal Kit - 4640936 Valve	
10	2220885	4	Plug	
11	3900170	1	Setscrew	
12	3951402	1	Setscrew	
13	See Note	NSS	Ring, Wear (Note: Use Item 100)	
14	See Note	NSS	Seal, Piston (Note: Use Item 100)	
15	See Note	NSS	O-Ring (Note: Use Item 100)	
16	See Note	NSS	Ring, Wear (Note: Use Item 100)	
17	See Note	NSS	O-Ring (Note: Use Item 100)	
18	See Note	NSS	Seal, Rod (Note: Use Item 100)	
19	See Note	NSS	Wiper, Rod (Note: Use Item 100)	
20	0100011	AR	Compound, Locking	
21	0100038	AR	Primer, Locking	
22	0100035	AR	Compound, Locking	
24	0961950	4	Bushing	
100	2901804	1	Seal Kit (Includes Items 13-19)	

SECTION 6 - CYLINDER

FIGURE 6-11. LIFT CYLINDER - UPPER - E400ANARROW (SERVICE REPLACEMENT)



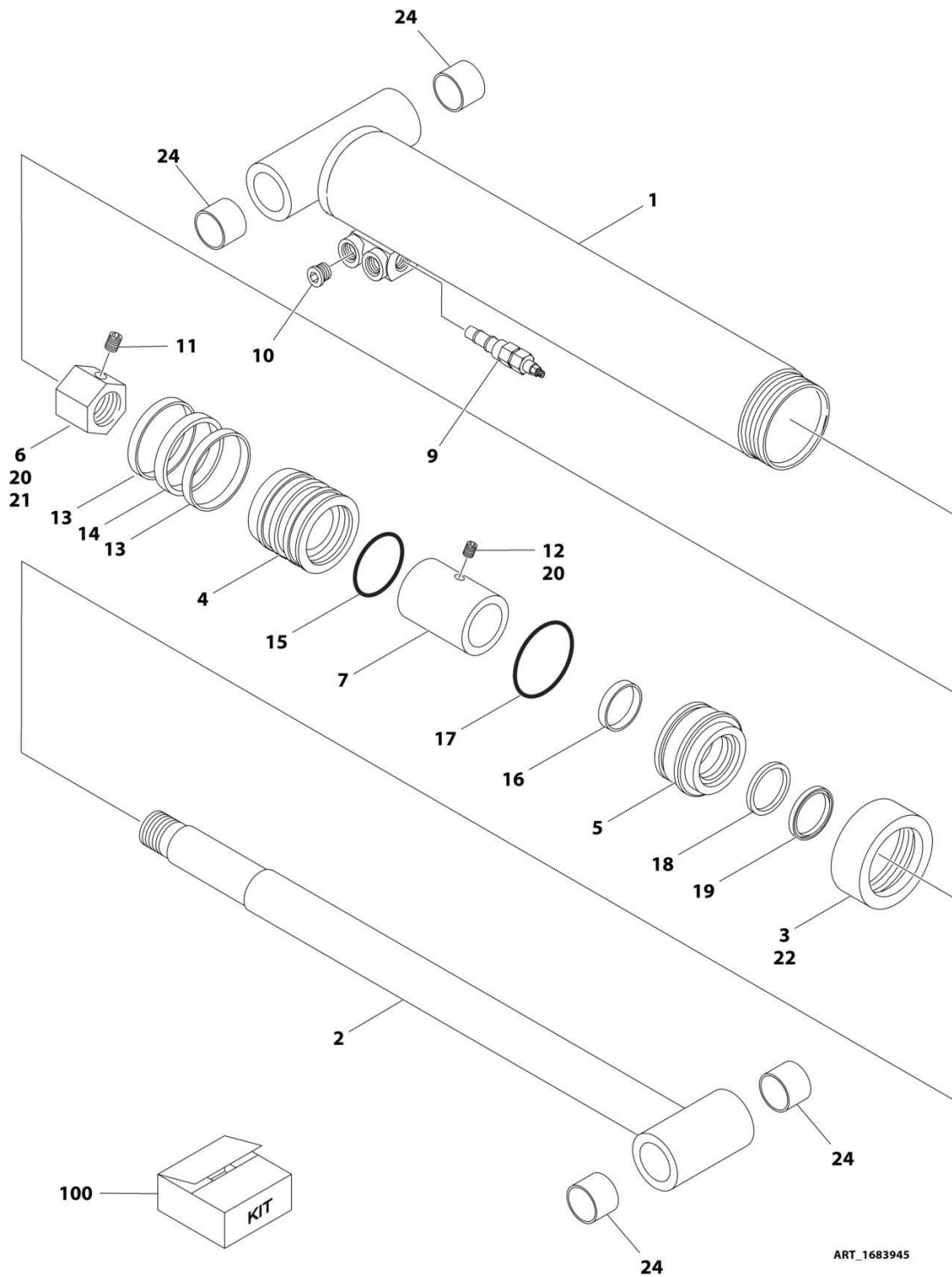
SECTION 6 - CYLINDER

FIGURE 6-11. LIFT CYLINDER - UPPER - E400ANARROW (SERVICE REPLACEMENT)

ITEM	PART NUMBER	QTY	DESCRIPTION	REV
	1001228018	Ref	LIFT CYLINDER ASSEMBLY - UPPER	B
		Ref	Note: Original Cylinder may have been replaced with Service Replacement. Identify PN Stamped on Cylinder Before Ordering Parts.	
1	See Note	NSS	Barrel Weldment (Note: Not Available for Purchase)	
1A	0961950	2	Bushing	
2	70006415	1	Rod Weldment	
2A	0961950	2	Bushing	
3	70006401	1	Head	
4	70006400	1	Piston	
5	70006414	1	Spacer	
6	70006413	1	Setscrew	
7	70006412	1	Nut	
8	70023915	1	Setscrew	
9	70006411	4	Retainer	
10	2220885	1	Plug, O-Ring	
11	4640936	1	Cartridge, Holding Valve	
11	2900770	1	Seal Kit - 4640936 Valve	
12	0100011	AR	Compound, Locking	
13	0100038	AR	Primer, Locking	
100	2901804	1	Seal Kit (Includes Items 101-107)	
101	See Note	NSS	Ring, Wear (Note: Use Item 100)	
102	See Note	NSS	Seal, Piston (Note: Use Item 100)	
103	See Note	NSS	O-Ring (Note: Use Item 100)	
104	See Note	NSS	Ring, Wear (Note: Use Item 100)	
105	See Note	NSS	O-Ring (Note: Use Item 100)	
106	See Note	NSS	Seal, Rod (Note: Use Item 100)	
107	See Note	NSS	Wiper, Rod (Note: Use Item 100)	

SECTION 6 - CYLINDER

FIGURE 6-12. LIFT CYLINDER - UPPER - E400AJP/E400AJPNARROW/M400AJP/M400AJPNARROW (ORIGINAL EQUIPMENT)



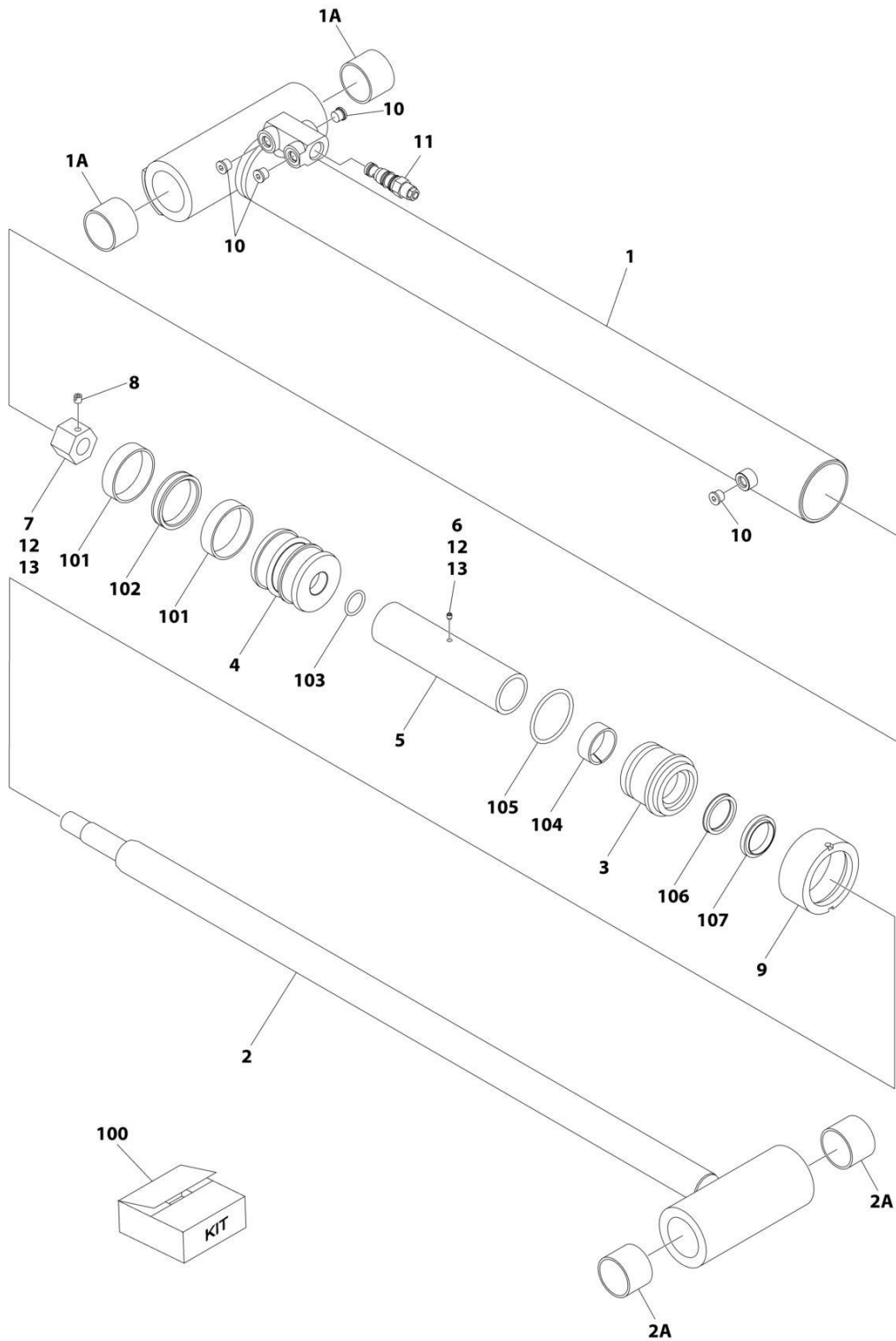
SECTION 6 - CYLINDER

**FIGURE 6-12. LIFT CYLINDER - UPPER - E400AJP/E400AJPNARROW/M400AJP/M400AJPNARROW
(ORIGINAL EQUIPMENT)**

ITEM	PART NUMBER	QTY	DESCRIPTION	REV
	1683945	Ref	LIFT CYLINDER - UPPER	4
		Ref	Note: Original Cylinder may have been replaced with Service Replacement. Identify PN Stamped on Cylinder Before Ordering Parts.	
1	1683946	1	Barrel, Weldment	
2	1683947	1	Rod, Weldment	
3	1120108	1	Retainer	
4	3480240	1	Piston	
5	1683709	1	Head	
6	3300279	1	Nut	
7	4567908	1	Spacer	
9	4640936	1	Cartridge, Holding Valve	
9	2900770	1	Seal Kit - 4640936 Valve	
10	2220885	4	Plug	
11	3900170	1	Setscrew	
12	3900142	1	Setscrew	
13	See Note	NSS	Ring, Wear (Note: Use Item 100)	
14	See Note	NSS	Seal, Piston (Note: Use Item 100)	
15	See Note	NSS	O-Ring (Note: Use Item 100)	
16	See Note	NSS	Ring, Wear (Note: Use Item 100)	
17	See Note	NSS	O-Ring (Note: Use Item 100)	
18	See Note	NSS	Seal, Rod (Note: Use Item 100)	
19	See Note	NSS	Wiper, Rod (Note: Use Item 100)	
20	0100011	AR	Compound, Locking	
21	0100038	AR	Primer, Locking	
22	0100035	AR	Compound, Locking	
24	0961950	2	Bushing	
100	2901804	1	Seal Kit (Includes Items 13-19)	

SECTION 6 - CYLINDER

FIGURE 6-13. LIFT CYLINDER - UPPER - E400AJP/E400AJPNARROW/M400AJP/M400AJPNARROW (SERVICE REPLACEMENT)



ART_1001228016

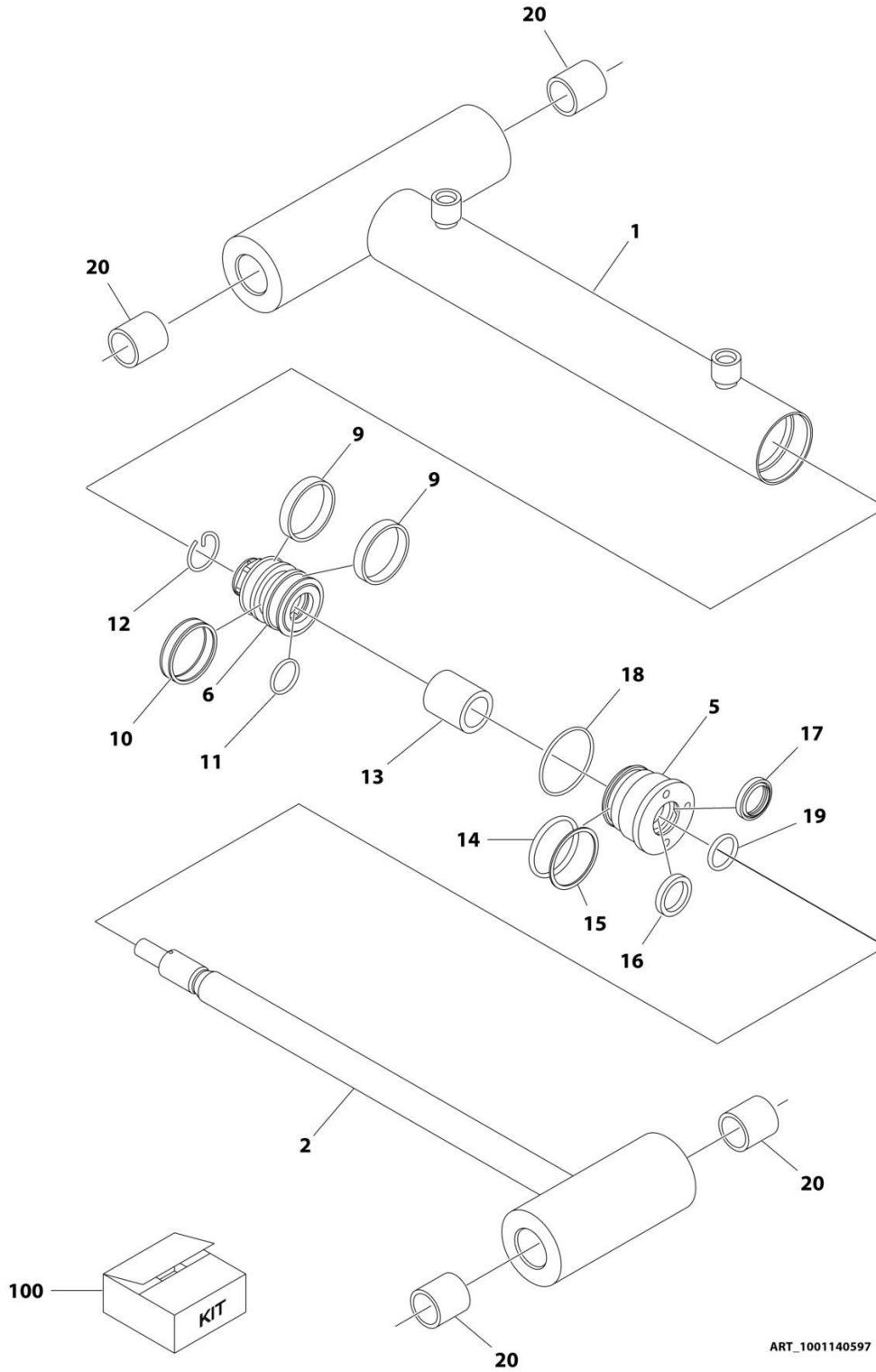
SECTION 6 - CYLINDER

**FIGURE 6-13. LIFT CYLINDER - UPPER - E400AJP/E400AJPNARROW/M400AJP/M400AJPNARROW
(SERVICE REPLACEMENT)**

ITEM	PART NUMBER	QTY	DESCRIPTION	REV
	1001228016	Ref	LIFT CYLINDER ASSEMBLY - UPPER	C
		Ref	Note: Original Cylinder may have been replaced with Service Replacement. Identify PN Stamped on Cylinder Before Ordering Parts.	
1	See Note	NSS	Barrel Weldment (Note: Not Available for Purchase)	
1A	0961950	2	Bushing	
2	70006402	1	Rod Weldment	
2A	0961950	2	Bushing	
3	70006401	1	Head	
4	70006400	1	Piston	
5	70006399	1	Spacer	
6	70006398	1	Setscrew	
7	70006397	1	Nut	
8	70023915	1	Setscrew	
9	70006396	1	Retainer	
10	2220885	4	Plug, O-Ring	
11	4640936	1	Cartridge, Holding Valve	
11	2900770	1	Seal Kit - 4640936 Valve	
12	0100011	AR	Compound, Locking	
13	0100038	AR	Primer, Locking	
100	2901804	1	Seal Kit (Includes Items 101-107)	
101	See Note	NSS	Ring, Wear (Note: Use Item 100)	
102	See Note	NSS	Seal, Piston (Note: Use Item 100)	
103	See Note	NSS	O-Ring (Note: Use Item 100)	
104	See Note	NSS	Ring, Wear (Note: Use Item 100)	
105	See Note	NSS	O-Ring (Note: Use Item 100)	
106	See Note	NSS	Seal, Rod (Note: Use Item 100)	
107	See Note	NSS	Wiper, Rod (Note: Use Item 100)	

SECTION 6 - CYLINDER

FIGURE 6-14. MASTER CYLINDER ASSEMBLY - E400ANARROW



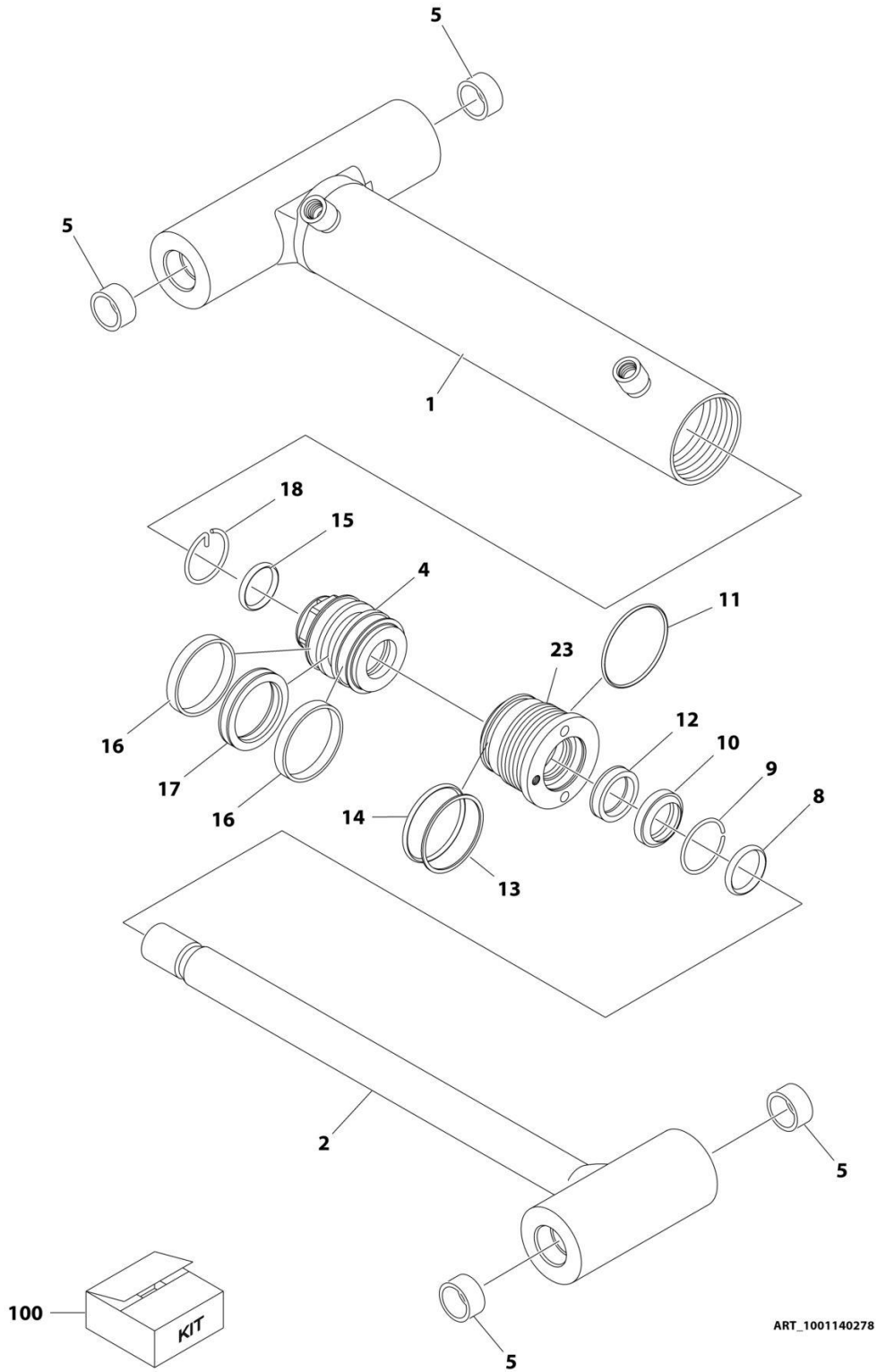
SECTION 6 - CYLINDER

FIGURE 6-14. MASTER CYLINDER ASSEMBLY - E400ANARROW

ITEM	PART NUMBER	QTY	DESCRIPTION	REV
	1001140597	Ref	MASTER CYLINDER ASSEMBLY	A
1	70004144	1	Barrel, Weldment	
2	70004145	1	Rod, Weldment	
5	70000739	1	Head	
6	70004141	1	Piston	
9	See Note	NSS	Ring, Wear (Note: Use Item 100)	
10	See Note	NSS	Seal, Piston (Note: Use Item 100)	
11	70023094	1	O-Ring	
12	70004142	1	Retainer	
13	70004143	1	Spacer	
14	See Note	NSS	O-Ring (Note: Use Item 100)	
15	See Note	NSS	Ring, Back-up (Note: Use Item 100)	
16	See Note	NSS	Seal, Rod (Note: Use Item 100)	
17	See Note	NSS	Wiper, Rod (Note: Use Item 100)	
18	See Note	NSS	O-Ring (Note: Use Item 100)	
19	See Note	NSS	O-Ring (Note: Use Item 100)	
20	0962356	4	Bushing	
100	70004130	1	Seal Kit (Includes Items 9-11 & 14-19)	

SECTION 6 - CYLINDER

FIGURE 6-15. MASTER CYLINDER ASSEMBLY - E400AJP/E400AJPNARROW/M400AJP/M400AJPNARROW



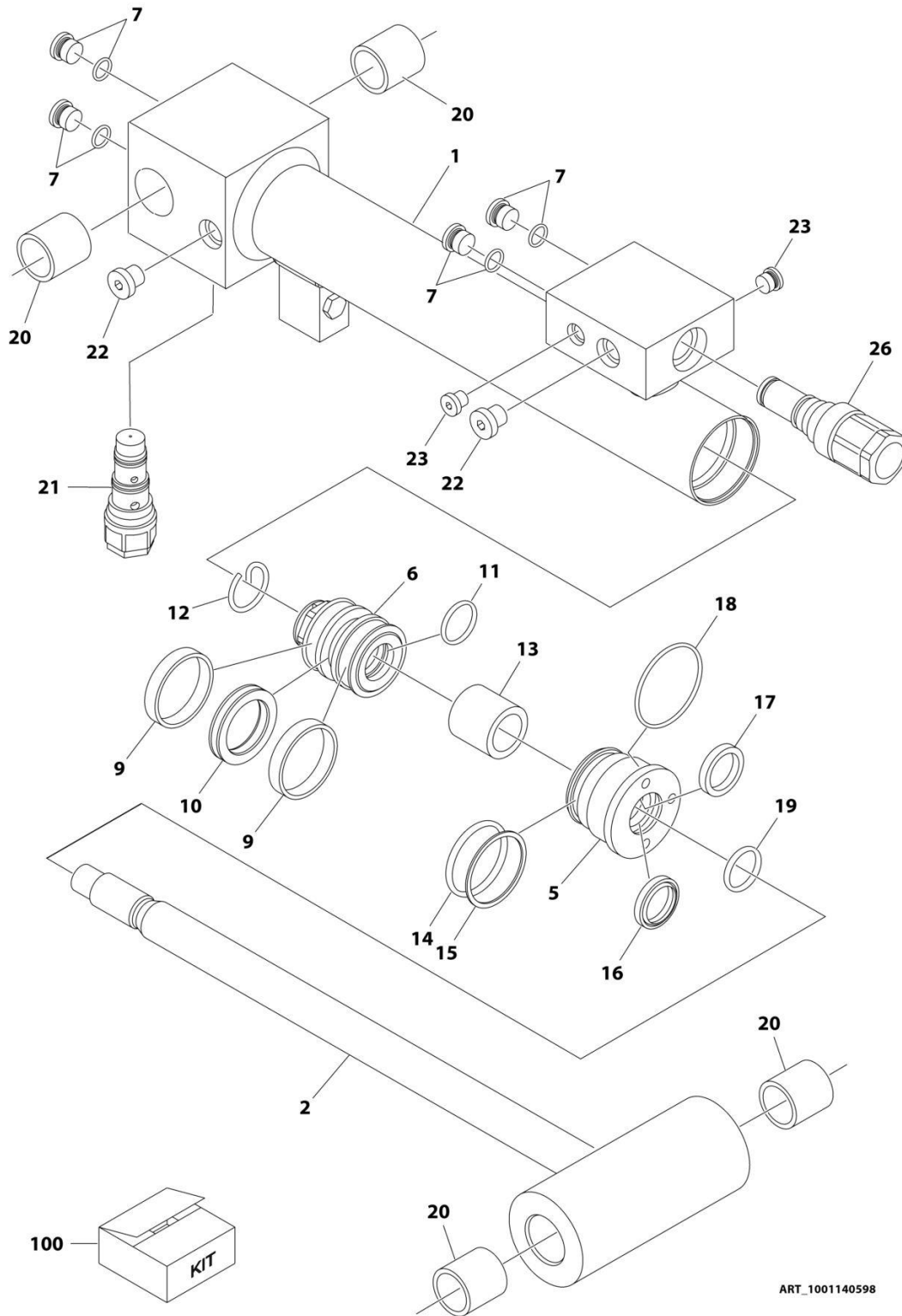
SECTION 6 - CYLINDER

**FIGURE 6-15. MASTER CYLINDER ASSEMBLY -
E400AJP/E400AJPNARROW/M400AJP/M400AJPNARROW**

ITEM	PART NUMBER	QTY	DESCRIPTION	REV
	1001140278	Ref	MASTER CYLINDER ASSEMBLY	A
1	70003843	1	Barrel, Weldment	
2	70003844	1	Rod, Weldment	
4	70003819	1	Piston	
5	0961951	4	Bushing	
8	7026084	1	O-Ring	
9	70002217	1	Ring, Retaining	
10	See Note	NSS	Wiper, Rod (Note: Use Item 100)	
11	See Note	NSS	O-Ring (Note: Use Item 100)	
12	See Note	NSS	Seal, Rod (Note: Use Item 100)	
13	See Note	NSS	Ring, Back-up (Note: Use Item 100)	
14	See Note	NSS	O-Ring (Note: Use Item 100)	
15	See Note	NSS	O-Ring (Note: Use Item 100)	
16	See Note	NSS	Ring, Wear (Note: Use Item 100)	
17	See Note	NSS	Seal, Piston (Note: Use Item 100)	
18	70002216	1	Retainer	
23	7026082	1	Head	
100	70003845	1	Seal Kit (Includes Items 10-17)	

SECTION 6 - CYLINDER

FIGURE 6-16. PLATFORM LEVEL CYLINDER - E400ANARROW



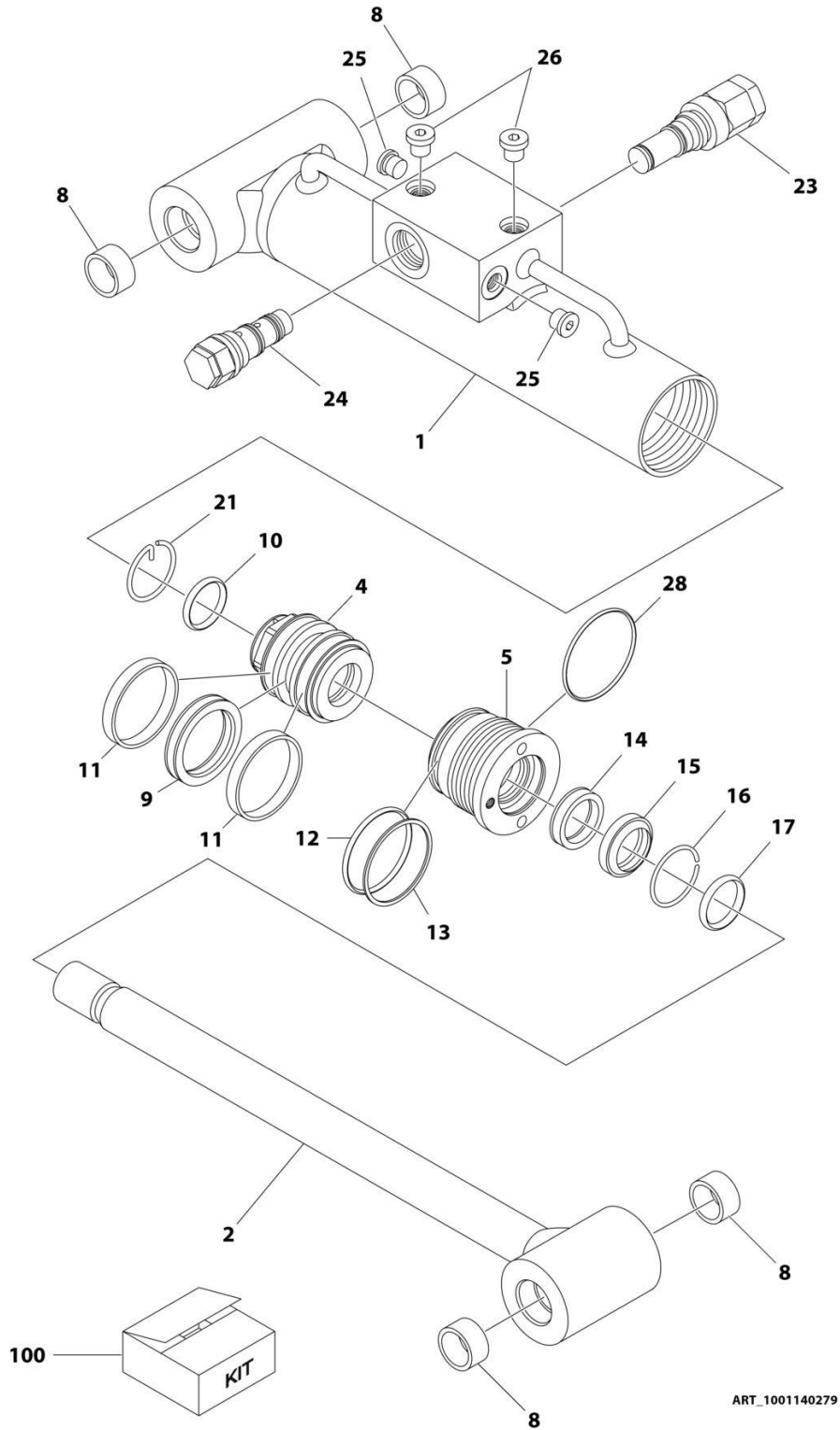
SECTION 6 - CYLINDER

FIGURE 6-16. PLATFORM LEVEL CYLINDER - E400ANARROW

ITEM	PART NUMBER	QTY	DESCRIPTION	REV
	1001140598	Ref	PLATFORM LEVEL CYLINDER	A
1	70004146	1	Barrel, Weldment	
2	70004147	1	Rod, Weldment	
5	70000739	1	Head	
6	70004141	1	Piston	
7	See Note	4	Plug (Note: Not Available for Purchase)	
9	See Note	NSS	Ring, Wear (Note: Use Item 100)	
10	See Note	NSS	Seal, Piston (Note: Use Item 100)	
11	70023094	NLA	O-Ring (Note: Use Item 100)	
12	70004142	1	Retainer	
13	70004143	1	Spacer	
14	See Note	NSS	O-Ring (Note: Use Item 100)	
15	See Note	NSS	Ring, Back-up (Note: Use Item 100)	
16	See Note	NSS	Wiper, Rod (Note: Use Item 100)	
17	See Note	NSS	Seal, Rod (Note: Use Item 100)	
18	See Note	NSS	O-Ring (Note: Use Item 100)	
19	70000740	1	O-Ring	
20	0962356	4	Bushing	
21	4640509	1	Cartridge, Counterbalance Valve	
21	2900792	1	Seal Kit - 4640509 Valve	
22	70024262	2	Plug	
23	See Note	2	Plug (Note: Not Available for Purchase)	
26	4640932	1	Cartridge, Counterbalance Valve	
26	7011112	1	Seal Kit - 4640932 Valve	
100	70004131	1	Seal Kit (Includes Items 9-11 & 14-18)	

SECTION 6 - CYLINDER

FIGURE 6-17. PLATFORM LEVEL CYLINDER - JIB - E400AJP/E400AJPNARROW/M400AJP/M400AJPNARROW



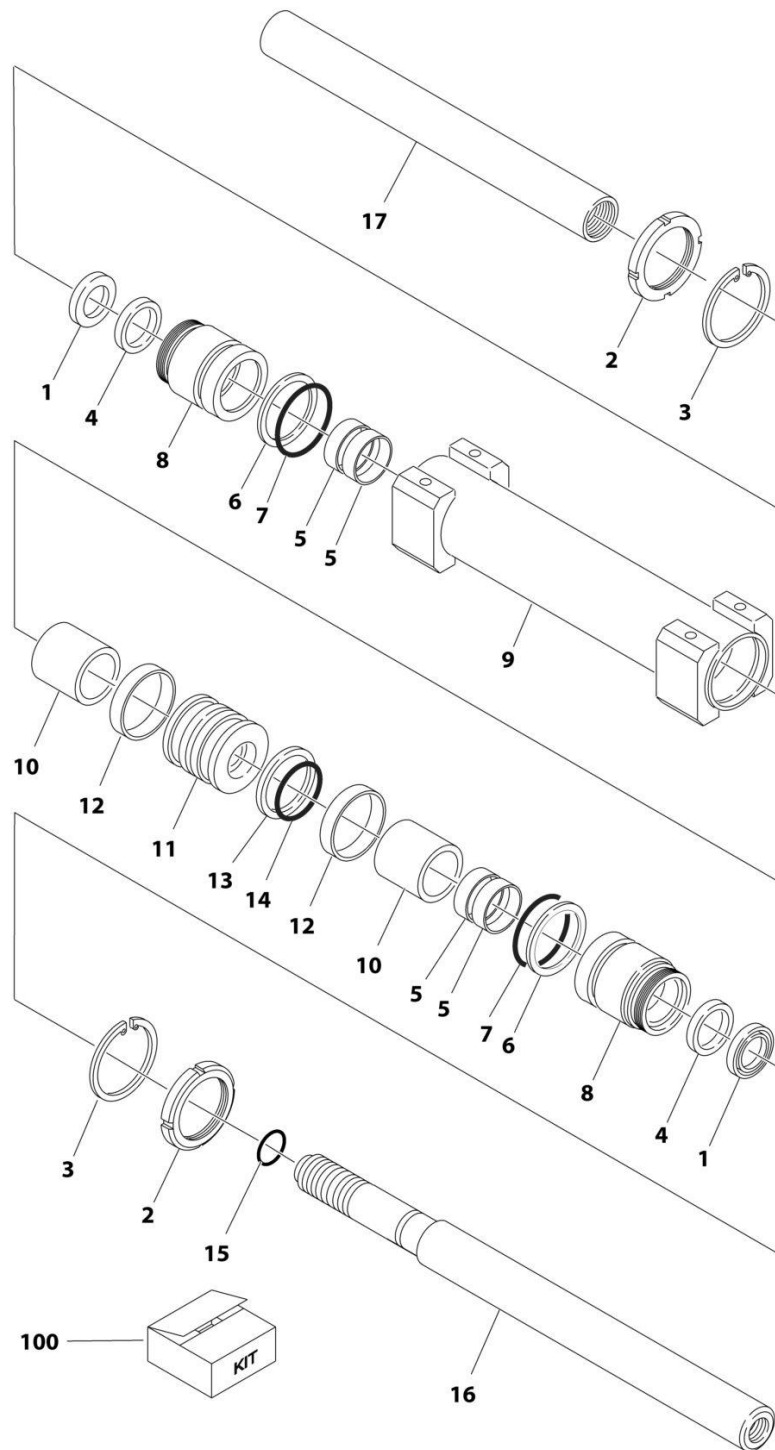
SECTION 6 - CYLINDER

**FIGURE 6-17. PLATFORM LEVEL CYLINDER - JIB -
E400AJP/E400AJPNARROW/M400AJP/M400AJPNARROW**

ITEM	PART NUMBER	QTY	DESCRIPTION	REV
	1001140279	Ref	PLATFORM LEVEL CYLINDER - JIB	A
1	70003846	1	Barrel, Weldment	
2	70003847	1	Rod, Weldment	
4	70003819	1	Piston	
5	7026082	1	Head	
8	0961951	4	Bushing	
9	See Note	NSS	Seal, Piston (Note: Use Item 100)	
10	See Note	NSS	O-Ring (Note: Use Item 100)	
11	See Note	NSS	Ring, Wear (Note: Use Item 100)	
12	See Note	NSS	O-Ring (Note: Use Item 100)	
13	See Note	NSS	Ring, Back-up (Note: Use Item 100)	
14	See Note	NSS	Seal, Rod (Note: Use Item 100)	
15	See Note	NSS	Wiper, Rod (Note: Use Item 100)	
16	70002217	1	Ring, Retaining	
17	7026084	1	O-Ring	
21	70002216	1	Retainer	
23	4640932	1	Cartridge, Counterbalance Valve	
23	7011112	1	Seal Kit - 4640932 Valve	
24	4641086	1	Cartridge, Counterbalance Valve	
24	2900792	1	Seal Kit - 4641086 Valve	
25	7024844	2	Plug	
26	See Note	2	Plug (Note: Not Available for Purchase)	
28	See Note	NSS	O-Ring (Note: Use Item 100)	
100	70003845	1	Seal Kit (Includes Items 9-15 & 28)	

SECTION 6 - CYLINDER

FIGURE 6-18. STEER CYLINDER ASSEMBLY



ART_1683591

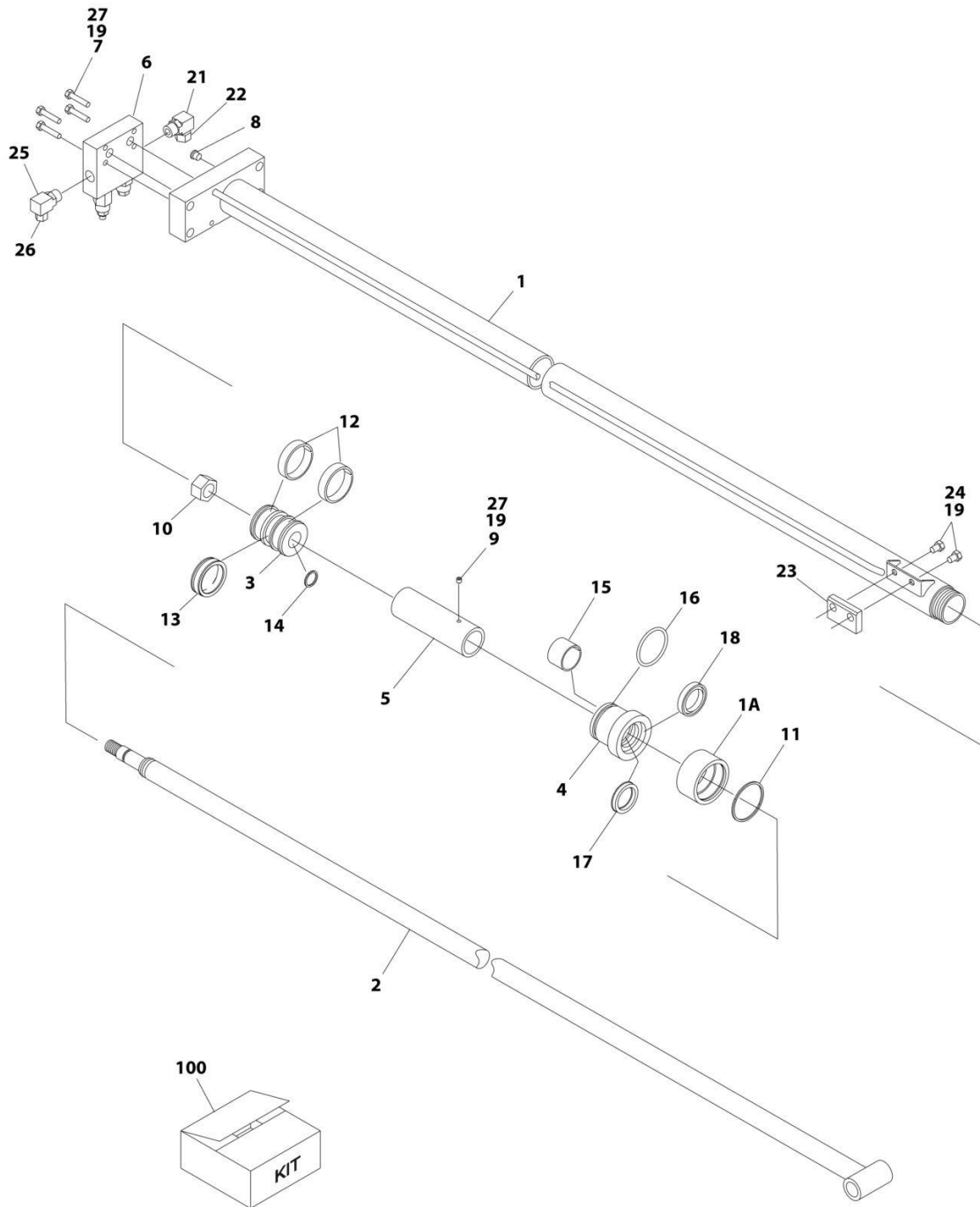
SECTION 6 - CYLINDER

FIGURE 6-18. STEER CYLINDER ASSEMBLY

ITEM	PART NUMBER	QTY	DESCRIPTION	REV
	1683591	Ref	STEER CYLINDER ASSEMBLY	B
1	See Note	NSS	Wiper (Note: Use Item 100)	
2	7001630	2	Nut, Spanner	
3	7017247	2	Ring, Retaining	
4	See Note	NSS	Seal, Lip (Note: Use Item 100)	
5	See Note	NSS	Ring, Wear (Note: Use Item 100)	
6	See Note	NSS	Ring, Back-up (Note: Use Item 100)	
7	See Note	NSS	O-Ring (Note: Use Item 100)	
8	7017248	2	Guide	
9	70003341	1	Barrel, Weldment	
10	7017249	2	Tube	
11	7017250	1	Piston	
12	See Note	NSS	Ring, Wear (Note: Use Item 100)	
13	See Note	NSS	Seal (Note: Use Item 100)	
14	See Note	NSS	O-Ring (Note: Use Item 100)	
15	See Note	NSS	O-Ring (Note: Use Item 100)	
16	7017251	1	Rod - Male End	
17	7017252	1	Rod - Female End	
100	7017246	1	Seal Kit (Includes Items 1, 4-7 & 12-15)	

SECTION 6 - CYLINDER

FIGURE 6-19. TELESCOPE CYLINDER ASSEMBLY - E400ANARROW



ART_1684030

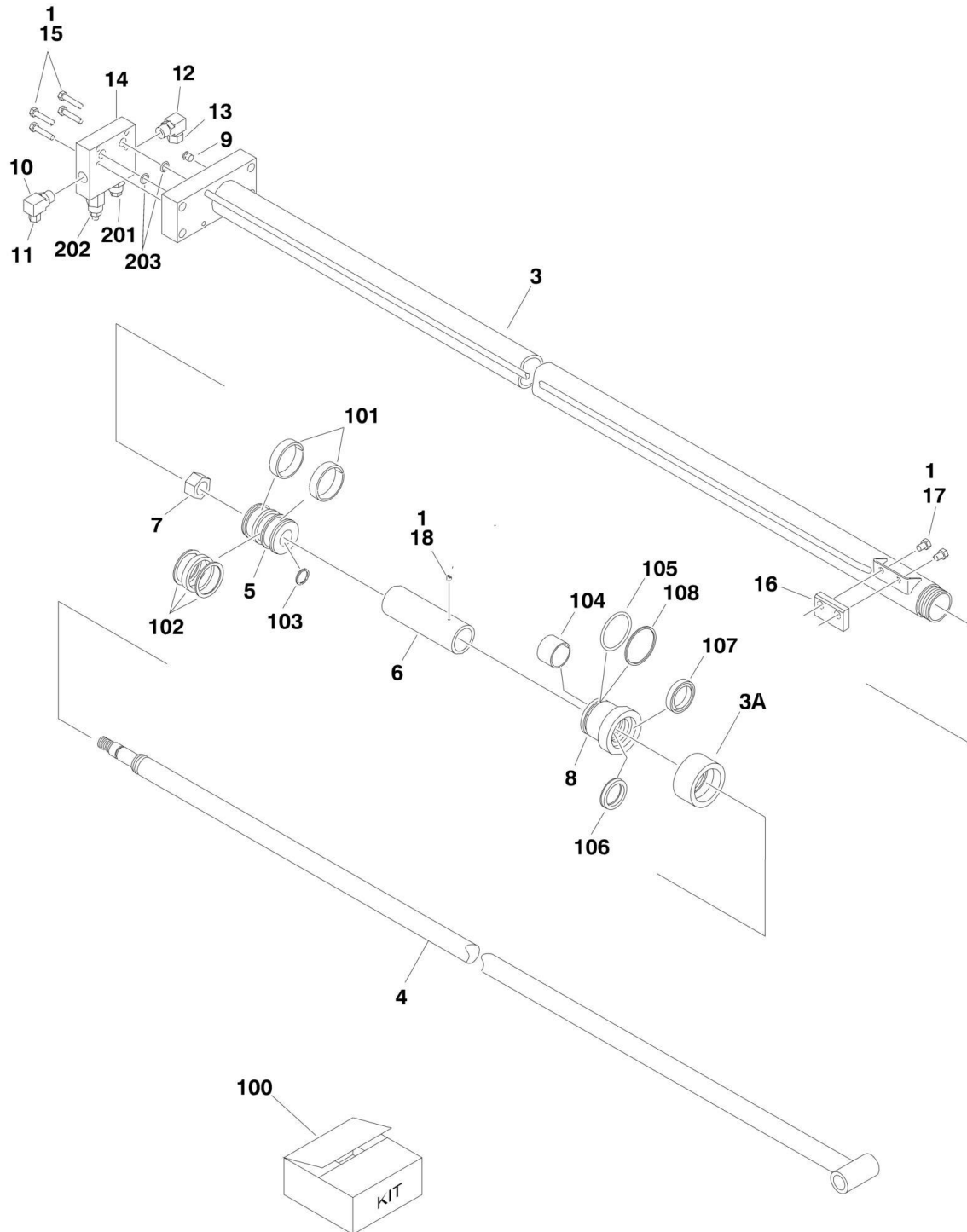
SECTION 6 - CYLINDER

FIGURE 6-19. TELESCOPE CYLINDER ASSEMBLY - E400ANARROW

ITEM	PART NUMBER	QTY	DESCRIPTION	REV
		Ref	TELESCOPE CYLINDER ASSEMBLY	
	1684030	Ref	Telescope Cylinder Assembly (Prior to SN 0300200116)	D
	1001151497	Ref	Telescope Cylinder Assembly (SN 0300200116 through 0300208528)	B
		Ref	Note: Original Cylinder may have been replaced with Service Replacement. Identify PN Stamped on Cylinder Before Ordering Parts.	
1	1682888	NLA	Barrel, Weldment (Use p/n 1001151496) (Prior to SN 0300200116)	
1	1001151496	1	Barrel, Weldment (SN 0300200116 through 0300208528)	
1A	4566028	1	Cap, End	
2	1684029	1	Rod, Weldment	
3	3480239	1	Piston	
4	1683705	NLA	Head (Use p/n 1683584) (Prior to SN 0300200116)	
4	1683584	1	Head (SN 0300200116 through 0300208528)	
5	4567704	1	Spacer	
6	4640807	1	Counterbalance Valve Assembly (See COUNTERBALANCE VALVE ASSEMBLY for Breakdown)	
7	0641512	4	Bolt, 5/16-18 x 1-1/2	
8	2220883	2	Plug	
9	3951402	1	Setscrew 1/4-20 x 1/4	
10	3322205	1	Nut, Lock, 3/4-16	
11	3760318	NLA	Ring, Retainer (Use p/n 3760408) (Prior to SN 0300200116)	
11	3760408	1	Ring, Retainer (SN 0300200116 through 0300208528)	
12	See Note	NSS	Ring, Wear (Note: Use Item 100)	
13	See Note	NSS	Seal, Cap (Note: Use Item 100)	
14	See Note	NSS	O-Ring (Note: Use Item 100)	
15	See Note	NSS	Ring, Wear (Note: Use Item 100)	
16	See Note	NSS	O-Ring (Note: Use Item 100)	
17	See Note	NSS	Seal, Rod (Note: Use Item 100)	
18	See Note	NSS	Wiper, Rod (Note: Use Item 100)	
19	0100011	AR	Compound, Locking	
21	2220628	1	Fitting, 90 JIC/ORB	
22	2220516	1	Fitting, Cap	
23	3340679	1	Pad, Wear	
24	0641604	2	Bolt, 3/8-16 x 1/2	
25	2220596	1	Fitting, 90 JIC/ORB	
26	2220517	1	Fitting, Cap	
27	0100038	AR	Primer, Locking	
100	2901807	NLA	Seal Kit (Includes Items 12-18) (Use p/n 100115230) (Prior to SN 0300200116)	
100	1001152230	1	Seal Kit (Includes Items 12-18) (SN 0300200116 through 0300208528)	

SECTION 6 - CYLINDER

FIGURE 6-20. TELESCOPE CYLINDER ASSEMBLY - E400ANARROW (SERVICE REPLACEMENT)



ART_1001151497

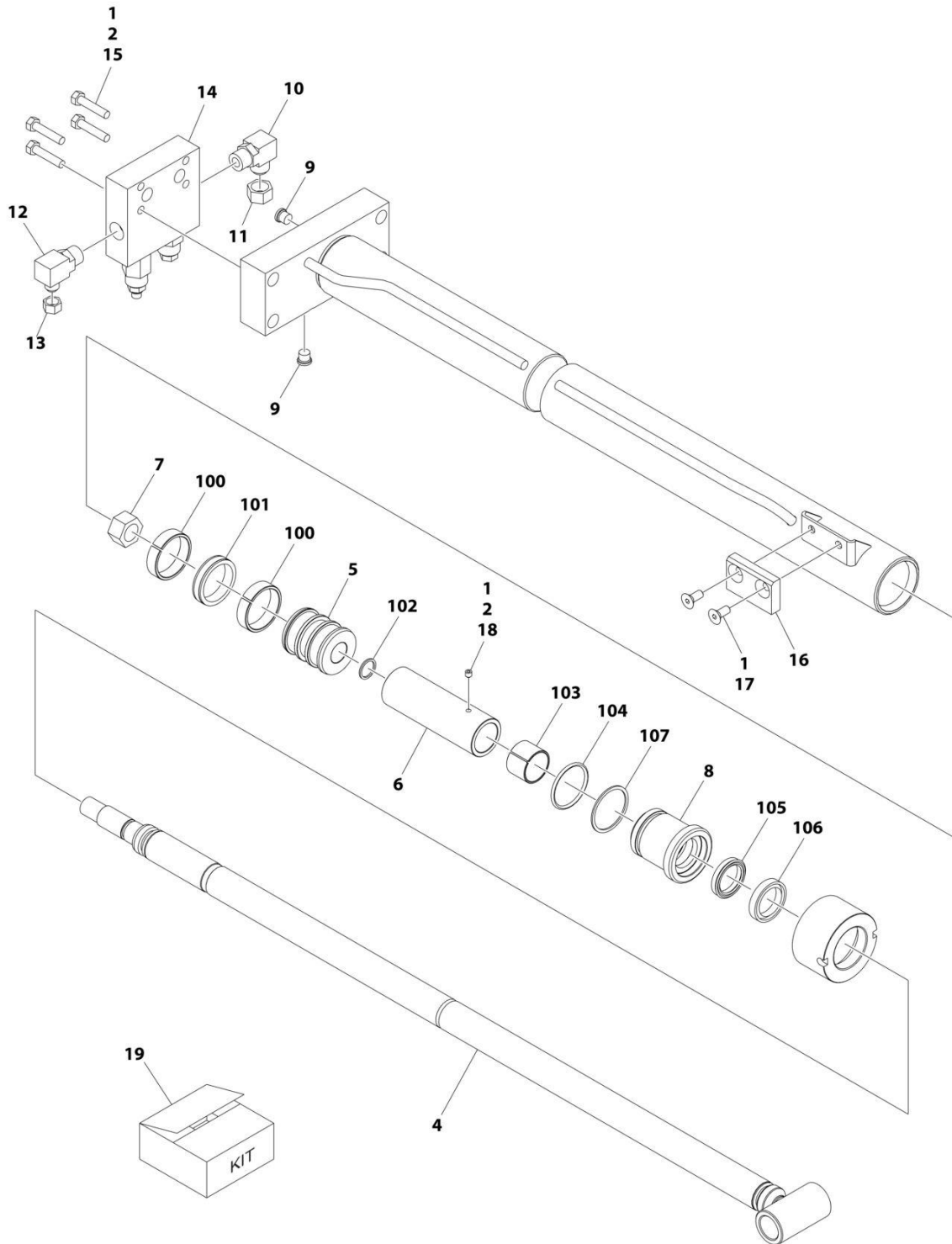
SECTION 6 - CYLINDER

FIGURE 6-20. TELESCOPE CYLINDER ASSEMBLY - E400ANARROW (SERVICE REPLACEMENT)

ITEM	PART NUMBER	QTY	DESCRIPTION	REV
	1001151497	Ref	TELESCOPE CYLINDER ASSEMBLY	C
		Ref	Note: Original Cylinder may have been replaced with Service Replacement. Identify PN Stamped on Cylinder Before Ordering Parts.	
1	0100011	AR	Compound, Locking	
1	0100038	AR	Primer, Locking	
3	1001151496	1	Barrel	
3A	1120110	1	Cap, End	
4	1684029	1	Rod	
5	3480239	1	Piston	
6	4567704	1	Spacer, Tube	
7	3322205	1	Locknut	
8	1683584	1	Head	
9	2220883	1	Plug, O-Ring	
10	2220596	1	Fitting, Elbow	
11	2220517	1	Fitting, Cap	
12	2220628	1	Fitting, Elbow	
13	2220516	1	Fitting, Cap	
14	4640807	1	Counterbalance Valve Assy (See Items 201-203 for Breakdown)	
15	0641512	4	Bolt 5/16in-18NC x 1-1/2in	
16	3340679	1	Wear Pad Assembly	
17	0641604	2	Bolt 3/8in-16NC x 1/2in	
18	3951402	1	Setscrew 1/4in-20NC x 1/4in	
100	1001152230	1	Seal Kit Options (Includes Items 101-108):	
101	See Note	2	Ring, Wear (Note: Use Item 100)	
102	See Note	1	Seal, Cap (Note: Use Item 100)	
103	See Note	1	O-Ring (Note: Use Item 100)	
104	See Note	1	Ring, Wear (Note: Use Item 100)	
105	See Note	1	O-Ring (Note: Use Item 100)	
106	See Note	1	Seal, Rod (Note: Use Item 100)	
107	See Note	1	Wiper (Note: Use Item 100)	
108	See Note	1	Ring, Back-up (Note: Use Item 100)	
	4640807	Ref	COUNTERBALANCE VALVE ASSEMBLY	D
201	4640771	1	Cartridge, Counterbalance	
201	2900770	1	Seal Kit - 4640771 Cartridge	
202	4640709	1	Cartridge, Vented Counterbalance	
202	2900770	1	Seal Kit - 4640709 Cartridge	
203	3790113	2	O-Ring (Between Valve and Cylinder Block)	

SECTION 6 - CYLINDER

FIGURE 6-21. TELESCOPE CYLINDER ASSEMBLY - E400ANARROW (SERVICE REPLACEMENT)



ART_1001228063

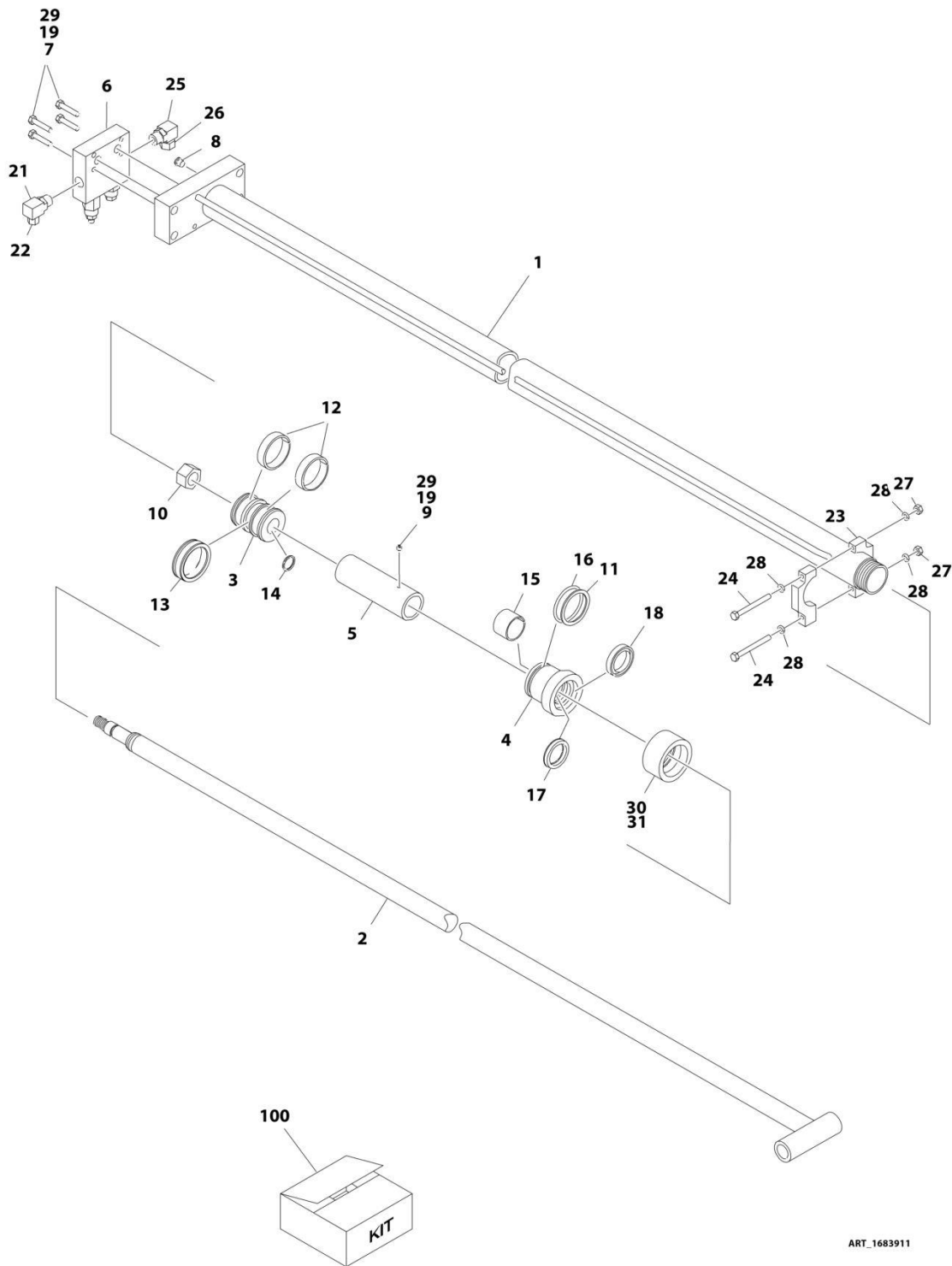
SECTION 6 - CYLINDER

FIGURE 6-21. TELESCOPE CYLINDER ASSEMBLY - E400ANARROW (SERVICE REPLACEMENT)

ITEM	PART NUMBER	QTY	DESCRIPTION	REV
	1001228063	Ref	TELESCOPE CYLINDER ASSEMBLY	B
		Ref	Note: Original Cylinder may have been replaced with Service Replacement. Identify PN Stamped on Cylinder Before Ordering Parts.	
1	0100011	AR	Compound, Locking	
2	0100038	AR	Primer, Locking	
4	70006566	1	Rod	
5	70006564	1	Piston	
6	70006563	1	Spacer	
7	70006971	1	Nut	
8	70006565	1	Head	
9	2220883	1	Plug	
10	2220596	1	Fitting, 90 JIC/ORB	
11	2220517	1	Fitting, Cap	
12	2220628	1	Fitting, 90 JIC/ORB	
13	2220516	1	Fitting, Cap	
14	4640807	1	Counterbalance Valve Assembly (See Separate Breakdown in this Section)	
15	0641512	4	Bolt 5/16 x 1-1/2	
16	3340679	1	Pad, Wear	
17	70006976	2	Screw	
18	70023915	1	Setscrew M6 x 8	
19	1001152230	1	Seal Kit (Includes Items 100-107)	
100	See Note	NSS	Ring, Wear (Note: Use p/n 1001152230)	
101	See Note	NSS	Seal, Piston (Note: Use p/n 1001152230)	
102	See Note	NSS	O-Ring (Note: Use p/n 1001152230)	
103	See Note	NSS	Ring, Wear (Note: Use p/n 1001152230)	
104	See Note	NSS	O-Ring (Note: Use p/n 1001152230)	
105	See Note	NSS	Seal, Rod (Note: Use p/n 1001152230)	
106	See Note	NSS	Seal, Rod (Note: Use p/n 1001152230)	
107	See Note	NSS	Ring, Back-Up (Note: Use p/n 1001152230)	

SECTION 6 - CYLINDER

FIGURE 6-22. TELESCOPE CYLINDER ASSEMBLY - E400AJP/E400AJPNARROW/M400AJP/M400AJPNARROW (ORIGINAL EQUIPMENT)



ART_1683911

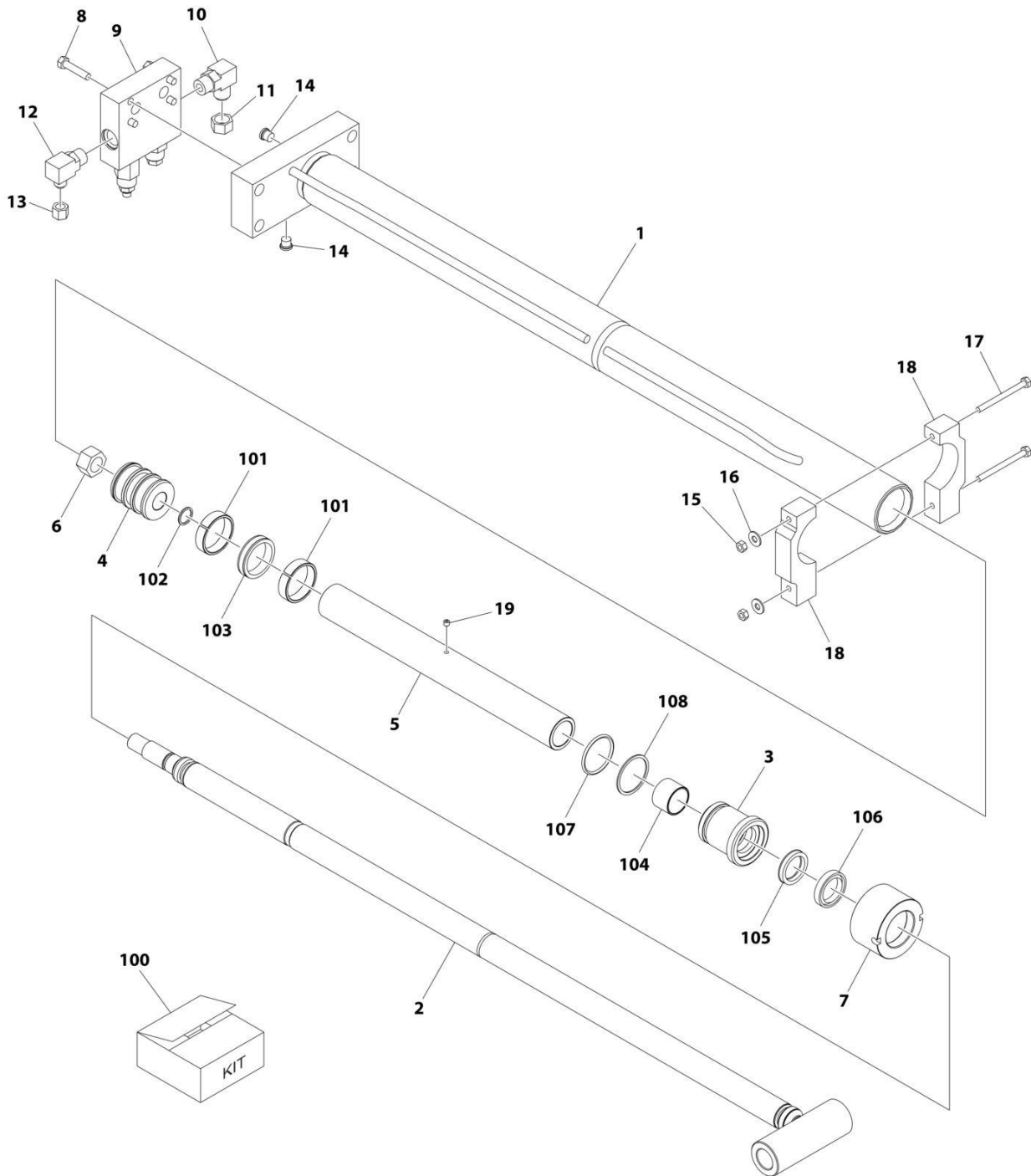
SECTION 6 - CYLINDER

**FIGURE 6-22. TELESCOPE CYLINDER ASSEMBLY -
E400AJP/E400AJPNARROW/M400AJP/M400AJPNARROW (ORIGINAL EQUIPMENT)**

ITEM	PART NUMBER	QTY	DESCRIPTION	REV
	1683911	Ref	TELESCOPE CYLINDER ASSEMBLY	4
		Ref	Note: Original Cylinder may have been replaced with Service Replacement. Identify PN Stamped on Cylinder Before Ordering Parts.	
1	1683912	1	Barrel, Weldment	
1A	1120110	1	Cap, End	
2	1683980	1	Rod, Weldment	
4	1683584	1	Head	
5	4567963	1	Spacer	
6	4640807	1	Counterbalance Valve Assembly (See COUNTERBALANCE VALVE ASSEMBLY for Breakdown)	
7	0641512	4	Bolt, 5/16-18 x 1-1/2	
8	2220883	2	Plug	
9	3951402	1	Setscrew 1/4-20 x 1/4	
10	3322205	1	Nut, Lock, 3/4-16	
11	See Note	NSS	Ring, Back-up (Note: Use Item 100)	
12	See Note	NSS	Ring, Wear (Note: Use Item 100)	
13	See Note	NSS	Seal, Cap (Note: Use Item 100)	
14	See Note	NSS	O-Ring (Note: Use Item 100)	
15	See Note	NSS	Ring, Wear (Note: Use Item 100)	
16	See Note	NSS	O-Ring (Note: Use Item 100)	
17	See Note	NSS	Seal, Rod (Note: Use Item 100)	
18	See Note	NSS	Wiper, Rod (Note: Use Item 100)	
19	0100011	AR	Compound, Locking	
21	2220628	1	Fitting, 90 JIC/ORB	
22	2220516	1	Fitting, Cap	
23	3340882	2	Pad	
24	0641424	2	Bolt, 1/4-20 x 3	
25	2220596	1	Fitting, 90 JIC/ORB	
26	2220517	1	Fitting, Cap	
27	3311405	2	Nut, 1/4-20	
28	4751400	4	Washer, 1/4	
29	0100038	AR	Primer, Locking	
30	0100035	AR	Compound, Locking	
31	1120110	1	Cap, End	
100	2901903	1	Seal Kit (Includes Items 11-18)	

SECTION 6 - CYLINDER

FIGURE 6-23. TELESCOPE CYLINDER ASSEMBLY - E400AJP/E400AJPNARROW/M400AJP/M400AJPNARROW (SERVICE REPLACEMENT)



ART_1001228015

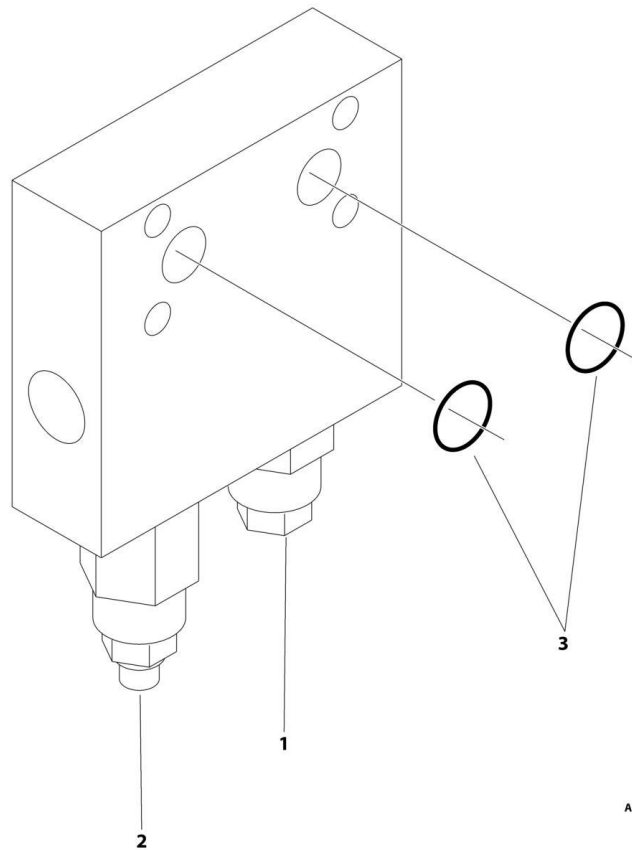
SECTION 6 - CYLINDER

**FIGURE 6-23. TELESCOPE CYLINDER ASSEMBLY -
E400AJP/E400AJPNARROW/M400AJP/M400AJPNARROW (SERVICE REPLACEMENT)**

ITEM	PART NUMBER	QTY	DESCRIPTION	REV
	1001228015	Ref	TELESCOPE CYLINDER ASSEMBLY	C
		Ref	Note: Original Cylinder may have been replaced with Service Replacement. Identify PN Stamped on Cylinder Before Ordering Parts.	
1	See Note	NSS	Barrel Weldment (Note: Not Available for Purchase)	
2	70006975	1	Rod	
3	70006565	1	Head	
4	70006564	1	Piston	
5	70006974	1	Spacer	
6	70006971	1	Nut, Lock	
7	70006561	1	Cap, End	
8	0641512	4	Bolt 5/16 x 1-1/2	
9	4640807	1	Counterbalance Valve Assembly (See Separate Breakdown in this Section)	
10	2220596	1	Fitting, 90 JIC/ORB	
11	2220517	1	Fitting, Cap	
12	2220628	1	Fitting, 90 JIC/ORB	
13	2220516	1	Fitting, Cap	
14	2220883	2	Plug	
15	3311405	2	Nut 1/4	
16	4751400	4	Flatwasher 1/4	
17	0641424	2	Bolt 1/4 x 3	
18	3340882	2	Wear Pad Assembly	
19	70006413	1	Setscrew	
100	2901903	1	Seal Kit (Includes Items 101-108)	
101	See Note	NSS	Ring, Wear (Note: Use p/n 2901903)	
102	See Note	NSS	O-Ring (Note: Use p/n 2901903)	
103	See Note	NSS	Seal, Piston (Note: Use p/n 2901903)	
104	See Note	NSS	Ring, Wear (Note: Use p/n 2901903)	
105	See Note	NSS	Seal, Rod (Note: Use p/n 2901903)	
106	See Note	NSS	Wiper, Rod (Note: Use p/n 2901903)	
107	See Note	NSS	O-Ring (Note: Use p/n 2901903)	
108	See Note	NSS	Ring, Back-Up (Note: Use p/n 2901903)	

SECTION 6 - CYLINDER

FIGURE 6-24. COUNTERBALANCE VALVE ASSEMBLY



ART_4640807

SECTION 6 - CYLINDER

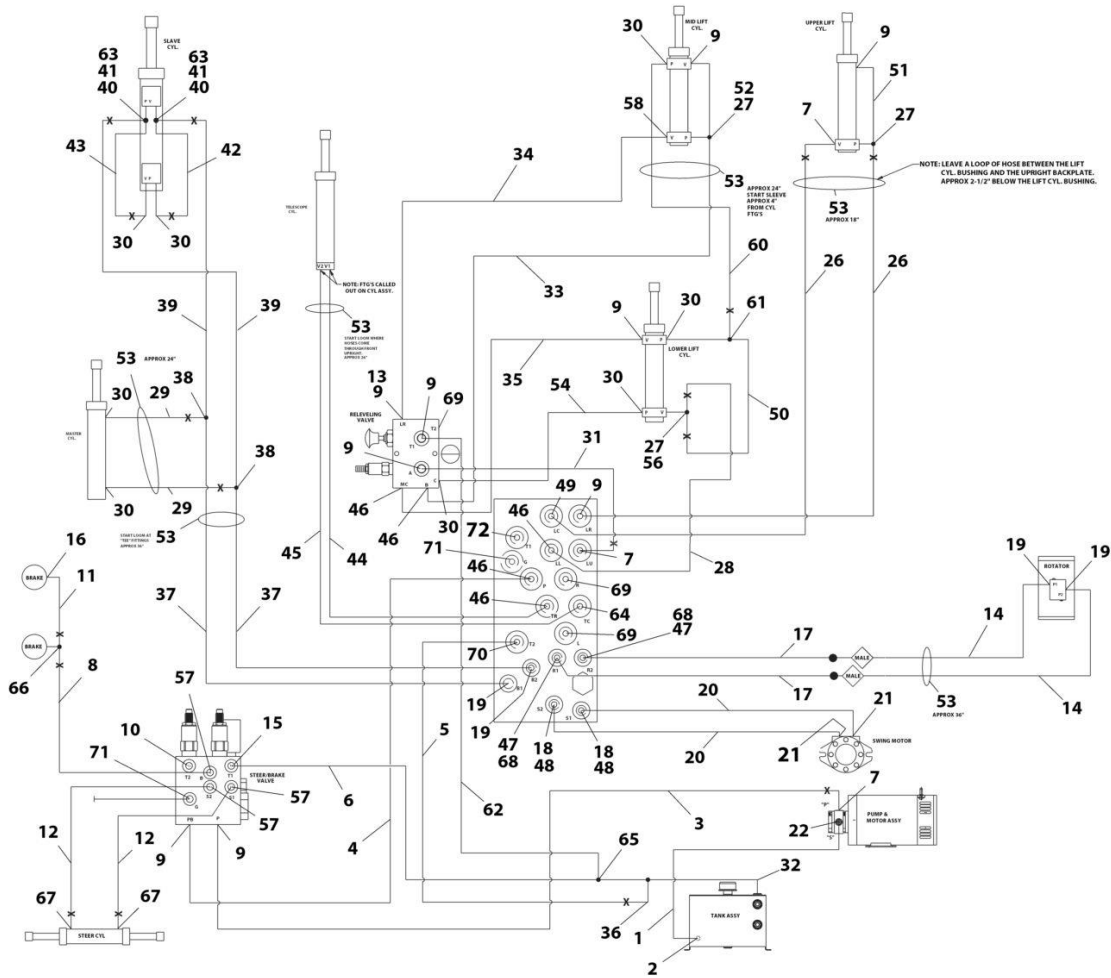
FIGURE 6-24. COUNTERBALANCE VALVE ASSEMBLY

ITEM	PART NUMBER	QTY	DESCRIPTION	REV
	4640807	Ref	COUNTERBALANCE VALVE ASSEMBLY	D
1	4640771	1	Cartridge, Counterbalance	
1	2900770	1	Seal Kit - 4640771 Cartridge	
2	4640709	1	Cartridge, Vented Counterbalance	
2	2900770	1	Seal Kit - 4640709 Cartridge	
3	3790113	2	O-Ring (Between Valve and Cylinder Block)	

SECTION 7 - HYDRAULIC

SECTION 7 - HYDRAULIC

FIGURE 7-1. HYDRAULIC DIAGRAM - E400ANARROW



ART_1001169636

SECTION 7 - HYDRAULIC

FIGURE 7-1. HYDRAULIC DIAGRAM - E400ANARROW

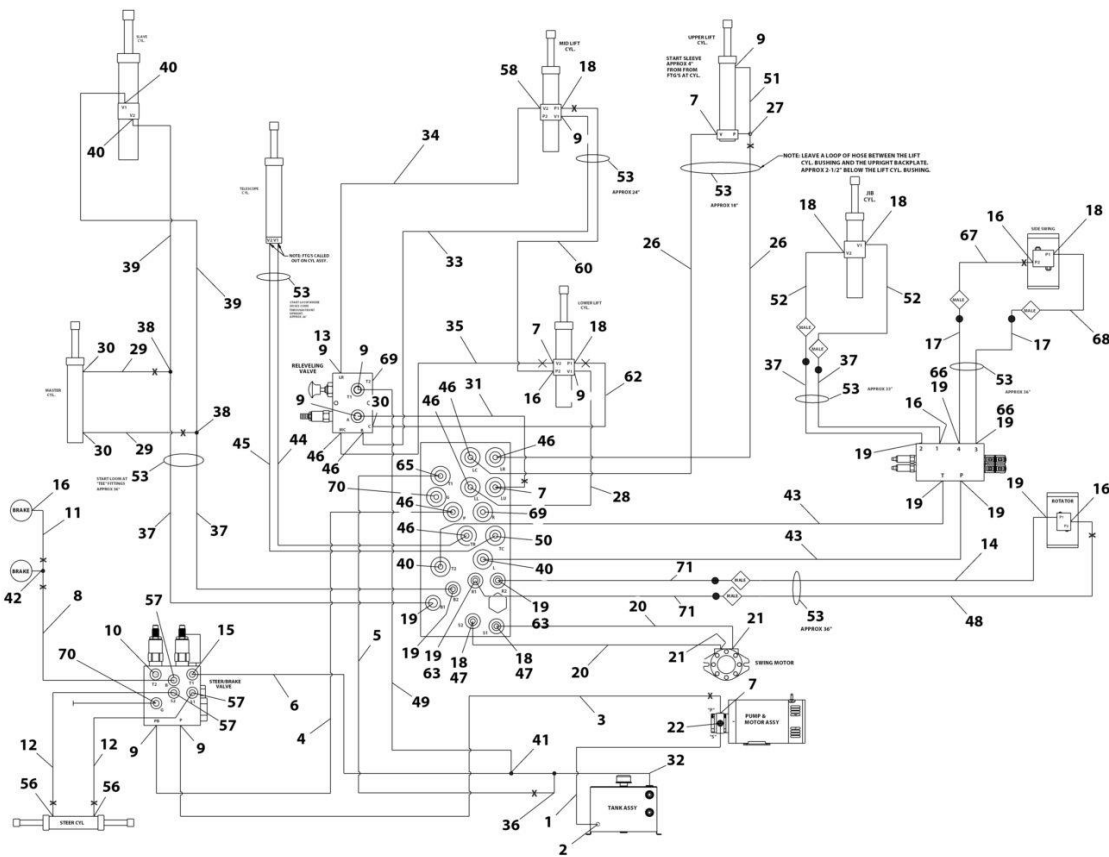
ITEM	PART NUMBER	QTY	DESCRIPTION	REV
	1001169636	Ref	HYDRAULIC DIAGRAM	F
1	2753973	1	Hose	
2	2220498	1	Fitting, 45 JIC/ORB	
3	1001152635	1	Hose	
4	2750915	1	Hose	
5	1001177666	1	Hose	
6	2752467	1	Hose	
7	2220371	3	Fitting, Straight, JIC/ORB	
8	2752589	1	Hose	
9	2220473	9	Fitting, 90 JIC/ORB	
10	2220885	1	Plug	
11	1001109687	1	Hose	
12	2752453	2	Hose	
13	2220507	1	Fitting, 90 JIC/JIC	
14	2753337	2	Hose (Prior to SN 0300201791)	
14	1001185828	2	Hose (SN 0300201791 through 0300208528)	
15	2220371	1	Fitting, Straight, JIC/ORB	
16	2220466	1	Fitting, 90 JIC/ORB	
17	2753332	2	Hose (Prior to SN 0300201791)	
17	2753520	2	Hose (SN 0300201791 through 0300208528)	
18	2220415	2	Fitting, Straight JIC/ORB	
19	2220502	4	Fitting, 45 JIC/ORB	
20	2752459	2	Hose	
21	2221033	2	Fitting, Straight JIC/ORB	
22	2220593	1	Fitting, Straight JIC/ORB	
26	2753519	2	Hose	
27	2220899	3	Fitting, Tee JIC/ORB/JIC	
28	2752620	1	Hose	
29	2752437	2	Hose	
30	2220472	8	Fitting, 90 JIC/ORB	
31	2750910	1	Hose	
32	2220999	1	Fitting, Tee JIC/ORB/JIC	
33	2753335	1	Hose	
34	2753334	1	Hose	
35	2752475	1	Hose	
36	2220386	1	Fitting, 90 JIC/JIC	
37	2753520	2	Hose	
38	2220504	2	Fitting, Tee JIC/JIC/JIC	
39	2753535	2	Hose	
40	2220727	2	Fitting, Reducer ORB	
41	2220684	2	Fitting, Tee NPT/JIC/JIC	
42	2752435	1	Hose	
43	2752573	1	Hose	
44	2753474	1	Hose	
45	2753475	1	Hose	
46	2220501	5	Fitting, 45 JIC/ORB	
47	2220502	2	Fitting, 45 JIC/ORB	
48	2220677	2	Fitting, 45 JIC/JIC	
49	2221147	1	Fitting, 90 JIC/ORB	
50	2752581	1	Hose	

SECTION 7 - HYDRAULIC

ITEM	PART NUMBER	QTY	DESCRIPTION	REV
51	4566188	1	Tube	
52	4566187	1	Tube	
53	4100026	13.7 ft /4.2m	Nylon, Sleeve	
54	2752983	1	Hose	
55	1702124	1	Hose, Tag (Not Shown)	
56	2220609	1	Fitting, Straight JIC/JIC	
57	2220415	3	Fitting, Straight JIC/ORB	
58	2220473	1	Fitting, 90 JIC/ORB	
60	2752440	1	Hose	
61	2220605	1	Fitting, Tee JIC/JIC/JIC	
62	2750915	1	Hose	
63	0100020	AR	Sealant	
64	2220600	1	Fitting, Straight JIC/ORB	
65	2221054	1	Fitting, Tee JIC/JIC/JIC	
66	2220711	1	Fitting, Tee JIC/ORB/JIC	
67	2220582	2	Fitting, Straight JIC/ORB	
68	2220909	2	Fitting, Restrictor	
69	2220237	3	Plug, ORB	
70	1001136881	1	Fitting, 45 JIC/ORB	
71	2221086	2	Fitting, Nipple	
72	2220239	1	Plug, ORB	

SECTION 7 - HYDRAULIC

FIGURE 7-2. HYDRAULIC DIAGRAM - E400AJP/E400AJPNARROW



ART_1001169638

SECTION 7 - HYDRAULIC

FIGURE 7-2. HYDRAULIC DIAGRAM - E400AJP/E400AJPNARROW

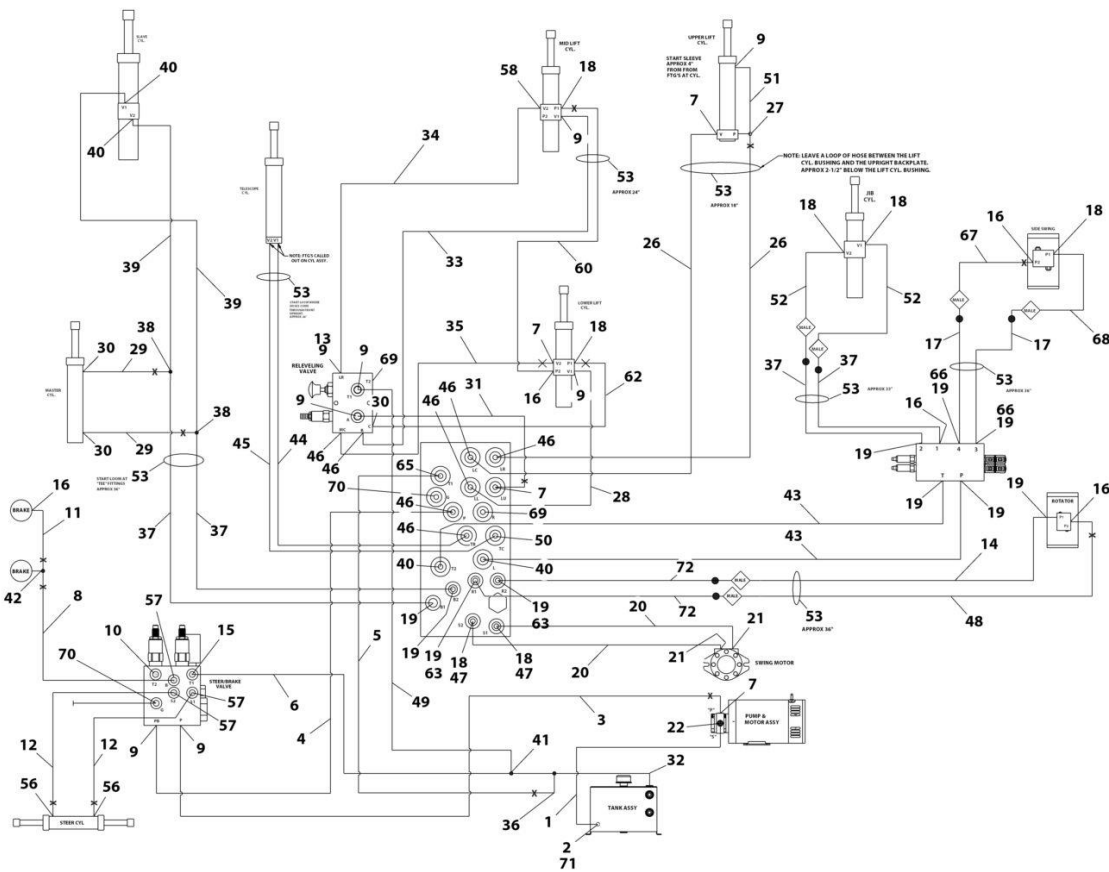
ITEM	PART NUMBER	QTY	DESCRIPTION	REV
	1001169638	Ref	HYDRAULIC DIAGRAM	F
1	2753973	1	Hose	
2	2220498	1	Fitting, 45 JIC/ORB	
3	1001152635	1	Hose	
4	2750915	1	Hose	
5	1001177666	1	Hose	
6	2752467	1	Hose	
7	2220371	4	Fitting, Straight JIC/ORB	
8	2752589	1	Hose	
9	2220473	8	Fitting, 90 JIC/ORB	
10	2220885	1	Plug	
11	1001109687	1	Hose	
12	2752453	2	Hose	
13	2220507	1	Fitting, 90 JIC/JIC	
14	2753337	1	Hose (Prior to SN 0300201791)	
14	1001185828	1	Hose (SN 0300201791 through 0300208528)	
15	2220371	1	Fitting, Straight JIC/ORB	
16	2220466	5	Fitting, 90 JIC/ORB	
17	2753332	2	Hose	
18	2220415	7	Fitting, Straight JIC/ORB	
19	2220502	10	Fitting, 45 JIC/ORB	
20	2752459	2	Hose	
21	2221033	2	Fitting, Straight JIC/ORB	
22	2220593	1	Fitting, Straight JIC/ORB	
26	2752619	2	Hose	
27	2220899	1	Fitting, Tee JIC/ORB/JIC	
28	2752466	1	Hose	
29	2752437	2	Hose	
30	2220472	3	Fitting, 90 JIC/ORB	
31	2750910	1	Hose	
32	2220999	1	Fitting, Tee JIC/ORB/JIC	
33	2753335	1	Hose	
34	2753334	1	Hose	
35	2752611	1	Hose	
36	2220386	1	Fitting, 90 JIC/JIC	
37	2752571	4	Hose	
38	2220504	2	Fitting, Tee JIC/JIC/JIC	
39	2753333	2	Hose	
40	2220582	4	Fitting, Straight JIC/ORB	
41	2221054	1	Fitting, Tee JIC/JIC/JIC	
42	2220711	1	Fitting, Tee JIC/ORB/JIC	
43	2752430	2	Hose	
44	2753474	1	Hose	
45	2753475	1	Hose	
46	2220501	7	Fitting, 45 JIC/ORB	
47	2220677	2	Fitting, 45 JIC/JIC	
48	2753336	1	Hose (Prior to SN 0300201791)	
48	1001185829	1	Hose (SN 0300201791 through 0300208528)	
49	2750915	1	Hose	
50	2220600	1	Fitting, Straight JIC/ORB	

SECTION 7 - HYDRAULIC

ITEM	PART NUMBER	QTY	DESCRIPTION	REV
51	4567946	1	Tube	
52	2753329	2	Hose	
53	4100026	17.2 ft /5.2m	Nylon, Sleeve	
55	1702124	1	Hose, Tag (Not Shown)	
56	2220582	2	Fitting, Straight JIC/ORB	
57	2220415	3	Fitting, Straight JIC/ORB	
58	2220473	1	Fitting, 90 JIC/ORB	
60	2751890	1	Hose	
62	2752600	1	Hose	
63	2220909	2	Fitting, Restrictor	
65	2220499	1	Fitting, 45 JIC/ORB	
66	2221039	2	Fitting, Orifice	
67	2753330	1	Hose	
68	2753331	1	Hose	
69	2220237	2	Plug, ORB	
70	2221086	2	Fitting, Nipple	
71	2753520	2	Hose (SN 0300201791 through 0300208528)	

SECTION 7 - HYDRAULIC

FIGURE 7-3. HYDRAULIC DIAGRAM - M400AJP/M400AJPNARROW



ART_1001169640

SECTION 7 - HYDRAULIC

FIGURE 7-3. HYDRAULIC DIAGRAM - M400AJP/M400AJPNARROW

ITEM	PART NUMBER	QTY	DESCRIPTION	REV
	1001169640	Ref	HYDRAULIC DIAGRAM	D
1	2752675	1	Hose	
2	1320033	1	Clamp	
3	2752486	1	Hose	
4	2752466	1	Hose	
5	2752519	1	Hose	
6	2752462	1	Hose	
7	2220371	4	Fitting, Straight JIC/ORB	
8	2753010	1	Hose	
9	2220473	8	Fitting, 90 JIC/ORB	
10	2220885	1	Plug	
11	1001109687	1	Hose	
12	2752574	2	Hose	
13	2220507	1	Fitting, 90 JIC/JIC	
14	2753337	1	Hose (Prior to SN 0300201791)	
14	1001185828	1	Hose (SN 0300201791 through 0300208528)	
15	2220473	1	Fitting, 90 JIC/ORB	
16	2220466	5	Fitting, 90 JIC/ORB	
17	2753332	2	Hose	
18	2220415	7	Fitting, Straight JIC/ORB	
19	2220502	10	Fitting, 45 JIC/ORB	
20	2752459	2	Hose	
21	2221033	2	Fitting, Straight JIC/ORB	
22	2220593	1	Fitting, Straight JIC/ORB	
26	2752619	2	Hose	
27	2220899	1	Fitting, Tee JIC/ORB/JIC	
28	2752466	1	Hose	
29	2752437	2	Hose	
30	2220472	3	Fitting, 90 JIC/ORB	
31	2750910	1	Hose	
32	2220999	1	Fitting, Tee JIC/ORB/JIC	
33	2753335	1	Hose	
34	2753334	1	Hose	
35	2752611	1	Hose	
36	2220386	1	Fitting, 90 JIC/JIC	
37	2752571	4	Hose	
38	2220504	2	Fitting, Tee JIC/JIC/JIC	
39	2753333	2	Hose	
40	2220582	4	Fitting, Straight JIC/ORB	
41	2221054	1	Fitting, Tee JIC/JIC/JIC	
42	2220711	1	Fitting, Tee JIC/ORB/JIC	
43	2752430	2	Hose	
44	2753474	1	Hose	
45	2753475	1	Hose	
46	2220501	7	Fitting, 45 JIC/ORB	
47	2220677	2	Fitting, 45 JIC/JIC	
48	2753336	1	Hose (Prior to SN 0300201791)	
48	1001185829	1	Hose (SN 0300201791 through 0300208528)	
49	2752466	1	Hose	
50	2220600	1	Fitting, Straight JIC/ORB	

SECTION 7 - HYDRAULIC

ITEM	PART NUMBER	QTY	DESCRIPTION	REV
51	4567946	1	Tube	
52	2753329	2	Hose	
53	4100026	17.2 ft /5.2m	Nylon, Sleeve	
55	1702124	1	Hose, Tag (Not Shown)	
56	2220582	2	Fitting, Straight JIC/ORB	
57	2220415	3	Fitting, Straight JIC/ORB	
58	2220473	1	Fitting, 90 JIC/ORB	
60	2751890	1	Hose	
62	2752600	1	Hose	
63	2220909	2	Fitting, Restrictor	
65	2220499	1	Fitting, 45 JIC/ORB	
66	2221039	2	Fitting, Orifice	
67	2753330	1	Hose	
68	2753331	1	Hose	
69	2220237	2	Plug, ORB	
70	2221086	2	Fitting, Nipple	
71	4061032	1	Shield, Hose	
72	2753520	2	Hose (SN 0300201791 through 0300208528)	

SECTION 7 - HYDRAULIC

FIGURE 7-4. HYDRAULIC DIAGRAM LIST

ITEM	PART NUMBER	QTY	DESCRIPTION	REV
		Ref	Note: Diagrams are available from JLG Service/Parts Department.	
	1001169636	Ref	HYDRAULIC DIAGRAM - E400Anarrow	
	1001169638	Ref	HYDRAULIC DIAGRAM - E400AJP/E400AJPnarrow	
	1001169640	Ref	HYDRAULIC DIAGRAM - M400AJP/M400AJPnarrow	
	2792505	Ref	HYDRAULIC SCHEMATIC	

SECTION 8 - ELECTRICAL

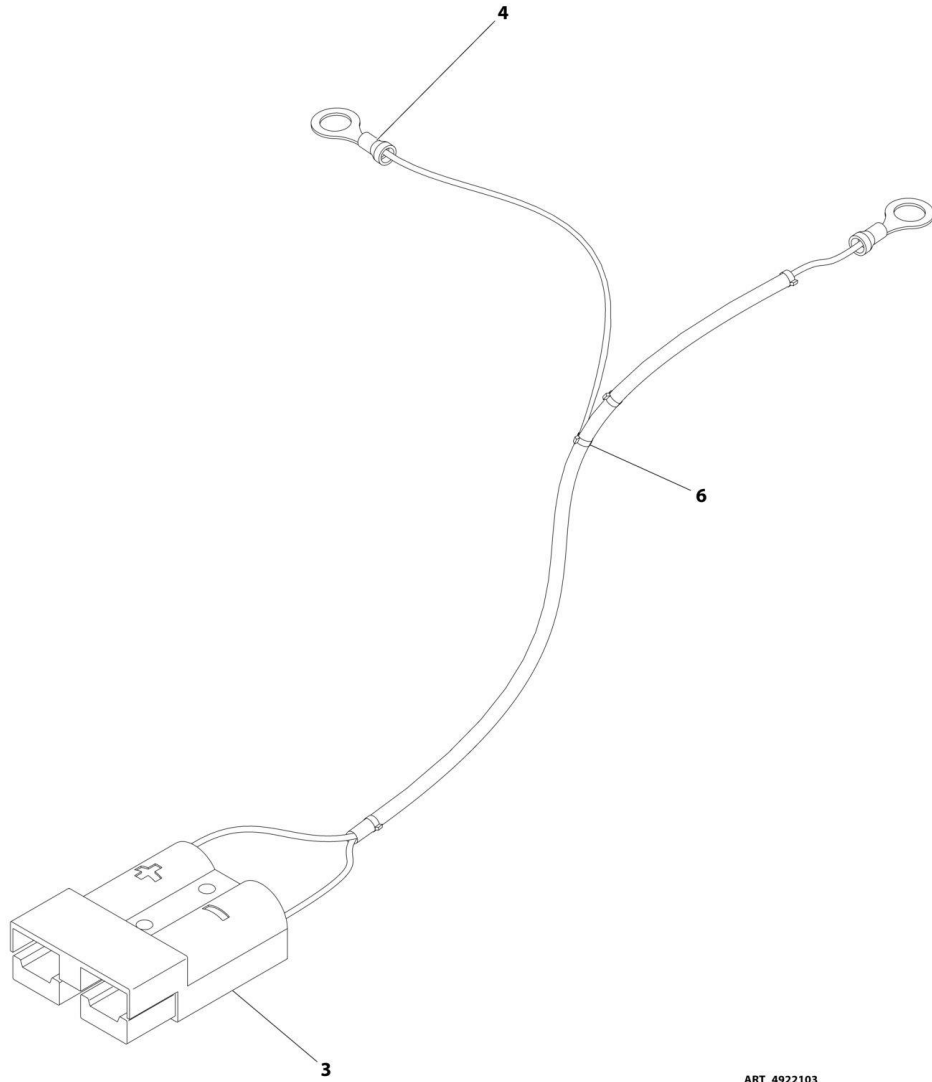
SECTION 8 - ELECTRICAL

FIGURE 8-1. ELECTRICAL DIAGRAM LIST

ITEM	PART NUMBER	QTY	DESCRIPTION	REV
		Ref	Note: For information, refer to Service Manual or contact JLG Customer Service Department.	
	1870227	Ref	ELECTRICAL SCHEMATIC	
	4933388	Ref	GROUND CONTROL BOX WIRING DIAGRAM Options: GROUND CONTROL BOX WIRING DIAGRAM (Prior to SN 0300200792)	
	1001189765		GROUND CONTROL BOX WIRING (SN 0300200792 through 0300208528)	
	1001190300	Ref	BATTERY CHARGER INDICATOR HARNESS - CE SPEC	
	4933060	Ref	PLATFORM ELECTRICAL DIAGRAM - E400Anarrow	
	4933181	Ref	PLATFORM ELECTRICAL DIAGRAM - E400Anarrow - UL LISTED	
	4933105	Ref	PLATFORM ELECTRICAL DIAGRAM - E400AJP/E400AJPnarrow/M400AJP/M400AJPnarrow	
	4933182	Ref	PLATFORM ELECTRICAL DIAGRAM - E400AJP/E400AJPnarrow/M400AJP/M400AJPnarrow - UL LISTED	
	1870227	Ref	ELECTRICAL SCHEMATIC	
	1001189074	Ref	SKYGUARD HARNESS	
	1001189076	Ref	SKYGUARD CAN HARNESS	
	1001149563	Ref	SKYGUARD SENSOR WIRING DIAGRAM	

SECTION 8 - ELECTRICAL

FIGURE 8-2. BATTERY CHARGER HARNESS



ART_4922103

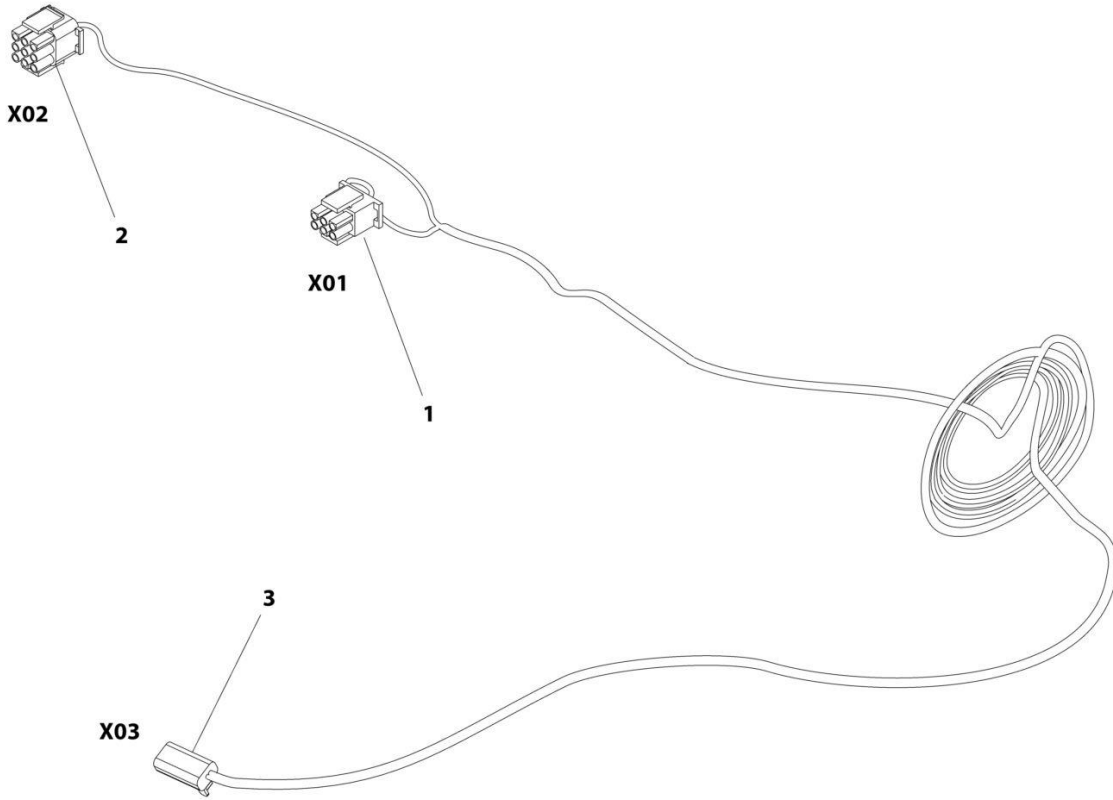
SECTION 8 - ELECTRICAL

FIGURE 8-2. BATTERY CHARGER HARNESS

ITEM	PART NUMBER	QTY	DESCRIPTION	REV
	4922103	Ref	BATTERY CHARGER HARNESS	A
3	4460444	1	Connector, Anderson	
4	4460738	2	Terminal	
6	4240033	4	Tie-Strap	

SECTION 8 - ELECTRICAL

FIGURE 8-3. BEACON LIGHT HARNESS (BLUE BEACON ONLY)



ART_1001149570

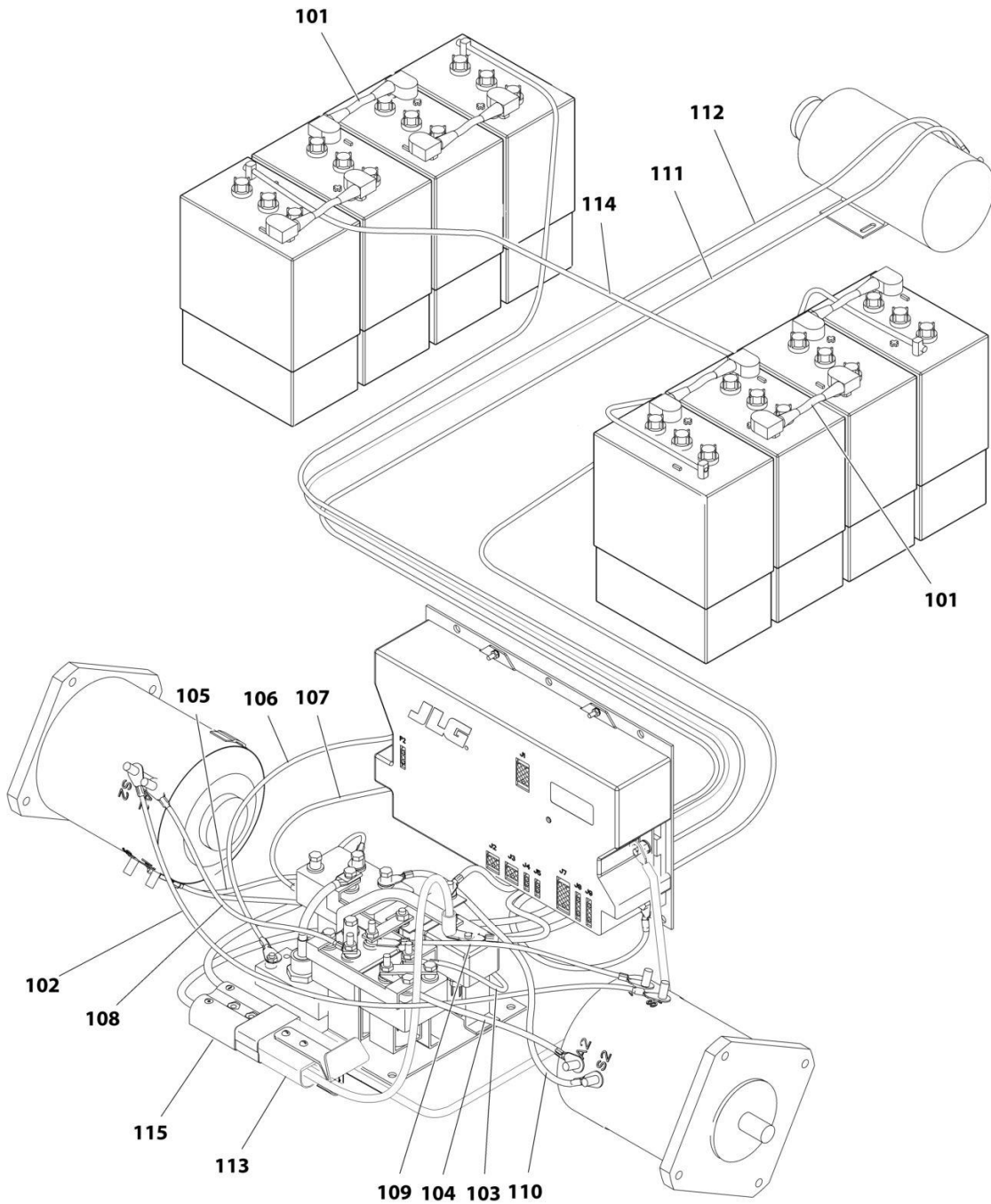
SECTION 8 - ELECTRICAL

FIGURE 8-3. BEACON LIGHT HARNESS (BLUE BEACON ONLY)

ITEM	PART NUMBER	QTY	DESCRIPTION	REV
	1001149570	Ref	BEACON LIGHT HARNESS (BLUE BEACON ONLY)	B
1	4460225	1	Plug, Male - 6 Position	
1	4460267	1	Pin, Male	
2	4460265	1	Plug, Male - 9 Position	
2	4460268	1	Socket, Female	
3	4460891	1	Plug, Male - 2 Position	
3	4460465	2	Socket, Female	

SECTION 8 - ELECTRICAL

FIGURE 8-4. CONTACTOR CABLE KIT - E400ANARROW/E400AJP/E400AJPNARROW



ART_1001176310

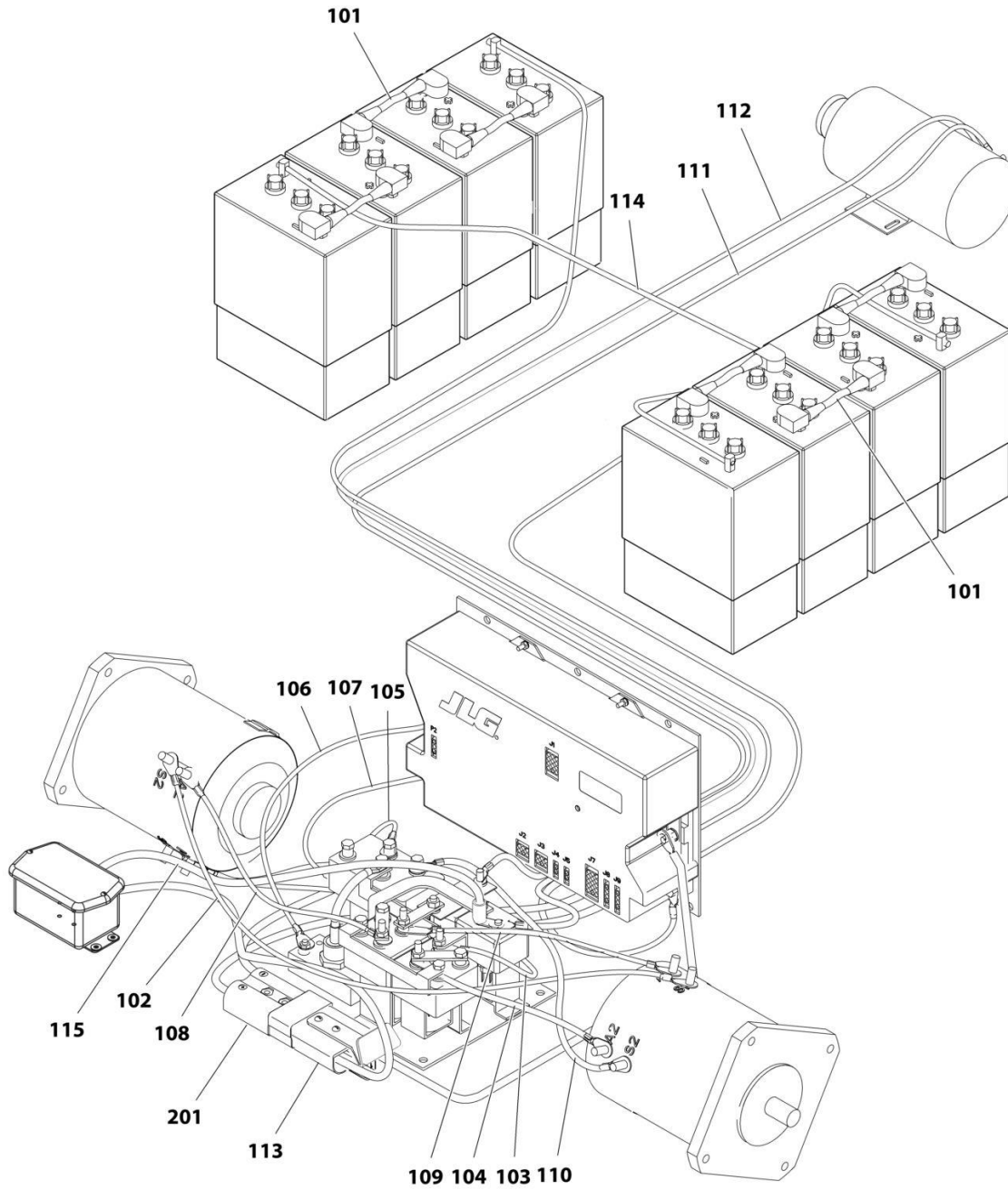
SECTION 8 - ELECTRICAL

FIGURE 8-4. CONTACTOR CABLE KIT - E400ANARROW/E400AJP/E400AJPNARROW

ITEM	PART NUMBER	QTY	DESCRIPTION	REV
	1001176310	Ref	CONTACTOR CABLE KIT	A
101	1060092	6	Cable, Battery	
102	1060717	1	Cable, Electrical (Motor B S2 to Motor A S1)	
103	1060718	1	Cable, Electrical (Motor B A1 to Contactor Plate MB2)	
104	1060719	1	Cable, Electrical (Motor A A2 to Contactor Plate MA2)	
105	1001171290	1	Cable, Electrical (Motor B S1 to Contactor Plate SA1)	
106	1060721	1	Cable, Electrical (Power Module A to Contactor Plate B+)	
107	1060722	1	Cable, Electrical (Power Module B+ to Contactor Plate A)	
108	1060723	1	Cable, Electrical (Motor B A2 to Contactor Plate MB1)	
109	1060724	1	Cable, Electrical (Motor A A1 to Contactor Plate MA1)	
110	1001171289	1	Cable, Electrical (Motor A S2 to Contactor Plate SB1)	
111	1001167433	1	Cable, Electrical (Contactor Plate P2 to Hydraulic Pump Motor +)	
112	1001167434	1	Cable, Electrical (Power Module to Hydraulic Pump Motor -)	
113	1060810	1	Cable, Electrical (Contactor Plate to Battery Connector)	
114	1060811	1	Cable, Electrical (Battery to Battery)	
115	1060809	1	Cable, Electrical (Battery Connector to Batteries)	

SECTION 8 - ELECTRICAL

FIGURE 8-5. CONTACTOR CABLE KIT - E400ANARROW/E400AJP/E400AJPNARROW - UL LISTED



ART_1001176309

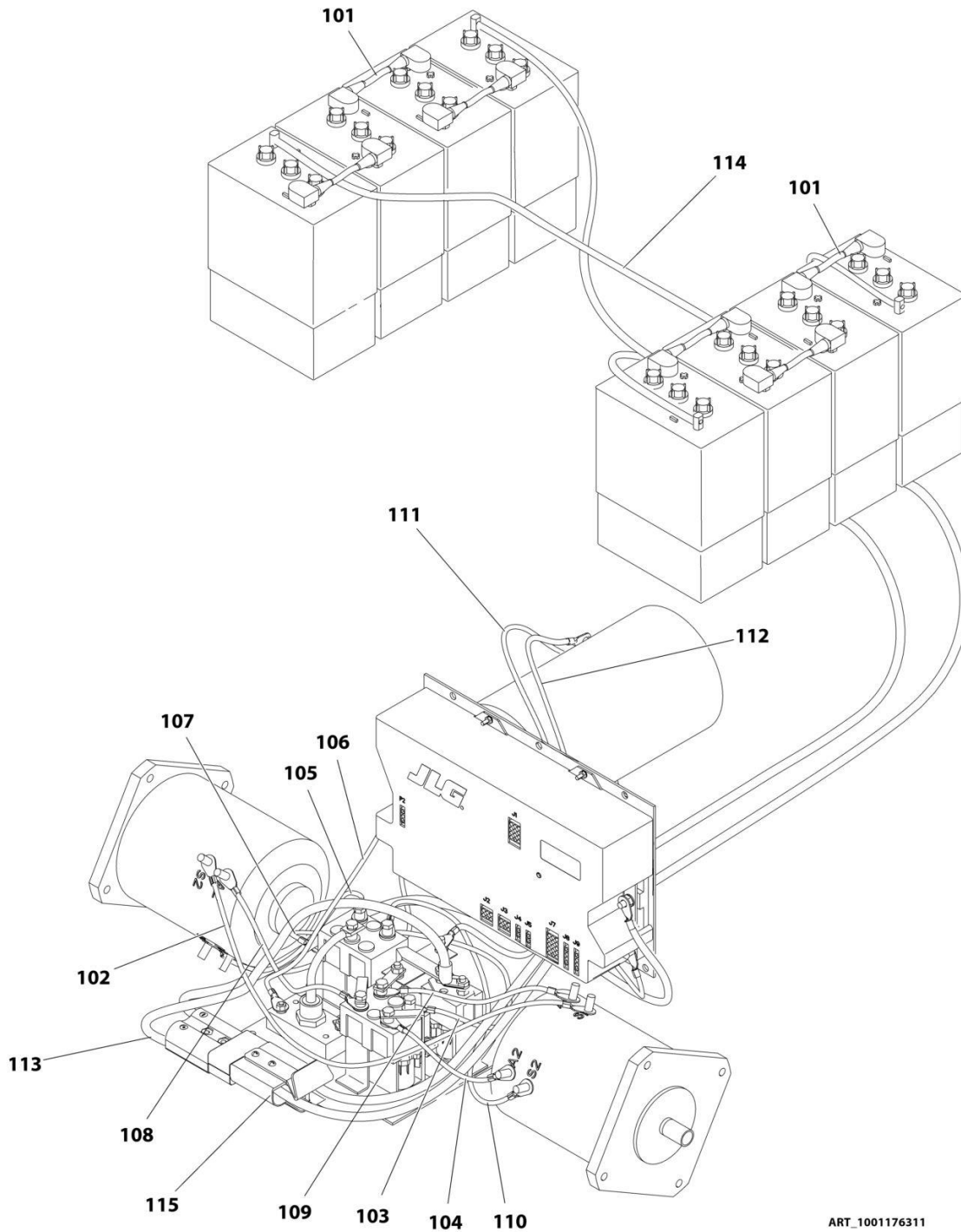
SECTION 8 - ELECTRICAL

FIGURE 8-5. CONTACTOR CABLE KIT - E400ANARROW/E400AJP/E400AJPNARROW - UL LISTED

ITEM	PART NUMBER	QTY	DESCRIPTION	REV
	1001176309	Ref	CONTACTOR CABLE KIT - UL LISTED	A
101	1060092	6	Cable, Battery	
102	1060835	1	Cable, Electrical (Motor B S2 to Motor A S1)	
103	1060836	1	Cable, Electrical (Motor B A1 to Contactor Plate MB2)	
104	1060837	1	Cable, Electrical (Motor A A2 to Contactor Plate MA2)	
105	1001167426	1	Cable, Electrical (Motor B S1 to Contactor Plate SA1)	
106	1060839	1	Cable, Electrical (Power Module A to Contactor Plate)	
107	1060840	1	Cable, Electrical (Power Module B+ to Contactor Plate)	
108	1060841	1	Cable, Electrical (Motor B A2 to Contactor Plate MB1)	
109	1060842	1	Cable, Electrical (Motor A A1 to Contactor Plate MA1)	
110	1001167431	1	Cable, Electrical (Motor A S2 to Contactor Plate SB1)	
111	1001171292	1	Cable, Electrical (Contactor Plate P2 to Hydraulic Pump Motor +)	
112	1001171291	1	Cable, Electrical (Power Module to Hydraulic Pump Motor -)	
113	1060810	1	Cable, Electrical (Power Module to Batteries)	
114	1060811	1	Cable, Electrical (Battery to Battery)	
115	1060847	1	Cable, Electrical (Jumper, Fuse)	
201	1060809	1	Cable, Battery	

SECTION 8 - ELECTRICAL

FIGURE 8-6. CONTACTOR CABLE KIT - M400AJP - M400AJPNARROW



ART_1001176311

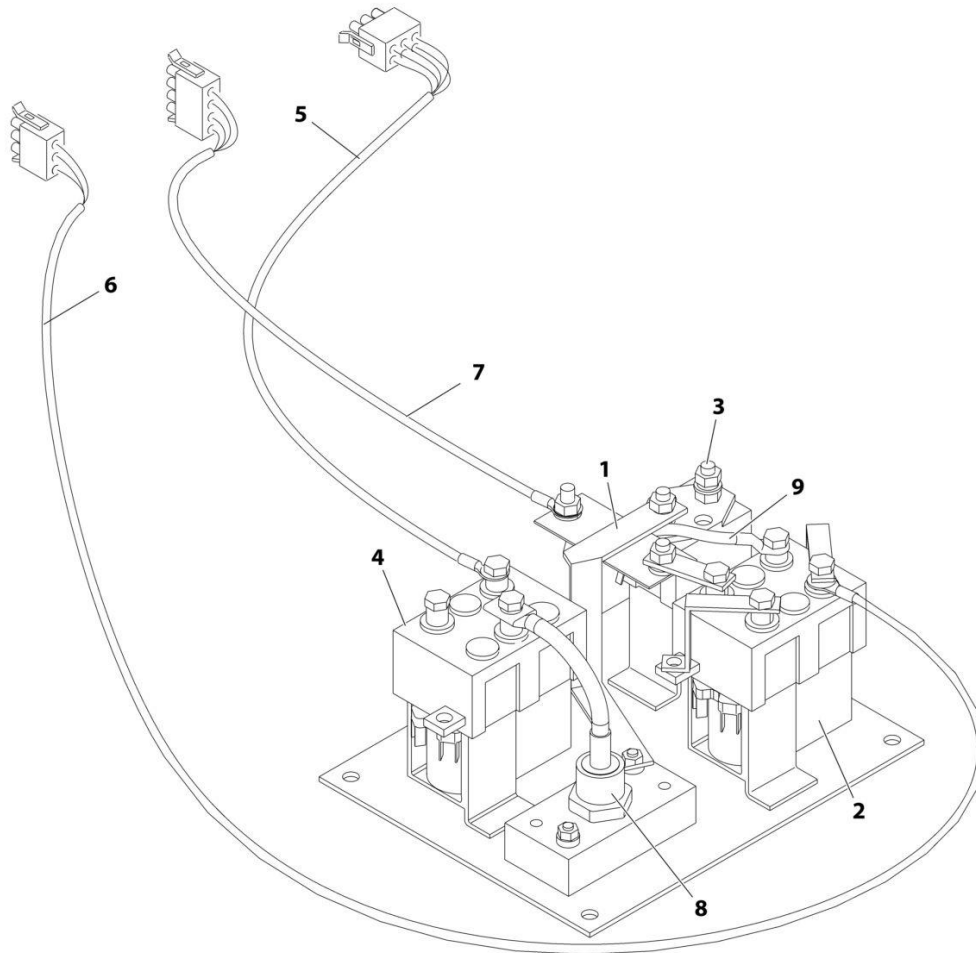
SECTION 8 - ELECTRICAL

FIGURE 8-6. CONTACTOR CABLE KIT - M400AJP - M400AJPNARROW

ITEM	PART NUMBER	QTY	DESCRIPTION	REV
	1001176311	Ref	CONTACTOR CABLE KIT	A
101	1060092	6	Cable, Battery	
102	1060717	1	Cable, Electrical (Motor B S2 to Motor A S1)	
103	1060718	1	Cable, Electrical (Motor B A1 to Contactor Plate MB2)	
104	1060719	1	Cable, Electrical (Motor A A2 to Contactor Plate MA2)	
105	1001171290	1	Cable, Electrical (Motor B S1 to Contactor Plate SA1)	
106	1060721	1	Cable, Electrical (Power Module A to Contactor Plate B+)	
107	1060722	1	Cable, Electrical (Power Module B+ to Contactor Plate A)	
108	1060723	1	Cable, Electrical (Motor B A2 to Contactor Plate MB1)	
109	1060724	1	Cable, Electrical (Motor A A1 to Contactor Plate MA1)	
110	1001171289	1	Cable, Electrical (Motor A S2 to Contactor Plate SB1)	
111	1060728	1	Cable, Electrical (Contactor Plate P2 to Hydraulic Pump Motor +)	
112	1001171293	1	Cable, Electrical (Power Module to Hydraulic Pump Motor -)	
113	1060810	1	Cable, Electrical (Contactor Plate to Battery Connector)	
114	1060811	1	Cable, Electrical (Battery to Battery)	
115	1060809	1	Cable, Electrical (Battery Connector to Batteries)	

SECTION 8 - ELECTRICAL

FIGURE 8-7. CONTACTOR PLATE ASSEMBLY AND HARNESSES



ART_1600294

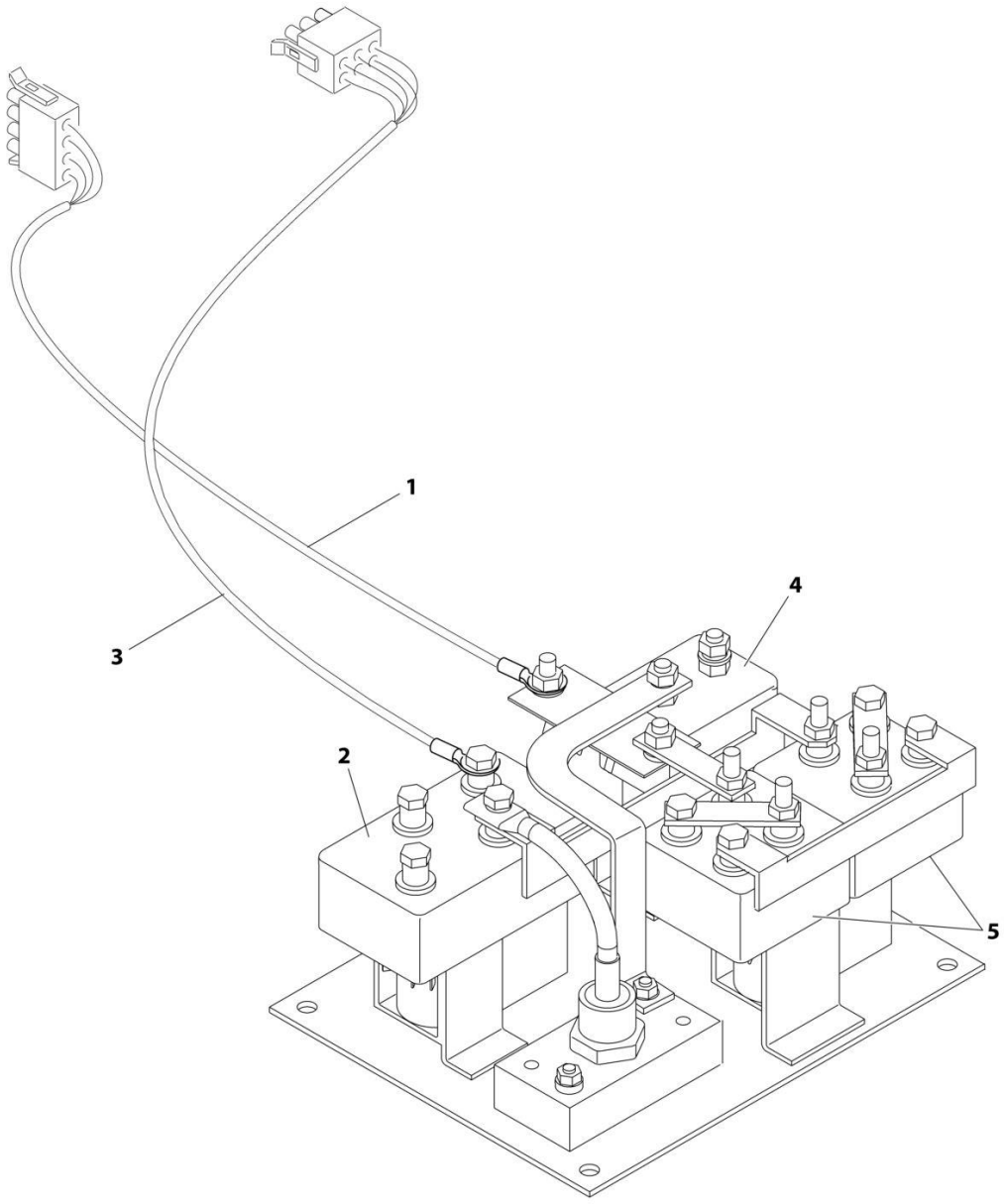
SECTION 8 - ELECTRICAL

FIGURE 8-7. CONTACTOR PLATE ASSEMBLY AND HARNESES

ITEM	PART NUMBER	QTY	DESCRIPTION	REV
	1600294	Ref	CONTACTOR PLATE ASSEMBLY AND HARNESES	E
1	70001052	1	Harness, Shunt/Bus Bar Assembly	
2	7022000	1	Contactor (Posi-Track)	
3	7022001	1	Contactor (Main)	
4	7022002	1	Contactor (Forward/Reverse)	
5	7022003	1	Harness, Contactor	
5	4460225	1	Connector - 3 Position	
5	4460226	6	Socket, Female	
6	7022004	1	Harness, Posi-Track Contactor	
6	4460326	1	Connector - 3 Position	
6	4460227	3	Pin, Male	
7	7022005	1	Harness, Shunt	
7	4460321	1	Connector - 4 Position	
7	4460227	4	Pin, Male	
8	7022011	1	Diode, Power	
9	7022012	1	Cable, Power	

SECTION 8 - ELECTRICAL

FIGURE 8-8. CONTACTOR PLATE ASSEMBLY AND HARNESSSES - UL LISTED



ART_1600300

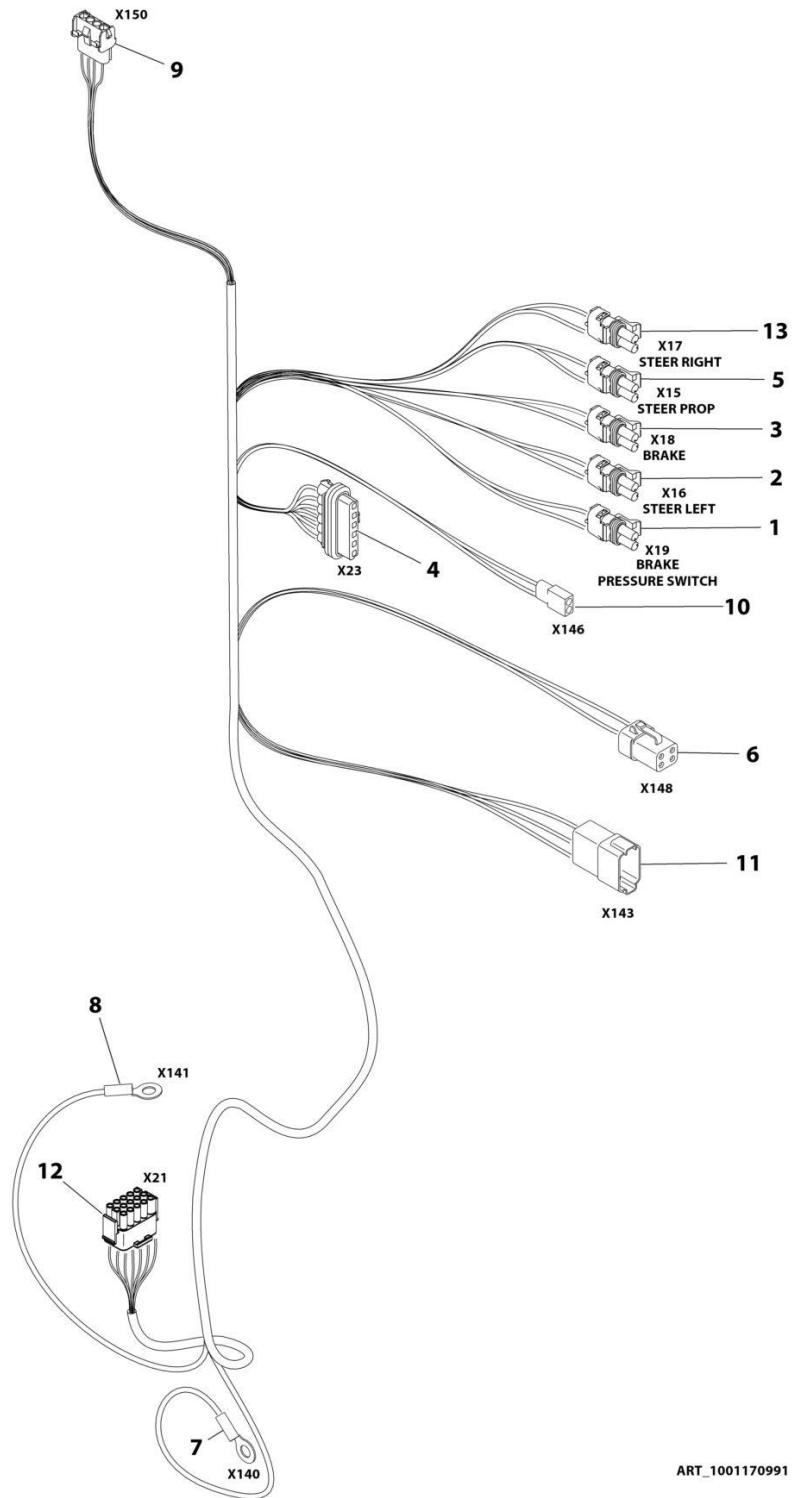
SECTION 8 - ELECTRICAL

FIGURE 8-8. CONTACTOR PLATE ASSEMBLY AND HARNESESSES - UL LISTED

ITEM	PART NUMBER	QTY	DESCRIPTION	REV
	1600300	Ref	CONTACTOR PLATE ASSEMBLY AND HARNESESSES - UL LISTED	
1	7022005	1	Harness, Shunt	
1	4460321	1	Connector - 4 Position	
1	4460227	4	Pin, Male	
2	7022007	1	Contactora, (Forward/Reverse)	
3	7022008	1	Harness, Contactora	
3	4460225	1	Connector - 6 Position	
3	4460226	6	Socket, Female	
4	7022009	1	Contactora (Main)	
5	7022010	2	Contactora (Posi-Track)	

SECTION 8 - ELECTRICAL

FIGURE 8-9. STEER/BRAKE HARNESS - E400ANARROW/E400AJP/E400AJPNARROW



ART_1001170991

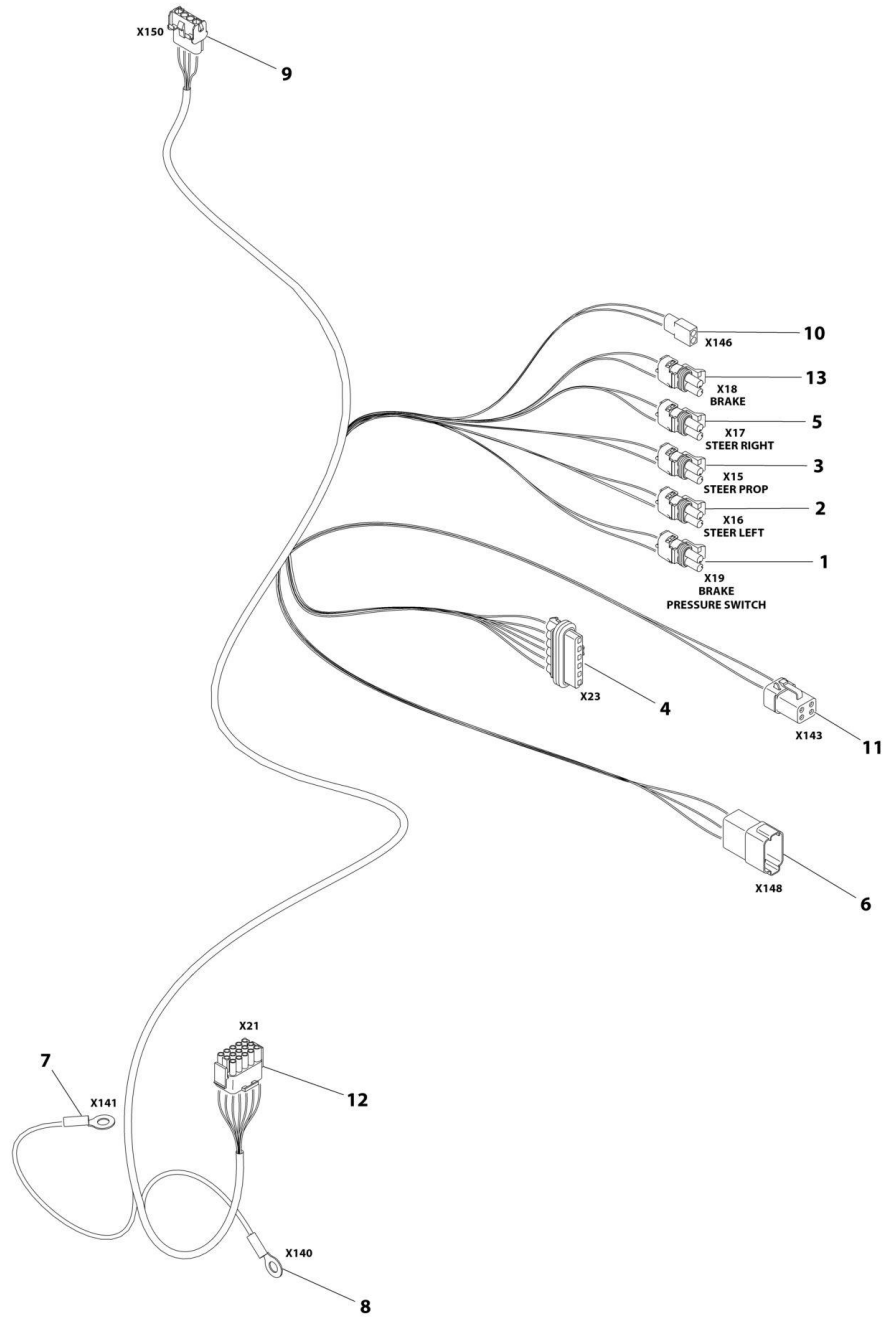
SECTION 8 - ELECTRICAL

FIGURE 8-9. STEER/BRAKE HARNESS - E400ANARROW/E400AJP/E400AJPNARROW

ITEM	PART NUMBER	QTY	DESCRIPTION	REV
	1001170991	Ref	STEER/BRAKE HARNESS	A
1	4460742	1	Connector - 2 Position	
1	4460743	2	Terminal, Female	
1	4460458	2	Seal	
2	4460742	1	Connector - 2 Position	
2	4460743	2	Terminal, Female	
2	4460458	2	Seal	
3	4460742	1	Connector - 2 Position	
3	4460743	2	Terminal, Female	
3	4460458	2	Seal	
4	4460744	1	Connector - 6 Position	
4	4460749	1	Cap, Shell	
4	4460750	1	Bar, Buss - 6 Position	
4	4460745	1	Lock, Secondary	
4	4460751	1	Clip, Mounting	
4	4460746	5	Socket, Female	
4	4460458	5	Seal	
4	4460748	1	Plug, Terminal	
5	4460742	1	Connector - 2 Position	
5	4460743	2	Terminal, Female	
5	4460458	2	Seal	
6	4460931	1	Connector - 8 Position	
6	4460464	6	Pin, Male	
6	4460466	2	Plug, Seal	
7	4460738	1	Ring, Terminal	
8	4460738	1	Ring, Terminal	
9	4460761	1	Connector - 4 Position	
9	4460227	4	Pin, Male	
10	4460424	1	Connector - 2 Position	
10	4460227	2	Pin, Male	
11	1001116810	1	Connector - 4 Position	
11	4460509	2	Socket, Female	
11	4460466	2	Plug, Seal	
12	4460434	1	Connector - 15 Position	
12	4460226	7	Pin, Male	
13	4460742	1	Connector - 2 Position	
13	4460743	2	Terminal, Female	
13	4460458	2	Seal	

SECTION 8 - ELECTRICAL

FIGURE 8-10. MOTOR/STEER/BRAKE HARNESS - M400AJP/M400AJPNARROW



ART_1001171115

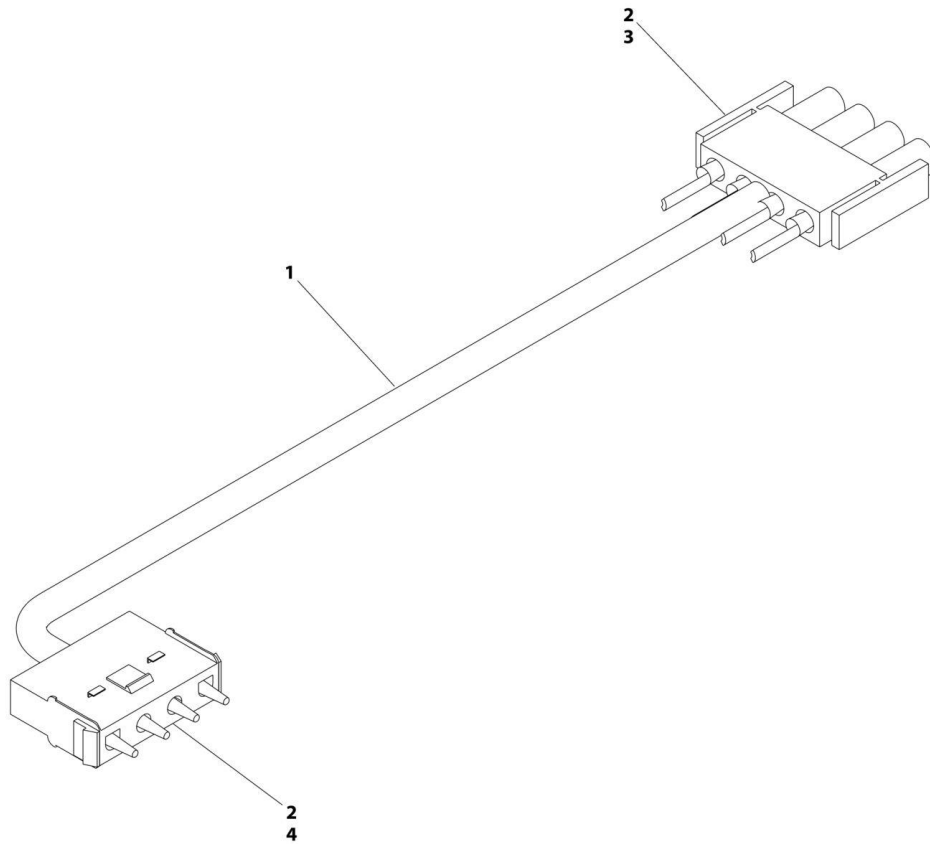
SECTION 8 - ELECTRICAL

FIGURE 8-10. MOTOR/STEER/BRAKE HARNESS - M400AJP/M400AJPNARROW

ITEM	PART NUMBER	QTY	DESCRIPTION	REV
	1001171115	Ref	MOTOR/STEER/BRAKE HARNESS	A
1	4460742	1	Connector - 2 Position	
1	4460743	2	Terminal, Female	
1	4460458	2	Seal	
2	4460742	1	Connector - 2 Position	
2	4460743	2	Terminal, Female	
2	4460458	2	Seal	
3	4460742	1	Connector - 2 Position	
3	4460743	2	Terminal, Female	
3	4460458	2	Seal	
4	4460744	1	Connector- 6 Position	
4	4460749	1	Cap, Shell	
4	4460750	1	Bar, Buss - 6 Position	
4	4460745	1	Lock, Secondary	
4	4460751	1	Clip, Mounting	
4	4460746	5	Socket, Female	
4	4460748	1	Plug, Seal	
4	4460458	5	Seal	
5	4460742	1	Connector - 2 Position	
5	4460743	2	Terminal, Female	
5	4460458	2	Seal	
6	4460931	1	Connector- 8 Position	
6	4460464	6	Socket, Female	
6	4460466	2	Plug, Seal	
7	4460738	1	Ring, Terminal	
8	4460738	1	Ring, Terminal	
10	4460424	1	Connector - 2 Position	
10	4460227	2	Pin, Male	
11	1001116810	1	Connector - 4 Position	
11	4460509	2	Socket, Female	
11	4460466	2	Plug, Seal	
12	4460434	1	Connector - 15 Position	
12	4460226	7	Pin, Male	
13	4460742	1	Connector - 2 Position	
13	4460743	2	Terminal, Female	
13	4460458	2	Seal	

SECTION 8 - ELECTRICAL

FIGURE 8-11. LED REMOTE HARNESS



ART_1060778

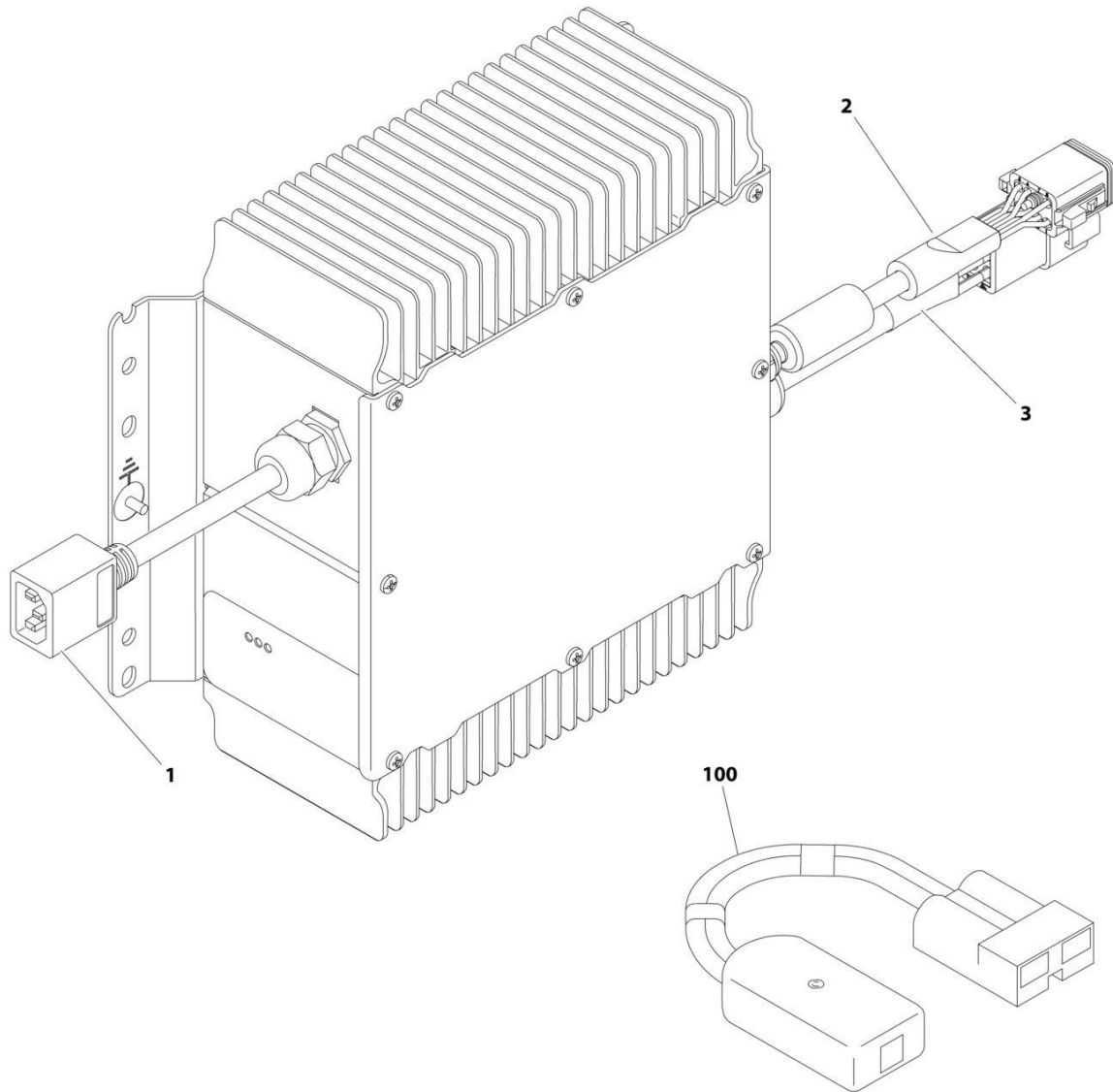
SECTION 8 - ELECTRICAL

FIGURE 8-11. LED REMOTE HARNESS

ITEM	PART NUMBER	QTY	DESCRIPTION	REV
	1060778	Ref	LED REMOTE HARNESS	A
1	1060779	4 ft/1.2m	Cable, Electrical 4-18	
2	4460226	8	Socket, female	
3	4460321	1	Connector - 4 Position	
4	4460761	1	Connector - 4 Position	

SECTION 8 - ELECTRICAL

FIGURE 8-12. BATTERY CHARGER ASSEMBLY



ART_1001103105

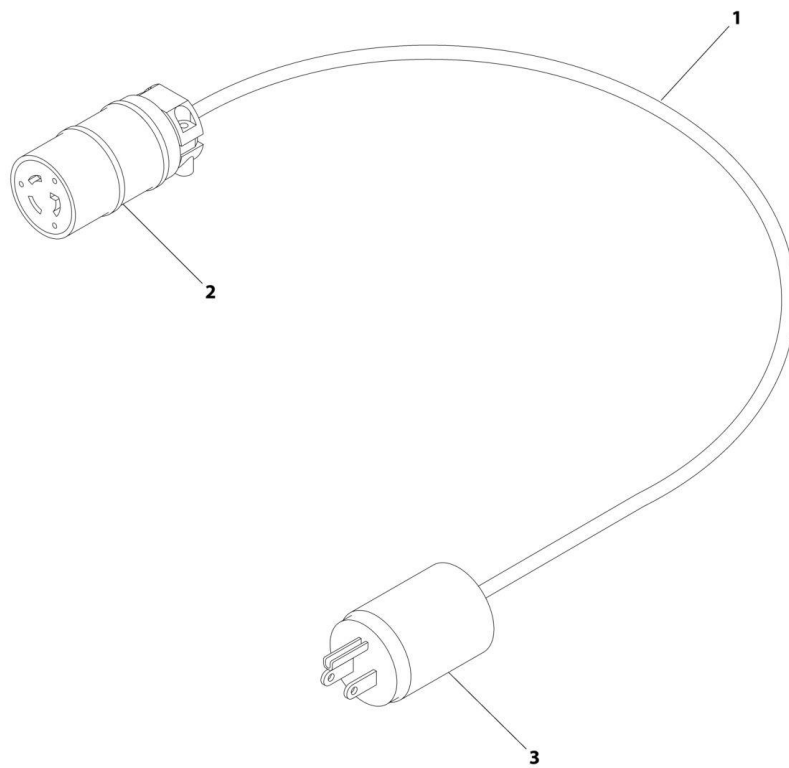
SECTION 8 - ELECTRICAL

FIGURE 8-12. BATTERY CHARGER ASSEMBLY

ITEM	PART NUMBER	QTY	DESCRIPTION	REV
	1001103105	1	BATTERY CHARGER ASSEMBLY	
1	See Note	1	Harness, Battery Charger AC Plug (Note: Not Available for Purchase)	
1	See Note	1	Connector, Plug (Note: Not Available for Purchase)	
2	See Note	1	Harness, Battery Charger Signal (Note: Not Available for Purchase)	
2	4460930	1	Connector - 8 Position	
2	4460464	7	Socket, Female	
3	See Note	1	Harness, Battery Charger Power (Note: Not Available - Purchase Complete Charger)	
3	1001116811	1	Connector - 4 Position	
3	4460508	4	Pin, Male	
100	2915230	1	BATTERY CHARGER REPROGRAM CONTROLLER KIT (Includes Controller, Software and Instructions)	

SECTION 8 - ELECTRICAL

FIGURE 8-13. INVERTER HARNESS (SN 0300189901 through 0300193793)



ART_4922390

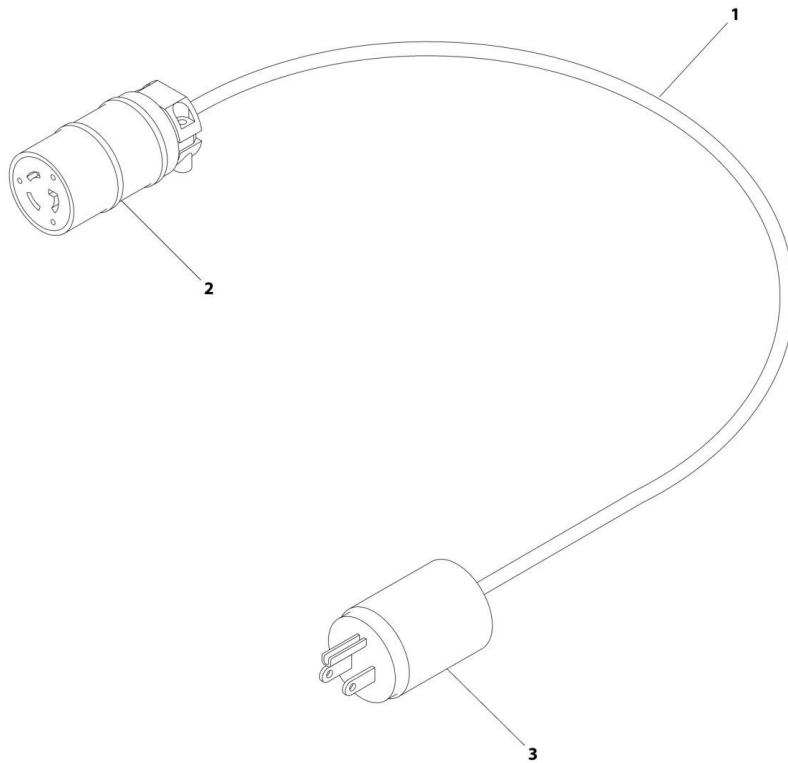
SECTION 8 - ELECTRICAL

FIGURE 8-13. INVERTER HARNESS (SN 0300189901 through 0300193793)

ITEM	PART NUMBER	QTY	DESCRIPTION	REV
	4922390	Ref	INVERTER HARNESS (SN 0300189901 through 0300193793)	B
1	1060494	6 ft/1.9m	Cable, Electrical 12/3	
2	4460134	1	Connector, Female	
3	4460138	1	Plug, Connector	

SECTION 8 - ELECTRICAL

FIGURE 8-14. INVERTER HARNESS (SN 0300193794 through 0300208528)



ART_1001182296

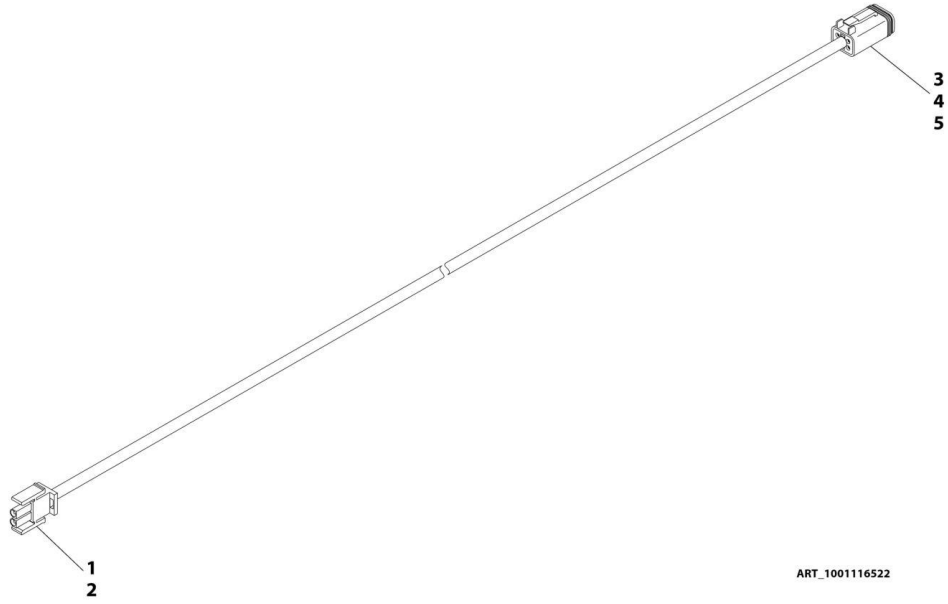
SECTION 8 - ELECTRICAL

FIGURE 8-14. INVERTER HARNESS (SN 0300193794 through 0300208528)

ITEM	PART NUMBER	QTY	DESCRIPTION	REV
1	1001182296 1060494	Ref 9.58 ft /2.92m	INVERTER HARNESS (SN 0300193794 through 0300208528) Cable, Electrical 12/3	A
2	4460134	1	Connector, Female	
3	4460138	1	Plug, Connector	

SECTION 8 - ELECTRICAL

FIGURE 8-15. DRIVE ORIENTATION HARNESS



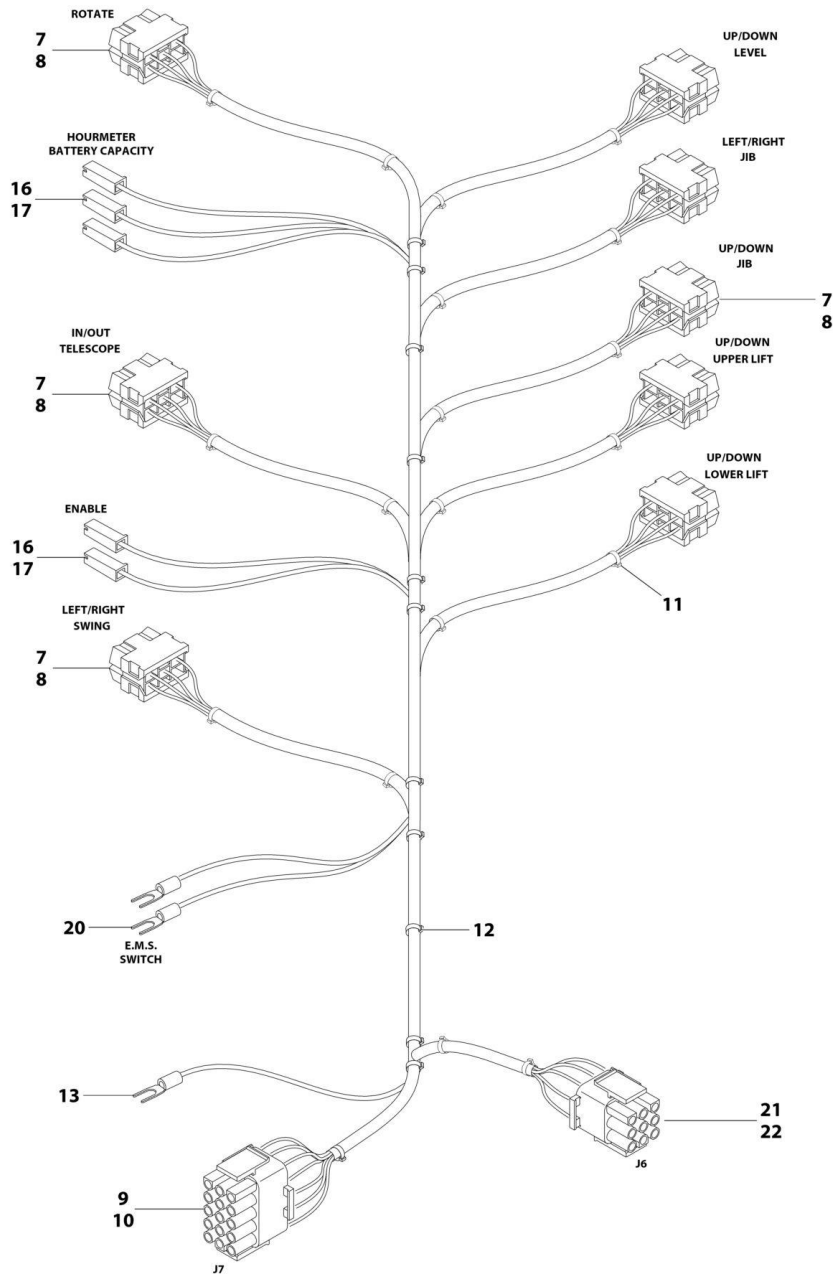
SECTION 8 - ELECTRICAL

FIGURE 8-15. DRIVE ORIENTATION HARNESS

ITEM	PART NUMBER	QTY	DESCRIPTION	REV
	1001116522	Ref	DRIVE ORIENTATION HARNESS	B
1	4460227	2	Pin, Male	
2	4460320	1	Connector - 2 Position	
3	4460465	2	Socket, Female	
4	4460466	2	Seal	
5	4460884	1	Connector - 4 Position	

SECTION 8 - ELECTRICAL

FIGURE 8-16. GROUND CONTROL FUNCTION SWITCH HARNESS ASSEMBLY



ART. 4923625

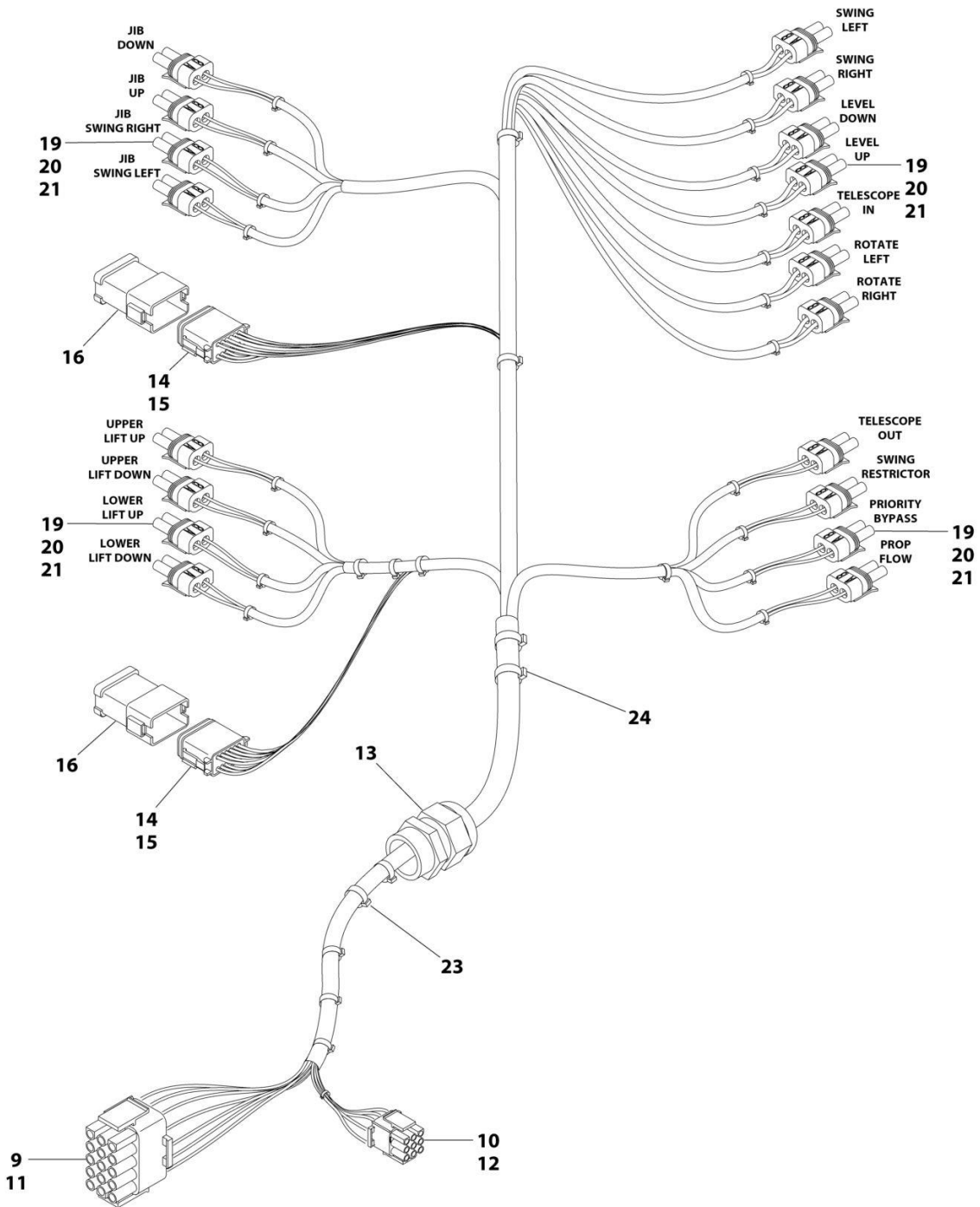
SECTION 8 - ELECTRICAL

FIGURE 8-16. GROUND CONTROL FUNCTION SWITCH HARNESS ASSEMBLY

ITEM	PART NUMBER	QTY	DESCRIPTION	REV
	4923625	Ref	GROUND CONTROL FUNCTION SWITCH HARNESS ASSEMBLY	1-D
7	4460418	8	Connector - 6 Position	
8	4460419	24	Terminal, Female	
9	4460434	1	Connector - 15 Position	
10	4460226	15	Socket, Female	
11	4240032	AR	Tie-Strap	
12	4240033	AR	Tie-Strap	
13	4460145	1	Terminal	
16	4460259	5	Terminal	
17	4460260	5	Terminal, Housing	
20	4460183	2	Terminal	
21	4460265	1	Connector - 9 Position	
22	4460227	2	Pin, Male	

SECTION 8 - ELECTRICAL

FIGURE 8-17. GROUND CONTROL VALVE HARNESS ASSEMBLY



ART_4922367

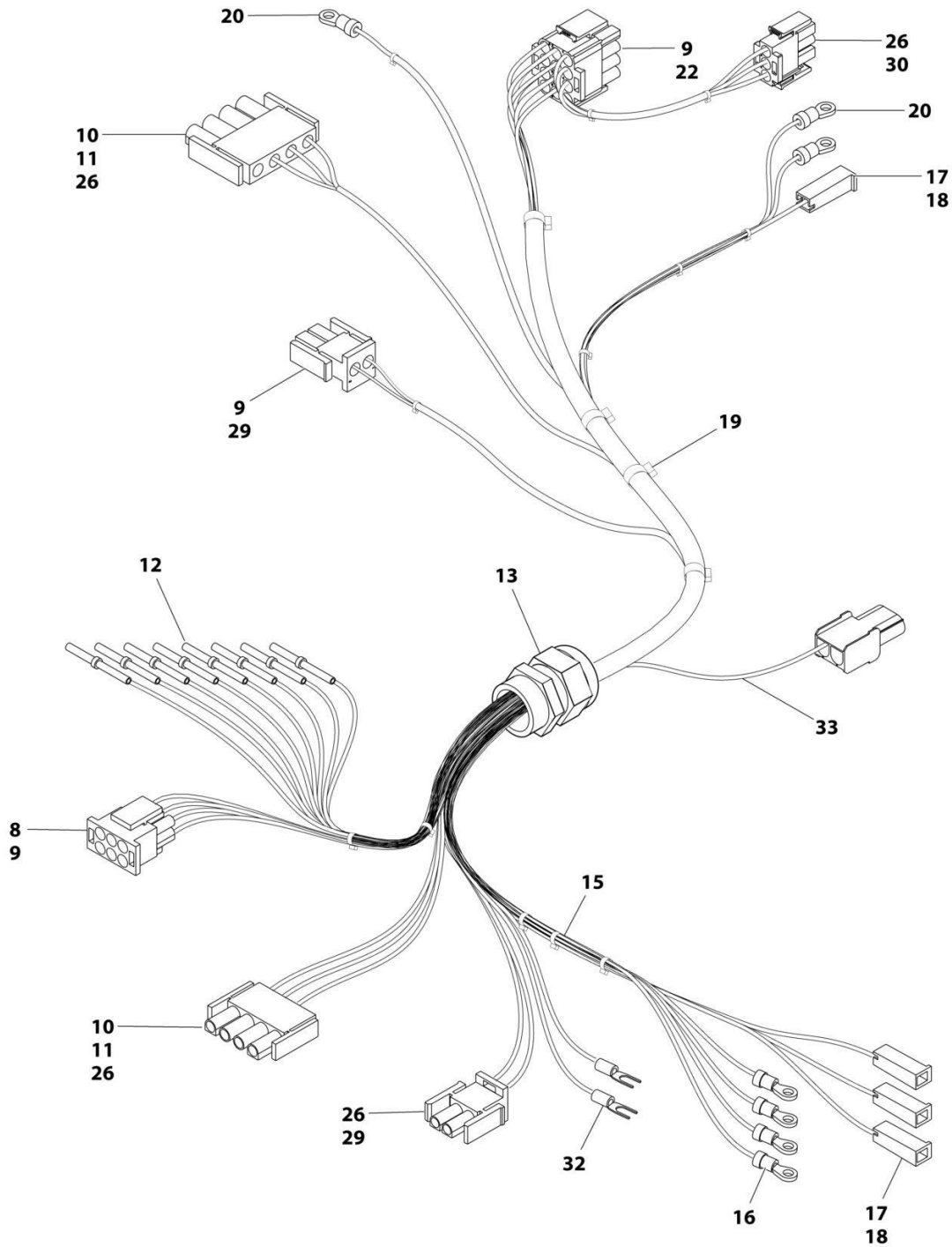
SECTION 8 - ELECTRICAL

FIGURE 8-17. GROUND CONTROL VALVE HARNESS ASSEMBLY

ITEM	PART NUMBER	QTY	DESCRIPTION	REV
	4922367	Ref	GROUND CONTROL VALVE HARNESS ASSEMBLY	2-E
9	4460434	1	Connector - 15 Position	
10	4460265	1	Connector - 9 Position	
11	4460227	14	Pin, Male	
12	4460226	6	Socket, Female	
13	4460425	1	Connector, Strain Relief	
14	4460465	22	Pin, Terminal	
15	4460836	2	Connector, 12 Position	
16	4460837	2	Housing, Terminal - 12 Position	
19	4460458	38	Seal	
20	4460742	19	Connector - 2 Position	
21	4460743	38	Terminal, Female	
23	4240032	32	Tie-Strap	
24	4240033	7	Tie-Strap	

SECTION 8 - ELECTRICAL

FIGURE 8-18. TURNTABLE/FRAME HARNESS ASSEMBLY



ART_4922104

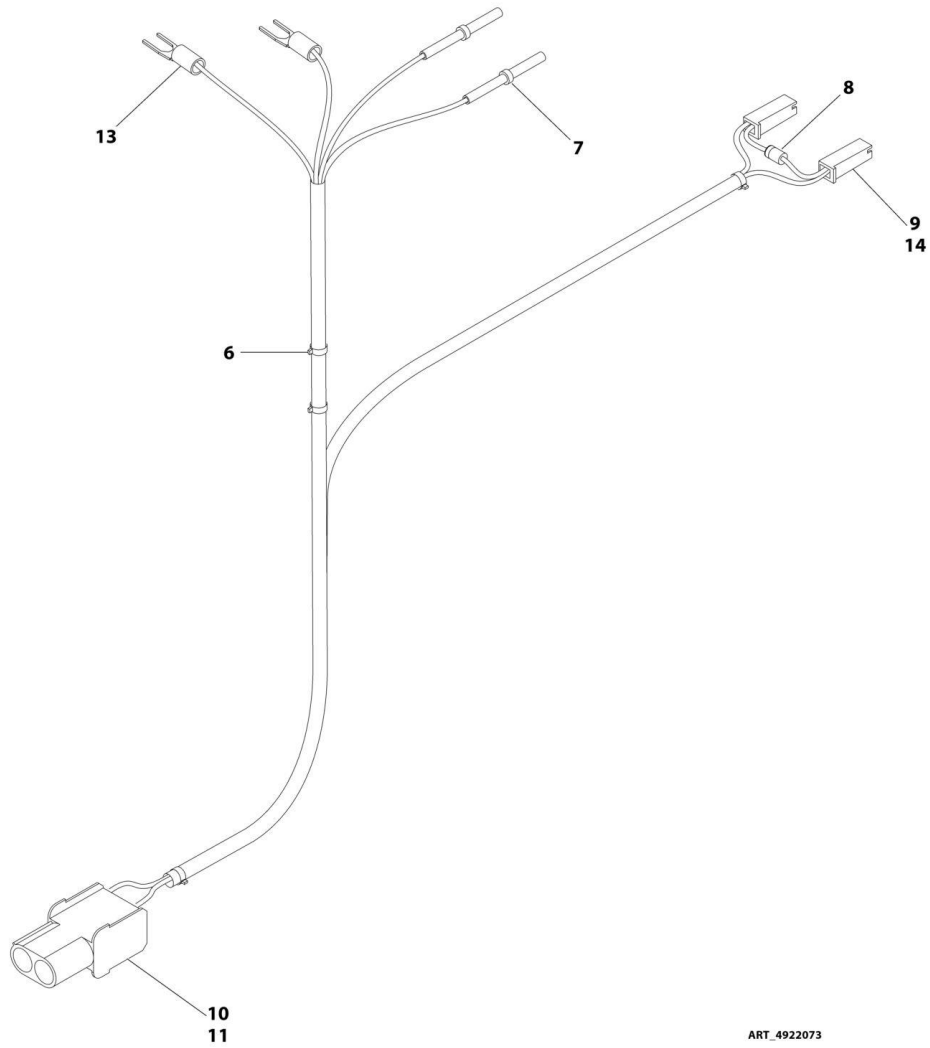
SECTION 8 - ELECTRICAL

FIGURE 8-18. TURNTABLE/FRAME HARNESS ASSEMBLY

ITEM	PART NUMBER	QTY	DESCRIPTION	REV
	4922104	Ref	TURNTABLE/FRAME HARNESS ASEEMBLY	7-G
8	4460225	1	Connector - 6 Position	
9	4460268	17	Socket, Female	
10	4460321	2	Connector - 4 Position	
11	4460227	2	Pin, Male	
12	4460465	8	Socket, Female	
13	4460425	1	Connector, Strain Relief	
14	4460315	1	Terminal, Spade	
15	4240032	12	Tie-Strap	
16	4460042	4	Ring, Terminal	
17	4460259	4	Terminal	
18	4460260	4	Terminal, Housing	
19	4240033	4	Tie-Strap	
20	4460738	3	Ring, Terminal	
22	4460343	1	Connector, 12 Position	
26	4460267	11	Pin, Male	
29	4460320	2	Connector, 2 Position	
30	4460326	1	Connector, 3 Position	
32	4460145	1	Terminal	
33	4922073	1	Horn/Beacon Harness Assembly (See HORN/BEACON HARNESS ASSEMBLY for Breakdown)	

SECTION 8 - ELECTRICAL

FIGURE 8-19. HORN/BEACON HARNESS ASSEMBLY



ART_4922073

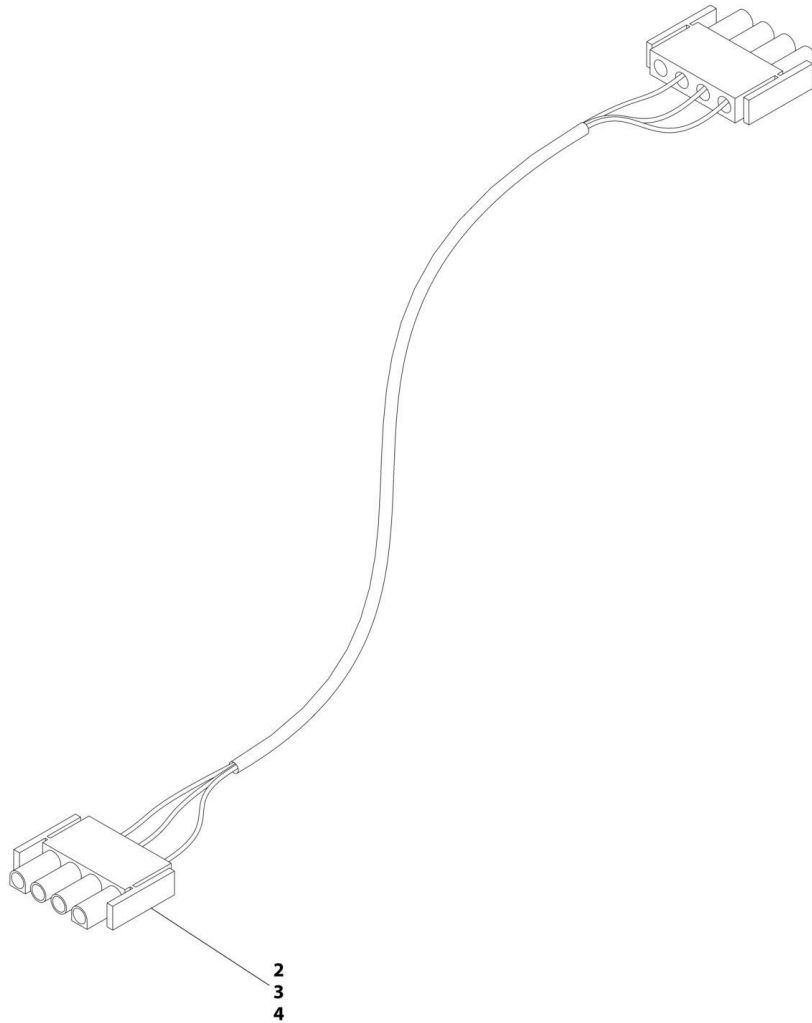
SECTION 8 - ELECTRICAL

FIGURE 8-19. HORN/BEACON HARNESS ASSEMBLY

ITEM	PART NUMBER	QTY	DESCRIPTION	REV
	4922073	Ref	HORN/BEACON HARNESS ASSEMBLY	5-E
6	4240032	4	Tie-Strap	
7	4460465	2	Socket, Female	
8	3990001	1	Diode	
9	4460259	2	Terminal	
10	4460268	2	Socket, Female	
11	4460424	1	Connector, 2 Position	
13	4460145	2	Terminal	
14	4460260	2	Terminal, Housing	

SECTION 8 - ELECTRICAL

FIGURE 8-20. POSI-TRACK MODULE CAN HARNESS ASSEMBLY



ART_4922263

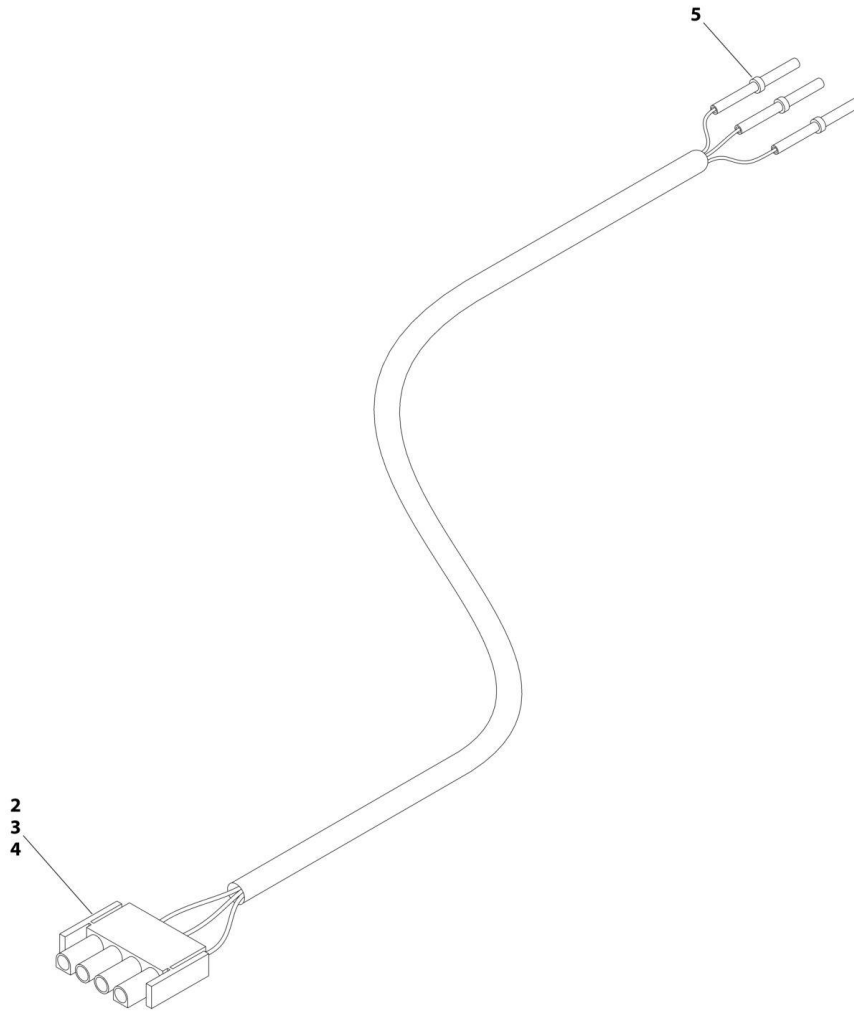
SECTION 8 - ELECTRICAL

FIGURE 8-20. POSI-TRACK MODULE CAN HARNESS ASSEMBLY

ITEM	PART NUMBER	QTY	DESCRIPTION	REV
	4922263	Ref	POSI-TRACK MODULE CAN HARNESS ASSEMBLY	2-A
2	4460321	2	Connector - 4 Position	
3	4460227	4	Pin, Male	
4	4460267	2	Pin, Male	

SECTION 8 - ELECTRICAL

FIGURE 8-21. GROUND CONTROL CAN HARNESS ASSEMBLY



ART_4922117

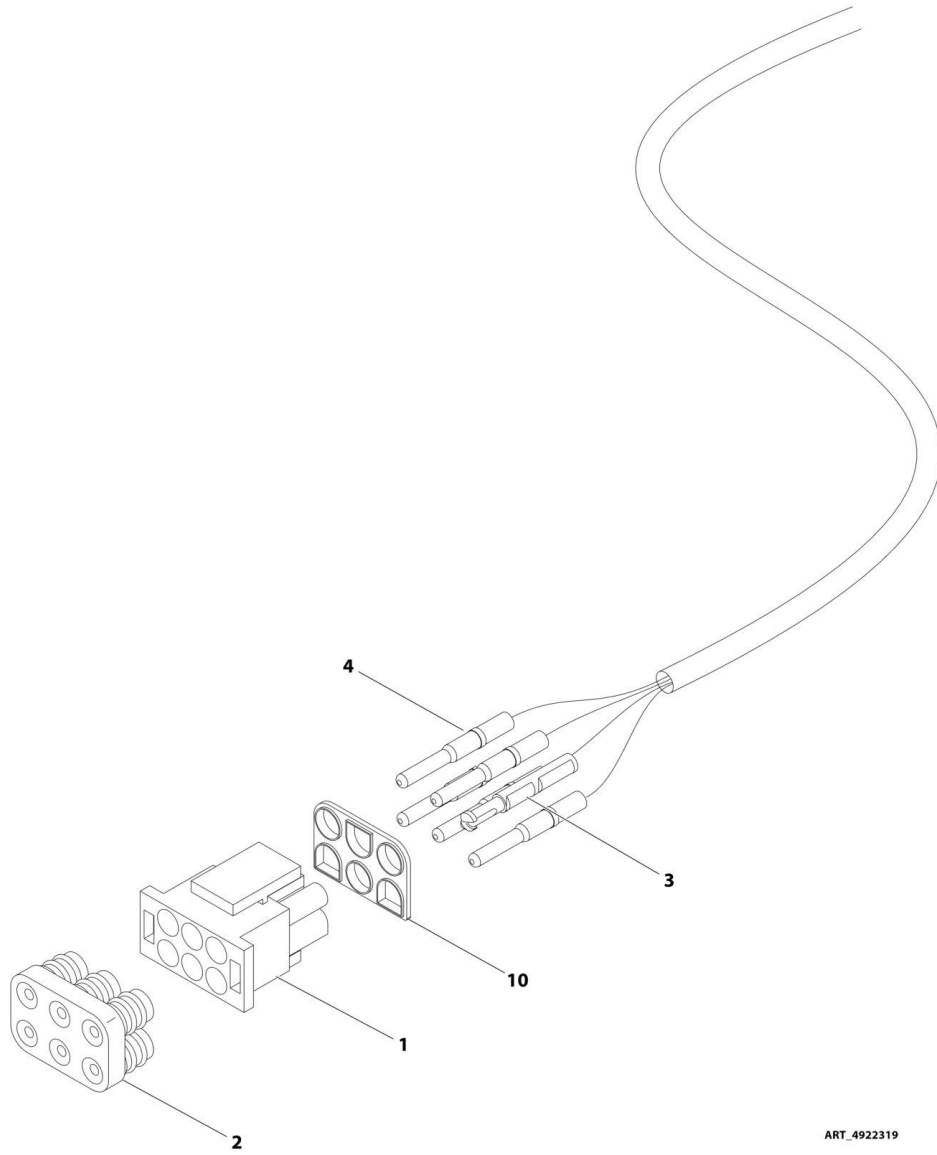
SECTION 8 - ELECTRICAL

FIGURE 8-21. GROUND CONTROL CAN HARNESS ASSEMBLY

ITEM	PART NUMBER	QTY	DESCRIPTION	REV
	4922117	Ref	GROUND CONTROL CAN HARNESS ASSEMBLY	3-B
2	4460321	1	Connector - 4 Position	
3	4460227	2	Pin, Male	
4	4460267	1	Pin, Male	
5	4460465	3	Socket, Female	

SECTION 8 - ELECTRICAL

FIGURE 8-22. GENERATOR HARNESS TO GROUND CONTROL BOX



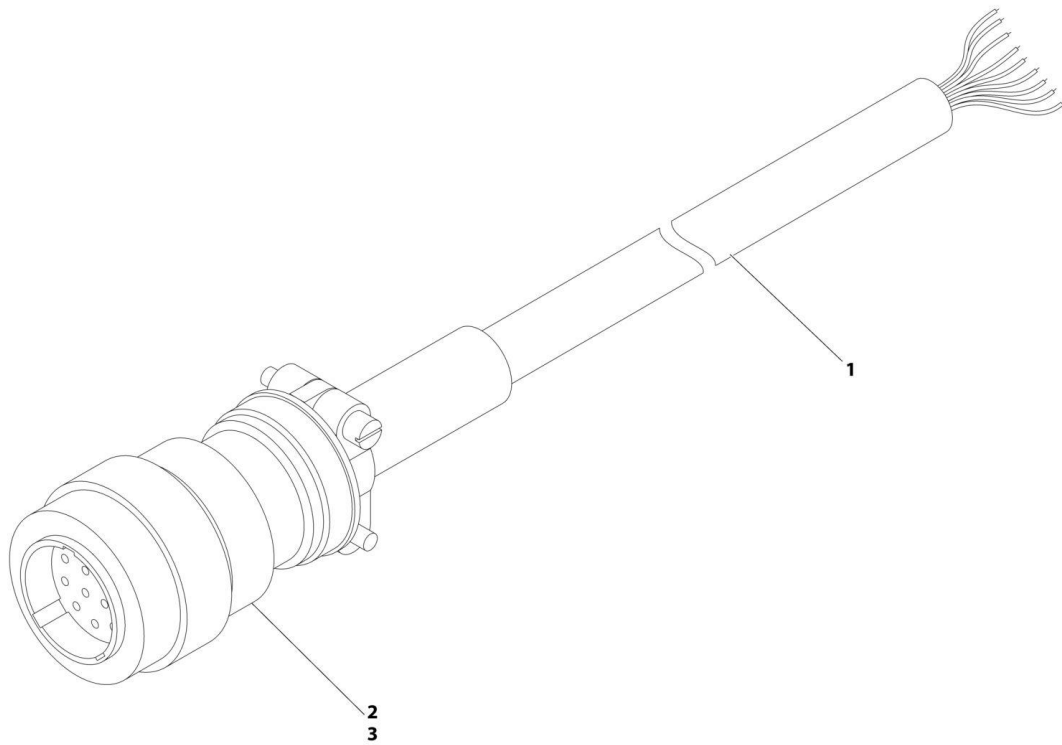
SECTION 8 - ELECTRICAL

FIGURE 8-22. GENERATOR HARNESS TO GROUND CONTROL BOX

ITEM	PART NUMBER	QTY	DESCRIPTION	REV
	4922319	Ref	GENERATOR HARNESS TO GROUND CONTROL BOX	1-A
1	4460225	1	Connector - 6 Position	
2	4460807	1	Seal, Terminal	
3	4460809	1	Pin, Terminal	
4	4460267	5	Pin, Terminal	
10	4460808	1	Terminal, Seal	

SECTION 8 - ELECTRICAL

FIGURE 8-23. MAIN BOOM HARNESS ASSEMBLY



ART_4922496

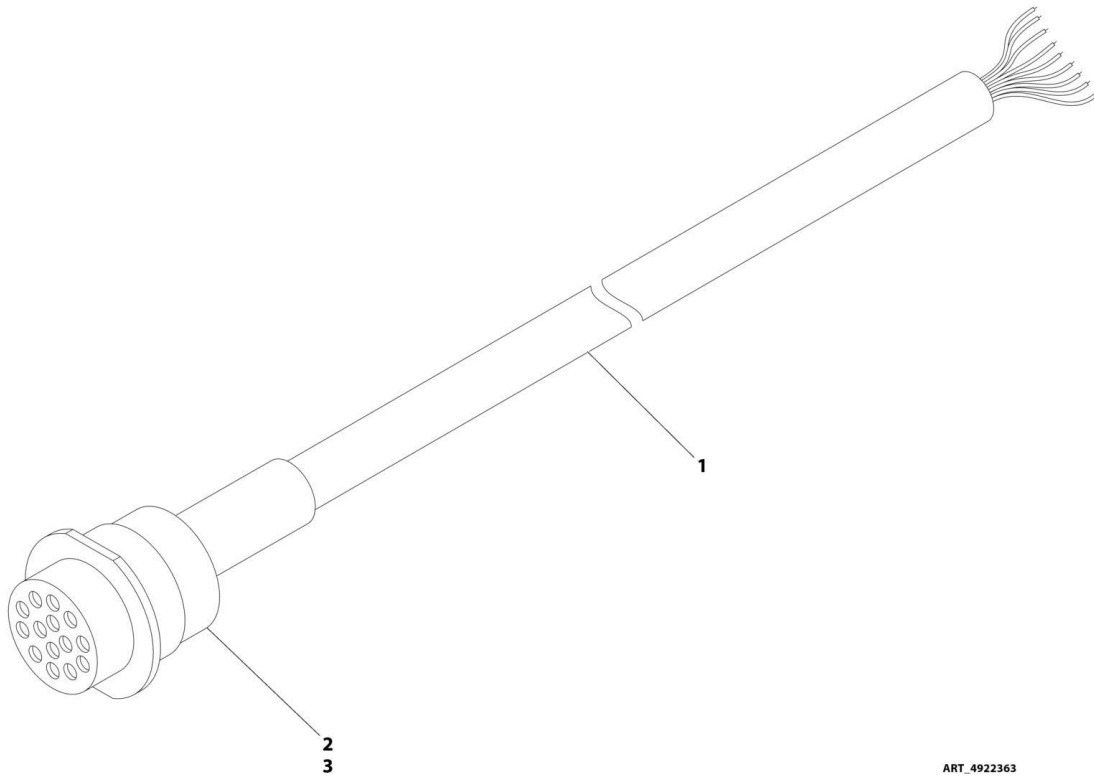
SECTION 8 - ELECTRICAL

FIGURE 8-23. MAIN BOOM HARNESS ASSEMBLY

ITEM	PART NUMBER	QTY	DESCRIPTION	REV
	4922496	Ref	MAIN BOOM HARNESS ASSEMBLY	2-D
1	1060677	25.25 ft /7.7m	Cable, Electrical	
2	4460465	28	Socket, Female	
3	4460754	1	Connector - 14 Position	

SECTION 8 - ELECTRICAL

FIGURE 8-24. TOWER BOOM HARNESS ASSEMBLY



ART_4922363

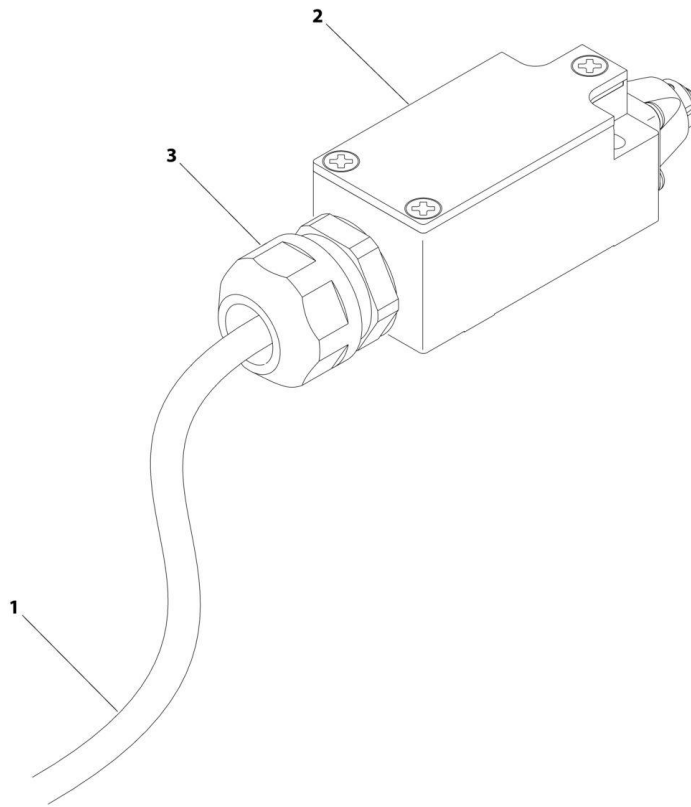
SECTION 8 - ELECTRICAL

FIGURE 8-24. TOWER BOOM HARNESS ASSEMBLY

ITEM	PART NUMBER	QTY	DESCRIPTION	REV
1	4922363	Ref	TOWER BOOM HARNESS ASSEMBLY	3-D
	1060677	32 ft /9.75m	Cable, Electrical	
2	4460464	28	Pin, Male	
3	4460752	1	Connector - 14 Position	

SECTION 8 - ELECTRICAL

FIGURE 8-25. BOOM LIMIT SWITCH HARNESS - LOWER



ART_4922614

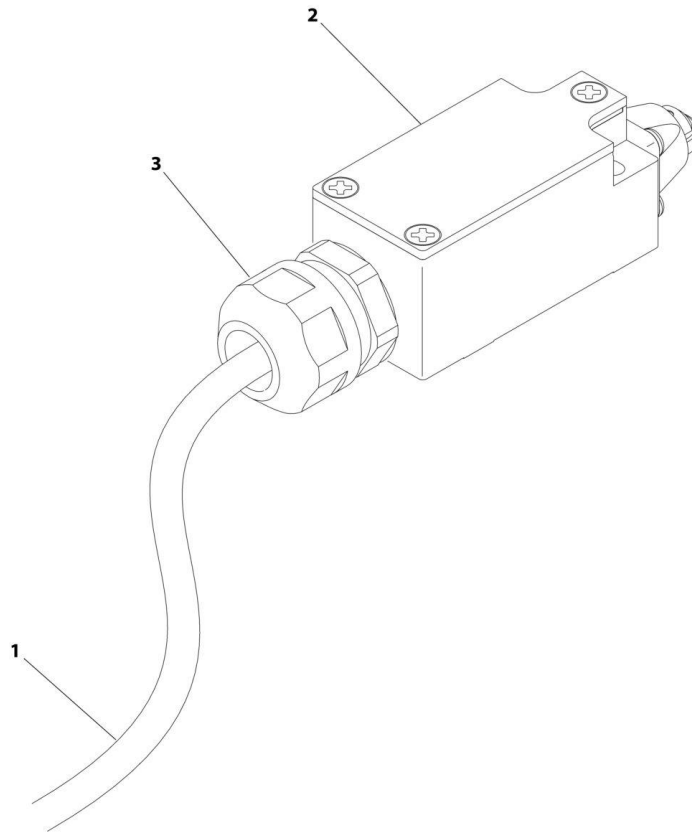
SECTION 8 - ELECTRICAL

FIGURE 8-25. BOOM LIMIT SWITCH HARNESS - LOWER

ITEM	PART NUMBER	QTY	DESCRIPTION	REV
	4922614	Ref	BOOM LIMIT SWITCH HARNESS - LOWER	B
1	1060341	19 ft/5.8m	Cable, Electrical - 16/2	
2	4360548	1	Switch, Limit	
3	4460968	1	Connector, Strain Relief	

SECTION 8 - ELECTRICAL

FIGURE 8-26. BOOM LIMIT SWITCH HARNESS - UPPER



ART_4922615

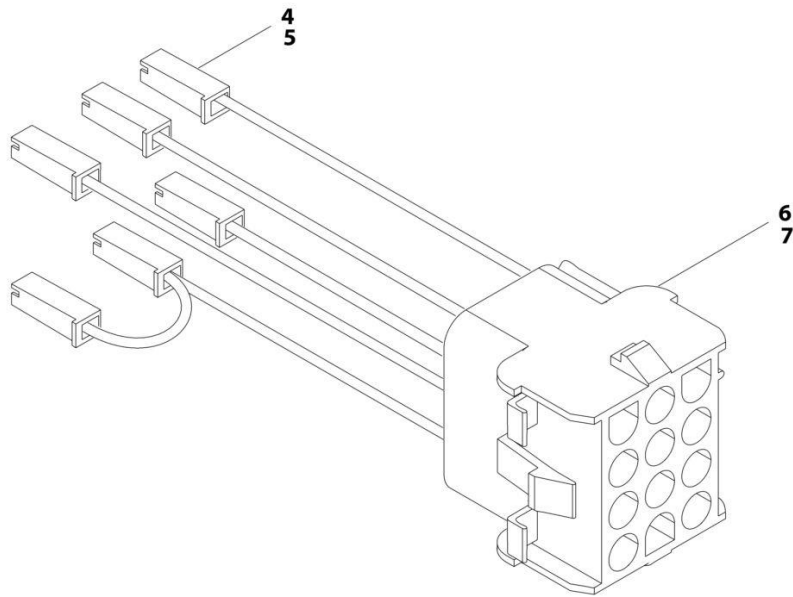
SECTION 8 - ELECTRICAL

FIGURE 8-26. BOOM LIMIT SWITCH HARNESS - UPPER

ITEM	PART NUMBER	QTY	DESCRIPTION	REV
	4922615	Ref	BOOM LIMIT SWITCH HARNESS - UPPER	B
1	1060341	31 ft/9.4m	Cable, Electrical - 16/2	
2	4360548	1	Switch, Limit	
3	4460968	1	Connector, Strain Relief	

SECTION 8 - ELECTRICAL

FIGURE 8-27. JIB HARNESS - E400AJP/M400AJP/E400AJPNARROW/M400AJPNARROW MODELS ONLY



ART_4922307

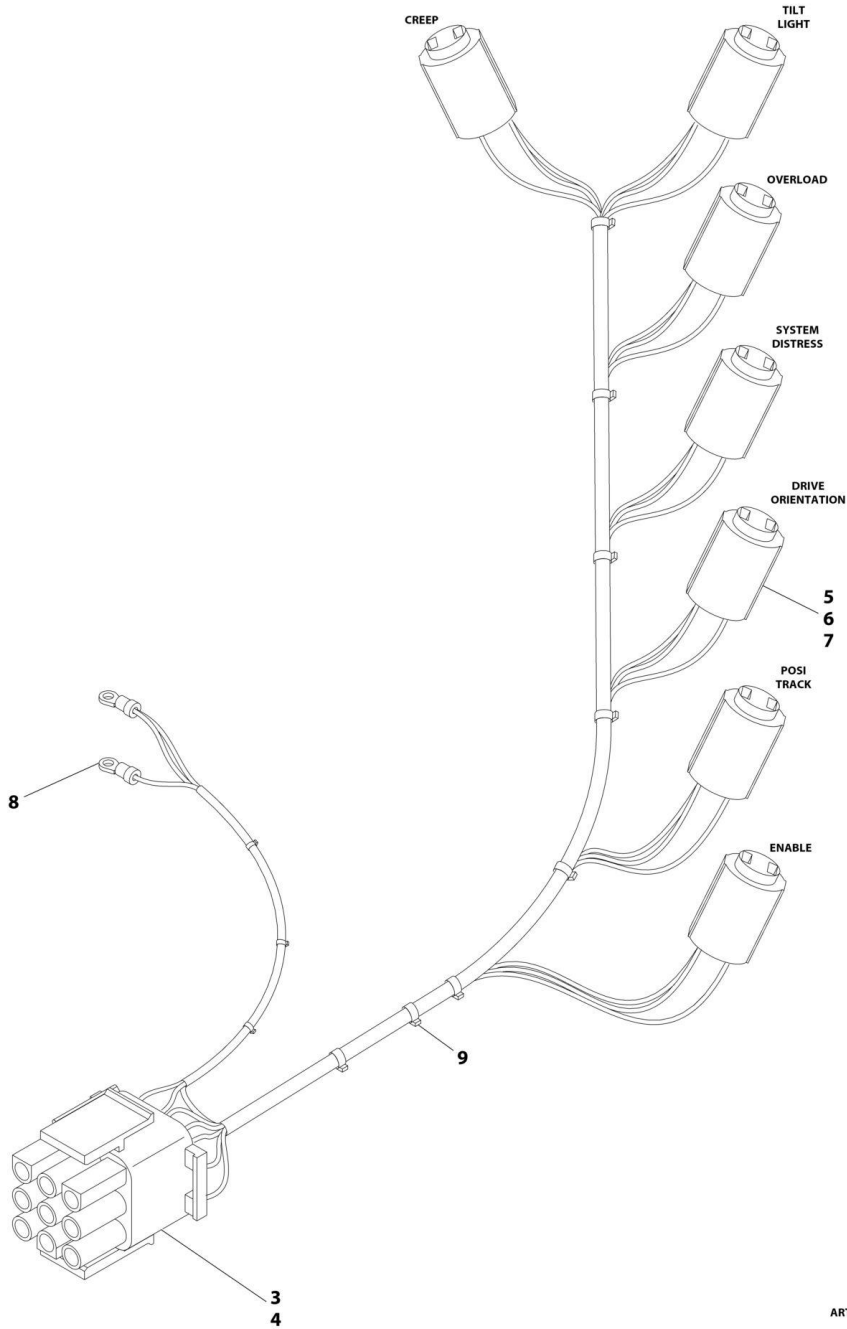
SECTION 8 - ELECTRICAL

FIGURE 8-27. JIB HARNESS - E400AJP/M400AJP/E400AJPNARROW/M400AJPNARROW MODELS ONLY

ITEM	PART NUMBER	QTY	DESCRIPTION	REV
	4922307	Ref	JIB HARNESS	3-C
4	4460259	6	Terminal, Posi-Lock	
5	4460260	6	Terminal, Housing	
6	4460367	1	Connector - 12 Position	
7	4460226	1	Socket, Female	

SECTION 8 - ELECTRICAL

FIGURE 8-28. INDICATOR LAMP HARNESS ASSEMBLY



ART_1001109860

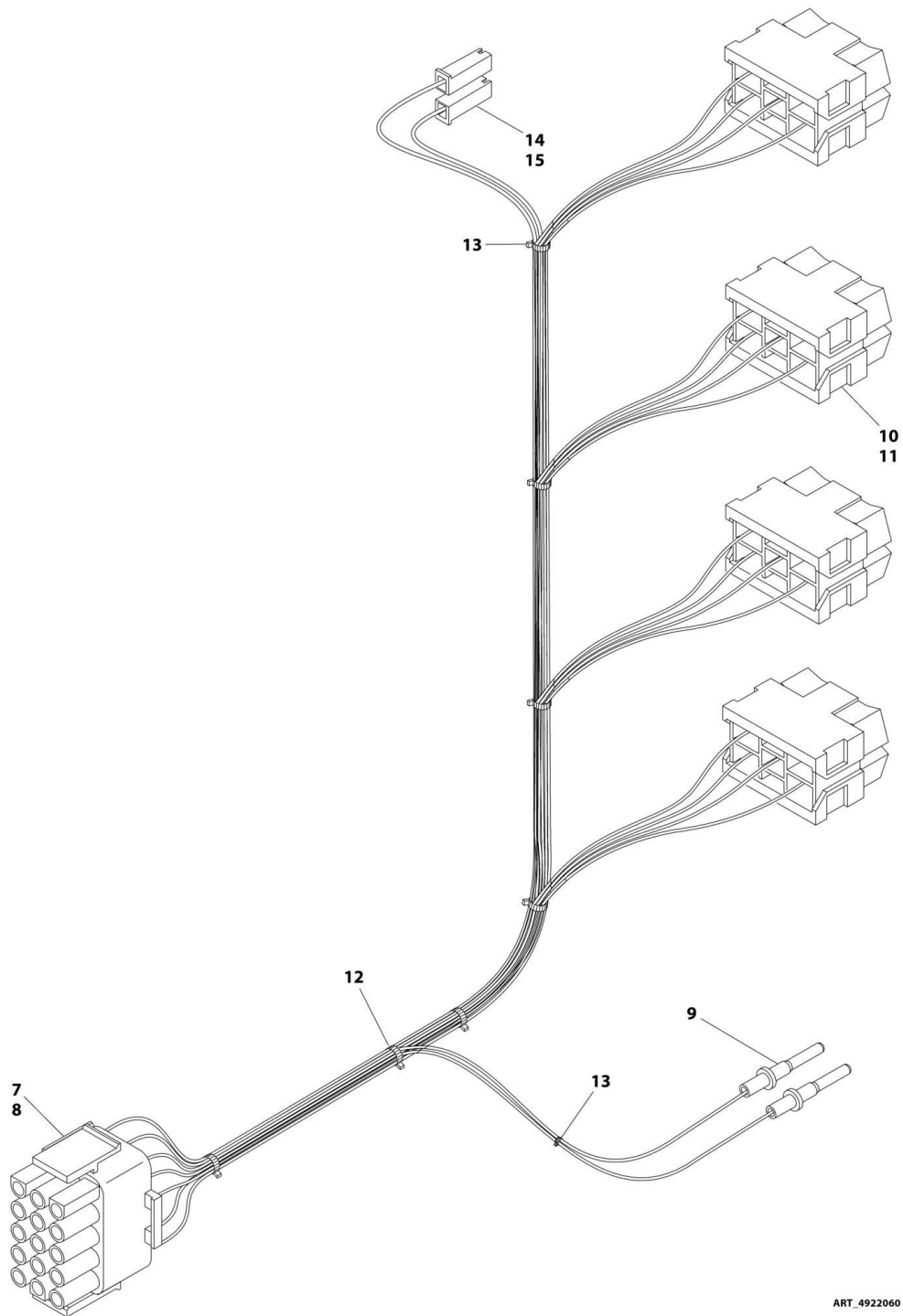
SECTION 8 - ELECTRICAL

FIGURE 8-28. INDICATOR LAMP HARNESS ASSEMBLY

ITEM	PART NUMBER	QTY	DESCRIPTION	REV
	1001109860	Ref	INDICATOR LAMP HARNESS ASSEMBLY	B
3	4460265	1	Connector - 9 Position	
4	4460227	8	Pin, Male	
5	4120035	6	Socket, Lamp	
6	4460634	7	Socket (Single Wire)	
7	4460635	5	Socket (Two Wire)	
8	4460042	2	Ring, Terminal	
9	4240032	AR	Tie-Strap	

SECTION 8 - ELECTRICAL

FIGURE 8-29. PLATFORM FUNCTION SWITCH HARNESS ASSEMBLY - E400ANARROW



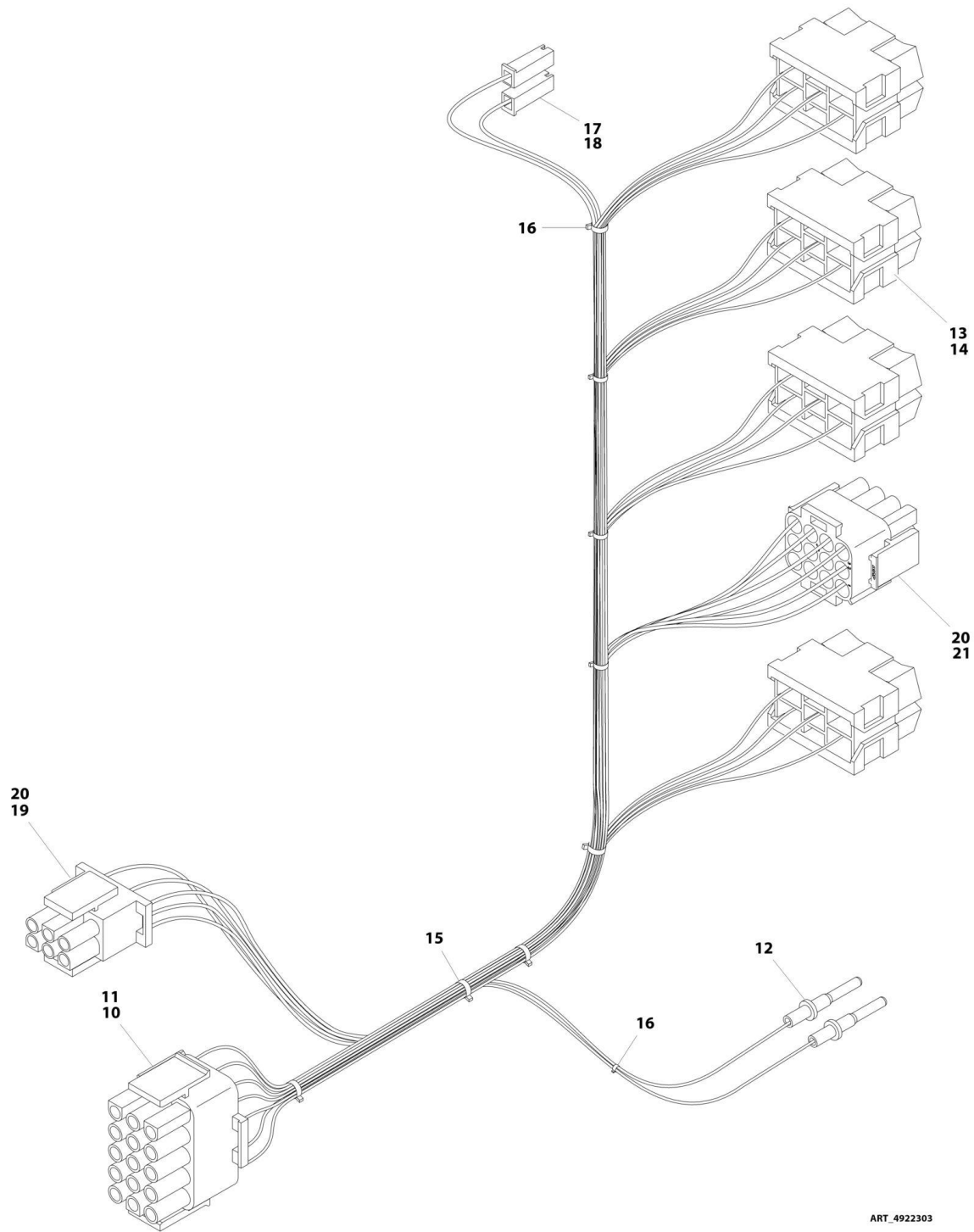
SECTION 8 - ELECTRICAL

FIGURE 8-29. PLATFORM FUNCTION SWITCH HARNESS ASSEMBLY - E400ANARROW

ITEM	PART NUMBER	QTY	DESCRIPTION	REV
	4922060	Ref	PLATFORM FUNCTION SWITCH HARNESS ASSEMBLY	2-D
7	4460434	1	Connector - 15 Position	
8	4460226	12	Pin, Male	
9	4460464	2	Pin, Male	
10	4460418	4	Connector, Female	
11	4460419	12	Terminal	
12	4240033	6	Tie-Strap	
13	4240032	14	Tie-Strap	
14	4460259	1	Terminal	
15	4460260	1	Terminal Housing	

SECTION 8 - ELECTRICAL

FIGURE 8-30. PLATFORM FUNCTION SWITCH HARNESS ASSEMBLY - E400AJP/E400AJPNARROW/M400AJP/M400AJPNARROW



ART_4922303

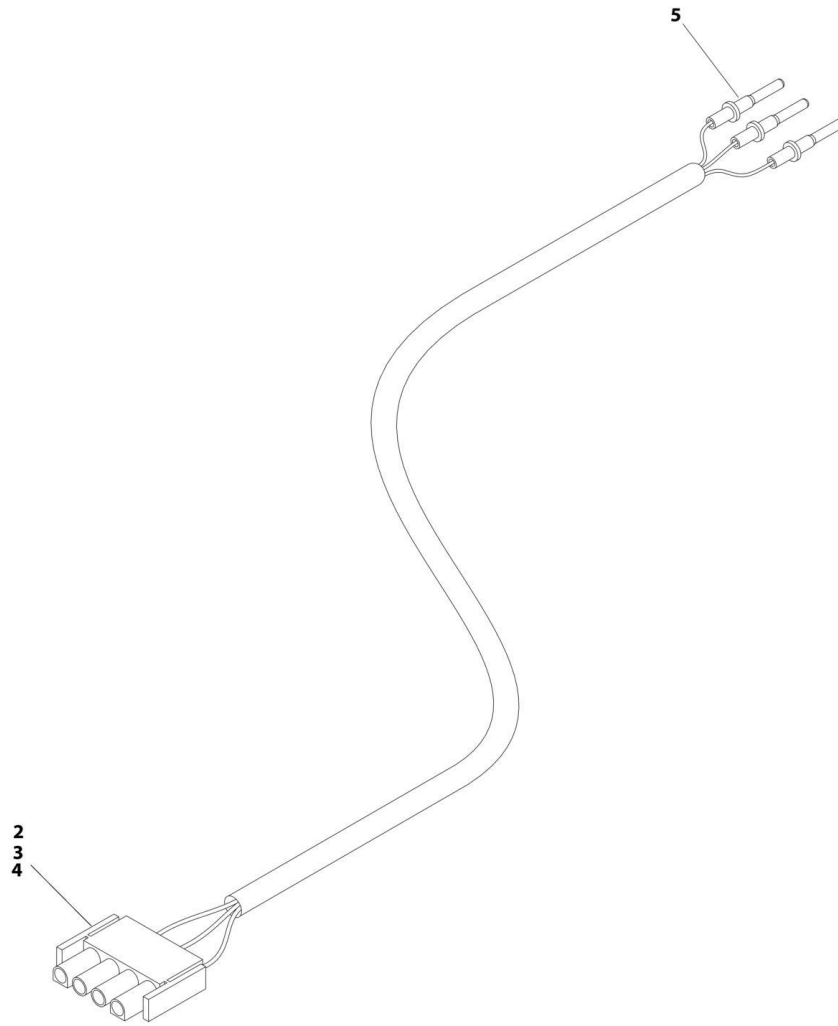
SECTION 8 - ELECTRICAL

**FIGURE 8-30. PLATFORM FUNCTION SWITCH HARNESS ASSEMBLY -
E400AJP/E400AJPNARROW/M400AJP/M400AJPNARROW**

ITEM	PART NUMBER	QTY	DESCRIPTION	REV
	4922303	Ref	PLATFORM FUNCTION SWITCH HARNESS ASSEMBLY	5-D
10	4460434	1	Connector - 15 Position	
11	4460226	12	Pin, Male	
12	4460464	2	Pin, Male	
13	4460418	4	Connector, Female	
14	4460419	12	Terminal	
15	4240033	6	Tie-Strap	
16	4240032	14	Tie-Strap	
17	4460259	1	Terminal	
18	4460260	1	Terminal Housing	
19	4460225	1	Connector - 6 Position	
20	4460227	10	Socket, Female	
21	4460343	1	Connector, 12 Position	

SECTION 8 - ELECTRICAL

FIGURE 8-31. PLATFORM CAN BUS HARNESS ASSEMBLY



ART_4922071

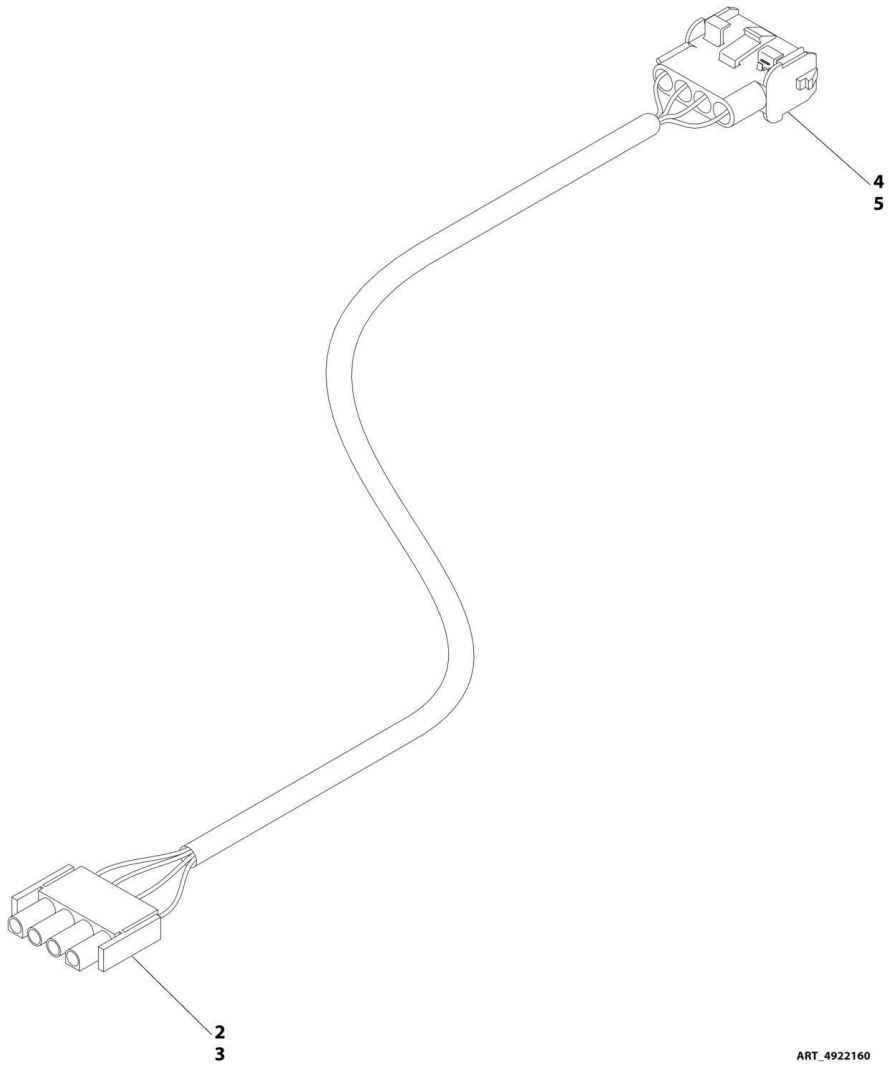
SECTION 8 - ELECTRICAL

FIGURE 8-31. PLATFORM CAN BUS HARNESS ASSEMBLY

ITEM	PART NUMBER	QTY	DESCRIPTION	REV
	4922071	Ref	PLATFORM CAN BUS HARNESS ASSEMBLY	2-B
2	4460321	1	Connector - 4 Position	
3	4460227	2	Pin, Male	
4	4460267	1	Pin, Male	
5	4460464	3	Pin, Male	

SECTION 8 - ELECTRICAL

FIGURE 8-32. ANALYZER HARNESS ASSEMBLY



ART_4922160

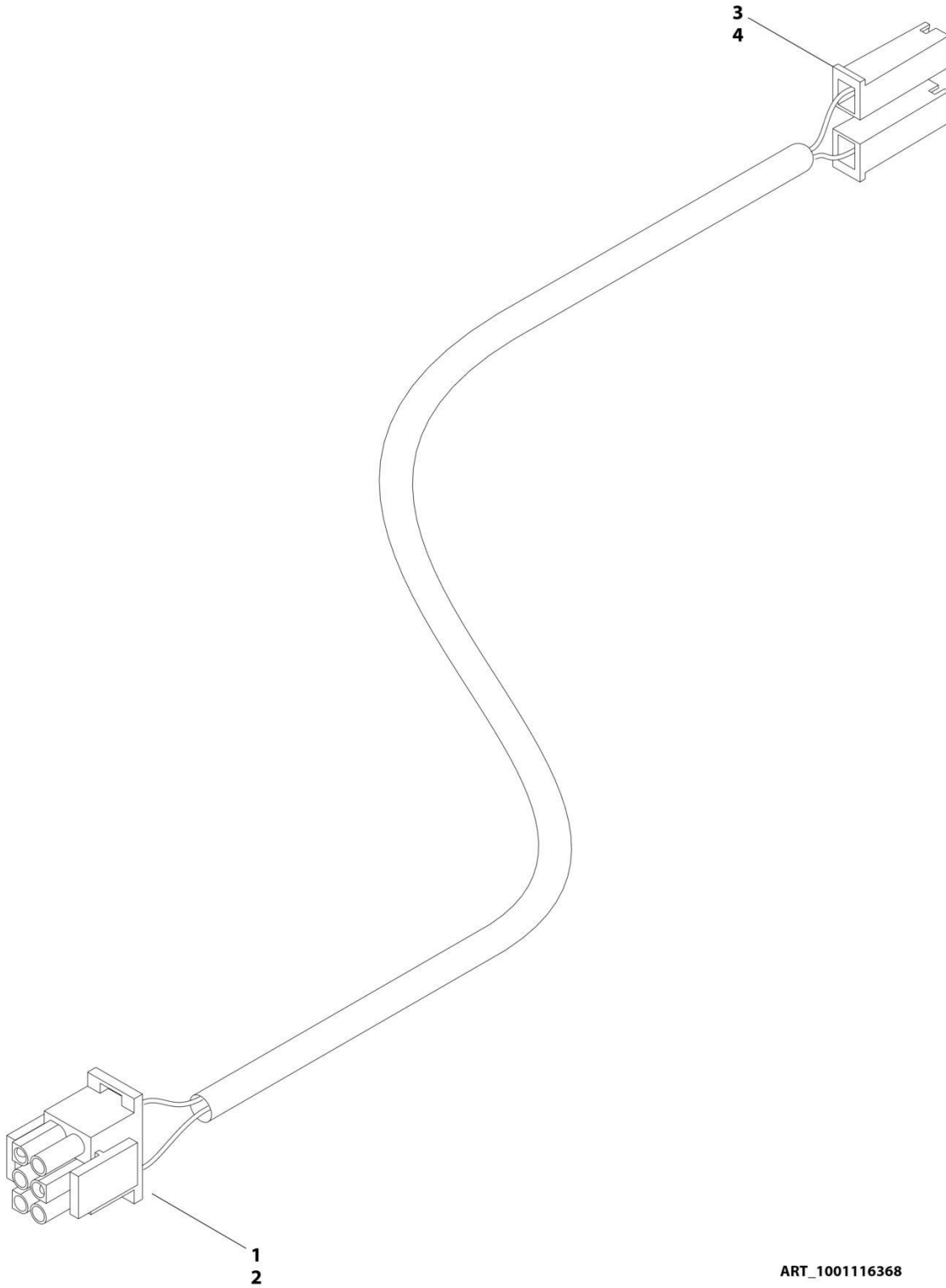
SECTION 8 - ELECTRICAL

FIGURE 8-32. ANALYZER HARNESS ASSEMBLY

ITEM	PART NUMBER	QTY	DESCRIPTION	REV
	4922160	Ref	ANALYZER HARNESS ASSEMBLY	3-C
2	4460321	1	Connector - 4 Position	
3	4460226	4	Socket, Female	
4	4460761	1	Connector, Female - 4 Position	
5	4460227	4	Pin, Male	

SECTION 8 - ELECTRICAL

FIGURE 8-33. DRIVE ORIENTATION HARNESS ASSEMBLY



ART_100116368

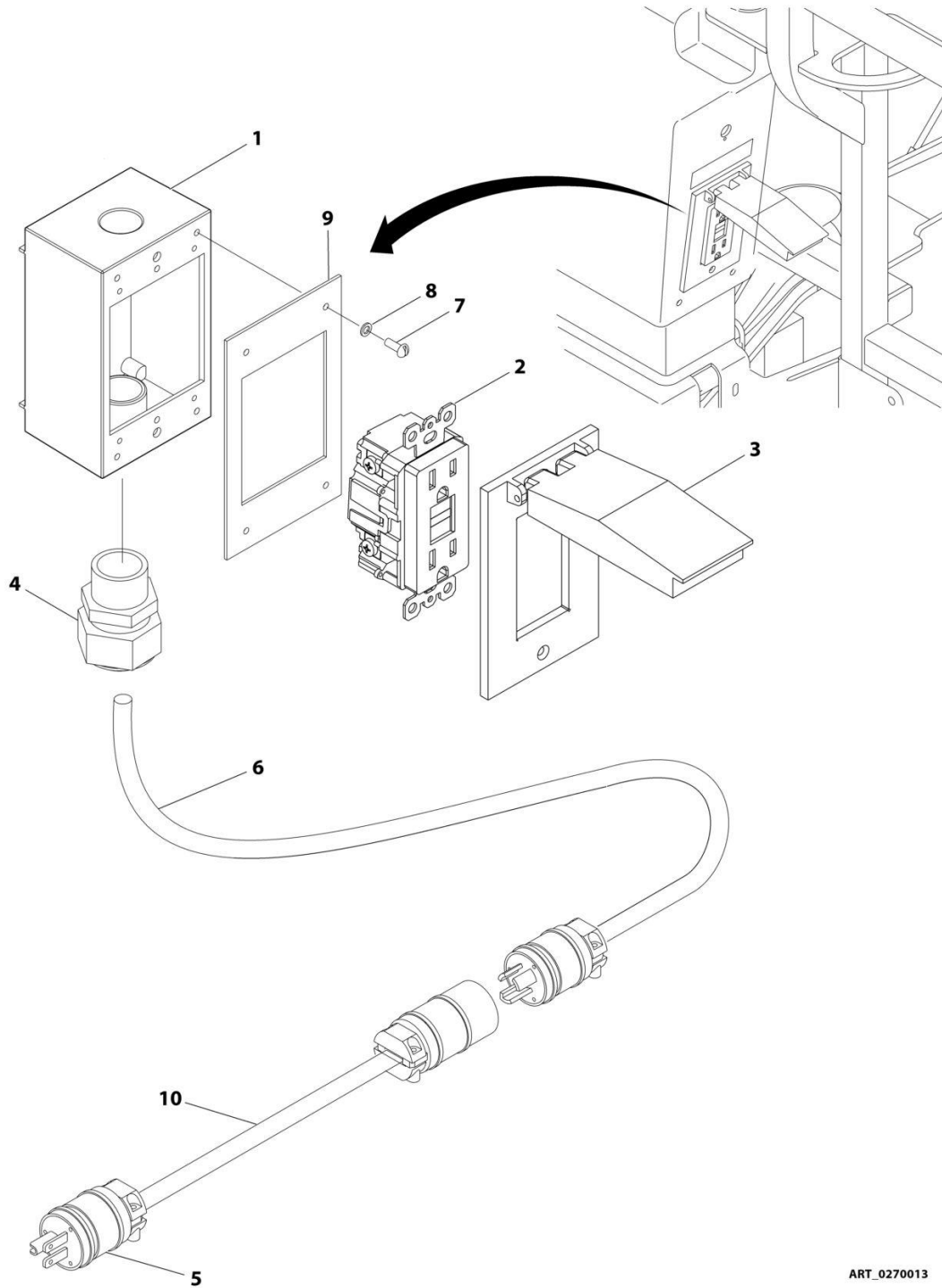
SECTION 8 - ELECTRICAL

FIGURE 8-33. DRIVE ORIENTATION HARNESS ASSEMBLY

ITEM	PART NUMBER	QTY	DESCRIPTION	REV
	1001116368	Ref	DRIVE ORIENTATION HARNESS ASSEMBLY	A
1	4460225	1	Connector - 6 Position	
2	4460227	2	Socket, Female	
3	4460259	2	Terminal	
4	4460260	2	Terminal Housing	

SECTION 8 - ELECTRICAL

FIGURE 8-34. PLUG AND RECEPTACLE INSTALLATION - 110V - ANSI SPEC



ART_0270013

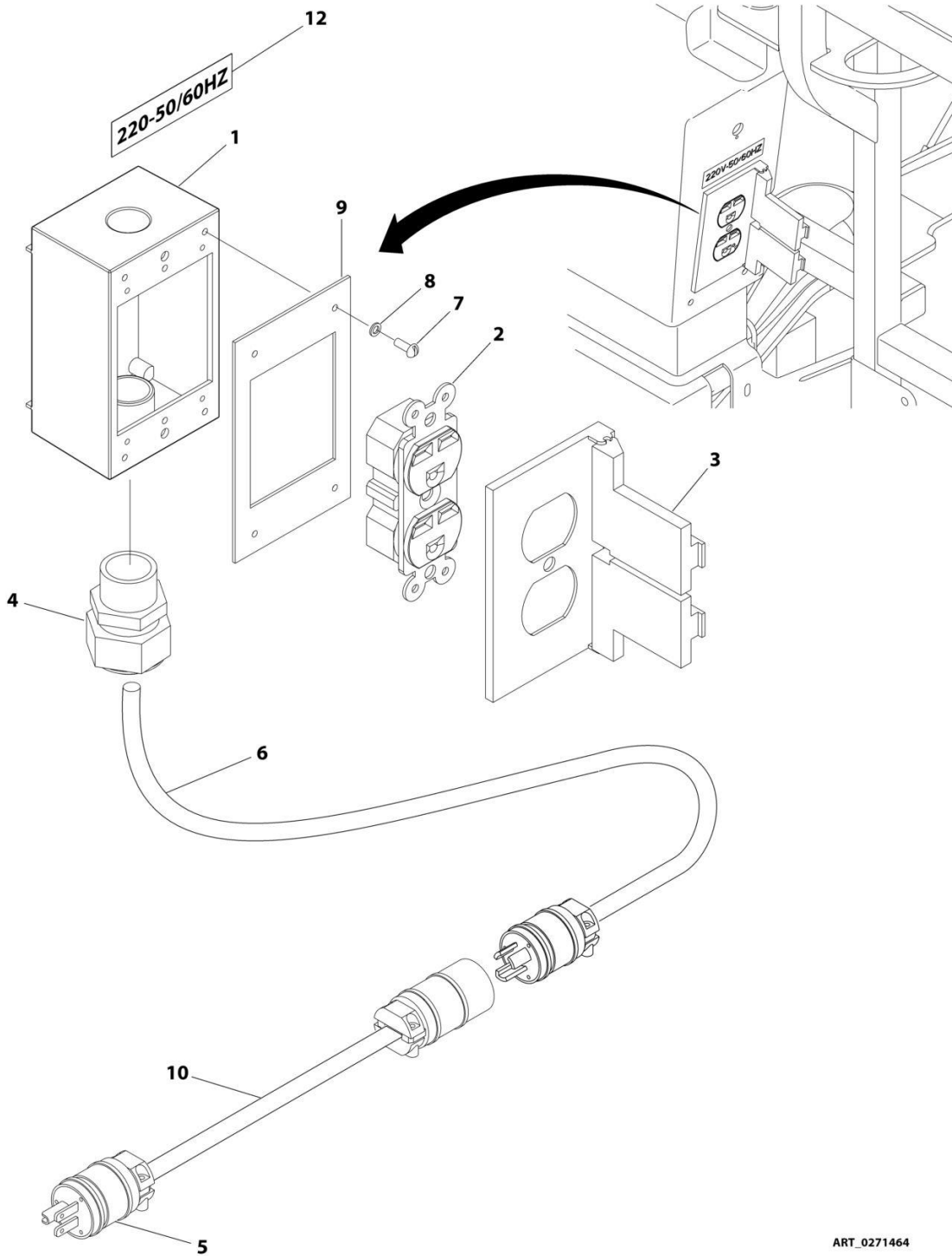
SECTION 8 - ELECTRICAL

FIGURE 8-34. PLUG AND RECEPTACLE INSTALLATION - 110V - ANSI SPEC

ITEM	PART NUMBER	QTY	DESCRIPTION	REV
	0270013	Ref	PLUG AND RECEPTACLE INSTALLATION - 110V - ANSI SPEC	5
1	0860038	1	Box, Switch	
2	4460346	1	Receptacle	
3	1001110873	1	Shield, Cover	
4	4460071	1	Connector, Strain Relief	
5	4460205	1	Plug, Male	
6	4922608	1	Main Boom 110V Harness Assembly (See MAIN BOOM 110V HARNESS ASSEMBLY for Breakdown)	
7	3910610	4	Screw, Self-tapping, #6-32 x 5/8	
8	4760600	4	Washer, #6	
9	3960422	1	Gasket	
10	4922611	1	Lower Boom 110V Harness Assembly (See LOWER BOOM 110V HARNESS ASSEMBLY for Breakdown)	

SECTION 8 - ELECTRICAL

FIGURE 8-35. PLUG AND RECEPTACLE INSTALLATION - SUPPLIED LOCALLY



ART_0271464

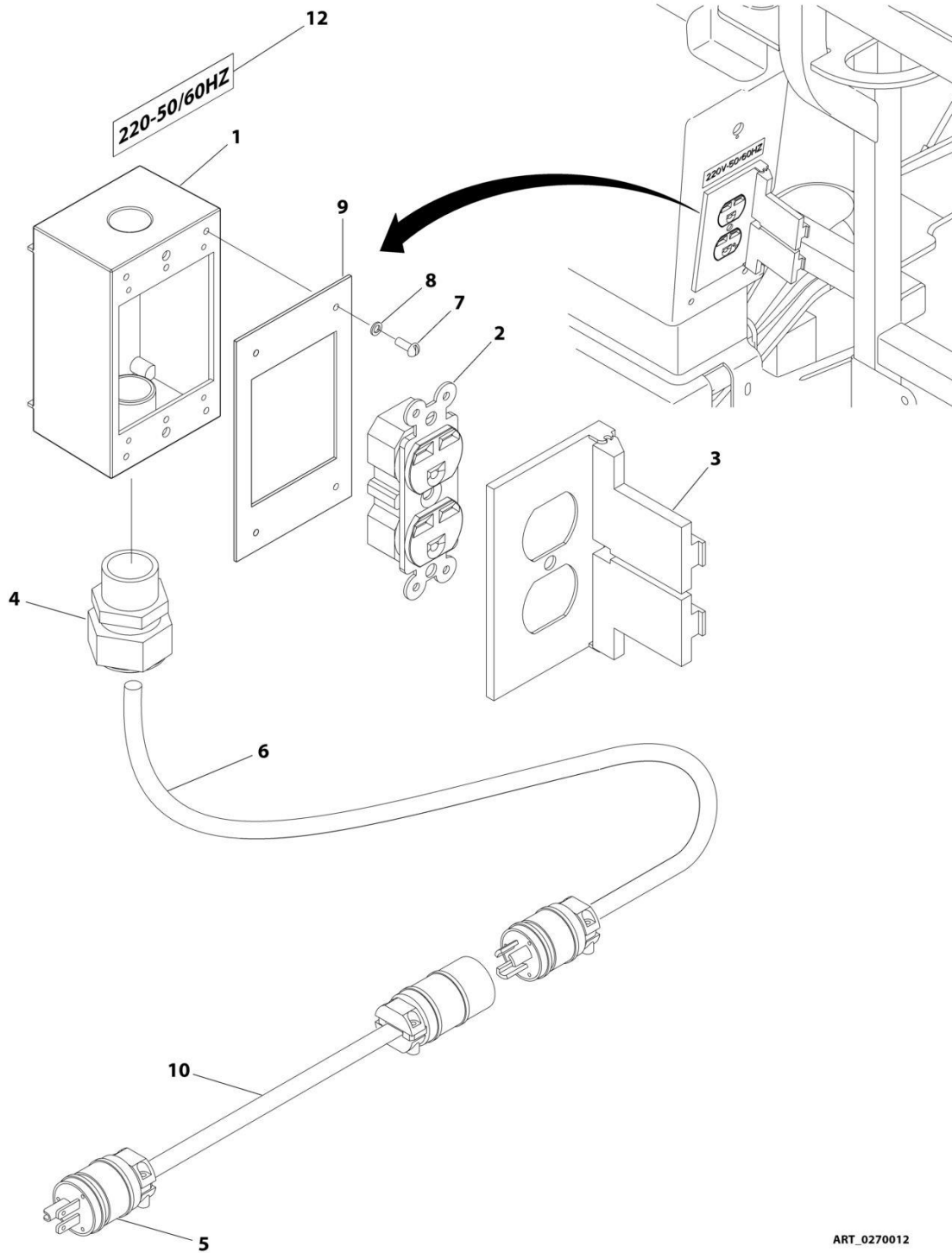
SECTION 8 - ELECTRICAL

FIGURE 8-35. PLUG AND RECEPTACLE INSTALLATION - SUPPLIED LOCALLY

ITEM	PART NUMBER	QTY	DESCRIPTION	REV
	0271464	Ref	PLUG AND RECEPTACLE INSTALLATION - SUPPLIED LOCALLY	2
1	See Note	1	Box, Switch (Note: Supplied Locally)	
2	See Note	1	Receptacle (Note: Supplied Locally)	
3	See Note	1	Shield, Cover (Note: Supplied Locally)	
4	See Note	1	Connector, Strain Relief (Note: Supplied Locally)	
5	See Note	1	Plug, Male (Note: Supplied Locally)	
6	4922610	1	Main Boom 220V Harness Assembly - CE Spec (See MAIN BOOM 220V HARNESS ASSEMBLY - CE SPEC for Breakdown)	
7	See Note	4	Screw, Self-tapping, #6-32 x 5/8 (Note: Supplied Locally)	
8	See Note	4	Washer, #6 (Note: Supplied Locally)	
9	See Note	1	Gasket (Note: Supplied Locally)	
10	4922612	1	Lower Boom 220V Harness Assembly - CE Spec (See LOWER BOOM 220V HARNESS ASSEMBLY - CE SPEC for Breakdown)	
12	See Note	1	Decal - 220V-50/60Hz (Note: Supplied Locally)	

SECTION 8 - ELECTRICAL

FIGURE 8-36. PLUG AND RECEPTACLE 220V INSTALLATION - ANSI SPEC



ART_0270012

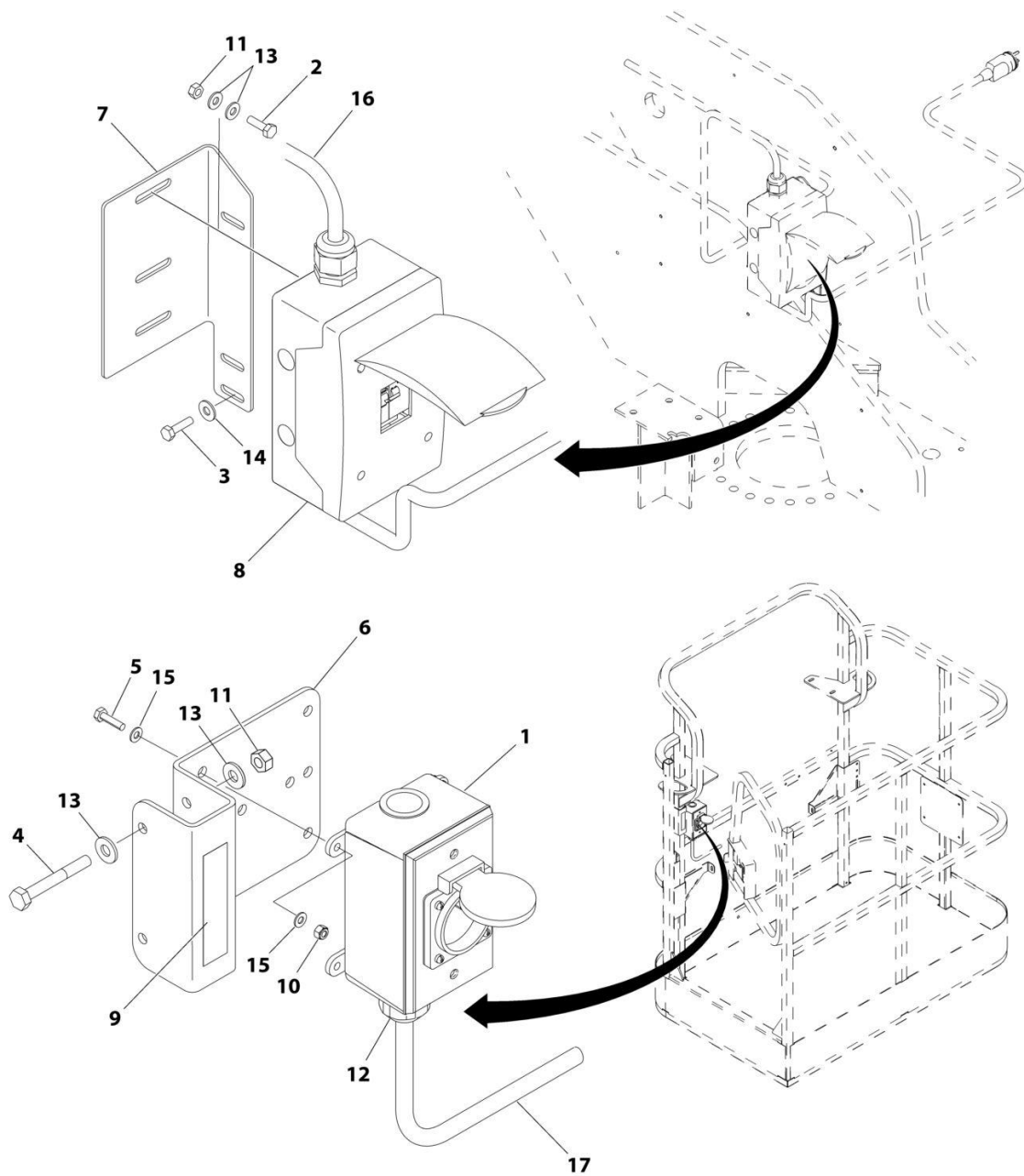
SECTION 8 - ELECTRICAL

FIGURE 8-36. PLUG AND RECEPTACLE 220V INSTALLATION - ANSI SPEC

ITEM	PART NUMBER	QTY	DESCRIPTION	REV
	0270012	Ref	PLUG AND RECEPTACLE 220V INSTALLATION - ANSI SPEC	4
1	0860038	1	Box, Switch	
2	4460125	1	Receptacle	
3	4060092	1	Shield, Cover	
4	4460071	1	Connector, Strain Relief	
5	4460233	1	Plug, Male	
6	4922608	1	Main Boom 110V Harness Assembly (See MAIN BOOM 110V HARNESS ASSEMBLY for Breakdown)	
7	3910610	4	Screw, Self-tapping, #6-32 x 5/8	
8	4760600	4	Washer, #6	
9	3960422	1	Gasket	
10	4922611	1	Lower Boom 110V Harness Assembly (See LOWER BOOM 110V HARNESS ASSEMBLY for Breakdown)	
12	3252507	1	Decal - 220V-50/60Hz	

SECTION 8 - ELECTRICAL

FIGURE 8-37. PLUG AND RECEPTACLE 220V INSTALLATION - CEE7 POST GROUND - 2 X 4 BOX - CE SPEC



ART_1001166251

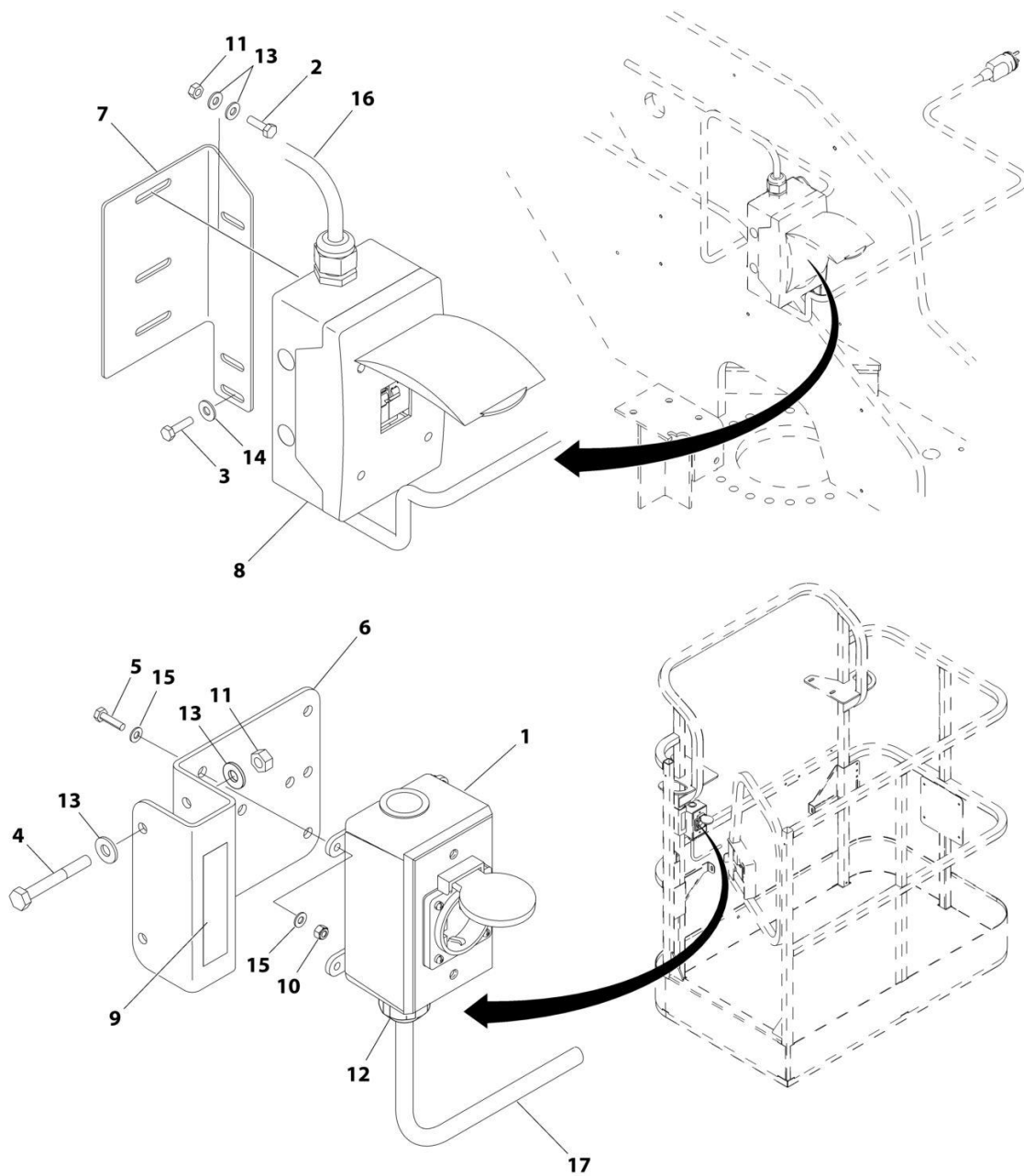
SECTION 8 - ELECTRICAL

FIGURE 8-37. PLUG AND RECEPTACLE 220V INSTALLATION - CEE7 POST GROUND - 2 X 4 BOX - CE SPEC

ITEM	PART NUMBER	QTY	DESCRIPTION	REV
	1001166251	Ref	PLUG AND RECEPTACLE 220V INSTALLATION - CEE7 POST GROUND - 2 X 4 BOX - CE SPEC	B
1	0275452	1	AC Plugs and Sockets Installation - CE Spec (See AC PLUGS AND SOCKETS INSTALLATION - CE SPEC for Breakdown)	
2	0641407	2	Bolt, 1/4-20 x 7/8	
3	0641408	2	Bolt, 1/4-20 x 1	
4	0641416	2	Bolt, 1/4-20 x 2	
5	0700408	4	Bolt, M4 x 16	
6	0903484	1	Bracket	
7	1001178491	1	Bracket	
8	2902549	1	Breaker Box Kit with Two Breakers - CE Spec (See BREAKER BOX KIT WITH TWO BREAKERS CE SPEC for Breakdown)	
9	3252507	2	Decal - 220V - 50/60Hz	
10	3290405	4	Nut, Lock, M4 x 0.7	
11	3311405	4	Nut, Lock, 1/4-20	
12	4460662	1	Connector, Strain Relief	
13	4711400	8	Washer, 1/4	
14	4751400	2	Washer, 1/4	
15	4811400	8	Washer, 4mm	
16	4922609	1	Lower Boom 220V Harness Assembly - CE Spec (See LOWER BOOM 220V HARNESS ASSEMBLY - CE SPEC for Breakdown)	
17	4922610	1	Main Boom 220V Harness Assembly - CE Spec (See MAIN BOOM 220V HARNESS ASSEMBLY - CE SPEC for Breakdown)	

SECTION 8 - ELECTRICAL

FIGURE 8-38. PLUG AND RECEPTACLE 220V INSTALLATION - CEE7 SIDE GROUND - 2 X 4 BOX - CE SPEC



ART_1001166258

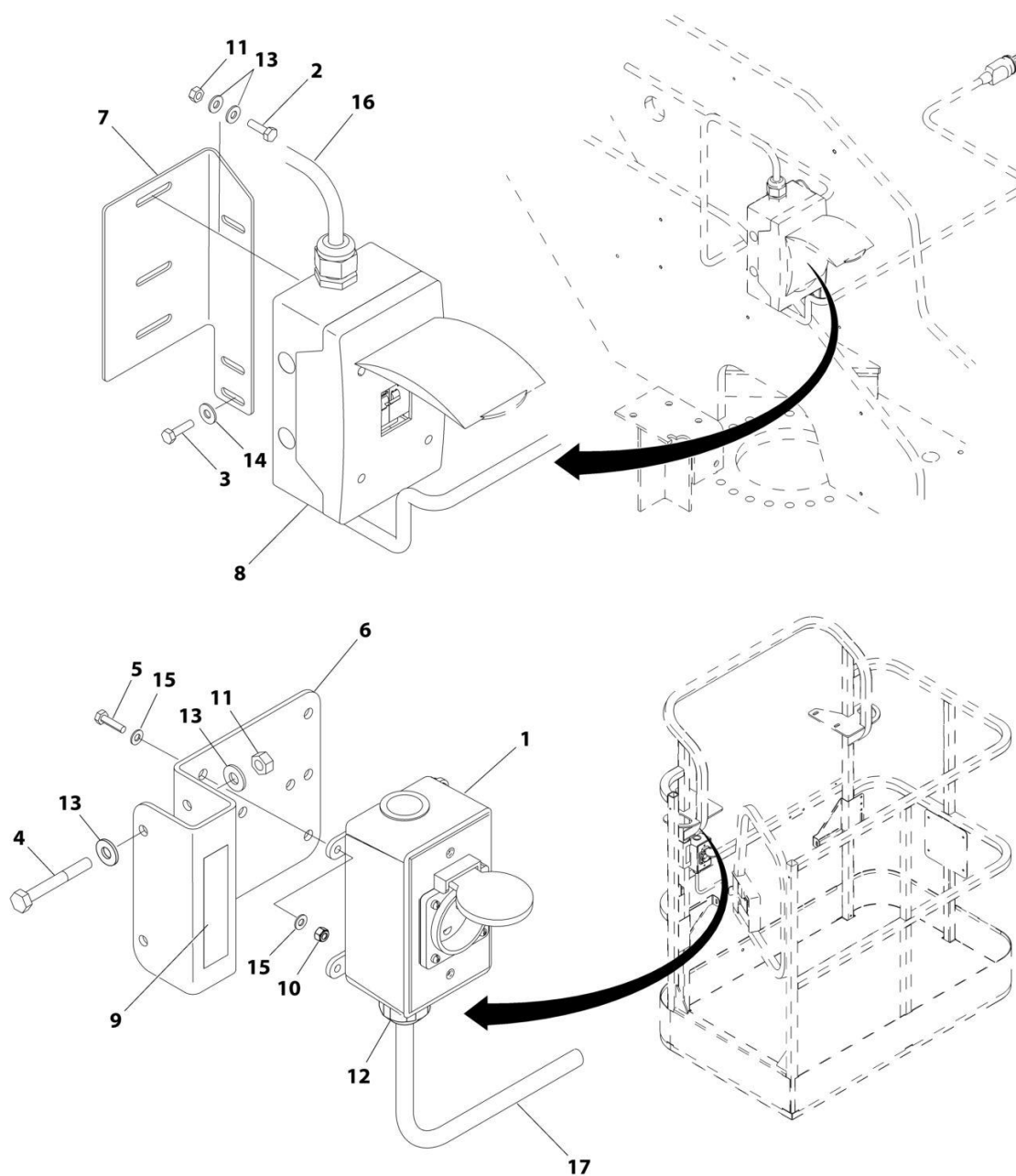
SECTION 8 - ELECTRICAL

FIGURE 8-38. PLUG AND RECEPTACLE 220V INSTALLATION - CEE7 SIDE GROUND - 2 X 4 BOX - CE SPEC

ITEM	PART NUMBER	QTY	DESCRIPTION	REV
	1001166258	Ref	PLUG AND RECEPTACLE 220V INSTALLATION - CEE7 SIDE GROUND - 2 X 4 BOX - CE SPEC	B
1	0275453	1	AC Plugs and Sockets Installation - CE Spec (See AC PLUGS AND SOCKETS INSTALLATION - CE SPEC for Breakdown)	
2	0641407	2	Bolt, 1/4-20 x 7/8	
3	0641408	2	Bolt, 1/4-20 x 1	
4	0641416	2	Bolt, 1/4-20 x 2	
5	0700408	4	Bolt, M4 x 16	
6	0903484	1	Bracket	
7	1001178491	1	Bracket	
8	1001152485	1	Breaker Box Kit with Three Breakers - CE Spec (See BREAKER BOX KIT WITH THREE BREAKERS - CE SPEC for Breakdown)	
9	3252507	2	Decal - 220V - 50/60 Hz	
10	3290405	4	Nut, Lock, M4 x 0.7	
11	3311405	4	Nut, Lock, 1/4-20	
12	4460662	1	Connector, Strain Relief	
13	4711400	8	Washer, 1/4	
14	4751400	2	Washer, 1/4	
15	4811400	8	Washer, 4mm	
16	4922609	1	Lower Boom 220V Harness Assembly - CE Spec (See LOWER BOOM 220V HARNESS ASSEMBLY - CE SPEC for Breakdown)	
17	4922610	1	Main Boom 220V Harness Assembly - CE Spec (See MAIN BOOM 220V HARNESS ASSEMBLY - CE SPEC for Breakdown)	

SECTION 8 - ELECTRICAL

FIGURE 8-39. PLUG AND RECEPTACLE 220V INSTALLATION - AFSINT 107 KEYED GROUND - 2 X 4 BOX - CE SPEC



ART_1001166259

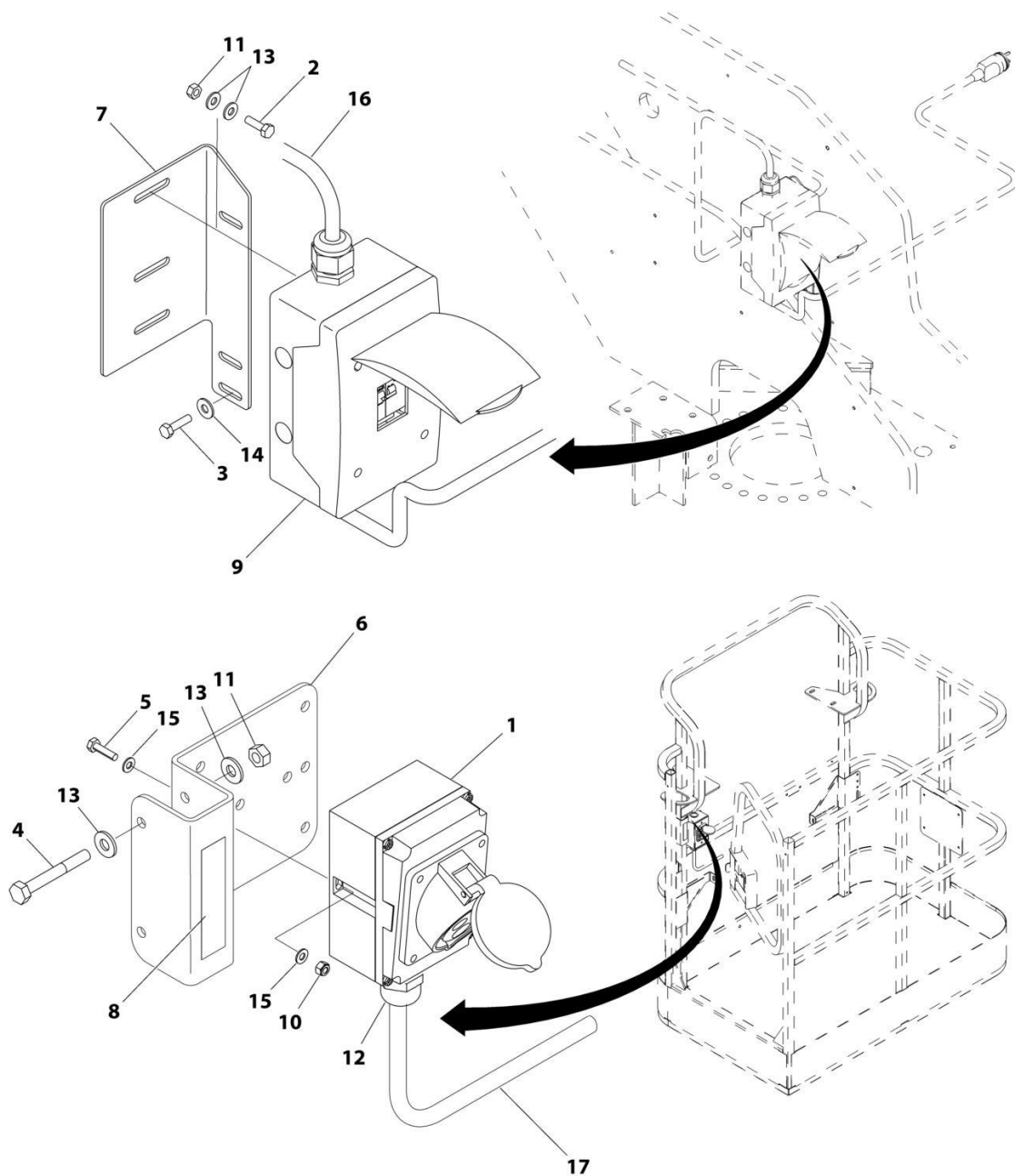
SECTION 8 - ELECTRICAL

FIGURE 8-39. PLUG AND RECEPTACLE 220V INSTALLATION - AFSINT 107 KEYED GROUND - 2 X 4 BOX - CE SPEC

ITEM	PART NUMBER	QTY	DESCRIPTION	REV
	1001166259	Ref	PLUG AND RECEPTACLE 220V INSTALLATION - AFSINT 107 KEYED GROUND - 2 X 4 BOX - CE SPEC	C
1	0275454	1	AC Plugs and Sockets Installation - CE Spec (See AC PLUGS AND SOCKETS INSTALLATION - CE SPEC for Breakdown)	
2	0641407	2	Bolt, 1/4-20 x 7/8	
3	0641408	2	Bolt, 1/4-20- x 1	
4	0641416	2	Bolt, 1/4-20 x 2	
5	0700408	4	Bolt, M4 x 16	
		Ref	Bracket Options:	
6	0903484	1	Bracket (Prior to SN 0300200792)	
6	1001193018	1	Bracket (SN 0300200792 through 0300208528)	
7	1001178491	1	Bracket	
8	2902549	1	Breaker Box Kit with Two Breakers - CE Spec (See BREAKER BOX KIT WITH TWO BREAKERS - CE SPEC for Breakdown)	
9	3252507	2	Decal - 220V - 50/60 Hz	
10	3290405	4	Nut, Lock, M4 x 0.7	
11	3311405	4	Nut, Lock, 1/4-20	
12	4460662	1	Connector, Strain Relief	
13	4711400	8	Washer, 1/4	
14	4751400	2	Washer, 1/4	
15	4811400	8	Washer, 4mm	
16	4922609	1	Lower Boom 220V Harness Assembly - CE Spec (See LOWER BOOM 220V HARNESS ASSEMBLY - CE SPEC for Breakdown)	
17	4922610	1	Main Boom 220V Harness Assembly - CE Spec (See MAIN BOOM 220V HARNESS ASSEMBLY - CE SPEC for Breakdown)	

SECTION 8 - ELECTRICAL

FIGURE 8-40. PLUG AND RECEPTACLE 110V INSTALLATION - IEC 60309 - YELLOW - CE SPEC



ART_1001166263

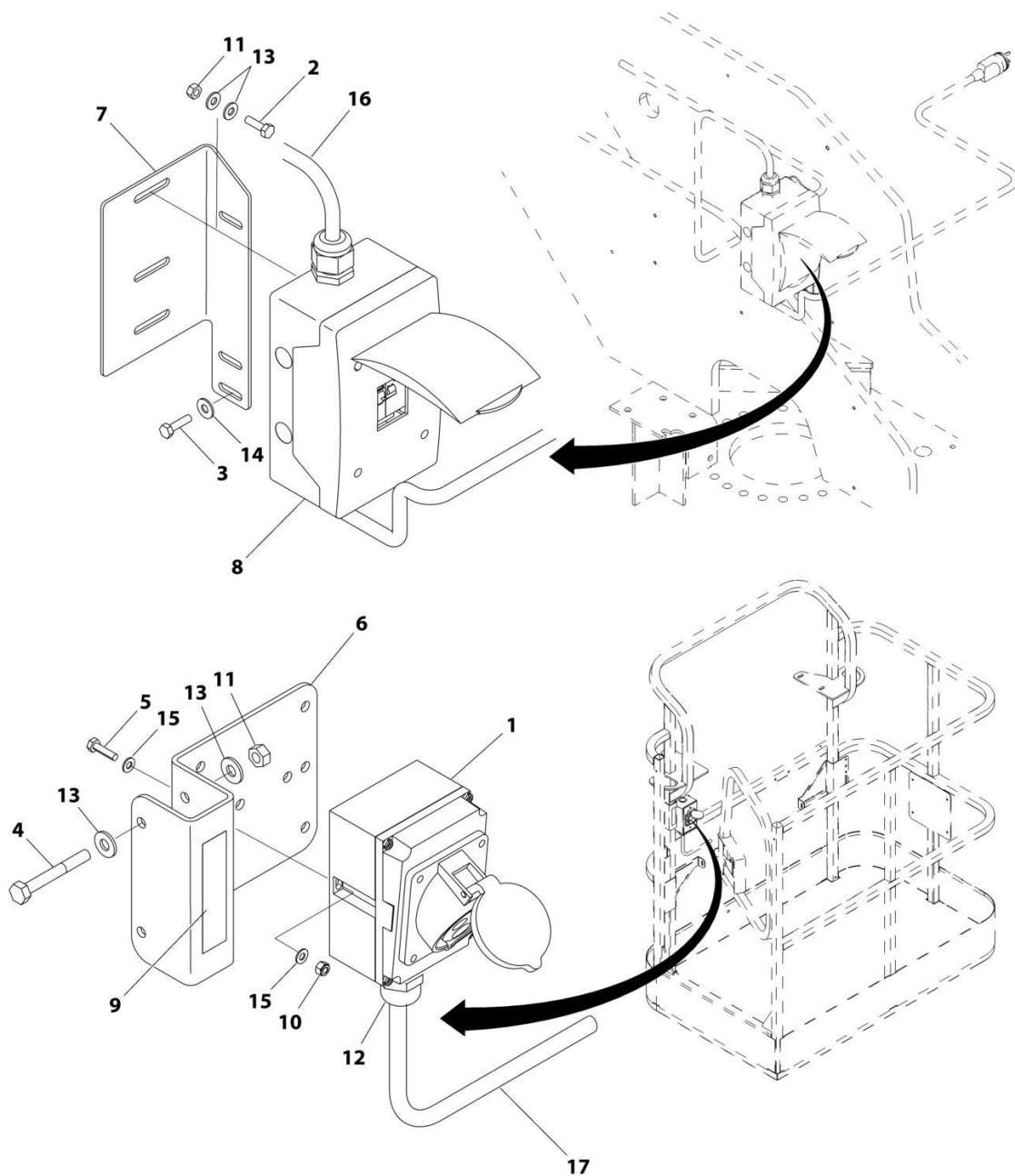
SECTION 8 - ELECTRICAL

FIGURE 8-40. PLUG AND RECEPTACLE 110V INSTALLATION - IEC 60309 - YELLOW - CE SPEC

ITEM	PART NUMBER	QTY	DESCRIPTION	REV
	1001166263	Ref	PLUG AND RECEPTACLE 110V INSTALLATION - IEC 60309 - YELLOW - CE SPEC	C
1	0275216	1	AC Plugs and Sockets Installation - CE Spec (See AC PLUGS AND SOCKETS INSTALLATION - CE SPEC for Breakdown)	
2	0641407	2	Bolt, 1/4-20 x 7/8	
3	0641408	2	Bolt, 1/4-20 x 1	
4	0641416	2	Bolt, 1/4-20 x 2	
5	0700408	2	Bolt, M4 x 16	
		Ref	Bracket Options:	
6	0903484	1	Bracket (Prior to SN 0300200792)	
6	1001193018	1	Bracket (SN 0300200792 through 0300208528)	
7	1001178491	1	Bracket	
8	1705325	2	Decal - 120V - 50Hz	
9	2902549	1	Breaker Box Kit with Two Breakers - CE Spec (See BREAKER BOX KIT WITH TWO BREAKERS CE SPEC for Breakdown)	
10	3290405	2	Nut, Lock, M4 x 0.7	
11	3311405	4	Nut, Lock, 1/4-20	
12	4460968	1	Connector, Strain Relief	
13	4711400	8	Washer, 1/4	
14	4751400	2	Washer, 1/4	
15	4811400	4	Washer, 4mm	
16	4922609	1	Lower Boom 220V Harness Assembly - CE Spec (See LOWER BOOM 220V HARNESS ASSEMBLY - CE SPEC for Breakdown)	
17	4922610	1	Main Boom 220V Harness Assembly - CE Spec (See MAIN BOOM 220V HARNESS ASSEMBLY - CE SPEC for Breakdown)	

SECTION 8 - ELECTRICAL

FIGURE 8-41. PLUG AND RECEPTACLE 220V INSTALLATION IEC 60309 BLUE - CE SPEC



ART_1001166260

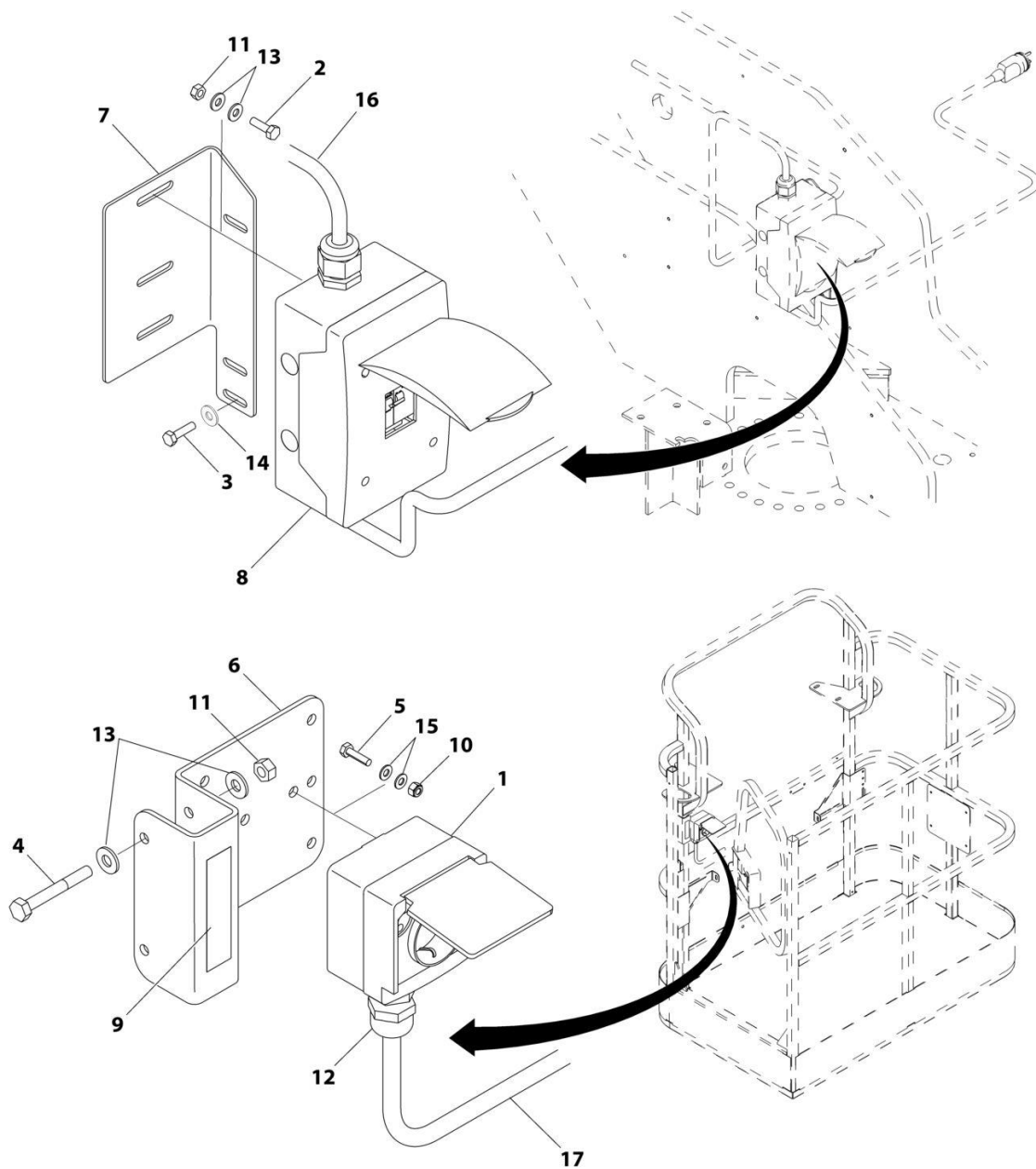
SECTION 8 - ELECTRICAL

FIGURE 8-41. PLUG AND RECEPTACLE 220V INSTALLATION IEC 60309 BLUE - CE SPEC

ITEM	PART NUMBER	QTY	DESCRIPTION	REV
	1001166260	Ref	PLUG AND RECEPTACLE 220V INSTALLATION IEC 60309 BLUE - CE SPEC	C
1	0275217	1	AC Plugs and Sockets Installation - CE Spec (See AC PLUGS AND SOCKETS INSTALLATION - CE SPEC for Breakdown)	
2	0641407	2	Bolt, 1/4-20 x 7/8	
3	0641408	2	Bolt, 1/4-20 x 1	
4	0641416	2	Bolt, 1/4-20 x 2	
5	0700408	2	Bolt, M4 x 16	
		Ref	Bracket Options:	
6	0903484	1	Bracket (Prior to SN 0300200792)	
6	1001193018	1	Bracket (SN 0300200792 through 0300208528)	
7	1001178491	1	Bracket	
8	2902549	1	Breaker Box Kit with Two Breakers - CE Spec (See BREAKER BOX KIT WITH TWO BREAKERS - CE SPEC for Breakdown)	
9	3252507	2	Decal - 220V - 50/60Hz	
10	3290405	2	Nut, Lock, M4 x 0.7	
11	3311405	4	Nut, Lock, 1/4-20	
12	4460968	1	Connector, Strain Relief	
13	4711400	8	Washer, 1/4	
14	4751400	2	Washer, 1/4	
15	4811400	4	Washer, 4mm	
16	4922609	1	Lower Boom 220V Harness Assembly - CE Spec (See LOWER BOOM 220V HARNESS ASSEMBLY - CE SPEC for Breakdown)	
17	4922610	1	Main Boom 220V Harness Assembly - CE Spec (See MAIN BOOM 220V HARNESS ASSEMBLY - CE SPEC for Breakdown)	

SECTION 8 - ELECTRICAL

FIGURE 8-42. PLUG AND RECEPTACLE 220V INSTALLATION - CEE7 POST GROUND - 70MM X 70MM BOX - CE SPEC



ART_1001166261

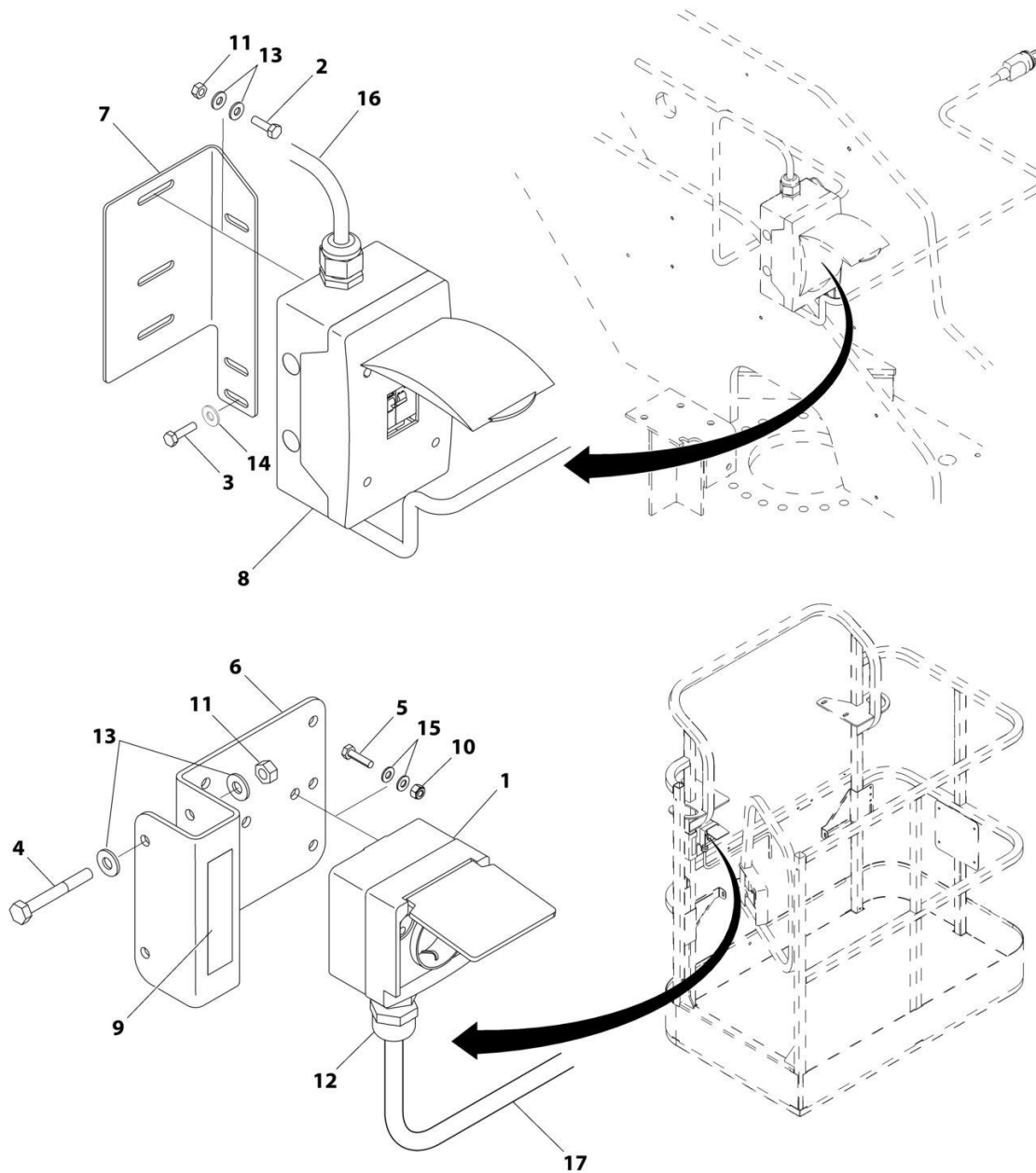
SECTION 8 - ELECTRICAL

FIGURE 8-42. PLUG AND RECEPTACLE 220V INSTALLATION - CEE7 POST GROUND - 70MM X 70MM BOX - CE SPEC

ITEM	PART NUMBER	QTY	DESCRIPTION	REV
	1001166261	Ref	PLUG AND RECEPTACLE 220V INSTALLATION - CEE7 POST GROUND - 70MM X 70MM BOX - CE SPEC	C
1	0275218	1	AC Plugs and Sockets Installation - CE Spec (See AC PLUGS AND SOCKETS INSTALLATION - CE SPEC for Breakdown)	
2	0641407	2	Bolt, 1/4-20 x 7/8	
3	0641408	2	Bolt, 1/4-20 x 1	
4	0641416	2	Bolt, 1/4-20 x 2	
5	0700408	2	Bolt, M4 x 16	
		Ref	Bracket Options:	
6	0903484	1	Bracket (Prior to SN 0300200792)	
6	1001193018	1	Bracket (SN 0300200792 through 0300208528)	
7	1001178491	1	Bracket	
8	2902549	1	Breaker Box Kit with Two Breakers - CE Spec (See BREAKER BOX KIT WITH TWO BREAKERS CE Spec for Breakdown)	
9	3252507	2	Decal - 220V - 50/60Hz	
10	3290405	2	Nut, Lock, M4 x 0.7	
11	3311405	4	Nut, Lock, 1/4-20	
12	4460968	1	Connector, Strain Relief	
13	4711400	8	Washer, 1/4	
14	4751400	2	Washer, 1/4	
15	4811400	8	Washer, 4mm	
16	4922609	1	Lower Boom 220V Harness Assembly - CE Spec (See LOWER BOOM 220V HARNESS ASSEMBLY - CE SPEC for Breakdown)	
17	4922610	1	Main Boom 220V Harness Assembly - CE Spec (See MAIN BOOM 220V HARNESS ASSEMBLY - CE SPEC for Breakdown)	

SECTION 8 - ELECTRICAL

FIGURE 8-43. PLUG AND RECEPTACLE 220V INSTALLATION - CEE7 SIDE GROUND - 70MM X 70MM BOX - CE SPEC



ART_1001166262

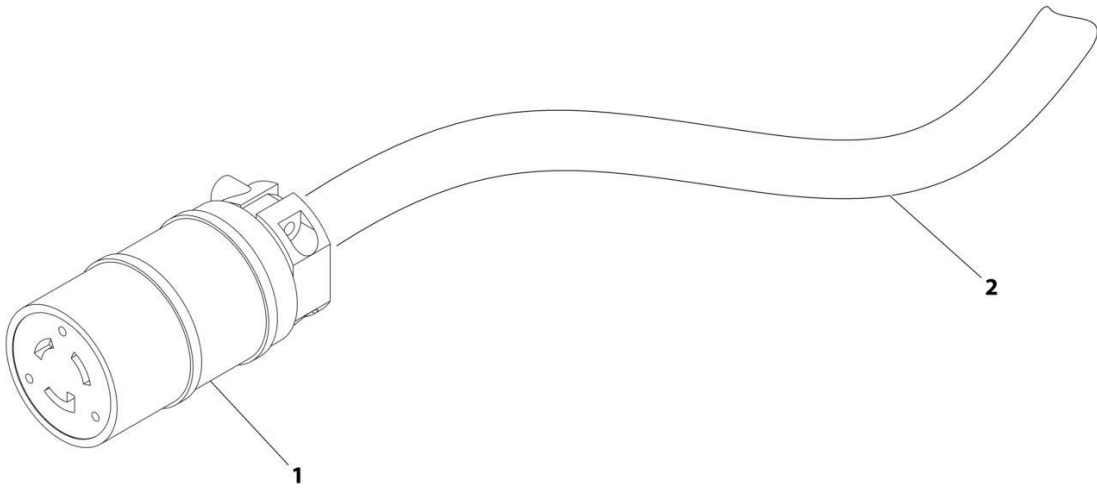
SECTION 8 - ELECTRICAL

FIGURE 8-43. PLUG AND RECEPTACLE 220V INSTALLATION - CEE7 SIDE GROUND - 70MM X 70MM BOX - CE SPEC

ITEM	PART NUMBER	QTY	DESCRIPTION	REV
	1001166262	Ref	PLUG AND RECEPTACLE 220V INSTALLATION - CEE7 SIDE GROUND - 70MM X 70MM BOX - CE SPEC	C
1	0275219	1	AC Plugs and Sockets Installation - CE Spec (See AC PLUGS AND SOCKETS INSTALLATION - CE SPEC for Breakdown)	
2	0641407	2	Bolt, 1/4-20 x 7/8	
3	0641408	2	Bolt, 1/4-20 x 1	
4	0641416	2	Bolt, 1/4-20 x 2	
5	0700408	2	Bolt, M4 x 16	
		Ref	Bracket Options:	
6	0903484	1	Bracket (Prior to SN 0300200792)	
6	1001193018	1	Bracket (SN 0300200792 through 0300208528)	
7	1001178491	1	Bracket	
8	1001152485	1	Breaker Box Kit with Three Breakers - CE Spec (See BREAKER BOX KIT WITH THREE BREAKERS - CE SPEC for Breakdown)	
9	3252507	2	Decal - 220V - 50/60 Hz	
10	3290405	2	Nut, Lock, M4 x 0.7	
11	3311405	4	Nut, Lock, 1/4-20	
12	4460968	1	Connector, Strain Relief	
13	4711400	8	Washer, 1/4	
14	4751400	2	Washer, 1/4	
15	4811400	4	Washer, 4mm	
16	4922609	1	Lower Boom 220V Harness Assembly - CE Spec (See LOWER BOOM 220V HARNESS ASSEMBLY - CE SPEC for Breakdown)	
17	4922610	1	Main Boom 220V Harness Assembly - CE Spec (See MAIN BOOM 220V HARNESS ASSEMBLY - CE SPEC for Breakdown)	

SECTION 8 - ELECTRICAL

FIGURE 8-44. LOWER BOOM 110V HARNESS ASSEMBLY



ART_4922611

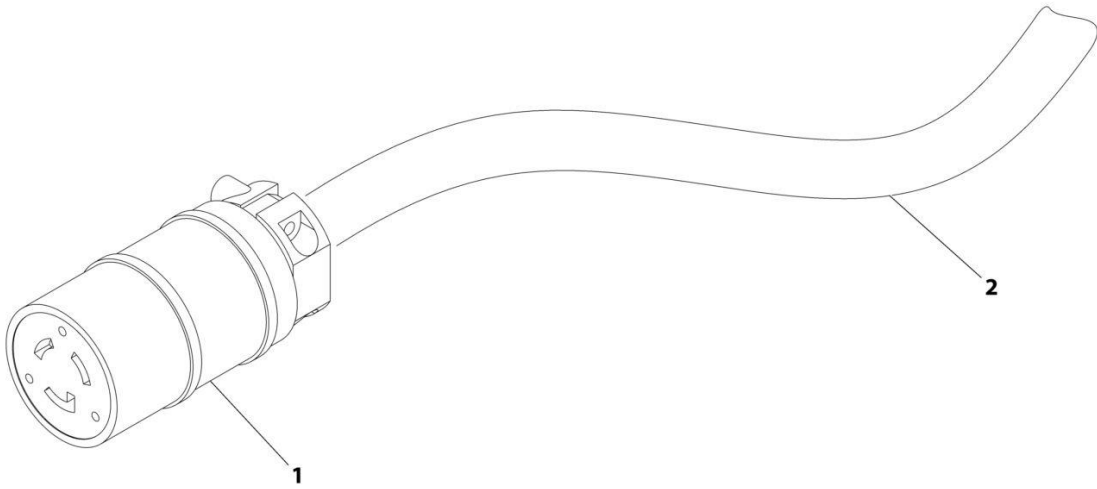
SECTION 8 - ELECTRICAL

FIGURE 8-44. LOWER BOOM 110V HARNESS ASSEMBLY

ITEM	PART NUMBER	QTY	DESCRIPTION	REV
	4922611	Ref	LOWER BOOM 110V HARNESS ASSEMBLY	1
1	4460134	1	Connector, Female	
2	1060494	32.5 ft /9.9m	Electrical Cable, 12/3	

SECTION 8 - ELECTRICAL

FIGURE 8-45. LOWER BOOM 220V HARNESS ASSEMBLY WITH BREAKER BOX - CE SPEC



ART_4922609

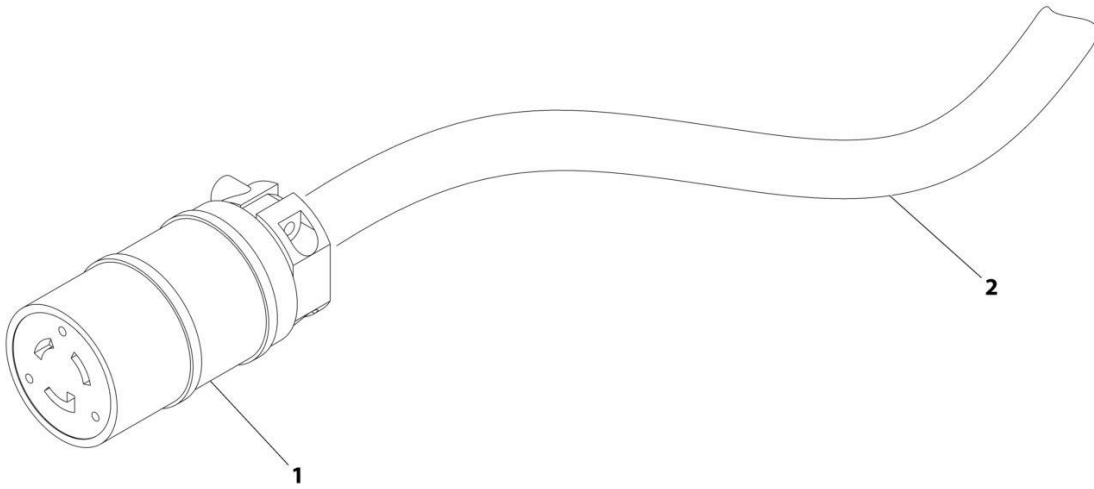
SECTION 8 - ELECTRICAL

FIGURE 8-45. LOWER BOOM 220V HARNESS ASSEMBLY WITH BREAKER BOX - CE SPEC

ITEM	PART NUMBER	QTY	DESCRIPTION	REV
	4922609	Ref	LOWER BOOM 220V HARNESS ASSEMBLY WITH BREAKER BOX - CE SPEC	1
1	4460710	1	Connector, Female	
2	1060461	37 ft /11.3m	Electrical Cable, 12/3	

SECTION 8 - ELECTRICAL

FIGURE 8-46. LOWER BOOM 220V HARNESS ASSEMBLY WITHOUT BREAKER BOX - CE SPEC



ART_4922612

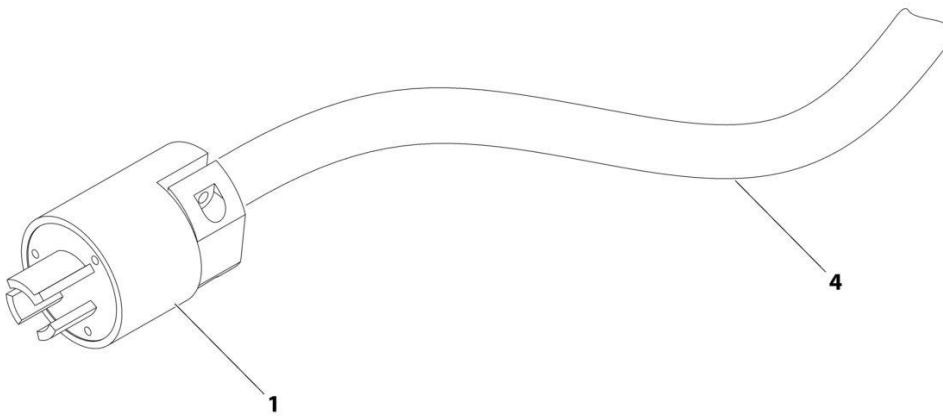
SECTION 8 - ELECTRICAL

FIGURE 8-46. LOWER BOOM 220V HARNESS ASSEMBLY WITHOUT BREAKER BOX - CE SPEC

ITEM	PART NUMBER	QTY	DESCRIPTION	REV
	4922612	Ref	LOWER BOOM 220V HARNESS ASSEMBLY WITHOUT BREAKER BOX - CE SPEC	2
1	4460710	1	Connector, Female	
2	1060461	32.5 ft /9.9m	Electrical Cable, 12/3	

SECTION 8 - ELECTRICAL

FIGURE 8-47. MAIN BOOM 110V HARNESS ASSEMBLY



ART_4922608

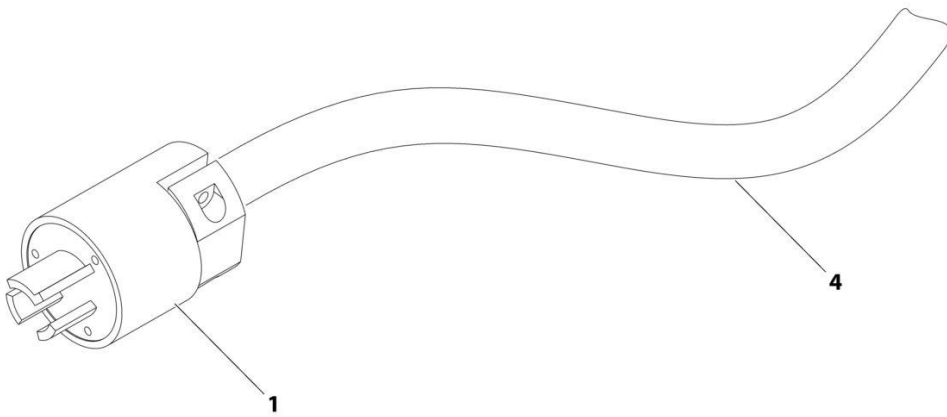
SECTION 8 - ELECTRICAL

FIGURE 8-47. MAIN BOOM 110V HARNESS ASSEMBLY

ITEM	PART NUMBER	QTY	DESCRIPTION	REV
	4922608	Ref	MAIN BOOM 110V HARNESS ASSEMBLY	2
1	4460205	1	Plug, Male	
4	1060494	27.2 ft /8.3m	Electrical Cable, 12/3	

SECTION 8 - ELECTRICAL

FIGURE 8-48. MAIN BOOM 220V HARNESS ASSEMBLY - CE SPEC



ART_4922610

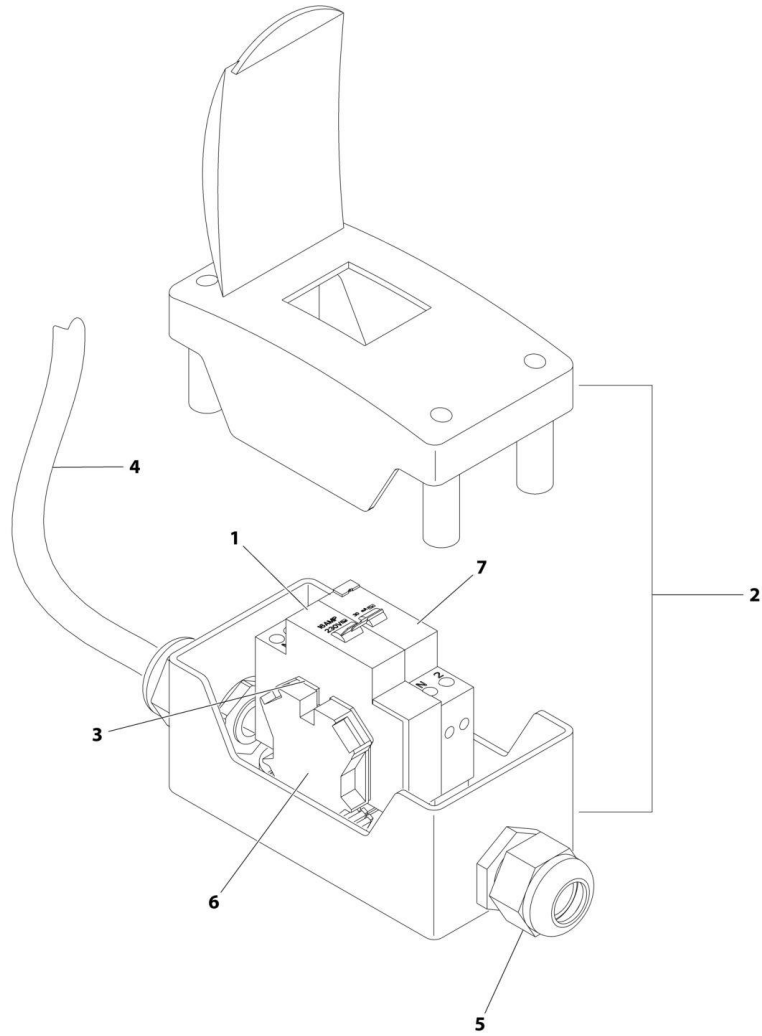
SECTION 8 - ELECTRICAL

FIGURE 8-48. MAIN BOOM 220V HARNESS ASSEMBLY - CE SPEC

ITEM	PART NUMBER	QTY	DESCRIPTION	REV
	4922610	Ref	MAIN BOOM 220V HARNESS ASSEMBLY - CE SPEC	1
1	4460709	1	Plug, Male	
4	1060461	28 ft/8.5m	Electrical Cable, 12/3	

SECTION 8 - ELECTRICAL

FIGURE 8-49. BREAKER BOX KIT WITH TWO BREAKERS - CE SPEC



ART_2902549

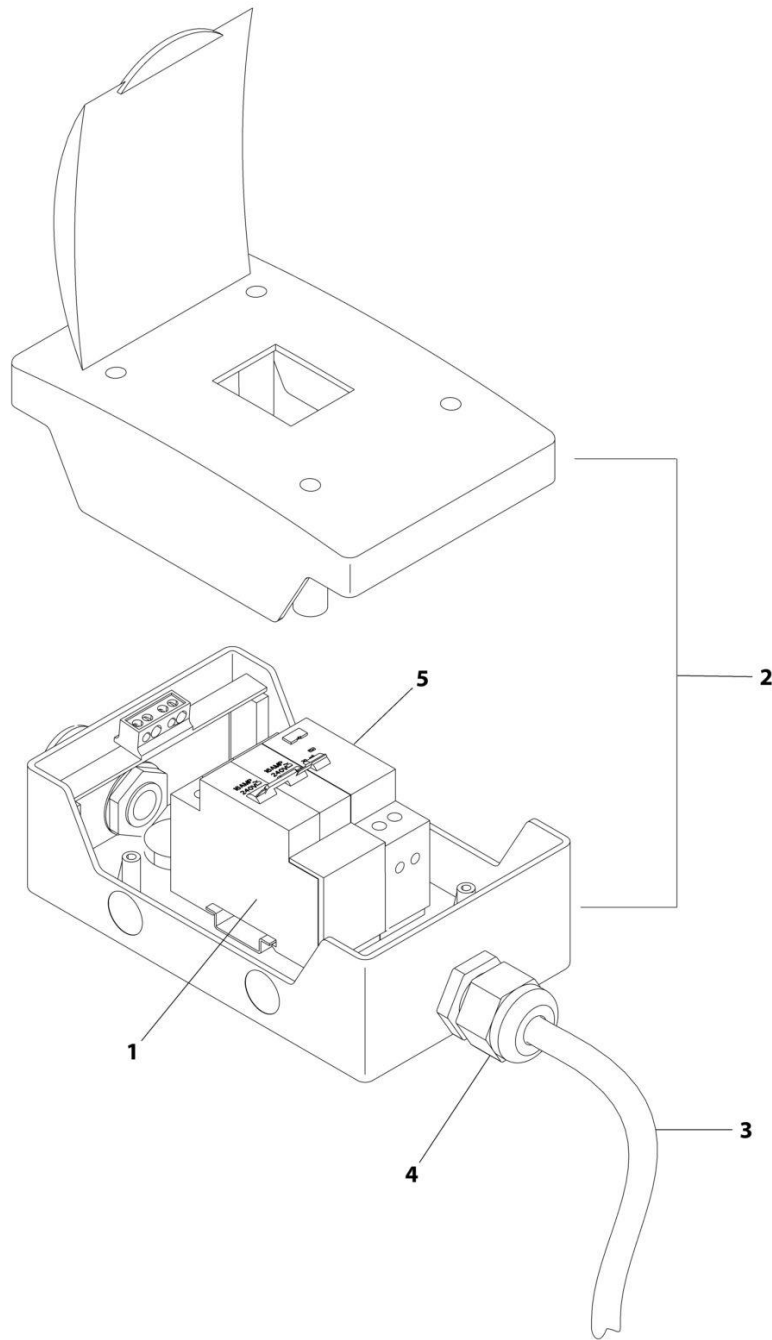
SECTION 8 - ELECTRICAL

FIGURE 8-49. BREAKER BOX KIT WITH TWO BREAKERS - CE SPEC

ITEM	PART NUMBER	QTY	DESCRIPTION	REV
	2902549	Ref	BREAKER BOX KIT WITH TWO BREAKERS - CE SPEC	D
1	1001181045	1	Breaker, 16Amp	
2	0861880	1	Box	
3	4460956	1	Barrier, Terminal	
4	1060908	6 ft /1.8m	Cable, 12/3	
5	1001097150	2	Connector, Strain Relief	
6	4460957	1	Block, Terminal	
7	1001181046	1	Breaker, 30mA	

SECTION 8 - ELECTRICAL

FIGURE 8-50. BREAKER BOX KIT WITH THREE BREAKERS - CE SPEC



ART_1001152485

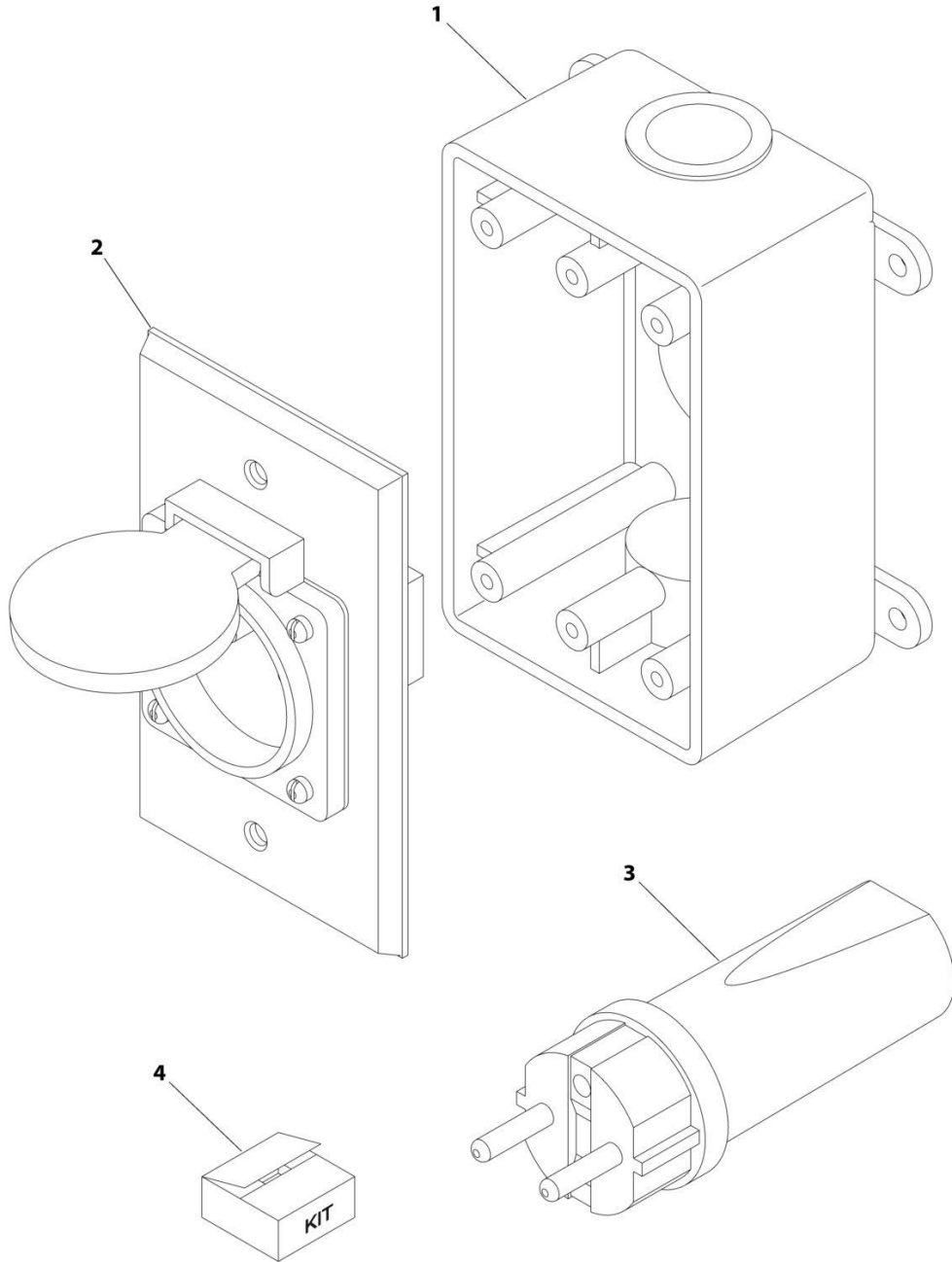
SECTION 8 - ELECTRICAL

FIGURE 8-50. BREAKER BOX KIT WITH THREE BREAKERS - CE SPEC

ITEM	PART NUMBER	QTY	DESCRIPTION	REV
	1001152485	Ref	BREAKER BOX KIT WITH THREE BREAKERS - CE SPEC	B
1	1001189172	1	Breaker, 16 Amp (Double)	
2	1001152483	1	Box	
3	1060908	6 ft /1.8m	Cable, 12/3	
4	1001097150	2	Connector, Strain Relief	
5	1001189171	1	Breaker, 30mA	

SECTION 8 - ELECTRICAL

FIGURE 8-51. AC PLUGS AND SOCKETS INSTALLATION - CEE7 POST GROUND 2 X 4 BOX - CE SPEC



ART_0275452

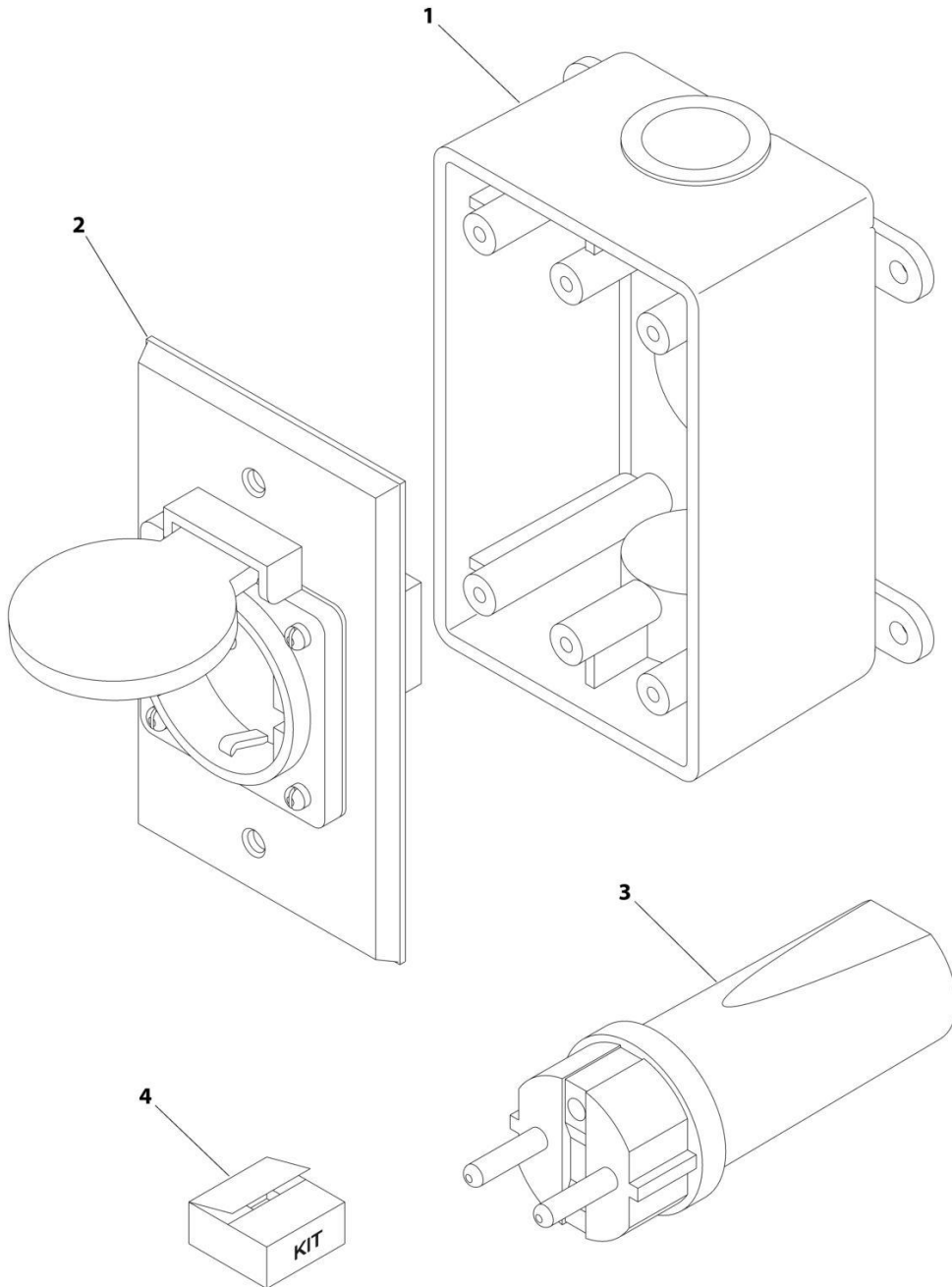
SECTION 8 - ELECTRICAL

FIGURE 8-51. AC PLUGS AND SOCKETS INSTALLATION - CEE7 POST GROUND 2 X 4 BOX - CE SPEC

ITEM	PART NUMBER	QTY	DESCRIPTION	REV
	0275452	Ref	AC PLUGS AND SOCKETS INSTALLATION - CEE7 POST GROUND 2 X 4 BOX - CE SPEC	1
1	0861731	1	Box, Switch	
2	4461244	1	Receptacle	
3	4461202	1	Plug, Male	
4	1001100345	1	Plug and Socket Kit (Includes Items 1-3 and Female Plug p/n 4461206)	

SECTION 8 - ELECTRICAL

FIGURE 8-52. AC PLUGS AND SOCKETS INSTALLATION - CEE7 SIDE GROUND 2 X 4 BOX - CE SPEC



ART_0275453

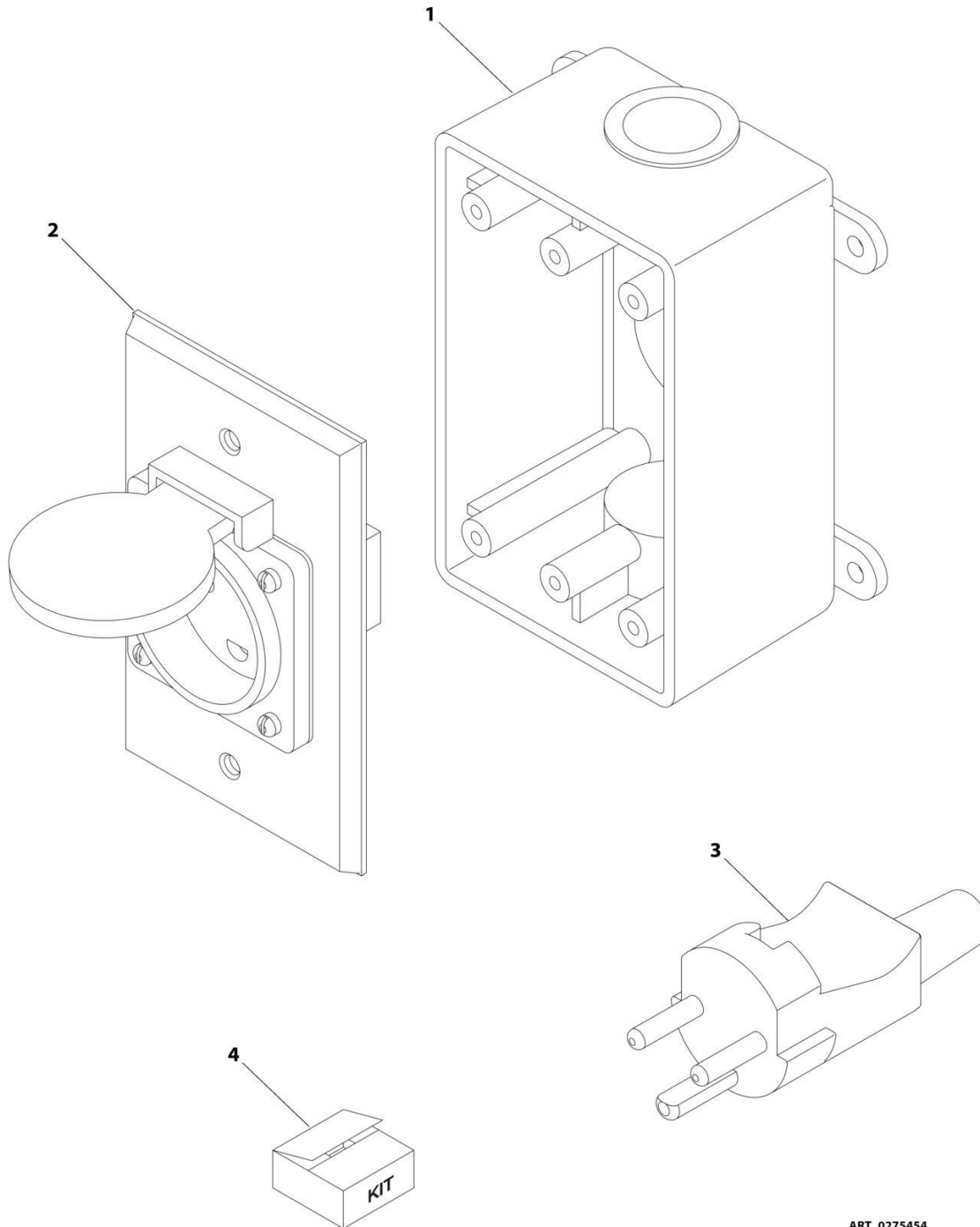
SECTION 8 - ELECTRICAL

FIGURE 8-52. AC PLUGS AND SOCKETS INSTALLATION - CEE7 SIDE GROUND 2 X 4 BOX - CE SPEC

ITEM	PART NUMBER	QTY	DESCRIPTION	REV
	0275453	Ref	AC PLUGS AND SOCKETS INSTALLATION - CEE7 SIDE GROUND 2 X 4 BOX - CE SPEC	1
1	0861731	1	Box, Switch	
2	4461245	1	Receptacle	
3	4461205	1	Plug, Male	
4	1001100347	1	Plug and Socket Kit (Includes Items 1-3 and Female Plug p/n 4461206)	

SECTION 8 - ELECTRICAL

FIGURE 8-53. AC PLUGS AND SOCKETS INSTALLATION - AFSINT 107-2-01 KEYED GROUND - 2 X 4 BOX - CE SPEC



ART_0275454

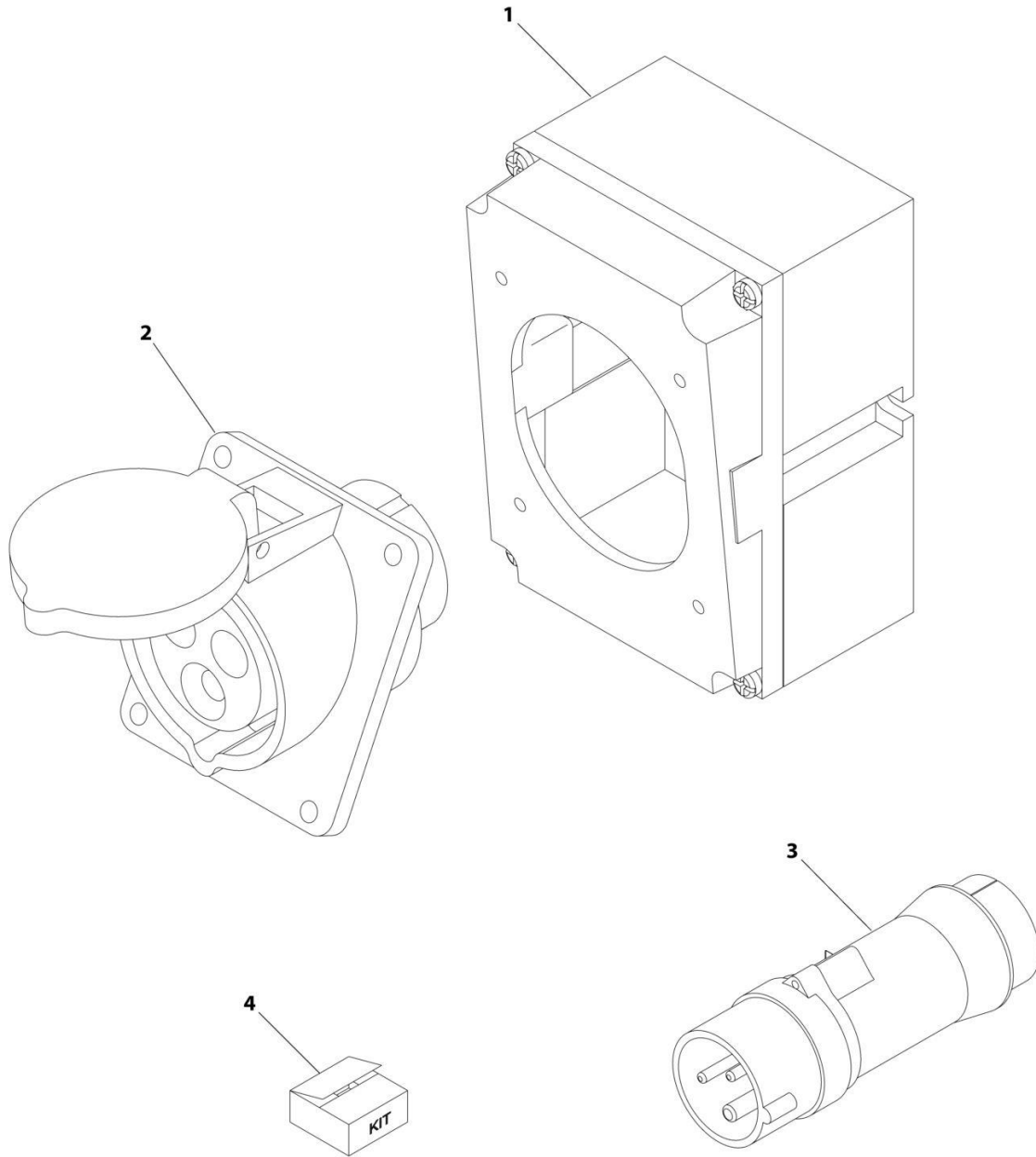
SECTION 8 - ELECTRICAL

FIGURE 8-53. AC PLUGS AND SOCKETS INSTALLATION - AFSINT 107-2-01 KEYED GROUND - 2 X 4 BOX - CE SPEC

ITEM	PART NUMBER	QTY	DESCRIPTION	REV
	0275454	Ref	AC PLUGS AND SOCKETS INSTALLATION - AFSINT 107-2-01 KEYED GROUND - 2 X 4 BOX - CE SPEC	1
1	0861731	1	Box, Switch	
2	4461246	1	Receptacle	
3	4461249	1	Plug, Male	
4	1001100346	1	Plug and Socket Kit (Includes Items 1-3 and Female Plug p/n 4461250)	

SECTION 8 - ELECTRICAL

FIGURE 8-54. PLUGS AND SOCKETS INSTALLATION - IEC 60309 YELLOW - CE SPEC



ART_0275216

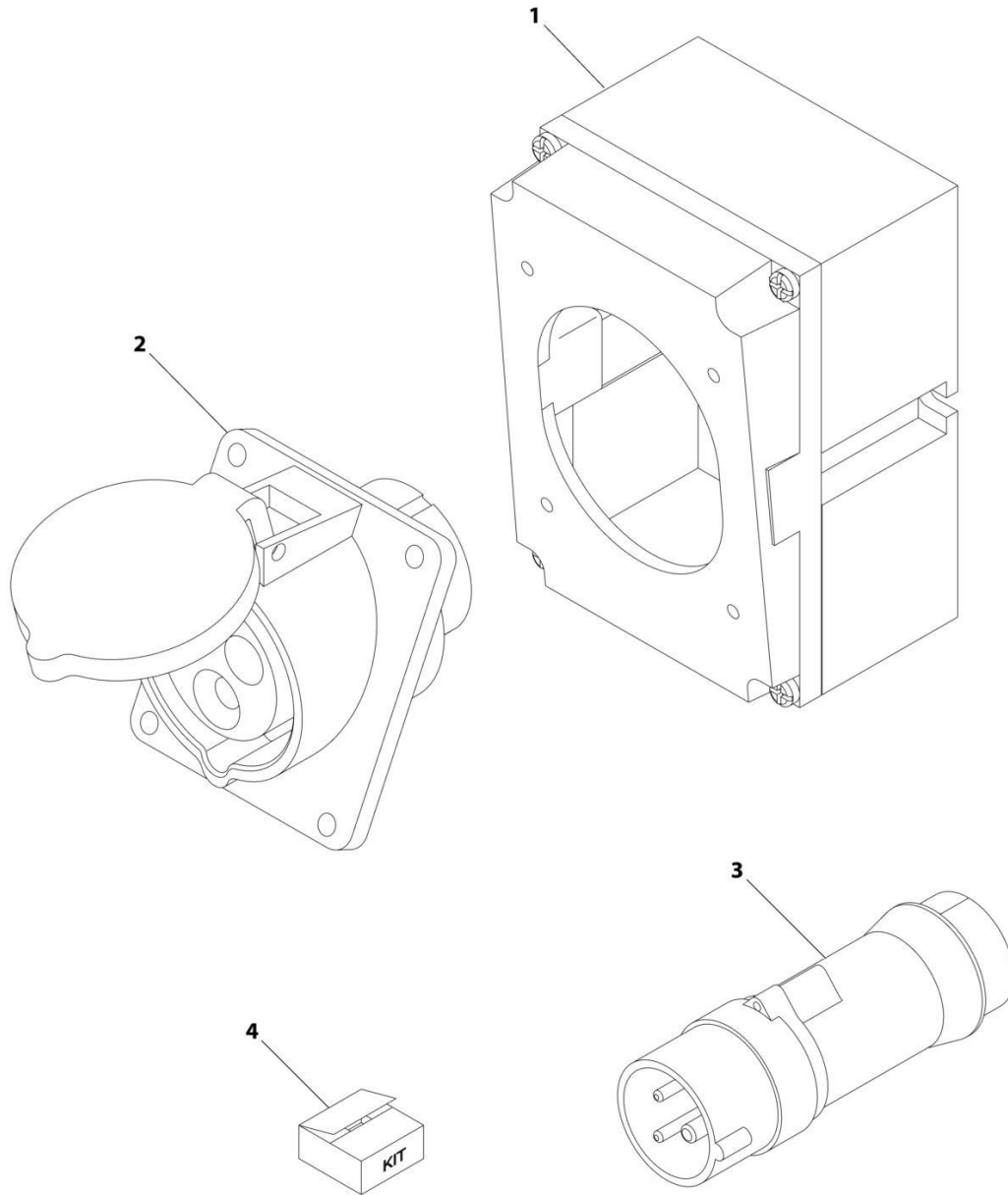
SECTION 8 - ELECTRICAL

FIGURE 8-54. PLUGS AND SOCKETS INSTALLATION - IEC 60309 YELLOW - CE SPEC

ITEM	PART NUMBER	QTY	DESCRIPTION	REV
	0275216	Ref	PLUGS AND SOCKETS INSTALLATION - IEC 60309 YELLOW - CE SPEC	1
1	0861781	1	Box, Switch	
2	4461198	1	Receptacle	
3	4461196	1	Plug, Male	
4	1001100341	1	Plug and Socket Kit (Includes Items 1-3 and Female Plug p/n 4461197)	

SECTION 8 - ELECTRICAL

FIGURE 8-55. PLUGS AND SOCKETS INSTALLATION - IEC 60309 BLUE - CE SPEC



ART_0275217

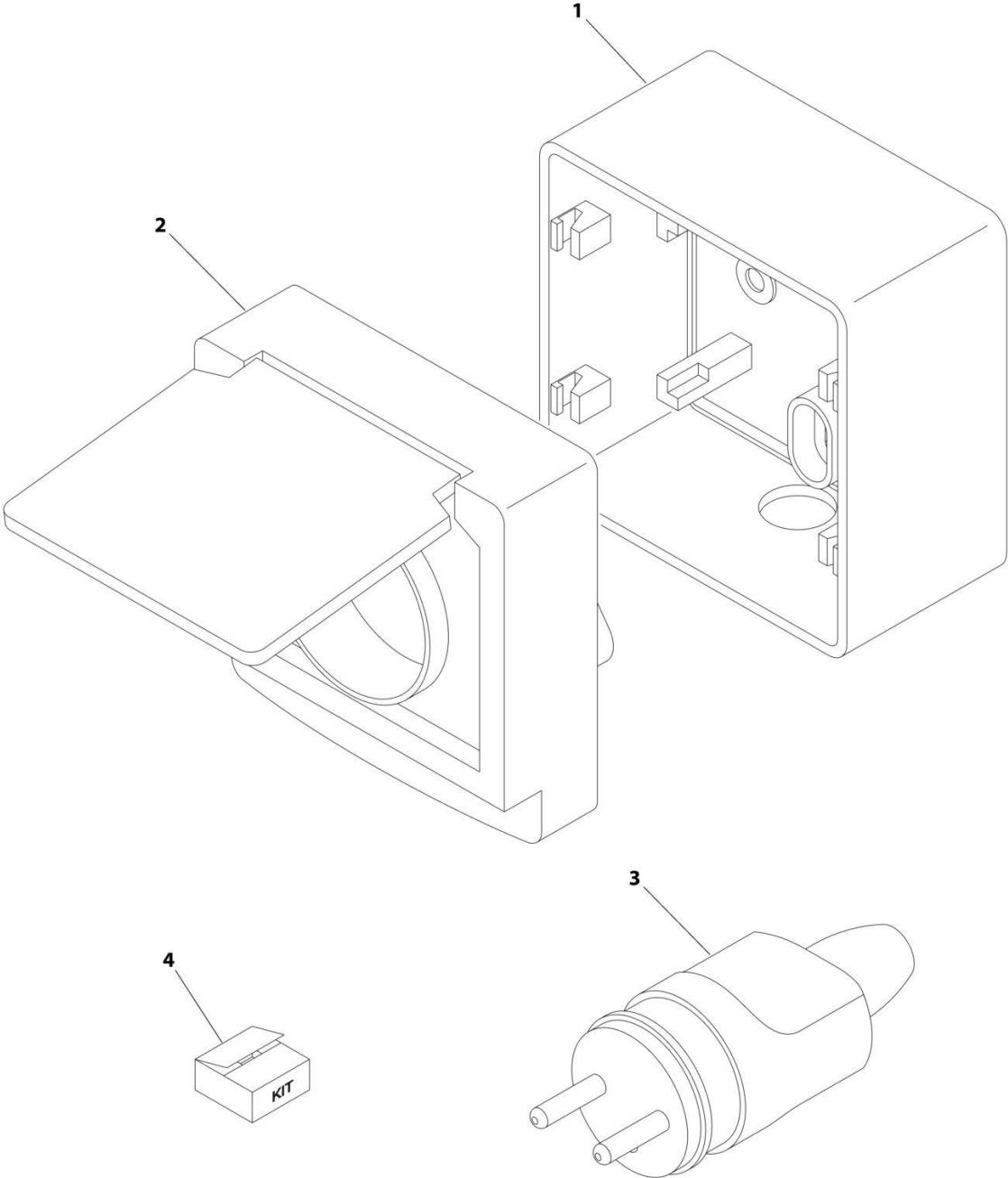
SECTION 8 - ELECTRICAL

FIGURE 8-55. PLUGS AND SOCKETS INSTALLATION - IEC 60309 BLUE - CE SPEC

ITEM	PART NUMBER	QTY	DESCRIPTION	REV
	0275217	Ref	PLUGS AND SOCKETS INSTALLATION - IEC 60309 BLUE - CE SPEC	1
1	0861781	1	Box, Switch	
2	4461201	1	Receptacle	
3	4461199	1	Plug, Male	
4	1001100342	1	Plug and Socket Kit (Includes Items 1-3 and Female Plug p/n 4461200)	

SECTION 8 - ELECTRICAL

FIGURE 8-56. AC PLUGS AND SOCKETS INSTALLATION - CEE7 POST GROUND - CE SPEC



ART_0275218

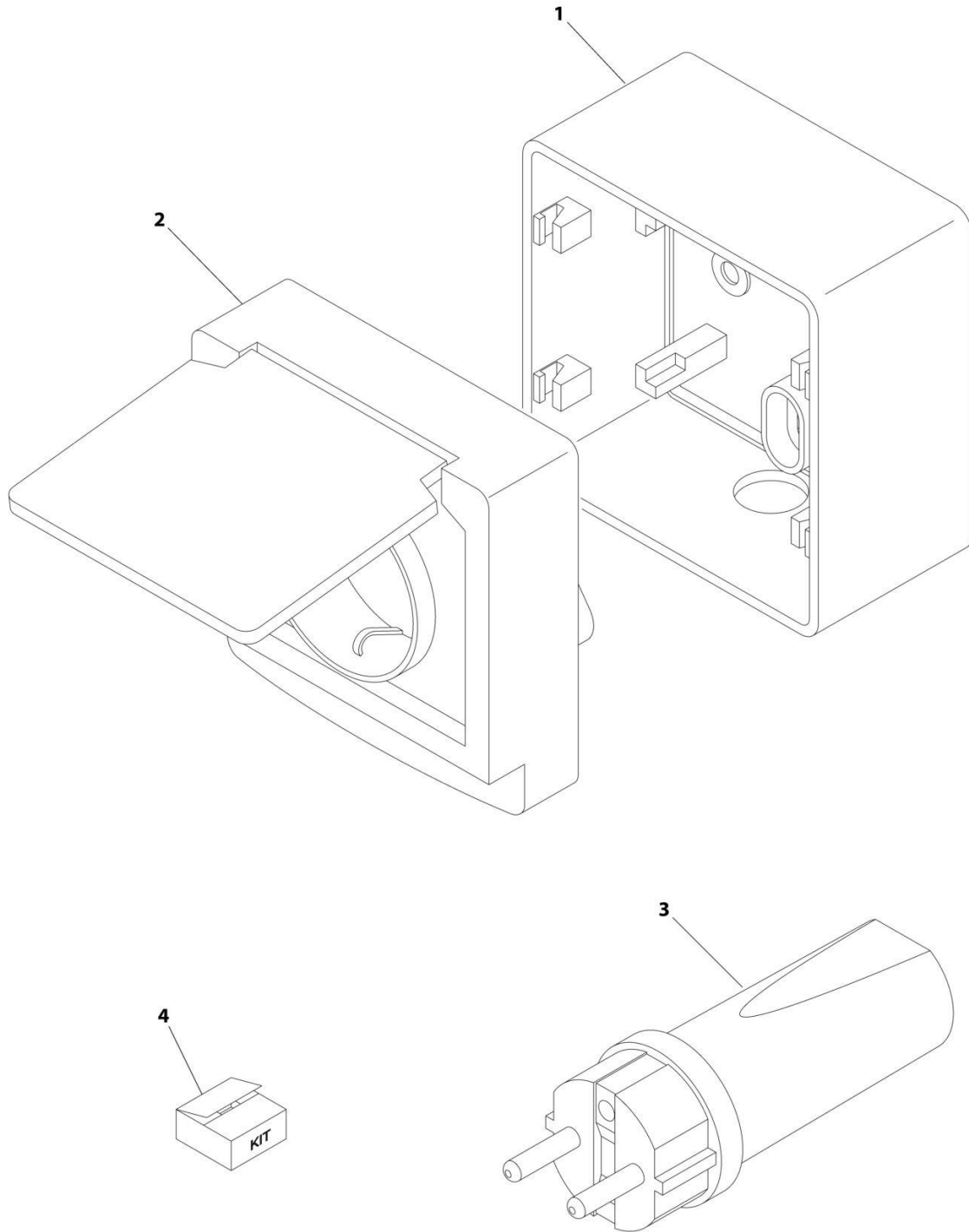
SECTION 8 - ELECTRICAL

FIGURE 8-56. AC PLUGS AND SOCKETS INSTALLATION - CEE7 POST GROUND - CE SPEC

ITEM	PART NUMBER	QTY	DESCRIPTION	REV
	0275218	Ref	AC PLUGS AND SOCKETS INSTALLATION - CEE7 POST GROUND - CE SPEC	B
1	1001141967	1	Box, Switch	
2	1001141968	1	Receptacle	
3	4461202	1	Plug, Male	
4	1001141971	1	Plug and Socket Kit (Includes Items 1-3 and Female Plug p/n 4461206)	

SECTION 8 - ELECTRICAL

FIGURE 8-57. AC PLUGS AND SOCKETS INSTALLATION - CEE7 POST GROUND - CE SPEC



ART_0275219

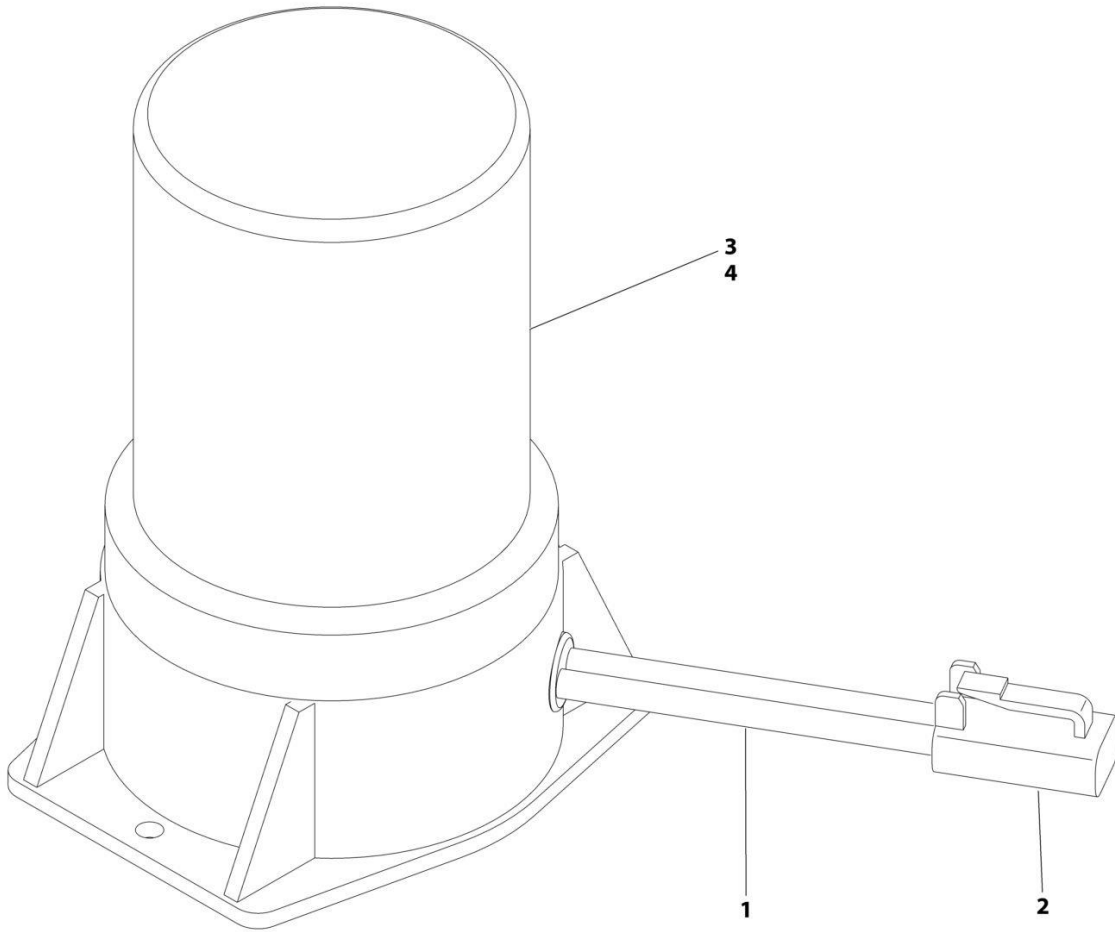
SECTION 8 - ELECTRICAL

FIGURE 8-57. AC PLUGS AND SOCKETS INSTALLATION - CEE7 POST GROUND - CE SPEC

ITEM	PART NUMBER	QTY	DESCRIPTION	REV
	0275219	Ref	AC PLUGS AND SOCKETS INSTALLATION - CEE7 POST GROUND - CE SPEC	B
1	1001141967	1	Box, Switch	
2	1001141969	1	Receptacle	
3	4461205	1	Plug, Male	
4	1001141970	1	Plug and Socket Kit (Includes Items 1-3 and Female Plug p/n 4461206)	

SECTION 8 - ELECTRICAL

FIGURE 8-58. STROBE LIGHT - AMBER - HARNESS



ART_2920161

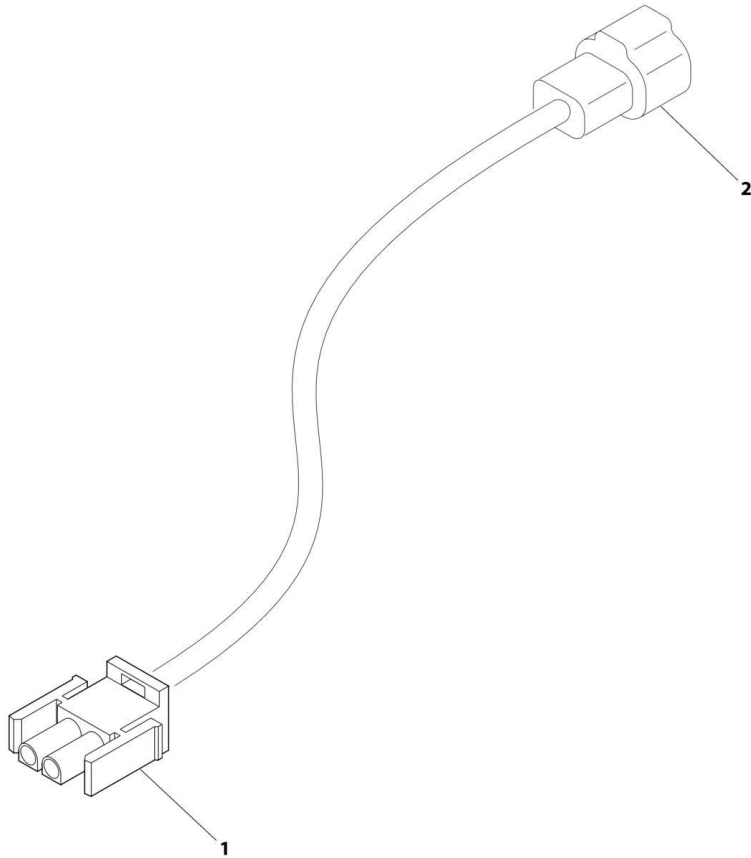
SECTION 8 - ELECTRICAL

FIGURE 8-58. STROBE LIGHT - AMBER - HARNESS

ITEM	PART NUMBER	QTY	DESCRIPTION	REV
	2920161	Ref	STROBE LIGHT - AMBER - HARNESS	C
1	See Note	NSS	Harness (Note: Use p/n 2920161)	
2	4460891	1	Connector - 2 Position	
2	4460465	2	Socket, Female	
3	7016319	1	Bulb, Replacement	
4	7016272	1	Lens, Replacement	

SECTION 8 - ELECTRICAL

FIGURE 8-59. STROBE LIGHT HARNESS



ART_1001149818

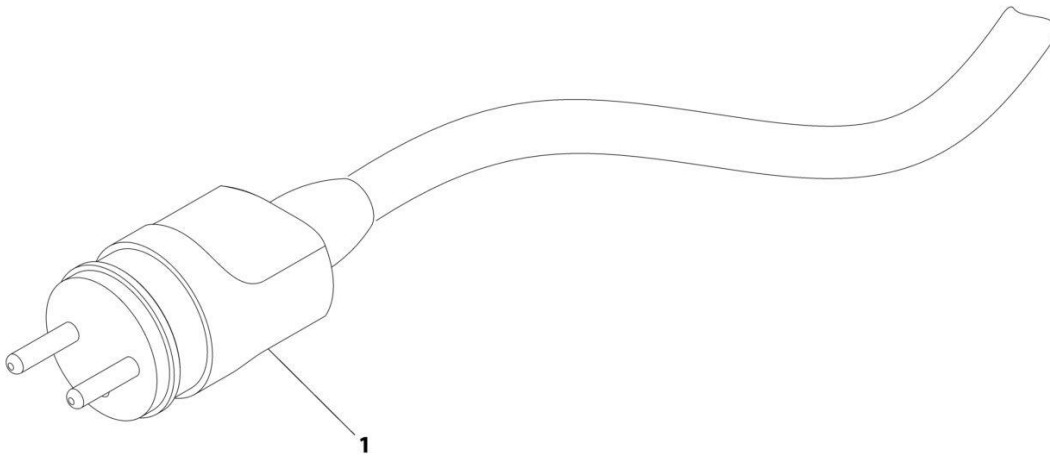
SECTION 8 - ELECTRICAL

FIGURE 8-59. STROBE LIGHT HARNESS

ITEM	PART NUMBER	QTY	DESCRIPTION	REV
	1001149818	Ref	STROBE LIGHT HARNESS	B
1	4460320	1	Connector, 2 Position	
1	4460267	2	Pin, Male	
2	4460897	1	Connector, Female - 2 Position	
2	4460464	2	Pin, Male	

SECTION 8 - ELECTRICAL

FIGURE 8-60. CHARGER CORD PLUG INSTALLATION - 220V - CEE7 POST GROUND - CE SPEC



ART_0275663

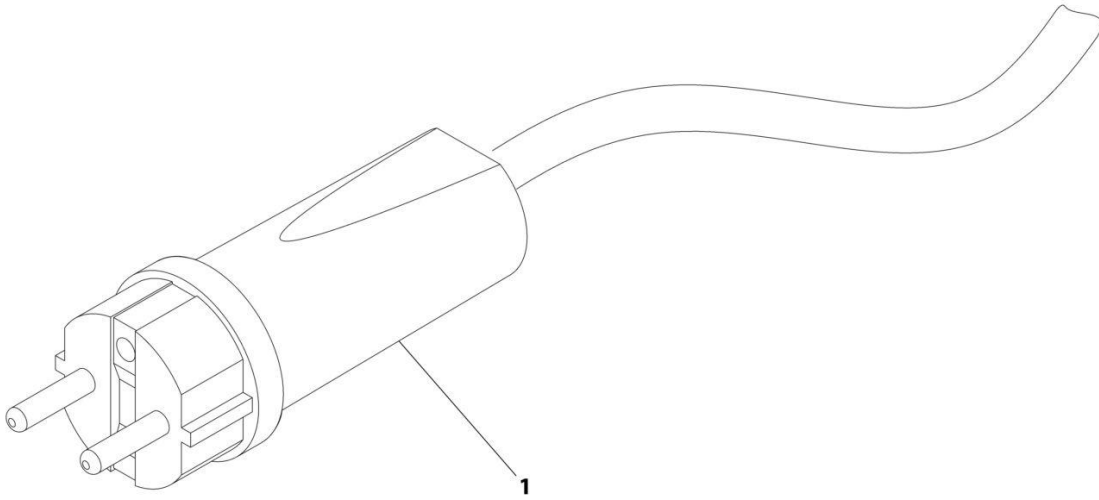
SECTION 8 - ELECTRICAL

FIGURE 8-60. CHARGER CORD PLUG INSTALLATION - 220V - CEE7 POST GROUND - CE SPEC

ITEM	PART NUMBER	QTY	DESCRIPTION	REV
	0275663	Ref	CHARGER CORD PLUG INSTALLATION - 220V - CEE7 POST GROUND - CE SPEC	A
1	4461202	1	Plug	

SECTION 8 - ELECTRICAL

FIGURE 8-61. CHARGER CORD PLUG INSTALLATION - 220V - CEE7 SIDE GROUND - CE SPEC



ART_0275664

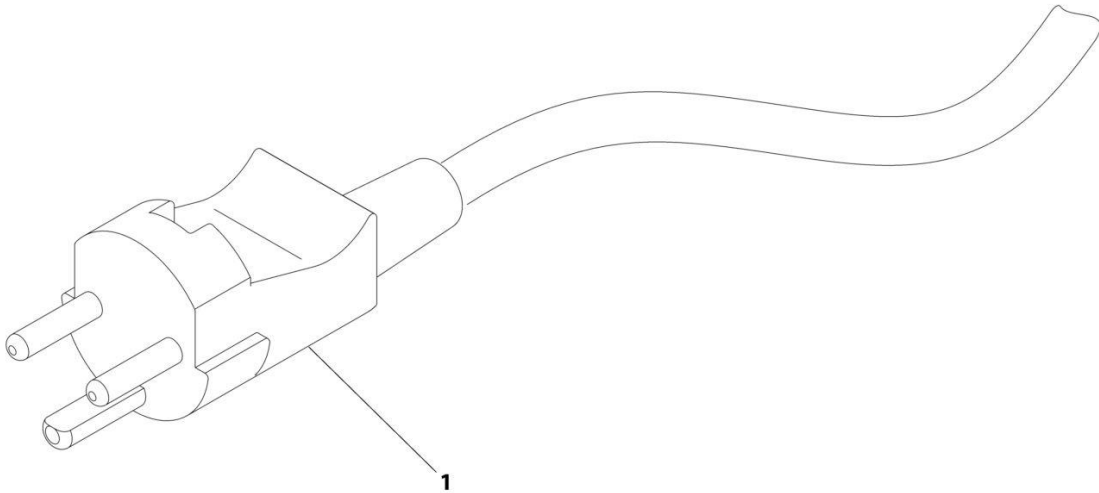
SECTION 8 - ELECTRICAL

FIGURE 8-61. CHARGER CORD PLUG INSTALLATION - 220V - CEE7 SIDE GROUND - CE SPEC

ITEM	PART NUMBER	QTY	DESCRIPTION	REV
	0275664	Ref	CHARGER CORD PLUG INSTALLATION - 220V - CEE7 SIDE GROUND - CE SPEC	A
1	4461205	1	Plug	

SECTION 8 - ELECTRICAL

FIGURE 8-62. CHARGER CORD PLUG INSTALLATION - 220V - AFSINT 107 KEYED GROUND - CE SPEC



ART_0275665

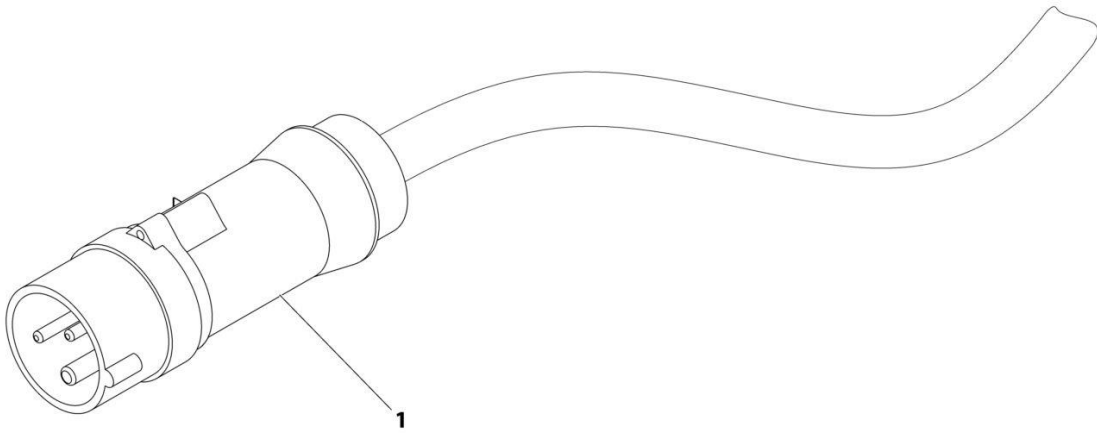
SECTION 8 - ELECTRICAL

FIGURE 8-62. CHARGER CORD PLUG INSTALLATION - 220V - AFSINT 107 KEYED GROUND - CE SPEC

ITEM	PART NUMBER	QTY	DESCRIPTION	REV
	0275665	Ref	CHARGER CORD PLUG INSTALLATION - 220V - AFSINT 107 KEYED GROUND - CE SPEC	A
1	4461249	1	Plug	

SECTION 8 - ELECTRICAL

FIGURE 8-63. CHARGER CORD PLUG INSTALLATION - 110V - IEC 60309 - YELLOW - CE SPEC



ART_0275666

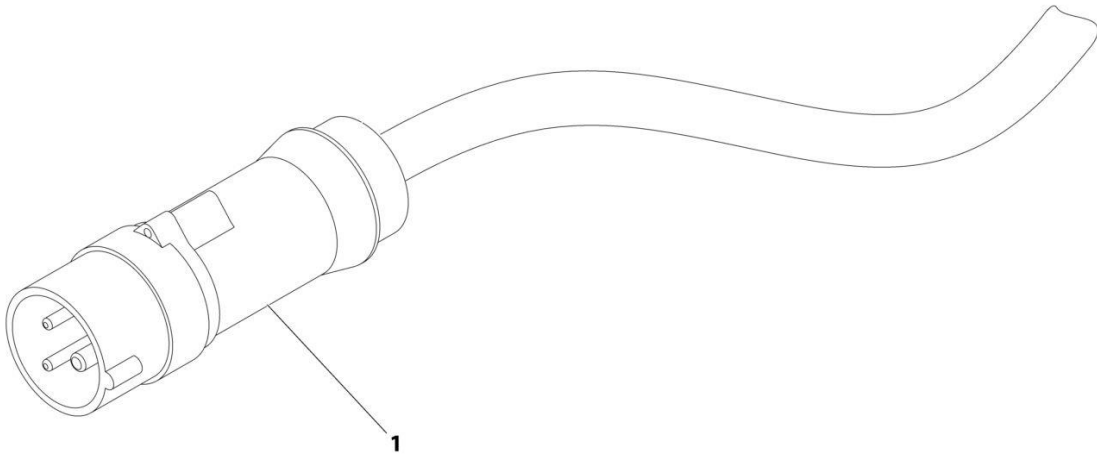
SECTION 8 - ELECTRICAL

FIGURE 8-63. CHARGER CORD PLUG INSTALLATION - 110V - IEC 60309 - YELLOW - CE SPEC

ITEM	PART NUMBER	QTY	DESCRIPTION	REV
	0275666	Ref	CHARGER CORD PLUG INSTALLATION - 110V - IEC 60309 - YELLOW - CE SPEC	A
1	4461196	1	Plug	

SECTION 8 - ELECTRICAL

FIGURE 8-64. CHARGER CORD PLUG INSTALLATION - 220V - IEC 60309 - BLUE - CE SPEC



ART_0275667

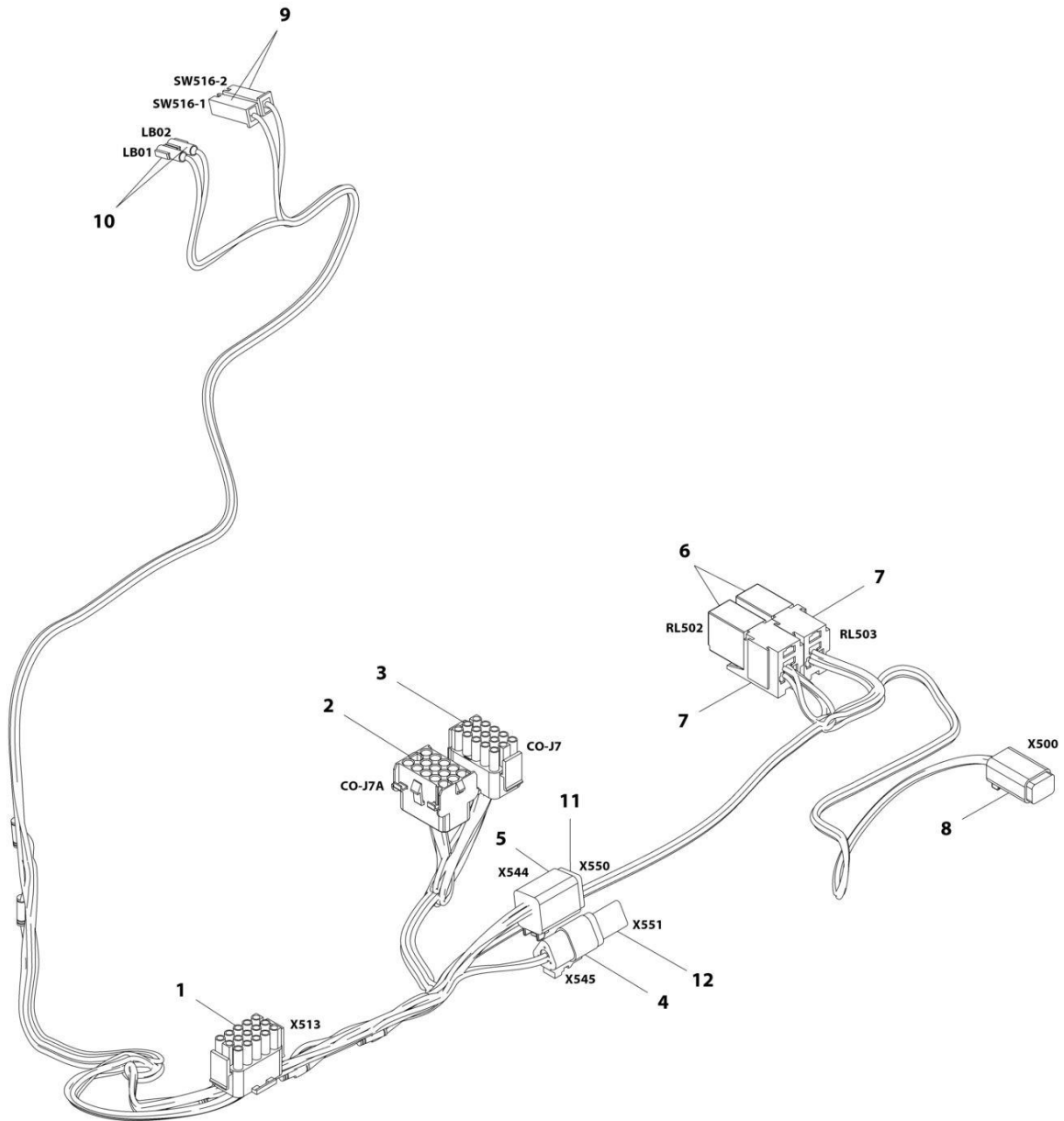
SECTION 8 - ELECTRICAL

FIGURE 8-64. CHARGER CORD PLUG INSTALLATION - 220V - IEC 60309 - BLUE - CE SPEC

ITEM	PART NUMBER	QTY	DESCRIPTION	REV
	0275667	Ref	CHARGER CORD PLUG INSTALLATION - 220V - IEC 60309 - BLUE - CE SPEC	A
1	4461199	1	Plug	

SECTION 8 - ELECTRICAL

FIGURE 8-65. SKYGUARD PLATFORM SENSOR HARNESS (SN 0300200792 through 0300208528)



ART_1001189074

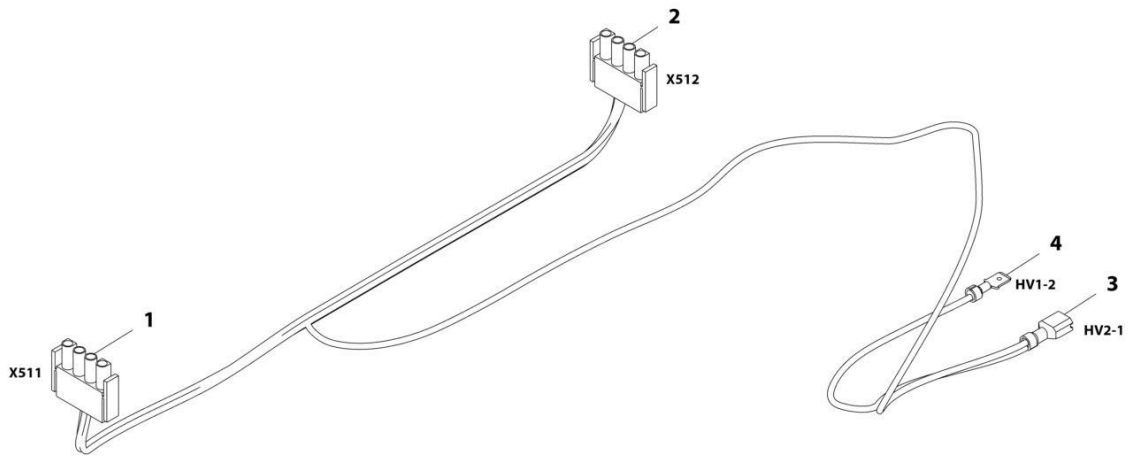
SECTION 8 - ELECTRICAL

FIGURE 8-65. SKYGUARD PLATFORM SENSOR HARNESS (SN 0300200792 through 0300208528)

ITEM	PART NUMBER	QTY	DESCRIPTION	REV
	1001189074	Ref	SKYGUARD PLATFORM SENSOR HARNESS (SN 0300200792 through 0300208528)	C
1	4460434	1	Connector - 15 Position	
1	4460268	8	Socket, Female	
2	4460708	1	Connector - 15 Position	
2	4460227	14	Pin, Male	
3	4460434	1	Connector - 15 Position	
3	4460226	15	Socket, Female	
4	4460539	1	Connector - 3 Position	
4	4460465	3	Socket, Female	
5	4460894	1	Connector - 6 Position	
5	4460465	6	Socket, Female	
6	1001186432	2	Holder, Relay	
6	1001116720	4	Terminal	
6	1001118388	8	Terminal	
7	1001186432	2	Holder, Relay	
7	1001118388	4	Terminal	
7	1001116720	6	Terminal	
8	4460884	1	Connector - 4 Position	
8	4460932	1	Connector - 4 Position	
8	4460944	4	Socket, Female (Gold)	
9	4460260	2	Terminal, Housing	
9	4460259	2	Terminal	
10	1001117093	2	Connector	
11	4460899	1	Connector - 6 Position	
11	4460464	6	Pin, Male	
12	4460536	1	Connector - 3 Position	
12	4460464	3	Pin, Male	

SECTION 8 - ELECTRICAL

FIGURE 8-66. SKYGUARD CAN HARNESS (SN 0300200792 through 0300208528)



ART_1001189076

SECTION 8 - ELECTRICAL

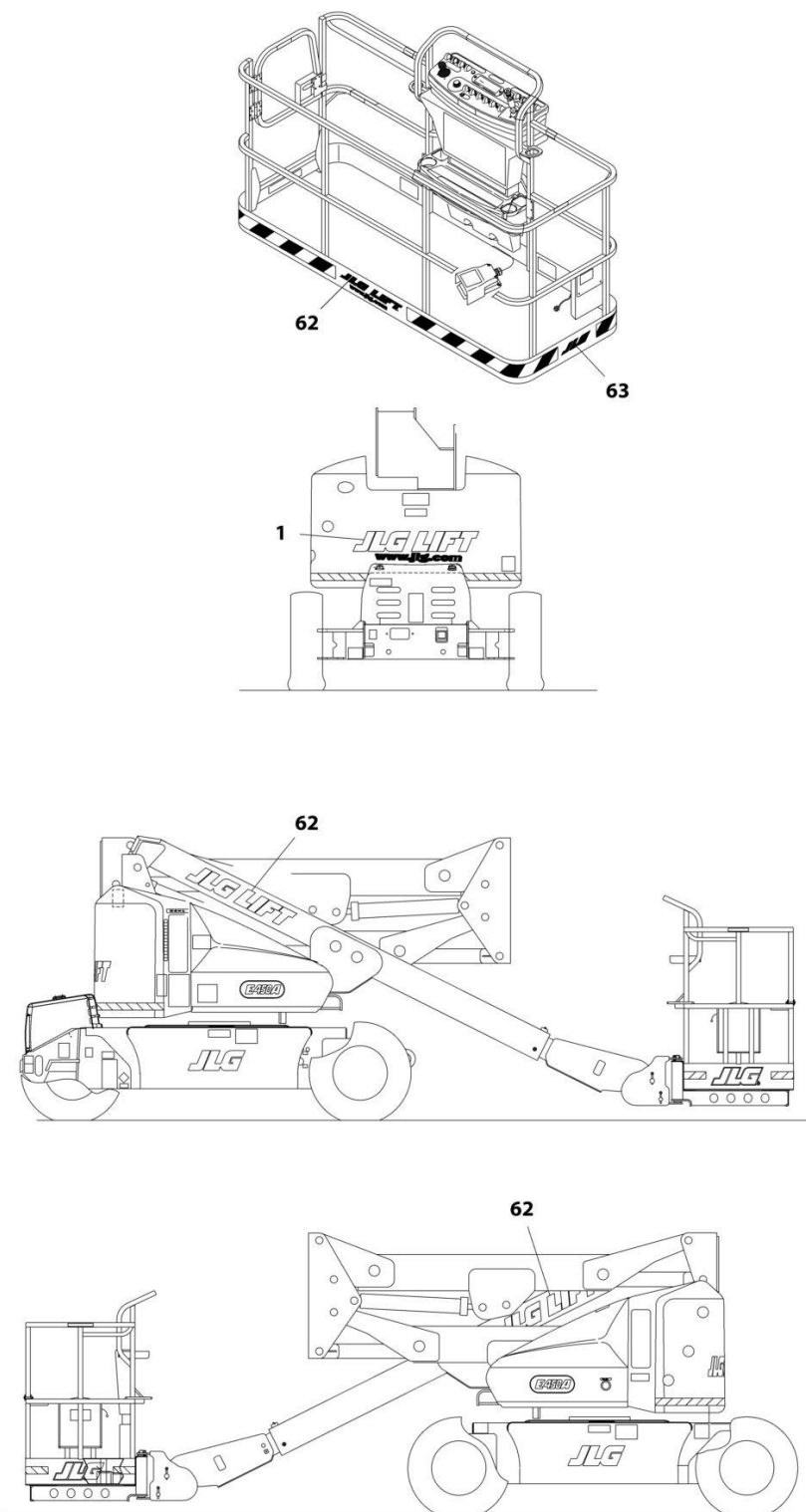
FIGURE 8-66. SKYGUARD CAN HARNESS (SN 0300200792 through 0300208528)

ITEM	PART NUMBER	QTY	DESCRIPTION	REV
	1001189076	Ref	SKYGUARD CAN HARNESS (SN 0300200792 through 0300208528)	D
1	4460321	1	Connector - 4 Position	
1	4460267	3	Pin, Male	
2	4460321	1	Connector - 4 Position	
2	4460267	4	Pin, Male	
3	8220051	1	Terminal	
4	4461002	1	Terminal	

SECTION 9 - DECALS

SECTION 9 - DECALS

FIGURE 9-1. DECAL INSTALLATION - JLG LOGO - E400ANARROW



ART_0270273

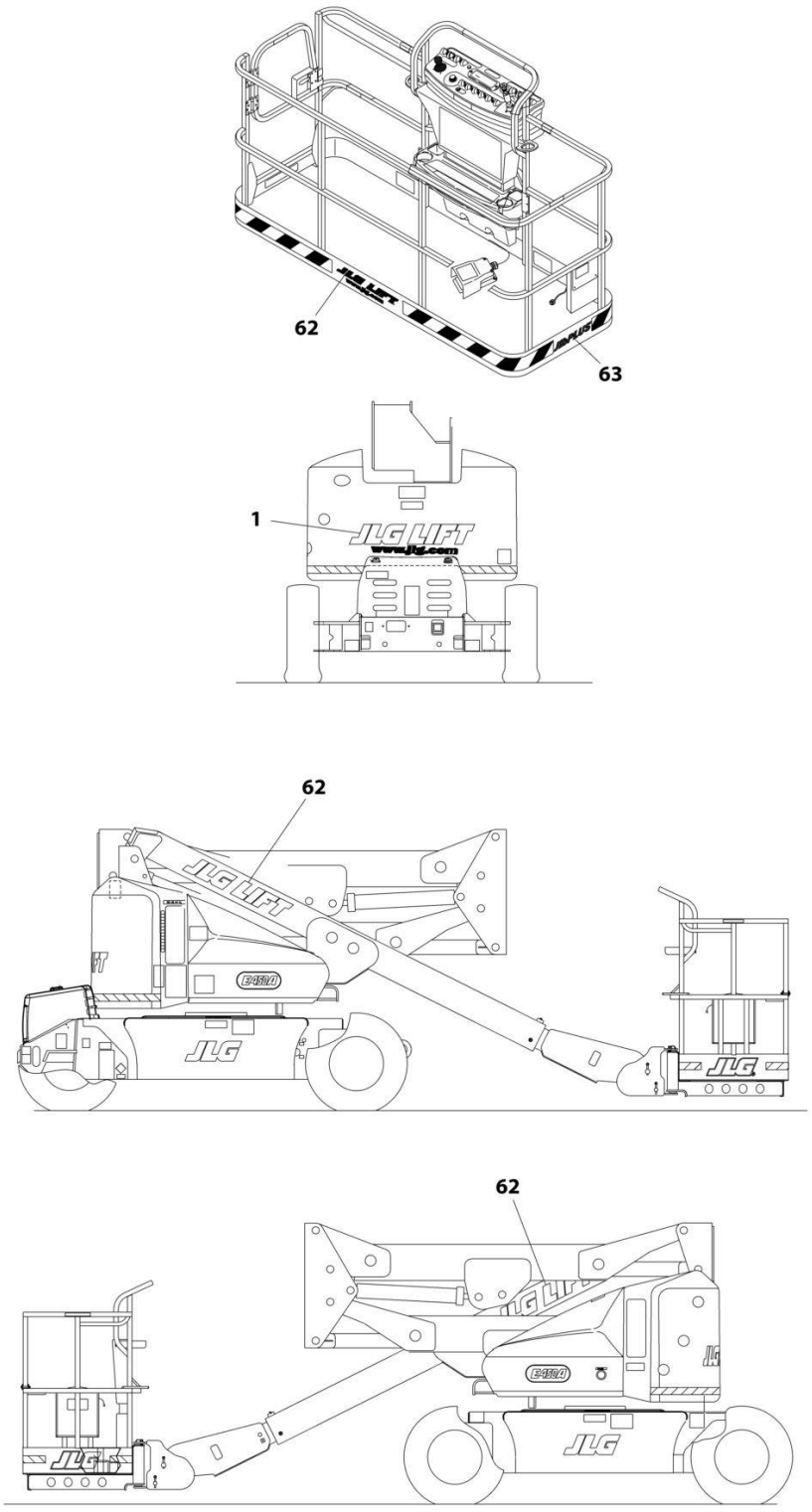
SECTION 9 - DECALS

FIGURE 9-1. DECAL INSTALLATION - JLG LOGO - E400ANARROW

ITEM	PART NUMBER	QTY	DESCRIPTION	REV
	0270273	Ref	DECAL INSTALLATION - JLG LOGO	3
1	1702860	1	Decal - JLG Lift	
62	1702774	3	Decal - JLG Lift	
63	1702773	1	Decal - JLG	

SECTION 9 - DECALS

FIGURE 9-2. DECAL INSTALLATION - JLG LOGO - E400AJP/E400AJPNARROW/M400AJP/M400AJPNARROW



ART_0270274

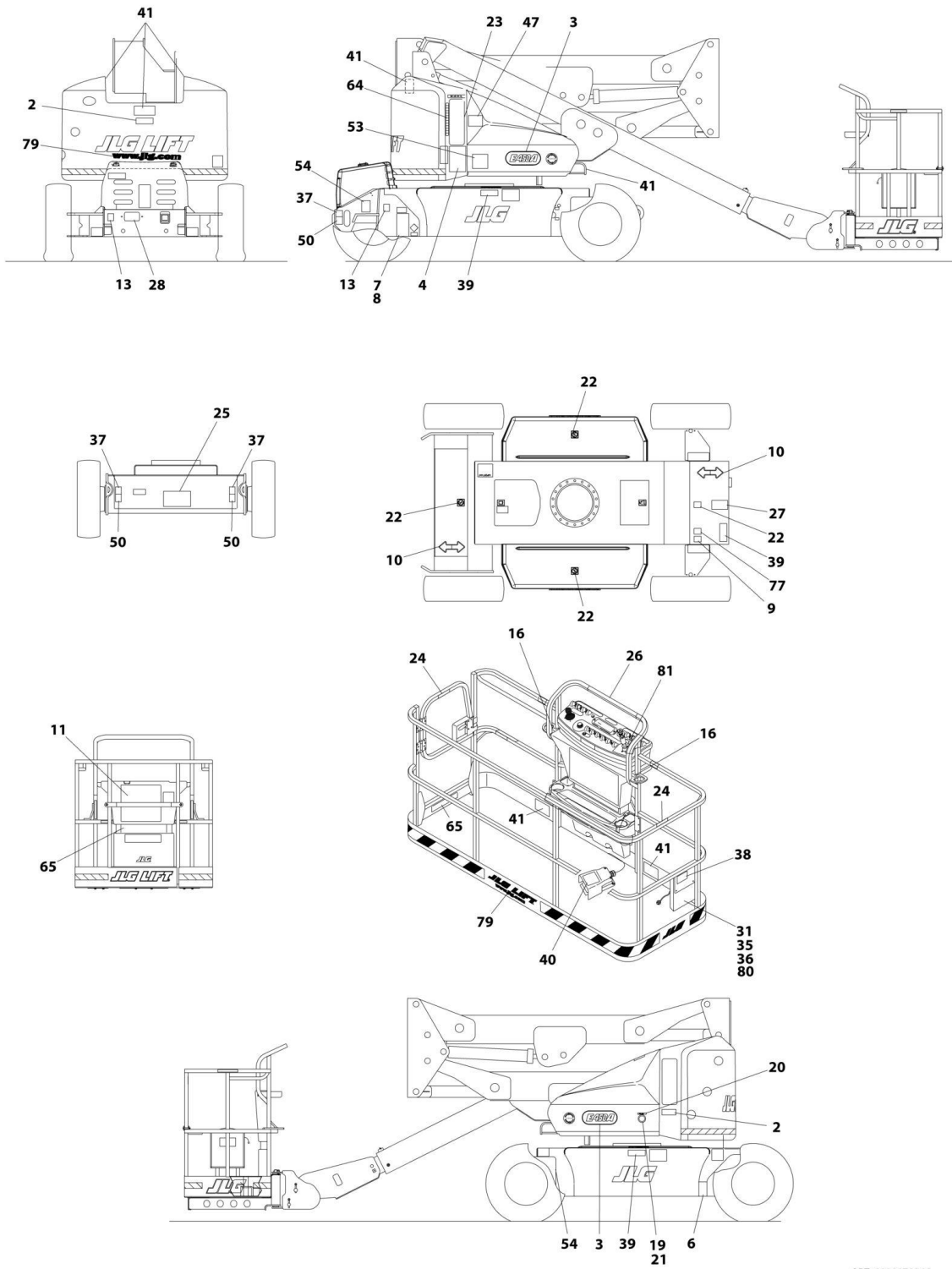
SECTION 9 - DECALS

**FIGURE 9-2. DECAL INSTALLATION - JLG LOGO -
E400AJP/E400AJPNARROW/M400AJP/M400AJPNARROW**

ITEM	PART NUMBER	QTY	DESCRIPTION	REV
	0270274	Ref	DECAL INSTALLATION - JLG LOGO	3
1	1702860	1	Decal - JLG Lift	
62	1702774	3	Decal - JLG Lift	
63	1704200	1	Decal - Jib Plus	

SECTION 9 - DECALS

FIGURE 9-3. DECAL INSTALLATION - ANSI SPEC - E400ANARROW/E400AJP/E400AJPNARROW



ART_1001178364

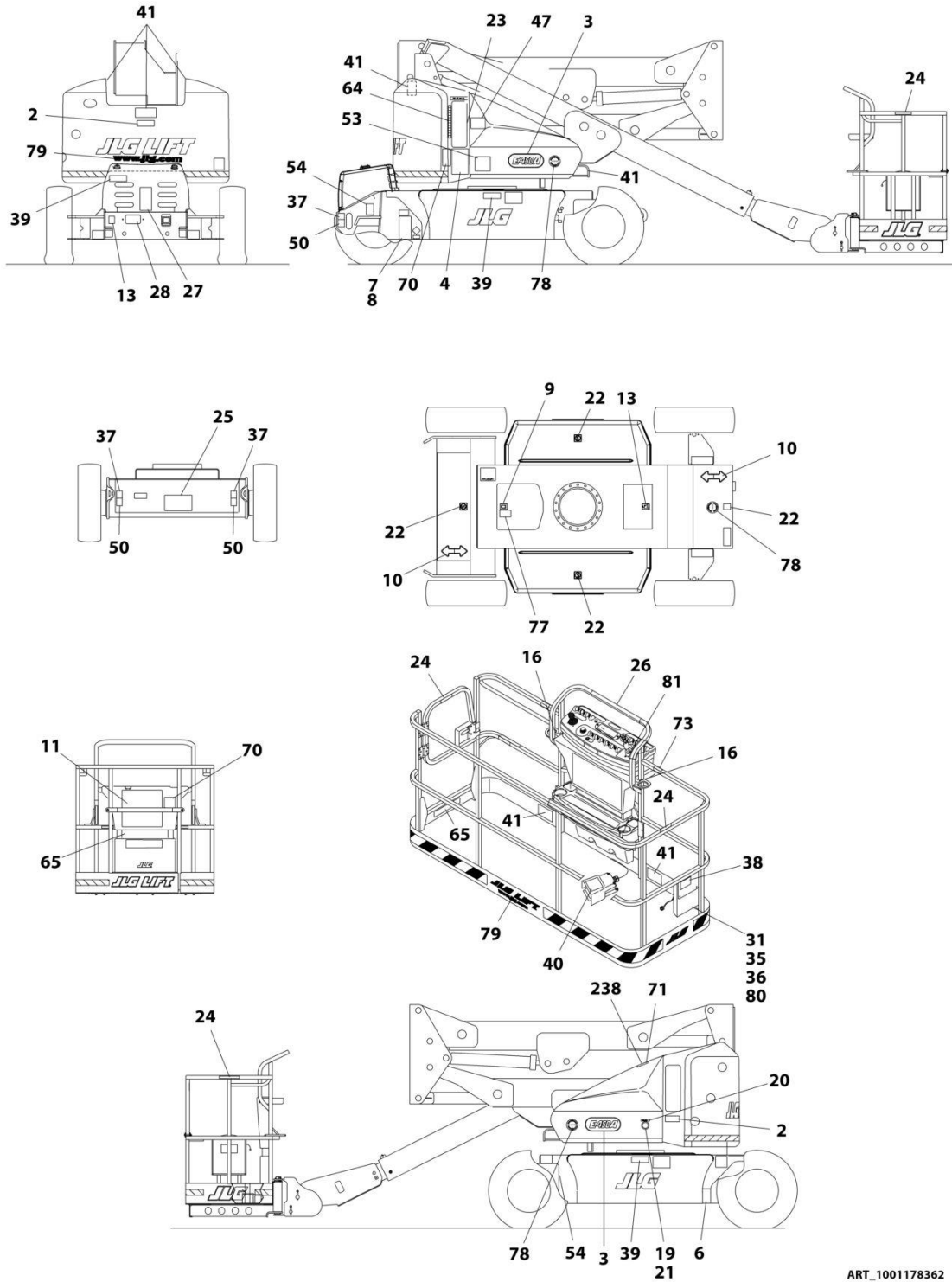
SECTION 9 - DECALS

FIGURE 9-3. DECAL INSTALLATION - ANSI SPEC - E400ANARROW/E400AJP/E400AJPNARROW

ITEM	PART NUMBER	QTY	DESCRIPTION	REV
	1001178364	Ref	DECAL INSTALLATION - ANSI SPEC	A
2	1703805	2	Decal - Electrocution	
3	1704900	2	Decal - Model Designation (E400Anarrow)	
3	1704791	2	Decal - Model Designation (E400AJP)	
3	1704792	2	Decal - Model Designation (E400AJPnarrow)	
4	1703798	1	Decal - Crushing	
6	1001131269	1	Decal - Patent	
7	See Note	1	Nameplate - Serial Number (Note: Not Available for Purchase)	
8	3820001	2	Rivet	
9	1701504	1	Decal - Hydraulic Oil	
10	1701642	2	Decal - Arrow	
11	1703797	1	Decal - Caution/Danger	
13	1701644	2	Decal - Charger	
16	1704277	2	Decal - Attach Lanyard	
19	0961127	1	Bushing, Snap	
20	3251243	1	Nameplate 120V-60Hz	
21	0100010	AR	Adhesive	
22	1701691	4	Decal - No Step	
23	1001104864	1	Decal - Manual Descent	
24	1702868	2	Decal - No Hands	
25	1001173577	1	Decal - Cable Routing	
26	1704253	1	Decal - Key Platform	
27	1704446	1	Decal - Charger	
28	1704431	1	Decal - Battery Charger LED Indicator	
31	0860520	1	Box, Manual Storage	
35	4751400	4	Washer, 1/4	
36	3311405	4	Nut, 1/4-20	
37	1701500	4	Decal - Lift	
38	1701509	1	Decal - Manual	
39	1703813	3	Decal - Danger	
40	3252347	1	Nameplate - Footswitch	
41	1703804	6	Decal - Crushing Hazard	
47	1702265	1	Decal	
50	1702300	4	Decal - Tie Down	
53	1001121814	1	Decal - 500 LBS Max Capacity	
54	1703488	4	Decal - Tire Load (E400Anarrow)	
54	1704727	4	Decal - Tire Load (E400AJP)	
54	1704752	4	Decal - Tire Load (E400AJPnarrow)	
64	1706950	1	Decal - Key Main Terminal Box	
65	1001121801	2	Decal - 500 LBS Max Capacity	
77	1704412	1	Decal - Oil Type	
79	1704885	2	Decal - Website	
80	0641406	4	Bolt, 1/4-20 x 3/4	
81	1705351	1	Decal - Drive/Steer Instruction	

SECTION 9 - DECALS

FIGURE 9-4. DECAL INSTALLATION - ANSI SPEC - M400AJP/M400AJPNARROW



ART_1001178362

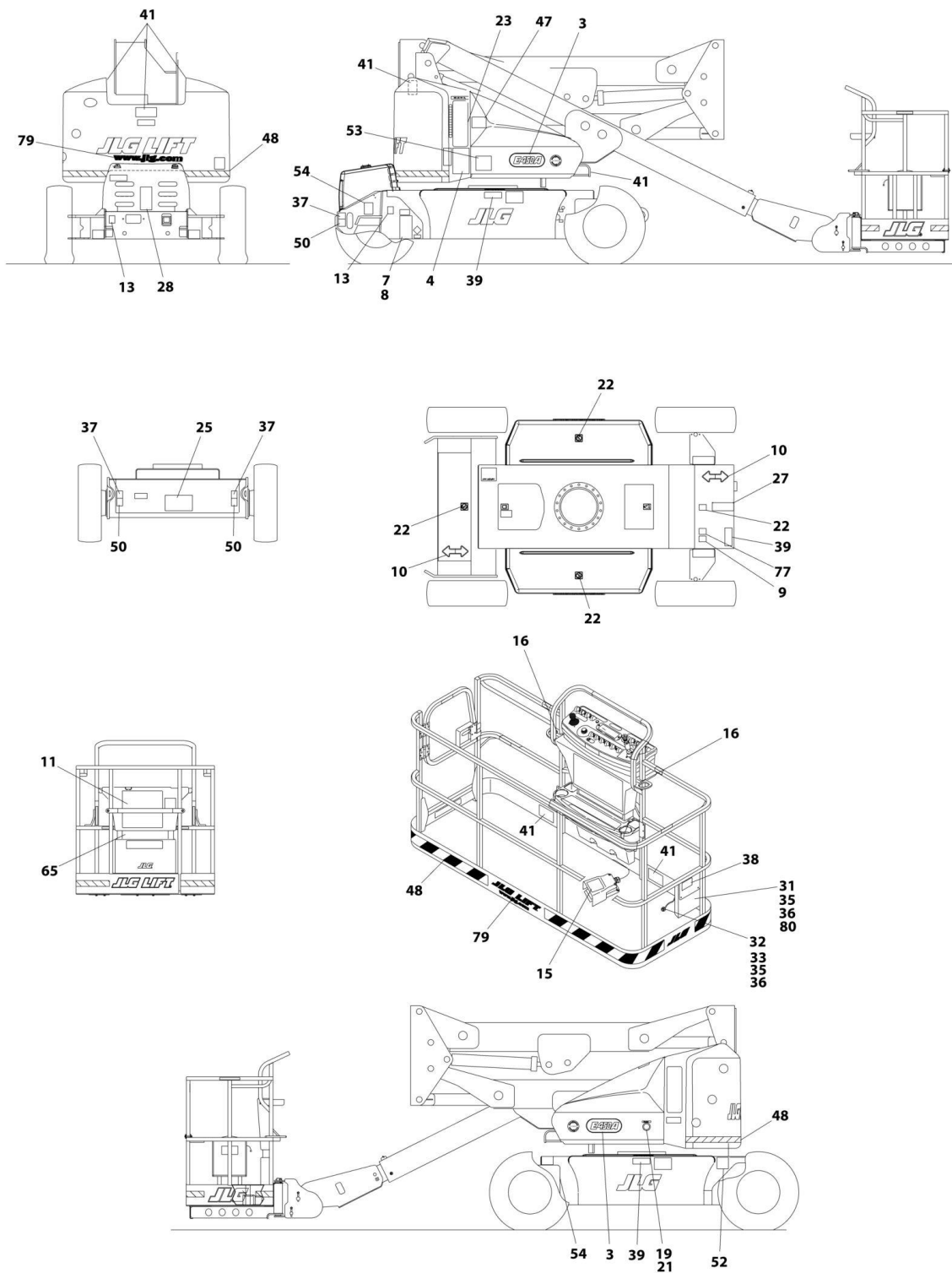
SECTION 9 - DECALS

FIGURE 9-4. DECAL INSTALLATION - ANSI SPEC - M400AJP/M400AJPnarrow

ITEM	PART NUMBER	QTY	DESCRIPTION	REV
	1001178362	Ref	DECAL INSTALLATION - ANSI SPEC	A
2	1703805	2	Decal - Electrocution	
3	1704793	2	Decal - Model Designation (M400AJP)	
3	1704794	2	Decal - Model Designation (M400AJPnarrow)	
4	1703798	1	Decal - Crushing	
6	1001131269	1	Decal - Patent	
7	See Note	1	Nameplate - Serial Number (Note: Not Available for Purchase)	
8	3820001	2	Rivet	
9	1701504	1	Decal - Hydraulic Oil	
10	1701642	2	Decal - Arrow	
11	1703797	1	Decal - Caution/Danger	
13	1701644	2	Decal - Charger	
16	1704277	2	Decal - Attach Lanyard	
19	0961127	1	Bushing, Snap	
20	3251243	1	Nameplate 120V-60Hz	
21	0100010	AR	Adhesive	
22	1701691	4	Decal - No Step	
23	1001104864	1	Decal - Manual Descent	
24	1702868	2	Decal - No Hands	
25	1001173577	1	Decal - Cable Routing	
26	1704253	1	Decal - Key Platform	
27	1704446	1	Decal - Charger	
28	1704431	1	Decal - Battery Charger LED Indicator	
31	0860520	1	Box, Manual Storage	
35	4751400	4	Washer, 1/4	
36	3311405	4	Nut, 1/4-20	
37	1701500	4	Decal - Lift	
38	1701509	1	Decal - Manual	
39	1703813	3	Decal - Danger	
40	3252347	1	Nameplate - Footswitch	
41	1703804	6	Decal - Crushing Hazard	
47	1702265	1	Decal	
50	1702300	4	Decal - Tie Down	
53	1001121814	1	Decal - 500 LBS Max Capacity	
54	1704727	4	Decal - Tire Load (M400AJP)	
54	1704752	4	Decal - Tire Load (M400AJPnarrow)	
64	1706950	1	Decal - Key Main Terminal Box	
65	1001121801	2	Decal - 500 LBS Max Capacity	
70	1704286	2	Decal - Generator Danger	
71	1701505	1	Decal - Fuel	
73	1702962	1	Decal - Fuel Warning	
77	1704412	1	Decal - Oil Type	
78	1001121510	3	Decal - Hybrid	
79	1704885	2	Decal - Website	
80	0641406	4	Bolt, 1/4-20 x 3/4	
81	1705351	1	Decal - Drive/Steer Instruction	
238	1001108923	1	Decal - Ultra Low Sulfur Fuel	

SECTION 9 - DECALS

FIGURE 9-5. DECAL INSTALLATION - CE/AUSTRALIAN SPEC - E400ANARROW/E400AJP/E400AJPNARROW



ART_1001178378

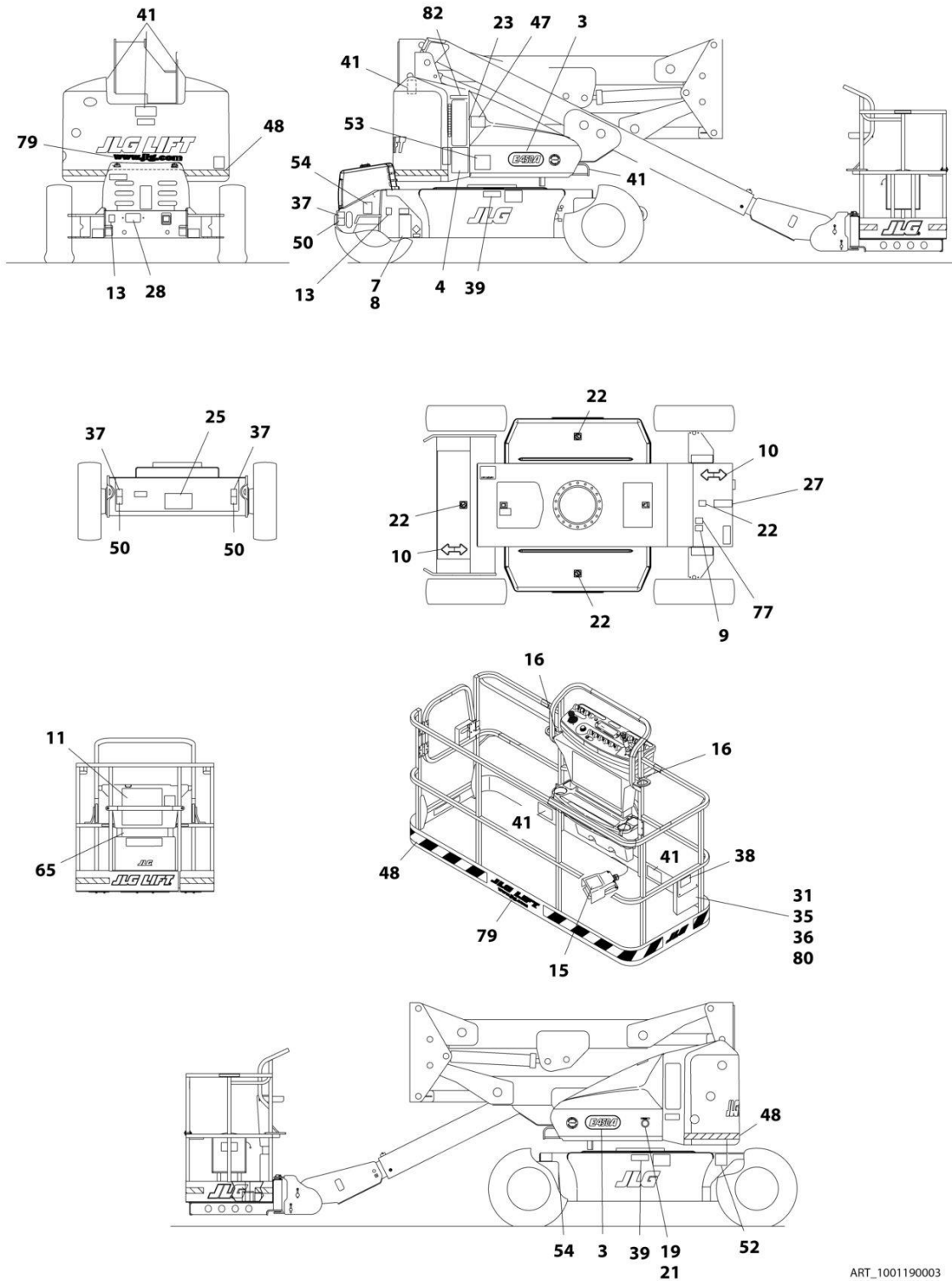
SECTION 9 - DECALS

**FIGURE 9-5. DECAL INSTALLATION - CE/AUSTRALIAN SPEC -
E400ANARROW/E400AJP/E400AJPNARROW**

ITEM	PART NUMBER	QTY	DESCRIPTION	REV
	1001178378	Ref	DECAL INSTALLATION - CE/AUSTRALIAN SPEC	C
3	1704900	2	Decal - Model Designation (E400Anarrow)	
3	1704791	2	Decal - Model Designation (E400AJP)	
3	1704792	2	Decal - Model Designation (E400AJPNarrow)	
4	1705822	1	Decal - Danger/Caution	
7	See Note	1	Nameplate - Serial Number (Note: Not Available for Purchase)	
8	3820001	2	Rivet	
9	1701504	1	Decal - Hydraulic Oil	
10	1701642	2	Decal - Arrow	
11	1705921	1	Decal - Danger/Caution	
13	1701644	2	Decal - Charger	
15	1705828	1	Decal - Footswitch	
16	1704277	2	Decal - Attach Lanyard	
19	0961127	1	Bushing, Snap	
21	0100010	AR	Adhesive	
22	1701691	4	Decal - No Step	
23	1001104864	1	Decal - Manual Descent	
25	1001173577	1	Decal - Cable Routing	
27	1706378	1	Decal - Charging Instructions	
28	1704431	1	Decal - Battery Charger LED Indicator	
31	0860520	1	Box, Manual Storage	
32	1060279	1	Lanyard (Prior to SN 0300196410)	
33	0641408	1	Bolt, 1/4-20 x 1 (Prior to SN 0300196410)	
35	4751400	AR	Washer, 1/4	
36	3311405	AR	Nut, 1/4-20	
37	1703811	4	Decal - Lift	
38	1701509	1	Decal - Manual	
39	1705670	2	Decal - Explosion Warning	
41	1701518	6	Decal - Crushing Hazard	
47	1705977	1	Decal - Upright Level Over-Ride	
48	4420051	17.4 ft /5.3m	Tape, Warning Stripes	
50	1703814	4	Decal - Tie Down	
52	See Note	1	Decal - Bar Code (Note: Not Available for Purchase)	
53	1705978	1	Decal - Capacity	
54	1703488	4	Decal - Tire Load (E400Anarrow)	
54	1704727	4	Decal - Tire Load (E400AJP)	
54	1704752	4	Decal - Tire Load (E400AJPNarrow)	
65	1705978	1	Decal - Capacity	
77	1704412	1	Decal - Oil Type	
79	1704885	2	Decal - Website	
80	0641406	4	Bolt, 1/4-20 x 3/4	

SECTION 9 - DECALS

FIGURE 9-6. DECAL INSTALLATION - CE SPEC - E400AJP/E400AJPNARROW (SN 0300200792 through 0300208528)



ART_1001190003

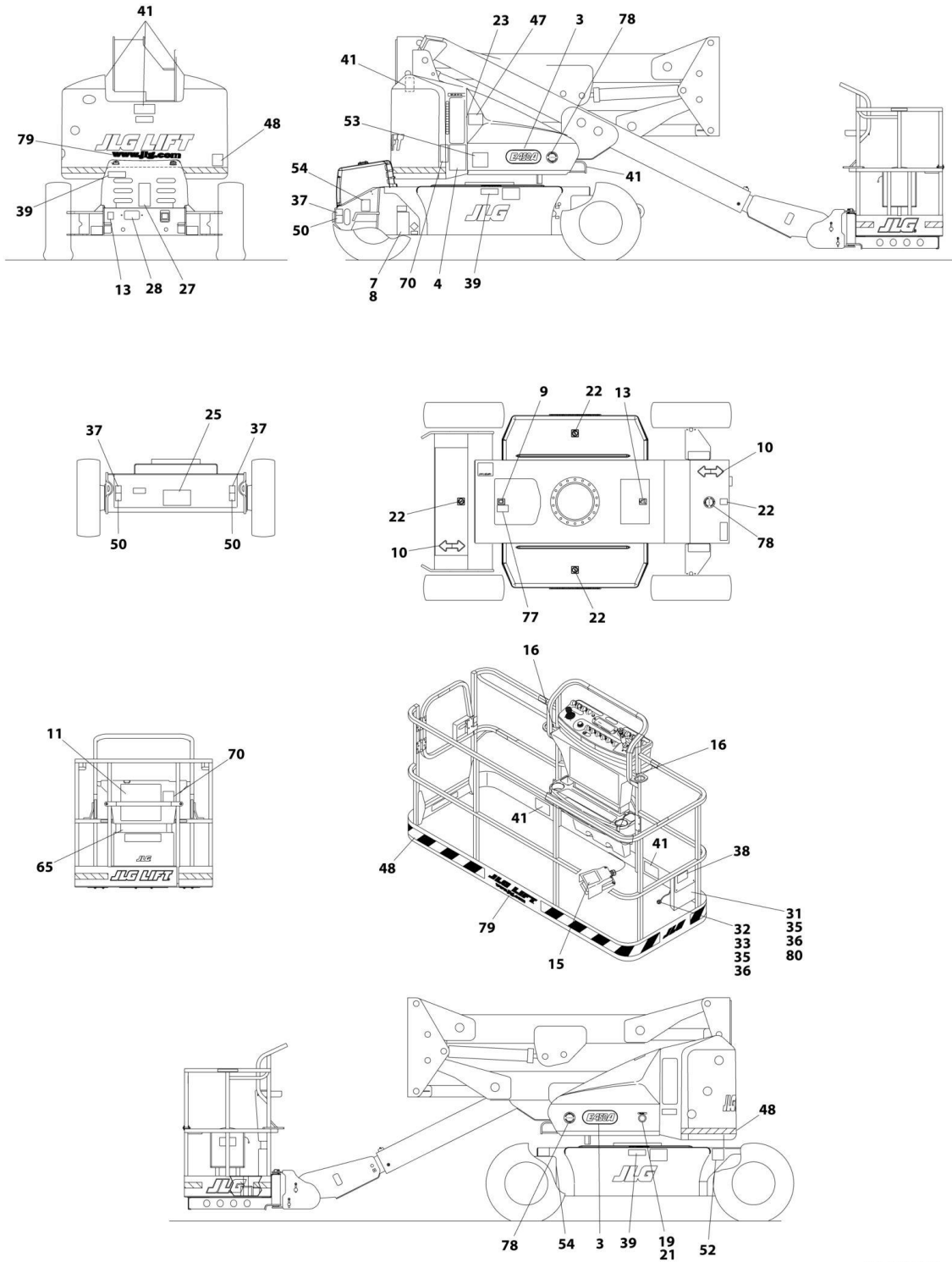
SECTION 9 - DECALS

FIGURE 9-6. DECAL INSTALLATION - CE SPEC - E400AJP/E400AJPNARROW (SN 0300200792 through 0300208528)

ITEM	PART NUMBER	QTY	DESCRIPTION	REV
	1001190003	Ref	DECAL INSTALLATION - CE SPEC (SN 0300200792 through 0300208528)	A
3	1704789	2	Decal - Model Designation	
4	1705822	1	Decal - Danger/Caution	
7	See Note	1	Nameplate - Serial Number (Note: Not Available for Purchase)	
8	3820001	2	Rivet	
9	1701504	1	Decal - Hydraulic Oil	
10	1701642	2	Decal - Arrow	
11	1705921	1	Decal - Danger/Caution	
13	1701644	2	Decal - Charger	
15	1705828	1	Decal - Footswitch	
16	1704277	2	Decal - Attach Lanyard	
19	0961127	1	Bushing, Snap	
21	0100010	AR	Adhesive	
22	1701691	4	Decal - No Step	
23	1001104864	1	Decal - Manual Descent	
25	1001173577	1	Decal - Cable Routing	
27	1706378	1	Decal - Charging Instructions	
28	1704431	1	Decal - Battery Charger LED Indicator	
31	0860520	1	Box, Manual Storage	
35	4751400	4	Washer, 1/4	
36	3311405	4	Nut, 1/4-20	
37	1703811	4	Decal - Lift	
38	1701509	1	Decal - Manual	
39	1705670	2	Decal - Explosion Warning	
41	1701518	6	Decal - Crushing Hazard	
47	1705977	1	Decal - Upright Level Over-Ride	
48	4420051	17.4 ft /5.3m	Tape, Warning Stripes	
50	1703814	4	Decal - Tie Down	
52	See Note	1	Decal - Bar Code (Note: Not Available for Purchase)	
53	1705978	1	Decal - Capacity	
54	1704445	4	Decal - Tire Load	
65	1705978	1	Decal - Capacity	
77	1704412	1	Decal - Oil Type	
79	1704885	2	Decal - Website	
80	0641406	4	Bolt, 1/4-20 x 3/4	
82	1001189882	1	Decal - MSSO Instructions	

SECTION 9 - DECALS

FIGURE 9-7. DECAL INSTALLATION - CE/AUSTRALIAN SPEC - M400AJP/M400AJPNARROW



ART_1001178377

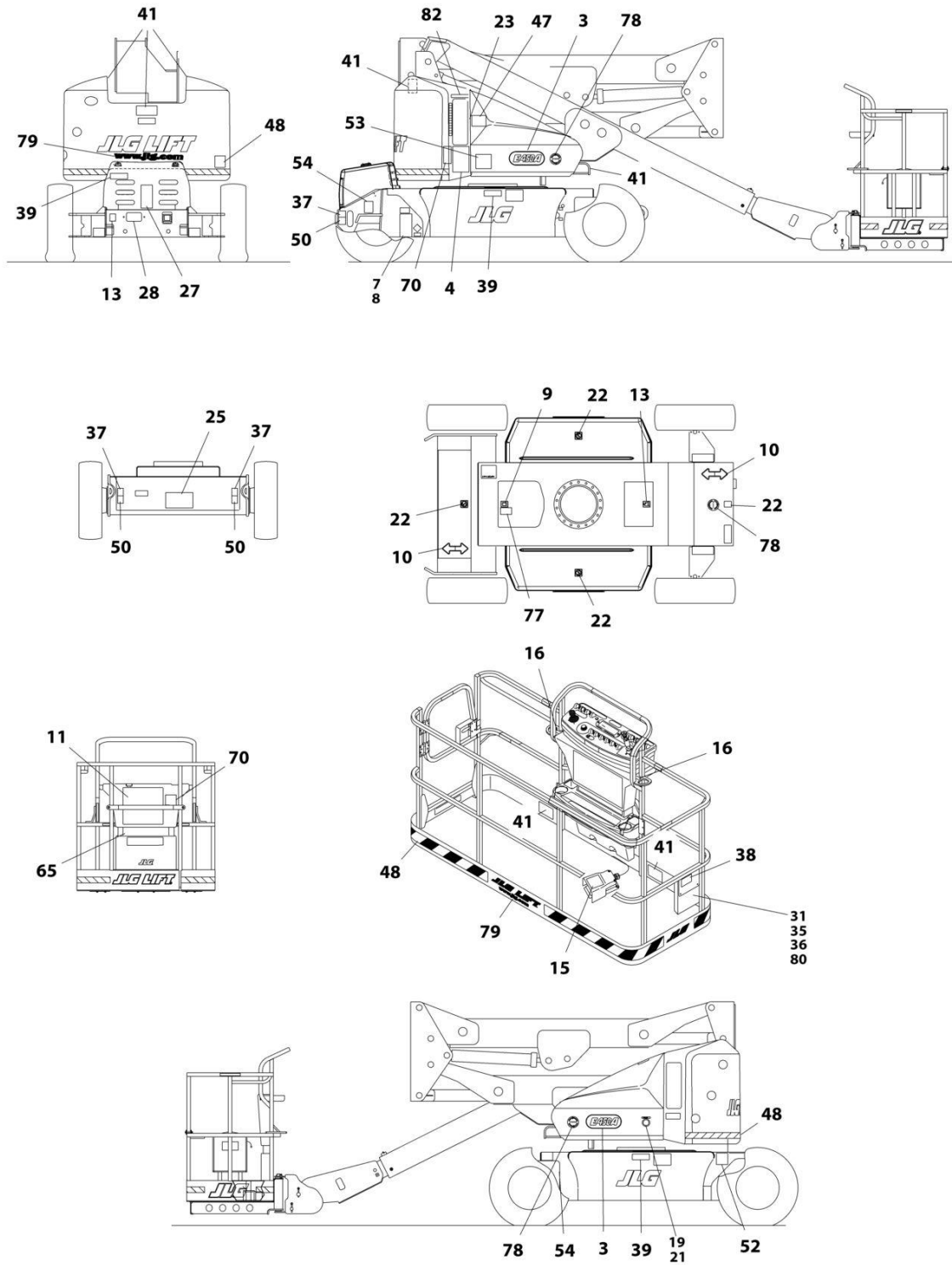
SECTION 9 - DECALS

FIGURE 9-7. DECAL INSTALLATION - CE/AUSTRALIAN SPEC - M400AJP/M400AJPnarrow

ITEM	PART NUMBER	QTY	DESCRIPTION	REV
	1001178377	Ref	DECAL INSTALLATION - CE/AUSTRALIAN SPEC	C
3	1704793	2	Decal - Model Designation (M400AJP)	
3	1704794	2	Decal - Model Designation (M400AJPnarrow)	
4	1705822	1	Decal - Danger/Caution	
7	See Note	1	Nameplate - Serial Number (Note: Not Available for Purchase)	
8	3820001	2	Rivet	
9	1701504	1	Decal - Hydraulic Oil	
10	1701642	2	Decal - Arrow	
11	1705921	1	Decal - Danger/Caution	
13	1701644	2	Decal - Charger	
15	1705828	1	Decal - Footswitch	
16	1704277	2	Decal - Attach Lanyard	
19	0961127	1	Bushing, Snap	
21	0100010	AR	Adhesive	
22	1701691	4	Decal - No Step	
23	1001104864	1	Decal - Manual Descent	
25	1001173577	1	Decal - Cable Routing	
27	1706378	1	Decal - Charging Instructions	
28	1704431	1	Decal - Battery Charger LED Indicator	
31	0860520	1	Box, Manual Storage	
32	1060279	1	Lanyard (Prior to SN 0300196410)	
33	0641408	1	Bolt 1/4-20 x 1 (Prior to SN 0300196410)	
35	4751400	AR	Washer, 1/4	
36	3311405	AR	Nut, 1/4-20	
37	1703811	4	Decal - Lift	
38	1701509	1	Decal - Manual	
39	1705670	2	Decal - Warning Explosion	
41	1701518	6	Decal - Crushing Hazard	
47	1705977	1	Decal - Upright Level Over-Ride	
48	4420051	17.4 ft /5.3m	Tape, Warning Stripes	
50	1703814	4	Decal - Tie Down	
52	See Note	1	Decal - Bar Code (Note: Not Available for Purchase)	
53	1705978	1	Decal - Capacity	
54	1704727	4	Decal - Tire Load (M400AJP)	
54	1704752	4	Decal - Tire Load (M400AJPnarrow)	
65	1705978	1	Decal - Capacity	
70	1001093687	2	Decal - Generator Danger	
77	1704412	1	Decal - Oil Type	
78	1001121510	3	Decal - Hybrid	
79	1704885	2	Decal - Website	
80	0641406	4	Bolt 1/4-20 x 3/4	

SECTION 9 - DECALS

FIGURE 9-8. DECAL INSTALLATION - CE SPEC - M400AJP/M400AJPNARROW (SN 0300200792 through 0300208528)



ART_1001190004

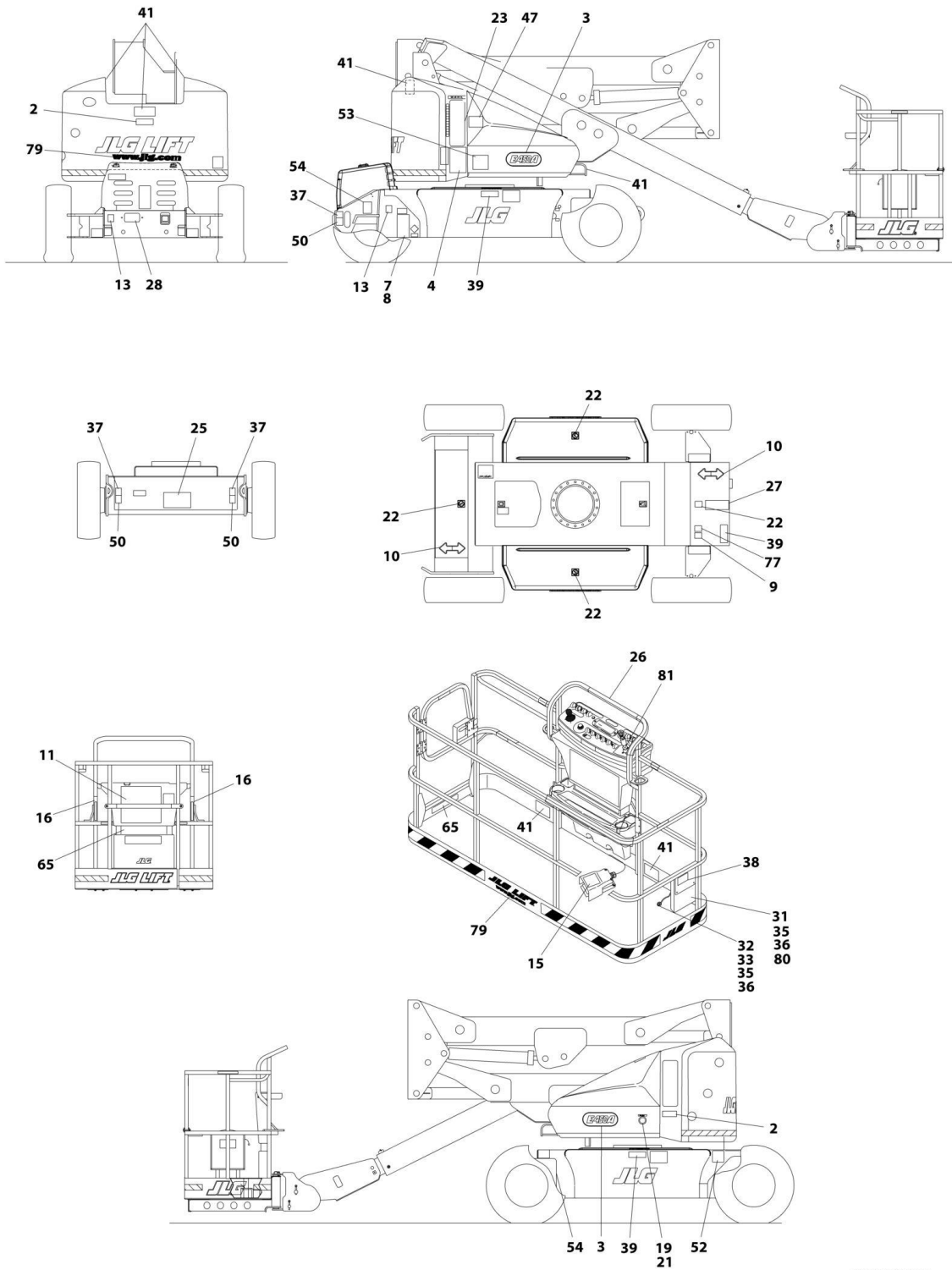
SECTION 9 - DECALS

FIGURE 9-8. DECAL INSTALLATION - CE SPEC - M400AJP/M400AJPNARROW (SN 0300200792 through 0300208528)

ITEM	PART NUMBER	QTY	DESCRIPTION	REV
	1001190004	Ref	DECAL INSTALLATION - CE SPEC (SN 0300200792 through 0300208528)	B
3	1704790	2	Decal - Model Designation	
4	1705822	1	Decal - Danger/Caution	
7	See Note	1	Nameplate - Serial Number (Note: Not Available for Purchase)	
8	3820001	2	Rivet	
9	1701504	1	Decal - Hydraulic Oil	
10	1701642	2	Decal - Arrow	
11	1705921	1	Decal - Danger/Caution	
13	1701644	2	Decal - Charger	
15	1705828	1	Decal - Footswitch	
16	1704277	2	Decal - Attach Lanyard	
19	0961127	1	Bushing, Snap	
21	0100010	AR	Adhesive	
22	1701691	4	Decal - No Step	
23	1001104864	1	Decal - Manual Descent	
25	1001173577	1	Decal - Cable Routing	
27	1706378	1	Decal - Charging Instructions	
28	1704431	1	Decal - Battery Charger LED Indicator	
31	0860520	1	Box, Manual Storage	
35	4751400	4	Washer, 1/4	
36	3311405	4	Nut, 1/4-20	
37	1703811	4	Decal - Lift	
38	1701509	1	Decal - Manual	
39	1705670	2	Decal - Warning Explosion	
41	1701518	6	Decal - Crushing Hazard	
47	1705977	1	Decal - Upright Level Over-Ride	
48	4420051	17.4 ft /5.3m	Tape, Warning Stripes	
50	1703814	4	Decal - Tie Down	
52	See Note	1	Decal - Bar Code (Note: Not Available for Purchase)	
53	1705978	1	Decal - Capacity	
54	1704445	4	Decal - Tire Load	
65	1705978	1	Decal - Capacity	
70	1001093687	2	Decal - Generator Danger	
77	1704412	1	Decal - Oil Type	
78	1001121510	3	Decal - Hybrid	
79	1704885	2	Decal - Website	
80	0641406	4	Bolt 1/4-20 x 3/4	
82	1001189882	1	Decal - MSSO Instructions	

SECTION 9 - DECALS

FIGURE 9-9. DECAL INSTALLATION - JAPANESE SPEC - E400ANARROW/E400AJP/E400AJPNARROW



ART_1001178372

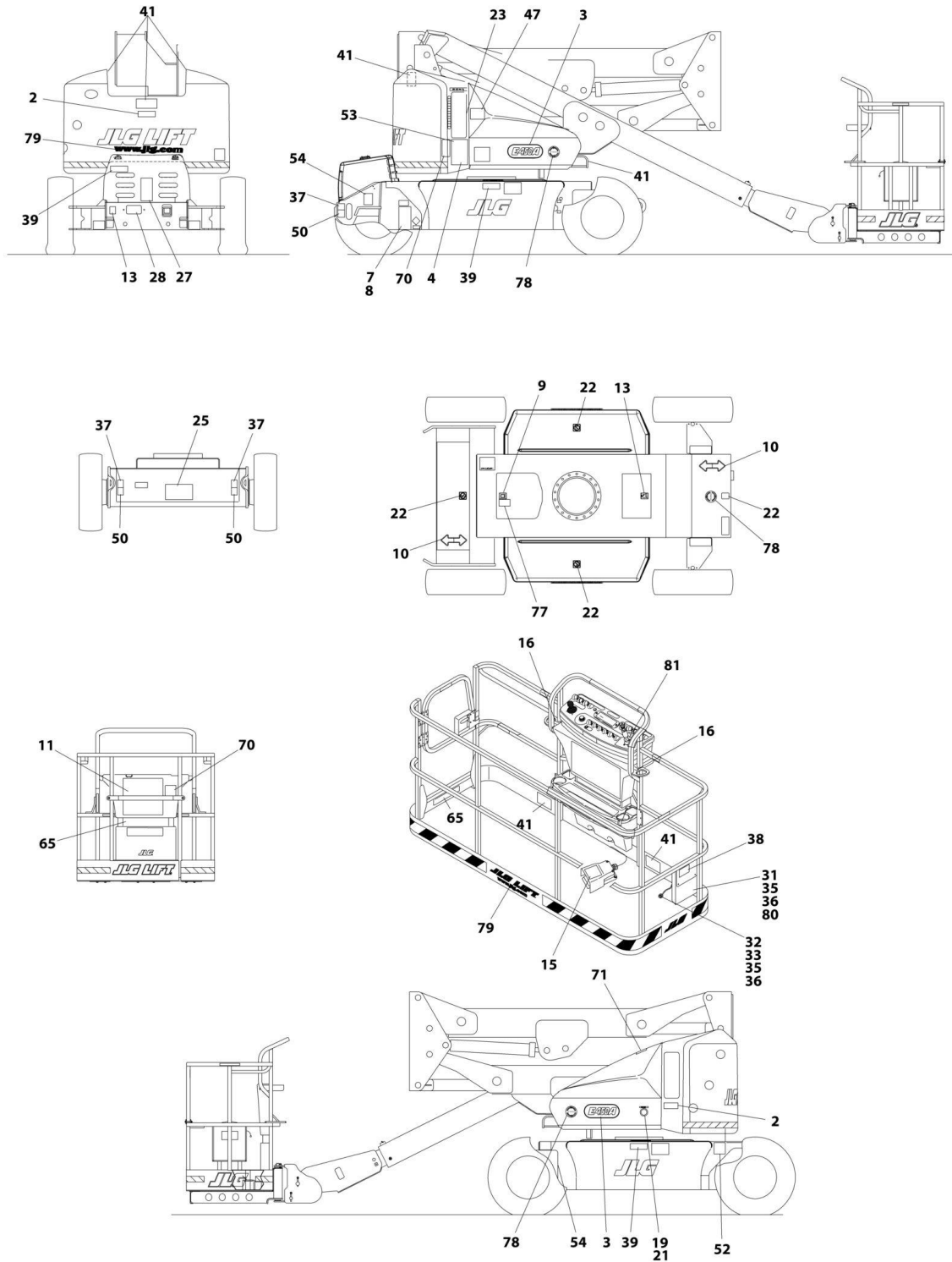
SECTION 9 - DECALS

**FIGURE 9-9. DECAL INSTALLATION - JAPANESE SPEC -
E400ANARROW/E400AJP/E400AJPNARROW**

ITEM	PART NUMBER	QTY	DESCRIPTION	REV
	1001178372	Ref	DECAL INSTALLATION - JAPANESE SPEC	B
2	1703938	2	Decal - Electrocution	
3	1704900	2	Decal - Model Designation (E400Anarrow)	
3	1704791	2	Decal - Model Designation (E400AJP)	
3	1704792	2	Decal - Model Designation (E400AJPNarrow)	
4	1703932	1	Decal - Danger/Caution	
7	See Note	1	Nameplate - Serial Number (Note: Not Available for Purchase)	
8	3820001	2	Rivet	
9	1701504	1	Decal - Hydraulic Oil	
10	1701642	2	Decal - Arrow	
11	1703926	1	Decal - Caution/Danger	
13	1701644	2	Decal - Charger	
15	1703980	1	Decal - Footswitch	
16	1704277	2	Decal - Attach Lanyard	
19	0961127	1	Bushing, Snap	
21	0100010	AR	Adhesive	
22	1701691	4	Decal - No Step	
23	1001104864	1	Decal - Manual Descent	
25	1001173577	1	Decal - Cable Routing	
26	1704253	1	Decal - Key Platform	
27	1704417	1	Decal - Charger	
28	1704431	1	Decal - Battery Charger LED Indicator	
31	0860520	1	Box, Manual Storage	
32	1060279	1	Lanyard (Prior to SN 0300196410)	
33	0641408	1	Bolt 1/4-20 x 1 (Prior to SN 0300196410)	
35	4751400	AR	Washer, 1/4	
36	3311405	AR	Nut, Lock, 1/4-20	
37	1701500	4	Decal - Lift	
38	1701509	1	Decal - Manual	
39	1704342	3	Decal - Explosion Warning	
41	1703950	6	Decal - Crushing Hazard	
47	1702271	1	Decal	
50	1702300	4	Decal - Tie Down	
52	See Note	1	Decal - Bar Code (Note: Not Available for Purchase)	
53	1001121821	1	Decal - 500 LBS. Max Capacity	
54	1703488	4	Decal - Tire Load (E400Anarrow)	
54	1704727	4	Decal - Tire Load (E400AJP)	
54	1704752	4	Decal - Tire Load (E400AJPNarrow)	
65	1001121808	2	Decal - 500 LBS. Max Capacity	
77	1704412	1	Decal - Oil Type	
79	1704885	2	Decal - Website	
80	0641406	4	Bolt 1/4-20 x 3/4	
81	1705426	1	Decal - Drive/Steer Instruction	

SECTION 9 - DECALS

FIGURE 9-10. DECAL INSTALLATION - JAPANESE SPEC - M400AJP/M400AJPNARROW



ART_1001178371

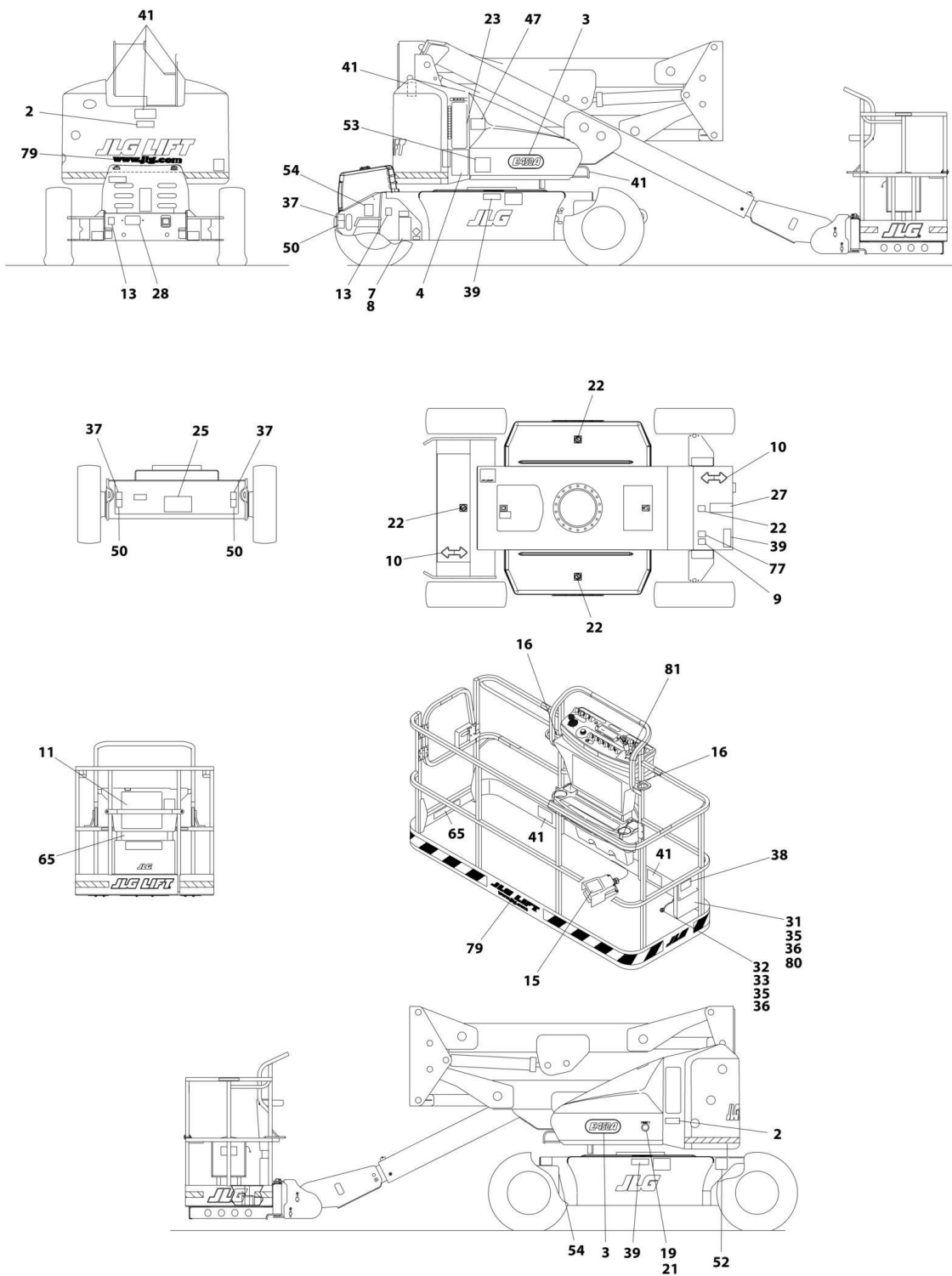
SECTION 9 - DECALS

FIGURE 9-10. DECAL INSTALLATION - JAPANESE SPEC - M400AJP/M400AJPnarrow

ITEM	PART NUMBER	QTY	DESCRIPTION	REV
	1001178371	Ref	DECAL INSTALLATION - JAPANESE SPEC	B
2	1703938	2	Decal - Electrocution	
3	1704793	2	Decal - Model Designation (M400AJP)	
3	1704794	2	Decal - Model Designation (M400AJPnarrow)	
4	1703932	1	Decal - Danger/Caution	
7	See Note	1	Nameplate - Serial Number (Note: Not Available for Purchase)	
8	3820001	2	Rivet	
9	1701504	1	Decal - Hydraulic Oil	
10	1701642	2	Decal - Arrow	
11	1703926	1	Decal - Caution/Danger	
13	1701644	2	Decal - Charger	
15	1703980	1	Decal - Footswitch	
16	1704277	2	Decal - Attach Lanyard	
19	0961127	1	Bushing, Snap	
21	0100010	AR	Adhesive	
22	1701691	4	Decal - No Step	
23	1001104864	1	Decal - Manual Descent	
25	1001173577	1	Decal - Cable Routing	
27	1704417	1	Decal - Charger	
28	1704431	1	Decal - Battery Charger LED Indicator	
31	0860520	1	Box, Manual Storage	
32	1060279	1	Lanyard (Prior to SN 0300196410)	
33	0641408	1	Bolt 1/4-20 x 1 (Prior to SN 0300196410)	
35	4751400	AR	Washer, 1/4	
36	3311405	AR	Nut, Lock, 1/4-20	
37	1701500	4	Decal - Lift	
38	1701509	1	Decal - Manual	
39	1704342	3	Decal - Explosion Warning	
41	1703950	6	Decal - Crushing Hazard	
47	1702271	1	Decal	
50	1702300	4	Decal - Tie Down	
52	See Note	1	Decal - Bar Code (Note: Not Available for Purchase)	
53	1001121821	1	Decal - 500 LBS. Max Capacity	
54	1704727	4	Decal - Tire Load (M400AJP)	
54	1704752	4	Decal - Tire Load (M400AJPnarrow)	
65	1001121808	2	Decal - 500 LBS. Max Capacity	
70	1001093687	2	Decal - Generator Danger	
71	1701505	1	Decal - Fuel	
77	1704412	1	Decal - Oil Type	
78	1001121510	3	Decal - Hybrid	
79	1704885	2	Decal - Website	
80	0641406	4	Bolt 1/4-20 x 3/4	
81	1705426	1	Decal - Drive/Steer Instruction	

SECTION 9 - DECALS

FIGURE 9-11. DECAL INSTALLATION - KOREAN SPEC - E400ANARROW/E400AJP/E400AJPNARROW



ART_1001178374

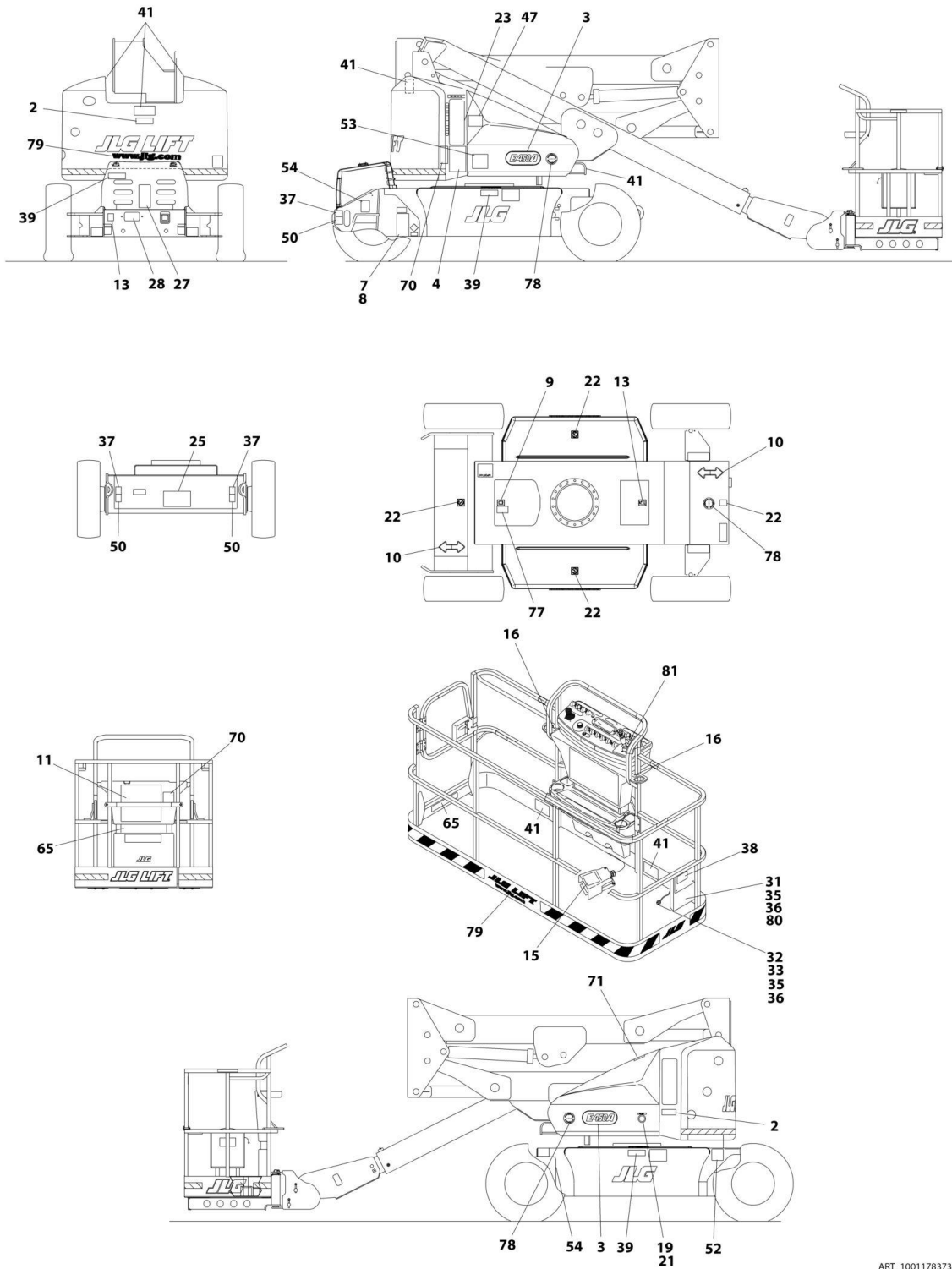
SECTION 9 - DECALS

**FIGURE 9-11. DECAL INSTALLATION - KOREAN SPEC -
E400ANARROW/E400AJP/E400AJPNARROW**

ITEM	PART NUMBER	QTY	DESCRIPTION	REV
	1001178374	Ref	DECAL INSTALLATION - KOREAN SPEC	B
2	1703939	2	Decal - Electrocution	
3	1704900	2	Decal - Model Designation (E400Anarrow)	
3	1704791	2	Decal - Model Designation (E400AJP)	
3	1704792	2	Decal - Model Designation (E400AJPnarrow)	
4	1703933	1	Decal - Danger/Caution	
7	See Note	1	Nameplate - Serial Number (Note: Not Available for Purchase)	
8	3820001	2	Rivet	
9	1701504	1	Decal - Hydraulic Oil	
10	1701642	2	Decal - Arrow	
11	1703927	1	Decal - Caution/Danger	
13	1701644	2	Decal - Charger	
15	1703981	1	Decal - Footswitch	
16	1704277	2	Decal - Attach Lanyard	
19	0961127	1	Bushing, Snap	
21	0100010	AR	Adhesive	
22	1701691	4	Decal - No Step	
23	1001104864	1	Decal - Manual Descent	
25	1001173577	1	Decal - Cable Routing	
27	1704418	1	Decal - Charger	
28	1704431	1	Decal - Battery Charger LED Indicator	
31	0860520	1	Box, Manual Storage	
32	1060279	1	Lanyard (Prior to SN 0300196410)	
33	0641408	1	Bolt 1/4-20 x 1 (Prior to SN 0300196410)	
35	4751400	AR	Washer, 1/4	
36	3311405	AR	Nut, Lock, 1/4-20	
37	1701500	4	Decal - Lift	
38	1701509	1	Decal - Manual	
39	1704343	3	Decal - Explosion Warning	
41	1703951	6	Decal - Crushing Hazard	
47	1703987	1	Decal - Upright Level Override	
50	1702300	4	Decal - Tie Down	
52	See Note	1	Decal - Bar Code (Note: Not Available for Purchase)	
53	1001121921	1	Decal - 500 LBS. Max Capacity	
54	1703488	4	Decal - Tire Load (E400Anarrow)	
54	1704727	4	Decal - Tire Load (E400AJP)	
54	1704752	4	Decal - Tire Load (E400AJPnarrow)	
65	1001121918	2	Decal - 500 LBS. Max Capacity	
77	1704412	1	Decal - Oil Type	
79	1704885	2	Decal - Website	
80	0641406	4	Bolt 1/4-20 x 3/4	
81	1705427	1	Decal - Drive/Steer Instruction	

SECTION 9 - DECALS

FIGURE 9-12. DECAL INSTALLATION - KOREAN SPEC - M400AJP/M400AJPNARROW



ART_1001178373

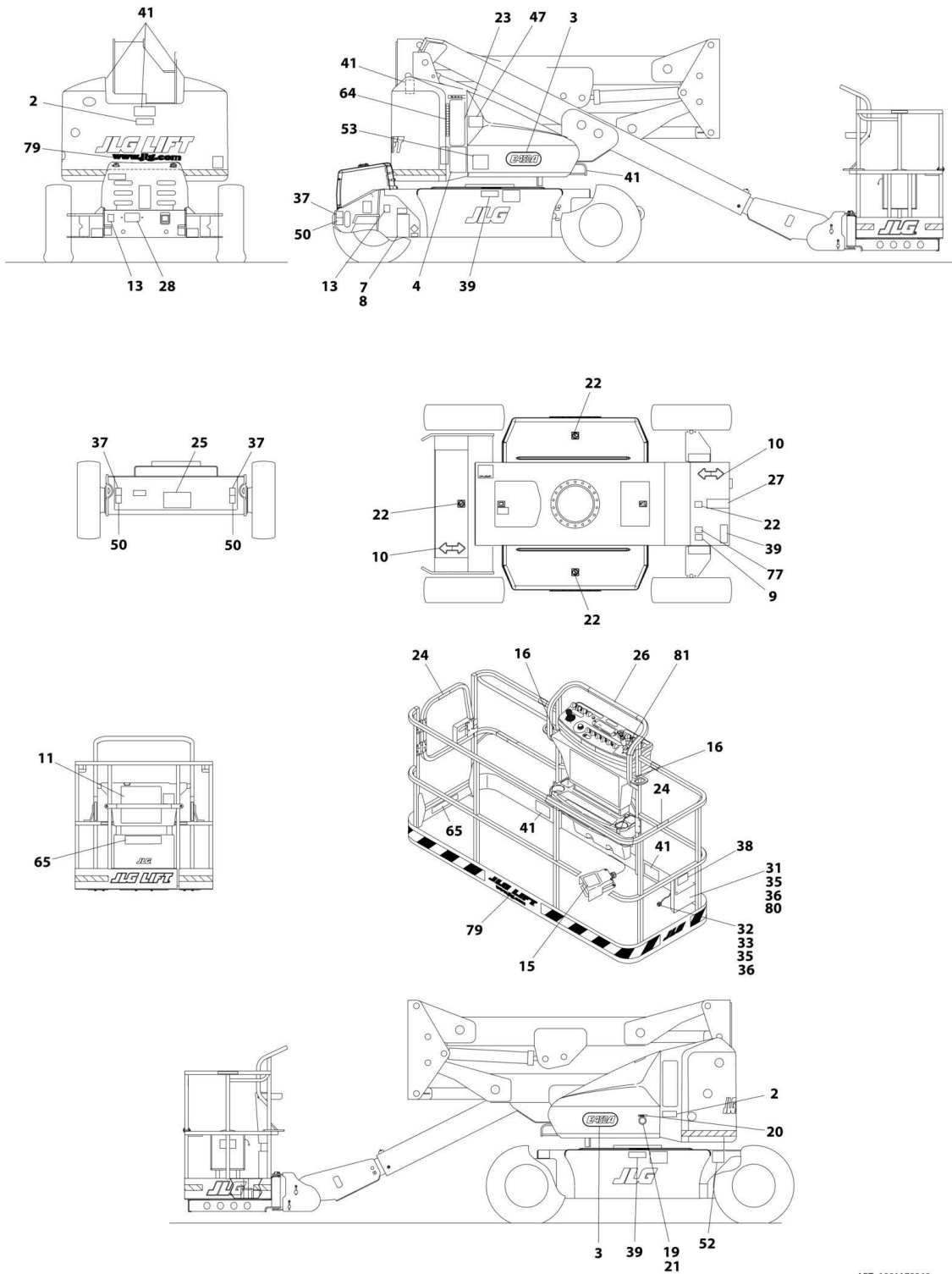
SECTION 9 - DECALS

FIGURE 9-12. DECAL INSTALLATION - KOREAN SPEC - M400AJP/M400AJPnarrow

ITEM	PART NUMBER	QTY	DESCRIPTION	REV
	1001178373	Ref	DECAL INSTALLATION - KOREAN SPEC	B
2	1703939	2	Decal - Electrocution	
3	1704793	2	Decal - Model Designation (M400AJP)	
3	1704794	2	Decal - Model Designation (M400AJPnarrow)	
4	1703933	1	Decal - Danger/Caution	
7	See Note	1	Nameplate - Serial Number (Note: Not Available for Purchase)	
8	3820001	2	Rivet	
9	1701504	1	Decal - Hydraulic Oil	
10	1701642	2	Decal - Arrow	
11	1703927	1	Decal - Caution/Danger	
13	1701644	2	Decal - Charger	
15	1703981	1	Decal - Footswitch	
16	1704277	2	Decal - Attach Lanyard	
19	0961127	1	Bushing, Snap	
21	0100010	AR	Adhesive	
22	1701691	4	Decal - No Step	
23	1001104864	1	Decal - Manual Descent	
25	1001173577	1	Decal - Cable Routing	
27	1704418	1	Decal - Charger	
28	1704431	1	Decal - Battery Charger LED Indicator	
31	0860520	1	Box, Manual Storage	
32	1060279	1	Lanyard (Prior to SN 0300196410)	
33	0641408	1	Bolt 1/4-20 x 1 (Prior to SN 0300196410)	
35	4751400	AR	Washer, 1/4	
36	3311405	AR	Nut, Lock, 1/4-20	
37	1701500	4	Decal - Lift	
38	1701509	1	Decal - Manual	
39	1704343	3	Decal - Explosion Warning	
41	1703951	6	Decal - Crushing Hazard	
47	1703987	1	Decal - Upright Level Override	
50	1702300	4	Decal - Tie Down	
52	See Note	1	Decal - Bar Code (Note: Not Available for Purchase)	
53	1001121921	1	Decal - 500 LBS. Max Capacity	
54	1704727	4	Decal - Tire Load (M400AJP)	
54	1704752	4	Decal - Tire Load (M400AJPnarrow)	
65	1001121918	2	Decal - 500 LBS. Max Capacity	
70	1001093687	2	Decal - Generator Danger	
71	1701505	1	Decal - Fuel	
77	1704412	1	Decal - Oil Type	
78	1001121510	3	Decal - Hybrid	
79	1704885	2	Decal - Website	
80	0641406	4	Bolt 1/4-20 x 3/4	
81	1705427	1	Decal - Drive/Steer Instruction	

SECTION 9 - DECALS

FIGURE 9-13. DECAL INSTALLATION - SPANISH/ENGLISH SPECS - E400ANARROW/E400AJP/E400AJPNARROW



ART_1001178368

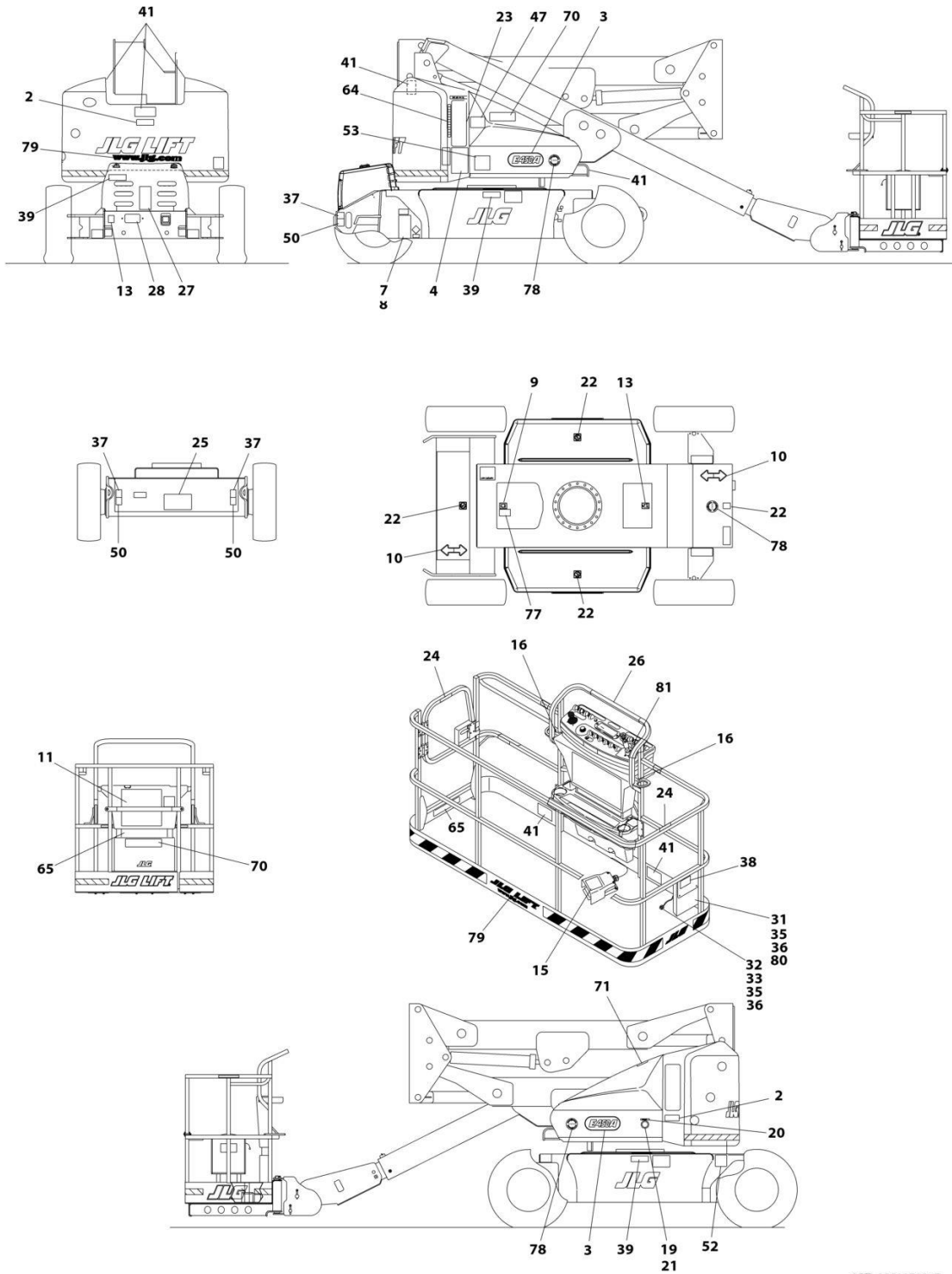
SECTION 9 - DECALS

**FIGURE 9-13. DECAL INSTALLATION - SPANISH/ENGLISH SPECS -
E400ANARROW/E400AJP/E400AJPNARROW**

ITEM	PART NUMBER	QTY	DESCRIPTION	REV
	1001178368	Ref	DECAL INSTALLATION - SPANISH/ENGLISH SPECS	B
2	1703935	2	Decal - Electrocution	
3	1704900	2	Decal - Model Designation (E400Anarrow)	
3	1704791	2	Decal - Model Designation (E400AJP)	
3	1704792	2	Decal - Model Designation (E400AJPnarrow)	
4	1703929	1	Decal - Danger/Caution	
7	See Note	1	Nameplate - Serial Number (Note: Not Available for Purchase)	
8	3820001	2	Rivet	
9	1701504	1	Decal - Hydraulic Oil	
10	1701642	2	Decal - Arrow	
11	1703923	1	Decal - Caution/Danger	
13	1701644	2	Decal - Charger	
15	1703983	1	Decal - Footswitch	
16	1704277	2	Decal - Attach Lanyard	
19	0961127	1	Bushing, Snap	
20	3251243	1	Nameplate - 120V/60Hz	
21	0100010	AR	Adhesive	
22	1701691	4	Decal - No Step	
23	1001104864	1	Decal - Manual Descent	
24	1704001	2	Decal - No Hands	
25	1001173577	1	Decal - Cable Routing	
26	1704253	1	Decal - Key Platform	
27	1704454	1	Decal - Charger	
28	1704431	1	Decal - Battery Charger LED Indicator	
31	0860520	1	Box, Manual Storage	
32	1060279	1	Lanyard (Prior to SN 0300196410)	
33	0641408	1	Bolt 1/4-20 x 1 (Prior to SN 0300196410)	
35	4751400	AR	Washer, 1/4	
36	3311405	AR	Nut, Lock, 1/4-20	
37	1701500	4	Decal - Lift	
38	1701509	1	Decal - Manual	
39	1704339	3	Decal - Explosion Warning	
41	1703947	6	Decal - Crushing Hazard	
47	1702265	1	Decal - Boom Sequence	
50	1702300	4	Decal - Tie Down	
52	See Note	1	Decal - Bar Code (Note: Not Available for Purchase)	
53	1001121818	1	Decal - 500 LBS. Max Capacity	
64	1706950	1	Decal - Key, Main Terminal Box	
65	1001121805	2	Decal - 500 LBS. Max Capacity	
77	1704412	1	Decal - Oil Type	
79	1704885	2	Decal - Website	
80	0641406	4	Bolt 1/4-20 x 3/4	
81	1705910	1	Decal - Drive/Steer Instruction	

SECTION 9 - DECALS

FIGURE 9-14. DECAL INSTALLATION - SPANISH/ENGLISH SPECS - M400AJP/M400AJPNARROW



ART_1001178367

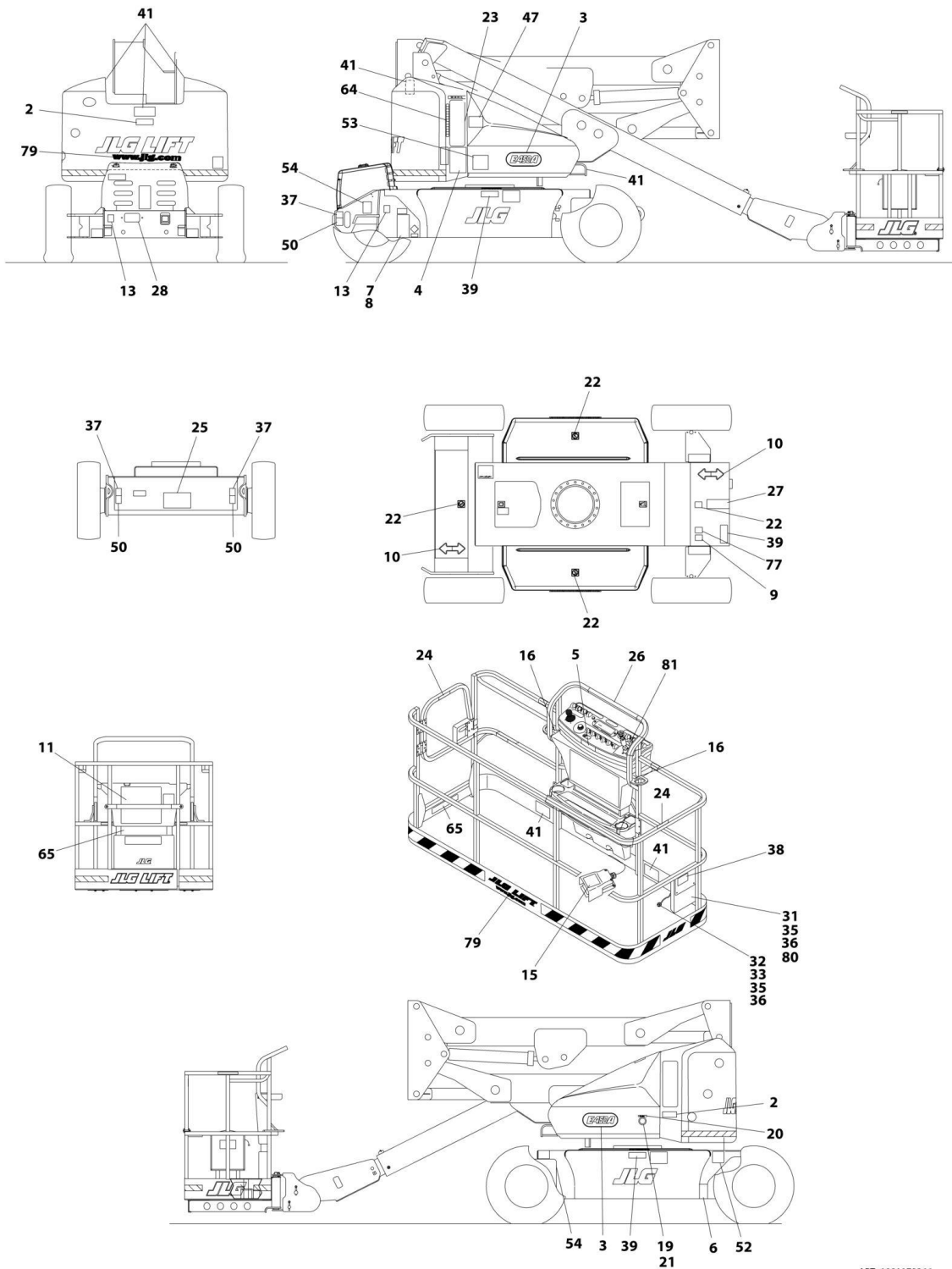
SECTION 9 - DECALS

FIGURE 9-14. DECAL INSTALLATION - SPANISH/ENGLISH SPECS - M400AJP/M400AJPnarrow

ITEM	PART NUMBER	QTY	DESCRIPTION	REV
	1001178367	Ref	DECAL INSTALLATION - SPANISH/ENGLISH SPECS	B
2	1703935	2	Decal - Electrocution	
3	1704793	2	Decal - Model Designation (M400AJP)	
3	1704794	2	Decal - Model Designation (M400AJPnarrow)	
4	1703929	1	Decal - Danger/Caution	
7	See Note	1	Nameplate - Serial Number (Note: Not Available for Purchase)	
8	3820001	2	Rivet	
9	1701504	1	Decal - Hydraulic Oil	
10	1701642	2	Decal - Arrow	
11	1703923	1	Decal - Caution/Danger	
13	1701644	2	Decal - Charger	
15	1703983	1	Decal - Footswitch	
16	1704277	2	Decal - Attach Lanyard	
19	0961127	1	Bushing, Snap	
20	3251243	1	Nameplate - 120V/60Hz	
21	0100010	AR	Adhesive	
22	1701691	4	Decal - No Step	
23	1001104864	1	Decal - Manual Descent	
24	1704001	2	Decal - No Hands	
25	1001173577	1	Decal - Cable Routing	
26	1704253	1	Decal - Key Platform	
27	1704454	1	Decal - Charger	
28	1704431	1	Decal - Battery Charger LED Indicator	
31	0860520	1	Box, Manual Storage	
32	1060279	1	Lanyard (Prior to SN 0300196410)	
33	0641408	1	Bolt 1/4-20 x 1 (Prior to SN 0300196410)	
35	4751400	AR	Washer, 1/4	
36	3311405	AR	Nut, Lock, 1/4-20	
37	1701500	4	Decal - Lift	
38	1701509	1	Decal - Manual	
39	1704339	3	Decal - Explosion Warning	
41	1703947	6	Decal - Crushing Hazard	
47	1702265	1	Decal - Boom Sequence	
50	1702300	4	Decal - Tie Down	
52	See Note	1	Decal - Bar Code (Note: Not Available for Purchase)	
53	1001121818	1	Decal - 500 LBS. Max Capacity	
64	1706950	1	Decal - Key, Main Terminal Box	
65	1001121805	2	Decal - 500 LBS. Max Capacity	
70	1704371	2	Decal - Generator Danger	
71	1701505	1	Decal - Fuel	
77	1704412	1	Decal - Oil Type	
78	1001121510	3	Decal - Hybrid	
79	1704885	2	Decal - Website	
80	0641406	4	Bolt 1/4-20 x 3/4	
81	1705910	1	Decal - Drive/Steer Instruction	

SECTION 9 - DECALS

FIGURE 9-15. DECAL INSTALLATION - FRENCH/ENGLISH SPECS - E400ANARROW/E400AJP/E400AJPNARROW



ART_1001178366

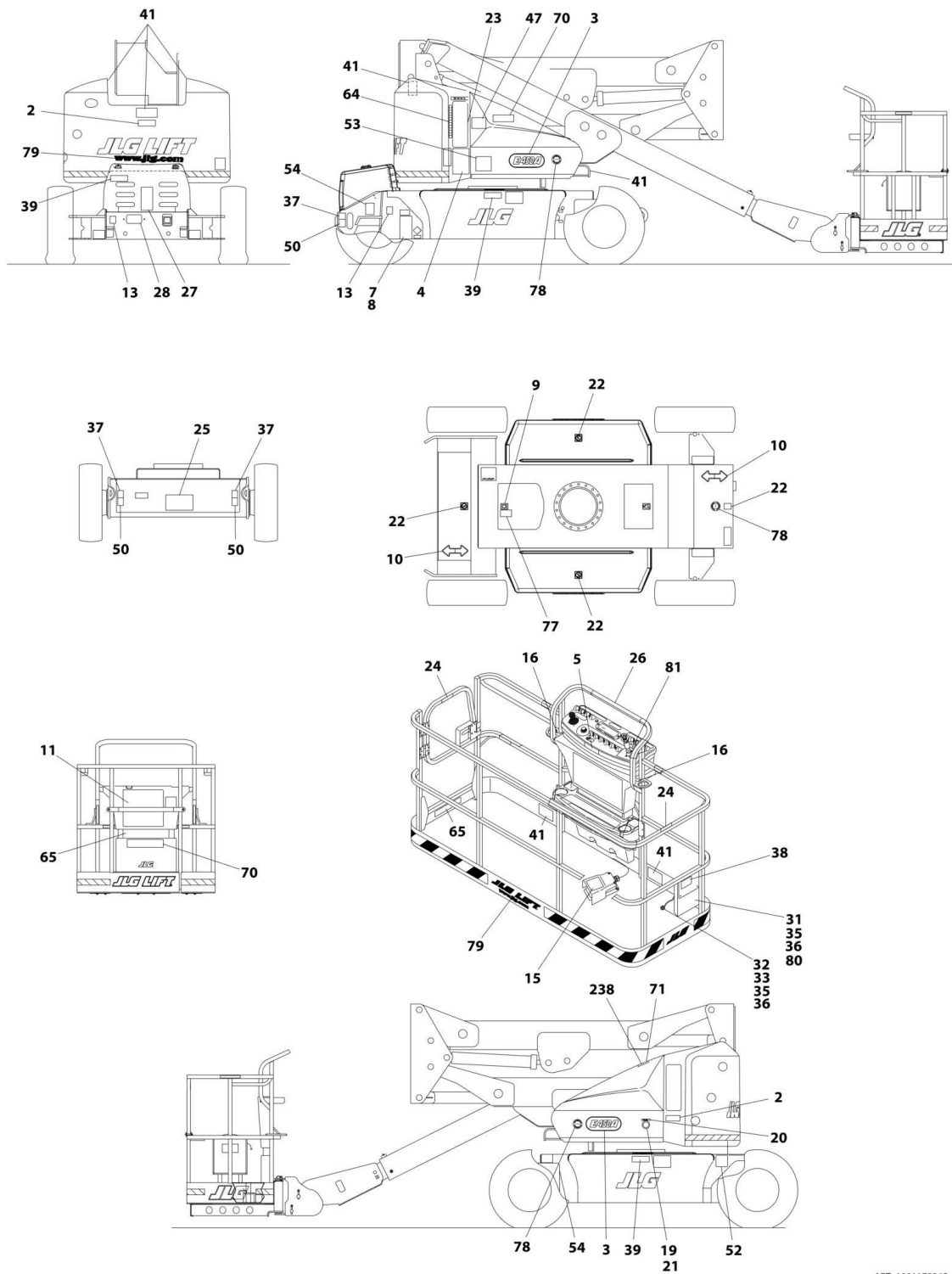
SECTION 9 - DECALS

**FIGURE 9-15. DECAL INSTALLATION - FRENCH/ENGLISH SPECS -
E400ANARROW/E400AJP/E400AJPNARROW**

ITEM	PART NUMBER	QTY	DESCRIPTION	REV
	1001178366	Ref	DECAL INSTALLATION - FRENCH/ENGLISH SPECS	B
2	1703936	2	Decal - Electrocuton	
3	1704900	2	Decal - Model Designation (E400Anarrow)	
3	1704791	2	Decal - Model Designation (E400AJP)	
3	1704792	2	Decal - Model Designation (E400AJPNarrow)	
4	1703930	1	Decal - Danger/Caution	
5	1705514	1	Decal - CSA	
6	1700584	1	Decal - Patent	
7	See Note	1	Nameplate - Serial Number (Note: Not Available for Purchase)	
8	3820001	2	Rivet	
9	1701504	1	Decal - Hydraulic Oil	
10	1701642	2	Decal - Arrow	
11	1703924	1	Decal - Caution/Danger	
13	1701644	2	Decal - Charger	
15	1703984	1	Decal - Footswitch	
16	1704277	2	Decal - Attach Lanyard	
19	0961127	1	Bushing, Snap	
20	3251243	1	Nameplate - 120V/60Hz	
21	0100010	AR	Adhesive	
22	1701691	4	Decal - No Step	
23	1001104864	1	Decal - Manual Descent	
24	1704000	2	Decal - No Hands	
25	1001173577	1	Decal - Cable Routing	
26	1704253	1	Decal - Key Platform	
27	1704452	1	Decal - Charger	
28	1704431	1	Decal - Battery Charger LED Indicator	
31	0860520	1	Box, Manual Storage	
32	1060279	1	Lanyard (Prior to SN 0300196410)	
33	0641408	1	Bolt 1/4-20 x 1 (Prior to SN 0300196410)	
35	4751400	AR	Washer, 1/4	
36	3311405	AR	Nut, Lock, 1/4-20	
37	1701500	4	Decal - Lift	
38	1701509	1	Decal - Manual	
39	1704340	3	Decal - Explosion Warning	
41	1703948	6	Decal - Crushing Hazard	
47	1702265	1	Decal - Boom Sequence	
50	1702300	4	Decal - Tie Down	
52	See Note	1	Decal - Bar Code (Note: Not Available for Purchase)	
53	1001121816	1	Decal - 500 LBS. Max Capacity	
54	1703488	4	Decal - Tire Load (E400Anarrow)	
54	1704727	4	Decal - Tire Load (E400AJP)	
54	1704752	4	Decal _ Tire Load (E400AJPNarrow)	
64	1706950	1	Decal - Key, Main Terminal Box	
65	1001121803	2	Decal - 500 LBS. Max Capacity	
77	1704412	1	Decal - Oil Type	
79	1704885	2	Decal - Website	
80	0641406	4	Bolt 1/4-20 x 3/4	
81	1705429	1	Decal - Drive/Steer Instruction	

SECTION 9 - DECALS

FIGURE 9-16. DECAL INSTALLATION - FRENCH/ENGLISH SPECS - M400AJP/M400AJPNARROW



ART_1001178365

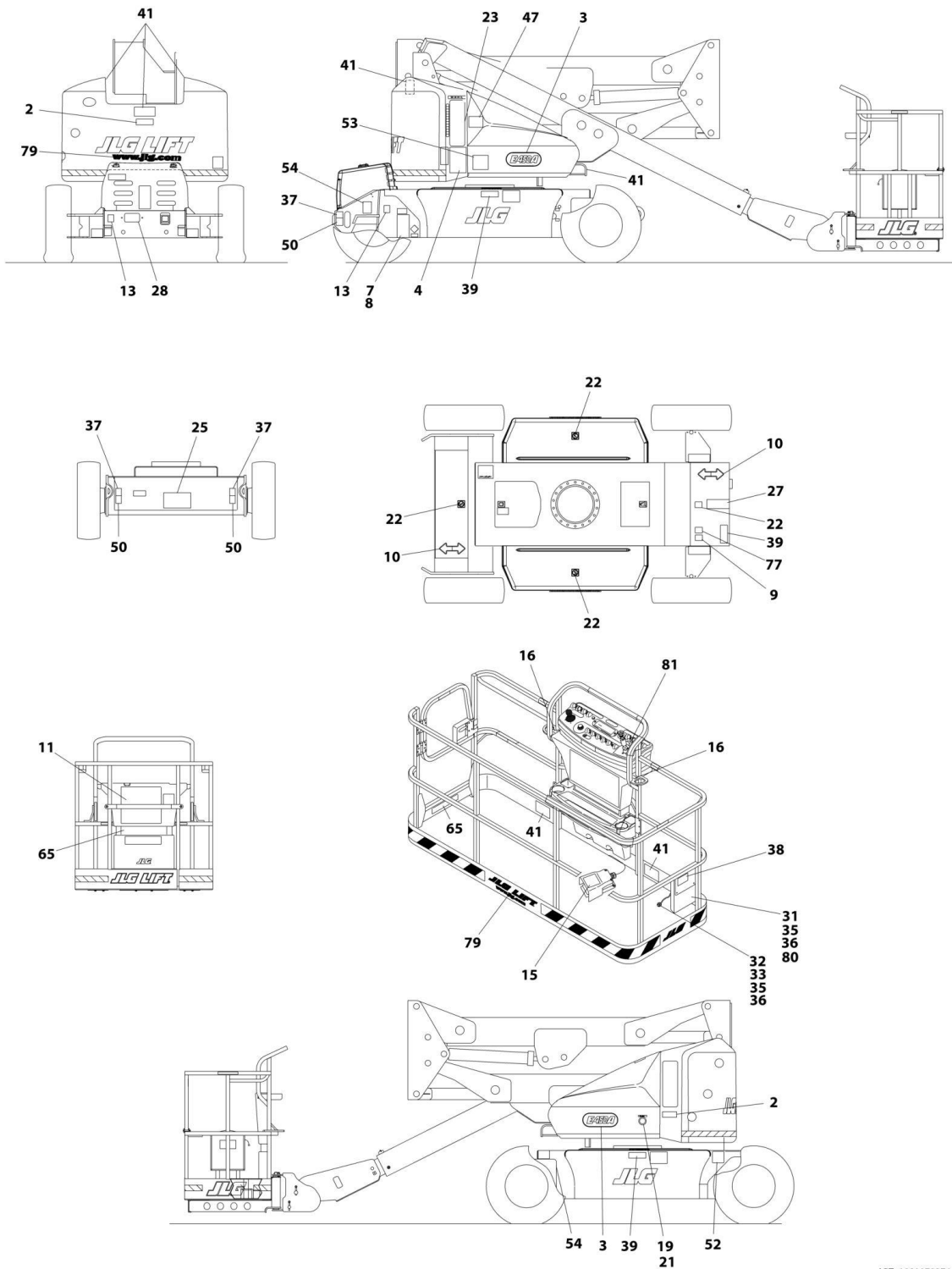
SECTION 9 - DECALS

FIGURE 9-16. DECAL INSTALLATION - FRENCH/ENGLISH SPECS - M400AJP/M400AJPnarrow

ITEM	PART NUMBER	QTY	DESCRIPTION	REV
	1001178365	Ref	DECAL INSTALLATION - FRENCH/ENGLISH SPECS	B
2	1703936	2	Decal - Electrocutation	
3	1704793	2	Decal - Model Designation (M400AJP)	
3	1704794	2	Decal - Model Designation (M400AJPnarrow)	
4	1703930	1	Decal - Danger/Caution	
5	1705514	1	Decal - CSA	
7	See Note	1	Nameplate - Serial Number (Note: Not Available for Purchase)	
8	3820001	2	Rivet	
9	1701504	1	Decal - Hydraulic Oil	
10	1701642	2	Decal - Arrow	
11	1703924	1	Decal - Caution/Danger	
13	1701644	2	Decal - Charger	
15	1703984	1	Decal - Footswitch	
16	1704277	2	Decal - Attach Lanyard	
19	0961127	1	Bushing, Snap	
20	3251243	1	Nameplate - 120V/60Hz	
21	0100010	AR	Adhesive	
22	1701691	4	Decal - No Step	
23	1001104864	1	Decal - Manual Descent	
24	1704000	2	Decal - No Hands	
25	1001173577	1	Decal - Cable Routing	
26	1704253	1	Decal - Key Platform	
27	1704452	1	Decal - Charger	
28	1704431	1	Decal - Battery Charger LED Indicator	
31	0860520	1	Box, Manual Storage	
32	1060279	1	Lanyard (Prior to SN 0300196410)	
33	0641408	1	Bolt 1/4-20 x 1 (Prior to SN 0300196410)	
35	4751400	AR	Washer, 1/4	
36	3311405	AR	Nut, Lock, 1/4-20	
37	1701500	4	Decal - Lift	
38	1701509	1	Decal - Manual	
39	1704340	3	Decal - Explosion Warning	
41	1703948	6	Decal - Crushing Hazard	
47	1702265	1	Decal - Boom Sequence	
50	1702300	4	Decal - Tie Down	
52	See Note	1	Decal - Bar Code (Note: Not Available for Purchase)	
53	1001121816	1	Decal - 500 LBS. Max Capacity	
54	1704727	4	Decal - Tire Load (M400AJP)	
54	1704752	4	Decal - Tire Load (M400AJPnarrow)	
64	1706950	1	Decal - Key, Main Terminal Box	
65	1001121803	2	Decal - 500 LBS. Max Capacity	
70	1001093687	2	Decal - Generator Danger	
71	1701505	1	Decal - Fuel	
77	1704412	1	Decal - Oil Type	
78	1001121510	3	Decal - Hybrid	
79	1704885	2	Decal - Website	
80	0641406	4	Bolt 1/4-20 x 3/4	
81	1705429	1	Decal - Drive/Steer Instruction	
238	1001108923	1	Decal - Ultra Low Sulfur Fuel	

SECTION 9 - DECALS

FIGURE 9-17. DECAL INSTALLATION - CHINESE/ENGLISH - E400ANARROW/E400AJP/E400AJPNARROW



ART_1001178376

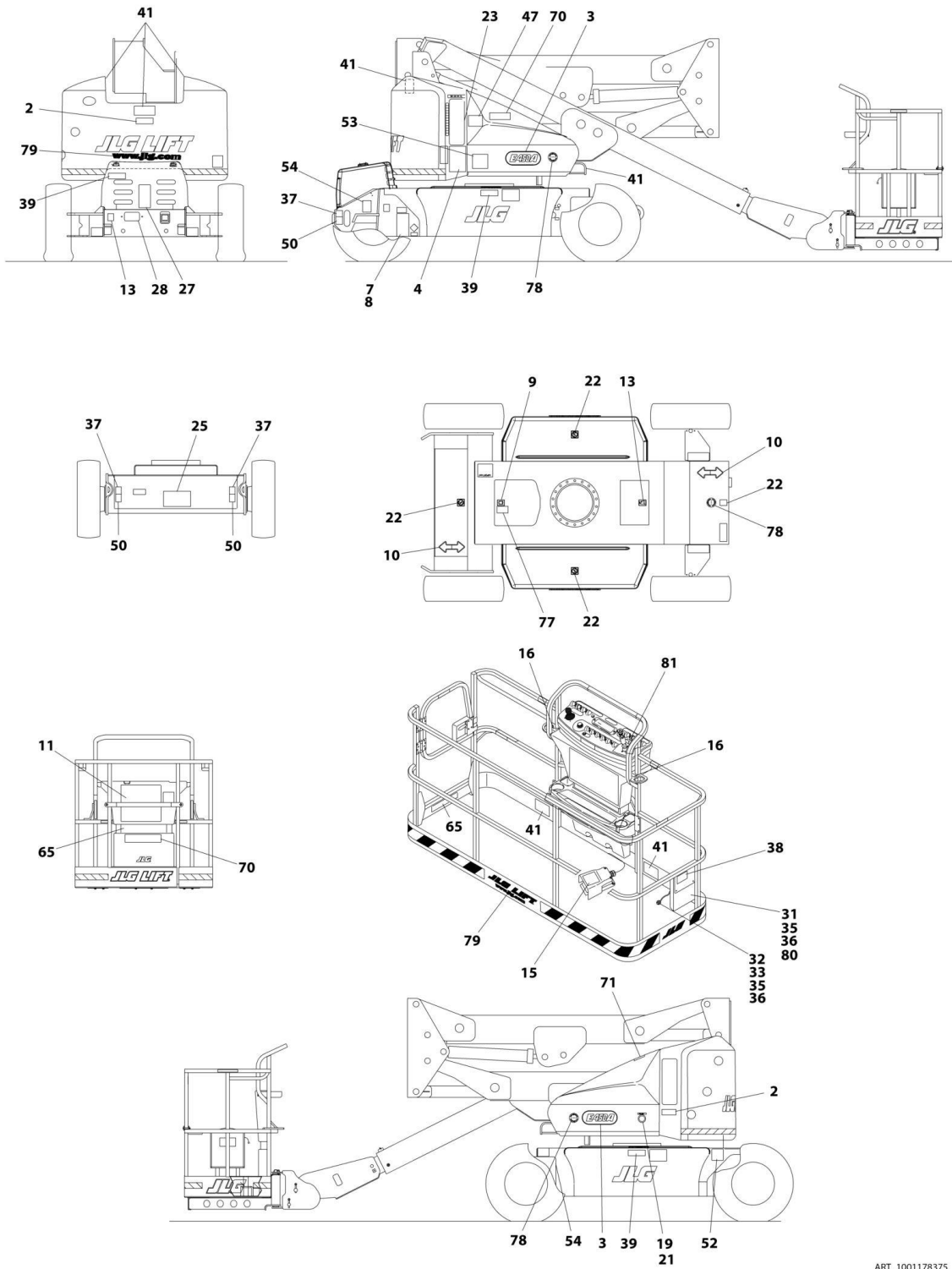
SECTION 9 - DECALS

**FIGURE 9-17. DECAL INSTALLATION - CHINESE/ENGLISH -
E400ANARROW/E400AJP/E400AJPNARROW**

ITEM	PART NUMBER	QTY	DESCRIPTION	REV
	1001178376	Ref	DECAL INSTALLATION - CHINESE/ENGLISH	B
2	1703937	2	Decal - Electrocution	
3	1704900	2	Decal - Model Designation (E400Anarrow)	
3	1704791	2	Decal - Model Designation (E400AJP)	
3	1704792	2	Decal - Model Designation (E400AJPNarrow)	
4	1703931	1	Decal - Danger/Caution	
7	See Note	1	Nameplate - Serial Number (Note: Not Available for Purchase)	
8	3820001	2	Rivet	
9	1701504	1	Decal - Hydraulic Oil	
10	1701642	2	Decal - Arrow	
11	1703925	1	Decal - Caution/Danger	
13	1701644	2	Decal - Charger	
15	1703982	1	Decal - Footswitch	
16	1704277	2	Decal - Attach Lanyard	
19	0961127	1	Bushing, Snap	
21	0100010	AR	Adhesive	
22	1701691	4	Decal - No Step	
23	1001104864	1	Decal - Manual Descent	
25	1001173577	1	Decal - Cable Routing	
27	1704419	1	Decal - Charger	
28	1704431	1	Decal - Battery Charger LED Indicator	
31	0860520	1	Box, Manual Storage	
32	1060279	1	Lanyard (Prior to SN 0300196410)	
33	0641408	1	Bolt 1/4-20 x 1 (Prior to SN 0300196410)	
35	4751400	AR	Washer, 1/4	
36	3311405	AR	Nut, Lock, 1/4-20	
37	1701500	4	Decal - Lift	
38	1701509	1	Decal - Manual	
39	1704344	3	Decal - Explosion Warning	
41	1703949	6	Decal - Crushing Hazard	
47	1703988	1	Decal - Upright Level Override	
50	1702300	4	Decal - Tie Down	
52	See Note	1	Decal - Bar Code (Note: Not Available for Purchase)	
53	1001121823	1	Decal - 500 LBS. Max Capacity	
54	1703488	4	Decal - Tire Load (E400Anarrow)	
54	1704727	4	Decal - Tire Load (E400AJP)	
54	1704752	4	Decal - Tire Load (E400AJPNarrow)	
65	1001121810	2	Decal - 500 LBS. Max Capacity	
77	1704412	1	Decal - Oil Type	
79	1704885	2	Decal - Website	
80	0641406	4	Bolt 1/4-20 x 3/4	
81	1705430	1	Decal - Drive/Steer Instruction	

SECTION 9 - DECALS

FIGURE 9-18. DECAL INSTALLATION - CHINESE/ENGLISH - M400AJP/M400AJPNARROW



ART_1001178375

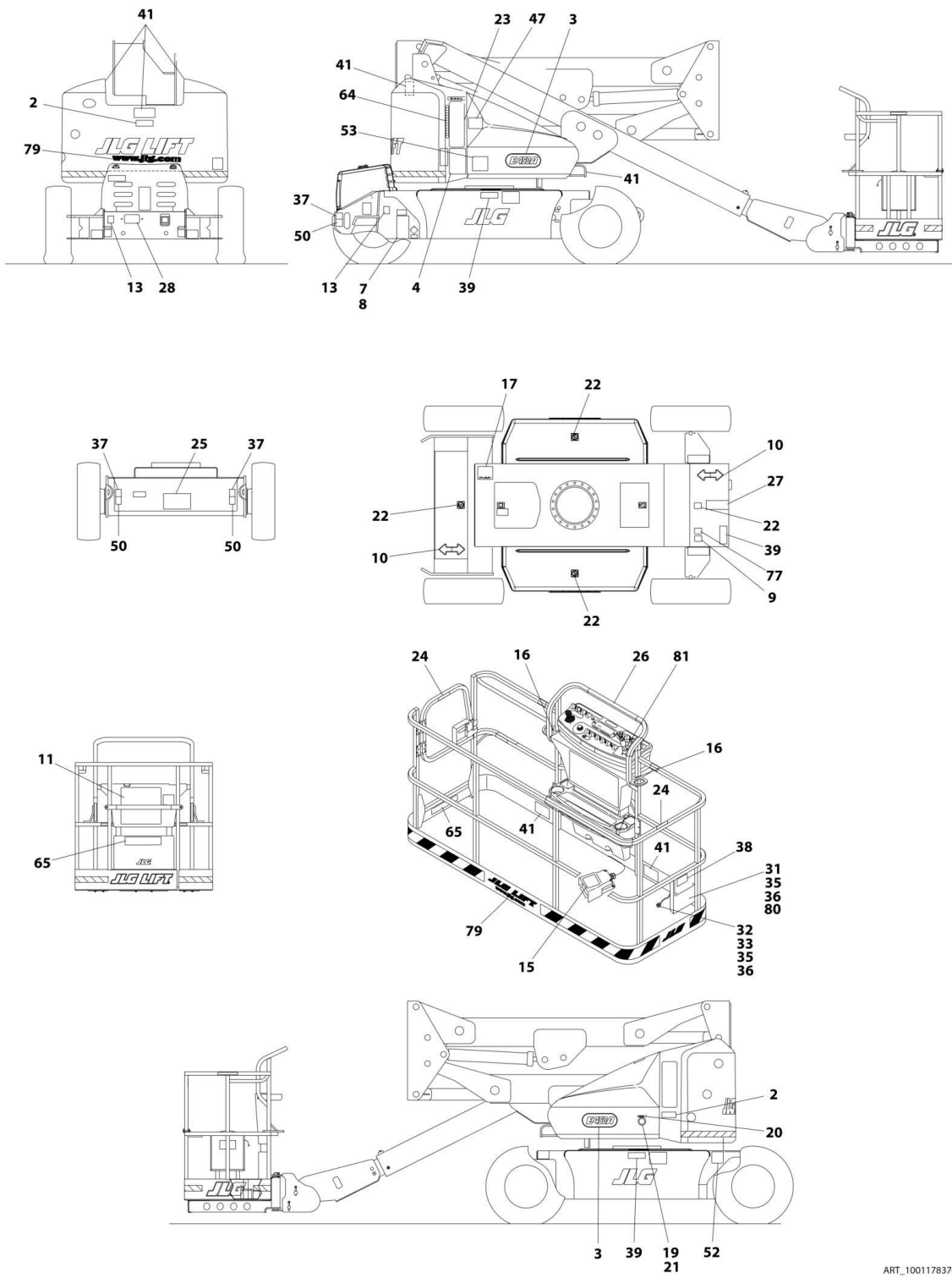
SECTION 9 - DECALS

FIGURE 9-18. DECAL INSTALLATION - CHINESE/ENGLISH - M400AJP/M400AJPnarrow

ITEM	PART NUMBER	QTY	DESCRIPTION	REV
	1001178375	Ref	DECAL INSTALLATION - CHINESE/ENGLISH	B
2	1703937	2	Decal - Electrocution	
3	1704793	2	Decal - Model Designation (M400AJP)	
3	1704794	2	Decal - Model Designation (M400AJPnarrow)	
4	1703931	1	Decal - Danger/Caution	
7	See Note	1	Nameplate - Serial Number (Note: Not Available for Purchase)	
8	3820001	2	Rivet	
9	1701504	1	Decal - Hydraulic Oil	
10	1701642	2	Decal - Arrow	
11	1703925	1	Decal - Caution/Danger	
13	1701644	2	Decal - Charger	
15	1703982	1	Decal - Footswitch	
16	1704277	2	Decal - Attach Lanyard	
19	0961127	1	Bushing, Snap	
21	0100010	AR	Adhesive	
22	1701691	4	Decal - No Step	
23	1001104864	1	Decal - Manual Descent	
25	1001173577	1	Decal - Cable Routing	
27	1704419	1	Decal - Charger	
28	1704431	1	Decal - Battery Charger LED Indicator	
31	0860520	1	Box, Manual Storage	
32	1060279	1	Lanyard (Prior to SN 0300196410)	
33	0641408	1	Bolt 1/4-20 x 1 (Prior to SN 0300196410)	
35	4751400	AR	Washer, 1/4	
36	3311405	AR	Nut, Lock, 1/4-20	
37	1701500	4	Decal - Lift	
38	1701509	1	Decal - Manual	
39	1704344	3	Decal - Explosion Warning	
41	1703949	6	Decal - Crushing Hazard	
47	1703988	1	Decal - Upright Level Override	
50	1702300	4	Decal - Tie Down	
52	See Note	1	Decal - Bar Code (Note: Not Available for Purchase)	
53	1001121823	1	Decal - 500 LBS. Max Capacity	
54	1704727	4	Decal - Tire Load (M400AJP)	
54	1704752	4	Decal - Tire Load (M400AJPnarrow)	
65	1001121810	2	Decal - 500 LBS. Max Capacity	
70	1001093687	2	Decal - Generator Danger	
71	1701505	1	Decal - Fuel	
77	1704412	1	Decal - Oil Type	
78	1001121510	3	Decal - Hybrid	
79	1704885	2	Decal - Website	
80	0641406	4	Bolt 1/4-20 x 3/4	
81	1705430	1	Decal - Drive/Steer Instruction	

SECTION 9 - DECALS

FIGURE 9-19. DECAL INSTALLATION - SPANISH/PORTUGUESE - E400ANARROW/E400AJP/E400AJPNARROW



ART_1001178370

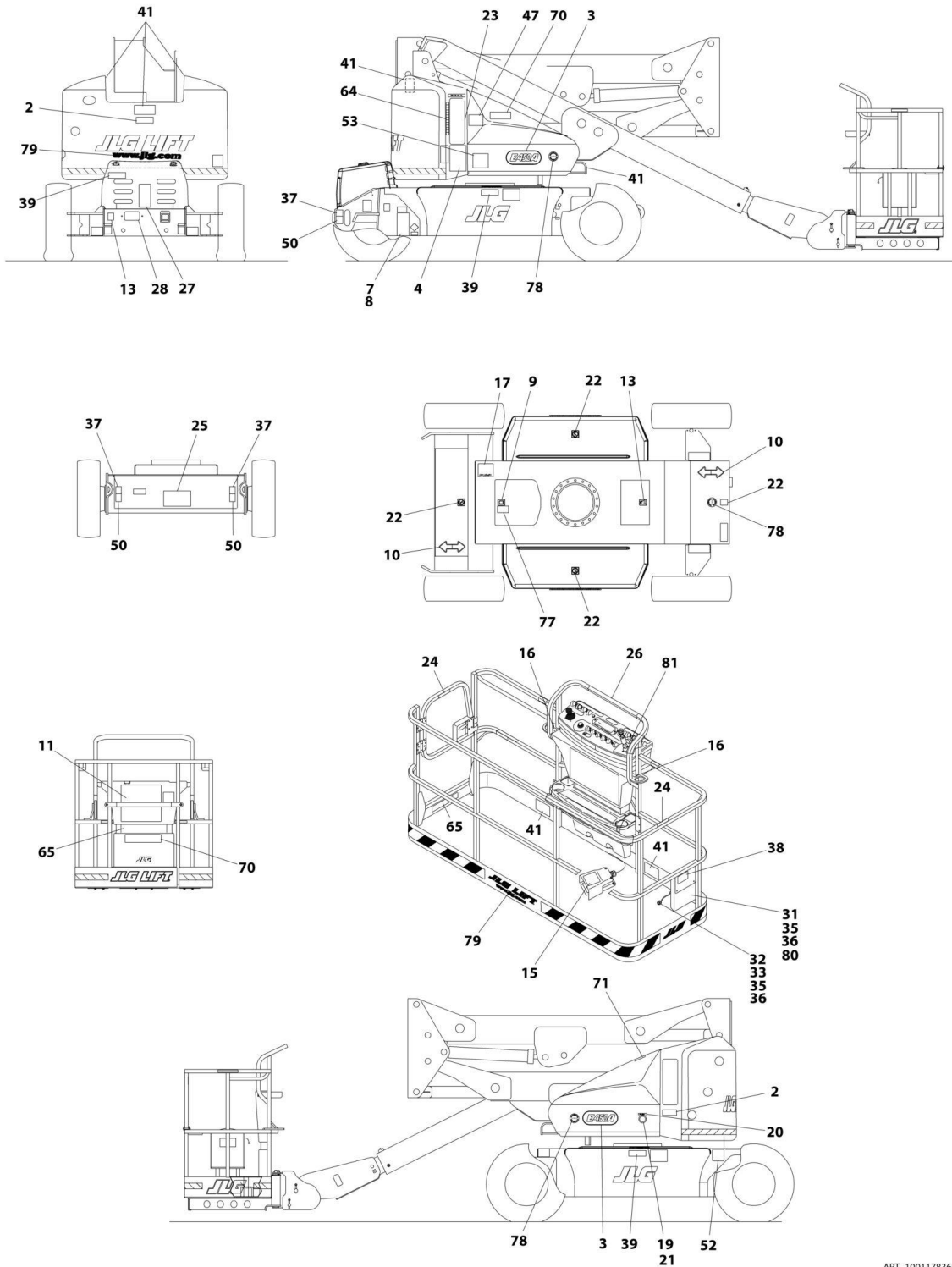
SECTION 9 - DECALS

**FIGURE 9-19. DECAL INSTALLATION - SPANISH/PORTUGUESE -
E400ANARROW/E400AJP/E400AJPNARROW**

ITEM	PART NUMBER	QTY	DESCRIPTION	REV
	1001178370	Ref	DECAL INSTALLATION - SPANISH/PORTUGUESE	B
2	1703940	2	Decal - Electrocutation	
3	1704900	2	Decal - Model Designation (E400Anarrow)	
3	1704791	2	Decal - Model Designation (E400AJP)	
3	1704792	2	Decal - Model Designation (E400AJPnarrow)	
4	1703934	1	Decal - Danger/Caution	
7	See Note	1	Nameplate - Serial Number (Note: Not Available for Purchase)	
8	3820001	2	Rivet	
9	1701504	1	Decal - Hydraulic Oil	
10	1701642	1	Decal - Arrow	
11	1703928	1	Decal - Caution/Danger	
13	1701644	2	Decal - Charger	
15	1703985	1	Decal - Footswitch	
16	1704277	2	Decal - Footswitch	
17	1704008	1	Decal - Inspection	
19	0961127	1	Bushing, Snap	
20	3251243	1	Nameplate - 120V/60Hz	
21	0100010	AR	Adhesive	
22	1701691	4	Decal - No Step	
23	1001104864	1	Decal - Manual Descent	
24	1704002	2	Decal - No Hands	
25	1001173577	1	Decal - Cable Routing	
26	1704253	1	Decal - Key Platform	
27	1704453	1	Decal - Charger	
28	1704431	1	Decal - Battery Charger LED Indicator	
31	0860520	1	Box, Manual Storage	
32	1060279	1	Lanyard (Prior to SN 0300196410)	
33	0641408	1	Bolt 1/4-20 x 1 (Prior to SN 0300196410)	
35	4751400	AR	Washer, 1/4	
36	3311405	AR	Nut, Lock, 1/4-20	
37	1701500	4	Decal - Lift	
38	1701509	1	Decal - Manual	
39	1704341	3	Decal - Explosion Warning	
41	1703952	6	Decal - Crushing Hazard	
47	1703991	1	Decal - Boom Sequence	
50	1702300	4	Decal - Tie Down	
52	See Note	1	Decal - Bar Code (Note: Not Available for Purchase)	
53	1001121923	1	Decal - 500 LBS. Max Capacity	
64	1706950	1	Decal - Key, Main Terminal Box	
65	1001121920	2	Decal - 500 LBS. Max Capacity	
77	1704412	1	Decal - Oil Type	
79	1704885	2	Decal - Website	
80	0641406	4	Bolt, 1/4-20 x 3/4	
81	1001113680	1	Decal - Drive/Steer Instruction	

SECTION 9 - DECALS

FIGURE 9-20. DECAL INSTALLATION - SPANISH/PORTUGUESE SPECS - M400AJP/M400AJPNARROW



ART_1001178369

SECTION 9 - DECALS

**FIGURE 9-20. DECAL INSTALLATION - SPANISH/PORTUGUESE SPECS -
M400AJP/M400AJPnarrow**

ITEM	PART NUMBER	QTY	DESCRIPTION	REV
	1001178369	Ref	DECAL INSTALLATION - SPANISH/PORTUGUESE SPECS	B
2	1703940	2	Decal - Electrocuton	
3	1704793	2	Decal - Model Designation (M400AJP)	
3	1704794	2	Decal - Model Designation (M400AJPnarrow)	
4	1703934	1	Decal - Danger/Caution	
7	See Note	1	Nameplate - Serial Number (Note: Not Available for Purchase)	
8	3820001	2	Rivet	
9	1701504	1	Decal - Hydraulic Oil	
10	1701642	2	Decal - Arrow	
11	1703928	1	Decal - Caution/Danger	
13	1701644	2	Decal - Charger	
15	1703985	1	Decal - Footswitch	
16	1704277	2	Decal - Attach Lanyard	
17	1704008	1	Decal - Inspection	
19	0961127	1	Bushing, Snap	
20	3251243	1	Nameplate - 120V/60Hz	
21	0100010	AR	Adhesive	
22	1701691	4	Decal - No Step	
23	1001104864	1	Decal - Manual Descent	
24	1704002	2	Decal - No Hands	
25	1001173577	1	Decal - Cable Routing	
26	1704253	1	Decal - Key Platform	
27	1704453	1	Decal - Charger	
28	1704431	1	Decal - Battery Charger LED Indicator	
31	0860520	1	Box, Manual Storage	
32	1060279	1	Lanyard (Prior to SN 0300196410)	
33	0641408	1	Bolt 1/4-20 x 1 (Prior to SN 0300196410)	
35	4751400	AR	Washer, 1/4	
36	3311405	AR	Nut, Lock, 1/4-20	
37	1701500	4	Decal - Lift	
38	1701509	1	Decal - Manual	
39	1704341	3	Decal - Explosion Warning	
41	1703952	6	Decal - Crushing Hazard	
47	1703991	1	Decal - Boon Sequence	
50	1702300	4	Decal - Tie Down	
52	See Note	1	Decal - Bar Code (Note: Not Available for Purchase)	
53	1001121923	1	Decal - 500 LBS. Max Capacity	
64	1706950	1	Decal - Key, Main Terminal Box	
65	1001121920	2	Decal - 500 LBS. Max Capacity	
70	1001093687	2	Decal - Generator Danger	
71	1701505	1	Decal - Fuel	
77	1704412	1	Decal - Oil Type	
78	1001121510	3	Decal - Hybrid	
79	1704885	2	Decal - Website	
80	0641406	4	Bolt 1/4-20 x 3/4	
81	1001113680	1	Decal - Drive/Steer Instruction	

SECTION 10 - RECOMMENDED SERVICE PARTS STOCK

SECTION 10 - RECOMMENDED SERVICE PARTS STOCK

SECTION 10 - RECOMMENDED SERVICE PARTS STOCK

FIGURE 10-1. RECOMMENDED SERVICE PARTS STOCK

ITEM	PART NUMBER	QTY	DESCRIPTION	REV
		Ref	Note: The following list will service one machine (built to current production per date on the front cover) with emergency repair parts which can be installed in the field. Parts from the list should be replaced when inventory is depleted to keep service parts stock supplied. For further information, contact your JLG dealer or the JLG Industries Parts Department.	
		Ref	STANDARD PARTS	
	4360070	1	Breaker, Circuit	
	4360448	1	Breaker, Circuit	
	7021618	1	Coil	
	7021609	1	Coil	
	7021610	1	Coil	
	1001178132	1	Controller (Drive and Steer)	
	1001178139	1	Controller (Lift and Swing)	
	4360476	1	Contact, Switch	
	3990001	2	Diode	
	7021616	4	Filter Cartridge	
	2860030	1	Key Replacement	
	2940074	1	Latch	
	4360328	1	Switch, Toggle	
	4360330	1	Switch, Toggle	
	4360475	1	Switch, Emergency	
	4360469	1	Switch, Key (ANSI Spec)	
	4360470	1	Switch, Key (CE Spec)	
	4360387	1	Switch, Push Button	
		Ref	VARIABLE PARTS	
	1001181045	1	Breaker 16Amp (CE Spec with 2 Breakers Box)	
	1001181046	1	Breaker 30mA (CE Spec with Breaker Box)	
	70000313	1	Element, Air Cleaner (M400AJP/M400AJPnarrow Only)	
	70000318	1	Element, Fuel Filter (M400AJP/M400AJPnarrow Only)	
	70000319	1	Element, Oil Filter (M400AJP/M400AJPnarrow Only)	
	2400062	1	Fuse 300Amp (UL Listed)	
	2400068	1	Fuse 10Amp (UL Listed)	
	70000329	1	Fuse 15Amp (M400AJP/M400AJPnarrow Only)	
	70000330	1	Fuse 20Amp (M450AJ Only)	
	1600292	1	Module (Frame Power)	
	1600293	1	Module (Posi-Trac)	
	1001109497	1	Module (Ground Control)	
	1600387	1	Module (LSS System)	
	1001109498	1	Module (Platform Control)	
	70000326	1	Module (Engine Control)	
	7019698	1	Power Track - 1 Link	
	70001996	1	Power Track - 2ft Section	
	70001998	1	Power Track - Bracket Kit	
	4360548	1	Switch, Limit	
	4360274	1	Switch, Push Button (M400AJP/M400AJPnarrow Only)	
	4360336	1	Switch, Toggle (M400AJP/M400AJPnarrow Only)	

SECTION 11 - SPECIAL OPTIONS

SECTION 11 - SPECIAL OPTIONS

FIGURE 11-1. SPECIAL OPTIONS

ITEM	PART NUMBER	QTY	DESCRIPTION	REV
		Ref	MISCELLANEOUS SPECIAL OPTIONS	
		Ref	Note: This list is to accommodate machines ordered with special equipment. Options may not be applicable to all models. For more specific parts information contact JLG Parts Department.	
	0271801	Ref	Airline Installation - 1/2in (E400Anarrow Model)	
		Ref	ClearSky Telematics Add-on Kits:	
	1001230504	Ref	ClearSky Telematics Add-on Kit - 3 Wire (ANSI Specs)	
	1001234102	Ref	ClearSky Telematics Add-on Kit - 3 Wire (ANSI Export & CE Specs)	
	1001236405	Ref	ClearSky Telematics Add-on Kit - Canbus (ANSI Specs)	
	1001237110	Ref	ClearSky Telematics Add-on Kit - Canbus (ANSI Export & CE Specs)	
	1001243575	Ref	ClearSky Access Control Add-on Kit	
	1001243183	Ref	ClearSky Telematics Access Control Add-on Kit - Canbus (ANSI & CSA Specs)	
	1001243184	Ref	ClearSky Telematics Access Control Add-on Kit - Canbus (ANSI Export & CE Specs)	
	1001195304	Ref	Console Cover	
		Ref	Cylinder Bellows Installations	
	0259397	Ref	Cylinder Bellows Installations (E400Anarrow)	
	0271251	Ref	Cylinder Bellows Installations (E400AJP/E400AJPnarrow/M400AJP/M400AJPnarrow)	
	0460110	2	Bellows - Platform Level and Master Cylinders (E400Anarrow)	
	0460194	2	Bellows - Platform Level and Master Cylinders (E400AJP/E400AJPnarrow/M400AJP/M400AJPnarrow)	
	0460115	1	Bellows - Main Lift Cylinder	
	0460113	1	Bellows - Mid Lift Cylinder	
	0460114	1	Bellows - Tower Lift Cylinder	
	0460196	1	Bellows - Jib Cylinder (E400AJP/E400AJPnarrow/M400AJP/M400AJPnarrow)	
	1320037	6	Clamp	
	1001237443	Ref	Cylinder Service Kit - E400A/M400A Mid Lift	
	1001151286	Ref	Cylinder Service Kit - E400AJ/M400AJ/E400AJP/M400AJP (Adds Manual Descent Valve Kit) (Italy Specs)	
		Ref	Decal Installations	
	1703175	Ref	Decal - Lanyard Attach (GM K-1 Spec)	
	1702868	Ref	Decal - No Hands (English) (ANSI Spec) (Used with Platform Padding or Mesh to Top Rail)	
	1704000	Ref	Decal - No Hands (English and French) (CSA Spec) (Used with Platform Padding or Mesh to Top Rail)	
	0270433	Ref	UL Listed Machines Decal Installation	
	0259550	Ref	Decal - Warning Stripes Installation	
		Ref	Decal Kit Options:	
	1001108727	Ref	Decal Kit - Platform	
	1001119566	Ref	Decal Kit - Platform Console	
	1001198649	Ref	Decal Kit - (E400AJP/M400AJP)	
		Ref	Electrical Connector Kits	
	1001148902	Ref	Amp Connector Kit	
	1001148903	Ref	Deutsch DT Connector Kit	
	1001148904	Ref	Deutsch HD Connector Kit	
	1001148905	Ref	Packard Connector Kit	

SECTION 11 - SPECIAL OPTIONS

ITEM	PART NUMBER	QTY	DESCRIPTION	REV
	1001148906	Ref	Various Connector Kit	
	1001152523	1	Fire Extinguisher Installation (Platform Mounted)	
	1001166284	Ref	Headlight and Tail Lights Installation	
		Ref	Hose KIts:	
	1001198657	Ref	Hose Kit - Power Track (E400AJP/M400AJP)	
	1001198658	Ref	Hose Kit - Power Track (M400Anarrow/E400Anarrow)	
	1001198659	Ref	Hose Kit - Power Track (M400AJ/E400AJ)	
	1001239570	Ref	Hose Kit - Platform Valve (M400AJP/E400AJP)	
		Ref	Hydraulic Fluids	
	2300028	Ref	Hydraulic Fluid - Mobil DTE 10 Excel 15	
	2300042	Ref	SYN Biodegradable	
	0273104	Ref	INDICATOR LIGHT INSTALLATION (Green) (LSS)	
	1001148971	Ref	Lanyard Kit (Platform Bolt-on)	
	1001222307	Ref	LSS Override Kit	
	1001189162	Ref	Low Temperature Cutout Installation (Russian Specs)	
	1001151286	Ref	Manual Descent Add-on Kit (Italy Specs)	
	0257728	Ref	Pipe Rack	
		Ref	Platform Entry Kits	
	1001142504	Ref	Drop Bar (Replacing Swing Gate with Drop Bar)	
	1001142505	Ref	Swing Gate (Replacing Drop Bar with Swing Gate)	
		Ref	Platform Mesh To Mid Rail Installations (Factory Installed)	
	1001140318	Ref	30in X 4ft (76cm x 1.22m)	
	1001140315	Ref	30in X 5ft (76cm x 1.52m)	
		Ref	Platform Mesh Mid Rail Add-on Kits (Dealer Installed)	
	1001214478	Ref	30in X 4ft (76cm x 1.22m) Platform p/n 10011816387 Only	
	1001214515	Ref	30in X 5ft (76cm x 1.52m) Platform p/n 10011186386 Only	
		Ref	Platform Mesh Top Rail Installations (Factory Installed)	
	0273146	Ref	30in X 5ft (76cm x 1.52m)	
	0273147	Ref	30in X 4ft (76cm x 1.22m)	
		Ref	Platform Mesh Top Rail Add-on Kits (Dealer Installed)	
	1001214552	Ref	30in X 4ft (76cm x 1.22m) Platform p/n 10011816387 Only	
	1001214559	Ref	30in X 5ft (76cm x 1.52m) Platform p/n 10011186386 Only	
	1001214560	Ref	30in X 6ft (76cm x 2.1m) Platform p/n 10011186385 Only	
		Ref	Platform Padding Installation	
	0273381	Ref	30 x 48 Platform	
	0273382	Ref	30 x 60 Platform	
		Ref	Platform Top Rail Extension Installation	
	1001103617	Ref	30 x 48 Platform	
	1001103558	Ref	30 x 60 Platform	
	0259338	Ref	Platform Worklights Installation	
	0271301	Ref	Platform Worklights Installation (UL Listed) (E400Anarrow/E400AJP/E400AJPnarrow Only)	
	1001212202	Ref	Rotary Actuator Protection Add-on Kit	
		Ref	SkyGuard Kits (Dealer Add-on Kit):	
	1001187508	Ref	SkyGuard Kit Without Beacon (Dealer Add-on Kit)	
	1001206996	Ref	SkyGuard Kit (Dealer Add-on Kit) (Blue Beacon Light)	
	1001210033	Ref	SkyGuard Kit (Dealer Add-on Kit) (Red Beacon Light)	
	1001205501	Ref	Blue Light Kit (Dealer Add-on Kit)	
	1001210032	Ref	Red Light Kit (Dealer Add-on Kit)	
	1001149563	Ref	Platform Sensor Kit	
	1001176372	Ref	SkyGuard Removal Plug Kit	
		Ref	Strobe Light Installations (Amber)	

SECTION 11 - SPECIAL OPTIONS

ITEM	PART NUMBER	QTY	DESCRIPTION	REV
	1001152965	Ref	Strobe Light Installation (Amber) Platform Mounted	
	1001154231	Ref	Strobe Light Installation (Amber) Platform/Ground Mounted	
	0272315	Ref	Tire Sealant	
	0272341	Ref	Tire Sealant Decal Installation	
	1705363	1	Decal - Tire Sealant (Located on Hood)	
		Ref	Tools for Service	
	7002828	Ref	Wire Stripper	
	7002821	Ref	Wire Crimper (To install wire ends to wires)	
	7002823	Ref	Pin/Socket Extractor - Universal (To Remove Pins/Sockets from Connectors)	
	4460467	Ref	Extractor - 16-18 Gauge (For Removal of Pins/Sockets for Deutsch Connectors)	
	4460510	Ref	Extractor - 12-14 Gauge (For Removal of Pins/Sockets for Deutsch Connectors)	
	7002822	Ref	Screwdriver, Potentiometer (To Adjust Drive Controllers)	
	7016654	Ref	Screwdriver, Magnetic	
	7004275	Ref	Seal Installation Tool - 1in	
	7004276	Ref	Seal Installation Tool - 1-1/2in	
	7002826	Ref	Seal Installation Tool - 2in	
	2901443	Ref	Analyzer, Machine	
	2915230	Ref	Battery Charger Reprogram Controller Kit	
	1001137005	Ref	USB to RS232 Drive Installation (Service Kit)	
	1001160527	Ref	Turntable Bearing Kit	
		Ref	Wear Pad Kits:	
	1001241268	Ref	Wear Pad (E400A/M400A)	
	1001241269	Ref	Wear Pad (E400AJP/M400AJP)	

PART NUMBER INDEX

SECTION 11 - SPECIAL OPTIONS

0060044 199, 203	0270725 187, 193	0630518.....151, 153, 155,	0641608 61, 65, 147, 187,
0060052 194, 201	0270817 217	157, 159, 161	189, 193, 194, 197
0060065 199, 205	0271251 564	0630552..... 149	0641609 27, 31, 35
0100001 207	0271301 565	0630568.....259, 263, 267,	0641610 61, 65, 75, 77,
0100009 193, 259, 263,	0271464 455	271, 275, 279, 283,	187, 189, 207, 233,
267, 271, 275, 279,	0271494 221	287, 292, 296	247, 249, 251, 253,
283, 287, 291, 295, 301	0271649 199	0641404.....75, 77, 193	255, 257
0100010 525, 527, 529,	0271801 564	0641405.....91, 93, 95, 97,	0641614 109, 111, 171,
531, 533, 535, 537,	0272111 301	99, 101, 103, 105, 107,	173, 181, 187
539, 541, 543, 545,	0272314 57	193, 209, 213, 291, 295	0641616 199
547, 549, 551, 553,	0272315 566	0641406.....27, 31, 35, 97,	0641618 179, 199
555, 557, 559	0272335 57	99, 101, 103, 105, 107,	0641622 149
0100011 15, 17, 27, 31,	0272341 566	109, 111, 113, 115,	0641806 187, 189
35, 59, 61, 63, 65, 67,	0272704 209	117, 119, 149, 179,	0641807 75, 77
75, 77, 79, 83, 85, 87,	0272976 207	245, 247, 249, 251,	0641808 189
89, 97, 99, 101, 103,	0273089 299	253, 255, 257, 525,	0641810 187, 189
105, 107, 109, 111,	0273104 209, 213, 565	527, 529, 531, 533,	0641811 83, 85, 87, 89
123, 125, 127, 145,	0273146 565	535, 537, 539, 541,	0641812 141, 187
147, 149, 171, 173,	0273147 565	543, 545, 547, 549,	0641818 193, 197
179, 187, 189, 193,	0273381 565	551, 553, 555, 557, 559	0641822 209, 213
197, 199, 209, 213,	0273382 565	0641407.....91, 93, 95, 97,	0641826 27, 31, 35
217, 219, 233, 237,	0273468 55	99, 101, 103, 105, 107,	0642024 209, 213
239, 241, 243, 325,	0273683 53	171, 173, 209, 213,	0642612 175
329, 331, 333, 337,	0273684 55	459, 461, 463, 465,	0681608 207, 209, 213
339, 341, 343, 345, 347,	0275216 465, 493	467, 469, 471	0681610 190
359, 361, 363, 365	0275217 467, 495	0641408.....137, 181, 247,	0681810 15, 17
0100019 ..27, 31, 35, 139,	0275218 469, 497	249, 251, 253, 255,	0682012 35
217, 219	0275219 471, 499	257, 459, 461, 463,	0682014 27, 31
0100020 149, 179, 313,	0275452 459, 487	465, 467, 469, 471,	0682026 139
374	0275453 461, 489	529, 533, 537, 539,	0682028 139
0100035 167, 169, 259,	0275454 463, 491	541, 543, 545, 547,	0700408 459, 461, 463,
263, 267, 271, 275,	0275663 505	549, 551, 553, 555,	465, 467, 469, 471
279, 283, 287, 291,	0275664 507	557, 559	0720804 123, 125, 127,
295, 325, 329, 333,	0275665 509	0641410.....217, 219	259, 263, 267, 271,
337, 341, 345, 365	0275666 511	0641413.....123, 125, 127	275, 279, 283, 287,
0100038 325, 329, 331,	0275667 513	0641414..... 317	291, 295
333, 337, 339, 341,	0340047 32	0641416.....209, 213, 459,	0721004 113, 115, 117,
343, 345, 347, 359,	0340048 65	461, 463, 465, 467,	119
361, 363, 365	0400055 83, 87	469, 471	0721005 151, 153, 155,
0100048 209, 213	0400201 149	0641418.....237, 239, 241,	157, 159, 161
0100071 317	0440162 15, 17	243	0721006 32
0100081 197	0460110 564	0641424.....63, 365, 367	0741606 197
0140011 259, 263, 267,	0460113 564	0641426..... 125, 127	0750808 151, 153, 155,
271, 275, 279, 283,	0460114 564	0641430.....28, 32, 35	157, 159, 161
287, 291, 295	0460115 564	0641440 67	0801224 197
0140028 123, 125, 127	0460194 564	0641506..... 187, 190	0801225 189, 197
0140031 137	0460196 564	0641508...27, 31, 35, 171,	0801226 197
0257728 319, 565	0480100 319	173	0801227 189
0258688 45	0561076 187, 189	0641510.....141, 179	0801262 187
0258995 45	0561317 217, 219	0641512.....359, 361, 363,	0801263 193
0258996 47	0561384 217, 219	365, 367	0801267 193
0258997 47	0561385 217, 219	0641514.....171, 173, 217,	0840031 27, 31, 35, 83,
0259302 59	0561386 217, 219	219, 319	87
0259338 565	0561424 217	0641516..... 199, 217	0840032 27, 31, 35, 83,
0259397 564	0610131 91, 93, 95, 97,	0641518..... 149	87
0259481 179	99, 101, 103, 105, 107	0641524.....27, 31, 35	0840055 209, 213
0259550 564	0630399 193	0641542..... 59	0860038 453, 457
0259970 219	0630401 197	0641560..... 217, 219	0860520 525, 527, 529,
0270012 457	0630440 115, 119	0641604 359, 361	531, 533, 535, 537,
0270013 453	0630464 259, 263, 267,	0641605.....151, 153, 155,	539, 541, 543, 545,
0270028 49	271, 275, 279, 283,	157, 159, 161, 197	547, 549, 551, 553,
0270037 51	287, 291, 295	0641606.....15, 17, 75, 77,	555, 557, 559
0270273 521	0630467 217, 219	79, 123, 125, 127, 193,	0861152 151, 153, 155,
0270274 523	0630468 171, 173	197	157, 159, 161
0270433 564	0630487 193	0641607..... 189, 193	0861375 32
0270724 187			

SECTION 11 - SPECIAL OPTIONS

0861537.....259, 263, 267, 271, 275, 279, 283, 287	545, 547, 549, 551, 553, 555, 557, 559	1001136889259, 263, 267, 271, 275, 279, 283, 288, 291, 295, 313	1001151817.....292, 296
0861731.....487, 489, 491	1001106757.....197	1001137005566	1001152230.....359, 361, 363
0861781.....493, 495	1001108604.....213	1001138494237, 239, 241, 243	1001152483.....485
0861880.....483	1001108727.....564	1001138514237, 239, 241, 243	1001152485.....461, 471, 485
0901923.....171, 173	1001108923.....527, 551	1001140278189, 351	1001152523.....565
0902406.....151, 153, 155, 157, 159, 161	1001109497.....151, 153, 155, 157, 159, 161, 562	1001140279189, 355	1001152635.....373, 377
0902575.....259, 267, 275, 283	1001109498.....259, 263, 267, 271, 275, 279, 283, 287, 291, 295, 562	1001140280199, 323	1001152965.....566
0902588.....259, 267, 275, 283	1001109503.....155, 161	1001140315565	1001153017.....139, 141
0902919.....209, 213	1001109687.....373, 377, 381	1001140318565	1001153021.....15
0902920.....209, 213	1001109860.....441	1001140429237, 239, 241, 243	1001153023.....17
0903484.....459, 461, 463, 465, 467, 469, 471	1001110226.....299	1001140597187, 349	1001154231.....566
0920113.....27, 31, 35	1001110435.....259, 263, 267, 271, 275, 279, 283, 287, 291, 295	1001140598353	1001155044.....263, 272, 279, 288, 292, 296
0940048.....187, 189	1001110772.....49	1001141300292	1001155045.....264, 272, 280, 288, 292, 296
0961127.....525, 527, 529, 531, 533, 535, 537, 539, 541, 543, 545, 547, 549, 551, 553, 555, 557, 559	1001110774.....49	1001141967497, 499	1001157058.....145
0961845.....237, 239, 241, 243	1001110775.....51	1001141968497	1001158612.....167
0961947.....203, 323	1001110873.....453	1001141969499	1001159256.....264, 272, 280, 288, 292, 296
0961948.....197	1001112496.....113, 115, 119	1001141970499	1001159355.....181, 183
0961950.....187, 189, 194, 197, 325, 327, 329, 331, 333, 335, 337, 339, 341, 343, 345, 347	1001113483.....209, 213	1001141971497	1001159361.....179, 181
0961951.....19, 21, 23, 25, 193, 199, 323, 351, 355	1001113680.....557, 559	1001142504565	1001160527.....566
0962140.....19, 21, 23, 25	1001114782.....85, 89	1001142505565	1001165962.....173
0962257.....203	1001116232.....147	1001142694175	1001165963.....171
0962292.....199	1001116368.....451	1001143431175	1001165977.....149
0962356.....349, 353	1001116522.....147, 415	1001144018237	1001165980.....171, 173
0962450.....209, 213	1001116720.....515	1001144019241	1001165981.....171, 173
100109338283, 85, 87, 89	1001116720.....515	1001144025229	1001165985.....171, 173
1001093687533, 535, 539, 543, 551, 555, 559	1001116810.....403, 405	1001144027225	1001166250.....173
1001094670199	1001116811.....409	1001144433292, 296	1001166251.....459
1001097150483, 485	1001117093.....515	1001144629225, 227, 229, 231, 233, 235	1001166258.....461
1001097505125, 127, 135	1001117172.....313	1001144630233	1001166259.....463
100109750675, 77, 79, 81	1001118388.....515	1001145796257	1001166260.....467
1001097507123, 125, 127, 129	1001118418.....259, 267, 275, 283, 303	1001145797257, 283	1001166261.....469
1001097777123, 125, 127, 133	1001118419.....259, 267, 275, 283, 307	1001145798249, 267	1001166262.....471
1001099834197	1001119566.....564	1001145799255, 275	1001166263.....465
1001100341493	1001121510.....527, 533, 535, 539, 543, 547, 551, 555, 559	1001145800249	1001166284.....565
1001100342495	1001121801.....525, 527	1001145801255	1001166296.....117, 119
1001100345487	1001121803.....549, 551	1001146082247	1001166312.....117
1001100346491	1001121805.....545, 547	1001146083247, 259	1001166321.....113, 117
1001100347489	1001121808.....537, 539	1001148902564	1001166327.....113
100110310591, 93, 95, 97, 99, 101, 103, 105, 107, 409	1001121810.....553, 555	1001148903564	1001166328.....115
1001103558565	1001121814.....525, 527	1001148904564	1001166329.....119
1001103617565	1001121816.....549, 551	1001148905564	1001166330.....113, 115
1001104850139, 143	1001121818.....545, 547	1001148906565	1001166341.....145
1001104864525, 527, 529, 531, 533, 535, 537, 539, 541, 543,	1001121821.....537, 539	1001148971565	1001166377.....115, 119
	1001121823.....553, 555	1001149563386, 565	1001166395.....139
	1001121918.....541, 543	1001149570175, 391	1001166414.....15
	1001121920.....557, 559	1001149571292, 296	1001166417.....61
	1001121921.....541, 543	1001149818165, 167, 503	1001166419.....61, 65
	1001121923.....557, 559	1001149955165	1001166420.....75, 77
	1001125248.....179	1001149994169	1001166437.....137
	1001131269.....525, 527	1001150406165, 167, 169	1001166438.....75, 123
	1001132175.....259, 263, 267, 271, 275, 279, 283, 287, 291, 295	1001151286564, 565	1001166440.....147
	1001136881.....374	1001151393151, 153, 155, 157, 159, 161	1001166444.....95
		100115139515, 17	1001166493.....113, 115, 117, 119
		100115142815, 17	1001166495.....83, 85
		1001151496359, 361	1001166496.....83, 85, 87, 89
		1001151497193, 359, 361	1001166497.....83
			1001166498.....85
			1001166738.....171
			1001166938.....93
			1001166939.....91

SECTION 11 - SPECIAL OPTIONS

1001167013.....111	1001178132.....264, 272, 280, 288, 292, 296, 305, 562	1001195304.....564	1060801.....109, 111
1001167014.....109	1001178139.....264, 272, 280, 288, 292, 296, 309, 562	1001196786.....155, 161	1060802.....109, 111
1001167023.....111	1001178362.....527	1001198649.....564	1060809.....393, 395, 397
1001167024.....109	1001178364.....525	1001198657.....565	1060810.....393, 395, 397
1001167096.....77, 125	1001178365.....551	1001198658.....565	1060811.....393, 395, 397
1001167252.....27	1001178366.....549	1001198659.....565	1060835.....395
1001167291...63, 67, 149	1001178367.....547	1001205501.....565	1060836.....395
1001167342.....107	1001178368.....545	1001206996.....565	1060837.....395
1001167343.....105	1001178369.....559	1001210032.....565	1060839.....395
1001167344.....103	1001178370.....557	1001210033.....565	1060840.....395
1001167363.....67	1001178371.....539	1001212202.....565	1060841.....395
1001167415.....79, 127	1001178372.....537	1001214478.....565	1060842.....395
1001167419.....101	1001178373.....543	1001214515.....565	1060847.....395
1001167420.....97	1001178374.....541	1001214552.....565	1060908.....483, 485
1001167421.....99	1001178375.....555	1001214559.....565	10837580.....129
1001167426.....395	1001178376.....553	1001214560.....565	1120094.....329
1001167431.....395	1001178377.....533	1001222307.....565	1120108.....333, 341, 345
1001167433.....393	1001178378.....529	1001228015.....197, 367	1120110.....361, 365
1001167434.....393	1001178491.....459, 461, 463, 465, 467, 469, 471	1001228016.....189, 347	1120305.....325, 337
1001167450.....63	1001181045.....483, 562	1001228018.....187, 343	1120487.....149
1001167487.....65	1001181046.....483, 562	1001228035.....189, 331	1180302.....193
1001167645.....31	1001181081.....179	1001228036.....189, 339	1220038.....193
1001167699.....149, 163, 179, 315	1001182138.....317	1001228037.....187, 327	1220039.....193
1001168004.....149	1001182296.....109, 111, 413	1001228038.....187, 335	1220040.....193
1001168005.....149	1001182709.....115, 119	1001228063.....193, 363	1271538.....209, 213
1001168670.....87	1001182725.....171, 173	1001230504.....564	1300019.....57
1001168674.....189	1001183212.....171, 173	1001234102.....564	1320012.....179
1001168731.....35	1001185281.....292, 296	1001236405.....564	1320022.....149, 179
1001168796.....89	1001185828.....373, 377, 381	1001237110.....564	1320033.....381
1001168800.....87, 89	1001185829.....377, 381	1001237443.....564	1320037.....564
1001169636.....373, 384	1001186375.....239	1001239570.....565	1320040.....75, 77
1001169638.....377, 384	1001186377.....243	1001241268.....566	1320041.....149, 171, 173
1001169640.....381, 384	1001186386.....231	1001241269.....566	1320043.....217, 219
1001170991...75, 77, 403	1001186387.....227	1001243183.....564	1320135.....179
1001171075.....17	1001186432.....515	1001243184.....564	1320136...91, 93, 95, 97, 99, 101, 103, 105, 107, 209, 213
1001171115.....79, 405	1001187508.....565	1001243575.....564	1320172.....28, 32, 36
1001171213.....61, 65, 71	1001188028.....155	1060092 83, 87, 393, 395, 397	1320224.....209, 213
1001171214.....63, 67, 73	1001188054.....161	1060279.....529, 533, 537, 539, 541, 543, 545, 547, 549, 551, 553, 555, 557, 559	1320260.....217, 219
1001171289.....393, 397	1001189074.....292, 296, 386, 515	1060330.....313	1380136.....123, 125, 127
1001171290.....393, 397	1001189076.....292, 296, 386, 517	1060341.....435, 437	1380138...113, 115, 117, 119
1001171291.....395	1001189116.....292, 296	1060379.....319	1380164.....179
1001171292.....395	1001189117.....251, 291	1060461.....475, 477, 481	1580012.....245
1001171293.....397	1001189118.....251	1060494.....411, 413, 473, 479	1600292...27, 31, 35, 562
1001171298.....147	1001189162.....565	1060584.....151, 153, 155, 157, 159, 161	1600293...27, 31, 35, 562
1001173577.....525, 527, 529, 531, 533, 535, 537, 539, 541, 543, 545, 547, 549, 551, 553, 555, 557, 559	1001189171.....485	1060677.....431, 433	1600294.....27, 35, 399
1001175025.....113, 115, 117, 119	1001189172.....485	1060689.....91, 93, 95, 97, 99, 101, 103, 105, 107	1600300.....31, 401
1001175597.....264, 272, 280, 288, 292, 296	1001189194.....175	1060717.....393, 397	1600387.....209, 213, 562
1001175617.....247, 263	1001189208.....253	1060718.....393, 397	1670679.....193
1001175619.....249, 271	1001189210.....253, 295	1060719.....393, 397	1670697.....217, 219
1001175620.....255, 279	1001189765.....155, 161, 386	1060721.....393, 397	1670698.....193
1001175621.....257, 287	1001189882.....531, 535	1060722.....393, 397	1670829...259, 263, 267, 271, 275, 279, 283, 287, 291, 295
1001176309.....32, 395	1001190003.....531	1060723.....393, 397	1670832.....221
1001176310.....28, 393	1001190004.....535	1060724.....393, 397	1670833.....221
1001176311.....36, 397	1001190300.....386	1060728.....397	1670880.....115, 119
1001176372.....565	1001191708.....317	1060754.....179	1670887.....59
1001176417.....171, 173	1001193018.....463, 465, 467, 469, 471	1060755.....179	1670953.....109, 111
1001176441.....171, 173		1060778...91, 93, 95, 97, 99, 101, 103, 105, 107, 407	1670959.....197
1001176469.....155, 161		1060779.....407	1681344.....333
1001177483.....189			1682888.....359
1001177666.....373, 377			1683584.....359, 361, 365
			1683591.....15, 17, 357
			1683705.....359

SECTION 11 - SPECIAL OPTIONS

1683709.....341, 345	547, 549, 551, 553,	1704240.....259, 263, 267,	1705351525, 527
1683710.....329	555, 557, 559	271, 275, 279, 283,	1705363566
1683712.....325, 337	1702565 259, 263, 267,	287, 291, 295	170536457
1683911.....197, 365	271, 275, 279, 283,	1704253.....525, 527, 537,	1705426537, 539
1683912.....365	287, 291, 295	545, 547, 549, 551,	1705427541, 543
1683933.....193	1702566 259, 263, 267,	557, 559	1705429549, 551
1683940.....329	271, 275, 279, 283,	1704260.....259, 263, 267,	1705430553, 555
1683941.....329	287, 291, 295	271, 275, 279, 283,	1705514549, 551
1683943.....337	1702567 259, 263, 267,	287, 291, 295	1705670 529, 531, 533,
1683944.....337	271, 291	1704277.....525, 527, 529,	535
1683945.....189, 345	1702740 45, 53, 57	531, 533, 535, 537,	1705822 529, 531, 533,
1683946.....345	1702773521	539, 541, 543, 545,	535
1683947.....345	1702774521, 523	547, 549, 551, 553,	1705828 529, 531, 533,
1683980.....365	1702860521, 523	555, 557, 559	535
1684022.....325	1702868 525, 527, 564	1704286.....527	1705910545, 547
1684023.....325	1702962527	1704339.....545, 547	1705921 529, 531, 533,
1684025.....333	1703175564	1704340.....549, 551	535
1684026.....333	1703488 525, 529, 537,	1704341.....557, 559	1705977 529, 531, 533,
1684029.....359, 361	541, 549, 553	1704342.....537, 539	535
1684030.....193, 359	1703683319	1704343.....541, 543	1705978 529, 531, 533,
1684059.....341	1703797525, 527	1704344.....553, 555	535
1684060.....341	1703798525, 527	1704371.....547	1706378 529, 531, 533,
1684061.....187, 341	1703804525, 527	1704412.....525, 527, 529,	535
1684451.....189, 329	1703805525, 527	531, 533, 535, 537,	1706938 151, 153, 157,
1684452.....189, 337	1703811 529, 531, 533,	539, 541, 543, 545,	159
1684453.....187, 325	535	547, 549, 551, 553,	1706950 525, 527, 545,
1684454.....187, 333	1703813525, 527	555, 557, 559	547, 549, 551, 557, 559
1700584.....549	1703814 529, 531, 533,	1704417537, 539	1760160193
1701500.....525, 527, 537,	535	1704418.....541, 543	1810134157
539, 541, 543, 545,	1703923545, 547	1704419.....553, 555	1810135159
547, 549, 551, 553,	1703924549, 551	1704422.....275, 279, 283,	1810136151
555, 557, 559	1703925553, 555	287, 295	1810137153
1701504.....525, 527, 529,	1703926537, 539	1704431.....525, 527, 529,	1870227386
531, 533, 535, 537,	1703927541, 543	531, 533, 535, 537,	2080040 225, 227, 229,
539, 541, 543, 545,	1703928557, 559	539, 541, 543, 545,	231, 233, 235
547, 549, 551, 553,	1703929545, 547	547, 549, 551, 553,	2160003141
555, 557, 559	1703930549, 551	555, 557, 559	2180348149
1701505.....527, 539, 543,	1703931553, 555	1704445.....531, 535	2220237 374, 378, 382
547, 551, 555, 559	1703932537, 539	1704446.....525, 527	2220239374
1701509.....525, 527, 529,	1703933541, 543	1704452.....549, 551	2220371 373, 377, 381
531, 533, 535, 537,	1703934557, 559	1704453.....557, 559	2220386 373, 377, 381
539, 541, 543, 545,	1703935545, 547	1704454.....545, 547	2220415 373, 374, 377,
547, 549, 551, 553,	1703936549, 551	1704712.....32	378, 381, 382
555, 557, 559	1703937553, 555	1704727.....525, 527, 529,	2220466 373, 377, 381
1701518.....529, 531, 533,	1703938537, 539	533, 537, 539, 541,	2220472 373, 377, 381
535	1703939541, 543	543, 549, 551, 553, 555	2220473 373, 374, 377,
1701642.....109, 111, 525,	1703940557, 559	1704752.....525, 527, 529,	378, 381, 382
527, 529, 531, 533,	1703947545, 547	533, 537, 539, 541,	2220498373, 377
535, 537, 539, 541,	1703948549, 551	543, 549, 551, 553, 555	2220499378, 382
543, 545, 547, 549,	1703949553, 555	1704789.....531	2220501 373, 377, 381
551, 553, 555, 557, 559	1703950537, 539	1704790.....535	2220502 373, 377, 381
1701644.....525, 527, 529,	1703951541, 543	1704791.....525, 529, 537,	2220504 373, 377, 381
531, 533, 535, 537,	1703952557, 559	541, 545, 549, 553, 557	2220507 373, 377, 381
539, 541, 543, 545,	1703980537, 539	1704792.....525, 529, 537,	2220516 359, 361, 363,
547, 549, 551, 553,	1703981541, 543	541, 545, 549, 553, 557	365, 367
555, 557, 559	1703982553, 555	1704793.....527, 533, 539,	2220517 359, 361, 363,
1701691.....525, 527, 529,	1703983545, 547	543, 547, 551, 555, 559	365, 367
531, 533, 535, 537,	1703984549, 551	1704794.....527, 533, 539,	2220582 374, 377, 378,
539, 541, 543, 545,	1703985557, 559	543, 547, 551, 555, 559	381, 382
547, 549, 551, 553,	1703987541, 543	1704885.....525, 527, 529,	2220593 373, 377, 381
555, 557, 559	1703988553, 555	531, 533, 535, 537,	2220596 359, 361, 363,
1702124.....374, 378, 382	1703991557, 559	539, 541, 543, 545,	365, 367
1702265.....525, 527, 545,	1704000 549, 551, 564	547, 549, 551, 553,	2220600 374, 377, 381
547, 549, 551	1704001545, 547	555, 557, 559	2220605374
1702271.....537, 539	1704002557, 559	1704900.....525, 529, 537,	2220609374
1702300.....525, 527, 537,	1704008557, 559	541, 545, 549, 553, 557	2220628 359, 361, 363,
539, 541, 543, 545,	1704200523	1705325.....465	365, 367

SECTION 11 - SPECIAL OPTIONS

2220677 373, 377, 381	2752611 377, 381	3000003 83, 85, 87, 89	3311601 171, 173, 189,
2220684 373	2752619 377, 381	3020008 27, 31, 35	259, 263, 267, 271,
2220711 374, 377, 381	2752620 373	3020029 139	275, 279, 283, 287,
2220727 373	2752675 381	3020037 27, 31, 35	292, 296
2220805 179	2752983 374	3160237 27, 31, 35, 43	3311602 193
2220883 327, 331, 339,	2753010 381	3251243 525, 527, 545,	3311605 75, 109, 111,
359, 361, 363, 365, 367	2753329 378, 382	547, 549, 551, 557, 559	149, 179, 181, 187,
2220885 325, 331, 333,	2753330 378, 382	3252347 525, 527	189, 194, 197, 199,
335, 339, 341, 343,	2753331 378, 382	3252507 457, 459, 461,	207, 233, 247, 249,
345, 347, 373, 377, 381	2753332 373, 377, 381	463, 467, 469, 471	251, 253, 255, 257
2220899 373, 377, 381	2753333 377, 381	3271605 190	3311805 187, 189, 209,
2220909 374, 378, 382	2753334 373, 377, 381	3290405 459, 461, 463,	213
2220999 373, 377, 381	2753335 373, 377, 381	465, 467, 469, 471	3312005 209, 213
2221033 373, 377, 381	2753336 377, 381	3290606 237, 239, 241,	3312008 15, 17
2221039 378, 382	2753337 373, 377, 381	243	3312602 169
2221046 149	2753474 373, 377, 381	3300151 217, 219, 237,	3322202 15, 17
2221047 149	2753475 373, 377, 381	239, 241, 243	3322205 359, 361, 365
2221054 374, 377, 381	2753519 373	3300188 151, 153, 155,	3323003 15, 17
2221086 374, 378, 382	2753520 373, 378, 382	157, 159, 161	3340663 193
2221147 373	2753535 373	3300279 333, 345	3340679 359, 361, 363
2300028 565	2753973 373, 377	3300281 325, 329, 331,	3340682 193
2300042 565	2760105 259, 263, 267,	337, 339	3340820 193
2400044 32	271, 275, 279, 283,	3300315 341	3340860 199
2400062 32, 562	287, 291, 295	3300353 109, 111	3340878 197
2400067 267, 271, 283,	2780241 15, 19	3300365 151, 153, 155,	3340882 365, 367
287	2780242 15, 21	157, 159, 161	3340884 197
2400068 267, 271, 283,	2780250 17, 25	3300396 151, 153, 155,	3340886 197
287, 562	2780251 17, 23	157, 159, 161	3340939 197
2420106 151, 153, 157,	2780282 27, 31, 35, 39	3300426 15, 17, 27, 31,	3380434 247, 249, 251,
159	2792505 384	35	253, 255, 257
2420202 209, 213	2820035 109, 111	3300430 317	3380602 179
2460037 109, 111	2820105 115, 119	3300454 27, 31, 35, 63,	3420156 171, 173
2540037 32	2820106 115, 119	67, 97, 99, 101, 103,	3422175 187
2540045 83, 85, 87, 89	2820110 115, 119	105, 107	3422176 187
2560122 123, 125, 127	2820112 179	3310601 ... 27, 31, 35, 259,	3422177 187
2560123 123, 125, 127	2820116 179	263, 267, 271, 275,	3422178 187
2560136 259, 263, 267,	2820117 179	279, 283, 287, 291, 295	3422179 187
271, 275, 279, 283,	2820218 179	3310805 123, 125, 127,	3422180 187, 194
287, 291, 295	2860030 151, 153, 155,	147	3422181 193
2600281 225, 227, 229,	157, 159, 161, 562	3311001 32, 233	3422480 189
231, 233, 235	2900768 27, 31, 35	3311005 113, 115, 117,	3422481 189
2700093 113, 115, 117,	2900770 201, 203, 325,	119, 151, 153, 155,	3422582 189
119	327, 329, 331, 333,	157, 159, 161, 175,	3422661 319
2720058 149	335, 337, 339, 341,	221, 291, 295	3422669 189
2720271 149	343, 345, 347, 361, 369	3311011 151, 153, 155,	3422692 15, 17
2720559 179	2900792 323, 353, 355	157, 159, 161	3422709 194
2750910 373, 377, 381	2901443 566	3311401 ... 28, 32, 36, 115,	3422791 199
2750915 373, 374, 377	2901804 341, 343, 345,	119, 193, 197, 217, 219	3422792 189
2751890 378, 382	347	3311405 91, 93, 95, 97,	3422794 199
2752430 377, 381	2901805 325, 337	99, 101, 103, 105, 107,	3422804 197
2752435 373	2901806 329, 331, 339	109, 111, 113, 115,	3422806 189
2752437 373, 377, 381	2901807 359	117, 119, 137, 149,	3422814 189
2752440 374	2901903 365, 367	179, 181, 209, 213,	3422844 189
2752453 373, 377	2902419 333	217, 219, 247, 249,	3422845 189
2752459 373, 377, 381	2902549 459, 463, 465,	251, 253, 255, 257,	3422901 193
2752462 381	467, 469, 483	365, 367, 459, 461,	3450304 171, 173
2752466 377, 381	2915230 409, 566	463, 465, 467, 469,	3450810 15, 17
2752467 373, 377	2920028 291, 295	471, 525, 527, 529,	3460457 179
2752475 373	2920029 291, 295	531, 533, 535, 537,	3470003 259, 263, 267,
2752486 381	2920151 163, 209, 214	539, 541, 543, 545,	271, 275, 279, 283,
2752519 381	2920161 169, 501	547, 549, 551, 553,	287, 292, 296
2752571 377, 381	2940071 171, 173	555, 557, 559	3480239 359, 361
2752573 373	2940074 225, 227, 229,	3311501 32, 171, 173,	3480240 333, 341, 345
2752574 381	231, 233, 235, 562	199	3480241 329
2752581 373	2940095 113, 115, 117,	3311505 ... 27, 31, 35, 187,	3480242 325, 337
2752589 373, 377	119	190, 197, 217, 219, 319	3510844 233
2752600 378, 382	2940115 115, 119		

SECTION 11 - SPECIAL OPTIONS

3520026.....151, 153, 155, 157, 159, 161	3910804 151, 153, 155, 157, 159, 161	4360330.....151, 153, 155, 157, 159, 161, 259, 267, 275, 283, 562	4460265 210, 214, 303, 305, 307, 309, 391, 417, 419, 441
3520028.....151, 153, 155, 157, 159, 161	3910808 267, 271, 283, 287	4360336.....315, 562	4460267 391, 421, 425, 427, 429, 447, 503, 517
3520030.....259, 263, 267, 271, 275, 279, 283, 287, 291, 295	3911008233	4360387.....155, 161, 259, 263, 267, 271, 275, 279, 283, 287, 291, 295, 562	4460268 391, 421, 423, 515
3520034.....193	3911012175	4360448.....259, 263, 275, 279, 291, 295, 562	4460313 209, 210, 213, 214
3520035.....113, 115, 117, 119	3930824147	4360462.....259, 263, 267, 271, 275, 279, 283, 287, 291, 295	4460315421
3520054.....259, 263, 267, 271, 275, 279, 283, 287, 291, 295	3931016291, 295	4360469.....151, 155, 157, 161, 562	4460320 210, 214, 415, 421, 503
3520072.....225, 227, 229, 231, 235, 237, 239, 241, 243	3931028221	4360470.....153, 159, 562	4460321 399, 401, 407, 421, 425, 427, 447, 449, 517
3520082.....197	3931816199	4360475.....151, 153, 155, 157, 159, 161, 259, 263, 267, 271, 275, 279, 283, 287, 291, 295, 562	4460326399, 421
3520173.....301	3931832139	4360476.....151, 153, 155, 157, 159, 161, 259, 263, 267, 271, 275, 279, 283, 287, 291, 295, 562	4460343421, 445
3520182.....317	3951402 333, 341, 359, 361, 365	4400417149	4460346453
3520198.....225, 227, 229, 231, 233, 235, 237, 239, 241, 243	3960389 115, 119, 179	4420051.....529, 531, 533, 535	4460367439
3536491187, 190	3960417 115, 119, 179	4420062.....319	4460418 417, 443, 445
3536999217	3960418179	4460007.....151, 153, 155, 157, 159, 161	4460419417, 443, 445
3571462219	3960422453, 457	4460042.....210, 214, 313, 421, 441	4460424 210, 214, 403, 405, 423
3571834.....91, 93, 95, 97, 99, 101, 103, 105, 107	3960438 151, 153, 155, 157, 159, 161	4460071.....313, 453, 457	4460425 151, 153, 155, 157, 159, 161, 419, 421
3572413233	3960447 113, 115, 117, 119	4460078.....109, 111	4460426109, 111
3572551199	3960453171, 173	4460134.....411, 413, 473	4460428 91, 93, 95, 97, 99, 101, 103, 105, 107, 260, 263, 267, 271, 275, 279, 283, 287, 291, 295
3575952181	3990001423, 562	4460138 91, 99, 103, 411, 413	4460434 403, 405, 417, 419, 443, 445, 515
3575961179	399010527, 31, 35	4460145.....417, 421, 423	4460444389
3600289.....61, 63, 65, 67, 69	4010618 237, 239, 241, 243	4460183.....313, 417	4460458 403, 405, 419
3760115193, 197	4060092457	4460205.....453, 479	4460464 313, 315, 403, 405, 409, 433, 443, 445, 447, 503, 515
3760308.....113, 115, 117, 119	4060802 151, 153, 155, 157, 159, 161	4460225.....213, 391, 399, 401, 421, 429, 445, 451	4460465 209, 213, 391, 415, 419, 421, 423, 427, 431, 501, 515
3760318359	4060804 115, 119, 197	4460226.....210, 214, 303, 305, 307, 310, 313, 399, 401, 403, 405, 407, 417, 419, 439, 443, 445, 449, 515	4460466 209, 213, 403, 405, 415
3760408359	4060805 109, 111, 171, 173, 217, 219	4460227.....209, 210, 213, 214, 399, 401, 403, 405, 415, 417, 419, 421, 425, 427, 441, 445, 447, 449, 451, 515	4460467566
3790012.....259, 263, 267, 271, 275, 279, 283, 287, 291, 295, 315	4060808217, 219	4460234.....259, 263, 267, 271, 275, 279, 283, 287, 291, 295	4460488 260, 263, 267, 271, 275, 279, 283, 287, 291, 295
3790113361, 369	4060865167	4460259.....417, 421, 423, 439, 443, 445, 451, 515	4460495 151, 153, 155, 157, 159, 161
3820001.....525, 527, 529, 531, 533, 535, 537, 539, 541, 543, 545, 547, 549, 551, 553, 555, 557, 559	4061032382	4460260.....417, 421, 423, 439, 443, 445, 451, 515	4460496 151, 153, 155, 157, 159, 161, 260, 263, 268, 271, 275, 279, 284, 287, 291, 295
3820019.....113, 115, 117, 119	4061054209, 213	4460264.....151, 153, 155, 157, 159, 161	4460497 151, 153, 155, 157, 159, 161, 260, 263, 268, 271, 275, 279, 284, 287, 291, 295
3820020.....225, 227, 229, 231, 235	4070863197		4460508409
3841143187, 189, 193	4070864197		4460509403, 405
3841203187, 189	4070997197		4460510566
384151715, 17	4070998197		4460536515
3900085169	4100025179		4460539515
3900104221	4100026 149, 374, 378, 382		4460634441
390010915, 17	4100065219		4460635441
3900128167	4100067219		4460662459, 461, 463
3900142345	4120035441		4460685137
3900170.....325, 329, 331, 333, 337, 339, 341, 345	413035021		4460708515
3900174.....113, 115, 117, 119	413035119		
3900283209, 213	4240032 75, 77, 259, 263, 267, 271, 275, 279, 283, 287, 291, 295, 417, 419, 421, 423, 441, 443, 445		
3910610453, 457	4240033 149, 209, 213, 389, 417, 419, 421, 443, 445		
391062435	424008427, 31, 35		
391062827, 31	4240099217, 219		
	4240175147		
	4300140217, 219		
	4341072179		
	4360070 151, 153, 155, 157, 159, 161, 562		
	4360274163, 562		
	4360328 151, 153, 155, 157, 159, 161, 259, 267, 275, 283, 562		

SECTION 11 - SPECIAL OPTIONS

4460709481	4567946378, 382	525, 527, 529, 531,	4922609 459, 461, 463,
4460710 475, 477	4567963365	533, 535, 537, 539,	465, 467, 469, 471, 475
4460738 389, 403, 405,	4568114 27, 31, 35	541, 543, 545, 547,	4922610 455, 459, 461,
421	4640509323, 353	549, 551, 553, 555,	463, 465, 467, 469,
4460742 403, 405, 419	4640634 325, 327, 329,	557, 559	471, 481
4460743 403, 405, 419	331, 333, 335, 337, 339	4751500.....27, 31, 35, 83,	4922611 453, 457, 473
4460744 403, 405	4640709361, 369	85, 87, 89, 171, 173,	4922612455, 477
4460745 403, 405	4640771361, 369	179, 187, 190, 199,	4922614221, 435
4460746 403, 405	4640807 359, 361, 363,	217, 219, 319	4922615221, 437
4460748 403, 405	365, 367, 369	4751600.....109, 111, 149,	4922916209, 213
4460749 403, 405	4640932353, 355	151, 153, 155, 157,	4922917209, 213
4460750 403, 405	4640936 341, 343, 345,	159, 161, 179, 181,	4922926210, 214
4460751 403, 405	347	187, 189, 193, 247,	4923625417
4460752 260, 263, 268,	4641086355	249, 251, 253, 255, 257	4933060 259, 263, 386
271, 276, 279, 284,	464112247, 55	4751800.83, 89, 171, 173	4933105 276, 279, 291,
287, 291, 295, 433	4641167 45, 53, 57	4760600...27, 31, 35, 453,	295, 386
4460753 217, 219	4641386 325, 327, 329,	457	4933181 268, 271, 386
4460754 217, 219, 431	331, 333, 335, 337, 339	4761000.....233	4933182 284, 287, 386
4460761 209, 213, 403,	4711000 175, 291, 295	4761400.....193, 197, 245	4933289209, 213
407, 449	4711400 27, 31, 35, 63,	4761600.....151, 153, 155,	4933388 151, 153, 157,
4460805 93, 97, 105	67, 75, 77, 91, 93, 95,	157, 159, 161, 181, 193	159, 386
4460807429	97, 99, 101, 103, 105,	4761800.....193, 197	70000088 143
4460808429	107, 123, 125, 127,	4811400....459, 461, 463,	70000089 143
4460809429	137, 149, 179, 209,	465, 467, 469, 471	70000289 184
4460836 209, 213, 419	213, 237, 239, 241,	4811700....237, 239, 241,	70000290 183
4460837419	243, 291, 295, 317,	243	70000291 183
4460884 415, 515	459, 461, 463, 465,	4844303..... 187	70000292 183
4460891 391, 501	467, 469, 471	4844304..... 187	70000293 183
4460894515	4711500 32, 59, 197, 259,	4844427 189	70000294 183
4460897503	263, 267, 271, 275,	4844467 187, 190	70000295 183
4460899515	279, 283, 287, 292, 296	4844579 193	70000296 183
4460930409	4711600 27, 31, 35, 61,	4845582..... 319	70000297 183
4460931 403, 405	65, 75, 77, 79, 123,	4846026..... 189	70000298 183
4460932515	125, 127, 147, 171,	4846180..... 197	70000299 183
4460933 209, 213	173, 197, 207, 209,	4846209..... 187, 189	70000300 183
4460943175	213, 233	4846278..... 199	70000301 183
4460944515	471180075, 77	4846502..... 199	70000302 183
4460956483	4712600175	4846608.....207, 209, 213	70000303 183
4460957483	4740120 151, 153, 155,	486019145, 47, 53, 55,	70000304 183
4460968 435, 437, 465,	157, 159, 161	57	70000305 183
467, 469, 471	474015615, 17	4891500..... 141	70000306 183
4461002517	4740171 139	4891600 61, 65, 190, 207,	70000307 183
4461196 493, 511	4740207 325, 337, 339	209, 213	70000308 183
4461198493	4740362 247, 249, 251,	4891800....15, 17, 85, 87,	70000309 183
4461199 495, 513	253, 255, 257	209, 213	70000310 183
4461201495	4740394333	4892000...27, 31, 35, 139,	70000311 183
4461202 487, 497, 505	4740397 151, 153, 155,	209, 213	70000312 183
4461205 489, 499, 507	157, 159, 161, 263,	4920385..... 179	70000313 183, 562
4461244487	271, 279, 287, 291, 295	4922060..... 443	70000314 183
4461245489	4740413193	4922071..... 447	70000315 183
4461246491	4750600 .. 27, 31, 35, 259,	4922073..... 421, 423	70000316 183
4461249 491, 509	263, 268, 271, 276,	4922103....27, 31, 35, 389	70000317 183
4520209 45, 47, 57	279, 284, 287, 291, 295	4922104421	70000318 183, 562
4520269 53, 55	4750800 123, 125, 127,	4922117427	70000319 183, 562
452027953	147, 259, 263, 268,	4922160..... 449	70000320 183
4565992325	271, 276, 279, 284,	4922222..... 315	70000321 183
4565994333	287, 291, 295	4922223..... 315	70000322 183
4566028359	4751000 32, 115, 119,	4922263..... 425	70000323 183
4566187374	169, 233	4922303..... 445	70000324 183
4566188374	4751400 109, 111, 113,	4922307..... 439	70000325 184
4566243 217, 219	115, 117, 119, 171,	4922319..... 163, 429	70000326 184, 562
4566427 187, 189	173, 181, 193, 209,	4922363.....217, 219, 433	70000327 184
4566432329	213, 217, 219, 245,	4922367..... 419	70000328 184
4566435337	247, 249, 251, 253,	4922390.....109, 111, 411	70000329 184, 562
4567177341	255, 257, 317, 365,	4922496.....217, 219, 431	70000330 184, 562
4567704 359, 361	367, 459, 461, 463,	4922608.....453, 457, 479	70000340 205
4567908345	465, 467, 469, 471,		70000341201, 203

SECTION 11 - SPECIAL OPTIONS

70000381.....	130	70003618.....	183	70005143.....	335	7004045.....	143
70000382.....	184	70003619.....	183	70005169.....	184	7004047.....	143
70000739.....	349, 353	70003819.....	351, 355	70006396.....	347	7004049.....	143
70000740.....	353	70003833.....	323	70006397.....	347	7004275.....	566
70000865.....	141	70003836.....	323	70006398.....	347	7004276.....	566
70000967.....	183	70003843.....	351	70006399.....	347	70050801.....	327
70001052.....	399	70003844.....	351	70006400.....	343, 347	7007640.....	39
70001121.....	183	70003845.....	351, 355	70006401.....	343, 347	7007900.....	27, 31, 35
70001144.....	183	70003846.....	355	70006402.....	347	7007912.....	27, 31
70001366.....	39	70003847.....	355	70006411.....	343	7007913.....	27, 31, 35
70001367.....	39	70003863.....	323	70006412.....	343	7007933.....	27, 31, 35
70001368.....	39, 40	70003864.....	323	70006413.....	343, 367	7007977.....	27, 31, 35
70001369.....	39	70004019.....	129	70006414.....	343	7010542.....	81
70001370.....	39	70004130.....	349	70006415.....	343	7010543.....	81, 129
70001371.....	39	70004131.....	353	70006531.....	331	7011112.....	353, 355
70001372.....	39	70004141.....	349, 353	70006532.....	331, 339	7011323.....	201, 203
70001373.....	39	70004142.....	349, 353	70006533.....	331, 339	7011376.....	325, 327, 329, 331, 333, 335, 337, 339
70001374.....	39	70004143.....	349, 353	70006535.....	331	7011716.....	27, 31, 35
70001375.....	39	70004144.....	349	70006539.....	339	7011757.....	27, 31, 35
70001376.....	39	70004145.....	349	70006542.....	339	7012518.....	81, 129
70001377.....	39	70004146.....	353	70006543.....	339	7012540.....	130
70001378.....	39	70004147.....	353	70006561.....	367	7012545.....	43
70001379.....	39	70004159.....	141	70006563.....	363	7012548.....	43
70001380.....	40	70004265.....	183	70006564.....	363, 367	7012549.....	43
70001697.....	203	70004323.....	203	70006565.....	363, 367	7012903.....	129
70001876.....	129	70004394.....	184	70006566.....	363	7012914.....	129
70001961.....	69	70004738.....	305	70006587.....	327	7012941.....	81
70001996.....	197, 562	70004739.....	305	70006588.....	327	7012947.....	129
70001998.....	197, 562	70004740.....	305	70006589.....	327	7012953.....	129, 133
70002083.....	183	70004741.....	305	70006590.....	327	7012959.....	133
70002112.....	71, 73	70004742.....	305	70006591.....	327	7012961.....	129
70002206.....	143	70004743.....	305	70006592.....	327	7012967.....	81
70002207.....	143	70004744.....	305	70006593.....	327	7012972.....	81
70002216.....	351, 355	70004745.....	305	70006594.....	335	7012975.....	129
70002217.....	351, 355	70004746.....	305	70006595.....	335	7012995.....	129
70002220.....	323	70004747.....	305	70006596.....	335	7012998.....	81, 129
70002223.....	323	70004748.....	305	70006597.....	335	7016177.....	83, 87
70002244.....	183	70004749.....	305	70006598.....	335	7016272.....	501
70002373.....	335	70004750.....	305	70006599.....	335	7016319.....	501
70002408.....	27, 31, 35	70004751.....	305	70006600.....	335	7016654.....	566
70002412.....	327	70004752.....	309	70006601.....	327	7017007.....	40
70002523.....	69	70004753.....	309	70006971.....	363, 367	7017009.....	39
70002543.....	184	70004754.....	309	70006974.....	367	7017022.....	39
70002544.....	183	70004755.....	309	70006975.....	367	7017120.....	201, 203
70002724.....	303	70004756.....	309	70006976.....	363	7017121.....	201, 203
70002725.....	303	70004757.....	309	7001630.....	357	7017122.....	201, 203
70002726.....	303	70004758.....	309	70022564.....	327, 335	7017123.....	201, 203
70002728.....	303	70004759.....	309	70023094.....	349, 353	7017126.....	201, 203
70002730.....	307	70004760.....	309	70023915.....	343, 347, 363	7017127.....	201, 203
70002731.....	307	70004761.....	309	70024262.....	353	7017153.....	201
70002732.....	307	70004762.....	309	7002821.....	566	7017165.....	205
70002733.....	307	70004763.....	309	7002822.....	566	7017167.....	205
70002734.....	307	70004764.....	309	7002823.....	566	7017168.....	205
70002735.....	307	70004765.....	309	7002826.....	566	7017169.....	205
70002736.....	303	70004766.....	309	7002828.....	566	7017172.....	201, 203, 205
70002737.....	303	70004767.....	309	7003928.....	307	7017173.....	205
70002806.....	129	70004768.....	309	7003941.....	303	7017178.....	205
70002808.....	135	70004769.....	309	7003972.....	303	7017179.....	205
7000281.....	39	70004770.....	309	7003973.....	303	7017192.....	201, 203, 205
70002902.....	313	70004771.....	309	7003980.....	303	7017196.....	201, 203
70002903.....	313	70004772.....	309	7003982.....	303	7017246.....	357
70002904.....	313	70004773.....	309	7003983.....	303	7017247.....	357
70002905.....	313	70004774.....	309	7003989.....	303	7017248.....	357
70002906.....	307	70004775.....	309	7004035.....	143	7017249.....	357
70003171.....	69	70004785.....	184	7004036.....	143	7017250.....	357
70003341.....	357	70004954.....	184	7004043.....	143	7017251.....	357
70003557.....	183	70005101.....	71, 73	7004044.....	143		

SECTION 11 - SPECIAL OPTIONS

7017252	357	7020140	19, 21, 23, 25	7022001	399	7024891	133
7017402	81, 129, 135	7020149	43	7022002	399	7026042	141
7017406	130	7020150	43	7022003	399	7026043	141
7017410	129	7020151	43	7022004	399	7026068	323
7017418	129	7020175	259, 263, 267, 271, 275, 279, 283, 287, 291, 295	7022005	399, 401	7026082	351, 355
7017421	129	7020176	259, 263, 267, 271, 275, 279, 283, 287, 291, 295	7022007	401	7026084	351, 355
7017433	81, 129	7020179	149	7022008	401	7026088	323
7017452	129, 135	7020184	43	7022009	401	7026090	323
7017466	133	7020185	43	7022010	401	7026091	323
7017488	81	7020189	43	7022011	399	7026092	323
7017496	129, 133	7021318	69	7022012	399	7027350	141
7019162	303	7021319	69	7022391	81	7027351	141
7019164	303	7021361	69	7022394	129	7027352	141
7019165	303	7021377	69	7022808	307	7027353	141
7019167	303	7021603	129	7022815	307	7027354	141
7019194	303	7021604	129	7023216	25	7027356	141
7019609	43	7021609	81, 129, 135, 562	7023217	23	7027358	141
7019698	193, 562	7021610	129, 562	7023318	143	7027359	141
7019699	193	7021611	81, 129	7024379	143	7027360	141
7020035	19, 21, 23, 25	7021616	81, 562	7024380	143	7027361	141
7020036	19, 21, 23, 25	7021618	81, 129, 562	7024381	143	7027363	141
7020037	19, 21, 23, 25	7021619	81	7024389	143	7027900	201, 203
7020038	19, 21, 23, 25	7021653	129, 135	7024390	143	7027901	201, 203
7020039	19, 21, 23, 25	7021659	81	7024444	71, 73	7028909	175
7020040	19, 21, 23, 25	7022000	399	7024445	71, 73	8220051	517
7020041	19, 21, 23, 25			7024453	143	88261024	171, 173
7020042	19, 21, 23, 25			7024738	39	88521205	83, 85, 87, 89
7020054	19, 21, 23, 25			7024741	39	88662523	61, 65, 75, 77
7020055	19, 21, 23, 25			7024832	81	88662530	171, 173, 179
7020137	19, 21, 23, 25			7024844	323, 355		



3121646



An Oshkosh Corporation Company

Corporate Office
JLG Industries, Inc.
1 JLG Drive
McConnellsburg, PA 17233-9533 USA
☎ (717) 485-5161 (Corporate)
☎ (877) 554-5438 (Customer Support)
📠 (717) 485-6417

Visit our website for JLG Worldwide Locations.
www.jlg.com