



Illustrated Parts Manual

Models
E400An/
E400AJP/
E400AJPn/
M400AJP/
M400AJPn

SN 0300208530
TO SN 0300272265

P/N
3121718

March 25, 2020 - Rev P

ANSI

CE



AS/NZS



An Oshkosh Corporation Company

REVISION LOG

NOTES:

Note: SN 0300200544 and 0300202223 also built to the same specs as machines built SN 0300208530 to SN 0300272265.

REVISION LOG:

July 6, 2015 - A - Original Issue Of Manual (Edit to B/M 1001164638 Revision N)
October 30, 2015 - B - Revised Manual (Edited to B/M 1001164638 Revision O)
January 4, 2016 - C - Revised Manual (Edited to B/M 1001164638 Revision O)
April 29, 2016 - D - Revised Manual (Edited to B/M 1001164638 Revision T)
July 21, 2016 - E - Revised Manual (Edited to B/M 1001164638 Revision U)
November 4, 2016 - F - Revised Manual (Edited to B/M 1001164638 Revision U)
January 31, 2017 - G - Revised Manual (Edited to B/M 1001164638 Revision Y)
April 28, 2017 - H - Revised Manual (Edited to B/M 1001164638 Revision AA)
July 31, 2017 - I - Revised Manual (Edited to B/M 1001164638 Revision AD)
October 31, 2017 - J - Revised Manual (Edited to B/M 1001164638 Revision AD)
January 31, 2018 - K - Revised Manual (Edited to B/M 1001164638 Revision AD)
April 26, 2018 - L - Revised Manual (Edited to B/M 1001164638 Revision AG)
July 9, 2018 - M - Revised Manual (Edited to B/M 1001164638 Revision AH)
October 10, 2018 - N - Revised Manual (Edited to B/M 1001164638 Revision AH)
January 18, 2019 - O - Revised Manual (Edited to B/M 1001164638 Revision AR) (Revision 1)
March 25, 2020 - P - Revised Manual (Edited to B/M 1001164638 Revision AR) (Revision 1)

GENERAL INFORMATION

SECTION 6 CYLINDER

FIGURE 6-3. LIFT CYLINDER ASSEMBLY

PG# Model Designation Manual #

SECTION 6 CYLINDER

FIGURE 6-3. LIFT CYLINDER ASSEMBLY

ITEM #	PART NUMBER	QTY.	DESCRIPTION	REV.
	1001140104	Ref	LIFT CYLINDER ASSEMBLY	B
1	0100011	AR	Compound, Locking	
2	0630535	3	Capacrew 1/4-20 x 1-1/8	
3	0791003	1	Screw #10-24 x 3/8	
4	0961897	1	Bushing, Tapered	
5	1320136	1	Clamp, Cable	
6	1683063	1	Head	
7	2220853	1	Plug, O-Ring	
8	2220885	2	Plug, O-Ring	
9	2220886	1	Plug, O-Ring	
10	3020039	AR	Lubricant	
11	3480282	1	Piston	
12	3760371	1	Ring, Washer	
13	3931420	8	Capacrew 1/4-20 x 1-1/4	
14	3931824	8	Capacrew 1/2-13 x 1-1/2	
15	3951003	1	Setscrew #10-24 x 3/8	
16	4100099	1	Spacer	
17	4640999	1	Cartridge, Holding Valve (Non Vented)	
17	2900792	1	Kit, Seal - 4640999 Cartridge Valve	
18	4641248	1	Cartridge, Counterbalance Valve (Non Vented)	
18	70004186	1	Kit, Seal - 4641248 Cartridge Valve	
19	100117991	1	Sensor, Cylinder Length	
20	100118070	1	Cap, Retainer	
21	100118084	1	Barrel	
21A	0961950	2	Bushing	
22	100118086	1	Rod	
22A	0961950	2	Bushing	
100	1001139996	1	Kit, Seal (Includes Items 101-109)	
101	See Note	2	Ring, Wear (Note: Use p/n 1001139996)	
102	See Note	1	Ring, Back-Up (Note: Use p/n 1001139996)	
103	See Note	2	Ring, Lock (Note: Use p/n 1001139996)	
104	See Note	2	Ring, Back-Up (Note: Use p/n 1001139996)	
105	See Note	2	O-Ring (Note: Use p/n 1001139996)	
106	See Note	1	O-Ring (Note: Use p/n 1001139996)	
107	See Note	1	Seal (Note: Use p/n 1001139996)	
108	See Note	1	Wiper, Rod (Note: Use p/n 1001139996)	
109	See Note	2	Seal (Note: Use p/n 1001139996)	
200	100119105	1	Kit, Sensor Magnet (Includes Items 201-203)	
201	See Note	1	Sleeve, Spacer (Note: Use p/n 100119105)	
202	100118066	1	Magnet, Sensor	
203	100118069	1	Spring, Internal Retaining	

Manual # Model Designation PG#

1) MACHINE IDENTIFICATION

Machines are identified by model and in some cases a combination of models, serial number (SN) or regional standard (i.e ANSI, CE, CSA). Components may also be identified by SN or manufacturer. common components that may be identified by these characteristics are engines and hydraulic components.

2) PARTS MANUAL ORGANIZATION

Product information in this manual is organized under section titles. Frame, Cylinder, Hydraulic and Electrical are a few examples. Each section is organized by figure and page number. The information within the Figure is then organized by item number, part number, description and corresponding illustration (s).

3) TABLE OF CONTENTS

A table of contents is found toward the beginning of the manual. Figure number, description and page number are provided for quick reference to the page containing the related information.

4) RECOMMENDED SPARE PARTS

The Recommended Spare Parts, located near the end of the manual, reference most frequently used maintenance parts.

5) PART NUMBER INDEX

A numerical index listing all part numbers and the corresponding page number(s) appears at the back of the manual.

GENERAL INFORMATION

6) NON-SERVICED PARTS

In some instances, it is necessary to display non-serviced parts, assemblies or installations. In the case of assemblies and installations there will be a Ref in the Qty column. In case of parts that are not available for service within assemblies or components, there will be a NSS (Not Sold Separately) or NLA (No Longer Available) listed in the Qty. column of the manual.

7) PARTS LIST ITEM NUMBERS

Numbers shown in the item# column correspond to numbers used in the associated illustration (s). Item numbers which are missing from the sequence in the parts list are not used on that page

8) INDENTED PARTS DESCRIPTION

An indented part description is included in the item under which it is indented.

9) ABBREVIATION AND SYMBOLS

AC.....	.. Alternating Current	LCD.....	Liquid Crystal Display
ADE.....	Advanced Design Electronics	LED.....	Light Emitting Diodes
ANSI.....	.. American National Standards Institute	LH.....	Left Hand
AR.....	.. As Required	LSS.....	.. Load Sensing System
ASSY.....	Assembly	M(m).....	Metric/Meter
AUX.....	Auxiliary	MM (mm).....	Millimeter
AWG.....	.. American Wire Gauge	mA.....	Miliamps
B/M.....	Bill of Material	NLA.....	.. No Longer Available
CE.....	.. European Conformity	NPT.....	National Pipe Threads
CCW.....	.. Counter Clockwise	NSS.....	.. Not Sold Separately
cm.....	Centimeter	OD.....	.. Outside Diameter
CW.....	.. Clockwise	ORB.....	O-Ring Boss
CSA.....	.. Canadian Standard Association	ORFS.....	O-Ring Face Seal
CYL.....	Cylinder	OZ (oz).....	.. Ounces
DIA.....	Diameter	PG.....	.. Page
DC.....	Direct Current	P/N.....	.. Part Number
EMS.....	Emergency Stop	qt.....	.. Quarts
ENG.....	Engine	QTY.....	.. Quantity
FT (ft).....	.. Feet	REF.....	.. Reference
GA (Ga).....	.. Gauge	REV.....	.. Revision Level
HYD.....	Hydraulic	RH.....	.. Right Hand
Hz.....	Hertz	SAE.....	.. Society of Automotive Engineers
ID.....	Inside Diameter	SN.....	.. Serial Number
in.....	inches	SPEC(S).....	.. Specifications
ISO.....	International Organization for Standards	T/T.....	.. Turntable
JIC.....	Joint Industry Council	UGM.....	.. Universal Ground Module
KG.....	.. Kilogram	V.....	.. Volts
L.....	.. Liter	W.....	.. Watts
LB.....	.. Pounds	#.....	.. Number

10) ILLUSTRATION REFERENCE LETTERS

When necessary, illustrations may contain reference letters that are intended to track information (i. e. hoses, harnesses) from one point to another or to track visual enlargement of components to show details that may be located in another area on the illustration.

Note: Due to continuous product improvements, JLG Industries, Inc. reserves the right to make specification changes without prior notification. Contact JLG Industries, Inc. for updated information.

TABLE OF CONTENTS

SECTION 1 - FRAME.....	15
FIGURE 1-1. STEERING INSTALLATION (E400AJP,M400AJP) (SN 0300208530 through 0300244775)	16
FIGURE 1-2. STEERING INSTALLATION (E400AJP,M400AJP) (SN 0300244775 through 0300272265)	18
FIGURE 1-3. STEERING INSTALLATION (E400AJPNARROW,E400ANARROW,M400AJPNARROW) (SN 0300208530 through 0300244775)	20
FIGURE 1-4. STEERING INSTALLATION (E400AJPNARROW,E400ANARROW,M400AJPNARROW) (SN 0300244775 through 0300272265)	22
FIGURE 1-5. HUB - SPINDLE ASSEMBLY - RH (E400AJP,M400AJP).....	24
FIGURE 1-6. HUB - SPINDLE ASSEMBLY - RH (E400AJPNARROW,E400ANARROW,M400AJPNARROW)	26
FIGURE 1-7. HUB - SPINDLE ASSEMBLY - LH (E400AJP,M400AJP)	28
FIGURE 1-8. HUB - SPINDLE ASSEMBLY - LH (E400AJPNARROW,E400ANARROW,M400AJPNARROW).....	30
FIGURE 1-9. DRIVE INSTALLATION (E400AJP,E400AJPNARROW,E400ANARROW)	32
FIGURE 1-10. DRIVE INSTALLATION - UL SPECS (E400AJP,E400AJPNARROW,E400ANARROW)	36
FIGURE 1-11. DRIVE INSTALLATION (M400AJP,M400AJPNARROW)	40
FIGURE 1-12. DRIVE HUB ASSEMBLY	44
FIGURE 1-13. DRIVE MOTOR ASSEMBLY	48
FIGURE 1-14. ELECTRICAL PLATE ASSEMBLY - LH.....	50
FIGURE 1-15. ELECTRICAL PLATE ASSEMBLY - LH - UL SPECS.....	52
FIGURE 1-16. ELECTRICAL PLATE ASSEMBLY - RH.....	54
FIGURE 1-17. ELECTRICAL PLATE ASSEMBLY - RH - UL SPECS	56
FIGURE 1-18. TIRE/WHEEL - IN240/55-17.5 PNEUMATIC	58
FIGURE 1-19. TIRE/WHEEL - IN240/55-17.5 PNEUMATIC NON MARKING.....	60
FIGURE 1-20. TIRE/WHEEL - IN240/55-17.5 PNEUMATIC WITH TIRE SEALANT.....	62
FIGURE 1-21. TIRE/WHEEL - IN240/55 - 17.5 FOAM FILLED	64
FIGURE 1-22. TIRE/WHEEL - IN240/55-17.5 FOAM FILLED NON MARKING	66
FIGURE 1-23. TIRE/WHEEL - 26 X 7 X 20 - SOLID NON MARKING.....	68
FIGURE 1-24. TIRE/WHEEL - SOLID NON-MARKING (E400AJPNARROW,E400ANARROW,M400AJPNARROW)	70
FIGURE 1-25. MOTOR/PUMP/TANK INSTALLATION - NON-UL SPECS (E400AJP,E400AJPNARROW,E400ANARROW)	72
FIGURE 1-26. MOTOR/PUMP/TANK INSTALLATION - UL SPECS (E400AJP,E400AJPNARROW,E400ANARROW)	74
FIGURE 1-27. MOTOR/PUMP/TANK INSTALLATION (M400AJP)	76
FIGURE 1-28. MOTOR/PUMP/TANK INSTALLATION (M400AJPNARROW)	78
FIGURE 1-29. MOTOR/PUMP ASSEMBLY	80
FIGURE 1-30. HYDRAULIC TANK ASSEMBLY (E400AJP,E400AJPNARROW,E400ANARROW)	82
FIGURE 1-31. HYDRAULIC TANK ASSEMBLY (M400AJP,M400AJPNARROW).....	84
FIGURE 1-32. VALVE INSTALLATION - FRAME MOUNTED (E400ANARROW).....	86
FIGURE 1-33. VALVE INSTALLATION - FRAME MOUNTED (E400AJP,E400AJPNARROW) (SN 0300208530 through 0300233432)	88
FIGURE 1-34. VALVE INSTALLATION - FRAME MOUNTED (E400AJP,E400AJPNARROW) (SN 0300233433 through 0300272265)	90
FIGURE 1-35. VALVE INSTALLATION - FRAME MOUNTED (M400AJP,M400AJPNARROW) (SN 0300208530 through 0300233432)	92
FIGURE 1-36. VALVE INSTALLATION - FRAME MOUNTED (M400AJP,M400AJPNARROW) (SN 0300233433 through 0300272265)	94
FIGURE 1-37. BRAKE/STEER VALVE ASSEMBLY	96
FIGURE 1-38. BATTERY BOX INSTALLATION - STANDARD (ALL SPECS EXCEPT AUSTRALIAN & CE SPECS).....	98
FIGURE 1-39. BATTERY BOX INSTALLATION - STANDARD (AUSTRALIAN & CE SPECS)	100

TABLE OF CONTENTS

FIGURE 1-40. BATTERY BOX INSTALLATION - AGM BATTERIES (ALL SPECS EXCEPT AUSTRALIAN & CE SPECS)	102
FIGURE 1-41. BATTERY BOX INSTALLATION - AGM BATTERIES (AUSTRALIAN & CE SPECS).....	104
FIGURE 1-42. BATTERY CHARGER INSTALLATION (ALL SPECS EXCEPT AUSTRALIAN & CE SPECS) (E400AJP,E400AJPNARROW,E400ANARROW).....	106
FIGURE 1-43. BATTERY CHARGER INSTALLATION (AUSTRALIAN SPEC) (E400AJP,E400AJPNARROW)	108
FIGURE 1-44. BATTERY CHARGER INSTALLATION (CE SPECS) (E400AJP,E400AJPNARROW,E400ANARROW)	110
FIGURE 1-45. BATTERY CHARGER INSTALLATION (ALL SPECS EXCEPT AUSTRALIAN & CE SPECS) (M400AJP,M400AJPNARROW)	112
FIGURE 1-46. BATTERY CHARGER INSTALLATION (AUSTRALIAN SPEC) (M400AJP,M400AJPNARROW).....	114
FIGURE 1-47. BATTERY CHARGER INSTALLATION (CE SPECS) (M400AJP,M400AJPNARROW)	116
FIGURE 1-48. BATTERY CHARGER ASSEMBLY	118
FIGURE 1-49. INVERTER INSTALLATION (E400AJP,M400AJP)	120
FIGURE 1-50. INVERTER INSTALLATION (E400AJPNARROW,E400ANARROW,M400AJPNARROW).....	122
FIGURE 1-51. FRAME COVER INSTALLATION (E400AJP).....	124
FIGURE 1-52. FRAME COVER INSTALLATION (M400AJP)	126
FIGURE 1-53. FRAME COVER INSTALLATION (E400AJPNARROW,E400ANARROW)	128
FIGURE 1-54. FRAME COVER INSTALLATION (M400AJPNARROW).....	130
SECTION 2 - TURNTABLE	133
FIGURE 2-1. VALVE INSTALLATION- TURNTABLE MOUNTED (E400ANARROW).....	134
FIGURE 2-2. VALVE INSTALLATION - TURNTABLE MOUNTED (E400AJP,E400AJPNARROW) (SN 0300208530 through 0300233432)	136
FIGURE 2-3. VALVE INSTALLATION - TURNTABLE MOUNTED (E400AJP,E400AJPNARROW) (SN 0300233433 through 0300272265)	138
FIGURE 2-4. VALVE INSTALLATION - TURNTABLE MOUNTED (M400AJP,M400AJPNARROW) (SN 0300208530 through 0300233432)	140
FIGURE 2-5. VALVE INSTALLATION - TURNTABLE MOUNTED (M400AJP,M400AJPNARROW) (SN 0300233433 through 0300272265)	142
FIGURE 2-6. MAIN CONTROL VALVE ASSEMBLY	144
FIGURE 2-7. RELEVELING VALVE ASSEMBLY	146
FIGURE 2-8. JIB VALVE ASSEMBLY (SN 0300208530 through 0300233432)	148
FIGURE 2-9. JIB VALVE ASSEMBLY (SN 0300233433 through 0300272265)	150
FIGURE 2-10. MOTION ALARM INSTALLATION	152
FIGURE 2-11. TURNTABLE BEARING AND SWING DRIVE INSTALLATION	154
FIGURE 2-12. SWING MOTOR ASSEMBLY	156
FIGURE 2-13. SWING BEARING ASSEMBLY	158
FIGURE 2-14. REMOTE BEARING LUBE INSTALLATION - OPTIONAL	160
FIGURE 2-15. DRIVE ORIENTATION INSTALLATION.....	162
FIGURE 2-16. FUEL TANK AND BATTERY INSTALLATION (M400AJP,M400AJPNARROW)	164
FIGURE 2-17. GROUND CONTROL BOX INSTALLATION (ALL SPECS EXCEPT CE AND AUSTRALIAN SPECS) (E400ANARROW).....	166
FIGURE 2-18. GROUND CONTROL BOX INSTALLATION (CE SPEC) (E400ANARROW)	168
FIGURE 2-19. GROUND CONTROL BOX INSTALLATION (ALL SPECS EXCEPT CE SPEC) (E400AJP,E400AJPNARROW,M400AJP,M400AJPNARROW)	170
FIGURE 2-20. GROUND CONTROL BOX INSTALLATION (CE SPEC) (E400AJP,E400AJPNARROW,M400AJP,M400AJPNARROW)	172
FIGURE 2-21. GROUND CONTROL BOX ELECTRICAL ASSEMBLY (ALL SPECS EXCEPT CE AND AUSTRALIAN SPECS) (E400ANARROW).....	174
FIGURE 2-22. GROUND CONTROL BOX ELECTRICAL ASSEMBLY (CE SPEC) (E400ANARROW)	176

TABLE OF CONTENTS

FIGURE 2-23. GROUND CONTROL BOX ELECTRICAL ASSEMBLY (ALL SPECS EXCEPT CE SPEC) (E400AJP,E400AJPNARROW,M400AJP,M400AJPNARROW)	178
FIGURE 2-24. GROUND CONTROL BOX ELECTRICAL ASSEMBLY (CE SPEC) (E400AJP,E400AJPNARROW,M400AJP,M400AJPNARROW)	180
FIGURE 2-25. MOTOR CONTROLS INSTALLATION (M400AJP,M400AJPNARROW)	182
FIGURE 2-26. STROBE LIGHT INSTALLATION - AMBER (OPTIONAL)	184
FIGURE 2-27. STROBE LIGHT ASSEMBLY - AMBER.....	186
FIGURE 2-28. BEACON LIGHT INSTALLATION - BLUE (SN 0300208530 through 0300217464)	188
FIGURE 2-29. BEACON LIGHT INSTALLATION – BLUE (SN 0300217465 through 0300256446)	190
FIGURE 2-30. BEACON LIGHT INSTALLATION - BLUE (SN 0300256447 through 0300272265)	192
FIGURE 2-31. BEACON LIGHT INSTALLATION – RED (SN 0300208530 through 0300217164)	194
FIGURE 2-32. BEACON LIGHT INSTALLATION – RED (SN 0300214165 through 0300256446)	196
FIGURE 2-33. BEACON LIGHT INSTALLATION - RED (SN 0300256447 through 0300272265).....	198
FIGURE 2-34. HOOD INSTALLATION (E400AJP,E400AJPNARROW,E400ANARROW)	200
FIGURE 2-35. HOOD INSTALLATION (M400AJP,M400AJPNARROW)	202
SECTION 3 - ENGINE	205
FIGURE 3-1. KUBOTA MOTOR/GENERATOR INSTALLATION (M400AJP,M400AJPNARROW)	206
FIGURE 3-2. KUBOTA MOTOR/GENERATOR ASSEMBLY (M400AJP,M400AJPNARROW) (SN 0300208530 to Present)	208
FIGURE 3-3. KUBOTA MOTOR/GENERATOR ASSEMBLY (M400AJP,M400AJPNARROW) (SN 0300256447 through 0300272265)	210
FIGURE 3-4. KUBOTA MOTOR/GENERATOR COMPONENTS (SN 0300208530 through 0300256446).....	212
FIGURE 3-5. KUBOTA MOTOR/GENERATOR COMPONENTS (SN 0300256447 through 0300272265).....	216
SECTION 4 - BOOM	219
FIGURE 4-1. BOOM AND CYLINDERS INSTALLATION (E400ANARROW)	220
FIGURE 4-2. BOOM AND CYLINDERS INSTALLATION (E400AJP,E400AJPNARROW,M400AJP,M400AJPNARROW)	222
FIGURE 4-3. MAIN BOOM ASSEMBLY (E400ANARROW)	226
FIGURE 4-4. MAIN BOOM ASSEMBLY (E400AJP,E400AJPNARROW,M400AJP,M400AJPNARROW)	230
FIGURE 4-5. JIB INSTALLATION	234
FIGURE 4-6. ROTATOR ASSEMBLY (E400ANARROW).....	236
FIGURE 4-7. ROTATOR ASSEMBLY - PLATFORM SUPPORT TO JIB (E400AJP,E400AJPNARROW,M400AJP,M400AJPNARROW)	238
FIGURE 4-8. ROTATOR ASSEMBLY - MAIN BOOM TO JIB (E400AJP,E400AJPNARROW,M400AJP,M400AJPNARROW) ..	240
FIGURE 4-9. PLATFORM SUPPORT INSTALLATION - WITHOUT LSS	242
FIGURE 4-10. PLATFORM SUPPORT INSTALLATION - WITH 4 CELL LSS.....	244
FIGURE 4-11. PLATFORM SUPPORT INSTALLATION - WITH 1 CELL LSS	246
FIGURE 4-12. CABLES AND CLAMPS INSTALLATION (E400ANARROW).....	250
FIGURE 4-13. CABLES AND CLAMPS INSTALLATION (E400AJP,E400AJPNARROW,M400AJP,M400AJPNARROW).....	252
FIGURE 4-14. BOOM LIMIT SWITCHES INSTALLATION.....	254
SECTION 5 - PLATFORM.....	257
FIGURE 5-1. PLATFORM ASSEMBLY - 4FT/1.22M - SIDE GATE ENTRY	258
FIGURE 5-2. PLATFORM ASSEMBLY - 5FT/1.52M - SIDE GATE ENTRY	260
FIGURE 5-3. PLATFORM ASSEMBLY - 5FT/1.52M - SIDE GATE ENTRY - W/STOP AND WITHOUT LSS OR WITH 4 CELL LSS.....	262
FIGURE 5-4. PLATFORM ASSEMBLY - 5FT/1.52M - SIDE GATE ENTRY - W/STOP AND 1 CELL LSS	264
FIGURE 5-5. PLATFORM ASSEMBLY - 4FT/1.22M - DROP BAR ENTRY	266

TABLE OF CONTENTS

FIGURE 5-6. PLATFORM ASSEMBLY - 5FT/1.52M - DROP BAR ENTRY	268
FIGURE 5-7. PLATFORM ASSEMBLY - 5FT/1.52M - DROP BAR ENTRY	270
FIGURE 5-8. PLATFORM CONSOLE AND FOOTSWITCH INSTALLATION - WITHOUT LSS OR WITH 4 CELL LSS - WITHOUT SKYGUARD (E400ANARROW).....	272
FIGURE 5-9. PLATFORM CONSOLE AND FOOTSWITCH INSTALLATION - WITHOUT LSS OR WITH 4 CELL LSS - WITH SKYGUARD - UL SPECS (E400ANARROW) (SN 0300208530 through 0300256446).....	274
FIGURE 5-10. PLATFORM CONSOLE AND FOOTSWITCH INSTALLATION - WITHOUT LSS OR WITH 4 CELL LSS - UL SPECS (E400ANARROW) (SN 0300256447 through 0300272265)	276
FIGURE 5-11. PLATFORM CONSOLE AND FOOTSWITCH INSTALLATION - WITHOUT LSS OR WITH 4 CELL LSS - WITH SKYGUARD (E400ANARROW) (SN 0300208530 through 0300240700).....	278
FIGURE 5-12. PLATFORM CONSOLE AND FOOTSWITCH INSTALLATION - WITHOUT LSS OR WITH 4 CELL LSS - WITHOUT SKYGUARD (E400AJP,E400AJPNARROW,M400AJP,M400AJPNARROW).....	280
FIGURE 5-13. PLATFORM CONSOLE AND FOOTSWITCH INSTALLATION - WITHOUT LSS OR WITH 4 CELL LSS - WITH SKYGUARD - UL SPECS (E400AJP,E400AJPNARROW) (SN 0300208530 through 0300256446).....	282
FIGURE 5-14. PLATFORM CONSOLE AND FOOTSWITCH INSTALLATION - WITHOUT LSS OR WITH 1 CELL LSS - UL SPECS (E400AJP,E400AJPNARROW) (SN 0300256447 through 0300272265)	284
FIGURE 5-15. PLATFORM CONSOLE AND FOOTSWITCH INSTALLATION - WITHOUT LSS OR WITH 4 CELL LSS - WITH SKYGUARD (E400AJP,E400AJPNARROW,M400AJP,M400AJPNARROW) (SN 0300208530 through 0300240700)	286
FIGURE 5-16. PLATFORM CONSOLE AND FOOTSWITCH INSTALLATION - WITH SKYGUARD AND 1 CELL LSS (E400AJP,E400AJPNARROW,M400AJP,M400AJPNARROW) (SN 0300240700 through 0300256446)	288
FIGURE 5-17. PLATFORM CONSOLE AND FOOTSWITCH INSTALLATION - WITH 1 CELL LSS (E400AJP,E400AJPNARROW,M400AJP,M400AJPNARROW) (SN 0300256447 through 0300272265)	290
FIGURE 5-18. PLATFORM CONSOLE AND FOOTSWITCH INSTALLATION - WITH SKYGUARD AND 1 CELL LSS (E400ANARROW) (SN 0300208530 through 0300256446).....	292
FIGURE 5-19. PLATFORM CONSOLE AND FOOTSWITCH INSTALLATION - WITH 1 CELL LSS (E400ANARROW) (SN 0300256447 through 0300272265)	294
FIGURE 5-20. PLATFORM CONSOLE ASSEMBLY - WITHOUT LSS OR WITH 4 CELL LSS - WITHOUT SKYGUARD (E400ANARROW) (SN 0300208530 through 0300219911).....	296
FIGURE 5-21. PLATFORM CONSOLE ASSEMBLY - WITHOUT LSS OR WITH 4 CELL LSS - WITHOUT SKYGUARD (E400ANARROW) (SN 0300219912 through 0300272265).....	300
FIGURE 5-22. PLATFORM CONSOLE ASSEMBLY - WITHOUT LSS OR WITH 4 CELL LSS - WITH SKYGUARD (E400ANARROW) (SN 0300208530 through 0300219911).....	304
FIGURE 5-23. PLATFORM CONSOLE ASSEMBLY - WITHOUT LSS OR WITH 4 CELL LSS - WITH SKYGUARD (E400ANARROW) (SN 0300219912 through 0300240700).....	308
FIGURE 5-24. PLATFORM CONSOLE ASSEMBLY - WITHOUT LSS OR WITH 4 CELL LSS - WITH SKYGUARD - UL SPECS (E400ANARROW) (SN 0300208530 through 0300256446).....	312
FIGURE 5-25. PLATFORM CONSOLE ASSEMBLY - WITHOUT LSS OR WITH 1 CELL LSS - UL SPECS (E400ANARROW) (SN 0300256447 through 0300272265)	316
FIGURE 5-26. PLATFORM CONSOLE ASSEMBLY - WITHOUT LSS OR WITH 4 CELL LSS - WITHOUT SKYGUARD (E400AJP,E400AJPNARROW,M400AJP,M400AJPNARROW) (SN 0300208530 through 0300219911)	320
FIGURE 5-27. PLATFORM CONSOLE ASSEMBLY - WITHOUT LSS OR WITH 4 CELL LSS - WITHOUT SKYGUARD (E400AJP,E400AJPNARROW,M400AJP,M400AJPNARROW) (SN 0300219912 through 0300272265)	324
FIGURE 5-28. PLATFORM CONSOLE ASSEMBLY - WITHOUT LSS OR WITH 4 CELL LSS - WITH SKYGUARD - UL SPECS (E400AJP,E400AJPNARROW) (SN 0300208530 through 0300256446).....	328
FIGURE 5-29. PLATFORM CONSOLE ASSEMBLY - WITHOUT LSS OR WITH 1 CELL LSS - UL SPECS (E400AJP,E400AJPNARROW) (SN 0300256447 through 0300272265).....	332
FIGURE 5-30. PLATFORM CONSOLE ASSEMBLY - WITHOUT LSS OR WITH 4 CELL LSS - WITH SKYGUARD (E400AJP,E400AJPNARROW,M400AJP,M400AJPNARROW) (SN 0300208530 through 0300219911)	336
FIGURE 5-31. PLATFORM CONSOLE ASSEMBLY - WITHOUT LSS OR WITH 4 CELL LSS - WITH SKYGUARD (E400AJP,E400AJPNARROW,M400AJP,M400AJPNARROW) (SN 0300219912 through 0300240700)	340
FIGURE 5-32. PLATFORM CONSOLE ASSEMBLY - WITH SKYGUARD AND 1 CELL LSS (E400AJP,E400AJPNARROW,M400AJP,M400AJPNARROW) (SN 0300208530 through 0300256446)	344
FIGURE 5-33. PLATFORM CONSOLE ASSEMBLY - WITH 1 CELL LSS (E400AJP,E400AJPNARROW,M400AJP,M400AJPNARROW) (SN 0300256447 through 0300272265)	348

TABLE OF CONTENTS

FIGURE 5-34. PLATFORM CONSOLE ASSEMBLY - WITH SKYGUARD AND 1 CELL LSS (E400ANARROW) (SN 0300208530 through 0300256446)	352
FIGURE 5-35. PLATFORM CONSOLE ASSEMBLY - WITH 1 CELL LSS (E400ANARROW) (SN 0300256447 through 0300272265)	356
FIGURE 5-36. CONTROLLER ASSEMBLY - DRIVE AND STEER	360
FIGURE 5-37. CONTROLLER ASSEMBLY - LIFT AND SWING	362
FIGURE 5-38. FOOTSWITCH ASSEMBLY	366
FIGURE 5-39. MOTOR CONTROLS INSTALLATION (M400AJP,M400AJPNARROW)	368
FIGURE 5-40. TRAY ASSEMBLY	370
FIGURE 5-41. SEALED ENCLOSURES - UL SPECS	372
FIGURE 5-42. SKYEYE INSTALLATION	374
FIGURE 5-43. SKYGUARD SYSTEM INSTALLATION (SN 0300208530 through 0300256446)	376
FIGURE 5-44. SKYGUARD BAR INSTALLATION (SN 0300256447 through 0300272265)	378
FIGURE 5-45. SKYLINE INSTALLATION	380
FIGURE 5-46. CROSS RAIL INSTALLATION	382
FIGURE 5-47. PIPE RACK INSTALLATION	384
SECTION 6 - CYLINDER	387
FIGURE 6-1. LEVEL (PLATFORM SLAVE) CYLINDER ASSEMBLY (E400ANARROW)	388
FIGURE 6-2. LEVEL (PLATFORM SLAVE) CYLINDER ASSEMBLY (E400AJP,E400AJPNARROW,M400AJP,M400AJPNARROW)	390
FIGURE 6-3. LIFT CYLINDER ASSEMBLY - JIB (E400AJP,E400AJPNARROW,M400AJP,M400AJPNARROW)	392
FIGURE 6-4. LIFT CYLINDER ASSEMBLY - LOWER (E400ANARROW) (SN 0300208530 through 0300239739)	394
FIGURE 6-5. LIFT CYLINDER ASSEMBLY - LOWER (E400ANARROW) (SN 0300239740 through 0300272265)	396
FIGURE 6-6. LIFT CYLINDER ASSEMBLY - LOWER (E400AJP,E400AJPNARROW,M400AJP,M400AJPNARROW) (SN 0300208530 through 0300239237)	398
FIGURE 6-7. CYLINDER ASSEMBLY - LOWER (E400AJP,E400AJPNARROW,M400AJP,M400AJPNARROW) (SN 0300239237 through 0300272265)	400
FIGURE 6-8. LIFT CYLINDER ASSEMBLY - MID (E400ANARROW) (SN 0300208530 through 0300239739)	402
FIGURE 6-9. LIFT CYLINDER ASSEMBLY - MID (E400ANARROW) (SN 0300239740 through 0300272265)	404
FIGURE 6-10. LIFT CYLINDER ASSEMBLY - MID (E400AJP,E400AJPNARROW,M400AJP,M400AJPNARROW) (SN 0300208530 through 0300239237)	406
FIGURE 6-11. LIFT CYLINDER ASSEMBLY - MID (E400AJP,E400AJPNARROW,M400AJP,M400AJPNARROW) (SN 0300239237 through 0300272265)	408
FIGURE 6-12. LIFT CYLINDER - UPPER (E400ANARROW) (SN 0300208530 through 0300239739)	410
FIGURE 6-13. LIFT CYLINDER - UPPER (E400ANARROW) (SN 0300239740 through 0300272265)	412
FIGURE 6-14. LIFT CYLINDER - UPPER (E400AJP,E400AJPNARROW,M400AJP,M400AJPNARROW) (SN 0300208530 through 0300239739)	414
FIGURE 6-15. LIFT CYLINDER - UPPER (E400AJP,E400AJPNARROW,M400AJP,M400AJPNARROW) (SN 0300239740 through 0300272265)	416
FIGURE 6-16. MASTER CYLINDER ASSEMBLY (E400ANARROW)	418
FIGURE 6-17. MASTER CYLINDER ASSEMBLY (E400AJP,E400AJPNARROW,M400AJP,M400AJPNARROW)	420
FIGURE 6-18. STEER CYLINDER ASSEMBLY	422
FIGURE 6-19. TELESCOPE CYLINDER ASSEMBLY (E400ANARROW) (SN 0300208530 through 0300244775)	424
FIGURE 6-20. TELESCOPE CYLINDER ASSEMBLY (E400ANARROW) (SN 0300244775 through 0300272265)	426
FIGURE 6-21. TELESCOPE CYLINDER ASSEMBLY (E400AJP,E400AJPNARROW,M400AJP,M400AJPNARROW) (SN 0300208530 through 0300244120)	428
FIGURE 6-22. TELESCOPE CYLINDER ASSEMBLY (E400AJP,E400AJPNARROW,M400AJP,M400AJPNARROW) (SN 0300244120 through 0300272265)	430

TABLE OF CONTENTS

FIGURE 6-23. COUNTERBALANCE VALVE ASSEMBLY	432
SECTION 7 - HYDRAULIC	435
FIGURE 7-1. HYDRAULIC DIAGRAM (E400ANARROW)	436
FIGURE 7-2. HYDRAULIC DIAGRAM (E400AJP,E400AJPNARROW) (SN 0300208530 through 0300233432).....	440
FIGURE 7-3. HYDRAULIC DIAGRAM (E400AJP,E400AJPNARROW) (SN 0300233433 through 0300272265).....	444
FIGURE 7-4. HYDRAULIC DIAGRAM (M400AJP,M400AJPNARROW) (SN 0300208530 through 0300233432)	448
FIGURE 7-5. HYDRAULIC DIAGRAM (M400AJP,M400AJPNARROW) (SN 0300233433 through 0300272265)	452
FIGURE 7-6. HYDRAULIC DIAGRAM LIST.....	456
SECTION 8 - ELECTRICAL.....	457
FIGURE 8-1. ELECTRICAL DIAGRAM LIST	458
FIGURE 8-2. AC PLUGS AND SOCKETS INSTALLATION - AFSINT 107-2-01 KEYED GROUND - 2 X 4 BOX (CE SPEC)	460
FIGURE 8-3. AC PLUGS AND SOCKETS INSTALLATION - CEE7 POST GROUND (CE SPEC)	462
FIGURE 8-4. AC PLUGS AND SOCKETS INSTALLATION - CEE 7 SIDE GROUND (CE SPEC).....	464
FIGURE 8-5. AC PLUGS AND SOCKETS INSTALLATION - CEE7 POST GROUND - 2 X 4 BOX (CE SPEC)	466
FIGURE 8-6. AC PLUGS AND SOCKETS INSTALLATION - CEE7 SIDE GROUND - 2 X 4 BOX (CE SPEC).....	468
FIGURE 8-7. AC PLUGS AND SOCKETS INSTALLATION - IEC 60309 BLUE (CE SPEC)	470
FIGURE 8-8. AC PLUGS AND SOCKETS INSTALLATION - IEC 60309 YELLOW (CE SPEC)	472
FIGURE 8-9. BATTERY CABLE KIT (E400AJP,E400AJPNARROW,E400ANARROW)	474
FIGURE 8-10. BATTERY CABLE KIT - UL SPECS (E400AJP,E400AJPNARROW,E400ANARROW).....	476
FIGURE 8-11. BATTERY CABLE KIT (M400AJP,M400AJPNARROW)	478
FIGURE 8-12. BOOM CABLE - LOWER.....	480
FIGURE 8-13. BOOM CABLE - UPPER	482
FIGURE 8-14. BOOM LIMIT SWITCH HARNESS - LOWER.....	484
FIGURE 8-15. BOOM LIMIT SWITCH HARNESS - UPPER.....	486
FIGURE 8-16. BREAKER BOX INSTALLATION - DOUBLE BREAKER BOXES	488
FIGURE 8-17. BREAKER BOX KIT WITH ONE BREAKERS - CE SPEC	490
FIGURE 8-18. BREAKER BOX KIT WITH TWO BREAKERS - CE SPEC.....	492
FIGURE 8-19. CHARGER CORD PLUG INSTALLATION - 110V - IEC 60309 - YELLOW (CE SPEC)	494
FIGURE 8-20. CHARGER CORD PLUG INSTALLATION - 220V - AFSINT 107 KEYED GROUND (CE SPEC).....	496
FIGURE 8-21. CHARGER CORD PLUG INSTALLATION - 220V - CEE7 POST GROUND (CE SPEC)	498
FIGURE 8-22. CHARGER CORD PLUG INSTALLATION - 220V - CEE7 SIDE GROUND (CE SPEC).....	500
FIGURE 8-23. CHARGER CORD PLUG INSTALLATION - 220V - IEC 60309 - BLUE (CE SPEC).....	502
FIGURE 8-24. CHASSIS TO TURNTABLE HARNESS	504
FIGURE 8-25. GENERATOR HARNESS.....	506
FIGURE 8-26. GROUND CONTROL PANEL HARNESS	508
FIGURE 8-27. INVERTER HARNESS	510
FIGURE 8-28. INVERTER IGNITION HARNESS	512
FIGURE 8-29. LOWER BOOM 110V HARNESS ASSEMBLY.....	514
FIGURE 8-30. LOWER BOOM 220V HARNESS ASSEMBLY - CE SPEC.....	516
FIGURE 8-31. LOWER BOOM 220V HARNESS ASSEMBLY - CE SPEC.....	518
FIGURE 8-32. LSS SYSTEM HARNESS.....	520
FIGURE 8-33. PLATFORM CONSOLE HARNESS - WITHOUT LSS OR WITH 4 CELL LSS.....	522
FIGURE 8-34. PLATFORM CONSOLE HARNESS - WITH 1 CELL LSS	524
FIGURE 8-35. PLUG AND RECEPTACLE INSTALLATION - 110V.....	526

TABLE OF CONTENTS

FIGURE 8-36. PLUG AND RECEPTACLE INSTALLATION - 220V	528
FIGURE 8-37. PLUG AND RECEPTACLE INSTALLATION - SUPPLIED LOCALLY.....	530
FIGURE 8-38. PLUG AND RECEPTACLE 110V INSTALLATION - IEC 60309 - YELLOW (CE SPEC).....	532
FIGURE 8-39. PLUG AND RECEPTACLE 220V INSTALLATION - AFSINT 107 KEYED GROUND - 2 X 4 BOX (CE SPEC) ...	534
FIGURE 8-40. PLUG AND RECEPTACLE 220V INSTALLATION - CEE7 POST GROUND - 2 X 4 BOX (CE SPEC).....	536
FIGURE 8-41. PLUG AND RECEPTACLE 220VINSTALLATION - CEE7 POST GROUND - 70MM X 70MM BOX (CE SPEC) .	538
FIGURE 8-42. PLUG AND RECEPTACLE 220 INSTALLATION - CEE7 SIDE GROUND - 2 X 4 BOX (CE SPEC).....	540
FIGURE 8-43. PLUG AND RECEPTACLE 220VINSTALLATION - CEE7 SIDE GROUND - 70MM X 70MM BOX (CE SPEC) ..	542
FIGURE 8-44. PLUG AND RECEPTACLE 220VINSTALLATION - IEC 60309 - BLUE (CE SPEC).....	544
FIGURE 8-45. SKYEYE INTERMEDIATE HARNESS.....	546
FIGURE 8-46. SKYEYE RECEIVER HARNESS	548
FIGURE 8-47. SKYEYE EMITTER HARNESS.....	550
FIGURE 8-48. SKYGUARD HARNESS - WITHOUT LSS OR WITH 4 CELL LSS.....	552
FIGURE 8-49. SKYGUARD HARNESS - WITH 1 CELL LSS.....	554
FIGURE 8-50. SKYLINE HARNESS.....	556
FIGURE 8-51. STEER/BRAKE HARNESS.....	558
FIGURE 8-52. TRACTION HARNESS	560
FIGURE 8-53. TURNTABLE HARNESS	564
FIGURE 8-54. UPPER BOOM 110V HARNESS ASSEMBLY.....	568
FIGURE 8-55. UPPER BOOM 220V HARNESS ASSEMBLY - CE SPEC.....	570
FIGURE 8-56. VALVE HARNESS	572
SECTION 9 - DECALS.....	575
FIGURE 9-1. DECAL INSTALLATION - ANSI SPEC (E400AJP,E400AJPNARROW,E400ANARROW).....	576
FIGURE 9-2. DECAL INSTALLATION - ANSI SPEC (M400AJP,M400AJPNARROW).....	578
FIGURE 9-3. DECAL INSTALLATION - AUSTRALIAN SPEC (E400AJP,E400AJPNARROW,E400ANARROW).....	582
FIGURE 9-4. DECAL INSTALLATION - AUSTRALIAN SPEC (M400AJP,M400AJPNARROW).....	584
FIGURE 9-5. DECAL INSTALLATION - CE SPEC (E400AJP,E400AJPNARROW,E400ANARROW).....	586
FIGURE 9-6. DECAL INSTALLATION - CE SPEC (M400AJP,M400AJPNARROW).....	588
FIGURE 9-7. DECAL INSTALLATION - CHINESE/ENGLISH (E400AJP,E400AJPNARROW,E400ANARROW).....	590
FIGURE 9-8. DECAL INSTALLATION - CHINESE/ENGLISH (M400AJP,M400AJPNARROW).....	592
FIGURE 9-9. DECAL INSTALLATION - FRENCH/ENGLISH SPECS (E400AJP,E400AJPNARROW,E400ANARROW).....	594
FIGURE 9-10. DECAL INSTALLATION - FRENCH/ENGLISH SPECS (M400AJP,M400AJPNARROW).....	596
FIGURE 9-11. DECAL INSTALLATION - JAPANESE SPEC (E400AJP,E400AJPNARROW,E400ANARROW).....	598
FIGURE 9-12. DECAL INSTALLATION - JAPANESE SPEC (M400AJP,M400AJPNARROW).....	600
FIGURE 9-13. DECAL INSTALLATION - KOREAN SPEC (E400AJP,E400AJPNARROW,E400ANARROW).....	602
FIGURE 9-14. DECAL INSTALLATION - KOREAN SPEC (M400AJP,M400AJPNARROW).....	604
FIGURE 9-15. DECAL INSTALLATION - SPANISH/ENGLISH SPECS (E400AJP,E400AJPNARROW,E400ANARROW).....	606
FIGURE 9-16. DECAL INSTALLATION - SPANISH/ENGLISH SPECS (M400AJP,M400AJPNARROW).....	608
FIGURE 9-17. DECAL INSTALLATION - SPANISH/PORTUGUESE SPECS (E400AJP,E400AJPNARROW,E400ANARROW).....	610
FIGURE 9-18. DECAL INSTALLATION - SPANISH/PORTUGUESE SPECS (M400AJP,M400AJPNARROW).....	612
FIGURE 9-19. DECAL INSTALLATION - OPTIONS.....	614
SECTION 10 - RECOMMENDED SERVICE PARTS STOCK	617
FIGURE 10-1. RECOMMENDED SERVICE PARTS STOCK.....	618
SECTION 11 - SPECIAL OPTIONS.....	621

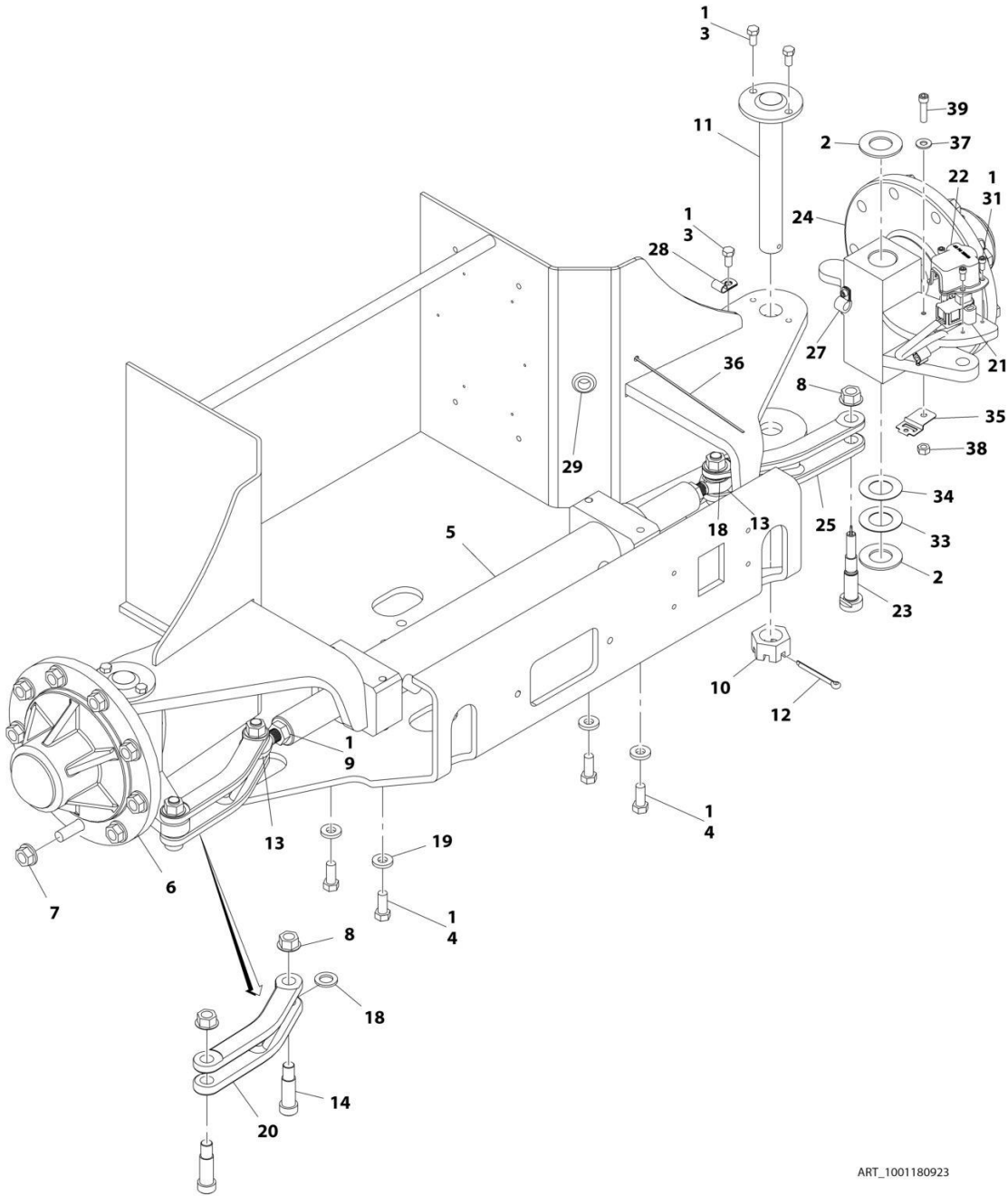
TABLE OF CONTENTS

FIGURE 11-1. SPECIAL OPTIONS	622
PART NUMBER INDEX.....	625

SECTION 1 - FRAME

SECTION 1 - FRAME

FIGURE 1-1. STEERING INSTALLATION (E400AJP,M400AJP) (SN 0300208530 through 0300244775)



ART_1001180923

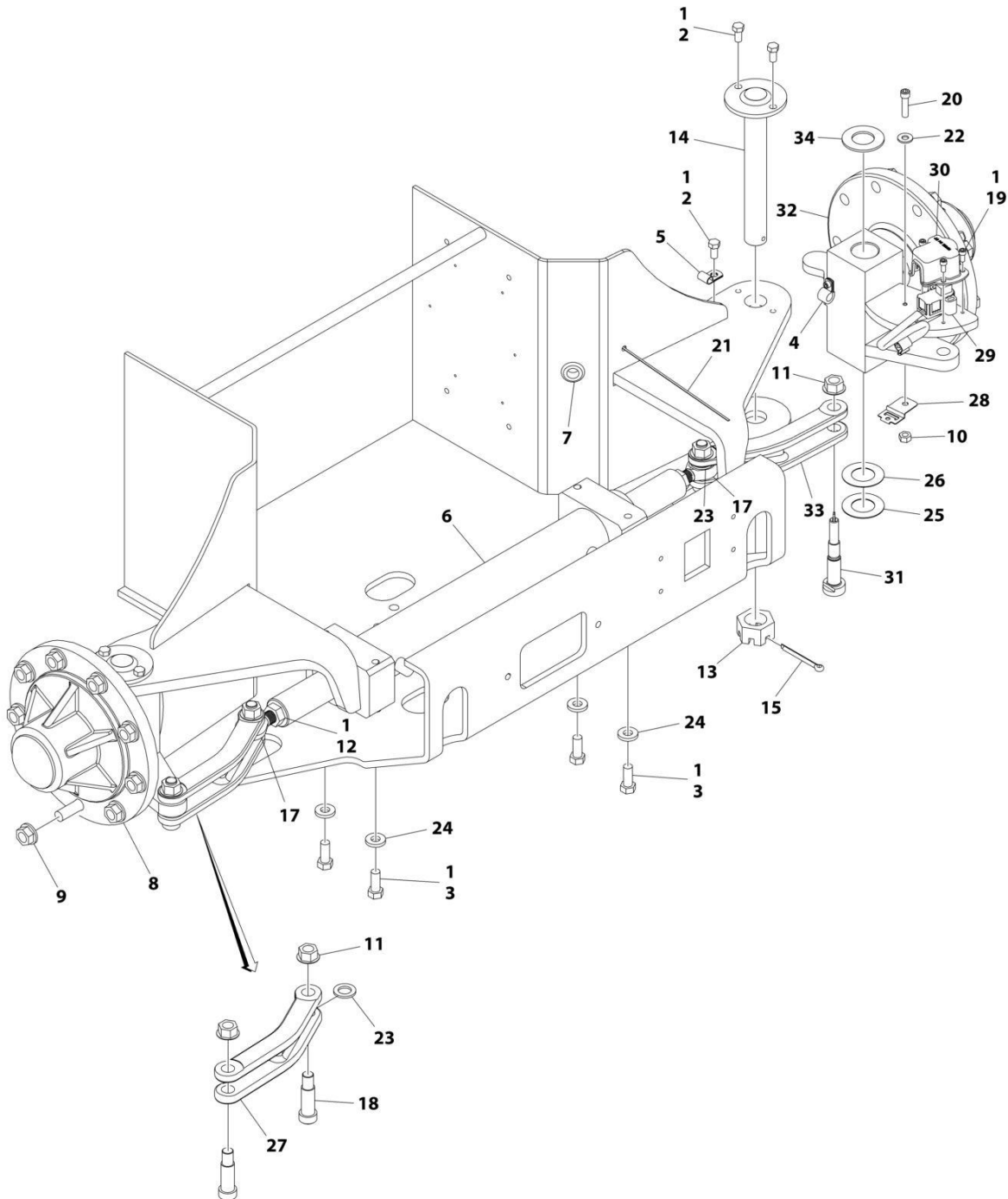
SECTION 1 - FRAME

FIGURE 1-1. STEERING INSTALLATION (E400AJP,M400AJP) (SN 0300208530 through 0300244775)

ITEM	PART NUMBER	QTY	DESCRIPTION	REV
	1001180923	Ref	STEERING INSTALLATION	G
1	0100011	AR	Compound, Locking	
2	0440162	4	Bearing, Thrust (SN 0300208530 through 0300213163)	
2	1001193047	AR	Bearing, Thrust (SN 0300213164 through 0300244775)	
3	0641606	5	Bolt 3/8 X 3/4	
4	0681810	4	Bolt 1/2 X 1-1/4 Grade 8	
5	1683591	1	Steer Cylinder Assembly (See CYLINDER SECTION for Breakdown)	
6	2780241	1	Hub - Spindle Assembly - RH (See SPINDLE - HUB ASSEMBLY - RH for Breakdown)	
7	3300426	18	Nut 5/8	
8	3312008	4	Nut 5/8	
9	3322202	2	Nut	
10	3323003	2	Nut 1-1/4	
11	3422692	2	Kingpin	
12	3450810	2	Pin, Cotter	
13	3841517	2	End, Tie-Rod	
14	3900109	3	Screw, Shoulder	
18	4740156	2	Washer	
19	4891800	4	Washer 1/2	
20	1001153021	1	Link	
21	1001161117	1	Switch, Angle Sensor	
21	4460536	1	Receptacle, Female - 3 Position	
21	4460464	3	Pin, Male	
22	1001169423	1	Cover	
23	1001180835	1	Pin	
24	1001180839	1	Hub - Spindle Assembly - LH (See SPINDLE - HUB ASSEMBLY - LH for Breakdown)	
25	1001180841	1	Link	
27	1320041	1	Clamp	
28	1320263	1	Clamp, Cable	
29	2540038	1	Grommet	
31	3931408	4	Capscrew 1/4 X 1/2	
33	1001151395	1	Shim 18Ga	
34	1001151428	1	Shim 20Ga	
35	1001153749	1	Clip, Connector	
36	4240175	1	Tie-Strap	
37	4711400	1	Washer 1/4	
38	3311405	1	Nut 1/4	
39	3931416	1	Capscrew 1/4 x 1	

SECTION 1 - FRAME

FIGURE 1-2. STEERING INSTALLATION (E400AJP,M400AJP) (SN 0300244775 through 0300272265)



ART_1001232203

SECTION 1 - FRAME

FIGURE 1-2. STEERING INSTALLATION (E400AJP,M400AJP) (SN 0300244775 through 0300272265)

ITEM	PART NUMBER	QTY	DESCRIPTION	REV
	1001232203	Ref	STEERING INSTALLATION	A
1	0100011	AR	Compound, Locking	
2	0641606	5	Bolt 3/8 X 3/4	
3	0681810	4	Bolt 1/2 X 1-1/4 Grade 8	
4	1320041	1	Clamp	
5	1320263	1	Clamp, Cable	
6	1683591	1	Steer Cylinder Assembly (See CYLINDER SECTION for Breakdown)	
7	2540038	1	Grommet	
8	2780241	1	Hub - Spindle Assembly - RH (See SPINDLE - HUB ASSEMBLY - RH for Breakdown)	
9	3300426	18	Nut 5/8	
10	3311405	1	Nut 1/4	
11	3312008	4	Nut 5/8	
12	3322202	2	Nut	
13	3323003	2	Nut 1-1/4	
14	3422692	2	Kingpin	
15	3450810	2	Pin, Cotter	
17	3841517	2	End, Tie-Rod	
18	3900109	3	Screw, Shoulder	
19	3931408	4	Capscrew 1/4 X 1/2	
20	3931416	1	Capscrew 1/4 x 1	
21	4240175	1	Tie-Strap	
22	4711400	1	Washer 1/4	
23	4740156	2	Washer	
24	4891800	4	Washer 1/2	
25	1001151395	1	Shim 18Ga	
26	1001151428	1	Shim 20Ga	
27	1001153021	1	Link	
28	1001153749	1	Clip, Connector	
29	1001161117	1	Switch, Angle Sensor	
29	4460536	1	Receptacle, Female - 3 Position	
29	4460464	3	Pin, Male	
30	1001169423	1	Cover	
31	1001180835	1	Pin	
32	1001180839	1	Hub - Spindle Assembly - LH (See SPINDLE - HUB ASSEMBLY - LH for Breakdown)	
33	1001180841	1	Link	
34	1001193047	2	Bearing, Thrust	

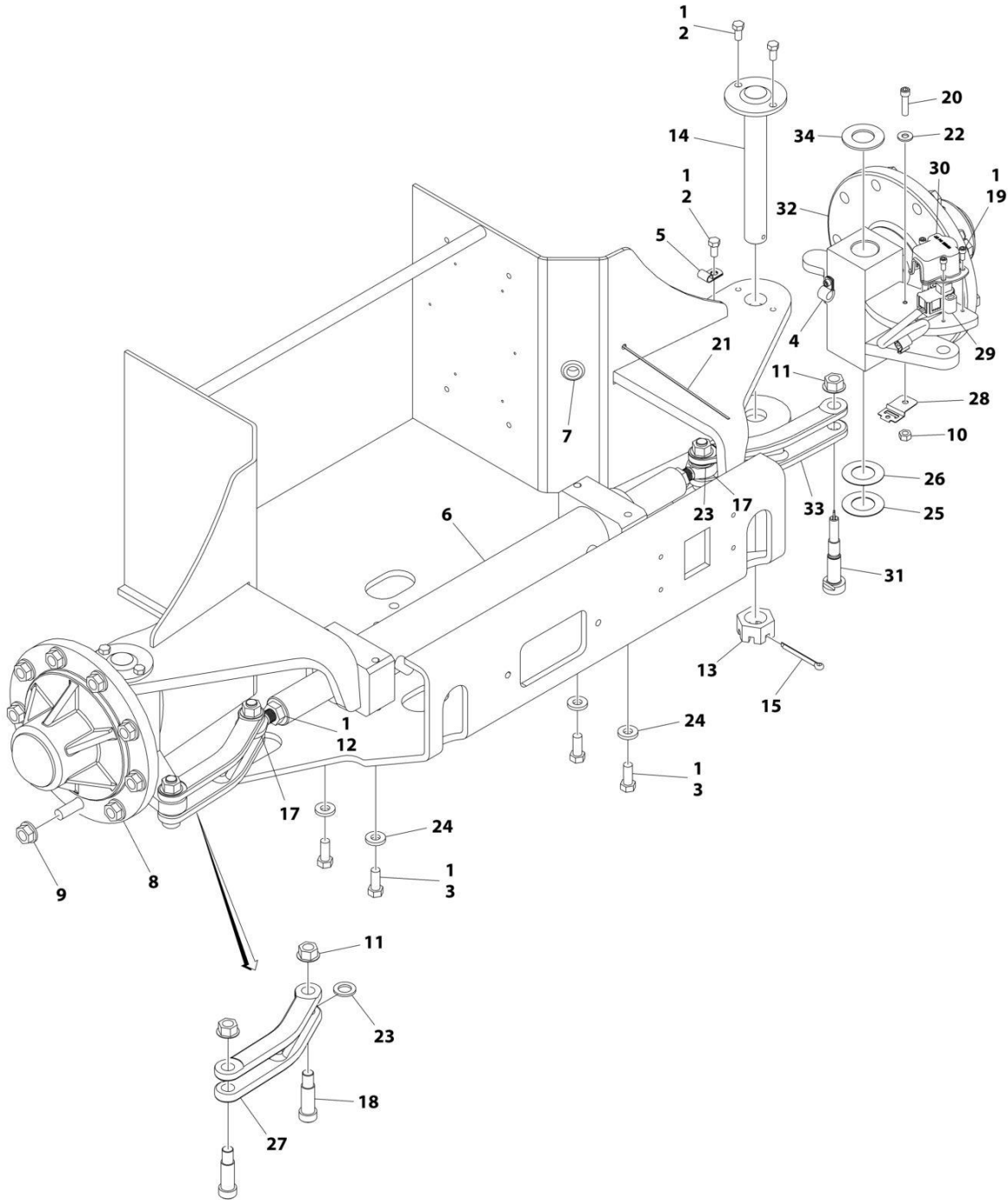
SECTION 1 - FRAME

**FIGURE 1-3. STEERING INSTALLATION (E400AJPNARROW,E400ANARROW,M400AJPNARROW)
(SN 0300208530 through 0300244775)**

ITEM	PART NUMBER	QTY	DESCRIPTION	REV
	1001180924	Ref	STEERING INSTALLATION	G
1	0100011	AR	Compound, Locking	
2	0440162	4	Bearing, Thrust (SN 0300208530 through 0300213163)	
2	1001193047	AR	Bearing, Thrust (SN 0300213164 through 0300244775)	
3	0641606	5	Bolt 3/8 X 3/4	
4	0681810	4	Bolt 1/2 X 1-1/4 Grade 8	
5	1683591	1	Steer Cylinder Assembly (See CYLINDER SECTION for Breakdown)	
6	2780251	1	Hub - Spindle Assembly - RH (See SPINDLE - HUB ASSEMBLY - RH for Breakdown)	
7	3300426	18	Nut 5/8	
8	3312008	4	Nut 5/8	
9	3322202	2	Nut	
10	3323003	2	Nut 1-1/4	
11	3422692	2	Kingpin	
12	3450810	2	Pin, Cotter	
13	3841517	2	End, Tie-Rod	
14	3900109	3	Screw, Shoulder	
18	4740156	2	Washer	
19	4891800	4	Washer 1/2	
20	1001153023	1	Link	
21	1001161117	1	Switch, Angle Sensor	
21	4460536	1	Receptacle, Female - 3 Position	
21	4460464	3	Pin, Male	
22	1001169423	1	Cover	
23	1001180835	1	Pin	
24	1001180838	1	Hub - Spindle Assembly - LH (See SPINDLE - HUB ASSEMBLY - LH for Breakdown)	
25	1001180840	1	Link	
27	1320041	1	Clamp	
28	1320263	1	Clamp, Cable	
29	2540038	1	Grommet	
31	3931408	4	Capscrew 1/4 X 1/2	
33	1001151395	1	Shim 18Ga	
34	1001151428	1	Shim 20Ga	
35	1001153749	1	Clip, Connector	
36	4240175	1	Tie-Strap	
37	4711400	1	Washer 1/4	
38	3311405	1	Nut 1/4	
39	3931416	1	Capscrew 1/4 x 1	

SECTION 1 - FRAME

FIGURE 1-4. STEERING INSTALLATION (E400AJPNARROW,E400ANARROW,M400AJPNARROW)
(SN 0300244775 through 0300272265)



ART_1001232204

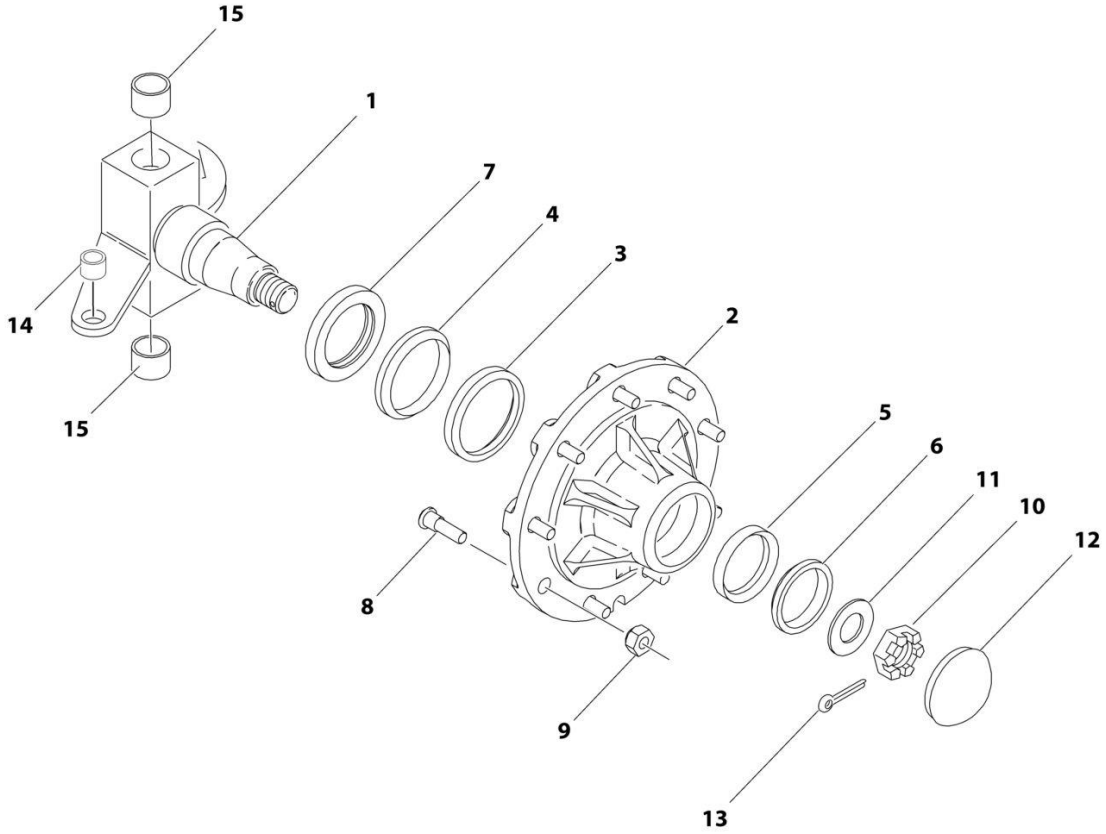
SECTION 1 - FRAME

**FIGURE 1-4. STEERING INSTALLATION (E400AJPNARROW,E400ANARROW,M400AJPNARROW)
(SN 0300244775 through 0300272265)**

ITEM	PART NUMBER	QTY	DESCRIPTION	REV
	1001232204	Ref	STEERING INSTALLATION	A
1	0100011	AR	Compound, Locking	
2	0641606	5	Bolt 3/8 X 3/4	
3	0681810	4	Bolt 1/2 X 1-1/4 Grade 8	
4	1320041	1	Clamp	
5	1320263	1	Clamp, Cable	
6	1683591	1	Steer Cylinder Assembly (See CYLINDER SECTION for Breakdown)	
7	2540038	1	Grommet	
8	2780251	1	Hub - Spindle Assembly - RH (See SPINDLE - HUB ASSEMBLY - RH for Breakdown)	
9	3300426	18	Nut 5/8	
10	3311405	1	Nut 1/4	
11	3312008	4	Nut 5/8	
12	3322202	2	Nut	
13	3323003	2	Nut 1-1/4	
14	3422692	2	Kingpin	
15	3450810	2	Pin, Cotter	
17	3841517	2	End, Tie-Rod	
18	3900109	3	Screw, Shoulder	
19	3931408	4	Capscrew 1/4 X 1/2	
20	3931416	1	Capscrew 1/4 x 1	
21	4240175	1	Tie-Strap	
22	4711400	1	Washer 1/4	
23	4740156	2	Washer	
24	4891800	4	Washer 1/2	
25	1001151395	1	Shim 18Ga	
26	1001151428	1	Shim 20Ga	
27	1001153023	1	Link	
28	1001153749	1	Clip, Connector	
29	1001161117	1	Switch, Angle Sensor	
29	4460536	1	Receptacle, Female - 3 Position	
29	4460464	3	Pin, Male	
30	1001169423	1	Cover	
31	1001180835	1	Pin	
32	1001180838	1	Hub - Spindle Assembly - LH (See SPINDLE - HUB ASSEMBLY - LH for Breakdown)	
33	1001180840	1	Link	
34	1001193047	2	Bearing, Thrust	

SECTION 1 - FRAME

FIGURE 1-5. HUB - SPINDLE ASSEMBLY - RH (E400AJP,M400AJP)



ART_2780241

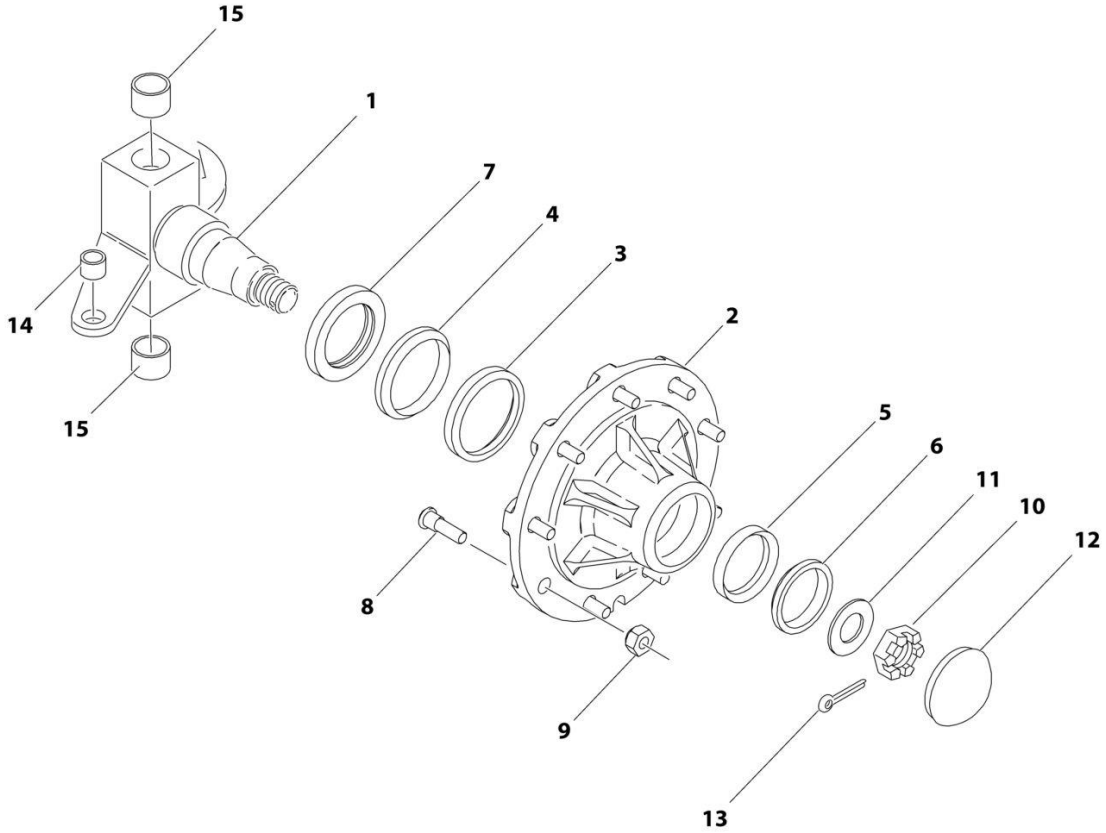
SECTION 1 - FRAME

FIGURE 1-5. HUB - SPINDLE ASSEMBLY - RH (E400AJP,M400AJP)

ITEM	PART NUMBER	QTY	DESCRIPTION	REV
	2780241	Ref	HUB - SPINDLE ASSEMBLY, RH	C
1	4130351	1	Spindle R.H .	
2	7020035	1	Hub	
3	7020036	1	Cup, Bearing - Inner	
4	7020037	1	Cone, Bearing - Inner	
5	7020038	1	Cup, Bearing - Outer	
6	7020039	1	Cone, Bearing - Outer	
7	7020040	1	Seal	
8	7020041	9	Stud, Wheel	
9	7020042	9	Lugnut	
10	7020054	1	Nut, Castle	
11	7020055	1	Washer, Spindle	
12	7020137	1	Dust Cap	
13	7020140	1	Pin, Cotter	
14	0962140	1	Bushing	
15	0961951	2	Bushing	

SECTION 1 - FRAME

**FIGURE 1-6. HUB - SPINDLE ASSEMBLY - RH
(E400AJPNARROW,E400ANARROW,M400AJPNARROW)**



ART_2780251

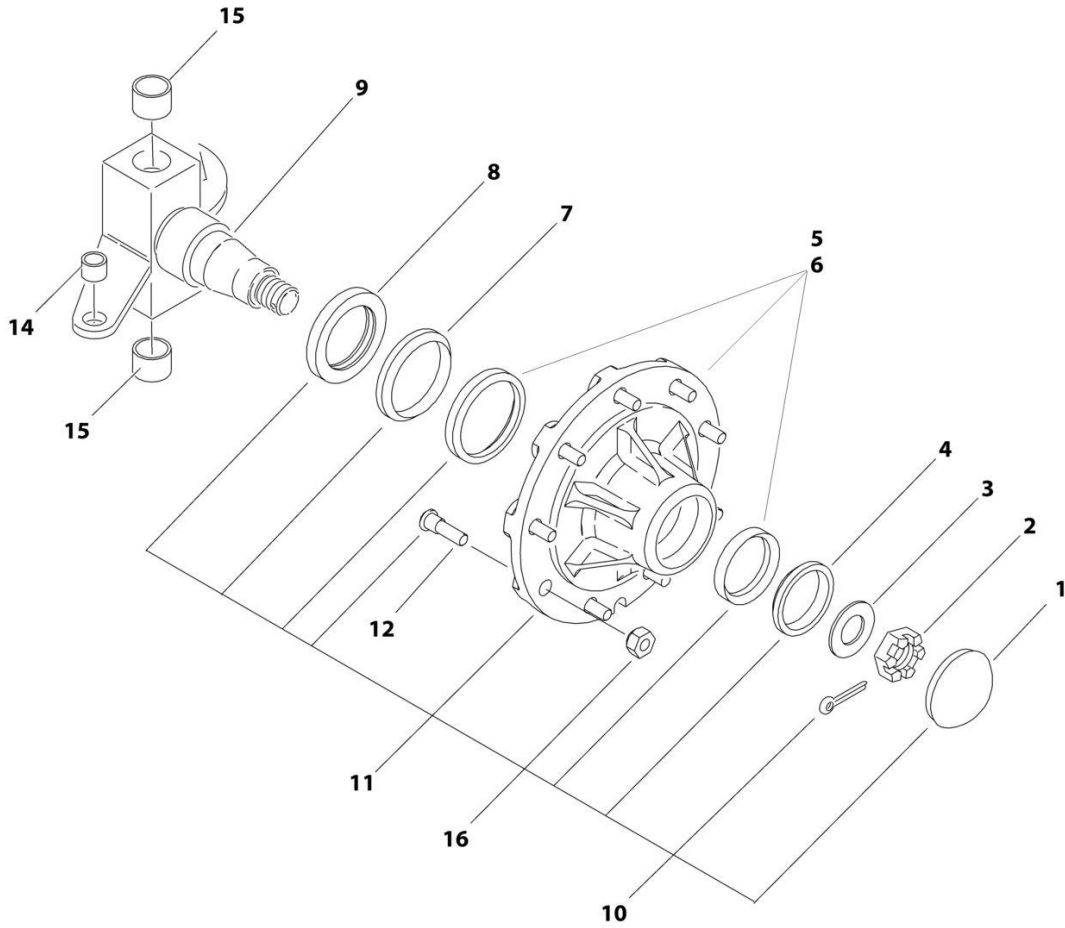
SECTION 1 - FRAME

**FIGURE 1-6. HUB - SPINDLE ASSEMBLY - RH
(E400AJPNARROW,E400ANARROW,M400AJPNARROW)**

ITEM	PART NUMBER	QTY	DESCRIPTION	REV
	2780251	Ref	HUB - SPINDLE ASSEMBLY, RH	C
1	7023217	1	Spindle, R.H.	
2	7020035	1	Hub	
3	7020036	1	Cup, Bearing - Inner	
4	7020037	1	Cone, Bearing - Inner	
5	7020038	1	Cup, Bearing - Outer	
6	7020039	1	Cone, Bearing - Outer	
7	7020040	1	Seal	
8	7020041	9	Stud, Wheel	
9	7020042	9	Lugnut	
10	7020054	1	Nut, Castle	
11	7020055	1	Washer, Spindle	
12	7020137	1	Dust Cap	
13	7020140	1	Pin, Cotter	
14	0962140	1	Bushing	
15	0961951	2	Bushing	

SECTION 1 - FRAME

FIGURE 1-7. HUB - SPINDLE ASSEMBLY - LH (E400AJP,M400AJP)



ART_1001180839

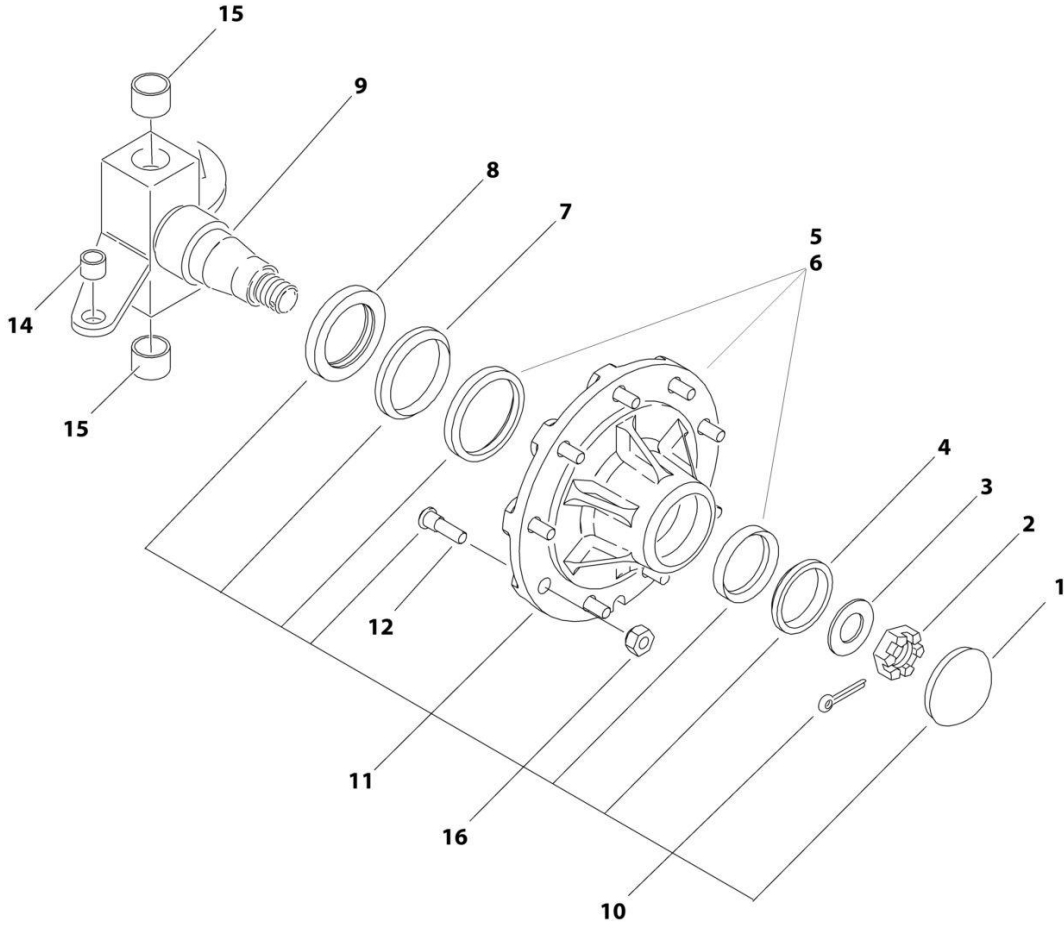
SECTION 1 - FRAME

FIGURE 1-7. HUB - SPINDLE ASSEMBLY - LH (E400AJP,M400AJP)

ITEM	PART NUMBER	QTY	DESCRIPTION	REV
	1001180839	Ref	HUB - SPINDLE ASSEMBLY - LH	B
1	7020137	1	Dust Cap	
2	7020054	1	Nut, Castle	
3	7020055	1	Washer, Spindle	
4	7020039	1	Cone, Bearing - Outer	
5	See Note	NLA	Hub (Note: Use Item 11)	
6	See Note	1	Grease, Lithium (Note: Purchase Locally)	
7	7020037	1	Cone, Bearing - Inner	
8	7020040	1	Seal	
9	70005216	1	Spindle	
10	7020140	1	Pin, Cotter	
11	70005215	1	Hub Assembly (Includes Items 1,4,5,7,8 & 12))	
12	0630490	9	Stud, Wheel	
14	0962140	1	Bearing	
15	0961951	2	Bearing	
16	3300426	9	Lugnut (Note: Must be Purchased Separately)	

SECTION 1 - FRAME

**FIGURE 1-8. HUB - SPINDLE ASSEMBLY - LH
(E400AJPNARROW,E400ANARROW,M400AJPNARROW)**



ART_1001180838

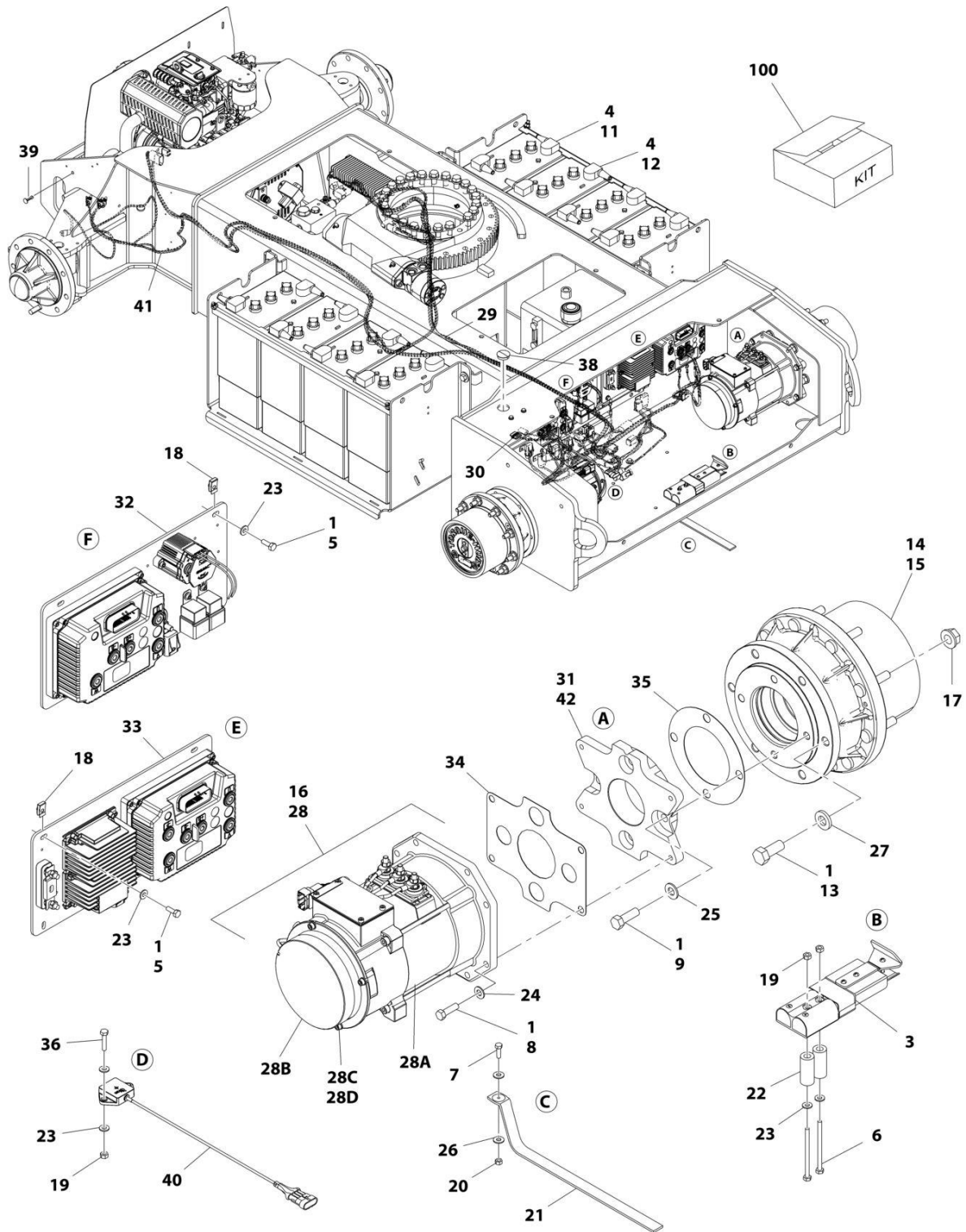
SECTION 1 - FRAME

**FIGURE 1-8. HUB - SPINDLE ASSEMBLY - LH
(E400AJPNARROW,E400ANARROW,M400AJPNARROW)**

ITEM	PART NUMBER	QTY	DESCRIPTION	REV
	1001180838	Ref	SPINDLE, HUB	B
1	7020137	1	Dust Cap	
2	7020054	1	Nut, Castle	
3	7020055	1	Washer, Spindle	
4	7020039	1	Cone, Bearing - Outer	
5	See Note	NLA	Hub (Note: Use Item 11)	
6	See Note	1	Grease, Lithium (Note: Purchase Locally)	
7	7020037	1	Cone, Bearing - Inner	
8	7020040	1	Seal	
9	70005214	1	Spindle	
10	7020140	1	Pin, Cotter	
11	70005215	1	Hub Assembly (Includes Items 1,4,5,7,8 & 12))	
12	0630490	9	Stud, Wheel	
14	0962140	1	Bearing	
15	0961951	2	Bearing	
16	3300426	9	Lugnut (Note: Must be Purchased Separately)	

SECTION 1 - FRAME

FIGURE 1-9. DRIVE INSTALLATION (E400AJP,E400AJPNARROW,E400ANARROW)



ART_1001179134

SECTION 1 - FRAME

FIGURE 1-9. DRIVE INSTALLATION (E400AJP,E400AJPNARROW,E400ANARROW)

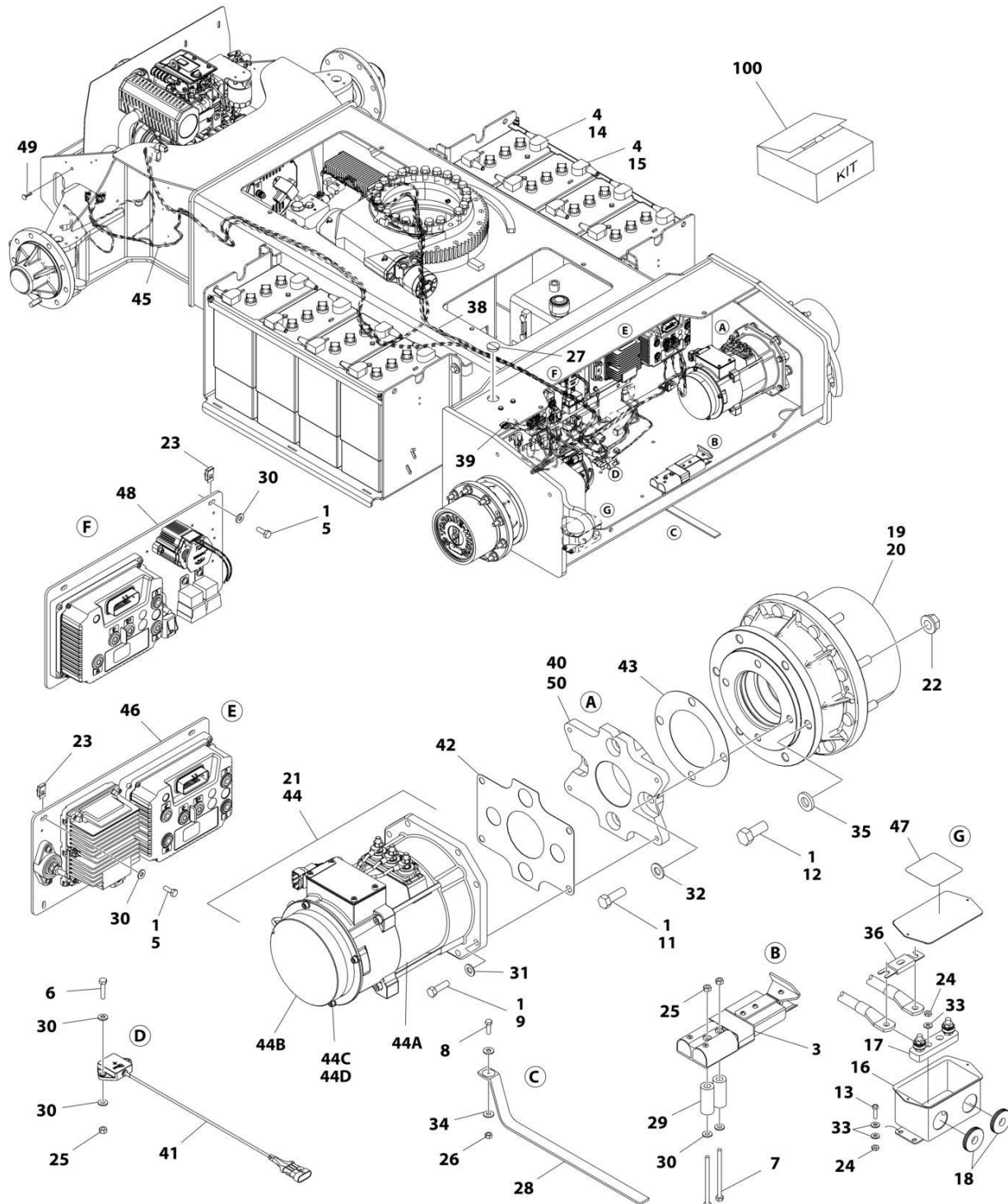
ITEM	PART NUMBER	QTY	DESCRIPTION	REV
	1001179134	Ref	DRIVE INSTALLATION	I
1	0100011	AR	Compound, Locking	
3	0100048	AR	Compound, Silicone	
4	0100051	AR	Grease, Battery Terminal	
5	0641406	8	Bolt 1/4 X 3/4	
6	0641430	2	Bolt 1/4 X 3-3/4	
7	0641508	1	Bolt 5/16 X 1	
8	0641610	8	Bolt 3/8 X 1-1/4	
9	0641812	8	Bolt 1/2 X 1-1/2	
11	0840031	8	Boot, Terminal - "d" Shaped	
12	0840032	8	Boot, Terminal - "b" Shaped	
13	0682014	12	Bolt 5/8 X 1-3/4 Grade 8	
14	2780282	2	Drive Hub Assembly (See DRIVE HUB ASSEMBLY for Breakdown)	
15	3020008	1.5 l	Lubricant, Gear - 80W-90	
16	3020037	AR	Lube, Coupling Grease	
17	3300426	18	Nut 5/8	
18	3300454	8	Nut 1/4	
19	3311401	4	Nut 1/4	
20	3311505	1	Nut 5/16	
21	4240084	1	Strap, Anti-Static	
22	4568114	2	Tube, Spacer	
23	4711400	14	Washer 1/4	
24	4711600	8	Washer 3/8	
25	4711800	8	Washer 1/2	
26	4751500	2	Washer 5/16	
27	4892000	12	Washer 5/8	
28	1001184854	2	Drive Motor and Brake Assembly	
28A	1001182550	2	Drive Motor Assembly (See DRIVE MOTOR ASSEMBLY for Breakdown)	
28B	1001184852	2	Drive Brake Assembly	
28B	70005415	2	O-Ring Between Brake and Motor (1 Per Assembly) (Not Shown)	
28C	4031707	8	Capscrew M6 x 16	
28D	1001109892	8	Washer M6	
29	1001178405	1	Chassis to Turntable Harness (See ELECTRICAL SECTION for Breakdown)	
30	1001178629	1	Traction Harness (See ELECTRICAL SECTION for Breakdown)	
31	1001178921	NLA	Adapter, Motor (Use p/n 1001219722) (SN 0300208530 through 0300226306)	
31	1001219722	2	Adapter, Motor (SN 0300226307 through 0300272265)	
32	1001179060	1	Electrical Plate Assembly - LH (See ELECTRICAL PLATE ASSEMBLY - LH for Breakdown)	
33	1001179061	1	Electrical Plate Assembly - RH (See ELECTRICAL PLATE ASSEMBLY - RH for Breakdown)	
34	1001182959	NLA	Seal (Use p/n 1001220271) (SN 0300208530 through 0300226306)	
34	1001220271	2	Seal (SN 0300226307 through 0300272265)	
35	1001182960	2	Seal	
36	0641408	2	Bolt 1/4-20 x 1	
38	3520035	1	Cap-Plug	

SECTION 1 - FRAME

ITEM	PART NUMBER	QTY	DESCRIPTION	REV
39	4240175	1	Tie-Strap Clamp (SN 0300214530 through 0300272265)	
40	1001181325	NLA	Sensor (Use p/n 1001219601) (SN 0300208530 through 0300243633)	
40	1001219601	1	Sensor (SN 0300243633 through 0300272265)	
40	See Note	1	Receptacle, Female - 4 Position (Note: Not Available for Purchase)	
40	1001196589	4	Terminal	
41	1001188528	1	Steer/Brake Harness (See ELECTRICAL SECTION for Breakdown)	
42	0100020	AR	Sealant (SN 0300226307 through 0300272265)	
100	1001190088	1	Battery Cable Kit (See ELECTRICAL SECTION for Breakdown)	

SECTION 1 - FRAME

FIGURE 1-10. DRIVE INSTALLATION - UL SPECS (E400AJP,E400AJPNARROW,E400ANARROW)



ART_1001212453

SECTION 1 - FRAME

FIGURE 1-10. DRIVE INSTALLATION - UL SPECS (E400AJP,E400AJPNARROW,E400ANARROW)

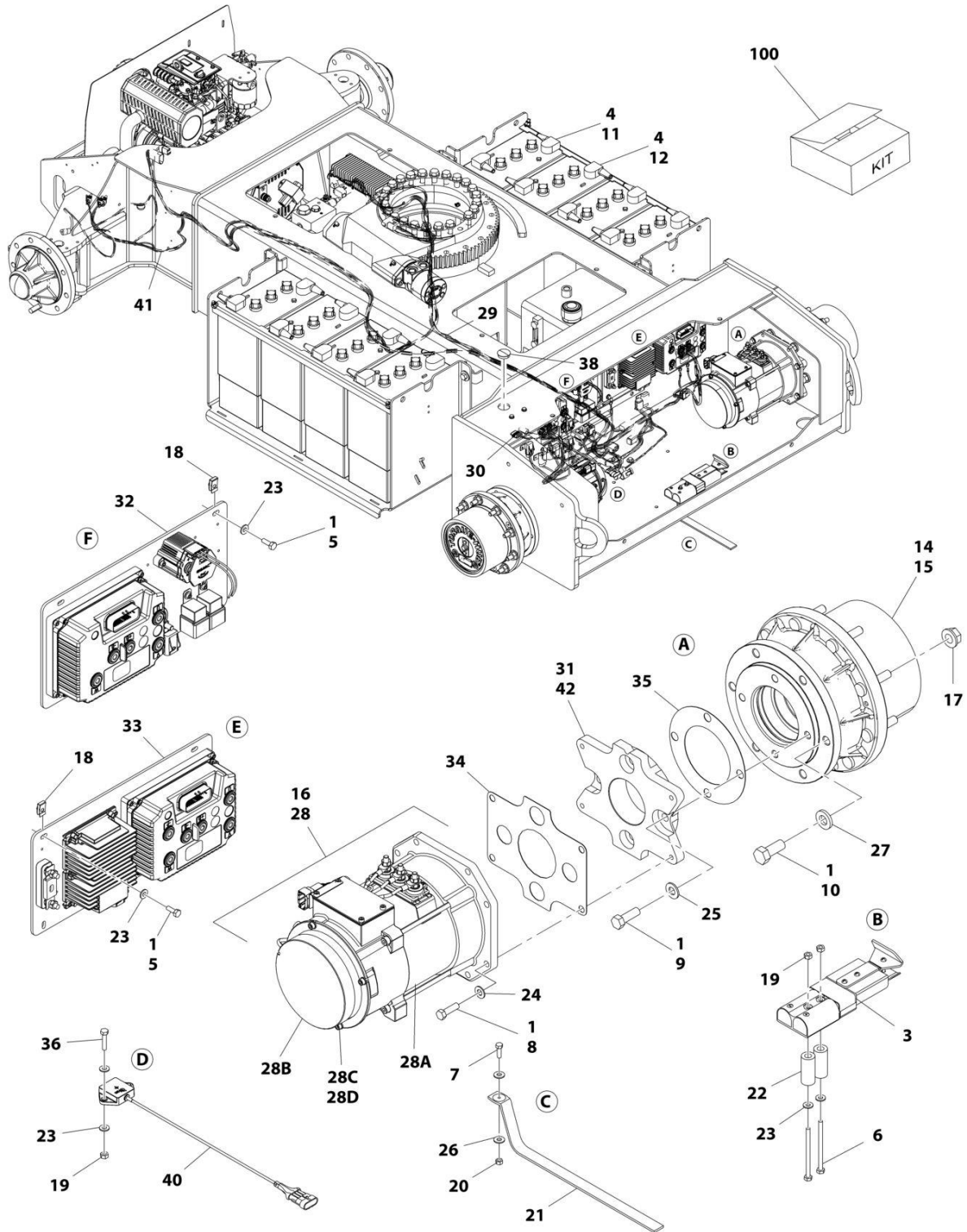
ITEM	PART NUMBER	QTY	DESCRIPTION	REV
	1001212453	Ref	DRIVE INSTALLATION	D
1	0100011	AR	Compound, Locking	
3	0100048	AR	Compound, Silicone	
4	0100051	AR	Grease, Battery Terminal	
5	0641406	8	Bolt 1/4 X 3/4	
6	0641408	2	Bolt 1/4 X 1	
7	0641430	2	Bolt 1/4 X 3-3/4	
8	0641508	1	Bolt 5/16 X 1	
9	0641610	8	Bolt 3/8 X 1-1/4	
11	0641812	8	Bolt 1/2 X 1-1/2	
12	0682014	12	Bolt 5/8 X 1-3/4 Grade 8	
13	0721006	4	Screw #10 x 3/4	
14	0840031	8	Boot, Terminal - "d" Shaped	
15	0840032	8	Boot, Terminal - "b" Shaped	
16	0861375	1	Cover	
17	2400044	1	Block, Fuse	
18	2540037	2	Grommet	
19	2780282	2	Drive Hub Assembly (See DRIVE HUB ASSEMBLY for Breakdown)	
20	3020008	1.5 l	Lubricant, Gear - 80W-90	
21	3020037	AR	Lube, Coupling Grease	
22	3300426	18	Nut 5/8	
23	3300454	8	Nut 1/4	
24	3311001	6	Nut #10	
25	3311401	4	Nut 1/4	
26	3311505	1	Nut 5/16	
27	3520035	1	Cap-Plug	
28	4240084	1	Strap, Anti-Static	
29	4568114	2	Tube, Spacer	
30	4711400	14	Washer 1/4	
31	4711600	8	Washer 3/8	
32	4711800	8	Washer 1/2	
33	4751000	10	Washer #10	
34	4751500	2	Washer 5/16	
35	4892000	12	Washer 5/8	
36	1001170365	1	Fuse 400 Amp	
38	1001178405	1	Chassis to Turntable Harness (See ELECTRICAL SECTION for Breakdown)	
39	1001178629	1	Traction Harness (See ELECTRICAL SECTION for Breakdown)	
40	1001219722	2	Adapter, Motor	
41	1001181325	1	Sensor	
42	1001220271	2	Seal	
43	1001182960	3	Seal	
44	1001184854	2	Drive Motor and Brake Assembly	
44A	1001182550	2	Drive Motor Assembly (See DRIVE MOTOR ASSEMBLY for Breakdown)	
44B	1001184852	2	Drive Brake Assembly	
44B	70005415	2	O-Ring Between Brake and Motor (1 Per Assembly) (Not Shown)	
44C	4031707	8	Capscrew M6 x 16	

SECTION 1 - FRAME

ITEM	PART NUMBER	QTY	DESCRIPTION	REV
44D	1001109892	8	Washer M6	
45	1001188528	1	Steer/Brake Harness (See ELECTRICAL SECTION for Breakdown)	
46	1001212456	1	Electrical Plate Assembly - RH (See ELECTRICAL PLATE ASSEMBLY - RH - UL SPECS for Breakdown)	
47	1001213626	1	Decal - 400 Amp Fuse	
48	1001214668	1	Electrical Plate Assembly - LH (See ELECTRICAL PLATE ASSEMBLY - LH - UL SPECS for Breakdown)	
49	4240175	1	Tie-Strap Clamp	
50	0100020	AR	Sealant	
100	1001212454	1	Battery Cable Kit (See ELECTRICAL SECTION for Breakdown)	

SECTION 1 - FRAME

FIGURE 1-11. DRIVE INSTALLATION (M400AJP,M400AJPNARROW)



ART_1001179136

SECTION 1 - FRAME

FIGURE 1-11. DRIVE INSTALLATION (M400AJP,M400AJPNARROW)

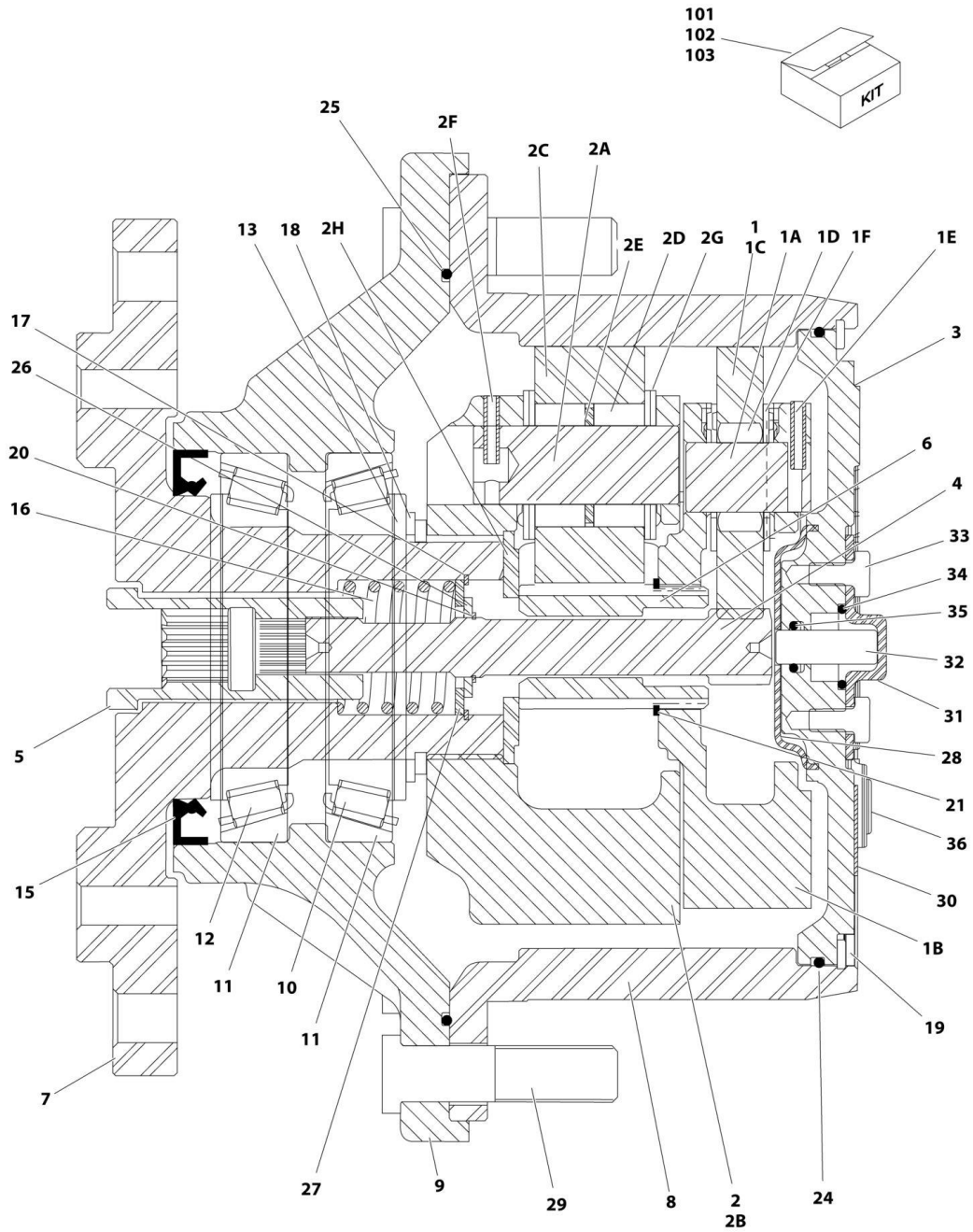
ITEM	PART NUMBER	QTY	DESCRIPTION	REV
	1001179136	Ref	DRIVE INSTALLATION	I
1	0100011	AR	Compound, Locking	
3	0100048	AR	Compound, Silicone	
4	0100051	AR	Grease, Battery Terminal	
5	0641406	8	Bolt 1/4 X 3/4	
6	0641430	2	Bolt 1/4 X 3-3/4	
7	0641508	1	Bolt 5/16 X 1	
8	0641610	8	Bolt 3/8 X 1-1/4	
9	0641812	8	Bolt 1/2 X 1-1/2	
10	0682014	12	Bolt 5/8 X 1-3/4 Grade 8	
11	0840031	8	Boot, Terminal - "d" Shaped	
12	0840032	8	Boot, Terminal - "b" Shaped	
14	2780282	2	Drive Hub Assembly (See DRIVE HUB ASSEMBLY for Breakdown)	
15	3020008	1.5 l	Lubricant, Gear - 80W-90	
16	3020037	AR	Lube, Coupling Grease	
17	3300426	18	Nut 5/8	
18	3300454	8	Nut 1/4	
19	3311401	4	Nut 1/4	
20	3311505	1	Nut 5/16	
21	4240084	1	Strap, Anti-Static	
22	4568114	2	Tube, Spacer	
23	4711400	14	Washer 1/4	
24	4711600	8	Washer 3/8	
25	4711800	8	Washer 1/2	
26	4751500	2	Washer 5/16	
27	4892000	12	Washer 5/8	
28	1001184854	2	Drive Motor and Brake Assembly	
28A	1001182550	2	Drive Motor Assembly (See DRIVE MOTOR ASSEMBLY for Breakdown)	
28B	1001184852	2	Drive Brake Assembly	
28B	70005415	2	O-Ring Between Brake and Motor (1 Per Assembly) (Not Shown)	
28C	4031707	8	Capscrew M6 x 16	
28D	1001109892	8	Washer M6	
29	1001178405	1	Chassis to Turntable Harness (See ELECTRICAL SECTION for Breakdown)	
30	1001178629	1	Traction Harness (See ELECTRICAL SECTION for Breakdown)	
31	1001178921	NLA	Adapter, Motor (Use p/n 1001219722) (SN 0300208530 through 0300226306)	
31	1001219722	2	Adapter, Motor (SN 0300226307 through 0300272265)	
32	1001179060	1	Electrical Plate Assembly - LH (See ELECTRICAL PLATE ASSEMBLY - LH for Breakdown)	
33	1001179061	1	Electrical Plate Assembly - RH (See ELECTRICAL PLATE ASSEMBLY - RH for Breakdown)	
34	1001182959	NLA	Seal (Use p/n 1001220271) (SN 0300208530 through 0300226306)	
34	1001220271	2	Seal (SN 0300226307 through 0300272265)	
35	1001182960	2	Seal	
36	0641408	2	Bolt 1/4-20 X 1	
38	3520035	1	Cap-Plug	

SECTION 1 - FRAME

ITEM	PART NUMBER	QTY	DESCRIPTION	REV
40	1001181325	NLA	Sensor (Use p/n 1001219601) (SN 0300208530 through 0300243633)	
40	1001219601	1	Sensor (SN 0300243633 through 0300272265)	
40	See Note	1	Receptacle, Female - 4 Position (Note: Not Available for Purchase)	
40	1001196589	4	Terminal	
41	1001188528	1	Steer/Brake Harness (See ELECTRICAL SECTION for Breakdown)	
42	0100020	AR	Sealant (SN 0300226307 through 0300272265)	
100	1001190020	1	Battery Cable Kit (See ELECTRICAL SECTION for Breakdown)	

SECTION 1 - FRAME

FIGURE 1-12. DRIVE HUB ASSEMBLY



ART_2780282

SECTION 1 - FRAME

FIGURE 1-12. DRIVE HUB ASSEMBLY

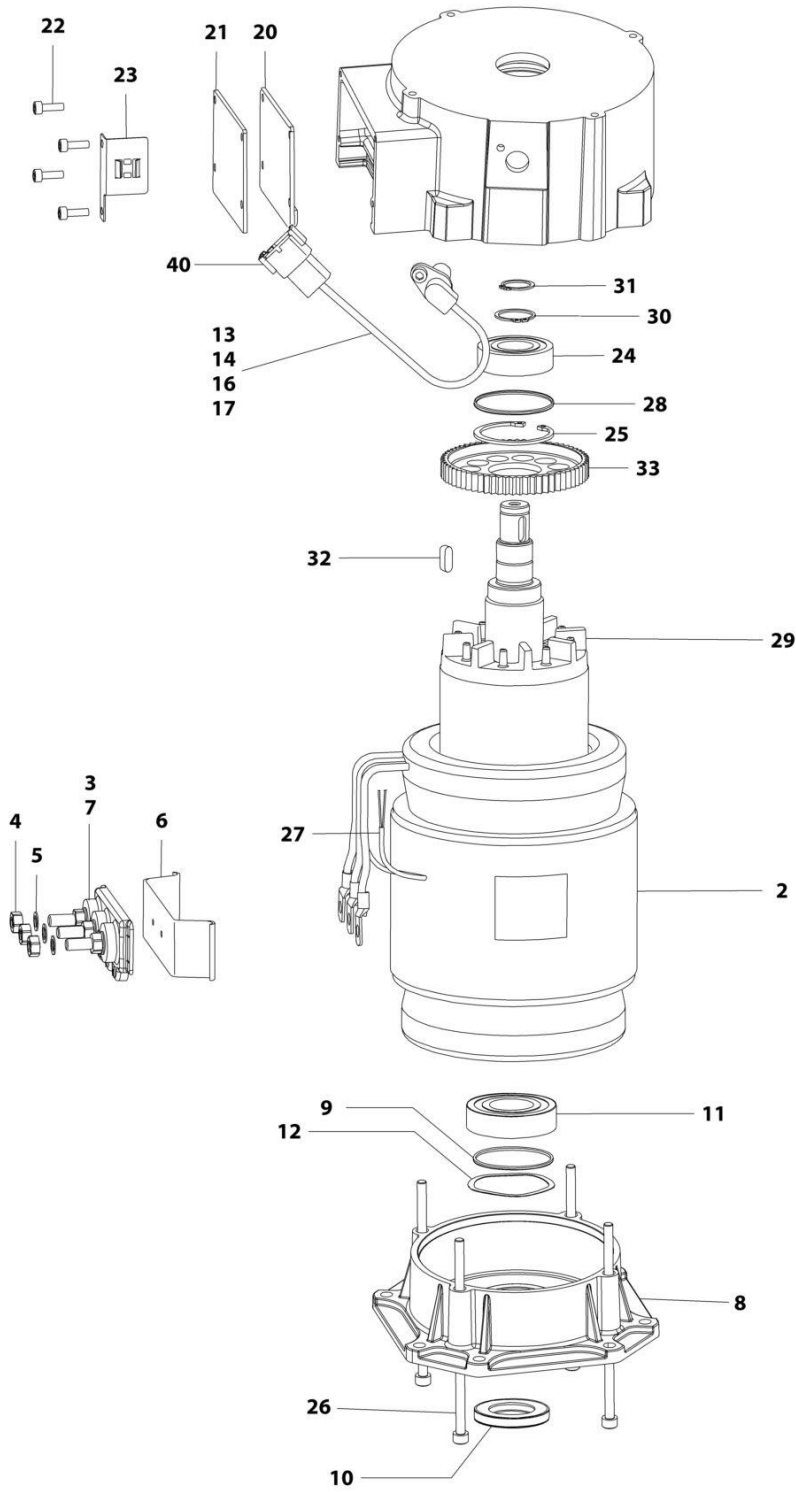
ITEM	PART NUMBER	QTY	DESCRIPTION	REV
	2780282	Ref	DRIVE HUB ASSEMBLY	A
1	70001366	1	Carrier, Sub Assembly	
1A	See Note	3	Shaft, Planet (Note: Purchase p/n 70001366)	
1B	See Note	1	Carrier (Note: Purchase p/n 70001366)	
1C	See Note	3	Gear, Planet (Note: Purchase p/n 70001366)	
1D	See Note	42	Bearing, Needle (Note: Purchase p/n 70001366)	
1E	See Note	3	Pin, Roll (Note: Purchase p/n 70001366)	
1F	See Note	6	Washer, Thrust (Note: Purchase p/n 70001366)	
2	70001367	1	Carrier, Input	
2A	See Note	3	Shaft, Planet (Note: Purchase p/n 70001367)	
2B	See Note	1	Carrier (Note: Purchase p/n 70001367)	
2C	See Note	1	Gear, Planet (Note: Purchase p/n 70001367)	
2D	See Note	84	Bearing, Needle (Note: Purchase p/n 70001367)	
2E	See Note	3	Spacer, Thrust (Note: Purchase p/n 70001367)	
2F	See Note	3	Pin, Roll (Note: Purchase p/n 70001367)	
2G	See Note	12	Washer, Thrust (Note: Purchase p/n 70001367)	
2H	See Note	1	Washer, Thrust (Note: Purchase p/n 70001367)	
3	70001368	1	Cover	
4	70001369	1	Shaft, Input	
5	70001370	1	Coupling	
6	70001371	1	Shaft, Sun Gear	
7	70001372	1	Spindle	
8	70001373	1	Gear, Ring	
9	See Note	1	Housing (Note: Purchase p/n 2780282)	
10	See Note	1	Bearing, Tapered-Cone (Note: Purchase p/n 7017007)	
11	See Note	2	Bearing, Tapered-Cup (Note: Purchase p/n 7017007)	
12	See Note	1	Bearing, Tapered-Cone (Note: Purchase p/n 7017007)	
13	7017009	1	Washer, Thrust	
15	See Note	1	Seal, Lip (Note: Purchase p/n 70001380)	
16	70001374	1	Spring	
17	70001375	1	Ring, Retaining (Internal)	
18	See Note	1	Ring, Retaining (External) (Note: Purchase p/n 70001380)	
19	7024738	1	Ring, Retaining (Internal)	
20	70001376	1	Ring, Retaining (External)	
21	70001377	1	Ring, Retaining (External)	
22	7000281	4	Screw (Not Shown - ID Plate Screws)	
23	7017022	3	Bolt, Flathead (Not Shown - Located on front of hub)	
24	See Note	1	O-Ring (Note: Purchase p/n 70001380)	
25	See Note	1	O-Ring (Note: Purchase p/n 70001380)	
26	70001378	1	Spacer, Thrust	
27	70001379	1	Washer, Thrust	
28	7024741	1	Spacer, Thrust	
29	7007640	9	Stub, Wheel	
30	See Note	1	Flange, Plate (Note: Purchase p/n 70001368)	
31	See Note	1	Cap, Disengage (Note: Purchase p/n 70001368)	
32	See Note	1	Pin, Dowel (Note: Purchase p/n 70001368)	
33	See Note	2	Bolt (Note: Purchase p/n 70001368)	
34	See Note	1	O-Ring (Note: Purchase p/n 70001368)	
35	See Note	1	O-Ring (Note: Purchase p/n 70001368)	
36	See Note	1	Plug (Note: Purchase p/n 70001368)	

SECTION 1 - FRAME

ITEM	PART NUMBER	QTY	DESCRIPTION	REV
101	7017007	1	Bearing Kit - Planet Gear (Includes Items 10-12)	
102	70001380	1	Seal Kit - Planet Gear (Includes Items 15, 18, 24 & 25)	
103	70001368	1	Cap/Disengage Kit (Includes Items 30-36)	

SECTION 1 - FRAME

FIGURE 1-13. DRIVE MOTOR ASSEMBLY



ART_1001182550

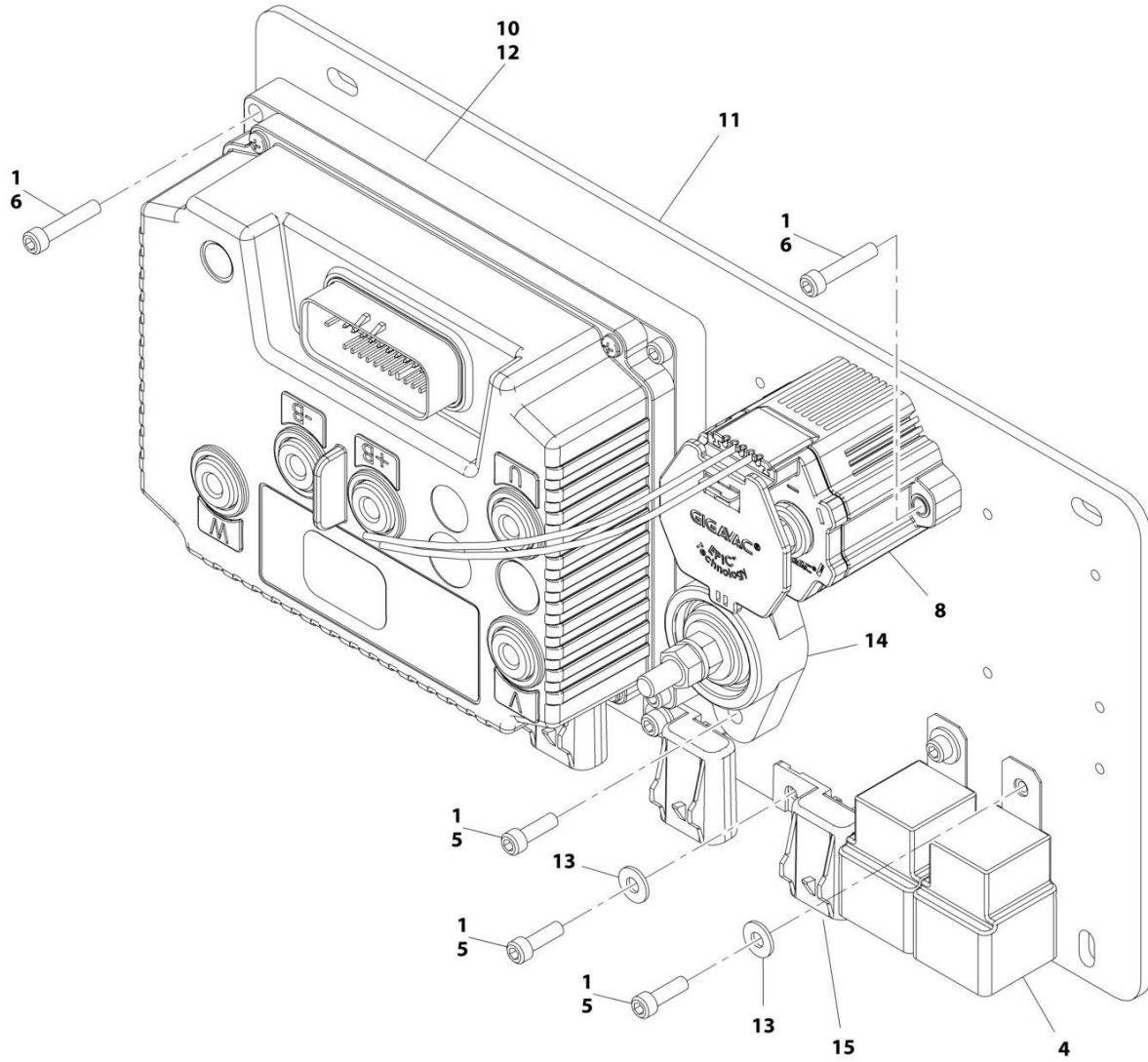
SECTION 1 - FRAME

FIGURE 1-13. DRIVE MOTOR ASSEMBLY

ITEM	PART NUMBER	QTY	DESCRIPTION	REV
	1001182550	Ref	DRIVE MOTOR ASSEMBLY	G
2	70005385	1	Stator	
3	70005386	1	Board, Terminal	
4	70005387	3	Nut, M8	
5	70005388	3	Washer, M8	
6	70005389	1	Base, Terminal	
7	70005390	2	Screw, M5 x 14	
8	70006497	1	Plate, Drive End	
9	70004811	1	O-Ring	
10	70006498	1	Seal, Shaft	
11	70004809	1	Bearing	
12	70005393	1	Washer, Wavy	
13	70005394	1	Sensor (Includes Items 14-17)	
14	70005395	1	Screw, M8 x 16	
16	70005397	1	Connector	
17	4460516	4	Pin, Male	
20	70005400	1	Seal	
21	70005401	1	Cover	
22	70005402	4	Screw, M5 x 16	
23	70005403	1	Plate, Retaining	
24	70005404	1	Bearing	
25	70005405	1	Clip, Retainer	
26	70005406	4	Screw, M8 x 180	
27	70005407	1	Temperature, Sensor	
28	70005408	1	O-Ring	
29	70005409	1	Rotor	
30	70004820	1	Clip, Retainer	
31	70005410	1	Clip, Retainer	
32	70005411	1	Key	
33	70005412	1	Gear	
40	1001190577	1	Connector - 8 Position	
40	4460516	8	Pin	

SECTION 1 - FRAME

FIGURE 1-14. ELECTRICAL PLATE ASSEMBLY - LH



ART_1001179060

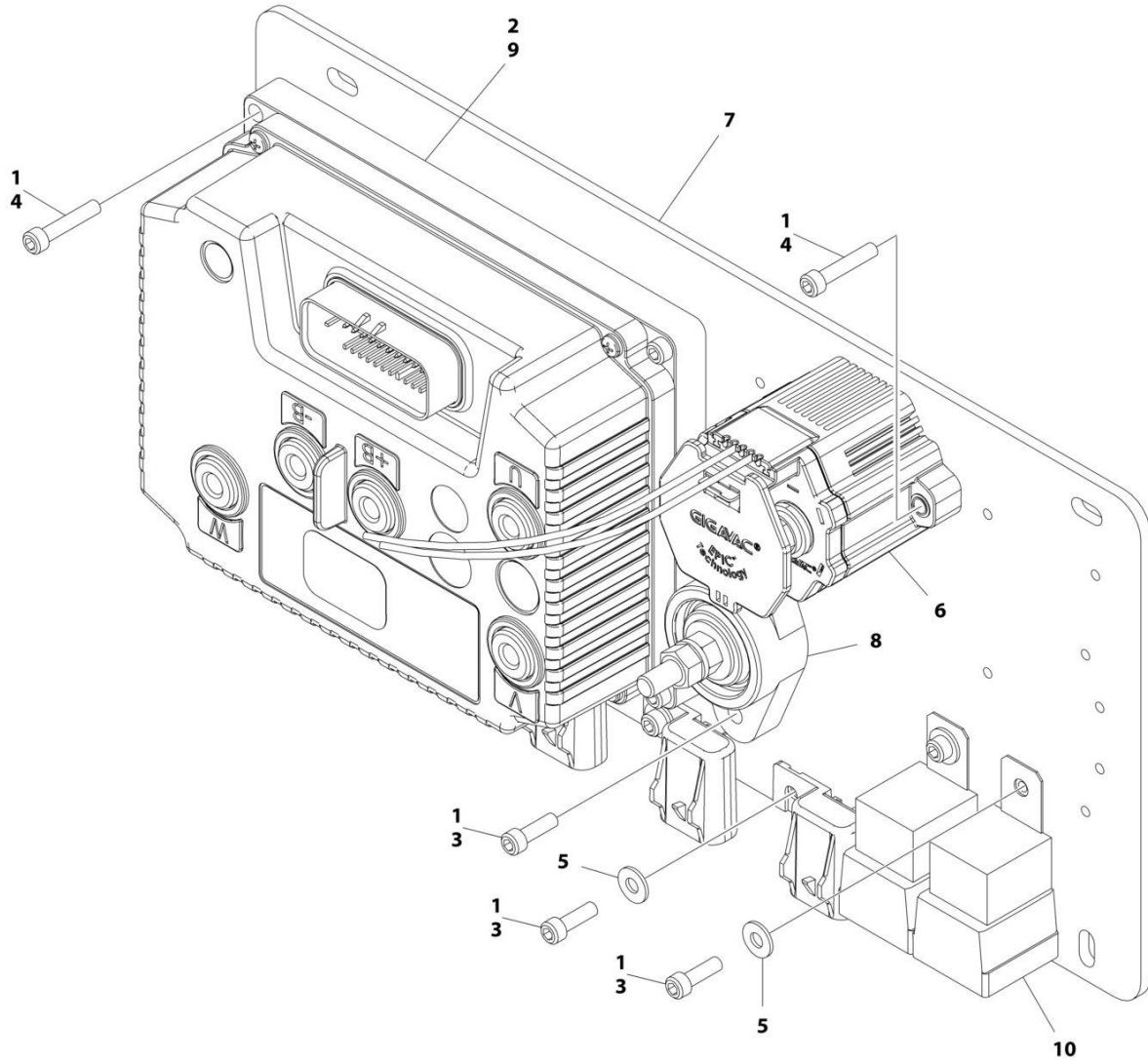
SECTION 1 - FRAME

FIGURE 1-14. ELECTRICAL PLATE ASSEMBLY - LH

ITEM	PART NUMBER	QTY	DESCRIPTION	REV
	1001179060	Ref	ELECTRICAL PLATE ASSEMBLY - LH	G
1	0100035	AR	Compound, Locking	
4	3740080	2	Relay	
5	3931010	8	Capscrew #10 X 5/8	
6	3931016	6	Capscrew #10 X 1	
8	1001170367	1	Relay, Contactor	
8	70004827	1	Receptacle, Female - 2 Position	
10	1001192212	1	Module, Drive	
11	1001179064	1	Plate	
12	0100083	AR	Grease, Heat Transfer	
13	4711000	6	Washer #10	
14	1001186860	1	Stud, Power Distribution	
15	1001096134	4	Fuseholder (SN 0300208530 through 0300226306)	
15	1001217842	4	Fuseholder (SN 0300226307 through 0300272265)	

SECTION 1 - FRAME

FIGURE 1-15. ELECTRICAL PLATE ASSEMBLY - LH - UL SPECS



ART_1001214668

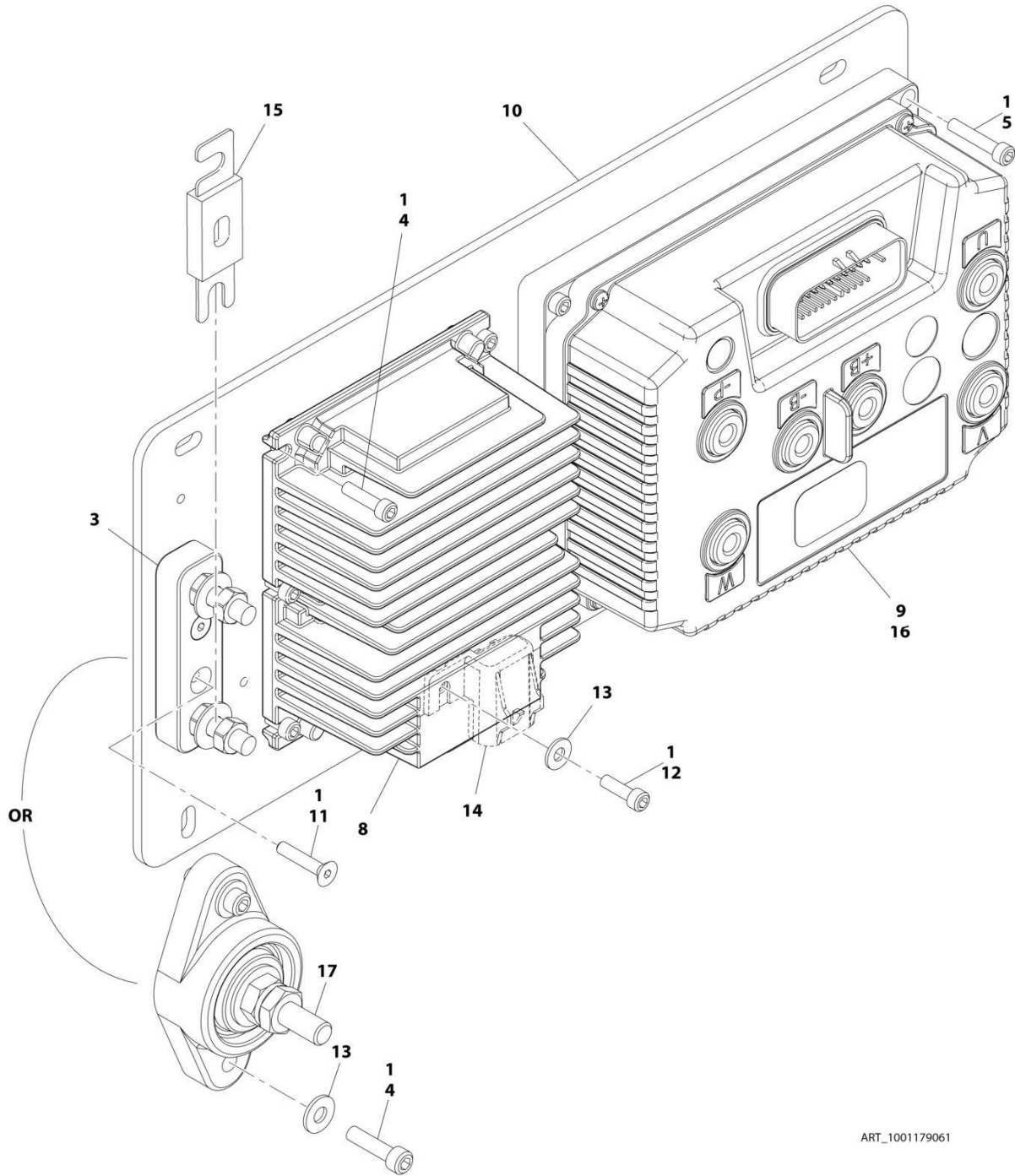
SECTION 1 - FRAME

FIGURE 1-15. ELECTRICAL PLATE ASSEMBLY - LH - UL SPECS

ITEM	PART NUMBER	QTY	DESCRIPTION	REV
	1001214668	Ref	ELECTRICAL PLATE ASSEMBLY - LH	A
1	0100035	AR	Compound, Locking	
2	0100083	AR	Grease, Heat Transfer	
3	3931010	8	Capscrew #10 X 5/8	
4	3931016	6	Capscrew #10 X 1	
5	4711000	6	Washer #10	
6	1001170367	1	Relay, Contactor	
6	70004827	1	Receptacle, Female - 2 Position	
7	1001179064	1	Plate	
8	1001186860	1	Stud, Power Distribution	
9	1001192212	1	Module, Drive	
10	1001214667	2	Relay	

SECTION 1 - FRAME

FIGURE 1-16. ELECTRICAL PLATE ASSEMBLY - RH



ART_1001179061

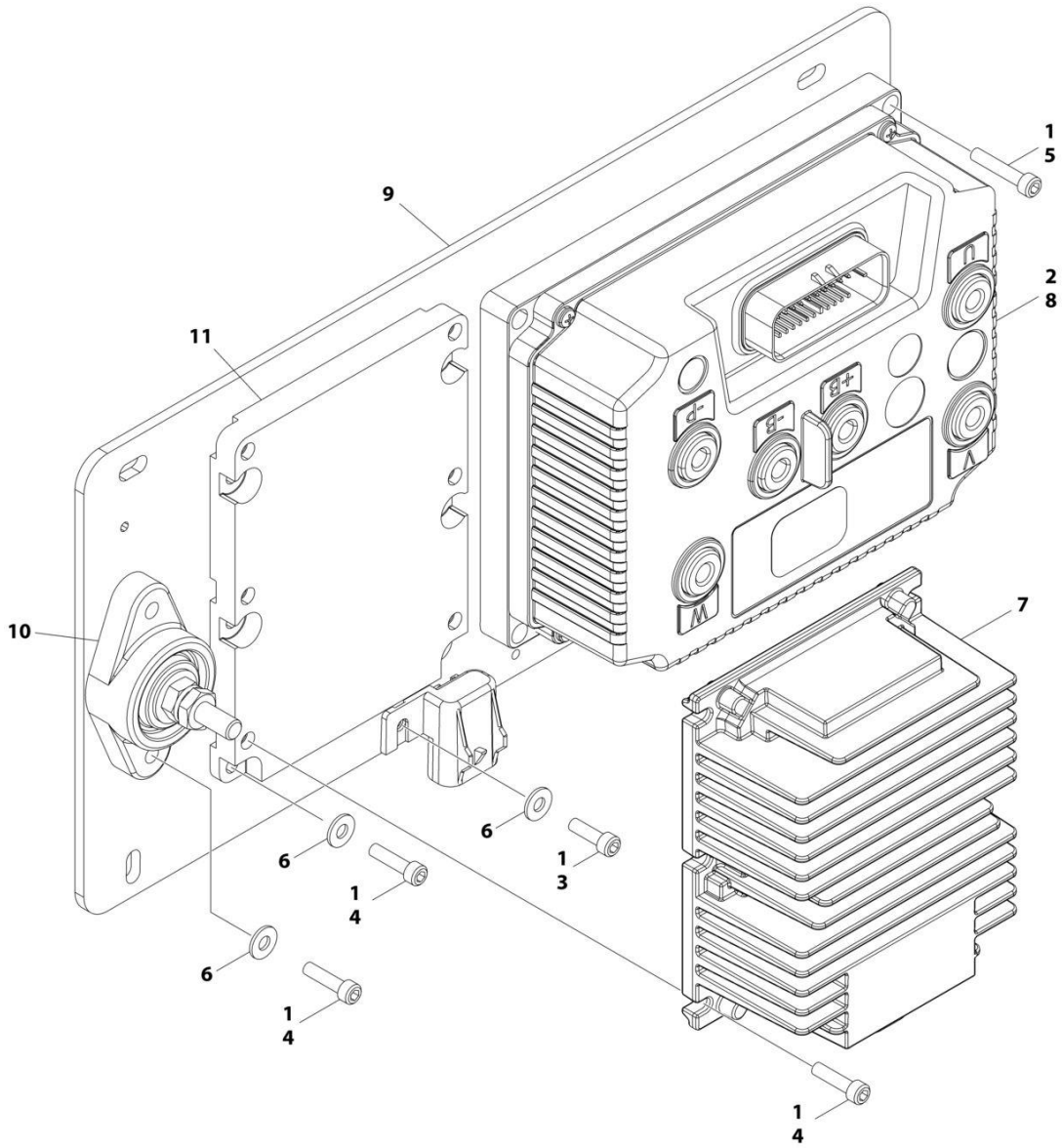
SECTION 1 - FRAME

FIGURE 1-16. ELECTRICAL PLATE ASSEMBLY - RH

ITEM	PART NUMBER	QTY	DESCRIPTION	REV
	1001179061	Ref	ELECTRICAL PLATE ASSEMBLY - RH	F
1	0100035	AR	Compound, Locking	
3	2400044	1	Block, Fuse (SN 0300208530 through 0300226306)	
4	3931012	AR	Capscrew #10 X 3/4	
5	3931016	4	Capscrew #10 X 1	
8	1001174447	1	Converter	
9	1001178339	1	Module, Drive	
10	1001179064	1	Plate	
11	0741008	2	Capscrew #10 X 1 (SN 0300208530 through 0300226306)	
12	3931010	1	Capscrew #10 X 5/8	
13	4711000	AR	Washer #10	
14	1001096134	1	Fuseholder (SN 0300208530 through 0300214530)	
15	1001170485	1	Fuse 250Amp (SN 0300208530 through 0300226306)	
16	0100083	AR	Grease, Heat Transfer (SN 0300214530 through 0300272265)	
17	1001212359	1	Stud, Power Distribution (SN 0300226307 through 0300272265)	

SECTION 1 - FRAME

FIGURE 1-17. ELECTRICAL PLATE ASSEMBLY - RH - UL SPECS



ART_1001212456

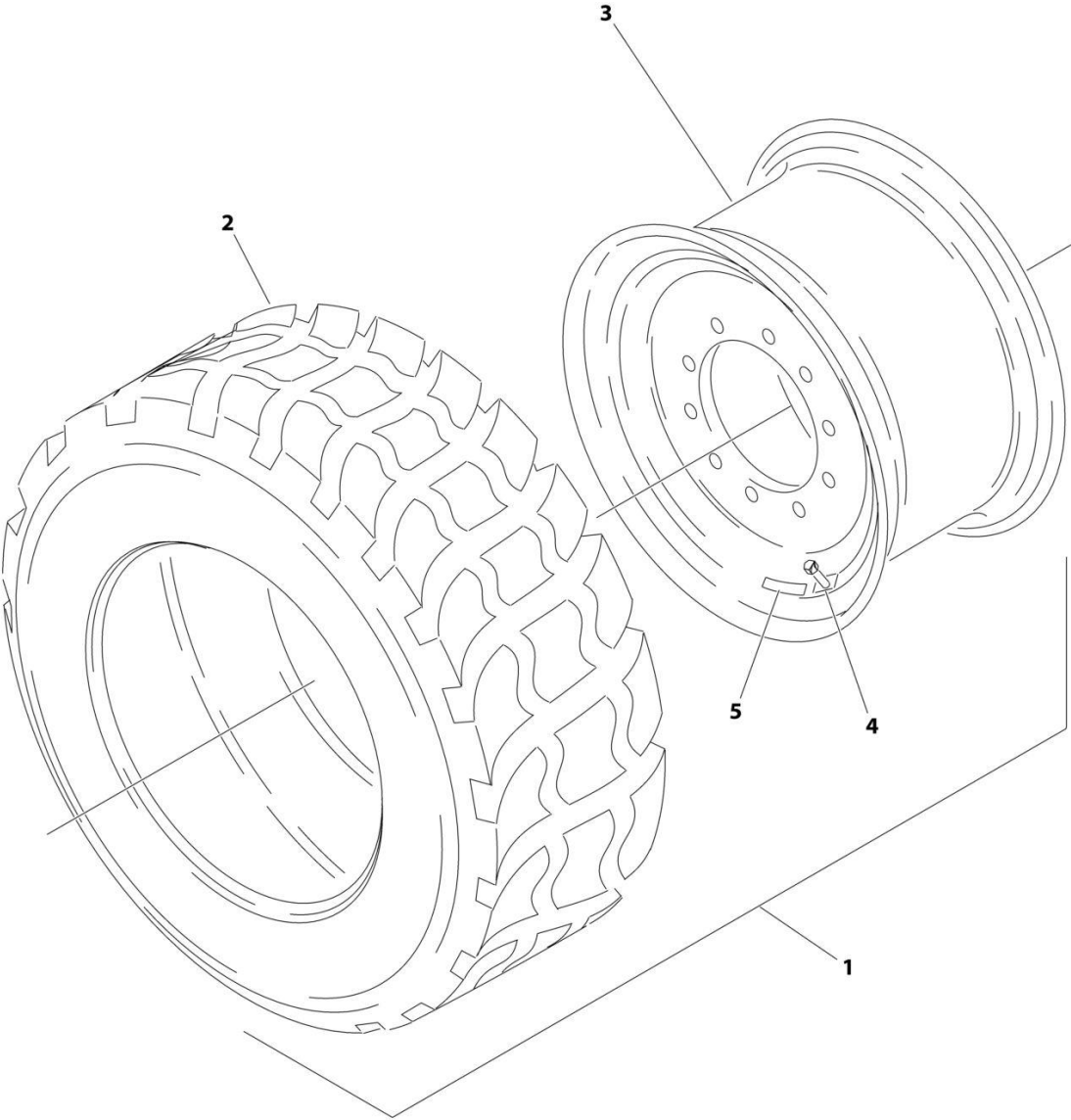
SECTION 1 - FRAME

FIGURE 1-17. ELECTRICAL PLATE ASSEMBLY - RH - UL SPECS

ITEM	PART NUMBER	QTY	DESCRIPTION	REV
	1001212456	Ref	ELECTRICAL PLATE ASSEMBLY - RH	A
1	0100035	AR	Compound, Locking	
2	0100083	AR	Grease, Heat Transfer	
3	3931010	1	Capscrew #10 X 5/8	
4	3931012	14	Capscrew #10 X 3/4	
5	3931016	4	Capscrew #10 X 1	
6	4711000	9	Washer #10	
7	1001174447	1	Converter	
8	1001178339	1	Module, Drive	
9	1001179064	1	Plate	
10	1001212359	1	Stud, Power Distribution	
11	1001212450	1	Insulate	

SECTION 1 - FRAME

FIGURE 1-18. TIRE/WHEEL - IN240/55-17.5 PNEUMATIC



ART_0258995

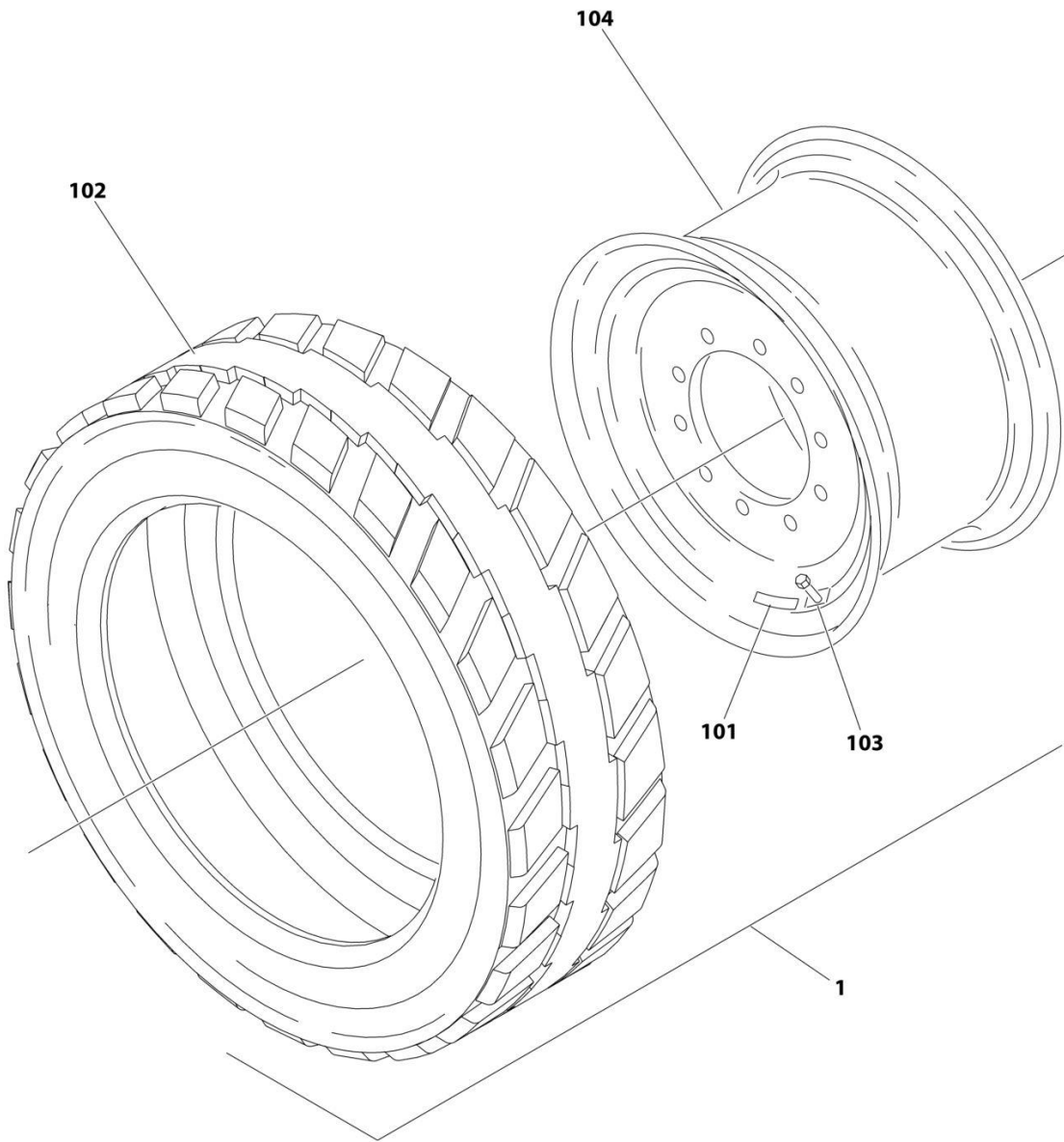
SECTION 1 - FRAME

FIGURE 1-18. TIRE/WHEEL - IN240/55-17.5 PNEUMATIC

ITEM	PART NUMBER	QTY	DESCRIPTION	REV
	0258995	Ref	TIRE AND WHEEL INSTALLATION	1
1	0258688	4	Tire Assembly	2
2	4520209	1	Tire, OTR, IN240/55-17.5 Pneumatic	
3	4860191	1	Rim, Wheel	
4	4641167	1	Valve, Stem	
5	1702740	1	Decal - Tire Pressure	

SECTION 1 - FRAME

FIGURE 1-19. TIRE/WHEEL - IN240/55-17.5 PNEUMATIC NON MARKING



ART_0273683

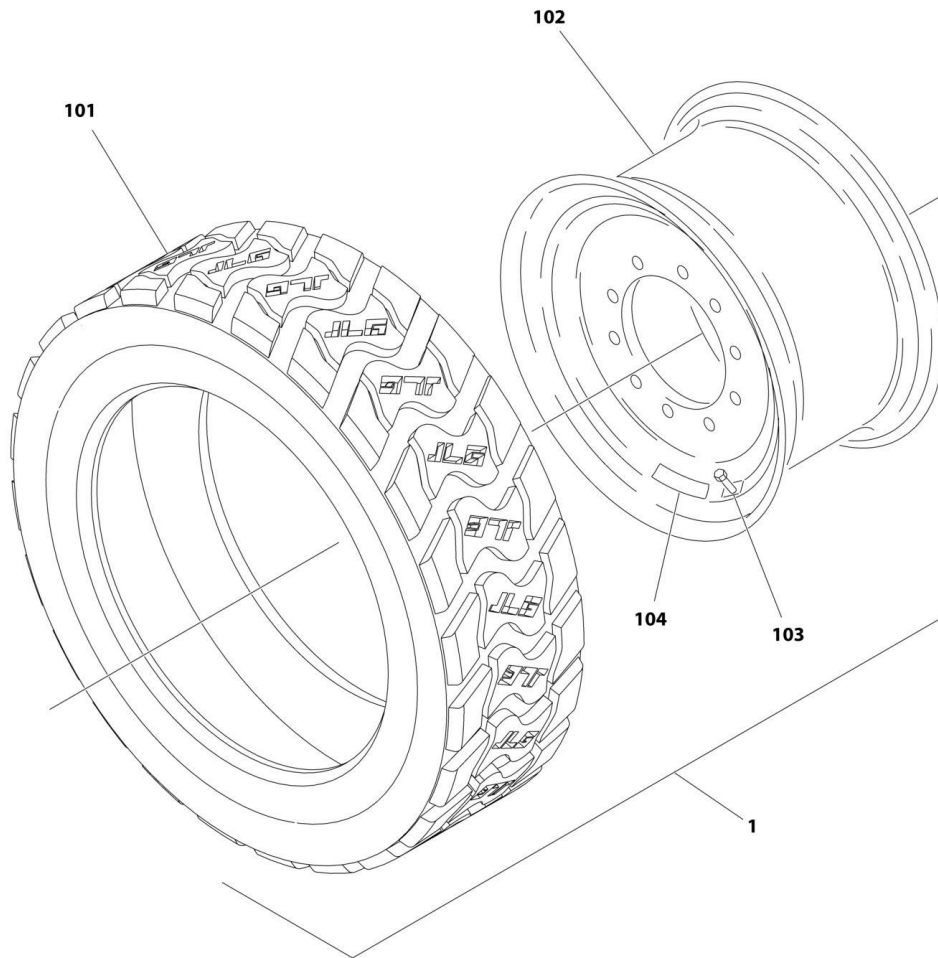
SECTION 1 - FRAME

FIGURE 1-19. TIRE/WHEEL - IN240/55-17.5 PNEUMATIC NON MARKING

ITEM	PART NUMBER	QTY	DESCRIPTION	REV
	0273683	Ref	TIRE AND WHEEL INSTALLATION	A
		Ref	Note: Assemblies may require ballast/foam filling to manufacturer's prior to installing on a machine. Refer to Operation and Safety or Service and Maintenance Manuals. Purchase individual tire and/or rim only if able to foam fill tire and wheel assembly, otherwise purchase complete assembly.	
1	4520279	4	Tire and Wheel Assembly	
101	1702740	1	Decal - Tire Pressure	
102	4520269	1	IN240/55-17.5 Non-Marking Tire with Lighting Tread Pattern	
103	4641167	1	Valve	
104	4860191	1	Rim, Wheel	

SECTION 1 - FRAME

FIGURE 1-20. TIRE/WHEEL - IN240/55-17.5 PNEUMATIC WITH TIRE SEALANT



ART_0272314

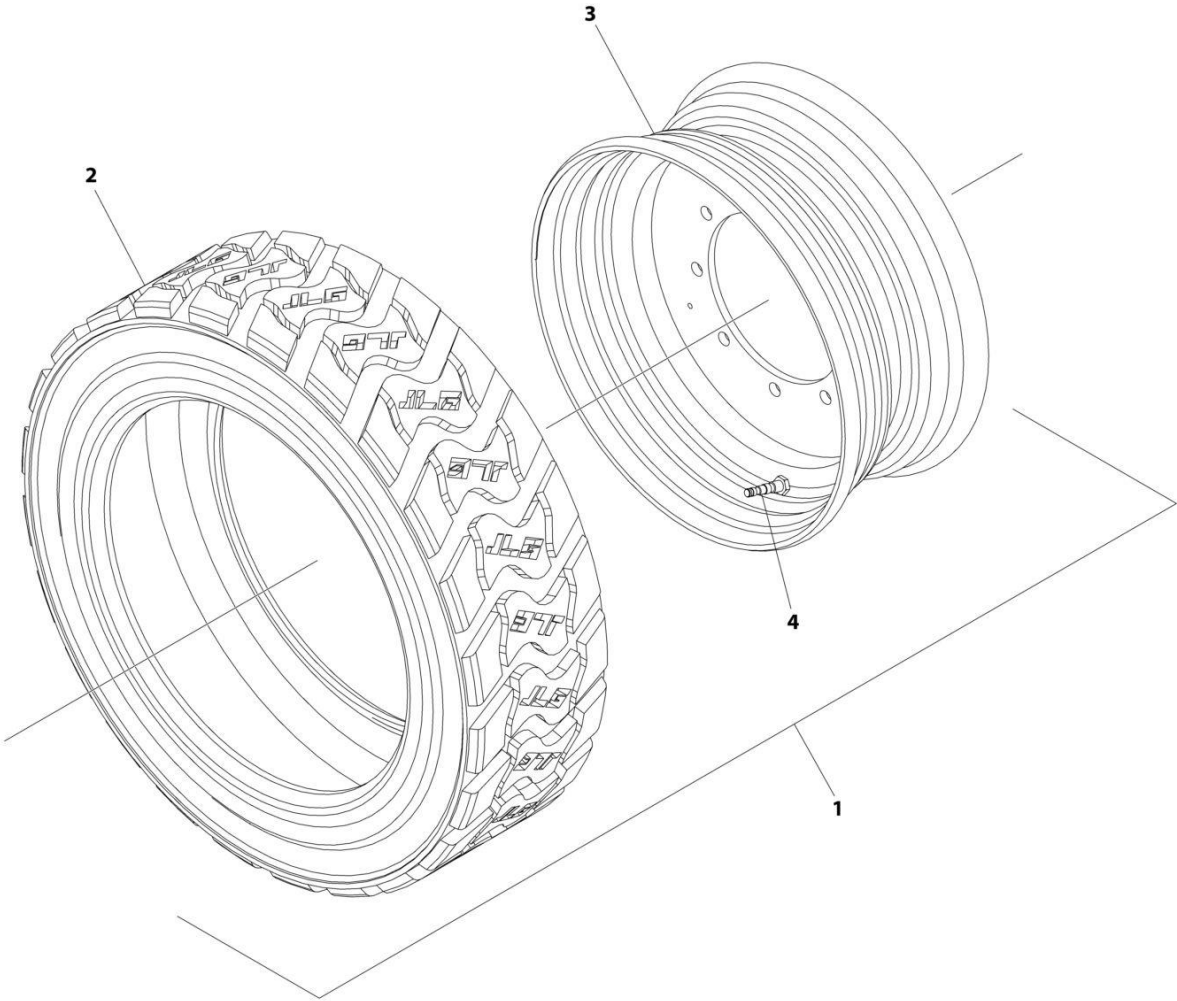
SECTION 1 - FRAME

FIGURE 1-20. TIRE/WHEEL - IN240/55-17.5 PNEUMATIC WITH TIRE SEALANT

ITEM	PART NUMBER	QTY	DESCRIPTION	REV
	0272314	Ref	TIRE AND WHEEL INSTALLATION	2
1	0272335	4	Tire Assembly - ORT IN240/55-17.5 Pneumatic (Tire with JLG Pattern in Tread and Tire Sealant)	
101	4520209	1	Tire, ORT, IN240/55-17.5 (With JLG Pattern in Tread)	
102	4860191	1	Rim, Wheel	
103	4641167	1	Valve, Stem	
104	1702740	1	Decal - Tire Air Pressure	
105	1300019	1	Sealant, Tire (Not Shown)	
106	1705364	1	Decal - Tire Sealant (Not Shown)	

SECTION 1 - FRAME

FIGURE 1-21. TIRE/WHEEL - IN240/55 - 17.5 FOAM FILLED



ART_0258996

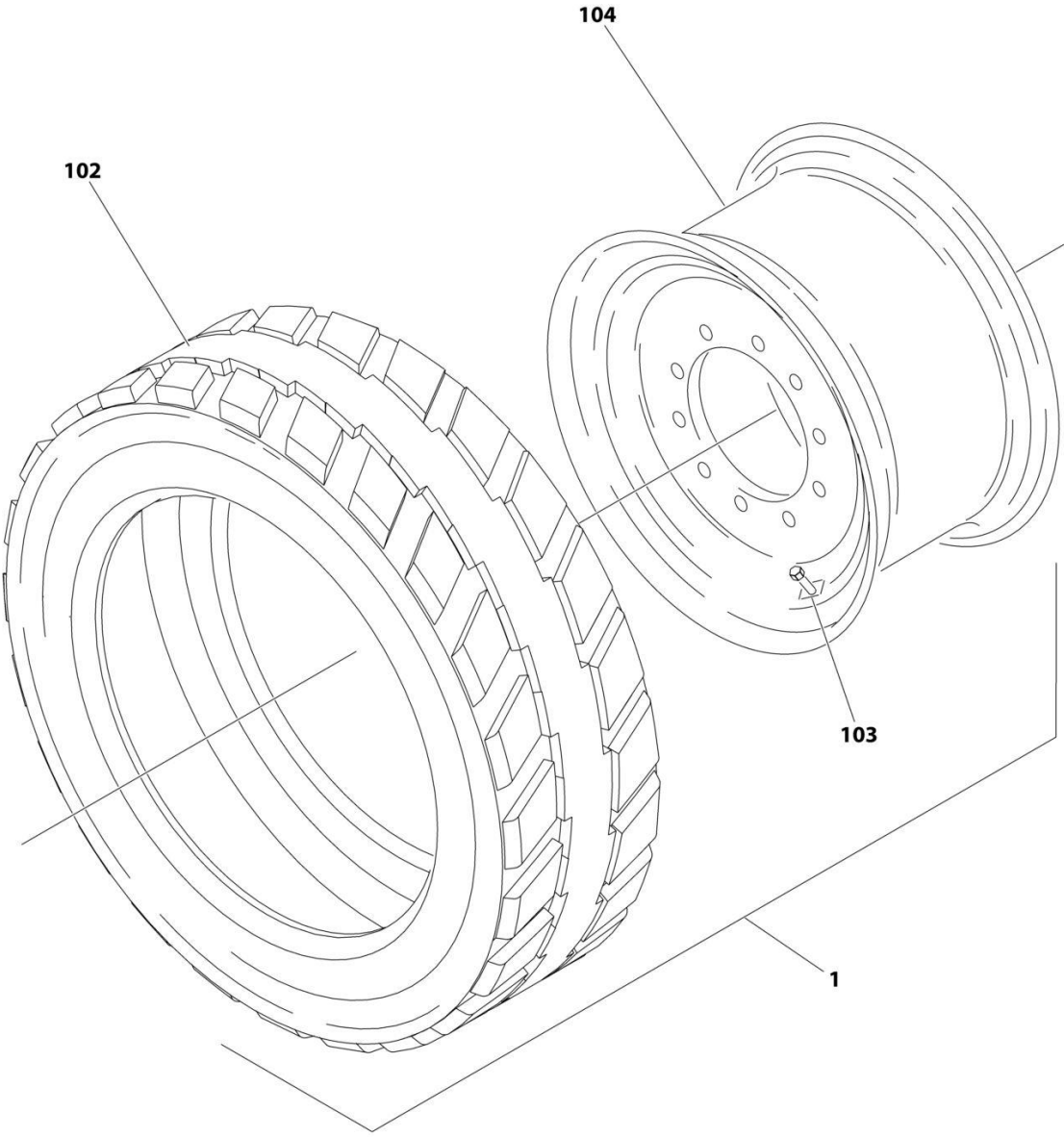
SECTION 1 - FRAME

FIGURE 1-21. TIRE/WHEEL - IN240/55 - 17.5 FOAM FILLED

ITEM	PART NUMBER	QTY	DESCRIPTION	REV
1	0258996	Ref	TIRE AND WHEEL INSTALLATION	1
	0258997	4	Tire Assembly	F
	See Note	Ref	Note: Assemblies may require ballast/foam filling to manufacture's specifications prior to installing on a machine. Refer to Operation and Safety or Service and Maintenance Manuals. Purchase Individual tire and/or rim only if able to foam fill tire and wheel assembly, otherwise, purchase complete assembly	
2	4520209	1	Tire, OTR, IN240/55-17.5	
3	4860191	1	Rim, Wheel	
4	4641122	1	Valve, Stem	

SECTION 1 - FRAME

FIGURE 1-22. TIRE/WHEEL - IN240/55-17.5 FOAM FILLED NON MARKING



ART_0273684

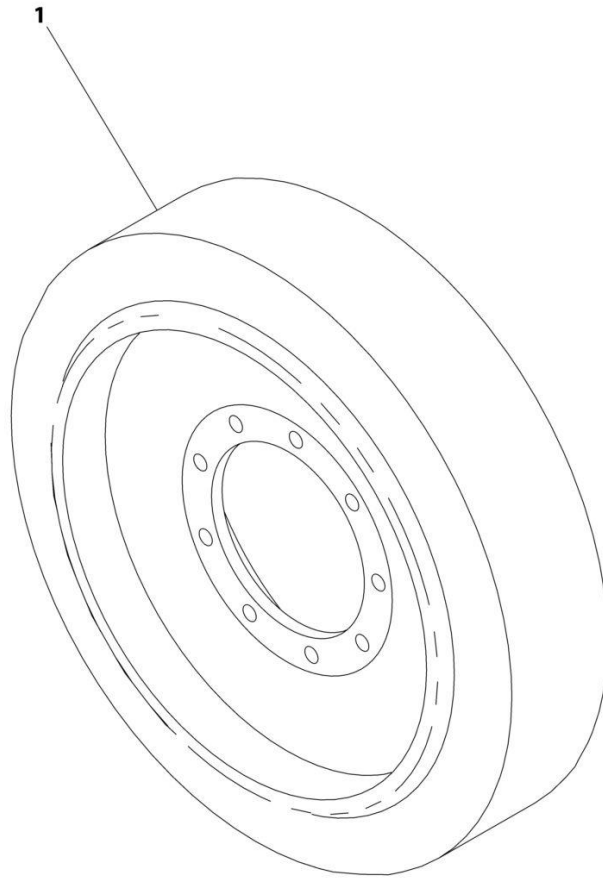
SECTION 1 - FRAME

FIGURE 1-22. TIRE/WHEEL - IN240/55-17.5 FOAM FILLED NON MARKING

ITEM	PART NUMBER	QTY	DESCRIPTION	REV
	0273684	Ref	TIRE AND WHEEL INSTALLATION	A
		Ref	Note: Assemblies may require ballast/foam filling to manufacturer's specifications prior to installing on a machine. Refer to Operation and Safety or Service and Maintenance Manuals. Purchase individual tire and/or rim only if able to foam fill tire and wheel assembly, otherwise, purchase complete assembly.	
1	0273468	4	Tire Assembly	H
102	4520269	1	Tire, OTR, IN240/55-17.5 Foam Filled Non Marking	
103	4641122	1	Valve, Stem	
104	4860191	1	Rim, Wheel	

SECTION 1 - FRAME

FIGURE 1-23. TIRE/WHEEL - 26 X 7 X 20 - SOLID NON MARKING



ART_0270037

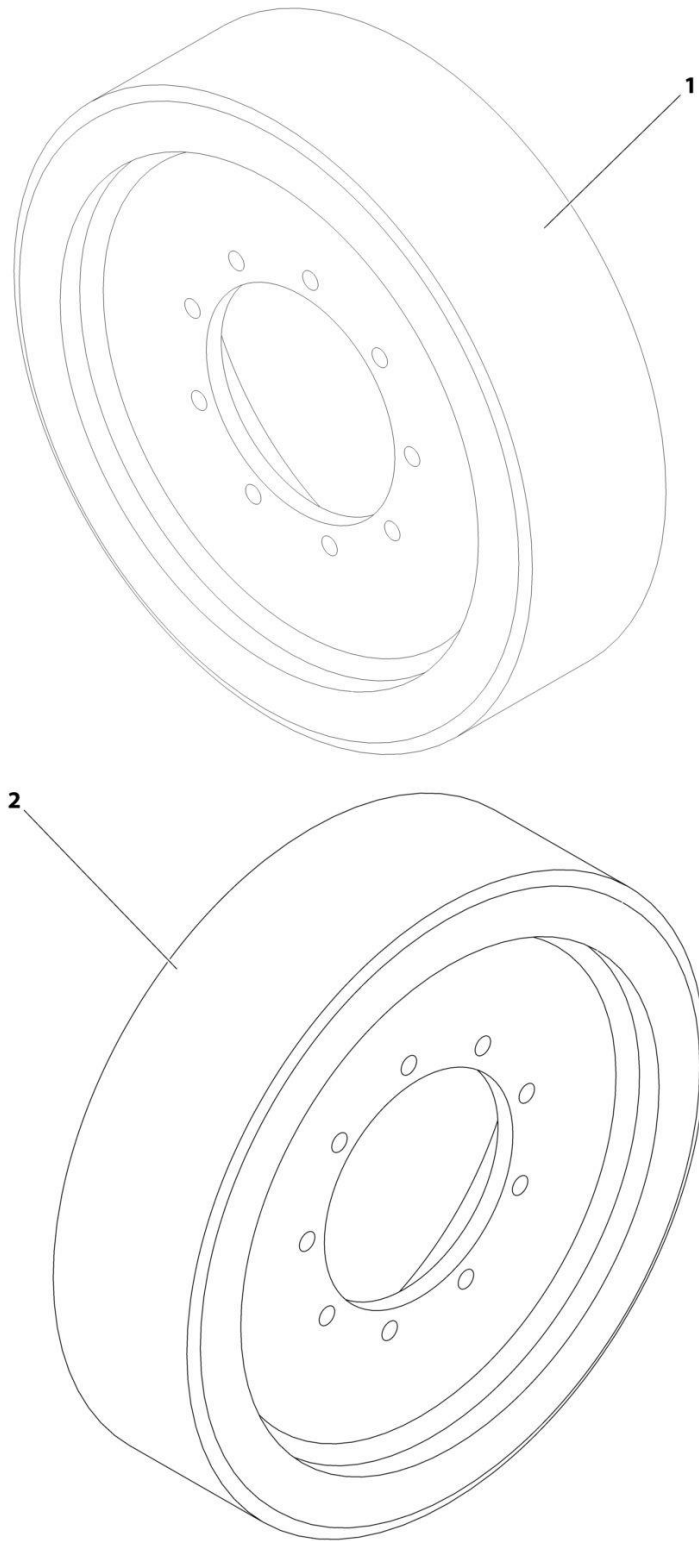
SECTION 1 - FRAME

FIGURE 1-23. TIRE/WHEEL - 26 X 7 X 20 - SOLID NON MARKING

ITEM	PART NUMBER	QTY	DESCRIPTION	REV
	0270037	Ref	TIRE AND WHEEL INSTALLATION	2
	See Note	Ref	Note: Must replace Tire and Wheel Assemblies in pairs per axle.	
1	1001110775	4	Tire Assembly	B

SECTION 1 - FRAME

**FIGURE 1-24. TIRE/WHEEL - SOLID NON-MARKING
(E400AJPNARROW,E400ANARROW,M400AJPNARROW)**



ART_0270028

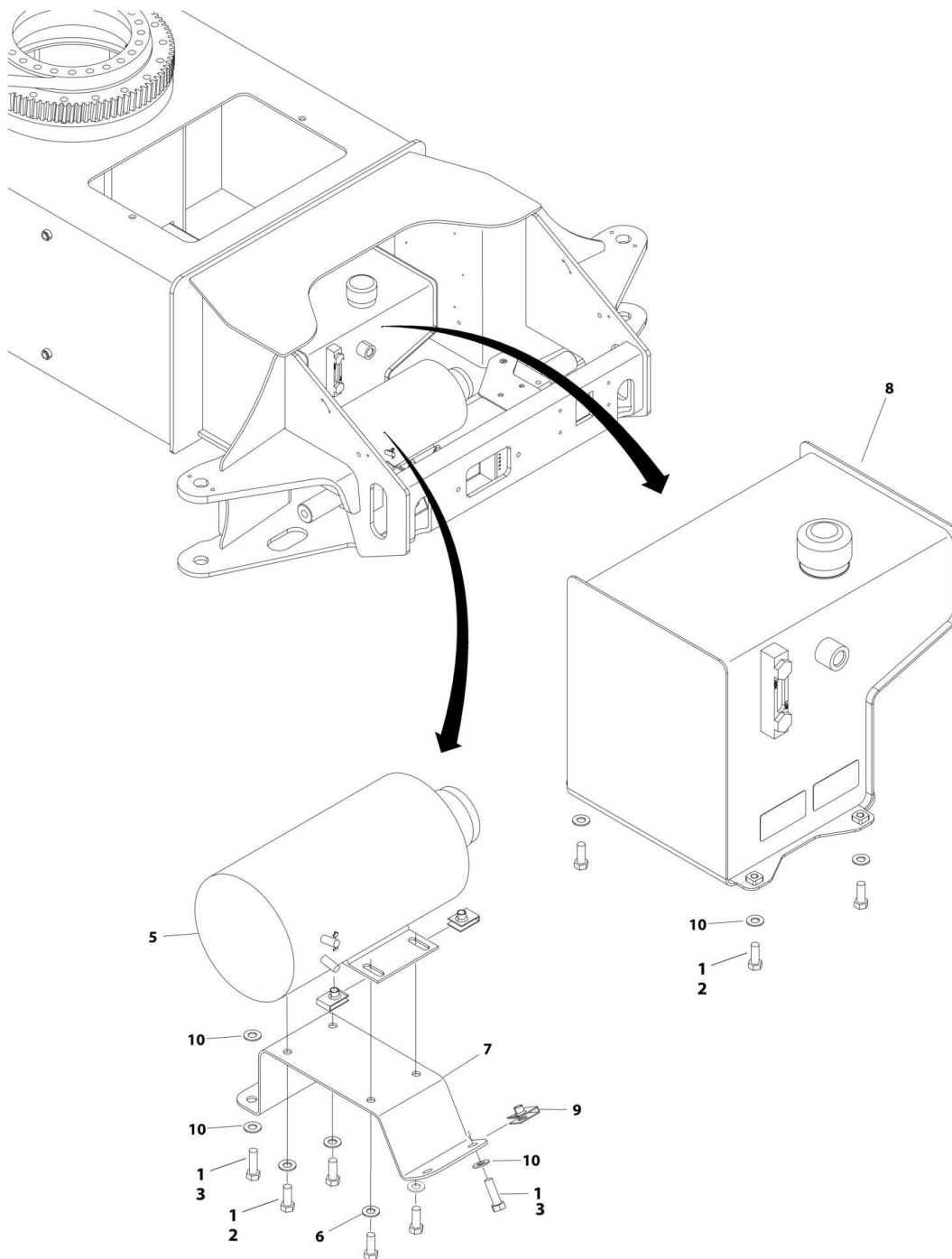
SECTION 1 - FRAME

**FIGURE 1-24. TIRE/WHEEL - SOLID NON-MARKING
(E400AJPNARROW,E400ANARROW,M400AJPNARROW)**

ITEM	PART NUMBER	QTY	DESCRIPTION	REV
	0270028	Ref	TIRE/WHEEL INSTALLATION - NON MARKING	C
		Ref	Note: Must replace Tire and Wheel Assemblies in pairs per axle.	
1	1001110772	2	25 x 7 x 16 - Solideal Tire and Wheel (Drive Axle Tire)	
2	1001110774	2	22 x 6 x 17.75 - Solideal Tire and Wheel (Steer Axle Tire)	

SECTION 1 - FRAME

**FIGURE 1-25. MOTOR/PUMP/TANK INSTALLATION - NON-UL SPECS
(E400AJP,E400AJPNARROW,E400ANARROW)**



ART_1001166417

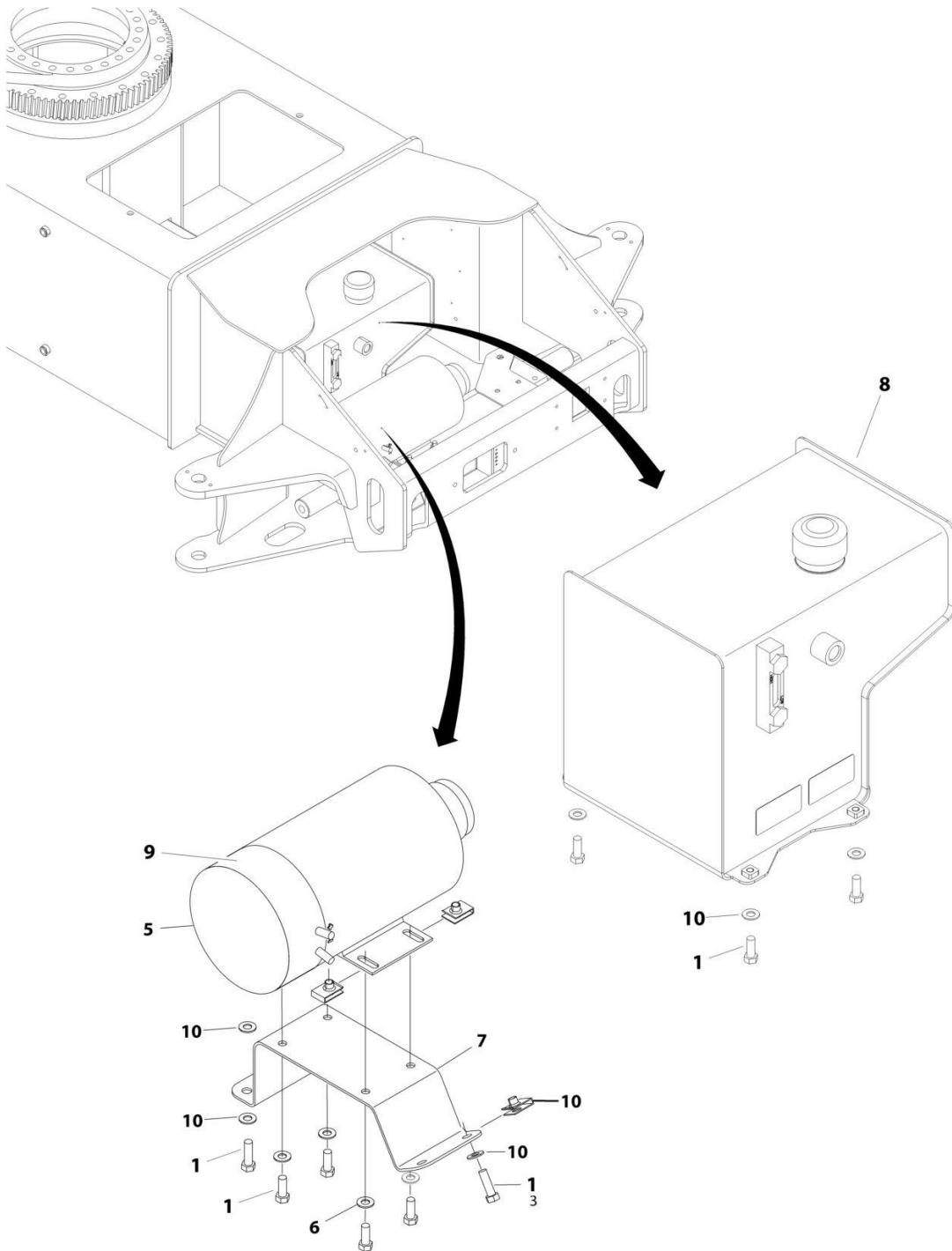
SECTION 1 - FRAME

**FIGURE 1-25. MOTOR/PUMP/TANK INSTALLATION - NON-UL SPECS
(E400AJP,E400AJPNARROW,E400ANARROW)**

ITEM	PART NUMBER	QTY	DESCRIPTION	REV
	1001166417	Ref	MOTOR/PUMP/TANK INSTALLATION	F
1	0100011	AR	Compound, Locking	
2	0641608	8	Bolt, 3/8-16 x 1	
3	0641610	4	Bolt, 3/8-16 x 1-1/4	
5	3600289	1	Motor/Pump Assembly (See MOTOR/PUMP ASSEMBLY for Breakdown)	
6	4711600	4	Washer, 3/8	
7	1001166419	1	Plate, Mounting	
8	1001171213	1	Tank, Hydraulic (See HYDRAULIC TANK ASSEMBLY for Breakdown)	
9	88662523	8	Nut, Tinnerman	
10	4891600	8	Washer, 3/8 Hardened	

SECTION 1 - FRAME

**FIGURE 1-26. MOTOR/PUMP/TANK INSTALLATION - UL SPECS
(E400AJP,E400AJPNARROW,E400ANARROW)**



ART_1001167487

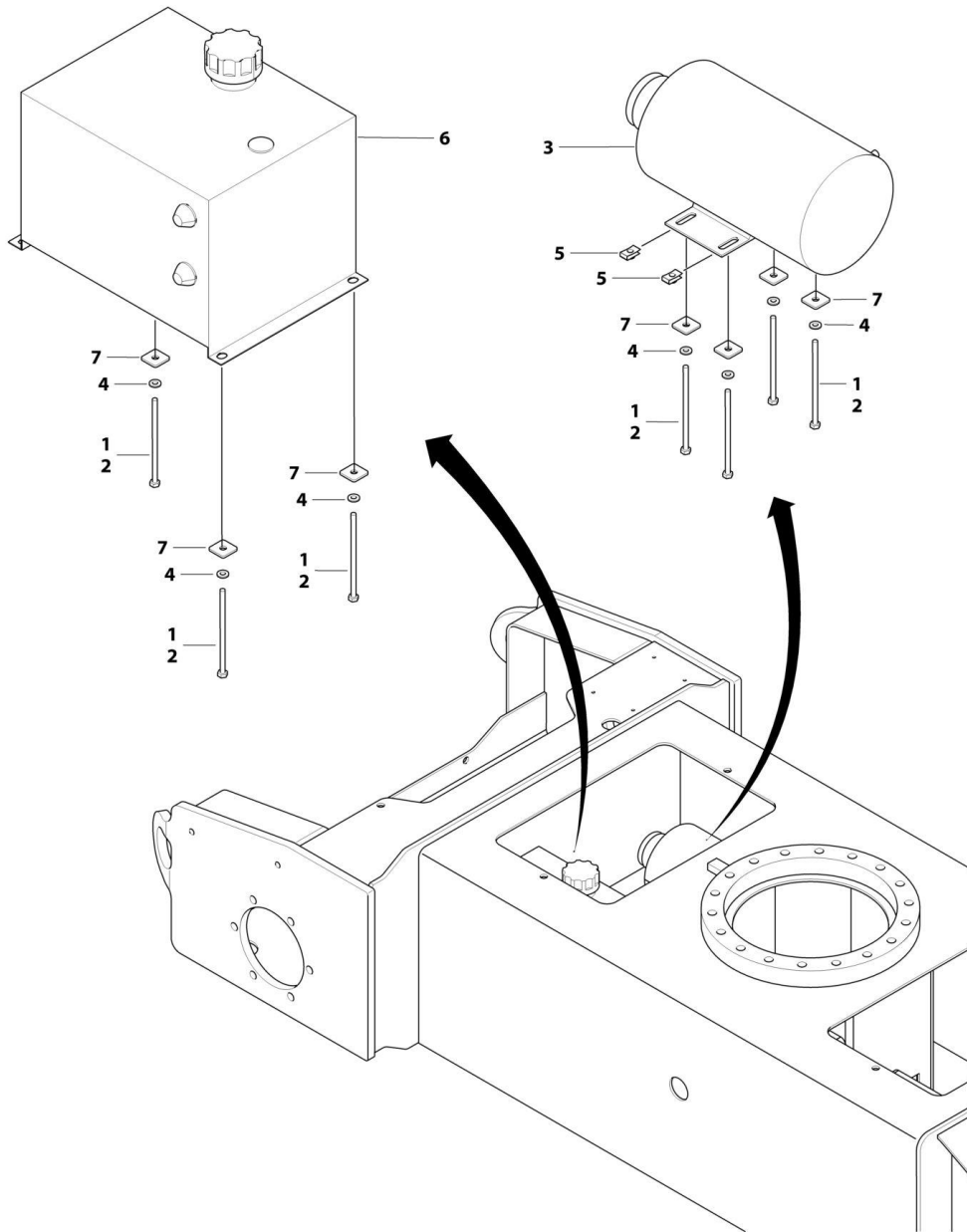
SECTION 1 - FRAME

**FIGURE 1-26. MOTOR/PUMP/TANK INSTALLATION - UL SPECS
(E400AJP,E400AJPNARROW,E400ANARROW)**

ITEM	PART NUMBER	QTY	DESCRIPTION	REV
	1001167487	Ref	MOTOR/PUMP/TANK INSTALLATION	F
1	0100011	AR	Compound, Locking	
2	0641608	8	Bolt, 3/8-16 x 1	
3	0641610	4	Bolt, 3/8-16 x 1-1/4	
5	3600289	1	Motor/Pump Assembly (See MOTOR/PUMP ASSEMBLY for Breakdown)	
6	4751600	4	Washer, 3/8	
7	1001166419	1	Plate, Mounting	
8	1001171213	1	Tank Hydraulic (See HYDRAULIC TANK ASSEMBLY for Breakdown)	
9	0340048	1	Band, Motor	
10	88662523	8	Nut, Tinnerman	
11	4891600	8	Washer, 3/8 Hardened	

SECTION 1 - FRAME

FIGURE 1-27. MOTOR/PUMP/TANK INSTALLATION (M400AJP)



ART_1001167450

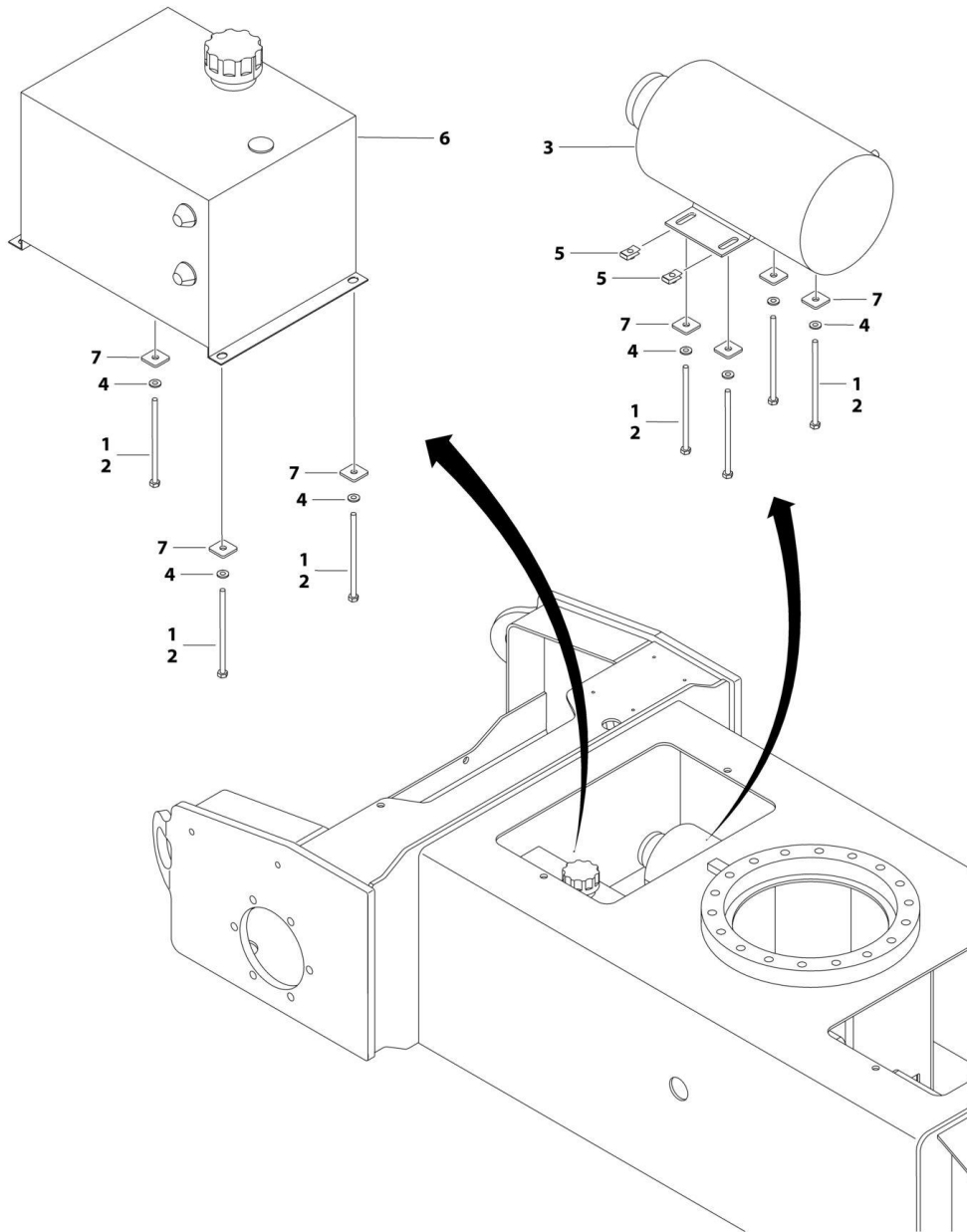
SECTION 1 - FRAME

FIGURE 1-27. MOTOR/PUMP/TANK INSTALLATION (M400AJP)

ITEM	PART NUMBER	QTY	DESCRIPTION	REV
	1001167450	Ref	MOTOR/PUMP/TANK INSTALLATION	B
1	0100011	AR	Compound, Locking	
2	0641424	7	Bolt, 1/4-20 x 3	
3	3600289	1	Motor/Pump Assembly (See MOTOR/PUMP ASSEMBLY for Breakdown)	
4	4711400	7	Washer, 1/4	
5	3300454	4	Nut, 1/4-20	
6	1001171214	1	Tank, Hydraulic (See HYDRAULIC TANK ASSEMBLY for Breakdown)	
7	1001167291	7	Washer	

SECTION 1 - FRAME

FIGURE 1-28. MOTOR/PUMP/TANK INSTALLATION (M400AJPNARROW)



ART_1001167363

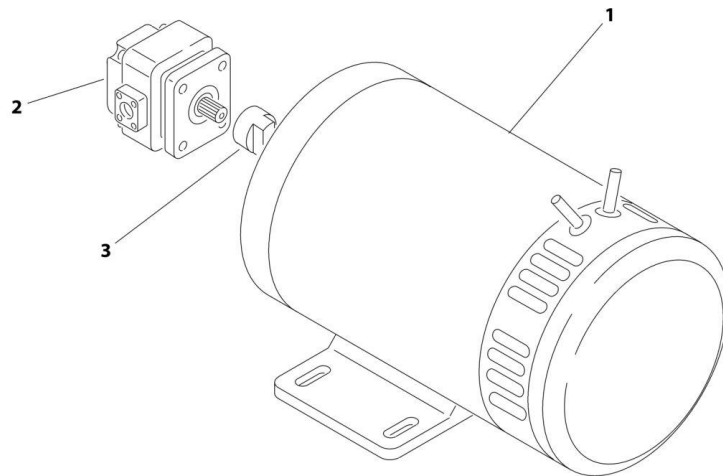
SECTION 1 - FRAME

FIGURE 1-28. MOTOR/PUMP/TANK INSTALLATION (M400AJPNARROW)

ITEM	PART NUMBER	QTY	DESCRIPTION	REV
	1001167363	Ref	MOTOR/PUMP/TANK INSTALLATION	B
1	0100011	AR	Compound, Locking	
2	0641440	7	Bolt, 1/4-20 X 5	
3	3600289	1	Motor/Pump Assembly (See MOTOR/PUMP ASSEMBLY for Breakdown)	
4	4711400	7	Washer, 1/4	
5	3300454	4	Nut, 1/4-20	
6	1001171214	1	Tank, Hydraulic (See HYDRAULIC TANK ASSEMBLY for Breakdown)	
7	1001167291	7	Washer	

SECTION 1 - FRAME

FIGURE 1-29. MOTOR/PUMP ASSEMBLY



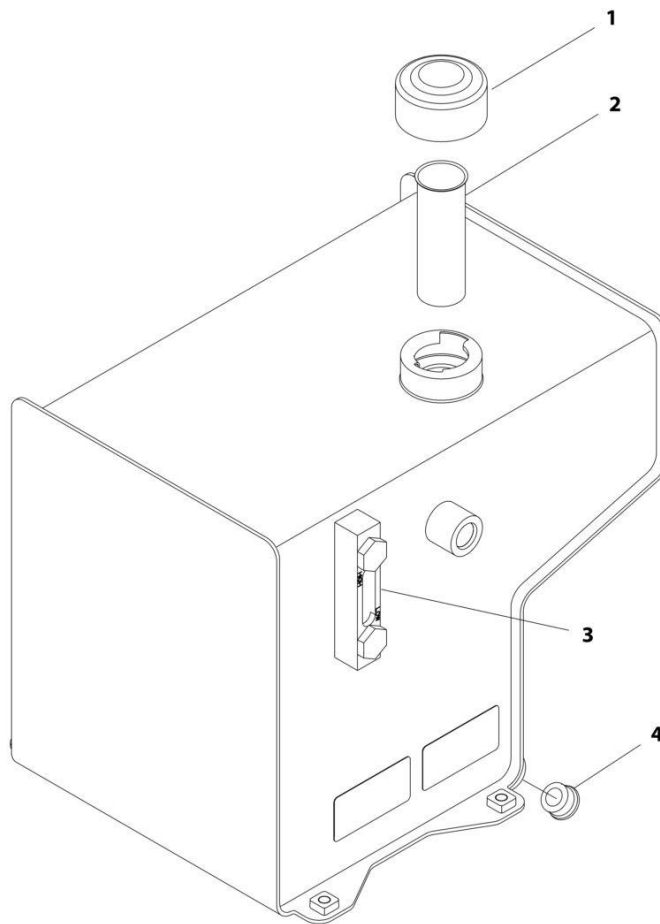
ART_3600289

FIGURE 1-29. MOTOR/PUMP ASSEMBLY

ITEM	PART NUMBER	QTY	DESCRIPTION	REV
	3600289	Ref	MOTOR/PUMP ASSEMBLY	A
1	7021318	1	Motor Assembly	
1	7021361	1	Brush Kit	
1	70003171	1	Spring, Brush	
1	70001961	1	Seal, Oil	
2	7021319	1	Pump Assembly	
2	7021377	1	Seal Kit	
3	70002523	1	Coupling	

SECTION 1 - FRAME

FIGURE 1-30. HYDRAULIC TANK ASSEMBLY (E400AJP,E400AJPNARROW,E400ANARROW)



ART_1001171213

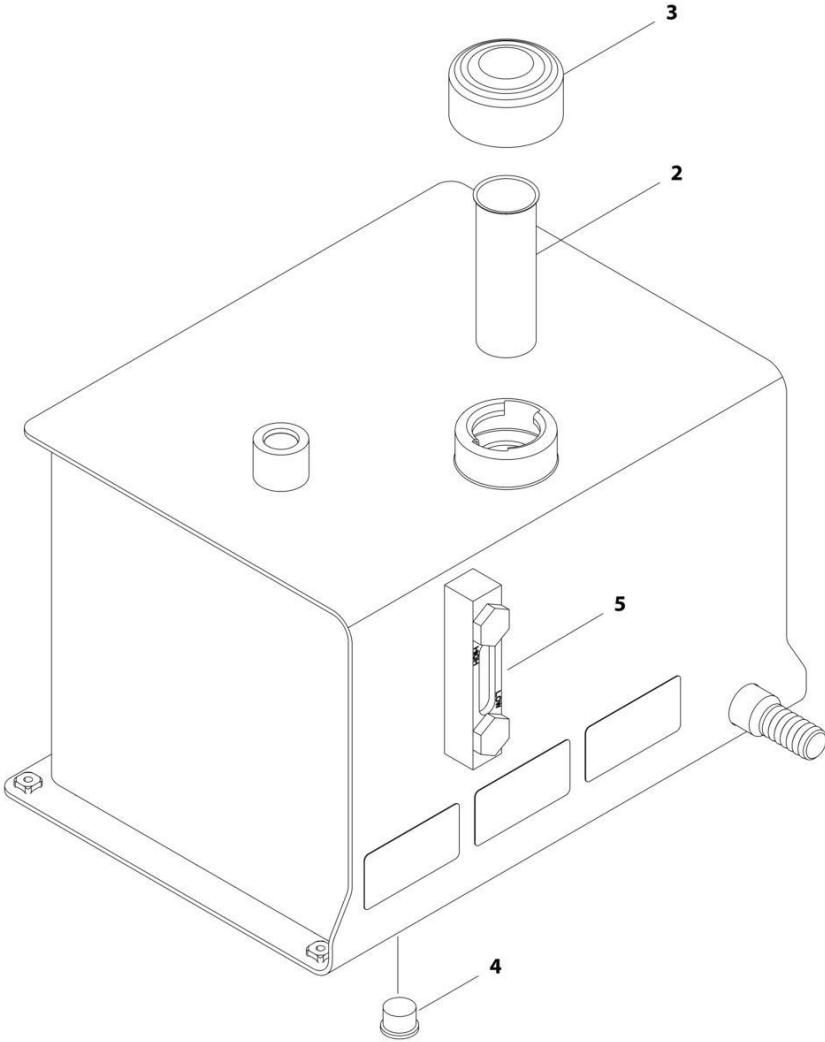
SECTION 1 - FRAME

FIGURE 1-30. HYDRAULIC TANK ASSEMBLY (E400AJP,E400AJPNARROW,E400ANARROW)

ITEM	PART NUMBER	QTY	DESCRIPTION	REV
	1001171213	Ref	HYDRAULIC TANK ASSEMBLY	B
1	7024444	1	Cap, Breather	
2	7024445	1	Strainer	
3	70005101	1	Gauge, Sight	
4	70002112	1	Plug	

SECTION 1 - FRAME

FIGURE 1-31. HYDRAULIC TANK ASSEMBLY (M400AJP,M400AJPNARROW)



ART_1001171214

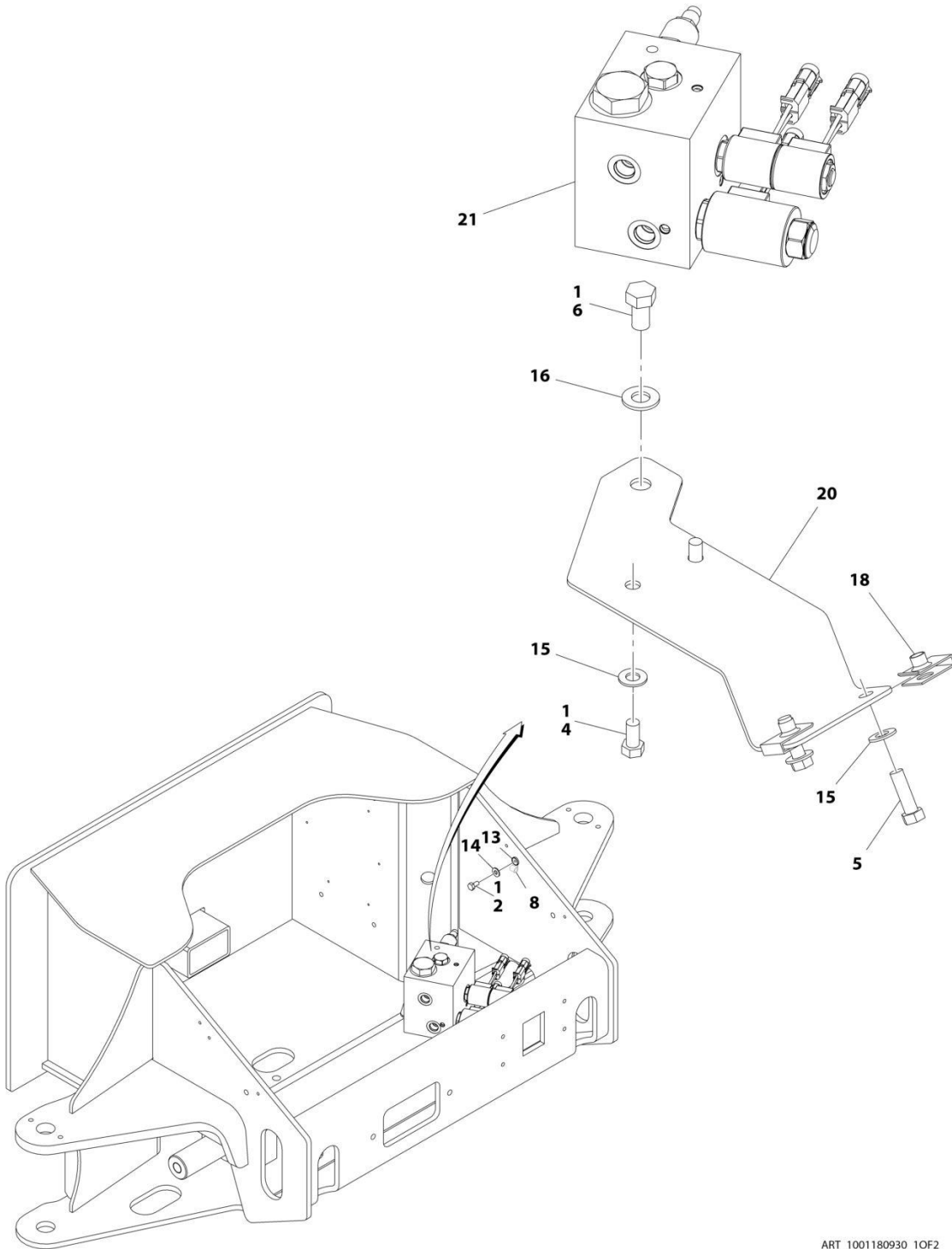
SECTION 1 - FRAME

FIGURE 1-31. HYDRAULIC TANK ASSEMBLY (M400AJP,M400AJPNARROW)

ITEM	PART NUMBER	QTY	DESCRIPTION	REV
	1001171214	Ref	HYDRAULIC TANK ASSEMBLY	B
2	7024445	1	Strainer	
3	7024444	1	Cap, Breather	
4	70002112	1	Plug	
5	70005101	1	Gauge, Sight	

SECTION 1 - FRAME

FIGURE 1-32. VALVE INSTALLATION - FRAME MOUNTED (E400ANARROW)



ART_1001180930_10F2

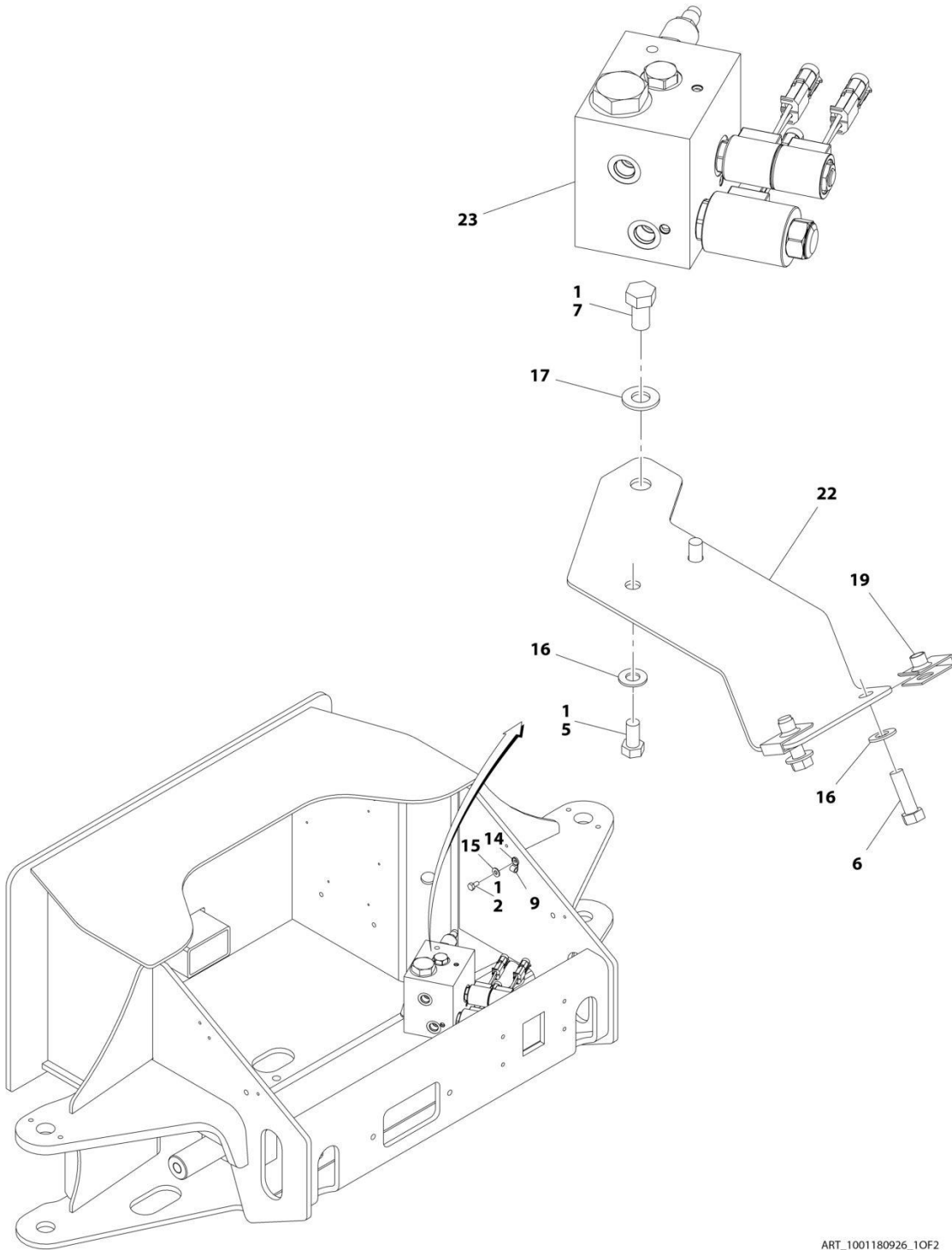
SECTION 1 - FRAME

FIGURE 1-32. VALVE INSTALLATION - FRAME MOUNTED (E400ANARROW)

ITEM	PART NUMBER	QTY	DESCRIPTION	REV
	1001180930	Ref	VALVE INSTALLATION - FRAME MOUNTED	B
1	0100011	AR	Compound, Locking	
2	0641404	1	Bolt, 1/4-20 x 1/2 (SN 0300208530 through 0300225009)	
4	0641606	2	Bolt, 3/8-16 X 3/4	
5	0641610	2	Bolt, 3/8-16 X 1-1/4	
6	0641807	1	Bolt, 1/2-13 X 7/8	
8	1320040	1	Clamp (SN 0300208530 through 0300225009)	
13	4240032	1	Tie, Strap (SN 0300208530 through 0300225009)	
14	4711400	1	Washer, 1/4 (SN 0300208530 through 0300225009)	
15	4711600	4	Washer, 3/8	
16	4711800	1	Washer, 1/2	
18	88662523	2	Nut, Tinnerman	
20	1001166420	1	Bracket, Mounting	
21	1001177364	1	Steer/Brake Valve Assembly (See STEER/BRAKE VALVE ASSEMBLY for Breakdown)	

SECTION 1 - FRAME

FIGURE 1-33. VALVE INSTALLATION - FRAME MOUNTED (E400AJP,E400AJPNARROW) (SN 0300208530 through 0300233432)



ART_1001180926_10F2

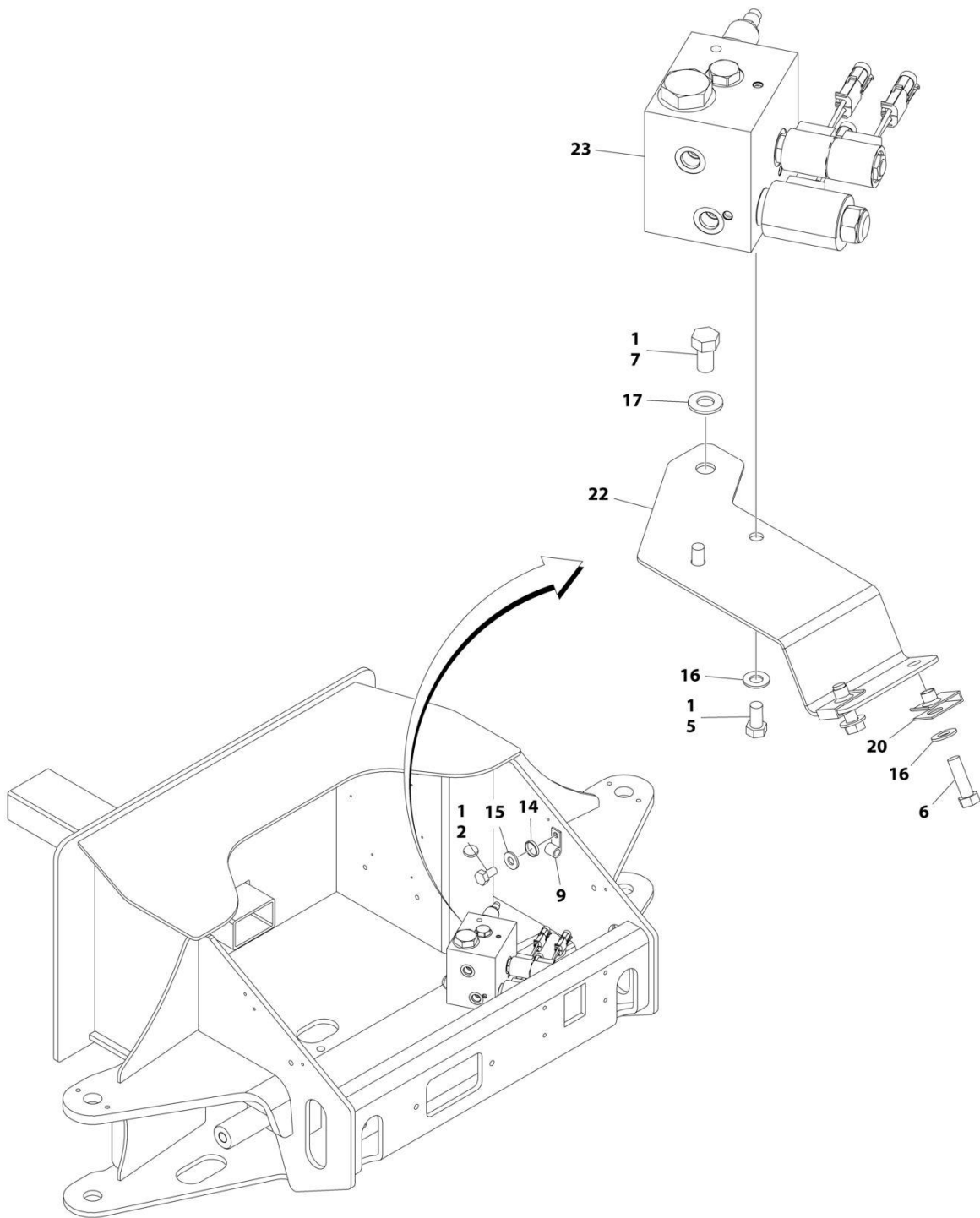
SECTION 1 - FRAME

FIGURE 1-33. VALVE INSTALLATION - FRAME MOUNTED (E400AJP,E400AJPNARROW) (SN 0300208530 through 0300233432)

ITEM	PART NUMBER	QTY	DESCRIPTION	REV
	1001180926	Ref	VALVE INSTALLATION - FRAME MOUNTED (SN 0300208530 through 0300233432)	C
1	0100011	AR	Compound, Locking	
2	0641404	1	Bolt, 1/4-20 x 1/2 (SN 0300208530 through 0300225009)	
5	0641606	2	Bolt, 3/8-16 X 3/4	
6	0641610	2	Bolt, 3/8-16 X 1-1/4	
7	0641807	1	Bolt, 1/2-13 X 7/8	
9	1320040	1	Clamp (SN 0300208530 through 0300225009)	
14	4240032	1	Tie, Strap (SN 0300208530 through 0300225009)	
15	4711400	1	Washer, 1/4 (SN 0300208530 through 0300225009)	
16	4711600	4	Washer, 3/8	
17	4711800	1	Washer, 1/2	
19	88662523	2	Nut, Tinnerman	
22	1001166420	1	Bracket, Mounting	
23	1001177364	1	Steer/Brake Valve Assembly (See STEER/BRAKE VALVE ASSEMBLY for Breakdown)	

SECTION 1 - FRAME

FIGURE 1-34. VALVE INSTALLATION - FRAME MOUNTED (E400AJP,E400AJPNARROW) (SN 0300233433 through 0300272265)



ART_1001218367_10F2

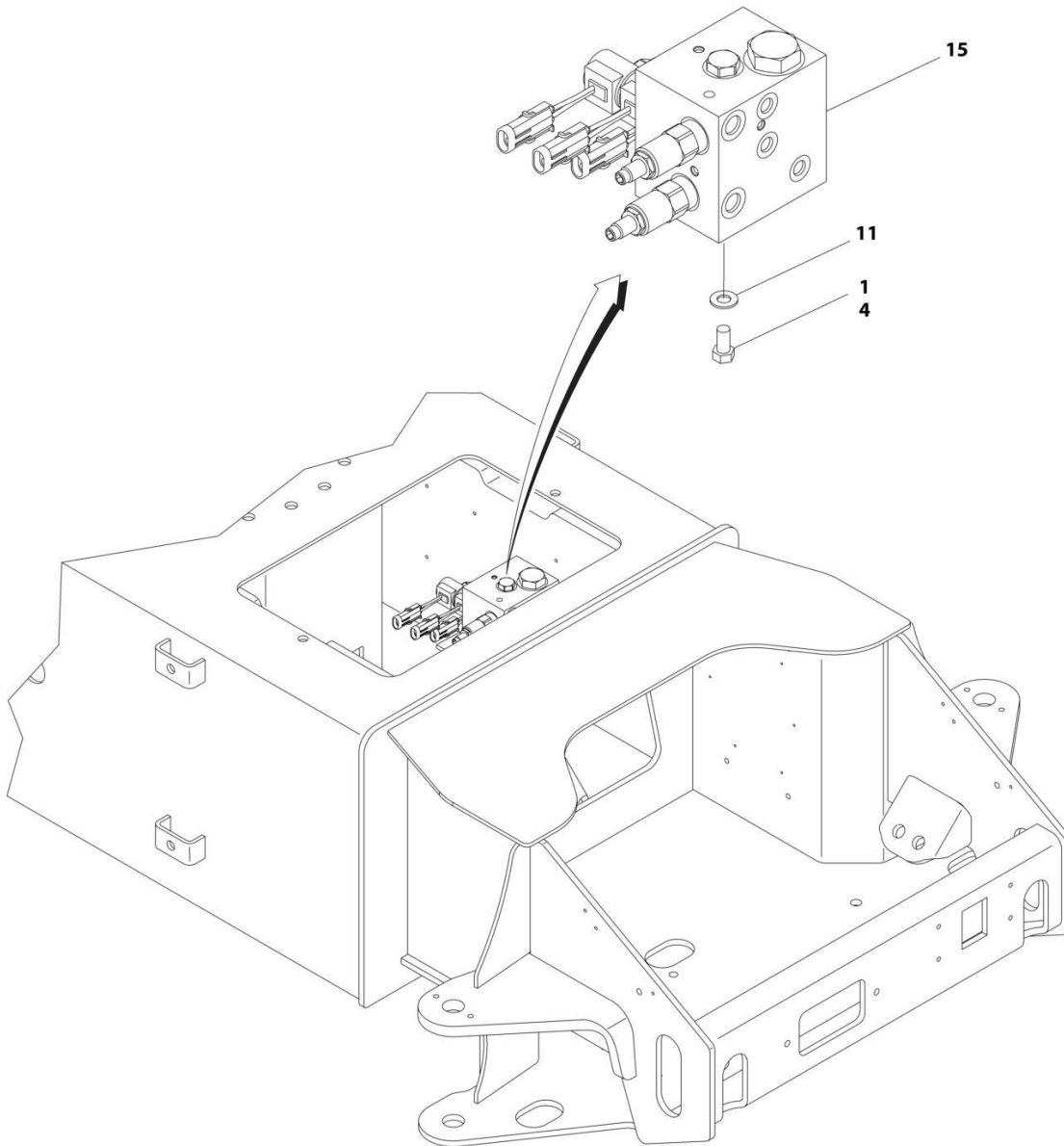
SECTION 1 - FRAME

FIGURE 1-34. VALVE INSTALLATION - FRAME MOUNTED (E400AJP,E400AJPNARROW) (SN 0300233433 through 0300272265)

ITEM	PART NUMBER	QTY	DESCRIPTION	REV
	1001218367	Ref	VALVE INSTALLATION - FRAME MOUNTED	A
1	0100011	AR	Compound, Locking	
2	0641404	1	Bolt, 1/4-20 x 1/2	
5	0641606	2	Bolt, 3/8-16 X 3/4	
6	0641610	2	Bolt, 3/8-16 X 1-1/4	
7	0641807	1	Bolt, 1/2-13 X 7/8	
9	1320040	1	Clamp	
14	4240032	1	Tie, Strap	
15	4711400	1	Washer, 1/4	
16	4711600	6	Washer, 3/8	
17	4711800	1	Washer, 1/2	
20	88662523	2	Nut, Tinnerman	
22	1001166420	1	Bracket, Mounting	
23	1001177364	1	Steer/Brake Valve Assembly (See STEER/BRAKE VALVE ASSEMBLY for Breakdown)	

SECTION 1 - FRAME

FIGURE 1-35. VALVE INSTALLATION - FRAME MOUNTED (M400AJP,M400AJPNARROW) (SN 0300208530 through 0300233432)



ART_1001180928_10F2

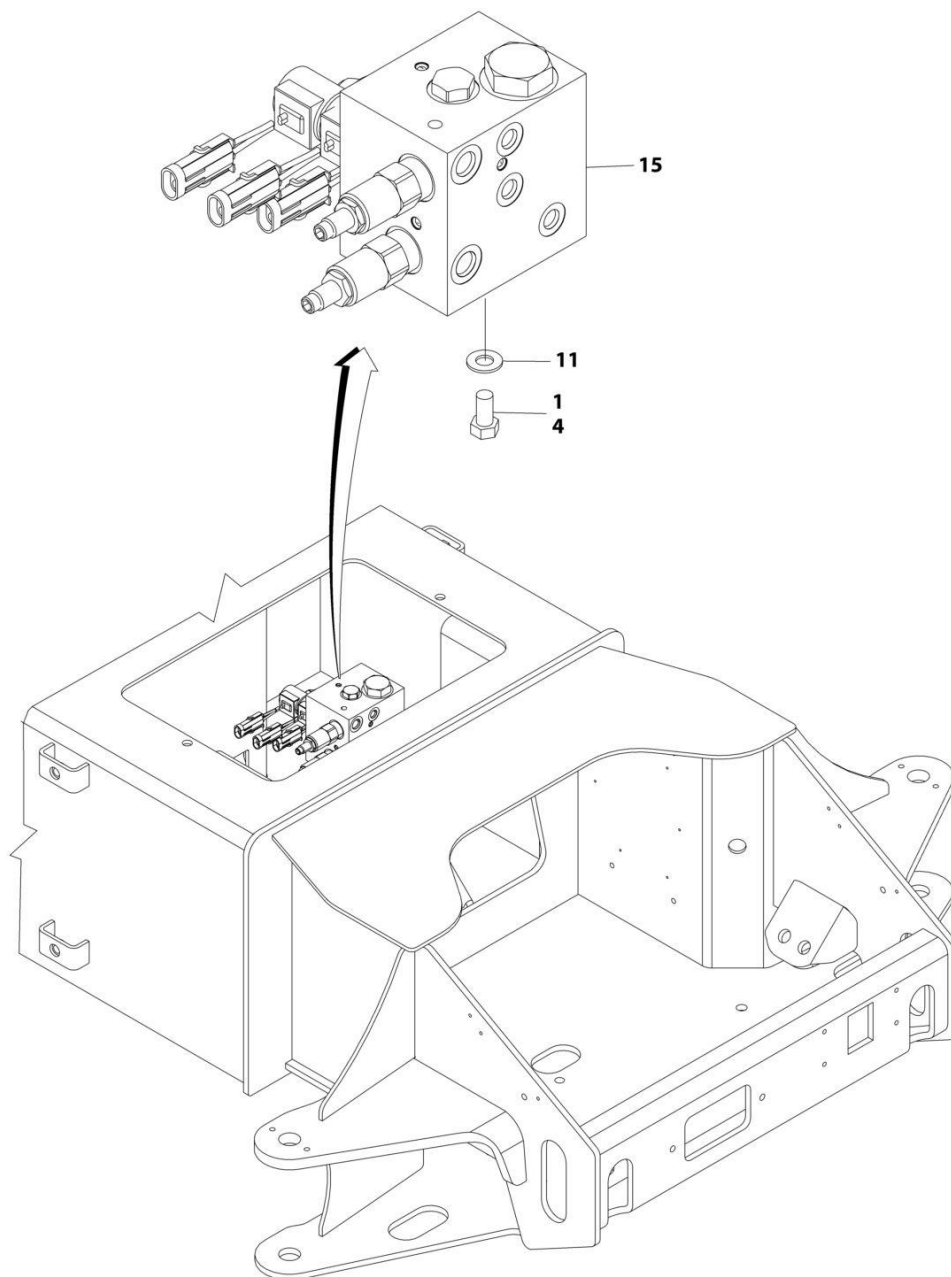
SECTION 1 - FRAME

FIGURE 1-35. VALVE INSTALLATION - FRAME MOUNTED (M400AJP,M400AJPNARROW) (SN 0300208530 through 0300233432)

ITEM	PART NUMBER	QTY	DESCRIPTION	REV
	1001180928	Ref	VALVE INSTALLATION - FRAME MOUNTED (SN 0300208530 through 0300233432)	B
1	0100011	AR	Compound, Locking	
4	0641606	2	Bolt, 3/8-16 X 3/4	
11	4711600	4	Washer, 3/8	
15	1001177364	1	Steer/Brake Valve Assembly (See STEER/BRAKE VALVE ASSEMBLY for Breakdown)	

SECTION 1 - FRAME

FIGURE 1-36. VALVE INSTALLATION - FRAME MOUNTED (M400AJP,M400AJPNARROW) (SN 0300233433 through 0300272265)



ART_1001218370

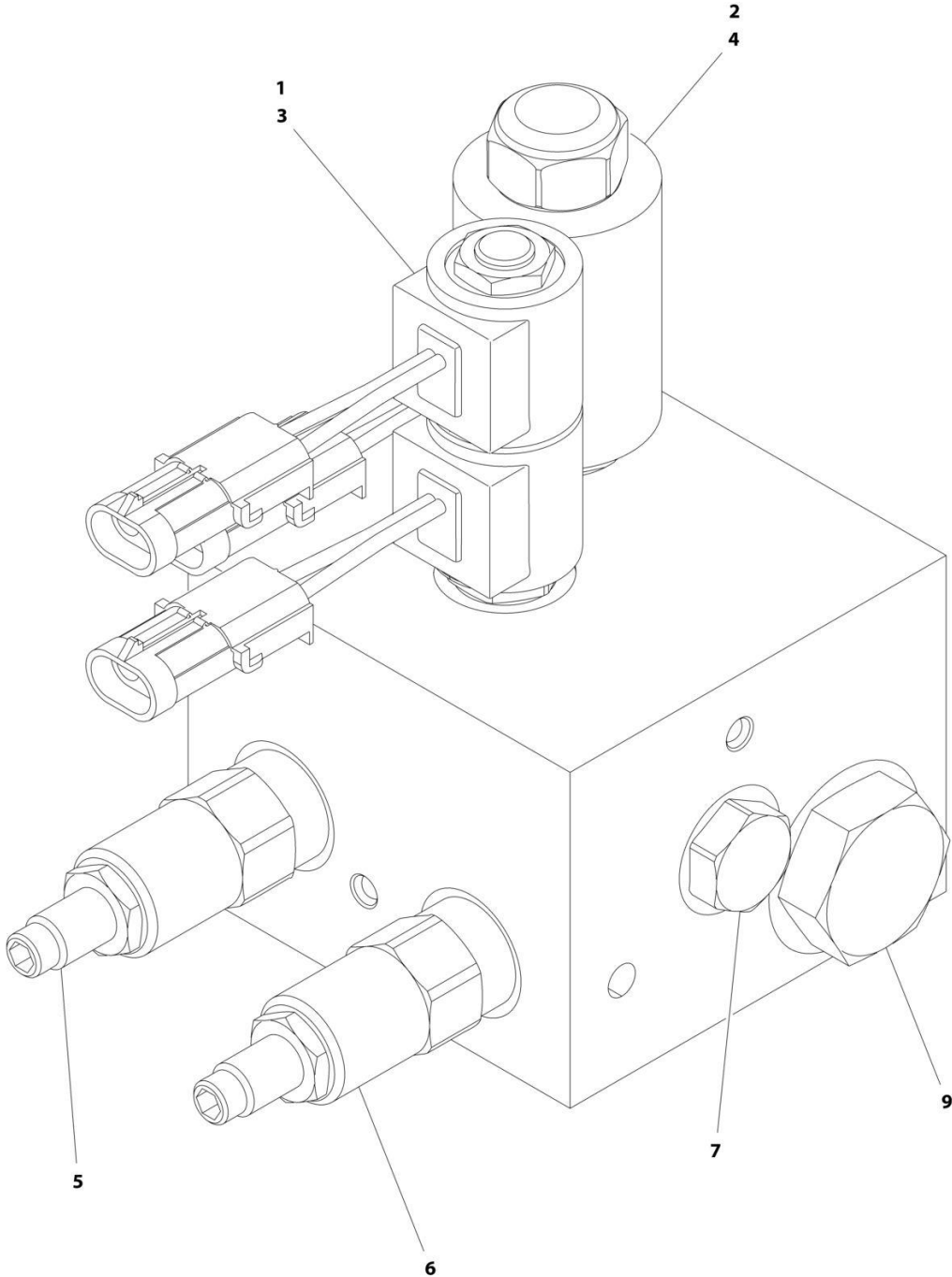
SECTION 1 - FRAME

FIGURE 1-36. VALVE INSTALLATION - FRAME MOUNTED (M400AJP,M400AJPNARROW) (SN 0300233433 through 0300272265)

ITEM	PART NUMBER	QTY	DESCRIPTION	REV
	1001218370	Ref	VALVE INSTALLATION - FRAME MOUNTED	A
1	0100011	AR	Compound, Locking	
4	0641606	2	Bolt, 3/8-16 X 3/4	
11	4711600	2	Washer, 3/8	
15	1001177364	1	Steer/Brake Valve Assembly (See STEER/BRAKE VALVE ASSEMBLY for Breakdown)	

SECTION 1 - FRAME

FIGURE 1-37. BRAKE/STEER VALVE ASSEMBLY



ART_1001177364

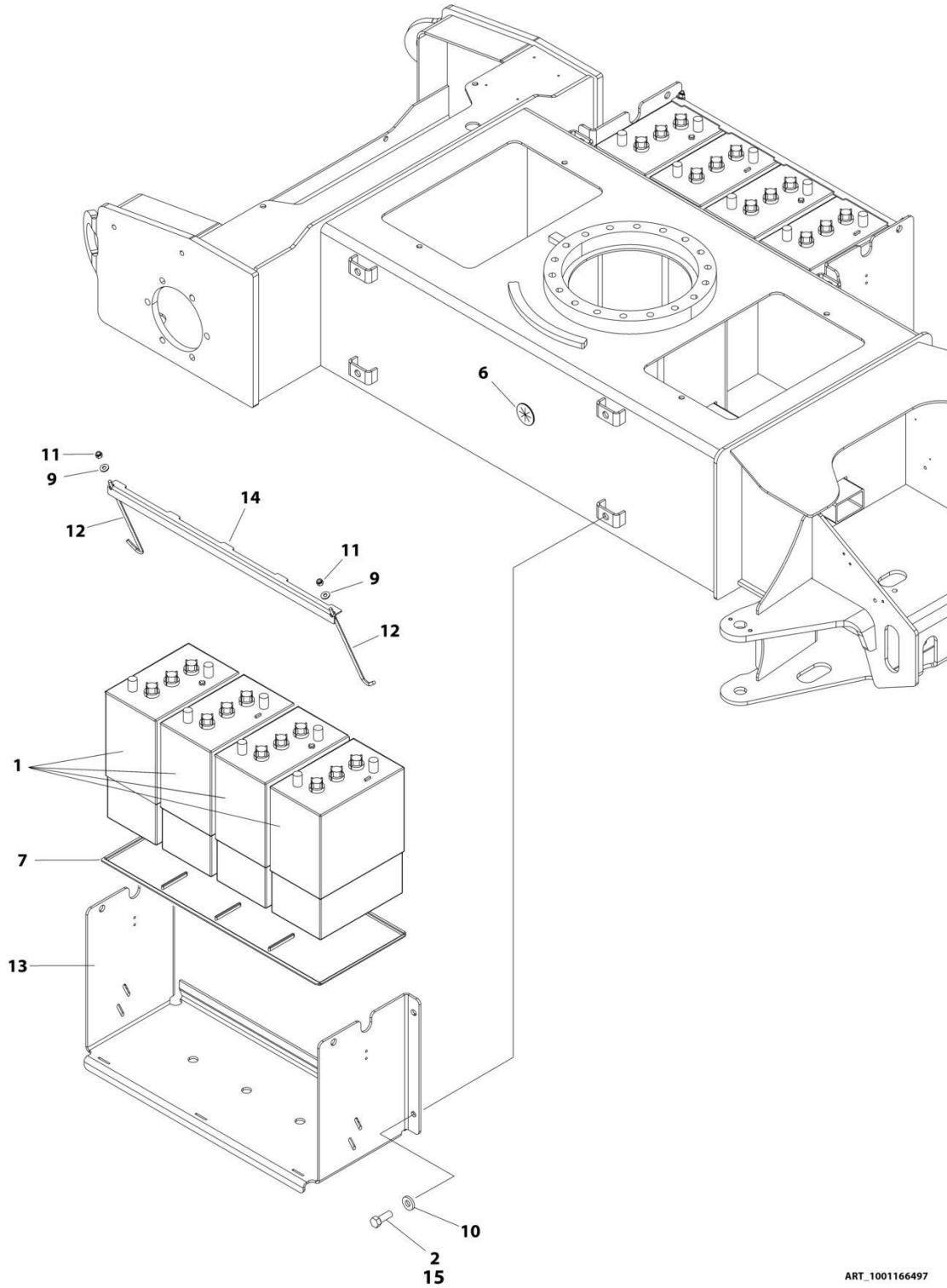
SECTION 1 - FRAME

FIGURE 1-37. BRAKE/STEER VALVE ASSEMBLY

ITEM	PART NUMBER	QTY	DESCRIPTION	REV
	1001177364	Ref	BRAKE/STEER VALVE ASSEMBLY	G
1	7017433	1	Cartridge, without Coil (Steer)	
1	7017402	1	Seal Kit - 7017433 Cartridge	
2	7021611	1	Cartridge, Proportional without Coil (Flow Control)	
2	7012518	1	Seal Kit - 7021611 Cartridge	
3	7021609	2	Coil	
4	7021618	1	Coil	
5	7021659	1	Cartridge, Relief (Main)	
5	7012972	1	Seal Kit - 7021659	
6	7017488	1	Cartridge, Relief (Steer)	
6	7012998	1	Seal Kit - 7017488 Cartridge	
7	10837580	1	Cartridge, Load Shuttle	
7	7010543	1	Seal Kit - 7012941 Cartridge	
9	7021616	1	Cartridge, Filter	

SECTION 1 - FRAME

FIGURE 1-38. BATTERY BOX INSTALLATION - STANDARD (ALL SPECS EXCEPT AUSTRALIAN & CE SPECS)



ART_1001166497

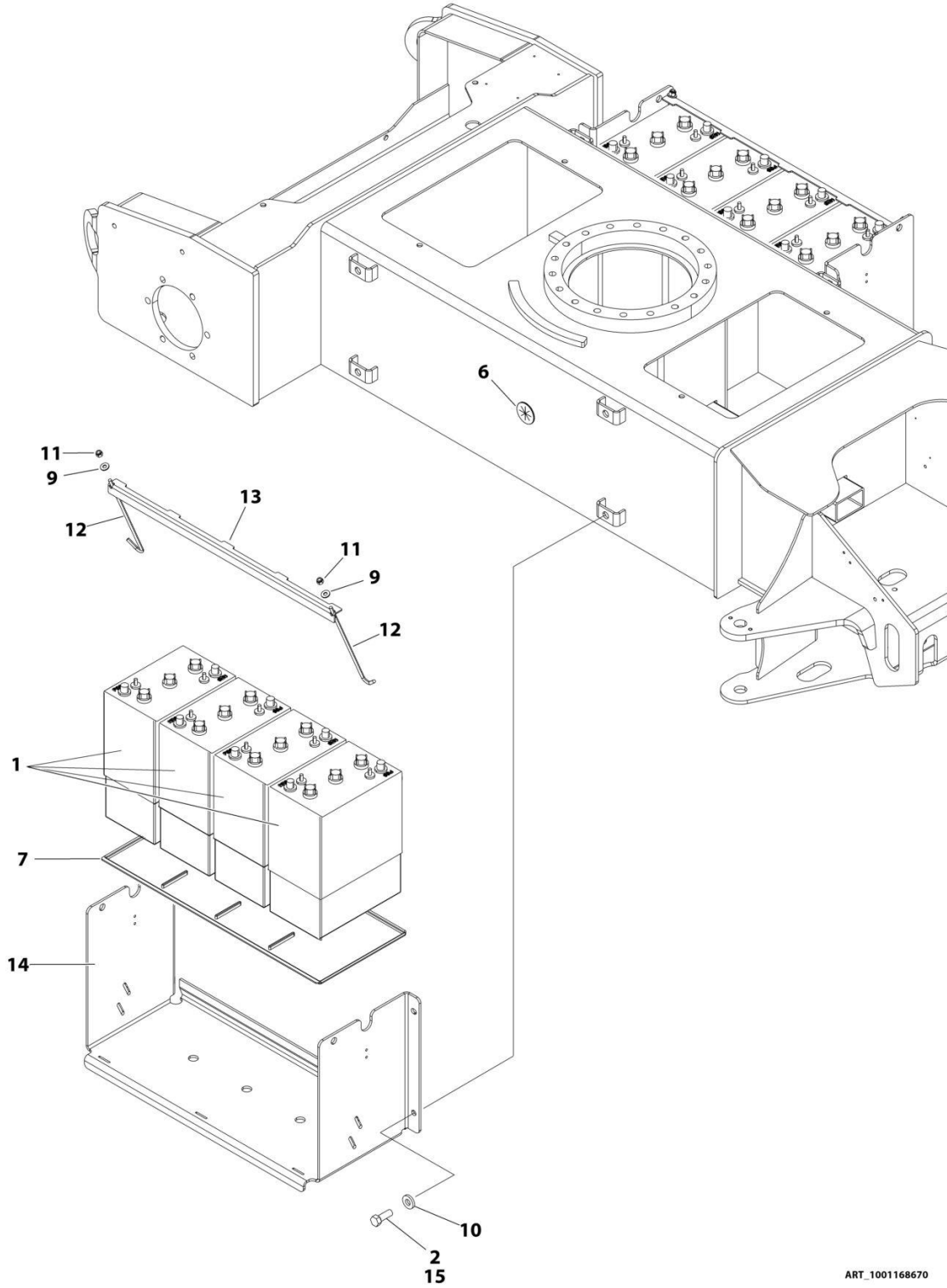
SECTION 1 - FRAME

FIGURE 1-38. BATTERY BOX INSTALLATION - STANDARD (ALL SPECS EXCEPT AUSTRALIAN & CE SPECS)

ITEM	PART NUMBER	QTY	DESCRIPTION	REV
	1001166497	Ref	BATTERY BOX INSTALLATION (ALL SPECS EXCEPT AUSTRALIAN & CE SPECS)	C
1	0400055	8	Battery (Wet)	
1	7016177	8	Battery (Dry)	
2	0641811	8	Bolt, 1/2-13 X 1-3/8	
6	2540045	2	Grommet	
7	3000003	2	Liner, Battery Box	
9	4751500	4	Washer, 5/16	
10	4891800	8	Washer, 1/2 Hardened	
11	88521205	4	Nut, Lock, 5/16-18	
12	1001093382	4	Bolt, J-Bolt	
13	1001166495	2	Tray, Battery	
14	1001166496	2	Battery Hold Down	
15	0100011	AR	Compound, Locking	

SECTION 1 - FRAME

FIGURE 1-39. BATTERY BOX INSTALLATION - STANDARD (AUSTRALIAN & CE SPECS)



ART_1001168670

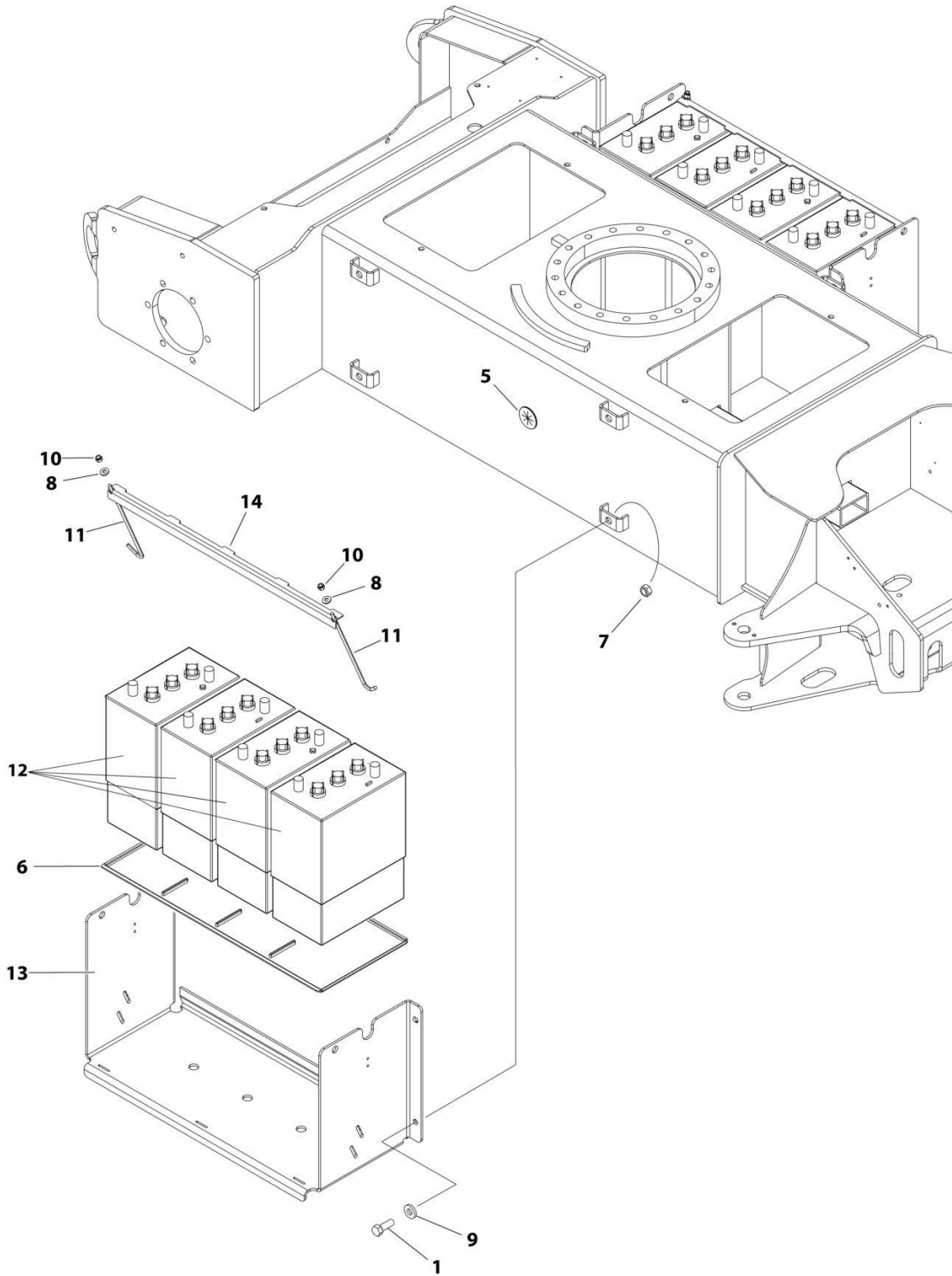
SECTION 1 - FRAME

FIGURE 1-39. BATTERY BOX INSTALLATION - STANDARD (AUSTRALIAN & CE SPECS)

ITEM	PART NUMBER	QTY	DESCRIPTION	REV
	1001168670	Ref	BATTERY BOX INSTALLATION - STANDARD (AUSTRALIAN & CE SPECS)	C
1	0400055	8	Battery (Wet)	
1	7016177	8	Battery (Dry)	
2	0641811	8	Bolt, 1/2-13 X 1-3/8	
6	2540045	2	Grommet	
7	3000003	2	Liner, Battery Box	
9	4751500	4	Washer, 5/16	
10	4891800	8	Washer, 1/2 Hardened	
11	88521205	4	Nut, Lock, 5/16-18	
12	1001093382	4	Bolt, J-Bolt	
13	1001166496	2	Battery Hold Down	
14	1001168800	2	Tray, Battery	
15	0100011	AR	Compound, Locking	

SECTION 1 - FRAME

FIGURE 1-40. BATTERY BOX INSTALLATION - AGM BATTERIES (ALL SPECS EXCEPT AUSTRALIAN & CE SPECS)



ART_1001166498

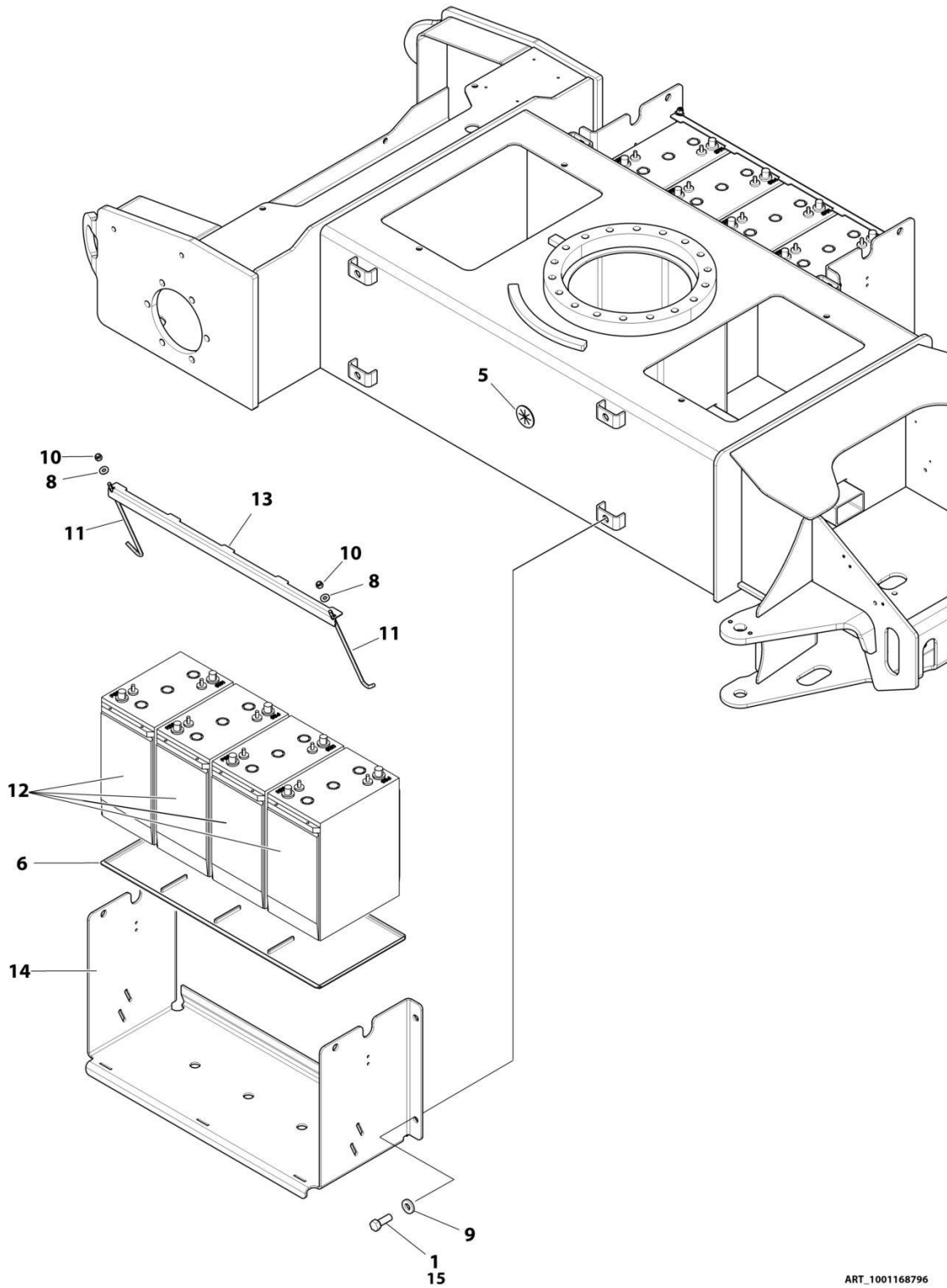
SECTION 1 - FRAME

FIGURE 1-40. BATTERY BOX INSTALLATION - AGM BATTERIES (ALL SPECS EXCEPT AUSTRALIAN & CE SPECS)

ITEM	PART NUMBER	QTY	DESCRIPTION	REV
	1001166498	Ref	BATTERY BOX INSTALLATION - AGM BATTERIES (ALL SPECS EXCEPT AUSTRALIAN & CE SPECS)	C
1	0641811	8	Bolt, 1/2-13 X 1-3/8	
5	2540045	1	Grommet	
6	3000003	2	Liner, Battery Box	
8	4751500	4	Washer, 5/16	
9	4891800	8	Washer, 1/2 Hardened	
10	88521205	4	Nut, Lock, 5/16-18	
11	1001093382	4	Bolt, J-Bolt	
12	1001114782	8	Battery (Wet) (AGM Batteries)	
13	1001166495	2	Tray, Battery	
14	1001166496	2	Battery Hold Down	
15	0100011	AR	Compound, Locking	

SECTION 1 - FRAME

FIGURE 1-41. BATTERY BOX INSTALLATION - AGM BATTERIES (AUSTRALIAN & CE SPECS)



ART_1001168796

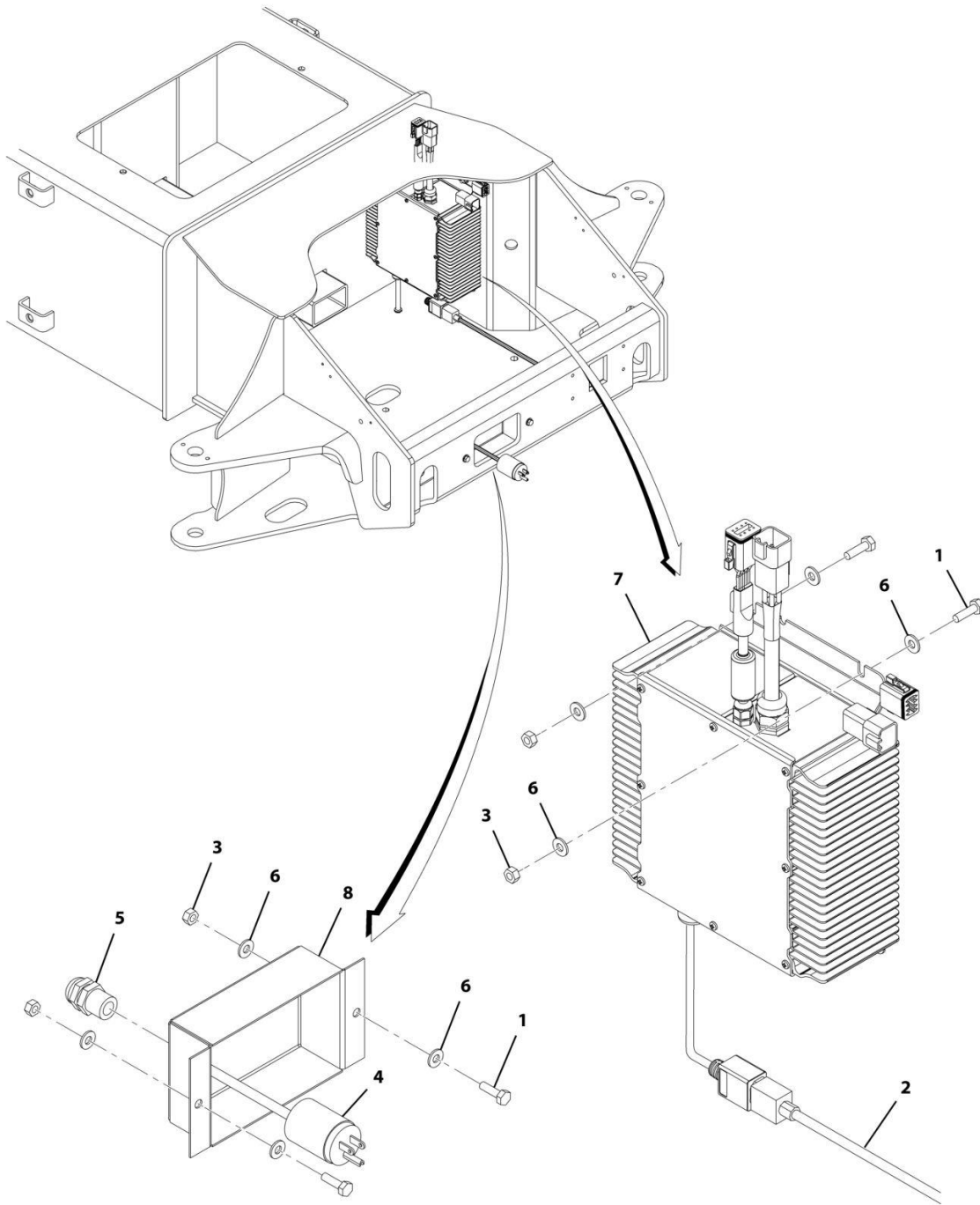
SECTION 1 - FRAME

FIGURE 1-41. BATTERY BOX INSTALLATION - AGM BATTERIES (AUSTRALIAN & CE SPECS)

ITEM	PART NUMBER	QTY	DESCRIPTION	REV
	1001168796	Ref	BATTERY BOX INSTALLATION - AGM BATTERIES (AUSTRALIAN & CE SPECS)	C
1	0641811	8	Bolt, 1/2-13 X 1-3/8	
5	2540045	2	Grommet	
6	3000003	2	Liner, Battery Box	
8	4751500	4	Washer, 5/16	
9	4891800	8	Washer, 1/2 Hardened	
10	88521205	4	Nut, Lock, 5/16-18	
11	1001093382	4	Bolt, J-Bolt	
12	1001114782	8	Battery (Wet) (AGM Batteries)	
13	1001166496	2	Battery Hold Down	
14	1001168800	2	Tray Battery	
15	0100011	AR	Compound, Locking	

SECTION 1 - FRAME

FIGURE 1-42. BATTERY CHARGER INSTALLATION (ALL SPECS EXCEPT AUSTRALIAN & CE SPECS) (E400AJP,E400AJPNARROW,E400ANARROW)



ART_1001191204

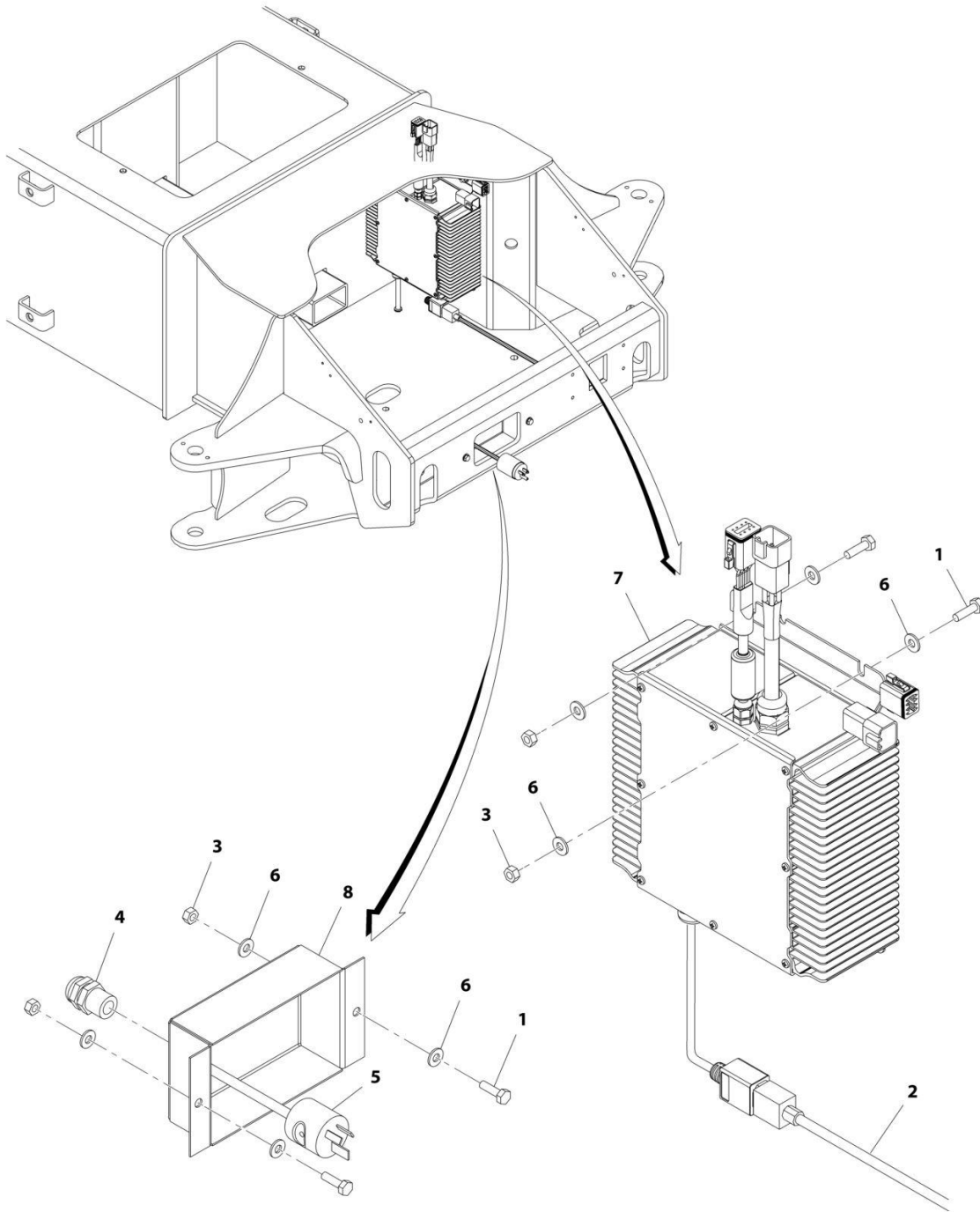
SECTION 1 - FRAME

FIGURE 1-42. BATTERY CHARGER INSTALLATION (ALL SPECS EXCEPT AUSTRALIAN & CE SPECS) (E400AJP,E400AJPNARROW,E400ANARROW)

ITEM	PART NUMBER	QTY	DESCRIPTION	REV
	1001191204	Ref	BATTERY CHARGER INSTALLATION	A
1	0641407	6	Bolt, 1/4-20 X 7/8	
2	1060689	1	AC Cord	
3	0641405	1	Bolt, 1/4-20 X 5/8	
4	4460138	1	Plug, AC	
5	4460428	1	Connector, Strain Relief	
6	4711400	14	Washer, 1/4	
7	1001103105	1	Battery Charger Assembly (See BATTERY CHARGER ASSEMBLY for Breakdown)	
8	1001191212	1	Panel, Cable	

SECTION 1 - FRAME

FIGURE 1-43. BATTERY CHARGER INSTALLATION (AUSTRALIAN SPEC)
(E400AJP,E400AJPNARROW)



ART_1001191206

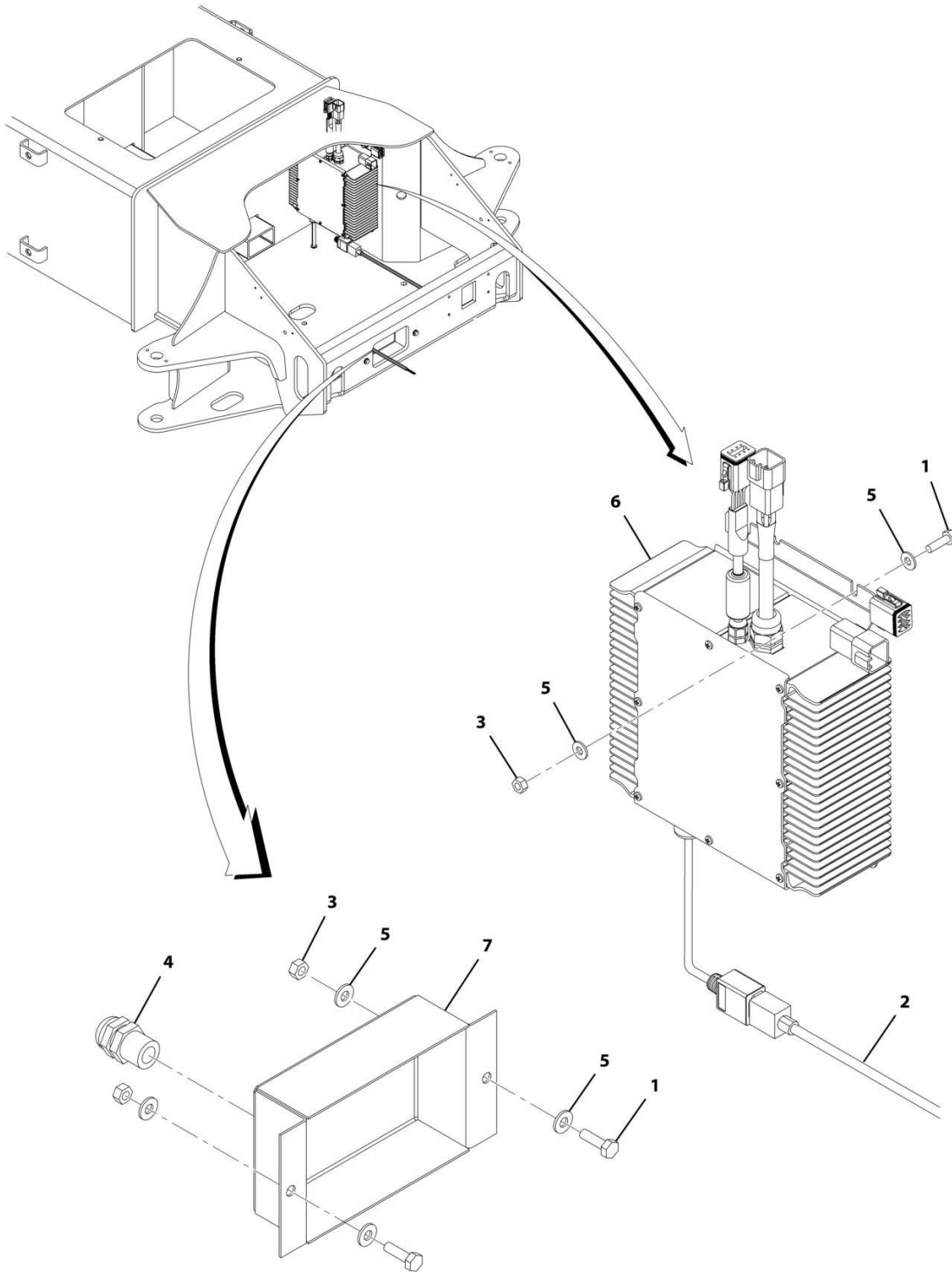
SECTION 1 - FRAME

**FIGURE 1-43. BATTERY CHARGER INSTALLATION (AUSTRALIAN SPEC)
(E400AJP,E400AJPNARROW)**

ITEM	PART NUMBER	QTY	DESCRIPTION	REV
	1001191206	Ref	BATTERY CHARGER INSTALLATION	A
1	0641407	6	Bolt, 1/4-20 X 7/8	
2	1060689	1	AC Cord	
3	0641405	1	Bolt, 1/4-20 X 5/8	
4	4460428	1	Connector, Strain Relief	
5	4460805	1	Plug	
6	4711400	14	Washer, 1/4	
7	1001103105	1	Battery Charger Assembly (See BATTERY CHARGER ASSEMBLY for Breakdown)	
8	1001191212	1	Panel, Cable	

SECTION 1 - FRAME

**FIGURE 1-44. BATTERY CHARGER INSTALLATION (CE SPECS)
(E400AJP,E400AJPNARROW,E400ANARROW)**



ART_1001191203

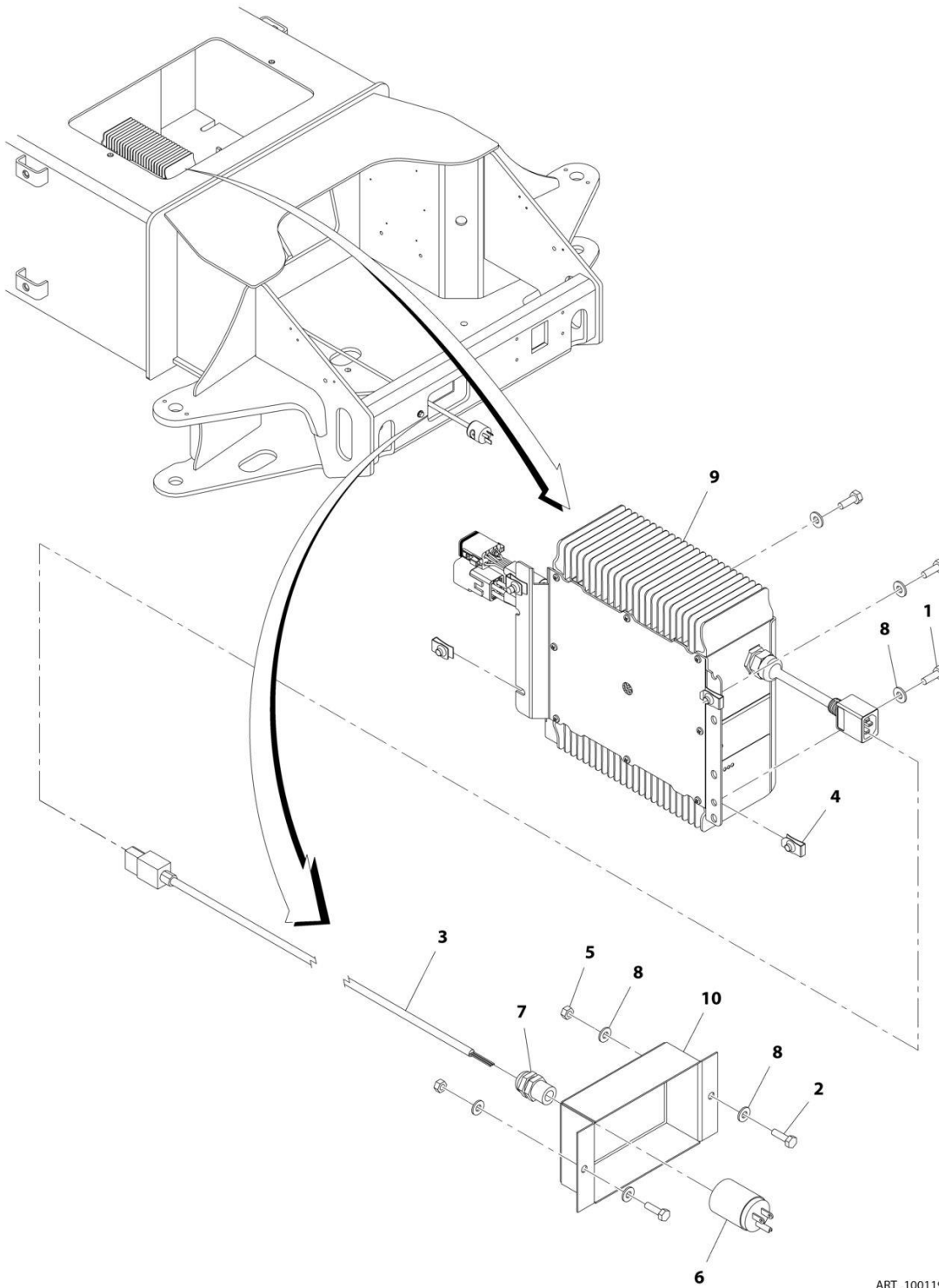
SECTION 1 - FRAME

**FIGURE 1-44. BATTERY CHARGER INSTALLATION (CE SPECS)
(E400AJP,E400AJPNARROW,E400ANARROW)**

ITEM	PART NUMBER	QTY	DESCRIPTION	REV
	1001191203	Ref	BATTERY CHARGER INSTALLATION	A
1	0641407	6	Bolt, 1/4-20 X 7/8	
2	1060689	1	AC Cord	
3	0641405	1	Bolt, 1/4-20 X 5/8	
4	4460428	1	Connector, Strain Relief	
5	4711400	14	Washer, 1/4	
6	1001103105	1	Battery Charger Assembly (See BATTERY CHARGER ASSEMBLY for Breakdown)	
7	1001191212	1	Panel, Cable	

SECTION 1 - FRAME

FIGURE 1-45. BATTERY CHARGER INSTALLATION (ALL SPECS EXCEPT AUSTRALIAN & CE SPECS) (M400AJP, M400AJP NARROW)



ART_1001191209

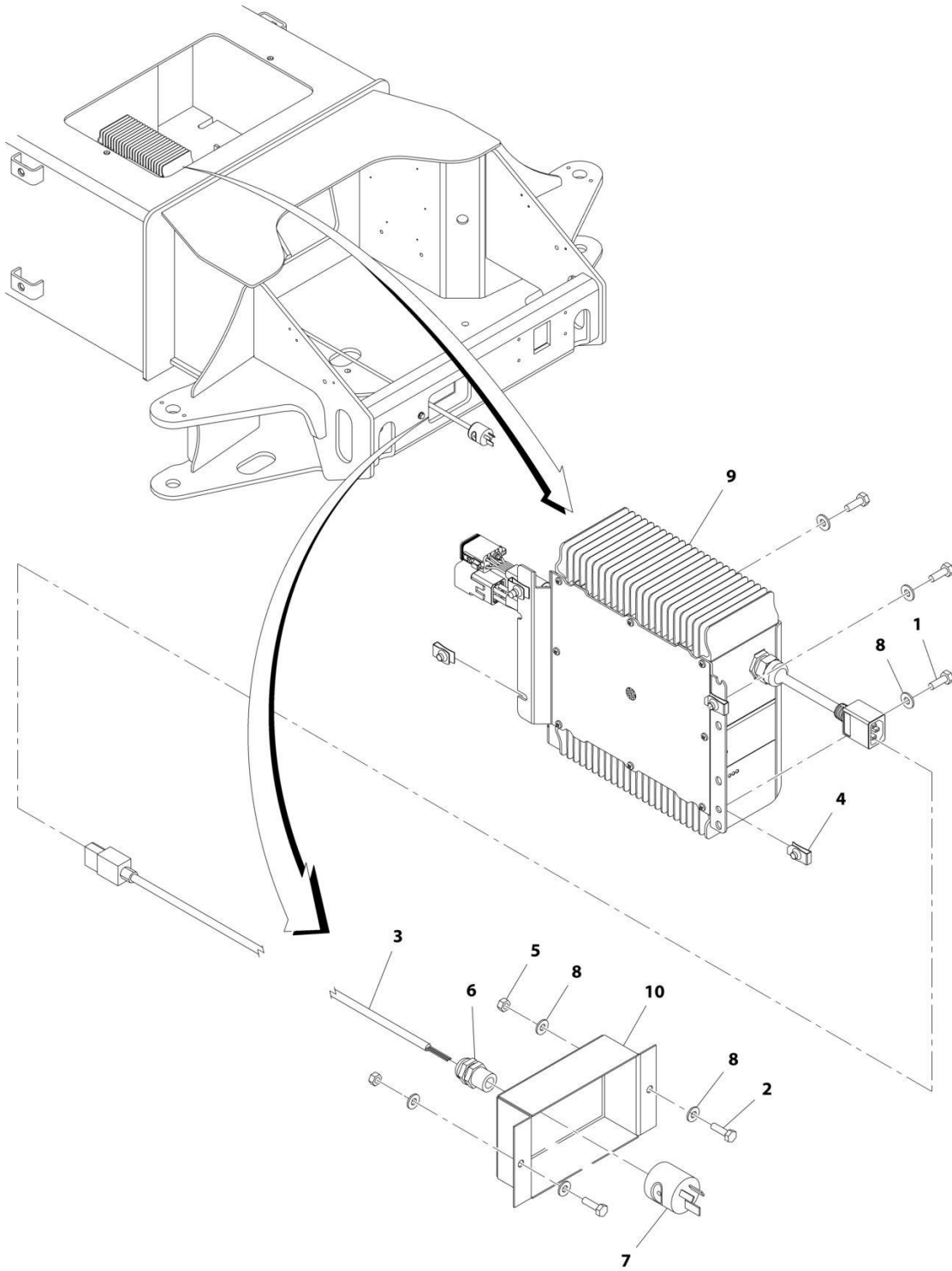
SECTION 1 - FRAME

FIGURE 1-45. BATTERY CHARGER INSTALLATION (ALL SPECS EXCEPT AUSTRALIAN & CE SPECS) (M400AJP,M400AJPNARROW)

ITEM	PART NUMBER	QTY	DESCRIPTION	REV
	1001191209	Ref	BATTERY CHARGER INSTALLATION (ALL SPECS EXCEPT AUSTRALIAN & CE SPECS)	A
1	0641406	4	Bolt 1/4 x 3/4	
2	0641407	2	Bolt 1/4 X 7/8	
3	1060689	1	AC Cord	
4	3300454	4	Nut, Tinnerman	
5	0641405	2	Bolt 1/4 X 5/8	
6	4460138	1	Plug	
7	4460428	1	Connector, Strain Relief	
8	4711400	8	Washer 1/4	
9	1001103105	1	Battery Charger Assembly (See BATTERY CHARGER ASSEMBLY for Breakdown)	
10	1001191212	1	Panel, Cable	

SECTION 1 - FRAME

FIGURE 1-46. BATTERY CHARGER INSTALLATION (AUSTRALIAN SPEC)
(M400AJP, M400AJP NARROW)



ART_1001191208

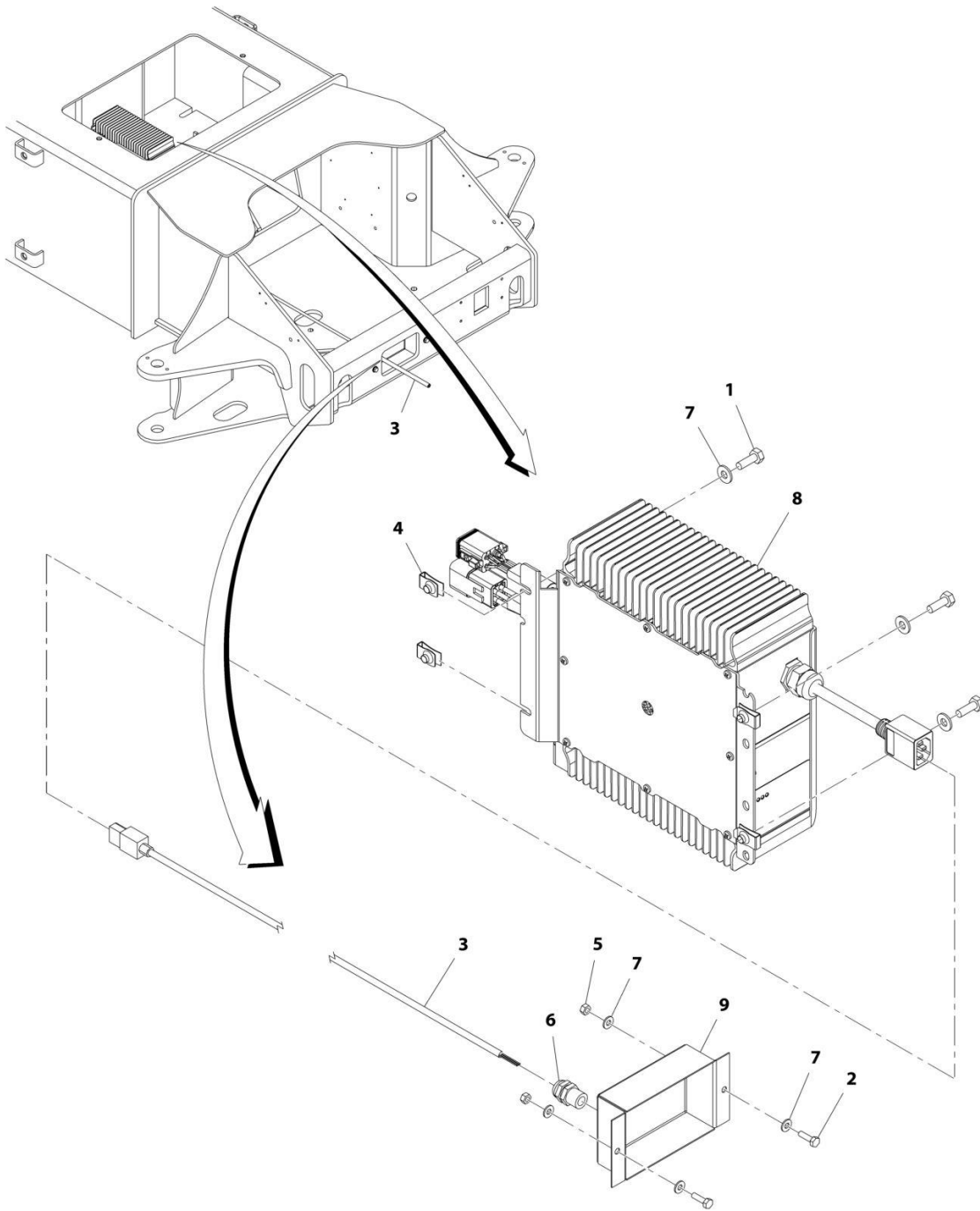
SECTION 1 - FRAME

**FIGURE 1-46. BATTERY CHARGER INSTALLATION (AUSTRALIAN SPEC)
(M400AJP,M400AJPNARROW)**

ITEM	PART NUMBER	QTY	DESCRIPTION	REV
	1001191208	Ref	BATTERY CHARGER INSTALLATION	A
1	0641406	4	Bolt 1/4 x 3/4	
2	0641407	2	Bolt 1/4 X 7/8	
3	1060689	1	AC Cord	
4	3300454	4	Nut, Tinnerman	
5	0641405	2	Bolt 1/4 X 5/8	
6	4460428	1	Connector, Strain Relief	
7	4460805	1	Plug	
8	4711400	8	Washer 1/4	
9	1001103105	1	Battery Charger Assembly (See BATTERY CHARGER ASSEMBLY for Breakdown)	
10	1001191212	1	Panel, Cable	

SECTION 1 - FRAME

FIGURE 1-47. BATTERY CHARGER INSTALLATION (CE SPECS) (M400AJP,M400AJPNARROW)



ART_1001191207

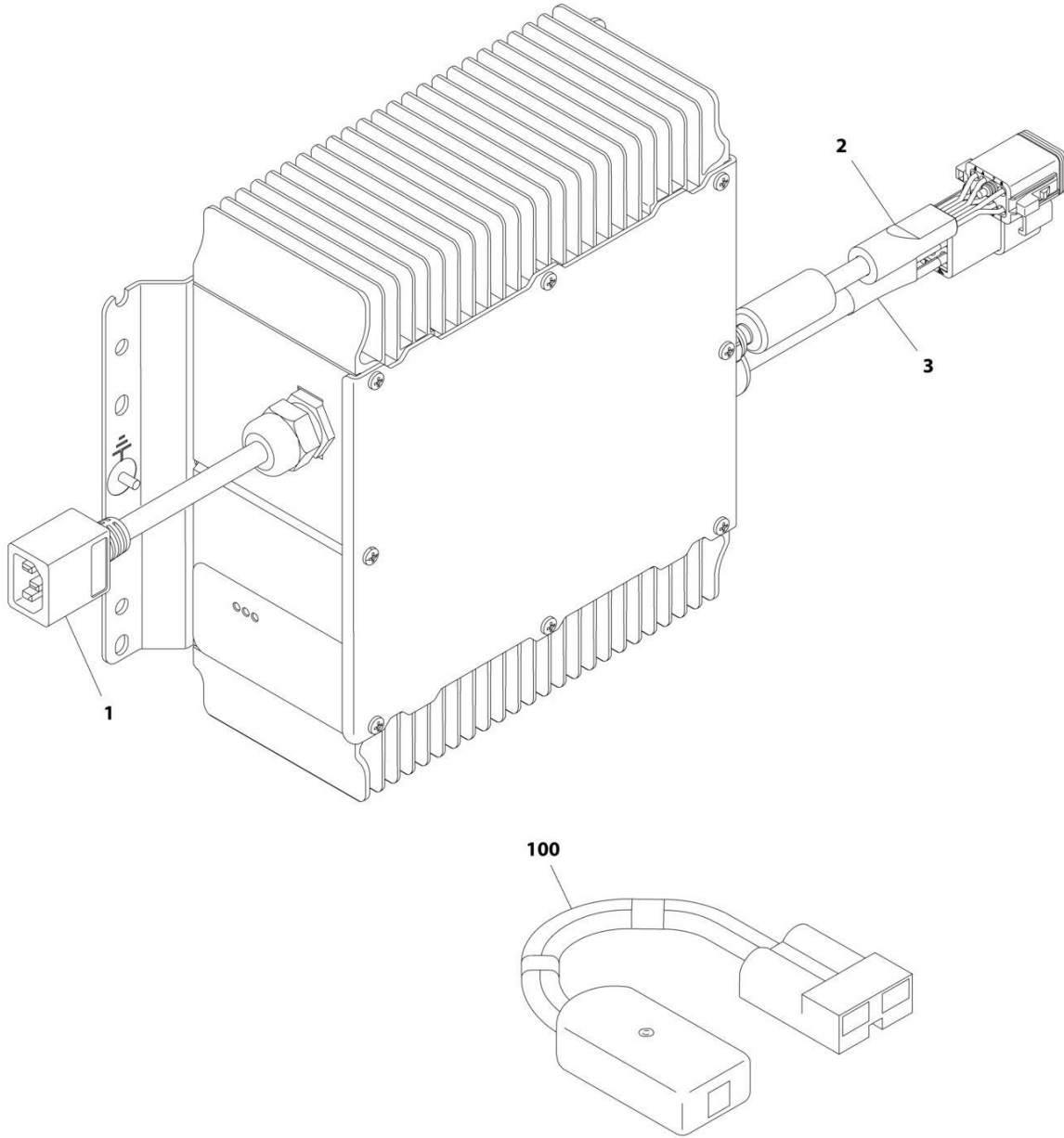
SECTION 1 - FRAME

FIGURE 1-47. BATTERY CHARGER INSTALLATION (CE SPECS) (M400AJP,M400AJPNARROW)

ITEM	PART NUMBER	QTY	DESCRIPTION	REV
	1001191207	Ref	BATTERY CHARGER INSTALLATION	A
1	0641406	4	Bolt 1/4 x 3/4	
2	0641407	2	Bolt 1/4 X 7/8	
3	1060689	1	AC Cord	
4	3300454	4	Nut, Tinnerman	
5	0641405	2	Bolt 1/4 X 5/8	
6	4460428	1	Connector, Strain Relief	
7	4711400	8	Washer 1/4	
8	1001103105	1	Battery Charger Assembly (See BATTERY CHARGER ASSEMBLY for Breakdown)	
9	1001191212	1	Panel, Cable	

SECTION 1 - FRAME

FIGURE 1-48. BATTERY CHARGER ASSEMBLY



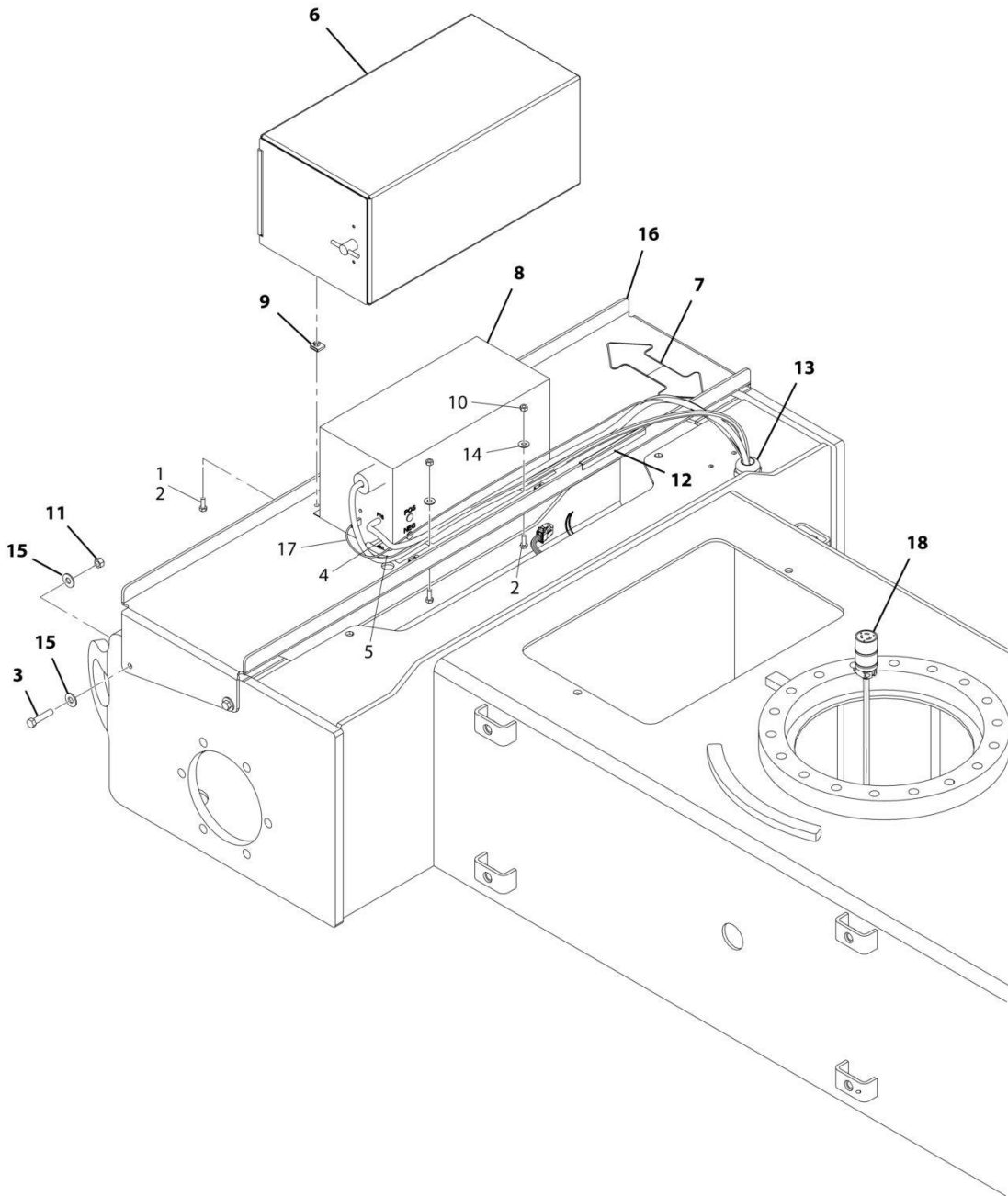
ART_1001103105

FIGURE 1-48. BATTERY CHARGER ASSEMBLY

ITEM	PART NUMBER	QTY	DESCRIPTION	REV
	1001103105	Ref	BATTERY CHARGER ASSEMBLY	D
		Ref	Note: Internal Components are Not Serviceable Replace Complete Assembly.	
1	See Note	1	Harness, Battery Charger AC Plug (Note: Not Available for Purchase)	
1	See Note	1	Connector, Plug (Note: Not Available for Purchase)	
2	See Note	1	Harness, Battery Charger Signal (Note: Not Available for Purchase)	
2	4460930	1	Connector - 8 Position	
2	4460464	7	Socket, Female	
3	See Note	1	Harness, Battery Charger Power (Note: Not Available - Purchase Complete Charger)	
3	1001116811	1	Connector - 4 Position	
3	4460508	4	Pin, Male	
100	2915230	1	BATTERY CHARGER REPROGRAM CONTROLLER KIT (Includes Controller, Software and Instructions)	

SECTION 1 - FRAME

FIGURE 1-49. INVERTER INSTALLATION (E400AJP,M400AJP)



ART_1001192502

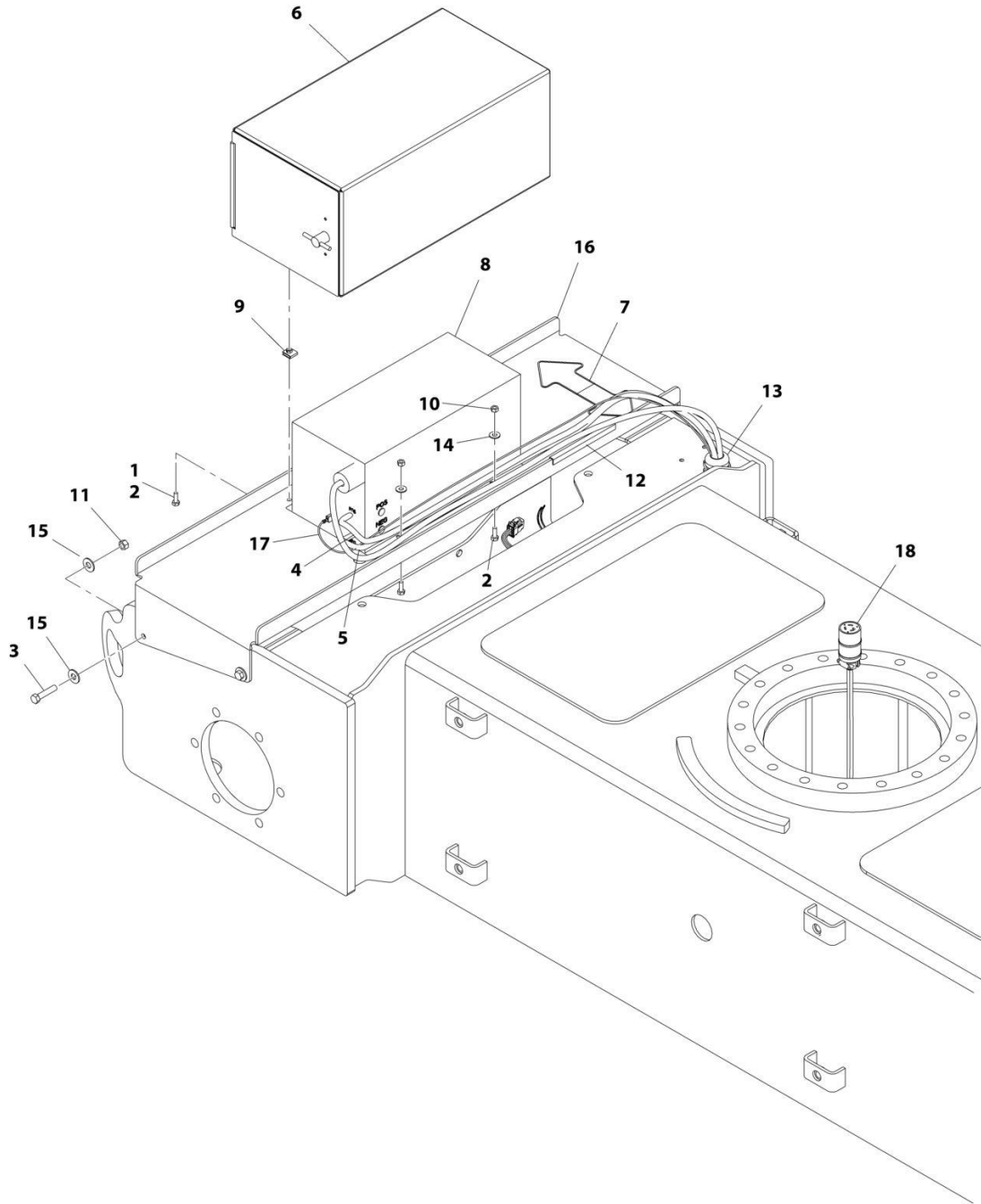
SECTION 1 - FRAME

FIGURE 1-49. INVERTER INSTALLATION (E400AJP,M400AJP)

ITEM	PART NUMBER	QTY	DESCRIPTION	REV
	1001192502	Ref	INVERTER INSTALLATION	A
1	0100011	AR	Compound, Locking	
2	0641406	8	Bolt, 1/4-20 X 3/4	
3	0641614	4	Bolt, 3/8-16 X 1-3/4	
4	1060801	1	Cable, Battery	
5	1060802	1	Cable, Ground	
6	1670953	1	Cover	
7	1701642	1	Decal - Arrow	
8	2460037	1	Inverter	
9	3300353	4	Nut, Tinnerman	
10	3311405	4	Nut, Lock, 1/4-20	
11	3311605	4	Nut, Lock, 3/8-16	
12	4060805	6 in /150mm	Shield, Flex Trim	
13	4460426	1	Connector, Strain Relief	
14	4751400	4	Washer, 1/4	
15	4751600	8	Washer, 3/8	
16	1001167014	1	Bracket	
17	1001192293	1	Inverter Ignition Harness (See ELECTRICAL SECTION for Breakdown)	
18	1001182296	1	Inverter Harness (See ELECTRICAL SECTION for Breakdown)	

SECTION 1 - FRAME

FIGURE 1-50. INVERTER INSTALLATION (E400AJPNARROW,E400ANARROW,M400AJPNARROW)



ART_1001192501

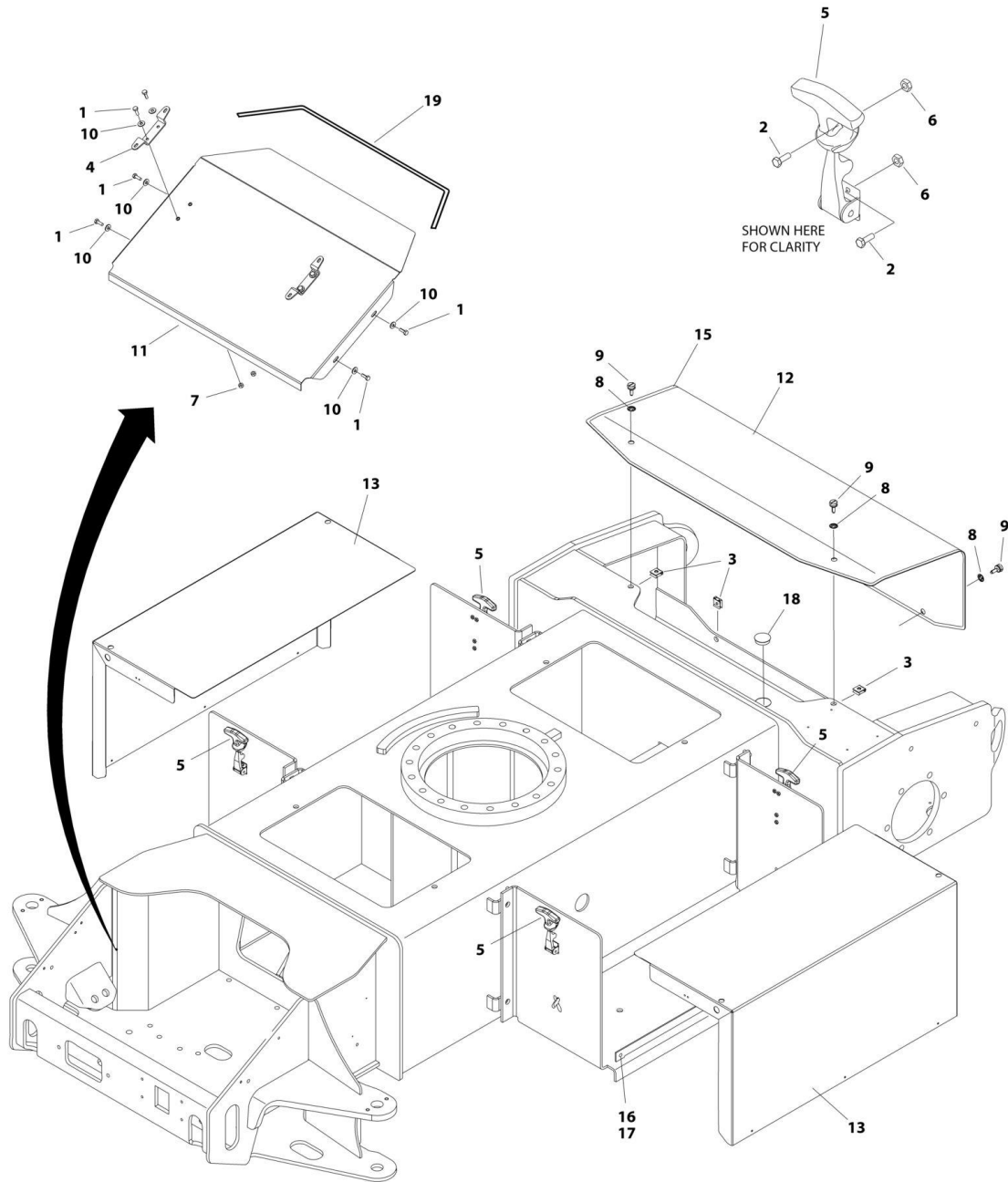
SECTION 1 - FRAME

FIGURE 1-50. INVERTER INSTALLATION (E400AJPNARROW,E400ANARROW,M400AJPNARROW)

ITEM	PART NUMBER	QTY	DESCRIPTION	REV
	1001192501	Ref	INVERTER INSTALLATION	A
1	0100011	AR	Compound, Locking	
2	0641406	8	Bolt, 1/4-20 X 3/4	
3	0641614	4	Bolt, 3/8-16 X 1-3/4	
4	1060801	1	Cable, Battery	
5	1060802	1	Cable, Ground	
6	1670953	1	Cover	
7	1701642	1	Decal - Arrow	
8	2460037	1	Inverter	
9	3300353	4	Nut, Tinnerman	
10	3311405	4	Nut, Lock, 1/4-20	
11	3311605	4	Nut, Lock, 3/8-16	
12	4060805	6 in /150mm	Shield, Flex Trim	
13	4460426	1	Connector, Strain Relief	
14	4751400	4	Washer, 1/4	
15	4751600	8	Washer, 3/8	
16	1001167013	1	Bracket	
17	1001192293	1	Inverter Ignition Harness (See ELECTRICAL SECTION for Breakdown)	
18	1001182296	1	Inverter Harness (See ELECTRICAL SECTION for Breakdown)	

SECTION 1 - FRAME

FIGURE 1-51. FRAME COVER INSTALLATION (E400AJP)



ART_1001166327

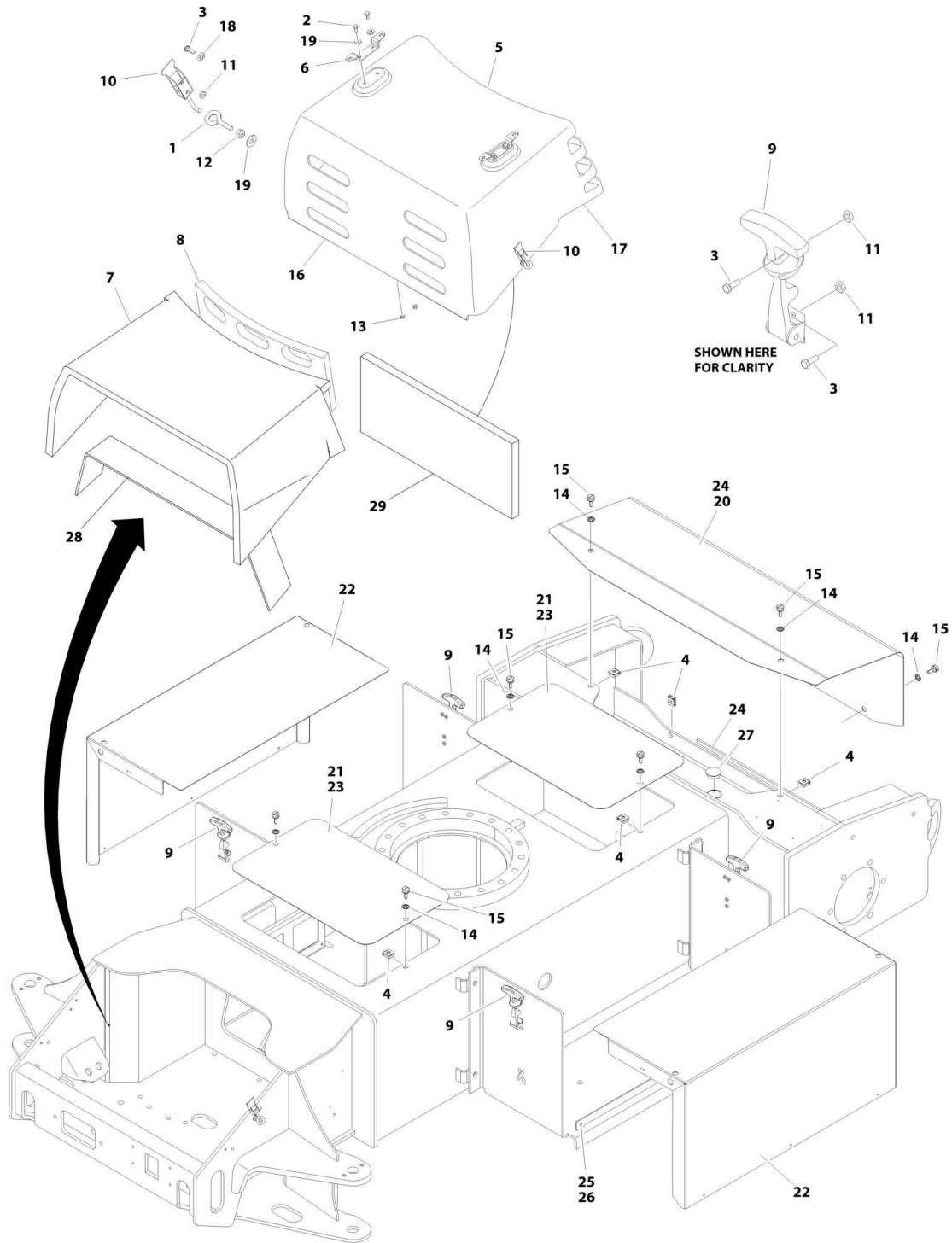
SECTION 1 - FRAME

FIGURE 1-51. FRAME COVER INSTALLATION (E400AJP)

ITEM	PART NUMBER	QTY	DESCRIPTION	REV
	1001166327	Ref	FRAME COVER INSTALLATION	F
1	0641406	8	Bolt, 1/4-20 X 3/4	
2	0721004	16	Bolt, #10-24 X .500	
3	1380138	4	Clip, Receptacle	
4	2700093	2	Hook	
5	2940095	4	Latch	
6	3311005	16	Nut, Lock, #10-24	
7	3311405	4	Nut, Lock, 1/4-20	
8	3760308	4	Retainer	
9	1001112496	4	Screw, Special	
10	4751400	8	Washer, 1/4	
11	1001166321	1	Cover	
12	1001166330	1	Axle Cover	
13	1001166493	2	Battery Cover	
15	3960447	11 ft /3.52m	Seal	
16	3820019	6	Rivet	
17	1001175025	2	Brace, Battery Tray	
18	3520035	1	Plug, Cap	
19	1001110166	1 m	Seal, Hood (SN 0300223487 through 0300272265)	

SECTION 1 - FRAME

FIGURE 1-52. FRAME COVER INSTALLATION (M400AJP)



ART_1001166328

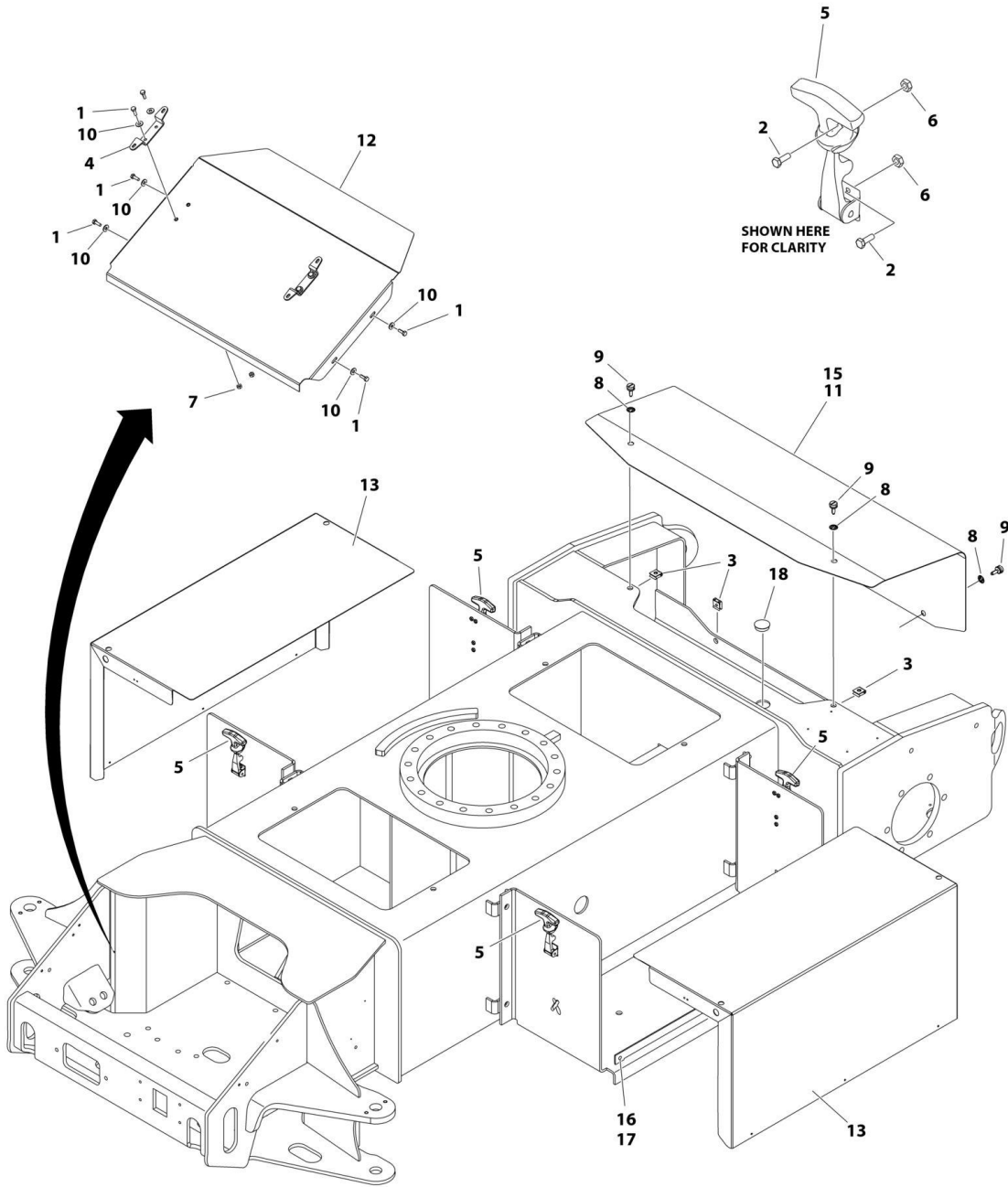
SECTION 1 - FRAME

FIGURE 1-52. FRAME COVER INSTALLATION (M400AJP)

ITEM	PART NUMBER	QTY	DESCRIPTION	REV
	1001166328	Ref	FRAME COVER INSTALLATION	F
1	0630440	2	Eyebolt	
2	0641406	4	Bolt, 1/4-20 X 3/4	
3	0721004	20	Bolt, #10-24 X .500	
4	1380138	8	Clip, Receptacle	
5	1670880	1	Cover	
6	2700093	2	Hook	
7	2820105	1	Insulation, Acoustical Foam	
8	2820106	1	Insulation, Acoustic Foam	
9	2940095	4	Latch	
10	2940115	2	Latch	
11	3311005	20	Nut, Lock, #10-24	
12	3311401	2	Nut, 1/4-20	
13	3311405	4	Nut, Lock, 1/4-20	
14	3760308	8	Retainer	
15	1001112496	8	Screw, Special	
16	3960389	2.5 ft /0.76m	Seal	
17	4060804	6.5 ft/1.9m	Flex Trim	
18	4751000	4	Washer, 10	
19	4751400	6	Washer, 1/4	
20	1001166330	1	Axle, Cover	
21	1001166377	2	Frame Cover	
22	1001166493	2	Battery Cover	
23	3960417	12 ft /3.66m	Seal	
24	3960447	11 ft /3.35m	Seal	
25	3820019	6	Rivet	
26	1001175025	2	Brace, Battery Tray	
27	3520035	1	Plug, Cap	
28	1001182709	1	Insulation	
29	2820110	1	Insulation	

SECTION 1 - FRAME

FIGURE 1-53. FRAME COVER INSTALLATION (E400AJPNARROW,E400ANARROW)



ART_1001166312

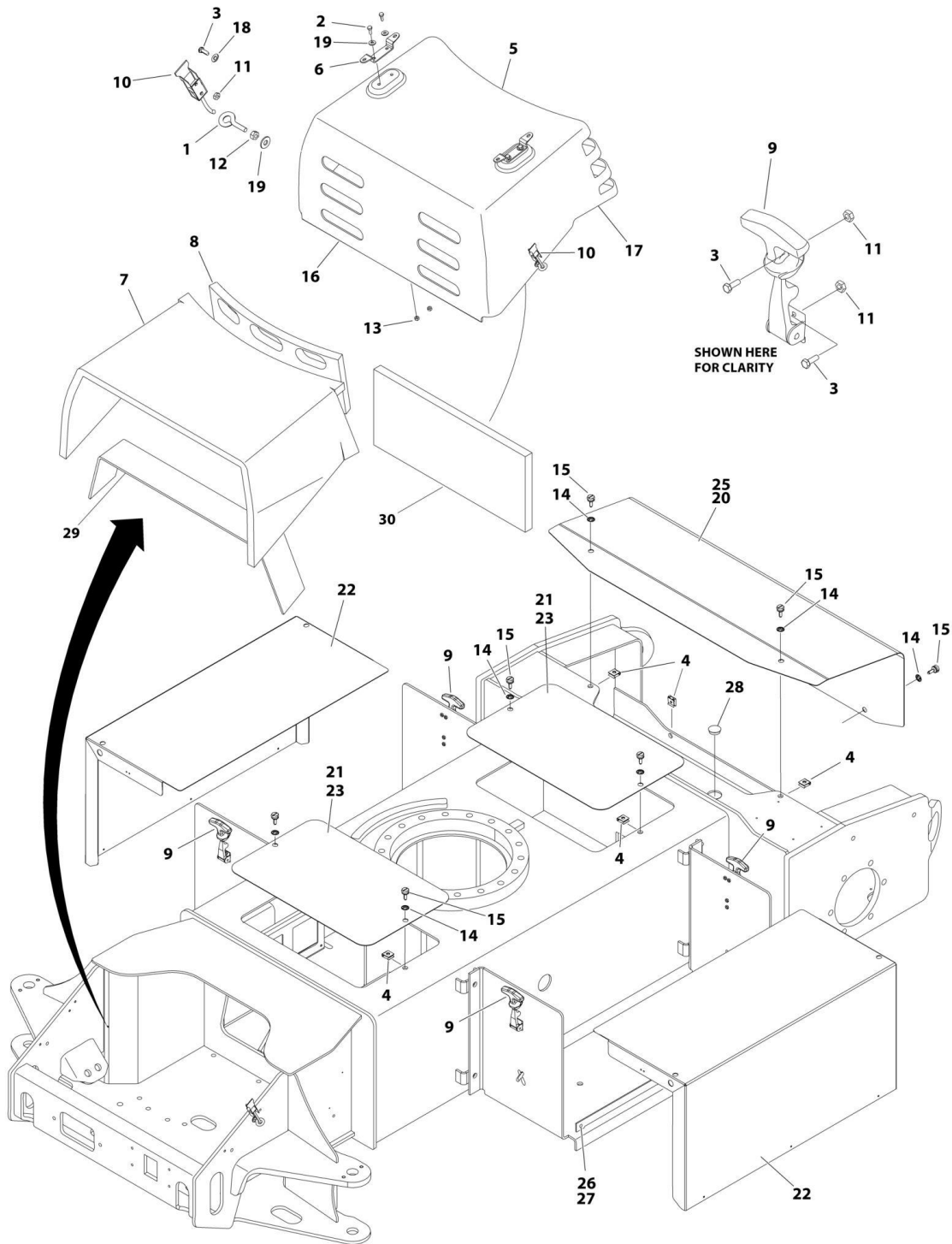
SECTION 1 - FRAME

FIGURE 1-53. FRAME COVER INSTALLATION (E400AJPNARROW,E400ANARROW)

ITEM	PART NUMBER	QTY	DESCRIPTION	REV
	1001166312	Ref	FRAME COVER INSTALLATION	D
1	0641406	8	Bolt, 1/4-20 X 3/4	
2	0721004	16	Bolt, #10-24 X .500	
3	1380138	4	Clip, Receptacle	
4	2700093	2	Hook	
5	2940095	4	Latch	
6	3311005	16	Nut, Lock, #10-24	
7	3311405	5	Nut, Lock, 1/4-20	
8	3760308	4	Retainer	
9	3900174	4	Screw, Special	
10	4751400	8	Washer, 1/4	
11	1001166296	1	Axle Cover	
12	1001166321	1	Cover	
13	1001166493	2	Battery Cover	
15	3960447	9.5 ft /2.9m	Seal	
16	3820019	6	Rivet	
17	1001175025	2	Brace, Battery Tray	
18	3520035	1	Plug, Cap	

SECTION 1 - FRAME

FIGURE 1-54. FRAME COVER INSTALLATION (M400AJPNARROW)



ART_1001166329

SECTION 1 - FRAME

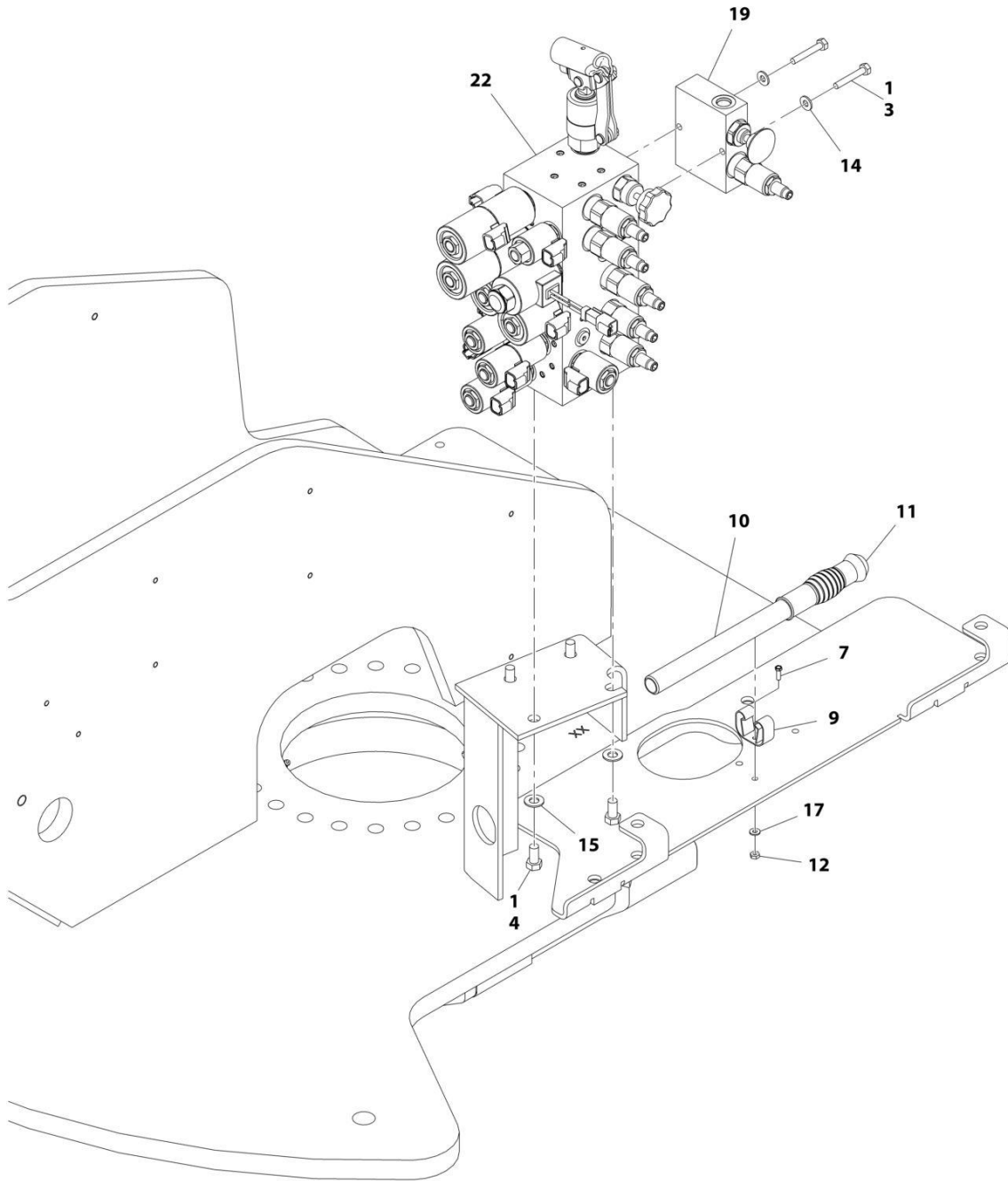
FIGURE 1-54. FRAME COVER INSTALLATION (M400AJPNARROW)

ITEM	PART NUMBER	QTY	DESCRIPTION	REV
	1001166329	Ref	FRAME COVER INSTALLATION	F
1	0630440	2	Eyebolt	
2	0641406	4	Bolt, 1/4-20 X 3/4	
3	0721004	20	Bolt, #10-24 X .500	
4	1380138	8	Clip, Receptacle	
5	1670880	1	Cover	
6	2700093	2	Hook	
7	2820105	1	Insulation, Acoustical Foam	
8	2820106	1	Insulation, Acoustic Foam	
9	2940095	4	Latch	
10	2940115	2	Latch	
11	3311005	20	Nut, Lock, #10-24	
12	3311401	2	Nut, 1/4-20	
13	3311405	4	Nut, Lock, 1/4-20	
14	3760308	8	Retainer	
15	1001112496	8	Screw, Special	
16	3960389	2.5 ft /0.76m	Seal	
17	4060804	6 ft /1.83m	Flex Trim	
18	4751000	4	Washer, 10	
19	4751400	6	Washer, 1/4	
20	1001166296	1	Axle Cover	
21	1001166377	2	Frame Cover	
22	1001166493	2	Battery Cover	
23	3960417	12 ft /3.66m	Seal	
25	3960447	9.5 ft/2.9m	Seal	
26	3820019	6	Rivet	
27	1001175025	2	Brace, Battery Tray	
28	3520035	1	Plug, Cap	
29	1001182709	1	Insulation	
30	2820110	1	Insulation	

SECTION 2 - TURNTABLE

SECTION 2 - TURNTABLE

FIGURE 2-1. VALVE INSTALLATION- TURNTABLE MOUNTED (E400ANARROW)



ART_1001180930_20F2

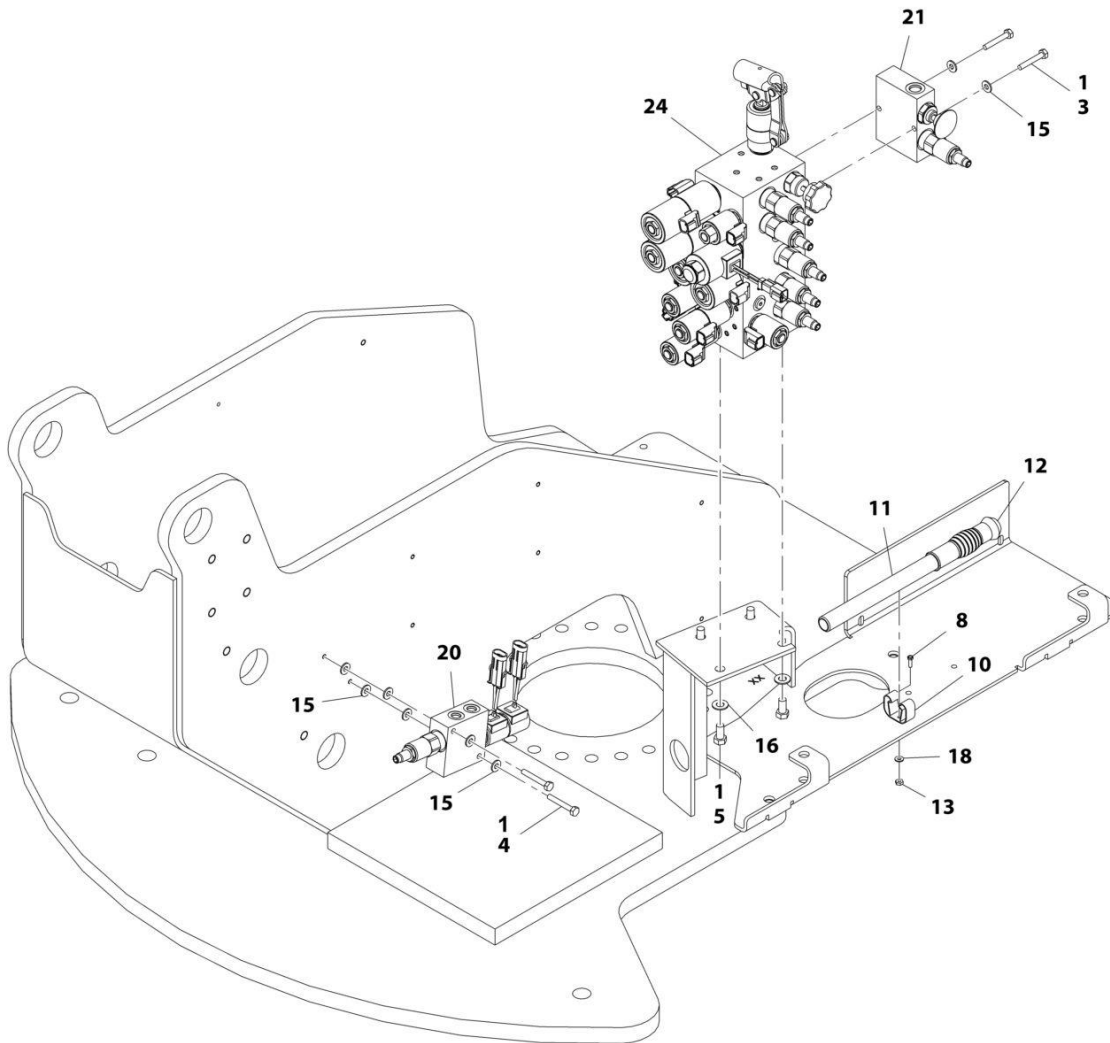
SECTION 2 - TURNTABLE

FIGURE 2-1. VALVE INSTALLATION- TURNTABLE MOUNTED (E400ANARROW)

ITEM	PART NUMBER	QTY	DESCRIPTION	REV
	1001180930	Ref	VALVE INSTALLATION- TURNTABLE MOUNTED	B
1	0100011	AR	Compound, Locking	
3	0641413	2	Bolt, 1/4-20 X 1-5/8	
4	0641606	4	Bolt, 3/8-16 X 3/4	
7	0720804	1	Bolt, #8-32 X .500	
9	1380136	1	Clip, Gripper	
10	2560122	1	Handle	
11	2560123	1	Handle, Grip	
12	3310805	1	Nut, Lock #8-32	
14	4711400	2	Washer, 1/4	
15	4711600	4	Washer, 3/8	
17	4750800	1	Washer, #8	
19	1001097777	1	Releveling Valve Assembly (See RELEVELING VALVE ASSEMBLY for Breakdown)	
22	1001180554	1	Main Control Valve Assembly (See MAIN CONTROL VALVE ASSEMBLY for Breakdown)	

SECTION 2 - TURNTABLE

FIGURE 2-2. VALVE INSTALLATION - TURNTABLE MOUNTED (E400AJP,E400AJPNARROW) (SN 0300208530 through 0300233432)



ART_1001180926_2OF2

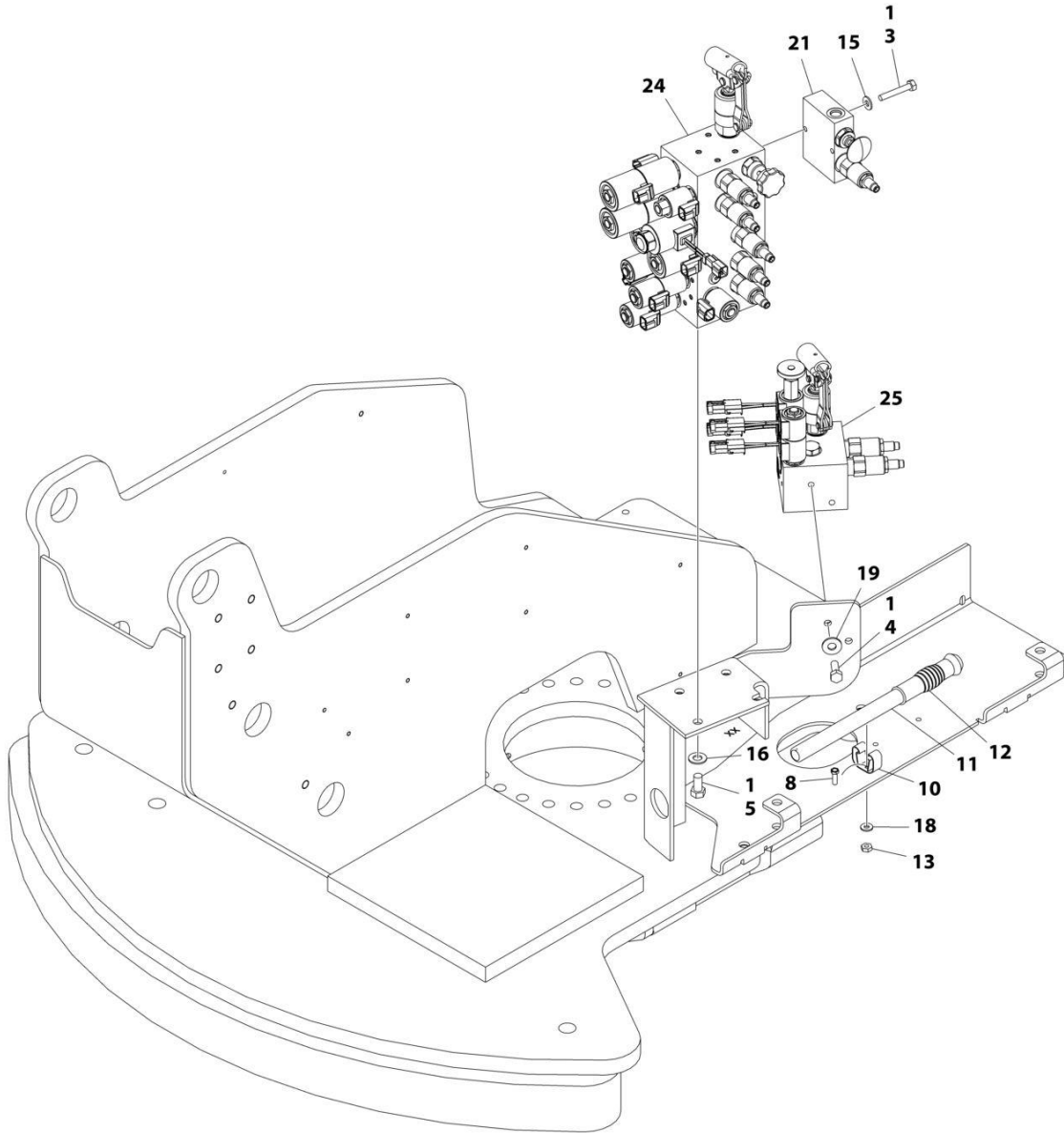
SECTION 2 - TURNTABLE

FIGURE 2-2. VALVE INSTALLATION - TURNTABLE MOUNTED (E400AJP,E400AJPNARROW) (SN 0300208530 through 0300233432)

ITEM	PART NUMBER	QTY	DESCRIPTION	REV
	1001180926	Ref	VALVE INSTALLATION - TURNTABLE MOUNTED (SN 0300208530 through 0300233432)	C
1	0100011	AR	Compound, Locking	
3	0641413	2	Bolt, 1/4-20 X 1-5/8	
4	0641426	2	Bolt, 1/4-20 X 3-1/4	
5	0641606	4	Bolt, 3/8-16 X 3/4	
8	0720804	1	Bolt, #8-32 X .500	
10	1380136	1	Clip, Gripper	
11	2560122	1	Handle	
12	2560123	1	Handle, Grip	
13	3310805	1	Nut, Lock #8-32	
15	4711400	8	Washer, 1/4	
16	4711600	2	Washer, 3/8	
18	4750800	1	Washer, #8	
20	1001097505	1	Jib Valve Assembly (See JIB VALVE ASSEMBLY for Breakdown)	
21	1001097777	1	Releveling Valve Assembly (See RELEVELING VALVE ASSEMBLY for Breakdown)	
24	1001180554	1	Main Control Valve Assembly (See MAIN CONTROL VALVE ASSEMBLY for Breakdown)	

SECTION 2 - TURNTABLE

FIGURE 2-3. VALVE INSTALLATION - TURNTABLE MOUNTED (E400AJP,E400AJPNARROW) (SN 0300233433 through 0300272265)



ART_1001218367_2OF2

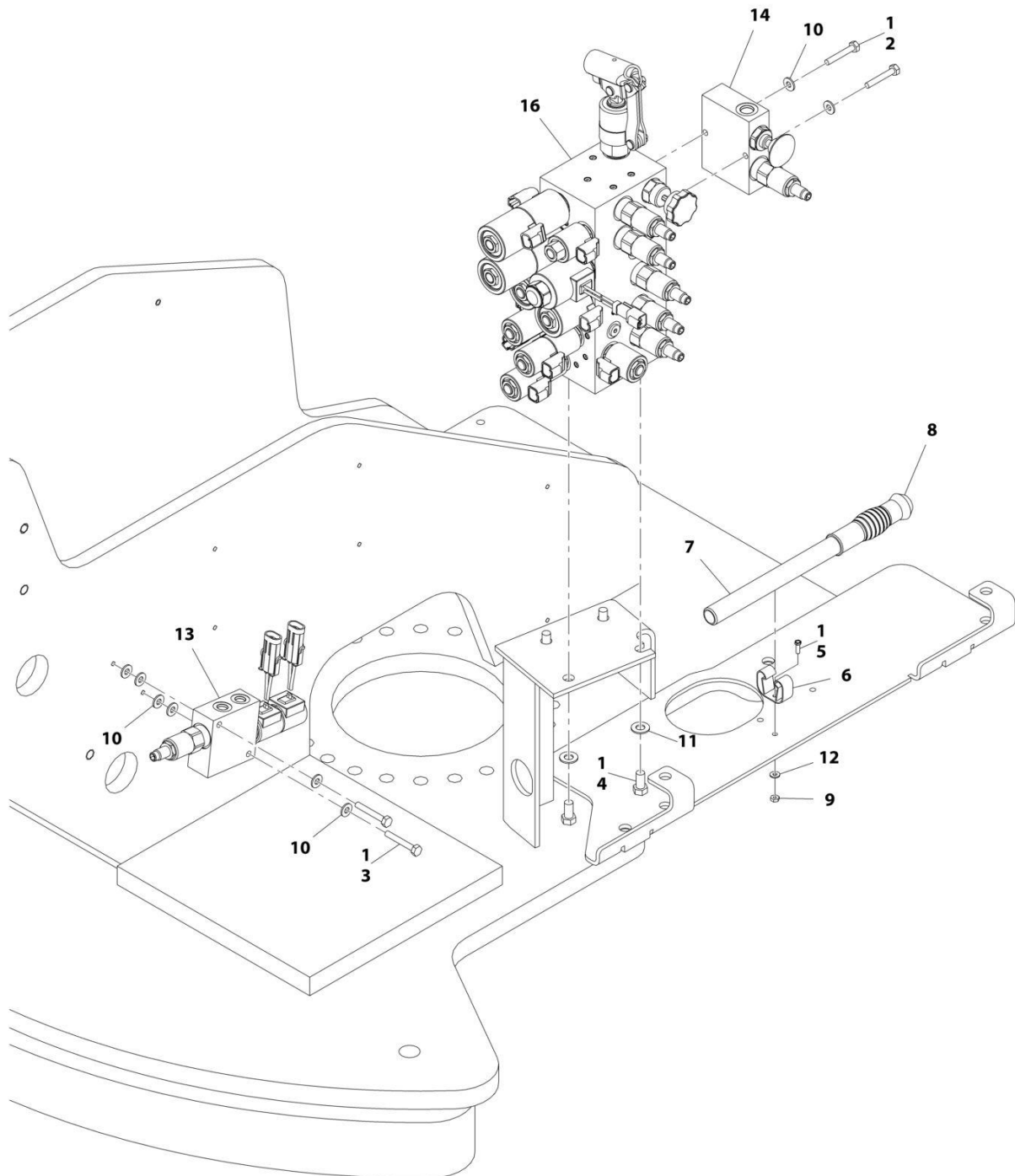
SECTION 2 - TURNTABLE

FIGURE 2-3. VALVE INSTALLATION - TURNTABLE MOUNTED (E400AJP,E400AJPNARROW) (SN 0300233433 through 0300272265)

ITEM	PART NUMBER	QTY	DESCRIPTION	REV
	1001218367	Ref	VALVE INSTALLATION - TURNTABLE MOUNTED	A
1	0100011	AR	Compound, Locking	
3	0641413	2	Bolt, 1/4-20 X 1-5/8	
4	0641507	2	Bolt, 5/16-18 X 7/8	
5	0641606	4	Bolt, 3/8-16 X 3/4	
8	0720804	1	Bolt, #8-32 X .500	
10	1380136	1	Clip, Gripper	
11	2560122	1	Handle	
12	2560123	1	Handle, Grip	
13	3310805	1	Nut, Lock #8-32	
15	4711400	2	Washer, 1/4	
16	4711600	2	Washer, 3/8	
18	4750800	1	Washer, #8	
19	4751500	2	Washer, 5/16	
21	1001097777	1	Releveling Valve Assembly (See RELEVELING VALVE ASSEMBLY for Breakdown)	
24	1001180554	1	Main Control Valve Assembly (See MAIN CONTROL VALVE ASSEMBLY for Breakdown)	
25	1001216921	1	Jib Valve Assembly (See JIB VALVE ASSEMBLY for Breakdown)	

SECTION 2 - TURNTABLE

FIGURE 2-4. VALVE INSTALLATION - TURNTABLE MOUNTED (M400AJP,M400AJPNARROW) (SN 0300208530 through 0300233432)



ART_1001180928_2OF2

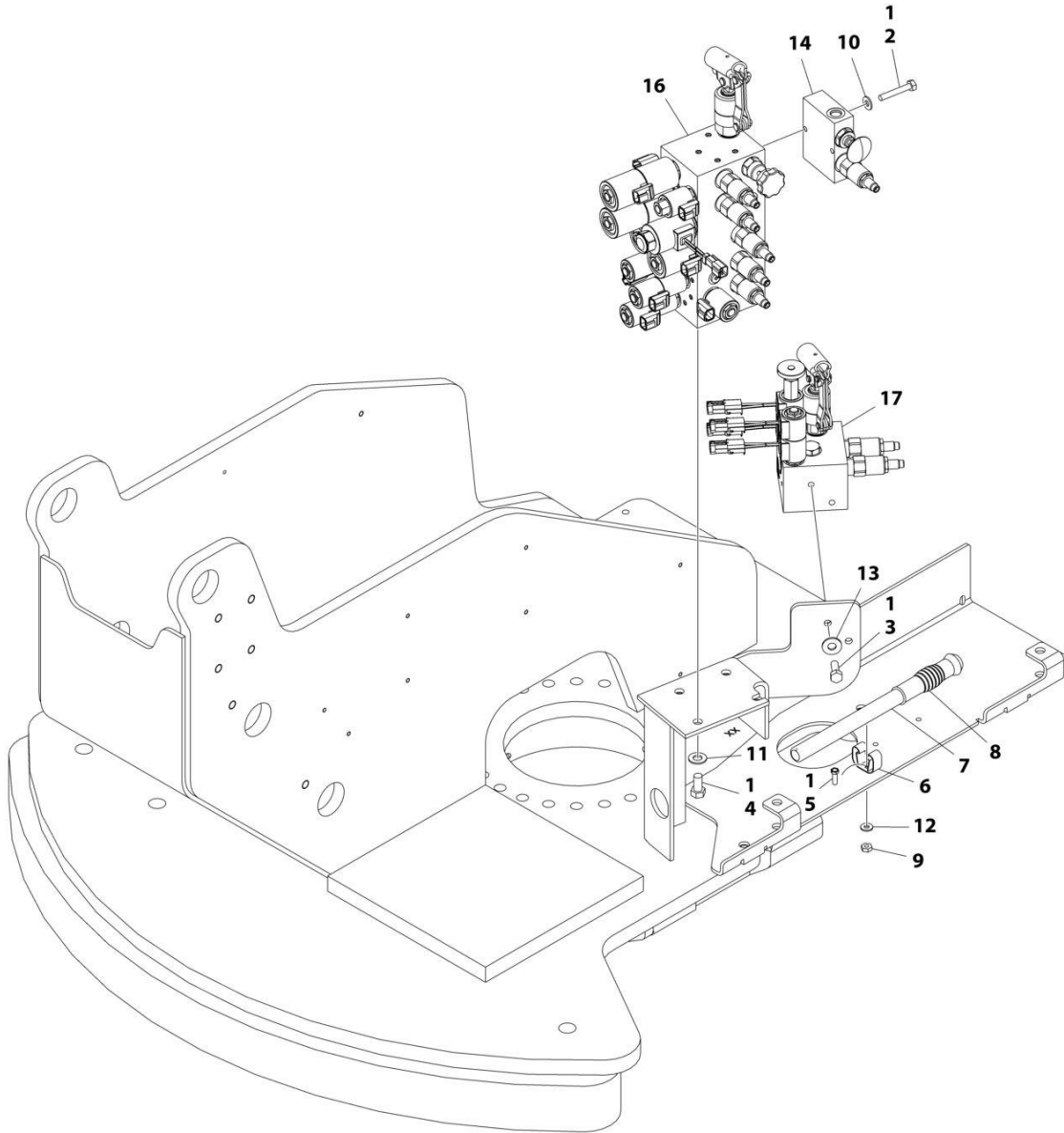
SECTION 2 - TURNTABLE

FIGURE 2-4. VALVE INSTALLATION - TURNTABLE MOUNTED (M400AJP,M400AJPNARROW) (SN 0300208530 through 0300233432)

ITEM	PART NUMBER	QTY	DESCRIPTION	REV
	1001180928	Ref	VALVE INSTALLATION - TURNTABLE MOUNTED (SN 0300208530 through 0300233432)	B
1	0100011	AR	Compound, Locking	
2	0641413	2	Bolt, 1/4-20 X 1-5/8	
3	0641426	2	Bolt, 1/4-20 X 3-1/4	
4	0641606	4	Bolt, 3/8-16 X 3/4	
5	0720804	1	Bolt, #8-32 X .500	
6	1380136	1	Clip, Gripper	
7	2560122	1	Handle	
8	2560123	1	Handle, Grip	
9	3310805	1	Nut, Lock #8-32	
10	4711400	8	Washer, 1/4	
11	4711600	4	Washer, 3/8	
12	4750800	1	Washer, #8	
13	1001097505	1	Jib Valve Assembly (See JIB VALVE ASSEMBLY for Breakdown)	
14	1001097777	1	Releveling Valve Assembly (See RELEVELING VALVE ASSEMBLY for Breakdown)	
16	1001180554	1	Main Control Valve Assembly (See MAIN CONTROL VALVE ASSEMBLY for Breakdown)	

SECTION 2 - TURNTABLE

FIGURE 2-5. VALVE INSTALLATION - TURNTABLE MOUNTED (M400AJP,M400AJPNARROW) (SN 0300233433 through 0300272265)



ART_1001218370_2OF2

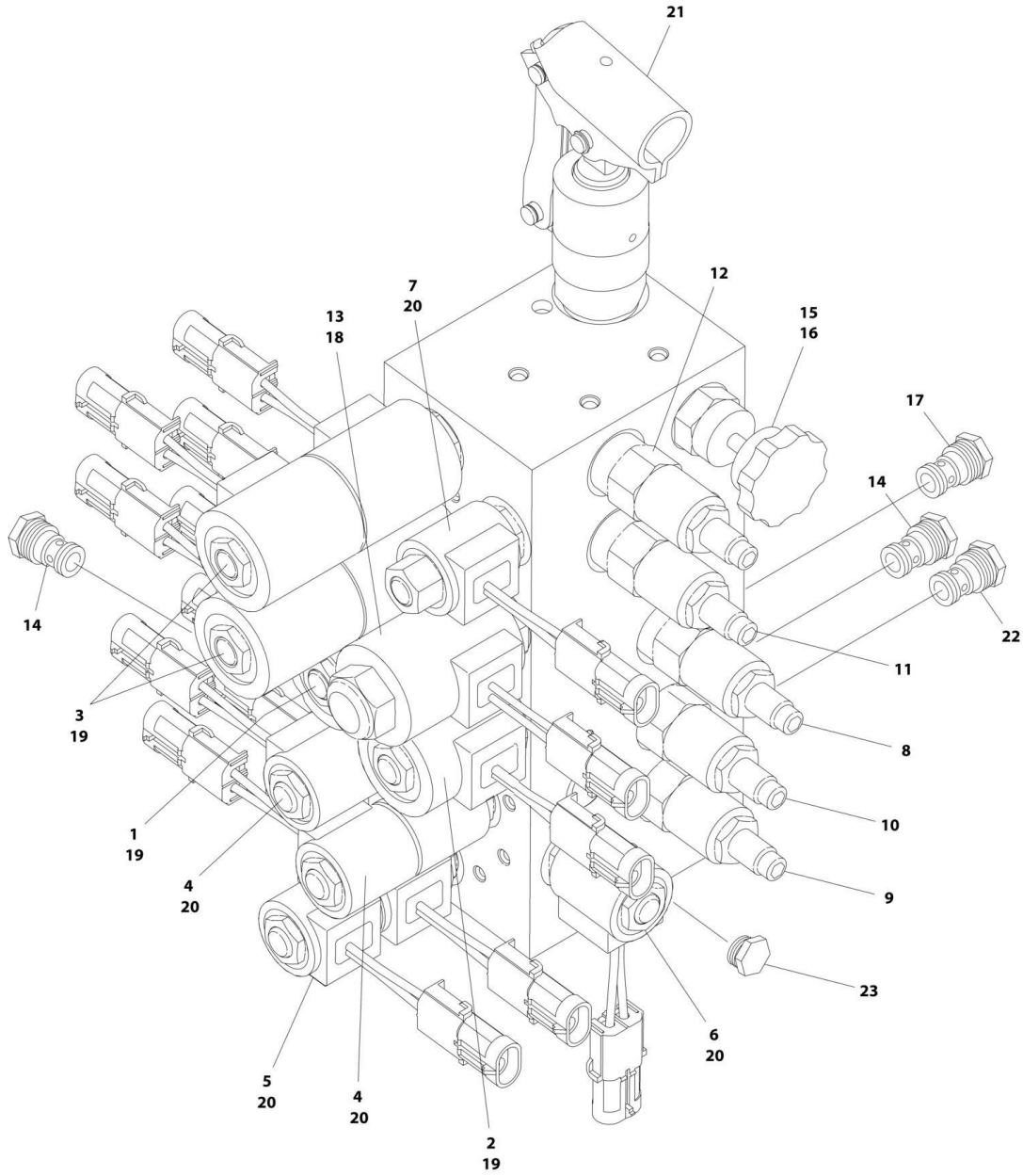
SECTION 2 - TURNTABLE

FIGURE 2-5. VALVE INSTALLATION - TURNTABLE MOUNTED (M400AJP,M400AJPNARROW) (SN 0300233433 through 0300272265)

ITEM	PART NUMBER	QTY	DESCRIPTION	REV
	1001218370	Ref	VALVE INSTALLATION - TURNTABLE MOUNTED	A
1	0100011	AR	Compound, Locking	
2	0641413	2	Bolt, 1/4-20 X 1-5/8	
3	0641507	2	Bolt, 5/16-18 7/8	
4	0641606	4	Bolt, 3/8-16 X 3/4	
5	0720804	1	Bolt, #8-32 X .500	
6	1380136	1	Clip, Gripper	
7	2560122	1	Handle	
8	2560123	1	Handle, Grip	
9	3310805	1	Nut, Lock #8-32	
10	4711400	2	Washer, 1/4	
11	4711600	4	Washer, 3/8	
12	4750800	1	Washer, #8	
13	4751500	2	Washer 5/16	
14	1001097777	1	Releveling Valve Assembly (See RELEVELING VALVE ASSEMBLY for Breakdown)	
16	1001180554	1	Main Control Valve Assembly (See MAIN CONTROL VALVE ASSEMBLY for Breakdown)	
17	1001216921	1	Jib Valve Assembly (See JIB VALVE ASSEMBLY for Breakdown)	

SECTION 2 - TURNTABLE

FIGURE 2-6. MAIN CONTROL VALVE ASSEMBLY



ART_1001180554

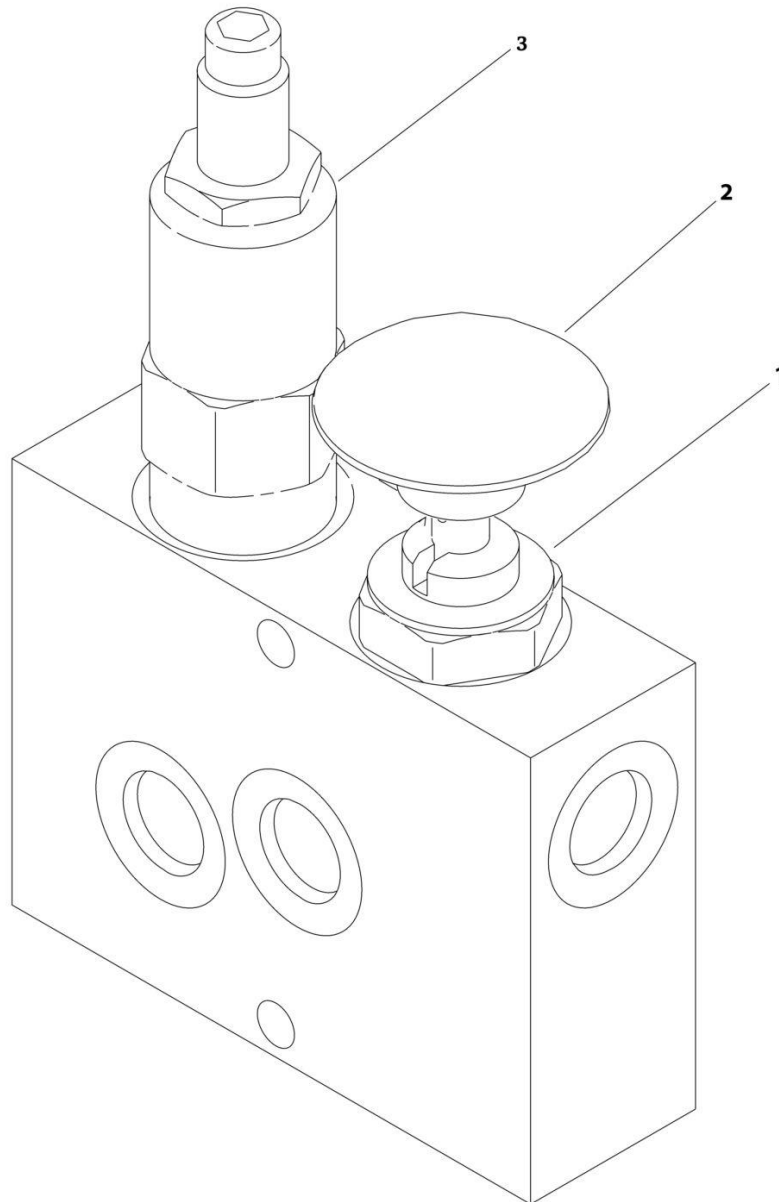
SECTION 2 - TURNTABLE

FIGURE 2-6. MAIN CONTROL VALVE ASSEMBLY

ITEM	PART NUMBER	QTY	DESCRIPTION	REV
	1001180554	Ref	MAIN CONTROL VALVE ASSEMBLY	F
1	7022394	1	Cartridge without Coil (Telescope In)	
1	7012518	1	Seal Kit - 7022394 Cartridge	
2	7012995	1	Cartridge without Coil (Telescope Out)	
2	7012518	1	Seal Kit - 7012995 Cartridge	
3	7021603	2	Cartridge without Coil (Lower and Upper Lift)	
3	7012903	2	Seal Kit - 7021603 Cartridge	
4	7017452	2	Cartridge without Coil (Platform Level)	
4	7017402	2	Seal Kit - 7017452 Cartridge	
5	7017433	1	Cartridge without Coil (Swing)	
5	7017402	1	Seal Kit - 7017433 Cartridge	
6	7021604	1	Cartridge without Coil (Swing Arrest)	
6	7012953	1	Seal Kit - 7021604 Cartridge	
7	7017410	1	Cartridge without Coil (Bypass Unloading)	
7	7012967	1	Seal Kit - 7017410 Cartridge	
8	7017418	1	Cartridge (Telescope)	
8	7012998	1	Seal Kit - 7017418 Cartridge	
9	7017421	1	Cartridge (Platform Level Backward Piston End)	
9	7012998	1	Seal Kit - 7017421 Cartridge	
10	7017418	1	Cartridge (Platform Level Forward Rod End)	
10	7012998	1	Seal Kit - 7017418 Cartridge	
11	70001876	1	Cartridge (Lower Lift Down)	
11	7012998	1	Seal Kit - 70001876 Cartridge	
12	70002806	1	Cartridge (Upper Lift Down)	
12	7012998	1	Seal Kit - 70002806 Cartridge	
13	7021611	1	Cartridge without Coil (Flow Regulator)	
13	7012518	1	Seal Kit - 7021611 Cartridge	
14	7012914	2	Cartridge (Platform Level)	
14	7012918	2	Seal Kit - 7012914 Cartridge	
15	7012947	1	Cartridge (Emergency Descent)	
15	7012518	1	Seal Kit - 7012947 Cartridge	
16	7012961	1	Knob	
17	10837580	1	Cartridge (Telescope)	
17	7010543	1	Seal Kit - 10837580 Cartridge	
18	70005210	1	Coil	
19	7024883	6	Coil	
20	7024885	8	Coil	
21	70004019	1	Pump, Manual	
21	2900756	1	Seal Kit - 70004019 Pump	
21	2560122	1	Handle (Not Shown)	
21	1001114761	1	Handle, Grip (Red) (Not Shown)	
21	2560123	1	Handle, Grip (Black) (Not Shown)	
22	7012975	1	Cartridge (Check)	
22	7012540	1	Seal Kit - 7012975 Cartridge	
23	70000381	1	Plug, Cartridge	
24	70005091	1	Orifice (Swing) (Not Shown)	
25	70004884	1	Orifice (Platform) (Not Shown)	

SECTION 2 - TURNTABLE

FIGURE 2-7. RELEVELING VALVE ASSEMBLY



ART_100109777

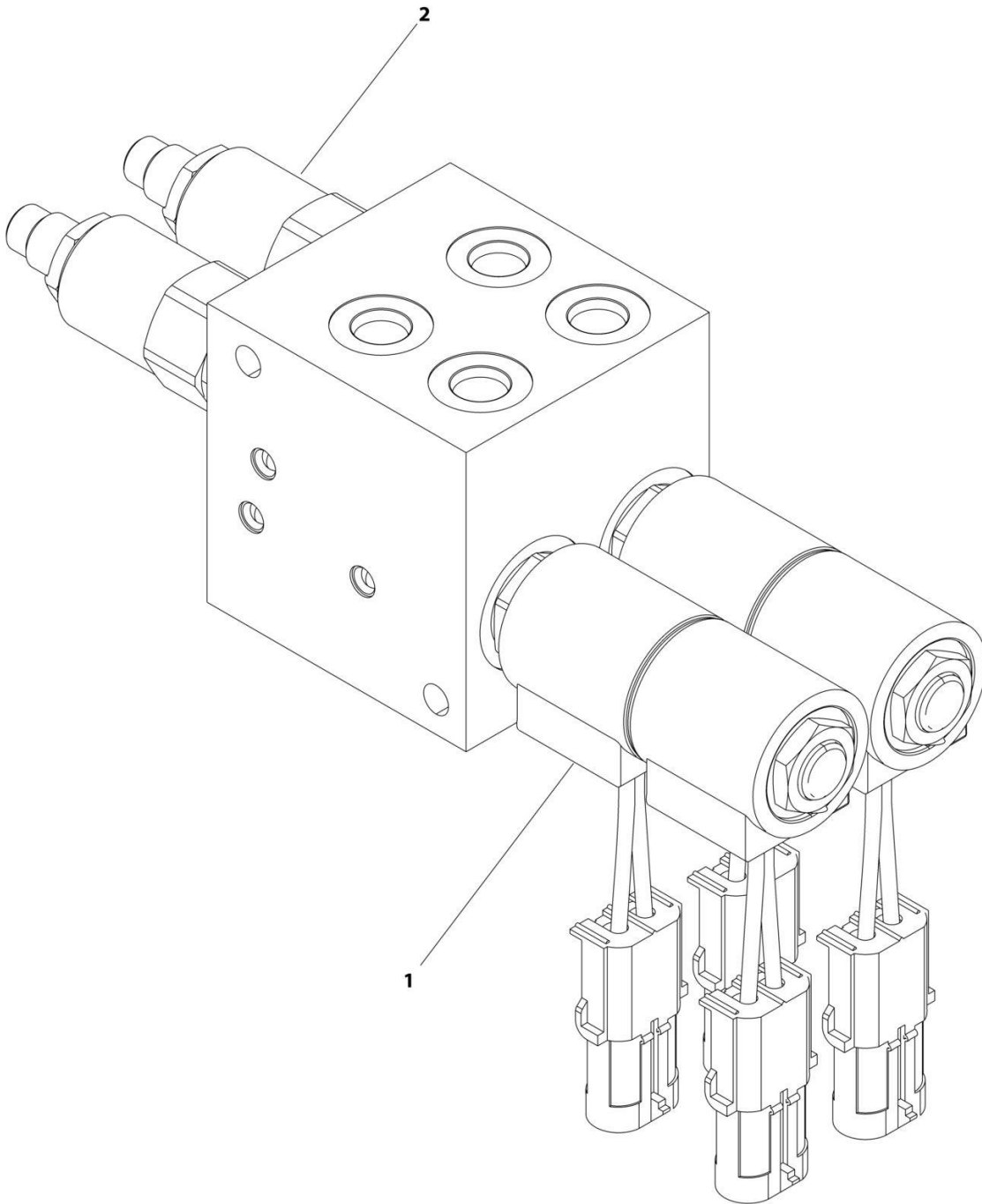
SECTION 2 - TURNTABLE

FIGURE 2-7. RELEVELING VALVE ASSEMBLY

ITEM	PART NUMBER	QTY	DESCRIPTION	REV
	1001097777	Ref	RELEVELING VALVE ASSEMBLY	B
1	7017466	1	Cartridge	
1	7017496	1	Seal Kit - 7017466 Cartridge	
2	7012959	1	Knob	
3	7024891	1	Cartridge	
3	7012953	1	Seal Kit - 7024891 Cartridge	

SECTION 2 - TURNTABLE

FIGURE 2-8. JIB VALVE ASSEMBLY (SN 0300208530 through 0300233432)



ART_1001097505

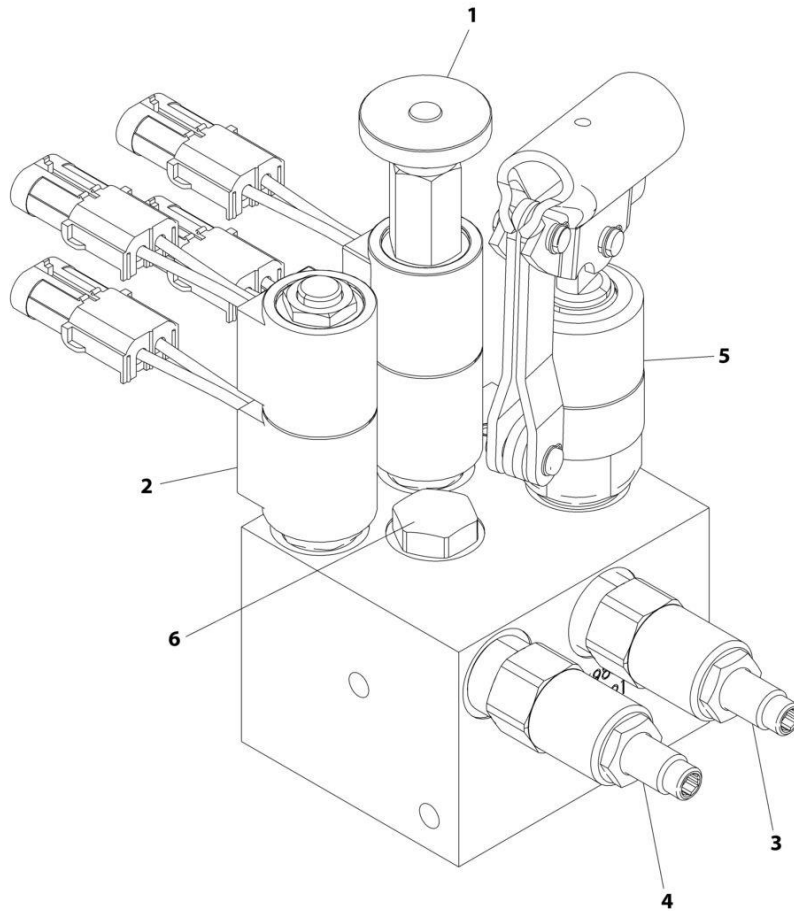
SECTION 2 - TURNTABLE

FIGURE 2-8. JIB VALVE ASSEMBLY (SN 0300208530 through 0300233432)

ITEM	PART NUMBER	QTY	DESCRIPTION	REV
	1001097505	Ref	JIB VALVE ASSEMBLY (SN 0300208530 through 0300233432)	C
1	7017452	2	Cartridge without Coil	
1	7017402	2	Seal Kit - 7017452 Cartridge	
1	7021609	4	Coil	
2	70002808	2	Cartridge	
2	7021653	2	Seal Kit - 70002808 Cartridge	

SECTION 2 - TURNTABLE

FIGURE 2-9. JIB VALVE ASSEMBLY (SN 0300233433 through 0300272265)



ART_1001216921

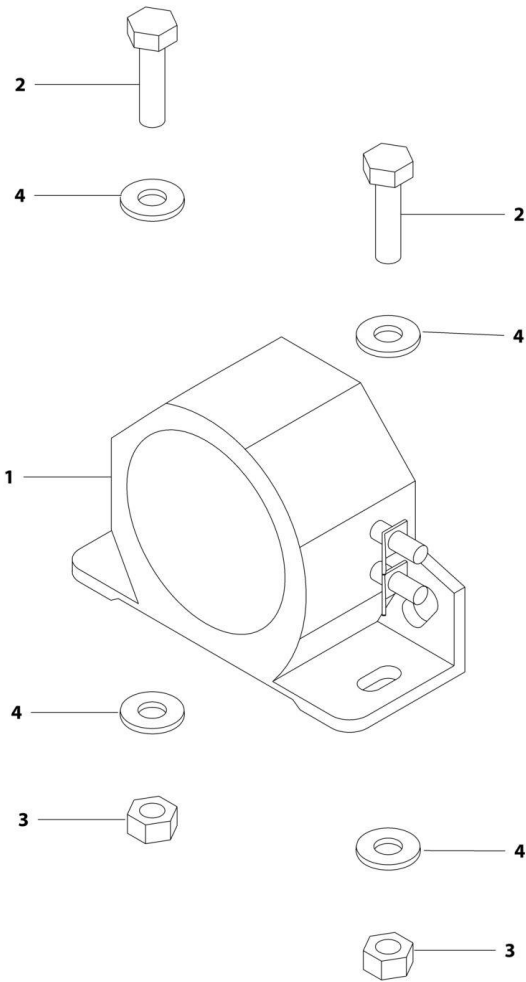
SECTION 2 - TURNTABLE

FIGURE 2-9. JIB VALVE ASSEMBLY (SN 0300233433 through 0300272265)

ITEM	PART NUMBER	QTY	DESCRIPTION	REV
	1001216921	Ref	JIB VALVE ASSEMBLY	B
1	70006346	1	Cartridge (Manual Override)	
1	7017402	1	Seal Kit - 70006346 Cartridge	
1	70006348	1	Coil Spacer	
1	7021609	1	Coil	
1	70006347	1	Coil Nut	
2	7017452	1	Cartridge	
2	7017402	1	Seal Kit - 7017452 Cartridge	
2	70006348	1	Coil Spacer	
2	7021609	1	Coil	
2	7022390	1	Coil Nut	
3	70006349	1	Cartridge	
3	7021653	1	Seal Kit - 70006349 Cartridge	
4	70002808	1	Cartridge	
4	7021653	1	Seal Kit - 70002808 Cartridge	
5	70005722	1	Cartridge	
5	7017496	1	Seal Kit - 70005722 Cartridge	
5	2560122	1	Handle	
5	1001114761	1	Grip, Handle (Red)	
5	2560123	1	Grip, Handle (Black)	
6	7024887	1	Cartridge	
6	7012998	1	Seal Kit - 7024887 Cartridge	

SECTION 2 - TURNTABLE

FIGURE 2-10. MOTION ALARM INSTALLATION



ART_1001183367

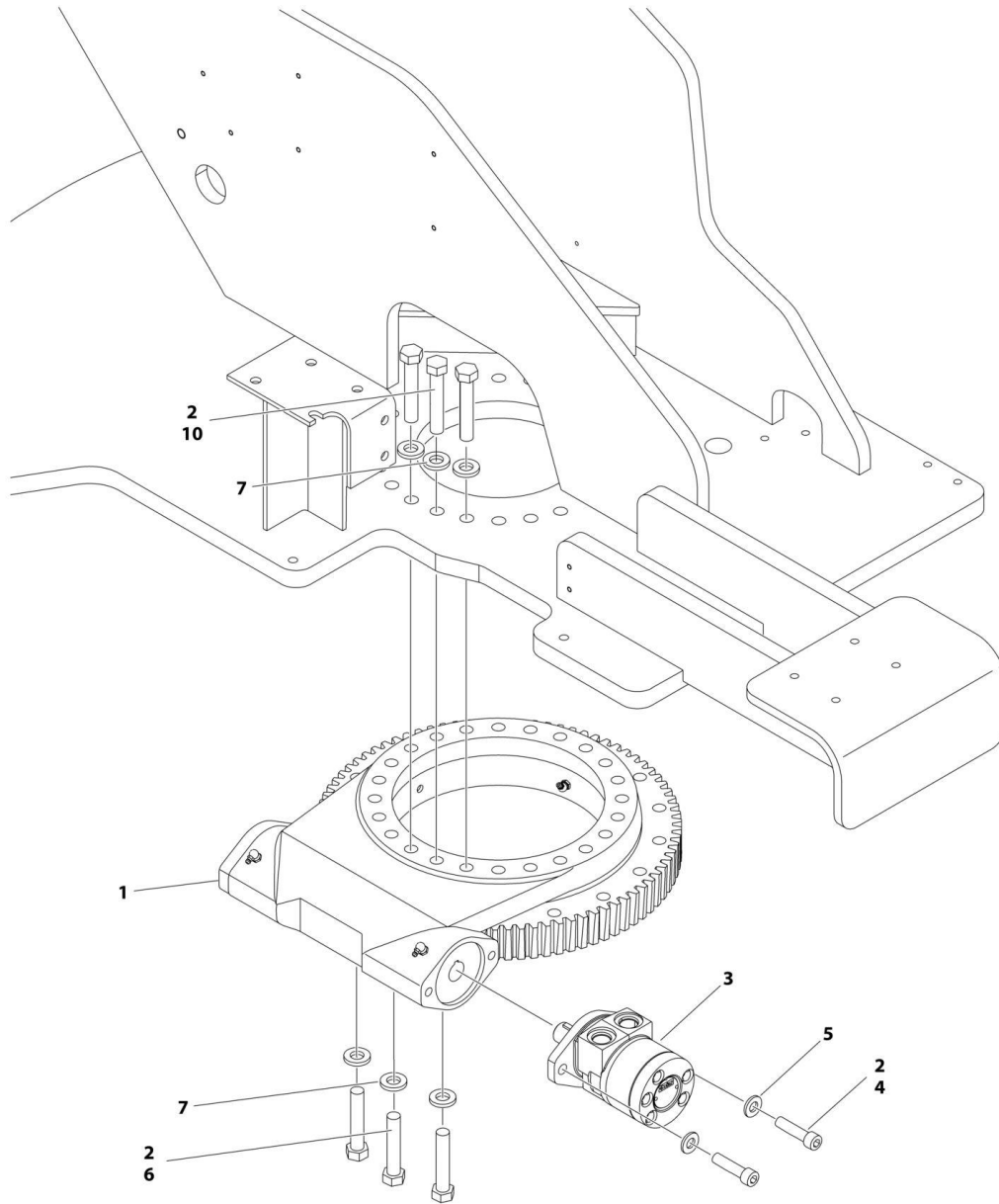
SECTION 2 - TURNTABLE

FIGURE 2-10. MOTION ALARM INSTALLATION

ITEM	PART NUMBER	QTY	DESCRIPTION	REV
	1001183367	Ref	MOTION ALARM INSTALLATION	A
1	0140043	1	Alarm, Motion	
2	0641406	2	Bolt, 1/4-20 X 3/4	
3	3311405	2	Nut, Lock 1/4-20	
4	4711400	2	Washer, 1/4	

SECTION 2 - TURNTABLE

FIGURE 2-11. TURNTABLE BEARING AND SWING DRIVE INSTALLATION



ART_1001166395

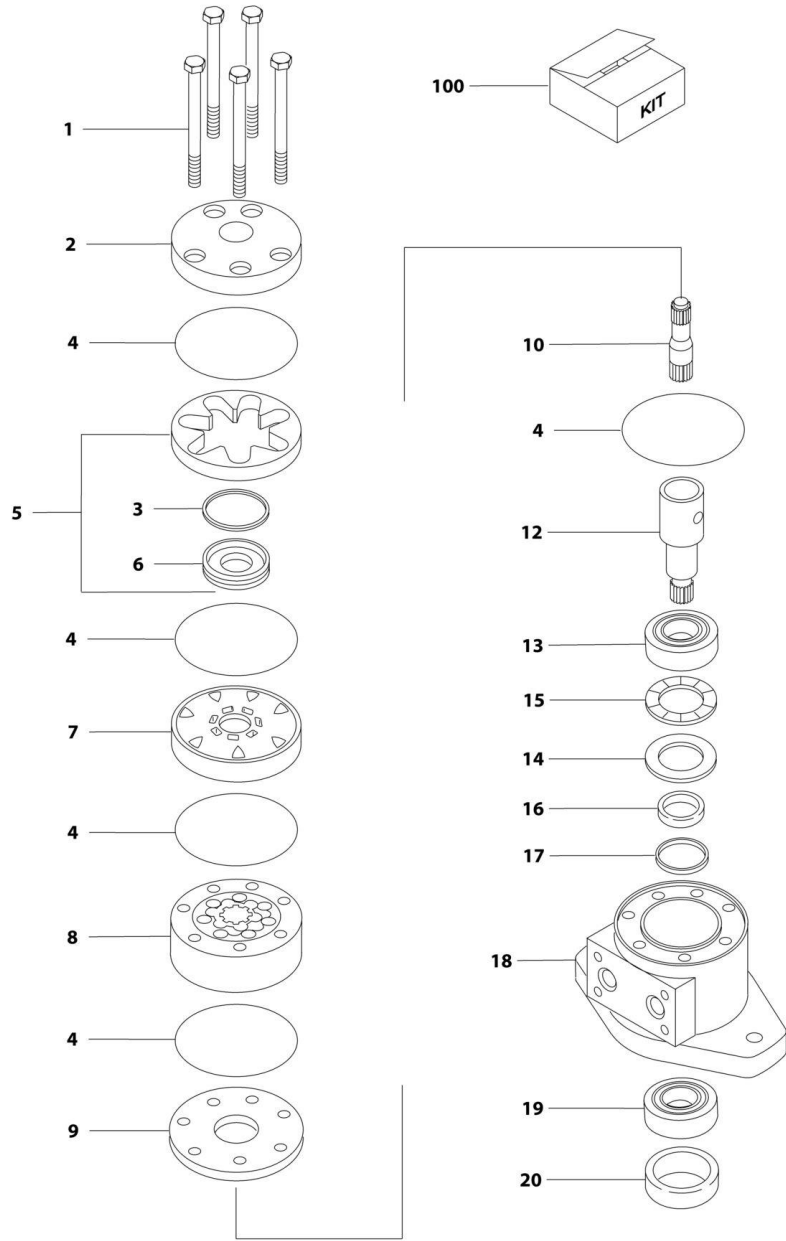
SECTION 2 - TURNTABLE

FIGURE 2-11. TURNTABLE BEARING AND SWING DRIVE INSTALLATION

ITEM	PART NUMBER	QTY	DESCRIPTION	REV
	1001166395	Ref	TURNTABLE BEARING AND SWING DRIVE INSTALLATION	B
1	1001153017	1	Turntable Bearing and Worm Gear Assembly (See SWING BEARING ASSEMBLY for Breakdown)	
2	0100019	AR	Compound, Locking	
3	1001104850	1	Swing Motor Assembly (See SWING MOTOR ASSEMBLY for Breakdown)	
4	3931832	2	Bolt, Allen Head, 1/2-13 X 2	
5	4740171	2	Washer	
6	0682026	18	Bolt, 5/8-11 X 3-1/4, Grade 8	
7	4892000	41	Washer, 5/8	
9	3020029	AR	Lube, Bearing Grease	
10	0682028	23	Bolt, 5/8-11 X 3-1/2, Grade 8	

SECTION 2 - TURNTABLE

FIGURE 2-12. SWING MOTOR ASSEMBLY



ART_1001104850

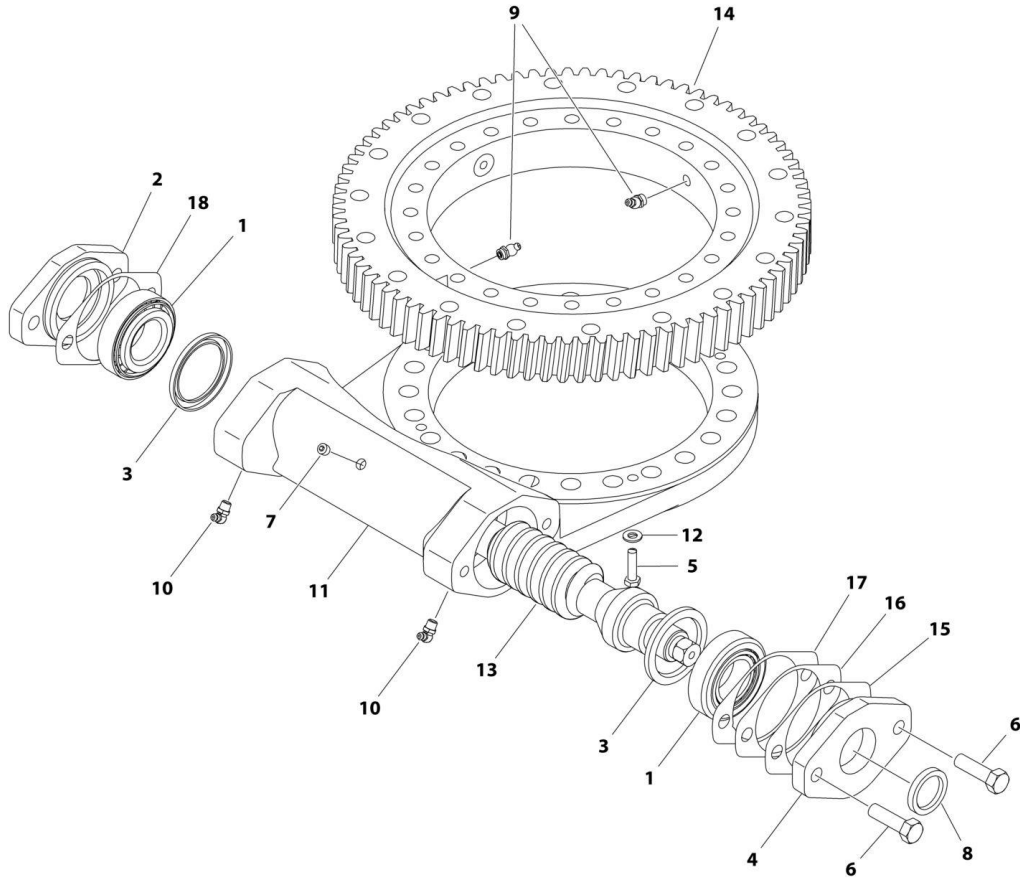
SECTION 2 - TURNTABLE

FIGURE 2-12. SWING MOTOR ASSEMBLY

ITEM	PART NUMBER	QTY	DESCRIPTION	REV
	1001104850	Ref	SWING MOTOR ASSEMBLY	A
1	See Note	5	Bolt (Note: Not Available for Purchase)	
2	7004035	1	Cover, End	
3	7023318	1	Seal, Commutator	
4	7004036	5	O-Ring	
5	7024453	1	Commutator and Ring Assembly	
6	See Note	NSS	Ring (Note: Purchase p/n 7024453)	
7	7024379	1	Manifold	
8	70002206	1	Rotor Set	
9	7024380	1	Plate, Ware	
10	70002207	1	Link, Drive	
12	70000088	1	Shaft, Coupling	
12A	70000089	1	Key, Woodruff	
13	7024381	1	Bearing, Inner	
14	7004043	1	Washer, Thrust	
15	7004044	1	Bearing, Thrust	
16	7004049	1	Seal, Inner	
17	7004045	1	Ring, Back-up	
18	See Note	NSS	Housing (Note: Purchase p/n 1001104850)	
19	7024390	1	Bearing, Outer	
20	7004047	1	Seal	
100	7024389	1	Seal Kit (Includes Items 3, 4, 16, 17 & 20)	

SECTION 2 - TURNTABLE

FIGURE 2-13. SWING BEARING ASSEMBLY



ART_1001153017

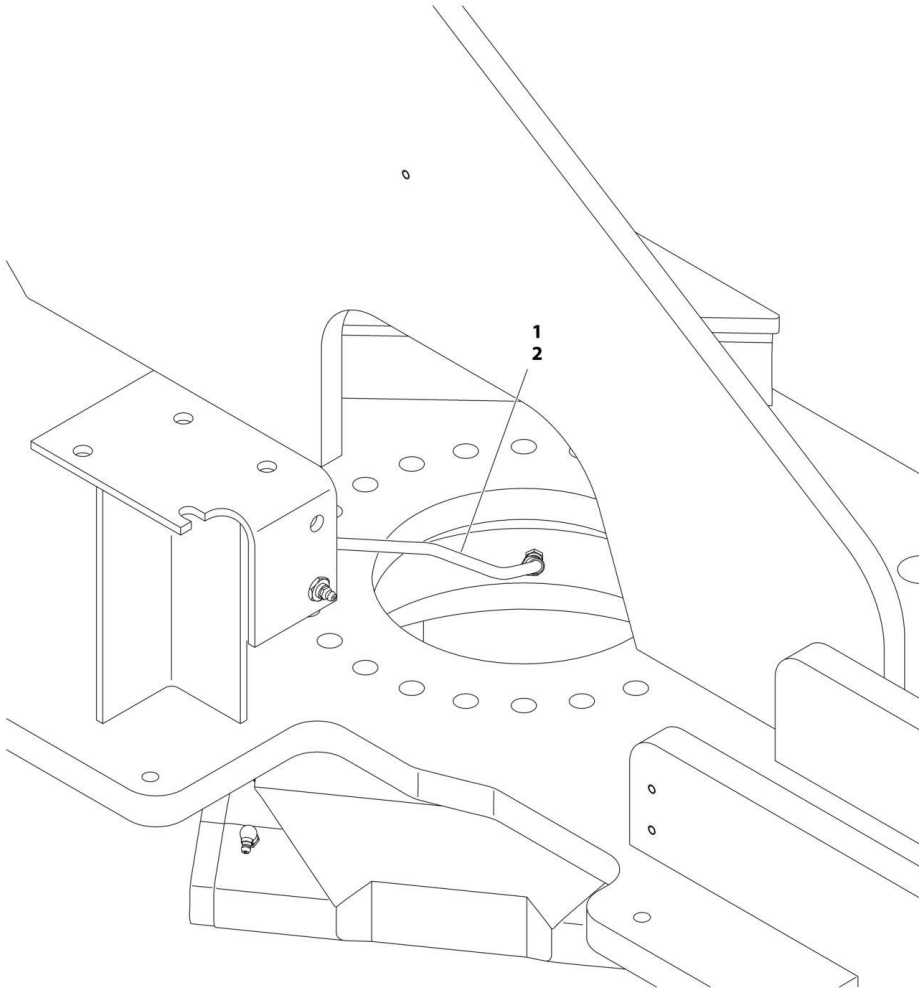
SECTION 2 - TURNTABLE

FIGURE 2-13. SWING BEARING ASSEMBLY

ITEM	PART NUMBER	QTY	DESCRIPTION	REV
	1001153017	Ref	SWING BEARING ASSEMBLY	B
1	7026042	2	Bearing, Cup	
1	7026043	2	Bearing, Cone	
2	7027356	1	Adapter, Motor	
3	7027361	2	Seal	
4	7027354	1	Cap, End	
5	0641510	2	Bolt, 5/16-18 x 1-1/4	
6	0641812	2	Bolt, 1/2-13 x 1-1/2	
7	70000865	1	Plug	
8	7027360	1	Seal	
9	7027359	2	Fitting, Grease - Straight	
9	2160003	2	Fitting, Grease - 45	
10	7027358	2	Fitting, Grease - 90	
11	See Note	NSS	Housing (Note: Not Sold Separate - Use 1001153017)	
12	4891500	1	Washer, 5/16	
13	7027363	1	Gear, Worm	
14	70004159	1	Ring Gear	
15	7027352	AR	Gasket (.010 - Brown)	
16	7027351	AR	Gasket (.0075 - Clear)	
17	7027350	AR	Gasket (.005 - Blue)	
18	7027353	1	Gasket (.020 - Yellow)	

SECTION 2 - TURNTABLE

FIGURE 2-14. REMOTE BEARING LUBE INSTALLATION - OPTIONAL



ART_1001166341

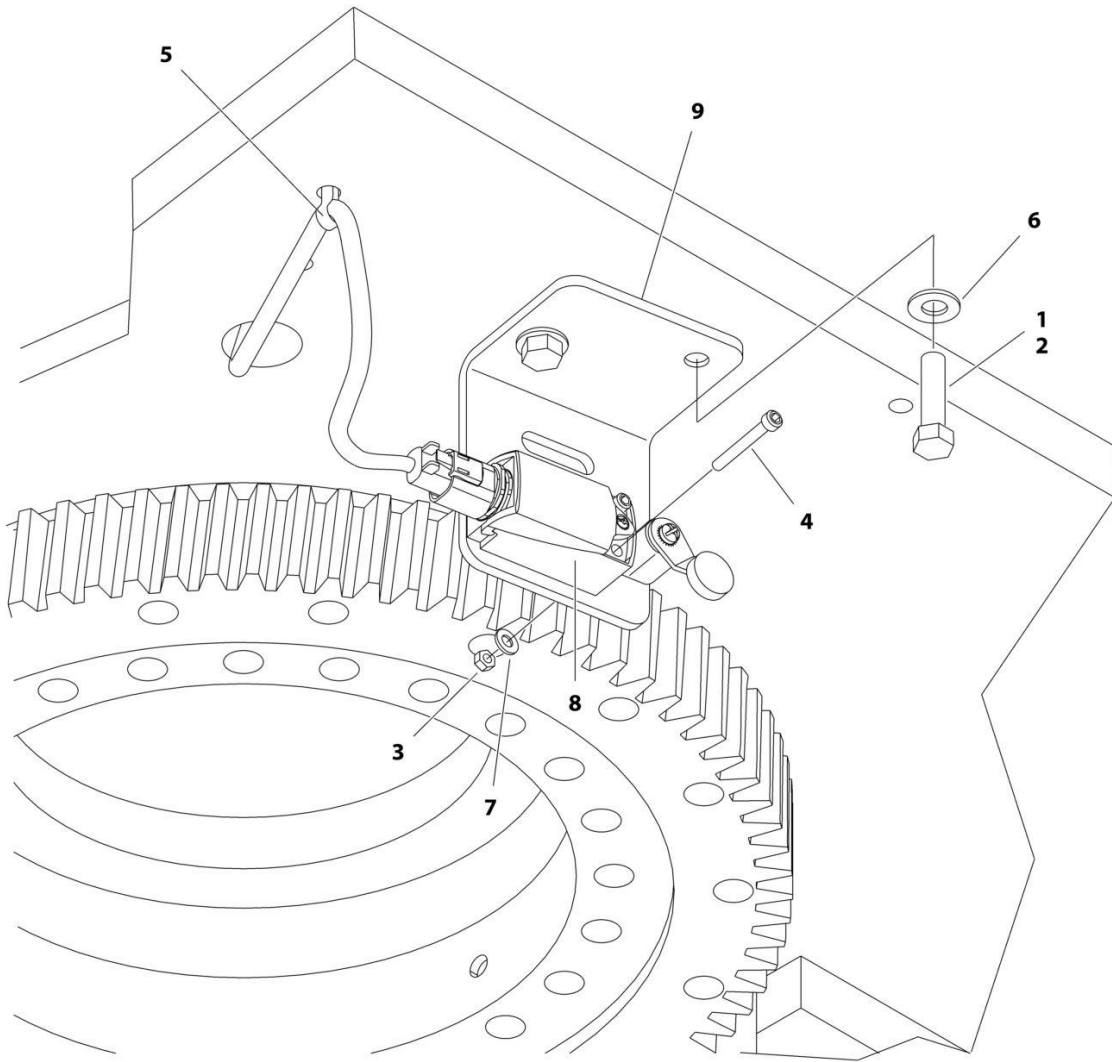
SECTION 2 - TURNTABLE

FIGURE 2-14. REMOTE BEARING LUBE INSTALLATION - OPTIONAL

ITEM	PART NUMBER	QTY	DESCRIPTION	REV
	1001166341	Ref	REMOTE BEARING LUBE INSTALLATION	B
1	1001157058	1	Hose, Remote Grease Line	
2	0100011	AR	Compound, Locking	

SECTION 2 - TURNTABLE

FIGURE 2-15. DRIVE ORIENTATION INSTALLATION



ART_1001187790

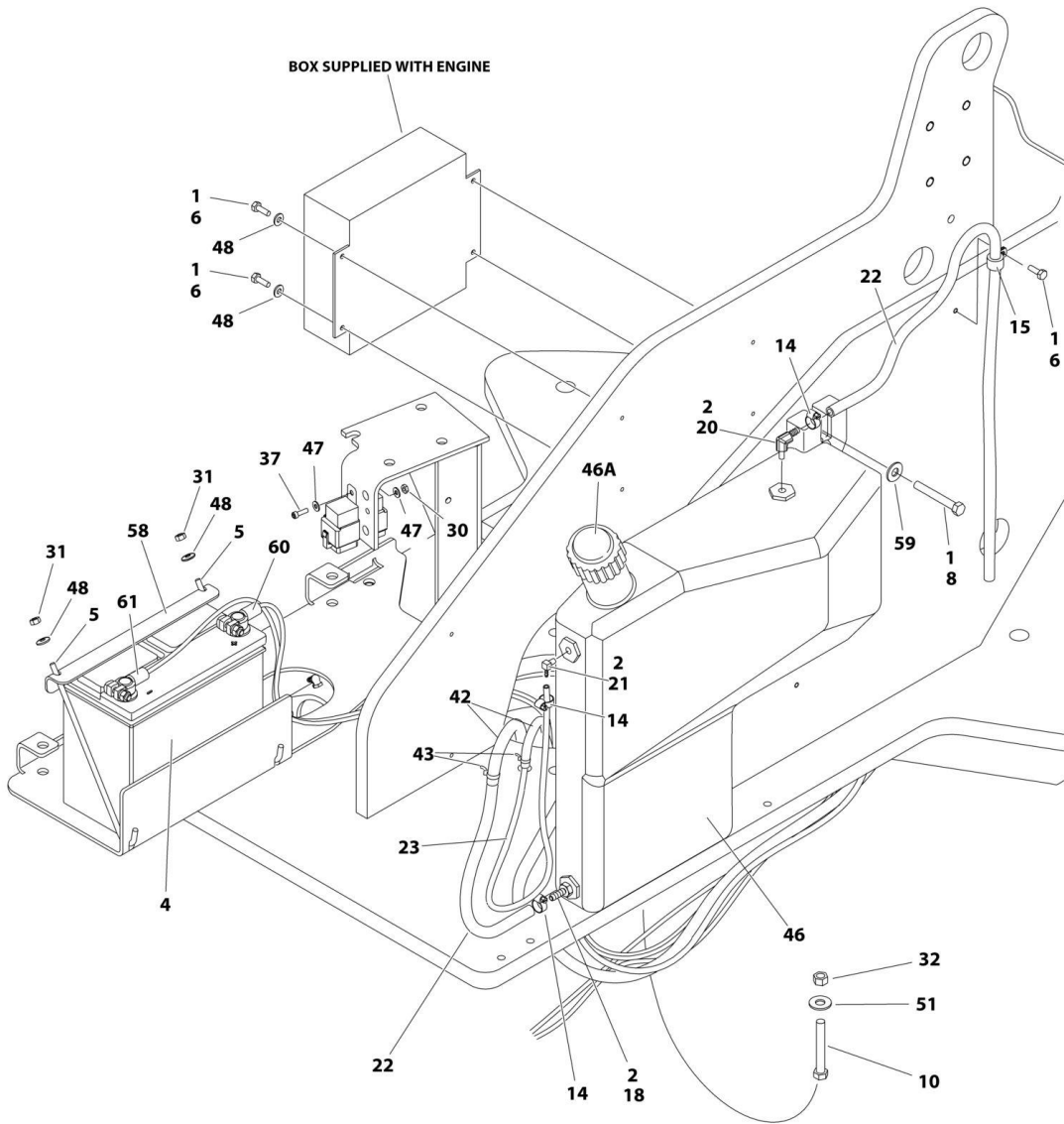
SECTION 2 - TURNTABLE

FIGURE 2-15. DRIVE ORIENTATION INSTALLATION

ITEM	PART NUMBER	QTY	DESCRIPTION	REV
	1001187790	Ref	DRIVE ORIENTATION INSTALLATION	B
1	0100011	AR	Compound, Locking	
2	0641608	2	Bolt, 3/8-16 X 1	
3	3310805	2	Nut, Lock, #8-32	
4	3930824	2	Bolt, Allen Head, #8-32 X 1-1/2	
5	4240175	1	Tie, Strap	
6	4711600	2	Washer, 3/8	
7	4750800	2	Washer, #8	
8	1001116232	1	Switch, Limit	
9	1001171298	1	Bracket, Mounting	

SECTION 2 - TURNTABLE

FIGURE 2-16. FUEL TANK AND BATTERY INSTALLATION (M400AJP,M400AJPNARROW)



ART_1001191232_10F4

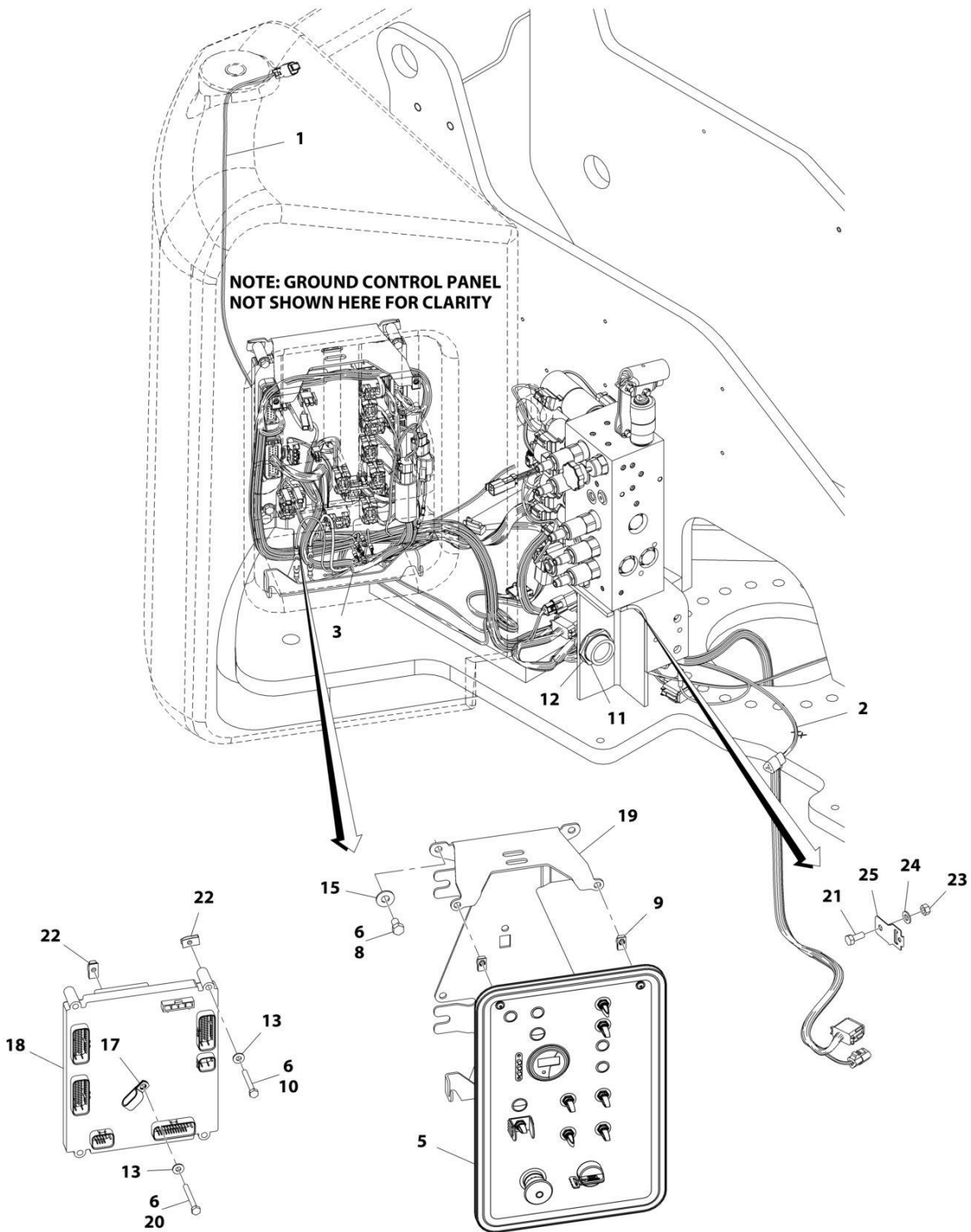
SECTION 2 - TURNTABLE

FIGURE 2-16. FUEL TANK AND BATTERY INSTALLATION (M400AJP,M400AJPNARROW)

ITEM	PART NUMBER	QTY	DESCRIPTION	REV
	1001191232	Ref	FUEL TANK AND BATTERY INSTALLATION	F
1	0100011	AR	Compound, Locking	
2	0100020	AR	Sealant	
4	0400201	1	Battery	
5	0630552	2	Bolt, Battery Hold Down	
6	0641406	5	Bolt, 1/4-20 X 3/4	
8	0641518	1	Bolt, 5/16-18 x 2-1/4	
10	0641622	1	Bolt, 3/8-16 X 2-3/4	
14	1320022	3	Clamp	
15	1320041	1	Clamp	
18	2180348	1	Fitting, Straight, NPT - Barb	
20	2221046	1	Fitting, 90, NPT - Barb	
21	2221047	1	Fitting, 90, NPT - Barb	
22	2720058	16 ft/4.9m	Hose	
23	2720271	10 ft/3m	Hose	
30	3311005	1	Nut, Lock #10-24	
31	3311405	2	Nut, Lock, 1/4-20	
32	3311605	1	Nut, Lock, 3/8-16	
37	3931010	1	Bolt, #10-24 x 5/8	
42	4100026	6 ft/1.8m	Sleeve, Hose	
43	4240033	AR	Tie, Wire	
46	4400417	1	Tank, Fuel	
46A	7020179	1	Cap, Fuel (Standard)	
46A	1120487	1	Cap, Lockable (Optional) (SN 0300208530 through 0300224562)	
47	4711000	2	Washer, #10	
48	4711400	6	Washer, 1/4	
51	4751600	1	Washer, 3/8	
58	1001165977	1	Mount, Battery	
59	1001167291	1	Washer, Special	
60	1001168004	1	Cable, Battery +	
61	1001168005	1	Cable, Battery (-)	

SECTION 2 - TURNTABLE

FIGURE 2-17. GROUND CONTROL BOX INSTALLATION (ALL SPECS EXCEPT CE AND AUSTRALIAN SPECS) (E400ANARROW)



ART_1001183515

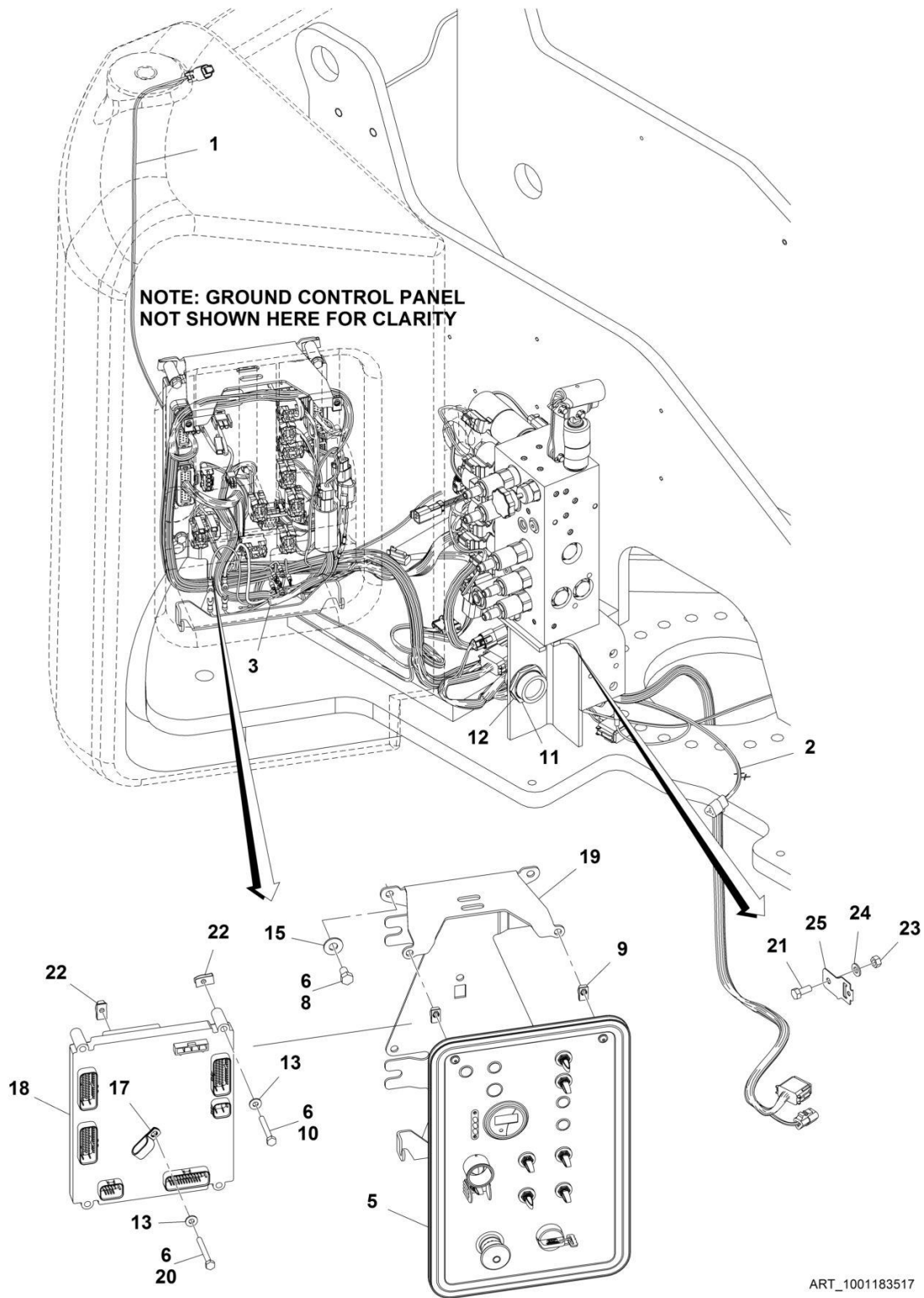
SECTION 2 - TURNTABLE

FIGURE 2-17. GROUND CONTROL BOX INSTALLATION (ALL SPECS EXCEPT CE AND AUSTRALIAN SPECS) (E400ANARROW)

ITEM	PART NUMBER	QTY	DESCRIPTION	REV
	1001183515	Ref	GROUND CONTROL BOX INSTALLATION (ALL SPECS EXCEPT CE AND AUSTRALIAN SPECS)	C
1	1001178793	1	Harness, Turntable (See ELECTRICAL SECTION for Breakdown)	
2	1001178794	1	Harness, Valve (See ELECTRICAL SECTION for Breakdown)	
3	1001179991	1	Harness, Ground Panel (See ELECTRICAL SECTION for Breakdown)	
5	1001183866	1	GROUND CONTROL BOX ELECTRICAL ASSEMBLY (See GROUND CONTROL BOX ELECTRICAL ASSEMBLY (ALL SPECS EXCEPT CE AND AUSTRALIAN SPECS) for Breakdown) (E400Anarrow)	
6	0100011	AR	Compound, Locking	
8	0641605	4	Bolt, 3/8-16 X 5/8	
9	3300365	2	Nut, Special	
10	0641416	4	Bolt, 1/4-20 X 2	
11	4460470	1	Nut, Terminal	
12	4460471	1	Washer, Lock	
13	4711400	5	Washer, 1/4	
15	4751600	4	Washer, 3/8	
17	1321385	1	Clamp	
18	1001182700	1	Module, Ground Control (Note: Re-calibration Required when Replaced)	
19	1001188065	1	Bracket	
20	0641418	1	Bolt, 1/4-20 X 2-1/4	
21	0641506	1	Bolt, 5/16-18 X 3/4	
22	3300454	5	Nut, 1/4-20	
23	3311505	1	Nut, Lock 5/16-18	
24	4711500	1	Washer, 5/16	
25	1001153749	1	Clip	

SECTION 2 - TURNTABLE

FIGURE 2-18. GROUND CONTROL BOX INSTALLATION (CE SPEC) (E400ANARROW)



ART_1001183517

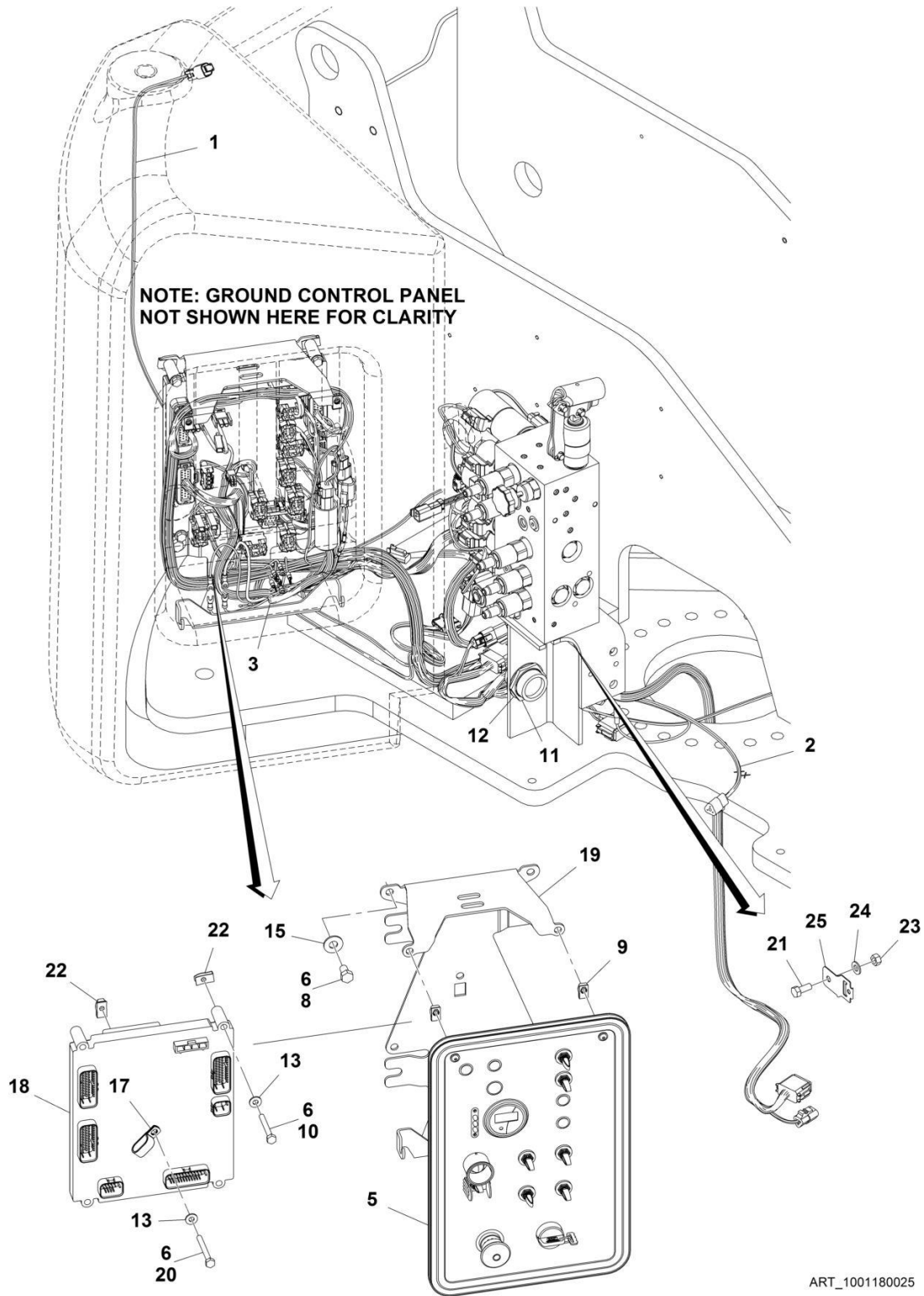
SECTION 2 - TURNTABLE

FIGURE 2-18. GROUND CONTROL BOX INSTALLATION (CE SPEC) (E400ANARROW)

ITEM	PART NUMBER	QTY	DESCRIPTION	REV
	1001183517	Ref	GROUND CONTROL BOX INSTALLATION (CE SPEC)	C
1	1001178793	1	Harness, Turntable (See ELECTRICAL SECTION for Breakdown)	
2	1001178794	1	Harness, Valve (See ELECTRICAL SECTION for Breakdown)	
3	1001179991	1	Harness, Ground Control Panel (See ELECTRICAL SECTION for Breakdown)	
5	1001183765	1	GROUND CONTROL BOX ELECTRICAL ASSEMBLY (See GROUND CONTROL BOX ELECTRICAL ASSEMBLY (CE SPEC) for Breakdown) (E400Anarrow)	
6	0100011	AR	Compound, Locking	
8	0641605	4	Bolt, 3/8-16 X 5/8	
9	3300365	2	Nut, Special	
10	0641416	4	Bolt, 1/4-20 X 2	
11	4460470	1	Nut, Terminal	
12	4460471	1	Washer, Lock	
13	4711400	5	Washer, 1/4	
15	4751600	4	Washer, 3/8	
17	1321385	1	Clamp	
18	1001182700	1	Module, Ground Control (Note: Re-calibration Required when Replaced)	
19	1001188065	1	Bracket	
20	0641418	1	Bolt, 1/4-20 X 2-1/4	
21	0641506	1	Bolt, 5/16-18 X 3/4	
22	3300454	5	Nut, 1/4-20	
23	3311505	1	Nut, Lock 5/16-18	
24	4711500	1	Washer, 5/16	
25	1001153749	1	Clip	

SECTION 2 - TURNTABLE

FIGURE 2-19. GROUND CONTROL BOX INSTALLATION (ALL SPECS EXCEPT CE SPEC)
(E400AJP,E400AJPNARROW,M400AJP,M400AJPNARROW)



ART_1001180025

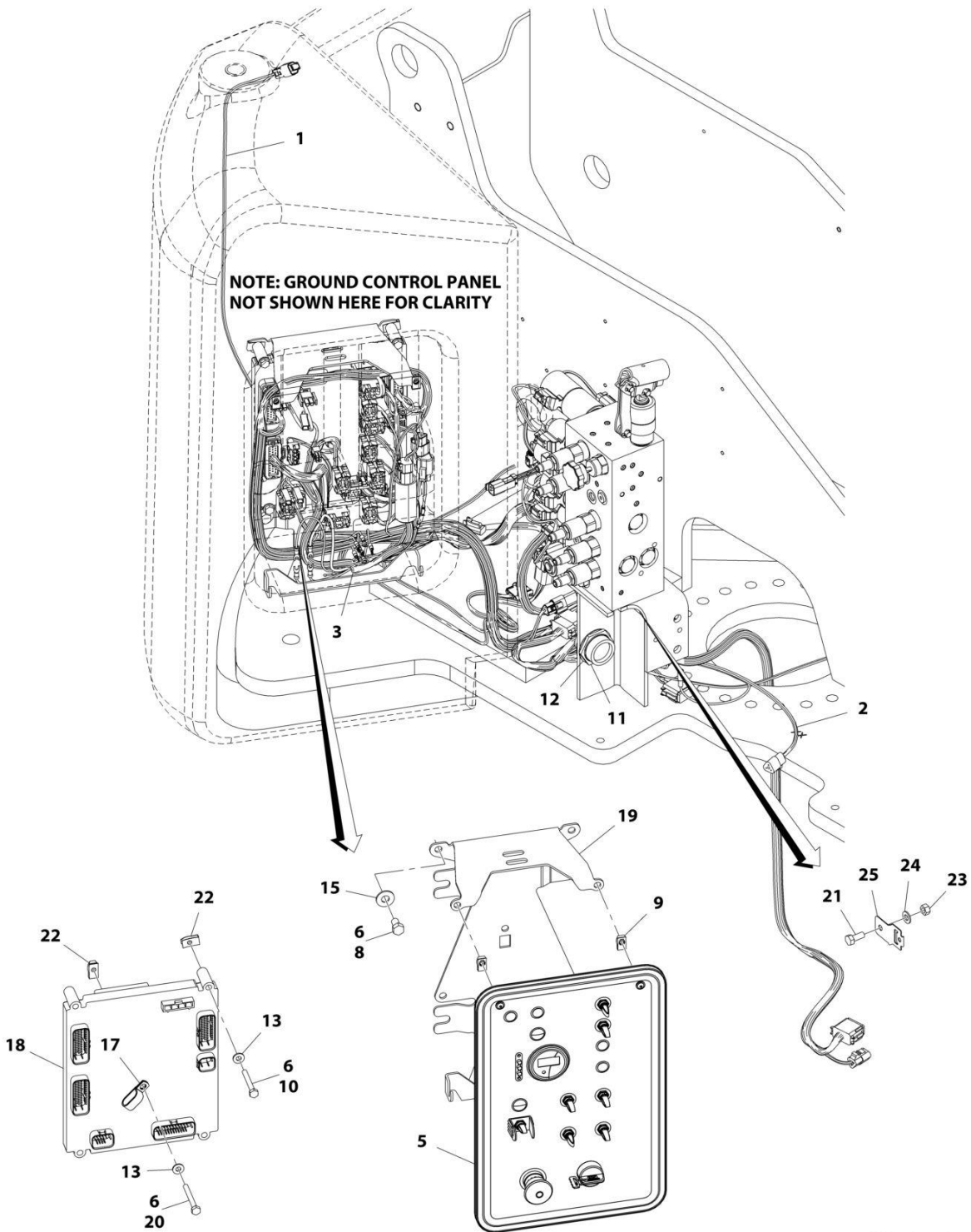
SECTION 2 - TURNTABLE

**FIGURE 2-19. GROUND CONTROL BOX INSTALLATION (ALL SPECS EXCEPT CE SPEC)
(E400AJP,E400AJPNARROW,M400AJP,M400AJPNARROW)**

ITEM	PART NUMBER	QTY	DESCRIPTION	REV
	1001180025	Ref	GROUND CONTROL BOX INSTALLATION (ALL SPECS EXCEPT CE SPEC)	C
1	1001178793	1	Harness, Turntable (See ELECTRICAL SECTION for Breakdown)	
2	1001178794	1	Harness, Valve (See ELECTRICAL SECTION for Breakdown)	
3	1001179991	1	Harness, Ground Control Panel (See ELECTRICAL SECTION for Breakdown)	
5	1001183763	1	GROUND CONTROL BOX ELECTRICAL ASSEMBLY (See GROUND CONTROL BOX ELECTRICAL ASSEMBLY (ALL SPEC EXCEPT CE SPEC) for Breakdown) (E400AJP,E400AJPNarrow,M400AJP,M400AJPNarrow)	
6	0100011	AR	Compound, Locking	
8	0641605	4	Bolt, 3/8-16 X 5/8	
9	3300365	2	Nut, Special	
10	0641416	4	Bolt, 1/4-20 X 2	
11	4460470	1	Nut, Terminal	
12	4460471	1	Washer, Lock	
13	4711400	5	Washer, 1/4	
15	4751600	4	Washer, 3/8	
17	1321385	1	Clamp	
18	1001182700	1	Module, Ground Control (Note: Re-calibration Required when Replaced)	
19	1001188065	1	Bracket	
20	0641418	1	Bolt, 1/4-20 X 2-1/4	
21	0641506	1	Bolt, 5/16-18 X 3/4	
22	3300454	5	Nut, 1/4-20	
23	3311505	1	Nut, Lock 5/16-18	
24	4711500	1	Washer, 5/16	
25	1001153749	1	Clip	

SECTION 2 - TURNTABLE

**FIGURE 2-20. GROUND CONTROL BOX INSTALLATION (CE SPEC)
(E400AJP,E400AJPNARROW,M400AJP,M400AJPNARROW)**



ART_1001183516

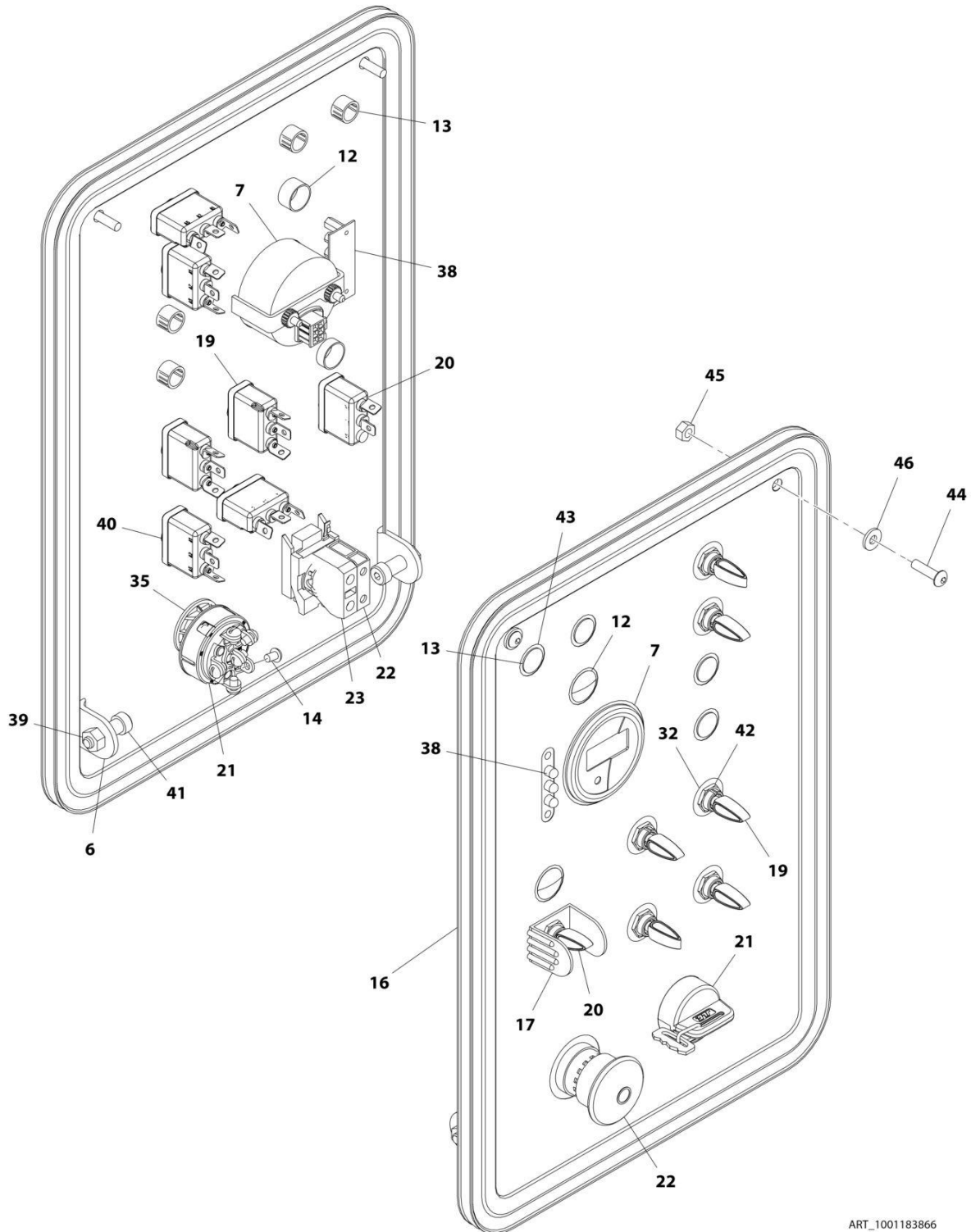
SECTION 2 - TURNTABLE

**FIGURE 2-20. GROUND CONTROL BOX INSTALLATION (CE SPEC)
(E400AJP,E400AJPNARROW,M400AJP,M400AJPNARROW)**

ITEM	PART NUMBER	QTY	DESCRIPTION	REV
	1001183516	Ref	GROUND CONTROL BOX INSTALLATION (CE SPEC)	C
1	1001178793	1	Harness, Turntable (See ELECTRICAL SECTION for Breakdown)	
2	1001178794	1	Harness, Valve (See ELECTRICAL SECTION for Breakdown)	
3	1001179991	1	Harness, Ground Control Panel (See ELECTRICAL SECTION for Breakdown)	
5	1001183764	1	GROUND CONTROL BOX ELECTRICAL ASSEMBLY (See GROUND CONTROL BOX ELECTRICAL ASSEMBLY (CE SPEC) for Breakdown) (E400AJP,E400AJPNarrow,M400AJP,M400AJPNarrow)	
6	0100011	AR	Compound, Locking	
8	0641605	4	Bolt, 3/8-16 X 5/8	
9	3300365	2	Nut, Special	
10	0641416	4	Bolt, 1/4-20 X 2	
11	4460470	1	Nut, Terminal	
12	4460471	1	Washer, Lock	
13	4711400	5	Washer, 1/4	
15	4751600	4	Washer, 3/8	
17	1321385	1	Clamp	
18	1001182700	1	Module, Ground Control (Note: Re-calibration Required when Replaced)	
19	1001188065	1	Bracket	
20	0641418	1	Bolt, 1/4-20 X 2-1/4	
21	0641506	1	Bolt, 5/16-18 X 3/4	
22	3300454	5	Nut, 1/4-20	
23	3311505	1	Nut, Lock 5/16-18	
24	4711500	1	Washer, 5/16	
25	1001153749	1	Clip	

SECTION 2 - TURNTABLE

FIGURE 2-21. GROUND CONTROL BOX ELECTRICAL ASSEMBLY (ALL SPECS EXCEPT CE AND AUSTRALIAN SPECS) (E400ANARROW)



ART_1001183866

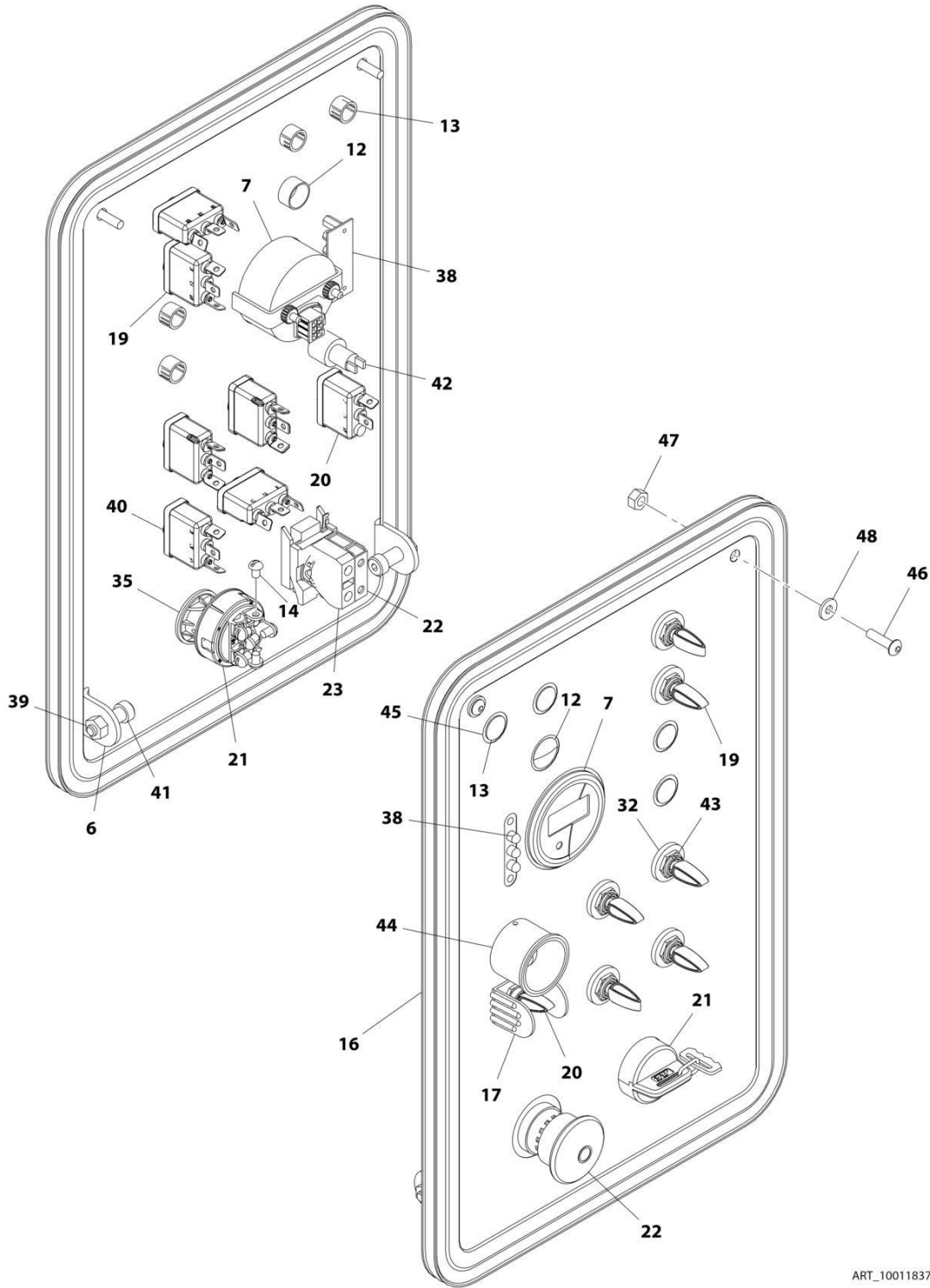
SECTION 2 - TURNTABLE

FIGURE 2-21. GROUND CONTROL BOX ELECTRICAL ASSEMBLY (ALL SPECS EXCEPT CE AND AUSTRALIAN SPECS) (E400ANARROW)

ITEM	PART NUMBER	QTY	DESCRIPTION	REV
	1001183866	Ref	GROUND CONTROL BOX ELECTRICAL ASSEMBLY (ALL SPECS EXCEPT CE AND AUSTRALIAN SPECS)	A
6	1001188066	1	Panel, Ground Control	
7	1001109503	1	Gauge, Indicator	
12	3520026	AR	Plug, Hole	
13	3520028	4	Plug, Hole 1/2	
14	3910804	6	Screw, 8-32 X 1/4	
16	1001166394	4 ft /1.2m	Seal	
17	4060802	1	Guard, Switch	
19	1001155045	6	Switch, Toggle	
20	1001159256	1	Switch, Toggle	
21	4360469	1	Keyswitch	
21	2860030	1	Key, Replacement (Set of 2)	
22	4360475	1	Switch, Emergency Stop	
22A	7020175	1	Cap, Mushroom Head	
22B	7020176	1	Block, Contact	
23	4360476	1	Block, Contact	
32	4740397	6	Spacer	
35	1001151393	1	Shim, .063	
38	0610131	1	P/C Board, Battery Charger	
39	3311405	2	Nut, Lock 1/4-20	
40	3790012	7	O-Ring	
41	3900187	2	Screw	
42	1001155044	7	Nut, Special 15/32-32	
43	1001188484	1	Decal - Ground Control Lid (SN 0300208530 through 0300214529)	
43	1001210576	1	Decal - Ground Control Lid (SN 0300214530 through 0300272265)	
44	0630518	2	Bolt, #10-24 X 3/4	
45	3311011	2	Nut, Push	
46	4740120	2	Washer, Nylon	

SECTION 2 - TURNTABLE

FIGURE 2-22. GROUND CONTROL BOX ELECTRICAL ASSEMBLY (CE SPEC) (E400ANARROW)



ART_1001183765

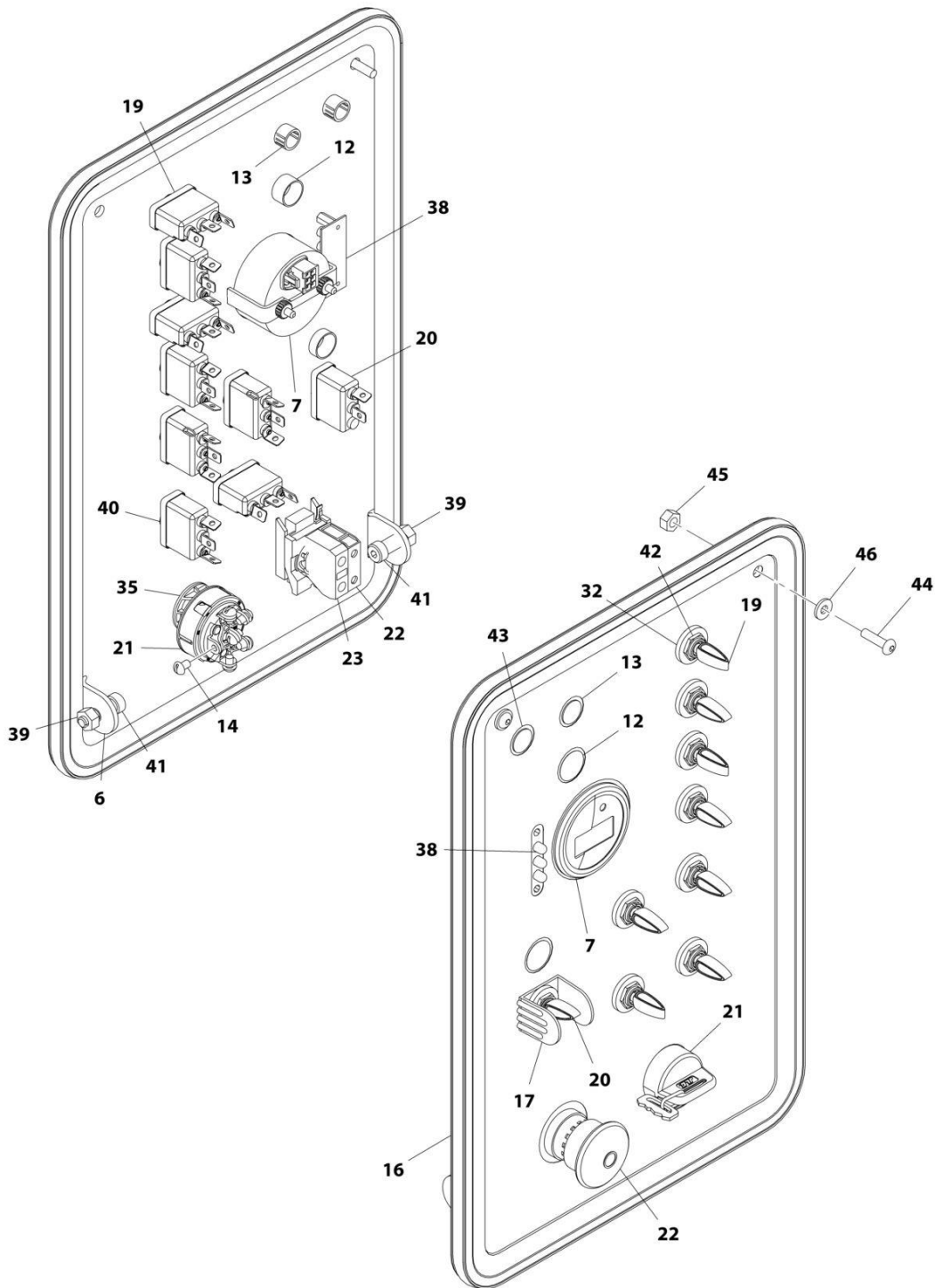
SECTION 2 - TURNTABLE

FIGURE 2-22. GROUND CONTROL BOX ELECTRICAL ASSEMBLY (CE SPEC) (E400ANARROW)

ITEM	PART NUMBER	QTY	DESCRIPTION	REV
	1001183765	Ref	GROUND CONTROL BOX ELECTRICAL ASSEMBLY (CE SPEC)	D
6	1001188066	1	Panel, Ground Control	
7	1001109503	1	Gauge, Indicator	
12	3520026	1	Plug, Hole	
13	3520028	4	Plug, Hole 1/2	
14	3910804	6	Screw, 8-32 X 1/4	
16	1001166394	4 ft /1.2m	Seal	
17	4060802	1	Guard, Switch	
19	1001155045	6	Switch, Toggle	
20	1001159256	1	Switch, Toggle	
21	4360469	1	Keyswitch	
21	2860030	1	Key, Replacement (Set of 2)	
22	4360475	1	Switch, Emergency Stop	
22A	7020175	1	Cap, Mushroom Head	
22B	7020176	1	Block, Contact	
23	4360476	1	Block, Contact	
32	4740397	6	Spacer	
35	1001151393	1	Shim, .063	
38	0610131	1	P/C Board, Battery Charger	
39	3311405	2	Nut, Lock 1/4-20	
40	3790012	7	O-Ring	
41	3900187	2	Screw	
42	4360387	1	Switch, Push Button	
43	1001155044	7	Nut, Special 15/32-32	
44	1001176469	1	Shroud	
45	1001188484	1	Decal - Ground Control Lid	
46	0630518	2	Bolt, #10-24 X 3/4	
47	3311011	2	Nut, Push	
48	4740120	2	Washer, Nylon	

SECTION 2 - TURNTABLE

FIGURE 2-23. GROUND CONTROL BOX ELECTRICAL ASSEMBLY (ALL SPECS EXCEPT CE SPEC)
(E400AJP,E400AJPNARROW,M400AJP,M400AJPNARROW)



ART_1001183763

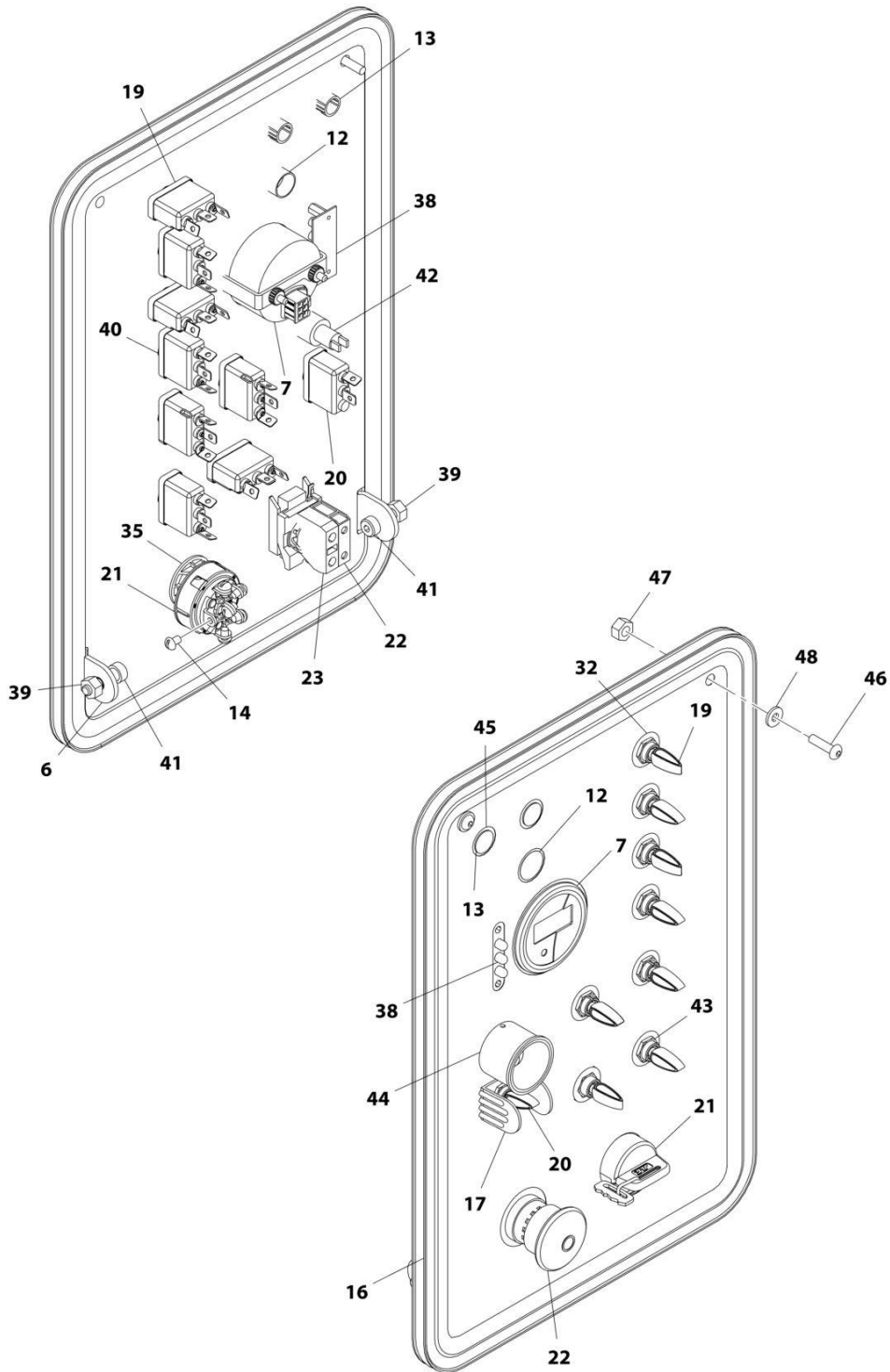
SECTION 2 - TURNTABLE

**FIGURE 2-23. GROUND CONTROL BOX ELECTRICAL ASSEMBLY (ALL SPECS EXCEPT CE SPEC)
(E400AJP,E400AJPNARROW,M400AJP,M400AJPNARROW)**

ITEM	PART NUMBER	QTY	DESCRIPTION	REV
	1001183763	Ref	GROUND CONTROL BOX ELECTRICAL ASSEMBLY (ALL SPECS EXCEPT CE SPEC)	E
6	1001188066	1	Panel, Ground Control	
7	1001109503	1	Gauge, Indicator	
12	3520026	AR	Plug, Hole	
13	3520028	2	Plug, Hole 1/2	
14	3910804	6	Screw, 8-32 X 1/4	
16	1001166394	4 ft/1.2m	Seal	
17	4060802	1	Guard, Switch	
19	1001155045	8	Switch, Toggle	
20	1001159256	1	Switch, Toggle	
21	4360469	1	Keyswitch	
21	2860030	1	Key, Replacement (Set of 2)	
22	4360475	1	Switch, Emergency Stop	
22A	7020175	1	Cap, Mushroom Head	
22B	7020176	1	Block, Contact	
23	4360476	1	Block, Contact	
32	4740397	9	Spacer	
35	1001151393	1	Shim, .063	
38	0610131	1	P/C Board, Battery Charger	
39	3311405	2	Nut, Lock 1/4-20	
40	3790012	9	O-Ring	
41	3900187	2	Screw	
42	1001155044	9	Nut, Special 15/32-32	
43	1001188484	1	Decal - Ground Control Lid (SN 0300208530 through 0300214529)	
43	1001210576	1	Decal - Ground Control Lid (SN 0300214530 through 0300272265)	
44	0630518	2	Bolt, #10-24 X 3/4	
45	3311011	2	Nut, Push	
46	4740120	2	Washer, Nylon	

SECTION 2 - TURNTABLE

FIGURE 2-24. GROUND CONTROL BOX ELECTRICAL ASSEMBLY (CE SPEC)
(E400AJP,E400AJPNARROW,M400AJP,M400AJPNARROW)



ART_1001183764

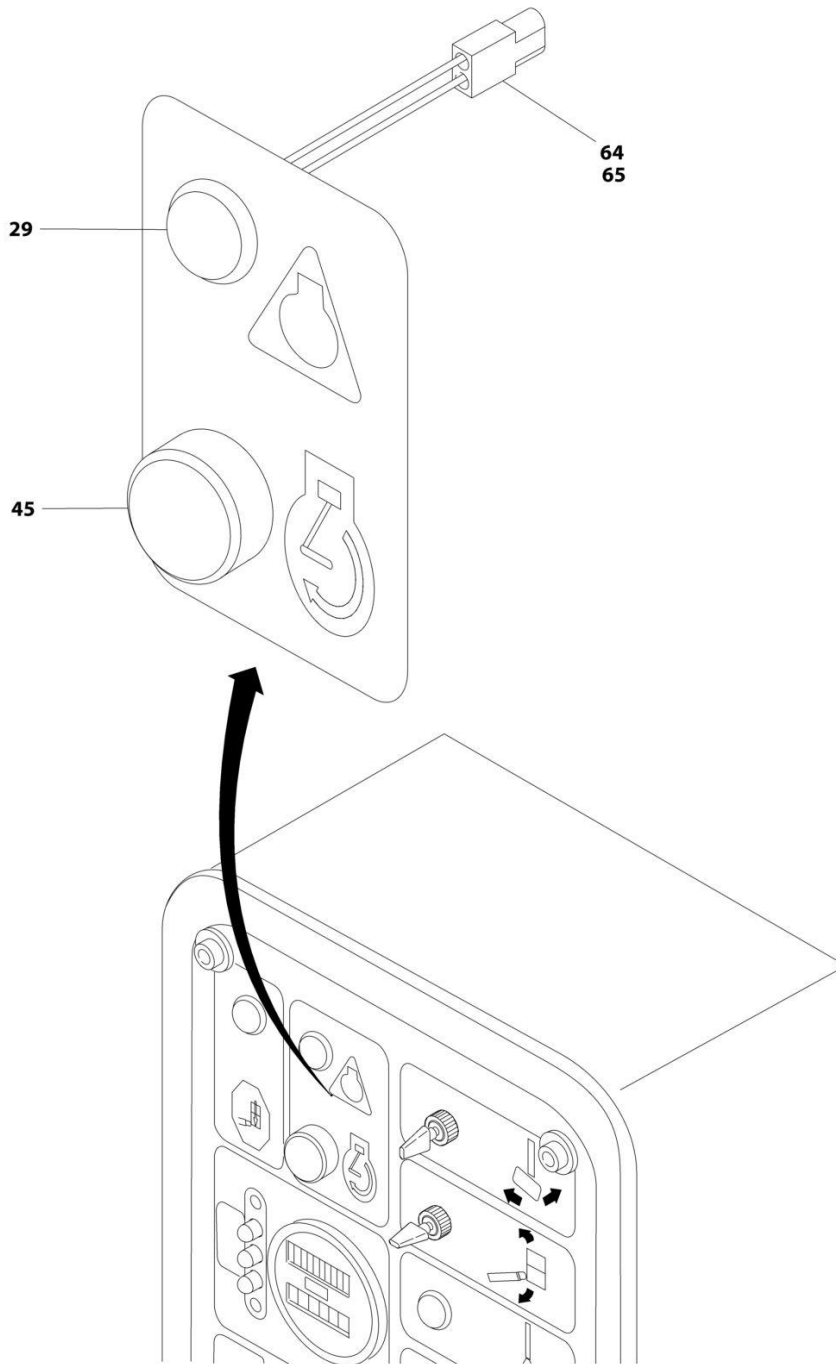
SECTION 2 - TURNTABLE

**FIGURE 2-24. GROUND CONTROL BOX ELECTRICAL ASSEMBLY (CE SPEC)
(E400AJP,E400AJPNARROW,M400AJP,M400AJPNARROW)**

ITEM	PART NUMBER	QTY	DESCRIPTION	REV
	1001183764	Ref	GROUND CONTROL BOX ELECTRICAL ASSEMBLY (CE SPEC)	D
6	1001188066	1	Panel, Ground Control	
7	1001109503	1	Gauge, Indicator	
12	3520026	1	Plug, Hole	
13	3520028	2	Plug, Hole 1/2	
14	3910804	6	Screw, 8-32 X 1/4	
16	1001166394	4 ft /1.2m	Seal	
17	4060802	1	Guard, Switch	
19	1001155045	8	Switch, Toggle	
20	1001159256	1	Switch, Toggle	
21	4360469	1	Keyswitch	
21	2860030	1	Key, Replacement (Set of 2)	
22	4360475	1	Switch, Emergency Stop	
22A	7020175	1	Cap, Mushroom Head	
22B	7020176	1	Block, Contact	
23	4360476	1	Block, Contact	
32	4740397	8	Spacer	
35	1001151393	1	Shim, .063	
38	0610131	1	P/C Board, Battery Charger	
39	3311405	2	Nut, Lock 1/4-20	
40	3790012	9	O-Ring	
41	3900187	2	Screw	
42	4360387	1	Switch, Push Button	
43	1001155044	9	Nut, Special 15/32-32	
44	1001176469	1	Shroud	
45	1001188484	1	Decal - Ground Control Lid	
46	0630518	2	Bolt, #10-24 X 3/4	
47	3311011	2	Nut, Push	
48	4740120	2	Washer, Nylon	

SECTION 2 - TURNTABLE

FIGURE 2-25. MOTOR CONTROLS INSTALLATION (M400AJP,M400AJPNARROW)



ART_1001191232_20F4

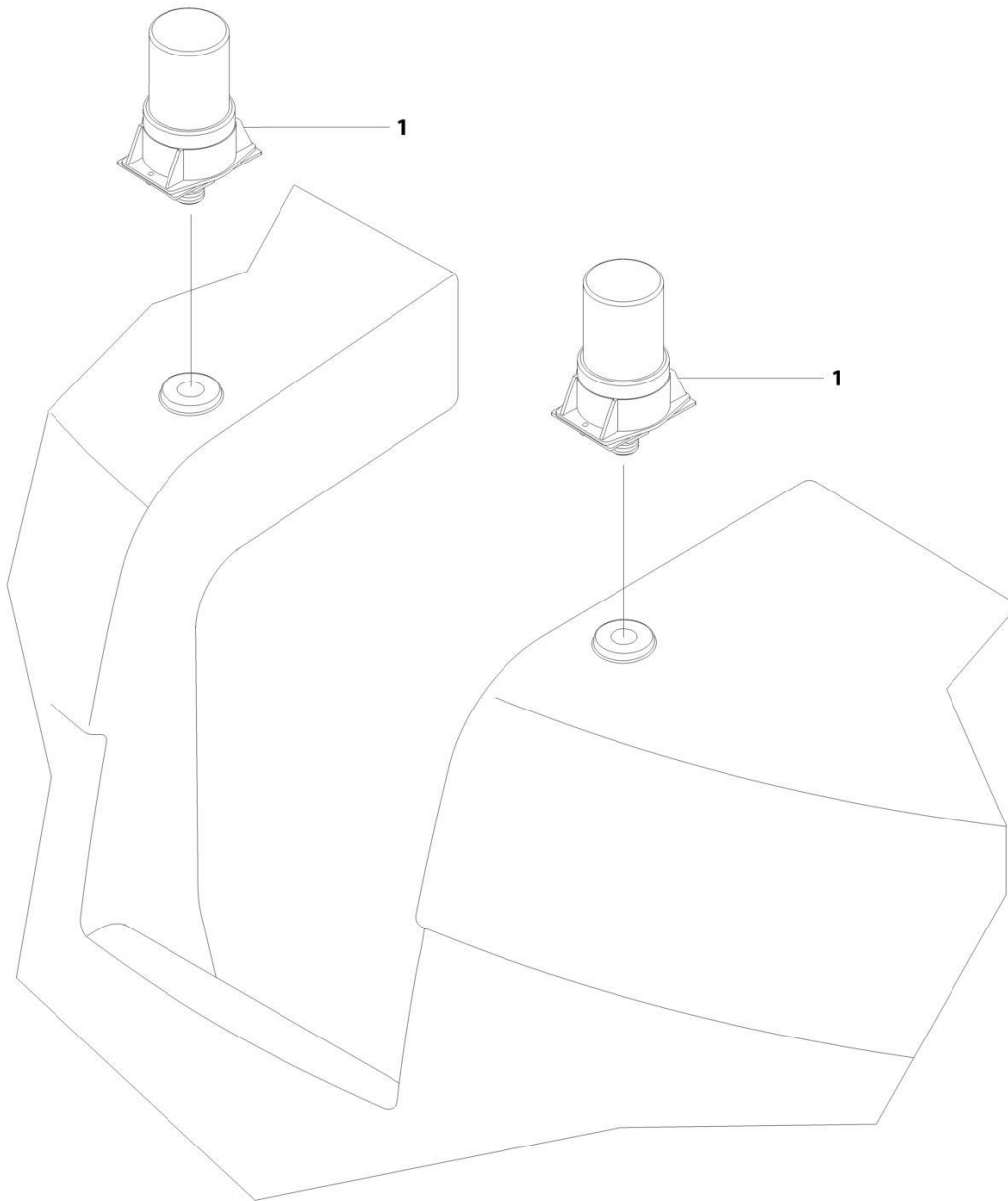
SECTION 2 - TURNTABLE

FIGURE 2-25. MOTOR CONTROLS INSTALLATION (M400AJP,M400AJPNARROW)

ITEM	PART NUMBER	QTY	DESCRIPTION	REV
	1001191232	Ref	MOTOR CONTROLS INSTALLATION	F
29	2920151	1	Led (Red)	
45	4360274	1	Switch, Push Button	
64	4460226	2	Socket, Female	
65	4460424	1	Connector, 2 Position	

SECTION 2 - TURNTABLE

FIGURE 2-26. STROBE LIGHT INSTALLATION - AMBER (OPTIONAL)



ART_1001191142

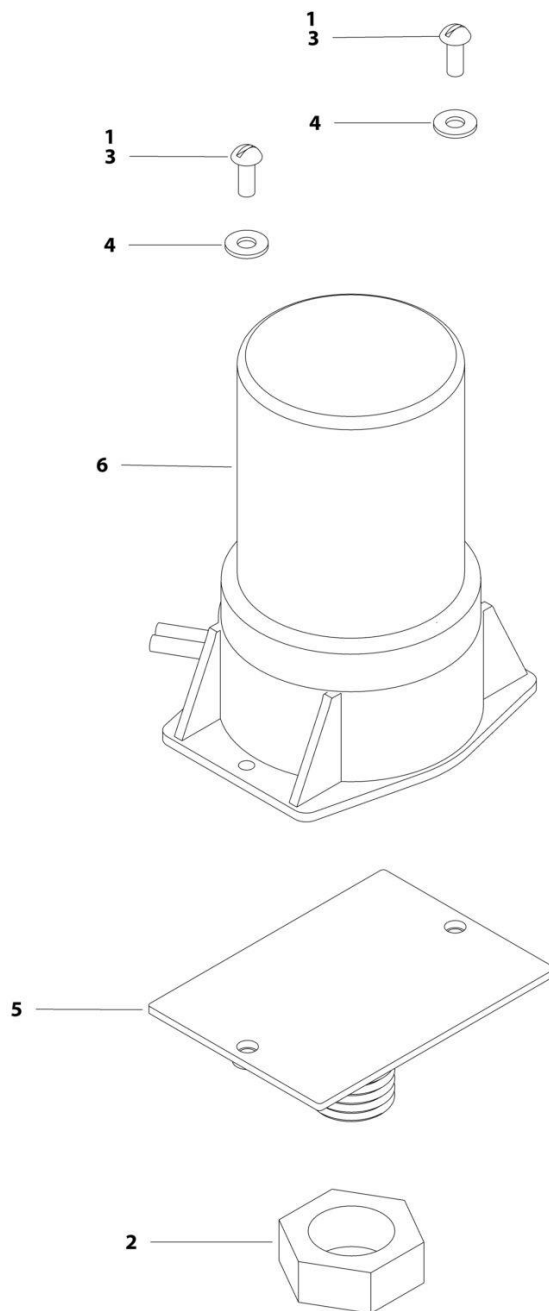
SECTION 2 - TURNTABLE

FIGURE 2-26. STROBE LIGHT INSTALLATION - AMBER (OPTIONAL)

ITEM	PART NUMBER	QTY	DESCRIPTION	REV
1	1001191142 1001191140	Ref 1	STROBE LIGHT INSTALLATION - AMBER (OPTIONAL) Strobe Light Assembly (See STROBE LIGHT ASSEMBLY for Breakdown)	A

SECTION 2 - TURNTABLE

FIGURE 2-27. STROBE LIGHT ASSEMBLY - AMBER



ART_1001191140

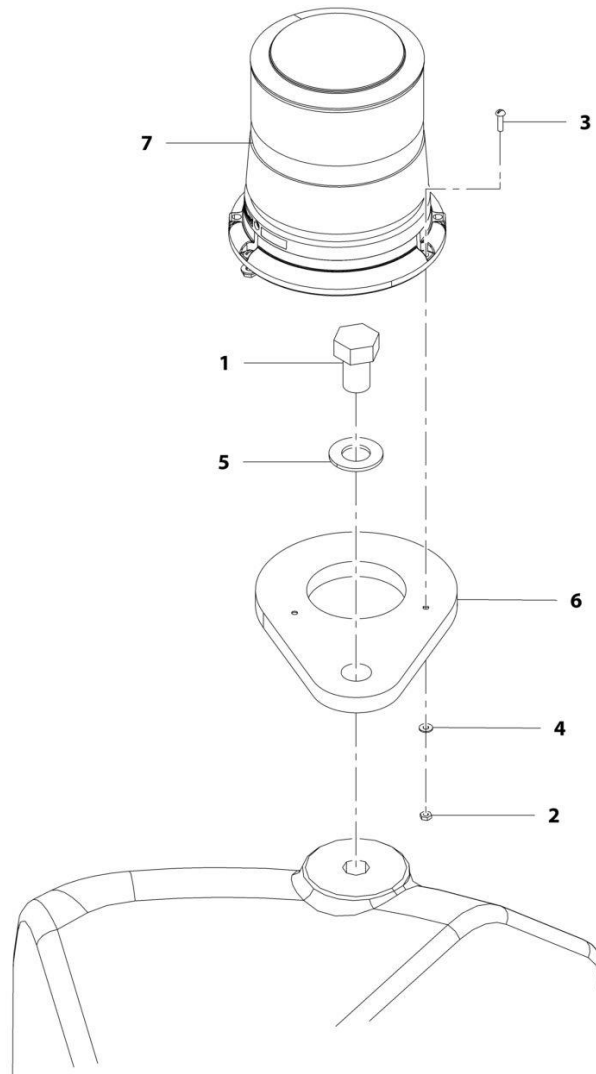
SECTION 2 - TURNTABLE

FIGURE 2-27. STROBE LIGHT ASSEMBLY - AMBER

ITEM	PART NUMBER	QTY	DESCRIPTION	REV
	1001191140	Ref	STROBE LIGHT ASSEMBLY - AMBER	A
1	0100035	AR	Compound, Locking	
2	3312602	1	Nut, Jam 1-8	
3	3900085	2	Screw, #10-32 x 1/2	
4	4751000	2	Washer, #10	
5	1001149994	1	Plate, Mount	
6	1001191139	1	Strobe Light/Harness Assembly	
6	4460891	1	Connector - 2 Position	
6	4460465	2	Socket, Female	

SECTION 2 - TURNTABLE

FIGURE 2-28. BEACON LIGHT INSTALLATION - BLUE (SN 0300208530 through 0300217464)



ART_1001192386

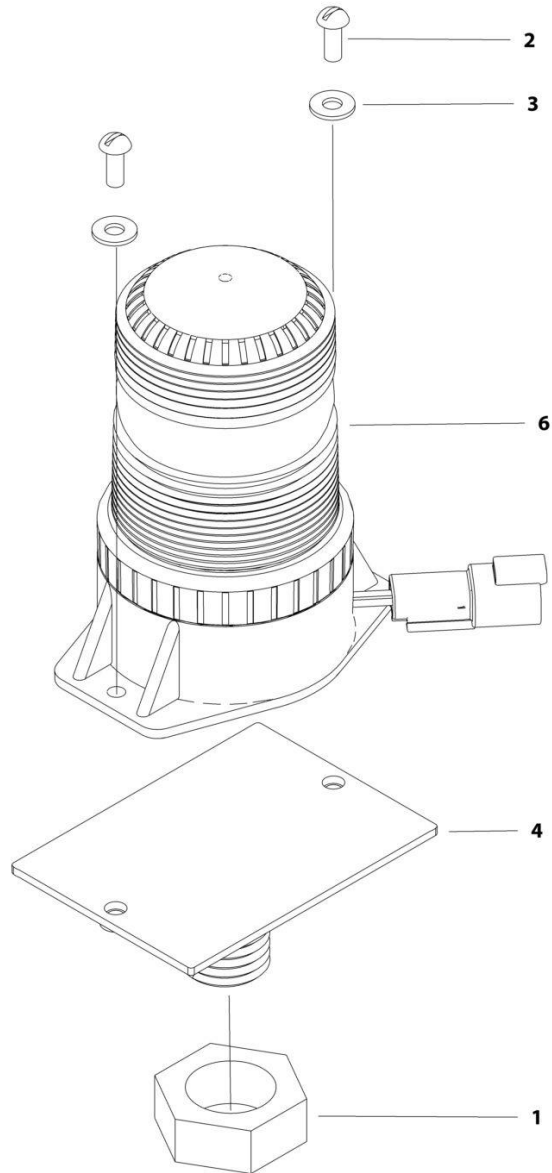
SECTION 2 - TURNTABLE

FIGURE 2-28. BEACON LIGHT INSTALLATION - BLUE (SN 0300208530 through 0300217464)

ITEM	PART NUMBER	QTY	DESCRIPTION	REV
	1001192386	Ref	BEACON LIGHT INSTALLATION - BLUE (SN 0300208530 through 0300217464)	C
1	0642612	1	Bolt, ,1-8 X 1-1/2	
2	3311005	3	Nut, Lock #10-24	
3	3911012	3	Screw, 10-24 X 3/4	
4	4711000	3	Washer, #10	
5	4712600	1	Washer, 1	
6	1001142694	1	Bracket	
7	1001143431	1	Light, Beacon	
7	7028909	1	Connector - 2 Position	
7	4460943	1	Pin, Male	

SECTION 2 - TURNTABLE

FIGURE 2-29. BEACON LIGHT INSTALLATION – BLUE (SN 0300217465 through 0300256446)



ART_1001205491

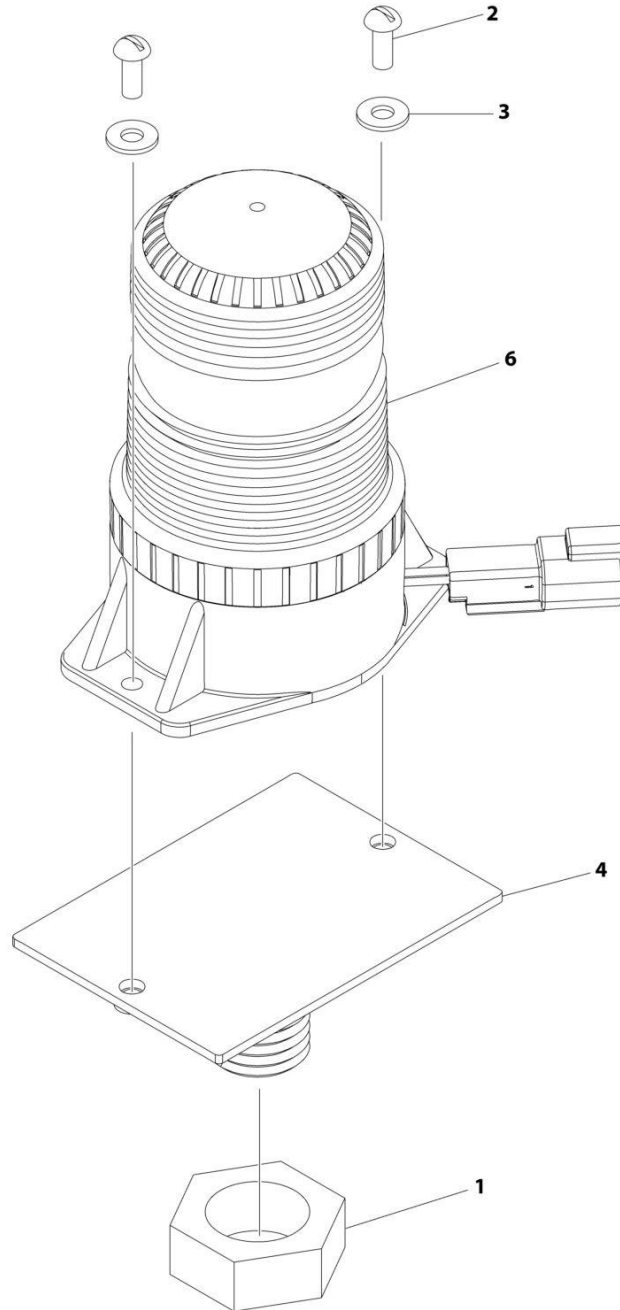
SECTION 2 - TURNTABLE

FIGURE 2-29. BEACON LIGHT INSTALLATION – BLUE (SN 0300217465 through 0300256446)

ITEM	PART NUMBER	QTY	DESCRIPTION	REV
	1001205491	Ref	BEACON LIGHT INSTALLATION - BLUE (SN 0300217465 through 0300256446)	D
	1001217005	Ref	BEACON LIGHT KIT - BLUE	B
1	3312602	1	Nut, Jam 1-8	
2	3900085	2	Screw, #10-32 x 1/2	
3	4751000	2	Washer, #10	
4	1001149994	1	Plate, Mount	
6	1001200910	1	Light, Beacon	
6	4460897	1	Connector - 2 Position	
6	4460943	2	Pin, Male	

SECTION 2 - TURNTABLE

FIGURE 2-30. BEACON LIGHT INSTALLATION - BLUE (SN 0300256447 through 0300272265)



ART_1001238557

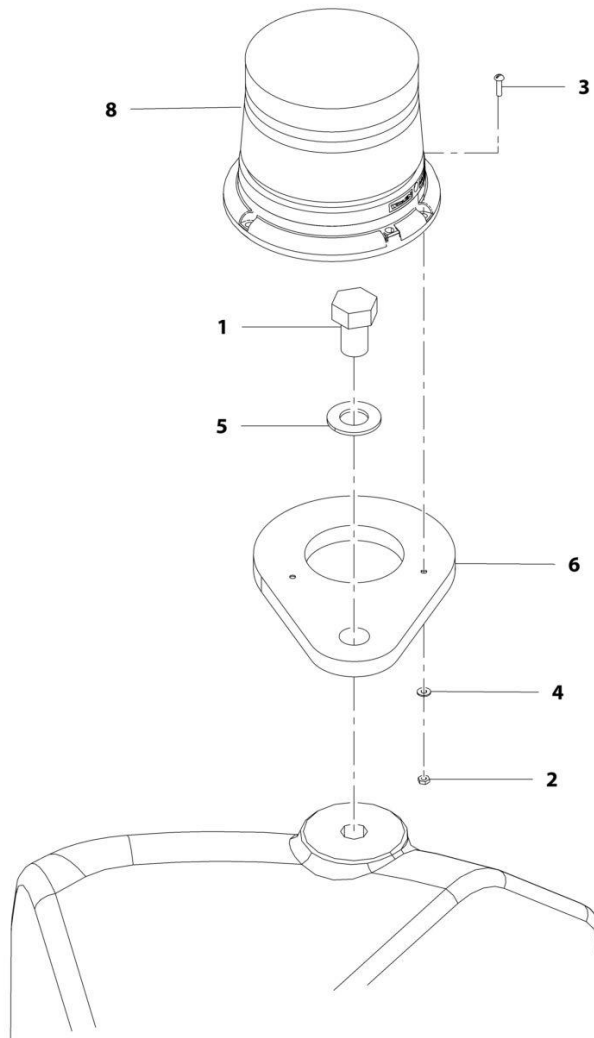
SECTION 2 - TURNTABLE

FIGURE 2-30. BEACON LIGHT INSTALLATION - BLUE (SN 0300256447 through 0300272265)

ITEM	PART NUMBER	QTY	DESCRIPTION	REV
	1001238557	Ref	BEACON LIGHT INSTALLATION – BLUE	A
	1001217005	Ref	BEACON LIGHT KIT - BLUE	B
1	3312602	1	Nut, Jam 1	
2	3900085	2	Screw #10 x 1/2	
3	4751000	2	Washer #10	
4	1001149994	1	Plate, Mount	
6	1001200910	1	Light, Beacon	
6	4460897	1	Connector - 2 Position	
6	4460943	2	Pin, Male	

SECTION 2 - TURNTABLE

FIGURE 2-31. BEACON LIGHT INSTALLATION – RED (SN 0300208530 through 0300217164)



ART_1001201715

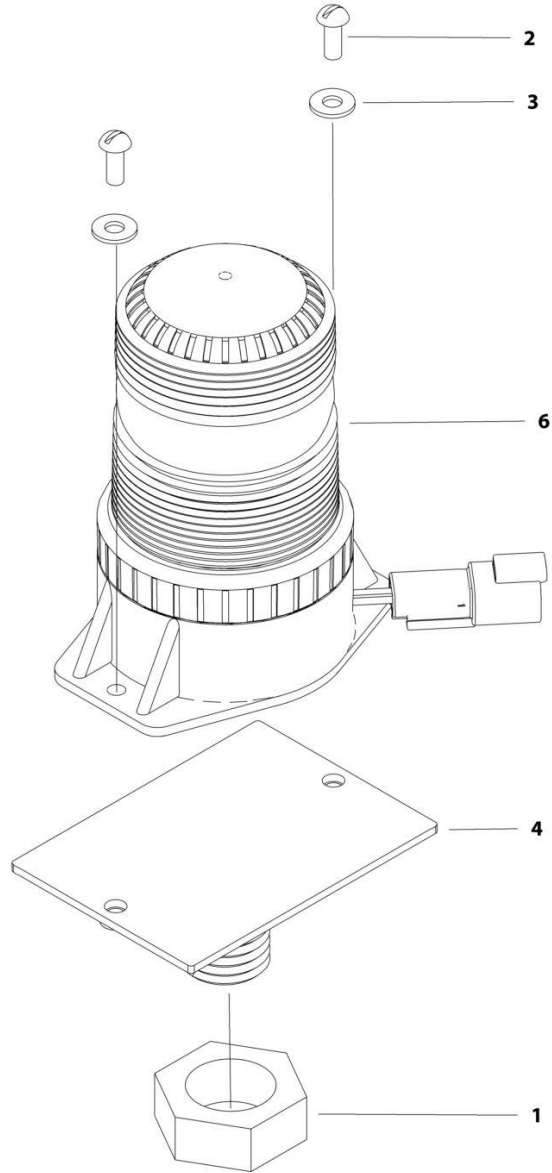
SECTION 2 - TURNTABLE

FIGURE 2-31. BEACON LIGHT INSTALLATION – RED (SN 0300208530 through 0300217164)

ITEM	PART NUMBER	QTY	DESCRIPTION	REV
	1001207314	Ref	BEACON LIGHT INSTALLATION – RED (SN 0300208530 through 0300217164)	B
1	0642612	1	Bolt, ,1-8 X 1-1/2	
2	3311005	3	Nut, Lock #10-24	
3	3911012	3	Screw, 10-24 X 3/4	
4	4711000	3	Washer, #10	
5	4712600	1	Washer, 1	
6	1001142694	1	Bracket	
8	1001197067	1	Light, Beacon	
8	7028909	1	Connector - 2 Position	
8	4460464	2	Pin, Male	

SECTION 2 - TURNTABLE

FIGURE 2-32. BEACON LIGHT INSTALLATION – RED (SN 0300214165 through 0300256446)



ART_1001209879

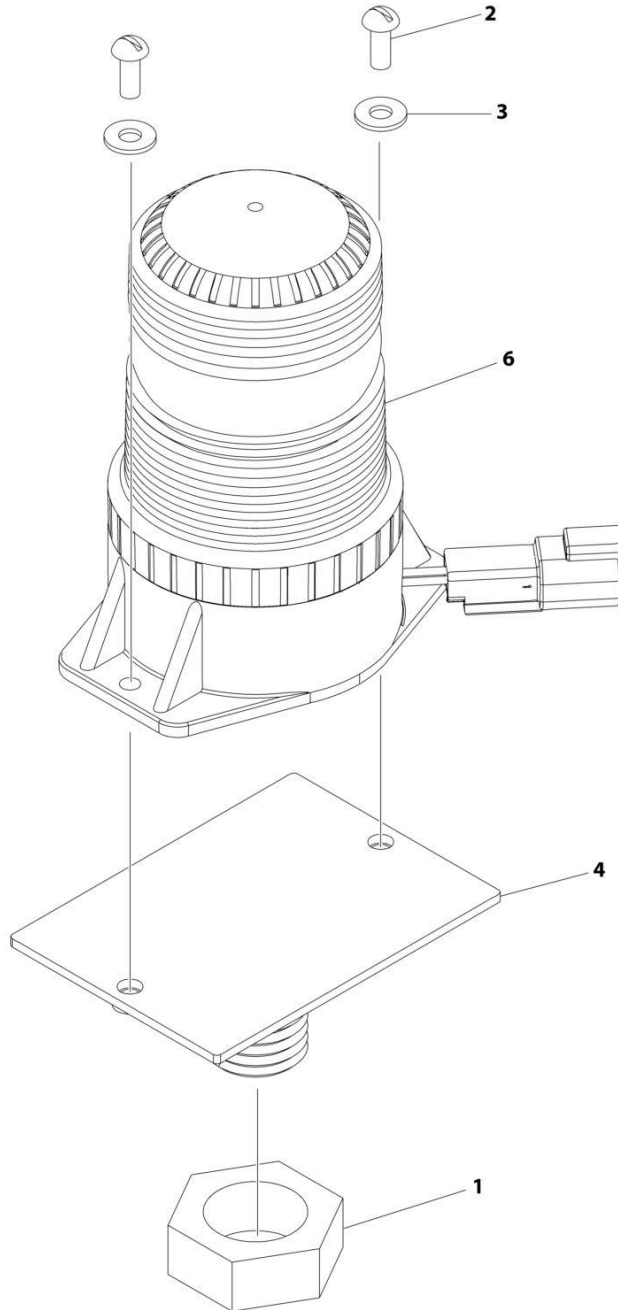
SECTION 2 - TURNTABLE

FIGURE 2-32. BEACON LIGHT INSTALLATION – RED (SN 0300214165 through 0300256446)

ITEM	PART NUMBER	QTY	DESCRIPTION	REV
	1001209879	Ref	BEACON LIGHT INSTALLATION – RED (SN 0300217165 through 0300256446)	C
1	3312602	1	Nut, Jam 1-8	
2	3900085	2	Screw, #10-32 x 1/2	
3	4751000	2	Washer, #10	
4	1001149994	1	Plate, Mount	
6	1001207004	1	Light, Beacon	
6	4460897	1	Connector - 2 Position	
6	4460943	2	Pin, Male	

SECTION 2 - TURNTABLE

FIGURE 2-33. BEACON LIGHT INSTALLATION - RED (SN 0300256447 through 0300272265)



ART_1001238558

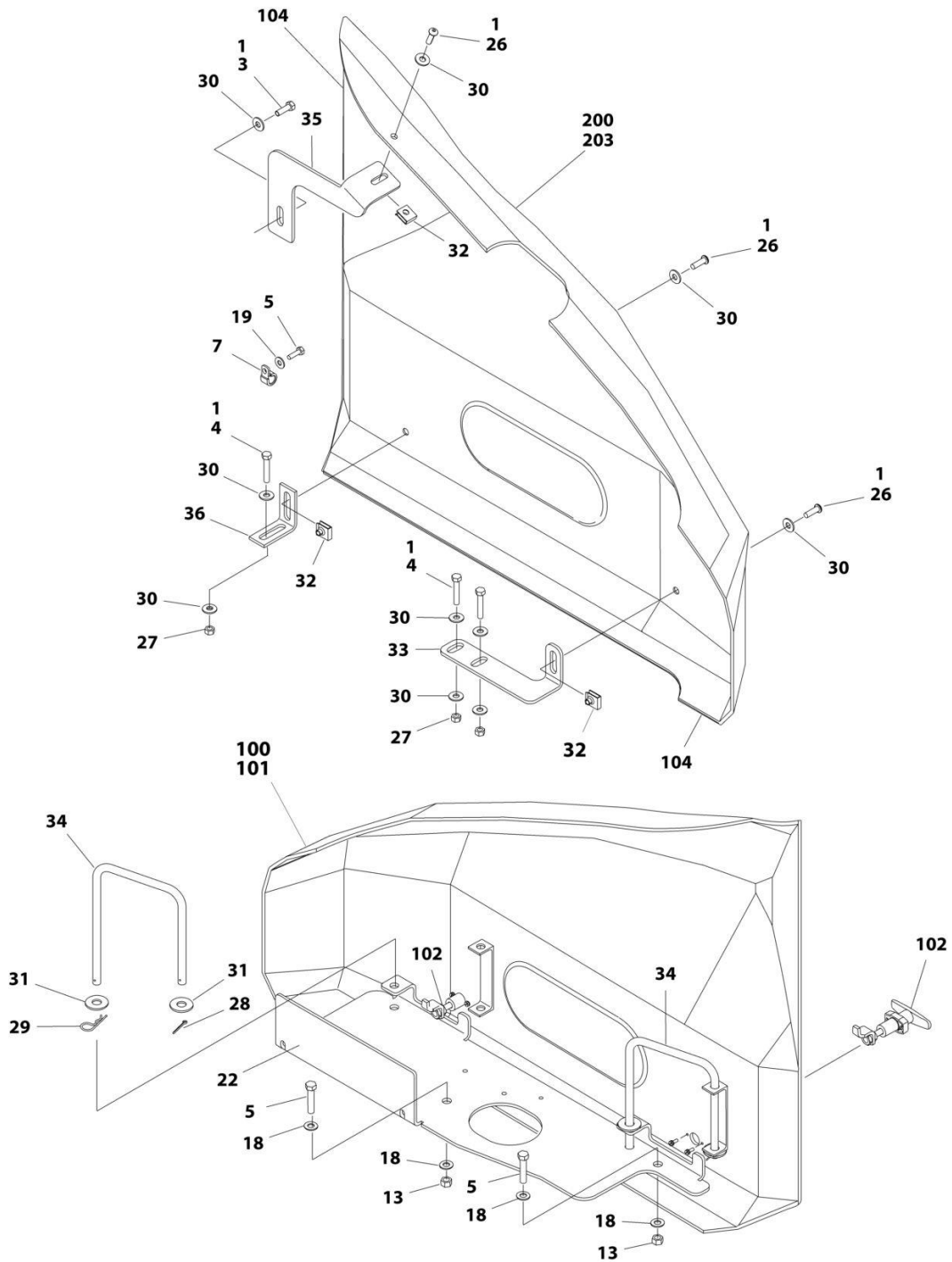
SECTION 2 - TURNTABLE

FIGURE 2-33. BEACON LIGHT INSTALLATION - RED (SN 0300256447 through 0300272265)

ITEM	PART NUMBER	QTY	DESCRIPTION	REV
	1001238558	Ref	BEACON LIGHT INSTALLATION – RED	A
1	3312602	1	Nut, Jam 1	
2	3900085	2	Screw #10 x 1/2	
3	4751000	2	Washer #10	
4	1001149994	1	Plate, Mount	
6	1001207004	1	Light, Beacon	
6	4460897	1	Connector - 2 Position	
6	4460943	2	Pin, Male	

SECTION 2 - TURNTABLE

FIGURE 2-34. HOOD INSTALLATION (E400AJP,E400AJPNARROW,E400ANARROW)



ART_1001166738

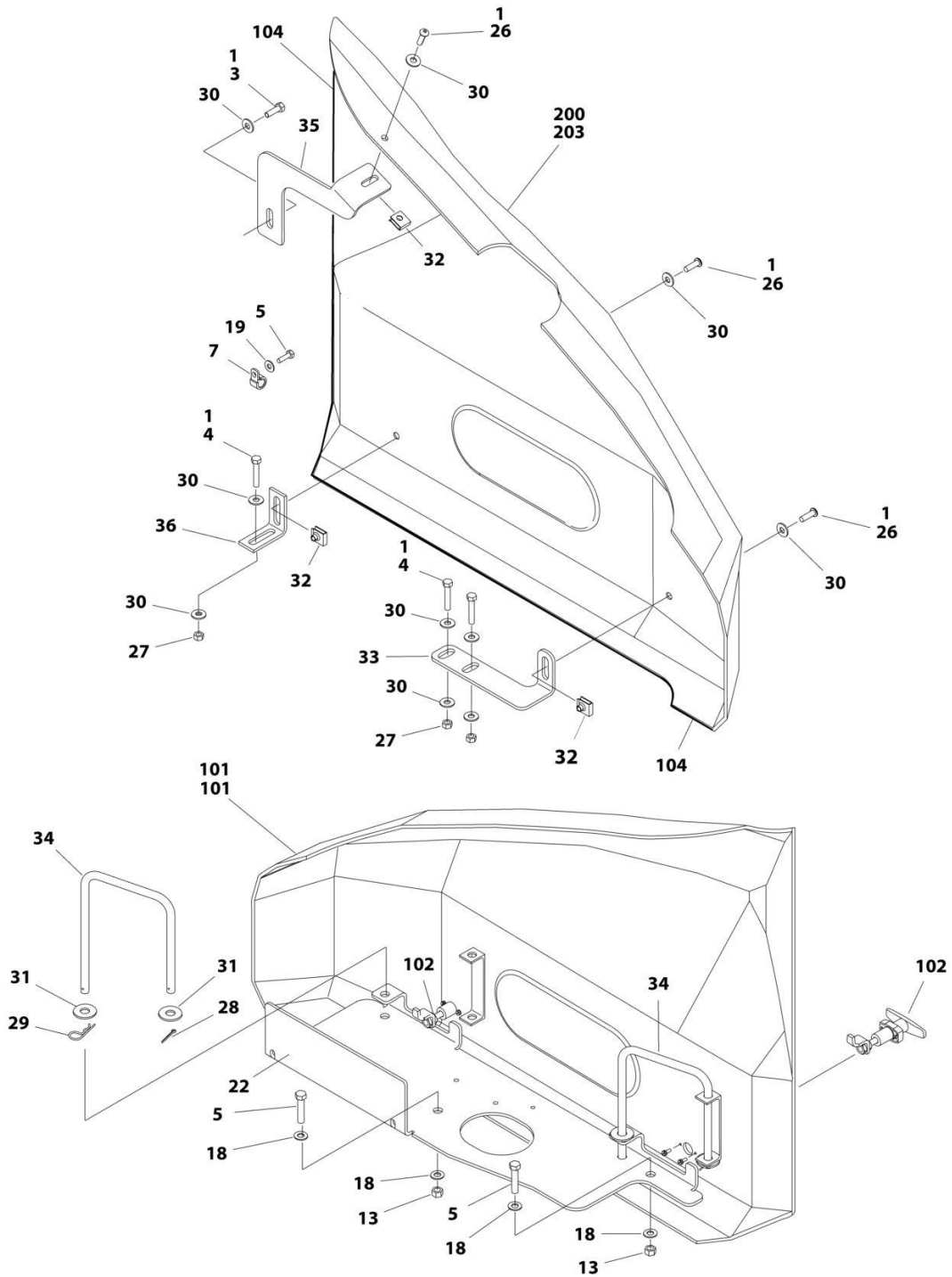
SECTION 2 - TURNTABLE

FIGURE 2-34. HOOD INSTALLATION (E400AJP,E400AJPNARROW,E400ANARROW)

ITEM	PART NUMBER	QTY	DESCRIPTION	REV
	1001166738	Ref	HOOD INSTALLATION	D
1	0100011	AR	Compound, Locking	
3	0641508	1	Bolt, 5/16-18 X 1	
4	0641514	3	Bolt, 5/16-18 X 1-3/4	
5	0641614	2	Bolt, 3/8-16 X 1-3/4	
7	1320041	1	Clamp	
13	3311601	2	Nut, 3/8-16	
15	0641407	1	Bolt, 1/4-20 X 7/8	
18	4711600	4	Washer, 3/8	
19	4751400	1	Washer, 1/4	
22	1001165963	1	Plate, Tray	
26	88261024	3	Screw, 5/16-18 x 1	
27	3311501	3	Nut, 5/16-18	
28	3420156	2	Pin, Cotter	
29	3450304	2	Pin, Cotter	
30	4751500	10	Washer, 5/16	
31	4751800	2	Washer, 1/2	
32	88662530	3	Nut, Tinnerman	
33	1001165981	1	Mount, Hood - Lower	
34	1001165985	2	Mount, Hood Swing	
35	1001182725	1	Mount, Hood	
36	1001183212	1	Bracket, Hood Mount	
100	1001176417	1	LH Side Hood Kit (Includes Items 101-104)	B
	See Note	Ref	Note: Replacement Decals Must be Ordered Separately - See DECAL SECTION.	
101	See Note	1	Hood, LH (Note: Use Item 100)	
102	2940071	2	Latch	
104	3960453	AR	Seal, Door	
200	1001176441	1	RH Side Hood Kit (Includes Items 203 & 205)	B
	See Note	Ref	Note: Replacement Decals Must be Ordered Separately - See DECAL SECTION.	
203	See Note	1	Hood, RH (Use Item 200)	
205	3960453	AR	Seal, Door	

SECTION 2 - TURNTABLE

FIGURE 2-35. HOOD INSTALLATION (M400AJP,M400AJPNARROW)



ART_1001166250

SECTION 2 - TURNTABLE

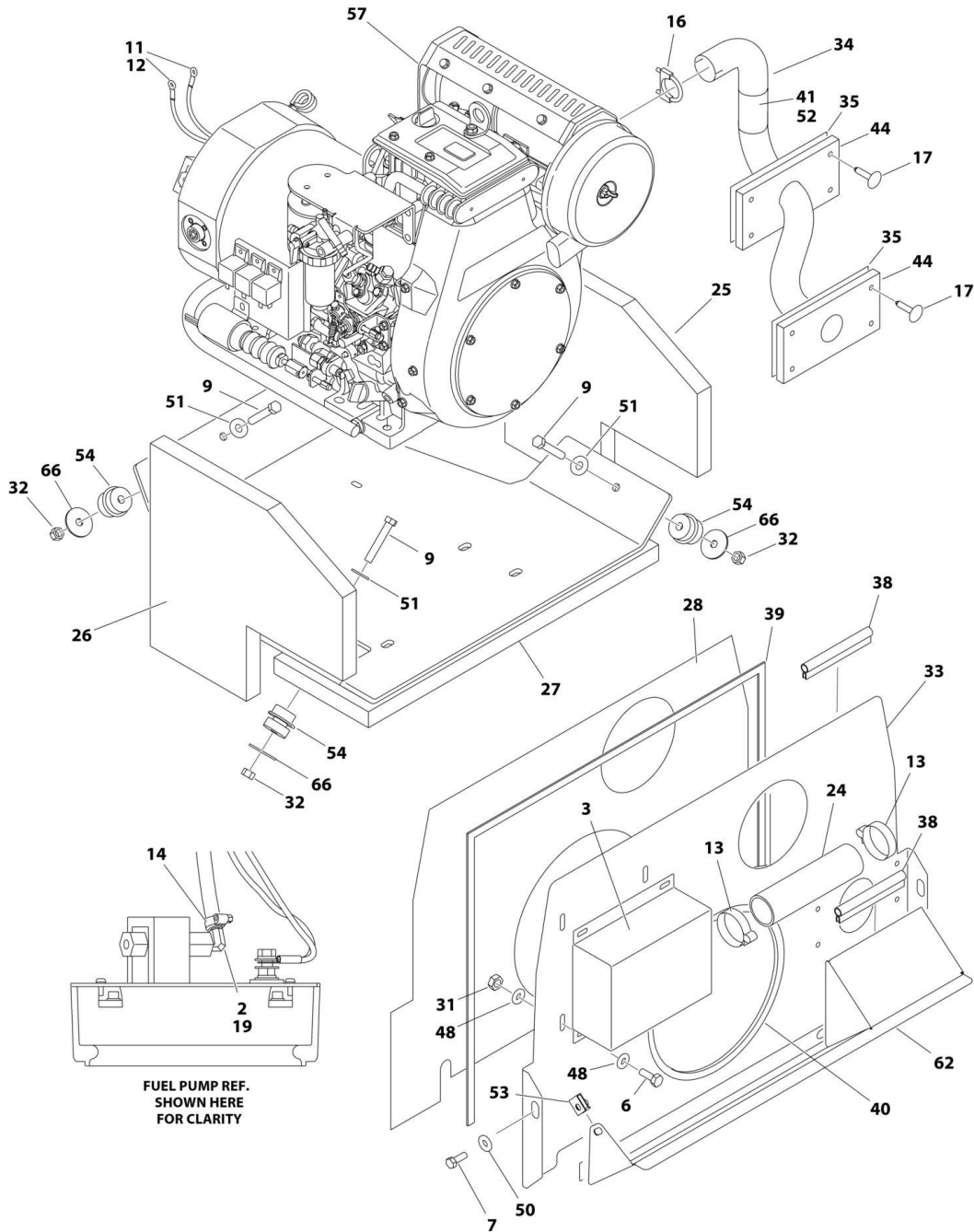
FIGURE 2-35. HOOD INSTALLATION (M400AJP,M400AJPNARROW)

ITEM	PART NUMBER	QTY	DESCRIPTION	REV
	1001166250	Ref	HOOD INSTALLATION	D
1	0100011	AR	Compound, Locking	
3	0641508	1	Bolt, 5/16-18 X 1	
4	0641514	3	Bolt, 5/16-18 X 1-3/4	
5	0641614	2	Bolt, 3/8-16 X 1-3/4	
7	1320041	1	Clamp	
13	3311601	2	Nut, 3/8-16	
15	0641407	1	Bolt, 1/4-20 X 7/8	
18	4711600	4	Washer, 3/8	
19	4751400	1	Washer, 1/4	
22	1001165962	1	Plate, Tray	
26	88261024	3	Screw, 5/16-18 x 1	
27	3311501	3	Nut, 5/16-18	
28	3420156	2	Pin, Cotter	
29	3450304	2	Pin, Cotter	
30	4751500	10	Washer, 5/16	
31	4751800	2	Washer, 1/2	
32	88662530	3	Nut, Tinnerman	
33	1001165981	1	Mount, Hood - Lower	
34	1001165985	2	Mount, Hood Swing	
35	1001182725	1	Mount, Hood	
36	1001183212	1	Bracket, Hood Mount	
100	1001176417	1	LH Hood Kit (Includes Items 101-104)	B
	See Note	Ref	Note: Replacement Decals Must be Ordered Separately - See DECAL SECTION.	
101	See Note	1	Hood, LH (Note: Use Item 100)	
102	2940071	2	Latch	
104	3960453	AR	Seal, Door	
200	1001176441	1	RH, Side Hood Kit (Includes Items 203 & 205)	B
	See Note	Ref	Note: Replacement Decals Must be Ordered Separately - See DECAL SECTION.	
203	See Note	1	Hood, RH (Note: Use Item 200)	
205	3960453	AR	Seal, Door	

SECTION 3 - ENGINE

SECTION 3 - ENGINE

FIGURE 3-1. KUBOTA MOTOR/GENERATOR INSTALLATION (M400AJP,M400AJPNARROW)



ART_1001191232_30F4

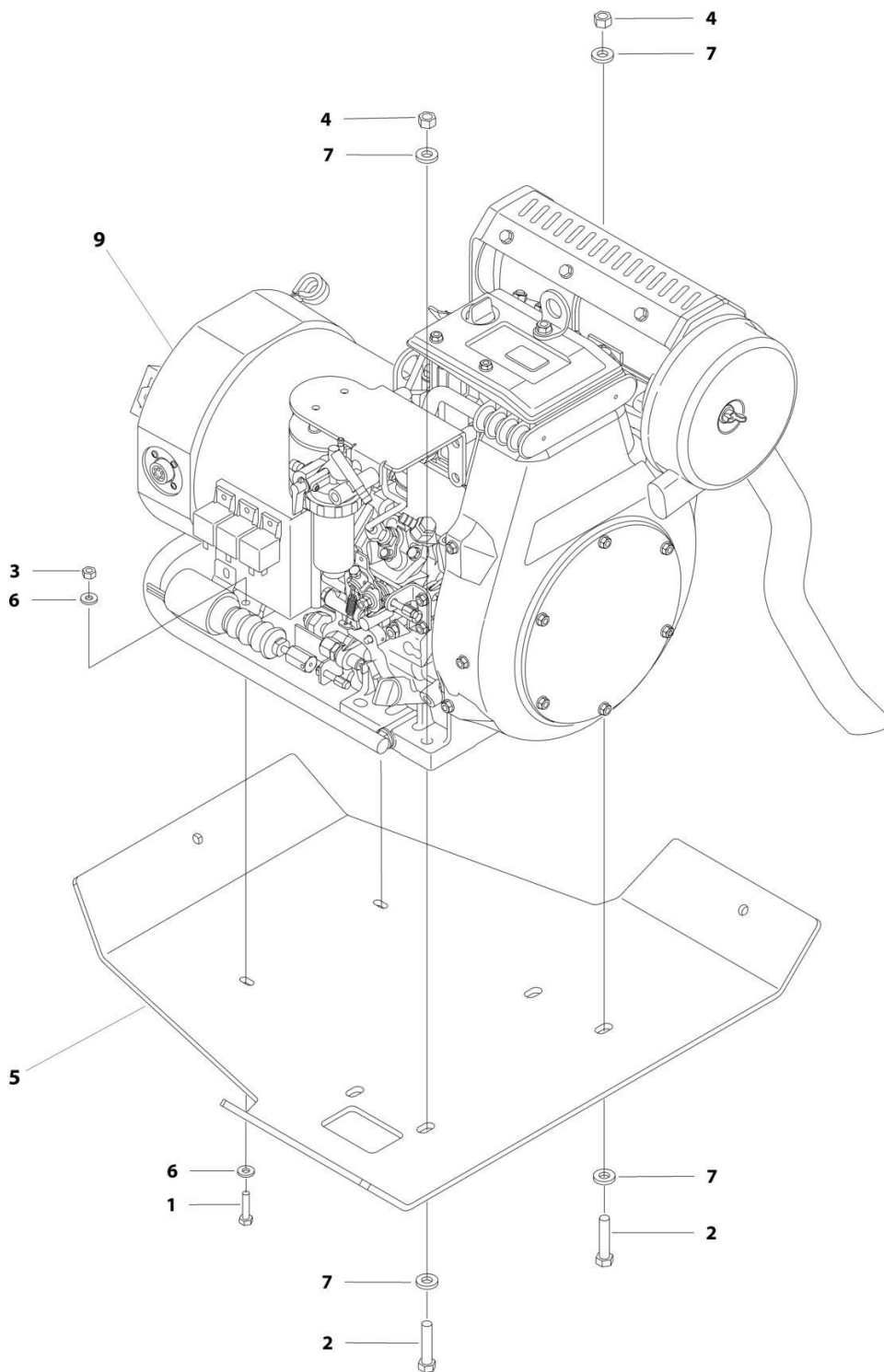
SECTION 3 - ENGINE

FIGURE 3-1. KUBOTA MOTOR/GENERATOR INSTALLATION (M400AJP,M400AJPNARROW)

ITEM	PART NUMBER	QTY	DESCRIPTION	REV
	1001191232	Ref	KUBOTA MOTOR/GENERATOR INSTALLATION	F
2	0100020	AR	Sealant	
3	0259481	1	Plenum Box Assembly	
6	0641406	4	Bolt, 1/4-20 X 3/4	
7	0641510	2	Bolt, 5/16-18 x 1-1/4	
9	0641618	3	Bolt, 3/8-16 X 2-1/4	
11	1060754	1	Cable, Battery (Includes Terminal Boot) (+ Generator)	
12	1060755	1	Cable, Battery (Includes Terminal Boot) (- Generator)	
13	1320012	2	Clamp	
14	1320022	2	Clamp	
16	1320135	1	Clamp	
17	1380164	8	Clip, Panel Retainer	
19	2220805	1	Fitting, NPT Coupling 90	
24	2720559	1	Hose	
25	2820112	1	Insulation, Left Side	
26	2820116	1	Insulation, Right Side	
27	2820117	1	Foam	
28	2820218	1	Insulation, Acoustic Barrier	
31	3311405	4	Nut, Lock, ,1/4-20	
32	3311605	3	Nut, Lock, 3/8-16	
33	3380602	1	Shield, Heat	
34	3460457	1	Pipe, Exhaust	
35	3575961	2	Plate, Exhaust Mount	
38	3960389	8 ft /2.44m	Seal	
39	3960417	2.3 ft /0.70m	Seal	
40	3960418	3 ft /0.91m	Seal	
41	4100025	1.8 ft /0.54	Sleeve, Fiberglass	
44	4341072	2	Support, Exhaust Mount	
48	4711400	8	Washer, 1/4	
50	4751500	2	Washer, 5/16	
51	4751600	3	Washer, 3/8	
52	4920385	7.3 in /2.23m	Wire, Safety	
53	88662530	2	Nut, Tinnerman	
54	1001125248	3	Mount, Engine	
57	1001159361	NLA	Kubota Engine Assembly (Use p/n 1001238783) (See KUBOTA ENGINE ASSEMBLY for Breakdown) (SN 0300208530 through 0300256446)	
57	1001238783	1	Kubota Engine Assembly (See KUBOTA ENGINE ASSEMBLY for Breakdown) (SN 0300256447 through 0300272265)	
62	1001181081	1	Shield, Heat	
63	1001192024	1	Harness, Generator (See ELECTRICAL SECTION for Breakdown)	
66	1001169138	AR	Pad, Snubbing Washer (SN 0300243157 through 0300272265)	

SECTION 3 - ENGINE

FIGURE 3-2. KUBOTA MOTOR/GENERATOR ASSEMBLY (M400AJP,M400AJPNARROW) (SN 0300208530 to Present)



ART_1001159361

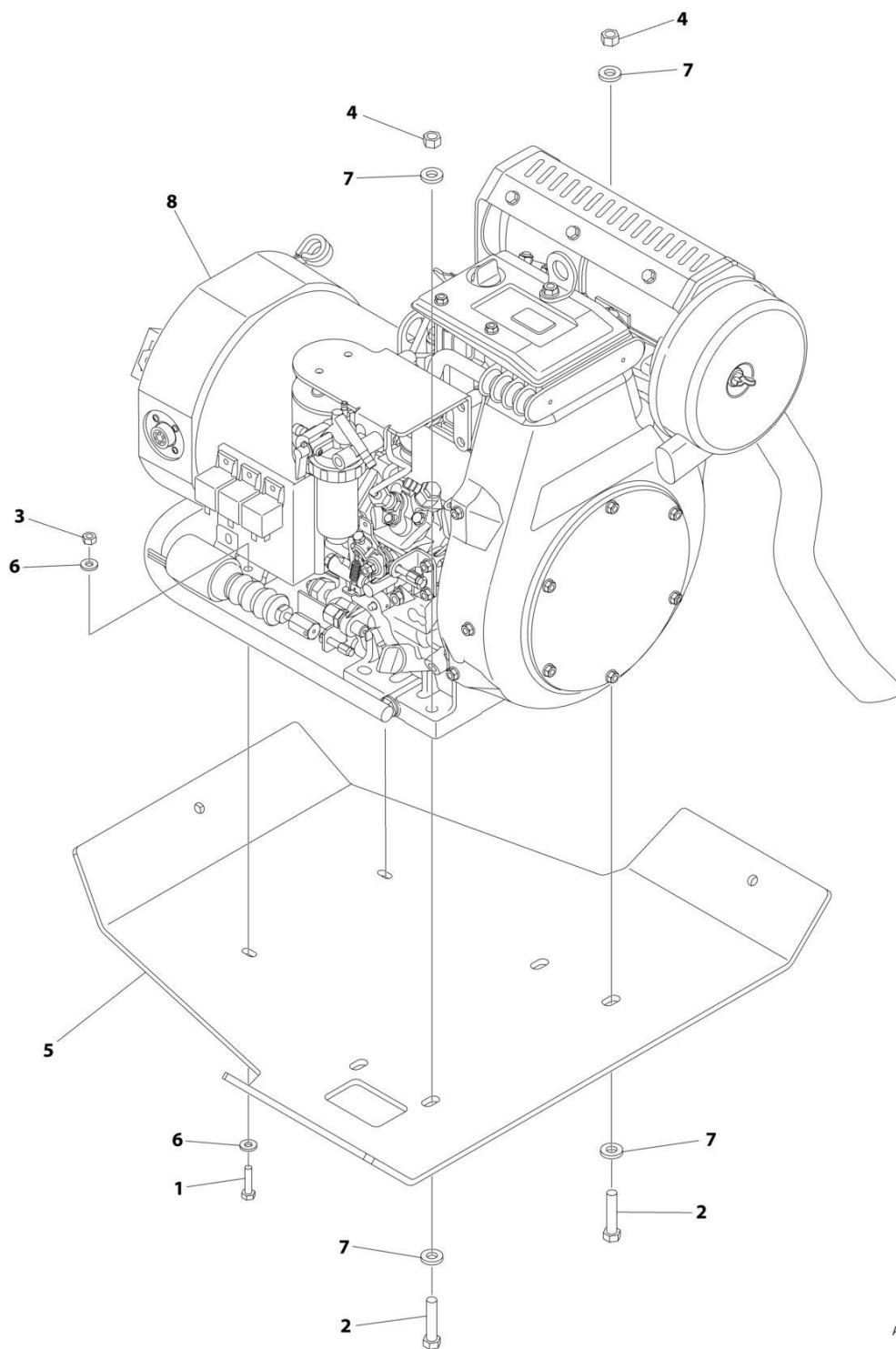
SECTION 3 - ENGINE

FIGURE 3-2. KUBOTA MOTOR/GENERATOR ASSEMBLY (M400AJP,M400AJPNARROW) (SN 0300208530 to Present)

ITEM	PART NUMBER	QTY	DESCRIPTION	REV
	1001159361	Ref	KUBOTA MOTOR/GENERATOR ASSEMBLY	D
1	0641409	2	Bolt, 1/4-20 x 1-1/8	
2	0641614	4	Bolt, 3/8-16 x 1-3/4	
3	3311405	2	Nut, Lock, 1/4-20	
4	3311605	4	Nut, Lock, 3/8-16	
5	3575952	1	Plate, Base	
6	4891400	4	Washer, 1/4 Hardened	
7	4891600	8	Washer, 3/8 Hardened	
9	1001159355	NLA	Kubota Engine/Generator Assembly (Use p/n 1001238782) (See KUBOTA ENGINE/GENERATOR COMPONENTS for Breakdown)	

SECTION 3 - ENGINE

FIGURE 3-3. KUBOTA MOTOR/GENERATOR ASSEMBLY (M400AJP,M400AJPNARROW) (SN 0300256447 through 0300272265)



ART_1001238783

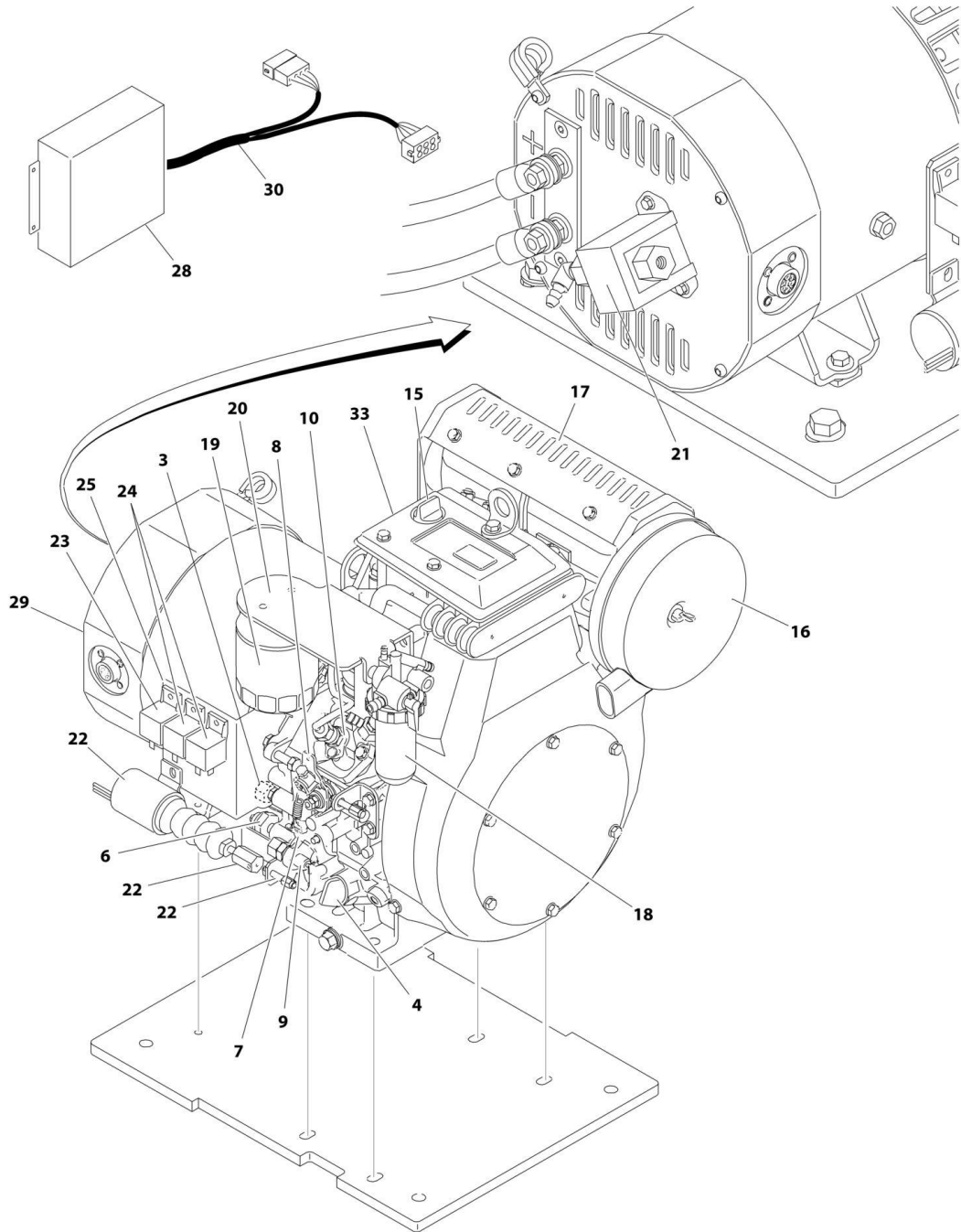
SECTION 3 - ENGINE

FIGURE 3-3. KUBOTA MOTOR/GENERATOR ASSEMBLY (M400AJP,M400AJPNARROW) (SN 0300256447 through 0300272265)

ITEM	PART NUMBER	QTY	DESCRIPTION	REV
	1001238783	Ref	KUBOTA MOTOR/GENERATOR ASSEMBLY	A
1	0641409	2	Bolt 1/4 x 1-1/8	
2	0641614	4	Bolt 3/8 x 1-3/4	
3	3311405	2	Nut 1/4	
4	3311605	4	Nut 3/8	
5	3575952	1	Plate, Base	
6	4891400	4	Washer 1/4 Hardened	
7	4891600	8	Washer 3/8 Hardened	
8	1001238782	1	Kubota Engine/Generator Assembly (See Separate Breakdown in this Section)	

SECTION 3 - ENGINE

FIGURE 3-4. KUBOTA MOTOR/GENERATOR COMPONENTS (SN 0300208530 through 0300256446)



ART_1001159355

SECTION 3 - ENGINE

FIGURE 3-4. KUBOTA MOTOR/GENERATOR COMPONENTS (SN 0300208530 through 0300256446)

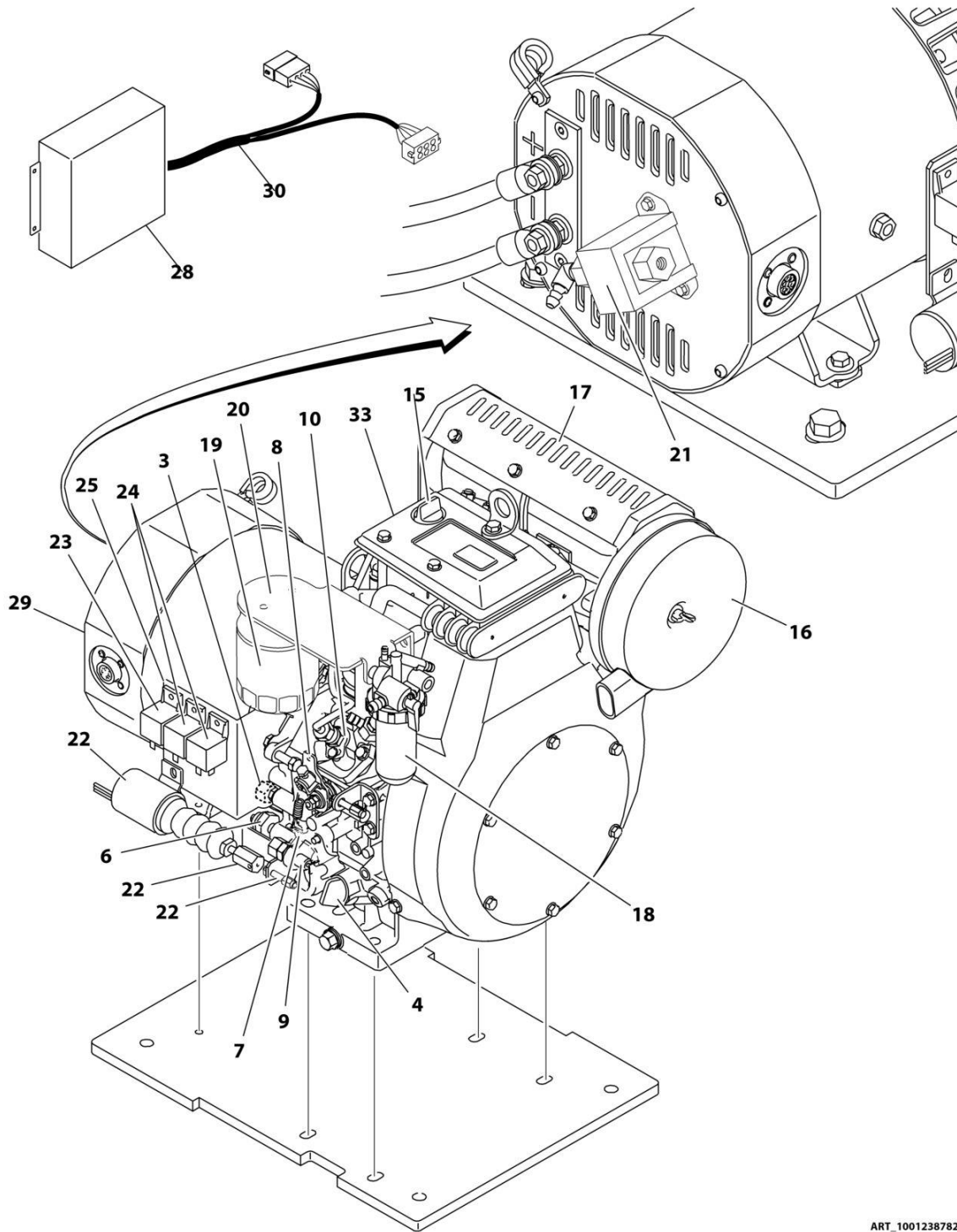
ITEM	PART NUMBER	QTY	DESCRIPTION	REV
	1001159355	Ref	KUBOTA MOTOR/GENERATOR COMPONENTS	B
1	70000290	1	Glow Plug (Not Shown)	
1	70000291	1	Harness, Glow Plug (Not Shown)	
2	70000292	1	Screen, Oil Sump (Includes O-Ring)	
3	70000293	1	Cap, Oil Filler (Includes O-Ring)	
4	70000294	1	Dipstick	
5	70000295	1	Pump, Oil Rotor (Not Shown - Located beside Item 6)	
5	70000296	1	O-Ring Oil Rotor Pump (Not Shown)	
6	70000297	1	Switch, Oil	
7	70000298	1	Lever, Governor	
7	70000299	1	Pin, Governor Lever	
7	70000300	1	Spring, Governor Lever	
8	70000301	1	Spring, Idling	
8	70000304	1	Lever, Spring Control	
8	70000305	1	Spring, Stop (Speed Control Lever)	
9	70000302	1	Valve, Fuel Limit (Not Shown)	
9	70000303	1	Gasket, Fuel Limit (Not Shown)	
10	70000306	1	Pump, Injection	
10	70000307	1	Kit, Pump Adjustment Shim	
11	70000308	1	Flywheel/Ring Gear Assembly (Not Shown - Located Behind Front Cover)	
11	70000309	1	Ring Gear (Not Shown)	
11	70001121	1	Stator, Engine (Not Shown - Located Behind Flywheel) (Includes Coil & Grommet)	
12	70003557	1	Regulator, Voltage (Not Shown - Located on Opposite Side of Engine)	
13	70000310	1	Starter (Not Shown - Located on Opposite of Engine)	
14	70000311	1	Solenoid, Starter (Not Shown - Located on Opposite Side of Engine)	
15	70002244	1	Cap, Oil Filler (Includes O-Ring)	
16	70000312	1	Air Filter Assembly	
16	70000313	1	Element, Air Cleaner	
16	70000314	1	Gasket, Air Cleaner	
17	70000315	1	Muffler Assembly	
17	70000316	1	Gasket, Muffler	
18	70000317	1	Inline Fuel Check Valve Assembly	
18	70000967	1	Fuel Filter Assembly	
18	70000318	1	Element, Fuel Filter	
19	70000319	1	Element, Oil Filter	
19	70001144	1	Head, Oil Filter Head (Note: Does Not Include Element)	
20	70002544	1	Bracket, Oil Filter Mount	
21	70000320	1	Pump, Fuel	
22	70000321	1	Solenoid, Fuel	
22	70003618	1	Adapter, Solenoid	
22	70003619	1	Screw	
23	70000322	1	Relay	
24	70000323	2	Relay	
25	70002083	1	Bracket, Solenoid/Relay	
26	70000324	1	Sensor, Speed (Not Shown - Located Inside Front Cover)	
26	70004265	1	Bracket, Speed Sensor (Not Show - Located Inside Front Cover)	

SECTION 3 - ENGINE

ITEM	PART NUMBER	QTY	DESCRIPTION	REV
27	70000325	1	Sensor, Oil Temperature (Not Shown - Located on Opposite Side of Engine Base)	
28	70000326	1	Module, Engine Control	
29	70000327	1	Alternator	
29	70000382	1	Stator, Alternator	
29	70004394	1	Lead, Field Terminal Block Diode	
30	70000328	1	Harness, Generator	
31	70000329	1	Fuse 15Amp (Not Shown)	
32	70000330	1	Fuse 20Amp (Not Shown)	
33	70002543	1	Engine, Kubota (without Generator)	
34	70000289	1	Regulator, Voltage (Not Shown - Located on Opposite Side of Engine)	

SECTION 3 - ENGINE

FIGURE 3-5. KUBOTA MOTOR/GENERATOR COMPONENTS (SN 0300256447 through 0300272265)



ART_1001238782

SECTION 3 - ENGINE

FIGURE 3-5. KUBOTA MOTOR/GENERATOR COMPONENTS (SN 0300256447 through 0300272265)

ITEM	PART NUMBER	QTY	DESCRIPTION	REV
	1001238782	Ref	KUBOTA MOTOR/GENERATOR COMPONENTS	A
1	70000290	1	Glow Plug (Not Shown)	
1	70000291	1	Harness, Glow Plug (Not Shown)	
2	70000292	1	Screen, Oil Sump (Includes O-Ring)	
3	70000293	1	Cap, Oil Filler (Includes O-Ring)	
4	70000294	1	Dipstick	
5	70000295	1	Pump, Oil Rotor (Not Shown - Located beside Item 6)	
5	70000296	1	O-Ring Oil Rotor Pump (Not Shown)	
6	70000297	1	Switch, Oil	
7	70000298	1	Lever, Governor	
7	70000299	1	Pin, Governor Lever	
7	70000300	1	Spring, Governor Lever	
8	70000301	1	Spring, Idling	
8	70000304	1	Lever, Spring Control	
8	70000305	1	Spring, Stop (Speed Control Lever)	
9	70000302	1	Valve, Fuel Limit (Not Shown)	
9	70000303	1	Gasket, Fuel Limit (Not Shown)	
10	70000306	1	Pump, Injection	
10	70000307	1	Kit, Pump Adjustment Shim	
11	70000308	1	Flywheel/Ring Gear Assembly (Not Shown - Located Behind Front Cover)	
11	70000309	1	Ring Gear (Not Shown)	
11	70001121	1	Stator, Engine (Not Shown - Located Behind Flywheel) (Includes Coil & Grommet)	
12	70003557	1	Regulator, Voltage (Not Shown - Located on Opposite Side of Engine)	
13	70000310	1	Starter (Not Shown - Located on Opposite of Engine)	
14	70000311	1	Solenoid, Starter (Not Shown - Located on Opposite Side of Engine)	
15	70002244	1	Cap, Oil Filler (Includes O-Ring)	
16	70000312	1	Air Filter Assembly	
16	70000313	1	Element, Air Cleaner	
16	70000314	1	Gasket, Air Cleaner	
17	70000315	1	Muffler Assembly	
17	70000316	1	Gasket, Muffler	
18	70000317	1	Inline Fuel Check Valve Assembly	
18	70000967	1	Fuel Filter Assembly	
18	70000318	1	Element, Fuel Filter	
19	70000319	1	Element, Oil Filter	
19	70001144	1	Head, Oil Filter Head (Note: Does Not Include Element)	
20	70002544	1	Bracket, Oil Filter Mount	
21	70000320	1	Pump, Fuel	
22	70000321	1	Solenoid, Fuel	
22	70003618	1	Adapter, Solenoid	
22	70003619	1	Screw	
23	70000322	1	Relay	
24	70000323	2	Relay	
25	70002083	1	Bracket, Solenoid/Relay	
26	70000324	1	Sensor, Speed (Not Shown - Located Inside Front Cover)	
26	70004265	1	Bracket, Speed Sensor (Not Show - Located Inside Front Cover)	

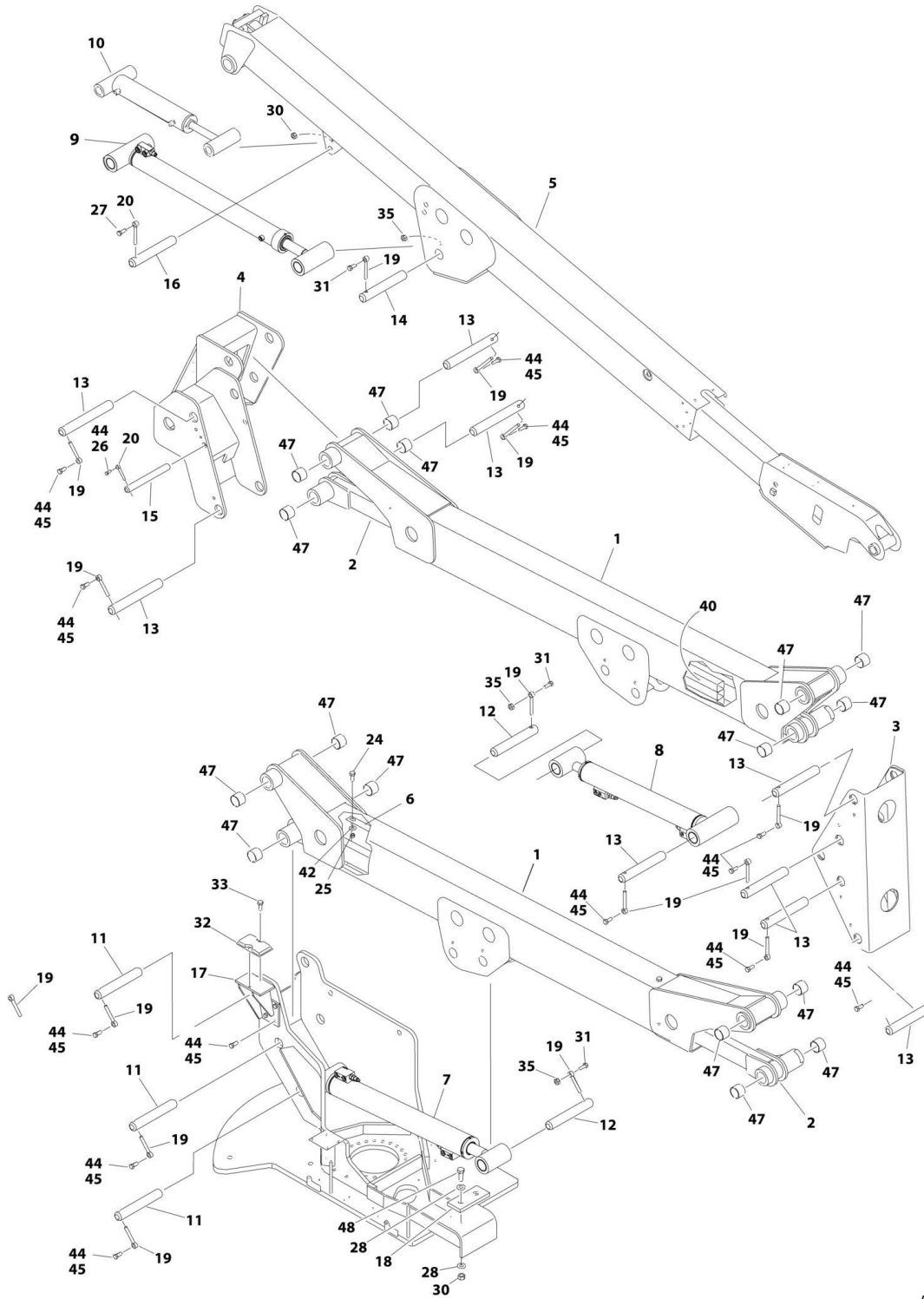
SECTION 3 - ENGINE

ITEM	PART NUMBER	QTY	DESCRIPTION	REV
27	70000325	1	Sensor, Oil Temperature (Not Shown - Located on Opposite Side of Engine Base)	
28	70000326	1	Module, Engine Control	
29	70000327	1	Alternator	
29	70000382	1	Stator, Alternator	
29	70004394	1	Lead, Field Terminal Block Diode	
30	70000328	1	Harness, Generator	
31	70000329	1	Fuse 15Amp (Not Shown)	
32	70000330	1	Fuse 20Amp (Not Shown)	
33	70002543	1	Engine, Kubota (without Generator)	
34	70000289	1	Regulator, Voltage (Not Shown - Located on Opposite Side of Engine)	

SECTION 4 - BOOM

SECTION 4 - BOOM

FIGURE 4-1. BOOM AND CYLINDERS INSTALLATION (E400ANARROW)



ART_0270724

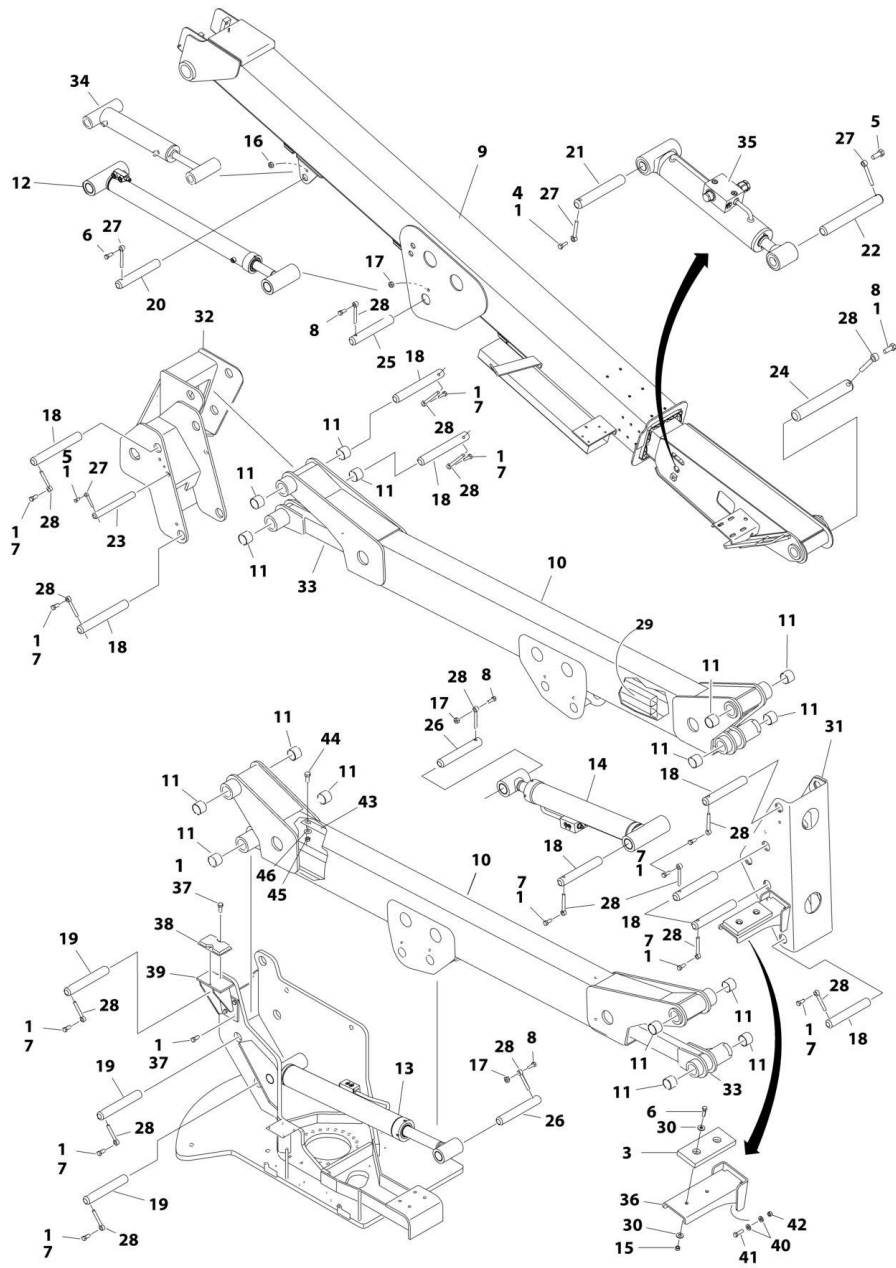
SECTION 4 - BOOM

FIGURE 4-1. BOOM AND CYLINDERS INSTALLATION (E400ANARROW)

ITEM	PART NUMBER	QTY	DESCRIPTION	REV
	0270724	Ref	BOOM AND CYLINDERS INSTALLATION	K
1	0801262	2	Boom Assembly - Tower	
2	4846209	2	Level Link	
3	4844303	1	Upright Weldment - Lower	
4	4844304	1	Upright Weldment - Upper	
5	0270725	1	Boom Assembly - Main (See MAIN BOOM ASSEMBLY for Breakdown)	
6	3536491	1	Plate	
7	1684453	NLA	Lift Cylinder Assembly - Lower (Use p/n 1001228037) (See CYLINDER SECTION for Breakdown) (SN 0300208530 through 0300239739)	
7	1001228037	1	Lift Cylinder Assembly - Lower (See CYLINDER SECTION for Breakdown) (SN 0300239740 through 0300272265)	
8	1684454	NLA	Lift Cylinder Assembly - Mid (Use p/n 1001228038) (See CYLINDER SECTION for Breakdown) (SN 0300208530 through 0300239739)	
8	1001228038	1	Lift Cylinder Assembly - Mid (See CYLINDER SECTION for Breakdown) (SN 0300239740 through 0300272265)	
9	1684061	NLA	Lift Cylinder Assembly - Upper (Use p/n 1001228018) (See CYLINDER SECTION for Breakdown), (SN 0300208530 through 0300239739)	
9	1001228018	1	Lift Cylinder Assembly - Upper (See CYLINDER SECTION for Breakdown) (SN 0300239740 through 0300272265)	
10	1001140597	1	Master Cylinder Assembly (See CYLINDER SECTION for Breakdown)	
11	3422175	3	Pin	
12	3422176	2	Pin	
13	3422177	9	Pin	
14	3422178	1	Pin	
15	3422179	1	Pin	
16	3422180	1	Pin	
17	4844467	1	Boom Rest Weldment	
18	0561076	1	Block, Boom Rest	
19	3841203	15	Keeper, Pin - 1/2	
20	3841143	2	Keeper, Pin - 3/8	
24	0641506	4	Bolt, 5/16-18 x 3/4	
25	3311505	4	Nut, Lock 5/16-18	
26	0641608	1	Bolt, 3/8-16 x 1	
27	0641610	1	Bolt, 3/8-16 x 1-1/4	
28	4751600	4	Washer, 3/8	
30	3311605	3	Nut, Lock 3/8-16	
31	0641812	3	Bolt, 1/2-13 x 1-1/2	
32	0940048	1	Bumper	
33	0641806	2	Bolt, 1/2-13 x 3/4	
35	3311805	3	Nut, Lock 1/2-13	
40	4566427	1	Tube	
42	4751500	4	Washer, 5/16	
44	0100011	AR	Compound, Locking	
45	0641810	15	Bolt, 1/2-13 x 1-1/4	
47	0961950	16	Bushing	
48	0641614	2	Bolt, 3/8-16 x 1-3/4	

SECTION 4 - BOOM

FIGURE 4-2. BOOM AND CYLINDERS INSTALLATION (E400AJP,E400AJPNARROW,M400AJP,M400AJPNARROW)



ART_1001168674

SECTION 4 - BOOM

**FIGURE 4-2. BOOM AND CYLINDERS INSTALLATION
(E400AJP,E400AJPNARROW,M400AJP,M400AJPNARROW)**

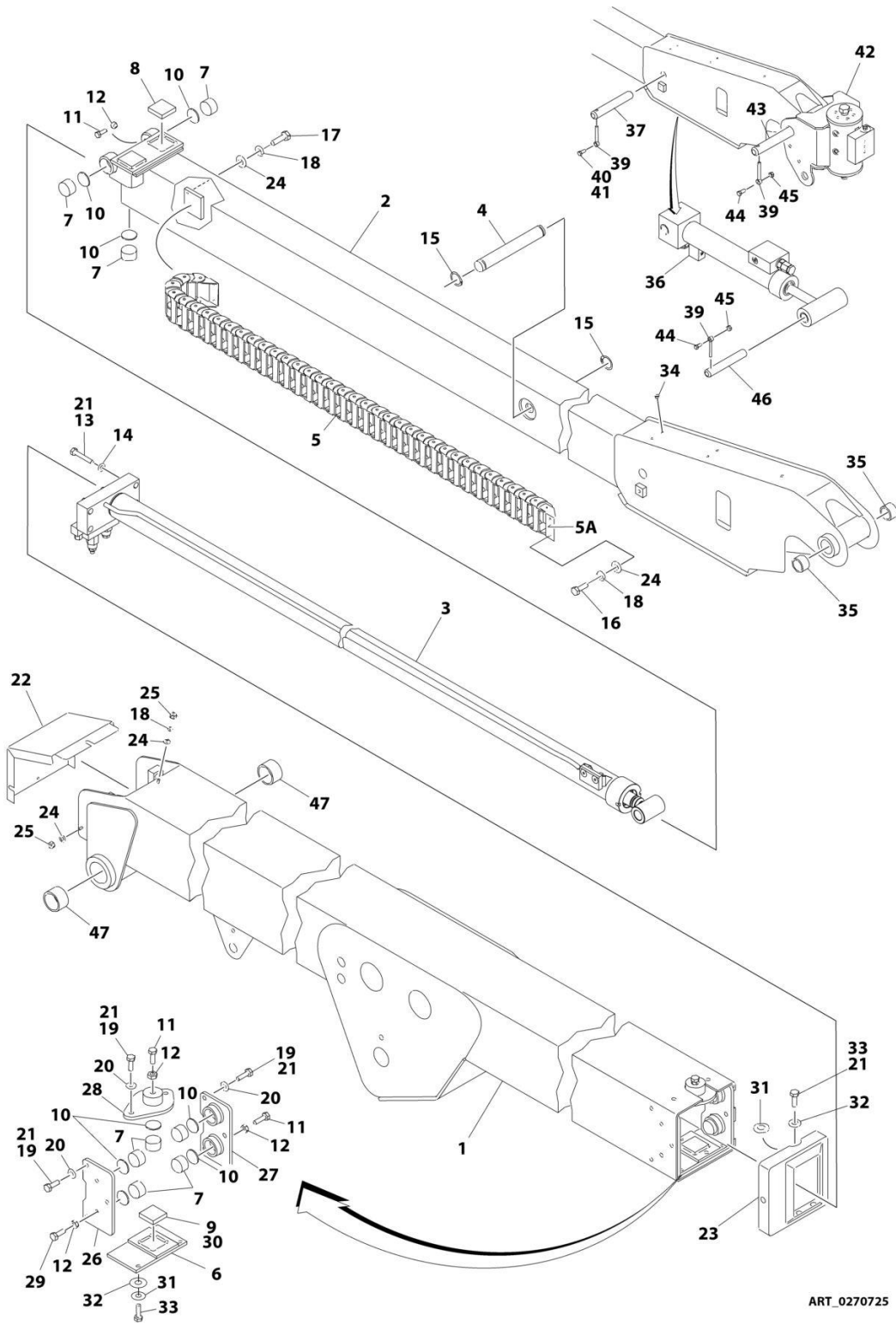
ITEM	PART NUMBER	QTY	DESCRIPTION	REV
	1001168674	Ref	BOOM AND CYLINDERS INSTALLATION	G
1	0100011	AR	Compound, Locking	
3	0561076	1	Block, Boom Rest	
4	0641607	1	Bolt, 3/8-16 X 7/8	
5	0641608	2	Bolt, 3/8-16 X 1	
6	0641610	3	Bolt, 3/8-16 X 1-1/4	
7	0641808	12	Bolt, 1/2-13 x 1	
8	0641810	13	Bolt, 1/2-13 X 1-1/4	
9	0801225	1	Boom Assembly - Main (See MAIN BOOM ASSEMBLY for Breakdown)	
10	0801227	1	Boom Assembly - Tower	
11	0961950	16	Bushing	
12	1683945	NLA	Lift Cylinder Assembly - Upper (Use p/n 1001228016) (See CYLINDER SECTION for Breakdown) (SN 0300208530 through 0300239739)	
12	1001228016	1	Lift Cylinder Assembly - Upper (See CYLINDER SECTION for Breakdown) (SN 0300239740 through 0300272265)	
13	1684451	NLA	Lift Cylinder Assembly - Lower (Use p/n 1001228035) (See CYLINDER SECTION for Breakdown) (SN 0300208530 through 0300239236)	
13	1001228035	1	Lift Cylinder Assembly - Lower (See CYLINDER SECTION for Breakdown) (SN 0300239237 through 0300272265)	
14	1684452	NLA	Lift Cylinder Assembly - Mid (Use p/n 1001228036) (See CYLINDER SECTION for Breakdown) (SN 0300208530 through 0300239236)	
14	1001228036	1	Lift Cylinder Assembly - Mid (See CYLINDER SECTION for Breakdown) (SN 0300239237 through 0300272265)	
15	3311601	2	Nut, 3/8-16	
16	3311605	1	Nut, Lock, 3/8-16	
17	3311805	3	Nut, Lock, 1/2-13	
18	3422480	9	Pin	
19	3422481	3	Pin	
20	3422582	1	Pin	
21	3422669	1	Pin	
22	3422792	1	Pin	
23	3422806	1	Pin	
24	3422814	1	Pin	
25	3422844	1	Pin	
26	3422845	2	Pin	
27	3841143	4	Keeper, 3/8	
28	3841203	16	Keeper, 1/2	
29	4566427	1	Tube	
30	4751600	4	Washer, 3/8	
31	4844427	1	Upright Weldment - Lower	
32	4846026	1	Upright Weldment - Upper	
33	4846209	2	Level Link	
34	1001140278	1	Master Cylinder Assembly (See CYLINDER SECTION for Breakdown)	
35	1001140279	1	Platform Level Cylinder (See CYLINDER SECTION for Breakdown)	
36	1001177483	1	Support, Boom Rest	

SECTION 4 - BOOM

ITEM	PART NUMBER	QTY	DESCRIPTION	REV
37	0641806	5	Bolt, 1/2-13 X 3/4	
38	0940048	1	Bumper	
39	4844467	1	Boom Rest Weldment	
40	4891600	8	Washer, 3/8	
41	0681610	4	Bolt, 3/8-16 x 1-1/4, Grade 8	
42	3271605	4	Nut, Lock, 3/8-16, Grade 8	
43	3536491	1	Plate	
44	0641506	4	Bolt, 5/16-18 x 3/4	
45	3311505	4	Nut, Lock 5/16-18	
46	4751500	4	Washer, 5/16	

SECTION 4 - BOOM

FIGURE 4-3. MAIN BOOM ASSEMBLY (E400ANARROW)



ART_0270725

SECTION 4 - BOOM

FIGURE 4-3. MAIN BOOM ASSEMBLY (E400ANARROW)

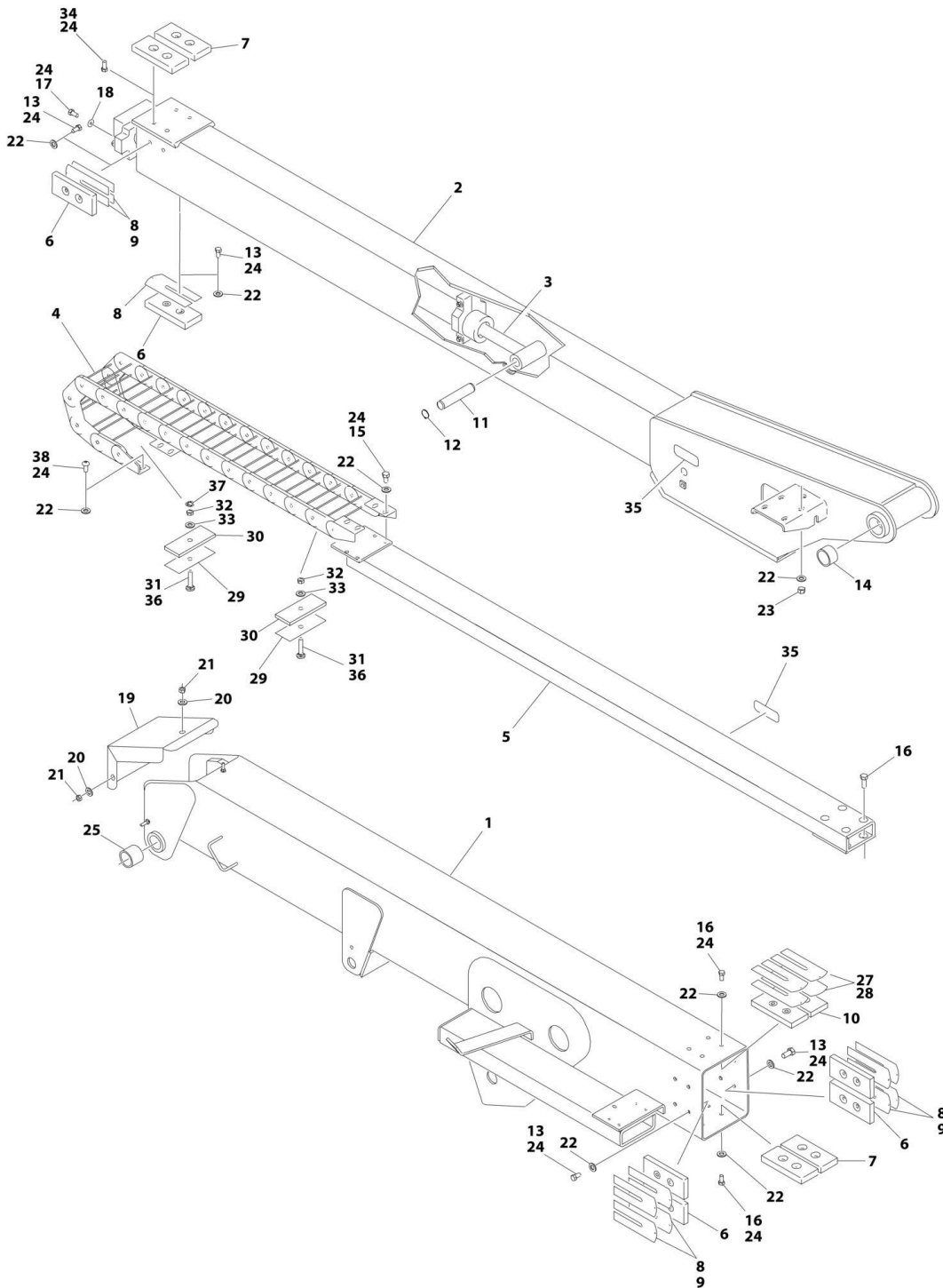
ITEM	PART NUMBER	QTY	DESCRIPTION	REV
	0270725	Ref	MAIN BOOM ASSEMBLY	E
1	0801263	1	Base, Weldment	
2	0801267	1	Fly, Weldment	
3	1001228063	1	Telescope Cylinder Assembly (See Separate Breakdown in CYLINDER SECTION)	
4	3422901	1	Pin	
5	1180302	1	Powertrack Assembly	
5	7019698	1	Link, Repair	
5A	7019699	1	Feet, Mounting	
6	4844579	1	Holder, Wear Pad	
7	3340663	8	Pad, Wear (Base Front Top and Sides/Fly Rear Sides and Bottom)	
8	3340820	2	Pad, Wear (Fly Rear Top)	
9	3340682	1	Pad, Wear (Base Front Bottom)	
10	1760160	8	Disc	
11	0630487	6	Bolt 3/8 x 1-3/8	
12	3311602	8	Nut 3/8	
13	0641818	4	Bolt 1/2 x 2-1/4	
14	4761800	4	Washer 1/2	
15	3760115	2	Ring, Snap	
16	0641405	2	Bolt 1/4 x 5/8	
17	0641404	2	Bolt 1/4 x 1/2	
18	4761400	7	Washer 1/4	
19	0641606	7	Bolt 3/8 x 3/4	
20	4761600	7	Washer 3/8	
21	0100011	AR	Compound, Locking	
22	1670679	1	Cover, boom	
23	1670698	1	Cover, Boom	
24	4751400	7	Washer 1/4	
25	3311401	3	Nut 1/4	
26	1220038	1	Holder, Wear Pad (Base Front Left Side)	
27	1220039	1	Holder, Wear Pad (Base Front Right Side)	
28	1220040	1	Holder, Wear Pad (Base Front Top)	
29	0630399	2	Bolt, Special, 3/8 x 2-1/4	
30	0100009	AR	Silicone	
31	4740413	5	Washer, Spacer	
32	4751600	5	Washer 3/8	
33	0641608	5	Bolt 3/8 x 1	
34	3520034	4	Plug, Hole	
35	0961951	2	Bearing	
36	1001140598	1	Platform Level Cylinder Assembly (See Separate Breakdown in CYLINDER SECTION)	
37	3422181	1	Shaft, Pin	
39	3841143	3	Keeper	
40	0641607	1	Bolt 3/8 x 7/8	
41	0100011	AR	Compound, Locking	
42	0060052	1	Rotator Assembly (See Separate Breakdown in this Section)	
43	3422709	1	Shaft, Pin	
44	0641608	2	Bolt, 3/8-16 x 1	
45	3311605	2	Nut 3/8	
46	3422180	1	Shaft, Pin	

SECTION 4 - BOOM

ITEM	PART NUMBER	QTY	DESCRIPTION	REV
47	0961950	2	Bearing	

SECTION 4 - BOOM

FIGURE 4-4. MAIN BOOM ASSEMBLY (E400AJP,E400AJPNARROW,M400AJP,M400AJPNARROW)



ART_0801225

SECTION 4 - BOOM

FIGURE 4-4. MAIN BOOM ASSEMBLY (E400AJP,E400AJPNARROW,M400AJP,M400AJPNARROW)

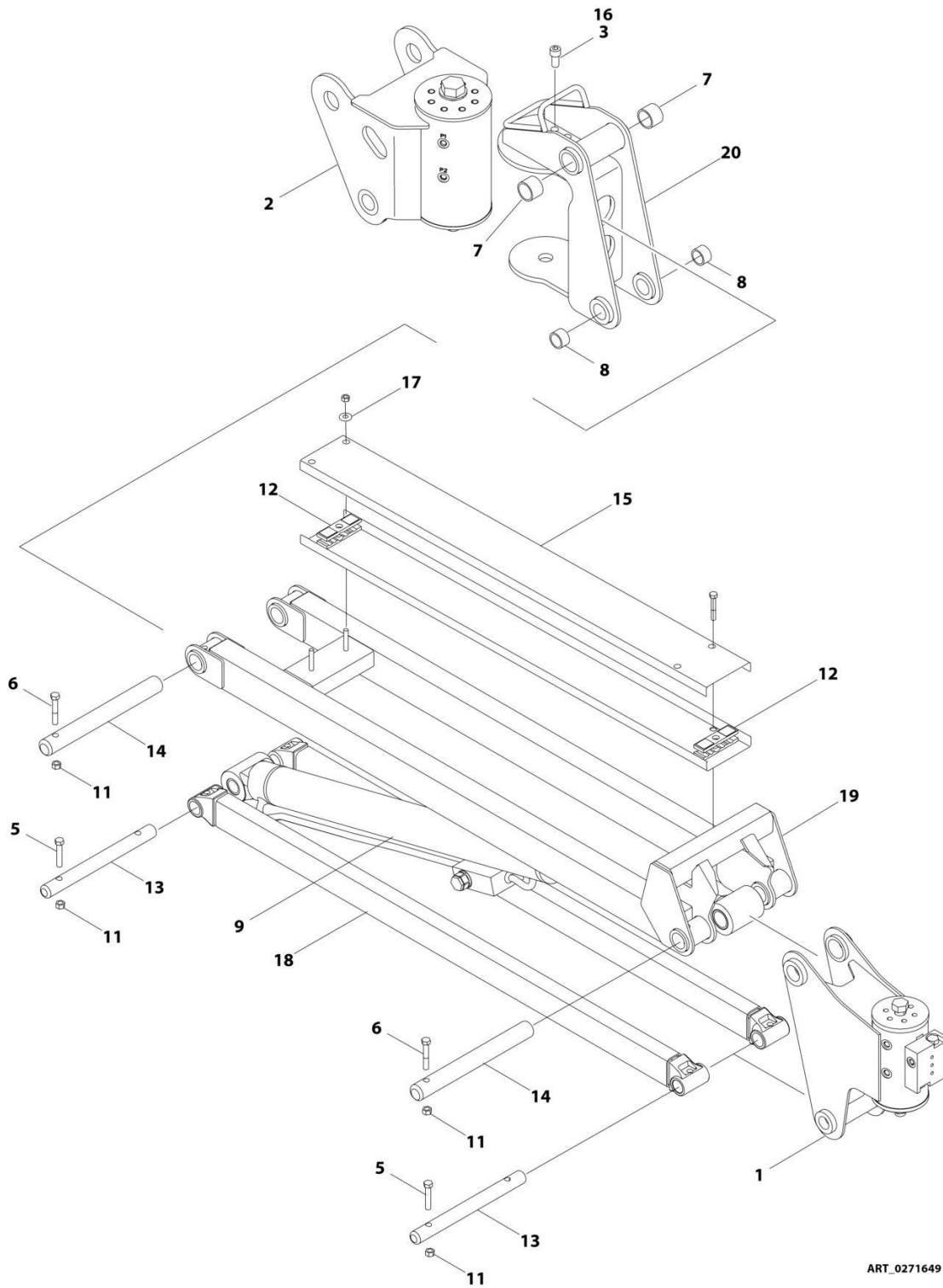
ITEM	PART NUMBER	QTY	DESCRIPTION	REV
	0801225	Ref	MAIN BOOM ASSEMBLY	K
1	0801224	1	Base Weldment	
2	0801226	1	Weldment, Fly Boom	
3	1683911	1	Cylinder, Telescope (See CYLINDER SECTION for Breakdown)	
4	1001099834	NLA	Powertrack (Use p/n 1001224891) (SN 0300208530 through 0300230220)	
4	1001224891	1	Powertrack (SN 0300230221 through 0300272265)	
4	70001996	1	2ft Repair Section (Used on p/n 1001099834) (Includes 4 links, 10 pins, 10 washers, 10 snap rings, 2 Rod Carriers and 4 self-tapping screws)	
4	70001998	1	Bracket Kit (Used on p/n 1001099834) (Includes 2 Left and 2 Right Mounting Feet, 4 center pins, 4 center pin snap rings, 8 pins for bracket lockout, 8 washers and 8 snap rings)	
4	70006269	1	2ft Repair Section (Used on p/n 1001224891) (Includes 4 links, 10 pins, 10 washers, 10 snap rings, 2 Rod Carriers and 4 self-tapping screws)	
4	70006280	1	Bracket Kit (Used on p/n 1001224891) (Includes 2 Left and 2 Right Mounting Feet, 4 center pins, 4 center pin snap rings, 8 pins for bracket lockout, 8 washers and 8 snap rings)	
5	4846180	1	Weldment, Push Tube	
6	3340878	10	Pad, Wear	
7	3340884	4	Pad, Wear	
8	4070864	12	Shim 18 Gauge	
9	4070863	8	Shim 11 Gauge	
10	3340886	2	Pad, Wear	
11	3422804	1	Pin	
12	3760115	2	Ring, Retaining	
13	0641606	30	Bolt, 3/8-16 x 3/4	
13	0641607	30	Bolt 3/8 x 7/8	
14	0961948	2	Bearing	
15	0641605	4	Bolt, 3/8-16 x 5/8	
16	0641608	16	Bolt, 3/8-16 x 1	
17	0641818	4	Bolt, 1/2-13 x 2-1/4	
18	4761800	4	Washer, Lock, 1/2	
19	1670959	1	Cover	
20	4761400	3	Washer, Lock, 1/4	
21	3311401	3	Nut 1/4-20	
22	4711600	AR	Washer, 3/8	
23	3311605	4	Nut, Lock, 3/8-16	
24	0100011	AR	Compound, Locking	
25	0961950	2	Bearing	
27	4070997	2	Shim 16 Gauge	
28	4070998	2	Shim 18 Gauge	
29	1001106757	AR	Plate, Clamp	
30	3340939	AR	Pad, Rubber	
31	0630401	2	Bolt, Carriage, 5/16-18 x 2	
32	3311505	2	Nut, Lock, 5/16/18	
33	4711500	2	Washer, 5/16	
34	0741606	6	Screw, Countersunk, 3/8-16 x 3/4	
35	4060804	16 in /41cm	Flex-Trim	
36	0100081	AR	Adhesive	

SECTION 4 - BOOM

ITEM	PART NUMBER	QTY	DESCRIPTION	REV
37	1001119228	1	Nut M8	
38	0641605	4	Bolt 3/8 x 5/8	
38	88261026	4	Bolt 3/8 x 5/8	

SECTION 4 - BOOM

FIGURE 4-5. JIB INSTALLATION



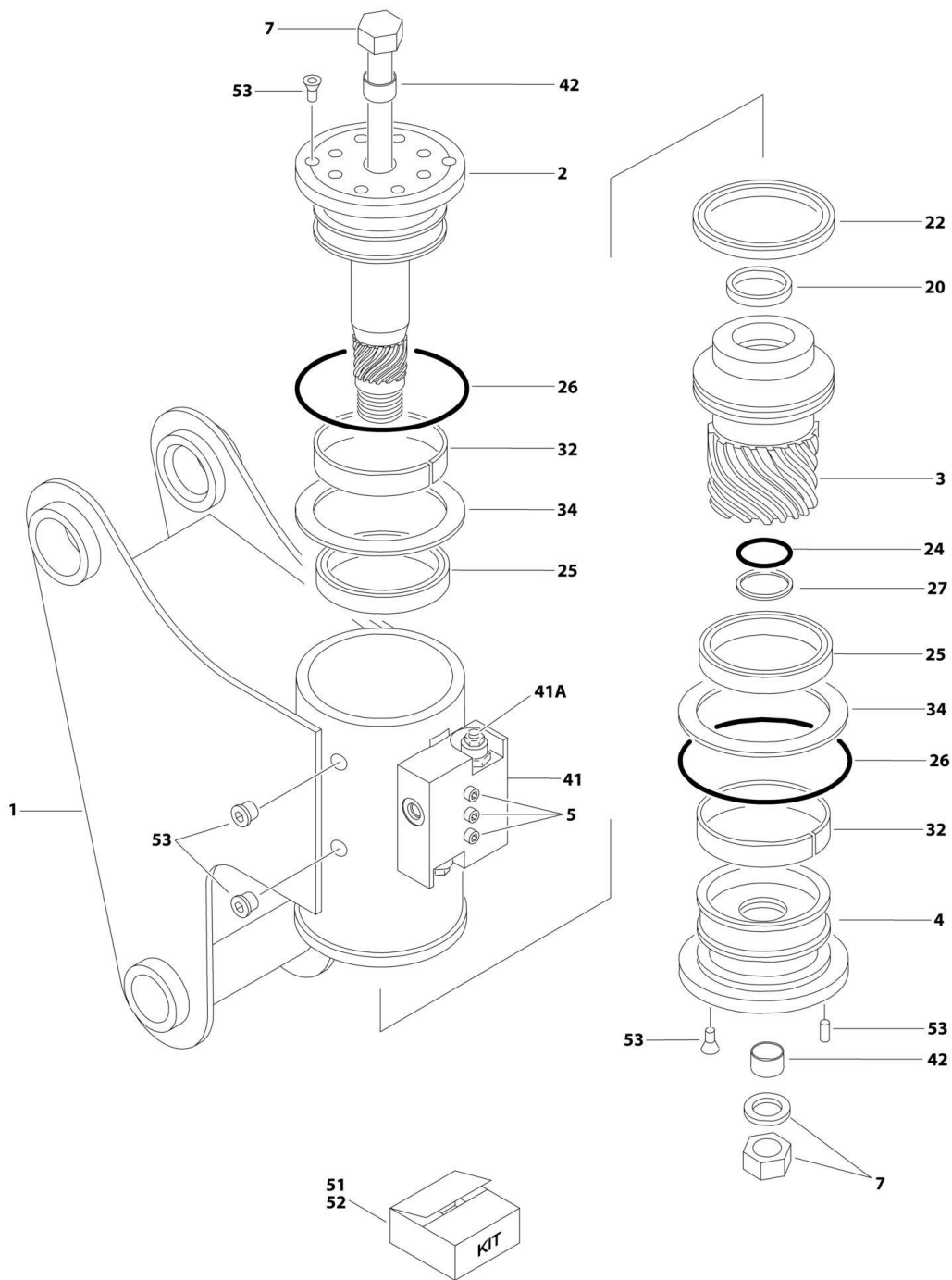
ART_0271649

FIGURE 4-5. JIB INSTALLATION

ITEM	PART NUMBER	QTY	DESCRIPTION	REV
	0271649	Ref	JIB INSTALLATION	D
1	0060044	1	Rotator Assembly - Jib to Platform Support (See ROTATOR ASSEMBLY for Breakdown)	
2	0060065	1	Rotator Assembly - Main Boom to Jib (See ROTATOR ASSEMBLY for Breakdown)	
3	0100011	AR	Compound, Locking	
4	0641516	2	Bolt, 5/16-18 x 2	
5	0641616	4	Bolt, 3/8-16 x 2	
6	0641618	2	Bolt, 3/8-16 x 2-1/4	
7	0962292	2	Bushing	
8	0961951	2	Bushing	
9	1001140280	1	Jib Cylinder Assembly (See CYLINDER SECTION for Breakdown)	
10	3311501	4	Nut, 5/16-18	
11	3311605	6	Nut, Lock, 3/8-16	
12	3340860	4	Clamp, Block	
13	3422791	2	Pin	
14	3422794	2	Pin	
15	3572551	2	Plate, Jib Cover	
16	3931816	8	Bolt, 1/2-13 x 1	
17	4751500	4	Washer, 5/16	
18	1001094670	2	Link, Lower	
19	4846278	1	Link, Upper	
20	4846502	1	Pivot	

SECTION 4 - BOOM

FIGURE 4-6. ROTATOR ASSEMBLY (E400ANARROW)



ART_0060052

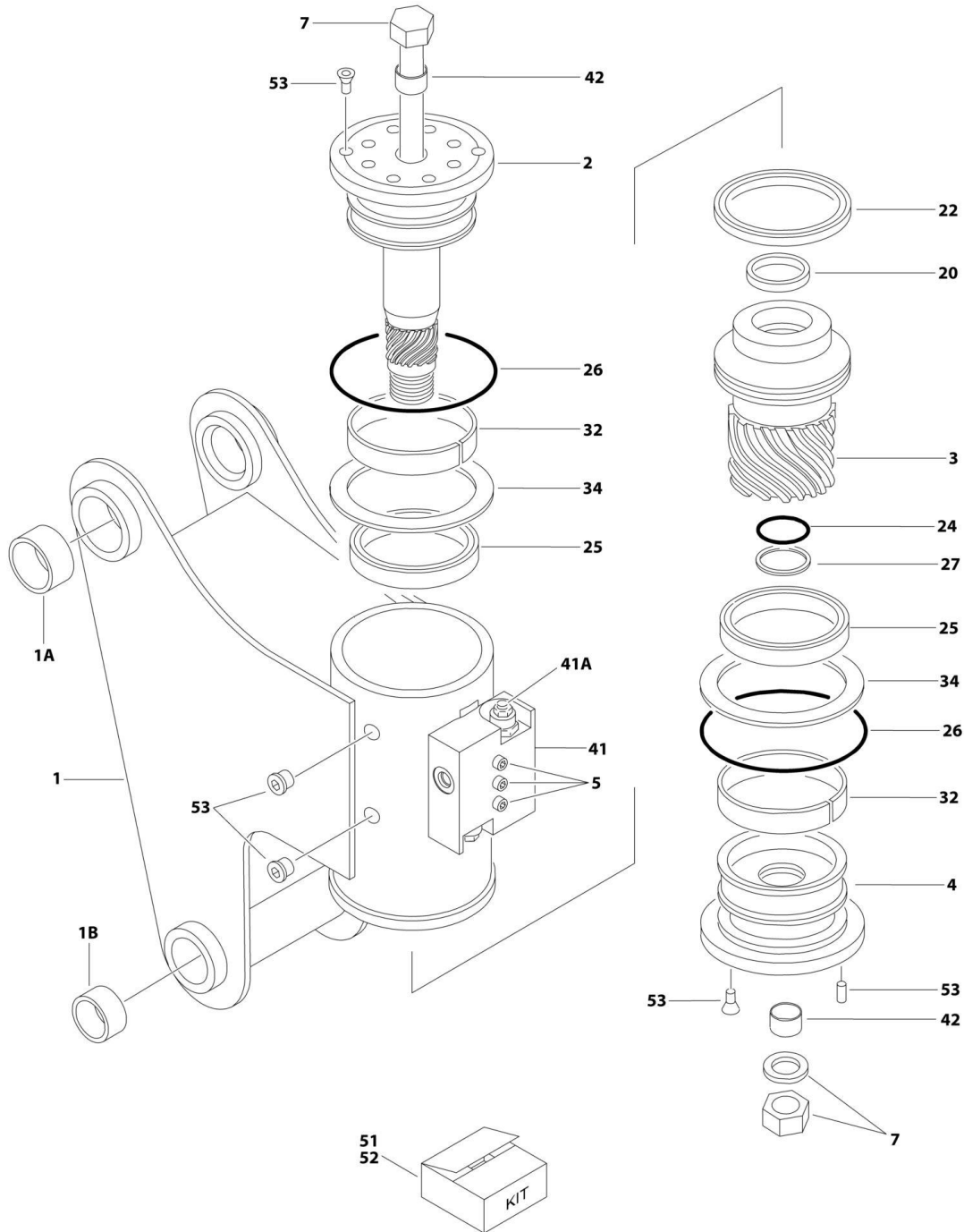
SECTION 4 - BOOM

FIGURE 4-6. ROTATOR ASSEMBLY (E400ANARROW)

ITEM	PART NUMBER	QTY	DESCRIPTION	REV
	0060052	Ref	ROTATOR ASSEMBLY	F
1	See Note	1	Case/Bracket Weldment (Note: Not Available - Purchase Complete Assembly)	
2	7017120	1	Shaft (Rotator with Helac Control #26409)	
2	7017196	1	Shaft (Rotator with Helac Control #26966)	
3	7017121	1	Piston Sleeve (Rotator with Helac Control #26409)	
3	7027900	1	Piston Sleeve (Rotator with Helac Control #26966)	
4	7017153	1	Cap, End (Rotator with Helac Control #26409)	
4	7027901	1	Cap, End (Rotator with Helac Control #26966)	
5	See Note	3	Capscrew, 1/4-20 x 1-1/2, Grade 8 (Note: Not Available - Purchase Locally)	
7	7017126	1	Tie Rod Assembly	
20	See Note	1	Seal, Rod (Note: Use Items 52)	
22	See Note	1	Seal, Piston (Note: Use Item 52)	
24	See Note	1	Seal, Cap (Note: Use Item 52)	
25	See Note	2	Packing, Bearing (Note: Use Item 52)	
26	See Note	2	Seal (Note: Use Item 52)	
27	See Note	1	Ring, Back-Up Cap (Note: Use Item 52)	
32	See Note	2	Bearing, Shaft (Note: Use Item 51)	
34	See Note	2	Washer, Thrust (Note: Use Item 51)	
41	7017172	1	Counterbalance Valve Assembly (Helac p/n 24327, 26553 or 26554 Stamped Beside Mounting Screws)	
41A	7011323	2	Valve, Cartridge (Helac p/n 24327 Valve)	
41A	2900770	2	Seal Kit - 7011323 Cartridge (1 Per Assembly)	
41A	7017192	2	Valve Cartridge (Helac p/n 26553 or 26554) (No Seal Kit Available)	
42	See Note	2	Bushing, Shaft (Note: Not Available for Purchase)	
51	7017122	1	Bearing Kit (Includes Items 32-34)	
52	7017127	1	Seal Kit - Standard (Includes Items 20,22,24,25,26 & 27)	
52	70000341	1	Seal Kit - Low Temperature (Includes Items 20,22,24,25,26 & 27)	
53	7017123	1	Hardware Kit	

SECTION 4 - BOOM

FIGURE 4-7. ROTATOR ASSEMBLY - PLATFORM SUPPORT TO JIB (E400AJP,E400AJPNARROW,M400AJP,M400AJPNARROW)



ART_0060044

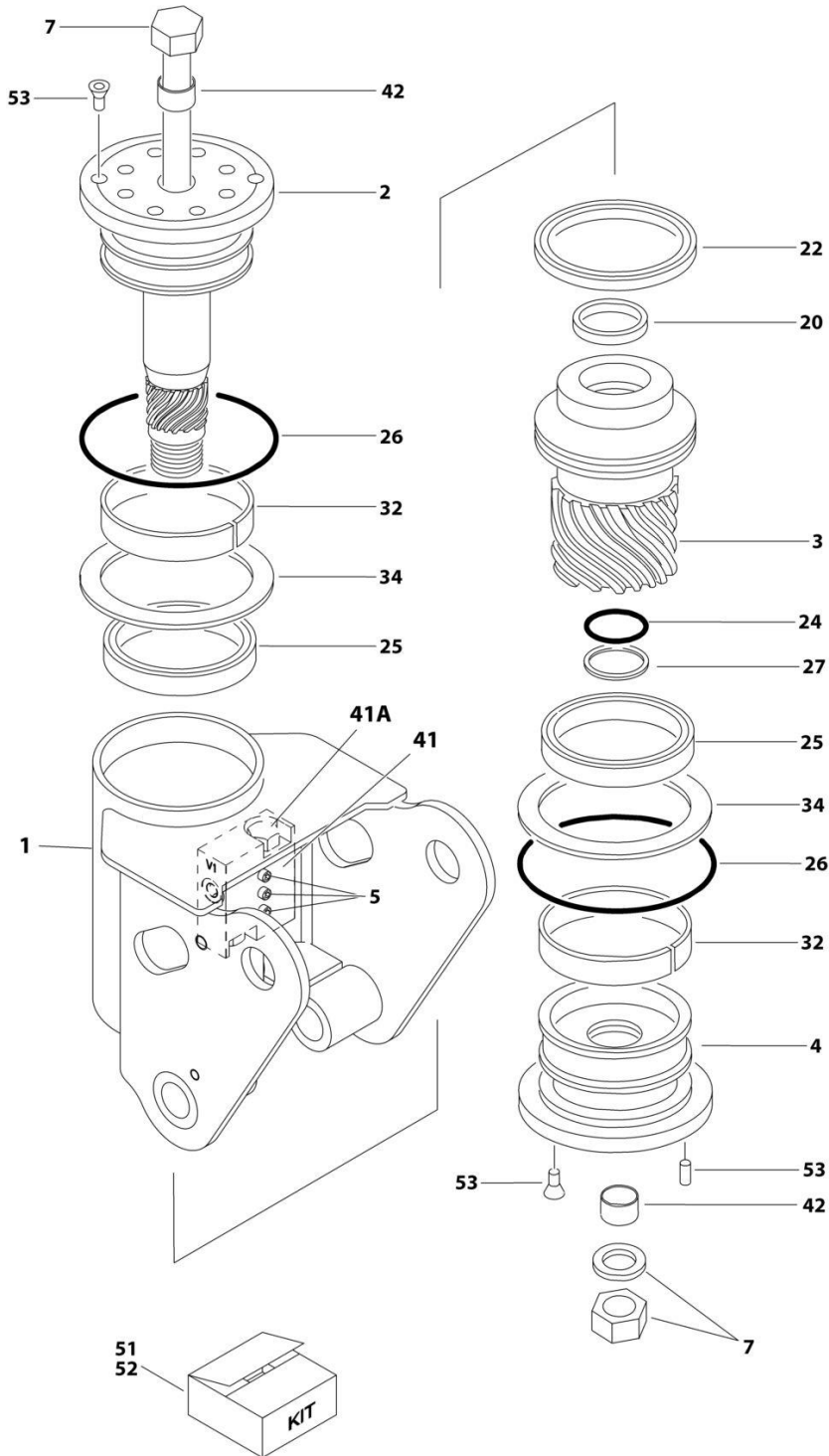
SECTION 4 - BOOM

**FIGURE 4-7. ROTATOR ASSEMBLY - PLATFORM SUPPORT TO JIB
(E400AJP,E400AJPNARROW,M400AJP,M400AJPNARROW)**

ITEM	PART NUMBER	QTY	DESCRIPTION	REV
	0060044	Ref	ROTATOR ASSEMBLY - PLATFORM SUPPORT TO JIB	D
1	See Note	1	Case/Bracket Weldment (Note: Not Available - Purchase Complete Assembly)	
1A	0962257	2	Bushing	
1B	0961947	2	Bushing	
2	7017120	1	Shaft (Rotator with Helac Control #25928)	
2	7017196	1	Shaft (Rotator with Helac Control #26962)	
3	7017121	1	Piston Sleeve (Rotator with Helac Control #25928)	
3	7027900	1	Piston Sleeve (Rotator with Helac Control #26962)	
4	See Note	1	Cap, End (Rotator with Helac Control #25928) (Note: Use p/n 0060044)	
4	7027901	1	Cap, End (Rotator with Helac Control #26962)	
5	See Note	3	Capscrew, 1/4-20 x 1-1/2, Grade 8 (Note: Not Available - Purchase Locally)	
7	7017126	1	Tie Rod Assembly	
20	See Note	1	Seal, Rod (Note: Use Item 52)	
22	See Note	1	Seal, Piston (Note: Use Item 52)	
24	See Note	1	Seal, Cap (Note: Use Item 52)	
25	See Note	1	Packing, Bearing (Note: Use Item 52)	
26	See Note	2	Seal (Note: Use Item 52)	
27	See Note	1	Ring, Back-Up Cap (Note: Use Item 52)	
32	See Note	2	Bearing, Shaft (Note: Use Item 51)	
34	See Note	2	Washer, Thrust (Note: Use Item 51)	
41	7017172	1	Counterbalance Valve Assembly (Helac p/n 24327, 26553 or 26554 Stamped Beside Mounting Screws)	
41A	7011323	2	Valve, Cartridge (Helac p/n 24327 Valve)	
41A	2900770	2	Seal Kit - 7011323 Cartridge (1 Per Assembly)	
41A	7017192	2	Valve Cartridge (Helac p/n 26553 or 26554) (No Seal Kit Available)	
42	70004323	2	Bushing, Shaft	
51	7017122	1	Bearing Kit (Includes Items 32-34)	
52	7017127	1	Seal Kit - Standard (Includes Items 20,22,24,25,26 & 27)	
52	70000341	1	Seal Kit - Low Temperature (Includes Items 20,22,24,25,26 & 27)	
53	7017123	1	Hardware Kit	
54	70001697	4	Screw, Countersunk 1/4-20NC x 3/8	

SECTION 4 - BOOM

FIGURE 4-8. ROTATOR ASSEMBLY - MAIN BOOM TO JIB (E400AJP,E400AJPNARROW,M400AJP,M400AJPNARROW)



ART_0060065

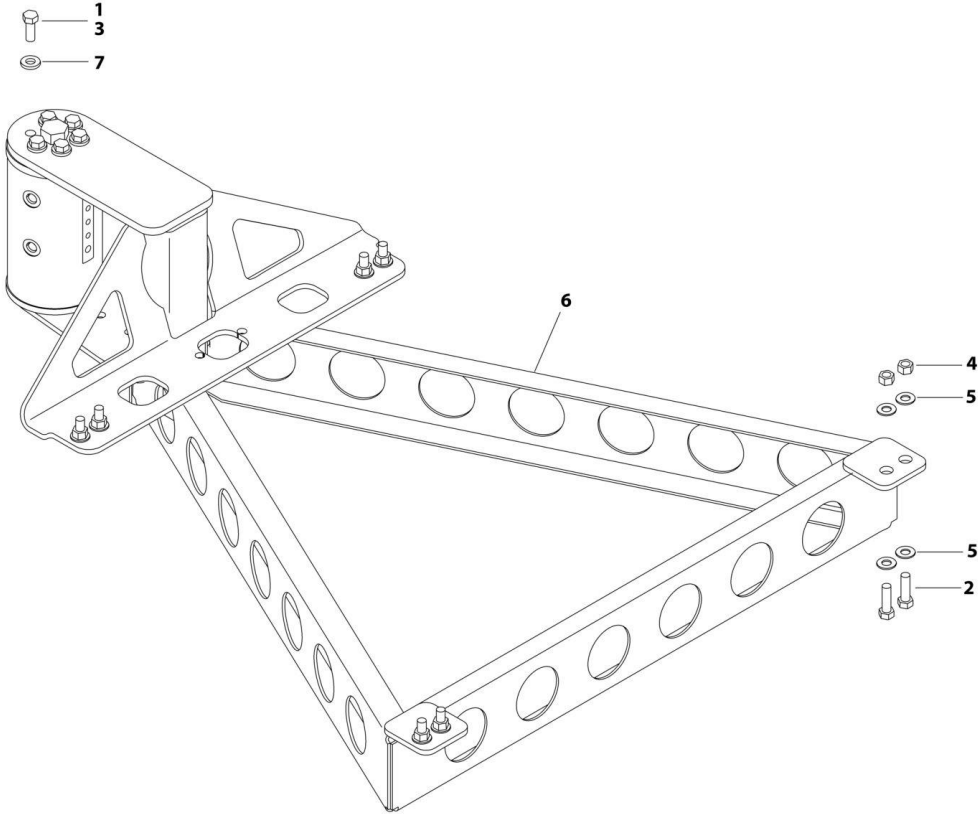
SECTION 4 - BOOM

**FIGURE 4-8. ROTATOR ASSEMBLY - MAIN BOOM TO JIB
(E400AJP,E400AJPNARROW,M400AJP,M400AJPNARROW)**

ITEM	PART NUMBER	QTY	DESCRIPTION	REV
	0060065	Ref	ROTATOR ASSEMBLY - MAIN BOOM TO JIB	C
1	See Note	1	Case/Bracket Weldment (Note: Not Available - Purchase Complete Assembly)	
2	7017167	1	Shaft	
3	7017168	1	Piston Sleeve	
4	7017169	1	Cap, End	
5	See Note	3	Capscrew, 1/4-20 x 1-1/2, Grade 8 (Note: Not Available - Purchase Locally)	
7	7017173	1	Tie Rod Assembly	
20	See Note	1	Seal, Rod (Note: Use Item 52)	
22	See Note	1	Seal, Piston (Note: Use Item 52)	
24	See Note	1	Seal, Cap (Note: Use Item 52)	
25	See Note	2	Packing, Bearing (Note: Use Item 52)	
26	See Note	2	Seal (Note: Use Item 52)	
27	See Note	1	Ring, Back-Up (Note: Use Item 52)	
32	See Note	2	Bearing, Shaft (Note: Use Item 51)	
34	See Note	2	Washer, Thrust (Note: Use Item 51)	
41	7017172	1	Counterbalance Valve Assembly	
41A	7017192	2	Valve, Cartridge (No Seal Kit Available)	
42	See Note	2	Bushing, Shaft (Note: Not Available for Purchase)	
51	7017178	1	Bearing Kit (Includes Items 32-34)	
52	7017165	1	Seal Kit - Standard (Includes Items 20,22 & 24-27,	
52	70000340	1	Seal Kit - Low Temperature (Includes Items 20,22 & 24-27)	
53	7017179	1	Hardware Kit	

SECTION 4 - BOOM

FIGURE 4-9. PLATFORM SUPPORT INSTALLATION - WITHOUT LSS



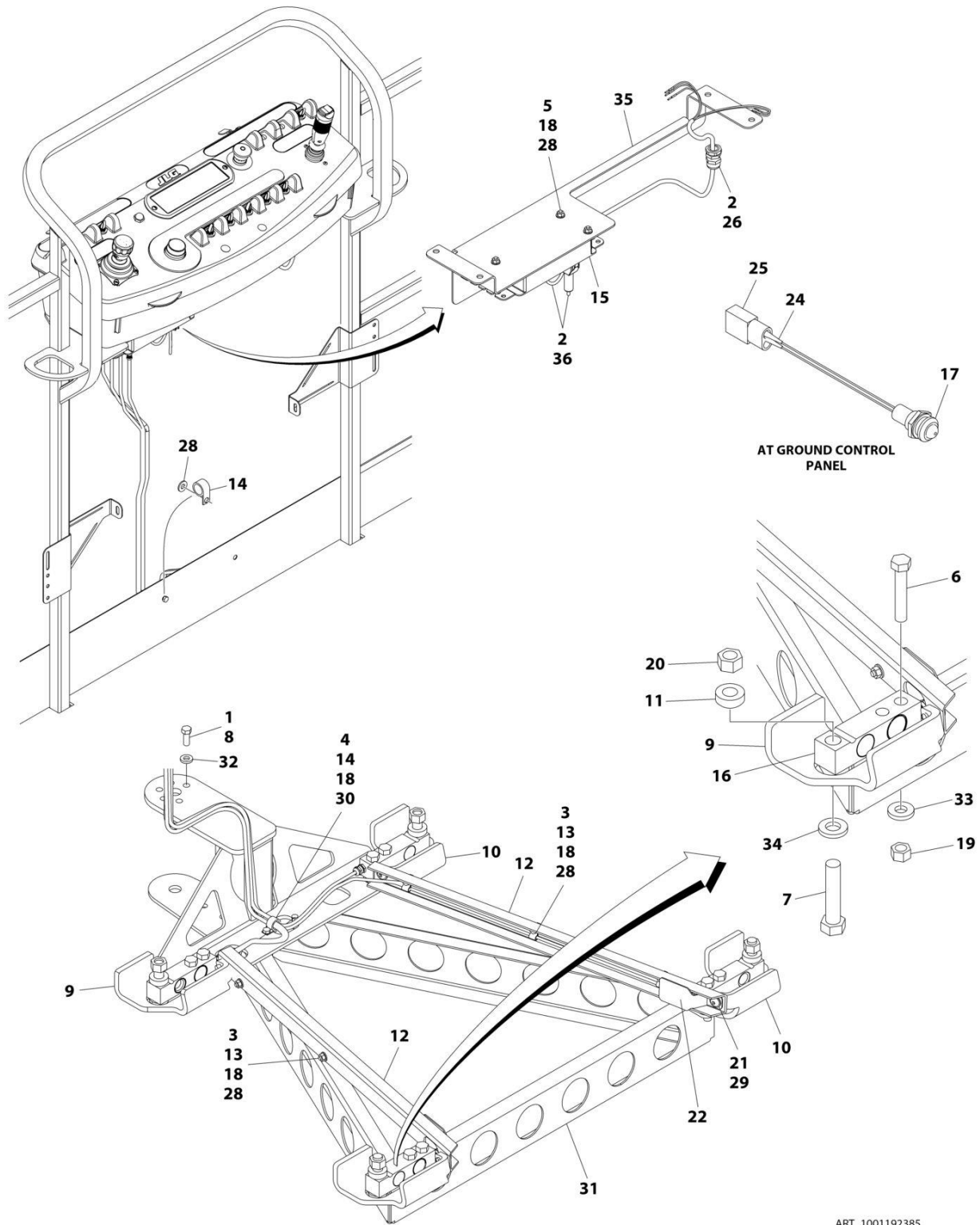
ART_0272976

FIGURE 4-9. PLATFORM SUPPORT INSTALLATION - WITHOUT LSS

ITEM	PART NUMBER	QTY	DESCRIPTION	REV
	0272976	Ref	PLATFORM SUPPORT INSTALLATION - WITHOUT LSS	C
1	0100001	AR	Compound, Locking	
2	0641610	8	Bolt, 3/8-16 x 1-1/4 (SN 0300208530 through 0300223486)	
2	0641812	8	Bolt, 1/2 x 1-1/2 (SN 0300223487 through 0300240700)	
2	0761215	AR	Bolt, M12 x 35 (SN 0300240700 through 0300272265)	
3	0681608	6	Bolt, 3/8-16 x 1, Grade 8	
4	3311605	8	Nut, Lock, 3/8-16 (SN 0300208530 through 0300223486)	
4	3311805	8	Nut, Lock, 1/2-13 (SN 0300223487 through 0300240700)	
4	3291205	AR	Nut, Lock, M12 x 1.75 (SN 0300240700 through 0300272265)	
5	4711600	16	Washer, 3/8 (SN 0300208530 through 0300223486)	
5	4711800	16	Washer, 1/2 (SN 0300223487 through 0300240700)	
5	5241200	AR	Washer, M12 (SN 0300240700 through 0300272265)	
6	4846608	1	Support, Weldment	
7	4891600	6	Washer, 3/8	

SECTION 4 - BOOM

FIGURE 4-10. PLATFORM SUPPORT INSTALLATION - WITH 4 CELL LSS



ART_1001192385

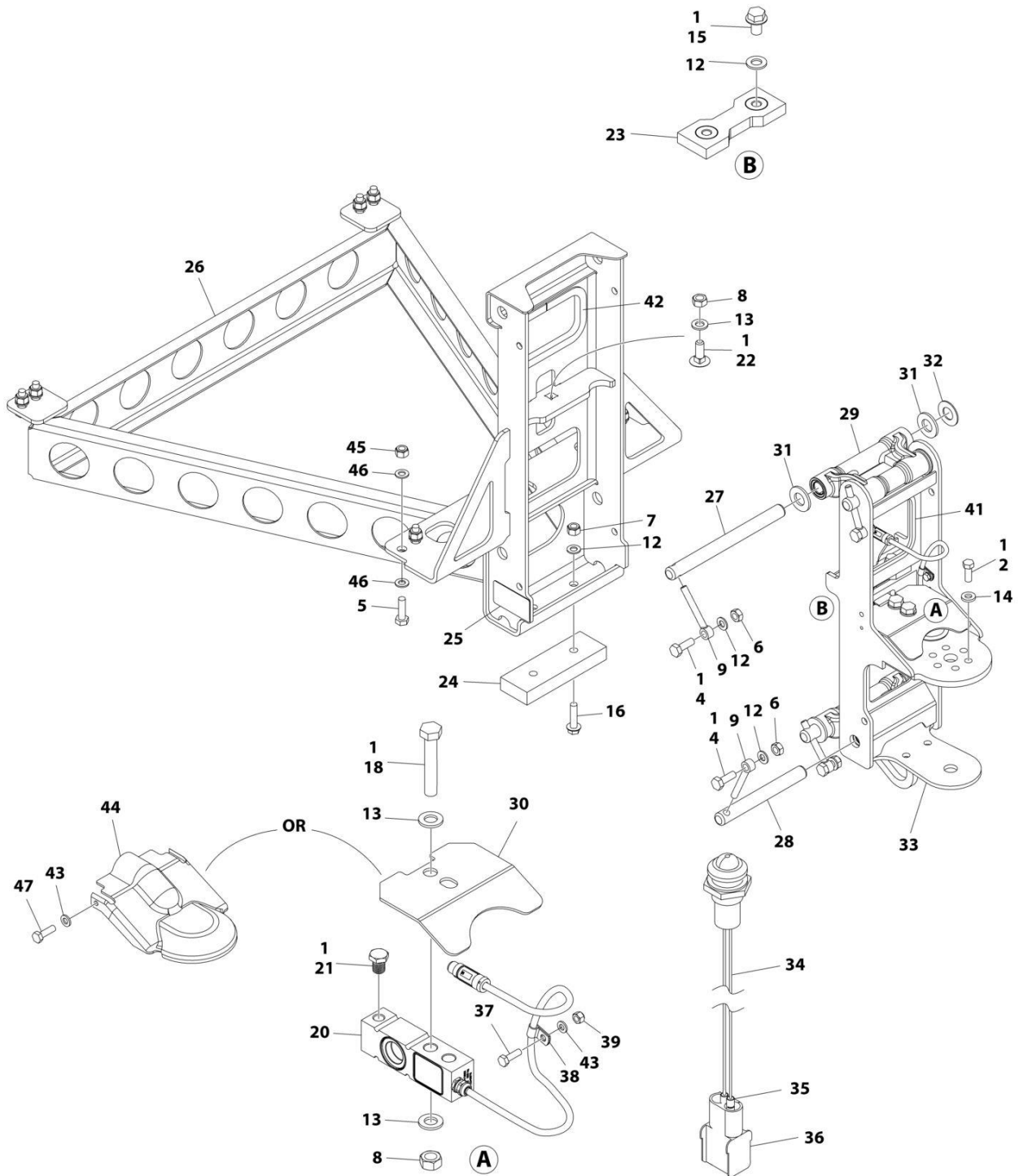
SECTION 4 - BOOM

FIGURE 4-10. PLATFORM SUPPORT INSTALLATION - WITH 4 CELL LSS

ITEM	PART NUMBER	QTY	DESCRIPTION	REV
	1001192385	Ref	PLATFORM SUPPORT INSTALLATION - WITH 4 CELL LSS	A
1	0100011	AR	Compound, Locking	
2	0100048	AR	Grease, Dielectric	
3	0641405	6	Screw 1/4 x 5/8	
4	0641407	1	Bolt 1/4 x 7/8	
5	0641416	3	Bolt 1/4 x 2	
6	0641822	8	Bolt 1/2 x 2-3/4	
7	0642024	4	Bolt 5/8 x 3	
8	0681608	6	Bolt 3/8 x 1	
9	0902919	2	Bracket, Cell Guard	
10	0902920	2	Bracket, Cell Guard	
11	0962450	4	Bushing, Spacer	
12	1271538	2	Channel	
13	1320136	6	Clamp	
14	1320224	2	Clamp	
15	1600387	1	Electronic Interface Module (Note: Re-calibration Required when Replaced)	
16	2420202	4	Load Cell Assembly	
17	2920151	1	Light	
18	3311405	10	Nut 1/4	
19	3311805	8	Nut 1/2	
20	3312005	4	Nut 5/8	
21	3900283	4	Screw 3/8 x 3/4	
22	4061054	2	Shield	
23	4240033	AR	Tie-Strap (Not Shown)	
24	4460226	2	Socket, Female	
25	4460424	1	Connector - 2 Position	
26	4460428	1	Connector, Strain Relief	
27	4460434	1	Plug, Male - 15 Position (Not Shown - Located in Platform Console Box)	
28	4711400	13	Washer 1/4	
29	4711600	4	Washer 3/8	
30	4751400	1	Washer 1/4	
31	4846608	1	Platform Support	
32	4891600	6	Washer 3/8	
33	4891800	8	Washer 1/2	
34	4892000	4	Washer 5/8	
35	1001113483	1	Bracket, Module Mount	
36	1001192283	1	Harness, LSS System (See Separate Breakdown in ELECTRICAL SECTION)	

SECTION 4 - BOOM

FIGURE 4-11. PLATFORM SUPPORT INSTALLATION - WITH 1 CELL LSS



ART_1001219016

SECTION 4 - BOOM

FIGURE 4-11. PLATFORM SUPPORT INSTALLATION - WITH 1 CELL LSS

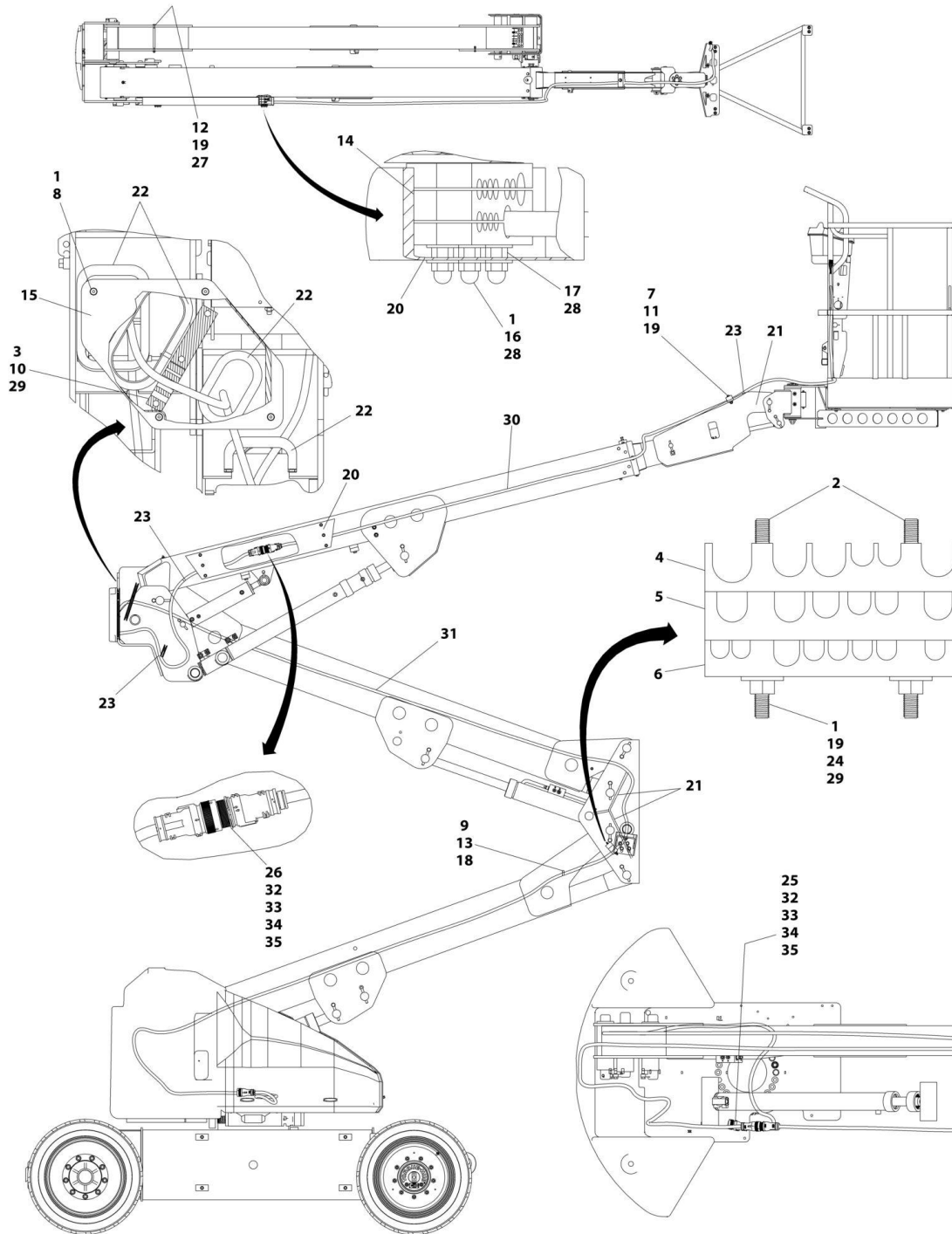
ITEM	PART NUMBER	QTY	DESCRIPTION	REV
	1001219016	Ref	PLATFORM SUPPORT INSTALLATION - WITH 1 CELL LSS	E
1	0100011	AR	Compound, Locking	
2	0681608	6	Bolt 3/8 x 1	
4	0761014	4	Bolt M10 x 30	
5	0761015	8	Bolt M10 x 35	
5	0761215	8	Bolt M12 x 35	
6	3291001	4	Nut M10	
7	3291005	2	Nut M10	
8	3291201	3	Nut M12	
9	3841143	4	Keeper	
12	4812000	24	Washer M10	
13	4812100	5	Washer M12	
14	4891600	6	Washer 3/8	
15	5251008	2	Bolt M10 x 16	
16	5251016	2	Bolt M10 x 40	
18	1001098828	2	Bolt M12 x 70 Grade 10.9	
20	1001172663	1	Gauge, Load Sensing	
21	1001188622	1	Screw M12	
22	1001188844	1	Bolt M12 x 35	
23	1001190985	1	Pad, Wear	
24	1001200491	1	Plate	
25	1001216630	2	Decal - Tie Down/No Lift	
26	1001217228	1	Platform Support	
27	1001217242	2	Pin	
28	1001217243	2	Pin	
29	1001217244	2	Link, LSS Assembly	
29	1001217413	4	Bearing	
29	1001217249	4	Seal	
30	1001217250	1	Plate (SN 0300208530 through 0300235576)	
31	1001217253	8	Bearing	
32	1001217254	4	Bearing	
33	1001217267	1	Support	
34	2920151	1	Light	
35	4460226	2	Socket, Female	
36	4460424	1	Connector - 2 Position	
37	0760610	1	Bolt M6 x 20	
38	1320136	1	Clamp	
39	3290605	1	Nut M6	
41	4060804	1.2 ft/ 0.4m	Flex-Trim	
42	4060805	1.3 ft/ 0.5m	Flex-Trim	
43	4811702	3	Washer M6	
44	1001228627	1	Cover, Platform Support and LSS (SN 0300235576 through 0300272265)	
45	3291005	8	Nut M10	
45	3291205	8	Nut M12	
46	4812000	16	Washer M10	
46	5241200	16	Washer M12	
47	0760610	2	Bolt M6 x 20	

SECTION 4 - BOOM

ITEM	PART NUMBER	QTY	DESCRIPTION	REV
47	0760606	2	Bolt M6 x 12	

SECTION 4 - BOOM

FIGURE 4-12. CABLES AND CLAMPS INSTALLATION (E400ANARROW)



ART_1001183521

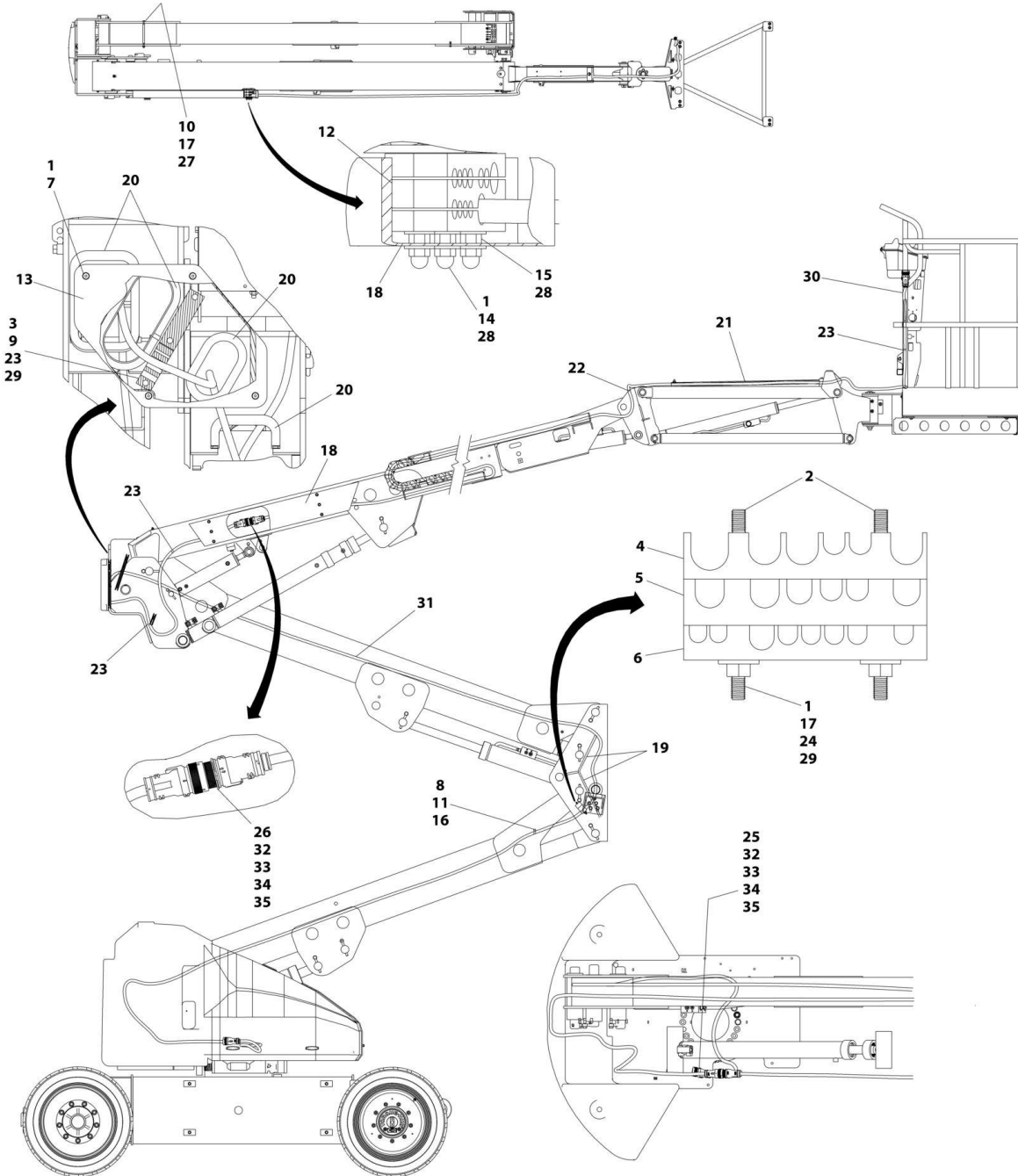
SECTION 4 - BOOM

FIGURE 4-12. CABLES AND CLAMPS INSTALLATION (E400ANARROW)

ITEM	PART NUMBER	QTY	DESCRIPTION	REV
	1001183521	Ref	CABLES AND CLAMPS INSTALLATION	C
1	0100011	AR	Compound, Locking	
2	0100019	AR	Compound, Locking	
3	0561317	1	Block, Hose Clamp	
4	0561384	1	Block, Hose Clamp	
5	0561385	1	Block, Hose Clamp	
6	0561386	1	Block, Hose Clamp	
7	0561424	1	Block, Hose Clamp	
8	0630467	4	Capscrew, Button 5-16-18 x 1/2	
9	0641410	1	Bolt, 1/4-20 x 1-1/4	
10	0641514	3	Bolt, 5/16-18 x 1-3/4	
11	0641516	1	Bolt, 5/16-18 x 2	
12	0641560	1	Bolt, 5/16-18 x 7-1/2	
13	1320043	1	Clamp, Cable	
14	1320260	2	Block, Hose Clamp	
15	1670697	1	Cover, Hose	
16	3300151	6	Nut, 1/4-20	
17	3311401	6	Nut, 1/4-20	
18	3311405	1	Nut, Lock, 1/4-20	
19	3311505	4	Nut, Lock, 5/16-18	
20	3536999	1	Shield	
21	4060805	2 ft /0.61m	Trim, Flex	
22	4060808	6 ft /1.83m	Trim, Flex	
23	4240099	AR	Tie, Strap	
24	4300140	2	Stud, 5/16-18 x 3-5/8	
25	1001188292	1	Connector - 19 Position	
26	1001188293	1	Connector - 19 Position	
27	4566243	1	Roller	
28	4751400	12	Washer, 1/4	
29	4751500	8	Washer, 5/16	
30	1001183867	1	Harness Assembly - Upper Boom (See ELECTRICAL SECTION for Breakdown)	
31	1001183868	1	Harness Assembly - Lower Boom (See ELECTRICAL SECTION for Breakdown)	
32	4240033	AR	Tie-Strap	
33	4460466	8	Terminal	
34	1001188291	2	Connector, Backshell	
35	1001188354	2	Grommet	

SECTION 4 - BOOM

**FIGURE 4-13. CABLES AND CLAMPS INSTALLATION
(E400AJP,E400AJPNARROW,M400AJP,M400AJPNARROW)**



ART_1001183520

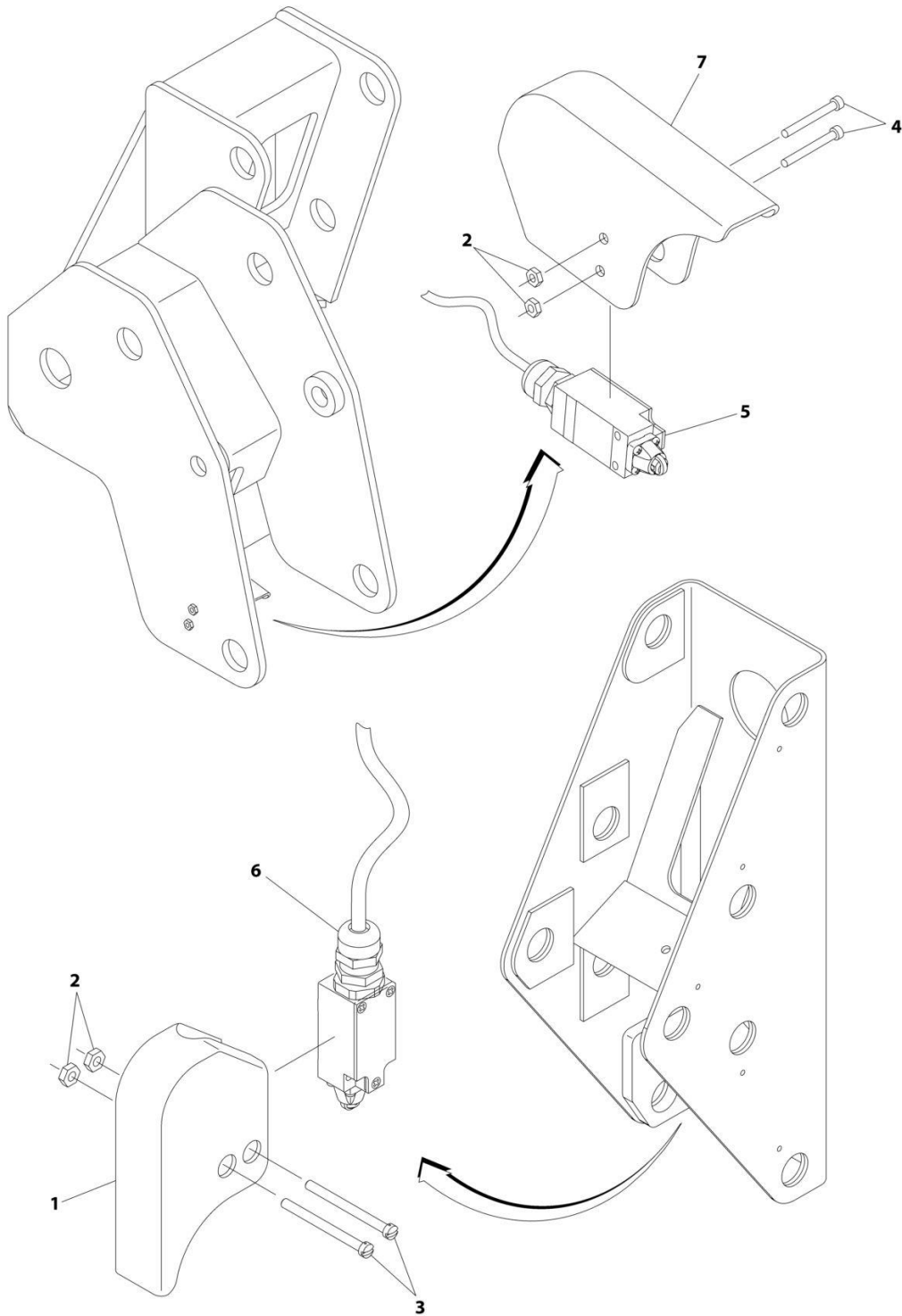
SECTION 4 - BOOM

**FIGURE 4-13. CABLES AND CLAMPS INSTALLATION
(E400AJP,E400AJPNARROW,M400AJP,M400AJPNARROW)**

ITEM	PART NUMBER	QTY	DESCRIPTION	REV
	1001183520	Ref	CABLES AND CLAMPS INSTALLATION	C
1	0100011	AR	Compound, Locking	
2	0100019	AR	Compound, Locking	
3	0561317	1	Block, Hose Clamp	
4	0561384	1	Block, Hose Clamp	
5	0561385	1	Block, Hose Clamp	
6	0561386	1	Block, Hose Clamp	
7	0630467	4	Capscrew, Button 5-16-18 x 1/2	
8	0641410	1	Bolt, 1/4-20 x 1-1/4	
9	0641514	3	Bolt, 5/16-18 x 1-3/4	
10	0641560	1	Bolt, 5/16-18 x 7-1/2	
11	1320043	1	Clamp, Cable	
12	1320260	2	Block, Hose Clamp	
13	1670697	1	Cover, Hose	
14	3300151	6	Nut, 1/4-20	
15	3311401	6	Nut, 1/4-20	
16	3311405	1	Nut, Lock, 1/4-20	
17	3311505	3	Nut, Lock, 5/16-18	
18	3571462	1	Shield	
19	4060805	1.5 ft /0.46m	Trim, Flex	
20	4060808	6 ft /1.83m	Trim, Flex	
21	4100065	1	Sleeve, Hose	
22	4100067	AR	Sleeve, Hose	
23	4240099	AR	Tie, Strap	
24	4300140	2	Stud, 5/16-18 x 3-5/8	
25	1001188292	1	Connector - 19 Position	
26	1001188293	1	Connector - 19 Position	
27	4566243	1	Roller	
28	4751400	12	Washer, 1/4	
29	4751500	5	Washer, 5/16	
30	1001183867	1	Harness Assembly - Upper Boom (See ELECTRICAL SECTION for Breakdown)	
31	1001183868	1	Harness Assembly - Lower Boom (See ELECTRICAL SECTION for Breakdown)	
32	4240033	AR	Tie-Strap	
33	4460466	8	Terminal	
34	1001188291	2	Connector, Backshell	
35	1001188354	2	Grommet	

SECTION 4 - BOOM

FIGURE 4-14. BOOM LIMIT SWITCHES INSTALLATION



ART_1001187788

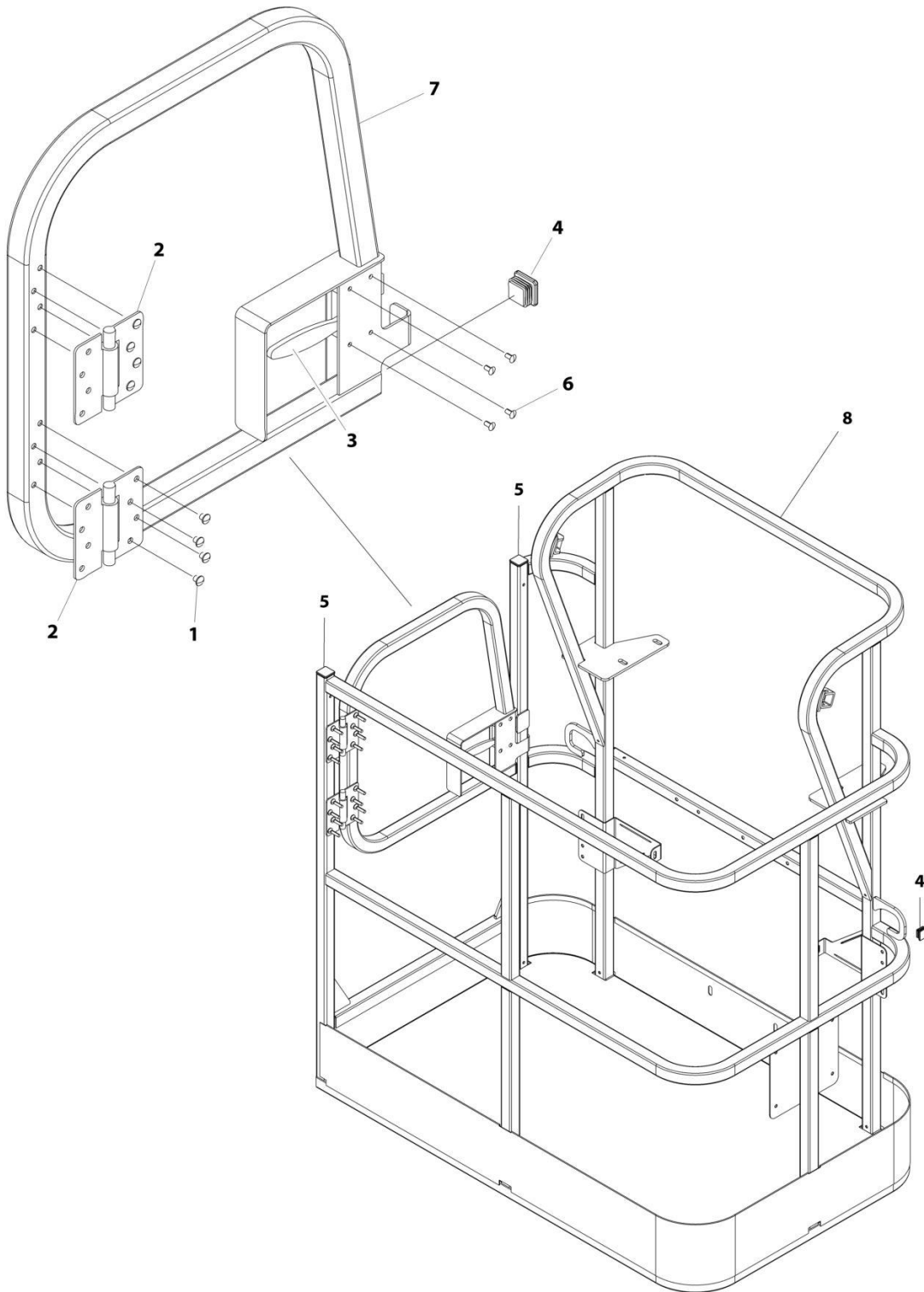
FIGURE 4-14. BOOM LIMIT SWITCHES INSTALLATION

ITEM	PART NUMBER	QTY	DESCRIPTION	REV
	1001187788	Ref	BOOM LIMIT SWITCHES INSTALLATION	D
1	1670832	1	Cover, Switch - Lower	
2	3311005	4	Nut, Lock, #10-24	
3	3900104	2	Screw, Fillister Head, #10-24 x 2-1/4	
4	3931028	2	Screw, #10-24 x 1-3/4	
5	1001187775	1	Limit Switch Harness - Upper (Includes Limit Switch) (See ELECTRICAL SECTION for Breakdown)	
6	1001187776	1	Limit Switch Harness - Lower (Includes Limit Switch) (See ELECTRICAL SECTION for Breakdown)	
7	1670833	1	Cover, Switch	

SECTION 5 - PLATFORM

SECTION 5 - PLATFORM

FIGURE 5-1. PLATFORM ASSEMBLY - 4FT/1.22M - SIDE GATE ENTRY



ART_1001186387

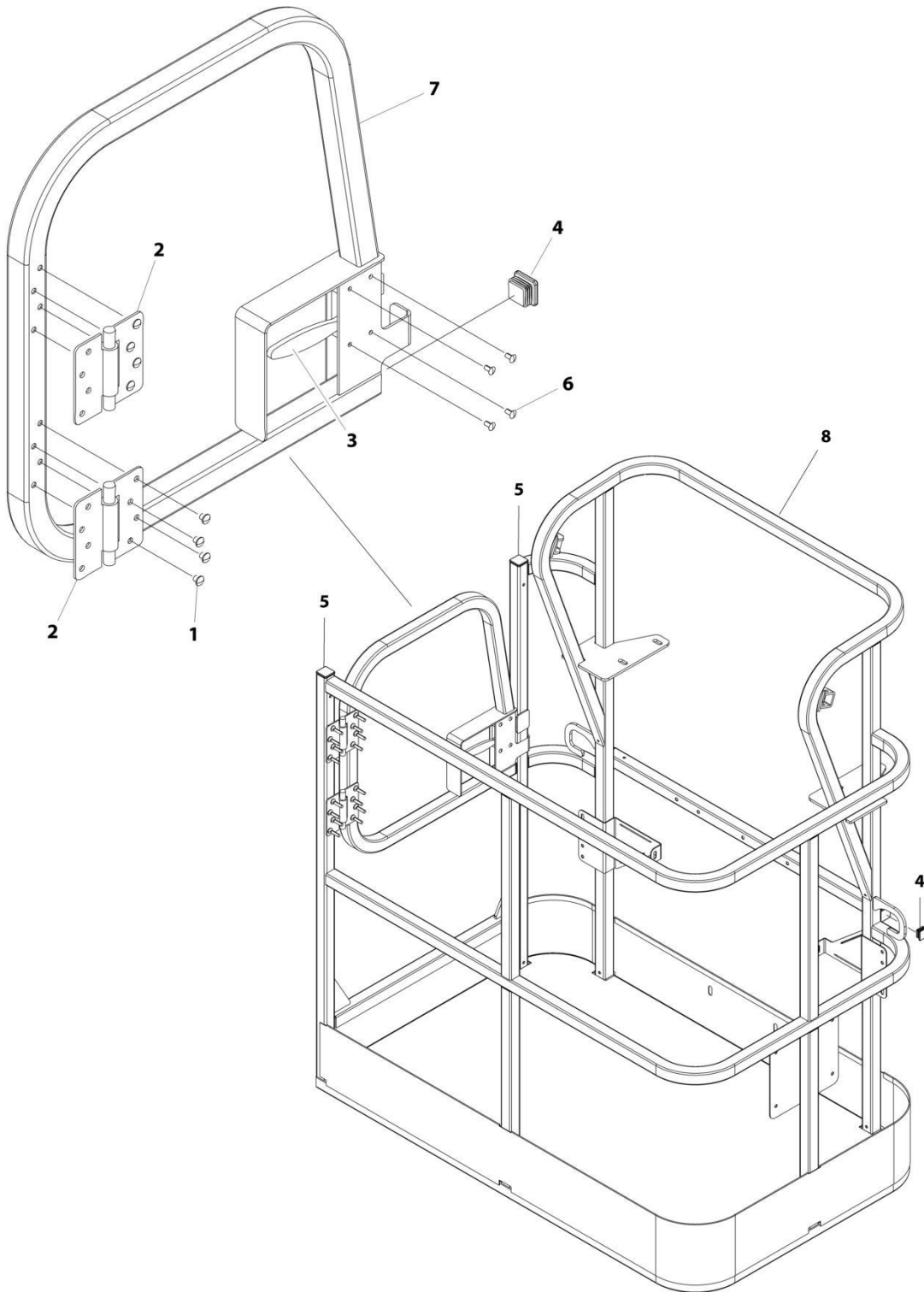
SECTION 5 - PLATFORM

FIGURE 5-1. PLATFORM ASSEMBLY - 4FT/1.22M - SIDE GATE ENTRY

ITEM	PART NUMBER	QTY	DESCRIPTION	REV
	1001186387	Ref	PLATFORM ASSEMBLY - 4ft/1.22m - SIDE GATE ENTRY	C
		Ref	Note: Platform and Mesh must be ordered separately for Platforms with Mesh. See SPECTIAL OPTIONS SECTION for Mesh Installations.	
		Ref	Note: Replacement Decals Must be Ordered Separately - See DECALS SECTION	
1	2080040	16	Fastener, Huck	
2	2600281	2	Hinge, Self-Closing	
3	2940074	1	Latch	
4	3520072	3	Plug, Cap	
5	3520198	2	Plug, Cap	
6	3820020	4	Rivet	
7	1001144629	1	Gate, Weldment	
8	See Note	1	Platform, Weldment (Note: Not Available - Purchase Platform Assembly)	

SECTION 5 - PLATFORM

FIGURE 5-2. PLATFORM ASSEMBLY - 5FT/1.52M - SIDE GATE ENTRY



ART_1001186386

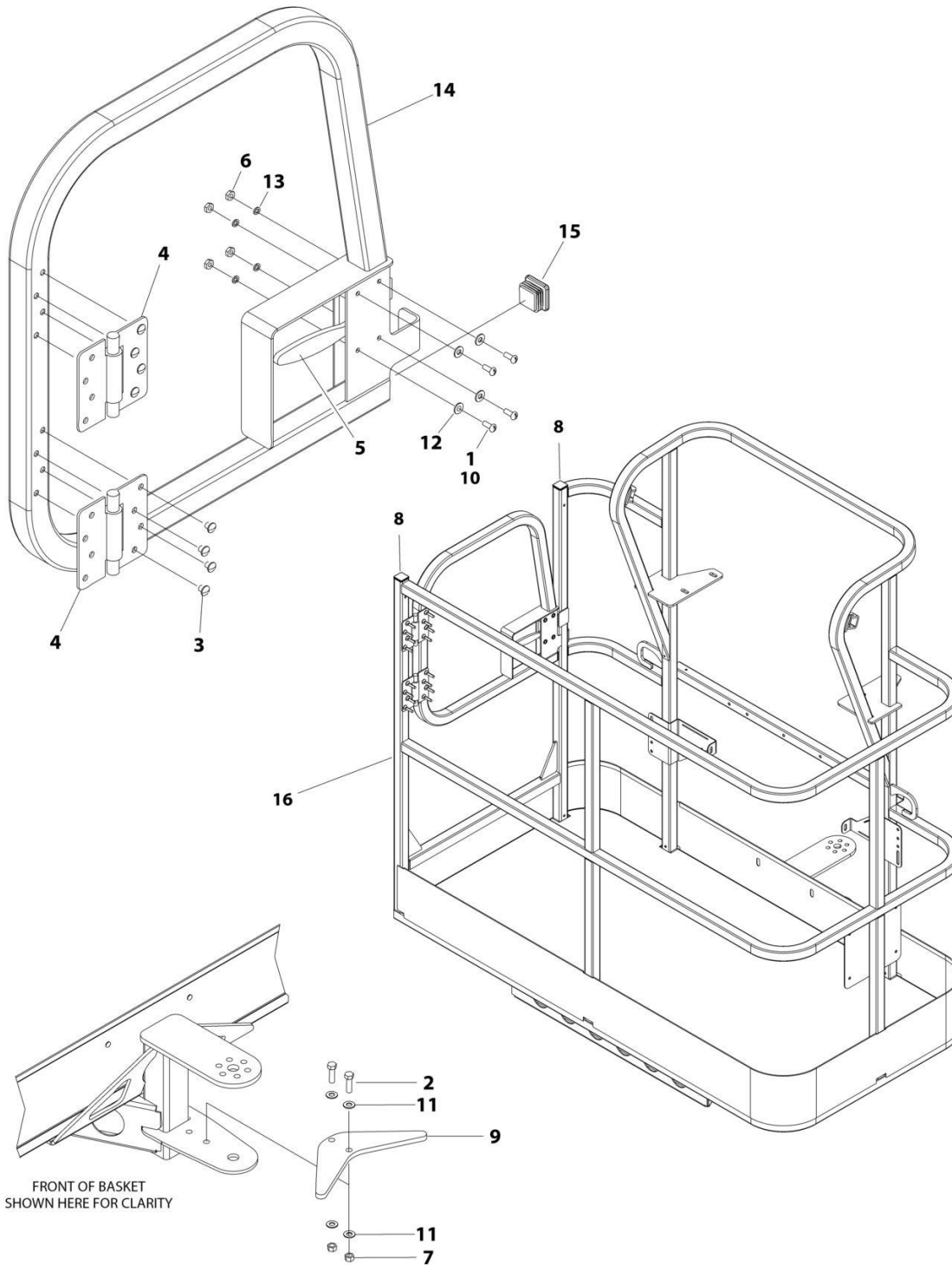
SECTION 5 - PLATFORM

FIGURE 5-2. PLATFORM ASSEMBLY - 5FT/1.52M - SIDE GATE ENTRY

ITEM	PART NUMBER	QTY	DESCRIPTION	REV
	1001186386	Ref	PLATFORM ASSEMBLY - 5ft/1.52m - SIDE GATE ENTRY	C
		Ref	Note: Platform and Mesh must be ordered separately for Platforms with Mesh. See SPECTIAL OPTIONS SECTION for Mesh Installations.	
		Ref	Note: Replacement Decals Must be Ordered Separately - See DECALS SECTION	
1	2080040	16	Fastener, Huck	
2	2600281	2	Hinge, Self-Closing	
3	2940074	1	Latch	
4	3520072	3	Plug, Cap	
5	3520198	2	Plug, Cap	
6	3820020	4	Rivet	
7	1001144629	1	Gate, Weldment	
8	See Note	1	Platform, Weldment (Note: Not Available - Purchase Platform Assembly)	

SECTION 5 - PLATFORM

FIGURE 5-3. PLATFORM ASSEMBLY - 5FT/1.52M - SIDE GATE ENTRY - W/STOP AND WITHOUT LSS OR WITH 4 CELL LSS



ART_1001188974

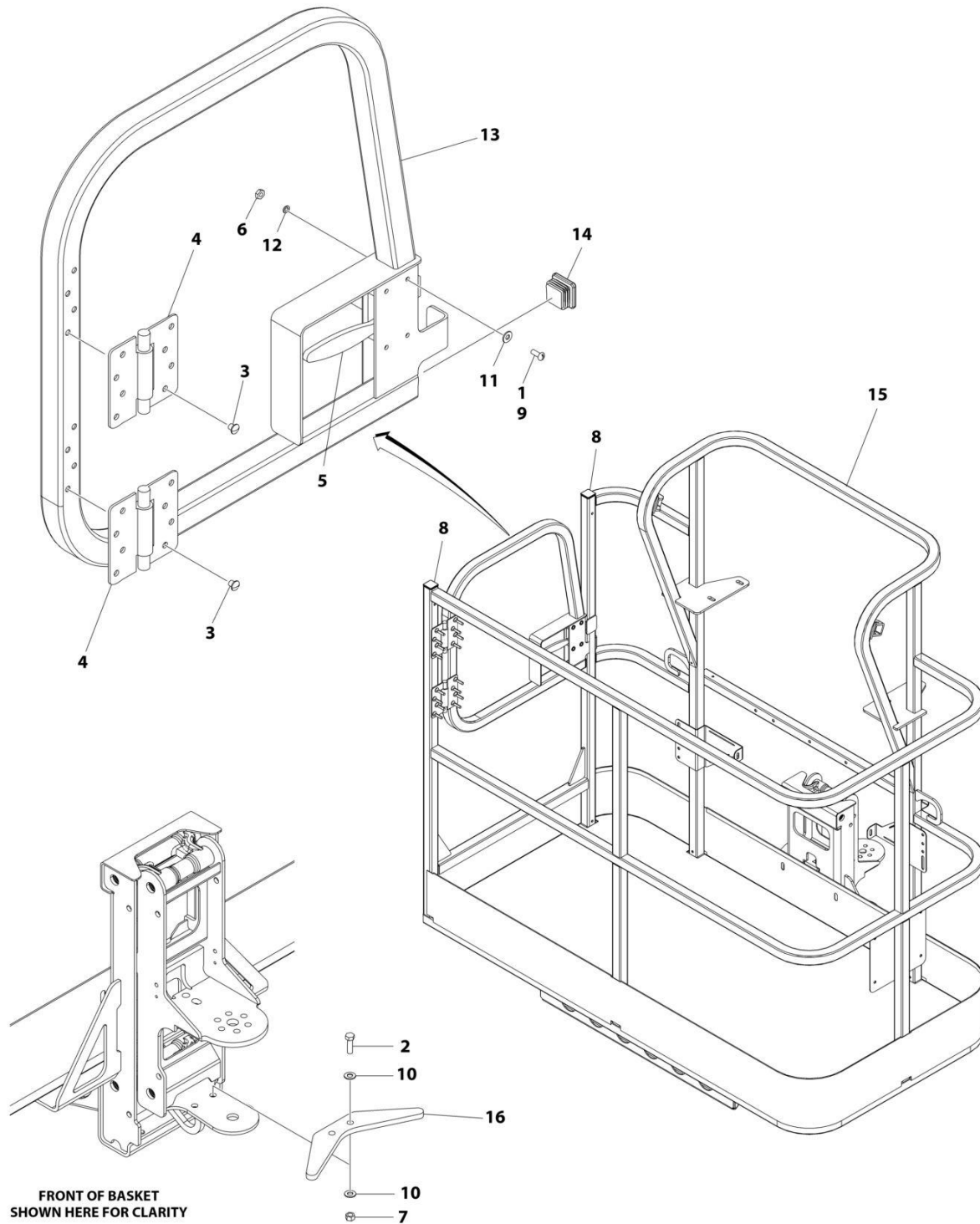
SECTION 5 - PLATFORM

FIGURE 5-3. PLATFORM ASSEMBLY - 5FT/1.52M - SIDE GATE ENTRY - W/STOP AND WITHOUT LSS OR WITH 4 CELL LSS

ITEM	PART NUMBER	QTY	DESCRIPTION	REV
	1001188974	Ref	PLATFORM ASSEMBLY - 5ft/1.52m - SIDE GATE ENTRY - W/STOP AND WITHOUT LSS OR WITH 4 CELL LSS	C
		Ref	Note: Platform and Mesh must be ordered separately for Platforms with Mesh. See SPECTIAL OPTIONS SECTION for Mesh Installations.	
		Ref	Note: Replacement Decals Must be Ordered Separately - See DECAL SECTION.	
1	0100011	AR	Compound, Locking	
2	0641610	2	Bolt 3/8-16 x 1-1/4	
3	2080040	16	Fastener, Huck (SN 0300208530 through 0300229853)	
4	2600281	2	Hinge, Self-Closing (SN 0300208530 through 0300229853)	
5	2940074	1	Latch (SN 0300208530 through 0300229853)	
6	3311001	4	Nut #10-24 (SN 0300208530 through 0300229853)	
7	3311605	2	Nut, Lock, 3/8-16	
8	3520198	2	Cap-Plug (SN 0300208530 through 0300229853)	
9	3572413	1	Stop	
10	3911008	4	Screw #10-24 x 1 (SN 0300208530 through 0300229853)	
11	4761000	4	Washer, Locking #10	
12	4751000	4	Washer, #10 (SN 0300208530 through 0300229853)	
13	4711600	4	Washer, 3/8 (SN 0300208530 through 0300229853)	
14	1001144629	1	Gate Weldment (SN 0300208530 through 0300229853)	
15	1001144630	1	Cap-Plug (SN 0300208530 through 0300229853)	
16	See Note	1	Platform Weldment (Note: Not Available - Purchase Platform Assembly)	

SECTION 5 - PLATFORM

FIGURE 5-4. PLATFORM ASSEMBLY - 5FT/1.52M - SIDE GATE ENTRY - W/STOP AND 1 CELL LSS



ART_1001222685

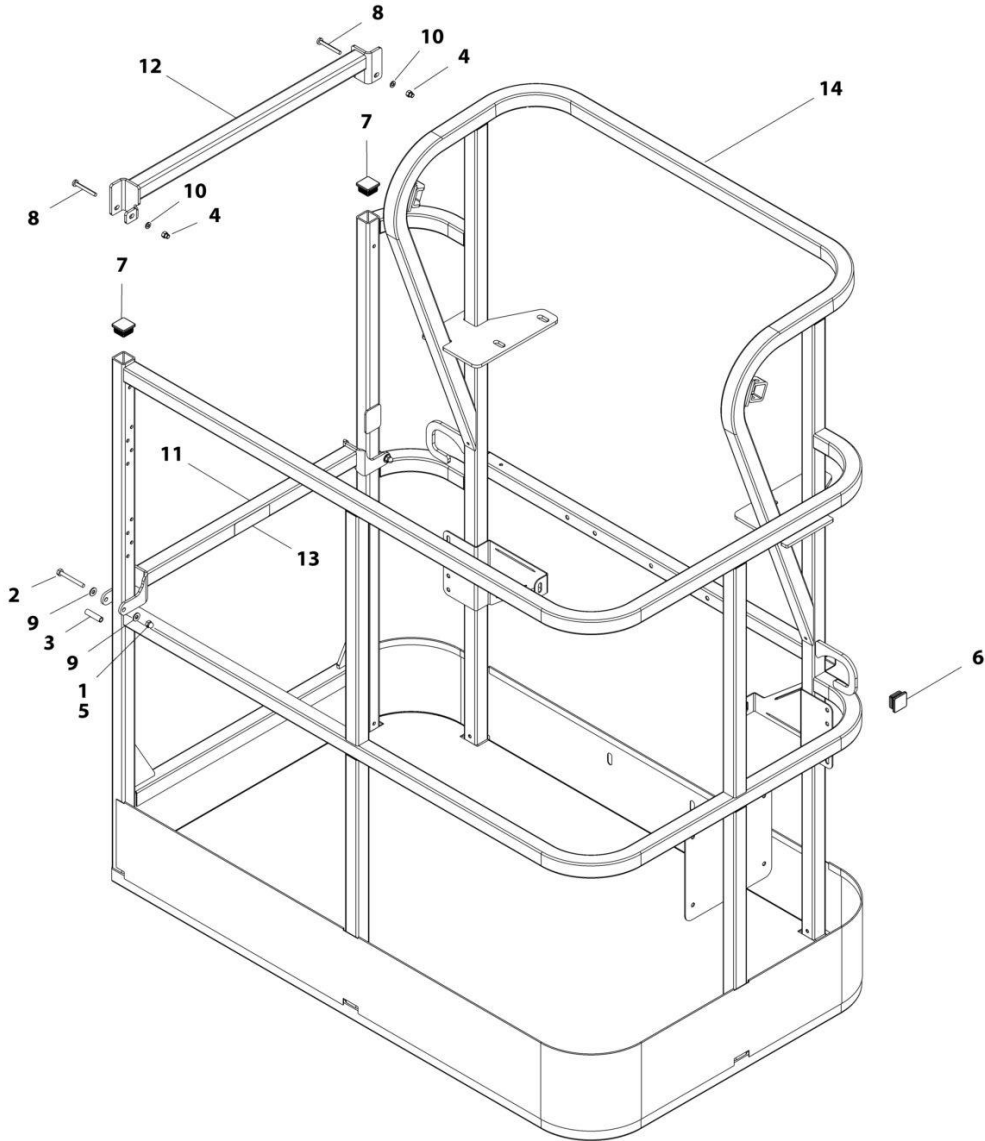
SECTION 5 - PLATFORM

FIGURE 5-4. PLATFORM ASSEMBLY - 5FT/1.52M - SIDE GATE ENTRY - W/STOP AND 1 CELL LSS

ITEM	PART NUMBER	QTY	DESCRIPTION	REV
	1001222685	Ref	PLATFORM ASSEMBLY - 5ft/1.52m - SIDE GATE ENTRY - W/STOP AND 1 CELL LSS	A
		Ref	Note: Platform and Mesh must be ordered separately for Platforms with Mesh. See SPECTIAL OPTIONS SECTION for Mesh Installations.	
		Ref	Note: Replacement Decals Must be Ordered Separately - See DECAL SECTION.	
1	0100011	AR	Compound, Locking	
2	0641610	2	Bolt 3/8-16 x 1-1/4	
3	2080040	16	Fastener, Huck	
4	2600281	2	Hinge, Self-Closing	
5	2940074	1	Latch	
6	3311001	4	Nut #10-24	
7	3311605	2	Nut, Lock, 3/8-16	
8	3520198	2	Cap-Plug	
9	3911008	4	Screw #10-24 x 1	
10	4711600	4	Washer, 3/8	
11	4751000	4	Washer, #10	
12	4761000	4	Washer, Locking #10	
13	1001144629	1	Gate Weldment	
14	1001144630	1	Cap-Plug	
15	See Note	1	Platform Weldment (Note: Not Available - Purchase Platform Assembly)	
16	1001217598	1	Stop	

SECTION 5 - PLATFORM

FIGURE 5-5. PLATFORM ASSEMBLY - 4FT/1.22M - DROP BAR ENTRY



ART_1001186375

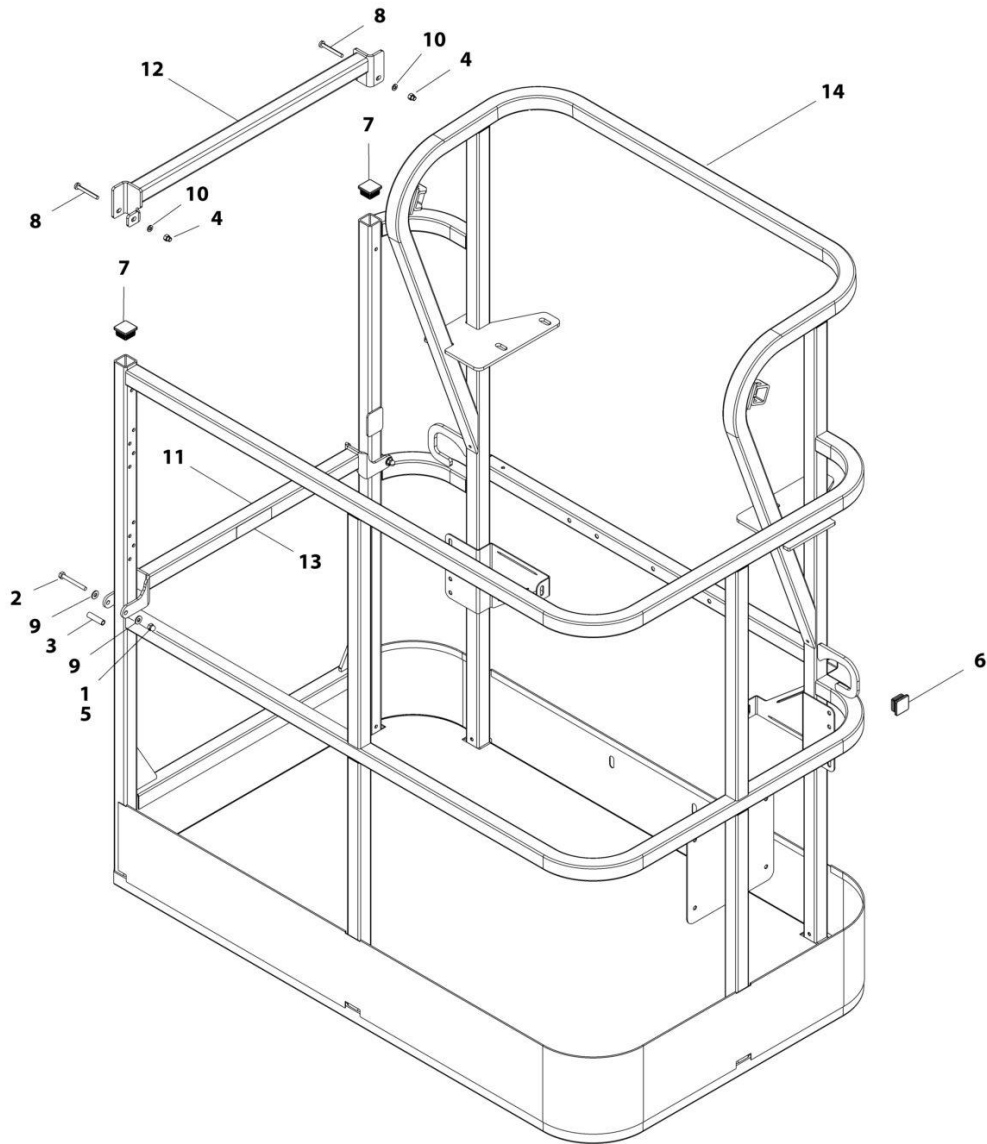
SECTION 5 - PLATFORM

FIGURE 5-5. PLATFORM ASSEMBLY - 4FT/1.22M - DROP BAR ENTRY

ITEM	PART NUMBER	QTY	DESCRIPTION	REV
	1001186375	Ref	PLATFORM ASSEMBLY - 4FT/1.22M - DROP BAR ENTRY	B
		Ref	Note: Replacement Decals Must be Ordered Separately - See DECALS SECTION	
1	0100011	AR	Compound, Locking	
2	0641418	2	Bolt, 1/4-20 X 2-1/4	
3	0961845	2	Bushing	
4	3290606	2	Nut, M6	
5	3300151	2	Nut, Acorn, 1/4-20	
6	3520072	2	Plug, Cap	
7	3520198	2	Plug, Cap	
8	4010618	2	Screw, M6 X 50	
9	4711400	4	Washer, 1/4	
10	4811700	2	Washer, M6	
11	1001138494	1	Bar, Drop	
12	1001138514	1	Rail - Top	
13	1001140429	1	Decal - Drop Bar	
14	See Note	1	Platform, Weldment (Note: Not Available - Purchase Platform Assembly)	

SECTION 5 - PLATFORM

FIGURE 5-6. PLATFORM ASSEMBLY - 5FT/1.52M - DROP BAR ENTRY



ART_1001186377

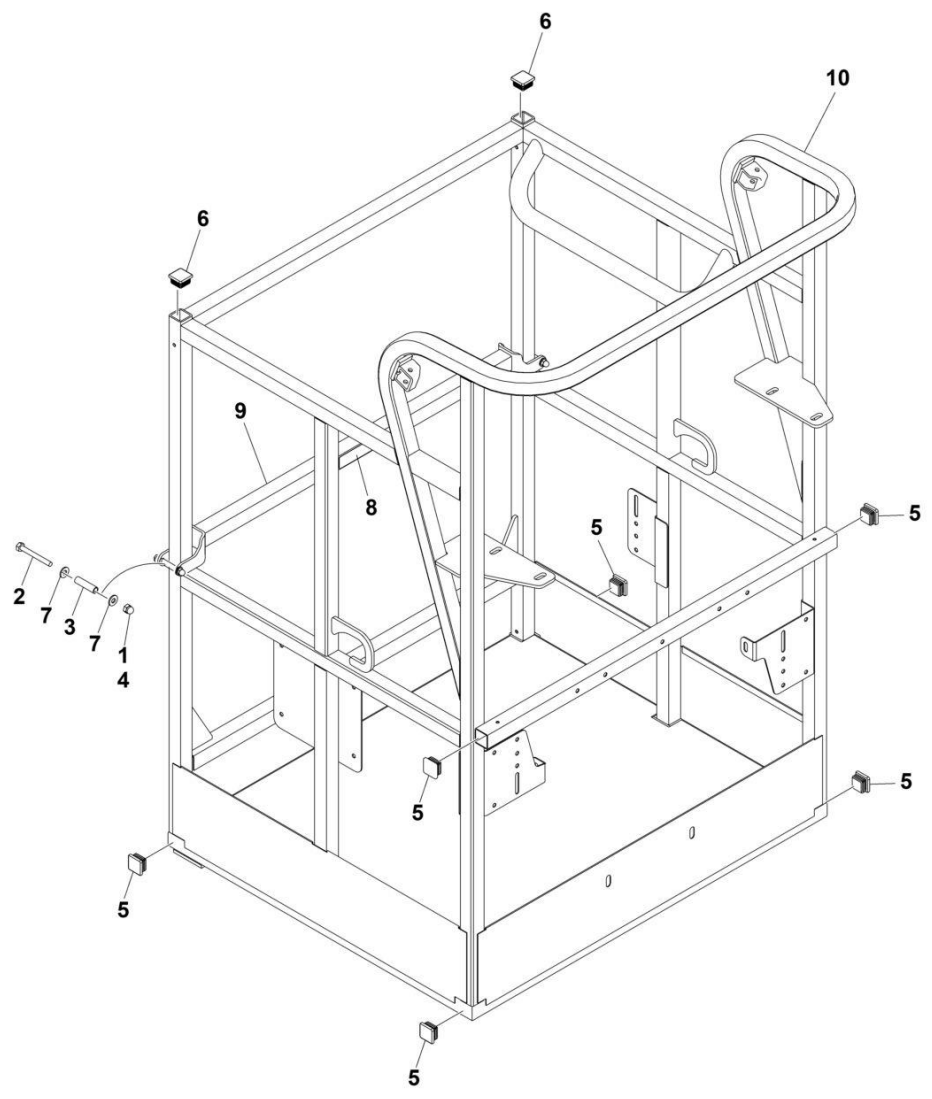
SECTION 5 - PLATFORM

FIGURE 5-6. PLATFORM ASSEMBLY - 5FT/1.52M - DROP BAR ENTRY

ITEM	PART NUMBER	QTY	DESCRIPTION	REV
	1001186377	Ref	PLATFORM ASSEMBLY - 5FT/1.52M - DROP BAR ENTRY	B
		Ref	Note: Replacement Decals Must be Ordered Separately - See DECALS SECTION	
1	0100011	AR	Compound, Locking	
2	0641418	2	Bolt, 1/4-20 X 2-1/4	
3	0961845	2	Bushing	
4	3290606	2	Nut, M6	
5	3300151	2	Nut, Acorn, 1/4-20	
6	3520072	2	Plug, Cap	
7	3520198	2	Plug, Cap	
8	4010618	2	Screw, M6 X 50	
9	4711400	4	Washer, 1/4	
10	4811700	2	Washer, M6	
11	1001138494	1	Bar, Drop	
12	1001138514	1	Rail - Top	
13	1001140429	1	Decal - Drop Bar	
14	See Note	1	Platform, Weldment (Note: Not Available - Purchase Platform Assembly)	

SECTION 5 - PLATFORM

FIGURE 5-7. PLATFORM ASSEMBLY - 5FT/1.52M - DROP BAR ENTRY



ART_1001228215

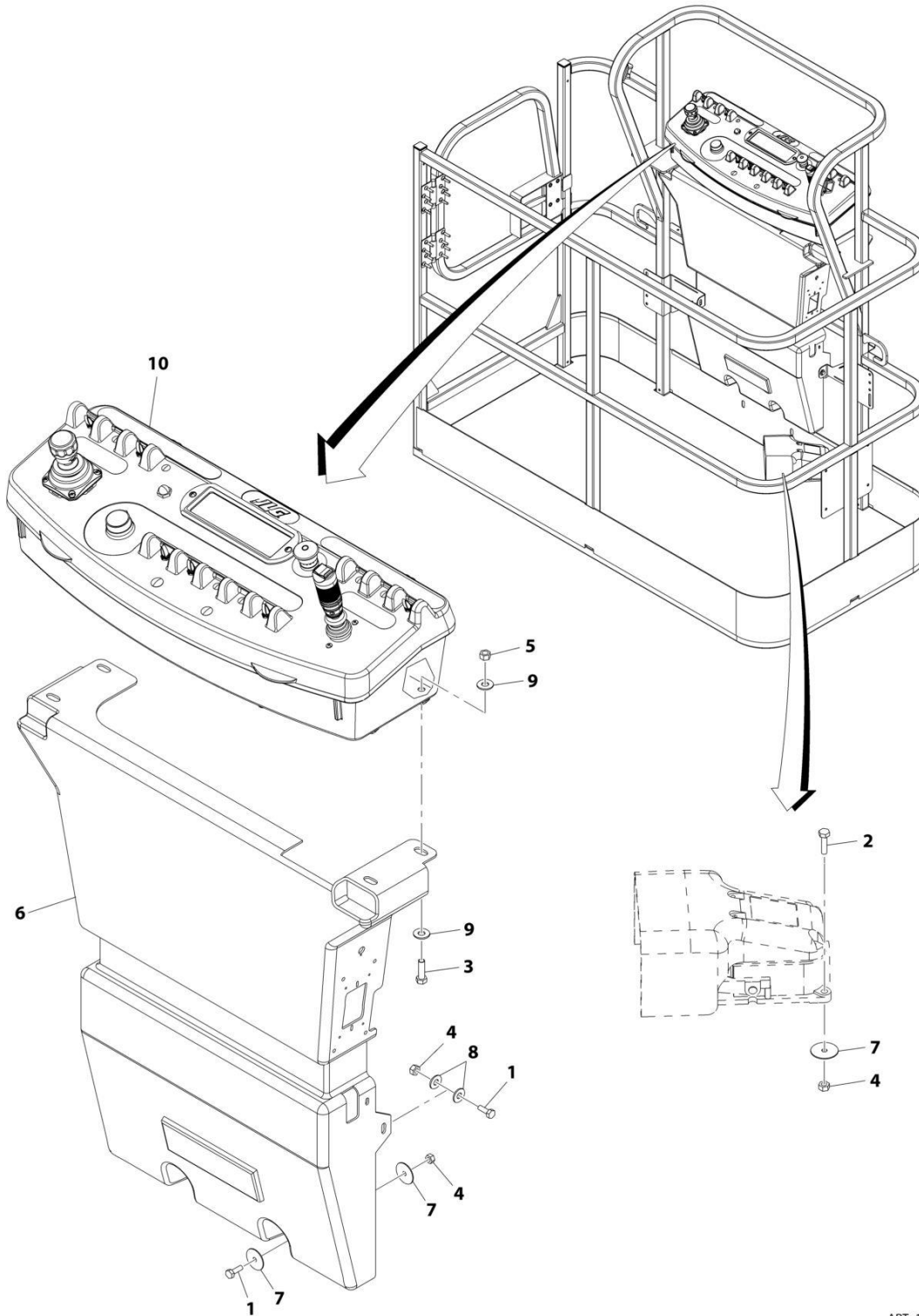
SECTION 5 - PLATFORM

FIGURE 5-7. PLATFORM ASSEMBLY - 5FT/1.52M - DROP BAR ENTRY

ITEM	PART NUMBER	QTY	DESCRIPTION	REV
	1001228215	Ref	PLATFORM ASSEMBLY	A
	See Note	Ref	Note: Platform and Mesh must be ordered separately for Platforms with Mesh. See SPECIAL OPTIONS SECTION for Mesh Installations.	
	See Note	Ref	Note: Replacement Decals Must be Ordered Separately - See DECAL SECTION.	
1	0100011	AR	Compound, Locking	
2	0641418	2	Bolt 1/4 x 2-1/4	
3	0961845	2	Bushing	
4	3300151	2	Nut 1/4	
5	3520072	6	Cap, Plug	
6	3520198	2	Cap, Plug	
7	4711400	4	Washer 1/4	
8	1001140429	1	Decal - Drop Bar	
9	1001226872	1	Bar, Drop	
10	See Note	NSS	Platform (Note: Not Available - Purchase Platform Assembly)	

SECTION 5 - PLATFORM

FIGURE 5-8. PLATFORM CONSOLE AND FOOTSWITCH INSTALLATION - WITHOUT LSS OR WITH 4 CELL LSS - WITHOUT SKYGUARD (E400ANARROW)



ART_1001183512

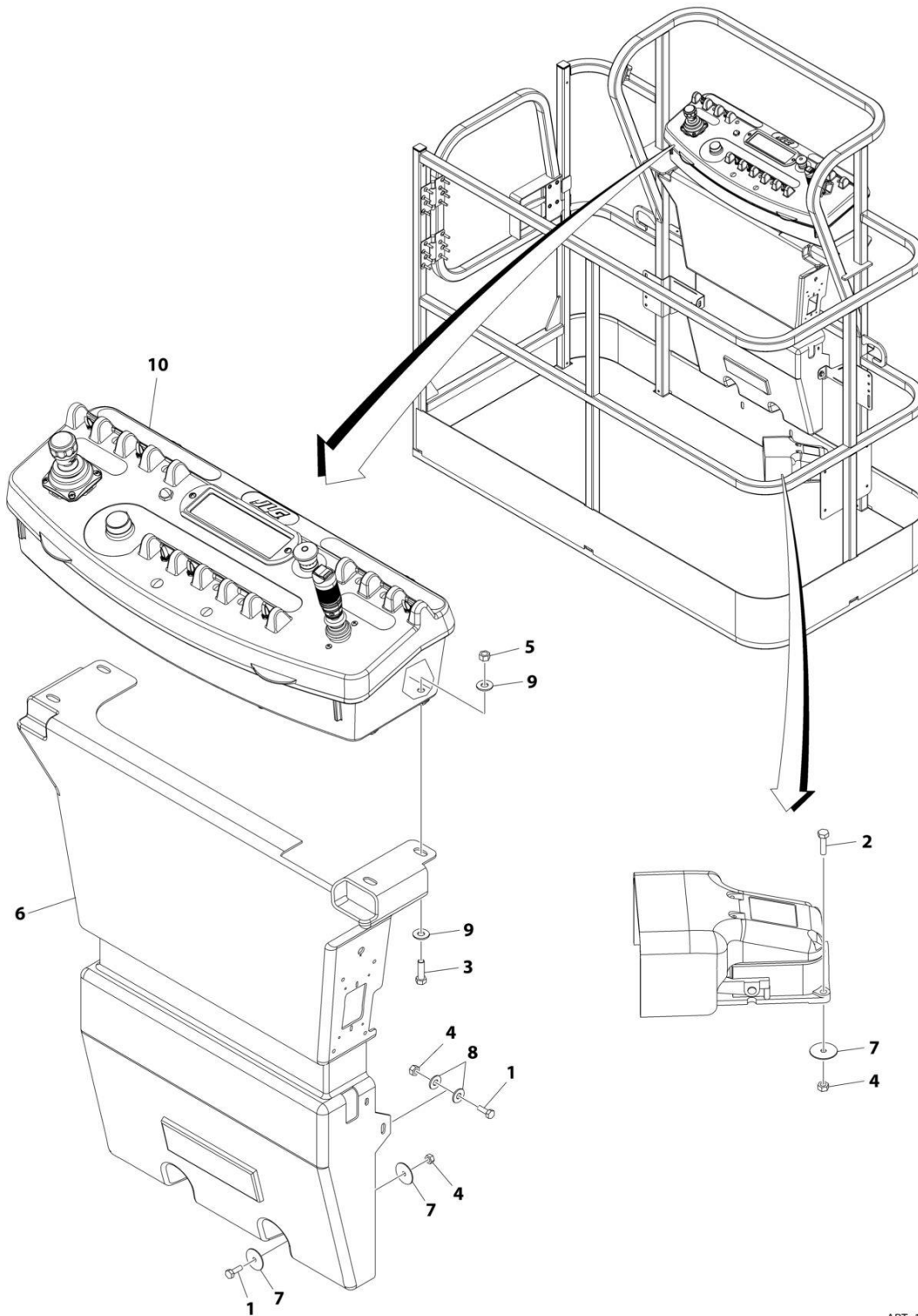
SECTION 5 - PLATFORM

FIGURE 5-8. PLATFORM CONSOLE AND FOOTSWITCH INSTALLATION - WITHOUT LSS OR WITH 4 CELL LSS - WITHOUT SKYGUARD (E400ANARROW)

ITEM	PART NUMBER	QTY	DESCRIPTION	REV
	1001183512	Ref	PLATFORM CONSOLE AND FOOTSWITCH INSTALLATION - WITHOUT LSS OR WITH 4 CELL LSS - WITHOUT SKYGUARD	B
1	0641406	4	Bolt, 1/4-20 X 3/4	
2	0641408	3	Bolt, 1/4-20 X 1	
3	0641610	4	Bolt, 3/8-16 X 1-1/4	
4	3311405	7	Nut, Lock, 1/4-20	
5	3311605	4	Nut, Lock, 3/8-16	
6	3380434	1	Panel, Pedestal	
7	4740362	7	Washer, 1/4	
8	4751400	4	Washer, 1/4	
9	4751600	8	Washer, 3/8	
10	1001183693	NLA	Platform Console Assembly (See PLATFORM CONSOLE ASSEMBLY for Breakdown) (Use p/n 1001202581) (SN 0300208530 through 0300219911)	
10	1001202581	1	Platform Console Assembly (See PLATFORM CONSOLE ASSEMBLY for Breakdown) (SN 0300219912 through 0300272265)	

SECTION 5 - PLATFORM

FIGURE 5-9. PLATFORM CONSOLE AND FOOTSWITCH INSTALLATION - WITHOUT LSS OR WITH 4 CELL LSS - WITH SKYGUARD - UL SPECS (E400ANARROW) (SN 0300208530 through 0300256446)



ART_1001216147

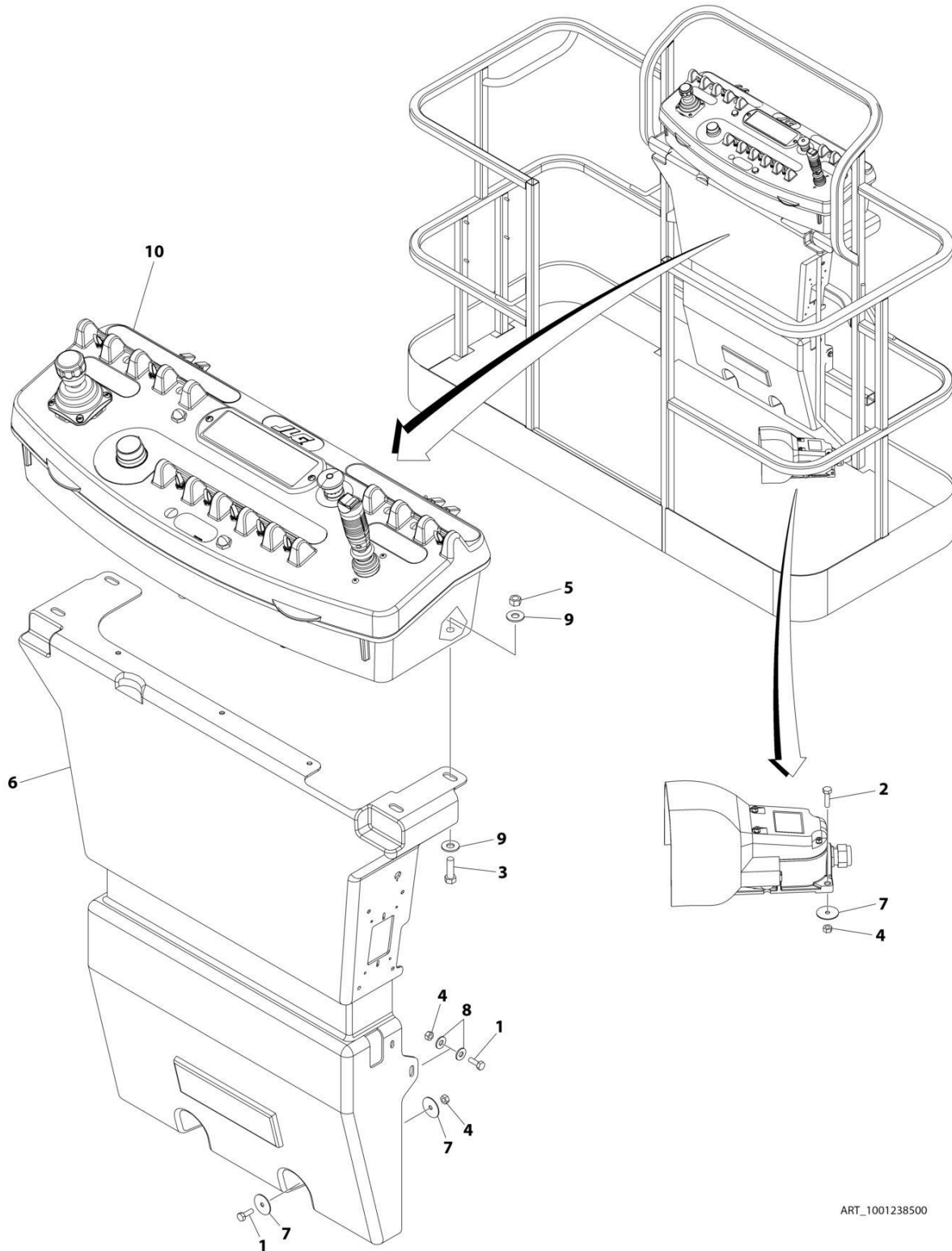
SECTION 5 - PLATFORM

FIGURE 5-9. PLATFORM CONSOLE AND FOOTSWITCH INSTALLATION - WITHOUT LSS OR WITH 4 CELL LSS - WITH SKYGUARD - UL SPECS (E400ANARROW) (SN 0300208530 through 0300256446)

ITEM	PART NUMBER	QTY	DESCRIPTION	REV
	1001216147	Ref	PLATFORM CONSOLE AND FOOTSWITCH INSTALLATION - WITHOUT LSS OR WITH 4 CELL LSS - WITH SKYGUARD	B
1	0641406	4	Bolt, 1/4-20 X 3/4	
2	0641408	3	Bolt, 1/4-20 X 1	
3	0641610	4	Bolt, 3/8-16 X 1-1/4	
4	3311405	7	Nut, Lock, 1/4-20	
5	3311605	4	Nut, Lock, 3/8-16	
6	3380434	1	Panel, Pedestal	
7	4740362	7	Washer, 1/4	
8	4751400	4	Washer, 1/4	
9	4751600	8	Washer, 3/8	
10	1001216153	NLA	Platform Console Assembly (Use p/n 1001238493) (See PLATFORM CONSOLE ASSEMBLY - WITH SKYGUARD - UL SPECS for Breakdown)	

SECTION 5 - PLATFORM

FIGURE 5-10. PLATFORM CONSOLE AND FOOTSWITCH INSTALLATION - WITHOUT LSS OR WITH 4 CELL LSS - UL SPECS (E400ANARROW) (SN 0300256447 through 0300272265)



ART_1001238500

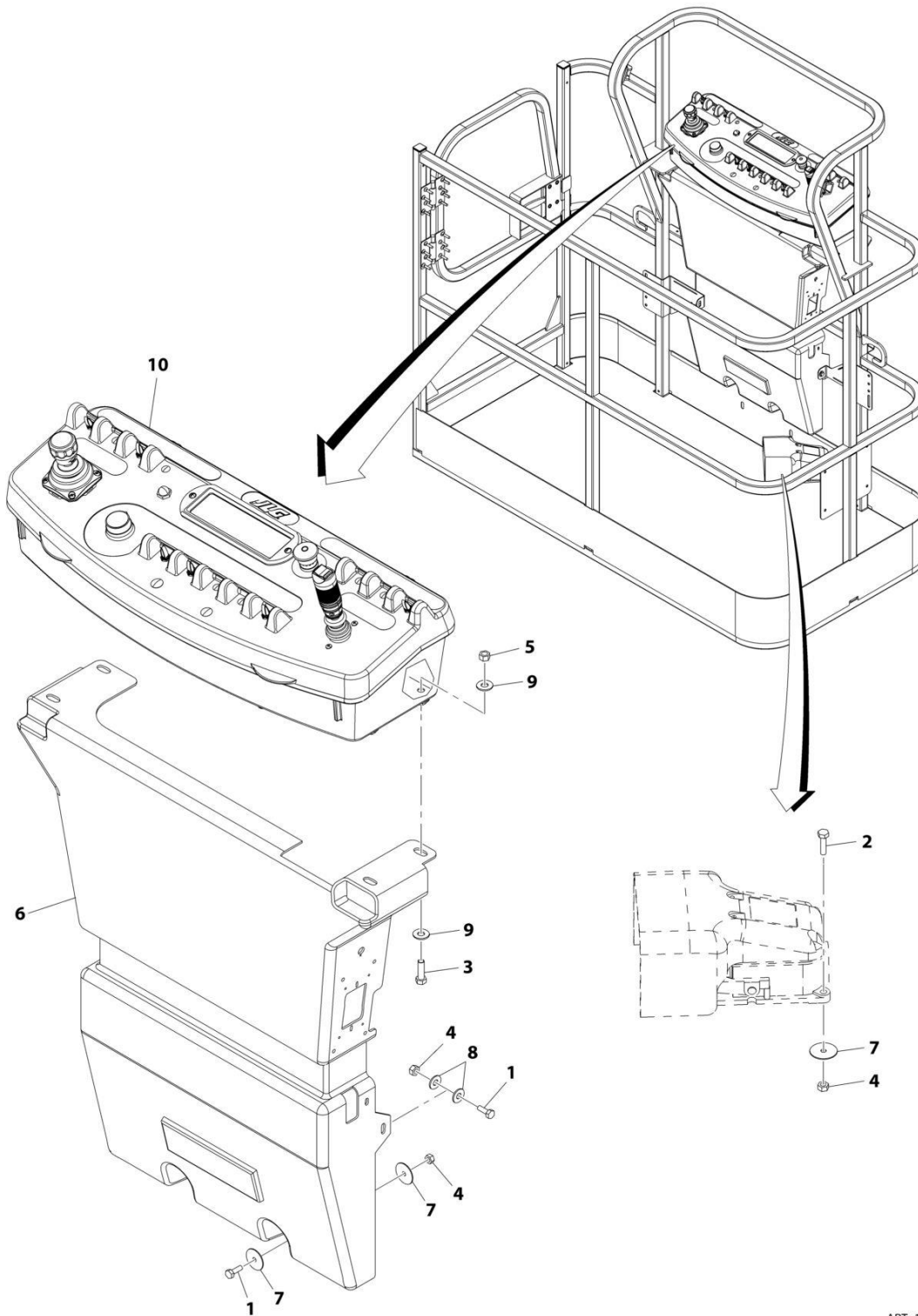
SECTION 5 - PLATFORM

FIGURE 5-10. PLATFORM CONSOLE AND FOOTSWITCH INSTALLATION - WITHOUT LSS OR WITH 4 CELL LSS - UL SPECS (E400ANARROW) (SN 0300256447 through 0300272265)

ITEM	PART NUMBER	QTY	DESCRIPTION	REV
	1001238500	Ref	PLATFORM CONSOLE AND FOOTSWITCH INSTALLATION (UL SPECS)	A
1	0641406	4	Bolt, 1/4-20 X 3/4	
2	0641408	3	Bolt, 1/4-20 X 1	
3	0641610	4	Bolt, 3/8-16 X 1-1/4	
4	3311405	7	Nut, Lock, 1/4-20	
5	3311605	4	Nut, Lock, 3/8-16	
6	3380434	1	Panel, Pedestal	
7	4740362	7	Washer, 1/4	
8	4751400	4	Washer, 1/4	
9	4751600	8	Washer, 3/8	
10	1001238493	1	Platform Console Assembly (See PLATFORM CONSOLE ASSEMBLY - WITH SKYGUARD (UL SPECS) for Breakdown)	

SECTION 5 - PLATFORM

FIGURE 5-11. PLATFORM CONSOLE AND FOOTSWITCH INSTALLATION - WITHOUT LSS OR WITH 4 CELL LSS - WITH SKYGUARD (E400ANARROW) (SN 0300208530 through 0300240700)



ART_1001196487

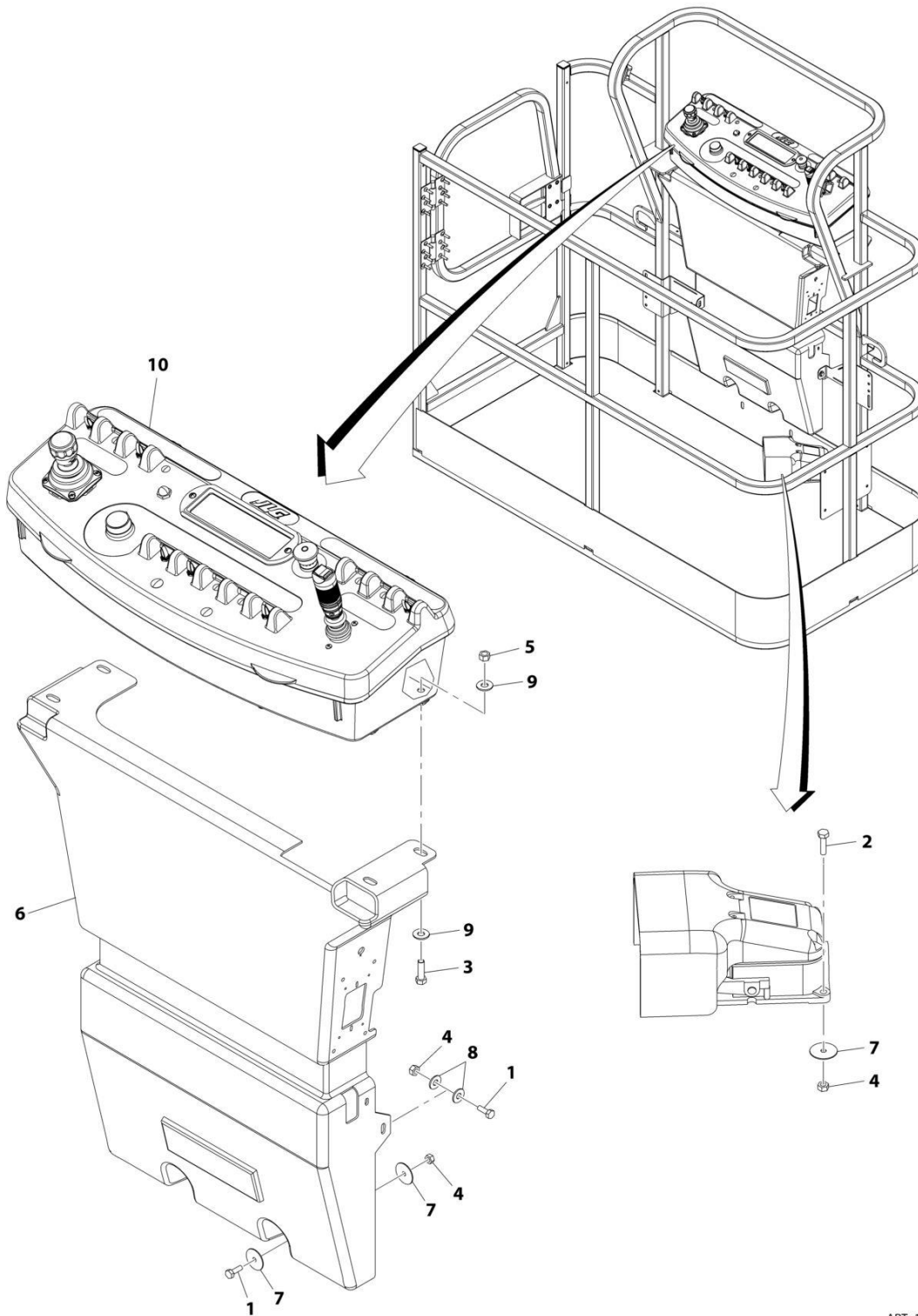
SECTION 5 - PLATFORM

FIGURE 5-11. PLATFORM CONSOLE AND FOOTSWITCH INSTALLATION - WITHOUT LSS OR WITH 4 CELL LSS - WITH SKYGUARD (E400ANARROW) (SN 0300208530 through 0300240700)

ITEM	PART NUMBER	QTY	DESCRIPTION	REV
	1001196487	Ref	PLATFORM CONSOLE AND FOOTSWITCH INSTALLATION - WITHOUT LSS OR WITH 4 CELL LSS - WITH SKYGUARD	C
1	0641406	4	Bolt, 1/4-20 X 3/4	
2	0641408	3	Bolt, 1/4-20 X 1	
3	0641610	4	Bolt, 3/8-16 X 1-1/4	
4	3311405	7	Nut, Lock, 1/4-20	
5	3311605	4	Nut, Lock, 3/8-16	
6	3380434	1	Panel, Pedestal	
7	4740362	7	Washer, 1/4	
8	4751400	4	Washer, 1/4	
9	4751600	8	Washer, 3/8	
10	1001196486	NLA	Platform Console Assembly (See PLATFORM CONSOLE ASSEMBLY for Breakdown) (Use p/n 1001202585) (SN 0300208530 through 0300219911)	
10	1001202585	1	Platform Console Assembly (See PLATFORM CONSOLE ASSEMBLY for Breakdown) (SN 0300219912 through 0300240700)	

SECTION 5 - PLATFORM

FIGURE 5-12. PLATFORM CONSOLE AND FOOTSWITCH INSTALLATION - WITHOUT LSS OR WITH 4 CELL LSS - WITHOUT SKYGUARD (E400AJP,E400AJPNARROW,M400AJP,M400AJPNARROW)



ART_1001183338

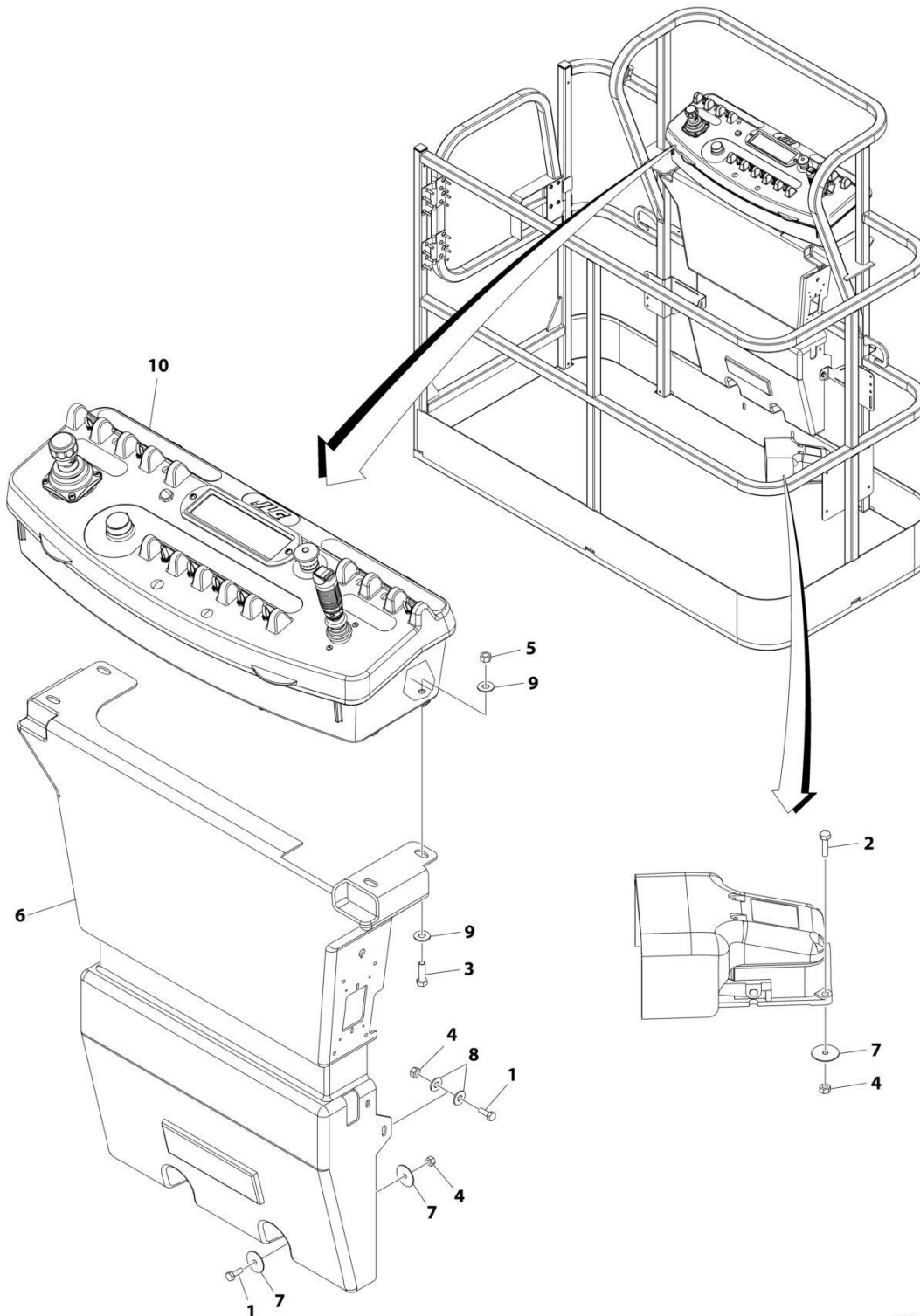
SECTION 5 - PLATFORM

FIGURE 5-12. PLATFORM CONSOLE AND FOOTSWITCH INSTALLATION - WITHOUT LSS OR WITH 4 CELL LSS - WITHOUT SKYGUARD (E400AJP,E400AJPNARROW,M400AJP,M400AJPNARROW)

ITEM	PART NUMBER	QTY	DESCRIPTION	REV
	1001183338	Ref	PLATFORM CONSOLE AND FOOTSWITCH INSTALLATION - WITHOUT LSS OR WITH 4 CELL LSS - WITHOUT SKYGUARD	B
1	0641406	4	Bolt, 1/4-20 X 3/4	
2	0641408	3	Bolt, 1/4-20 X 1	
3	0641610	4	Bolt, 3/8-16 X 1-1/4	
4	3311405	7	Nut, Lock, 1/4-20	
5	3311605	4	Nut, Lock, 3/8-16	
6	3380434	1	Panel, Pedestal	
7	4740362	7	Washer, 1/4	
8	4751400	4	Washer, 1/4	
9	4751600	8	Washer, 3/8	
10	1001176101	NLA	Platform Console Assembly (See PLATFORM CONSOLE ASSEMBLY for Breakdown) (Use p/n 1001204515) (SN 0300208530 through 0300219911)	
10	1001204515	1	Platform Console Assembly (See PLATFORM CONSOLE ASSEMBLY for Breakdown) (SN 0300219912 through 0300272265)	

SECTION 5 - PLATFORM

FIGURE 5-13. PLATFORM CONSOLE AND FOOTSWITCH INSTALLATION - WITHOUT LSS OR WITH 4 CELL LSS - WITH SKYGUARD - UL SPECS (E400AJP,E400AJPNARROW) (SN 0300208530 through 0300256446)



ART_1001216148

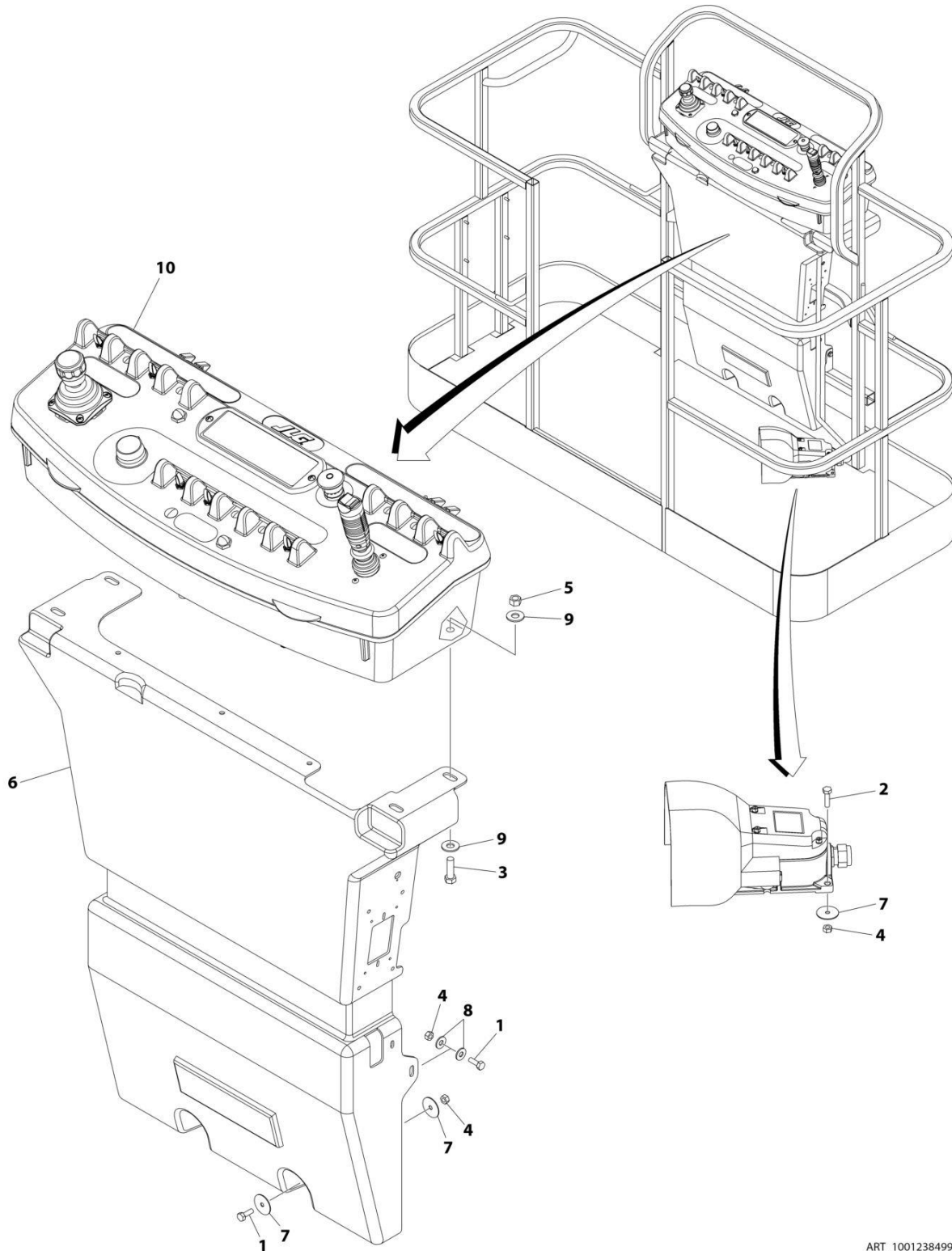
SECTION 5 - PLATFORM

FIGURE 5-13. PLATFORM CONSOLE AND FOOTSWITCH INSTALLATION - WITHOUT LSS OR WITH 4 CELL LSS - WITH SKYGUARD - UL SPECS (E400AJP,E400AJPNARROW) (SN 0300208530 through 0300256446)

ITEM	PART NUMBER	QTY	DESCRIPTION	REV
	1001216148	Ref	PLATFORM CONSOLE AND FOOTSWITCH INSTALLATION - WITHOUT LSS OR WITH 4 CELL LSS - WITH SKYGUARD	B
1	0641406	4	Bolt, 1/4-20 X 3/4	
2	0641408	3	Bolt, 1/4-20 X 1	
3	0641610	4	Bolt, 3/8-16 X 1-1/4	
4	3311405	7	Nut, Lock, 1/4-20	
5	3311605	4	Nut, Lock, 3/8-16	
6	3380434	1	Panel, Pedestal	
7	4740362	7	Washer, 1/4	
8	4751400	4	Washer, 1/4	
9	4751600	8	Washer, 3/8	
10	1001216154	NLA	Platform Console Assembly (Use p/n 1001238491) (See PLATFORM CONSOLE ASSEMBLY - WITH SKYGUARD - UL SPECS for Breakdown)	

SECTION 5 - PLATFORM

FIGURE 5-14. PLATFORM CONSOLE AND FOOTSWITCH INSTALLATION - WITHOUT LSS OR WITH 1 CELL LSS - UL SPECS (E400AJP,E400AJPNARROW) (SN 0300256447 through 0300272265)



ART_1001238499

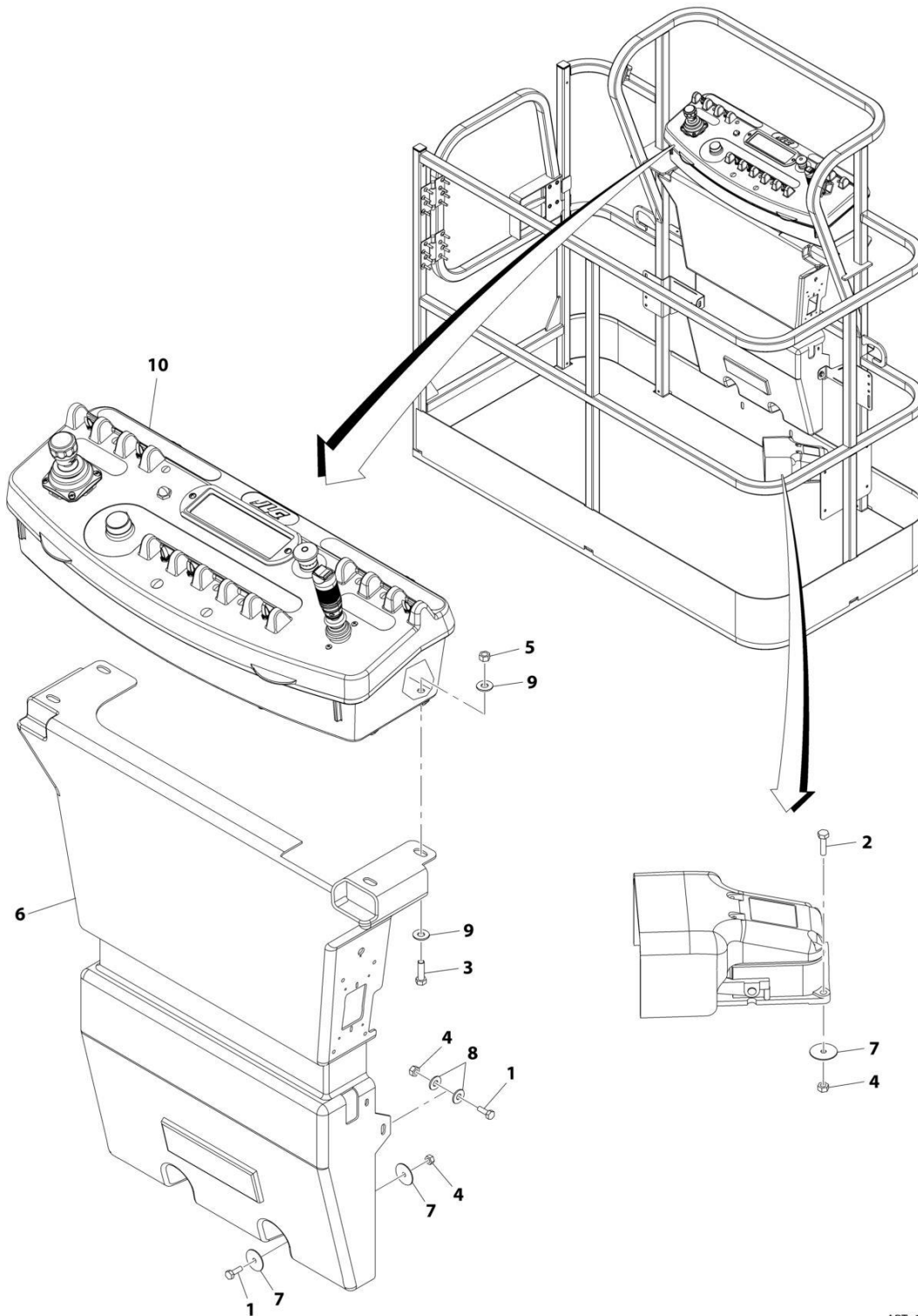
SECTION 5 - PLATFORM

FIGURE 5-14. PLATFORM CONSOLE AND FOOTSWITCH INSTALLATION - WITHOUT LSS OR WITH 1 CELL LSS - UL SPECS (E400AJP,E400AJPNARROW) (SN 0300256447 through 0300272265)

ITEM	PART NUMBER	QTY	DESCRIPTION	REV
	1001238499	Ref	PLATFORM CONSOLE AND FOOTSWITCH INSTALLATION - WITHOUT LSS OR WITH 1 CELL LSS	A
1	0641406	4	Bolt, 1/4-20 X 3/4	
2	0641408	3	Bolt, 1/4-20 X 1	
3	0641610	4	Bolt, 3/8-16 X 1-1/4	
4	3311405	7	Nut, Lock, 1/4-20	
5	3311605	4	Nut, Lock, 3/8-16	
6	3380434	1	Panel, Pedestal	
7	4740362	7	Washer, 1/4	
8	4751400	4	Washer, 1/4	
9	4751600	8	Washer, 3/8	
10	1001238491	1	Platform Console Assembly (See PLATFORM CONSOLE ASSEMBLY - UL SPECS for Breakdown)	

SECTION 5 - PLATFORM

FIGURE 5-15. PLATFORM CONSOLE AND FOOTSWITCH INSTALLATION - WITHOUT LSS OR WITH 4 CELL LSS - WITH SKYGUARD (E400AJP,E400AJPNARROW,M400AJP,M400AJPNARROW) (SN 0300208530 through 0300240700)



ART_1001196500

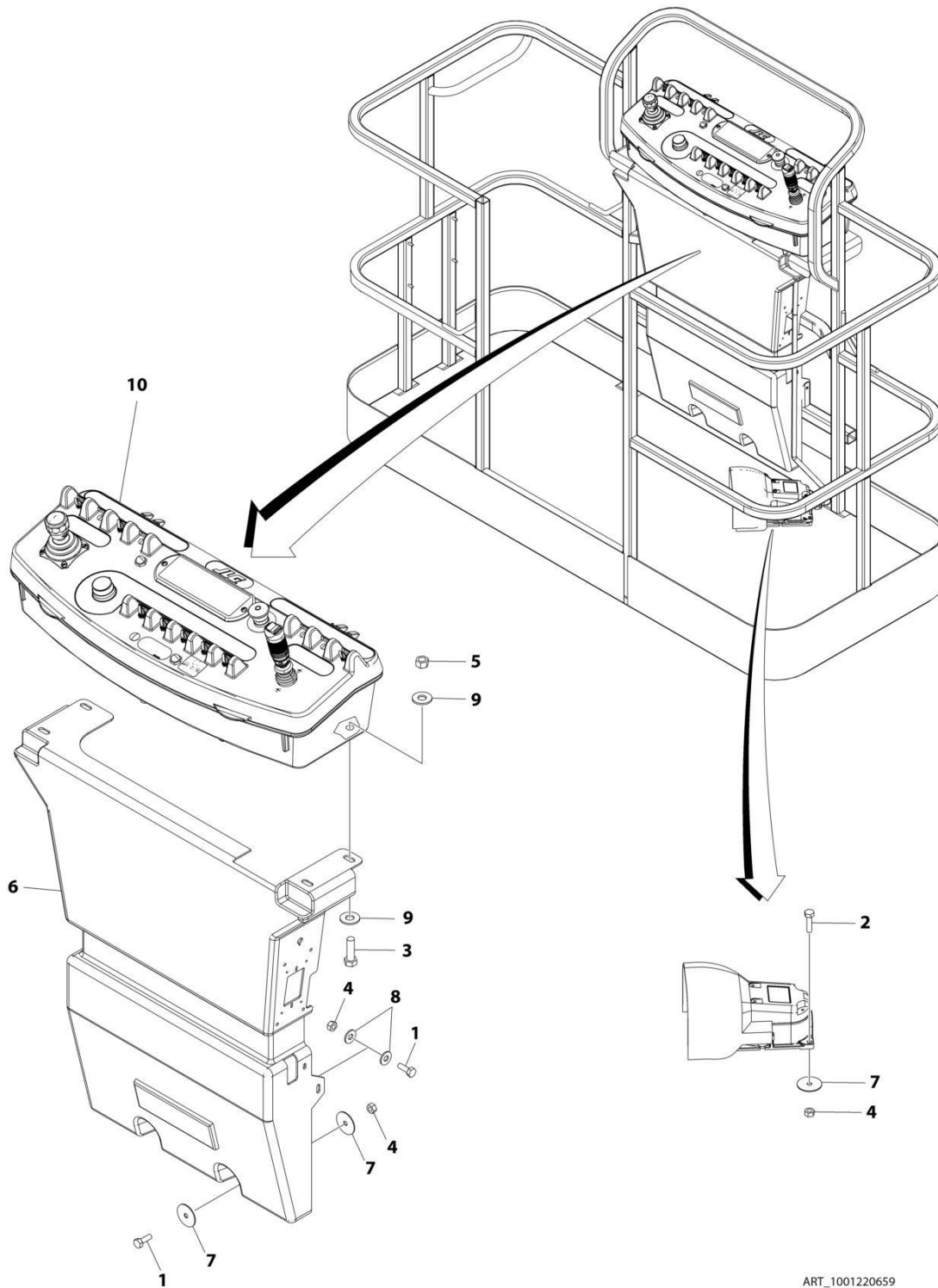
SECTION 5 - PLATFORM

FIGURE 5-15. PLATFORM CONSOLE AND FOOTSWITCH INSTALLATION - WITHOUT LSS OR WITH 4 CELL LSS - WITH SKYGUARD (E400AJP,E400AJPNARROW,M400AJP,M400AJPNARROW) (SN 0300208530 through 0300240700)

ITEM	PART NUMBER	QTY	DESCRIPTION	REV
	1001196500	Ref	PLATFORM CONSOLE AND FOOTSWITCH INSTALLATION - WITHOUT LSS OR WITH 4 CELL LSS - WITH SKYGUARD	C
1	0641406	4	Bolt, 1/4-20 X 3/4	
2	0641408	3	Bolt, 1/4-20 X 1	
3	0641610	4	Bolt, 3/8-16 X 1-1/4	
4	3311405	7	Nut, Lock, 1/4-20	
5	3311605	4	Nut, Lock, 3/8-16	
6	3380434	1	Panel, Pedestal	
7	4740362	7	Washer, 1/4	
8	4751400	4	Washer, 1/4	
9	4751600	8	Washer, 3/8	
10	1001196484	NLA	Platform Console Assembly (See PLATFORM CONSOLE ASSEMBLY for Breakdown) (Use p/n 1001202580) (SN 0300208530 through 0300219911)	
10	1001202580	1	Platform Console Assembly (See PLATFORM CONSOLE ASSEMBLY for Breakdown) (SN 0300219912 through 0300240699)	
10	1001218651	NLA	Platform Console Assembly (Use p/n 1001238489) (See PLATFORM CONSOLE ASSEMBLY for Breakdown) (SN 0300240700 through 0300272265)	

SECTION 5 - PLATFORM

FIGURE 5-16. PLATFORM CONSOLE AND FOOTSWITCH INSTALLATION - WITH SKYGUARD AND 1 CELL LSS (E400AJP,E400AJPNARROW,M400AJP,M400AJPNARROW) (SN 0300240700 through 0300256446)



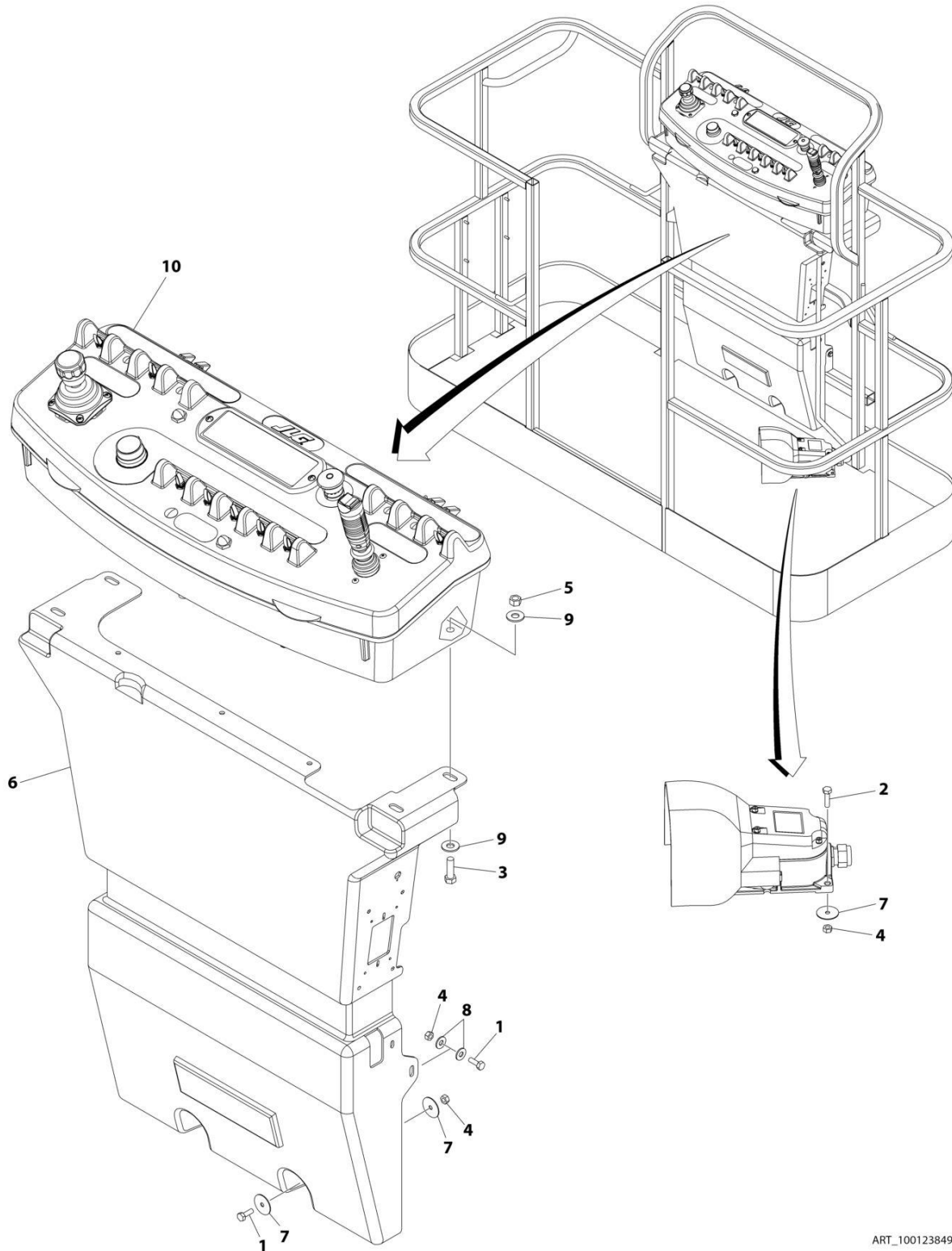
SECTION 5 - PLATFORM

FIGURE 5-16. PLATFORM CONSOLE AND FOOTSWITCH INSTALLATION - WITH SKYGUARD AND 1 CELL LSS (E400AJP,E400AJPNARROW,M400AJP,M400AJPNARROW) (SN 0300240700 through 0300256446)

ITEM	PART NUMBER	QTY	DESCRIPTION	REV
	1001220659	Ref	PLATFORM CONSOLE AND FOOTSWITCH INSTALLATION - WITH SKYGUARD AND 1 CELL LSS	B
1	0641406	4	Bolt, 1/4-20 X 3/4	
2	0641408	3	Bolt, 1/4-20 X 1	
3	0641610	4	Bolt, 3/8-16 X 1-1/4	
4	3311405	7	Nut, Lock, 1/4-20	
5	3311605	4	Nut, Lock, 3/8-16	
6	3380434	1	Panel, Pedestal	
7	4740362	7	Washer, 1/4	
8	4751400	4	Washer, 1/4	
9	4751600	8	Washer, 3/8	
10	1001218651	NLA	Platform Console Assembly (Use p/n 1001238489) (See PLATFORM CONSOLE ASSEMBLY for Breakdown)	

SECTION 5 - PLATFORM

FIGURE 5-17. PLATFORM CONSOLE AND FOOTSWITCH INSTALLATION - WITH 1 CELL LSS (E400AJP,E400AJPNARROW,M400AJP,M400AJPNARROW) (SN 0300256447 through 0300272265)



ART_1001238497

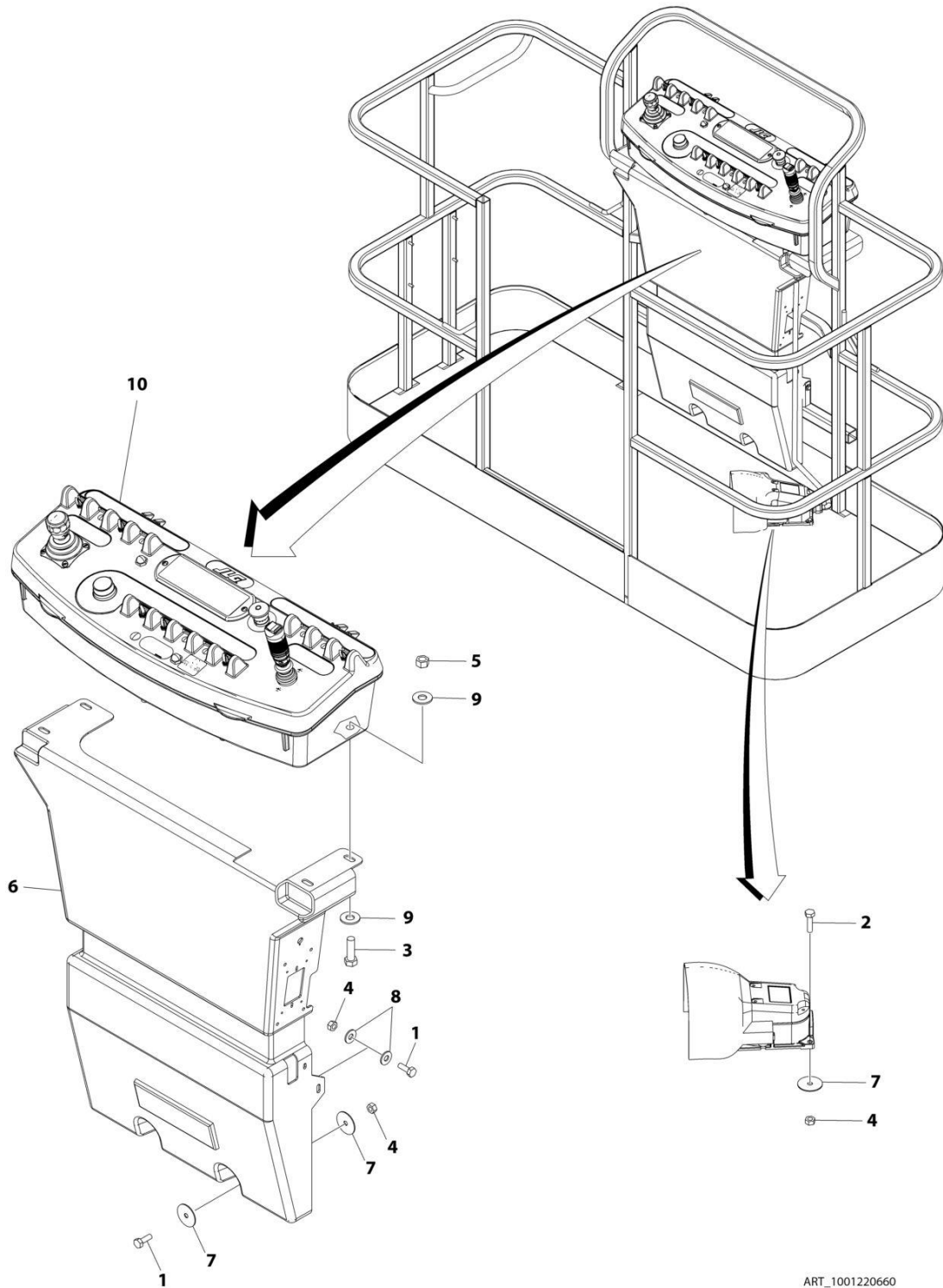
SECTION 5 - PLATFORM

**FIGURE 5-17. PLATFORM CONSOLE AND FOOTSWITCH INSTALLATION - WITH 1 CELL LSS
(E400AJP,E400AJPNARROW,M400AJP,M400AJPNARROW) (SN 0300256447 through 0300272265)**

ITEM	PART NUMBER	QTY	DESCRIPTION	REV
	1001238497	Ref	PLATFORM CONSOLE AND FOOTSWITCH INSTALLATION - WITH 1 CELL LSS	A
1	0641406	4	Bolt, 1/4-20 X 3/4	
2	0641408	3	Bolt, 1/4-20 X 1	
3	0641610	4	Bolt, 3/8-16 X 1-1/4	
4	3311405	7	Nut, Lock, 1/4-20	
5	3311605	4	Nut, Lock, 3/8-16	
6	3380434	1	Panel, Pedestal	
7	4740362	7	Washer, 1/4	
8	4751400	4	Washer, 1/4	
9	4751600	8	Washer, 3/8	
10	1001238489	1	Platform Console Assembly (See PLATFORM CONSOLE ASSEMBLY for Breakdown)	

SECTION 5 - PLATFORM

FIGURE 5-18. PLATFORM CONSOLE AND FOOTSWITCH INSTALLATION - WITH SKYGUARD AND 1 CELL LSS (E400ANARROW) (SN 0300208530 through 0300256446)



ART_1001220660

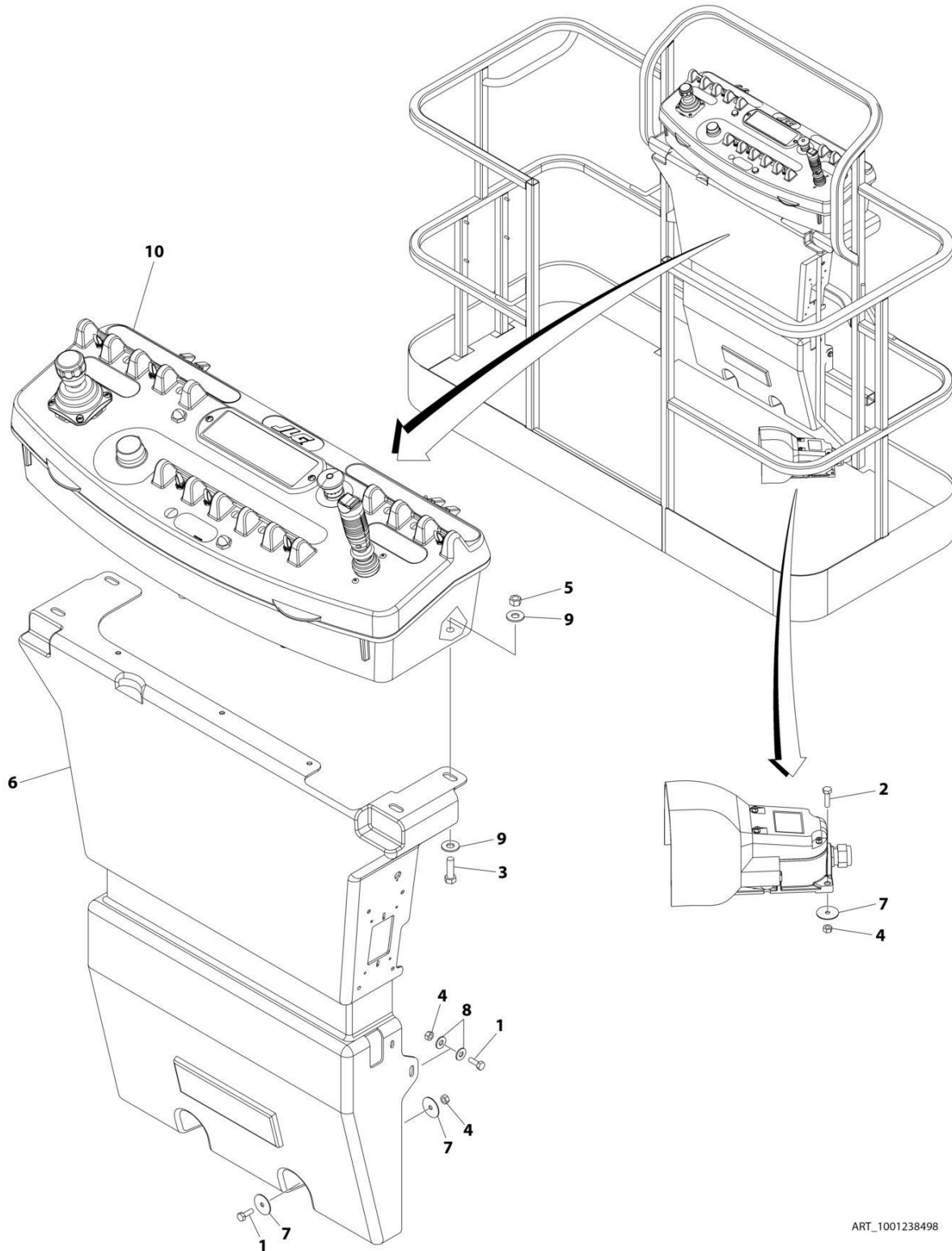
SECTION 5 - PLATFORM

FIGURE 5-18. PLATFORM CONSOLE AND FOOTSWITCH INSTALLATION - WITH SKYGUARD AND 1 CELL LSS (E400ANARROW) (SN 0300208530 through 0300256446)

ITEM	PART NUMBER	QTY	DESCRIPTION	REV
	1001220660	Ref	PLATFORM CONSOLE AND FOOTSWITCH INSTALLATION - WITH SKYGUARD AND 1 CELL LSS	B
1	0641406	4	Bolt, 1/4-20 X 3/4	
2	0641408	3	Bolt, 1/4-20 X 1	
3	0641610	4	Bolt, 3/8-16 X 1-1/4	
4	3311405	7	Nut, Lock, 1/4-20	
5	3311605	4	Nut, Lock, 3/8-16	
6	3380434	1	Panel, Pedestal	
7	4740362	7	Washer, 1/4	
8	4751400	4	Washer, 1/4	
9	4751600	8	Washer, 3/8	
10	1001218652	NLA	Platform Console Assembly (Use p/n 1001238490) (See PLATFORM CONSOLE ASSEMBLY for Breakdown)	

SECTION 5 - PLATFORM

FIGURE 5-19. PLATFORM CONSOLE AND FOOTSWITCH INSTALLATION - WITH 1 CELL LSS (E400ANARROW) (SN 0300256447 through 0300272265)



ART_1001238498

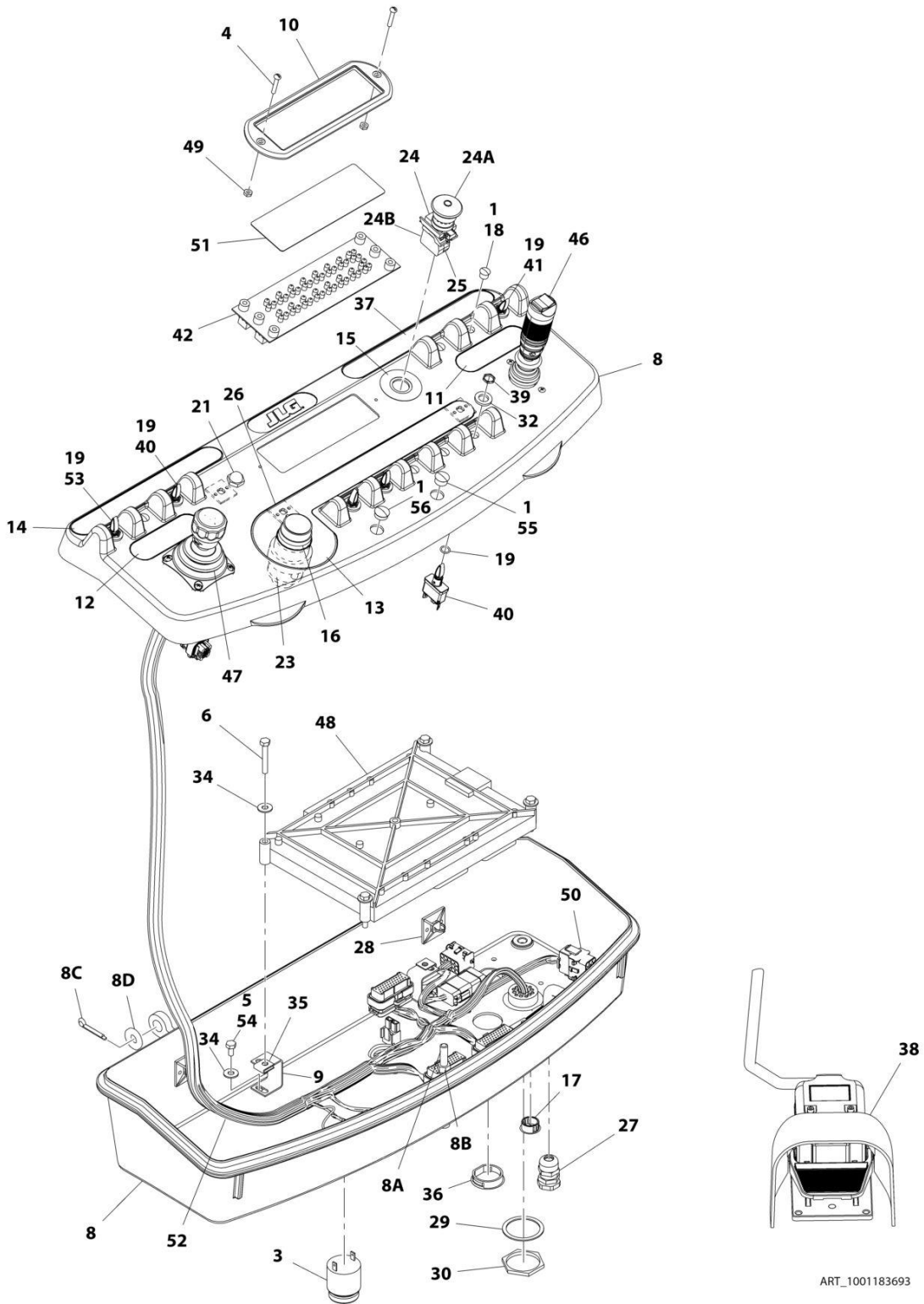
SECTION 5 - PLATFORM

**FIGURE 5-19. PLATFORM CONSOLE AND FOOTSWITCH INSTALLATION - WITH 1 CELL LSS
(E400ANARROW) (SN 0300256447 through 0300272265)**

ITEM	PART NUMBER	QTY	DESCRIPTION	REV
	1001238498	Ref	PLATFORM CONSOLE AND FOOTSWITCH INSTALLATION - WITH 1 CELL LSS AND WITH SKYGUARD	A
1	0641406	4	Bolt 1/4 x 3/4	
2	0641408	3	Bolt 1/4 x 1	
3	0641610	4	Bolt 3/8-16 x 1	
4	3311405	7	Nut, Lock 1/4-20	
5	3311605	4	Nut, Lock 3/8-16	
6	3380434	1	Panel, Pedestal	
7	4740362	7	Washer 1/4	
8	4751400	4	Washer 1/4	
9	4751600	8	Washer 3/8	
10	1001238490	1	Platform Console Assembly (See PLATFORM CONSOLE ASSEMBLY for Breakdown)	

SECTION 5 - PLATFORM

FIGURE 5-20. PLATFORM CONSOLE ASSEMBLY - WITHOUT LSS OR WITH 4 CELL LSS - WITHOUT SKYGUARD (E400ANARROW) (SN 0300208530 through 0300219911)



ART_1001183693

SECTION 5 - PLATFORM

FIGURE 5-20. PLATFORM CONSOLE ASSEMBLY - WITHOUT LSS OR WITH 4 CELL LSS - WITHOUT SKYGUARD (E400ANARROW) (SN 0300208530 through 0300219911)

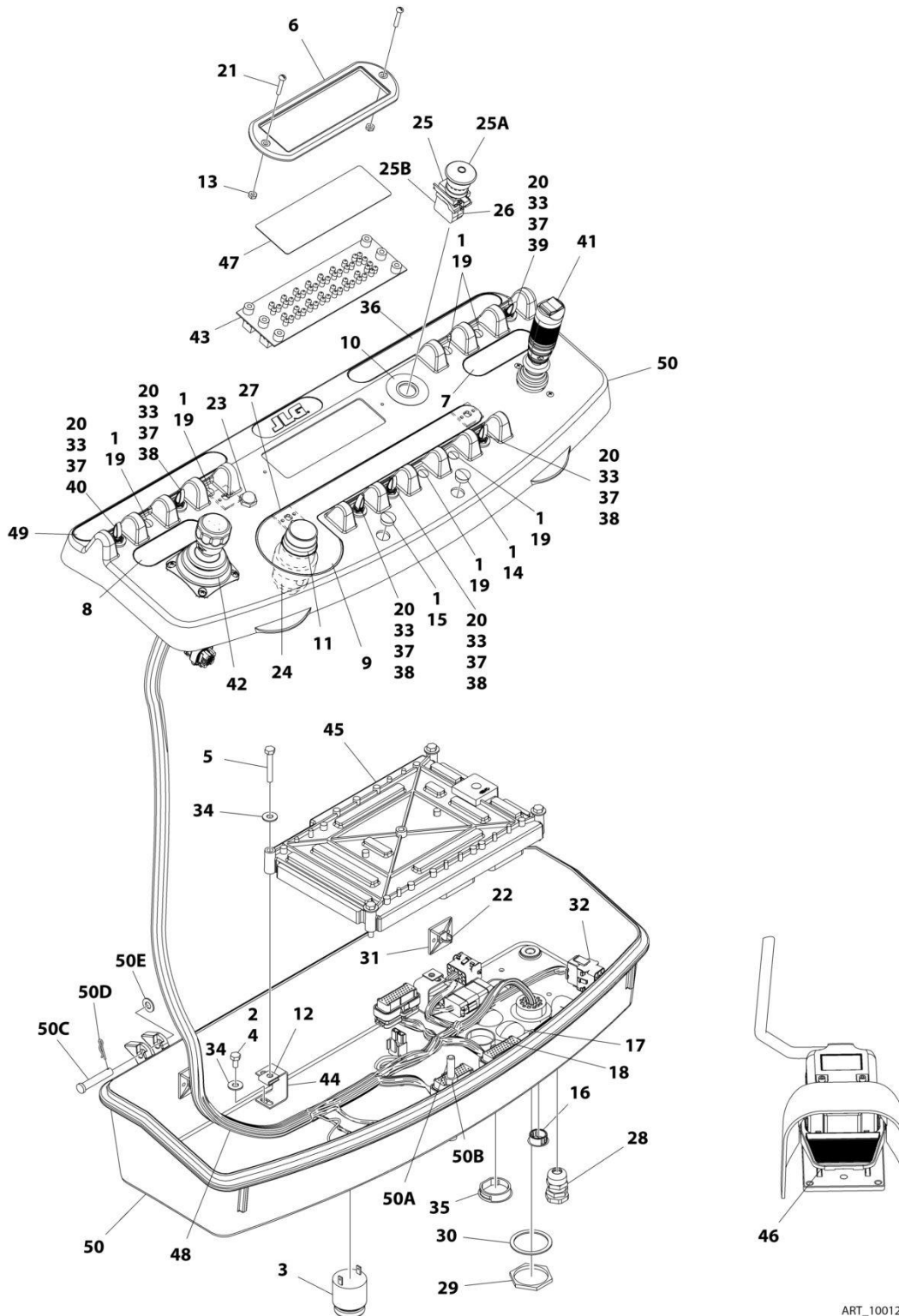
ITEM	PART NUMBER	QTY	DESCRIPTION	REV
	1001183693	Ref	PLATFORM CONSOLE ASSEMBLY - WITHOUT LSS OR WITH 4 CELL LSS - WITHOUT SKYGUARD (SN 0300208530 through 0300219911)	H
1	0100009	AR	Sealant	
3	0140011	1	Alarm	
4	3911018	2	Screw, #10-24 x 1-1/8	
5	0641404	4	Bolt, 1/4-20 x 1/2	
6	0641414	4	Bolt, 1/4-20 x 1-3/4	
8	1001190017	1	Console Box Assembly	
8A	0630568	1	Capscrew, 3/8-16 x 4-1/2	
8B	3311601	1	Nut, 3/8-16	
8C	3470003	2	Pin, Cotter	
8D	4711500	2	Washer, 5/16	
9	1001172760	4	Bracket, Module	
10	1671176	1	Bezel	
11	1702565	1	Decal - Drive and Steer	
12	1702566	1	Decal - Lift and Swing	
13	1702567	1	Decal - Function Speed	
14	1001193987	1	Decal - Horn and Drive Select	
15	1704260	1	Decal - EMS	
16	2560136	1	Handle, Knob	
17	3520030	1	Plug, Hole	
18	3520054	5	Plug, Hole	
19	3790012	6	O-Ring	
20	4240032	AR	Tie-Strap (Not Shown)	
21	4360387	1	Switch, Push Button	
23	4360407	1	Switch, Potentiometer	
24	4360475	1	Switch, Emergency Stop	
24A	7020175	1	Cap, Mushroom with Sealing Ring	
24B	7020176	1	Block, Contact	
25	4360476	1	Block, Contact	
26	4460234	4	Mount, Tie-Strap	
27	4460428	1	Connector, Strain Relief	
28	4460488	2	Base, Terminal Mounting	
29	4460471	1	Washer, Lock, Terminal	
30	4460470	1	Nut, Terminal	
32	4740397	6	Spacer	
34	4751400	8	Washer, 1/4	
35	3300353	4	Nut, Tinnerman	
36	1001110434	2	Plug, D-Shaped	
37	1001132175	1	Decal - Stop - Generator	
38	1001189039	1	Footswitch Assembly (See FOOTSWITCH ASSEMBLY for Breakdown)	
39	1001155044	6	Nut, 15/32-32	
40	1001155045	4	Switch, Toggle	
41	1001159256	1	Switch, Toggle	
42	1001170838	1	Gauge, Led Panel	
46	1001166538	NLA	Controller Assembly - Drive and Steer (Use p/n 1001212415) (See CONTROLLER ASSEMBLY - DRIVE AND STEER for Breakdown)	

SECTION 5 - PLATFORM

ITEM	PART NUMBER	QTY	DESCRIPTION	REV
47	1001166539	NLA	Controller Assembly - Lift and Swing (Use p/n 1001129555) (See CONTROLLER ASSEMBLY LIFT AND SWING for Breakdown)	
48	1001182724	1	Module, PC (Note: Re-calibration Required when Replaced)	
49	3300408	2	Nut, Lock	
50	4460708	1	Connector - 15 Position	
51	1001190797	1	Decal - Platform Display	
52	1001191318	1	Harness, Platform Console Box (See ELECTRICAL SECTION for Breakdown)	
53	1001161710	1	Switch, Toggle	
54	0100075	AR	Sealant	
55	3520026	1	Plug, Hole	
56	3520027	1	Plug, Hole	

SECTION 5 - PLATFORM

FIGURE 5-21. PLATFORM CONSOLE ASSEMBLY - WITHOUT LSS OR WITH 4 CELL LSS - WITHOUT SKYGUARD (E400ANARROW) (SN 0300219912 through 0300272265)



ART_1001202581

SECTION 5 - PLATFORM

FIGURE 5-21. PLATFORM CONSOLE ASSEMBLY - WITHOUT LSS OR WITH 4 CELL LSS - WITHOUT SKYGUARD (E400ANARROW) (SN 0300219912 through 0300272265)

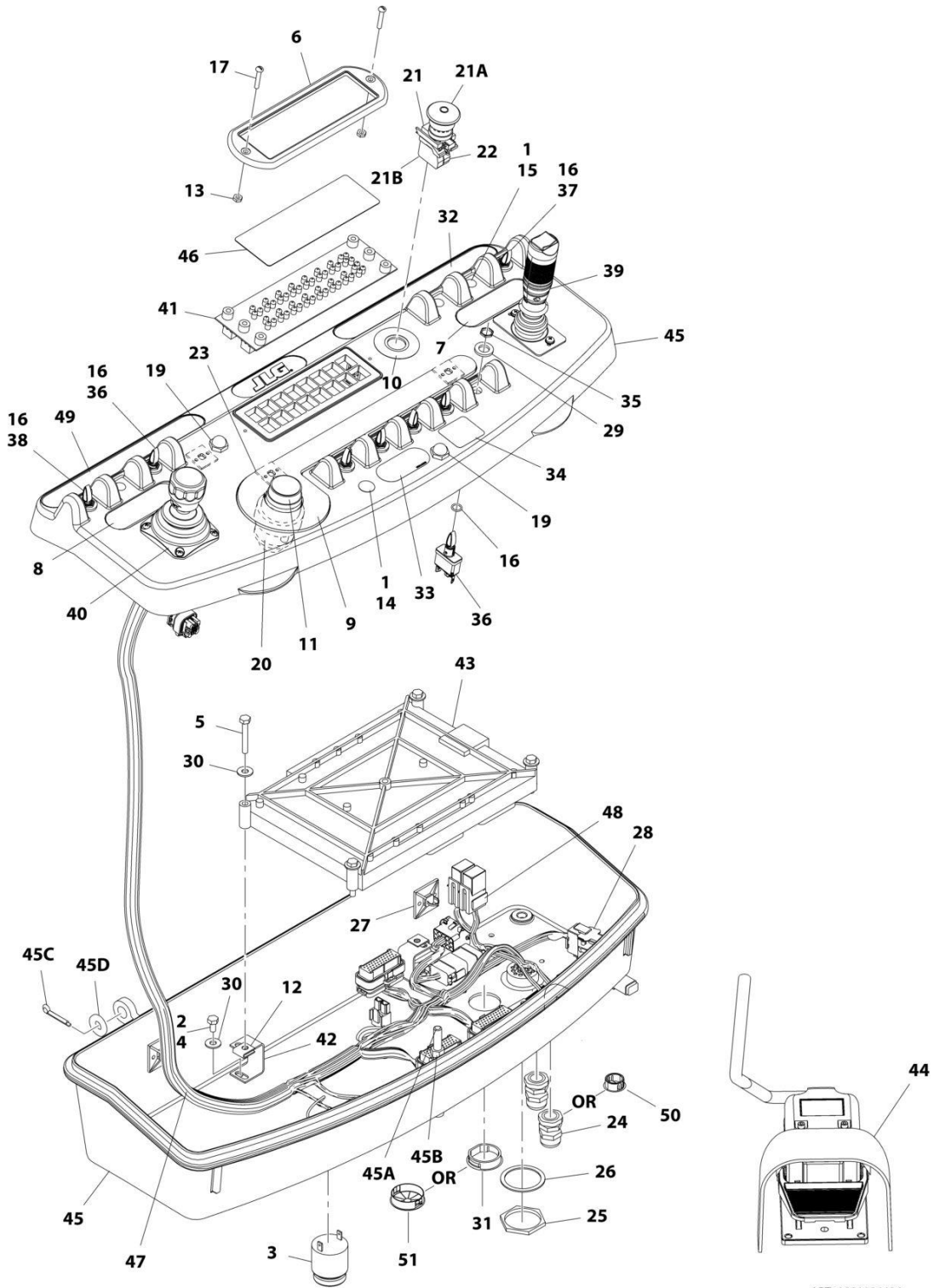
ITEM	PART NUMBER	QTY	DESCRIPTION	REV
	1001202581	Ref	PLATFORM CONSOLE ASSEMBLY - WITHOUT LSS OR WITH 4 CELL LSS - WITHOUT SKYGUARD	C
1	0100009	AR	Sealant	
2	0100075	AR	Sealant	
3	0140011	1	Alarm	
4	0641404	4	Bolt, 1/4-20 x 1/2	
5	0641414	4	Bolt, 1/4-20 x 1-3/4	
6	1671176	1	Bezel	
7	1702565	1	Decal - Drive and Steer	
8	1702566	1	Decal - Lift and Swing	
9	1702567	1	Decal - Function Speed	
10	1704260	1	Decal - EMS	
11	2560136	1	Handle, Knob	
12	3300353	4	Nut, Tinnerman	
13	3300408	2	Nut, Lock	
14	3520026	1	Plug, Hole	
15	3520027	1	Plug, Hole	
16	3520030	1	Plug, Hole	
17	3520033	2	Plug, Hole (SN 0300219912 through 0300226306)	
17	1001220486	2	Plug, Hole (SN 0300226307 through 0300272265)	
18	3520035	1	Plug, Cap	
19	3520054	6	Plug, Hole	
20	3790012	6	O-Ring	
21	3911018	2	Screw, #10-24 x 1-1/8	
22	4240032	AR	Tie-Strap (Not Shown)	
23	4360387	1	Switch, Push Button	
24	4360407	1	Switch, Potentiometer	
25	4360475	1	Switch, Emergency Stop	
25A	7020175	1	Cap, Mushroom with Sealing Ring	
25B	7020176	1	Block, Contact	
26	4360476	1	Block, Contact	
27	4460234	4	Mount, Tie-Strap	
28	4460428	1	Connector, Strain Relief	
29	4460470	1	Nut, Terminal	
30	4460471	1	Washer, Lock, Terminal	
31	4460488	2	Base, Terminal Mounting	
32	4460708	1	Connector - 15 Position	
33	4740397	6	Spacer	
34	4751400	8	Washer, 1/4	
35	1001110434	1	Plug, D-Shaped	
36	1001132175	1	Decal - Stop - Generator	
37	1001155044	6	Nut, 15/32-32	
38	1001155045	4	Switch, Toggle	
39	1001159256	1	Switch, Toggle	
40	1001161710	1	Switch, Toggle	
41	1001166538	NLA	Controller Assembly - Drive and Steer (Use p/n 1001212415) (See CONTROLLER ASSEMBLY - DRIVE AND STEER for Breakdown)	
42	1001166539	NLA	Controller Assembly - Lift and Swing (Use p/n 1001129555) (See CONTROLLER ASSEMBLY LIFT AND SWING for Breakdown)	

SECTION 5 - PLATFORM

ITEM	PART NUMBER	QTY	DESCRIPTION	REV
43	1001170838	1	Gauge, Led Panel	
44	1001172760	4	Bracket, Module	
45	1001182724	1	Module, PC (Note: Re-calibration Required when Replaced)	
46	1001189039	1	Footswitch Assembly (See FOOTSWITCH ASSEMBLY for Breakdown)	
47	1001190797	1	Decal - Platform Display	
48	1001191318	1	Harness, Platform Console Box (See ELECTRICAL SECTION for Breakdown)	
49	1001193987	1	Decal - Horn and Drive Select	
50	1001201887	1	Console Box Assembly	
50A	0630568	1	Capscrew, 3/8-16 x 4-1/2	
50B	3311601	1	Nut, 3/8-16	
50C	3430616	2	Pin, Clevis	
50D	3470003	2	Pin, Cotter	
50E	4711500	2	Washer, 5/16	

SECTION 5 - PLATFORM

FIGURE 5-22. PLATFORM CONSOLE ASSEMBLY - WITHOUT LSS OR WITH 4 CELL LSS - WITH SKYGUARD (E400ANARROW) (SN 0300208530 through 0300219911)



ART_1001196486

SECTION 5 - PLATFORM

FIGURE 5-22. PLATFORM CONSOLE ASSEMBLY - WITHOUT LSS OR WITH 4 CELL LSS - WITH SKYGUARD (E400ANARROW) (SN 0300208530 through 0300219911)

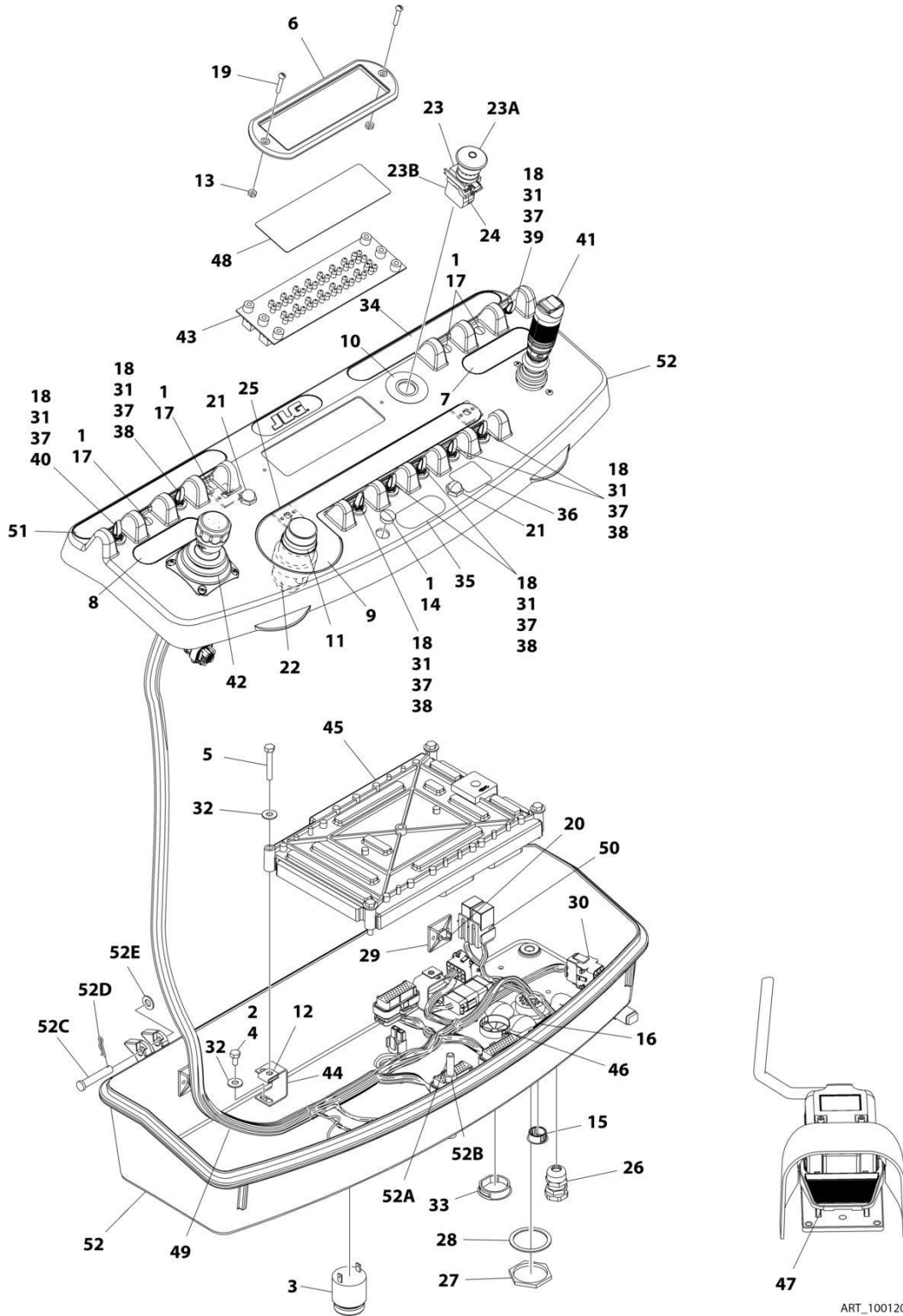
ITEM	PART NUMBER	QTY	DESCRIPTION	REV
	1001196486	Ref	PLATFORM CONSOLE ASSEMBLY - WITHOUT LSS OR WITH 4 CELL LSS - WITH SKYGUARD (SN 0300208530 through 0300219911)	D
1	0100009	AR	Sealant	
2	0100075	AR	Sealant	
3	0140011	1	Alarm	
4	0641404	4	Bolt, 1/4-20 x 1/2	
5	0641414	4	Bolt, 1/4-20 x 1-3/4	
6	1671176	1	Bezel	
7	1702565	1	Decal - Drive and Steer	
8	1702566	1	Decal - Lift and Swing	
9	1702567	1	Decal - Function Speed	
10	1704260	1	Decal - EMS	
11	2560136	1	Handle, Knob	
12	3300353	4	Nut, Tinnerman	
13	3300408	2	Nut, Lock	
14	3520027	1	Plug, Hole	
15	3520054	5	Plug, Hole	
16	3790012	6	O-Ring	
17	3911018	2	Screw, #10-24 x 1-1/8	
18	4240032	AR	Tie-Strap (Not Shown)	
19	4360387	2	Switch, Push Button	
20	4360407	1	Switch, Potentiometer	
21	4360475	1	Switch, Emergency Stop	
21A	7020175	1	Cap, Mushroom with Sealing Ring	
21B	7020176	1	Block, Contact	
22	4360476	1	Block, Contact	
23	4460234	4	Mount, Tie-Strap	
24	4460428	AR	Connector, Strain Relief	
25	4460470	1	Nut, Terminal	
26	4460471	1	Washer, Lock, Terminal	
27	4460488	2	Base, Terminal Mounting	
28	4460708	1	Connector - 15 Position	
29	4740397	6	Spacer	
30	4751400	8	Washer, 1/4	
31	1001110434	AR	Plug, D-Shaped	
32	1001132175	1	Decal - Stop - Generator	
33	1001141300	1	Decal - Platform Sensor Override	
34	1001144433	1	Decal - No Weight SkyGuard	
35	1001155044	6	Nut, 15/32-32	
36	1001155045	4	Switch, Toggle	
37	1001159256	1	Switch, Toggle	
38	1001161710	1	Switch, Toggle	
39	1001166538	NLA	Controller Assembly - Drive and Steer (Use p/n 1001212415) (See CONTROLLER ASSEMBLY - DRIVE AND STEER for Breakdown)	
40	1001166539	NLA	Controller Assembly - Lift and Swing (Use p/n 1001129555) (See CONTROLLER ASSEMBLY LIFT AND SWING for Breakdown)	
41	1001170838	1	Gauge, Led Panel	
42	1001172760	4	Bracket, Module	
43	1001182724	1	Module, PC (Note: Re-calibration Required when Replaced)	

SECTION 5 - PLATFORM

ITEM	PART NUMBER	QTY	DESCRIPTION	REV
44	1001189039	1	Footswitch Assembly (See FOOTSWITCH ASSEMBLY for Breakdown)	
45	1001190017	1	Console Box Assembly	
45A	0630568	1	Capscrew, 3/8-16 x 4-1/2	
45B	3311601	1	Nut, 3/8-16	
45C	3470003	2	Pin, Cotter	
45D	4711500	2	Washer, 5/16	
46	1001190797	1	Decal - Platform Display	
47	1001191318	1	Harness, Platform Console Box (See ELECTRICAL SECTION for Breakdown)	
48	1001192292	1	Harness, SkyGuard (See ELECTRICAL SECTION for Breakdown)	
49	1001193987	1	Decal - Horn and Drive Select	
50	3520030	1	Plug, Hole (SN 0300214530 through 0300219911)	
51	1001185281	1	Plug, Bushing (SN 0300214530 through 0300219911)	

SECTION 5 - PLATFORM

FIGURE 5-23. PLATFORM CONSOLE ASSEMBLY - WITHOUT LSS OR WITH 4 CELL LSS - WITH SKYGUARD (E400ANARROW) (SN 0300219912 through 0300240700)



ART_1001202585

SECTION 5 - PLATFORM

FIGURE 5-23. PLATFORM CONSOLE ASSEMBLY - WITHOUT LSS OR WITH 4 CELL LSS - WITH SKYGUARD (E400ANARROW) (SN 0300219912 through 0300240700)

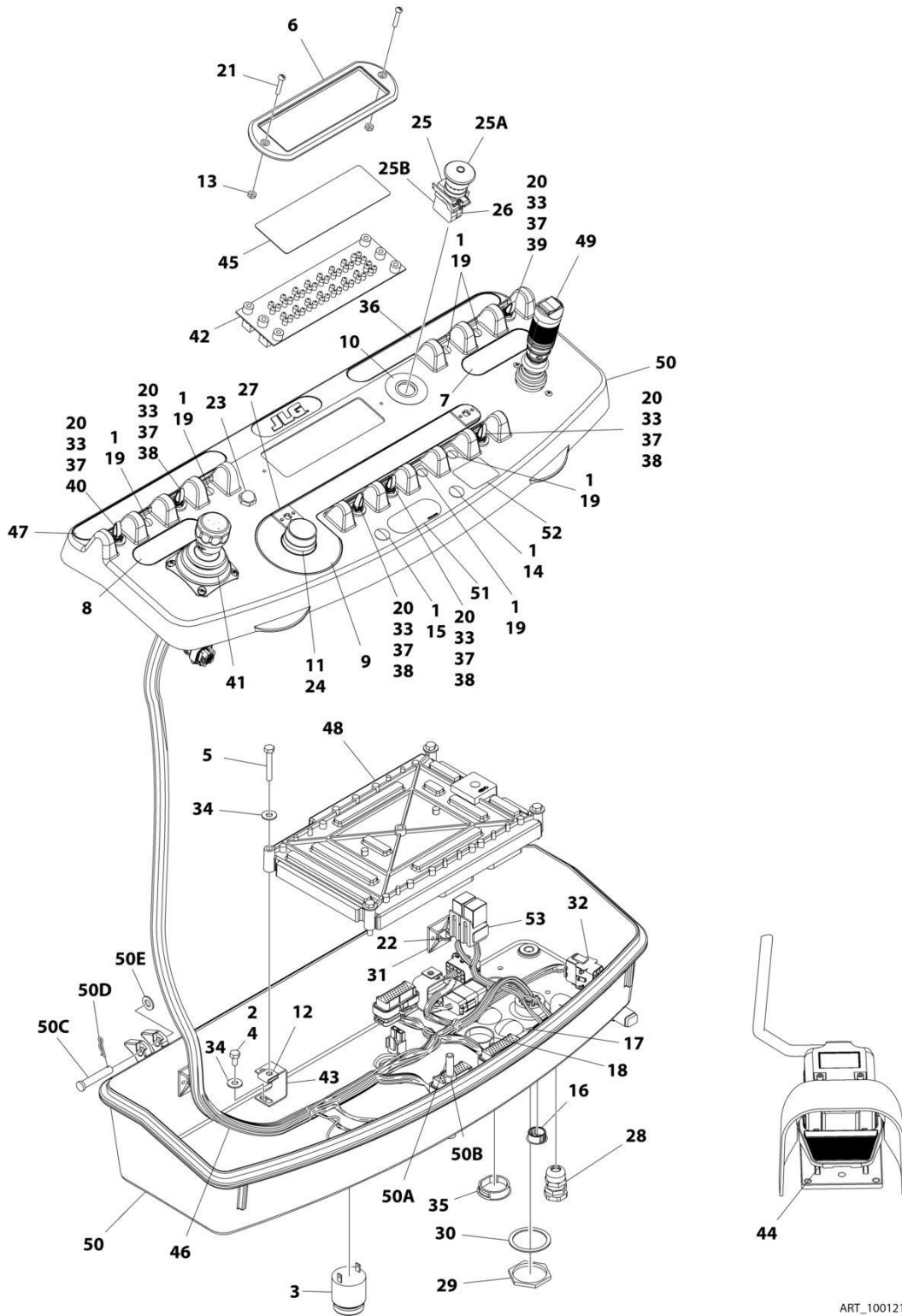
ITEM	PART NUMBER	QTY	DESCRIPTION	REV
	1001202585	Ref	PLATFORM CONSOLE ASSEMBLY - WITHOUT LSS OR WITH 4 CELL LSS - WITH SKYGUARD (SN 0300219912 through 0300240700)	D
1	0100009	AR	Sealant	
2	0100075	AR	Sealant	
3	0140011	1	Alarm	
4	0641404	4	Bolt, 1/4-20 x 1/2	
5	0641414	4	Bolt, 1/4-20 x 1-3/4	
6	1671176	1	Bezel	
7	1702565	1	Decal - Drive and Steer	
8	1702566	1	Decal - Lift and Swing	
9	1702567	1	Decal - Function Speed	
10	1704260	1	Decal - EMS	
11	2560136	1	Handle, Knob	
12	3300353	4	Nut, Tinnerman	
13	3300408	2	Nut, Lock	
14	3520027	1	Plug, Hole	
15	3520030	1	Plug, Hole	
16	3520033	2	Plug, Hole (SN 0300219912 through 0300226306)	
16	1001220486	2	Plug, Hole (SN 0300226307 through 0300240700)	
17	3520054	4	Plug, Hole	
18	3790012	8	O-Ring	
19	3911018	2	Screw, #10-24 x 1-1/8	
20	4240032	AR	Tie-Strap (Not Shown)	
21	4360387	2	Switch, Push Button	
22	4360407	1	Switch, Potentiometer	
23	4360475	1	Switch, Emergency Stop	
23A	7020175	1	Cap, Mushroom with Sealing Ring	
23B	7020176	1	Block, Contact	
24	4360476	1	Block, Contact	
25	4460234	4	Mount, Tie-Strap	
26	4460428	1	Connector, Strain Relief	
27	4460470	1	Nut, Terminal	
28	4460471	1	Washer, Lock, Terminal	
29	4460488	2	Base, Terminal Mounting	
30	4460708	1	Connector - 15 Position	
31	4740397	6	Spacer	
32	4751400	8	Washer, 1/4	
33	1001110434	1	Plug, D-Shaped	
34	1001132175	1	Decal - Stop - Generator	
35	1001141300	1	Decal - Platform Sensor Override	
36	1001144433	1	Decal - No Weight SkyGuard	
37	1001155044	8	Nut, 15/32-32	
38	1001155045	6	Switch, Toggle	
39	1001159256	1	Switch, Toggle	
40	1001161710	1	Switch, Toggle	
41	1001166538	NLA	Controller Assembly - Drive and Steer (Use p/n 1001212415) (See CONTROLLER ASSEMBLY - DRIVE AND STEER for Breakdown)	
42	1001166539	NLA	Controller Assembly - Lift and Swing (Use p/n 1001129555) (See CONTROLLER ASSEMBLY LIFT AND SWING for Breakdown)	

SECTION 5 - PLATFORM

ITEM	PART NUMBER	QTY	DESCRIPTION	REV
43	1001170838	1	Gauge, Led Panel	
44	1001172760	4	Bracket, Module	
45	1001182724	1	Module, PC (Note: Re-calibration Required when Replaced)	
46	1001185281	1	Plug, Bushing	
47	1001189039	1	Footswitch Assembly (See FOOTSWITCH ASSEMBLY for Breakdown)	
48	1001190797	1	Decal - Platform Display	
49	1001191318	1	Harness, Platform Console Box (See ELECTRICAL SECTION for Breakdown)	
50	1001192292	1	Harness, SkyGuard (See ELECTRICAL SECTION for Breakdown)	
51	1001193987	1	Decal - Horn and Drive Select	
52	1001201887	1	Console Box Assembly	
52A	0630568	1	Capscrew, 3/8-16 x 4-1/2	
52B	3311601	1	Nut, 3/8-16	
52C	3430616	2	Pin, Clevis	
52D	3470003	2	Pin, Cotter	
52E	4711500	2	Washer, 5/16	

SECTION 5 - PLATFORM

FIGURE 5-24. PLATFORM CONSOLE ASSEMBLY - WITHOUT LSS OR WITH 4 CELL LSS - WITH SKYGUARD - UL SPECS (E400ANARROW) (SN 0300208530 through 0300256446)



ART_1001216153

SECTION 5 - PLATFORM

FIGURE 5-24. PLATFORM CONSOLE ASSEMBLY - WITHOUT LSS OR WITH 4 CELL LSS - WITH SKYGUARD - UL SPECS (E400ANARROW) (SN 0300208530 through 0300256446)

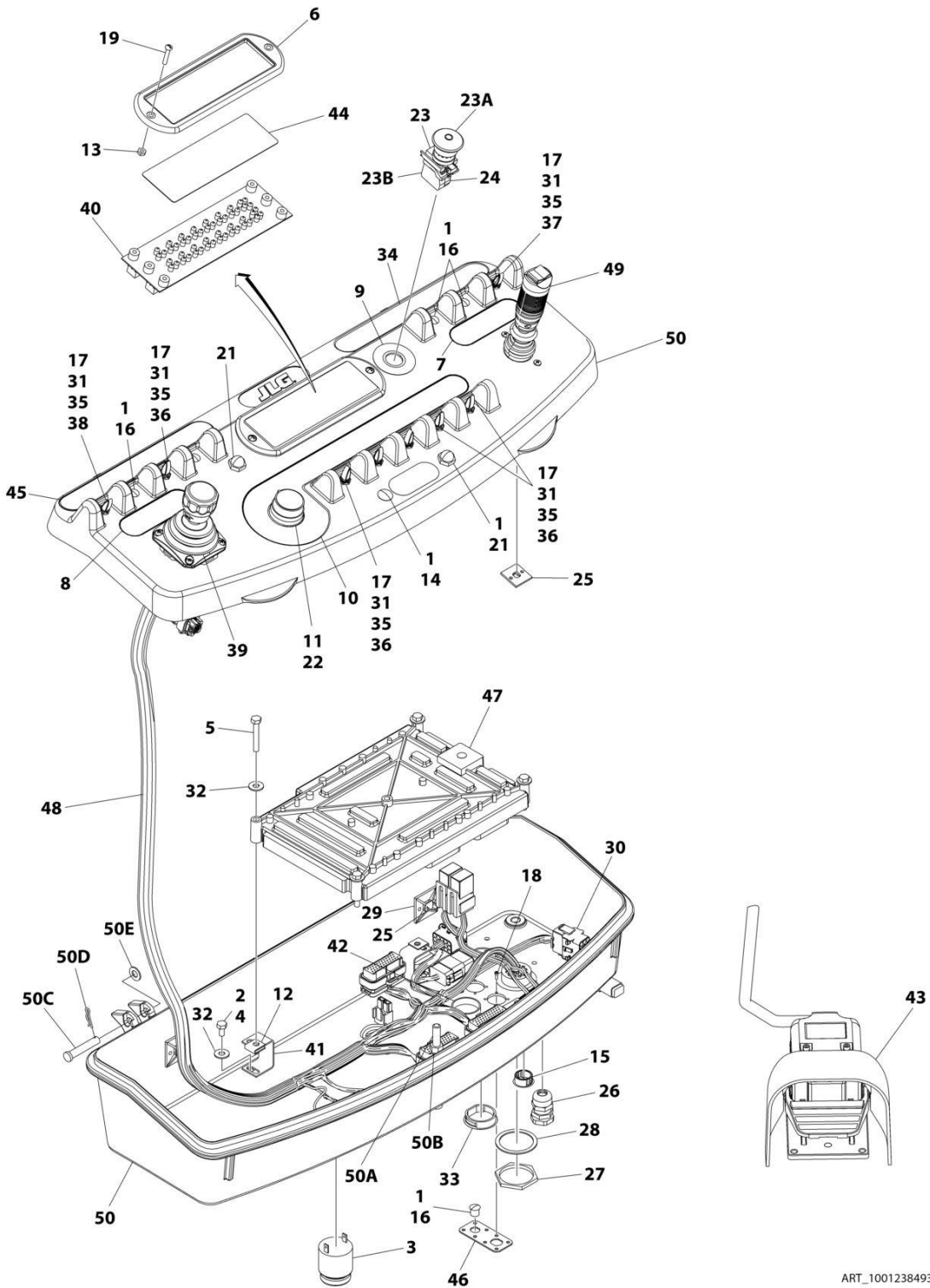
ITEM	PART NUMBER	QTY	DESCRIPTION	REV
	1001216153	Ref	PLATFORM CONSOLE ASSEMBLY - WITHOUT LSS OR WITH 4 CELL LSS - WITH SKYGUARD - UL SPECS	E
1	0100009	AR	Sealant	
2	0100075	AR	Sealant	
3	0140011	1	Alarm	
4	0641404	4	Bolt, 1/4-20 x 1/2	
5	0641414	4	Bolt, 1/4-20 x 1-3/4	
6	1671176	1	Bezel	
7	1702565	1	Decal - Drive and Steer	
8	1702566	1	Decal - Lift and Swing	
9	1702567	1	Decal - Function Speed	
10	1704260	1	Decal - EMS	
11	2560136	1	Handle, Knob	
12	3300353	4	Nut, Tinnerman	
13	3300408	2	Nut, Lock	
14	3520026	1	Plug, Hole (SN 0300208530 through 0300229267)	
15	3520027	1	Plug, Hole	
16	3520030	1	Plug, Hole	
17	1001220486	2	Plug, Hole	
18	3520035	1	Plug, Cap (SN 0300208530 through 0300229267)	
18	1001185281	1	Plug, Bushing (SN 0300229268 through 0300256446)	
19	3520054	6	Plug, Hole	
20	3790012	6	O-Ring	
21	3911018	2	Screw, #10-24 x 1-1/8	
22	4240032	AR	Tie-Strap (Not Shown)	
23	4360387	AR	Switch, Push Button	
24	4360407	1	Switch, Potentiometer	
25	4360475	1	Switch, Emergency Stop	
25A	7020175	1	Cap, Mushroom with Sealing Ring	
25B	7020176	1	Block, Contact	
26	4360476	1	Block, Contact	
27	4460234	4	Mount, Tie-Strap	
28	4460428	1	Connector, Strain Relief	
29	4460470	1	Nut, Terminal	
30	4460471	1	Washer, Lock, Terminal	
31	4460488	2	Base, Terminal Mounting	
32	4460708	1	Connector - 15 Position	
33	4740397	6	Spacer	
34	4751400	8	Washer, 1/4	
35	1001110434	1	Plug, D-Shaped	
36	1001132175	1	Decal - Stop - Generator	
37	1001155044	6	Nut, 15/32-32	
38	1001155045	4	Switch, Toggle	
39	1001159256	1	Switch, Toggle	
40	1001161710	1	Switch, Toggle	
41	1001166539	NLA	Controller Assembly - Lift and Swing (Use p/n 1001129555) (See CONTROLLER ASSEMBLY LIFT AND SWING for Breakdown)	
42	1001170838	1	Gauge, Led Panel	
43	1001172760	4	Bracket, Module	

SECTION 5 - PLATFORM

ITEM	PART NUMBER	QTY	DESCRIPTION	REV
44	1001189039	1	Footswitch Assembly (See FOOTSWITCH ASSEMBLY for Breakdown)	
45	1001190797	1	Decal - Platform Display	
46	1001191318	1	Harness, Platform Console Box (See ELECTRICAL SECTION for Breakdown)	
47	1001193987	1	Decal - Horn and Drive Select	
48	1001215835	1	Module, PC (Note: Re-calibration Required when Replaced)	
49	1001166538	NLA	Controller Assembly - Drive and Steer (Use p/n 1001212415) (See CONTROLLER ASSEMBLY - DRIVE AND STEER for Breakdown)	
50	1001201887	1	Console Box Assembly	
50A	0630568	1	Capscrew, 3/8-16 x 4-1/2	
50B	3311601	1	Nut, 3/8-16	
50C	3430616	2	Pin, Clevis	
50D	3470003	2	Pin, Cotter	
50E	4711600	2	Washer, 5/16	
51	1001141300	1	Decal - Platform Sensor Override (SN 0300229268 through 0300239739)	
52	1001144433	1	Decal - No Weight SkyGuard (SN 0300229268 through 0300256446)	
53	1001192292	1	Harness, SkyGuard (See ELECTRICAL SECTION for Breakdown) (SN 0300229268 through 0300256446)	

SECTION 5 - PLATFORM

FIGURE 5-25. PLATFORM CONSOLE ASSEMBLY - WITHOUT LSS OR WITH 1 CELL LSS - UL SPECS (E400ANARROW) (SN 0300256447 through 0300272265)



ART_1001238493

SECTION 5 - PLATFORM

FIGURE 5-25. PLATFORM CONSOLE ASSEMBLY - WITHOUT LSS OR WITH 1 CELL LSS - UL SPECS (E400ANARROW) (SN 0300256447 through 0300272265)

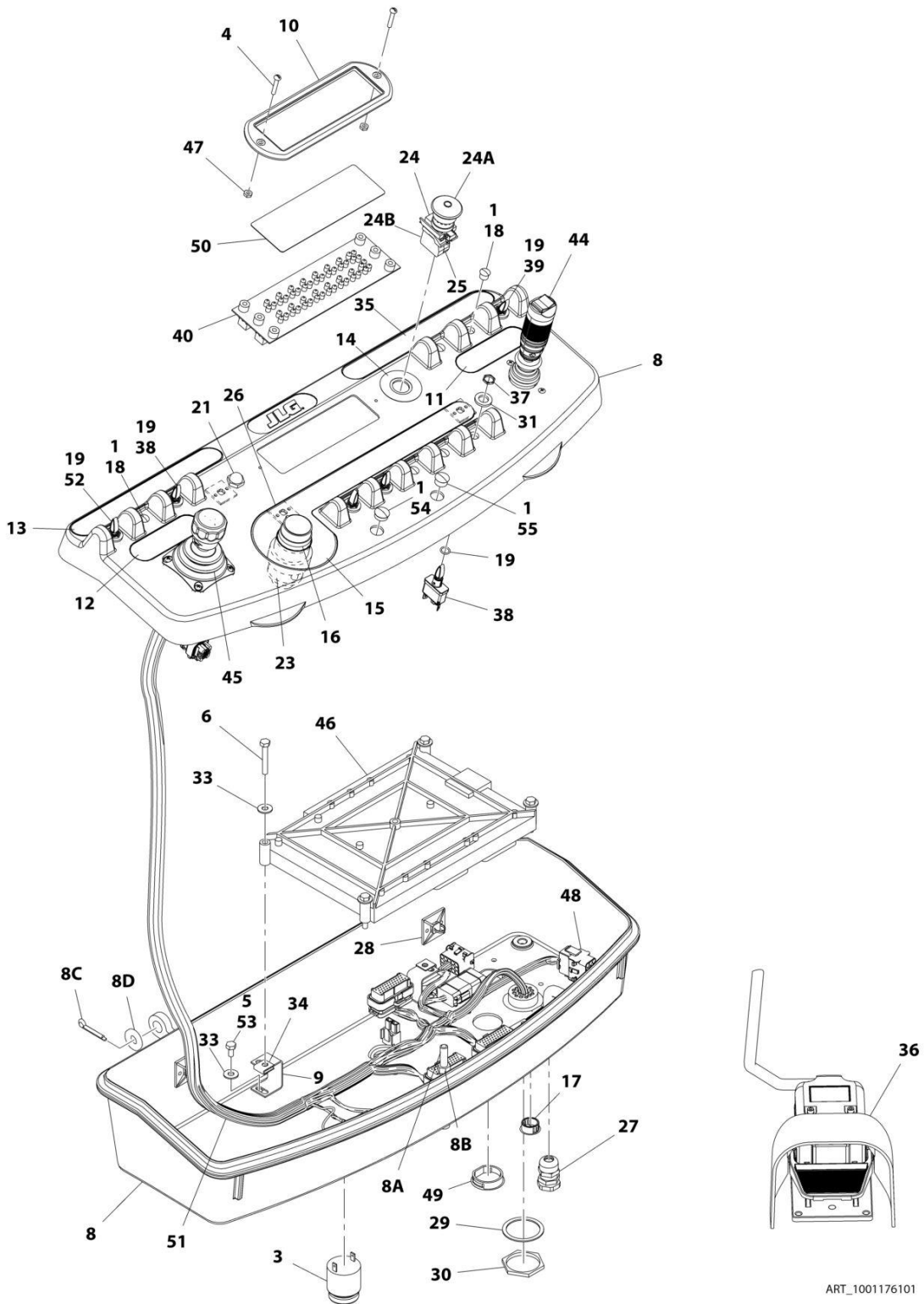
ITEM	PART NUMBER	QTY	DESCRIPTION	REV
	1001238493	Ref	PLATFORM CONSOLE ASSEMBLY - WITH SKYGUARD (UL SPECS)	A
1	0100009	AR	Sealant	
2	0100035	AR	Compound, Locking	
3	0140011	1	Alarm	
4	0641404	4	Bolt, 1/4 x 1/2	
5	0641414	4	Bolt, 1/4 x 1-3/4	
6	1671176	1	Bezel	
7	1702565	1	Decal - Drive and Steer	
8	1702566	1	Decal - Lift and Swing	
9	1704260	1	Decal - EMS	
10	1704422	1	Decal - Function Speed	
11	2560136	1	Handle, Knob	
12	3300353	4	Nut, Tinnerman	
13	3300408	2	Nut, Lock	
14	3520027	1	Plug, Hole	
15	3520030	1	Plug, Hole	
16	3520054	5	Plug, Hole	
17	3790012	8	O-Ring	
18	3900349	8	Screw M2.5	
19	3911018	2	Screw, #10 x 1-1/8	
20	4240032	AR	Tie-Strap (Not Shown)	
21	4360387	2	Switch, Push Button	
22	4360407	1	Switch, Potentiometer	
23	4360475	1	Switch, Emergency Stop	
23A	7020175	1	Cap, Mushroom with Sealing Ring	
23B	7020176	1	Block, Contact	
24	4360476	1	Block, Contact	
25	4460234	4	Mount, Tie-Strap	
26	4460428	1	Connector, Strain Relief	
27	4460470	1	Nut, Terminal	
28	4460471	1	Washer, Lock, Terminal	
29	4460488	2	Base, Terminal Mounting	
30	4460708	1	Connector - 15 Position	
31	4740397	8	Spacer	
32	4751400	8	Washer, 1/4	
33	1001110434	1	Plug, D-Shaped	
34	1001132175	1	Decal - Stop - Generator	
35	1001155044	8	Nut, 15/32	
36	1001155045	6	Switch, Toggle	
37	1001159256	1	Switch, Toggle	
38	1001161710	1	Switch, Toggle	
39	1001166539	NLA	Controller Assembly - Lift and Swing (Use p/n 1001129555) (See CONTROLLER ASSEMBLY LIFT AND SWING for Breakdown)	
40	1001170838	1	Gauge, Led Panel	
41	1001172760	4	Bracket, Module	
42	1001185281	1	Plug, Bushing	
43	1001189039	1	Footswitch Assembly (See FOOTSWITCH ASSEMBLY for Breakdown)	

SECTION 5 - PLATFORM

ITEM	PART NUMBER	QTY	DESCRIPTION	REV
44	1001190797	1	Decal - Platform Display	
45	1001193987	1	Decal - Horn and Drive Select	
46	1001213882	1	Mount, Connector	
47	1001215835	1	Module, PC (Note: Re-calibration Required when Replaced)	
48	1001217621	1	Harness, Platform Console Box (With 1 Cell LSS) (See ELECTRICAL SECTION for Breakdown)	
49	1001166538	NLA	Controller Assembly - Drive and Steer (Use p/n 1001212415) (See CONTROLLER ASSEMBLY - DRIVE AND STEER for Breakdown)	
50	1001218068	1	Console Box Assembly	
50A	0630568	1	Capscrew 3/8 x 4-1/2	
50B	3311601	1	Nut 3/8	
50C	3430616	2	Pin, Clevis	
50D	3470003	2	Pin, Cotter	
50E	4711600	2	Washer 3/8	

SECTION 5 - PLATFORM

FIGURE 5-26. PLATFORM CONSOLE ASSEMBLY - WITHOUT LSS OR WITH 4 CELL LSS - WITHOUT SKYGUARD (E400AJP,E400AJPNARROW,M400AJP,M400AJPNARROW) (SN 0300208530 through 0300219911)



ART_1001176101

SECTION 5 - PLATFORM

FIGURE 5-26. PLATFORM CONSOLE ASSEMBLY - WITHOUT LSS OR WITH 4 CELL LSS - WITHOUT SKYGUARD (E400AJP,E400AJPNARROW,M400AJP,M400AJPNARROW) (SN 0300208530 through 0300219911)

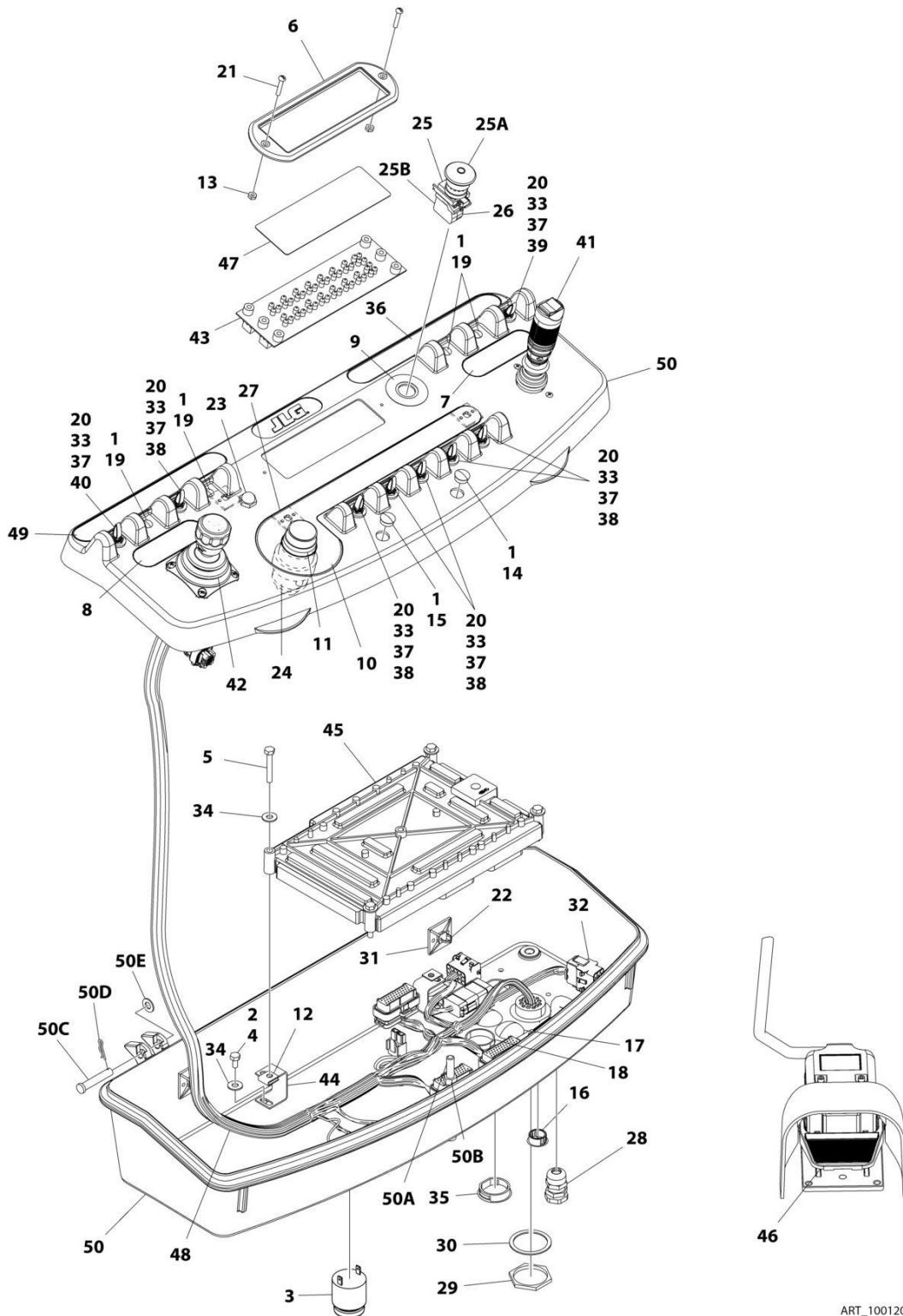
ITEM	PART NUMBER	QTY	DESCRIPTION	REV
	1001176101	Ref	PLATFORM CONSOLE ASSEMBLY - WITHOUT LSS OR WITH 4 CELL LSS - WITHOUT SKYGUARD (SN 0300208530 through 0300219911)	H
1	0100009	AR	Sealant	
3	0140011	1	Alarm	
4	3911018	2	Screw, #10-24 x 1-1/8	
5	0641404	4	Bolt, 1/4-20 x 1/2	
6	0641414	4	Bolt, 1/4-20 x 1-3/4	
8	1001190017	1	Console Box Assembly	
8A	0630568	1	Capscrew, 3/8-16 x 4-1/2	
8B	3311601	1	Nut, 3/8-16	
8C	3470003	2	Pin, Cotter	
8D	4711500	2	Washer, 5/16	
9	1001172760	4	Bracket, Module	
10	1671176	1	Bezel	
11	1702565	1	Decal - Drive and Steer	
12	1702566	1	Decal - Lift and Swing	
13	1001193987	1	Decal - Horn and Drive Select	
14	1704260	1	Decal - EMS	
15	1704422	1	Decal - Function Speed	
16	2560136	1	Handle, Knob	
17	3520030	1	Plug, Hole	
18	3520054	3	Plug, Hole	
19	3790012	8	O-Ring	
20	4240032	AR	Tie-Strap (Not Shown)	
21	4360387	1	Switch, Push Button	
23	4360407	1	Switch, Potentiometer	
24	4360475	1	Switch, Emergency Stop	
24A	7020175	1	Cap, Mushroom with Sealing Ring	
24B	7020176	1	Block, Contact	
25	4360476	1	Block, Contact	
26	4460234	4	Mount, Tie-Strap	
27	4460428	1	Connector, Strain Relief	
28	4460488	2	Base, Terminal Mounting	
29	4460471	1	Washer, Lock, Terminal	
30	4460470	1	Nut, Terminal	
31	4740397	8	Spacer	
33	4751400	8	Washer, 1/4	
34	3300353	4	Nut, Tinnerman	
35	1001132175	1	Decal - Stop - Generator	
36	1001189039	1	Footswitch Assembly (See FOOTSWITCH ASSEMBLY for Breakdown)	
37	1001155044	8	Nut, 15/32-32	
38	1001155045	6	Switch, Toggle	
39	1001159256	1	Switch, Toggle	
40	1001170838	1	Gauge, Led Panel	
44	1001166538	NLA	Controller Assembly - Drive and Steer (Use p/n 1001212415) (See CONTROLLER ASSEMBLY - DRIVE AND STEER for Breakdown)	

SECTION 5 - PLATFORM

ITEM	PART NUMBER	QTY	DESCRIPTION	REV
45	1001166539	NLA	Controller Assembly - Lift and Swing (Use p/n 1001129555) (See CONTROLLER ASSEMBLY LIFT AND SWING for Breakdown)	
46	1001182724	1	Module, PC (Note: Re-calibration Required when Replaced)	
47	3300408	2	Nut, Lock	
48	4460708	1	Connector - 15 Position	
49	1001110434	2	Plug, D-Shaped	
50	1001190797	1	Decal - Platform Display	
51	1001191318	1	Harness, Platform Console Box (See ELECTRICAL SECTION for Breakdown)	
52	1001161710	1	Switch, Toggle	
53	0100075	AR	Sealant	
54	3520027	1	Plug, Hole	
55	3520026	1	Plug, Hole	

SECTION 5 - PLATFORM

FIGURE 5-27. PLATFORM CONSOLE ASSEMBLY - WITHOUT LSS OR WITH 4 CELL LSS - WITHOUT SKYGUARD (E400AJP,E400AJPNARROW,M400AJP,M400AJPNARROW) (SN 0300219912 through 0300272265)



ART_1001204515

SECTION 5 - PLATFORM

FIGURE 5-27. PLATFORM CONSOLE ASSEMBLY - WITHOUT LSS OR WITH 4 CELL LSS - WITHOUT SKYGUARD (E400AJP,E400AJPNARROW,M400AJP,M400AJPNARROW) (SN 0300219912 through 0300272265)

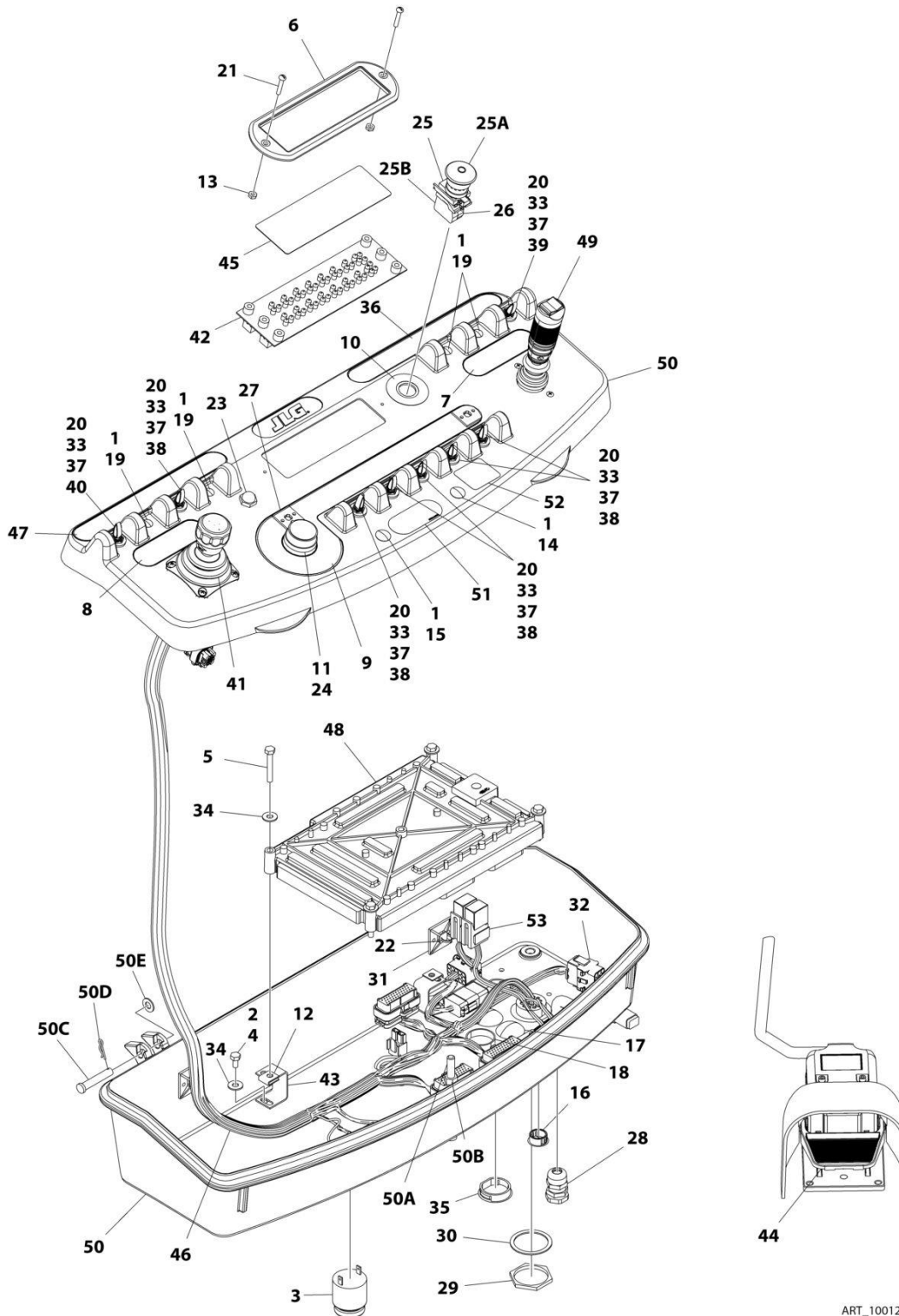
ITEM	PART NUMBER	QTY	DESCRIPTION	REV
	1001204515	Ref	PLATFORM CONSOLE ASSEMBLY - WITHOUT LSS OR WITH 4 CELL LSS - WITHOUT SKYGUARD	C
1	0100009	AR	Sealant	
2	0100075	AR	Sealant	
3	0140011	1	Alarm	
4	0641404	4	Bolt, 1/4-20 x 1/2	
5	0641414	4	Bolt, 1/4-20 x 1-3/4	
6	1671176	1	Bezel	
7	1702565	1	Decal - Drive and Steer	
8	1702566	1	Decal - Lift and Swing	
9	1704260	1	Decal - EMS	
10	1704422	1	Decal - Function Speed	
11	2560136	1	Handle, Knob	
12	3300353	4	Nut, Tinnerman	
13	3300408	2	Nut, Lock	
14	3520026	1	Plug, Hole	
15	3520027	1	Plug, Hole	
16	3520030	1	Plug, Hole	
17	3520033	2	Plug, Hole (SN 0300219912 through 0300226306)	
17	1001220486	2	Plug, Hole (SN 0300226307 through 0300272265)	
18	3520035	1	Plug, Cap	
19	3520054	3	Plug, Hole	
20	3790012	8	O-Ring	
21	3911018	2	Screw, #10-24 x 1-1/8	
22	4240032	AR	Tie-Strap (Not Shown)	
23	4360387	1	Switch, Push Button	
24	4360407	1	Switch, Potentiometer	
25	4360475	1	Switch, Emergency Stop	
25A	7020175	1	Cap, Mushroom with Sealing Ring	
25B	7020176	1	Block, Contact	
26	4360476	1	Block, Contact	
27	4460234	4	Mount, Tie-Strap	
28	4460428	1	Connector, Strain Relief	
29	4460470	1	Nut, Terminal	
30	4460471	1	Washer, Lock, Terminal	
31	4460488	2	Base, Terminal Mounting	
32	4460708	1	Connector - 15 Position	
33	4740397	8	Spacer	
34	4751400	8	Washer, 1/4	
35	1001110434	1	Plug, D-Shaped	
36	1001132175	1	Decal - Stop - Generator	
37	1001155044	8	Nut, 15/32-32	
38	1001155045	6	Switch, Toggle	
39	1001159256	1	Switch, Toggle	
40	1001161710	1	Switch, Toggle	
41	1001166538	NLA	Controller Assembly - Drive and Steer (Use p/n 1001212415) (See CONTROLLER ASSEMBLY - DRIVE AND STEER for Breakdown)	

SECTION 5 - PLATFORM

ITEM	PART NUMBER	QTY	DESCRIPTION	REV
42	1001166539	NLA	Controller Assembly - Lift and Swing (Use p/n 1001129555) (See CONTROLLER ASSEMBLY LIFT AND SWING for Breakdown)	
43	1001170838	1	Gauge, Led Panel	
44	1001172760	4	Bracket, Module	
45	1001182724	1	Module, PC (Note: Re-calibration Required when Replaced)	
46	1001189039	1	Footswitch Assembly (See FOOTSWITCH ASSEMBLY for Breakdown)	
47	1001190797	1	Decal - Platform Display	
48	1001191318	1	Harness, Platform Console Box (See ELECTRICAL SECTION for Breakdown)	
49	1001193987	1	Decal - Horn and Drive Select	
50	1001201887	1	Console Box Assembly	
50A	0630568	1	Capscrew, 3/8-16 x 4-1/2	
50B	3311601	1	Nut, 3/8-16	
50C	3430616	2	Pin, Clevis	
50D	3470003	2	Pin, Cotter	
50E	4711500	2	Washer, 5/16	

SECTION 5 - PLATFORM

FIGURE 5-28. PLATFORM CONSOLE ASSEMBLY - WITHOUT LSS OR WITH 4 CELL LSS - WITH SKYGUARD - UL SPECS (E400AJP,E400AJPNARROW) (SN 0300208530 through 0300256446)



ART_1001216154

SECTION 5 - PLATFORM

FIGURE 5-28. PLATFORM CONSOLE ASSEMBLY - WITHOUT LSS OR WITH 4 CELL LSS - WITH SKYGUARD - UL SPECS (E400AJP,E400AJPNARROW) (SN 0300208530 through 0300256446)

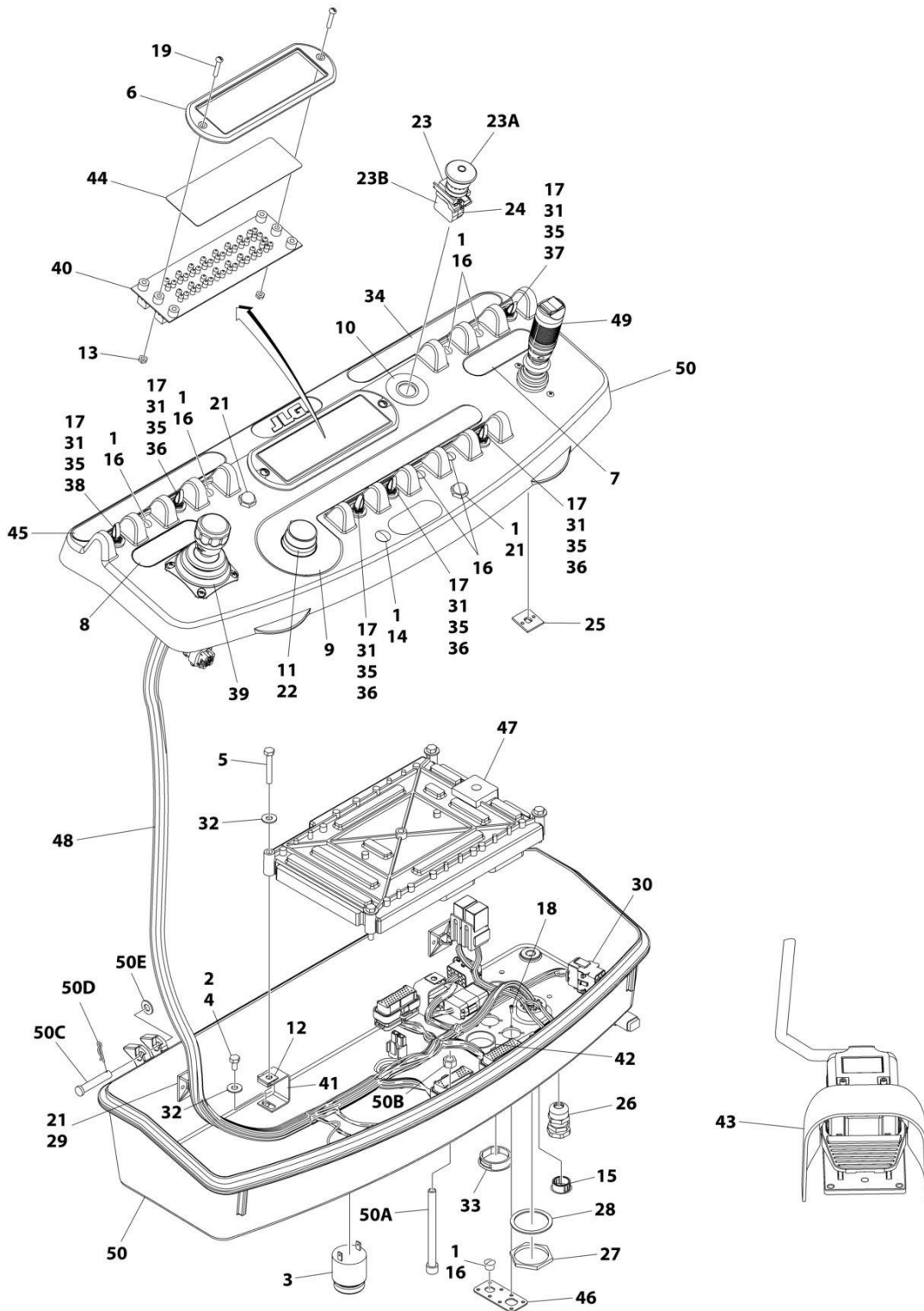
ITEM	PART NUMBER	QTY	DESCRIPTION	REV
	1001216154	Ref	PLATFORM CONSOLE ASSEMBLY - WITHOUT LSS OR WITH 4 CELL LSS - WITH SKYGUARD	E
1	0100009	AR	Sealant	
2	0100075	AR	Sealant	
3	0140011	1	Alarm	
4	0641404	4	Bolt, 1/4-20 x 1/2	
5	0641414	4	Bolt, 1/4-20 x 1-3/4	
6	1671176	1	Bezel	
7	1702565	1	Decal - Drive and Steer	
8	1702566	1	Decal - Lift and Swing	
9	1704260	1	Decal - EMS	
10	1704422	1	Decal - Function Speed	
11	2560136	1	Handle, Knob	
12	3300353	4	Nut, Tinnerman	
13	3300408	2	Nut, Lock	
14	3520026	1	Plug, Hole (SN 0300208530 through 0300229267)	
15	3520027	1	Plug, Hole	
16	3520030	1	Plug, Hole	
17	1001220486	2	Plug, Hole	
18	3520035	1	Plug, Cap (SN 0300208530 through 0300229267)	
18	1001185281	1	Plug, Bushing (SN 0300229268 through 0300256446)	
19	3520054	3	Plug, Hole	
20	3790012	8	O-Ring	
21	3911018	2	Screw, #10-24 x 1-1/8	
22	4240032	AR	Tie-Strap (Not Shown)	
23	4360387	AR	Switch, Push Button	
24	4360407	1	Switch, Potentiometer	
25	4360475	1	Switch, Emergency Stop	
25A	7020175	1	Cap, Mushroom with Sealing Ring	
25B	7020176	1	Block, Contact	
26	4360476	1	Block, Contact	
27	4460234	4	Mount, Tie-Strap	
28	4460428	1	Connector, Strain Relief	
29	4460470	1	Nut, Terminal	
30	4460471	1	Washer, Lock, Terminal	
31	4460488	2	Base, Terminal Mounting	
32	4460708	1	Connector - 15 Position	
33	4740397	8	Spacer	
34	4751400	8	Washer, 1/4	
35	1001110434	1	Plug, D-Shaped	
36	1001132175	1	Decal - Stop - Generator	
37	1001155044	8	Nut, 15/32-32	
38	1001155045	6	Switch, Toggle	
39	1001159256	1	Switch, Toggle	
40	1001161710	1	Switch, Toggle	
41	1001166539	NLA	Controller Assembly - Lift and Swing (Use p/n 1001129555) (See CONTROLLER ASSEMBLY LIFT AND SWING for Breakdown)	
42	1001170838	1	Gauge, Led Panel	
43	1001172760	4	Bracket, Module	

SECTION 5 - PLATFORM

ITEM	PART NUMBER	QTY	DESCRIPTION	REV
44	1001189039	1	Footswitch Assembly (See FOOTSWITCH ASSEMBLY for Breakdown)	
45	1001190797	1	Decal - Platform Display	
46	1001191318	1	Harness, Platform Console Box (See ELECTRICAL SECTION for Breakdown)	
47	1001193987	1	Decal - Horn and Drive Select	
48	1001215835	1	Module, PC (Note: Re-calibration Required when Replaced)	
49	1001166538	NLA	Controller Assembly - Drive and Steer (Use p/n 1001212415) (See CONTROLLER ASSEMBLY - DRIVE AND STEER for Breakdown)	
50	1001201887	1	Console Box Assembly	
50A	0630568	1	Capscrew, 3/8-16 x 4-1/2	
50B	3311601	1	Nut, 3/8-16	
50C	3430616	2	Pin, Clevis	
50D	3470003	2	Pin, Cotter	
50E	4711600	2	Washer, 5/16	
51	1001141300	1	Decal - Platform Sensor Override (SN 0300229268 through 0300239739)	
52	1001144433	1	Decal - No Weight SkyGuard (SN 0300229268 through 0300256446)	
53	1001192292	1	Harness, SkyGuard (See ELECTRICAL SECTION for Breakdown) (SN 0300229268 through 0300256446)	

SECTION 5 - PLATFORM

FIGURE 5-29. PLATFORM CONSOLE ASSEMBLY - WITHOUT LSS OR WITH 1 CELL LSS - UL SPECS (E400AJP,E400AJPNARROW) (SN 0300256447 through 0300272265)



ART_1001238491

SECTION 5 - PLATFORM

**FIGURE 5-29. PLATFORM CONSOLE ASSEMBLY - WITHOUT LSS OR WITH 1 CELL LSS - UL SPECS
(E400AJP,E400AJPNARROW) (SN 0300256447 through 0300272265)**

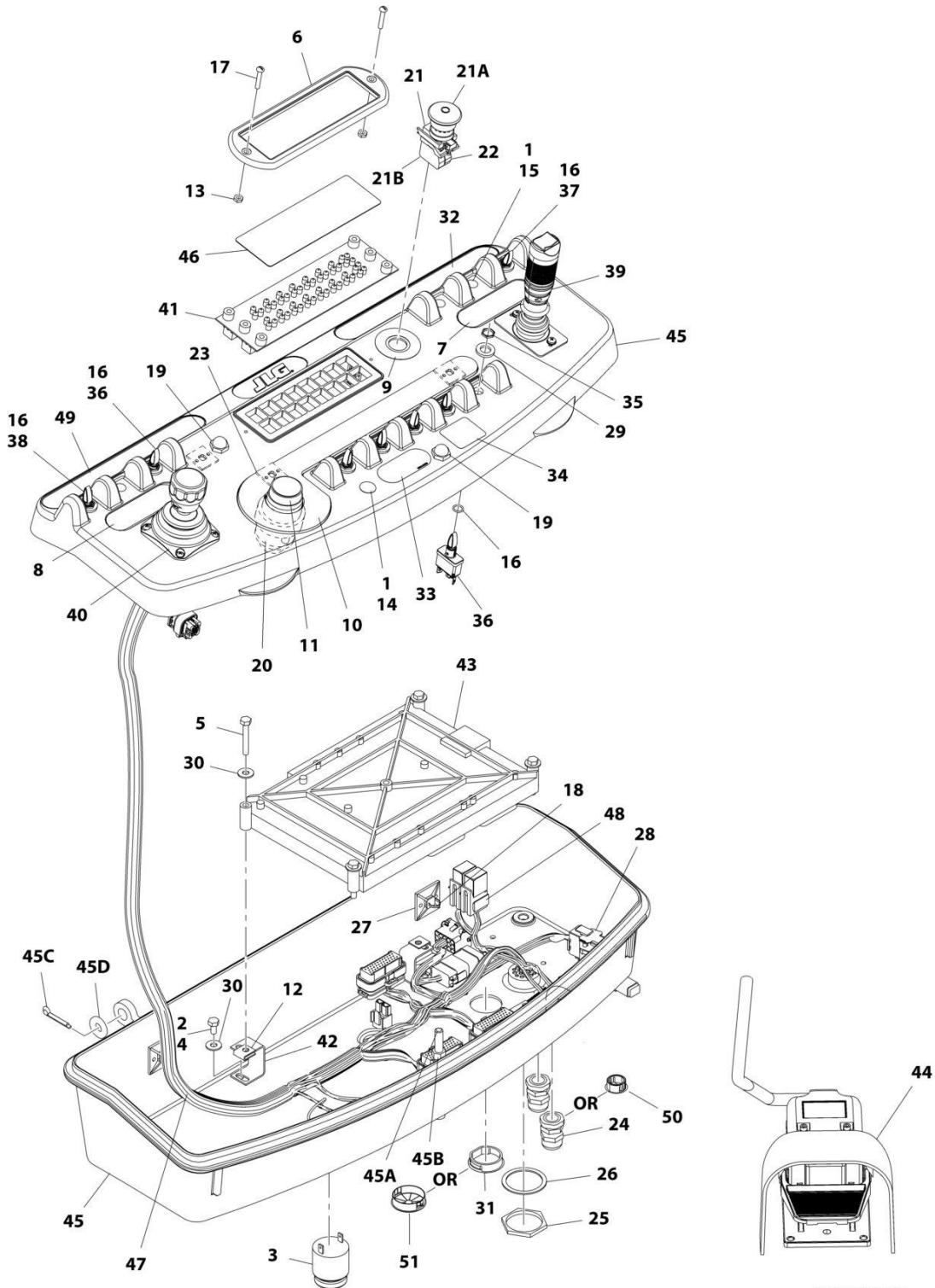
ITEM	PART NUMBER	QTY	DESCRIPTION	REV
	1001238491	Ref	PLATFORM CONSOLE ASSEMBLY - WITHOUT LSS OR WITH 1 CELL LSS	A
1	0100009	AR	Sealant	
2	0100035	AR	Compound, Locking	
3	0140011	1	Alarm	
4	0641404	4	Bolt, 1/4-20 x 1/2	
5	0641414	4	Bolt, 1/4-20 x 1-3/4	
6	1671176	1	Bezel	
7	1702565	1	Decal - Drive and Steer	
8	1702566	1	Decal - Lift and Swing	
9	1702567	1	Decal - Function Speed	
10	1704260	1	Decal - EMS	
11	2560136	1	Handle, Knob	
12	3300353	4	Nut, Tinnerman	
13	3300408	2	Nut, Lock	
14	3520027	1	Plug, Hole	
15	3520030	1	Plug, Hole	
16	3520054	7	Plug, Hole	
17	3790012	6	O-Ring	
18	3900349	8	Screw M2.5	
19	3911018	2	Screw, #10-24 x 1-1/8	
20	4240032	AR	Tie-Strap (Not Shown)	
21	4360387	2	Switch, Push Button	
22	4360407	1	Switch, Potentiometer	
23	4360475	1	Switch, Emergency Stop	
23A	7020175	1	Cap, Mushroom with Sealing Ring	
23B	7020176	1	Block, Contact	
24	4360476	1	Block, Contact	
25	4460234	4	Mount, Tie-Strap	
26	4460428	1	Connector, Strain Relief	
27	4460470	1	Nut, Terminal	
28	4460471	1	Washer, Lock, Terminal	
29	4460488	2	Base, Terminal Mounting	
30	4460708	1	Connector - 15 Position	
31	4740397	6	Spacer	
32	4751400	8	Washer, 1/4	
33	1001110434	1	Plug, D-Shaped	
34	1001132175	1	Decal - Stop - Generator	
35	1001155044	6	Nut, 15/32-32	
36	1001155045	4	Switch, Toggle	
37	1001159256	1	Switch, Toggle	
38	1001161710	1	Switch, Toggle	
39	1001166539	NLA	Controller Assembly - Lift and Swing (Use p/n 1001129555) (See CONTROLLER ASSEMBLY LIFT AND SWING for Breakdown)	
40	1001170838	1	Gauge, Led Panel	
41	1001172760	4	Bracket, Module	
42	1001185281	1	Plug, Bushing	
43	1001189039	1	Footswitch Assembly (See FOOTSWITCH ASSEMBLY for Breakdown)	

SECTION 5 - PLATFORM

ITEM	PART NUMBER	QTY	DESCRIPTION	REV
44	1001190797	1	Decal - Platform Display	
45	1001193987	1	Decal - Horn and Drive Select	
46	1001213882	1	Mount, Connector	
47	1001215835	1	Module, PC (Note: Re-calibration Required when Replaced)	
48	1001217621	1	Harness, Platform Console Box (With 1 Cell LSS) (See ELECTRICAL SECTION for Breakdown)	
49	1001166538	NLA	Controller Assembly - Drive and Steer (Use p/n 1001212415) (See CONTROLLER ASSEMBLY - DRIVE AND STEER for Breakdown)	
50	1001218068	1	Console Box Assembly	
50A	0630568	1	Capscrew 3/8 x 4-1/2	
50B	3311601	1	Nut 3/8	
50C	3430616	2	Pin, Clevis	
50D	3470003	2	Pin, Cotter	
50E	4711600	2	Washer 3/8	

SECTION 5 - PLATFORM

FIGURE 5-30. PLATFORM CONSOLE ASSEMBLY - WITHOUT LSS OR WITH 4 CELL LSS - WITH SKYGUARD (E400AJP,E400AJPNARROW,M400AJP,M400AJPNARROW) (SN 0300208530 through 0300219911)



ART_1001196484

SECTION 5 - PLATFORM

FIGURE 5-30. PLATFORM CONSOLE ASSEMBLY - WITHOUT LSS OR WITH 4 CELL LSS - WITH SKYGUARD (E400AJP,E400AJPNARROW,M400AJP,M400AJPNARROW) (SN 0300208530 through 0300219911)

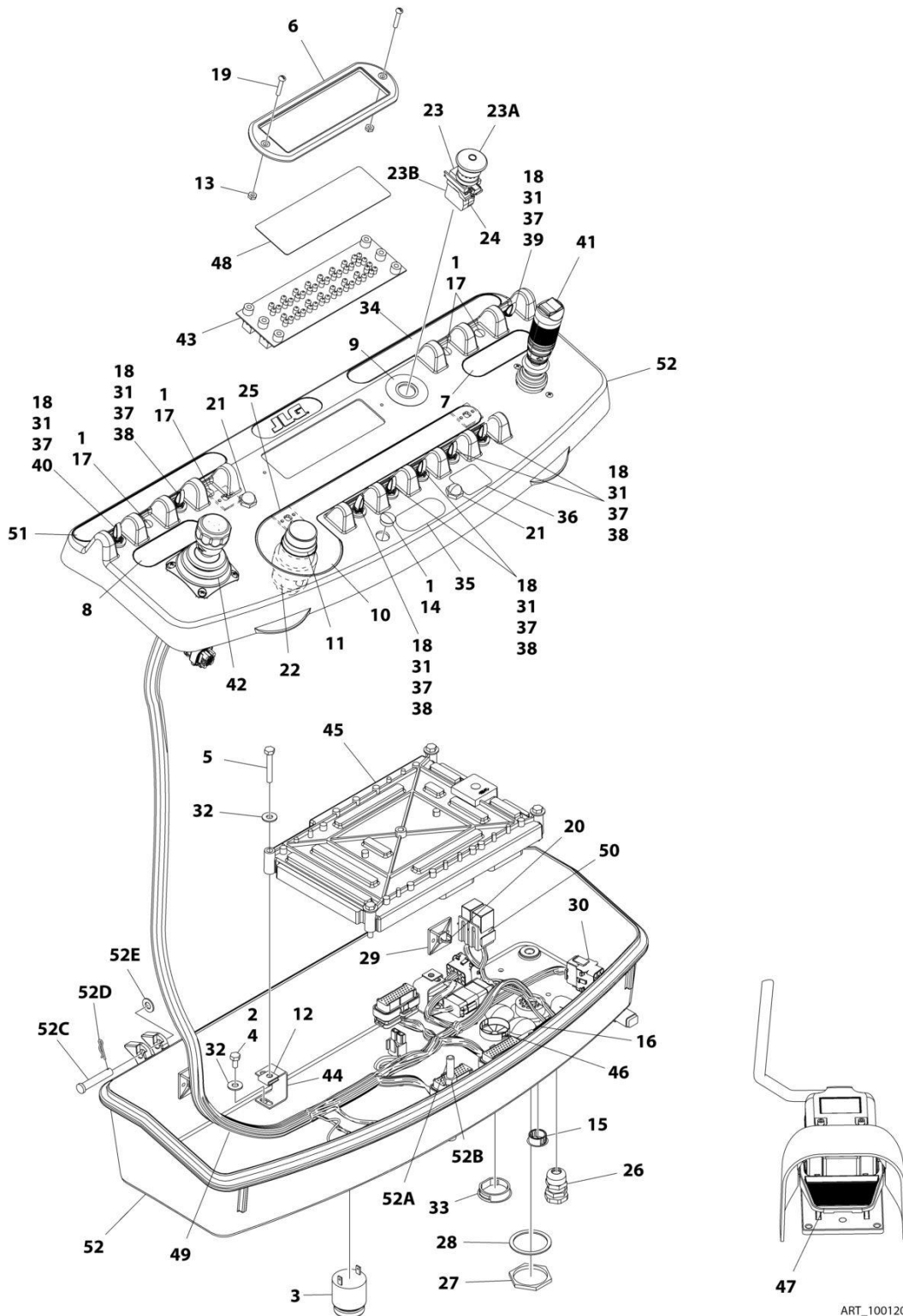
ITEM	PART NUMBER	QTY	DESCRIPTION	REV
	1001196484	Ref	PLATFORM CONSOLE ASSEMBLY - WITHOUT LSS OR WITH 4 CELL LSS - WITH SKYGUARD (SN 0300208530 through 0300219911)	D
1	0100009	AR	Sealant	
2	0100075	AR	Sealant	
3	0140011	1	Alarm	
4	0641404	4	Bolt, 1/4-20 x 1/2	
5	0641414	4	Bolt, 1/4-20 x 1-3/4	
6	1671176	1	Bezel	
7	1702565	1	Decal - Drive and Steer	
8	1702566	1	Decal - Lift and Swing	
9	1704260	1	Decal - EMS	
10	1704422	1	Decal - Function Speed	
11	2560136	1	Handle, Knob	
12	3300353	4	Nut, Tinnerman	
13	3300408	2	Nut, Lock	
14	3520027	1	Plug, Hole	
15	3520054	3	Plug, Hole	
16	3790012	8	O-Ring	
17	3911018	2	Screw, #10-24 x 1-1/8	
18	4240032	AR	Tie-Strap (Not Shown)	
19	4360387	2	Switch, Push Button	
20	4360407	1	Switch, Potentiometer	
21	4360475	1	Switch, Emergency Stop	
21A	7020175	1	Cap, Mushroom with Sealing Ring	
21B	7020176	1	Block, Contact	
22	4360476	1	Block, Contact	
23	4460234	4	Mount, Tie-Strap	
24	4460428	AR	Connector, Strain Relief	
25	4460470	1	Nut, Terminal	
26	4460471	1	Washer, Lock, Terminal	
27	4460488	2	Base, Terminal Mounting	
28	4460708	1	Connector - 15 Position	
29	4740397	8	Spacer	
30	4751400	8	Washer, 1/4	
31	1001110434	AR	Plug, D-Shaped	
32	1001132175	1	Decal - Stop - Generator	
33	1001141300	1	Decal - Platform Sensor Override	
34	1001144433	1	Decal - No Weight SkyGuard	
35	1001155044	8	Nut, 15/32-32	
36	1001155045	6	Switch, Toggle	
37	1001159256	1	Switch, Toggle	
38	1001161710	1	Switch, Toggle	
39	1001166538	NLA	Controller Assembly - Drive and Steer (Use p/n 1001212415) (See CONTROLLER ASSEMBLY - DRIVE AND STEER for Breakdown)	
40	1001166539	NLA	Controller Assembly - Lift and Swing (Use p/n 1001129555) (See CONTROLLER ASSEMBLY LIFT AND SWING for Breakdown)	
41	1001170838	1	Gauge, Led Panel	
42	1001172760	4	Bracket, Module	

SECTION 5 - PLATFORM

ITEM	PART NUMBER	QTY	DESCRIPTION	REV
43	1001182724	1	Module, PC (Note: Re-calibration Required when Replaced)	
44	1001189039	1	Footswitch Assembly (See FOOTSWITCH ASSEMBLY for Breakdown)	
45	1001190017	1	Console Box Assembly	
45A	0630568	1	Capscrew, 3/8-16 x 4-1/2	
45B	3311601	1	Nut, 3/8-16	
45C	3470003	2	Pin, Cotter	
45D	4711500	2	Washer, 5/16	
46	1001190797	1	Decal - Platform Display	
47	1001191318	1	Harness, Platform Console Box (See ELECTRICAL SECTION for Breakdown)	
48	1001192292	1	Harness, SkyGuard (See ELECTRICAL SECTION for Breakdown)	
49	1001193987	1	Decal - Horn and Drive Select	
50	3520030	1	Plug, Hole (SN 0300214530 through 0300219911)	
51	1001185281	1	Plug, Bushing (SN 0300214530 through 0300219911)	

SECTION 5 - PLATFORM

FIGURE 5-31. PLATFORM CONSOLE ASSEMBLY - WITHOUT LSS OR WITH 4 CELL LSS - WITH SKYGUARD (E400AJP,E400AJPNARROW,M400AJP,M400AJPNARROW) (SN 0300219912 through 0300240700)



ART_1001202580

SECTION 5 - PLATFORM

FIGURE 5-31. PLATFORM CONSOLE ASSEMBLY - WITHOUT LSS OR WITH 4 CELL LSS - WITH SKYGUARD (E400AJP,E400AJPNARROW,M400AJP,M400AJPNARROW) (SN 0300219912 through 0300240700)

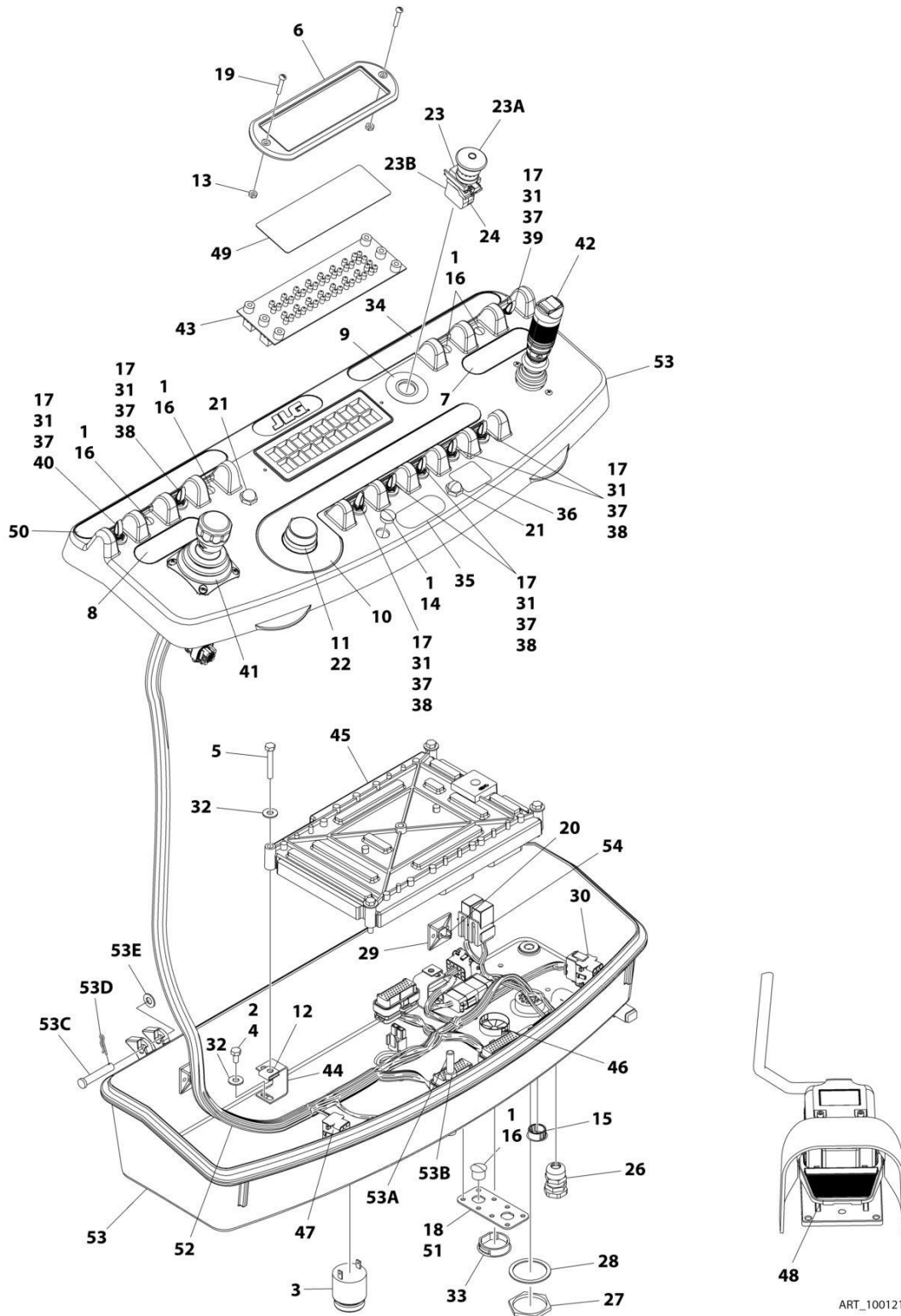
ITEM	PART NUMBER	QTY	DESCRIPTION	REV
	1001202580	Ref	PLATFORM CONSOLE ASSEMBLY - WITHOUT LSS OR WITH 4 CELL LSS - WITH SKYGUARD (SN 0300219912 through 0300240700)	D
1	0100009	AR	Sealant	
2	0100075	AR	Sealant	
3	0140011	1	Alarm	
4	0641404	4	Bolt, 1/4-20 x 1/2	
5	0641414	4	Bolt, 1/4-20 x 1-3/4	
6	1671176	1	Bezel	
7	1702565	1	Decal - Drive and Steer	
8	1702566	1	Decal - Lift and Swing	
9	1704260	1	Decal - EMS	
10	1704422	1	Decal - Function Speed	
11	2560136	1	Handle, Knob	
12	3300353	4	Nut, Tinnerman	
13	3300408	2	Nut, Lock	
14	3520027	1	Plug, Hole	
15	3520030	1	Plug, Hole	
16	3520033	2	Plug, Hole (SN 0300219912 through 0300226306)	
16	1001220486	2	Plug, Hole (SN 0300226307 through 0300240700)	
17	3520054	4	Plug, Hole	
18	3790012	8	O-Ring	
19	3911018	2	Screw, #10-24 x 1-1/8	
20	4240032	AR	Tie-Strap (Not Shown)	
21	4360387	2	Switch, Push Button	
22	4360407	1	Switch, Potentiometer	
23	4360475	1	Switch, Emergency Stop	
23A	7020175	1	Cap, Mushroom with Sealing Ring	
23B	7020176	1	Block, Contact	
24	4360476	1	Block, Contact	
25	4460234	4	Mount, Tie-Strap	
26	4460428	1	Connector, Strain Relief	
27	4460470	1	Nut, Terminal	
28	4460471	1	Washer, Lock, Terminal	
29	4460488	2	Base, Terminal Mounting	
30	4460708	1	Connector - 15 Position	
31	4740397	8	Spacer	
32	4751400	8	Washer, 1/4	
33	1001110434	1	Plug, D-Shaped	
34	1001132175	1	Decal - Stop - Generator	
35	1001141300	1	Decal - Platform Sensor Override	
36	1001144433	1	Decal - No Weight SkyGuard	
37	1001155044	8	Nut, 15/32-32	
38	1001155045	6	Switch, Toggle	
39	1001159256	1	Switch, Toggle	
40	1001161710	1	Switch, Toggle	
41	1001166538	NLA	Controller Assembly - Drive and Steer (Use p/n 1001212415) (See CONTROLLER ASSEMBLY - DRIVE AND STEER for Breakdown)	

SECTION 5 - PLATFORM

ITEM	PART NUMBER	QTY	DESCRIPTION	REV
42	1001166539	NLA	Controller Assembly - Lift and Swing (Use p/n 1001129555) (See CONTROLLER ASSEMBLY LIFT AND SWING for Breakdown)	
43	1001170838	1	Gauge, Led Panel	
44	1001172760	4	Bracket, Module	
45	1001182724	1	Module, PC (Note: Re-calibration Required when Replaced)	
46	1001185281	1	Plug, Bushing	
47	1001189039	1	Footswitch Assembly (See FOOTSWITCH ASSEMBLY for Breakdown)	
48	1001190797	1	Decal - Platform Display	
49	1001191318	1	Harness, Platform Console Box (See ELECTRICAL SECTION for Breakdown)	
50	1001192292	1	Harness, SkyGuard (See ELECTRICAL SECTION for Breakdown)	
51	1001193987	1	Decal - Horn and Drive Select	
52	1001201887	1	Console Box Assembly	
52A	0630568	1	Capscrew, 3/8-16 x 4-1/2	
52B	3311601	1	Nut, 3/8-16	
52C	3430616	2	Pin, Clevis	
52D	3470003	2	Pin, Cotter	
52E	4711500	2	Washer, 5/16	

SECTION 5 - PLATFORM

**FIGURE 5-32. PLATFORM CONSOLE ASSEMBLY - WITH SKYGUARD AND 1 CELL LSS
(E400AJP,E400AJPNARROW,M400AJP,M400AJPNARROW) (SN 0300208530 through 0300256446)**



ART_1001218651

SECTION 5 - PLATFORM

**FIGURE 5-32. PLATFORM CONSOLE ASSEMBLY - WITH SKYGUARD AND 1 CELL LSS
(E400AJP,E400AJPNARROW,M400AJP,M400AJPNARROW) (SN 0300208530 through 0300256446)**

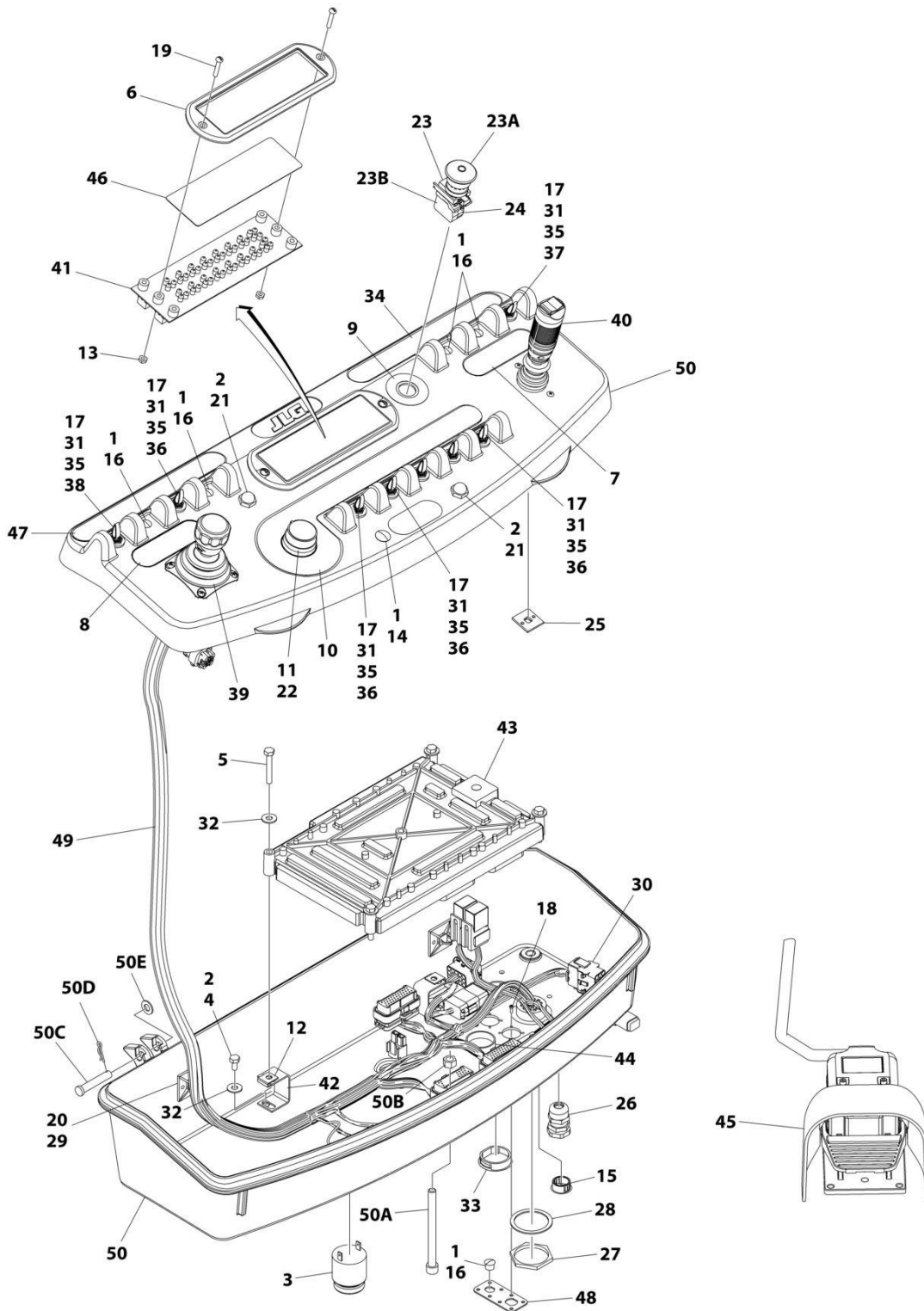
ITEM	PART NUMBER	QTY	DESCRIPTION	REV
	1001218651	Ref	PLATFORM CONSOLE ASSEMBLY - WITH SKYGUARD AND 1 CELL LSS	E
1	0100009	AR	Sealant	
2	0100035	AR	Compound, Locking	
3	0140011	1	Alarm	
4	0641404	4	Bolt, 1/4-20 x 1/2	
5	0641414	4	Bolt, 1/4-20 x 1-3/4	
6	1671176	1	Bezel	
7	1702565	1	Decal - Drive and Steer	
8	1702566	1	Decal - Lift and Swing	
9	1704260	1	Decal - EMS	
10	1704422	1	Decal - Function Speed	
11	2560136	1	Handle, Knob	
12	3300353	4	Nut, Tinnerman	
13	3300408	2	Nut, Lock	
14	3520027	1	Plug, Hole	
15	3520030	1	Plug, Hole	
16	3520054	5	Plug, Hole	
17	3790012	8	O-Ring	
18	3900349	8	Screw M2.5	
19	3911018	2	Screw, #10-24 x 1-1/8	
20	4240032	AR	Tie-Strap (Not Shown)	
21	4360387	2	Switch, Push Button	
22	4360407	1	Switch, Potentiometer	
23	4360475	1	Switch, Emergency Stop	
23A	7020175	1	Cap, Mushroom with Sealing Ring	
23B	7020176	1	Block, Contact	
24	4360476	1	Block, Contact	
25	4460234	4	Mount, Tie-Strap (Not Shown)	
26	4460428	1	Connector, Strain Relief	
27	4460470	1	Nut, Terminal	
28	4460471	1	Washer, Lock, Terminal	
29	4460488	2	Base, Terminal Mounting	
30	4460708	1	Connector - 15 Position	
31	4740397	8	Spacer	
32	4751400	8	Washer, 1/4	
33	1001110434	1	Plug, D-Shaped	
34	1001132175	1	Decal - Stop - Generator	
35	1001141300	1	Decal - Platform Sensor Override (SN 0300208530 through 0300239739)	
36	1001144433	1	Decal - No Weight SkyGuard	
37	1001155044	8	Nut, 15/32-32	
38	1001155045	6	Switch, Toggle	
39	1001159256	1	Switch, Toggle	
40	1001161710	1	Switch, Toggle	
41	1001166539	NLA	Controller Assembly - Lift and Swing (Use p/n 1001129555) (See CONTROLLER ASSEMBLY LIFT AND SWING for Breakdown)	
42	1001166538	NLA	Controller Assembly - Drive and Steer (Use p/n 1001212415) (See CONTROLLER ASSEMBLY - DRIVE AND STEER for Breakdown)	
43	1001170838	1	Gauge, Led Panel	

SECTION 5 - PLATFORM

ITEM	PART NUMBER	QTY	DESCRIPTION	REV
44	1001172760	4	Bracket, Module	
45	1001182724	1	Module, PC (Note: Re-calibration Required when Replaced)	
46	1001185281	1	Plug, Bushing	
47	1001186431	2	Relay	
48	1001189039	1	Footswitch Assembly (See FOOTSWITCH ASSEMBLY for Breakdown)	
49	1001190797	1	Decal - Platform Display	
50	1001193987	1	Decal - Horn and Drive Select	
51	1001213882	1	Mount, Connector	
52	1001217621	1	Harness, Platform Console Box (With 1 Cell LSS) (See ELECTRICAL SECTION for Breakdown)	
53	1001201887	1	Console Box Assembly	
53A	0630568	1	Capscrew, 3/8-16 x 4-1/2	
53B	3311601	1	Nut, 3/8-16	
53C	3430616	2	Pin, Clevis	
53D	3470003	2	Pin, Cotter	
53E	4711600	2	Washer, 3/8	
54	1001225580	1	Harness, SkyGuard (See ELECTRICAL SECTION for Breakdown)	

SECTION 5 - PLATFORM

**FIGURE 5-33. PLATFORM CONSOLE ASSEMBLY - WITH 1 CELL LSS
(E400AJP,E400AJPNARROW,M400AJP,M400AJPNARROW) (SN 0300256447 through 0300272265)**



ART_1001238489

SECTION 5 - PLATFORM

**FIGURE 5-33. PLATFORM CONSOLE ASSEMBLY - WITH 1 CELL LSS
(E400AJP,E400AJPNARROW,M400AJP,M400AJPNARROW) (SN 0300256447 through 0300272265)**

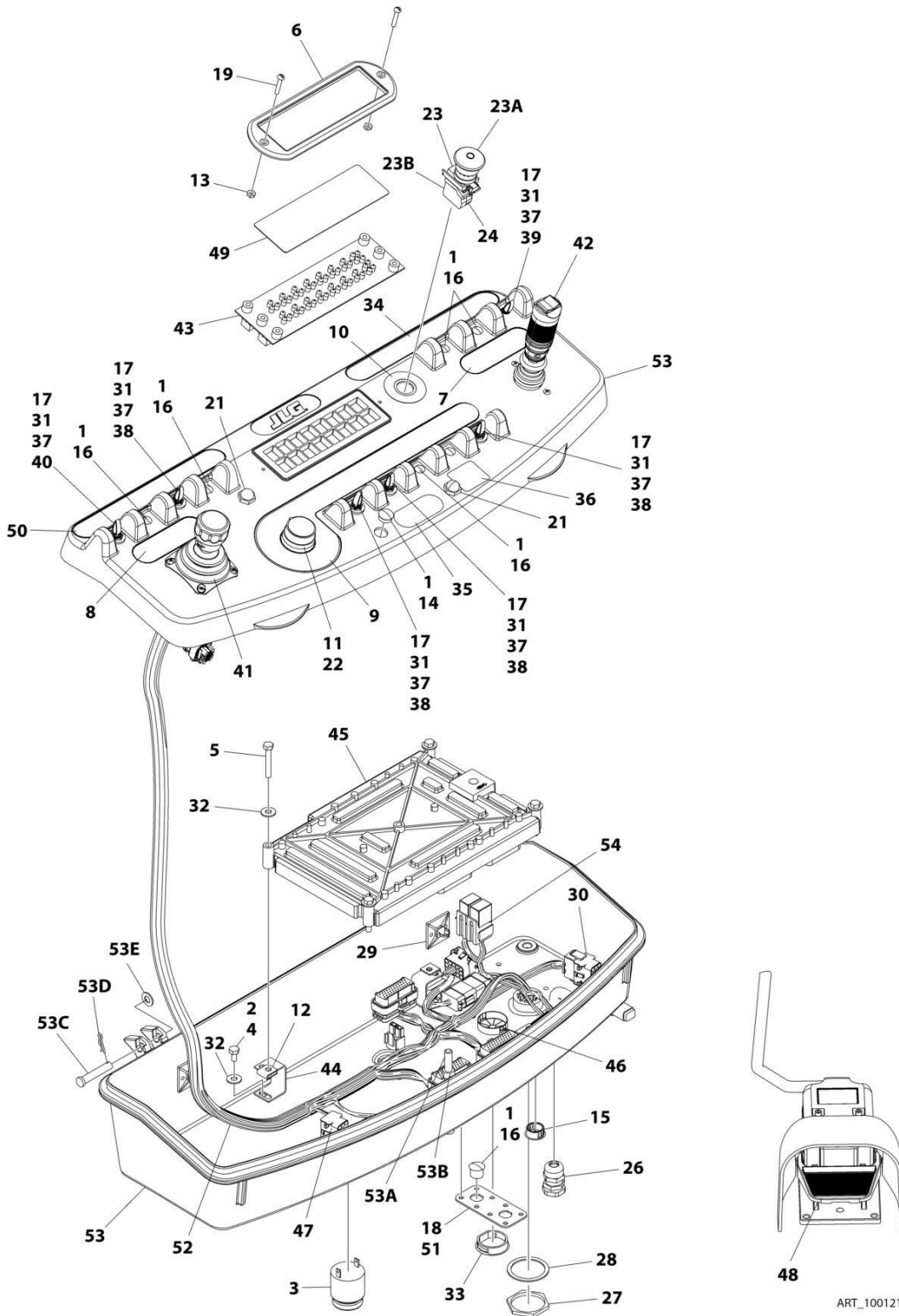
ITEM	PART NUMBER	QTY	DESCRIPTION	REV
	1001238489	Ref	PLATFORM CONSOLE ASSEMBLY - WITH 1 CELL LSS	A
1	0100009	AR	Sealant	
2	0100035	AR	Compound, Locking	
3	0140011	1	Alarm	
4	0641404	4	Bolt, 1/4-20 x 1/2	
5	0641414	4	Bolt, 1/4-20 x 1-3/4	
6	1671176	1	Bezel	
7	1702565	1	Decal - Drive and Steer	
8	1702566	1	Decal - Lift and Swing	
9	1704260	1	Decal - EMS	
10	1704422	1	Decal - Function Speed	
11	2560136	1	Handle, Knob	
12	3300353	4	Nut, Tinnerman	
13	3300408	2	Nut, Lock	
14	3520027	1	Plug, Hole	
15	3520030	1	Plug, Hole	
16	3520054	5	Plug, Hole	
17	3790012	8	O-Ring	
18	3900349	8	Screw M2.5	
19	3911018	2	Screw, #10-24 x 1-1/8	
20	4240032	AR	Tie-Strap	
21	4360387	2	Switch, Push Button	
22	4360407	1	Switch, Potentiometer	
23	4360475	1	Switch, Emergency Stop	
23A	7020175	1	Cap, Mushroom with Sealing Ring	
23B	7020176	1	Block, Contact	
24	4360476	1	Block, Contact	
25	4460234	4	Mount, Tie-Strap	
26	4460428	1	Connector, Strain Relief	
27	4460470	1	Nut, Terminal	
28	4460471	1	Washer, Lock, Terminal	
29	4460488	2	Base, Terminal Mounting	
30	4460708	1	Connector - 15 Position	
31	4740397	8	Spacer	
32	4751400	8	Washer, 1/4	
33	1001110434	1	Plug, D-Shaped	
34	1001132175	1	Decal - Stop - Generator	
35	1001155044	8	Nut, 15/32-32	
36	1001155045	6	Switch, Toggle	
37	1001159256	1	Switch, Toggle	
38	1001161710	1	Switch, Toggle	
39	1001166539	NLA	Controller Assembly - Lift and Swing (Use p/n 1001129555) (See CONTROLLER ASSEMBLY LIFT AND SWING for Breakdown)	
40	1001166538	NLA	Controller Assembly - Drive and Steer (Use p/n 1001212415) (See CONTROLLER ASSEMBLY - DRIVE AND STEER for Breakdown)	
41	1001170838	1	Gauge, Led Panel	
42	1001172760	4	Bracket, Module	
43	1001182724	1	Module, PC (Note: Re-calibration Required when Replaced)	
44	1001185281	1	Plug, Bushing	

SECTION 5 - PLATFORM

ITEM	PART NUMBER	QTY	DESCRIPTION	REV
45	1001189039	1	Footswitch Assembly (See FOOTSWITCH ASSEMBLY for Breakdown)	
46	1001190797	1	Decal - Platform Display	
47	1001193987	1	Decal - Horn and Drive Select	
48	1001213882	1	Mount, Connector	
49	1001217621	1	Harness, Platform Console Box (With 1 Cell LSS) (See ELECTRICAL SECTION for Breakdown)	
50	1001218068	1	Console Box Assembly	
50A	0630568	1	Capscrew, 3/8-16 x 4-1/2	
50B	3311601	1	Nut, 3/8-16	
50C	3430616	2	Pin, Clevis	
50D	3470003	2	Pin, Cotter	
50E	4711600	2	Washer, 3/8	

SECTION 5 - PLATFORM

FIGURE 5-34. PLATFORM CONSOLE ASSEMBLY - WITH SKYGUARD AND 1 CELL LSS (E400ANARROW) (SN 0300208530 through 0300256446)



ART_1001218652

SECTION 5 - PLATFORM

**FIGURE 5-34. PLATFORM CONSOLE ASSEMBLY - WITH SKYGUARD AND 1 CELL LSS
(E400ANARROW) (SN 0300208530 through 0300256446)**

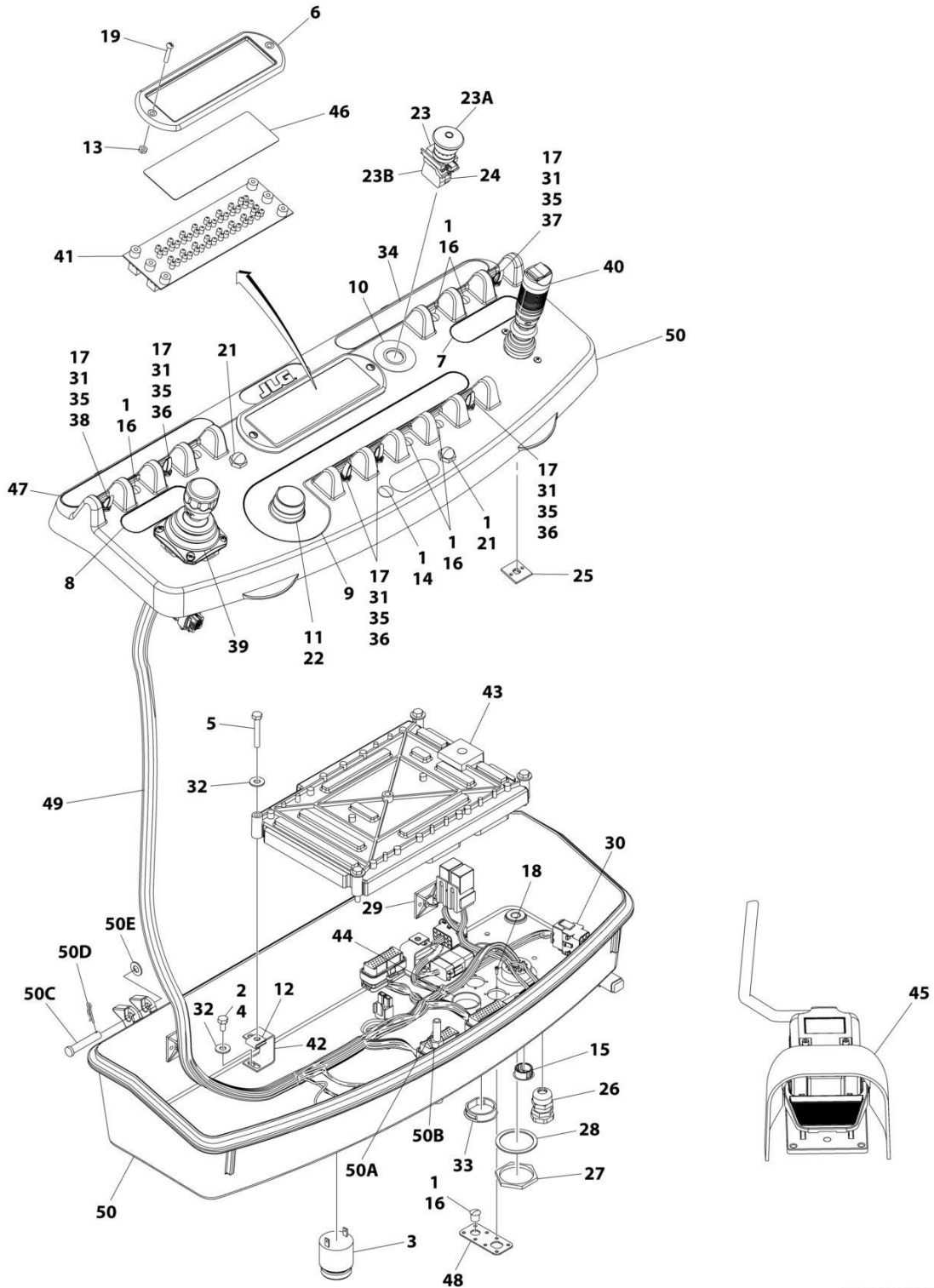
ITEM	PART NUMBER	QTY	DESCRIPTION	REV
	1001218652	Ref	PLATFORM CONSOLE ASSEMBLY - WITH SKYGUARD AND 1 CELL LSS	E
1	0100009	AR	Sealant	
2	0100035	AR	Compound, Locking	
3	0140011	1	Alarm	
4	0641404	4	Bolt, 1/4-20 x 1/2	
5	0641414	4	Bolt, 1/4-20 x 1-3/4	
6	1671176	1	Bezel	
7	1702565	1	Decal - Drive and Steer	
8	1702566	1	Decal - Lift and Swing	
9	1702567	1	Decal - Function Speed	
10	1704260	1	Decal - EMS	
11	2560136	1	Handle, Knob	
12	3300353	4	Nut, Tinnerman	
13	3300408	2	Nut, Lock	
14	3520027	1	Plug, Hole	
15	3520030	1	Plug, Hole	
16	3520054	5	Plug, Hole	
17	3790012	6	O-Ring	
18	3900349	8	Screw M2.5	
19	3911018	2	Screw, #10-24 x 1-1/8	
20	4240032	AR	Tie-Strap (Not Shown)	
21	4360387	2	Switch, Push Button	
22	4360407	1	Switch, Potentiometer	
23	4360475	1	Switch, Emergency Stop	
23A	7020175	1	Cap, Mushroom with Sealing Ring	
23B	7020176	1	Block, Contact	
24	4360476	1	Block, Contact	
25	4460234	4	Mount, Tie-Strap (Not Shown)	
26	4460428	1	Connector, Strain Relief	
27	4460470	1	Nut, Terminal	
28	4460471	1	Washer, Lock, Terminal	
29	4460488	3	Base, Terminal Mounting	
30	4460708	1	Connector - 15 Position	
31	4740397	6	Spacer	
32	4751400	8	Washer, 1/4	
33	1001110434	1	Plug, D-Shaped	
34	1001132175	1	Decal - Stop - Generator	
35	1001141300	1	Decal - Platform Sensor Override (SN 0300208530 through 0300239739)	
36	1001144433	1	Decal - No Weight SkyGuard	
37	1001155044	6	Nut, 15/32-32	
38	1001155045	4	Switch, Toggle	
39	1001159256	1	Switch, Toggle	
40	1001161710	1	Switch, Toggle	
41	1001166539	NLA	Controller Assembly - Lift and Swing (Use p/n 1001129555) (See CONTROLLER ASSEMBLY LIFT AND SWING for Breakdown)	
42	1001166538	NLA	Controller Assembly - Drive and Steer (Use p/n 1001212415) (See CONTROLLER ASSEMBLY - DRIVE AND STEER for Breakdown)	
43	1001170838	1	Gauge, Led Panel	

SECTION 5 - PLATFORM

ITEM	PART NUMBER	QTY	DESCRIPTION	REV
44	1001172760	4	Bracket, Module	
45	1001182724	1	Module, PC (Note: Re-calibration Required when Replaced)	
46	1001185281	1	Plug, Bushing	
47	1001186431	2	Relay	
48	1001189039	1	Footswitch Assembly (See FOOTSWITCH ASSEMBLY for Breakdown)	
49	1001190797	1	Decal - Platform Display	
50	1001193987	1	Decal - Horn and Drive Select	
51	1001213882	1	Mount, Connector	
52	1001217621	1	Harness, Platform Console Box (With 1 Cell LSS) (See ELECTRICAL SECTION for Breakdown)	
53	1001218068	1	Console Box Assembly	
53A	0630568	1	Capscrew, 3/8-16 x 4-1/2	
53B	3311601	1	Nut, 3/8-16	
53C	3430616	2	Pin, Clevis	
53D	3470003	2	Pin, Cotter	
53E	4711600	2	Washer, 3/8	
54	1001225580	1	Harness, SkyGuard (See ELECTRICAL SECTION for Breakdown)	

SECTION 5 - PLATFORM

FIGURE 5-35. PLATFORM CONSOLE ASSEMBLY - WITH 1 CELL LSS (E400ANARROW) (SN 0300256447 through 0300272265)



ART_1001238490

SECTION 5 - PLATFORM

FIGURE 5-35. PLATFORM CONSOLE ASSEMBLY - WITH 1 CELL LSS (E400ANARROW) (SN 0300256447 through 0300272265)

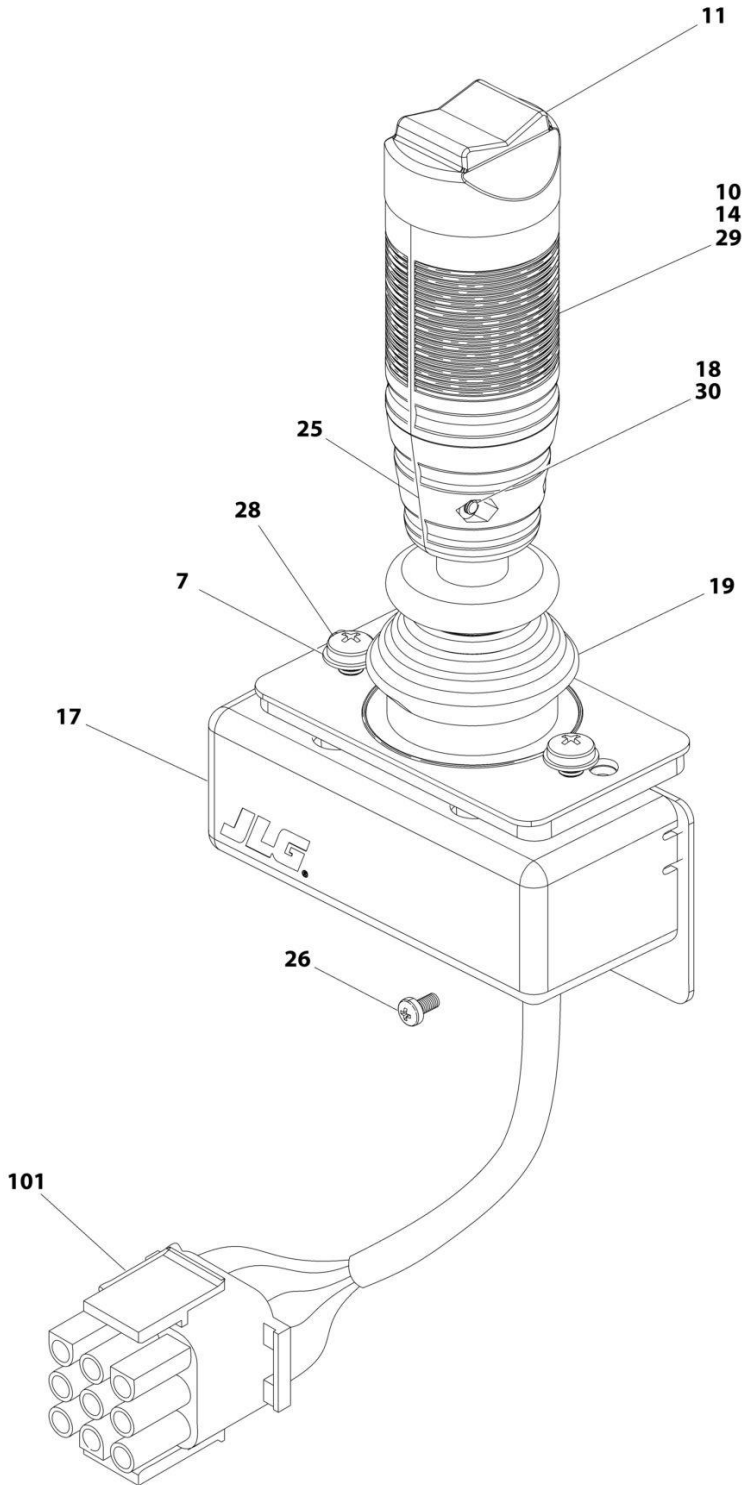
ITEM	PART NUMBER	QTY	DESCRIPTION	REV
	1001238490	Ref	PLATFORM CONSOLE ASSEMBLY - WITH 1 CELL LSS AND WITH SKYGUARD	A
1	0100009	AR	Sealant	
2	0100035	AR	Compound, Locking	
3	0140011	1	Alarm	
4	0641404	4	Bolt 1/4 x 1/2	
5	0641414	4	Bolt 1/4 x 1-3/4	
6	1671176	1	Bezel	
7	1702565	1	Decal - Drive and Steer	
8	1702566	1	Decal - Lift and Swing	
9	17042567	1	Decal - Function Speed	
10	1704260	1	Decal - EMS	
11	2560136	1	Handle, Knob	
12	3300353	4	Nut, Tinnerman	
13	3300408	2	Nut, Lock	
14	3520027	1	Plug, Hole	
15	3520030	1	Plug, Hole	
16	3520054	7	Plug, Hole	
17	3790012	6	O-Ring	
18	3900349	8	Screw M2.5	
19	3911018	2	Screw #10 x 1-1/8	
20	4240032	AR	Tie-Strap (Not Shown)	
21	4360387	2	Switch, Push Button	
22	4360407	1	Switch, Potentiometer	
23	4360475	1	Switch, Emergency Stop	
23A	7020175	1	Cap, Mushroom with Sealing Ring	
23B	7020176	1	Block, Contact	
24	4360476	1	Block, Contact	
25	4460234	4	Mount, Tie-Strap	
26	4460428	1	Connector, Strain Relief	
27	4460470	1	Nut, Terminal	
28	4460471	1	Washer, Lock Terminal	
29	4460488	3	Base, Terminal Mounting	
30	4460708	1	Connector - 15 Position	
31	4740397	6	Spacer	
32	4751400	8	Washer 1/4	
33	1001110434	1	Plug, D-Shaped	
34	1001132175	1	Decal - Stop - Generator	
35	1001155044	6	Nut 15/32	
36	1001155045	4	Switch, Toggle	
37	1001159256	1	Switch, Toggle	
38	1001161710	1	Switch, Toggle	
39	1001166539	NLA	Controller Assembly - Lift and Swing (Use p/n 1001129555) (See CONTROLLER ASSEMBLY LIFT AND SWING for Breakdown)	
40	1001166538	NLA	Controller Assembly - Drive and Steer (Use p/n 1001212415) (See CONTROLLER ASSEMBLY - DRIVE AND STEER for Breakdown)	
41	1001170838	1	Gauge, Led Panel	
42	1001172760	4	Bracket, Module	
43	1001182724	1	Module, PC (Note: Re-calibration Required when Replaced)	

SECTION 5 - PLATFORM

ITEM	PART NUMBER	QTY	DESCRIPTION	REV
44	1001185281	1	Plug, Bushing	
45	1001189039	1	Footswitch Assembly (See FOOTSWITCH ASSEMBLY for Breakdown)	
46	1001190797	1	Decal - Platform Display	
47	1001193987	1	Decal - Horn and Drive Select	
48	1001213882	1	Mount, Connector	
49	1001217621	1	Harness, Platform Console Box (With 1 Cell LSS) (See ELECTRICAL SECTION for Breakdown)	
50	1001218068	1	Console Box Assembly	
50A	0630568	1	Capscrew 3/8 x 4-1/2	
50B	3311601	1	Nut 3/8	
50C	3430616	2	Pin, Clevis	
50D	3470003	2	Pin, Cotter	
50E	4711600	2	Washer 3/8	

SECTION 5 - PLATFORM

FIGURE 5-36. CONTROLLER ASSEMBLY - DRIVE AND STEER



ART_1001166538

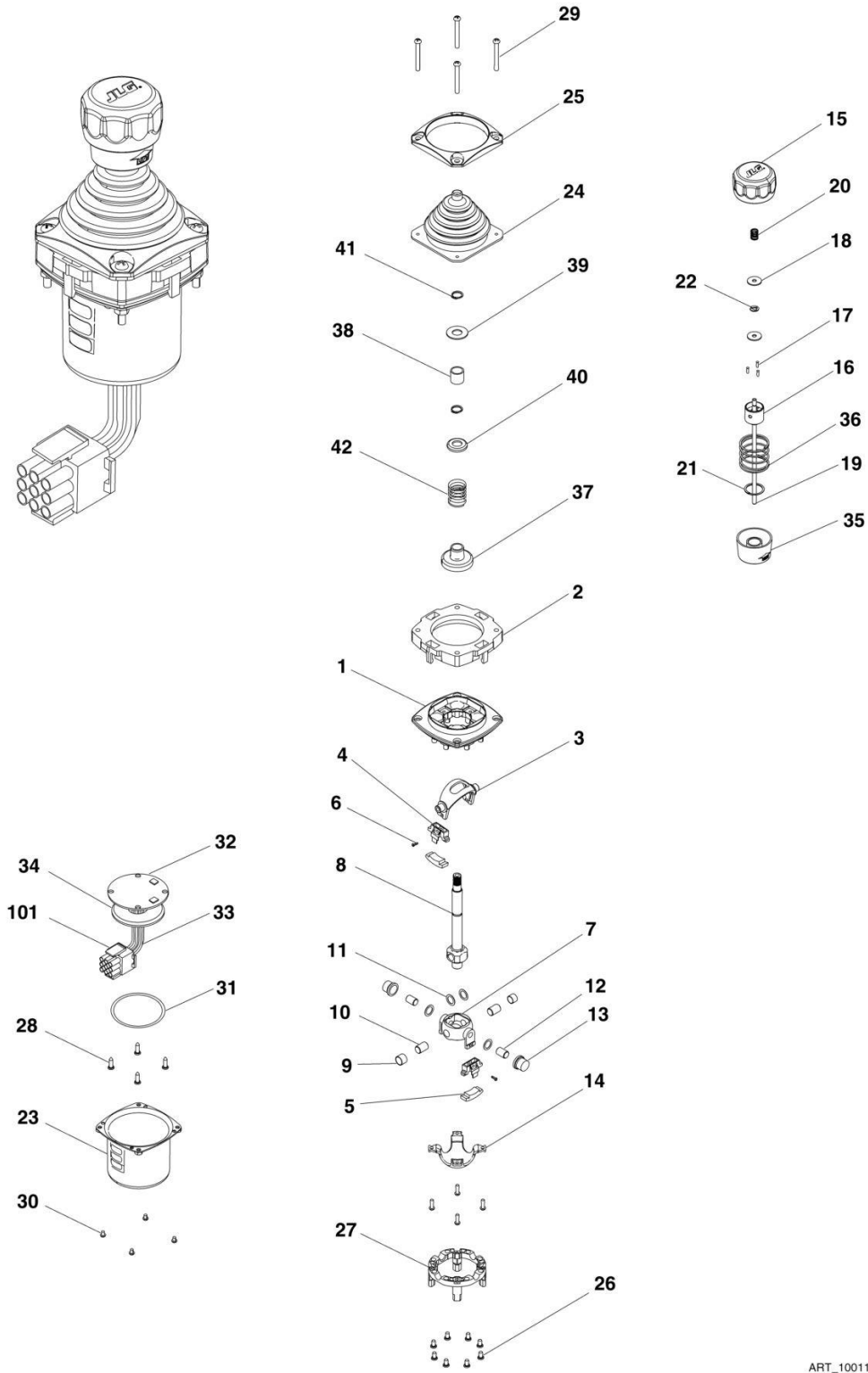
SECTION 5 - PLATFORM

FIGURE 5-36. CONTROLLER ASSEMBLY - DRIVE AND STEER

ITEM	PART NUMBER	QTY	DESCRIPTION	REV
	1001166538	1	CONTROLLER ASSEMBLY - DRIVE AND STEER	F
		Ref	Note: Use p/n 1001212415 as Replacement	
7	70004738	2	Washer	
10	70004739	1	Roller	
11	70004740	1	Boot, Switch	
14	70004741	2	Half, Handle	
17	70004742	1	Enclosure	
18	70004743	4	Nut	
19	70004745	NLA	Boot, Controller (Use Item 200)	
20	70004746	NLA	Tube, Locking (Use Item 200)	
21	70004744	NLA	Disc, Locking (Use Item 200)	
25	70004747	2	Seal, Rope	
26	70004748	1	Screw, M3 x 6mm	
28	70004749	2	Screw, M5 x 20mm	
29	70004750	1	Pin, Dowel	
30	70004751	4	Screw, M3 x 16mm	
101	4460265	1	Connector - 9 Position	
101	4460226	7	Socket, Female	
200	70005230	1	Boot Kit (Includes Items 19-21)	

SECTION 5 - PLATFORM

FIGURE 5-37. CONTROLLER ASSEMBLY - LIFT AND SWING



ART_1001166539

SECTION 5 - PLATFORM

FIGURE 5-37. CONTROLLER ASSEMBLY - LIFT AND SWING

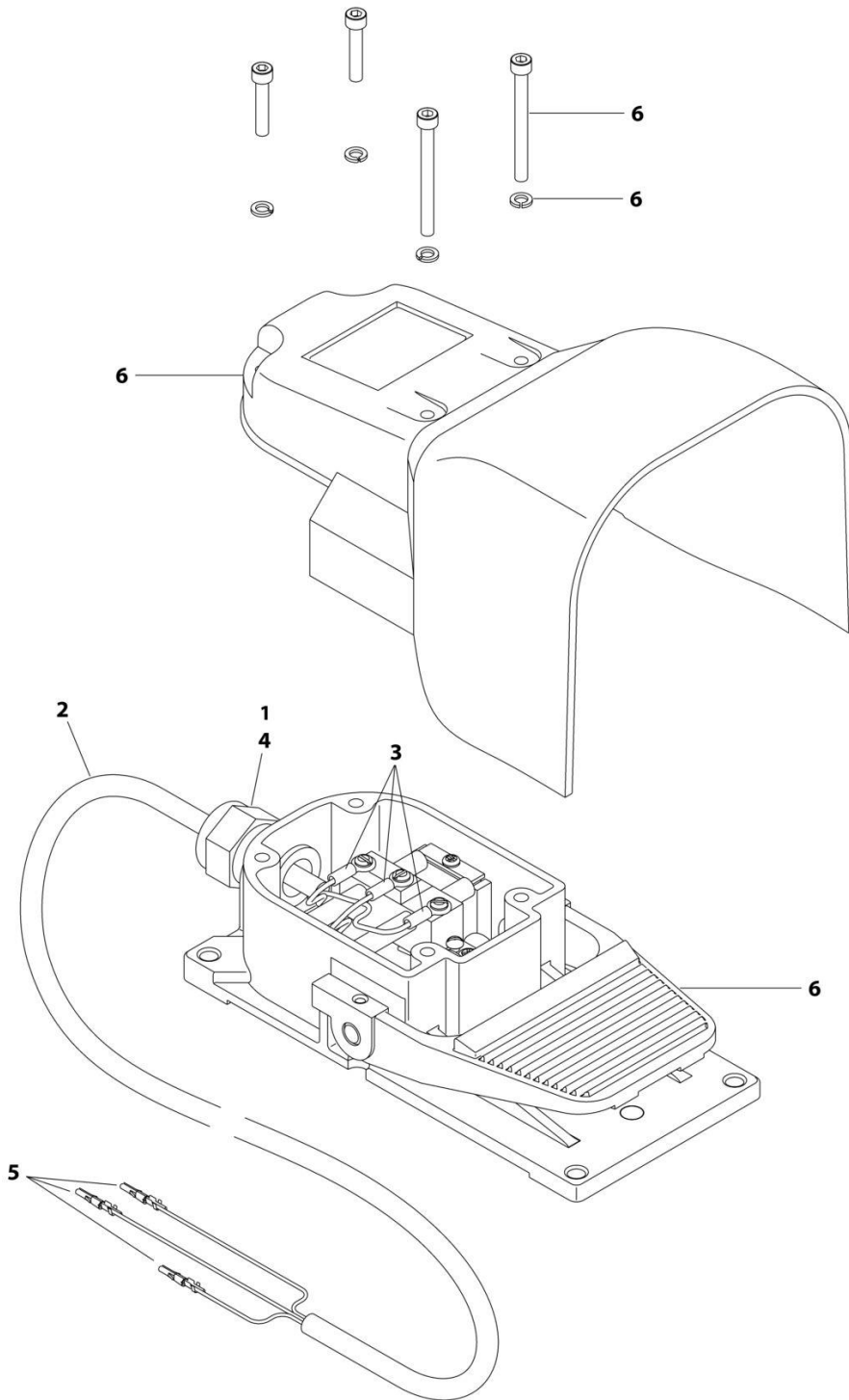
ITEM	PART NUMBER	QTY	DESCRIPTION	REV
	1001166539	Ref	CONTROLLER ASSEMBLY - LIFT AND SWING	D
		Ref	Note: Use p/n 1001129555 as a service replacement.	
1	See Note	1	Main Cast Body (Note: Not Available - Purchase Complete Assembly)	
2	70004752	1	Adapter	
3	See Note	NSS	Pivot Arm, Plastic (Note: Not Available - Purchase Complete Assembly)	
4	See Note	NSS	Holder, Magnet (Note: Not Available - Purchase Complete Assembly)	
5	See Note	NSS	Arc, Magnet (Note: Not Available - Purchase Complete Assembly)	
6	See Note	NSS	Screw (Note: Not Available for Purchase)	
7	See Note	NSS	Pivot Arm, Cast (Note: Not Available - Purchase Complete Assembly)	
8	See Note	NSS	Shaft, Main (Note: Not Available - Purchase Complete Assembly)	
9	See Note	NSS	Bearing (Note: Not Available - Purchase Complete Assembly)	
10	See Note	NSS	Pin (Note: Not Available - Purchase Complete Assembly)	
11	See Note	NSS	Shim (Note: Not Available - Purchase Complete Assembly)	
12	See Note	NSS	Pin (Note: Not Available - Purchase Complete Assembly)	
13	See Note	NSS	Bearing (Note: Not Available - Purchase Complete Assembly)	
14	See Note	NSS	Dome, Centering (Note: Not Available - Purchase Complete Assembly)	
15	70004753	1	Cap	
16	70004754	1	Insert, Cap	
17	70004755	3	Pin	
18	70004756	2	Washer	
19	70004757	1	Pin, Centering	
20	70004758	1	Spring	
21	70004759	1	Ring, Retaining	
22	70004760	1	E-Ring	
23	70004761	1	Can, Enclosure	
24	70004762	1	Boot	
25	70004763	1	Bezel	
26	See Note	NSS	Screw (Note: Not Available for Purchase)	
27	See Note	NSS	Base Mounting (Note: Not Available - Purchase Complete Assembly)	
28	See Note	NSS	Screw (Note: Not Available for Purchase)	
29	70004764	4	Screw	
30	70004765	4	Screw	
31	70004766	1	O-Ring	
32	See Note	NSS	Plate (Note: Not Available - Purchase Complete Assembly)	
33	See Note	NSS	Harness (Note: Not Available - Purchase Complete Assembly)	
34	70004767	1	Grommet, Rubber	
35	70004768	1	Housing	
36	70004769	1	Spring	
37	70004770	1	Stopper	
38	70004771	1	Spacer	
39	70004772	1	Washer	
40	70004773	1	Disc	
41	70004774	2	Ring, Retaining	
42	70004775	1	Spring	
101	4460265	1	Connector - 9 Position	

SECTION 5 - PLATFORM

ITEM	PART NUMBER	QTY	DESCRIPTION	REV
101	4460226	6	Socket, Female	

SECTION 5 - PLATFORM

FIGURE 5-38. FOOTSWITCH ASSEMBLY



ART_1001189039

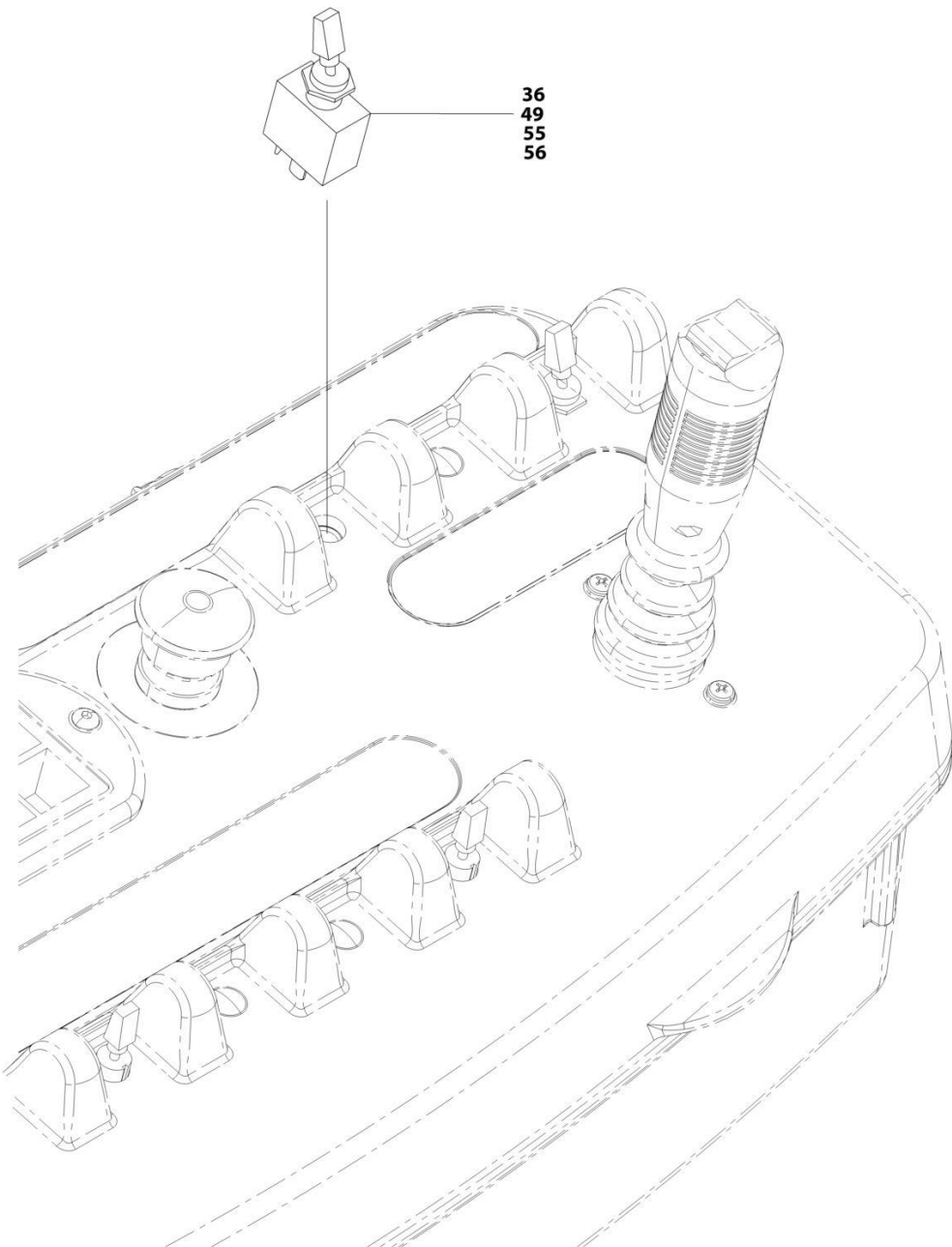
SECTION 5 - PLATFORM

FIGURE 5-38. FOOTSWITCH ASSEMBLY

ITEM	PART NUMBER	QTY	DESCRIPTION	REV
	1001189039	Ref	FOOTSWITCH ASSEMBLY	A
1	0100020	AR	Sealant	
2	1060330	6 ft /1.83m	Cable, Electrical - 16/3	
3	4460042	3	Terminal	
4	4460071	1	Connector, Strain Relief	
5	4460226	3	Socket, Female	
6	1001117172	1	Footswitch	
6	70002902	1	Switch, 20Amp	
6	70002903	1	Gasket	
6	70002905	1	Cover	
6	70002904	1	Kit, Replacement Bolt	

SECTION 5 - PLATFORM

FIGURE 5-39. MOTOR CONTROLS INSTALLATION (M400AJP,M400AJPNARROW)



ART_1001191232_40F4

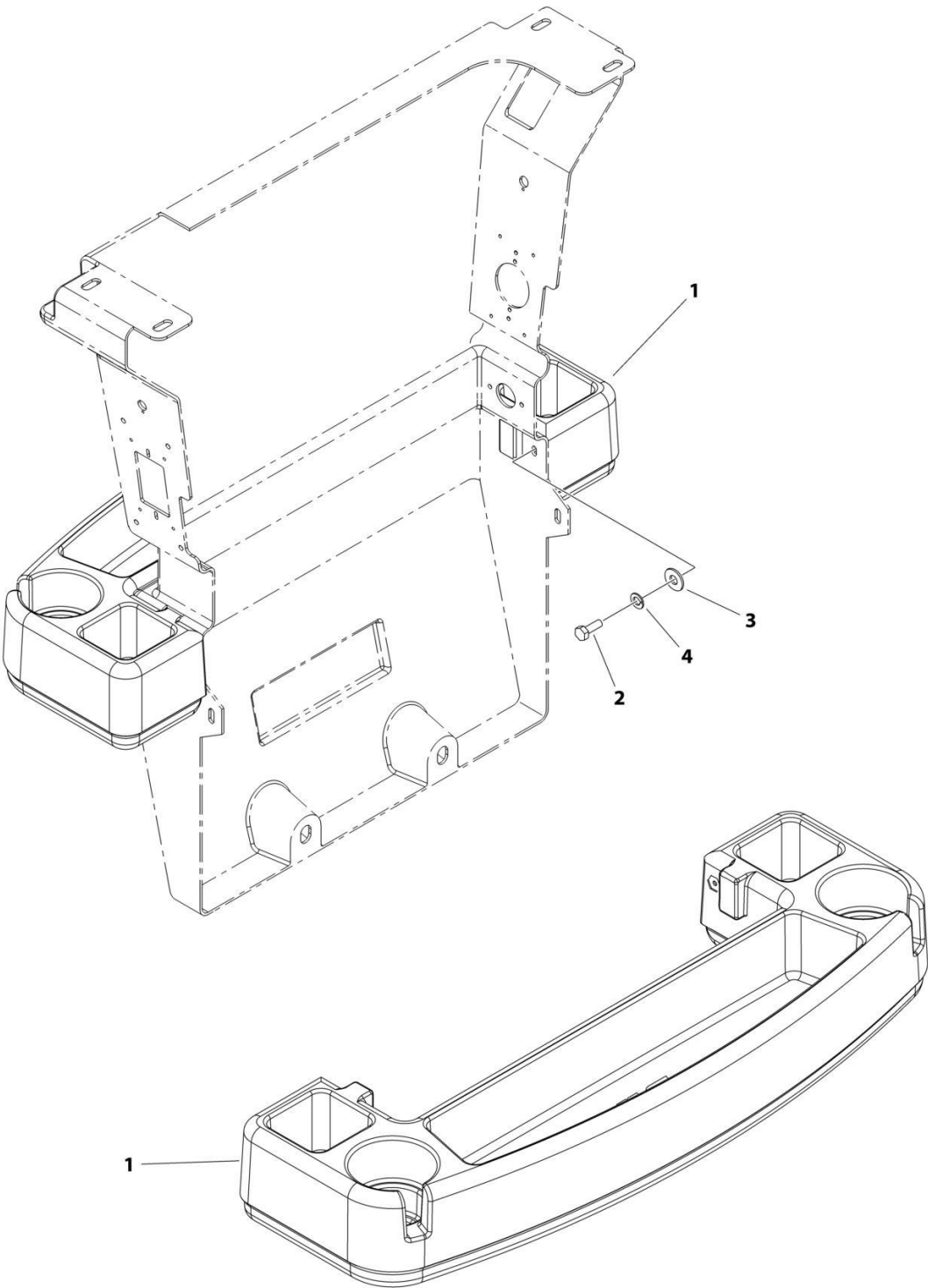
SECTION 5 - PLATFORM

FIGURE 5-39. MOTOR CONTROLS INSTALLATION (M400AJP,M400AJPNARROW)

ITEM	PART NUMBER	QTY	DESCRIPTION	REV
	1001191232	Ref	MOTOR CONTROLS INSTALLATION	E
36	3790012	1	O-Ring	
49	4740397	1	Washer, Spacer	
55	1001155044	1	Nut, Special	
56	1001161710	1	Switch, Toggle	

SECTION 5 - PLATFORM

FIGURE 5-40. TRAY ASSEMBLY



ART_1580012

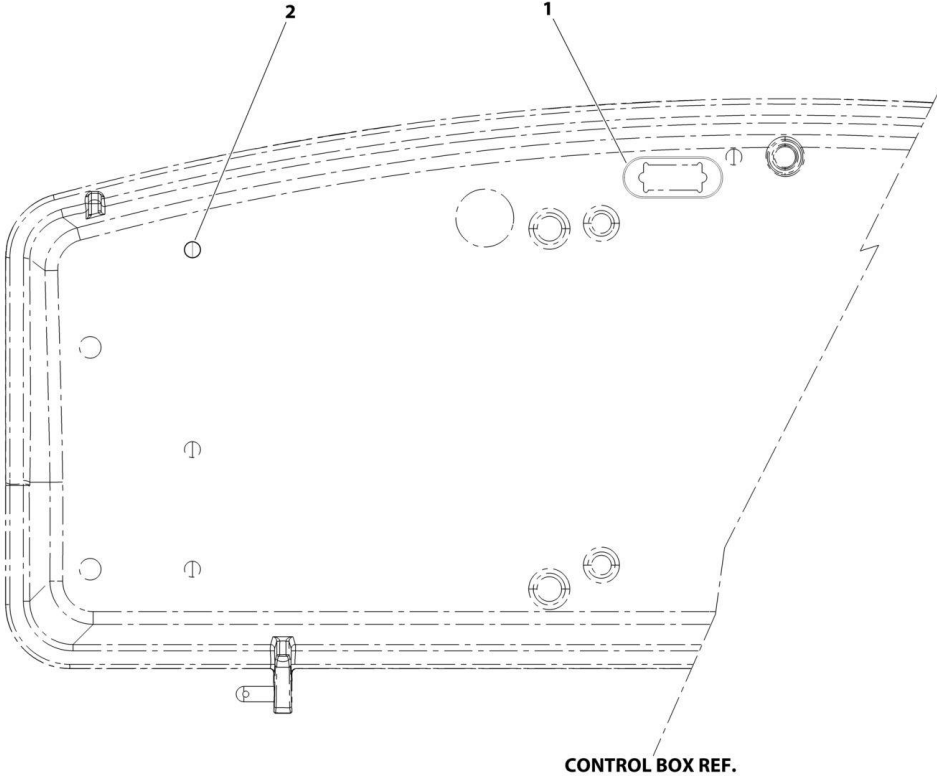
SECTION 5 - PLATFORM

FIGURE 5-40. TRAY ASSEMBLY

ITEM	PART NUMBER	QTY	DESCRIPTION	REV
	1580012	Ref	TRAY INSTALLATION	C
1	See Note	1	Tray, Storage - Center (Note: Purchase p/n 1580012)	
2	0641406	2	Bolt, 1/4-20 x 3/4	
3	4751400	2	Washer, 1/4	
4	4761400	2	Washer, Locking, 1/4	

SECTION 5 - PLATFORM

FIGURE 5-41. SEALED ENCLOSURES - UL SPECS



ART_0272111

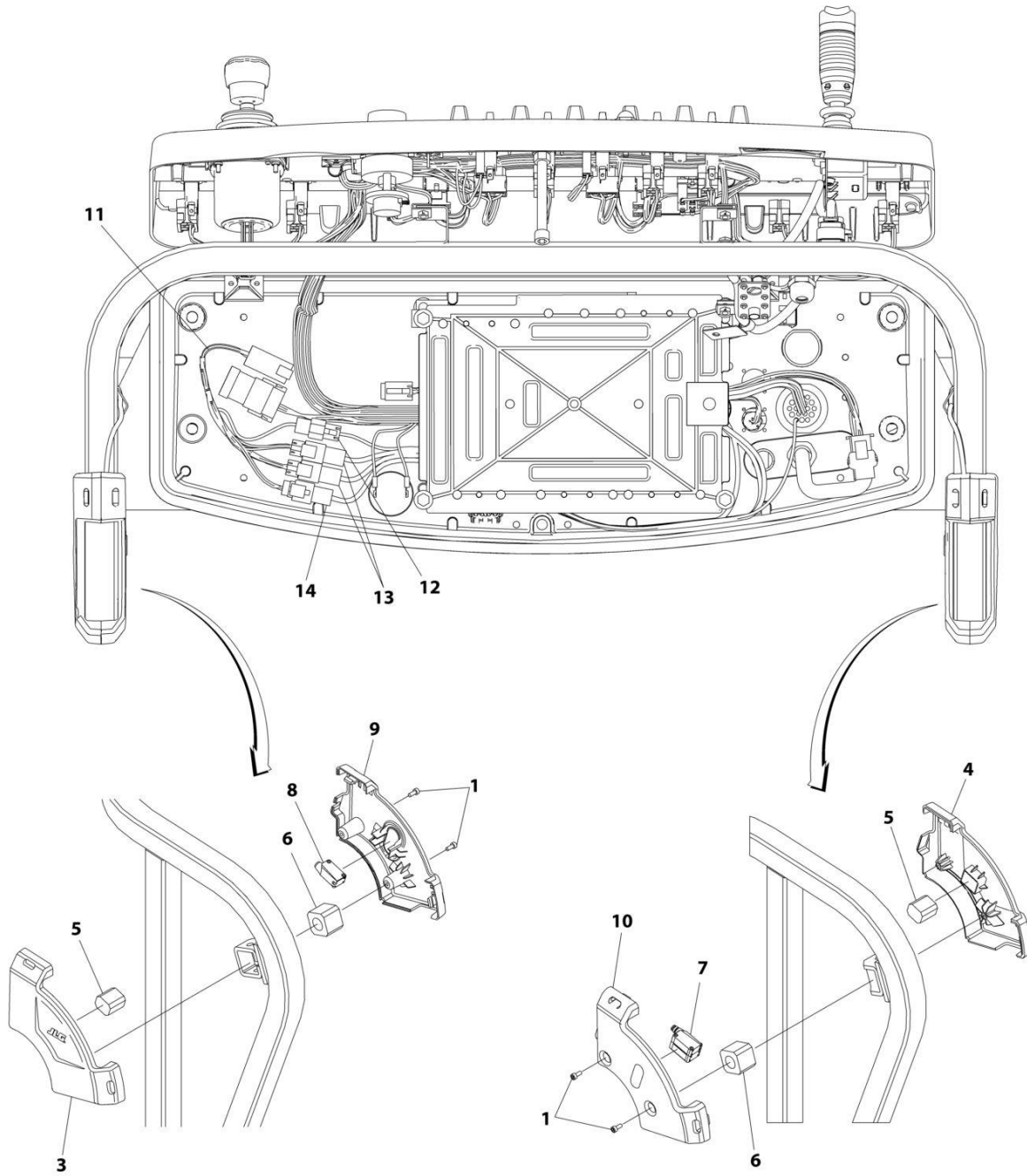
SECTION 5 - PLATFORM

FIGURE 5-41. SEALED ENCLOSURES - UL SPECS

ITEM	PART NUMBER	QTY	DESCRIPTION	REV
	0272111	Ref	SEALED ENCLOSURES - UL SPECS	B
1	0100009	AR	Sealant (Seal Around Analyzer Port)	
2	3520173	8	Plug (Located in Bottom of Console Box)	

SECTION 5 - PLATFORM

FIGURE 5-42. SKYEYE INSTALLATION



ART_1001229341

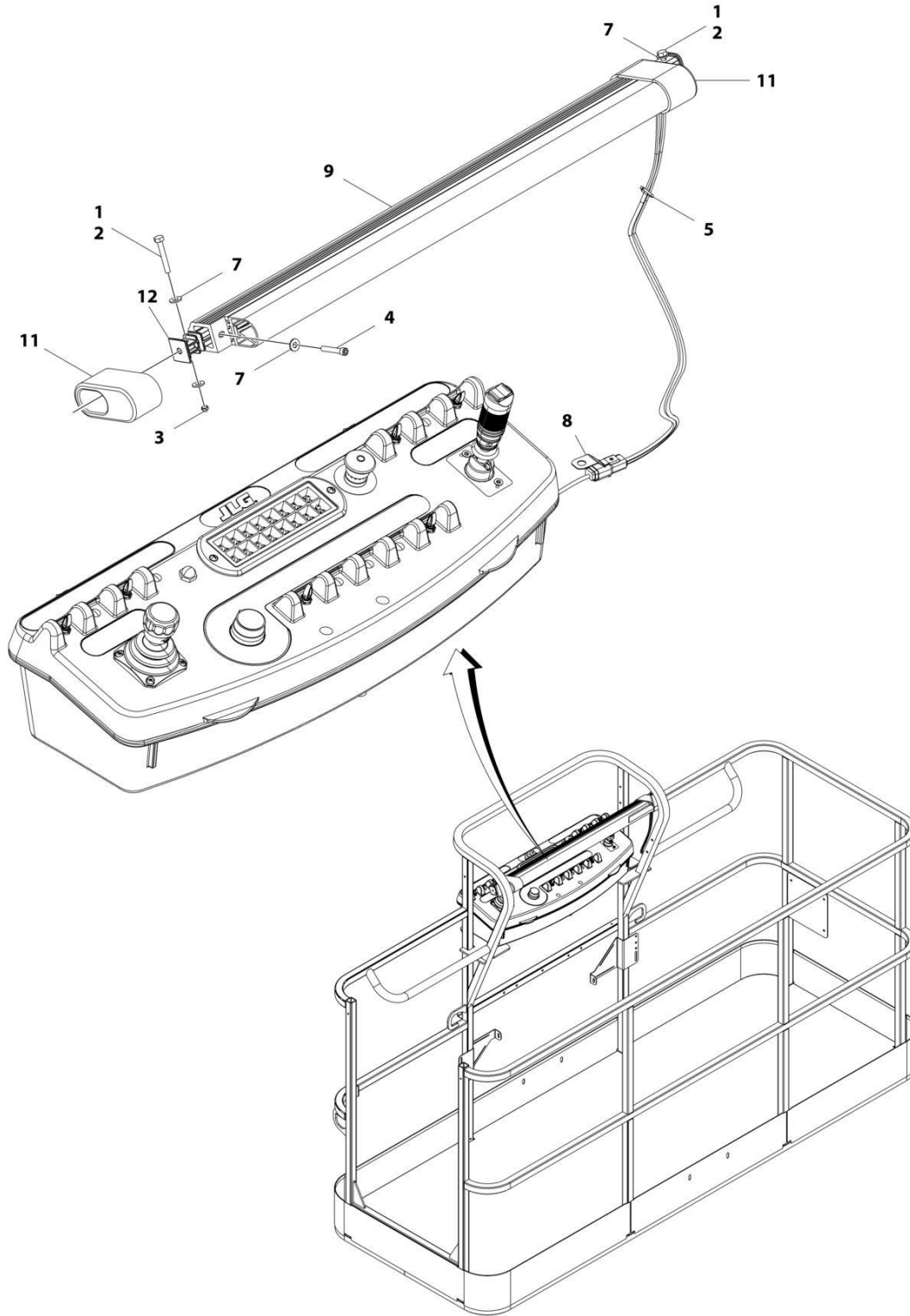
SECTION 5 - PLATFORM

FIGURE 5-42. SKYEYE INSTALLATION

ITEM	PART NUMBER	QTY	DESCRIPTION	REV
	1001229341	Ref	SKYEYE INSTALLATION	B
1	4031505	4	Bolt M4 x 10	
2	4240033	AR	Tie-Strap (Not Shown)	
3	1001227633	1	Housing, LH Outer	
4	1001227634	1	Housing, RH Outer	
5	1001227985	2	Shim	
6	1001227987	2	Shim	
7	1001228224	2	Sensor, Receiver	
8	1001228225	1	Sensor, Emitter	
9	1001232164	1	Housing, LH Inner	
10	1001232165	1	Housing, RH Inner	
11	1001237865	1	Harness, Skyeeye Intermediate (See Separate Breakdown in ELECTRICAL Section)	
12	1001238319	NLA	Harness, Skyeeye Drain Jumper	
12	1001187674	1	Plug, Male - 2 Position	
12	4460942	1	Terminal	
12	4460466	1	Plug, Terminal	
12	4460508	1	Pin, Male	
13	1001237863	2	Harness, Skyeeye Receiver (See Separate Breakdown in ELECTRICAL Section)	
14	1001237864	1	Harness, Skyeeye Emitter (See Separate Breakdown in ELECTRICAL Section)	

SECTION 5 - PLATFORM

FIGURE 5-43. SKYGUARD SYSTEM INSTALLATION (SN 0300208530 through 0300256446)



ART_1001192387

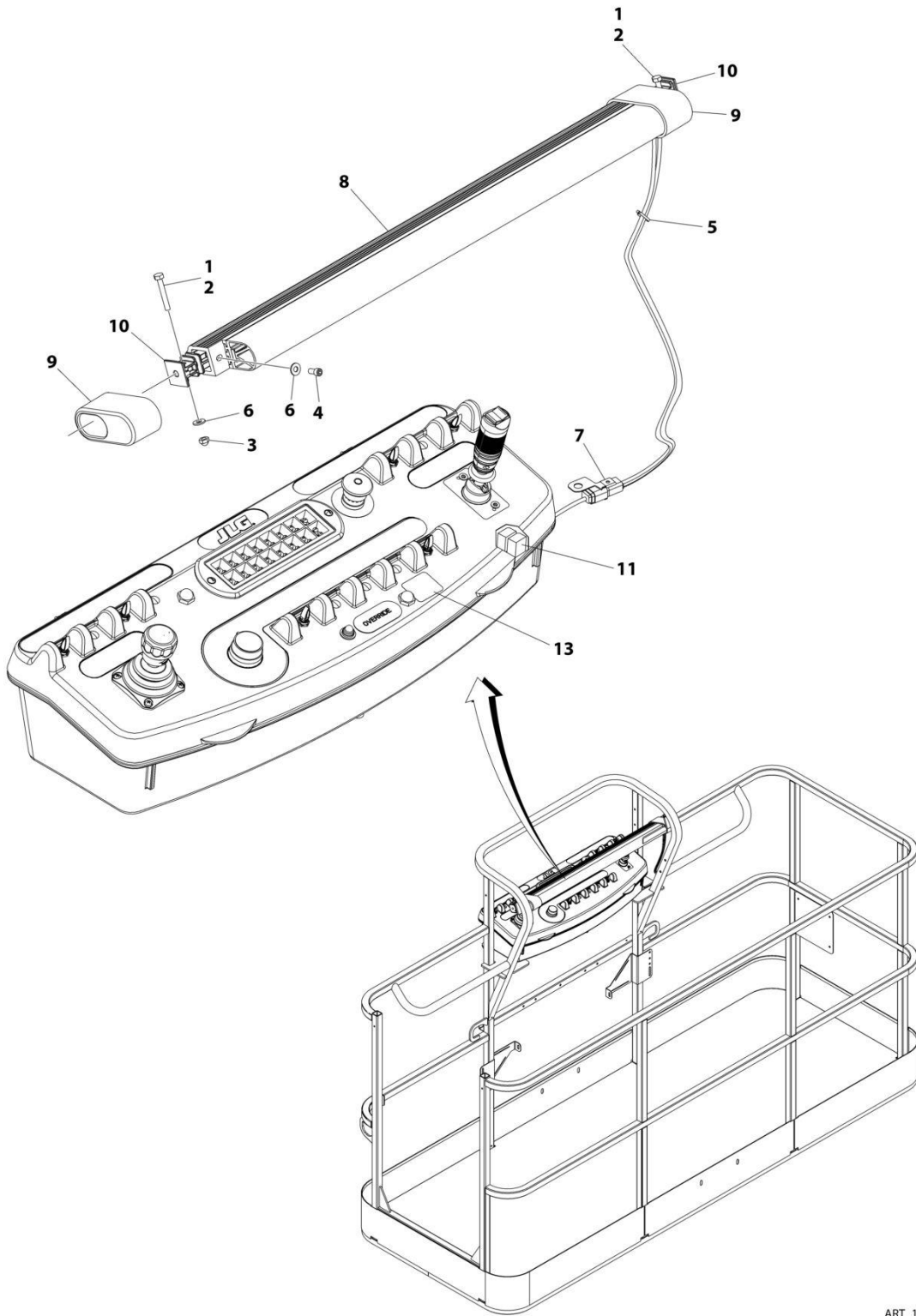
SECTION 5 - PLATFORM

FIGURE 5-43. SKYGUARD SYSTEM INSTALLATION (SN 0300208530 through 0300256446)

ITEM	PART NUMBER	QTY	DESCRIPTION	REV
	1001192387	Ref	SKYGUARD SYSTEM INSTALLATION	C
1	0100011	AR	Compound, Locking	
2	0641414	2	Bolt, 1/4 x 1-3/4	
3	3300430	2	Nut, Acorn 1/4-20	
4	3931424	2	Capscrew, 1/4 x 1-1/2 (SN 0300208530 through 0300235313)	
4	3931408	2	Capscrew, 1/4 x 1/2 (SN 0300235313 through 0300256446)	
5	4240033	AR	Tie-Strap	
7	4711400	6	Washer, 1/4	
8	1001120328	1	Mount	
9	1001137673	1	Switch, SkyGuard Assembly	
11	1001186517	2	Cover, Platform Sensor	
12	1001188889	2	Support, Block (SN 0300208530 through 0300235313)	
12	1001209664	2	Support, Block (SN 0300235313 through 0300256446)	

SECTION 5 - PLATFORM

FIGURE 5-44. SKYGUARD BAR INSTALLATION (SN 0300256447 through 0300272265)



ART_1001238495

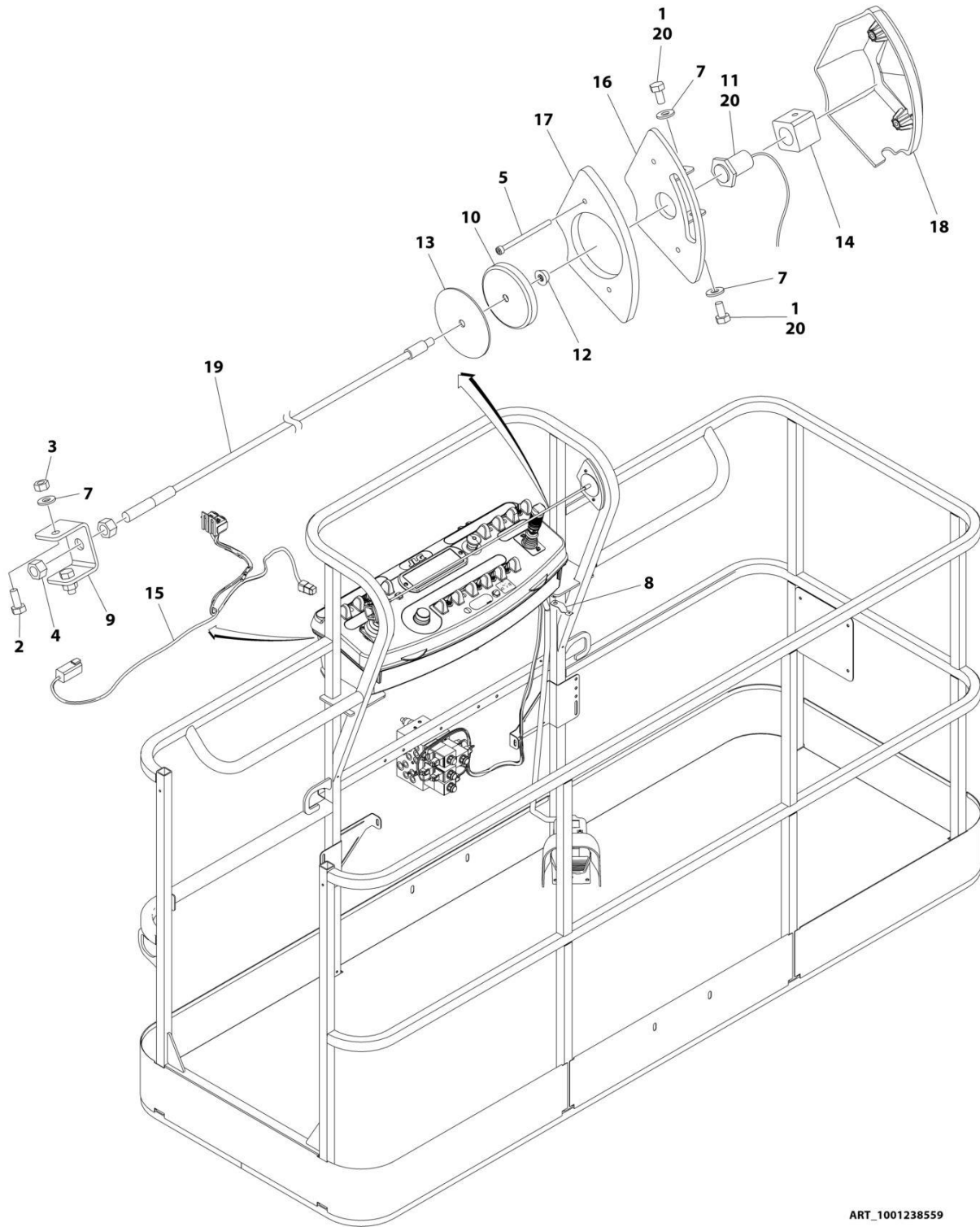
SECTION 5 - PLATFORM

FIGURE 5-44. SKYGUARD BAR INSTALLATION (SN 0300256447 through 0300272265)

ITEM	PART NUMBER	QTY	DESCRIPTION	REV
	1001238495	Ref	SKYGUARD BAR INSTALLATION	A
1	0100011	AR	Compound, Locking	
2	0641414	2	Bolt 1/4 x 1-3/4	
3	3300430	2	Nut 1/4	
4	3931408	2	Capscrew 1/4 x 1/2	
5	4240033	8	Tie-Strap	
6	4711400	6	Washer 1/4	
7	1001120328	1	Mount	
8	1001137673	1	SkyGuard Switch Assembly	
9	1001186517	2	Cover, Platform Sensor	
10	1001209664	2	Support, Block	
11	1001186431	2	Relay	
12	1001225580	1	Interface Harness Assembly (Not Shown - Located Inside Console Box) (See Separate Breakdown in ELECTRICAL Section)	
13	1001144433	1	Decal - No Weight SkyGuard	

SECTION 5 - PLATFORM

FIGURE 5-45. SKYLINE INSTALLATION



ART_1001238559

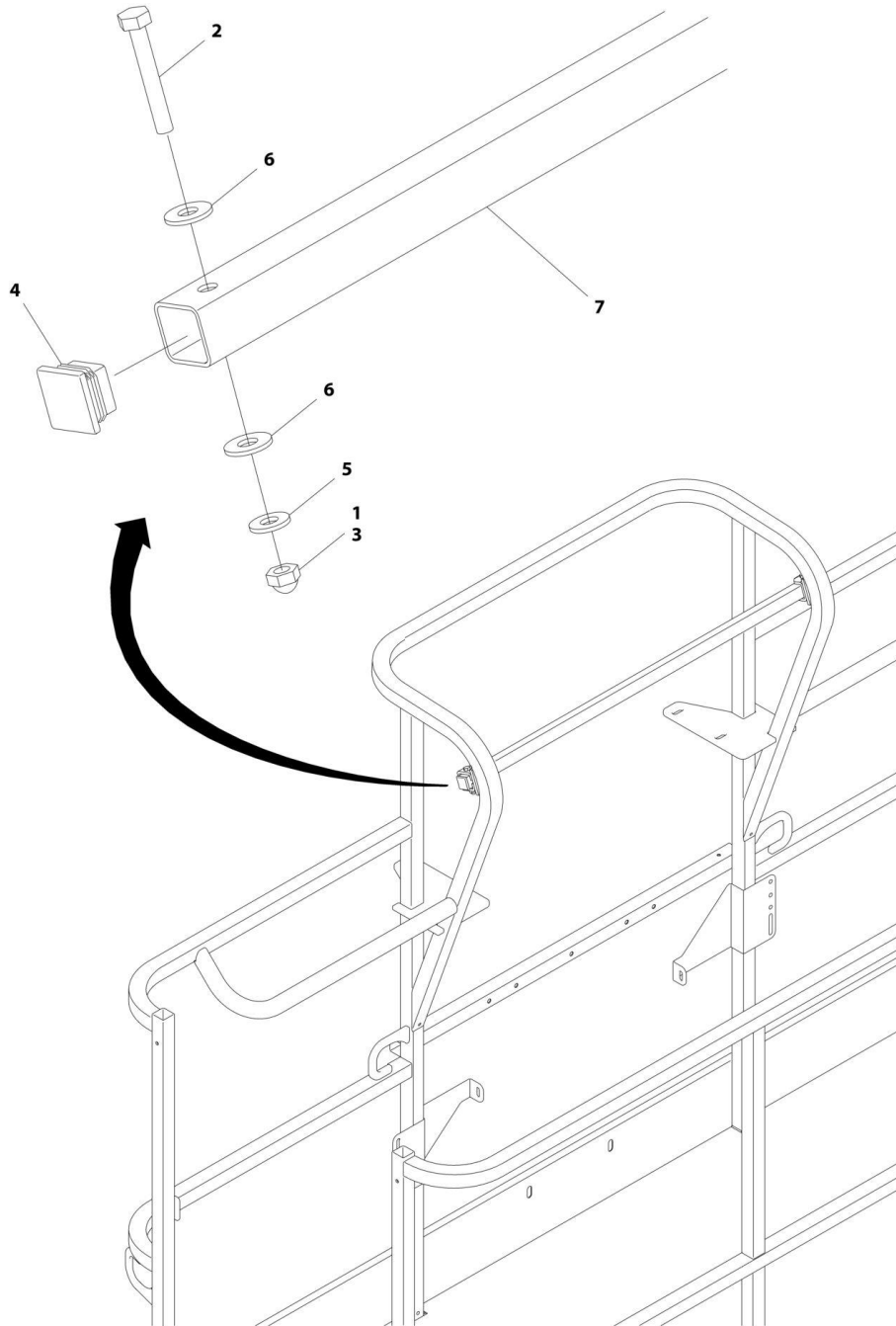
SECTION 5 - PLATFORM

FIGURE 5-45. SKYLINE INSTALLATION

ITEM	PART NUMBER	QTY	DESCRIPTION	REV
	1001238559	Ref	SKYLINE INSTALLATION	B
1	0641404	2	Bolt 1/4 x 1/2	
2	0641405	2	Bolt 1/4 x 5/8	
3	3311405	2	Nut 1/4	
4	3311601	2	Nut 3/8	
5	4031516	2	Capscrew M4 x 60	
6	4240033	AR	Tie-Strap (Not Shown)	
7	4711400	4	Washer 1/4	
8	1001120328	1	Mount	
9	1001232642	1	Bracket	
10	1001232650	1	Magnet	
11	1001232667	1	Sensor, Proximity	
12	1001235011	1	Nut	
13	1001235013	1	Washer	
14	1001236552	1	Block	
15	1001238418	1	Harness, Skyline (See Separate Breakdown in ELECTRICAL Section)	
16	1001238472	1	Mount	
17	1001238477	1	Housing, LH	
18	1001241965	1	Housing, RH	
19	1001238824	1	Rope	
20	0100011	AR	Compound, Locking	

SECTION 5 - PLATFORM

FIGURE 5-46. CROSS RAIL INSTALLATION



ART_1001182138

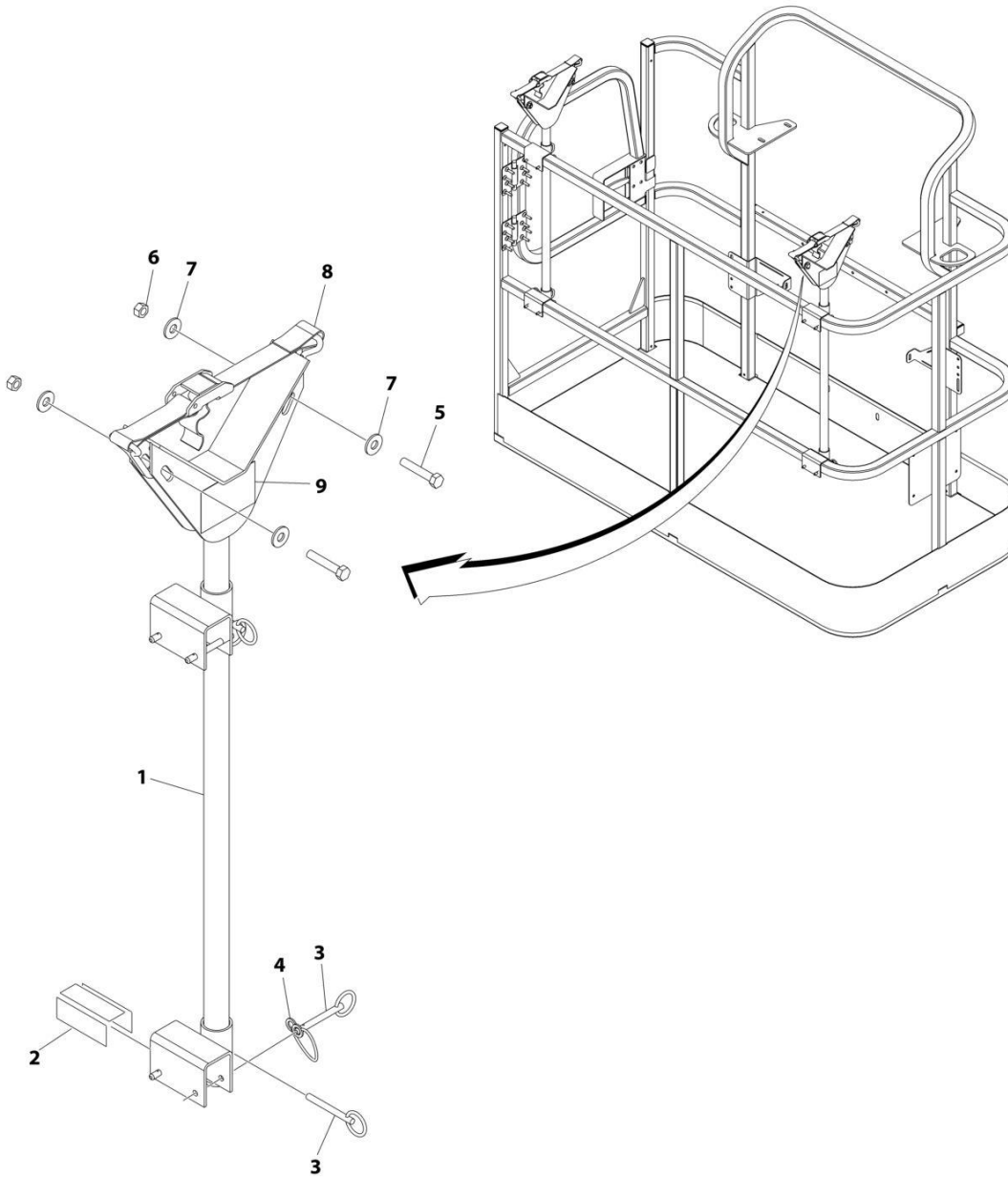
SECTION 5 - PLATFORM

FIGURE 5-46. CROSS RAIL INSTALLATION

ITEM	PART NUMBER	QTY	DESCRIPTION	REV
	1001182138	Ref	CROSS RAIL INSTALLATION	A
1	0100071	AR	Compound, Locking	
2	0641414	2	Bolt 1/4 X 1-3/4	
3	3300430	2	Nut 1/4	
4	3520182	2	Plug	
5	4711400	2	Washer 1/4	
6	4751400	4	Washer 1/4	
7	1001191708	1	Bar	

SECTION 5 - PLATFORM

FIGURE 5-47. PIPE RACK INSTALLATION



ART_0257728

SECTION 5 - PLATFORM

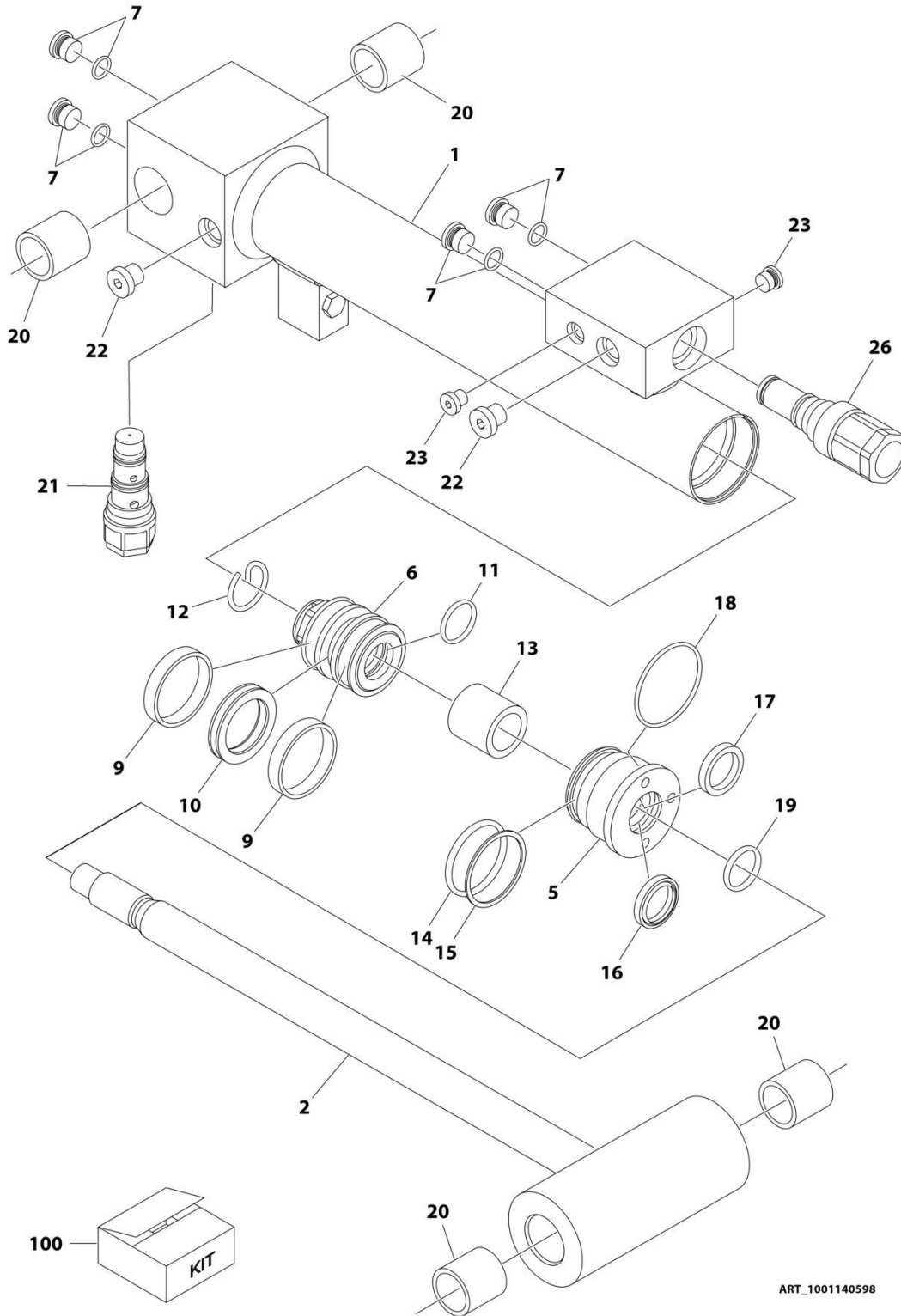
FIGURE 5-47. PIPE RACK INSTALLATION

ITEM	PART NUMBER	QTY	DESCRIPTION	REV
	0257728	Ref	PIPE RACK INSTALLATION	2/C
1	4845582	2	Rack, Pipe	
2	4420062	AR	Tape	
3	3422661	10	Pin	
4	1060379	4	Lanyard	
5	0641514	4	Bolt 5/16 x 1-3/4	
6	3311505	4	Nut 5/16	
7	4751500	8	Washer 5/16	
8	0480100	2	Tie-Down	
9	1703683	2	Decal - Capacity	

SECTION 6 - CYLINDER

SECTION 6 - CYLINDER

FIGURE 6-1. LEVEL (PLATFORM SLAVE) CYLINDER ASSEMBLY (E400ANARROW)



ART_1001140598

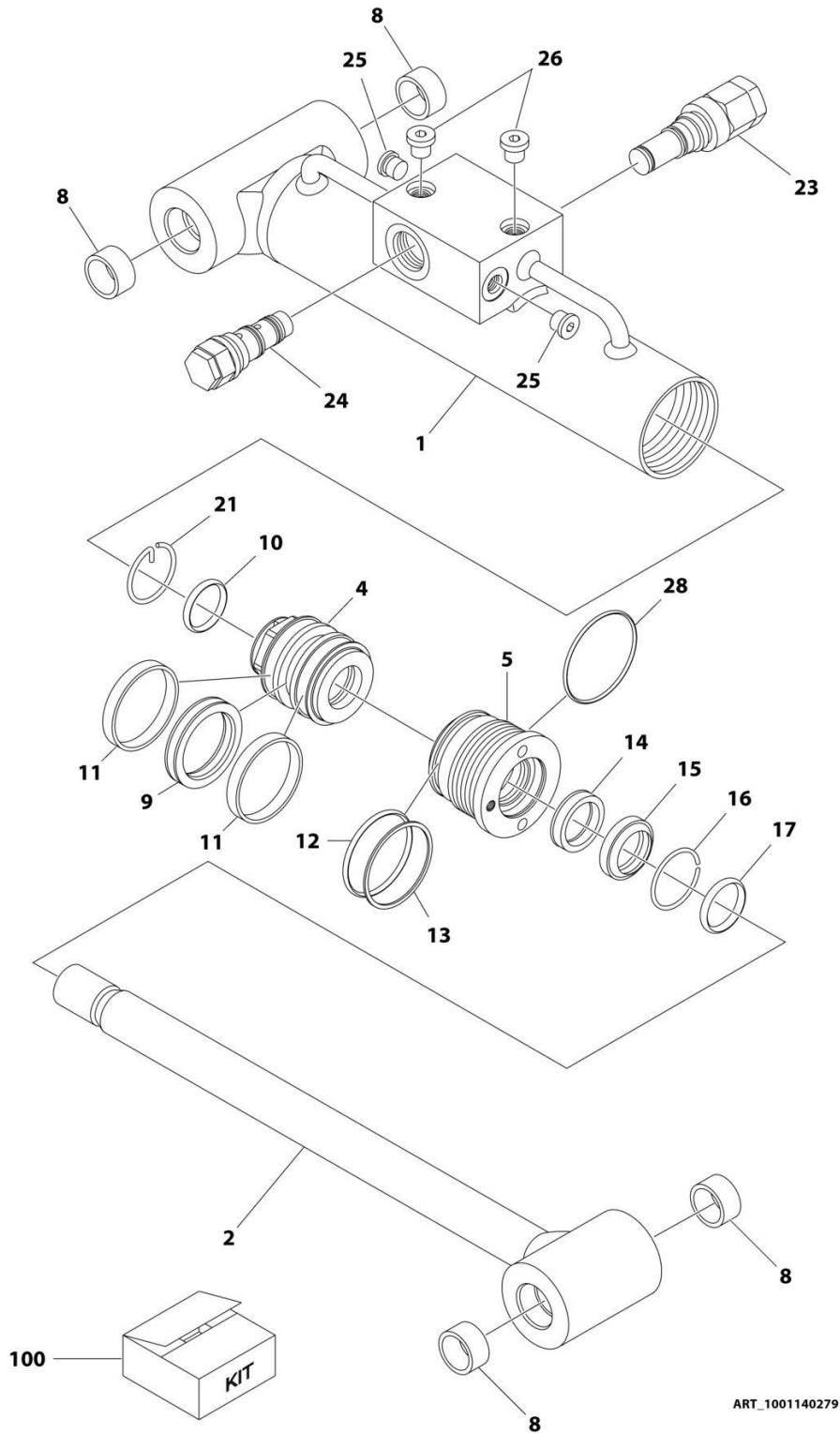
SECTION 6 - CYLINDER

FIGURE 6-1. LEVEL (PLATFORM SLAVE) CYLINDER ASSEMBLY (E400ANARROW)

ITEM	PART NUMBER	QTY	DESCRIPTION	REV
	1001140598	Ref	LEVEL (PLATFORM SLAVE) CYLINDER ASSEMBLY	A
1	70004146	1	Barrel	
2	70004147	1	Rod	
5	70000739	1	Head	
6	70004141	1	Piston	
7	See Note	4	Plug (Note: Not Available for Purchase)	
9	See Note	NSS	Ring, Wear (Note: Use p/n 70004131)	
10	See Note	NSS	Seal, Piston (Note: Use p/n 70004131)	
11	70023094	NSS	O-Ring (Note: Use p/n 70004131)	
12	70004142	1	Retainer	
13	70004143	1	Spacer	
14	See Note	NSS	O-Ring (Note: Use p/n 70004131)	
15	See Note	NSS	Ring, Back-Up (Note: Use p/n 70004131)	
16	See Note	NSS	Wiper, Rod (Note: Use p/n 70004131)	
17	See Note	NSS	Seal, Rod (Note: Use p/n 70004131)	
18	See Note	NSS	O-Ring (Note: Use p/n 70004131)	
19	70000740	1	O-Ring	
20	0962356	4	Bushing	
21	4640509	1	Cartridge, Counterbalance Valve	
21	2900792	1	Seal Kit - 4640509 Valve	
22	70024262	2	Plug	
23	See Note	2	Plug (Note: Not Available for Purchase)	
26	4640932	1	Cartridge, Counterbalance Valve	
26	7011112	1	Seal Kit - 4640932 Valve	
100	70004131	1	Seal Kit (Includes Items 9-11 & 14-18)	

SECTION 6 - CYLINDER

**FIGURE 6-2. LEVEL (PLATFORM SLAVE) CYLINDER ASSEMBLY
(E400AJP,E400AJPNARROW,M400AJP,M400AJPNARROW)**



ART_1001140279

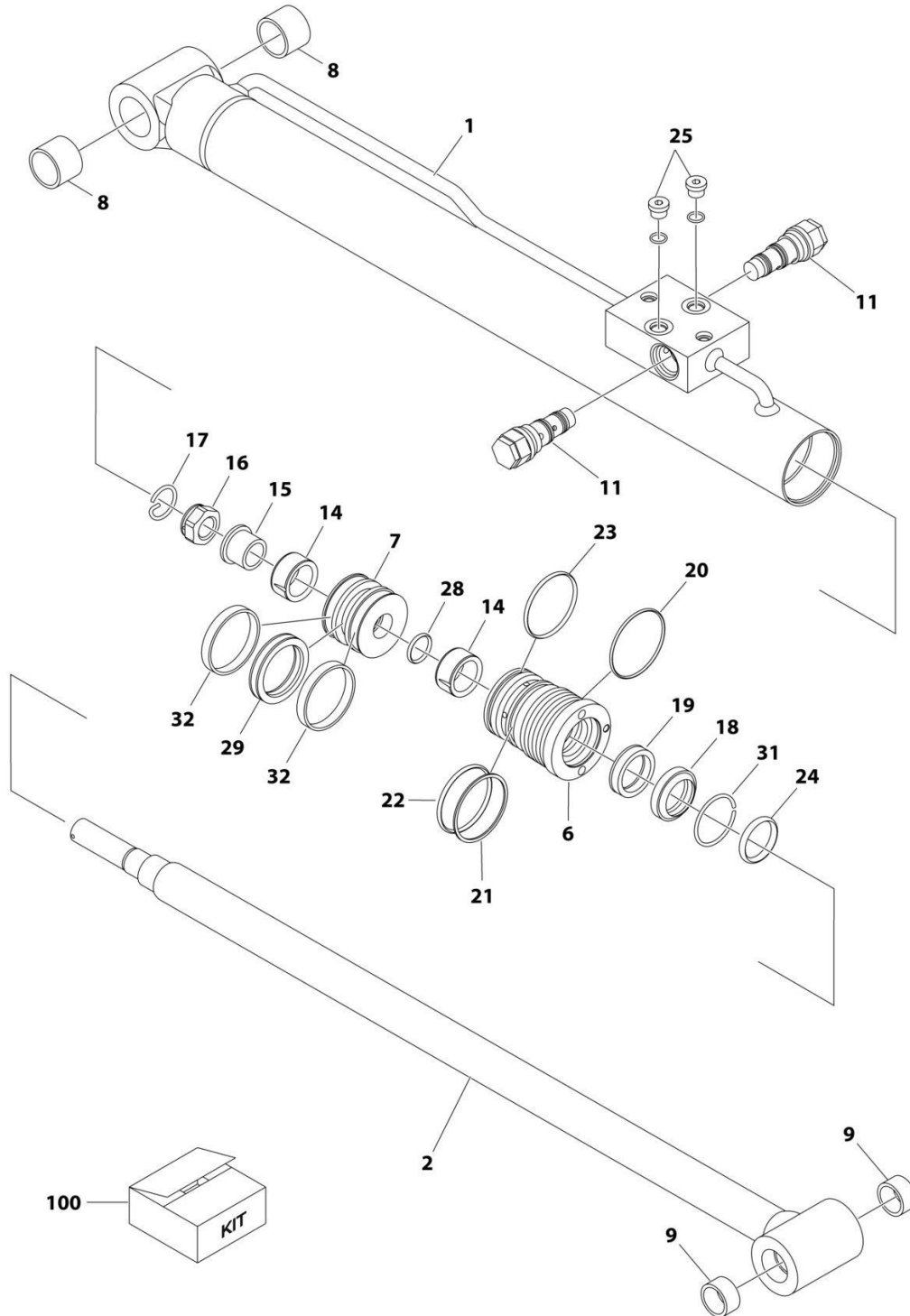
SECTION 6 - CYLINDER

**FIGURE 6-2. LEVEL (PLATFORM SLAVE) CYLINDER ASSEMBLY
(E400AJP,E400AJPNARROW,M400AJP,M400AJPNARROW)**

ITEM	PART NUMBER	QTY	DESCRIPTION	REV
	1001140279	Ref	LEVEL (PLATFORM SLAVE) CYLINDER ASSEMBLY	A
1	70003846	1	Barrel	
2	70003847	1	Rod	
4	70003819	1	Piston	
5	7026082	1	Head	
8	0961951	4	Bushing	
9	See Note	NSS	Seal, Piston (Note: Use p/n 70003845)	
10	See Note	NSS	O-Ring (Note: Use p/n 70003845)	
11	See Note	NSS	Ring, Wear (Note: Use p/n 70003845)	
12	See Note	NSS	O-Ring (Note: Use p/n 70003845)	
13	See Note	NSS	Ring, Back-Up (Note: Use p/n 70003845)	
14	See Note	NSS	Seal, Rod (Note: Use p/n 70003845)	
15	See Note	NSS	Wiper, Rod (Note: Use p/n 70003845)	
16	70002217	1	Ring, Retaining	
17	7026084	1	O-Ring	
21	70002216	1	Retainer	
23	4640932	1	Cartridge, Counterbalance Valve	
23	7011112	1	Seal Kit - 4640932 Valve	
24	4641086	1	Cartridge, Counterbalance Valve	
24	2900792	1	Seal Kit - 4641086 Valve	
25	7024844	2	Plug	
26	See Note	2	Plug (Note: Not Available for Purchase)	
28	See Note	NSS	O-Ring (Note: Use p/n 70003845)	
100	70003845	1	Seal Kit (Includes Items 9-15 & 28)	

SECTION 6 - CYLINDER

**FIGURE 6-3. LIFT CYLINDER ASSEMBLY - JIB
(E400AJP,E400AJPNARROW,M400AJP,M400AJPNARROW)**



ART_1001140280

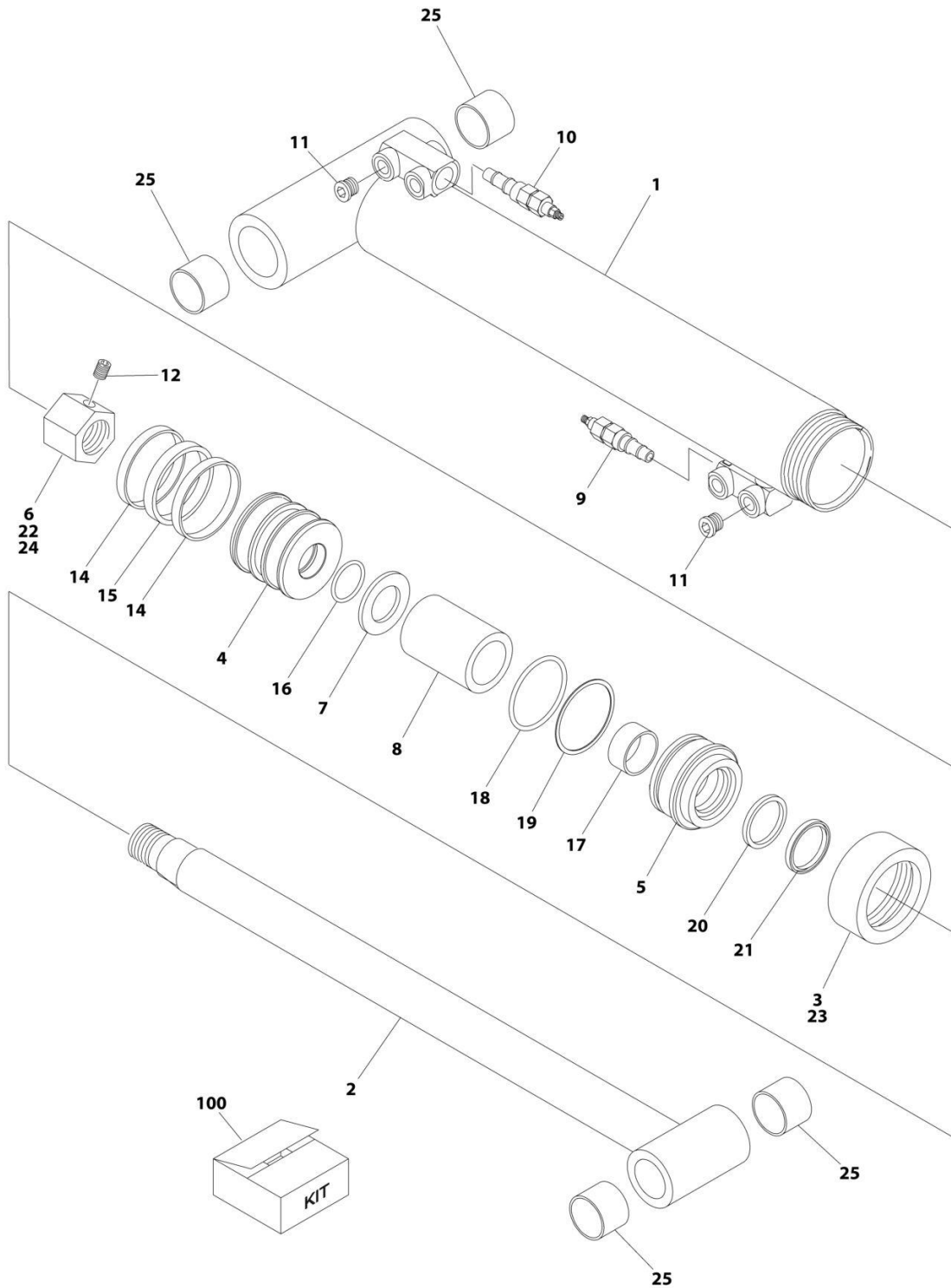
SECTION 6 - CYLINDER

**FIGURE 6-3. LIFT CYLINDER ASSEMBLY - JIB
(E400AJP,E400AJPNARROW,M400AJP,M400AJPNARROW)**

ITEM	PART NUMBER	QTY	DESCRIPTION	REV
	1001140280	Ref	LIFT CYLINDER ASSEMBLY - JIB	A
		Ref	Note: For Jib Cylinder with Manual Descent Valve see SPECIAL OPTIONS.	
1	70003863	1	Barrel	
2	70003864	1	Rod	
6	7026088	1	Head	
7	70003833	1	Piston	
8	0961951	2	Bushing	
9	0961947	2	Bushing	
11	4640509	2	Cartridge, Counterbalance Valve	
11	2900792	2	Seal Kit - 4640509	
14	7026090	2	Bushing	
15	7026091	1	Sleeve	
16	7026092	1	Nut	
17	70002223	1	Retainer	
18	See Note	NSS	Wiper, Rod (Note: Use p/n 70003836)	
19	See Note	NSS	Seal, Rod (Note: Use p/n 70003836)	
20	See Note	NSS	O-Ring (Note: Use p/n 70003836)	
21	See Note	NSS	Ring, Back-Up (Note: Use p/n 70003836)	
22	See Note	NSS	O-Ring (Note: Use p/n 70003836)	
23	See Note	1	O-Ring (Note: Use p/n 70003836)	
24	7026068	1	O-Ring	
25	7024844	2	Plug	
28	See Note	NSS	O-Ring (Note: Use p/n 70003836)	
29	See Note	NSS	Seal, Piston (Note: Use p/n 70003836)	
31	70002220	1	Ring, Retaining	
32	See Note	NSS	Ring, Wear (Note: Use p/n 70003836)	
100	70003836	1	Seal Kit (Includes Items 18-23, 28, 29 & 32)	

SECTION 6 - CYLINDER

FIGURE 6-4. LIFT CYLINDER ASSEMBLY - LOWER (E400ANARROW) (SN 0300208530 through 0300239739)



ART_1684453

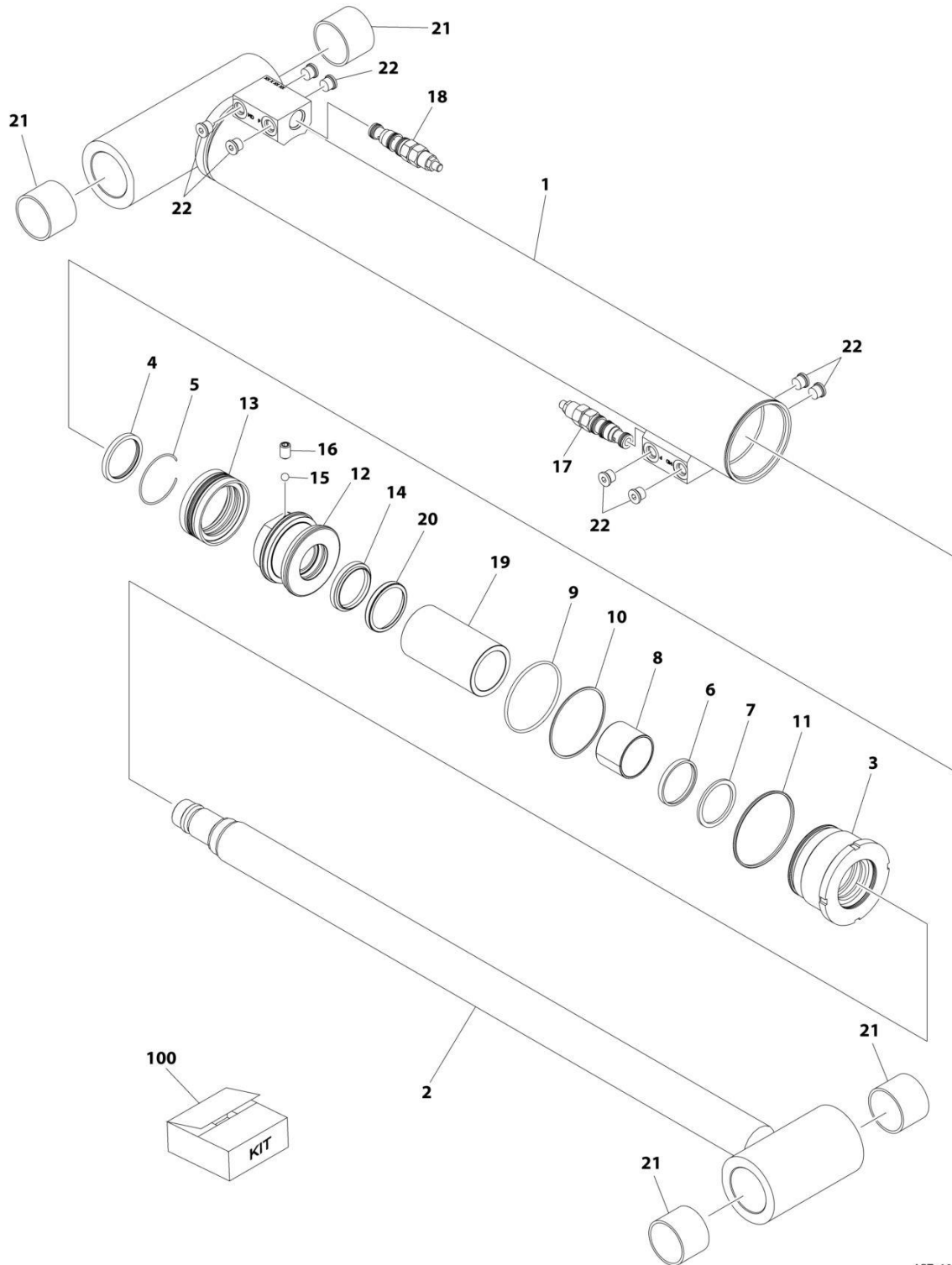
SECTION 6 - CYLINDER

FIGURE 6-4. LIFT CYLINDER ASSEMBLY - LOWER (E400ANARROW) (SN 0300208530 through 0300239739)

ITEM	PART NUMBER	QTY	DESCRIPTION	REV
	1684453	Ref	LIFT CYLINDER ASSEMBLY - LOWER	D
		Ref	Note: Original Cylinder May Have Been Replaced with Service Replacement. Identify PN Stamped on Cylinder Before Ordering Parts.	
1	1684022	1	Barrel	
2	1684023	1	Rod	
3	1120305	1	Retainer	
4	3480242	1	Piston	
5	1683712	1	Head	
6	3300281	1	Nut	
7	4740207	1	Washer	
8	4565992	1	Spacer	
9	4640634	1	Cartridge, Holding Valve	
9	2900770	1	Seal Kit - 4640634 Valve	
10	4641386	1	Cartridge, Holding Valve	
10	7011376	1	Seal Kit - 4641386 Valve	
11	2220885	2	Plug	
12	3900170	1	Setscrew	
14	See Note	2	Ring, Wear (Note: Use p/n 2901805)	
15	See Note	1	Seal, Piston (Note: Use p/n 2901805)	
16	See Note	1	O-Ring (Note: Use p/n 2901805)	
17	See Note	1	Ring, Wear (Note: Use p/n 2901805)	
18	See Note	1	O-Ring (Note: Use p/n 2901805)	
19	See Note	1	Ring, Back-Up (Note: Use p/n 2901805)	
20	See Note	1	Seal, Rod (Note: Use p/n 2901805)	
21	See Note	1	Wiper, Rod (Note: Use p/n 2901805)	
22	0100011	AR	Compound, Locking	
23	0100035	AR	Compound, Locking	
24	0100038	AR	Primer, Locking	
25	0961950	4	Bushing	
100	2901805	1	Seal Kit (Includes Items 14-21)	

SECTION 6 - CYLINDER

FIGURE 6-5. LIFT CYLINDER ASSEMBLY - LOWER (E400ANARROW) (SN 0300239740 through 0300272265)



ART_1001228037

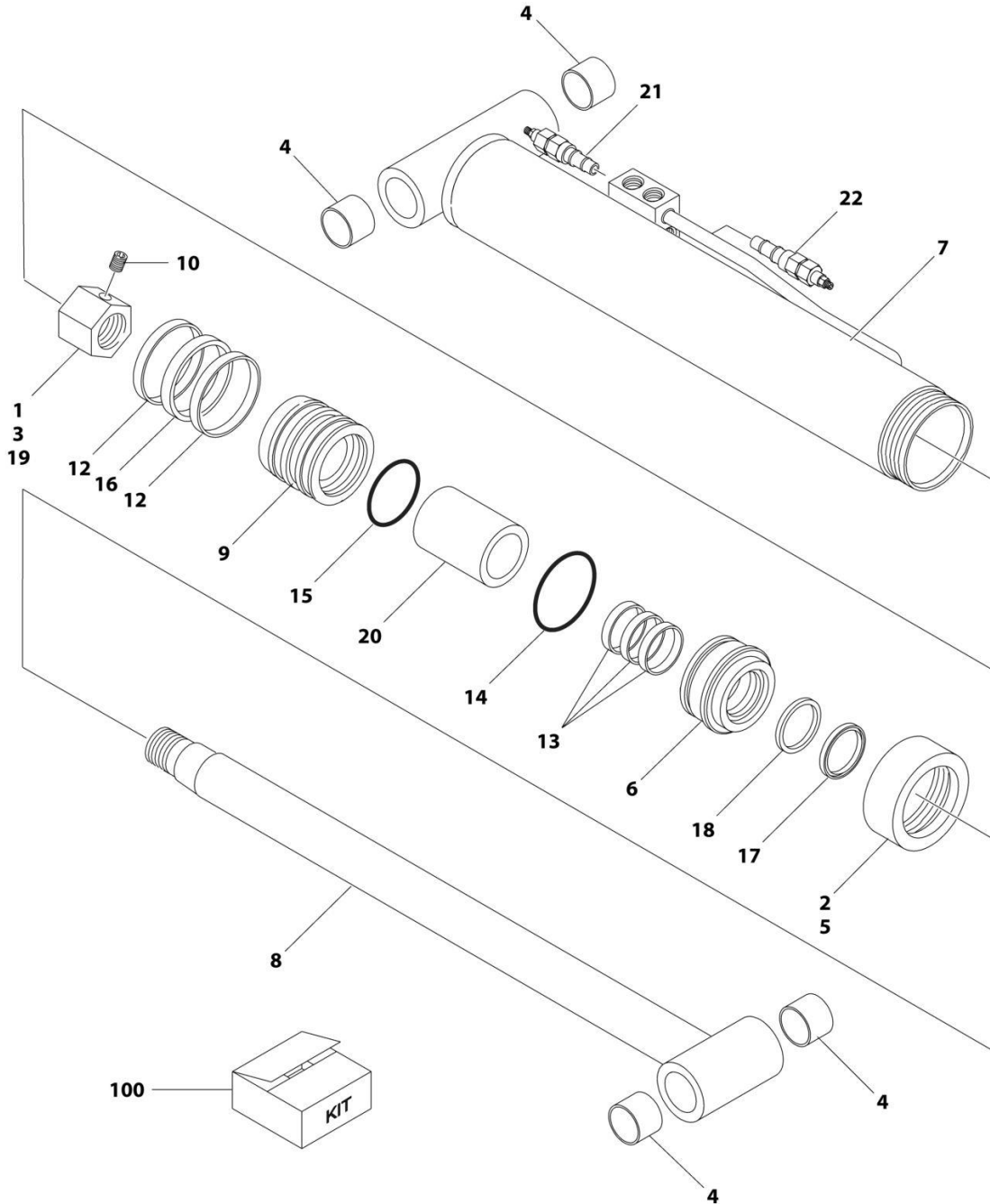
SECTION 6 - CYLINDER

FIGURE 6-5. LIFT CYLINDER ASSEMBLY - LOWER (E400ANARROW) (SN 0300239740 through 0300272265)

ITEM	PART NUMBER	QTY	DESCRIPTION	REV
	1001228037	Ref	LIFT CYLINDER ASSEMBLY - LOWER	A
		Ref	Note: Original Cylinder may have been replaced with Service Replacement. Identify PN Stamped on Cylinder Before Ordering Parts.	
1	See Note	NSS	Barrel (Note: Not Available for Purchase)	
2	70006593	1	Rod	
3	70006592	1	Head	
4	See Note	NSS	Wiper (Note: Use Item 100)	
5	70002412	1	Retainer	
6	See Note	NSS	Seal, Rod (Note: Use Item 100)	
7	See Note	NSS	Ring, Back-up (Note: Use Item 100)	
8	70006591	1	Bearing	
9	See Note	NSS	O-Ring (Note: Use Item 100)	
10	See Note	NSS	Ring, Back-up (Note: Use Item 100)	
11	70050801	1	O-Ring	
12	70006590	1	Piston	
13	See Note	NSS	Seal (Note: Use Item 100)	
14	See Note	NSS	O-Ring (Note: Use Item 100)	
15	70022564	1	Ball, Steel	
16	70006601	1	Setscrew	
17	4640634	1	Cartridge, Holding Valve	
17	2900770	1	Seal Kit - 4640634 Valve	
18	4641386	1	Cartridge, Holding Valve	
18	7011376	1	Seal Kit - 4641386 Valve	
19	70006589	1	Spacer	
20	70006588	1	O-Ring	
21	0961950	4	Bushing	
22	2220883	8	Plug, O-Ring	
100	70006587	1	Seal Kit (Includes Items 4, 6, 7, 9, 10, 13 & 14)	

SECTION 6 - CYLINDER

FIGURE 6-6. LIFT CYLINDER ASSEMBLY - LOWER
(E400AJP,E400AJPNARROW,M400AJP,M400AJPNARROW) (SN 0300208530 through 0300239237)



ART_1684451

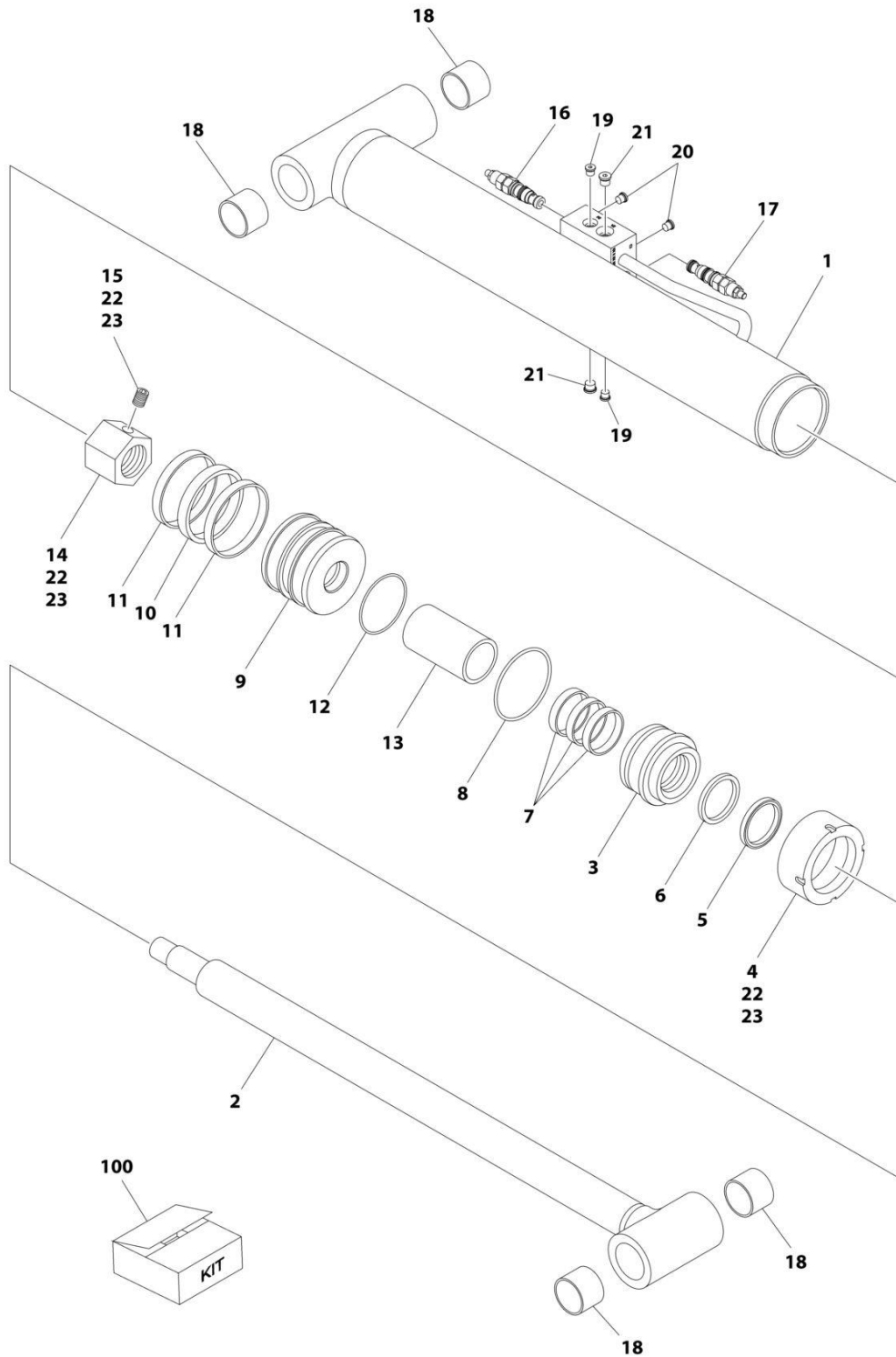
SECTION 6 - CYLINDER

FIGURE 6-6. LIFT CYLINDER ASSEMBLY - LOWER
(E400AJP,E400AJPNARROW,M400AJP,M400AJPNARROW) (SN 0300208530 through 0300239237)

ITEM	PART NUMBER	QTY	DESCRIPTION	REV
	1684451	Ref	LIFT CYLINDER ASSEMBLY - LOWER	E
		Ref	Note: Original Cylinder May Have Been Replaced with Service Replacement. Identify PN Stamped on Cylinder Before Ordering Parts.	
1	0100011	AR	Compound, Locking	
2	0100035	1	Compound, Locking	
4	0961950	4	Bushing	
5	1120094	1	Retainer	
6	1683710	1	Head	
7	1683940	1	Barrel	
8	1683941	1	Rod	
9	3480241	1	Piston	
10	3900170	1	Setscrew	
12	See Note	NSS	Ring, Wear (Note: Use p/n 2901806)	
13	See Note	NSS	Ring, Wear (Note: Use p/n 2901806)	
14	See Note	NSS	O-Ring (Note: Use p/n 2901806)	
15	See Note	NSS	O-Ring (Note: Use p/n 2901806)	
16	See Note	NSS	Seal, Piston (Note: Use p/n 2901806)	
17	See Note	NSS	Wiper, Rod (Note: Use p/n 2901806)	
18	See Note	1	Seal, Rod (Note: Use p/n 2901806)	
19	3300281	1	Nut	
20	4566432	1	Spacer	
21	4640634	1	Cartridge, Holding Valve	
21	2900770	1	Seal Kit - 4640634 Valve	
22	4641386	1	Cartridge, Holding Valve	
22	7011376	1	Seal Kit - 4641386 Valve	
23	0100038	1	Primer, Locking	
100	2901806	1	Seal Kit (Includes Items 12-18)	

SECTION 6 - CYLINDER

FIGURE 6-7. CYLINDER ASSEMBLY - LOWER
(E400AJP,E400AJPNARROW,M400AJP,M400AJPNARROW) (SN 0300239237 through 0300272265)



ART_1001228035

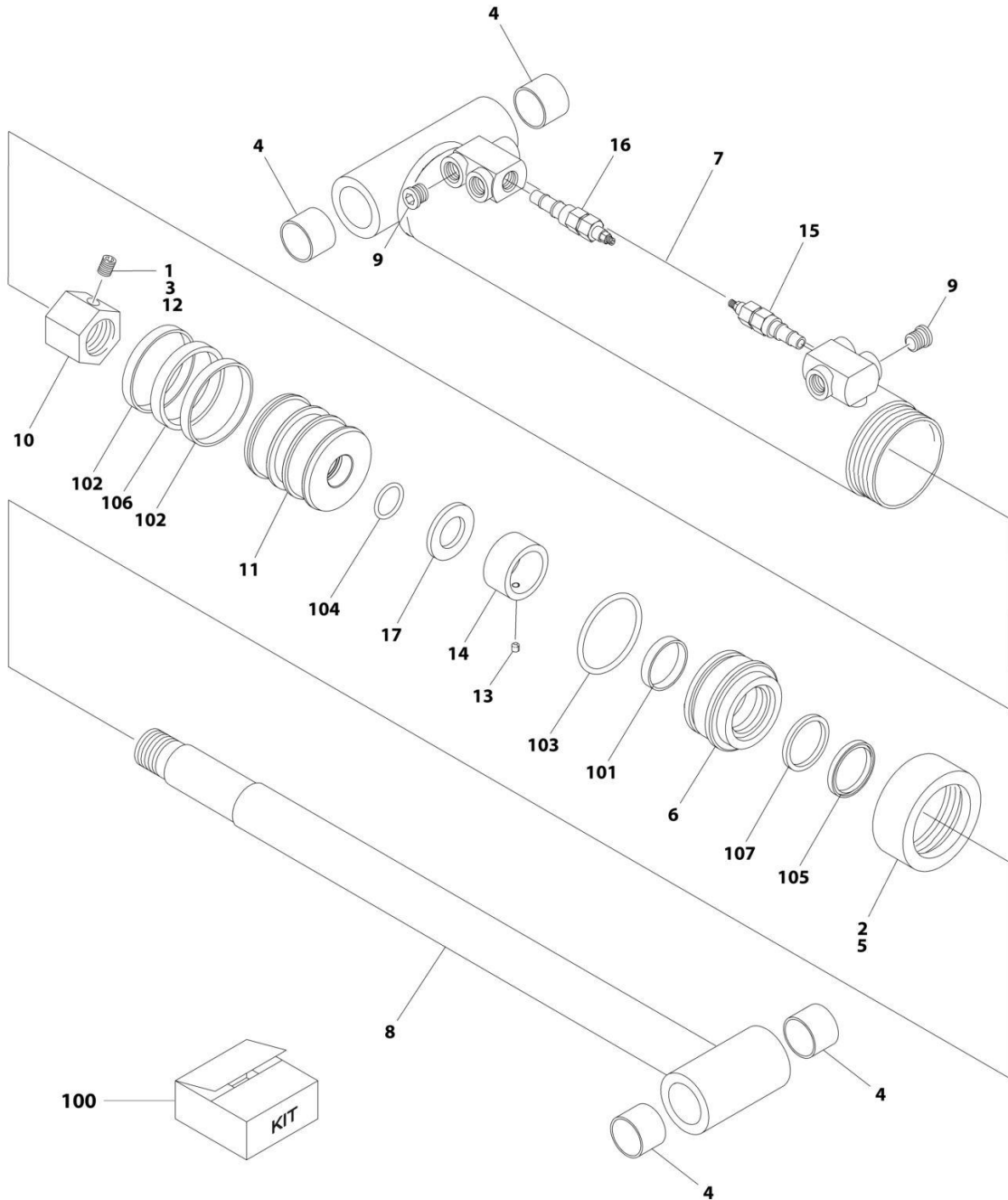
SECTION 6 - CYLINDER

FIGURE 6-7. CYLINDER ASSEMBLY - LOWER
(E400AJP,E400AJPNARROW,M400AJP,M400AJPNARROW) (SN 0300239237 through 0300272265)

ITEM	PART NUMBER	QTY	DESCRIPTION	REV
	1001228035	Ref	LIFT CYLINDER ASSEMBLY - LOWER	C
		Ref	Note: Original Cylinder may have been replaced with Service Replacement. Identify PN Stamped on Cylinder Before Ordering Parts.	
1	See Note	NSS	Barrel Weldment (Note: Not Available for Purchase)	
2	70006535	1	Rod Weldment	
3	70006533	1	Head	
4	70006533	1	Retainer	
5	See Note	NSS	Wiper (Note: Use Item 100)	
6	See Note	NSS	Seal, Rod (Note: Use Item 100)	
7	See Note	NSS	Ring, Wear (Note: Use Item 100)	
8	See Note	NSS	O-Ring (Note: Use Item 100)	
9	70006532	1	Piston	
10	See Note	NSS	Seal (Note: Use Item 100)	
11	See Note	NSS	Ring, Wear (Note: Use Item 100)	
12	See Note	NSS	O-Ring (Note: Use Item 100)	
13	70006531	1	Spacer	
14	3300281	1	Nut	
15	3900170	1	Setscrew	
16	4640634	1	Cartridge, Holding Valve	
16	2900770	1	Seal Kit - 4640634 Valve	
17	4641386	1	Cartridge, Holding Valve	
17	7011376	1	Seal Kit - 4641386 Valve	
18	0961950	4	Bushing	
19	2220883	2	Plug, O-Ring	
20	2220883	2	Plug, O-Ring	
21	2220885	2	Plug, O-Ring	
22	0100011	AR	Compound, Locking	
23	0100038	AR	Primer, Locking	
100	2901806	1	Seal Kit (Includes Items 5-8 & 10-12)	

SECTION 6 - CYLINDER

FIGURE 6-8. LIFT CYLINDER ASSEMBLY - MID (E400ANARROW) (SN 0300208530 through 0300239739)



ART_1684454

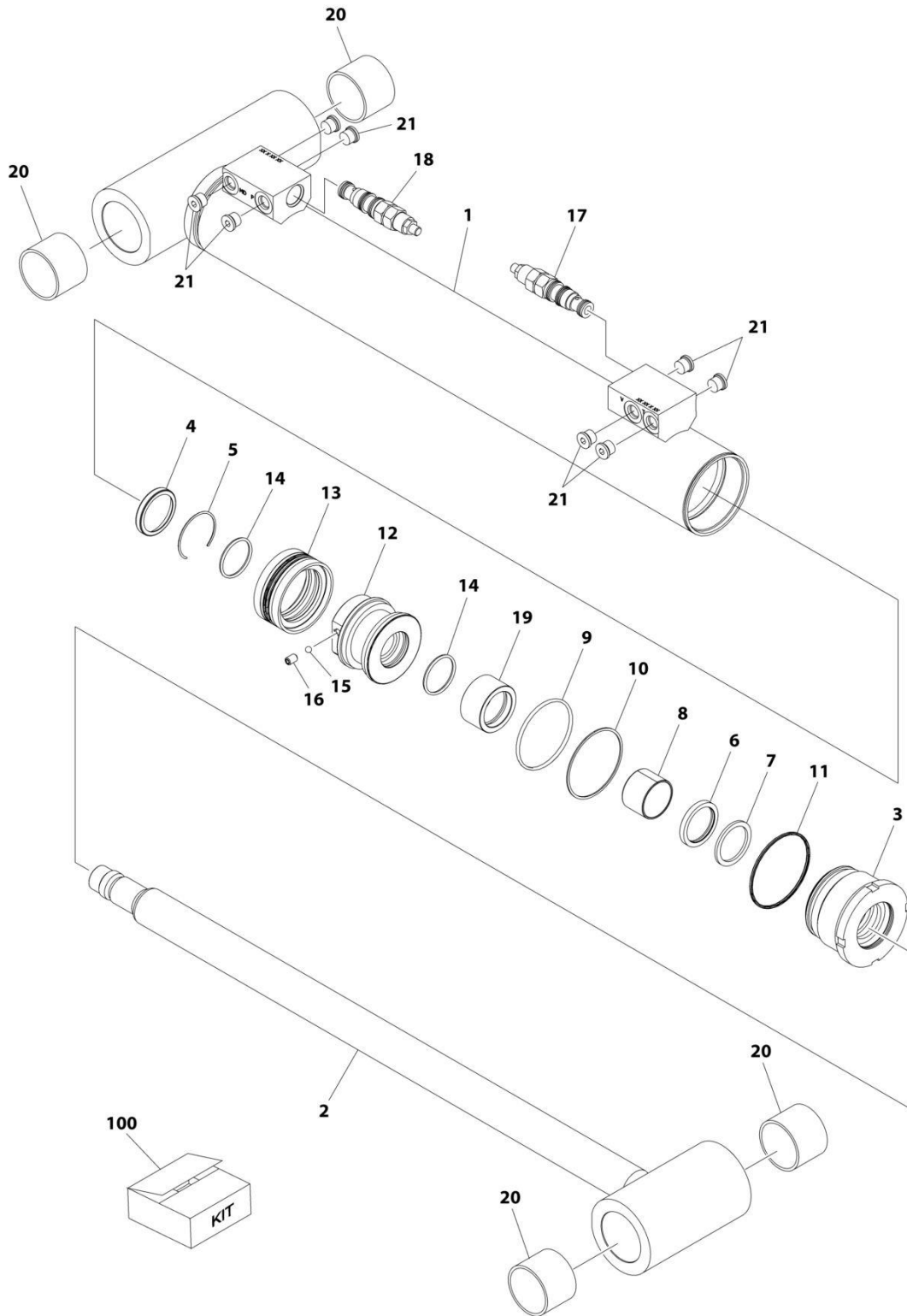
SECTION 6 - CYLINDER

FIGURE 6-8. LIFT CYLINDER ASSEMBLY - MID (E400ANARROW) (SN 0300208530 through 0300239739)

ITEM	PART NUMBER	QTY	DESCRIPTION	REV
	1684454	Ref	LIFT CYLINDER ASSEMBLY - MID	B
		Ref	Note: Original Cylinder May Have Been Replaced with Service Replacement. Identify PN Stamped on Cylinder Before Ordering Parts.	
1	0100011	AR	Compound, Locking	
2	0100035	AR	Compound, Locking	
3	0100038	AR	Primer, Locking	
4	0961950	4	Bushing	
5	1120108	1	Retainer	
6	1681344	1	Head	
7	1684025	1	Barrel	
8	1684026	1	Rod	
9	2220885	2	Plug	
10	3300279	1	Nut	
11	3480240	1	Piston	
12	3900170	1	Setscrew	
13	3951402	1	Setscrew, 1/4-20 x 1/4	
14	4565994	1	Spacer	
15	4640634	1	Cartridge, Holding Valve	
15	2900770	1	Seal Kit - 4640634 Valve	
16	4641386	1	Cartridge, Holding Valve	
16	7011376	1	Seal Kit - 4641386 Valve	
17	4740394	1	Washer	
100	2902419	1	Seal Kit (Includes Items 101-107)	
101	See Note	1	Ring, Wear (Note: Use p/n 2902419)	
102	See Note	2	Ring, Wear (Note: Use p/n 2902419)	
103	See Note	1	O-Ring (Note: Use p/n 2902419)	
104	See Note	1	O-Ring (Note: Use p/n 2902419)	
105	See Note	1	Wiper, Rod (Note: Use p/n 2902419)	
106	See Note	1	Seal, Piston (Note: Use p/n 2902419)	
107	See Note	1	Seal, Rod (Note: Use p/n 2902419)	

SECTION 6 - CYLINDER

FIGURE 6-9. LIFT CYLINDER ASSEMBLY - MID (E400ANARROW) (SN 0300239740 through 0300272265)



ART_1001228038

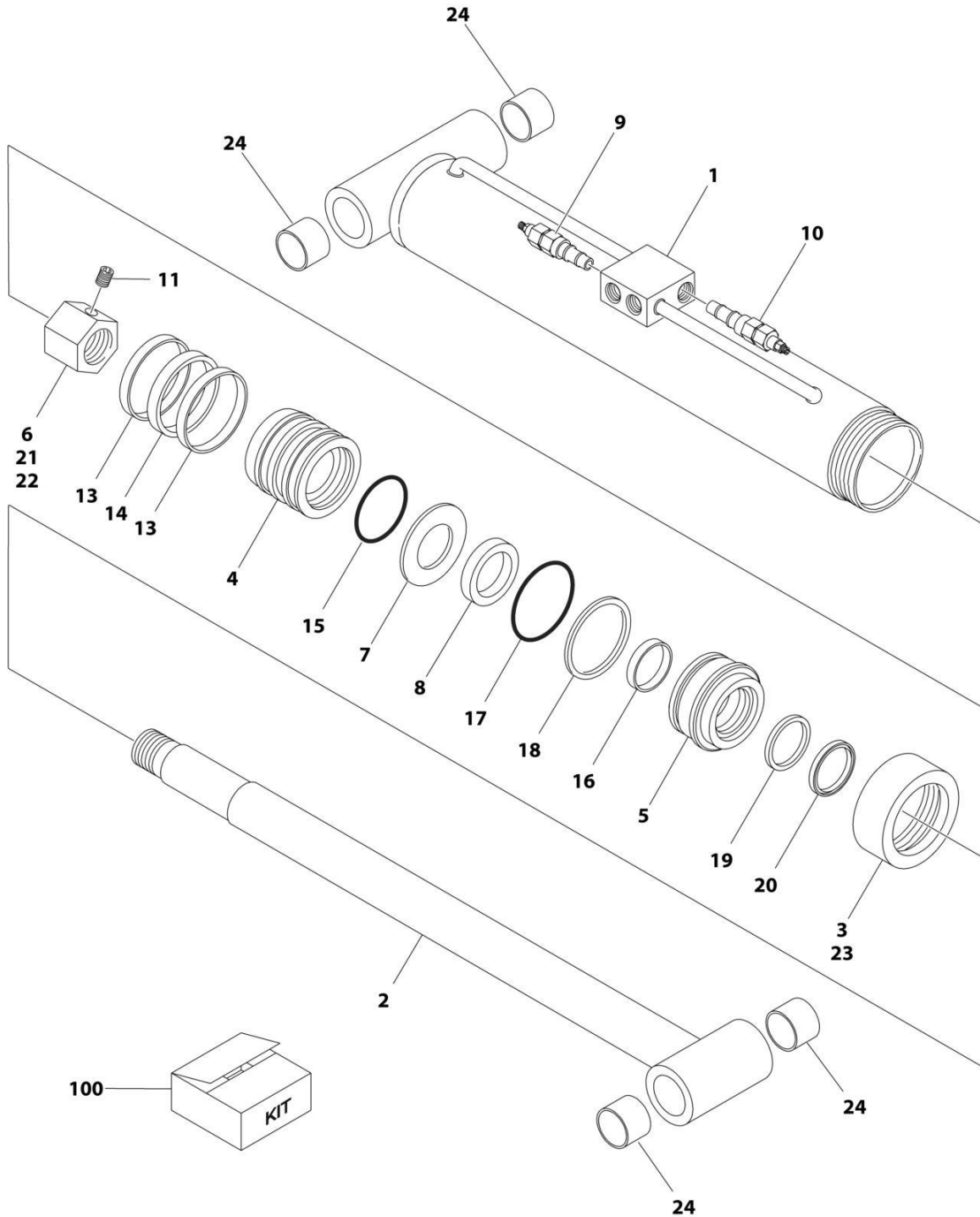
SECTION 6 - CYLINDER

FIGURE 6-9. LIFT CYLINDER ASSEMBLY - MID (E400ANARROW) (SN 0300239740 through 0300272265)

ITEM	PART NUMBER	QTY	DESCRIPTION	REV
	1001228038	Ref	LIFT CYLINDER ASSEMBLY - MID	A
		Ref	Note: Original Cylinder may have been replaced with Service Replacement. Identify PN Stamped on Cylinder Before Ordering Parts.	
1	See Note	NSS	Barrel Weldment (Note: Not Available for Purchase)	
2	70006600	1	Rod Weldment	
3	70006599	1	Head	
4	See Note	1	Wiper (Note: Use Item 100)	
5	70002373	1	Retainer	
6	See Note	NSS	Seal, Rod (Note: Use Item 100)	
7	See Note	NSS	Ring, Back-up (Note: Use Item 100)	
8	70005143	1	Bearing	
9	See Note	NSS	O-Ring (Note: Use Item 100)	
10	See Note	NSS	Ring, Back-up (Note: Use Item 100)	
11	70006598	1	O-Ring	
12	70006597	1	Piston	
13	See Note	NSS	Seal (Note: Use Item 100)	
14	See Note	NSS	O-Ring (Note: Use Item 100)	
15	70022564	1	Ball, Steel	
16	70006596	1	Setscrew	
17	4640634	1	Cartridge, Holding Valve	
17	2900770	1	Seal Kit - 4640634 Valve	
18	4641386	1	Cartridge, Holding Valve	
18	7011376	1	Seal Kit - 4641386 Valve	
19	70006595	1	Spacer	
20	0961950	4	Bushing	
21	2220885	8	Plug, O-Ring	
100	70006594	1	Seal Kit (Includes 4, 6, 7, 9, 10, 13 & 14)	

SECTION 6 - CYLINDER

FIGURE 6-10. LIFT CYLINDER ASSEMBLY - MID
(E400AJP,E400AJPNARROW,M400AJP,M400AJPNARROW) (SN 0300208530 through 0300239237)



ART_1684452

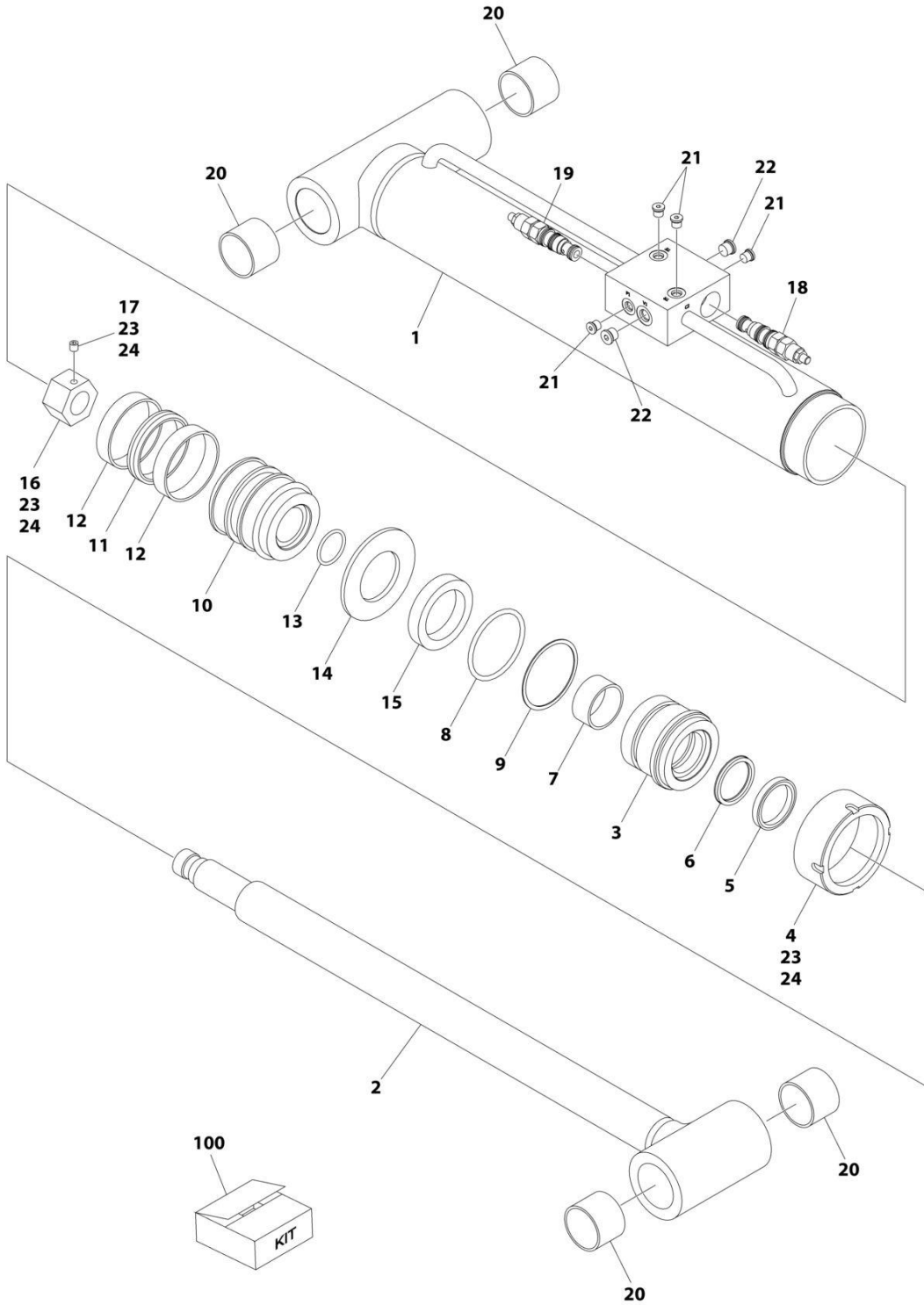
SECTION 6 - CYLINDER

FIGURE 6-10. LIFT CYLINDER ASSEMBLY - MID
(E400AJP,E400AJPNARROW,M400AJP,M400AJPNARROW) (SN 0300208530 through 0300239237)

ITEM	PART NUMBER	QTY	DESCRIPTION	REV
	1684452	Ref	LIFT CYLINDER ASSEMBLY - MID	D
		Ref	Note: Original Cylinder May Have Been Replaced with Service Replacement. Identify PN Stamped on Cylinder Before Ordering Parts.	
1	1683943	1	Barrel	
2	1683944	1	Rod	
3	1120305	1	Retainer	
4	3480242	1	Piston	
5	1683712	1	Head	
6	3300281	1	Nut	
7	4740207	1	Washer	
8	4566435	1	Spacer	
9	4640634	1	Cartridge, Holding Valve	
9	2900770	1	Seal Kit - 4640634 Valve	
10	4641386	1	Cartridge, Holding Valve	
10	7011376	1	Seal Kit - 4641386 Valve	
11	3900170	1	Setscrew	
13	See Note	NSS	Ring, Wear (Note: Use p/n 2901805)	
14	See Note	NSS	Seal, Piston (Note: Use p/n 2901805)	
15	See Note	NSS	O-Ring (Note: Use p/n 2901805)	
16	See Note	NSS	Ring, Wear (Note: Use p/n 2901805)	
17	See Note	NSS	O-Ring (Note: Use p/n 2901805)	
18	See Note	NSS	Ring, Back-Up (Note: Use p/n 2901805)	
19	See Note	NSS	Seal, Rod (Note: Use p/n 2901805)	
20	See Note	NSS	Wiper, Rod (Note: Use p/n 2901805)	
21	0100011	AR	Compound, Locking	
22	0100038	AR	Primer, Locking	
23	0100035	1	Compound, Locking	
24	0961950	4	Bushing	
100	2901805	1	Seal Kit (Includes Items 13-20)	

SECTION 6 - CYLINDER

FIGURE 6-11. LIFT CYLINDER ASSEMBLY - MID
(E400AJP,E400AJPNARROW,M400AJP,M400AJPNARROW) (SN 0300239237 through 0300272265)



ART_1001228036

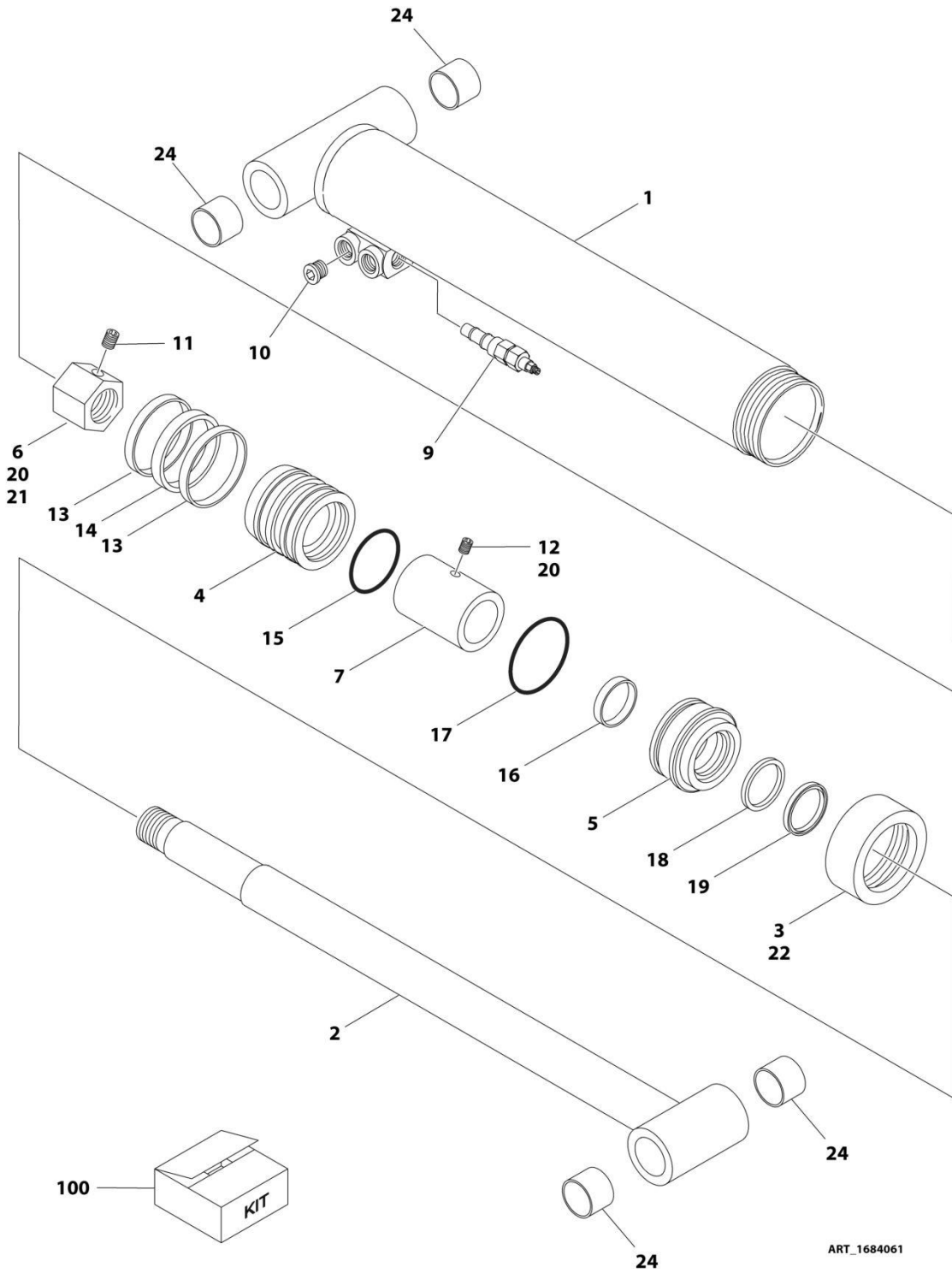
SECTION 6 - CYLINDER

**FIGURE 6-11. LIFT CYLINDER ASSEMBLY - MID
(E400AJP,E400AJPNARROW,M400AJP,M400AJPNARROW) (SN 0300239237 through 0300272265)**

ITEM	PART NUMBER	QTY	DESCRIPTION	REV
	1001228036	Ref	LIFT CYLINDER ASSEMBLY - MID	F
		Ref	Note: Original Cylinder may have been replaced with Service Replacement. Identify PN Stamped on Cylinder Before Ordering Parts.	
1	See Note	NSS	Barrel Weldment (Note: Not Available for Purchase)	
2	70006543	1	Rod Weldment	
3	70006542	1	Head	
4	70006533	1	Retainer	
5	See Note	NSS	Wiper (Note: Use Item 100)	
6	See Note	NSS	Seal, Rod (Note: Use Item 100)	
7	See Note	NSS	Ring, Wear (Note: Use Item 100)	
8	See Note	NSS	O-Ring (Note: Use Item 100)	
9	See Note	NSS	Ring, Back-up (Note: Use Item 100)	
10	70006532	1	Piston	
11	See Note	NSS	Seal (Note: Use Item 100)	
12	See Note	NSS	Ring, Wear (Note: Use Item 100)	
13	See Note	NSS	O-Ring (Note: Use Item 100)	
14	4740207	1	Washer	
15	70006539	1	Spacer	
16	3300281	1	Nut	
17	3900170	1	Setscrew	
18	4640634	1	Cartridge, Holding Valve	
18	2900770	1	Seal Kit - 4640634 Valve	
19	4641386	1	Cartridge, Holding Valve	
19	7011376	1	Seal Kit - 4641386 Valve	
20	0961950	4	Bushing	
21	2220883	4	Plug, O-Ring	
22	2220885	2	Plug, O-Ring	
23	0100011	AR	Compound, Locking	
24	0100038	AR	Primer, Locking	
100	2901805	1	Seal Kit (Includes Items 5-9 & 11-13)	

SECTION 6 - CYLINDER

FIGURE 6-12. LIFT CYLINDER - UPPER (E400ANARROW) (SN 0300208530 through 0300239739)



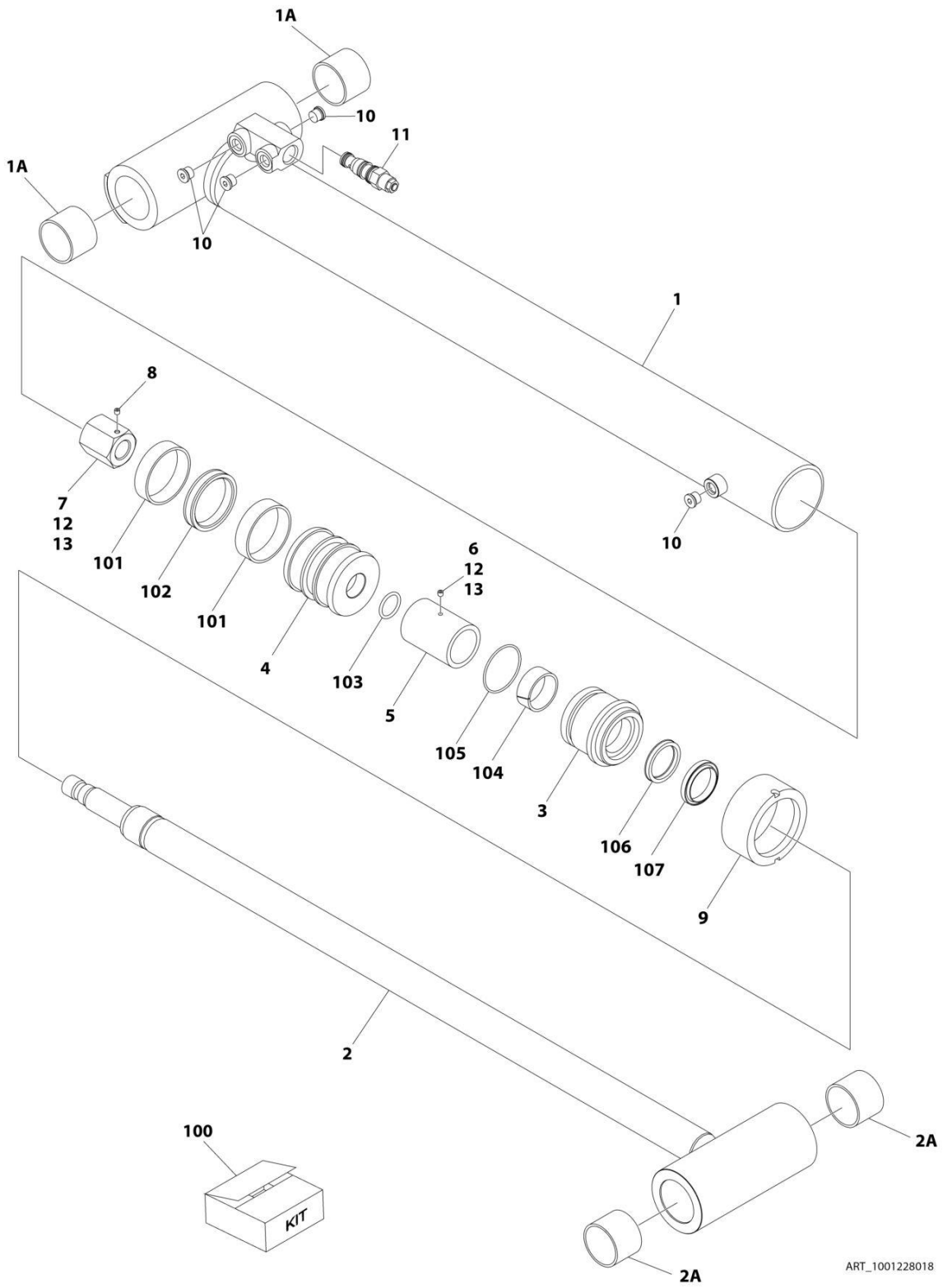
SECTION 6 - CYLINDER

FIGURE 6-12. LIFT CYLINDER - UPPER (E400ANARROW) (SN 0300208530 through 0300239739)

ITEM	PART NUMBER	QTY	DESCRIPTION	REV
	1684061	Ref	LIFT CYLINDER - UPPER	G
		Ref	Note: Original Cylinder May Have Been Replaced with Service Replacement. Identify PN Stamped on Cylinder Before Ordering Parts.	
1	1684060	1	Barrel	
2	1684059	1	Rod	
3	1120108	1	Retainer	
4	3480240	1	Piston	
5	1683709	1	Head	
6	3300315	1	Nut	
7	4567177	1	Spacer	
9	4640936	1	Cartridge, Valve	
9	2900770	1	Seal, Kit - 4640936 Valve	
10	2220885	4	Plug	
11	3900170	1	Setscrew	
12	3951402	1	Setscrew	
13	See Note	2	Ring, Wear (Note: Use p/n 2901804)	
14	See Note	1	Seal, Piston (Note: Use p/n 2901804)	
15	See Note	1	O-Ring (Note: Use p/n 2901804)	
16	See Note	1	Ring, Wear (Note: Use p/n 2901804)	
17	See Note	1	O-Ring (Note: Use p/n 2901804)	
18	See Note	1	Seal, Rod (Note: Use p/n 2901804)	
19	See Note	1	Wiper, Rod (Note: Use p/n 2901804)	
20	0100011	AR	Compound, Locking	
21	0100038	AR	Primer, Locking	
22	0100035	AR	Compound, Locking	
24	0961950	4	Bushing	
100	2901804	1	Seal Kit (Includes Items 13-19)	

SECTION 6 - CYLINDER

FIGURE 6-13. LIFT CYLINDER - UPPER (E400ANARROW) (SN 0300239740 through 0300272265)



ART_1001228018

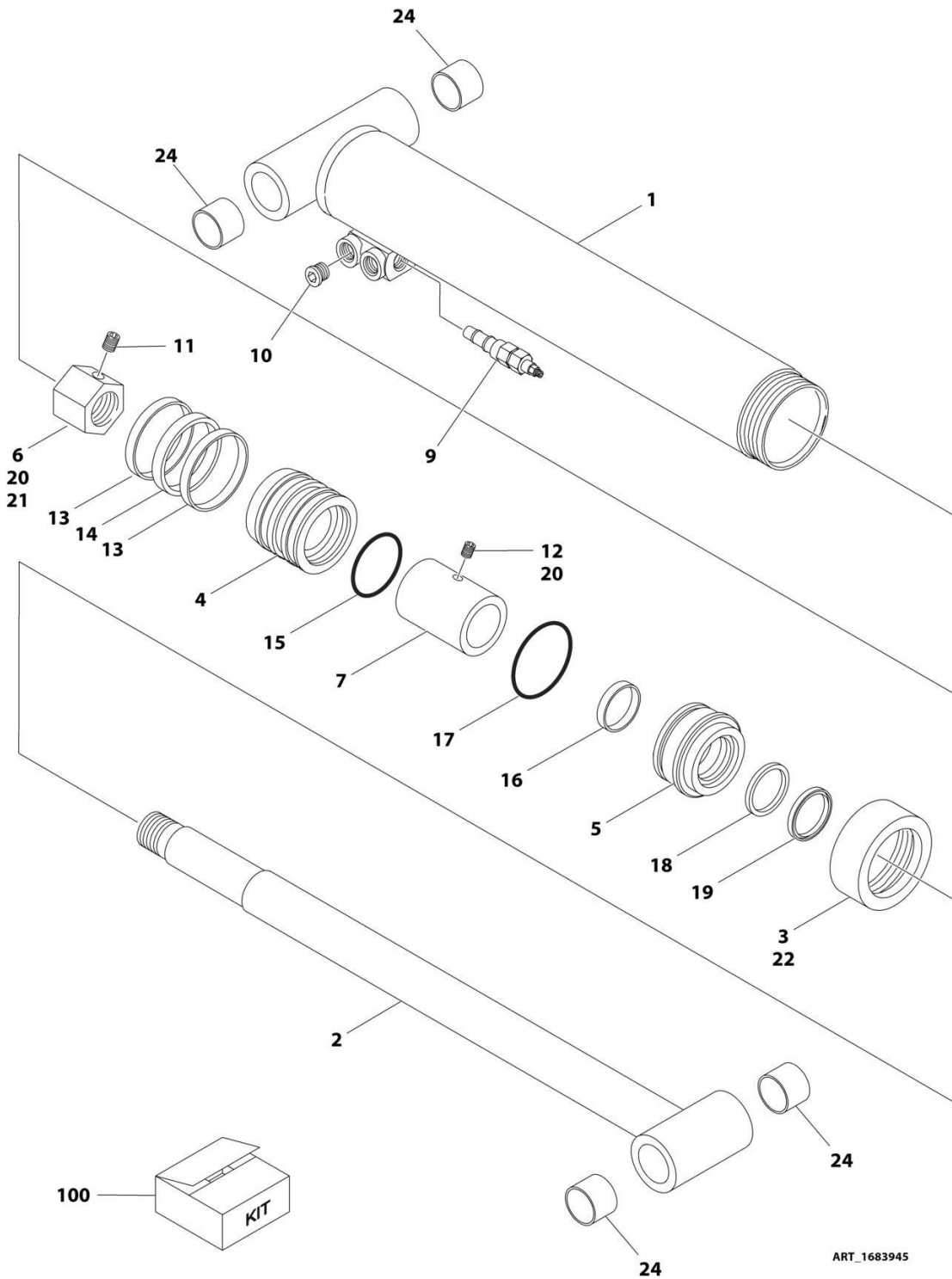
SECTION 6 - CYLINDER

FIGURE 6-13. LIFT CYLINDER - UPPER (E400ANARROW) (SN 0300239740 through 0300272265)

ITEM	PART NUMBER	QTY	DESCRIPTION	REV
	1001228018	Ref	LIFT CYLINDER ASSEMBLY - UPPER	B
		Ref	Note: Original Cylinder may have been replaced with Service Replacement. Identify PN Stamped on Cylinder Before Ordering Parts.	
1	See Note	NSS	Barrel Weldment (Note: Not Available for Purchase)	
1A	0961950	2	Bushing	
2	70006415	1	Rod Weldment	
2A	0961950	2	Bushing	
3	70006401	1	Head	
4	70006400	1	Piston	
5	70006414	1	Spacer	
6	70006413	1	Setscrew	
7	70006412	1	Nut	
8	70023915	1	Setscrew	
9	70006411	4	Retainer	
10	2220885	1	Plug, O-Ring	
11	4640936	1	Cartridge, Holding Valve	
11	2900770	1	Seal Kit - 4640936 Valve	
12	0100011	AR	Compound, Locking	
13	0100038	AR	Primer, Locking	
100	2901804	1	Seal Kit (Includes Items 101-107)	
101	See Note	NSS	Ring, Wear (Note: Use Item 100)	
102	See Note	NSS	Seal, Piston (Note: Use Item 100)	
103	See Note	NSS	O-Ring (Note: Use Item 100)	
104	See Note	NSS	Ring, Wear (Note: Use Item 100)	
105	See Note	NSS	O-Ring (Note: Use Item 100)	
106	See Note	NSS	Seal, Rod (Note: Use Item 100)	
107	See Note	NSS	Wiper, Rod (Note: Use Item 100)	

SECTION 6 - CYLINDER

FIGURE 6-14. LIFT CYLINDER - UPPER (E400AJP,E400AJPNARROW,M400AJP,M400AJPNARROW)
(SN 0300208530 through 0300239739)



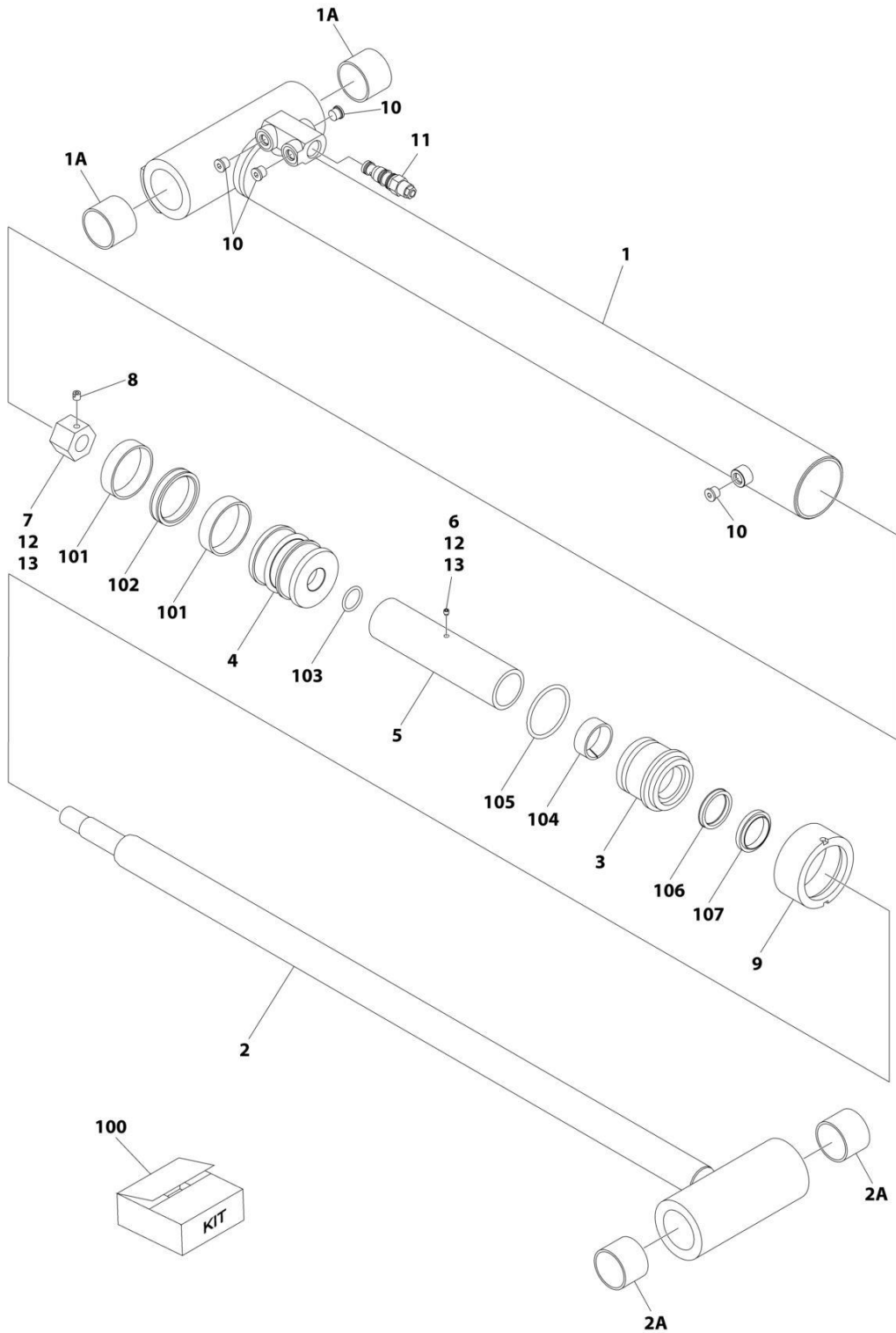
SECTION 6 - CYLINDER

**FIGURE 6-14. LIFT CYLINDER - UPPER (E400AJP,E400AJPNARROW,M400AJP,M400AJPNARROW)
(SN 0300208530 through 0300239739)**

ITEM	PART NUMBER	QTY	DESCRIPTION	REV
	1683945	Ref	LIFT CYLINDER - UPPER	G
		Ref	Note: Original Cylinder May Have Been Replaced with Service Replacement. Identify PN Stamped on Cylinder Before Ordering Parts.	
1	1683946	1	Barrel	
2	1683947	1	Rod	
3	1120108	1	Retainer	
4	3480240	1	Piston	
5	1683709	1	Head	
6	3300279	1	Nut	
7	4567908	1	Spacer	
9	4640936	1	Cartridge, Holding Valve	
9	2900770	1	Seal Kit - 4640936 Valve	
10	2220885	4	Plug	
11	3900170	1	Setscrew	
12	3900142	1	Setscrew	
13	See Note	2	Ring, Wear (Note: Use p/n 2901804)	
14	See Note	1	Seal, Piston (Note: Use p/n 2901804)	
15	See Note	1	O-Ring (Note: Use p/n 2901804)	
16	See Note	1	Ring, Wear (Note: Use p/n 2901804)	
17	See Note	1	O-Ring (Note: Use p/n 2901804)	
18	See Note	1	Seal, Rod (Note: Use p/n 2901804)	
19	See Note	1	Wiper, Rod (Note: Use p/n 2901804)	
20	0100011	AR	Compound, Locking	
21	0100038	AR	Primer, Locking	
22	0100035	AR	Compound, Locking	
24	0961950	4	Bushing	
100	2901804	1	Seal Kit (Includes Items 13-19)	

SECTION 6 - CYLINDER

FIGURE 6-15. LIFT CYLINDER - UPPER (E400AJP,E400AJPNARROW,M400AJP,M400AJPNARROW)
(SN 0300239740 through 0300272265)



ART_1001228016

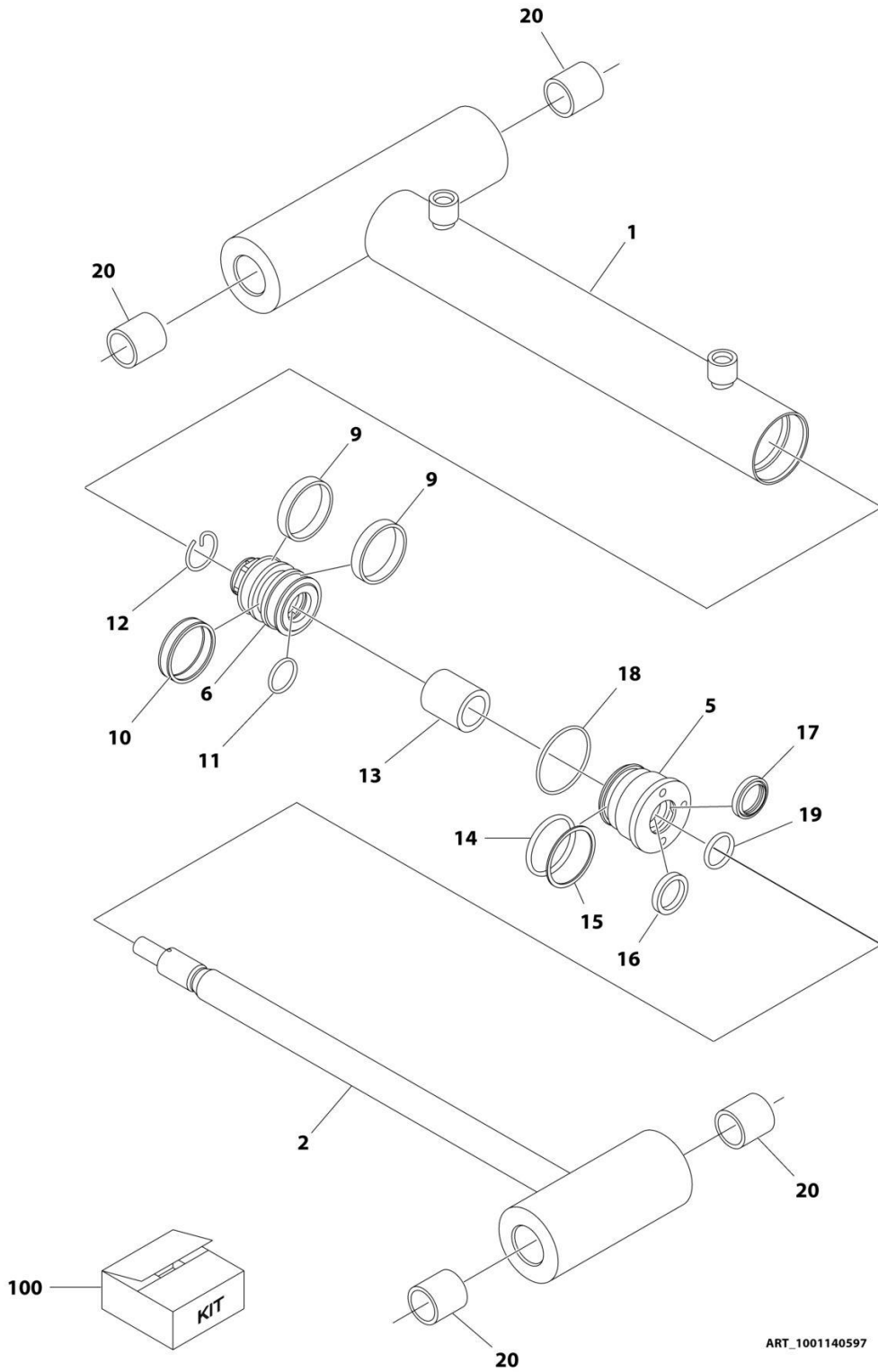
SECTION 6 - CYLINDER

**FIGURE 6-15. LIFT CYLINDER - UPPER (E400AJP,E400AJPNARROW,M400AJP,M400AJPNARROW)
(SN 0300239740 through 0300272265)**

ITEM	PART NUMBER	QTY	DESCRIPTION	REV
	1001228016	Ref	LIFT CYLINDER ASSEMBLY - UPPER	C
		Ref	Note: Original Cylinder may have been replaced with Service Replacement. Identify PN Stamped on Cylinder Before Ordering Parts.	
1	See Note	NSS	Barrel Weldment (Note: Not Available for Purchase)	
1A	0961950	2	Bushing	
2	70006402	1	Rod Weldment	
2A	0961950	2	Bushing	
3	70006401	1	Head	
4	70006400	1	Piston	
5	70006399	1	Spacer	
6	70006398	1	Setscrew	
7	70006397	1	Nut	
8	70023915	1	Setscrew	
9	70006396	1	Retainer	
10	2220885	4	Plug, O-Ring	
11	4640936	1	Cartridge, Holding Valve	
11	2900770	1	Seal Kit - 4640936 Valve	
12	0100011	AR	Compound, Locking	
13	0100038	AR	Primer, Locking	
100	2901804	1	Seal Kit (Includes Items 101-107)	
101	See Note	NSS	Ring, Wear (Note: Use Item 100)	
102	See Note	NSS	Seal, Piston (Note: Use Item 100)	
103	See Note	NSS	O-Ring (Note: Use Item 100)	
104	See Note	NSS	Ring, Wear (Note: Use Item 100)	
105	See Note	NSS	O-Ring (Note: Use Item 100)	
106	See Note	NSS	Seal, Rod (Note: Use Item 100)	
107	See Note	NSS	Wiper, Rod (Note: Use Item 100)	

SECTION 6 - CYLINDER

FIGURE 6-16. MASTER CYLINDER ASSEMBLY (E400ANARROW)



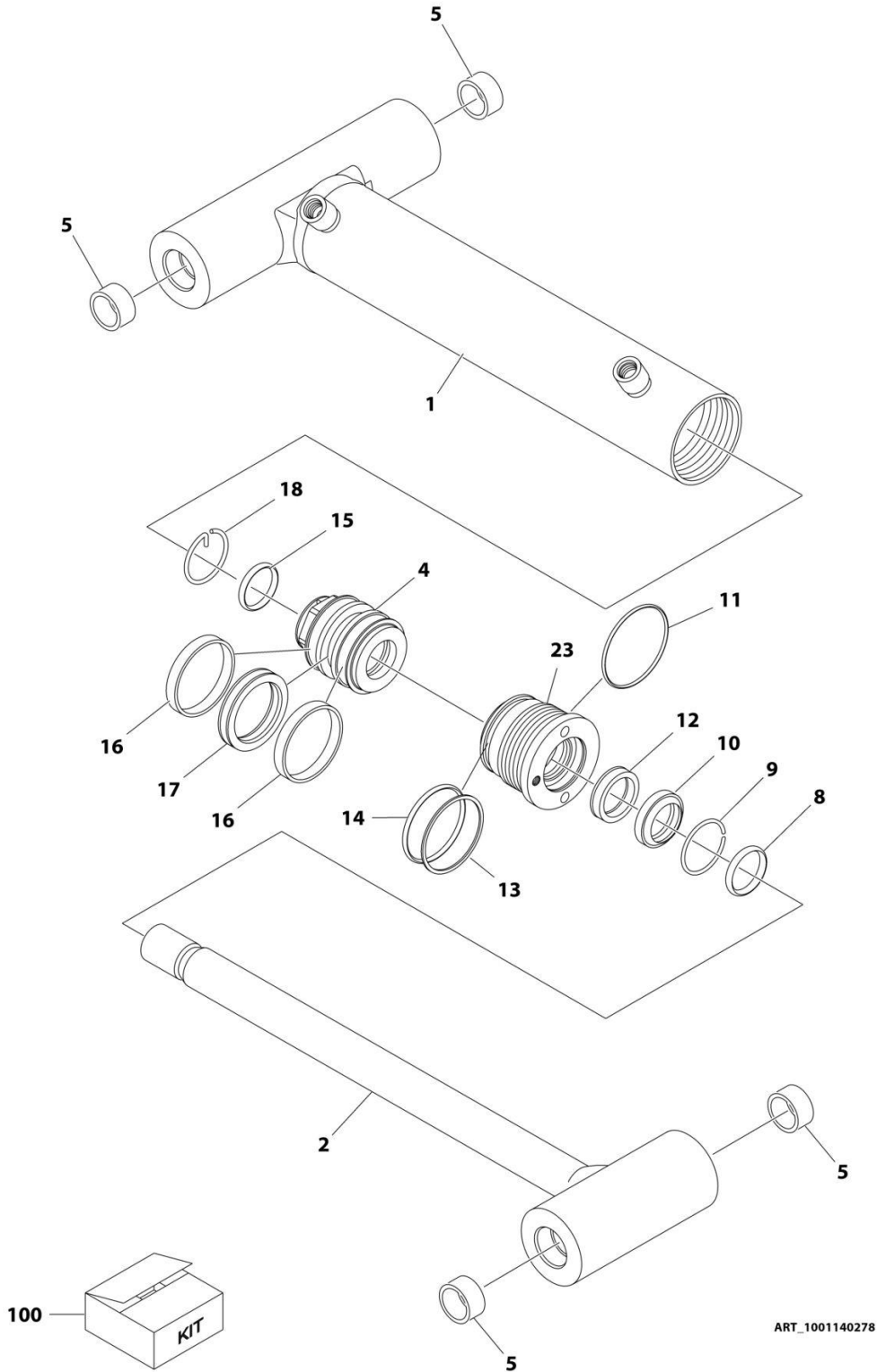
SECTION 6 - CYLINDER

FIGURE 6-16. MASTER CYLINDER ASSEMBLY (E400ANARROW)

ITEM	PART NUMBER	QTY	DESCRIPTION	REV
	1001140597	Ref	MASTER CYLINDER ASSEMBLY	A
1	70004144	1	Barrel	
2	70004145	1	Rod	
5	70000739	1	Head	
6	70004141	1	Piston	
9	See Note	2	Ring, Wear (Note: Use p/n 70004130)	
10	See Note	1	Seal, Piston (Note: Use p/n 70004130)	
11	70023094	1	O-Ring	
12	70004142	1	Retainer	
13	70004143	1	Spacer	
14	See Note	1	O-Ring (Note: Use p/n 70004130)	
15	See Note	1	Ring, Back-Up (Note: Use p/n 70004130)	
16	See Note	1	Seal, Rod (Note: Use p/n 70004130)	
17	See Note	1	Wiper, Rod (Note: Use p/n 70004130)	
18	See Note	1	O-Ring (Note: Use p/n 70004130)	
19	See Note	1	O-Ring (Note: Use p/n 70004130)	
20	0962356	4	Bushing	
100	70004130	1	Seal Kit (Includes Items 9-11 & 14-18)	

SECTION 6 - CYLINDER

**FIGURE 6-17. MASTER CYLINDER ASSEMBLY
(E400AJP,E400AJPNARROW,M400AJP,M400AJPNARROW)**



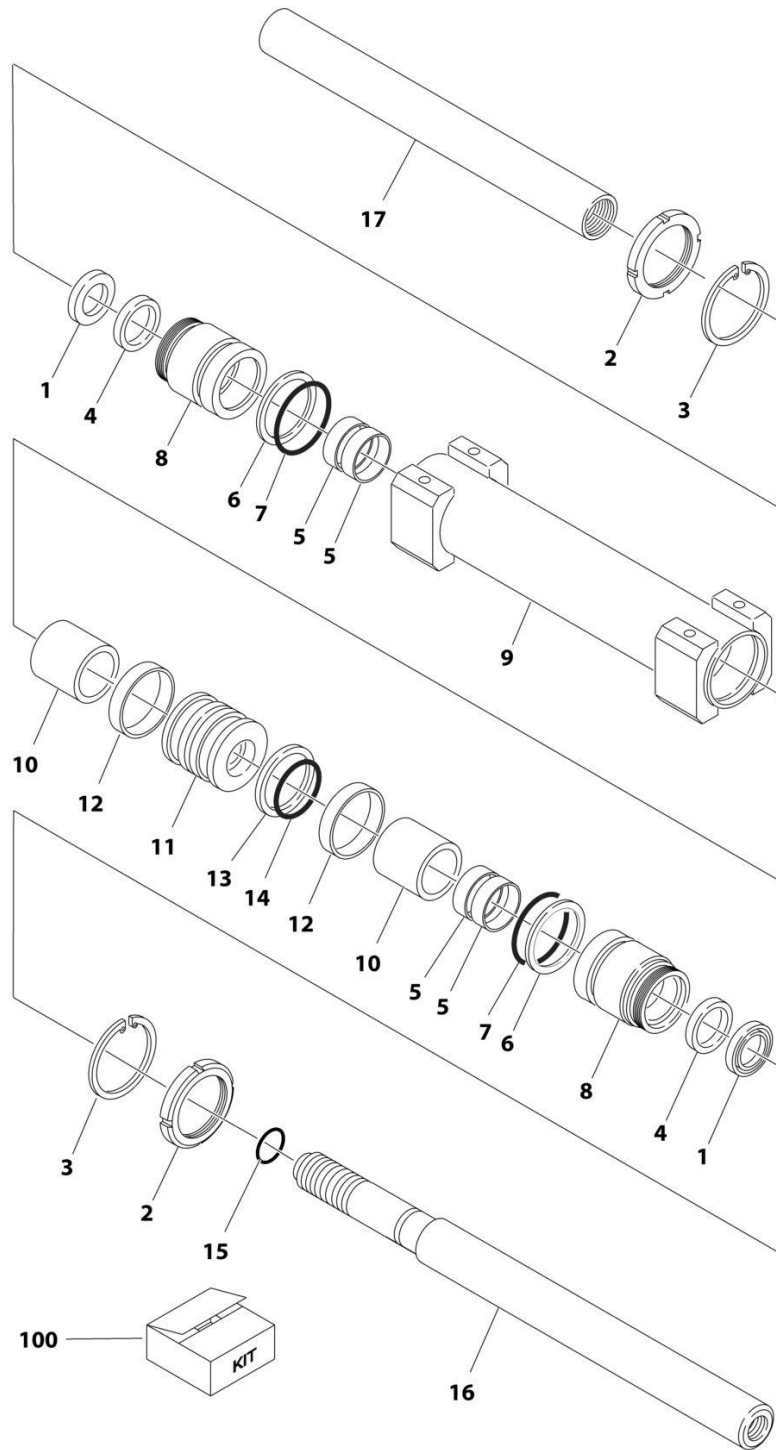
SECTION 6 - CYLINDER

**FIGURE 6-17. MASTER CYLINDER ASSEMBLY
(E400AJP,E400AJPNARROW,M400AJP,M400AJPNARROW)**

ITEM	PART NUMBER	QTY	DESCRIPTION	REV
	1001140278	Ref	MASTER CYLINDER ASSEMBLY	A
1	70003843	1	Barrel	
2	70003844	1	Rod	
4	70003819	1	Piston	
5	0961951	4	Bushing	
8	7026084	1	O-Ring	
9	70002217	1	Ring, Retaining	
10	See Note	1	Wiper, Rod (Note: Use p/n 70003845)	
11	See Note	1	O-Ring (Note: Use p/n 70003845)	
12	See Note	1	Seal, Rod (Note: Use p/n 70003845)	
13	See Note	1	Ring, Back-Up (Note: Use p/n 70003845)	
14	See Note	1	O-Ring (Note: Use p/n 70003845)	
15	See Note	1	O-Ring (Note: Use p/n 70003845)	
16	See Note	2	Ring, Wear (Note: Use p/n 70003845)	
17	See Note	1	Seal, Piston (Note: Use p/n 70003845)	
18	70002216	1	Retainer	
23	7026082	1	Head	
100	70003845	1	Seal Kit (Includes Items 10-17)	

SECTION 6 - CYLINDER

FIGURE 6-18. STEER CYLINDER ASSEMBLY



ART_1683591

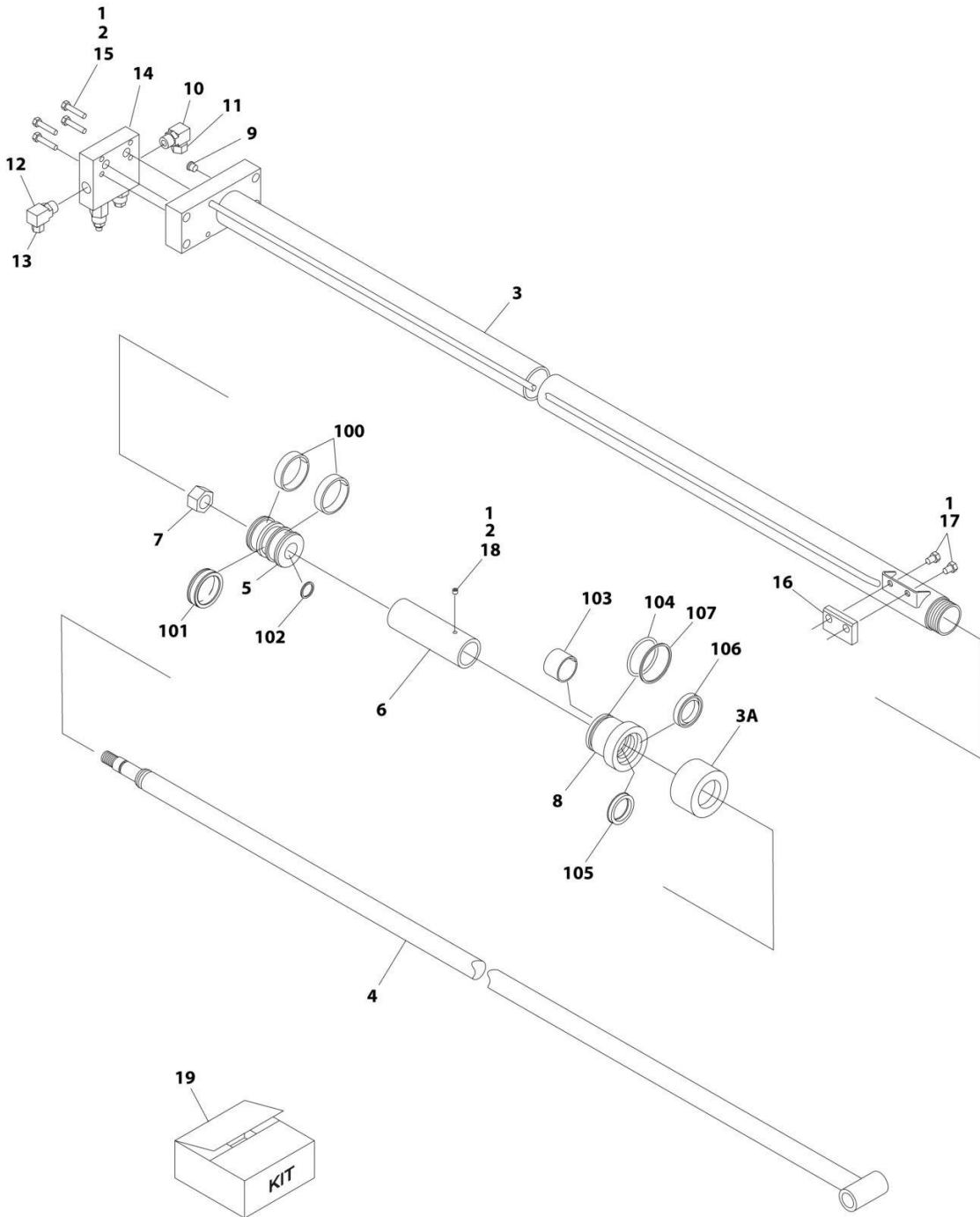
SECTION 6 - CYLINDER

FIGURE 6-18. STEER CYLINDER ASSEMBLY

ITEM	PART NUMBER	QTY	DESCRIPTION	REV
	1683591	Ref	STEER CYLINDER ASSEMBLY	B
1	See Note	2	Wiper (Note: Use p/n 7017246)	
2	7001630	2	Nut, Spanner	
3	7017247	2	Ring, Retaining	
4	See Note	2	Seal, Lip (Note: Use p/n 7017246)	
5	See Note	4	Ring, Wear (Note: Use p/n 7017246)	
6	See Note	2	Ring, Back-Up (Note: Use p/n 7017246)	
7	See Note	2	O-Ring (Note: Use p/n 7017246)	
8	7017248	2	Guide	
9	70003341	1	Barrel	
10	7017249	2	Tube	
11	7017250	1	Piston	
12	See Note	2	Ring, Wear (Note: Use p/n 7017246)	
13	See Note	1	Seal (Note: Use p/n 7017246)	
14	See Note	1	O-Ring (Note: Use p/n 7017246)	
15	See Note	1	O-Ring (Note: Use p/n 7017246)	
16	7017251	1	Rod - Male End	
17	7017252	1	Rod - Female End	
100	7017246	1	Seal Kit (Includes Items 1,4-7 & 12-15)	

SECTION 6 - CYLINDER

FIGURE 6-19. TELESCOPE CYLINDER ASSEMBLY (E400ANARROW) (SN 0300208530 through 0300244775)



ART_1001151497

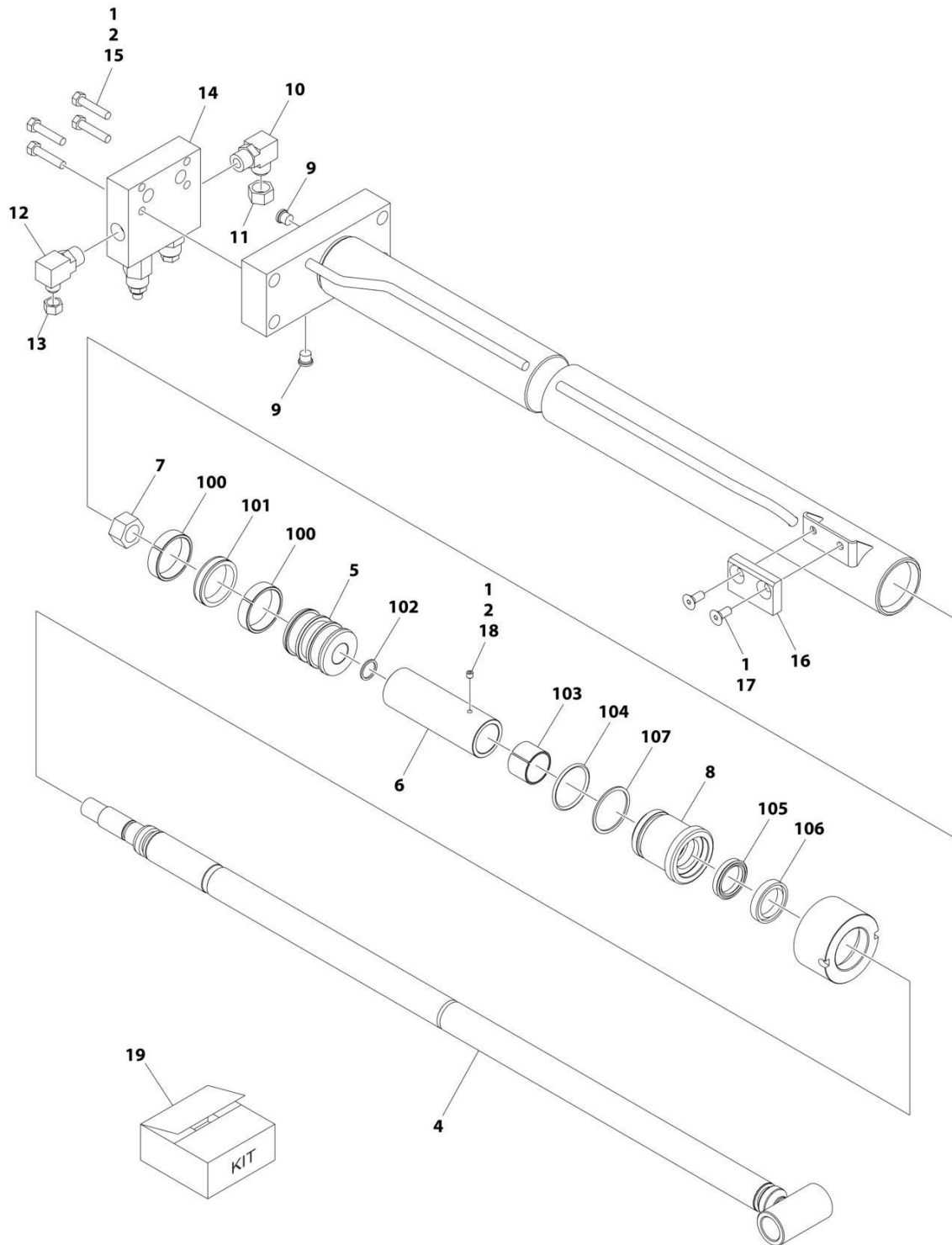
SECTION 6 - CYLINDER

FIGURE 6-19. TELESCOPE CYLINDER ASSEMBLY (E400ANARROW) (SN 0300208530 through 0300244775)

ITEM	PART NUMBER	QTY	DESCRIPTION	REV
	1001151497	Ref	TELESCOPE CYLINDER ASSEMBLY	C
1	0100011	AR	Compound, Locking	
2	0100038	AR	Primer, Locking	
3	1001151496	1	Barrel	
3A	1120110	1	Cap, End	
4	1684029	1	Rod	
5	3480239	1	Piston	
6	4567704	1	Spacer	
7	3322205	1	Nut, Lock, 3/4-16	
8	1683584	1	Head	
9	2220883	1	Plug	
10	2220596	1	Fitting, 90 JIC/ORB	
11	2220517	1	Fitting, Cap	
12	2220628	1	Fitting, 90 JIC/ORB	
13	2220516	1	Fitting, Cap	
14	4640807	1	Counterbalance Valve Assembly (See COUNTERBALANCE VALVE ASSEMBLY for Breakdown)	
15	0641512	4	Bolt, 5/16-18 X 1-1/2	
16	3340679	1	Pad, Wear	
17	0641604	2	Bolt, 3/8-16 X 1/2	
18	3951402	1	Setscrew 1/4-20 X 1/4	
19	1001152230	1	Seal Kit (Includes Items 100-107)	
100	See Note	NSS	Ring, Wear (Note: Use p/n 1001152230)	
101	See Note	NSS	Seal, Piston (Note: Use p/n 1001152230)	
102	See Note	NSS	O-Ring (Note: Use p/n 1001152230)	
103	See Note	NSS	Ring, Wear (Note: Use p/n 1001152230)	
104	See Note	NSS	O-Ring (Note: Use p/n 1001152230)	
105	See Note	NSS	Seal, Rod (Note: Use p/n 1001152230)	
106	See Note	NSS	Seal, Rod (Note: Use p/n 1001152230)	
107	See Note	NSS	Ring, Back-Up (Note: Use p/n 1001152230)	

SECTION 6 - CYLINDER

FIGURE 6-20. TELESCOPE CYLINDER ASSEMBLY (E400ANARROW) (SN 0300244775 through 0300272265)



ART_1001228063

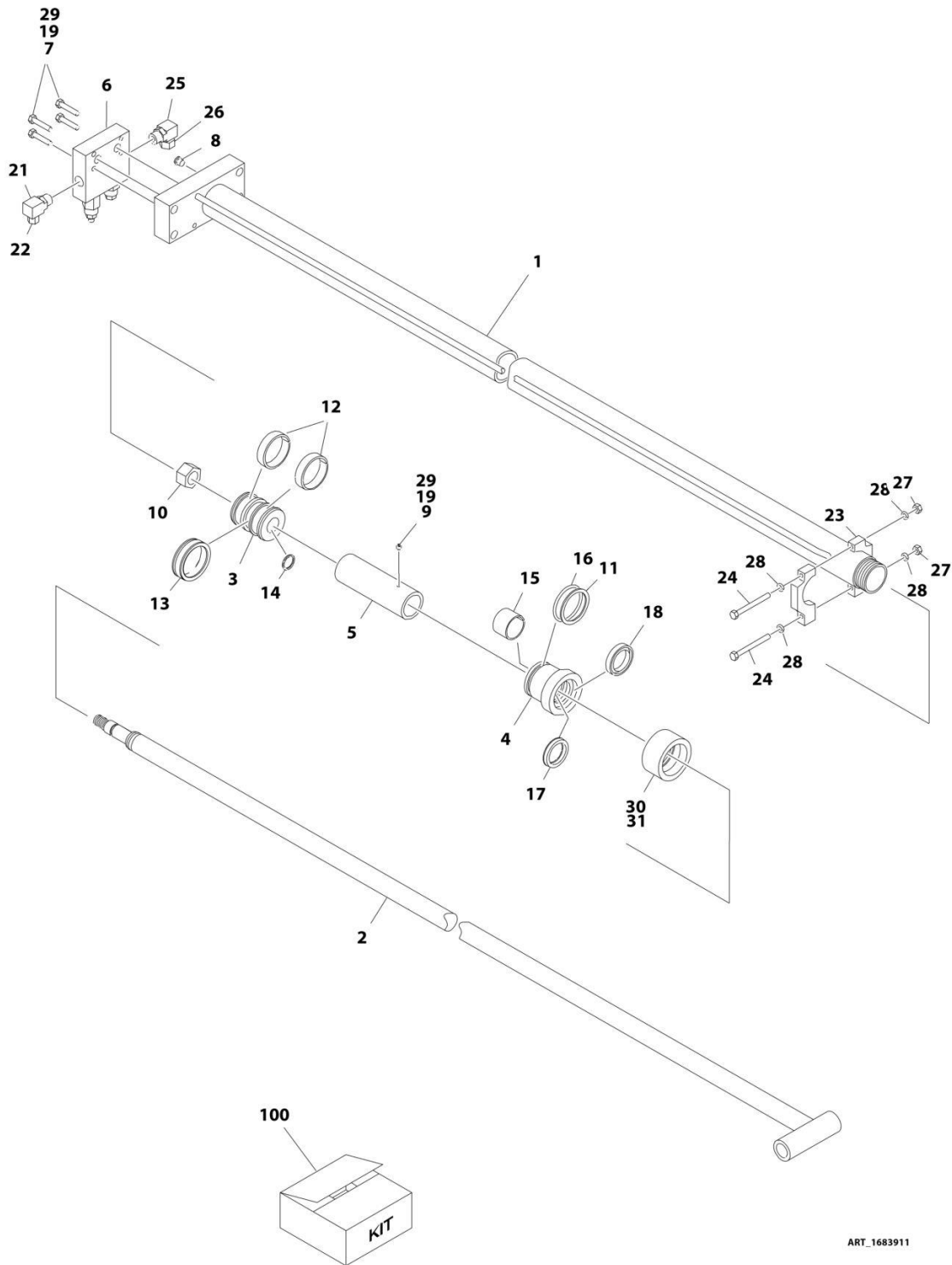
SECTION 6 - CYLINDER

FIGURE 6-20. TELESCOPE CYLINDER ASSEMBLY (E400ANARROW) (SN 0300244775 through 0300272265)

ITEM	PART NUMBER	QTY	DESCRIPTION	REV
	1001228063	Ref	TELESCOPE CYLINDER ASSEMBLY	B
		Ref	Note: Original Cylinder may have been replaced with Service Replacement. Identify PN Stamped on Cylinder Before Ordering Parts.	
1	0100011	AR	Compound, Locking	
2	0100038	AR	Primer, Locking	
4	70006566	1	Rod	
5	70006564	1	Piston	
6	70006563	1	Spacer	
7	70006971	1	Nut	
8	70006565	1	Head	
9	2220883	1	Plug	
10	2220596	1	Fitting, 90 JIC/ORB	
11	2220517	1	Fitting, Cap	
12	2220628	1	Fitting, 90 JIC/ORB	
13	2220516	1	Fitting, Cap	
14	4640807	1	Counterbalance Valve Assembly (See Separate Breakdown in this Section)	
15	0641512	4	Bolt 5/16 x 1-1/2	
16	3340679	1	Pad, Wear	
17	70006976	2	Screw	
18	70023915	1	Setscrew M6 x 8	
19	1001152230	1	Seal Kit (Includes Items 100-107)	
100	See Note	NSS	Ring, Wear (Note: Use p/n 1001152230)	
101	See Note	NSS	Seal, Piston (Note: Use p/n 1001152230)	
102	See Note	NSS	O-Ring (Note: Use p/n 1001152230)	
103	See Note	NSS	Ring, Wear (Note: Use p/n 1001152230)	
104	See Note	NSS	O-Ring (Note: Use p/n 1001152230)	
105	See Note	NSS	Seal, Rod (Note: Use p/n 1001152230)	
106	See Note	NSS	Seal, Rod (Note: Use p/n 1001152230)	
107	See Note	NSS	Ring, Back-Up (Note: Use p/n 1001152230)	

SECTION 6 - CYLINDER

FIGURE 6-21. TELESCOPE CYLINDER ASSEMBLY
(E400AJP,E400AJPNARROW,M400AJP,M400AJPNARROW) (SN 0300208530 through 0300244120)



ART_1683911

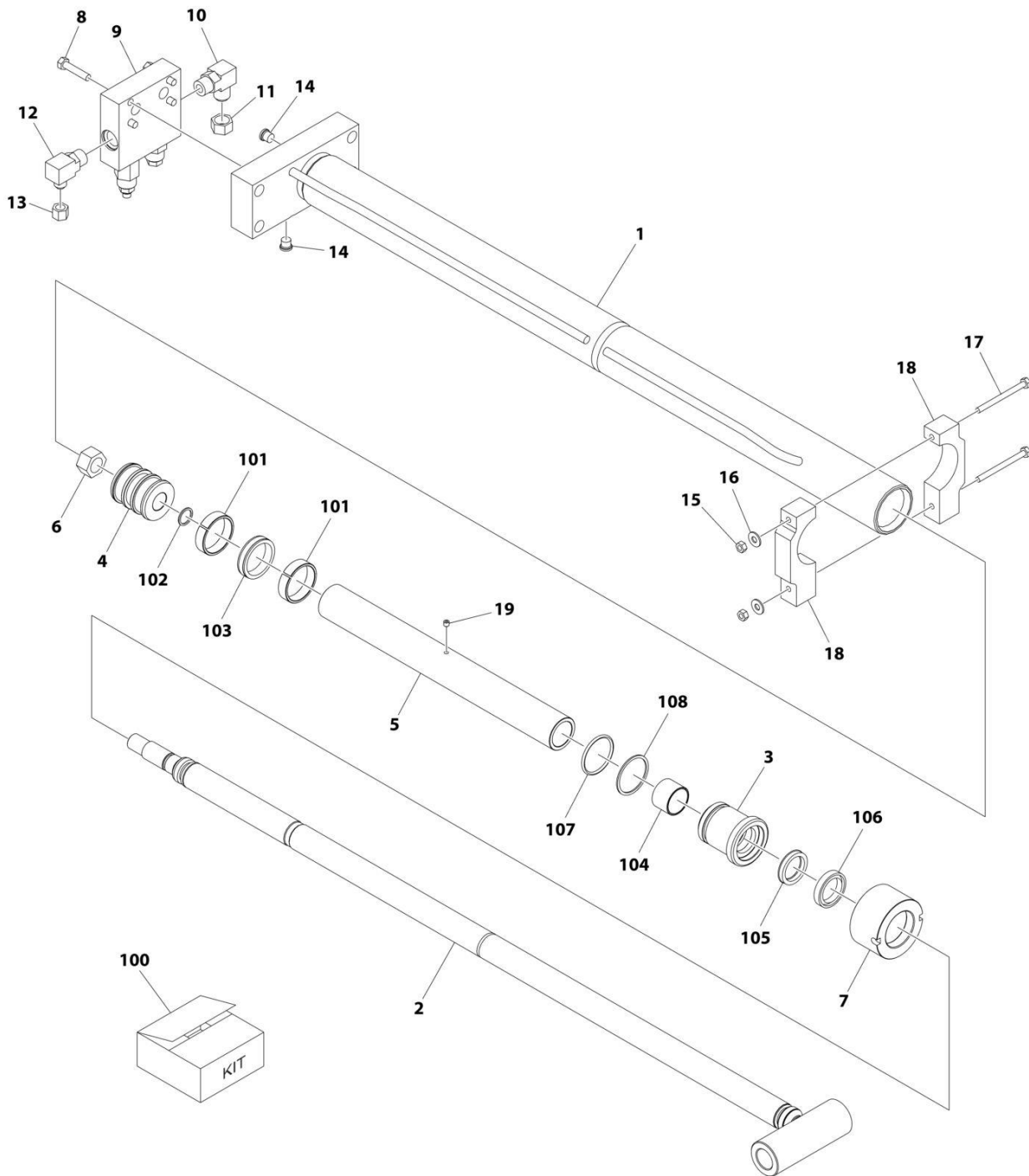
SECTION 6 - CYLINDER

**FIGURE 6-21. TELESCOPE CYLINDER ASSEMBLY
(E400AJP,E400AJPNARROW,M400AJP,M400AJPNARROW) (SN 0300208530 through 0300244120)**

ITEM	PART NUMBER	QTY	DESCRIPTION	REV
	1683911	Ref	TELESCOPE CYLINDER ASSEMBLY	4
1	1683912	1	Barrel	
1A	1120110	1	Cap, End	
2	1683980	1	Rod	
4	1683584	1	Head	
5	4567963	1	Spacer	
6	4640807	1	Counterbalance Valve Assembly (See COUNTERBALANCE VALVE ASSEMBLY for Breakdown)	
7	0641512	4	Bolt, 5/16-18 X 1-1/2	
8	2220883	2	Plug	
9	3951402	1	Setscrew 1/4-20 X 1/4	
10	3322205	1	Nut, Lock, 3/4-16	
11	See Note	1	Ring, Back-up (Note: Use p/n 2901903)	
12	See Note	2	Ring, Wear (Note: Use p/n 2901903)	
13	See Note	1	Seal, Cap (Note: Use p/n 2901903)	
14	See Note	1	O-Ring (Note: Use p/n 2901903)	
15	See Note	1	Ring, Wear (Note: Use p/n 2901903)	
16	See Note	1	O-Ring (Note: Use p/n 2901903)	
17	See Note	1	Seal, Rod (Note: Use p/n 2901903)	
18	See Note	1	Wiper, Rod (Note: Use p/n 2901903)	
19	0100011	AR	Compound, Locking	
21	2220628	1	Fitting, 90 JIC/ORB	
22	2220516	1	Fitting, Cap	
23	3340882	2	Pad	
24	0641424	2	Bolt, 1/4-20 x 3	
25	2220596	1	Fitting, 90 JIC/ORB	
26	2220517	1	Fitting, Cap	
27	3311405	2	Nut, 1/4-20	
28	4751400	4	Washer, 1/4	
29	0100038	AR	Primer, Locking	
30	0100035	AR	Compound, Locking	
31	1120110	1	Cap, End	
100	2901903	1	Seal Kit (Includes Items 11-18)	

SECTION 6 - CYLINDER

FIGURE 6-22. TELESCOPE CYLINDER ASSEMBLY
(E400AJP,E400AJPNARROW,M400AJP,M400AJPNARROW) (SN 0300244120 through 0300272265)



ART_1001228015

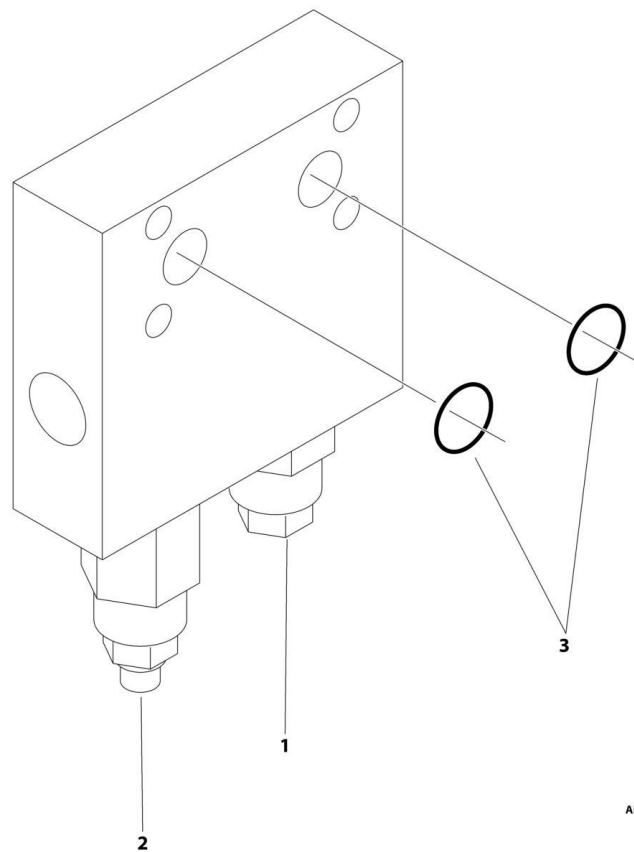
SECTION 6 - CYLINDER

**FIGURE 6-22. TELESCOPE CYLINDER ASSEMBLY
(E400AJP,E400AJPNARROW,M400AJP,M400AJPNARROW) (SN 0300244120 through 0300272265)**

ITEM	PART NUMBER	QTY	DESCRIPTION	REV
	1001228015	Ref	TELESCOPE CYLINDER ASSEMBLY	C
		Ref	Note: Original Cylinder may have been replaced with Service Replacement. Identify PN Stamped on Cylinder Before Ordering Parts.	
1	See Note	NSS	Barrel Weldment (Note: Not Available for Purchase)	
2	70006975	1	Rod	
3	70006565	1	Head	
4	70006564	1	Piston	
5	70006974	1	Spacer	
6	70006971	1	Nut, Lock	
7	70006561	1	Cap, End	
8	0641512	4	Bolt 5/16 x 1-1/2	
9	4640807	1	Counterbalance Valve Assembly (See Separate Breakdown in this Section)	
10	2220596	1	Fitting, 90 JIC/ORB	
11	2220517	1	Fitting, Cap	
12	2220628	1	Fitting, 90 JIC/ORB	
13	2220516	1	Fitting, Cap	
14	2220883	2	Plug	
15	3311405	2	Nut 1/4	
16	4751400	4	Flatwasher 1/4	
17	0641424	2	Bolt 1/4 x 3	
18	3340882	2	Wear Pad Assembly	
19	70006413	1	Setscrew	
100	2901903	1	Seal Kit (Includes Items101-108)	
101	See Note	NSS	Ring, Wear (Note: Use p/n 2901903)	
102	See Note	NSS	O-Ring (Note: Use p/n 2901903)	
103	See Note	NSS	Seal, Piston (Note: Use p/n 2901903)	
104	See Note	NSS	Ring, Wear (Note: Use p/n 2901903)	
105	See Note	NSS	Seal, Rod (Note: Use p/n 2901903)	
106	See Note	NSS	Wiper, Rod (Note: Use p/n 2901903)	
107	See Note	NSS	O-Ring (Note: Use p/n 2901903)	
108	See Note	NSS	Ring, Back-Up (Note: Use p/n 2901903)	

SECTION 6 - CYLINDER

FIGURE 6-23. COUNTERBALANCE VALVE ASSEMBLY



ART_4640807

SECTION 6 - CYLINDER

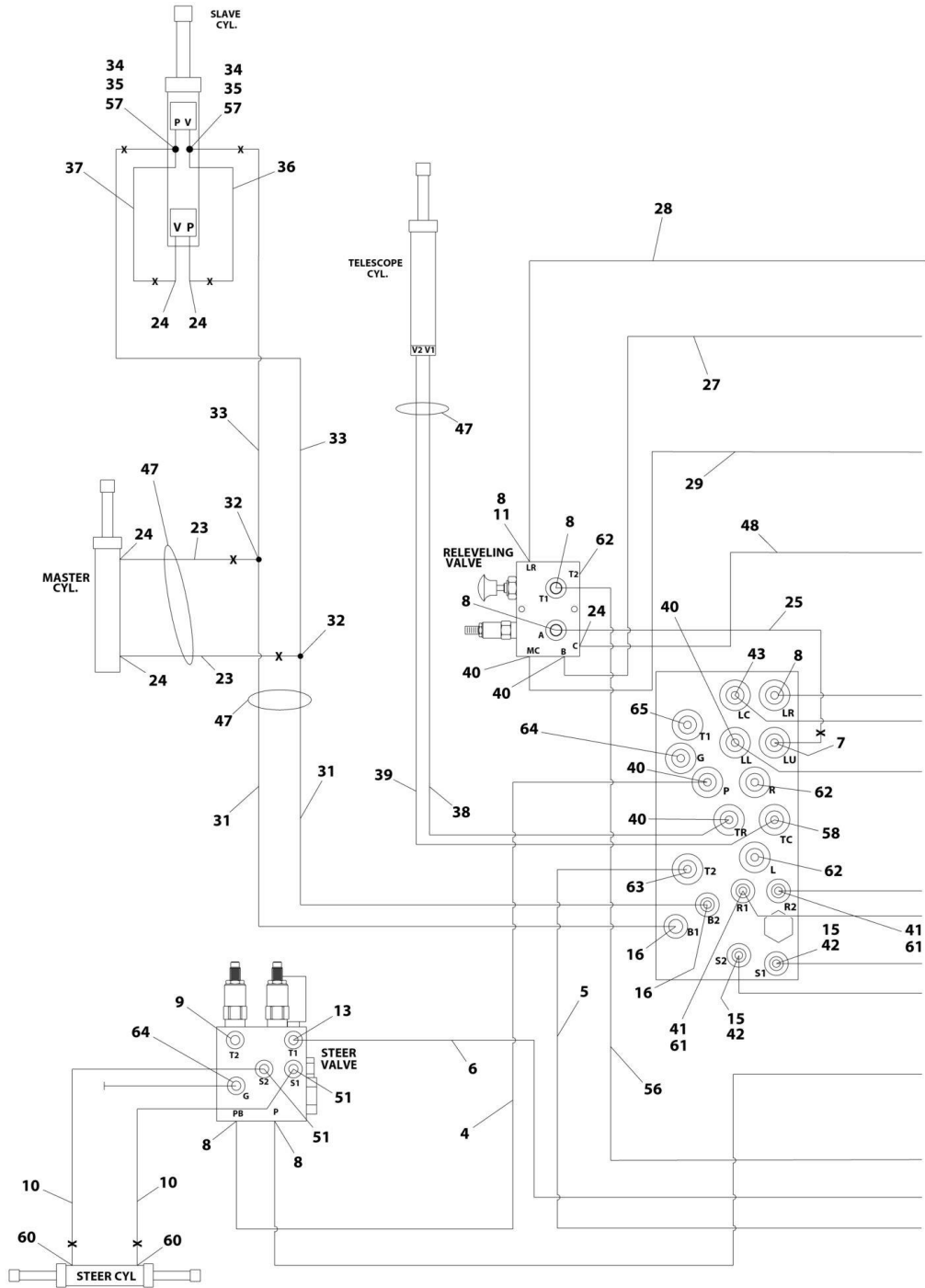
FIGURE 6-23. COUNTERBALANCE VALVE ASSEMBLY

ITEM	PART NUMBER	QTY	DESCRIPTION	REV
	4640807	Ref	COUNTERBALANCE VALVE ASSEMBLY	E
1	4640495	1	Cartridge, Counterbalance	
1	2900770	1	Seal Kit - 4640495 Cartridge	
2	4640709	1	Cartridge, Vented Counterbalance	
2	2900770	1	Seal Kit - 4640709 Cartridge	
3	3790113	2	O-Ring (Between Valve and Cylinder Block)	

SECTION 7 - HYDRAULIC

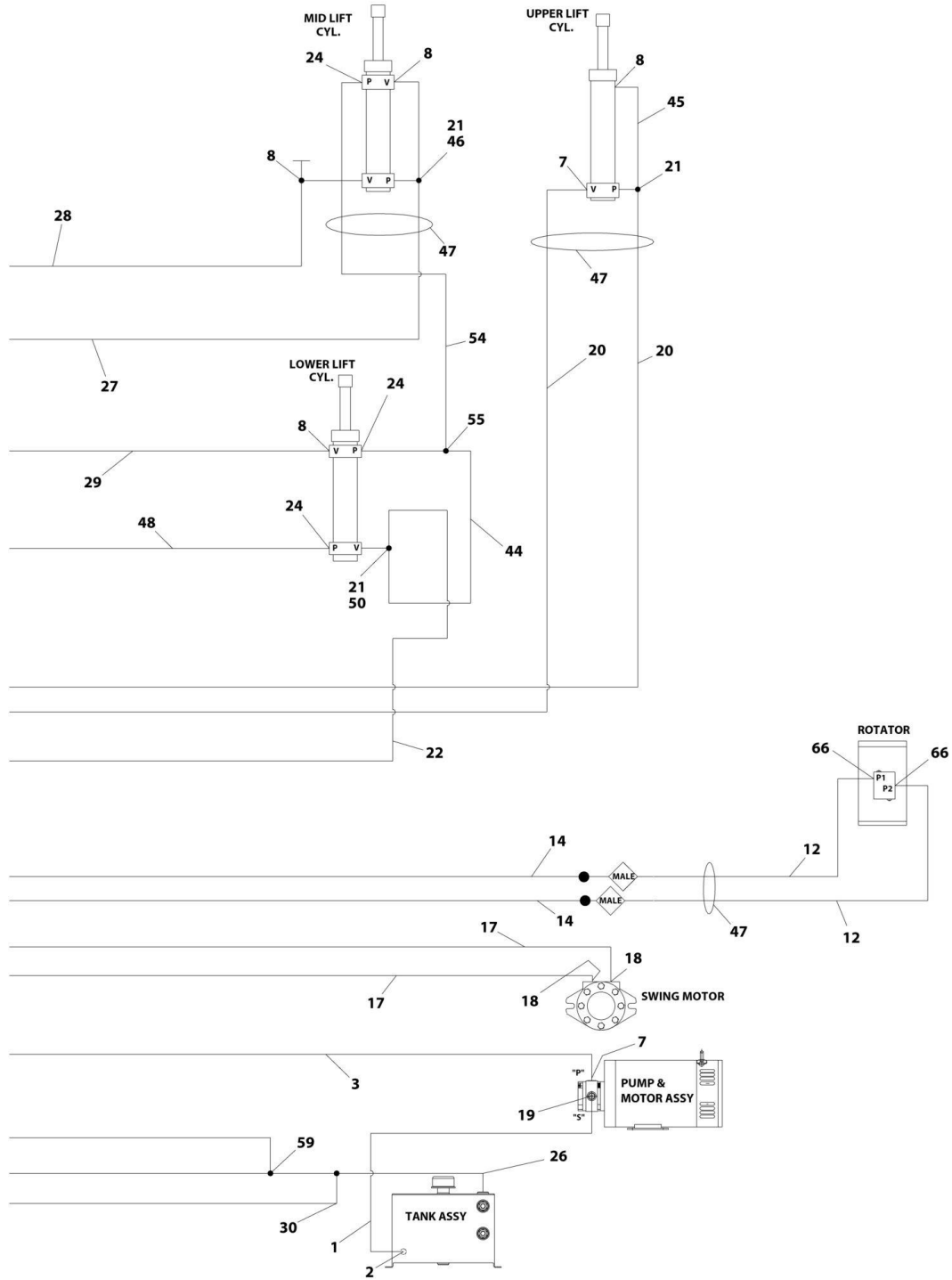
SECTION 7 - HYDRAULIC

FIGURE 7-1. HYDRAULIC DIAGRAM (E400ANARROW)



ART_1001178384_10F2

SECTION 7 - HYDRAULIC



ART_1001178382_2OF2

SECTION 7 - HYDRAULIC

FIGURE 7-1. HYDRAULIC DIAGRAM (E400ANARROW)

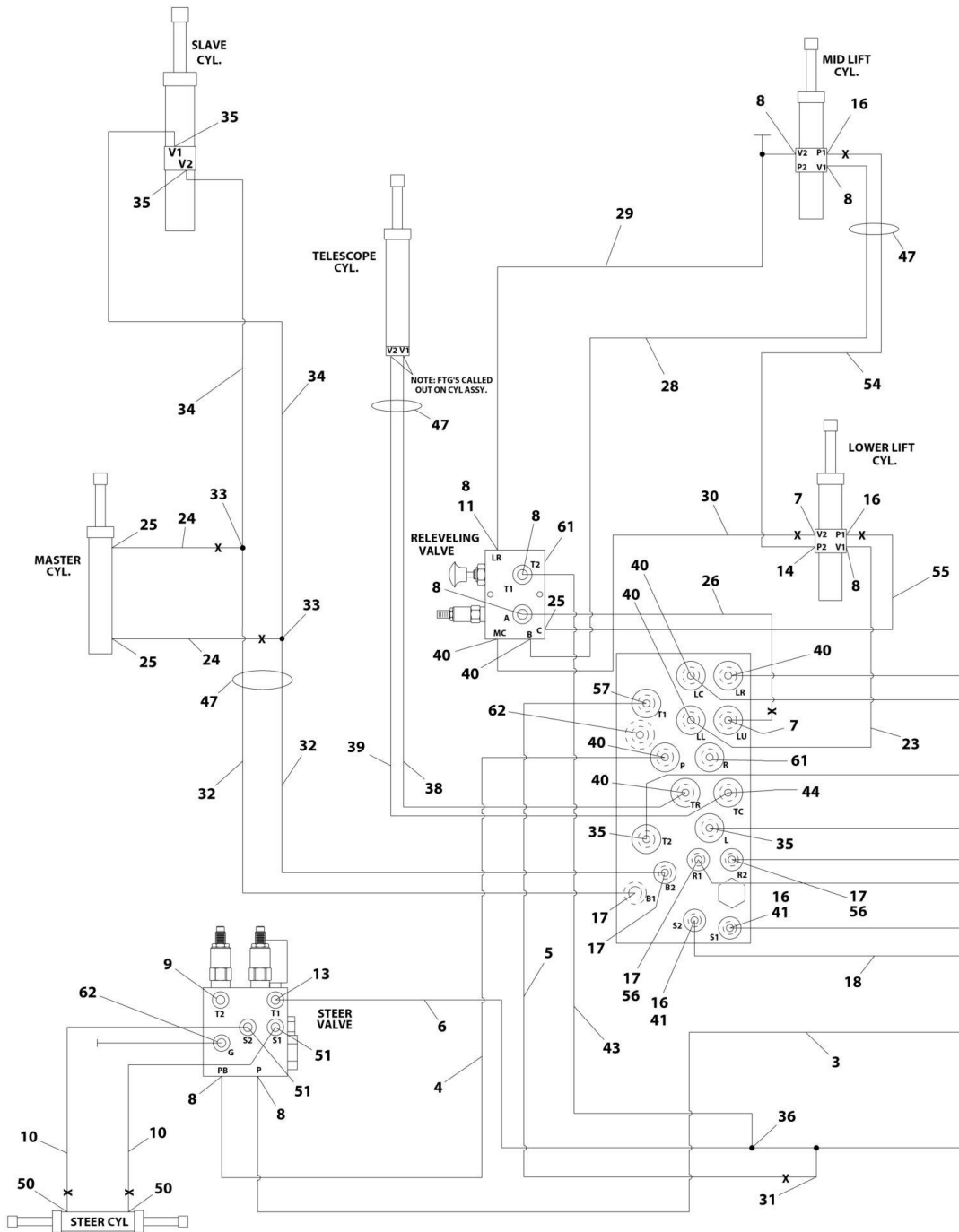
ITEM	PART NUMBER	QTY	DESCRIPTION	REV
	1001178384	Ref	HYDRAULIC DIAGRAM	F
1	2753973	1	Hose	
2	2220498	1	Fitting, 45 JIC/ORB	
3	1001152635	1	Hose	
4	2750915	1	Hose	
5	1001177666	1	Hose	
6	2752467	1	Hose	
7	2220371	3	Fitting, Straight, JIC/ORB	
8	2220473	10	Fitting, 90 JIC/ORB	
9	2220885	1	Plug	
10	2752453	2	Hose	
11	2220507	1	Fitting, 90 JIC/JIC	
12	1001185828	2	Hose	
13	2220371	1	Fitting, Straight, JIC/ORB	
14	1001185829	2	Hose (SN 0300208530 through 0300216259)	
14	2753520	2	Hose (SN 0300216260 through 0300272265)	
15	2220415	2	Fitting, Straight JIC/ORB	
16	2220502	2	Fitting, 45 JIC/ORB	
17	2752459	2	Hose	
18	2221033	2	Fitting, Straight JIC/ORB	
19	2220593	1	Fitting, Straight JIC/ORB	
20	2753519	2	Hose	
21	2220899	3	Fitting, Tee JIC/ORB/JIC	
22	2752620	1	Hose	
23	2752437	2	Hose	
24	2220472	8	Fitting, 90 JIC/ORB	
25	2750910	1	Hose	
26	2220999	1	Fitting, Tee JIC/ORB/JIC	
27	2753335	1	Hose	
28	2753334	1	Hose	
29	2752475	1	Hose	
30	2220386	1	Fitting, 90 JIC/JIC	
31	2753520	2	Hose	
32	2220504	2	Fitting, Tee JIC/JIC/JIC	
33	2753535	2	Hose	
34	2220727	2	Fitting, Reducer ORB	
35	2220684	2	Fitting, Tee NPT/JIC/JIC	
36	2752435	1	Hose	
37	2752573	1	Hose	
38	2753474	1	Hose	
39	2753475	1	Hose	
40	2220501	5	Fitting, 45 JIC/ORB	
41	2220502	2	Fitting, 45 JIC/ORB	
42	2220677	2	Fitting, 45 JIC/JIC	
43	2221147	1	Fitting, 90 JIC/ORB	
44	2752581	1	Hose	
45	4566188	1	Tube	
46	4566187	1	Tube (SN 0300208530 through 0300242039)	
47	4100026	13.7 ft /4.2m	Nylon, Sleeve	

SECTION 7 - HYDRAULIC

ITEM	PART NUMBER	QTY	DESCRIPTION	REV
48	2752983	1	Hose	
49	1702124	1	Hose, Tag (Not Shown)	
50	2220609	1	Fitting, Straight JIC/JIC	
51	2220415	2	Fitting, Straight JIC/ORB	
54	2752440	1	Hose	
55	2220605	1	Fitting, Tee JIC/JIC/JIC	
56	2750915	1	Hose	
57	0100020	AR	Sealant	
58	2220600	1	Fitting, Straight JIC/ORB	
59	2221054	1	Fitting, Tee JIC/JIC/JIC	
60	2220582	2	Fitting, Straight JIC/ORB	
61	2220909	2	Fitting, Restrictor	
62	2220237	3	Plug, ORB	
63	1001136881	1	Fitting, 45 JIC/ORB	
64	2221086	2	Fitting, Nipple	
65	2220239	1	Plug, ORB	
66	2220940	2	Fitting, 90 JIC/ORB	

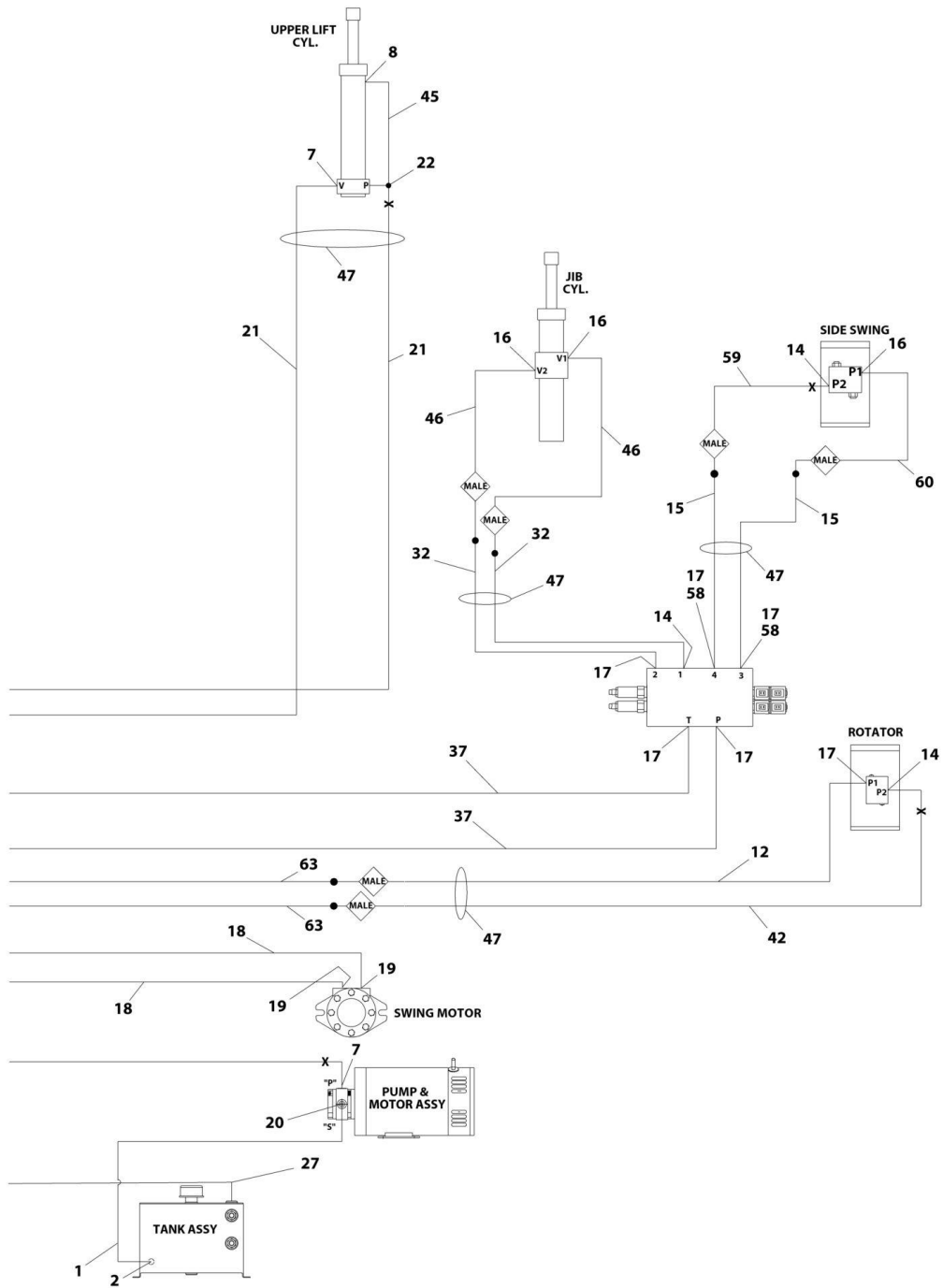
SECTION 7 - HYDRAULIC

FIGURE 7-2. HYDRAULIC DIAGRAM (E400AJP, E400AJPNARROW) (SN 0300208530 through 0300233432)



ART_1001178382_1OF2

SECTION 7 - HYDRAULIC



ART_1001178382_2OF2

SECTION 7 - HYDRAULIC

FIGURE 7-2. HYDRAULIC DIAGRAM (E400AJP,E400AJPNARROW) (SN 0300208530 through 0300233432)

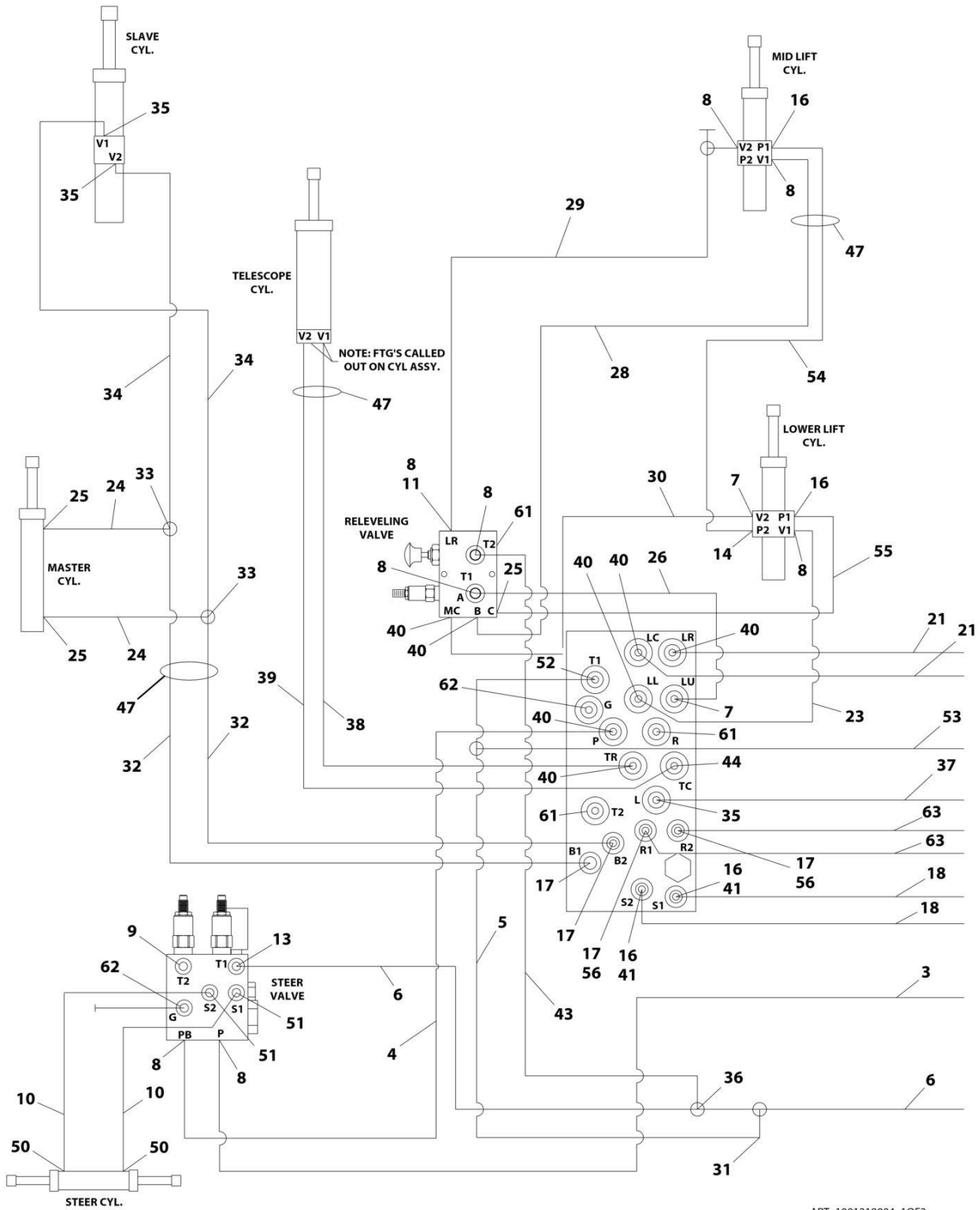
ITEM	PART NUMBER	QTY	DESCRIPTION	REV
	1001178382	Ref	HYDRAULIC DIAGRAM (SN 0300208530 through 0300233432)	C
1	2753973	1	Hose	
2	2220498	1	Fitting, 45 JIC/ORB	
3	1001152635	1	Hose	
4	2750915	1	Hose	
5	1001177666	1	Hose	
6	2752467	1	Hose	
7	2220371	4	Fitting, Straight JIC/ORB	
8	2220473	9	Fitting, 90 JIC/ORB	
9	2220885	1	Plug	
10	2752453	2	Hose	
11	2220507	1	Fitting, 90 JIC/JIC	
12	1001185828	1	Hose	
13	2220371	1	Fitting, Straight JIC/ORB	
14	2220466	4	Fitting, 90 JIC/ORB	
15	2753332	2	Hose	
16	2220415	7	Fitting, Straight JIC/ORB	
17	2220502	10	Fitting, 45 JIC/ORB	
18	2752459	2	Hose	
19	2221033	2	Fitting, Straight JIC/ORB	
20	2220593	1	Fitting, Straight JIC/ORB	
21	2752619	2	Hose	
22	2220899	1	Fitting, Tee JIC/ORB/JIC	
23	2752466	1	Hose	
24	2752437	2	Hose	
25	2220472	3	Fitting, 90 JIC/ORB	
26	2750910	1	Hose	
27	2220999	1	Fitting, Tee JIC/ORB/JIC	
28	2753335	1	Hose	
29	2753334	1	Hose	
30	2752611	1	Hose	
31	2220386	1	Fitting, 90 JIC/JIC	
32	2752571	4	Hose	
33	2220504	2	Fitting, Tee JIC/JIC/JIC	
34	2753333	2	Hose	
35	2220582	4	Fitting, Straight JIC/ORB	
36	2221054	1	Fitting, Tee JIC/JIC/JIC	
37	2752430	2	Hose	
38	2753474	1	Hose	
39	2753475	1	Hose	
40	2220501	7	Fitting, 45 JIC/ORB	
41	2220677	2	Fitting, 45 JIC/JIC	
42	1001185829	1	Hose	
43	2750915	1	Hose	
44	2220600	1	Fitting, Straight JIC/ORB	
45	4567946	1	Tube	
46	2753329	2	Hose	
47	4100026	17.2 ft /5.2m	Nylon, Sleeve	

SECTION 7 - HYDRAULIC

ITEM	PART NUMBER	QTY	DESCRIPTION	REV
49	1702124	1	Hose, Tag (Not Shown)	
50	2220582	2	Fitting, Straight JIC/ORB	
51	2220415	2	Fitting, Straight JIC/ORB	
54	2751890	1	Hose	
55	2752600	1	Hose	
56	2220909	2	Fitting, Restrictor	
57	2220499	1	Fitting, 45 JIC/ORB	
58	2221039	2	Fitting, Orifice	
59	2753330	1	Hose	
60	2753331	1	Hose	
61	2220237	2	Plug, ORB	
62	2221086	2	Fitting, Nipple	
63	2753520	2	Hose	

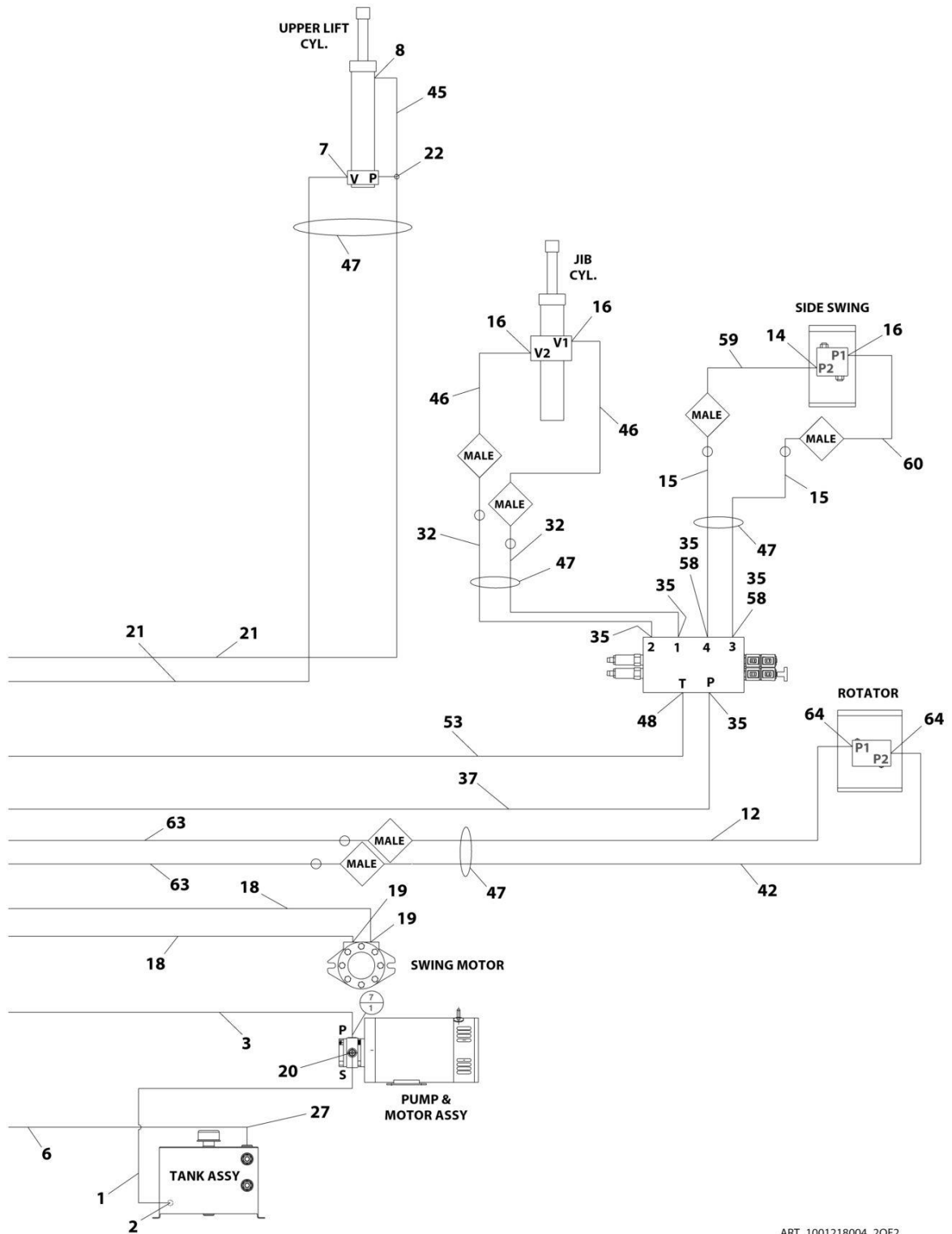
SECTION 7 - HYDRAULIC

FIGURE 7-3. HYDRAULIC DIAGRAM (E400AJP,E400AJPNARROW) (SN 0300233433 through 0300272265)



ART_1001218004_1OF2

SECTION 7 - HYDRAULIC



ART_1001218004_2OF2

SECTION 7 - HYDRAULIC

FIGURE 7-3. HYDRAULIC DIAGRAM (E400AJP,E400AJPNARROW) (SN 0300233433 through 0300272265)

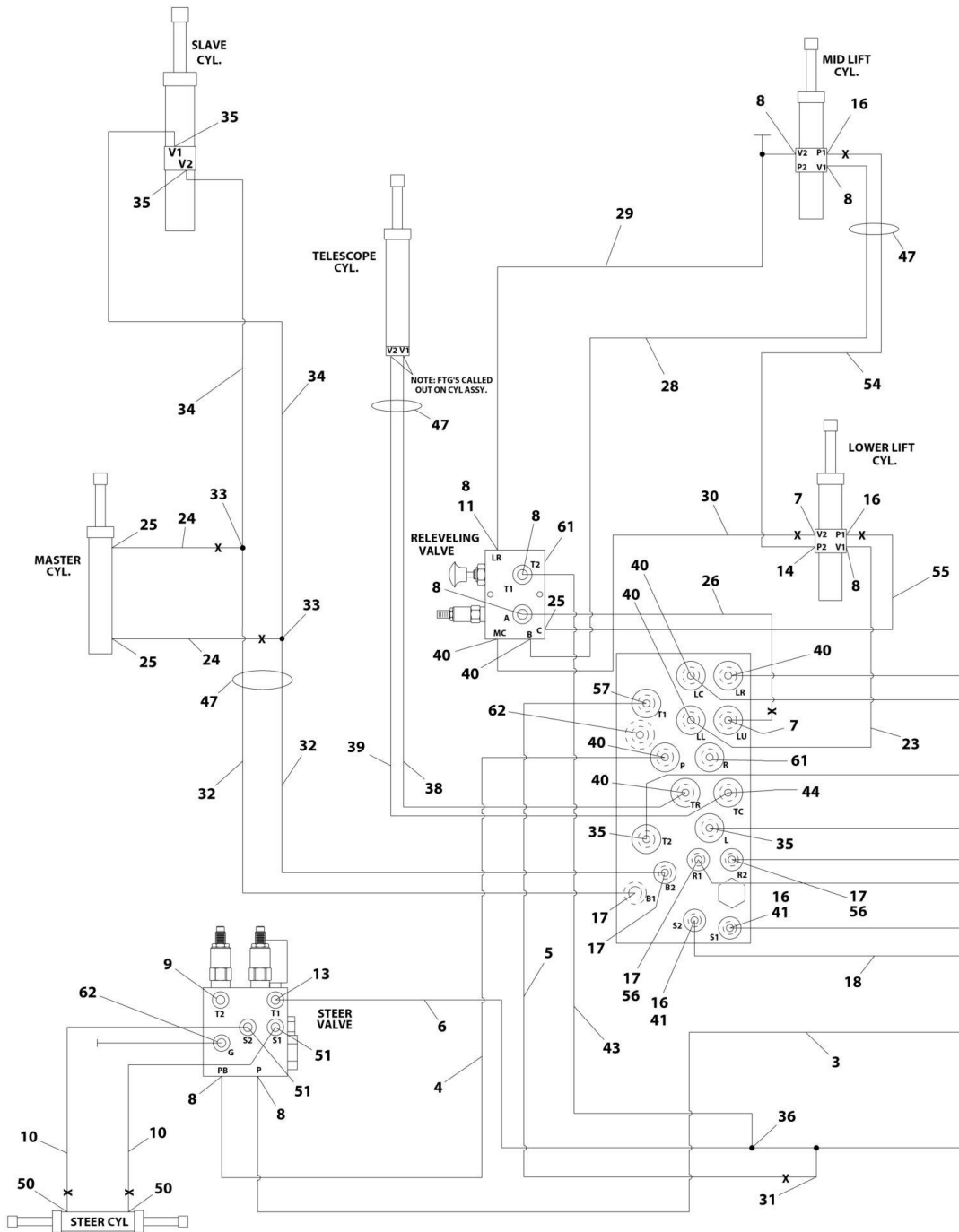
ITEM	PART NUMBER	QTY	DESCRIPTION	REV
	1001218004	Ref	HYDRAULIC DIAGRAM	C
1	2753973	1	Hose	
2	2220498	1	Fitting, 45 JIC/ORB	
3	1001152635	1	Hose	
4	2750915	1	Hose	
5	1001177666	1	Hose	
6	2752467	1	Hose	
7	2220371	4	Fitting, Straight JIC/ORB	
8	2220473	9	Fitting, 90 JIC/ORB	
9	2220885	1	Plug	
10	2752453	2	Hose	
11	2220507	1	Fitting, 90 JIC/JIC	
12	1001185828	1	Hose	
13	2220371	1	Fitting, Straight JIC/ORB	
14	2220466	2	Fitting, 90 JIC/ORB	
15	2753332	2	Hose	
16	2220415	7	Fitting, Straight JIC/ORB	
17	2220502	4	Fitting, 45 JIC/ORB	
18	2752459	2	Hose	
19	2221033	2	Fitting, Straight JIC/ORB	
20	2220593	1	Fitting, Straight JIC/ORB	
21	2752619	2	Hose	
22	2220899	1	Fitting, Tee JIC/ORB/JIC	
23	2752466	1	Hose	
24	2752437	2	Hose	
25	2220472	3	Fitting, 90 JIC/ORB	
26	2750910	1	Hose	
27	2220999	1	Fitting, Tee JIC/ORB/JIC	
28	2753335	1	Hose	
29	2753334	1	Hose	
30	2752611	1	Hose	
31	2220386	1	Fitting, 90 JIC/JIC	
32	2752571	4	Hose	
33	2220504	2	Fitting, Tee JIC/JIC/JIC	
34	2753333	2	Hose	
35	2220582	9	Fitting, Straight JIC/ORB	
36	2221054	1	Fitting, Tee JIC/JIC/JIC	
37	2752442	1	Hose	
38	2753474	1	Hose	
39	2753475	1	Hose	
40	2220501	7	Fitting, 45 JIC/ORB	
41	2220677	2	Fitting, 45 JIC/JIC	
42	1001185829	1	Hose	
43	2750915	1	Hose	
44	2220600	1	Fitting, Straight JIC/ORB	
45	4567946	1	Tube	
46	2753329	2	Hose	
47	4100026	17.2 ft/ 5.2m	Nylon, Sleeve	

SECTION 7 - HYDRAULIC

ITEM	PART NUMBER	QTY	DESCRIPTION	REV
48	2220373	1	Fitting, Straight JIC/ORB	
49	1702124	1	Hose, Tag (Not Shown)	
50	2220582	2	Fitting, Straight JIC/ORB	
51	2220415	2	Fitting, Straight JIC/ORB	
52	8760554	1	Fitting, Tee JIC/JIC/ ORB	
53	2752493	1	Hose	
54	2751890	1	Hose	
55	2752600	1	Hose	
56	2220909	2	Fitting, Restrictor	
58	2221039	2	Fitting, Orifice	
59	2753330	1	Hose	
60	2753331	1	Hose	
61	2220237	3	Plug, ORB	
62	2221086	2	Fitting, Nipple	
63	2753520	2	Hose	
64	2220940	2	Fitting, 90 JIC/ORB	

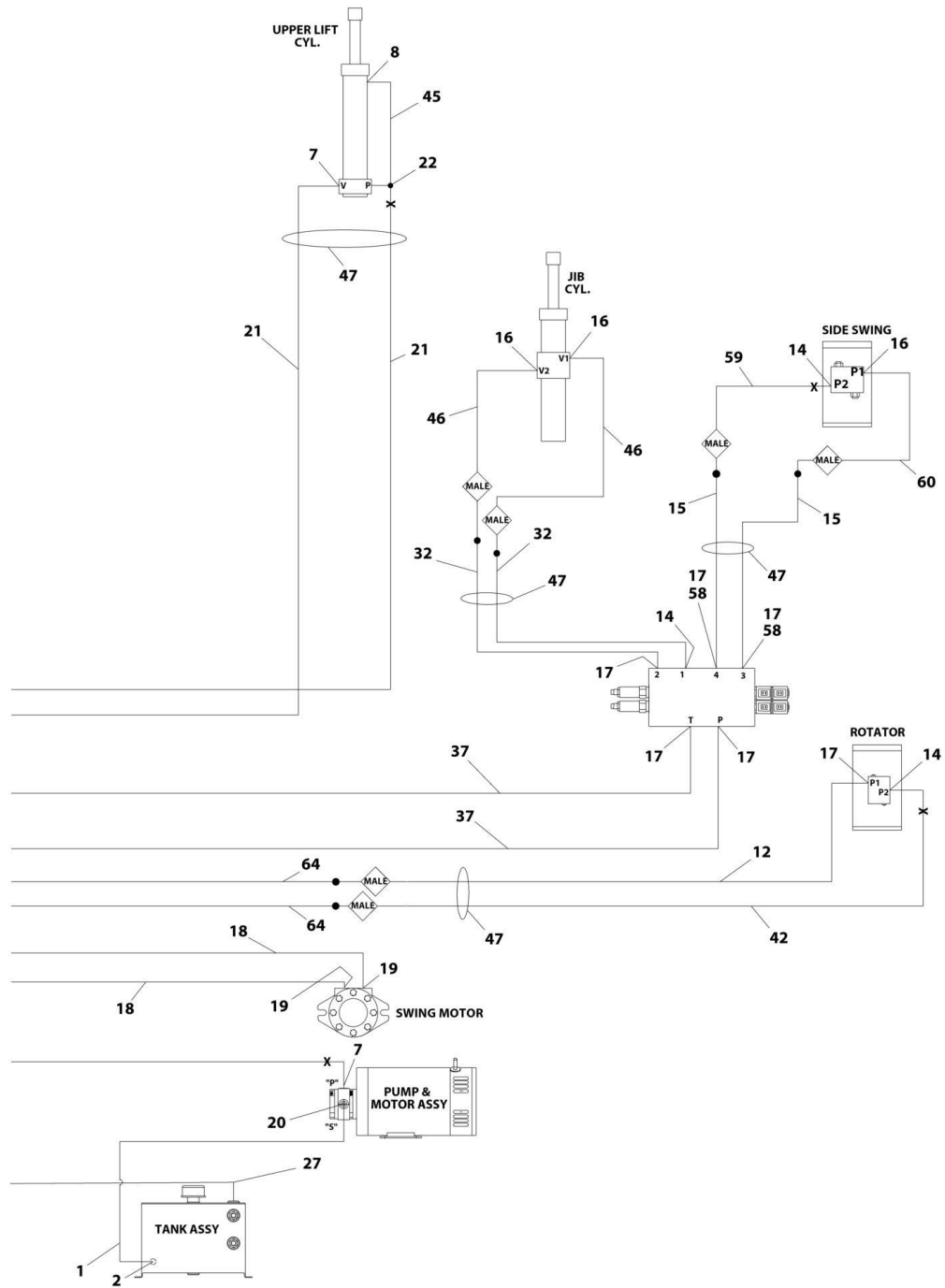
SECTION 7 - HYDRAULIC

FIGURE 7-4. HYDRAULIC DIAGRAM (M400AJP, M400AJP NARROW) (SN 0300208530 through 0300233432)



ART_1001178383_10F2

SECTION 7 - HYDRAULIC



ART_1001178383_2OF2

SECTION 7 - HYDRAULIC

FIGURE 7-4. HYDRAULIC DIAGRAM (M400AJP,M400AJPNARROW) (SN 0300208530 through 0300233432)

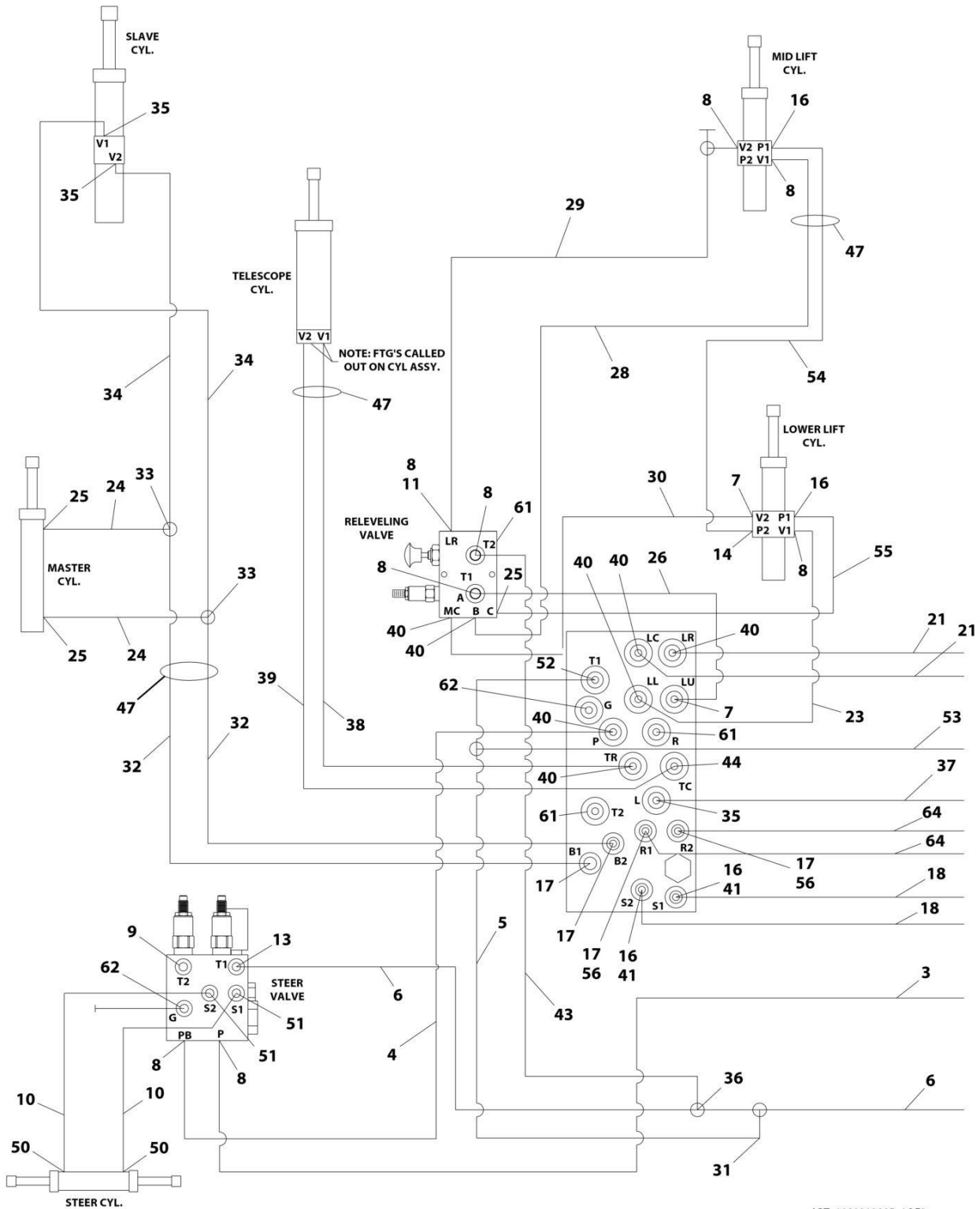
ITEM	PART NUMBER	QTY	DESCRIPTION	REV
	1001178383	Ref	HYDRAULIC DIAGRAM (SN 0300208530 through 0300233432)	C
1	2752675	1	Hose	
2	1320033	1	Clamp	
3	2752486	1	Hose	
4	2752466	1	Hose	
5	2752519	1	Hose	
6	2752462	1	Hose	
7	2220371	4	Fitting, Straight JIC/ORB	
8	2220473	9	Fitting, 90 JIC/ORB	
9	2220885	1	Plug	
10	2752574	2	Hose	
11	2220507	1	Fitting, 90 JIC/JIC	
12	1001185828	1	Hose	
13	2220473	1	Fitting, 90 JIC/ORB	
14	2220466	4	Fitting, 90 JIC/ORB	
15	2753332	2	Hose	
16	2220415	7	Fitting, Straight JIC/ORB	
17	2220502	10	Fitting, 45 JIC/ORB	
18	2752459	2	Hose	
19	2221033	2	Fitting, Straight JIC/ORB	
20	2220593	1	Fitting, Straight JIC/ORB	
21	2752619	2	Hose	
22	2220899	1	Fitting, Tee JIC/ORB/JIC	
23	2752466	1	Hose	
24	2752437	2	Hose	
25	2220472	3	Fitting, 90 JIC/ORB	
26	2750910	1	Hose	
27	2220999	1	Fitting, Tee JIC/ORB/JIC	
28	2753335	1	Hose	
29	2753334	1	Hose	
30	2752611	1	Hose	
31	2220386	1	Fitting, 90 JIC/JIC	
32	2752571	4	Hose	
33	2220504	2	Fitting, Tee JIC/JIC/JIC	
34	2753333	2	Hose	
35	2220582	4	Fitting, Straight JIC/ORB	
36	2221054	1	Fitting, Tee JIC/JIC/JIC	
37	2752430	2	Hose	
38	2753474	1	Hose	
39	2753475	1	Hose	
40	2220501	7	Fitting, 45 JIC/ORB	
41	2220677	2	Fitting, 45 JIC/JIC	
42	1001185829	1	Hose	
43	2752466	1	Hose	
44	2220600	1	Fitting, Straight JIC/ORB	
45	4567946	1	Tube	
46	2753329	2	Hose	
47	4100026	17.2 ft /5.2m	Nylon, Sleeve	

SECTION 7 - HYDRAULIC

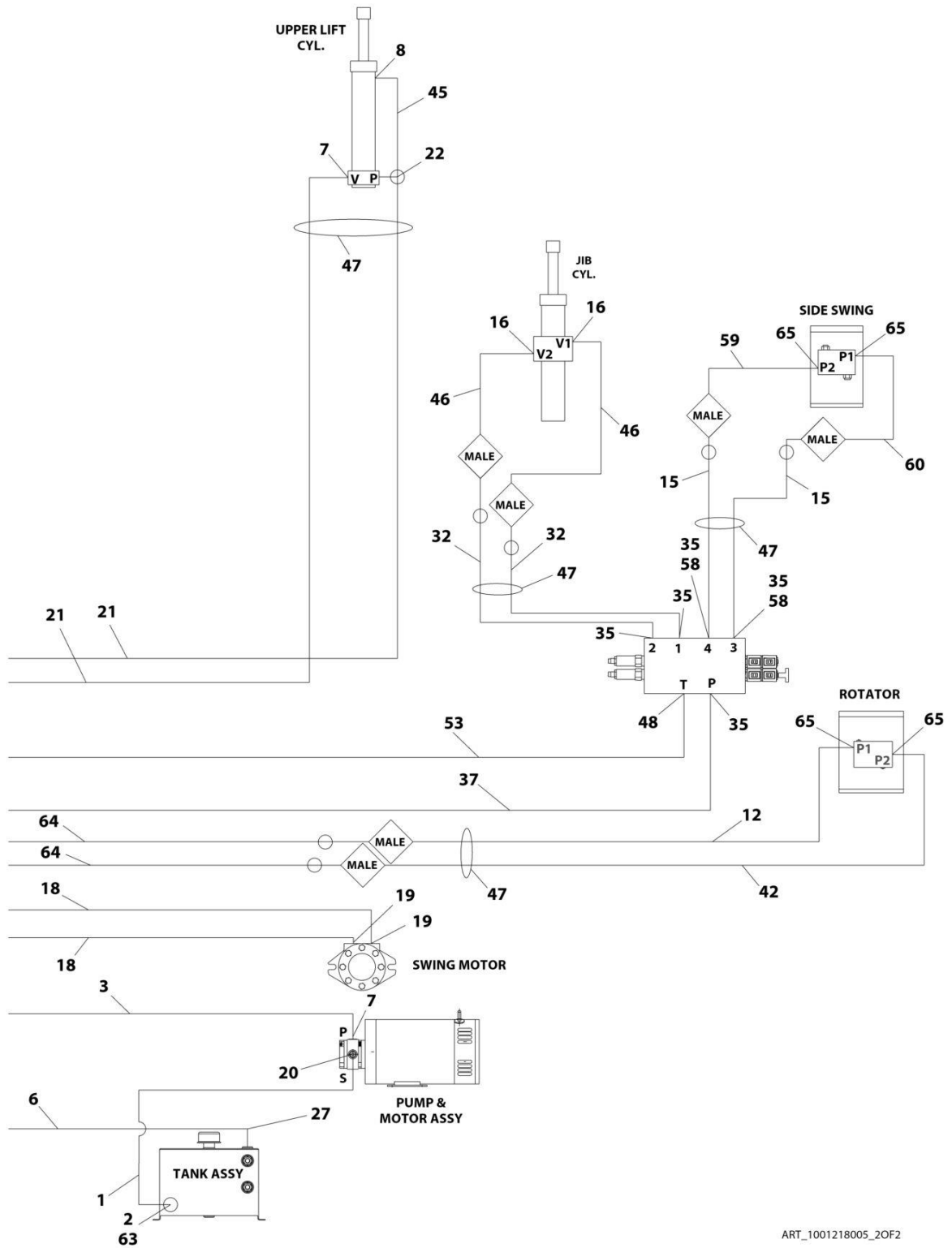
ITEM	PART NUMBER	QTY	DESCRIPTION	REV
49	1702124	1	Hose, Tag (Not Shown)	
50	2220582	2	Fitting, Straight JIC/ORB	
51	2220415	2	Fitting, Straight JIC/ORB	
54	2751890	1	Hose	
55	2752600	1	Hose	
56	2220909	2	Fitting, Restrictor	
57	2220499	1	Fitting, 45 JIC/ORB	
58	2221039	2	Fitting, Orifice	
59	2753330	1	Hose	
60	2753331	1	Hose	
61	2220237	2	Plug, ORB	
62	2221086	2	Fitting, Nipple	
63	4061032	1	Shield, Hose	
64	2753520	2	Hose	

SECTION 7 - HYDRAULIC

FIGURE 7-5. HYDRAULIC DIAGRAM (M400AJP, M400AJP NARROW) (SN 0300233433 through 0300272265)



SECTION 7 - HYDRAULIC



ART_1001218005_2OF2

SECTION 7 - HYDRAULIC

FIGURE 7-5. HYDRAULIC DIAGRAM (M400AJP,M400AJPNARROW) (SN 0300233433 through 0300272265)

ITEM	PART NUMBER	QTY	DESCRIPTION	REV
	1001218005	Ref	HYDRAULIC DIAGRAM	D
1	2752675	1	Hose	
2	1320033	1	Clamp	
3	2752486	1	Hose	
4	2752466	1	Hose	
5	2752519	1	Hose	
6	2752462	1	Hose	
7	2220371	4	Fitting, Straight JIC/ORB	
8	2220473	9	Fitting, 90 JIC/ORB	
9	2220885	1	Plug	
10	2752574	2	Hose	
11	2220507	1	Fitting, 90 JIC/JIC	
12	1001185828	1	Hose	
13	2220473	1	Fitting, 90 JIC/ORB	
14	2220466	3	Fitting, 90 JIC/ORB	
15	2753332	2	Hose	
16	2220415	2	Fitting, Straight JIC/ORB	
17	2220502	9	Fitting, 45 JIC/ORB	
18	2752459	2	Hose	
19	2221033	2	Fitting, Straight JIC/ORB	
20	2220593	1	Fitting, Straight JIC/ORB	
21	2752619	2	Hose	
22	2220899	1	Fitting, Tee JIC/ORB/JIC	
23	2752466	1	Hose	
24	2752437	2	Hose	
25	2220472	3	Fitting, 90 JIC/ORB	
26	2750910	1	Hose	
27	2220999	1	Fitting, Tee JIC/ORB/JIC	
28	2753335	1	Hose	
29	2753334	1	Hose	
30	2752611	1	Hose	
31	2220386	1	Fitting, 90 JIC/JIC	
32	2752571	4	Hose	
33	2220504	2	Fitting, Tee JIC/JIC/JIC	
34	2753333	2	Hose	
35	2220582	4	Fitting, Straight JIC/ORB	
36	2221054	1	Fitting, Tee JIC/JIC/JIC	
37	2752442	1	Hose	
38	2753474	1	Hose	
39	2753475	1	Hose	
40	2220501	7	Fitting, 45 JIC/ORB	
41	2220677	2	Fitting, 45 JIC/JIC	
42	1001185829	1	Hose	
43	2752466	1	Hose	
44	2220600	1	Fitting, Straight JIC/ORB	
45	4567946	1	Tube	
46	2753329	2	Hose	
47	4100026	17.2 ft/ 5.2m	Nylon, Sleeve	

SECTION 7 - HYDRAULIC

ITEM	PART NUMBER	QTY	DESCRIPTION	REV
48	2220373	1	Fitting, Straight JIC/ORB	
49	1702124	1	Hose, Tag (Not Shown)	
50	2220582	2	Fitting, Straight JIC/ORB	
51	2220415	2	Fitting, Straight JIC/ORB	
52	8760554	1	Fitting, Tee JIC/JIC/ ORB	
53	2752493	1	Hose	
54	2751890	1	Hose	
55	2752600	1	Hose	
56	2220909	2	Fitting, Restrictor	
58	2221039	2	Fitting, Orifice	
59	2753330	1	Hose	
60	2753331	1	Hose	
61	2220237	2	Plug, ORB	
62	2221086	2	Fitting, Nipple	
63	4061032	1	Shield, Hose (SN 0300233433 through 0300240700)	
64	2753520	2	Hose	
65	2220940	2	Fitting, 90 JIC/ORB	

SECTION 7 - HYDRAULIC

FIGURE 7-6. HYDRAULIC DIAGRAM LIST

ITEM	PART NUMBER	QTY	DESCRIPTION	REV
		Ref	Note: Diagrams are available from JLG Service/Parts Department. See Service and Maintenance Manual for Schematics.	
	1001179226	Ref	HYDRAULIC SCHEMATIC (SN 0300208530 through 0300233432)	
	1001218114	Ref	HYDRAULIC SCHEMATIC (SN 0300233433 through 0300272265)	

SECTION 8 - ELECTRICAL

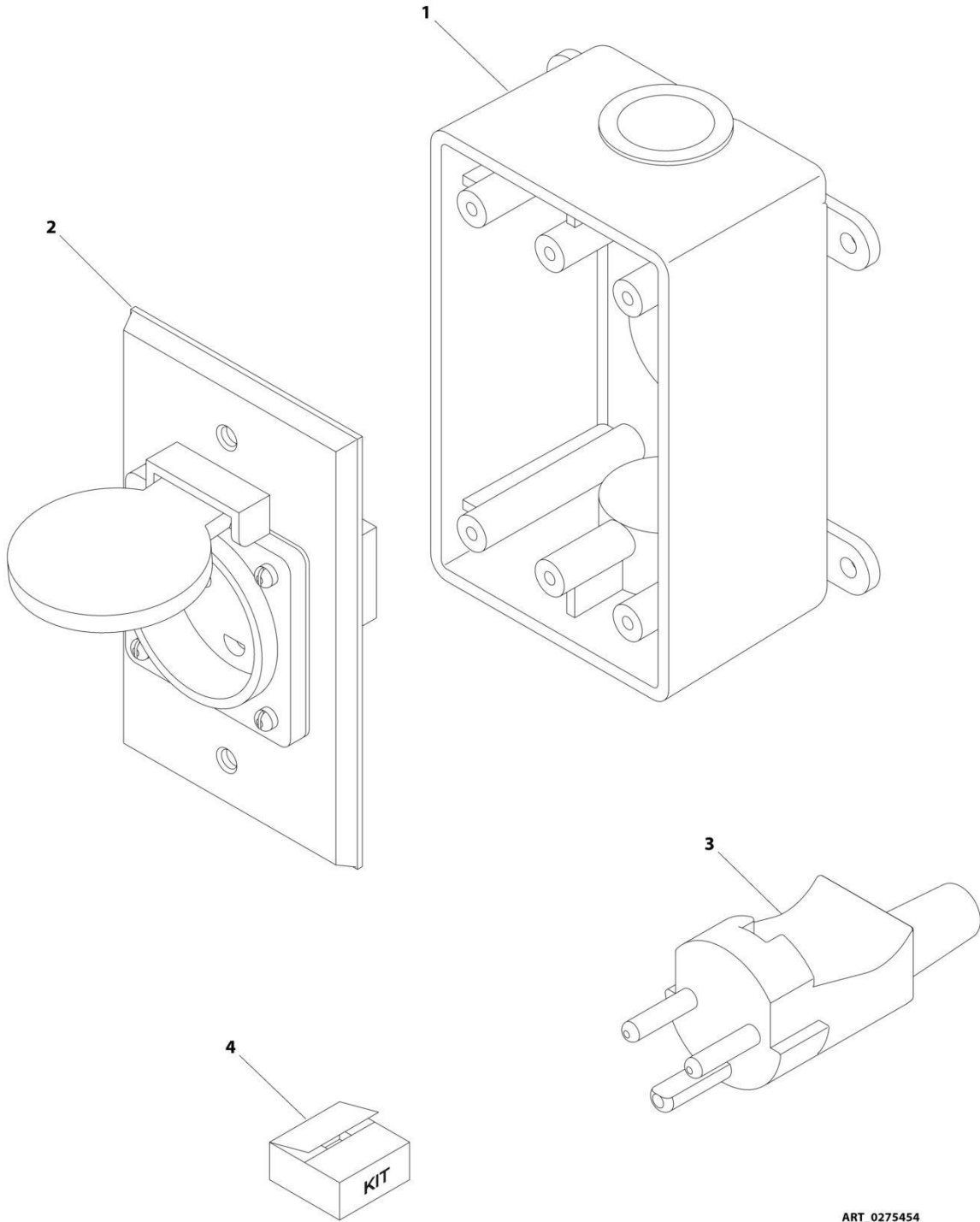
SECTION 8 - ELECTRICAL

FIGURE 8-1. ELECTRICAL DIAGRAM LIST

ITEM	PART NUMBER	QTY	DESCRIPTION	REV
		Ref	Note: Diagrams are available from JLG Service/Parts Department. See Service and Maintenance Manual for Schematics.	
	1001173941	Ref	Electrical Schematic	

SECTION 8 - ELECTRICAL

FIGURE 8-2. AC PLUGS AND SOCKETS INSTALLATION - AFSINT 107-2-01 KEYED GROUND - 2 X 4 BOX (CE SPEC)



ART_0275454

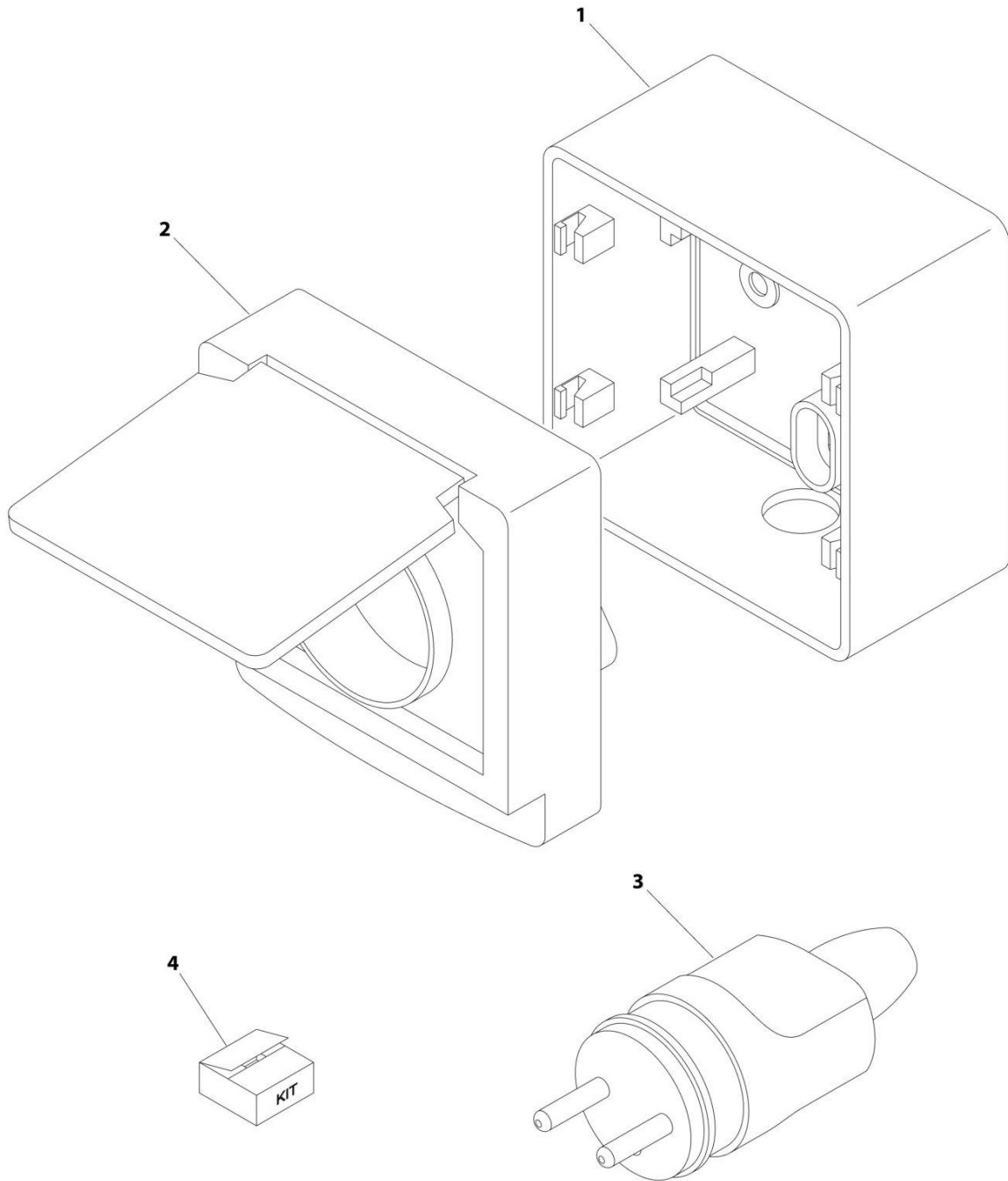
SECTION 8 - ELECTRICAL

FIGURE 8-2. AC PLUGS AND SOCKETS INSTALLATION - AFSINT 107-2-01 KEYED GROUND - 2 X 4 BOX (CE SPEC)

ITEM	PART NUMBER	QTY	DESCRIPTION	REV
	0275454	Ref	AC PLUGS AND SOCKETS INSTALLATION - AFSINT 107-2-01 KEYED GROUND - 2 X 4 BOX (CE SPEC)	1
1	0861731	1	Box, Switch	
2	4461246	1	Receptacle	
3	4461249	1	Plug, Male	
4	1001100346	1	Plug and Socket Kit (Includes Items 1-3 and Female Plug p/n 4461250)	

SECTION 8 - ELECTRICAL

FIGURE 8-3. AC PLUGS AND SOCKETS INSTALLATION - CEE7 POST GROUND (CE SPEC)



ART_0275218

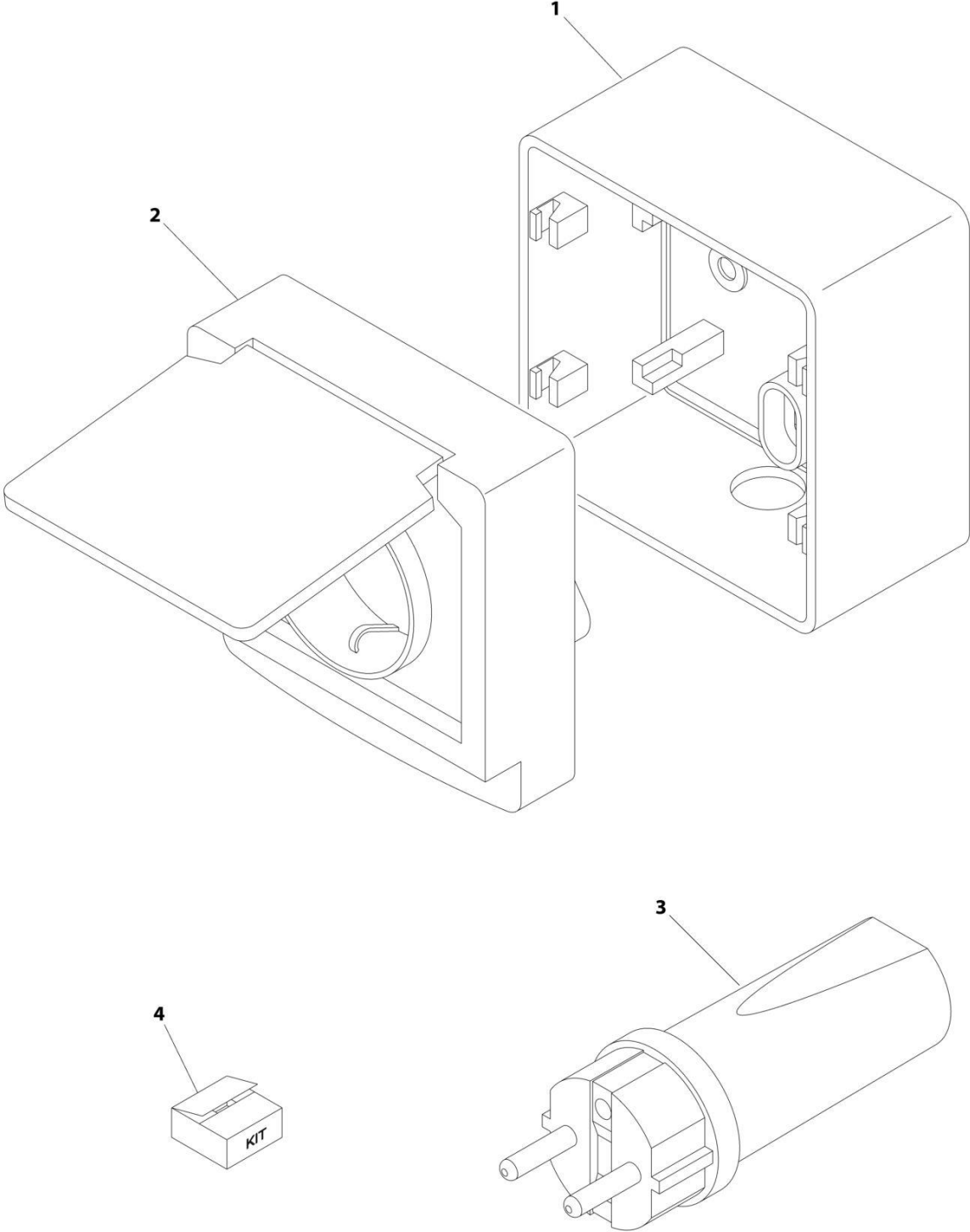
SECTION 8 - ELECTRICAL

FIGURE 8-3. AC PLUGS AND SOCKETS INSTALLATION - CEE7 POST GROUND (CE SPEC)

ITEM	PART NUMBER	QTY	DESCRIPTION	REV
	0275218	Ref	AC PLUGS AND SOCKETS INSTALLATION - CEE7 POST GROUND (CE SPEC)	C
1	1001141967	1	Box, Switch	
2	1001141968	1	Receptacle	
3	4461202	1	Plug, Male	
3	4461205	1	Plug, Male (SN 0300208530 through 0300218382)	
4	1001141971	1	Plug and Socket Kit (Includes Items 1-3 and Female Plug p/n 4461206) (SN 0300218383 through 0300272265)	

SECTION 8 - ELECTRICAL

FIGURE 8-4. AC PLUGS AND SOCKETS INSTALLATION - CEE 7 SIDE GROUND (CE SPEC)



ART_0275219

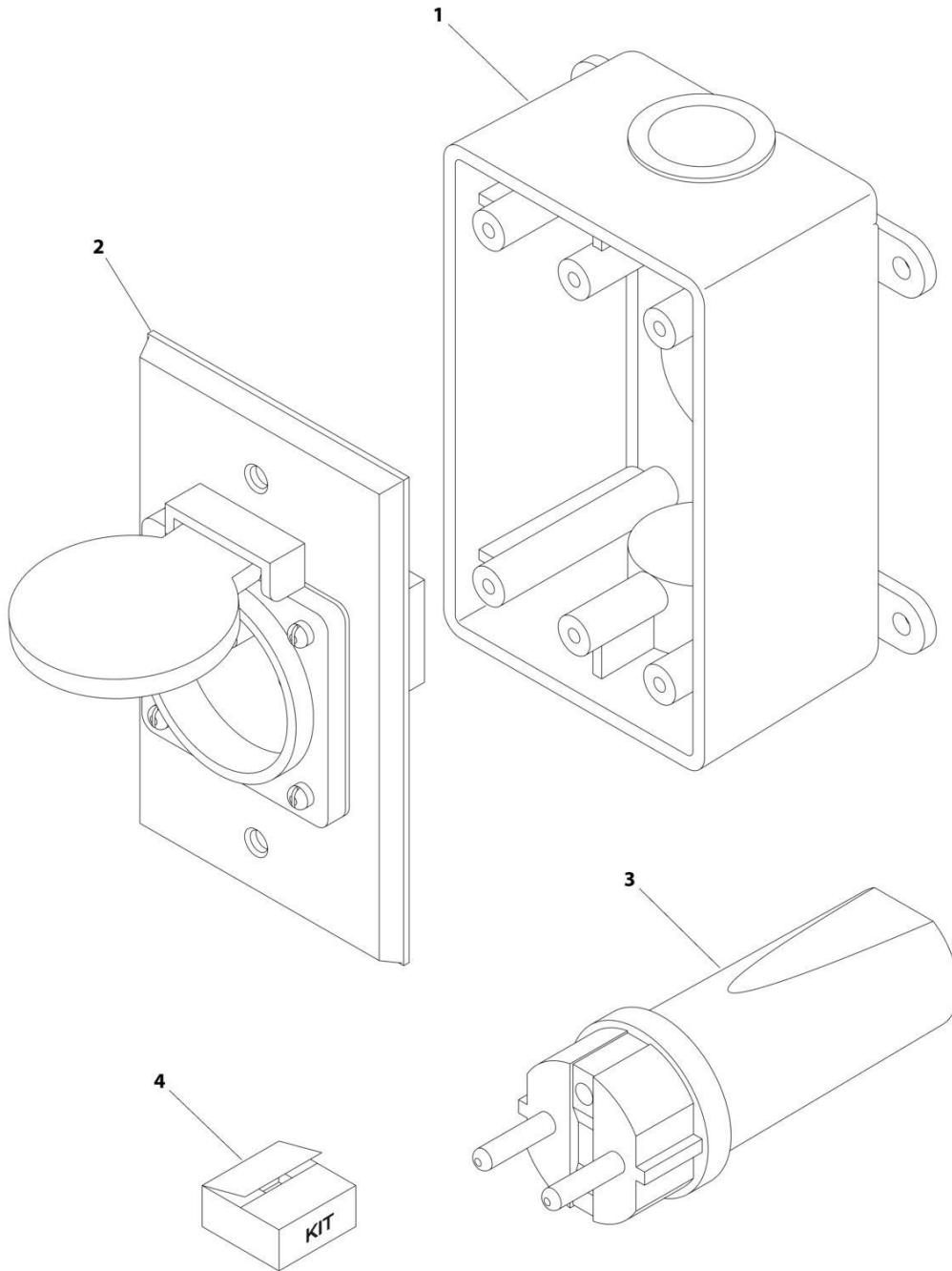
SECTION 8 - ELECTRICAL

FIGURE 8-4. AC PLUGS AND SOCKETS INSTALLATION - CEE 7 SIDE GROUND (CE SPEC)

ITEM	PART NUMBER	QTY	DESCRIPTION	REV
	0275219	Ref	AC PLUGS AND SOCKETS INSTALLATION - CEE 7 SIDE GROUND (CE SPEC)	B
1	1001141967	1	Box, Switch	
2	1001141969	1	Receptacle	
3	4461205	1	Plug, Male	
4	1001141970	1	Plug and Socket Kit (Includes Items 1-3 and Female Plug p/n 4461206)	

SECTION 8 - ELECTRICAL

FIGURE 8-5. AC PLUGS AND SOCKETS INSTALLATION - CEE7 POST GROUND - 2 X 4 BOX (CE SPEC)



ART_0275452

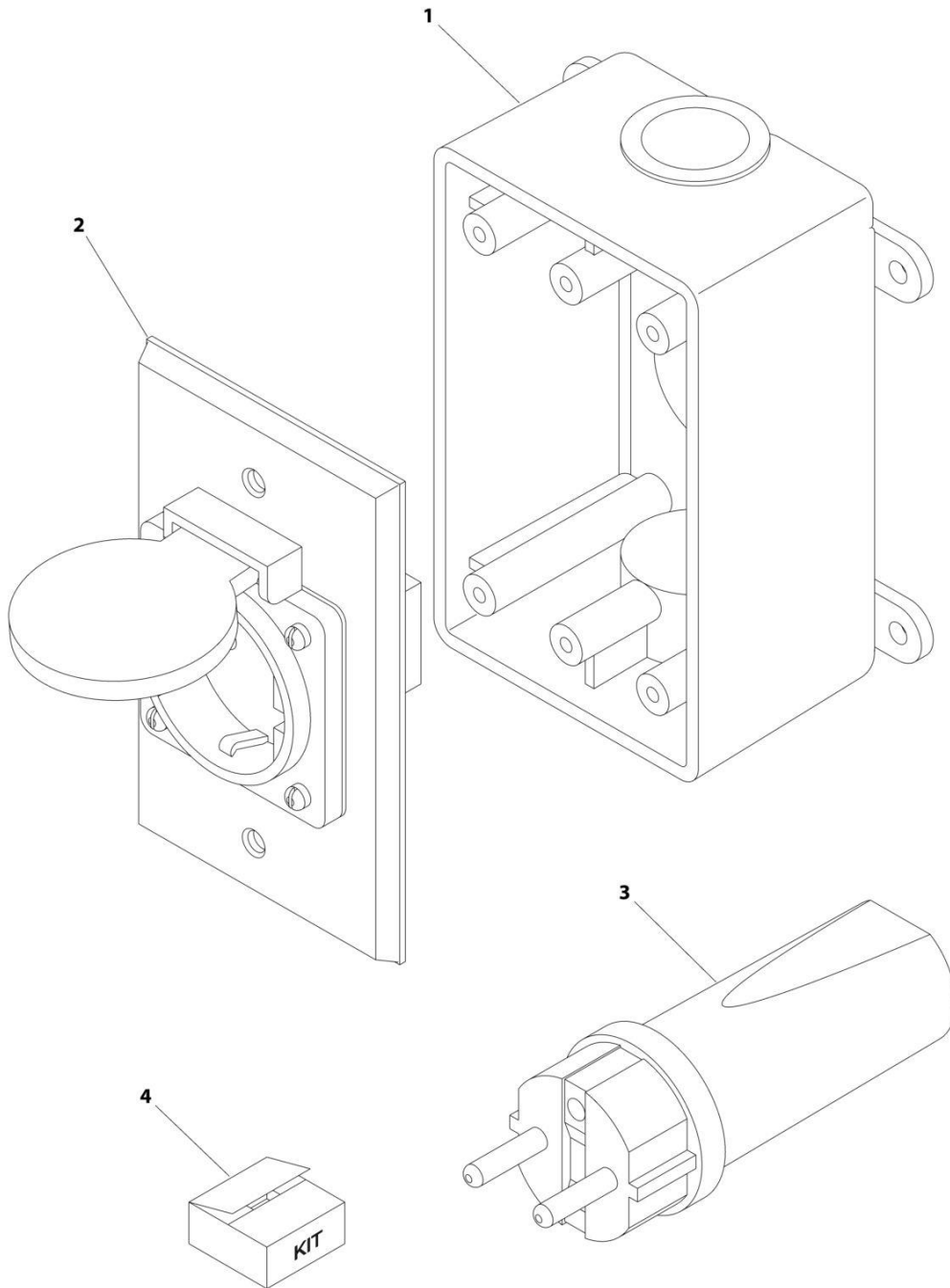
SECTION 8 - ELECTRICAL

FIGURE 8-5. AC PLUGS AND SOCKETS INSTALLATION - CEE7 POST GROUND - 2 X 4 BOX (CE SPEC)

ITEM	PART NUMBER	QTY	DESCRIPTION	REV
	0275452	Ref	AC PLUGS AND SOCKETS INSTALLATION - CEE7 POST GROUND - 2 X 4 BOX (CE SPEC)	C
1	0861731	1	Box, Switch	
2	4461244	1	Receptacle	
3	4461202	1	Plug, Male (SN 0300208530 through 0300218382)	
3	4461205	1	Plug, Male (SN 0300218383 through 0300272265)	
4	1001100345	1	Plug and Socket Kit (Includes Items 1-3 and Female Plug p/n 4461206)	

SECTION 8 - ELECTRICAL

FIGURE 8-6. AC PLUGS AND SOCKETS INSTALLATION - CEE7 SIDE GROUND - 2 X 4 BOX (CE SPEC)



ART_0275453

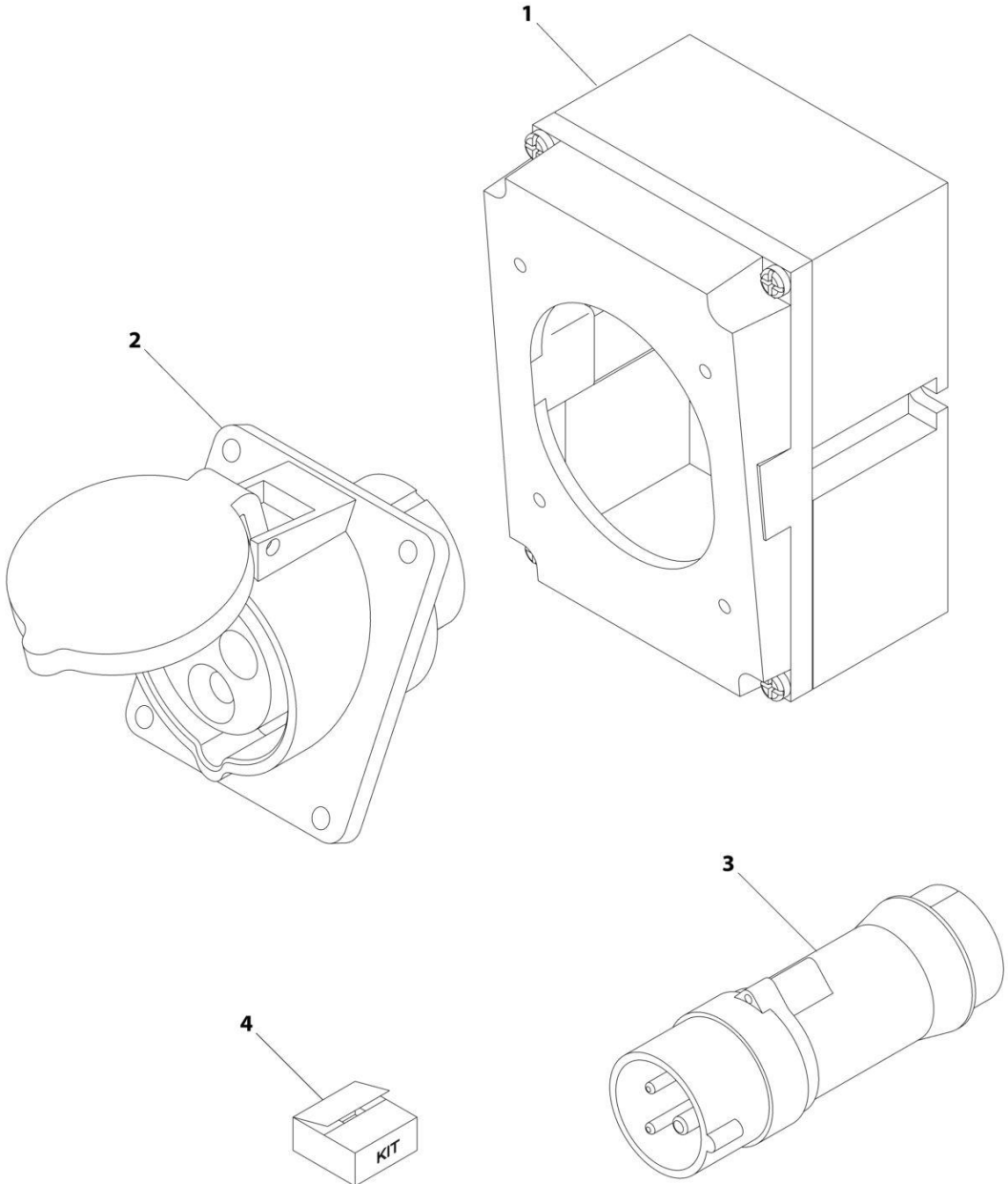
SECTION 8 - ELECTRICAL

FIGURE 8-6. AC PLUGS AND SOCKETS INSTALLATION - CEE7 SIDE GROUND - 2 X 4 BOX (CE SPEC)

ITEM	PART NUMBER	QTY	DESCRIPTION	REV
	0275453	Ref	AC PLUGS AND SOCKETS INSTALLATION - CEE7 SIDE GROUND - 2 X 4 BOX (CE SPEC)	1
1	0861731	1	Box, Switch	
2	4461245	1	Receptacle	
3	4461205	1	Plug, Male	
4	1001100347	1	Plug and Socket Kit (Includes Items 1-3 and Female Plug p/n 4461206)	

SECTION 8 - ELECTRICAL

FIGURE 8-7. AC PLUGS AND SOCKETS INSTALLATION - IEC 60309 BLUE (CE SPEC)



ART_0275217

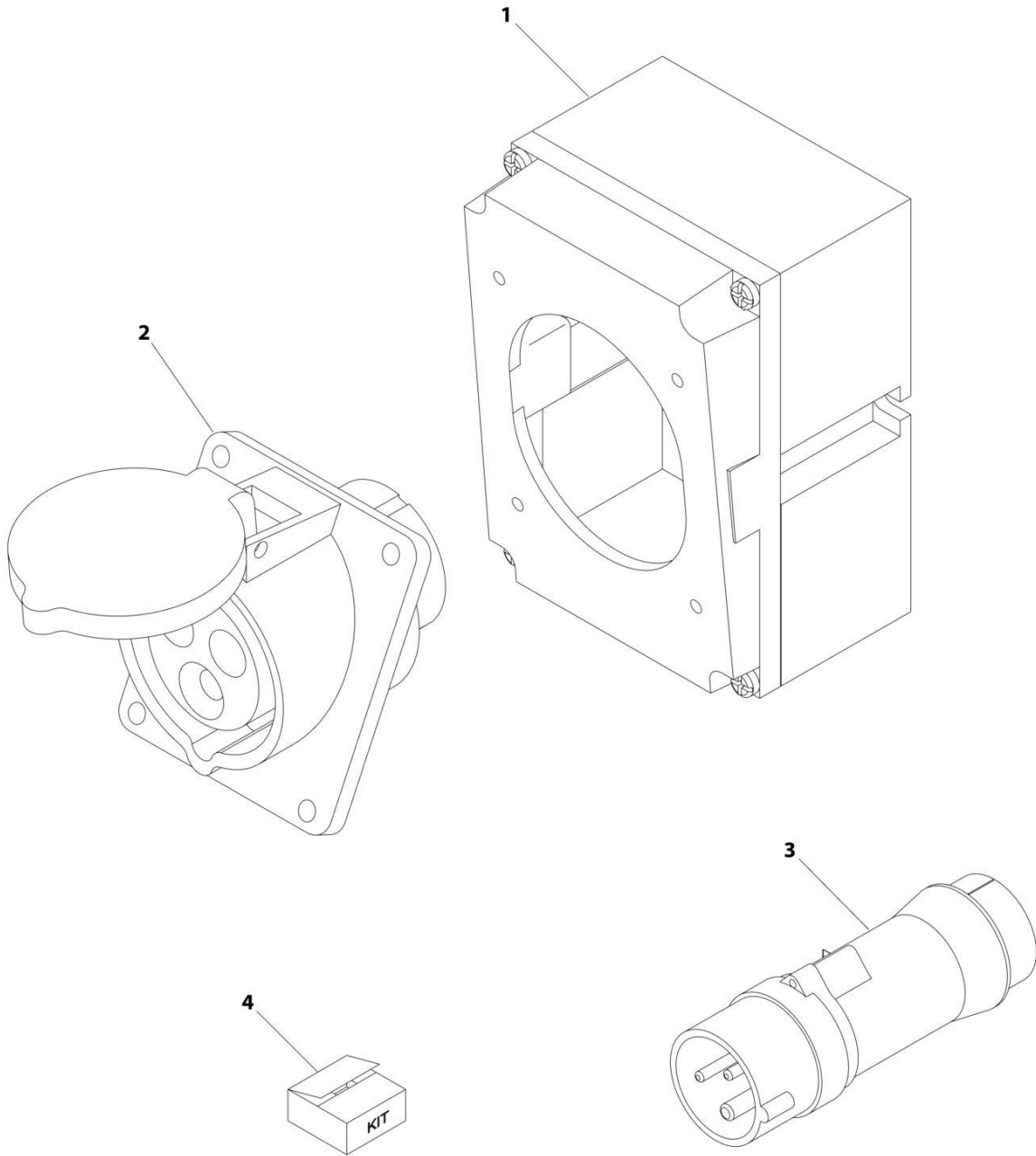
SECTION 8 - ELECTRICAL

FIGURE 8-7. AC PLUGS AND SOCKETS INSTALLATION - IEC 60309 BLUE (CE SPEC)

ITEM	PART NUMBER	QTY	DESCRIPTION	REV
	0275217	Ref	AC PLUGS AND SOCKETS INSTALLATION - IEC 60309 BLUE (CE SPEC)	1
1	0861781	1	Box, Switch	
2	4461201	1	Receptacle	
3	4461199	1	Plug, Male	
4	1001100342	1	Plug and Socket Kit (Includes Items 1-3 and Female Plug p/n 4461200)	

SECTION 8 - ELECTRICAL

FIGURE 8-8. AC PLUGS AND SOCKETS INSTALLATION - IEC 60309 YELLOW (CE SPEC)



ART_0275216

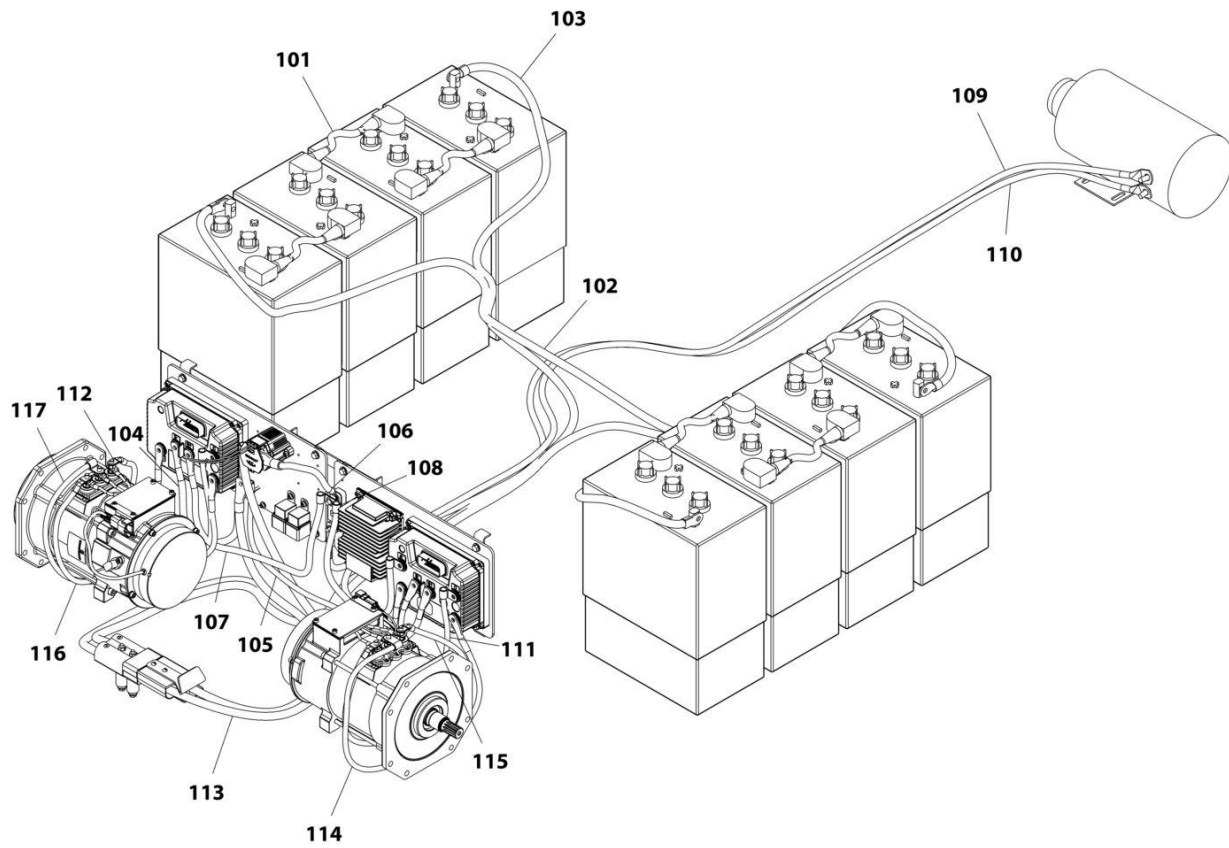
SECTION 8 - ELECTRICAL

FIGURE 8-8. AC PLUGS AND SOCKETS INSTALLATION - IEC 60309 YELLOW (CE SPEC)

ITEM	PART NUMBER	QTY	DESCRIPTION	REV
	0275216	Ref	AC PLUGS AND SOCKETS INSTALLATION - IEC 60309 YELLOW (CE SPEC)	1
1	0861781	1	Box, Switch	
2	4461198	1	Receptacle	
3	4461196	1	Plug, Male	
4	1001100341	1	Plug and Socket Kit (Includes Items 1-3 and Female Plug p/n 4461197)	

SECTION 8 - ELECTRICAL

FIGURE 8-9. BATTERY CABLE KIT (E400AJP,E400AJPNARROW,E400ANARROW)



ART_1001190088

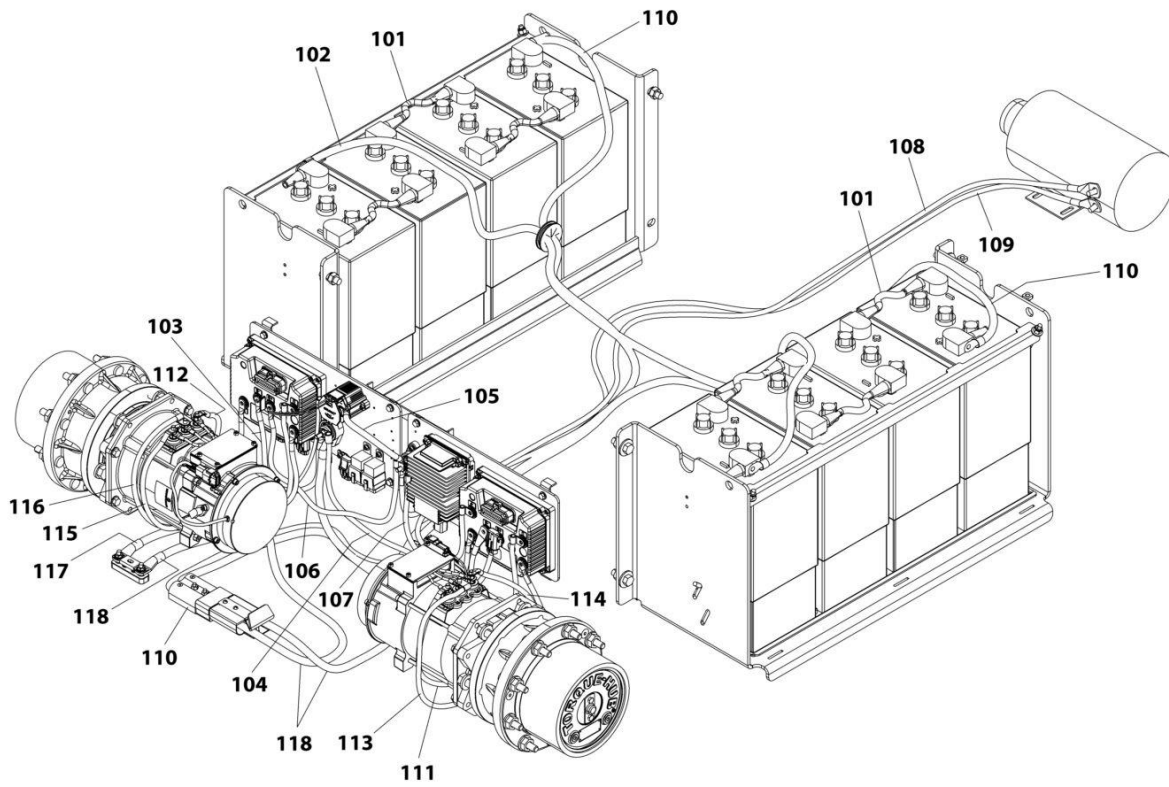
SECTION 8 - ELECTRICAL

FIGURE 8-9. BATTERY CABLE KIT (E400AJP,E400AJPNARROW,E400ANARROW)

ITEM	PART NUMBER	QTY	DESCRIPTION	REV
	1001190088	Ref	BATTERY CABLE KIT	1
101	1060092	1	Cable, Battery	
102	1001177245	1	Cable, Interconnect	
103	1001177246	1	Cable, Battery	
104	1001178394	1	Cable, Negative to LH Module	
105	1001178395	1	Cable, Negative to RH Module	
106	1001178396	1	Cable, Positive to Pump Motor Fuse	
107	1001178398	1	Cable, Positive to LH Module	
108	1001178399	1	Cable, Positive to RH Module	
109	1001178400	1	Cable, Pump Motor Positive	
110	1001178401	1	Cable, Pump Motor Negative	
111	1001178402	1	Cable, Motor R U	
112	1001178403	1	Cable, Motor L U	
113	1001178660	1	Cable, Battery	
114	1001189027	1	Cable, Motor R V	
115	1001189030	1	Cable, Motor R W	
116	1001189031	1	Cable, Motor L W	
117	1001189032	1	Cable, Motor L V	

SECTION 8 - ELECTRICAL

FIGURE 8-10. BATTERY CABLE KIT - UL SPECS (E400AJP,E400AJPNARROW,E400ANARROW)



ART_1001212454

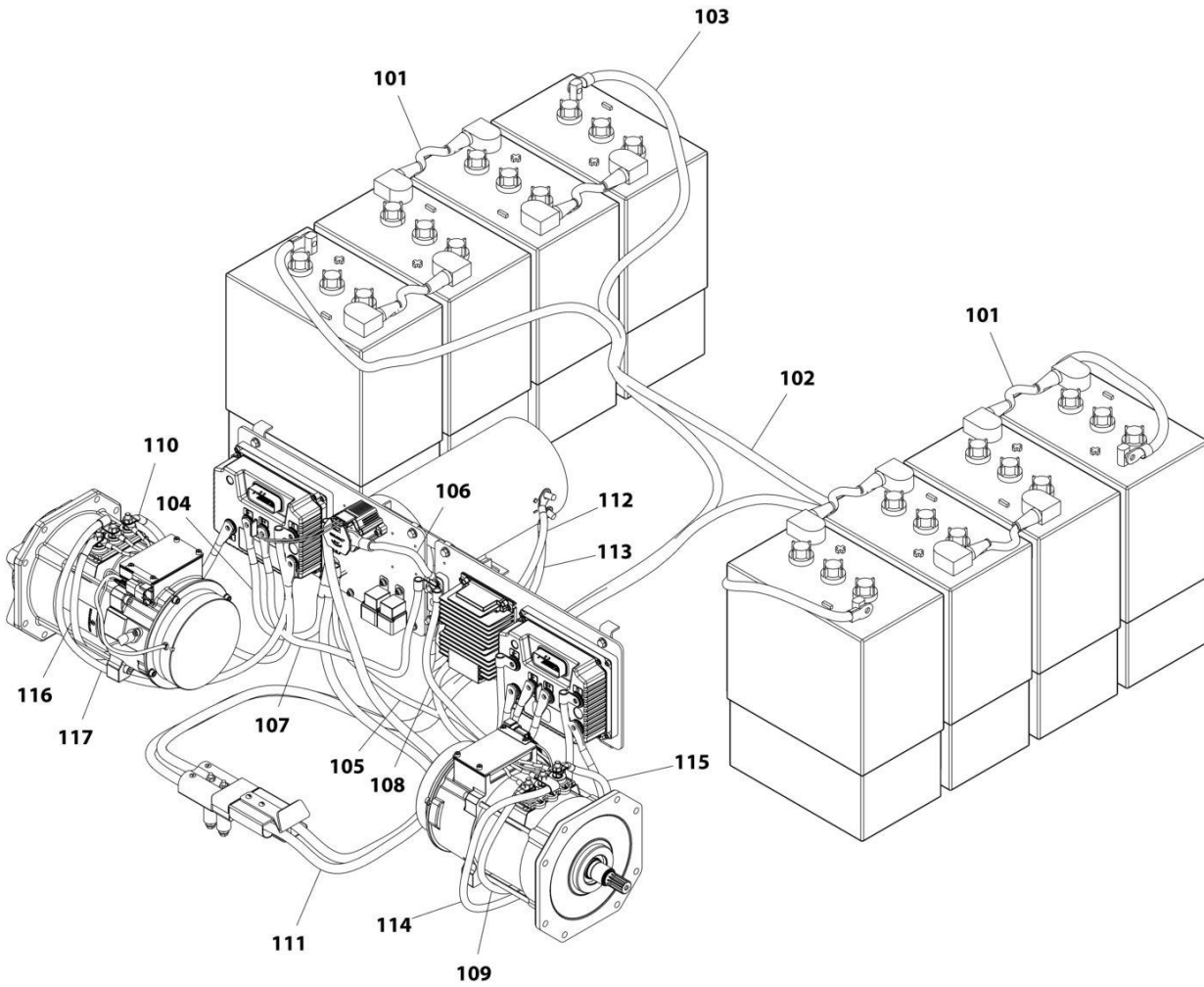
SECTION 8 - ELECTRICAL

FIGURE 8-10. BATTERY CABLE KIT - UL SPECS (E400AJP,E400AJPNARROW,E400ANARROW)

ITEM	PART NUMBER	QTY	DESCRIPTION	REV
	1001212454	Ref	BATTERY CABLE KIT	D
101	1060092	1	Cable, Battery	
102	1001177245	1	Cable, Interconnect	
103	1001178394	1	Cable, Negative to LH Module	
104	1001178395	1	Cable, Negative to RH Module	
105	1001178396	1	Cable, Positive to Pump Motor Fuse	
106	1001178398	1	Cable, Positive to LH Module	
107	1001178399	1	Cable, Positive to RH Module	
108	1001178400	1	Cable, Pump Motor Positive	
109	1001178401	1	Cable, Pump Motor Negative	
110	1001177246	1	Cable, Battery	
111	1001178402	1	Cable, Motor R U	
112	1001178403	1	Cable, Motor L U	
113	1001189027	1	Cable, Motor R V	
114	1001189030	1	Cable, Motor R W	
115	1001189031	1	Cable, Motor L W	
116	1001189032	1	Cable, Motor L V	
117	1001212455	1	Cable, Drive Jumper	
118	1001212480	1	Cable, Battery	

SECTION 8 - ELECTRICAL

FIGURE 8-11. BATTERY CABLE KIT (M400AJP,M400AJPNARROW)



ART_1001190020

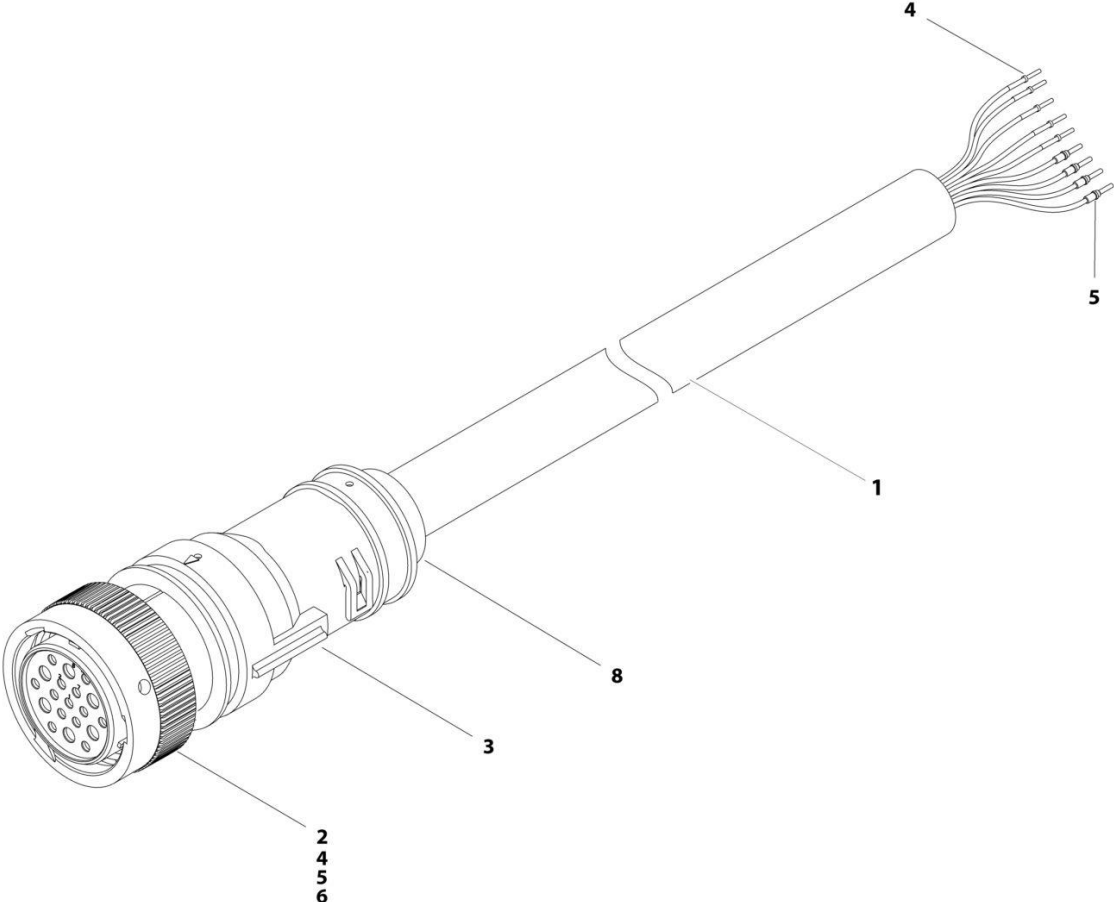
SECTION 8 - ELECTRICAL

FIGURE 8-11. BATTERY CABLE KIT (M400AJP,M400AJPNARROW)

ITEM	PART NUMBER	QTY	DESCRIPTION	REV
	1001190020	Ref	BATTERY CABLE KIT	1
101	1060092	1	Cable, Battery	
102	1001177245	1	Cable, Interconnect	
103	1001177246	1	Cable, Battery	
104	1001178394	1	Cable, Negative to LH Module	
105	1001178395	1	Cable, Negative to RH Module	
106	1001178396	1	Cable, Positive to Pump Motor Fuse	
107	1001178398	1	Cable, Positive to LH Module	
108	1001178399	1	Cable, Positive to RH Module	
109	1001178402	1	Cable, Motor R U	
110	1001178403	1	Cable, Motor L U	
111	1001178660	1	Cable, Battery	
112	1001178822	1	Cable, Pump Motor Positive	
113	1001178823	1	Cable, Pump Motor Negative	
114	1001189027	1	Cable, Motor R V	
115	1001189030	1	Cable, Motor R W	
116	1001189031	1	Cable, Motor L W	
117	1001189032	1	Cable, Motor L V	

SECTION 8 - ELECTRICAL

FIGURE 8-12. BOOM CABLE - LOWER



ART_1001183868

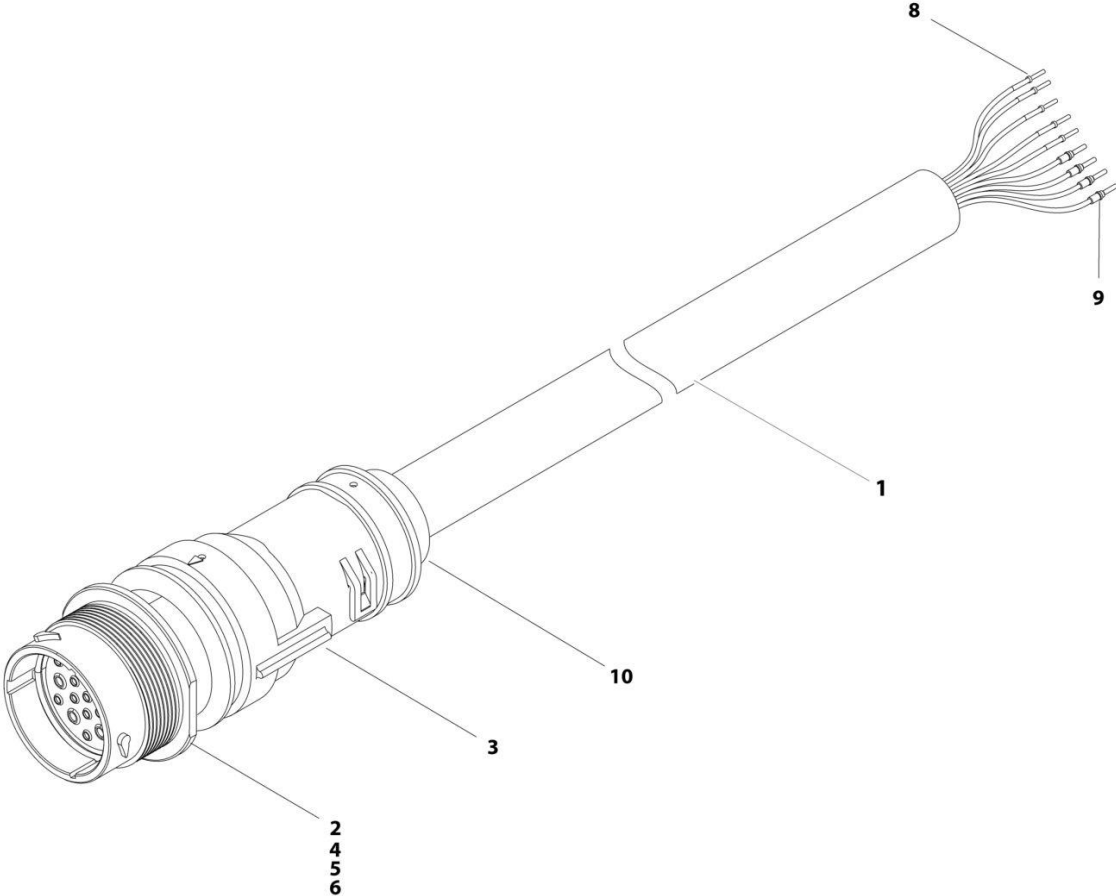
SECTION 8 - ELECTRICAL

FIGURE 8-12. BOOM CABLE - LOWER

ITEM	PART NUMBER	QTY	DESCRIPTION	REV
1	1001183868	Ref	BOOM CABLE - LOWER	C
	1060896	32 ft /9.8m	Cable, Electrical	
2	1001188292	1	Connector - 19 Position	
3	1001188291	1	Connector, Backshell	
4	4460465	22	Socket, Female	
5	4460509	8	Socket, Female	
6	4460466	4	Plug, Seal	
7	2820118	6 in /15.3 cm	Insulator, Tubing (Not Shown)	
8	1001188354	1	Grommet	
9	4240033	2	Tie-Strap (Not Shown)	

SECTION 8 - ELECTRICAL

FIGURE 8-13. BOOM CABLE - UPPER



ART_1001183867

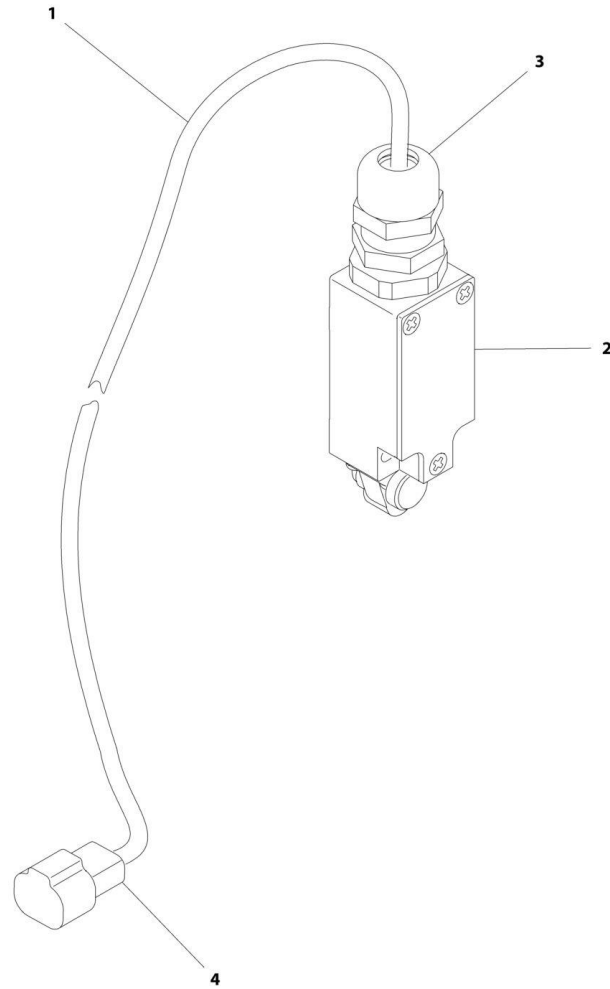
SECTION 8 - ELECTRICAL

FIGURE 8-13. BOOM CABLE - UPPER

ITEM	PART NUMBER	QTY	DESCRIPTION	REV
	1001183867	Ref	BOOM CABLE - UPPER	D
1	1060896	25.5 ft /7.8m	Cable, Electrical	
2	1001188293	1	Connector - 19 Position	
3	1001188291	1	Connector, Backshell	
4	4460465	11	Socket, Female	
5	4460509	4	Socket, Female	
6	4460466	4	Plug, Seal	
7	2820118	6 in /15.3 cm	Insulator, Tubing (Not Shown)	
8	4460464	11	Pin, Male	
9	4460508	4	Pin, Male	
10	1001188354	1	Grommet	
11	4240033	2	Tie-Strap (Not Shown)	

SECTION 8 - ELECTRICAL

FIGURE 8-14. BOOM LIMIT SWITCH HARNESS - LOWER



ART_1001187776

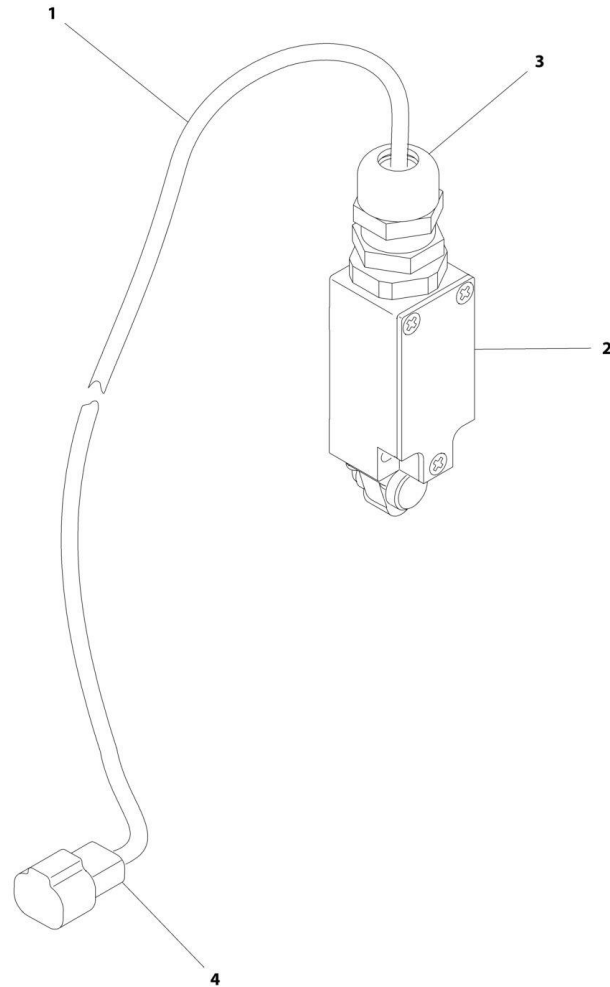
SECTION 8 - ELECTRICAL

FIGURE 8-14. BOOM LIMIT SWITCH HARNESS - LOWER

ITEM	PART NUMBER	QTY	DESCRIPTION	REV
	1001187776	Ref	BOOM LIMIT SWITCH HARNESS - LOWER	C
1	1060341	14 ft /4.27m	Cable, Electrical - 16/2	
2	4360548	1	Switch, Limit	
3	4460968	1	Connector, Strain Relief	
4	1001187681	1	Connector- 2 Position (SN 0300208530 through 0300214529)	
4	4460897	1	Connector - 2 Position (SN 0300214530 through 0300272265)	
4	4460464	2	Pin, Male	
4	1001187683	1	Connector, Wedge Lock (SN 0300208530 through 0300214529)	

SECTION 8 - ELECTRICAL

FIGURE 8-15. BOOM LIMIT SWITCH HARNESS - UPPER



ART_100118775

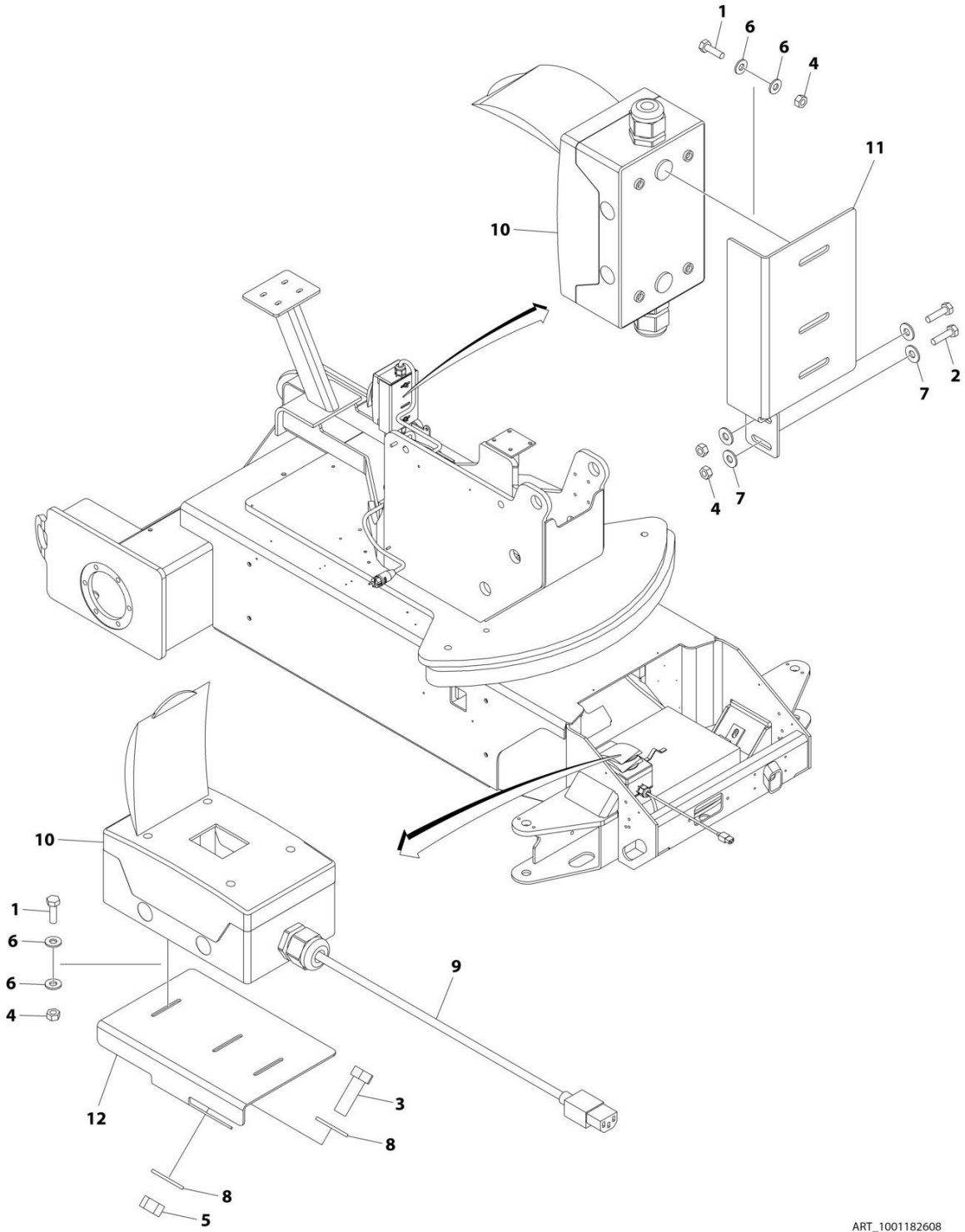
SECTION 8 - ELECTRICAL

FIGURE 8-15. BOOM LIMIT SWITCH HARNESS - UPPER

ITEM	PART NUMBER	QTY	DESCRIPTION	REV
	1001187775	Ref	BOOM LIMIT SWITCH HARNESS - UPPER	C
1	1060341	27 ft /8.23m	Cable, Electrical - 16/2	
2	4360548	1	Switch, Limit	
3	4460968	1	Connector, Strain Relief	
4	1001187681	1	Connector- 2 Position (SN 0300208530 through 0300214529)	
4	4460897	1	Connector - 2 Position (SN 0300214530 through 0300272265)	
4	4460464	2	Pin, Male	
4	1001187684	1	Connector, Wedge Lock (SN 0300208530 through 0300214529)	

SECTION 8 - ELECTRICAL

FIGURE 8-16. BREAKER BOX INSTALLATION - DOUBLE BREAKER BOXES



ART_1001182608

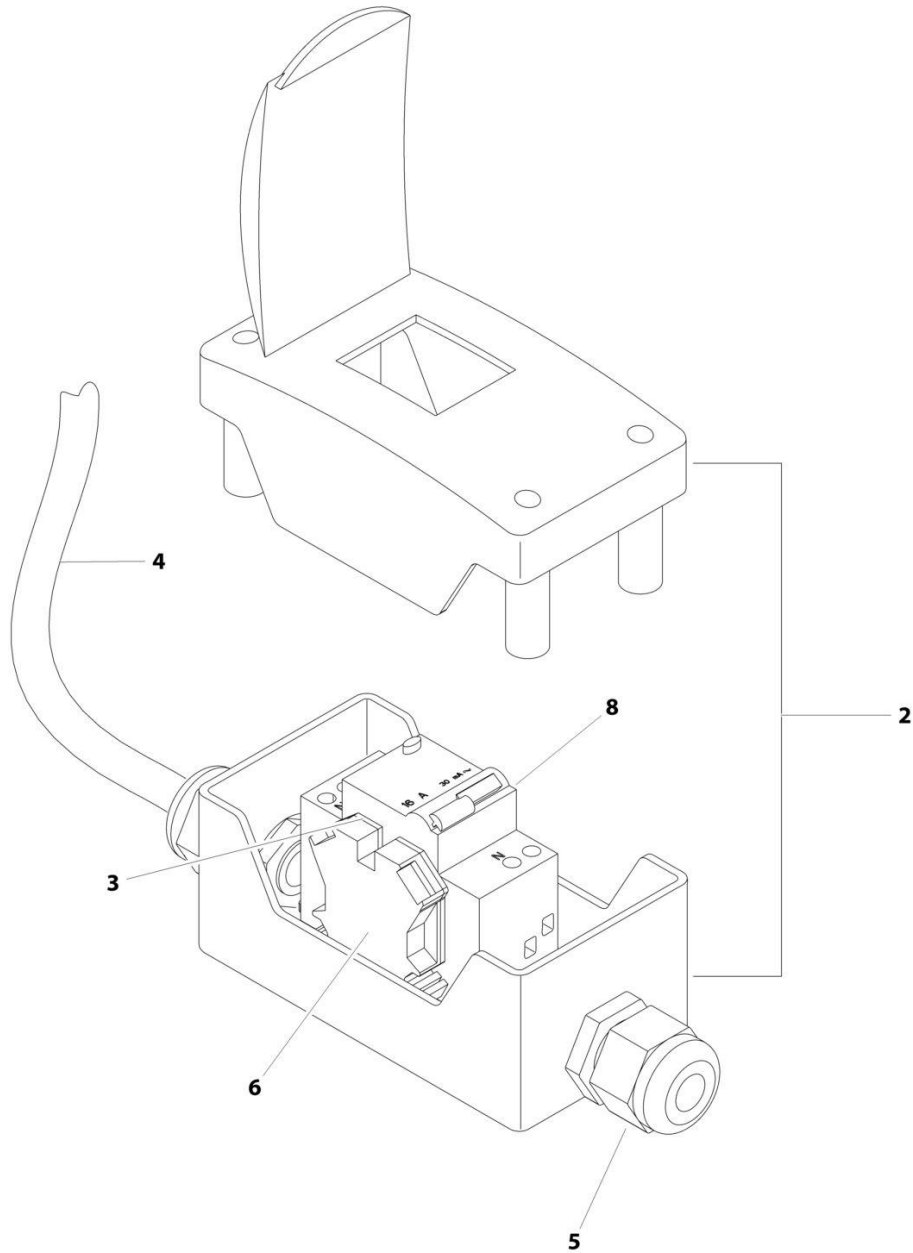
SECTION 8 - ELECTRICAL

FIGURE 8-16. BREAKER BOX INSTALLATION - DOUBLE BREAKER BOXES

ITEM	PART NUMBER	QTY	DESCRIPTION	REV
	1001182608	Ref	BREAKER BOX INSTALLATION - DOUBLE BREAKER BOXES	A
1	0641407	4	Bolt, 1/4 x 7/8	
2	0641408	2	Bolt, 1/4 x 1	
3	0641812	1	Bolt, 1/2 x 1-1/2	
4	3311405	6	Nut, Lock, 1/4	
5	3311805	1	Nut, 1/2	
6	4711400	8	Washer, 1/4	
7	4751400	4	Washer, 1/4	
8	4751800	2	Washer, 1/2	
9	1001103258	1	Cable, Charger AC Input	
10	1001152485	2	Breaker Box Kit with Two Breakers - CE Spec (See BREAKER BOX KIT WITH TWO BREAKERS - CE SPEC for Breakdown)	
11	1001153899	1	Bracket	
12	1001182607	1	Bracket	

SECTION 8 - ELECTRICAL

FIGURE 8-17. BREAKER BOX KIT WITH ONE BREAKERS - CE SPEC



ART_2902549

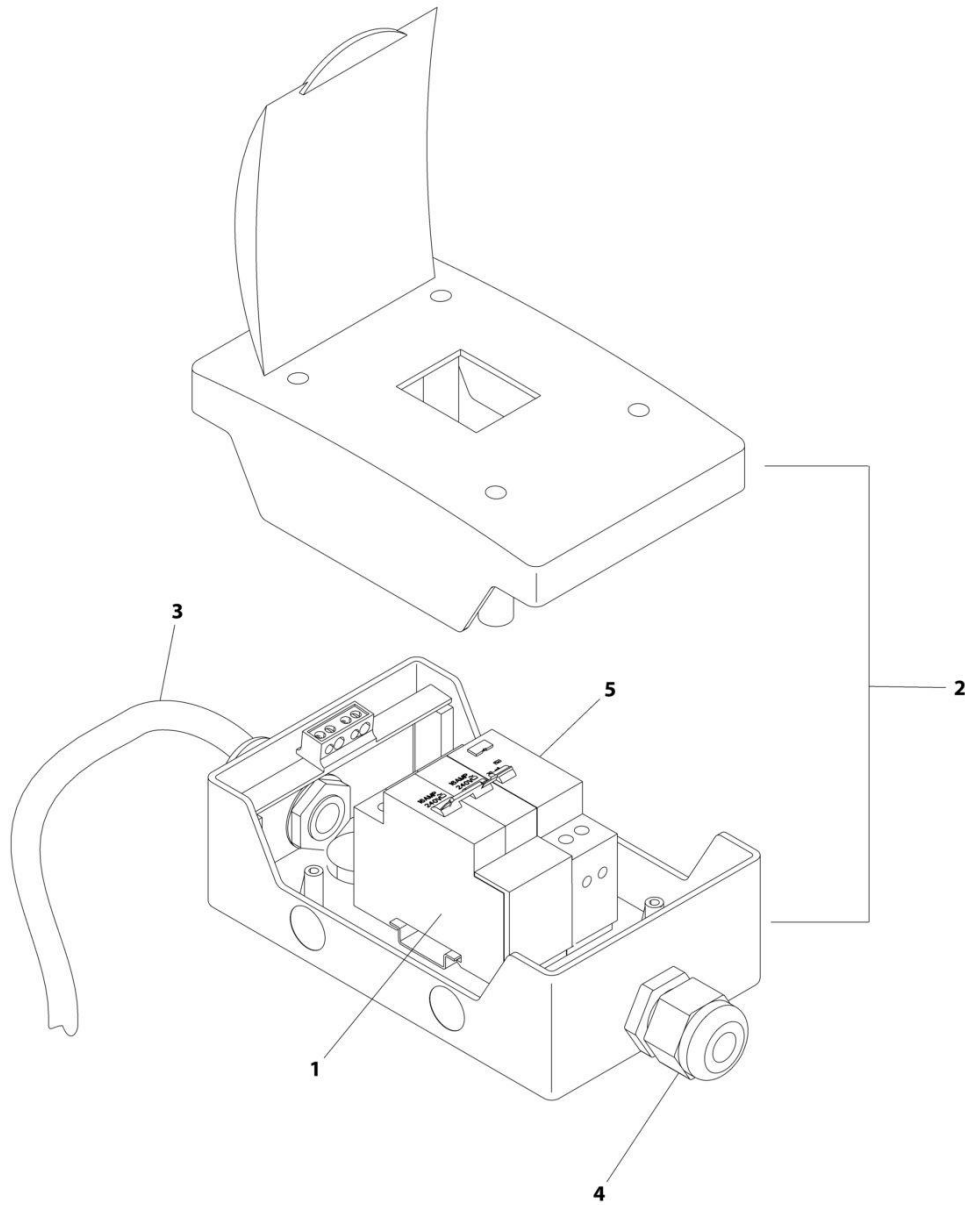
SECTION 8 - ELECTRICAL

FIGURE 8-17. BREAKER BOX KIT WITH ONE BREAKERS - CE SPEC

ITEM	PART NUMBER	QTY	DESCRIPTION	REV
	2902549	Ref	BREAKER BOX KIT WITH ONE BREAKERS - CE SPEC	F
2	0861880	1	Box	
3	4460956	1	Barrier, Terminal	
4	1060908	6 ft/1.8m	Cable, 12/3	
5	1001097150	2	Connector, Strain Relief	
6	4460957	1	Block, Terminal	
8	1001181045	1	Breaker, 30mA	

SECTION 8 - ELECTRICAL

FIGURE 8-18. BREAKER BOX KIT WITH TWO BREAKERS - CE SPEC



ART_1001152485

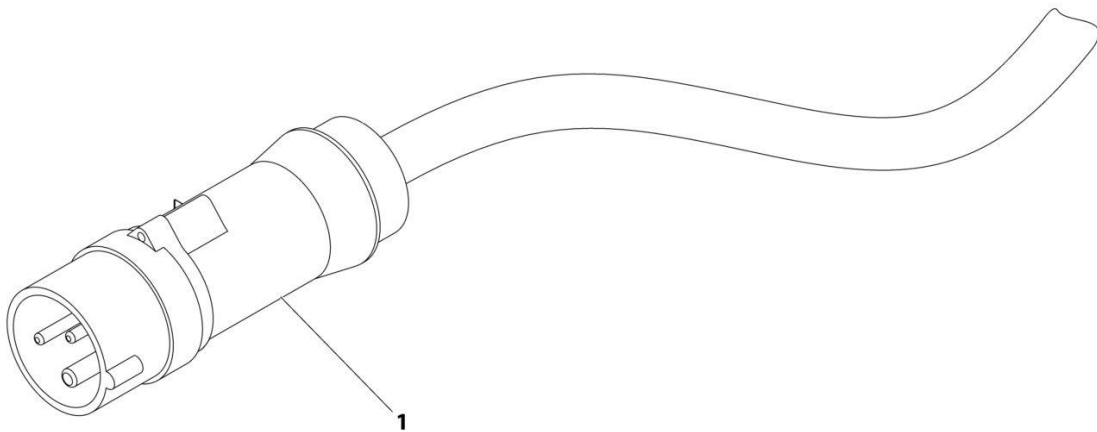
SECTION 8 - ELECTRICAL

FIGURE 8-18. BREAKER BOX KIT WITH TWO BREAKERS - CE SPEC

ITEM	PART NUMBER	QTY	DESCRIPTION	REV
	1001152485	Ref	BREAKER BOX KIT WITH TWO BREAKERS - CE SPEC	C
1	1001189172	1	Breaker, 16 Amp, (Double)	
2	1001152483	1	Box	
3	1060908	6 ft/1.8m	Cable, 12/3	
4	1001097150	2	Connector, Strain Relief	
5	1001189171	1	Breaker, 30mA	

SECTION 8 - ELECTRICAL

FIGURE 8-19. CHARGER CORD PLUG INSTALLATION - 110V - IEC 60309 - YELLOW (CE SPEC)



ART_0275666

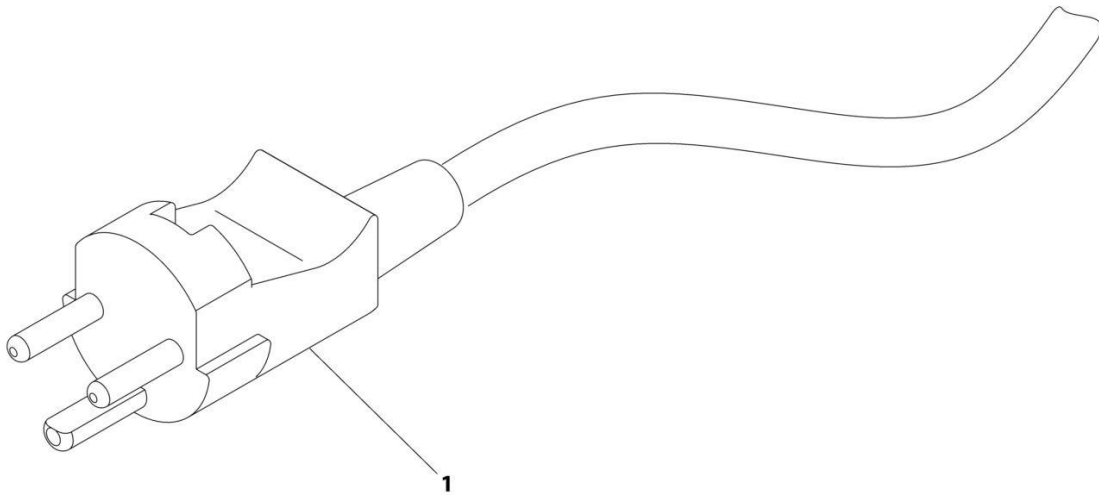
SECTION 8 - ELECTRICAL

FIGURE 8-19. CHARGER CORD PLUG INSTALLATION - 110V - IEC 60309 - YELLOW (CE SPEC)

ITEM	PART NUMBER	QTY	DESCRIPTION	REV
	0275666	Ref	CHARGER CORD PLUG INSTALLATION - 110V - IEC 60309 - YELLOW (CE SPEC)	A
1	4461196	1	Plug	

SECTION 8 - ELECTRICAL

FIGURE 8-20. CHARGER CORD PLUG INSTALLATION - 220V - AFSINT 107 KEYED GROUND (CE SPEC)



ART_0275665

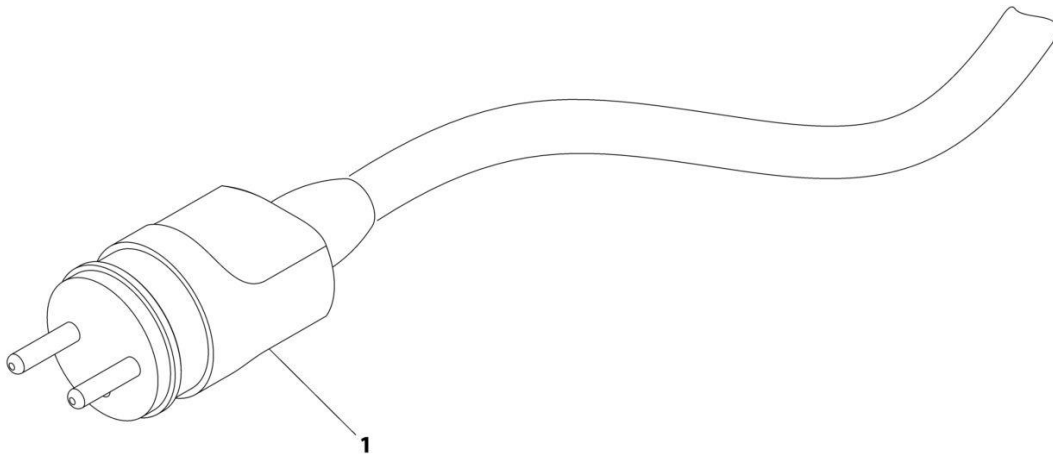
SECTION 8 - ELECTRICAL

FIGURE 8-20. CHARGER CORD PLUG INSTALLATION - 220V - AFSINT 107 KEYED GROUND (CE SPEC)

ITEM	PART NUMBER	QTY	DESCRIPTION	REV
	0275665	Ref	CHARGER CORD PLUG INSTALLATION - 220V - AFSINT 107 KEYED GROUND (CE SPEC)	A
1	4461249	1	Plug	

SECTION 8 - ELECTRICAL

FIGURE 8-21. CHARGER CORD PLUG INSTALLATION - 220V - CEE7 POST GROUND (CE SPEC)



ART_0275663

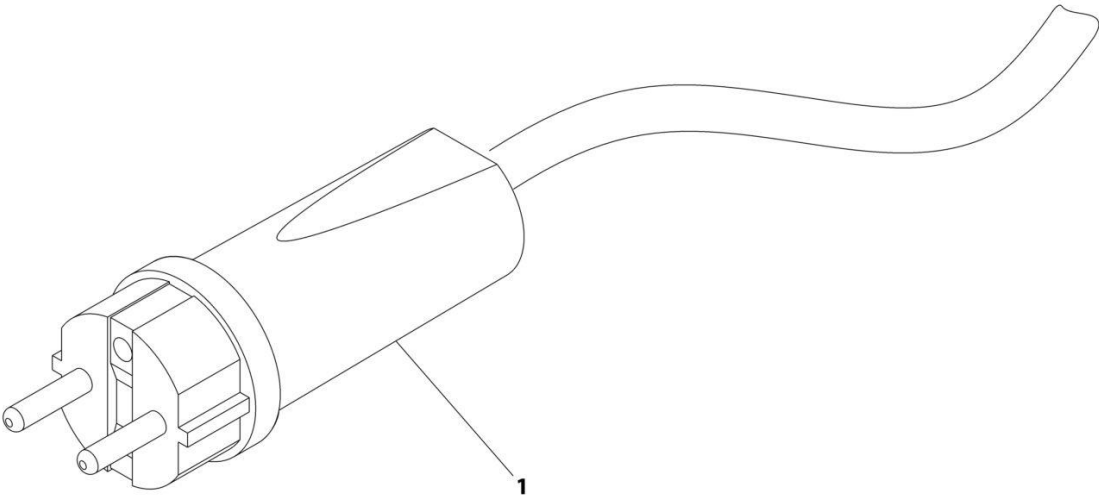
SECTION 8 - ELECTRICAL

FIGURE 8-21. CHARGER CORD PLUG INSTALLATION - 220V - CEE7 POST GROUND (CE SPEC)

ITEM	PART NUMBER	QTY	DESCRIPTION	REV
	0275663	Ref	CHARGER CORD PLUG INSTALLATION - 220V - CEE7 POST GROUND (CE SPEC)	A
1	4461202	1	Plug	

SECTION 8 - ELECTRICAL

FIGURE 8-22. CHARGER CORD PLUG INSTALLATION - 220V - CEE7 SIDE GROUND (CE SPEC)



ART_0275664

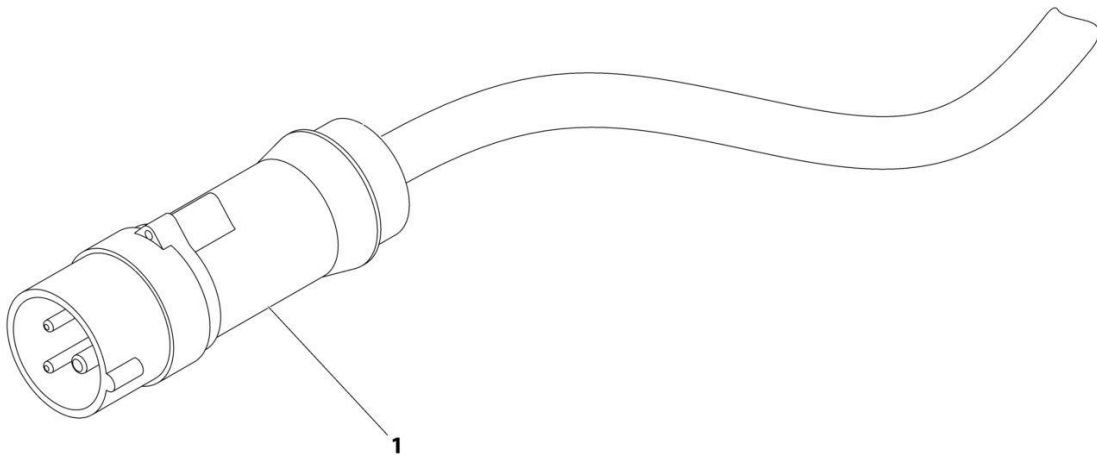
SECTION 8 - ELECTRICAL

FIGURE 8-22. CHARGER CORD PLUG INSTALLATION - 220V - CEE7 SIDE GROUND (CE SPEC)

ITEM	PART NUMBER	QTY	DESCRIPTION	REV
	0275664	Ref	CHARGER CORD PLUG INSTALLATION - 220V - CEE7 SIDE GROUND (CE SPEC)	A
1	4461205	1	Plug	

SECTION 8 - ELECTRICAL

FIGURE 8-23. CHARGER CORD PLUG INSTALLATION - 220V - IEC 60309 - BLUE (CE SPEC)



ART_0275667

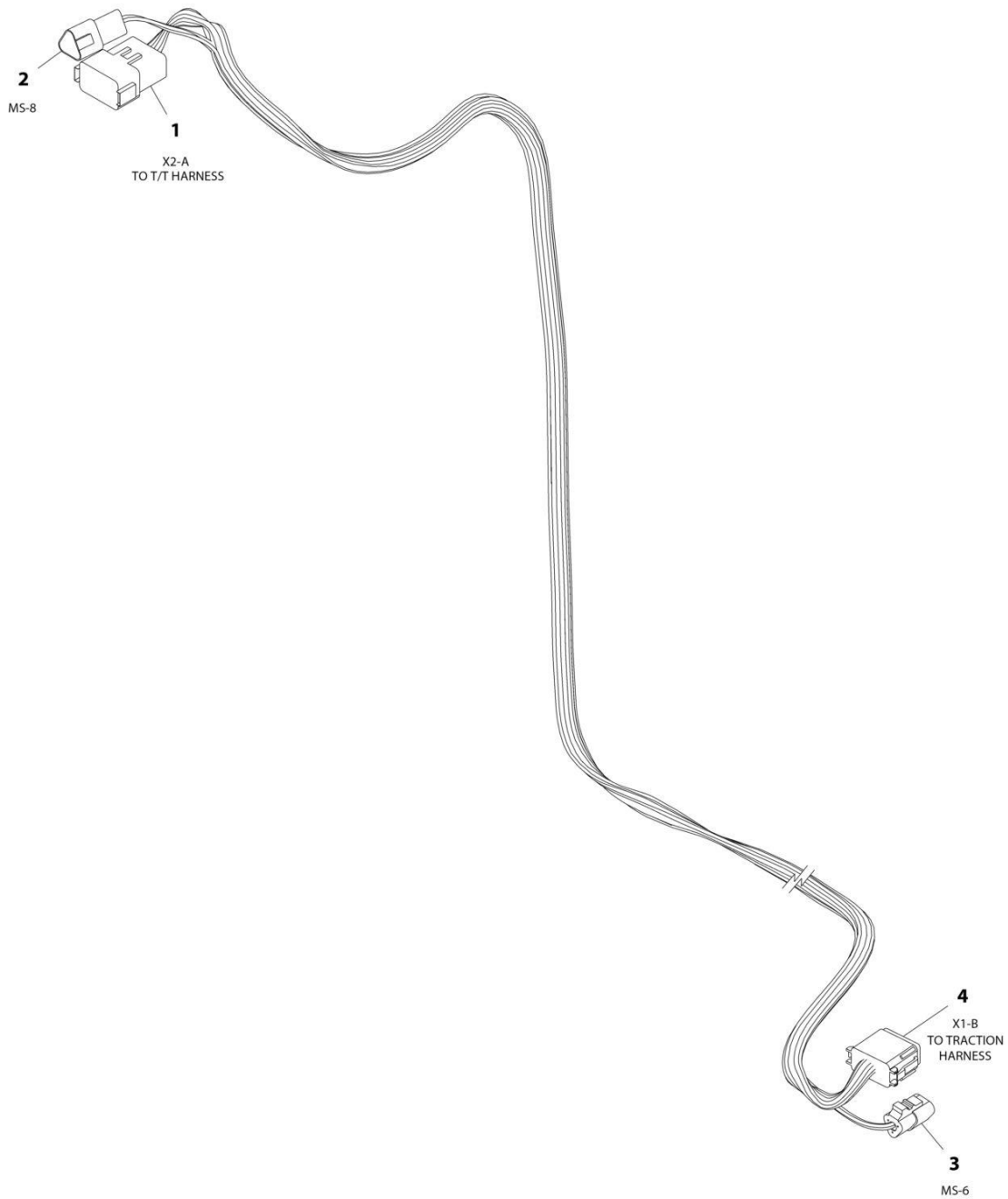
SECTION 8 - ELECTRICAL

FIGURE 8-23. CHARGER CORD PLUG INSTALLATION - 220V - IEC 60309 - BLUE (CE SPEC)

ITEM	PART NUMBER	QTY	DESCRIPTION	REV
	0275667	Ref	CHARGER CORD PLUG INSTALLATION - 220V - IEC 60309 - BLUE (CE SPEC)	A
1	4461199	1	Plug	

SECTION 8 - ELECTRICAL

FIGURE 8-24. CHASSIS TO TURNTABLE HARNESS



ART_1001178405

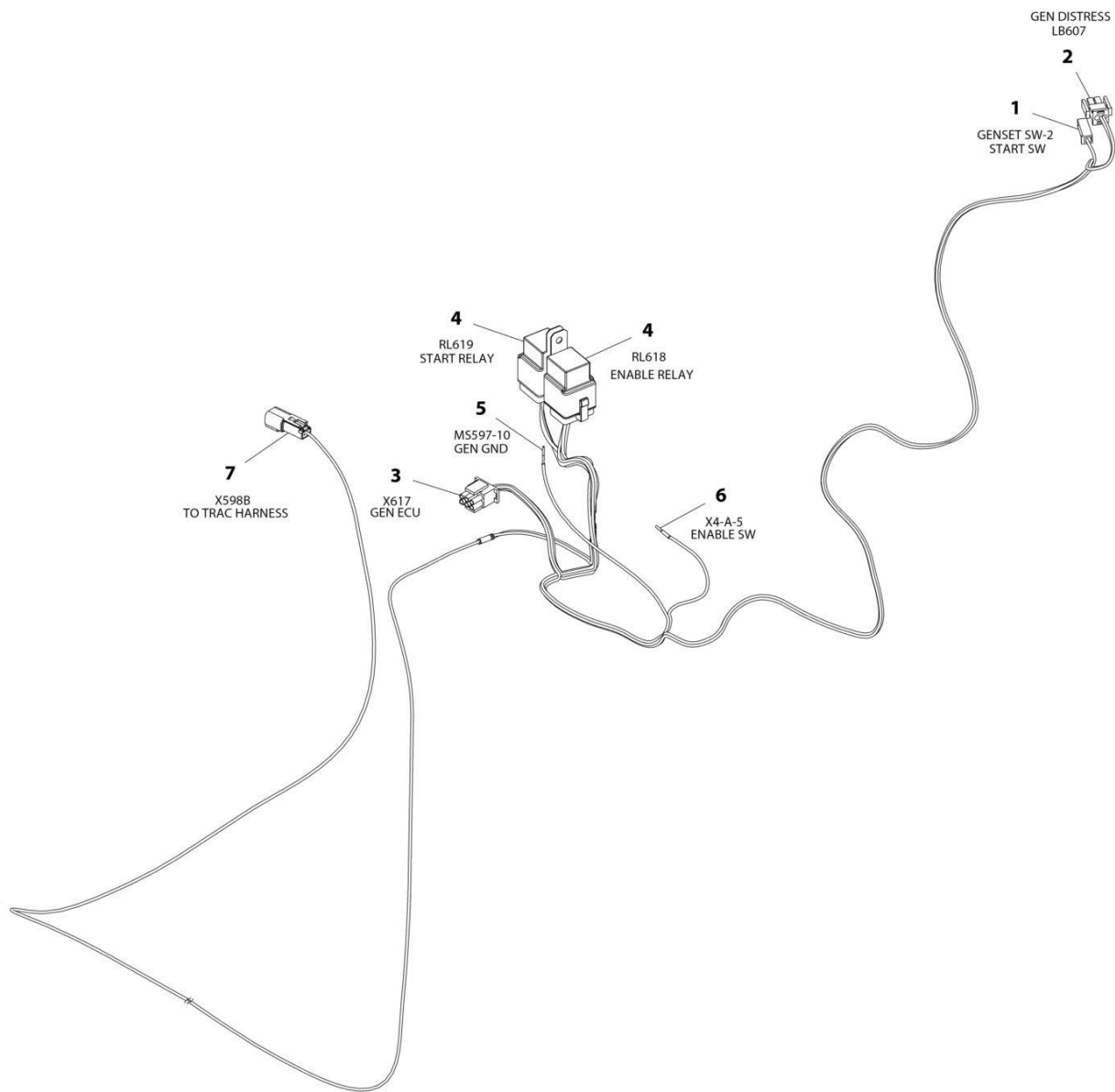
SECTION 8 - ELECTRICAL

FIGURE 8-24. CHASSIS TO TURNTABLE HARNESS

ITEM	PART NUMBER	QTY	DESCRIPTION	REV
	1001178405	Ref	CHASSIS TO TURNTABLE HARNESS	G
1	4460950	1	Connector - 12 Position	
1	1001157891	4	Terminal	
1	4460464	5	Pin, Male	
1	4460941	1	Terminal	
1	4460943	2	Pin, Male	
2	1001144147	1	Receptacle, Female - 3 Position	
2	4460943	3	Pin, Male	
3	4460539	1	Plug, Male - 3 Position	
3	4460944	3	Socket, Female	
4	4460836	1	Connector - 12 Position	
4	1001157890	4	Terminal	
4	4460465	5	Socket, Female	
4	4460942	1	Terminal	
4	4460944	2	Socket, Female	

SECTION 8 - ELECTRICAL

FIGURE 8-25. GENERATOR HARNESS



ART_1001192024

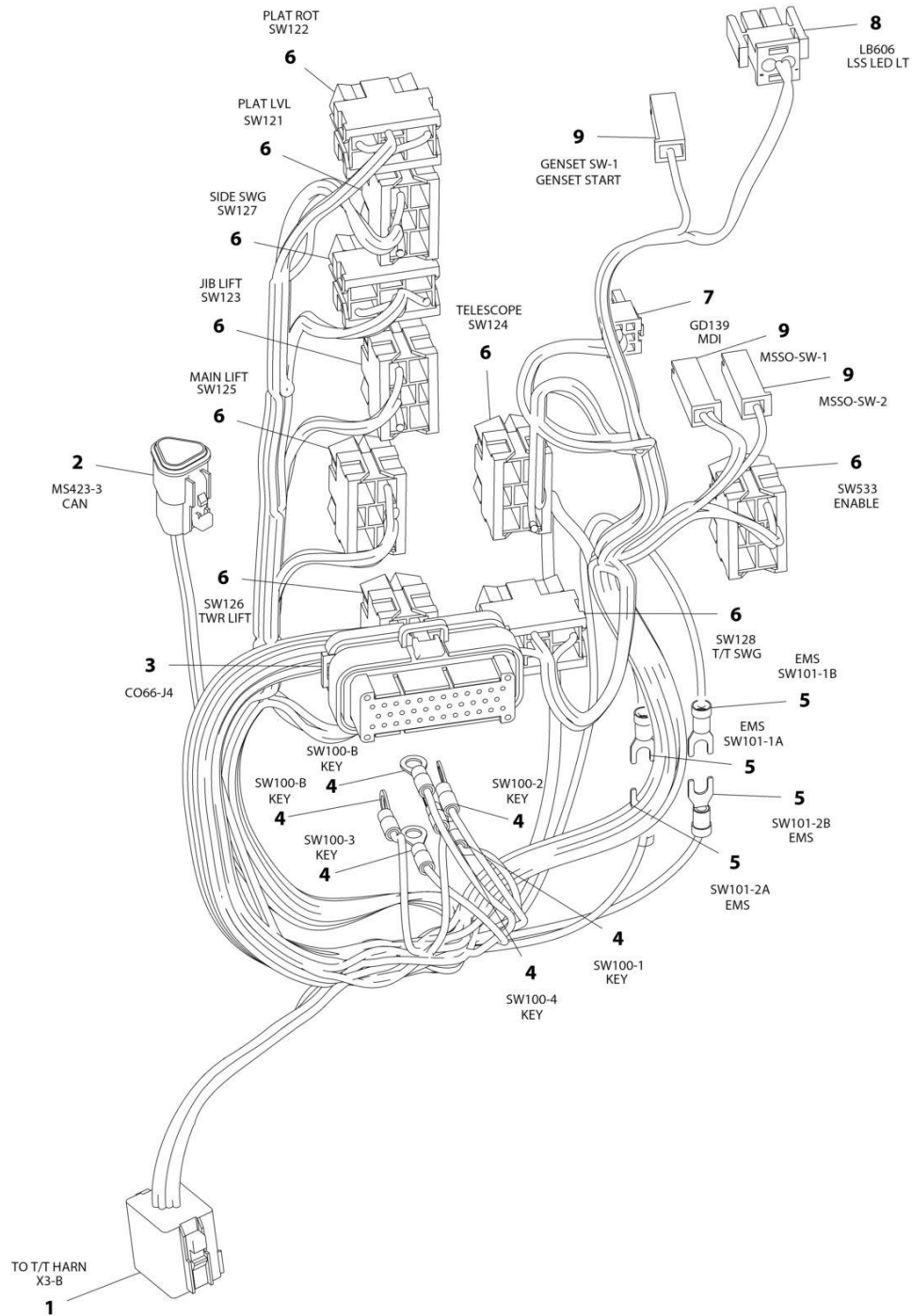
SECTION 8 - ELECTRICAL

FIGURE 8-25. GENERATOR HARNESS

ITEM	PART NUMBER	QTY	DESCRIPTION	REV
	1001192024	Ref	GENERATOR HARNESS	C
1	4460260	1	Housing, Terminal	
1	4460259	1	Terminal	
2	4460320	1	Plug, Male - 2 Position	
2	4460227	2	Pin, Male	
3	4460225	1	Connector - 6 Position	
3	4460267	5	Pin, Male	
4	3740080	2	Relay	
4	4460374	2	Plug, Relay	
4	1001116733	8	Terminal	
4	1001128128	2	Plug, Terminal	
5	4460465	1	Socket, Female	
6	4460464	1	Pin, Male	
7	4460897	1	Receptacle, Female - 2 Position	
7	4460464	1	Pin, Male	
7	4460466	1	Plug, Terminal	

SECTION 8 - ELECTRICAL

FIGURE 8-26. GROUND CONTROL PANEL HARNESS



ART_1001179991

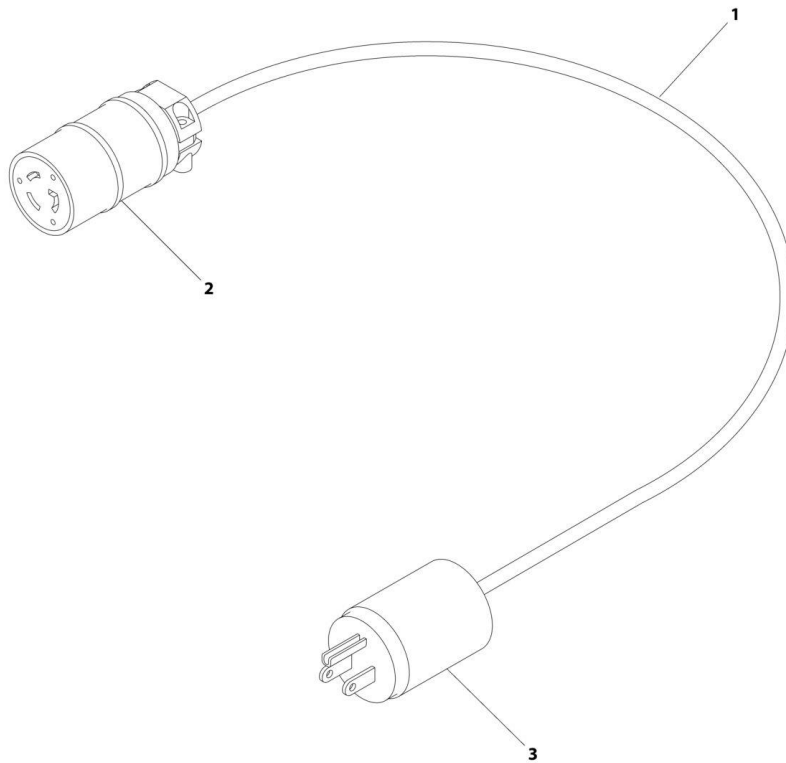
SECTION 8 - ELECTRICAL

FIGURE 8-26. GROUND CONTROL PANEL HARNESS

ITEM	PART NUMBER	QTY	DESCRIPTION	REV
	1001179991	Ref	GROUND CONTROL PANEL HARNESS	I
1	4460851	1	Connector - 8 Position	
2	1001157890	1	Socket, Female	
4	1001116692	1	Socket, Female	
1	4460465	1	Socket, Female	
1	4460466	1	Plug, Terminal	
2	1001116812	1	Plug, Male - 3 Position	
2	4460944	2	Socket, Female	
2	4460466	1	Plug, Terminal	
3	4460876	1	Connector - 35 Position	
3	4460871	23	Socket, Female	
3	4460905	12	Plug, Terminal	
4	4460313	6	Terminal, Ring	
5	4460806	4	Terminal, Fork	
6	4460418	9	Connector - 6 Position	
6	4460419	18	Terminal	
6	1001159186	17	Terminal	
7	4460868	1	Plug, Male - 6 Position	
7	4460877	4	Terminal	
8	4460320	1	Plug, Male - 2 Position	
8	4460227	2	Pin, Male	
9	4460260	3	Housing, Terminal	
9	4460259	3	Terminal	

SECTION 8 - ELECTRICAL

FIGURE 8-27. INVERTER HARNESS



ART_1001182296

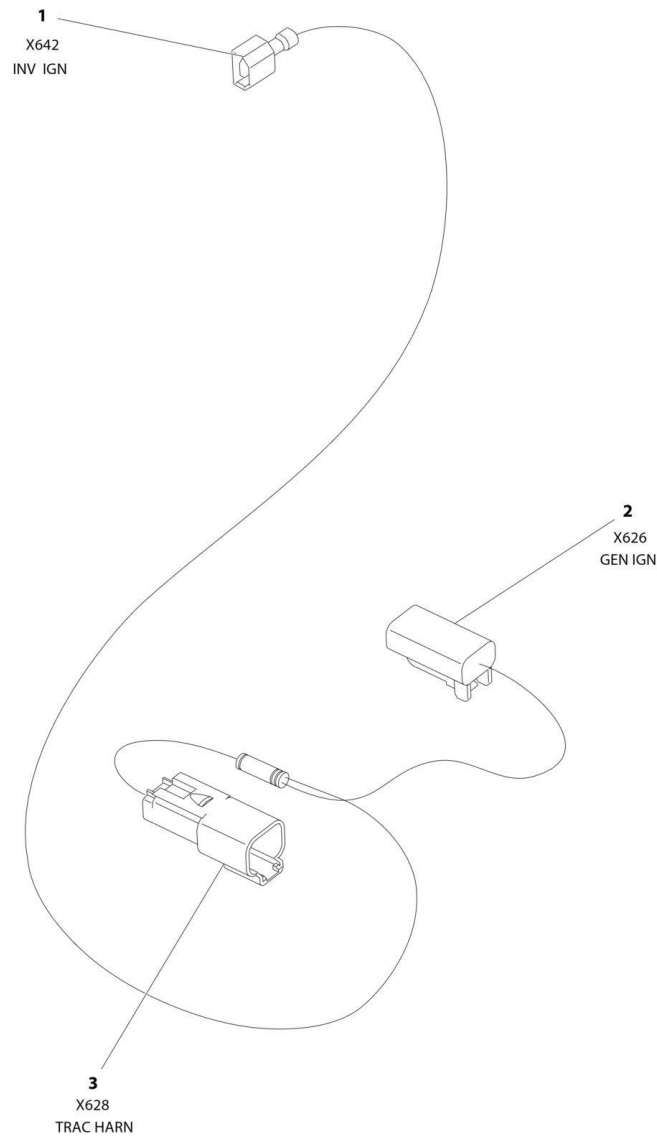
SECTION 8 - ELECTRICAL

FIGURE 8-27. INVERTER HARNESS

ITEM	PART NUMBER	QTY	DESCRIPTION	REV
1	1001182296 1060494	Ref 115 in /292cm	INVERTER HARNESS Cable, Electrical 12/3	A
2	4460134	1	Connector, Female	
3	4460138	1	Plug, Connector	

SECTION 8 - ELECTRICAL

FIGURE 8-28. INVERTER IGNITION HARNESS



ART_1001192293

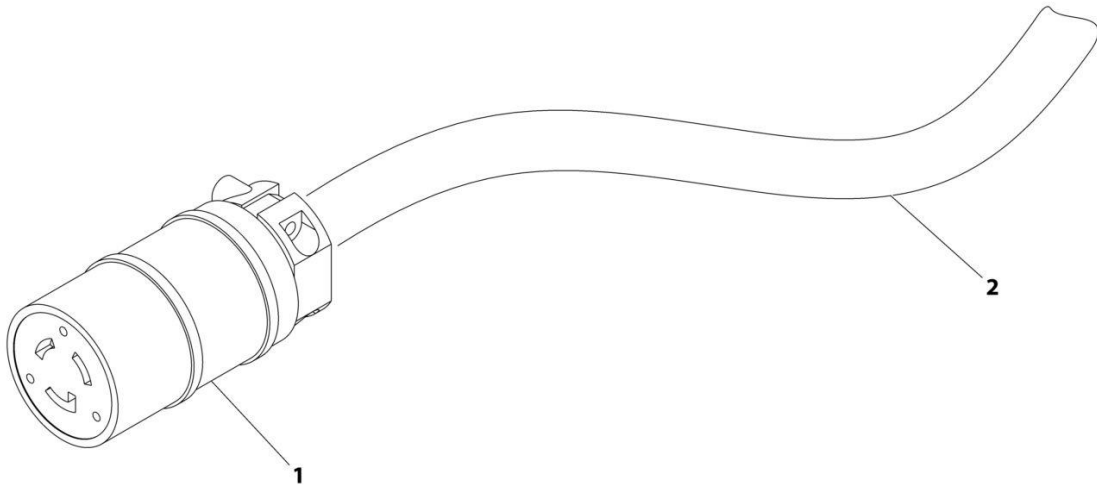
SECTION 8 - ELECTRICAL

FIGURE 8-28. INVERTER IGNITION HARNESS

ITEM	PART NUMBER	QTY	DESCRIPTION	REV
	1001192293	Ref	INVERTER IGNITION HARNESS	C
1	1001193545	1	Terminal	
2	4460891	1	Plug, Male - 2 Position	
2	4460465	1	Socket, Female	
2	4460466	1	Plug, Terminal	
3	4460897	1	Receptacle, Female - 2 Position	
3	4460464	1	Pin, Male	
3	4460466	1	Plug, Seal	

SECTION 8 - ELECTRICAL

FIGURE 8-29. LOWER BOOM 110V HARNESS ASSEMBLY



ART_4922611

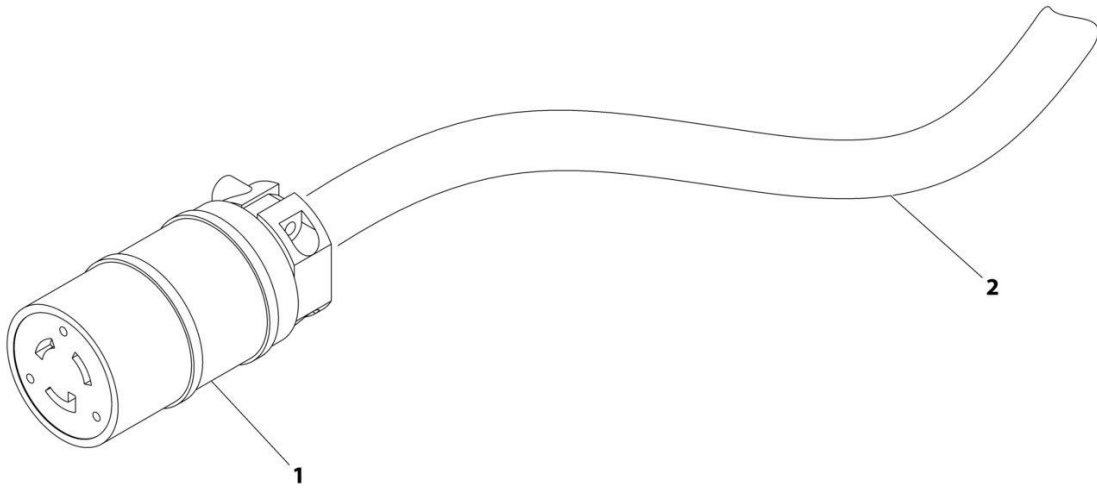
SECTION 8 - ELECTRICAL

FIGURE 8-29. LOWER BOOM 110V HARNESS ASSEMBLY

ITEM	PART NUMBER	QTY	DESCRIPTION	REV
	4922611	Ref	LOWER BOOM 110V HARNESS ASSEMBLY	1
1	4460134	1	Connector, Female	
2	1060494	32.5 ft /9.9m	Electrical Cable, 12/3	

SECTION 8 - ELECTRICAL

FIGURE 8-30. LOWER BOOM 220V HARNESS ASSEMBLY - CE SPEC



ART_4922609

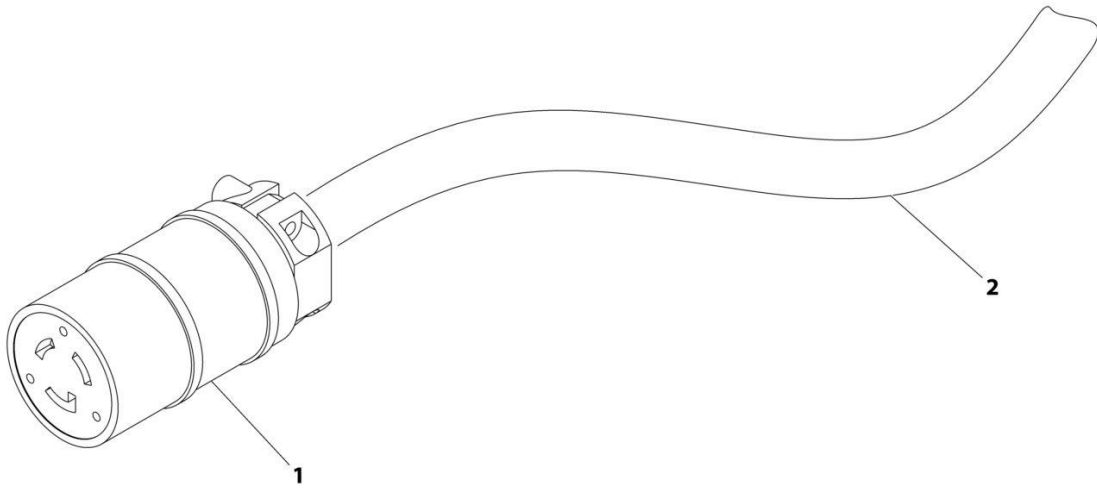
SECTION 8 - ELECTRICAL

FIGURE 8-30. LOWER BOOM 220V HARNESS ASSEMBLY - CE SPEC

ITEM	PART NUMBER	QTY	DESCRIPTION	REV
	4922609	Ref	LOWER BOOM 220V HARNESS ASSEMBLY - CE SPEC	1
1	4460710	1	Connector, Female	
2	1060461	37 ft /11.3m	Electrical Cable, 12/3	

SECTION 8 - ELECTRICAL

FIGURE 8-31. LOWER BOOM 220V HARNESS ASSEMBLY - CE SPEC



ART_4922612

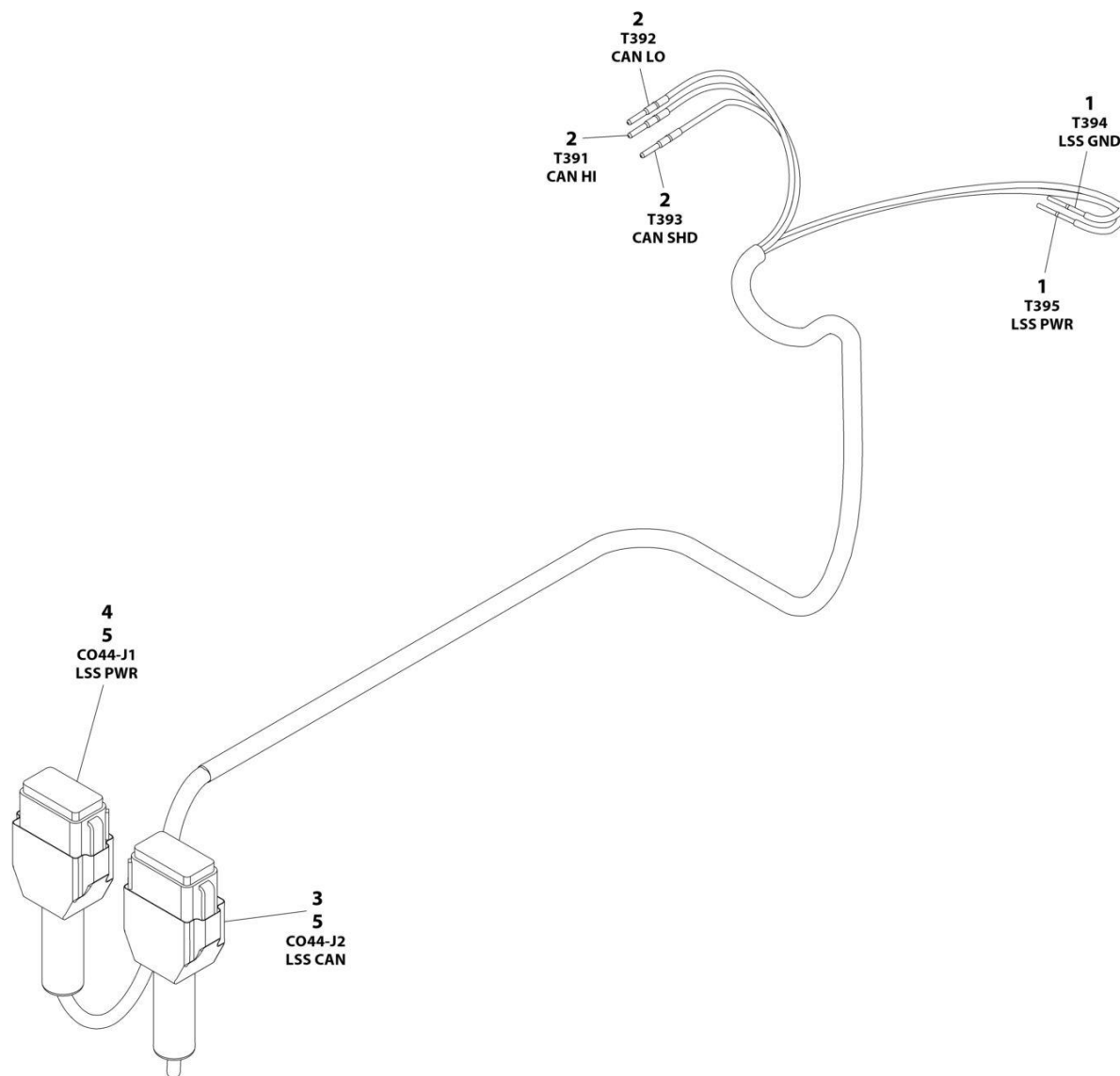
SECTION 8 - ELECTRICAL

FIGURE 8-31. LOWER BOOM 220V HARNESS ASSEMBLY - CE SPEC

ITEM	PART NUMBER	QTY	DESCRIPTION	REV
	4922612	Ref	LOWER BOOM 220V HARNESS ASSEMBLY - CE SPEC	2
1	4460710	1	Connector, Female	
2	1060461	32.5 ft /9.9m	Electrical Cable, 12/3	

SECTION 8 - ELECTRICAL

FIGURE 8-32. LSS SYSTEM HARNESS



ART_1001192283

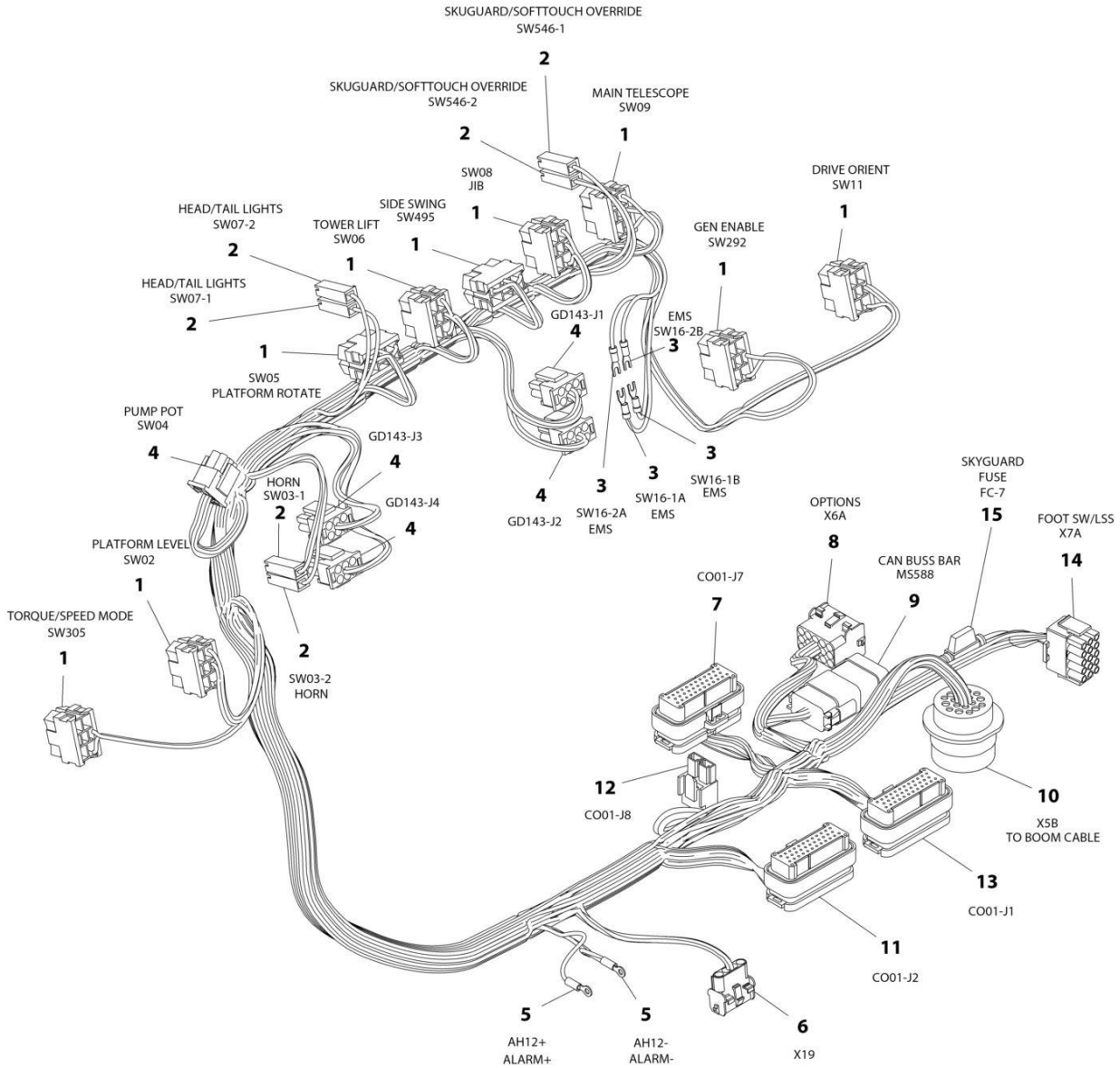
SECTION 8 - ELECTRICAL

FIGURE 8-32. LSS SYSTEM HARNESS

ITEM	PART NUMBER	QTY	DESCRIPTION	REV
	1001192283	Ref	LSS SYSTEM HARNESS	B
1	4460226	2	Socket, Female	
2	4460227	3	Pin, Male	
3	4460836	1	Plug, Male - 12 Position	
3	4460944	2	Socket, Female	
3	4460466	10	Plug, Terminal	
3	1001174455	1	Boot	
4	4460933	1	Plug, Male - 12 Position	
4	4460465	2	Socket, Female	
4	4460466	10	Plug, Terminal	
4	1001174455	1	Boot	
5	2820030	AR	Heat Shrink	

SECTION 8 - ELECTRICAL

FIGURE 8-33. PLATFORM CONSOLE HARNESS - WITHOUT LSS OR WITH 4 CELL LSS



ART_1001191318

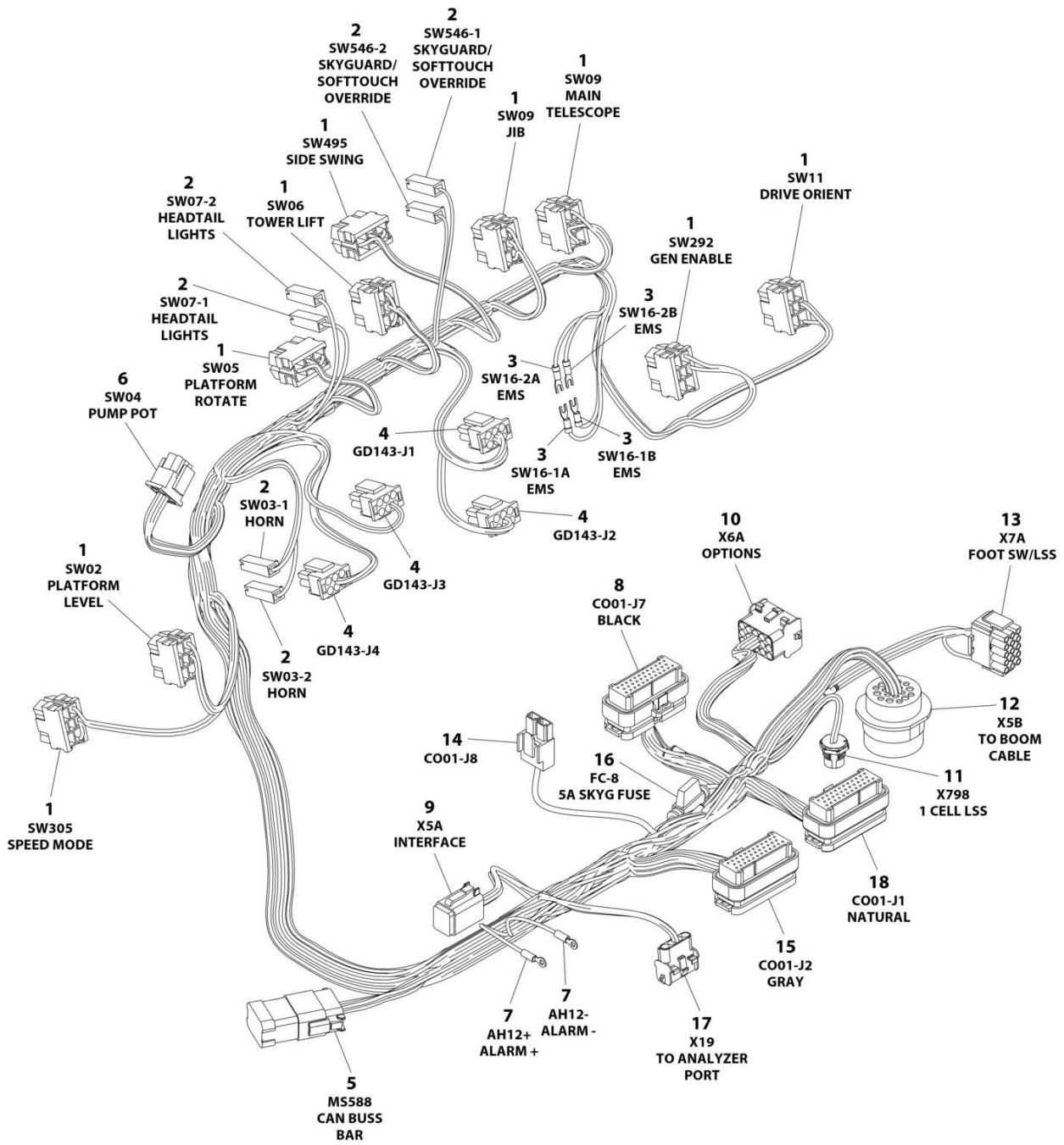
SECTION 8 - ELECTRICAL

FIGURE 8-33. PLATFORM CONSOLE HARNESS - WITHOUT LSS OR WITH 4 CELL LSS

ITEM	PART NUMBER	QTY	DESCRIPTION	REV
	1001191318	Ref	PLATFORM CONSOLE HARNESS - WITHOUT LSS OR WITH 4 CELL LSS	I
1	4460418	9	Connector - 6 Position	
1	4460419	14	Terminal	
1	1001159186	17	Terminal	
2	4460260	6	Housing, Terminal	
2	4460259	6	Terminal	
3	4460888	4	Terminal, Fork	
4	4460225	5	Connector - 6 Position	
4	4460226	14	Socket, Female	
4	4460267	6	Pin, Male	
5	1001098122	2	Terminal, Ring	
6	4460761	1	Receptacle, Female - 4 Position	
6	4460227	4	Pin, Male	
7	4460873	1	Connector - 35 Position	
7	4460871	21	Socket, Female	
7	4460905	14	Plug, Terminal	
8	4460708	1	Connector - 15 Position	
8	4460226	12	Socket, Female	
9	4460930	1	Plug, Male - 8 Position	
9	4460465	6	Socket, Female	
9	4460466	2	Plug, Terminal	
10	4460866	1	Connector - 19 Position	
10	4460464	10	Pin, Male	
10	4460508	2	Pin, Male	
10	4460466	7	Plug, Terminal	
11	4460875	1	Connector - 35 Position	
11	4460871	24	Socket, Female	
11	4460905	12	Plug, Terminal	
12	4460879	1	Plug, Male - 2 Position	
12	4460887	2	Terminal	
13	4460874	1	Connector - 35 Position	
13	4460871	24	Socket, Female	
13	4460905	11	Plug, Terminal	
14	4460434	1	Plug, Male - 15 Position	
14	4460227	13	Pin, Male	
15	2400060	1	Fuseholder with Cover	
15	8229242	1	Fuse - 5Amp	

SECTION 8 - ELECTRICAL

FIGURE 8-34. PLATFORM CONSOLE HARNESS - WITH 1 CELL LSS



ART_1001217621

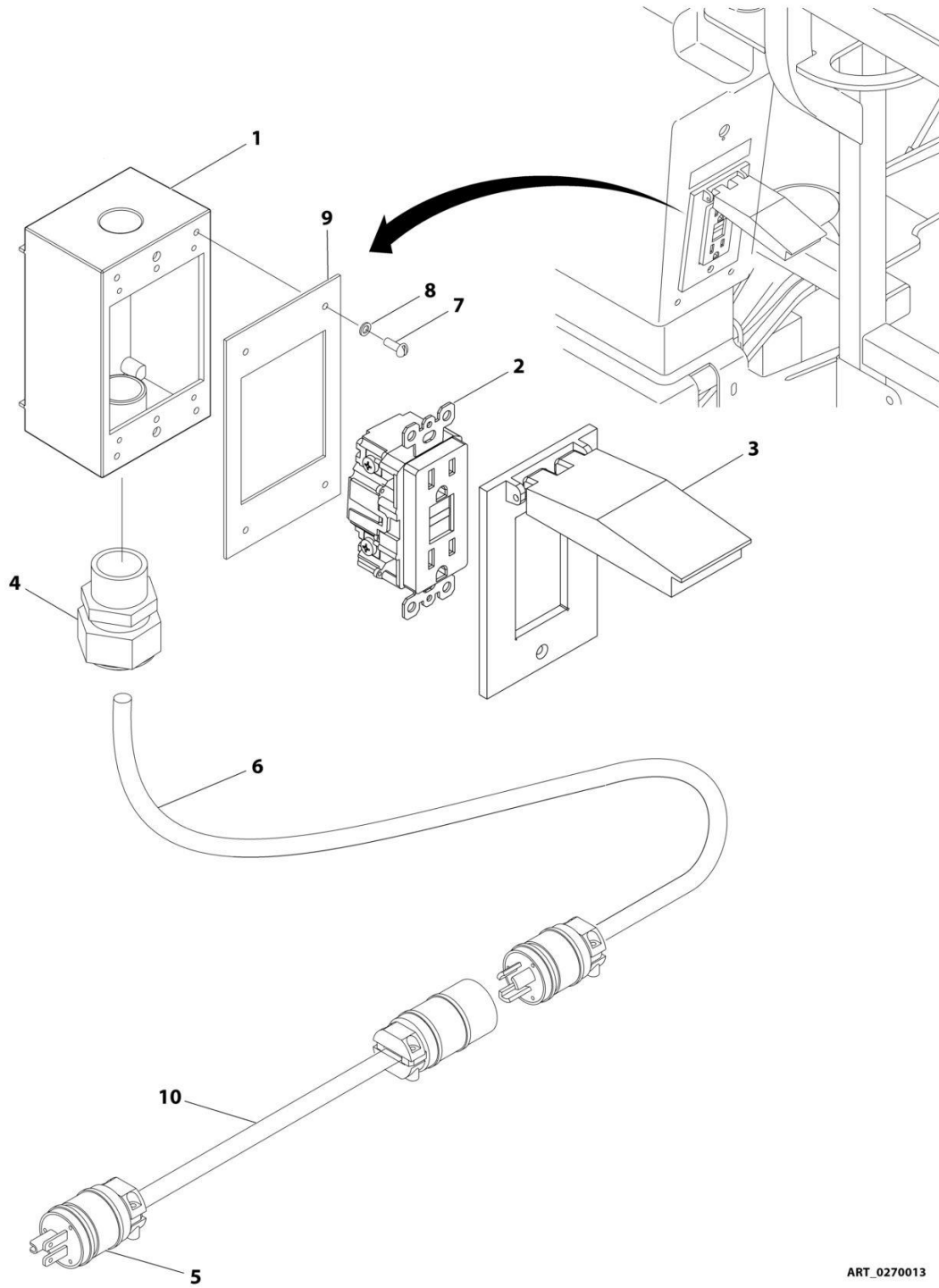
SECTION 8 - ELECTRICAL

FIGURE 8-34. PLATFORM CONSOLE HARNESS - WITH 1 CELL LSS

ITEM	PART NUMBER	QTY	DESCRIPTION	REV
	1001217621	Ref	PLATFORM CONSOLE HARNESS - WITH 1 CELL LSS	D
1	4460418	9	Connector - 6 Position	
1	4460419	15	Terminal	
1	1001159186	17	Terminal	
2	4460260	6	Housing, Terminal	
2	4460259	8	Terminal	
3	4460888	4	Terminal, Fork	
4	4460225	4	Connector - 6 Position	
4	4460226	15	Socket, Female	
5	4460930	1	Plug, Male - 8 Position	
5	4460465	6	Socket, Female	
5	4460466	2	Plug, Terminal	
6	4460224	1	Plug, Male - 6 Position	
6	4460267	7	Pin, Male	
7	1001098122	2	Terminal, Ring	
8	4460873	1	Connector - 35 Position	
8	4460871	23	Socket, Female	
8	4460905	13	Plug, Terminal	
9	4460894	1	Plug, Male - 6 Position	
9	4460465	6	Socket, Female	
10	4460708	1	Connector - 15 Position	
10	4460226	12	Socket, Female	
11	1001213447	1	Connector, Female - 5 Position	
12	4460866	1	Connector - 19 Position	
12	4460466	7	Plug, Terminal	
12	4460464	10	Pin, Male	
12	4460508	2	Pin, Male	
13	4460434	1	Plug, Male - 15 Position	
13	4460227	9	Pin, Male	
14	4460879	1	Plug, Male - 2 Position	
14	4460887	2	Terminal	
15	4460875	1	Connector - 35 Position	
15	4460905	13	Plug, Terminal	
15	4460871	22	Socket, Female	
16	2400060	1	Holder, Fuse	
16	8229242	1	Fuse - 5Amp	
17	4460761	1	Receptacle, Female - 4 Position	
17	4460227	4	Pin, Male	
18	4460874	1	Connector - 35 Position	
18	4460871	24	Socket, Female	
18	4460905	11	Plug, Terminal	

SECTION 8 - ELECTRICAL

FIGURE 8-35. PLUG AND RECEPTACLE INSTALLATION - 110V



ART_0270013

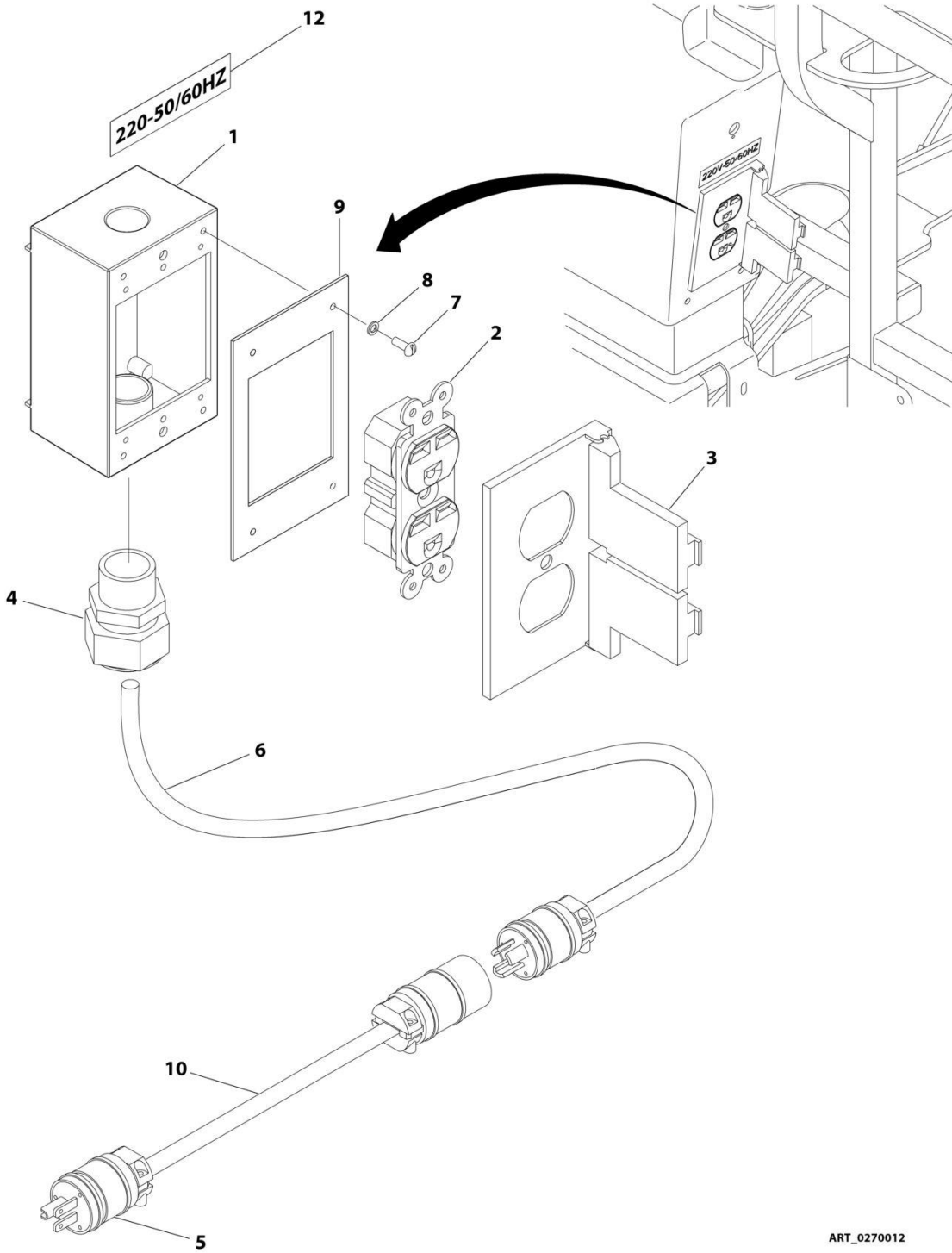
SECTION 8 - ELECTRICAL

FIGURE 8-35. PLUG AND RECEPTACLE INSTALLATION - 110V

ITEM	PART NUMBER	QTY	DESCRIPTION	REV
	0270013	Ref	PLUG AND RECEPTACLE INSTALLATION - 110V	5
1	0860038	1	Box, Switch	
2	4460346	1	Receptacle	
3	1001110873	1	Shield, Cover	
4	4460071	1	Connector, Strain Relief	
5	4460205	1	Plug, Male	
6	4922608	1	Main Boom 110V Harness Assembly (See MAIN BOOM 110V HARNESS ASSEMBLY for Breakdown)	
7	3910610	4	Screw, Self-tapping, #6-32 x 5/8	
8	4760600	4	Washer, #6	
9	3960422	1	Gasket	
10	4922611	1	Lower Boom 110V Harness Assembly (See LOWER BOOM 110V HARNESS ASSEMBLY for Breakdown)	

SECTION 8 - ELECTRICAL

FIGURE 8-36. PLUG AND RECEPTACLE INSTALLATION - 220V



ART_0270012

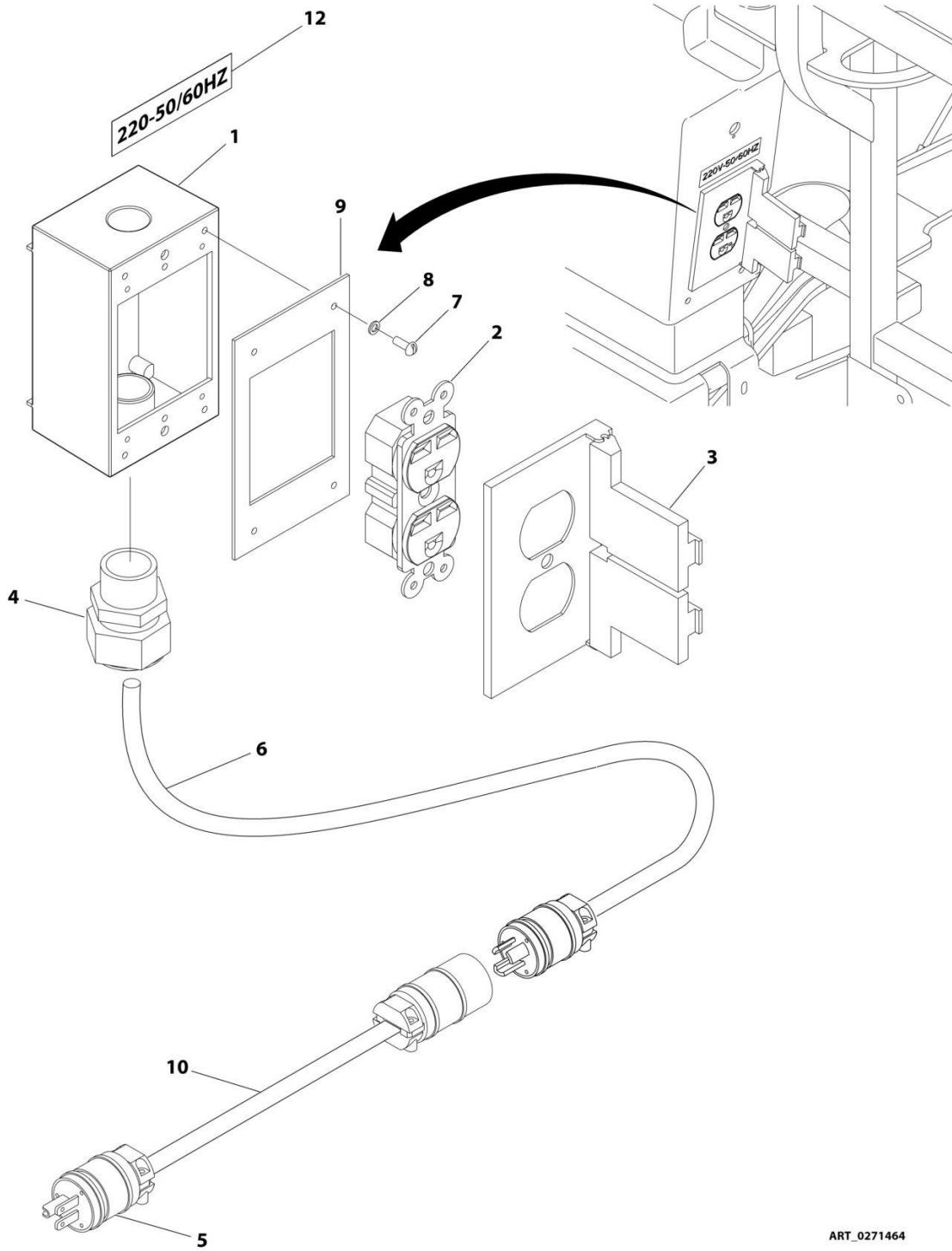
SECTION 8 - ELECTRICAL

FIGURE 8-36. PLUG AND RECEPTACLE INSTALLATION - 220V

ITEM	PART NUMBER	QTY	DESCRIPTION	REV
	0270012	Ref	PLUG AND RECEPTACLE INSTALLATION - 220V	4
1	0860038	1	Box, Switch	
2	4460125	1	Receptacle	
3	4060092	1	Shield, Cover	
4	4460071	1	Connector, Strain Relief	
5	4460233	1	Plug, Male	
6	4922608	1	Main Boom 110V Harness Assembly (See MAIN BOOM 110V HARNESS ASSEMBLY for Breakdown)	
7	3910610	4	Screw, Self-tapping, #6-32 x 5/8	
8	4760600	4	Washer, #6	
9	3960422	1	Gasket	
10	4922611	1	Lower Boom 110V Harness Assembly (See LOWER BOOM 110V HARNESS ASSEMBLY for Breakdown)	
12	3252507	1	Decal - 220V-50/60 Hz	

SECTION 8 - ELECTRICAL

FIGURE 8-37. PLUG AND RECEPTACLE INSTALLATION - SUPPLIED LOCALLY



ART_0271464

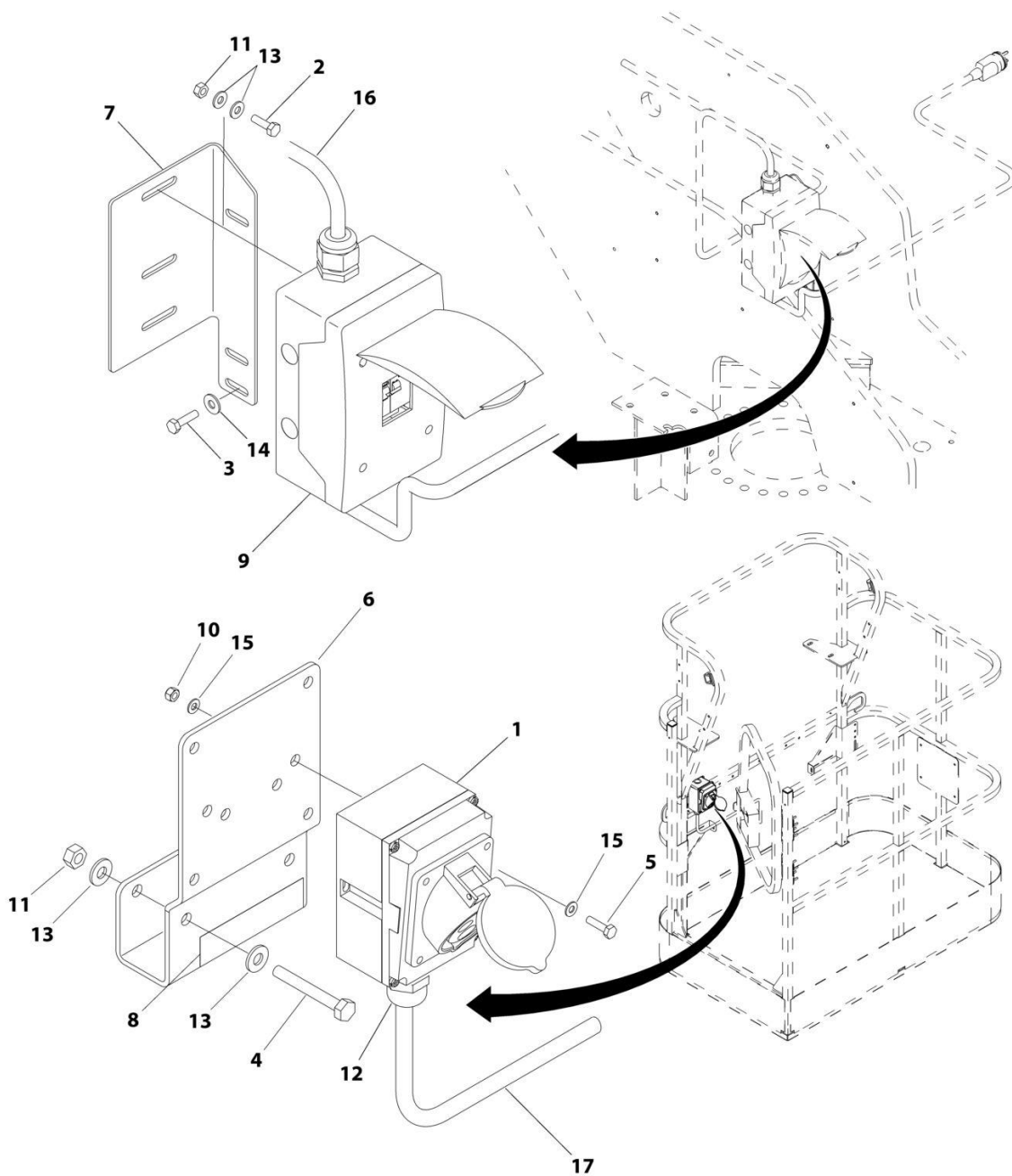
SECTION 8 - ELECTRICAL

FIGURE 8-37. PLUG AND RECEPTACLE INSTALLATION - SUPPLIED LOCALLY

ITEM	PART NUMBER	QTY	DESCRIPTION	REV
	0271464	Ref	PLUG AND RECEPTACLE INSTALLATION - SUPPLIED LOCALLY	2
1	See Note	1	Box, Switch (Note: Supplied Locally)	
2	See Note	1	Receptacle (Note: Supplied Locally)	
3	See Note	1	Shield, Cover (Note: Supplied Locally)	
4	See Note	1	Connector, Strain Relief (Note: Supplied Locally)	
5	See Note	1	Plug, Male (Note: Supplied Locally)	
6	4922610	1	Main Boom 220V Harness Assembly - CE Spec (See MAIN BOOM 220V HARNESS ASSEMBLY - CE SPEC for Breakdown)	
7	See Note	4	Screw, Self-tapping, #6-32 x 5/8 (Note: Supplied Locally)	
8	See Note	4	Washer, #6 (Note: Supplied Locally)	
9	See Note	1	Gasket (Note: Supplied Locally)	
10	4922612	1	Lower Boom 220V Harness Assembly - CE Spec (See LOWER BOOM 220V HARNESS ASSEMBLY - CE SPEC for Breakdown)	
12	See Note	1	Decal - 220V-50/60Hz (Note: Supplied Locally)	

SECTION 8 - ELECTRICAL

FIGURE 8-38. PLUG AND RECEPTACLE 110V INSTALLATION - IEC 60309 - YELLOW (CE SPEC)



ART_1001166263

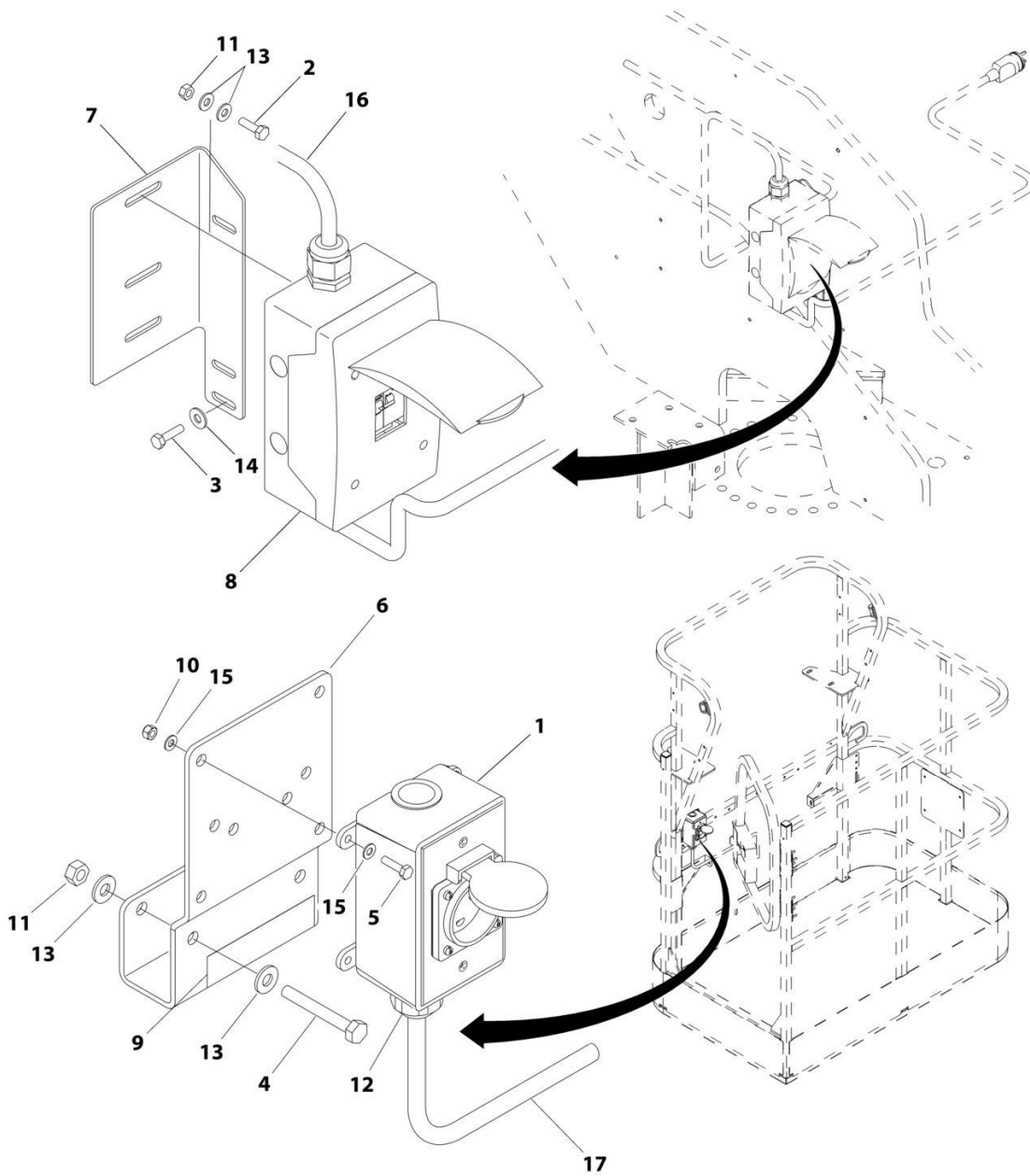
SECTION 8 - ELECTRICAL

FIGURE 8-38. PLUG AND RECEPTACLE 110V INSTALLATION - IEC 60309 - YELLOW (CE SPEC)

ITEM	PART NUMBER	QTY	DESCRIPTION	REV
	1001166263	Ref	PLUG AND RECEPTACLE 110V INSTALLATION - IEC 60309 - YELLOW (CE SPEC)	C
1	0275216	1	AC Plugs and Sockets Installation - CE Spec (See AC PLUGS AND SOCKETS INSTALLATION - CE SPEC for Breakdown)	
2	0641407	2	Bolt, 1/4-20 x 7/8	
3	0641408	2	Bolt, 1/4-20 x 1	
4	0641416	2	Bolt, 1/4-20 x 2	
5	0700408	2	Bolt, M4 x 16	
6	1001193018	1	Bracket	
7	1001178491	1	Bracket	
8	1705325	2	Decal - 120V - 50 Hz	
9	2902549	1	Breaker Box Kit with One Breakers - CE Spec (See BREAKER BOX KIT WITH ONE BREAKERS CE SPEC for Breakdown)	
10	3290405	2	Nut, Lock, M4 x 0.7	
11	3311405	4	Nut, Lock, 1/4-20	
12	4460968	1	Connector, Strain Relief	
13	4711400	8	Washer, 1/4	
14	4751400	2	Washer, 1/4	
15	4811400	4	Washer, 4mm	
16	4922609	1	Lower Boom 220V Harness Assembly - CE Spec (See LOWER BOOM 220V HARNESS ASSEMBLY - CE SPEC for Breakdown)	
17	4922610	1	Main Boom 220V Harness Assembly - CE Spec (See MAIN BOOM 220V HARNESS ASSEMBLY - CE SPEC for Breakdown)	

SECTION 8 - ELECTRICAL

FIGURE 8-39. PLUG AND RECEPTACLE 220V INSTALLATION - AFSINT 107 KEYED GROUND - 2 X 4 BOX (CE SPEC)



ART_1001166259

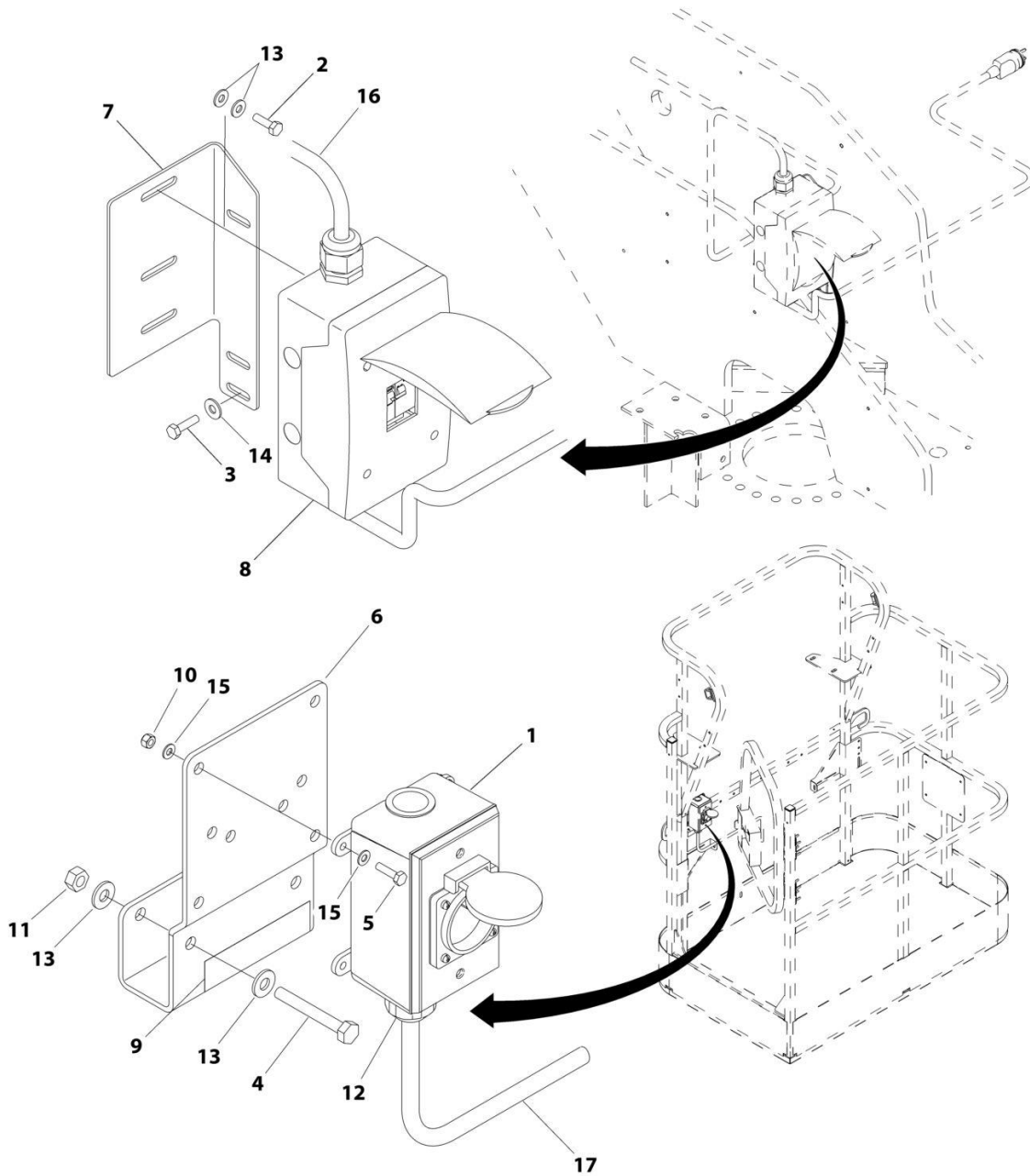
SECTION 8 - ELECTRICAL

FIGURE 8-39. PLUG AND RECEPTACLE 220V INSTALLATION - AFSINT 107 KEYED GROUND - 2 X 4 BOX (CE SPEC)

ITEM	PART NUMBER	QTY	DESCRIPTION	REV
	1001166259	Ref	PLUG AND RECEPTACLE 220V INSTALLATION - AFSINT 107 KEYED GROUND - 2 X 4 BOX (CE SPEC)	C
1	0275454	1	AC Plugs and Sockets Installation - CE Spec (See AC PLUGS AND SOCKETS INSTALLATION - CE SPEC for Breakdown)	
2	0641407	2	Bolt, 1/4-20 x 7/8	
3	0641408	2	Bolt, 1/4-20- x 1	
4	0641416	2	Bolt, 1/4-20 x 2	
5	0700408	4	Bolt, M4 x 16	
6	1001193018	1	Bracket	
7	1001178491	1	Bracket	
8	2902549	1	Breaker Box Kit with One Breakers - CE Spec (See BREAKER BOX KIT WITH ONE BREAKERS - CE SPEC for Breakdown)	
9	3252507	2	Decal - 220V - 50/60 Hz	
10	3290405	4	Nut, Lock, M4 x 0.7	
11	3311405	4	Nut, Lock, 1/4-20	
12	4460662	1	Connector, Strain Relief	
13	4711400	8	Washer, 1/4	
14	4751400	2	Washer, 1/4	
15	4811400	8	Washer, 4mm	
16	4922609	1	Lower Boom 220V Harness Assembly - CE Spec (See LOWER BOOM 220V HARNESS ASSEMBLY - CE SPEC for Breakdown)	
17	4922610	1	Main Boom 220V Harness Assembly - CE Spec (See MAIN BOOM 220V HARNESS ASSEMBLY - CE SPEC for Breakdown)	

SECTION 8 - ELECTRICAL

FIGURE 8-40. PLUG AND RECEPTACLE 220V INSTALLATION - CEE7 POST GROUND - 2 X 4 BOX (CE SPEC)



ART_1001166251

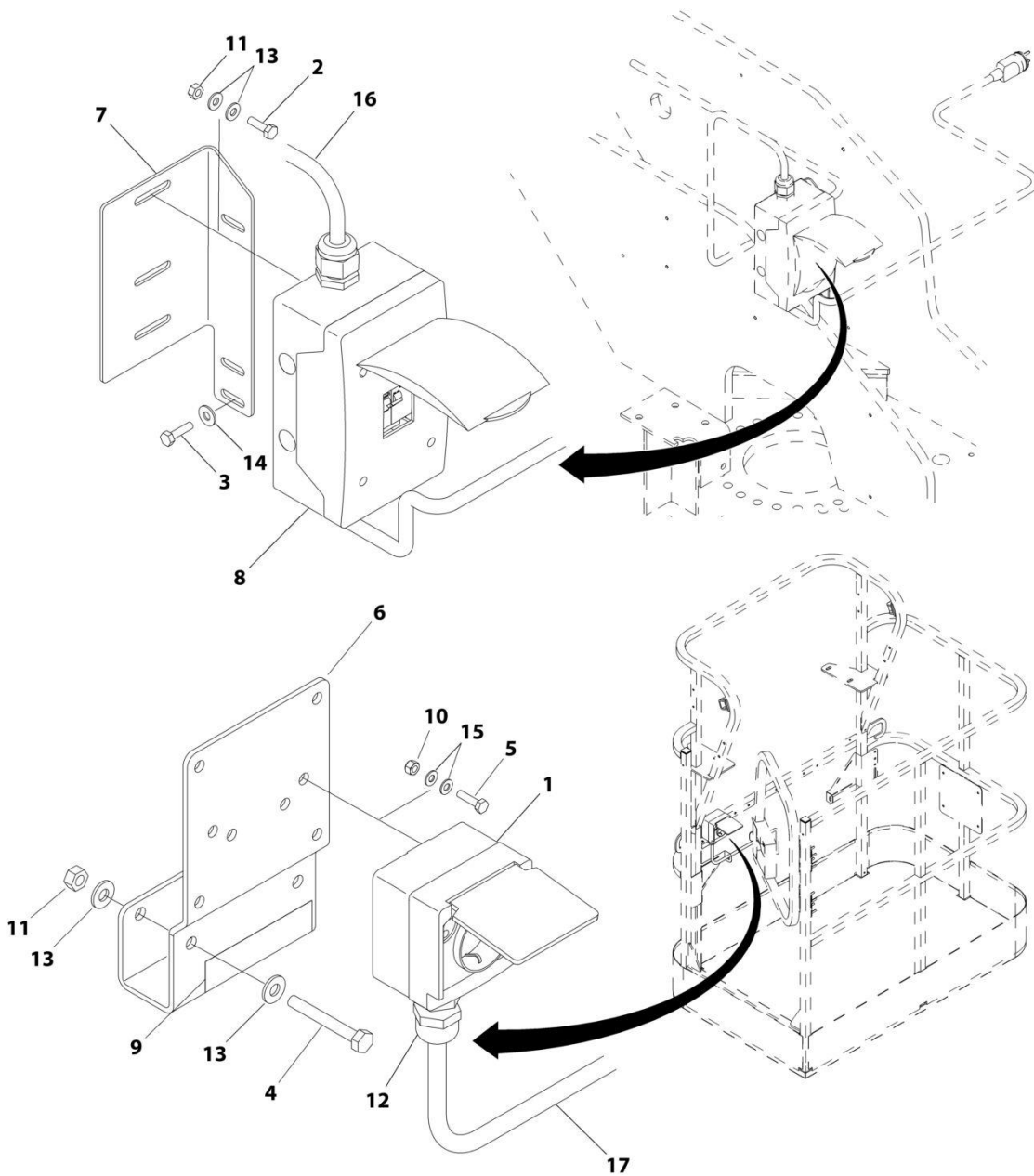
SECTION 8 - ELECTRICAL

**FIGURE 8-40. PLUG AND RECEPTACLE 220V INSTALLATION - CEE7 POST GROUND - 2 X 4 BOX
(CE SPEC)**

ITEM	PART NUMBER	QTY	DESCRIPTION	REV
	1001166251	Ref	PLUG AND RECEPTACLE 220V INSTALLATION - CEE7 POST GROUND - 2 X 4 BOX (CE SPEC)	C
1	0275452	1	AC Plugs and Sockets Installation - CE Spec (See AC PLUGS AND SOCKETS INSTALLATION - CE SPEC for Breakdown)	
2	0641407	2	Bolt, 1/4-20 x 7/8	
3	0641408	2	Bolt, 1/4-20 x 1	
4	0641416	2	Bolt, 1/4-20 x 2	
5	0700408	4	Bolt, M4 x 16	
6	1001193018	1	Bracket	
7	1001178491	1	Bracket	
8	2902549	1	Breaker Box Kit with One Breakers - CE Spec (See BREAKER BOX KIT WITH ONE BREAKERS CE SPEC for Breakdown)	
9	3252507	2	Decal - 220V - 50/60Hz	
10	3290405	4	Nut, Lock, M4 x 0.7	
11	3311405	4	Nut, Lock, 1/4-20	
12	4460662	1	Connector, Strain Relief	
13	4711400	8	Washer, 1/4	
14	4751400	2	Washer, 1/4	
15	4811400	8	Washer, 4mm	
16	4922609	1	Lower Boom 220V Harness Assembly - CE Spec (See LOWER BOOM 220V HARNESS ASSEMBLY - CE SPEC for Breakdown)	
17	4922610	1	Main Boom 220V Harness Assembly - CE Spec (See MAIN BOOM 220V HARNESS ASSEMBLY - CE SPEC for Breakdown)	

SECTION 8 - ELECTRICAL

FIGURE 8-41. PLUG AND RECEPTACLE 220V INSTALLATION - CEE7 POST GROUND - 70MM X 70MM BOX (CE SPEC)



ART_1001166261

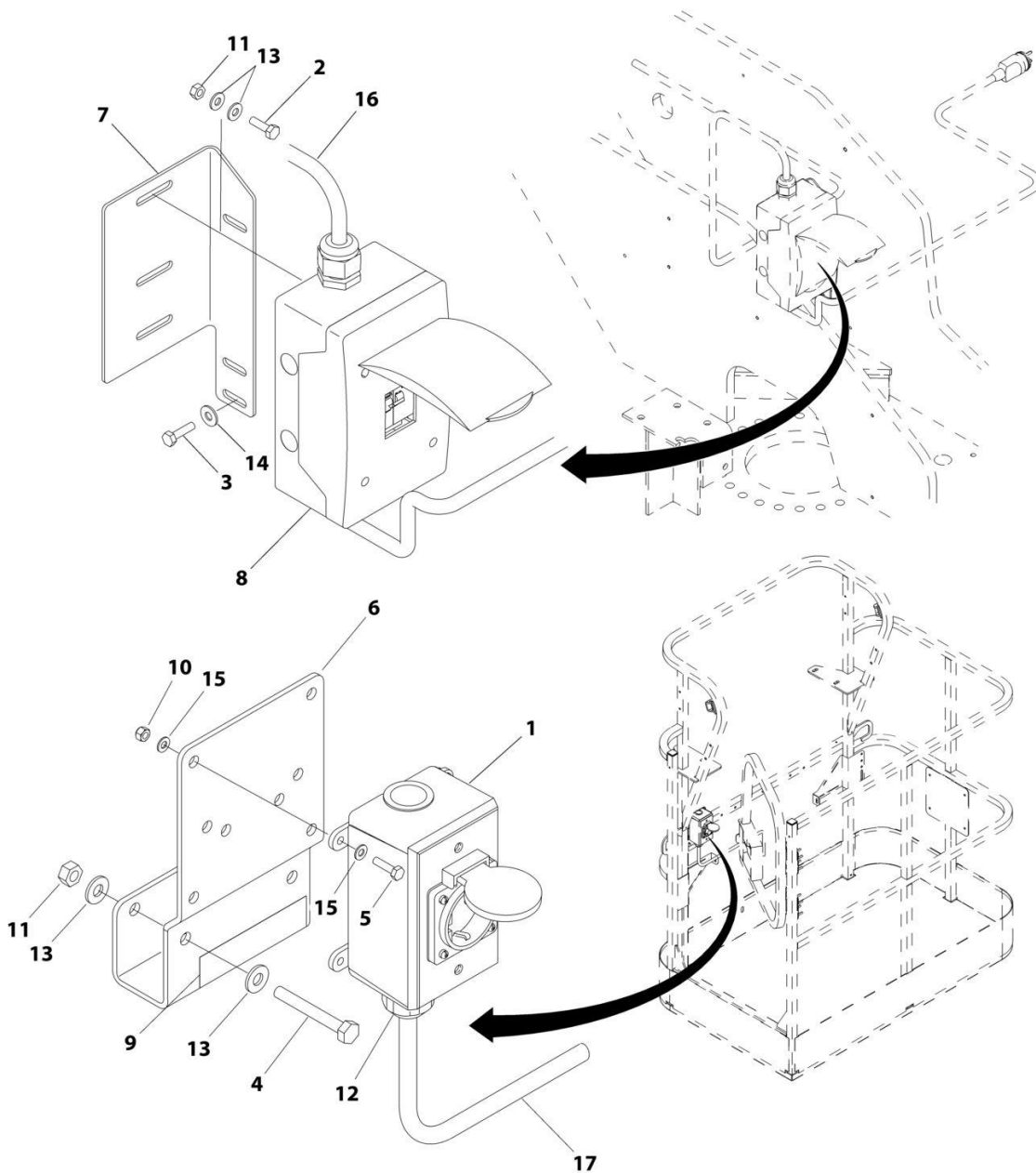
SECTION 8 - ELECTRICAL

FIGURE 8-41. PLUG AND RECEPTACLE 220VINSTALLATION - CEE7 POST GROUND - 70MM X 70MM BOX (CE SPEC)

ITEM	PART NUMBER	QTY	DESCRIPTION	REV
	1001166261	Ref	PLUG AND RECEPTACLE 220VINSTALLATION - CEE7 POST GROUND - 70MM X 70MM BOX (CE SPEC)	C
1	0275218	1	AC Plugs and Sockets Installation - CE Spec (See AC PLUGS AND SOCKETS INSTALLATION - CE SPEC for Breakdown)	
2	0641407	2	Bolt, 1/4-20 x 7/8	
3	0641408	2	Bolt, 1/4-20 x 1	
4	0641416	2	Bolt, 1/4-20 x 2	
5	0700408	2	Bolt, M4 x 16	
6	1001193018	1	Bracket	
7	1001178491	1	Bracket	
8	2902549	1	Breaker Box Kit with One Breakers - CE Spec (See BREAKER BOX KIT WITH ONE BREAKERS CE Spec for Breakdown)	
9	3252507	2	Decal - 220V - 50/60 Hz	
10	3290405	2	Nut, Lock, M4 x 0.7	
11	3311405	4	Nut, Lock, 1/4-20	
12	4460968	1	Connector, Strain Relief	
13	4711400	8	Washer, 1/4	
14	4751400	2	Washer, 1/4	
15	4811400	4	Washer, 4mm	
16	4922609	1	Lower Boom 220V Harness Assembly - CE Spec (See LOWER BOOM 220V HARNESS ASSEMBLY - CE SPEC for Breakdown)	
17	4922610	1	Main Boom 220V Harness Assembly - CE Spec (See MAIN BOOM 220V HARNESS ASSEMBLY - CE SPEC for Breakdown)	

SECTION 8 - ELECTRICAL

FIGURE 8-42. PLUG AND RECEPTACLE 220 INSTALLATION - CEE7 SIDE GROUND - 2 X 4 BOX (CE SPEC)



ART_1001166258

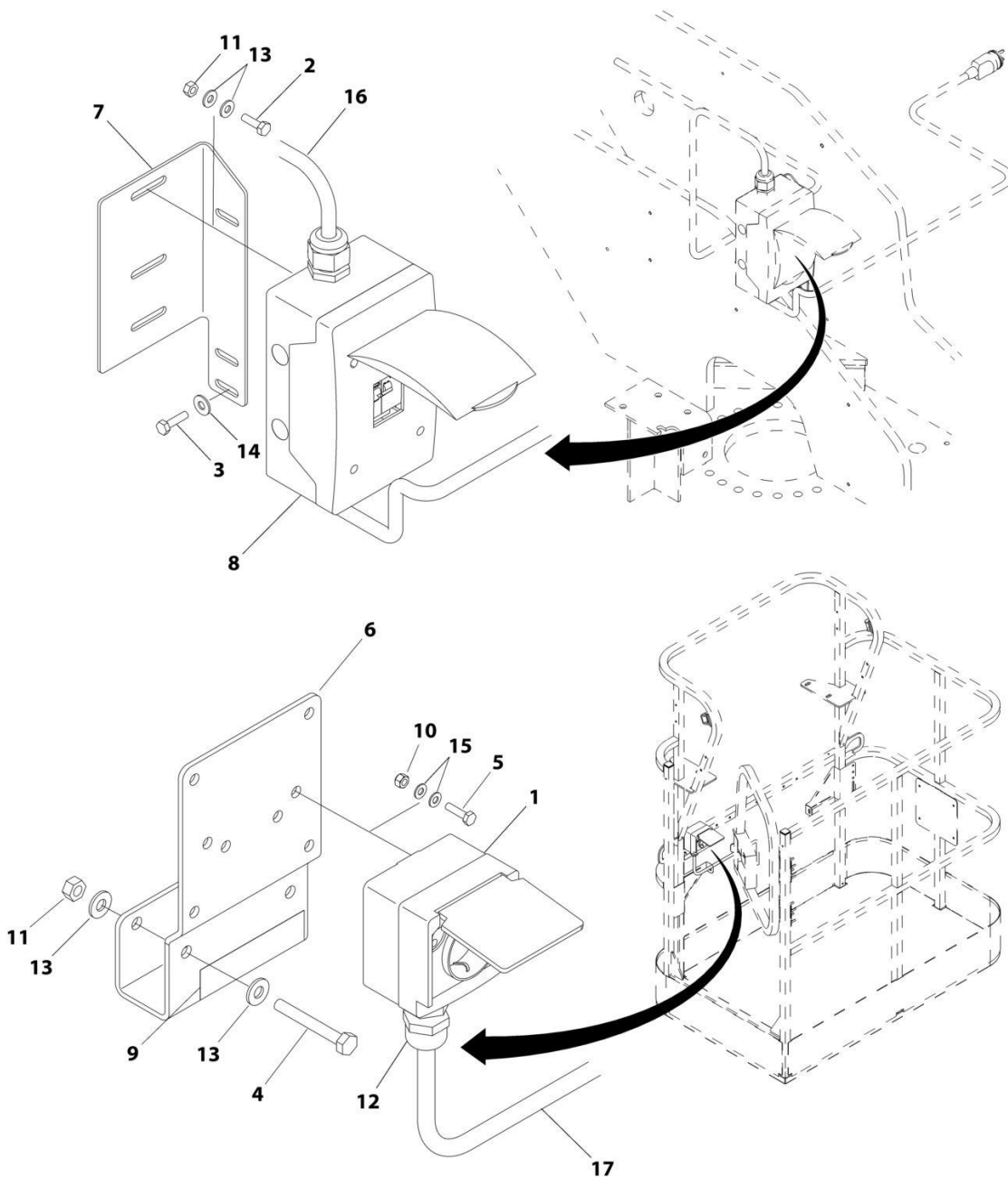
SECTION 8 - ELECTRICAL

FIGURE 8-42. PLUG AND RECEPTACLE 220 INSTALLATION - CEE7 SIDE GROUND - 2 X 4 BOX (CE SPEC)

ITEM	PART NUMBER	QTY	DESCRIPTION	REV
	1001166258	Ref	PLUG AND RECEPTACLE 220 INSTALLATION - CEE7 SIDE GROUND - 2 X 4 BOX (CE SPEC)	C
1	0275453	1	AC Plugs and Sockets Installation - CE Spec (See AC PLUGS AND SOCKETS INSTALLATION - CE SPEC for Breakdown)	
2	0641407	2	Bolt, 1/4-20 x 7/8	
3	0641408	2	Bolt, 1/4-20 x 1	
4	0641416	2	Bolt, 1/4-20 x 2	
5	0700408	4	Bolt, M4 x 16	
6	1001193018	1	Bracket	
7	1001178491	1	Bracket	
8	1001152485	1	Breaker Box Kit with Two Breakers - CE Spec (See BREAKER BOX KIT WITH TWO BREAKERS - CE SPEC for Breakdown)	
9	3252507	2	Decal - 220V - 50/60 Hz	
10	3290405	4	Nut, Lock, M4 x 0.7	
11	3311405	4	Nut, Lock, 1/4-20	
12	4460662	1	Connector, Strain Relief	
13	4711400	8	Washer, 1/4	
14	4751400	2	Washer, 1/4	
15	4811400	8	Washer, 4mm	
16	4922609	1	Lower Boom 220V Harness Assembly - CE Spec (See LOWER BOOM 220V HARNESS ASSEMBLY - CE SPEC for Breakdown)	
17	4922610	1	Main Boom 220V Harness Assembly - CE Spec (See MAIN BOOM 220V HARNESS ASSEMBLY - CE SPEC for Breakdown)	

SECTION 8 - ELECTRICAL

FIGURE 8-43. PLUG AND RECEPTACLE 220V INSTALLATION - CEE7 SIDE GROUND - 70MM X 70MM BOX (CE SPEC)



ART_1001166262

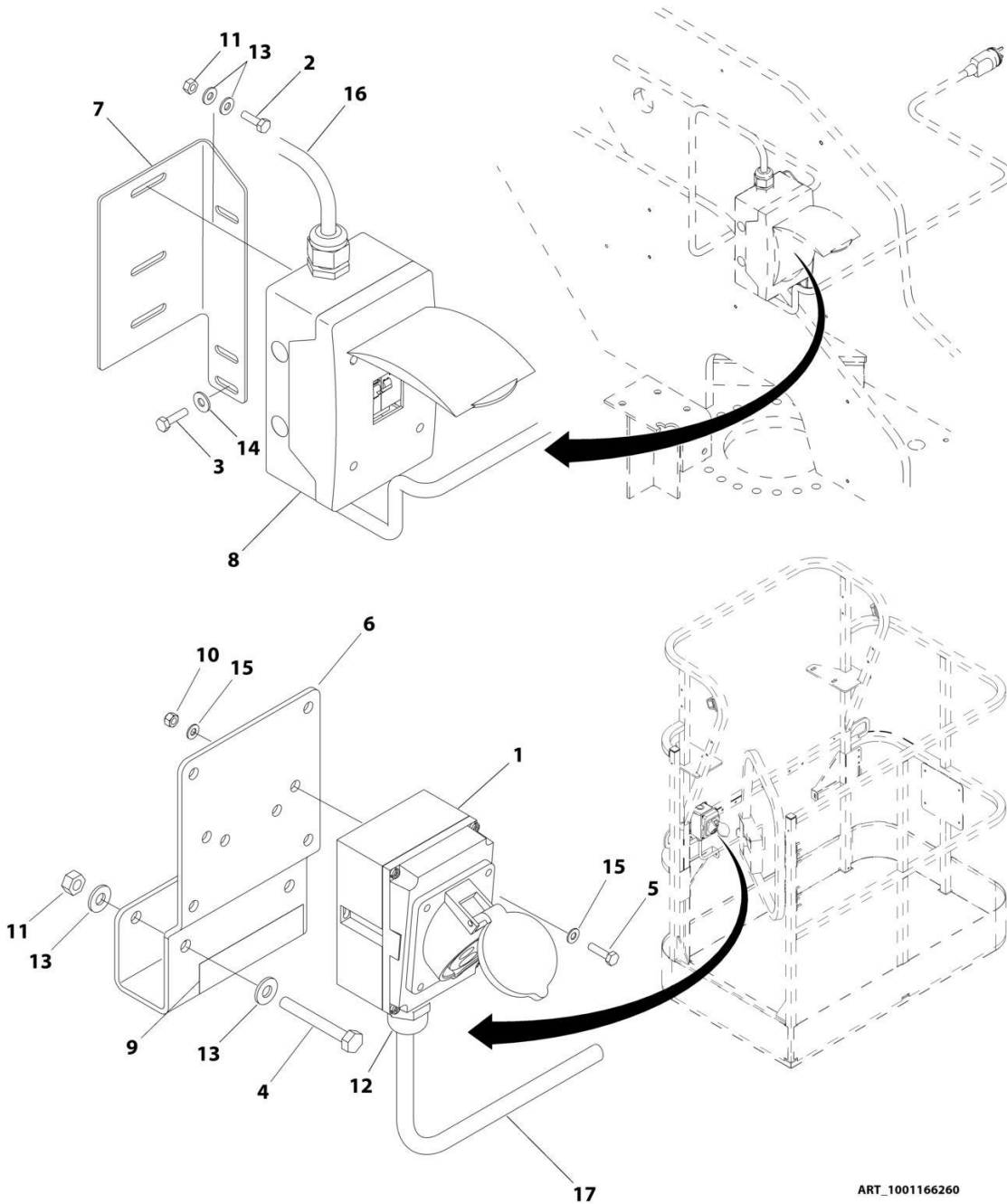
SECTION 8 - ELECTRICAL

FIGURE 8-43. PLUG AND RECEPTACLE 220V INSTALLATION - CEE7 SIDE GROUND - 70MM X 70MM BOX (CE SPEC)

ITEM	PART NUMBER	QTY	DESCRIPTION	REV
	1001166262	Ref	PLUG AND RECEPTACLE 220V INSTALLATION - CEE7 SIDE GROUND - 70MM X 70MM BOX (CE SPEC)	C
1	0275219	1	AC Plugs and Sockets Installation - CE Spec (See AC PLUGS AND SOCKETS INSTALLATION - CE SPEC for Breakdown)	
2	0641407	2	Bolt, 1/4-20 x 7/8	
3	0641408	2	Bolt, 1/4-20 x 1	
4	0641416	2	Bolt, 1/4-20 x 2	
5	0700408	2	Bolt, M4 x 16	
6	1001193018	1	Bracket	
7	1001178491	1	Bracket	
8	1001152485	1	Breaker Box Kit with Two Breakers - CE Spec (See BREAKER BOX KIT WITH TWO BREAKERS - CE SPEC for Breakdown)	
9	3252507	2	Decal - 220V - 50/60 Hz	
10	3290405	2	Nut, Lock, M4 x 0.7	
11	3311405	4	Nut, Lock, 1/4-20	
12	4460968	1	Connector, Strain Relief	
13	4711400	8	Washer, 1/4	
14	4751400	2	Washer, 1/4	
15	4811400	4	Washer, 4mm	
16	4922609	1	Lower Boom 220V Harness Assembly - CE Spec (See LOWER BOOM 220V HARNESS ASSEMBLY - CE SPEC for Breakdown)	
17	4922610	1	Main Boom 220V Harness Assembly - CE Spec (See MAIN BOOM 220V HARNESS ASSEMBLY - CE SPEC for Breakdown)	

SECTION 8 - ELECTRICAL

FIGURE 8-44. PLUG AND RECEPTACLE 220V INSTALLATION - IEC 60309 - BLUE (CE SPEC)



ART_1001166260

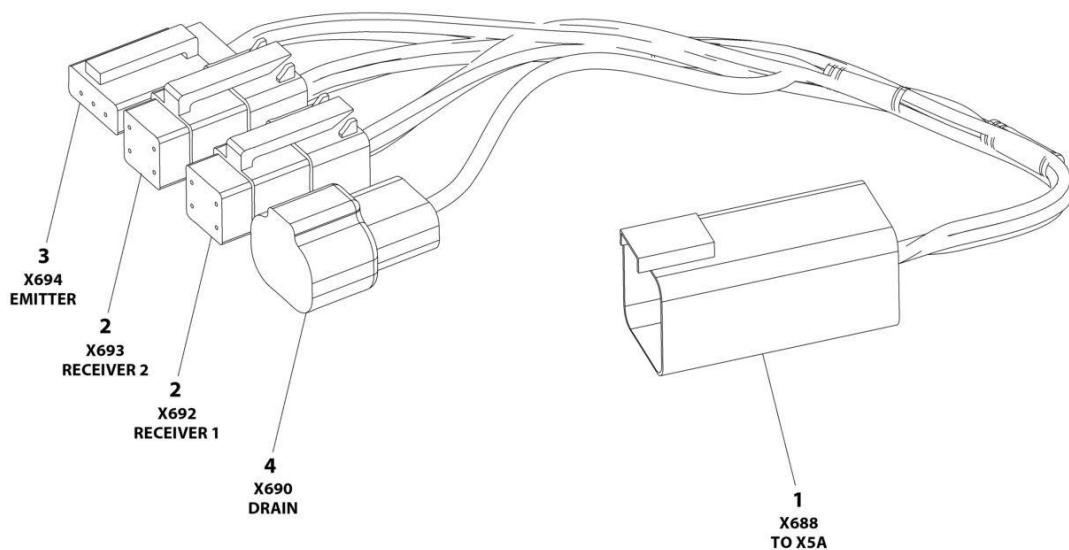
SECTION 8 - ELECTRICAL

FIGURE 8-44. PLUG AND RECEPTACLE 220VINSTALLATION - IEC 60309 - BLUE (CE SPEC)

ITEM	PART NUMBER	QTY	DESCRIPTION	REV
	1001166260	Ref	PLUG AND RECEPTACLE 220VINSTALLATION - IEC 60309 - BLUE (CE SPEC)	C
1	0275217	1	AC Plugs and Sockets Installation - CE Spec (See AC PLUGS AND SOCKETS INSTALLATION - CE SPEC for Breakdown)	
2	0641407	2	Bolt, 1/4-20 x 7/8	
3	0641408	2	Bolt, 1/4-20 x 1	
4	0641416	2	Bolt, 1/4-20 x 2	
5	0700408	2	Bolt, M4 x 16	
6	1001193018	1	Bracket	
7	1001178491	1	Bracket	
8	2902549	1	Breaker Box Kit with One Breakers - CE Spec (See BREAKER BOX KIT WITH ONE BREAKERS - CE SPEC for Breakdown)	
9	3252507	2	Decal - 220V - 50/60 Hz	
10	3290405	2	Nut, Lock, M4 x 0.7	
11	3311405	4	Nut, Lock, 1/4-20	
12	4460968	1	Connector, Strain Relief	
13	4711400	8	Washer, 1/4	
14	4751400	2	Washer, 1/4	
15	4811400	4	Washer, 4mm	
16	4922609	1	Lower Boom 220V Harness Assembly - CE Spec (See LOWER BOOM 220V HARNESS ASSEMBLY - CE SPEC for Breakdown)	
17	4922610	1	Main Boom 220V Harness Assembly - CE Spec (See MAIN BOOM 220V HARNESS ASSEMBLY - CE SPEC for Breakdown)	

SECTION 8 - ELECTRICAL

FIGURE 8-45. SKYEYE INTERMEDIATE HARNESS



ART_1001237865

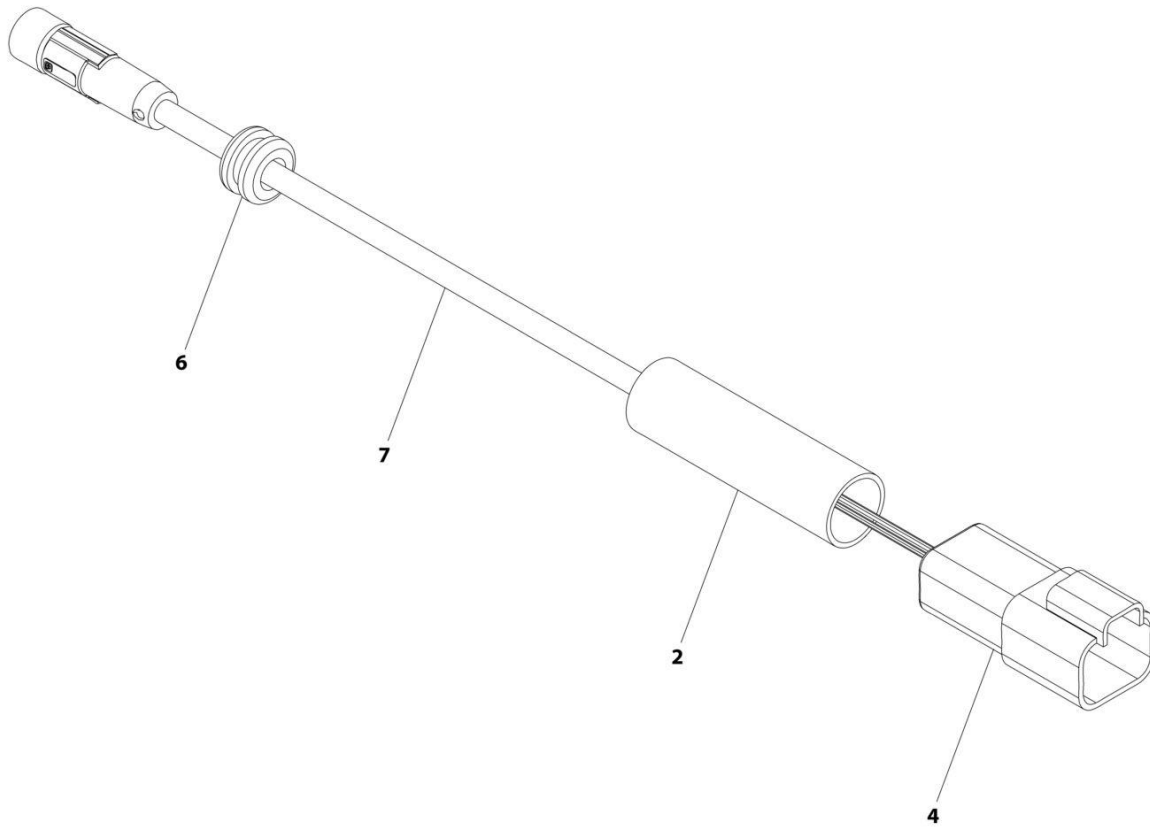
SECTION 8 - ELECTRICAL

FIGURE 8-45. SKYEYE INTERMEDIATE HARNESS

ITEM	PART NUMBER	QTY	DESCRIPTION	REV
	1001237865	Ref	SKYEYE INTERMEDIATE HARNESS	A
1	4460899	1	Connector - 6 Position	
1	4460943	4	Pin, Male	
1	4460466	2	Plug, Terminal	
2	4461077	2	Connector - 4 Position	
2	1001119619	8	Socket, Female	
3	4460911	1	Connector - 3 Position	
3	1001119619	3	Socket, Female	
4	1001187681	1	Connector - 2 Position	
4	4460941	1	Pin, Male	
4	4460466	1	Plug, Terminal	

SECTION 8 - ELECTRICAL

FIGURE 8-46. SKYEYE RECEIVER HARNESS



ART_1001237863

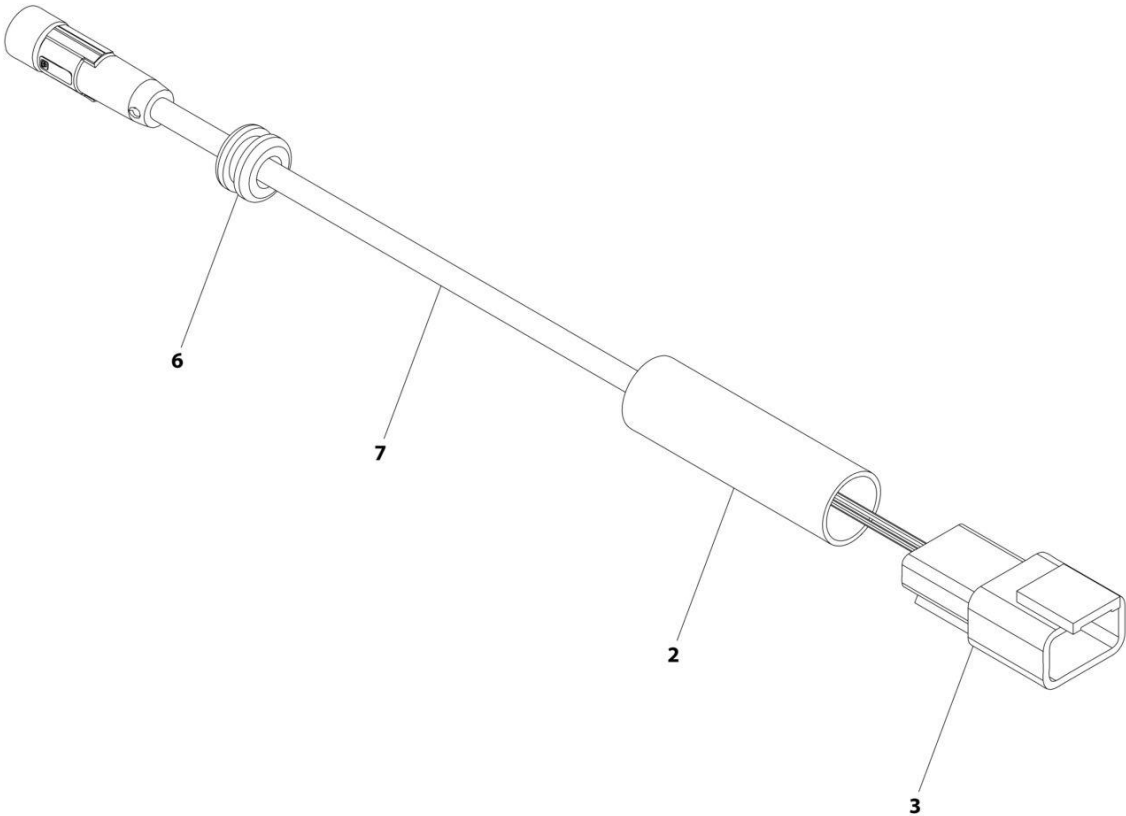
SECTION 8 - ELECTRICAL

FIGURE 8-46. SKYEYE RECEIVER HARNESS

ITEM	PART NUMBER	QTY	DESCRIPTION	REV
	1001237863	Ref	SKYEYE RECEIVER HARNESS	A
2	2820247	AR	Tubing, Heat Shrink	
4	1001097051	1	Connector - 4 Position	
4	1001119620	4	Pin, Male	
6	1001227996	1	Grommet	
7	1001237862	1	Cable, M8 Female Cordset	

SECTION 8 - ELECTRICAL

FIGURE 8-47. SKYEYE EMITTER HARNESS



ART_1001237864

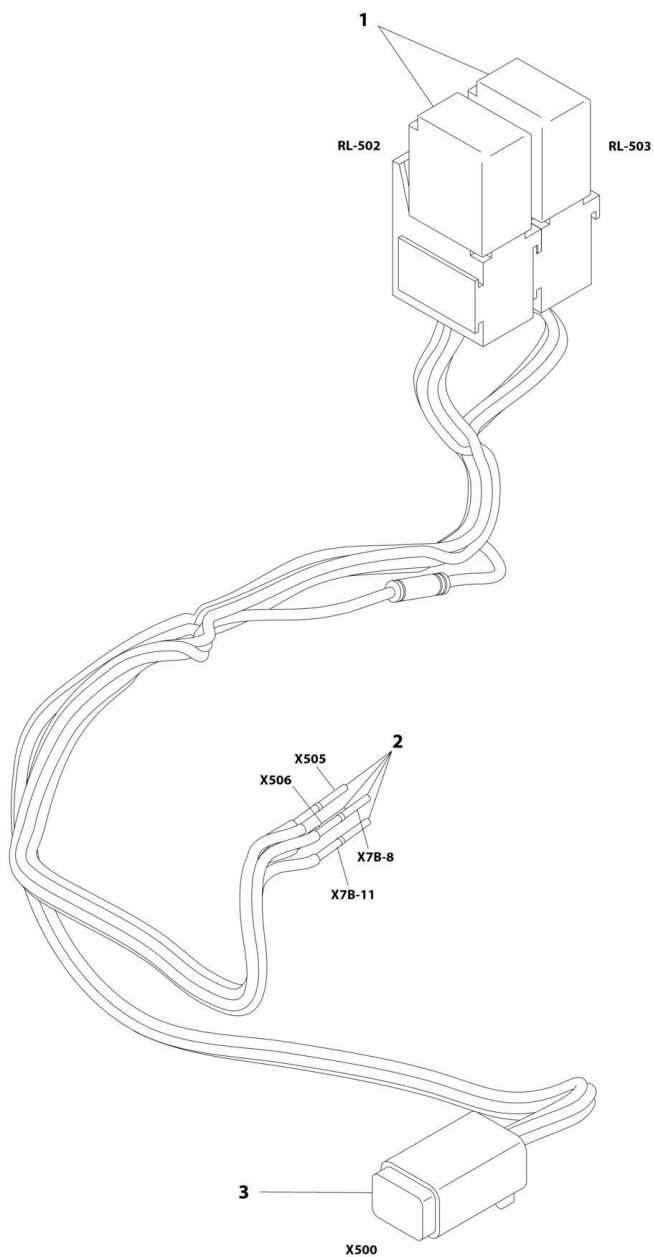
SECTION 8 - ELECTRICAL

FIGURE 8-47. SKYEYE EMITTER HARNESS

ITEM	PART NUMBER	QTY	DESCRIPTION	REV
	1001237864	Ref	SKYEYE EMITTER HARNESS	A
2	2820247	AR	Tubing, Heat Shrink	
3	4460910	1	Connector - 3 Position	
3	1001119620	3	Pin, Male	
6	1001227996	1	Grommet	
7	1001237862	1	Cable, M8 Female Cordset	

SECTION 8 - ELECTRICAL

FIGURE 8-48. SKYGUARD HARNESS - WITHOUT LSS OR WITH 4 CELL LSS



ART_1001192292

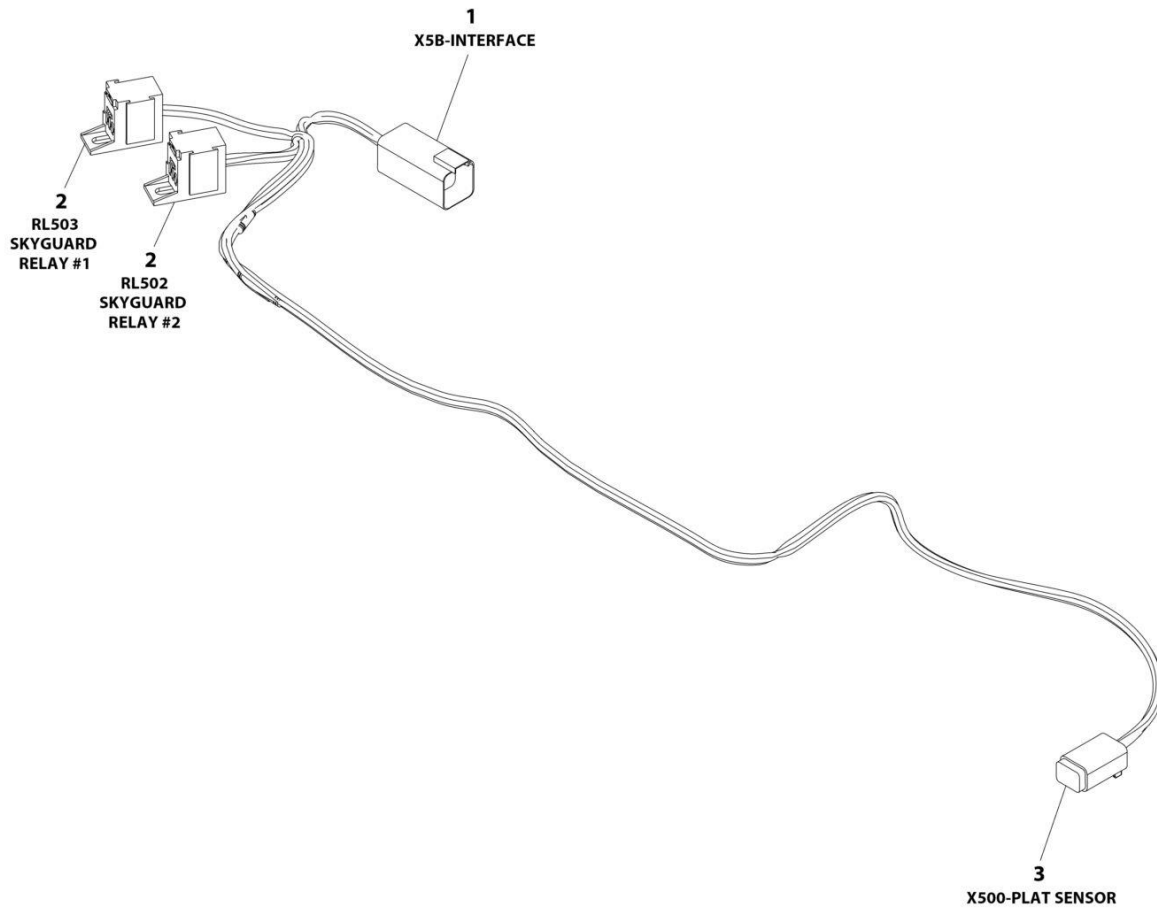
SECTION 8 - ELECTRICAL

FIGURE 8-48. SKYGUARD HARNESS - WITHOUT LSS OR WITH 4 CELL LSS

ITEM	PART NUMBER	QTY	DESCRIPTION	REV
	1001192292	Ref	SKYGUARD HARNESS - WITHOUT LSS OR WITH 4 CELL LSS	B
1	1001186432	1	Holder, Relay	
1	1001186431	1	Relay, 35Amp	
1	1001116720	5	Terminal	
2	1001186432	1	Holder, Relay	
2	1001186431	1	Relay, 35Amp	
2	1001116720	6	Terminal	
3	4460226	4	Socket, Female	
4	4460884	1	Connector - 4 Position	
4	4460465	4	Socket, Female	

SECTION 8 - ELECTRICAL

FIGURE 8-49. SKYGUARD HARNESS - WITH 1 CELL LSS



ART_1001225580

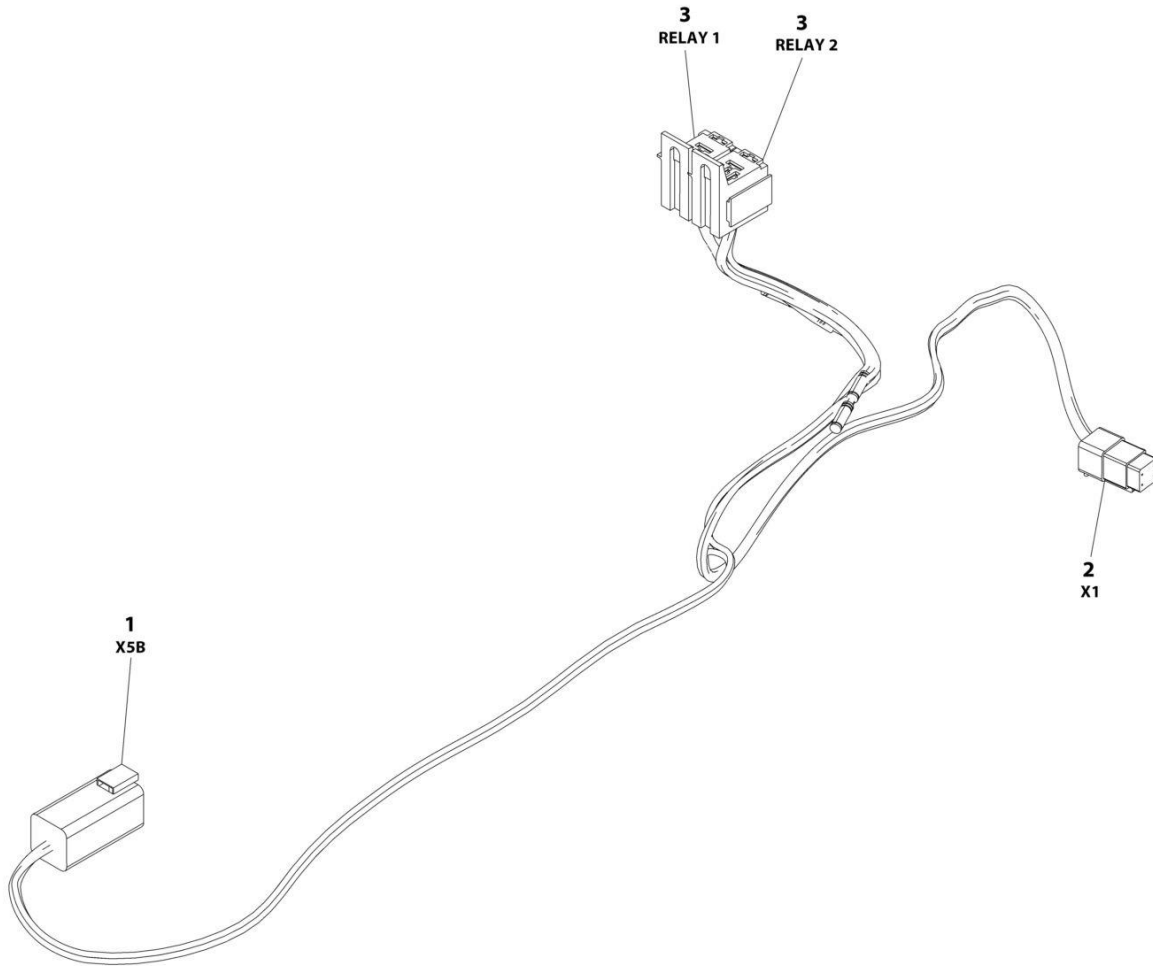
SECTION 8 - ELECTRICAL

FIGURE 8-49. SKYGUARD HARNESS - WITH 1 CELL LSS

ITEM	PART NUMBER	QTY	DESCRIPTION	REV
	1001225580	Ref	SKYGUARD HARNESS - WITH 1 CELL LSS	C
1	4460899	1	Receptacle, Female - 6 Position	
1	4460464	4	Pin, Male	
1	4460466	2	Plug, Terminal	
2	1001186432	2	Holder, Relay	
2	1001186431	1	Relay, 35Amp	
2	1001116720	4	Terminal	
2	1001118388	4	Terminal	
3	4460884	1	Connector - 4 Position	
3	4460465	4	Socket, Female	

SECTION 8 - ELECTRICAL

FIGURE 8-50. SKYLINE HARNESS



ART_1001238418

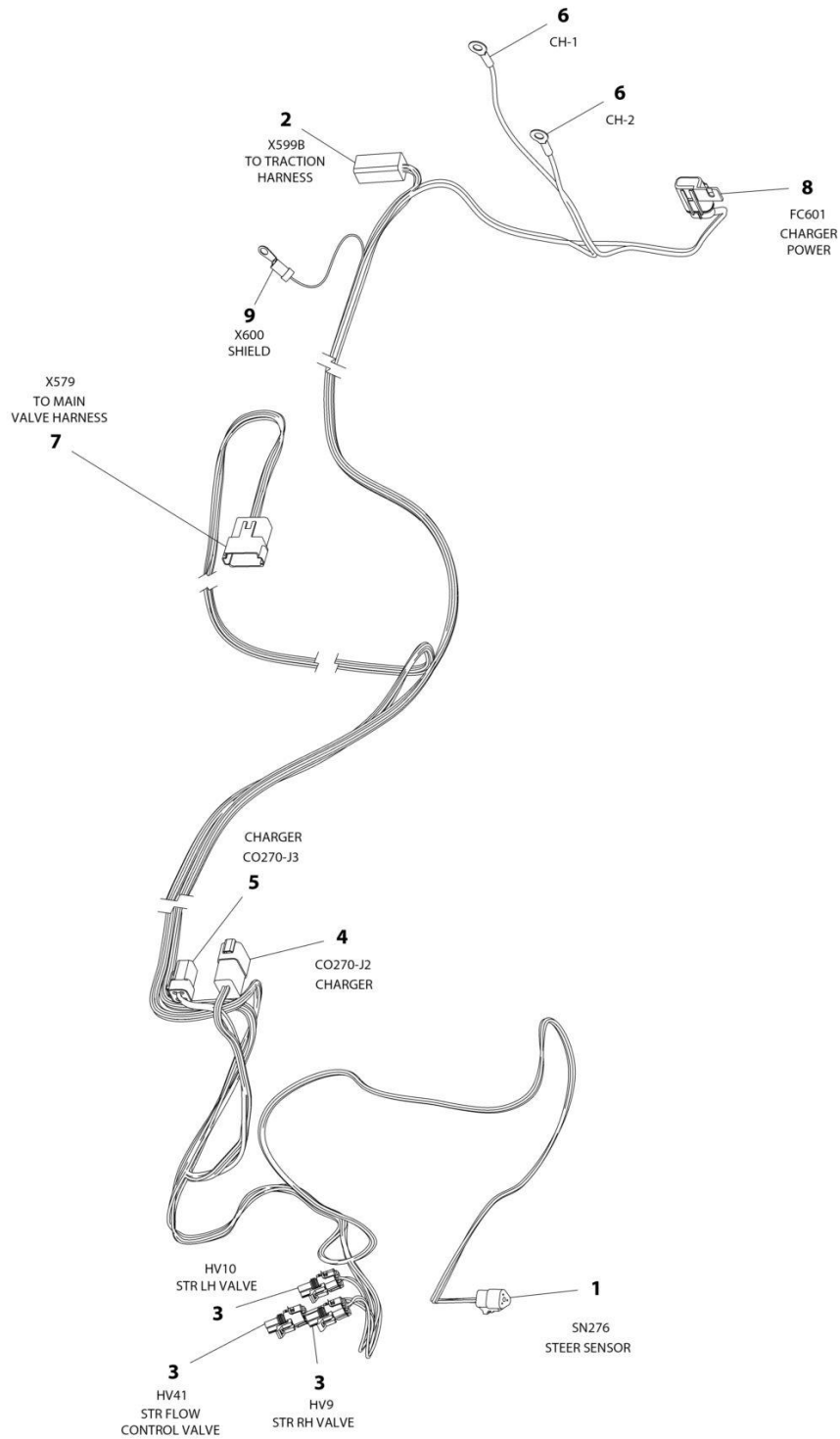
SECTION 8 - ELECTRICAL

FIGURE 8-50. SKYLINE HARNESS

ITEM	PART NUMBER	QTY	DESCRIPTION	REV
	1001238418	Ref	SKYLINE HARNESS	B
1	4460899	1	Connector - 6 Position	
1	4460464	4	Pin, Male	
1	4460466	2	Plug, Terminal	
2	4461077	1	Connector - 4 Position	
2	1001126009	4	Socket, Female	
3	1001186432	2	Plug, Relay	
3	1001118388	5	Terminal	
3	1001118384	3	Terminal	
3	3740086	2	Relay	

SECTION 8 - ELECTRICAL

FIGURE 8-51. STEER/BRAKE HARNESS



ART_1001188528

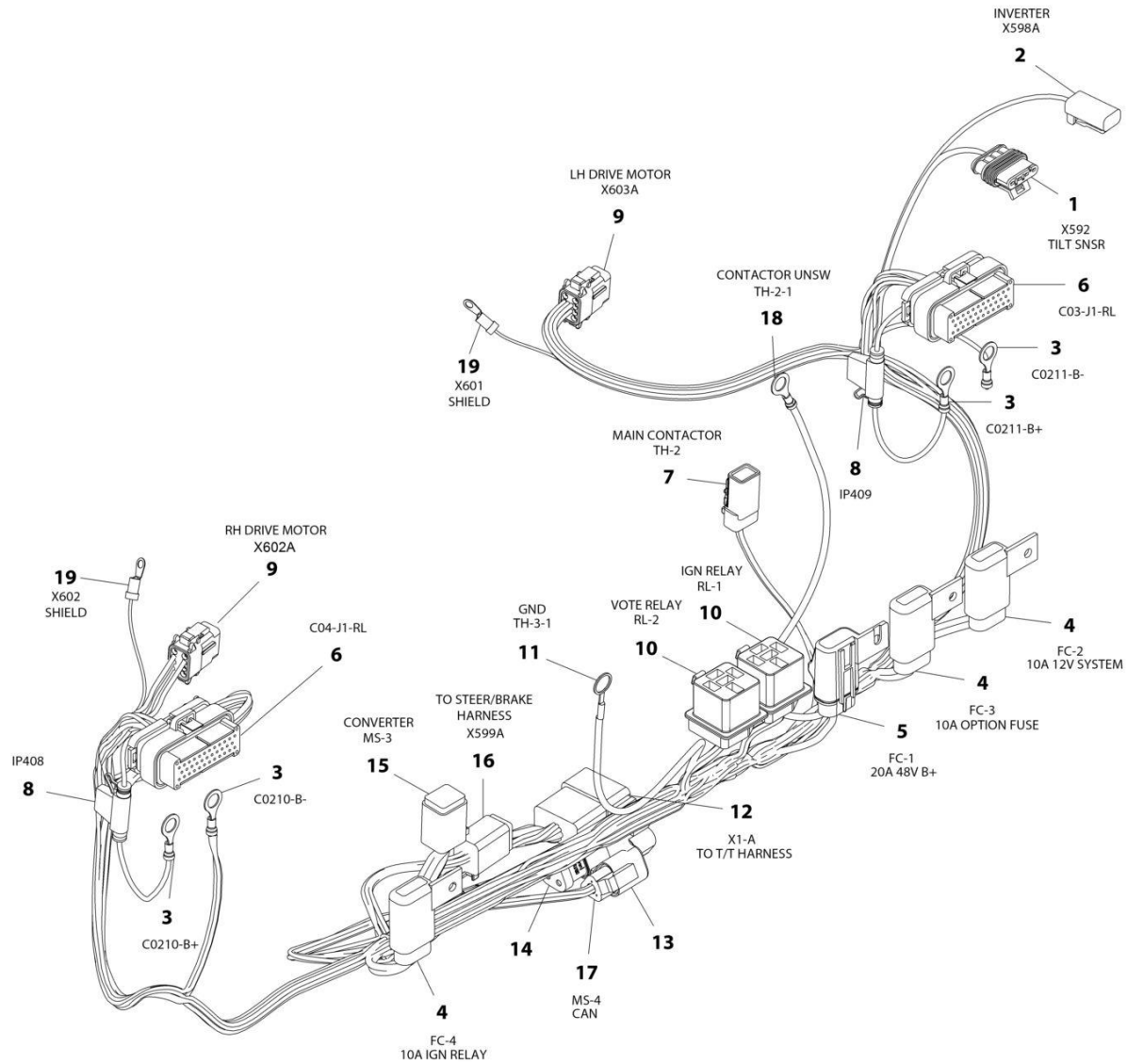
SECTION 8 - ELECTRICAL

FIGURE 8-51. STEER/BRAKE HARNESS

ITEM	PART NUMBER	QTY	DESCRIPTION	REV
	1001188528	Ref	STEER/BRAKE HARNESS	H
1	4460539	1	Plug, Male - 4 Position	
1	4460465	3	Socket, Female	
2	4460899	1	Receptacle, Female - 6 Position	
2	4460464	AR	Pin, Male	
2	4460466	1	Plug, Terminal (SN 0300226307 through 0300272265)	
3	4460742	3	Plug, Male - 2 Position	
3	4460743	6	Socket, Female	
4	4460931	1	Receptacle, Female - 8 Position	
4	4460464	6	Pin, Male	
4	4460466	2	Plug, Terminal	
5	1001116810	1	Plug, Male - 4 Position	
5	4460509	2	Terminal	
5	4460466	2	Plug, Terminal	
6	8220045	2	Ring, Terminal	
7	4460970	1	Receptacle, Female - 12 Position	
7	4460464	9	Pin, Male	
7	4460466	3	Plug, Terminal	
8	1001117070	1	Fuseholder with Cover & 30Amp Fuse (SN 0300208530 through 0300226306)	
8	8229245	1	Fuse 30 Amp (SN 0300208530 through 0300226306)	
8	1001217844	1	Fuseholder (SN 0300226307 through 0300272265)	
8	1001217842	1	Cover (SN 0300226307 through 0300272265)	
8	8229236	1	Fuse - 30 Amp (SN 0300226307 through 0300272265)	
8	1001116734	1	Terminal, Female (SN 0300226307 through 0300272265)	
9	4460142	1	Terminal, Ring (SN 0300226307 through 0300272265)	

SECTION 8 - ELECTRICAL

FIGURE 8-52. TRACTION HARNESS



ART_1001178629

SECTION 8 - ELECTRICAL

FIGURE 8-52. TRACTION HARNESS

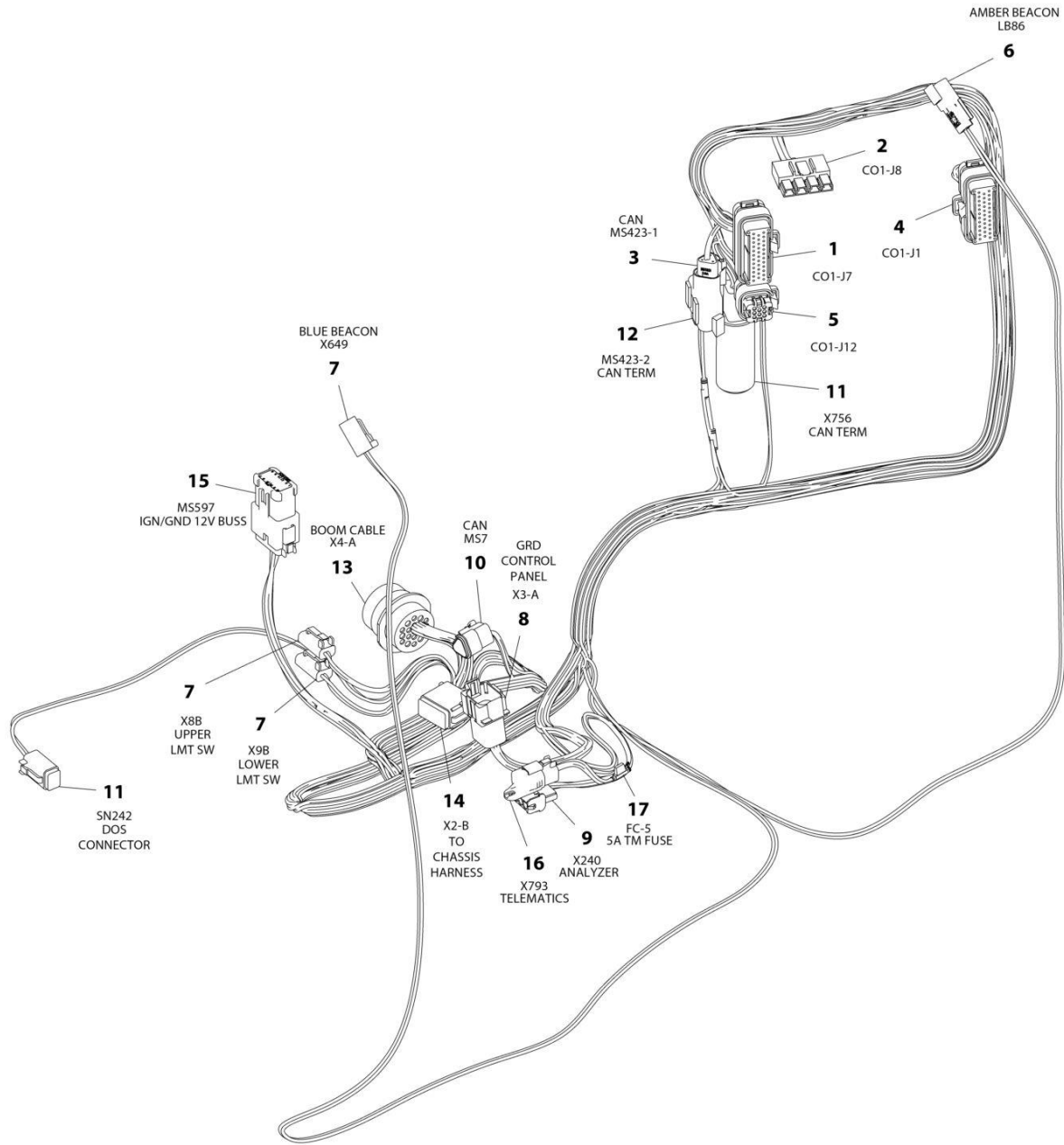
ITEM	PART NUMBER	QTY	DESCRIPTION	REV
	1001178629	Ref	TRACTION HARNESS	K
1	1001103012	1	Connector - 4 Position	
1	1001107854	4	Socket, Female	
2	4460891	1	Plug, Male - 2 Position	
2	4460465	1	Socket, Female	
2	4460466	1	Plug, Terminal	
3	4460670	AR	Terminal, Ring	
4	1001117023	3	Connector with 10Amp Fuse (SN 0300208530 through 0300208352)	
4	1001117024	3	Connector with 10Amp Fuse (SN 0300208353 through 0300226306)	
4	1001096134	3	Cover, Fuse (SN 0300208530 through 0300226306)	
4	1001217844	3	Fuseholder (SN 0300226307 through 0300272265)	
4	1001217842	3	Cover (SN 0300226307 through 0300272265)	
4	8229261	1	Fuse - 5 Amp (SN 0300226307 through 0300272265)	
4	8229237	1	Fuse - 15 Amp (SN 0300226307 through 0300272265)	
4	8229235	1	Fuse - 20 Amp (SN 0300226307 through 0300272265)	
4	1001116734	6	Terminal, Female	
5	1001117069	1	Connector with 20Amp Fuse (SN 0300208530 through 0300226306)	
5	1001096134	1	Cover, Fuseholder (SN 0300208530 through 0300226306)	
5	1001217844	1	Fuseholder (SN 0300226307 through 0300272265)	
5	1001217842	1	Cover (SN 0300226307 through 0300272265)	
5	8229235	1	Fuse - 20 Amp (SN 0300226307 through 0300272265)	
5	1001116734	2	Terminal, Female	
6	4460873	1	Connector - 35 Position	
6	4460871	11	Terminal, Female	
6	4460905	24	Seal, Terminal	
7	1001126245	1	Connector - 2 Position	
7	1001126008	2	Terminal	
8	2400060	2	Fuseholder with Cover (SN 0300208530 through 0300210635)	
8	1001201642	2	Fuseholder with Cover (SN 0300210636 through 0300226306)	
8	1001170760	2	Fuse - 10 Amp (SN 0300208530 through 0300226306)	
8	1001217843	2	Fuseholder (SN 0300226307 through 0300272265)	
8	1001217842	2	Cover (SN 0300226307 through 0300272265)	
8	8229234	2	Fuse - 10 Amp (SN 0300226307 through 0300272265)	
9	1001190577	2	Plug, Male - 8 Position	
9	1001126008	16	Terminal	
10	4460374	2	Plug, Relay (SN 0300208530 through 0300214529)	
10	1001203734	1	Plug, Relay (SN 0300214530 through 0300272265)	
10	1001116732	8	Terminal	
10	1001128128	2	Plug, Terminal (SN 0300208530 through 0300214529)	
11	4460019	1	Terminal, Ring	
12	4460950	1	Connector - 12 Position	
12	1001157891	4	Terminal	
12	1001116693	4	Pin, Male	
12	4460464	2	Pin, Male	
12	4460943	2	Pin, Male	
13	4460945	1	Receptacle, 3 Way	
14	1001116815	1	Resistor, 3 Position	

SECTION 8 - ELECTRICAL

ITEM	PART NUMBER	QTY	DESCRIPTION	REV
15	4460894	1	Plug, Male - 6 Position	
15	1001157890	5	Terminal	
15	1001116692	1	Socket, Female	
16	4460894	1	Plug, Male - 6 Position	
16	4460465	AR	Socket, Female	
16	4460466	1	Plug, Terminal (SN 0300226307 through 0300272265)	
17	1001116812	1	Plug, Male - 3 Position	
17	4460944	3	Socket, Female	
18	4460670	1	Terminal, Ring (SN 0300208530 through 0300214529)	
18	4460738	1	Terminal, Ring (SN 0300214530 through 0300272265)	
19	4460142	2	Terminal, Ring (SN 0300226307 through 0300272265)	

SECTION 8 - ELECTRICAL

FIGURE 8-53. TURNTABLE HARNESS



ART_1001178793

SECTION 8 - ELECTRICAL

FIGURE 8-53. TURNTABLE HARNESS

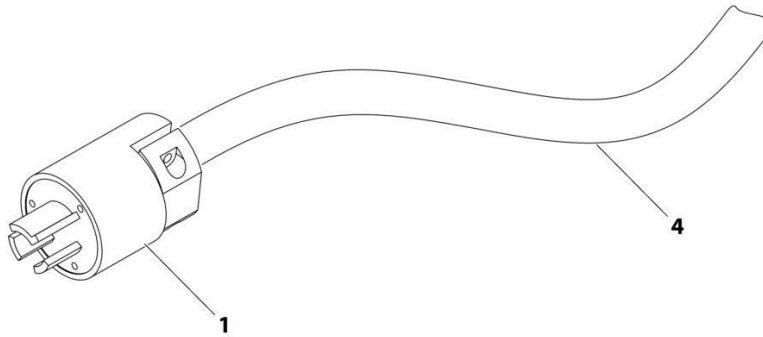
ITEM	PART NUMBER	QTY	DESCRIPTION	REV
	1001178793	Ref	TURNTABLE HARNESS	H
1	4460873	1	Connector - 35 Position	
1	4460871	15	Socket, Female	
1	4460905	20	Plug, Terminal	
2	4460878	1	Connector - 4 Position	
2	4460887	4	Terminal	
3	1001116812	2	Plug, Male -3 Position	
3	4460944	5	Socket, Female	
3	4460466	1	Plug, Terminal	
4	4460874	1	Connector - 35 Position	
4	4460871	9	Socket, Female	
4	4460905	26	Plug, Terminal	
5	1001113961	1	Plug, Male - 8 Position	
5	4460871	3	Socket, Female	
5	4460905	5	Plug, Terminal	
6	4460897	1	Receptacle, Female - 2 Position	
6	4460464	2	Pin, Male	
7	4460891	3	Plug, Male - 2 Position	
7	4460465	6	Socket, Female	
8	1001116813	1	Receptacle, Female - 8 Position	
8	1001116693	6	Pin, Male	
8	4460464	1	Pin, Male	
8	4460466	1	Plug, Terminal	
9	4460761	1	Connector - 4 Position	
9	4460227	4	Pin, Male	
10	4460539	1	Plug, Male - 3 Position	
10	4460944	2	Socket, Female	
10	4460466	1	Plug, Terminal	
11	4460884	2	Plug, Male - 4 Position	
11	4460465	8	Socket, Female	
11	1001186231	1	Connector, Fuse/Diode Can	
12	4460945	1	Receptacle, 3 Way	
13	4460866	1	Connector - 19 Position	
13	4460943	2	Pin, Male	
13	4460508	4	Pin, Male	
13	4460464	7	Pin, Male	
13	4460466	6	Plug, Terminal	
14	4460836	1	Plug, Male - 12 Position	
14	1001157890	5	Socket, Female	
14	4460465	2	Socket, Female	
14	4460944	2	Socket, Female	
14	1001116692	3	Socket, Female	
15	4460933	1	Plug, Male - 12 Position	
15	4460942	6	Socket, Female	
15	4460465	2	Socket, Female	
15	4460466	4	Plug, Terminal	
16	4460884	1	Connector - 4 Position	
16	4460465	AR	Socket, Female	
16	4460942	1	Socket, Female (SN 0300226307 through 0300272265)	
16	1001192401	1	Connector, Dust Cap	

SECTION 8 - ELECTRICAL

ITEM	PART NUMBER	QTY	DESCRIPTION	REV
17	2400060	1	Fuseholder with Cover (SN 0300226307 through 0300272265)	
17	8229242	1	Fuse - 5 Amp (SN 0300226307 through 0300272265)	

SECTION 8 - ELECTRICAL

FIGURE 8-54. UPPER BOOM 110V HARNESS ASSEMBLY



ART_4922608

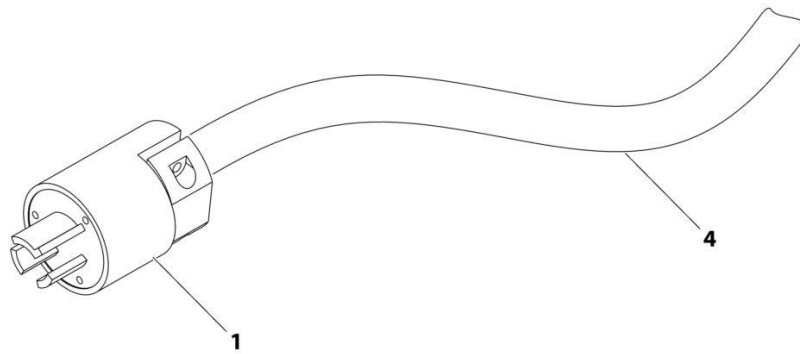
SECTION 8 - ELECTRICAL

FIGURE 8-54. UPPER BOOM 110V HARNESS ASSEMBLY

ITEM	PART NUMBER	QTY	DESCRIPTION	REV
	4922608	Ref	UPPER BOOM 110V HARNESS ASSEMBLY	2
1	4460205	1	Plug, Male	
4	1060494	27.2 ft /8.3m	Electrical Cable, 12/3	

SECTION 8 - ELECTRICAL

FIGURE 8-55. UPPER BOOM 220V HARNESS ASSEMBLY - CE SPEC



ART_4922610

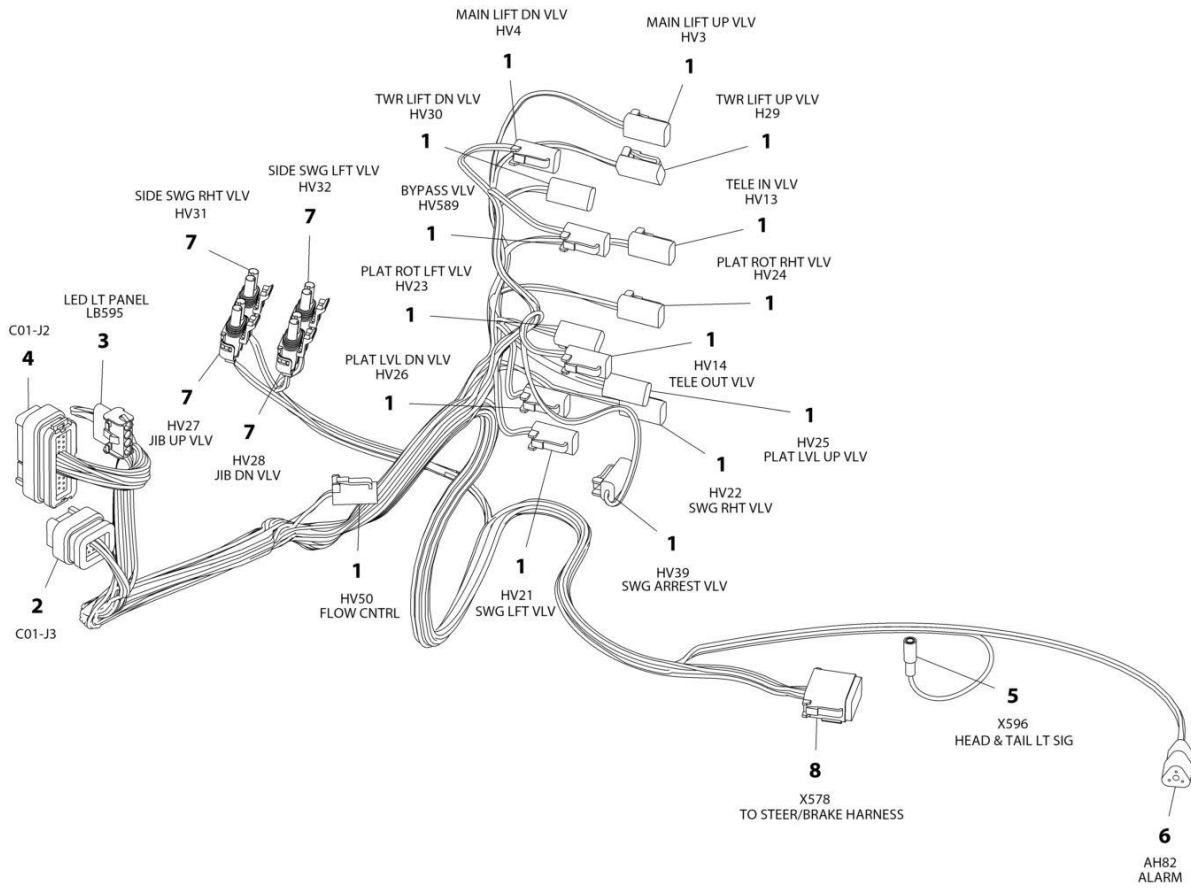
SECTION 8 - ELECTRICAL

FIGURE 8-55. UPPER BOOM 220V HARNESS ASSEMBLY - CE SPEC

ITEM	PART NUMBER	QTY	DESCRIPTION	REV
	4922610	Ref	UPPER BOOM 220V HARNESS ASSEMBLY - CE SPEC	1
1	4460709	1	Plug, Male	
4	1060461	28 ft/8.5m	Electrical Cable, 12/3	

SECTION 8 - ELECTRICAL

FIGURE 8-56. VALVE HARNESS



ART_1001178794

SECTION 8 - ELECTRICAL

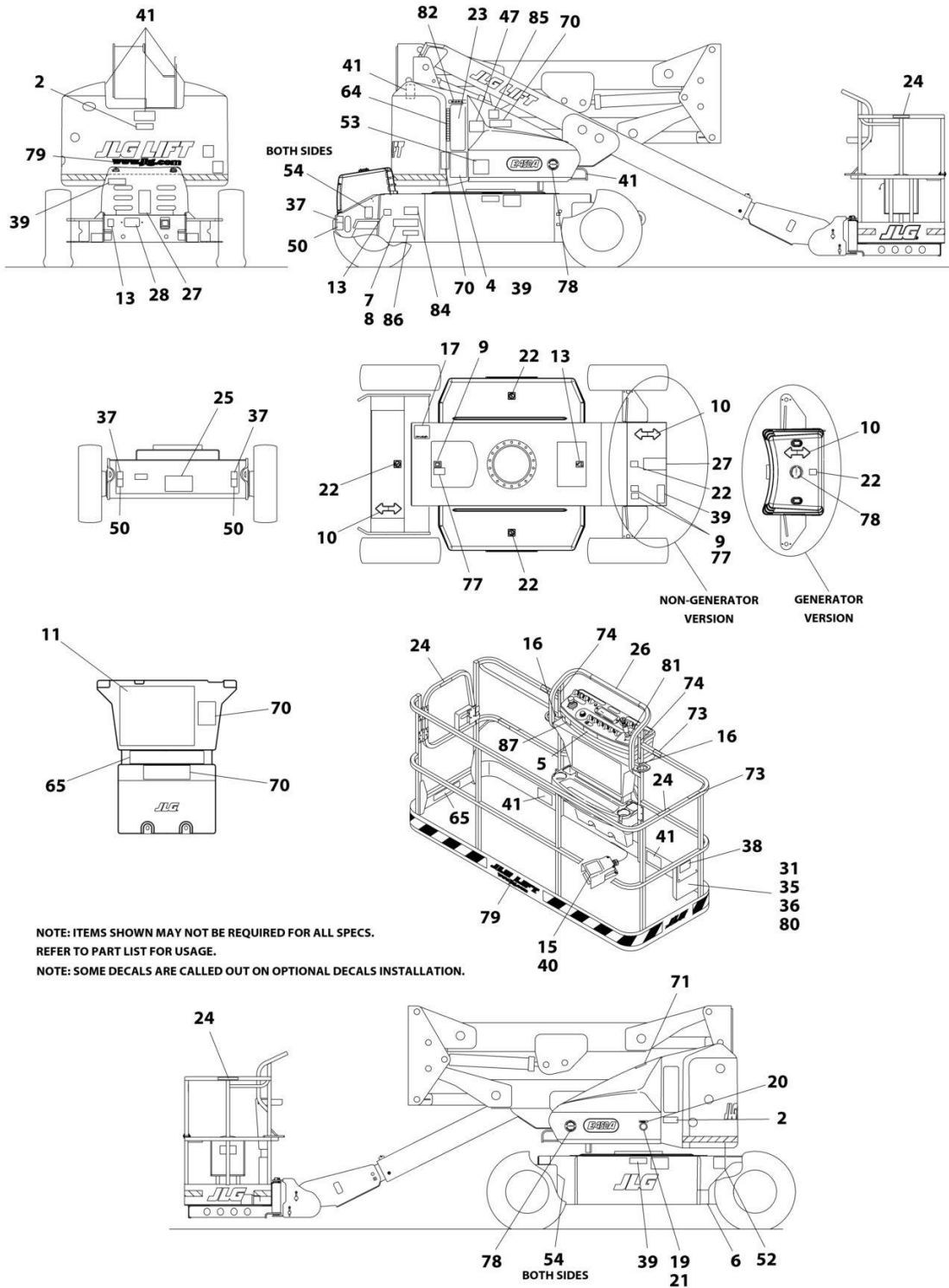
FIGURE 8-56. VALVE HARNESS

ITEM	PART NUMBER	QTY	DESCRIPTION	REV
	1001178794	Ref	VALVE HARNESS	1
1	4460891	15	Plug, Male - 2 Position	
1	4460465	30	Socket, Female	
2	4460872	1	Connector - 14 Position	
2	4460871	6	Socket, Female	
2	4460905	8	Plug, Terminal	
3	4460761	1	Connector - 4 Position	
3	4460226	4	Socket, Female	
4	4460875	1	Connector - 35 Position	
4	4460871	30	Socket, Female	
4	4460905	5	Plug, Terminal	
5	8220068	1	Connector - 1 Position	
6	4460539	1	Plug, Male - 3 Position	
6	4460465	3	Socket, Female	
7	4460742	4	Plug, Male - 2 Position	
7	4460743	8	Socket, Female	
7	4460458	8	Seal, Terminal	
8	4460933	1	Plug, Male - 12 Position	
8	1001116692	9	Socket, Female	
8	4460466	3	Plug, Terminal	

SECTION 9 - DECALS

SECTION 9 - DECALS

FIGURE 9-1. DECAL INSTALLATION - ANSI SPEC (E400AJP,E400AJPNARROW,E400ANARROW)



ART_1001178364

SECTION 9 - DECALS

FIGURE 9-1. DECAL INSTALLATION - ANSI SPEC (E400AJP,E400AJPNARROW,E400ANARROW)

ITEM	PART NUMBER	QTY	DESCRIPTION	REV
	1001178379	Ref	DECAL INSTALLATION - REFERENCE CHART	L
	1001178364	Ref	DECAL INSTALLATION - ANSI SPEC	H
2	1703805	2	Decal - Electrocution	
4	1703798	1	Decal - Crushing	
5	1705514	1	Decal - CSA Spec (SN 0300222730 through 0300272265)	
6	1001131269	1	Decal - Patent	
7	See Note	1	Nameplate - Serial Number (Note: Not Available for Purchase)	
8	3820001	2	Rivet	
9	1701504	1	Decal - Hydraulic Oil	
10	1701642	2	Decal - Arrow	
11	1703797	1	Decal - Caution/Danger	
13	1701644	2	Decal - Charger	
16	1704277	2	Decal - Attach Lanyard	
19	0961127	1	Bushing, Snap	
20	3251243	1	Nameplate 120V-60Hz	
21	0100010	AR	Adhesive	
22	1701691	4	Decal - No Step	
23	1001104864	1	Decal - Manual Descent	
24	1702868	2	Decal - No Hands	
25	1001193949	1	Decal - Cable Routing	
26	1001196811	1	Decal - Legend Platform	
27	1704446	1	Decal - Charger	
28	1704431	1	Decal - Battery Charger LED Indicator (SN 0300208530 through 0300214530)	
31	0860520	1	Box, Manual Storage	
35	4751400	4	Washer, 1/4	
36	3311405	4	Nut, 1/4-20	
37	1701500	4	Decal - Lift	
38	1701509	1	Decal - Manual	
39	1703813	3	Decal - Danger	
40	3252347	1	Nameplate - Footswitch	
41	1703804	6	Decal - Crushing Hazard	
47	1702265	1	Decal	
50	1702300	4	Decal - Tie Down	
52	See Note	1	Decal - Bar Code (Note: Not Available for Purchase)	
53	1001121814	1	Decal - 500 LBS Max Capacity	
64	1706950	1	Decal - Key Main Terminal Box	
65	1001121801	2	Decal - 500 LBS Max Capacity	
77	1704412	1	Decal - Oil Type	
79	1704885	2	Decal - Website	
80	0641406	4	Bolt, 1/4-20 x 3/4	
81	1705351	1	Decal - Drive/Steer Instruction	
82	1001189882	1	Decal - MSSO Operation	
84	1001223055	1	Decal - Yearly Inspection (SN 0300233810 through 0300272265)	
85	1001222801	1	Decal - Manual Jib Pump (SN 0300233810 through 0300272265)	
86	1001228370	1	Decal - CSA Ices (SN 0300233810 through 0300272265)	
87	1001231801	1	Decal - Prop 65 Warning (SN 0300256447 through 0300272265)	

SECTION 9 - DECALS

FIGURE 9-2. DECAL INSTALLATION - ANSI SPEC (M400AJP,M400AJPNARROW)

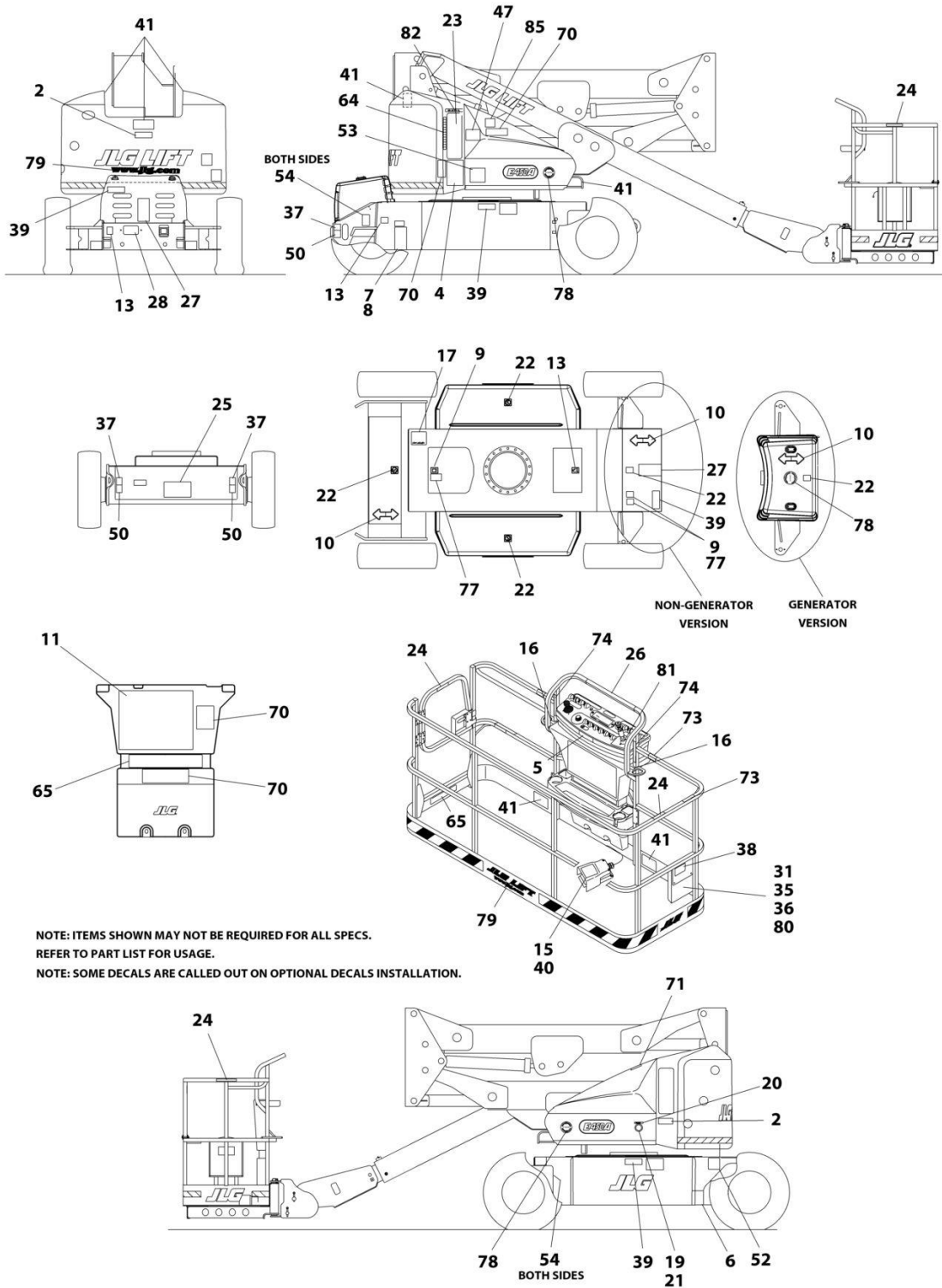
ITEM	PART NUMBER	QTY	DESCRIPTION	REV
	1001178379	Ref	DECAL INSTALLATION - REFERENCE CHART	L
	1001178362	Ref	DECAL INSTALLATION - ANSI SPEC	H
2	1703805	2	Decal - Electrocution	
4	1703798	1	Decal - Crushing	
5	1705514	1	Decal - CSA Spec (SN 0300222730 through 0300272265)	
6	1001131269	1	Decal - Patent	
7	See Note	1	Nameplate - Serial Number (Note: Not Available for Purchase)	
8	3820001	2	Rivet	
9	1701504	1	Decal - Hydraulic Oil	
10	1701642	2	Decal - Arrow	
11	1703797	1	Decal - Caution/Danger	
13	1701644	2	Decal - Charger	
16	1704277	2	Decal - Attach Lanyard	
19	0961127	1	Bushing, Snap	
20	3251243	1	Nameplate 120V-60Hz	
21	0100010	AR	Adhesive	
22	1701691	4	Decal - No Step	
23	1001104864	1	Decal - Manual Descent	
24	1702868	2	Decal - No Hands	
25	1001193949	1	Decal - Cable Routing	
26	1001196811	1	Decal - Legend Platform	
27	1704446	1	Decal - Charger	
28	1704431	1	Decal - Battery Charger LED Indicator (SN 0300208530 through 0300214530)	
31	0860520	1	Box, Manual Storage	
35	4751400	4	Washer, 1/4	
36	3311405	4	Nut, 1/4-20	
37	1701500	4	Decal - Lift	
38	1701509	1	Decal - Manual	
39	1703813	3	Decal - Danger	
40	3252347	1	Nameplate - Footswitch	
41	1703804	6	Decal - Crushing Hazard	
47	1702265	1	Decal	
50	1702300	4	Decal - Tie Down	
52	See Note	1	Decal - Bar Code (Note: Not Available for Purchase)	
53	1001121814	1	Decal - 500 LBS Max Capacity	
64	1706950	1	Decal - Key Main Terminal Box	
65	1001121801	2	Decal - 500 LBS Max Capacity	
70	1704286	2	Decal - Generator Danger	
73	1702962	1	Decal - Fuel Warning	
77	1704412	1	Decal - Oil Type	
78	1001121510	3	Decal - Hybrid	
79	1704885	2	Decal - Website	
80	0641406	4	Bolt, 1/4-20 x 3/4	
81	1705351	1	Decal - Drive/Steer Instruction	
82	1001189882	1	Decal - MSSO Operation	
84	1001223055	1	Decal - Yearly Inspection (SN 0300233810 through 0300272265)	
85	1001222801	1	Decal - Manual Jib Pump (SN 0300233810 through 0300272265)	

SECTION 9 - DECALS

ITEM	PART NUMBER	QTY	DESCRIPTION	REV
86	1001228370	1	Decal - CSA Ices (SN 0300233810 through 0300272265)	
87	1001231801	1	Decal - Prop 65 Warning (SN 0300256447 through 0300272265)	

SECTION 9 - DECALS

FIGURE 9-3. DECAL INSTALLATION - AUSTRALIAN SPEC (E400AJP, E400AJPNARROW, E400ANARROW)



ART_1001178378

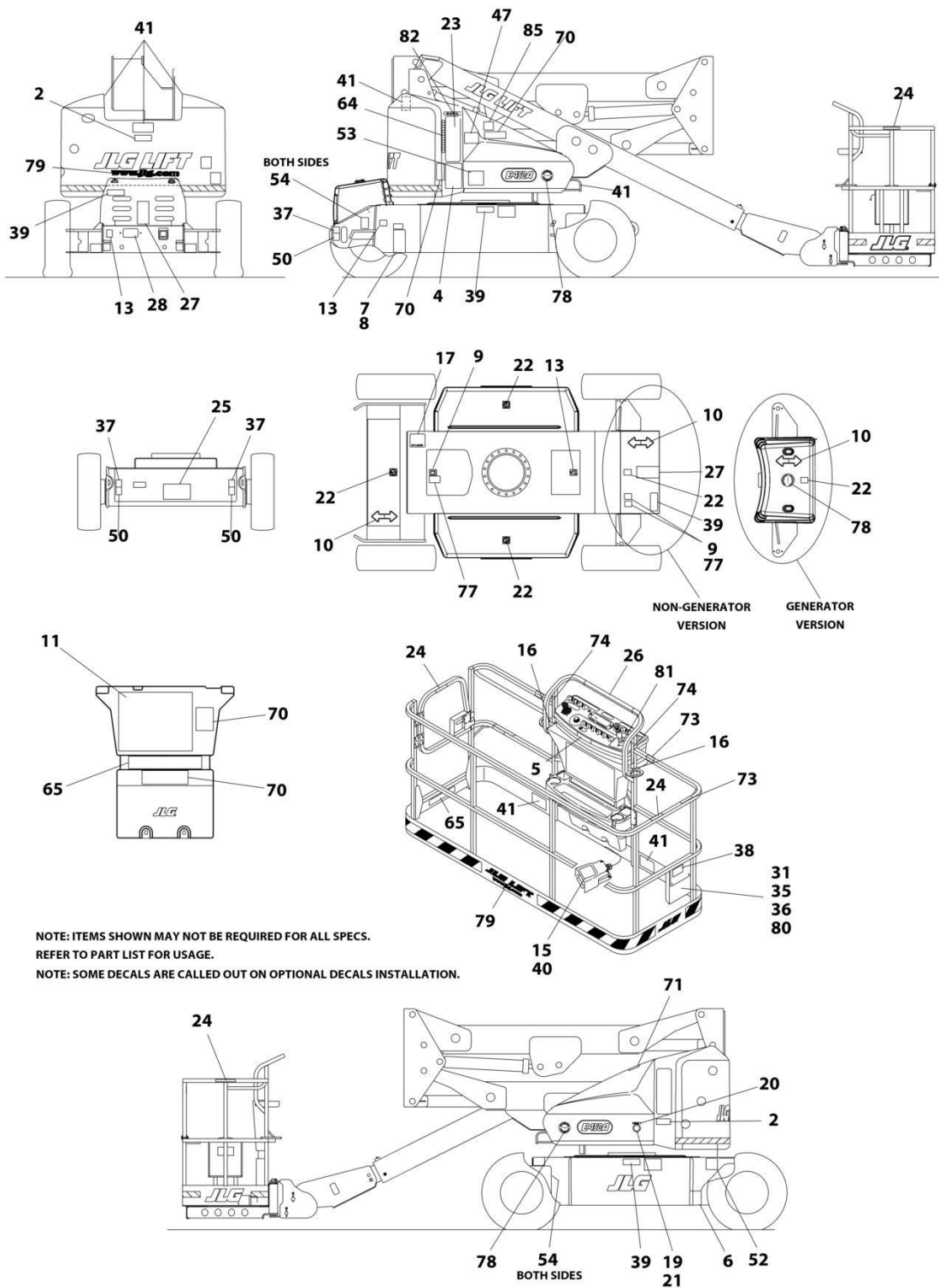
SECTION 9 - DECALS

**FIGURE 9-3. DECAL INSTALLATION - AUSTRALIAN SPEC
(E400AJP,E400AJPNARROW,E400ANARROW)**

ITEM	PART NUMBER	QTY	DESCRIPTION	REV
	1001178379	Ref	DECAL INSTALLATION - REFERENCE CHART	L
	1001178378	Ref	DECAL INSTALLATION - AUSTRALIAN SPEC	H
4	1705822	1	Decal - Danger/Caution	
7	See Note	1	Nameplate - Serial Number (Note: Not Available for Purchase)	
8	3820001	2	Rivet	
9	1701504	1	Decal - Hydraulic Oil	
10	1701642	2	Decal - Arrow	
11	1705921	1	Decal - Danger/Caution	
13	1701644	2	Decal - Charger	
15	1705828	1	Decal - Footswitch	
16	1704277	2	Decal - Attach Lanyard	
19	0961127	1	Bushing, Snap	
21	0100010	AR	Adhesive	
22	1701691	4	Decal - No Step	
23	1001104864	1	Decal - Manual Descent	
25	1001193949	1	Decal - Cable Routing	
27	1706378	1	Decal - Charging Instructions	
28	1704431	1	Decal - Battery Charger LED Indicator (SN 0300208530 through 0300214530)	
31	0860520	1	Box, Manual Storage	
35	4751400	4	Washer, 1/4	
36	3311405	4	Nut, 1/4-20	
37	1703811	4	Decal - Lift	
38	1701509	1	Decal - Manual	
39	1705670	AR	Decal - Explosion Warning	
41	1701518	6	Decal - Crushing Hazard	
47	1705977	1	Decal - Upright Level Over-Ride	
50	1703814	4	Decal - Tie Down	
52	See Note	1	Decal - Bar Code (Note: Not Available for Purchase)	
53	1705978	1	Decal - Capacity	
65	1705978	1	Decal - Capacity	
77	1704412	1	Decal - Oil Type	
79	1704885	2	Decal - Website	
80	0641406	4	Bolt, 1/4-20 x 3/4	
82	1001189882	1	Decal - MSSO Operation	
85	1001222801	1	Decal - Manual Jib Pump (SN 0300233810 through 0300272265)	

SECTION 9 - DECALS

FIGURE 9-4. DECAL INSTALLATION - AUSTRALIAN SPEC (M400AJP,M400AJPNARROW)



NOTE: ITEMS SHOWN MAY NOT BE REQUIRED FOR ALL SPECS.
REFER TO PART LIST FOR USAGE.
NOTE: SOME DECALS ARE CALLED OUT ON OPTIONAL DECALS INSTALLATION.

ART_1001178377

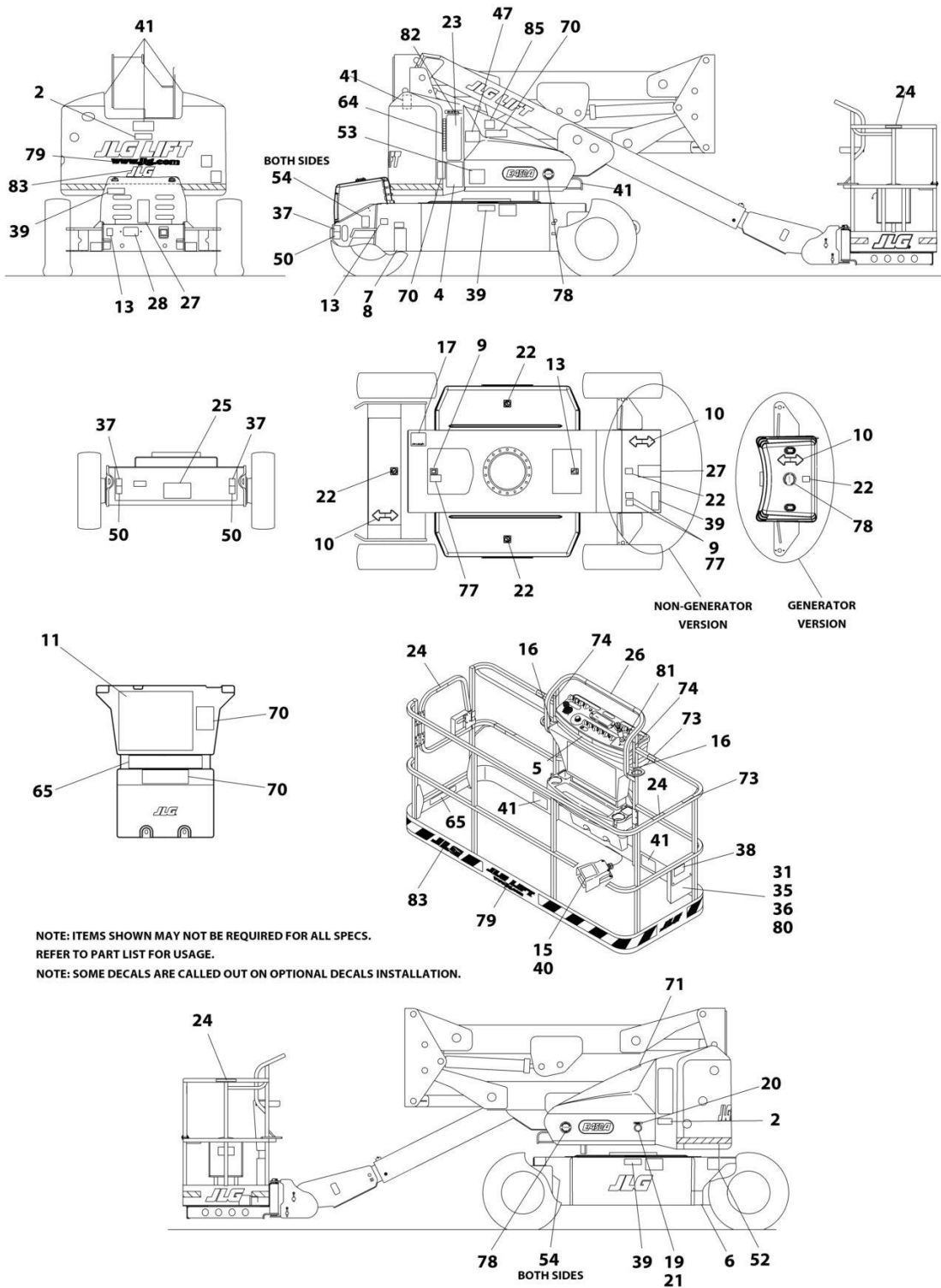
SECTION 9 - DECALS

FIGURE 9-4. DECAL INSTALLATION - AUSTRALIAN SPEC (M400AJP,M400AJPNARROW)

ITEM	PART NUMBER	QTY	DESCRIPTION	REV
	1001178379	Ref	DECAL INSTALLATION - REFERENCE CHART	L
	1001178377	Ref	DECAL INSTALLATION - AUSTRALIAN SPEC	H
4	1705822	1	Decal - Danger/Caution	
7	See Note	1	Nameplate - Serial Number (Note: Not Available for Purchase)	
8	3820001	2	Rivet	
9	1701504	1	Decal - Hydraulic Oil	
10	1701642	2	Decal - Arrow	
11	1705921	1	Decal - Danger/Caution	
13	1701644	2	Decal - Charger	
15	1705828	1	Decal - Footswitch	
16	1704277	2	Decal - Attach Lanyard	
19	0961127	1	Bushing, Snap	
21	0100010	AR	Adhesive	
22	1701691	4	Decal - No Step	
23	1001104864	1	Decal - Manual Descent	
25	1001193949	1	Decal - Cable Routing	
27	1706378	1	Decal - Charging Instructions	
28	1704431	1	Decal - Battery Charger LED Indicator (SN 0300208530 through 0300214530)	
31	0860520	1	Box, Manual Storage	
35	4751400	4	Washer, 1/4	
36	3311405	4	Nut, 1/4-20	
37	1703811	4	Decal - Lift	
38	1701509	1	Decal - Manual	
39	1705670	AR	Decal - Warning Explosion	
41	1701518	6	Decal - Crushing Hazard	
47	1705977	1	Decal - Upright Level Over-Ride	
50	1703814	4	Decal - Tie Down	
52	See Note	1	Decal - Bar Code (Note: Not Available for Purchase)	
53	1705978	1	Decal - Capacity	
65	1705978	1	Decal - Capacity	
77	1704412	1	Decal - Oil Type	
78	1001121510	3	Decal - Hybrid	
79	1704885	2	Decal - Website	
80	0641406	4	Bolt 1/4-20 x 3/4	
82	1001189882	1	Decal - MSSO Operation	
85	1001222801	1	Decal - Manual Jib Pump (SN 0300233810 through 0300272265)	

SECTION 9 - DECALS

FIGURE 9-5. DECAL INSTALLATION - CE SPEC (E400AJP,E400AJPNARROW,E400ANARROW)



ART_1001190003

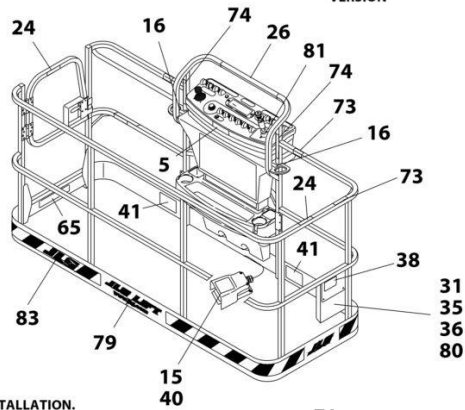
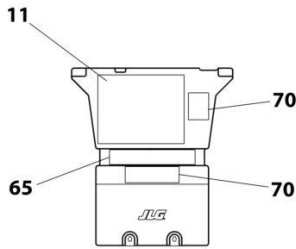
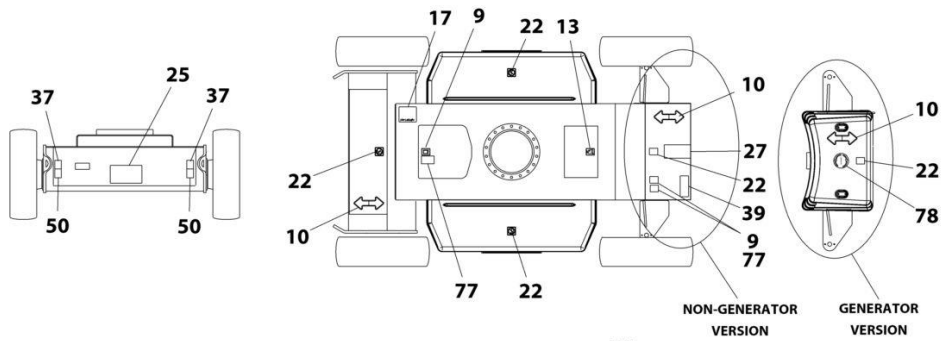
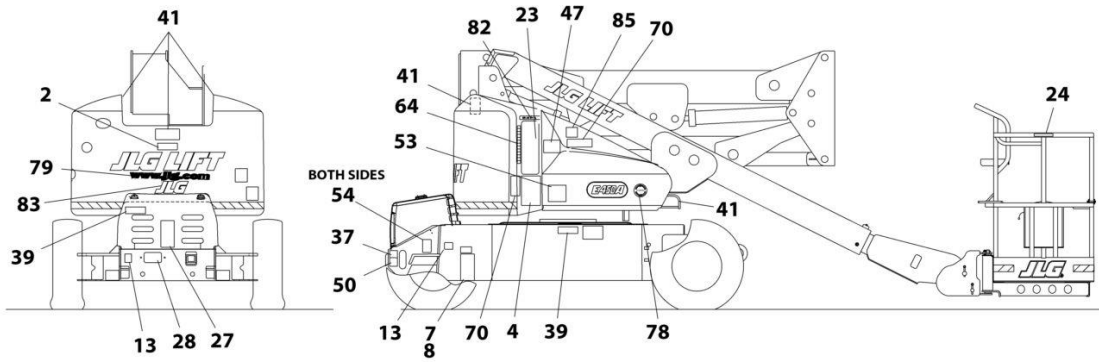
SECTION 9 - DECALS

FIGURE 9-5. DECAL INSTALLATION - CE SPEC (E400AJP,E400AJPNARROW,E400ANARROW)

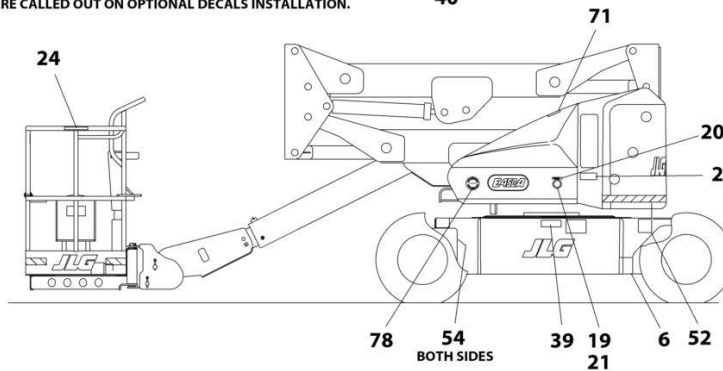
ITEM	PART NUMBER	QTY	DESCRIPTION	REV
	1001178379	Ref	DECAL INSTALLATION - REFERENCE CHART (SN 0300208530 through 0300220844)	F
	1001217465	Ref	DECAL INSTALLATION - REFERENCE CHART (SN 0300220845 through 0300272265)	D
	1001190003	Ref	DECAL INSTALLATION - CE SPEC	G
4	1705822	1	Decal - Danger/Caution	
7	See Note	1	Nameplate - Serial Number (Note: Not Available for Purchase)	
8	3820001	2	Rivet	
9	1701504	1	Decal - Hydraulic Oil	
10	1701642	2	Decal - Arrow	
11	1705921	1	Decal - Danger/Caution	
13	1701644	2	Decal - Charger	
15	1705828	1	Decal - Footswitch	
16	1704277	2	Decal - Attach Lanyard	
19	0961127	1	Bushing, Snap	
21	0100010	AR	Adhesive	
22	1701691	4	Decal - No Step	
23	1001104864	1	Decal - Manual Descent	
25	1001173577	1	Decal - Cable Routing	
27	1706378	1	Decal - Charging Instructions	
28	1704431	1	Decal - Battery Charger LED Indicator (SN 0300208530 through 0300214530)	
31	0860520	1	Box, Manual Storage	
35	4751400	4	Washer, 1/4	
36	3311405	4	Nut, 1/4-20	
37	1703811	4	Decal - Lift	
38	1701509	1	Decal - Manual	
39	1705670	2	Decal - Explosion Warning	
41	1701518	6	Decal - Crushing Hazard	
47	1705977	1	Decal - Upright Level Over-Ride	
50	1703814	4	Decal - Tie Down	
52	See Note	1	Decal - Bar Code (Note: Not Available for Purchase)	
53	1705978	1	Decal - Capacity	
65	1705978	1	Decal - Capacity	
77	1704412	1	Decal - Oil Type	
79	1704885	2	Decal - Website (SN 0300208530 through 0300220844)	
80	0641406	4	Bolt, 1/4-20 x 3/4	
83	1702773	2	Decal - JLG	
85	1001222801	1	Decal - Manual Jib Pump (SN 0300233810 through 0300272265)	

SECTION 9 - DECALS

FIGURE 9-6. DECAL INSTALLATION - CE SPEC (M400AJP,M400AJPNARROW)



NOTE: ITEMS SHOWN MAY NOT BE REQUIRED FOR ALL SPECS.
REFER TO PART LIST FOR USAGE.
NOTE: SOME DECALS ARE CALLED OUT ON OPTIONAL DECALS INSTALLATION.



ART_1001190004

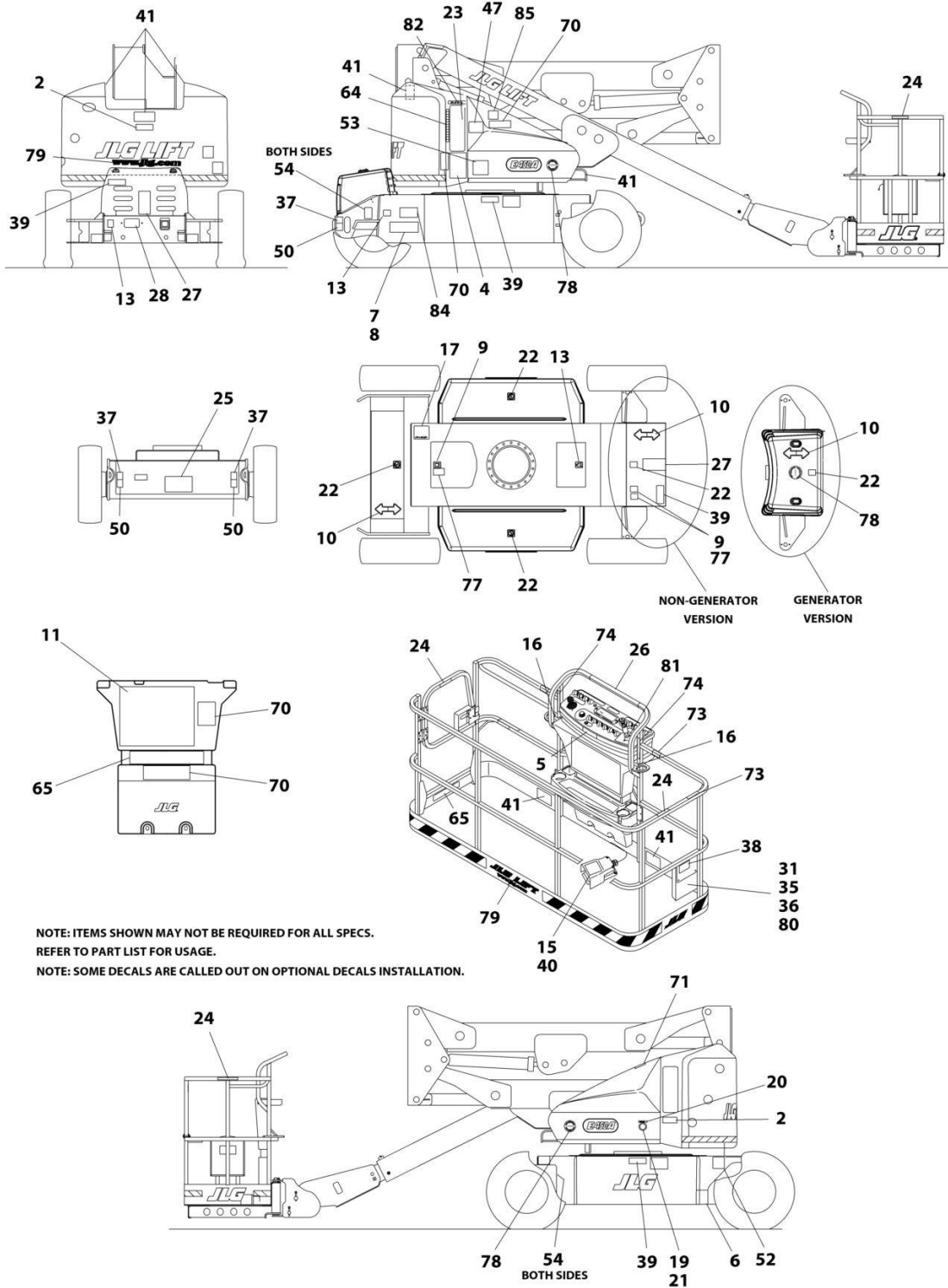
SECTION 9 - DECALS

FIGURE 9-6. DECAL INSTALLATION - CE SPEC (M400AJP,M400AJPNARROW)

ITEM	PART NUMBER	QTY	DESCRIPTION	REV
	1001178379	Ref	DECAL INSTALLATION - REFERENCE CHART (SN 0300208530 through 0300220844)	F
	1001217465	Ref	DECAL INSTALLATION - REFERENCE CHART (SN 0300220845 through 0300272265)	D
	1001190004	Ref	DECAL INSTALLATION - CE SPEC	H
4	1705822	1	Decal - Danger/Caution	
7	See Note	1	Nameplate - Serial Number (Note: Not Available for Purchase)	
8	3820001	2	Rivet	
9	1701504	1	Decal - Hydraulic Oil	
10	1701642	2	Decal - Arrow	
11	1705921	1	Decal - Danger/Caution	
13	1701644	2	Decal - Charger	
15	1705828	1	Decal - Footswitch	
16	1704277	2	Decal - Attach Lanyard	
19	0961127	1	Bushing, Snap	
21	0100010	AR	Adhesive	
22	1701691	4	Decal - No Step	
23	1001104864	1	Decal - Manual Descent	
25	1001173577	1	Decal - Cable Routing	
27	1706378	1	Decal - Charging Instructions	
28	1704431	1	Decal - Battery Charger LED Indicator (SN 0300208530 through 0300214530)	
31	0860520	1	Box, Manual Storage	
35	4751400	4	Washer, 1/4	
36	3311405	4	Nut, 1/4-20	
37	1703811	4	Decal - Lift	
38	1701509	1	Decal - Manual	
39	1705670	2	Decal - Warning Explosion	
41	1701518	6	Decal - Crushing Hazard	
47	1705977	1	Decal - Upright Level Over-Ride	
50	1703814	4	Decal - Tie Down	
52	See Note	1	Decal - Bar Code (Note: Not Available for Purchase)	
53	1705978	1	Decal - Capacity	
65	1705978	1	Decal - Capacity	
77	1704412	1	Decal - Oil Type	
78	1001121510	3	Decal - Hybrid	
79	1704885	2	Decal - Website (SN 0300208530 through 0300220844)	
80	0641406	4	Bolt 1/4-20 x 3/4	
83	1702773	2	Decal - JLG	
85	1001222801	1	Decal - Manual Jib Pump (SN 0300233810 through 0300272265)	

SECTION 9 - DECALS

FIGURE 9-7. DECAL INSTALLATION - CHINESE/ENGLISH (E400AJP, E400AJPNARROW, E400ANARROW)



ART_1001178376

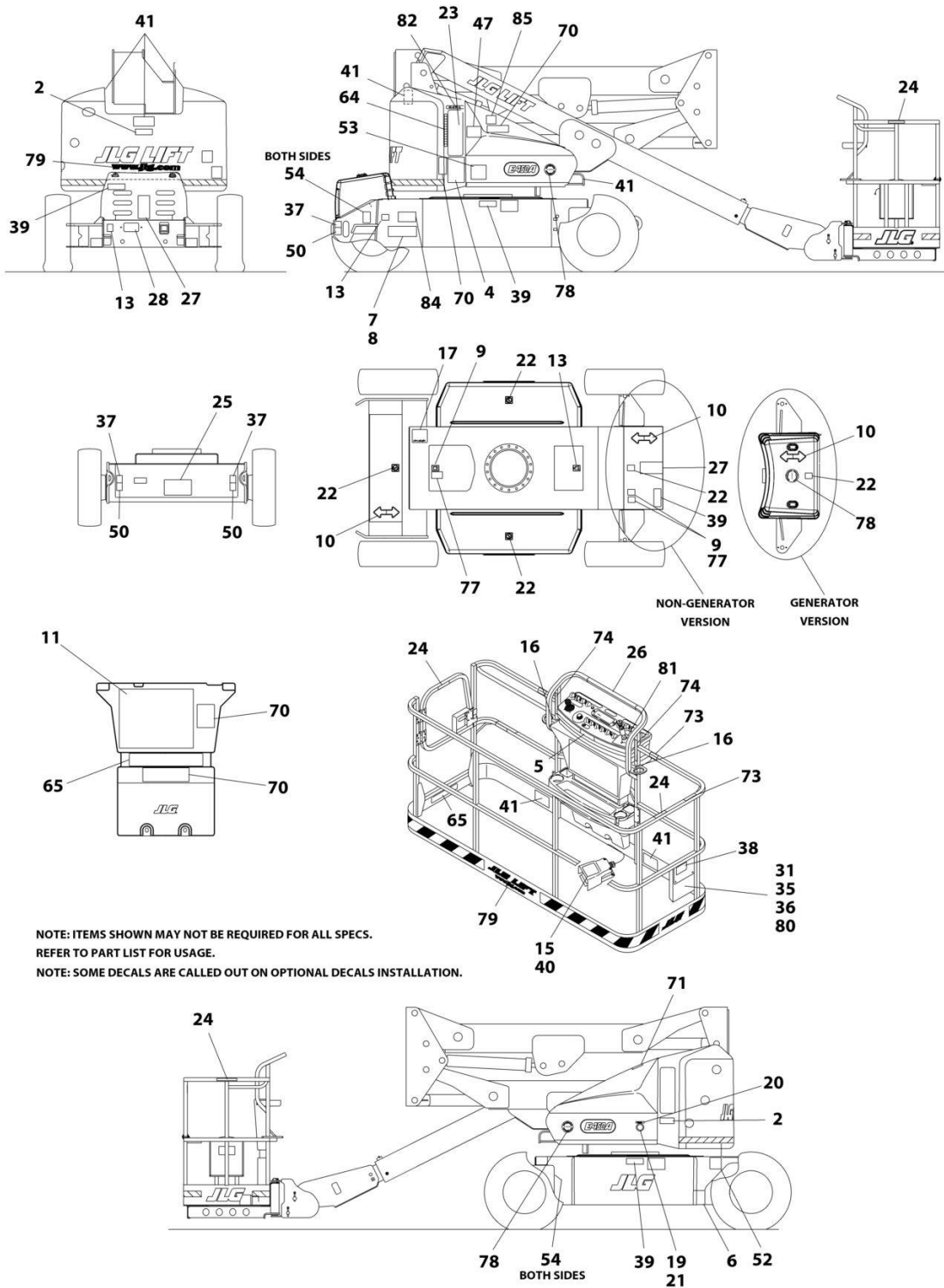
SECTION 9 - DECALS

**FIGURE 9-7. DECAL INSTALLATION - CHINESE/ENGLISH
(E400AJP,E400AJPNARROW,E400ANARROW)**

ITEM	PART NUMBER	QTY	DESCRIPTION	REV
	1001178379	Ref	DECAL INSTALLATION - REFERENCE CHART	L
	1001178376	Ref	DECAL INSTALLATION - CHINESE/ENGLISH	G
2	1703937	2	Decal - Electrocutation	
4	1703931	1	Decal - Danger/Caution	
7	See Note	1	Nameplate - Serial Number (Note: Not Available for Purchase)	
8	3820001	2	Rivet	
9	1701504	1	Decal - Hydraulic Oil	
10	1701642	2	Decal - Arrow	
11	1703925	1	Decal - Caution/Danger	
13	1701644	2	Decal - Charger	
15	1703982	1	Decal - Footswitch	
16	1704277	2	Decal - Attach Lanyard	
19	0961127	1	Bushing, Snap	
21	0100010	AR	Adhesive	
22	1701691	4	Decal - No Step	
23	1001104864	1	Decal - Manual Descent	
25	1001193949	1	Decal - Cable Routing	
27	1704419	1	Decal - Charger	
28	1704431	1	Decal - Battery Charger LED Indicator (SN 0300208530 through 0300214530)	
31	0860520	1	Box, Manual Storage	
35	4751400	AR	Washer, 1/4	
36	3311405	AR	Nut, Lock, 1/4-20	
37	1701500	4	Decal - Lift	
38	1701509	1	Decal - Manual	
39	1704344	3	Decal - Explosion Warning	
41	1703949	6	Decal - Crushing Hazard	
47	1703988	1	Decal - Upright Level Override	
50	1702300	4	Decal - Tie Down	
52	See Note	1	Decal - Bar Code (Note: Not Available for Purchase)	
53	1001121823	1	Decal - 500 LBS. Max Capacity	
65	1001121810	2	Decal - 500 LBS. Max Capacity	
77	1704412	1	Decal - Oil Type	
79	1704885	2	Decal - Website	
80	0641406	4	Bolt 1/4-20 x 3/4	
81	1705430	1	Decal - Drive/Steer Instruction	
82	1001189882	1	Decal - MSSO Operation	
84	1001224050	1	Decal - Yearly Inspection (SN 0300233810 through 0300272265)	
85	1001222801	1	Decal - Manual Jib Pump (SN 0300233810 through 0300272265)	

SECTION 9 - DECALS

FIGURE 9-8. DECAL INSTALLATION - CHINESE/ENGLISH (M400AJP,M400AJPNARROW)



ART_1001178375

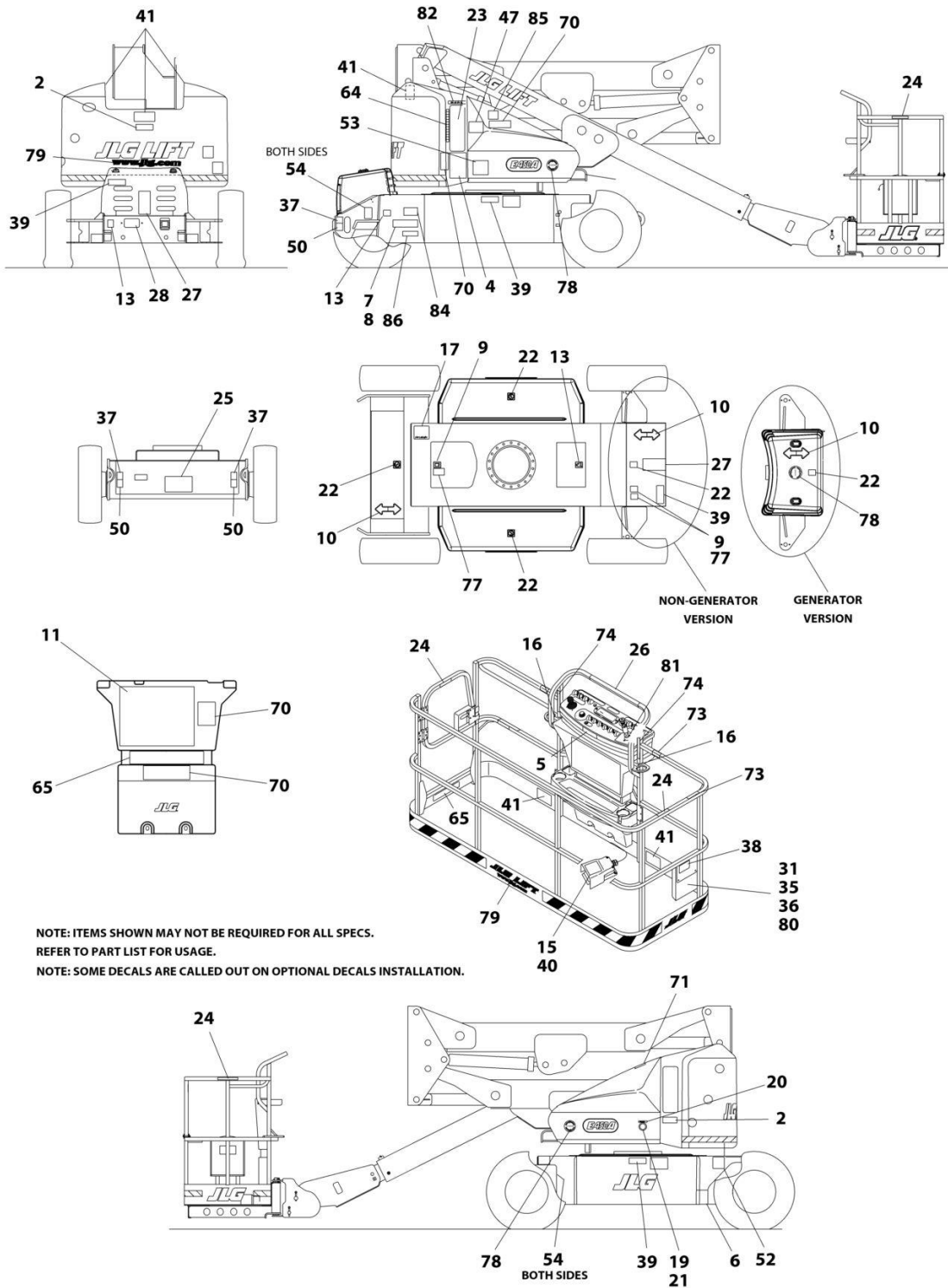
SECTION 9 - DECALS

FIGURE 9-8. DECAL INSTALLATION - CHINESE/ENGLISH (M400AJP,M400AJPNARROW)

ITEM	PART NUMBER	QTY	DESCRIPTION	REV
	1001178379	Ref	DECAL INSTALLATION - REFERENCE CHART	L
	1001178375	Ref	DECAL INSTALLATION - CHINESE/ENGLISH	G
2	1703937	2	Decal - Electrocutation	
4	1703931	1	Decal - Danger/Caution	
7	See Note	1	Nameplate - Serial Number (Note: Not Available for Purchase)	
8	3820001	2	Rivet	
9	1701504	1	Decal - Hydraulic Oil	
10	1701642	2	Decal - Arrow	
11	1703925	1	Decal - Caution/Danger	
13	1701644	2	Decal - Charger	
15	1703982	1	Decal - Footswitch	
16	1704277	2	Decal - Attach Lanyard	
19	0961127	1	Bushing, Snap	
21	0100010	AR	Adhesive	
22	1701691	4	Decal - No Step	
23	1001104864	1	Decal - Manual Descent	
25	1001193949	1	Decal - Cable Routing	
27	1704419	1	Decal - Charger	
28	1704431	1	Decal - Battery Charger LED Indicator (SN 0300208530 through 0300214530)	
31	0860520	1	Box, Manual Storage	
35	4751400	AR	Washer, 1/4	
36	3311405	AR	Nut, Lock, 1/4-20	
37	1701500	4	Decal - Lift	
38	1701509	1	Decal - Manual	
39	1704344	3	Decal - Explosion Warning	
41	1703949	6	Decal - Crushing Hazard	
47	1703988	1	Decal - Upright Level Override	
50	1702300	4	Decal - Tie Down	
52	See Note	1	Decal - Bar Code (Note: Not Available for Purchase)	
53	1001121823	1	Decal - 500 LBS. Max Capacity	
65	1001121810	2	Decal - 500 LBS. Max Capacity	
70	1001093687	2	Decal - Generator Danger	
71	1701505	1	Decal - Fuel	
77	1704412	1	Decal - Oil Type	
78	1001121510	3	Decal - Hybrid	
79	1704885	2	Decal - Website	
80	0641406	4	Bolt 1/4-20 x 3/4	
81	1705430	1	Decal - Drive/Steer Instruction	
82	1001189882	1	Decal - MSSO Operation	
84	1001224050	1	Decal - Yearly Inspection (SN 0300233810 through 0300272265)	
85	1001222801	1	Decal - Manual Jib Pump (SN 0300233810 through 0300272265)	

SECTION 9 - DECALS

FIGURE 9-9. DECAL INSTALLATION - FRENCH/ENGLISH SPECS (E400AJP, E400AJPNARROW, E400ANARROW)



ART_1001178366

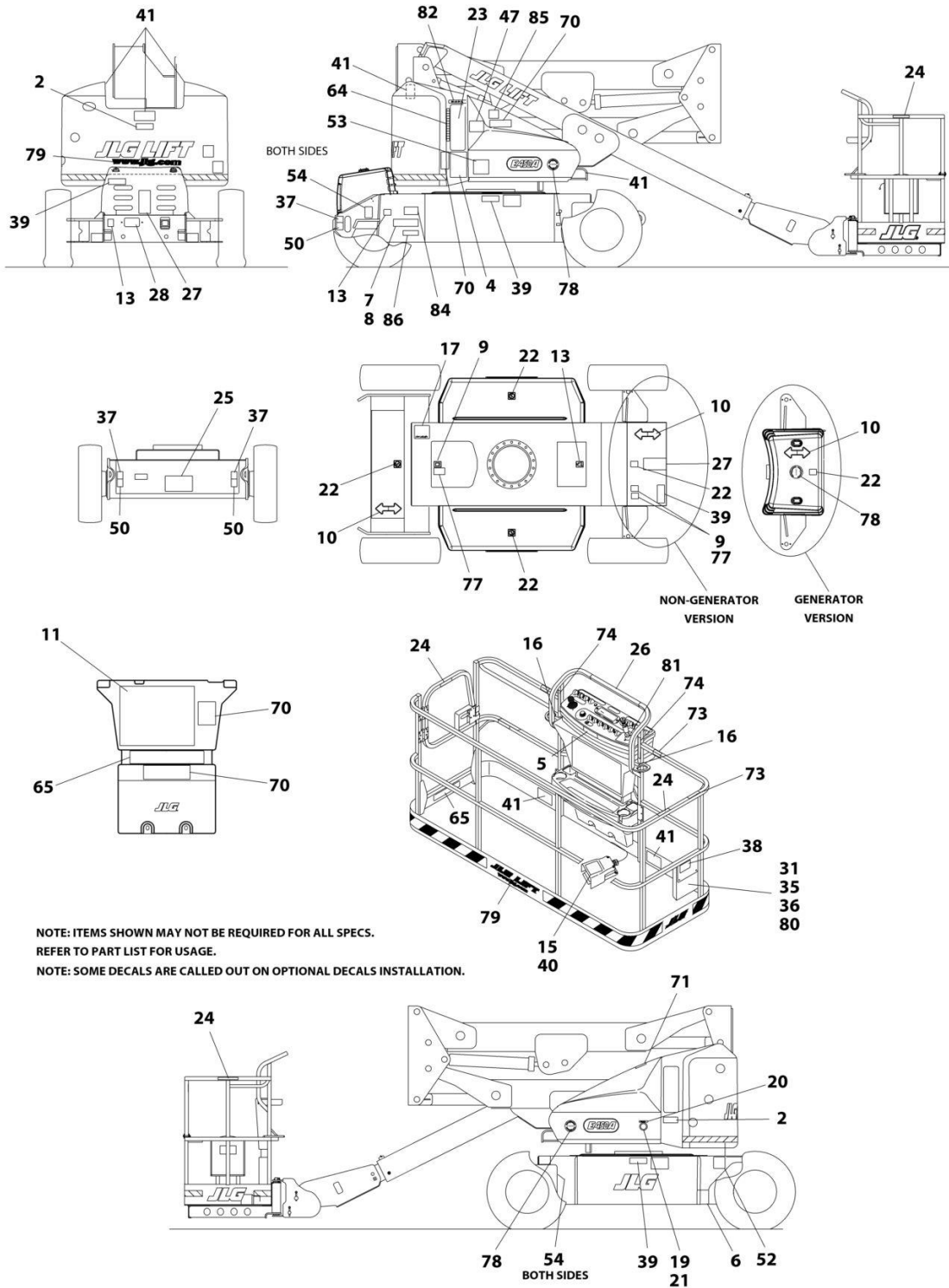
SECTION 9 - DECALS

**FIGURE 9-9. DECAL INSTALLATION - FRENCH/ENGLISH SPECS
(E400AJP,E400AJPNARROW,E400ANARROW)**

ITEM	PART NUMBER	QTY	DESCRIPTION	REV
	1001178379	Ref	DECAL INSTALLATION - REFERENCE CHART	L
	1001178366	Ref	DECAL INSTALLATION - FRENCH/ENGLISH SPECS	G
2	1703936	2	Decal - Electrocution	
4	1703930	1	Decal - Danger/Caution	
5	1705514	1	Decal - CSA	
6	1700584	1	Decal - Patent	
7	See Note	1	Nameplate - Serial Number (Note: Not Available for Purchase)	
8	3820001	2	Rivet	
9	1701504	1	Decal - Hydraulic Oil	
10	1701642	2	Decal - Arrow	
11	1703924	1	Decal - Caution/Danger	
13	1701644	2	Decal - Charger	
15	1703984	1	Decal - Footswitch	
16	1704277	2	Decal - Attach Lanyard	
19	0961127	1	Bushing, Snap	
20	3251243	1	Nameplate - 120V/60HZ	
21	0100010	AR	Adhesive	
22	1701691	4	Decal - No Step	
23	1001104864	1	Decal - Manual Descent	
24	1704000	2	Decal - No Hands	
25	1001193949	1	Decal - Cable Routing	
26	1001196811	1	Decal - Legend Platform	
27	1704452	1	Decal - Charger	
28	1704431	1	Decal - Battery Charger LED Indicator (SN 0300208530 through 0300214530)	
31	0860520	1	Box, Manual Storage	
35	4751400	AR	Washer, 1/4	
36	3311405	AR	Nut, Lock, 1/4-20	
37	1701500	4	Decal - Lift	
38	1701509	1	Decal - Manual	
39	1704340	3	Decal - Explosion Warning	
41	1703948	6	Decal - Crushing Hazard	
47	1702265	1	Decal - Boom Sequence	
50	1702300	4	Decal - Tie Down	
52	See Note	1	Decal - Bar Code (Note: Not Available for Purchase)	
53	1001121816	1	Decal - 500 LBS. Max Capacity	
64	1706950	1	Decal - Key, Main Terminal Box	
65	1001121803	2	Decal - 500 LBS. Max Capacity	
77	1704412	1	Decal - Oil Type	
79	1704885	2	Decal - Website	
80	0641406	4	Bolt 1/4-20 x 3/4	
81	1705429	1	Decal - Drive/Steer Instruction	
82	1001189882	1	Decal - MSSO Operation	
84	1001223971	1	Decal - Yearly Inspection (SN 0300233810 through 0300272265)	
85	1001222801	1	Decal - Manual Jib Pump (SN 0300233810 through 0300272265)	
86	1001228370	1	Decal - CSA Ices (SN 0300233810 through 0300272265)	

SECTION 9 - DECALS

FIGURE 9-10. DECAL INSTALLATION - FRENCH/ENGLISH SPECS (M400AJP,M400AJPNARROW)



ART_1001178365

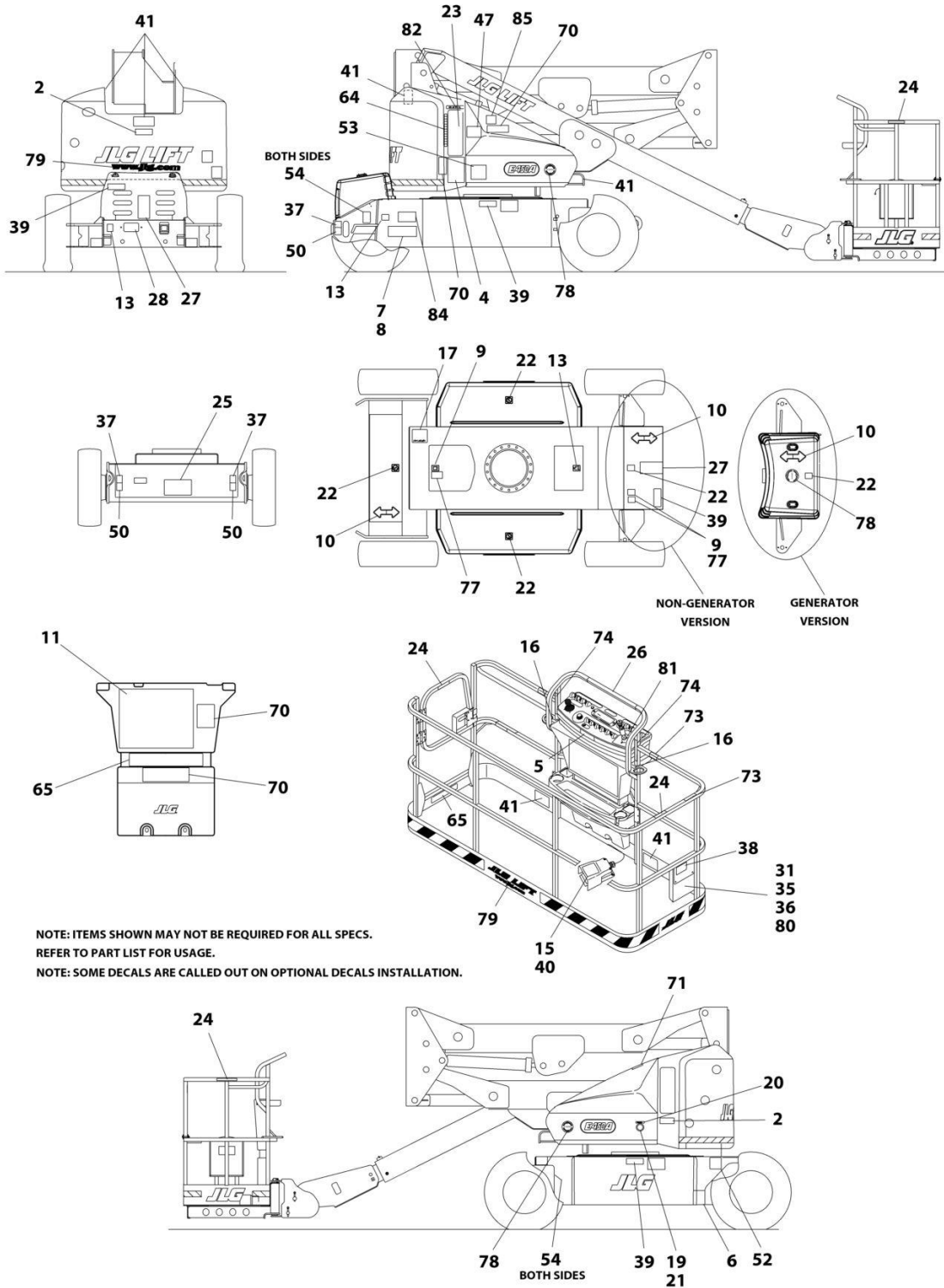
SECTION 9 - DECALS

FIGURE 9-10. DECAL INSTALLATION - FRENCH/ENGLISH SPECS (M400AJP,M400AJPNARROW)

ITEM	PART NUMBER	QTY	DESCRIPTION	REV
	1001178379	Ref	DECAL INSTALLATION - REFERENCE CHART	L
	1001178365	Ref	DECAL INSTALLATION - FRENCH/ENGLISH SPECS	G
2	1703936	2	Decal - Electrocutation	
4	1703930	1	Decal - Danger/Caution	
5	1705514	1	Decal - CSA	
7	See Note	1	Nameplate - Serial Number (Note: Not Available for Purchase)	
8	3820001	2	Rivet	
9	1701504	1	Decal - Hydraulic Oil	
10	1701642	2	Decal - Arrow	
11	1703924	1	Decal - Caution/Danger	
13	1701644	2	Decal - Charger	
15	1703984	1	Decal - Footswitch	
16	1704277	2	Decal - Attach Lanyard	
19	0961127	1	Bushing, Snap	
20	3251243	1	Nameplate - 120V/60HZ	
21	0100010	AR	Adhesive	
22	1701691	4	Decal - No Step	
23	1001104864	1	Decal - Manual Descent	
24	1704000	2	Decal - No Hands	
25	1001193949	1	Decal - Cable Routing	
26	1001196811	1	Decal - Legend Platform	
27	1704452	1	Decal - Charger	
28	1704431	1	Decal - Battery Charger LED Indicator (SN 0300208530 through 0300214530)	
31	0860520	1	Box, Manual Storage	
35	4751400	AR	Washer, 1/4	
36	3311405	AR	Nut, Lock, 1/4-20	
37	1701500	4	Decal - Lift	
38	1701509	1	Decal - Manual	
39	1704340	3	Decal - Explosion Warning	
41	1703948	6	Decal - Crushing Hazard	
47	1702265	1	Decal - Boom Sequence	
50	1702300	1	Decal - Tie Down	
52	See Note	1	Decal - Bar Code (Note: Not Available for Purchase)	
53	1001121816	1	Decal - 500 LBS. Max Capacity	
64	1706950	1	Decal - Key, Main Terminal Box	
65	1001121803	2	Decal - 500 LBS. Max Capacity	
70	1001093687	2	Decal - Generator Danger	
77	1704412	1	Decal - Oil Type	
78	1001121510	3	Decal - Hybrid	
79	1704885	2	Decal - Website	
80	0641406	4	Bolt 1/4-20 x 3/4	
81	1705429	1	Decal - Drive/Steer Instruction	
82	1001189882	1	Decal - MSSO Operation	
84	1001223971	1	Decal - Yearly Inspection (SN 0300233810 through 0300272265)	
85	1001222801	1	Decal - Manual Jib Pump (SN 0300233810 through 0300272265)	
86	1001228370	1	Decal - CSA Ices (SN 0300233810 through 0300272265)	

SECTION 9 - DECALS

FIGURE 9-11. DECAL INSTALLATION - JAPANESE SPEC (E400AJP, E400AJPNARROW, E400ANARROW)



ART_1001178372

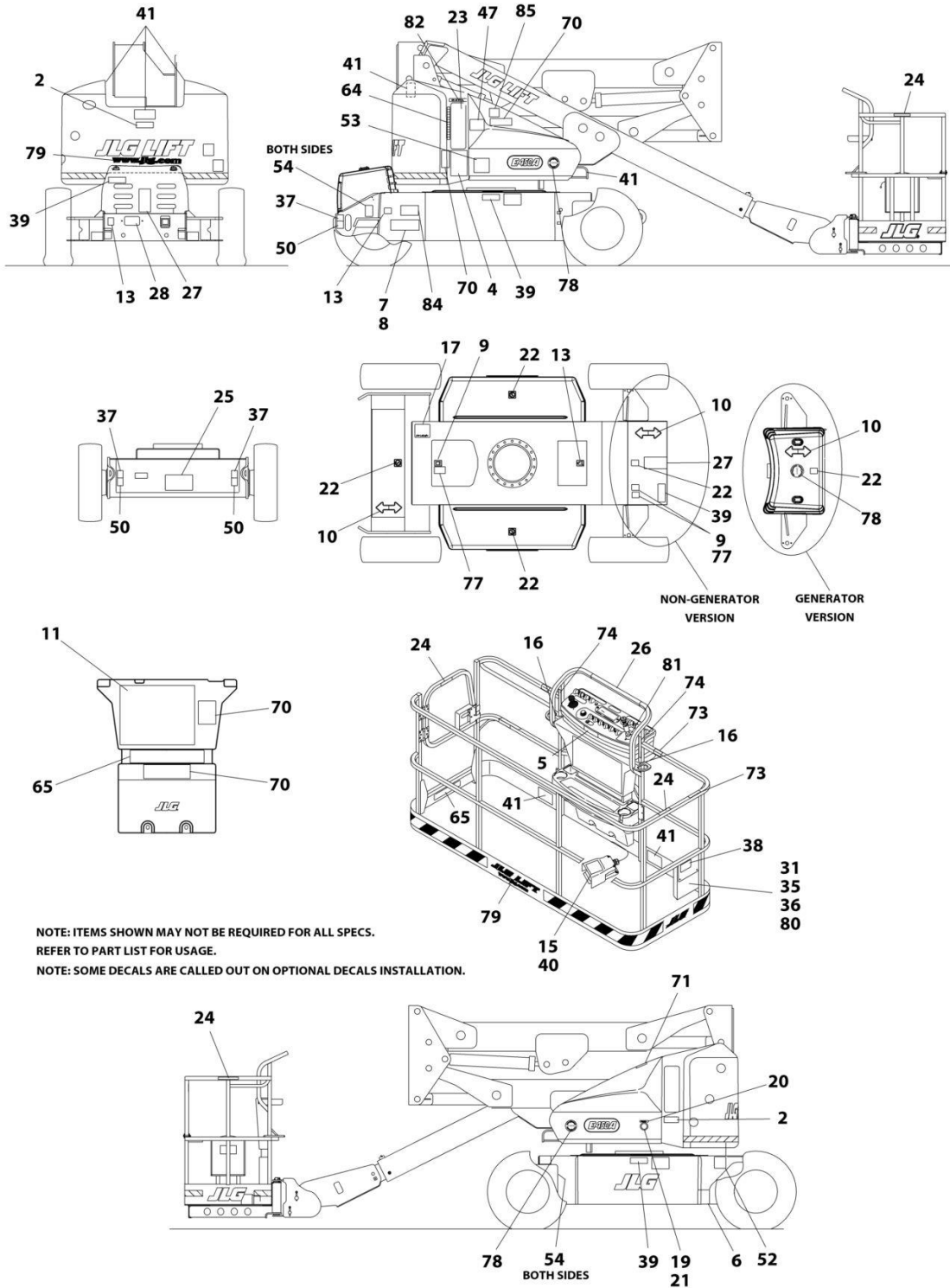
SECTION 9 - DECALS

**FIGURE 9-11. DECAL INSTALLATION - JAPANESE SPEC
(E400AJP,E400AJPNARROW,E400ANARROW)**

ITEM	PART NUMBER	QTY	DESCRIPTION	REV
	1001178379	Ref	DECAL INSTALLATION - REFERENCE CHART	L
	1001178372	Ref	DECAL INSTALLATION - JAPANESE SPEC	G
2	1703938	2	Decal - Electrocution	
4	1703932	1	Decal - Danger/Caution	
7	See Note	1	Nameplate - Serial Number (Note: Not Available for Purchase)	
8	3820001	2	Rivet	
9	1701504	1	Decal - Hydraulic Oil	
10	1701642	2	Decal - Arrow	
11	1703926	1	Decal - Caution/Danger	
13	1701644	2	Decal - Charger	
15	1703980	1	Decal - Footswitch	
16	1704277	2	Decal - Attach Lanyard	
19	0961127	1	Bushing, Snap	
21	0100010	AR	Adhesive	
22	1701691	4	Decal - No Step	
23	1001104864	1	Decal - Manual Descent	
25	1001193949	1	Decal - Cable Routing	
26	1001196811	1	Decal - Legend Platform	
27	1704417	1	Decal - Charger	
28	1704431	1	Decal - Battery Charger LED Indicator (SN 0300208530 through 0300214530)	
31	0860520	1	Box, Manual Storage	
35	4751400	4	Washer, 1/4	
36	3311405	4	Nut, Lock, 1/4-20	
37	1701500	4	Decal - Lift	
38	1701509	1	Decal - Manual	
39	1704342	3	Decal - Explosion Warning	
41	1703950	6	Decal - Crushing Hazard	
47	1702271	1	Decal	
50	1702300	4	Decal - Tie Down	
52	See Note	1	Decal - Bar Code (Note: Not Available for Purchase)	
53	1001121821	1	Decal - 500 LBS. Max Capacity	
65	1001121808	2	Decal - 500 LBS. Max Capacity	
77	1704412	1	Decal - Oil Type	
79	1704885	2	Decal - Website	
80	0641406	4	Bolt 1/4-20 x 3/4	
81	1705426	1	Decal - Drive/Steer Instruction	
82	1001189882	1	Decal - MSSO Operation	
84	1001224053	1	Decal - Yearly Inspection (SN 0300233810 through 0300272265)	
85	1001222801	1	Decal - Manual Jib Pump (SN 0300233810 through 0300272265)	

SECTION 9 - DECALS

FIGURE 9-12. DECAL INSTALLATION - JAPANESE SPEC (M400AJP,M400AJPNARROW)



NOTE: ITEMS SHOWN MAY NOT BE REQUIRED FOR ALL SPECS.
REFER TO PART LIST FOR USAGE.
NOTE: SOME DECALS ARE CALLED OUT ON OPTIONAL DECALS INSTALLATION.

ART_1001178371

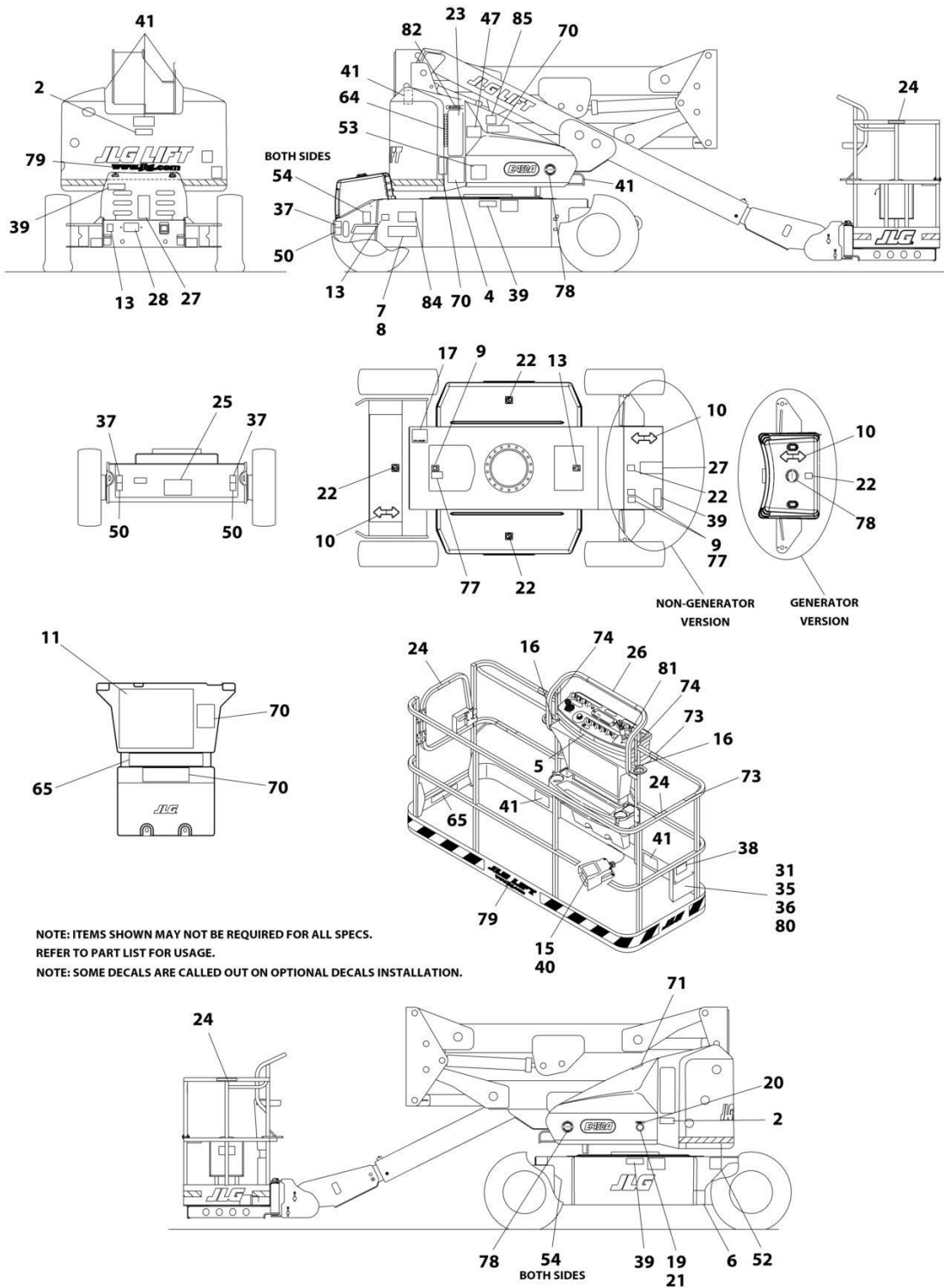
SECTION 9 - DECALS

FIGURE 9-12. DECAL INSTALLATION - JAPANESE SPEC (M400AJP,M400AJPNARROW)

ITEM	PART NUMBER	QTY	DESCRIPTION	REV
	1001178379	Ref	DECAL INSTALLATION - REFERENCE CHART	L
	1001178371	Ref	DECAL INSTALLATION - JAPANESE SPEC	G
2	1703938	2	Decal - Electrocutation	
4	1703932	1	Decal - Danger/Caution	
7	See Note	1	Nameplate - Serial Number (Note: Not Available for Purchase)	
8	3820001	2	Rivet	
9	1701504	1	Decal - Hydraulic Oil	
10	1701642	2	Decal - Arrow	
11	1703926	1	Decal - Caution/Danger	
13	1701644	2	Decal - Charger	
15	1703980	1	Decal - Footswitch	
16	1704277	2	Decal - Attach Lanyard	
19	0961127	1	Bushing, Snap	
21	0100010	AR	Adhesive	
22	1701691	4	Decal - No Step	
23	1001104864	1	Decal - Manual Descent	
25	1001193949	1	Decal - Cable Routing	
27	1704417	1	Decal - Charger	
28	1704431	1	Decal - Battery Charger LED Indicator (SN 0300208530 through 0300214530)	
31	0860520	1	Box, Manual Storage	
35	4751400	4	Washer, 1/4	
36	3311405	4	Nut, Lock, 1/4-20	
37	1701500	4	Decal - Lift	
38	1701509	1	Decal - Manual	
39	1704342	3	Decal - Explosion Warning	
41	1703950	6	Decal - Crushing Hazard	
47	1702271	1	Decal	
50	1702300	4	Decal - Tie Down	
52	See Note	1	Decal - Bar Code (Note: Not Available for Purchase)	
53	1001121821	1	Decal - 500 LBS. Max Capacity	
65	1001121808	2	Decal - 500 LBS. Max Capacity	
70	1001093687	2	Decal - Generator Danger	
77	1704412	1	Decal - Oil Type	
78	1001121510	3	Decal - Hybrid	
79	1704885	2	Decal - Website	
80	0641406	4	Bolt 1/4-20 x 3/4	
81	1705426	1	Decal - Drive/Steer Instruction	
82	1001189882	1	Decal - MSSO Operation	
84	1001224053	1	Decal - Yearly Inspection (SN 0300233810 through 0300272265)	
85	1001222801	1	Decal - Manual Jib Pump (SN 0300233810 through 0300272265)	

SECTION 9 - DECALS

FIGURE 9-13. DECAL INSTALLATION - KOREAN SPEC (E400AJP, E400AJPNARROW, E400ANARROW)



ART_1001178374

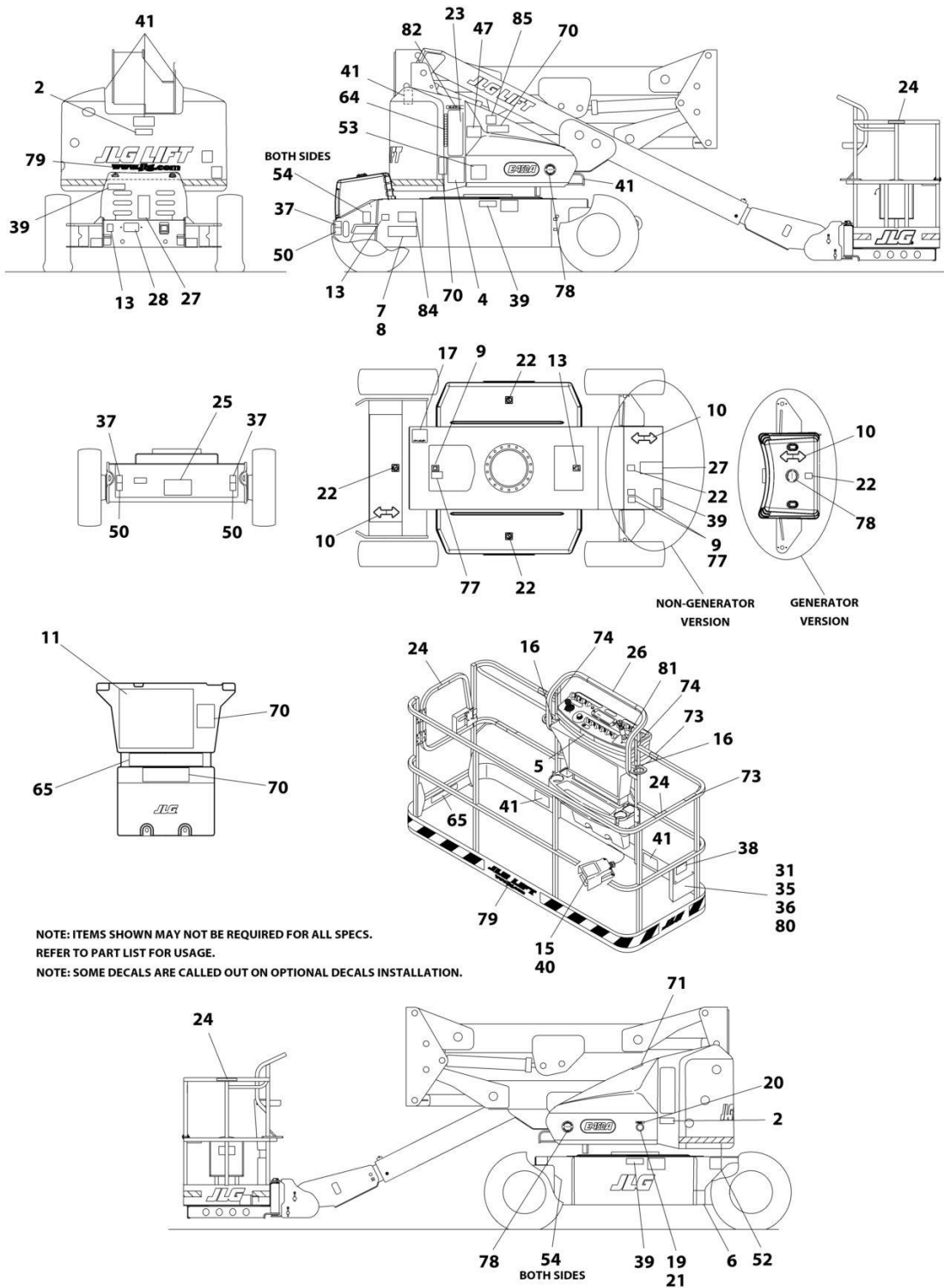
SECTION 9 - DECALS

**FIGURE 9-13. DECAL INSTALLATION - KOREAN SPEC
(E400AJP,E400AJPNARROW,E400ANARROW)**

ITEM	PART NUMBER	QTY	DESCRIPTION	REV
	1001178379	Ref	DECAL INSTALLATION - REFERENCE CHART	L
	1001178374	Ref	DECAL INSTALLATION - KOREAN SPEC	G
2	1703939	2	Decal - Electrocution	
4	1703933	1	Decal - Danger/Caution	
7	See Note	1	Nameplate - Serial Number (Note: Not Available for Purchase)	
8	3820001	2	Rivet	
9	1701504	1	Decal - Hydraulic Oil	
10	1701642	2	Decal - Arrow	
11	1703927	1	Decal - Caution/Danger	
13	1701644	2	Decal - Charger	
15	1703981	1	Decal - Footswitch	
16	1704277	2	Decal - Attach Lanyard	
19	0961127	1	Bushing, Snap	
21	0100010	AR	Adhesive	
22	1701691	4	Decal - No Step	
23	1001104864	1	Decal - Manual Descent	
25	1001193949	1	Decal - Cable Routing	
27	1704418	1	Decal - Charger	
28	1704431	1	Decal - Battery Charger LED Indicator (SN 0300208530 through 0300214530)	
31	0860520	1	Box, Manual Storage	
35	4751400	AR	Washer, 1/4	
36	3311405	AR	Nut, Lock, 1/4-20	
37	1701500	4	Decal - Lift	
38	1701509	1	Decal - Manual	
39	1704343	3	Decal - Explosion Warning	
41	1703951	6	Decal - Crushing Hazard	
47	1703987	1	Decal - Upright Level Override	
50	1702300	4	Decal - Tie Down	
52	See Note	1	Decal - Bar Code (Note: Not Available for Purchase)	
53	1001121921	1	Decal - 500 LBS. Max Capacity	
65	1001121918	2	Decal - 500 LBS. Max Capacity	
77	1704412	1	Decal - Oil Type	
79	1704885	2	Decal - Website	
80	0641406	4	Bolt 1/4-20 x 3/4	
81	1705427	1	Decal - Drive/Steer Instruction	
82	1001189882	1	Decal - MSSO Operation	
84	1001224048	1	Decal - Yearly Inspection (SN 0300233810 through 0300272265)	
85	1001222801	1	Decal - Manual Jib Pump (SN 0300233810 through 0300272265)	

SECTION 9 - DECALS

FIGURE 9-14. DECAL INSTALLATION - KOREAN SPEC (M400AJP,M400AJPNARROW)



ART_1001178373

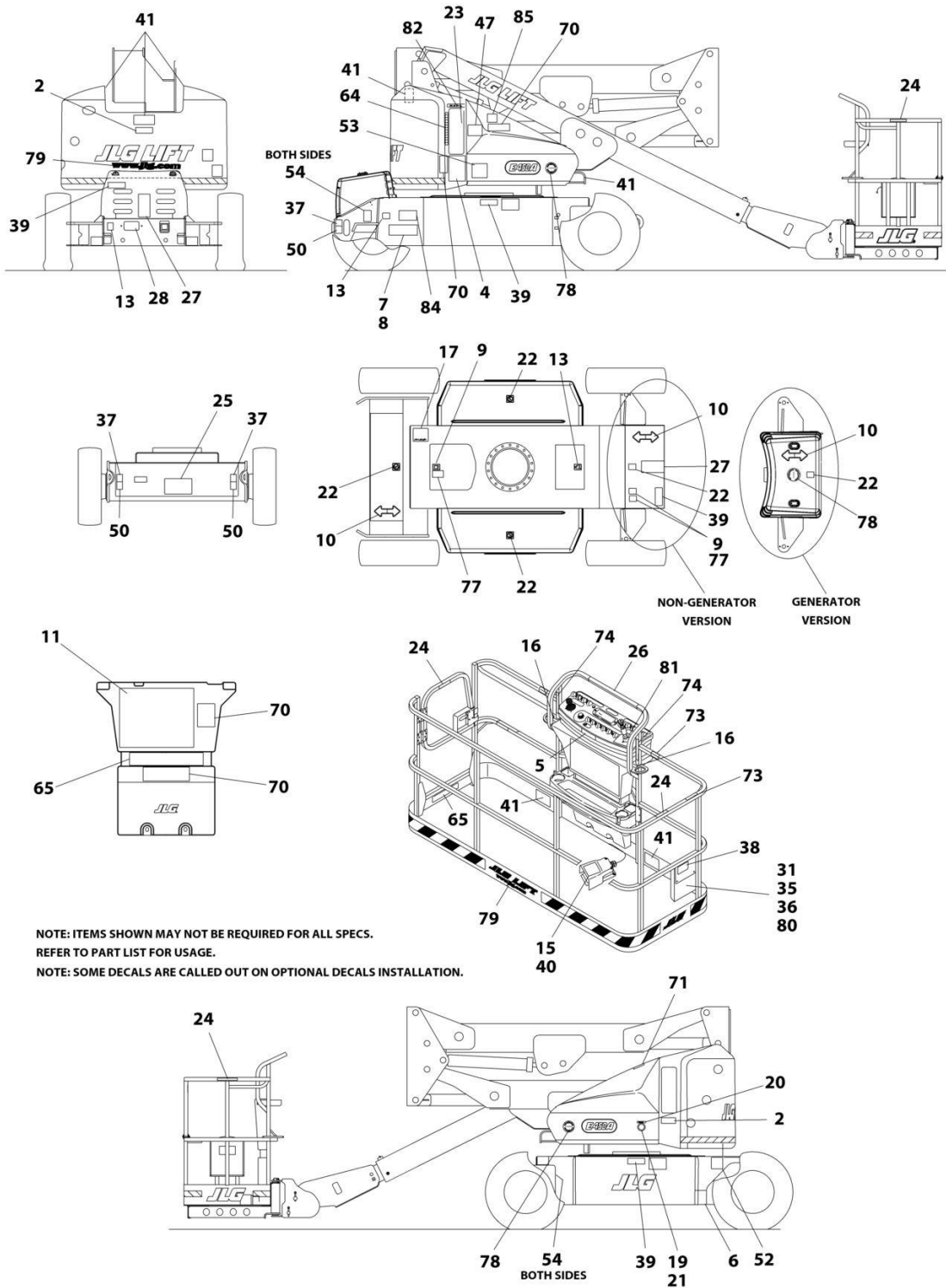
SECTION 9 - DECALS

FIGURE 9-14. DECAL INSTALLATION - KOREAN SPEC (M400AJP,M400AJPNARROW)

ITEM	PART NUMBER	QTY	DESCRIPTION	REV
	1001178379	Ref	DECAL INSTALLATION - REFERENCE CHART	L
	1001178373	Ref	DECAL INSTALLATION - KOREAN SPEC	G
2	1703939	2	Decal - Electrocution	
4	1703933	1	Decal - Danger/Caution	
7	See Note	1	Nameplate - Serial Number (Note: Not Available for Purchase)	
8	3820001	2	Rivet	
9	1701504	1	Decal - Hydraulic Oil	
10	1701642	2	Decal - Arrow	
11	1703927	1	Decal - Caution/Danger	
13	1701644	2	Decal - Charger	
15	1703981	1	Decal - Footswitch	
16	1704277	2	Decal - Attach Lanyard	
19	0961127	1	Bushing, Snap	
21	0100010	AR	Adhesive	
22	1701691	4	Decal - No Step	
23	1001104864	1	Decal - Manual Descent	
25	1001193949	1	Decal - Cable Routing	
27	1704418	1	Decal - Charger	
28	1704431	1	Decal - Battery Charger LED Indicator (SN 0300208530 through 0300214530)	
31	0860520	1	Box, Manual Storage	
35	4751400	4	Washer, 1/4	
36	3311405	4	Nut, Lock, 1/4-20	
37	1701500	4	Decal - Lift	
38	1701509	1	Decal - Manual	
39	1704343	3	Decal - Explosion Warning	
41	1703951	6	Decal - Crushing Hazard	
47	1703987	1	Decal - Upright Level Override	
50	1702300	4	Decal - Tie Down	
52	See Note	1	Decal - Bar Code (Note: Not Available for Purchase)	
53	1001121921	1	Decal - 500 LBS. Max Capacity	
54	1704445	4	Decal - Tire Load	
65	1001121918	2	Decal - 500 LBS. Max Capacity	
70	1001093687	3	Decal - Generator Danger	
77	1704412	1	Decal - Oil Type	
78	1001121510	3	Decal - Hybrid	
79	1704885	2	Decal - Website	
80	0641406	4	Bolt 1/4-20 x 3/4	
81	1705427	1	Decal - Drive/Steer Instruction	
82	1001189882	1	Decal - MSSO Operation	
84	1001224048	1	Decal - Yearly Inspection (SN 0300233810 through 0300272265)	
85	1001222801	1	Decal - Manual Jib Pump (SN 0300233810 through 0300272265)	

SECTION 9 - DECALS

**FIGURE 9-15. DECAL INSTALLATION - SPANISH/ENGLISH SPECS
(E400AJP, E400AJPNARROW, E400ANARROW)**



ART_1001178368

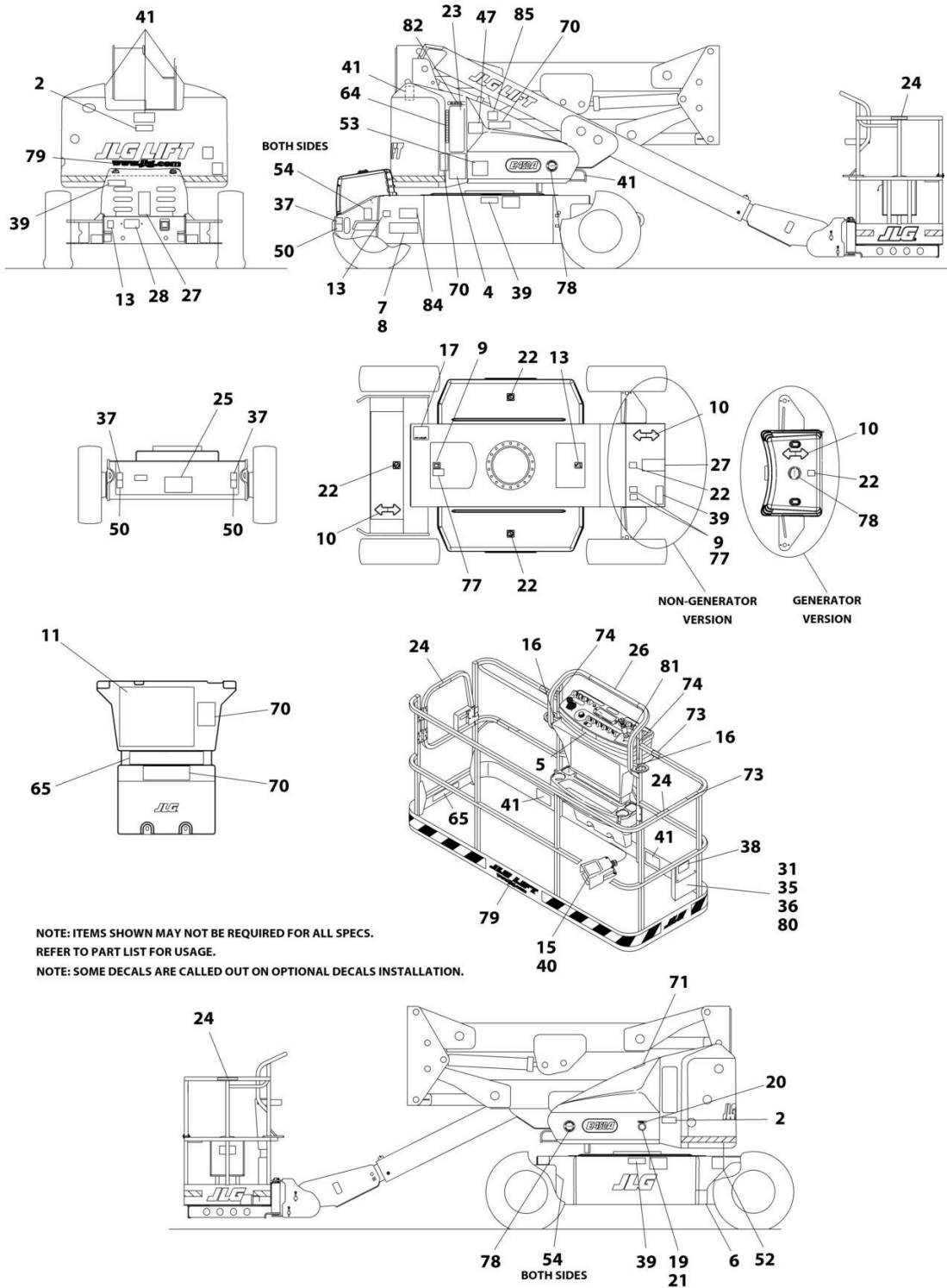
SECTION 9 - DECALS

**FIGURE 9-15. DECAL INSTALLATION - SPANISH/ENGLISH SPECS
(E400AJP,E400AJPNARROW,E400ANARROW)**

ITEM	PART NUMBER	QTY	DESCRIPTION	REV
	1001178379	Ref	DECAL INSTALLATION - REFERENCE CHART	L
	1001178368	Ref	DECAL INSTALLATION - SPANISH/ENGLISH SPECS	G
2	1703935	2	Decal - Electrocution	
4	1703929	1	Decal - Danger/Caution	
7	See Note	1	Nameplate - Serial Number (Note: Not Available for Purchase)	
8	3820001	2	Rivet	
9	1701504	1	Decal - Hydraulic Oil	
10	1701642	2	Decal - Arrow	
11	1703923	1	Decal - Caution/Danger	
13	1701644	2	Decal - Charger	
15	1703983	1	Decal - Footswitch	
16	1704277	2	Decal - Attach Lanyard	
19	0961127	1	Bushing, Snap	
20	3251243	1	Nameplate - 120V/60HZ	
21	0100010	AR	Adhesive	
22	1701691	4	Decal - No Step	
23	1001104864	1	Decal - Manual Descent	
24	1704001	2	Decal - No Hands	
25	1001193949	1	Decal - Cable Routing	
26	1001196811	1	Decal - Legend Platform	
27	1704454	1	Decal - Charger	
28	1704431	1	Decal - Battery Charger LED Indicator (SN 0300208530 through 0300214530)	
31	0860520	1	Box, Manual Storage	
35	4751400	AR	Washer, 1/4	
36	3311405	AR	Nut, Lock, 1/4-20	
37	1701500	4	Decal - Lift	
38	1701509	1	Decal - Manual	
39	1704339	3	Decal - Explosion Warning	
41	1703947	6	Decal - Crushing Hazard	
47	1702265	1	Decal - Boom Sequence	
50	1702300	4	Decal - Tie Down	
52	See Note	1	Decal - Bar Code (Note: Not Available for Purchase)	
53	1001121818	1	Decal - 500 LBS. Max Capacity	
64	1706950	1	Decal - Key, Main Terminal Box	
65	1001121805	2	Decal - 500 LBS. Max Capacity	
77	1704412	1	Decal - Oil Type	
79	1704885	2	Decal - Website	
80	0641406	4	Bolt 1/4-20 x 3/4	
81	1705910	1	Decal - Drive/Steer Instruction	
82	1001189882	1	Decal - MSSO Operation	
84	1001224049	1	Decal - Yearly Inspection (SN 0300233810 through 0300272265)	
85	1001222801	1	Decal - Manual Jib Pump (SN 0300233810 through 0300272265)	

SECTION 9 - DECALS

FIGURE 9-16. DECAL INSTALLATION - SPANISH/ENGLISH SPECS (M400AJP,M400AJPNARROW)



ART_1001178367

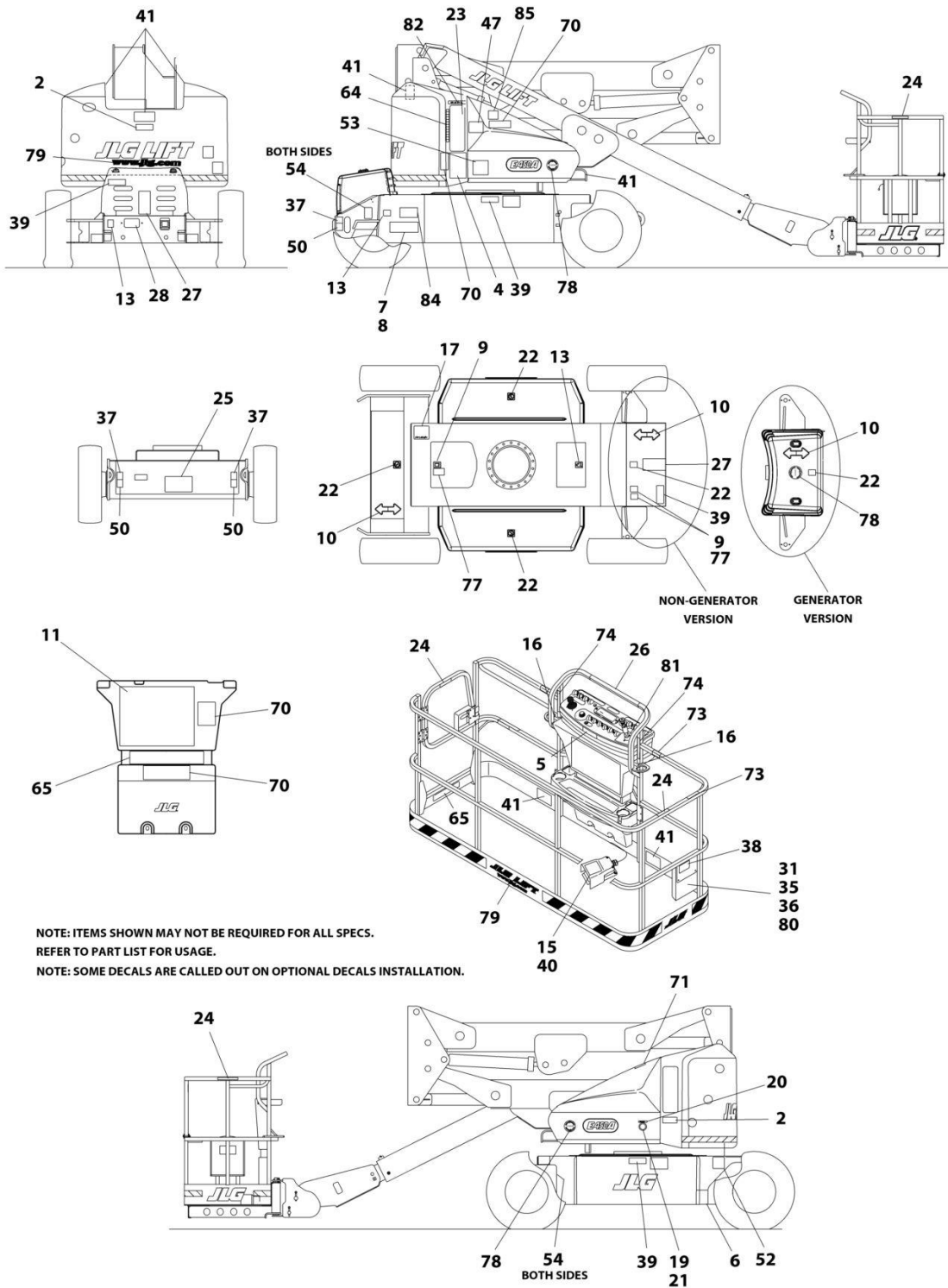
SECTION 9 - DECALS

FIGURE 9-16. DECAL INSTALLATION - SPANISH/ENGLISH SPECS (M400AJP,M400AJPNARROW)

ITEM	PART NUMBER	QTY	DESCRIPTION	REV
	1001178379	Ref	DECAL INSTALLATION - REFERENCE CHART	L
	1001178367	Ref	DECAL INSTALLATION - SPANISH/ENGLISH SPECS	G
2	1703935	2	Decal - Electrocutation	
4	1703929	1	Decal - Danger/Caution	
7	See Note	1	Nameplate - Serial Number (Note: Not Available for Purchase)	
8	3820001	2	Rivet	
9	1701504	1	Decal - Hydraulic Oil	
10	1701642	2	Decal - Arrow	
11	1703923	1	Decal - Caution/Danger	
13	1701644	2	Decal - Charger	
15	1703983	1	Decal - Footswitch	
16	1704277	2	Decal - Attach Lanyard	
19	0961127	1	Bushing, Snap	
20	3251243	1	Nameplate - 120V/60HZ	
21	0100010	AR	Adhesive	
22	1701691	4	Decal - No Step	
23	1001104864	1	Decal - Manual Descent	
24	1704001	2	Decal - No Hands	
25	1001193949	1	Decal - Cable Routing	
26	1001196811	1	Decal - Legend Platform	
27	1704454	1	Decal - Charger	
28	1704431	1	Decal - Battery Charger LED Indicator (SN 0300208530 through 0300214530)	
31	0860520	1	Box, Manual Storage	
35	4751400	AR	Washer, 1/4	
36	3311405	AR	Nut, Lock, 1/4-20	
37	1701500	4	Decal - Lift	
38	1701509	1	Decal - Manual	
39	1704339	3	Decal - Explosion Warning	
41	1703947	6	Decal - Crushing Hazard	
47	1702265	1	Decal - Boom Sequence	
50	1702300	4	Decal - Tie Down	
52	See Note	1	Decal - Bar Code (Note: Not Available for Purchase)	
53	1001121818	1	Decal - 500 LBS. Max Capacity	
64	1706950	1	Decal - Key, Main Terminal Box	
65	1001121805	2	Decal - 500 LBS. Max Capacity	
70	1704371	2	Decal - Generator Danger	
77	1704412	1	Decal - Oil Type	
78	1001121510	3	Decal - Hybrid	
79	1704885	2	Decal - Website	
80	0641406	4	Bolt 1/4-20 x 3/4	
81	1705910	1	Decal - Drive/Steer Instruction	
82	1001189882	1	Decal - MSSO Operation	
84	1001224049	1	Decal - Yearly Inspection (SN 0300233810 through 0300272265)	
85	1001222801	1	Decal - Manual Jib Pump (SN 0300233810 through 0300272265)	

SECTION 9 - DECALS

FIGURE 9-17. DECAL INSTALLATION - SPANISH/PORTUGUESE SPECS (E400AJP, E400AJPNARROW, E400ANARROW)



ART_1001178370

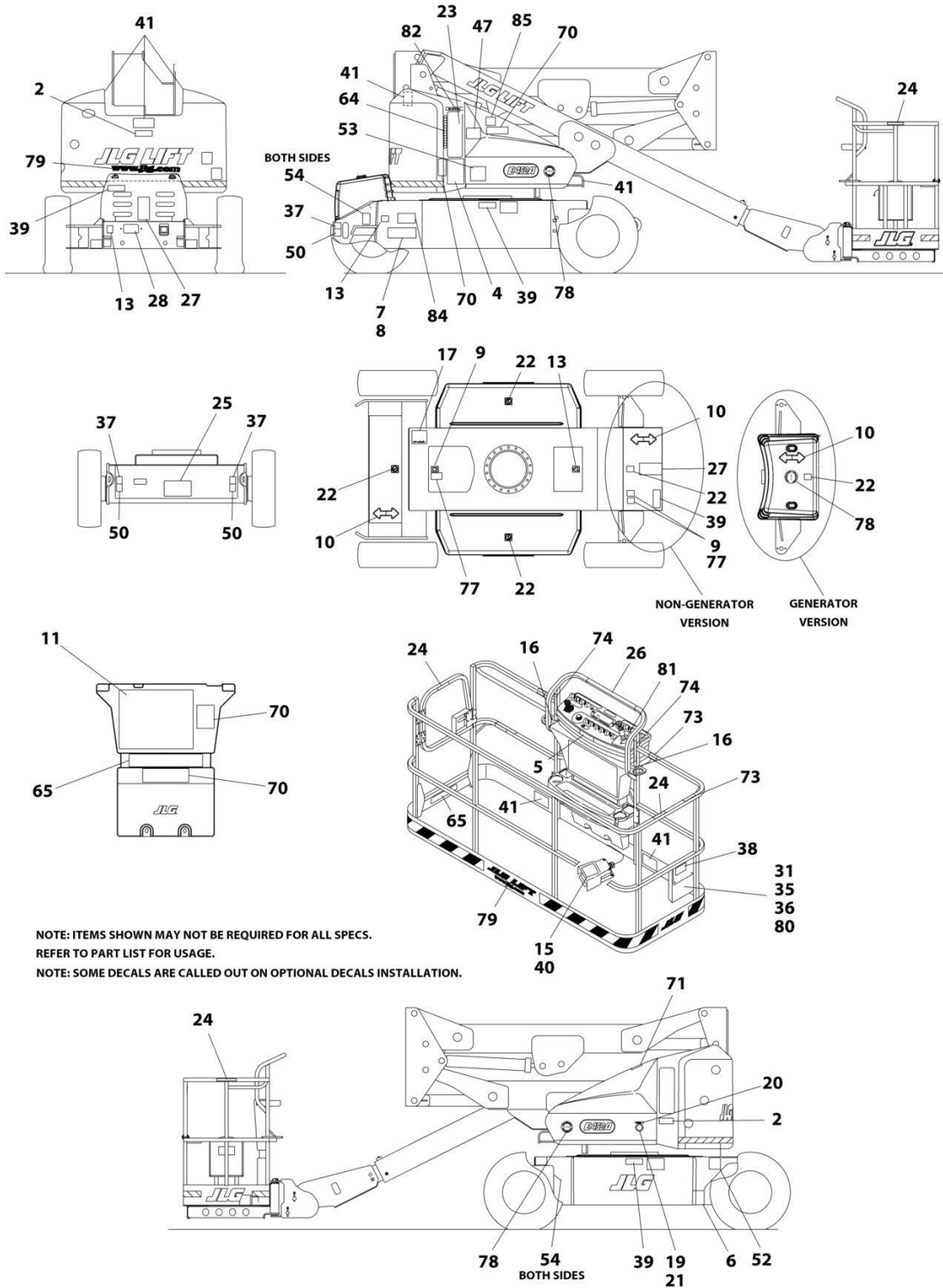
SECTION 9 - DECALS

**FIGURE 9-17. DECAL INSTALLATION - SPANISH/PORTUGUESE SPECS
(E400AJP,E400AJPNARROW,E400ANARROW)**

ITEM	PART NUMBER	QTY	DESCRIPTION	REV
	1001178379	Ref	DECAL INSTALLATION - REFERENCE CHART	L
	1001178370	Ref	DECAL INSTALLATION - SPANISH/PORTUGUESE SPECS	G
2	1703940	2	Decal - Electrocution	
4	1703934	1	Decal - Danger/Caution	
7	See Note	1	Nameplate - Serial Number (Note: Not Available for Purchase)	
8	3820001	2	Rivet	
9	1701504	1	Decal - Hydraulic Oil	
10	1701642	1	Decal - Arrow	
11	1703928	1	Decal - Caution/Danger	
13	1701644	2	Decal - Charger	
15	1703985	1	Decal - Footswitch	
16	1704277	2	Decal - Footswitch	
17	1704008	1	Decal - Inspection (SN 0300208530 through 0300233809)	
19	0961127	1	Bushing, Snap	
20	3251243	1	Nameplate - 120V/60HZ	
21	0100010	AR	Adhesive	
22	1701691	4	Decal - No Step	
23	1001104864	1	Decal - Manual Descent	
24	1704002	2	Decal - No Hands	
25	1001193949	1	Decal - Cable Routing	
26	1001196811	1	Decal - Legend Platform	
27	1704453	1	Decal - Charger	
28	1704431	1	Decal - Battery Charger LED Indicator (SN 0300208530 through 0300214530)	
31	0860520	1	Box, Manual Storage	
35	4751400	AR	Washer, 1/4	
36	3311405	AR	Nut, Lock, 1/4-20	
37	1701500	4	Decal - Lift	
38	1701509	1	Decal - Manual	
39	1704341	3	Decal - Explosion Warning	
41	1703952	6	Decal - Crushing Hazard	
47	1703991	1	Decal - Boom Sequence	
50	1702300	4	Decal - Tie Down	
52	See Note	1	Decal - Bar Code (Note: Not Available for Purchase)	
53	1001121923	1	Decal - 500 LBS. Max Capacity	
64	1706950	1	Decal - Key, Main Terminal Box	
65	1001121920	2	Decal - 500 LBS. Max Capacity	
77	1704412	1	Decal - Oil Type	
79	1704885	2	Decal - Website	
80	0641406	4	Bolt, 1/4-20 x 3/4	
81	1001113680	1	Decal - Drive/Steer Instruction	
82	1001189882	1	Decal - MSSO Operation	
84	1001224052	1	Decal - Yearly Inspection (SN 0300233810 through 0300272265)	
85	1001222801	1	Decal - Manual Jib Pump (SN 0300233810 through 0300272265)	

SECTION 9 - DECALS

FIGURE 9-18. DECAL INSTALLATION - SPANISH/PORTUGUESE SPECS (M400AJP,M400AJPNARROW)



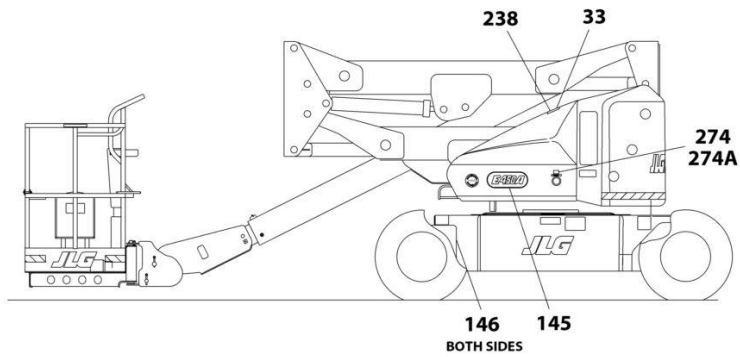
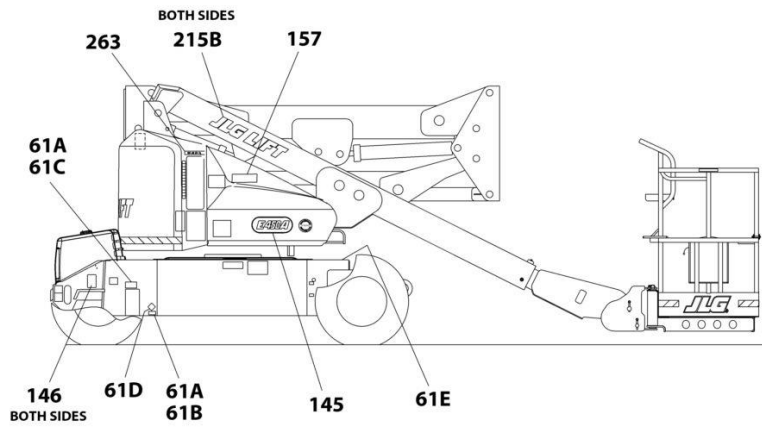
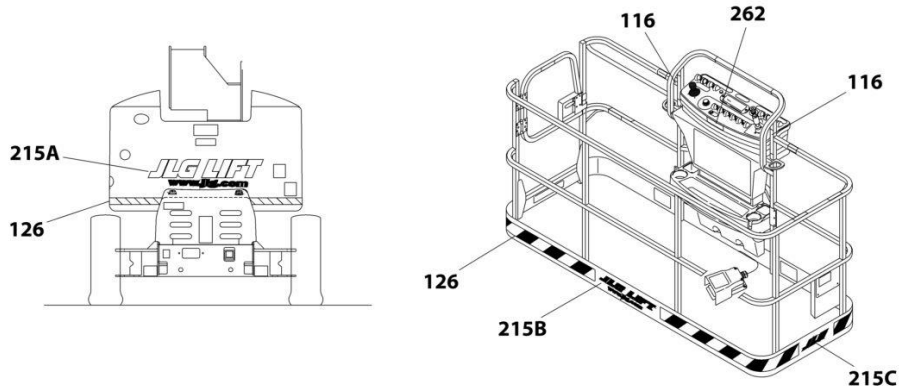
SECTION 9 - DECALS

**FIGURE 9-18. DECAL INSTALLATION - SPANISH/PORTUGUESE SPECS
(M400AJP,M400AJPNARROW)**

ITEM	PART NUMBER	QTY	DESCRIPTION	REV
	1001178379	Ref	DECAL INSTALLATION - REFERENCE CHART	L
	1001178369	Ref	DECAL INSTALLATION - SPANISH/PORTUGUESE SPECS	G
2	1703940	2	Decal - Electrocution	
4	1703934	1	Decal - Danger/Caution	
7	See Note	1	Nameplate - Serial Number (Note: Not Available for Purchase)	
8	3820001	2	Rivet	
9	1701504	1	Decal - Hydraulic Oil	
10	1701642	2	Decal - Arrow	
11	1703928	1	Decal - Caution/Danger	
13	1701644	2	Decal - Charger	
15	1703985	1	Decal - Footswitch	
16	1704277	2	Decal - Attach Lanyard	
17	1704008	1	Decal - Inspection (SN 0300208530 through 0300233809)	
19	0961127	1	Bushing, Snap	
20	3251243	1	Nameplate - 120V/60HZ	
21	0100010	AR	Adhesive	
22	1701691	4	Decal - No Step	
23	1001104864	1	Decal - Manual Descent	
24	1704002	2	Decal - No Hands	
25	1001173577	1	Decal - Cable Routing	
26	1001196811	1	Decal - Legend Platform	
27	1704453	1	Decal - Charger	
28	1704431	1	Decal - Battery Charger LED Indicator (SN 0300208530 through 0300214530)	
31	0860520	1	Box, Manual Storage	
35	4751400	AR	Washer, 1/4	
36	3311405	AR	Nut, Lock, 1/4-20	
37	1701500	4	Decal - Lift	
38	1701509	1	Decal - Manual	
39	1704341	3	Decal - Explosion Warning	
41	1703952	6	Decal - Crushing Hazard	
47	1703991	1	Decal - Boon Sequence	
50	1702300	4	Decal - Tie Down	
52	See Note	1	Decal - Bar Code (Note: Not Available for Purchase)	
53	1001121923	1	Decal - 500 LBS. Max Capacity	
64	1706950	1	Decal - Key, Main Terminal Box	
65	1001121920	2	Decal - 500 LBS. Max Capacity	
70	1001093687	2	Decal - Generator Danger	
77	1704412	1	Decal - Oil Type	
78	1001121510	3	Decal - Hybrid	
79	1704885	2	Decal - Website	
80	0641406	4	Bolt 1/4-20 x 3/4	
81	1001113680	1	Decal - Drive/Steer Instruction	
82	1001189882	1	Decal - MSSO Operation	
84	1001224052	1	Decal - Yearly Inspection (SN 0300233810 through 0300272265)	
85	1001222801	1	Decal - Manual Jib Pump (SN 0300233810 through 0300272265)	

SECTION 9 - DECALS

FIGURE 9-19. DECAL INSTALLATION - OPTIONS



ART_DECAL_OPTIONS

SECTION 9 - DECALS

FIGURE 9-19. DECAL INSTALLATION - OPTIONS

ITEM	PART NUMBER	QTY	DESCRIPTION	REV
	1001178379	Ref	DECAL INSTALLATION - REFERENCE CHART	L
	1001164638	Ref	DECAL INSTALLATION - OPTIONS	AH
33	1701505	1	Decal - Diesel	
61	0270433	Ref	Decal Installation - UL Tags	B
61A	3820001	8	Rivet	
61B	3252331	1	Nameplate, Battery Information	
61C	3252780	1	Nameplate, UL Certification	
61D	1702251	2	Nameplate, EE	
61E	1001213625	1	Decal - Replacement Fuse 400 Amp	
116	1703175	2	Decal - Lanyard Attach (GM K-1 Spec)	
126	0259550	Ref	Warning Strip Installation (Not Shown)	2
126	4420051	17.5 ft/ 5.33m	Tape, Safety	
145	1704900	2	Decal - Model Designation (E400Anarrow)	
145	1704791	2	Decal - Model Designation (E400AJP)	
145	1704792	2	Decal - Model Designation (E400AJPnarrow)	
145	1704793	2	Decal - Model Designation (M400AJP)	
145	1704794	2	Decal - Model Designation (M400AJPnarrow)	
146	1704727	4	Decal - Tire Load (E400AJP,M400AJP)	
146	1704752	4	Decal - Tire Load (E400AJPnarrow,M400AJPnarrow)	
157	1704286	2	Decal - Generator Warning (ANSI and ANSI Export Specs)	
157	1001093687	2	Decal - Generator Warning (Australian and CE Specs)	
157	1704369	2	Decal - Generator Warning (Japanese Spec - Dual Language English/Japanese)	
157	1704370	2	Decal - Generator Warning (ANSI Export Spec - Dual Language English/Korean)	
157	1704371	2	Decal - Generator Warning (ANSI Export Spec - Dual Language English/Spanish)	
157	1704368	2	Decal - Generator Warning (CSA Spec - Dual Language English/French)	
157	1704372	2	Decal - Generator Warning (ANSI Export and CE Specs - Dual Language English/Chinese)	
157	1704373	2	Decal - Generator Warning (ANSI Export Spec - Dual Language Portuguese/Spanish)	
215	0270273	Ref	Decal Installation - JLG Logo (Not Shown) (E400Anarrow)	C
215	0270274	Ref	Decal Installation - JLG Logo (Not Shown) (E400AJP,E400AJPnarrow,M400AJP,M400AJPnarrow)	C
215A	1702860	1	Decal - JLG Lift	
215B	1702774	3	Decal - JLG Lift	
215C	1702773	1	Decal - JLG (E400Anarrow)	
215C	1704200	1	Decal - Jib Plus (E400AJP,E400AJPnarrow,M400AJP,M400AJPnarrow)	
238	1001108923	1	Decal - Fuel Low Sulfur (ANSI and CSA Spec Only)	
238	1001139654	1	Decal - Fuel Ultra-Low Sulfur (CE & Japanese Spec Only)	
262	1001141300	1	Decal - Platform Sensor Override (SN 030029740 through 0300272265)	
263	1001189882	1	Decal - MSSO Instructions	
274	1001214031	Ref	Decal - EAC Installation (CIS and Russia Specs)	
274A	1001173703	1	Decal - EAC	

SECTION 10 - RECOMMENDED SERVICE PARTS STOCK

SECTION 10 - RECOMMENDED SERVICE PARTS STOCK

SECTION 10 - RECOMMENDED SERVICE PARTS STOCK

FIGURE 10-1. RECOMMENDED SERVICE PARTS STOCK

ITEM	PART NUMBER	QTY	DESCRIPTION	REV
		Ref	Note: The following list will service one machine (built to current production per date on the front cover) with emergency repair parts which can be installed in the field. Parts from the list should be replaced when inventory is depleted to keep service parts stock supplied. For further information, contact your JLG dealer or the JLG Industries Parts Department.	
		Ref	STANDARD PARTS	
	7021618	1	Coil	
	7021609	1	Coil	
	70005210	1	Coil	
	7024883	1	Coil	
	7024885	1	Coil	
	1001166538	1	Controller (Drive and Steer)	
	1001212415	1	Controller Assembly (Drive and Steer)	
	1001166539	1	Controller (Lift and Swing)	
	1001129555	1	Controller Assembly (Lift and Swing)	
	4360476	1	Contact, Switch	
	7021616	4	Filter Cartridge	
	8229242	1	Fuse - 5 Amp	
	8229261	1	Fuse - 5 Amp	
	8229234	1	Fuse - 10 Amp	
	8229237	1	Fuse - 15 Amp	
	8229235	1	Fuse - 20 Amp	
	8229236	1	Fuse - 30 Amp	
	1001170365	1	Fuse - 400 Amp	
	2860030	1	Key Replacement	
	2940074	1	Latch	
	1001155045	1	Switch, Toggle	
	1001159256	1	Switch, Toggle	
	4360475	1	Switch, Emergency	
	4360469	1	Switch, Key	
	4360387	1	Switch, Push Button	
	1001161710	1	Switch, Toggle	
		Ref	VARIABLE PARTS	
	1001181045	1	Breaker 30mA (CE Spec)	
	1001189172	1	Breaker 16Amp (CE Spec)	
	1001189171	1	Breaker 30mA (CE Spec)	
	70000313	1	Element, Air Cleaner (M400AJP,M400AJPnarrow)	
	70000318	1	Element, Fuel Filter (M400AJP,M400AJPnarrow)	
	70000319	1	Element, Oil Filter (M400AJP,M400AJPnarrow)	
	70000329	1	Fuse 15Amp (M400AJP,M400AJPnarrow)	
	1001192212	1	Module (Drive - LH)	
	1001178339	1	Module (Drive - RH)	
	1001182700	1	Module (Ground Control)	
	1001182724	1	Module (Platform Control)	
	70000326	1	Module (Engine Control)	
	7019698	1	Power Track - 1 Link	
	70001996	1	Power Track - 2ft. Section	
	70001998	1	Power Track - Bracket Kit	

SECTION 10 - RECOMMENDED SERVICE PARTS STOCK

ITEM	PART NUMBER	QTY	DESCRIPTION	REV
	4360548	1	Switch, Limit	
	1001116232	1	Switch, Limit	
	4360274	1	Switch, Push Button (M400AJP,M400AJPnarrow)	

SECTION 11 - SPECIAL OPTIONS

SECTION 11 - SPECIAL OPTIONS

FIGURE 11-1. SPECIAL OPTIONS

ITEM	PART NUMBER	QTY	DESCRIPTION	REV
		Ref	MISCELLANEOUS SPECIAL OPTIONS	
		Ref	Note: This list is to accommodate machines ordered with special equipment. Options may not be applicable to all models. For more specific parts information contact JLG Parts Department.	
	0271801	Ref	Airline Installation - 1/2in (E400Anarrow)	
	1001210041	NLA	Alert Beacon Kit (Red) (Use p/n 1001218503)	
	1001218503	Ref	Alert Beacon Kit (Red)	
	1001229107	Ref	ClearSky Telematics Installation - 3 Wire Connection (Factory Installed) (ANSI and CSA Specs Only)	
	1001233237	Ref	ClearSky Telematics Installation - 3 Wire Connection (Factory Installed) (ANSI Export and CE Specs Only)	
	1001235649	Ref	ClearSky Telematics Installation - Canbus (Factory Installed) (ANSI & CSA Specs)	
	1001246541	Ref	ClearSky Telematics Installation - Canbus (Factory Installed) (Australian Specs)	
	1001236535	Ref	ClearSky Telematics Installation - Canbus (Factory Installed) (ANSI Export & CE Specs)	
	1001246542	Ref	ClearSky Telematics Installation - Canbus (Factory Installed) (China Specs)	
	1001195304	Ref	Console Cover	
	1001205175	Ref	Console Cover Kit	
		Ref	Cylinder Bellows Installations	
	0259397	Ref	Cylinder Bellows Installations (E400Anarrow)	
	0271251	Ref	Cylinder Bellows Installations (E400AJP,E400AJPnarrow,M400AJP,M400AJPnarrow)	
	0460110	2	Bellows - Platform Level and Master Cylinders (E400Anarrow)	
	0460194	2	Bellows - Platform Level and Master Cylinders (E400AJP,E400AJPnarrow,M400AJP,M400AJPnarrow)	
	0460115	1	Bellows - Main Lift Cylinder	
	0460113	1	Bellows - Mid Lift Cylinder	
	0460114	1	Bellows - Tower Lift Cylinder	
	0460196	1	Bellows - Jib Cylinder (E400AJP,E400AJPnarrow,M400AJP,M400AJPnarrow)	
	1320037	6	Clamp	
		Ref	Decal Installations	
	1001229690	Ref	Decal - ClearSky Installation (ANSI, ANSI Export, Australian, CE, China and CSA Specs Only)	
	1702868	Ref	Decal - No Hands (English) (ANSI Spec) (Used with Platform Padding or Mesh to Top Rail)	
	1704000	Ref	Decal - No Hands (English and French) (CSA Spec) (Used with Platform Padding or Mesh to Top Rail)	
	1001108727	Ref	Decal Kit - Platform	
	1001223824	Ref	Decal Kit - Platform Console	
	1001198647	Ref	Decal Kit - Service (Prior to SN 0300189898)	
	1001198649	Ref	Decal Kit - Service (SN 0300189901 to Present)	
		Ref	Electrical Connector Kits	
	1001148902	Ref	Amp Connector Kit	
	1001148903	Ref	Deutsch DT Connector Kit	
	1001148904	Ref	Deutsch HD Connector Kit	
	1001148905	Ref	Packard Connector Kit	
	1001148906	Ref	Various Connector Kit	

SECTION 11 - SPECIAL OPTIONS

ITEM	PART NUMBER	QTY	DESCRIPTION	REV	
M	1001152523	Ref	Fire Extinguisher Installation (Platform Mounted)		
	1001191395	Ref	Fuel Cap Cover (Lockable) (Green)		
	1001202749	Ref	Fuel Cap Cover (Lockable) (Black)		
	1001191314	Ref	Headlight and Tail Lights Installation		
	1001198658	Ref	Hose Kit - Boom (E400Anarrow)		
	1001198657	Ref	Hose Kit - Boom (E400AJP,M400AJP)		
			Ref	Hydraulic Fluids	
		2300028	Ref	Hydraulic Fluid - Mobil DTE 10 Excel 15	
		2300042	Ref	Hydraulic Fluid - Biodegradeable	
		1001151286	Ref	Jib Cylinder with Manual Descent Valve Kit	
		1001183407	Ref	Low Temp Cutout Installation (Russia Specs Only) (SN 0300237406 through 0300241682)	
		1001189162	Ref	Low Temp Cutout Installation (Russia Specs Only) (SN 0300241683 through 0300243635)	
			Ref	Platform Mesh To Mid Rail Add-on Kits	
		1001214478	Ref	30in X 4ft (76cm x 1.22m)	
		1001214515	Ref	30in X 5ft (76cm x 1.52m)	
			Ref	Platform Mesh To Mid Rail Installations	
		1001140318	Ref	30in x 4ft (76cm x 1.22m)	
		1001140315	Ref	30in x 5ft (76cm x 1.52m)	
			Ref	Platform Mesh Top Rail Add-on Kits	
		1001214552	Ref	30in X 4ft (76cm x 1.22m)	
		1001214559	Ref	30in X 5ft (76cm x 1.52m)	
			Ref	Platform Mesh Top Rail Installations	
		0273146	Ref	30in x 5ft (76cm x 1.52m)	
		0273147	Ref	30in x 4ft (76cm x 1.22m)	
			Ref	Platform Padding Installation	
		0273381	Ref	30 x 48 Platform	
		0273382	Ref	30 x 60 Platform	
			Ref	Platform Top Rail Extension Installation	
		1001103617	Ref	30 x 48 Platform	
		1001103558	Ref	30 x 60 Platform	
		1001120466	Ref	Platform Worklights Installation	
		1001209059	Ref	Platform Work Surface Installation	
		1001246695	Ref	Protection Kit (Covers, Hoses & Valves)	
		1001212202	Ref	Rotator Actuator Protection Kit	
		1001190896	Ref	Service Kits	
		1001247073	Ref	SkyEye Retrofit Kit	
		1001149561	NLA	SkyGuard Complete Add-on Kit (Blue) (Use p/n 1001206996) (SN 0300208530 through 0300217464)	
		1001206996	Ref	SkyGuard Complete Add-on Kit (Blue) (SN 0300217465 through 0300272265)	
		1001210033	Ref	SkyGuard Complete Add-on Kit (Red)	
		1001176372	Ref	SkyGuard Removal Plug Kit	
		1001201620	Ref	SkyGuard (Service) Kit	
		1001209413	NLA	SkyGuard with Beacon (Blue) (Use p/n 1001218502)	
		1001218502	Ref	SkyGuard with Beacon (Blue)	
		1001210032	Ref	SkyGuard with Beacon (Red)	
		1001218499	Ref	SkyGuard without Beacon	
	1001232643	Ref	SkyLine Add-on Kit		
		Ref	Strobe Light Installations (Amber) Options:		
	1001191144	Ref	Strobe Light Installation (Amber) Platform Mounted		

SECTION 11 - SPECIAL OPTIONS

ITEM	PART NUMBER	QTY	DESCRIPTION	REV
	1001191145	Ref	Strobe Light Installation (Amber) Platform/Ground Mounted	
	1001243183	Ref	Telematics Access Control Canbus Add-on Kit (ANSI & CSA Specs)	
	1001243184	Ref	Telematics Access Control Canbus Add-on Kit (CE Specs)	
	1001243185	Ref	Telematics Access Control Add-on Kit	
	0272315	Ref	Tire Sealant	
	0272341	Ref	Tire Sealant Decal Installation	
	1705363	Ref	Decal - Tire Sealant (Located on Hood)	
	1001197883	Ref	Telematics Installation	
	1001239568	Ref	Upper Powertrack Service Kit (E400Anarrow,M400Anarrow)	
	1001239569	Ref	Upper Powertrack Service Kit (E400AJP,M400AJP)	
	1001241268	Ref	Wear Pad Kit (E400Anarrow)	
	1001241269	Ref	Wear Pad Kit (E400AJP)	
	0259302	Ref	Wheel Cover (IN240/55-17.5 Tires)	
	1001231804	Ref	White Noise Alarm	
	1001231870	Ref	White Noise Ambient Alarm	

PART NUMBER INDEX

SECTION 11 - SPECIAL OPTIONS

0060044.....235, 239	0270273 615	0641404 . 87, 89, 91, 227,	137, 139, 141, 143,
0060052.....227, 237	0270274 615	297, 301, 305, 309,	227, 231
0060065.....235, 241	0270433 615	313, 317, 321, 325,	0641607.....223, 227, 231
0100001.....243	0270724 221	329, 333, 337, 341,	0641608 73, 75, 163, 221,
0100009....227, 297, 301,	0270725 221, 227	345, 349, 353, 357, 381	223, 227, 231
305, 309, 313, 317,	0271251 622	0641405 ... 107, 109, 111,	0641610....33, 37, 41, 73,
321, 325, 329, 333,	0271464 531	113, 115, 117, 227,	75, 87, 89, 91, 221,
337, 341, 345, 349,	0271649 235	245, 381	223, 243, 263, 265,
353, 357, 373	0271801 622	0641406 . 33, 37, 41, 113,	273, 275, 277, 279,
0100010....577, 579, 583,	0272111 373	115, 117, 121, 123,	281, 283, 285, 287,
585, 587, 589, 591,	0272314 63	125, 127, 129, 131,	289, 291, 293, 295
593, 595, 597, 599,	0272315 624	153, 165, 207, 273,	0641614.... 121, 123, 201,
601, 603, 605, 607,	0272335 63	275, 277, 279, 281,	203, 209, 211, 221
609, 611, 613	0272341 624	283, 285, 287, 289,	0641616.....235
0100011.... 17, 19, 21, 23,	0272976 243	291, 293, 295, 371,	0641618.....207, 235
33, 37, 41, 73, 75, 77,	0273146 623	577, 579, 583, 585,	0641622.....165
79, 87, 89, 91, 93, 95,	0273147 623	587, 589, 591, 593,	0641806.....221, 224
99, 101, 103, 105, 121,	0273381 623	595, 597, 599, 601,	0641807..... 87, 89, 91
123, 135, 137, 139,	0273382 623	603, 605, 607, 609,	0641808.....223
141, 143, 161, 163,	0273468 67	611, 613	0641810.....221, 223
165, 167, 169, 171,	0273683 61	0641407 ... 107, 109, 111,	0641811.....99, 101, 103,
173, 201, 203, 221,	0273684 67	113, 115, 117, 201,	105
223, 227, 231, 235,	0275216 473, 533	203, 245, 489, 533,	0641812.. 33, 37, 41, 159,
245, 247, 251, 253,	0275217 471, 545	535, 537, 539, 541,	221, 243, 489
263, 265, 267, 269,	0275218 463, 539	543, 545	0641818.....227, 231
271, 377, 379, 381,	0275219 465, 543	0641408 . 33, 37, 41, 273,	0641822.....245
395, 399, 401, 403,	0275452 467, 537	275, 277, 279, 281,	0642024.....245
407, 409, 411, 413,	0275453 469, 541	283, 285, 287, 289,	0642612..... 189, 195
415, 417, 425, 427, 429	0275454 461, 535	291, 293, 295, 489,	0681608....243, 245, 247
0100019..... 155, 251, 253	0275663 499	533, 535, 537, 539,	0681610.....224
0100020...34, 38, 42, 165,	0275664 501	541, 543, 545	0681810.... 17, 19, 21, 23
207, 367, 439	0275665 497	0641409 209, 211	0682014..... 33, 37, 41
0100035....51, 53, 55, 57,	0275666 495	0641410 251, 253	0682026..... 155
187, 317, 333, 345,	0275667 503	0641413 ... 135, 137, 139,	0682028..... 155
349, 353, 357, 395,	0340048 75	141, 143	0700408....533, 535, 537,
399, 403, 407, 411,	0400055 99, 101	0641414 ... 297, 301, 305,	539, 541, 543, 545
415, 429	0400201 165	309, 313, 317, 321,	0720804.... 135, 137, 139,
0100038....395, 399, 401,	0440162 17, 21	325, 329, 333, 337,	141, 143
403, 407, 409, 411,	0460110 622	341, 345, 349, 353,	0721004.... 125, 127, 129,
413, 415, 417, 425,	0460113 622	357, 377, 379, 383	131
427, 429	0460114 622	0641416 ... 167, 169, 171,	0721006.....37
0100048... 33, 37, 41, 245	0460115 622	173, 245, 533, 535,	0741008.....55
0100051.....33, 37, 41	0460194 622	537, 539, 541, 543, 545	0741606.....231
0100071.....383	0460196 622	0641418 ... 167, 169, 171,	0760606.....248
0100075....298, 301, 305,	0480100 385	173, 267, 269, 271	0760610.....247
309, 313, 322, 325,	0561076 221, 223	0641424 77, 429, 431	0761014.....247
329, 337, 341	0561317 251, 253	0641426 137, 141	0761015.....247
0100081.....231	0561384 251, 253	0641430 33, 37, 41	0761215.....243, 247
0100083.... 51, 53, 55, 57	0561385 251, 253	0641440 79	0801224.....231
0140011....297, 301, 305,	0561386 251, 253	0641506 ... 167, 169, 171,	0801225.....223, 231
309, 313, 317, 321,	0561424 251	173, 221, 224	0801226.....231
325, 329, 333, 337,	0610131 ... 175, 177, 179,	0641507 139, 143	0801227.....223
341, 345, 349, 353, 357	181	0641508 . 33, 37, 41, 201,	0801262.....221
0140043..... 153	0630399 227	203	0801263.....227
0257728.....385	0630401 231	0641510 159, 207	0801267.....227
0258688.....59	0630440 127, 131	0641512 ... 425, 427, 429,	0840031..... 33, 37, 41
0258995.....59	0630467 251, 253	431	0840032.....33, 37, 41
0258996.....65	0630487 227	0641514 ... 201, 203, 251,	0860038.....527, 529
0258997.....65	0630490 29, 31	253, 385	0860520....577, 579, 583,
0259302.....624	0630518 ... 175, 177, 179,	0641516 235, 251	585, 587, 589, 591,
0259397.....622	181	0641518 165	593, 595, 597, 599,
0259481.....207	0630552 165	0641560 251, 253	601, 603, 605, 607,
0259550.....615	0630568 ... 297, 302, 306,	0641604 425	609, 611, 613
0270012.....529	310, 314, 318, 321,	0641605 ... 167, 169, 171,	0861375.....37
0270013.....527	326, 330, 334, 338,	173, 231, 232	0861731....461, 467, 469
0270028.....71	342, 346, 350, 354, 358	0641606 ... 17, 19, 21, 23,	0861781.....471, 473
0270037.....69		87, 89, 91, 93, 95, 135,	0861880.....491

SECTION 11 - SPECIAL OPTIONS

0902919..... 245	1001110772..... 71	1001136881..... 439	1001155045..... 175, 177,
0902920..... 245	1001110774..... 71	1001137673..... 377, 379	179, 181, 297, 301,
0940048..... 221, 224	1001110775..... 69	1001138494..... 267, 269	305, 309, 313, 317,
0961127 ... 577, 579, 583,	1001110873..... 527	1001138514..... 267, 269	321, 325, 329, 333,
585, 587, 589, 591,	1001112496..... 125, 127,	1001139654..... 615	337, 341, 345, 349,
593, 595, 597, 599,	131	1001140278..... 223, 421	353, 357, 618
601, 603, 605, 607,	1001113483..... 245	1001140279..... 223, 391	1001157058 161
609, 611, 613	1001113680..... 611, 613	1001140280..... 235, 393	1001157890 505, 509,
0961845 267, 269, 271	1001113961..... 565	1001140315..... 623	562, 565
0961947 239, 393	1001114761..... 145, 151	1001140318..... 623	1001157891 505, 561
0961948 231	1001114782..... 103, 105	1001140429..... 267, 269,	1001159186 509, 523,
0961950 ... 221, 223, 228,	1001116232..... 163, 619	271	525
231, 395, 397, 399,	1001116692..... 509, 562,	1001140597..... 221, 419	1001159256 175, 177,
401, 403, 405, 407,	565, 573	1001140598..... 227, 389	179, 181, 297, 301,
409, 411, 413, 415, 417	1001116693..... 561, 565	1001141300..... 305, 309,	305, 309, 313, 317,
0961951 ... 25, 27, 29, 31,	1001116720..... 553, 555	314, 330, 337, 341,	321, 325, 329, 333,
227, 235, 391, 393, 421	1001116732..... 561	345, 353, 615	337, 341, 345, 349,
0962140 25, 27, 29, 31	1001116733..... 507	1001141967..... 463, 465	353, 357, 618
0962257 239	1001116734..... 559, 561	1001141968..... 463	1001159355 209, 213
0962292 235	1001116810..... 559	1001141969..... 465	1001159361 207, 209
0962356 389, 419	1001116811..... 119	1001141970..... 465	1001161117 ... 17, 19, 21,
0962450 245	1001116812..... 509, 562,	1001141971..... 463	23
1001093382 99, 101, 103,	565	1001142694..... 189, 195	1001161710 298, 301,
105	1001116813..... 565	1001143431..... 189	305, 309, 313, 317,
1001093687 593, 597,	1001116815..... 561	1001144147..... 505	322, 325, 329, 333,
601, 605, 613, 615	1001117023..... 561	1001144433..... 305, 309,	337, 341, 345, 349,
1001094670 235	1001117024..... 561	314, 330, 337, 341,	353, 357, 369, 618
1001096134 .. 51, 55, 561	1001117069..... 561	345, 353, 379	1001164638 615
1001097051 549	1001117070..... 559	1001144629..... 259, 261,	1001165962 203
1001097150 491, 493	1001117172..... 367	263, 265	1001165963 201
1001097505 137, 141,	1001118384..... 557	1001144630..... 263, 265	1001165977 165
149	1001118388..... 555, 557	1001148902..... 622	1001165981 201, 203
1001097777 135, 137,	1001119228..... 232	1001148903..... 622	1001165985 201, 203
139, 141, 143, 147	1001119619..... 547	1001148904..... 622	1001166250 203
1001098122 523, 525	1001119620..... 549, 551	1001148905..... 622	1001166251 537
1001098828 247	1001120328..... 377, 379,	1001148906..... 622	1001166258 541
1001099834 231	381	1001149561..... 623	1001166259 535
1001100341 473	1001120466..... 623	1001149994..... 187, 191,	1001166260 545
1001100342 471	1001121510..... 579, 585,	193, 197, 199	1001166261 539
1001100345 467	589, 593, 597, 601,	1001151286..... 623	1001166262 543
1001100346 461	605, 609, 613	1001151393..... 175, 177,	1001166263 533
1001100347 469	1001121801..... 577, 579	179, 181	1001166296 129, 131
1001103012 561	1001121803..... 595, 597	1001151395.... 17, 19, 21,	1001166312 129
1001103105 107, 109,	1001121805..... 607, 609	23	1001166321 125, 129
111, 113, 115, 117, 119	1001121808..... 599, 601	1001151428.... 17, 19, 21,	1001166327 125
1001103258 489	1001121810..... 591, 593	23	1001166328 127
1001103558 623	1001121814..... 577, 579	1001151496..... 425	1001166329 131
1001103617 623	1001121816..... 595, 597	1001151497..... 425	1001166330 125, 127
1001104850 155, 157	1001121818..... 607, 609	1001152230..... 425, 427	1001166341 161
1001104864 577, 579,	1001121821..... 599, 601	1001152483..... 493	1001166377 127, 131
583, 585, 587, 589,	1001121823..... 591, 593	1001152485..... 489, 493,	1001166394 175, 177,
591, 593, 595, 597,	1001121918..... 603, 605	541, 543	179, 181
599, 601, 603, 605,	1001121920..... 611, 613	1001152523..... 623	1001166395 155
607, 609, 611, 613	1001121921..... 603, 605	1001152635..... 438, 442,	1001166417 73
1001106757 231	1001121923..... 611, 613	446	1001166419 73, 75
1001107854 561	1001125248..... 207	1001153017..... 155, 159	1001166420 87, 89, 91
1001108727 622	1001126008..... 561	1001153021..... 17, 19	1001166493 125, 127,
1001108923 615	1001126009..... 557	1001153023..... 21, 23	129, 131
1001109503 175, 177,	1001126245..... 561	1001153749.... 17, 19, 21,	1001166495 99, 103
179, 181	1001128128..... 507, 561	23, 167, 169, 171, 173	1001166496 99, 101, 103,
1001109892 33, 38, 41	1001129555..... 618	1001153899..... 489	105
1001110166 125	1001131269..... 577, 579	1001155044..... 175, 177,	1001166497 99
1001110434 297, 301,	1001132175..... 297, 301,	179, 181, 297, 301,	1001166498 103
305, 309, 313, 317,	305, 309, 313, 317,	305, 309, 313, 317,	1001166538 297, 301,
322, 325, 329, 333,	321, 325, 329, 333,	321, 325, 329, 333,	305, 309, 314, 318,
337, 341, 345, 349,	337, 341, 345, 349,	337, 341, 345, 349,	321, 325, 330, 334,
353, 357	353, 357	353, 357, 369	

SECTION 11 - SPECIAL OPTIONS

337, 341, 345, 349, 353, 357, 361, 618	1001178366 595	1001180840 21, 23	1001187674 375
1001166539 298, 301, 305, 309, 313, 317, 322, 326, 329, 333, 337, 342, 345, 349, 353, 357, 363, 618	1001178367 609	1001180841 17, 19	1001187681 485, 487, 547
1001166738 201	1001178368 607	1001180923 17	1001187683 485
1001167013 123	1001178369 613	1001180924 21	1001187684 487
1001167014 121	1001178370 611	1001180926 89, 137	1001187775 255, 487
1001167291 77, 79, 165	1001178371 601	1001180928 93, 141	1001187776 255, 485
1001167363 79	1001178372 599	1001180930 87, 135	1001187788 255
1001167450 77	1001178373 605	1001181045 491, 618	1001187790 163
1001167487 75	1001178374 603	1001181325 34, 37, 42	1001188065 167, 169, 171, 173
1001168004 165	1001178375 593	1001182138 383	1001188066 175, 177, 179, 181
1001168005 165	1001178376 591	1001182296 121, 123, 511	1001188291 251, 253, 481, 483
1001168670 101	1001178377 585	1001182550 33, 37, 41, 49	1001188292 251, 253, 481
1001168674 223	1001178378 583	1001182607 489	1001188293 251, 253, 483
1001168796 105	1001178379 577, 579, 583, 585, 587, 589, 591, 593, 595, 597, 599, 601, 603, 605, 607, 609, 611, 613, 615	1001182608 489	1001188354 251, 253, 481, 483
1001168800 101, 105	1001178382 442	1001182700 167, 169, 171, 173, 618	1001188484 175, 177, 179, 181
1001169138 207	1001178383 450	1001182709 127, 131	1001188528 34, 38, 42, 559
1001169423 17, 19, 21, 23	1001178384 438	1001182724 298, 302, 305, 310, 322, 326, 338, 342, 346, 349, 354, 357, 618	1001188622 247
1001170365 37, 618	1001178388 422	1001182725 201, 203	1001188844 247
1001170367 51, 53	1001178383 450	1001182959 33, 41	1001188889 377
1001170485 55	1001178384 438	1001182960 33, 37, 41	1001188974 263
1001170760 561	1001178389 475, 477, 479	1001183212 201, 203	1001189027 475, 477, 479
1001170838 297, 302, 305, 310, 313, 317, 321, 326, 329, 333, 337, 342, 345, 349, 353, 357	1001178398 475, 477, 479	1001183338 281	1001189030 475, 477, 479
1001171213 73, 75, 83	1001178399 475, 477, 479	1001183367 153	1001189031 475, 477, 479
1001171214 77, 79, 85	1001178400 475, 477	1001183407 623	1001189032 475, 477, 479
1001171298 163	1001178401 475, 477	1001183512 273	1001189039 297, 302, 306, 310, 314, 317, 321, 326, 330, 333, 338, 342, 346, 350, 354, 358, 367
1001172663 247	1001178402 475, 477, 479	1001183515 167	1001189162 623
1001172760 297, 302, 305, 310, 313, 317, 321, 326, 329, 333, 337, 342, 346, 349, 354, 357	1001178403 475, 477, 479	1001183516 173	1001189171 493, 618
1001173577 587, 589, 613	1001178405 33, 37, 41, 505	1001183517 169	1001189172 493, 618
1001173703 615	1001178491 533, 535, 537, 539, 541, 543, 545	1001183520 253	1001189882 577, 579, 583, 585, 591, 593, 595, 597, 599, 601, 603, 605, 607, 609, 611, 613, 615
1001173941 458	1001178629 33, 37, 41, 561	1001183521 251	1001190003 587
1001174447 55, 57	1001178660 475, 479	1001183693 273, 297	1001190004 589
1001174455 521	1001178793 167, 169, 171, 173, 565	1001183763 171, 179	1001190017 297, 306, 321, 338
1001175025 125, 127, 129, 131	1001178794 167, 169, 171, 173, 573	1001183764 173, 181	1001190020 42, 479
1001176101 281, 321	1001178822 479	1001183765 169, 177	1001190088 34, 475
1001176372 623	1001178823 479	1001183866 167, 175	1001190577 49, 561
1001176417 201, 203	1001178829 33, 37, 41, 505	1001183867 251, 253, 483	1001190797 298, 302, 306, 310, 314, 318, 322, 326, 330, 334, 338, 342, 346, 350, 354, 358
1001176441 201, 203	1001178921 33, 41	1001183868 251, 253, 481	1001190896 623
1001176469 177, 181	1001179060 33, 41, 51	1001184852 33, 37, 41	1001190985 247
1001177245 475, 477, 479	1001179061 33, 41, 55	1001184854 33, 37, 41	1001191139 187
1001177246 475, 477, 479	1001179064 51, 53, 55, 57	1001185281 306, 310, 313, 317, 329, 333, 338, 342, 346, 349, 354, 358	1001191140 185, 187
1001177364 87, 89, 91, 93, 95, 97	1001179134 33	1001185828 438, 442, 446, 450, 454	1001191142 185
1001177483 223	1001179136 41	1001185829 438, 442, 446, 450, 454	
1001177666 438, 442, 446	1001179226 456	1001186231 565	
1001178339 55, 57, 618	1001179991 167, 169, 171, 173, 509	1001186375 267	
1001178362 579	1001180025 171	1001186377 269	
1001178364 577	1001180554 135, 137, 139, 141, 143, 145	1001186386 261	
1001178365 597	1001180835 17, 19, 21, 23	1001186387 259	
	1001180838 21, 23, 31	1001186431 346, 354, 379, 553, 555	
	1001180839 17, 19, 29	1001186432 553, 555, 557	
		1001186517 377, 379	
		1001186860 51, 53	

SECTION 11 - SPECIAL OPTIONS

1001191144	623	1001202581.....	273, 301	1001218005.....	454	1001232642	381
1001191145	624	1001202585.....	279, 309	1001218068.....	318, 334, 350, 354, 358	1001232643	623
1001191203	111	1001202749.....	623	1001218114.....	456	1001232650	381
1001191204	107	1001203734.....	561	1001218367.....	91, 139	1001232667	381
1001191206	109	1001204515.....	281, 325	1001218370.....	95, 143	1001233237	622
1001191207	117	1001205175.....	622	1001218499.....	623	1001235011	381
1001191208	115	1001205491.....	191	1001218502.....	623	1001235013	381
1001191209	113	1001206996.....	623	1001218503.....	622	1001235649	622
1001191212	107, 109, 111, 113, 115, 117	1001207004.....	197, 199	1001218651.....	287, 289, 345	1001236535	622
1001191232	165, 183, 207, 369	1001207314.....	195	1001218652.....	293, 353	1001236552	381
1001191314	623	1001209059.....	623	1001219016.....	247	1001237862	549, 551
1001191318	298, 302, 306, 310, 314, 322, 326, 330, 338, 342, 523	1001209413.....	623	1001219601.....	34, 42	1001237863	375, 549
1001191395	623	1001209664.....	377, 379	1001219722.....	33, 37, 41	1001237864	375, 551
1001191708	383	1001209879.....	197	1001220271.....	33, 37, 41	1001237865	375, 547
1001192024	207, 507	1001210032.....	623	1001220486.....	301, 309, 313, 325, 329, 341	1001238319	375
1001192212 ..	51, 53, 618	1001210033.....	623	1001220659.....	289	1001238418	381, 557
1001192283	245, 521	1001210041.....	622	1001220660.....	293	1001238472	381
1001192292	306, 310, 314, 330, 338, 342, 553	1001210576.....	175, 179	1001222685.....	265	1001238477	381
1001192293	121, 123, 513	1001212202.....	623	1001222801.....	577, 579, 583, 585, 587, 589, 591, 593, 595, 597, 599, 601, 603, 605, 607, 609, 611, 613	1001238493	277, 317
1001192385	245	1001212359.....	55, 57	1001223055.....	577, 579	1001238495	379
1001192386	189	1001212415.....	618	1001223824.....	622	1001238497	291
1001192387	377	1001212450.....	57	1001223971.....	595, 597	1001238498	295
1001192401	565	1001212453.....	37	1001224048.....	603, 605	1001238499	285
1001192501	123	1001212454.....	38, 477	1001224049.....	607, 609	1001238500	277
1001192502	121	1001212455.....	477	1001224050.....	591, 593	1001238557	193
1001193018	533, 535, 537, 539, 541, 543, 545	1001212456.....	38, 57	1001224052.....	611, 613	1001238558	199
1001193047 ...	17, 19, 21, 23	1001212480.....	477	1001224053.....	599, 601	1001238559	381
1001193545	513	1001213447.....	525	1001224891.....	231	1001238782	211, 217
1001193949	577, 579, 583, 585, 591, 593, 595, 597, 599, 601, 603, 605, 607, 609, 611	1001213625.....	615	1001225580.....	346, 354, 379, 555	1001238783	207, 211
1001193987	297, 302, 306, 310, 314, 318, 321, 326, 330, 334, 338, 342, 346, 350, 354, 358	1001213626.....	38	1001226872.....	271	1001238824	381
1001195304	622	1001213882.....	318, 334, 346, 350, 354, 358	1001227633.....	375	1001239568	624
1001196484	287, 337	1001214031.....	615	1001227634.....	375	1001239569	624
1001196486	279, 305	1001214478.....	623	1001227985.....	375	1001241268	624
1001196487	279	1001214515.....	623	1001227987.....	375	1001241269	624
1001196500	287	1001214552.....	623	1001227996.....	549, 551	1001241965	381
1001196589	34, 42	1001214559.....	623	1001228015.....	431	1001243183	624
1001196811	577, 579, 595, 597, 599, 607, 609, 611, 613	1001214667.....	53	1001228016.....	223, 417	1001243184	624
1001197067	195	1001214668.....	38, 53	1001228018.....	221, 413	1001243185	624
1001197883	624	1001215835.....	314, 318, 330, 334	1001228035.....	223, 401	1001246541	622
1001198647	622	1001216147.....	275	1001228036.....	223, 409	1001246542	622
1001198649	622	1001216148.....	283	1001228037.....	221, 397	1001246695	623
1001198657	623	1001216148.....	283	1001228038.....	221, 405	1001247073	623
1001198658	623	1001216153.....	275, 313	1001228063.....	227, 427	1060092	475, 477, 479
1001200491	247	1001216154.....	283, 329	1001228215.....	271	1060330	367
1001200910	191, 193	1001216630.....	247	1001228224.....	375	1060341	485, 487
1001201620	623	1001216921.....	139, 143, 151	1001228225.....	375	1060379	385
1001201642	561	1001217005.....	191, 193	1001228370.....	577, 580, 595, 597	1060461	517, 519, 571
1001201887	302, 310, 314, 326, 330, 342, 346	1001217228.....	247	1001228627.....	247	1060494	511, 515, 569
1001202580	287, 341	1001217242.....	247	1001229107.....	622	1060689 ...	107, 109, 111, 113, 115, 117
		1001217243.....	247	1001229341.....	375	1060754	207
		1001217244.....	247	1001229690.....	622	1060755	207
		1001217249.....	247	1001231801.....	577, 580	1060801	121, 123
		1001217250.....	247	1001231804.....	624	1060802	121, 123
		1001217253.....	247	1001231870.....	624	1060896	481, 483
		1001217254.....	247	1001232164.....	375	1060908	491, 493
		1001217267.....	247	1001232165.....	375	10837580	97, 145
		1001217413.....	247	1001232203.....	19	1120094	399
		1001217465.....	587, 589	1001232204.....	23	1120108 ...	403, 411, 415
		1001217598.....	265			1120110	425, 429
		1001217621.....	318, 334, 346, 350, 354, 358, 525			1120305	395, 407
		1001217842.....	51, 559, 561			1120487	165
		1001217843.....	561			1180302	227
		1001217844.....	559, 561			1220038	227
		1001218004.....	446				

SECTION 11 - SPECIAL OPTIONS

1220039.....227	1700584..... 595	1703813..... 577, 579	601, 603, 605, 607,
1220040.....227	1701500... 577, 579, 591,	1703814 ... 583, 585, 587,	609, 611, 613
1271538.....245	593, 595, 597, 599,	589	1704417..... 599, 601
1300019.....63	601, 603, 605, 607,	1703923..... 607, 609	1704418..... 603, 605
1320012.....207	609, 611, 613	1703924..... 595, 597	1704419..... 591, 593
1320022..... 165, 207	1701504... 577, 579, 583,	1703925..... 591, 593	1704422.... 317, 321, 325,
1320033..... 450, 454	585, 587, 589, 591,	1703926..... 599, 601	329, 337, 341, 345, 349
1320037.....622	593, 595, 597, 599,	1703927..... 603, 605	1704431.... 577, 579, 583,
1320040..... 87, 89, 91	601, 603, 605, 607,	1703928..... 611, 613	585, 587, 589, 591,
1320041... 17, 19, 21, 23,	609, 611, 613	1703929..... 607, 609	593, 595, 597, 599,
165, 201, 203	1701505..... 593, 615	1703930..... 595, 597	601, 603, 605, 607,
1320043..... 251, 253	1701509... 577, 579, 583,	1703931..... 591, 593	609, 611, 613
1320135.....207	585, 587, 589, 591,	1703932..... 599, 601	1704445..... 605
1320136..... 245, 247	593, 595, 597, 599,	1703933..... 603, 605	1704446..... 577, 579
1320224..... 245	601, 603, 605, 607,	1703934..... 611, 613	1704452..... 595, 597
1320260..... 251, 253	609, 611, 613	1703935..... 607, 609	1704453..... 611, 613
1320263.... 17, 19, 21, 23	1701518... 583, 585, 587,	1703936..... 595, 597	1704454..... 607, 609
1321385.... 167, 169, 171,	589	1703937..... 591, 593	1704727..... 615
173	1701642... 121, 123, 577,	1703938..... 599, 601	1704752..... 615
1380136.... 135, 137, 139,	579, 583, 585, 587,	1703939..... 603, 605	1704791..... 615
141, 143	589, 591, 593, 595,	1703940..... 611, 613	1704792..... 615
1380138.... 125, 127, 129,	597, 599, 601, 603,	1703947..... 607, 609	1704793..... 615
131	605, 607, 609, 611, 613	1703948..... 595, 597	1704794..... 615
1380164..... 207	1701644... 577, 579, 583,	1703949..... 591, 593	1704885.... 577, 579, 583,
1580012..... 371	585, 587, 589, 591,	1703950..... 599, 601	585, 587, 589, 591,
1600387..... 245	593, 595, 597, 599,	1703951..... 603, 605	593, 595, 597, 599,
1670679..... 227	601, 603, 605, 607,	1703952..... 611, 613	601, 603, 605, 607,
1670697..... 251, 253	609, 611, 613	1703980..... 599, 601	609, 611, 613
1670698..... 227	1701691... 577, 579, 583,	1703981..... 603, 605	1704900..... 615
1670832..... 255	585, 587, 589, 591,	1703982..... 591, 593	1705325..... 533
1670833..... 255	593, 595, 597, 599,	1703983..... 607, 609	1705351..... 577, 579
1670880..... 127, 131	601, 603, 605, 607,	1703984..... 595, 597	1705363..... 624
1670953..... 121, 123	609, 611, 613	1703985..... 611, 613	1705364..... 63
1670959..... 231	1702124... 439, 443, 447,	1703987..... 603, 605	1705426..... 599, 601
1671176.... 297, 301, 305,	451, 455	1703988..... 591, 593	1705427..... 603, 605
309, 313, 317, 321,	1702251..... 615	1703991..... 611, 613	1705429..... 595, 597
325, 329, 333, 337,	1702265... 577, 579, 595,	1704000.... 595, 597, 622	1705430..... 591, 593
341, 345, 349, 353, 357	597, 607, 609	1704001..... 607, 609	1705514.... 577, 579, 595,
1681344..... 403	1702271..... 599, 601	1704002..... 611, 613	597
1683584..... 425, 429	1702300... 577, 579, 591,	1704008..... 611, 613	1705670.... 583, 585, 587,
1683591.... 17, 19, 21, 23,	593, 595, 597, 599,	1704200..... 615	589
423	601, 603, 605, 607,	17042567..... 357	1705822.... 583, 585, 587,
1683709..... 411, 415	609, 611, 613	1704260... 297, 301, 305,	589
1683710..... 399	1702565... 297, 301, 305,	309, 313, 317, 321,	1705828.... 583, 585, 587,
1683712..... 395, 407	309, 313, 317, 321,	325, 329, 333, 337,	589
1683911..... 231, 429	325, 329, 333, 337,	341, 345, 349, 353, 357	1705910..... 607, 609
1683912..... 429	341, 345, 349, 353, 357	1704277... 577, 579, 583,	1705921.... 583, 585, 587,
1683940..... 399	1702566... 297, 301, 305,	585, 587, 589, 591,	589
1683941..... 399	309, 313, 317, 321,	593, 595, 597, 599,	1705977.... 583, 585, 587,
1683943..... 407	325, 329, 333, 337,	601, 603, 605, 607,	589
1683944..... 407	341, 345, 349, 353, 357	609, 611, 613	1705978.... 583, 585, 587,
1683945..... 223, 415	1702567... 297, 301, 305,	1704286..... 579, 615	589
1683946..... 415	309, 313, 333, 353	1704339..... 607, 609	1706378.... 583, 585, 587,
1683947..... 415	1702740..... 59, 61, 63	1704340..... 595, 597	589
1683980..... 429	1702773.... 587, 589, 615	1704341..... 611, 613	1706950.... 577, 579, 595,
1684022..... 395	1702774..... 615	1704342..... 599, 601	597, 607, 609, 611, 613
1684023..... 395	1702860..... 615	1704343..... 603, 605	1760160..... 227
1684025..... 403	1702868.... 577, 579, 622	1704344..... 591, 593	2080040.... 259, 261, 263,
1684026..... 403	1702962..... 579	1704368..... 615	265
1684029..... 425	1703175..... 615	1704369..... 615	2160003..... 159
1684059..... 411	1703683..... 385	1704370..... 615	2180348..... 165
1684060..... 411	1703797..... 577, 579	1704371..... 609, 615	2220237.... 439, 443, 447,
1684061..... 221, 411	1703798..... 577, 579	1704372..... 615	451, 455
1684451..... 223, 399	1703804..... 577, 579	1704373..... 615	2220239..... 439
1684452..... 223, 407	1703805..... 577, 579	1704412... 577, 579, 583,	2220371.... 438, 442, 446,
1684453..... 221, 395	1703811... 583, 585, 587,	585, 587, 589, 591,	450, 454
1684454..... 221, 403	589	593, 595, 597, 599,	2220373..... 447, 455

SECTION 11 - SPECIAL OPTIONS

2220386 ... 438, 442, 446, 450, 454	2300028 623	2753331.... 443, 447, 451, 455	3252780 615
2220415 ... 438, 439, 442, 443, 446, 447, 450, 451, 454, 455	2300042 623	2753332.... 442, 446, 450, 454	3271605 224
2220466 ... 442, 446, 450, 454	2400044 37, 55	2753333.... 442, 446, 450, 454	3290405 ... 533, 535, 537, 539, 541, 543, 545
2220472 ... 438, 442, 446, 450, 454	2400060 ... 523, 525, 561, 566	2753334.... 438, 442, 446, 450, 454	3290605 247
2220473 ... 438, 442, 446, 450, 454	2420202 245	2753335.... 438, 442, 446, 450, 454	3290606 267, 269
2220498 438, 442, 446	2460037 121, 123	2753474.... 438, 442, 446, 450, 454	3291001 247
2220499 443, 451	2540037 37	2753475.... 438, 442, 446, 450, 454	3291005 247
2220501 ... 438, 442, 446, 450, 454	2540038 17, 19, 21, 23	2753519..... 438	3291201 247
2220502 ... 438, 442, 446, 450, 454	2540045 99, 101, 103, 105	2753520.... 438, 443, 447, 451, 455	3291205 243, 247
2220504 ... 438, 442, 446, 450, 454	2560122 ... 135, 137, 139, 141, 143, 145, 151	2753535..... 438	3300151... 251, 253, 267, 269, 271
2220507 ... 438, 442, 446, 450, 454	2560123 ... 135, 137, 139, 141, 143, 145, 151	2753973.... 438, 442, 446	3300279 403, 415
2220516 ... 425, 427, 429, 431	2560136 ... 297, 301, 305, 309, 313, 317, 321, 325, 329, 333, 337, 341, 345, 349, 353, 357	2780241 17, 19, 25	3300281 ... 395, 399, 401, 407, 409
2220517 ... 425, 427, 429, 431	2600281 ... 259, 261, 263, 265	2780251 21, 23, 27	3300315 411
2220582 ... 439, 442, 443, 446, 447, 450, 451, 454, 455	2700093 ... 125, 127, 129, 131	2780282.... 33, 37, 41, 45	3300353 ... 121, 123, 297, 301, 305, 309, 313, 317, 321, 325, 329, 333, 337, 341, 345, 349, 353, 357
2220593 ... 438, 442, 446, 450, 454	2720058 165	2820030..... 521	3300365 ... 167, 169, 171, 173
2220596 ... 425, 427, 429, 431	2720271 165	2820105..... 127, 131	3300408 ... 298, 301, 305, 309, 313, 317, 322, 325, 329, 333, 337, 341, 345, 349, 353, 357
2220600 ... 439, 442, 446, 450, 454	2720559 207	2820106..... 127, 131	3300426 ... 17, 19, 21, 23, 29, 31, 33, 37, 41
2220605 439	2750910 ... 438, 442, 446, 450, 454	2820110..... 127, 131	3300430 377, 379, 383
2220609 439	2750915 ... 438, 439, 442, 446	2820112..... 207	3300454 ... 33, 37, 41, 77, 79, 113, 115, 117, 167, 169, 171, 173
2220628 ... 425, 427, 429, 431	2751890 ... 443, 447, 451, 455	2820116..... 207	3310805 ... 135, 137, 139, 141, 143, 163
2220677 ... 438, 442, 446, 450, 454	2752430 442, 450	2820117..... 207	3311001 37, 263, 265
2220684 438	2752435 438	2820118..... 481, 483	3311005 ... 125, 127, 129, 131, 165, 189, 195, 255
2220727 438	2752437 ... 438, 442, 446, 450, 454	2820218..... 207	3311011 ... 175, 177, 179, 181
2220805 207	2752440 439	2860030.... 175, 177, 179, 181, 618	3311401 . 33, 37, 41, 127, 131, 227, 231, 251, 253
2220883 ... 397, 401, 409, 425, 427, 429, 431	2752442 446, 454	2900756..... 145	3311405 ... 17, 19, 21, 23, 121, 123, 125, 127, 129, 131, 153, 165, 175, 177, 179, 181, 207, 209, 211, 245, 251, 253, 273, 275, 277, 279, 281, 283, 285, 287, 289, 291, 293, 295, 381, 429, 431, 489, 533, 535, 537, 539, 541, 543, 545, 577, 579, 583, 585, 587, 589, 591, 593, 595, 597, 599, 601, 603, 605, 607, 609, 611, 613
2220885 ... 395, 401, 403, 405, 409, 411, 413, 415, 417, 438, 442, 446, 450, 454	2752453 ... 438, 442, 446	2900770.... 237, 239, 395, 397, 399, 401, 403, 405, 407, 409, 411, 413, 415, 417, 433	3311501 201, 203, 235
2220899 ... 438, 442, 446, 450, 454	2752459 ... 438, 442, 446, 450, 454	2900792.... 389, 391, 393	3311505 . 33, 37, 41, 167, 169, 171, 173, 221, 224, 231, 251, 253, 385
2220909 ... 439, 443, 447, 451, 455	2752462 450, 454	2901804.... 411, 413, 415, 417	3311601 ... 201, 203, 223, 297, 302, 306, 310, 314, 318, 321, 326, 330, 334, 338, 342, 346, 350, 354, 358, 381
2220940 439, 447, 455	2752466 ... 442, 446, 450, 454	2901805.... 395, 407, 409	
2220999 ... 438, 442, 446, 450, 454	2752467 ... 438, 442, 446	2901806..... 399, 401	
2221033 ... 438, 442, 446, 450, 454	2752475 438	2901807..... 429, 431	
2221039 ... 443, 447, 451, 455	2752486 450, 454	2901903..... 403	
2221046 165	2752493 447, 455	2902549.... 491, 533, 535, 537, 539, 545	
2221047 165	2752519 450, 454	2915230..... 119	
2221054 ... 439, 442, 446, 450, 454	2752571 ... 442, 446, 450, 454	2920151 183, 245, 247	
2221086 ... 439, 443, 447, 451, 455	2752573 438	2940071..... 201, 203	
2221147 438	2752574 450, 454	2940074.... 259, 261, 263, 265, 618	
	2752581 438	2940095.... 125, 127, 129, 131	
	2752600 ... 443, 447, 451, 455	2940115..... 127, 131	
	2752611 ... 442, 446, 450, 454	3000003..... 99, 101, 103, 105	
	2752619 ... 442, 446, 450, 454	3020008..... 33, 37, 41	
	2752620 438	3020029..... 155	
	2752675 450, 454	3020037 33, 37, 41	
	2752983 439	3251243.... 577, 579, 595, 597, 607, 609, 611, 613	
	2753329 ... 442, 446, 450, 454	3252331..... 615	
	2753330 ... 443, 447, 451, 455	3252347..... 577, 579	
		3252507.... 529, 535, 537, 539, 541, 543, 545	

SECTION 11 - SPECIAL OPTIONS

3311602.....227	3480241 399	3900109 17, 19, 21, 23	333, 337, 341, 345,
3311605....121, 123, 165,	3480242 395, 407	3900142 415	349, 353, 357
207, 209, 211, 221,	3520026 ... 175, 177, 179,	3900170 ... 395, 399, 401,	4240033.... 165, 245, 251,
223, 227, 231, 235,	181, 298, 301, 313,	403, 407, 409, 411, 415	253, 375, 377, 379,
243, 263, 265, 273,	322, 325, 329	3900174 129	381, 481, 483
275, 277, 279, 281,	3520027 ... 298, 301, 305,	3900187 ... 175, 177, 179,	4240084..... 33, 37, 41
283, 285, 287, 289,	309, 313, 317, 322,	181	4240099..... 251, 253
291, 293, 295	325, 329, 333, 337,	3900283 245	4240175.... 17, 19, 21, 23,
3311805.... 221, 223, 243,	341, 345, 349, 353, 357	3900349 ... 317, 333, 345,	34, 38, 163
245, 489	3520028 ... 175, 177, 179,	349, 353, 357	4300140..... 251, 253
3312005..... 245	181	3910610 527, 529	4341072..... 207
3312008.... 17, 19, 21, 23	3520030 ... 297, 301, 306,	3910804 ... 175, 177, 179,	4360274..... 183, 619
3312602.... 187, 191, 193,	309, 313, 317, 321,	181	4360387.... 177, 181, 297,
197, 199	325, 329, 333, 338,	3911008 263, 265	301, 305, 309, 313,
3322202.... 17, 19, 21, 23	341, 345, 349, 353, 357	3911012 189, 195	317, 321, 325, 329,
3322205..... 425, 429	3520033 ... 301, 309, 325,	3911018 ... 297, 301, 305,	333, 337, 341, 345,
3323003.... 17, 19, 21, 23	341	309, 313, 317, 321,	349, 353, 357, 618
3340663..... 227	3520034 227	325, 329, 333, 337,	4360407.... 297, 301, 305,
3340679..... 425, 427	3520035 . 33, 37, 41, 125,	341, 345, 349, 353, 357	309, 313, 317, 321,
3340682..... 227	127, 129, 131, 301,	3930824 163	325, 329, 333, 337,
3340820..... 227	313, 325, 329	3931010 ... 51, 53, 55, 57,	341, 345, 349, 353, 357
3340860..... 235	3520054 ... 297, 301, 305,	165	4360469.... 175, 177, 179,
3340878..... 231	309, 313, 317, 321,	3931012 55, 57	181, 618
3340882..... 429, 431	325, 329, 333, 337,	3931016 51, 53, 55, 57	4360475.... 175, 177, 179,
3340884..... 231	341, 345, 349, 353, 357	3931028 255	181, 297, 301, 305,
3340886..... 231	3520072 ... 259, 261, 267,	3931408 ... 17, 19, 21, 23,	309, 313, 317, 321,
3340939..... 231	269, 271	377, 379	325, 329, 333, 337,
3380434.... 273, 275, 277,	3520173 373	3931416 17, 19, 21, 23	341, 345, 349, 353,
279, 281, 283, 285,	3520182 383	3931424 377	357, 618
287, 289, 291, 293, 295	3520198 ... 259, 261, 263,	3931816 235	4360476.... 175, 177, 179,
3380602..... 207	265, 267, 269, 271	3931832 155	181, 297, 301, 305,
3420156..... 201, 203	3536491 221, 224	3951402 ... 403, 411, 425,	309, 313, 317, 321,
3422175..... 221	3536999 251	429	325, 329, 333, 337,
3422176..... 221	3571462 253	3960389 127, 131, 207	341, 345, 349, 353,
3422177..... 221	3572413 263	3960417 127, 131, 207	357, 618
3422178..... 221	3572551 235	3960418 207	4360548.... 485, 487, 619
3422179..... 221	3575952 209, 211	3960422 527, 529	4400417..... 165
3422180..... 221, 227	3575961 207	3960447 ... 125, 127, 129,	4420051..... 615
3422181..... 227	3600289 ... 73, 75, 77, 79,	131	4420062..... 385
3422480..... 223	81	3960453 201, 203	4460019..... 561
3422481..... 223	3740080 51, 507	4010618 267, 269	4460042..... 367
3422582..... 223	3740086 557	4031505 375	4460071.... 367, 527, 529
3422661..... 385	3760115 227, 231	4031516 381	4460125..... 529
3422669..... 223	3760308 ... 125, 127, 129,	4031707 33, 37, 41	4460134..... 511, 515
3422692.... 17, 19, 21, 23	131	4060092 529	4460138.... 107, 113, 511
3422709..... 227	3790012 ... 175, 177, 179,	4060802 ... 175, 177, 179,	4460142..... 559, 562
3422791..... 235	181, 297, 301, 305,	181	4460205..... 527, 569
3422792..... 223	309, 313, 317, 321,	4060804 ... 127, 131, 231,	4460224..... 525
3422794..... 235	325, 329, 333, 337,	247	4460225.... 507, 523, 525
3422804..... 231	341, 345, 349, 353,	4060805 ... 121, 123, 247,	4460226.... 183, 245, 247,
3422806..... 223	357, 369	251, 253	361, 364, 367, 521,
3422814..... 223	3790113 433	4060808 251, 253	523, 525, 553, 573
3422844..... 223	3820001 ... 577, 579, 583,	4061032 451, 455	4460227.... 507, 509, 521,
3422845..... 223	585, 587, 589, 591,	4061054 245	523, 525, 565
3422901..... 227	593, 595, 597, 599,	4070863 231	4460233..... 529
3430616.... 302, 310, 314,	601, 603, 605, 607,	4070864 231	4460234.... 297, 301, 305,
318, 326, 330, 334,	609, 611, 613, 615	4070997 231	309, 313, 317, 321,
342, 346, 350, 354, 358	3820019 ... 125, 127, 129,	4070998 231	325, 329, 333, 337,
3450304..... 201, 203	131	4100025 207	341, 345, 349, 353, 357
3450810.... 17, 19, 21, 23	3820020 259, 261	4100026 ... 165, 438, 442,	4460259.... 507, 509, 523,
3460457..... 207	3841143 ... 221, 223, 227,	446, 450, 454	525
3470003.... 297, 302, 306,	247	4100065 253	4460260.... 507, 509, 523,
310, 314, 318, 321,	3841203 221, 223	4100067 253	525
326, 330, 334, 338,	3841517 17, 19, 21, 23	4130351 25	4460265..... 361, 363
342, 346, 350, 354, 358	3900085 ... 187, 191, 193,	4240032 . 87, 89, 91, 297,	4460267.... 507, 523, 525
3480239..... 425	197, 199	301, 305, 309, 313,	4460313..... 509
3480240.... 403, 411, 415	3900104 255	317, 321, 325, 329,	4460320..... 507, 509

SECTION 11 - SPECIAL OPTIONS

4460346	527	4460851	509	4566432.....	399	4750800 ...	135, 137, 139,
4460374	507, 561	4460866	523, 525, 565	4566435.....	407	141, 143, 163	
4460418	509, 523, 525	4460868	509	4567177.....	411	4751000.....	37, 127, 131,
4460419	509, 523, 525	4460871 ...	509, 523, 525,	4567704.....	425	187, 191, 193, 197,	
4460424	183, 245, 247	561, 565, 573		4567908.....	415	199, 263, 265	
4460426	121, 123	4460872	573	4567946....	442, 446, 450,	4751400 ...	121, 123, 125,
4460428 ...	107, 109, 111,	4460873 ...	523, 525, 561,	454		127, 129, 131, 201,	
113, 115, 117, 245,		565		4567963.....	429	203, 227, 245, 251,	
297, 301, 305, 309,		4460874 ...	523, 525, 565	4568114.....	33, 37, 41	253, 273, 275, 277,	
313, 317, 321, 325,		4460875	523, 525, 573	4640495.....	433	279, 281, 283, 285,	
329, 333, 337, 341,		4460876	509	4640509.....	389, 393	287, 289, 291, 293,	
345, 349, 353, 357		4460877	509	4640634....	395, 397, 399,	295, 297, 301, 305,	
4460434	245, 523, 525	4460878	565	401, 403, 405, 407, 409		309, 313, 317, 321,	
4460458	573	4460879	523, 525	4640709.....	433	325, 329, 333, 337,	
4460464 ...	17, 19, 21, 23,	4460884 ...	553, 555, 565	4640807....	425, 427, 429,	341, 345, 349, 353,	
119, 195, 483, 485,		4460887 ...	523, 525, 565	431, 433		357, 371, 383, 429,	
487, 505, 507, 513,		4460888	523, 525	4640932.....	389, 391	431, 489, 533, 535,	
523, 525, 555, 557,		4460891 ...	187, 513, 561,	4640936....	411, 413, 415,	537, 539, 541, 543,	
559, 561, 565		565, 573		417		545, 577, 579, 583,	
4460465 ...	187, 481, 483,	4460894	525, 562	4641086.....	391	585, 587, 589, 591,	
505, 507, 509, 513,		4460897 ...	191, 193, 197,	4641122.....	65, 67	593, 595, 597, 599,	
521, 523, 525, 553,		199, 485, 487, 507,		4641167.....	59, 61, 63	601, 603, 605, 607,	
555, 559, 561, 562,		513, 565		4641386....	395, 397, 399,	609, 611, 613	
565, 573		4460899 ...	547, 555, 557,	401, 403, 405, 407, 409		4751500 ...	33, 37, 41, 99,
4460466 ...	251, 253, 375,	559		4711000....	51, 53, 55, 57,	101, 103, 105, 139,	
481, 483, 507, 509,		4460905 ...	509, 523, 525,	165, 189, 195		143, 201, 203, 207,	
513, 521, 523, 525,		561, 565, 573		4711400....	17, 19, 21, 23,	221, 224, 235, 251,	
547, 555, 557, 559,		4460910	551	33, 37, 41, 77, 79, 87,		253, 385	
561, 562, 565, 573		4460911	547	89, 91, 107, 109, 111,		4751600.....	75, 121, 123,
4460470 ...	167, 169, 171,	4460930	119, 523, 525	113, 115, 117, 135,		165, 167, 169, 171,	
173, 297, 301, 305,		4460931	559	137, 139, 141, 143,		173, 207, 221, 223,	
309, 313, 317, 321,		4460933	521, 565, 573	153, 165, 167, 169,		227, 273, 275, 277,	
325, 329, 333, 337,		4460941	505, 547	171, 173, 207, 245,		279, 281, 283, 285,	
341, 345, 349, 353, 357		4460942 ...	375, 505, 565	267, 269, 271, 377,		287, 289, 291, 293, 295	
4460471 ...	167, 169, 171,	4460943 ...	189, 191, 193,	379, 381, 383, 489,		4751800	201, 203, 489
173, 297, 301, 305,		197, 199, 505, 547,		533, 535, 537, 539,		4760600.....	527, 529
309, 313, 317, 321,		561, 565		541, 543, 545		4761000.....	263, 265
325, 329, 333, 337,		4460944 ...	505, 509, 521,	4711500....	167, 169, 171,	4761400	227, 231, 371
341, 345, 349, 353, 357		562, 565		173, 231, 297, 302,		4761600.....	227
4460488 ...	297, 301, 305,	4460945	561, 565	306, 310, 321, 326,		4761800.....	227, 231
309, 313, 317, 321,		4460950	505, 561	338, 342		4811400 ...	533, 535, 537,
325, 329, 333, 337,		4460956	491	4711600....	33, 37, 41, 73,	539, 541, 543, 545	
341, 345, 349, 353, 357		4460957	491	87, 89, 91, 93, 95, 135,		4811700.....	267, 269
4460508 ...	119, 375, 483,	4460968 ...	485, 487, 533,	137, 139, 141, 143,		4811702.....	247
523, 525, 565		539, 543, 545		163, 201, 203, 231,		4812000.....	247
4460509	481, 483, 559	4460970	559	243, 245, 263, 265,		4812100.....	247
4460516	49	4461077	547, 557	314, 318, 330, 334,		4844303.....	221
4460536	17, 19, 21, 23	4461196	473, 495	346, 350, 354, 358		4844304.....	221
4460539 ...	505, 559, 565,	4461198	473	4711800....	33, 37, 41, 87,	4844427.....	223
573		4461199	471, 503	89, 91, 243		4844467.....	221, 224
4460662	535, 537, 541	4461201	471	4712600.....	189, 195	4844579.....	227
4460670	561, 562	4461202	463, 467, 499	4740120....	175, 177, 179,	4845582.....	385
4460708 ...	298, 301, 305,	4461205 ...	463, 465, 467,	181		4846026.....	223
309, 313, 317, 322,		469, 501		4740156....	17, 19, 21, 23	4846180.....	231
325, 329, 333, 337,		4461244	467	4740171.....	155	4846209.....	221, 223
341, 345, 349, 353,		4461245	469	4740207....	395, 407, 409	4846278.....	235
357, 523, 525		4461246	461	4740362....	273, 275, 277,	4846502.....	235
4460709	571	4461249	461, 497	279, 281, 283, 285,		4846608.....	243, 245
4460710	517, 519	4520209	59, 63, 65	287, 289, 291, 293, 295		4860191 ...	59, 61, 63, 65,
4460738	562	4520269	61, 67	4740394.....	403	67	
4460742	559, 573	4520279	61	4740397 ...	175, 177, 179,	4891400.....	209, 211
4460743	559, 573	4565992	395	181, 297, 301, 305,		4891500.....	159
4460761 ...	523, 525, 565,	4565994	403	309, 313, 317, 321,		489160073, 75, 209, 211,	
573		4566187	438	325, 329, 333, 337,		224, 243, 245, 247	
4460805	109, 115	4566188	438	341, 345, 349, 353,		4891800 ...	17, 19, 21, 23,
4460806	509	4566243	251, 253	357, 369		99, 101, 103, 105, 245	
4460836	505, 521, 565	4566427	221, 223	4740413.....	227		

SECTION 11 - SPECIAL OPTIONS

4892000..33, 37, 41, 155, 245	70001144 213, 217	70004159 159	70005402..... 49
4920385.....207	70001366 45	70004265 213, 217	70005403..... 49
4922608.....527, 529, 569	70001367 45	70004323 239	70005404..... 49
4922609.....517, 533, 535, 537, 539, 541, 543, 545	70001368 45, 46	70004394 214, 218	70005405..... 49
4922610.....531, 533, 535, 537, 539, 541, 543, 545, 571	70001369 45	70004738 361	70005406..... 49
4922611.....515, 527, 529	70001370 45	70004739 361	70005407..... 49
4922612.....519, 531	70001371 45	70004740 361	70005408..... 49
5241200.....243, 247	70001372 45	70004741 361	70005409..... 49
5251008.....247	70001373 45	70004742 361	70005410..... 49
5251016.....247	70001374 45	70004743 361	70005411..... 49
70000088.....157	70001375 45	70004744 361	70005412..... 49
70000089.....157	70001376 45	70004745 361	70005415..... 33, 37, 41
70000289.....214, 218	70001377 45	70004746 361	70005722.....151
70000290.....213, 217	70001378 45	70004747 361	70006269.....231
70000291.....213, 217	70001379 45	70004748 361	70006280.....231
70000292.....213, 217	70001380 46	70004749 361	70006346.....151
70000293.....213, 217	70001697 239	70004750 361	70006347.....151
70000294.....213, 217	70001876 145	70004751 361	70006348.....151
70000295.....213, 217	70001961 81	70004752 363	70006349.....151
70000296.....213, 217	70001996 231, 618	70004753 363	70006396.....417
70000297.....213, 217	70001998 231, 618	70004754 363	70006397.....417
70000298.....213, 217	70002083 213, 217	70004755 363	70006398.....417
70000299.....213, 217	70002112 83, 85	70004756 363	70006399.....417
70000300.....213, 217	70002206 157	70004757 363	70006400.....413, 417
70000301.....213, 217	70002207 157	70004758 363	70006401.....413, 417
70000302.....213, 217	70002216 391, 421	70004759 363	70006402.....417
70000303.....213, 217	70002217 391, 421	70004760 363	70006411.....413
70000304.....213, 217	70002220 393	70004761 363	70006412.....413
70000305.....213, 217	70002223 393	70004762 363	70006413.....413, 431
70000306.....213, 217	70002244 213, 217	70004763 363	70006414.....413
70000307.....213, 217	70002373 405	70004764 363	70006415.....413
70000308.....213, 217	70002412 397	70004765 363	70006497.....49
70000309.....213, 217	70002523 81	70004766 363	70006498.....49
70000310.....213, 217	70002543 214, 218	70004767 363	70006531.....401
70000311.....213, 217	70002544 213, 217	70004768 363	70006532.....401, 409
70000312.....213, 217	70002806 145	70004769 363	70006533.....401, 409
70000313...213, 217, 618	70002808 149, 151	70004770 363	70006535.....401
70000314.....213, 217	7000281 45	70004771 363	70006539.....409
70000315.....213, 217	70002902 367	70004772 363	70006542.....409
70000316.....213, 217	70002903 367	70004773 363	70006543.....409
70000317.....213, 217	70002904 367	70004774 363	70006561.....431
70000318...213, 217, 618	70002905 367	70004775 363	70006563.....427
70000319...213, 217, 618	70003171 81	70004809 49	70006564.....427, 431
70000320.....213, 217	70003341 423	70004811 49	70006565.....427, 431
70000321.....213, 217	70003557 213, 217	70004820 49	70006566.....427
70000322.....213, 217	70003618 213, 217	70004827 51, 53	70006587.....397
70000323.....213, 217	70003619 213, 217	70004884 145	70006588.....397
70000324.....213, 217	70003819 391, 421	70005091 145	70006589.....397
70000325.....214, 218	70003833 393	70005101 83, 85	70006590.....397
70000326...214, 218, 618	70003836 393	70005143 405	70006591.....397
70000327.....214, 218	70003843 421	70005210 145, 618	70006592.....397
70000328.....214, 218	70003844 421	70005214 31	70006593.....397
70000329...214, 218, 618	70003845 391, 421	70005215 29, 31	70006594.....405
70000330.....214, 218	70003846 391	70005216 29	70006595.....405
70000340.....241	70003847 391	70005230 361	70006596.....405
70000341.....237, 239	70003863 393	70005385 49	70006597.....405
70000381.....145	70003864 393	70005386 49	70006598.....405
70000382.....214, 218	70004019 145	70005387 49	70006599.....405
70000739.....389, 419	70004130 419	70005388 49	70006600.....405
70000740.....389	70004131 389	70005389 49	70006601.....397
70000865.....159	70004141 389, 419	70005390 49	70006971.....427, 431
70000967.....213, 217	70004142 389, 419	70005393 49	70006974.....431
70001121.....213, 217	70004143 389, 419	70005394 49	70006975.....431
	70004144 419	70005395 49	70006976.....427
	70004145 419	70005397 49	7001630.....423
	70004146 389	70005400 49	70022564.....397, 405
	70004147 389	70005401 49	70023094.....389, 419

SECTION 11 - SPECIAL OPTIONS

70023915 .. 413, 417, 427	7017167241	309, 313, 317, 321,	7026043 159
70024262 389	7017168241	325, 329, 333, 337,	7026068 393
7004035 157	7017169241	341, 345, 349, 353, 357	7026082 391, 421
7004036 157	7017172 237, 239, 241	7020176.... 175, 177, 179,	7026084 391, 421
7004043 157	7017173241	181, 297, 301, 305,	7026088 393
7004044 157	7017178241	309, 313, 317, 321,	7026090 393
7004045 157	7017179241	325, 329, 333, 337,	7026091 393
7004047 157	7017192 237, 239, 241	341, 345, 349, 353, 357	7026092 393
7004049 157	7017196 237, 239	7020179.....165	7027350 159
70050801 397	7017246 423	7021318.....81	7027351 159
7007640 45	7017247 423	7021319.....81	7027352 159
7010543 97, 145	7017248 423	7021361.....81	7027353 159
7011112 389, 391	7017249 423	7021377.....81	7027354 159
7011323 237, 239	7017250 423	7021603.....145	7027356 159
7011376 ... 395, 397, 399,	7017251 423	7021604.....145	7027358 159
401, 403, 405, 407, 409	7017252 423	7021609.....97, 149, 151,	7027359 159
7012518 97, 145	7017402 97, 145, 149,	618	7027360 159
7012540 145	151	7021611.....97, 145	7027361 159
7012903 145	7017410 145	7021616.....97, 618	7027363 159
7012914 145	7017418 145	7021618.....97, 618	7027900 237, 239
7012918 145	7017421 145	7021653.....149, 151	7027901 237, 239
7012947 145	7017433 97, 145	7021659.....97	7028909 189, 195
7012953 145, 147	7017452 145, 149, 151	7022390.....151	8220045 559
7012959 147	7017466 147	7022394.....145	8220068 573
7012961 145	7017488 97	7023217.....27	8229234 561, 618
7012967 145	7017496 147, 151	7023318.....157	8229235 561, 618
7012972 97	7019698 227, 618	7024379.....157	8229236 559, 618
7012975 145	7019699 227	7024380.....157	8229237 561, 618
7012995 145	7020035 25, 27	7024381.....157	8229242 ... 523, 525, 566,
7012998 97, 145, 151	7020036 25, 27	7024389.....157	618
7016177 99, 101	7020037 25, 27, 29, 31	7024390.....157	8229245 559
7017007 46	7020038 25, 27	7024444.....83, 85	8229261 561, 618
7017009 45	7020039 25, 27, 29, 31	7024445.....83, 85	8760554 447, 455
7017022 45	7020040 25, 27, 29, 31	7024453.....157	88261024 201, 203
7017120 237, 239	7020041 25, 27	7024738.....45	88261026 232
7017121 237, 239	7020042 25, 27	7024741.....45	88521205... 99, 101, 103,
7017122 237, 239	7020054 25, 27, 29, 31	7024844.....391, 393	105
7017123 237, 239	7020055 25, 27, 29, 31	7024883.....145, 618	88662523. 73, 75, 87, 89,
7017126 237, 239	7020137 25, 27, 29, 31	7024885.....145, 618	91
7017127 237, 239	7020140 25, 27, 29, 31	7024887.....151	88662530.. 201, 203, 207
7017153 237	7020175 ... 175, 177, 179,	7024891.....147	
7017165 241	181, 297, 301, 305,	7026042.....159	



3121718



An Oshkosh Corporation Company

Corporate Office
JLG Industries, Inc.
1 JLG Drive
McConnellsburg, PA 17233-9533 USA
☎ (717) 485-5161 (Corporate)
☎ (877) 554-5438 (Customer Support)
☎ (717) 485-6417

Visit our website for JLG Worldwide Locations.
www.jlg.com