



Illustrated Parts Manual

Models
450A
450AJ

PVC
2101

P/N
31215976

July 15, 2023 - Rev C

ANSI

CE

EAC



AS/NZS



An Oshkosh Corporation Company

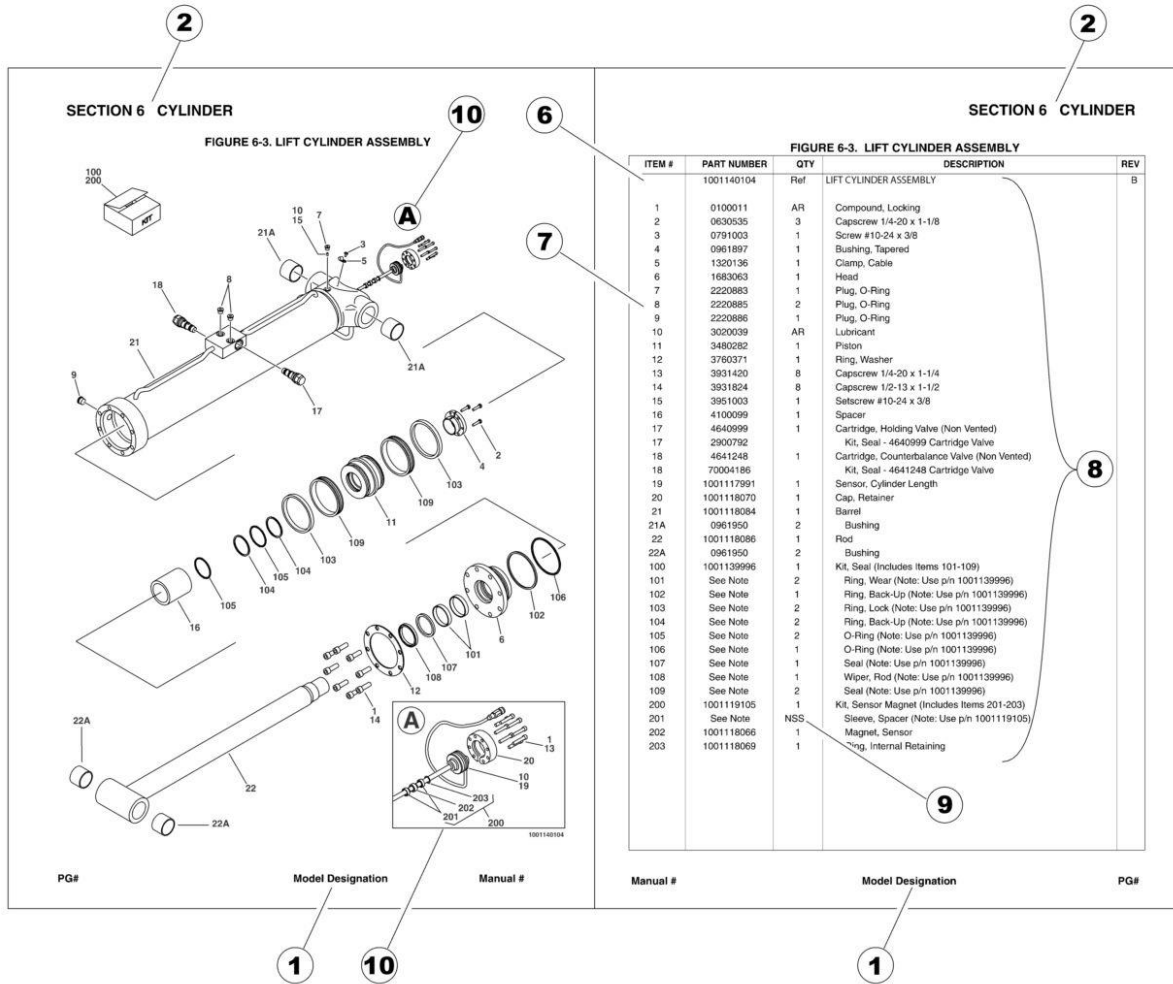
REVISION LOG

January 1, 2021 - A - Original Issue of Manual (Edited to B/M 1001247248 Revision S)

May 31, 2021 - B - Revised Manual (Edited to B/M 1001247248 Revision S)

July 15, 2023 - C - Revised Manual (Edited to B/M 1001247248 Revision S)

GENERAL INFORMATION



1) MACHINE IDENTIFICATION

Machines are identified by model and in some cases a combination of models, serial number (SN) or regional standard (i.e ANSI, CE, CSA). Components may also be identified by SN or manufacturer. Common components that may be identified by these characteristics are engines and hydraulic components.

2) PARTS MANUAL ORGANIZATION

Product information in this manual is organized under section titles. Frame, Cylinder, Hydraulic and Electrical are a few examples. Each section is organized by figure and page number. The information within the Figure is then organized by item number, part number, description and corresponding illustration (s).

3) TABLE OF CONTENTS (NOT SHOWN)

A table of contents is found toward the beginning of the manual. Figure number, description and page number are provided for quick reference to the page containing the related information.

4) RECOMMENDED SPARE PARTS (NOT SHOWN)

The Recommended Spare Parts List, located near the end of the manual, reference most frequently used maintenance parts.

5) PART NUMBER INDEX (NOT SHOWN)

A numerical index listing all part numbers and the corresponding page number(s) appears at the back of the manual.

GENERAL INFORMATION

6) NON-SERVICED PARTS

In some instances, it is necessary to display non-serviced parts, assemblies or installations. In the case of assemblies and installations there will be a Ref in the Qty. column. In case of parts that are not available for service within assemblies or components, there will be a NSS (Not Sold Separately) or NLA (No Longer Available) listed in the Qty. column of the manual.

7) PARTS LIST ITEM NUMBERS

Numbers shown in the item# column correspond to numbers used in the associated illustration (s). Item numbers which are missing from the sequence in the parts list are not used on that page.

8) INDENTED PARTS DESCRIPTION

An indented part description is included in the item under which it is indented.

9) ABBREVIATION AND SYMBOLS

AC.....	Alternating Current	L.....	Liter
ADE.....	Advanced Design Electronics	LB(LBS).....	Pounds
AG.....	Agricultural	LCD.....	Liquid Crystal Display
ANSI.....	American National Standards Institute	LED.....	Light Emitting Diodes
AR.....	As Required	LH.....	Left Hand
ASSY.....	Assembly	LRC.....	Low Rated Countries
AUS.....	Australia	LSS.....	Load Sensing System
AUX.....	Auxiliary	M(m).....	Metric/Meter
AWG.....	American Wire Gauge	MM(mm).....	Milimeter
B/M.....	Bill of Material	mA.....	Miliamps
CAC.....	Charge Air Cooler	NLA.....	No Longer Available
CE.....	European Conformity	NPT.....	National Pipe Threads
CCW.....	Counter Clockwise	NSS.....	Not Sold Separately
CM.....	Centimeter	OD.....	Outside Diameter
CW.....	Clockwise	ORB.....	O-Ring Boss
CSA.....	Canadian Standards Association	ORFS.....	O-Ring Face Seal
CYL.....	Cylinder	OZ (oz).....	Ounces
DIA.....	Diameter	PG.....	Page
DC.....	Direct Current	PN.....	Part Number
DEF.....	Diesel Exhaust Fluid	QT(qt.).....	Quarts
EMS.....	Emergency Stop	QTY.....	Quantity
ENG.....	Engine	REF.....	Reference
FT(ft).....	Feet	REV.....	Revision Level
GA(Ga).....	Gauge	RH.....	Right Hand
HRC.....	High Rated Countries	SAE.....	Society of Automotive Engineers
HVAC.....	Heating, Ventilating, and Air Conditioning	SN.....	Serial Number
HYD.....	Hydraulic	SPEC(S).....	Specifications
Hz.....	Hertz	T/T.....	Turntable
ID.....	Inside Diameter	UGM.....	Universal Ground Module
IN.....	inches	V.....	Volts
ISO.....	International Organization for Standards	W.....	Watts
JIC.....	Joint Industry Council	#.....	Number
KG.....	Kilogram		

10) ILLUSTRATION REFERENCE LETTERS

When necessary, illustrations may contain reference letters that are intended to track information (i. e. hoses, harnesses) from one point to another or to track visual enlargement of components to show details that may be located in another area on the illustration.

Note: Due to continuous product improvements, JLG Industries, Inc. reserves the right to make specification changes without prior notification. Contact JLG Industries, Inc. for updated information.

TABLE OF CONTENTS

SECTION 1 - FRAME.....	13
FIGURE 1-1. AXLE INSTALLATION (USA AND ROMANIAN BUILT MACHINES)	14
FIGURE 1-2. AXLE INSTALLATION (CHINA BUILT MACHINES)	16
FIGURE 1-3. STEER INSTALLATION WITHOUT TOW PACKAGE	18
FIGURE 1-4. STEER INSTALLATION WITH TOW PACKAGE	20
FIGURE 1-5. WHEEL DRIVE INSTALLATION (2WD)	22
FIGURE 1-6. WHEEL DRIVE INSTALLATION (4WD)	24
FIGURE 1-7. HUB - SPINDLE ASSEMBLY	26
FIGURE 1-8. DRIVE HUB AND BRAKE ASSEMBLY - REAR	28
FIGURE 1-9. DRIVE HUB ASSEMBLY - FRONT	32
FIGURE 1-10. DRIVE MOTOR ASSEMBLY (2WD)	34
FIGURE 1-11. DRIVE MOTOR ASSEMBLY (4WD)	36
FIGURE 1-12. FRAME SHIELD INSTALLATION	38
FIGURE 1-13. TIRE AND WHEEL INSTALLATION - 12 X 16.5 FOAM FILLED (AVAILABLE ON ANSI, ANSI EXPORT, CSA AND JAPANESE SPECS)	40
FIGURE 1-14. TIRE AND WHEEL INSTALLATION - 12 X 16.5 FOAM FILLED NON MARKING (AVAILABLE ON ANSI, ANSI EXPORT, CSA AND JAPANESE SPECS)	42
FIGURE 1-15. TIRE AND WHEEL INSTALLATION - 33 X 12-20 SOLID NON-MARKING (AVAILABLE ON ANSI EXPORT, AUSTRALIAN, CE AND RUSSIA SPECS)	44
FIGURE 1-16. TIRE AND WHEEL INSTALLATION - 33 X 16L500 TURF AND SAND FOAM-FILLED (AVAILABLE ON ANSI, ANSI EXPORT & CSA SPECS)	46
FIGURE 1-17. TIRE AND WHEEL INSTALLATION - 33/1550 X 16.5 FOAM-FILLED (AVAILABLE ON ALL SPECS)	48
FIGURE 1-18. TIRE AND WHEEL INSTALLATION - 315/55 D20 FOAM FILLED (AVAILABLE ON ANSI EXPORT, AUSTRALIAN, CE, CHINA AND RUSSIA SPECS)	50
FIGURE 1-19. TIRE AND WHEEL INSTALLATION - 315/55 D20 FOAM FILLED NON-MARKING (AVAILABLE ON ANSI EXPORT, AUSTRALIAN, CE, CHINA AND RUSSIA SPECS)	52
FIGURE 1-20. 2WD VALVES INSTALLATION - 450A FRAME MOUNTED	54
FIGURE 1-21. 2WD VALVES INSTALLATION - 450AJ FRAME MOUNTED	56
FIGURE 1-22. 4WD VALVES INSTALLATION - 450A FRAME MOUNTED	58
FIGURE 1-23. 4WD VALVES INSTALLATION - 450AJ FRAME MOUNTED	60
FIGURE 1-24. TRACTION VALVE ASSEMBLY - 2WD	62
FIGURE 1-25. TRACTION VALVE ASSEMBLY - 4WD	64
FIGURE 1-26. TOW PACKAGE INSTALLATION (OPTIONAL)	66
FIGURE 1-27. TOW BAR ASSEMBLY	68
SECTION 2 - TURNTABLE	71
FIGURE 2-1. 2WD VALVES INSTALLATION - 450A TURNTABLE MOUNTED	72
FIGURE 2-2. 2WD VALVES INSTALLATION - 450AJ TURNTABLE MOUNTED	74
FIGURE 2-3. 4WD VALVES INSTALLATION - 450A TURNTABLE MOUNTED	76
FIGURE 2-4. 4WD VALVES INSTALLATION - 450AJ TURNTABLE MOUNTED	78
FIGURE 2-5. MAIN VALVE ASSEMBLY	80
FIGURE 2-6. AUXILIARY PUMP ASSEMBLY	82
FIGURE 2-7. SWING DRIVE AND TURNTABLE BEARING INSTALLATION	84
FIGURE 2-8. SWING MOTOR ASSEMBLY	86
FIGURE 2-9. TURNTABLE BEARING ASSEMBLY	88
FIGURE 2-10. TURNTABLE COVERS INSTALLATION	90
FIGURE 2-11. TURNTABLE LOCK INSTALLATION	92
FIGURE 2-12. TANKS INSTALLATION - DIESEL MACHINES	94
FIGURE 2-13. TANKS INSTALLATION - GAS MACHINES	96
FIGURE 2-14. DRIVE ORIENTATION INSTALLATION	98
FIGURE 2-15. GROUND CONTROL ASSEMBLY - 450A WITH DEUTZ ENGINES (ANSI SPECS)	100
FIGURE 2-16. GROUND CONTROL ASSEMBLY - 450AJ WITH DEUTZ ENGINES (ALL SPECS EXCEPT CE AND CHINA SPECS)	102
FIGURE 2-17. GROUND CONTROL ASSEMBLY - 450AJ WITH DEUTZ ENGINE (CE, CHINA AND RUSSIA SPECS)	104
FIGURE 2-18. GROUND CONTROL ASSEMBLY - 450AJ WITH DEUTZ D2.9L4 ENGINE (STAGE V) (CE SPECS)	106
FIGURE 2-19. GROUND CONTROL ASSEMBLY - 450A WITH KUBOTA ENGINE (ANSI AND CSA SPECS)	108
FIGURE 2-20. GROUND CONTROL ASSEMBLY - 450AJ WITH KUBOTA ENGINE (ANSI SPECS)	110
FIGURE 2-21. LIGHT PANEL INSTALLATION – GROUND CONTROL (USA & CHINA BUILT MACHINES)	112
FIGURE 2-22. LIGHT PANEL INSTALLATION – GROUND CONTROL (ROMANIAN BUILT MACHINES)	114
FIGURE 2-23. ELECTRICAL SYSTEM INSTALLATION	116
FIGURE 2-24. WHITE NOISE ALARM AMBIENT INSTALLATION	120
FIGURE 2-25. WHITE NOISE ALARM INSTALLATION	122
FIGURE 2-26. BEACON LIGHT INSTALLATION - AMBER	124
FIGURE 2-27. BEACON LIGHT INSTALLATION - ORANGE	126

TABLE OF CONTENTS

FIGURE 2-28. BEACON LIGHT INSTALLATION - BLUE	128
FIGURE 2-29. BEACON LIGHT INSTALLATION - RED	130
FIGURE 2-30. BATTERY AND CABLE INSTALLATION - USA AND CHINA BUILT MACHINES	132
FIGURE 2-31. BATTERY AND CABLE INSTALLATION - ROMANIAN BUILT MACHINES	134
FIGURE 2-32. HOODS INSTALLATION - 450A WITH DEUTZ ENGINES	136
FIGURE 2-33. HOODS INSTALLATION - 450A WITH KUBOTA ENGINE	140
FIGURE 2-34. HOODS INSTALLATION - 450AJ WITH DEUTZ ENGINES (USA & CHINA BUILT MACHINES)	144
FIGURE 2-35. HOODS INSTALLATION - 450AJ WITH DEUTZ ENGINE (CHINA & ROMANIAN BUILT MACHINES)	148
FIGURE 2-36. HOODS INSTALLATION - 450AJ WITH KUBOTA ENGINE	152
FIGURE 2-37. HOOD ASSEMBLY - TANK SIDE (USA & CHINA BUILT MACHINES)	156
FIGURE 2-38. HOOD ASSEMBLY - TANK SIDE (ROMANIAN BUILT MACHINES)	158
FIGURE 2-39. HOOD ASSEMBLY - ENGINE SIDE (USA & CHINA BUILT MACHINES)	160
FIGURE 2-40. HOOD ASSEMBLY - ENGINE SIDE (ROMANIAN BUILT MACHINES)	162
SECTION 3 - ENGINE	165
FIGURE 3-1. ENGINE INSTALLATION - DEUTZ D2.9L4 ENGINE (WITHOUT ARCTIC PACKAGE) (ANSI, ANSI EXPORT, CSA AND JAPANESE SPECS)	166
FIGURE 3-2. ENGINE AND PUMP SUB-ASSEMBLY - DEUTZ D2.9L4 (WITHOUT ARCTIC PACKAGE) (ANSI, ANSI EXPORT, CSA AND JAPANESE SPECS)	170
FIGURE 3-3. ENGINE ASSEMBLY - DEUTZ D2.9L4 ENGINE (WITHOUT ARCTIC PACKAGE) (ANSI, ANSI EXPORT, CSA AND JAPANESE SPECS)	172
FIGURE 3-4. ENGINE INSTALLATION - DEUTZ D2.9L4 ENGINE (WITH ARCTIC PACKAGE) (ANSI AND CSA SPECS)	178
FIGURE 3-5. ENGINE AND PUMP SUB-ASSEMBLY - DEUTZ D2.9L4 (WITH ARCTIC PACKAGE) (ANSI AND CSA SPECS)	184
FIGURE 3-6. ENGINE ASSEMBLY - DEUTZ D2.9L4 ENGINE (WITH ARCTIC PACKAGE) (ANSI AND CSA SPECS)	186
FIGURE 3-7. ENGINE COMPONENTS - DEUTZ D2.9L4 ENGINE (ANSI, ANSI EXPORT, CSA AND JAPANESE SPECS)	192
FIGURE 3-8. ENGINE INSTALLATION - DEUTZ D2.9L4 ENGINE (STAGE V) (CE SPECS)	196
FIGURE 3-9. ENGINE AND PUMP SUB-ASSEMBLY - DEUTZ D2.9L4 ENGINE (STAGE V) (CE SPECS)	202
FIGURE 3-10. ENGINE ASSEMBLY - DEUTZ D2.9L4 ENGINE (STAGE V) (CE SPECS)	204
FIGURE 3-11. ENGINE COMPONENTS - DEUTZ D2.9L4 ENGINE (STAGE V) (CE SPECS)	210
FIGURE 3-12. BRACKET ASSEMBLY - FUEL PUMP AND FILTER (DEUTZ D2.9L4 ENGINE)	214
FIGURE 3-13. BRACKET ASSEMBLY - FUEL PUMP AND FILTER (DEUTZ D2.9L4 ENGINE) (STAGE V)	216
FIGURE 3-14. BREATHER HEATER INSTALLATION - DEUTZ D2.9L4 ENGINE WITH ARCTIC PACKAGE	218
FIGURE 3-15. ENGINE INSTALLATION - DEUTZ D2011 ENGINE (WITHOUT ARCTIC PACKAGE) (ANSI EXPORT, AUSTRALIAN, CE (LRC), CHINA AND RUSSIA SPECS)	220
FIGURE 3-16. ENGINE AND PUMP SUB-ASSEMBLY - DEUTZ D2011 (WITHOUT ARCTIC PACKAGE) (ANSI EXPORT, AUSTRALIAN, CE (LRC), CHINA AND RUSSIA SPECS)	224
FIGURE 3-17. ENGINE ASSEMBLY - DEUTZ D2011 ENGINE (WITHOUT ARCTIC PACKAGE) (ANSI EXPORT, AUSTRALIAN, CE (LRC), CHINA AND RUSSIA SPECS)	226
FIGURE 3-18. ENGINE INSTALLATION - DEUTZ D2011 ENGINE (WITH ARCTIC PACKAGE) (ANSI EXPORT, CHINA AND RUSSIA SPECS)	230
FIGURE 3-19. ENGINE AND PUMP SUB-ASSEMBLY - DEUTZ D2011 (WITH ARCTIC PACKAGE) (ANSI EXPORT, CHINA AND RUSSIA SPECS)	234
FIGURE 3-20. ENGINE ASSEMBLY - DEUTZ D2011 ENGINE (WITH ARCTIC PACKAGE) (ANSI EXPORT, CHINA AND RUSSIA SPECS)	236
FIGURE 3-21. ENGINE COMPONENTS - DEUTZ D2011	240
FIGURE 3-22. PUMP COUPLING KIT - DEUTZ ENGINES	244
FIGURE 3-23. ENGINE INSTALLATION - KUBOTA ENGINE (WITHOUT ARCTIC PACKAGE)	246
FIGURE 3-24. ENGINE AND PUMP SUB-ASSEMBLY - KUBOTA ENGINE (WITHOUT ARCTIC PACKAGE)	252
FIGURE 3-25. ENGINE ASSEMBLY - KUBOTA ENGINE (WITHOUT ARCTIC PACKAGE)	254
FIGURE 3-26. ENGINE INSTALLATION - KUBOTA ENGINE (WITH ARCTIC PACKAGE)	260
FIGURE 3-27. ENGINE AND PUMP SUB-ASSEMBLY - KUBOTA ENGINE (WITH ARCTIC PACKAGE)	266
FIGURE 3-28. ENGINE ASSEMBLY - KUBOTA ENGINE (WITH ARCTIC PACKAGE)	268
FIGURE 3-29. ENGINE COMPONENTS - KUBOTA	274
FIGURE 3-30. PUMP COUPLING KIT - KUBOTA ENGINE	278
FIGURE 3-31. PISTON PUMP ASSEMBLY	280
FIGURE 3-32. SPARK ARRESTOR INSTALLATION - DEUTZ D2011 ENGINE	284
FIGURE 3-33. ENGINE Baffle INSTALLATION - WITH DEUTZ ENGINES	286
FIGURE 3-34. ENGINE Baffle INSTALLATION - WITH KUBOTA ENGINE	288
FIGURE 3-35. GENERATOR INSTALLATION - 2500W/50HZ (DEUTZ D2011 ENGINE)	290
FIGURE 3-36. GENERATOR INSTALLATION - 2500W/60HZ (DEUTZ D2011 ENGINE)	294
FIGURE 3-37. GENERATOR INSTALLATION - 2500W/60HZ (DEUTZ D2.9L4 ENGINE)	298
FIGURE 3-38. GENERATOR INSTALLATION - 2500W/60HZ (KUBOTA ENGINE)	302
FIGURE 3-39. GENERATOR INSTALLATION - 4000W/50HZ (DEUTZ D2011 ENGINE)	306
FIGURE 3-40. GENERATOR INSTALLATION - 4000W/60HZ (DEUTZ D2011 ENGINE)	310
FIGURE 3-41. GENERATOR INSTALLATION - 4000W/60HZ (DEUTZ D2.9L4 ENGINE)	314
FIGURE 3-42. GENERATOR INSTALLATION - 4000W/50HZ (DEUTZ ENGINE) (STAGE V)	318

TABLE OF CONTENTS

FIGURE 3-43. GENERATOR INSTALLATION - 7500W/50HZ (DEUTZ D2011 ENGINE)	322
FIGURE 3-44. GENERATOR INSTALLATION - 7500W/60HZ (DEUTZ D2011 ENGINE)	326
FIGURE 3-45. GENERATOR INSTALLATION - 7500W/60HZ (DEUTZ D2.9L4 ENGINE)	330
FIGURE 3-46. GENERATOR INSTALLATION - 7500W/60HZ (KUBOTA ENGINE)	334
SECTION 4 - BOOM	339
FIGURE 4-1. CYLINDERS INSTALLATION - 450A	340
FIGURE 4-2. CYLINDERS INSTALLATION - 450AJ (USA AND CHINA BUILT MACHINES)	342
FIGURE 4-3. CYLINDERS INSTALLATION - 450AJ (ROMANIAN BUILT MACHINES)	344
FIGURE 4-4. BOOM INSTALLATION - 450A	346
FIGURE 4-5. BOOM INSTALLATION WITH AIRLINE - 450A	348
FIGURE 4-6. BOOM INSTALLATION WITH SKYPOWER AND AIRLINE - 450A	350
FIGURE 4-7. BOOM INSTALLATION WITH SKYPOWER - 450A	352
FIGURE 4-8. BOOM INSTALLATION KIT - 450A	354
FIGURE 4-9. BOOM INSTALLATION - 450AJ USA AND CHINA BUILT MACHINES	356
FIGURE 4-10. BOOM INSTALLATION - 450AJ ROMANIAN BUILT MACHINES	358
FIGURE 4-11. JIB INSTALLATION - USA AND CHINA BUILT MACHINES	360
FIGURE 4-12. JIB INSTALLATION - ROMANIAN BUILT MACHINES	362
FIGURE 4-13. MAIN BOOM ASSEMBLY - 450A	364
FIGURE 4-14. MAIN BOOM ASSEMBLY - 450AJ	366
FIGURE 4-15. TOWER BOOM ASSEMBLY - 450A	368
FIGURE 4-16. TOWER BOOM ASSEMBLY - 450AJ USA AND CHINA BUILT MACHINES	370
FIGURE 4-17. TOWER BOOM ASSEMBLY - 450AJ ROMANIAN BUILT MACHINES	372
FIGURE 4-18. ROTATOR ASSEMBLY	374
FIGURE 4-19. PLATFORM SUPPORT INSTALLATION	376
FIGURE 4-20. 2WD VALVES INSTALLATION - 450A BOOM MOUNTED	378
FIGURE 4-21. 2WD VALVES INSTALLATION - 450AJ BOOM MOUNTED	380
FIGURE 4-22. 4WD VALVES INSTALLATION - 450A BOOM MOUNTED	382
FIGURE 4-23. 4WD VALVES INSTALLATION - 450AJ BOOM MOUNTED	384
FIGURE 4-24. UPRIGHT VALVE ASSEMBLY	386
FIGURE 4-25. BOOM VALVE ASSEMBLY - 450A	388
FIGURE 4-26. BOOM VALVE ASSEMBLY - 450AJ	390
SECTION 5 - PLATFORM	393
FIGURE 5-1. PLATFORM ASSEMBLY - 30IN X 4FT (76CM X 1.22M) - SIDE GATE ENTRY (USA BUILT MACHINES)	394
FIGURE 5-2. PLATFORM ASSEMBLY - 30IN X 5FT (76CM X 1.52M) - SIDE GATE ENTRY (USA AND CHINA BUILT MACHINES)	396
FIGURE 5-3. PLATFORM ASSEMBLY - 30IN X 6FT (76CM X 1.83M) - SIDE GATE ENTRY (USA AND CHINA BUILT MACHINES)	398
FIGURE 5-4. PLATFORM ASSEMBLY - 30IN X 4FT (76CM X 1.22M) - SIDE GATE ENTRY (ROMANIAN BUILT MACHINES)	400
FIGURE 5-5. PLATFORM ASSEMBLY - 30IN X 5FT (76CM X 1.52M) - SIDE GATE ENTRY (ROMANIAN BUILT MACHINES)	402
FIGURE 5-6. PLATFORM ASSEMBLY - 30IN X 6FT (76CM X 1.83M) - SIDE GATE ENTRY (ROMANIAN BUILT MACHINES)	404
FIGURE 5-7. PLATFORM ASSEMBLY - 30IN X 3FT (76CM X .91M) - DROP BAR ENTRY (USA AND ROMANIAN BUILT MACHINES)	406
FIGURE 5-8. PLATFORM ASSEMBLY - 30IN X 4FT (76CM X 1.22M) - WITH DROP BAR (USA BUILT MACHINES)	408
FIGURE 5-9. PLATFORM ASSEMBLY - 30IN X 5FT (76CM X 1.52M) - WITH DROP BAR (USA AND CHINA BUILT MACHINES)	410
FIGURE 5-10. PLATFORM ASSEMBLY - 30IN X 6FT (76CM X 1.83M) - WITH DROP BAR (USA AND CHINA BUILT MACHINES)	412
FIGURE 5-11. PLATFORM ASSEMBLY - 30IN X 4FT (76CM X 1.22M) - WITH DROP BAR (ROMANIAN BUILT MACHINES)	414
FIGURE 5-12. PLATFORM ASSEMBLY - 30IN X 5FT (76CM X 1.52M) - WITH DROP BAR (ROMANIAN BUILT MACHINES)	416
FIGURE 5-13. PLATFORM ASSEMBLY - 30IN X 6FT (76CM X 1.83M) - WITH DROP BAR (ROMANIAN BUILT MACHINES)	418
FIGURE 5-14. PLATFORM ASSEMBLY - 30IN X 5FT (76CM X 1.52M) - FALL ARREST (ANSI, ANSI EXPORT AND CSA SPECS)	420
FIGURE 5-15. CONSOLE BOX INSTALLATION - 450A	422
FIGURE 5-16. CONSOLE BOX INSTALLATION - 450AJ	424
FIGURE 5-17. PLATFORM CONSOLE BOX ASSEMBLY - 450A	426
FIGURE 5-18. PLATFORM CONSOLE BOX ASSEMBLY - 450AJ	430
FIGURE 5-19. LIGHT PANEL INSTALLATION – PLATFORM CONSOLE (USA & CHINA BUILT MACHINES)	434
FIGURE 5-20. LIGHT PANEL INSTALLATION – PLATFORM CONSOLE (ROMANIAN BUILT MACHINES)	436
FIGURE 5-21. CONTROLLER ASSEMBLY - DRIVE AND STEER	438
FIGURE 5-22. CONTROLLER ASSEMBLY - LIFT AND SWING	440
FIGURE 5-23. FOOTSWITCH ASSEMBLY	444
FIGURE 5-24. TRAY ASSEMBLY	446
FIGURE 5-25. SKYEYE INSTALLATION	448

TABLE OF CONTENTS

FIGURE 5-26. SKYGUARD BAR INSTALLATION	450
FIGURE 5-27. SKYLINE INSTALLATION	452
FIGURE 5-28. SKYGLAZIER INSTALLATION	454
FIGURE 5-29. SKYWELDER INSTALLATION (50HZ)	456
FIGURE 5-30. SKYWELDER INSTALLATION (60HZ)	458
FIGURE 5-31. SKYWELDER PREP PACKAGE INSTALLATION	460
FIGURE 5-32. WELDER ASSEMBLY	462
FIGURE 5-33. PIPE RACK INSTALLATION (ALL SPECS EXCEPT AUSTRALIAN SPECS)	464
FIGURE 5-34. PIPE RACK INSTALLATION (AUSTRALIAN SPEC)	466
FIGURE 5-35. FALL ARREST INSTALLATION (BOLT-ON) (4FT/1.22M PLATFORM)	468
FIGURE 5-36. FALL ARREST INSTALLATION (BOLT-ON) (5FT/1.52M PLATFORM)	470
FIGURE 5-37. USB CHARGER INSTALLATION	472
SECTION 6 - CYLINDER	475
FIGURE 6-1. AXLE LOCKOUT CYLINDER ASSEMBLY (USA AND ROMANIAN BUILT MACHINES)	476
FIGURE 6-2. AXLE LOCKOUT CYLINDER ASSEMBLY (CHINA BUILT MACHINES)	478
FIGURE 6-3. LEVEL (PLATFORM SLAVE) CYLINDER ASSEMBLY	480
FIGURE 6-4. LIFT CYLINDER ASSEMBLY - JIB	482
FIGURE 6-5. LIFT CYLINDER ASSEMBLY - 450A MAIN BOOM	484
FIGURE 6-6. LIFT CYLINDER ASSEMBLY - 450AJ MAIN BOOM	486
FIGURE 6-7. LIFT CYLINDER ASSEMBLY - TOWER BOOM	488
FIGURE 6-8. MASTER CYLINDER ASSEMBLY	490
FIGURE 6-9. STEER CYLINDER ASSEMBLY	492
FIGURE 6-10. TELESCOPE CYLINDER ASSEMBLY - 450A	494
FIGURE 6-11. TELESCOPE CYLINDER ASSEMBLY - 450AJ	496
SECTION 7 - HYDRAULIC	499
FIGURE 7-1. 2WD HYDRAULIC SYSTEM INSTALLATION - 450A	500
FIGURE 7-2. 2WD HYDRAULIC SYSTEM INSTALLATION - 450AJ	506
FIGURE 7-3. 4WD HYDRAULIC SYSTEM INSTALLATION - 450A	512
FIGURE 7-4. 4WD HYDRAULIC SYSTEM INSTALLATION - 450AJ	518
SECTION 8 - ELECTRICAL	525
FIGURE 8-1. AC BOX AT PLATFORM INSTALLATION - 110V - ANSI, ANSI EXPORT, CHINA, CSA AND JAPANESE SPECS	526
FIGURE 8-2. AC BOX AT PLATFORM INSTALLATION - 110V IEC YELLOW (CE AND RUSSIA SPECS WITH 4000W/50HZ GENERATOR)	528
FIGURE 8-3. AC BOX AT PLATFORM INSTALLATION - 110V IEC 60309 YELLOW WITHOUT 2500W GENERATOR (CE AND RUSSIA SPECS)	530
FIGURE 8-4. AC BOX AT PLATFORM INSTALLATION - 220V IEC BLUE (CE AND RUSSIA SPECS WITH 4000W/50HZ GENERATOR)	532
FIGURE 8-5. AC BOX AT PLATFORM INSTALLATION - 220V IEC 60309 BLUE WITHOUT 2500W GENERATOR (CE AND RUSSIASPECS)	534
FIGURE 8-6. AC BOX AT PLATFORM INSTALLATION - 220V CEE7 POST GROUND (2X4 BOX) WITHOUT 2500W GENERATOR (CE AND RUSSIA SPECS)	536
FIGURE 8-7. AC BOX AT PLATFORM INSTALLATION - 220V CEE7 SIDE GROUND (2X4 BOX) WITHOUT 2500W GENERATOR (CE AND RUSSIA SPECS)	538
FIGURE 8-8. AC BOX AT PLATFORM INSTALLATION - 220V CEE7 2IN X 4IN POST GROUND (CE AND RUSSIA SPECS WITH 4000W/50HZ GENERATOR)	540
FIGURE 8-9. AC BOX AT PLATFORM INSTALLATION - 220V CEE7 2IN X 4IN SIDE GROUND (CE AND RUSSIA SPECS WITH 4000W/50HZ GENERATOR)	542
FIGURE 8-10. AC BOX AT PLATFORM INSTALLATION - 220V AFSINT107 (CE AND RUSSIA SPECS WITH 4000W/50HZ GENERATOR)	544
FIGURE 8-11. AC BOX AT PLATFORM INSTALLATION - 220V AFSINT 107 KEYED GROUND (2X4 BOX) WITHOUT 2500W GENERATOR (CE AND RUSSIA SPECS)	546
FIGURE 8-12. AC BOX AT PLATFORM INSTALLATION - 220V CUSTOMER SUPPLIED COMPONENTS (AUSTRALIAN AND CE SPECS)	548
FIGURE 8-13. AC BOX AT PLATFORM INSTALLATION - 240V (WITH 4000W GENERATOR) (ANSI, ANSI EXPORT, CSA AND JAPANESE SPECS)	550
FIGURE 8-14. AC BOX AT PLATFORM INSTALLATION - 240V (WITH 7500W SKYPOWER GENERATOR) (ANSI, ANSI EXPORT, CSA AND JAPANESE SPECS)	552
FIGURE 8-15. AC CABLE INSTALLATION - WITH TWO BREAKERS (CE AND RUSSIA SPECS)	554
FIGURE 8-16. AC CABLE INSTALLATION - WITH THREE BREAKERS (CE AND RUSSIA SPECS)	556
FIGURE 8-17. AC CABLE AND PLUG INSTALLATION (CHINA BUILT MACHINES)	558

TABLE OF CONTENTS

FIGURE 8-18. BATTERY DISCONNECT SWITCH	560
FIGURE 8-19. BEACON LIGHT HARNESS (BLUE AND RED BEACON LIGHT)	562
FIGURE 8-20. BOOM CABLES AND CLAMPS INSTALLATION - 450A (WITHOUT ARCTIC PACKAGE)	564
FIGURE 8-21. BOOM CABLES AND CLAMPS INSTALLATION - 450AJ (WITHOUT ARCTIC PACKAGE)	568
FIGURE 8-22. BOOM CABLES AND CLAMPS INSTALLATION - 450AJ (WITHOUT ARCTIC PACKAGE AND AC CABLES) (CHINA BUILT MACHINES)	572
FIGURE 8-23. BOOM CABLES AND CLAMPS INSTALLATION - 450A (WITH ARCTIC PACKAGE)	576
FIGURE 8-24. BOOM CABLES AND CLAMPS INSTALLATION - 450AJ (WITH ARCTIC PACKAGE)	580
FIGURE 8-25. BOOM CABLES AND CLAMPS INSTALLATION - 450AJ (MACHINES WITH 50HZ 4000W GENERATORS)	584
FIGURE 8-26. BOOM CABLES AND CLAMPS INSTALLATION - 450AJ (MACHINES WITH 60HZ 4000W GENERATORS)	588
FIGURE 8-27. BOOM CABLES AND CLAMPS INSTALLATION - 450A (MACHINES WITH 7500W GENERATOR AND WITHOUT ARCTIC PACKAGE)	592
FIGURE 8-28. BOOM CABLES AND CLAMPS INSTALLATION - 450AJ (MACHINES WITH 7500W GENERATORS AND WITHOUT ARCTIC PACKAGE)	596
FIGURE 8-29. BOOM CABLES AND CLAMPS INSTALLATION - 450A (MACHINES WITH 7500W GENERATOR AND WITH ARCTIC PACKAGE)	600
FIGURE 8-30. BOOM CABLES AND CLAMPS INSTALLATION - 450AJ (MACHINES WITH 7500W GENERATORS AND WITH ARCTIC PACKAGE)	604
FIGURE 8-31. BOOM HARNESS - 450A (MAIN BOOM) (WITHOUT ARCTIC PACKAGE)	608
FIGURE 8-32. BOOM HARNESS - 450AJ (MAIN BOOM) (WITHOUT ARCTIC PACKAGE)	610
FIGURE 8-33. BOOM HARNESS - 450A (MAIN BOOM) (WITH ARCTIC PACKAGE)	612
FIGURE 8-34. BOOM HARNESS - 450AJ (MAIN BOOM) (WITH ARCTIC PACKAGE)	614
FIGURE 8-35. BOOM HARNESS - 450A (MAIN BOOM AC CABLE) (WITHOUT ARCTIC PACKAGE)	616
FIGURE 8-36. BOOM HARNESS - 450AJ (MAIN BOOM AC CABLE) (WITHOUT ARCTIC PACKAGE)	618
FIGURE 8-37. BOOM HARNESS - 450A (MAIN BOOM AC CABLE) (WITH ARCTIC PACKAGE)	620
FIGURE 8-38. BOOM HARNESS - 450AJ (MAIN BOOM AC CABLE) (WITH ARCTIC PACKAGE)	622
FIGURE 8-39. BOOM HARNESS - TOWER BOOM (WITHOUT ARCTIC PACKAGE)	624
FIGURE 8-40. BOOM HARNESS - TOWER BOOM (WITH ARCTIC PACKAGE)	626
FIGURE 8-41. BOOM HARNESS - TOWER BOOM AC CABLE (WITHOUT ARCTIC PACKAGE)	628
FIGURE 8-42. BOOM HARNESS - TOWER BOOM AC CABLE (WITH ARCTIC PACKAGE)	630
FIGURE 8-43. BOOM VALVE HARNESS	632
FIGURE 8-44. BREAKER BOX KIT WITH SINGLE DOUBLE POLE BREAKER - CE AND RUSSIA SPECS	634
FIGURE 8-45. BREAKER BOX KIT WITH THREE BREAKERS - CE AND RUSSIA SPECS	636
FIGURE 8-46. BREAKER BOX KIT - 30MA/16 AMP	638
FIGURE 8-47. CHASSIS SOLENOID HARNESS	640
FIGURE 8-48. ENGINE HARNESS - DEUTZ D2011	642
FIGURE 8-49. ENGINE HARNESS - DEUTZ D2.9L4	644
FIGURE 8-50. ENGINE HARNESS - DEUTZ D2.9L4 ENGINE (STAGE V)	648
FIGURE 8-51. ENGINE HARNESS - KUBOTA	652
FIGURE 8-52. FUEL HARNESS - DEUTZ D2.9L4 ENGINE	654
FIGURE 8-53. GENERATOR HARNESS - 2500W GENERATOR (60HZ)	656
FIGURE 8-54. GENERATOR HARNESS - 2500W GENERATOR (50HZ)	658
FIGURE 8-55. GENERATOR HARNESS - 4000W GENERATOR	660
FIGURE 8-56. GROUND CONTROL PANEL HARNESS	662
FIGURE 8-57. KUBOTA D/F POWER HARNESS	664
FIGURE 8-58. PLATFORM CONSOLE BOX HARNESS	666
FIGURE 8-59. PLATFORM INTERFACE HARNESS	670
FIGURE 8-60. RECEPTACLE BOX KIT - 110V IEC YELLOW (CE AND RUSSIA SPECS)	672
FIGURE 8-61. RECEPTACLE BOX KIT - 220V IEC BLUE (CE AND RUSSIA SPECS)	674
FIGURE 8-62. RECEPTACLE BOX KIT - 220V CEE7 POST GROUND 2IN X 4IN BOX (CE AND RUSSIA SPECS)	676
FIGURE 8-63. RECEPTACLE BOX KIT - 220V CEE7 SIDE GROUND 2IN X 4IN BOX (CE AND RUSSIA SPECS)	678
FIGURE 8-64. RECEPTACLE BOX KIT - 220V AFSINT 107 (CE AND RUSSIA SPECS)	680
FIGURE 8-65. SKYEYE INTERMEDIATE HARNESS	682
FIGURE 8-66. SKYEYE RECEIVER HARNESS	684
FIGURE 8-67. SKYEYE EMITTER HARNESS	686
FIGURE 8-68. SKYLINE HARNESS	688
FIGURE 8-69. TURNABLE HARNESS	690
FIGURE 8-70. VALVE HARNESS - MAIN VALVE	694
FIGURE 8-71. VALVE HARNESS - PLATFORM VALVE	696
SECTION 9 - DECALS	699
FIGURE 9-1. DECAL INSTALLATION – ANSI, ANSI EXPORT AND CSA SPECS WITH DEUTZ ENGINES (ENGLISH)	700
FIGURE 9-2. DECAL INSTALLATION – ANSI AND ANSI EXPORT SPECS WITH KUBOTA ENGINES (ENGLISH)	702
FIGURE 9-3. DECAL INSTALLATION - AUSTRALIAN SPEC (ENGLISH)	704
FIGURE 9-4. DECAL INSTALLATION - BRAZIL SPEC (ENGLISH)	706
FIGURE 9-5. DECAL INSTALLATION - CE SPEC (ENGLISH)	708

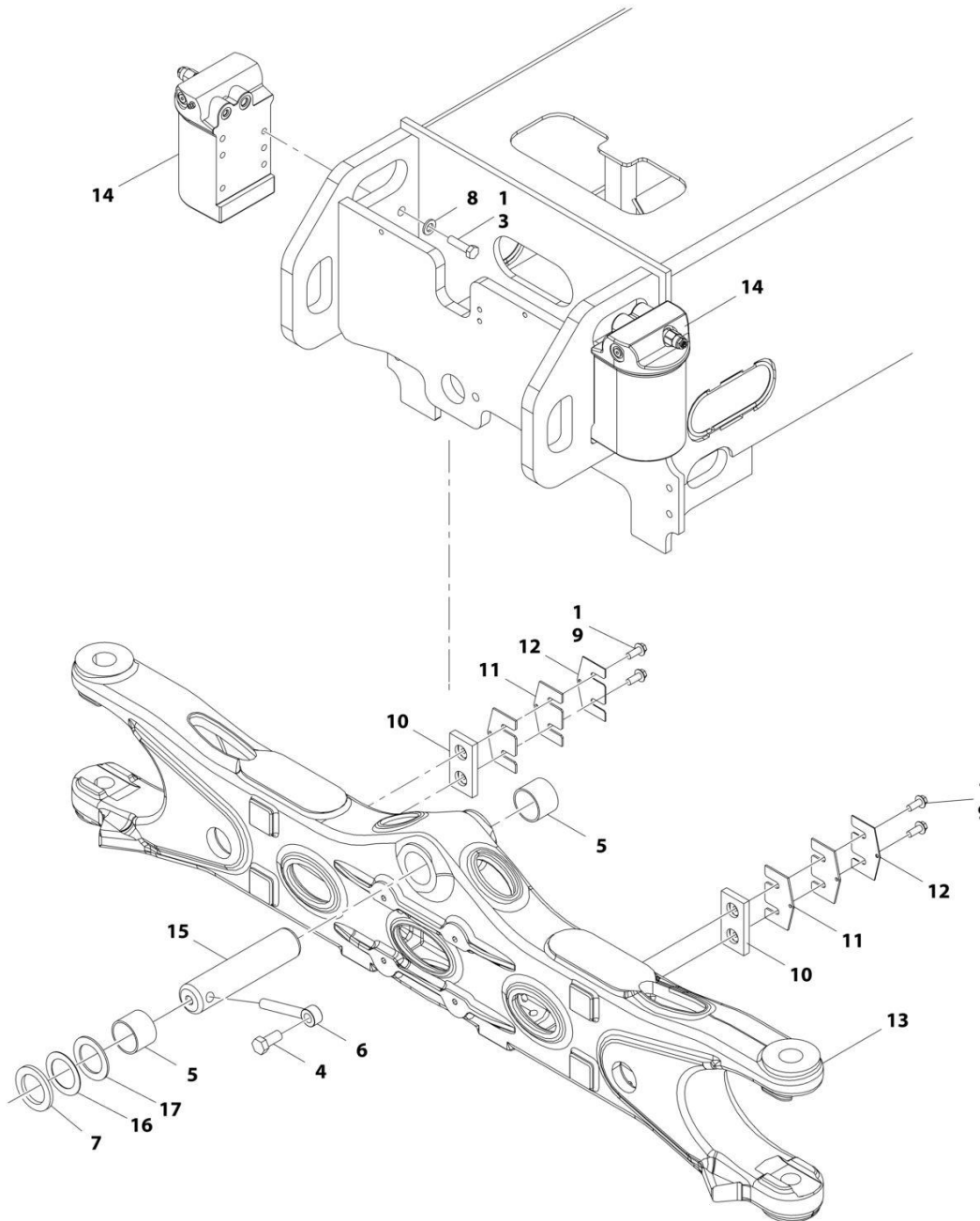
TABLE OF CONTENTS

FIGURE 9-6. DECAL INSTALLATION - CSA SPEC WITH DEUTZ ENGINES (FRENCH/ENGLISH)	710
FIGURE 9-7. DECAL INSTALLATION - CSA SPEC WITH KUBOTA ENGINES (FRENCH/ENGLISH)	712
FIGURE 9-8. DECAL INSTALLATION - CHINESE SPEC (CHINESE/ENGLISH)	714
FIGURE 9-9. DECAL INSTALLATION - JAPANESE SPEC (JAPANESE/ENGLISH)	716
FIGURE 9-10. DECAL INSTALLATION - KOREAN SPEC (KOREAN/ENGLISH)	718
FIGURE 9-11. DECAL INSTALLATION - LATIN AMERICA SPEC (SPANISH/ENGLISH)	720
FIGURE 9-12. DECAL INSTALLATION - OPTIONS	722
FIGURE 9-13. TOW BAR DECAL INSTALLATION - ENGLISH LANGUAGE (ANSI, ANSI EXPORT, CE, CHINA, JAPANESE AND RUSSIA SPECS)	726
FIGURE 9-14. TOW BAR DECAL INSTALLATION - ENGLISH/SPANISH LANGUAGE (ANSI EXPORT SPECS)	728
FIGURE 9-15. TOW BAR DECAL INSTALLATION - SPANISH LANGUAGE (ANSI EXPORT, CE AND RUSSIA SPECS)	730
FIGURE 9-16. SKYWELDER DECAL INSTALLATION – 50HZ (ANSI EXPORT SPECS)	732
FIGURE 9-17. SKYWELDER DECAL INSTALLATION - 60HZ (ANSI EXPORT SPECS)	734
SECTION 10 - RECOMMENDED SERVICE PARTS STOCK	737
FIGURE 10-1. RECOMMENDED SERVICE PARTS STOCK	738
SECTION 11 - SPECIAL OPTIONS	741
FIGURE 11-1. SPECIAL OPTIONS	742
PART NUMBER INDEX	747

SECTION 1 - FRAME

SECTION 1 - FRAME

FIGURE 1-1. AXLE INSTALLATION (USA AND ROMANIAN BUILT MACHINES)



ART_1001164093

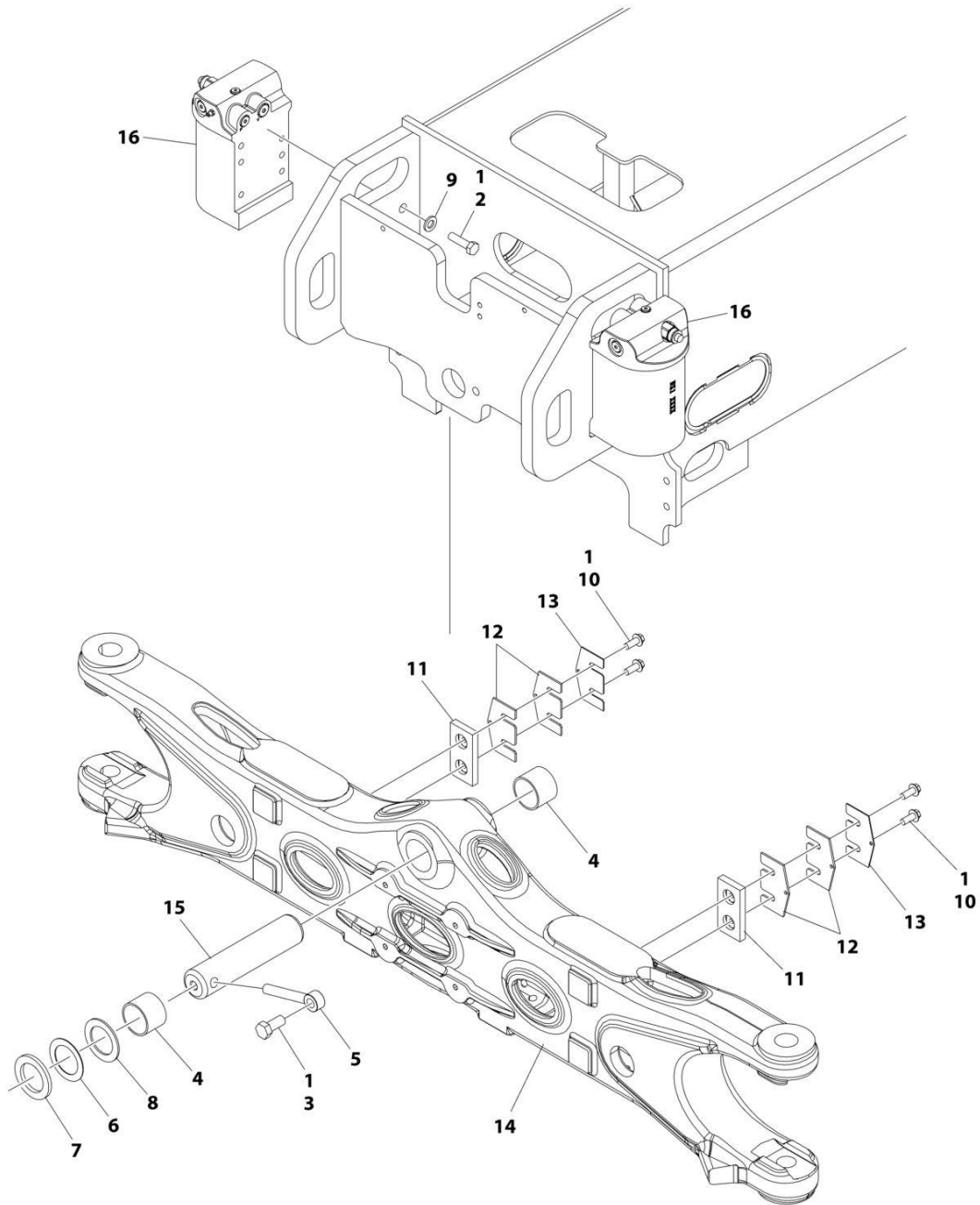
SECTION 1 - FRAME

FIGURE 1-1. AXLE INSTALLATION (USA AND ROMANIAN BUILT MACHINES)

ITEM	PART NUMBER	QTY	DESCRIPTION	REV
	1001164093	Ref	AXLE INSTALLATION	D
1	0100011	AR	Compound, Locking	
3	0701217	8	Bolt M12 x 45	
4	0761615	1	Bolt M16 x 35	
5	0961950	2	Bearing	
6	3841258	1	Keeper, Pin	
7	4740158	AR	Washer	
8	5241200	8	Washer M12	
9	5251012	4	Bolt M10 x 25	
10	1001118511	2	Pad, Wear	
11	1001118518	4	Shim 11Ga	
12	1001118519	2	Shim 16Ga	
13	1001162995	1	Axle	
14	1001163580	2	Axle Lockout Cylinder Assembly (See Separate Breakdown in CYLINDER SECTION)	
15	1001185030	1	Pin	
16	4071101	AR	Shim	
17	4740229	AR	Washer	

SECTION 1 - FRAME

FIGURE 1-2. AXLE INSTALLATION (CHINA BUILT MACHINES)



ART_1001264981

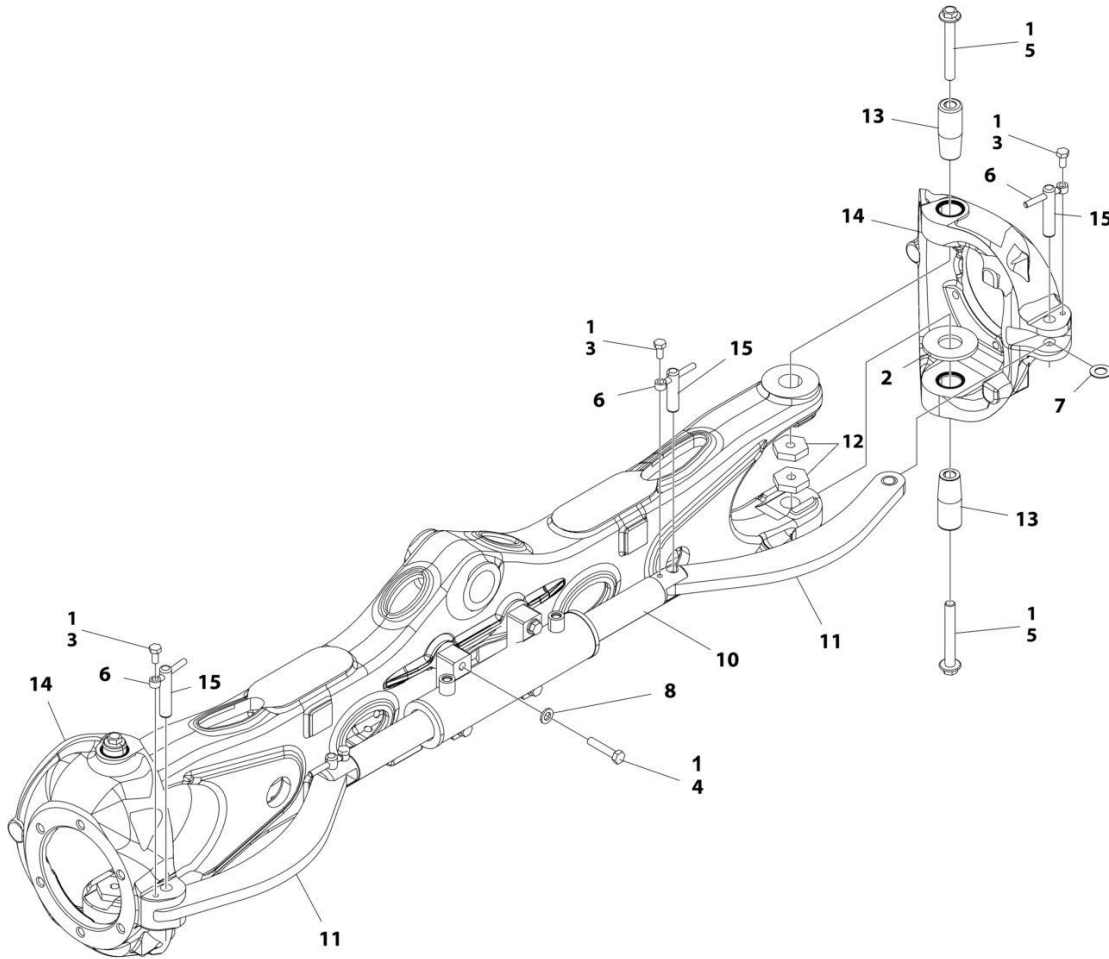
SECTION 1 - FRAME

FIGURE 1-2. AXLE INSTALLATION (CHINA BUILT MACHINES)

ITEM	PART NUMBER	QTY	DESCRIPTION	REV
	1001264981	Ref	AXLE INSTALLATION	B
1	0100011	AR	Compound, Locking	
2	0701217	8	Bolt M12 x 45	
3	0761615	1	Bolt M16 x 35	
4	0961950	2	Bearing	
5	3841258	1	Keeper, Pin	
6	4071101	AR	Shim	
7	4740158	AR	Washer	
8	4740229	AR	Washer	
9	5241200	8	Washer M12	
10	5251012	4	Bolt M10 x 25	
11	1001118511	2	Pad, Wear	
12	1001118518	AR	Shim 11Ga	
13	1001118519	AR	Shim 16Ga	
14	1001162995	1	Axle	
15	1001185030	1	Pin	
16	1001256179	2	Axle Lockout Cylinder Assembly (See Separate Breakdown in CYLINDER Section)	

SECTION 1 - FRAME

FIGURE 1-3. STEER INSTALLATION WITHOUT TOW PACKAGE



ART_1001164092

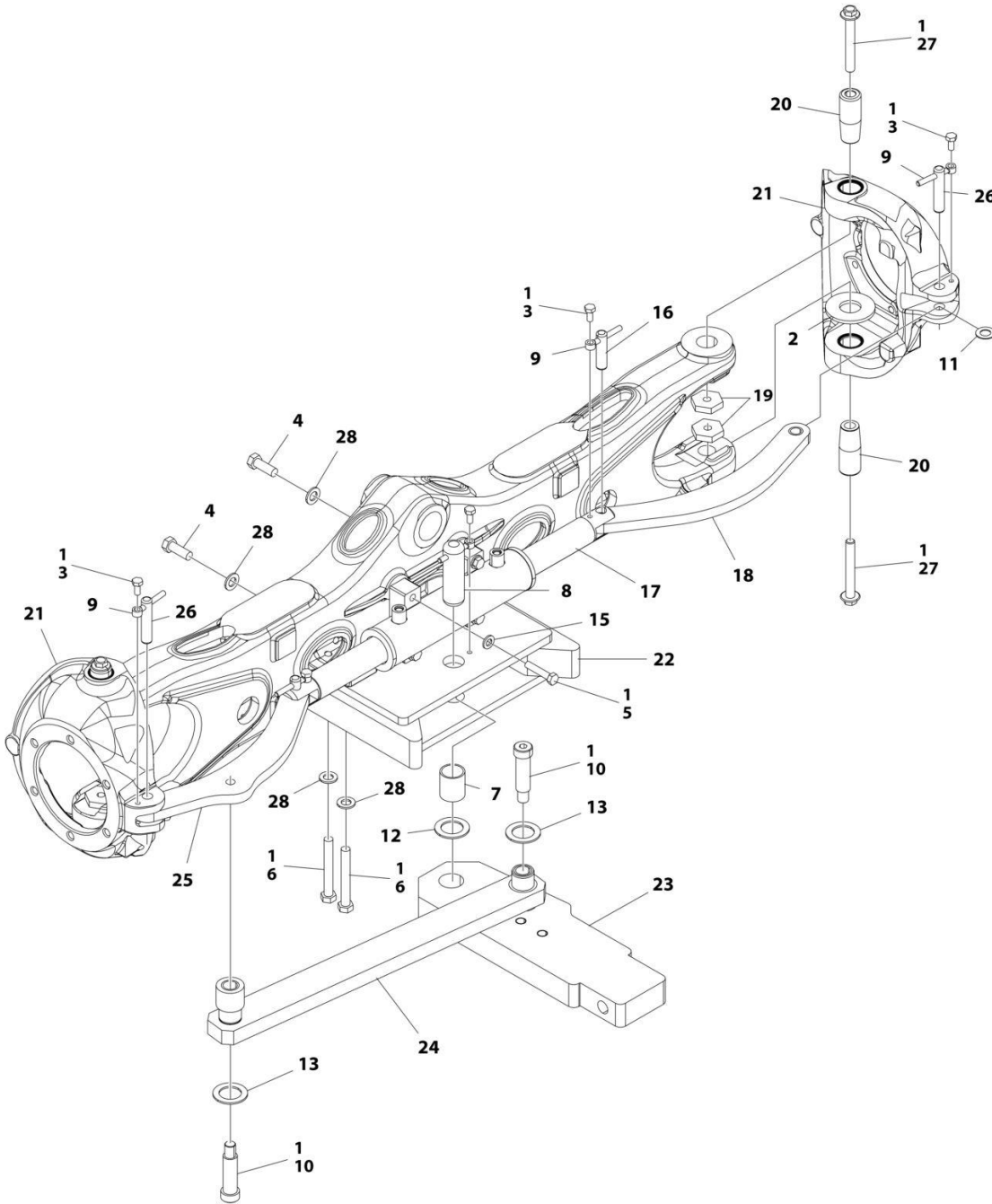
SECTION 1 - FRAME

FIGURE 1-3. STEER INSTALLATION WITHOUT TOW PACKAGE

ITEM	PART NUMBER	QTY	DESCRIPTION	REV
	1001164092	Ref	STEER INSTALLATION WITHOUT TOW PACKAGE	F
1	0100011	AR	Compound, Locking	
2	1001233139	2	Bearing, Thrust	
3	0761011	4	Bolt M10 x 22	
4	0711220	4	Bolt M12 x 60 Grade 10.9	
5	1001190368	4	Bolt M16 x 120	
6	3841143	4	Keeper, Pin	
7	4740086	4	Washer	
8	5241200	4	Washer M12	
10	1001163178	1	Steer Cylinder Assembly (See Separate Breakdown in CYLINDER SECTION)	
11	1001163179	2	Link	
11	1001164209	4	Bearing (2 Per Link)	
12	1001176848	4	Nut M16	
13	1001163405	4	Kingpin	
14	1001163715	2	Spindle	
14	0961948	4	Bearing (2 Per Spindle)	
14	1001163716	8	Seal (4 Per Spindle)	
15	3423304	4	Pin	

SECTION 1 - FRAME

FIGURE 1-4. STEER INSTALLATION WITH TOW PACKAGE



ART_1001164095

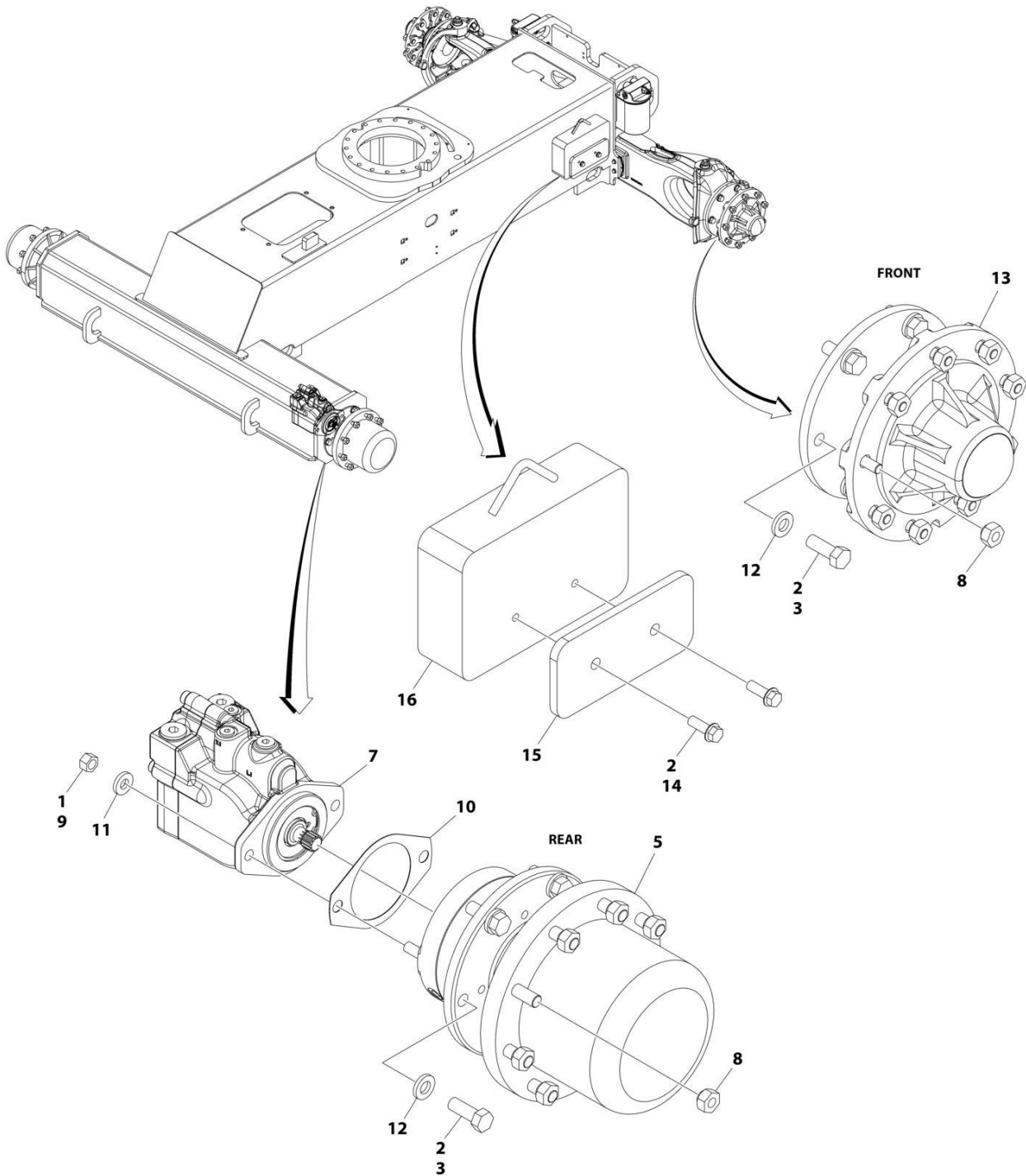
SECTION 1 - FRAME

FIGURE 1-4. STEER INSTALLATION WITH TOW PACKAGE

ITEM	PART NUMBER	QTY	DESCRIPTION	REV
	1001164095	Ref	STEER INSTALLATION WITH TOW PACKAGE	D
1	0100011	AR	Compound, Locking	
2	0440271	2	Bearing, Thrust	
3	0761011	5	Bolt M10 x 22	
4	0701617	2	Bolt M16 x 45	
5	0711220	4	Bolt M12 x 60 Grade 10.9	
6	0711629	4	Bolt M16 x 120	
7	0962348	1	Bearing	
8	3422848	1	Pin	
9	3841143	5	Keeper, Pin	
10	3900295	2	Bolt 1 X 3	
11	4740086	4	Washer	
12	4740155	1	Washer	
13	4740491	2	Washer	
15	5241200	4	Washer M12	
16	1001139586	2	Pin	
17	1001163178	1	Steer Cylinder Assembly (See Separate Breakdown in CYLINDER SECTION)	
18	1001163179	1	Link	
18	1001164209	2	Bearing	
19	1001176848	4	Nut M16	
20	1001163405	4	Kingpin	
21	1001163715	2	Spindle	
21	0961948	4	Bearing (2 per Spindle)	
21	1001163716	8	Seal (4 per Spindle)	
22	1001163717	1	Bracket, Tow	
23	1001163722	1	Plate	
24	1001163724	1	Link	
24	0962292	4	Bearing	
25	1001163726	1	Link	
25	1001164209	2	Bearing	
26	3423304	2	Pin	
27	1001190368	4	Bolt M16 x 120	
28	5241600	6	Washer M16	

SECTION 1 - FRAME

FIGURE 1-5. WHEEL DRIVE INSTALLATION (2WD)



ART_1001214159

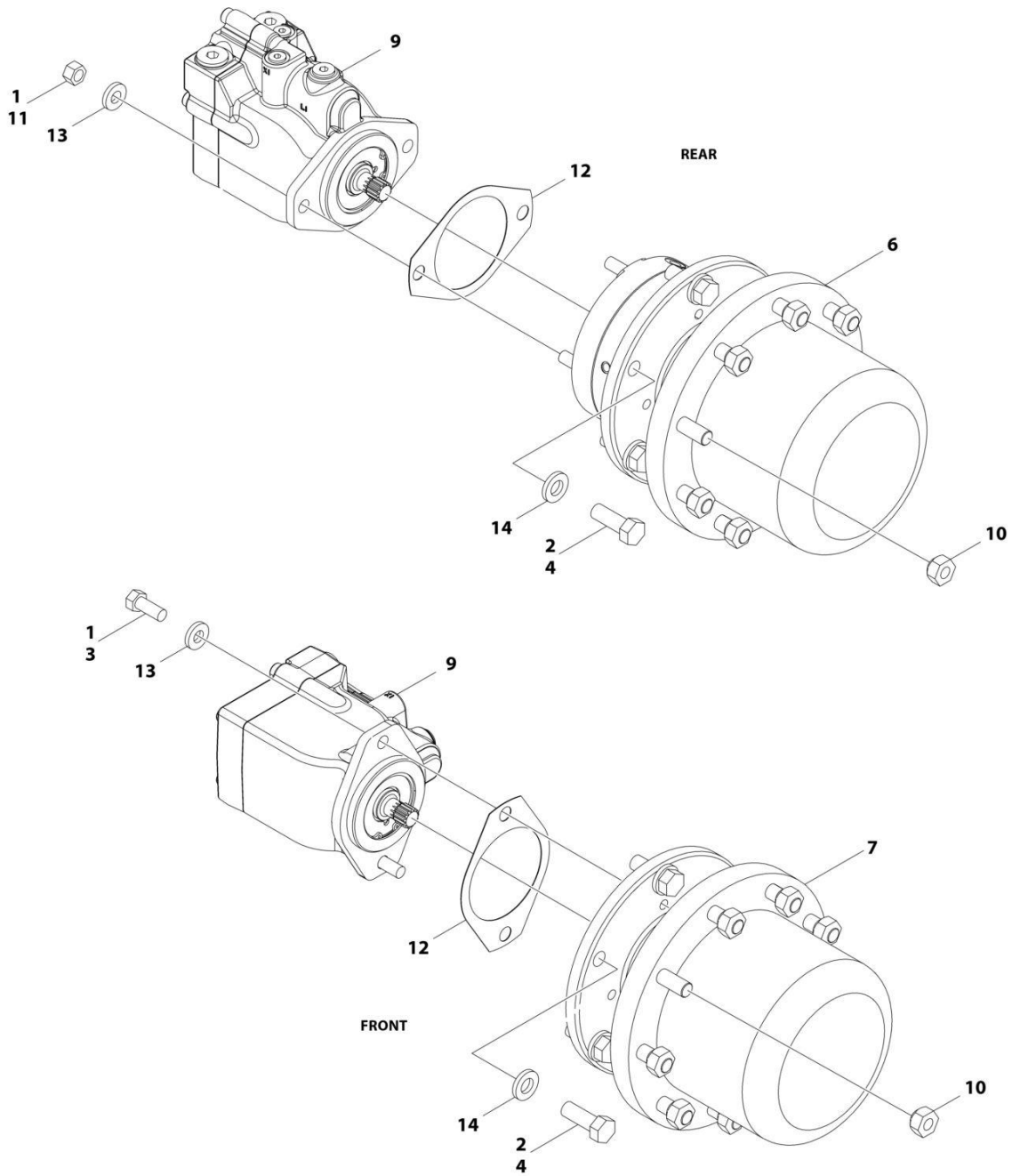
SECTION 1 - FRAME

FIGURE 1-5. WHEEL DRIVE INSTALLATION (2WD)

ITEM	PART NUMBER	QTY	DESCRIPTION	REV
	1001214159	Ref	WHEEL DRIVE INSTALLATION (2WD)	D
1	0100011	AR	Compound, Locking	
2	0100019	AR	Compound, Locking	
3	0682014	24	Bolt 5/8 x 1-3/4 Grade 8	
5	2780267	2	Drive Hub Assembly - Rear (See Separate Breakdown in this Section)	
7	3160351	2	Drive Motor Assembly (See Separate Breakdown in this Section)	
8	3300106	36	Lugnut	
9	3311801	4	Nut 1/2	
10	3960526	2	Gasket, Brake	
11	4891800	4	Washer 1/2	
12	4892000	24	Washer 5/8	
13	1001214174	2	Hub - Spindle Assembly (See Separate Breakdown in this Section)	
14	5251215	4	Bolt M12 x 35	
15	1001215503	2	Plate, Mounting	
16	1001215504	2	Weight, Counter	

SECTION 1 - FRAME

FIGURE 1-6. WHEEL DRIVE INSTALLATION (4WD)



ART_1001166239

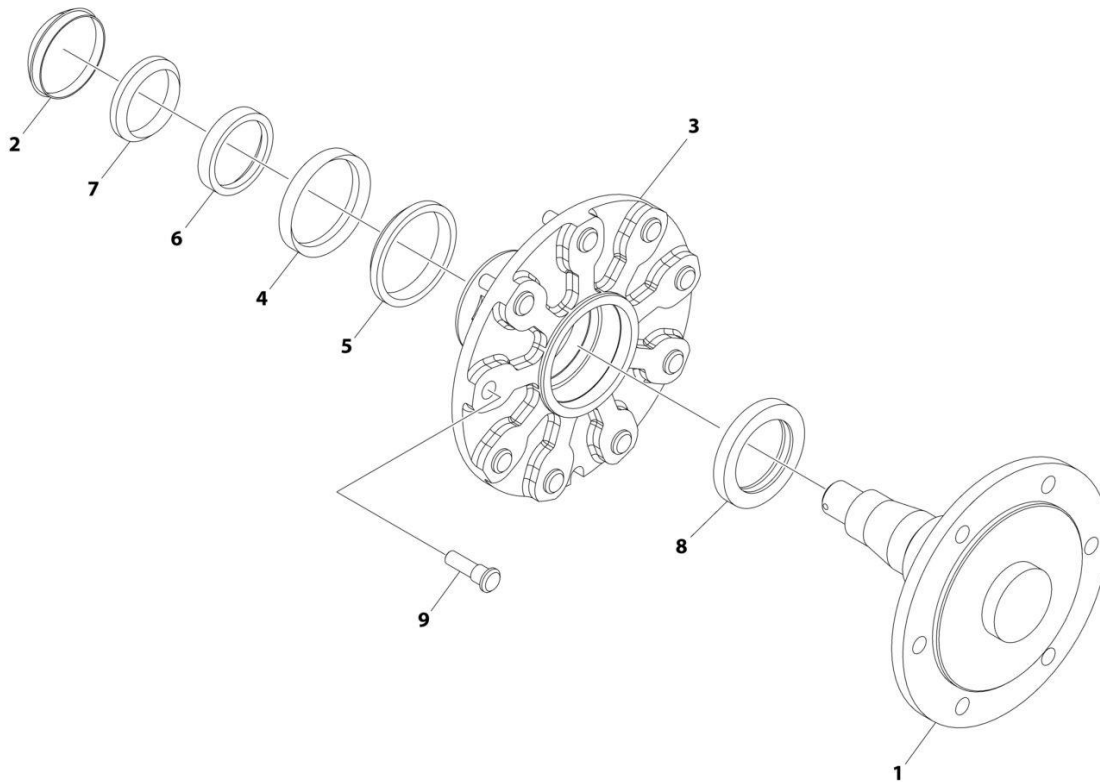
SECTION 1 - FRAME

FIGURE 1-6. WHEEL DRIVE INSTALLATION (4WD)

ITEM	PART NUMBER	QTY	DESCRIPTION	REV
	1001166239	Ref	WHEEL DRIVE INSTALLATION (4WD)	E
1	0100011	AR	Compound, Locking	
2	0100019	AR	Compound, Locking	
3	0681810	4	Bolt 1/2 x 1-1/4 Grade 8	
4	0682014	24	Bolt 5/8 x 1-3/4 Grade 8	
6	2780267	2	Drive Hub Assembly - Rear (See Separate Breakdown in this Section)	
7	2780268	2	Drive Hub Assembly - Front (See Separate Breakdown in this Section)	
9	3160348	4	Drive Motor Assembly (See Separate Breakdown in this Section)	
10	3300106	36	Lugnut	
11	3311801	4	Nut 1/2	
12	3960526	4	Gasket, Brake	
13	4891800	8	Washer 1/2	
14	4892000	24	Washer 5/8	

SECTION 1 - FRAME

FIGURE 1-7. HUB - SPINDLE ASSEMBLY



ART_1001214174

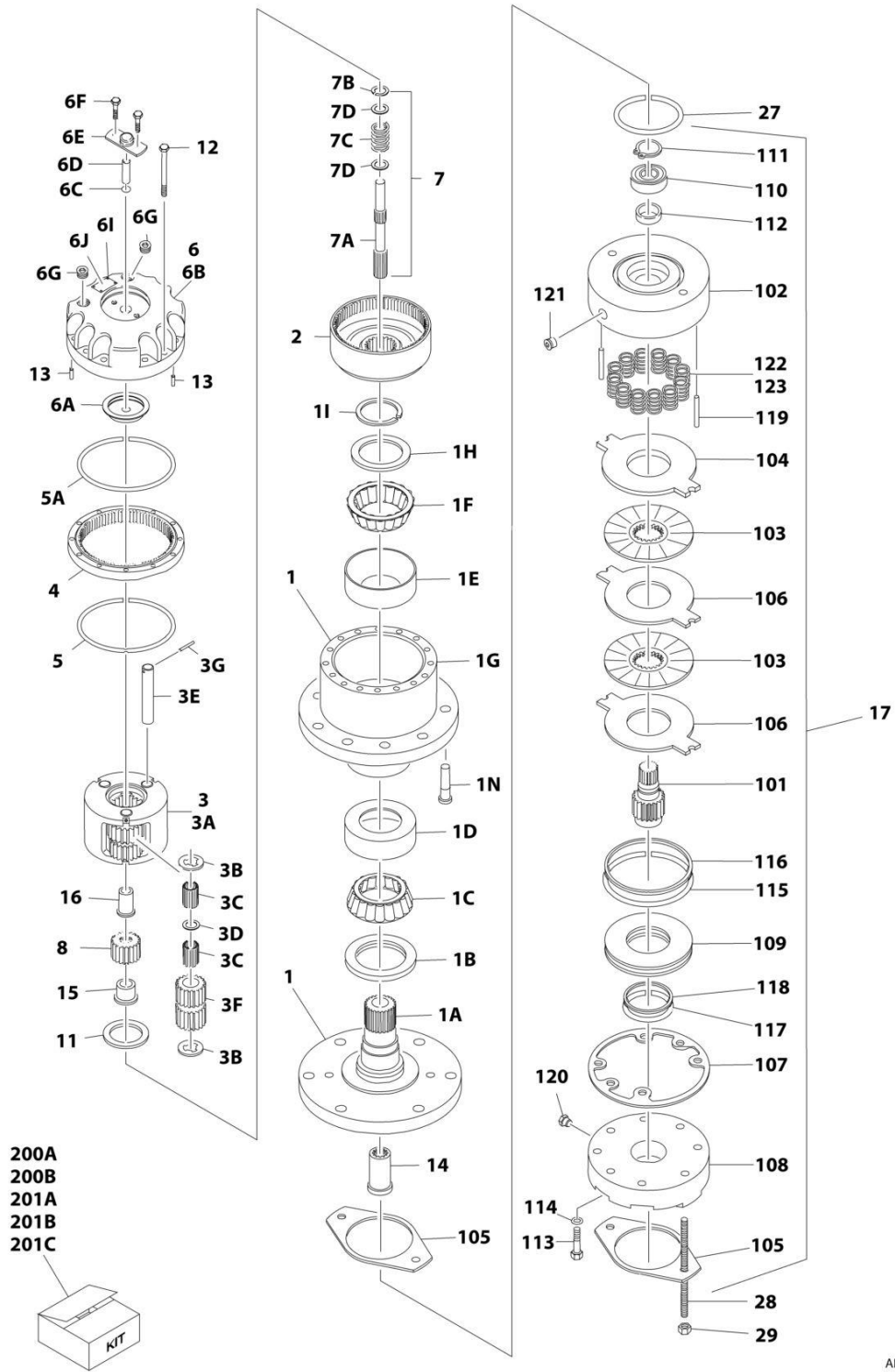
SECTION 1 - FRAME

FIGURE 1-7. HUB - SPINDLE ASSEMBLY

ITEM	PART NUMBER	QTY	DESCRIPTION	REV
	1001214174	Ref	HUB - SPINDLE ASSEMBLY (2WD)	C
1	See Note	NSS	Spindle, Adapter (Note: Not Available for Purchase)	
2	7020033	1	Cap, Dust	
3	7020035	1	Hub, Casting	
4	7020036	1	Cup, Bearing	
5	7020037	1	Cone, Bearing	
6	7020038	1	Cup, Bearing	
7	7020039	1	Cone, Bearing	
8	7020040	1	Seal	
9	7020041	9	Stud	

SECTION 1 - FRAME

FIGURE 1-8. DRIVE HUB AND BRAKE ASSEMBLY - REAR



SECTION 1 - FRAME

FIGURE 1-8. DRIVE HUB AND BRAKE ASSEMBLY - REAR

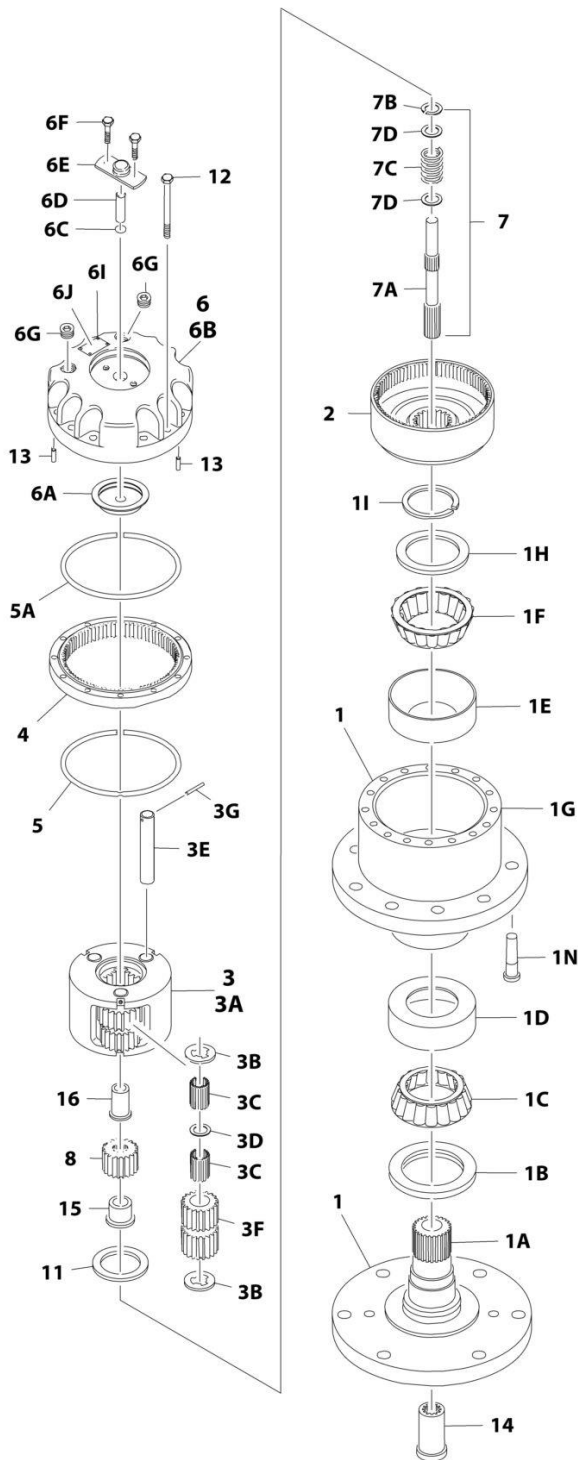
ITEM	PART NUMBER	QTY	DESCRIPTION	REV
	2780267	Ref	DRIVE HUB AND BRAKE ASSEMBLY - REAR	I
1	See Note	1	Spindle/Housing Assembly (Note: Purchase Individual Components)	
1A	7017059	1	Spindle	
1B	7001998	1	Seal	
1C	7010429	1	Cone, Bearing (Includes Item 1D)	
1D	7010429	1	Cup, Bearing (Includes Item 1C)	
1E	7000257	1	Cup, Bearing	
1F	7000258	1	Cone, Bearing	
1G	7007601	1	Housing/Ring Gear	
1H	7000232	1	Washer, Thrust	
1I	7000229	1	Ring, Retaining	
1N	7007640	9	Stud, Wheel	
2	7000246	1	Gear, Internal	
3	7024712	1	Carrier Assembly	
3A	See Note	1	Carrier (Note: Use Item 3)	
3B	See Note	6	Ring, Retaining (Note: Use Item 3)	
3C	See Note	AR	Bearing, Needle (Note: Use Item 3)	
3D	See Note	3	Washer, Thrust (Note: Use Item 3)	
3E	See Note	3	Shaft, Planet (Note: Use Item 3)	
3F	See Note	3	Gear, Planet (Note: Use Item 3)	
3G	See Note	3	Roll Pin (Note: Use Item 3)	
4	7000248	1	Ring Gear	
5	7000230	1	O-Ring	
5A	7017070	1	O-Ring	
6	70001349	1	Cover Assembly Kit	
6A	See Note	1	Spacer, Thrust (Note: Use Item 6)	
6B	See Note	1	Plate, Cover (Note: Use Item 6)	
6C	See Note	1	O-Ring (Note: Use Item 6)	
6D	See Note	1	Rod, Disconnect (Note: Use Item 6)	
6E	See Note	1	Cap, Disengage (Note: Use Item 6)	
6F	See Note	2	Bolt (Note: Use Item 6)	
6G	See Note	1	Plug, Pipe (Note: Use Item 6)	
6I	See Note	4	Rivet (Note: Not Available for Purchase)	
6J	See Note	1	Plate, ID (Note: Not Available for Purchase)	
7		Ref	Input Shaft Assembly	
7A	7024714	1	Shaft	
7B	7000261	1	Ring, Retaining	
7C	7000262	1	Spring	
7D	7000263	2	Spacer, Thrust	
8	7024713	1	Gear, Sun	
11	7000253	1	Washer, Thrust	
12	7017067	12	Bolt	
13	7017080	4	Pin, Dowel	
14	7000206	1	Coupling	
15	7024715	1	Spacer, Input	
16	7024716	1	Spacer, Input	
17	7024182	1	Brake Assembly (See Items 101-123 for Breakdown)	
27	7024705	1	O-Ring	
28	7024717	2	Rod, Threaded	

SECTION 1 - FRAME

ITEM	PART NUMBER	QTY	DESCRIPTION	REV
29	7024718	2	Nut 1/2in-13NC	
	7024182	Ref	BRAKE ASSEMBLY	
101	7024189	1	Shaft	
102	See Note	1	Housing (Note: Use Item 17)	
103	See Note	2	Plate, Friction (Note: Use Item 201B)	
104	See Note	1	Plate, Pressure (Note: Use Item 201B)	
105	7000731	2	Gasket	
106	See Note	2	Plate, Outer (Note: Use Item 201B)	
107	See Note	1	Gasket (Note: Use Item 200A, 201B or 201C)	
108	7024191	1	Cylinder	
109	7024192	1	Piston	
110	See Note	1	Bearing, Ball (Note: Use Item 201C)	
111	See Note	1	Ring, Retaining (Note: Use Item 201C)	
112	See Note	1	Seal, Shaft (Note: Use Item 201C)	
113	See Note	6	Capscrew (Note: Use Item 17)	
114	See Note	6	Lockwasher (Note: Use Item 17)	
115	See Note	1	O-Ring (Note: Use Item 200B)	
116	See Note	1	Ring, Back-up (Note: Use Item 200B)	
117	See Note	1	O-Ring (Note: Use Item 200B)	
118	See Note	1	Ring, Back-up (Note: Use Item 200B)	
119	7024190	2	Pin, Dowel	
120	See Note	1	Plug (Note: Use Item 17)	
121	See Note	2	Plug (Note: Use Item 17)	
122	See Note	12	Spring Kit (Natural) (Note: Use Item 201A)	
123	See Note	2	Spring Kit (Blue) (Note: Use Item 201A)	
		Ref	Kit Options	
200		Ref	Seal Kit Options:	
200A	See Note	1	Hub Seal Kit (Note: Purchase Individual Components)	
200B	7024194	1	Brake Seal Kit (Includes Items 105, 107 & 115-118)	
201		Ref	Repair Kit Options:	
201A	7024196	1	Brake Spring Kit (Includes 12 Natural Colored and 2 Blue Colored Springs Items 122 & 123)	
201B	7024193	1	Brake Friction Disc Kit (Includes Items 103, 104, 106 & 107)	
201C	7024197	1	Brake Bearing Kit (Includes Items 107 & 110-112)	

SECTION 1 - FRAME

FIGURE 1-9. DRIVE HUB ASSEMBLY - FRONT



ART_2780268

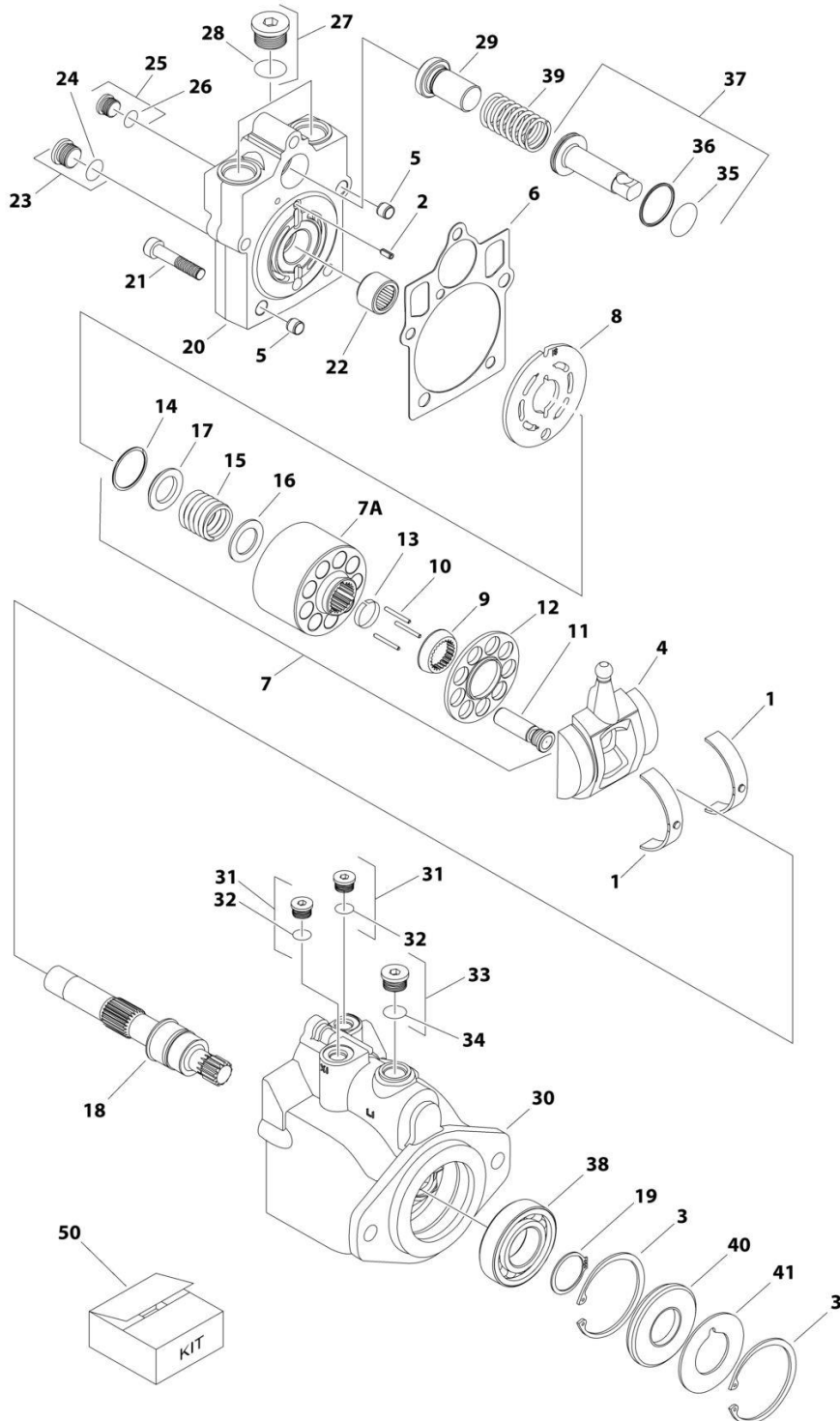
SECTION 1 - FRAME

FIGURE 1-9. DRIVE HUB ASSEMBLY - FRONT

ITEM	PART NUMBER	QTY	DESCRIPTION	REV
	2780268	Ref	DRIVE HUB ASSEMBLY - FRONT	F
1	See Note	1	Spindle/Housing Assembly (Note: Purchase Individual Components)	
1A	7017059	1	Spindle	
1B	7001998	1	Seal	
1C	7010429	1	Cone, Bearing (Includes Item 1D)	
1D	7010429	1	Cup, Bearing (Includes Item 1C)	
1E	7000257	1	Cup, Bearing	
1F	7000258	1	Cone, Bearing	
1G	7007601	1	Housing/Ring Gear	
1H	7000232	1	Washer, Thrust	
1I	7000229	1	Ring, Retaining	
1N	7007640	9	Stud, Wheel	
2	7000246	1	Gear, Internal	
3	7024712	1	Carrier Assembly	
3A	See Note	1	Carrier (Note: Use Item 3)	
3B	See Note	6	Ring, Retaining (Note: Use Item 3)	
3C	See Note	AR	Bearing, Needle (Note: Use Item 3)	
3D	See Note	3	Washer, Thrust (Note: Use Item 3)	
3E	See Note	3	Shaft, Planet (Note: Use Item 3)	
3F	See Note	3	Gear, Planet (Note: Use Item 3)	
3G	See Note	3	Roll Pin (Note: Use Item 3)	
4	7000248	1	Ring Gear	
5	7000230	1	O-Ring	
5A	7017070	1	O-Ring	
6	70001349	1	Cover Assembly Kit	
6A	See Note	1	Spacer, Thrust (Note: Use Item 6)	
6B	See Note	1	Plate, Cover (Note: Use Item 6)	
6C	See Note	1	O-Ring (Note: Use Item 6)	
6D	See Note	1	Rod, Disconnect (Note: Use Item 6)	
6E	See Note	1	Cap, Disengage (Note: Use Item 6)	
6F	See Note	2	Bolt (Note: Use Item 6)	
6G	See Note	1	Plug, Pipe (Note: Use Item 6)	
6I	See Note	4	Rivet (Note: Not Available for Purchase)	
6J	See Note	1	Plate, ID (Note: Not Available for Purchase)	
7		Ref	Input Shaft Assembly	
7A	7024714	1	Shaft	
7B	7000261	1	Ring, Retaining	
7C	7000262	1	Spring	
7D	7000263	2	Spacer, Thrust	
8	7024713	1	Gear, Sun	
11	7000253	1	Washer, Thrust	
12	7017067	12	Bolt	
13	7017080	4	Pin, Dowel	
14	7000206	1	Coupling	
15	7024715	1	Spacer, Input	
16	7024716	1	Spacer, Input	

SECTION 1 - FRAME

FIGURE 1-10. DRIVE MOTOR ASSEMBLY (2WD)



ART_3160351

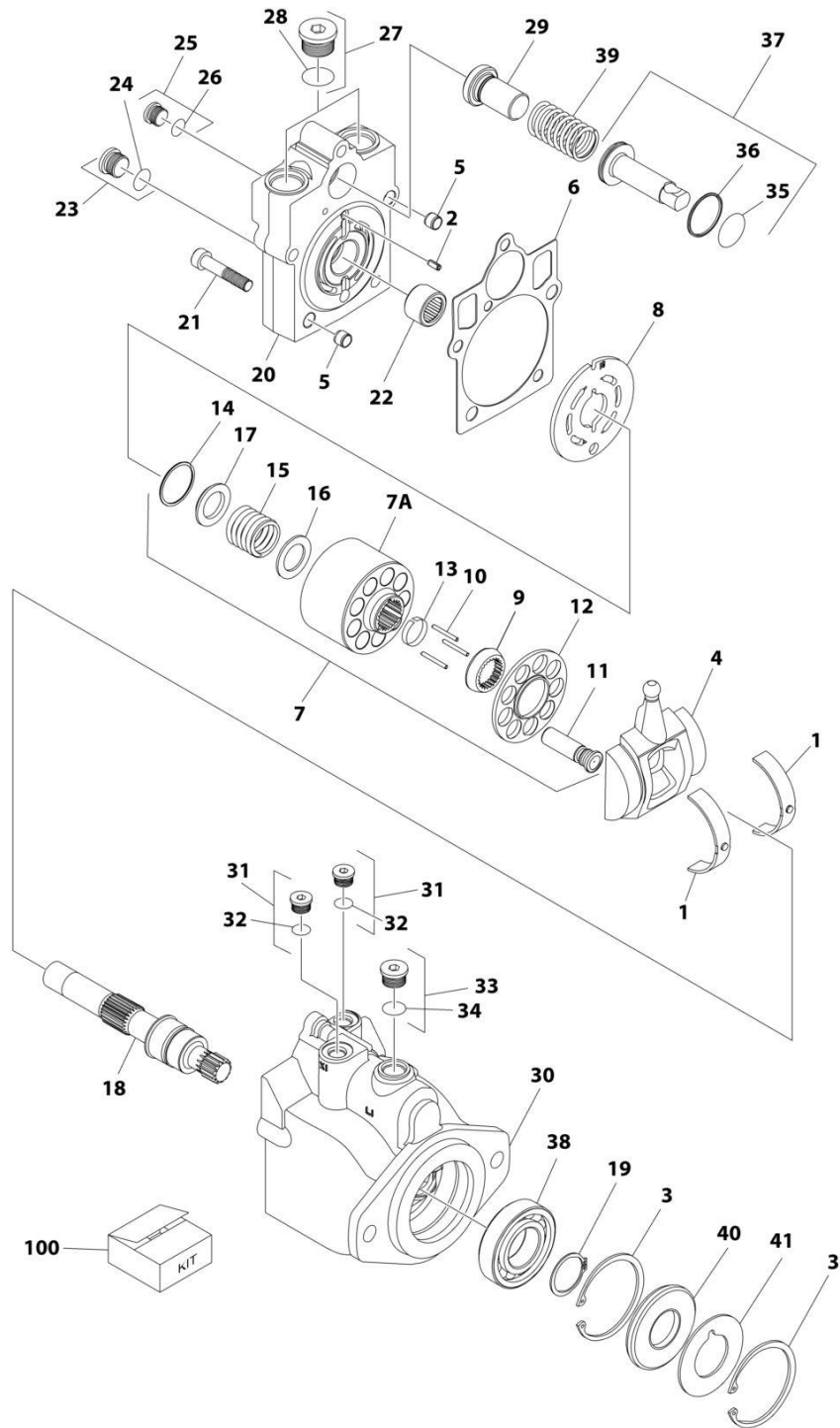
SECTION 1 - FRAME

FIGURE 1-10. DRIVE MOTOR ASSEMBLY (2WD)

ITEM	PART NUMBER	QTY	DESCRIPTION	REV
	3160351	Ref	DRIVE MOTOR ASSEMBLY (2WD)	D
1	7022302	2	Bearing, Journal	
2	7007446	1	Pin	
3	7007438	2	Ring, Retaining	
4	7022305	1	Swashplate	
5	See Note	2	Pin (Note: Not Available for Purchase)	
6	7022328	1	Gasket	
7	7023907	1	Cylinder Block Kit (Includes Items 7A & 9-17)	
7A	7023907	1	Block, Cylinder	
8	7023908	1	Plate, Valve	
9	7021277	1	Guide, Slipper Retainer	
10	7021275	3	Pin, Slipper Hold Down	
11	7023907	9	Piston Assembly	
12	7021276	1	Retainer, Hold Down Pin	
13	7023907	1	Retainer, Slipper	
14	7022311	1	Ring, Retaining	
15	7022312	1	Spring	
16	7024868	1	Washer	
17	7022314	1	Retainer, Spring	
18	7023910	1	Shaft	
19	7007439	1	Ring, Retaining	
20	70000797	1	Cap, End - Axial	
21	7022368	5	Screw	
22	7021249	1	Bearing, Needle	
23	2220886	1	Plug (Includes Item 24)	
24	7022328	1	O-Ring	
25	2220883	1	Plug (Includes Item 26)	
26	7022328	1	O-Ring	
27	7027419	2	Plug (Includes Item 28)	
28	7022328	2	O-Ring	
29	7024853	1	Seat, Spring	
30	See Note	NSS	Housing (Note: Not Available for Purchase – Purchase complete motor)	
31	2220883	2	Plug (Includes Item 32)	
32	7022328	2	O-Ring	
33	2220886	1	Plug (Includes Item 34)	
34	7022328	1	O-Ring	
35	7022328	1	O-Ring	
36	7022328	1	Ring, Seal	
37	7024854	1	Piston, Servo (Includes Items 35 & 36)	
38	7007437	1	Bearing	
39	7022326	1	Spring	
40	7022328	1	Seal, Lip	
41	7022371	1	Washer, Support	
50	7022328	1	Seal Kit (Includes Items 6, 24, 26, 28, 32, 34, 35, 36 & 40)	

SECTION 1 - FRAME

FIGURE 1-11. DRIVE MOTOR ASSEMBLY (4WD)



ART_3160348

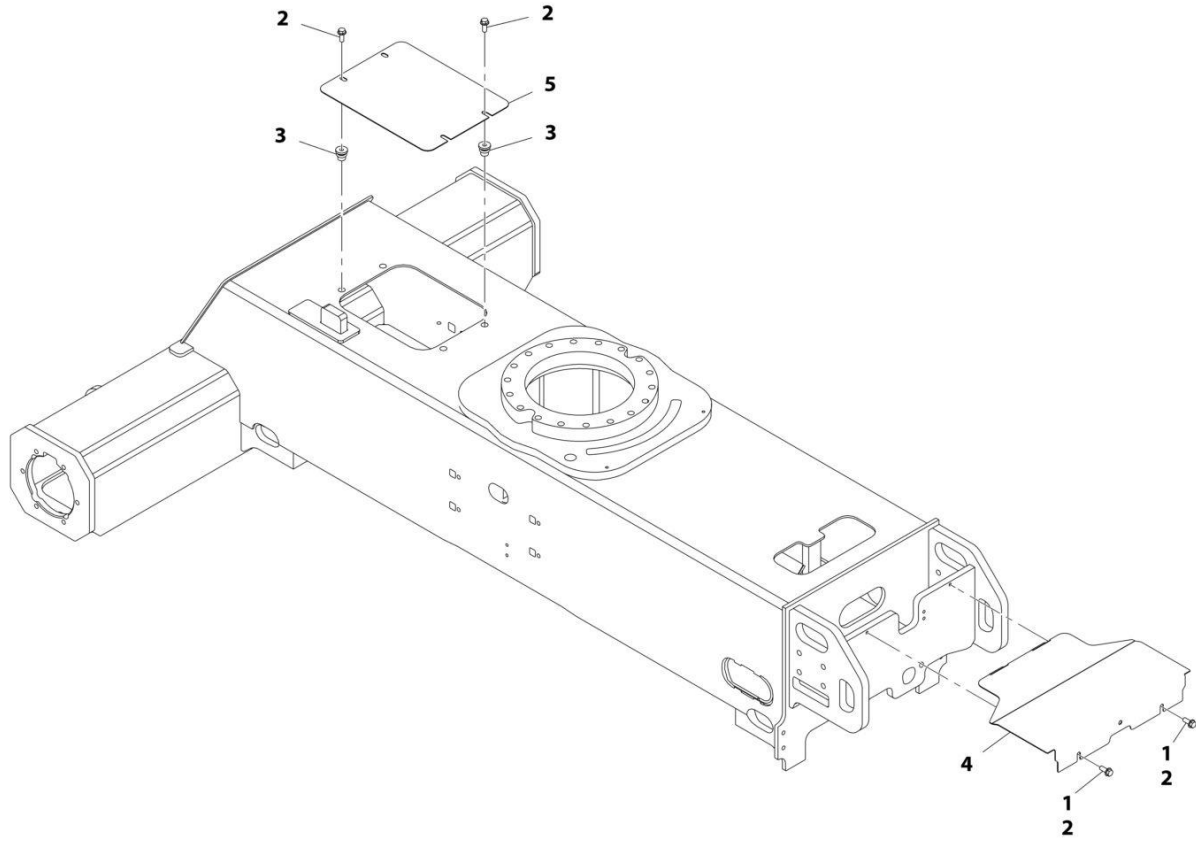
SECTION 1 - FRAME

FIGURE 1-11. DRIVE MOTOR ASSEMBLY (4WD)

ITEM	PART NUMBER	QTY	DESCRIPTION	REV
	3160348	Ref	DRIVE MOTOR ASSEMBLY	D
1	7022302	2	Bearing, Journal	
2	7007446	1	Pin	
3	7007438	2	Ring, Retaining	
4	7022305	1	Swash Plate	
5	See Note	2	Pin (Note: Not Available for Purchase)	
6	See Note	NSS	Gasket (Note: Use Item 100)	
7	7023907	1	Cylinder Block Kit (Includes Items 7A & 9-17)	
7A	See Note	NSS	Block, Cylinder (Note: Use Item 7)	
8	7023908	1	Plate, Valve	
9	7021277	1	Guide, Slipper Retainer	
10	7021275	3	Pin, Slipper Hold Down	
11	See Note	NSS	Piston Assembly (Note: Use Item 7)	
12	7022310	1	Retainer, Slipper	
13	7021276	1	Retainer, Hold Down Pin	
14	7022311	1	Ring, Retaining	
15	7022312	1	Spring	
16	7024868	1	Washer	
17	7022314	1	Retainer, Spring	
18	7023910	1	Shaft	
19	7007439	1	Ring, Retaining	
20	70000797	1	Cap, End - Axial	
21	7022368	5	Screw	
22	7021249	1	Bearing, Needle	
23	2220886	1	Plug (Includes Item 24)	
24	See Note	1	O-Ring (Note: Use Item 23 or 100)	
25	2220883	1	Plug (Includes Item 26)	
26	See Note	NSS	O-Ring (Note: Use Item 25 or 100)	
27	2220888	2	Plug (Includes Item 28)	
28	See Note	NSS	O-Ring (Note: Use Item 27 or 100)	
29	7022372	1	Seat, Spring	
30	See Note	NSS	Housing (Note: Not Available - Purchase Complete Assembly)	
31	2220883	2	Plug (Includes Item 32)	
32	See Note	NSS	O-Ring (Note: Use Item 31 or 100)	
33	2220886	1	Plug (Includes Item 34)	
34	See Note	NSS	O-Ring (Note: Use Item 33 or 100)	
35	See Note	NSS	O-Ring (Note: Use Item 100)	
36	See Note	NSS	Ring, Seal (Note: Use Item 100)	
37	7024854	1	Piston, Servo (Includes Items 35 & 36)	
38	7007437	1	Bearing	
39	7022326	1	Spring	
40	See Note	1	Seal, Lip (Note: Use Item 100)	
41	7022371	1	Washer, Support	
		Ref	KIT OPTIONS:	
100	7022328	1	Seal Kit (Includes Items 6, 24, 26, 28, 32, 34, 35, 36 & 40)	

SECTION 1 - FRAME

FIGURE 1-12. FRAME SHIELD INSTALLATION



ART_1001162105

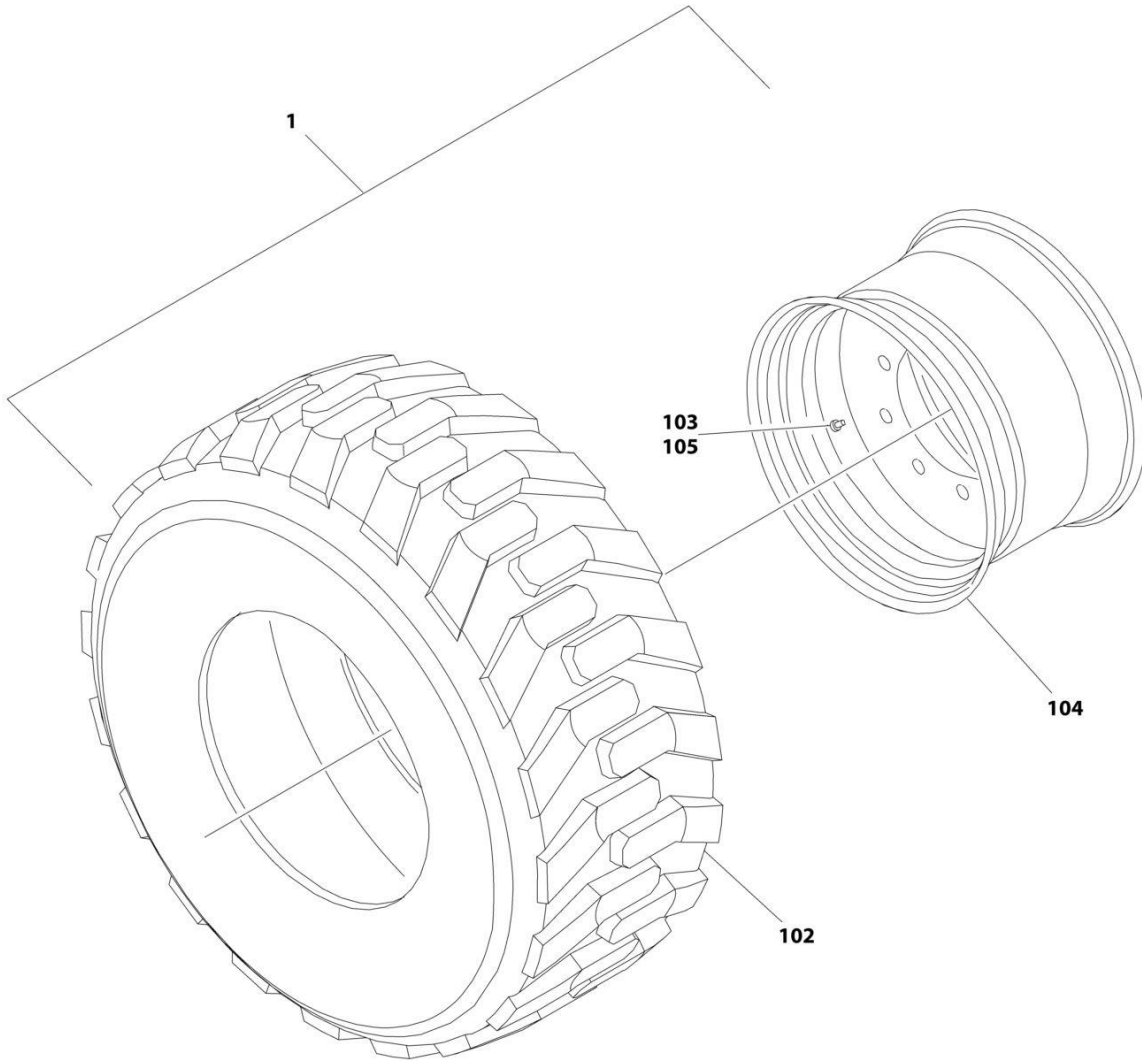
SECTION 1 - FRAME

FIGURE 1-12. FRAME SHIELD INSTALLATION

ITEM	PART NUMBER	QTY	DESCRIPTION	REV
	1001162105	Ref	FRAME SHIELD INSTALLATION	B
1	0100011	AR	Compound, Locking	
2	5251012	6	Bolt, M10 x 25	
3	1001180916	4	Nut	
4	1001162107	1	Plate, Valve Cover	
5	1001165968	1	Plate, Cover	

SECTION 1 - FRAME

FIGURE 1-13. TIRE AND WHEEL INSTALLATION - 12 X 16.5 FOAM FILLED (AVAILABLE ON ANSI, ANSI EXPORT, CSA AND JAPANESE SPECS)



ART_0270092

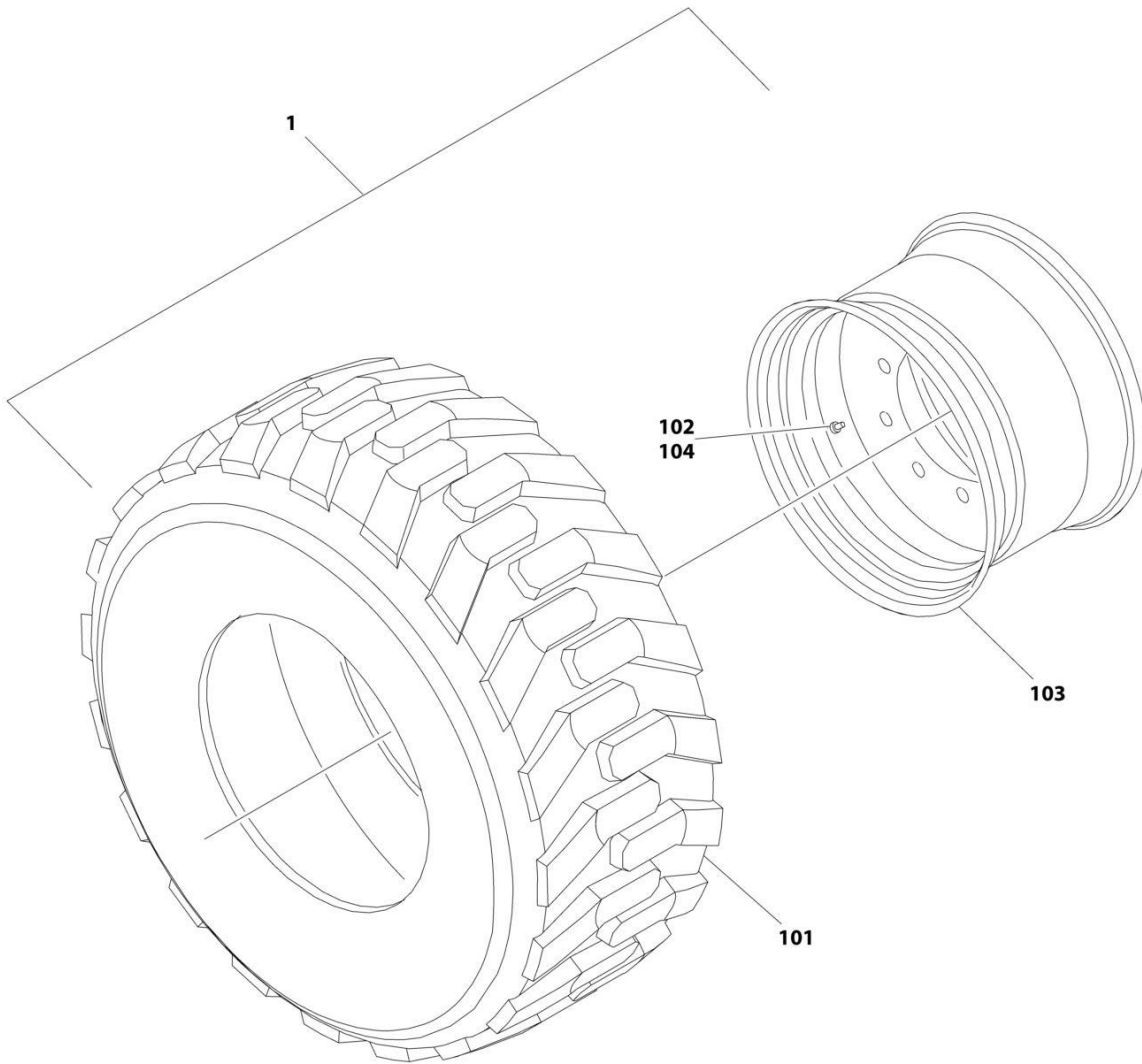
SECTION 1 - FRAME

FIGURE 1-13. TIRE AND WHEEL INSTALLATION - 12 X 16.5 FOAM FILLED (AVAILABLE ON ANSI, ANSI EXPORT, CSA AND JAPANESE SPECS)

ITEM	PART NUMBER	QTY	DESCRIPTION	REV
	0270092	Ref	TIRE AND WHEEL INSTALLATION - 12 X 16.5 FOAM FILLED	C
		Ref	Note: Assemblies may require ballast/foam filling to manufacturer's specifications prior to installing on a machine. Refer to Operation and Safety or Service and Maintenance Manuals. Purchase individual tire and/or rim only if able to foam fill tire and wheel assembly, otherwise, purchase complete assembly.	
1	1001148865	2	Tire and Wheel Assembly - 12 x 16.5 (RH Side)	G
1	1001148866	2	Tire and Wheel Assembly - 12 x 16.5 (LH Side)	G
102	4520216	4	Tire - 12 x 16.5	
103	4641122	4	Valve	
104	1001147274	4	Rim, Wheel	
105	1001149953	4	Cap, Valve Stem	

SECTION 1 - FRAME

**FIGURE 1-14. TIRE AND WHEEL INSTALLATION - 12 X 16.5 FOAM FILLED NON MARKING
(AVAILABLE ON ANSI, ANSI EXPORT, CSA AND JAPANESE SPECS)**



ART_0270653

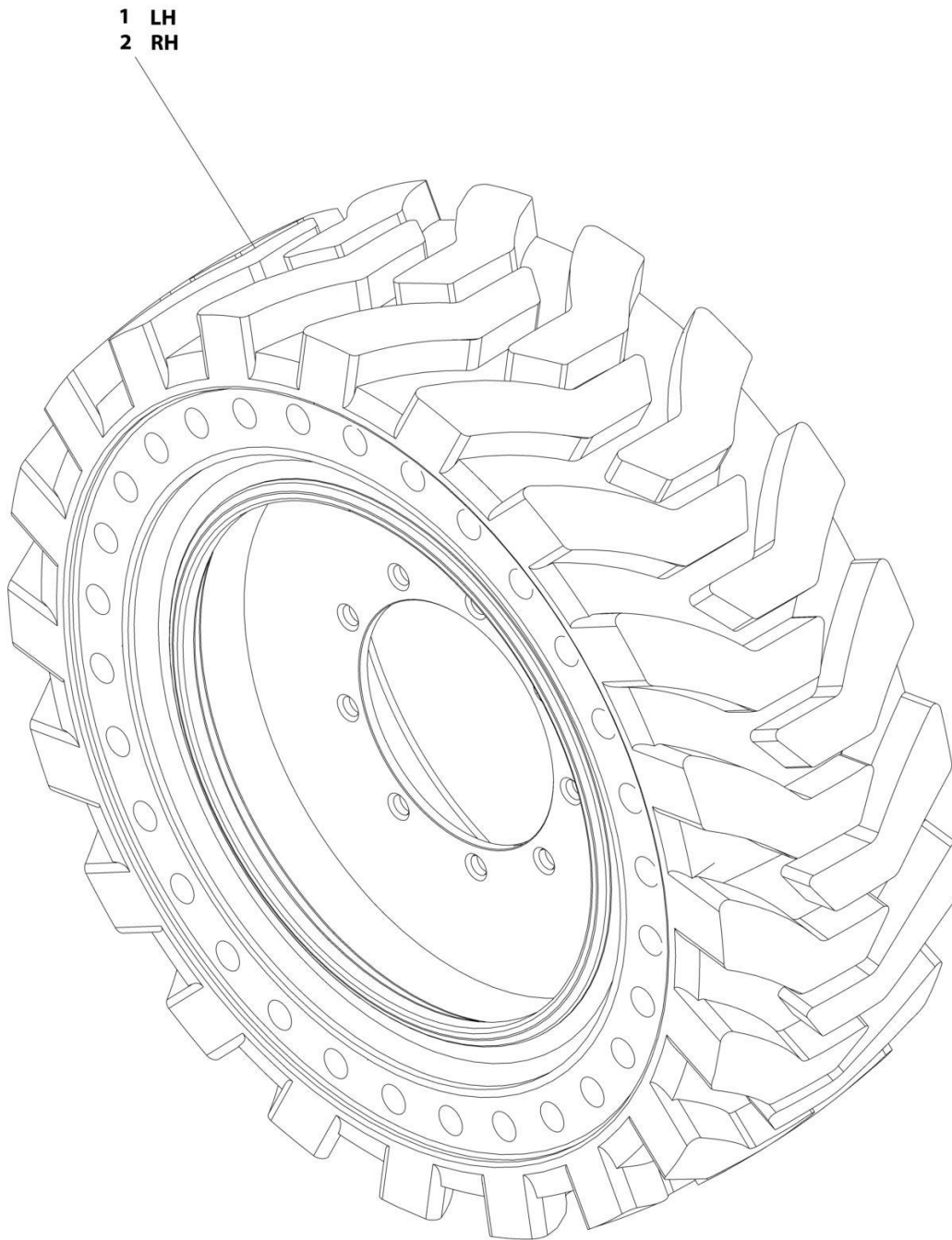
SECTION 1 - FRAME

**FIGURE 1-14. TIRE AND WHEEL INSTALLATION - 12 X 16.5 FOAM FILLED NON MARKING
(AVAILABLE ON ANSI, ANSI EXPORT, CSA AND JAPANESE SPECS)**

ITEM	PART NUMBER	QTY	DESCRIPTION	REV
	0270653	Ref	TIRE AND WHEEL INSTALLATION - 12 X 16.5 FOAM FILLED	B
		Ref	Note: Assemblies may require ballast/foam filling to manufacturer's specifications prior to installing on a machine. Refer to Operation and Safety or Service and Maintenance Manuals. Purchase individual tire and/or rim only if able to foam fill tire and wheel assembly, otherwise, purchase complete assembly.	
1	1001148869	1	Tire and Wheel Assembly - Right Side	H
1	1001148870	1	Tire and Wheel Assembly - Left Side	H
101	4520240	1	Tire 12 x 16.5 Non-Marking	
102	4641122	1	Valve	
103	1001147274	1	Rim, Wheel	
104	1001149953	1	Cap, Valve Stem	

SECTION 1 - FRAME

FIGURE 1-15. TIRE AND WHEEL INSTALLATION - 33 X 12-20 SOLID NON-MARKING (AVAILABLE ON ANSI EXPORT, AUSTRALIAN, CE AND RUSSIA SPECS)



ART_1001169062

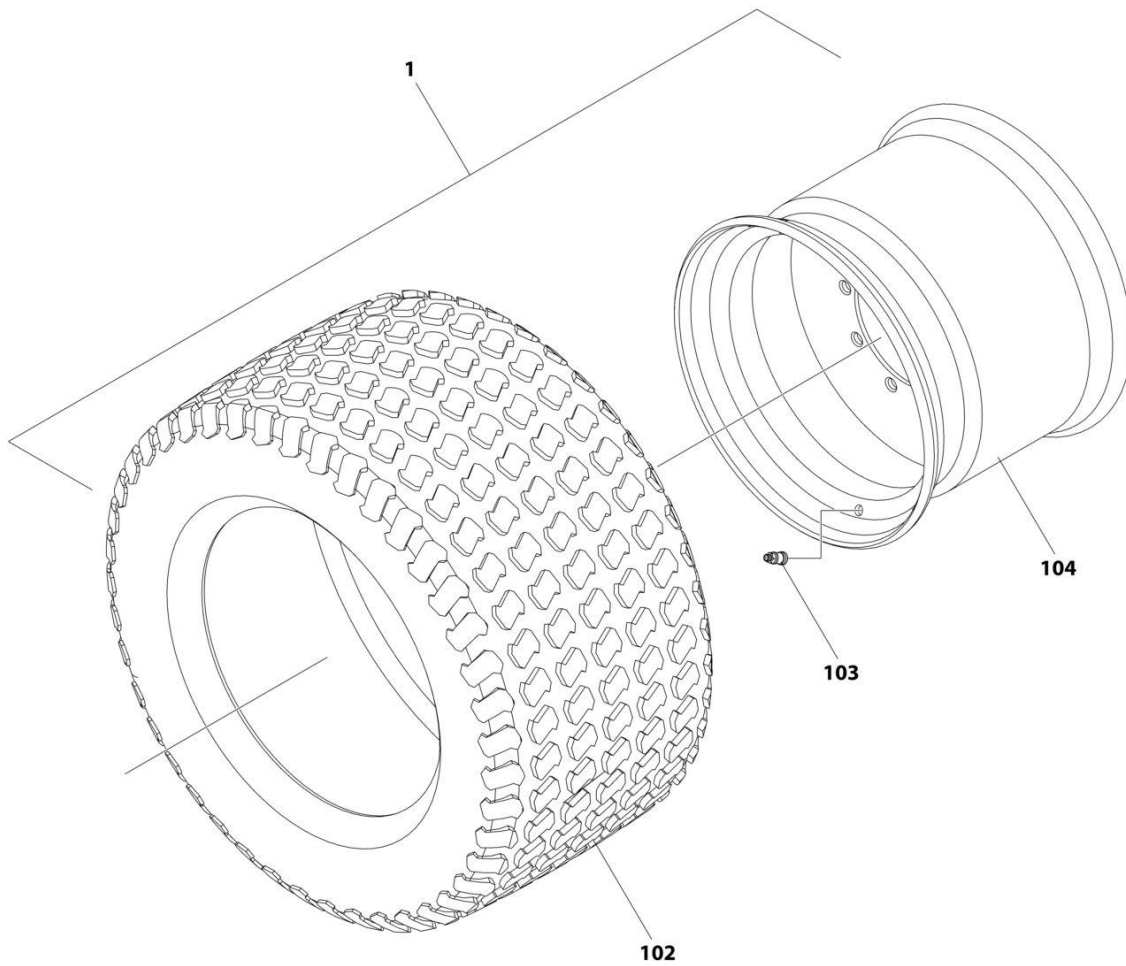
SECTION 1 - FRAME

FIGURE 1-15. TIRE AND WHEEL INSTALLATION - 33 X 12-20 SOLID NON-MARKING (AVAILABLE ON ANSI EXPORT, AUSTRALIAN, CE AND RUSSIA SPECS)

ITEM	PART NUMBER	QTY	DESCRIPTION	REV
	1001169062	Ref	TIRE AND WHEEL INSTALLATION - 33 X 12-20 SOLID NON-MARKING	A
		Ref	Note: Due to critical stable weights, only replace tire and wheel assemblies with like components.	
1	1001170098	2	Tire and Wheel Assembly - 33 x 12-20 Solid Non-Marking (LH Side)	
2	1001170099	2	Tire and Wheel Assembly - 33 x 12-20 Solid Non-Marking (RH Side)	

SECTION 1 - FRAME

FIGURE 1-16. TIRE AND WHEEL INSTALLATION - 33 X 16L500 TURF AND SAND FOAM-FILLED
(AVAILABLE ON ANSI, ANSI EXPORT & CSA SPECS)



ART_1001272447

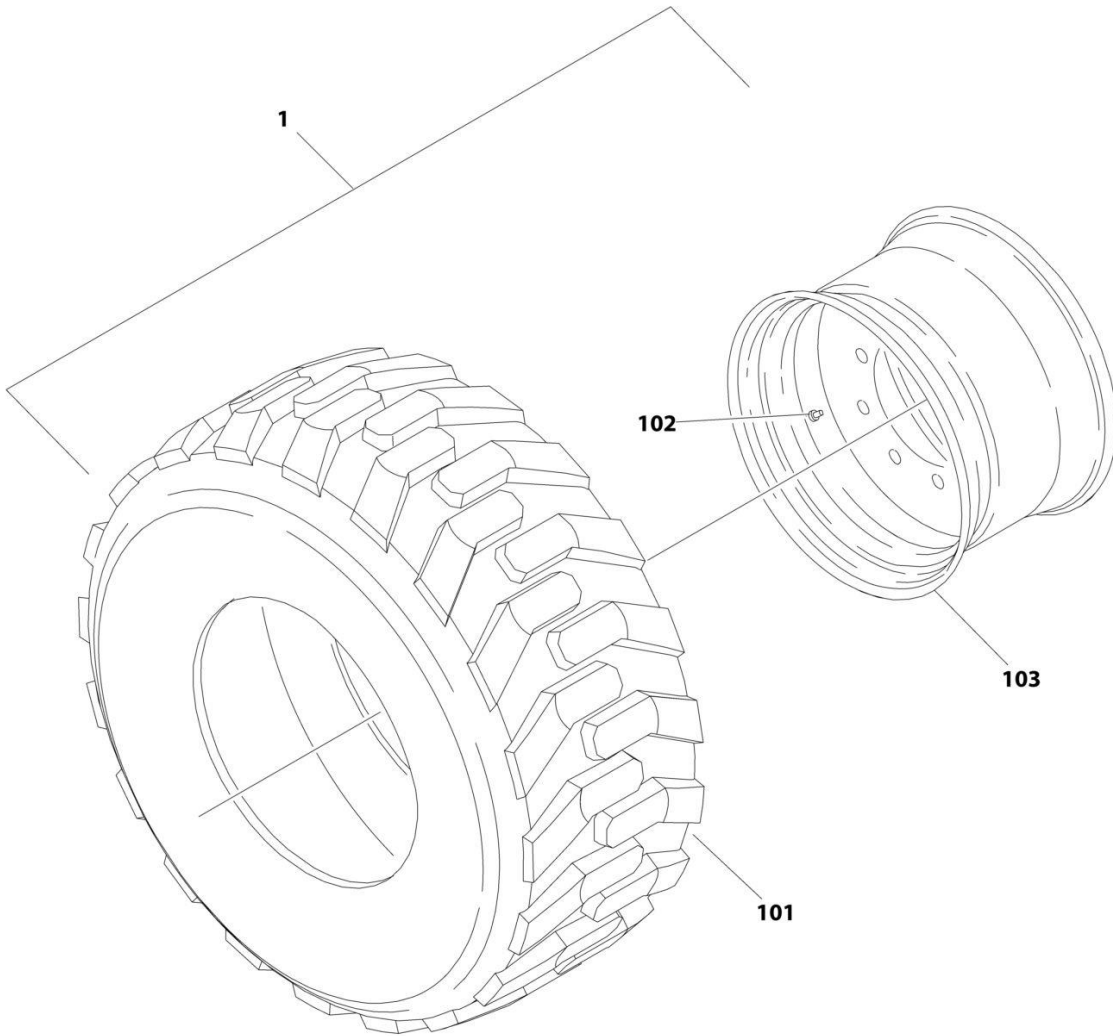
SECTION 1 - FRAME

**FIGURE 1-16. TIRE AND WHEEL INSTALLATION - 33 X 16L500 TURF AND SAND FOAM-FILLED
(AVAILABLE ON ANSI, ANSI EXPORT & CSA SPECS)**

ITEM	PART NUMBER	QTY	DESCRIPTION	REV
	1001272447	Ref	TIRE AND WHEEL INSTALLATION - 33 X 16L500 TURF AND SAND FOAM-FILLED (AVAILABLE ON ANSI, ANSI EXPORT & CSA SPECS)	A
		Ref	Note: Assemblies may require ballast/foam filling to manufacturer's specifications prior to installing on a machine. Refer to Operation and Safety or Service and Maintenance Manuals. Purchase individual tire and/or rim only if able to foam fill tire and wheel assembly, otherwise, purchase complete assembly.	
1	1001272446	4	Tire and Wheel Assembly	A
102	4520262	4	Tire, 33 x 16L500	
103	4640113	4	Valve, Stem	
104	4860237	4	Rim, Wheel	

SECTION 1 - FRAME

FIGURE 1-17. TIRE AND WHEEL INSTALLATION - 33/1550 X 16.5 FOAM-FILLED (AVAILABLE ON ALL SPECS)



ART_1001169075

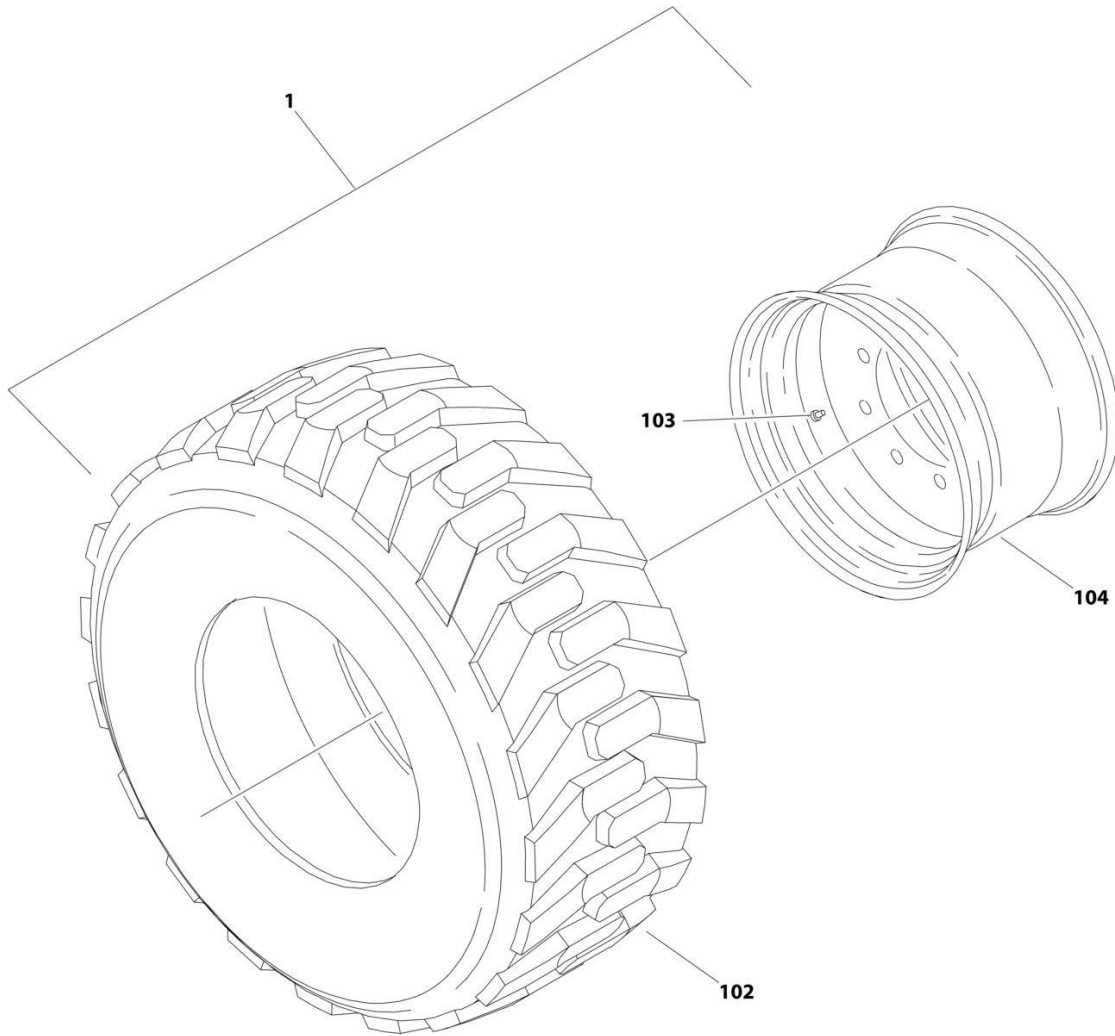
SECTION 1 - FRAME

FIGURE 1-17. TIRE AND WHEEL INSTALLATION - 33/1550 X 16.5 FOAM-FILLED (AVAILABLE ON ALL SPECS)

ITEM	PART NUMBER	QTY	DESCRIPTION	REV
	1001169075	Ref	TIRE AND WHEEL INSTALLATION - 33/1550 X 16.5 FOAM-FILLED	A
		Ref	Note: Assemblies may require ballast/foam filling to manufacturer's specifications prior to installing on a machine. Refer to Operation and Safety or Service and Maintenance Manuals. Purchase individual tire and/or rim only if able to foam fill tire and wheel assembly, otherwise, purchase complete assembly.	
1	0258011	2	Tire and Wheel Assembly (RH Side)	I
1	0258012	2	Tire and Wheel Assembly (LH Side)	I
101	4520217	4	Tire, 33/1550 x 16.5	
102	8786514	4	Valve, Stem	
103	4860179	4	Rim, Wheel	

SECTION 1 - FRAME

FIGURE 1-18. TIRE AND WHEEL INSTALLATION - 315/55 D20 FOAM FILLED (AVAILABLE ON ANSI EXPORT, AUSTRALIAN, CE, CHINA AND RUSSIA SPECS)



ART_1001166157

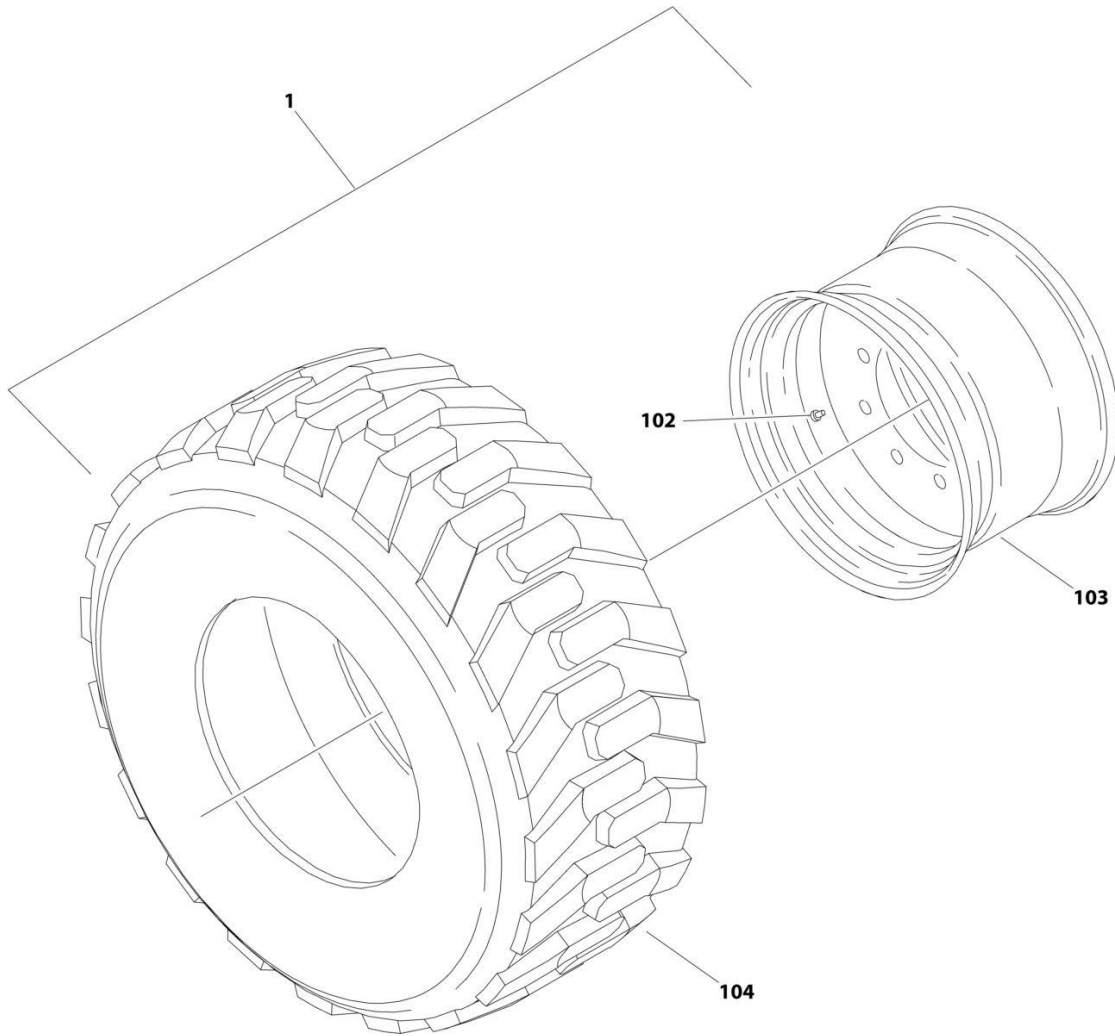
SECTION 1 - FRAME

FIGURE 1-18. TIRE AND WHEEL INSTALLATION - 315/55 D20 FOAM FILLED (AVAILABLE ON ANSI EXPORT, AUSTRALIAN, CE, CHINA AND RUSSIA SPECS)

ITEM	PART NUMBER	QTY	DESCRIPTION	REV
	1001166157	Ref	TIRE AND WHEEL INSTALLATION - 315/55 D20 FOAM FILLED	A
		Ref	Note: Assemblies may require ballast/foam filling to manufacturer's specifications prior to installing on a machine. Refer to Operation and Safety or Service and Maintenance Manuals. Purchase individual tire and/or rim only if able to foam fill tire and wheel assembly, otherwise, purchase complete assembly.	
1	1001166155	2	Tire and Wheel Assembly (LH Side)	I
1	1001166156	2	Tire and Wheel Assembly (RH Side)	I
102	4520608	4	Tire IN315/55/D20	
103	4641122	4	Valve, Stem	
104	1001166153	4	Rim, Wheel	

SECTION 1 - FRAME

**FIGURE 1-19. TIRE AND WHEEL INSTALLATION - 315/55 D20 FOAM FILLED NON-MARKING
(AVAILABLE ON ANSI EXPORT, AUSTRALIAN, CE, CHINA AND RUSSIA SPECS)**



ART_1001169058

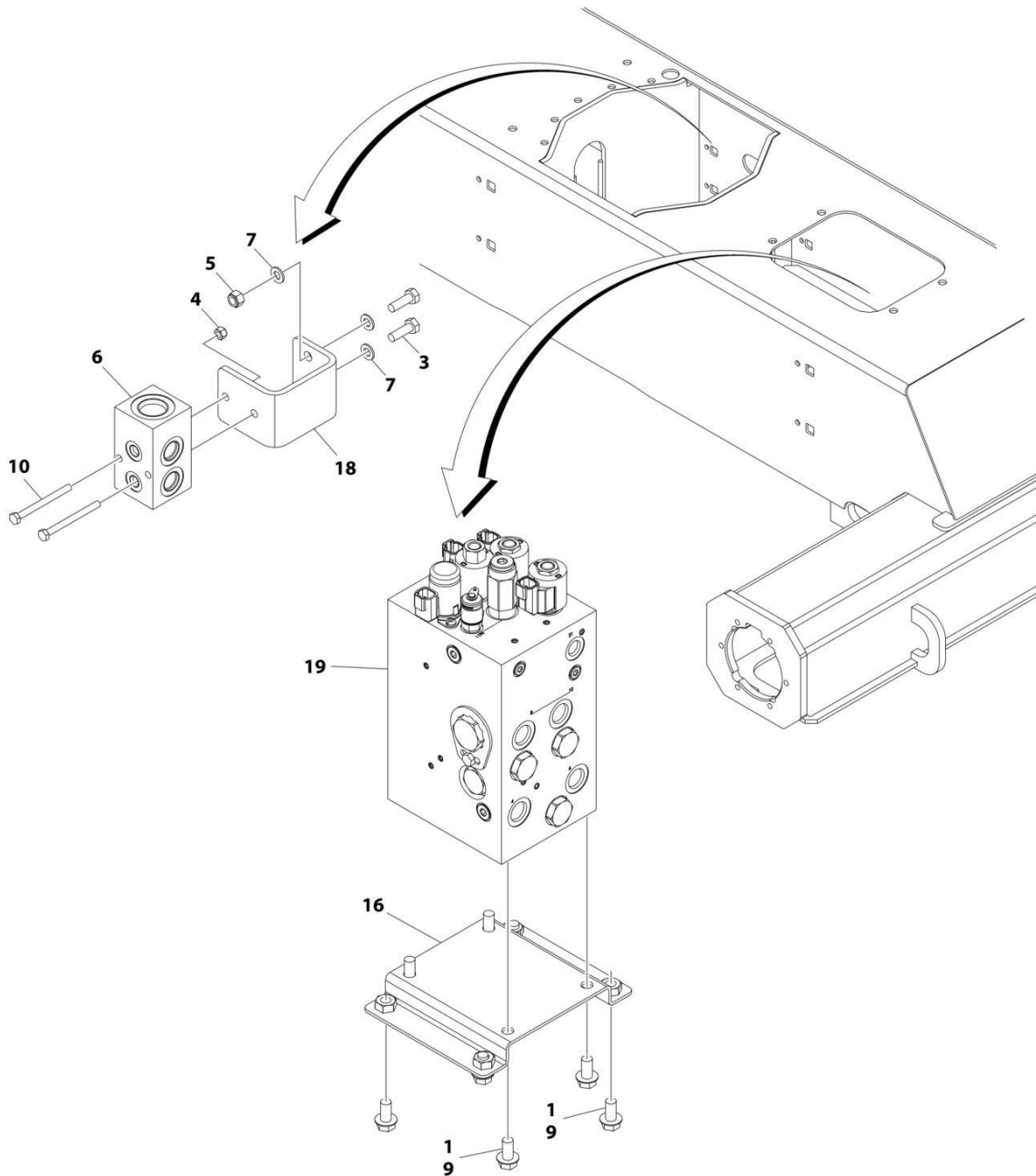
SECTION 1 - FRAME

**FIGURE 1-19. TIRE AND WHEEL INSTALLATION - 315/55 D20 FOAM FILLED NON-MARKING
(AVAILABLE ON ANSI EXPORT, AUSTRALIAN, CE, CHINA AND RUSSIA SPECS)**

ITEM	PART NUMBER	QTY	DESCRIPTION	REV
	1001169058	Ref	TIRE AND WHEEL INSTALLATION - 315/55 D20 FOAM FILLED NON-MARKING	A
		Ref	Note: Assemblies may require ballast/foam filling to manufacturer's specifications prior to installing on a machine. Refer to Operation and Safety or Service and Maintenance Manuals. Purchase individual tire and/or rim only if able to foam fill tire and wheel assembly, otherwise, purchase complete assembly.	
1	1001170459	2	Tire and Wheel Assembly (RH Side)	F
1	1001170460	2	Tire and Wheel Assembly (LH Side)	F
102	4641122	4	Valve, Stem	
103	1001166153	4	Rim, Wheel	
104	1001170458	4	Tire 315/55 D20 Non Marking	

SECTION 1 - FRAME

FIGURE 1-20. 2WD VALVES INSTALLATION - 450A FRAME MOUNTED



ART_1001215659_10F3

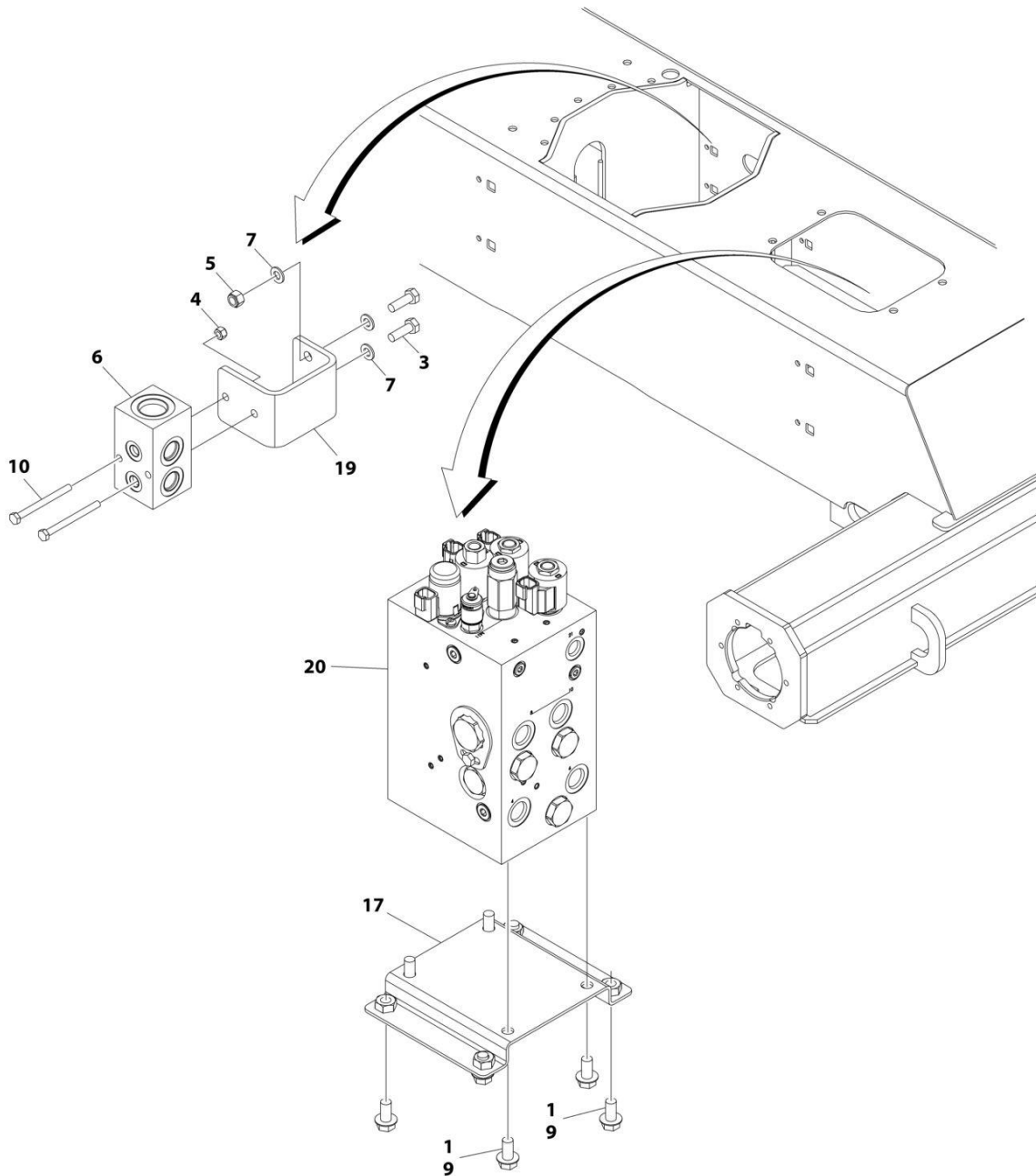
SECTION 1 - FRAME

FIGURE 1-20. 2WD VALVES INSTALLATION - 450A FRAME MOUNTED

ITEM	PART NUMBER	QTY	DESCRIPTION	REV
	1001215659	Ref	2WD VALVES INSTALLATION - 450A FRAME MOUNTED	D
1	0100011	AR	Compound, Locking	
3	0760812	2	Bolt M8 x 25	
4	3290605	2	Nut M6	
5	3290805	2	Nut M8	
6	4641155	1	Junction Valve Assembly	
7	4811900	4	Washer M8	
9	5251010	8	Bolt M10 x 20	
10	1001096653	2	Bolt M6 x 70	
16	1001179517	1	Bracket	
18	1001197221	1	Bracket	
19	1001214316	1	Traction Valve Assembly (See Separate Breakdown in this Section)	

SECTION 1 - FRAME

FIGURE 1-21. 2WD VALVES INSTALLATION - 450AJ FRAME MOUNTED



ART_1001214163_10F3

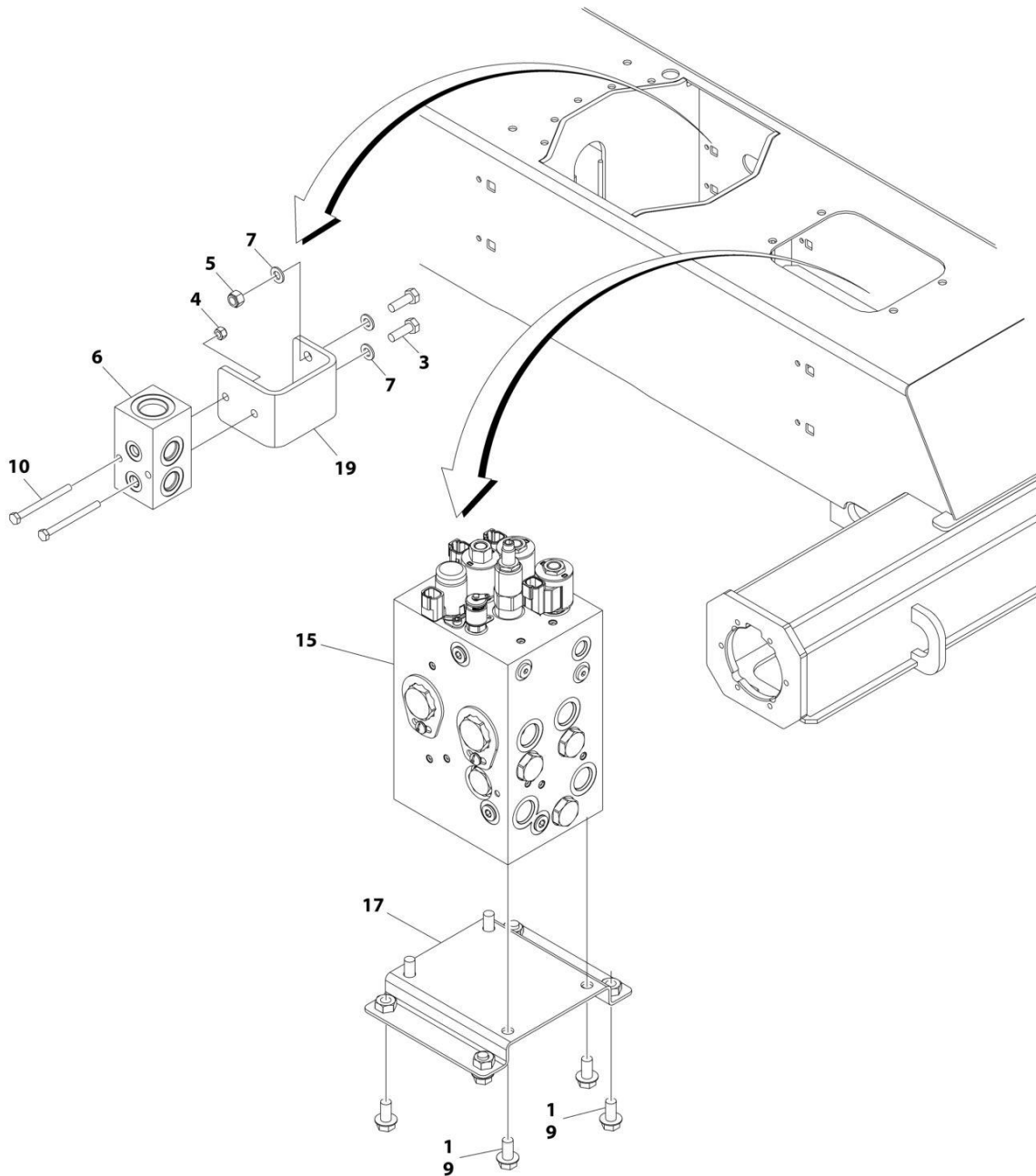
SECTION 1 - FRAME

FIGURE 1-21. 2WD VALVES INSTALLATION - 450AJ FRAME MOUNTED

ITEM	PART NUMBER	QTY	DESCRIPTION	REV
	1001214163	Ref	2WD VALVES INSTALLATION - 450AJ FRAME MOUNTED	C
1	0100011	AR	Compound, Locking	
3	0760812	2	Bolt M8 x 25	
4	3290605	2	Nut M6	
5	3290805	2	Nut M8	
6	4641155	1	Junction Valve Assembly	
7	4811900	4	Washer M8	
9	5251010	8	Bolt M10 x 20	
10	1001096653	2	Bolt M6 x 70	
17	1001179517	1	Bracket	
19	1001197221	1	Bracket	
20	1001214316	1	Traction Valve Assembly (See Separate Breakdown in this Section)	

SECTION 1 - FRAME

FIGURE 1-22. 4WD VALVES INSTALLATION - 450A FRAME MOUNTED



ART_1001215378_10F3

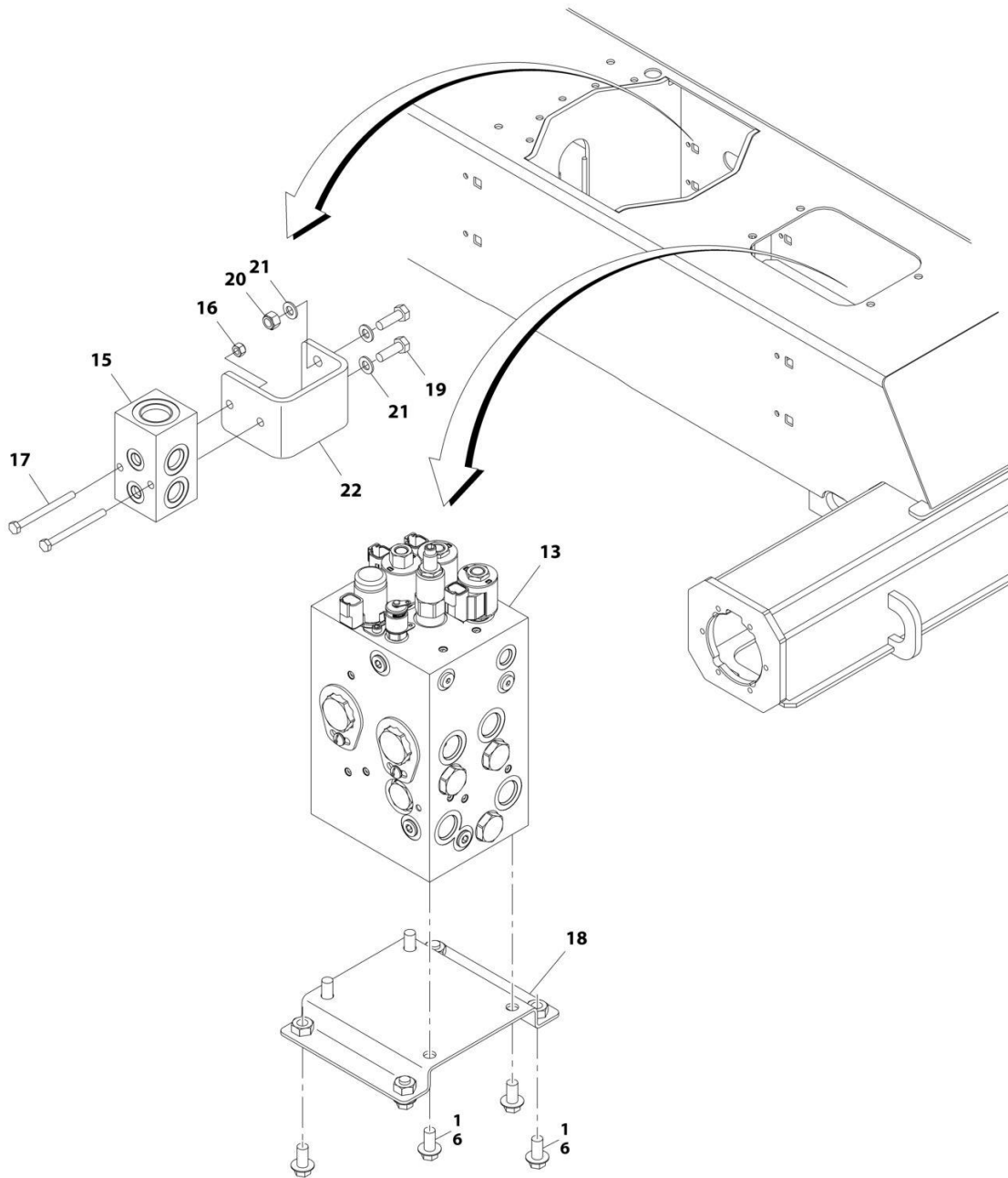
SECTION 1 - FRAME

FIGURE 1-22. 4WD VALVES INSTALLATION - 450A FRAME MOUNTED

ITEM	PART NUMBER	QTY	DESCRIPTION	REV
	1001215378	Ref	4WD VALVES INSTALLATION - 450A FRAME MOUNTED	D
1	0100011	AR	Compound, Locking	
3	0760812	2	Bolt M8 x 25	
4	3290605	2	Nut M6	
5	3290805	2	Nut M8	
6	4641155	1	Junction Valve Assembly	
7	4811900	4	Washer M8	
9	5251010	8	Bolt M10 x 20	
10	1001096653	2	Bolt M6 x 70	
15	1001162539	1	Traction Valve Assembly (See Separate Breakdown in this Section)	
17	1001179517	1	Bracket	
19	1001197221	1	Bracket	

SECTION 1 - FRAME

FIGURE 1-23. 4WD VALVES INSTALLATION - 450AJ FRAME MOUNTED



ART_1001165948_10F3

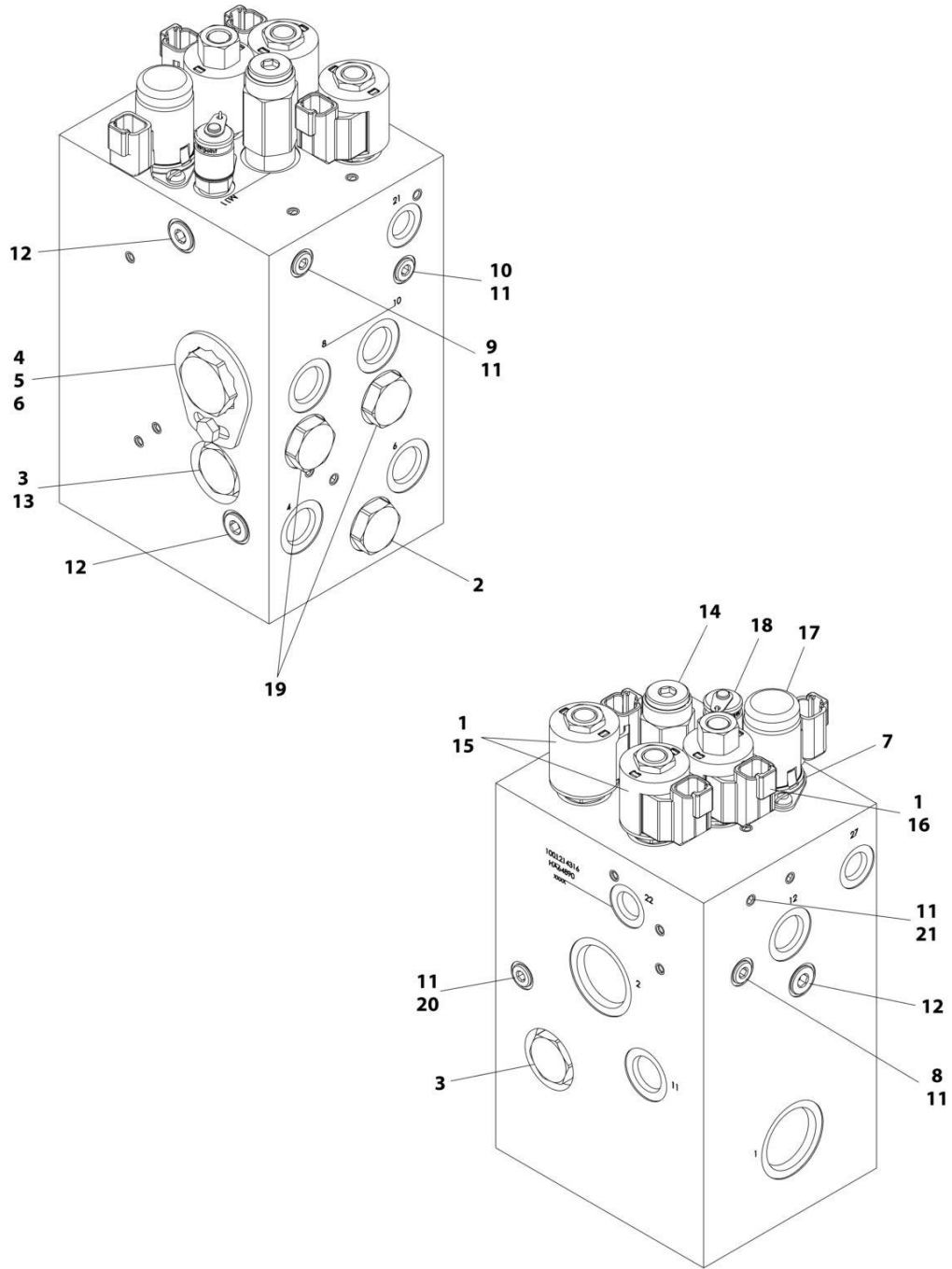
SECTION 1 - FRAME

FIGURE 1-23. 4WD VALVES INSTALLATION - 450AJ FRAME MOUNTED

ITEM	PART NUMBER	QTY	DESCRIPTION	REV
	1001165948	Ref	4WD VALVES INSTALLATION - FRAME MOUNTED	J
1	0100011	AR	Compound, Locking	
3	0760812	1	Bolt M8 x 25	
6	5251010	4	Bolt M10 x 20 Class 10.9	
13	1001162539	1	Traction Valve Assembly (See Separate Breakdown in this Section)	
15	4641155	1	Junction Valve Assembly	
16	3290605	2	Nut, M6	
17	1001096653	2	Bolt M6 x 70	
18	1001179517	1	Bracket	
19	0760812	1	Bolt M8 x 25	
20	3290805	1	Nut M8	
21	4811900	1	Washer M8	
22	1001197221	1	Bracket	

SECTION 1 - FRAME

FIGURE 1-24. TRACTION VALVE ASSEMBLY - 2WD



ART_1001214316

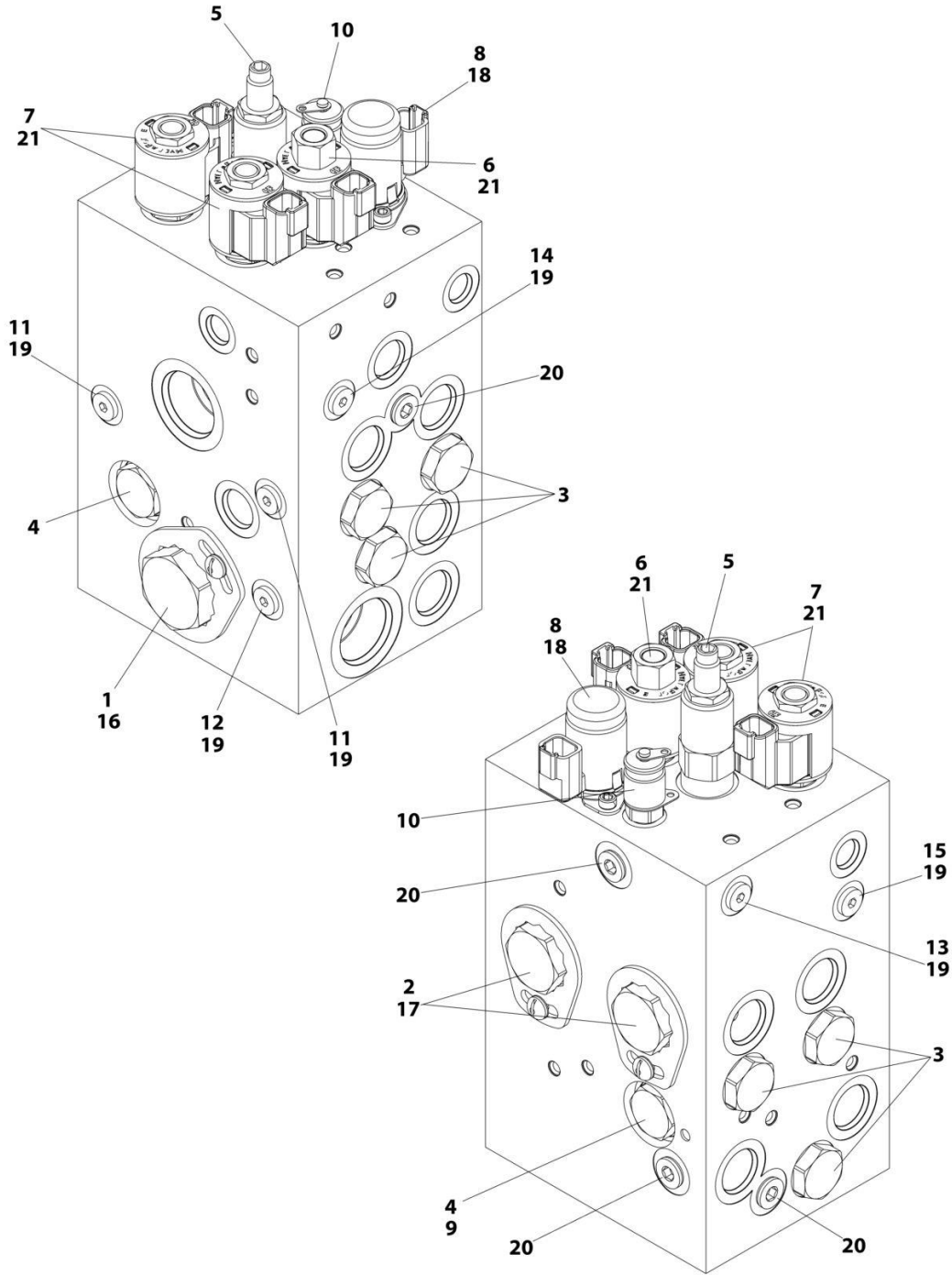
SECTION 1 - FRAME

FIGURE 1-24. TRACTION VALVE ASSEMBLY - 2WD

ITEM	PART NUMBER	QTY	DESCRIPTION	REV
	1001214316	Ref	TRACTION VALVE ASSEMBLY - 2WD	D
1	70002386	3	Coil	
2	7022397	1	Cartridge	
2	7022399	1	Seal Kit - 7022397 Valve	
3	70002390	2	Cartridge, Check Valve	
3	7022399	2	Seal Kit - 70002390 Valve	
4	70006000	1	Cartridge, Flow Divider	
4	70004577	1	Seal Kit - 70006000 Valve	
5	70000781	1	Locking Kit	
6	70005827	1	Screw	
7	70004888	2	Screw	
8	7024810	1	Orifice	
9	70005828	1	Orifice	
10	70005829	1	Orifice	
11	2220883	5	Plug #4	
12	70005830	3	Plug #6	
13	7024881	1	Piston, Pilot	
14	70005831	1	Cartridge, Relief Valve	
14	7017496	1	Seal Kit - 70005831 Valve	
15	7012941	2	Cartridge, Solenoid Less Coil	
15	7010543	2	Seal Kit - 7012941 Valve	
15	7022390	2	Nut, Coil	
16	7017410	1	Cartridge, Solenoid Less Coil	
16	7012967	1	Seal Kit - 7017410 Valve	
16	70003978	1	Nut, Coil	
17	70004887	1	Cartridge, Solenoid Less Coil	
17	70023606	1	Seal Kit - 70004887 Valve	
17	7024885	1	Coil	
18	70005832	1	Fitting, Diagnostic	
19	70026444	2	Cartridge	
19	7022399	2	Seal Kit - 70026444 Valve	
20	70006001	1	Orifice	
21	70006002	1	Orifice	

SECTION 1 - FRAME

FIGURE 1-25. TRACTION VALVE ASSEMBLY - 4WD



ART_1001162539

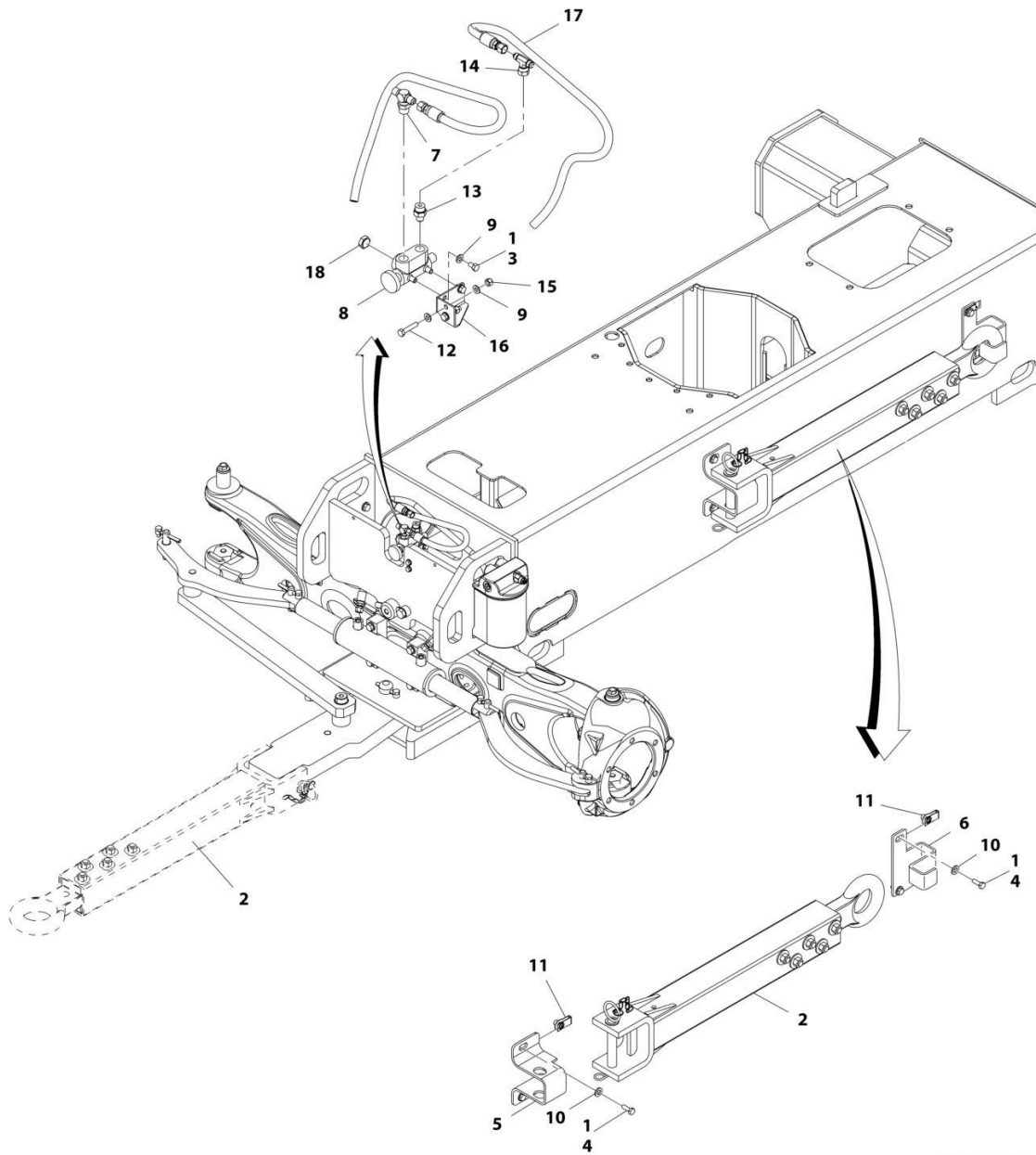
SECTION 1 - FRAME

FIGURE 1-25. TRACTION VALVE ASSEMBLY - 4WD

ITEM	PART NUMBER	QTY	DESCRIPTION	REV
	1001162539	Ref	TRACTION VALVE ASSEMBLY - 4WD	D
1	70004017	1	Cartridge, Flow Divider	
1	7021625	1	Seal Kit - 70004017 Valve	
2	70004885	2	Cartridge, Flow Divider	
2	70004577	2	Seal Kit - 70004885 Valve	
3	7022397	6	Cartridge, Check Valve	
3	7022399	6	Seal Kit - 7022397 Valve	
4	7021639	2	Cartridge, Check Valve	
4	2900756	2	Seal Kit - 7021639 Valve	
5	70004886	1	Cartridge, Relief Valve	
5	7017496	1	Seal Kit - 70004886 Valve	
6	7017410	1	Cartridge, Solenoid Less Coil	
6	7012967	1	Seal Kit - 7017410 Valve	
7	7012974	2	Cartridge, Solenoid Less Coil	
7	7010543	2	Seal Kit - 7012974 Valve	
8	70004887	1	Cartridge, Solenoid Less Coil	
8	70023606	1	Seal Kit - 70004887 Valve	
8	7024885	1	Coil	
9	7024881	1	Piston, Pilot	
10	2221086	1	Fitting, Diagnostic	
11	70003975	2	Orifice	
12	70002209	1	Orifice	
13	70002063	1	Orifice	
14	70004884	1	Orifice	
15	70004883	1	Orifice	
16	70000781	1	Locking Kit	
17	70002962	2	Locking Kit	
18	70004888	2	Screw	
19	2220883	6	Plug #4	
20	2220885	5	Plug #6	
21	70002386	3	Coil	

SECTION 1 - FRAME

FIGURE 1-26. TOW PACKAGE INSTALLATION (OPTIONAL)



ART_1001166232

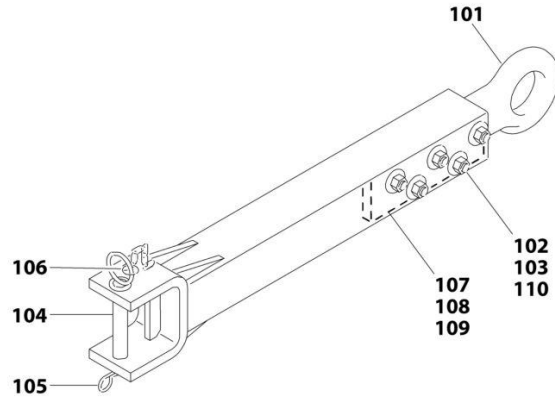
SECTION 1 - FRAME

FIGURE 1-26. TOW PACKAGE INSTALLATION (OPTIONAL)

ITEM	PART NUMBER	QTY	DESCRIPTION	REV
	1001166232	Ref	TOW PACKAGE INSTALLATION (OPTIONAL)	D
1	0100011	AR	Compound, Locking	
2	0363019	1	Tow Bar Assembly (See Separate Breakdown in this Section)	
3	0641504	2	Bolt 5/16 x 1/2	
4	0701014	4	Bolt M10 x 30	
5	0902733	1	Bracket	
6	0902734	1	Bracket	
7	2221052	1	Fitting, Tee JIC/ORB/JIC	
8	4640261	1	Steer/Tow Select Valve Assembly	
9	4711500	6	Washer 5/16	
10	5241200	4	Washer M12	
11	1001118972	4	Nut M10	
12	0700816	2	Bolt M8 x 40	
13	2220372	1	Fitting, Straight JIC/ORB	
14	2220579	1	Fitting, Tee JIC/FSJIC/JIC	
15	3290805	2	Nut M8	
16	1001181527	1	Bracket	
17	1001181913	2	Hose	
18	2220238	1	Plug	

SECTION 1 - FRAME

FIGURE 1-27. TOW BAR ASSEMBLY



ART_0363019

SECTION 1 - FRAME

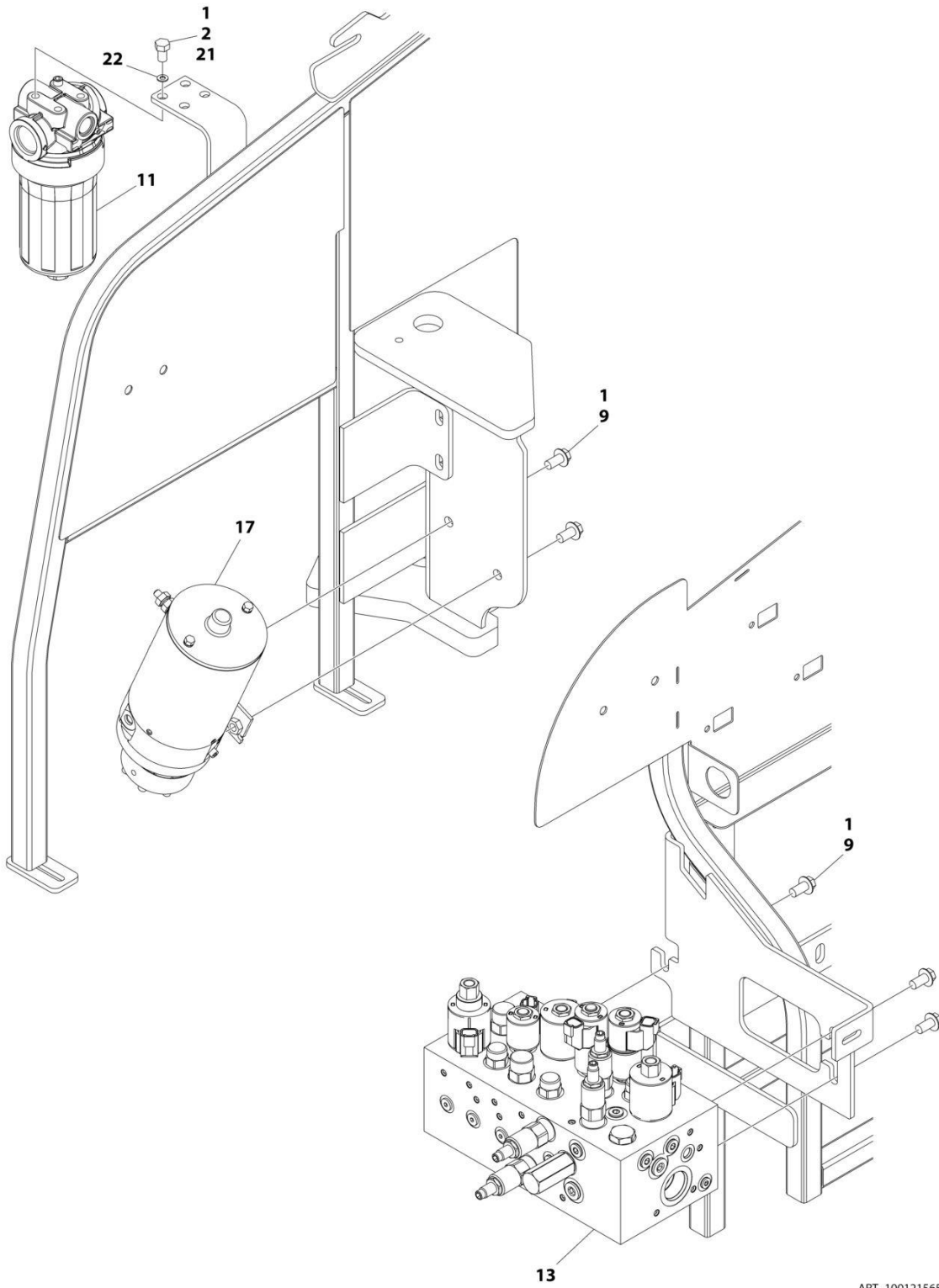
FIGURE 1-27. TOW BAR ASSEMBLY

ITEM	PART NUMBER	QTY	DESCRIPTION	REV
	0363019	Ref	TOW BAR ASSEMBLY	B
101	0360406	1	Pintle, Draw Eye	
102	0682040	5	Bolt 5/8 x 5	
103	3312005	5	Nut 5/8	
104	3420352	1	Pin, Towing	
105	3420372	1	Hairpin	
106	3760170	1	Ring, Split	
107	4070450	2	Shim (.07)	
108	4070560	2	Shim (.88)	
109	4070561	2	Shim (.12)	
110	4752000	10	Washer 5/8	

SECTION 2 - TURNTABLE

SECTION 2 - TURNTABLE

FIGURE 2-1. 2WD VALVES INSTALLATION - 450A TURNTABLE MOUNTED



ART_1001215659_20F3

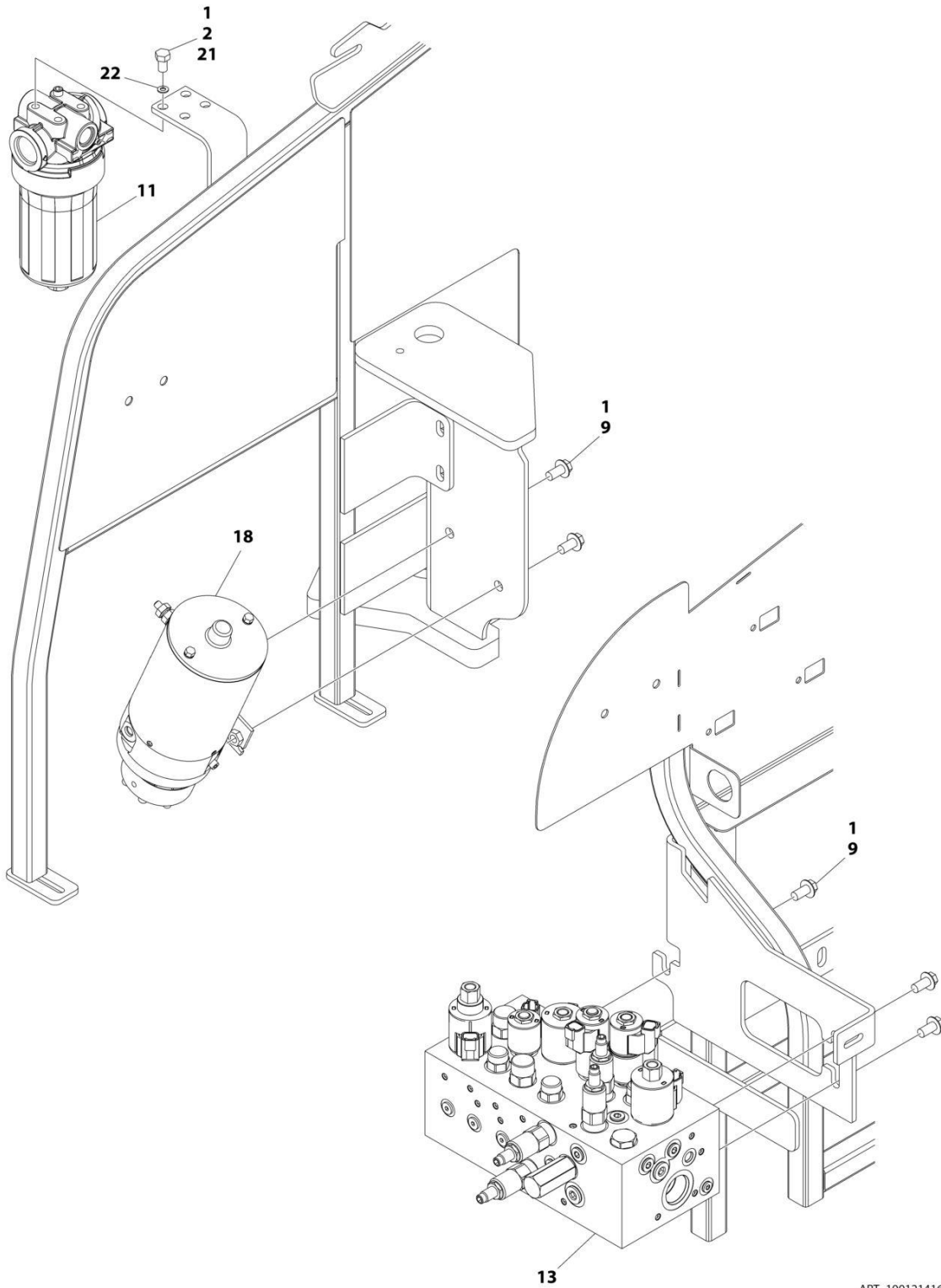
SECTION 2 - TURNTABLE

FIGURE 2-1. 2WD VALVES INSTALLATION - 450A TURNTABLE MOUNTED

ITEM	PART NUMBER	QTY	DESCRIPTION	REV
	1001215659	Ref	2WD VALVES INSTALLATION - 450A TURNTABLE MOUNTED	C
1	0100011	AR	Compound, Locking	
2	0641605	AR	Bolt 3/8 x 5/8	
9	5251010	5	Bolt M10 x 20	
11	1001208874	1	Filter, Charge Pump	
11	70010383	1	Element, Filter (Includes O-Ring)	
13	1001162534	1	Main Valve Assembly (See Separate Breakdown in this Section)	
17	1001185821	1	Auxiliary Pump Assembly (See Separate Breakdown in this Section)	
21	0761010	3	Bolt M10 x 20	
22	4812000	3	Washer M10	

SECTION 2 - TURNTABLE

FIGURE 2-2. 2WD VALVES INSTALLATION - 450AJ TURNTABLE MOUNTED



ART_1001214163_20F3

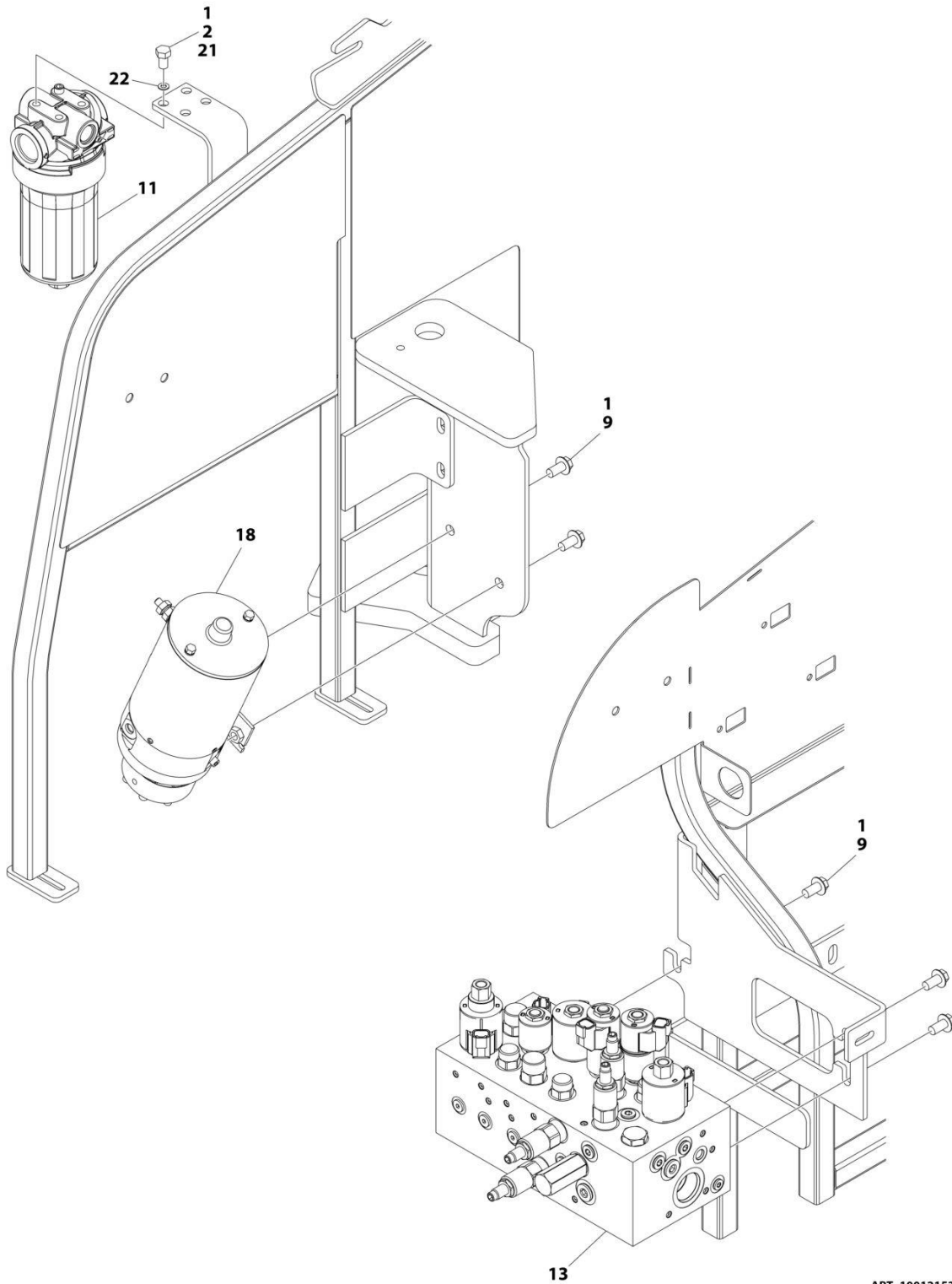
SECTION 2 - TURNTABLE

FIGURE 2-2. 2WD VALVES INSTALLATION - 450AJ TURNTABLE MOUNTED

ITEM	PART NUMBER	QTY	DESCRIPTION	REV
	1001214163	Ref	2WD VALVES INSTALLATION – 450AJ TURNTABLE MOUNTED	C
1	0100011	AR	Compound, Locking	
2	0641605	AR	Bolt 3/8 x 5/8	
9	5251010	5	Bolt M10 x 20	
11	1001208874	1	Filter, Charge Pump	
11	70010383	1	Element, Filter (Includes O-Ring)	
13	1001162534	1	Main Valve Assembly (See Separate Breakdown in this Section)	
18	1001185821	1	Auxiliary Pump Assembly (See Separate Breakdown in this Section)	
21	0761010	3	Bolt M10 x 20	
22	4812000	3	Washer M10	

SECTION 2 - TURNTABLE

FIGURE 2-3. 4WD VALVES INSTALLATION - 450A TURNTABLE MOUNTED



ART_1001215378_20F3

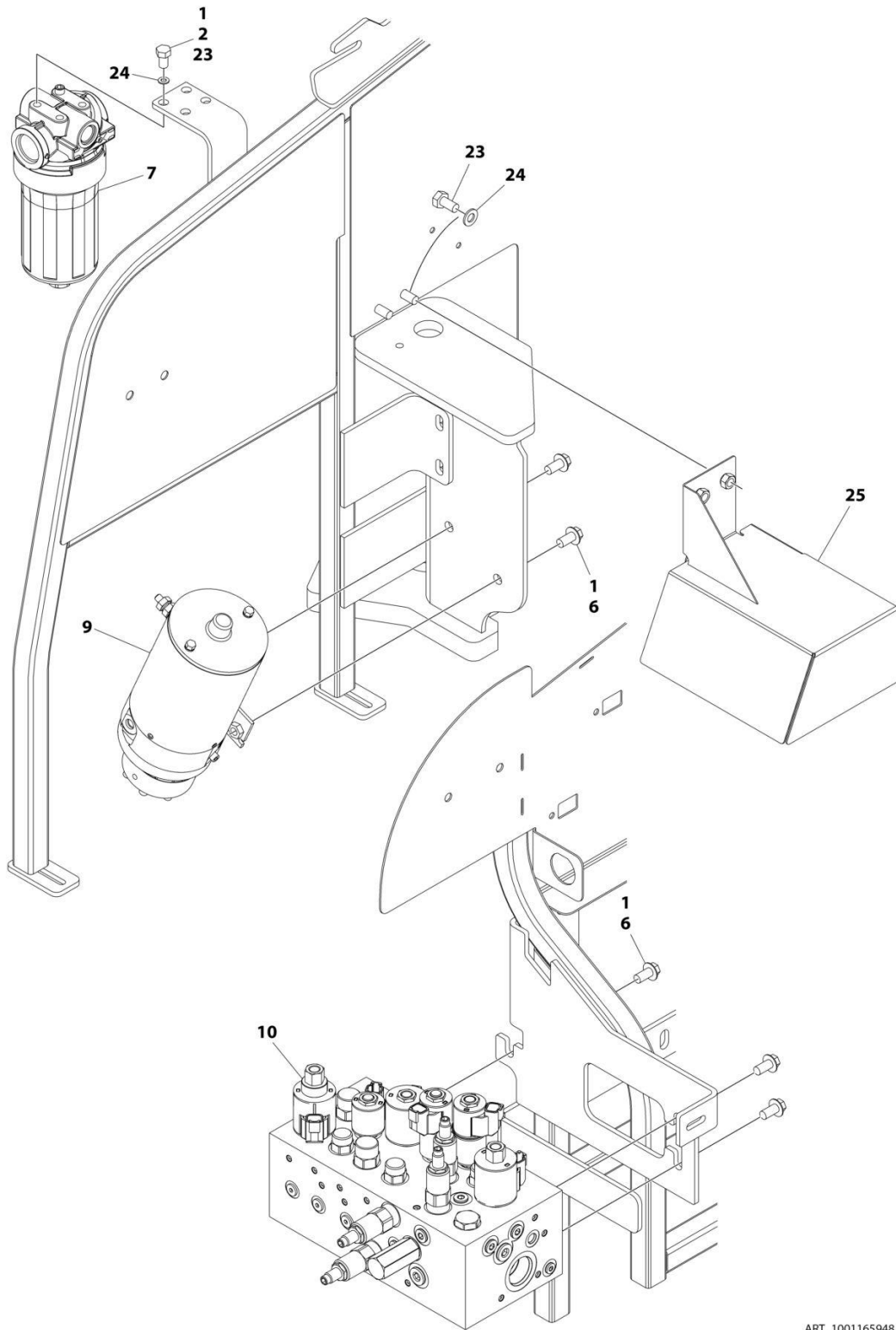
SECTION 2 - TURNTABLE

FIGURE 2-3. 4WD VALVES INSTALLATION - 450A TURNTABLE MOUNTED

ITEM	PART NUMBER	QTY	DESCRIPTION	REV
	1001215378	Ref	4WD VALVES INSTALLATION - 450A TURNTABLE MOUNTED	D
1	0100011	AR	Compound, Locking	
2	0641605	AR	Bolt 3/8 x 5/8	
9	5251010	5	Bolt M10 x 20	
11	1001208874	1	Filter, Charge Pump	
11	70010383	1	Element, Filter (Includes O-Ring)	
13	1001162534	1	Main Valve Assembly (See Separate Breakdown in this Section)	
18	1001185821	1	Auxiliary Pump Assembly (See Separate Breakdown in this Section)	
21	0761010	3	Bolt M10 x 20	
22	4812000	3	Washer M10	

SECTION 2 - TURNTABLE

FIGURE 2-4. 4WD VALVES INSTALLATION - 450AJ TURNTABLE MOUNTED



ART_1001165948_2OF3

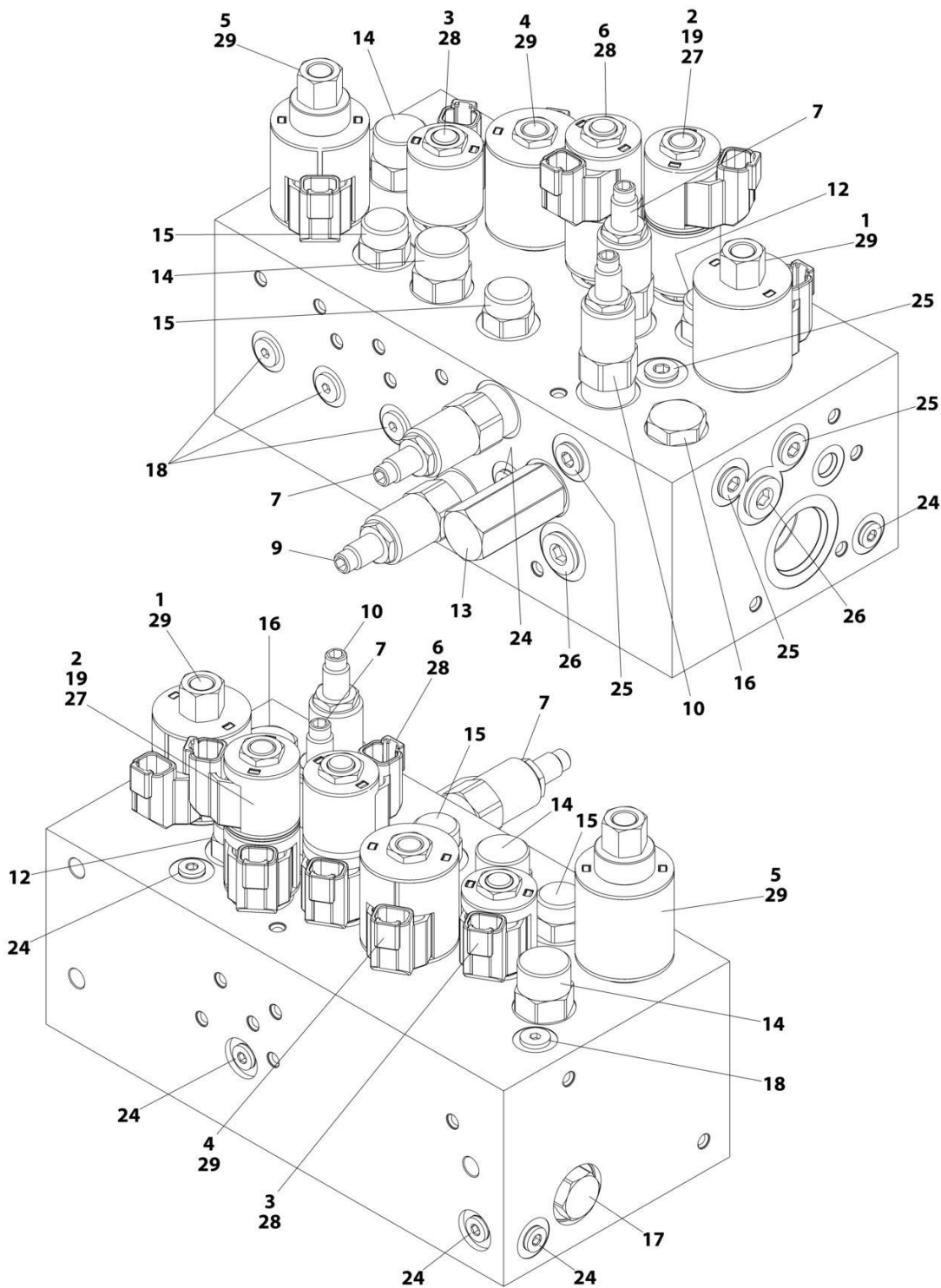
SECTION 2 - TURNTABLE

FIGURE 2-4. 4WD VALVES INSTALLATION - 450AJ TURNTABLE MOUNTED

ITEM	PART NUMBER	QTY	DESCRIPTION	REV
	1001165948	Ref	4WD VALVES INSTALLATION - TURNTABLE MOUNTED	J
1	0100011	AR	Compound, Locking	
2	0641605	AR	Bolt 3/8 x 5/8	
6	5251010	15	Bolt M10 x 20 Class 10.9	
7	1001208874	1	Filter, Charge Pump	
7	70010383	1	Element, Filter (Includes O-Ring)	
9	1001185821	1	Auxiliary Pump Assembly (See Separate Breakdown in this Section)	
10	1001162534	1	Main Valve Assembly (See Separate Breakdown in this Section)	
23	0761010	AR	Bolt M10 x 20	
24	4812000	AR	Washer M10	
25	1001234295	1	Cover	

SECTION 2 - TURNTABLE

FIGURE 2-5. MAIN VALVE ASSEMBLY



ART_1001162534

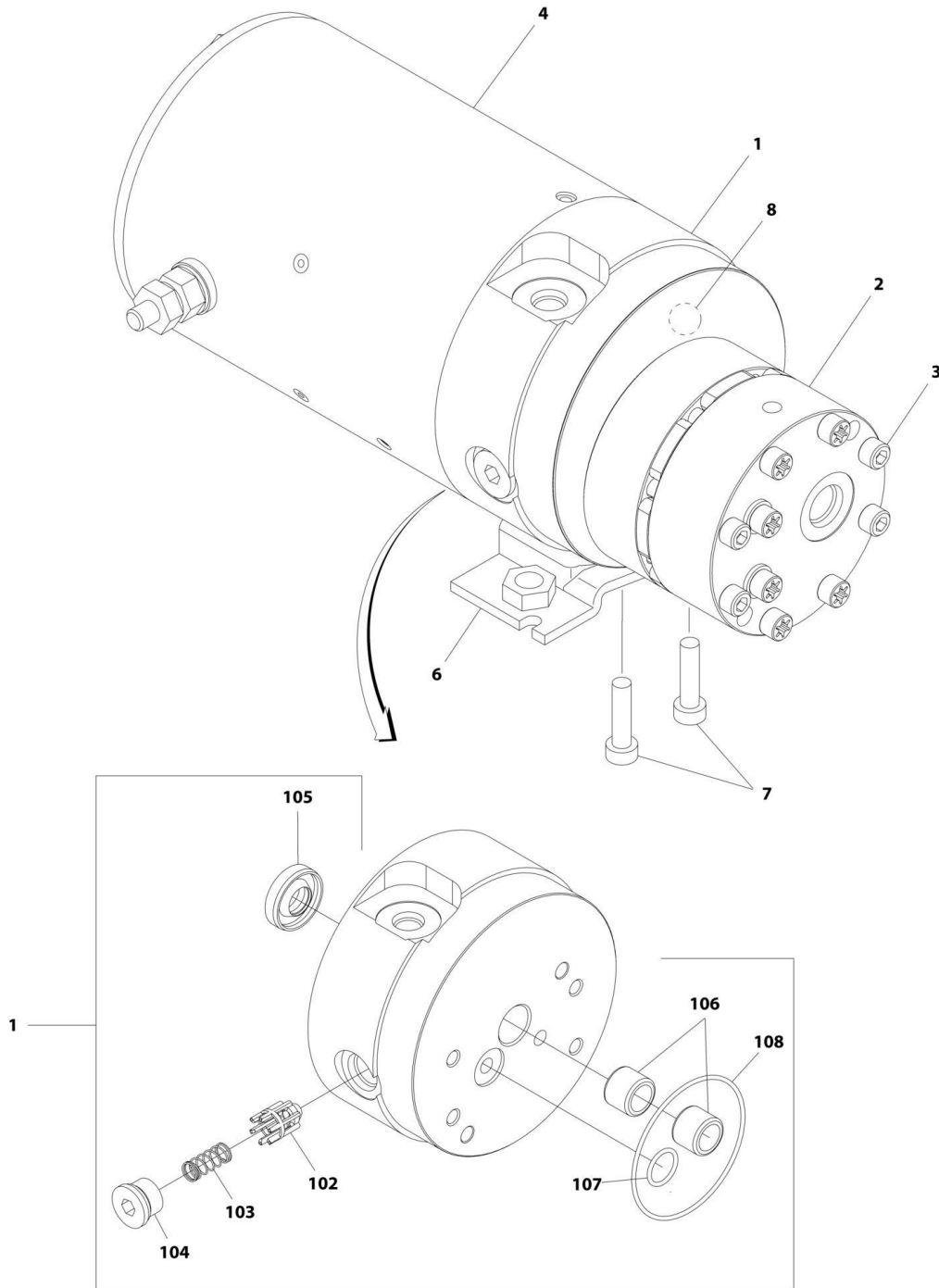
SECTION 2 - TURNTABLE

FIGURE 2-5. MAIN VALVE ASSEMBLY

ITEM	PART NUMBER	QTY	DESCRIPTION	REV
	1001162534	Ref	MAIN VALVE ASSEMBLY	F
1	70005069	1	Cartridge, Solenoid Less Coil (Main Dump)	
1	7022399	1	Seal Kit - 70005069 Valve	
1	70003977	1	Nut, Coil	
2	70005217	1	Cartridge, Solenoid Less Coil (Steer)	
2	70005071	1	Seal Kit - 70005217 Valve	
2	7022390	1	Nut, Coil	
3	70005094	1	Cartridge, Solenoid Less Coil (Main Lift Up)	
3	7023936	1	Seal Kit - 70005094 Valve	
3	7022390	1	Nut, Coil	
4	70005076	1	Cartridge, Solenoid Less Coil (Tower Lift Up)	
4	7022399	1	Seal Kit - 70005076 Valve	
4	7022390	1	Nut, Coil	
5	70005095	1	Cartridge, Solenoid Less Coil (Flow Control)	
5	7022399	1	Seal Kit - 70005095 Valve	
5	70003977	1	Nut, Coil	
6	70005096	1	Cartridge, Solenoid Less Coil (Swing)	
6	70005071	1	Seal Kit - 70005096 Valve	
7	70005097	1	Cartridge, Solenoid Less Coil	
7	70005082	2	Seal Kit - 70005097 Valve	
9	70005098	1	Cartridge, Relief Valve	
9	7023936	1	Seal Kit - 70005098 Valve	
10	70005080	1	Cartridge, Relief Valve	
10	7022399	1	Seal Kit - 70005080 Valve	
12	70005218	1	Cartridge, Valve	
12	70005082	1	Seal Kit - 70005218 Valve	
13	70005084	1	Cartridge, Valve	
13	70005085	1	Seal Kit - 70005084 Valve	
14	70005099	2	Cartridge, Valve	
14	70005087	2	Seal Kit - 70005099 Valve	
15	70005088	2	Cartridge, Valve	
15	7023900	2	Seal Kit - 70005088 Valve	
16	70005100	1	Cartridge, Check Valve	
16	7022399	1	Seal Kit - 70005100 Valve	
17	70005089	1	Cartridge, Check Valve	
17	7023936	1	Seal Kit - 70005089 Valve	
18	70005090	5	Cartridge, Check Valve	
18	70005092	5	Seal Kit - 70005092 Valve	
19	See Note	1	Disc, Check Valve (Note: Not Available for Purchase)	
24	91164059	7	Plug	
25	91164079	4	Plug	
26	91164057	2	Plug	
27	70005219	2	Coil	
28	70002386	3	Coil	
29	70003788	3	Coil	

SECTION 2 - TURNTABLE

FIGURE 2-6. AUXILIARY PUMP ASSEMBLY



ART_1001185821

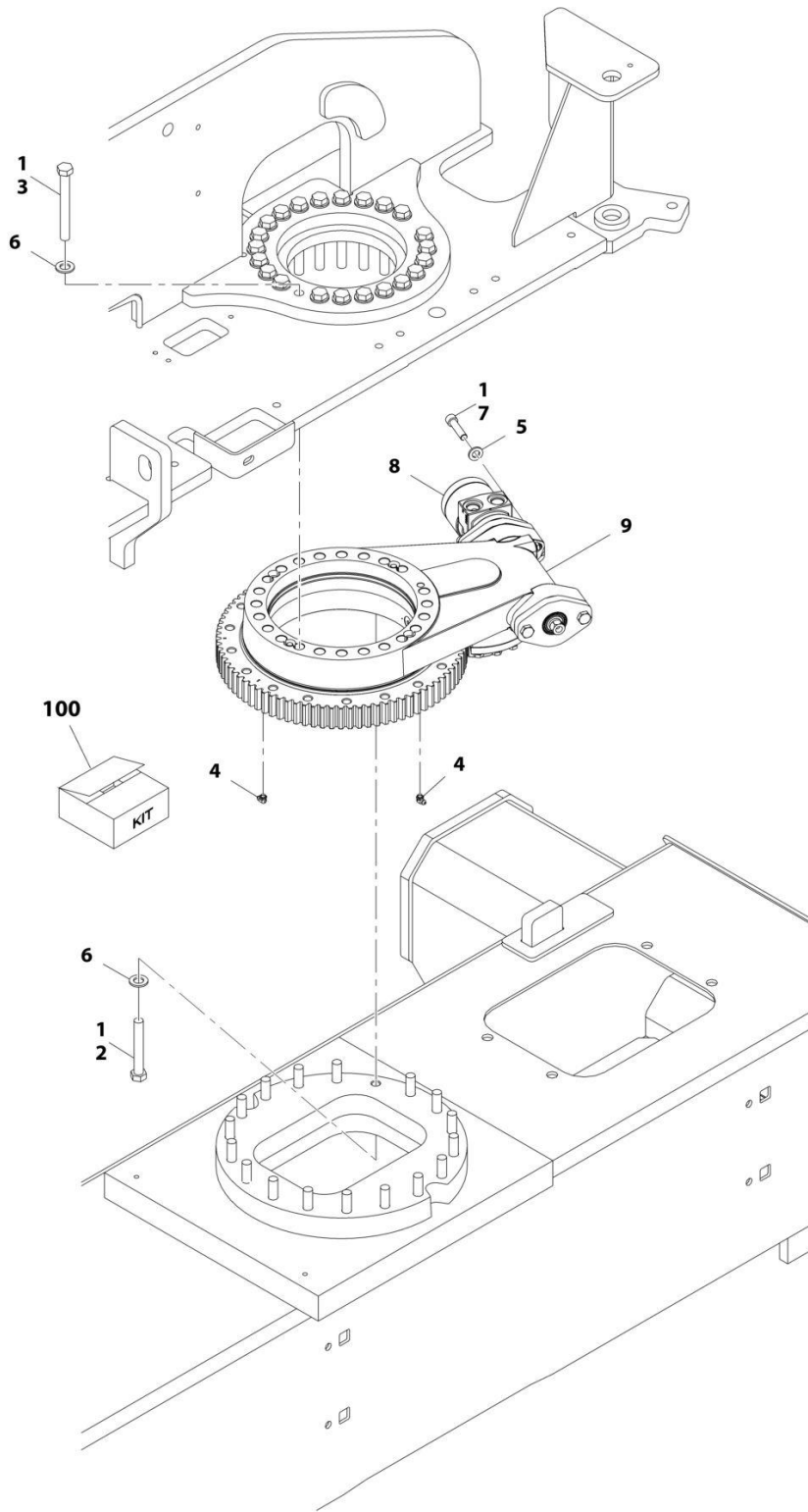
SECTION 2 - TURNTABLE

FIGURE 2-6. AUXILIARY PUMP ASSEMBLY

ITEM	PART NUMBER	QTY	DESCRIPTION	REV
	1001185821	Ref	AUXILIARY PUMP ASSEMBLY	B
1	70005065	1	Base Assembly (See Items 102-108 for Breakdown)	
2	70005066	1	Pump Assembly (Note: No Seal Kit or Internal Components are Available - Purchase Complete Pump Assembly)	
3	70005067	4	Capscrew 1/4 x 2-3/4	
4	70004013	1	Motor Assembly (Note: No Internal Components are Available - Purchase Complete Motor Assembly)	
6	70004014	1	Bracket	
7	70004000	2	Capscrew 3/8 x 1	
8	70005068	1	Relief Valve Assembly	
	70005065	Ref	BASE ASSEMBLY	
102	See Note	NSS	Poppet, Check (Note: Use p/n 70005065)	
103	See Note	NSS	Spring (Note: Use p/n 70005065)	
104	See Note	NSS	Plug (Note: Use p/n 70005065)	
105	7026330	1	Seal, Shaft	
106	70005139	2	Bearing	
107	70003612	1	O-Ring	
108	70004267	1	O-Ring	

SECTION 2 - TURNTABLE

FIGURE 2-7. SWING DRIVE AND TURNTABLE BEARING INSTALLATION



ART_1001165946

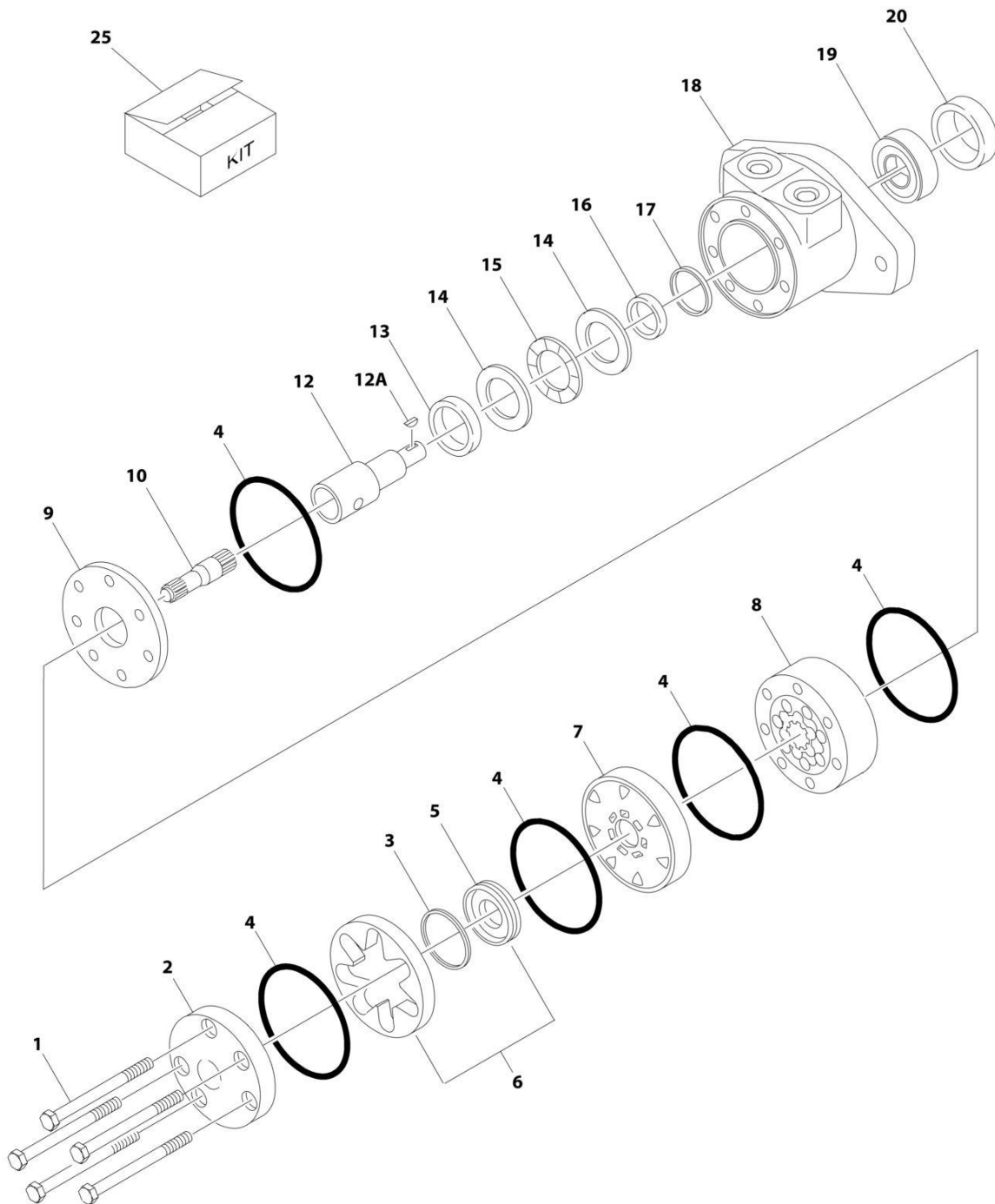
SECTION 2 - TURNTABLE

FIGURE 2-7. SWING DRIVE AND TURNTABLE BEARING INSTALLATION

ITEM	PART NUMBER	QTY	DESCRIPTION	REV
	1001165946	Ref	SWING DRIVE AND TURNTABLE BEARING INSTALLATION	B
1	0100019	AR	Compound, Locking	
2	0711628	18	Bolt M16 x 110 Grade 10.9	
3	0711631	23	Bolt M16 x 140	
4	2160001	2	Fitting, Grease 90	
5	5241200	2	Washer M12	
6	5241600	41	Washer M16	
7	5272114	2	Capscrew M12 x 50 Grade 12.9	
8	1001104850	1	Swing Motor Assembly (See Separate Breakdown in this Section)	
9	1001133972	1	Turntable Bearing Assembly (See Separate Breakdown in this Section)	
100	1001206436	1	Turntable Bearing Kit (Includes Items 2-7 & 9)	

SECTION 2 - TURNTABLE

FIGURE 2-8. SWING MOTOR ASSEMBLY



ART_1001104850

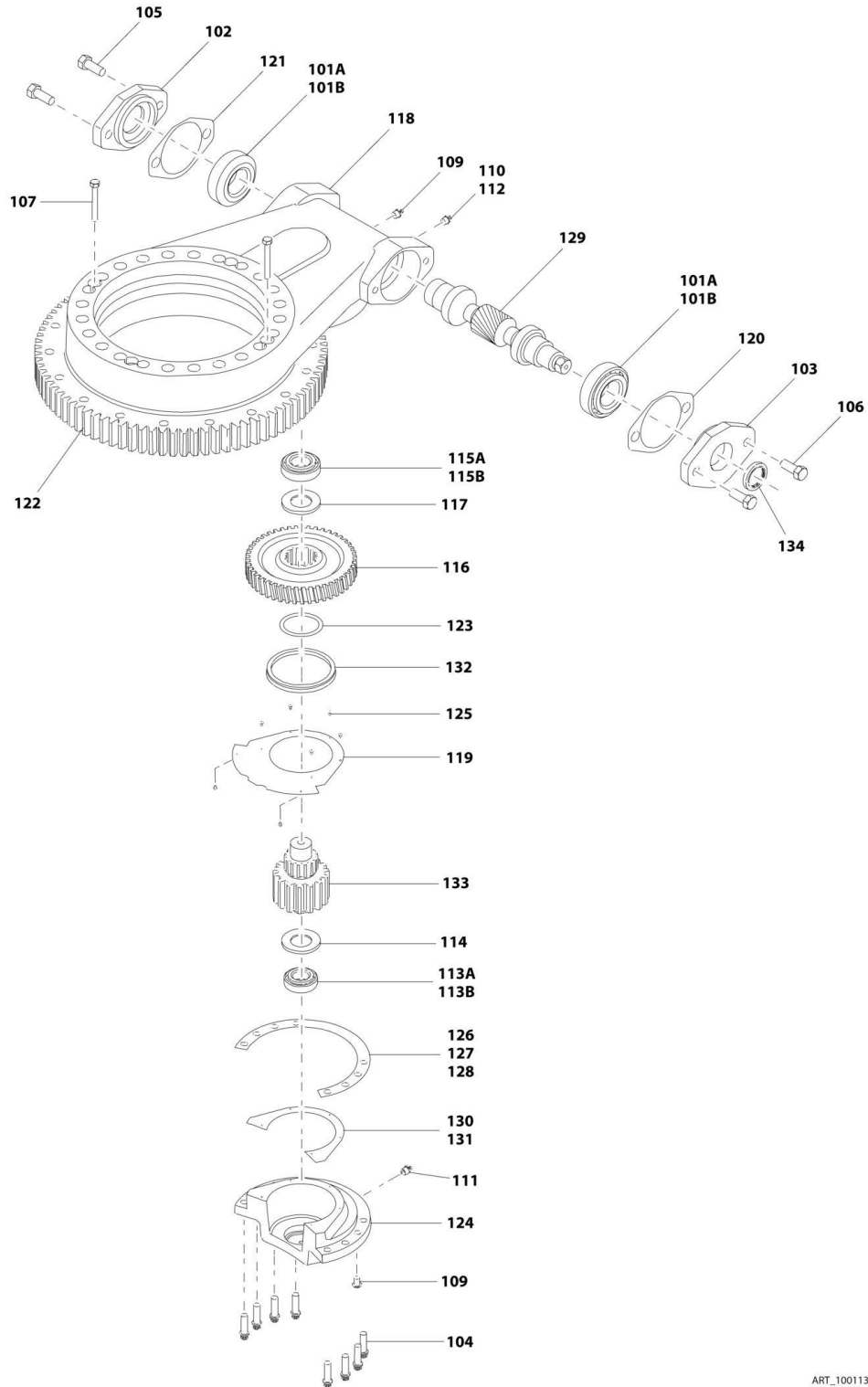
SECTION 2 - TURNTABLE

FIGURE 2-8. SWING MOTOR ASSEMBLY

ITEM	PART NUMBER	QTY	DESCRIPTION	REV
	1001104850	Ref	SWING MOTOR ASSEMBLY	A
1	See Note	5	Bolt (Note: Not Available for Purchase)	
2	7004035	1	Cover, End	
3	7023318	1	Seal, Commutator	
4	7004036	5	O-Ring	
5	See Note	NSS	Commutator (Note: Use Item 6)	
6	7024453	1	Commutator and Ring Assembly (Includes Item 5)	
7	7024379	1	Manifold	
8	70002206	1	Rotor Set	
9	7024380	1	Plate, Wear	
10	70002207	1	Link, Drive	
12	70000088	1	Shaft, Coupling	
12A	70000089	1	Key	
13	7024381	1	Bushing, Inner	
14	7004043	1	Thrustwasher	
15	7004044	1	Bearing, Thrust	
16	7004049	1	Seal, Inner Shaft	
17	7004045	1	Ring, Back-up	
18	See Note	NSS	Housing (Note: Not Available - Purchase Complete Motor)	
19	7024390	1	Bearing	
20	7004047	1	Seal, Outer Shaft	
25	7024389	1	Seal Kit (Includes Items 3, 4, 16, 17 & 20)	

SECTION 2 - TURNTABLE

FIGURE 2-9. TURNTABLE BEARING ASSEMBLY



ART_1001133972

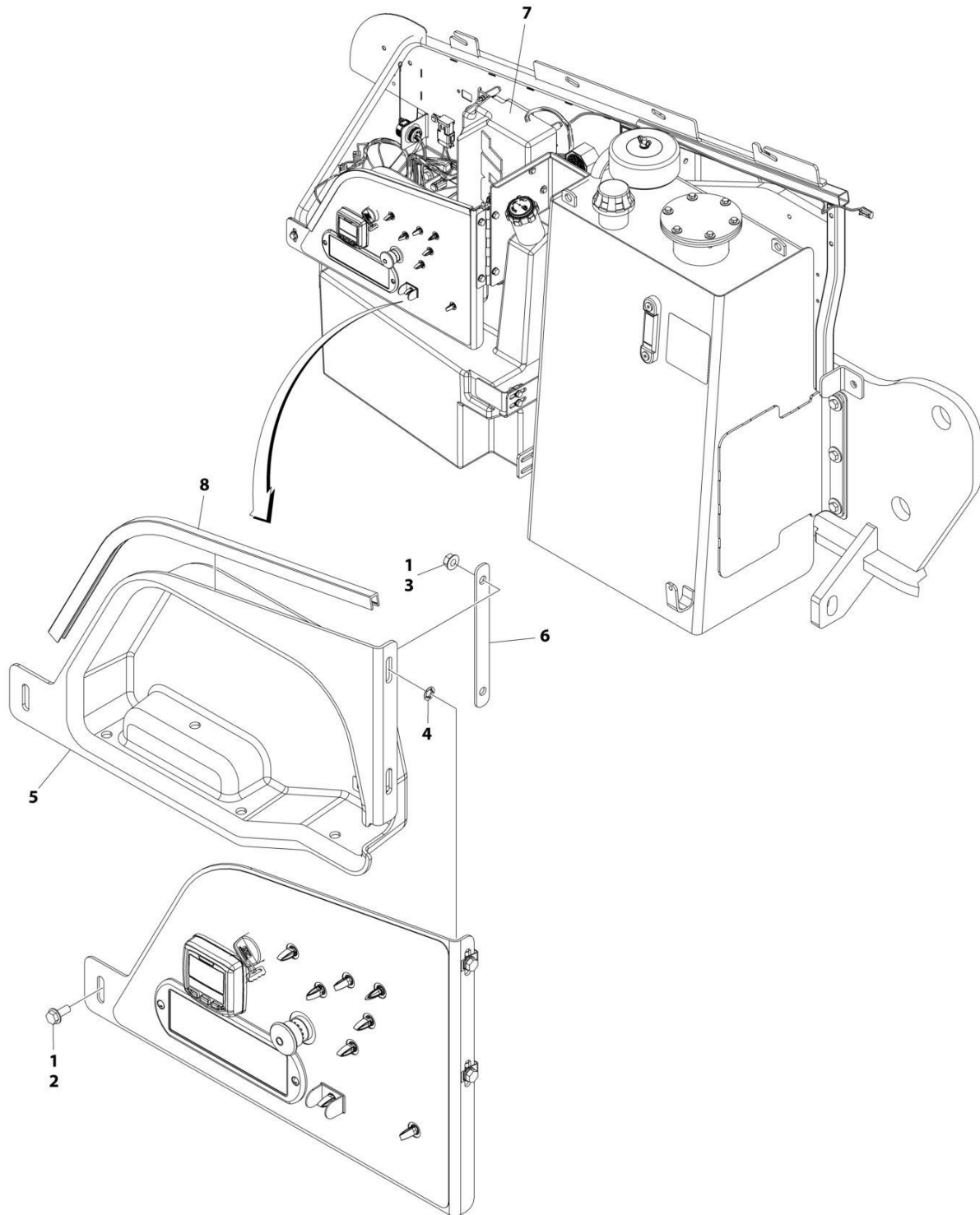
SECTION 2 - TURNTABLE

FIGURE 2-9. TURNTABLE BEARING ASSEMBLY

ITEM	PART NUMBER	QTY	DESCRIPTION	REV
	1001133972	Ref	TURNTABLE BEARING ASSEMBLY	D
101A	7026042	2	Cup, Bearing	
101B	7026043	2	Cone, Bearing	
102	7027356	1	Adapter, Motor	
103	7027354	1	Cap, Worm	
104	70004249	8	Bolt M10 x 35 Grade 10.9	
105	70004250	2	Bolt M12 x 30 Grade 10.9	
106	70004251	2	Bolt M12 x 40 Grade 10.9	
107	70004252	2	Bolt M8 x 65mm	
109	70000865	1	Plug	
110	70002649	1	Vent, Pressure	
111	70002651	1	Fitting, Grease	
112	7026044	1	Bushing, Reducer	
113A	7026045	1	Cup, Bearing	
113B	7026047	1	Cone, Bearing	
114	7026046	1	Ring, Grease	
115A	7026048	1	Cup, Bearing	
115B	7026049	1	Cone, Bearing	
116	7026050	1	Worm-Gear	
117	7026052	1	Spacer, Washer	
118	See Note	1	Housing (Note: Not Available - Purchase Complete Assembly)	
119	7026053	1	Cover, Gear	
120	7027350	AR	Shim, Blue (.005in)	
120	7027351	AR	Shim, Clear (.0075in)	
120	7027352	AR	Shim, Brown (.010in)	
121	7027353		Shim, Yellow (.020in)	
122	70004253	1	Bearing, Turntable	
123	70004254	1	O-Ring	
124	70004255	1	Cap, Gear	
125	70004256	8	Bolt M4 x 8	
126	70004257	AR	Shim, Green (.003)	
127	70004258	AR	Shim, Blue (.005)	
128	70004259	AR	Shim, Natural (.0075)	
129	7026057	1	Gear, Worm	
130	70004260	AR	Shim, Blue (.005)	
131	70004261	AR	Shim, Yellow (.020)	
132	70004262	1	Seal, Oil	
133	7026051	1	Pinion, Output	
134	70004263	1	Seal, Oil	

SECTION 2 - TURNTABLE

FIGURE 2-10. TURNTABLE COVERS INSTALLATION



ART_1001219129

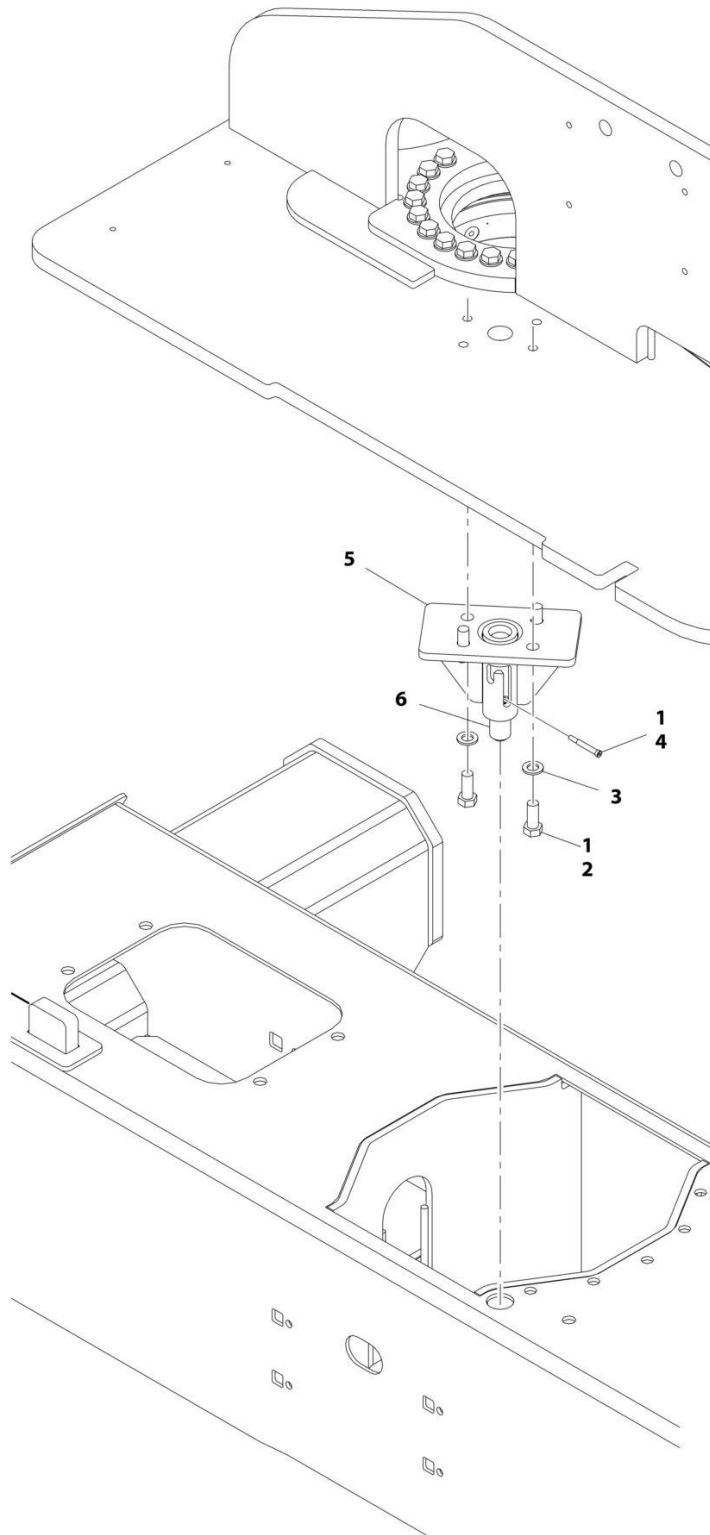
SECTION 2 - TURNTABLE

FIGURE 2-10. TURNTABLE COVERS INSTALLATION

ITEM	PART NUMBER	QTY	DESCRIPTION	REV
	1001219129	Ref	TURNTABLE COVERS INSTALLATION	A
1	0100011	AR	Compound, Locking	
2	5250812	1	Bolt M8 x 25	
3	5260800	2	Nut M8	
4	1001119228	2	Nut M8	
5	1001218533	1	Cover	
6	1001218535	1	Plate, Mounting	
7	1001218537	1	Cover	
8	4060806	2 ft/0.6m	Shield, Flex	

SECTION 2 - TURNTABLE

FIGURE 2-11. TURNTABLE LOCK INSTALLATION



ART_1001177820

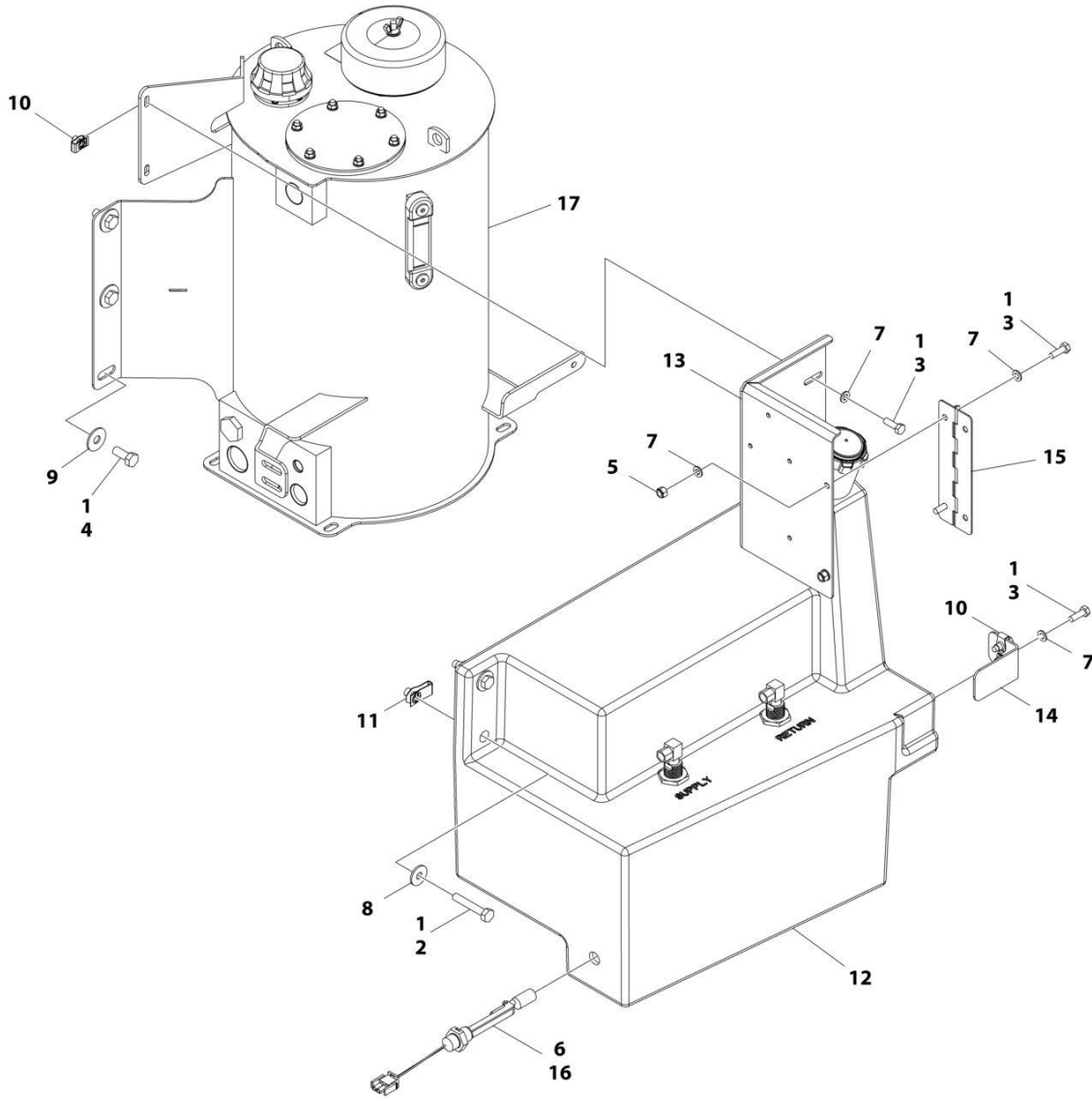
SECTION 2 - TURNTABLE

FIGURE 2-11. TURNTABLE LOCK INSTALLATION

ITEM	PART NUMBER	QTY	DESCRIPTION	REV
	1001177820	Ref	TURNTABLE LOCK INSTALLATION	B
1	0100011	AR	Compound, Locking	
2	0701616	4	Bolt M16 x 40	
3	4812300	4	Washer M16	
4	1001157466	1	Bolt M10 x 30	
5	1001177821	1	Support, Lock	
6	1001177834	1	Pin, Lock	
7	1001223118	1	Decal – Lift Diagram (Not Shown)	

SECTION 2 - TURNTABLE

FIGURE 2-12. TANKS INSTALLATION - DIESEL MACHINES



ART_1001207347

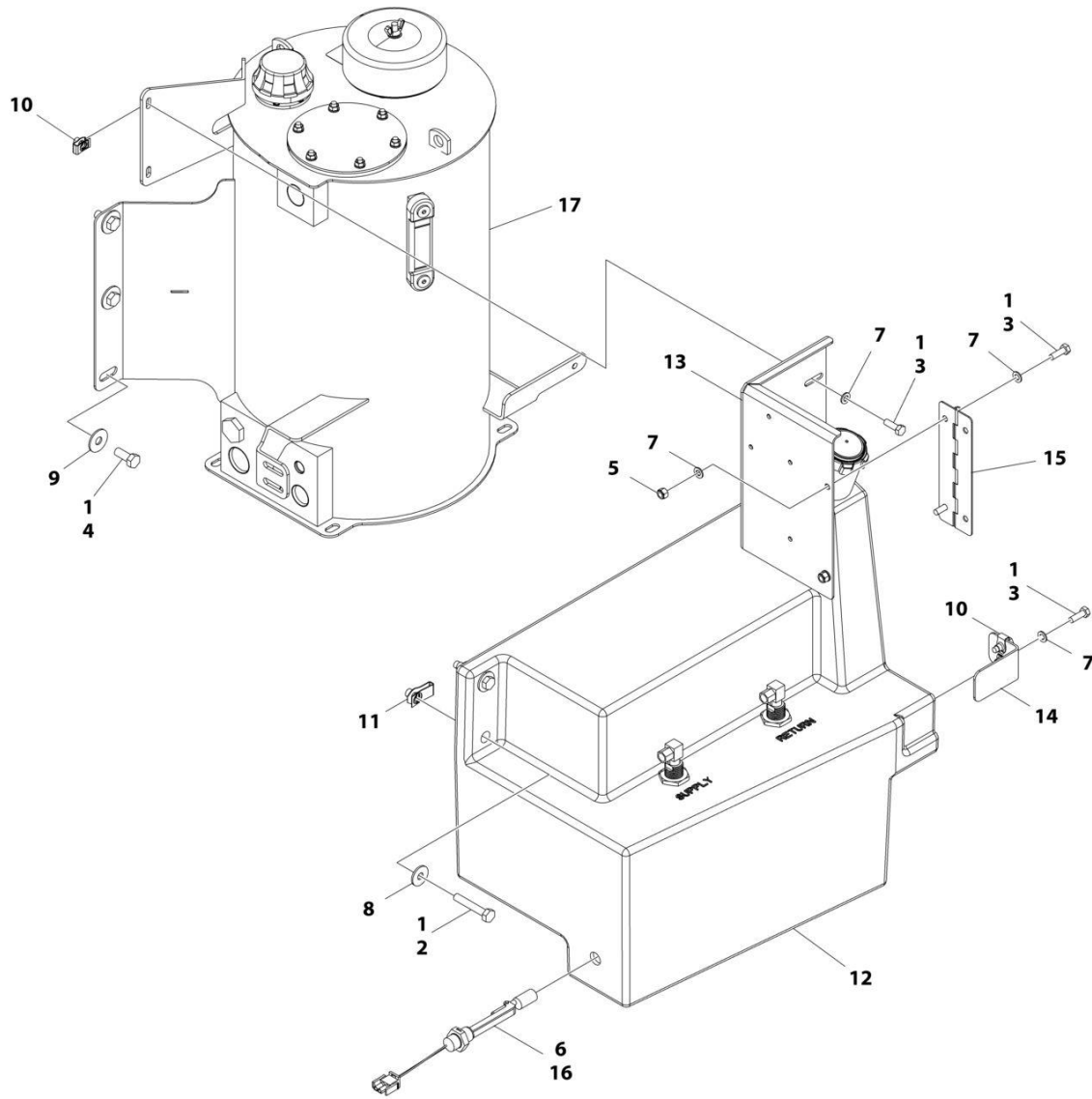
SECTION 2 - TURNTABLE

FIGURE 2-12. TANKS INSTALLATION - DIESEL MACHINES

ITEM	PART NUMBER	QTY	DESCRIPTION	REV
	1001207347	Ref	TANKS INSTALLATION - DIESEL MACHINES	B
1	0100011	AR	Compound, Locking	
2	0701020	2	Bolt M10 x 60	
3	0760812	6	Bolt M8 x 25	
4	0761214	6	Bolt M12 x 30	
5	3290805	2	Nut M8	
6	4360436	1	Switch, Fuel Level	
6	4460320	1	Plug, Male - 2 Position	
6	4460267	1	Pin, Male	
7	4811900	8	Washer M8	
8	4812002	2	Washer M10	
9	4812102	6	Washer M12	
10	1001118274	4	Nut M8	
11	1001118972	2	Nut M10	
12	1001163061	1	Fuel Tank Assembly	
12	1001193336	1	Cap, Fuel	
12	70004876	2	Tube, Pick-up	
12	0100020	AR	Compound, Locking	
13	1001169898	1	Support, Ground Control	
14	1001170480	1	Support, Tank	
15	1001179339	1	Hinge	
16	1001182997	AR	Adhesive	
17	1001206916	1	Hydraulic Tank Assembly	
17	70003614	1	Filter Kit (Includes Hydraulic Element, Breather Element and Gasket)	
17	70002838	1	Fill Cap Assembly (Includes Cap, Chain and Fill Basket)	
17	7024441	1	Gauge, Sight	
17	70002112	1	Plug, Drain	

SECTION 2 - TURNTABLE

FIGURE 2-13. TANKS INSTALLATION - GAS MACHINES



ART_1001207348

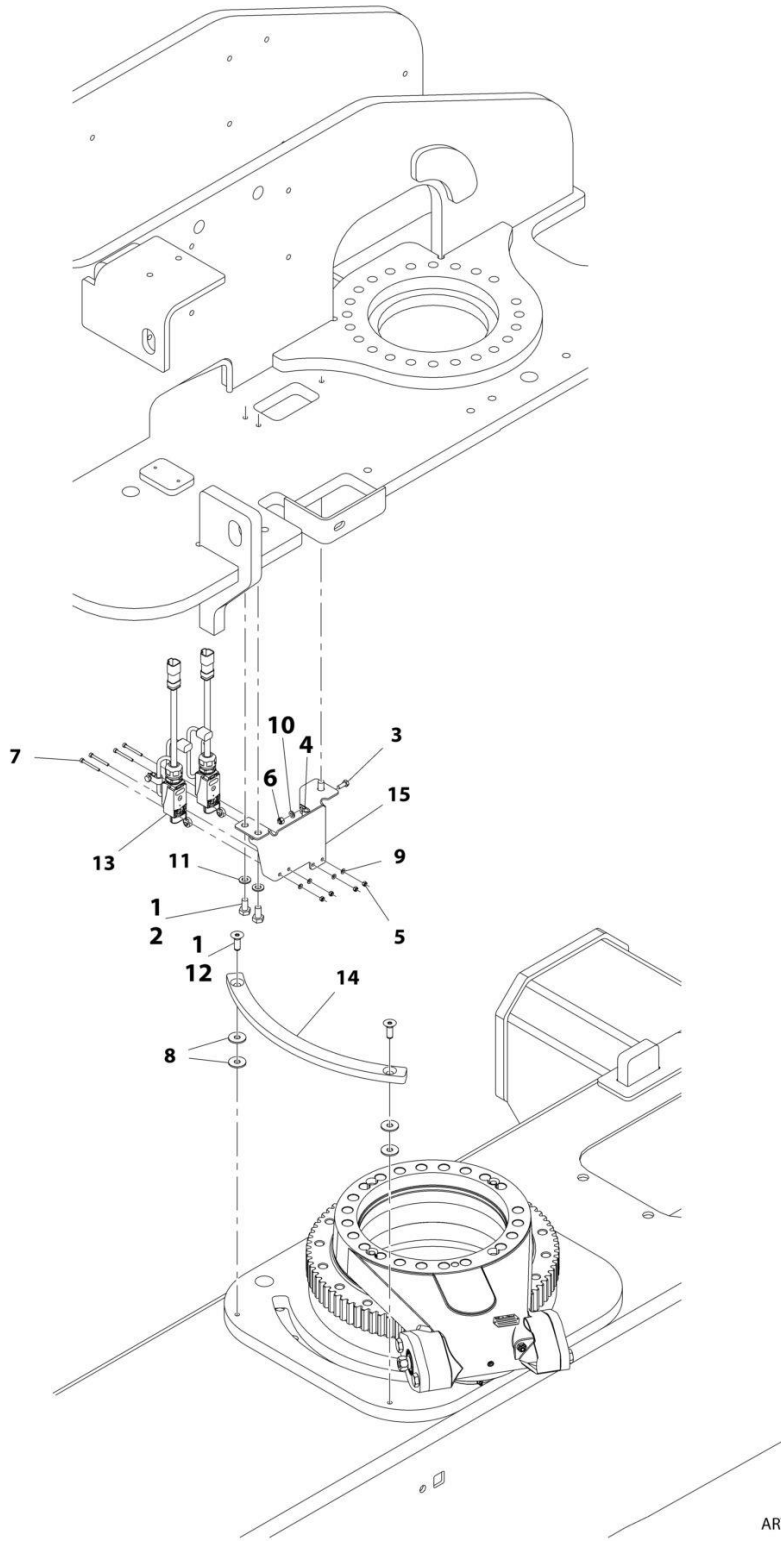
SECTION 2 - TURNTABLE

FIGURE 2-13. TANKS INSTALLATION - GAS MACHINES

ITEM	PART NUMBER	QTY	DESCRIPTION	REV
	1001207348	Ref	TANKS INSTALLATION - GAS MACHINES	B
1	0100011	AR	Compound, Locking	
2	0701020	2	Bolt M10 x 60	
3	0760812	6	Bolt M8 x 25	
4	0761214	6	Bolt M12 x 30	
5	3290805	2	Nut M8	
6	4360436	1	Switch, Fuel Level	
6	4460320	1	Plug, Male - 2 Position	
6	4460267	1	Pin, Male	
7	4811900	8	Washer M8	
8	4812002	2	Washer M10	
9	4812102	6	Washer M12	
10	1001118274	4	Nut M8	
11	1001118972	2	Nut M10	
12	1001163062	1	Fuel Tank Assembly	
12	1001211336	1	Cap, Tank	
12	70004877	2	Tube, Pick-up	
12	0100020	AR	Compound, Locking	
13	1001169898	1	Support, Ground Control	
14	1001170480	1	Support, Tank	
15	1001179339	1	Hinge	
16	1001182997	AR	Adhesive	
17	1001206916	1	Hydraulic Tank Assembly	
17	70003614	1	Filter Kit (Includes Hydraulic Element, Breather Element and Gasket)	
17	70002838	1	Fill Cap Assembly (Includes Cap, Chain and Fill Basket)	
17	7024441	1	Gauge, Sight	
17	70002112	1	Plug, Drain	

SECTION 2 - TURNTABLE

FIGURE 2-14. DRIVE ORIENTATION INSTALLATION



ART_1001166767

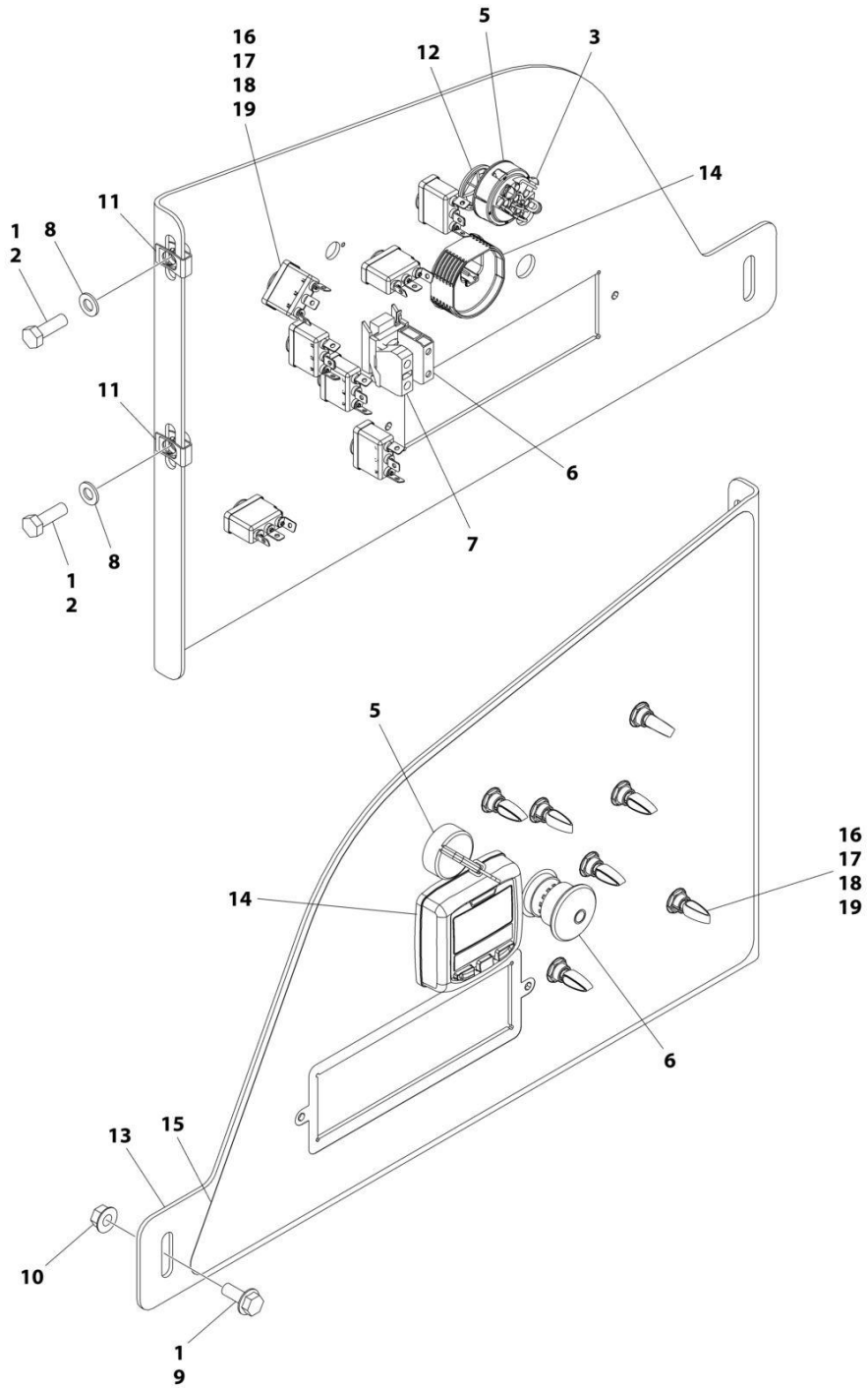
SECTION 2 - TURNTABLE

FIGURE 2-14. DRIVE ORIENTATION INSTALLATION

ITEM	PART NUMBER	QTY	DESCRIPTION	REV
	1001166767	Ref	DRIVE ORIENTATION INSTALLATION	F
1	0100011	AR	Compound, Locking	
2	0761010	3	Bolt M10 x 20	
3	0760608	2	Bolt M6 x 16	
4	1321293	2	Clamp, Cable	
5	3290405	4	Nut M4	
6	3290605	2	Nut M6	
7	4031512	4	Capscrew M4 x 40	
8	4812002	4	Washer M10	
9	4811400	4	Washer M4	
10	4811700	2	Washer M6	
11	4812000	3	Washer M10	
12	8310614	2	Screw M10 x 30	
13	1001119176	2	Switch, Limit	
13	1001129407	1	Receptacle, Female - 4 Position	
13	4460464	4	Pin, Male	
14	1001162106	1	Cam	
15	1001166768	1	Bracket	
16	8881800	AR	Tie-Strap (Not Shown)	

SECTION 2 - TURNTABLE

FIGURE 2-15. GROUND CONTROL ASSEMBLY - 450A WITH DEUTZ ENGINES (ANSI SPECS)



ART_1001246446

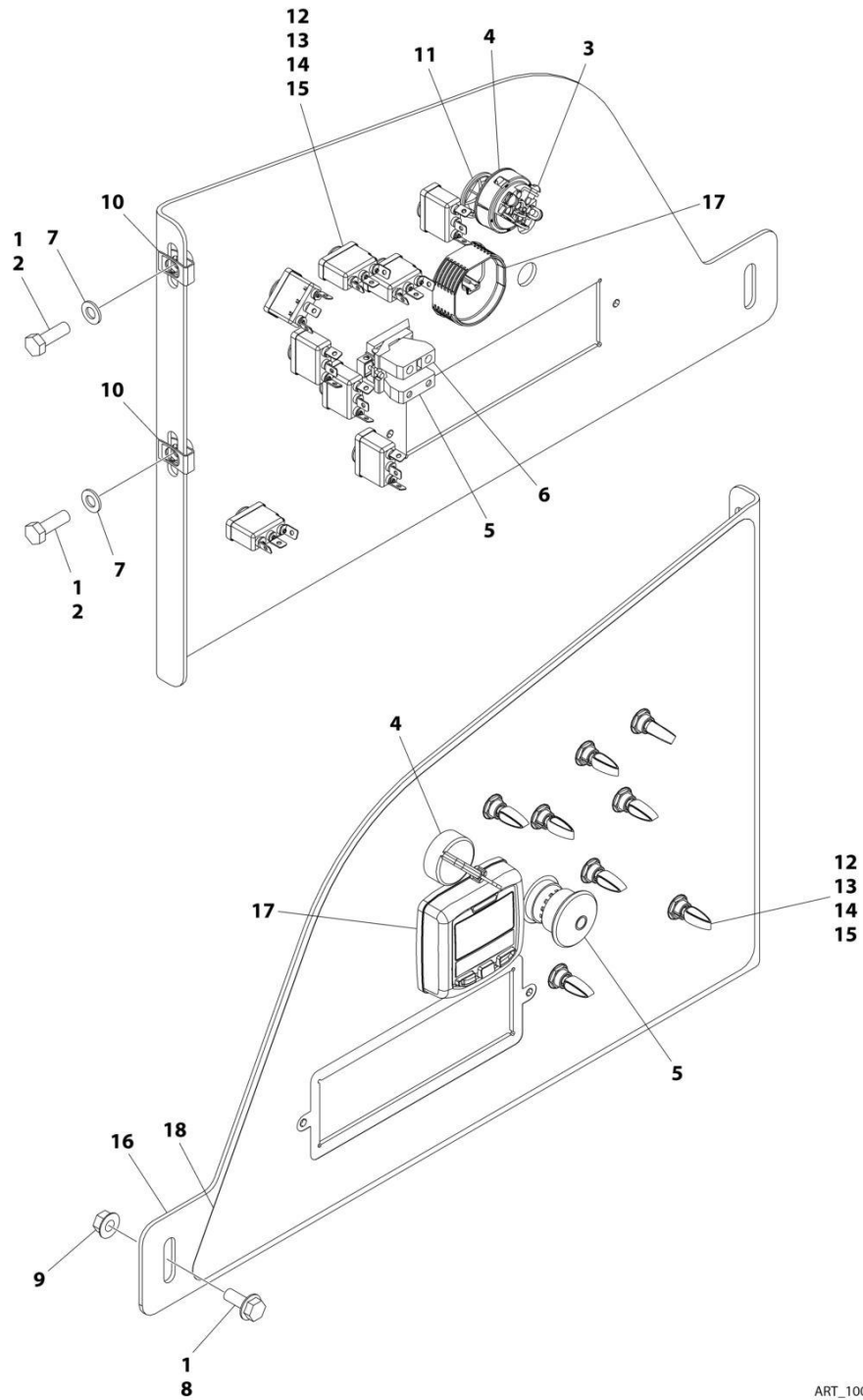
SECTION 2 - TURNTABLE

FIGURE 2-15. GROUND CONTROL ASSEMBLY - 450A WITH DEUTZ ENGINES (ANSI SPECS)

ITEM	PART NUMBER	QTY	DESCRIPTION	REV
	1001246446	Ref	GROUND CONTROL ASSEMBLY	B
1	0100011	AR	Compound, Locking	
2	0760812	2	Bolt M8 x 25	
3	3910804	3	Screw M8 x 1/4	
5	4360469	1	Switch, Key	
5	2860030	1	Key, Replacement	
6	4360475	1	Switch, Emergency	
6	7020175	1	Cap	
6	7020176	1	Block, Contact	
7	4360476	1	Block, Contact	
8	4811900	2	Washer M8	
9	5250810	1	Bolt M8 x 20	
10	5260800	1	Nut M8	
11	1001118274	2	Nut M8	
12	1001151393	1	Shim .063	
13	1001264735	1	Panel, Ground Control	
14	1001171482	1	Gauge, Display	
15	1001264734	1	Decal - Ground Control	
16	1001155043	7	Washer	
17	1001155044	7	Spacer	
18	1001155045	7	Switch, Toggle	
19	1001162807	7	Washer	

SECTION 2 - TURNTABLE

FIGURE 2-16. GROUND CONTROL ASSEMBLY - 450AJ WITH DEUTZ ENGINES (ALL SPECS EXCEPT CE AND CHINA SPECS)



ART_1001246450

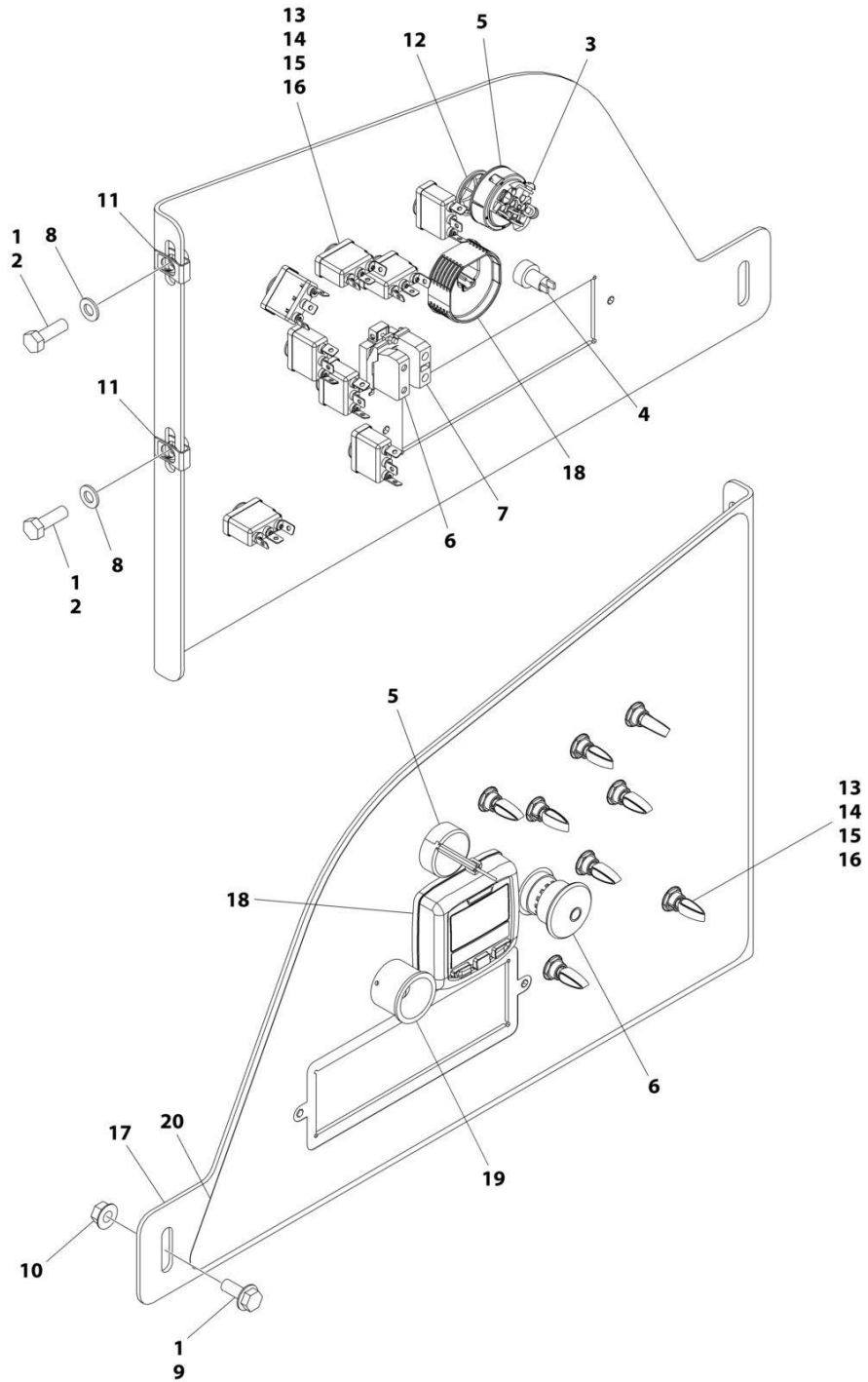
SECTION 2 - TURNTABLE

FIGURE 2-16. GROUND CONTROL ASSEMBLY - 450AJ WITH DEUTZ ENGINES (ALL SPECS EXCEPT CE AND CHINA SPECS)

ITEM	PART NUMBER	QTY	DESCRIPTION	REV
	1001246450	Ref	GROUND CONTROL ASSEMBLY	B
1	0100011	AR	Compound, Locking	
2	0760812	2	Bolt M8 x 25	
3	3910804	3	Screw M8 x 1/4	
4	4360469	1	Switch, Key	
4	2860030	1	Key, Replacement	
5	4360475	1	Switch, Emergency	
5	7020175	1	Cap	
5	7020176	1	Block, Contact	
6	4360476	1	Block, Contact	
7	4811900	2	Washer M8	
8	5250810	1	Bolt M8 x 20	
9	5260800	1	Nut M8	
10	1001118274	2	Nut M8	
11	1001151393	1	Shim .063	
12	1001155043	8	Washer	
13	1001155044	8	Nut, Special 15/32-32	
14	1001155045	8	Switch, Toggle	
15	1001162807	8	Washer	
16	1001264735	1	Panel, Ground Control	
17	1001171482	1	Gauge, Display	
18	1001264733	1	Decal - Ground Control	

SECTION 2 - TURNTABLE

FIGURE 2-17. GROUND CONTROL ASSEMBLY - 450AJ WITH DEUTZ ENGINE (CE, CHINA AND RUSSIA SPECS)



ART_1001246451

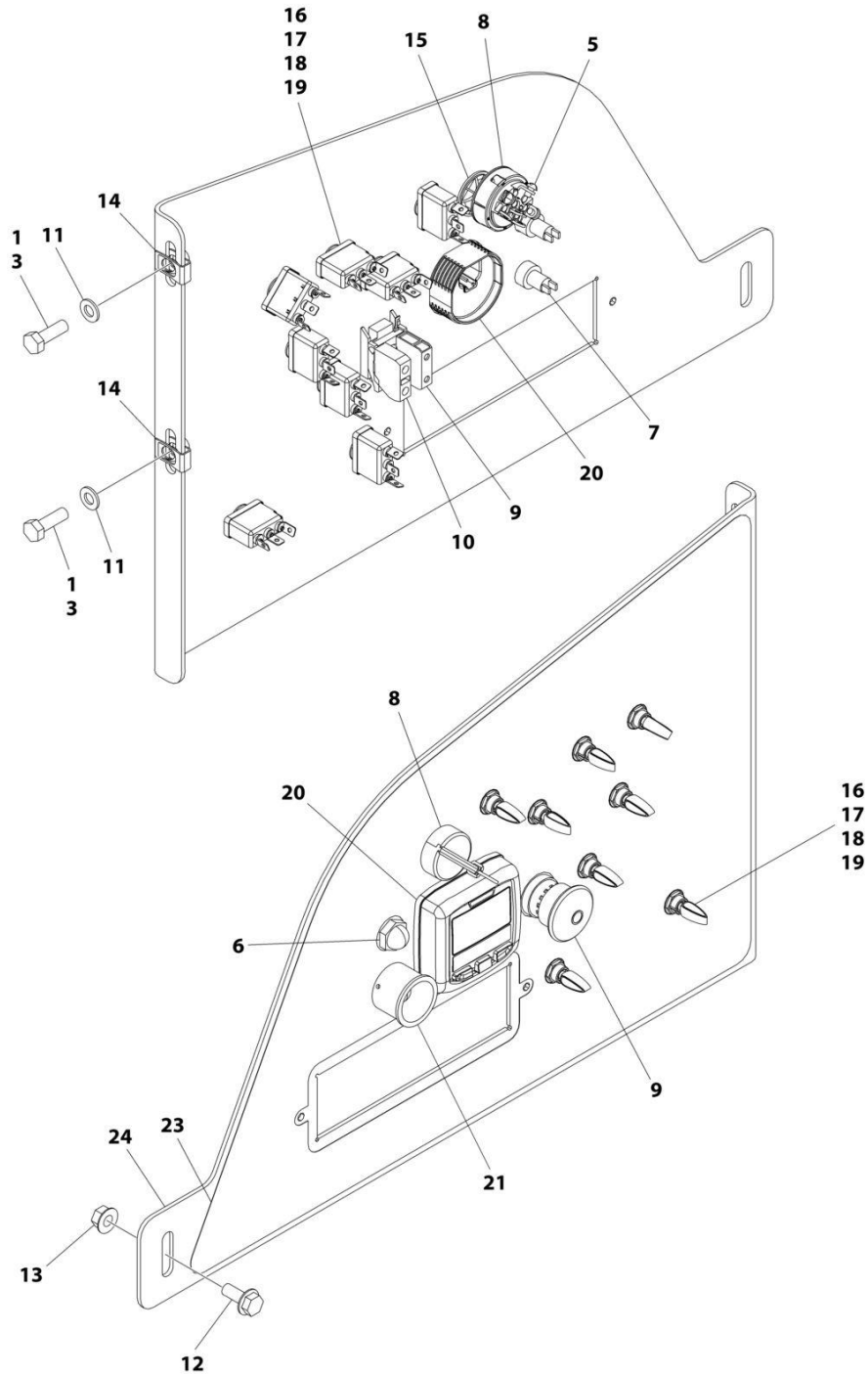
SECTION 2 - TURNTABLE

FIGURE 2-17. GROUND CONTROL ASSEMBLY - 450AJ WITH DEUTZ ENGINE (CE, CHINA AND RUSSIA SPECS)

ITEM	PART NUMBER	QTY	DESCRIPTION	REV
	1001246451	Ref	GROUND CONTROL ASSEMBLY	B
1	0100011	AR	Compound, Locking	
2	0760812	2	Bolt M8 x 25	
3	3910804	3	Screw M8 x 1/4	
4	4360387	1	Switch, Push Button	
5	4360469	1	Switch, Key	
5	2860030	1	Key, Replacement	
6	4360475	1	Switch, Emergency	
6	7020175	1	Cap	
6	7020176	1	Block, Contact	
7	4360476	1	Block, Contact	
8	4811900	2	Washer M8	
9	5250810	1	Bolt M8 x 20	
10	5260800	1	Nut M8	
11	1001118274	2	Nut M8	
12	1001151393	1	Shim .063	
13	1001155043	8	Washer	
14	1001155044	8	Nut, Special 15/32-32	
15	1001155045	8	Switch, Toggle	
16	1001162807	8	Washer	
17	1001264735	1	Panel, Ground Control	
18	1001171482	1	Gauge, Display	
19	1001176469	1	Shroud, Switch	
20	1001264732	1	Decal - Ground Control	

SECTION 2 - TURNTABLE

FIGURE 2-18. GROUND CONTROL ASSEMBLY - 450AJ WITH DEUTZ D2.9L4 ENGINE (STAGE V) (CE SPECS)



ART_1001245656

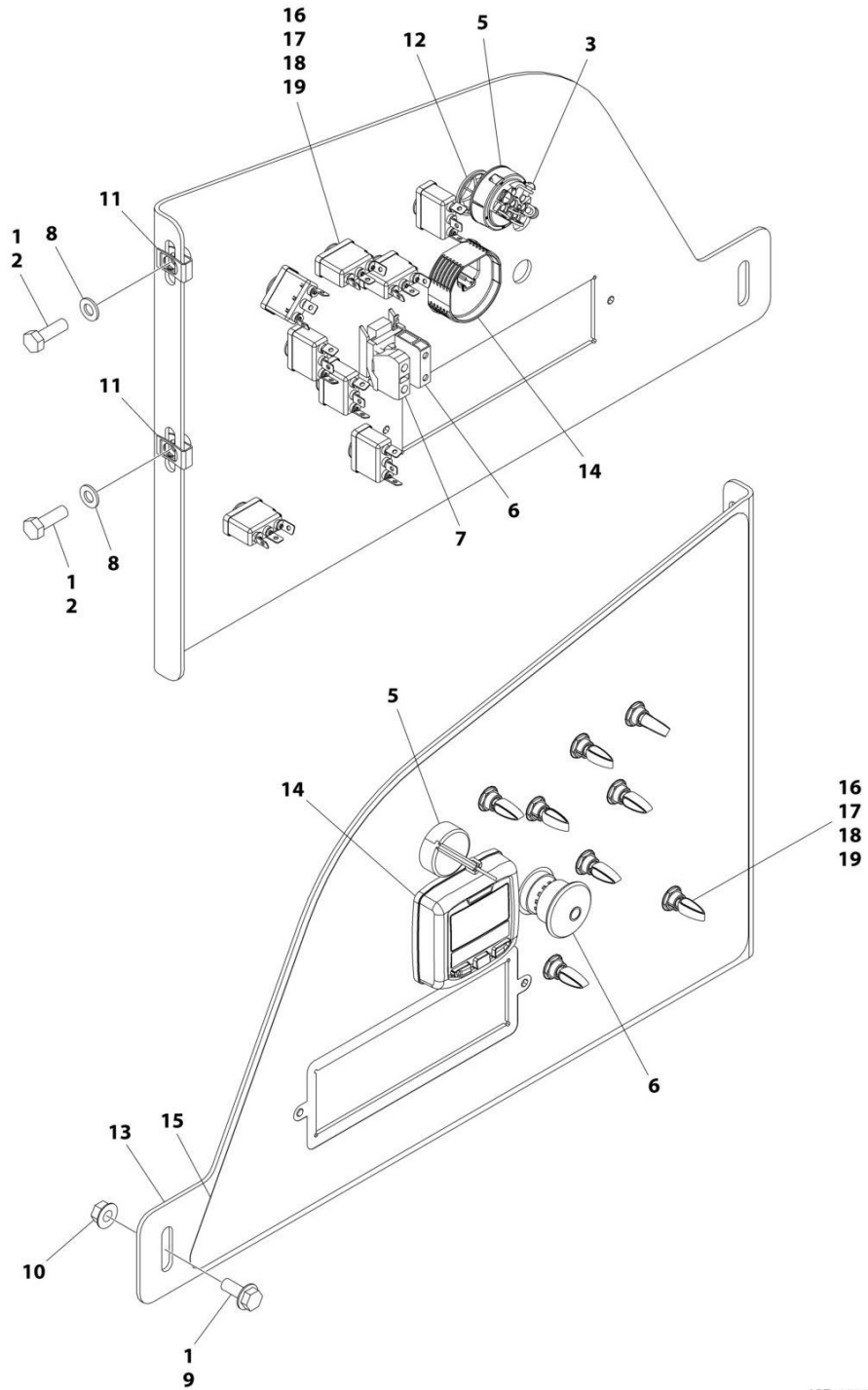
SECTION 2 - TURNTABLE

FIGURE 2-18. GROUND CONTROL ASSEMBLY - 450AJ WITH DEUTZ D2.9L4 ENGINE (STAGE V) (CE SPECS)

ITEM	PART NUMBER	QTY	DESCRIPTION	REV
	1001245656	Ref	GROUND CONTROL ASSEMBLY	C
1	0100011	AR	Compound, Locking	
3	0760812	2	Bolt M8 x 25	
5	3910804	3	Screw M8 x 1/4	
6	4360274	1	Switch, Push Button	
7	4360387	1	Switch, Push Button	
8	4360469	1	Switch, Key	
8	2860030	1	Key, Replacement	
9	4360475	1	Switch, Emergency	
9	7020175	1	Cap	
9	7020176	1	Block, Contact	
10	4360476	1	Block, Contact	
11	4811900	2	Washer M8	
12	5250810	1	Bolt M8 x 20	
13	5260800	1	Nut M8	
14	1001118274	2	Nut M8	
15	1001151393	1	Shim .063	
16	1001155043	8	Washer	
17	1001155044	8	Nut, Special 15/32-32	
18	1001155045	8	Switch, Toggle	
19	1001162807	8	Washer	
20	1001171482	1	Gauge, Display	
21	1001176469	1	Shroud, Switch	
23	1001264731	1	Decal - Ground Control	
24	1001264735	1	Panel, Ground Control	

SECTION 2 - TURNTABLE

FIGURE 2-19. GROUND CONTROL ASSEMBLY - 450A WITH KUBOTA ENGINE (ANSI AND CSA SPECS)



ART_1001246581

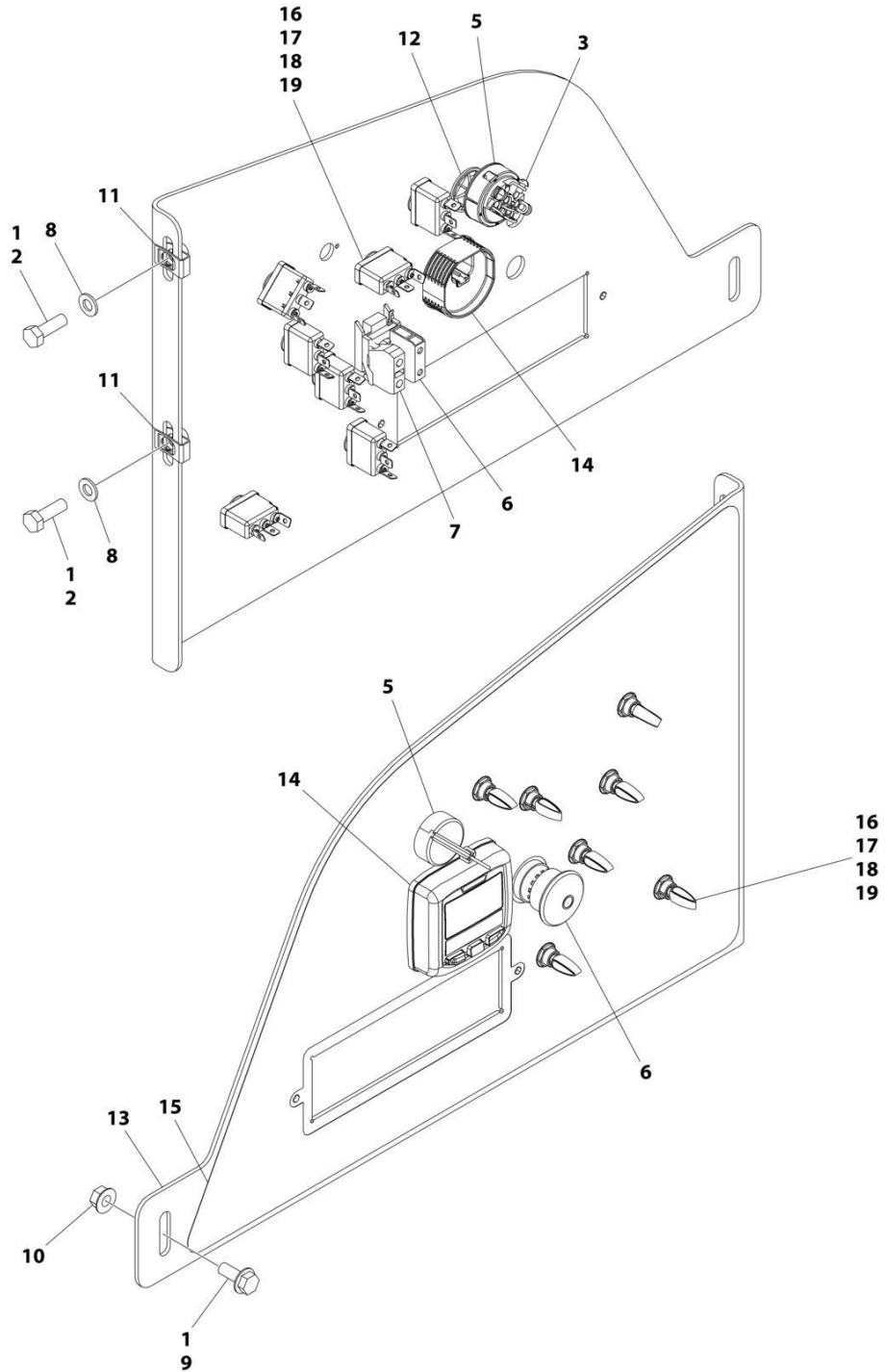
SECTION 2 - TURNTABLE

FIGURE 2-19. GROUND CONTROL ASSEMBLY - 450A WITH KUBOTA ENGINE (ANSI AND CSA SPECS)

ITEM	PART NUMBER	QTY	DESCRIPTION	REV
	1001246581	Ref	GROUND CONTROL ASSEMBLY	B
1	0100011	AR	Compound, Locking	
2	0760812	2	Bolt M8 x 25	
3	3910804	3	Screw M8 x 1/4	
5	4360469	1	Switch, Key	
5	2860030	1	Key, Replacement	
6	4360475	1	Switch, Emergency	
6	7020175	1	Cap	
6	7020176	1	Block, Contact	
7	4360476	1	Block, Contact	
8	4811900	2	Washer M8	
9	5250810	1	Bolt M8 x 20	
10	5260800	1	Nut M8	
11	1001118274	2	Nut M8	
12	1001151393	1	Shim .063	
13	1001264735	1	Panel, Ground Control	
14	1001171482	1	Gauge, Display	
15	1001264733	1	Decal - Ground Control	
16	1001155043	8	Washer	
17	1001155044	8	Spacer	
18	1001155045	8	Switch, Toggle	
19	1001162807	8	Washer	

SECTION 2 - TURNTABLE

FIGURE 2-20. GROUND CONTROL ASSEMBLY - 450AJ WITH KUBOTA ENGINE (ANSI SPECS)



ART_1001246449

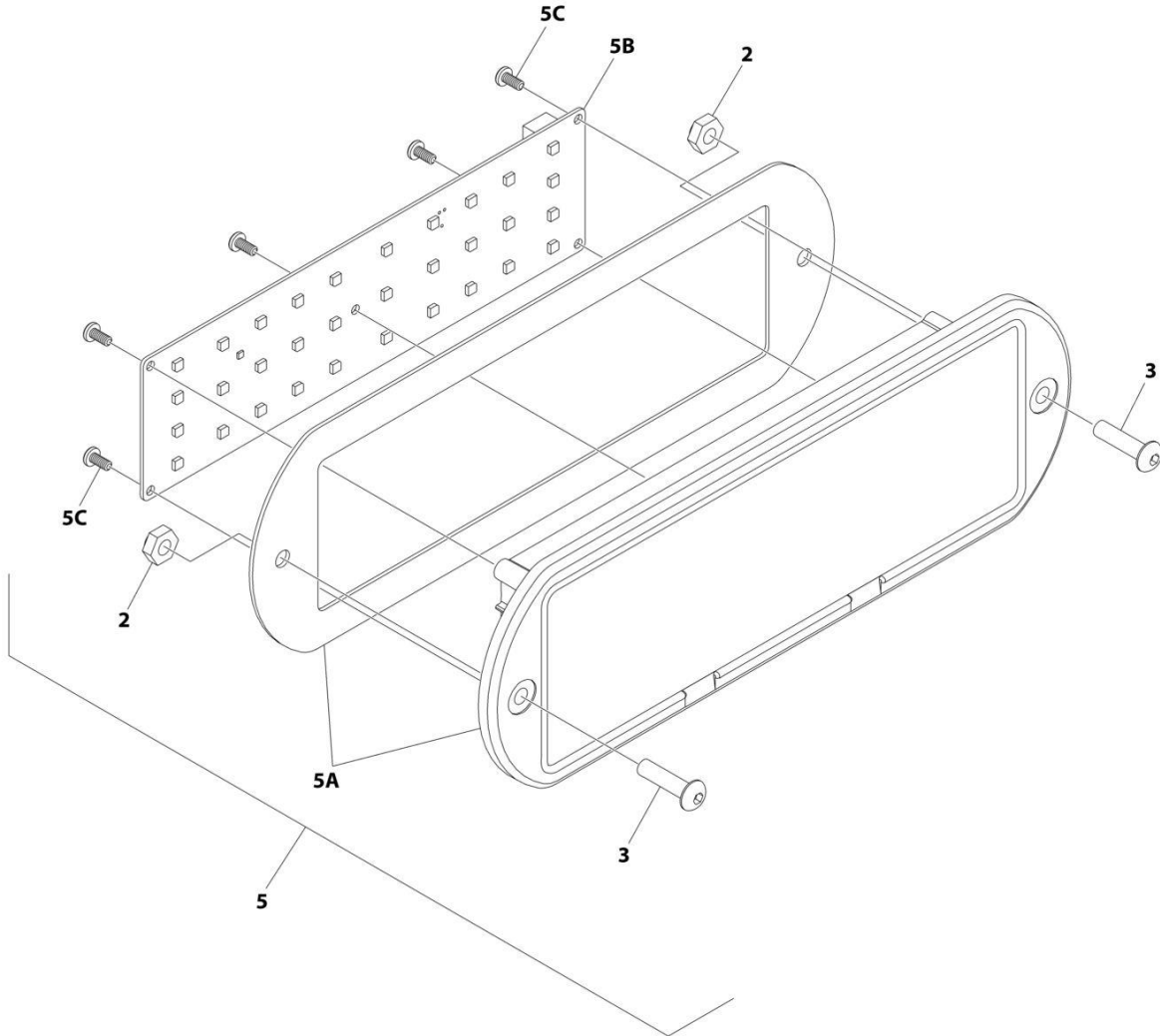
SECTION 2 - TURNTABLE

FIGURE 2-20. GROUND CONTROL ASSEMBLY - 450AJ WITH KUBOTA ENGINE (ANSI SPECS)

ITEM	PART NUMBER	QTY	DESCRIPTION	REV
	1001246449	Ref	GROUND CONTROL ASSEMBLY	B
1	0100011	AR	Compound, Locking	
2	0760812	2	Bolt M8 x 25	
3	3910804	3	Screw M8 x 1/4	
5	4360469	1	Switch, Key	
5	2860030	1	Key, Replacement	
6	4360475	1	Switch, Emergency	
6	7020175	1	Cap	
6	7020176	1	Block, Contact	
7	4360476	1	Block, Contact	
8	4811900	2	Washer M8	
9	5250810	1	Bolt M8 x 20	
10	5260800	1	Nut M8	
11	1001118274	2	Nut M8	
12	1001151393	1	Shim .063	
13	1001264735	1	Panel, Ground Control	
14	1001171482	1	Gauge, Display	
15	1001264734	1	Decal - Ground Control	
16	1001155043	7	Washer	
17	1001155044	7	Spacer	
18	1001155045	7	Switch, Toggle	
19	1001162807	7	Washer	

SECTION 2 - TURNTABLE

FIGURE 2-21. LIGHT PANEL INSTALLATION – GROUND CONTROL (USA & CHINA BUILT MACHINES)



ART_1001241403_10F2

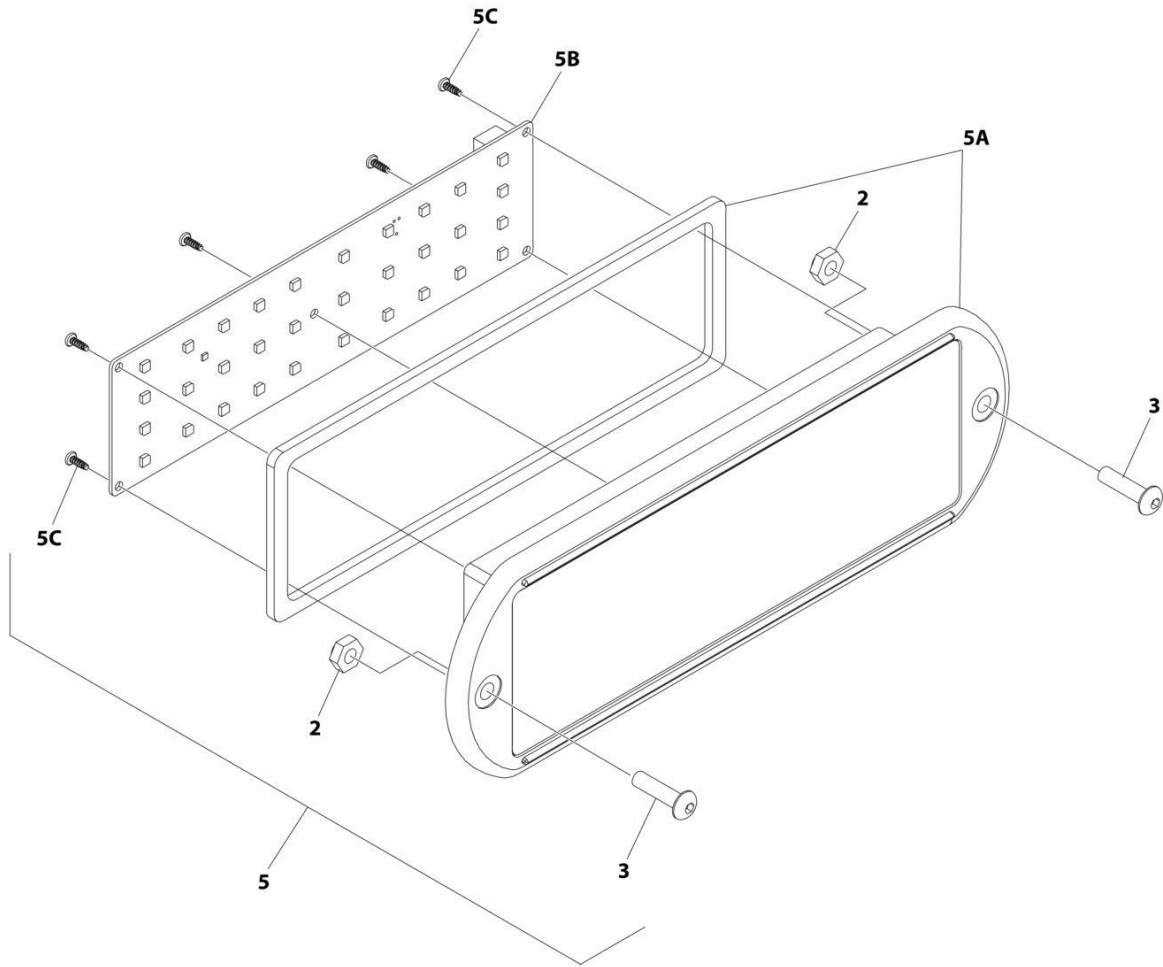
SECTION 2 - TURNTABLE

FIGURE 2-21. LIGHT PANEL INSTALLATION – GROUND CONTROL (USA & CHINA BUILT MACHINES)

ITEM	PART NUMBER	QTY	DESCRIPTION	REV
	1001241403	Ref	LIGHT PANEL INSTALLATION - GROUND CONTROL	C
2	3300408	2	Nut, Nylon Insert	
3	0630518	2	Screw #10 x 3/4	
5	1001238674	1	Light Panel Assembly	H
5A	1001236092	1	Lens Assembly (Includes Housing Shell, Decal/Lens with Icons & Gasket)	
5B	1001238732	1	Panel, LED Light	
5C		Ref	Screw	

SECTION 2 - TURNTABLE

FIGURE 2-22. LIGHT PANEL INSTALLATION – GROUND CONTROL (ROMANIAN BUILT MACHINES)



ART_1001241404_10F2

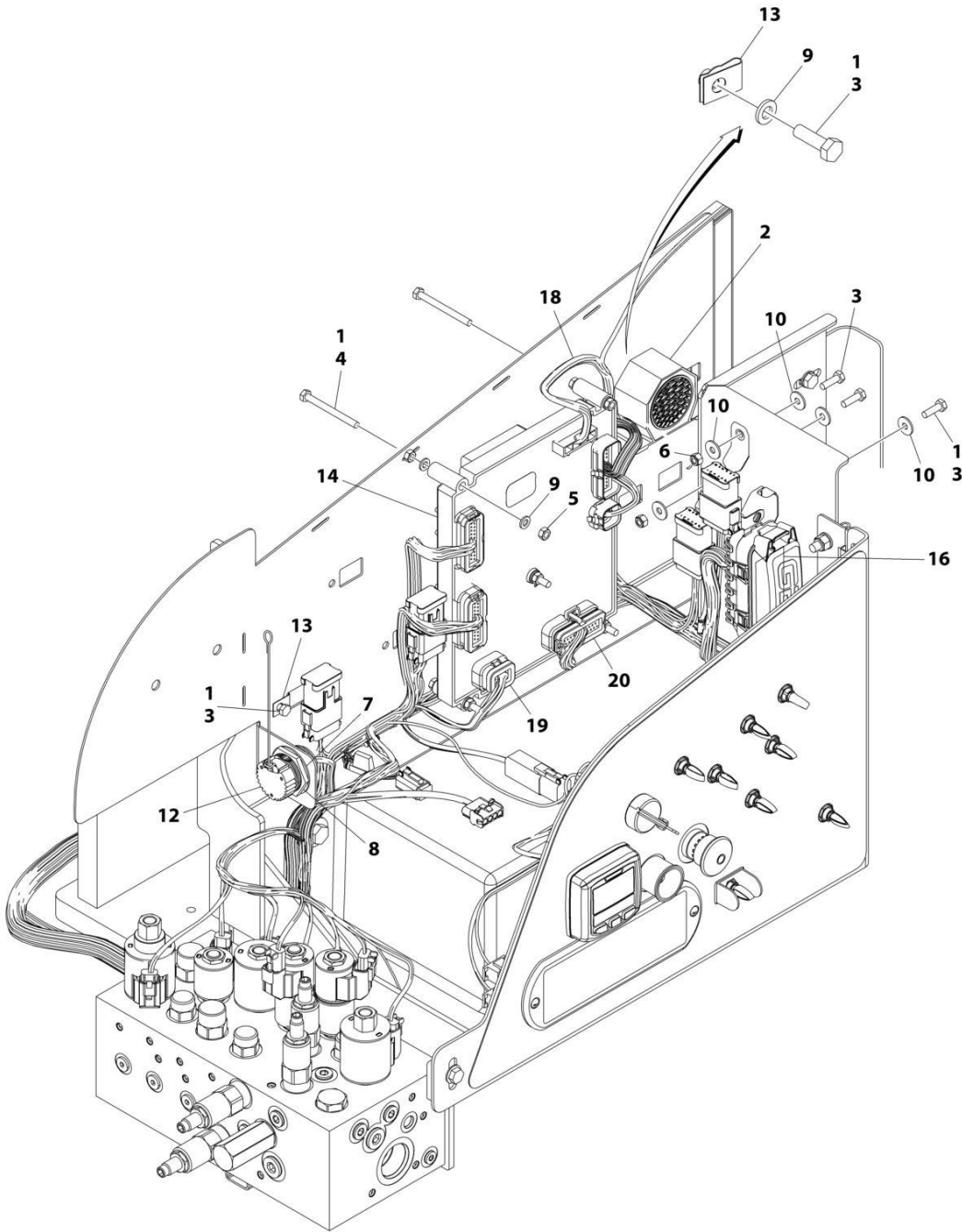
SECTION 2 - TURNTABLE

FIGURE 2-22. LIGHT PANEL INSTALLATION – GROUND CONTROL (ROMANIAN BUILT MACHINES)

ITEM	PART NUMBER	QTY	DESCRIPTION	REV
	1001241404	Ref	LIGHT PANEL INSTALLATION - GROUND CONTROL	B
2	3300408	2	Nut, Nylon Insert	
3	0630518	2	Screw #10 x 3/4	
5	1001237547	1	Light Panel Assembly	G
5A	1001236092	1	Lens, I-Con (Includes Gasket)	
5B	1001187807	1	Panel, LED Light	
5C		Ref	Screw	

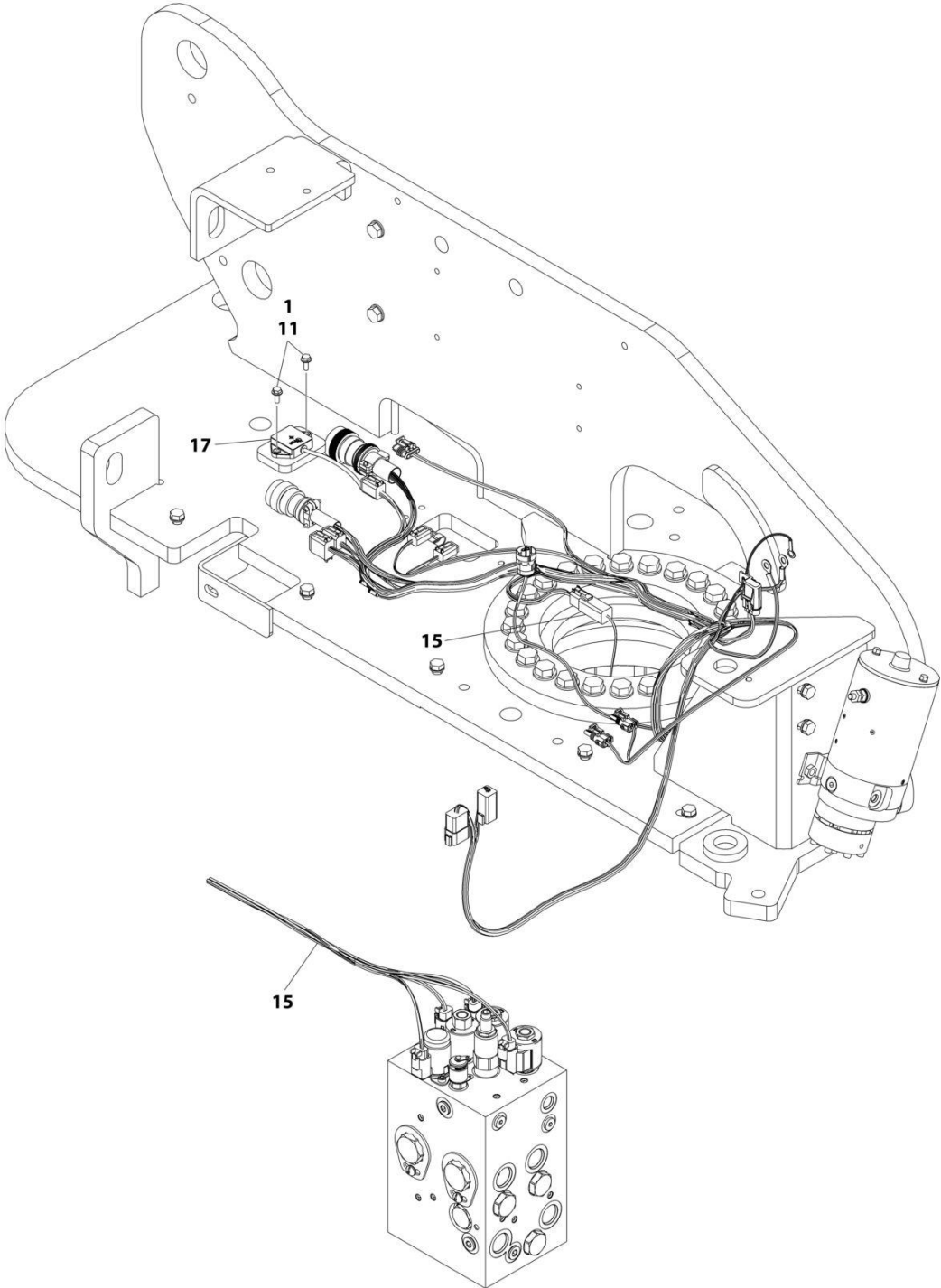
SECTION 2 - TURNTABLE

FIGURE 2-23. ELECTRICAL SYSTEM INSTALLATION



ART_1001246369_10F2

SECTION 2 - TURNTABLE



DETAIL OF TRACTION VALVE

ART_1001246369_2OF2

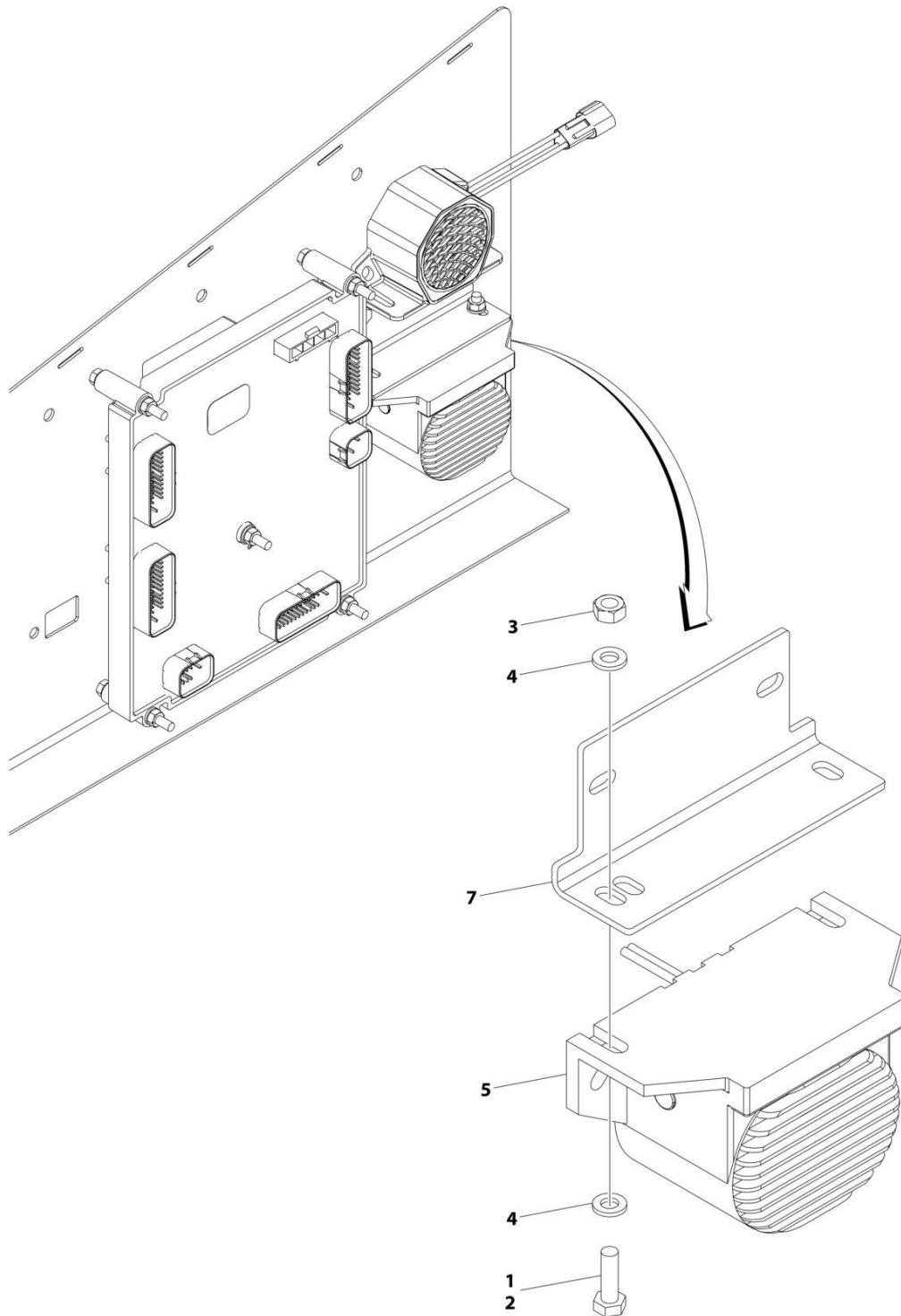
SECTION 2 - TURNTABLE

FIGURE 2-23. ELECTRICAL SYSTEM INSTALLATION

ITEM	PART NUMBER	QTY	DESCRIPTION	REV
	1001246369	Ref	ELECTRICAL SYSTEM INSTALLATION	A
1	0100011	AR	Compound, Locking	
2	0140043	1	Alarm	
3	0760610	7	Bolt M6 x 20	
4	0760621	5	Bolt M6 x 65	
5	3290601	10	Nut M6	
6	3290605	2	Nut M6	
7	4460496	1	Washer, Terminal	
8	4460497	1	Nut, Terminal	
9	4811700	12	Washer M6	
10	4811702	7	Washer M6	
11	5250608	2	Bolt M6 x 16	
12	1001106736	1	Cap, Dust	
13	1001130220	3	Nut, Tinnerman M6	
14	1001170094	1	Module, Ground Control	
	See Note	Ref	Note: Re-calibration Required when Replaced	
15	1001179236	1	Chassis Solenoid Harness (See Separate Breakdown in ELECTRICAL SECTION)	
16	1001196637	1	Decal - Fuse Box	
17	1001219601	1	Sensor	
17	See Note	1	Receptacle, Female - 4 Position (Note: Not Available for Purchase)	
17	See Note	4	Pin, Male (Note: Not Available for Purchase)	
18	1001244293	1	Turntable Harness (See Separate Breakdown in ELECTRICAL SECTION)	
19	1001244294	1	Valve Harness - Main Valve (See Separate Breakdown in ELECTRICAL SECTION)	
20	1001244295	1	Ground Control Panel Harness (See Separate Breakdown in ELECTRICAL SECTION)	

SECTION 2 - TURNTABLE

FIGURE 2-24. WHITE NOISE ALARM AMBIENT INSTALLATION



ART_1001209617

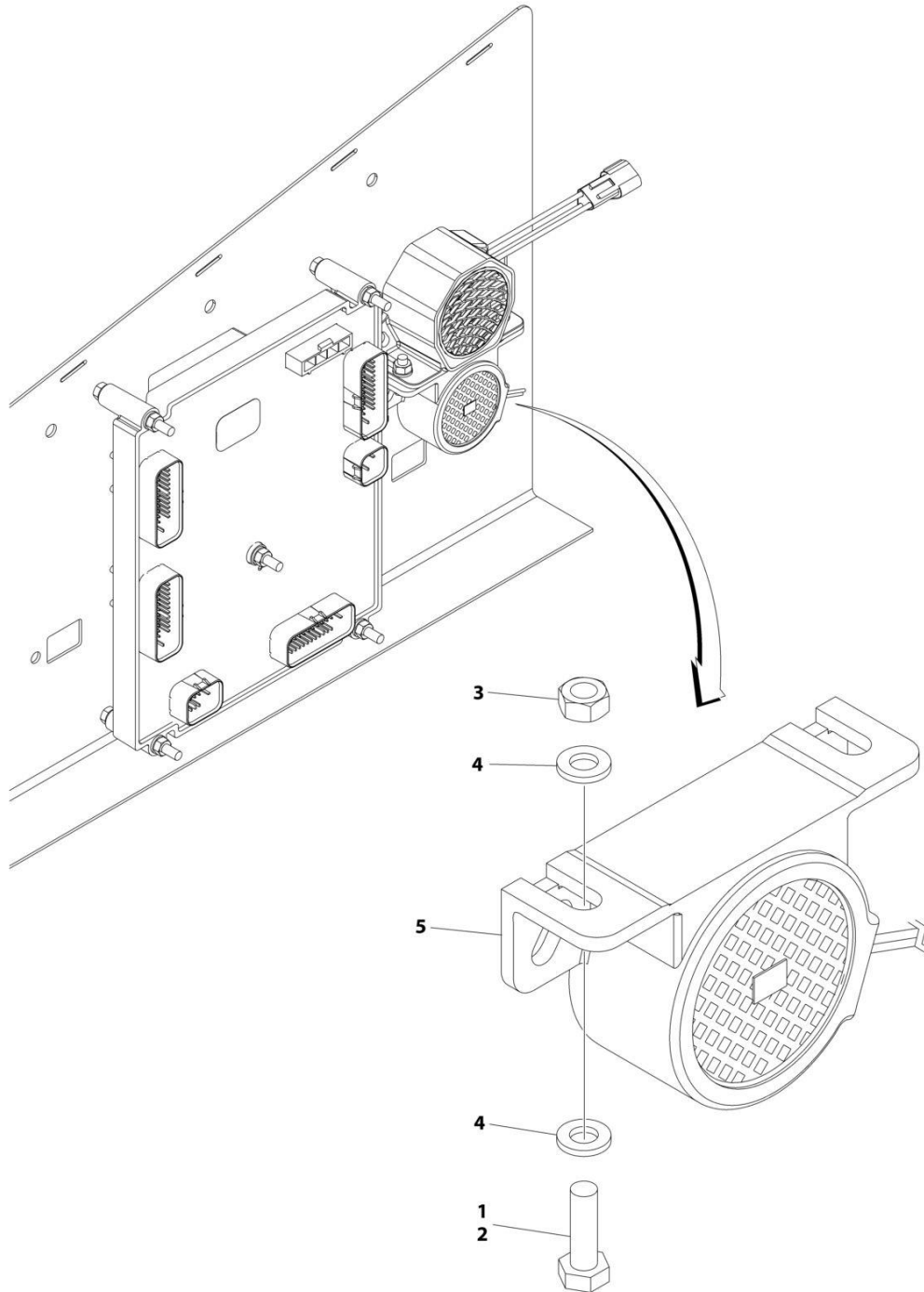
SECTION 2 - TURNTABLE

FIGURE 2-24. WHITE NOISE ALARM AMBIENT INSTALLATION

ITEM	PART NUMBER	QTY	DESCRIPTION	REV
	1001209617	Ref	WHITE NOISE AMBIENT ALARM INSTALLATION	C
1	0100011	AR	Compound, Locking	
2	0760610	2	Bolt M6 x 20	
3	3290601	2	Nut M6	
4	4811700	4	Washer M6	
5	1001182806	1	Alarm	
6	1001190663	1	Harness, Jumper (Not Shown)	
6	4460891	1	Connector – 2 Position	
6	4460465	2	Socket, Female	
6	4460871	2	Socket, Female	
7	1001231886	1	Plate	

SECTION 2 - TURNTABLE

FIGURE 2-25. WHITE NOISE ALARM INSTALLATION



ART_1001263174

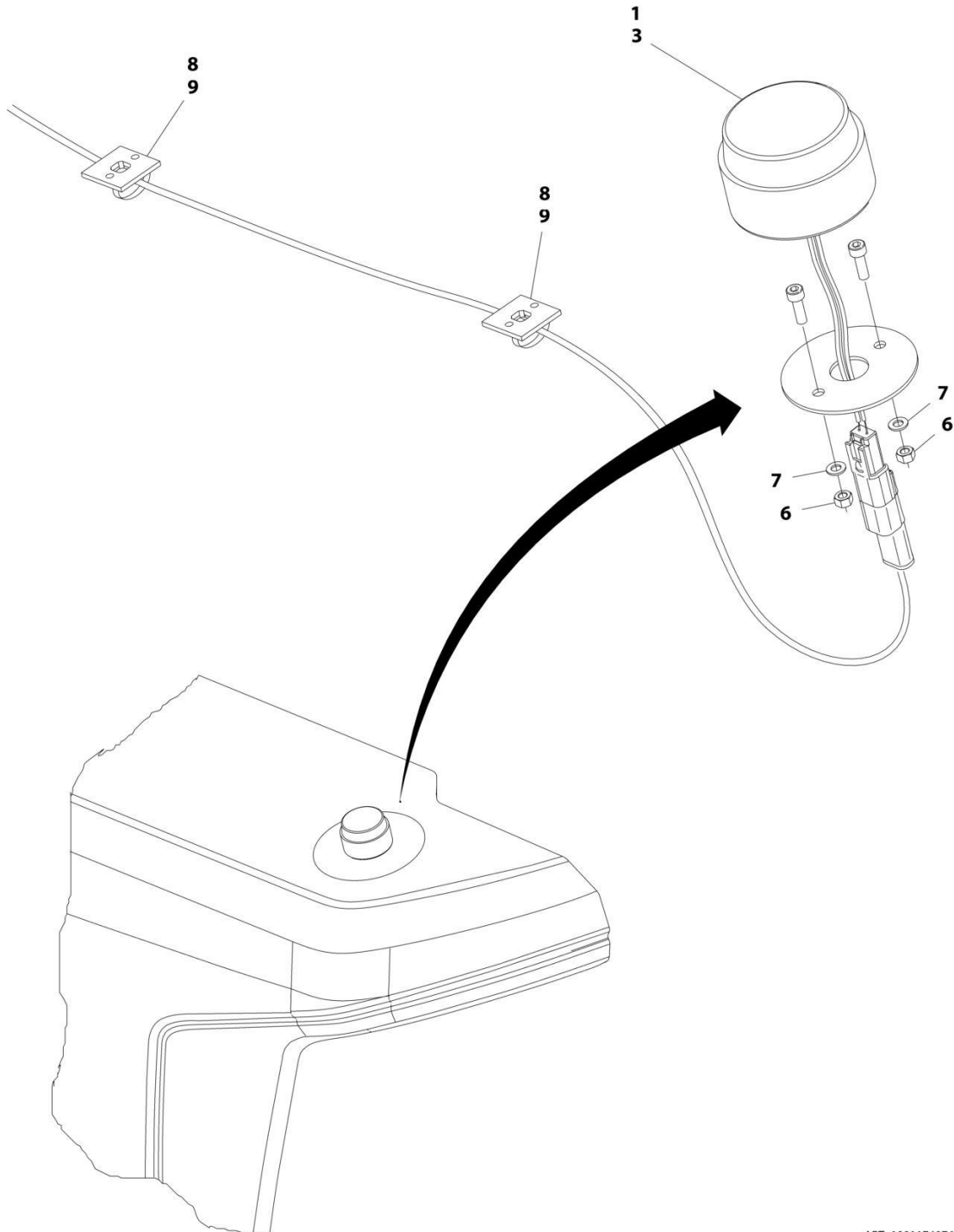
SECTION 2 - TURNTABLE

FIGURE 2-25. WHITE NOISE ALARM INSTALLATION

ITEM	PART NUMBER	QTY	DESCRIPTION	REV
	1001263174	Ref	WHITE NOISE ALARM INSTALLATION	A
1	0100011	AR	Compound, Locking	
2	0760610	2	Bolt M6 x 20	
3	3290601	2	Nut M6	
4	4811700	4	Washer M6	
5	1001184682	1	Alarm	
6	1001190663	1	Harness, Jumper (Not Shown)	
6	4460891	1	Connector – 2 Position	
6	4460465	2	Socket, Female	
6	4460871	2	Socket, Female	

SECTION 2 - TURNTABLE

FIGURE 2-26. BEACON LIGHT INSTALLATION - AMBER



ART_1001174976

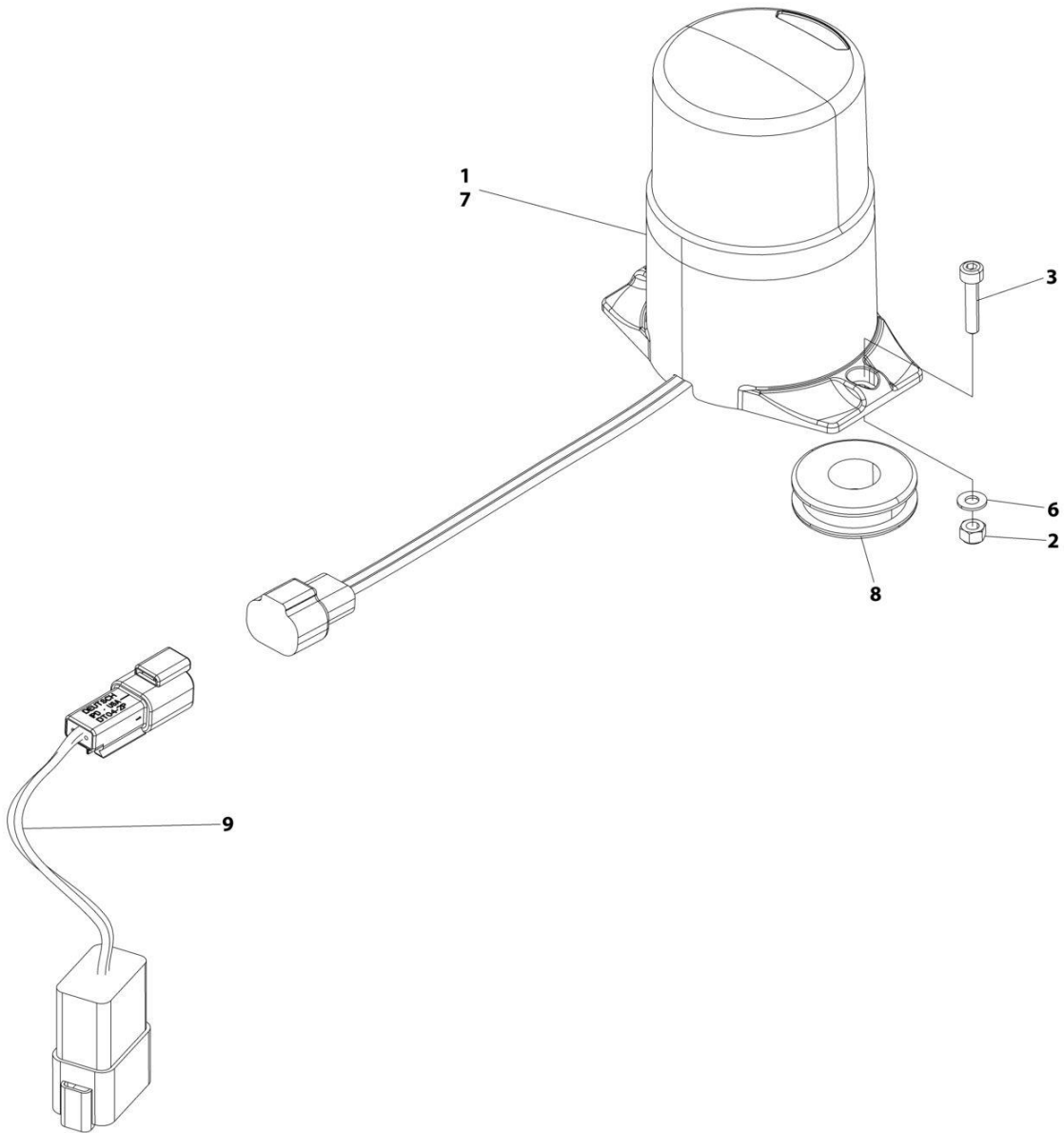
SECTION 2 - TURNTABLE

FIGURE 2-26. BEACON LIGHT INSTALLATION - AMBER

ITEM	PART NUMBER	QTY	DESCRIPTION	REV
	1001174976	Ref	BEACON LIGHT INSTALLATION - AMBER	D
1	0100048	AR	Compound, Silicone	
3	1001181405	1	Lamp, Strobe	
3	4460897	1	Receptacle, Female - 2 Position	
3	4460464	2	Pin, Male	
6	3290505	2	Nut M5	
7	4811600	2	Washer M5	
8	4240032	AR	Tie-Strap	
9	4460234	2	Mount, Tie-Strap	

SECTION 2 - TURNTABLE

FIGURE 2-27. BEACON LIGHT INSTALLATION - ORANGE



ART_1001266664

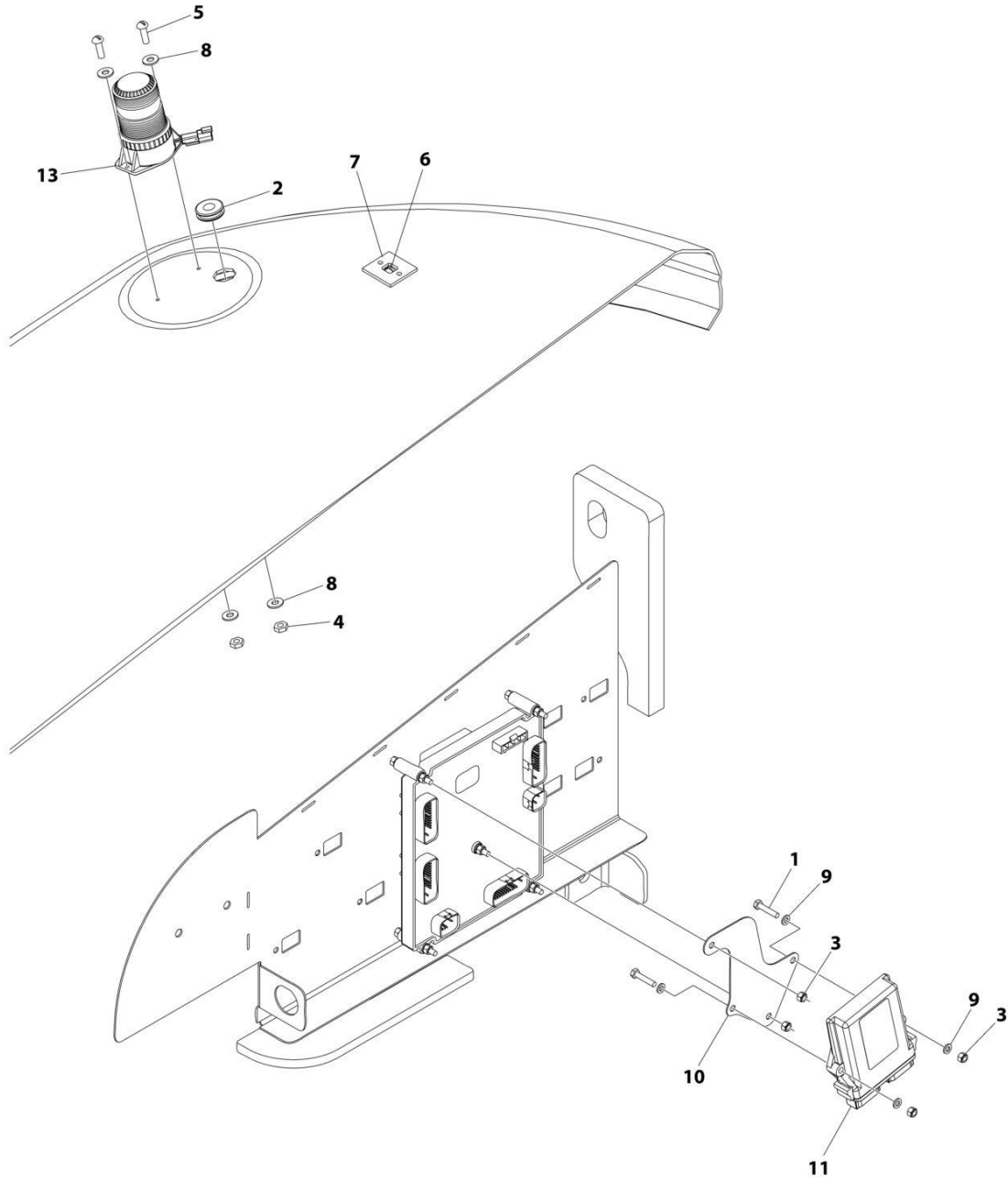
SECTION 2 - TURNTABLE

FIGURE 2-27. BEACON LIGHT INSTALLATION - ORANGE

ITEM	PART NUMBER	QTY	DESCRIPTION	REV
	1001266664	Ref	BEACON LIGHT INSTALLATION - AMBER	B
1	0100048	AR	Compound, Silicone	
2	3290405	2	Nut, Lock M4	
3	4031508	2	Capscrew M4 x 20	
4	4240032	AR	Tie-Strap (Not Shown)	
5	4460234	AR	Mount, Tie-Strap (Not Shown)	
6	4811400	2	Washer M4	
7	1001233479	1	Lamp, Strobe	
7	4460891	1	Connector	
7	4460465	2	Socket	
8	2540020	1	Grommet	
9	1001283776	1	Harness, Beacon Jumper (See Separate Breakdown in ELECTRICAL Section)	

SECTION 2 - TURNTABLE

FIGURE 2-28. BEACON LIGHT INSTALLATION - BLUE



ART_1001242855

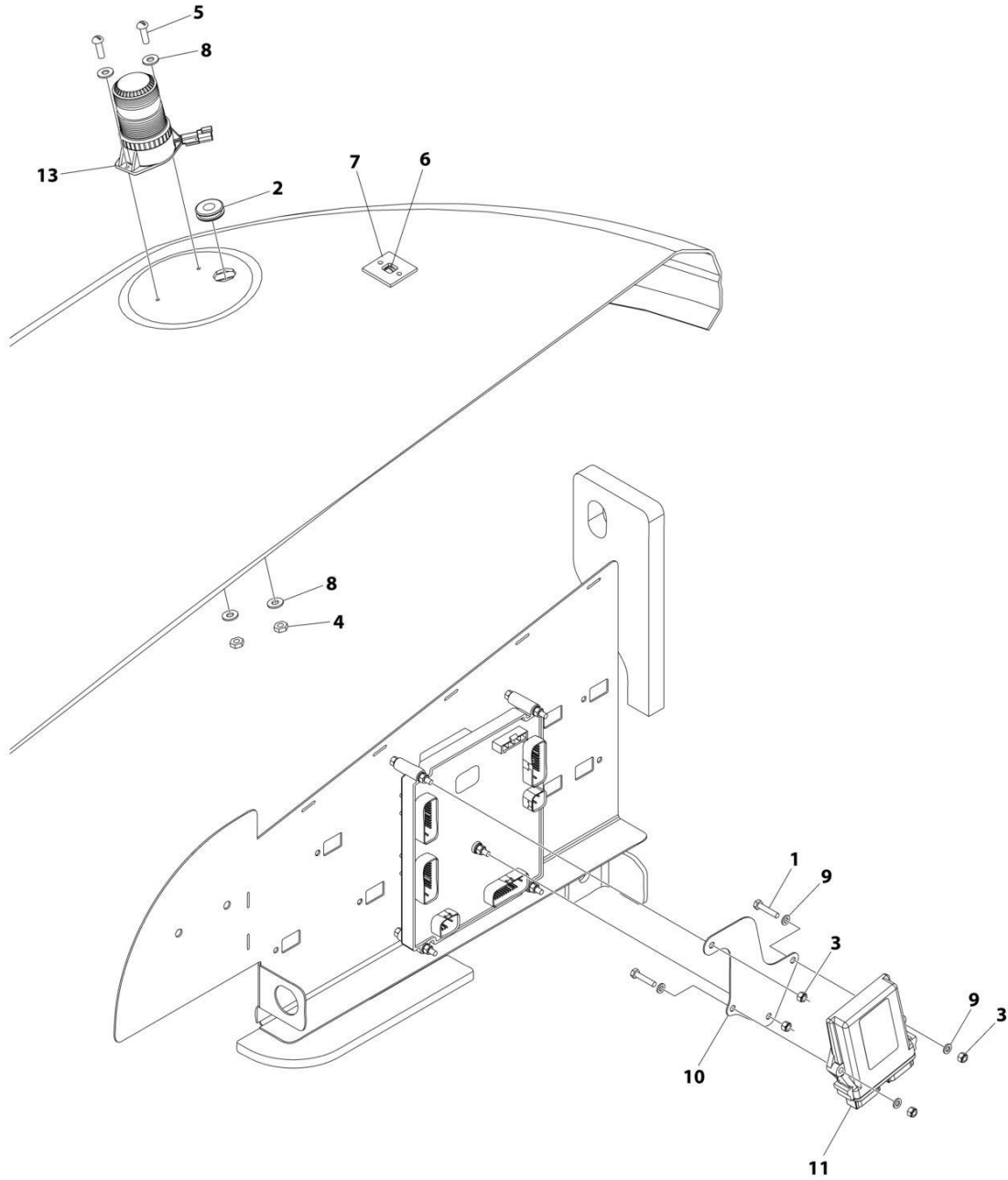
SECTION 2 - TURNTABLE

FIGURE 2-28. BEACON LIGHT INSTALLATION - BLUE

ITEM	PART NUMBER	QTY	DESCRIPTION	REV
	1001242855	Ref	BEACON LIGHT INSTALLATION - BLUE	A
1	0760614	2	Bolt M6 x 30	
2	2540020	1	Grommet	
3	3290605	4	Nut M6	
4	3311005	2	Nut #10	
5	3911010	2	Screw #10 x 5/8	
6	4240032	AR	Tie-Strap	
7	4460488	AR	Terminal, Mounting	
8	4711000	4	Washer #10	
9	4811700	4	Washer M6	
10	1001100433	1	Mount, Module	
11	1001142683	1	Module, Control	
12	1001142736	1	Beacon Harness (Not Shown - See Separate Breakdown in ELECTRICAL SECTION)	
13	1001200910	1	Light, Beacon	
13	4460897	1	Receptacle, Female - 2 Position	
13	4460943	2	Pin, Male	

SECTION 2 - TURNTABLE

FIGURE 2-29. BEACON LIGHT INSTALLATION - RED



ART_1001242856

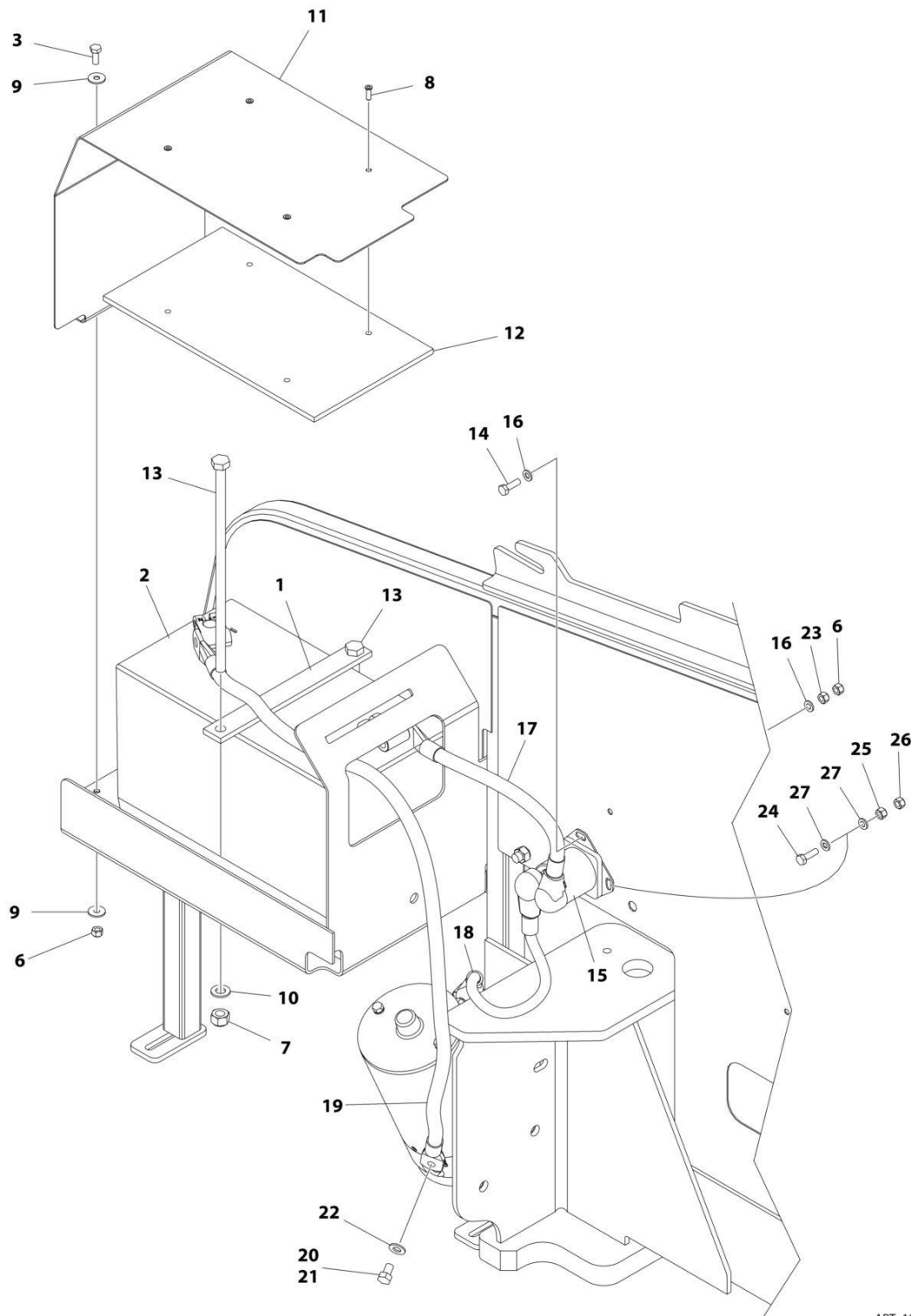
SECTION 2 - TURNTABLE

FIGURE 2-29. BEACON LIGHT INSTALLATION - RED

ITEM	PART NUMBER	QTY	DESCRIPTION	REV
	1001242856	Ref	BEACON LIGHT INSTALLATION - RED	A
1	0760614	2	Bolt M6 x 30	
2	2540020	1	Grommet	
3	3290605	4	Nut M6	
4	3311005	2	Nut #10	
5	3911010	2	Screw #10 x 5/8	
6	4240032	AR	Tie-Strap	
7	4460488	AR	Terminal, Mounting	
8	4711000	4	Washer #10	
9	4811700	4	Washer M6	
10	1001100433	1	Mount, Module	
11	1001142683	1	Module, Control	
12	1001142736	1	Beacon Harness (Not Shown - See Separate Breakdown in ELECTRICAL Section)	
13	1001207004	1	Light, Beacon	
13	4460897	1	Receptacle, Female - 2 Position	
13	4460943	2	Pin, Male	

SECTION 2 - TURNTABLE

FIGURE 2-30. BATTERY AND CABLE INSTALLATION - USA AND CHINA BUILT MACHINES



ART_1001166316_H

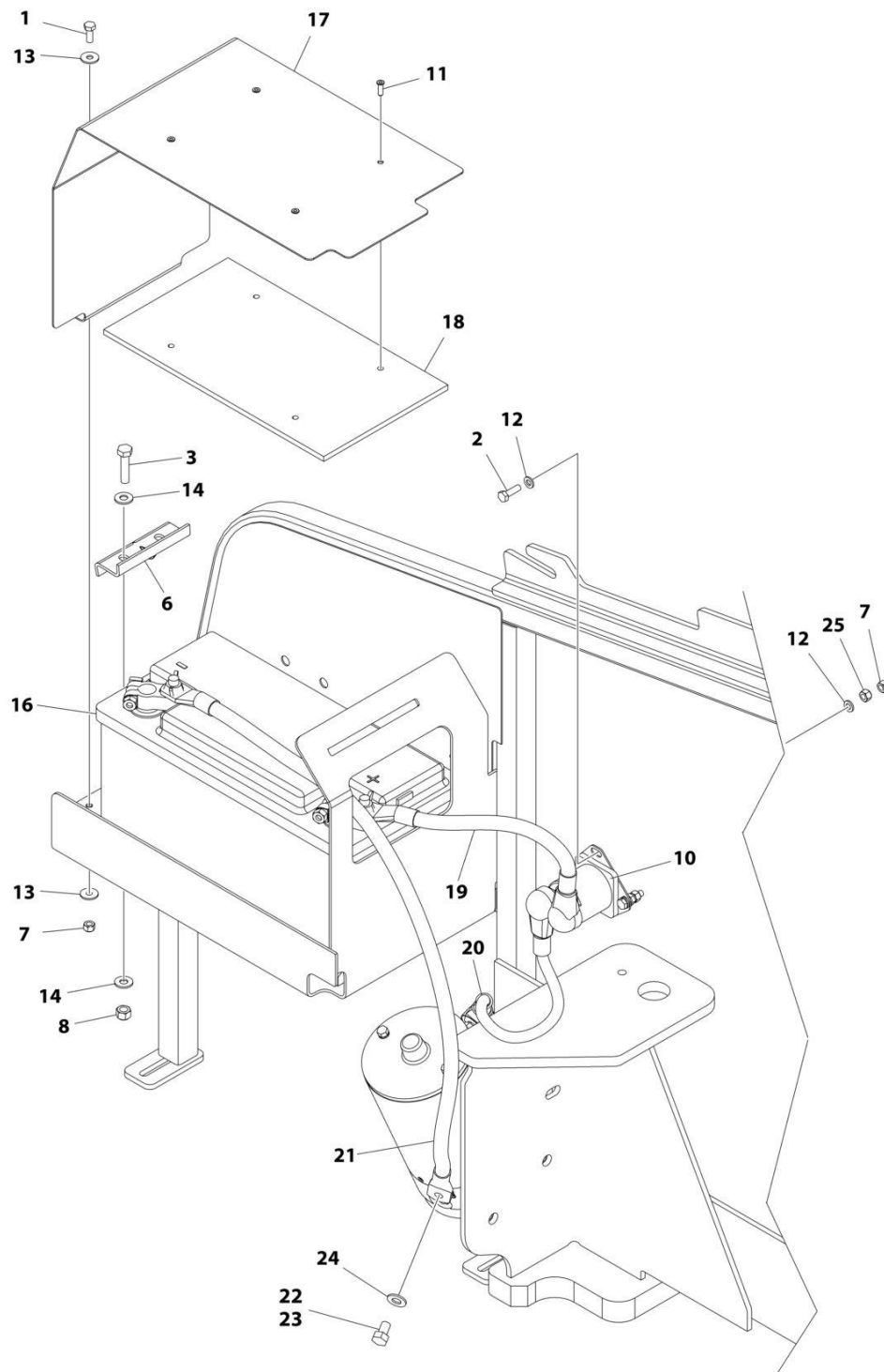
SECTION 2 - TURNTABLE

FIGURE 2-30. BATTERY AND CABLE INSTALLATION - USA AND CHINA BUILT MACHINES

ITEM	PART NUMBER	QTY	DESCRIPTION	REV
	1001166316	Ref	BATTERY AND CABLE INSTALLATION	H
1	0361810	1	Bar, Hold-down	
2	0400075	1	Battery	
3	0760610	2	Bolt M6 x 20	
6	3290605	3	Nut M6	
7	3291005	2	Nut M10	
8	3820032	4	Rivet	
9	4811702	4	Washer M6	
10	4812000	2	Washer M10	
11	1001117240	1	Cover	
12	1001119278	1	Insulation	
13	1001119280	2	Bolt M16 x 260	
14	0760612	1	Bolt M6 x 25	
15	3740067	1	Relay	
15	3300220	2	Nut 3/8	
15	1001111424	2	Washer 3/8	
15	3321001	1	Nut #10	
15	4761000	1	Washer #10	
16	4811700	2	Washer M6	
17	1001171678	1	Cable, Battery (Positive + to Aux Relay)	
18	1001171679	1	Cable, Battery (Aux Relay to Aux Pump)	
19	1001171680	1	Cable, Battery (Negative - to Aux Pump)	
20	0100011	AR	Compound, Locking	
21	0641504	1	Bolt 5/16 x 1/2	
22	4711500	1	Washer 5/16	
23	3290601	2	Nut M6	
24	0760512	1	Bolt M5 x 25	
25	3290501	1	Nut M5	
26	3290505	1	Nut M5	
27	4811600	2	Washer M5	

SECTION 2 - TURNTABLE

FIGURE 2-31. BATTERY AND CABLE INSTALLATION - ROMANIAN BUILT MACHINES



ART_1001166317_G

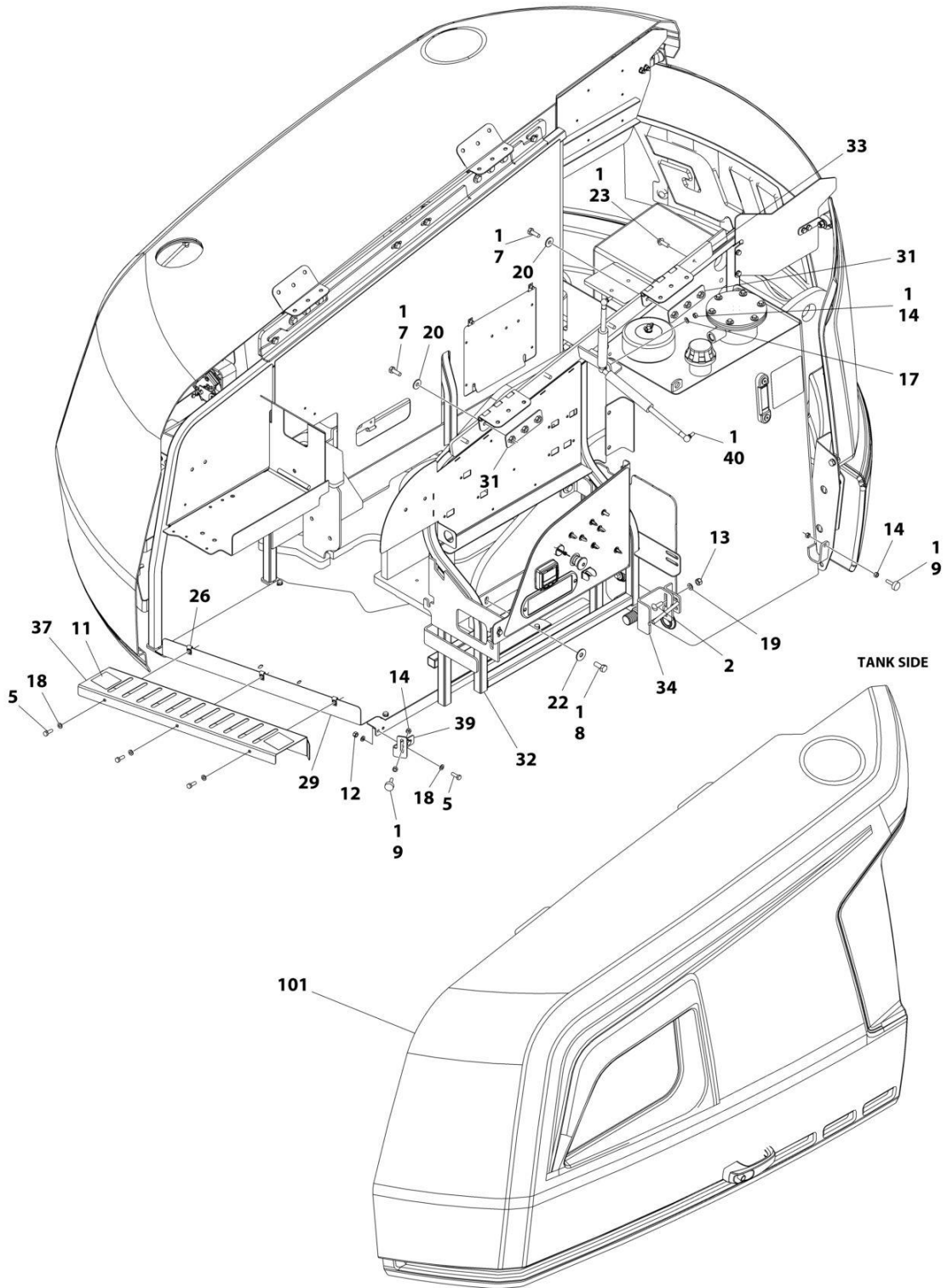
SECTION 2 - TURNTABLE

FIGURE 2-31. BATTERY AND CABLE INSTALLATION - ROMANIAN BUILT MACHINES

ITEM	PART NUMBER	QTY	DESCRIPTION	REV
	1001166317	Ref	BATTERY AND CABLE INSTALLATION	G
1	0760610	2	Bolt M6 x 20	
2	0760612	2	Bolt M6 x 25	
3	0760815	2	Bolt M8 x 35	
6	1787217	1	Clamp	
7	3290605	4	Nut M6	
8	3290805	2	Nut M8	
10	3740067	1	Relay	
10	3300220	2	Nut 3/8	
10	1001111424	2	Washer 3/8	
10	3321001	1	Nut #10	
10	4761000	1	Washer #10	
11	3820032	4	Rivet	
12	4811700	4	Washer M6	
13	4811702	4	Washer M6	
14	4811900	4	Washer M8	
16	8008750	1	Battery	
17	1001117240	1	Cover	
18	1001119278	1	Insulation	
19	1001205752	1	Cable, Battery (Positive + to Aux Relay)	
20	1001171679	1	Cable, Battery (Aux Relay to Aux Pump)	
21	1001205750	1	Cable, Battery (Negative – to Aux Pump)	
22	0100011	AR	Compound, Locking	
23	0641504	1	Bolt 5/16 x 1/2	
24	4711500	1	Washer 5/16	
25	3290601	2	Nut M6	

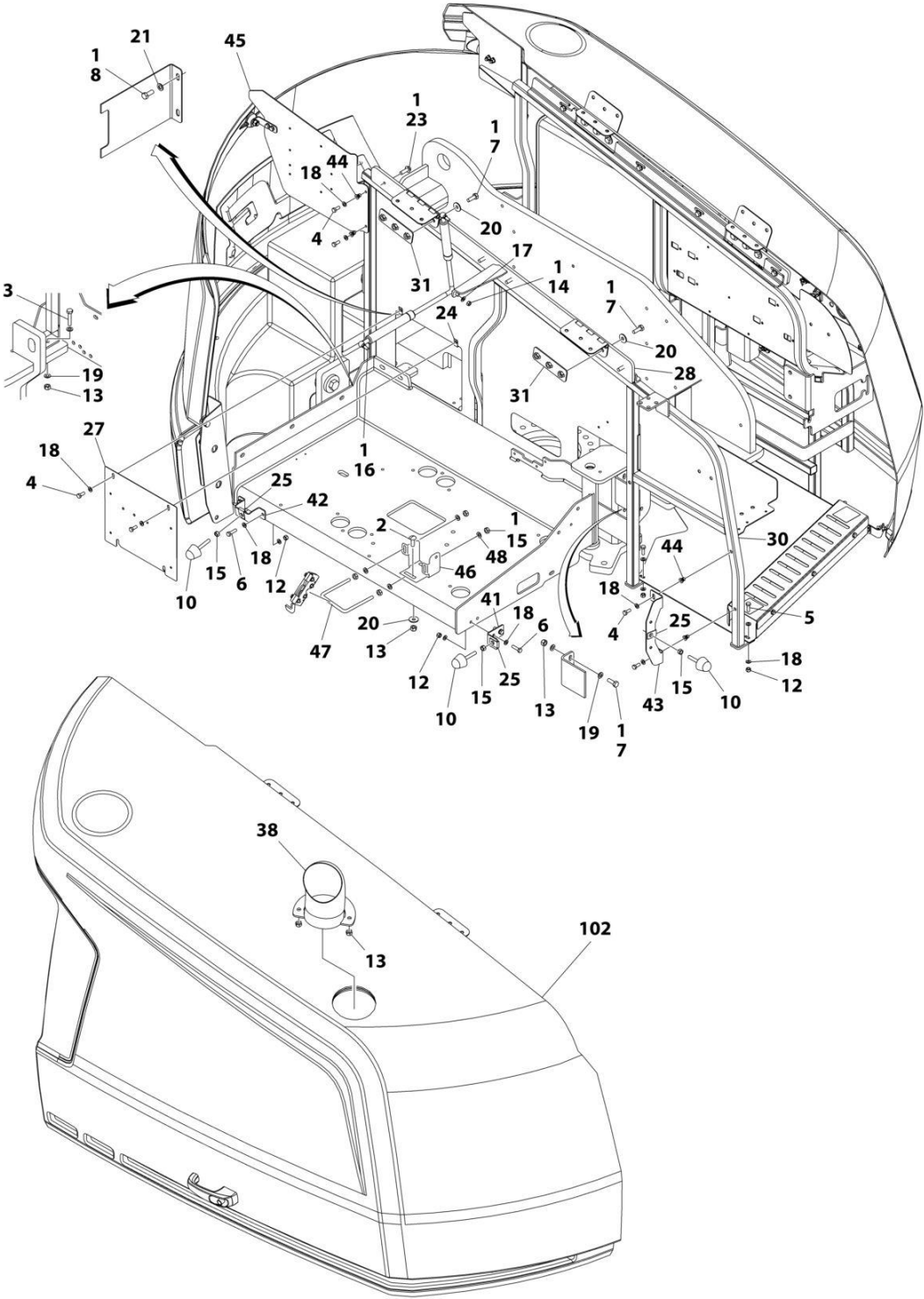
SECTION 2 - TURNTABLE

FIGURE 2-32. HOODS INSTALLATION - 450A WITH DEUTZ ENGINES



ART_1001219201_F_10F2

SECTION 2 - TURNTABLE



ART_1001219201_F_20F2

SECTION 2 - TURNTABLE

FIGURE 2-32. HOODS INSTALLATION - 450A WITH DEUTZ ENGINES

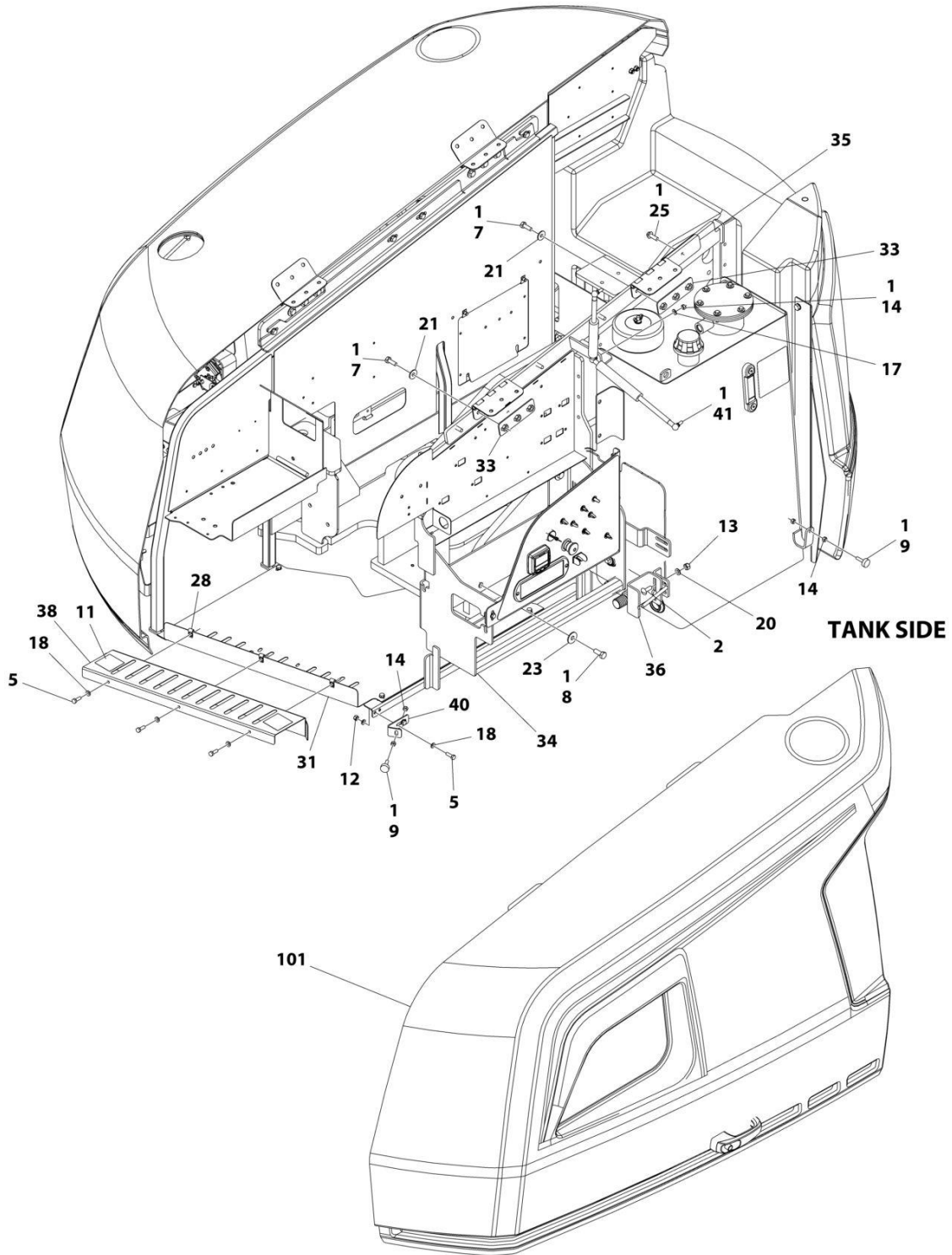
ITEM	PART NUMBER	QTY	DESCRIPTION	REV
	1001219201	Ref	HOODS INSTALLATION	F
1	0100011	AR	Compound, Locking	
2	0630613	4	Bolt M10 x 30	
3	0701018	5	Bolt M10 x 50	
4	0760810	4	Bolt M8 x 20	
5	0760812	11	Bolt M8 x 25	
6	0760814	4	Bolt M8 x 30	
7	0761014	14	Bolt M10 x 30	
8	0761214	6	Bolt M12 x 30	
9	0940049	2	Bumper	
10	0940071	3	Bumper	
11	1701691	2	Decal - No Step	
12	3290805	10	Nut M8	
13	3291005	14	Nut M10	
14	3311501	6	Nut 5/16	
15	3311601	7	Nut 3/8	
16	4160182	1	Spring, Gas	
17	4711500	2	Washer 5/16	
18	4811900	29	Washer M8	
19	4812000	16	Washer M10	
20	4812002	14	Washer M10	
21	4812100	2	Washer M12	
22	4812102	4	Washer M12	
23	5251014	8	Bolt M10 x 30	
24	8310686	2	Nut, Retainer M8	
25	88662523	3	Nut, Tinnerman	
26	1001118274	3	Nut M8	
27	1001167149	1	Panel, Filler	
28	1001167159	1	Mount	
29	1001167163	1	Tray	
30	1001167169	1	Mount	
31	1001169046	4	Nut	
32	1001211716	1	Support, Hood	
33	1001170018	1	Mount	
34	1001170022	1	Mount	
37	1001171216	1	Cover	
38	1001174098	1	Pipe, Exhaust	
39	1001179904	1	Mount	
40	1001182169	1	Spring, Gas	
41	1001182875	1	Mount	
42	1001182877	1	Mount	
43	1001182879	1	Mount	
44	1001191832	4	Rivnut M8	
45	1001211717	1	Support	
46	1001250291	1	Bracket	
47	1001243414	1	U-Bolt	
48	4891600	1	Washer 3/8	
100	1001285598	1	Hood Kit (Includes Items 101-102)	A
101	1001285597	1	Hood Assembly - Tank Side (See Separate Breakdown in this Section)	

SECTION 2 - TURNTABLE

ITEM	PART NUMBER	QTY	DESCRIPTION	REV
102	1001172833	1	Hood Assembly - Engine Side (See Separate Breakdown in this Section)	

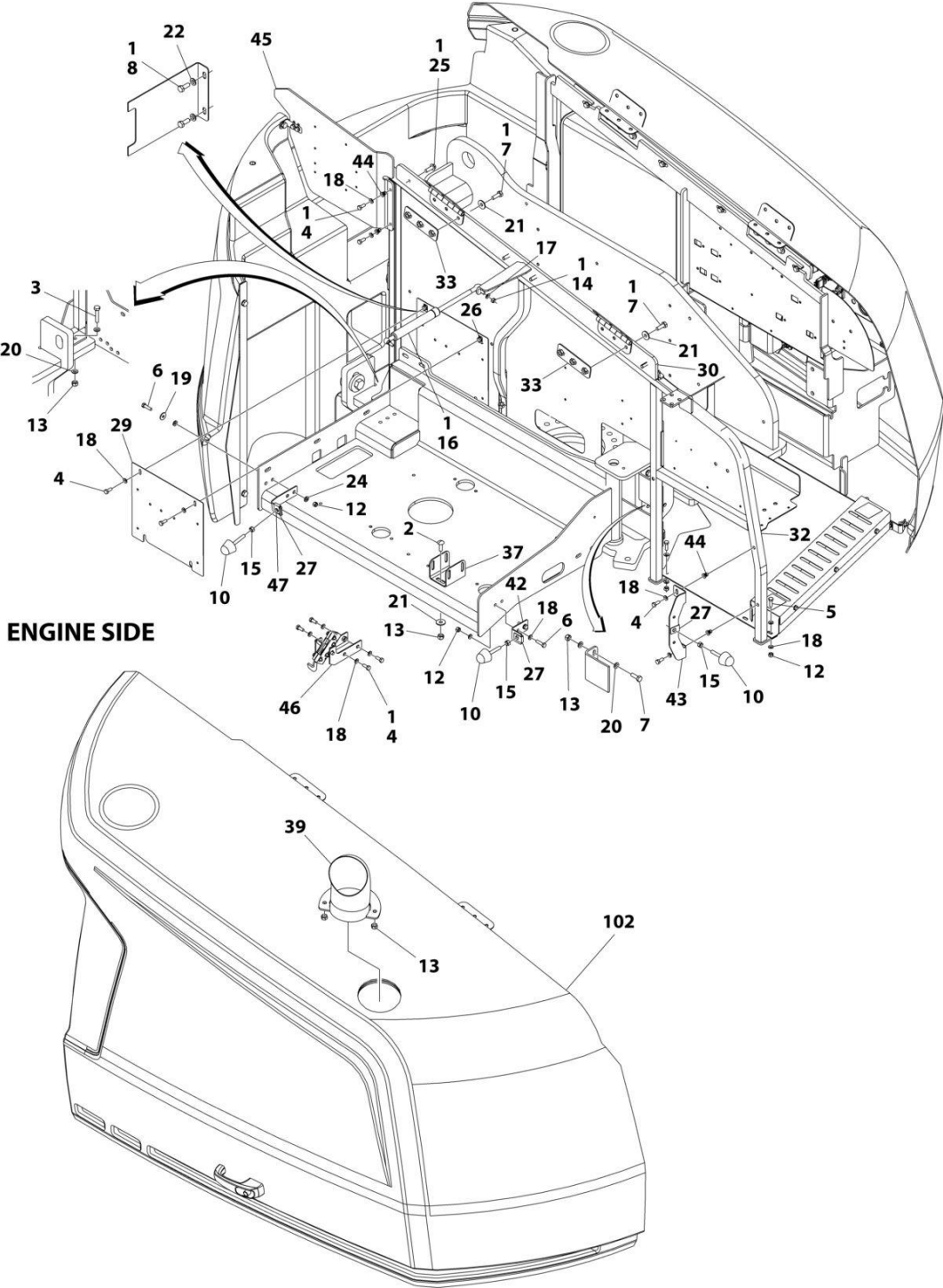
SECTION 2 - TURNTABLE

FIGURE 2-33. HOODS INSTALLATION - 450A WITH KUBOTA ENGINE



ART_1001219202_1OF2

SECTION 2 - TURNTABLE



ART_1001219202_20F2

SECTION 2 - TURNTABLE

FIGURE 2-33. HOODS INSTALLATION - 450A WITH KUBOTA ENGINE

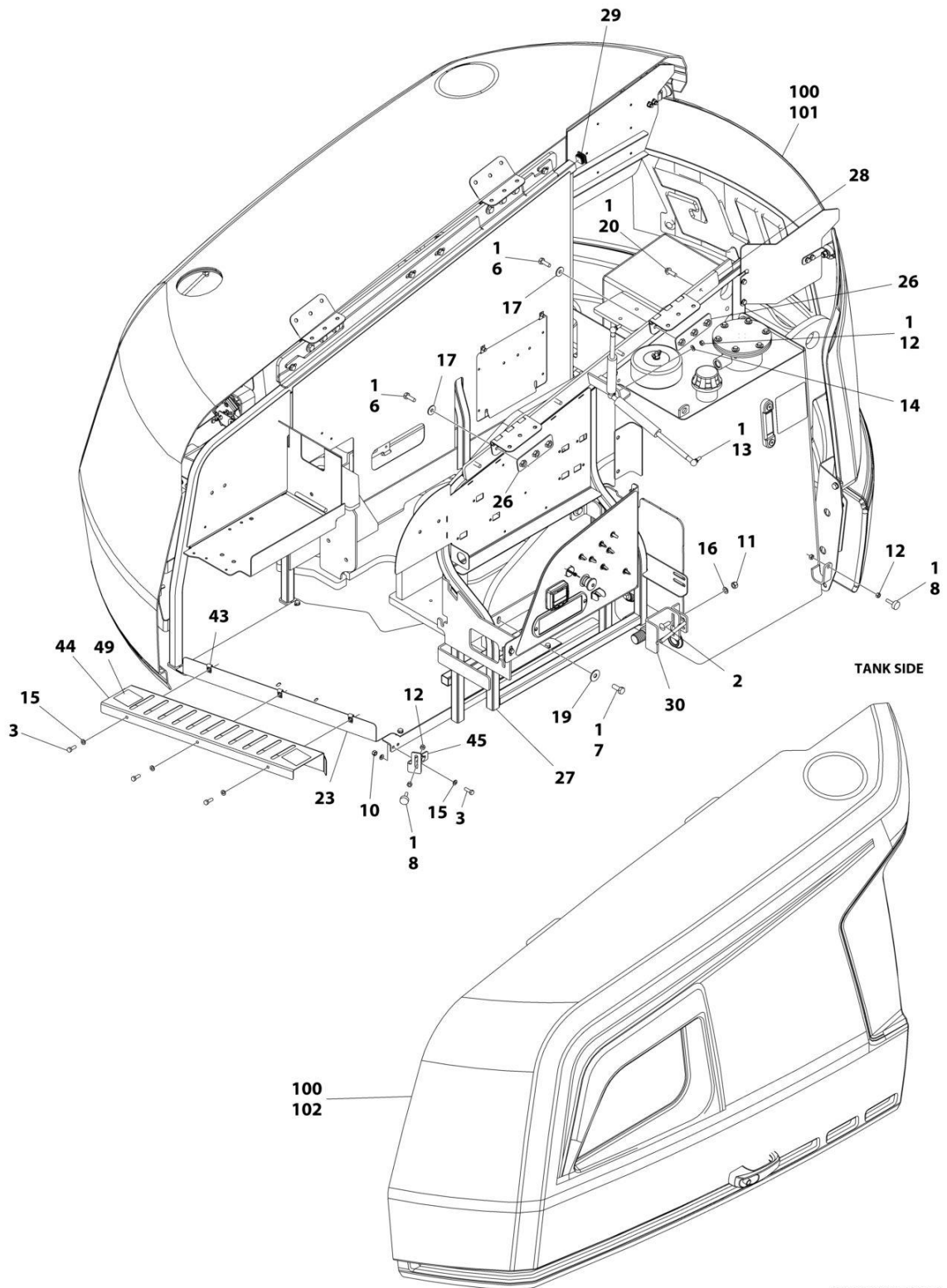
ITEM	PART NUMBER	QTY	DESCRIPTION	REV
	1001219202	Ref	HOODS INSTALLATION – 450A WITH KUBOTA ENGINE	D
1	0100011	AR	Compound, Locking	
2	0630613	4	Bolt M10 x 30	
3	0701018	5	Bolt M10 x 50	
4	0760810	10	Bolt M8 x 20	
5	0760812	11	Bolt M8 x 25	
6	0760814	4	Bolt M8 x 30	
7	0761014	14	Bolt M10 x 30	
8	0761214	6	Bolt M12 x 30	
9	0940049	2	Bumper	
10	0940071	3	Bumper	
11	1701691	2	Decal - No Step	
12	3290805	10	Nut M8	
13	3291005	14	Nut M10	
14	3311501	6	Nut 5/16	
15	3311601	3	Nut 3/8	
16	4160182	1	Spring, Gas	
17	4711500	2	Washer 5/16	
18	4811900	29	Washer M8	
19	4811902	2	Washer M8	
20	4812000	16	Washer M10	
21	4812002	14	Washer M10	
22	4812100	2	Washer M12	
23	4812102	4	Washer M12	
24	5240800	4	Washer M8	
25	5251014	8	Bolt M10 x 30	
26	8310686	2	Nut, Retainer M8	
27	88662523	3	Nut, Tinnerman	
28	1001118274	3	Nut M8	
29	1001167149	1	Panel, Filler	
30	1001167159	1	Mount	
31	1001167163	1	Tray	
32	1001167169	1	Mount	
33	1001169046	4	Nut	
34	1001211716	1	Support, Hood	
35	1001170018	1	Mount	
36	1001170022	1	Mount	
37	1001170859	1	Mount	
38	1001171216	1	Cover	
39	1001174098	1	Pipe, Exhaust	
40	1001179904	1	Mount	
41	1001182169	1	Spring, Gas	
42	1001182875	1	Mount	
43	1001182879	1	Mount	
44	1001191832	4	Rivnut M8	
45	1001211717	1	Support	
46	1001215394	1	Support	
47	1001216677	1	Bracket	
100	1001285598	1	Hood Kit (Includes Items 101-102)	A
101	1001285597	1	Hood Assembly - Tank Side (See Separate Breakdown in this	

SECTION 2 - TURNTABLE

ITEM	PART NUMBER	QTY	DESCRIPTION	REV
102	1001172833	1	Section) Hood Assembly - Engine Side (See Separate Breakdown in this Section)	

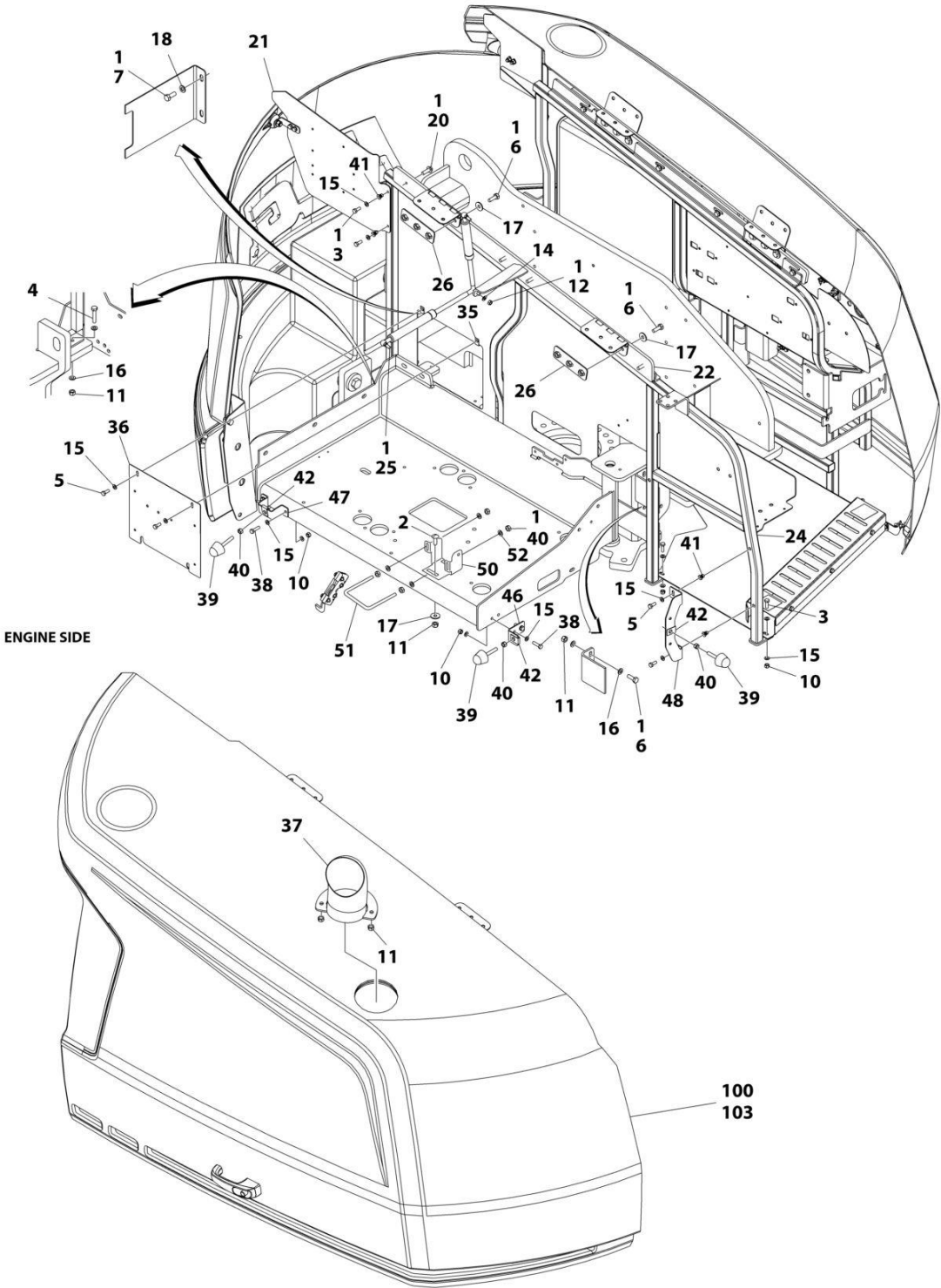
SECTION 2 - TURNTABLE

FIGURE 2-34. HOODS INSTALLATION - 450AJ WITH DEUTZ ENGINES (USA & CHINA BUILT MACHINES)



ART_1001165622_P_10F2

SECTION 2 - TURNTABLE



ART_1001165622_P_20F2

SECTION 2 - TURNTABLE

FIGURE 2-34. HOODS INSTALLATION - 450AJ WITH DEUTZ ENGINES (USA & CHINA BUILT MACHINES)

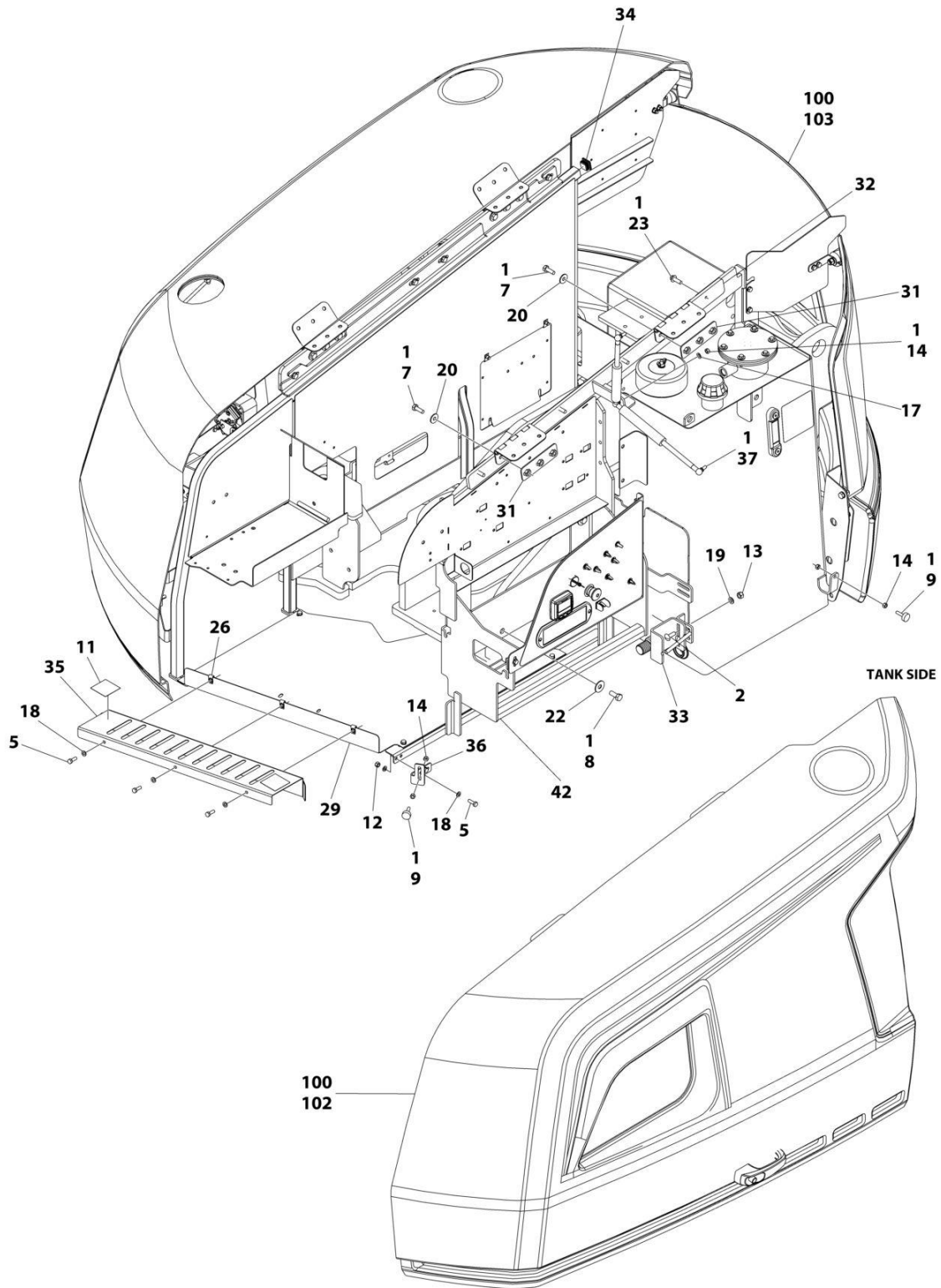
ITEM	PART NUMBER	QTY	DESCRIPTION	REV
	1001165622	Ref	HOODS INSTALLATION	P
1	0100011	AR	Compound, Locking	
2	0630613	4	Bolt M10 x 30	
3	0760812	11	Bolt M8 x 25	
4	0701018	5	Bolt M10 x 50	
5	0760810	4	Bolt M8 x 20	
6	0761014	14	Bolt M10 x 30	
7	0761214	6	Bolt M12 x 30	
8	0940049	2	Bumper	
10	3290805	10	Nut M8	
11	3291005	14	Nut M10	
12	3311501	6	Nut 5/16	
13	1001182169	1	Spring, Gas	
14	4711500	2	Washer 5/16	
15	4811900	29	Washer M8	
16	4812000	16	Washer M10	
17	4812002	14	Washer M10	
18	4812100	2	Washer M12	
19	4812102	4	Washer M12	
20	5251014	8	Bolt M10 x 30	
21	1001211717	1	Panel, Filler	
22	1001167159	1	Mount	
23	1001167163	1	Tray	
24	1001167169	1	Mount	
25	4160182	1	Spring, Gas	
26	1001169046	4	Nut	
27	1001211716	1	Support, Hood	
28	1001170018	1	Mount	
29	3520072	1	Plug	
30	1001170022	1	Mount	
35	8310686	2	Nut, Retainer M8	
36	1001167149	1	Panel, Filler	
37	1001233899	1	Pipe, Exhaust	
38	0760814	4	Bolt M8 x 30	
39	0940071	3	Bumper	
40	3311601	7	Nut 3/8	
41	1001191832	4	Rivnut M8	
42	88662523	3	Nut, Tinnerman	
43	1001118274	3	Nut M8	
44	1001171216	1	Cover	
45	1001179904	1	Mount	
46	1001182875	1	Mount	
47	1001182877	1	Mount	
48	1001182879	1	Mount	
49	1701691	2	Decal - No Step	
50	1001250291	1	Bracket	
51	1001243414	1	U-Bolt	
52	4891600	4	Washer 3/8	
100	1001285691	1	Hood Kit (Includes Items 33, 34 & 101)	A

SECTION 2 - TURNTABLE

ITEM	PART NUMBER	QTY	DESCRIPTION	REV
101	1001169183	1	Hood, Front	
102	1001285597	1	Hood Assembly - Tank Side (See Separate Breakdown in this Section)	
103	1001172833	1	Hood Assembly - Engine Side (See Separate Breakdown in this Section)	

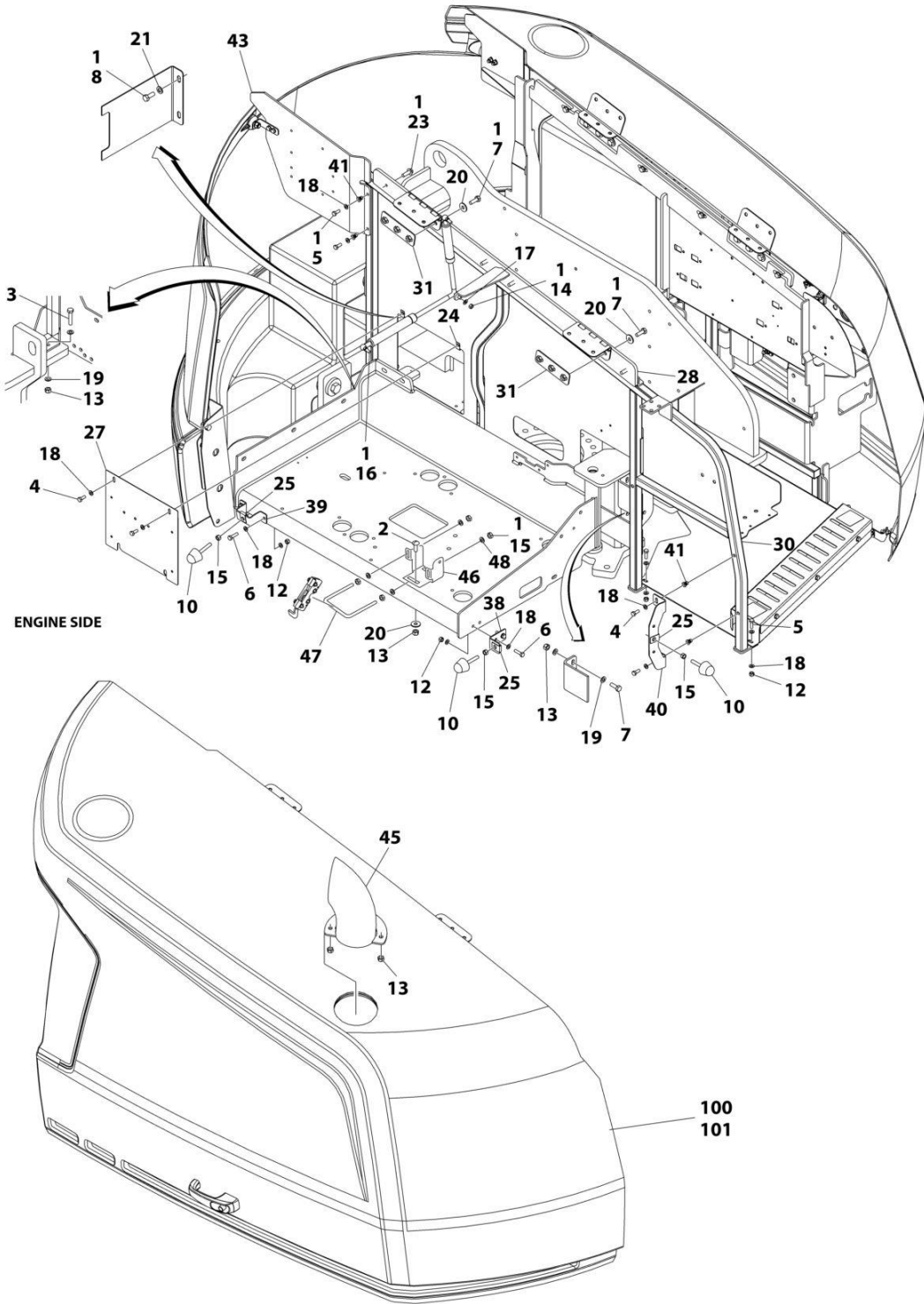
SECTION 2 - TURNTABLE

FIGURE 2-35. HOODS INSTALLATION - 450AJ WITH DEUTZ ENGINE (CHINA & ROMANIAN BUILT MACHINES)



ART_1001241284_E_10F2

SECTION 2 - TURNTABLE



ART_1001241284_E_20F2

SECTION 2 - TURNTABLE

FIGURE 2-35. HOODS INSTALLATION - 450AJ WITH DEUTZ ENGINE (CHINA & ROMANIAN BUILT MACHINES)

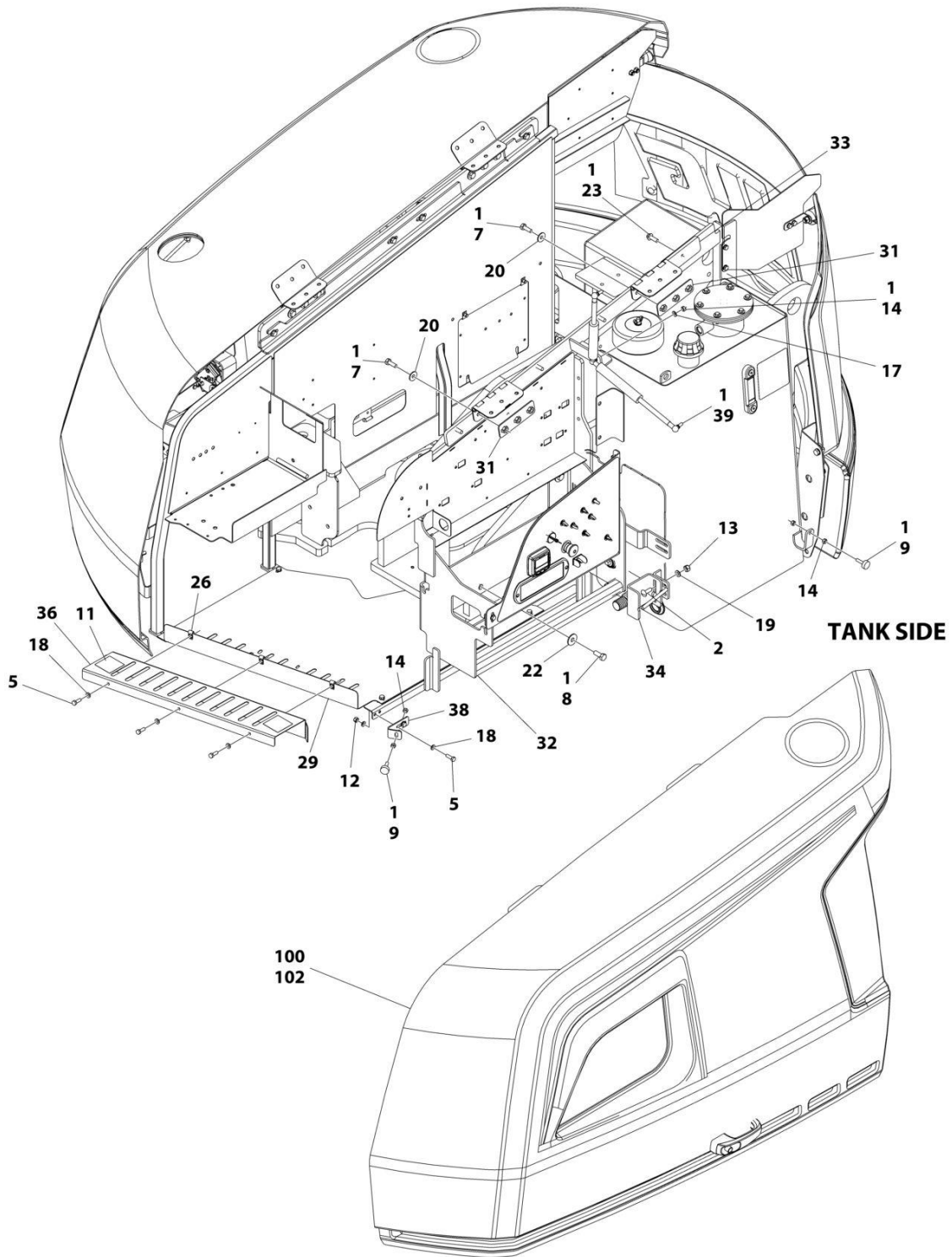
ITEM	PART NUMBER	QTY	DESCRIPTION	REV
	1001241284	Ref	HOODS INSTALLATION	E
1	0100011	AR	Compound, Locking	
2	0630613	4	Bolt M10 x 30	
3	0701018	5	Bolt M10 x 50	
4	0760810	4	Bolt M8 x 20	
5	0760812	11	Bolt M8 x 25	
6	0760814	4	Bolt M8 x 30	
7	0761014	14	Bolt M10 x 30	
8	0761214	6	Bolt M12 x 30	
9	0940049	2	Bumper	
10	0940071	3	Bumper	
11	1701691	2	Decal - No Step	
12	3290805	10	Nut M8	
13	3291005	14	Nut M10	
14	3311501	6	Nut 5/16	
15	3311601	7	Nut 3/8	
16	4160182	1	Spring, Gas	
17	4711500	2	Washer 5/16	
18	4811900	29	Washer M8	
19	4812000	16	Washer M10	
20	4812002	14	Washer M10	
21	4812100	2	Washer M12	
22	4812102	4	Washer M12	
23	5251014	8	Bolt M10 x 30	
24	8310686	2	Nut, Retainer M8	
25	88662523	3	Nut, Tinnerman	
26	1001118274	3	Nut M8	
27	1001167149	1	Panel, Filler	
28	1001167159	1	Mount	
29	1001167163	1	Tray	
30	1001167169	1	Mount	
31	1001169046	4	Nut	
32	1001170018	1	Mount	
33	1001170022	1	Mount	
34	3520072	1	Plug	
35	1001171216	1	Cover	
36	1001179904	1	Mount	
37	1001182169	1	Spring, Gas	
38	1001182875	1	Mount	
39	1001182877	1	Mount	
40	1001182879	1	Mount	
41	1001191832	4	Rivnut M8	
42	1001211716	1	Support, Hood	
43	1001211717	1	Panel, Filler	
45	1001233899	1	Pipe, Exhaust	
46	1001250291	1	Bracket	
47	1001243414	1	U-Bolt	
48	4891600	4	Washer 3/8	
100	1001285790	1	Hood Kit (Includes Items 101-103)	A

SECTION 2 - TURNTABLE

ITEM	PART NUMBER	QTY	DESCRIPTION	REV
101	1001241295	1	Hood Assembly - Engine Side (See Separate Breakdown in this Section)	
102	1001285788	1	Hood Assembly - Tank Side (See Separate Breakdown in this Section)	
103	1001241299	1	Hood Assembly - Front	

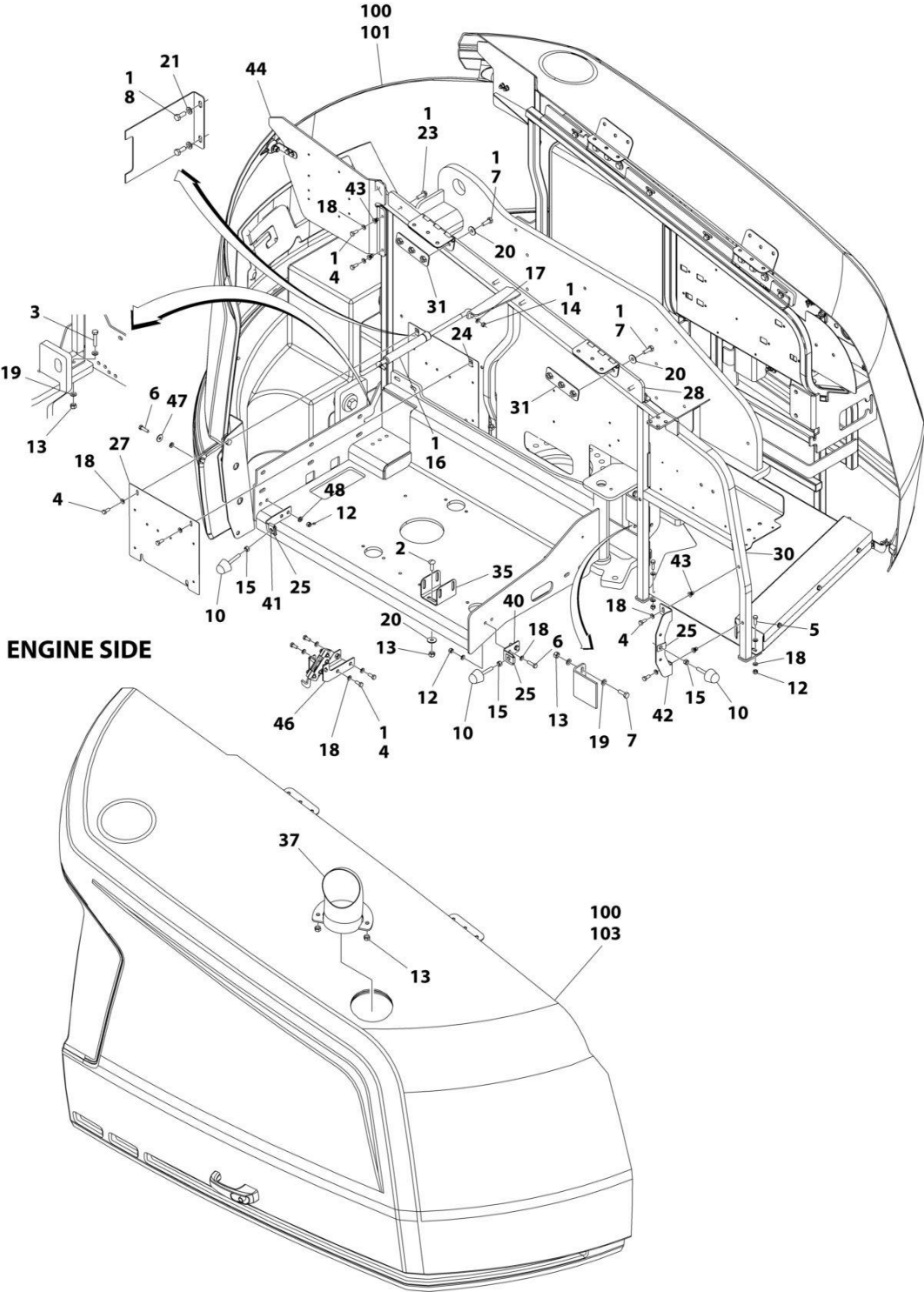
SECTION 2 - TURNTABLE

FIGURE 2-36. HOODS INSTALLATION - 450AJ WITH KUBOTA ENGINE



ART_1001216599_10F2

SECTION 2 - TURNTABLE



ART_1001216599_20F2

SECTION 2 - TURNTABLE

FIGURE 2-36. HOODS INSTALLATION - 450AJ WITH KUBOTA ENGINE

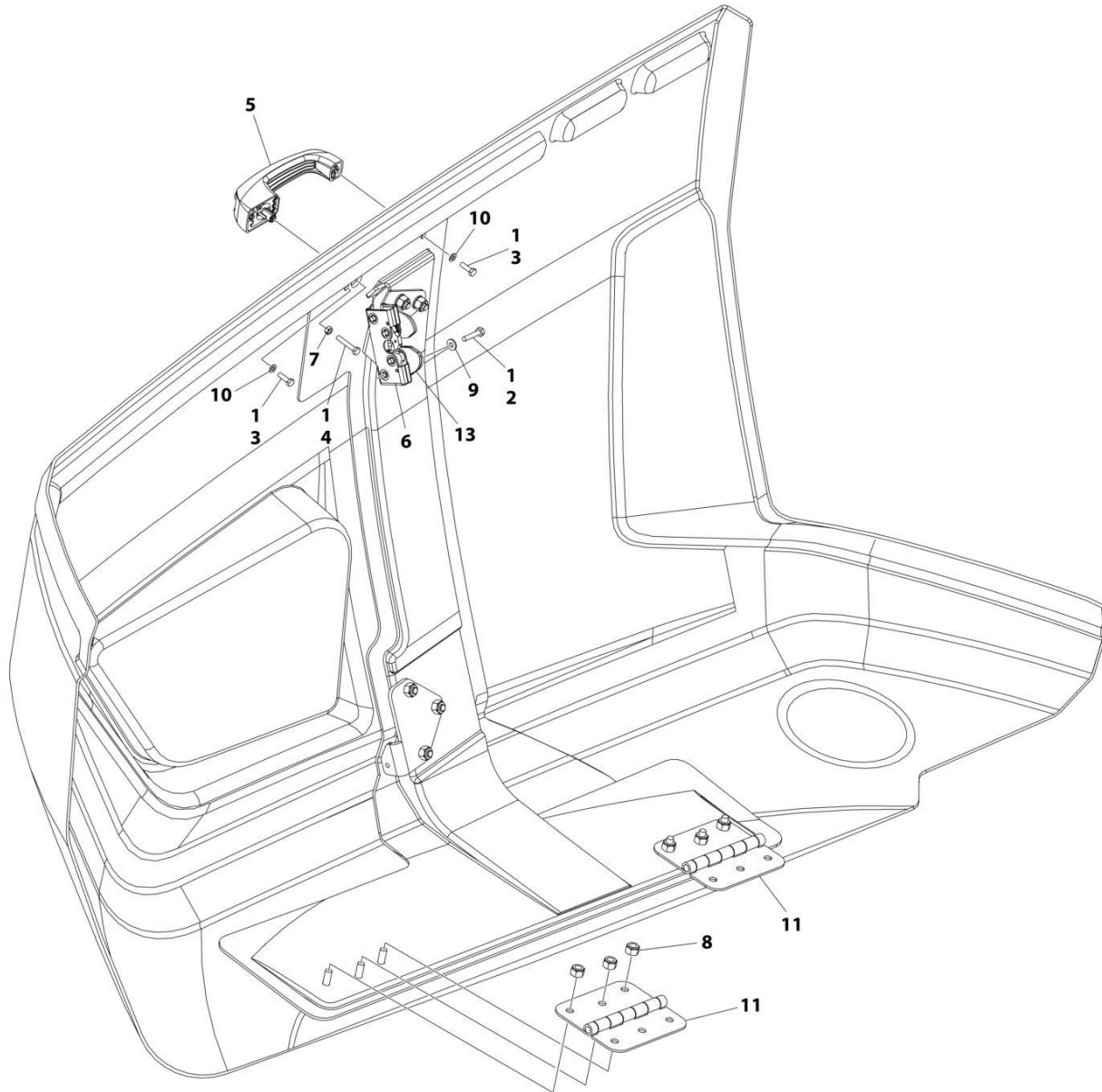
ITEM	PART NUMBER	QTY	DESCRIPTION	REV
	1001216599	Ref	HOODS INSTALLATION - KUBOTA ENGINE	E
1	0100011	AR	Compound, Locking	
2	0630613	4	Bolt M10 x 30	
3	0701018	5	Bolt M10 x 50	
4	0760810	8	Bolt M8 x 20	
5	0760812	11	Bolt M8 x 25	
6	0760814	4	Bolt M8 x 30	
7	0761014	14	Bolt M10 x 30	
8	0761214	6	Bolt M12 x 30	
9	0940049	2	Bumper	
10	0940071	6	Bumper	
11	1701691	2	Decal - No Step	
12	3290805	10	Nut M8	
13	3291005	14	Nut M10	
14	3311501	6	Nut 5/16	
15	3311601	3	Nut 3/8	
16	4160182	1	Spring, Gas	
17	4711500	2	Washer 5/16	
18	4811900	29	Washer M8	
19	4812000	19	Washer M10	
20	4812002	14	Washer M10	
21	4812100	2	Washer M12	
22	4812102	4	Washer M12	
23	5251014	8	Bolt M10 x 30	
24	8310686	2	Nut, Retainer M8	
25	88662523	3	Nut, Tinnerman	
26	1001118274	3	Nut M8	
27	1001167149	1	Panel, Filler	
28	1001167159	1	Mount	
29	1001167163	1	Tray	
30	1001167169	1	Mount	
31	1001169046	4	Nut	
32	1001211716	1	Support, Hood	
33	1001170018	1	Mount	
34	1001170022	1	Mount	
35	1001170859	1	Mount	
36	1001171216	1	Cover	
37	1001174098	1	Pipe, Exhaust	
38	1001179904	1	Mount	
39	1001182169	1	Spring, Gas	
40	1001182875	1	Mount	
41	1001216677	1	Bracket	
42	1001182879	1	Mount	
43	1001191832	4	Rivnut M8	
44	1001211717	1	Support	
46	1001215394	1	Support	
47	4811702	2	Washer M6	
48	5240800	4	Washer M8	
100	1001285691	1	Hood Kit (Includes Items 101-103)	A
101	1001169183	1	Hood, Front	

SECTION 2 - TURNTABLE

ITEM	PART NUMBER	QTY	DESCRIPTION	REV
102	1001285597	1	Hood Assembly - Tank Side (See Separate Breakdown in this Section)	
103	1001172833	1	Hood Assembly - Engine Side (See Separate Breakdown in this Section)	

SECTION 2 - TURNTABLE

FIGURE 2-37. HOOD ASSEMBLY - TANK SIDE (USA & CHINA BUILT MACHINES)



NOTE: REPLACEMENT DECALS MUST BE ORDERED SEPARATELY - SEE DECAL SECTION.

ART_1001172282

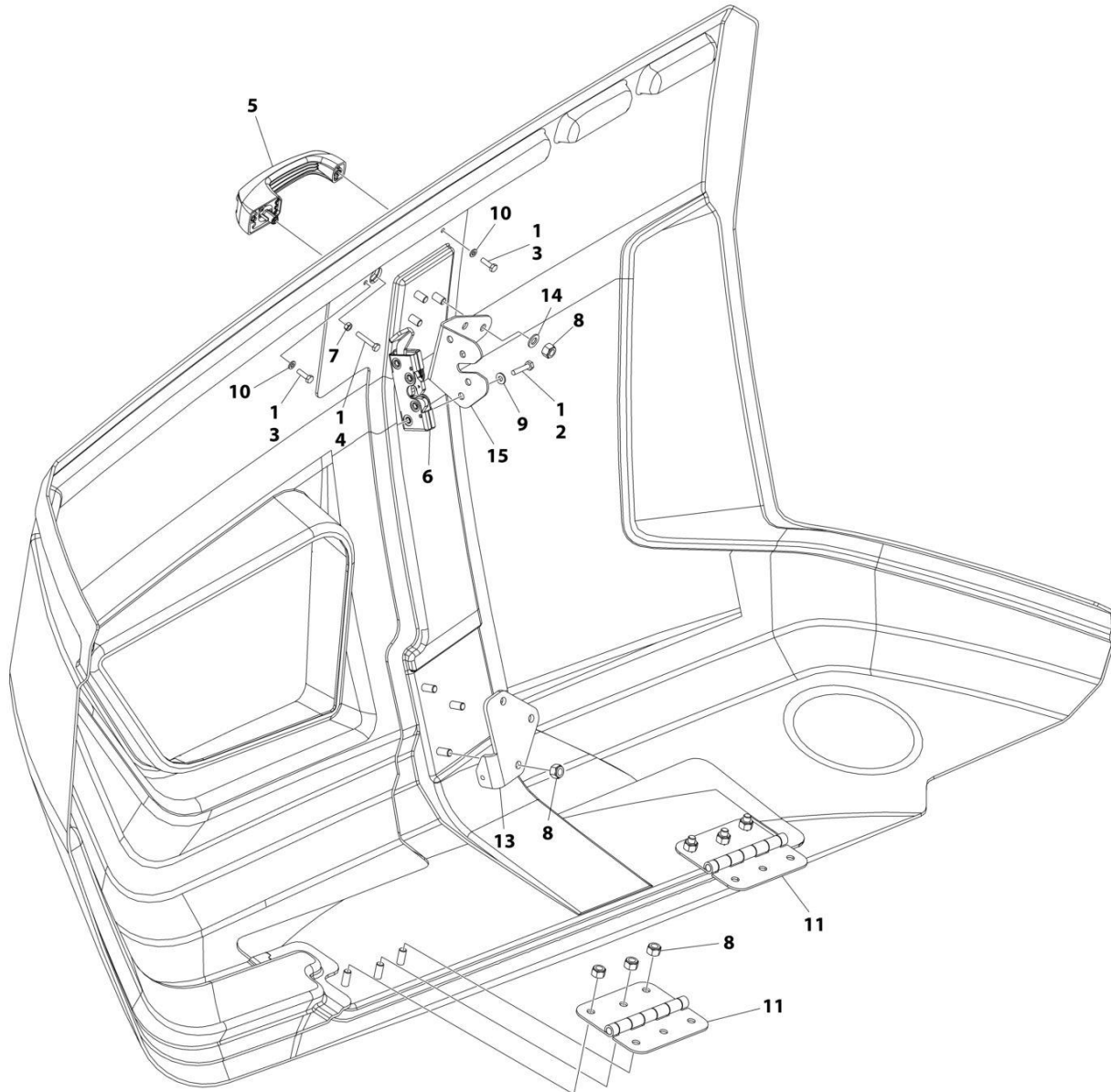
SECTION 2 - TURNTABLE

FIGURE 2-37. HOOD ASSEMBLY - TANK SIDE (USA & CHINA BUILT MACHINES)

ITEM	PART NUMBER	QTY	DESCRIPTION	REV
	1001172282	Ref	HOOD ASSEMBLY - TANK SIDE	C
1	0100011	AR	Compound, Locking	
2	0641410	4	Bolt 1/4 x 1-1/4	
3	0760610	2	Bolt M6 x 20	
4	0760615	1	Bolt M6 x 35	
5	2560187	1	Handle	
6	2940173	1	Latch	
7	3290601	1	Nut M6	
8	3291005	6	Nut M10	
9	4711400	4	Washer 1/4	
10	4811700	2	Washer M6	
11	1001139384	2	Hinge	
13	1001200458	1	Plate, Latch Guide	

SECTION 2 - TURNTABLE

FIGURE 2-38. HOOD ASSEMBLY - TANK SIDE (ROMANIAN BUILT MACHINES)



NOTE: REPLACEMENT DECALS MUST BE ORDERED SEPARATELY - SEE DECAL SECTION.

ART_1001241296

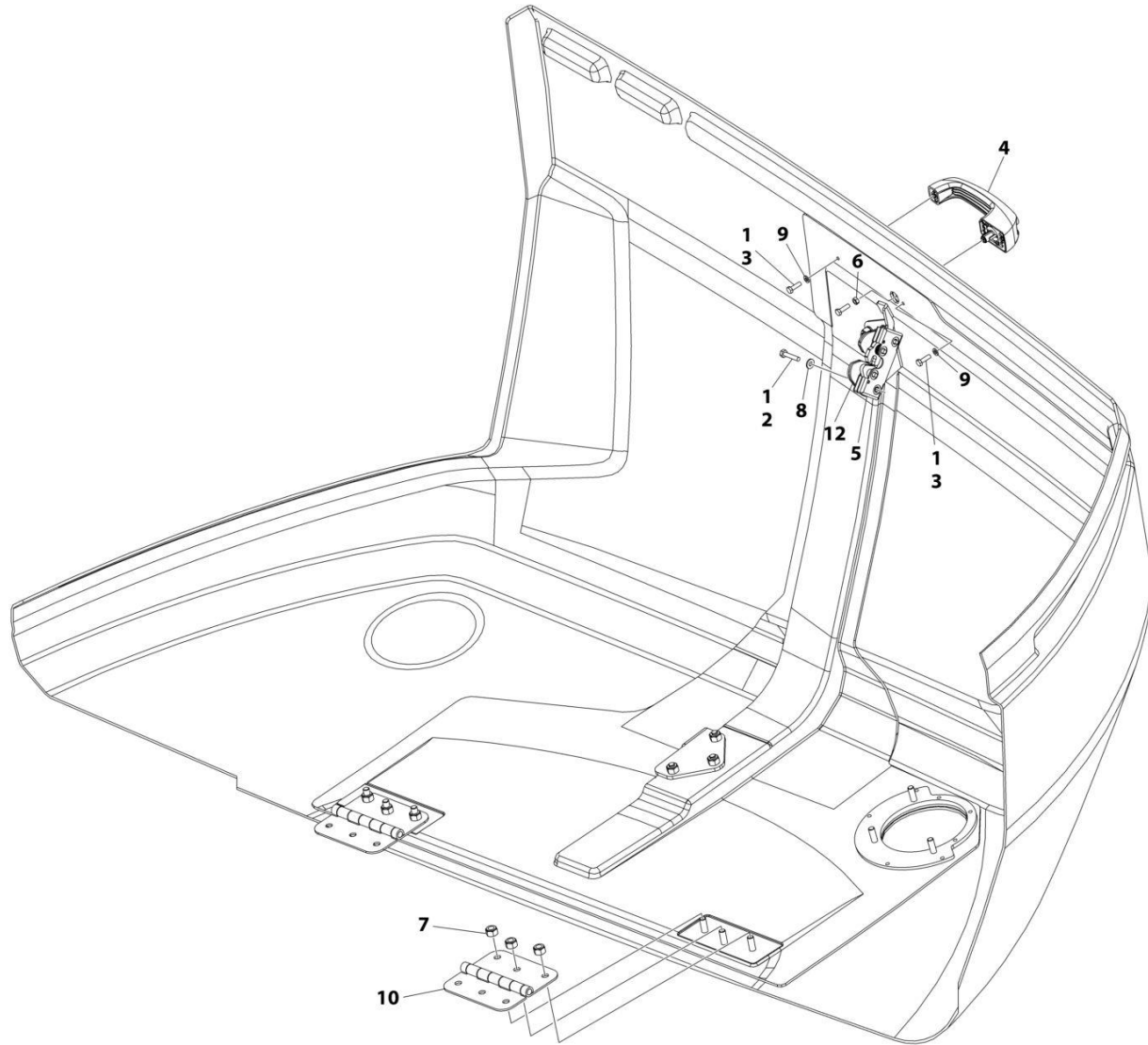
SECTION 2 - TURNTABLE

FIGURE 2-38. HOOD ASSEMBLY - TANK SIDE (ROMANIAN BUILT MACHINES)

ITEM	PART NUMBER	QTY	DESCRIPTION	REV
	1001241296	Ref	HOOD ASSEMBLY - TANK SIDE	C
1	0100011	AR	Compound, Locking	
2	0641410	4	Bolt 1/4 x 1-1/4	
3	0760610	2	Bolt M6 x 20	
4	0760615	1	Bolt M6 x 35	
5	2560187	1	Handle	
6	2940173	1	Latch	
7	3290601	1	Nut M6	
8	3291005	12	Nut M10	
9	4711400	4	Washer 1/4	
10	4811700	2	Washer M6	
11	1001259230	2	Hinge	
13	1001170475	1	Bracket	
14	4812000	3	Washer M10	
15	1001203322	1	Support	

SECTION 2 - TURNTABLE

FIGURE 2-39. HOOD ASSEMBLY - ENGINE SIDE (USA & CHINA BUILT MACHINES)



NOTE: REPLACEMENT DECALS MUST BE ORDERED SEPARATELY - SEE DECAL SECTION.

ART_1001172833

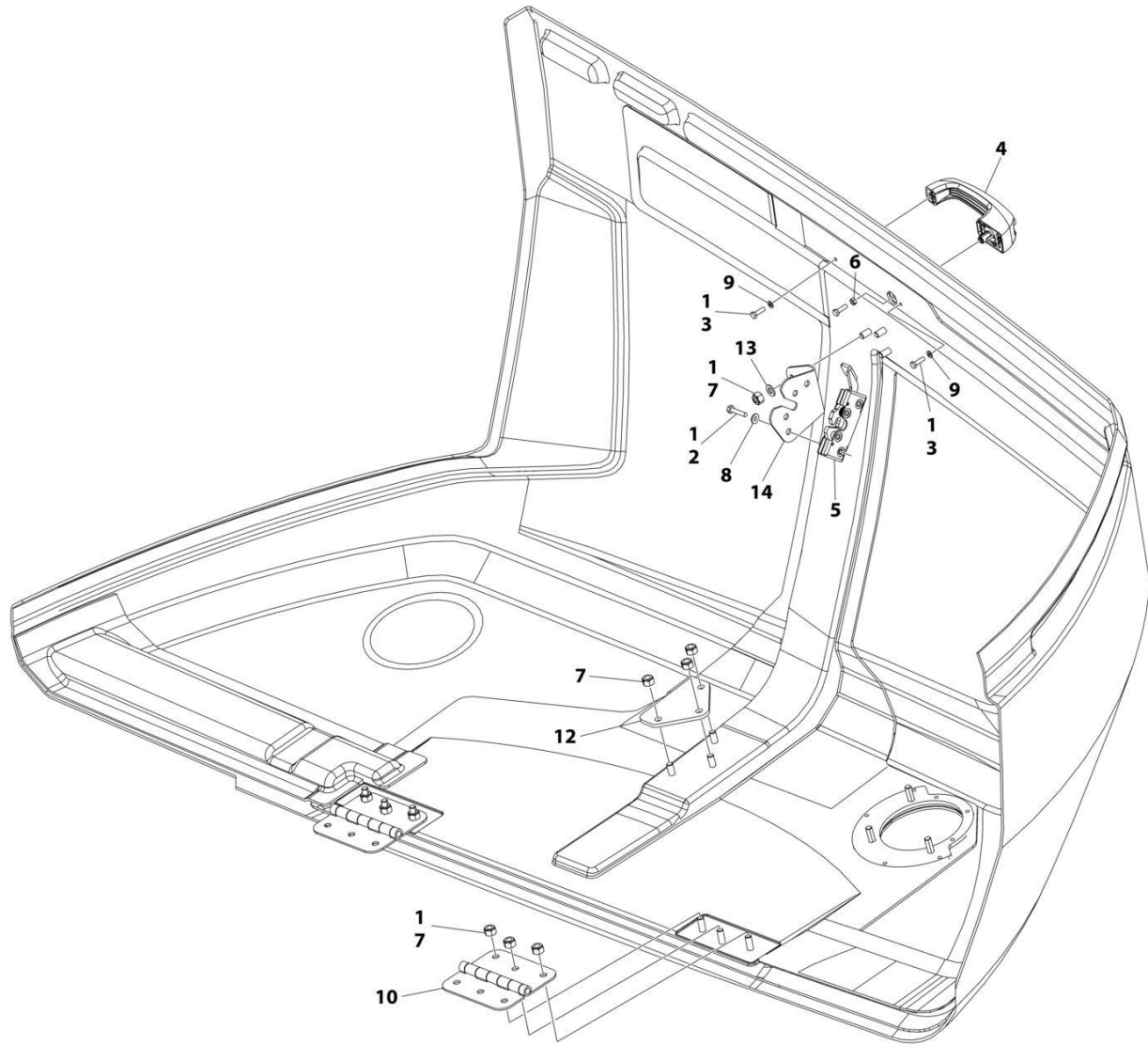
SECTION 2 - TURNTABLE

FIGURE 2-39. HOOD ASSEMBLY - ENGINE SIDE (USA & CHINA BUILT MACHINES)

ITEM	PART NUMBER	QTY	DESCRIPTION	REV
	1001172833	Ref	HOOD ASSEMBLY - ENGINE SIDE	C
1	0100011	AR	Compound, Locking	
2	0641410	4	Bolt 1/4 x 1-1/4	
3	0760610	3	Bolt M6 x 20	
4	2560187	1	Handle	
5	2940173	1	Latch	
6	3290601	1	Nut M6	
7	3291005	6	Nut M10	
8	4711400	4	Washer 1/4	
9	4811700	2	Washer M6	
10	1001139384	2	Hinge	
12	1001200458	1	Plate, Latch Guide	

SECTION 2 - TURNTABLE

FIGURE 2-40. HOOD ASSEMBLY - ENGINE SIDE (ROMANIAN BUILT MACHINES)



NOTE: REPLACEMENT DECALS MUST BE ORDERED SEPARATELY - SEE DECAL SECTION.

ART_1001241295

SECTION 2 - TURNTABLE

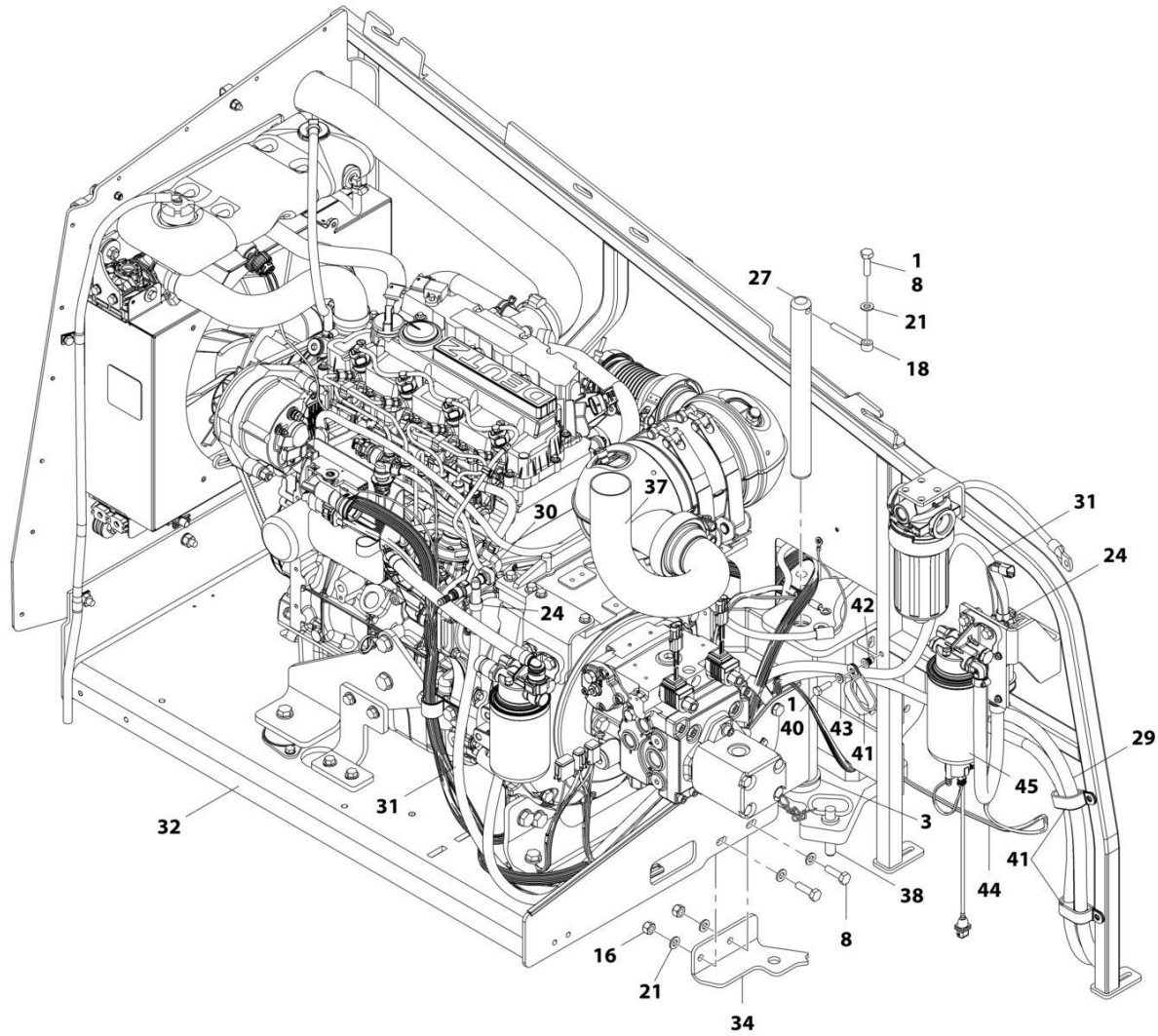
FIGURE 2-40. HOOD ASSEMBLY - ENGINE SIDE (ROMANIAN BUILT MACHINES)

ITEM	PART NUMBER	QTY	DESCRIPTION	REV
	1001241295	Ref	HOOD ASSEMBLY - ENGINE SIDE	C
1	0100011	AR	Compound, Locking	
2	0641410	4	Bolt 1/4 x 1-1/4	
3	0760610	3	Bolt M6 x 20	
4	2560187	1	Handle	
5	2940173	1	Latch	
6	3290601	1	Nut M6	
7	3291005	12	Nut M10	
8	4711400	4	Washer 1/4	
9	4811700	2	Washer M6	
10	1001259230	2	Hinge	
12	1001178228	1	Bracket	
13	4812000	3	Washer M10	
14	1001202830	1	Support	

SECTION 3 - ENGINE

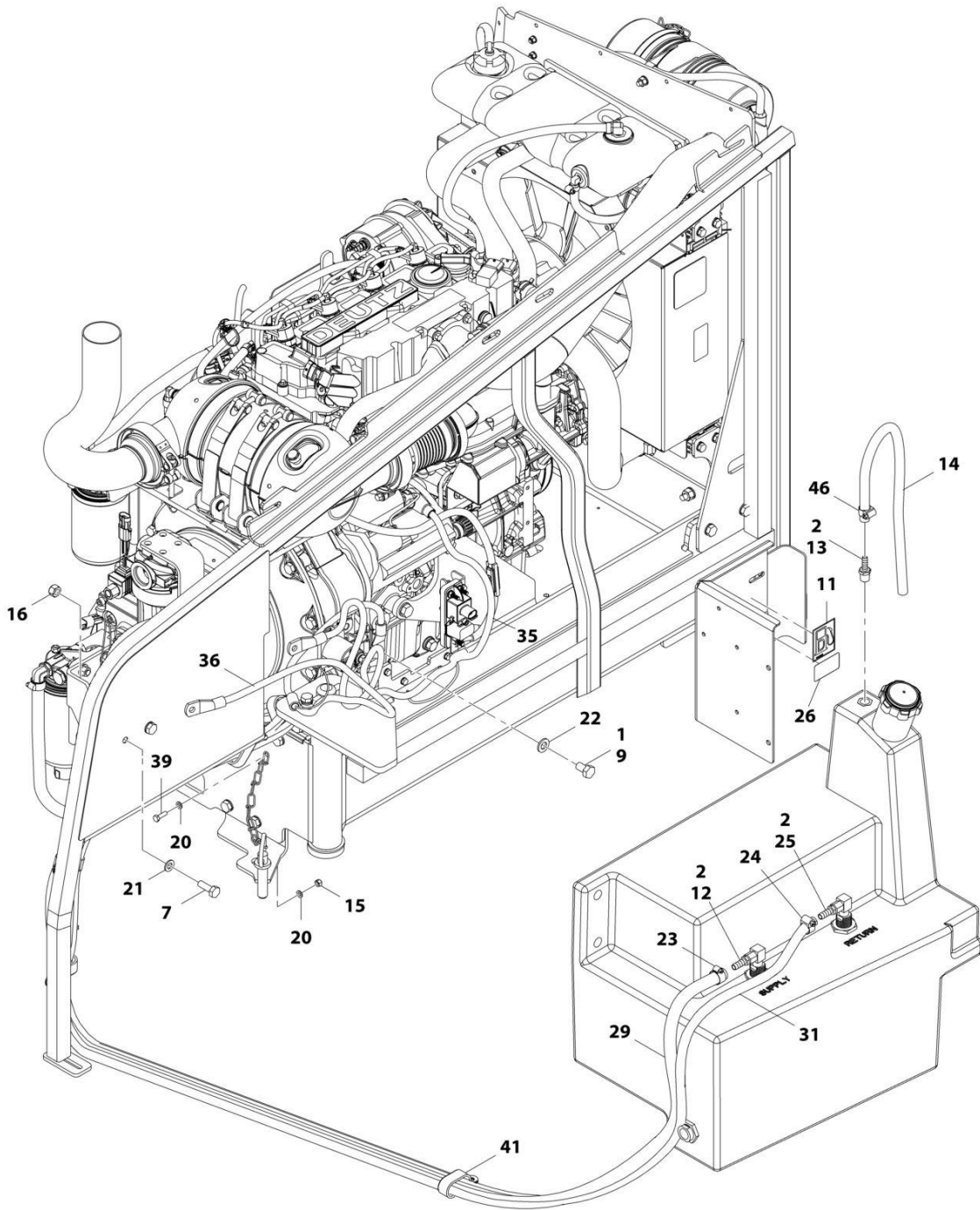
SECTION 3 - ENGINE

FIGURE 3-1. ENGINE INSTALLATION - DEUTZ D2.9L4 ENGINE (WITHOUT ARCTIC PACKAGE) (ANSI, ANSI EXPORT, CSA AND JAPANESE SPECS)



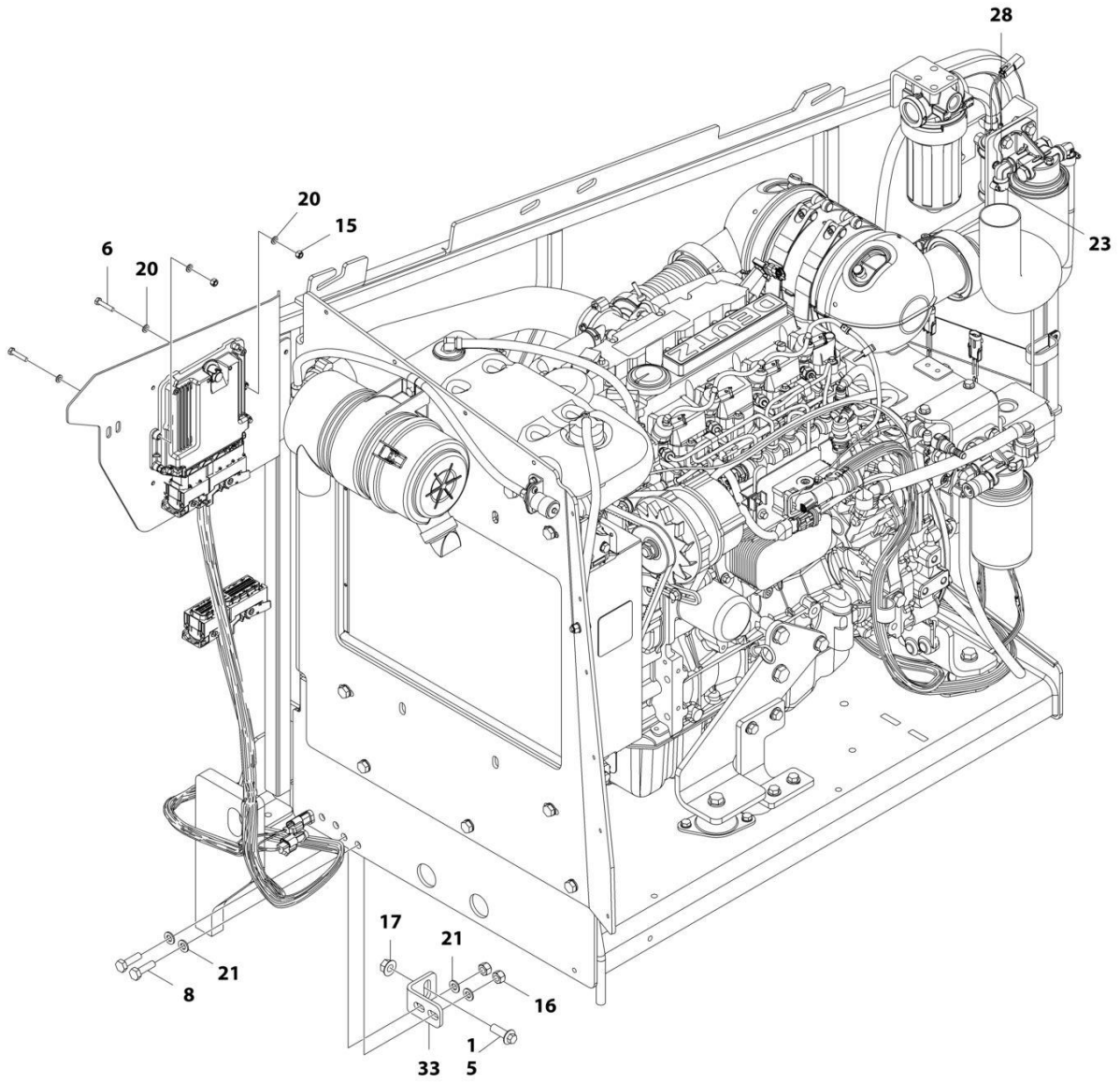
ART_1001166304_10F3

SECTION 3 - ENGINE



ART_1001166304_20F3

SECTION 3 - ENGINE



ART_1001166304_30F3

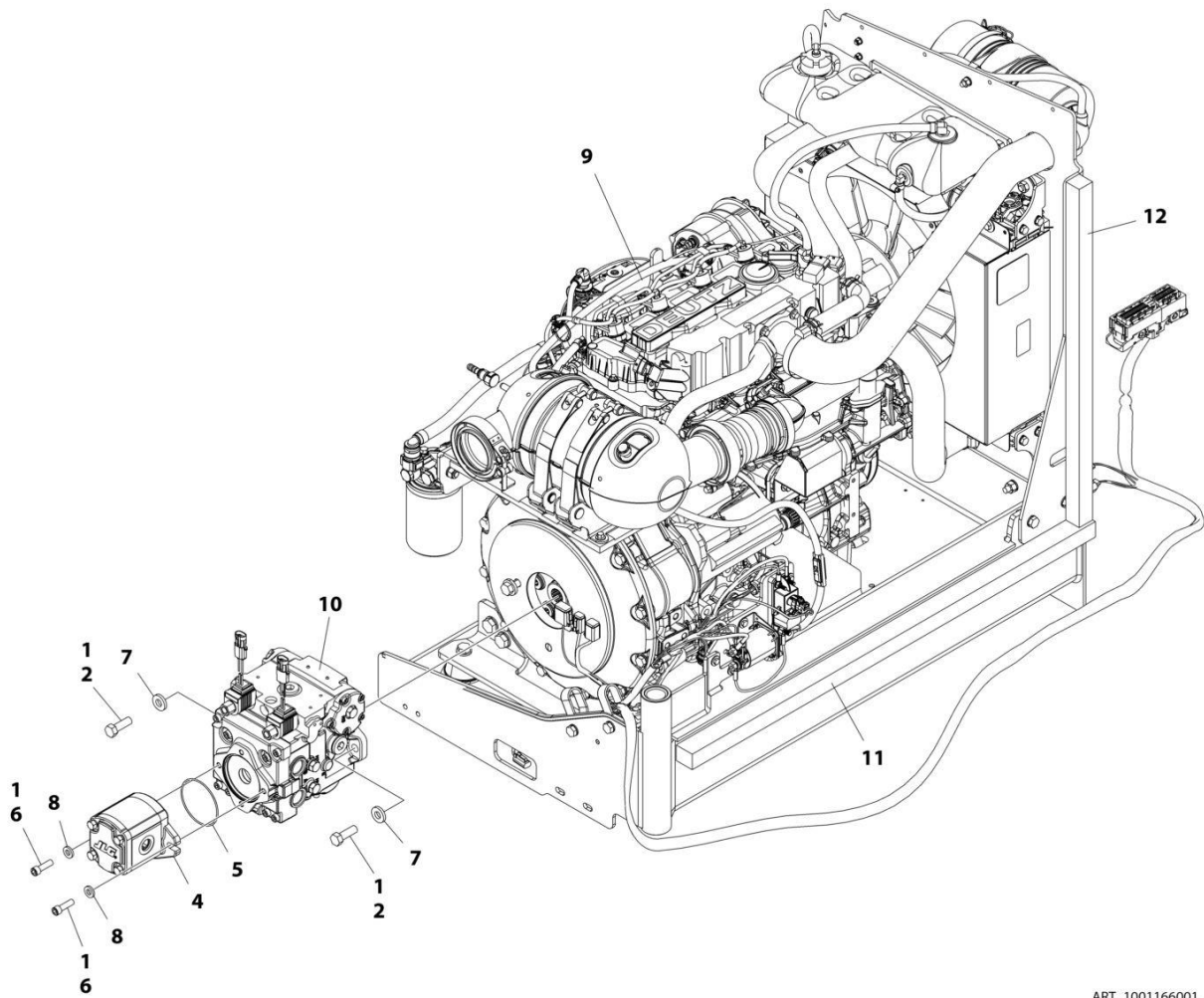
SECTION 3 - ENGINE

FIGURE 3-1. ENGINE INSTALLATION - DEUTZ D2.9L4 ENGINE (WITHOUT ARCTIC PACKAGE) (ANSI, ANSI EXPORT, CSA AND JAPANESE SPECS)

ITEM	PART NUMBER	QTY	DESCRIPTION	REV
	1001166304	Ref	ENGINE INSTALLATION - DEUTZ D2.9L4 ENGINE (WITHOUT ARCTIC PACKAGE)	G
1	0100011	AR	Compound, Locking	
2	0100020	AR	Sealant, Pipe	
3	0440162	1	Bearing	
5	5251215	1	Bolt M12 x 35	
6	0760614	4	Bolt M6 x 30	
7	0761014	2	Bolt M10 x 30	
8	0761015	5	Bolt M10 x 35	
9	0761210	1	Bolt M12 x 20	
11	1701505	1	Decal - Diesel Fuel	
12	2180832	1	Fitting, Barbed	
13	2180876	1	Fitting, Barbed	
14	2720058	2 ft /0.6m	Hose	
15	3290605	5	Nut M6	
16	3291005	6	Nut M10	
17	5261200	1	Nut, Flange M12 Grade 10.9	
18	3841143	1	Keeper, Pin	
20	4811700	10	Washer M6	
21	4812000	11	Washer M10	
22	4812100	1	Washer M12	
23	8405006	2	Clamp	
24	8410013	4	Clamp	
25	8430007	1	Coupling	
26	1001125387	1	Decal - Ultra Low Sulfur Diesel	
27	1001135196	1	Pin	
28	1001142501	1	Fitting, Barbed 90	
29	1001154405	7.25 ft /2.21m	Hose	
30	1001155823	1	Coupling, Quick Disconnect 90	
31	1001165035	17.25 ft /5.26m	Hose	
32	1001166001	1	Engine and Pump Sub-Assembly - Deutz D2.9L4 (Without Arctic Package) (See Separate Breakdown in this Section)	
33	1001167512	1	Bracket	
34	1001169823	1	Plate, Engine Lock	
35	1001171683	1	Cable, Battery (Red) (Battery Positive to Auxiliary Power Relay)	
36	1001171684	1	Cable, Battery (Black) (Battery Negative to Auxiliary Power Pump)	
37	1001172736	1	Pipe, Exhaust	
38	3422532	1	Pin	
39	0760610	1	Bolt M6 x 20	
40	0760812	1	Bolt M8 x 25	
41	1321716	4	Clamp	
42	1001191832	1	Nut, Rivet M8	
43	4811900	1	Washer M8	
44	1001181358	1	Harness, Fuel Pump (See Separate Breakdown in ELECTRICAL SECTION)	
45	1001162335	1	Bracket Assembly - Fuel Pump/Filter (See Separate Breakdown in this Section)	
46	1320022	1	Clamp	

SECTION 3 - ENGINE

FIGURE 3-2. ENGINE AND PUMP SUB-ASSEMBLY - DEUTZ D2.9L4 (WITHOUT ARCTIC PACKAGE)
(ANSI, ANSI EXPORT, CSA AND JAPANESE SPECS)



ART_1001166001_J

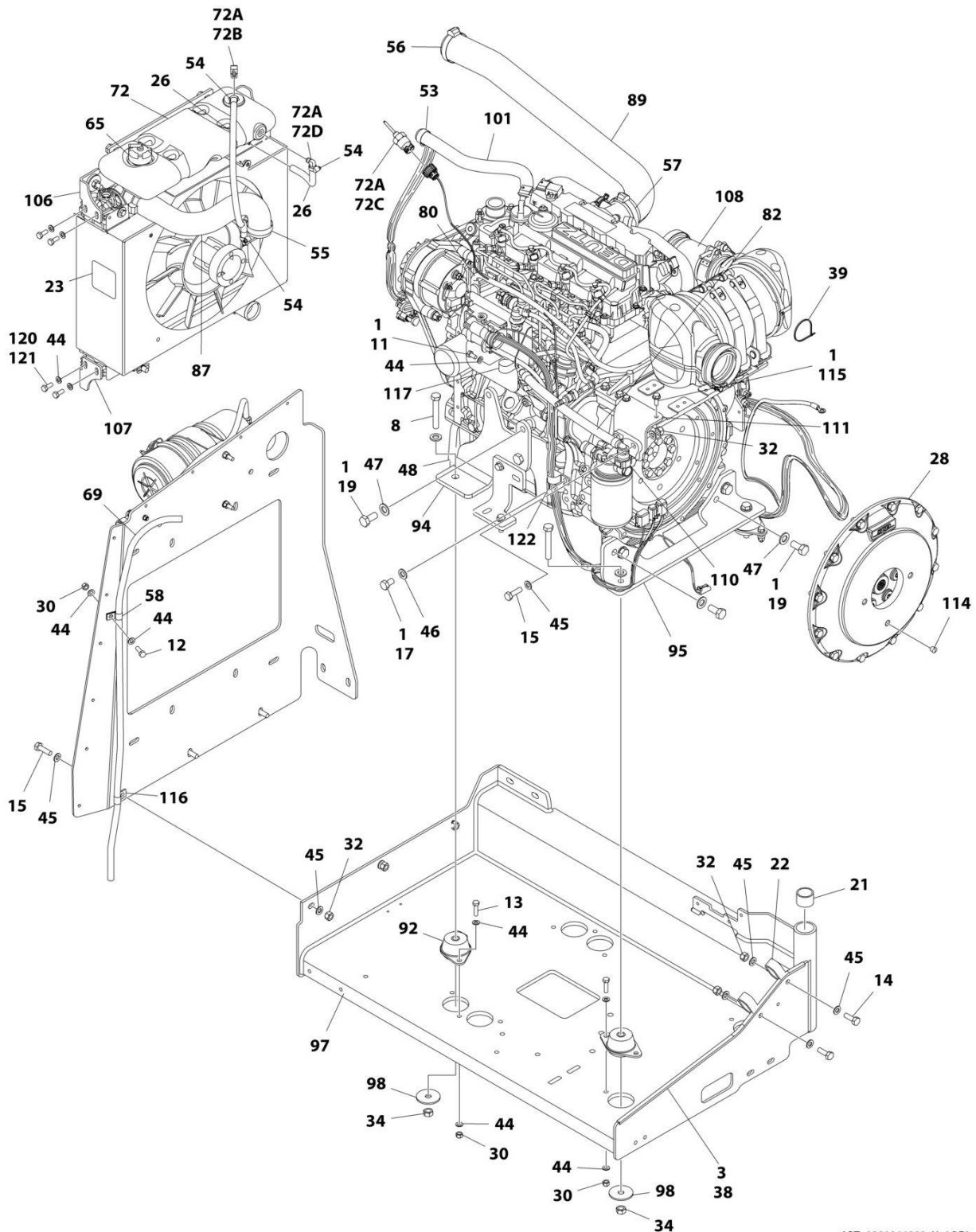
SECTION 3 - ENGINE

**FIGURE 3-2. ENGINE AND PUMP SUB-ASSEMBLY - DEUTZ D2.9L4 (WITHOUT ARCTIC PACKAGE)
(ANSI, ANSI EXPORT, CSA AND JAPANESE SPECS)**

ITEM	PART NUMBER	QTY	DESCRIPTION	REV
	1001166001	Ref	ENGINE AND PUMP SUB-ASSEMBLY - DEUTZ D2.9L4 (WITHOUT ARCTIC PACKAGE)	J
1	0100011	AR	Compound, Locking	
2	0641812	2	Bolt 1/2 x 1-1/2	
4	1001214207	1	Gear Pump Assembly	
4	70006356	1	Seal Kit - 1001214207 Pump	
5	3790152	1	O-Ring	
6	3931618	2	Capscrew 3/8 x 1-1/8	
7	4891800	2	Washer 1/2 Hardened	
8	4891600	2	Washer 3/8 Hardened	
9	1001166000	1	Engine Assembly - Deutz D2.9L4 Engine (Without Arctic Package) (See Separate Breakdown in this Section)	
10	1001167036	1	Piston Pump Assembly (See Separate Breakdown in this Section)	
11	1001171953	1	Seal	
12	1001171954	1	Seal	

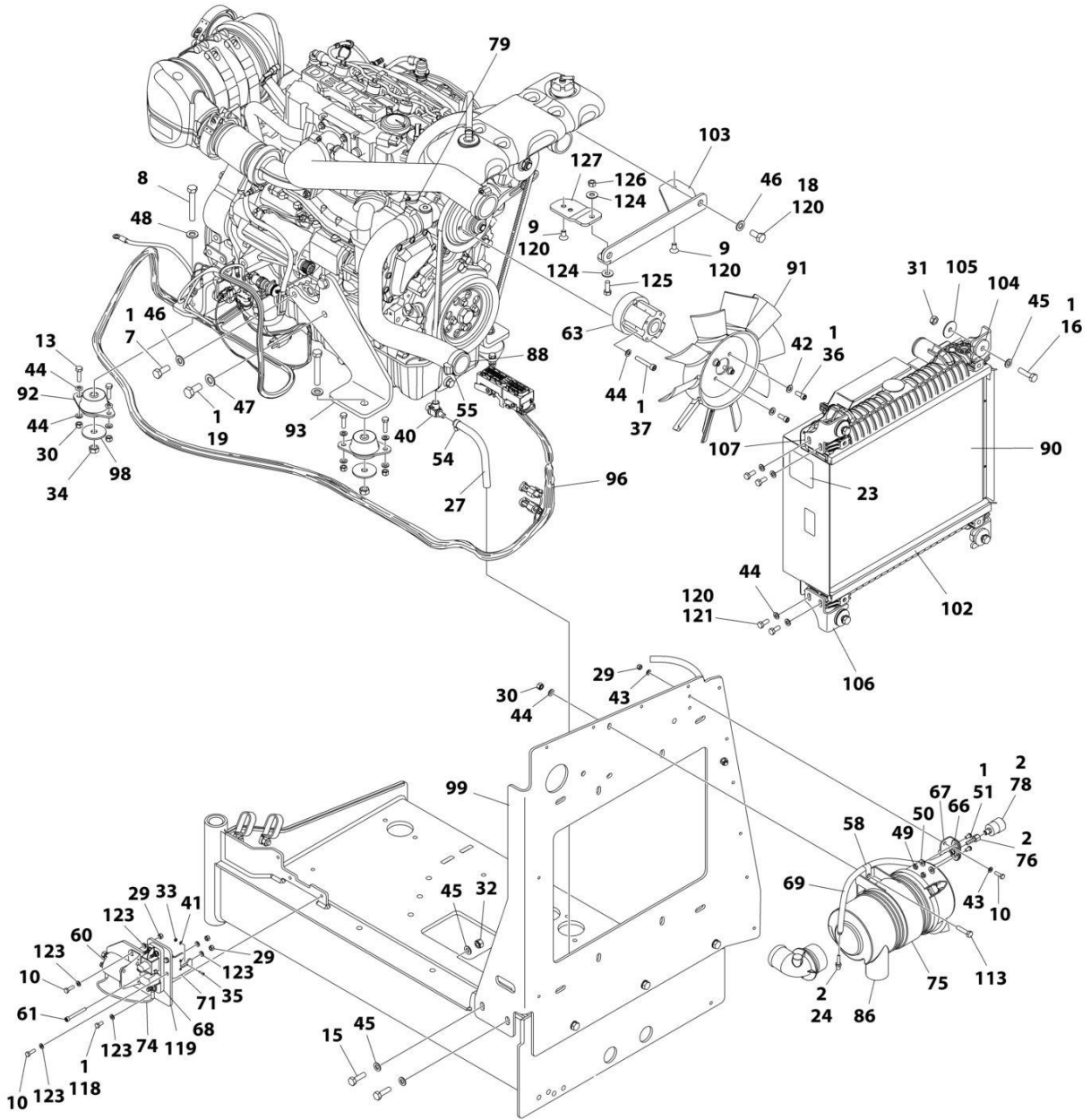
SECTION 3 - ENGINE

FIGURE 3-3. ENGINE ASSEMBLY - DEUTZ D2.9L4 ENGINE (WITHOUT ARCTIC PACKAGE) (ANSI, ANSI EXPORT, CSA AND JAPANESE SPECS)



ART_1001166000_X_10F2

SECTION 3 - ENGINE



ART_1001166000_X_2OF2

SECTION 3 - ENGINE

FIGURE 3-3. ENGINE ASSEMBLY - DEUTZ D2.9L4 ENGINE (WITHOUT ARCTIC PACKAGE) (ANSI, ANSI EXPORT, CSA AND JAPANESE SPECS)

ITEM	PART NUMBER	QTY	DESCRIPTION	REV
	1001166000	Ref	ENGINE ASSEMBLY - DEUTZ D2.9L4 ENGINE (WITHOUT ARCTIC PACKAGE)	Y
1	0100011	AR	Compound, Locking	
2	0100020	AR	Sealant, Pipe	
3	0100081	AR	Adhesive	
7	0711214	1	Bolt M12 x 30	
8	0711224	AR	Bolt M12 x 80 Grade 10.9	
9	0741606	2	Screw 3/8 x 3/4	
10	0760610	6	Bolt M6 x 20	
11	0760808	1	Bolt M8 x 16	
12	0760812	1	Bolt M8 x 25	
13	0760814	AR	Bolt M8 x 30	
14	0761014	2	Bolt M10 x 30	
15	0761015	7	Bolt M10 x 35	
16	0761016	4	Bolt M10 x 40	
17	0761210	1	Bolt M12 x 20	
18	0761212	2	Bolt M12 x 25	
19	0771414	AR	Bolt M14 x 30 Grade 10.9	
21	0961951	2	Bushing	
22	1321716	2	Clamp	
23	1703162	2	Decal - Caution Fan	
24	2220315	1	Fitting, Straight Barbed	
26	2720015	2 ft/ 0.61m	Hose	
27	2720340	8 in/ 20.3cm	Hose	
28	2902065	1	Pump Coupling Kit (See Separate Breakdown in this Section)	
29	3290605	7	Nut M6	
30	3290805	AR	Nut M8	
31	3291001	4	Nut M10	
32	3291005	9	Nut M10	
33	3310401	3	Nut #4	
34	3331215	AR	Nut M12	
35	3910408	3	Screw #4- x 1/2	
36	3931512	4	Capscrew, 5/16 x 3/4	
37	4031914	4	Bolt M8 x 50	
38	4060805	2.25 ft/ 0.69m	Flex-Trim	
39	4240099	AR	Tie-Strap	
40	4640751	1	Valve, Oil Drain	
41	4710400	3	Washer #4	
42	4711500	4	Washer 5/16	
43	4811700	4	Washer M6	
44	4811900	AR	Washer M8	
45	4812000	22	Washer M10	
46	4812100	4	Washer M12	
47	4812200	AR	Washer M14	
48	5241200	4	Washer M12 Hardened	
49	8305401	2	Nut, Jam	
50	8307109	2	Washer	

SECTION 3 - ENGINE

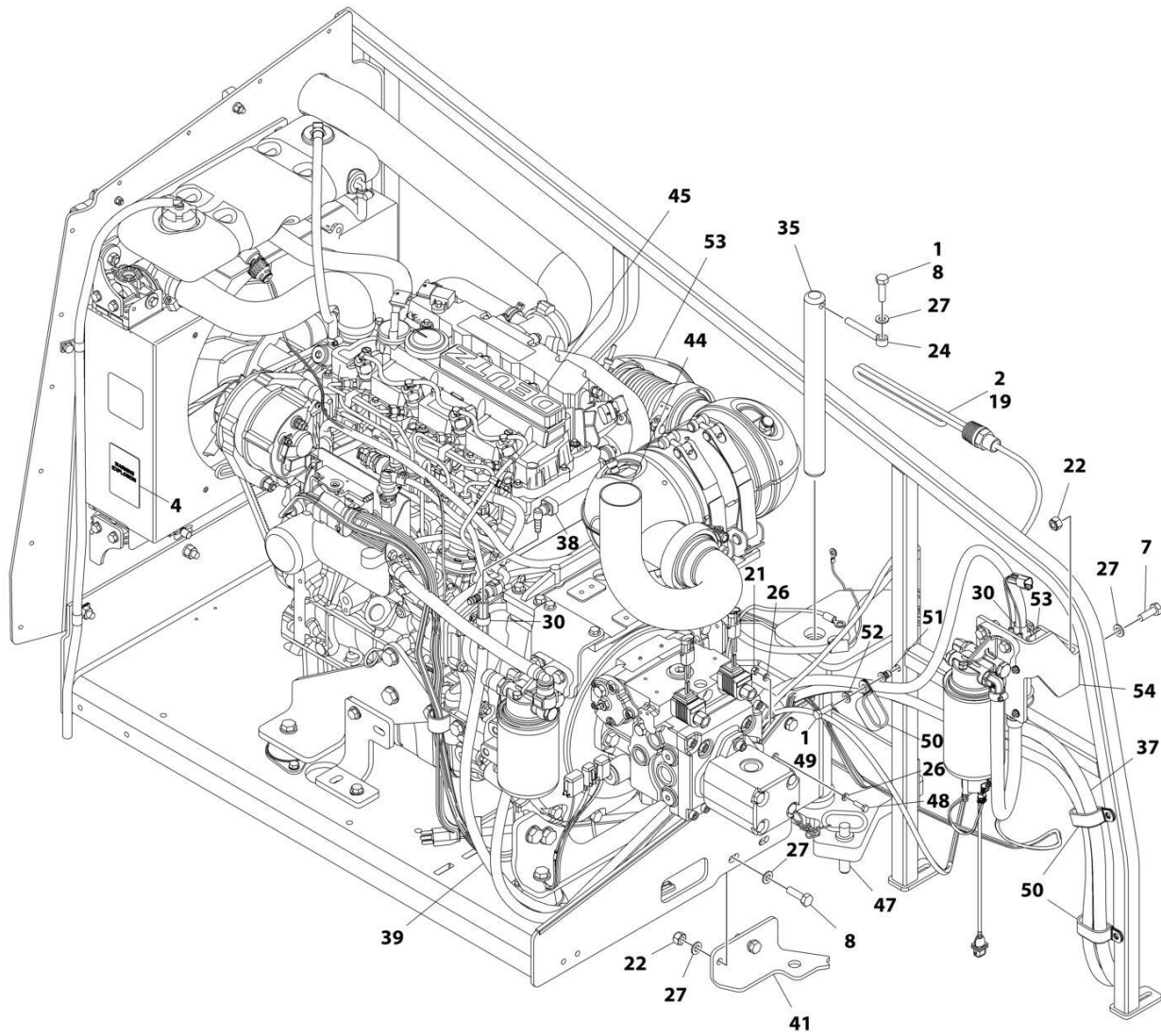
ITEM	PART NUMBER	QTY	DESCRIPTION	REV
51	8310548	2	Screw, 1/4 x 1/2	
53	8405007	2	Clamp	
54	8405009	5	Clamp	
55	8405104	4	Clamp	
56	8405202	1	Clamp	
57	8405204	1	Clamp	
58	8406109	2	Clip	
60	1001117308	1	Relay, 200Amp	
60	3300220	2	Nut	
60	3321001	2	Nut #10	
60	4761000	2	Washer #10	
60	1001111424	2	Washer	
61	1001118878	1	Bolt M6 x 55	
63	1001144116	1	Spacer, Fan	
65	1001136834	1	Cap, Tank	
66	1001138173	1	Support, Service Indicator	
67	1001138175	1	Bracket, Service Indicator	
68	1001138228	1	Relay, Power Module	
68	70023592	1	Fuse 20Amp	
68	70023593	1	Fuse 30Amp	
69	1001138248	5.25 ft/ 1.6m	Tube	
71	1001139240	1	Bracket	
72	1001230635	1	Tank, Surge (Includes Items 72A-72D)	
72A	0100020	AR	Sealant, Pipe	
72B	1001134488	1	Fitting, Barbed	
72C	1001138827	1	Sensor, Coolant Level	
72D	1001140564	1	Fitting, Barbed 90	
74	1001141304	1	Harness, Glow Plug	
75	1001141694	1	Clamp, Air Cleaner	
76	1001141995	1	Fitting, Barbed	
78	1001143390	1	Indicator	
79	1001143797	1	Fitting, Barbed	
80	1001178788	1	Cable, Alternator	
82	1001152489	1	Fitting, Barbed 90	
86	1001165388	1	Air Cleaner Assembly	
86	70003783	1	Element, Air Cleaner	
87	1001165405	1	Hose, Upper Radiator	
88	1001165406	1	Hose, Lower Radiator	
89	1001165721	1	Hose, Air Intake	
90	1001165722	1	Radiator	
91	1001165849	1	Fan	
92	1001166718	AR	Mount, Motor	
93	1001166921	1	Plate, Engine Mount	
94	1001166922	Ref	Plate, Engine Mount	
95	1001166924	1	Plate, Engine Mount	
96	1001167108	1	Harness Engine - Deutz D2.9L4 (See Separate Breakdown in ELECTRICAL SECTION)	
97	1001167520	1	Tray, Engine	
98	1001168018	4	Washer, Special	
99	1001168026	1	Plate, Radiator Mounting	
101	1001168099	1	Hose	

SECTION 3 - ENGINE

ITEM	PART NUMBER	QTY	DESCRIPTION	REV
102	1001168166	2	Seal	
103	1001260420	1	Bracket	
104	1001169054	4	Isolator	
105	1001169138	4	Washer, Snubbing	
106	1001169967	2	Bracket	
107	1001170035	2	Bracket	
108	1001249965	1	Engine, Deutz D2.9L4 (See Separate Breakdown in this Section)	
110	1001177359	1	Hose	
111	1001178876	1	Mount, Fuel Filter	
113	0760815	2	Bolt M8 x 35	
114	3520054	1	Plug	
115	5250810	2	Bolt M8 x 20	
116	8406110	1	Clip	
117	8406201	1	Clip	
118	0760607	3	Bolt M6 x 14	
119	1001179903	1	Bracket	
120	1001180620	AR	Adhesive	
121	0760810	8	Bolt M8 x 20	
122	1001191620	1	Clamp	
123	4811702	12	Washer M6	
124	4751600	2	Washer 3/8	
125	0681608	1	Bolt 3/8 x 1	
126	3311605	1	Nut 3/8	
127	1001260412	1	Bracket	
128	1001162335	1	Bracket Assembly - Fuel Pump/Filter (Not Shown - See Separate Breakdown in this Section)	

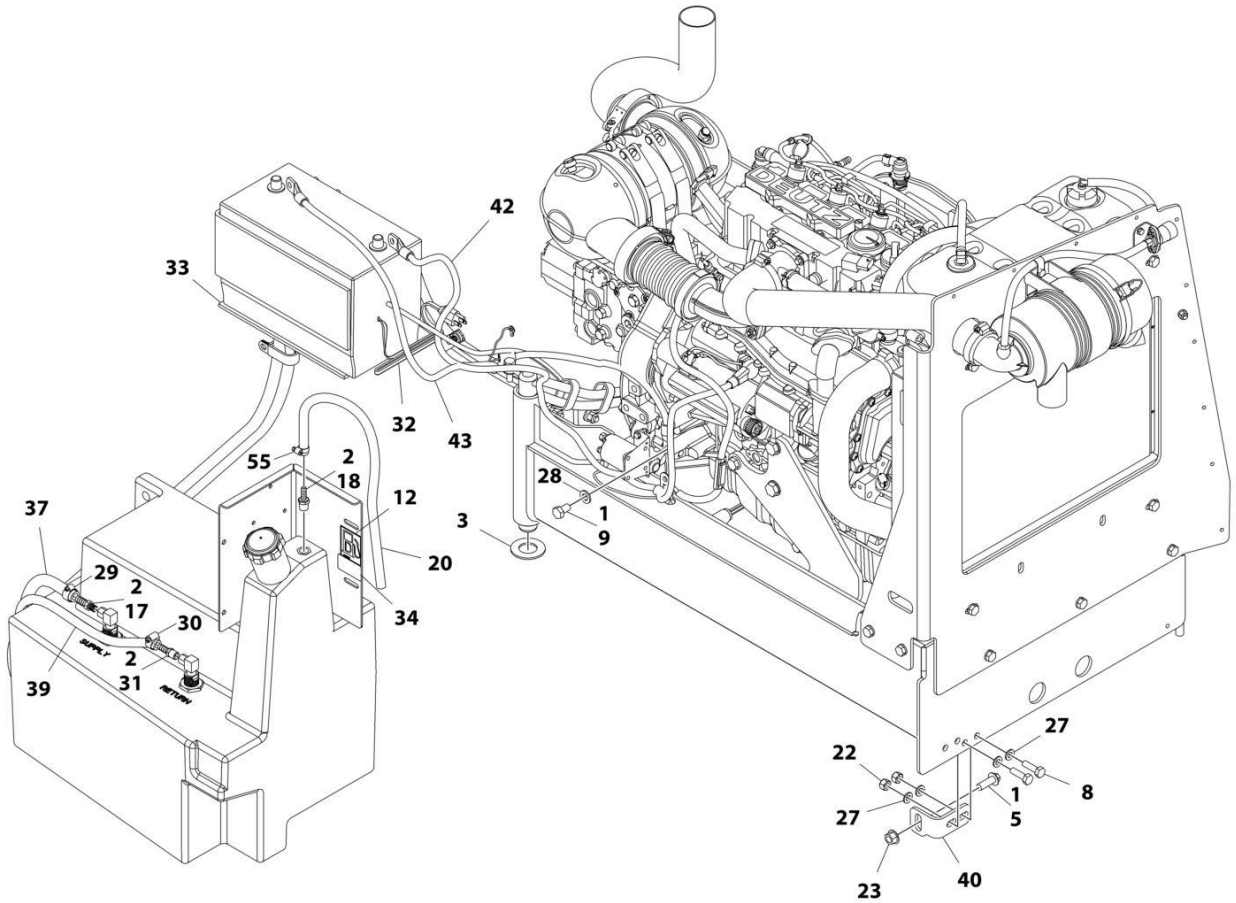
SECTION 3 - ENGINE

FIGURE 3-4. ENGINE INSTALLATION - DEUTZ D2.9L4 ENGINE (WITH ARCTIC PACKAGE) (ANSI AND CSA SPECS)



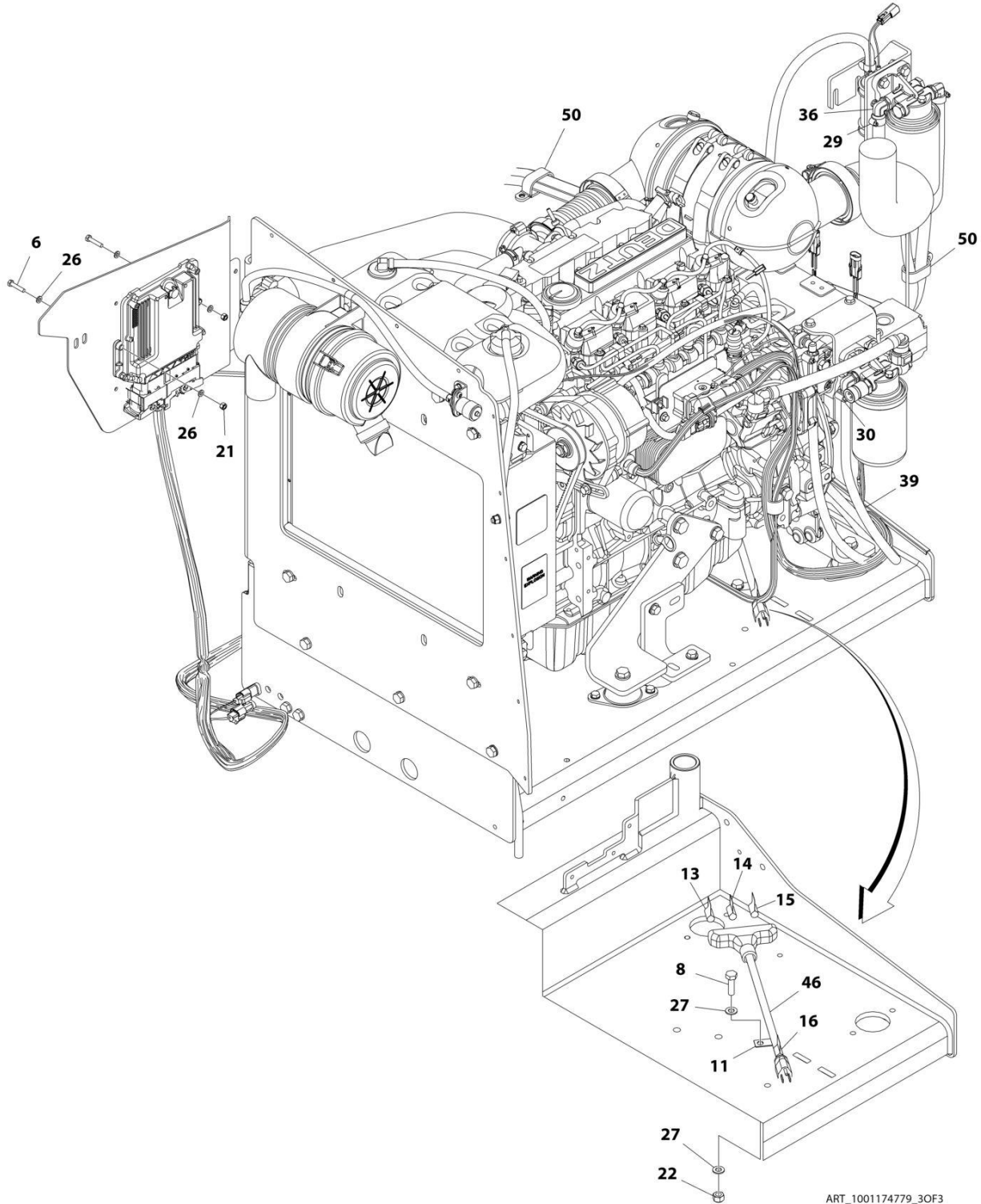
ART_1001174779_10F3

SECTION 3 - ENGINE



ART_1001174779_2OF3

SECTION 3 - ENGINE



ART_1001174779_30F3

SECTION 3 - ENGINE

FIGURE 3-4. ENGINE INSTALLATION - DEUTZ D2.9L4 ENGINE (WITH ARCTIC PACKAGE) (ANSI AND CSA SPECS)

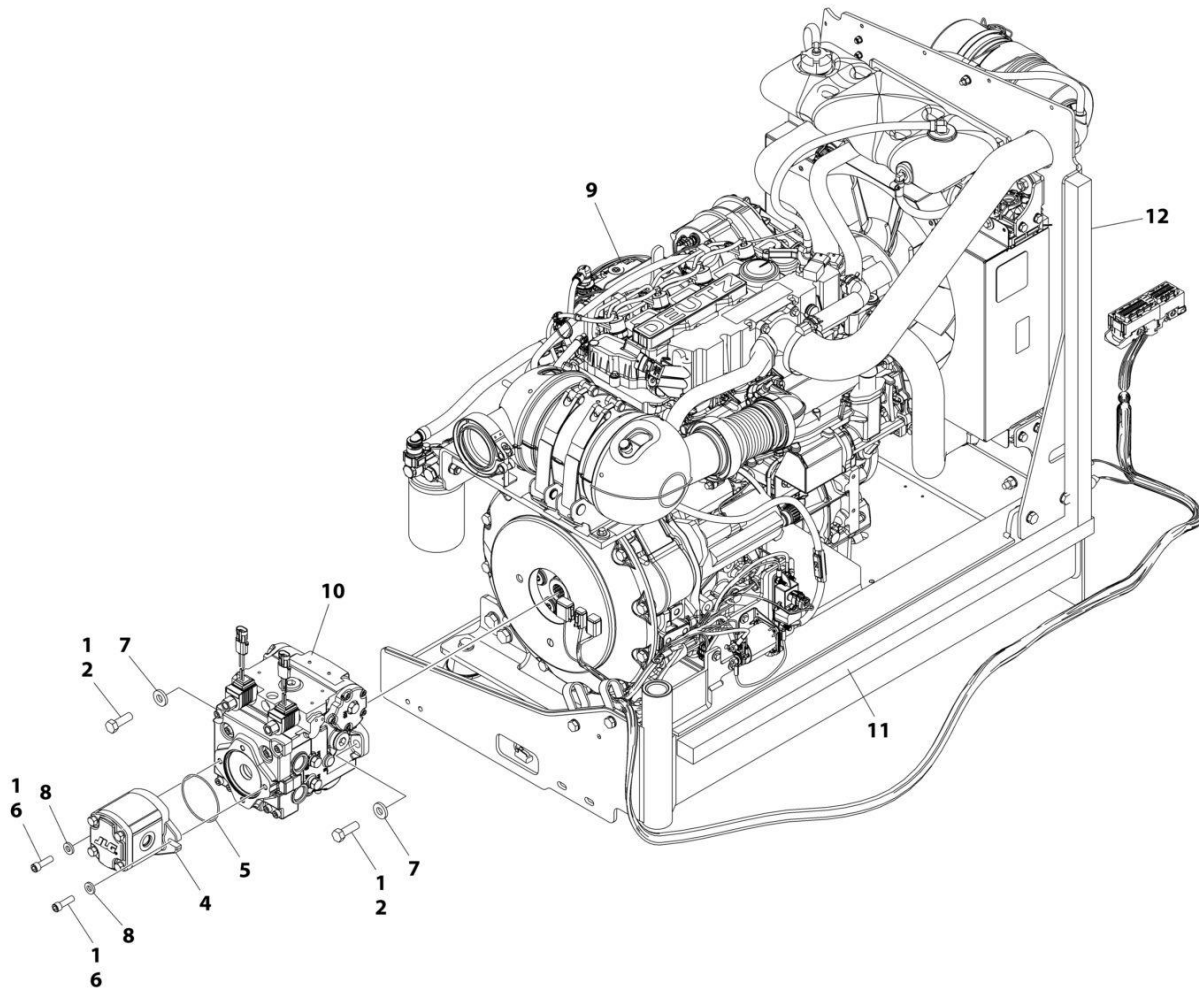
ITEM	PART NUMBER	QTY	DESCRIPTION	REV
	1001174779	Ref	ENGINE INSTALLATION - DEUTZ D2.9L4 ENGINE (WITH ARCTIC PACKAGE)	H
1	0100011	AR	Compound, Locking	
2	0100020	AR	Sealant, Pipe	
3	0440162	1	Bearing	
5	5251215	1	Bolt, M12 x 35	
6	0760614	4	Bolt M6 x 30	
7	0761014	2	Bolt M10 x 30	
8	0761015	6	Bolt M10 x 35	
9	0761210	1	Bolt M12 x 20	
11	1320223	1	Clamp	
12	1701505	1	Decal - Diesel Fuel	
13	1702941	1	Decal - Battery Heater	
14	1702942	1	Decal - Engine Block Heater	
15	1702943	1	Decal - Hydraulic Tank Heater	
16	1702944	1	Decal - Heater Cord	
17	2180832	1	Fitting, Barbed	
18	2180876	1	Fitting, Barbed	
19	1001188972	1	Heater, Hydraulic Tank	
20	2720058	2 ft /0.61m	Hose	
21	3290605	5	Nut Lock M6	
22	3291005	7	Nut Lock M10	
23	5261200	1	Nut, Flange M12 Grade 10.9	
24	3841143	1	Keeper, Pin	
26	4811700	10	Washer M6	
27	4812000	13	Washer M10	
28	4812100	1	Washer M12	
29	8405006	2	Clamp	
30	8410013	4	Clamp	
31	8430007	1	Coupling	
32	2580024	1	Heater, Battery	
33	1001119278	1	Insulate	
34	1001125387	1	Decal - Ultra Low Sulfur Fuel	
35	1001135196	1	Pin	
36	1001142501	1	Fitting, Barbed 90	
37	1001154405	7.25 ft /2.21m	Hose	
38	1001155823	1	Coupling, Quick Disconnect 90	
39	1001165035	17.25 ft /5.26m	Hose	
40	1001167512	1	Bracket, Engine Tray	
41	1001169823	1	Plate, Engine Lock	
42	1001171683	1	Cable, Battery (Red) (Battery Positive to Auxiliary Power Relay)	
43	1001171684	1	Cable, Battery (Black) (Battery Negative to Auxiliary Power Pump)	
44	1001172736	1	Pipe, Exhaust	
45	1001174778	1	Engine and Pump Sub-Assembly - Deutz D2.9L4 (With Arctic Package) (See Separate Breakdown in this Section)	
46	1060626	1	Plug, 3 Way	
47	3422532	1	Pin	

SECTION 3 - ENGINE

ITEM	PART NUMBER	QTY	DESCRIPTION	REV
48	0760610	1	Bolt M6 x 20	
49	0760812	1	Bolt M8 x 25	
50	1321716	4	Clamp	
51	1001191832	1	Nut, Rivet M8	
52	4811900	1	Washer, M8	
53	1001181358	1	Harness, Fuel Pump (See Separate Breakdown in ELECTRICAL SECTION)	
54	1001162335	1	Bracket Assembly - Fuel Pump/Filter (See Separate Breakdown in this Section)	
55	1320022	1	Clamp	
56	1001233763	Ref	Breather Heater Installation (Not Shown - See Separate Breakdown in this Section)	
56	1001196634	1	Fuse, 2 Amp	
56	1001232842	1	Breather Heater Kit	
56	2400060	1	Holder, Fuse	

SECTION 3 - ENGINE

FIGURE 3-5. ENGINE AND PUMP SUB-ASSEMBLY - DEUTZ D2.9L4 (WITH ARCTIC PACKAGE) (ANSI AND CSA SPECS)



ART_1001174778_I

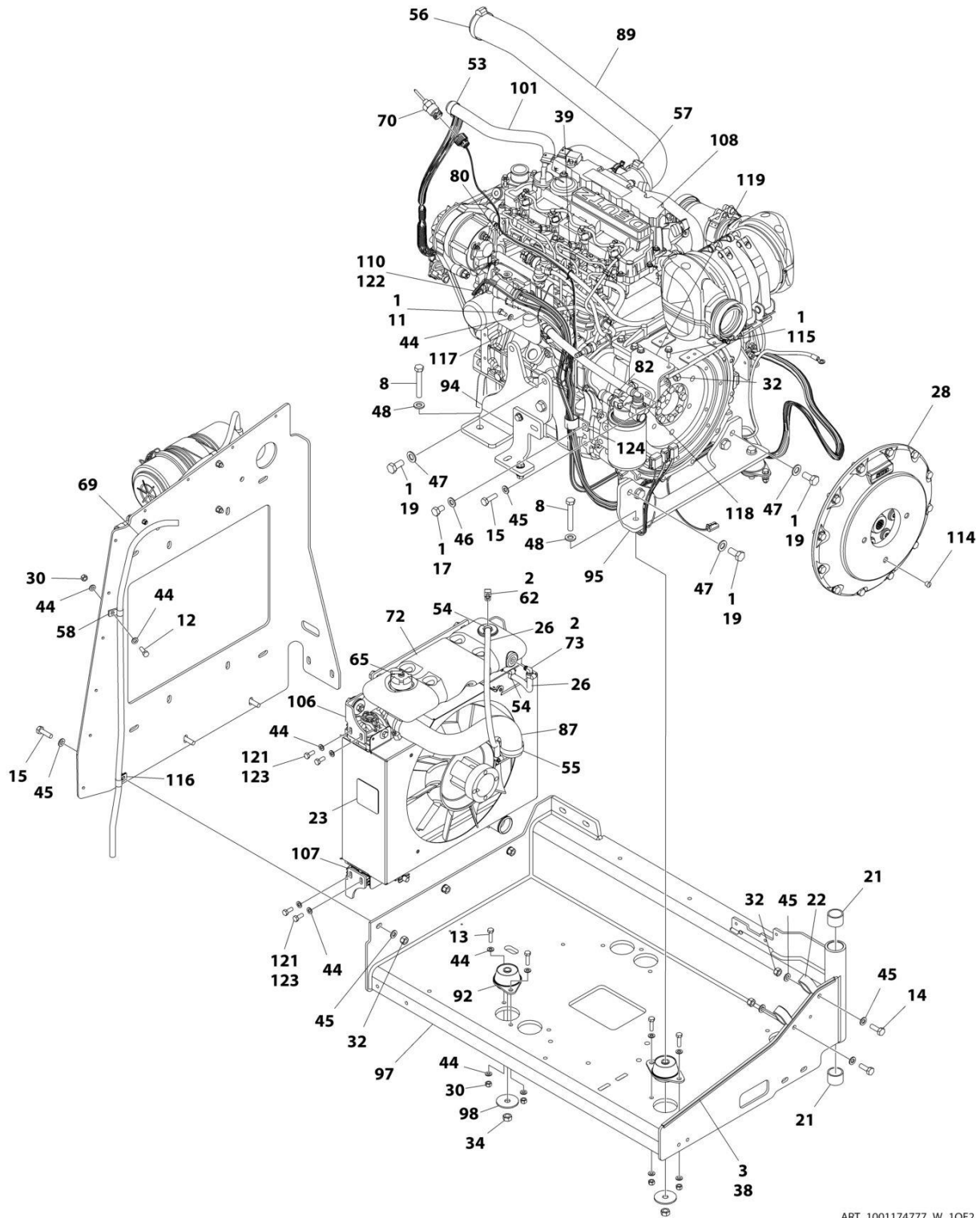
SECTION 3 - ENGINE

FIGURE 3-5. ENGINE AND PUMP SUB-ASSEMBLY - DEUTZ D2.9L4 (WITH ARCTIC PACKAGE) (ANSI AND CSA SPECS)

ITEM	PART NUMBER	QTY	DESCRIPTION	REV
	1001174778	Ref	ENGINE AND PUMP SUB-ASSEMBLY - DEUTZ D2.9L4 (WITH ARCTIC PACKAGE)	1
1	0100011	AR	Compound, Locking	
2	0641812	2	Bolt 1/2 x 1-1/2	
4	1001214207	1	Gear Pump Assembly	
4	70006356	1	Seal Kit - 1001214207 Pump	
5	3790152	1	O-Ring	
6	3931618	2	Capscrew 3/8 x 1 1/8	
7	4891800	2	Washer 1/2 Hardened	
8	4891600	2	Washer 3/8 Hardened	
9	1001174777	1	Engine Assembly - Deutz D2.9L4 Engine (With Arctic Package) (See Separate Breakdown in this Section)	
10	1001167036	1	Piston Pump Assembly (See Separate Breakdown in this Section)	
11	1001171953	1	Seal	
12	1001171954	1	Seal	

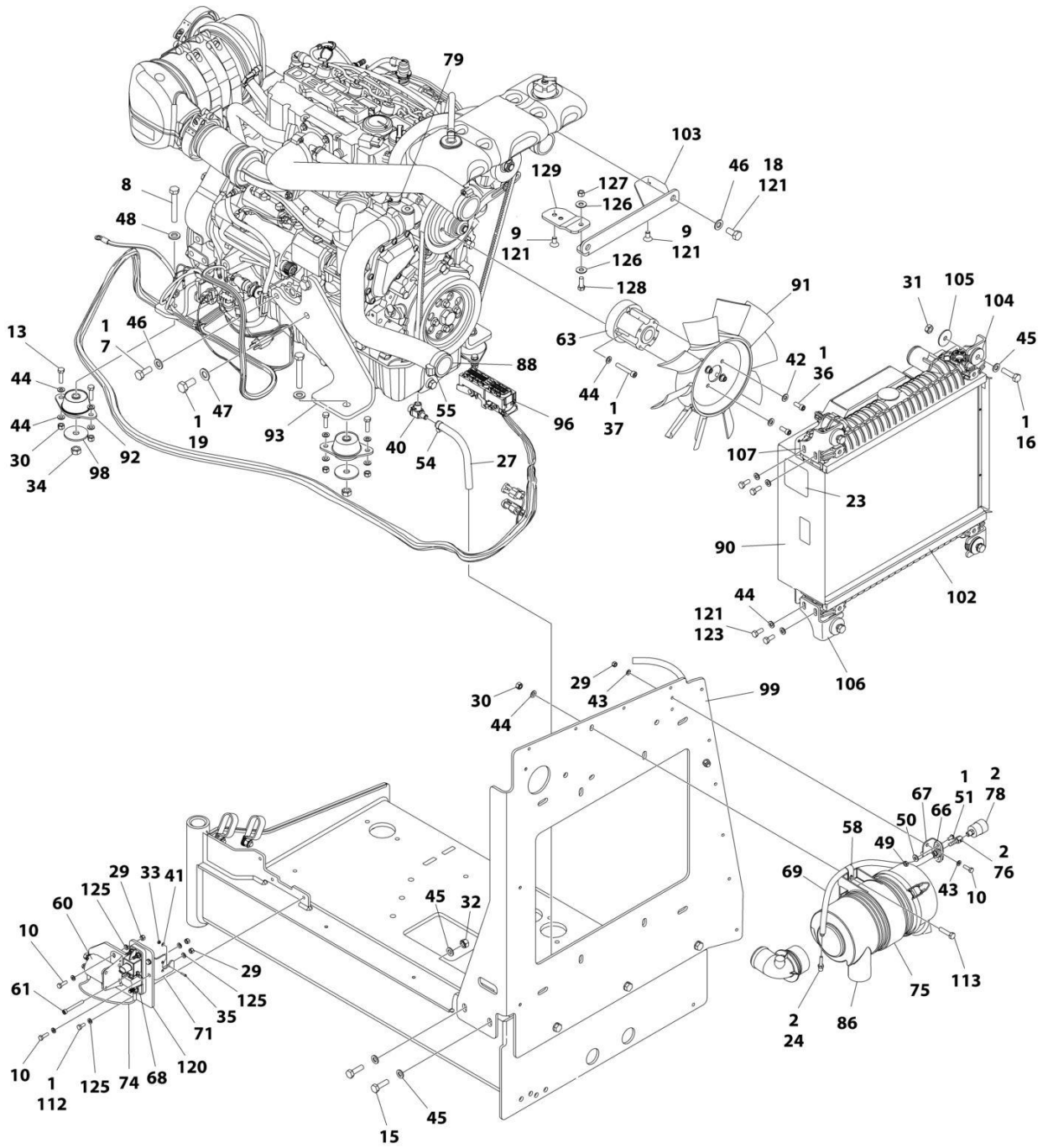
SECTION 3 - ENGINE

FIGURE 3-6. ENGINE ASSEMBLY - DEUTZ D2.9L4 ENGINE (WITH ARCTIC PACKAGE) (ANSI AND CSA SPECS)



ART_1001174777_W_1OF2

SECTION 3 - ENGINE



ART_1001174777_W_20F2

SECTION 3 - ENGINE

FIGURE 3-6. ENGINE ASSEMBLY - DEUTZ D2.9L4 ENGINE (WITH ARCTIC PACKAGE) (ANSI AND CSA SPECS)

ITEM	PART NUMBER	QTY	DESCRIPTION	REV
	1001174777	Ref	ENGINE ASSEMBLY - DEUTZ D2.9L4 ENGINE (WITH ARCTIC PACKAGE)	X
1	0100011	AR	Compound, Locking	
2	0100020	AR	Sealant, Pipe	
3	0100081	AR	Adhesive	
7	0711214	1	Bolt M12 x 30	
8	0711224	AR	Bolt M12 x 80	
9	0741606	2	Screw 3/8 x 3/4	
10	0760610	6	Bolt M6 x 20	
11	0760808	1	Bolt M8 x 16	
12	0760812	1	Bolt M8 x 25	
13	0760814	8	Bolt M8 x 30	
14	0761014	2	Bolt M10 x 30	
15	0761015	7	Bolt M10 x 35	
16	0761016	4	Bolt M10 x 40	
17	0761210	1	Bolt M12 x 20	
18	0761212	2	Bolt M12 x 25	
19	0771414	AR	Bolt M14 x 30 Grade 10.9	
21	0961951	2	Bushing	
22	1321716	2	Clamp	
23	1703162	2	Decal - Caution Fan	
24	2220315	1	Fitting, Barbed	
26	2720015	2 ft/0.61m	Hose	
27	2720340	8 in /0.2m	Hose	
28	2902065	1	Pump Coupling Kit (See Separate Breakdown in this Section)	
29	3290605	7	Nut M6	
30	3290805	AR	Nut M8	
31	3291001	4	Nut M10	
32	3291005	9	Nut M10	
33	3310401	3	Nut #4	
34	3331215	AR	Nut M12 x 1.75	
35	3910408	3	Screw #4- x 1/2	
36	3931512	4	Capscrew 5/16 x 3/4	
37	4031914	4	Bolt M8 x 50	
38	4060805	2.25 ft/ 0.69m	Flex-Trim	
39	4240099	AR	Tie-Strap	
40	4640751	1	Valve, Oil Drain	
41	4710400	3	Washer #4	
42	4711500	4	Washer 5/16	
43	4811700	4	Washer M6	
44	4811900	AR	Washer M8	
45	4812000	22	Washer M10	
46	4812100	4	Washer M12	
47	4812200	9	Washer M14	
48	5241200	AR	Washer M12	
49	8305401	2	Nut Jam	
50	8307109	2	Washer, .250	
51	8310548	2	Screw 1/4 x 1/2	

SECTION 3 - ENGINE

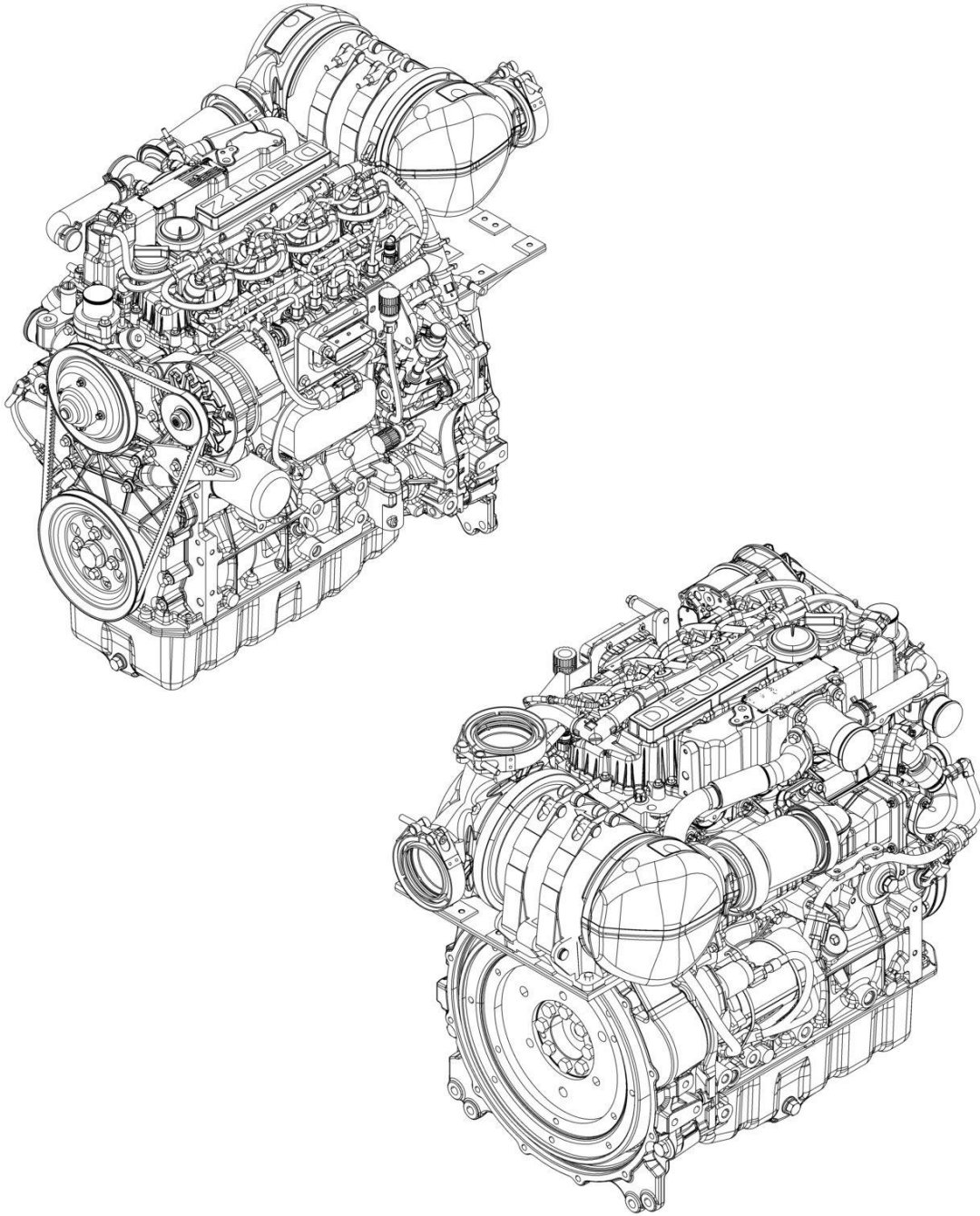
ITEM	PART NUMBER	QTY	DESCRIPTION	REV
53	8405007	2	Clamp	
54	8405009	5	Clamp	
55	8405104	4	Clamp	
56	8405202	1	Clamp	
57	8405204	1	Clamp	
58	8406109	2	Clip	
60	1001117308	1	Relay, 200Amp	
60	3300220	2	Nut	
60	3321001	2	Nut #10	
60	4761000	2	Washer #10	
60	1001111424	2	Washer	
61	1001118878	1	Bolt M6 x 55	
62	1001134488	1	Fitting, Barbed 90	
63	1001144116	1	Spacer, Fan	
65	1001136834	1	Cap, Tank	
66	1001138173	1	Support, Service Indicator	
67	1001138175	1	Bracket, Service Indicator	
68	1001138228	1	Relay, Power Module	
68	70023592	1	Fuse 20Amp	
68	70023593	1	Fuse 30Amp	
69	1001138248	5.25 ft/ 1.6m	Tube	
70	1001138827	1	Sensor, Coolant Level	
71	1001139240	1	Bracket	
72	1001230635	1	Tank, Surge (Includes Items 62, 70 & 73)	
73	1001140564	1	Fitting, Barbed 90	
74	1001141304	1	Harness, Glow Plug	
75	1001141694	1	Clamp, Air Cleaner	
76	1001141995	1	Fitting, Barbed	
78	1001143390	1	Indicator	
79	1001143797	1	Fitting, Barbed	
80	1001178788	1	Cable, Alternator	
82	1001152489	1	Fitting, Barbed 90	
86	1001165388	1	Air Cleaner Assembly	
86	70003783	1	Element, Air Cleaner	
87	1001165405	1	Hose, Upper Radiator	
88	1001165406	1	Hose, Lower Radiator	
89	1001165721	1	Hose, Air Intake	
90	1001165722	1	Radiator	
91	1001165849	1	Fan	
92	1001166718	AR	Mount, Motor	
93	1001166921	1	Plate, Engine Mount	
94	1001166922	Ref	Plate, Engine Mount	
95	1001166924	1	Plate, Engine Mount	
96	1001167108	1	Harness Engine - Deutz D2.9L4 (See Separate Breakdown in ELECTRICAL SECTION)	
97	1001167520	1	Tray, Engine	
98	1001168018	AR	Washer, Special	
99	1001168026	1	Plate, Radiator Mounting	
101	1001168099	1	Hose	
102	1001168166	2	Seal	
103	1001260420	1	Bracket	

SECTION 3 - ENGINE

ITEM	PART NUMBER	QTY	DESCRIPTION	REV
104	1001169054	4	Isolator	
105	1001169138	4	Washer, Snubbing	
106	1001169967	2	Bracket	
107	1001170035	2	Bracket	
108	1001249965	1	Engine, Deutz D2.9L4 (See Separate Breakdown in this Section)	
110	1001140312	1	Heater, Engine Block	
112	0760607	3	Bolt M6 x 14	
113	0760815	2	Bolt M8 x 35	
114	3520054	1	Plug	
115	5250810	2	Bolt M8 x 20	
116	8406110	1	Clip	
117	8406201	1	Clip	
118	1001177359	1	Hose	
119	1001178876	1	Mount, Fuel Filter	
120	1001179903	1	Bracket	
121	1001180620	AR	Adhesive	
122	1001181895	AR	Adhesive	
123	0760810	8	Bolt M8 x 20	
124	1001191620	1	Clamp	
125	4811702	12	Washer M6	
126	4751600	2	Washer 3/8	
127	3311605	1	Nut 3/8	
128	0681608	1	Bolt 3/8 x 1	
129	1001260412	1	Bracket	
130	1001162335	1	Bracket Assembly - Fuel Pump/Filter (Not Shown) (See Separate Breakdown in this Section)	

SECTION 3 - ENGINE

FIGURE 3-7. ENGINE COMPONENTS - DEUTZ D2.9L4 ENGINE (ANSI, ANSI EXPORT, CSA AND JAPANESE SPECS)



ART_1001249965

SECTION 3 - ENGINE

FIGURE 3-7. ENGINE COMPONENTS - DEUTZ D2.9L4 ENGINE (ANSI, ANSI EXPORT, CSA AND JAPANESE SPECS)

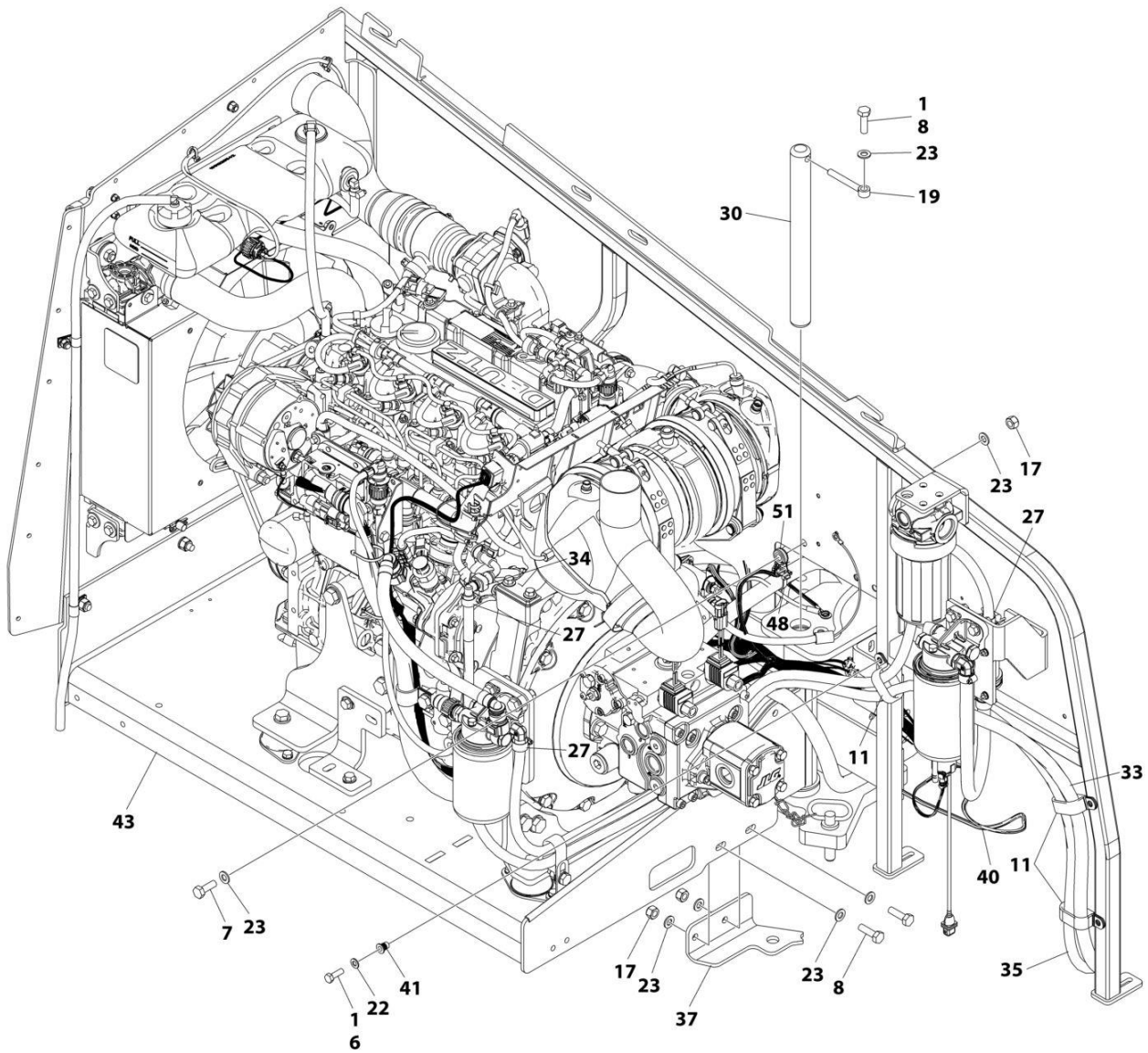
ITEM	PART NUMBER	QTY	DESCRIPTION	REV
	1001249965	Ref	DEUTZ D2.9L4 - 49HP ENGINE COMPONENTS	B
	See Note	Ref	Note: Contact JLG Customer Service for Availability of Additional Components.	
		Ref	Air Intake System	
	70005182	1	Charge Air Elbow	
	70005183	1	Breather Line	
		Ref	Cooling System Components	
	70030360	1	Pump, Coolant	
	70007603	1	Thermostat	
		Ref	Electrical Components	
	70025210	1	Module, Engine Control (ECM/ECU)	
	70024513	1	Harness, Fuel Filter Sensor	
	70024504	1	Sensor, Fuel Pressure	
	70006652	1	Generator	
	70024915	1	Starter	
	70025231	1	Harness, Glow Plug	
	70028540	1	Sensor, Temperature	
	70026210	1	Sensor, Speed	
	70024507	1	Sensor, Pressure (Air Intake)	
	70031145	4	Plug, Glow	
		Ref	Exhaust Components	
	70031136	1	Pipe, Exhaust	
	70004282	1	Exhaust Manifold	
		Ref	Fuel System Components	
	70030381	1	Pump, High Pressure	
	700004508	1	Valve, Volume Control	
	70004281	1	Injector, Fuel	
	70006144	1	Pump, Fuel Supply (Includes Qty 2 Mounting Clamps)	
	1001225430	1	Filter, Fuel (Pre-Filter) Assembly	
	70024961	1	Filter, Fuel	
	70025239	1	Seal	
	70024513	1	Cable, Sensor	
	70029451	1	Filter, Fuel	
		Ref	Gasket & Seal Components	
	70024905	1	Seal, Dipstick	
	70005942	2	Seal, Oil Plug	
	70024906	1	Gasket, Head	
	70005171	1	Gasket, Valve Cover	
	70002718	1	Seal, Rear Main	
	70025135	1	O-Ring, Oil Lube Pump	
	70005173	1	Gasket, Oil Lube Pump	
	70024925	1	Seal, Oil Cooler	
	70005177	1	Gasket, Charge Air Housing	
	70025200	1	O-Ring, Coolant Pump	
	70007325	1	Seal, Coolant Pump	
	70005184	1	O-Ring, Thermostat	
	70005931	1	Seal, Thermostat	
	70025164	1	Gasket, Exhaust Manifold to Head	
	70007354	1	Gasket, Short Exhaust Pipe to JLG supplied Exhaust	

SECTION 3 - ENGINE

ITEM	PART NUMBER	QTY	DESCRIPTION	REV
	70007326	1	Gasket EGR Valve	
	70031095	1	Gasket, Exhaust Return Pipe (to Air Intake Housing)	
		Ref	Other Components	
	70001870	1	Flywheel	
	7024579	1	Gear, Ring	
		Ref	Oil Lube System	
	7020465	1	Cap, Oil Fill	
	70024904	1	Dipstick	
	70005941	2	Plug, Oil (Includes Seal)	
	70005172	1	Pump, Oil Lube (Includes O-Ring & Gasket)	
	70024494	1	Oil Cooler	
	7016331	1	Filter, Oil	

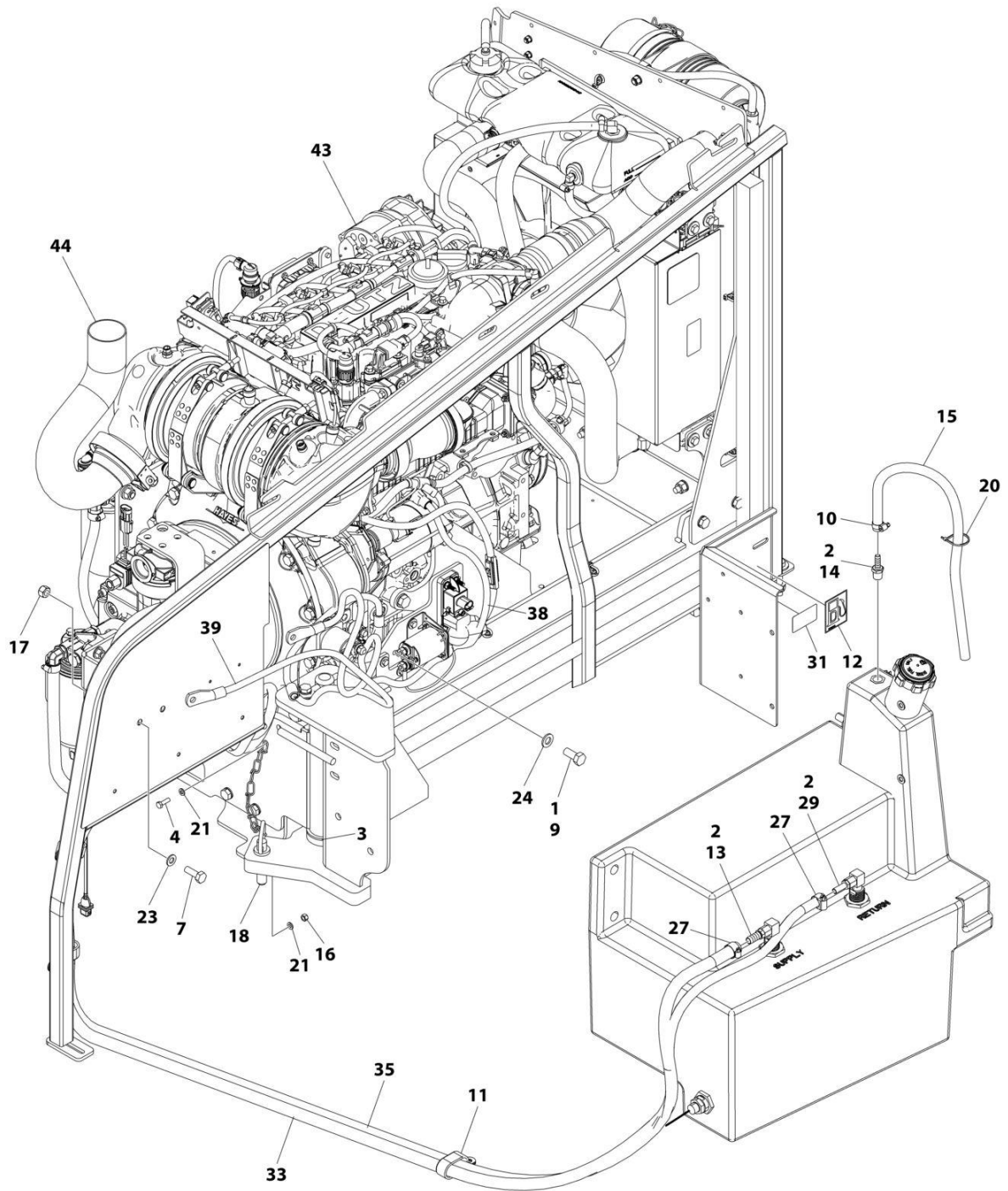
SECTION 3 - ENGINE

FIGURE 3-8. ENGINE INSTALLATION - DEUTZ D2.9L4 ENGINE (STAGE V) (CE SPECS)



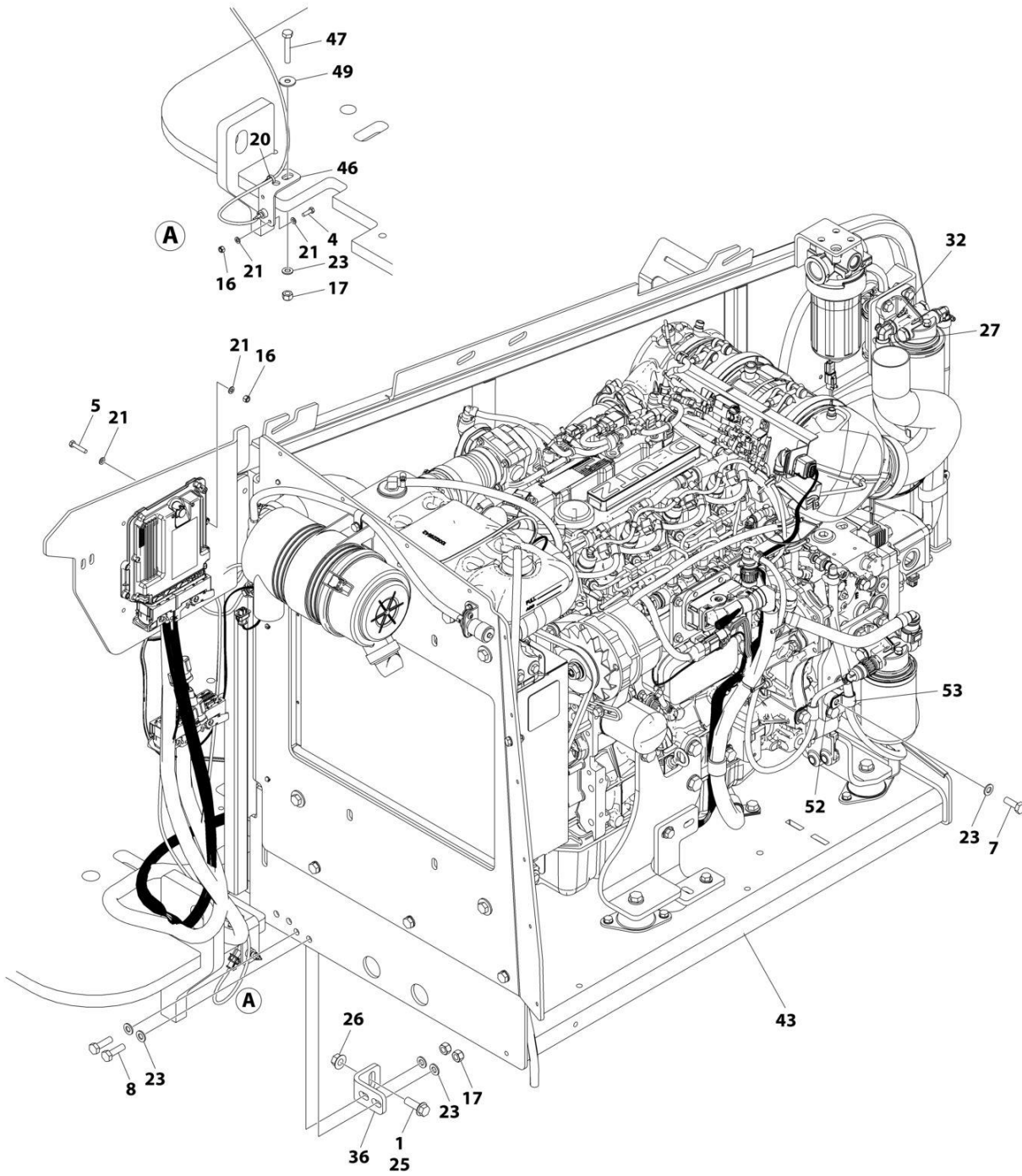
ART_1001244287_H_10F3

SECTION 3 - ENGINE



ART_1001244287_H_20F3

SECTION 3 - ENGINE



ART_1001244287_H_30F3

SECTION 3 - ENGINE

FIGURE 3-8. ENGINE INSTALLATION - DEUTZ D2.9L4 ENGINE (STAGE V) (CE SPECS)

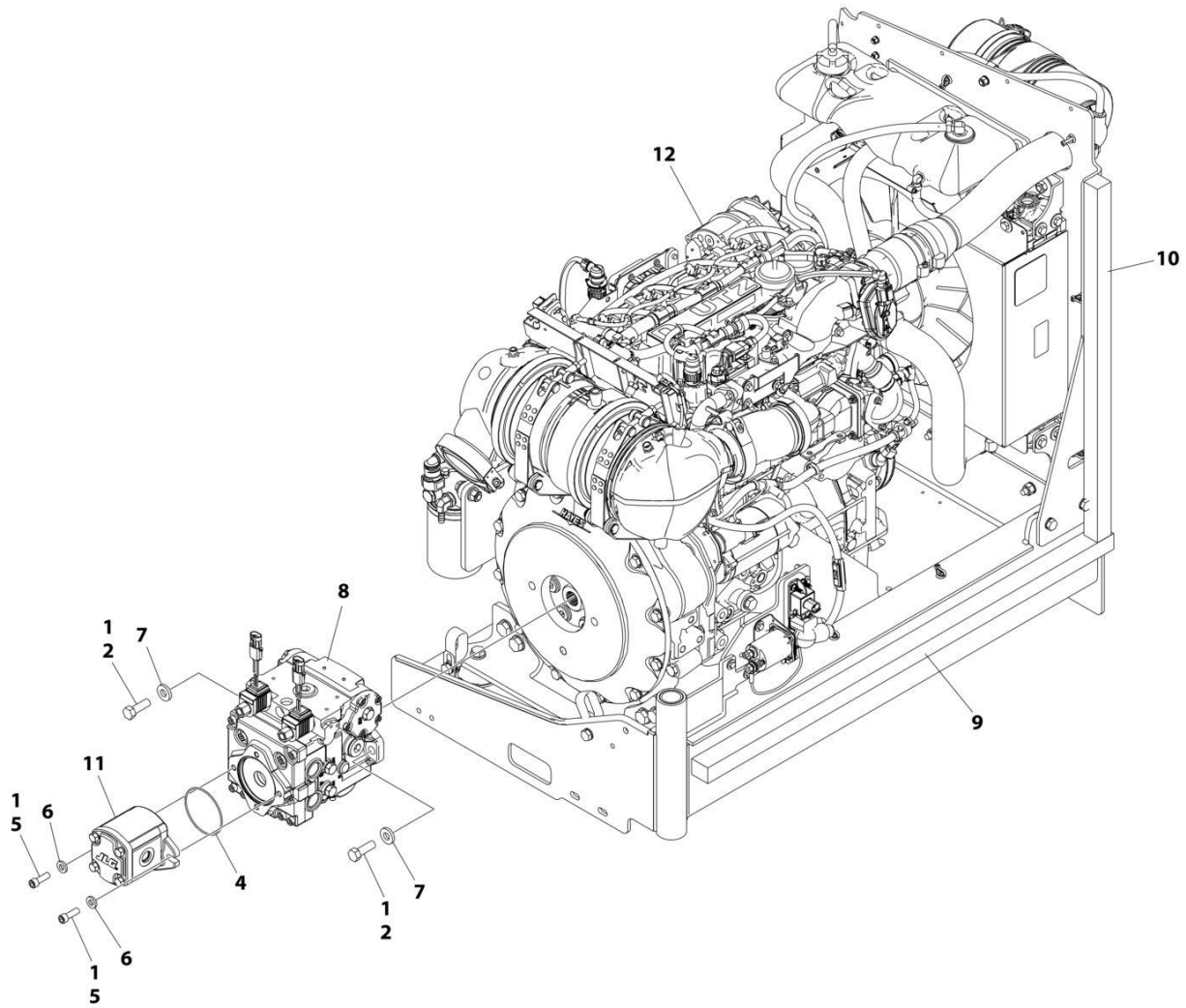
ITEM	PART NUMBER	QTY	DESCRIPTION	REV
	1001244287	Ref	ENGINE INSTALLATION - DEUTZ D2.9L4 ENGINE (STAGE V)	H
1	0100011	AR	Compound, Locking	
2	0100020	AR	Sealant, Pipe	
3	0440162	1	Bearing	
4	0760610	2	Bolt M6 x 20	
5	0760614	4	Bolt M6 x 30	
6	0760812	1	Bolt M8 x 25	
7	0761014	4	Bolt M10 x 30	
8	0761015	5	Bolt M10 x 35	
9	0771212	1	Bolt M12 x 25	
10	1320022	1	Clamp	
11	1321716	4	Clamp	
12	1701505	1	Decal - Diesel Fuel	
13	2180832	1	Fitting, Barbed	
14	2180876	1	Fitting, Barbed	
15	2720058	2 ft /0.6m	Hose	
16	3290605	6	Nut M6	
17	3291005	8	Nut M10	
18	3422532	1	Pin	
19	3841143	1	Keeper, Pin	
20	4240099	AR	Tie-Strap	
21	4811700	12	Washer M6	
22	4811900	1	Washer M8	
23	4812000	15	Washer M10	
24	4812100	1	Washer M12	
25	5251215	1	Bolt M12 x 35	
26	5261200	1	Nut, Flange M12 Grade 10.9	
27	8405006	6	Clamp	
29	2220767	AR	Fitting, Barbed 90	
29	8430007	AR	Fitting, Barbed	
30	1001135196	1	Pin	
31	1001139654	1	Decal - Ultra Low Sulfur Diesel	
32	1001142501	1	Fitting, Barbed 90	
33	1001154405	7.25 ft /2.21m	Hose	
34	1001155823	1	Coupling, Quick Disconnect 90	
35	1001165035	17.25 ft /5.26m	Hose	
36	1001167512	1	Bracket	
37	1001169823	1	Plate, Engine Lock	
38	1001171683	1	Cable, Battery (Red) (Battery Positive to Auxiliary Power Relay)	
39	1001171684	1	Cable, Battery (Black) (Battery Negative to Auxiliary Power Pump)	
40	1001181358	1	Harness, Fuel Pump (See Separate Breakdown in ELECTRICAL SECTION)	
41	1001191832	1	Nut, Rivet M8	
43	1001277600	1	Engine and Pump Sub-Assembly - Deutz D2.9L4 (Without Arctic Package) (See Separate Breakdown in this Section)	
44	1001247440	1	Pipe, Exhaust	
46	1001256879	1	Bracket	
47	0701020	1	Bolt M10 x 60	

SECTION 3 - ENGINE

ITEM	PART NUMBER	QTY	DESCRIPTION	REV
48	1062255	1	Tie-Strap	
49	4812002	1	Washer M10	
51	1001156107	1	Holder	
52	1001220266	1	Spacer	
53	1320061	1	Clamp	

SECTION 3 - ENGINE

FIGURE 3-9. ENGINE AND PUMP SUB-ASSEMBLY - DEUTZ D2.9L4 ENGINE (STAGE V) (CE SPECS)



ART_1001244285

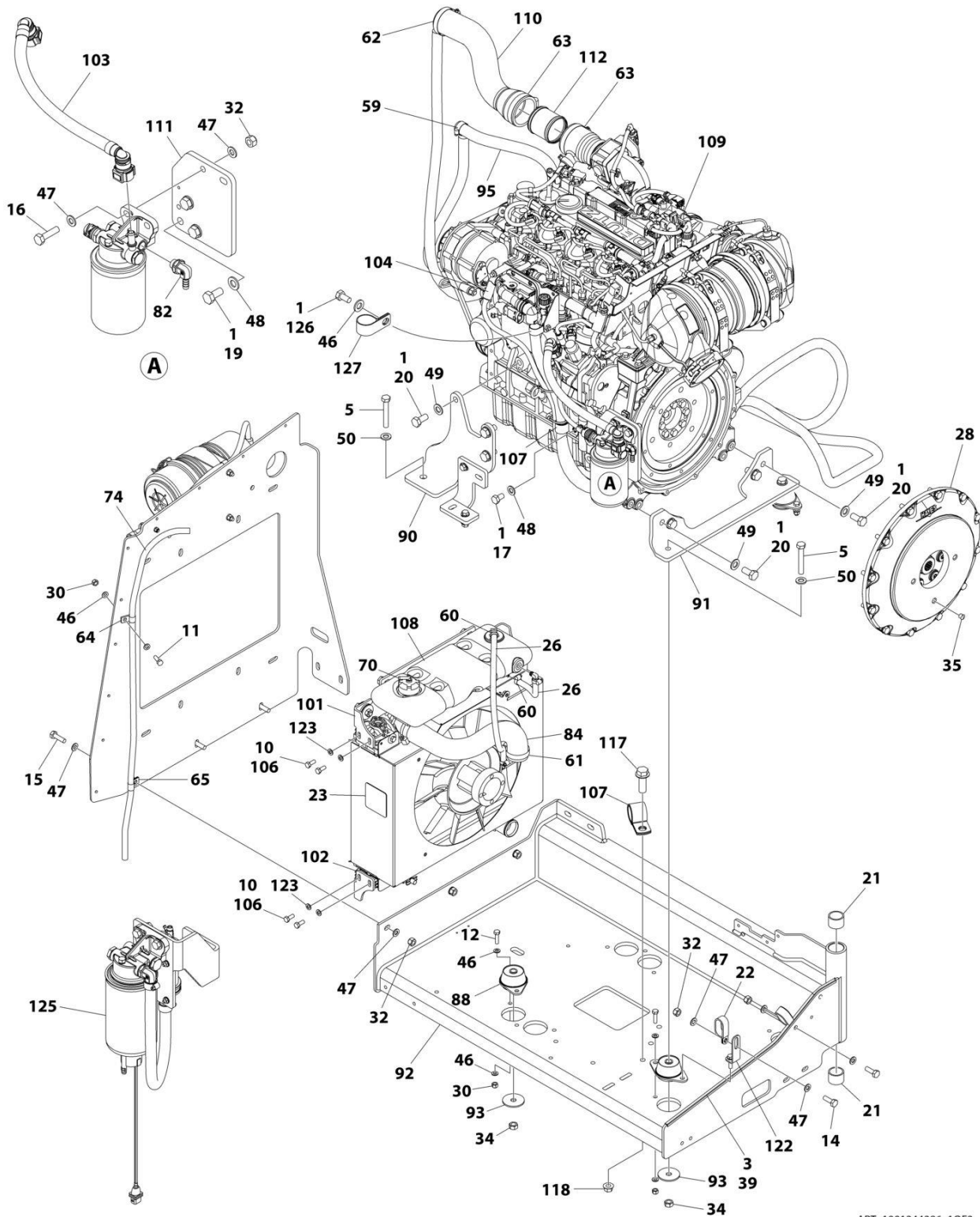
SECTION 3 - ENGINE

FIGURE 3-9. ENGINE AND PUMP SUB-ASSEMBLY - DEUTZ D2.9L4 ENGINE (STAGE V) (CE SPECS)

ITEM	PART NUMBER	QTY	DESCRIPTION	REV
	1001244285	Ref	ENGINE AND PUMP SUB-ASSEMBLY - DEUTZ (STAGE V) ENGINE	E
1	0100011	AR	Compound, Locking	
2	0641812	2	Bolt 1/2 x 1-1/2	
4	3790152	1	O-Ring	
5	3931618	2	Capscrew, 3/8 x 1-1/8	
6	4891600	2	Washer, 3/8 Hardened	
7	4891800	2	Washer 1/2 Hardened	
8	1001167036	1	Piston Pump Assembly (See Separate Breakdown in this Section)	
9	1001171953	1	Seal	
10	1001171954	1	Seal	
11	1001214207	1	Gear Pump Assembly	
11	70006356	1	Seal Kit - 1001214207 Pump	
12	1001244286	1	Engine Assembly, Deutz (Stage V) Engine (See Separate Breakdown in this Section)	

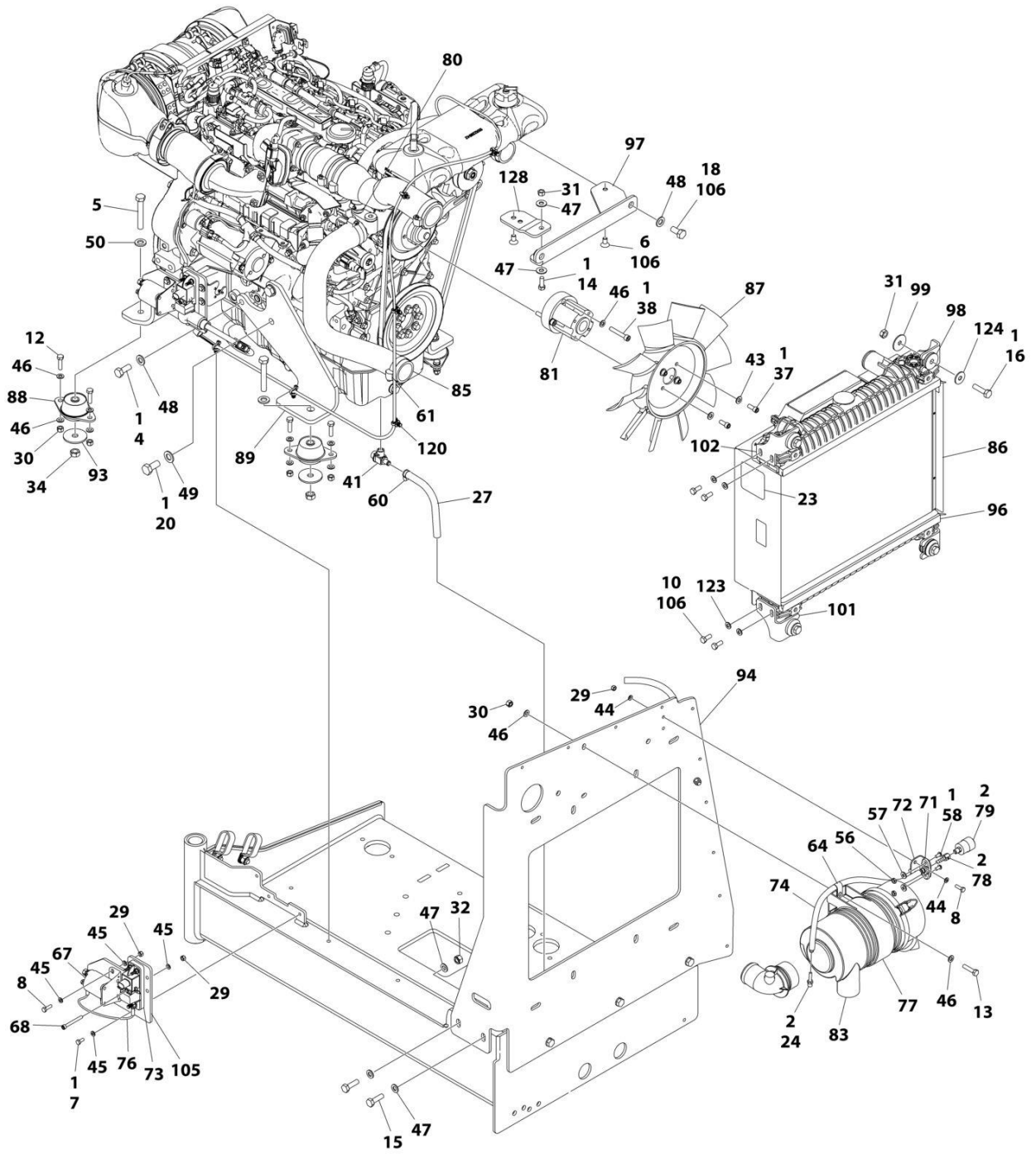
SECTION 3 - ENGINE

FIGURE 3-10. ENGINE ASSEMBLY – DEUTZ D2.9L4 ENGINE (STAGE V) (CE SPECS)



ART_1001244286_10F2

SECTION 3 - ENGINE



ART_1001244286_20F2

SECTION 3 - ENGINE

FIGURE 3-10. ENGINE ASSEMBLY – DEUTZ D2.9L4 ENGINE (STAGE V) (CE SPECS)

ITEM	PART NUMBER	QTY	DESCRIPTION	REV
	1001244286	Ref	ENGINE ASSEMBLY, DEUTZ (STAGE V) ENGINE	K
1	0100011	AR	Compound, Locking	
2	0100020	AR	Sealant, Pipe	
3	0100081	AR	Adhesive	
4	0711214	1	Bolt M12 x 30	
5	0711224	AR	Bolt M12 x 80	
6	0741606	2	Screw 3/8 x 3/4	
7	0760607	3	Bolt M6 x 14	
8	0760610	4	Bolt M6 x 20	
10	0760810	8	Bolt M8 x 20	
11	0760812	1	Bolt M8 x 25	
12	0760814	AR	Bolt M8 x 30	
13	0760815	2	Bolt M8 x 35	
14	0761014	3	Bolt M10 x 30	
15	0761015	5	Bolt M8 x 35	
16	0761016	6	Bolt M10 x 40	
17	0761210	1	Bolt M12 x 20	
18	0761212	2	Bolt M12 x 25	
19	0771212	3	Bolt M12 x 25	
20	0771414	9	Bolt M14 x 30	
21	0961951	2	Bushing	
22	1321716	2	Clamp	
23	1703162	2	Decal - Caution Fan	
24	2220315	1	Fitting, Barbed	
26	2720015	1.94 ft /0.59m	Hose	
27	2720340	0.66 ft/ 0.20m	Hose	
28	2902065	1	Pump Coupling Kit (See Separate Breakdown in this Section)	
29	3290605	5	Nut M6	
30	3290805	AR	Nut M8	
31	3291001	5	Nut M10	
32	3291005	9	Nut M10	
34	3331215	4	Nut M12 x 1.75	
35	3520054	1	Plug	
37	3931512	4	Capscrew, 5/16 x 3/4	
38	4031914	4	Bolt M8 x 50	
39	4060805	2.03 ft /0.62m	Flex-Trim	
40	4240099	AR	Tie-Strap (Not Shown)	
41	4640751	1	Valve, Oil Drain	
43	4711500	4	Washer 5/16	
44	4811700	4	Washer M6	
45	4811702	8	Washer M6	
46	4811900	AR	Washer M8	
47	4812000	20	Washer M10	
48	4812100	7	Washer M12	
49	4812200	AR	Washer M14	
50	5241200	AR	Washer M12	
56	8305401	2	Nut Jam	

SECTION 3 - ENGINE

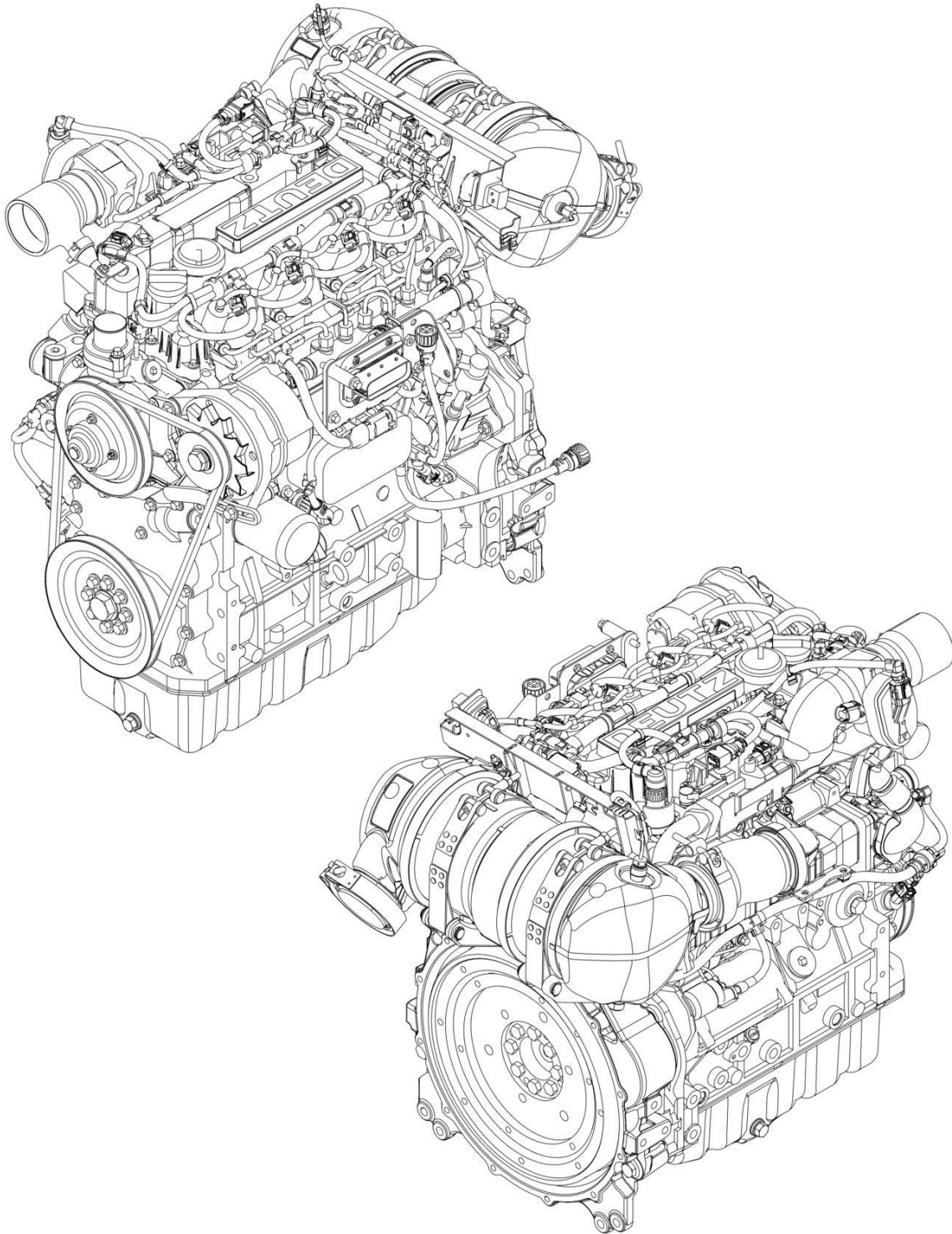
ITEM	PART NUMBER	QTY	DESCRIPTION	REV
57	8307109	2	Washer 1/4	
58	8310548	2	Screw 1/4 x 1/2	
59	8405007	2	Clamp	
60	8405009	5	Clamp	
61	8405104	4	Clamp	
62	8405202	1	Clamp	
63	8405204	2	Clamp	
64	8406109	2	Clip	
65	8406110	1	Clip	
67	1001117308	1	Relay, 200Amp	
68	1001118878	1	Bolt M6 x 55	
70	1001136834	1	Cap, Tank	
71	1001138173	1	Support, Service Indicator	
72	1001138175	1	Bracket, Service Indicator	
73	1001138228	1	Relay, Power Module	
74	1001138248	5.09 ft /1.55m	Tube	
76	1001141304	1	Harness, Glow Plug	
77	1001141694	1	Clamp, Air Cleaner	
78	1001141995	1	Fitting, Barbed	
79	1001143390	1	Indicator	
80	1001143797	1	Fitting, Barbed	
81	1001144116	1	Spacer, Fan	
82	1001152489	1	Fitting, Barbed 90	
83	1001165388	1	Air Cleaner Assembly	
83	70003783	1	Element, Air Cleaner	
84	1001165405	1	Hose, Upper Radiator	
85	1001165406	1	Hose, Lower Radiator	
86	1001165722	1	Radiator	
87	1001165849	1	Fan	
88	1001166718	AR	Mount, Motor	
89	1001166921	1	Plate, Engine Mount	
90	1001166922	1	Plate, Engine Mount (Prior to PVC2107)	
91	1001166924	1	Plate, Engine Mount	
92	1001167520	1	Tray, Engine	
93	1001168018	AR	Washer, Special	
94	1001168026	1	Plate, Radiator Mounting	
95	1001168099	1	Hose	
96	1001168166	2	Seal	
97	1001260420	1	Bracket (note: may require P/N 1001260412)	
98	1001169054	4	Isolator	
99	1001169138	4	Washer, Snubbing	
101	1001169967	2	Bracket	
102	1001170035	2	Bracket	
103	1001177359	1	Hose	
104	1001178788	1	Cable, Alternator	
105	1001179903	1	Bracket	
106	1001180620	AR	Adhesive	
107	1001191620	2	Clamp	
108	1001230635	1	Tank, Surge (Includes Items 62, 70, & 73)	
109	1001232545	1	Engine, Deutz 2.9L4 (Stage V) (See Separate Breakdown in this Section)	

SECTION 3 - ENGINE

ITEM	PART NUMBER	QTY	DESCRIPTION	REV
110	1001236780	1	Hose, Air Intake	
111	1001258804	1	Mount, Fuel Filter	
112	1001238911	1	Pipe, Air Intake	
113	1001245839	1	Harness, Engine (Not Shown - See Separate Breakdown in ELECTRICAL Section)	
117	5251215	1	Bolt M12 x 35	
118	5261200	1	Nut, Flange M12 Class10	
120	1001146588	AR	Tie-Strap (Not Shown)	
122	1001223122	1	Support	
123	4811902	8	Washer M8	
124	4812002	4	Washer M10	
125	1001235949	1	Bracket (See Separate Breakdown in this Section)	
126	0760808	1	Bolt M8 x 16	
127	8406201	1	Clip	
128	1001260412	1	Bracket	

SECTION 3 - ENGINE

FIGURE 3-11. ENGINE COMPONENTS - DEUTZ D2.9L4 ENGINE (STAGE V) (CE SPECS)



ART_1001232545

SECTION 3 - ENGINE

FIGURE 3-11. ENGINE COMPONENTS - DEUTZ D2.9L4 ENGINE (STAGE V) (CE SPECS)

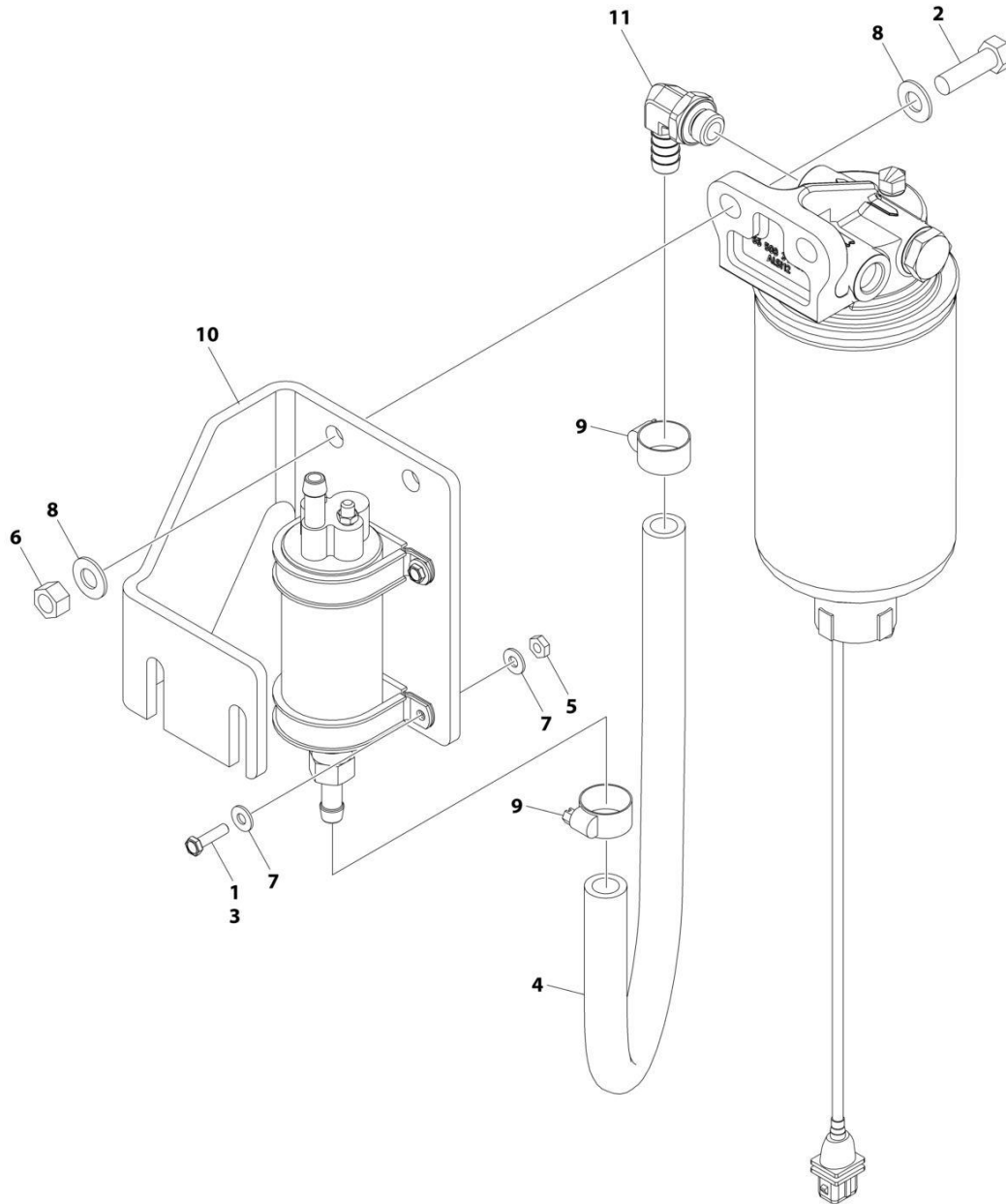
ITEM	PART NUMBER	QTY	DESCRIPTION	REV
	1001232545	Ref	DEUTZ ENGINE COMPONENTS	H
		Ref	Note: For complete list of parts, contact JLG Parts Department	
		Ref	Air Intake System Components	
		Ref	Charge Air Pipe	
	70025168	1	Intake Pipe	
		Ref	Mixing Tube	
		Ref	Throttle Valve	
		Ref	Cooling System Components	
	70029797	1	Pump, Coolant (Includes Gasket & Seals)	
	70007603	1	Thermostat	
	70005184	1	O-Ring	
	70005931	1	Gasket	
	70025142	1	Cover	
		Ref	Electrical System Components	
	70029512	1	Module, ECU/ECM	
	70007784	1	Alternator	
	70031143	1	Module, Alternator Control	
	70029015	1	Fan, Alternator	
	70029402	1	Nut, Alternator Fan	
	70029403	1	Nut, Alternator Power Stud	
	70029404	1	Washer, Alternator Power Stud Spring	
	70031144	1	Starter (Includes Solenoid)	
	70025099	1	Bolt, Starter Mounting	
	70026210	1	Sender, Tacho-Generator (Speed) (On Rear of Block) (Includes Seal)	
	70024916	1	Sender, Tacho-Generator (Speed) (On Cover) (Includes Seal)	
	70024918	1	Sender, Temperature (Includes Seal) (On Air Intake Manifold)	
		Ref	Sensor, Pressure (Includes Seal) (On Air Intake Manifold)	
	70024504	1	Sensor, Pressure (Includes Seal) (On Fuel Filter & Side of Block)	
	70005504	1	Sensor, Pressure (Includes Seal) (On Exhaust Manifold)	
	70027405	1	Sensor, Temperature (Includes Seal) (On Exhaust Manifold)	
	70000345	4	Plug, Glow	
		Ref	Exhaust System Components	
		Ref	Valve, EGR	
	70025130	8	Bolt, Exhaust Manifold	
	70025164	1	Gasket, Exhaust Manifold	
		Ref	Outlet, Muffler	
		Ref	Muffler	
		Ref	Bracket, Muffler Mounting	
	70004504	1	Compensator, Exhaust	
		Ref	Fuel System Components	
		Ref	Pump, High Pressure	
	70004281	1	Injector (Includes Sealing washer, Clamp & O-Ring)	
	70006144	1	Pump, Fuel Supply (Includes Clamps)	
	70024961	1	Filter, Fuel (Pre-Filter Assembly) (Includes Head, Spin on filter, Sensor Cable & Seal)	
	70025153	1	Filter, Fuel Spin On	
	70024513	1	Sensor Cable (Includes Seal)	
	70025160	1	Filter, Fuel (Assembly) (Includes Head & Spin on Filter)	
	70025161	1	Filter, Fuel Spin On	

SECTION 3 - ENGINE

ITEM	PART NUMBER	QTY	DESCRIPTION	REV
	70004508	1	Vol. Control Valve (Includes O-Ring & Gasket)	
		Ref	Lubricating System Components	
	7020465	2	Cap, Oil Fill	
	70005941	2	Plug, Oil Drain	
	70005942	2	Seal, Oil Drain Plug	
	70005172	1	Pump, Oil (Includes Seal & Gasket)	
	7016331	1	Filter, Oil	
	70024494	1	Cooler, Oil	
	70024925	1	Gasket, Oil Cooler	
	70024904	1	Dipstick (Includes Seal)	
		Ref	Mechanical Components	
	70001870	1	Flywheel (includes Gear)	
	70024913	1	V-Belt	
		Ref	Gasket Set - Complete	

SECTION 3 - ENGINE

FIGURE 3-12. BRACKET ASSEMBLY - FUEL PUMP AND FILTER (DEUTZ D2.9L4 ENGINE)



ART_1001162335

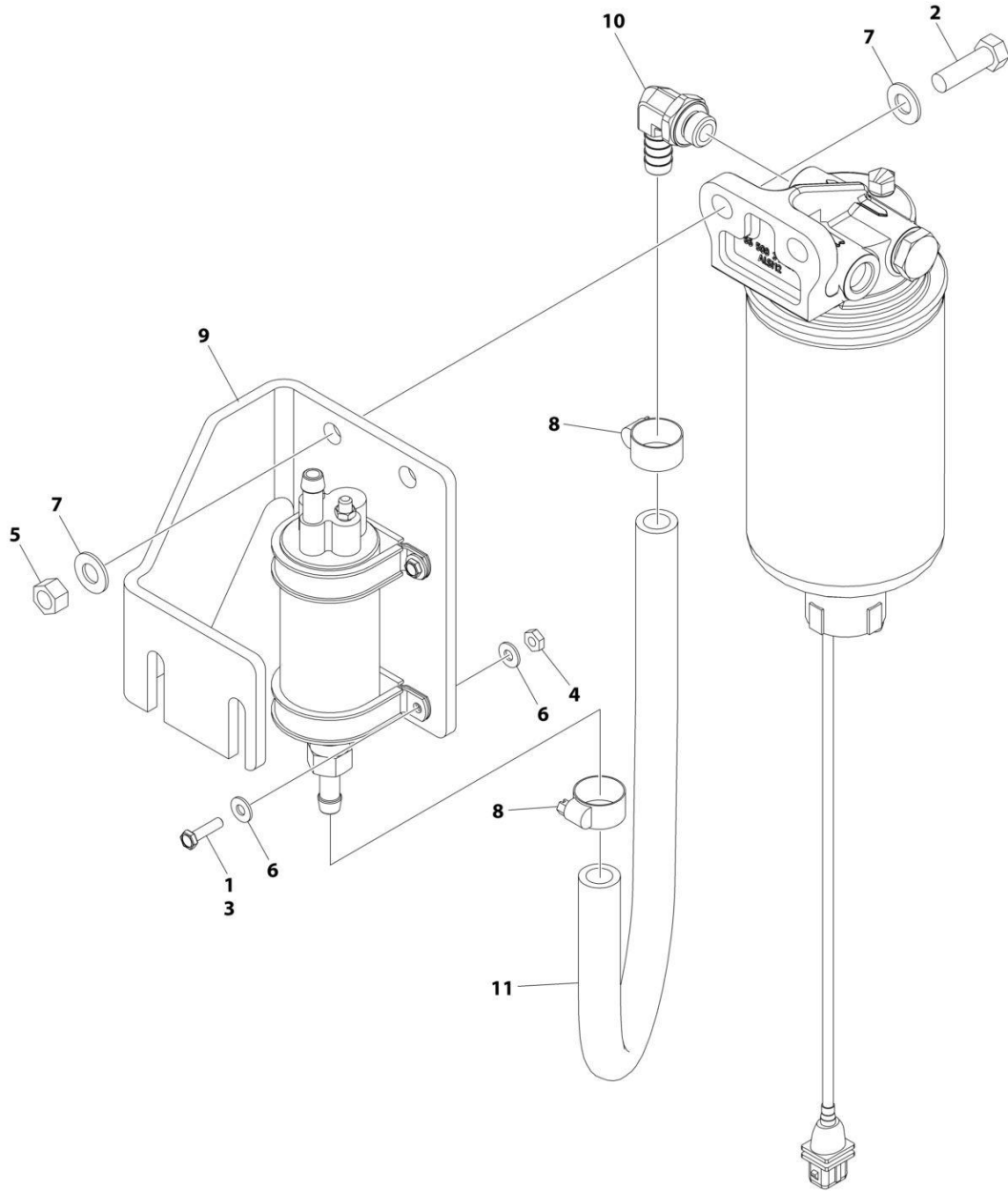
SECTION 3 - ENGINE

FIGURE 3-12. BRACKET ASSEMBLY - FUEL PUMP AND FILTER (DEUTZ D2.9L4 ENGINE)

ITEM	PART NUMBER	QTY	DESCRIPTION	REV
	1001162335	Ref	BRACKET ASSEMBLY - FUEL PUMP AND FILTER (DEUTZ D2.9L4 ENGINE)	E
1	0100011	AR	Compound, Locking	
2	0641610	2	Bolt 3/8 x 1-1/4	
3	0721006	4	Bolt #10 x 3/4	
4	1001154405	AR	Hose	
5	3311001	4	Nut #10	
6	3311605	2	Nut 3/8	
7	4711000	8	Washer #10	
8	4711600	4	Washer 3/8	
9	8405006	2	Clamp	
10	1001141870	1	Plate, Fuel Pump Mount	
11	1001142501	1	Fitting, Elbow Barbed	

SECTION 3 - ENGINE

FIGURE 3-13. BRACKET ASSEMBLY - FUEL PUMP AND FILTER (DEUTZ D2.9L4 ENGINE) (STAGE V)



ART_1001235949

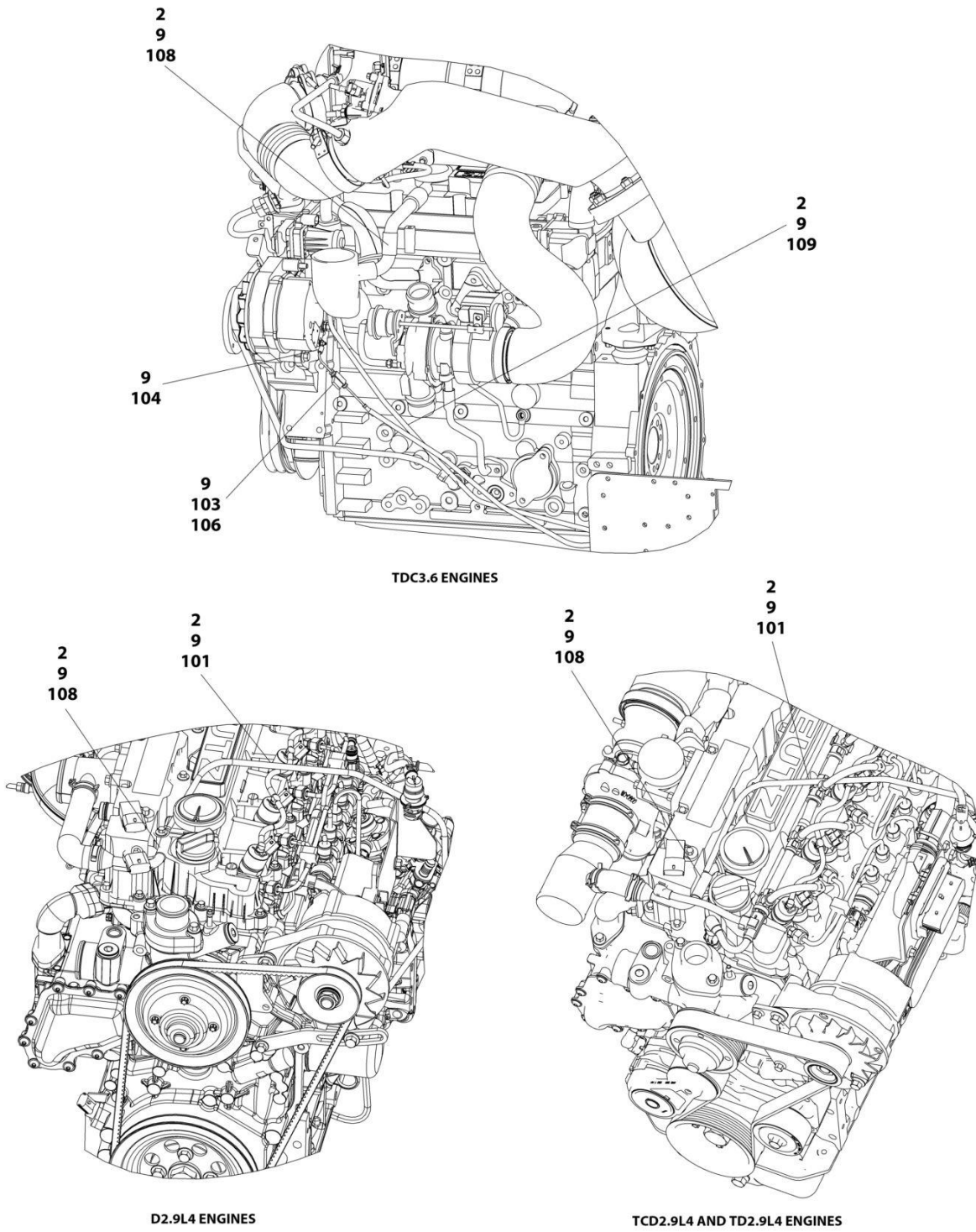
SECTION 3 - ENGINE

FIGURE 3-13. BRACKET ASSEMBLY - FUEL PUMP AND FILTER (DEUTZ D2.9L4 ENGINE) (STAGE V)

ITEM	PART NUMBER	QTY	DESCRIPTION	REV
	1001235949	Ref	BRACKET ASSEMBLY - FUEL PUMP AND FILTER (DEUTZ D2.9L4 (STAGE V) ENGINE)	A
1	0100035	AR	Compound, Locking	
2	0641610	2	Bolt 3/8 x 1-1/4	
3	0721006	4	Bolt #10 x 3/4	
4	3311001	4	Nut #10	
5	3311605	2	Nut 3/8	
6	4711000	8	Washer #10	
7	4711600	4	Washer 3/8	
8	8405006	2	Clamp	
9	1001141870	1	Plate, Fuel Pump Mount	
10	1001142501	1	Fitting, Elbow Barbed	
11	1001154405	1.5 ft /0.4m	Hose	

SECTION 3 - ENGINE

FIGURE 3-14. BREATHER HEATER INSTALLATION - DEUTZ D2.9L4 ENGINE WITH ARCTIC PACKAGE



ART_1001233763

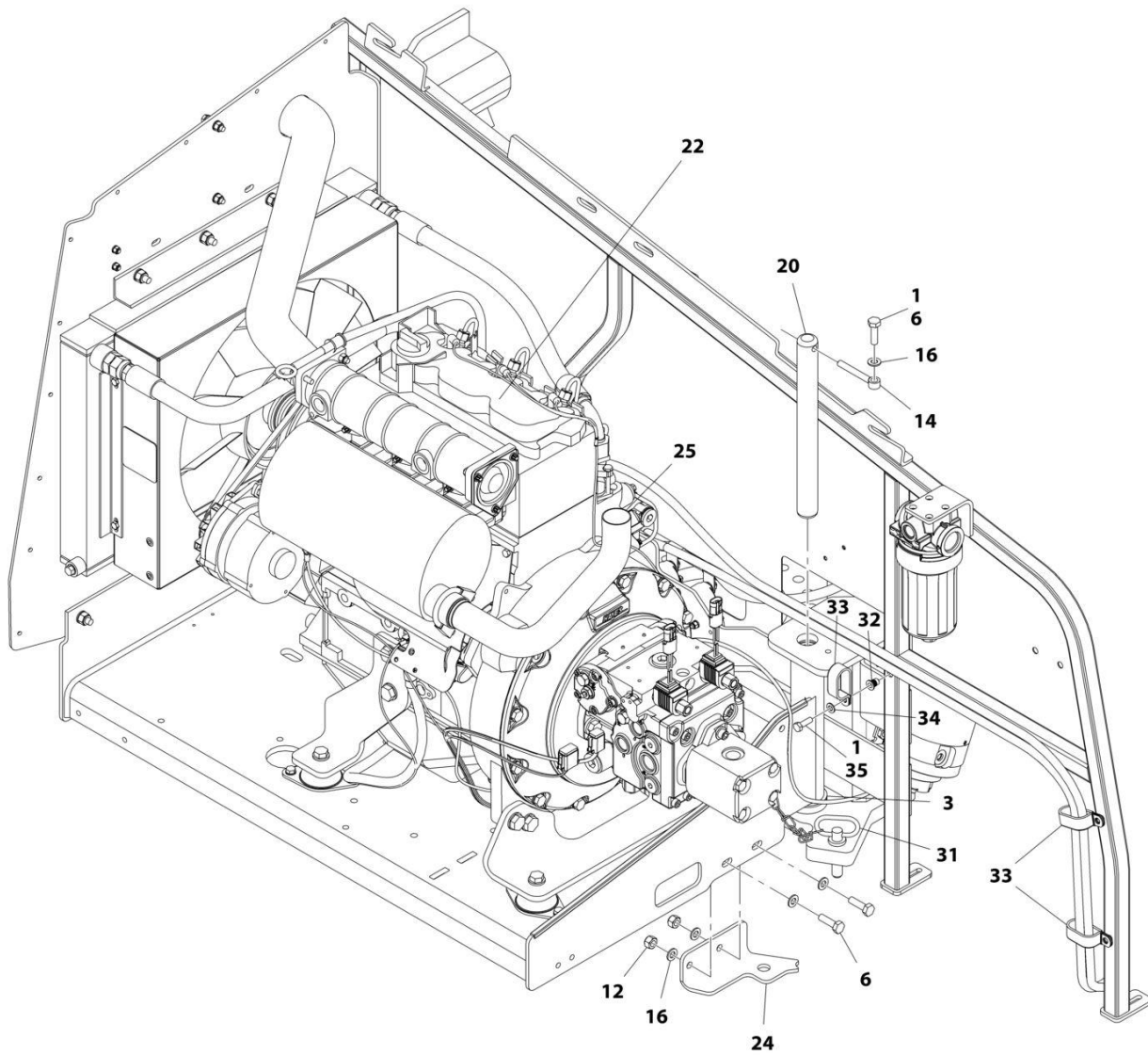
SECTION 3 - ENGINE

FIGURE 3-14. BREATHER HEATER INSTALLATION - DEUTZ D2.9L4 ENGINE WITH ARCTIC PACKAGE

ITEM	PART NUMBER	QTY	DESCRIPTION	REV
	1001233763	Ref	BREATHER HEATER INSTALLATION - DEUTZ ENGINES	D
2	4240099	AR	Tie-Strap	
9	1001243895	1	Breather Heater Harness	C
101	2820035	AR	Insulation	
103	2400060	1	Fuseholder with Cover	
104	4460043	1	Terminal, Ring	
105	4460722	1	Terminal, Ring (Not Shown)	
106	1001196634	1	Fuse - 2 Amp	
108	1001232842	1	Breather Heater Kit	

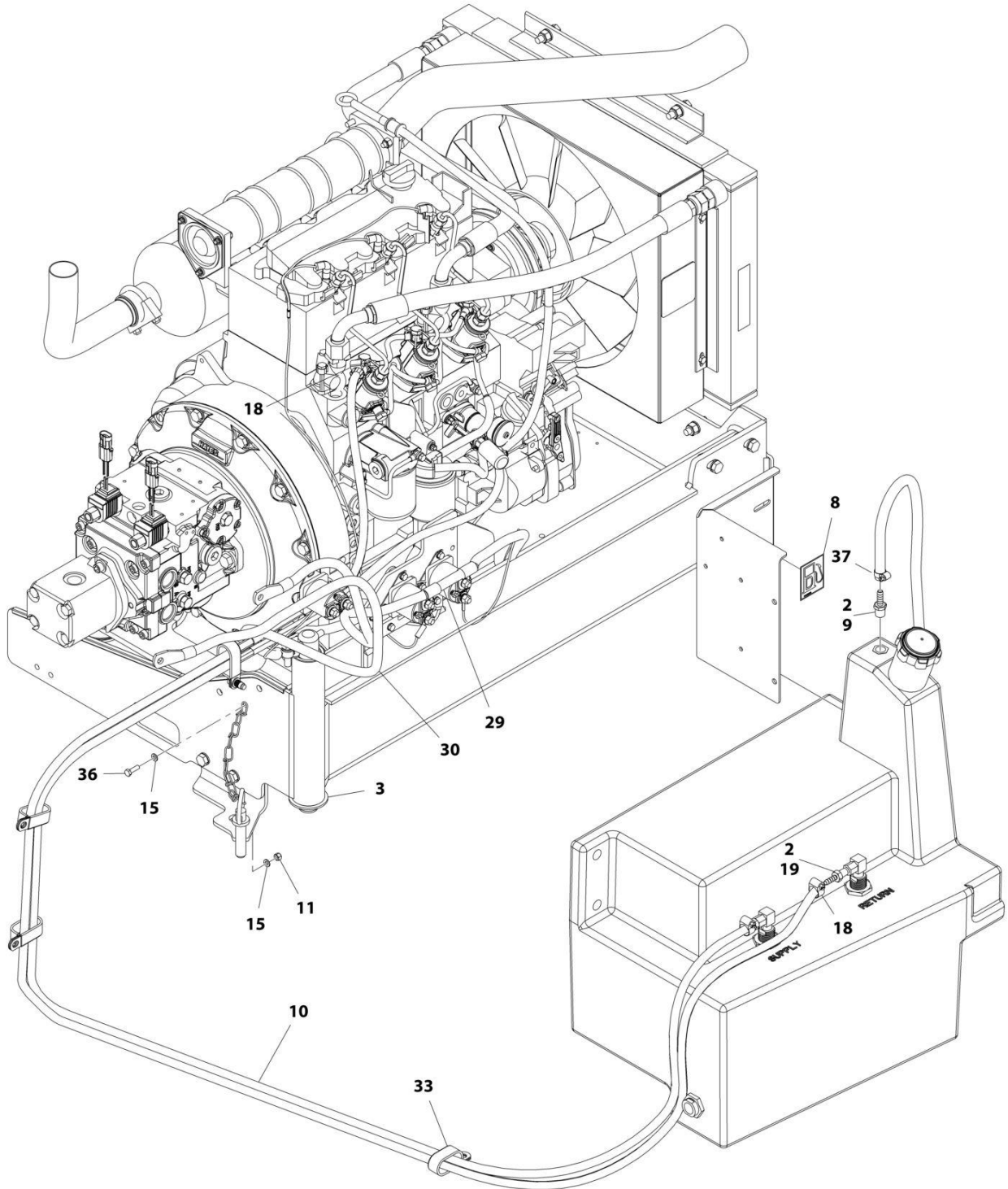
SECTION 3 - ENGINE

FIGURE 3-15. ENGINE INSTALLATION - DEUTZ D2011 ENGINE (WITHOUT ARCTIC PACKAGE) (ANSI EXPORT, AUSTRALIAN, CE (LRC), CHINA AND RUSSIA SPECS)



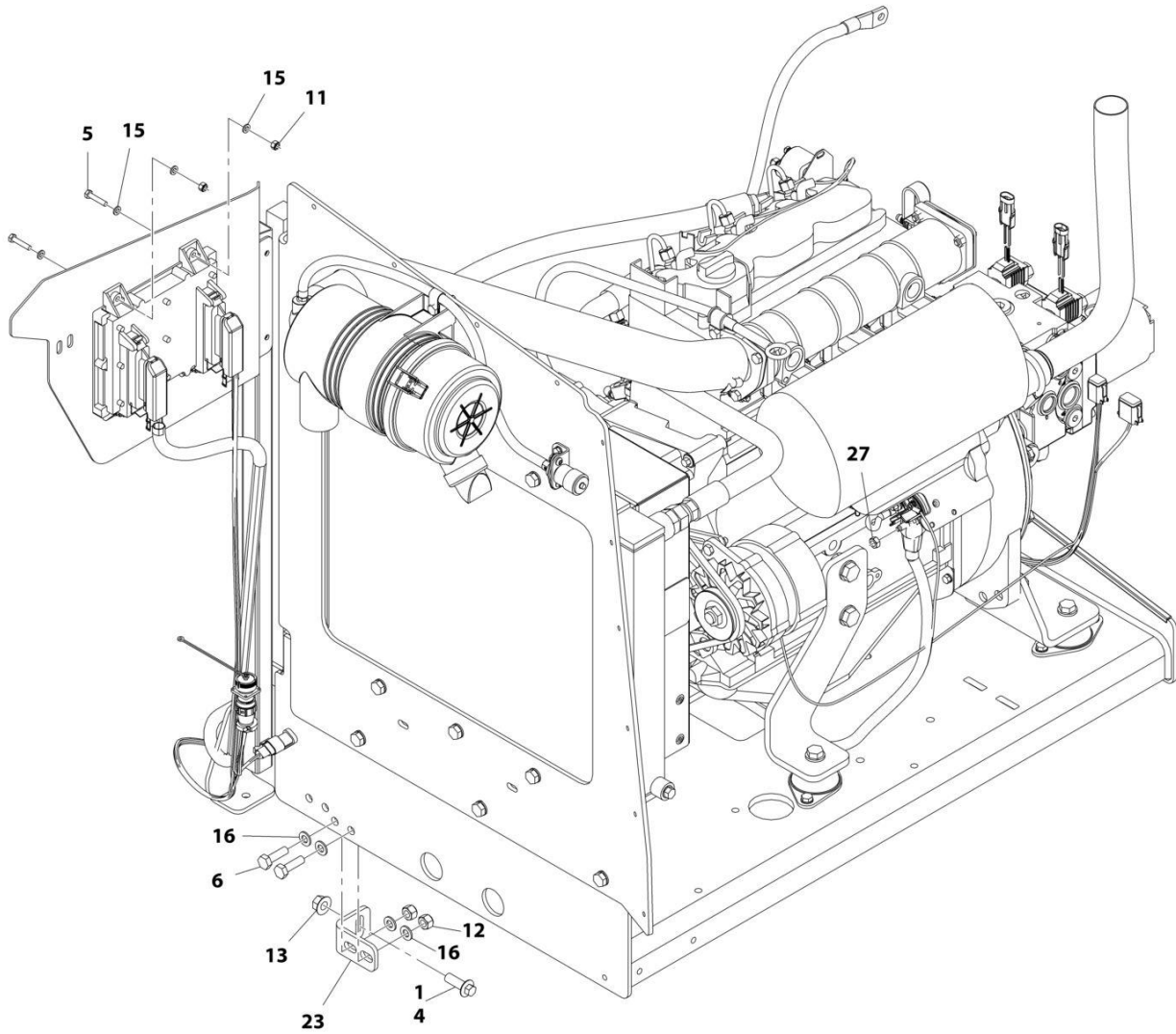
ART_1001166305_10F3

SECTION 3 - ENGINE



ART_1001166305_20F3

SECTION 3 - ENGINE



ART_1001166305_3OF3

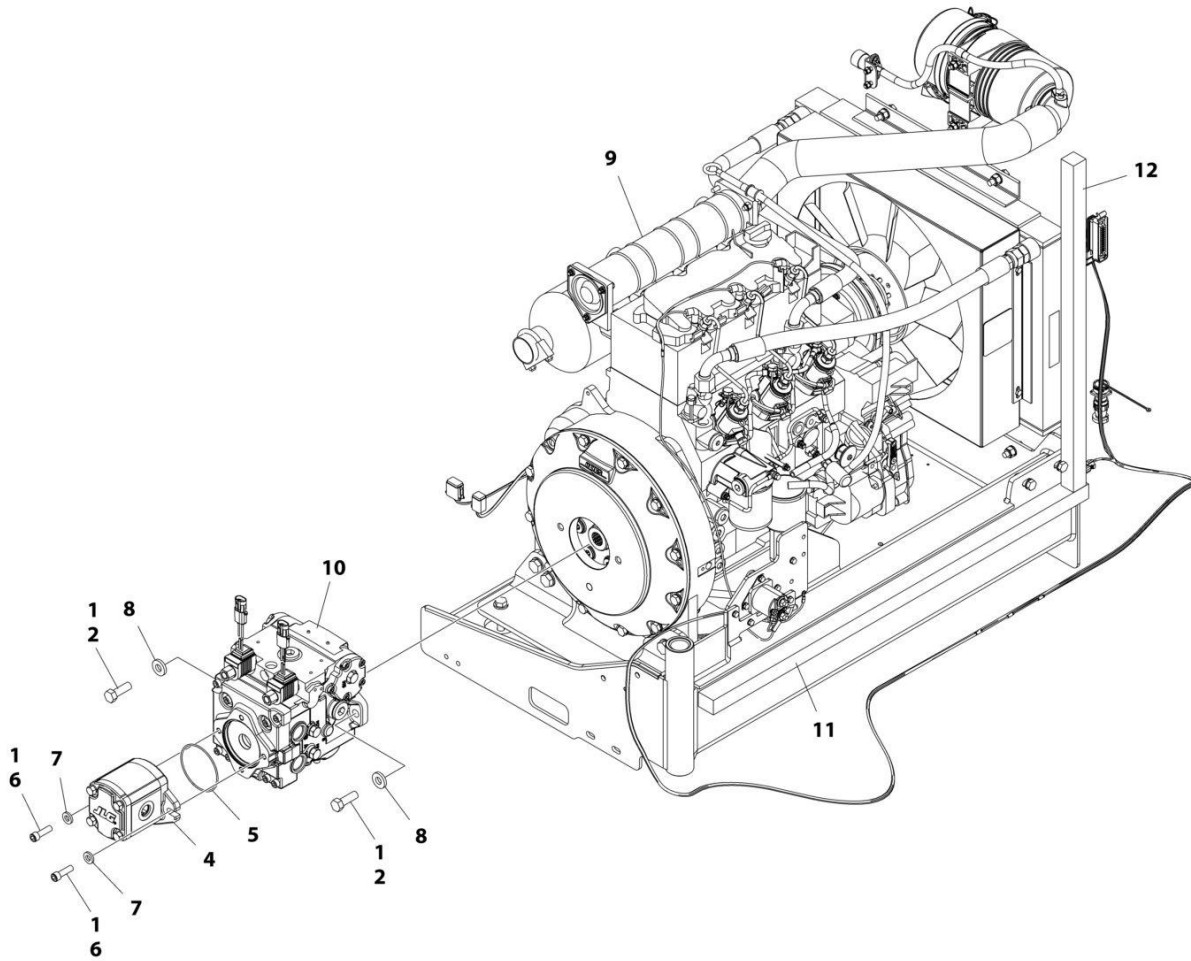
SECTION 3 - ENGINE

FIGURE 3-15. ENGINE INSTALLATION - DEUTZ D2011 ENGINE (WITHOUT ARCTIC PACKAGE) (ANSI EXPORT, AUSTRALIAN, CE (LRC), CHINA AND RUSSIA SPECS)

ITEM	PART NUMBER	QTY	DESCRIPTION	REV
	1001166305	Ref	ENGINE INSTALLATION - DEUTZ D2011 ENGINE (WITHOUT ARCTIC PACKAGE)	F
1	0100011	AR	Compound, Locking	
2	0100020	AR	Sealant, Pipe	
3	0440162	1	Bearing	
4	5251215	1	Bolt M12 x 35	
5	0760614	4	Bolt M6 x 30	
6	0761015	5	Bolt M10 x 35	
7	1704972	1	Decal - Warning Explosion/Fire	
8	1701505	1	Decal - Diesel Fuel	
9	2180876	1	Fitting, Barbed	
10	2720058	22 ft /6.7m	Hose	
11	3290605	5	Nut M6	
12	3291005	4	Nut M10	
13	5261200	1	Nut, Flange M12 Grade 10.9	
14	3841143	1	Keeper, Pin	
15	4811700	10	Washer M6	
16	4812000	9	Washer M10	
18	8410013	4	Clamp	
19	2180348	2	Fitting, Barbed	
20	1001135196	1	Pin	
22	1001166021	1	Engine and Pump Sub-Assembly - Deutz D2011 (Without Arctic Package) (See Separate Breakdown in this Section)	
23	1001167512	1	Bracket, Engine	
24	1001169823	1	Bracket, Engine	
25	1001172202	1	Pipe, Exhaust	
27	3290801	1	Nut M8	
29	1001171681	1	Cable, Battery (Red) (Battery Positive to Auxiliary Power Relay)	
30	1001171682	1	Cable, Battery (Black) (Battery Negative to Auxiliary Power Pump)	
31	3422532	1	Pin	
32	1001191832	1	Nut, Rivet, M8	
33	1321716	4	Clamp	
34	4811900	1	Washer M8	
35	0760812	1	Bolt M8 x 25	
36	0760610	1	Bolt M6 x 20	
37	1320022	1	Clamp	

SECTION 3 - ENGINE

**FIGURE 3-16. ENGINE AND PUMP SUB-ASSEMBLY - DEUTZ D2011 (WITHOUT ARCTIC PACKAGE)
(ANSI EXPORT, AUSTRALIAN, CE (LRC), CHINA AND RUSSIA SPECS)**



ART_1001166021_G

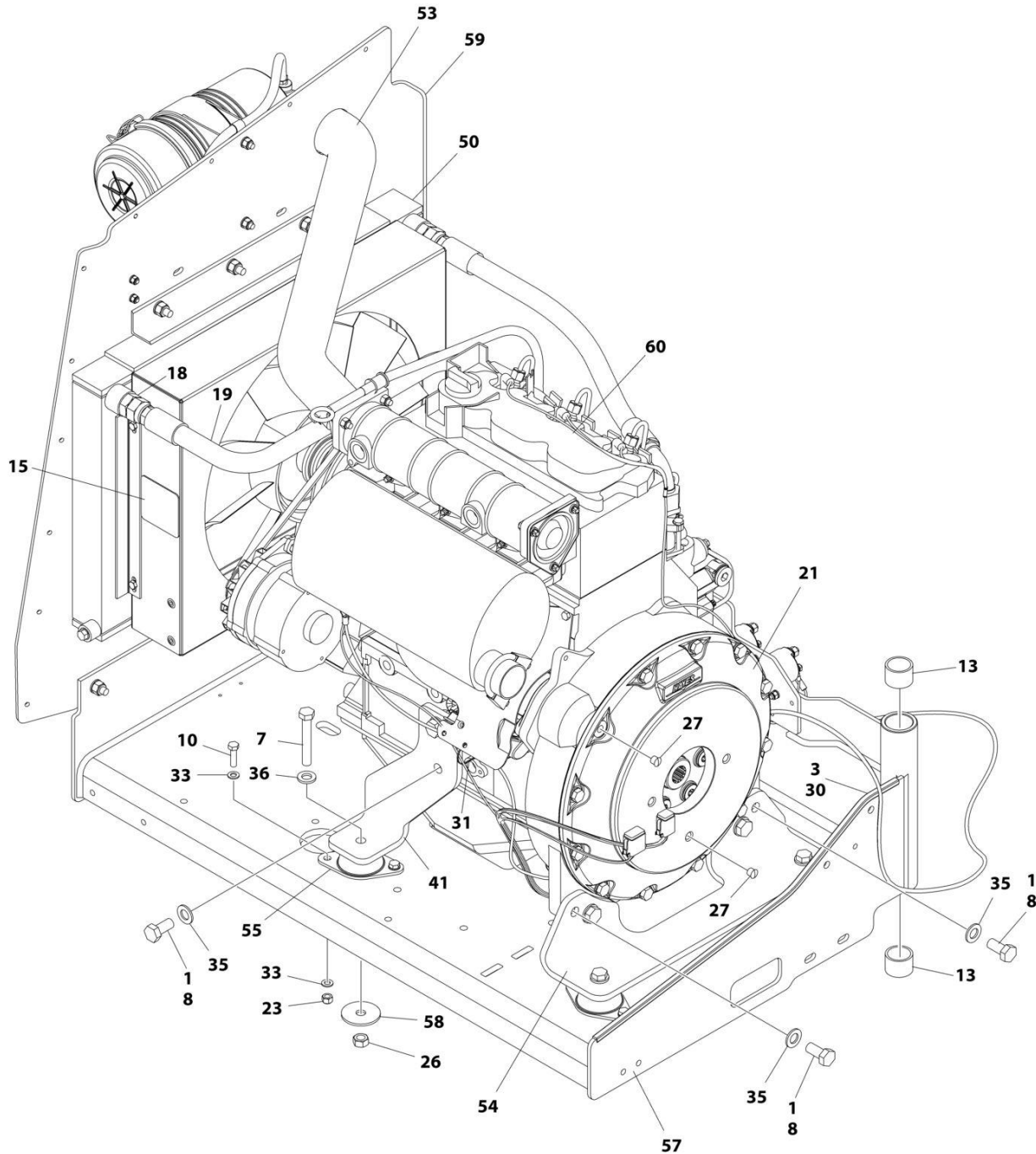
SECTION 3 - ENGINE

**FIGURE 3-16. ENGINE AND PUMP SUB-ASSEMBLY - DEUTZ D2011 (WITHOUT ARCTIC PACKAGE)
(ANSI EXPORT, AUSTRALIAN, CE (LRC), CHINA AND RUSSIA SPECS)**

ITEM	PART NUMBER	QTY	DESCRIPTION	REV
	1001166021	Ref	ENGINE AND PUMP SUB-ASSEMBLY - DEUTZ D2011 (WITHOUT ARCTIC PACKAGE)	G
1	0100011	AR	Compound, Locking	
2	0641812	2	Bolt 1/2 x 1-1/2	
4	1001214207	1	Gear Pump Assembly	
4	70006356	1	Seal Kit	
5	3790152	1	O-Ring	
6	3931618	2	Capscrew 3/8 x 1-1/8	
7	4891600	2	Washer 3/8 Hardened	
8	4891800	2	Washer 1/2 Hardened	
9	1001166020	1	Engine Assembly - Deutz D2011 Engine (Without Arctic Package) (See Separate Breakdown in this Section)	
10	1001167036	1	Piston Pump Assembly (See Separate Breakdown in this Section)	
11	1001171953	1	Seal	
12	1001171954	1	Seal	

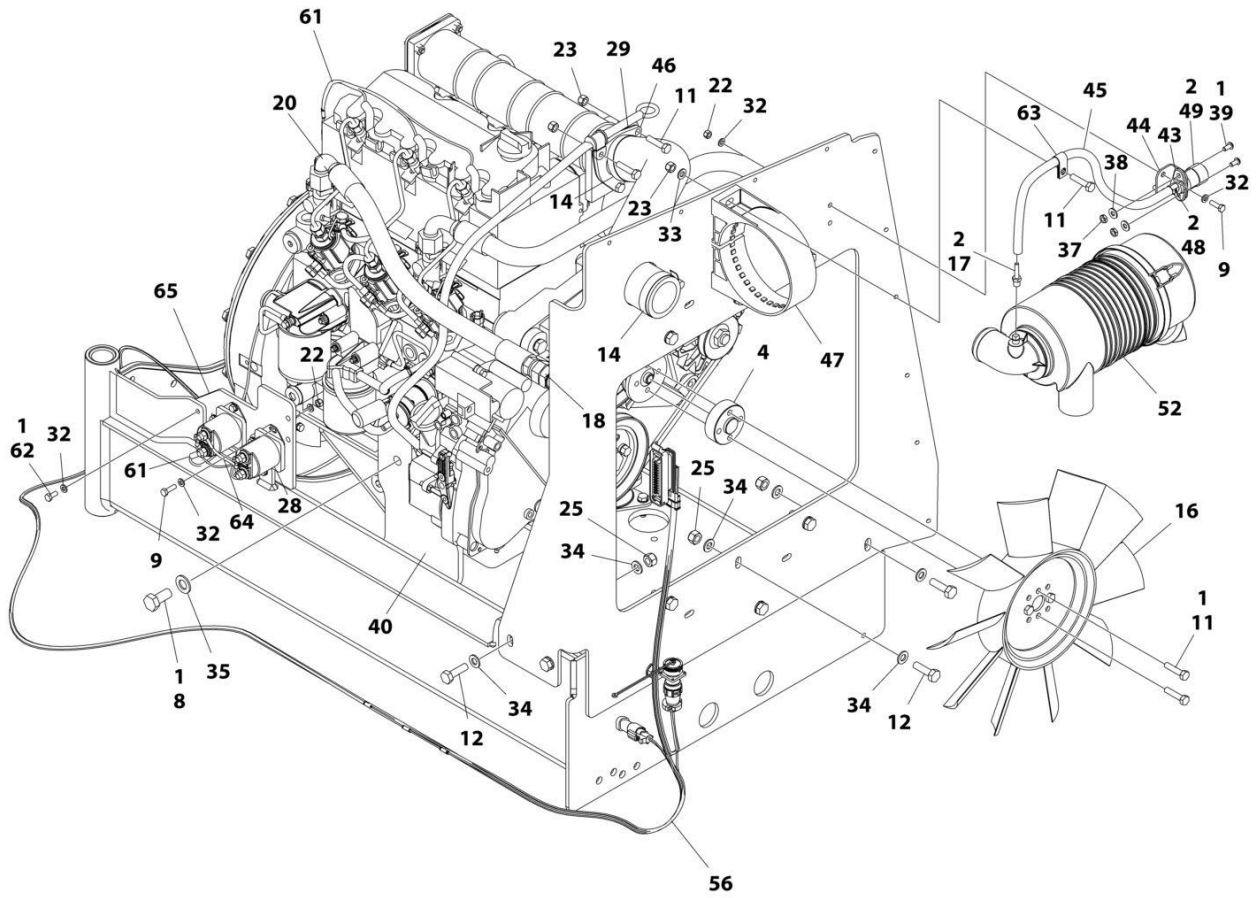
SECTION 3 - ENGINE

FIGURE 3-17. ENGINE ASSEMBLY - DEUTZ D2011 ENGINE (WITHOUT ARCTIC PACKAGE) (ANSI EXPORT, AUSTRALIAN, CE (LRC), CHINA AND RUSSIA SPECS)



ART_1001166020_10F2

SECTION 3 - ENGINE



ART_1001166020_2OF2

SECTION 3 - ENGINE

FIGURE 3-17. ENGINE ASSEMBLY - DEUTZ D2011 ENGINE (WITHOUT ARCTIC PACKAGE) (ANSI EXPORT, AUSTRALIAN, CE (LRC), CHINA AND RUSSIA SPECS)

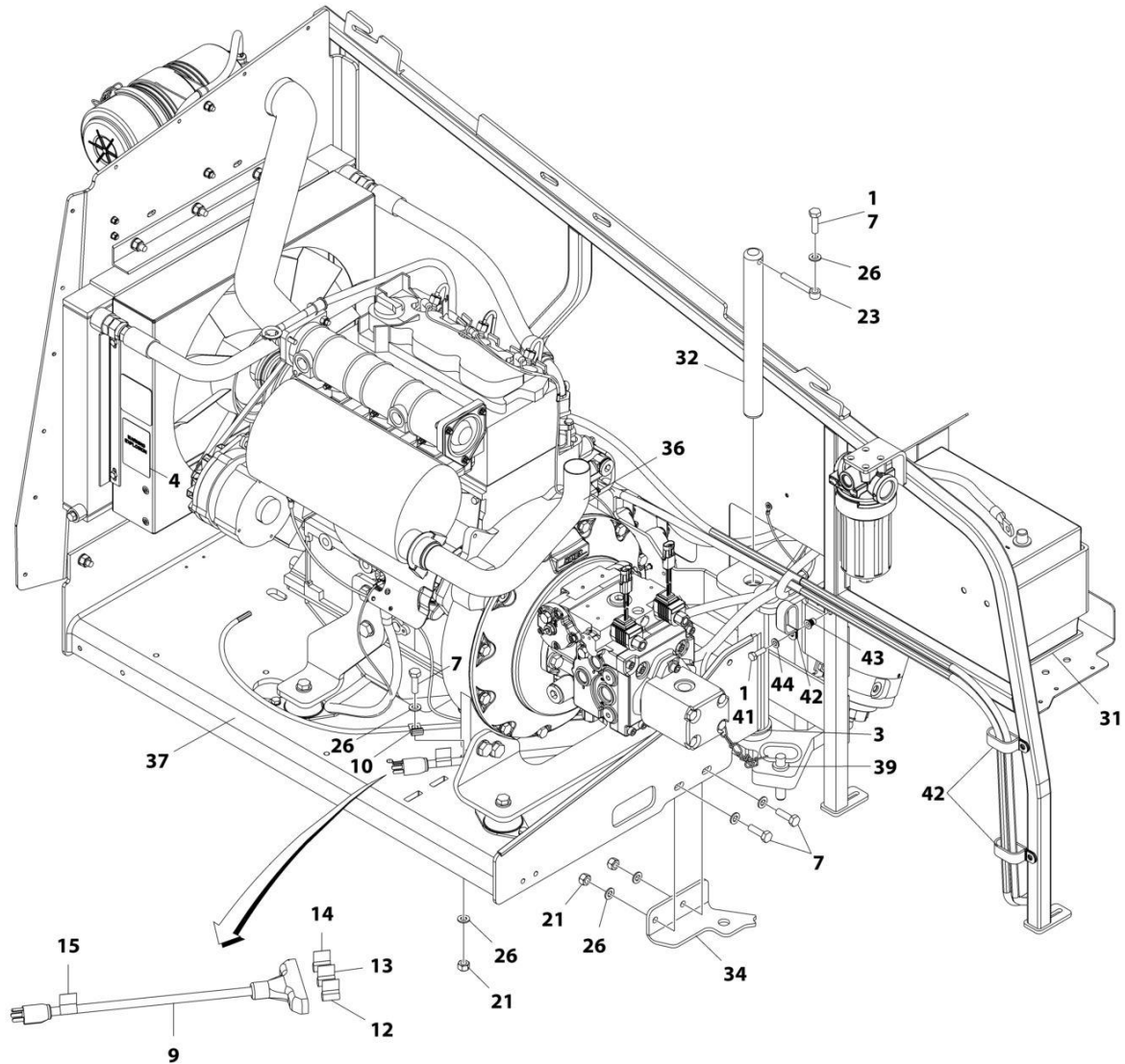
ITEM	PART NUMBER	QTY	DESCRIPTION	REV
	1001166020	Ref	ENGINE ASSEMBLY - DEUTZ D2011 ENGINE (WITHOUT ARCTIC PACKAGE)	O
1	0100011	AR	Compound, Locking	
2	0100020	AR	Sealant, Pipe	
3	0100081	AR	Adhesive	
4	0080231	1	Spacer, Fan	
7	0711224	4	Bolt M12 x 80 Grade 10.9	
8	0771414	8	Bolt M14 x 30 Grade 10.9	
9	0760610	6	Bolt M6 x 20	
10	0760814	8	Bolt M8 x 30	
11	0760815	9	Bolt M8 x 35	
12	0761015	11	Bolt M10 x 35	
13	0961951	2	Bushing	
14	1320016	2	Clamp	
15	1703162	2	Decal - Caution Fan	
16	2060025	1	Fan	
17	2220315	1	Fitting, Barbed	
18	2220451	2	Fitting, Straight JIC/ORB	
19	2720398	1	Hose	
20	2720447	1	Hose	
21	2902065	1	Pump Coupling Kit (See Separate Breakdown in this Section)	
22	3290605	6	Nut M6 x 1	
23	3290805	13	Nut M8 x 1-1/4	
25	3291005	11	Nut M10 x 1-1/2	
26	3331215	4	Nut M12 x 1-3/4	
27	3520054	2	Plug	
28	3740067	2	Relay Assembly	
28	3300220	2	Nut	
28	3321001	1	Nut #10	
28	3740140	1	Relay	
28	4761000	1	Washer #10	
28	1001111424	2	Washer	
29	3960407	1	Gasket	
30	4060805	2.25 ft/ 0.69m	Trim-Flex	
31	4240099	AR	Tie-Strap	
32	4811700	15	Washer M6	
33	4811900	20	Washer M8	
34	4812000	22	Washer M10	
35	4812200	8	Washer M14	
36	5241200	4	Washer M12	
37	8305401	2	Nut, Jam	
38	8307109	2	Washer, .250	
39	8310548	2	Screw 1/4 x 1/2	
40	1001132195	1	Bracket, Engine Mount	
41	1001132196	1	Bracket, Engine Mount	
43	1001138173	1	Support, Service Indicator	
44	1001138175	1	Bracket, Service Indicator	
45	1001138248	2 ft/	Tube	

SECTION 3 - ENGINE

ITEM	PART NUMBER	QTY	DESCRIPTION	REV
		0.61m		
46	1001139819	1	Adapter, Air Intake	
47	1001141694	1	Clamp, Air Cleaner	
48	1001141995	1	Fitting, Barbed	
49	1001143390	1	Indicator	
50	1001150998	1	Radiator	
52	1001165388	1	Air Cleaner Assembly	
52	70003783	1	Element, Air Cleaner	
53	1001165389	1	Hose	
54	1001166717	1	Bracket, Engine Mount	
55	1001166718	4	Isolator, Engine Mount	
56	1001167111	1	Harness Engine - Deutz D2011 (See Separate Breakdown in ELECTRICAL SECTION)	
57	1001167520	1	Tray, Engine	
58	1001168018	4	Washer, Snubbing	
59	1001168059	1	Plate, Radiator Mounting	
60	1001170693	1	Engine, Deutz D2011 (See Separate Breakdown in this Section)	
61	4923451	1	Harness, Glow Plugs	
62	0760614	3	Bolt M6 x 30	
63	8406109	1	Clip	
64	1001178859	1	Cable, Alternator	
65	1001214975	1	Bracket	

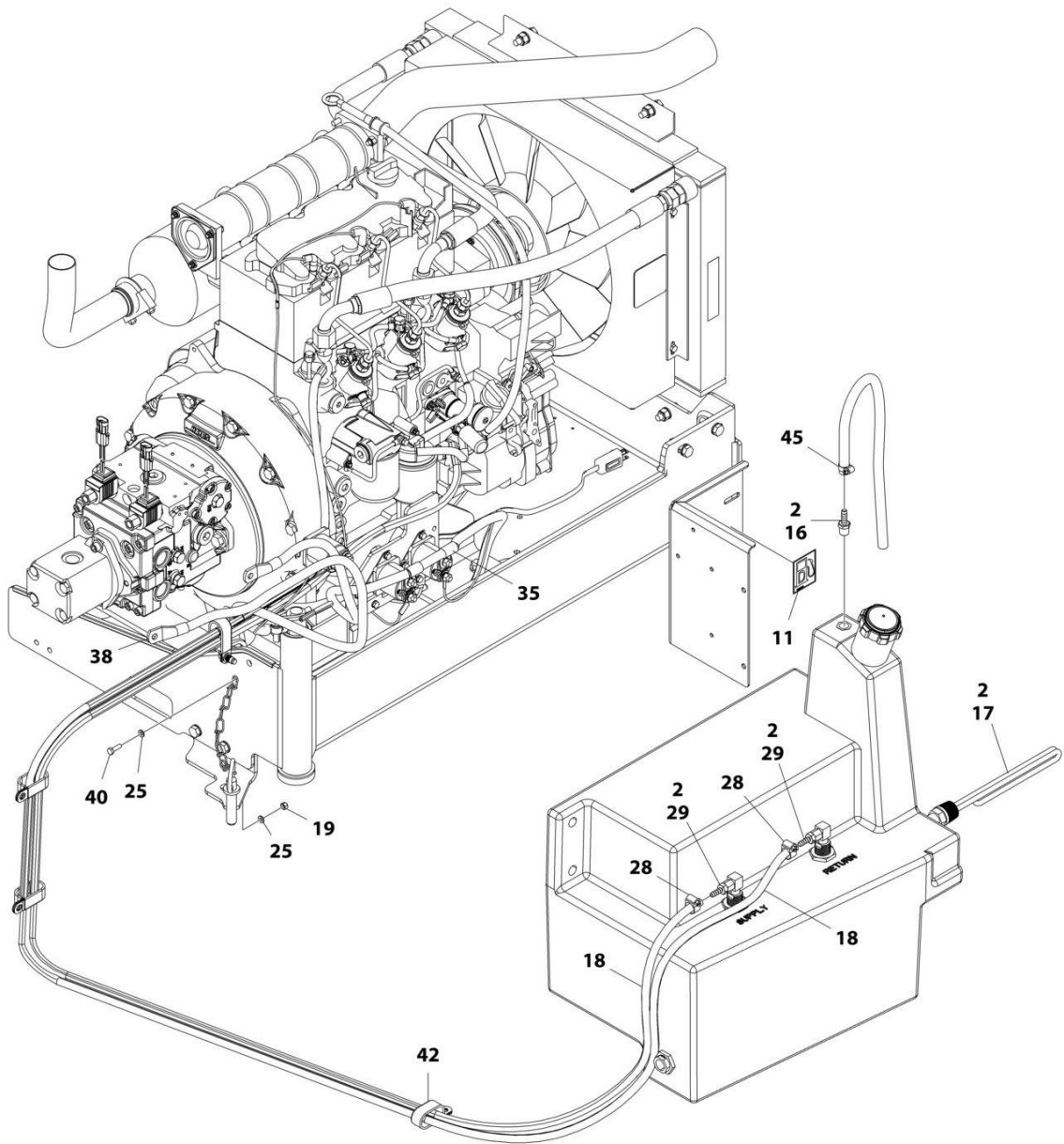
SECTION 3 - ENGINE

FIGURE 3-18. ENGINE INSTALLATION - DEUTZ D2011 ENGINE (WITH ARCTIC PACKAGE) (ANSI EXPORT, CHINA AND RUSSIA SPECS)



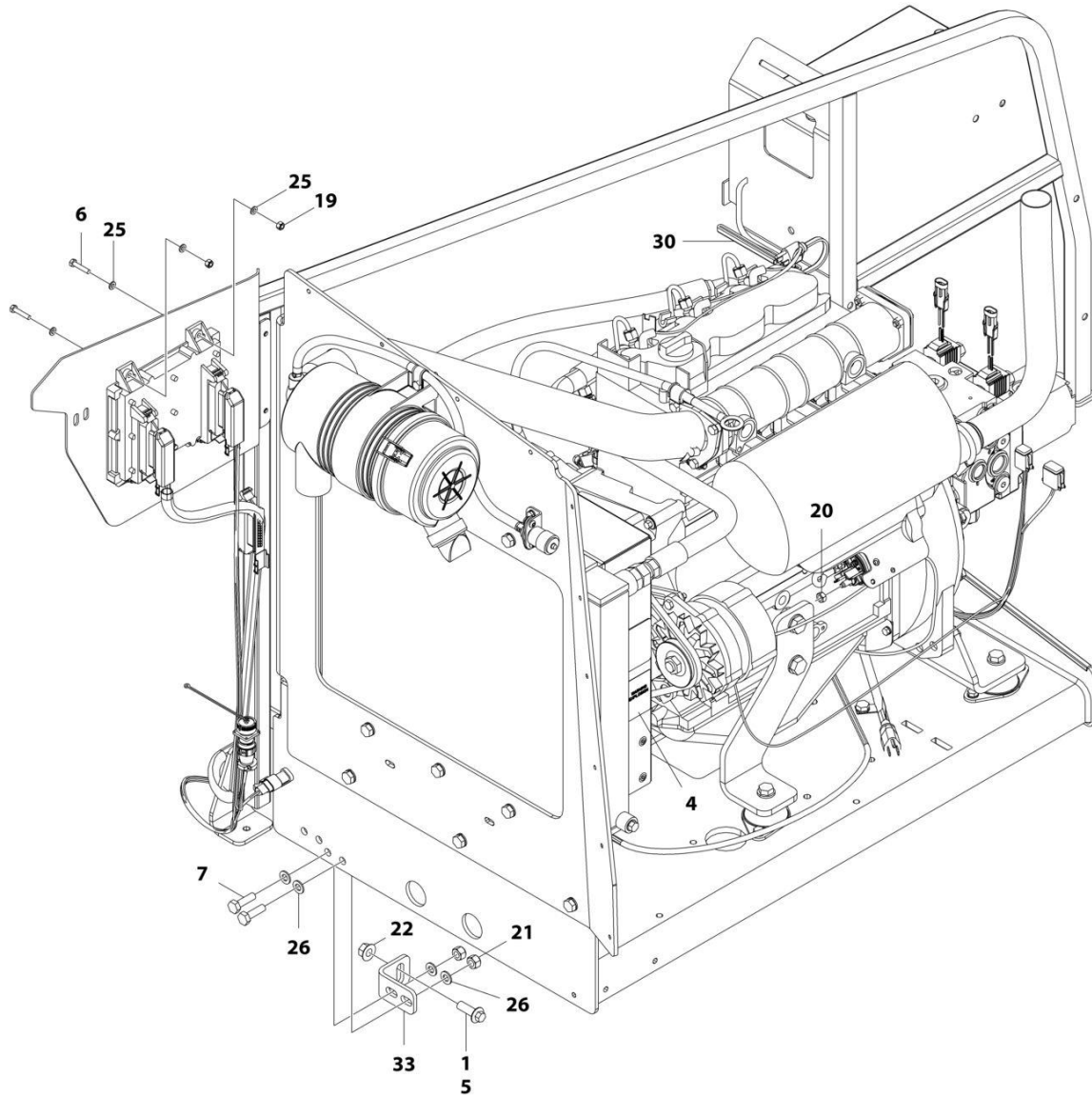
ART_1001174785_10F3

SECTION 3 - ENGINE



ART_1001174785_2OF3

SECTION 3 - ENGINE



ART_1001174785_3OF3

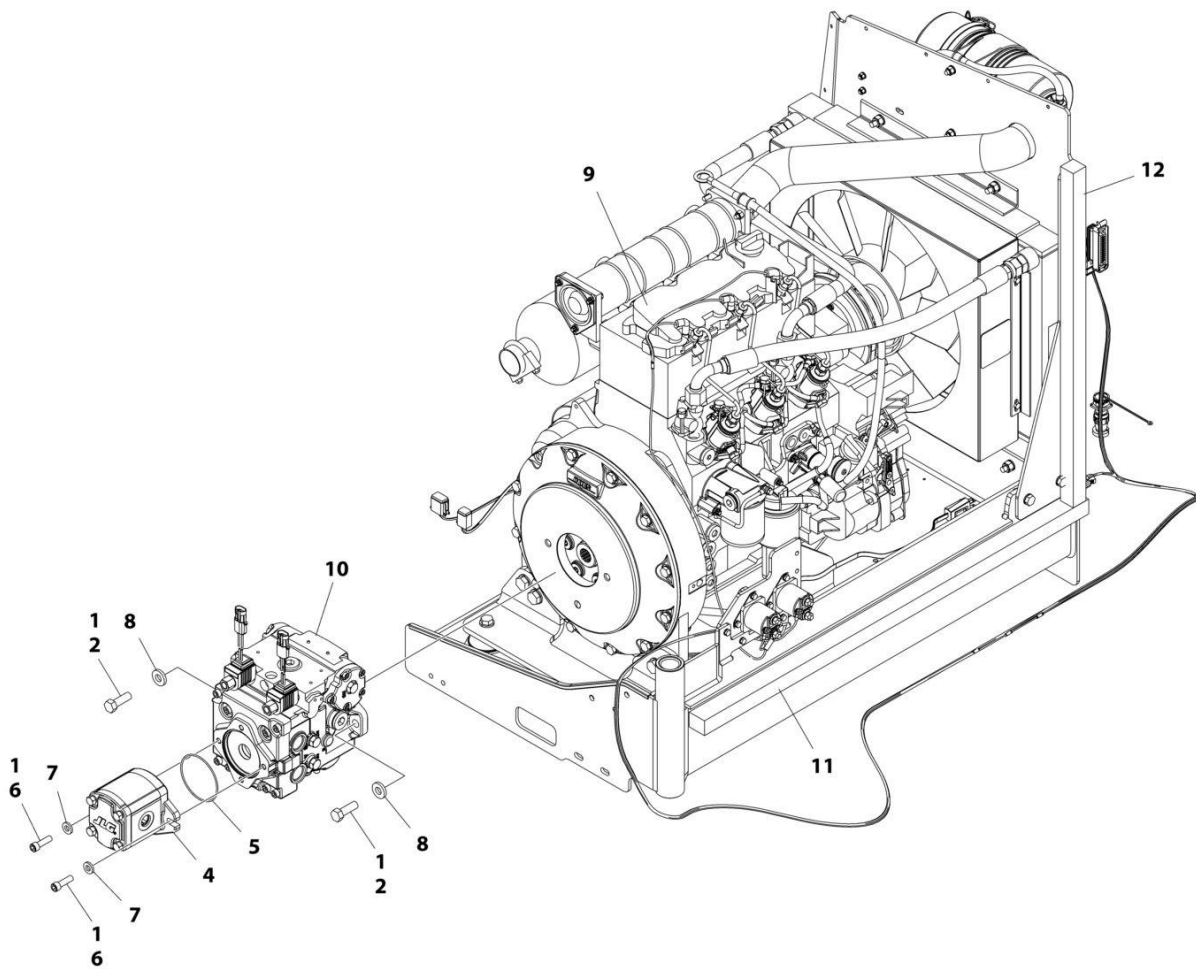
SECTION 3 - ENGINE

FIGURE 3-18. ENGINE INSTALLATION - DEUTZ D2011 ENGINE (WITH ARCTIC PACKAGE) (ANSI EXPORT, CHINA AND RUSSIA SPECS)

ITEM	PART NUMBER	QTY	DESCRIPTION	REV
	1001174785	Ref	ENGINE INSTALLATION - DEUTZ D2011 ENGINE (WITH ARCTIC PACKAGE)	F
1	0100011	AR	Compound, Locking	
2	0100020	AR	Sealant, Pipe	
3	0440162	1	Bearing	
4	1704972	1	Decal - Warning Explosion/Fire	
5	5251215	1	Bolt M12 x 35	
6	0760614	4	Bolt M6 x 30	
7	0761015	6	Bolt M10 x 35	
9	1060626	1	Plug, 3 Way	
10	1320223	1	Clamp	
11	1701505	1	Decal - Diesel Fuel	
12	1702941	1	Decal - Battery Heater	
13	1702942	1	Decal - Engine Block Heater	
14	1702943	1	Decal - Hydraulic Tank Heater	
15	1702944	1	Decal - Heater Cord	
16	2180876	1	Fitting, Barbed	
17	1001188972	1	Heater, Hydraulic Tank	
18	2720058	22 ft /6.7m	Hose	
19	3290605	5	Nut M6	
20	3290801	1	Nut M8	
21	3291005	5	Nut M10	
22	5261200	1	Nut, Flange M12 Grade 10.9	
23	3841143	1	Keeper, Pin	
25	4811700	10	Washer M6	
26	4812000	11	Washer M10	
28	8410013	4	Clamp	
29	2180348	2	Fitting, Barbed	
30	2580024	1	Heater, Battery	
31	1001119278	1	Insulate	
32	1001135196	1	Pin	
33	1001167512	1	Bracket, Engine	
34	1001169823	1	Plate, Engine Lock	
35	1001171681	1	Cable, Battery (Red) (Battery Positive to Auxiliary Power Relay)	
36	1001172202	1	Pipe, Exhaust	
37	1001174784	1	Engine and Pump Sub-Assembly - Deutz D2011 (With Arctic Package) (See Separate Breakdown in this Section)	
38	1001171682	1	Cable, Battery (Black) (Battery Negative to Auxiliary Power Pump)	
39	3422532	1	Pin	
40	0760610	1	Bolt M6 x 20	
41	0760812	1	Bolt M8 x 25	
42	1321716	4	Clamp	
43	1001191832	1	Nut, Rivet M8	
44	4811900	1	Washer M8	
45	1320022	1	Clamp	

SECTION 3 - ENGINE

FIGURE 3-19. ENGINE AND PUMP SUB-ASSEMBLY - DEUTZ D2011 (WITH ARCTIC PACKAGE) (ANSI EXPORT, CHINA AND RUSSIA SPECS)



ART_1001174784_G

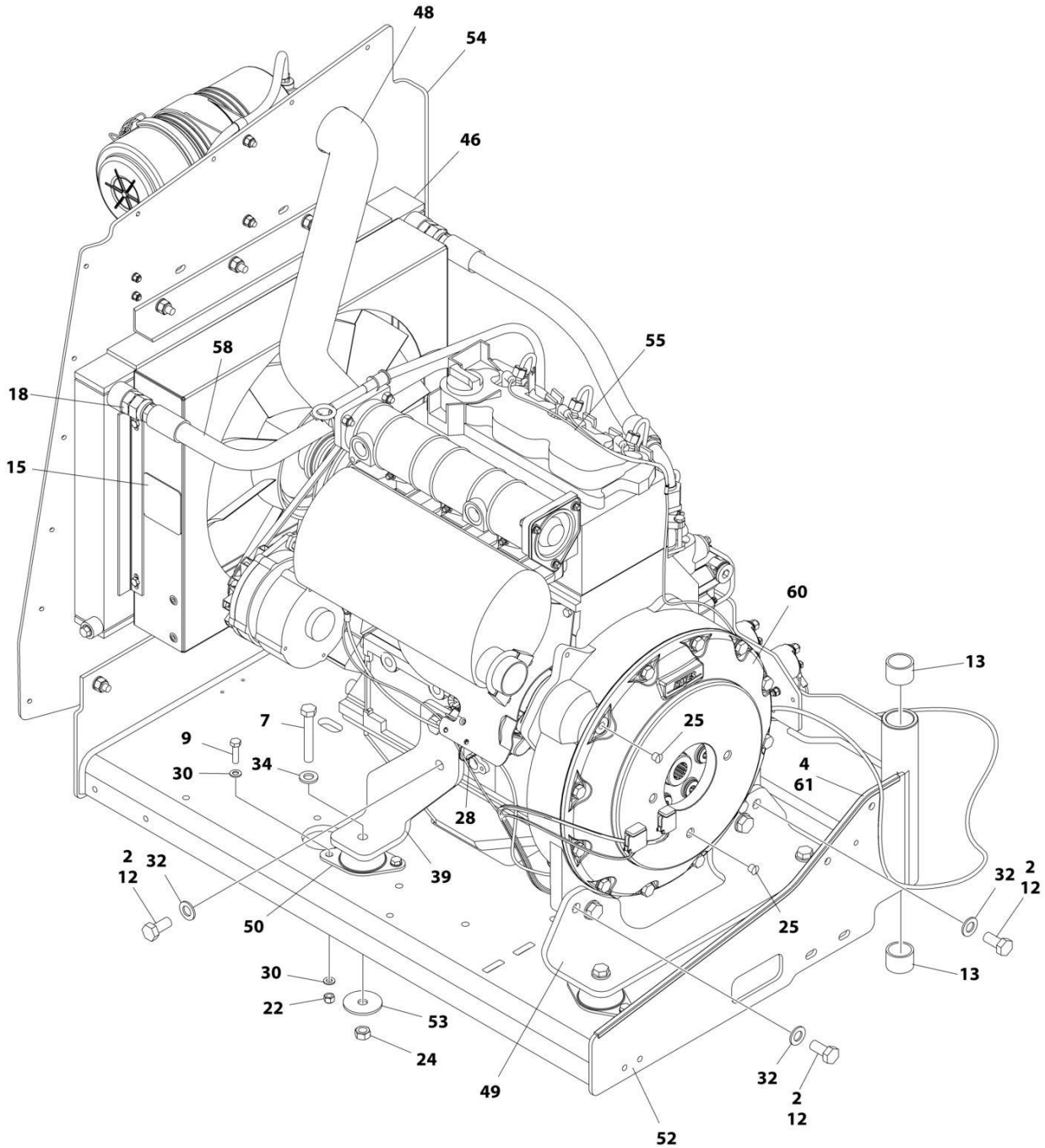
SECTION 3 - ENGINE

FIGURE 3-19. ENGINE AND PUMP SUB-ASSEMBLY - DEUTZ D2011 (WITH ARCTIC PACKAGE) (ANSI EXPORT, CHINA AND RUSSIA SPECS)

ITEM	PART NUMBER	QTY	DESCRIPTION	REV
	1001174784	Ref	ENGINE AND PUMP SUB-ASSEMBLY - DEUTZ D2011 (WITH ARCTIC PACKAGE)	G
1	0100011	AR	Compound, Locking	
2	0641812	2	Bolt 1/2 x 1-1/2	
4	1001214207	1	Gear Pump Assembly	
4	70006356	1	Seal Kit - 1001214207 Pump	
5	3790152	1	O-Ring	
6	3931618	2	Capscrew 3/8 x 1 1/8	
7	4891600	2	Washer 3/8 Hardened	
8	4891800	2	Washer 1/2 Hardened	
9	1001174783	1	Engine Assembly - Deutz D2011 Engine (With Arctic Package) (See Separate Breakdown in this Section)	
10	1001167036	1	Piston Pump Assembly (See Separate Breakdown in this Section)	
11	1001171953	1	Seal	
12	1001171954	1	Seal	

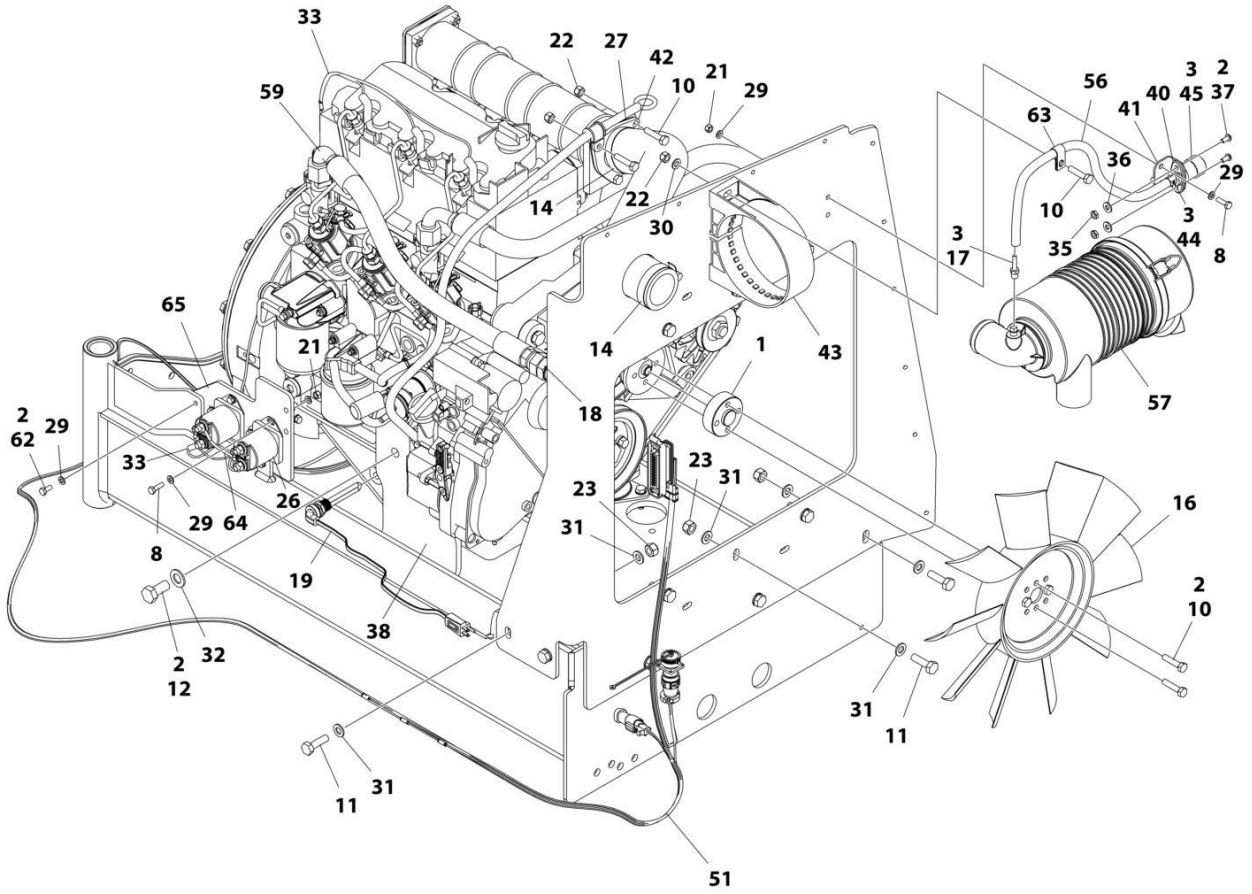
SECTION 3 - ENGINE

FIGURE 3-20. ENGINE ASSEMBLY - DEUTZ D2011 ENGINE (WITH ARCTIC PACKAGE) (ANSI EXPORT, CHINA AND RUSSIA SPECS)



ART_1001174783_10F2

SECTION 3 - ENGINE



ART_1001174783_2OF2

SECTION 3 - ENGINE

FIGURE 3-20. ENGINE ASSEMBLY - DEUTZ D2011 ENGINE (WITH ARCTIC PACKAGE) (ANSI EXPORT, CHINA AND RUSSIA SPECS)

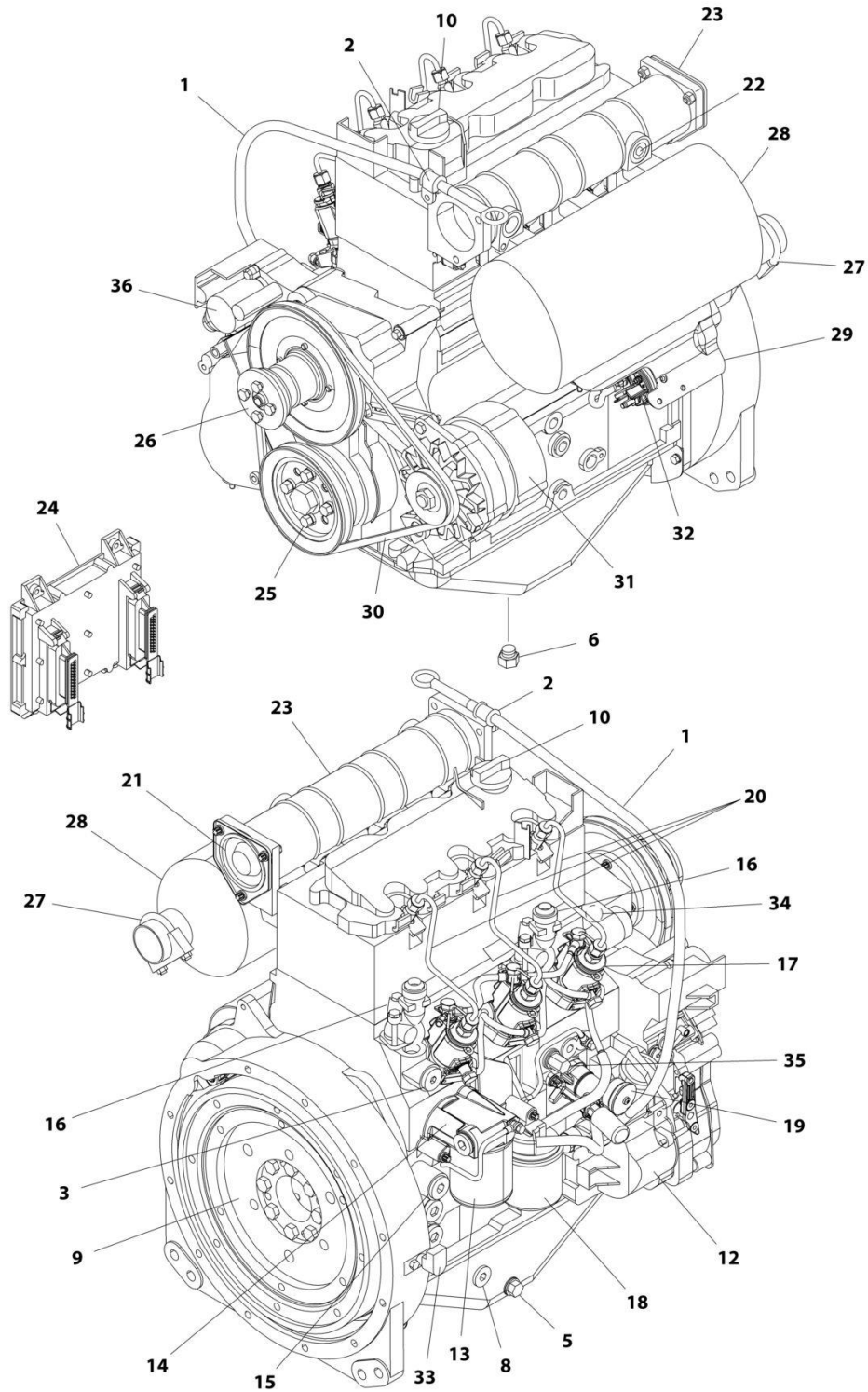
ITEM	PART NUMBER	QTY	DESCRIPTION	REV
	1001174783	Ref	ENGINE ASSEMBLY - DEUTZ D2011 ENGINE (WITH ARCTIC PACKAGE)	N
1	0080231	1	Spacer, Fan	
2	0100011	AR	Compound, Locking	
3	0100020	AR	Sealant, Pipe	
4	0100081	AR	Adhesive	
7	0711224	4	Bolt M12 x 80 Grade 10.9	
8	0760610	6	Bolt M6 x 20	
9	0760814	8	Bolt M8 x 30	
10	0760815	9	Bolt M8 x 35	
11	0761015	11	Bolt M10 x 35	
12	0771414	8	Bolt M14 x 30 Grade 10.9	
13	0961951	2	Bushing	
14	1320016	2	Clamp	
15	1703162	2	Decal - Caution Fan	
16	2060025	1	Fan	
17	2220315	1	Fitting, Barbed	
18	2220451	2	Fitting, Straight JIC/ORB	
19	2580062	1	Heater, Engine Block	
21	3290605	6	Nut M6	
22	3290805	13	Nut M8	
23	3291005	11	Nut M10	
24	3331215	4	Nut M12	
25	3520054	2	Plug	
26	3740067	2	Relay Assembly	
26	3300220	2	Nut	
26	3321001	1	Nut #10	
26	3740140	1	Relay	
26	4761000	1	Washer #10	
26	1001111424	2	Washer	
27	3960407	1	Gasket	
28	4240099	AR	Tie-Strap (Not Shown)	
29	4811700	15	Washer M6	
30	4811900	20	Washer M8	
31	4812000	22	Washer M10	
32	4812200	8	Washer M14	
33	4923451	1	Harness, Glow Plugs	
34	5241200	4	Washer M12	
35	8305401	2	Nut, Jam	
36	8307109	2	Washer	
37	8310548	2	Screw 1/4 x 1/2	
38	1001132195	1	Bracket, Engine Mount	
39	1001132196	1	Bracket, Engine Mount	
40	1001138173	1	Support, Service Indicator	
41	1001138175	1	Bracket, Service Indicator	
42	1001139819	1	Adapter, Air Intake	
43	1001141694	1	Clamp, Air Cleaner	
44	1001141995	1	Fitting, Barbed	
45	1001143390	1	Indicator	

SECTION 3 - ENGINE

ITEM	PART NUMBER	QTY	DESCRIPTION	REV
46	1001150998	1	Radiator	
48	1001165389	1	Hose	
49	1001166717	1	Bracket, Engine Mount	
50	1001166718	4	Isolator, Engine Mount	
51	1001167111	1	Harness Engine - Deutz D2011 (See Separate Breakdown in ELECTRICAL SECTION)	
52	1001167520	1	Tray, Engine	
53	1001168018	4	Washer, Snubbing	
54	1001168059	1	Plate, Radiator Mounting	
55	1001170693	1	Engine, Deutz D2011 (See Separate Breakdown in this Section)	
56	1001138248	2 ft/ 0.61m	Tube	
57	1001165388	1	Air Cleaner Assembly	
57	70003783	1	Element, Air Cleaner	
58	2720398	1	Hose	
59	2720447	1	Hose	
60	2902065	1	Pump Coupling Kit (See Separate Breakdown in this Section)	
61	4060805	2.25 ft/ 0.69m	Flex-Trim	
62	0760614	3	Bolt M6 x 30	
63	8406109	1	Clip	
64	1001178859	1	Cable, Alternator	
65	1001214975	1	Bracket	

SECTION 3 - ENGINE

FIGURE 3-21. ENGINE COMPONENTS - DEUTZ D2011



ART_1001170693

SECTION 3 - ENGINE

FIGURE 3-21. ENGINE COMPONENTS - DEUTZ D2011

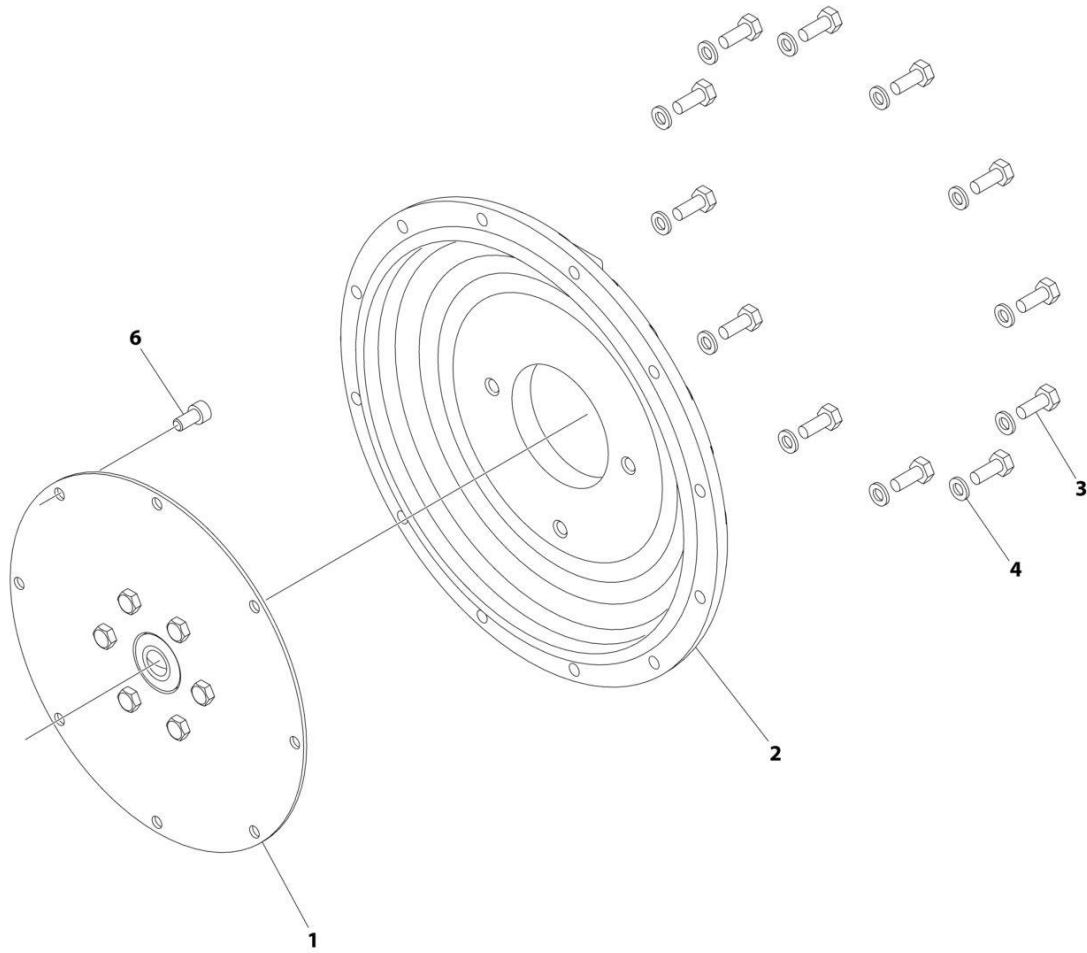
ITEM	PART NUMBER	QTY	DESCRIPTION	REV
	1001170693	Ref	ENGINE COMPONENTS - DEUTZ D2011	C
1	70001002	1	Tube, Dipstick	
1	7020403	1	Seal, Tube	
1	7020026	1	Dipstick	
2	70001654	1	Clamp	
2	70001655	1	Bolt	
3	70003475	1	Thermostat	
3	7020460	1	Spring	
4		Ref	Seal and Gasket Options (Not Shown):	
4	70002718	1	Seal, Rear Main	
4	7020430	1	Gasket, Valve Cover	
4	70003479	1	Gasket, Head - 1 Notch	
4	70003480	1	Gasket, Head - 2 Notch	
4	70003481	1	Gasket, Head - 3 Notch	
5	70025088	1	Plug	
6	70025667	1	Plug	
7	70025123	22	Bolt, Torx (Oil Pan Bolts) (Not Shown)	
8	7020492	1	Seal	
8	70025084	1	Plug	
9	70001870	1	Flywheel	
9	7024579	1	Ring Gear (Part of Flywheel)	
9	70025139	8	Bolt	
10	7020465	1	Cap, Oil Fill	
11	70000800	1	Timing Belt/Idler Kit (Includes Timing Belt, Tensioner and Tensioner Bolt) (Not Shown)	
12	70001850	1	Pump, Lubricating	
12	7020468	1	Seal, Pump to Engine Block (Not Shown)	
13	7016331	1	Filter, Oil	
14	70003472	1	Bracket, Oil Filter (Includes Plug with Seal, Temperature Sensor, Control Valve and Compression Spring)	
14	7027236	1	Sensor, Temperature	
14	70025082	1	Seal, Plug	
14	70025091	1	Plug	
14	70003473	1	Gasket, Bracket to Engine Block (Not Shown)	
15	70001181	1	Valve	
15	70025091	1	Plug	
15	70025082	1	Seal, Plug	
16	70004268	2	Connector, Radiator Neck	
16	70004269	2	Seal, Radiator Neck to Engine Block	
17	70000912	3	Pump, Fuel Injector - A Spec	
17	70000913	3	Pump, Fuel Injector - B Spec	
17	70000914	3	Pump, Fuel Injector - C Spec	
17	70000915	3	Pump, Fuel Injector - D Spec	
17	70003464	3	O-Ring, Pump to Engine Block	
18	7020023	1	Filter, Fuel	
18	70003463	1	Filter, Fuel - RME Resistant	
18	70001423	1	Bracket, Fuel Filter	
19	70000916	1	Pump Fuel Supply	
19	70000917	1	O-Seal Between Fuel Pump and Engine Block	
19	70000918	1	Sealing Ring Between Hand Pump and Supply Pump	

SECTION 3 - ENGINE

ITEM	PART NUMBER	QTY	DESCRIPTION	REV
19	7000919	1	Pump, Hand	
19	70001435	1	Repair Kit	
19	70025694	2	Bolt, Torx	
20	70000931	3	Pipe, High Pressure	
21	70003469	1	Flange, Intake	
21	70003468	1	Seal	
22	70025084	1	Plug	
22	7020492	1	Seal, Plug	
23	7027903	1	Manifold, Air Intake	
23	70001871	3	Gasket Between Manifold and Engine Block	
24	See Note	1	Module, Engine Control (Note: Not Currently Available)	
24	7027796	1	Cable, Electrical Between Module and Engine Harness (Not Shown)	
24	70001872	1	Harness, Engine (Connects to p/n 70004060) (Not Shown)	
24	70004060	1	Plug, Connector Located on Cable Near Module (Not Shown)	
24	70004059	1	Plug, Analyzer (Not Shown)	
25	70025123	4	Bolt, Torx	
26	70000787	1	Support, Fan (Includes Support, Internal Shaft, Bearings and Circlip)	
27	70001844	1	Clamp	
28	See Note	1	Muffler (Note: See Separate Breakdown in this Section)	
28	7020471	3	Gasket, Exhaust Between Muffler and Engine Block	
28	70004270	6	Stud, Muffler	
29	70001498	1	Shield, Starter	
29	70025693	3	Bolt	
30	70004102	1	V-Belt	
31	70004056	1	Alternator (Includes Voltage Regulator and Gaskets, Fan and Fan Mounting Hardware)	
31	70001868	1	Regulator, Voltage	
31	70001866	1	Gasket Set, Voltage Regulator	
31	70025131	1	Fan	
31	70025086	1	Nut, Fan	
31	70000851	1	Bracket, Alternator Mounting	
31	70002234	1	Bracket, Alternator Adjustment	
31	70004103	1	Harness, Alternator (Not Shown)	
32	7020479	1	Starter	
32	70025121	2	Bolt, Starter Mounting	
32	70004058	1	Relay	
32	70004062	1	Harness, Starter (Not Shown)	
33	7024565	1	Sensor, Speed	
33	70003931	1	Bolt	
33	70003932	1	Spacer, Sleeve	
34	7027791	1	Sensor, Temperature	
35	7027790	1	Sensor, Oil Pressure	
36	7027792	1	Actuator	
37	70000345	3	Plug, Glow (Not Shown)	

SECTION 3 - ENGINE

FIGURE 3-22. PUMP COUPLING KIT – DEUTZ ENGINES



ART_2902065

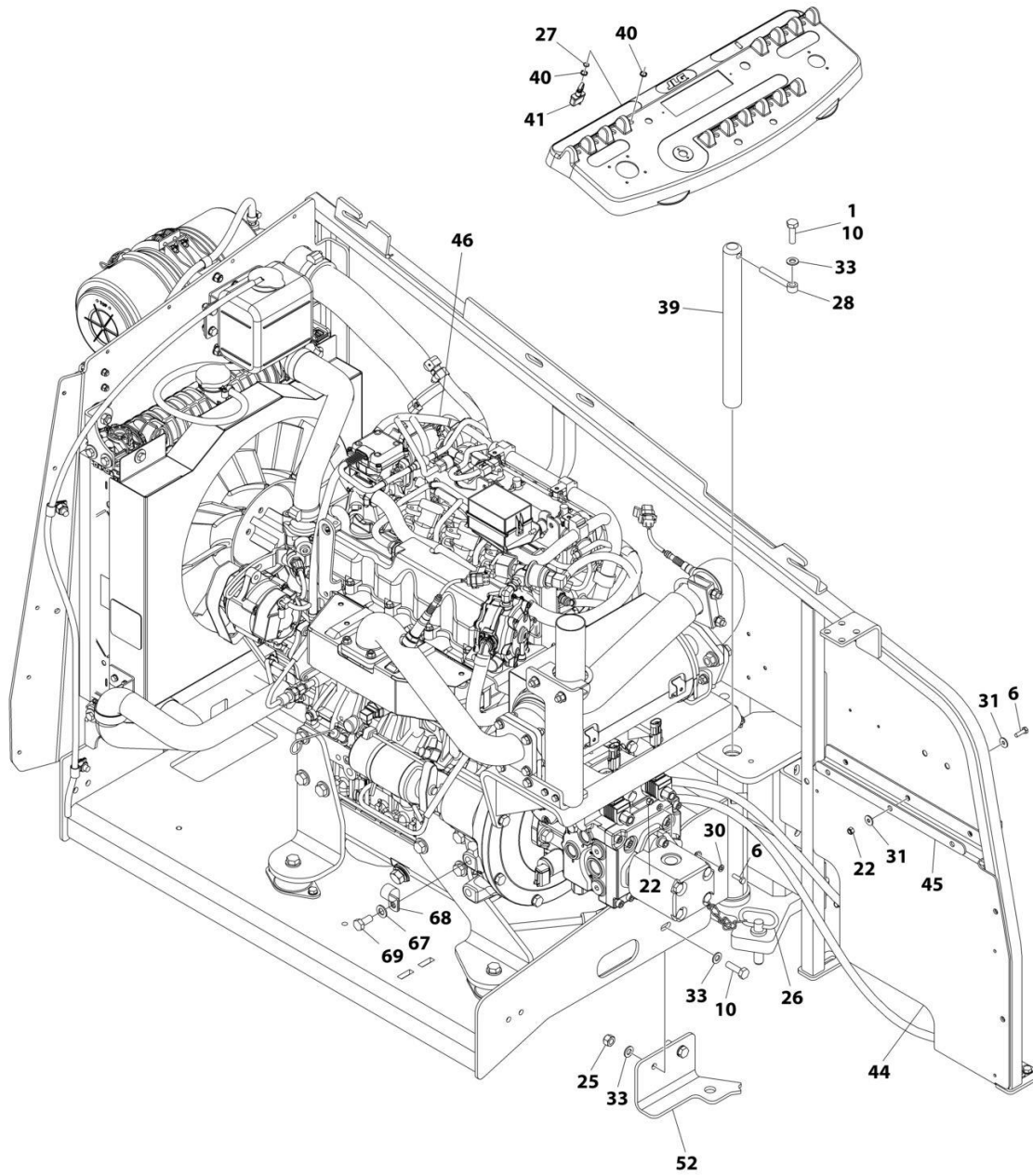
SECTION 3 - ENGINE

FIGURE 3-22. PUMP COUPLING KIT – DEUTZ ENGINES

ITEM	PART NUMBER	QTY	DESCRIPTION	REV
	2902065	Ref	PUMP COUPLING KIT	L
1	70000793	1	Coupling, Hayes	
2	See Note	NSS	Plate, Pump Adapter (Note: Use p/n 2902065)	
3	See Note	NSS	Bolt M10 x 30 Grade 10.9 (Note: Use p/n 2902065)	
4	See Note	NSS	Washer M10 (Note: Use p/n 2902065)	
6	See Note	NSS	Bolt M10 x 20 Grade 10.9 (Note: Use p/n 2902065)	

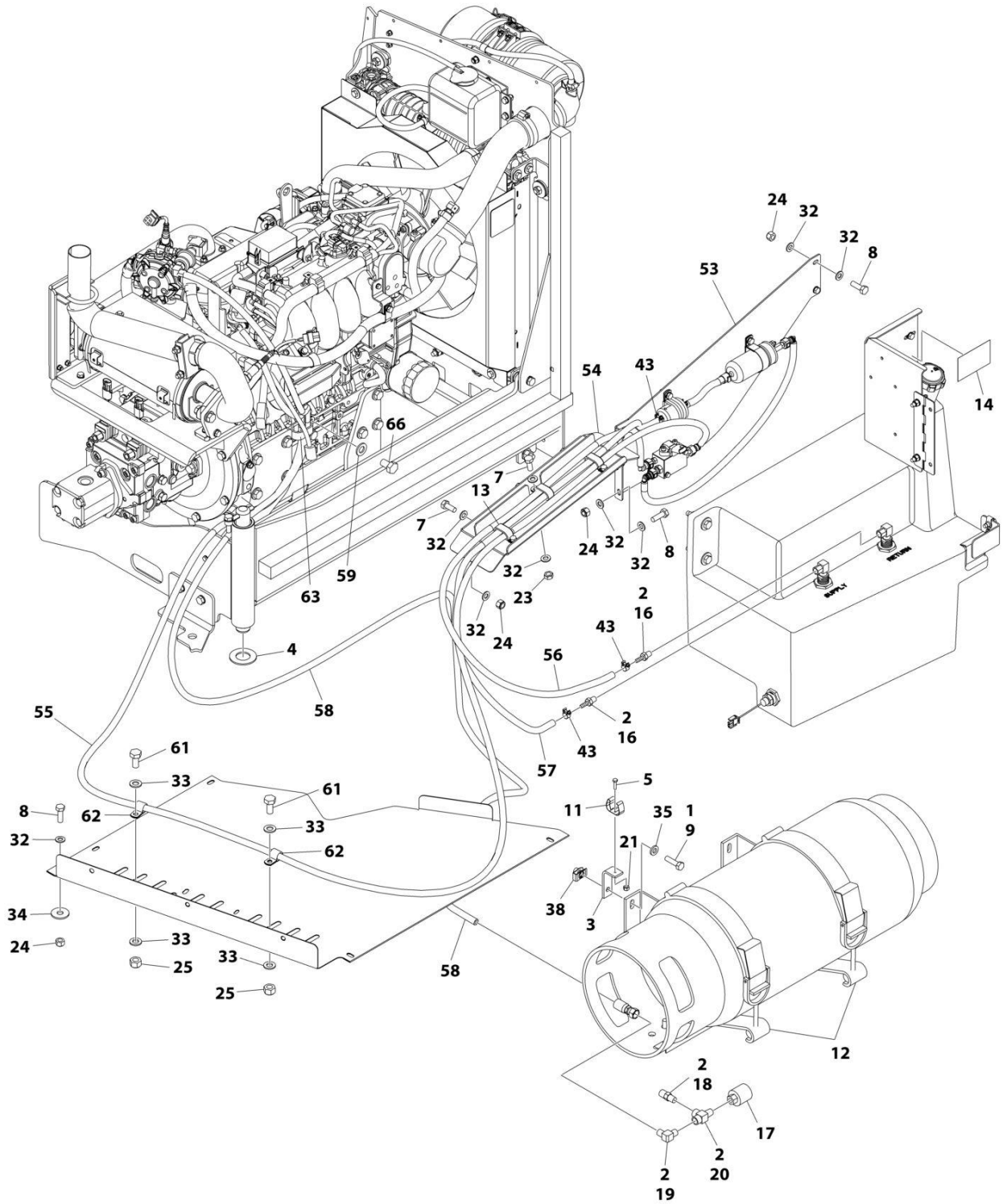
SECTION 3 - ENGINE

FIGURE 3-23. ENGINE INSTALLATION - KUBOTA ENGINE (WITHOUT ARCTIC PACKAGE)



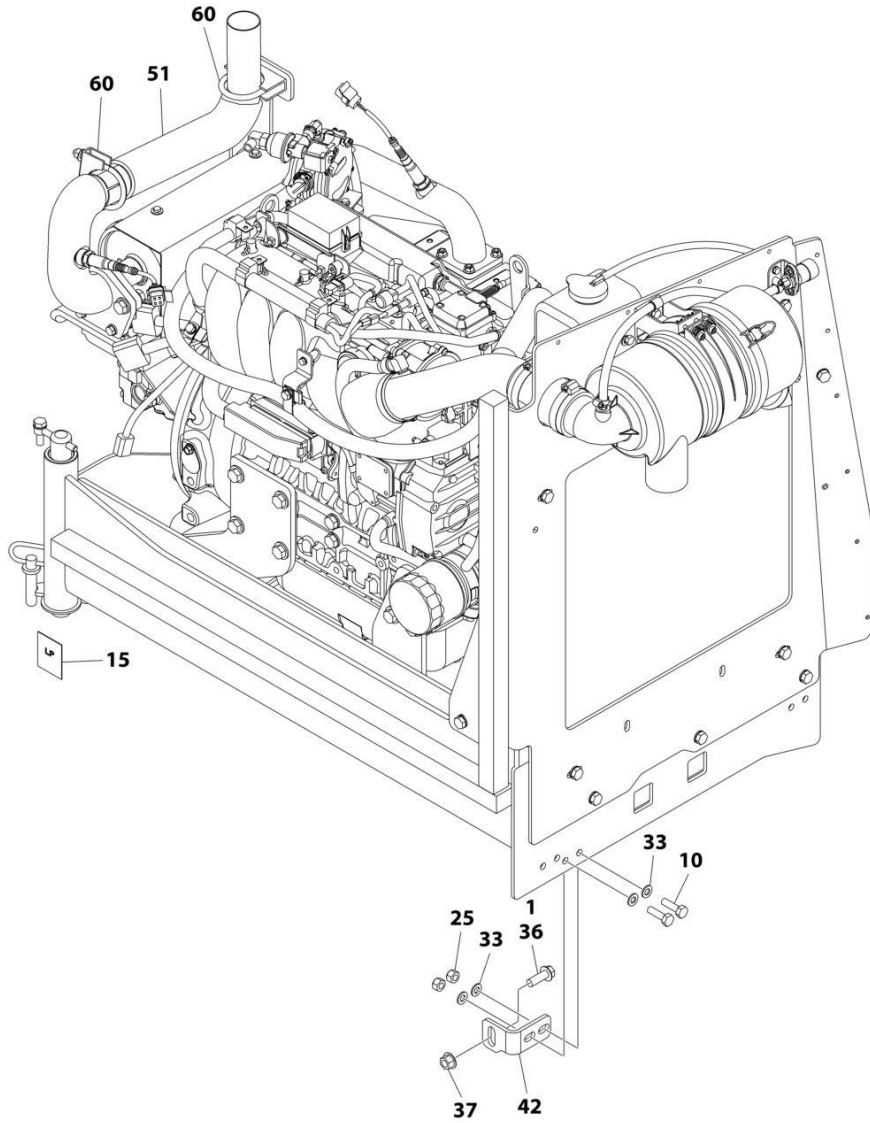
ART_1001236251_10F3

SECTION 3 - ENGINE



ART_1001236251_20F3

SECTION 3 - ENGINE



ART_1001236251_30F3

SECTION 3 - ENGINE

FIGURE 3-23. ENGINE INSTALLATION - KUBOTA ENGINE (WITHOUT ARCTIC PACKAGE)

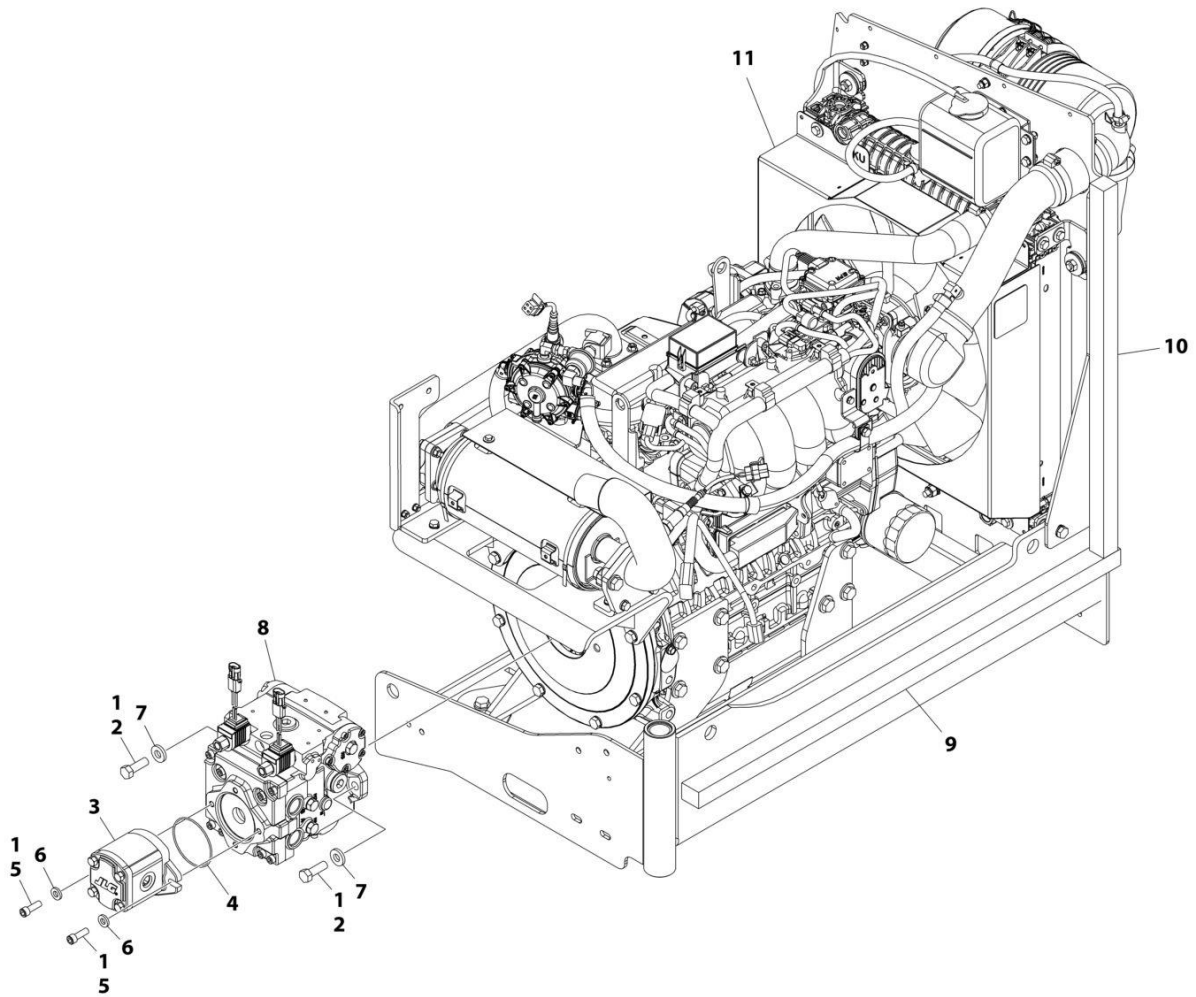
ITEM	PART NUMBER	QTY	DESCRIPTION	REV
	1001236251	Ref	ENGINE INSTALLATION - KUBOTA ENGINE (WITHOUT ARCTIC PACKAGE)	A
1	0100011	AR	Compound, Locking	
2	0100020	AR	Sealant, Pipe	
3	0181949	1	Angle	
4	0440162	1	Bearing	
5	0760408	1	Bolt M4 x 16	
6	0760610	4	Bolt M6 x 20	
7	0760810	6	Bolt M8 x 20	
8	0760812	4	Bolt M8 x 25	
9	0760814	4	Bolt M8 x 30	
10	0761015	5	Bolt M10 x 35	
11	1320218	1	Clamp	
12	1320220	1	Clamp Kit - LP	
13	1321283	3	Clamp	
14	1701542	1	Decal - Gas	
15	1701543	1	Decal - LPG	
16	2180348	2	Fitting, Barbed	
17	2180387	1	Fitting, LP	
18	2180389	1	Fitting	
19	2180504	1	Fitting, Barbed	
20	2220290	1	Fitting, Tee FNPTF/NPTF/FNPTF	
21	3290405	1	Nut Lock M4	
22	3290605	4	Nut Lock M6	
23	3290801	3	Nut M8	
24	3290805	7	Nut Lock M8	
25	3291005	8	Nut Lock M10	
26	3422532	1	Pin	
27	3790012	1	O-Ring	
28	3841143	1	Keeper, Pin	
29	4240099	AR	Tie-Strap (Not Shown)	
30	4811700	2	Washer M6	
31	4811702	6	Washer M6	
32	4811900	19	Washer M8	
33	4812000	17	Washer M10	
34	4812002	1	Washer M10	
35	5240800	4	Washer M8 Hardened	
36	5251215	1	Bolt M12 x 35	
37	5261200	1	Nut M12 Grade 10.9	
38	100118274	4	Nut Special M8	
39	1001135196	1	Pin	
40	1001155044	2	Nut Special 15/32	
41	1001161710	1	Switch, Toggle	
42	1001167512	1	Bracket, Engine Tray Stow	
43	1001174486	3	Clamp	
44	1001196376	1	Seal, Rubber	
45	1001204123	1	Plate, Support	
46	1001236254	1	Engine and Pump Sub-Assembly - Kubota Engine (Without Arctic Package) (See Separate Breakdown in this Section)	
47	1001212257	1	Cable, Battery (Red) (Alternator Positive to Starter) (Not Shown)	

SECTION 3 - ENGINE

ITEM	PART NUMBER	QTY	DESCRIPTION	REV
48	1001213060	1	Cable, Battery (Red) (Battery Positive to Auxiliary Power Relay) (Not Shown)	
49	1001213061	1	Cable, Battery (Black) (Battery Negative to Pivot Pin to Engine Ground) (Not Shown)	
50	1001213706	1	Harness Engine - Kubota Engine (Not Shown - See Separate Breakdown in ELECTRICAL SECTION)	
51	1001214503	1	Pipe, Tail Pipe	
52	1001215259	1	Plate, Engine Lock	
53	1001215813	1	Mount, Fuel System	
54	1001216308	1	Support, Fuel Lines	
55	1001216400	1	Hose	
56	1001216401	1	Hose	
57	1001156819	4.5 ft/ 1.3m	Hose	
58	1001216405	1	Hose	
59	4812100	2	Washer M12	
60	1001217785	2	Clamp	
61	0761011	2	Bolt M10 x 22	
62	85841094	6	Clamp	
63	1001195039	1	Clamp	
64	4460466	8	Terminal, Sealing Plug (Not Shown)	
65	4460930	1	Plug (Not Shown)	
66	1001217494	2	Bolt M12 x 20	
67	4812200	1	Washer M14	
68	24431386	1	Clamp	
69	1001217345	1	Bolt M14 x 30	
70	1001229797	1	Harness, Kubota D/F Power (Not Shown - See Separate Breakdown in ELECTRICAL SECTION)	

SECTION 3 - ENGINE

FIGURE 3-24. ENGINE AND PUMP SUB-ASSEMBLY - KUBOTA ENGINE (WITHOUT ARCTIC PACKAGE)



ART_1001236254

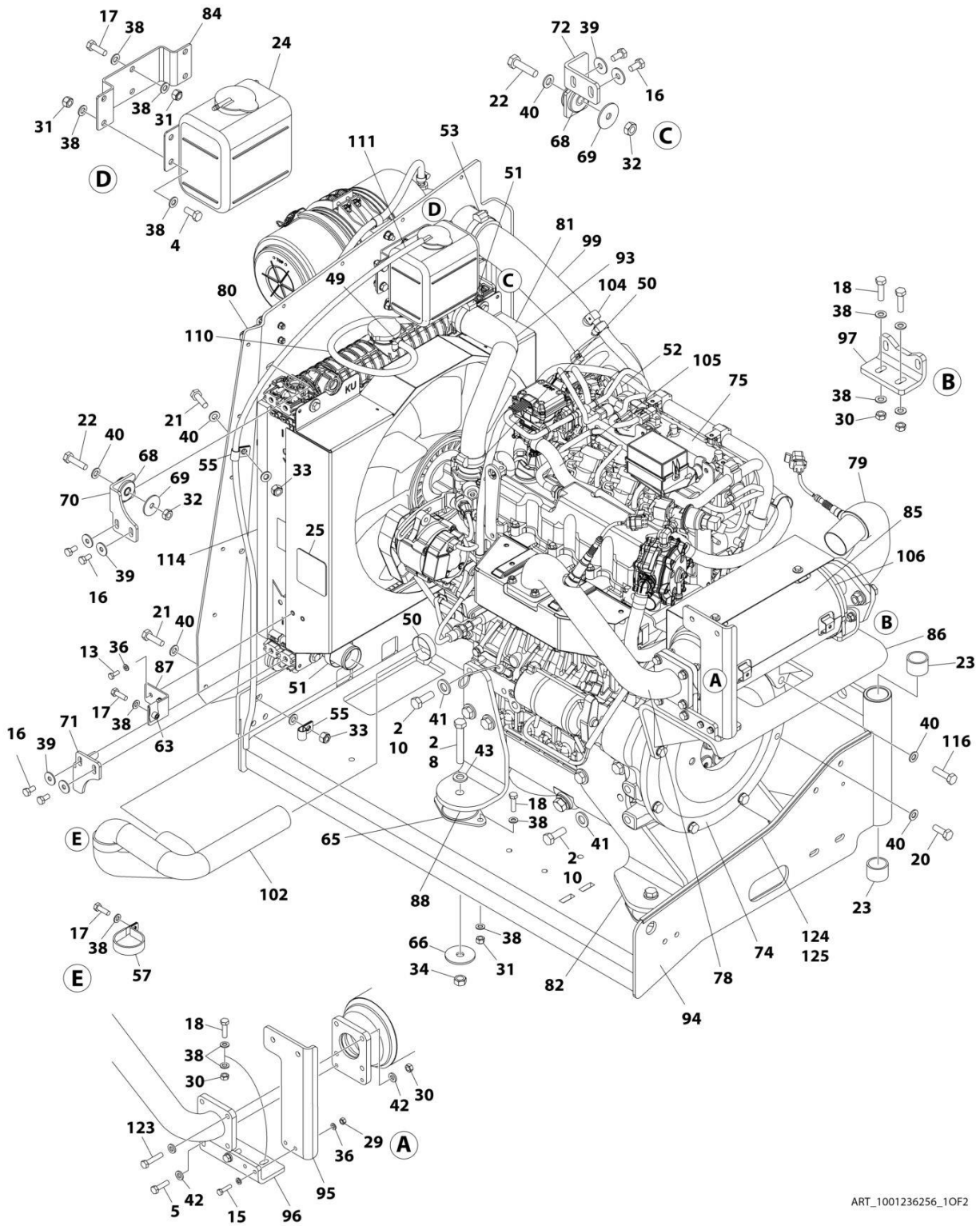
SECTION 3 - ENGINE

FIGURE 3-24. ENGINE AND PUMP SUB-ASSEMBLY - KUBOTA ENGINE (WITHOUT ARCTIC PACKAGE)

ITEM	PART NUMBER	QTY	DESCRIPTION	REV
	1001236254	Ref	ENGINE AND PUMP SUB-ASSEMBLY - KUBOTA ENGINE (WITHOUT ARCTIC PACKAGE)	A
1	0100011	AR	Compound, Locking	
2	0641812	2	Bolt 1/2 x 1-1/2	
3	1001214207	1	Pump, Gear	
3	70006356	1	Seal Kit - 1001214207 Pump	
4	3790152	1	O-Ring	
5	3931618	2	Bolt 3/8 x 1-1/8	
6	4891600	2	Washer 3/8	
7	4891800	2	Washer 1/2	
8	1001167036	1	Piston Pump Assembly (See Separate Breakdown in this Section)	
9	1001171953	1	Seal, Gasket	
10	1001171954	1	Seal, Gasket	
11	1001236256	1	Engine Assembly - Kubota Engine (Without Arctic Package) (See Separate Breakdown in this Section)	

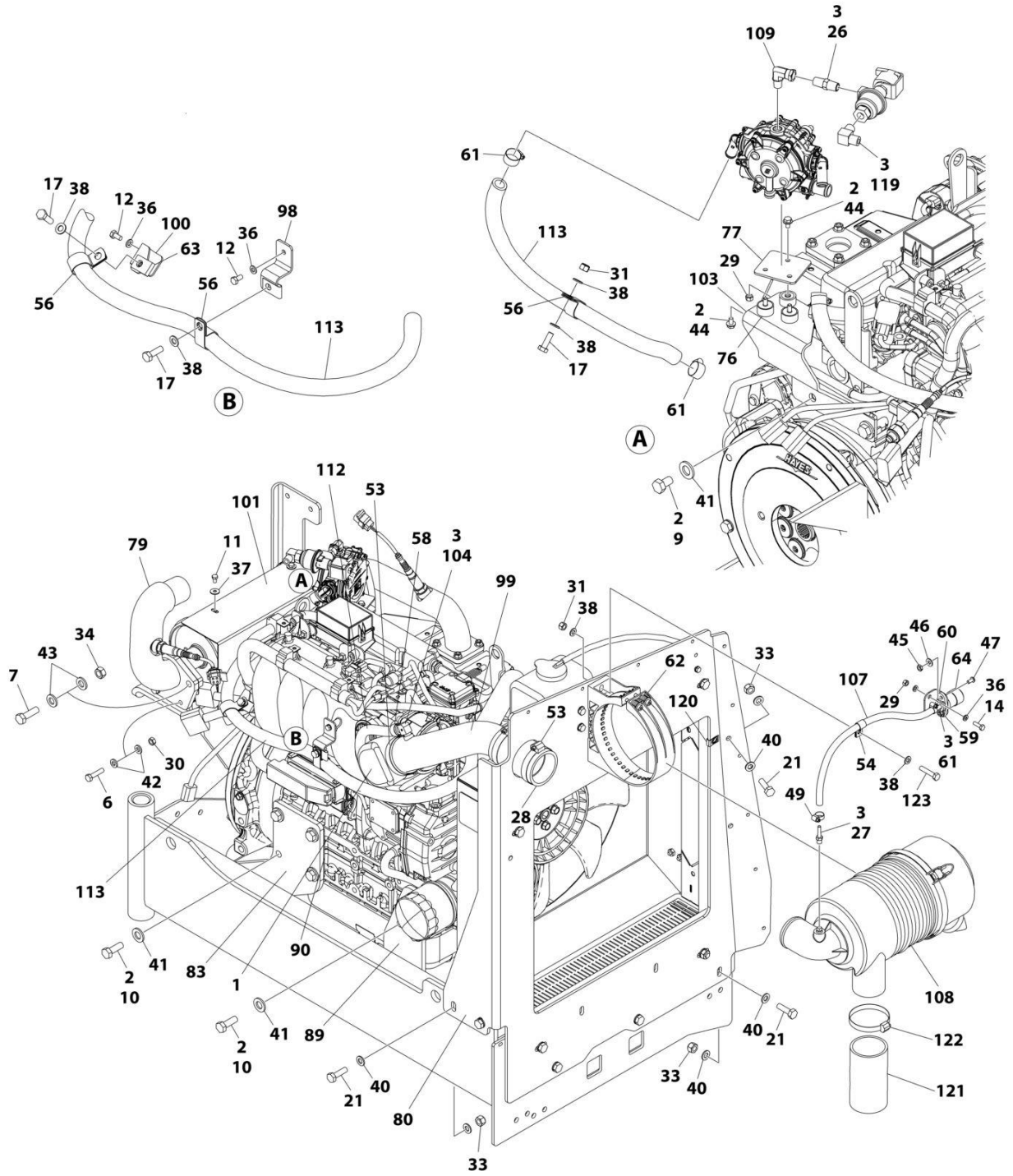
SECTION 3 - ENGINE

FIGURE 3-25. ENGINE ASSEMBLY - KUBOTA ENGINE (WITHOUT ARCTIC PACKAGE)



ART_1001236256_10F2

SECTION 3 - ENGINE



ART_1001236256_2OF2

SECTION 3 - ENGINE

FIGURE 3-25. ENGINE ASSEMBLY - KUBOTA ENGINE (WITHOUT ARCTIC PACKAGE)

ITEM	PART NUMBER	QTY	DESCRIPTION	REV
	1001236256	Ref	ENGINE ASSEMBLY - KUBOTA ENGINE (WITHOUT ARCTIC PACKAGE)	E
1	0080201	1	Adapter, 90	
2	0100011	AR	Compound, Locking	
3	0100020	AR	Sealant, Pipe	
4	0700810	4	Bolt M8 x 20	
5	0700814	2	Bolt M8 x 30	
6	0700815	2	Bolt M8 x 35	
7	0701216	2	Bolt M12 x 40	
8	0701224	4	Bolt M12 x 80	
9	1001217494	2	Bolt M12 x 20	
10	1001217343	14	Bolt M12 x 35	
11	0760605	4	Bolt M6 x 10	
12	0760606	2	Bolt M6 x 12	
13	0760608	2	Bolt M6 x 16	
14	0760610	2	Bolt M6 x 20	
15	0760612	2	Bolt M6 x 25	
16	0760808	8	Bolt M8 x 16	
17	0760812	6	Bolt M8 x 25	
18	0760814	12	Bolt M8 x 30	
19	0760815	1	Bolt M8 x 35	
20	0761014	4	Bolt M10 x 30	
21	0761015	6	Bolt M10 x 35	
22	0761016	4	Bolt M10 x 40	
23	0961951	2	Bushing	
24	1580011	1	Container, Coolant Overflow	
25	1703162	2	Decal - Caution Fan	
26	2220261	1	Fitting, Nipple NPTF/NPTF	
27	2220315	1	Fitting, Barbed	
28	2720644	1	Hose	
29	3290607	5	Nut M6	
30	3290801	10	Nut M8	
31	3290805	17	Nut M8	
32	3291001	4	Nut M10	
33	3291005	6	Nut M10	
34	3291201	6	Nut M12	
35	4240099	AR	Tie-Strap (Not Shown)	
36	4811700	12	Washer M6	
37	4811702	4	Washer M6	
38	4811900	45	Washer M8	
39	4811902	8	Washer M8	
40	4812000	24	Washer M10	
41	5241400	16	Washer M14	
42	5240800	14	Washer M8	
43	5241200	8	Washer M12	
44	5250605	3	Bolt M6 x 10	
45	8305401	2	Nut 1/4	
46	8307109	2	Washer 1/4	
47	8310548	2	Screw 1/4 NC x 1/2	
48	1001173535	2	Clamp	

SECTION 3 - ENGINE

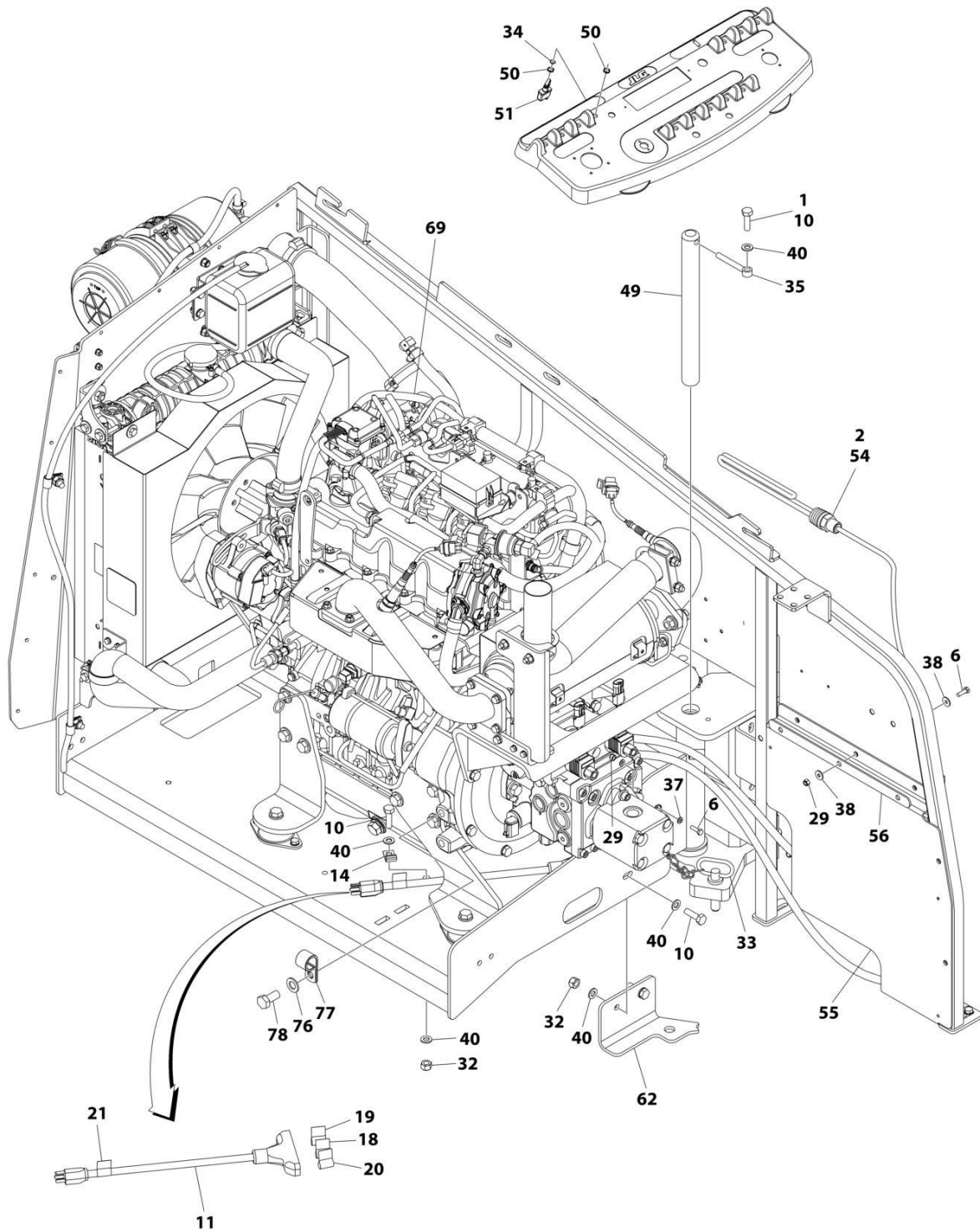
ITEM	PART NUMBER	QTY	DESCRIPTION	REV
49	8405009	4	Clamp	
50	8405102	2	Clamp	
51	8405104	2	Clamp	
52	8405202	1	Clamp	
53	8405203	3	Clamp	
54	8406109	1	Clip	
55	8406110	2	Clip	
56	8406201	3	Clip	
57	8410001	1	Clamp	
58	8410009	6	Clamp	
59	1001138173	1	Support, Service Indicator	
60	1001138175	1	Bracket, Service Indicator	
61	1001141995	1	Fitting, Barbed	
62	1001147812	1	Clamp, Air Cleaner	
63	1001149160	3	Nut M8	
64	1001149639	1	Indicator, Air Intake	
65	1001166718	4	Isolator, Engine Mount	
66	1001168018	4	Washer, Snubbing	
67	1001168166	2	Seal	
68	1001169054	4	Isolator, Radiator	
69	1001169138	4	Washer, Snubbing	
70	1001169967	2	Bracket	
71	1001170035	1	Bracket	
72	1001176330	1	Bracket	
73	1001180620	AR	Adhesive	
74	1001209844	1	Pump Coupling Kit (See Separate Breakdown in this Section)	
75	1001236393	1	Engine, Kubota (See Separate Breakdown in this Section)	
76	1001211794	3	Mount	
77	1001211797	1	Mount	
78	1001212989	1	Pipe, Exhaust (Inlet)	
79	1001212993	1	Pipe Exhaust (Outlet)	
80	1001213305	1	Plate, Mounting	
81	1001236257	1	Radiator	
82	1001213425	1	Plate, Engine Mount (Left Rear)	
83	1001213426	1	Plate, Engine Mount (Right Rear)	
84	1001213482	1	Bracket	
85	1001213824	1	Insulation	
86	1001214138	1	Bracket	
87	1001214205	1	Support	
88	1001214233	1	Plate (Front Left)	
89	1001214234	1	Plate (Front Right)	
90	1001214276	1	Shim	
91	1001214277	1	Shim	
92	1001214278	2	Shim	
93	1001214307	1	Hose	
94	1001214508	1	Support	
95	1001214553	1	Support	
96	1001214555	1	Bracket	
97	1001214556	1	Bracket	
98	1001214558	1	Bracket	
99	1001214598	1	Tube	

SECTION 3 - ENGINE

ITEM	PART NUMBER	QTY	DESCRIPTION	REV
100	1001214599	1	Bracket	
101	1001214664	1	Cover	
102	1001214694	1	Hose	
103	1001214841	1	Bracket	
104	1001215125	1	Fitting, 90	
105	1001215869	1	Hose	
106	1001137336	2	Strap	
107	1001138248	2 ft/ 0.61m	Tube	
108	1001147813	1	Air Cleaner Assembly Including Filter Element	
108	70004020	1	Element, Air Filter	
109	1001247359	1	Fitting, 90	
110	2720058	1.75 ft/ 0.53m	Hose	
111	2720271	4 ft/ 1.22m	Hose	
112	2720615	1.25 ft/ 0.38m	Hose	
113	82033995	5.5 ft/ 1.68m	Hose	
114	1001216825	2	Seal	
115	0700816	4	Bolt M8 x 40	
116	0701016	4	Bolt M10 x 40	
119	2180504	1	Fitting, Barbed	
120	1001118274	1	Nut, Special M8	
121	1001001939	1	Tube, Flex	
122	8410011	1	Clamp	
123	0760816	1	Bolt M8 x 40	
124	4060805	1.94 ft/ 0.59m	Flex-Trim	
125	0100081	AR	Adhesive	

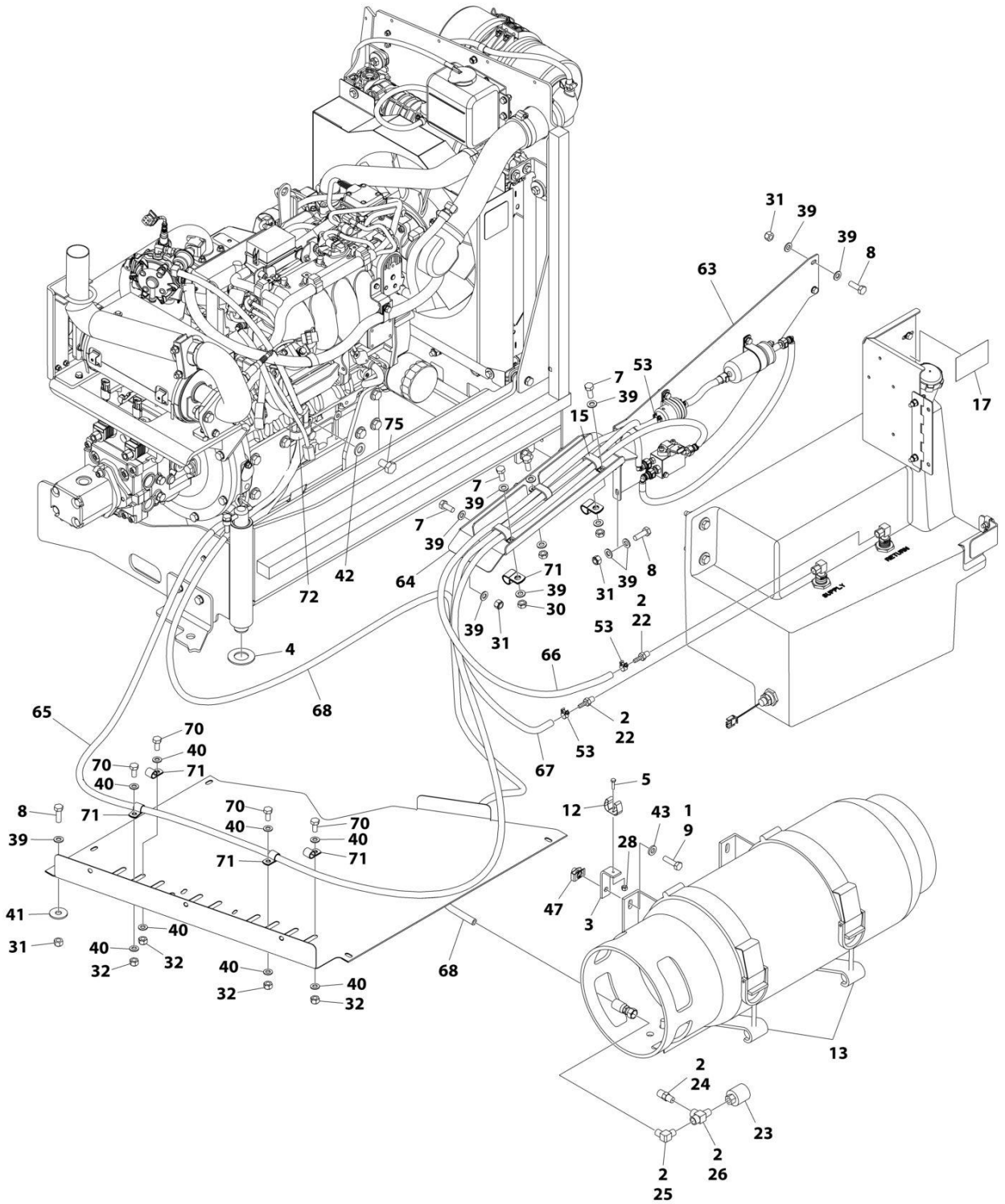
SECTION 3 - ENGINE

FIGURE 3-26. ENGINE INSTALLATION - KUBOTA ENGINE (WITH ARCTIC PACKAGE)



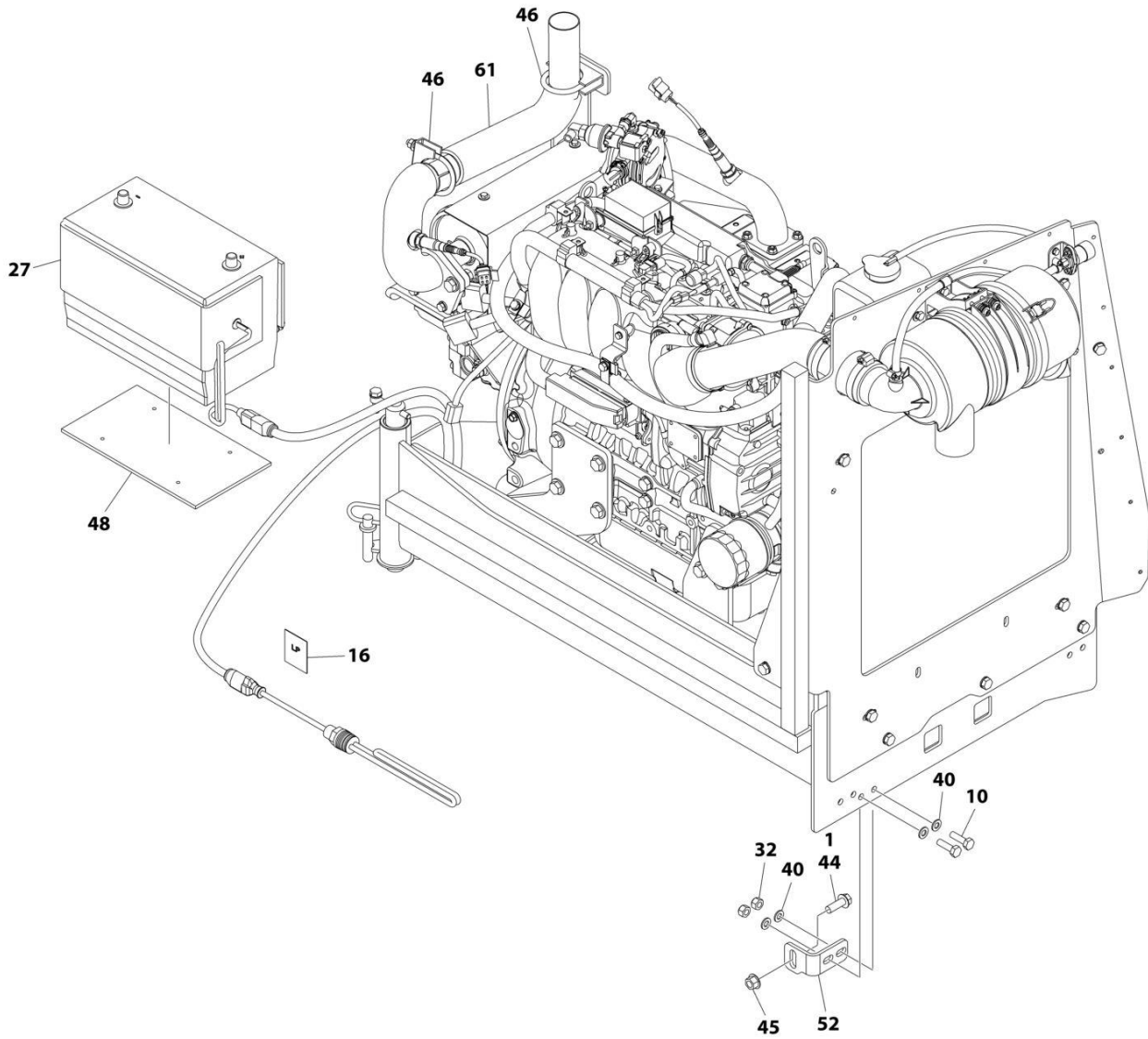
ART_1001236253_10F3

SECTION 3 - ENGINE



ART_1001236253_20F3

SECTION 3 - ENGINE



ART_1001236253_3OF3

SECTION 3 - ENGINE

FIGURE 3-26. ENGINE INSTALLATION - KUBOTA ENGINE (WITH ARCTIC PACKAGE)

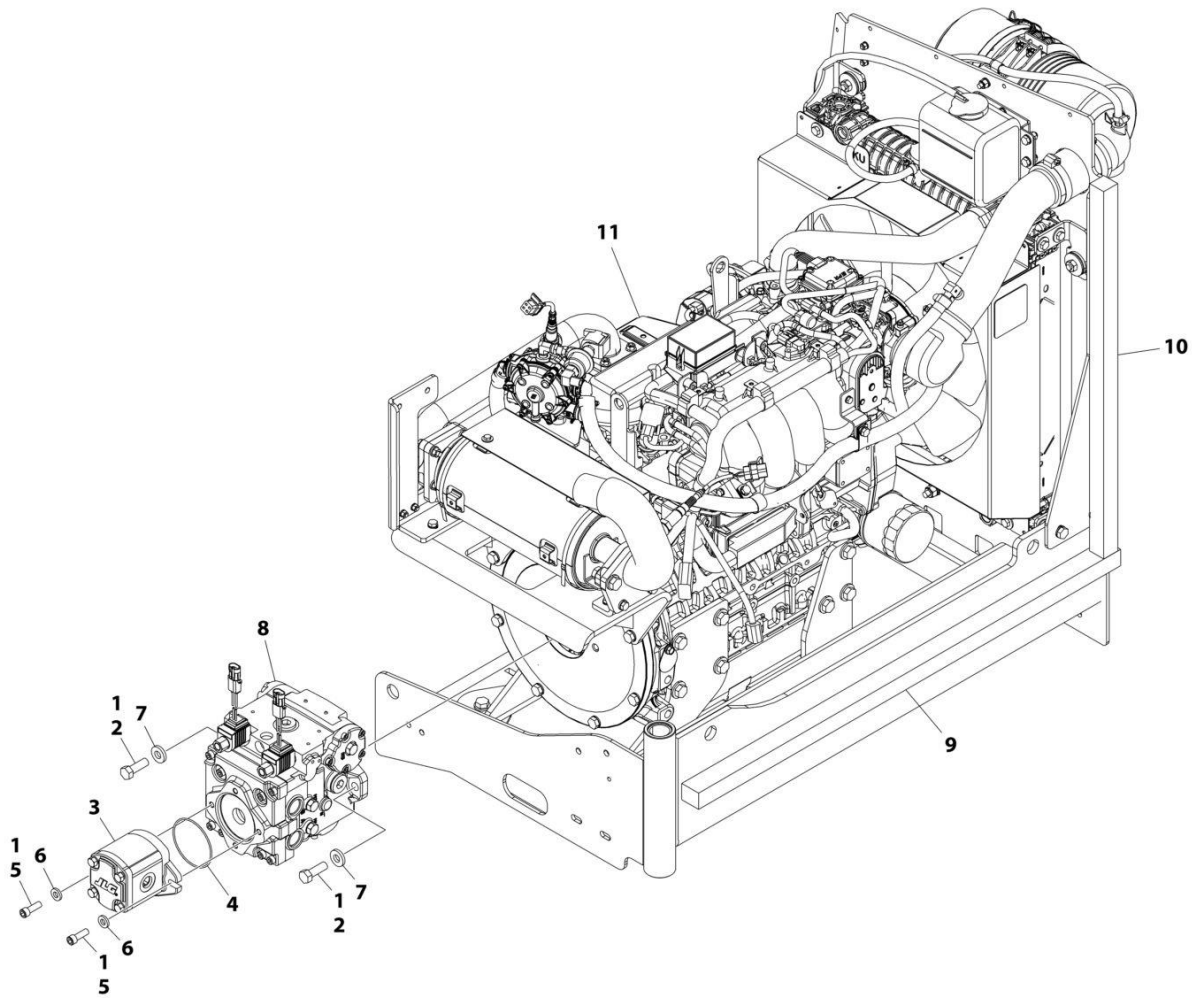
ITEM	PART NUMBER	QTY	DESCRIPTION	REV
	1001236253	Ref	ENGINE INSTALLATION - KUBOTA ENGINE (WITH ARCTIC PACKAGE)	A
1	0100011	AR	Compound, Locking	
2	0100020	AR	Sealant, Pipe	
3	0181949	1	Angle	
4	0440162	1	Bearing	
5	0760408	1	Bolt M4 x 16	
6	0760610	4	Bolt M6 x 20	
7	0760810	6	Bolt M8 x 20	
8	0760812	4	Bolt M8 x 25	
9	0760814	4	Bolt M8 x 30	
10	0761015	6	Bolt M10 x 35	
11	1060626	1	Cord, 3 Way Extension	
12	1320218	1	Clamp	
13	1320220	1	Clamp Kit - LP	
14	1320223	1	Clamp	
15	1321283	3	Clamp	
16	1701543	1	Decal - LPG	
17	1701542	1	Decal - Gas	
18	1702941	1	Decal - Battery Heater	
19	1702942	1	Decal - Engine Block Heater	
20	1702943	1	Decal - Hydraulic Tank Heater	
21	1702944	1	Decal - Heater Cord	
22	2180348	2	Fitting, Barbed	
23	2180387	1	Fitting, LP	
24	2180389	1	Fitting	
25	2180504	1	Fitting, Barbed	
26	2220290	1	Fitting, Tee FNPTF/NPTF/FNPTF	
27	2580024	1	Heater, Battery	
28	3290405	1	Nut M4	
29	3290605	4	Nut M6	
30	3290801	3	Nut M8	
31	3290805	7	Nut M8	
32	3291005	9	Nut M10	
33	3422532	1	Pin	
34	3790012	1	O-Ring	
35	3841143	1	Keeper, Pin	
36	4240099	AR	Tie-Strap (Not Shown)	
37	4811700	2	Washer M6	
38	4811702	6	Washer M6	
39	4811900	19	Washer M8	
40	4812000	19	Washer M10	
41	4812002	1	Washer M10	
42	4812100	2	Washer M12	
43	5240800	4	Washer M8	
44	5251215	1	Bolt M12 x 35	
45	5261200	1	Nut M12 Grade 10.9	
46	1001217785	2	Clamp	
47	1001118274	4	Nut Special M8	
48	1001119278	1	Insulate	

SECTION 3 - ENGINE

ITEM	PART NUMBER	QTY	DESCRIPTION	REV
49	1001135196	1	Pin	
50	1001155044	2	Nut, Special 15/32	
51	1001161710	1	Switch, Toggle	
52	1001167512	1	Bracket, Engine Tray Stow	
53	1001174486	3	Clamp	
54	1001188972	1	Heater, Hydraulic Tank	
55	1001196376	1	Seal, Rubber	
56	1001204123	1	Plate, Support	
57	1001212257	1	Cable, Battery (Red) (Alternator Positive to Starter) (Not Shown)	
58	1001213060	1	Cable, Battery (Red) (Battery Positive to Auxiliary Power Relay) (Not Shown)	
59	1001213061	1	Cable, Battery (Black) (Battery Negative to Pivot Pin to Engine Ground) (Not Shown)	
60	1001213706	1	Harness Engine - Kubota Engine (Not Shown - See Separate Breakdown in ELECTRICAL SECTION)	
61	1001214503	1	Pipe, Tail Pipe	
62	1001215259	1	Plate, Engine Lock	
63	1001215813	1	Mount, Fuel System	
64	1001216308	1	Support, Fuel Lines	
65	1001216400	1	Hose	
66	1001216401	1	Hose	
67	1001156819	4.5 ft/ 1.4m	Hose	
68	1001216405	1	Hose	
69	1001236258	1	Engine and Pump Sub-Assembly - Kubota Engine (With Arctic Package) (See Separate Breakdown in this Section)	
70	0761011	4	Bolt M10 x 22	
71	85841094	6	Clamp	
72	1001195039	1	Clamp	
73	4460466	8	Seal, Terminal (Not Shown)	
74	4460930	1	Plug (Not Shown)	
75	1001217494	2	Bolt M12 x 20	
76	4812200	1	Washer M14	
77	24431386	1	Clamp	
78	1001217345	1	Bolt M14 x 30	
79	1001229797	1	Harness, Kubota D/F Power (Not Shown - See Separate Breakdown in ELECTRICAL SECTION)	

SECTION 3 - ENGINE

FIGURE 3-27. ENGINE AND PUMP SUB-ASSEMBLY - KUBOTA ENGINE (WITH ARCTIC PACKAGE)



ART_1001236258

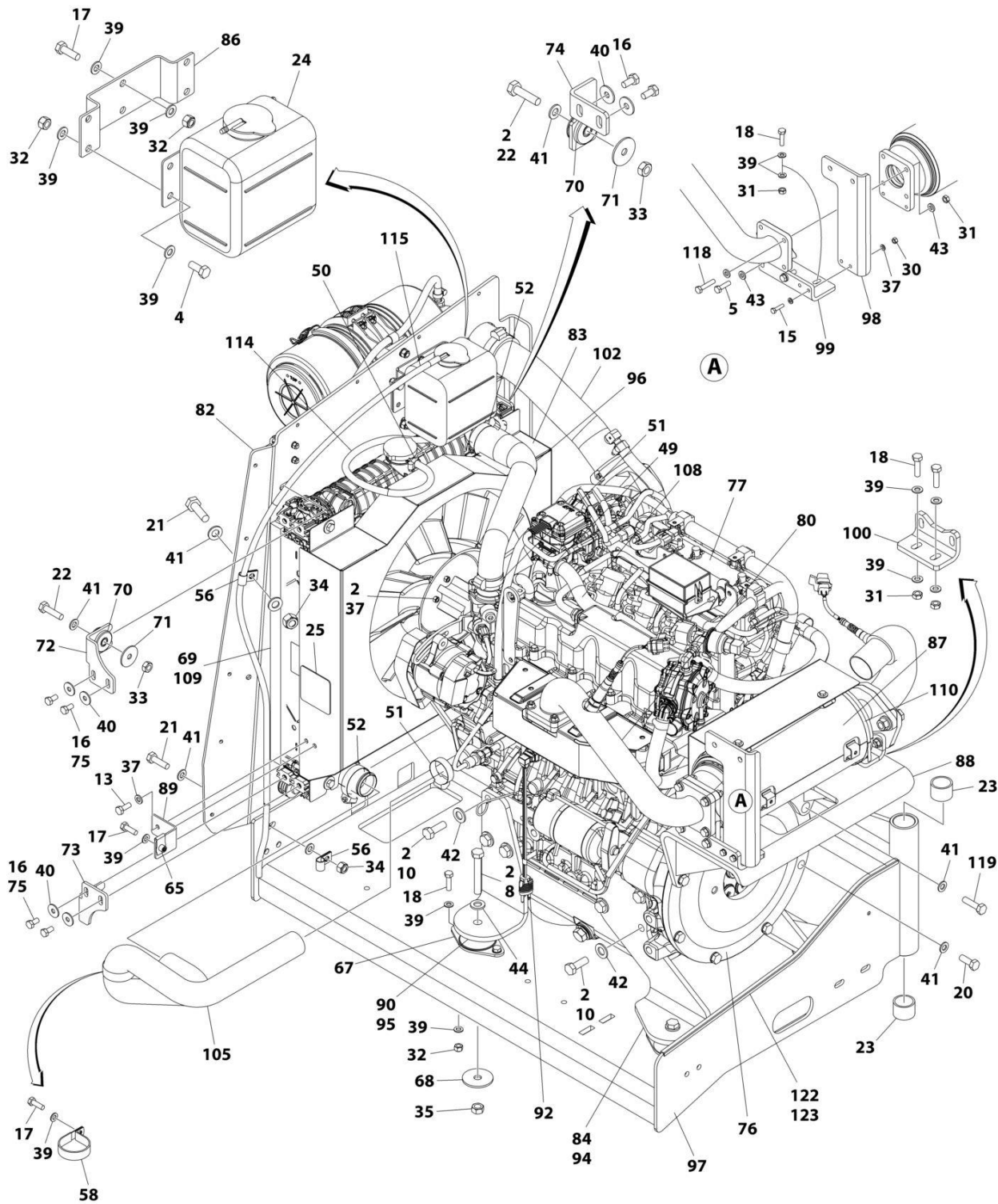
SECTION 3 - ENGINE

FIGURE 3-27. ENGINE AND PUMP SUB-ASSEMBLY - KUBOTA ENGINE (WITH ARCTIC PACKAGE)

ITEM	PART NUMBER	QTY	DESCRIPTION	REV
	1001236258	Ref	ENGINE AND PUMP SUB-ASSEMBLY - KUBOTA ENGINE (WITH ARCTIC PACKAGE)	A
1	0100011	AR	Compound, Locking	
2	0641812	2	Bolt 1/2 x 1-1/2	
3	1001214207	1	Gear Pump Assembly	
3	70006356	1	Seal Kit - 1001214207 Pump	
4	3790152	1	O-Ring	
5	3931618	2	Capscrew 3/8 x 1-1/8	
6	4891600	2	Washer 3/8	
7	4891800	2	Washer 1/2	
8	1001167036	1	Piston Pump Assembly (See Separate Breakdown in this Section)	
9	1001171953	1	Seal	
10	1001171954	1	Seal	
11	1001236259	1	Engine Assembly - Kubota Engine (With Arctic Package) (See Separate Breakdown in this Section)	

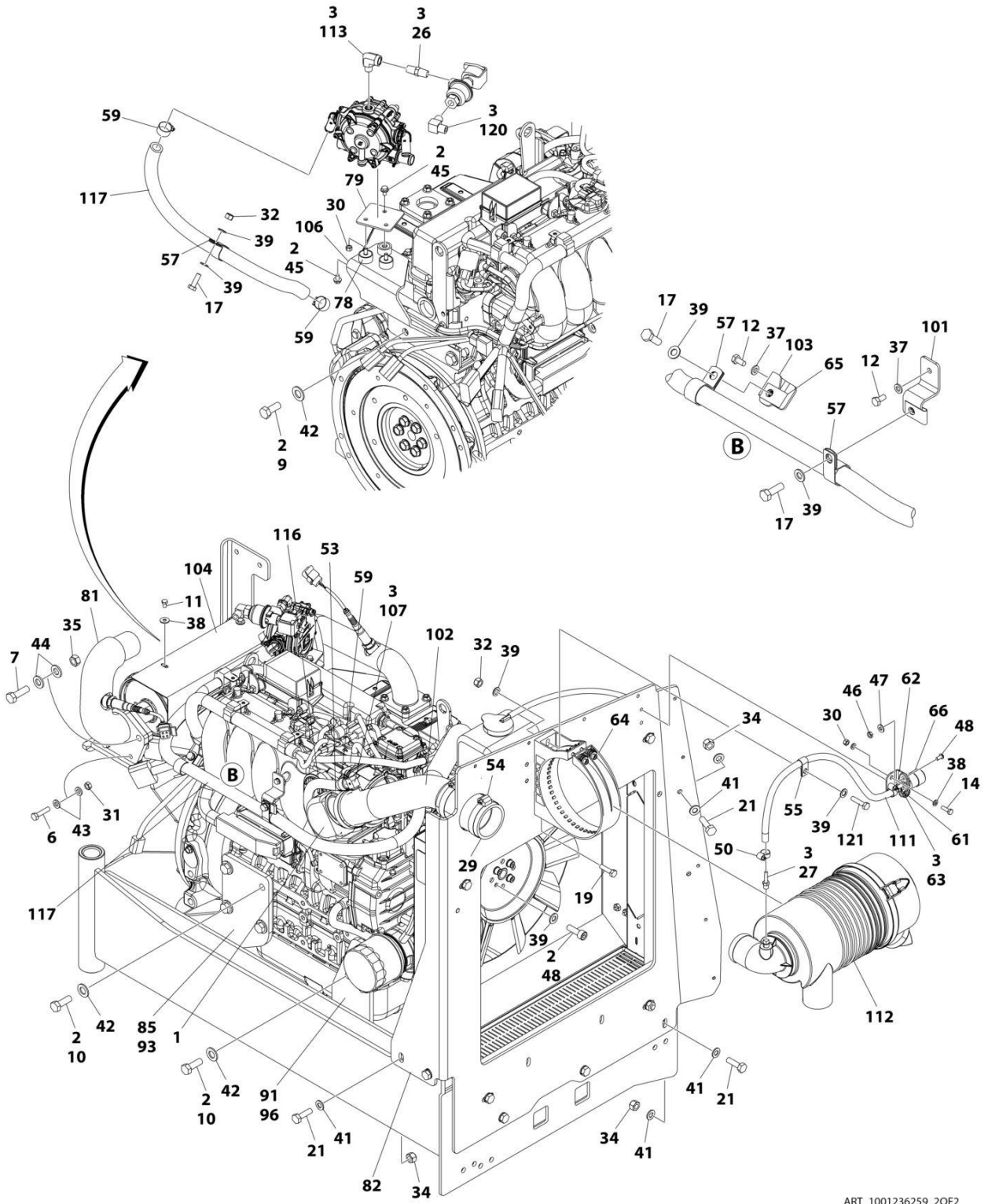
SECTION 3 - ENGINE

FIGURE 3-28. ENGINE ASSEMBLY - KUBOTA ENGINE (WITH ARCTIC PACKAGE)



ART_1001236259_10F2

SECTION 3 - ENGINE



ART_1001236259_2OF2

SECTION 3 - ENGINE

FIGURE 3-28. ENGINE ASSEMBLY - KUBOTA ENGINE (WITH ARCTIC PACKAGE)

ITEM	PART NUMBER	QTY	DESCRIPTION	REV
	1001236259	Ref	ENGINE ASSEMBLY - KUBOTA ENGINE (WITH ARCTIC PACKAGE)	E
1	0080201	1	Adapter, 90	
2	0100011	AR	Compound, Locking	
3	0100020	AR	Sealant, Pipe	
4	0700810	4	Bolt M8 x 20	
5	0700814	2	Bolt M8 x 30	
6	0700815	2	Bolt M8 x 35	
7	0701216	2	Bolt M12 x 40	
8	0701224	4	Bolt M12 x 80	
9	1001217494	2	Bolt M12 x 20	
10	1001217343	14	Bolt M12 x 35	
11	0760605	4	Bolt M6 x 10	
12	0760606	2	Bolt M6 x 12	
13	0760608	2	Bolt M6 x 16	
14	0760610	2	Bolt M6 x 20	
15	0760612	2	Bolt M6 x 25	
16	0760808	8	Bolt M8 x 16	
17	0760812	6	Bolt M8 x 25	
18	0760814	12	Bolt M8 x 30	
19	0760815	1	Bolt M8 x 35	
20	0761014	4	Bolt M10 x 30	
21	0761015	6	Bolt M10 x 35	
22	0761016	4	Bolt M10 x 40	
23	0961951	2	Bushing	
24	1580011	1	Container, Coolant Overflow	
25	1703162	2	Decal - Caution Fan	
26	2220261	1	Fitting, Nipple NPTF/NPTF	
27	2220315	1	Fitting, Barbed	
29	2720644	1	Hose	
30	3290607	5	Nut M6	
31	3290801	10	Nut M8	
32	3290805	17	Nut M8	
33	3291001	4	Nut M10	
34	3291005	6	Nut M10	
35	3291201	6	Nut M12	
36	4240099	AR	Tie-Strap (Not Shown)	
37	4811700	16	Washer M6	
38	4811702	4	Washer M6	
39	4811900	45	Washer M8	
40	4811902	8	Washer M8	
41	4812000	24	Washer M10	
42	5241400	16	Washer M14	
43	5240800	14	Washer M8	
44	5241200	8	Washer M12	
45	5250605	3	Bolt M6 x 10	
46	8305401	2	Nut 1/4	
47	8307109	2	Washer 1/4	
48	8310548	2	Screw 1/4 x 1/2	
49	1001173535	2	Clamp	

SECTION 3 - ENGINE

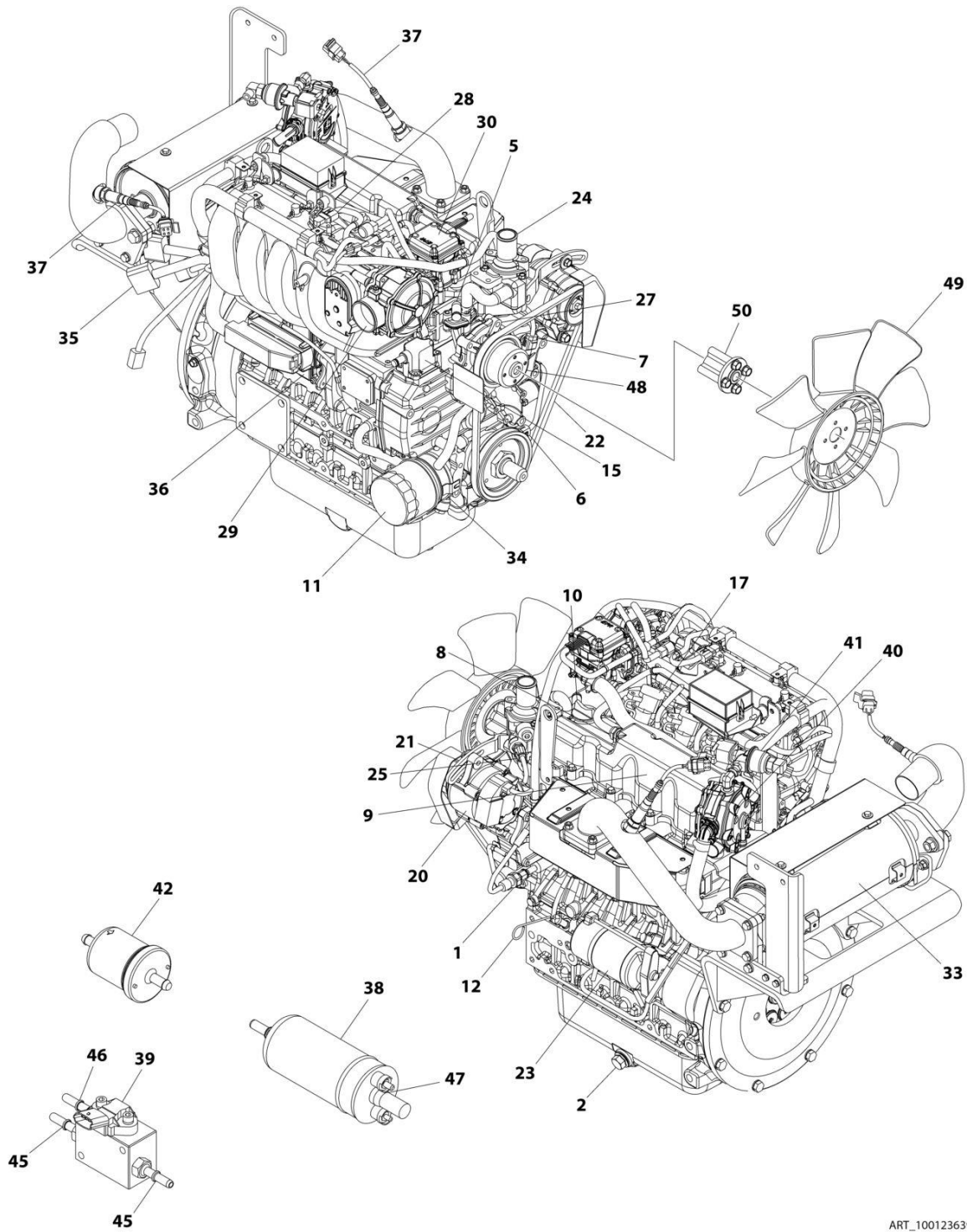
ITEM	PART NUMBER	QTY	DESCRIPTION	REV
50	8405009	4	Clamp	
51	8405102	2	Clamp	
52	8405104	2	Clamp	
53	8405202	1	Clamp	
54	8405203	3	Clamp	
55	8406109	1	Clip	
56	8406110	2	Clip	
57	8406201	3	Clip	
58	8410001	1	Clamp	
59	8410009	6	Clamp	
61	1001138173	1	Support, Service Indicator	
62	1001138175	1	Bracket, Service Indicator	
63	1001141995	1	Fitting, Barbed	
64	1001147812	1	Clamp, Air Cleaner	
65	1001149160	3	Nut M8	
66	1001149639	1	Indicator, Air Intake	
67	1001166718	4	Isolator, Engine Mount	
68	1001168018	4	Washer, Snubbing	
69	1001168166	2	Seal	
70	1001169054	4	Isolator, Radiator	
71	1001169138	4	Washer, Snubbing	
72	1001169967	2	Bracket	
73	1001170035	1	Bracket	
74	1001176330	1	Bracket	
75	1001180620	AR	Adhesive	
76	1001209844	1	Pump Coupling Kit (See Separate Breakdown in this Section)	
77	1001236393	1	Engine, Kubota (See Separate Breakdown in this Section)	
78	1001211794	3	Mount	
79	1001211797	1	Mount	
80	1001212989	1	Pipe, Exhaust (Inlet)	
81	1001212993	1	Pipe, Exhaust (Outlet)	
82	1001213305	1	Plate, Mounting	
83	1001236257	1	Radiator	
84	1001213425	1	Plate, Engine Mount (Left Rear)	
85	1001213426	1	Plate, Engine Mount (Right Rear)	
86	1001213482	1	Bracket	
87	1001213824	1	Insulation	
88	1001214138	1	Bracket	
89	1001214205	1	Support	
90	1001214233	1	Plate (Front Left)	
91	1001214234	1	Plate (Front Right)	
92	1001214269	1	Heater, Block	
93	1001214276	1	Shim	
94	1001214277	1	Shim	
95	1001214278	2	Shim	
96	1001214307	1	Hose	
97	1001214508	1	Support	
98	1001214553	1	Support	
99	1001214555	1	Bracket	
100	1001214556	1	Bracket	
101	1001214558	1	Bracket	

SECTION 3 - ENGINE

ITEM	PART NUMBER	QTY	DESCRIPTION	REV
102	1001214598	1	Tube	
103	1001214599	1	Bracket	
104	1001214664	1	Cover	
105	1001214694	1	Hose	
106	1001214841	1	Bracket	
107	1001215125	1	Fitting, 90	
108	1001215869	1	Hose	
109	1001216825	2	Seal	
110	1001137336	2	Strap	
111	1001138248	2 ft/ 0.6m	Tube	
112	1001147813	1	Air Cleaner Assembly Including Filter Element	
112	70004020	1	Element, Filter (Not Shown)	
113	1001247359	1	Fitting, Street Elbow	
114	2720058	1.8 ft/ 0.5m	Hose	
115	2720271	4 ft/ 1.2m	Hose	
116	2720615	1.2 ft/ 0.4m	Hose	
117	82033995	5.5 ft/ 1.7m	Hose	
118	0700816	4	Bolt M8 x 40	
119	0701016	4	Bolt M10 x 40	
120	2180504	1	Fitting, Barbed	
121	0760816	1	Bolt M8 x 40	
122	4060805	1.94 ft/ 59m	Flex-Trim	
123	0100081	AR	Adhesive	

SECTION 3 - ENGINE

FIGURE 3-29. ENGINE COMPONENTS - KUBOTA



ART_1001236393

SECTION 3 - ENGINE

FIGURE 3-29. ENGINE COMPONENTS - KUBOTA

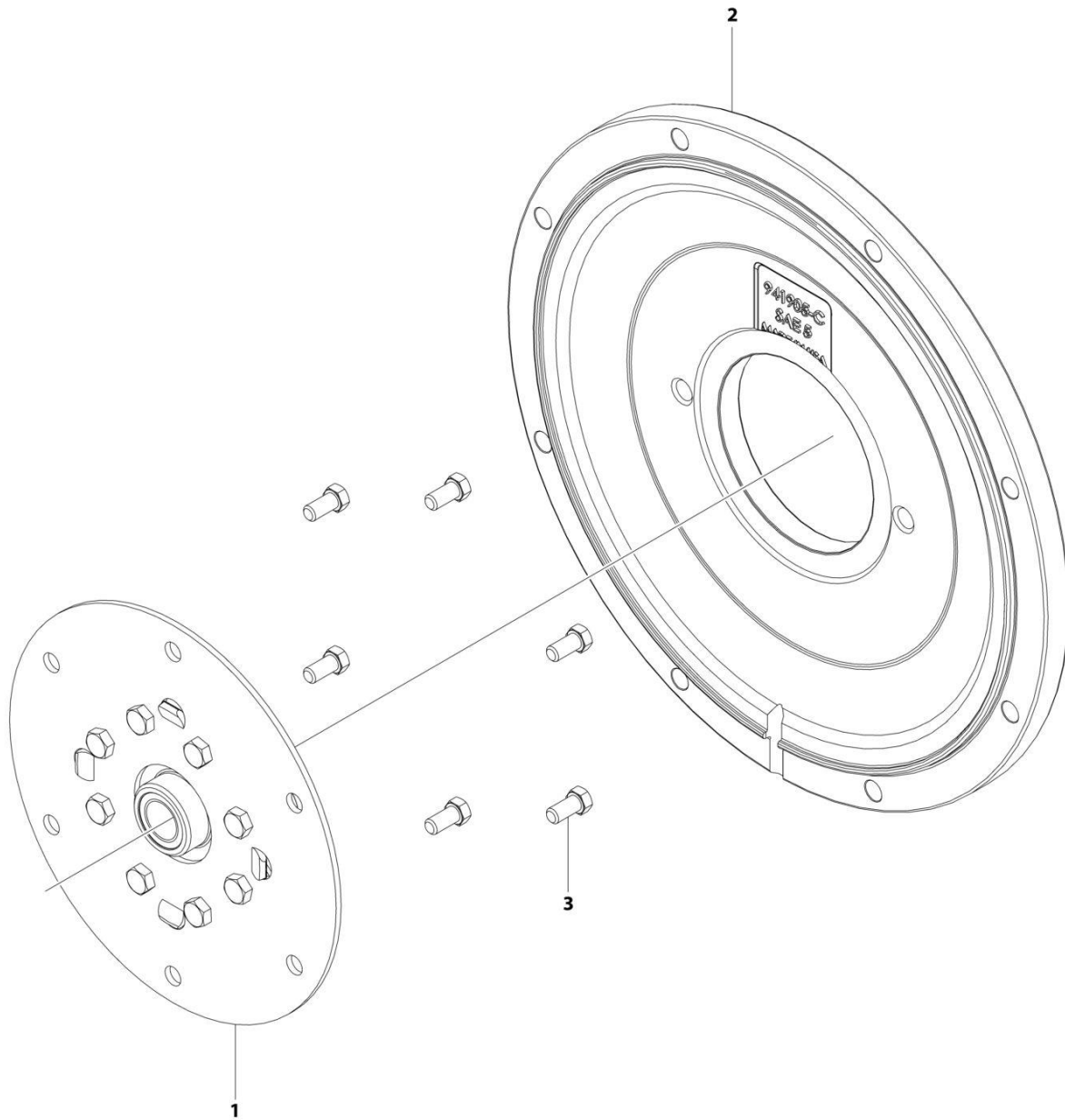
ITEM	PART NUMBER	QTY	DESCRIPTION	REV
	1001236393	Ref	ENGINE COMPONENTS - KUBOTA	B
1	70005745	1	Switch, Oil	
1	70006013	1	Adapter	
2	7023154	1	Plug, Drain	
2	7017904	1	Gasket, Oil Pan Drain	
3	70006014	1	Gasket, Cylinder Head (Not Shown)	
4	70006015	1	Sensor (Knock) (Not Shown - Located on Left Side of Engine)	
5	70006016	1	Flange Assembly (Water Return)	
5	70002316	1	Pipe	
5	70006017	1	Gasket	
6	70005737	1	Sensor Stick Assembly	
7	70006018	1	Sensor	
8	70006019	1	Valve (PCV)	
8	70006020	1	Seal	
9	7017932	3	Element, Breather	
9	70006021	1	Gasket	
10	70002318	1	Oil Filler Cap	
10	70006022	1	O-Ring	
11	70006023	1	Filter, Oil	
12	70006024	1	Dipstick	
13	70006025	1	Pump Assembly, Oil (Not Shown - Located Under Front Cover)	
13	70006026	1	Gasket	
13	70006027	1	Key	
14	70006028	1	Flywheel (Not Shown - Located Behind Coupling Plate)	
14	70006029	1	Ring Gear (Part of Flywheel)	
15	70006030	1	Flange Assembly (Breather)	
15	70002316	1	Pipe	
15	70006031	1	Gasket	
16	70006035	1	Pipe Assembly (Not Shown)	
16	70005727	1	Gasket	
17	70006034	4	Coil	
17	70006033	4	Spark Plug	
18	70006032	1	Gasket (Not Shown)	
19	70005751	4	Injector (Not Shown)	
20	70006036	1	Alternator (Includes Voltage Regulator and Gaskets, Fan and Fan Mounting Hardware)	
21	70006037	1	Bracket	
22	70006038	1	Belt	
23	70006039	1	Starter	
24	70006041	1	Thermostat	
24	70002326	1	Gasket	
25	70005726	1	Sensor	
25	70006042	1	O-Ring	
26	70006040	1	Gasket (Not Shown - Located Between Engine Head and Water Flange)	
27	70006043	1	Water Pump Assembly	
27	70004829	1	Pipe	
27	70006044	1	Gasket	
28	70005746	1	Sensor (TMAP)	
28	70005747	1	O-Ring	

SECTION 3 - ENGINE

ITEM	PART NUMBER	QTY	DESCRIPTION	REV
29	70006049	1	Mixer Assembly	
29	70006050	1	Seal, Rubber	
29	70006045	1	Throttle Body	
29	70006046	1	Gasket	
29	70006047	1	Adapter	
29	70006048	1	O-Ring	
30	70006051	1	Regulator Assembly	
30	70006052	1	Seal, Rubber	
30	70006053	1	Seal, Rubber	
30	70006054	1	Seal, Rubber	
31	70006055	1	Gasket (Not Shown - Located Between Intake Manifold and Engine Head)	
32	70006056	1	Gasket (Not Shown - Located Between Exhaust Manifold and Engine Head)	
33	70006057	1	Muffler	
33	70006065	1	Gasket	
33	70006066	1	Gasket	
33	70006072	1	Gasket	
34	70006058	1	Oil Cooler Assembly	
34	70006059	1	Seal	
34	7017959	2	Clamp	
35	70006060	1	Engine Harness	
36	70006061	1	Module, Engine Control	
37	70006062	2	Sensor (O2)	
38	70006063	1	Pump, Fuel	
39	70006064	1	Manifold (FPM)	
40	70006067	1	Regulator Assembly	
40	70006068	1	Connector	
40	70006069	3	Clip	
40	70006070	2	Connector	
41	70006071	1	Valve, Lockoff	
41	70006078	1	Valve, Lockoff Kit	
42	7017992	1	Filter, Fuel	
43	70006079	1	Gasket Kit (Upper) (Not Shown)	
44	70006080	1	Gasket Kit (Lower) (Not Shown)	
45	70006074	2	Joint (Includes O-Ring)	
46	70006075	1	Joint (Includes O-Ring)	
47	70006076	1	Joint (Includes O-Ring)	
47	70006077	1	Gasket	
48	70006379	1	Pulley	
49	70006639	1	Fan	
50	70006640	1	Collar, Fan	

SECTION 3 - ENGINE

FIGURE 3-30. PUMP COUPLING KIT - KUBOTA ENGINE



ART_1001209844

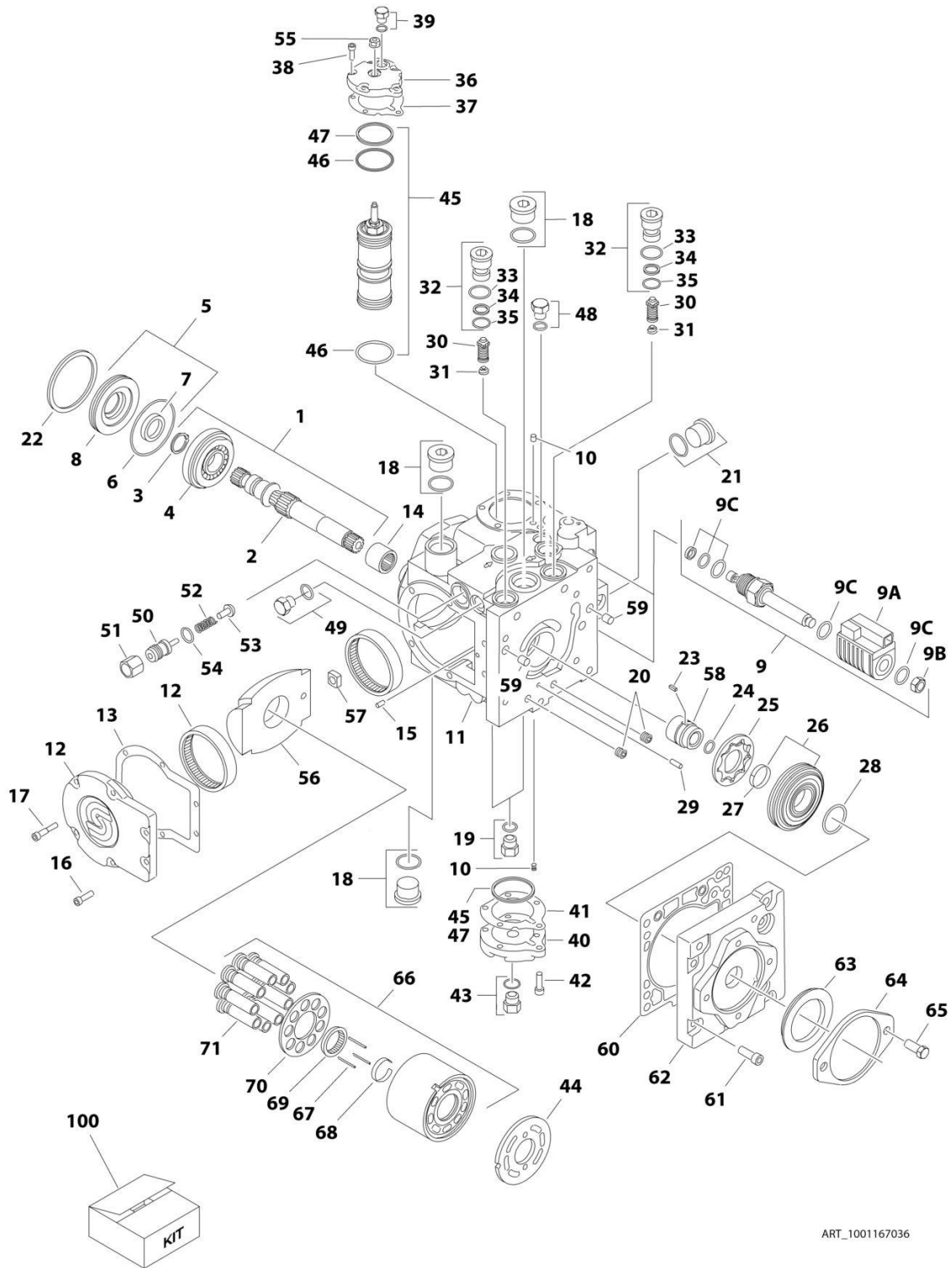
SECTION 3 - ENGINE

FIGURE 3-30. PUMP COUPLING KIT - KUBOTA ENGINE

ITEM	PART NUMBER	QTY	DESCRIPTION	REV
	1001209844	Ref	PUMP COUPLING KIT - KUBOTA ENGINE	C
1	70006010	1	Coupling Assembly, Hayes	
2	70006011	1	Plate, Pump Adapter	
3	70006012	1	Bolt Kit	

SECTION 3 - ENGINE

FIGURE 3-31. PISTON PUMP ASSEMBLY



ART_1001167036

SECTION 3 - ENGINE

FIGURE 3-31. PISTON PUMP ASSEMBLY

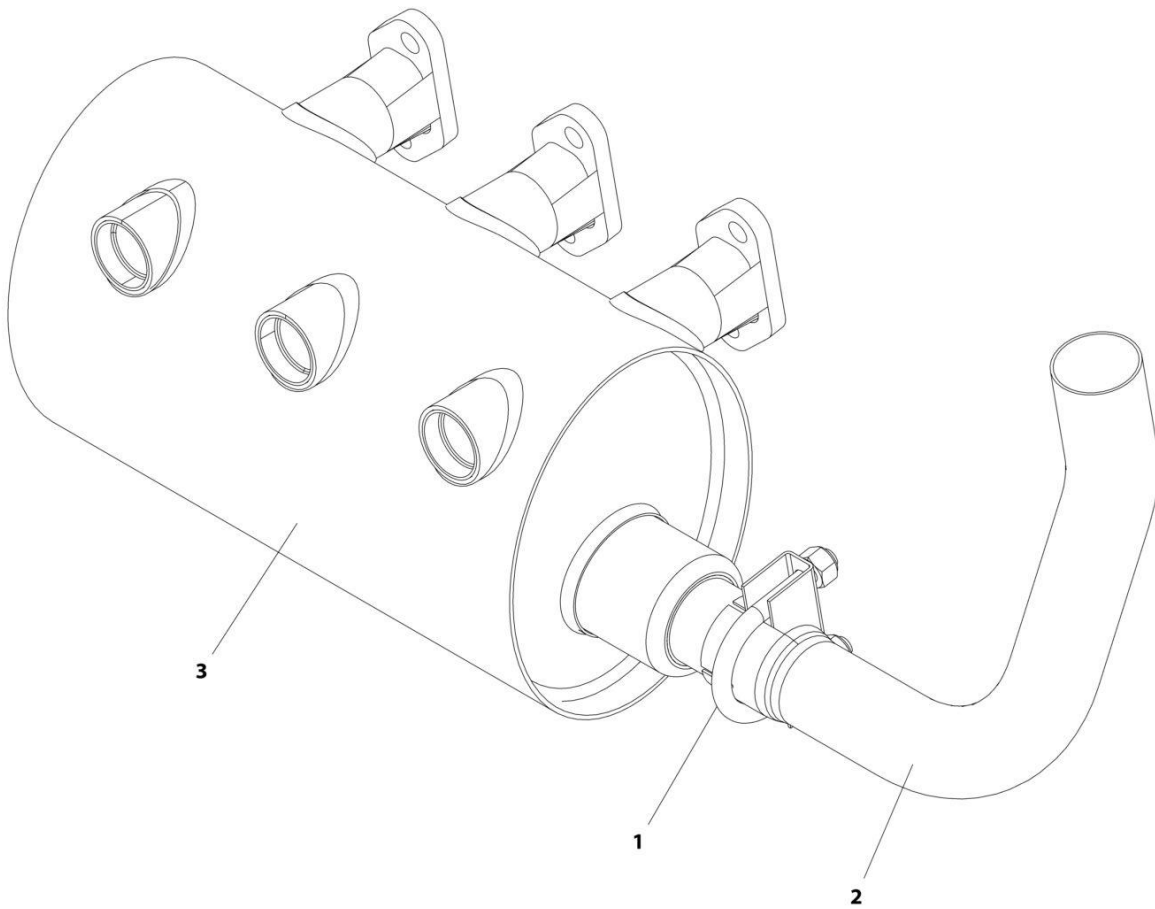
ITEM	PART NUMBER	QTY	DESCRIPTION	REV
	1001167036	Ref	PISTON PUMP ASSEMBLY	B
1	7021240	1	Shaft Assembly (Includes Items 2-4)	
2	7021237	1	Shaft	
3	7021238	1	Ring, Retaining	
4	7021239	1	Bearing, Roller	
5	70004896	1	Shaft Seal Kit (Includes Items 6-8)	
6	7021241	1	O-Ring	
7	7021242	1	Seal, Lip	
8	7021243	1	Carrier, Seal Shaft	
9	7024855	2	Solenoid Assembly	
9A	70004897	2	Coil (1 Per Assembly)	
9B	7024857	2	Nut (1 Per Assembly)	
9C	7024858	2	Seal Kit - 7024855 Cartridge (1 Per Assembly)	
10	70004889	2	Orifice	
11	See Note	NSS	Housing Assembly (Note: Not Available for Purchase)	
12	7021248	1	Side Cover Assembly (Includes Item 13)	
13	70004891	1	Gasket	
14	7021249	1	Bearing, Needle	
15	See Note	NSS	Pin (Note: Not Available for Purchase)	
16	70004890	2	Screw	
17	70004892	4	Screw	
18	7007419	2	Plug Assembly (Includes O-Ring)	
19	7007420	2	Plug Assembly (Includes O-Ring)	
20	See Note	NSS	Plug (Note: Not Available for Purchase)	
21	7007419	1	Plug Assembly (Includes O-Ring)	
22	7021257	1	Ring, Retaining	
23	70004893	1	Key	
24	7022341	1	Ring, Retaining	
25	7021258	1	Gerotor	
26	70004894	1	Gerotor Cover Assembly (Includes Item 27)	
27	7021259	1	Bearing, Journal	
28	7021262	1	O-Ring	
29	See Note	NSS	Pin (Note: Not Available for Purchase)	
30	7021263	2	Bypass Valve Assembly	
31	7024800	2	Spring	
32	7021265	2	Bypass Valve Assembly (Includes Items 32-34)	
33	7007415	2	O-Ring	
34	7021293	2	Ring, Back-up	
35	7022300	2	O-Ring	
36	70004895	1	Cover, Servo	
37	7021253	1	Gasket	
38	70004892	5	Screw	
39	7007420	1	Plug Assembly (Includes O-Ring)	
40	7021268	1	Cover, Servo	
41	7021253	1	Gasket	
42	70004892	5	Screw	
43	7007420	1	Plug Assembly (Includes O-Ring)	
44	7021281	1	Plate, Valve	
45	70004898	1	Servo Piston Kit (Includes Items 46 & 47)	
46	7007495	2	O-Ring	

SECTION 3 - ENGINE

ITEM	PART NUMBER	QTY	DESCRIPTION	REV
47	7007493	2	O-Ring	
48	7007420	1	Plug Assembly (Includes O-Ring)	
49	70004900	1	Plug Assembly (Includes O-Ring)	
50	7022346	1	Adjuster	
51	7021290	1	Nut	
52	7022347	1	Spring	
53	70004901	1	Poppet	
54	7007415	1	O-Ring	
55	70004902	1	Nut, Seal	
56	70004903	1	Swash Plate	
57	70004904	1	Bearing Assembly	
58	70004905	1	Coupling	
59	7001481	2	Pin	
60	70002257	1	Gasket	
61	70004906	8	Screw	
62	70004907	1	Cover, Charge Pump	
63	70004908	1	Seal	
64	7021299	1	Plate, Cover	
65	7007289	2	Screw	
66	70004909	1	Cylinder Block Assembly (Includes Items 67-71)	
67	70004910	3	Pin, Slipper Hold Down	
68	7021276	1	Retainer, Hold Down Pin	
69	7021277	1	Guide, Slipper Retainer	
70	7021278	1	Retainer, Slipper	
71	70004911	1	Piston Assembly	
100	70004899	1	Seal Kit (Includes Items 5-8, 33-35, 37, 41, 46, 47 & 54)	

SECTION 3 - ENGINE

FIGURE 3-32. SPARK ARRESTOR INSTALLATION - DEUTZ D2011 ENGINE



ART_1001174378

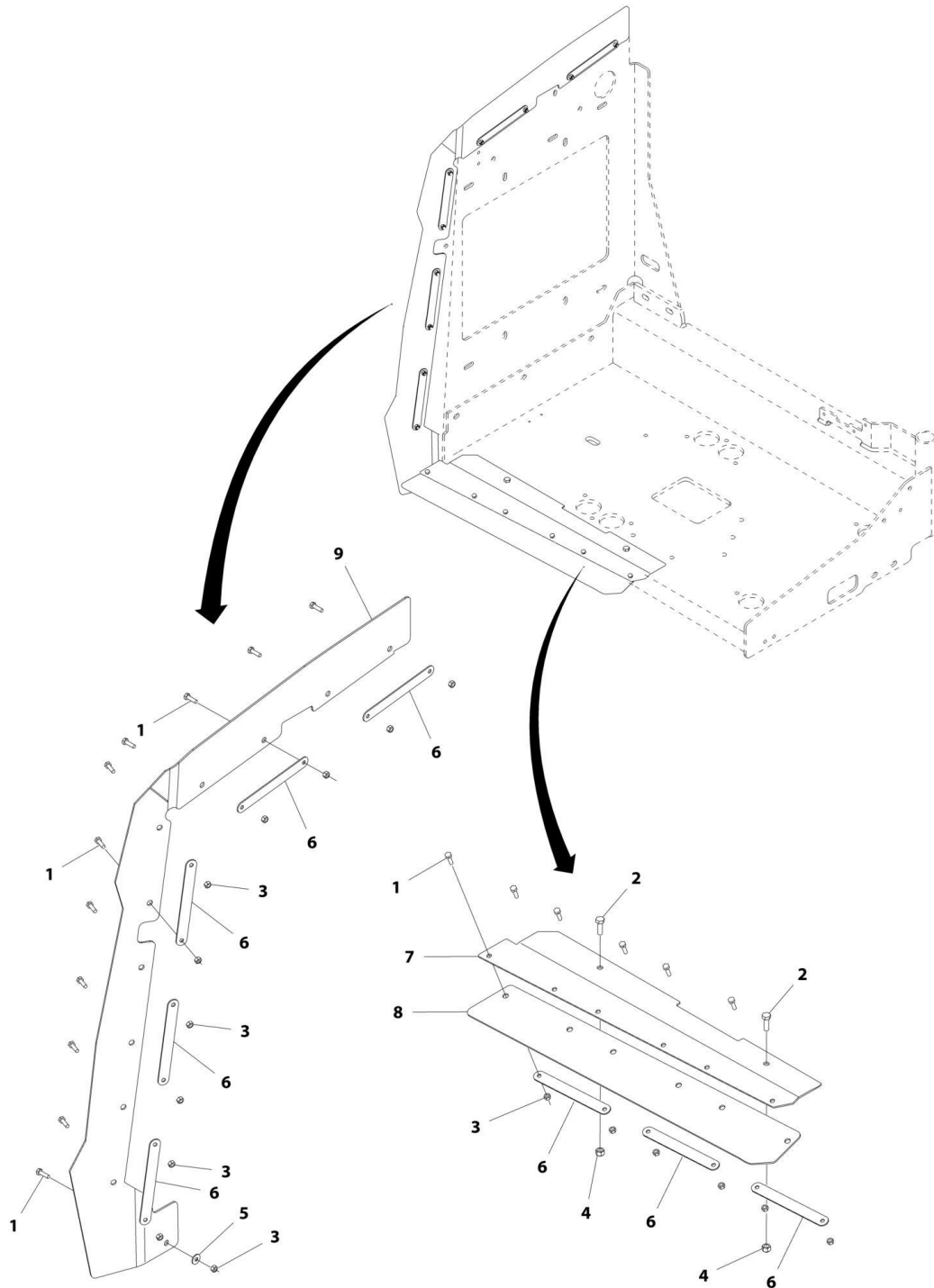
SECTION 3 - ENGINE

FIGURE 3-32. SPARK ARRESTOR INSTALLATION - DEUTZ D2011 ENGINE

ITEM	PART NUMBER	QTY	DESCRIPTION	REV
	1001174378	Ref	SPARK ARRESTOR INSTALLATION - DEUTZ D2011 ENGINE	A
1	1320176	1	Clamp	
2	1001169525	1	Pipe, Exhaust	
3	1001170224	1	Muffler, Spark Arresting	

SECTION 3 - ENGINE

FIGURE 3-33. ENGINE Baffle INSTALLATION - WITH DEUTZ ENGINES



ART_1001172265

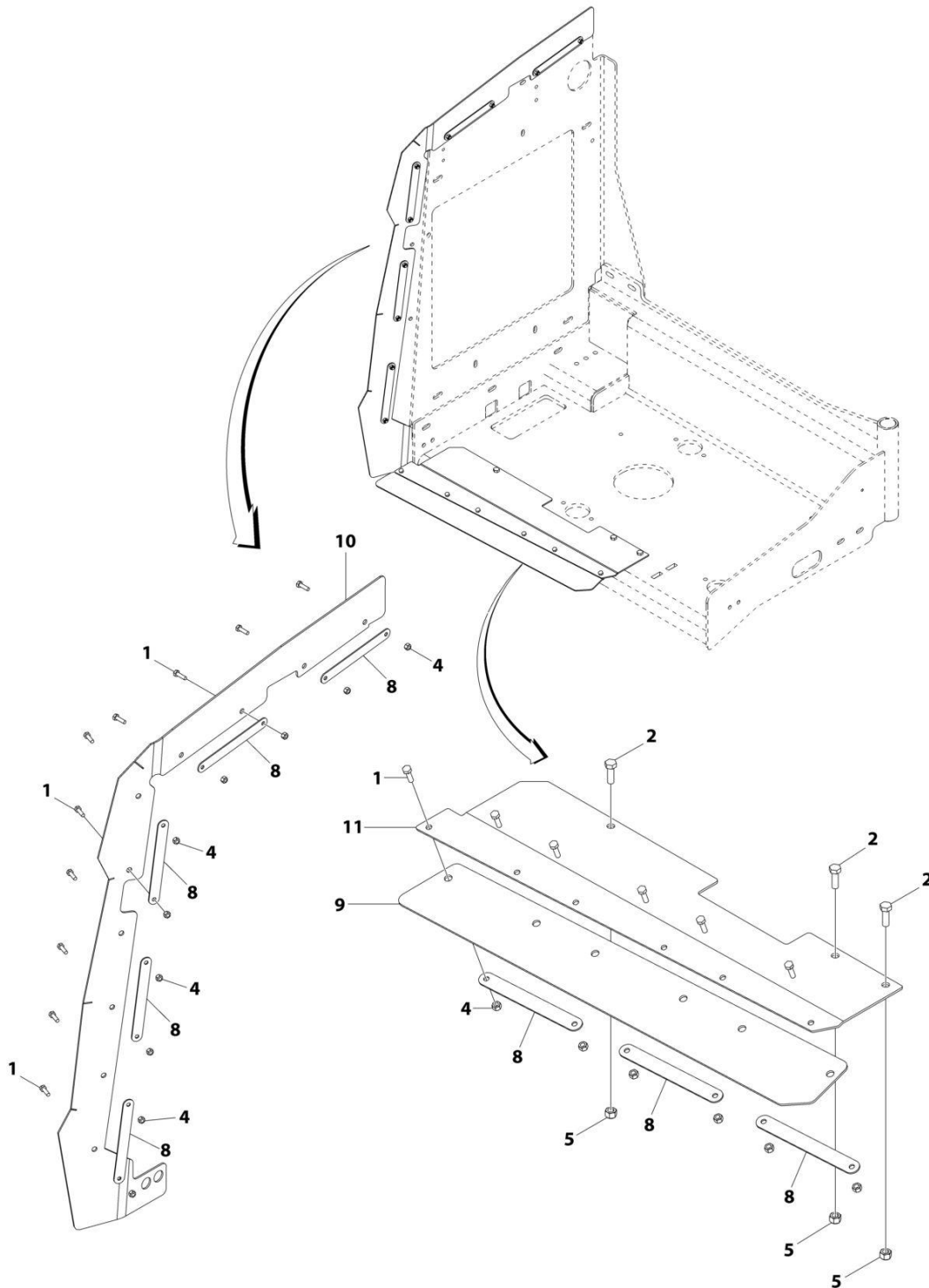
SECTION 3 - ENGINE

FIGURE 3-33. ENGINE BAFFLE INSTALLATION - WITH DEUTZ ENGINES

ITEM	PART NUMBER	QTY	DESCRIPTION	REV
	1001172265	Ref	ENGINE BAFFLE INSTALLATION - WITH DEUTZ/GM ENGINES	B
1	0760610	17	Bolt M6 x 20	
2	0760812	2	Bolt M8 x 25	
3	3290605	17	Nut M6	
4	3290805	2	Nut M8	
5	4811702	1	Washer M6	
6	1001167164	8	Plate, Support	
7	1001170663	1	Bracket	
8	1001170664	1	Seal	
9	1001172264	1	Seal	

SECTION 3 - ENGINE

FIGURE 3-34. ENGINE Baffle INSTALLATION – WITH KUBOTA ENGINE



ART_1001216415

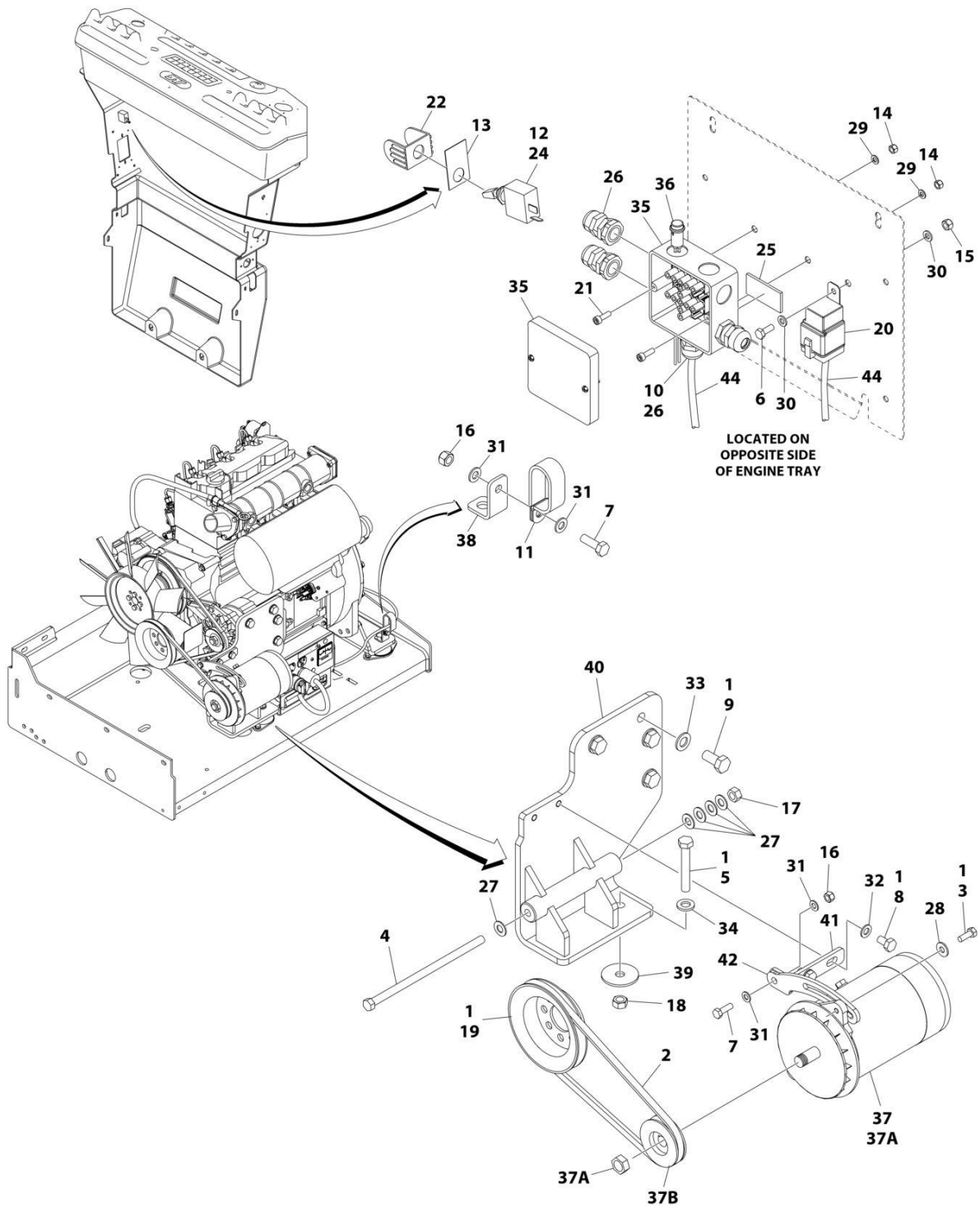
SECTION 3 - ENGINE

FIGURE 3-34. ENGINE BAFFLE INSTALLATION – WITH KUBOTA ENGINE

ITEM	PART NUMBER	QTY	DESCRIPTION	REV
	1001216415	Ref	ENGINE BAFFLE INSTALLATION – WITH KUBOTA ENGINE	C
1	0760610	16	Bolt M6 x 20	
2	0760812	3	Bolt M8 x 25	
4	3290605	16	Nut M6	
5	3290805	3	Nut M8	
8	1001167164	8	Plate, Support	
9	1001170664	1	Seal	
10	1001216416	1	Seal	
11	1001216512	1	Bracket	

SECTION 3 - ENGINE

FIGURE 3-35. GENERATOR INSTALLATION - 2500W/50HZ (DEUTZ D2011 ENGINE)



ART_1001185025

SECTION 3 - ENGINE

FIGURE 3-35. GENERATOR INSTALLATION - 2500W/50HZ (DEUTZ D2011 ENGINE)

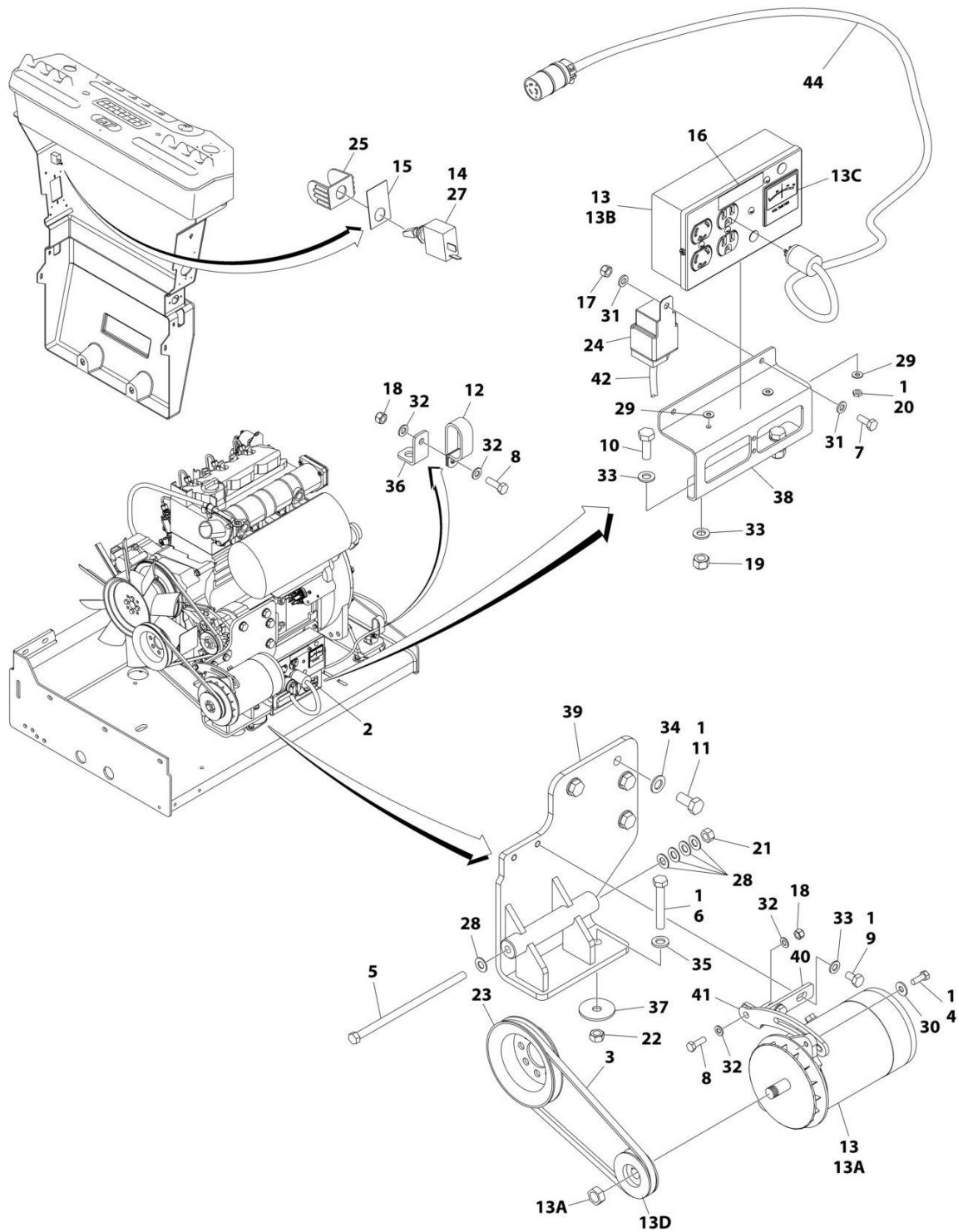
ITEM	PART NUMBER	QTY	DESCRIPTION	REV
	1001185025	Ref	GENERATOR INSTALLATION - 2500W/50Hz (DEUTZ D2011 ENGINE)	C
1	0100011	AR	Compound, Locking	
2	0480120	1	Belt	
3	0641507	1	Bolt 5/16 x 7/8	
4	0641772	1	Bolt 7/16 x 9	
5	0711224	1	Bolt M12 x 80 Grade 10.9	
6	0760608	1	Bolt M6 x 16	
7	0760812	2	Bolt M8 x 25	
8	0761009	2	Bolt M10 x 18	
9	0771414	4	Bolt M14 x 30 Grade 10.9	
10	0962449	1	Bushing	
11	1321716	1	Clamp	
12	2820031	AR	Heat Shrink	
13	See Note	1	Nameplate (Note: Not Available for Purchase)	
14	3290505	2	Nut M5	
15	3290605	1	Nut M6	
16	3290805	2	Nut M8	
17	3311705	1	Nut 7/16	
18	3331211	1	Nut M12	
19	3580158	1	Pulley	
20	3740080	1	Relay	
21	4031607	2	Bolt M5 x 16	
22	4060802	1	Guard, Switch	
23	4240099	AR	Tie-Strap (Not Shown)	
24	4360336	1	Switch, Toggle	
25	4420060	AR	Tape, Double Sided	
26	4460968	3	Connector, Strain Relief	
27	4711700	5	Washer 7/16	
28	4751500	1	Washer 5/16	
29	4811600	2	Washer M5	
30	4811700	2	Washer M6	
31	4811900	4	Washer M8	
32	4812000	2	Washer M10	
33	4812200	4	Washer M14	
34	5241200	1	Washer M12 Hardened	
35	1001099869	1	Box, Junction	
36	1001100233	1	Light Red	
37	1001100321	1	Generator and Control Box Assembly	
	See Note	Ref	Note: Replacement Generators come standard with p/n 3580134 pulley. This pulley may not be correct for all applications. Refer to pulley options below.	
37A	70000123	1	Armature with Slip Rings	
37A	7012513	4	Cap, Brush Holder	
37A	7020108	4	Brush	
37A	7020109	4	Holder, Brush	
37A	7012514	1	Fan	
37A	7020110	1	Bell, Front	
37A	7020111	1	Bell, Rear	
37A	7020190	2	Bearing	

SECTION 3 - ENGINE

ITEM	PART NUMBER	QTY	DESCRIPTION	REV
37B	7027887	1	Key, Woodruff	
38	1001148641	1	Bracket	
39	1001168018	1	Washer, Snubbing	
40	1001184637	1	Mount, Engine	
41	1001184644	1	Support	
42	1001184645	1	Bracket	
43	1001188732	1	Wiring Diagram (Not Shown)	
44	1001187352	1	Harness, Generator (See Separate Breakdown in ELECTRICAL SECTION)	

SECTION 3 - ENGINE

FIGURE 3-36. GENERATOR INSTALLATION - 2500W/60HZ (DEUTZ D2011 ENGINE)



ART_1001180798

SECTION 3 - ENGINE

FIGURE 3-36. GENERATOR INSTALLATION - 2500W/60HZ (DEUTZ D2011 ENGINE)

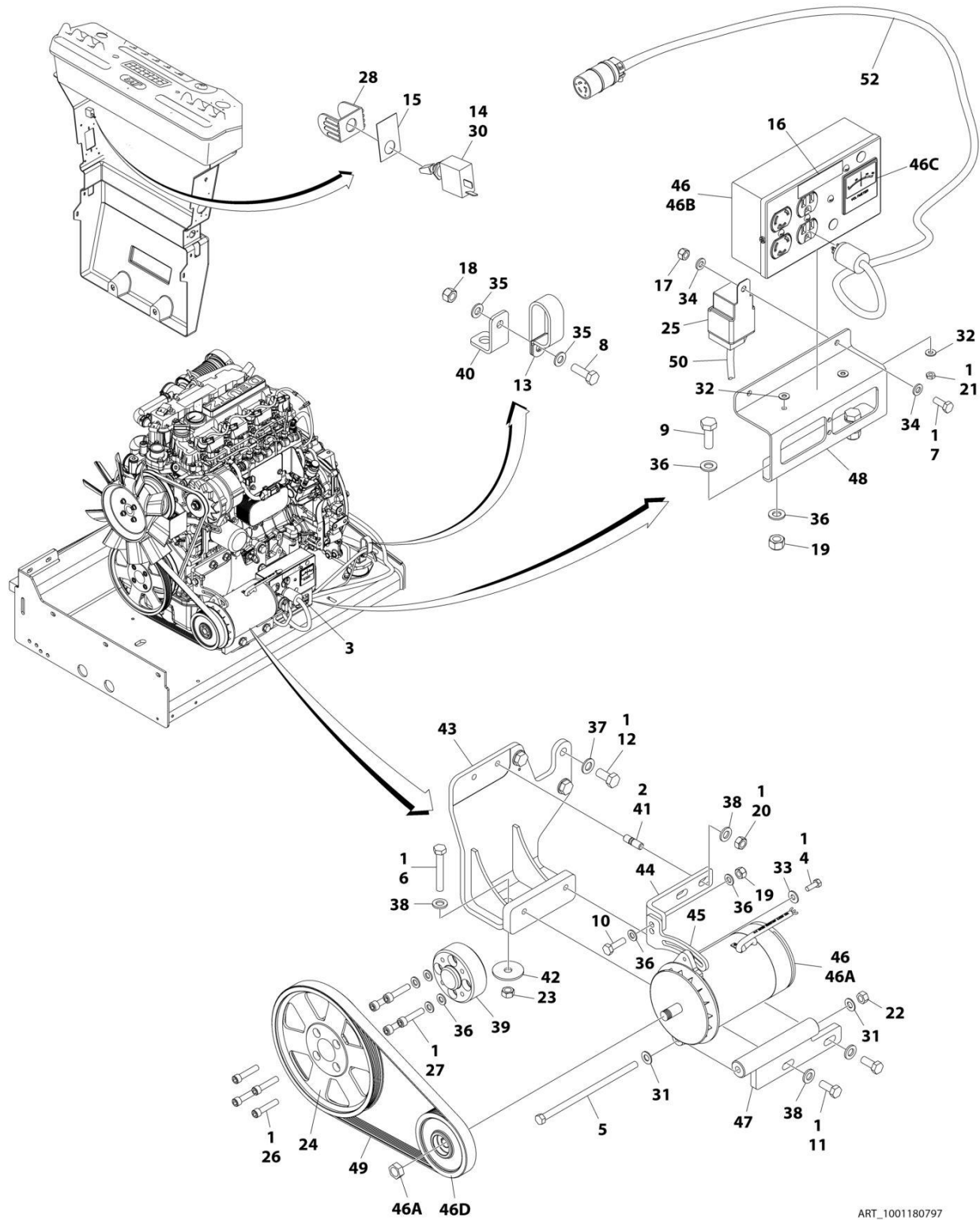
ITEM	PART NUMBER	QTY	DESCRIPTION	REV
	1001180798	Ref	GENERATOR INSTALLATION - 2500W/60HZ (DEUTZ D2011 ENGINE)	B
1	0100011	AR	Compound, Locking	
2	0100048	AR	Grease, Dielectric	
3	0480122	1	Belt	
4	0641507	1	Bolt 5/16 x 7/8	
5	0641772	1	Bolt 7/16 x 9	
6	0711224	1	Bolt M12 x 80 Grade 10.9	
7	0760608	1	Bolt M6 x 16	
8	0760812	2	Bolt M8 x 25	
9	0761009	2	Bolt M10 x 18	
10	0761014	2	Bolt M10 x 30	
11	0771414	4	Bolt M14 x 30 Grade 10.9	
12	1321716	1	Clamp	
13	2460055	1	Generator and Control Box Assembly	
13A	7012558	1	Generator	
	See Note	Ref	Note: Replacement Generators come standard with p/n 3580134 pulley. This pulley may not be correct for all applications. Refer to pulley options below.	
13A	7026199	1	Armature with Slip Rings	
13A	7012513	3	Cap, Brush Holder	
13A	7020108	4	Brush	
13A	7020109	4	Holder, Brush	
13A	7012514	1	Fan	
13A	7020110	1	Bell, Front	
13A	7020111	1	Bell, Rear	
13A	7020190	1	Bearing	
13B	7019680	1	Box, Control	
13B	4460190	1	Receptacle, Standard	
13B	4460027	1	Receptacle, Twistlock	
13B	4360542	1	Breaker, Circuit	
13B	3520028	1	Plug, Hole	
13B	4460961	1	Connector - 4 Position	
13B	4460705	4	Pin, Male	
13B	4460321	1	Connector - 4 Position (Note: Mate to p/n 4460961 Purchase Separately)	
13B	4460268	3	Socket, Female (Note: Mate to p/n 4460705 Purchase Separately)	
13C	2420203	1	Voltmeter	
13D	3580276	1	Pulley	
13D	7027887	1	Key, Woodruff	
14	2820031	AR	Heat Shrink	
15	See Note	1	Nameplate (Note: Not Available for Purchase)	
16	3251243	1	Nameplate 120V-60Hz	
17	3290605	1	Nut M6	
18	3290805	2	Nut M8	
19	3291005	2	Nut M10	
20	3311001	2	Nut #10	
21	3311705	1	Nut 7/16	
22	3331211	1	Nut M12	
23	3580158	1	Pulley	

SECTION 3 - ENGINE

ITEM	PART NUMBER	QTY	DESCRIPTION	REV
24	3740080	1	Relay	
25	4060802	1	Guard, Switch	
26	4240099	AR	Tie-Strap (Not Shown)	
27	4360336	1	Switch, Toggle	
28	4711700	5	Washer 7/16	
29	4751000	4	Washer #10	
30	4751500	1	Washer 5/16	
31	4811700	2	Washer M6	
32	4811900	4	Washer M8	
33	4812000	6	Washer M10	
34	4812200	4	Washer M14	
35	5241200	1	Washer M12 Hardened	
36	1001148641	1	Bracket	
37	1001168018	1	Washer, Snubbing	
38	1001183477	1	Support	
39	1001184637	1	Mount, Engine	
40	1001184644	1	Support	
41	1001184645	1	Bracket	
42	1001187522	1	Harness, Generator (See Separate Breakdown in ELECTRICAL SECTION)	
43	1001188731	1	Wiring Diagram (Not Shown)	
43	4922641	1	Harness, On/Off Switch (Not Shown - Located at Platform)	
44	1001182296	1	Harness, Inverter	
44	1060494	10 ft/3.5m	Cable, Electrical - 12/3	
44	4460134	1	Receptacle, Female	
44	4460138	1	Plug, Male	

SECTION 3 - ENGINE

FIGURE 3-37. GENERATOR INSTALLATION - 2500W/60HZ (DEUTZ D2.9L4 ENGINE)



ART_1001180797

SECTION 3 - ENGINE

FIGURE 3-37. GENERATOR INSTALLATION - 2500W/60HZ (DEUTZ D2.9L4 ENGINE)

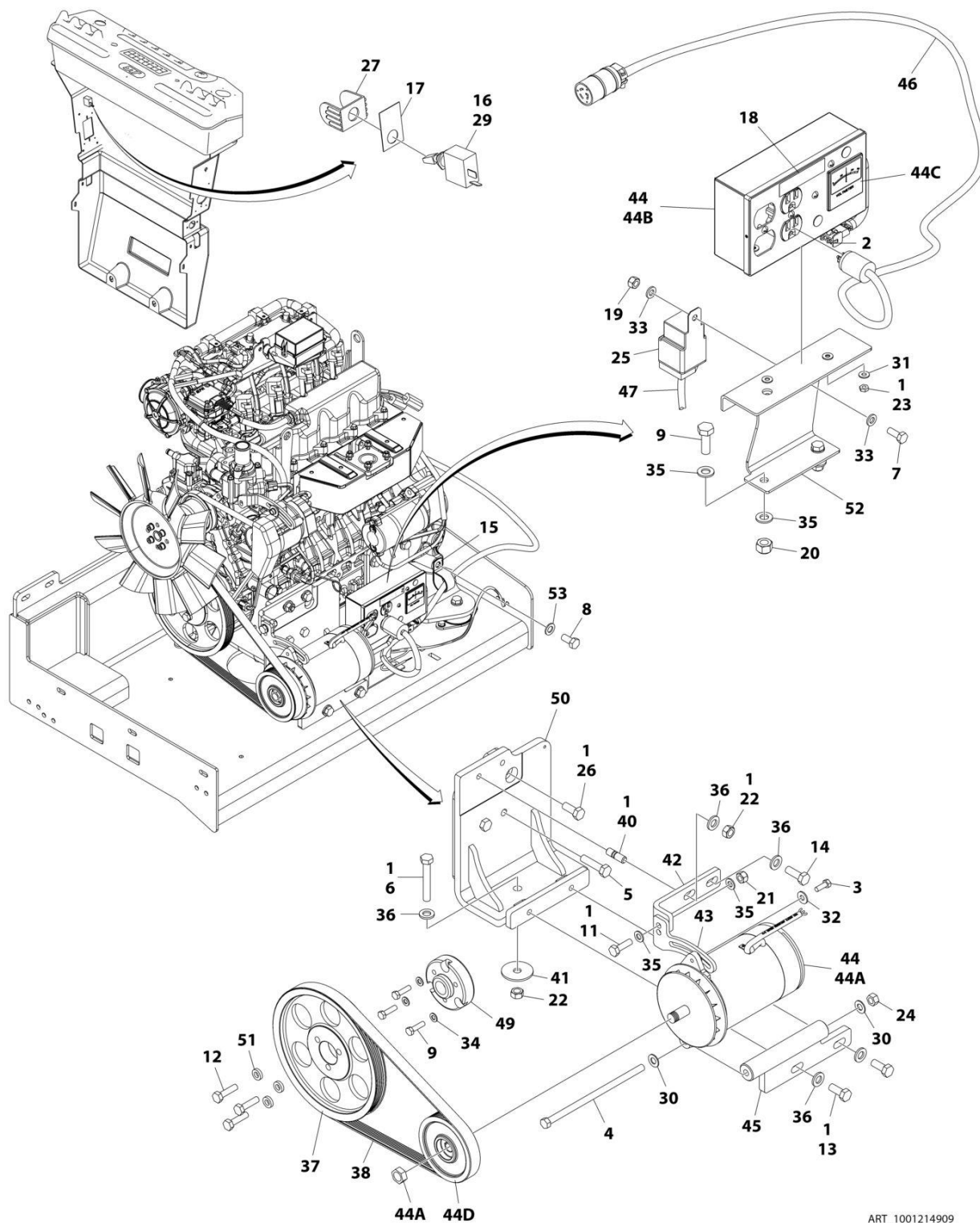
ITEM	PART NUMBER	QTY	DESCRIPTION	REV
	1001180797	Ref	GENERATOR INSTALLATION - 2500W/60HZ (DEUTZ D2.9L4 ENGINE)	F
1	0100011	AR	Compound, Locking	
2	0100019	AR	Compound, Locking	
3	0100048	AR	Grease, Dielectric	
4	0641507	1	Bolt 5/16 x 7/8	
5	0641772	1	Bolt 7/16 x 9	
6	0711224	AR	Bolt M12 x 80 Grade 10.9	
7	0760608	1	Bolt M6 x 16	
8	0760812	1	Bolt M8 x 25	
9	0761014	2	Bolt M10 x 30	
10	0761015	1	Bolt M10 x 35	
11	0761214	2	Bolt M12 x 30	
12	0771414	3	Bolt M14 x 30 Grade 10.9	
13	1321716	1	Clamp	
14	2820031	AR	Heat Shrink	
15	See Note	1	Nameplate (Note: Not Available for Purchase)	
16	3251243	1	Nameplate 120V-60Hz	
17	3290605	1	Nut M6	
18	3290805	1	Nut M8	
19	3291005	3	Nut M10	
20	3291201	2	Nut M12	
21	3311001	2	Nut #10	
22	3311705	1	Nut 7/16	
23	3331211	AR	Nut M12	
24	3580320	1	Pulley	
25	3740080	1	Relay	
26	3931628	4	Capscrew 3/8 x 1-3/4	
27	4032014	4	Bolt M10 x 50	
28	4060802	1	Guard, Switch	
29	4240099	AR	Tie-Strap (Not Shown)	
30	4360336	1	Switch, Toggle	
31	4711700	2	Washer 7/16	
32	4751000	4	Washer #10	
33	4751500	1	Washer 5/16	
34	4811700	2	Washer M6	
35	4811900	2	Washer M8	
36	4812000	AR	Washer M10	
37	4812200	AR	Washer M14	
38	5241200	AR	Washer M12 Hardened	
39	1001135679	1	Adapter	
40	1001148641	1	Bracket	
41	1001155041	2	Stud	
42	1001168018	AR	Washer, Snubbing	
43	1001168207	Ref	Support	
44	1001179836	1	Mount, Upper Generator	
45	1001179837	1	Arm Adjustment	
46	1001180001	1	Generator	
46A	7026199	1	Armature with Slip Rings	
46A	7012513	3	Cap, Brush Holder	

SECTION 3 - ENGINE

ITEM	PART NUMBER	QTY	DESCRIPTION	REV
46A	7020108	4	Brush	
46A	7020109	4	Holder, Brush	
46A	7012514	1	Fan	
46A	7020110	1	Bell, Front	
46A	7020111	1	Bell, Rear	
46A	7020190	1	Bearing	
46B	7019680	1	Box, Control	
46B	4460190	1	Receptacle, Standard	
46B	4460027	1	Receptacle, Twistlock	
46B	4360542	1	Breaker, Circuit	
46B	3520028	1	Plug, Hole	
46B	4460961	1	Connector - 4 Position	
46B	4460705	4	Pin, Male	
46B	4460321	1	Connector - 4 Position (Note: Mate to p/n 4460961 Purchase Separately)	
46B	4460268	3	Socket, Female (Note: Mate to p/n 4460705 Purchase Separately)	
46C	2420203	1	Voltmeter	
46D	1001179893	1	Pulley	
46D	7027887	1	Key, Woodruff	
47	1001181243	1	Mount, Lower Generator	
48	1001183477	1	Support	
49	1001148138	1	Belt	
50	1001187522	1	Harness, Generator (See Separate Breakdown in ELECTRICAL SECTION)	
51	1001188731	1	Wiring Diagram (Not Shown)	
51	4922641	1	Harness, On/Off Switch (Not Shown - Located at Platform)	
52	1001182296	1	Harness, Inverter	
52	1060494	10 ft/3.5m	Cable, Electrical - 12/3	
52	4460134	1	Receptacle, Female	
52	4460138	1	Plug, Male	

SECTION 3 - ENGINE

FIGURE 3-38. GENERATOR INSTALLATION - 2500W/60HZ (KUBOTA ENGINE)



ART_1001214909

SECTION 3 - ENGINE

FIGURE 3-38. GENERATOR INSTALLATION - 2500W/60HZ (KUBOTA ENGINE)

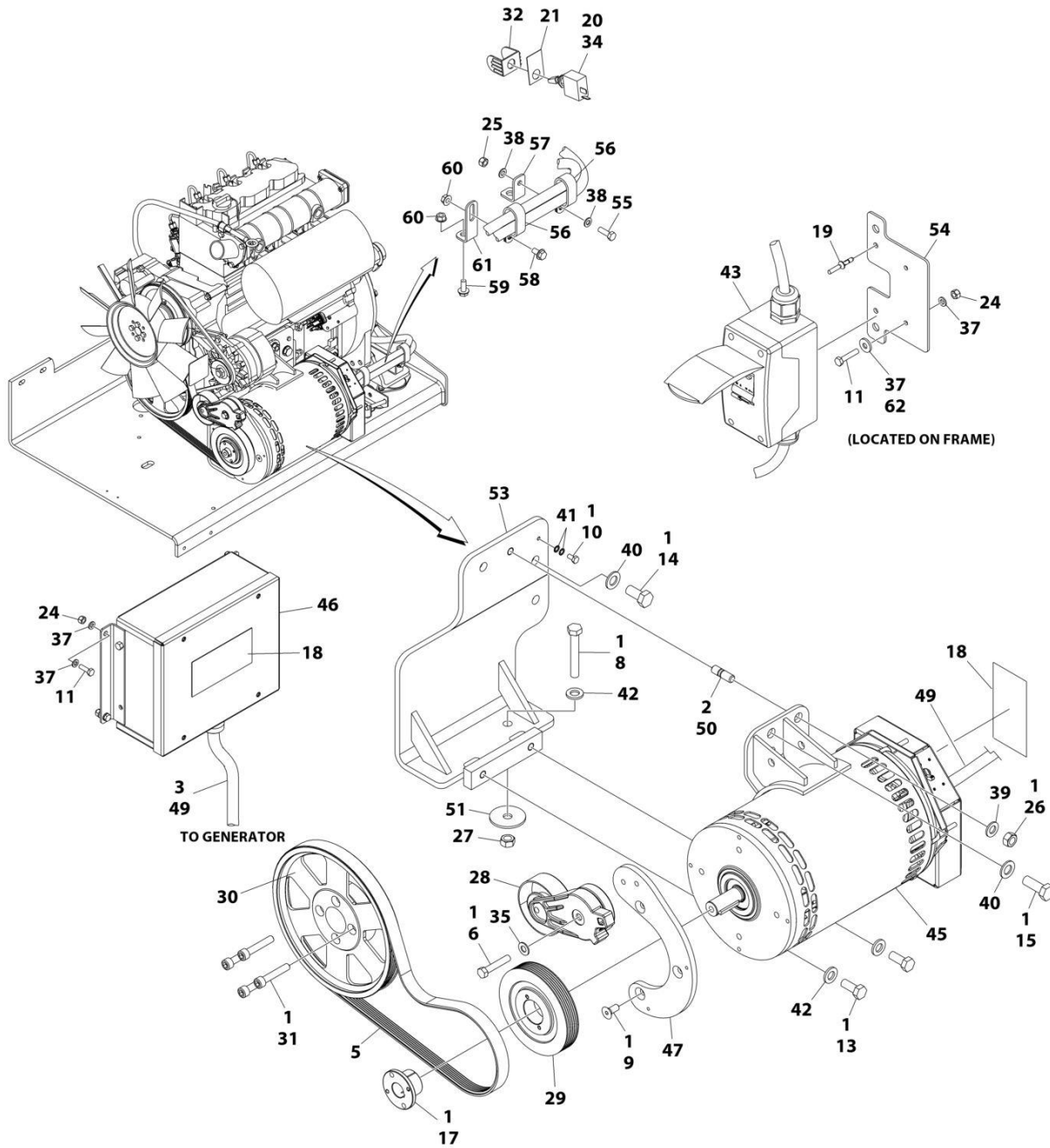
ITEM	PART NUMBER	QTY	DESCRIPTION	REV
	1001214909	Ref	GENERATOR INSTALLATION - 2500W/60Hz (KUBOTA ENGINE)	E
1	0100011	AR	Compound, Locking	
2	0100048	AR	Grease, Dielectric	
3	0641507	1	Bolt 5/16 x 7/8	
4	0641772	1	Bolt 7/16 x 9	
5	1001217344	2	Bolt M12 x 50	
6	0711224	AR	Bolt M12 x 80 Grade 10.9	
6	0701224	AR	Bolt M12 x 80	
7	0760608	1	Bolt M6 x 16	
8	1001217345	1	Bolt M14 x 30	
9	0760814	5	Bolt M8 x 30	
11	0761015	1	Bolt M10 x 35	
12	0761016	3	Bolt M10 x 40	
13	0761214	2	Bolt M12 x 30	
14	0761215	1	Bolt M12 x 35	
15	84521061	1	Clamp	
16	2820031	AR	Heat Shrink	
17	See Note	1	Nameplate (Note: Not Available for Purchase)	
18	3251243	1	Nameplate 120V-60Hz	
19	3290605	1	Nut M6	
20	3290805	2	Nut M8	
21	3291005	1	Nut M10	
22	3291201	2	Nut M12	
23	3311001	2	Nut #10	
24	3311705	1	Nut 7/16	
25	3740080	1	Relay	
26	1001217342	1	Bolt M12 x 30	
27	4060802	1	Guard, Switch	
28	4240099	AR	Tie-Strap (Not Shown)	
29	4360336	1	Switch, Toggle	
30	4711700	2	Washer 7/16	
31	4751000	4	Washer #10	
32	4751500	1	Washer 5/16	
33	4811700	2	Washer M6	
34	4811900	5	Washer M8	
35	4812000	4	Washer M10	
36	5241200	1	Washer M12 Hardened	
37	1001147233	1	Pulley	
38	1001148138	1	Belt	
40	1001155041	1	Stud	
41	1001168018	1	Washer, Snubbing	
42	1001179836	1	Mount, Upper Generator	
43	1001179837	1	Arm Adjustment	
44	1001180001	1	Generator	
44A	7026199	1	Armature with Slip Rings	
44A	7012513	3	Cap, Brush Holder	
44A	7020108	4	Brush	
44A	7020109	4	Holder, Brush	
44A	7012514	1	Fan	
44A	7020110	1	Bell, Front	

SECTION 3 - ENGINE

ITEM	PART NUMBER	QTY	DESCRIPTION	REV
44A	7020111	1	Bell, Rear	
44A	7020190	1	Bearing	
44B	7019680	1	Box, Control	
44B	4460190	1	Receptacle, Standard	
44B	4460027	1	Receptacle, Twistlock	
44B	4360542	1	Breaker, Circuit	
44B	3520028	1	Plug, Hole	
44B	4460961	1	Connector - 4 Position	
44B	4460705	4	Pin, Male	
44B	4460321	1	Connector - 4 Position (Note: Mate to p/n 4460961 Purchase Separately)	
44B	4460268	3	Socket, Female (Note: Mate to p/n 4460705 Purchase Separately)	
44C	2420203	1	Voltmeter	
44D	1001179893	1	Pulley	
44D	7027887	1	Key, Woodruff	
45	1001181243	1	Mount, Lower Generator	
46	1001182296	1	Harness, Inverter	
46	1060494	10 ft/ 3.5m	Cable, Electrical - 12/3	
46	4460134	1	Receptacle, Female	
46	4460138	1	Plug, Male	
47	1001187522	1	Harness, Generator (See Separate Breakdown in ELECTRICAL SECTION)	
48	1001188731	1	Wiring Diagram (Not Shown)	
48	4922641	1	Harness, On/Off Switch (Not Shown - Located at Platform)	
49	1001213029	1	Adapter, Pulley	
50	1001214546	1	Support	
51	1001216805	1	Spacer	
52	1001216840	1	Support	
53	4812200	1	Washer M14	

SECTION 3 - ENGINE

FIGURE 3-39. GENERATOR INSTALLATION - 4000W/50HZ (DEUTZ D2011 ENGINE)



ART_1001173984

SECTION 3 - ENGINE

FIGURE 3-39. GENERATOR INSTALLATION - 4000W/50HZ (DEUTZ D2011 ENGINE)

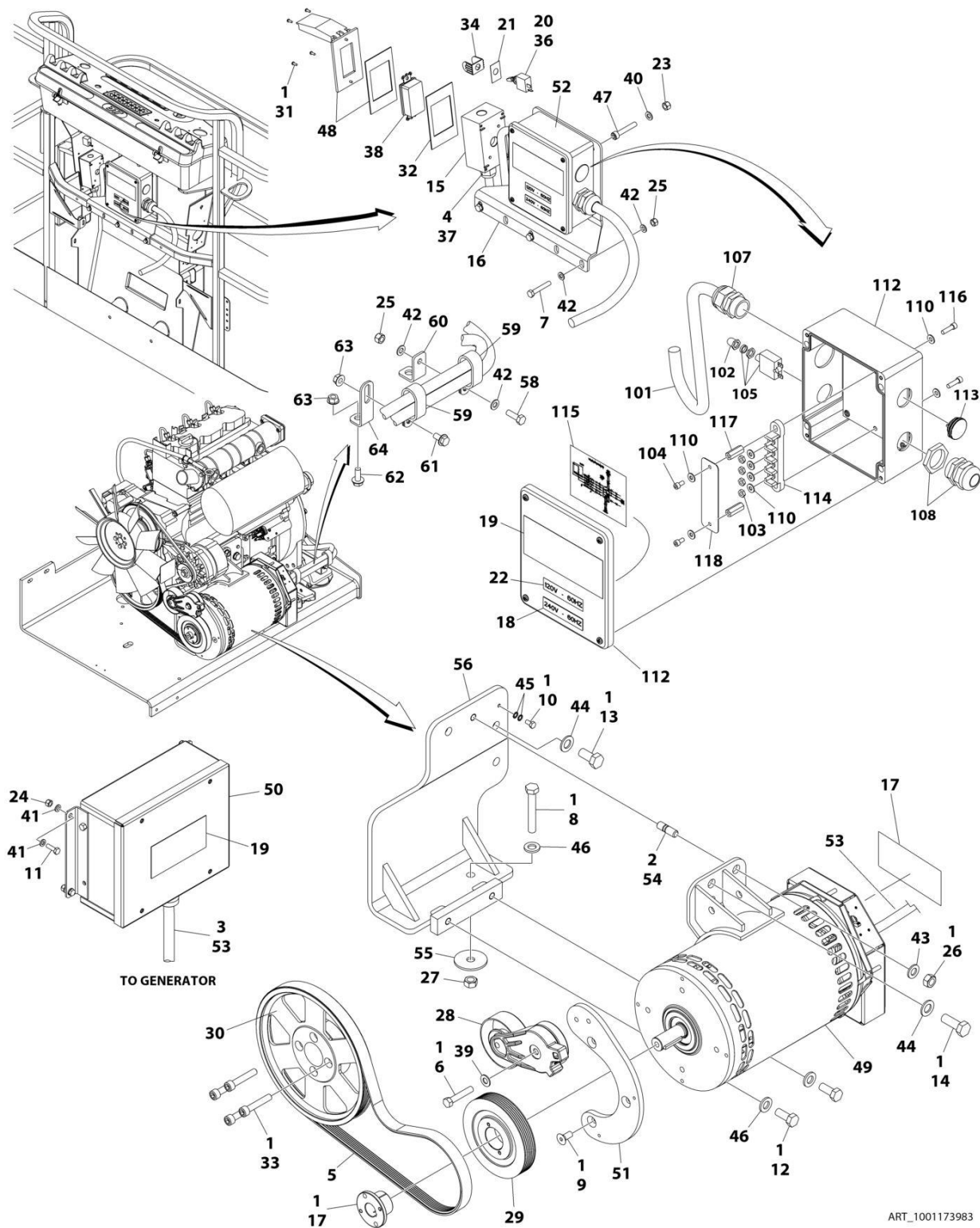
ITEM	PART NUMBER	QTY	DESCRIPTION	REV
	1001173984	Ref	GENERATOR INSTALLATION - 4000W/50HZ (DEUTZ D2011 ENGINE)	J
1	0100011	AR	Compound, Locking	
2	0100019	AR	Compound, Locking	
3	0100048	AR	Grease, Dielectric	
4	0100079	AR	Sealant (Not Shown)	
5	0480126	1	Belt	
6	0641616	1	Bolt 3/8 x 2	
8	0711224	1	Bolt M12 x 80 Grade 10.9	
9	0741607	3	Screw 3/8 x 7/8	
10	0760606	1	Bolt M6 x 12	
11	0760610	AR	Bolt M6 x 20	
11	0760614	AR	Bolt M6 x 30	
13	0761214	2	Bolt M12 x 30	
14	0771414	2	Bolt M14 x 30 Grade 10.9	
15	0771416	1	Bolt M14 x 40	
17	0962520	1	Bushing	
18	1705489	AR	Decal - Hazardous Voltage	
19	2080040	2	Fastener, Huck	
20	2820031	AR	Heat Shrink	
21	See Note	1	Nameplate (Note: Not Available for Purchase)	
24	3290605	6	Nut M6	
25	3290805	1	Nut M8	
26	3291201	1	Nut M12	
27	3331211	1	Nut M12	
28	3580317	1	Pulley	
29	3580319	1	Pulley	
30	3580320	1	Pulley	
31	4032015	4	Bolt M10 x 55	
32	4060802	1	Guard, Switch	
33	4240099	AR	Tie-Strap (Not Shown)	
34	4360336	1	Switch, Toggle	
35	4711600	1	Washer 3/8	
37	4811700	AR	Washer M6	
38	4811900	1	Washer M8	
39	4812100	1	Washer M12	
40	4812200	3	Washer M14	
41	4871700	2	Washer M6	
42	5241200	3	Washer M12 Hardened	
43	1001096070	1	Breaker Box Kit (50Hz) (See Separate Breakdown in ELECTRICAL Section)	
45	1001138565	1	Generator Assembly	
45	70003709	1	Ring, Retaining (External)	
45	70003708	1	Ring, Retaining (Internal)	
45	70001966	1	Bearing	
45	70004092	1	Endbell (Shaft End)	
45	70004171	1	Key	
45	70004676	1	Rotor	
45	70004677	1	Stator	
45	70004678	1	Endbell (Rear)	

SECTION 3 - ENGINE

ITEM	PART NUMBER	QTY	DESCRIPTION	REV
45	70004679	1	Cover, Endbell (Rear)	
45	70004680	1	Enclosure, Wiring	
45	70004681	1	Cover, Enclosure	
45	70004682	1	Switch, Reset (Located on Enclosure Cover)	
45	70004683	1	Connector, Strain Relief (Located on Enclosure Cover)	
46	1001138566	1	Box, Control	
46	70006552	1	Capacitor	
46	70006553	1	Relay	
47	1001139357	1	Mount, Tensioner	
49	1001152532	1	Harness, Generator (See Separate Breakdown in ELECTRICAL Section)	
50	1001196382	1	Stud	
51	1001168018	1	Washer, Snubbing	
53	1001173925	1	Mount	
54	1001174158	1	Mount	
55	0760812	1	Bolt M8 x 25	
56	1321716	2	Clamp	
57	1001148641	1	Bracket	
58	5250808	1	Bolt M8 x 16	
59	5250810	1	Bolt M8 x 20	
60	5260800	2	Nut M8	
61	1001223122	1	Support	
62	4811702	AR	Washer M6	

SECTION 3 - ENGINE

FIGURE 3-40. GENERATOR INSTALLATION - 4000W/60HZ (DEUTZ D2011 ENGINE)



ART_1001173983

SECTION 3 - ENGINE

FIGURE 3-40. GENERATOR INSTALLATION - 4000W/60HZ (DEUTZ D2011 ENGINE)

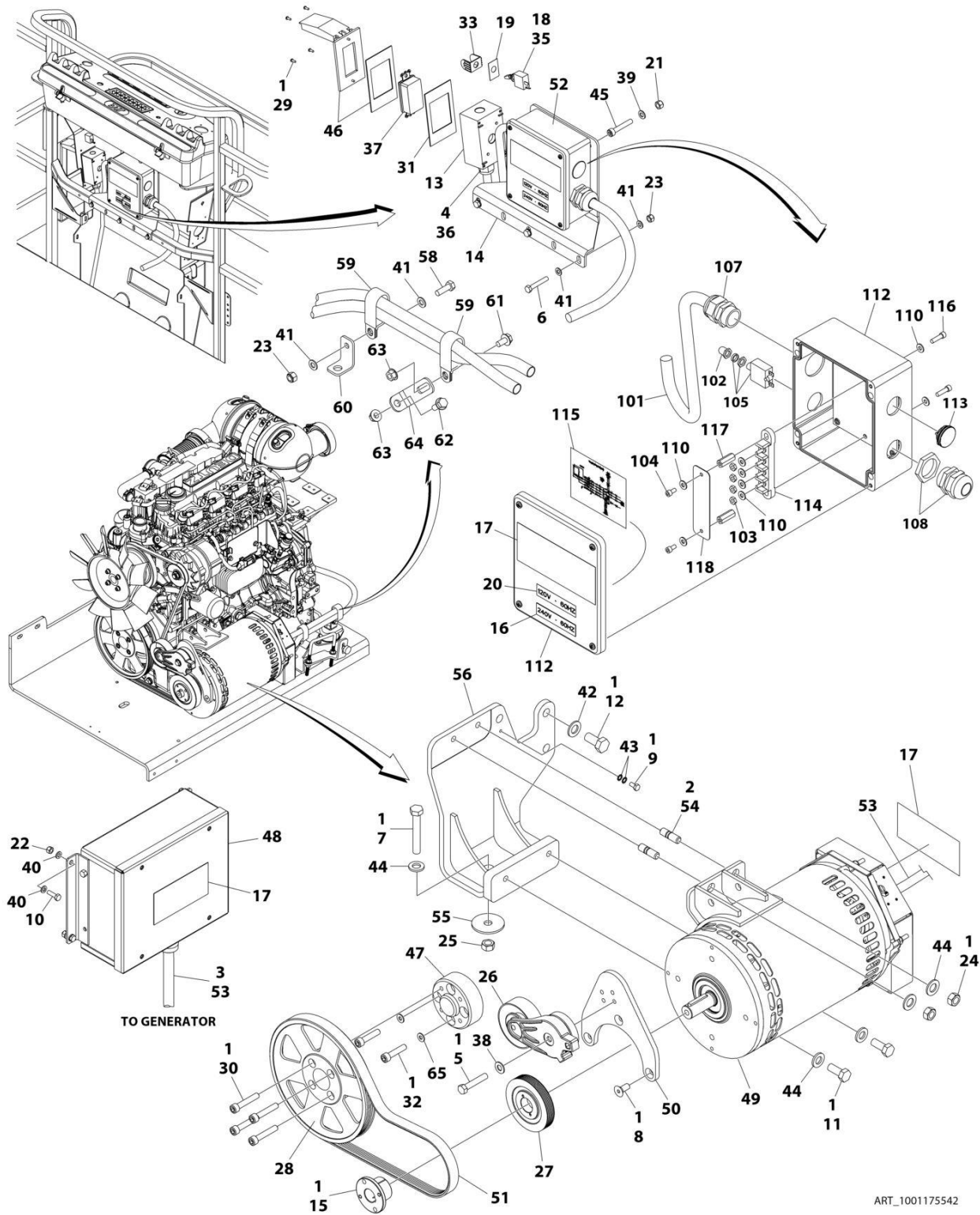
ITEM	PART NUMBER	QTY	DESCRIPTION	REV
	1001173983	Ref	GENERATOR INSTALLATION - 4000W/60HZ (DEUTZ D2011 ENGINE)	F
1	0100011	AR	Compound, Locking	
2	0100019	AR	Compound, Locking	
3	0100048	AR	Grease, Dielectric	
4	0100079	AR	Sealant	
5	0480128	1	Belt	
6	0641616	1	Bolt 3/8 x 2	
7	0700818	3	Bolt M8 x 50	
8	0711224	1	Bolt M12 x 80 Grade 10.9	
9	0741607	3	Screw 3/8 x 7/8	
10	0760606	1	Bolt M6 x 12	
11	0760610	4	Bolt M6 x 20	
12	0761214	2	Bolt M12 x 30	
13	0771414	2	Bolt M14 x 30 Grade 10.9	
14	0771416	1	Bolt M14 x 40	
15	0860038	1	Box, Switch	
16	0902888	1	Bracket	
17	0962520	1	Bushing	
18	1705374	1	Decal - 240V-60Hz	
19	1705387	3	Decal - Hazardous Voltage	
20	2820031	AR	Heat Shrink	
21	See Note	1	Nameplate (Note: Not Available for Purchase)	
22	3251243	1	Nameplate 120V-60Hz	
23	3290505	4	Nut M5	
24	3290605	4	Nut M6	
25	3290805	4	Nut M8	
26	3291201	2	Nut M12	
27	3331211	1	Nut M12	
28	3580317	1	Pulley	
29	3580318	1	Pulley	
30	3580320	1	Pulley	
31	3910606	4	Screw #6 x 3/8	
32	3960422	1	Gasket	
33	4032015	4	Bolt M10 x 55	
34	4060802	1	Guard, Switch	
35	4240099	AR	Tie-Strap (Not Shown)	
36	4360336	1	Switch, Toggle	
37	4460071	1	Connector, Strain Relief	
38	4460346	1	Receptacle	
39	4711600	1	Washer 3/8	
40	4811600	4	Washer M5	
41	4811700	8	Washer M6	
42	4811900	8	Washer M8	
43	4812100	1	Washer M12	
44	4812200	3	Washer M14	
45	4871700	2	Washer M6	
46	5241200	3	Washer M12 Hardened	
47	1001104029	4	Screw M5 x 30	
48	1001110873	1	Shield, Cover	

SECTION 3 - ENGINE

ITEM	PART NUMBER	QTY	DESCRIPTION	REV
49	1001129858	1	Generator	
49	70003709	1	Ring, Retaining (External)	
49	70003708	1	Ring, Retaining (Internal)	
49	70001966	1	Bearing	
49	70004092	1	Endbell (Shaft End)	
49	70004171	1	Key	
49	70004676	1	Rotor	
49	70004684	1	Stator	
49	70004678	1	Endbell (Rear)	
49	70004679	1	Cover, Endbell (Rear)	
49	70004680	1	Enclosure, Wiring	
49	70004685	1	Cover, Enclosure	
49	70004682	1	Switch, Reset (Located on Enclosure Cover)	
49	70004098	1	Connector, Strain Relief (Located on Enclosure Cover)	
50	1001138566	1	Box, Control	
50	70006552	1	Capacitor	
50	70006553	1	Relay	
51	1001139357	1	Mount, Tensioner	
52	1001152457	1	Generator Junction Box Assembly (See Items 101-118 for Breakdown)	
53	1001152532	1	Harness, Generator (See Separate Breakdown in ELECTRICAL SECTION)	
54	1001196382	1	Stud	
55	1001168018	1	Washer, Snubbing	
56	1001173925	1	Mount	
57	1001175631	1	Wiring Diagram (Not Shown)	
57	4922641	1	Harness, On/Off Switch (Not Shown - Located at Platform)	
58	0760812	1	Bolt M8 x 25	
59	1321716	2	Clamp	
60	1001148641	1	Bracket	
61	5250808	1	Bolt M8 x 16	
62	5250810	1	Bolt M8 x 20	
63	5260800	2	Nut M8	
64	1001223122	1	Support	
	1001152457	Ref	GENERATOR JUNCTION BOX COMPONENTS	
101	1001179154	2.5 ft/ 0.8m	Cable, Electrical - 12/3	
102	3300396	1	Cover, Breaker	
103	3311001	4	Nut #10	
104	3900300	2	Screw	
105	4360070	1	Breaker, Circuit - 15Amp	
107	4460425	1	Connector, Strain Relief (LH Side)	
108	4460426	1	Connector, Strain Relief (RH Side)	
110	4711000	8	Washer #10	
112	1001152456	1	Box, Junction	
113	1001152525	1	Plug	
114	1001152530	1	Terminal, Block	
115	1001153260	1	Decal - Wiring Diagram	
116	3900267	2	Screw	
117	1001158008	2	Stand-Off	
118	1001158363	1	Cover, Terminal Block	

SECTION 3 - ENGINE

FIGURE 3-41. GENERATOR INSTALLATION - 4000W/60HZ (DEUTZ D2.9L4 ENGINE)



SECTION 3 - ENGINE

FIGURE 3-41. GENERATOR INSTALLATION - 4000W/60HZ (DEUTZ D2.9L4 ENGINE)

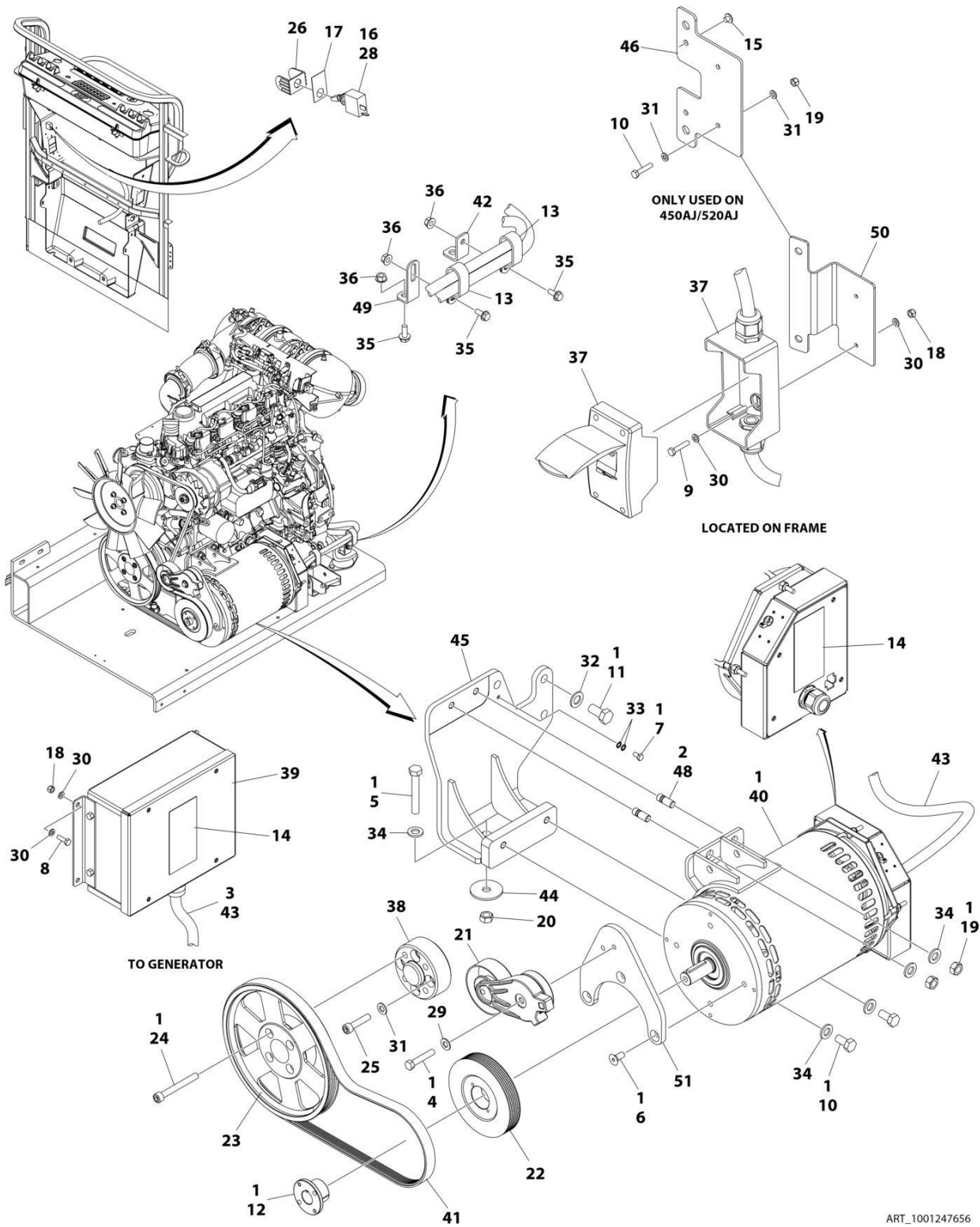
ITEM	PART NUMBER	QTY	DESCRIPTION	REV
	1001175542	Ref	GENERATOR INSTALLATION - 4000W/60HZ (DEUTZ D2.9L4 ENGINE)	J
1	0100011	AR	Compound, Locking	
2	0100019	AR	Compound, Locking	
3	0100048	AR	Grease, Dielectric	
4	0100079	AR	Sealant	
5	0641616	1	Bolt 3/8 x 2	
6	0700818	3	Bolt M8 x 50	
7	0711224	AR	Bolt M12 x 80 Grade 10.9	
8	0741607	3	Screw 3/8 x 7/8	
9	0760606	1	Bolt M6 x 12	
10	0760610	4	Bolt M6 x 20	
11	0761212	2	Bolt M12 x 25	
12	0771414	AR	Bolt M14 x 30 Grade 10.9	
13	0860038	1	Box, Switch	
14	0902888	1	Bracket	
15	0962520	1	Bushing	
16	1705374	1	Decal - 240V-60Hz	
17	1705387	3	Decal - Hazardous Voltage	
18	2820031	AR	Heat Shrink	
19	See Note	1	Nameplate (Note: Not Available for Purchase)	
20	3251243	1	Nameplate 120V-60Hz	
21	3290505	4	Nut M5	
22	3290605	4	Nut M6	
23	3290805	4	Nut M8	
24	3291201	2	Nut M12	
25	3331211	AR	Nut M12	
26	3580317	1	Pulley	
27	3580318	1	Pulley	
28	3580320	1	Pulley	
29	3910606	4	Screw #6 x 3/8	
30	3931628	4	Capscrew 3/8 x 1-3/4	
31	3960422	1	Gasket	
32	4032014	4	Capscrew M10 x 50	
33	4060802	1	Guard, Switch	
34	4240099	AR	Tie-Strap (Not Shown)	
35	4360336	1	Switch, Toggle	
36	4460071	1	Connector, Strain Relief	
37	4460346	1	Receptacle	
38	4711600	1	Washer 3/8	
39	4811600	4	Washer M5	
40	4811700	8	Washer M6	
41	4811900	8	Washer M8	
42	4812200	AR	Washer M14	
43	4871700	2	Washer M6	
44	5241200	AR	Washer M12 Hardened	
45	1001104029	4	Screw M5 x 30	
46	1001110873	1	Shield, Cover	
47	1001135679	1	Adapter	
48	1001138566	1	Box, Control	

SECTION 3 - ENGINE

ITEM	PART NUMBER	QTY	DESCRIPTION	REV
49	1001140346	1	Generator Assembly	
49	70003709	1	Ring, Retaining (External)	
49	70003708	1	Ring, Retaining (Internal)	
49	70001966	1	Bearing	
49	70004092	1	Endbell (Shaft End)	
49	70004099	1	Key	
49	70004676	1	Rotor	
49	70004687	1	Stator	
49	70004678	1	Endbell (Rear)	
49	70004679	1	Cover, Endbell (Rear)	
49	70004680	1	Enclosure, Wiring	
49	70004685	1	Cover, Enclosure	
49	70004682	1	Switch, Reset (Located on Enclosure Cover)	
49	70004098	1	Connector, Strain Relief (Located on Enclosure Cover)	
50	1001142643	1	Support	
51	1001142646	1	Belt	
52	1001152457	1	Generator Junction Box Assembly (See Items 101-118 for Breakdown)	
53	1001152532	1	Harness, Generator (See Separate Breakdown in ELECTRICAL SECTION)	
54	1001196382	2	Stud	
55	1001168018	AR	Washer, Snubbing	
56	1001168207	Ref	Support	
57	1001175631	1	Wiring Diagram (Not Shown)	
57	4922641	1	Harness, On/Off Switch (Not Shown - Located at Platform)	
58	0760812	1	Bolt M8 x 25	
59	1321716	2	Clamp	
60	1001148641	1	Bracket	
61	5250808	1	Bolt M8 x 16	
62	5250810	1	Bolt M8 x 20	
63	5260800	2	Nut M8	
64	1001223122	1	Support	
65	4812000	4	Washer M10	
	1001152457	Ref	GENERATOR JUNCTION BOX COMPONENTS	
101	1001179154	2.5 ft/ 0.8m	Cable, Electrical - 12/3	
102	3300396	1	Cover, Breaker	
103	3311001	4	Nut #10	
104	3900300	2	Screw	
105	4360070	1	Breaker, Circuit - 15Amp	
107	4460425	1	Connector, Strain Relief (LH Side)	
108	4460426	1	Connector, Strain Relief (RH Side)	
110	4711000	8	Washer #10	
112	1001152456	1	Box, Junction	
113	1001152525	1	Plug	
114	1001152530	1	Terminal, Block	
115	1001153260	1	Decal - Wiring Diagram	
116	3900267	2	Screw	
117	1001158008	2	Stand-Off	
118	1001158363	1	Cover, Terminal Block	

SECTION 3 - ENGINE

FIGURE 3-42. GENERATOR INSTALLATION - 4000W/50HZ (DEUTZ ENGINE) (STAGE V)



ART_1001247656

SECTION 3 - ENGINE

FIGURE 3-42. GENERATOR INSTALLATION - 4000W/50HZ (DEUTZ ENGINE) (STAGE V)

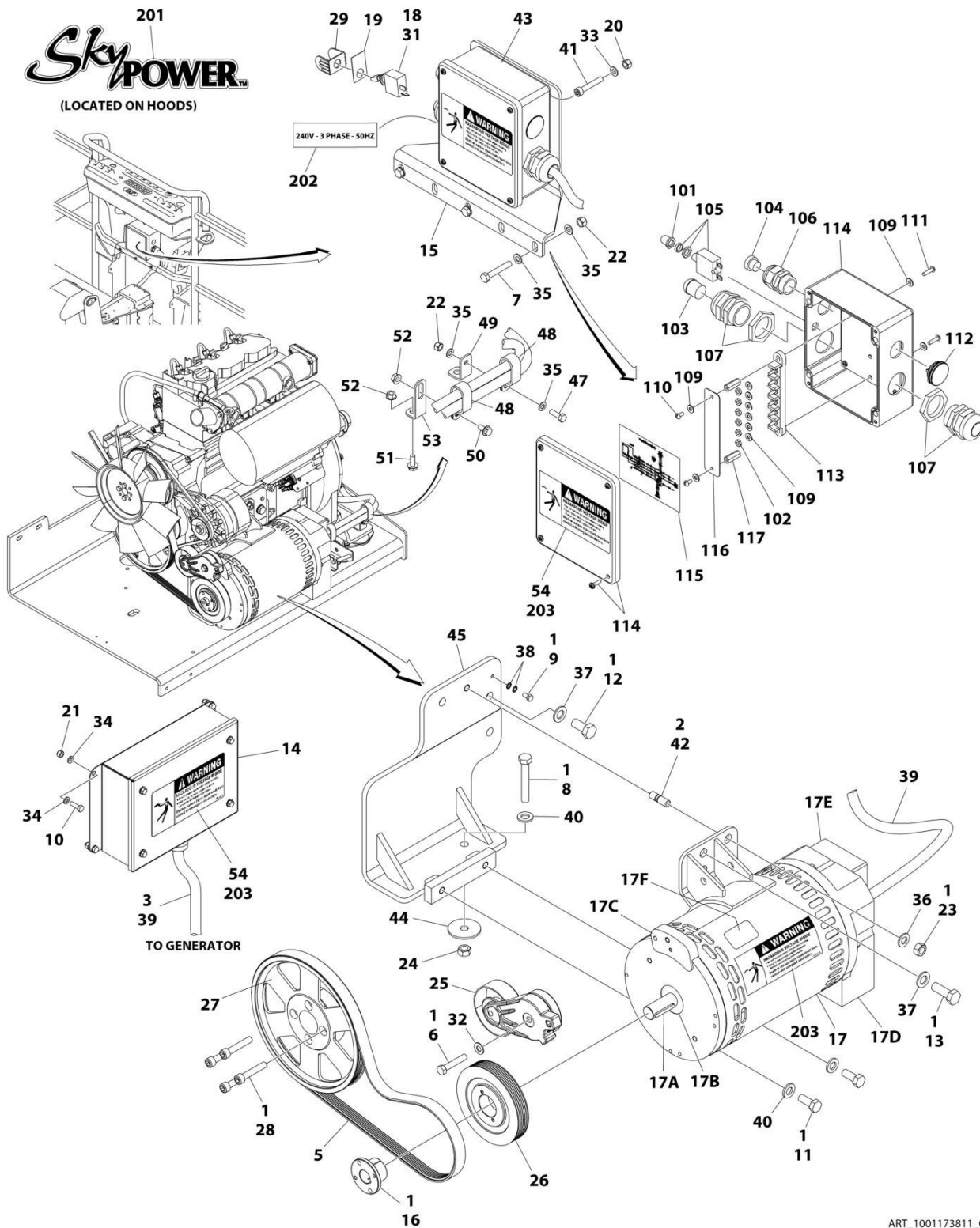
ITEM	PART NUMBER	QTY	DESCRIPTION	REV
	1001247656	Ref	GENERATOR INSTALLATION - 4000W/50HZ (DEUTZ (STAGE V) ENGINE)	D
1	0100011	AR	Compound, Locking	
2	0100019	AR	Compound, Locking	
3	0100048	AR	Grease, Dielectric	
4	0641616	1	Bolt 3/8 x 2	
5	0711224	1	Bolt M12 x 80	
6	0741607	3	Screw 3/8 x 7/8	
7	0760606	1	Bolt M6 x 12	
8	0760610	4	Bolt M6 x 20	
9	0760614	2	Screw M6 x 30	
10	0761212	2	Bolt M12 x 25	
11	0771414	3	Bolt M14 x 30	
12	0962520	1	Bushing	
13	1321716	2	Clamp	
14	1705489	2	Decal - Hazardous Voltage	
15	2080040	2	Fastener, Huck	
16	2820031	0.33 ft /0.10m	Heat Shrink	
17	3251102	1	Nameplate, Generator	
18	3290605	6	Nut M6	
19	3291201	2	Nut M12	
20	3331211	1	Nut M12	
21	3580317	1	Pulley	
22	3580319	1	Pulley	
23	1001260432	1	Pulley	
24	1001261085	4	Capscrew M10 x 85	
25	1001261045	4	Capscrew M10 x 45	
26	4060802	1	Guard, Switch	
27	4240099	AR	Tie-Strap (Not Shown)	
28	4360336	1	Switch, Toggle	
29	4711600	1	Washer 3/8	
30	4811700	12	Washer M6	
31	4812000	4	Washer M14	
32	4812200	3	Washer M14	
33	4871700	2	Washer M6	
34	5241200	5	Washer M12 Hardened	
35	5250810	3	Bolt M8 x 20	
36	5260800	3	Nut M8	
37	1001096070	1	Breaker Box Kit (50Hz) (See Separate Breakdown in ELECTRICAL Section)	
38	1001135679	1	Adapter	
39	1001138566	1	Box, Control	
40	1001140347	1	Generator, 4000W/ 50HZ - Deutz Engine	
40	70003709	1	Ring, Retaining (External)	
40	70003708	1	Ring, Retaining (Internal)	
40	70001966	1	Bearing	
40	70004092	1	Endbell (Shaft End)	
40	70004099	1	Key	
40	70004676	1	Rotor	

SECTION 3 - ENGINE

ITEM	PART NUMBER	QTY	DESCRIPTION	REV
40	70004686	1	Stator	
40	70004678	1	Endbell (Rear)	
40	70004679	1	Cover, Endbell (Rear)	
40	70004680	1	Enclosure, Wiring	
40	70004681	1	Cover, Enclosure	
40	70004682	1	Switch, Reset (Located on Enclosure Cover)	
40	70004683	1	Connector, Strain Relief (Located on Enclosure Cover)	
41	1001148059	1	Belt, Generator	
42	1001148641	1	Bracket	
43	1001152532	1	Harness, Generator (See Separate Breakdown in ELECTRICAL Section)	
44	1001168018	1	Washer, Snubbing	
45	1001168207	1	Support (Prior to PVC 2107)	
46	1001174158	1	Mount	
47	1001174675	1	Wiring Diagram (Not Shown)	
48	1001196382	2	Stud	
49	1001223122	1	Support	
50	1001230784	1	Bracket	
51	1001248190	1	Support	
		Ref	ELECTRICAL DIAGRAM COMPONENTS	
101	4922641	1	Generator Switch Harness (Not Shown)	

SECTION 3 - ENGINE

FIGURE 3-43. GENERATOR INSTALLATION - 7500W/50HZ (DEUTZ D2011 ENGINE)



ART_1001173811_G

SECTION 3 - ENGINE

FIGURE 3-43. GENERATOR INSTALLATION - 7500W/50HZ (DEUTZ D2011 ENGINE)

ITEM	PART NUMBER	QTY	DESCRIPTION	REV
	1001173811	Ref	GENERATOR INSTALLATION - 7500W/50HZ (DEUTZ D2011 ENGINE)	G
1	0100011	AR	Compound, Locking	
2	0100019	AR	Compound, Locking	
3	0100048	AR	Grease, Dielectric	
4	0100079	AR	Sealant (Not Shown)	
5	0480126	1	Belt	
6	0641616	1	Bolt 3/8 x 2	
7	0700818	3	Bolt M8 x 50	
8	0711224	1	Bolt M12 x 80 Grade 10.9	
9	0760606	1	Bolt M6 x 12	
10	0760610	4	Bolt M6 x 20	
11	0761214	2	Bolt M12 x 30	
12	0771414	2	Bolt M14 x 30 Grade 10.9	
13	0771416	1	Bolt M14 x 40	
14	0861572	1	Control Box Assembly	
14	7024488	1	Card, Circuit - Generator Power	
14	See Note	NSS	Fuse (Note: Not Available - Purchase Locally)	
14	7024489	1	Card, Circuit - Control	
14	70000619	1	Harness, Control Box (Internal)	
15	0902888	1	Bracket	
16	0962520	1	Bushing	
17	2460048	1	Generator Assembly	
17	70001100	1	Rotor (Includes p/n 70001384 & 70000863) (Not Shown)	
17	70001384	1	Bearing, Ball Radial (Not Shown)	
17	70000863	1	Fan (Not Shown)	
17	70002088	1	Stator (Not Shown)	
17	70002297	1	Stud	
17	70003631	1	Brushholder Assembly (Not Shown)	
17A	70004171	1	Key	
17B	70001966	1	Bearing, Ball Radial (Located in Belt Tensioner Endbell)	
17B	70003708	1	Ring, Internal Retaining (Located in Belt Tensioner Endbell)	
17B	70003709	1	Ring, External Retaining (Located in Belt Tensioner Endbell)	
17C	70001953	1	Endbell, Belt Tensioner	
17D	70004169	1	Endbell, Brush Block	
17E	70004169	1	Shroud	
17E	See Note	NSS	Insulator, Endbell (Note: Not Available for Purchase)	
17E	7027799	1	Block, Connector 6 Position (Not Shown)	
17E	70002460	1	Nut, Brass (Attaches p/n 7027799 to Cover) (Not Shown)	
17E	7024485	1	Breaker, Circuit 30Amp (Not Shown)	
17E	70001696	1	Boot, Breaker (Not Shown)	
17E	7026626	1	Connector, 6 Position (Includes Seal) (Not Shown - Plugs into Item 39)	
17E	7026597	1	Connector, with Leads (Not Shown)	
17E	7026188	1	Clamp, Cable Options (Not Shown)	
17E	70004169	1	Plate, End Panel	
17E	70001974	1	Decal - Terminal Connections	
17F	70001973	1	Decal - Warning Moving Parts	
18	2820031	AR	Heat Shrink	
19	3252764	1	Nameplate	

SECTION 3 - ENGINE

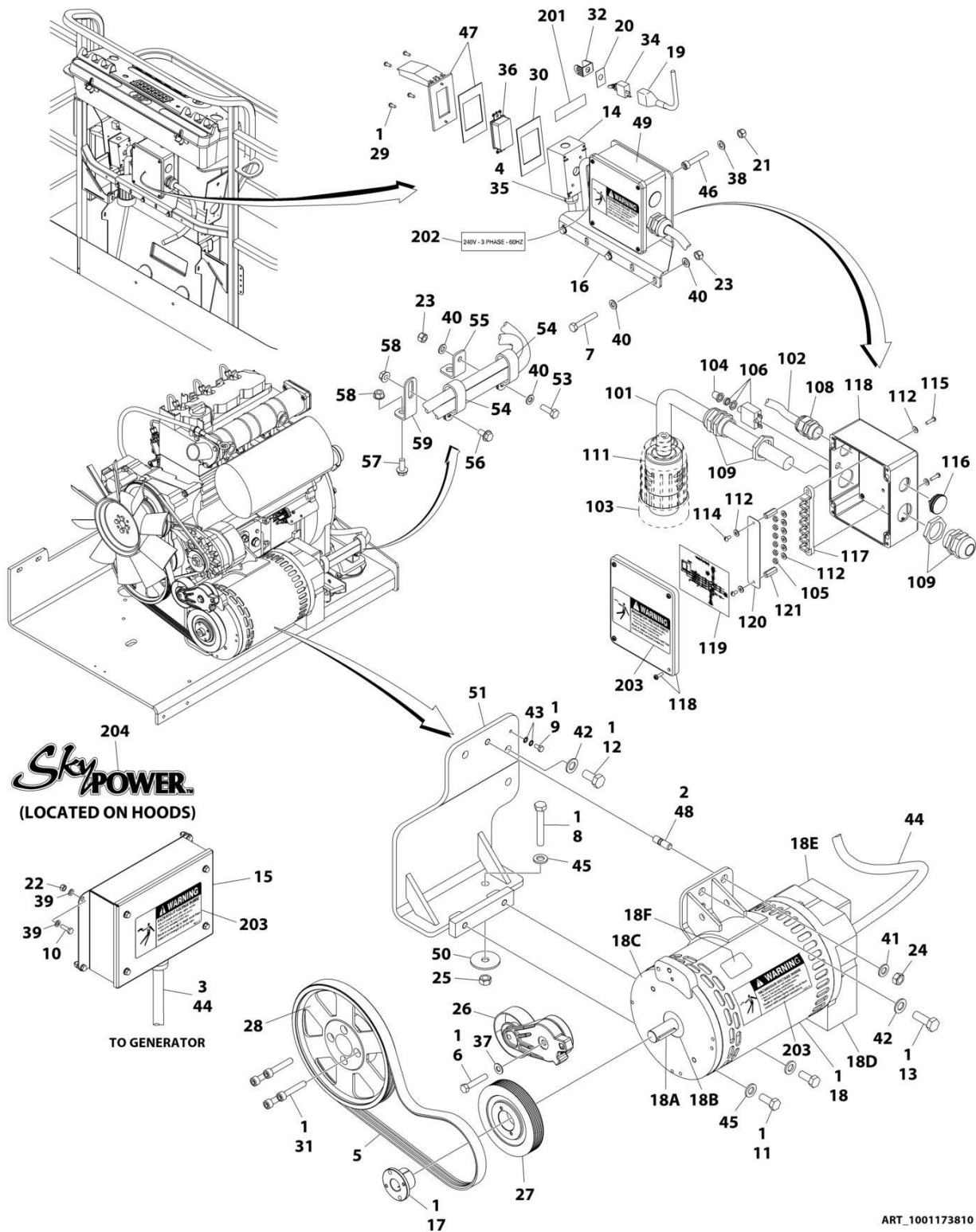
ITEM	PART NUMBER	QTY	DESCRIPTION	REV
20	3290505	4	Nut M5	
21	3290605	4	Nut M6	
22	3290805	4	Nut M8	
23	3291201	1	Nut M12	
24	3331211	1	Nut M12	
25	3580317	1	Pulley	
26	3580319	1	Pulley	
27	3580320	1	Pulley	
28	4032015	4	Bolt M10 x 55	
29	4060802	1	Guard, Switch	
30	4240099	AR	Tie-Strap (Not Shown)	
31	4360336	1	Switch, Toggle	
32	4711600	1	Washer 3/8	
33	4811600	4	Washer M5	
34	4811700	8	Washer M6	
35	4811900	8	Washer M8	
36	4812100	1	Washer M12	
37	4812200	3	Washer M14	
38	4871700	2	Washer M6	
39	4922925	1	Harness, Generator	
39	4460225	1	Plug, Male 6 Position (Plugs into Generator)	
39	See Note	NSS	Socket, Female (Use with 4460225)	
39	See Note	NSS	Seal, Plug (Use with 4460225)	
39	See Note	NSS	Seal, Interface (Use with 4460225)	
40	5241200	3	Washer M12 Hardened	
41	1001104029	4	Screw M5 x 30	
42	1001196382	1	Stud	
43	1001157525	1	Junction Box Assembly (See Items 101-117 for Breakdown)	
44	1001168018	1	Washer, Snubbing	
45	1001173925	1	Mount	
46	1001174675	1	Wiring Diagram (Not Shown)	
46	4922641	1	Harness, On/Off Switch (Not Shown - Located at Platform)	
47	0760812	1	Bolt M8 x 25	
48	1321716	2	Clamp	
49	1001148641	1	Bracket	
50	5250808	1	Bolt M8 x 16	
51	5250810	1	Bolt M8 x 20	
52	5260800	2	Nut M8	
53	1001223122	1	Support	
54	1705489	2	Decal - Hazardous Voltage	
	1001157525	Ref	JUNCTION BOX ASSEMBLY	B
101	3300396	1	Cover, Fuse	
102	3311001	6	Nut #10	
103	3520189	1	Plug	
104	3520192	1	Plug	
105	4360070	1	Circuit Breaker - 15Amp	
106	4460425	1	Connector, Strain Relief	
107	4460426	2	Connector, Strain Relief	
109	4711000	10	Flatwasher #10	
110	10702077	2	Screw #10 x 3/8	
111	10702082	2	Screw #10 x 3/4	

SECTION 3 - ENGINE

ITEM	PART NUMBER	QTY	DESCRIPTION	REV
112	1001152525	1	Plug	
113	1001157520	1	Block, Terminal	
114	1001157521	1	Box, Junction	
115	1001157528	1	Decal - Wiring Schematic	
116	1001158007	1	Cover, PVC	
117	1001158008	2	Stand-Off	
	0272589	Ref	DECAL INSTALLATION	A
201	1705460	2	Decal - SkyPower	
202	1705461	1	Decal - 240V - 3 Phase - 50Hz	
203	1705489	3	Decal - Hazardous Voltage	

SECTION 3 - ENGINE

FIGURE 3-44. GENERATOR INSTALLATION - 7500W/60HZ (DEUTZ D2011 ENGINE)



SECTION 3 - ENGINE

FIGURE 3-44. GENERATOR INSTALLATION - 7500W/60HZ (DEUTZ D2011 ENGINE)

ITEM	PART NUMBER	QTY	DESCRIPTION	REV
	1001173810	Ref	GENERATOR INSTALLATION - 7500W/60Hz (DEUTZ D2011 ENGINE)	F
1	0100011	AR	Compound, Locking	
2	0100019	AR	Compound, Locking	
3	0100048	AR	Grease, Dielectric	
4	0100079	AR	Sealant	
5	0480128	1	Belt	
6	0641616	1	Bolt 3/8 x 2	
7	0700818	3	Bolt M8 x 50	
8	0711224	1	Bolt M12 x 80 Grade 10.9	
9	0760606	1	Bolt M6 x 12	
10	0760610	4	Bolt M6 x 20	
11	0761214	2	Bolt M12 x 30	
12	0771414	2	Bolt M14 x 30 Grade 10.9	
13	0771416	1	Bolt M14 x 40	
14	0860038	1	Box, Switch	
15	0861538	1	Control Box Assembly	
15	7024488	1	Card, Circuit - Generator Power	
15	See Note	NSS	Fuse (Note: Not Available - Purchase Locally)	
15	7024489	1	Card, Circuit - Control	
15	70000619	1	Harness, Control Box (Internal)	
16	0902888	1	Bracket	
17	0962520	1	Bushing	
18	2460048	1	Generator Assembly	
18	70001100	1	Rotor (Includes p/n 70001384 & 70000863) (Not Shown)	
18	70001384	1	Bearing, Ball Radial (Not Shown)	
18	70000863	1	Fan (Not Shown)	
18	70002088	1	Stator (Not Shown)	
18	70002297	1	Stud	
18	70003631	1	Brushholder Assembly (Not Shown)	
18A	70004171	1	Key	
18B	70001966	1	Bearing, Ball Radial (Located in Belt Tensioner Endbell)	
18B	70003708	1	Ring, Internal Retaining (Located in Belt Tensioner Endbell)	
18B	70003709	1	Ring, External Retaining (Located in Belt Tensioner Endbell)	
18C	70001953	1	Endbell, Belt Tensioner	
18D	70004169	1	Endbell, Brush Block	
18E	70004169	1	Shroud	
18E	See Note	NSS	Insulator, Endbell (Note: Not Available for Purchase)	
18E	7027799	1	Block, Connector 6 Position (Not Shown)	
18E	70002460	1	Nut, Brass (Attaches p/n 7027799 to Cover) (Not Shown)	
18E	7024485	1	Breaker, Circuit 30Amp (Not Shown)	
18E	70001696	1	Boot, Breaker (Not Shown)	
18E	7026626	1	Connector, 6 Position (Includes Seal) (Not Shown - Plugs into Item 39)	
18E	7026597	1	Connector, with Leads (Not Shown)	
18E	7026188	1	Clamp, Cable Options (Not Shown)	
18E	70004169	1	Plate, End Panel	
18E	70001974	1	Decal - Terminal Connections	
18F	70001973	1	Decal - Warning Moving Parts	
19	2820031	AR	Heat Shrink	

SECTION 3 - ENGINE

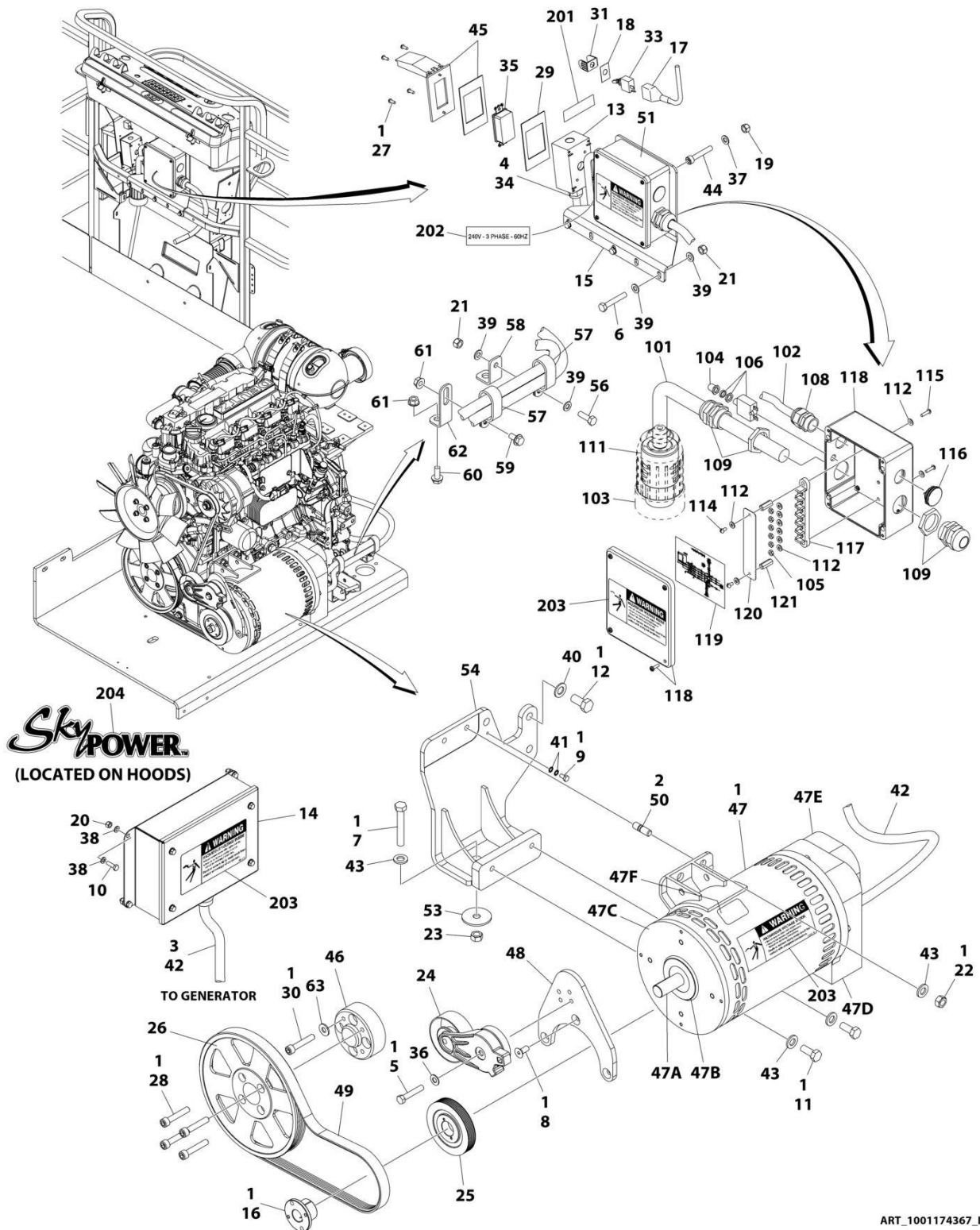
ITEM	PART NUMBER	QTY	DESCRIPTION	REV
20	3252764	1	Nameplate	
21	3290505	4	Nut M5	
22	3290605	4	Nut M6	
23	3290805	4	Nut M8	
24	3291201	1	Nut M12	
25	3331211	1	Nut M12	
26	3580317	1	Pulley	
27	3580318	1	Pulley	
28	3580320	1	Pulley	
29	3910606	4	Screw #6 x 3/8	
30	3960422	1	Gasket	
31	4032015	4	Bolt M10 x 55	
32	4060802	1	Guard, Switch	
33	4240099	AR	Tie-Strap (Not Shown)	
34	4360336	1	Switch, Toggle	
35	4460071	1	Connector, Strain Relief	
36	4460346	1	Receptacle	
37	4711600	1	Washer 3/8	
38	4811600	4	Washer M5	
39	4811700	8	Washer M6	
40	4811900	8	Washer M8	
41	4812100	1	Washer M12	
42	4812200	3	Washer M14	
43	4871700	2	Washer M6	
44	4922925	1	Harness, Generator	
44	4460225	1	Plug, Male 6 Position (Plugs into Generator)	
44	See Note	NSS	Socket, Female (Use with 4460225)	
44	See Note	NSS	Seal, Plug (Use with 4460225)	
44	See Note	NSS	Seal, Interface (Use with 4460225)	
45	5241200	3	Washer M12 Hardened	
46	1001104029	4	Screw M5 x 30	
47	1001110873	1	Shield, Cover	
48	1001196382	1	Stud	
49	1001157592	1	Junction Box Assembly Options (See Items 101-121 for Breakdown)	
50	1001168018	1	Washer, Snubbing	
51	1001173925	1	Mount	
52	1001174675	1	Wiring Diagram (Not Shown)	
52	4922641	1	Harness, On/Off Switch (Not Shown - Located at Plaform)	
53	0760812	1	Bolt M8 x 25	
54	1321716	2	Clamp	
55	1001148641	1	Bracket	
56	5250808	1	Bolt M8 x 16	
57	5250810	1	Bolt M8 x 20	
58	5260800	2	Nut M8	
59	1001223122	1	Support	
	1001157592	Ref	JUNCTION BOX ASSEMBLY	C
101	1060343	1.5 ft /0.5m	Cable, Electrical 10/4	
102	1001179154	2.5 ft /0.8m	Cable, Electrical 12/3	
103	1671092	1	Cover	

SECTION 3 - ENGINE

ITEM	PART NUMBER	QTY	DESCRIPTION	REV
104	3300396	1	Cover, Fuse	
105	3311001	6	Nut #10	
106	4360070	1	Circuit Breaker - 15Amp	
108	4460425	1	Connector, Strain Relief	
109	4460426	2	Connector, Strain Relief	
111	4460963	1	Connector	
112	4711000	10	Flatwasher #10	
114	10702077	2	Screw #10 x 3/8	
115	10702082	2	Screw #10 x 3/4	
116	1001152525	1	Plug	
117	1001157520	1	Block, Terminal	
118	1001157521	1	Box, Junction	
119	1001157528	1	Decal - Wiring Schematic	
120	1001158007	1	Cover, PVC	
121	1001158008	2	Stand-Off	
	0272435	Ref	DECAL INSTALLATION	D
	0273380	Ref	DECAL INSTALLATION	B
201	3251243	1	Decal - 120V - 60Hz	
202	1705375	1	Decal - 240V - 3 Phase - 60Hz	
203	1705387	3	Decal - Hazardous Voltage	
204	1705460	2	Decal - SkyPower	

SECTION 3 - ENGINE

FIGURE 3-45. GENERATOR INSTALLATION - 7500W/60HZ (DEUTZ D2.9L4 ENGINE)



SECTION 3 - ENGINE

FIGURE 3-45. GENERATOR INSTALLATION - 7500W/60HZ (DEUTZ D2.9L4 ENGINE)

ITEM	PART NUMBER	QTY	DESCRIPTION	REV
	1001174367	Ref	GENERATOR INSTALLATION - 7500W/60Hz (DEUTZ D2.9L4 ENGINE)	J
1	0100011	AR	Compound, Locking	
2	0100019	AR	Compound, Locking	
3	0100048	AR	Grease, Dielectric	
4	0100079	AR	Sealant	
5	0641616	1	Bolt 3/8 x 2	
6	0700818	3	Bolt M8 x 50	
7	0711224	Ref	Bolt M12 x 80 Grade 10.9	
8	0741607	3	Screw 3/8 x 7/8	
9	0760606	1	Bolt M6 x 12	
10	0760610	4	Bolt M6 x 20	
11	0761212	2	Bolt M12 x 25	
12	0771414	Ref	Bolt M14 x 30 Grade 10.9	
13	0860038	1	Box, Switch	
14	0861538	1	Control Box Assembly	
14	7024488	1	Card, Circuit - Generator Power	
14	See Note	NSS	Fuse (Note: Not Available - Purchase Locally)	
14	7024489	1	Card, Circuit - Control	
14	70000619	1	Harness, Control Box (Internal)	
15	0902888	1	Bracket	
16	0962520	1	Bushing	
17	2820031	AR	Heat Shrink	
18	3252764	1	Nameplate	
19	3290505	4	Nut M5	
20	3290605	4	Nut M6	
21	3290805	4	Nut M8	
22	3291201	2	Nut M12	
23	3331211	Ref	Nut M12	
24	3580317	1	Pulley	
25	3580318	1	Pulley	
26	3580320	1	Pulley	
27	3910606	4	Screw #6 x 3/8	
28	3931628	4	Capscrew 3/8 x 1-3/4	
29	3960422	1	Gasket	
30	4032014	4	Bolt M10 x 50	
31	4060802	1	Guard, Switch	
32	4240099	AR	Tie-Strap (Not Shown)	
33	4360336	1	Switch, Toggle	
34	4460071	1	Connector, Strain Relief	
35	4460346	1	Receptacle	
36	4711600	1	Washer 3/8	
37	4811600	4	Washer M5	
38	4811700	8	Washer M6	
39	4811900	8	Washer M8	
40	4812200	Ref	Washer M14	
41	4871700	2	Washer M6	
42	4922925	1	Harness, Generator	
42	4460225	1	Plug, Male 6 Position (Plugs into Generator)	
42	See Note	NSS	Socket, Female (Use with 4460225)	

SECTION 3 - ENGINE

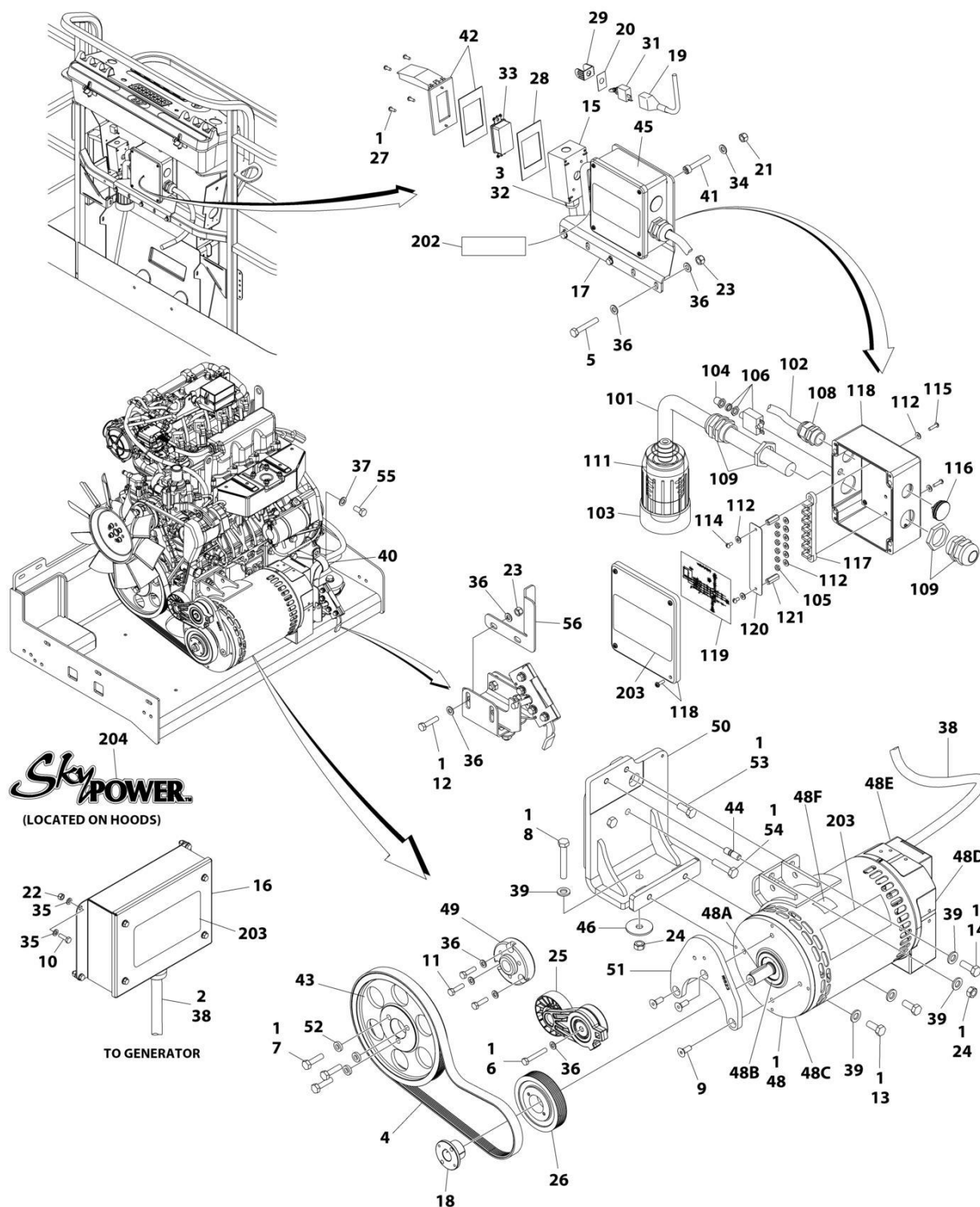
ITEM	PART NUMBER	QTY	DESCRIPTION	REV
42	See Note	NSS	Seal, Plug (Use with 4460225)	
42	See Note	NSS	Seal, Interface (Use with 4460225)	
43	5241200	5	Washer M12 Hardened	
44	1001104029	4	Screw M5 x 30	
45	1001110873	1	Shield, Cover	
46	1001135679	1	Adapter	
47	1001212223	1	Generator Assembly	
47	70001100	1	Rotor (Includes p/n 70001384 & 70000863) (Not Shown)	
47	70001384	1	Bearing, Ball Radial (Not Shown)	
47	70000863	1	Fan (Not Shown)	
47	70006093	1	Stator (Not Shown)	
47	70002297	1	Stud	
47	70003631	1	Brushholder Assembly (Not Shown)	
47A	70004099	1	Key	
47B	70001966	1	Bearing, Ball Radial (Located in Belt Tensioner Endbell)	
47B	70003708	1	Ring, Internal Retaining (Located in Belt Tensioner Endbell)	
47B	70003709	1	Ring, External Retaining (Located in Belt Tensioner Endbell)	
47C	70004092	1	Endbell, Belt Tensioner	
47D	70004094	1	Endbell, Brush Block	
47E	70006094	1	Shroud	
47E	70002291	1	Insulator, Endbell	
47E	7027799	1	Block, Connector 6 Position (Not Shown)	
47E	70002460	1	Nut, Brass (Attaches p/n 7027799 to Cover) (Not Shown)	
47E	70006095	1	Breaker, Circuit 30Amp (Not Shown)	
47E	70006096	1	Guard, Breaker (Not Shown)	
47E	7026626	1	Connector, 6 Position (Includes Seal) (Not Shown - Plugs into Item 36)	
47E	7026597	1	Connector, with Leads (Not Shown)	
47E	70004098	1	Clamp, Cable (Not Shown)	
47E	70006097	1	Plate, End Panel	
47E	70001974	1	Decal - Terminal Connections	
47F	70001973	1	Decal - Warning Moving Parts	
48	1001142643	1	Support	
49	1001142646	1	Belt	
50	1001196382	2	Stud	
51	1001157592	1	Junction Box Assembly Options (See Items 101-121 for Breakdown)	
53	1001168018	Ref	Washer, Snubbing	
54	1001168207	Ref	Support	
55	1001174675	1	Wiring Diagram (Not Shown)	
55	4922641	1	Harness, On/Off Switch (Not Shown - Located at Platform)	
56	0760812	1	Bolt M8 x 25	
57	1321716	2	Clamp	
58	1001148641	1	Bracket	
59	5250808	1	Bolt M8 x 16	
60	5250810	1	Bolt M8 x 20	
61	5260800	2	Nut M8	
62	1001223122	1	Support	
63	4812000	4	Washer M10	
	1001157592	Ref	JUNCTION BOX ASSEMBLY	C
101	1060343	1.5 ft/ 0.5m	Cable, Electrical 10/4	

SECTION 3 - ENGINE

ITEM	PART NUMBER	QTY	DESCRIPTION	REV
102	1001179154	2.5 ft/ 0.8m	Cable, Electrical 12/3	
103	1671092	1	Cover	
104	3300396	1	Cover, Fuse	
105	3311001	6	Nut #10	
106	4360070	1	Circuit Breaker - 15Amp	
108	4460425	1	Connector, Strain Relief	
109	4460426	2	Connector, Strain Relief	
111	4460963	1	Connector	
112	4711000	10	Flatwasher #10	
114	10702077	2	Screw #10 x 3/8	
115	10702082	2	Screw #10 x 3/4	
116	1001152525	1	Plug	
117	1001157520	1	Block, Terminal	
118	1001157521	1	Box, Junction	
119	1001157528	1	Decal - Wiring Schematic	
120	1001158007	1	Cover, PVC	
121	1001158008	2	Stand-Off	
	0272435	Ref	DECAL INSTALLATION	D
	0273380	Ref	DECAL INSTALLATION	B
201	3251243	1	Decal - 120V - 60Hz	
202	1705375	1	Decal - 240V - 3 Phase - 60Hz	
203	1705387	3	Decal - Hazardous Voltage	
204	1705460	2	Decal - SkyPower	

SECTION 3 - ENGINE

FIGURE 3-46. GENERATOR INSTALLATION - 7500W/60HZ (KUBOTA ENGINE)



ART_1001272123

SECTION 3 - ENGINE

FIGURE 3-46. GENERATOR INSTALLATION - 7500W/60HZ (KUBOTA ENGINE)

ITEM	PART NUMBER	QTY	DESCRIPTION	REV
	1001272123	Ref	GENERATOR INSTALLATION - 7500W/60HZ (KUBOTA ENGINE)	A
1	0100011	AR	Compound, Locking	
2	0100048	AR	Grease, Dielectric	
3	0100079	AR	Sealant	
4	0480129	1	Belt	
5	0700818	3	Bolt M8 x 50	
6	0700819	1	Bolt M8 x 55	
7	0701016	3	Bolt M10 x 40	
8	0701224	1	Bolt M12 x 80	
9	0741608	3	Screw 3/8 x 1	
10	0760610	4	Bolt M6 x 20	
11	0760814	3	Bolt M8 x 30	
12	0760815	2	Bolt M8 x 35	
13	0761214	2	Bolt M12 x 30	
14	0761215	1	Bolt M12 x 35	
15	0860038	1	Box, Switch	
16	0861538	1	Control Box Assembly	
16	7024488	1	Card, Circuit - Generator Power	
16	See Note	NSS	Fuse (Note: Not Available - Purchase Locally)	
16	7024489	1	Card, Circuit - Control	
16	70000619	1	Harness, Control Box (Internal)	
17	0902888	1	Bracket	
18	0962520	1	Bushing	
19	2820031	AR	Heat Shrink	
20	3252764	1	Nameplate	
21	3290505	4	Nut M5	
22	3290605	4	Nut M6	
23	3290805	5	Nut M8	
24	3291201	2	Nut M12	
25	3580317	1	Pulley	
26	3580318	1	Pulley	
27	3910606	4	Screw #6 x 3/8	
28	3960422	1	Gasket	
29	4060802	1	Guard, Switch	
30	4240099	AR	Tie-Strap (Not Shown)	
31	4360336	1	Switch, Toggle	
32	4460071	1	Connector, Strain Relief	
33	4460346	1	Receptacle	
34	4811600	4	Washer M5	
35	4811700	8	Washer M6	
36	4811900	12	Washer M8	
37	4812200	1	Washer M14	
38	4922925	1	Harness, Generator	
38	4460225	1	Plug, Male - 6 Position (Plugs into Generator)	
38	See Note	NSS	Socket, Female (Use with 4460225)	
38	See Note	NSS	Seal, Plug (Use with 4460225)	
38	See Note	NSS	Seal, Interface (Use with 4460225)	
39	5241200	5	Washer M12 Hardened	
40	84521062	1	Clamp	
41	1001104029	4	Screw M5 x 30	

SECTION 3 - ENGINE

ITEM	PART NUMBER	QTY	DESCRIPTION	REV
42	1001110873	1	Shield, Cover	
43	1001147233	1	Pulley	
44	1001155041	1	Stud	
45	1001157592	1	Junction Box Assembly (See Items 101-121 for Breakdown)	
46	1001168018	1	Washer, Snubbing	
47	1001174675	1	Wiring Diagram (Not Shown)	
47	4922641	1	Harness, On/Off Switch (Not Shown - Located at Platform)	
48	1001212223	1	Generator Assembly	
48	70001100	1	Rotor (Includes p/n 70001384 & 70000863) (Not Shown)	
48	70001384	1	Bearing, Ball Radial (Not Shown)	
48	70000863	1	Fan (Not Shown)	
48	70006093	1	Stator (Not Shown)	
48	70002297	1	Stud	
48	70003631	1	Brushholder Assembly (Not Shown)	
48A	70004099	1	Key	
48B	70001966	1	Bearing, Ball Radial (Located in Belt Tensioner Endbell)	
48B	70003708	1	Ring, Internal Retaining (Located in Belt Tensioner Endbell)	
48B	70003709	1	Ring, External Retaining (Located in Belt Tensioner Endbell)	
48C	70004092	1	Endbell, Belt Tensioner	
48D	70004094	1	Endbell, Brush Block	
48E	70006094	1	Shroud	
48E	70002291	1	Insulator, Endbell	
48E	7027799	1	Block, Connector 6 Position (Not Shown)	
48E	70002460	1	Nut, Brass (Attaches p/n 7027799 to Cover) (Not Shown)	
48E	70006095	1	Breaker, Circuit 30Amp (Not Shown)	
48E	70006096	1	Guard, Breaker (Not Shown)	
48E	7026626	1	Connector, 6 Position (Includes Seal) (Not Shown - Plugs into Item 36)	
48E	70004098	1	Clamp, Cable (Not Shown)	
48E	70006097	1	Plate, End Panel	
48E	70001974	1	Decal - Terminal Connections	
48F	70001973	1	Decal - Warning Moving Parts	
49	1001213029	1	Adapter, Pulley	
50	1001214546	1	Support	
51	1001215523	1	Support	
52	1001216805	3	Spacer	
53	1001217342	1	Bolt M12 x 30	
54	1001217344	2	Bolt M12 x 50	
55	1001217345	1	Bolt M14 x 30	
56	1001271649	1	Bracket	
	1001157592	Ref	JUNCTION BOX ASSEMBLY	C
101	1060343	1.5 ft/ 0.5m	Cable, Electrical 10/4	
102	1001179154	2.5 ft/ 0.8m	Cable, Electrical 12/3	
103	1671092	1	Cover	
104	3300396	1	Cover, Fuse	
105	3311001	6	Nut #10	
106	4360070	1	Circuit Breaker - 15Amp	
108	4460425	1	Connector, Strain Relief	
109	4460426	2	Connector, Strain Relief	
111	4460963	1	Connector	

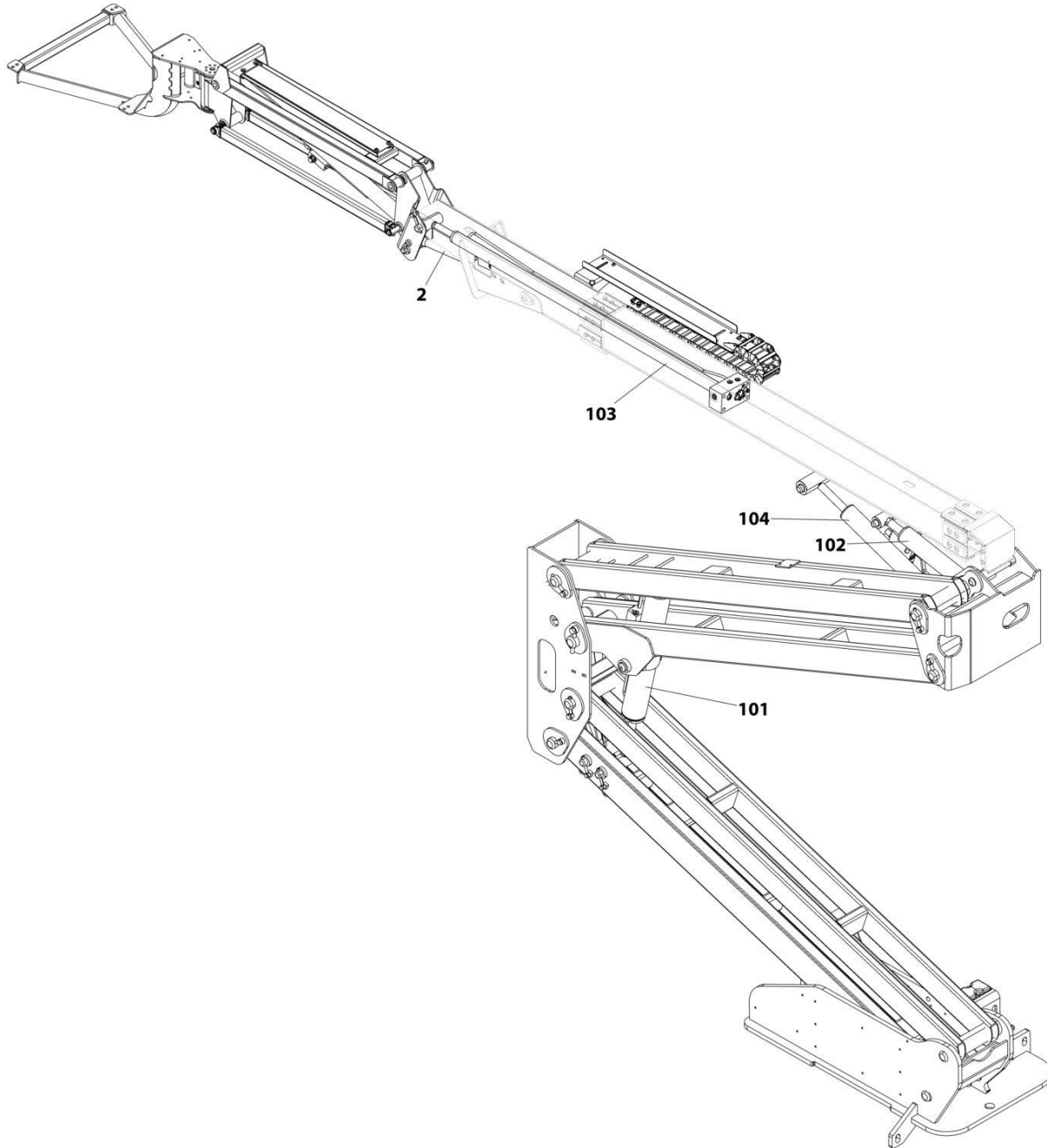
SECTION 3 - ENGINE

ITEM	PART NUMBER	QTY	DESCRIPTION	REV
112	4711000	10	Washer #10	
114	10702077	2	Screw #10 x 3/8	
115	10702082	2	Screw #10 x 3/4	
116	1001152525	1	Plug	
117	1001157520	1	Block, Terminal	
118	1001157521	1	Box, Junction	
119	1001157528	1	Decal - Wiring Schematic	
120	1001158007	1	Cover, PVC	
121	1001158008	2	Stand-Off	
	0273380	Ref	DECAL INSTALLATION	B
202	1705375	1	Decal - 240V-3 Phase-60Hz	
203	1705387	3	Decal - Hazardous Voltage	
204	1705460	2	Decal - SkyPower	

SECTION 4 - BOOM

SECTION 4 - BOOM

FIGURE 4-1. CYLINDERS INSTALLATION - 450A



ART_1001215225

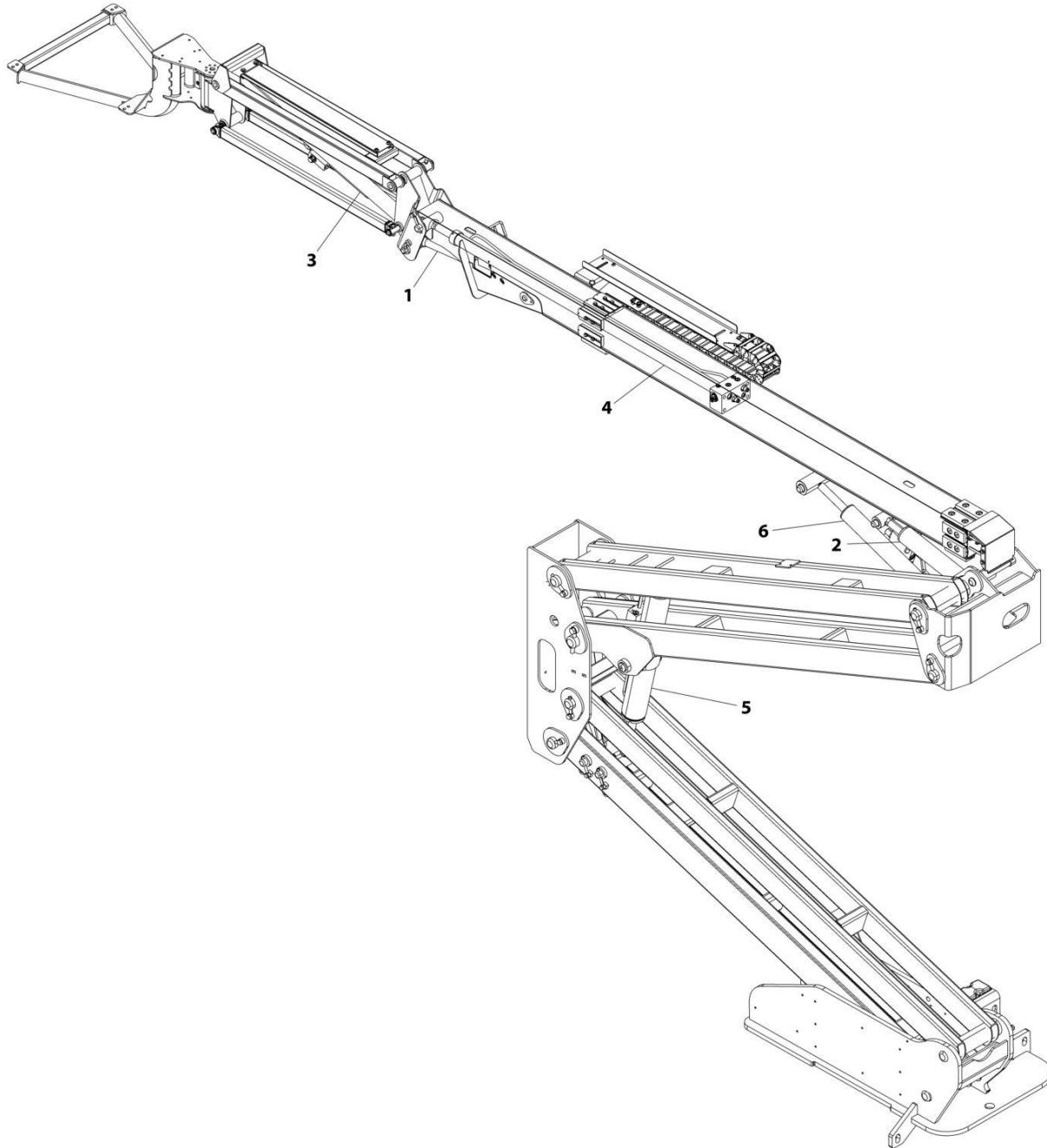
SECTION 4 - BOOM

FIGURE 4-1. CYLINDERS INSTALLATION - 450A

ITEM	PART NUMBER	QTY	DESCRIPTION	REV
	1001215225	Ref	CYLINDERS INSTALLATION - 450A	C
2	1001161716	1	Level (Platform Slave) Cylinder Assembly (See Separate Breakdown in CYLINDER SECTION)	
100	1001219004	Ref	CYLINDER KIT INSTALLATION	B
101	1001161715	1	Lift Cylinder Assembly - Tower Boom (See Separate Breakdown in CYLINDER SECTION)	
102	1001161717	1	Master Cylinder Assembly (See Separate Breakdown in CYLINDER SECTION)	
103	1001161804	1	Telescope Cylinder Assembly (See Separate Breakdown in CYLINDER SECTION)	
104	1001217681	1	Lift Cylinder Assembly - Main Boom (See Separate Breakdown in CYLINDER SECTION)	

SECTION 4 - BOOM

FIGURE 4-2. CYLINDERS INSTALLATION - 450AJ (USA AND CHINA BUILT MACHINES)



ART_1001163856

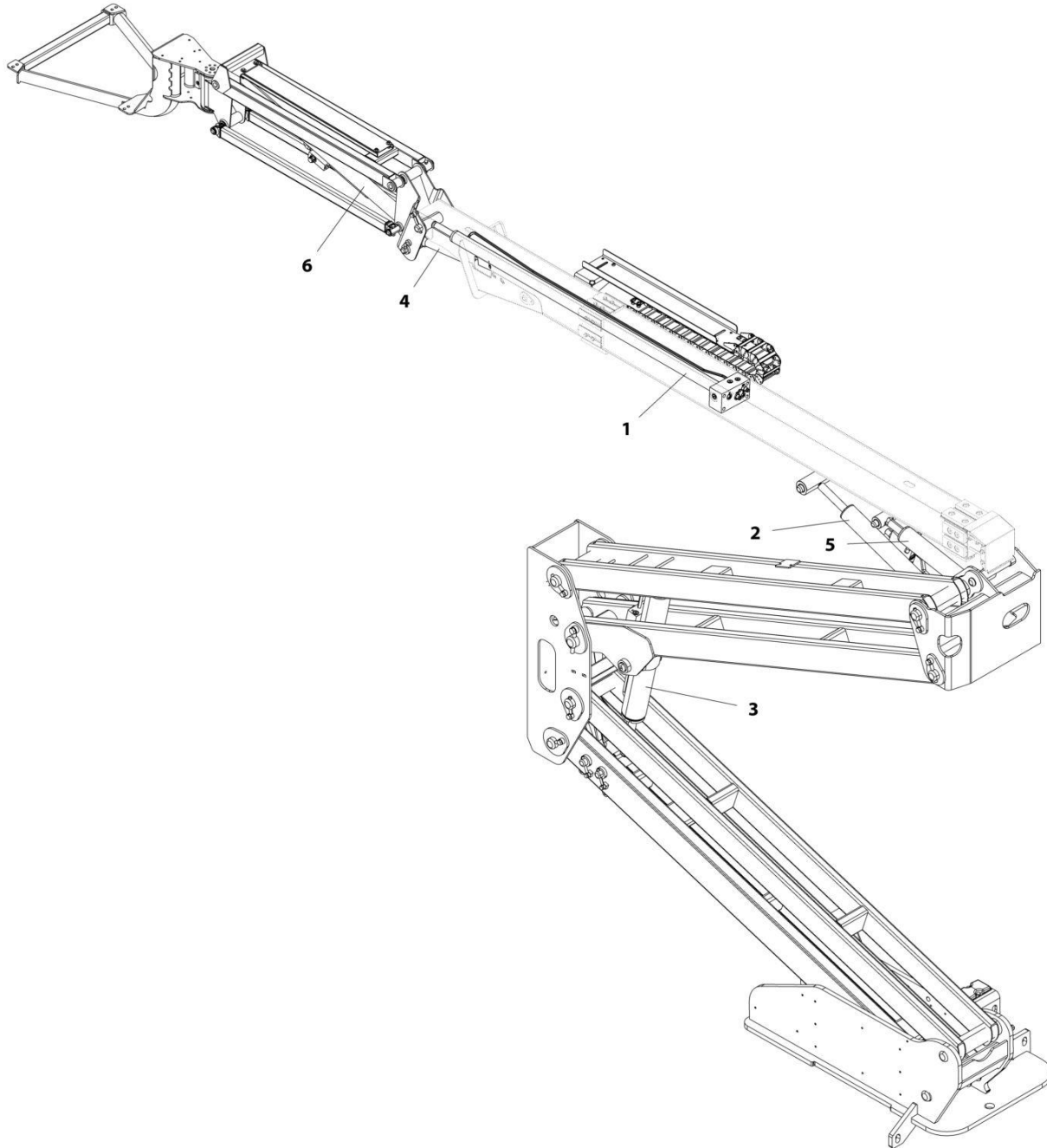
SECTION 4 - BOOM

FIGURE 4-2. CYLINDERS INSTALLATION - 450AJ (USA AND CHINA BUILT MACHINES)

ITEM	PART NUMBER	QTY	DESCRIPTION	REV
	1001163856	Ref	CYLINDERS INSTALLATION	F
1	1001161716	1	Level (Platform Slave) Cylinder Assembly (See Separate Breakdown in CYLINDER Section)	
2	1001161717	1	Master Cylinder Assembly (See Separate Breakdown in CYLINDER Section)	
3	1001163767	1	Lift Cylinder Assembly - Jib (See Separate Breakdown in CYLINDER Section)	
4	1001161713	1	Telescope Cylinder Assembly (See Separate Breakdown in CYLINDER Section) (Prior to SN 0300285053, Prior to SN B300012230)	
4	1001254743	1	Telescope Cylinder Assembly (See Separate Breakdown in CYLINDER Section) (SN 0300285053 to Present, SN B300012230 to Present)	
5	1001161715	1	Lift Cylinder Assembly - Tower Boom (See Separate Breakdown in CYLINDER Section) (Prior to SN 0300285053, Prior to SN B300012230)	
5	1001254716	1	Lift Cylinder Assembly - Tower Boom (See Separate Breakdown in CYLINDER Section) (SN 0300285053 to Present, SN B300012230 to Present)	
6	1001217676	1	Lift Cylinder Assembly - Main Boom (See Separate Breakdown in CYLINDER Section) (Prior to SN 0300285053, Prior to SN B300012230)	
6	1001254742	1	Lift Cylinder Assembly - Main Boom (See Separate Breakdown in CYLINDER Section) (SN 0300285053 to Present, SN B300012230 to Present)	

SECTION 4 - BOOM

FIGURE 4-3. CYLINDERS INSTALLATION - 450AJ (ROMANIAN BUILT MACHINES)



ART_1001163857

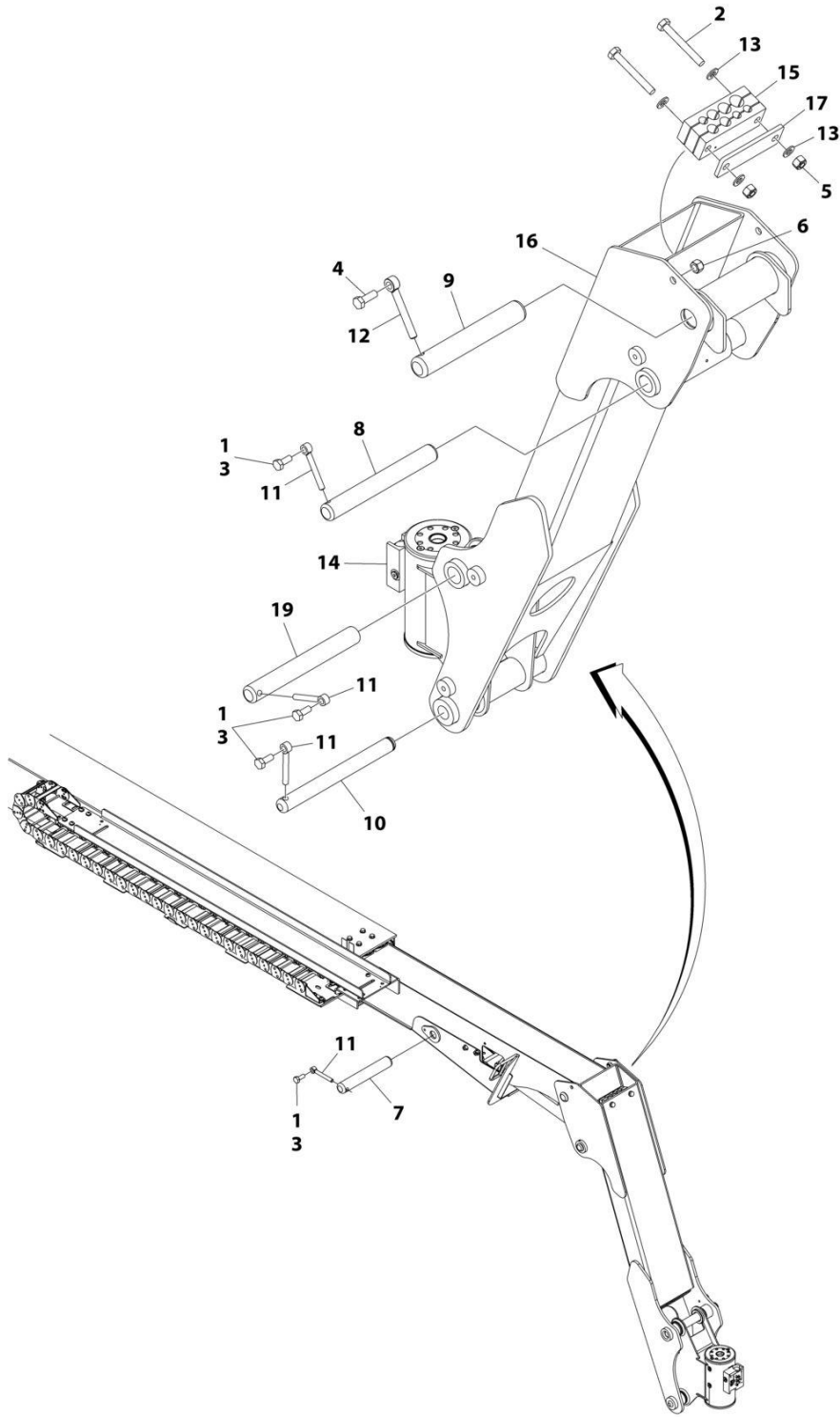
SECTION 4 - BOOM

FIGURE 4-3. CYLINDERS INSTALLATION - 450AJ (ROMANIAN BUILT MACHINES)

ITEM	PART NUMBER	QTY	DESCRIPTION	REV
	1001163857	Ref	CYLINDERS INSTALLATION	C
1	1001161713	1	Telescope Cylinder Assembly (See Separate Breakdown in CYLINDER SECTION)	
2	1001217676	1	Lift Cylinder Assembly - Main Boom (See Separate Breakdown in CYLINDER SECTION)	
3	1001161715	1	Lift Cylinder Assembly - Tower Boom (See Separate Breakdown in CYLINDER SECTION)	
4	1001161716	1	Level (Platform Slave) Cylinder Assembly (See Separate Breakdown in CYLINDER SECTION)	
5	1001161717	1	Master Cylinder Assembly (See Separate Breakdown in CYLINDER SECTION)	
6	1001163767	1	Lift Cylinder Assembly - Jib (See Separate Breakdown in CYLINDER SECTION)	

SECTION 4 - BOOM

FIGURE 4-4. BOOM INSTALLATION - 450A



ART_1001218940

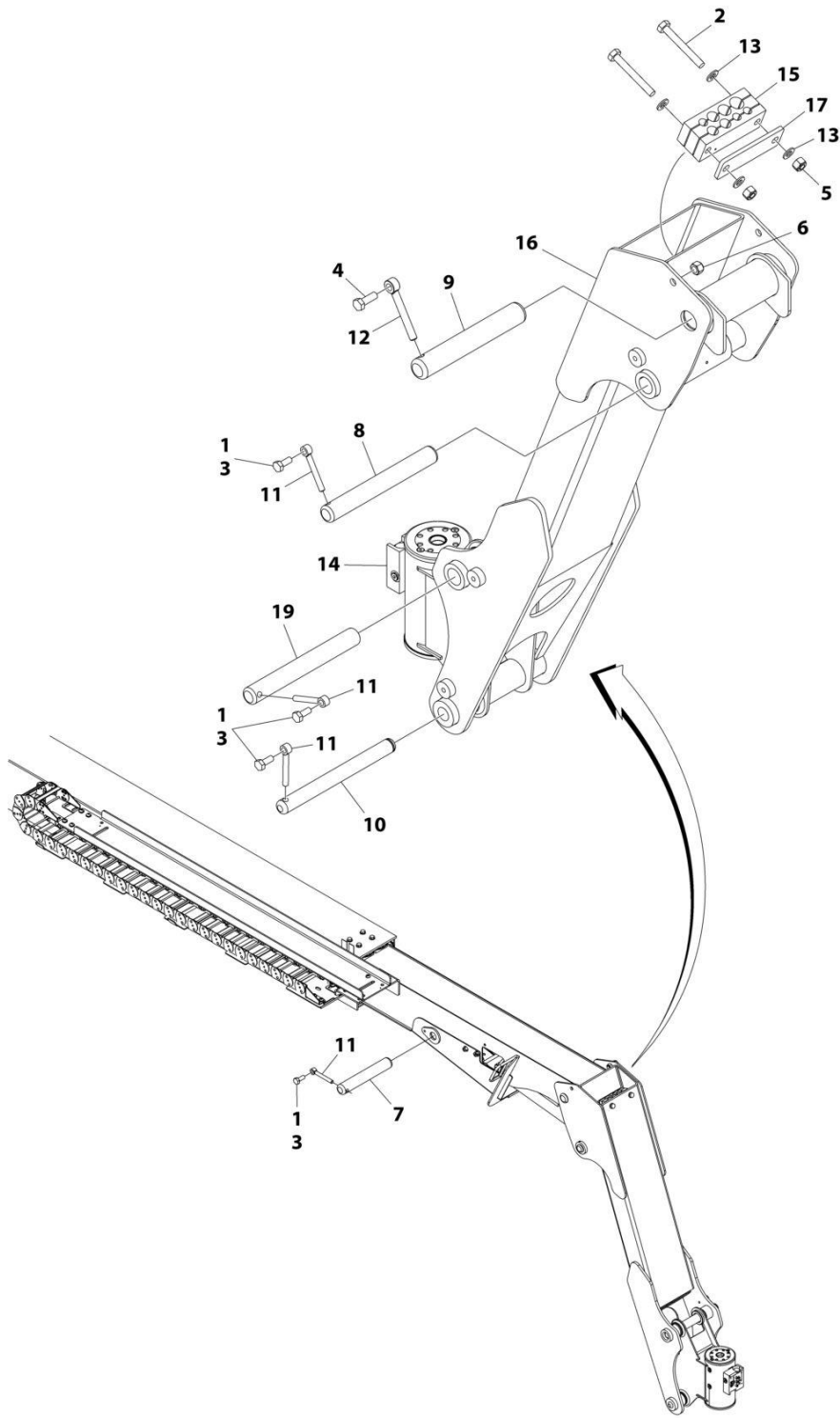
SECTION 4 - BOOM

FIGURE 4-4. BOOM INSTALLATION - 450A

ITEM	PART NUMBER	QTY	DESCRIPTION	REV
	1001218940	Ref	BOOM INSTALLATION - 450A	D
1	0100011	AR	Compound, Locking	
2	0761024	2	Bolt M10 x 80	
3	0761012	4	Bolt M10 x 25	
4	0761015	1	Bolt M10 x 35	
5	3291005	2	Nut M10 (Grade8)	
6	3291205	1	Nut M12 (Grade8)	
7	3422755	1	Pin	
8	3422792	1	Pin	
9	3422793	1	Pin	
10	3423105	1	Pin	
11	3841143	4	Keeper, Pin	
12	3841203	1	Keeper, Pin	
13	4812000	4	Washer M10	
14	1001217779	1	Rotator Assembly (See Separate Breakdown in this Section)	
15	1001273302	1	Block, Clamping	
16	1001215058	1	Link, Fixed Jib	
17	1001216639	1	Clamp	
19	3422790	1	Pin	
100	1001218943	Ref	BOOM INSTALLATION (Not Shown)	A
101	1001219001	1	Cables and Clamps Installation (Not Shown - See Separate Breakdown in ELECTRICAL Section)	
102	1001219003	1	Boom Installation Kit (Not Shown - See Separate Breakdown in this Section)	

SECTION 4 - BOOM

FIGURE 4-5. BOOM INSTALLATION WITH AIRLINE - 450A



ART_1001218941

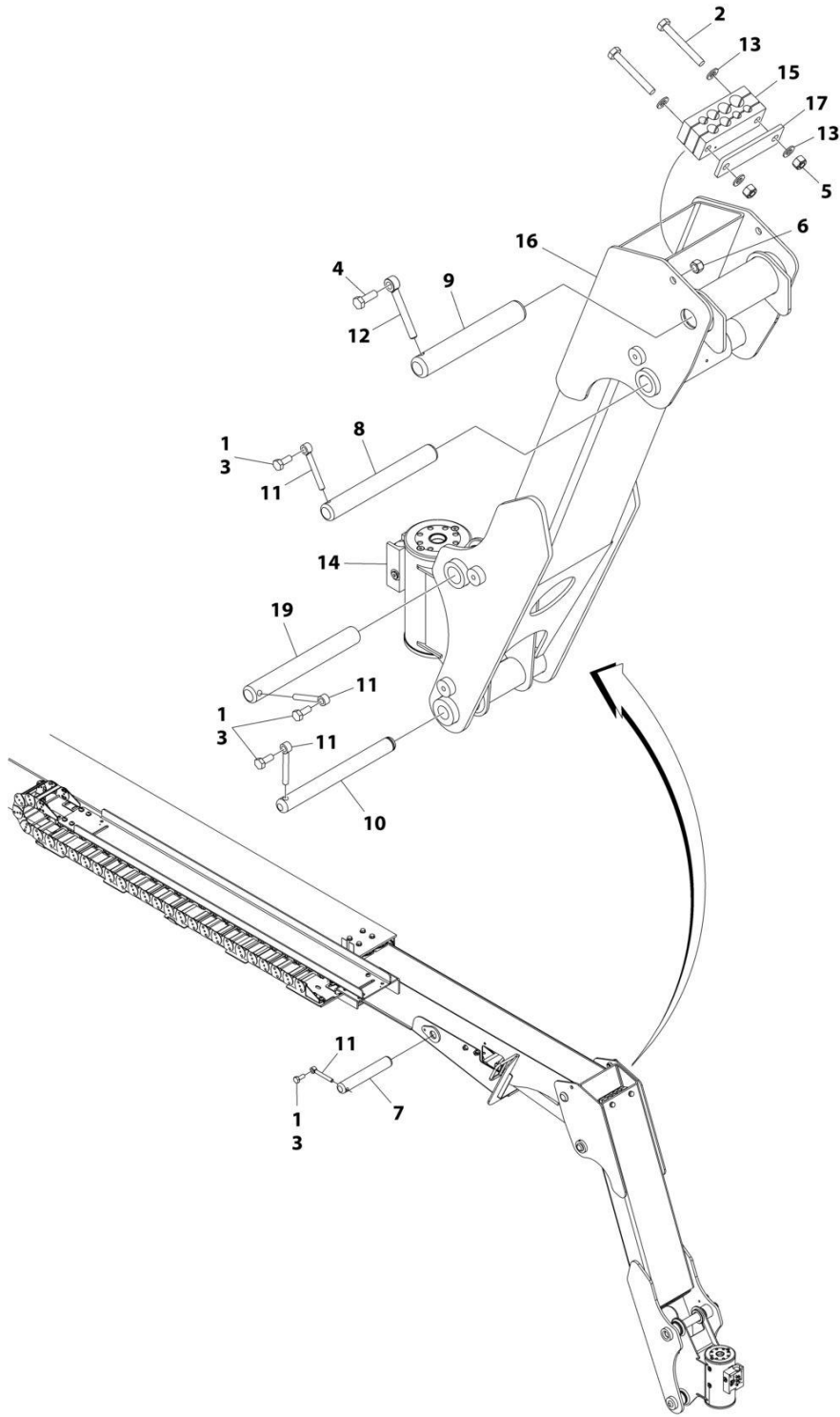
SECTION 4 - BOOM

FIGURE 4-5. BOOM INSTALLATION WITH AIRLINE - 450A

ITEM	PART NUMBER	QTY	DESCRIPTION	REV
	1001218941	Ref	BOOM INSTALLATION WITH AIRLINE- 450A	D
1	0100011	AR	Compound, Locking	
2	0761024	2	Bolt M10 x 80	
3	0761012	4	Bolt M10 x 25	
4	0761015	1	Bolt M10 x 35	
5	3291005	2	Nut M10 (Grade8)	
6	3291205	1	Nut M12 (Grade8)	
7	3422755	1	Pin	
8	3422792	1	Pin	
9	3422793	1	Pin	
10	3423105	1	Pin	
11	3841143	4	Keeper, Pin	
12	3841203	1	Keeper, Pin	
13	4812000	4	Washer M10	
14	1001217779	1	Rotator Assembly (See Separate Breakdown in this Section)	
15	1001273302	1	Block, Clamping	
16	1001215058	1	Link, Fixed Jib	
17	1001216639	1	Clamp	
19	3422790	1	Pin	
100	1001218946	Ref	BOOM INSTALLATION WITH AIRLINE (Not Shown)	A
101	1001219000	1	Airline Installation Kit (Not Shown - See SPECIAL OPTIONS)	
102	1001219001	1	Cables and Clamps Installation (Not Shown - See Separate Breakdown in ELECTRICAL Section)	
103	1001219003	1	Boom Installation Kit (Not Shown - See Separate Breakdown in this Section)	

SECTION 4 - BOOM

FIGURE 4-6. BOOM INSTALLATION WITH SKYPOWER AND AIRLINE - 450A



ART_1001218942

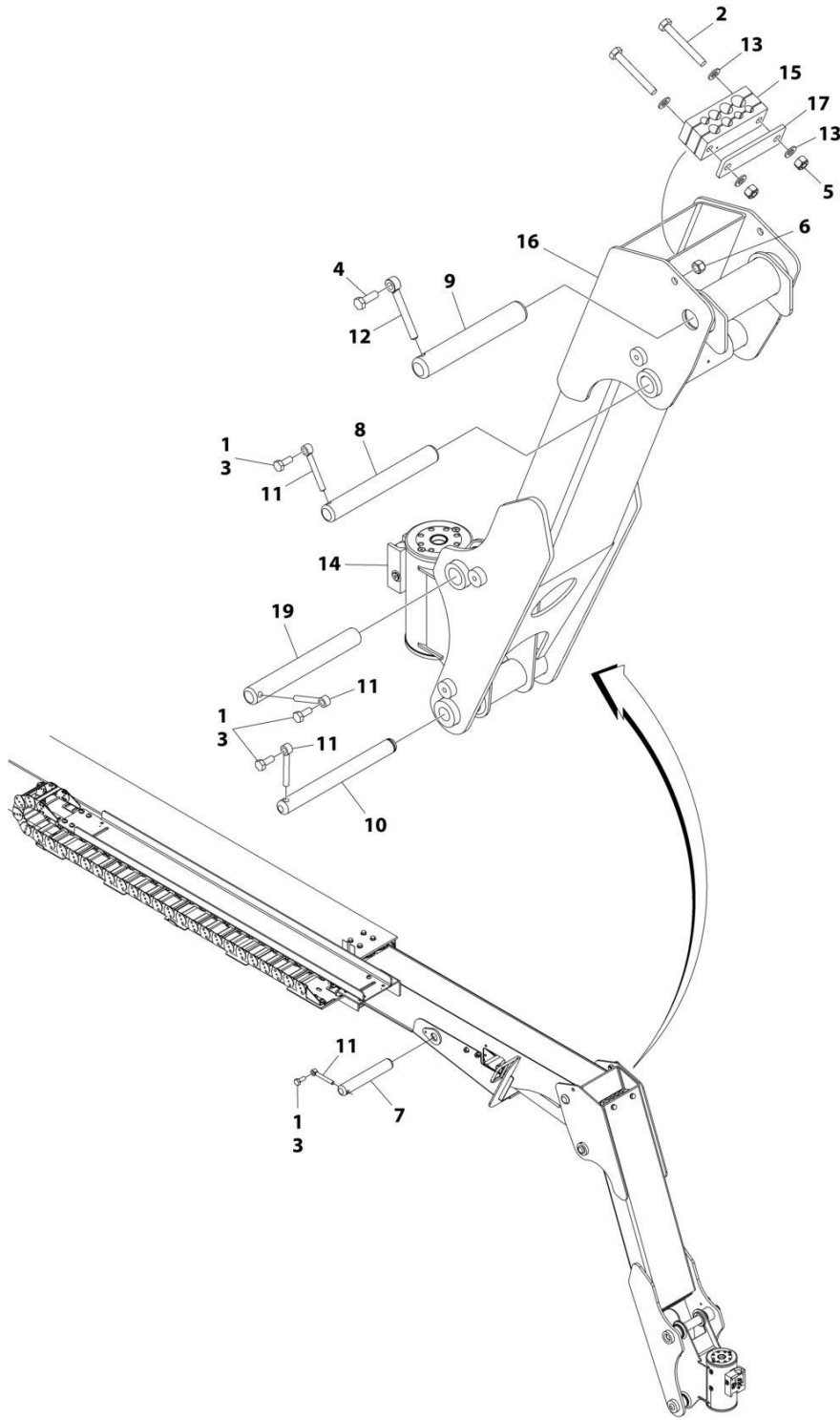
SECTION 4 - BOOM

FIGURE 4-6. BOOM INSTALLATION WITH SKYPOWER AND AIRLINE - 450A

ITEM	PART NUMBER	QTY	DESCRIPTION	REV
	1001218942	Ref	BOOM INSTALLATION WITH SKYPOWER AND AIRLINE- 450A	D
1	0100011	AR	Compound, Locking	
2	0761024	2	Bolt M10 x 80	
3	0761012	4	Bolt M10 x 25	
4	0761015	1	Bolt M10 x 35	
5	3291005	2	Nut M10 (Grade8)	
6	3291205	1	Nut M12 (Grade8)	
7	3422755	1	Pin	
8	3422792	1	Pin	
9	3422793	1	Pin	
10	3423105	1	Pin	
11	3841143	4	Keeper, Pin	
12	3841203	1	Keeper, Pin	
13	4812000	4	Washer M10	
14	1001217779	1	Rotator Assembly (See Separate Breakdown in this Section)	
15	1001273302	1	Block, Clamping	
16	1001215058	1	Link, Fixed Jib	
17	1001216639	1	Clamp	
19	3422790	1	Pin	
100	1001218947	Ref	BOOM INSTALLATION WITH AIRLINE (Not Shown)	A
101	1001219000	1	Airline Installation Kit (Not Shown - See SPECIAL OPTIONS)	
102	1001219002	1	Boom Installation Kit (Not Shown - See Separate Breakdown in this Section)	
103	1001219003	1	Boom Installation Kit (Not Shown - See Separate Breakdown in this Section)	

SECTION 4 - BOOM

FIGURE 4-7. BOOM INSTALLATION WITH SKYPOWER - 450A



ART_1001235055

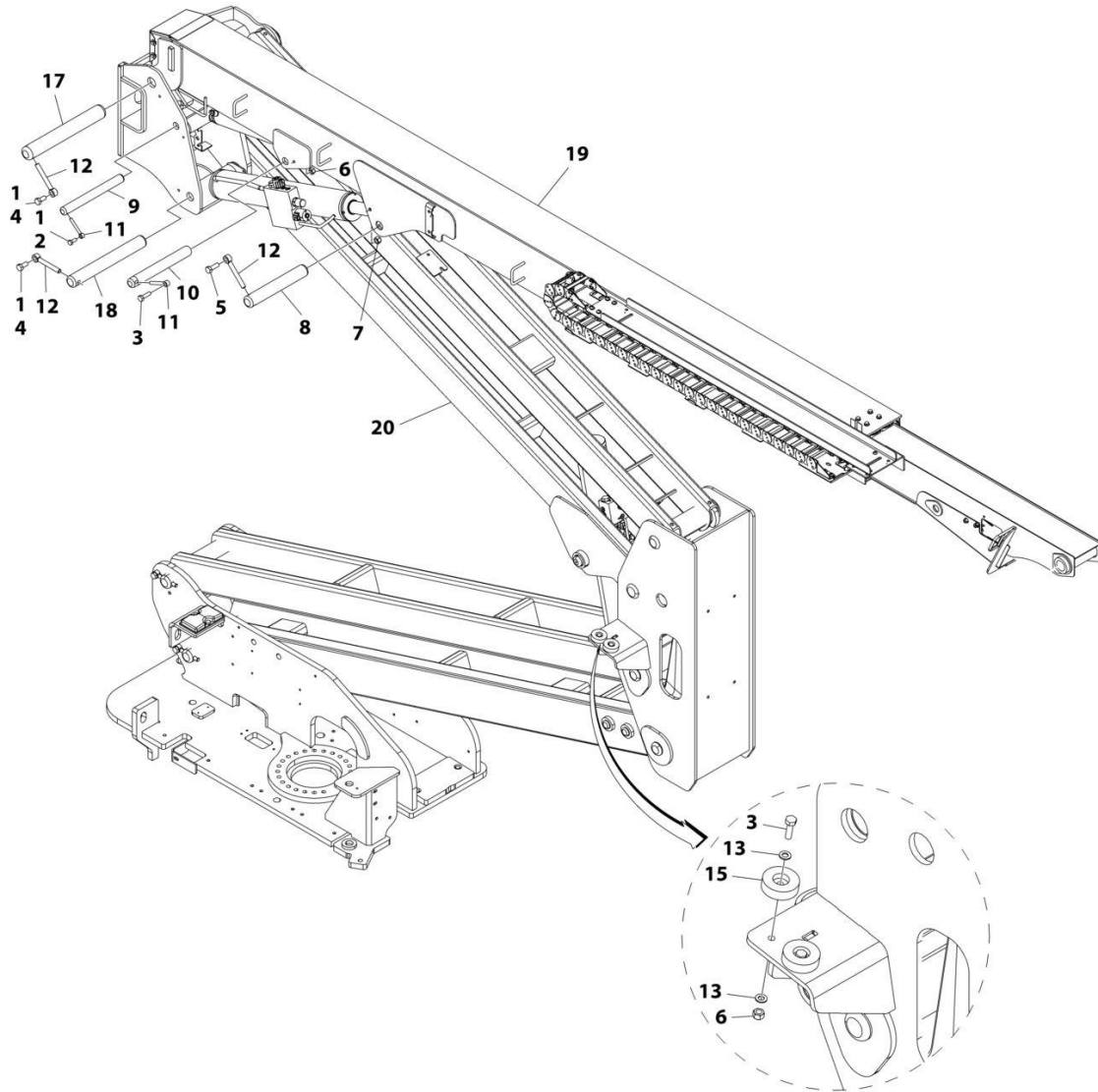
SECTION 4 - BOOM

FIGURE 4-7. BOOM INSTALLATION WITH SKYPOWER - 450A

ITEM	PART NUMBER	QTY	DESCRIPTION	REV
	1001235055	Ref	BOOM INSTALLATION WITH SKYPOWER	B
1	0100011	AR	Compound, Locking	
2	0761024	2	Bolt M10 x 80	
3	0761012	4	Bolt M10 x 25	
4	0761015	1	Bolt M10 x 35	
5	3291005	2	Nut M10 (Grade8)	
6	3291205	1	Nut M12 (Grade8)	
7	3422755	1	Pin	
8	3422792	1	Pin	
9	3422793	1	Pin	
10	3423105	1	Pin	
11	3841143	4	Keeper, Pin	
12	3841203	1	Keeper, Pin	
13	4812000	4	Washer M10	
14	1001217779	1	Rotator Assembly (See Separate Breakdown in this Section)	
15	1001273302	1	Block, Clamping	
16	1001215058	1	Link, Fixed Jib	
17	1001216639	1	Clamp	
19	3422790	1	Pin	
100	1001235053	Ref	BOOM INSTALLATION WITH AIRLINE (Not Shown)	A
101	1001219002	1	Cables and Clamps Installation (Not Shown - See Separate Breakdown in ELECTRICAL Section)	
102	1001219003	1	Boom Installation Kit (Not Shown - See Separate Breakdown in this Section)	

SECTION 4 - BOOM

FIGURE 4-8. BOOM INSTALLATION KIT - 450A



ART_1001219003

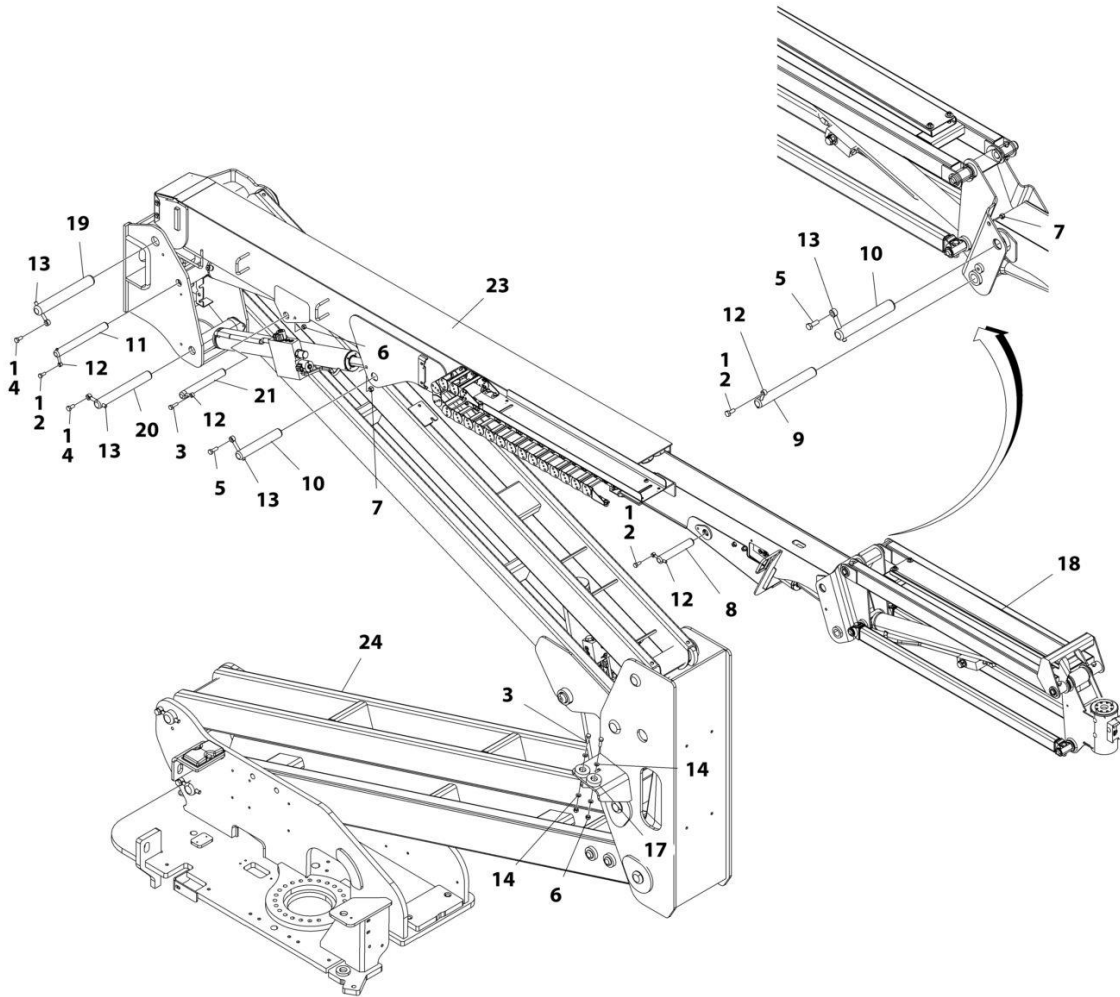
SECTION 4 - BOOM

FIGURE 4-8. BOOM INSTALLATION KIT - 450A

ITEM	PART NUMBER	QTY	DESCRIPTION	REV
	1001219003	Ref	BOOM INSTALLATION KIT - 450A	C
1	0100011	AR	Compound, Locking	
2	0761012	1	Bolt M10 x 25	
3	0761015	3	Bolt M10 x 35	
4	0761212	2	Bolt M12 x 25	
5	0761215	1	Bolt M12 x 35	
6	3291005	3	Nut M10 (Grade8)	
7	3291205	2	Nut M12 (Grade8)	
8	3422793	2	Pin	
9	3422806	1	Pin	
10	3423038	1	Pin	
11	3841143	2	Keeper, Pin	
12	3841203	3	Keeper, Pin	
13	4812000	4	Washer M10	
14	5251010	2	Bolt M10 x 25	
15	1001112607	2	Block, Boom Rest	
16	1001162535	1	Upright Valve Assembly (Not Shown - See Separate Breakdown in this Section)	
17	1001169246	1	Pin	
18	1001169247	1	Pin	
19	1001179626	1	Main Boom Assembly (See Separate Breakdown in this Section)	
20	1001180006	1	Tower Boom Assembly (See Separate Breakdown in this Section)	
200	1001219004	1	Cylinder Installation (Not Shown - See 450A Cylinders Installation in this Section)	

SECTION 4 - BOOM

FIGURE 4-9. BOOM INSTALLATION - 450AJ USA AND CHINA BUILT MACHINES



ART_1001180872

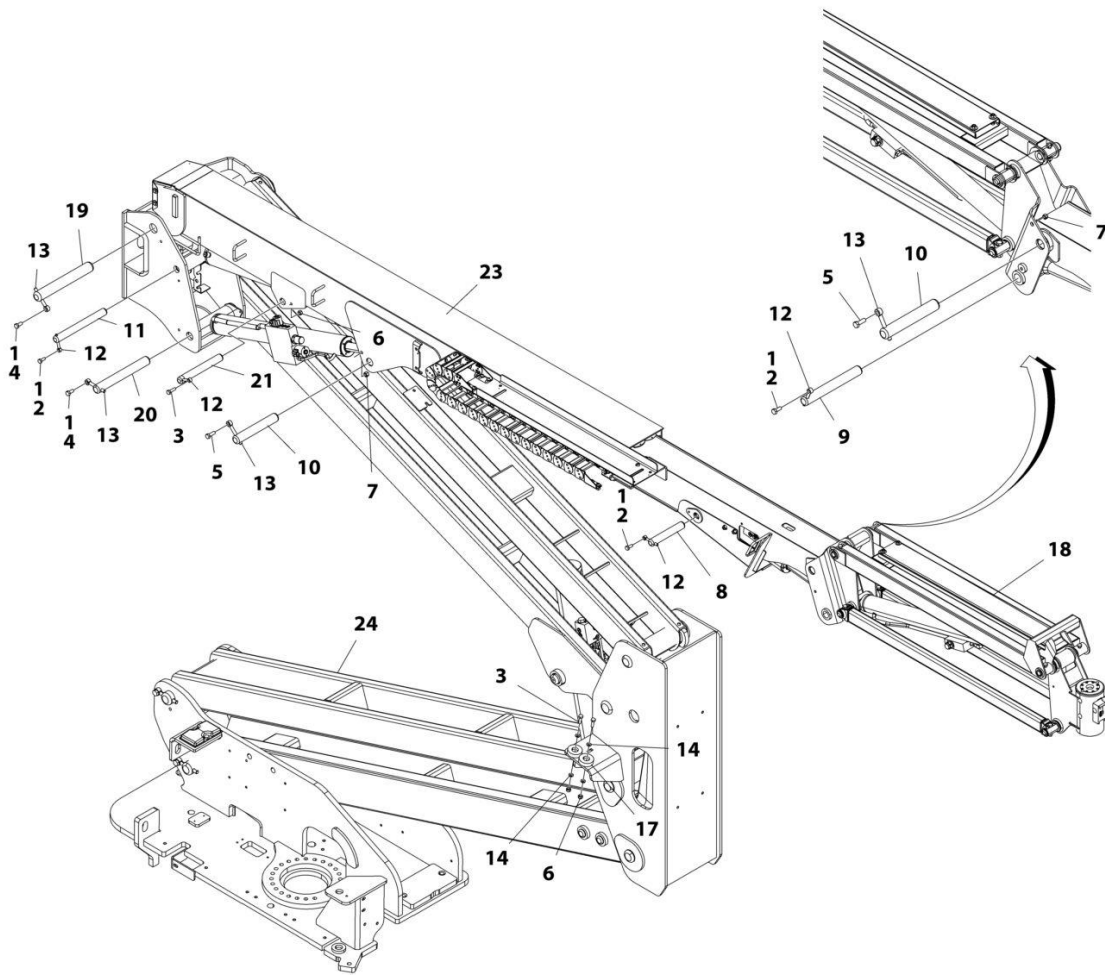
SECTION 4 - BOOM

FIGURE 4-9. BOOM INSTALLATION - 450AJ USA AND CHINA BUILT MACHINES

ITEM	PART NUMBER	QTY	DESCRIPTION	REV
	1001180872	Ref	BOOM INSTALLATION - 450AJ	D
1	0100011	AR	Compound, Locking	
2	0761012	3	Bolt M10 x 25	
3	0761015	3	Bolt M10 x 35	
4	0761212	2	Bolt M12 x 25	
5	0761215	2	Bolt M12 x 35	
6	3291005	3	Nut M10 (Grade8)	
7	3291205	2	Nut M12 (Grade8)	
8	3422755	1	Pin	
9	3422792	1	Pin	
10	3422793	2	Pin	
11	3422806	1	Pin	
12	3841143	4	Keeper, Pin	
13	3841203	4	Keeper, Pin	
14	4812000	4	Washer M10	
17	1001112607	2	Block, Boom Rest	
18	1001164016	1	Jib Installation (See Separate Breakdown in this Section)	
19	1001169246	1	Pin	
20	1001169247	1	Pin	
21	3423038	1	Pin	
23	1001178636	1	Main Boom Assembly (See Separate Breakdown in this Section)	
24	1001180004	1	Tower Boom Assembly (See Separate Breakdown in this Section)	

SECTION 4 - BOOM

FIGURE 4-10. BOOM INSTALLATION - 450AJ ROMANIAN BUILT MACHINES



ART_1001180873

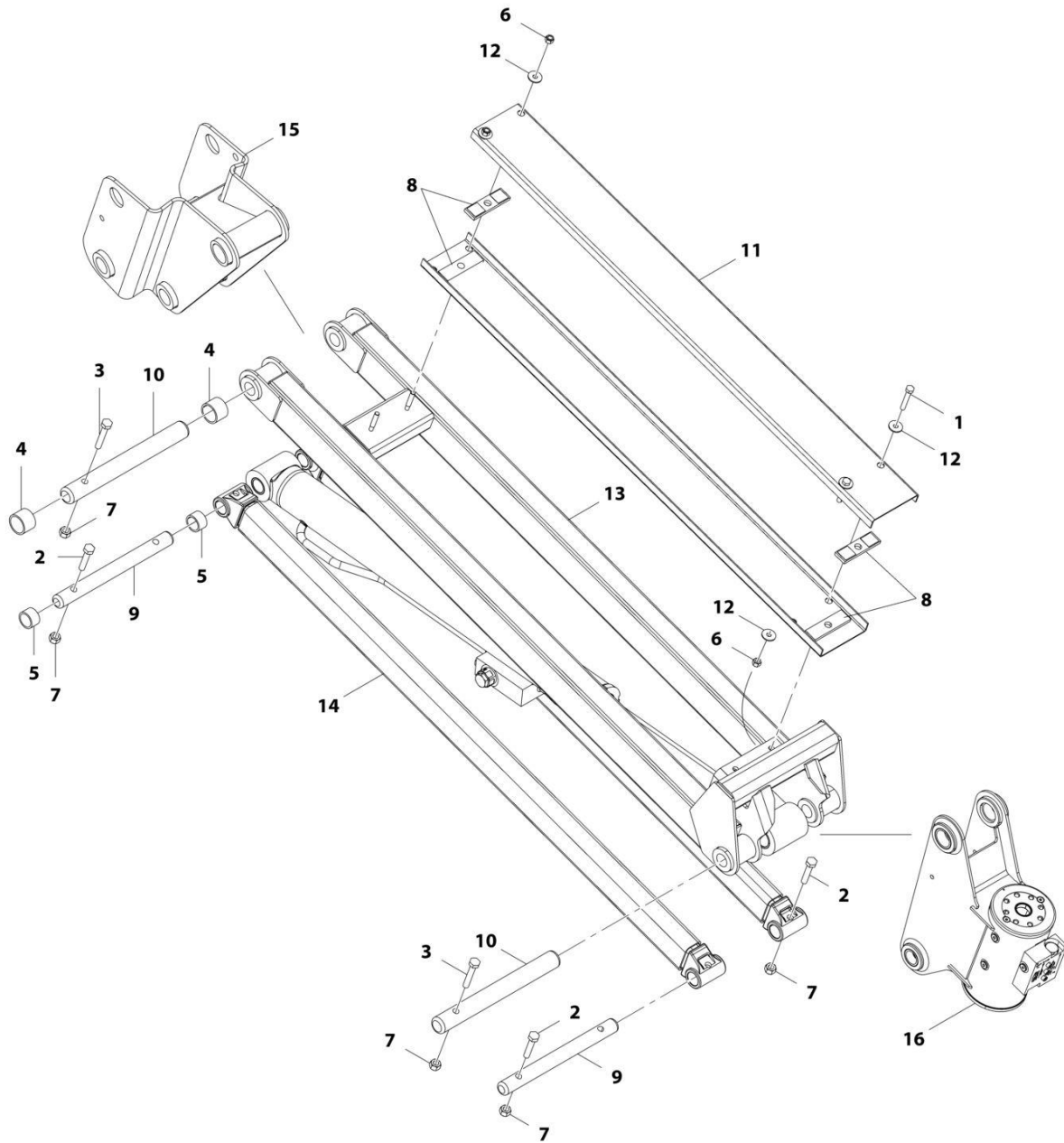
SECTION 4 - BOOM

FIGURE 4-10. BOOM INSTALLATION - 450AJ ROMANIAN BUILT MACHINES

ITEM	PART NUMBER	QTY	DESCRIPTION	REV
	1001180873	Ref	BOOM INSTALLATION - 450AJ ROMANIAN BUILT MACHINES	C
1	0100011	AR	Compound, Locking	
2	0761012	3	Bolt M10 x 25	
3	0761015	3	Bolt M10 x 35	
4	0761212	2	Bolt M12 x 25	
5	0761215	2	Bolt M12 x 35	
6	3291005	3	Nut M10	
7	3291205	2	Nut M12	
8	3422755	1	Pin	
9	3422792	1	Pin	
10	3422793	2	Pin	
11	3422806	1	Pin	
12	3841143	4	Keeper, Pin	
13	3841203	4	Keeper, Pin	
14	4812000	4	Washer M10	
17	1001112607	2	Block, Boom Rest	
18	1001164017	1	Jib Installation (See Separate Breakdown in this Section)	
19	1001169246	1	Pin	
20	1001169247	1	Pin	
21	3423038	1	Pin	
23	1001178636	1	Main Boom Assembly (See Separate Breakdown in this Section)	
24	1001180005	1	Tower Boom Assembly (See Separate Breakdown in this Section)	

SECTION 4 - BOOM

FIGURE 4-11. JIB INSTALLATION - USA AND CHINA BUILT MACHINES



ART_1001164016

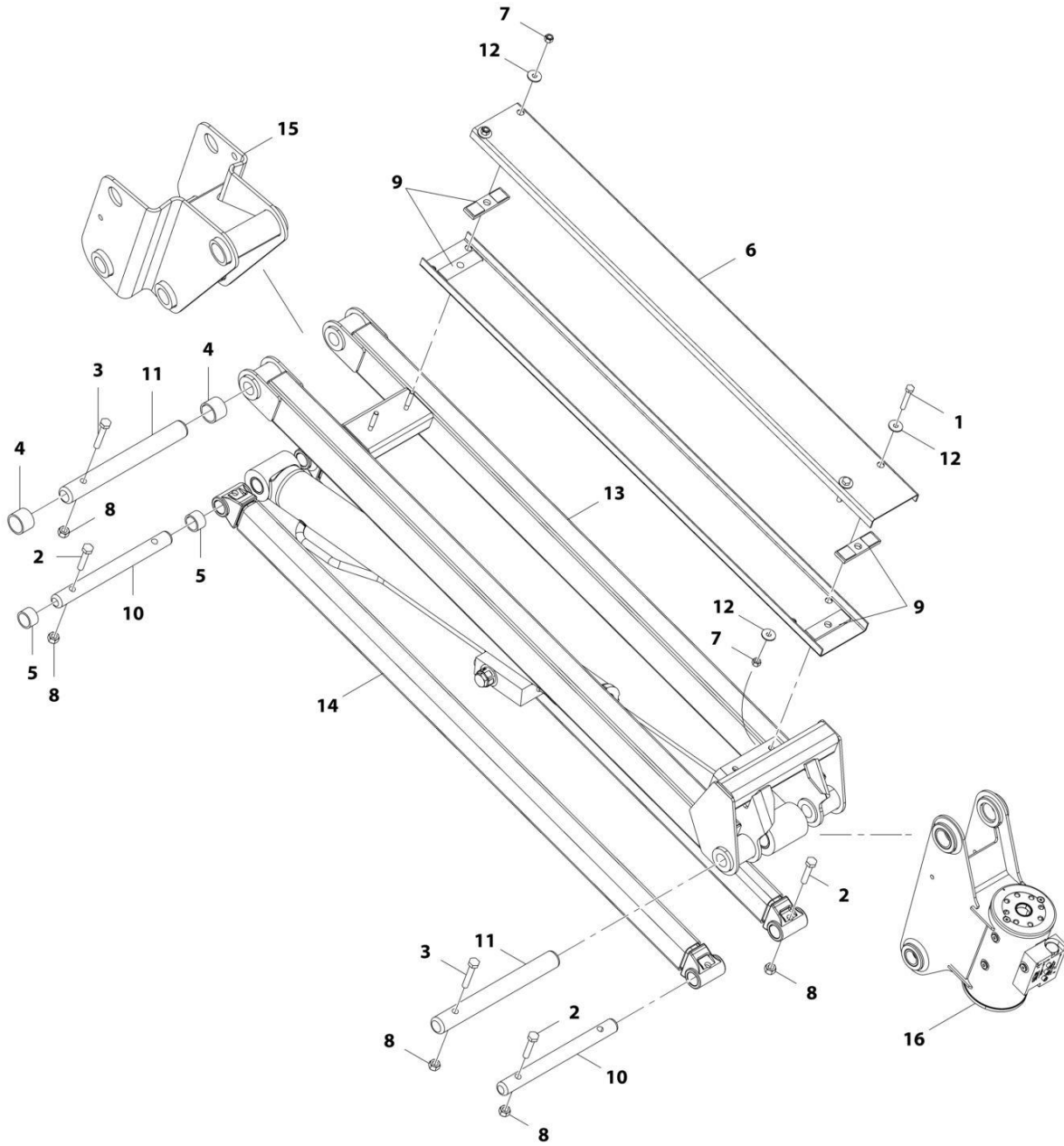
SECTION 4 - BOOM

FIGURE 4-11. JIB INSTALLATION - USA AND CHINA BUILT MACHINES

ITEM	PART NUMBER	QTY	DESCRIPTION	REV
	1001164016	Ref	JIB INSTALLATION	D
1	0700820	2	Bolt M8 x 60	
2	0701019	4	Bolt M10 x 55	
3	0701020	2	Bolt M10 x 60	
4	0961951	2	Bushing	
5	0962292	2	Bearing	
6	3290805	4	Nut M8	
7	3291005	6	Nut M10	
8	3340860	4	Pad, Rubber	
9	3422791	2	Pin	
10	1001116550	2	Pin	
11	3572551	2	Channel	
12	4811902	6	Washer M8	
13	1001118482	1	Link (Upper)	
14	1001094670	2	Link (Lower)	
15	1001163937	1	Pivot	
16	1001217779	1	Rotator Assembly (See Separate Breakdown in this Section)	

SECTION 4 - BOOM

FIGURE 4-12. JIB INSTALLATION - ROMANIAN BUILT MACHINES



ART_1001164017

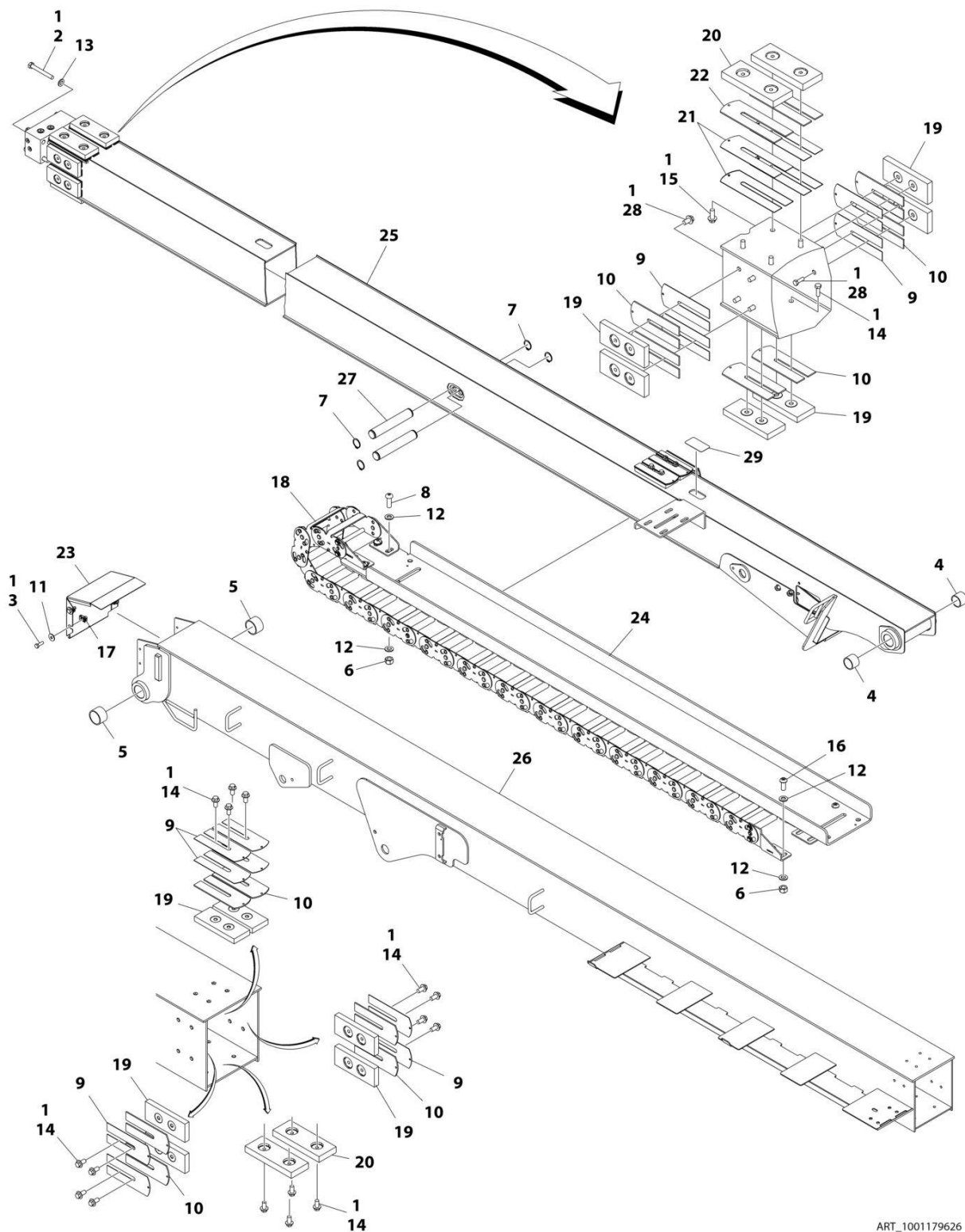
SECTION 4 - BOOM

FIGURE 4-12. JIB INSTALLATION - ROMANIAN BUILT MACHINES

ITEM	PART NUMBER	QTY	DESCRIPTION	REV
	1001164017	Ref	JIB INSTALLATION	D
1	0700820	2	Bolt M8 x 60	
2	0701019	4	Bolt M8 x 55	
3	0701020	2	Bolt M10 x 60	
4	0961951	2	Bushing	
5	0962292	2	Bearing	
6	3572551	2	Channel	
7	3290805	4	Nut M8	
8	3291005	6	Nut M10	
9	3340860	4	Pad, Rubber	
10	3422791	2	Pin	
11	1001116550	2	Pin	
12	4811902	6	Washer M8	
13	1001183171	1	Link (Upper)	
14	4846689	2	Link (Lower)	
15	1001163937	1	Pivot	
16	1001217779	1	Rotator Assembly (See Separate Breakdown in this Section)	

SECTION 4 - BOOM

FIGURE 4-13. MAIN BOOM ASSEMBLY - 450A



ART_1001179626

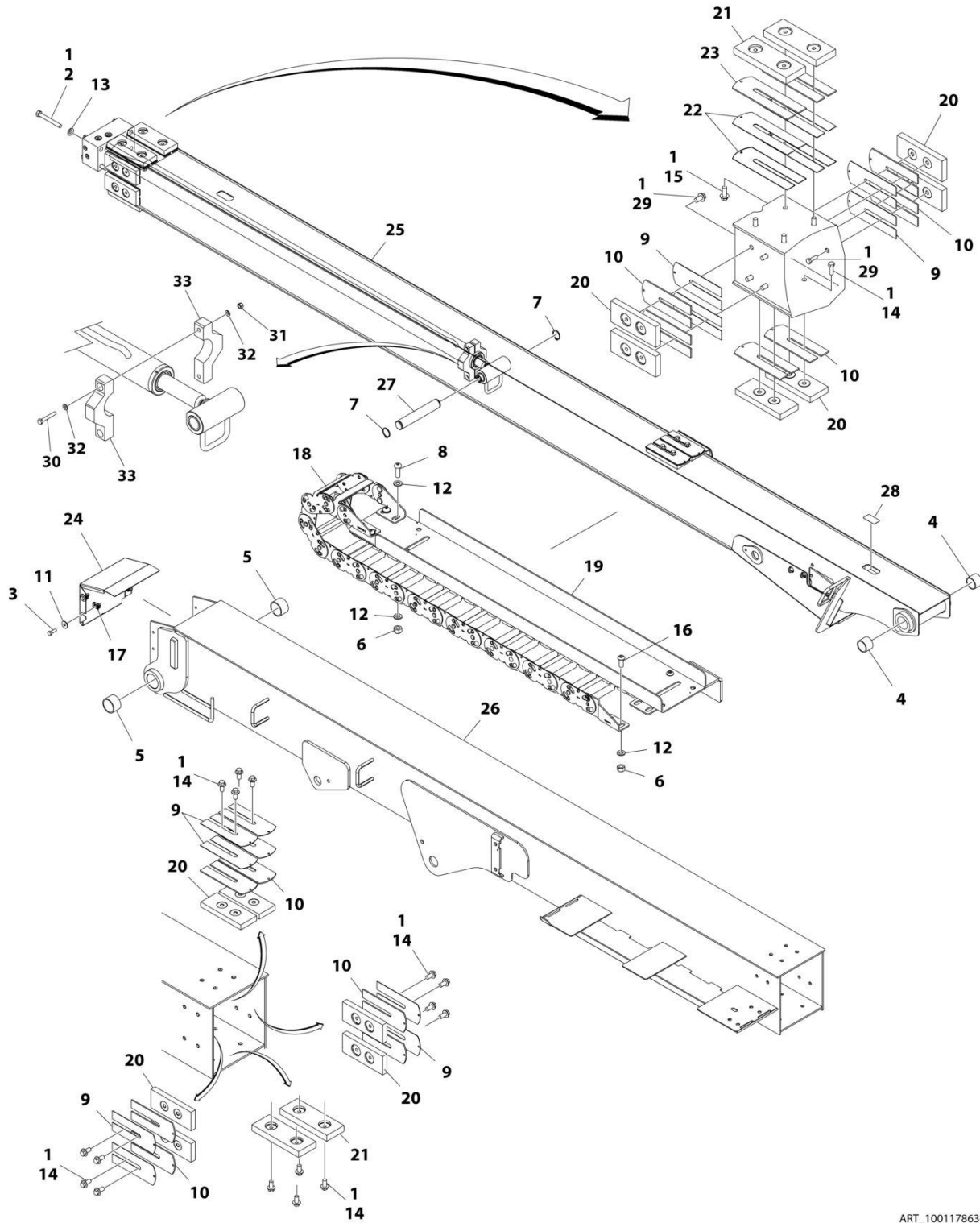
SECTION 4 - BOOM

FIGURE 4-13. MAIN BOOM ASSEMBLY - 450A

ITEM	PART NUMBER	QTY	DESCRIPTION	REV
	1001179626	Ref	MAIN BOOM ASSEMBLY	D
1	0100011	AR	Compound, Locking	
2	0711227	4	Bolt M12 x 100	
3	0760812	4	Bolt M8 x 25	
4	0961948	2	Bearing	
5	0961949	2	Bearing	
6	3291005	10	Nut M10	
7	3760351	4	Ring, Retaining	
8	3900351	4	Screw M10 x 30	
9	4070897	12	Shim	
10	4070898	12	Shim	
11	4811902	4	Washer M8	
12	4812000	18	Washer M10	
13	5241200	4	Washer M12 Hardened	
14	5251010	20	Bolt M10 x 20	
15	5251012	4	Bolt M10 x 25	
16	8310668	6	Screw M10 x 25 Grade 10.9	
17	1001118274	4	Nut M8	
18	1001224894	1	Powertrack Assembly	
18	70006256	1	Link, Repair	
18	70006272	1	Feet, Mounting	
19	1001169304	12	Pad, Wear	
20	1001169305	4	Pad, Wear	
21	1001169402	4	Shim	
22	1001169403	2	Shim	
23	1001170226	1	Cover, Boom End	
24	1001170334	1	Tube, Carrier	
25	1001178554	1	Fly, Boom	
26	1001178555	1	Base, Boom	
27	1001180541	2	Pin	
28	5251009	8	Bolt M10 x 18	
29	1670836	1	Cover	

SECTION 4 - BOOM

FIGURE 4-14. MAIN BOOM ASSEMBLY - 450AJ



ART_1001178636

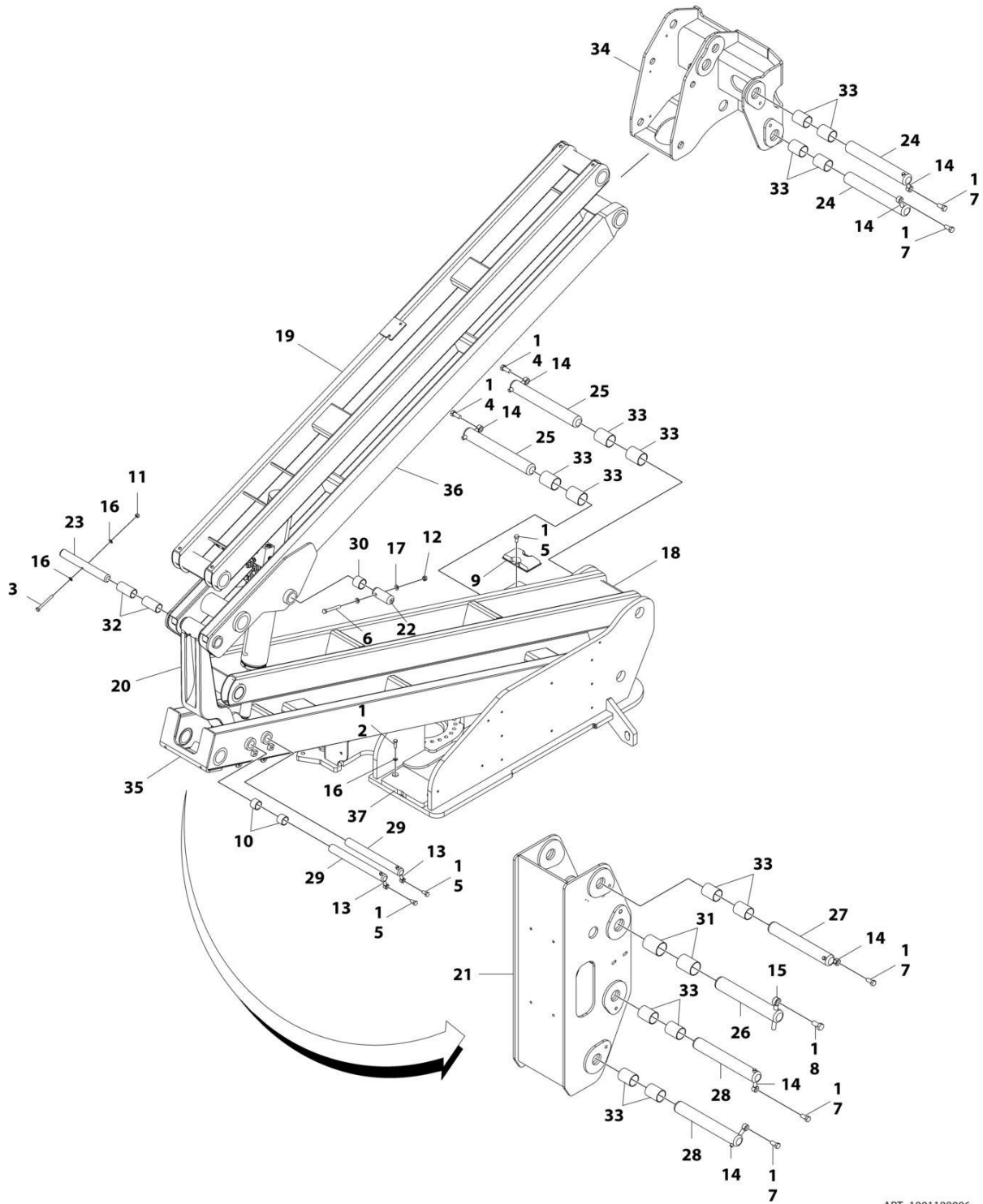
SECTION 4 - BOOM

FIGURE 4-14. MAIN BOOM ASSEMBLY - 450AJ

ITEM	PART NUMBER	QTY	DESCRIPTION	REV
	1001178636	Ref	MAIN BOOM ASSEMBLY	D
1	0100011	AR	Compound, Locking	
2	0711227	4	Bolt M12 x 100	
3	0760812	4	Bolt M8 x 25	
4	0961948	2	Bearing	
5	0961949	2	Bearing	
6	3291005	10	Nut M10	
7	3760115	2	Ring, Retaining	
8	3900351	4	Screw M10 x 30	
9	4070897	12	Shim	
10	4070898	12	Shim	
11	4811902	4	Washer M8	
12	4812000	18	Washer M10	
13	5241200	4	Washer M12	
14	5251010	20	Bolt M10 x 20	
15	5251012	4	Bolt M10 x 25	
16	8310668	6	Screw M10 x 25	
17	1001118274	4	Nut M8	
18	1001224889	1	Powertrack Assembly	
18	70006256	1	Link, Repair	
18	70006271	1	Feet, Mounting	
19	1001166651	1	Tube, Carrier	
20	1001169304	12	Pad, Wear	
21	1001169305	4	Pad, Wear	
22	1001169402	4	Shim	
23	1001169403	2	Shim	
24	1001170226	1	Cover, Boom End	
25	1001177896	1	Fly, Boom	
26	1001177897	1	Base, Boom	
27	1001180540	1	Pin	
28	1670836	1	Cover	
29	5251009	8	Bolt M10 x 18	
30	0700616	2	Bolt M6 x 40	
31	3290605	2	Nut M6	
32	4811700	4	Washer M6	
33	1001270208	2	Support	

SECTION 4 - BOOM

FIGURE 4-15. TOWER BOOM ASSEMBLY - 450A



ART_1001180006

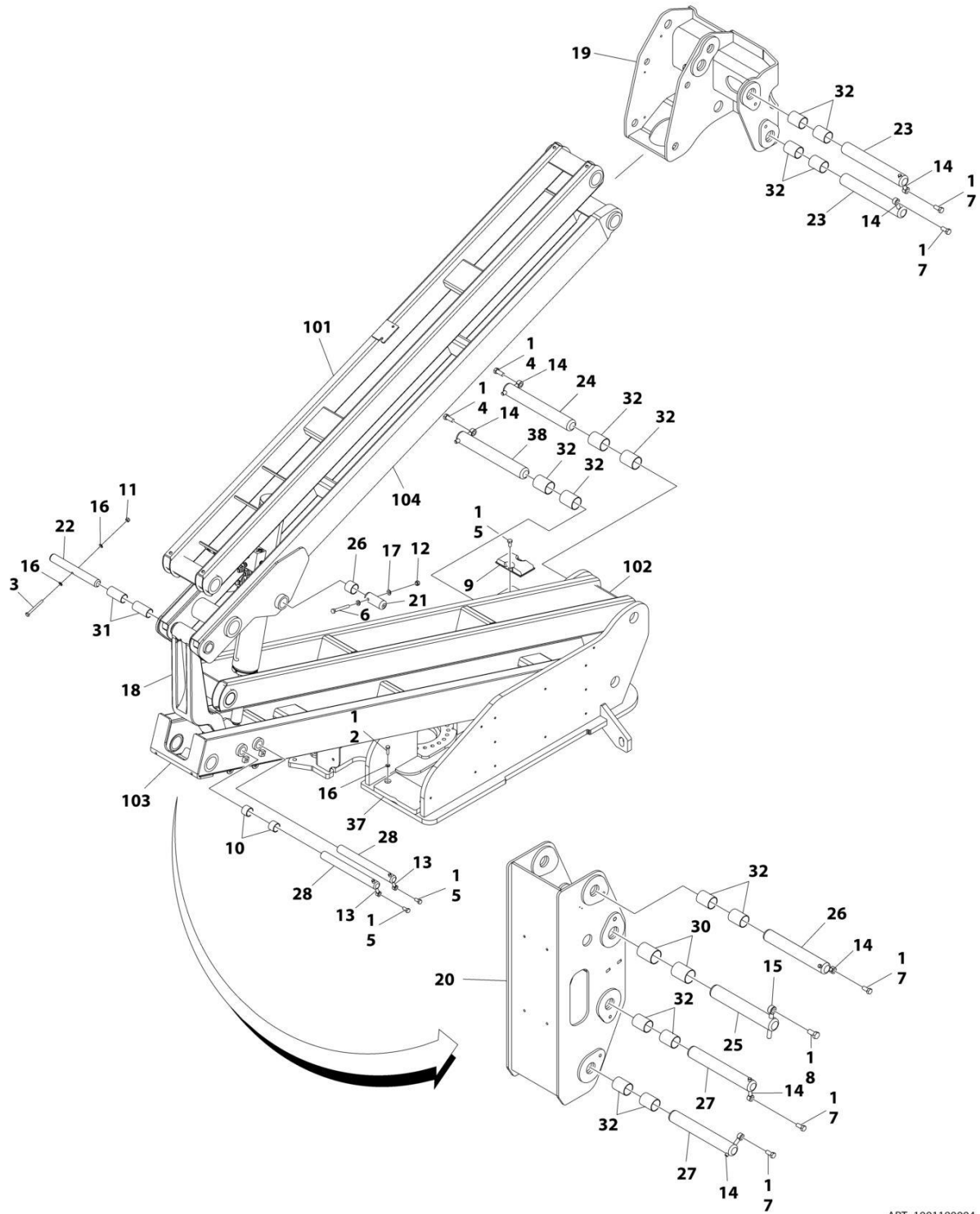
SECTION 4 - BOOM

FIGURE 4-15. TOWER BOOM ASSEMBLY - 450A

ITEM	PART NUMBER	QTY	DESCRIPTION	REV
	1001180006	Ref	TOWER BOOM ASSEMBLY - 450A	B
1	0100011	AR	Compound, Locking	
2	0701015	2	Bolt M10 x 35	
3	0701027	1	Bolt M10 x 100	
4	0701616	2	Bolt M16 x 40	
5	0761212	4	Bolt M12 x 25	
6	0761227	2	Bolt M12 x 100	
7	0761615	5	Bolt M16 x 35	
8	0762016	1	Bolt M20 x 40	
9	0940048	1	Bumper	
10	0961948	2	Bearing	
11	3291005	1	Nut M10	
12	3291205	2	Nut M12	
13	3841203	2	Keeper, Pin	
14	3841258	7	Keeper, Pin	
15	3841287	1	Keeper, Pin	
16	4812000	4	Washer M10	
17	4812100	4	Washer M12	
18	1001160859	1	Link, Lower Tower Boom	
19	1001160872	1	Link, Upper Tower Boom	
20	1001166096	1	Link, Timing	
21	1001166853	1	Upright, Lower	
22	1001169240	2	Pin	
23	1001169241	1	Pin	
24	1001169242	2	Pin	
25	1001169249	2	Pin	
26	1001169295	1	Pin	
27	1001169296	1	Pin	
28	1001169297	2	Pin	
29	1001169298	2	Pin	
30	1001169299	2	Bearing	
31	1001169300	2	Bearing	
32	1001169301	2	Bearing	
33	1001169302	14	Bearing	
34	1001174065	1	Upright, Upper	
35	1001178133	1	Tower Boom (Lower)	
36	1001178135	1	Tower, Boom (Upper)	
37	1001180056	1	Pad, Wear	
38	1001227993	1	Tower Boom Kit (Not Shown – Includes Items 18, 19, 35 & 36)	

SECTION 4 - BOOM

FIGURE 4-16. TOWER BOOM ASSEMBLY - 450AJ USA AND CHINA BUILT MACHINES



ART_1001180004

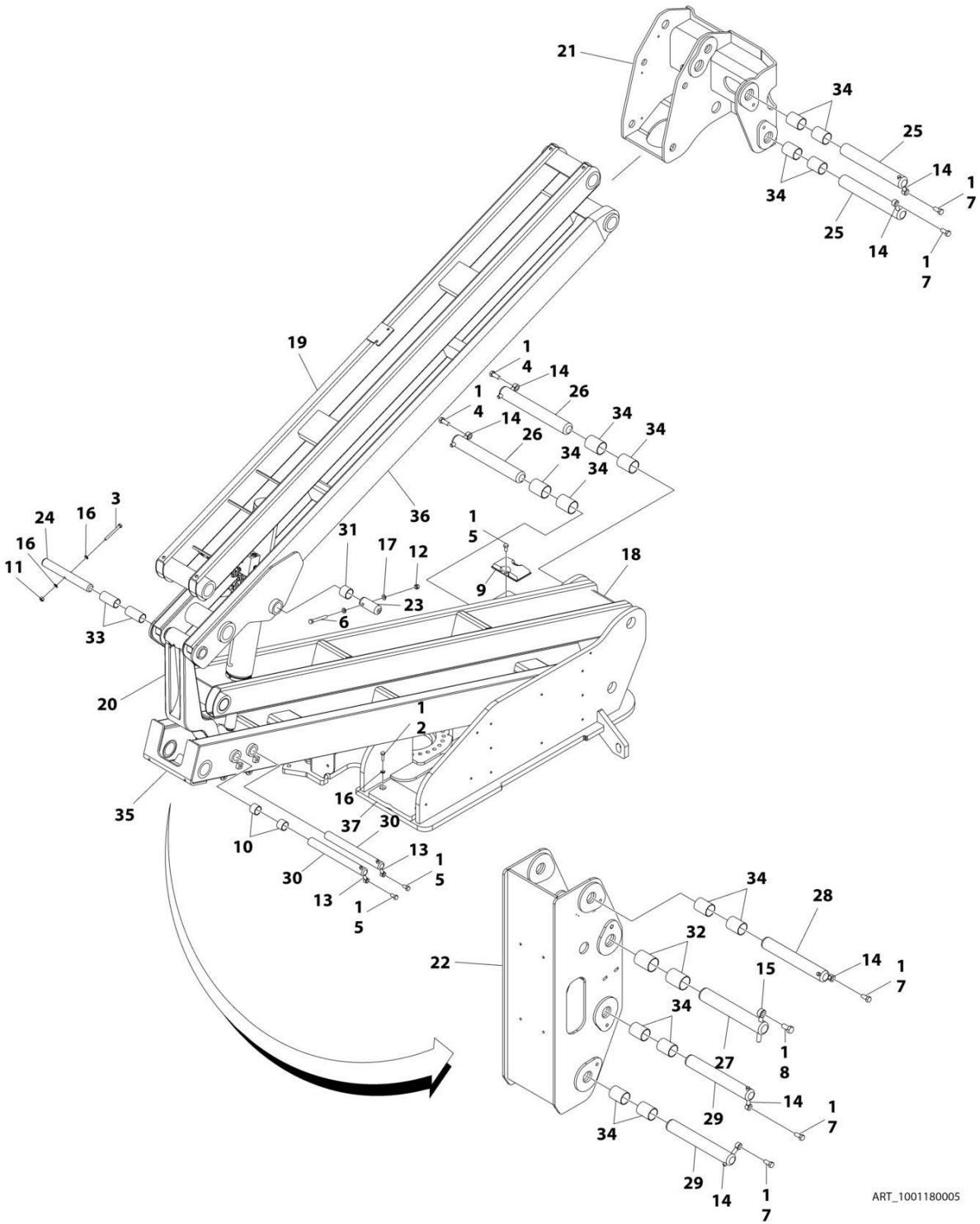
SECTION 4 - BOOM

FIGURE 4-16. TOWER BOOM ASSEMBLY - 450AJ USA AND CHINA BUILT MACHINES

ITEM	PART NUMBER	QTY	DESCRIPTION	REV
	1001180004	Ref	TOWER BOOM ASSEMBLY - 450AJ	D
1	0100011	AR	Compound, Locking	
2	0701015	2	Bolt M10 x 35	
3	0701027	1	Bolt M10 x 100	
4	0701616	2	Bolt M16 x 40	
5	0761212	4	Bolt M12 x 25	
6	0761227	2	Bolt M12 x 100	
7	0761615	5	Bolt M16 x 35	
8	0762016	1	Bolt M20 x 40	
9	0940048	1	Bumper	
10	0961948	2	Bearing	
11	3291005	1	Nut Lock M10	
12	3291205	2	Nut Lock M12	
13	3841203	2	Keeper, Pin	
14	3841258	7	Keeper, Pin	
15	3841287	1	Keeper, Pin	
16	4812000	4	Washer M10	
17	4812100	4	Washer M12	
18	1001166096	1	Link, Timing	
19	1001166852	1	Upright, Upper	
20	1001166853	1	Upright, Lower	
21	1001169240	2	Pin	
22	1001169241	1	Pin	
23	1001169242	2	Pin	
24	1001169249	1	Pin	
25	1001169295	1	Pin	
26	1001169296	1	Pin	
27	1001169297	2	Pin	
28	1001169298	2	Pin	
29	1001169299	2	Bearing	
30	1001169300	2	Bearing	
31	1001169301	2	Bearing	
32	1001169302	14	Bearing	
37	1001180056	1	Pad, Wear	
38	1001169249	1	Pin (Prior to SN 0300280962, Prior to SN B300011406)	
38	1001256911	1	Pin (SN 0300280962 to Present, SN B300011406 to Present)	
100	1001190633	Ref	Tower Boom Kit (Not Shown - Includes Items 101-104)	
101	1001174536	1	Link, Upper Tower Boom	
102	1001174537	1	Link, Lower Tower Boom	
103	1001178133	1	Tower Boom (Lower)	
104	1001178135	1	Tower, Boom (Upper)	

SECTION 4 - BOOM

FIGURE 4-17. TOWER BOOM ASSEMBLY - 450AJ ROMANIAN BUILT MACHINES



ART_1001180005

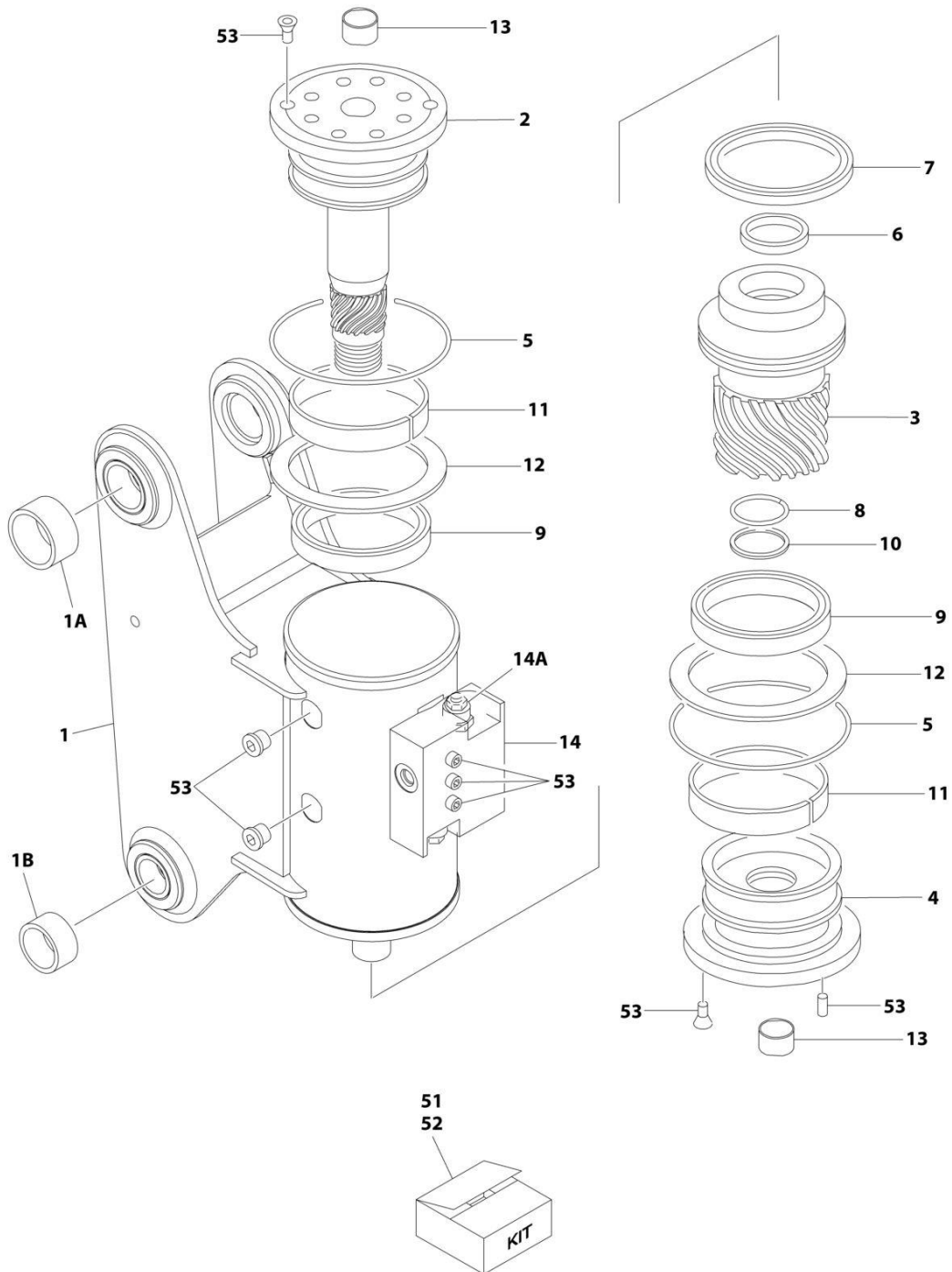
SECTION 4 - BOOM

FIGURE 4-17. TOWER BOOM ASSEMBLY - 450AJ ROMANIAN BUILT MACHINES

ITEM	PART NUMBER	QTY	DESCRIPTION	REV
	1001180005	Ref	TOWER BOOM ASSEMBLY - 450AJ ROMANIAN BUILT MACHINES	C
1	0100011	AR	Compound, Locking	
2	0701015	2	Bolt M10 x 35	
3	0701027	1	Bolt M10 x 100	
4	0701616	2	Bolt M16 x 40	
5	0761212	4	Bolt M12 x 25	
6	0761227	2	Bolt M12 x 100	
7	0761615	5	Bolt M16 x 35	
8	0762016	1	Bolt M20 x 40	
9	0940048	1	Bumper	
10	0961948	2	Bearing	
11	3291005	1	Nut M10	
12	3291205	2	Nut M12	
13	3841203	2	Keeper, Pin	
14	3841258	7	Keeper, Pin	
15	3841287	1	Keeper, Pin	
16	4812000	4	Washer M10	
17	4812100	1	Washer M12	
18	1001160859	1	Link, Lower Tower Boom	
19	1001160872	1	Link, Upper Tower Boom	
20	1001166096	1	Link, Timing	
21	1001166852	1	Upright, Upper	
22	1001166853	1	Upright, Lower	
23	1001169240	2	Pin	
24	1001169241	1	Pin	
25	1001169242	2	Pin	
26	1001169249	2	Pin	
27	1001169295	1	Pin	
28	1001169296	1	Pin	
29	1001169297	2	Pin	
30	1001169298	2	Pin	
31	1001169299	2	Bearing	
32	1001169300	2	Bearing	
33	1001169301	2	Bearing	
34	1001169302	14	Bearing	
35	1001178133	1	Tower Boom (Lower)	
36	1001178135	1	Tower, Boom (Upper)	
37	1001180056	1	Pad, Wear	

SECTION 4 - BOOM

FIGURE 4-18. ROTATOR ASSEMBLY



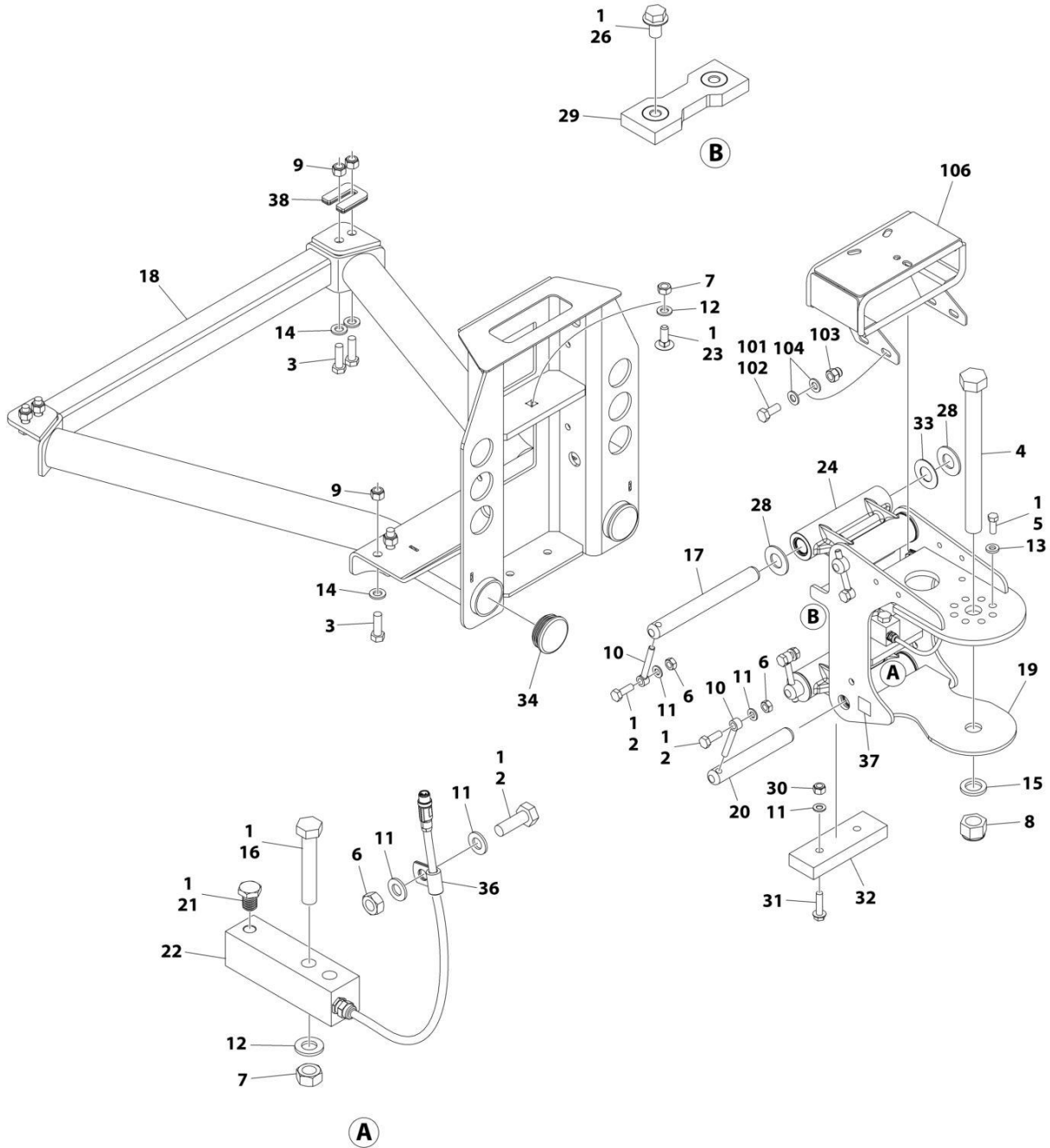
ART_1001217779

FIGURE 4-18. ROTATOR ASSEMBLY

ITEM	PART NUMBER	QTY	DESCRIPTION	REV
	1001217779	Ref	ROTATOR ASSEMBLY	B
1	See Note	NSS	Housing (Note: Purchase Complete Assembly)	
1A	0962257	2	Bushing	
1B	0961947	2	Bushing	
2	7017162	1	Shaft	
3	7017163	1	Piston	
4	7017164	1	Cap, End	
5	See Note	NSS	O-Ring (Note: Use p/n 70000342)	
6	See Note	NSS	Seal, Rod (Note: Purchase p/n 70000342)	
7	See Note	NSS	Seal, Piston (Note: Purchase p/n 70000342)	
8	See Note	NSS	Seal, Cap (Note: Purchase p/n 70000342)	
9	See Note	NSS	Packing, Bearing (Note: Purchase p/n 70000342)	
10	See Note	NSS	Ring, Back-up (Note: Purchase p/n 70000342)	
11	See Note	NSS	Bearing, Shaft (Note: Purchase p/n 7017159)	
12	See Note	NSS	Washer, Thrust (Note: Purchase p/n 7017159)	
13	7017195	2	Bushing	
14	7017172	1	Counterbalance Valve Assembly	
14A	7017192	2	Valve Cartridge (No Seal Kit Available)	
51	70000342	1	Seal Kit (Includes Items 5-10)	
52	7017159	1	Bearing Kit (Includes Items 11 & 12)	
53	7017142	1	Hardware Kit	

SECTION 4 - BOOM

FIGURE 4-19. PLATFORM SUPPORT INSTALLATION



ART_1001167596_N

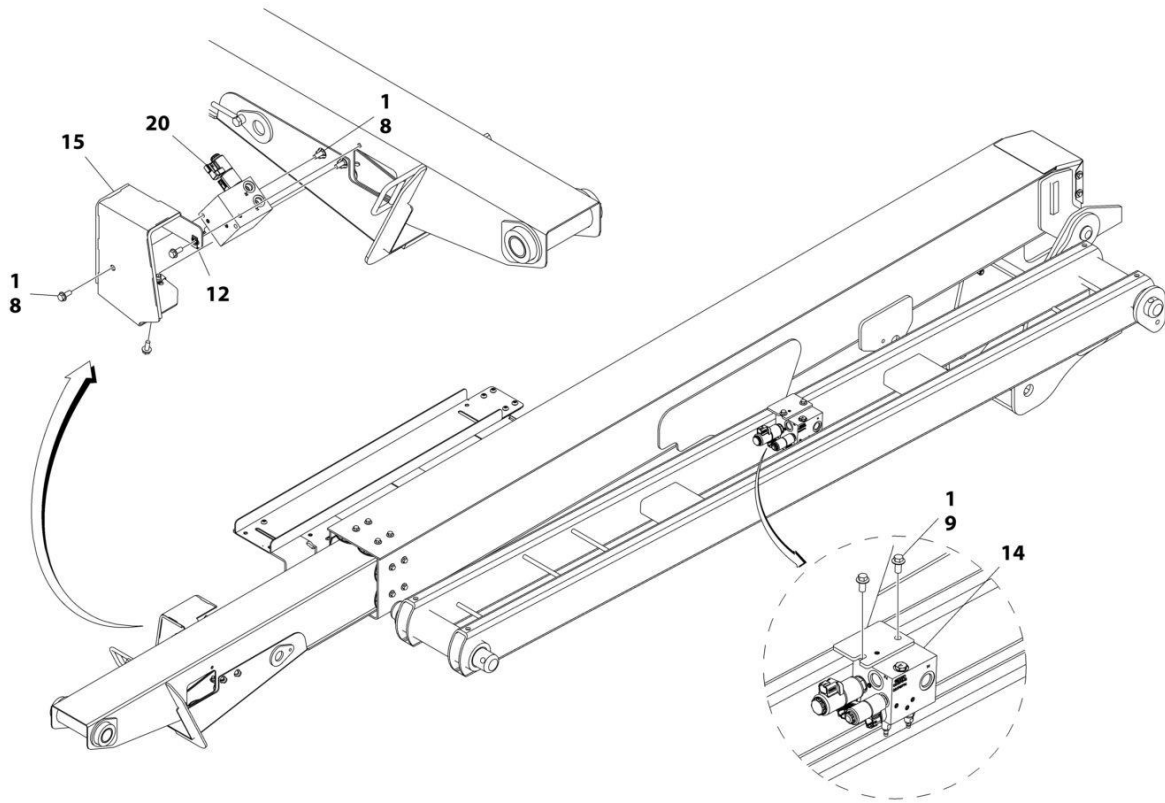
SECTION 4 - BOOM

FIGURE 4-19. PLATFORM SUPPORT INSTALLATION

ITEM	PART NUMBER	QTY	DESCRIPTION	REV
	1001167596	Ref	PLATFORM SUPPORT INSTALLATION	N
1	0100011	AR	Compound, Locking	
2	0761014	5	Bolt M10 x 30	
3	0761216	8	Bolt M12 x 40	
4	1001255133	1	Bolt 1 x 11	
5	0681608	8	Bolt 3/8 x 1	
6	3291001	5	Nut M10	
7	3291201	3	Nut M12	
8	1001174040	1	Nut 1	
9	3291205	8	Nut M12	
10	3841143	4	Keeper, Pin	
11	4812000	8	Washer M10	
12	4812100	3	Washer M12	
13	4891600	8	Washer 3/8	
14	5241200	8	Washer M12	
15	4892600001	1	Washer 1	
16	1001098828	2	Bolt M12 x 70 Grade 10.9	
17	1001167565	2	Pin	
18	1001200494	1	Support, Platform	
19	1001167567	1	Support, Rotator	
20	1001168402	2	Pin	
21	1001188622	1	Screw	
22	1001247468	1	Loadcell	
23	1001188844	1	Bolt M12 x 35	
24	1001201351	2	Link	
24	1001187382	4	Bearing	
24	1001187383	4	Seal	
26	5251008	2	Bolt M10 x 16	
28	1001189002	8	Bearing	
29	1001190985	1	Pad, Wear	
30	3291005	2	Nut M10	
31	5251016	2	Bolt M10 x 40	
32	1001200491	1	Pad, Wear	
33	1001189001	4	Bearing	
34	1001204725	2	Plug	
36	91203039	1	Clamp	
37	1001216630	2	Decal - Tie Down/No Lift	
38	1001238421	Ref	Kit, Platform Leveling (Not Shown)	
	1001202687	Ref	VALVE MOUNT INSTALLATION	B
101	0100011	AR	Compound, Locking	
102	0760810	4	Bolt M8 x 20	
103	3290806	4	Nut M8	
104	4811900	8	Washer M8	
106	1001208994	1	Mount, Valve	

SECTION 4 - BOOM

FIGURE 4-20. 2WD VALVES INSTALLATION - 450A BOOM MOUNTED



ART_1001215659_30F3

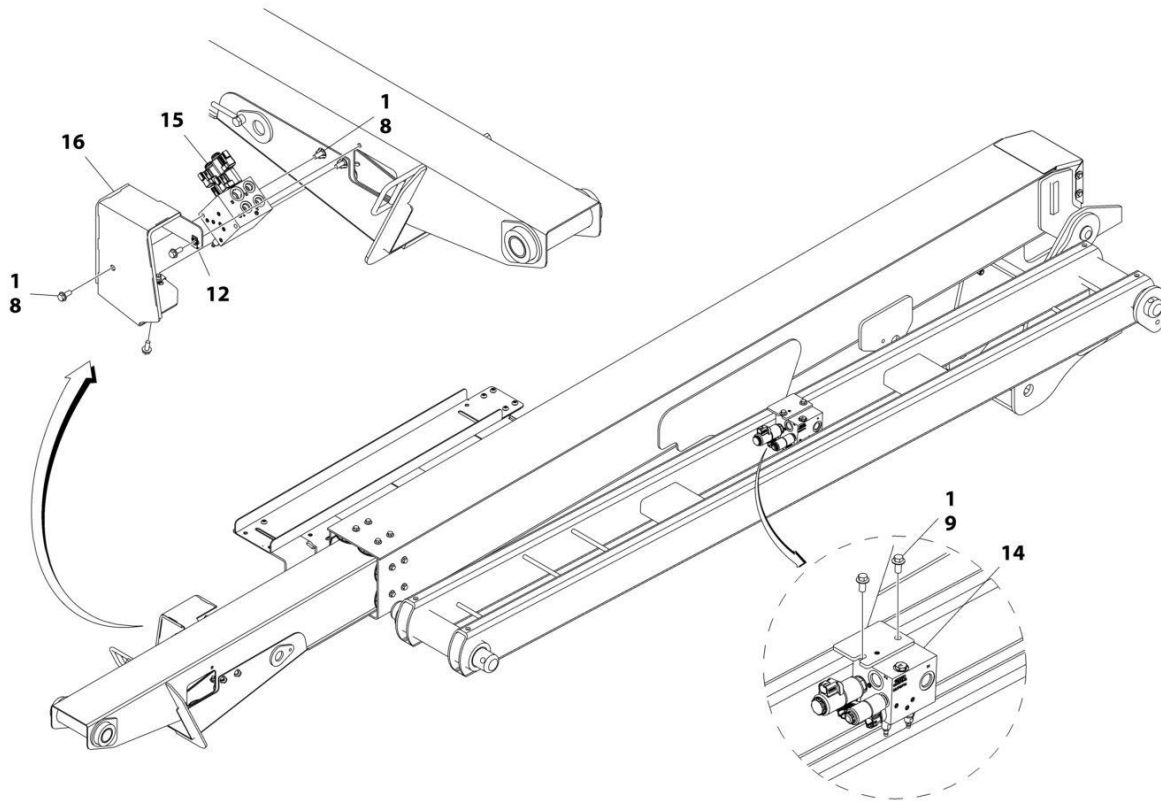
SECTION 4 - BOOM

FIGURE 4-20. 2WD VALVES INSTALLATION - 450A BOOM MOUNTED

ITEM	PART NUMBER	QTY	DESCRIPTION	REV
	1001215659	Ref	2WD VALVES INSTALLATION - 450A BOOM MOUNTED	D
1	0100011	AR	Compound, Locking	
8	5250810	5	Bolt M8 x 20	
9	5251010	2	Bolt M10 x 20	
12	1001118274	2	Nut M8	
14	1001162535	1	Upright Valve Assembly (See Separate Breakdown in this Section)	
15	1001170375	1	Shield (Prior to SN 0300280962, Prior to SN B300011406, Prior to SN E300008862)	
15	1001265186	1	Shield (SN 0300280962 to Present, SN B300011406 to Present, SN E300008862 to Present)	
20	1001215105	1	Boom Valve Assembly - Fixed Jib (See Separate Breakdown in this Section)	

SECTION 4 - BOOM

FIGURE 4-21. 2WD VALVES INSTALLATION - 450AJ BOOM MOUNTED



ART_1001214163_30F3

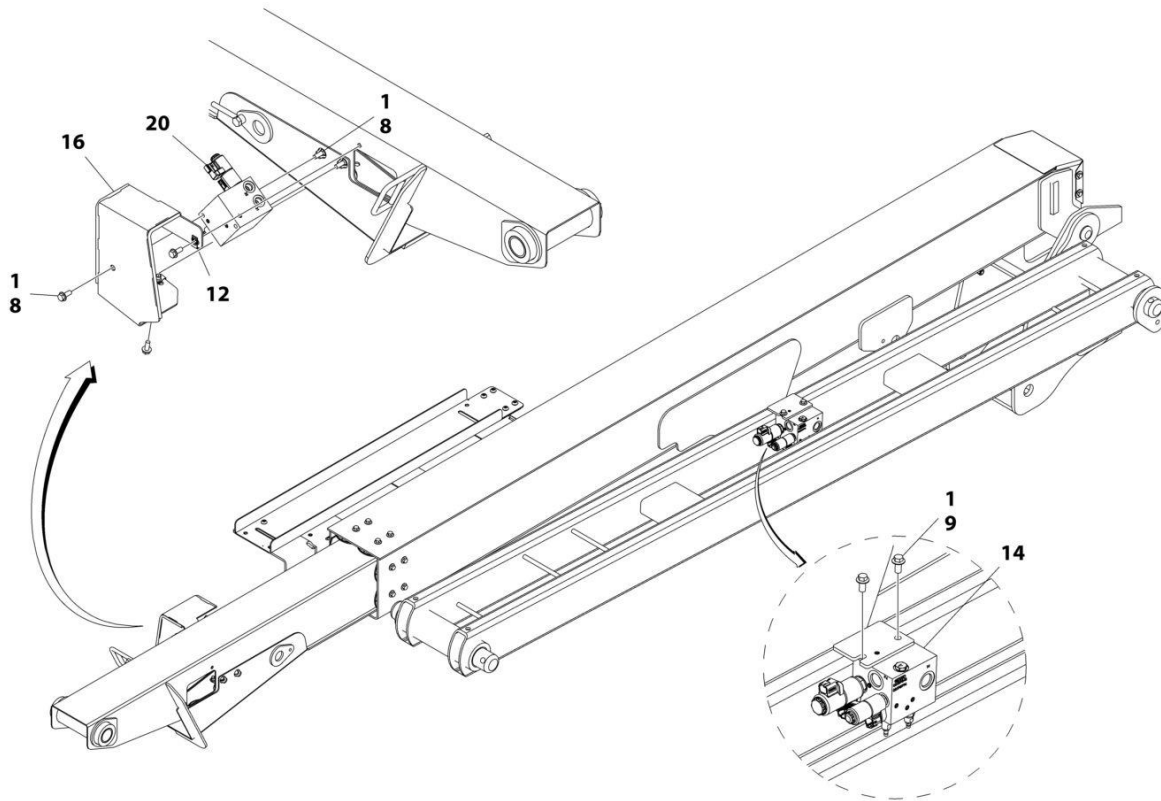
SECTION 4 - BOOM

FIGURE 4-21. 2WD VALVES INSTALLATION - 450AJ BOOM MOUNTED

ITEM	PART NUMBER	QTY	DESCRIPTION	REV
	1001214163	Ref	2WD VALVES INSTALLATION - 450AJ BOOM MOUNTED	C
1	0100011	AR	Compound, Locking	
8	5250810	3	Bolt M8 x 20	
9	5251010	2	Bolt M10 x 20	
12	1001118274	2	Nut M8	
14	1001162535	1	Upright Valve Assembly (See Separate Breakdown in this Section)	
15	1001162536	1	Boom Valve Assembly (See Separate Breakdown in this Section)	
16	1001170375	1	Shield (Prior to SN 0300280962, Prior to SN B300011406)	
16	1001265186	1	Shield (SN 0300280962 to Present, SN B300011406 to Present)	

SECTION 4 - BOOM

FIGURE 4-22. 4WD VALVES INSTALLATION - 450A BOOM MOUNTED



ART_1001215378_30F3

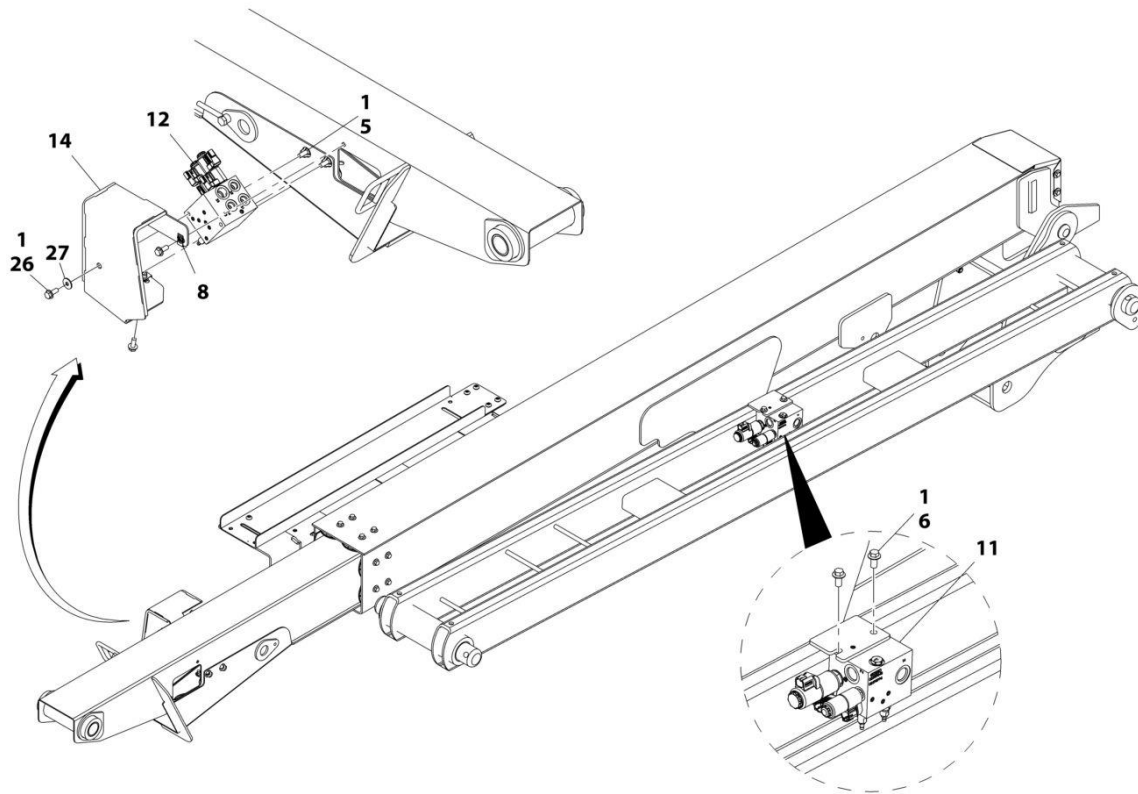
SECTION 4 - BOOM

FIGURE 4-22. 4WD VALVES INSTALLATION - 450A BOOM MOUNTED

ITEM	PART NUMBER	QTY	DESCRIPTION	REV
	1001215378	Ref	4WD VALVES INSTALLATION - 450A BOOM MOUNTED	D
1	0100011	AR	Compound, Locking	
8	5250810	5	Bolt M8 x 20	
9	5251010	2	Bolt M10 x 20	
12	1001118274	2	Nut M8	
14	1001162535	1	Upright Valve Assembly (See Separate Breakdown in this Section)	
16	1001170375	1	Shield (Prior to SN 0300280962, Prior to SN B300011406)	
16	1001265186	1	Shield (SN 0300280962 to Present, SN B300011406 to Present)	
20	1001215105	1	Boom Valve Assembly - Fixed Jib (See Separate Breakdown in this Section)	

SECTION 4 - BOOM

FIGURE 4-23. 4WD VALVES INSTALLATION - 450AJ BOOM MOUNTED



ART_1001165948_30F3

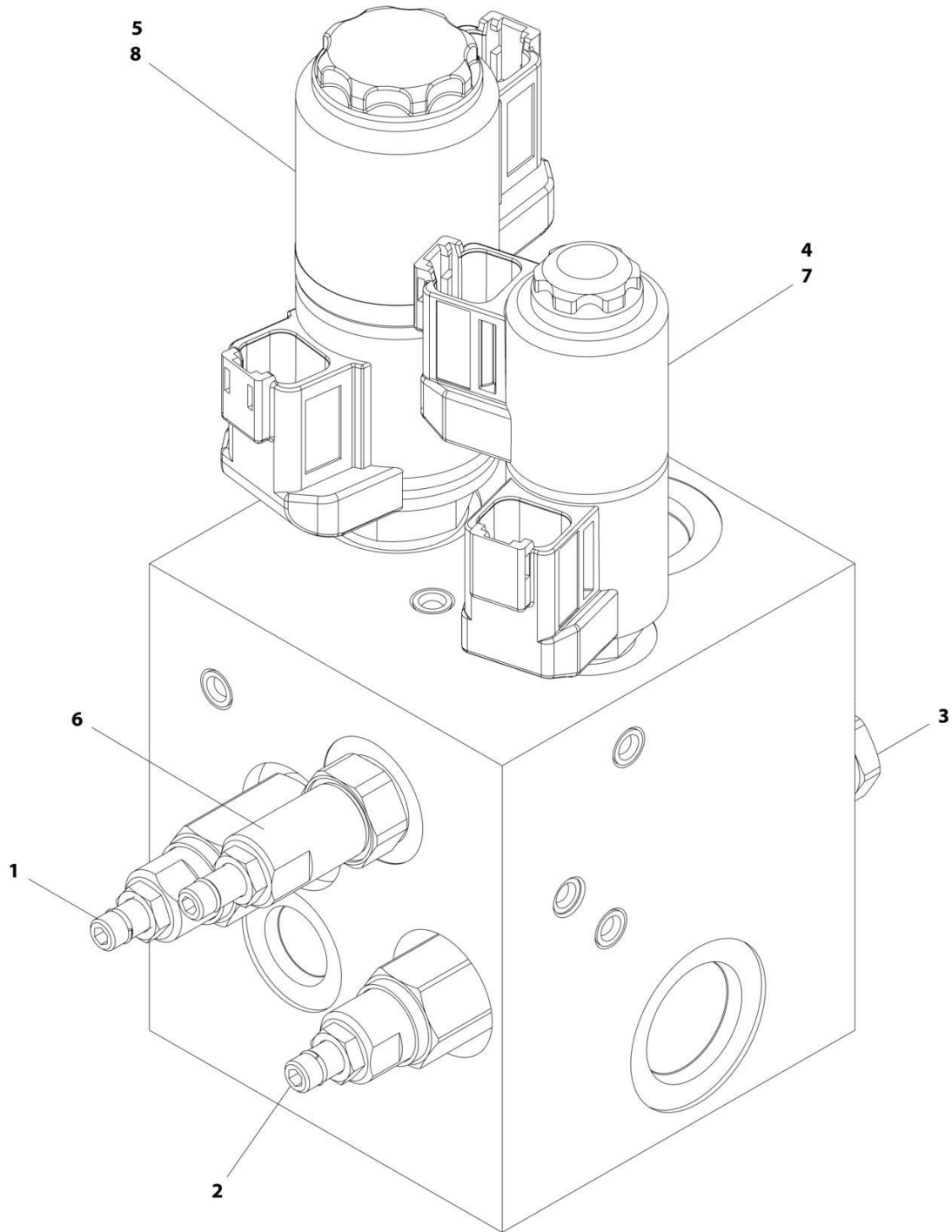
SECTION 4 - BOOM

FIGURE 4-23. 4WD VALVES INSTALLATION - 450AJ BOOM MOUNTED

ITEM	PART NUMBER	QTY	DESCRIPTION	REV
	1001165948	Ref	4WD VALVES INSTALLATION - 450AJ BOOM MOUNTED	J
1	0100011	AR	Compound, Locking	
5	5250810	4	Bolt M8 x 20 Class 10.9	
6	5251010	2	Bolt M10 x 20 Class 10.9	
8	1001118274	2	Nut, Tinnerman M8	
11	1001162535	1	Upright Valve Assembly (See Separate Breakdown in this Section)	
12	1001162536	1	Boom Valve Assembly (See Separate Breakdown in this Section)	
14	1001170375	1	Shield (Prior to SN 0300280962, Prior to SN B300011406, Prior to SN E300008862)	
14	1001265186	1	Shield (SN 0300280962 to Present, SN E300008862 to Present, Including B300011406)	
26	0770810	1	Bolt M8 x 20 Class 10.9	
27	4811902	1	Washer M8	

SECTION 4 - BOOM

FIGURE 4-24. UPRIGHT VALVE ASSEMBLY



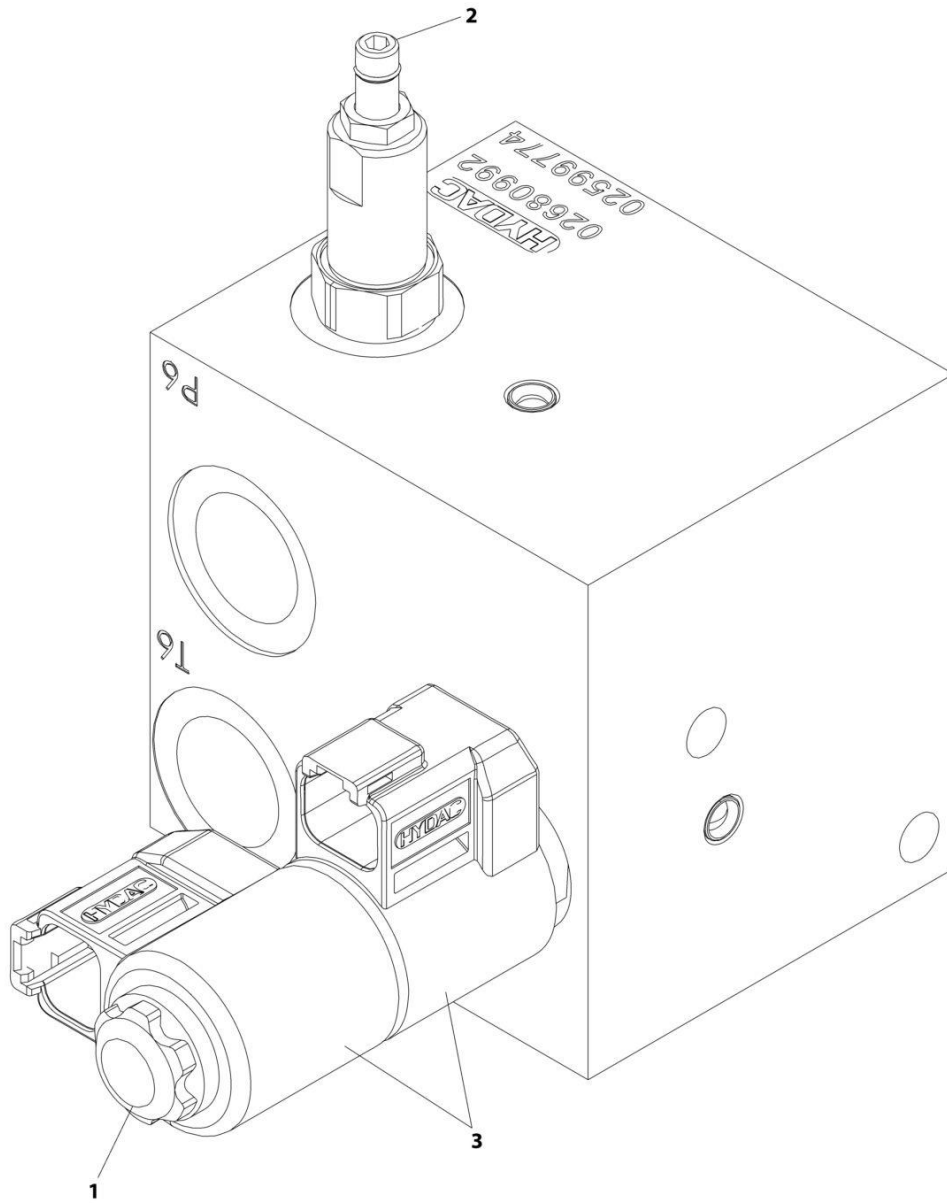
ART_1001162535

FIGURE 4-24. UPRIGHT VALVE ASSEMBLY

ITEM	PART NUMBER	QTY	DESCRIPTION	REV
	1001162535	Ref	UPRIGHT VALVE ASSEMBLY	D
1	70004864	1	Cartridge, Valve	
1	70004875	1	Seal Kit - 70004864 Valve	
2	70004865	1	Cartridge, Valve	
2	70004875	1	Seal Kit - 70004865 Valve	
3	70004866	1	Cartridge, Relief Valve	
3	70004867	1	Seal Kit - 70004866 Valve	
4	70004868	1	Cartridge, Solenoid Valve Less Coil	
4	70004869	1	Seal Kit - 70004868 Valve	
5	7027625	1	Cartridge, Solenoid Valve Less Coil	
5	70000100	1	Seal Kit - 7027625 Valve	
6	70006660	1	Cartridge, Valve	
6	70004867	1	Seal Kit - 70006660 Valve	
7	70004871	2	Coil	
8	7027628	2	Coil	

SECTION 4 - BOOM

FIGURE 4-25. BOOM VALVE ASSEMBLY - 450A



ART_1001215105

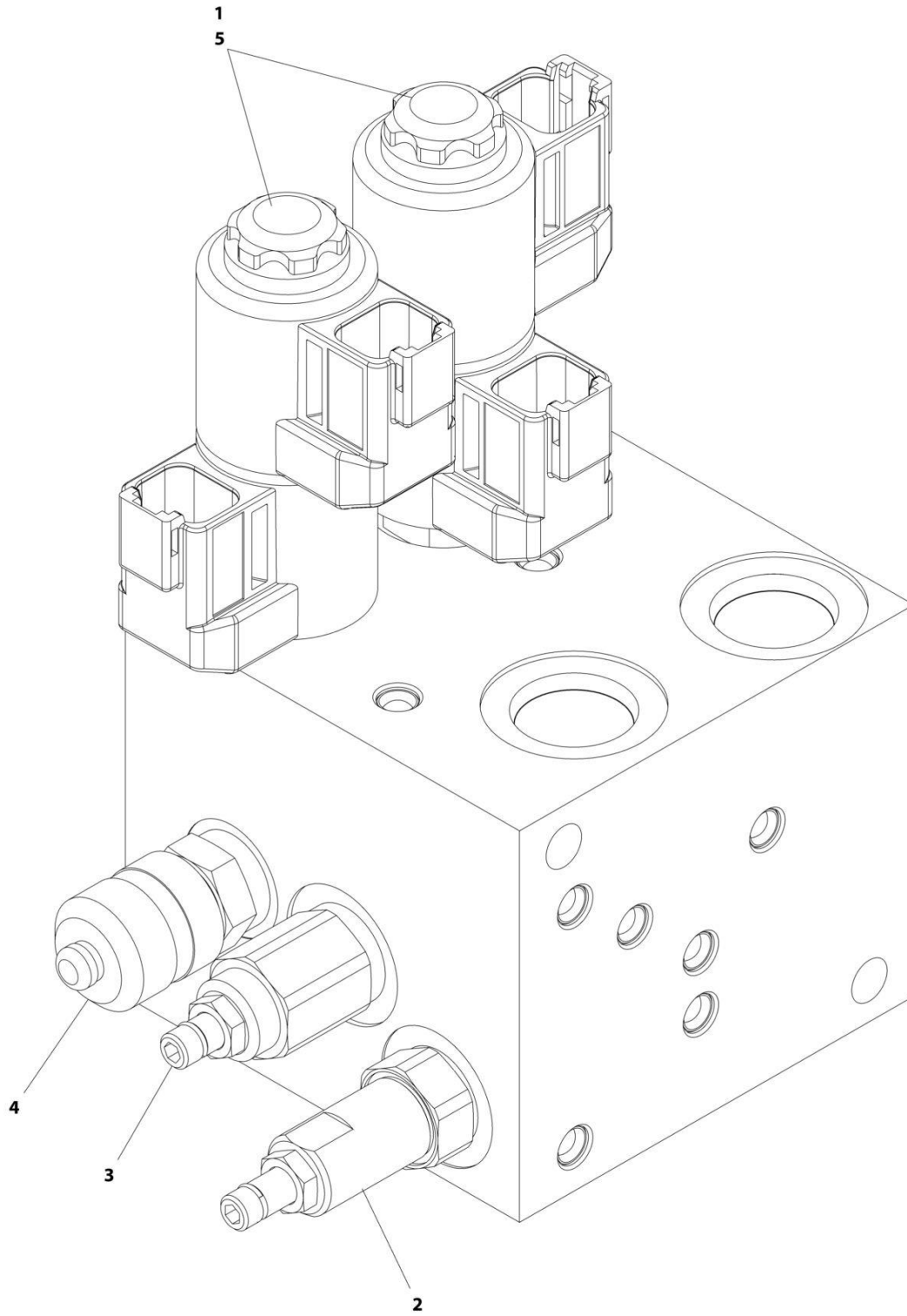
SECTION 4 - BOOM

FIGURE 4-25. BOOM VALVE ASSEMBLY - 450A

ITEM	PART NUMBER	QTY	DESCRIPTION	REV
	1001215105	Ref	BOOM VALVE ASSEMBLY - 450A	A
1	70005243	1	Cartridge, Solenoid Valve Less Coil	
1	70004869	1	Seal Kit - 70005243 Valve	
2	70004873	1	Cartridge, Valve	
2	70004867	1	Seal Kit - 70004873 Valve	
3	70004871	2	Coil	

SECTION 4 - BOOM

FIGURE 4-26. BOOM VALVE ASSEMBLY - 450AJ



ART_1001162536_G

SECTION 4 - BOOM

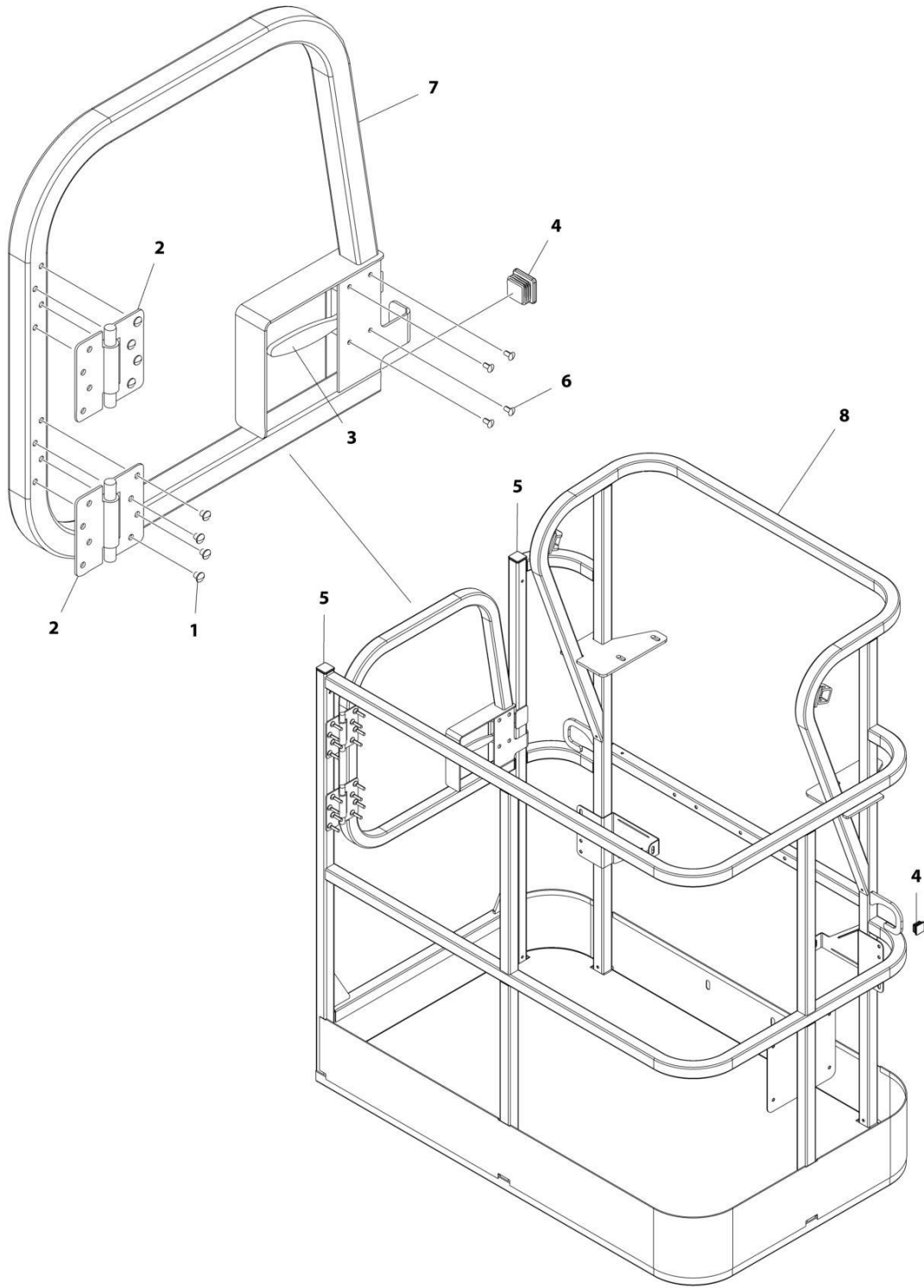
FIGURE 4-26. BOOM VALVE ASSEMBLY - 450AJ

ITEM	PART NUMBER	QTY	DESCRIPTION	REV
	1001162536	Ref	BOOM VALVE ASSEMBLY	G
1	70005243	2	Cartridge, Solenoid Valve Less Coil	
1	70004869	2	Seal Kit - 70005243 Valve	
2	70004873	1	Cartridge, Valve	
2	70004867	1	Seal Kit - 70004873 Valve	
3	70007556	1	Cartridge, Valve	
3	70004867	1	Seal Kit - 70006970 Valve	
4	2221086	1	Fitting, Test	
5	70004871	4	Coil	

SECTION 5 - PLATFORM

SECTION 5 - PLATFORM

FIGURE 5-1. PLATFORM ASSEMBLY - 30IN X 4FT (76CM X 1.22M) - SIDE GATE ENTRY (USA BUILT MACHINES)



ART_1001186387

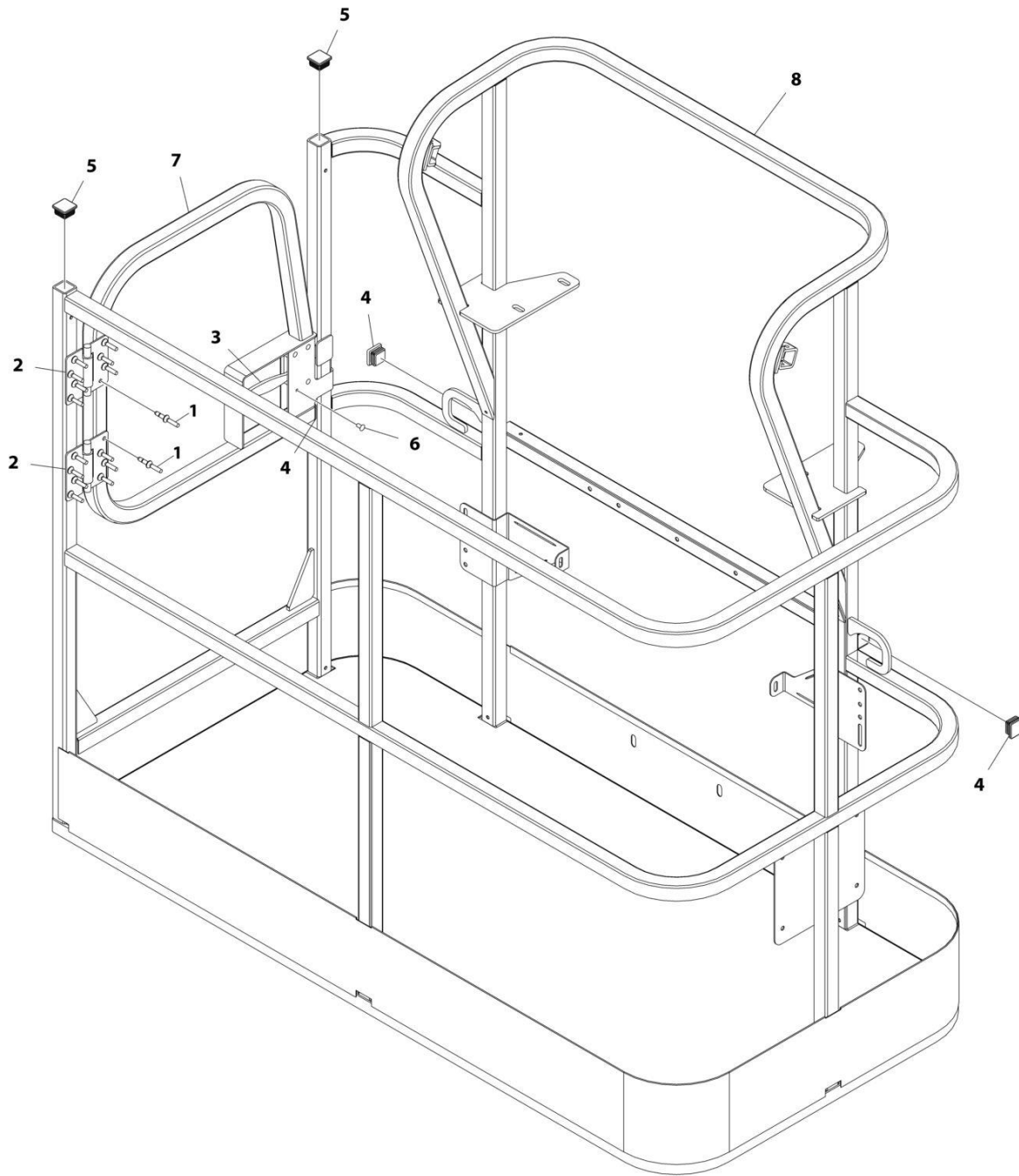
SECTION 5 - PLATFORM

FIGURE 5-1. PLATFORM ASSEMBLY - 30IN X 4FT (76CM X 1.22M) - SIDE GATE ENTRY (USA BUILT MACHINES)

ITEM	PART NUMBER	QTY	DESCRIPTION	REV
	1001186387	Ref	PLATFORM ASSEMBLY	C
		Ref	Note: Platform and Mesh must be ordered separately for Platforms with Mesh. See SPECIAL OPTIONS SECTION for Mesh Installations.	
		Ref	Note: Replacement Decals Must be Ordered Separately - See DECALS SECTION.	
1	2080040	16	Fastener, Huck	
2	2600281	2	Hinge, Self-Closing	
3	2940074	1	Latch	
4	3520072	3	Plug	
5	3520198	2	Plug	
6	3820020	4	Rivet	
7	1001144629	1	Gate	
8	See Note	1	Platform (Note: Not Available - Purchase Platform Assembly)	

SECTION 5 - PLATFORM

FIGURE 5-2. PLATFORM ASSEMBLY - 30IN X 5FT (76CM X 1.52M) - SIDE GATE ENTRY (USA AND CHINA BUILT MACHINES)



ART_1001186386

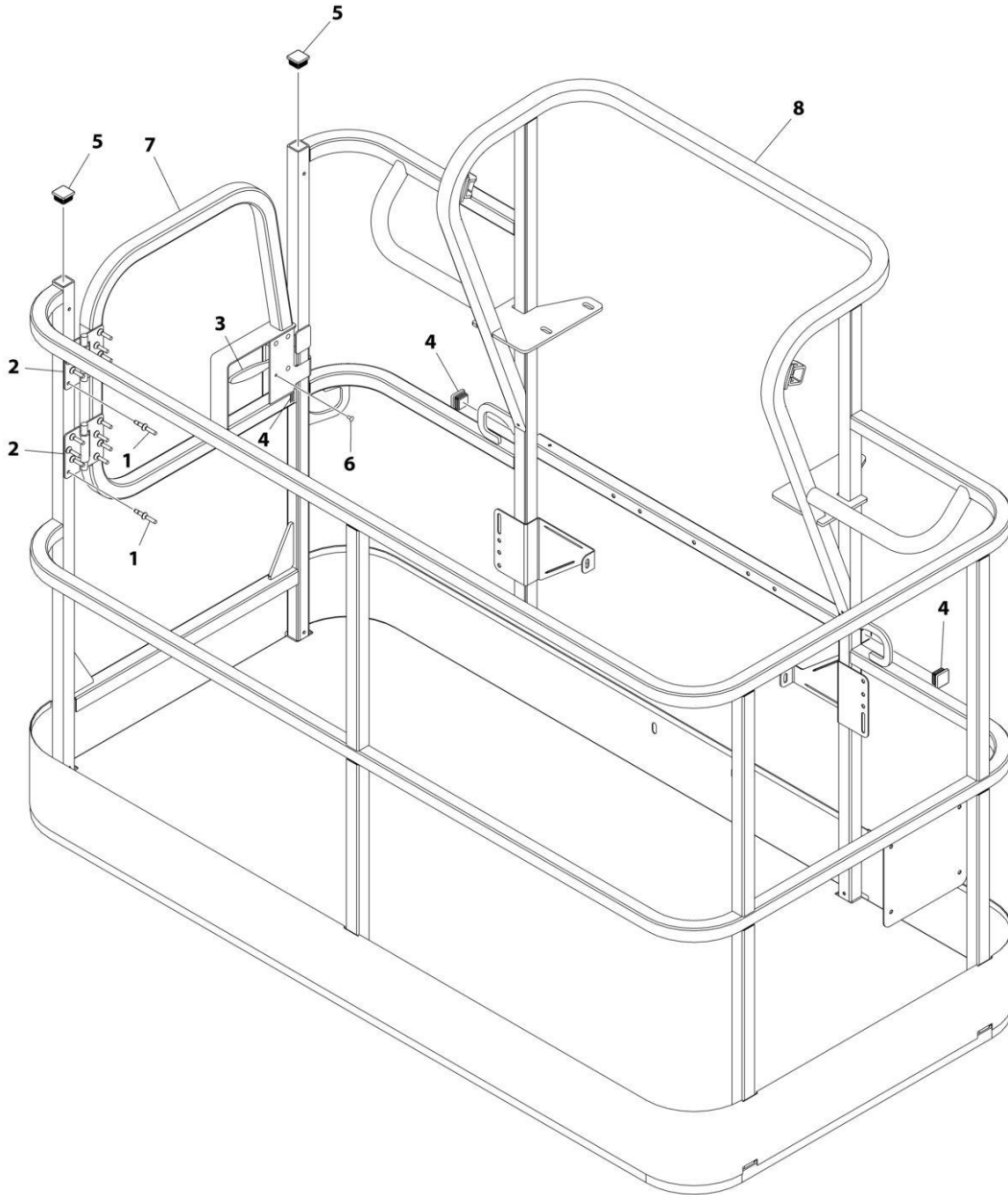
SECTION 5 - PLATFORM

FIGURE 5-2. PLATFORM ASSEMBLY - 30IN X 5FT (76CM X 1.52M) - SIDE GATE ENTRY (USA AND CHINA BUILT MACHINES)

ITEM	PART NUMBER	QTY	DESCRIPTION	REV
	1001186386	Ref	PLATFORM ASSEMBLY	C
		Ref	Note: Platform and Mesh must be ordered separately for Platforms with Mesh. See SPECIAL OPTIONS SECTION for Mesh Installations.	
		Ref	Note: Replacement Decals Must be Ordered Separately - See DECALS SECTION.	
1	2080040	16	Fastener, Huck	
2	2600281	2	Hinge, Self-Closing	
3	2940074	1	Latch	
4	3520072	3	Plug	
5	3520198	2	Plug	
6	3820020	4	Rivet	
7	1001144629	1	Gate	
8	See Note	NSS	Platform (Note: Not Available - Purchase Platform Assembly)	

SECTION 5 - PLATFORM

FIGURE 5-3. PLATFORM ASSEMBLY - 30IN X 6FT (76CM X 1.83M) - SIDE GATE ENTRY (USA AND CHINA BUILT MACHINES)



ART_1001186385

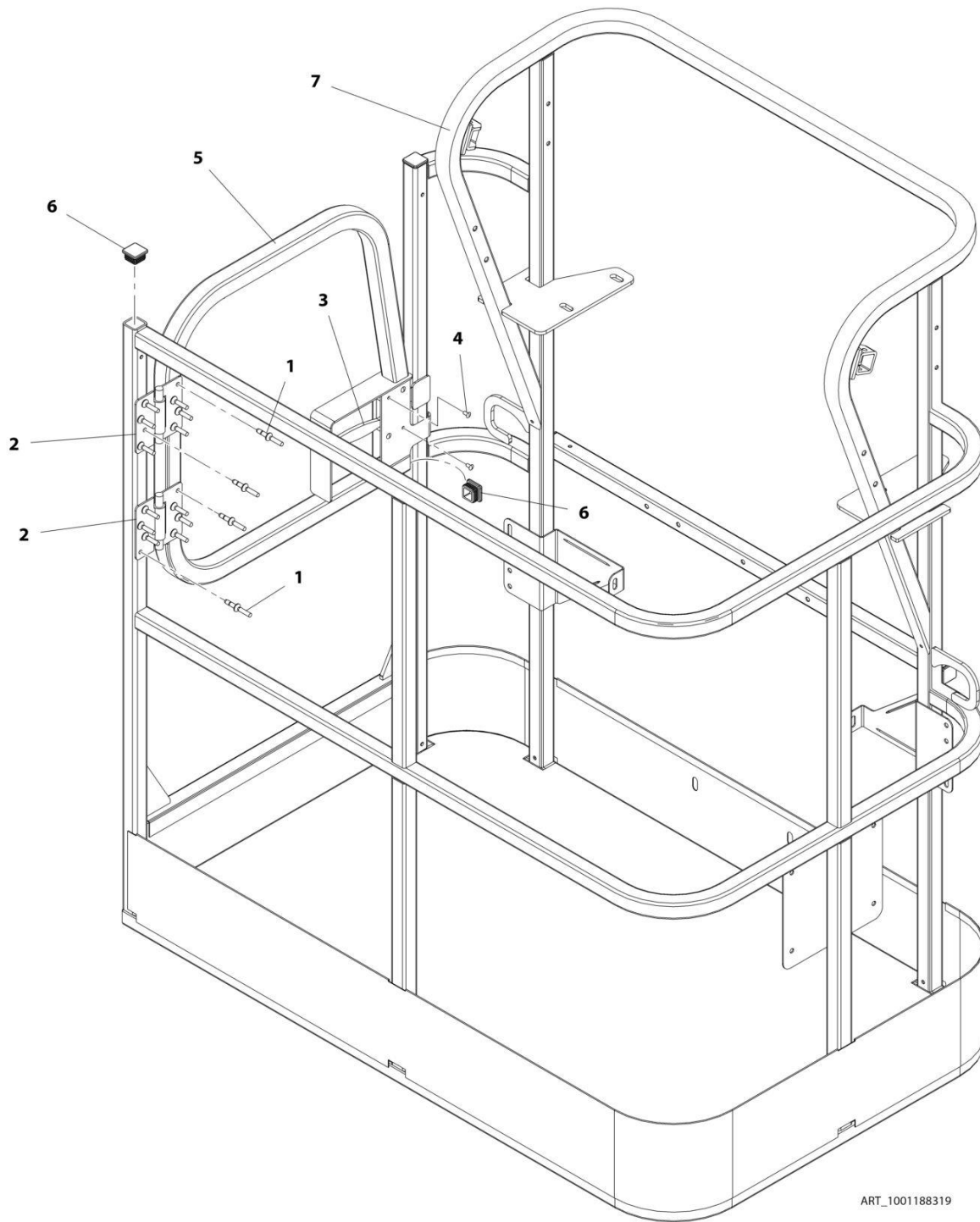
SECTION 5 - PLATFORM

FIGURE 5-3. PLATFORM ASSEMBLY - 30IN X 6FT (76CM X 1.83M) - SIDE GATE ENTRY (USA AND CHINA BUILT MACHINES)

ITEM	PART NUMBER	QTY	DESCRIPTION	REV
	1001186385	Ref	PLATFORM ASSEMBLY	D
		Ref	Note: Platform and Mesh must be ordered separately for Platforms with Mesh. See SPECIAL OPTIONS SECTION for Mesh Installations.	
		Ref	Note: Replacement Decals Must be Ordered Separately - See DECALS SECTION.	
1	2080040	16	Fastener, Huck	
2	2600281	2	Hinge	
3	2940074	1	Latch	
4	3520072	3	Plug	
5	3520198	2	Plug	
6	3820020	4	Rivet	
7	1001144629	1	Gate	
8	See Note	NSS	Platform (Note: Not Available - Purchase Platform Assembly)	

SECTION 5 - PLATFORM

FIGURE 5-4. PLATFORM ASSEMBLY - 30IN X 4FT (76CM X 1.22M) - SIDE GATE ENTRY (ROMANIAN BUILT MACHINES)



ART_1001188319

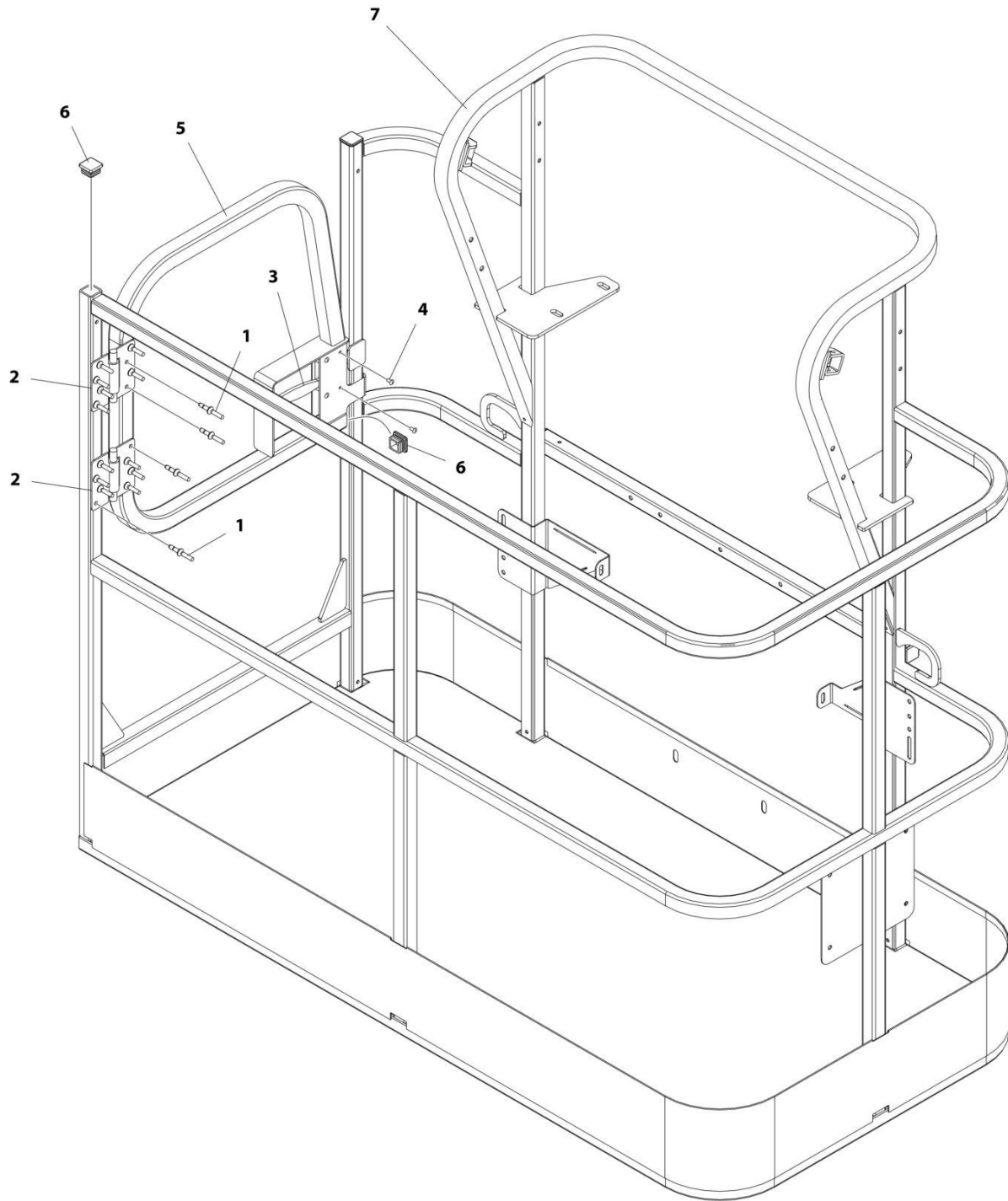
SECTION 5 - PLATFORM

FIGURE 5-4. PLATFORM ASSEMBLY - 30IN X 4FT (76CM X 1.22M) - SIDE GATE ENTRY (ROMANIAN BUILT MACHINES)

ITEM	PART NUMBER	QTY	DESCRIPTION	REV
	1001188319	Ref	PLATFORM ASSEMBLY	D
	See Note	Ref	Note: Platform and Mesh must be ordered separately for Platforms with Mesh. See SPECIAL OPTIONS SECTION for Mesh Installations.	
	See Note	Ref	Note: Replacement Decals Must be Ordered Separately - See DECALS SECTION.	
1	2080040	16	Fastener, Huck	
2	2600281	2	Hinge, Self-Closing	
3	2940074	1	Latch	
4	3820020	4	Rivet	
5	1001144629	1	Gate, Weldment	
6	1001145781	5	Cap, Plug	
7	See Note	NSS	Platform (Note: Not Available - Purchase Platform Assembly)	

SECTION 5 - PLATFORM

FIGURE 5-5. PLATFORM ASSEMBLY - 30IN X 5FT (76CM X 1.52M) - SIDE GATE ENTRY (ROMANIAN BUILT MACHINES)



ART_100188315

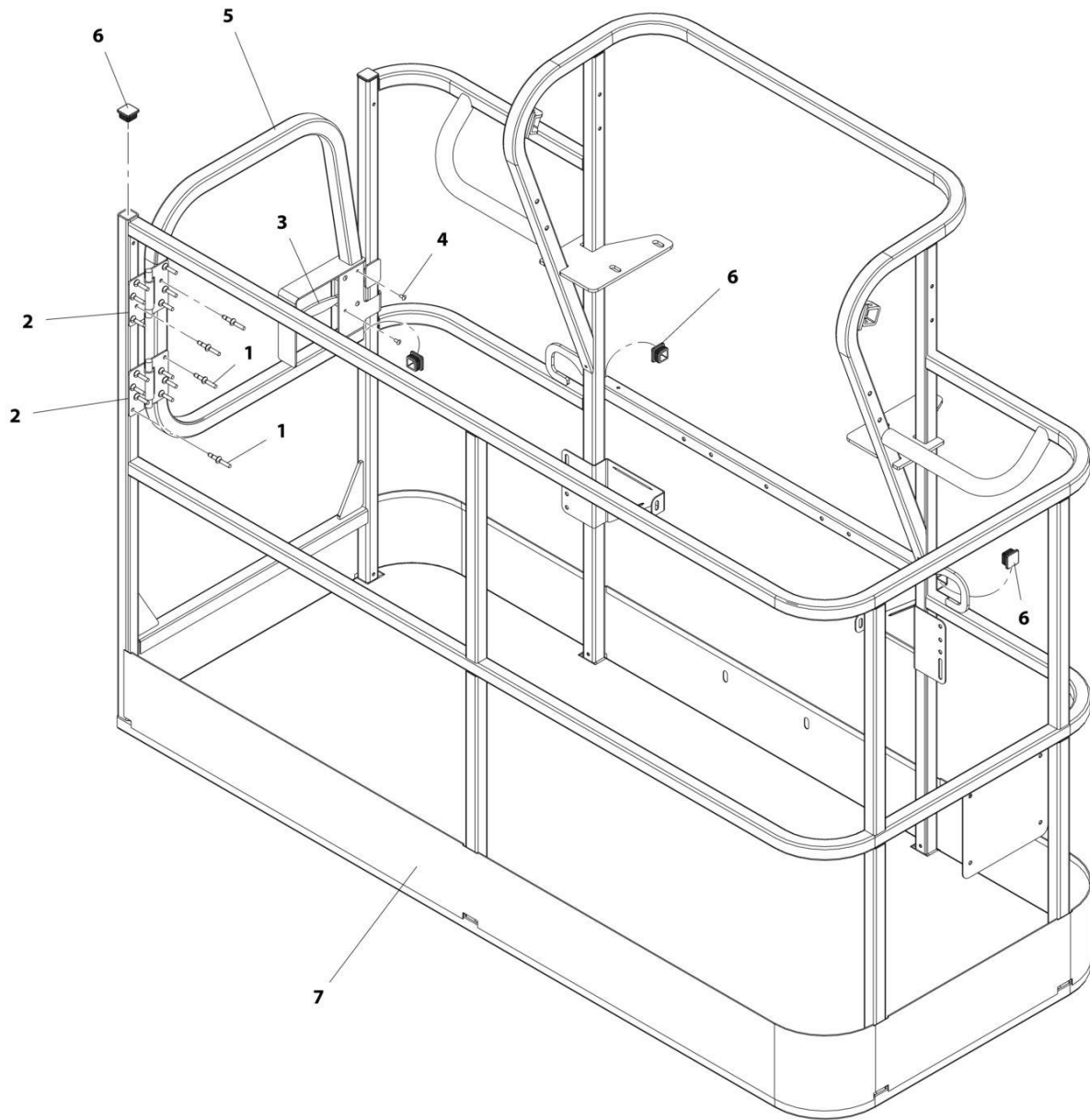
SECTION 5 - PLATFORM

FIGURE 5-5. PLATFORM ASSEMBLY - 30IN X 5FT (76CM X 1.52M) - SIDE GATE ENTRY (ROMANIAN BUILT MACHINES)

ITEM	PART NUMBER	QTY	DESCRIPTION	REV
	1001188315	Ref	PLATFORM ASSEMBLY	E
	See Note	Ref	Note: Platform and Mesh must be ordered separately for Platforms with Mesh. See SPECIAL OPTIONS SECTION for Mesh Installations.	
	See Note	Ref	Note: Replacement Decals Must be Ordered Separately - See DECALS SECTION.	
1	2080040	16	Fastener, Huck	
2	2600281	2	Hinge	
3	2940074	1	Latch	
4	3820020	4	Rivet	
5	1001144629	1	Gate	
6	1001145781	5	Plug	
7	See Note	NSS	Platform (Note: Not Available - Purchase Platform Assembly)	

SECTION 5 - PLATFORM

FIGURE 5-6. PLATFORM ASSEMBLY - 30IN X 6FT (76CM X 1.83M) - SIDE GATE ENTRY (ROMANIAN BUILT MACHINES)



ART_1001188312

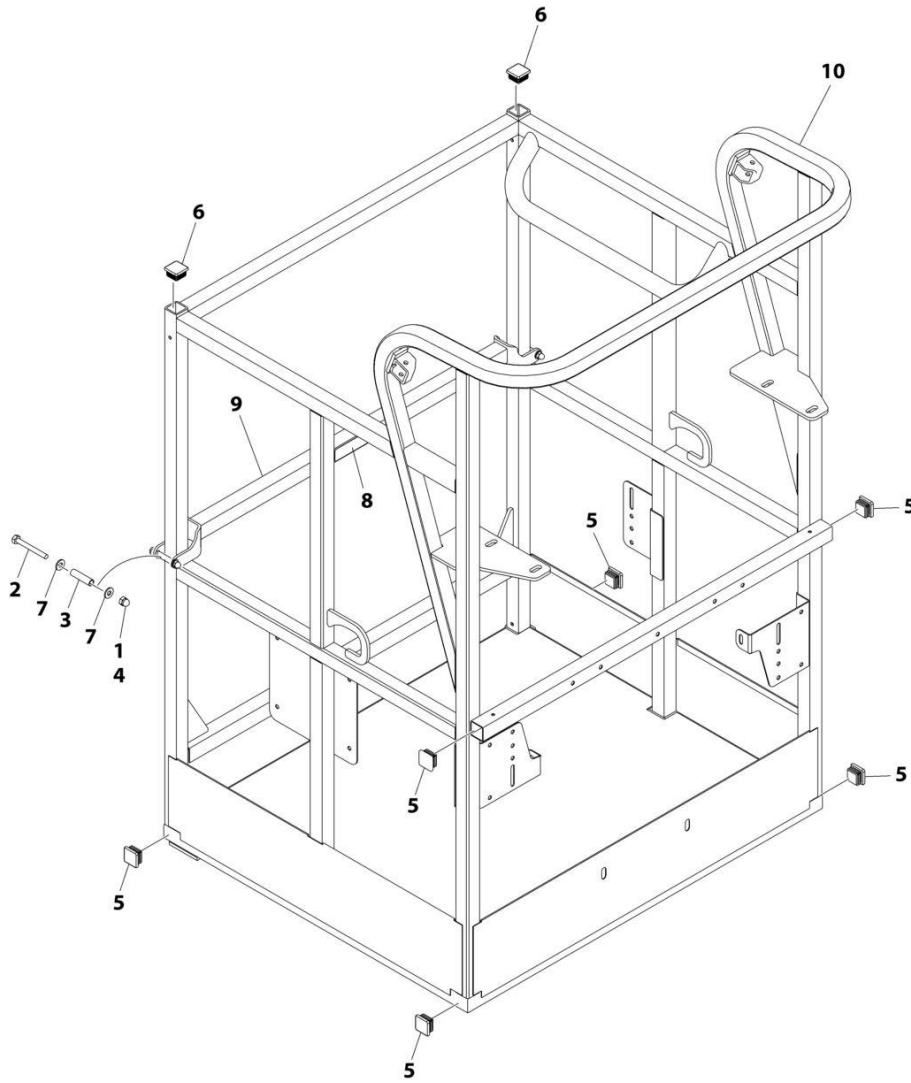
SECTION 5 - PLATFORM

FIGURE 5-6. PLATFORM ASSEMBLY - 30IN X 6FT (76CM X 1.83M) - SIDE GATE ENTRY (ROMANIAN BUILT MACHINES)

ITEM	PART NUMBER	QTY	DESCRIPTION	REV
	1001188312	Ref	PLATFORM ASSEMBLY	F
	See Note	Ref	Note: Platform and Mesh must be ordered separately for Platforms with Mesh. See SPECIAL OPTIONS SECTION for Mesh Installations.	
	See Note	Ref	Note: Replacement Decals Must be Ordered Separately - See DECALS SECTION.	
1	2080040	16	Fastener, Huck	
2	2600281	2	Hinge, Self-Closing	
3	2940074	1	Latch	
4	3820020	4	Rivet	
5	1001144629	1	Gate, Weldment	
6	1001145781	5	Cap, Plug	
7	See Note	NSS	Platform (Note: Not Available - Purchase Platform Assembly)	

SECTION 5 - PLATFORM

FIGURE 5-7. PLATFORM ASSEMBLY - 30IN X 3FT (76CM X .91M) - DROP BAR ENTRY (USA AND ROMANIAN BUILT MACHINES)



ART_1001228215

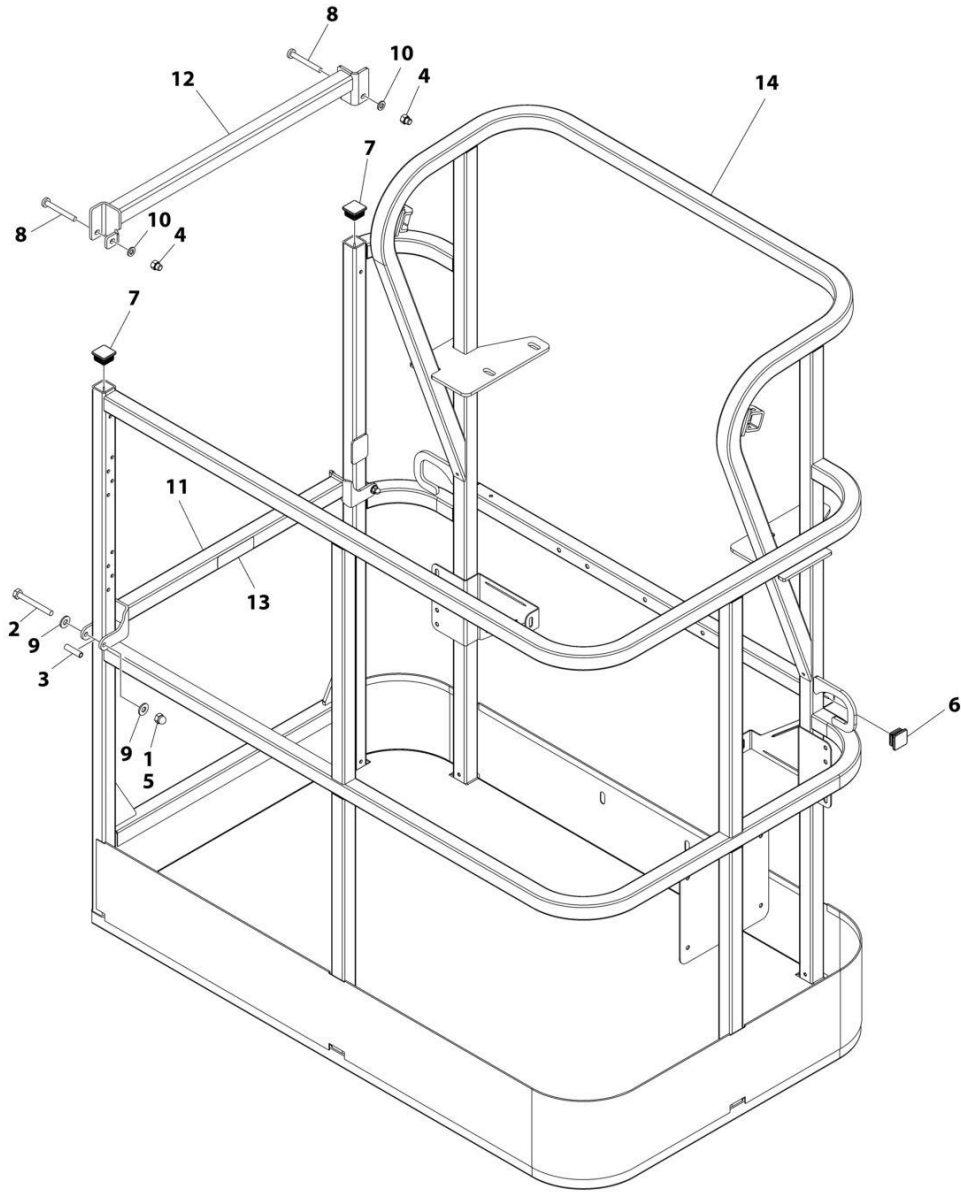
SECTION 5 - PLATFORM

FIGURE 5-7. PLATFORM ASSEMBLY - 30IN X 3FT (76CM X .91M) - DROP BAR ENTRY (USA AND ROMANIAN BUILT MACHINES)

ITEM	PART NUMBER	QTY	DESCRIPTION	REV
	1001228215	Ref	PLATFORM ASSEMBLY	A
	See Note	Ref	Note: Platform and Mesh must be ordered separately for Platforms with Mesh. See SPECIAL OPTIONS SECTION for Mesh Installations.	
	See Note	Ref	Note: Replacement Decals Must be Ordered Separately - See DECAL SECTION.	
1	0100011	AR	Compound, Locking	
2	0641418	2	Bolt 1/4 x 2-1/4	
3	0961845	2	Bushing	
4	3300151	2	Nut 1/4	
5	3520072	6	Cap, Plug	
6	3520198	2	Cap, Plug	
7	4711400	4	Washer 1/4	
8	1001140429	1	Decal - Drop Bar	
9	1001226872	1	Bar, Drop	
10	See Note	NSS	Platform (Note: Not Available - Purchase Platform Assembly)	

SECTION 5 - PLATFORM

FIGURE 5-8. PLATFORM ASSEMBLY - 30IN X 4FT (76CM X 1.22M) - WITH DROP BAR (USA BUILT MACHINES)



ART_1001186375

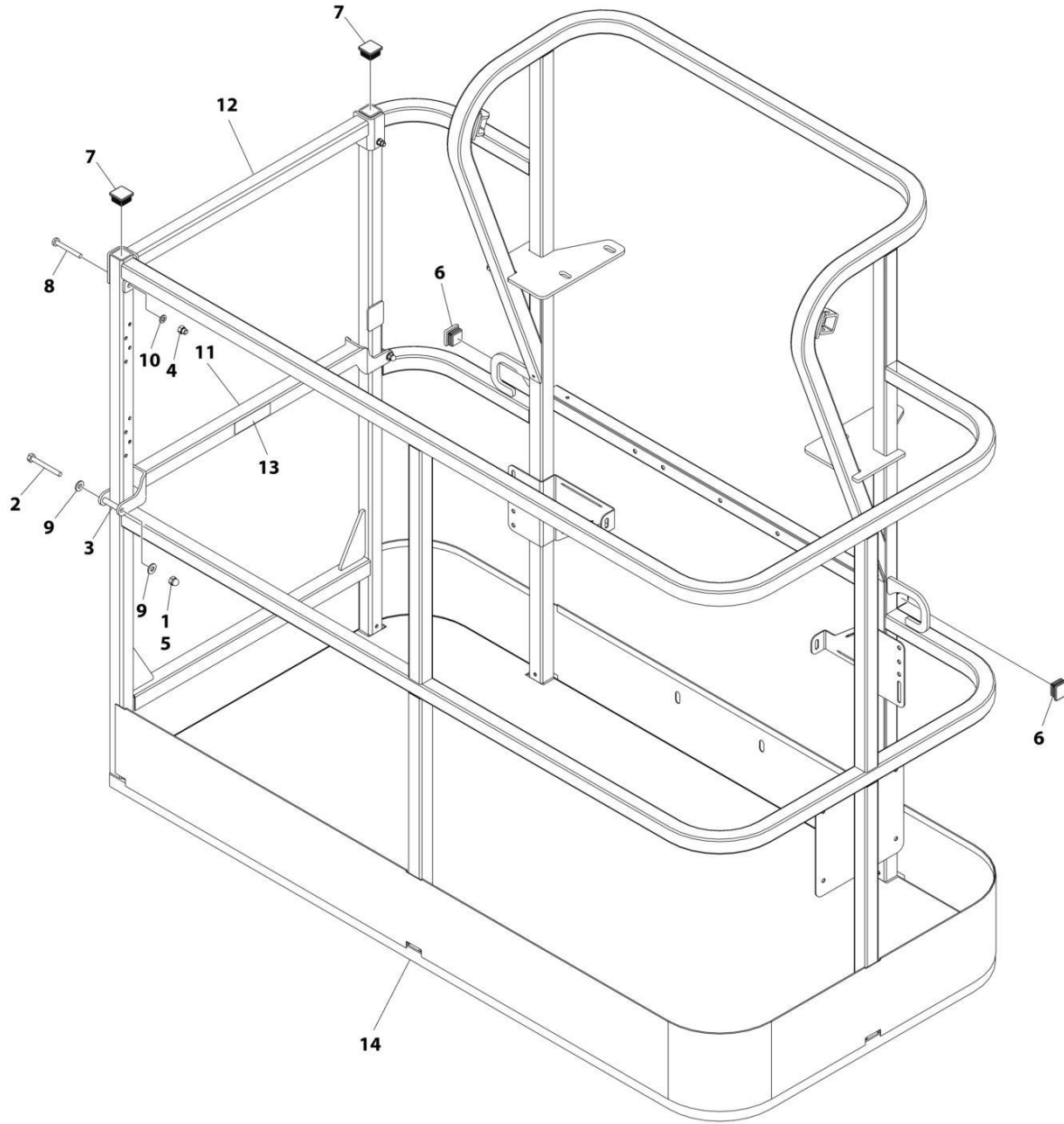
SECTION 5 - PLATFORM

FIGURE 5-8. PLATFORM ASSEMBLY - 30IN X 4FT (76CM X 1.22M) - WITH DROP BAR (USA BUILT MACHINES)

ITEM	PART NUMBER	QTY	DESCRIPTION	REV
	1001186375	Ref	PLATFORM ASSEMBLY	B
		Ref	Note: Platform and Mesh must be ordered separately for Platforms with Mesh. See SPECIAL OPTIONS SECTION for Mesh Installations.	
		Ref	Note: Replacement Decals Must be Ordered Separately - See DECALS SECTION.	
1	0100011	AR	Compound, Locking	
2	0641418	2	Bolt 1/4 x 2-1/4	
3	0961845	2	Bushing	
4	3290606	2	Nut M6	
5	3300151	2	Nut 1/4	
6	3520072	2	Plug	
7	3520198	2	Plug	
8	4010618	2	Screw M6 x 50	
9	4711400	4	Washer 1/4	
10	4811700	2	Washer M6	
11	1001138494	1	Bar, Drop	
12	1001138514	1	Rail - Top	
13	1001140429	1	Decal - Drop Bar	
14	See Note	1	Platform (Note: Not Available - Purchase Platform Assembly)	

SECTION 5 - PLATFORM

FIGURE 5-9. PLATFORM ASSEMBLY - 30IN X 5FT (76CM X 1.52M) - WITH DROP BAR (USA AND CHINA BUILT MACHINES)



ART_1001186377

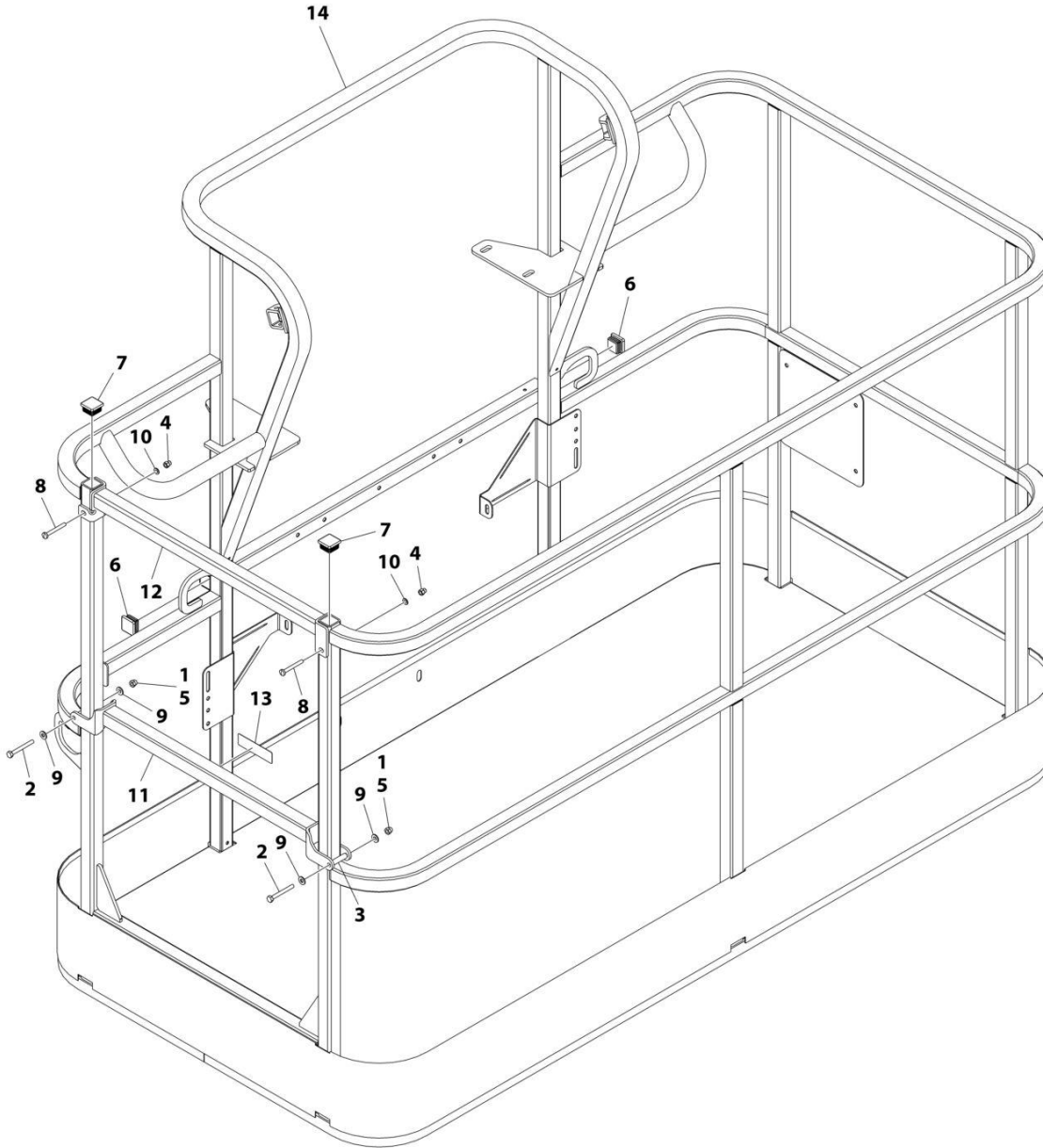
SECTION 5 - PLATFORM

FIGURE 5-9. PLATFORM ASSEMBLY - 30IN X 5FT (76CM X 1.52M) - WITH DROP BAR (USA AND CHINA BUILT MACHINES)

ITEM	PART NUMBER	QTY	DESCRIPTION	REV
	1001186377	Ref	PLATFORM ASSEMBLY	C
		Ref	Note: Platform and Mesh must be ordered separately for Platforms with Mesh. See SPECIAL OPTIONS SECTION for Mesh Installations.	
		Ref	Note: Replacement Decals Must be Ordered Separately - See DECALS SECTION.	
1	0100011	AR	Compound, Locking	
2	0641420	2	Bolt 1/4 x 2-1/2	
3	0961845	2	Bushing	
4	3290606	2	Nut M6	
5	3300151	2	Nut 1/4	
6	3520072	2	Plug	
7	3520198	2	Plug	
8	4010618	2	Screw M6 x 50	
9	4711400	4	Washer 1/4	
10	4811700	2	Washer M6	
11	1001138494	1	Bar, Drop	
12	1001138514	1	Rail (Top)	
13	1001140429	1	Decal - Drop Bar	
14	See Note	NSS	Platform (Note: Not Available - Purchase Platform Assembly)	

SECTION 5 - PLATFORM

FIGURE 5-10. PLATFORM ASSEMBLY - 30IN X 6FT (76CM X 1.83M) - WITH DROP BAR (USA AND CHINA BUILT MACHINES)



ART_1001186378

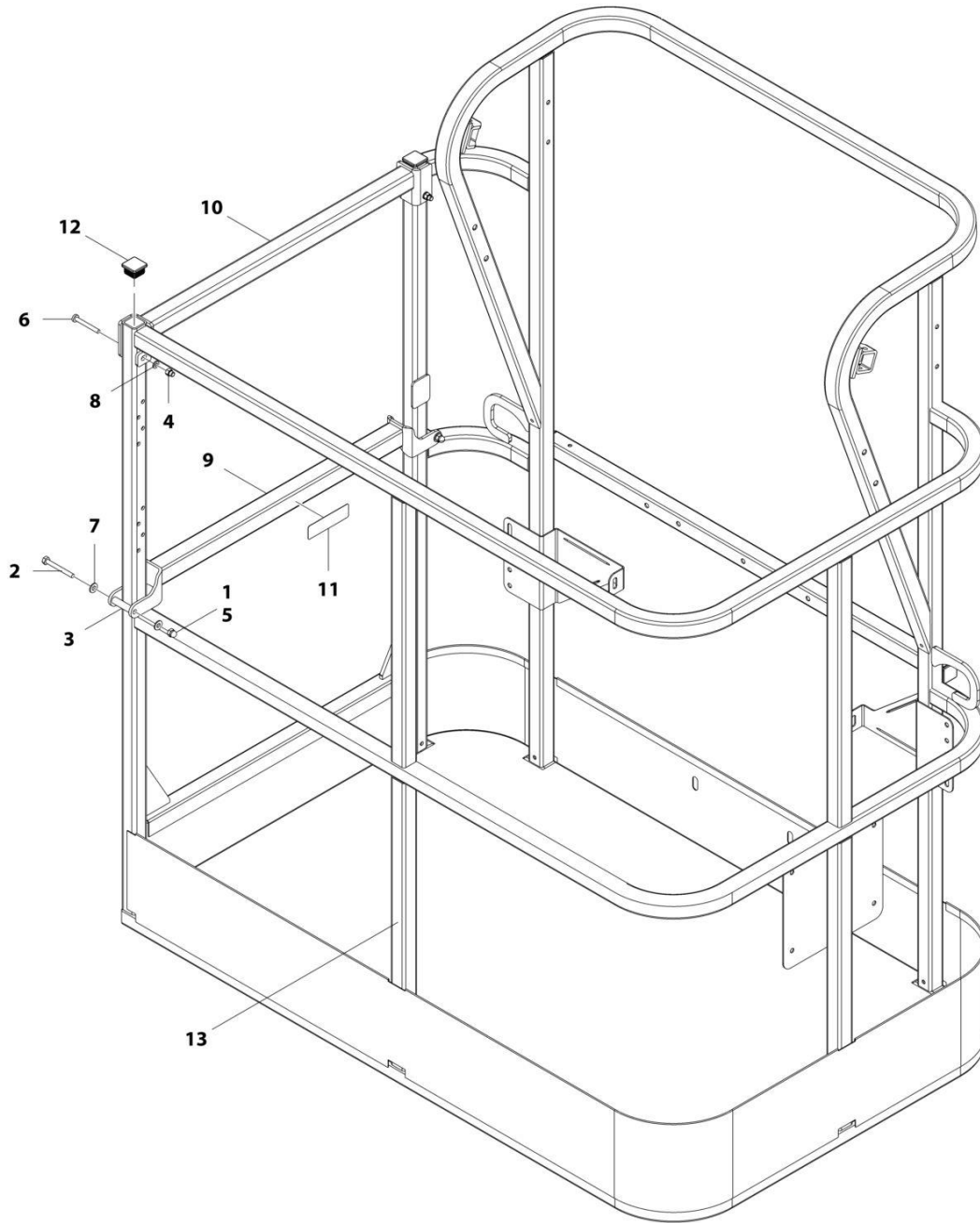
SECTION 5 - PLATFORM

FIGURE 5-10. PLATFORM ASSEMBLY - 30IN X 6FT (76CM X 1.83M) - WITH DROP BAR (USA AND CHINA BUILT MACHINES)

ITEM	PART NUMBER	QTY	DESCRIPTION	REV
	1001186378	Ref	PLATFORM ASSEMBLY	C
		Ref	Note: Platform and Mesh must be ordered separately for Platforms with Mesh. See SPECIAL OPTIONS SECTION for Mesh Installations.	
		Ref	Note: Replacement Decals Must be Ordered Separately - See DECALS SECTION.	
1	0100011	AR	Compound, Locking	
2	0641418	2	Bolt 1/4 x 2-1/4	
3	0961845	2	Bushing	
4	3290606	2	Nut M6	
5	3300151	2	Nut 1/4	
6	3520072	2	Plug	
7	3520198	2	Plug	
8	4010618	2	Screw M6 x 50	
9	4711400	4	Washer 1/4	
10	4811700	2	Washer M6	
11	1001138494	1	Bar, Drop	
12	1001138514	1	Rail (Top)	
13	1001140429	1	Decal - Drop Bar	
14	See Note	NSS	Platform (Note: Not Available - Purchase Platform Assembly)	

SECTION 5 - PLATFORM

FIGURE 5-11. PLATFORM ASSEMBLY - 30IN X 4FT (76CM X 1.22M) - WITH DROP BAR (ROMANIAN BUILT MACHINES)



ART_1001188318

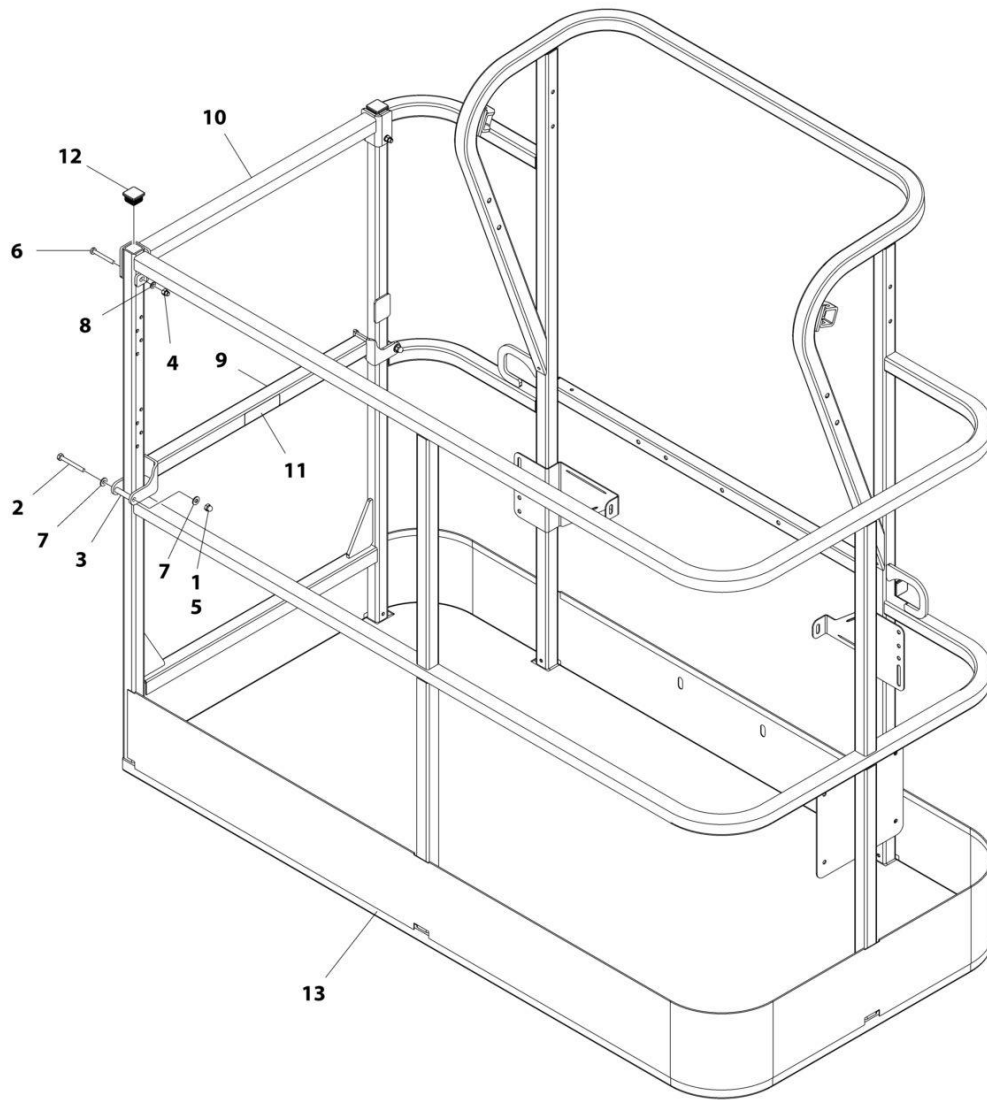
SECTION 5 - PLATFORM

FIGURE 5-11. PLATFORM ASSEMBLY - 30IN X 4FT (76CM X 1.22M) - WITH DROP BAR (ROMANIAN BUILT MACHINES)

ITEM	PART NUMBER	QTY	DESCRIPTION	REV
	1001188318	Ref	PLATFORM ASSEMBLY	C
	See Note	Ref	Note: Platform and Mesh must be ordered separately for Platforms with Mesh. See SPECIAL OPTIONS SECTION for Mesh Installations.	
	See Note	Ref	Note: Replacement Decals Must be Ordered Separately - See DECALS SECTION.	
1	0100011	AR	Compound, Locking	
2	0641418	2	Bolt 1/4 x 2-1/4	
3	0961845	2	Bushing	
4	3290606	2	Nut M6	
5	3300151	2	Nut 1/4	
6	4010618	2	Screw M6 x 50	
7	4711400	4	Washer 1/4	
8	4811700	2	Washer M6	
9	1001138494	1	Bar, Drop	
10	1001138514	1	Rail (Top)	
11	1001140429	1	Decal - Drop Bar	
12	1001145781	4	Cap, Plug	
13	See Note	NSS	Platform (Note: Not Available - Purchase Platform Assembly)	

SECTION 5 - PLATFORM

FIGURE 5-12. PLATFORM ASSEMBLY - 30IN X 5FT (76CM X 1.52M) - WITH DROP BAR (ROMANIAN BUILT MACHINES)



ART_1001188314

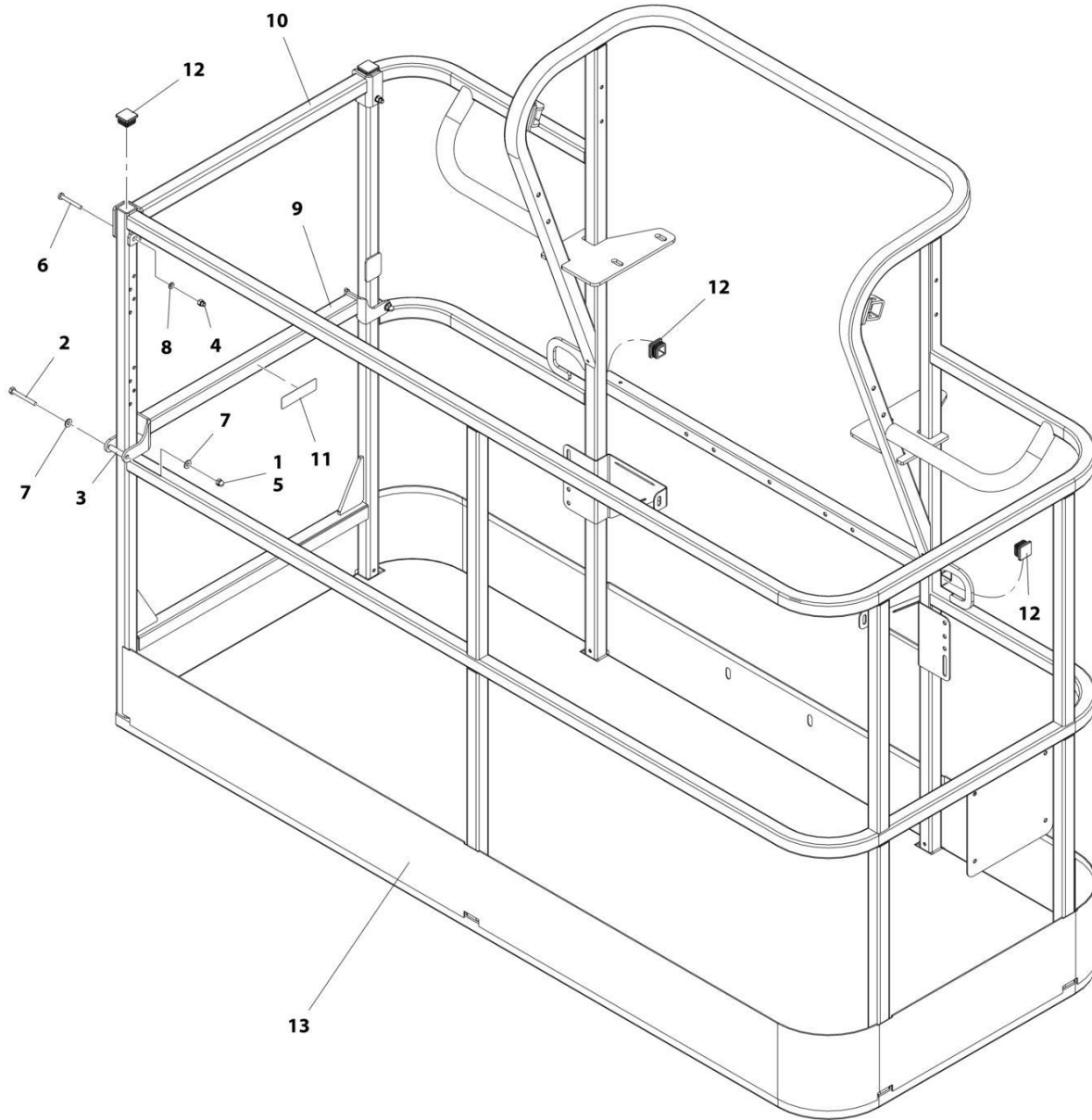
SECTION 5 - PLATFORM

FIGURE 5-12. PLATFORM ASSEMBLY - 30IN X 5FT (76CM X 1.52M) - WITH DROP BAR (ROMANIAN BUILT MACHINES)

ITEM	PART NUMBER	QTY	DESCRIPTION	REV
	1001188314	Ref	PLATFORM ASSEMBLY	C
	See Note	Ref	Note: Platform and Mesh must be ordered separately for Platforms with Mesh. See SPECIAL OPTIONS SECTION for Mesh Installations.	
	See Note	Ref	Note: Replacement Decals Must be Ordered Separately - See DECALS SECTION.	
1	0100011	AR	Compound, Locking	
2	0641418	2	Bolt 1/4 x 2-1/4	
3	0961845	2	Bushing	
4	3290606	2	Nut M6	
5	3300151	2	Nut 1/4	
6	4010618	2	Screw M6 x 50	
7	4711400	4	Washer 1/4	
8	4811700	2	Washer M6	
9	1001138494	1	Bar, Drop	
10	1001138514	1	Rail (Top)	
11	1001140429	1	Decal - Drop Bar	
12	1001145781	4	Plug	
13	See Note	NSS	Platform (Note: Not Available - Purchase Platform Assembly)	

SECTION 5 - PLATFORM

FIGURE 5-13. PLATFORM ASSEMBLY - 30IN X 6FT (76CM X 1.83M) - WITH DROP BAR (ROMANIAN BUILT MACHINES)



ART_1001188311

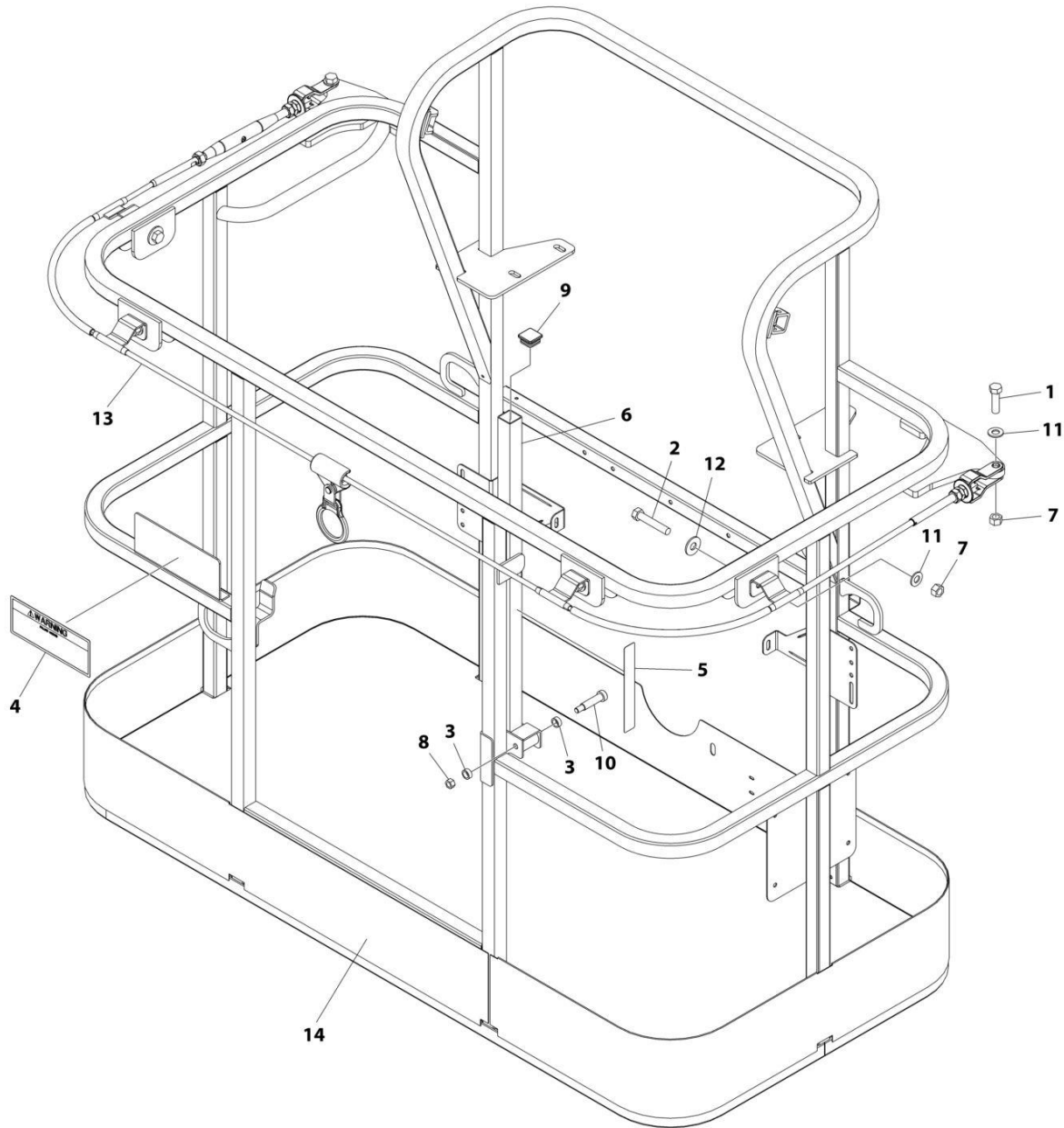
SECTION 5 - PLATFORM

FIGURE 5-13. PLATFORM ASSEMBLY - 30IN X 6FT (76CM X 1.83M) - WITH DROP BAR (ROMANIAN BUILT MACHINES)

ITEM	PART NUMBER	QTY	DESCRIPTION	REV
	1001188311	Ref	PLATFORM ASSEMBLY	D
	See Note	Ref	Note: Platform and Mesh must be ordered separately for Platforms with Mesh. See SPECIAL OPTIONS SECTION for Mesh Installations.	
	See Note	Ref	Note: Replacement Decals Must be Ordered Separately - See DECALS SECTION.	
1	0100011	AR	Compound, Locking	
2	0641418	2	Bolt 1/4 x 2-1/4	
3	0961845	2	Bushing	
4	3290606	2	Nut M6	
5	3300151	2	Nut 1/4	
6	4010618	2	Screw M6 x 50	
7	4711400	4	Washer 1/4	
8	4811700	2	Washer M6	
9	1001138494	1	Bar, Drop	
10	1001138514	1	Rail (Top)	
11	1001140429	1	Decal - Drop Bar	
12	1001145781	4	Cap, Plug	
13	See Note	NSS	Platform (Note: Not Available - Purchase Platform Assembly)	

SECTION 5 - PLATFORM

FIGURE 5-14. PLATFORM ASSEMBLY - 30IN X 5FT (76CM X 1.52M - FALL ARREST (ANSI, ANSI EXPORT AND CSA SPECS)



ART_1001186388

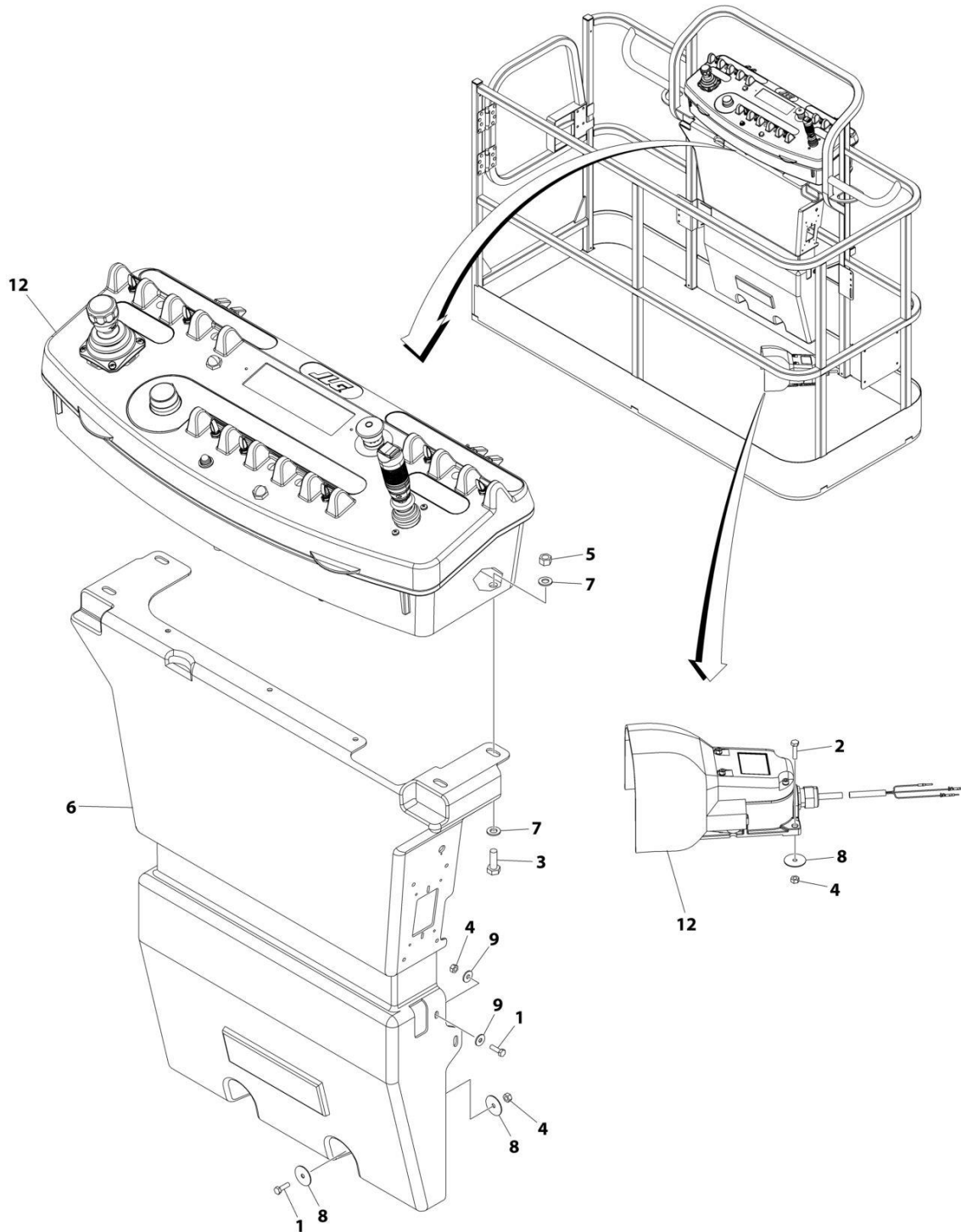
SECTION 5 - PLATFORM

FIGURE 5-14. PLATFORM ASSEMBLY - 30IN X 5FT (76CM X 1.52M - FALL ARREST (ANSI, ANSI EXPORT AND CSA SPECS)

ITEM	PART NUMBER	QTY	DESCRIPTION	REV
	1001186388	Ref	PLATFORM ASSEMBLY	C
	See Note	Ref	Note: Replacement Decals Must be Ordered Separately - See DECALS SECTION.	
1	0681814	2	Bolt 1/2 x 1-3/4 (Grade 8)	
2	0681822	4	Bolt 1/2 x 2-3/4 (Grade 8)	
3	0962270	2	Bearing	
4	1705014	1	Decal - Safety	
5	1706385	1	Decal - Drop Bar	
6	2410014	1	Gate, Weldment	
7	3271805	6	Nut 1/2	
8	3311605	1	Nut 3/8	
9	3520072	1	Cap, Plug	
10	3900054	1	Bolt 1/2 x 1-3/4	
11	4711800	6	Washer 1/2	
12	4751800	4	Washer 1/2	
13	1001203654	1	Lanyard	
14	See Note	NSS	Platform (Note: Not Available - Purchase Platform Assembly)	

SECTION 5 - PLATFORM

FIGURE 5-15. CONSOLE BOX INSTALLATION - 450A



ART_1001246297

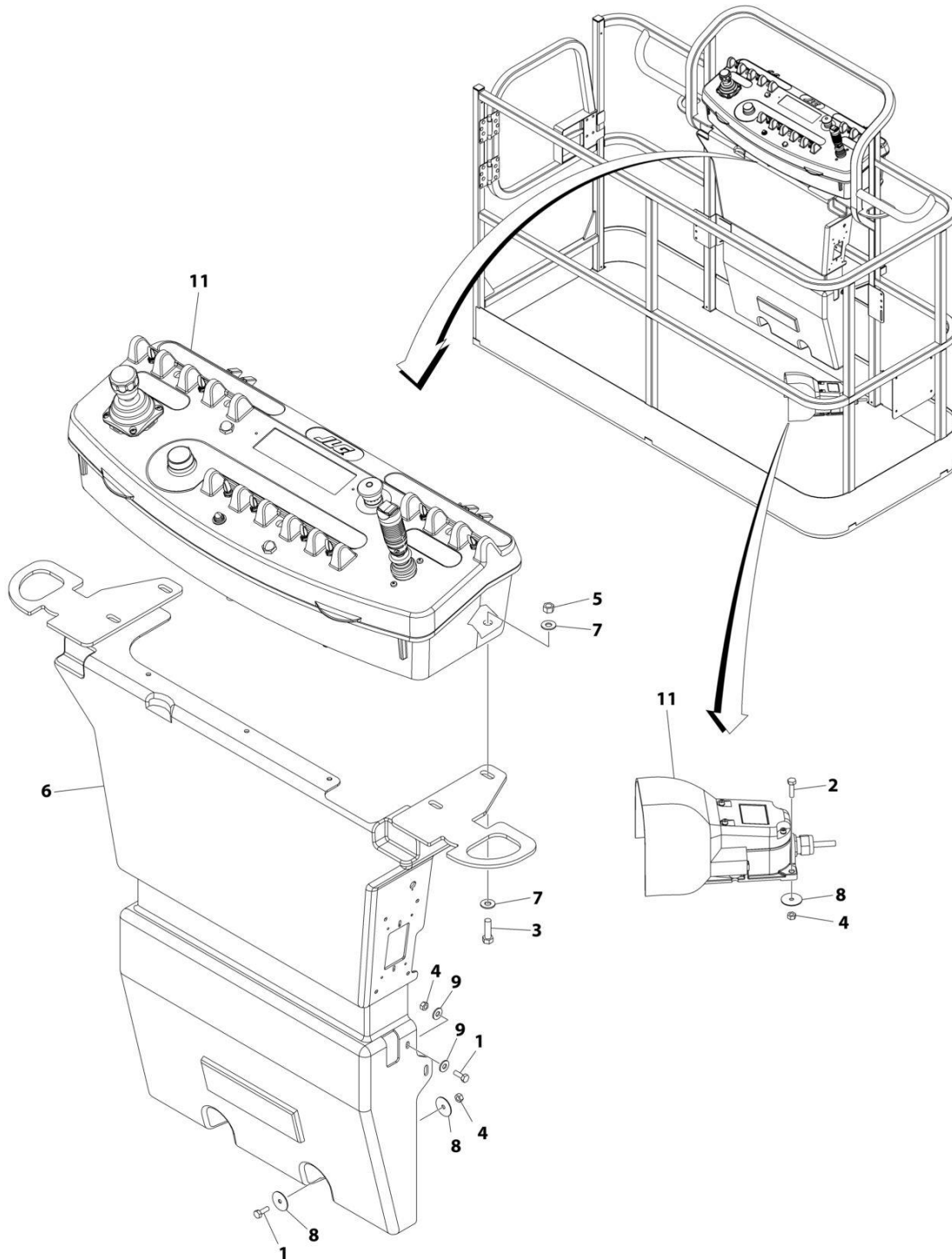
SECTION 5 - PLATFORM

FIGURE 5-15. CONSOLE BOX INSTALLATION - 450A

ITEM	PART NUMBER	QTY	DESCRIPTION	REV
	1001246297	Ref	CONSOLE BOX INSTALLATION	A
1	0641406	4	Bolt 1/4 x 3/4	
2	0641408	3	Bolt 1/4 x 1	
3	0641610	4	Bolt 3/8 x 1-1/4	
4	3311405	7	Nut Lock 1/4	
5	3311605	4	Nut Lock 3/8	
6	3380434	1	Panel, Decal Mount	
7	4751600	8	Washer 3/8	
8	4740362	7	Washer 1/4	
9	4751400	4	Washer 1/4	
10	1001144295	2	Cap, Connector (Not Shown)	
11	1001164728	1	Harness, Platform Valve (Not Shown - See Separate Breakdown in ELECTRICAL SECTION)	
12	1001246286	1	Platform Console Box Assembly (See Separate Breakdown in this Section)	

SECTION 5 - PLATFORM

FIGURE 5-16. CONSOLE BOX INSTALLATION - 450AJ



ART_1001246436

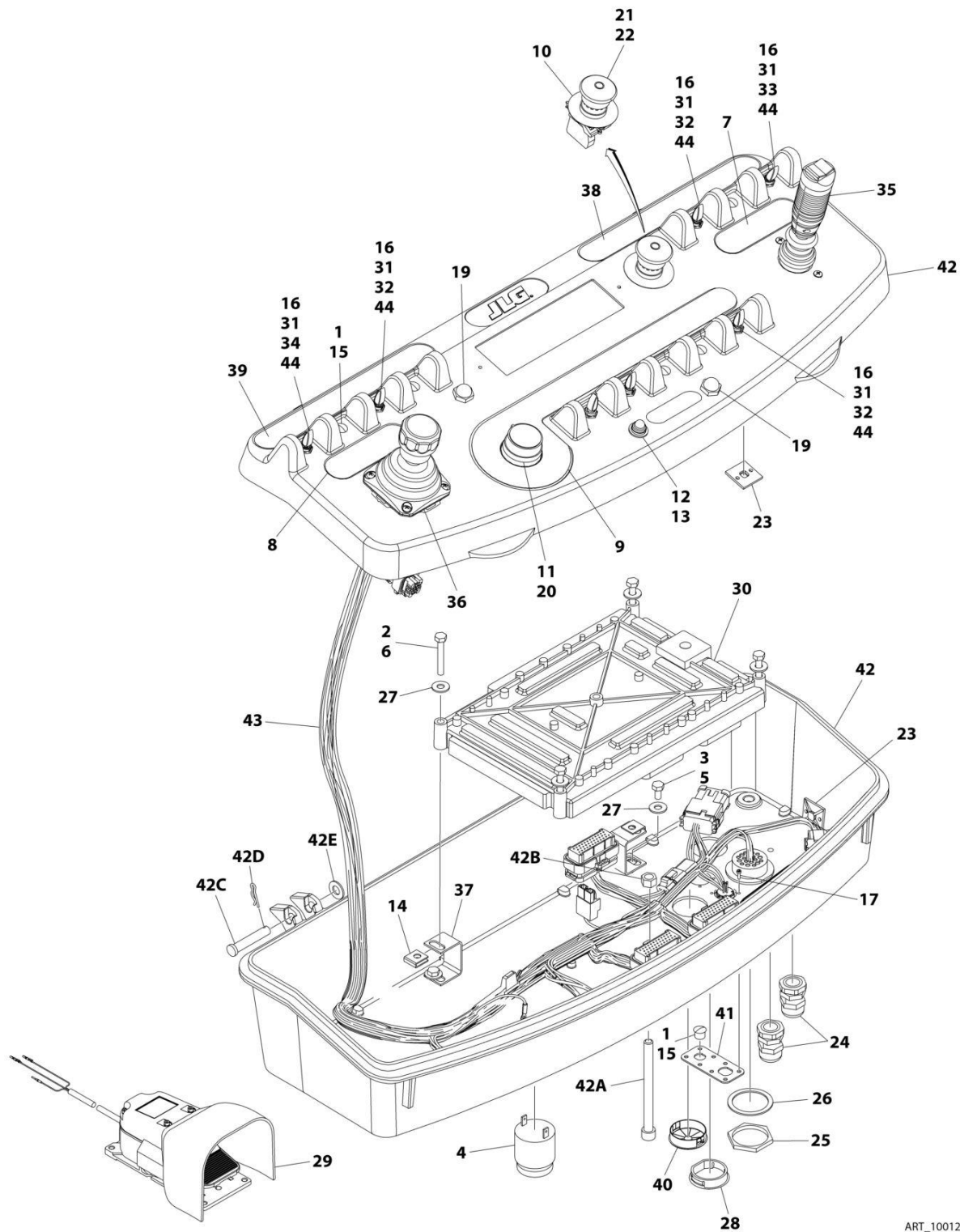
SECTION 5 - PLATFORM

FIGURE 5-16. CONSOLE BOX INSTALLATION - 450AJ

ITEM	PART NUMBER	QTY	DESCRIPTION	REV
	1001246436	Ref	CONSOLE BOX INSTALLATION	A
1	0641406	4	Bolt 1/4 x 3/4	
2	0641408	3	Bolt 1/4 x 1	
3	0641610	4	Bolt 3/8 x 1-1/4	
4	3311405	7	Nut Lock 1/4	
5	3311605	4	Nut Lock 3/8	
6	3380434	1	Panel, Decal Mount	
7	4751600	8	Washer 3/8	
8	4740362	7	Washer 1/4	
9	4751400	4	Washer 1/4	
10	1001164728	1	Harness, Platform Valve (Not Shown - See Separate Breakdown in ELECTRICAL SECTION)	
11	1001246435	1	Platform Console Box Assembly (See Separate Breakdown in this Section)	

SECTION 5 - PLATFORM

FIGURE 5-17. PLATFORM CONSOLE BOX ASSEMBLY - 450A



ART_1001246286

SECTION 5 - PLATFORM

FIGURE 5-17. PLATFORM CONSOLE BOX ASSEMBLY - 450A

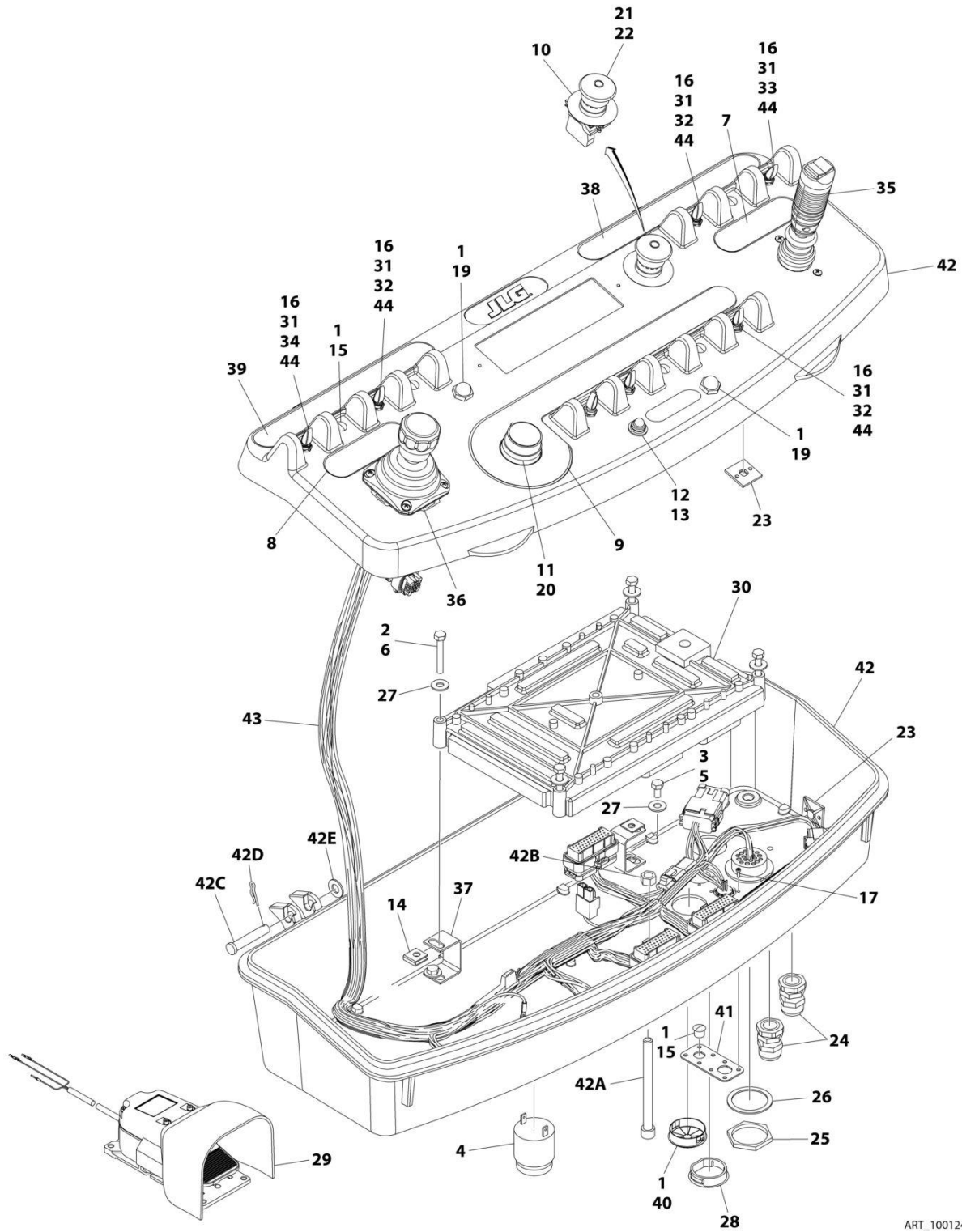
ITEM	PART NUMBER	QTY	DESCRIPTION	REV
	1001246286	Ref	PLATFORM CONSOLE BOX ASSEMBLY	B
1	0100009	AR	Sealant	
2	0100048	AR	Grease, Dielectric	
3	0100035	AR	Compound, Locking	
4	0140011	1	Alarm	
5	0641405	4	Bolt 1/4 x 5/8	
6	0641414	4	Bolt 1/4 x 1-3/4	
7	1702565	1	Decal - Drive and Steer	
8	1702566	1	Decal - Lift and Swing	
9	1702567	1	Decal - Function Speed	
10	1704260	1	Decal - EMS	
11	2560136	1	Handle, Knob	
12	2920028	1	Light, Indicator	
13	2920029	1	Bulb, Light	
14	3300353	4	Nut	
15	3520054	6	Plug	
16	3790012	7	O-Ring	
17	3900349	8	Screw	
18	4240099	AR	Tie-Strap (Not Shown)	
19	4360387	2	Switch, Pushbutton	
20	4360407	1	Switch, Potentiometer	
21	4360475	1	Switch, Emergency	
21	7020175	1	Cap, Red	
21	7020176	1	Contact Block	
22	4360476	1	Switch, Contact	
23	4460234	4	Terminal	
24	4460428	2	Connector, Strain Relief	
25	4460470	1	Nut	
26	4460471	1	Washer	
27	4751400	8	Washer 1/4	
28	1001110434	1	Plug	
29	1001117174	1	Footswitch Assembly (See Separate Breakdown in this Section)	
30	1001118412	1	Module, Control	
31	1001155044	7	Nut 15/32	
32	1001155045	5	Switch, Toggle	
33	1001159256	1	Switch, Toggle	
34	1001161709	1	Switch, Toggle	
35	1001166538	NLA	Controller Assembly (Drive and Steer) (Use p/n 1001212415) (See Separate Breakdown in this Section)	
36	1001166539	NLA	Controller Assembly (Lift and Swing) (See Separate Breakdown in this Section) (Note: Use p/n 1001129555 as Replacement)	
37	1001172760	4	Bracket	
38	1001184618	1	Decal - Stop	
39	1001184626	1	Decal - Horn	
40	1001185281	1	Plug	
41	1001213882	1	Connector, Mounting	
42	1001215228	1	Platform Console Box	
42A	0630568	1	Capscrew 3/8 x 4-1/2	
42B	3311601	1	Nut 3/8	
42C	3430616	2	Pin, Clevis	

SECTION 5 - PLATFORM

ITEM	PART NUMBER	QTY	DESCRIPTION	REV
42D	3470003	2	Hairpin	
42E	4711600	2	Washer 3/8	
43	1001238254	1	Harness, Platform Console Box (See Separate Breakdown in ELECTRICAL SECTION)	
44	4740397	7	Spacer	

SECTION 5 - PLATFORM

FIGURE 5-18. PLATFORM CONSOLE BOX ASSEMBLY - 450AJ



ART_1001246435

SECTION 5 - PLATFORM

FIGURE 5-18. PLATFORM CONSOLE BOX ASSEMBLY - 450AJ

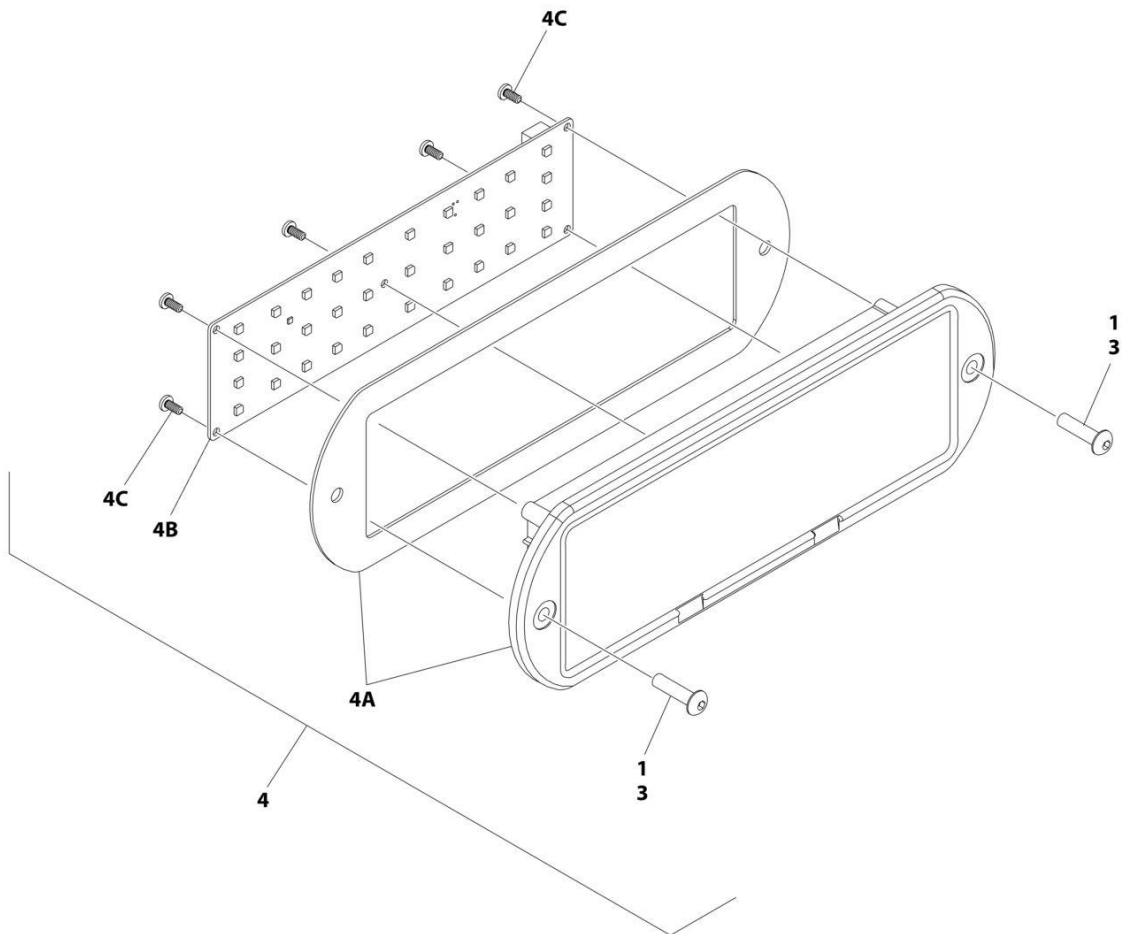
ITEM	PART NUMBER	QTY	DESCRIPTION	REV
	1001246435	Ref	PLATFORM CONSOLE BOX ASSEMBLY	B
1	0100009	AR	Sealant	
2	0100048	AR	Grease, Dielectric	
3	0100035	AR	Compound, Locking	
4	0140011	1	Alarm	
5	0641405	4	Bolt 1/4 x 5/8	
6	0641414	4	Bolt 1/4 x 1-3/4	
7	1702565	1	Decal - Drive and Steer	
8	1702566	1	Decal - Lift and Swing	
9	1702567	1	Decal - Function Speed	
10	1704260	1	Decal - EMS	
11	2560136	1	Handle, Knob	
12	2920028	1	Light, Indicator	
13	2920029	1	Bulb, Light	
14	3300353	4	Nut	
15	3520054	5	Plug	
16	3790012	8	O-Ring	
17	3900349	8	Screw	
18	4240099	AR	Tie-Strap (Not Shown)	
19	4360387	2	Switch, Pushbutton	
20	4360407	1	Switch, Potentiometer	
21	4360475	1	Switch, Emergency	
21	7020175	1	Cap, Red	
21	7020176	1	Contact Block	
22	4360476	1	Block, Contact	
23	4460234	4	Terminal	
24	4460428	2	Connector, Strain Relief	
25	4460470	1	Nut	
26	4460471	1	Washer	
27	4751400	8	Washer 1/4	
28	1001110434	1	Plug	
29	1001117174	1	Footswitch Assembly (See Separate Breakdown in this Section)	
30	1001118412	1	Module, Control	
31	1001155044	8	Nut 15/32	
32	1001155045	6	Switch, Toggle	
33	1001159256	1	Switch, Toggle	
34	1001161709	1	Switch, Toggle	
35	1001166538	NLA	Controller Assembly (Drive and Steer) (Use p/n 1001212415) (See Separate Breakdown in this Section)	
36	1001166539	NLA	Controller Assembly (Lift and Swing) (See Separate Breakdown in this Section) (Note: Use p/n 1001129555 as Replacement)	
37	1001172760	4	Bracket	
38	1001184618	1	Decal - Stop	
39	1001184626	1	Decal - Horn	
40	1001185281	1	Plug	
41	1001213882	1	Connector, Mounting	
42	1001215228	1	Platform Console Box	
42A	0630568	1	Capscrew 3/8 x 4-1/2	
42B	3311601	1	Nut 3/8	
42C	3430616	2	Pin, Clevis	

SECTION 5 - PLATFORM

ITEM	PART NUMBER	QTY	DESCRIPTION	REV
42D	3470003	2	Hairpin	
42E	4711600	2	Washer 3/8	
43	1001238254	1	Harness, Platform Console Box (See Separate Breakdown in ELECTRICAL SECTION)	
44	4740397	7	Spacer	

SECTION 5 - PLATFORM

FIGURE 5-19. LIGHT PANEL INSTALLATION – PLATFORM CONSOLE (USA & CHINA BUILT MACHINES)



ART_1001241403_20F2

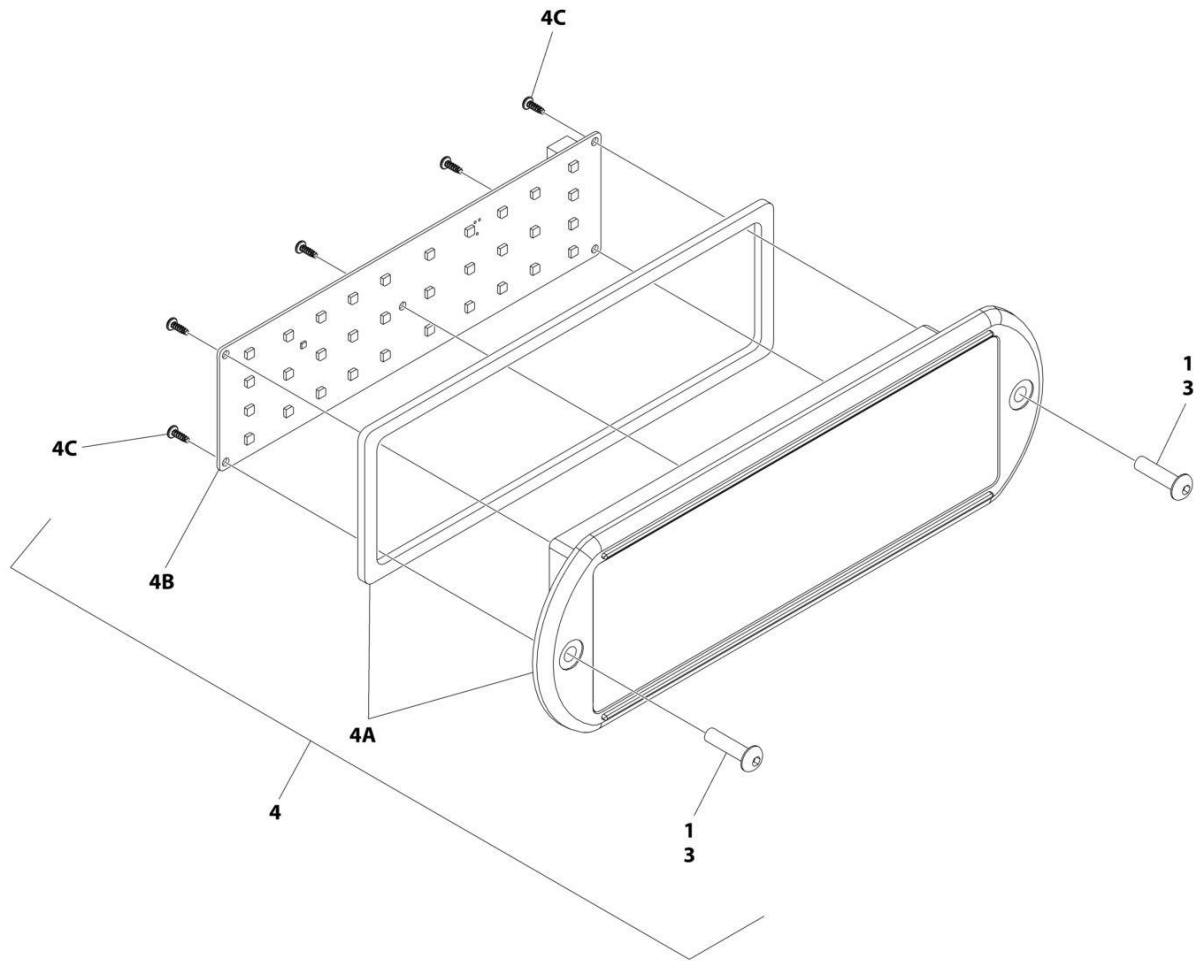
SECTION 5 - PLATFORM

FIGURE 5-19. LIGHT PANEL INSTALLATION – PLATFORM CONSOLE (USA & CHINA BUILT MACHINES)

ITEM	PART NUMBER	QTY	DESCRIPTION	REV
	1001241403	Ref	LIGHT PANEL INSTALLATION - PLATFORM CONSOLE	C
1	3300408	1	Nut, Nylon Insert	
3	0630518	2	Screw #10 x 3/4	
4	1001238672	1	Light Panel Electrical Assembly	H
4A	1001236089	1	Lens Assembly (Includes Housing Shell, Decal/Lens with Icons & Gasket)	
4B	1001238732	1	Panel, LED Light	
4C		Ref	Screw	

SECTION 5 - PLATFORM

FIGURE 5-20. LIGHT PANEL INSTALLATION – PLATFORM CONSOLE (ROMANIAN BUILT MACHINES)



ART_1001241404_20F2

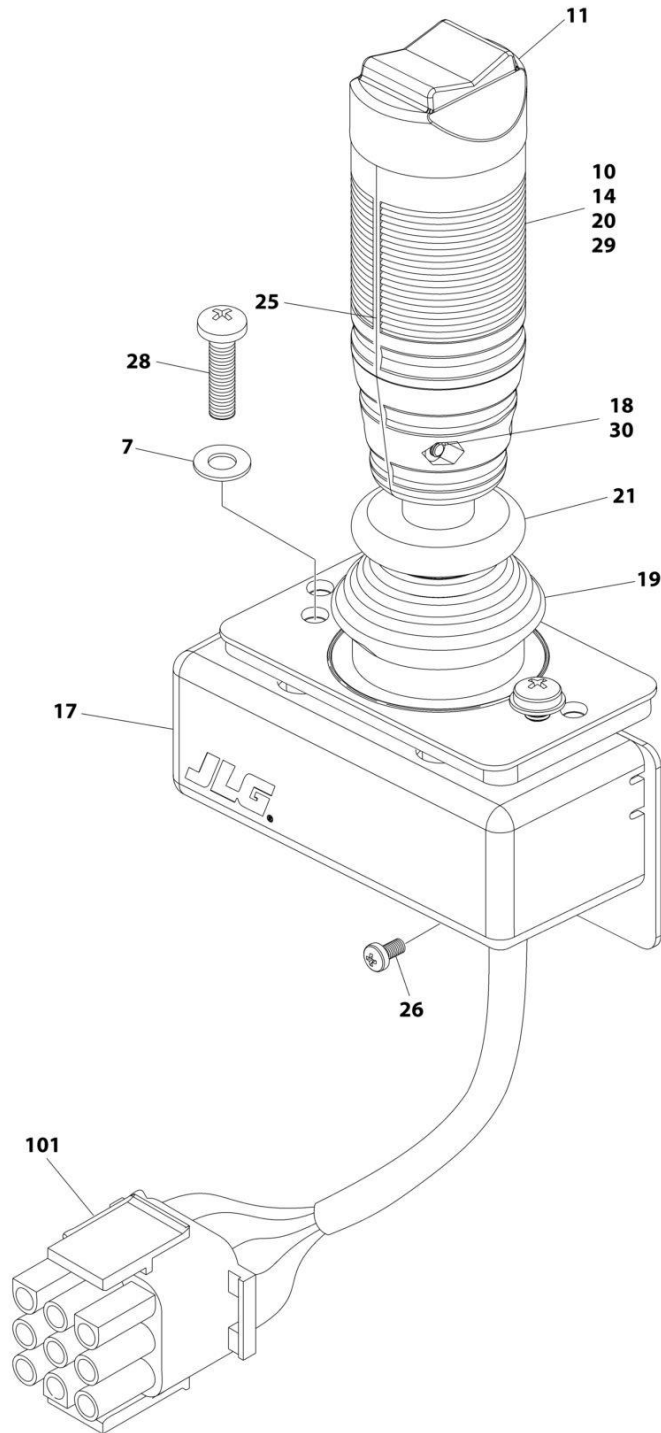
SECTION 5 - PLATFORM

FIGURE 5-20. LIGHT PANEL INSTALLATION – PLATFORM CONSOLE (ROMANIAN BUILT MACHINES)

ITEM	PART NUMBER	QTY	DESCRIPTION	REV
	1001241404	Ref	LIGHT PANEL INSTALLATION - PLATFORM CONSOLE	B
1	0100035	AR	Compound, Locking	
3	0630518	2	Screw #10 x 3/4	
4	1001237545	1	Light Panel Electrical Assembly	G
4A	1001236089	1	Lens, I-Con (Includes Gasket)	
4B	1001187807	1	Panel, LED Light	
4C		Ref	Screw	

SECTION 5 - PLATFORM

FIGURE 5-21. CONTROLLER ASSEMBLY - DRIVE AND STEER



ART_1001166538

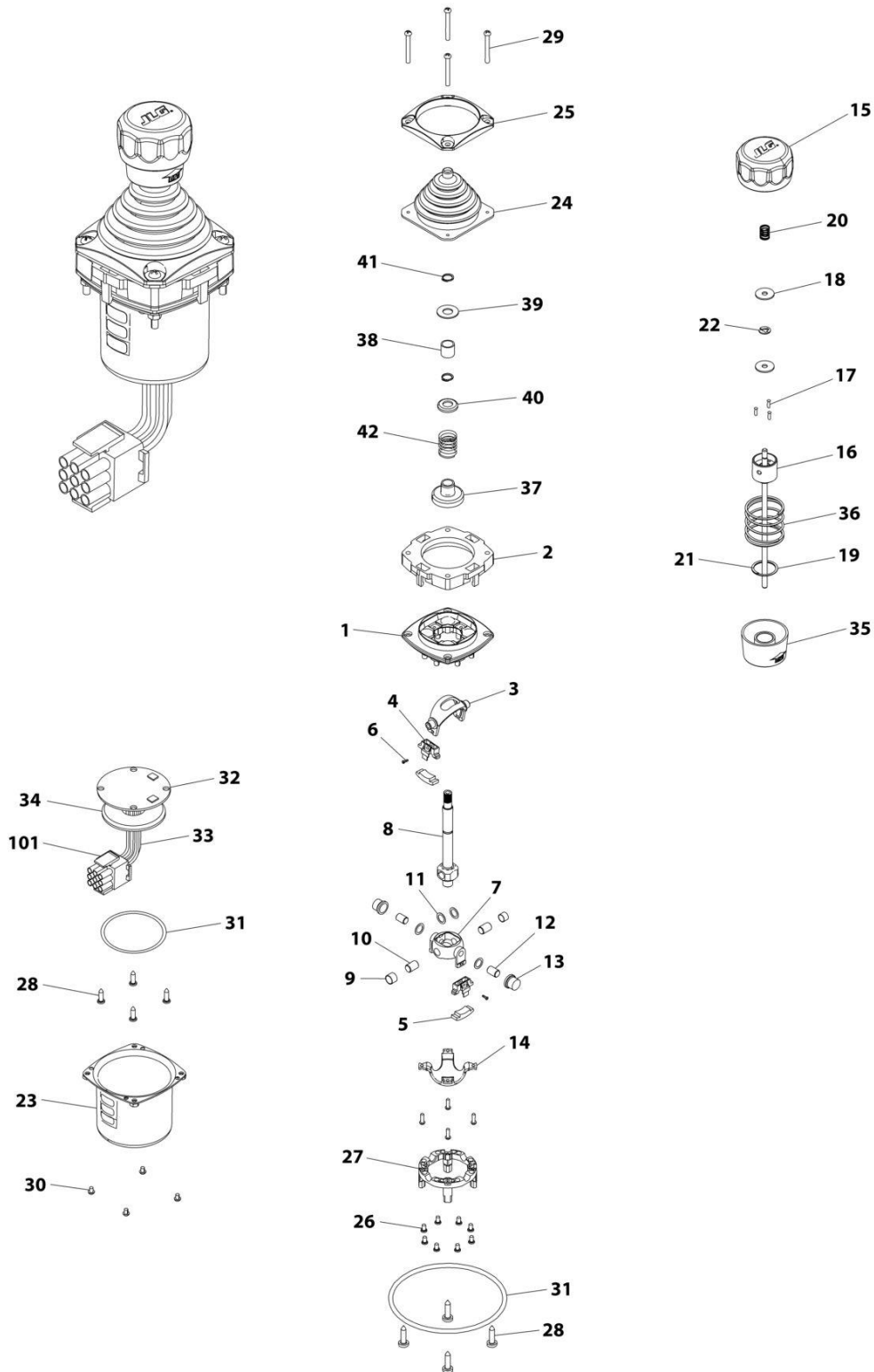
SECTION 5 - PLATFORM

FIGURE 5-21. CONTROLLER ASSEMBLY - DRIVE AND STEER

ITEM	PART NUMBER	QTY	DESCRIPTION	REV
	1001166538	Ref	CONTROLLER ASSEMBLY - DRIVE AND STEER	G
		Ref	Note: For Replacement, Use p/n 1001212415.	
7	70004738	2	Washer	
10	70004739	1	Roller	
11	70004740	1	Boot, Switch	
14	70004741	2	Half, Handle	
17	70004742	1	Enclosure	
18	70004743	4	Nut	
19	70004744	NLA	Boot, Controller (Use p/n 70005230 Boot/Base Assembly)	
20	70004745	NLA	Tube, Locking (Use p/n 70005230 Boot/Base Assembly)	
21	70004746	NLA	Disc, Locking (Use p/n 70005230 Boot/Base Assembly)	
25	70004747	2	Seal, Rope	
26	70004748	1	Screw M3 x 6	
28	70004749	2	Screw M5 x 20	
29	70004750	1	Pin, Dowel	
30	70004751	4	Screw M3 x 16	
101	4460265	1	Connector - 9 Position	
101	4460226	7	Socket, Female	

SECTION 5 - PLATFORM

FIGURE 5-22. CONTROLLER ASSEMBLY - LIFT AND SWING



ART_1001166539

SECTION 5 - PLATFORM

FIGURE 5-22. CONTROLLER ASSEMBLY - LIFT AND SWING

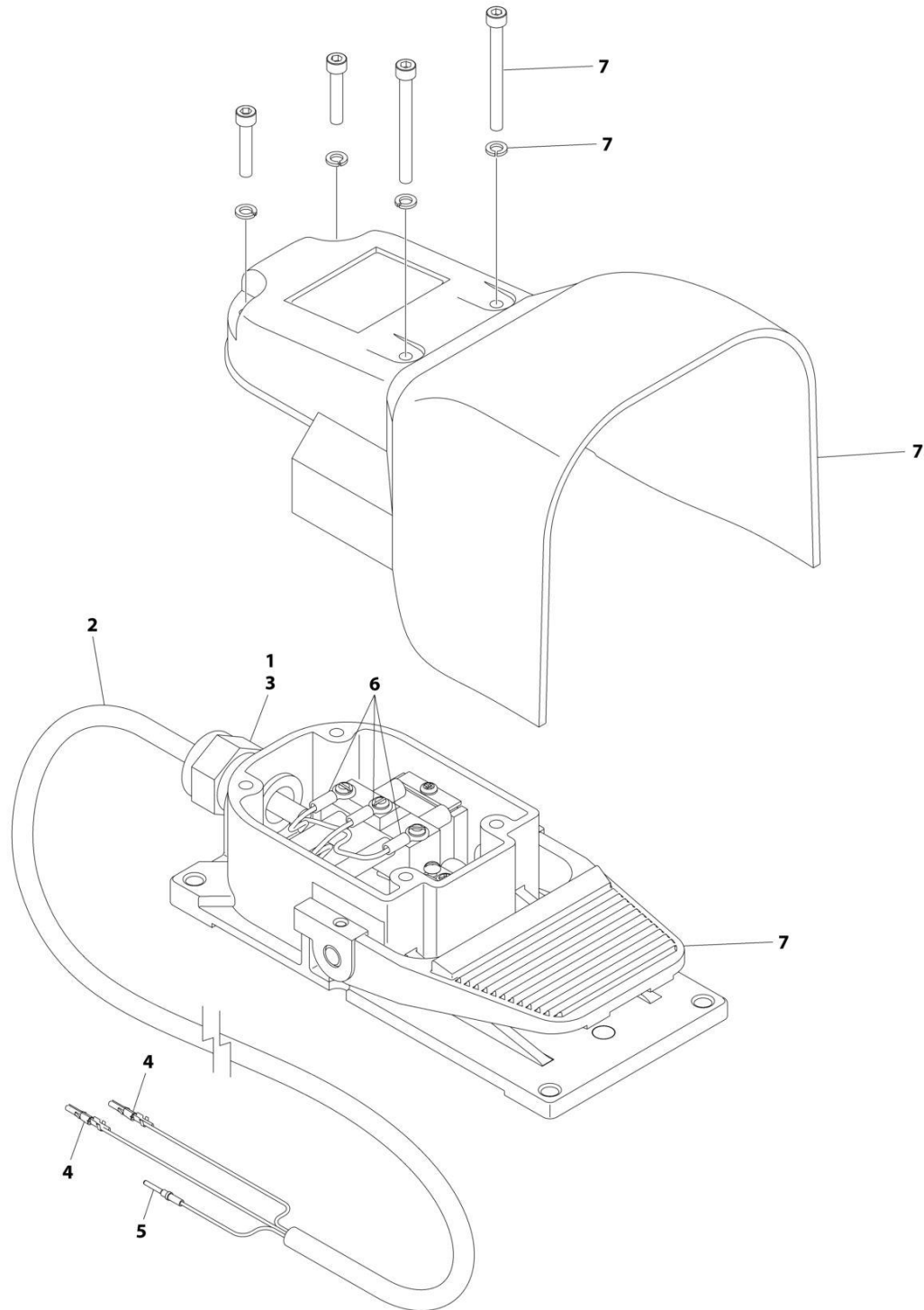
ITEM	PART NUMBER	QTY	DESCRIPTION	REV
	1001166539	Ref	CONTROLLER ASSEMBLY	E
		Ref	Note: Original Equipment Controller May Have Been Replaced with Service Replacement Controller. Visually Identify Controller Before Ordering Parts.	
		Ref	Note: For Replacement, Use p/n 1001129555	
1	See Note	NSS	Main Cast Body (Note: Not Available - Purchase Complete Assembly)	
2	70004752	1	Adapter	
3	See Note	NSS	Pivot Arm, Plastic (Note: Not Available - Purchase Complete Assembly)	
4	See Note	NSS	Holder, Magnet (Note: Not Available - Purchase Complete Assembly)	
5	See Note	NSS	Arc, Magnet (Note: Not Available - Purchase Complete Assembly)	
6	See Note	NSS	Screw (Note: Not Available for Purchase)	
7	See Note	NSS	Pivot Arm, Cast (Note: Not Available - Purchase Complete Assembly)	
8	See Note	NSS	Shaft, Main (Note: Not Available - Purchase Complete Assembly)	
9	See Note	NSS	Bearing (Note: Not Available - Purchase Complete Assembly)	
10	See Note	NSS	Pin (Note: Not Available - Purchase Complete Assembly)	
11	See Note	NSS	Shim (Note: Not Available - Purchase Complete Assembly)	
12	See Note	NSS	Pin (Note: Not Available - Purchase Complete Assembly)	
13	See Note	NSS	Bearing (Note: Not Available - Purchase Complete Assembly)	
14	See Note	NSS	Dome, Centering (Note: Not Available - Purchase Complete Assembly)	
15	70004753	1	Cap	
16	70004754	1	Insert, Cap	
17	70004755	3	Pin	
18	70004756	2	Washer	
19	70004757	1	Pin, Centering	
20	70004758	1	Spring	
21	70004759	1	Ring, Retaining	
22	70004760	1	E-Ring	
23	70004761	1	Can, Enclosure	
24	70004762	1	Boot	
25	70004763	1	Bezel	
26	See Note	NSS	Screw (Note: Not Available for Purchase)	
27	See Note	NSS	Base Mounting (Note: Not Available - Purchase Complete Assembly)	
28	See Note	NSS	Screw (Note: Not Available for Purchase)	
29	70004764	4	Screw	
30	70004765	4	Screw	
31	70004766	1	O-Ring	
32	See Note	NSS	Plate (Note: Not Available - Purchase Complete Assembly)	
33	See Note	NSS	Harness (Note: Not Available - Purchase Complete Assembly)	
34	70004767	1	Grommet, Rubber	
35	70004768	1	Housing	
36	70004769	1	Spring	
37	70004770	1	Stopper	
38	70004771	1	Spacer	
39	70004772	1	Washer	
40	70004773	1	Disc	

SECTION 5 - PLATFORM

ITEM	PART NUMBER	QTY	DESCRIPTION	REV
41	70004774	2	Ring, Retaining	
42	70004775	1	Spring	
101	4460265	1	Connector - 9 Position	
101	4460226	6	Socket, Female	

SECTION 5 - PLATFORM

FIGURE 5-23. FOOTSWITCH ASSEMBLY



ART_1001117174

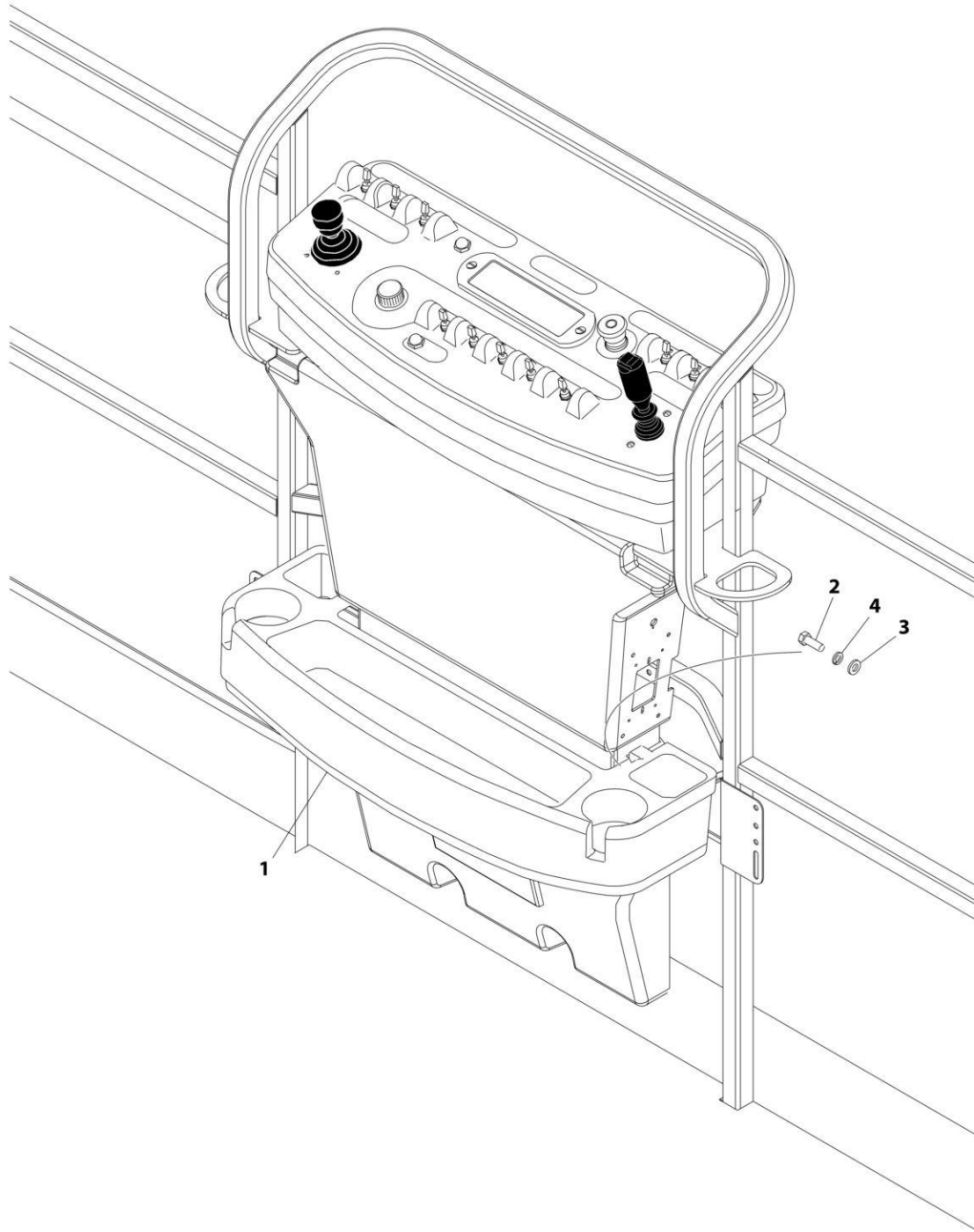
SECTION 5 - PLATFORM

FIGURE 5-23. FOOTSWITCH ASSEMBLY

ITEM	PART NUMBER	QTY	DESCRIPTION	REV
	1001117174	Ref	FOOTSWITCH ASSEMBLY	C
1	0100020	AR	Sealant	
2	1060918	7.5 ft/ 2.3m	Cable, Electrical - 18/3	
3	4460071	1	Connector, Strain Relief	
4	4460226	2	Socket, Female	
5	4460464	1	Pin, Male	
6	1001098122	3	Terminal	
7	1001117172	1	Footswitch	
7	70002902	1	Switch, 20Amp	
7	70002903	1	Gasket	
7	70002905	1	Cover	
7	70002904	1	Kit, Replacement Bolt	

SECTION 5 - PLATFORM

FIGURE 5-24. TRAY ASSEMBLY



ART_1580012

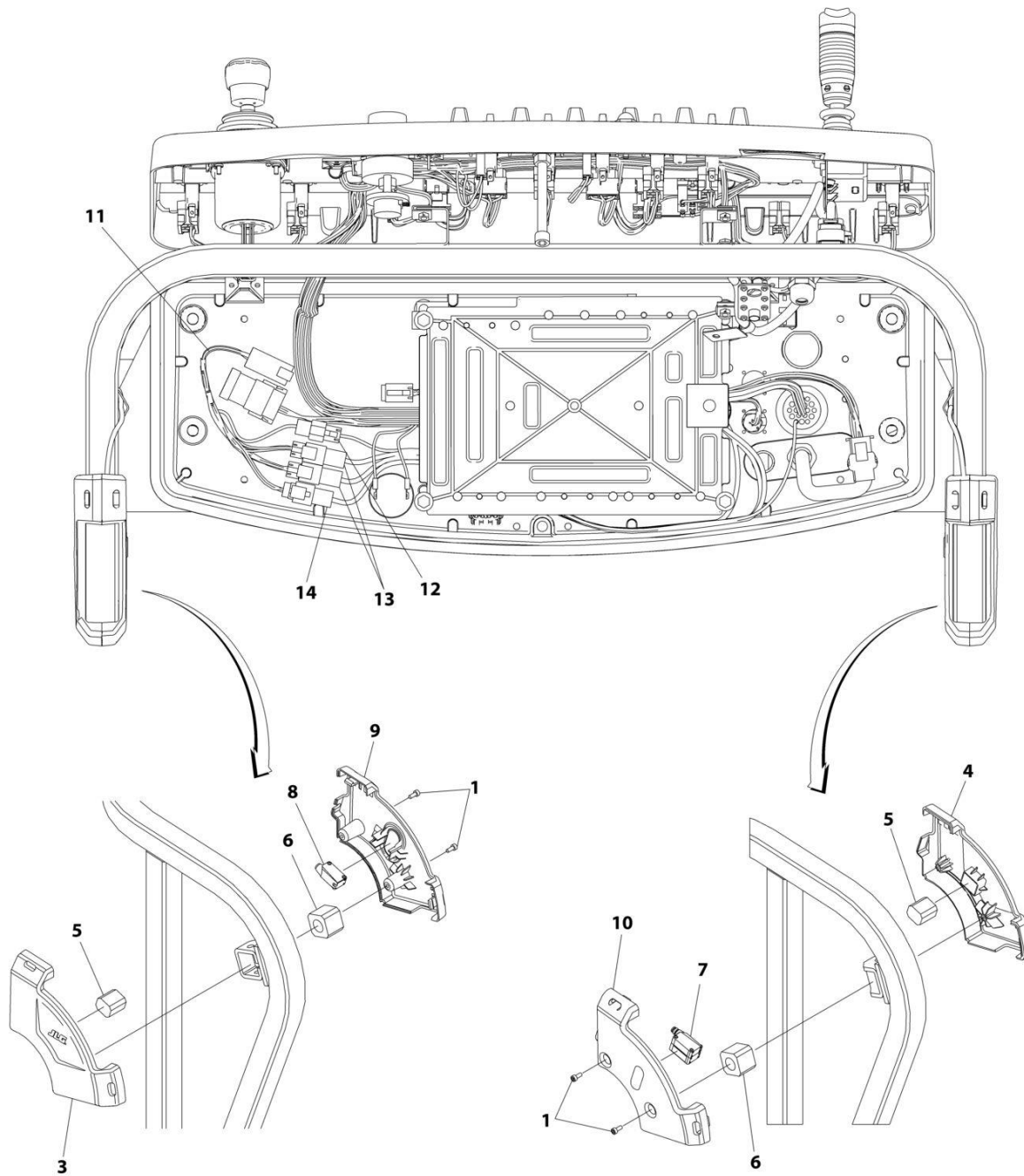
SECTION 5 - PLATFORM

FIGURE 5-24. TRAY ASSEMBLY

ITEM	PART NUMBER	QTY	DESCRIPTION	REV
	1580012	Ref	TRAY ASSEMBLY	C
1	See Note	NSS	Tray, Storage (Center) (Note: Purchase p/n 1580012)	
2	0641406	2	Bolt 1/4 x 3/4	
3	4751400	2	Washer 1/4	
4	4761400	2	Washer 1/4	

SECTION 5 - PLATFORM

FIGURE 5-25. SKYEYE INSTALLATION



ART_1001229341

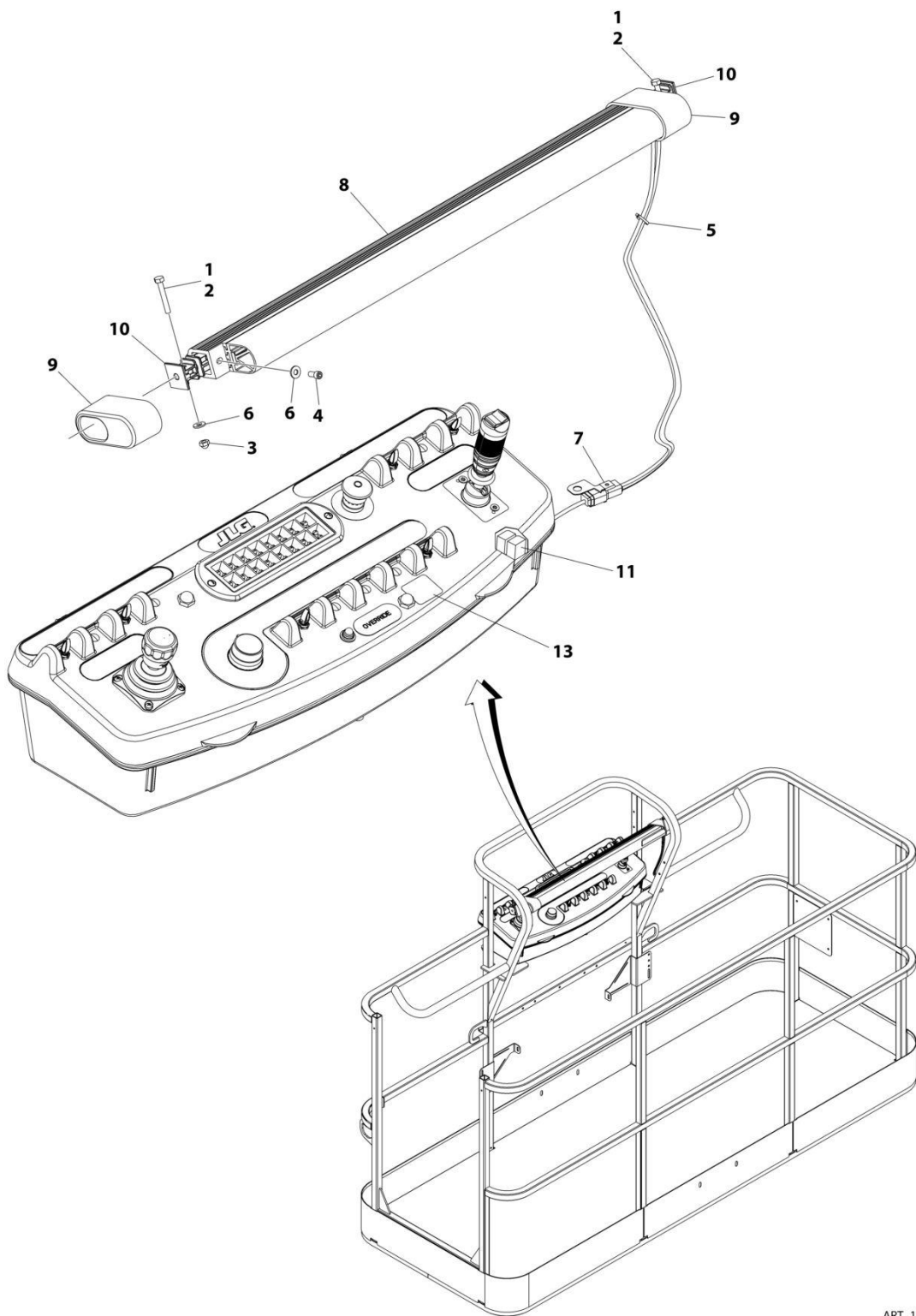
SECTION 5 - PLATFORM

FIGURE 5-25. SKYEYE INSTALLATION

ITEM	PART NUMBER	QTY	DESCRIPTION	REV
	1001229341	Ref	SKYEYE INSTALLATION	B
1	4031505	4	Bolt M4 x 10	
2	4240033	AR	Tie-Strap (Not Shown)	
3	1001227633	1	Housing, LH Outer	
4	1001227634	1	Housing, RH Outer	
5	1001227985	2	Shim	
6	1001227987	2	Shim	
7	1001228224	2	Sensor, Receiver	
8	1001228225	1	Sensor, Emitter	
9	1001232164	1	Housing, LH Inner	
10	1001232165	1	Housing, RH Inner	
11	1001237865	1	Harness, Skyeye Intermediate (See Separate Breakdown in ELECTRICAL Section)	
12	1001238319	NLA	Harness, Skyeye Drain Jumper	
12	1001187674	1	Plug, Male - 2 Position	
12	4460942	1	Terminal	
12	4460466	1	Plug, Terminal	
12	4460508	1	Pin, Male	
13	1001237863	2	Harness, Skyeye Receiver (See Separate Breakdown in ELECTRICAL Section)	
14	1001237864	1	Harness, Skyeye Emitter (See Separate Breakdown in ELECTRICAL Section)	

SECTION 5 - PLATFORM

FIGURE 5-26. SKYGUARD BAR INSTALLATION



ART_1001238495

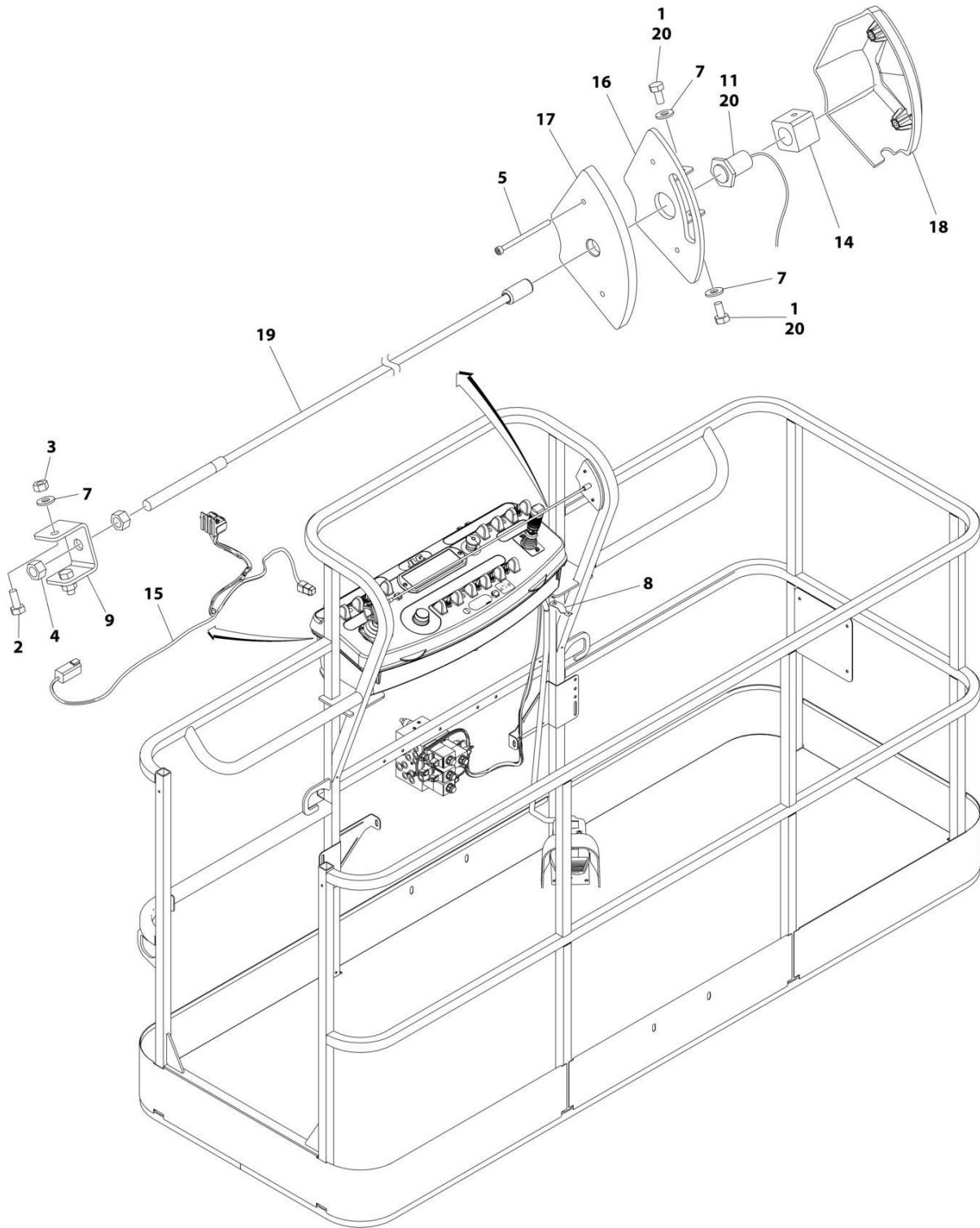
SECTION 5 - PLATFORM

FIGURE 5-26. SKYGUARD BAR INSTALLATION

ITEM	PART NUMBER	QTY	DESCRIPTION	REV
	1001238495	Ref	SKYGUARD BAR INSTALLATION	A
1	0100011	AR	Compound, Locking	
2	0641414	2	Bolt 1/4 x 1-3/4	
3	3300430	2	Nut 1/4	
4	3931408	2	Capscrew 1/4 x 1/2	
5	4240033	8	Tie-Strap	
6	4711400	6	Washer 1/4	
7	1001120328	1	Mount	
8	1001137673	1	SkyGuard Switch Assembly	
9	1001186517	2	Cover, Platform Sensor	
10	1001209664	2	Support, Block	
11	1001186431	2	Relay	
12	1001225580	1	Interface Harness Assembly (Not Shown - Located Inside Console Box) (See Separate Breakdown in ELECTRICAL Section)	
13	1001144433	1	Decal - No Weight SkyGuard	

SECTION 5 - PLATFORM

FIGURE 5-27. SKYLINE INSTALLATION



ART_1001238559_D

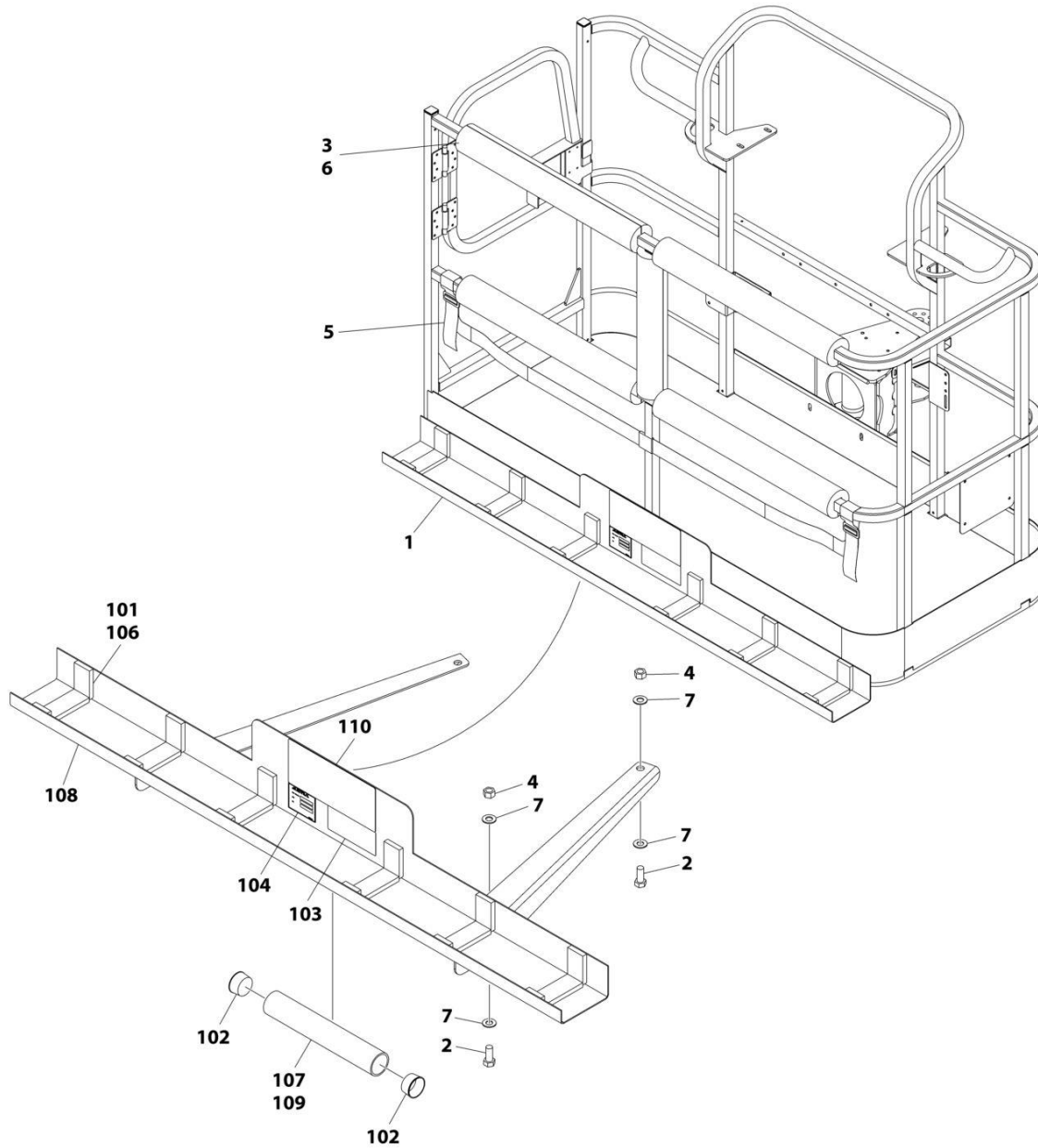
SECTION 5 - PLATFORM

FIGURE 5-27. SKYLINE INSTALLATION

ITEM	PART NUMBER	QTY	DESCRIPTION	REV
	1001238559	Ref	SKYLINE INSTALLATION	D
1	0641404	2	Bolt 1/4 x 1/2	
2	0641405	2	Bolt 1/4 x 5/8	
3	3311405	2	Nut 1/4	
4	3311601	2	Nut 3/8	
5	4031516	2	Capscrew M4 x 60	
6	4240033	AR	Tie-Strap (Not Shown)	
7	4711400	4	Washer 1/4	
8	1001120328	1	Mount	
9	1001232642	1	Bracket	
11	1001232667	1	Sensor, Proximity	
14	1001236552	1	Block	
15	1001238418	1	Harness, Skyline (See Separate Breakdown in ELECTRICAL Section)	
16	1001238472	1	Mount	
17	1001254473	1	Housing, LH	
18	1001241965	1	Housing, RH	
19	1001254472	1	Rod	
20	0100011	AR	Compound, Locking	

SECTION 5 - PLATFORM

FIGURE 5-28. SKYGLAZIER INSTALLATION



ART_1001173975

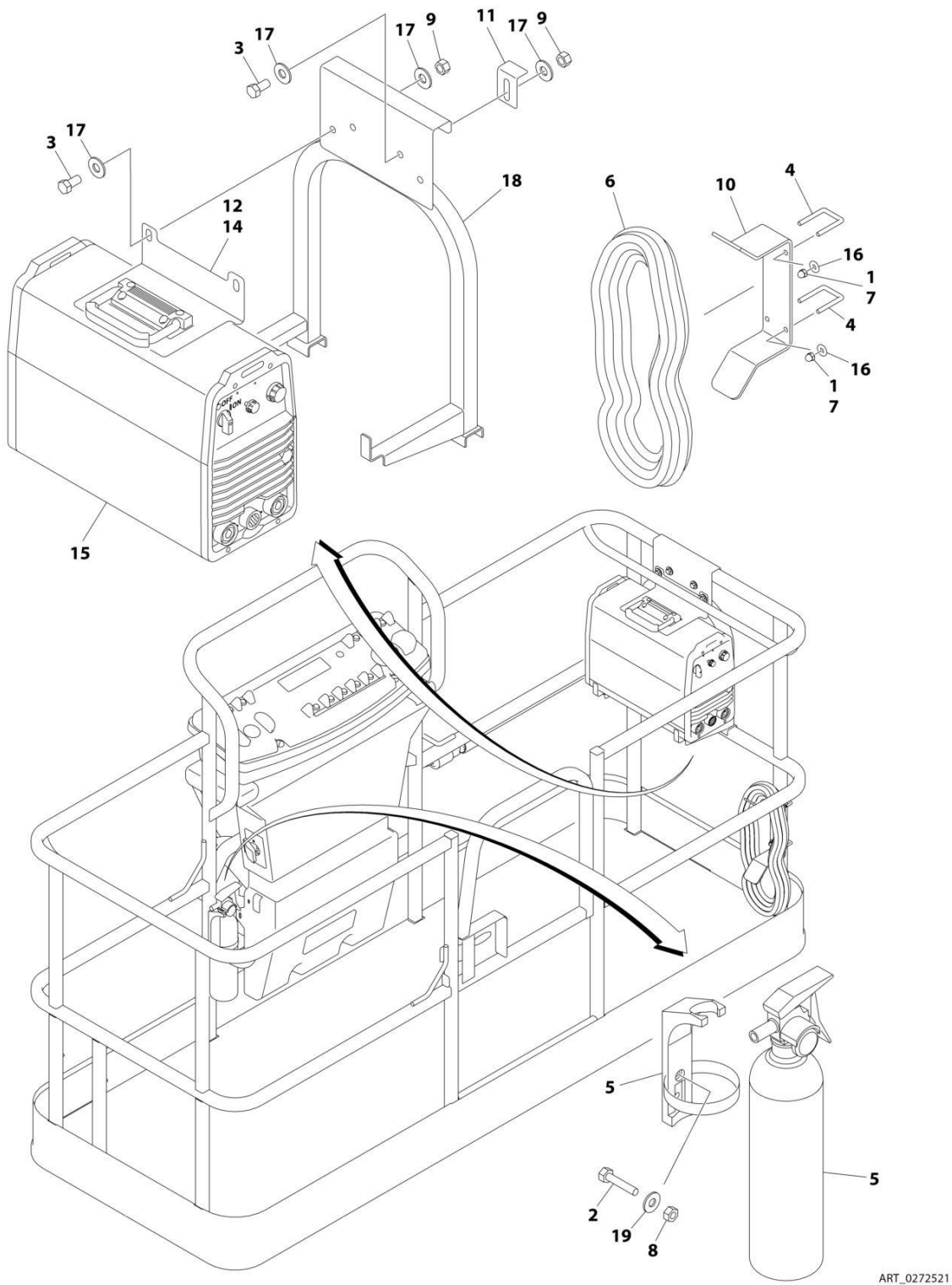
SECTION 5 - PLATFORM

FIGURE 5-28. SKYGLAZIER INSTALLATION

ITEM	PART NUMBER	QTY	DESCRIPTION	REV
	1001173975	Ref	SKYGLAZIER INSTALLATION	B
1	1001173973	1	Tray Assembly (See Items 101-110 for Breakdown)	
2	0642012	4	Bolt 5/8 x 1-1/2	
3	0940199	1	Bumper Kit	
4	3312005	4	Nut 5/8	
5	4240149	1	Strap Kit	
6	4420014	AR	Tape	
7	4712000	8	Washer 5/8	
	1001173973	Ref	TRAY ASSEMBLY	C
101	0100081	AR	Adhesive	
102	1120555	2	Cap, Tube	
103	1701509	1	Decal - Manual	
104	See Note	NSS	Nameplate - Serial Number (Note: Not Available for Purchase)	
106	3340956	1	Pad Kit	
107	3460334	1	Tube	
108	4341415	1	Support	
109	4420066	AR	Tape, Double Sided	
110	1001229138	1	Decal - Glazier Capacity	

SECTION 5 - PLATFORM

FIGURE 5-29. SKYWELDER INSTALLATION (50HZ)



ART_0272521

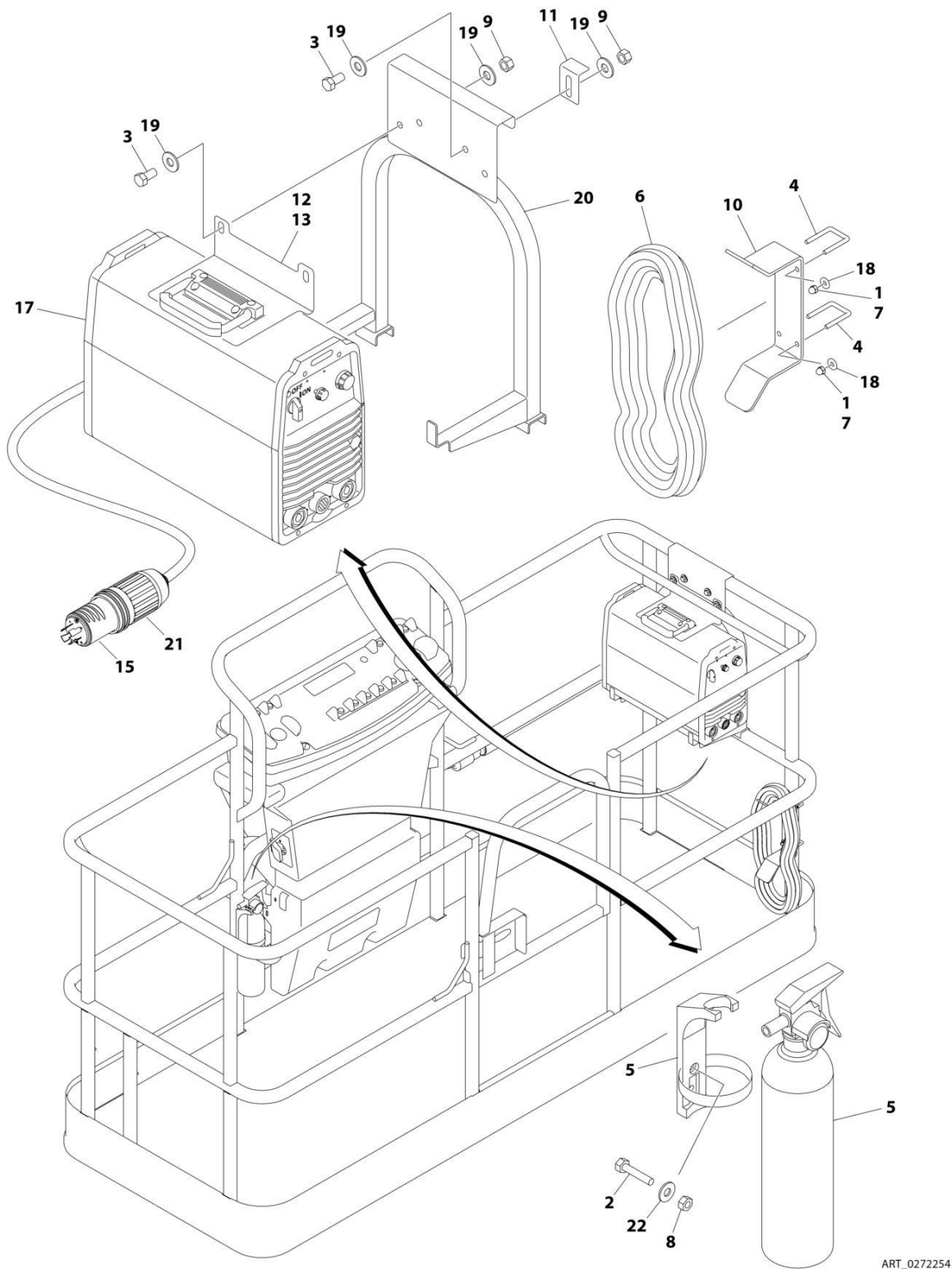
SECTION 5 - PLATFORM

FIGURE 5-29. SKYWELDER INSTALLATION (50HZ)

ITEM	PART NUMBER	QTY	DESCRIPTION	REV
	0272521	Ref	SKYWELDER INSTALLATION	F
1	0100011	AR	Compound, Locking	
2	0630518	2	Screw #10 x 3/4	
3	0641606	4	Bolt 3/8 x 3/4	
4	1320302	2	U-Clamp	
5	2030010	1	Extinguisher, Fire	
6	2902217	1	Weld Leads Kit	
7	3300151	4	Nut 1/4	
8	3311005	2	Nut #10	
9	3311605	4	Nut 3/8	
10	3573400	1	Bracket	
11	3577121	2	Angle	
12	3573642	1	Plate	
13	4240099	AR	Tie-Strap (Not Shown)	
14	4420037	AR	Tape	
15	4530028	1	Welder Assembly (See Separate Breakdown in this Section)	
16	4751400	4	Washer 1/4	
17	4751600	8	Washer 3/8	
18	4846627	1	Support	
19	4751000	2	Washer #10	

SECTION 5 - PLATFORM

FIGURE 5-30. SKYWELDER INSTALLATION (60HZ)



ART_0272254

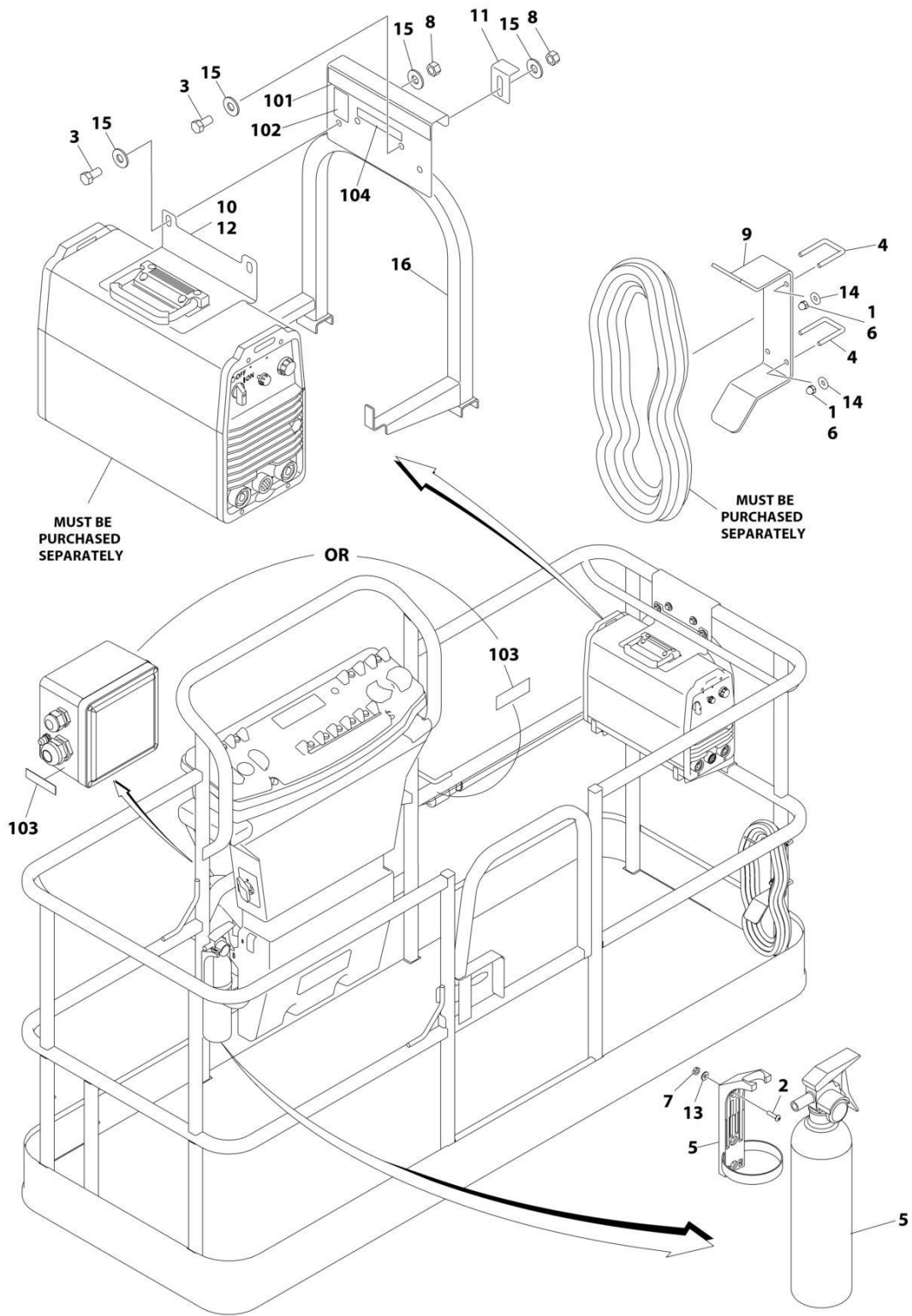
SECTION 5 - PLATFORM

FIGURE 5-30. SKYWELDER INSTALLATION (60HZ)

ITEM	PART NUMBER	QTY	DESCRIPTION	REV
	0272254	Ref	SKYWELDER INSTALLATION	1
1	0100011	AR	Compound, Locking	
2	0630518	2	Screw #10 x 3/4	
3	0641606	4	Bolt 3/8 x 3/4	
4	1320302	2	U-Clamp	
5	2030010	1	Extinguisher, Fire	
6	2902217	1	Weld Leads Kit	
7	3300151	4	Nut 1/4	
8	3311005	2	Nut #10	
9	3311605	4	Nut 3/8	
10	3573400	1	Bracket	
11	3577121	2	Angle	
12	3573642	1	Plate	
13	4420037	AR	Tape	
14	4240099	AR	Tie-Strap (Not Shown)	
15	4460962	1	Plug, Male Twistlock	
17	4530028	1	Welder Assembly (See Separate Breakdown in this Section)	
18	4751400	4	Washer 1/4	
19	4751600	8	Washer 3/8	
20	4846627	1	Support	
21	1671093	1	Cover, Plug	
22	4751000	2	Washer #10	

SECTION 5 - PLATFORM

FIGURE 5-31. SKYWELDER PREP PACKAGE INSTALLATION



ART_1001128527_B

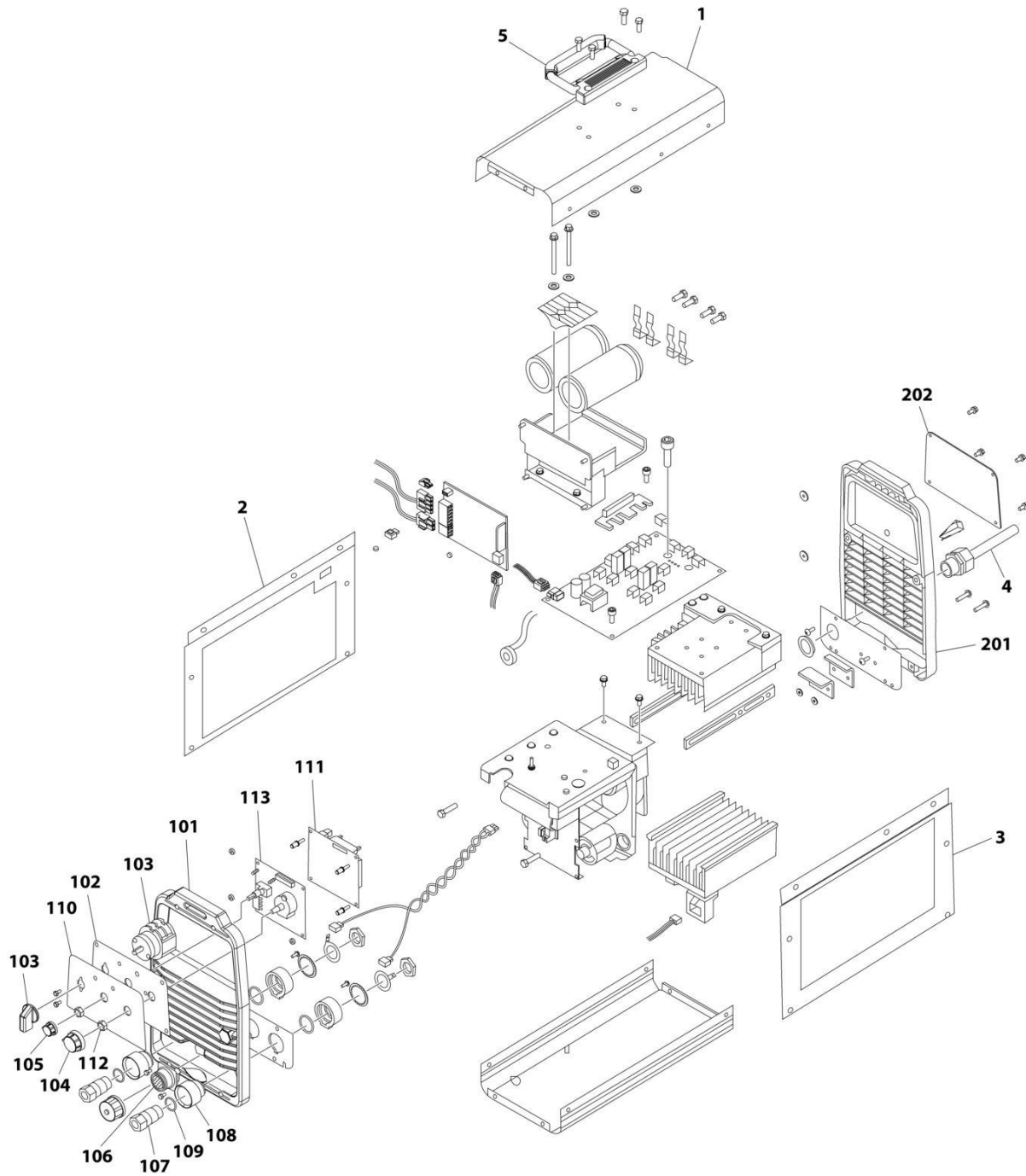
SECTION 5 - PLATFORM

FIGURE 5-31. SKYWELDER PREP PACKAGE INSTALLATION

ITEM	PART NUMBER	QTY	DESCRIPTION	REV
	1001128527	Ref	SKYWELDER PREP PACKAGE	B
1	0100011	AR	Compound, Locking	
2	0630518	2	Screw #10 x 3/4	
3	0641606	4	Bolt 3/8 x 3/4	
4	1320302	2	U-Clamp	
5	2030010	1	Extinguisher, Fire	
6	3300151	4	Nut 1/4	
7	3311005	2	Nut #10	
8	3311605	4	Nut 3/8	
9	3573400	1	Bracket	
10	3573642	1	Plate	
11	3577121	2	Angle	
12	4420037	AR	Tape	
13	4751000	2	Washer #10	
14	4751400	4	Washer 1/4	
15	4751600	8	Washer 3/8	
16	4846627	1	Support	
	1001128556	Ref	SKYWELDER DECAL INSTALLATION	C
101	1702868	1	Decal - No Hands	
102	1705305	1	Decal - Weld Lead	
103	1705375	1	Decal - 240V - 3 Phase - 60Hz	
104	1001228988	1	Decal - Weight	

SECTION 5 - PLATFORM

FIGURE 5-32. WELDER ASSEMBLY



ART_4530028

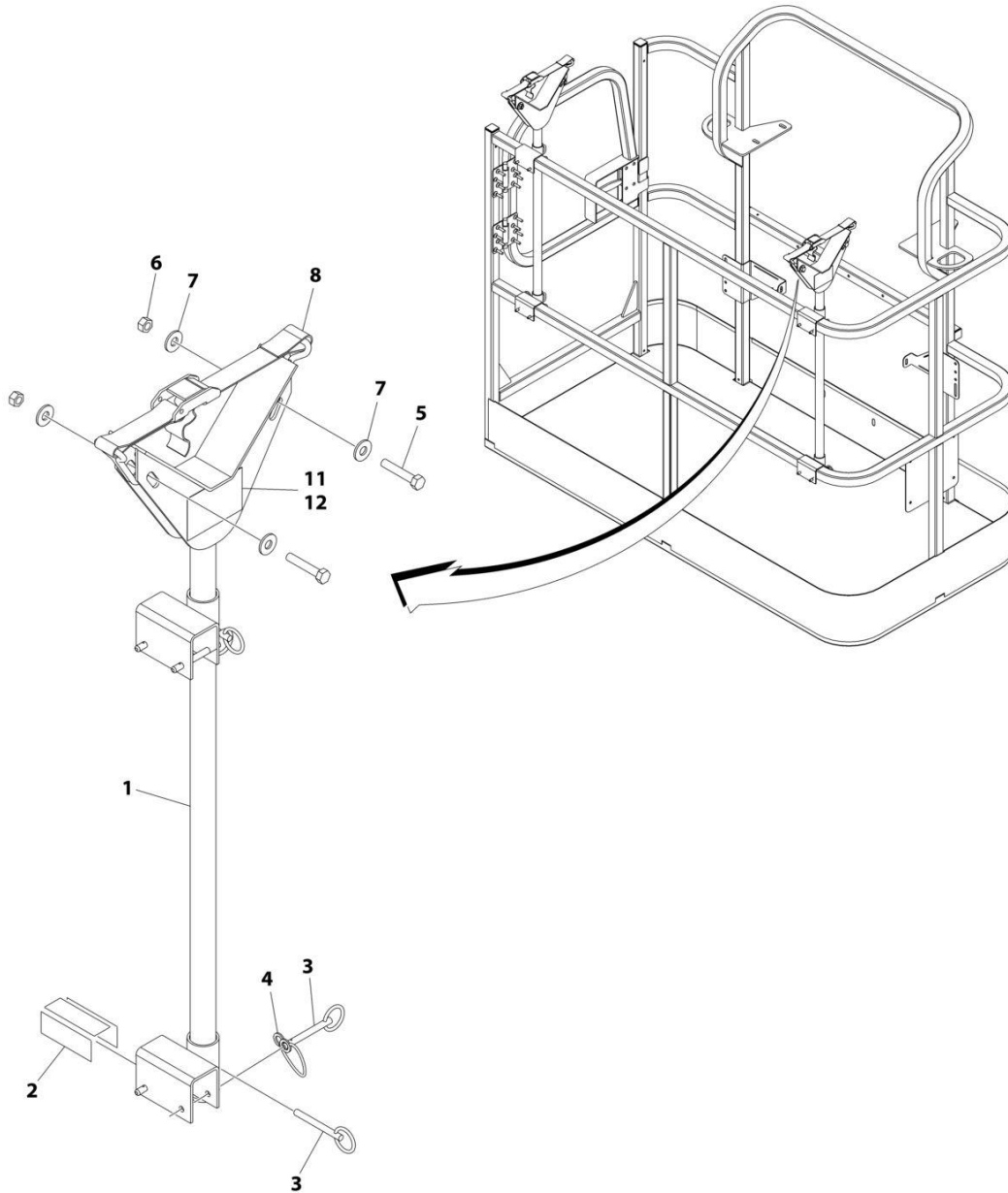
SECTION 5 - PLATFORM

FIGURE 5-32. WELDER ASSEMBLY

ITEM	PART NUMBER	QTY	DESCRIPTION	REV
	4530028	Ref	WELDER ASSEMBLY	B
		Ref	Note: For Other Components, contact your Miller Welder Dealer.	
1	7027773	1	Cover, Top	
1	7027774	1	Decal - Static Precautionary Warning	
2	See Note	NSS	Panel, LH Side (Note: Part of Item 1. Purchase Item 1)	
3	See Note	NSS	Panel, RH Side (Note: Part of Item 1. Purchase Item 1)	
4	7024467	1	Cable, Power	
4	7027775	1	Decal - Electrical Shock Warning (Not Shown)	
5	7027776	1	Handle, Carrying	
101	7024462	1	Panel, Front	
102	7024463	1	Panel, Console	
103	7024469	1	Switch with Lead	
104	7024470	1	Knob	
105	7024471	1	Knob	
106	7024472	1	Receptacle with Leads and Plugs	
107	7024473	2	Receptacle, Twistlock Female	
108	7024474	2	Insulator	
109	7024475	2	O-Ring	
110	7027777	1	Nameplate	
111	7027779	1	Circuit Card Assembly (Process Control)	
112	7024478	2	Nut	
113	7027778	1	Circuit Card Assembly (Operator Interface)	
201	7024462	1	Panel, Rear	
202	7027780	1	Panel, Cover	

SECTION 5 - PLATFORM

FIGURE 5-33. PIPE RACK INSTALLATION (ALL SPECS EXCEPT AUSTRALIAN SPECS)



ART_0257728_E

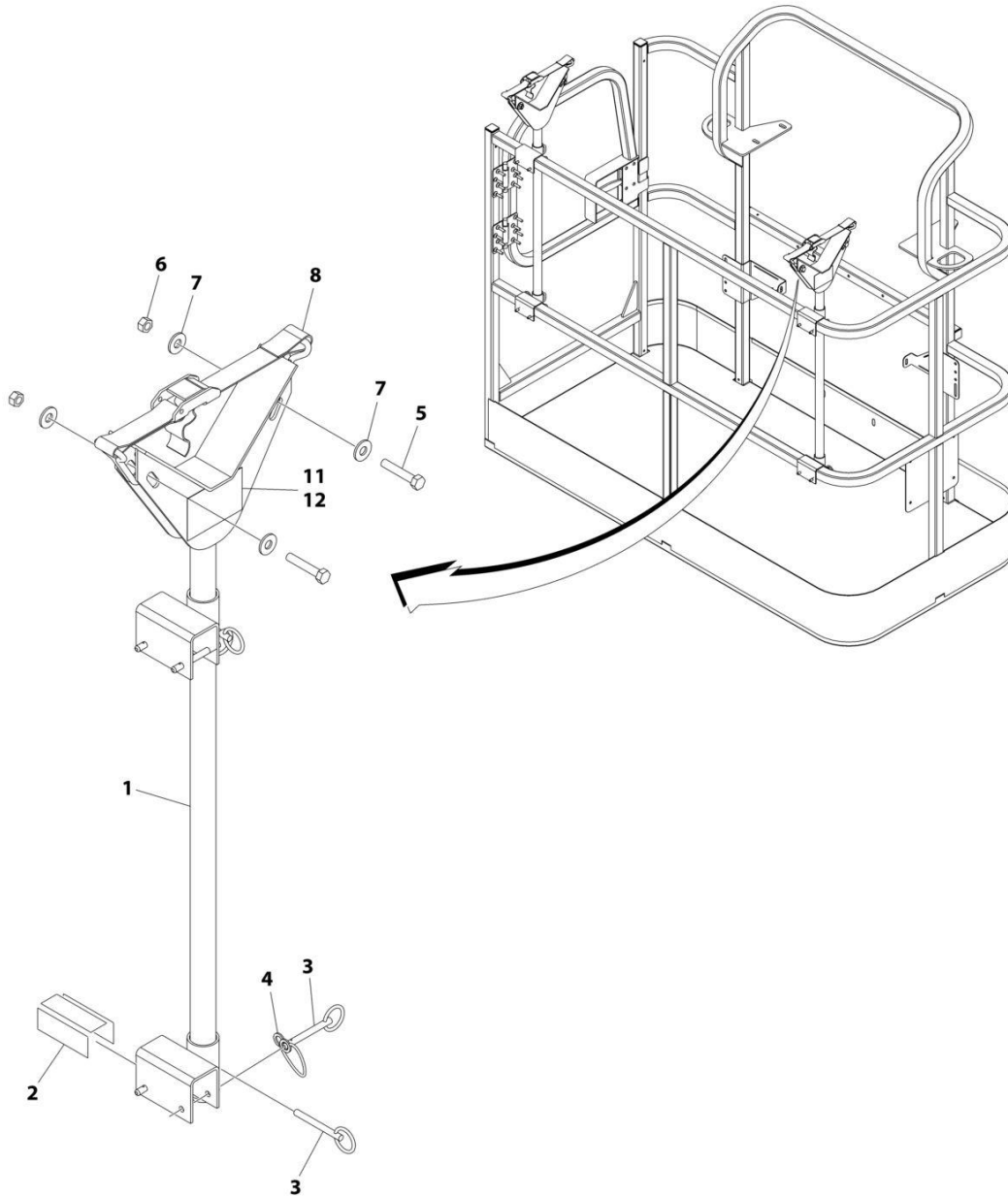
SECTION 5 - PLATFORM

FIGURE 5-33. PIPE RACK INSTALLATION (ALL SPECS EXCEPT AUSTRALIAN SPECS)

ITEM	PART NUMBER	QTY	DESCRIPTION	REV
	0257728	Ref	PIPE RACK INSTALLATION	E
1	4845582	2	Rack, Pipe	
2	4420062	AR	Tape	
3	3422661	10	Pin	
4	1060379	4	Lanyard	
5	0641514	4	Bolt 5/16 x 1-3/4	
6	3311505	4	Nut 5/16	
7	4751500	8	Washer 5/16	
8	0480100	2	Tie-Down	
11	1001252946	2	Decal - Capacity (500-600LBS/2227-272KG Zones)	
12	1001252947	2	Decal - Capacity (660-1000LBS/299-454KG Zones)	

SECTION 5 - PLATFORM

FIGURE 5-34. PIPE RACK INSTALLATION (AUSTRALIAN SPEC)



ART_0274661_C

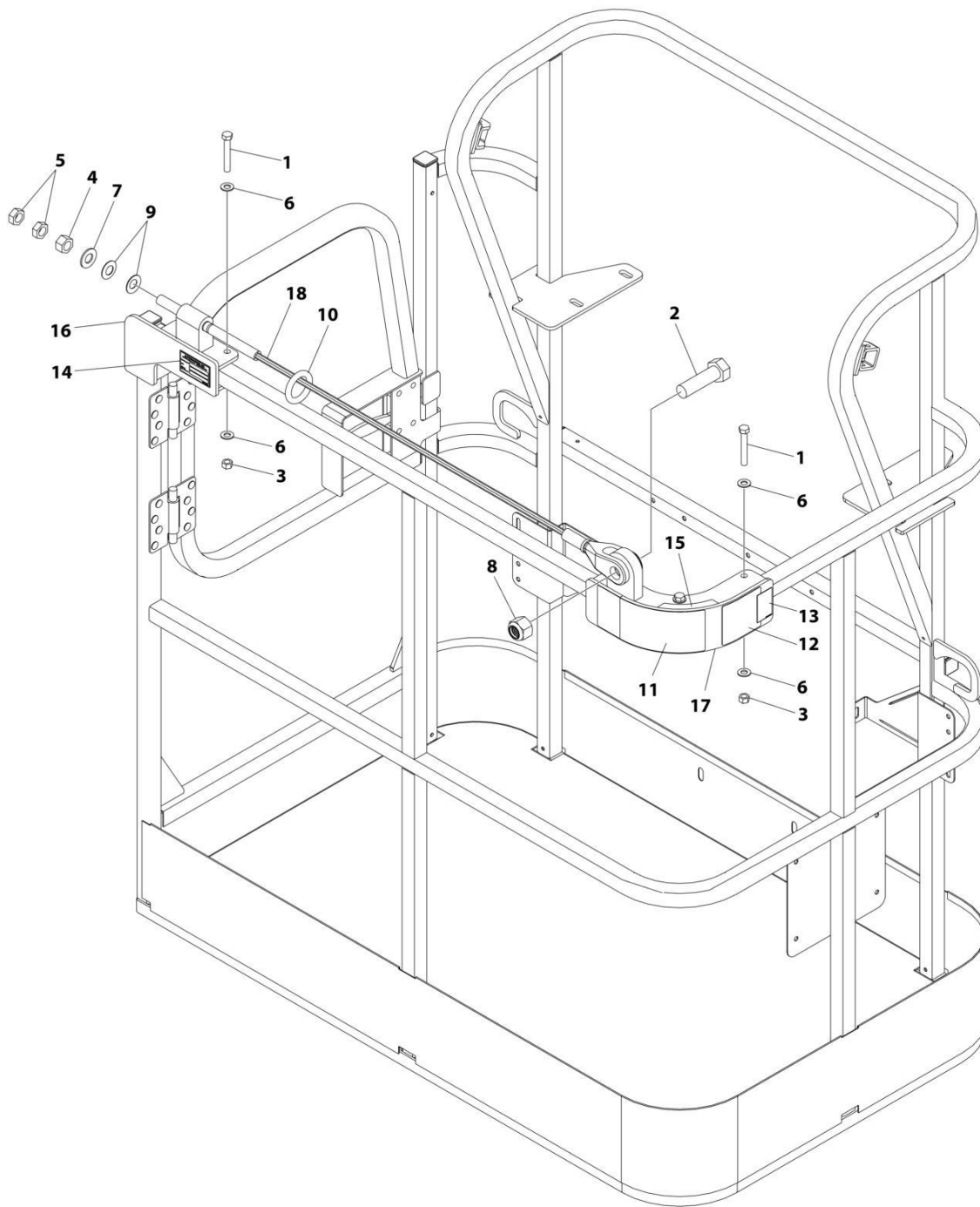
SECTION 5 - PLATFORM

FIGURE 5-34. PIPE RACK INSTALLATION (AUSTRALIAN SPEC)

ITEM	PART NUMBER	QTY	DESCRIPTION	REV
	0274661	Ref	PIPE RACK INSTALLATION	C
1	4845582	2	Rack, Pipe	
2	4420062	AR	Tape	
3	3422661	10	Pin	
4	1060379	4	Lanyard	
5	0641514	4	Bolt 5/16 x 1-3/4	
6	3311505	4	Nut 5/16	
7	4751500	8	Washer 5/16	
8	0480100	2	Tie-Down	
11	1001252946	2	Decal - Capacity (1) (500-600LBSS/227-272KG Zones)	
12	1001252947	2	Decal - Capacity (2) (660-1000LBSS/299-454KG Zones)	

SECTION 5 - PLATFORM

FIGURE 5-35. FALL ARREST INSTALLATION (BOLT-ON) (4FT/1.22M PLATFORM)



ART_1001261338

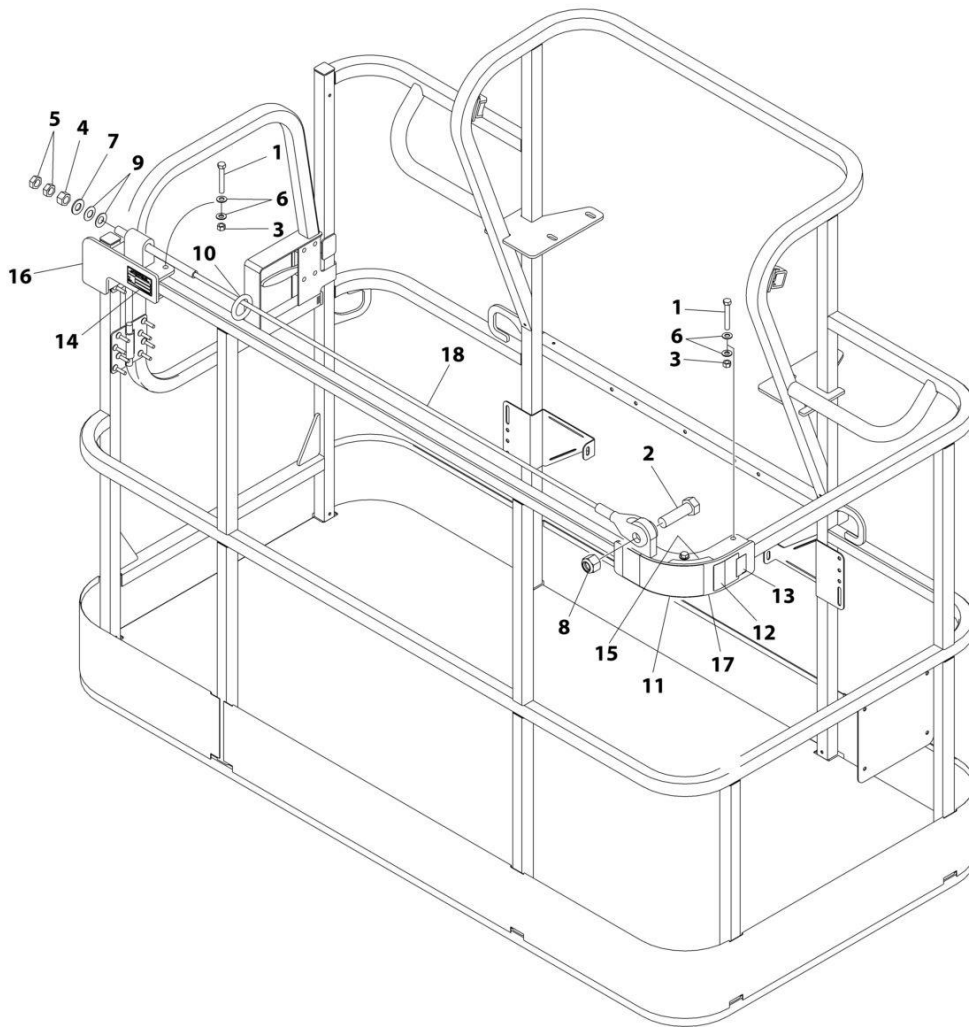
SECTION 5 - PLATFORM

FIGURE 5-35. FALL ARREST INSTALLATION (BOLT-ON) (4FT/1.22M PLATFORM)

ITEM	PART NUMBER	QTY	DESCRIPTION	REV
	1001261338	Ref	FALL ARREST INSTALLATION	A
1	0681620	6	Bolt 3/8 x 2-1/2	
2	0682424	1	Bolt 7/8 x 3	
3	3271605	6	Nut 3/8	
4	3272001	1	Nut 5/8	
5	3312002	2	Nut 5/8	
6	4711600	12	Washer 3/8	
7	4712000	1	Washer 5/8	
8	88521214	1	Nut 7/8	
9	1001236891	2	Washer	
10	1001236895	1	Ring	
11	1001238263	1	Decal - Warning Falling Hazard	
12	1001248140	1	Decal - Bolt Fall Arrest Re-Cert	
13	1001248141	1	Decal - Incription	
14	See Note	NSS	Nameplate - Manufacturers Serial Number (Note: Not Available for Purchase)	
15	1001252629	1	Decal - Weight	
16	1001257271	1	Bracket (RH)	
17	1001257274	1	Bracket (LH)	
18	1001261335	1	Rope	

SECTION 5 - PLATFORM

FIGURE 5-36. FALL ARREST INSTALLATION (BOLT-ON) (5FT/1.52M PLATFORM)



ART_1001257275

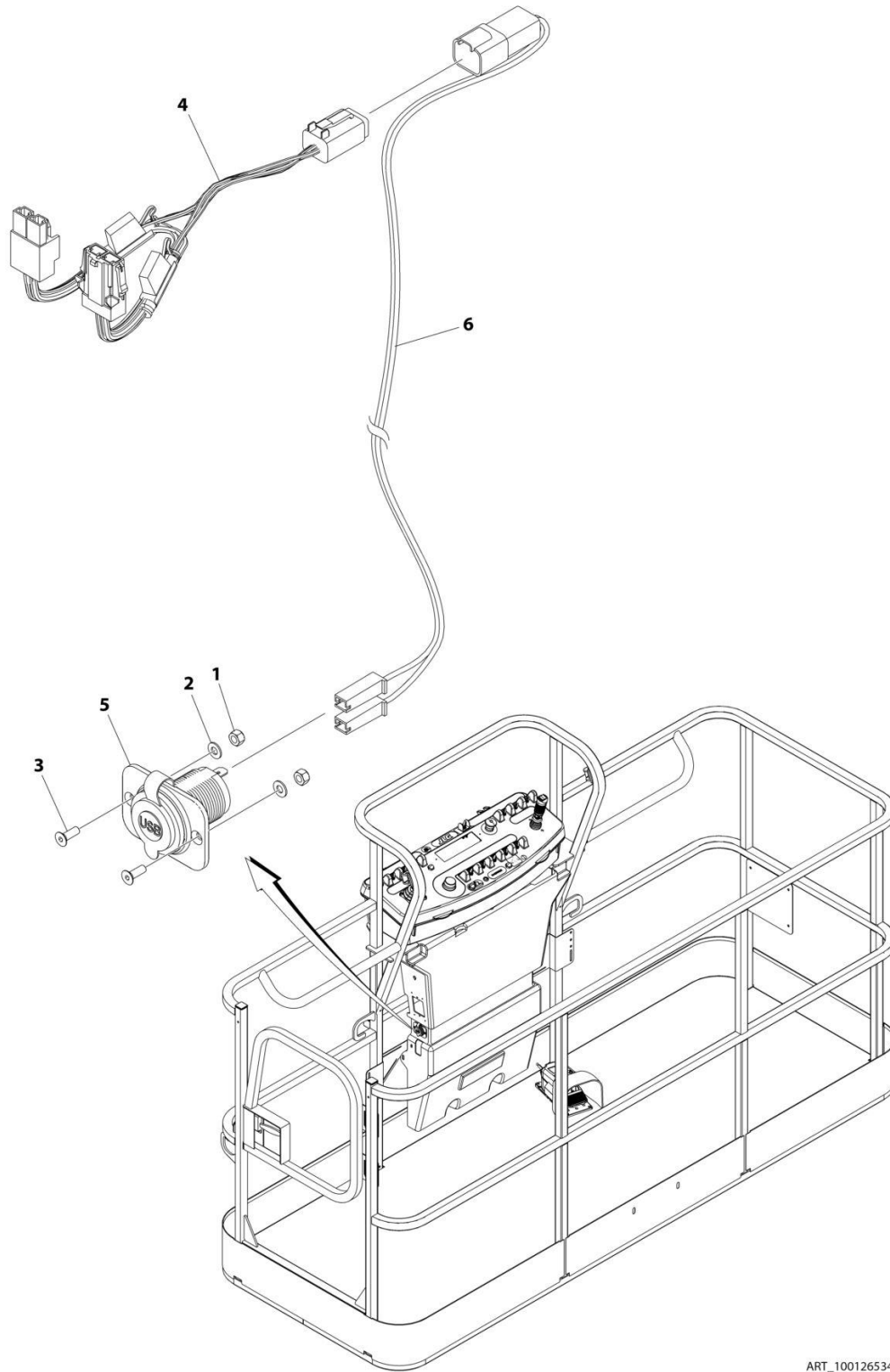
SECTION 5 - PLATFORM

FIGURE 5-36. FALL ARREST INSTALLATION (BOLT-ON) (5FT/1.52M PLATFORM)

ITEM	PART NUMBER	QTY	DESCRIPTION	REV
	1001257275	Ref	FALL ARREST INSTALLATION (BOLT - ON) 6FT/1.82M PLATFORM	A
1	0681620	6	Bolt 3/8 x 2-1/2	
2	0682424	1	Bolt 7/8 x 3	
3	3271605	6	Nut 3/8	
4	3272001	1	Nut 5/8	
5	3312002	2	Nut 5/8	
6	4711600	12	Washer 3/8	
7	4712000	1	Washer 5/8	
8	88521214	1	Nut 7/8	
9	1001236891	2	Washer	
10	1001236895	1	Ring	
11	1001238263	1	Decal - Warning Falling Hazard	
12	1001248140	1	Decal - Bolt Fall Arrest Re-Cert	
13	1001248141	1	Decal - Incription	
14	See Note	NSS	Nameplate - Manufacturers Serial Number (Note: Not Available for Purchase)	
15	1001252629	1	Decal - Weight	
16	1001257271	1	Bracket (RH)	
17	1001257274	1	Bracket (LH)	
18	1001258005	1	Rope	

SECTION 5 - PLATFORM

FIGURE 5-37. USB CHARGER INSTALLATION



ART_1001265342

SECTION 5 - PLATFORM

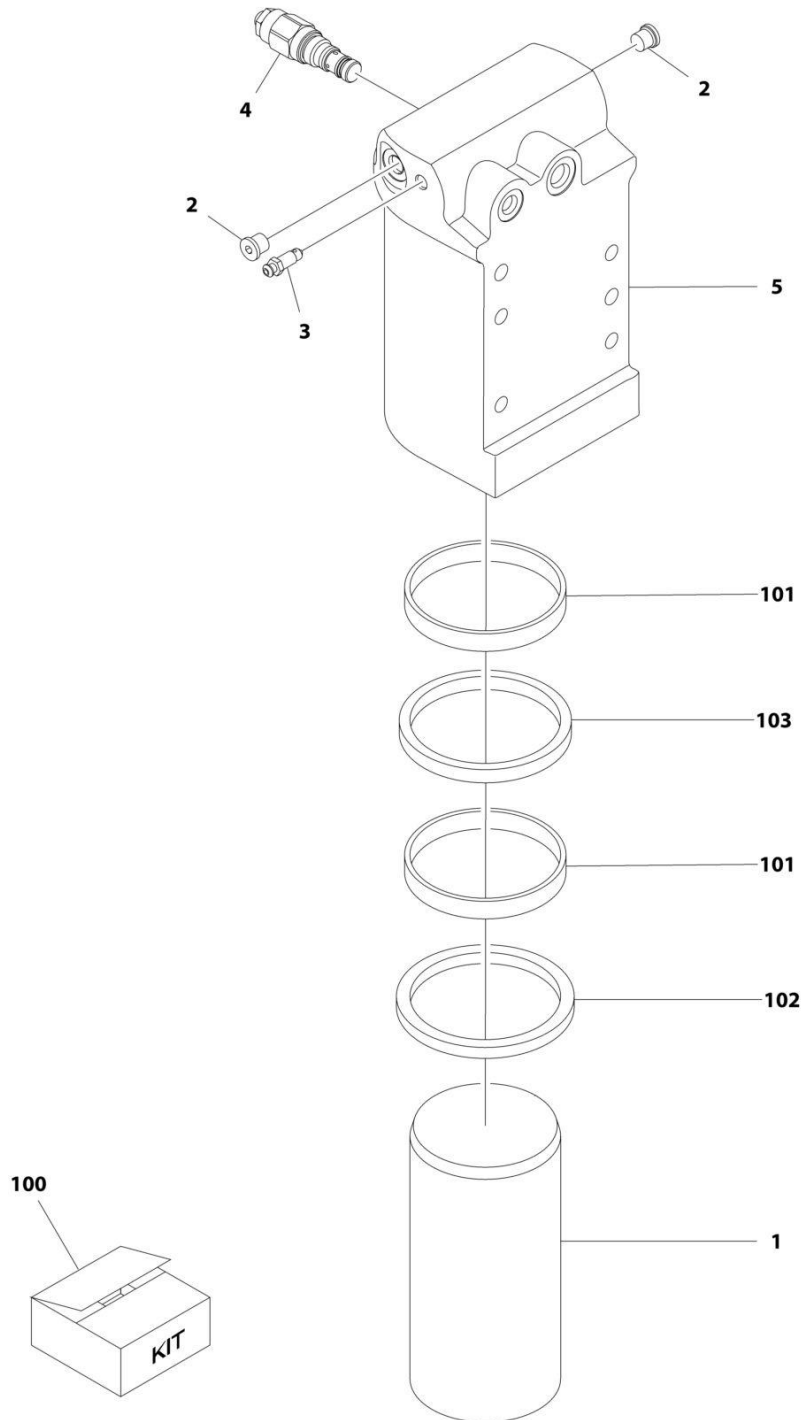
FIGURE 5-37. USB CHARGER INSTALLATION

ITEM	PART NUMBER	QTY	DESCRIPTION	REV
	1001265342	Ref	USB CHARGER INSTALLATION	A
1	3290405	2	Nut M4	
2	4811400	2	Washer M4	
3	1001097244	2	Screw M4 x 12	
4	1001120484	1	Harness, Work Lights	
4	4460879	1	Plug, Male - 2 Position	
4	4460887	2	Terminal	
4	2400060	2	Fuseholder Includes Cover	
4	8229249	2	Fuse, 3 Amp	
4	4460884	1	Connector - 4 Position	
4	4460465	4	Socket, Female	
4	1001120471	1	Connector - 2 Position	
4	1001120477	2	Terminal	
5	1001210636	1	Receptacle, USB	
6	1001265163	1	Harness, USB	A
6	4460260	2	Cover, Terminal	
6	4460259	2	Terminal	
6	4460932	1	Receptacle, Bussbar - 4 Position	
6	4460464	2	Pin, Male	
6	4460466	2	Plug, Terminal	

SECTION 6 - CYLINDER

SECTION 6 - CYLINDER

FIGURE 6-1. AXLE LOCKOUT CYLINDER ASSEMBLY (USA AND ROMANIAN BUILT MACHINES)



ART_1001163580

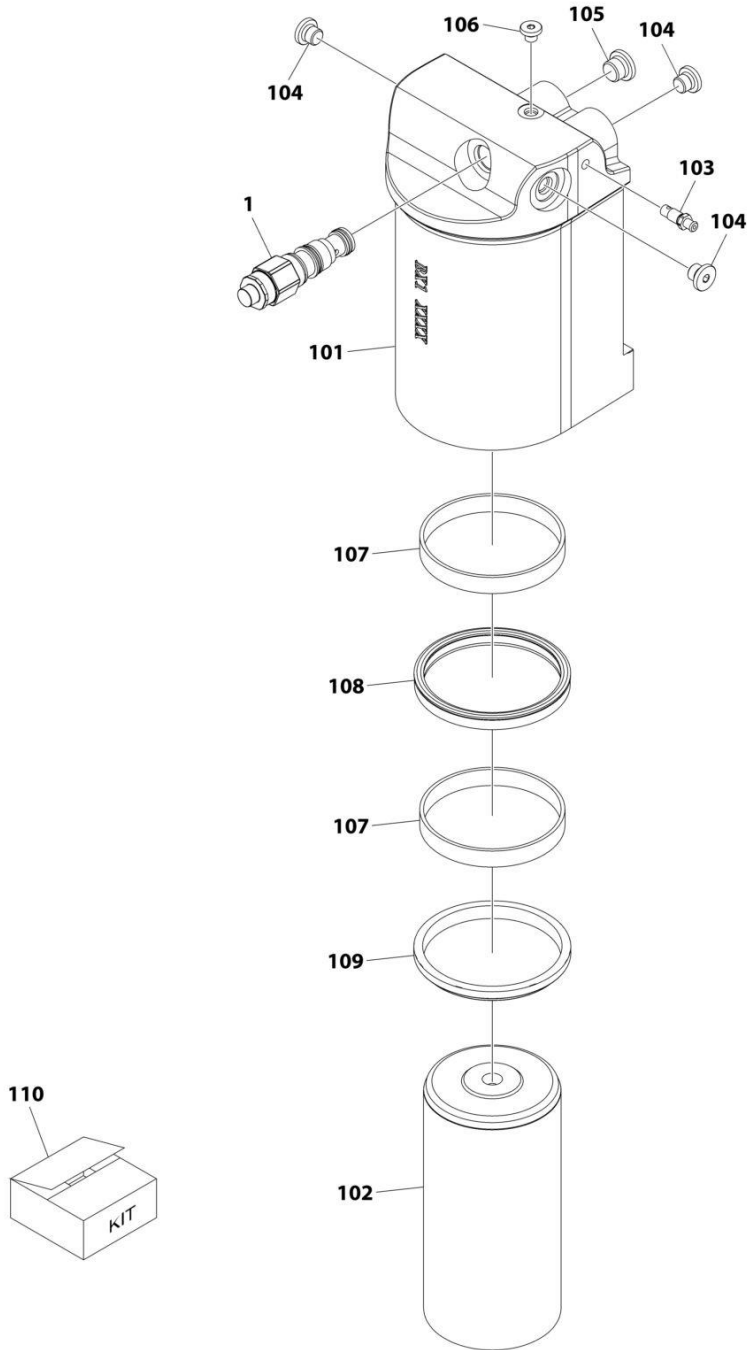
SECTION 6 - CYLINDER

FIGURE 6-1. AXLE LOCKOUT CYLINDER ASSEMBLY (USA AND ROMANIAN BUILT MACHINES)

ITEM	PART NUMBER	QTY	DESCRIPTION	REV
	1001163580	Ref	AXLE LOCKOUT CYLINDER ASSEMBLY	I
		Ref	Note: Original Cylinder May Have Been Replaced with Service Replacement. Identify PN Stamped on Cylinder Before Ordering Parts.	
1	1684290	1	Rod	
2	2220883	2	Plug #4	
3	4640858	1	Valve, Bleeder	
4	1001117372	1	Cartridge, Valve	
4	70002842	1	Seal Kit - 1001117372 Valve	
5	1001164817	1	Barrel	
100	2902266	NLA	Seal Kit - 1001163590 Cylinder (Includes Items 101-103)	
101	See Note	NSS	Ring, Wear (Note: Use Item 100)	
102	See Note	NSS	Seal (Note: Use Item 100)	
103	See Note	NSS	Wiper (Note: Use Item 100)	

SECTION 6 - CYLINDER

FIGURE 6-2. AXLE LOCKOUT CYLINDER ASSEMBLY (CHINA BUILT MACHINES)



ART_1001256179

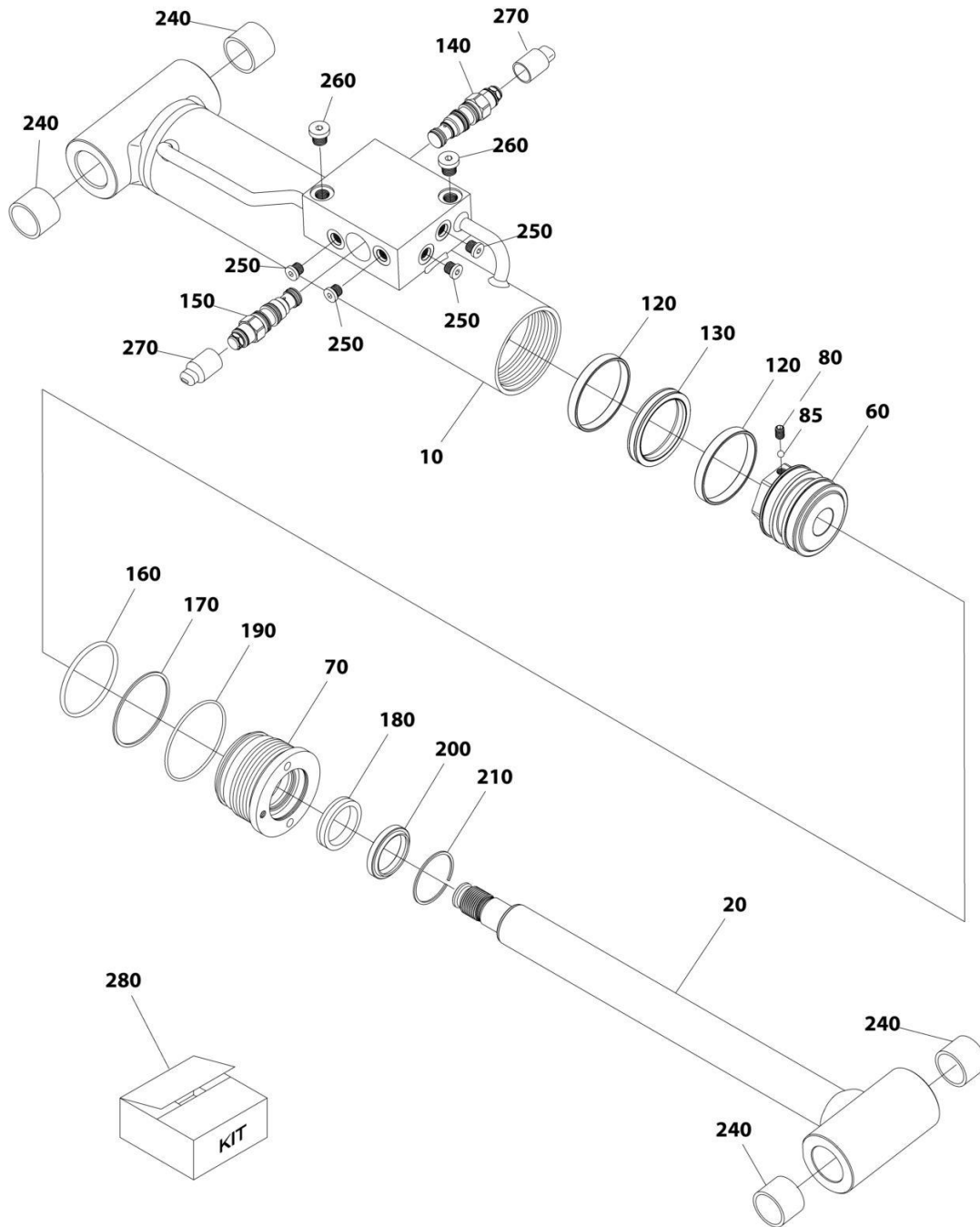
SECTION 6 - CYLINDER

FIGURE 6-2. AXLE LOCKOUT CYLINDER ASSEMBLY (CHINA BUILT MACHINES)

ITEM	PART NUMBER	QTY	DESCRIPTION	REV
	1001256179	Ref	MASTER CYLINDER ASSEMBLY	A
		Ref	Note: Original Cylinder May Have Been Replaced with Service Replacement. Identify PN Stamped on Cylinder Before Ordering Parts.	
1	1001117372	1	Cartridge, Valve	
1	70002842	1	Seal Kit - 1001117372	
101	See Note	NSS	Tube (Note: Not Available for Purchase)	
102	70008244	1	Rod	
103	70008246	1	Plug, Bleeder	
104	2220883	3	Plug 7/16	
105	2220885	1	Plug 9/16	
106	2220881	1	Plug 5/16	
107	See Note	NSS	Ring, Wear (Note: Use Item 110)	
108	See Note	NSS	Seal, Rod (Note: Use Item 110)	
109	See Note	NSS	Wiper, Rod (Note: Use Item 110)	
110	70008247	1	Seal Kit (Includes Items 107-109)	

SECTION 6 - CYLINDER

FIGURE 6-3. LEVEL (PLATFORM SLAVE) CYLINDER ASSEMBLY



ART_1001161716

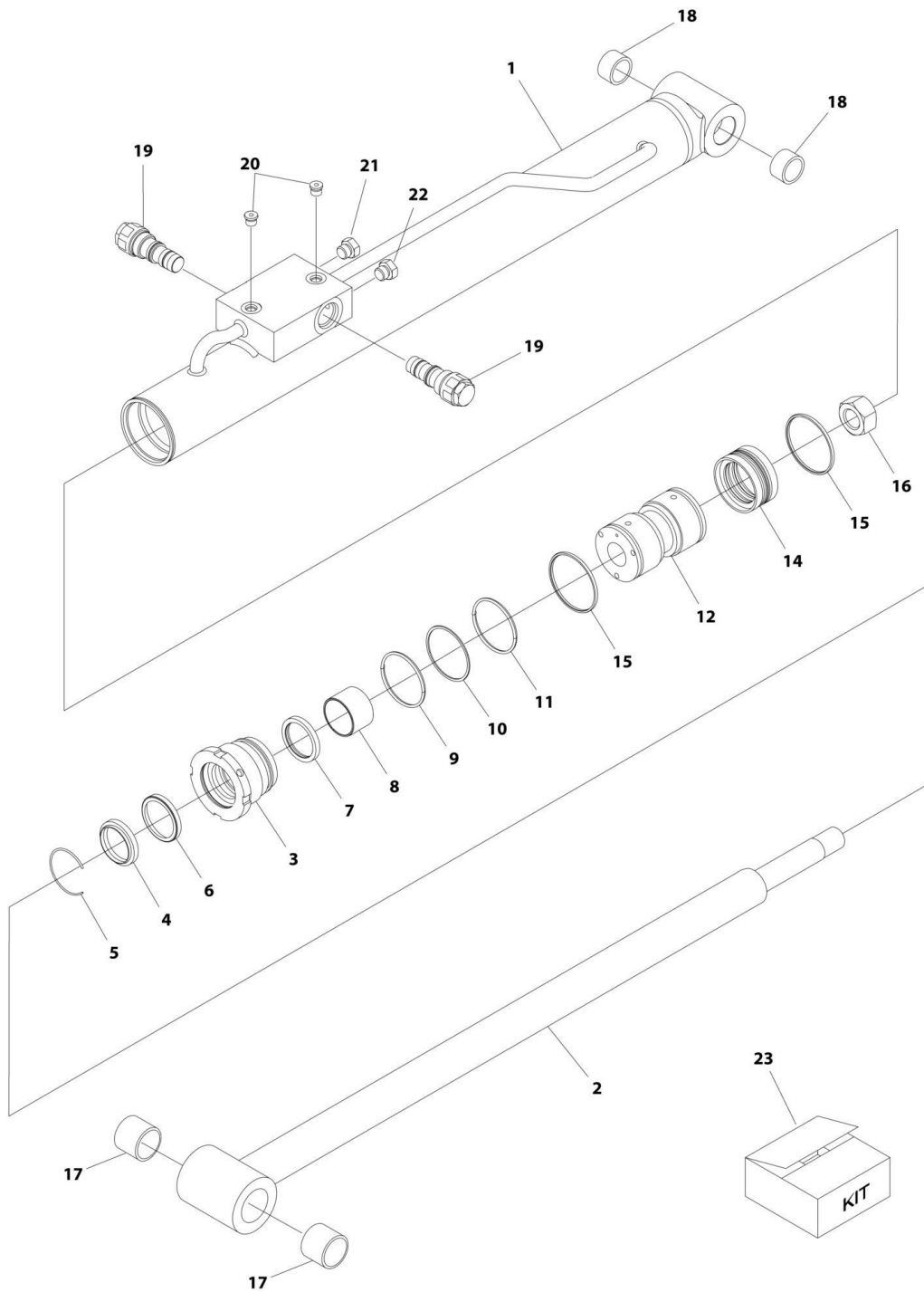
SECTION 6 - CYLINDER

FIGURE 6-3. LEVEL (PLATFORM SLAVE) CYLINDER ASSEMBLY

ITEM	PART NUMBER	QTY	DESCRIPTION	REV
	1001161716	Ref	LEVEL (PLATFORM SLAVE) CYLINDER ASSEMBLY	D
		Ref	Note: Original Cylinder May Have Been Replaced with Service Replacement. Identify PN Stamped on Cylinder Before Ordering Parts.	
10	70005010	1	Barrel	
20	70005011	1	Rod	
60	70005012	1	Piston	
70	70003837	1	Head	
80	70005013	1	Setscrew	
85	70005014	1	Ball	
120	See Note	NSS	Ring, Bearing (Note: Use Item 280)	
130	See Note	NSS	Seal, Piston (Note: Use Item 280)	
140	70002413	1	Cartridge, Valve	
140	2900770	1	Seal Kit - 70002413 Valve	
150	1001168210	1	Cartridge, Valve	
150	2900770	1	Seal Kit - 1001168210 Valve	
160	See Note	NSS	O-Ring (Note: Use Item 280)	
170	See Note	NSS	Seal (Note: Use Item 280)	
180	See Note	NSS	Seal (Note: Use Item 280)	
190	See Note	NSS	O-Ring (Note: Use Item 280)	
200	See Note	NSS	Wiper (Note: Use Item 280)	
210	70003838	1	Ring, Retaining	
240	0961951	4	Bushing	
250	70025619	4	Plug 7/16	
260	70024262	2	Plug 1/4	
270	See Note	2	Plug, Shipping (Note: Not Available for Purchase)	
280	70005016	1	Seal Kit - 1001161716 Cylinder (Includes Items 120 ,130 & 160-200)	

SECTION 6 - CYLINDER

FIGURE 6-4. LIFT CYLINDER ASSEMBLY - JIB



ART_1001163767

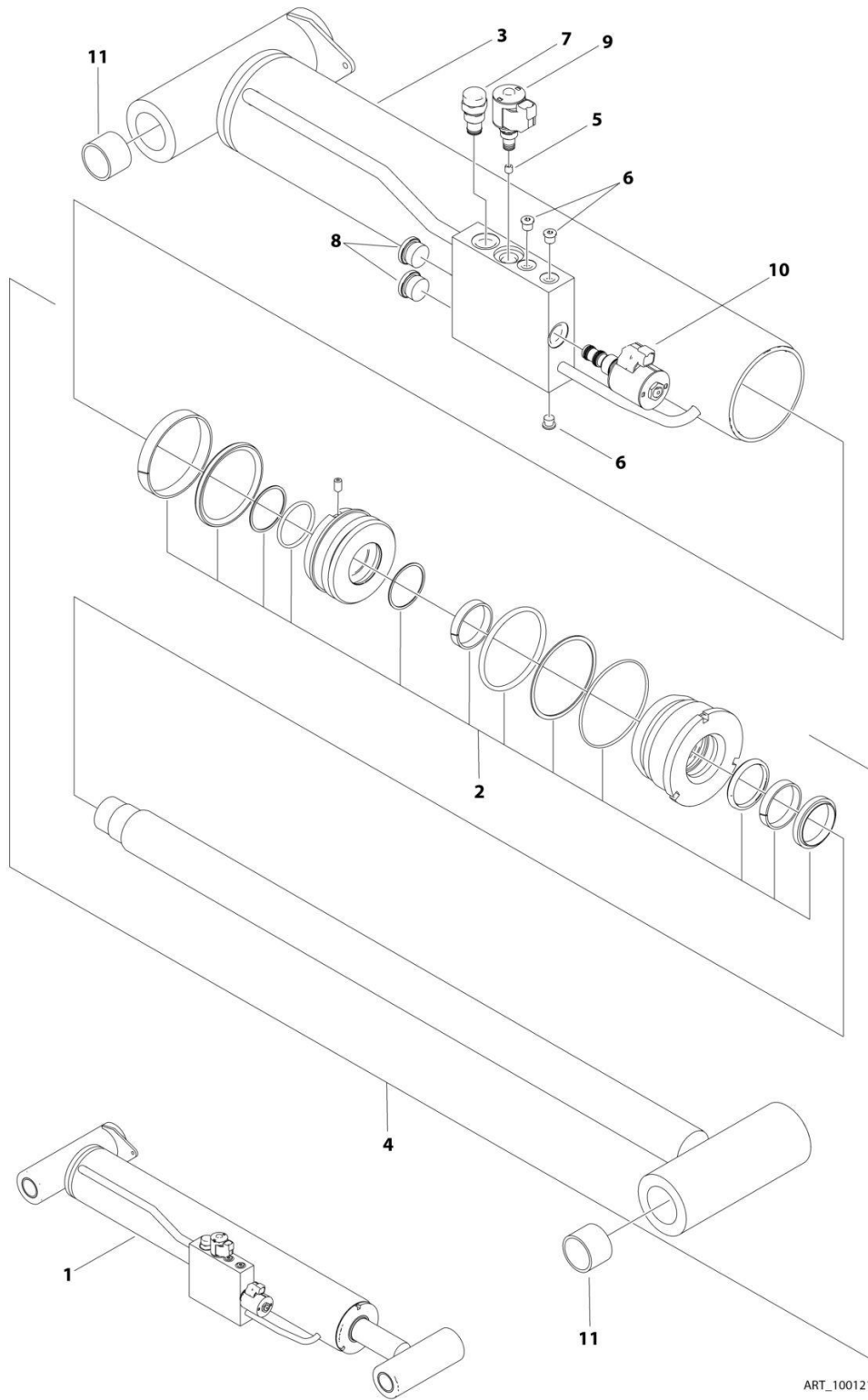
SECTION 6 - CYLINDER

FIGURE 6-4. LIFT CYLINDER ASSEMBLY - JIB

ITEM	PART NUMBER	QTY	DESCRIPTION	REV
	1001163767	Ref	LIFT CYLINDER ASSEMBLY - JIB	B
		Ref	Note: Original Cylinder May Have Been Replaced with Service Replacement. Identify PN Stamped on Cylinder Before Ordering Parts.	
1	70005155	1	Barrel	
2	70005156	1	Rod	
3	70005157	1	Head	
4	See Note	NSS	Wiper (Note: Use Item 23)	
5	70002373	1	Ring, Retaining	
6	See Note	NSS	Seal, Rod (Note: Use Item 23)	
7	See Note	NSS	Ring, Back-up (Note: Use Item 23)	
8	70005143	1	Bearing, Dry	
9	See Note	NSS	O-Ring (Note: Use Item 23)	
10	See Note	NSS	Ring, Back-up (Note: Use Item 23)	
11	See Note	NSS	O-Ring (Note: Use Item 23)	
12	70002371	1	Piston	
13	See Note	NSS	O-Ring (Note: Use Item 23)	
14	See Note	NSS	Seal, Piston (Note: Use Item 23)	
15	See Note	NSS	Ring, Piston (Note: Use Item 23)	
16	70002335	2	Nut	
17	70005158	2	Bushing	
18	70005159	2	Bushing	
19	4640509	2	Cartridge, Valve	
19	2900792	2	Seal Kit - 4640509 Valve	
20	70023370	2	Plug 7/16	
21	See Note	1	Plug 7/16 (Note: Not Available for Purchase)	
22	See Note	1	Plug 9/16 (Note: Not Available for Purchase)	
23	70005160	1	Seal Kit - 1001163767 Cylinder (Includes Items 4, 6, 7, 9-11 & 13-15)	

SECTION 6 - CYLINDER

FIGURE 6-5. LIFT CYLINDER ASSEMBLY - 450A MAIN BOOM



ART_1001217681

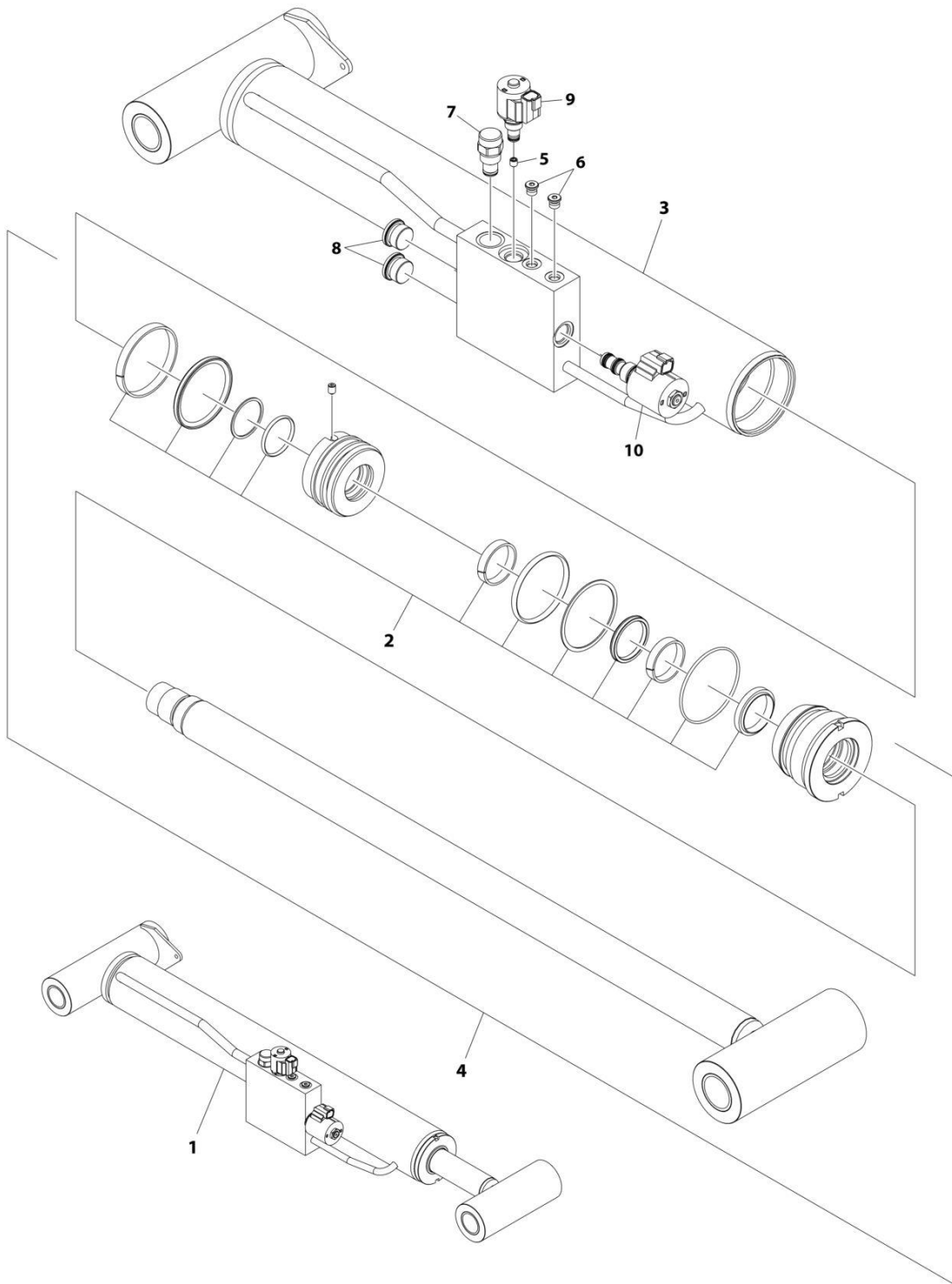
SECTION 6 - CYLINDER

FIGURE 6-5. LIFT CYLINDER ASSEMBLY - 450A MAIN BOOM

ITEM	PART NUMBER	QTY	DESCRIPTION	REV
	1001217681	Ref	LIFT CYLINDER ASSEMBLY - MAIN BOOM	B
		Ref	Note: Original Cylinder May Have Been Replaced with Service Replacement. Identify PN Stamped on Cylinder Before Ordering Parts.	
2	70004969	1	Seal Kit - 1001217681 Cylinder	
3	See Note	NSS	Barrel (Note: Not Available for Purchase)	
4	70004967	1	Rod Assembly (Includes Item 2)	
5	2180736	1	Orifice	
6	2220883	3	Plug #4	
7	4641390	1	Cartridge, Check Valve	
7	7017496	1	Seal Kit - 4641390 Valve	
8	See Note	NSS	Plug (Note: Not Available for Purchase)	
9	1001164709	1	Cartridge, Solenoid Valve (Includes Coil)	
9	7017467	1	Cartridge, Solenoid Valve Less Coil	
9	7012998	1	Seal Kit - 1001164709 & 7017467 Valves	
9	70002386	1	Coil	
10	1001206625	1	Cartridge, Compensator Valve	
10	70006104	1	Cartridge, Solenoid Valve Less Coil	
10	70006105	1	Seal Kit - 70006104 Valve	
10	70003788	1	Coil	
10	7022390	1	Coil Nut	
11	0961948	4	Bushing	

SECTION 6 - CYLINDER

FIGURE 6-6. LIFT CYLINDER ASSEMBLY - 450AJ MAIN BOOM



ART_1001217676

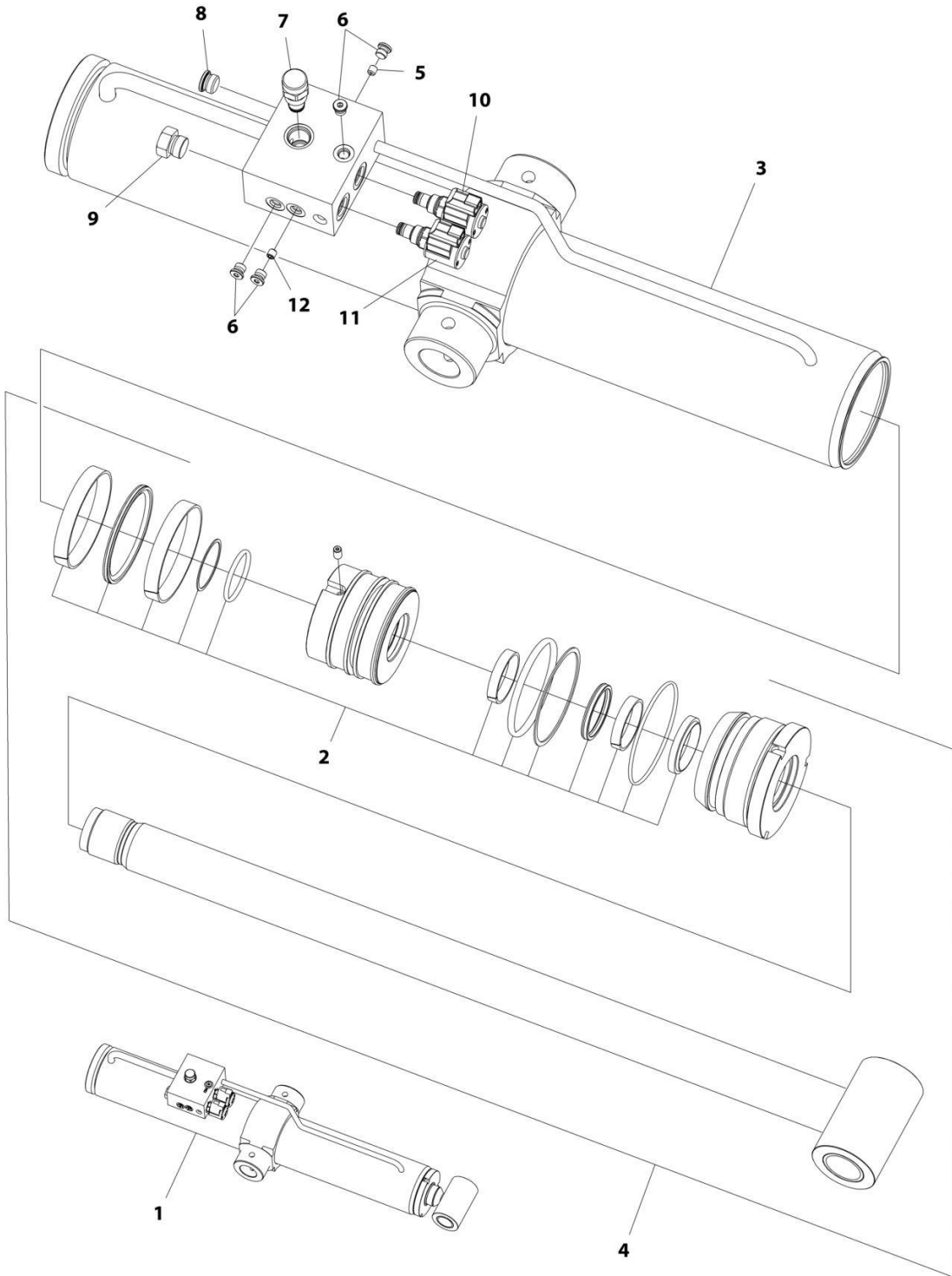
SECTION 6 - CYLINDER

FIGURE 6-6. LIFT CYLINDER ASSEMBLY - 450AJ MAIN BOOM

ITEM	PART NUMBER	QTY	DESCRIPTION	REV
1	1001217676	Ref	LIFT CYLINDER ASSEMBLY - MAIN BOOM	D
		Ref	Note: Original Cylinder May Have Been Replaced with Service Replacement. Identify PN Stamped on Cylinder Before Ordering Parts.	
2	70004963	1	Seal Kit - 1001217676 Cylinder (Part of Item 4)	
3	70004962	NSS	Barrel (Includes Bushings) (Note: Not Available for Purchase)	
3	0961948	2	Bushing	
4	70004961	1	Rod Assembly (Includes Seal Kit and Bushings)	
4	0961948	2	Bushing	
5	2180736	1	Orifice	
6	2220883	3	Plug #4	
7	4641390	1	Cartridge, Check Valve	
7	7017496	1	Seal Kit - 4641390 Valve	
8	See Note	NSS	Plug, Shipping (Note: Not Available for Purchase)	
9	1001164709	1	Cartridge, Solenoid Valve (Includes Coil)	
9	7017467	1	Cartridge, Solenoid Valve Less Coil	
9	7012998	1	Seal Kit - 1001164709 & 7017467 Valve	
9	70002386	1	Coil	
10	1001206625	1	Cartridge, Solenoid Valve (Includes Coil)	
10	70006104	1	Cartridge, Solenoid Valve Less Coil	
10	70006105	1	Seal Kit - 1001206625 & 70006104 Valves	
10	70003788	1	Coil	
10	7022390	1	Nut, Coil	

SECTION 6 - CYLINDER

FIGURE 6-7. LIFT CYLINDER ASSEMBLY - TOWER BOOM



ART_1001161715

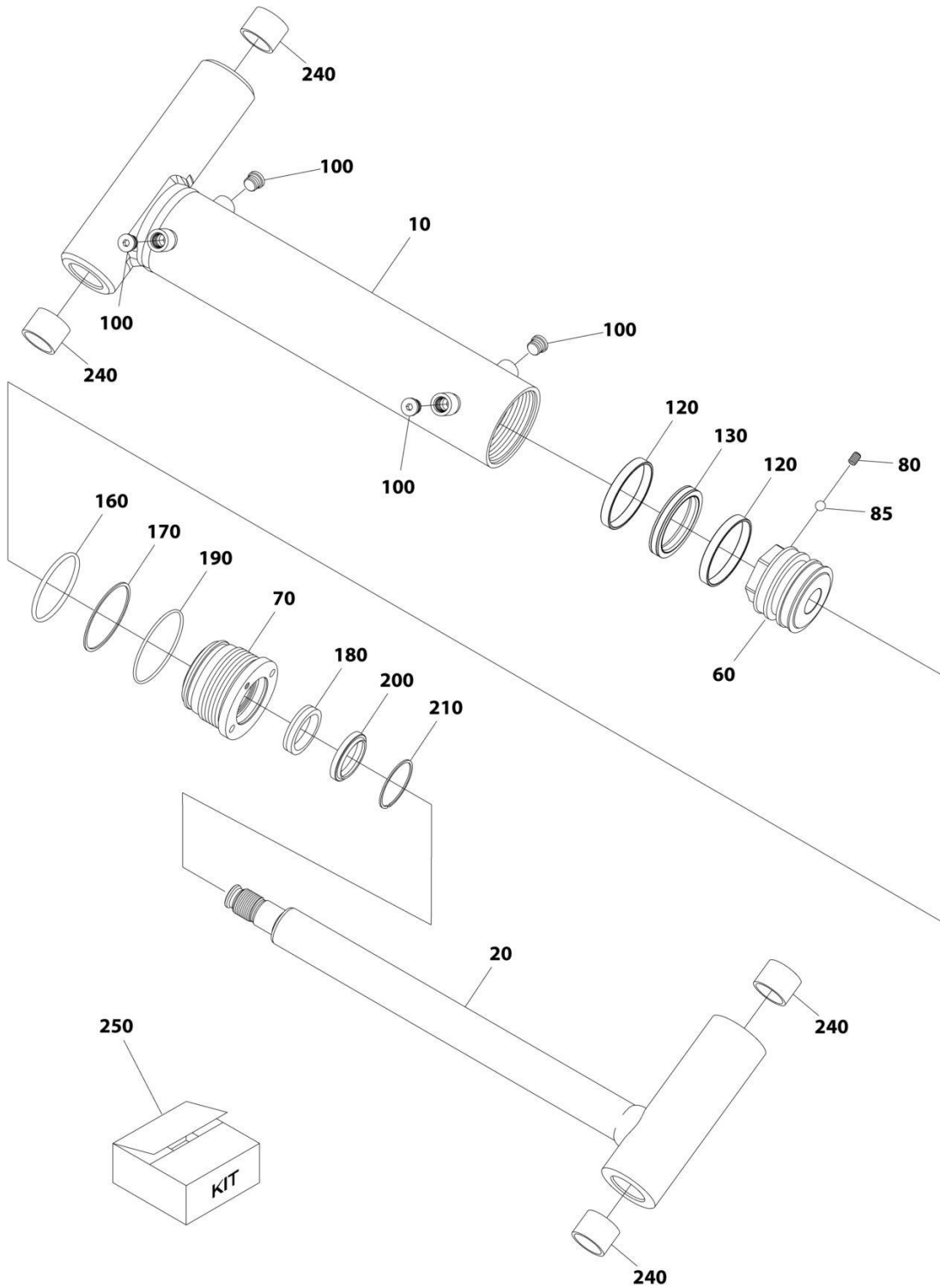
SECTION 6 - CYLINDER

FIGURE 6-7. LIFT CYLINDER ASSEMBLY - TOWER BOOM

ITEM	PART NUMBER	QTY	DESCRIPTION	REV
1	1001161715	1	LIFT CYLINDER ASSEMBLY - TOWER BOOM	H
		Ref	Note: Original Cylinder May Have Been Replaced with Service Replacement. Identify PN Stamped on Cylinder Before Ordering Parts.	
2	70004966	1	Seal Kit - 1001161715 Cylinder	
3	70004965	1	Barrel	
4	70004964	1	Rod Assembly (Includes Seal Kit and Bushings)	
4	0961948	2	Bushing	
5	70005578	1	Plug, Orifice	
6	2220883	4	Plug #4	
7	4641390	1	Cartridge, Check Valve	
7	7017496	1	Seal Kit - 4641390 Valve	
8	2220886	1	Plug #8	
9	See Note	1	Plug, Shipping (Note: Not Available for Purchase)	
10	1001166208	1	Cartridge, Solenoid Valve (Includes Coil)	
10	7024884	1	Cartridge, Solenoid Valve Less Coil	
10	7012967	1	Seal Kit - 1001166208 & 7024884 Valves	
10	70002386	1	Coil	
11	1001164709	1	Cartridge, Solenoid Valve (Includes Coil)	
11	7017467	1	Cartridge, Solenoid Valve Less Coil	
11	7012998	1	Seal Kit - 1001164709 & 7017467 Valves	
11	70002386	1	Coil	
12	70005577	1	Plug, Orifice	

SECTION 6 - CYLINDER

FIGURE 6-8. MASTER CYLINDER ASSEMBLY



ART_1001161717

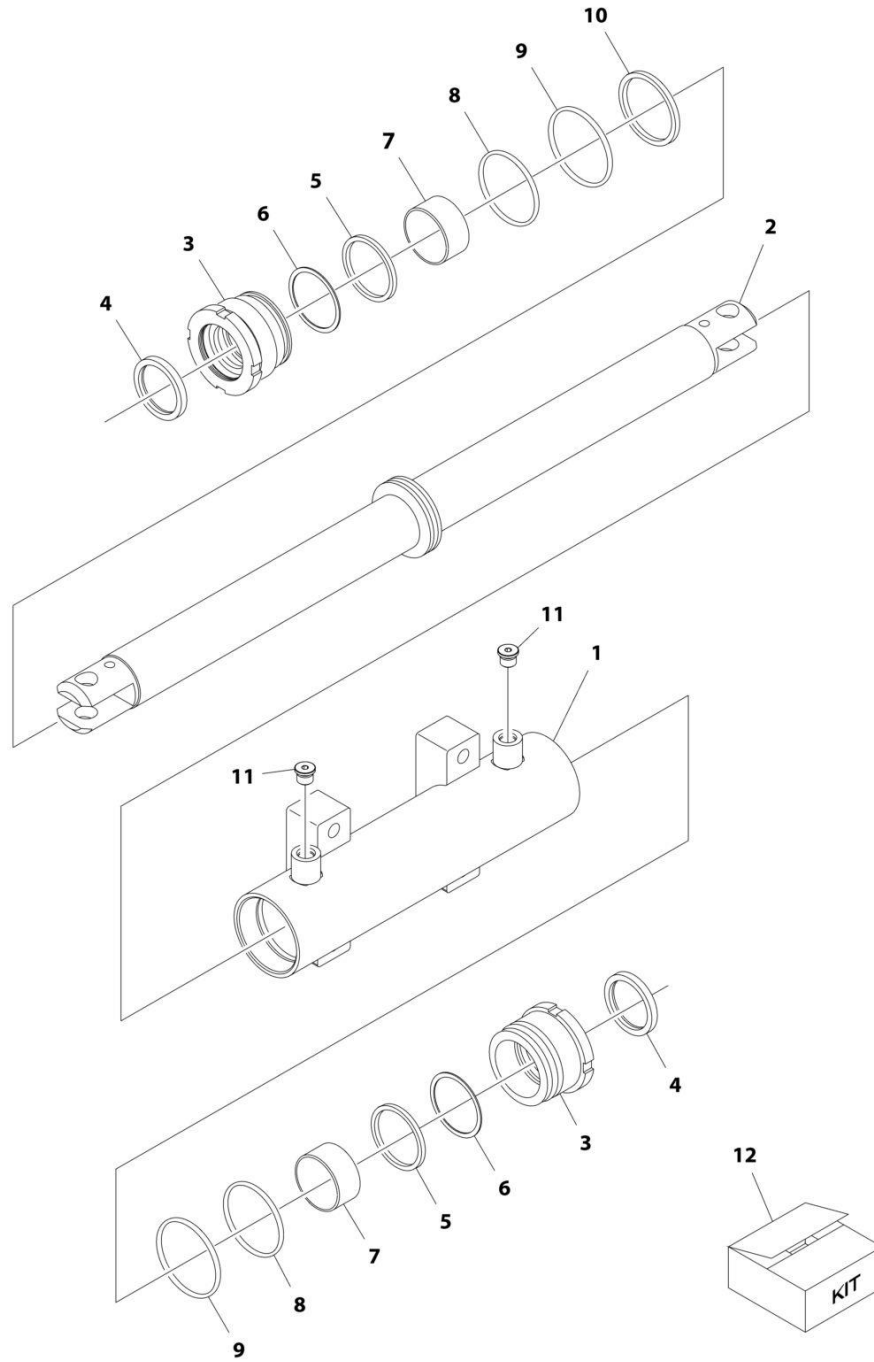
SECTION 6 - CYLINDER

FIGURE 6-8. MASTER CYLINDER ASSEMBLY

ITEM	PART NUMBER	QTY	DESCRIPTION	REV
	1001161717	Ref	MASTER CYLINDER ASSEMBLY	D
		Ref	Note: Original Cylinder May Have Been Replaced with Service Replacement. Identify PN Stamped on Cylinder Before Ordering Parts.	
10	70005017	1	Barrel	
20	70005018	1	Rod	
60	70005012	1	Piston	
70	70003837	1	Head	
80	70005013	1	Setscrew	
85	70005014	1	Ball	
100	70025959	4	Plug 9/16	
120	See Note	NSS	Ring, Piston (Note: Use Item 250)	
130	See Note	NSS	Seal (Note: Use Item 250)	
160	See Note	NSS	O-Ring (Note: Use Item 250)	
170	See Note	NSS	Ring (Note: Use Item 250)	
180	See Note	NSS	Seal (Note: Use Item 250)	
190	See Note	NSS	O-Ring (Note: Use Item 250)	
200	See Note	NSS	Wiper (Note: Use Item 250)	
210	70003838	1	Ring, Retaining	
240	0961951	4	Bushing	
250	70005016	1	Seal Kit - 1001161717 Cylinder (Includes Items 120-200)	

SECTION 6 - CYLINDER

FIGURE 6-9. STEER CYLINDER ASSEMBLY



ART_1001163178

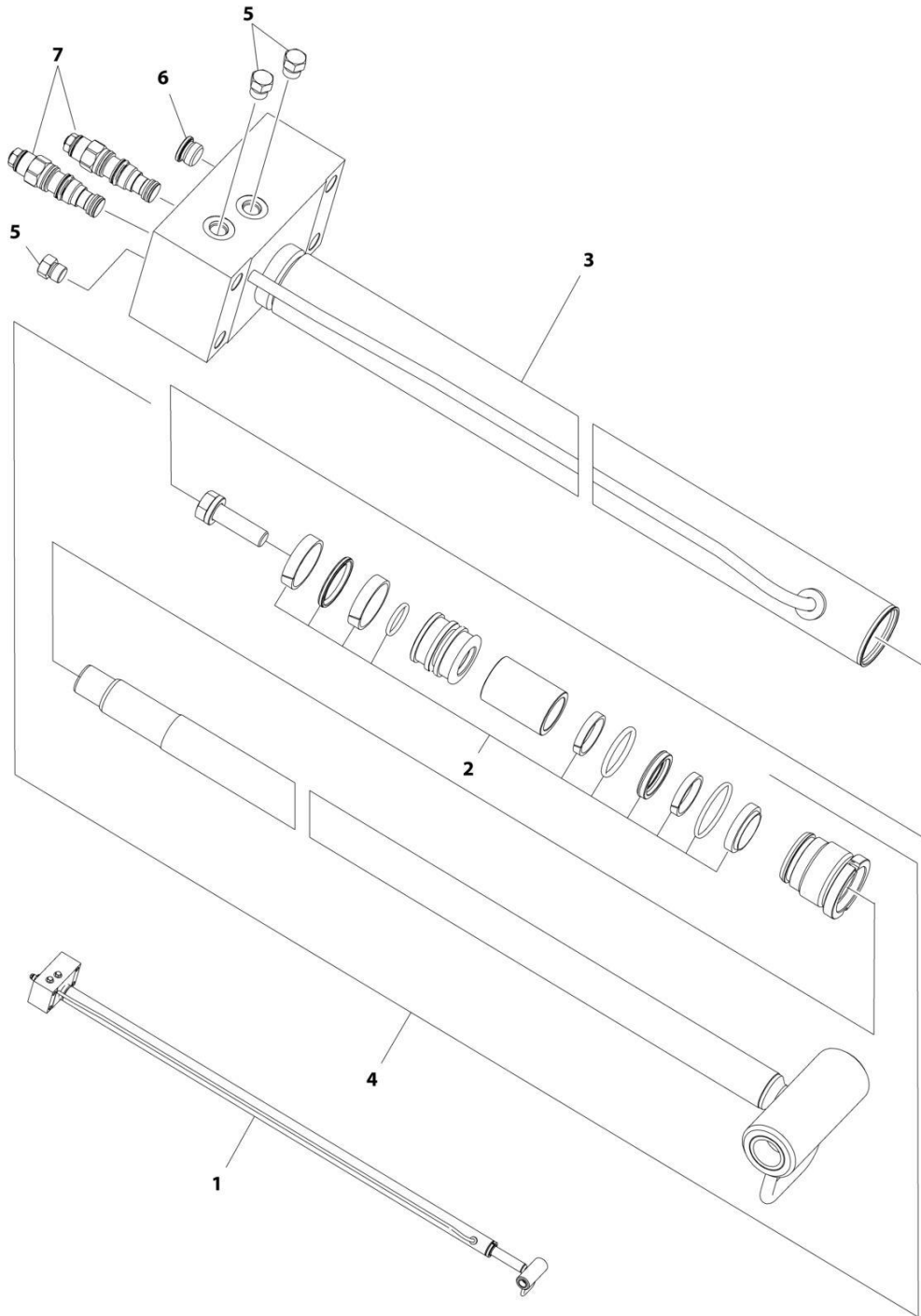
SECTION 6 - CYLINDER

FIGURE 6-9. STEER CYLINDER ASSEMBLY

ITEM	PART NUMBER	QTY	DESCRIPTION	REV
	1001163178	Ref	STEER CYLINDER ASSEMBLY	E
		Ref	Note: Original Cylinder May Have Been Replaced with Service Replacement. Identify PN Stamped on Cylinder Before Ordering Parts.	
1	70005150	1	Barrel	
2	70005151	1	Rod	
3	70005152	2	Head	
4	See Note	NSS	Wiper (Note: Use Item 12)	
5	See Note	NSS	Seal, Rod (Note: Use Item 12)	
6	See Note	NSS	Ring, Back-up (Note: Use Item 12)	
7	70005153	2	Bearing, Dry	
8	See Note	NSS	O-Ring (Note: Use Item 12)	
9	See Note	NSS	O-Ring (Note: Use Item 12)	
10	See Note	NSS	Seal, Piston (Note: Use Item 12)	
11	See Note	2	Plug 9/16 (Note: Not Available for Purchase)	
12	70005154	1	Seal Kit - 1001163178 Cylinder (Includes Items 4-6 & 8-10)	

SECTION 6 - CYLINDER

FIGURE 6-10. TELESCOPE CYLINDER ASSEMBLY - 450A



ART_1001161804

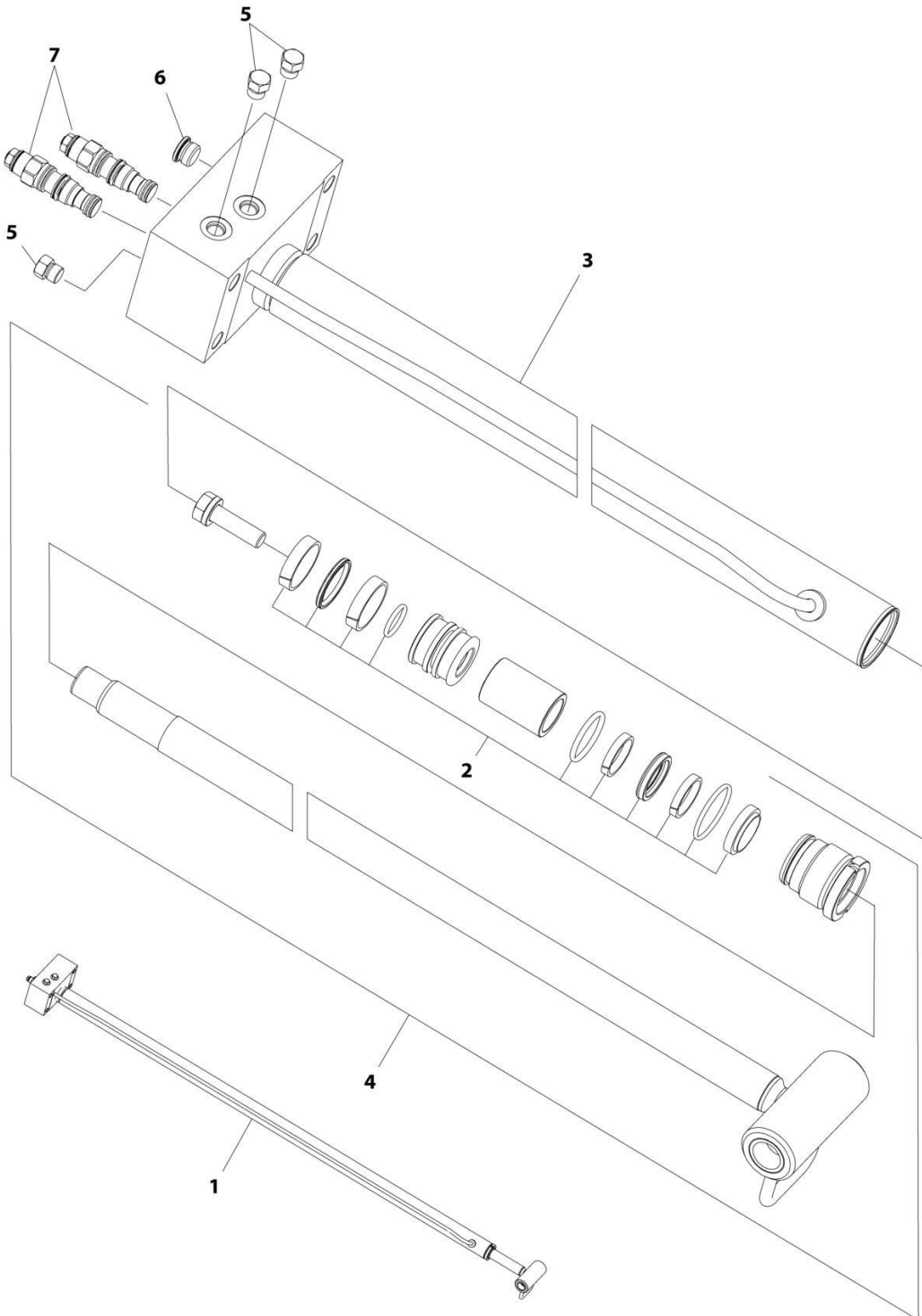
SECTION 6 - CYLINDER

FIGURE 6-10. TELESCOPE CYLINDER ASSEMBLY - 450A

ITEM	PART NUMBER	QTY	DESCRIPTION	REV
	1001161804	Ref	TELESCOPE CYLINDER ASSEMBLY	G
		Ref	Note: Original Cylinder May Have Been Replaced with Service Replacement. Identify PN Stamped on Cylinder Before Ordering Parts.	
2	70004960	1	Seal Kit - 1001161804 Cylinder (Part of Item 4)	
3	70004959	1	Barrel	
4	70004958	1	Rod Assembly (Includes Seal Kit)	
5	2220885	3	Plug #6wmellott	
6	2220886	1	Plug #8	
7	4640771	2	Cartridge, Valve	
7	2900770	2	Seal Kit - 4460771 Valve	

SECTION 6 - CYLINDER

FIGURE 6-11. TELESCOPE CYLINDER ASSEMBLY - 450AJ



ART_1001161713

SECTION 6 - CYLINDER

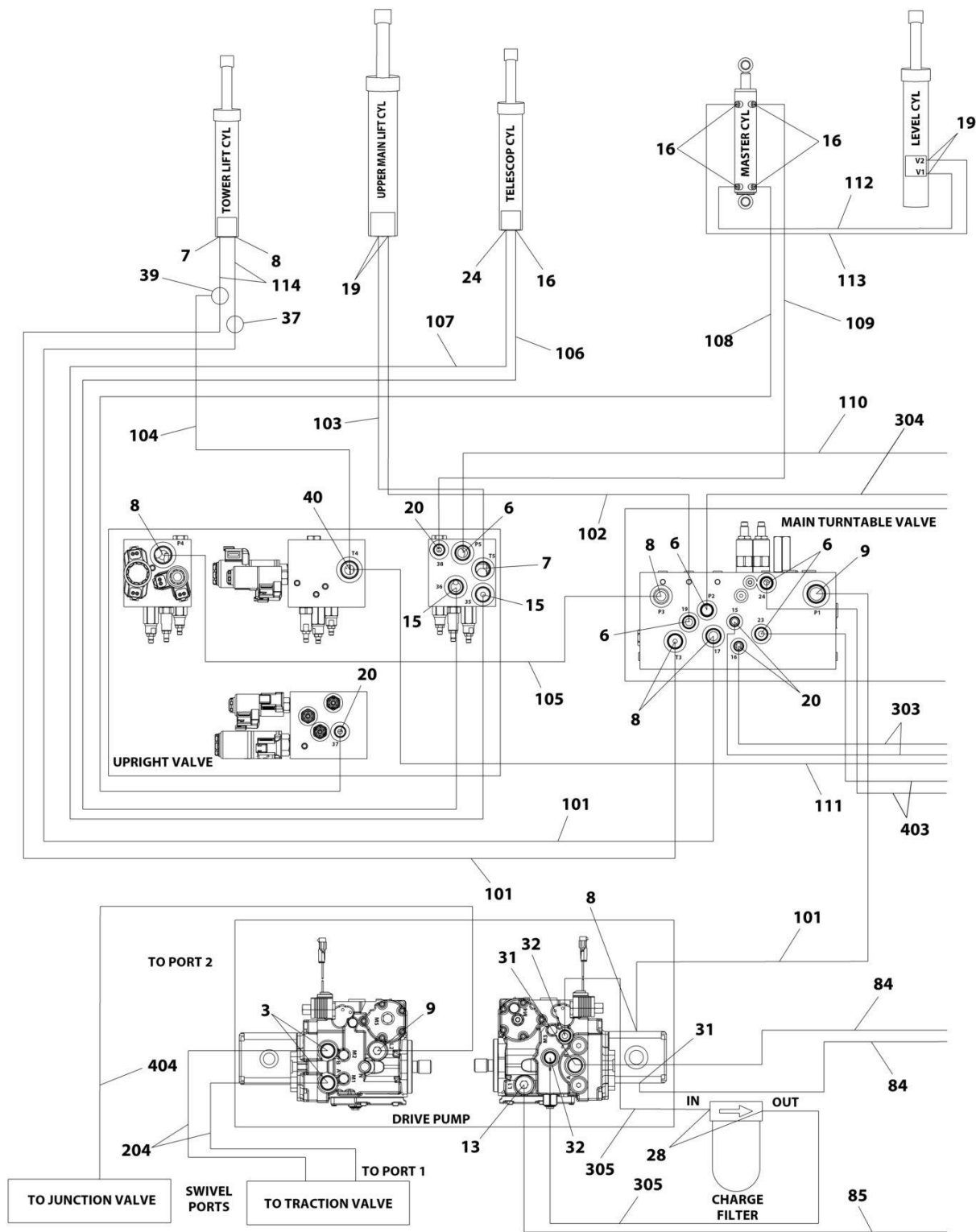
FIGURE 6-11. TELESCOPE CYLINDER ASSEMBLY - 450AJ

ITEM	PART NUMBER	QTY	DESCRIPTION	REV
1	1001161713	Ref	TELESCOPE CYLINDER ASSEMBLY	E
		Ref	Note: Original Cylinder May Have Been Replaced with Service Replacement. Identify PN Stamped on Cylinder Before Ordering Parts.	
2	70004957	1	Seal Kit - 1001161713 Cylinder (Part of Item 4)	
3	70004956	1	Barrel	
4	70004955	1	Rod Assembly (Includes Seal Kit and Bushings)	
4	0962292	2	Bushing	
5	2220237	3	Plug #6	
6	2220886	1	Plug #8	
7	4640771	2	Cartridge, Valve	
7	2900770	2	Seal Kit - 4640771 Valve	

SECTION 7 - HYDRAULIC

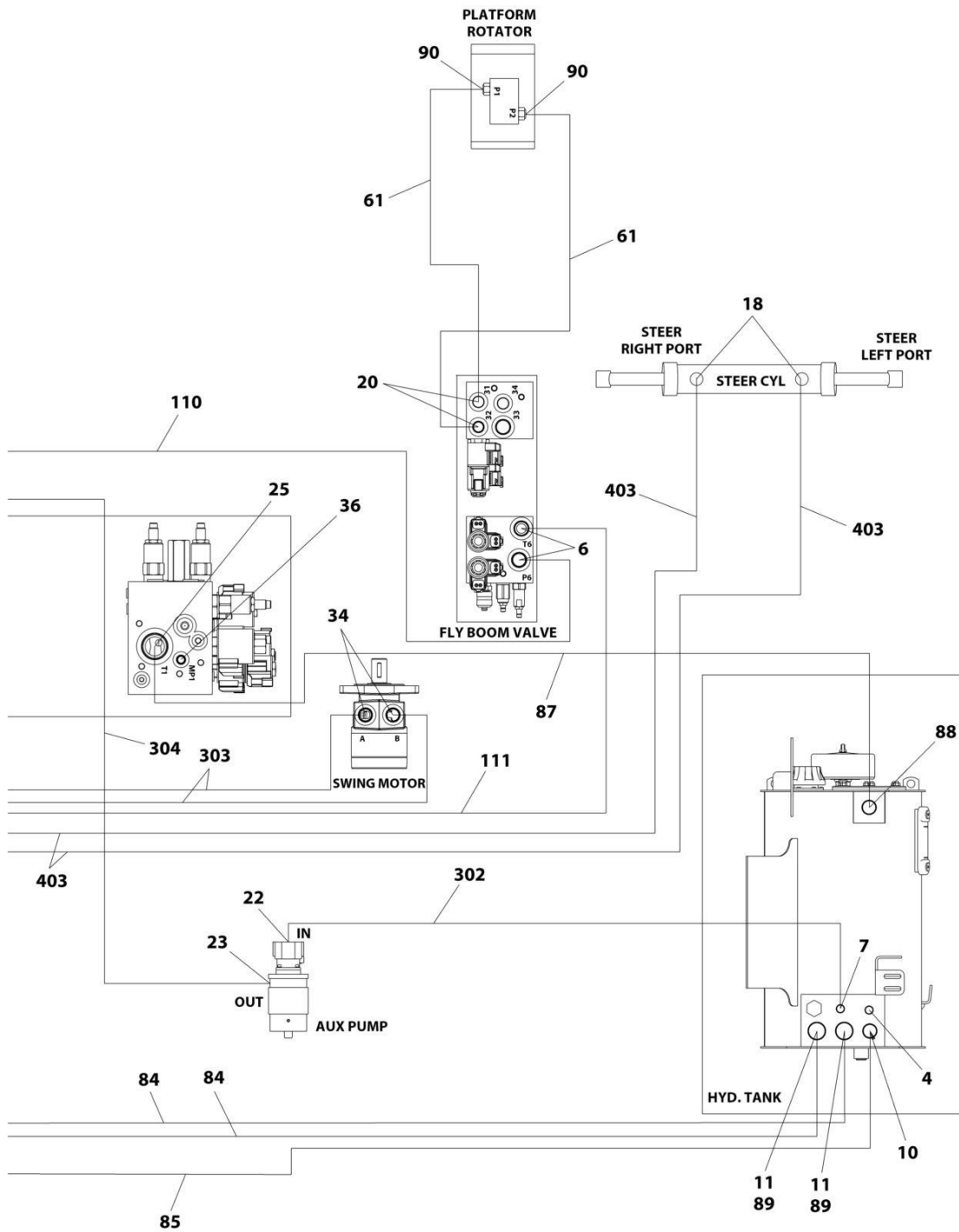
SECTION 7 - HYDRAULIC

FIGURE 7-1. 2WD HYDRAULIC SYSTEM INSTALLATION - 450A



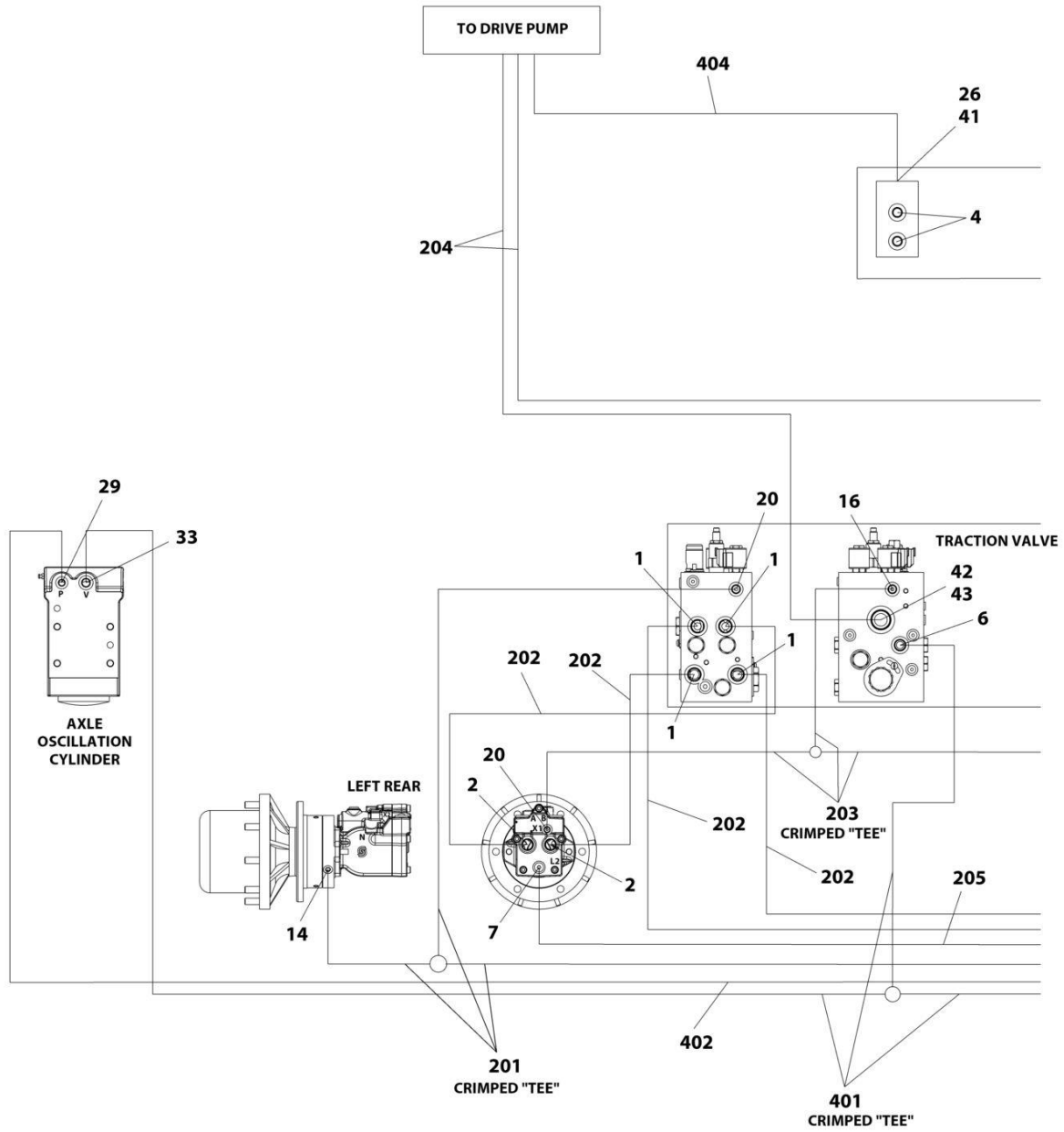
ART_1001217936_10F4

SECTION 7 - HYDRAULIC



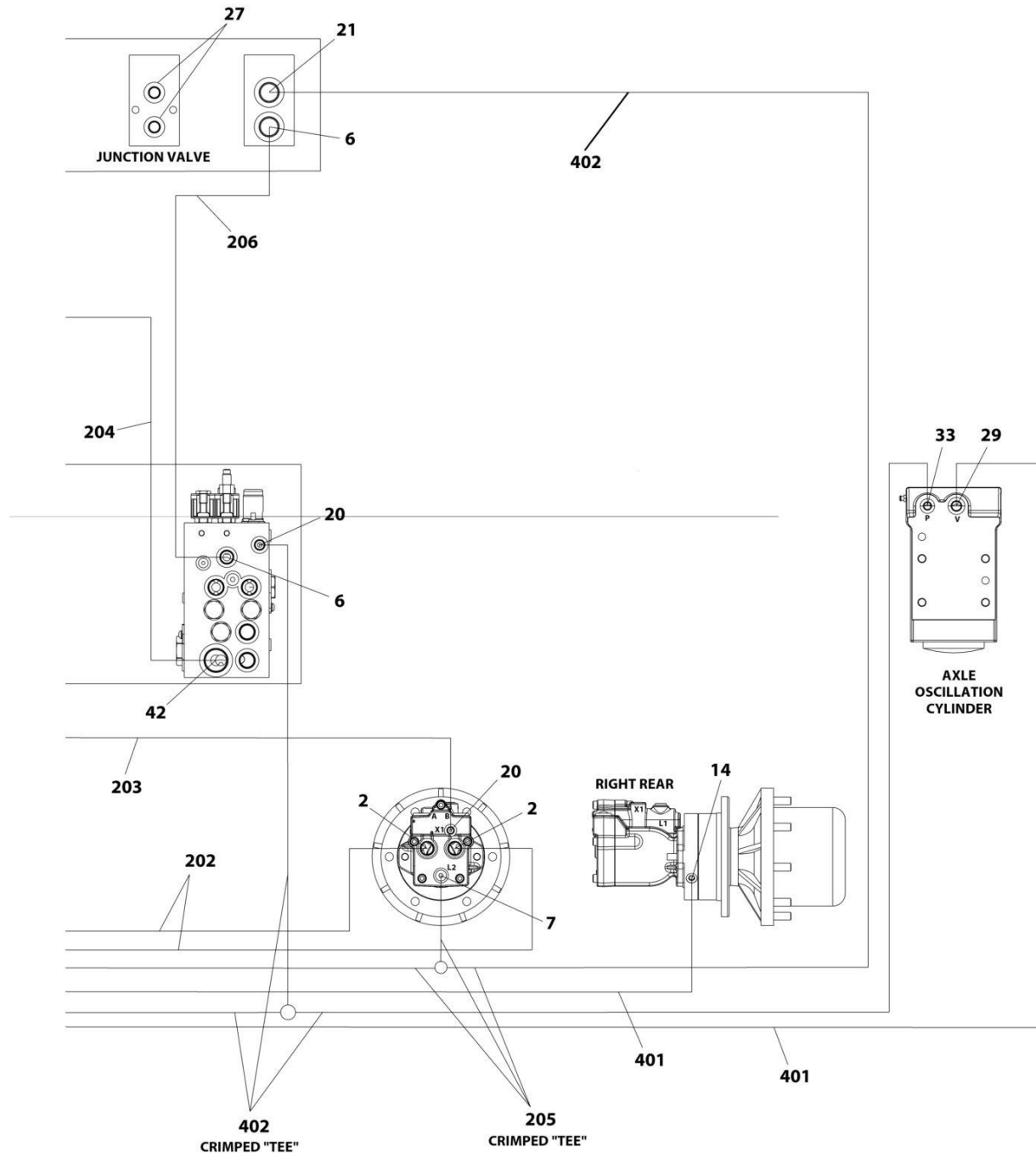
ART_1001217936_20F4

SECTION 7 - HYDRAULIC



ART_1001217936_30F4

SECTION 7 - HYDRAULIC



ART_1001217936_40F4

SECTION 7 - HYDRAULIC

FIGURE 7-1. 2WD HYDRAULIC SYSTEM INSTALLATION - 450A

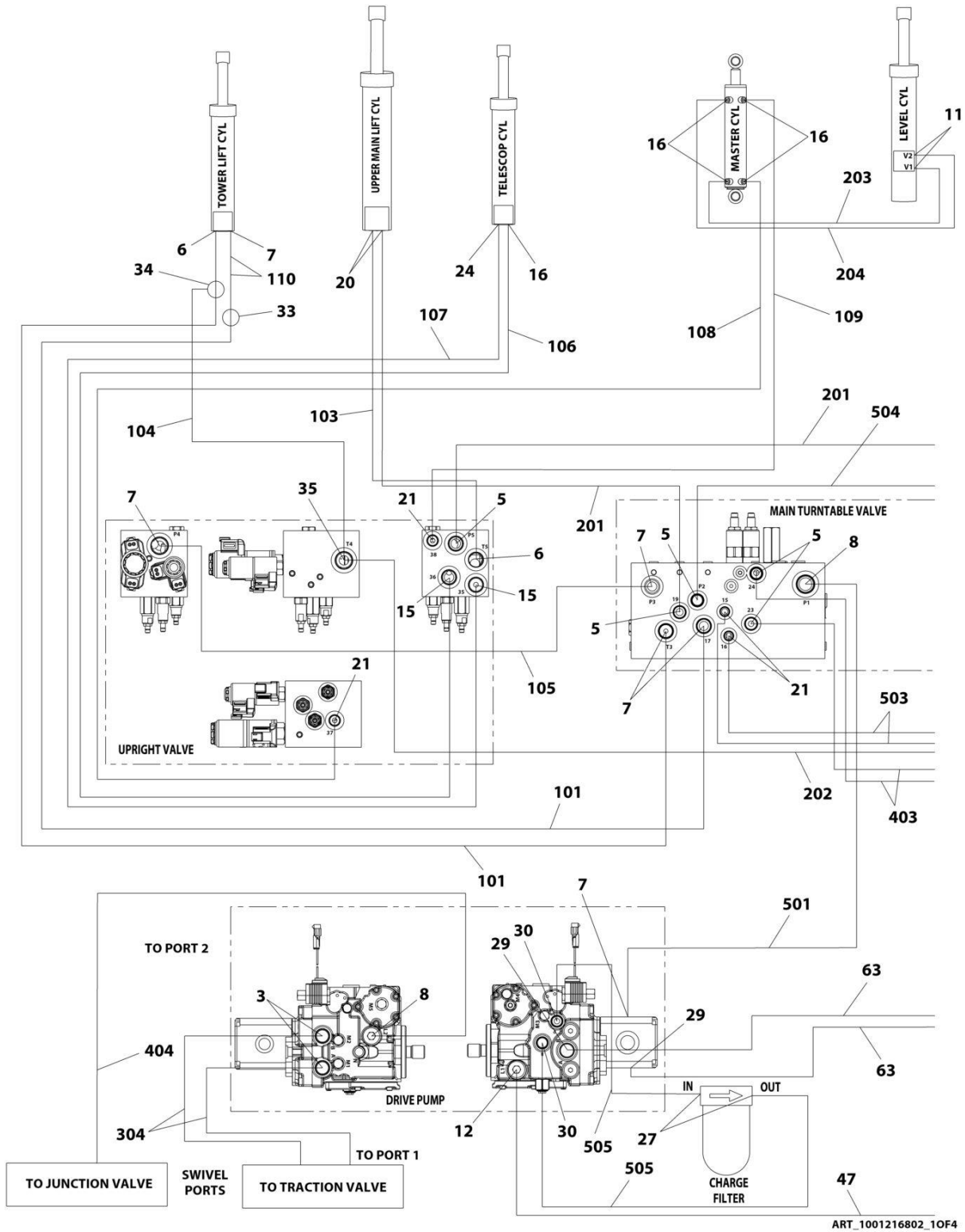
ITEM	PART NUMBER	QTY	DESCRIPTION	REV
	1001217936	Ref	2WD HYDRAULIC SYSTEM INSTALLATION	H
1	2110810	4	Fitting, Straight ORFS/ORB	
2	2110812	4	Fitting, Straight ORFS/ORB	
3	2151212	2	Fitting, 45 ORFS/ORB	
4	2220238	3	Plug	
6	2220372	9	Fitting, Straight JIC/ORB	
7	2220373	3	Fitting, Straight JIC/ORB	
8	2220374	4	Fitting, Straight JIC/ORB	
9	2220375	2	Fitting, Straight JIC/ORB	
10	2220377	1	Fitting, Straight JIC/ORB	
11	1001202910	2	Fitting, Straight MORB	
13	2220451	1	Fitting, Straight JIC/ORB	
14	2220466	2	Fitting, 90 JIC/ORB	
15	2220468	2	Fitting, Straight JIC/ORB	
16	2220472	5	Fitting, 90 JIC/ORB	
18	2220501	2	Fitting, 45 JIC/ORB	
19	2220497	2	Fitting, Straight JIC/ORB	
20	2220582	8	Fitting, Straight JIC/ORB	
21	2220596	1	Fitting, 90 JIC/ORB	
22	2220600	1	Fitting, Straight JIC/ORB	
23	2220603	1	Fitting, Straight JIC/ORB	
24	2220628	1	Fitting, 90 JIC/ORB	
25	2220465	1	Fitting, 90 JIC/ORB	
26	2220811	1	Fitting, Straight FORB/ORB	
27	2220883	2	Plug #4	
28	2220906	2	Fitting, 90 JIC/ORB	
29	2220923	2	Fitting, Straight JIC/ORB	
31	2220946	2	Fitting, Straight JIC/ORB	
32	2220947	2	Fitting, Straight JIC/ORB	
33	2220998	2	Fitting, Straight JIC/ORB	
34	2221033	2	Fitting, Straight JIC/ORB	
36	2221086	1	Fitting, Diagnostic	
37	2230025	1	Fitting, Straight JIC/JIC	
39	8760477	1	Fitting, Tee JIC/JIC/JIC	
40	8770289	1	Fitting, Tee JIC/ORB/JIC	
41	1001119627	1	Fitting, Straight JIC/ORB	
42	1001142679	2	Fitting, Straight ORFS/ORB	
43	1001143936	1	Fitting, 90 FORB/ORB	
61	1001215227	2	Hose	
84	1001207335	1	Hose	
85	1001207336	1	Hose	
87	1001210356	1	Hose	
88	2220435	1	Fitting, Straight JIC/ORB	
89	1001275635	2	Clamp, Hose	
90	2220940	2	Fitting, 90 JIC/ORB	
100	1001218999	1	Hose Kit (Not Shown)	
101	1001173006	2	Hose	
102	1001173034	1	Hose	
103	1001173035	1	Hose	
104	1001173036	1	Hose	

SECTION 7 - HYDRAULIC

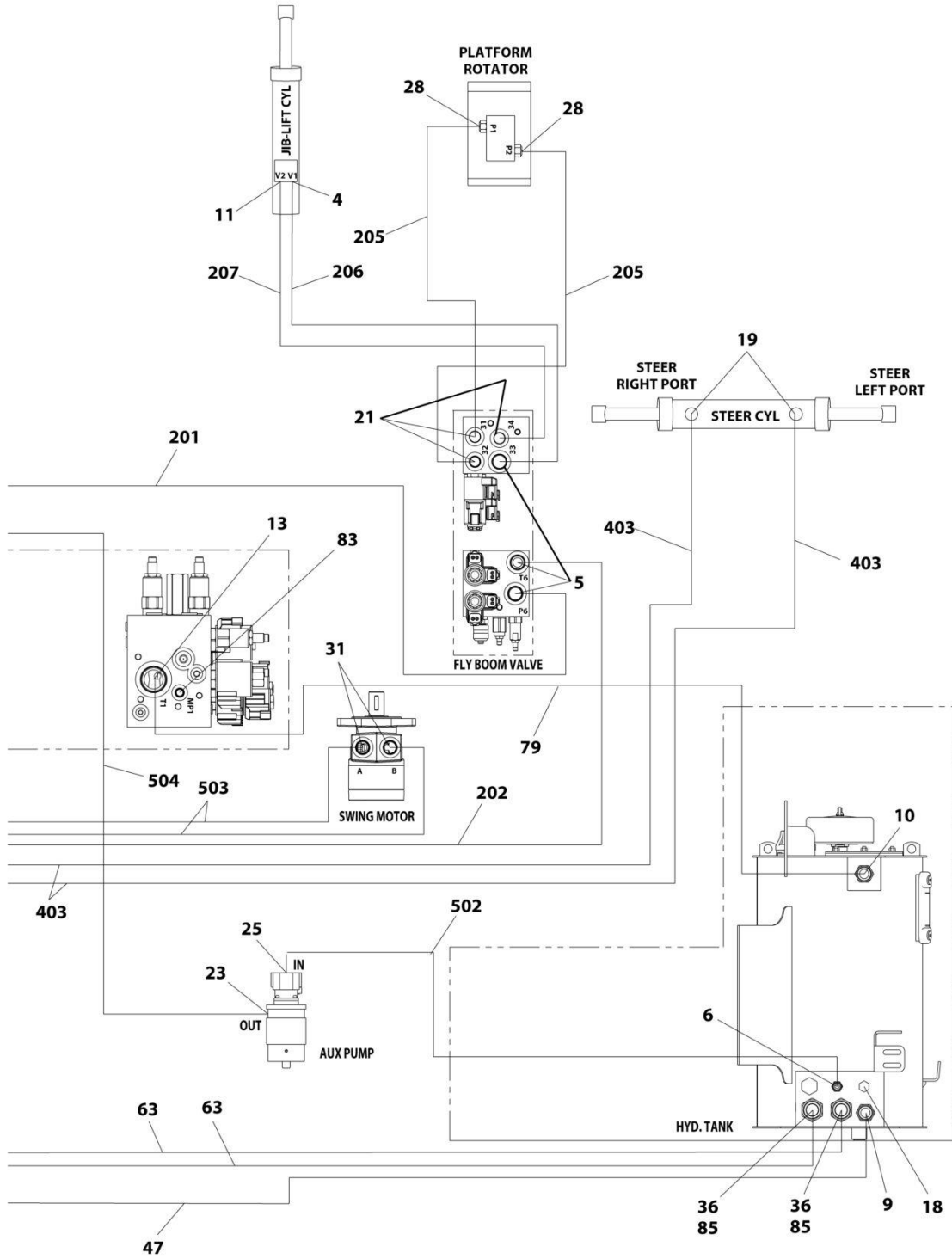
ITEM	PART NUMBER	QTY	DESCRIPTION	REV
105	1001173037	1	Hose	
106	1001173038	1	Hose	
107	1001173039	1	Hose	
108	1001173042	1	Hose	
109	1001173043	1	Hose	
110	1001176299	1	Hose	
111	1001176300	1	Hose	
112	1001176301	1	Hose	
113	1001176302	1	Hose	
114	1001180035	2	Hose	
200	1001194428	1	Hose Kit - Rear (Not Shown)	
201	1001173052	1	Hose	
202	1001173059	1	Hose	
203	1001173061	1	Hose	
204	1001173062	1	Hose	
205	1001173063	1	Hose	
206	1001197039	1	Hose	
300	1001252926	1	Hose Kit - Turntable (Not Shown)	
301	2752504	1	Hose	
302	2752519	1	Hose	
303	1001173027	1	Hose	
304	1001173028	1	Hose	
305	1001173029	1	Hose	
400	1001214616	1	Hose Kit - Front (Not Shown)	
401	1001173053	1	Hose	
402	1001173054	1	Hose	
403	1001173058	1	Hose	
404	1001173066	1	Hose	

SECTION 7 - HYDRAULIC

FIGURE 7-2. 2WD HYDRAULIC SYSTEM INSTALLATION - 450AJ

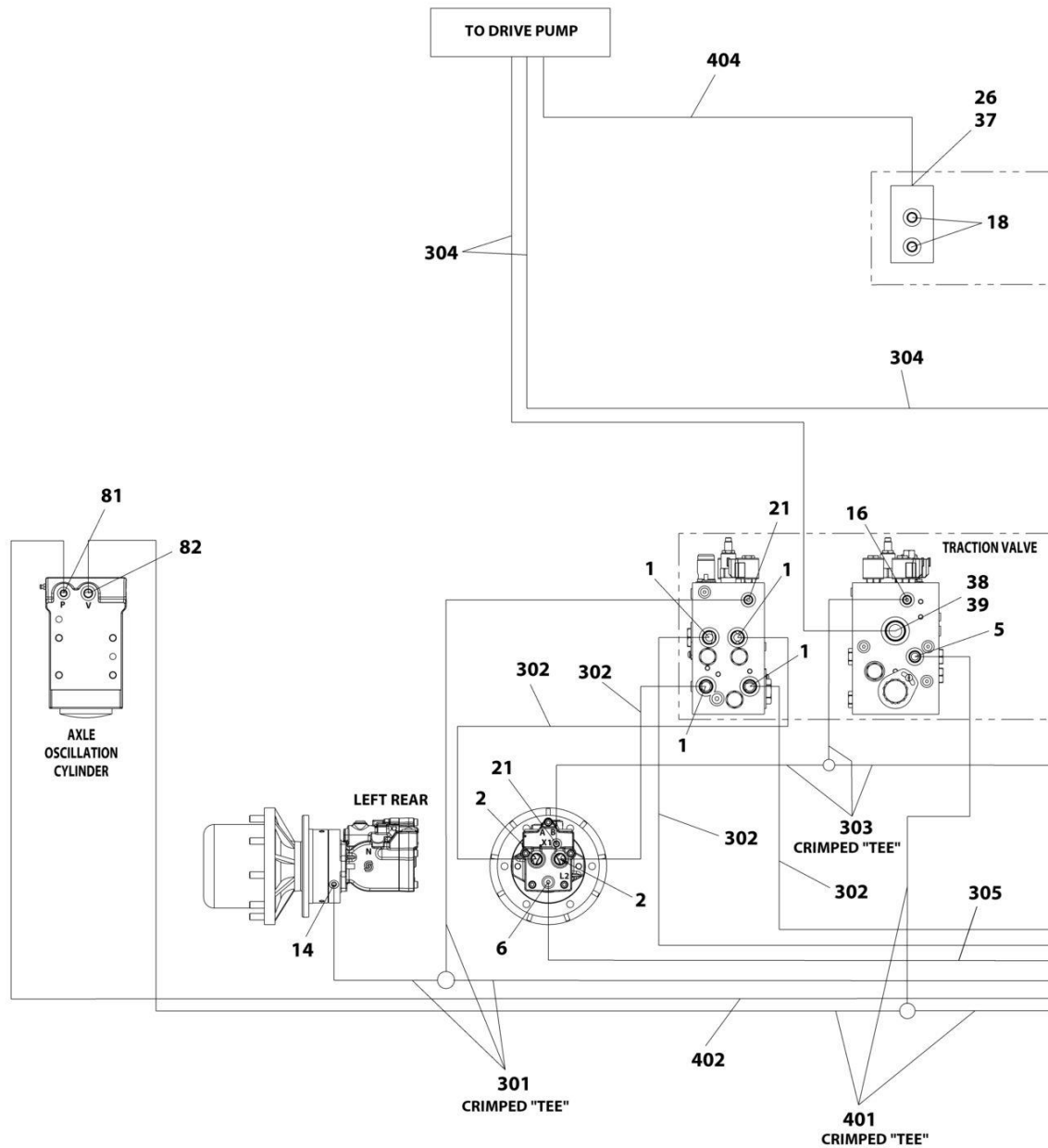


SECTION 7 - HYDRAULIC



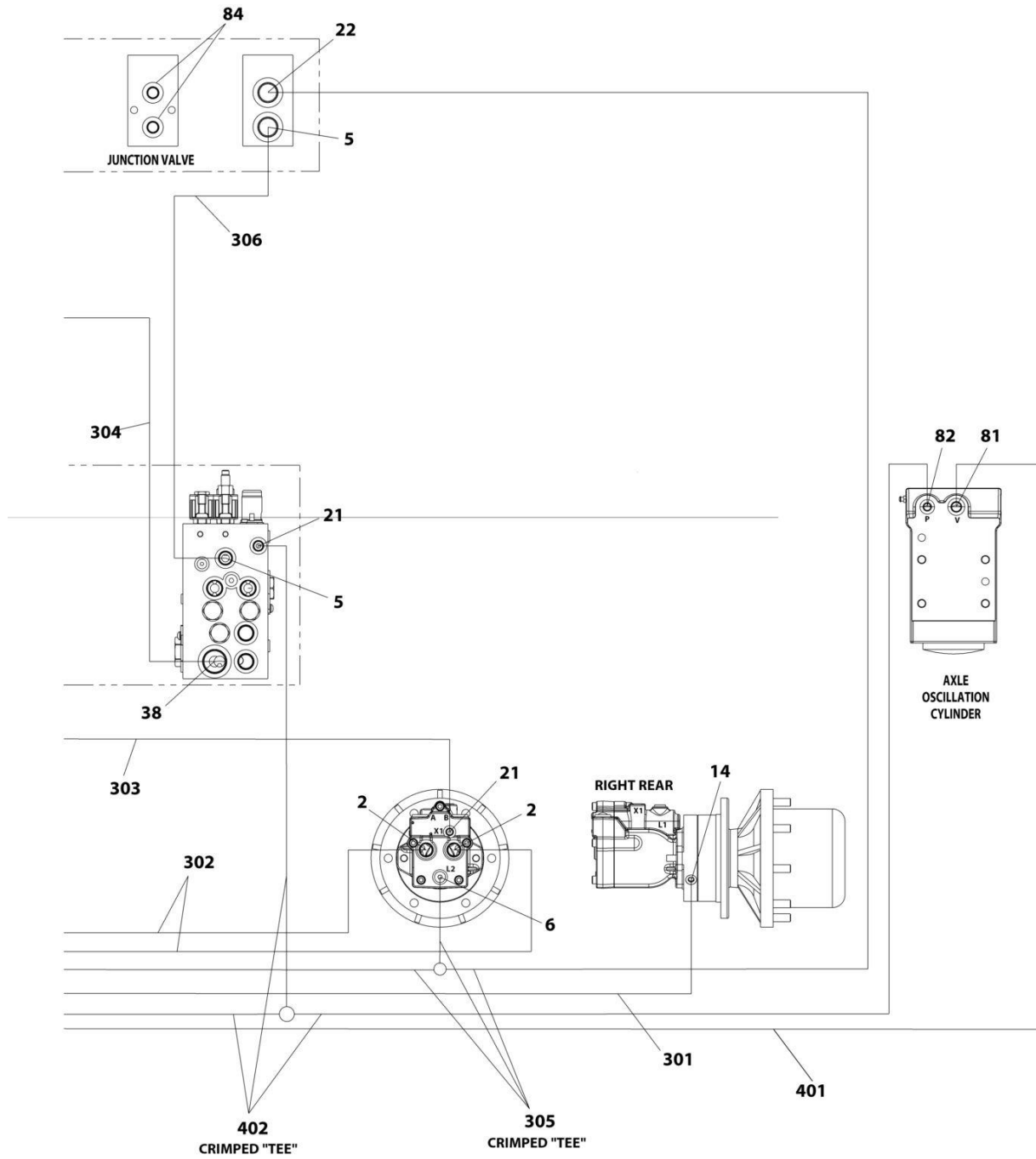
ART_1001216802_20F4

SECTION 7 - HYDRAULIC



ART_1001216802_30F4

SECTION 7 - HYDRAULIC



ART_1001216802_40F4

SECTION 7 - HYDRAULIC

FIGURE 7-2. 2WD HYDRAULIC SYSTEM INSTALLATION - 450AJ

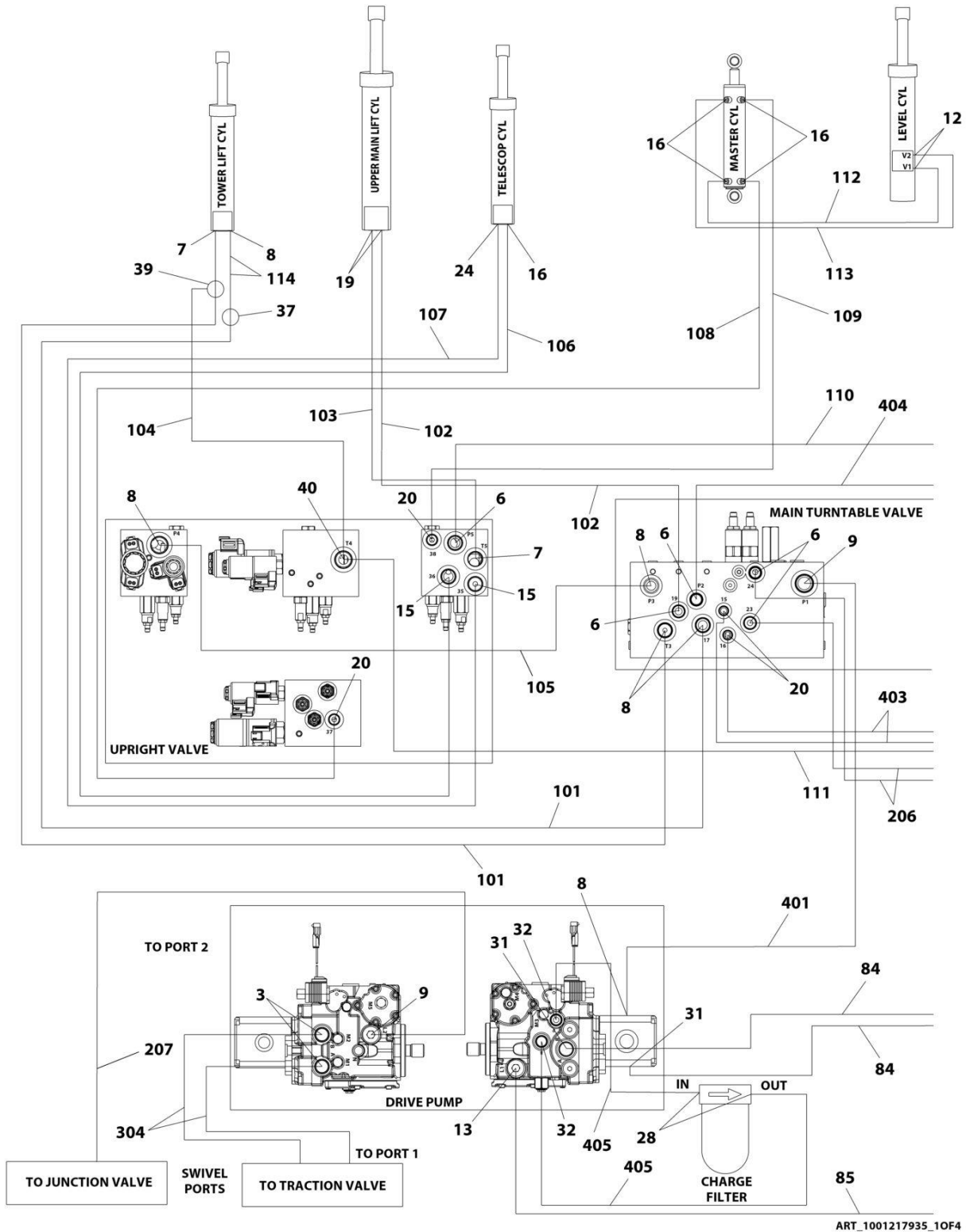
ITEM	PART NUMBER	QTY	DESCRIPTION	REV
	1001216802	Ref	2WD HYDRAULIC SYSTEM INSTALLATION	E
1	2110810	4	Fitting, Straight ORFS/ORB	
2	2110812	4	Fitting, Straight ORFS/ORB	
3	2151212	2	Fitting, 45 ORFS/ORB	
4	2220371	1	Fitting, Straight JIC/ORB	
5	2220372	11	Fitting, Straight JIC/ORB	
6	2220373	5	Fitting, Straight JIC/ORB	
7	2220374	6	Fitting, Straight JIC/ORB	
8	2220375	2	Fitting, Straight JIC/ORB	
9	2220377	1	Fitting, Straight JIC/ORB	
10	2220435	1	Fitting, Straight JIC/ORB	
11	2220415	3	Fitting, Straight JIC/ORB	
12	2220451	1	Fitting, Straight JIC/ORB	
13	2220465	1	Fitting, 90 JIC/ORB	
14	2220466	2	Fitting, 90 JIC/ORB	
15	2220468	2	Fitting, Straight JIC/ORB	
16	2220472	6	Fitting, 90 JIC/ORB	
18	2220238	3	Plug	
19	2220501	2	Fitting, 45 JIC/ORB	
20	2220497	2	Fitting, Straight JIC/ORB	
21	2220582	11	Fitting, Straight JIC/ORB	
22	2220596	1	Fitting, 90 JIC/ORB	
23	2220603	1	Fitting, Straight JIC/ORB	
24	2220628	1	Fitting, 90 JIC/ORB	
25	2220600	1	Fitting, Straight JIC/ORB	
26	2220811	1	Fitting, Straight FORB/ORB	
27	2220906	2	Fitting, 90 JIC/ORB	
28	2220940	2	Fitting, Elbow	
29	2220946	2	Fitting, Straight JIC/ORB	
30	2220947	2	Fitting, Straight JIC/ORB	
31	2221033	2	Fitting, Straight JIC/ORB	
33	2230025	1	Fitting, Straight JIC/JIC	
34	8760477	1	Fitting, Tee JIC/JIC/JIC	
35	8770289	1	Fitting, Tee JIC/ORB/JIC	
36	1001275635	2	Clamp, Hose	
37	1001119627	1	Fitting, Straight JIC/ORB	
38	1001142679	2	Fitting, Straight ORFS/ORB	
39	1001143936	1	Fitting, 90 FORB/ORB	
47	1001207336	1	Hose	
63	1001207335	2	Hose	
79	1001210356	1	Tube	
81	2220923	2	Fitting, Straight JIC/ORB	
82	2220998	2	Fitting, Straight JIC/ORB	
83	2221086	1	Fitting, Diagnostic	
84	2220883	2	Plug #4	
85	1001202910	2	Fitting, Straight MORB	
100	1001194424	1	Hose Kit - Lower Boom (Not Shown)	
101	1001173006	2	Hose	
102	1001173034	1	Hose	
103	1001173035	1	Hose	

SECTION 7 - HYDRAULIC

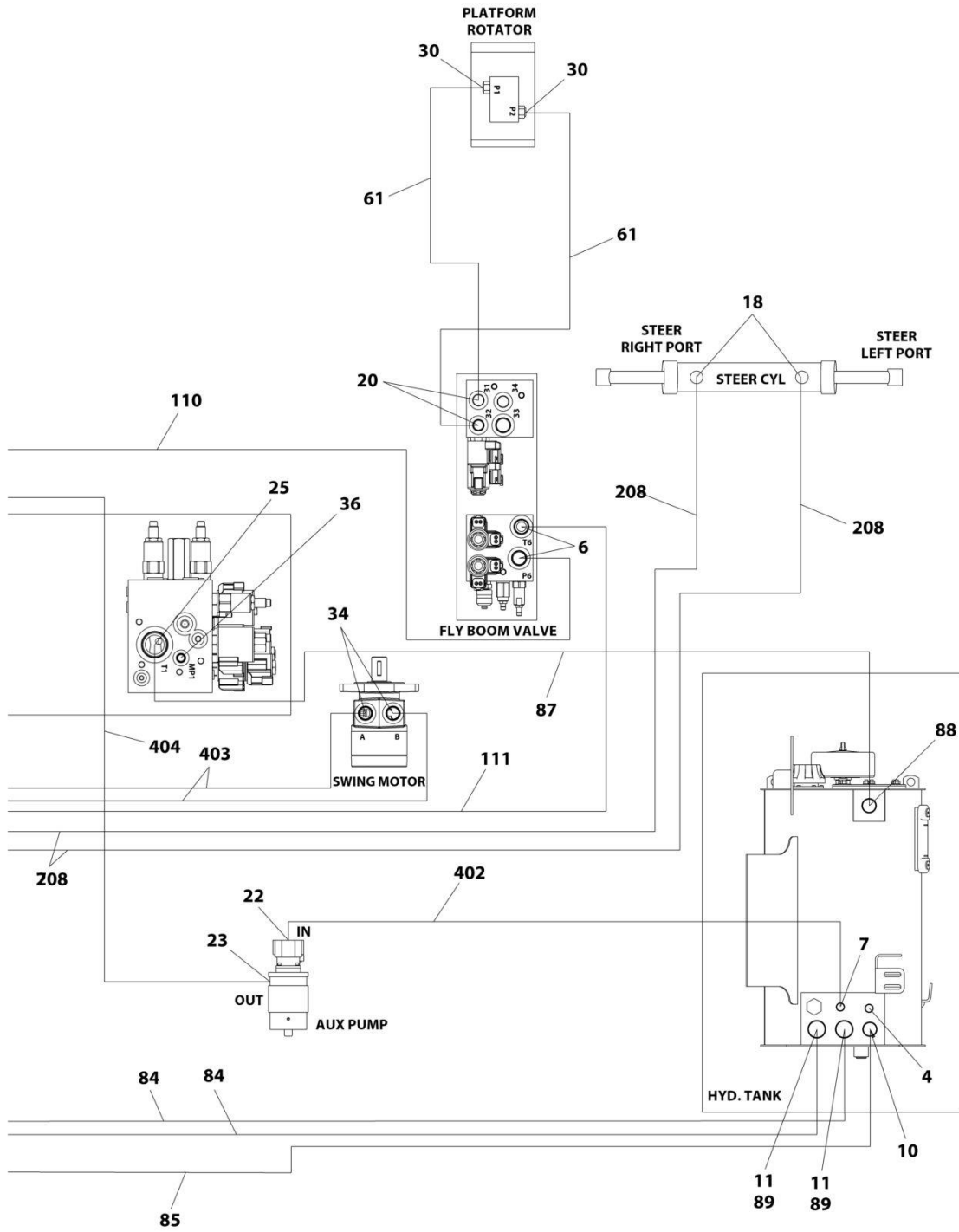
ITEM	PART NUMBER	QTY	DESCRIPTION	REV
104	1001173036	1	Hose	
105	1001173037	1	Hose	
106	1001173038	1	Hose	
107	1001173039	1	Hose	
108	1001173042	1	Hose	
109	1001173043	1	Hose	
110	1001180035	2	Hose	
200	1001194425	1	Hose Kit - Upper Boom (Not Shown)	
201	1001173040	1	Hose	
202	1001173041	1	Hose	
203	1001173044	1	Hose	
204	1001173045	1	Hose	
205	1001173046	2	Hose	
206	1001173048	1	Hose	
207	1001173049	1	Hose	
300	1001194428	1	Hose Kit - Rear (Not Shown)	
301	1001173052	1	Hose	
302	1001173059	4	Hose	
303	1001173061	1	Hose	
304	1001173062	2	Hose	
305	1001173063	1	Hose	
306	1001197039	1	Hose	
400	1001214616	1	Hose Kit - Front (Not Shown)	
401	1001173053	1	Hose	
402	1001173054	1	Hose	
403	1001173058	2	Hose	
404	1001173066	1	Hose	
500	1001252926	1	Hose Kit - Turntable (Not Shown)	
501	2752504	1	Hose	
502	2752519	1	Hose	
503	1001173027	2	Hose	
504	1001173028	1	Hose	
505	1001173029	2	Hose	

SECTION 7 - HYDRAULIC

FIGURE 7-3. 4WD HYDRAULIC SYSTEM INSTALLATION - 450A

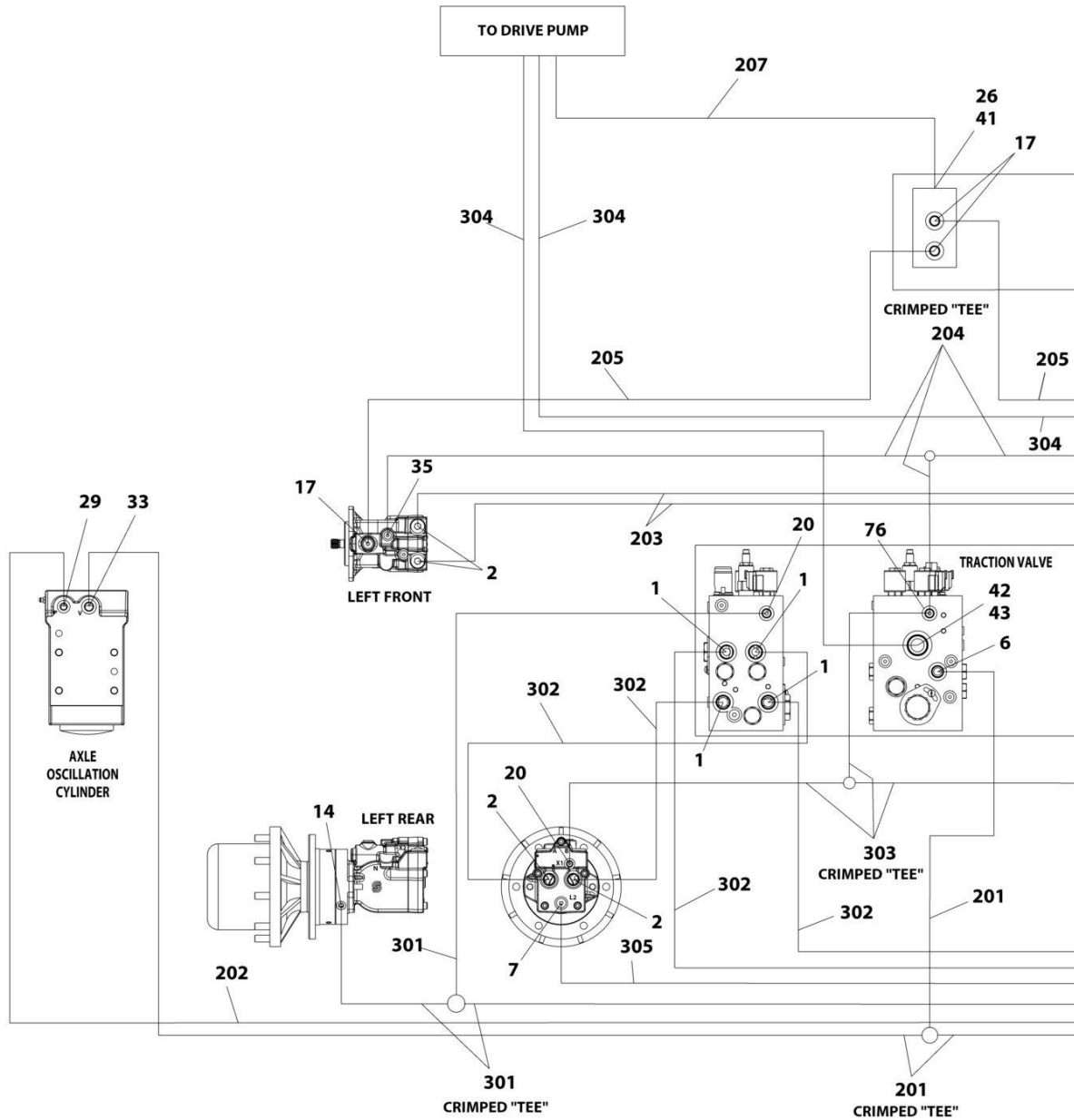


SECTION 7 - HYDRAULIC



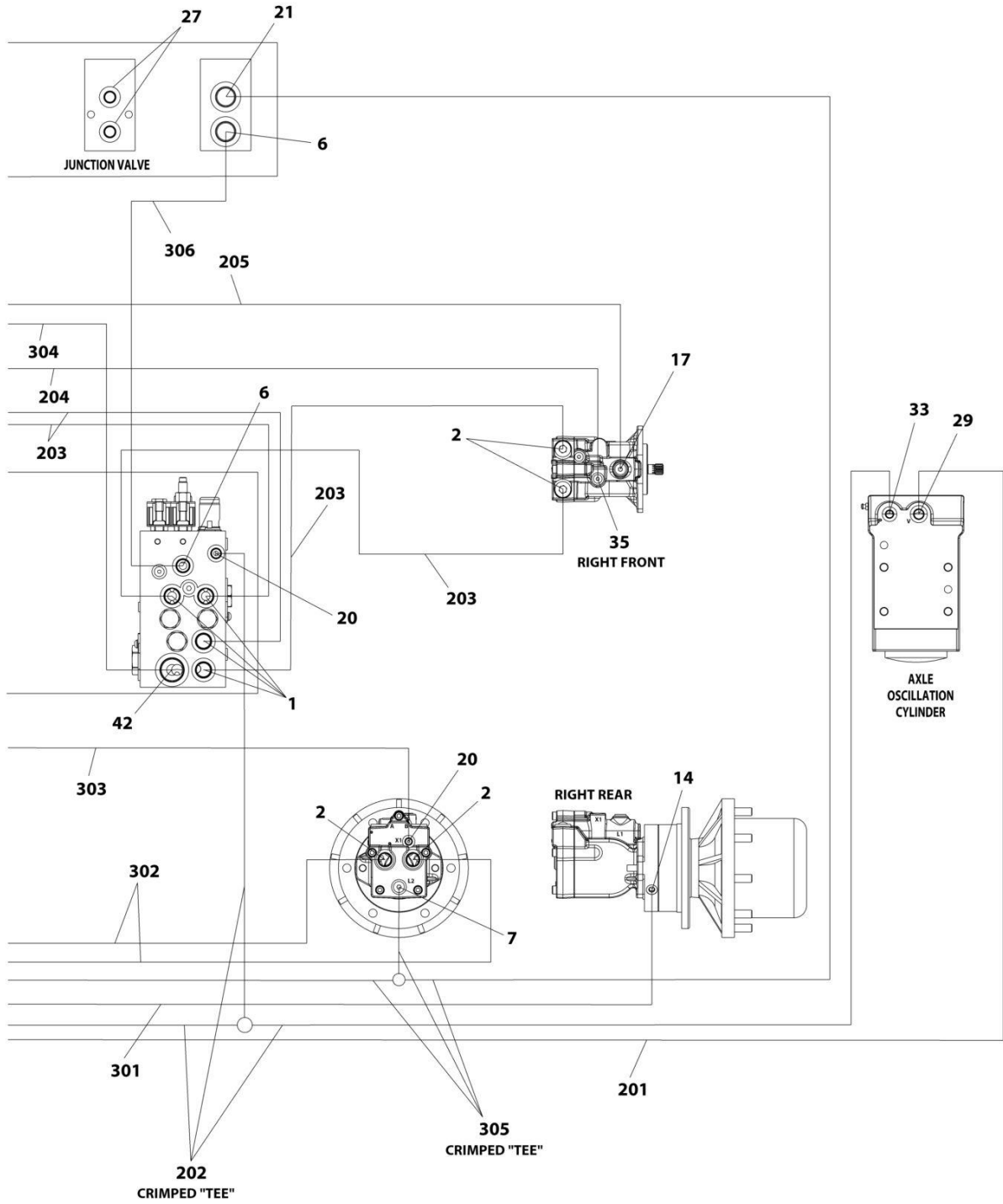
ART_1001217935_20F4

SECTION 7 - HYDRAULIC



ART_1001217935_30F4

SECTION 7 - HYDRAULIC



ART_1001217935_40F4

SECTION 7 - HYDRAULIC

FIGURE 7-3. 4WD HYDRAULIC SYSTEM INSTALLATION - 450A

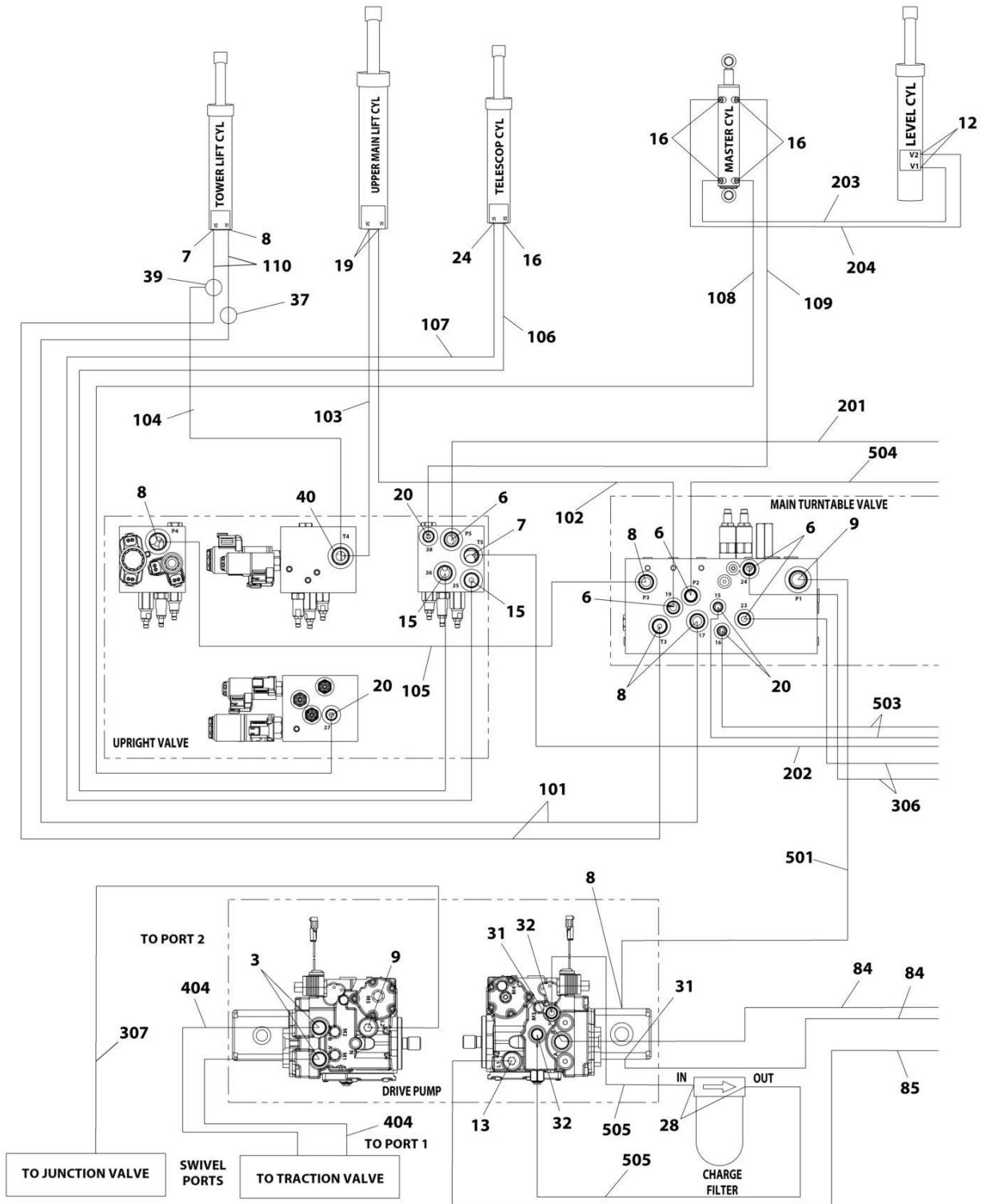
ITEM	PART NUMBER	QTY	DESCRIPTION	REV
	1001217935	Ref	4WD HYDRAULIC SYSTEM INSTALLATION	H
1	2110810	8	Fitting, Straight ORFS/ORB	
2	2110812	8	Fitting, Straight ORFS/ORB	
3	2151212	2	Fitting, 45 ORFS/ORB	
4	2220238	1	Plug	
6	2220372	9	Fitting, Straight JIC/ORB	
7	2220373	3	Fitting, Straight JIC/ORB	
8	2220374	4	Fitting, Straight JIC/ORB	
9	2220375	2	Fitting, Straight JIC/ORB	
10	2220377	1	Fitting, Straight JIC/ORB	
11	1001202910	2	Fitting, Straight MORB	
12	2220415	2	Fitting, Straight JIC/ORB	
13	2220451	1	Fitting, Straight JIC/ORB	
14	2220466	2	Fitting, 90 JIC/ORB	
15	2220468	2	Fitting, Straight JIC/ORB	
16	2220472	5	Fitting, 90 JIC/ORB	
17	2220500	4	Fitting, 45 JIC/ORB	
18	2220501	2	Fitting, 45 JIC/ORB	
19	2220497	2	Fitting, Straight JIC/ORB	
20	2220582	8	Fitting, Straight JIC/ORB	
21	2220596	1	Fitting, 90 JIC/ORB	
22	2220600	1	Fitting, Straight JIC/ORB	
23	2220603	1	Fitting, Straight JIC/ORB	
24	2220628	1	Fitting, 90 JIC/ORB	
25	2220465	1	Fitting, 90 JIC/ORB	
26	2220811	1	Fitting, Straight FORB/ORB	
27	2220883	2	Plug #4	
28	2220906	2	Fitting, 90 JIC/ORB	
29	2220923	2	Fitting, Straight JIC/ORB	
30	2220940	2	Fitting, Elbow	
31	2220946	2	Fitting, Straight JIC/ORB	
32	2220947	2	Fitting, Straight JIC/ORB	
33	2220998	2	Fitting, Straight JIC/ORB	
34	2221033	2	Fitting, Straight JIC/ORB	
35	2221040	2	Fitting, 45 JIC/ORB	
36	2221086	1	Fitting, Diagnostic	
37	2230025	1	Fitting, Straight JIC/JIC	
39	8760477	1	Fitting, Tee JIC/JIC/JIC	
40	8770289	1	Fitting, Tee JIC/ORB/JIC	
41	1001119627	1	Fitting, Straight JIC/ORB	
42	1001142679	2	Fitting, Straight ORFS/ORB	
43	1001143936	1	Fitting, 90 FORB/ORB	
61	1001215227	2	Hose	
76	1001175024	1	Fitting, Tee JIC/JIC/ORB	
84	1001207335	2	Hose	
85	1001207336	1	Hose	
87	1001210356	1	Tube Assembly	
88	2220435	1	Fitting, Straight JIC/ORB	
89	1001275635	2	Clamp, Hose	
100	1001218999	1	Hose Kit (Not Shown)	

SECTION 7 - HYDRAULIC

ITEM	PART NUMBER	QTY	DESCRIPTION	REV
101	1001173006	2	Hose	
102	1001173034	1	Hose	
103	1001173035	1	Hose	
104	1001173036	1	Hose	
105	1001173037	1	Hose	
106	1001173038	1	Hose	
107	1001173039	1	Hose	
108	1001173042	1	Hose	
109	1001173043	1	Hose	
110	1001176299	1	Hose	
111	1001176300	1	Hose	
112	1001176301	1	Hose	
113	1001176302	1	Hose	
114	1001180035	2	Hose	
200	1001194427	1	Hose Kit - Front (Not Shown)	
201	1001173053	1	Hose	
202	1001173054	1	Hose	
203	1001173055	4	Hose	
204	1001173056	1	Hose	
205	1001173057	2	Hose	
206	1001173058	2	Hose	
207	1001173066	1	Hose	
300	1001194428	1	Hose Kit - Rear (Not Shown)	
301	1001173052	1	Hose	
302	1001173059	4	Hose	
303	1001173061	1	Hose	
304	1001173062	2	Hose	
305	1001173063	1	Hose	
306	1001197039	1	Hose	
400	1001252926	1	Hose Kit - Turntable (Not Shown)	
401	2752504	1	Hose	
402	2752519	1	Hose	
403	1001173027	2	Hose	
404	1001173028	1	Hose	
405	1001173029	2	Hose	

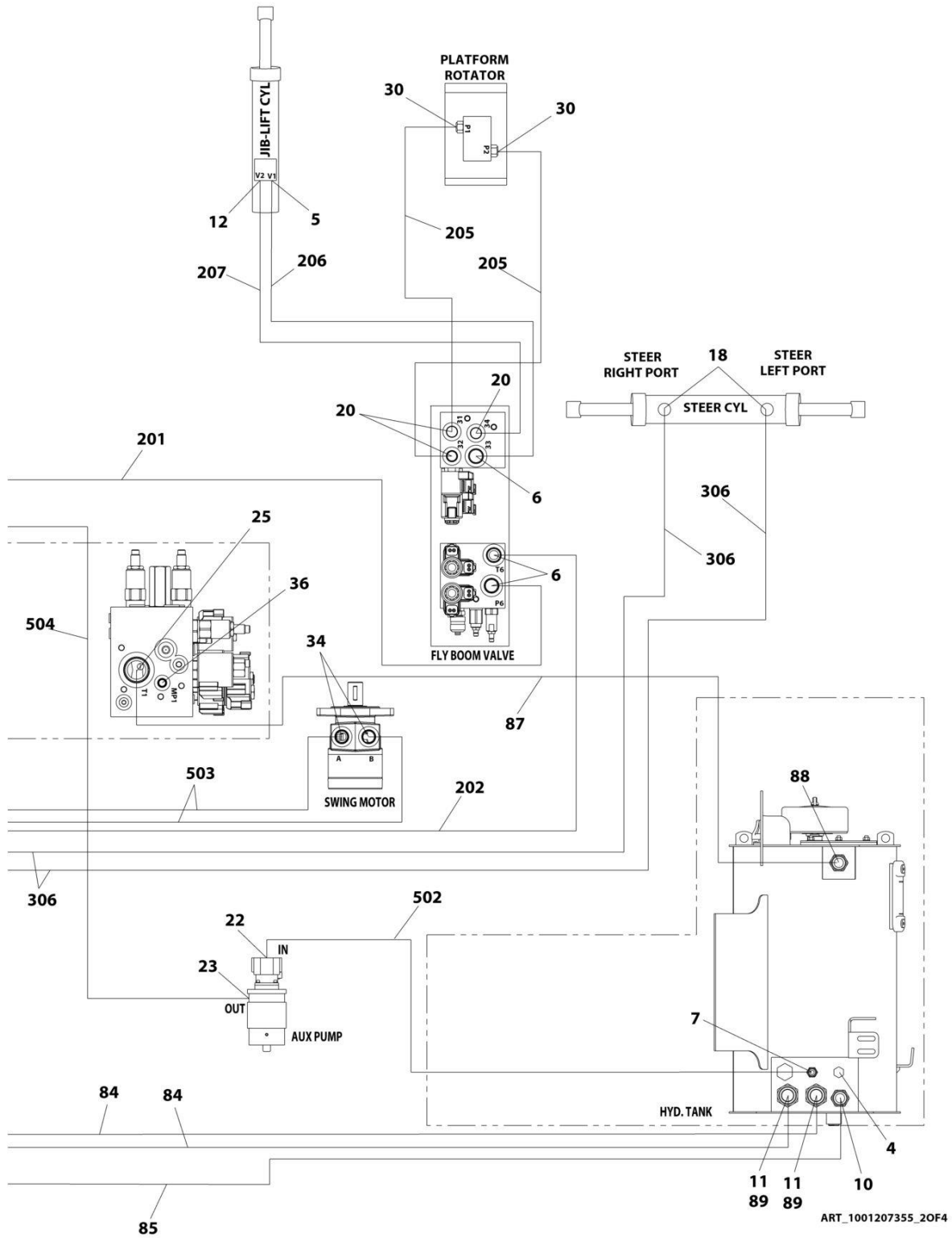
SECTION 7 - HYDRAULIC

FIGURE 7-4. 4WD HYDRAULIC SYSTEM INSTALLATION - 450AJ



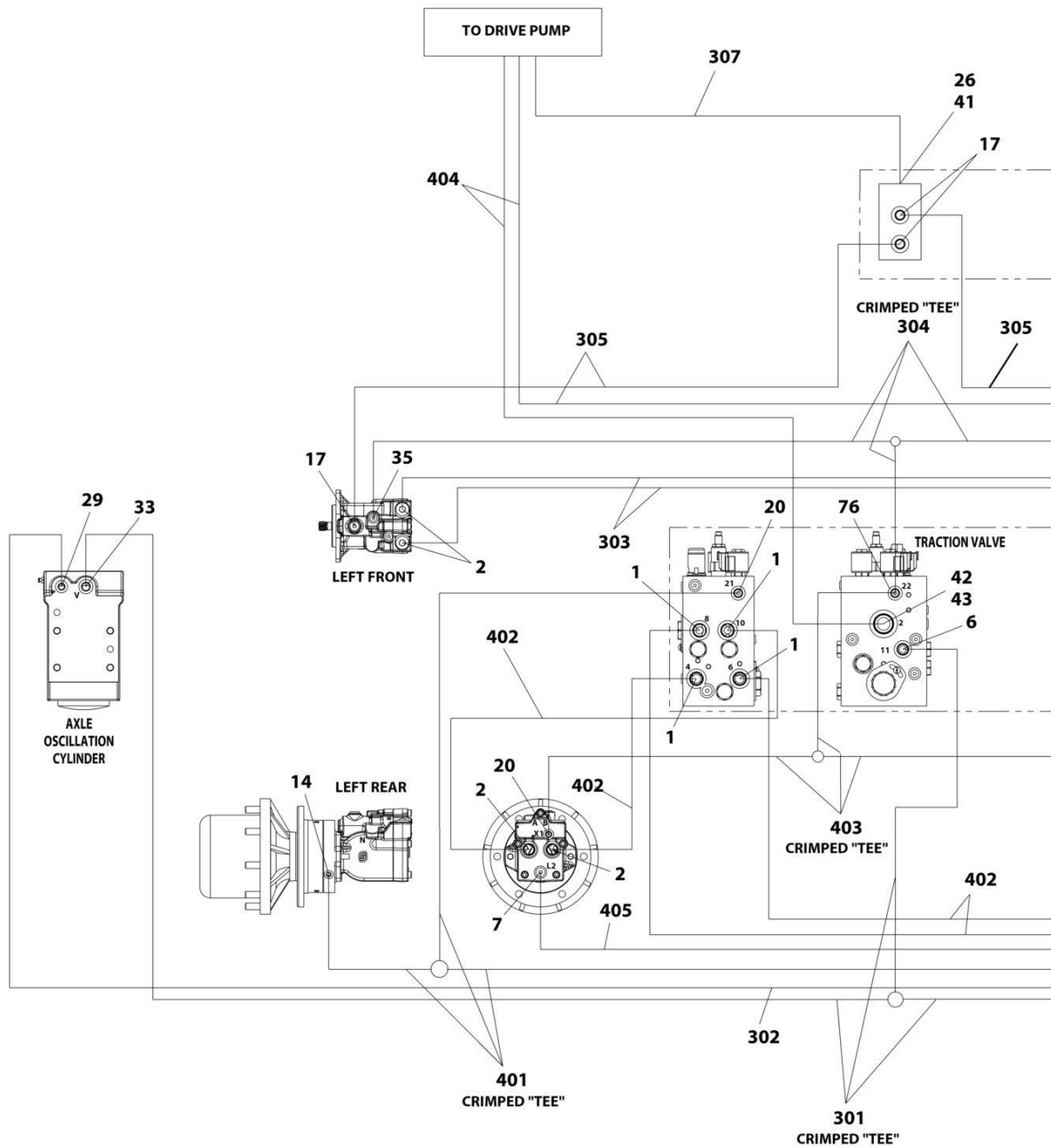
ART_1001207355_10F4

SECTION 7 - HYDRAULIC



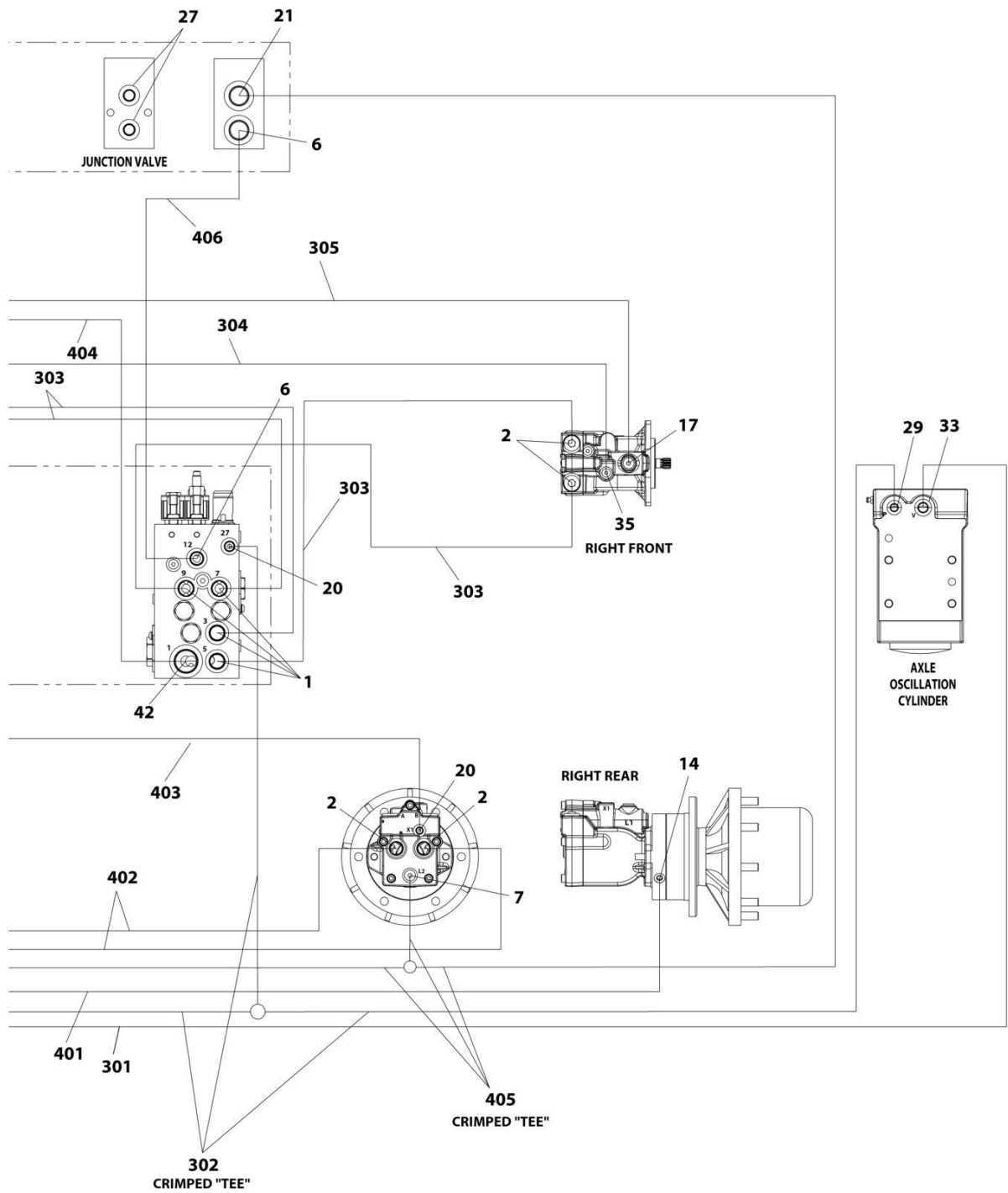
ART_1001207355_20F4

SECTION 7 - HYDRAULIC



ART_1001207355_30F4

SECTION 7 - HYDRAULIC



ART_1001207355_40F4

SECTION 7 - HYDRAULIC

FIGURE 7-4. 4WD HYDRAULIC SYSTEM INSTALLATION - 450AJ

ITEM	PART NUMBER	QTY	DESCRIPTION	REV
	1001207355	Ref	4WD HYDRAULIC SYSTEM INSTALLATION	D
1	2110810	8	Fitting, Straight ORFS/ORB	
2	2110812	8	Fitting, Straight ORFS/ORB	
3	2151212	2	Fitting, 45 ORFS/ORB	
4	2220238	1	Plug	
5	2220371	1	Fitting, Straight JIC/ORB	
6	2220372	11	Fitting, Straight JIC/ORB	
7	2220373	5	Fitting, Straight JIC/ORB	
8	2220374	6	Fitting, Straight JIC/ORB	
9	2220375	2	Fitting, Straight JIC/ORB	
10	2220377	1	Fitting, Straight JIC/ORB	
11	1001202910	2	Fitting, Straight MORB	
12	2220415	3	Fitting, Straight JIC/ORB	
13	2220451	1	Fitting, Straight JIC/ORB	
14	2220466	2	Fitting, 90 JIC/ORB	
15	2220468	2	Fitting, Straight JIC/ORB	
16	2220472	5	Fitting, 90 JIC/ORB	
17	2220500	4	Fitting, 45 JIC/ORB	
18	2220501	2	Fitting, 45 JIC/ORB	
19	2220497	2	Fitting, Straight JIC/ORB	
20	2220582	11	Fitting, Straight JIC/ORB	
21	2220596	1	Fitting, 90 JIC/ORB	
22	2220600	1	Fitting, Straight JIC/ORB	
23	2220603	1	Fitting, Straight JIC/ORB	
24	2220628	1	Fitting, 90 JIC/ORB	
25	2220465	1	Fitting, 90 JIC/ORB	
26	2220811	1	Fitting, Straight FORB/ORB	
27	2220883	2	Plug #4	
28	2220906	2	Fitting, 90 JIC/ORB	
29	2220923	2	Fitting, Straight JIC/ORB	
30	2220940	2	Fitting, Elbow	
31	2220946	2	Fitting, Straight JIC/ORB	
32	2220947	2	Fitting, Straight JIC/ORB	
33	2220998	2	Fitting, Straight JIC/ORB	
34	2221033	2	Fitting, Straight JIC/ORB	
35	2221040	2	Fitting, 45 JIC/ORB	
36	2221086	1	Fitting, Diagnostic	
37	2230025	1	Fitting, Straight JIC/JIC	
39	8760477	1	Fitting, Tee JIC/JIC/JIC	
40	8770289	1	Fitting, Tee JIC/ORB/JIC	
41	1001119627	1	Fitting, Straight JIC/ORB	
42	1001142679	2	Fitting, Straight ORFS/ORB	
43	1001143936	1	Fitting, 90 FORB/ORB	
76	1001175024	1	Fitting, Tee JIC/JIC/ORB	
84	1001207335	2	Hose	
85	1001207336	1	Hose	
87	1001210356	1	Tube	
88	2220435	1	Fitting, Straight JIC/ORB	
89	80633030	2	Clamp, Hose	
100	1001194424	1	Hose Kit - Lower Boom (Not Shown)	

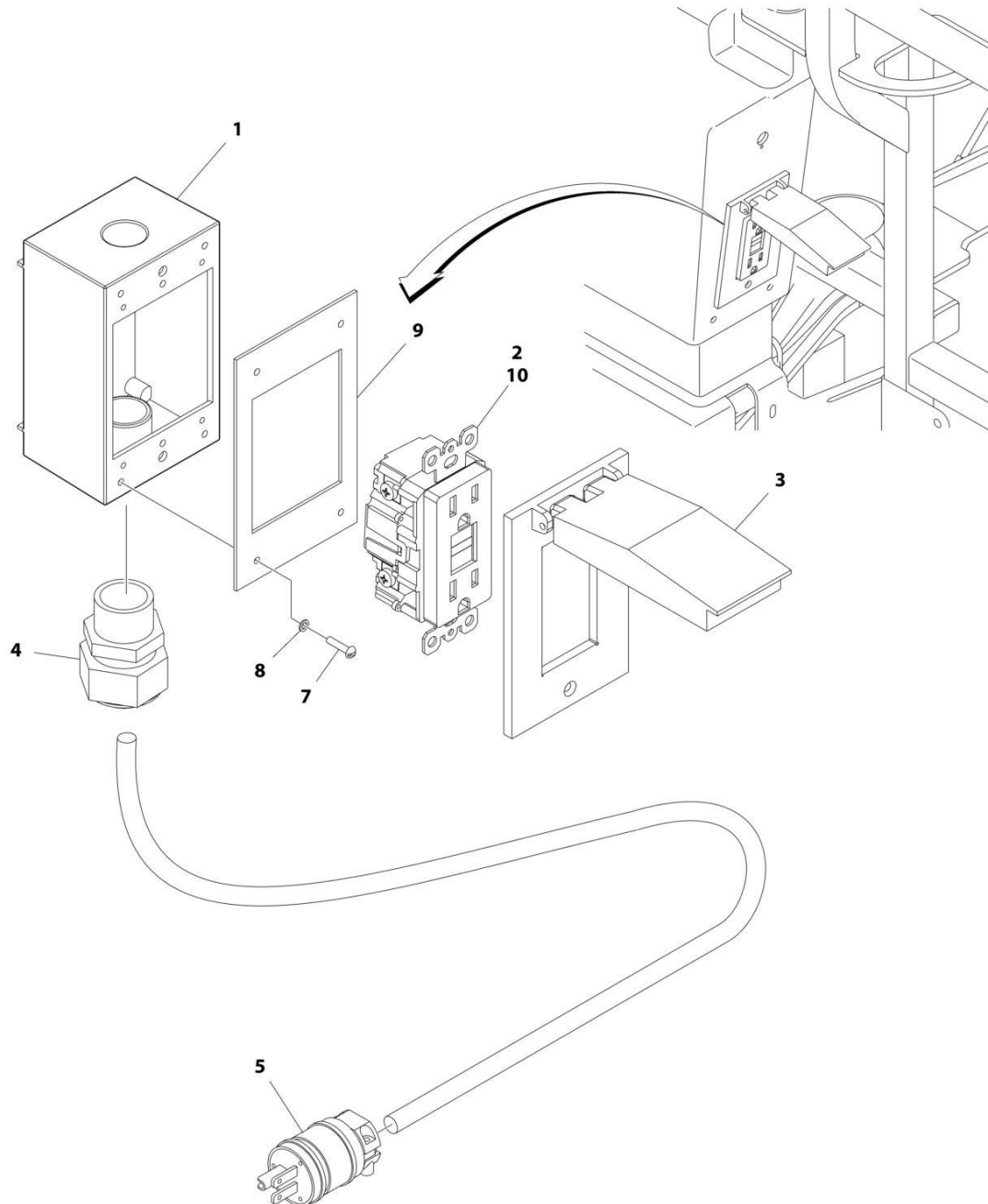
SECTION 7 - HYDRAULIC

ITEM	PART NUMBER	QTY	DESCRIPTION	REV
101	1001173006	2	Hose	
102	1001173034	1	Hose	
103	1001173035	1	Hose	
104	1001173036	1	Hose	
105	1001173037	1	Hose	
106	1001173038	1	Hose	
107	1001173039	1	Hose	
108	1001173042	1	Hose	
109	1001173043	1	Hose	
110	1001180035	2	Hose	
200	1001194425	1	Hose Kit - Upper Boom (Not Shown)	
201	1001173040	1	Hose	
202	1001173041	1	Hose	
203	1001173044	1	Hose	
204	1001173045	1	Hose	
205	1001173046	2	Hose	
206	1001173048	1	Hose	
207	1001173049	1	Hose	
300	1001194427	1	Hose Kit - Front (Not Shown)	
301	1001173053	1	Hose	
302	1001173054	1	Hose	
303	1001173055	4	Hose	
304	1001173056	1	Hose	
305	1001173057	2	Hose	
306	1001173058	2	Hose	
307	1001173066	1	Hose	
400	1001194428	1	Hose Kit - Rear (Not Shown)	
401	1001173052	1	Hose	
402	1001173059	4	Hose	
403	1001173061	1	Hose	
404	1001173062	2	Hose	
405	1001173063	1	Hose	
406	1001197039	1	Hose	
500	1001252926	1	Hose Kit - Turntable (Not Shown)	
501	2752504	1	Hose	
502	2752519	1	Hose	
503	1001173027	2	Hose	
504	1001173028	1	Hose	
505	1001173029	2	Hose	

SECTION 8 - ELECTRICAL

SECTION 8 - ELECTRICAL

FIGURE 8-1. AC BOX AT PLATFORM INSTALLATION - 110V - ANSI, ANSI EXPORT, CHINA, CSA AND JAPANESE SPECS



ART_0270022

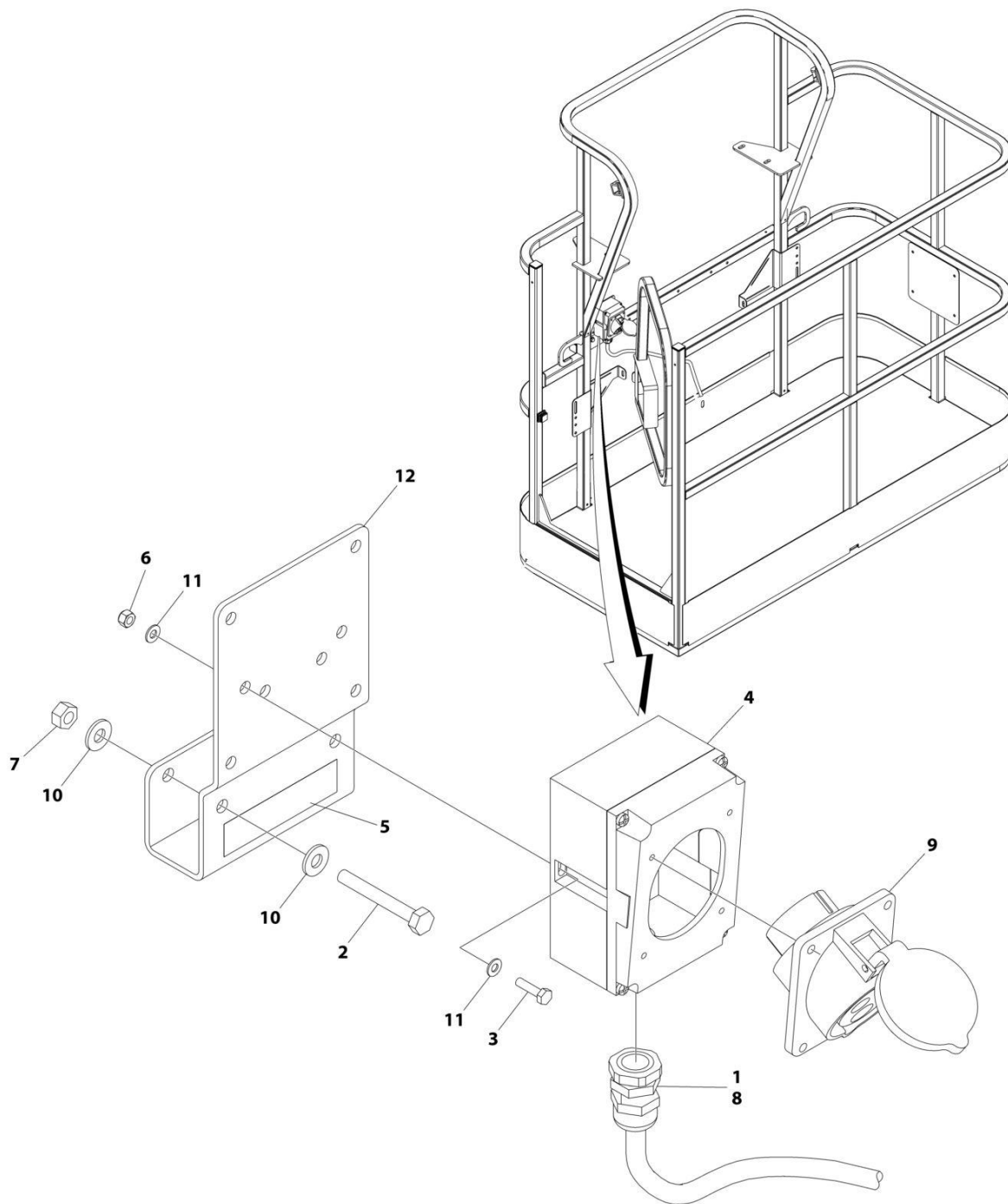
SECTION 8 - ELECTRICAL

FIGURE 8-1. AC BOX AT PLATFORM INSTALLATION - 110V - ANSI, ANSI EXPORT, CHINA, CSA AND JAPANESE SPECS

ITEM	PART NUMBER	QTY	DESCRIPTION	REV
	0270022	Ref	AC BOX AT PLATFORM INSTALLATION - 110V	4-B
1	0860038	1	Box, Switch	
2	4460346	1	Receptacle	
3	1001110873	1	Shield, Cover	
4	4460071	1	Connector, Strain Relief	
5	4460205	1	Plug, Male	
7	3910610	4	Screw #6 x 5/8	
8	4760600	4	Washer #6	
9	3960422	1	Gasket	
10	4460315	1	Terminal, Spade	

SECTION 8 - ELECTRICAL

FIGURE 8-2. AC BOX AT PLATFORM INSTALLATION - 110V IEC YELLOW (CE AND RUSSIA SPECS WITH 4000W/50HZ GENERATOR)



ART_1001194203

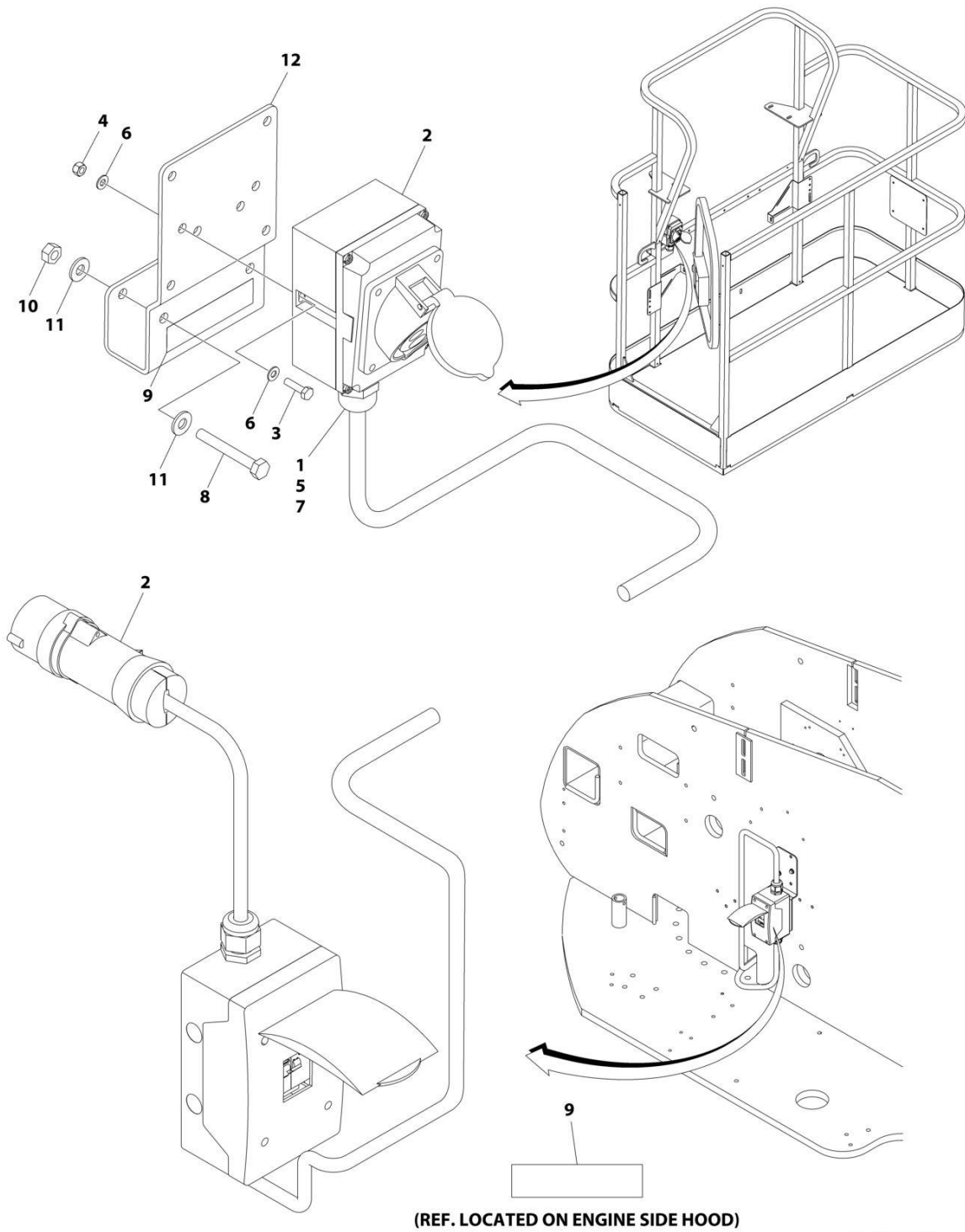
SECTION 8 - ELECTRICAL

FIGURE 8-2. AC BOX AT PLATFORM INSTALLATION - 110V IEC YELLOW (CE AND RUSSIA SPECS WITH 4000W/50HZ GENERATOR)

ITEM	PART NUMBER	QTY	DESCRIPTION	REV
	1001194203	Ref	AC BOX AT PLATFORM INSTALLATION	B
1	0100020	AR	Sealant, Pipe	
2	0641416	2	Bolt 1/4 x 2	
3	0700408	2	Bolt M4 x 16	
4	0861781	1	Box, Switch	
5	1705325	1	Decal - 110V	
6	3290405	2	Nut M4	
7	3311405	2	Nut 1/4	
8	4460968	1	Connector, Strain Relief	
9	4461198	1	Receptacle	
10	4711400	4	Washer 1/4	
11	4811400	4	Washer M4	
12	1001193018	1	Bracket, AC Receptacle	

SECTION 8 - ELECTRICAL

FIGURE 8-3. AC BOX AT PLATFORM INSTALLATION - 110V IEC 60309 YELLOW WITHOUT 2500W GENERATOR (CE AND RUSSIA SPECS)



ART_1001091969

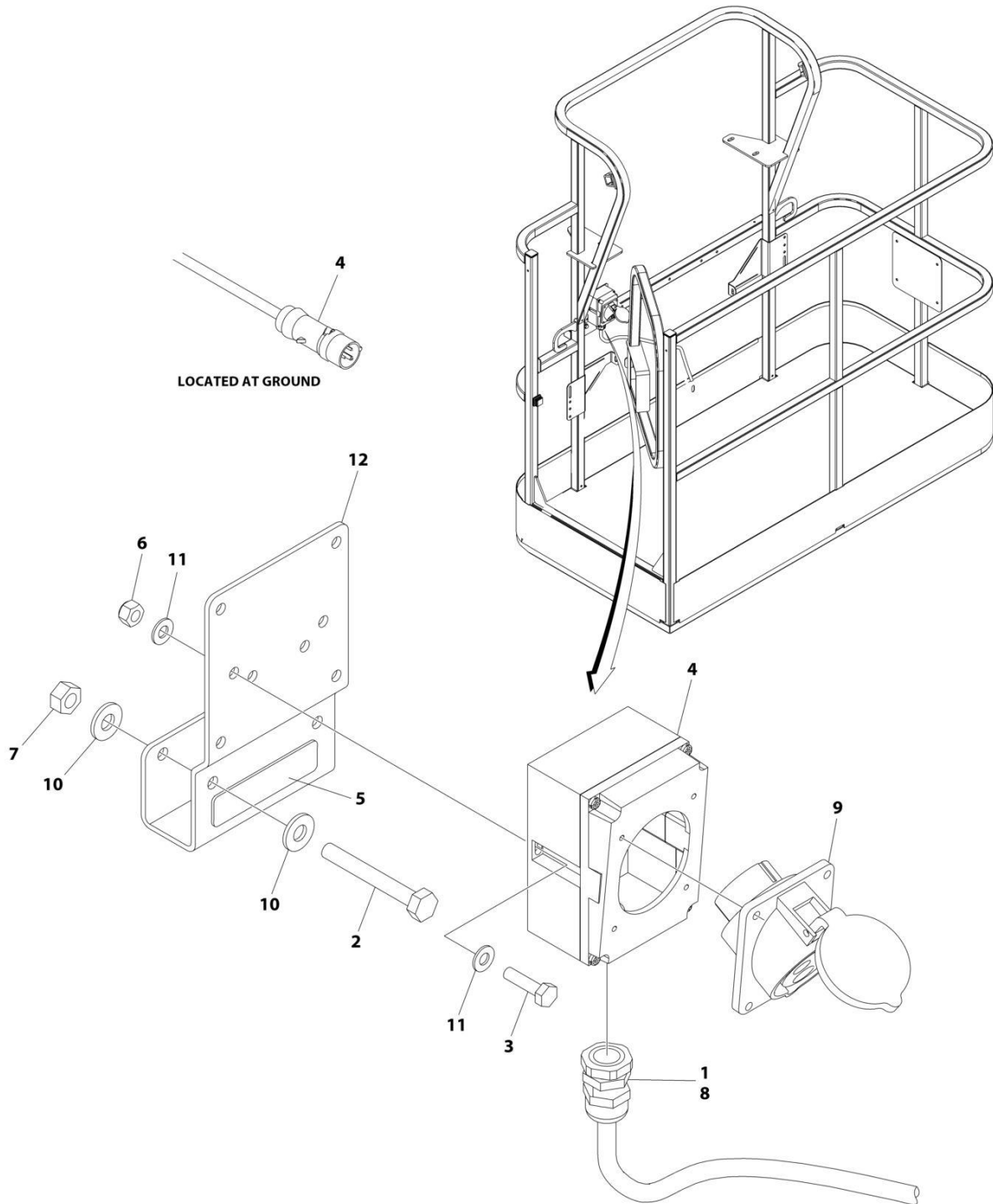
SECTION 8 - ELECTRICAL

FIGURE 8-3. AC BOX AT PLATFORM INSTALLATION - 110V IEC 60309 YELLOW WITHOUT 2500W GENERATOR (CE AND RUSSIA SPECS)

ITEM	PART NUMBER	QTY	DESCRIPTION	REV
	1001091969	Ref	AC BOX AT PLATFORM INSTALLATION - 110V IEC YELLOW	D
1	0100020	AR	Sealant, Pipe	
2	0275216	1	Receptacle Box Kit (See Separate Breakdown in this Section)	
3	0700408	2	Bolt M4 x 16	
4	3290405	2	Nut M4	
5	1001101196	1	Adapter	
6	4811400	4	Washer M4	
7	1001101191	1	Connector, Strain Relief	
8	0641416	2	Bolt 1/4 x 2	
9	1705325	2	Decal - 110V	
10	3311405	2	Nut 1/4	
11	4711400	4	Washer 1/4	
12	1001193018	1	Bracket	

SECTION 8 - ELECTRICAL

FIGURE 8-4. AC BOX AT PLATFORM INSTALLATION - 220V IEC BLUE (CE AND RUSSIA SPECS WITH 4000W/50HZ GENERATOR)



ART_1001194204

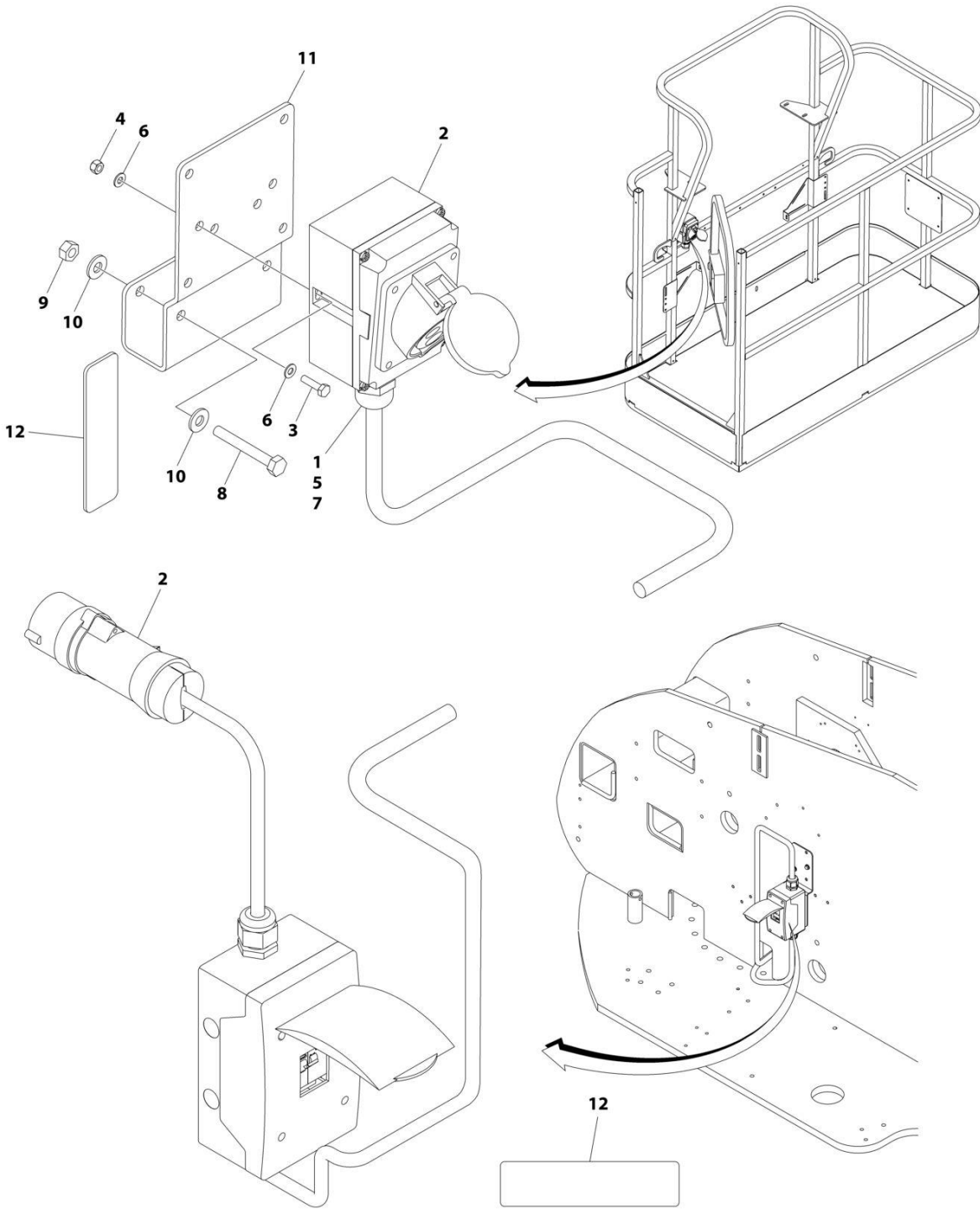
SECTION 8 - ELECTRICAL

FIGURE 8-4. AC BOX AT PLATFORM INSTALLATION - 220V IEC BLUE (CE AND RUSSIA SPECS WITH 4000W/50HZ GENERATOR)

ITEM	PART NUMBER	QTY	DESCRIPTION	REV
	1001194204	Ref	AC BOX AT PLATFORM INSTALLATION	B
1	0100020	AR	Sealant, Pipe	
2	0641416	2	Bolt 1/4 x 2	
3	0700408	2	Bolt M4 x 16	
4	0861781	1	Box, Switch	
5	3251242	1	Decal - 240V/50Hz	
6	3290405	2	Nut M4	
7	3311405	2	Nut 1/4	
8	4460968	1	Connector, Strain Relief	
9	4461201	1	Receptacle	
10	4711400	4	Washer 1/4	
11	4811400	4	Washer M4	
12	1001193018	1	Bracket, AC Receptacle	

SECTION 8 - ELECTRICAL

FIGURE 8-5. AC BOX AT PLATFORM INSTALLATION - 220V IEC 60309 BLUE WITHOUT 2500W GENERATOR (CE AND RUSSIASPECS)



(REF. LOCATED ON ENGINE SIDE HOOD)

ART_1001091970

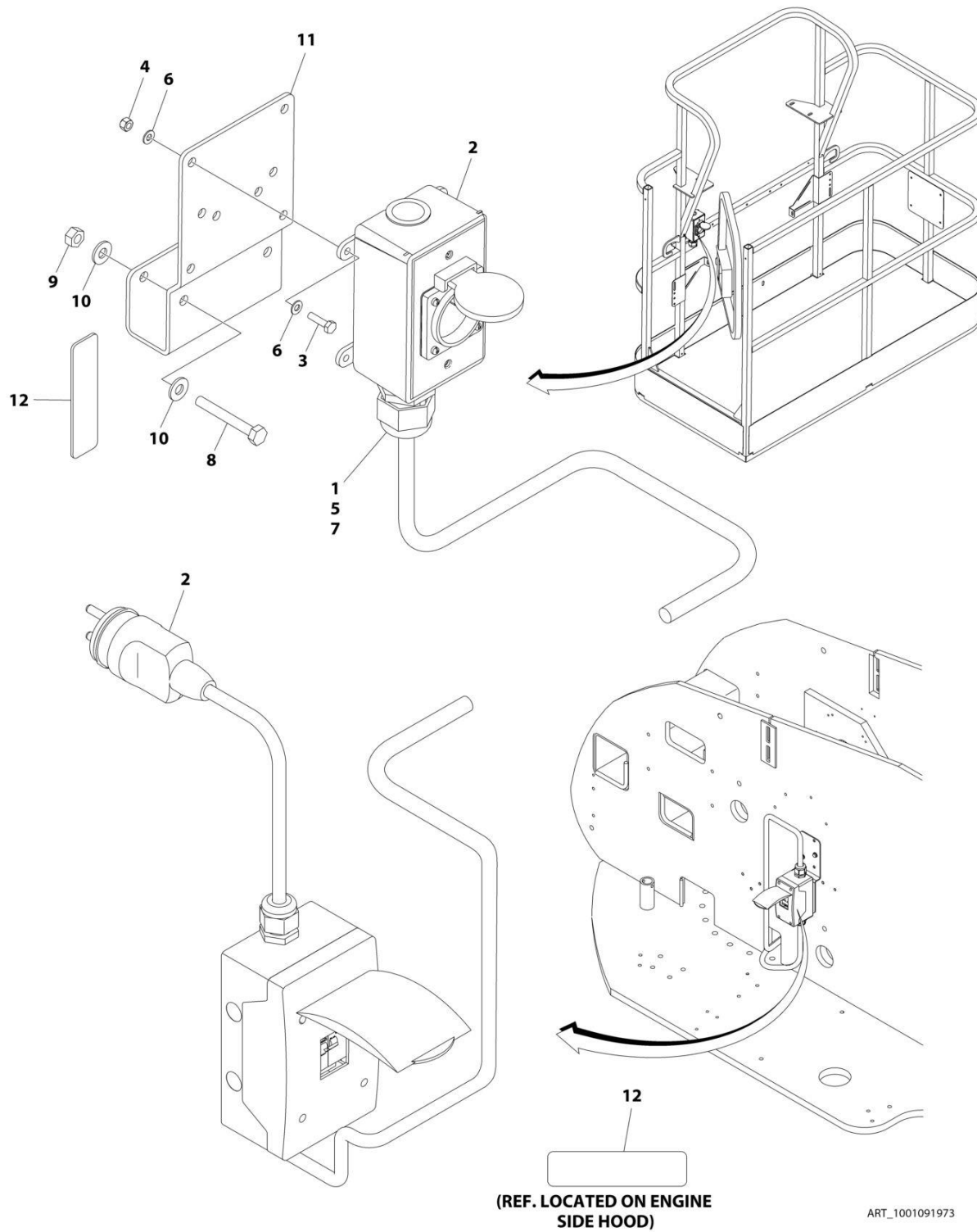
SECTION 8 - ELECTRICAL

FIGURE 8-5. AC BOX AT PLATFORM INSTALLATION - 220V IEC 60309 BLUE WITHOUT 2500W GENERATOR (CE AND RUSSIASPECS)

ITEM	PART NUMBER	QTY	DESCRIPTION	REV
	1001091970	Ref	AC BOX AT PLATFORM INSTALLATION - 220V IEC BLUE	D
1	0100020	AR	Sealant, Pipe	
2	0275217	1	Receptacle Box Kit (See Separate Breakdown in this Section)	
3	0700408	2	Bolt M4 x 16	
4	3290405	2	Nut M4	
5	1001101196	1	Adapter	
6	4811400	4	Washer M4	
7	1001101191	1	Connector, Strain Relief	
8	0641416	2	Bolt 1/4 x 2	
9	3311405	2	Nut 1/4	
10	4711400	4	Washer 1/4	
11	1001193018	1	Bracket	
12	3251242	2	Decal - 240V/50Hz	

SECTION 8 - ELECTRICAL

**FIGURE 8-6. AC BOX AT PLATFORM INSTALLATION - 220V CEE7 POST GROUND (2X4 BOX)
WITHOUT 2500W GENERATOR (CE AND RUSSIA SPECS)**



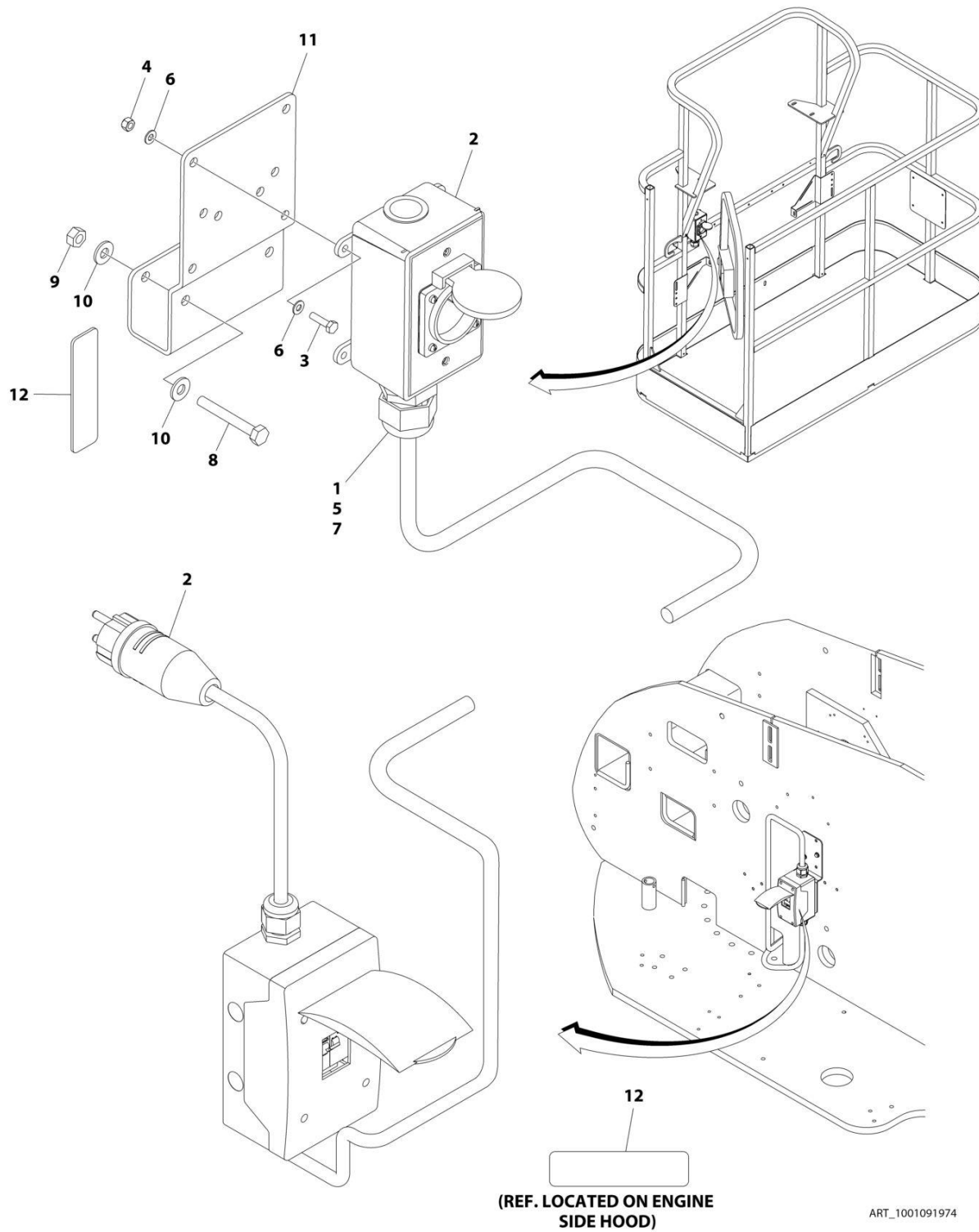
SECTION 8 - ELECTRICAL

**FIGURE 8-6. AC BOX AT PLATFORM INSTALLATION - 220V CEE7 POST GROUND (2X4 BOX)
WITHOUT 2500W GENERATOR (CE AND RUSSIA SPECS)**

ITEM	PART NUMBER	QTY	DESCRIPTION	REV
	1001091973	Ref	AC BOX AT PLATFORM INSTALLATION - 220V CEE7 2X4 BOX POST GROUND	F
1	0100020	AR	Sealant, Pipe	
2	0275452	1	Receptacle Box Kit (See Separate Breakdown in this Section)	
3	0700408	4	Bolt M4 x 16	
4	3290405	4	Nut M4	
5	1001101197	1	Adapter	
6	4811400	8	Washer M4	
7	1001101191	1	Connector, Strain Relief	
8	0641416	2	Bolt 1/4 x 2	
9	3311405	2	Nut 1/4	
10	4711400	4	Washer 1/4	
11	1001193018	1	Bracket	
12	3251242	2	Decal - 240V/50Hz	
13	4460806	2	Terminal, Fork (Not Shown)	
14	1001205958	1	Terminal (Not Shown)	

SECTION 8 - ELECTRICAL

**FIGURE 8-7. AC BOX AT PLATFORM INSTALLATION - 220V CEE7 SIDE GROUND (2X4 BOX)
WITHOUT 2500W GENERATOR (CE AND RUSSIA SPECS)**



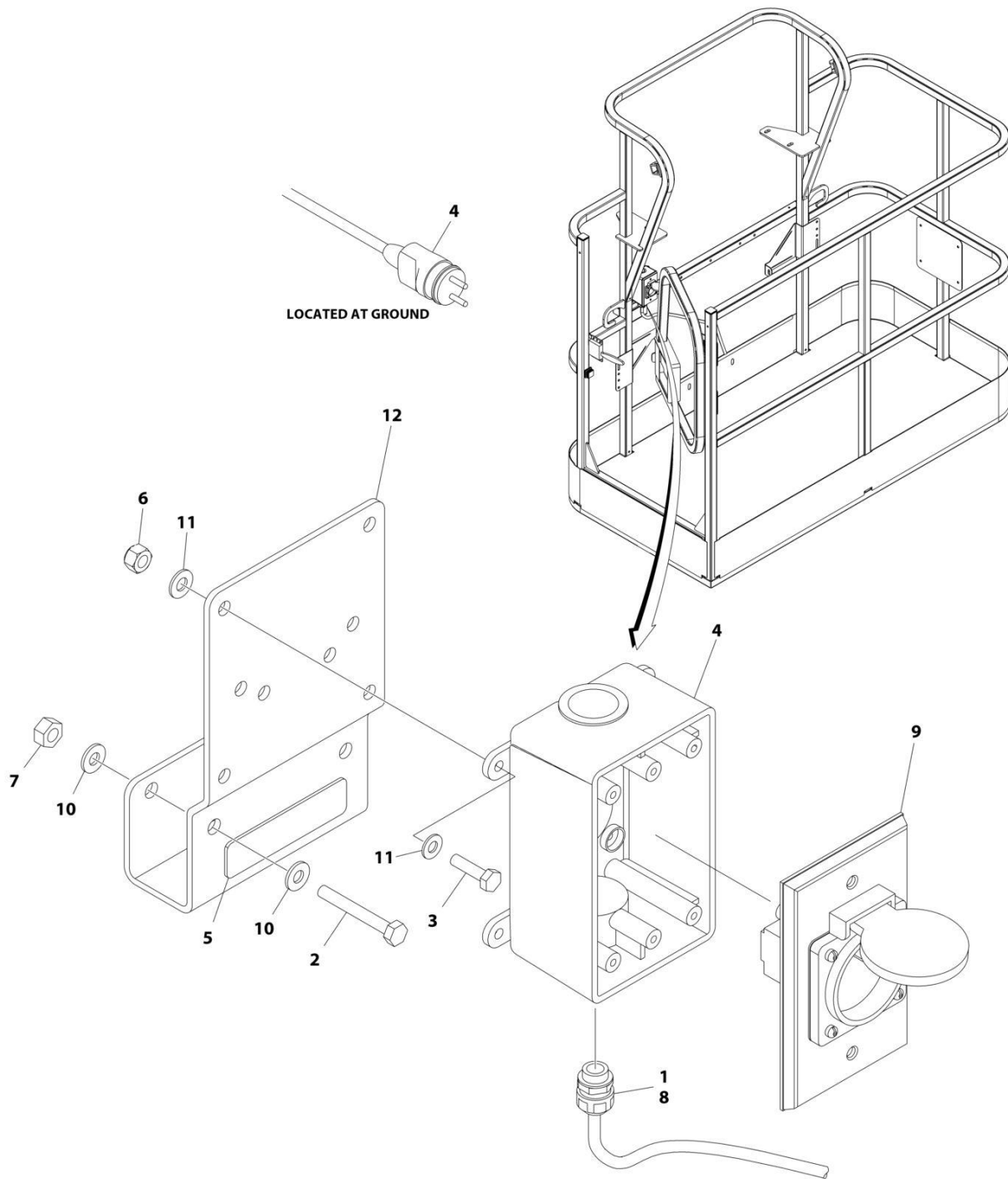
SECTION 8 - ELECTRICAL

**FIGURE 8-7. AC BOX AT PLATFORM INSTALLATION - 220V CEE7 SIDE GROUND (2X4 BOX)
WITHOUT 2500W GENERATOR (CE AND RUSSIA SPECS)**

ITEM	PART NUMBER	QTY	DESCRIPTION	REV
	1001091974	Ref	AC BOX AT PLATFORM INSTALLATION - 220V CEE7 2X4 BOX SIDE GROUND	F
1	0100020	AR	Sealant, Pipe	
2	0275453	1	Receptacle Box Kit (See Separate Breakdown in this Section)	
3	0700408	4	Bolt M4 x 16	
4	3290405	4	Nut M4	
5	1001101197	1	Adapter	
6	4811400	8	Washer M4	
7	1001101191	1	Connector, Strain Relief	
8	0641416	2	Bolt 1/4 x 2	
9	3311405	2	Nut 1/4	
10	4711400	4	Washer 1/4	
11	1001193018	1	Bracket	
12	3251242	2	Decal - 240V/50Hz	
13	4460806	2	Terminal, Fork (Not Shown)	
14	1001205958	1	Terminal (Not Shown)	

SECTION 8 - ELECTRICAL

FIGURE 8-8. AC BOX AT PLATFORM INSTALLATION - 220V CEE7 2IN X 4IN POST GROUND (CE AND RUSSIA SPECS WITH 4000W/50HZ GENERATOR)



ART_1001194197

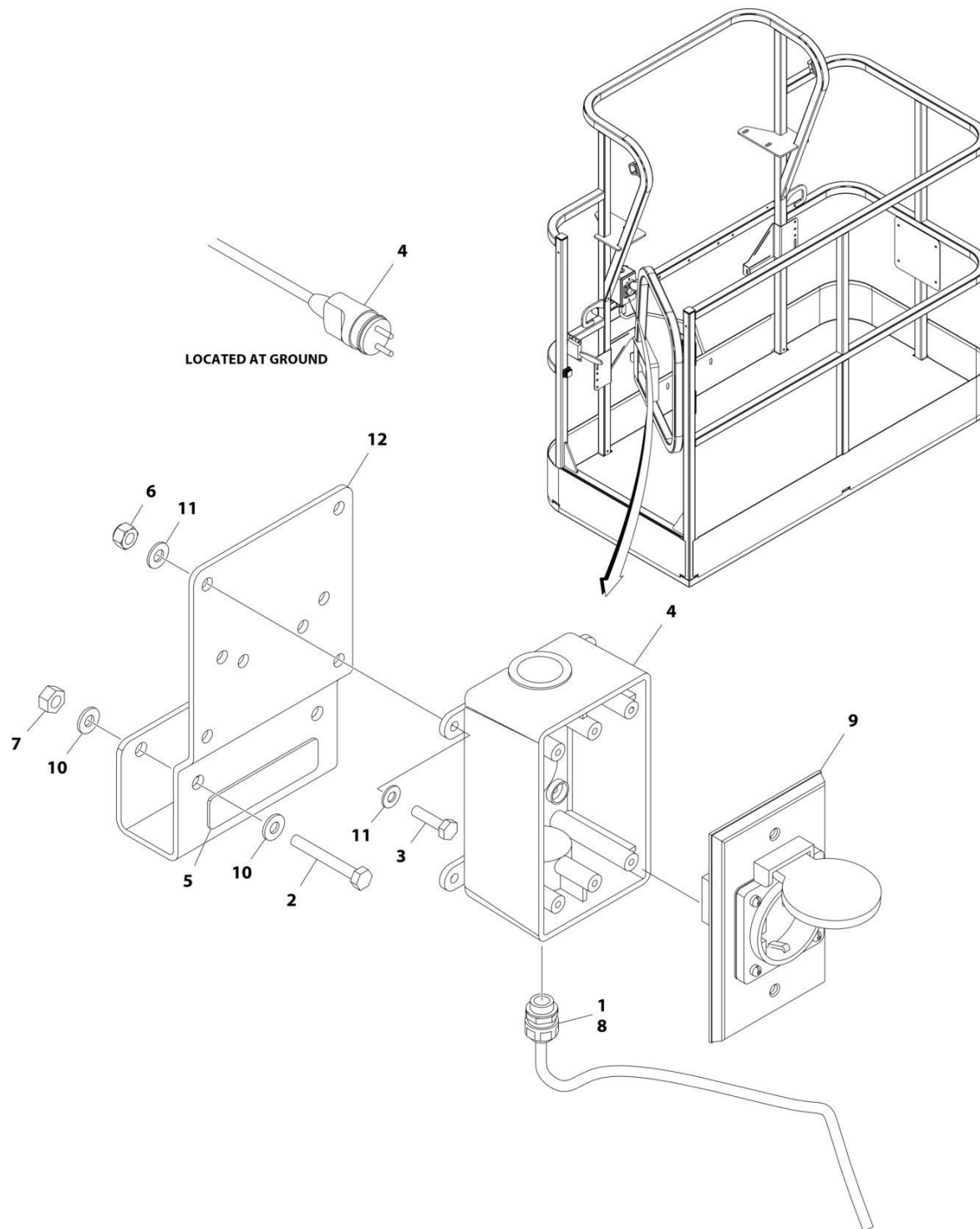
SECTION 8 - ELECTRICAL

FIGURE 8-8. AC BOX AT PLATFORM INSTALLATION - 220V CEE7 2IN X 4IN POST GROUND (CE AND RUSSIA SPECS WITH 4000W/50HZ GENERATOR)

ITEM	PART NUMBER	QTY	DESCRIPTION	REV
	1001194197	Ref	AC BOX AT PLATFORM INSTALLATION	B
1	0100020	AR	Sealant, Pipe	
2	0641416	2	Bolt 1/4 x 2	
3	0700408	4	Bolt M4 x 16	
4	0861731	1	Box, Switch	
5	3251242	1	Decal - 240V/50Hz	
6	3290405	4	Nut M4	
7	3311405	2	Nut 1/4	
8	4460662	1	Connector, Strain Relief	
9	4461244	1	Receptacle	
10	4711400	4	Washer 1/4	
11	4811400	8	Washer M4	
12	1001193018	1	Bracket, AC Receptacle	
13	4460806	2	Terminal, Fork (Not Shown)	
14	1001205958	1	Terminal (Not Shown)	

SECTION 8 - ELECTRICAL

FIGURE 8-9. AC BOX AT PLATFORM INSTALLATION - 220V CEE7 2IN X 4IN SIDE GROUND (CE AND RUSSIA SPECS WITH 4000W/50HZ GENERATOR)



ART_1001194198

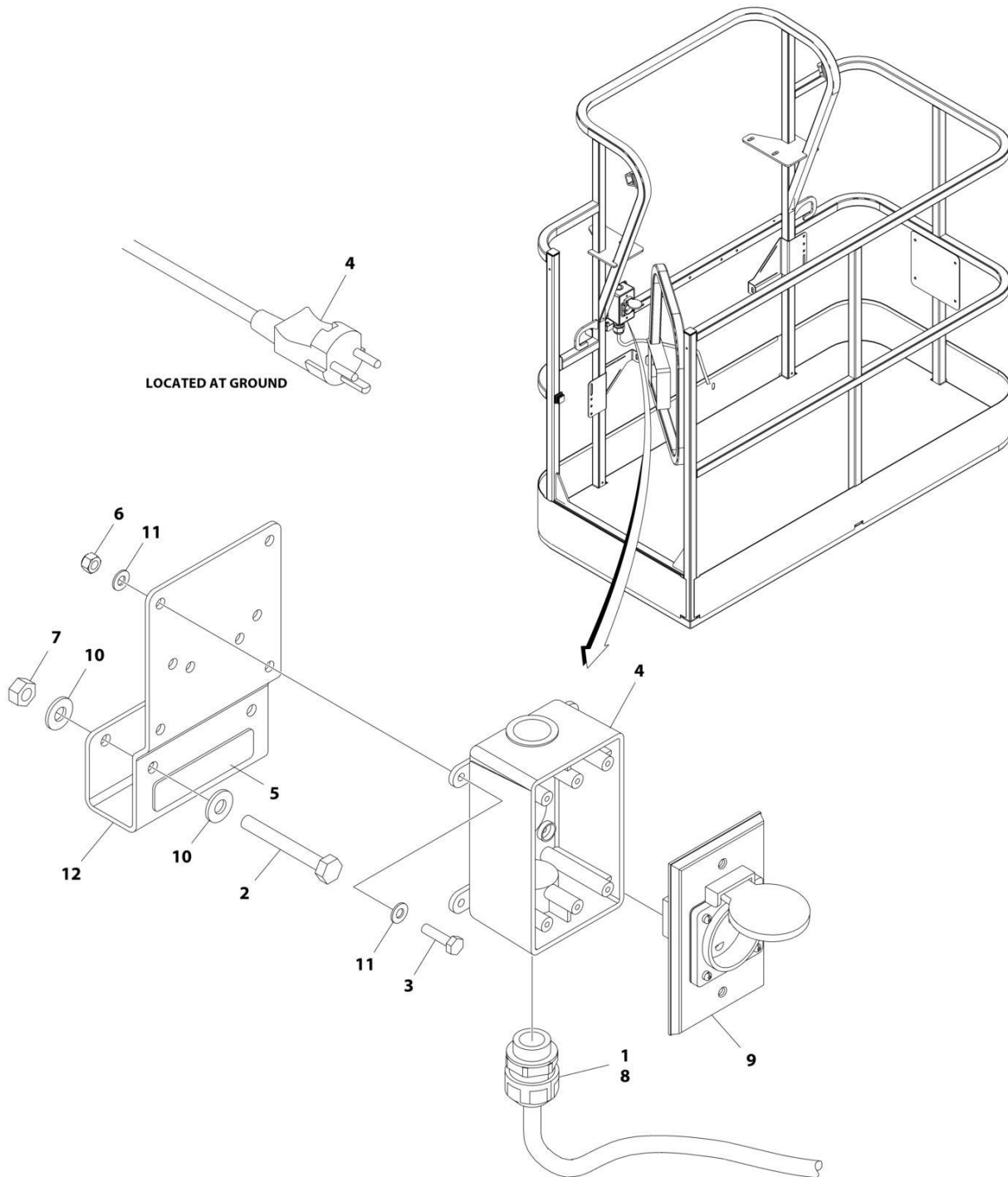
SECTION 8 - ELECTRICAL

FIGURE 8-9. AC BOX AT PLATFORM INSTALLATION - 220V CEE7 2IN X 4IN SIDE GROUND (CE AND RUSSIA SPECS WITH 4000W/50HZ GENERATOR)

ITEM	PART NUMBER	QTY	DESCRIPTION	REV
	1001194198	Ref	AC BOX AT PLATFORM INSTALLATION	B
1	0100020	AR	Sealant, Pipe	
2	0641416	2	Bolt 1/4 x 2	
3	0700408	4	Bolt M4 x 16	
4	0861731	1	Box, Switch	
5	3251242	1	Decal - 240V/50Hz	
6	3290405	4	Nut M4	
7	3311405	2	Nut 1/4	
8	4460662	1	Connector, Strain Relief	
9	4461245	1	Receptacle	
10	4711400	4	Washer 1/4	
11	4811400	8	Washer M4	
12	1001193018	1	Bracket, AC Receptacle	
13	4460806	2	Terminal, Fork (Not Shown)	
14	1001205958	1	Terminal (Not Shown)	

SECTION 8 - ELECTRICAL

FIGURE 8-10. AC BOX AT PLATFORM INSTALLATION - 220V AFSINT107 (CE AND RUSSIA SPECS WITH 4000W/50HZ GENERATOR)



ART_1001194200

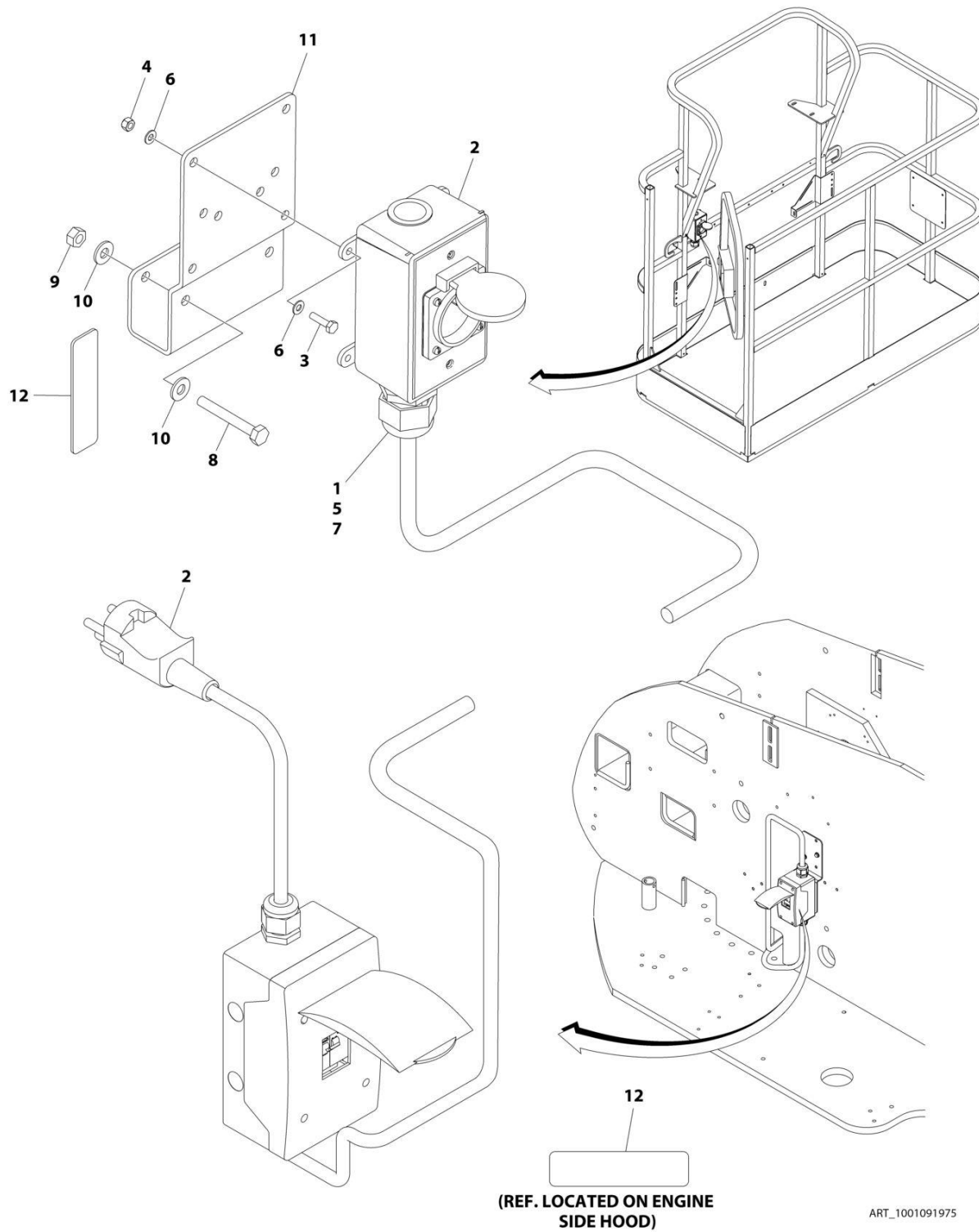
SECTION 8 - ELECTRICAL

FIGURE 8-10. AC BOX AT PLATFORM INSTALLATION - 220V AFSINT107 (CE AND RUSSIA SPECS WITH 4000W/50HZ GENERATOR)

ITEM	PART NUMBER	QTY	DESCRIPTION	REV
	1001194200	Ref	AC BOX AT PLATFORM INSTALLATION	B
1	0100020	AR	Sealant, Pipe	
2	0641416	2	Bolt 1/4 x 2	
3	0700408	4	Bolt M4 x 16	
4	0861731	1	Box, Switch	
5	3251242	1	Decal - 240V/50Hz	
6	3290405	4	Nut M4	
7	3311405	2	Nut 1/4	
8	4460662	1	Connector, Strain Relief	
9	4461246	1	Receptacle	
10	4711400	4	Washer 1/4	
11	4811400	8	Washer M4	
12	1001193018	1	Bracket, AC Receptacle	
13	1001205958	1	Terminal (Not Shown)	

SECTION 8 - ELECTRICAL

FIGURE 8-11. AC BOX AT PLATFORM INSTALLATION - 220V AFSINT 107 KEYED GROUND (2X4 BOX) WITHOUT 2500W GENERATOR (CE AND RUSSIA SPECS)



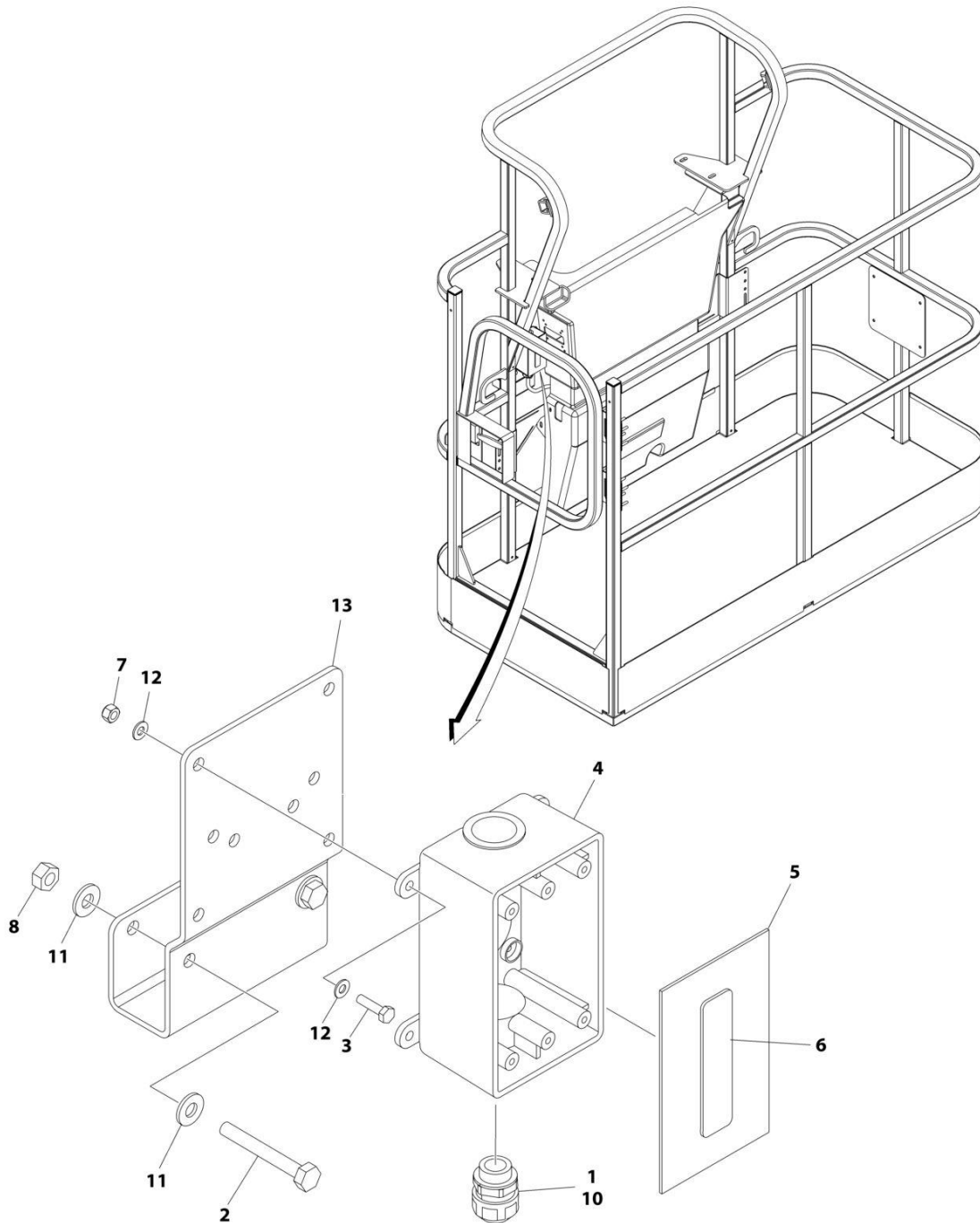
SECTION 8 - ELECTRICAL

FIGURE 8-11. AC BOX AT PLATFORM INSTALLATION - 220V AFSINT 107 KEYED GROUND (2X4 BOX) WITHOUT 2500W GENERATOR (CE AND RUSSIA SPECS)

ITEM	PART NUMBER	QTY	DESCRIPTION	REV
	1001091975	Ref	AC BOX AT PLATFORM INSTALLATION - 220V AFSINT 107 2X4 BOX KEYED GROUND	F
1	0100020	AR	Sealant, Pipe	
2	0275454	1	Receptacle Box Kit (See Separate Breakdown in this Section)	
3	0700408	4	Bolt M4 x 16	
4	3290405	4	Nut M4	
5	1001101197	1	Adapter	
6	4811400	8	Washer M4	
7	1001101191	1	Connector, Strain Relief	
8	0641416	2	Bolt 1/4 x 2	
9	3311405	2	Nut 1/4	
10	4711400	4	Washer 1/4	
11	1001193018	1	Bracket	
12	3251242	2	Decal - 240V/50Hz	
13	1001205958	3	Terminal (Not Shown)	

SECTION 8 - ELECTRICAL

FIGURE 8-12. AC BOX AT PLATFORM INSTALLATION - 220V CUSTOMER SUPPLIED COMPONENTS (AUSTRALIAN AND CE SPECS)



ART_1001194365

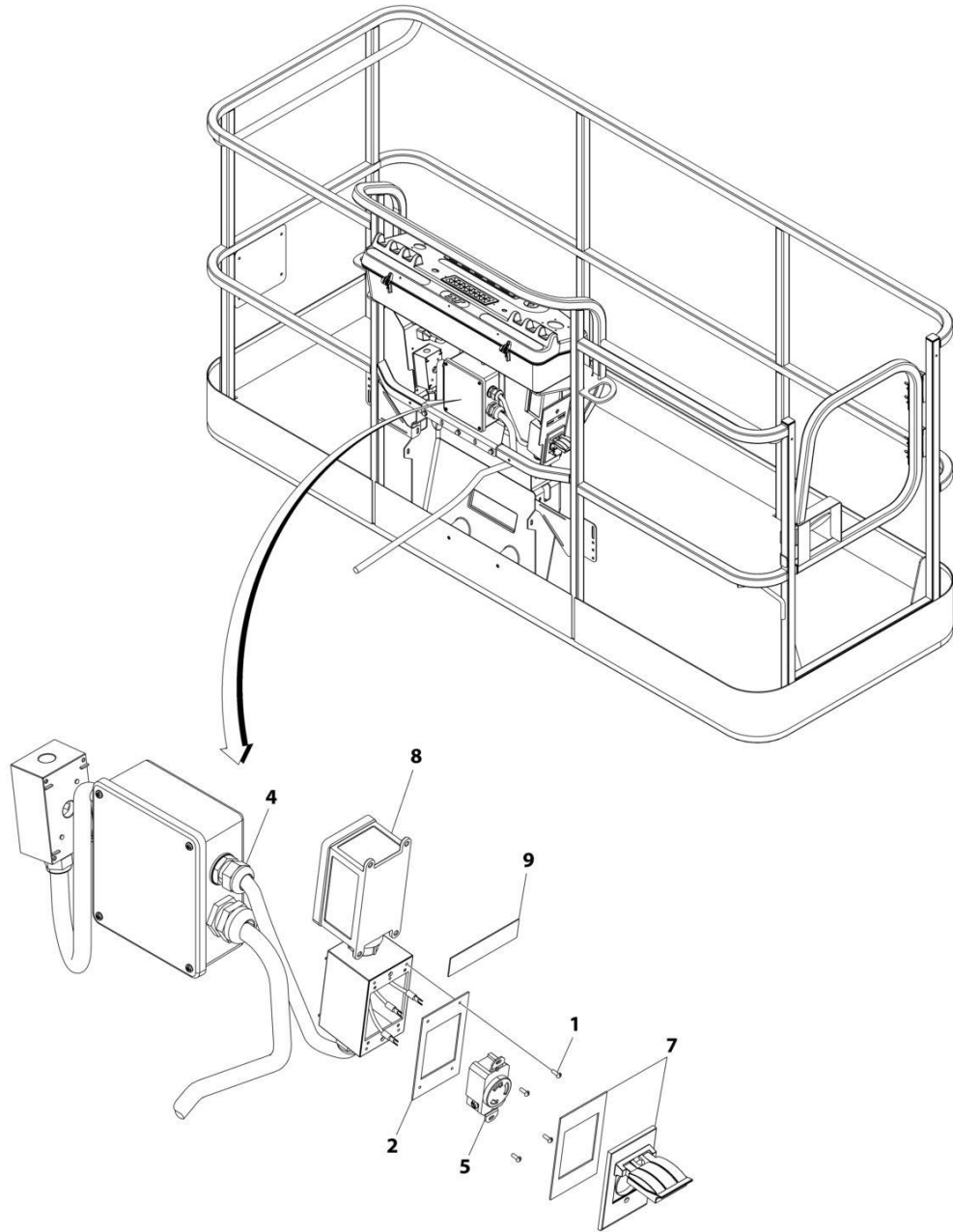
SECTION 8 - ELECTRICAL

**FIGURE 8-12. AC BOX AT PLATFORM INSTALLATION - 220V CUSTOMER SUPPLIED COMPONENTS
(AUSTRALIAN AND CE SPECS)**

ITEM	PART NUMBER	QTY	DESCRIPTION	REV
	1001194365	Ref	AC BOX AT PLATFORM INSTALLATION - BOX WITH COVER (2X4 BOX)	A
1	0100020	AR	Sealant	
2	0641416	2	Bolt 1/4 x 2	
3	0700408	4	Bolt M4 x 16	
4	0861731	1	Box, Switch	
5	1670603	1	Cover	
6	3251242	1	Decal - 240V/50Hz	
7	3290405	4	Nut M4	
8	3311405	2	Nut 1/4	
9	4460384	3	Terminal (Not Shown)	
10	4460662	1	Connector, Strain Relief	
11	4711400	4	Washer 1/4	
12	4811400	8	Washer M4	
13	1001193018	1	Bracket, AC Receptacle	

SECTION 8 - ELECTRICAL

FIGURE 8-13. AC BOX AT PLATFORM INSTALLATION - 240V (WITH 4000W GENERATOR) (ANSI, ANSI EXPORT, CSA AND JAPANESE SPECS)



ART_1001171131

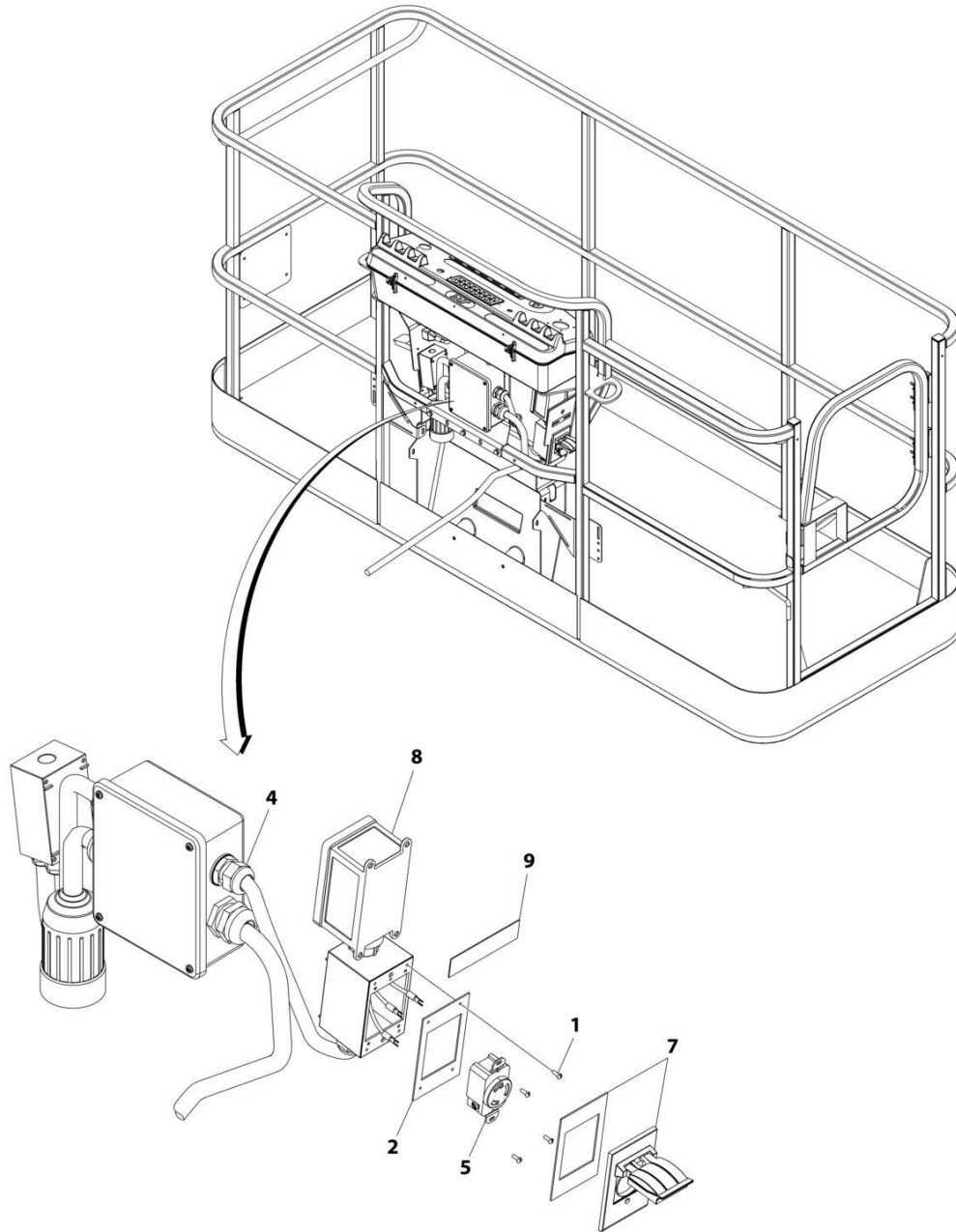
SECTION 8 - ELECTRICAL

FIGURE 8-13. AC BOX AT PLATFORM INSTALLATION - 240V (WITH 4000W GENERATOR) (ANSI, ANSI EXPORT, CSA AND JAPANESE SPECS)

ITEM	PART NUMBER	QTY	DESCRIPTION	REV
	1001171131	Ref	AC BOX AT PLATFORM INSTALLATION - 240V RECEPTACLE	B
1	3910606	4	Screw 6 x 3/8	
2	3960422	1	Gasket	
3	4240018	AR	Tie-Strap (Not Shown)	
4	4460425	1	Connector, Strain Relief	
5	1001176862	1	Receptacle	
7	1001110872	1	Cover, Receptacle	
8	1001159120	1	Receptacle/Breaker Box Assembly	
8	1001148675	1	Box, Receptacle	
8	1001159118	1	Breaker GFCI 30Amp 240VAC	
8	4460612	1	Connector, Strain Relief	
8	1001159119	1	Connector (Between Boxes)	
9	1705374	1	Decal - 240V/60Hz	

SECTION 8 - ELECTRICAL

FIGURE 8-14. AC BOX AT PLATFORM INSTALLATION - 240V (WITH 7500W SKYPOWER GENERATOR) (ANSI, ANSI EXPORT, CSA AND JAPANESE SPECS)



ART_1001159121

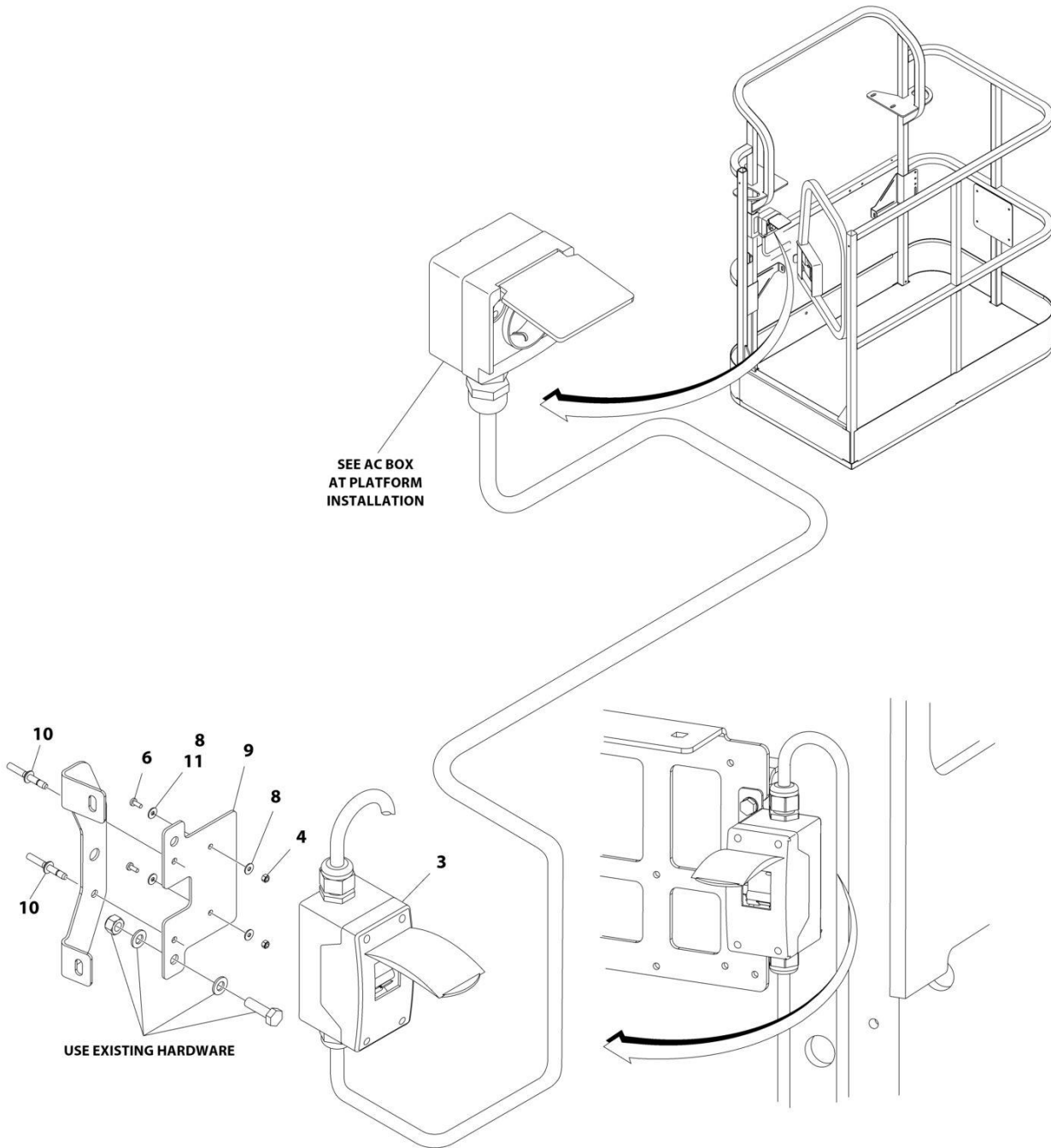
SECTION 8 - ELECTRICAL

FIGURE 8-14. AC BOX AT PLATFORM INSTALLATION - 240V (WITH 7500W SKYPOWER GENERATOR) (ANSI, ANSI EXPORT, CSA AND JAPANESE SPECS)

ITEM	PART NUMBER	QTY	DESCRIPTION	REV
	1001159121	Ref	AC BOX AT PLATFORM INSTALLATION - 240V RECEPTACLE	B
1	3910606	4	Screw 6 x 3/8	
2	3960422	1	Gasket	
3	4240018	AR	Tie-Strap (Not Shown)	
4	4460425	1	Connector, Strain Relief	
5	4460958	1	Receptacle	
7	1001110872	1	Cover, Receptacle	
8	1001159120	1	Receptacle/Breaker Box Assembly	
8	1001148675	1	Box, Receptacle	
8	1001159118	1	Breaker Box Assembly	
8	4460612	1	Connector, Strain Relief	
8	1001159119	1	Connector (Between Boxes)	
9	1705374	1	Decal - 240V/60Hz	

SECTION 8 - ELECTRICAL

FIGURE 8-15. AC CABLE INSTALLATION - WITH TWO BREAKERS (CE AND RUSSIA SPECS)



ART_1001167312

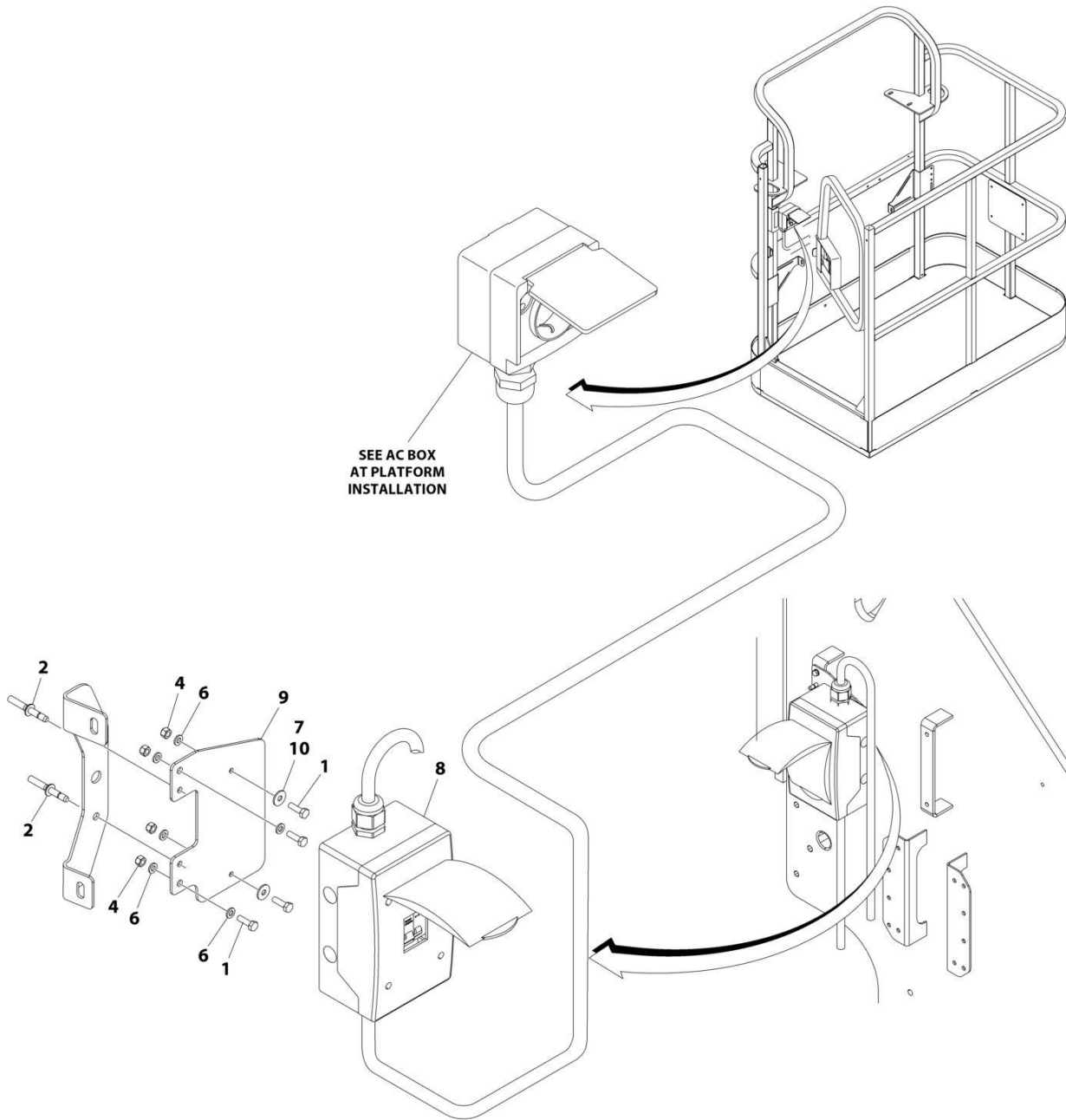
SECTION 8 - ELECTRICAL

FIGURE 8-15. AC CABLE INSTALLATION - WITH TWO BREAKERS (CE AND RUSSIA SPECS)

ITEM	PART NUMBER	QTY	DESCRIPTION	REV
	1001167312	Ref	AC CABLE INSTALLATION - WITH TWO BREAKERS	G
3	2902549	1	Breaker Box Kit - CE Spec (See Separate Breakdown in this Section)	
4	3290405	2	Nut M4	
4	3290605	2	Nut M6	
6	4010405	AR	Screw M4 x 10	
6	0760610	AR	Screw M6 x 20	
6	0760614	AR	Screw M6 x 30	
8	1001091102	2	Washer M4	
8	4811700	AR	Washer M6	
9	1001174158	1	Bracket	
10	2080040	2	Fastener, Huck	
11	4811702	2	Washer M6	

SECTION 8 - ELECTRICAL

FIGURE 8-16. AC CABLE INSTALLATION - WITH THREE BREAKERS (CE AND RUSSIA SPECS)



ART_1001209677

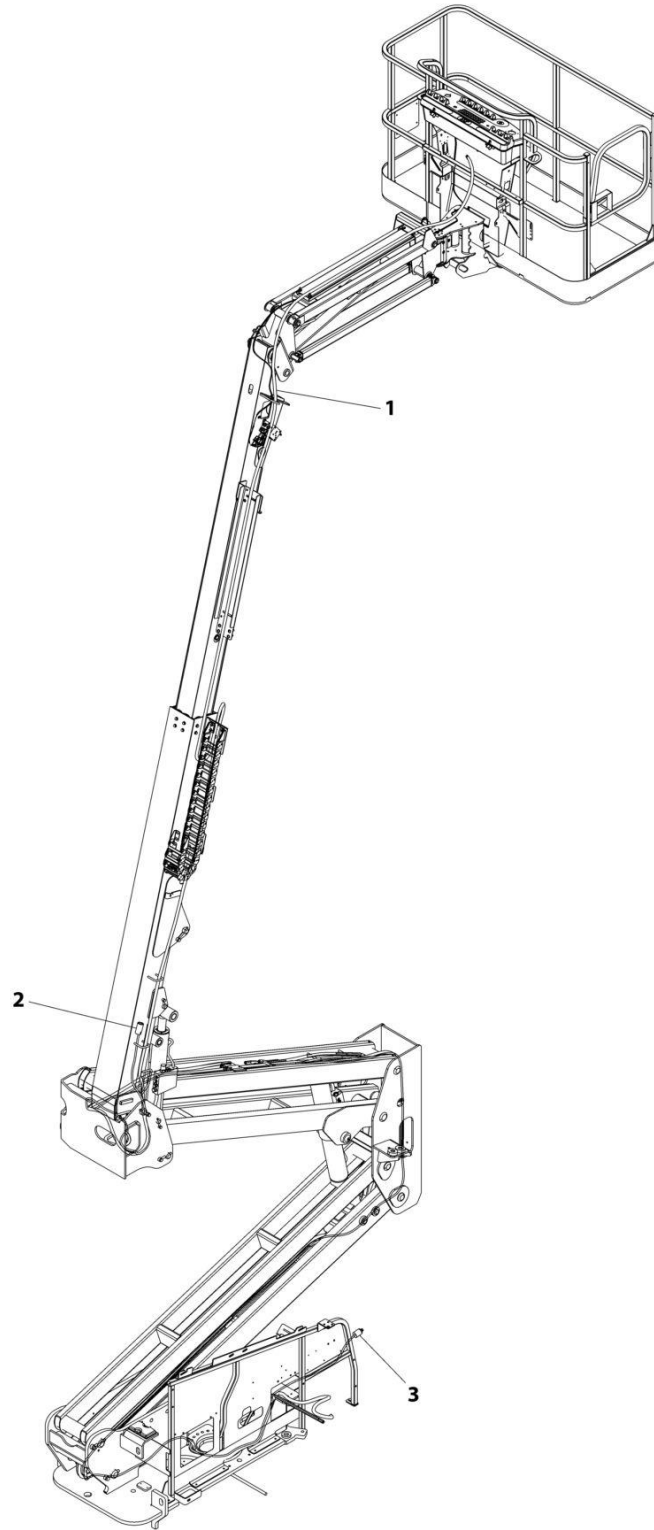
SECTION 8 - ELECTRICAL

FIGURE 8-16. AC CABLE INSTALLATION - WITH THREE BREAKERS (CE AND RUSSIA SPECS)

ITEM	PART NUMBER	QTY	DESCRIPTION	REV
	1001209677	Ref	AC CABLE INSTALLATION - WITH THREE BREAKERS	B
1	0760610	AR	Bolt M6 x 20	
1	4010405	AR	Bolt M4 x 10	
2	2080040	AR	Fastener, Huck	
4	3290605	AR	Nut M6	
6	4811700	4	Washer M6	
7	1001091102	AR	Washer M4	
8	1001152485	1	Breaker Box Kit (See Separate Breakdown in this Section)	
9	1001209832	1	Bracket	
10	4811702	AR	Washer M6	

SECTION 8 - ELECTRICAL

FIGURE 8-17. AC CABLE AND PLUG INSTALLATION (CHINA BUILT MACHINES)



ART_1001265275

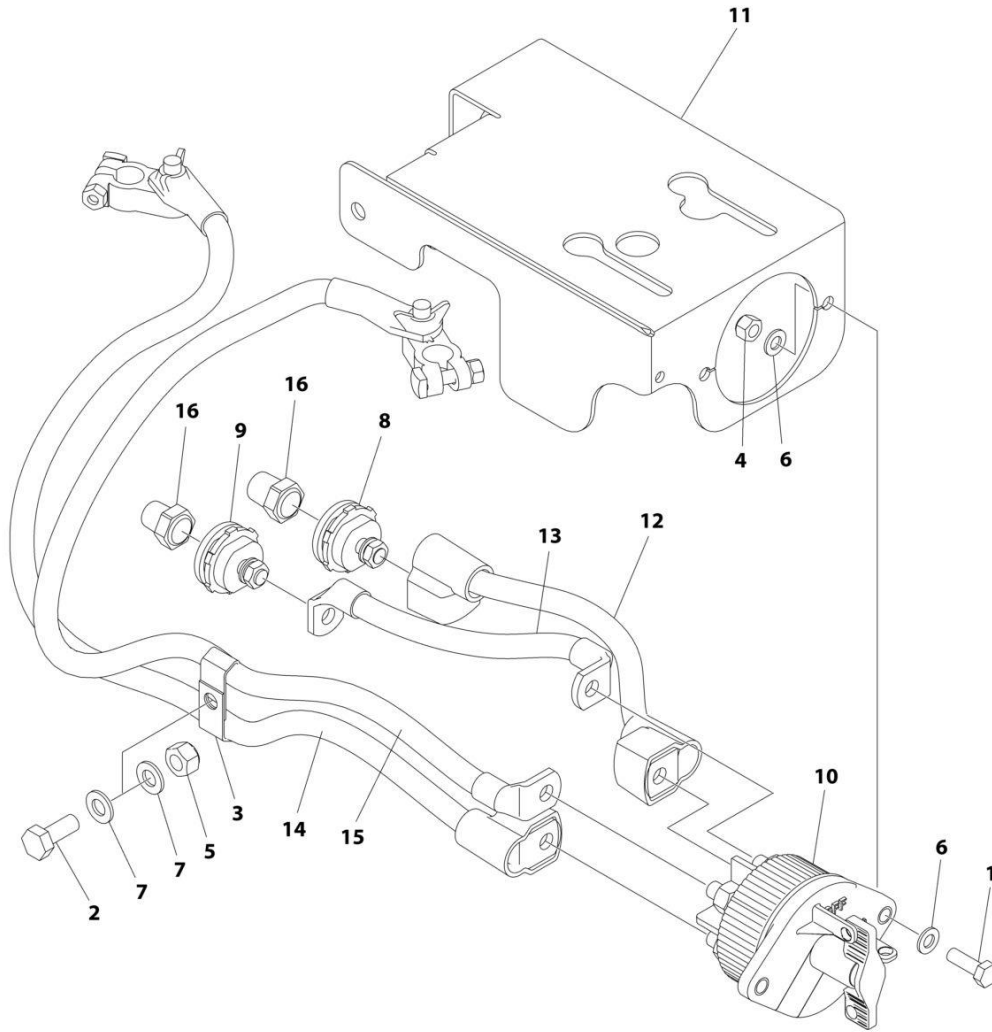
SECTION 8 - ELECTRICAL

FIGURE 8-17. AC CABLE AND PLUG INSTALLATION (CHINA BUILT MACHINES)

ITEM	PART NUMBER	QTY	DESCRIPTION	REV
	1001265275	Ref	AC CABLE AND PLUG INSTALLATION	A
1	1001164731	1	Harness, Main Boom AC Cable (See Separate Breakdown in this Section)	
2	1001174749	1	Harness, Tower Boom AC Cable (See Separate Breakdown in this Section)	
3	1001187816	1	Plug, Male	

SECTION 8 - ELECTRICAL

FIGURE 8-18. BATTERY DISCONNECT SWITCH



ART_1001214397

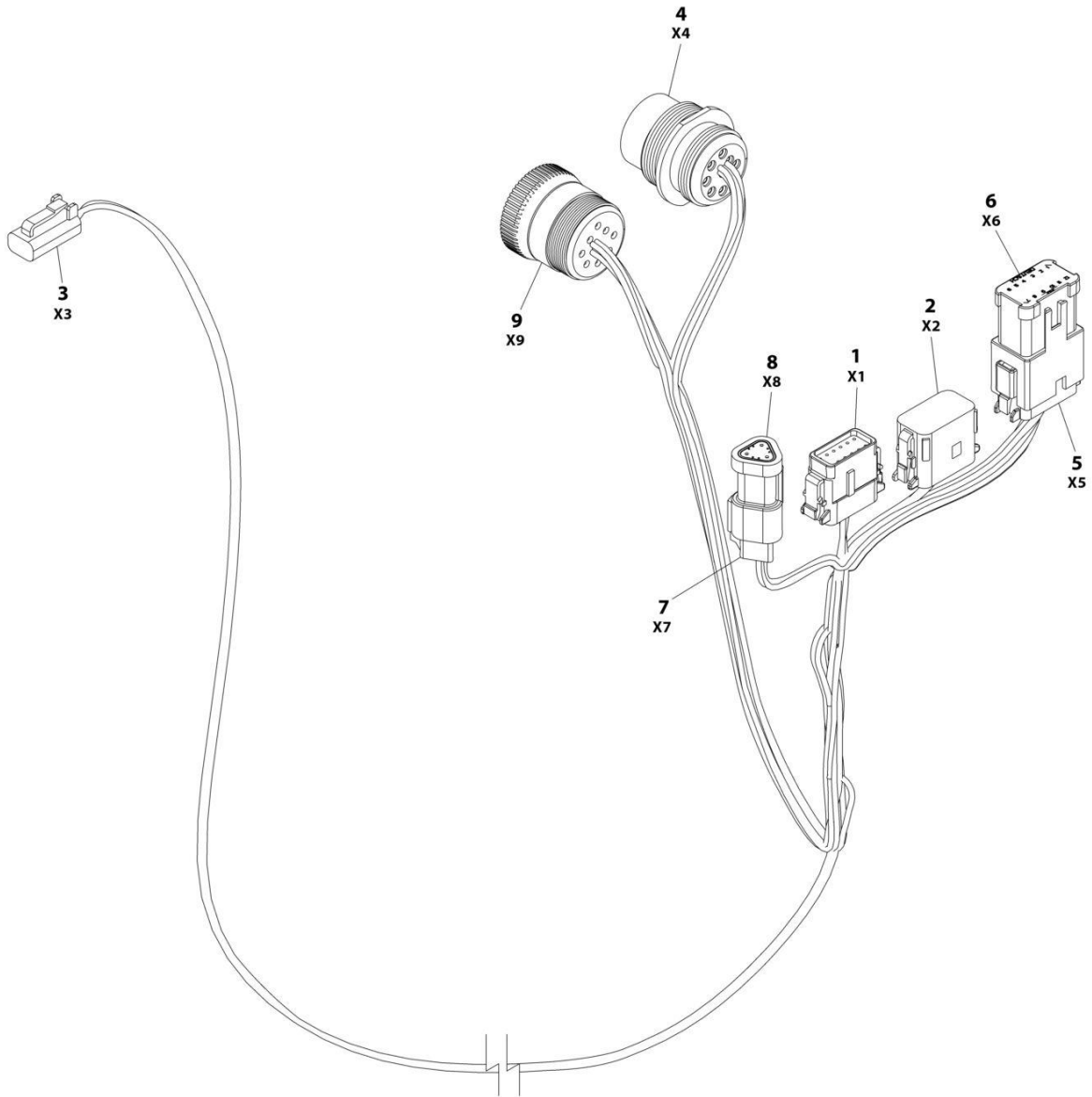
SECTION 8 - ELECTRICAL

FIGURE 8-18. BATTERY DISCONNECT SWITCH

ITEM	PART NUMBER	QTY	DESCRIPTION	REV
	1001214397	Ref	BATTERY DISCONNECT SWITCH	A
1	0760812	2	Bolt M8 x 25	
2	0761012	1	Bolt M10 x 25	
3	1320223	2	Clamp	
4	3290805	2	Nut M8	
5	3291005	1	Nut M10	
6	4811900	4	Washer M8	
7	4812000	2	Washer M10	
8	1001214570	1	Connector (Red)	
9	1001214571	1	Connector (Black)	
10	1001225346	1	Switch	
11	1001226530	1	Mount	
12	1001237878	1	Cable, Battery Disconnect (Positive)	
13	1001237879	1	Cable, Battery Disconnect (Negative)	
14	1001237880	1	Cable (Positive)	
15	1001237881	1	Cable (Negative)	
16	1001206476	1	Connector	

SECTION 8 - ELECTRICAL

FIGURE 8-19. BEACON LIGHT HARNESS (BLUE AND RED BEACON LIGHT)



ART_1001142736

SECTION 8 - ELECTRICAL

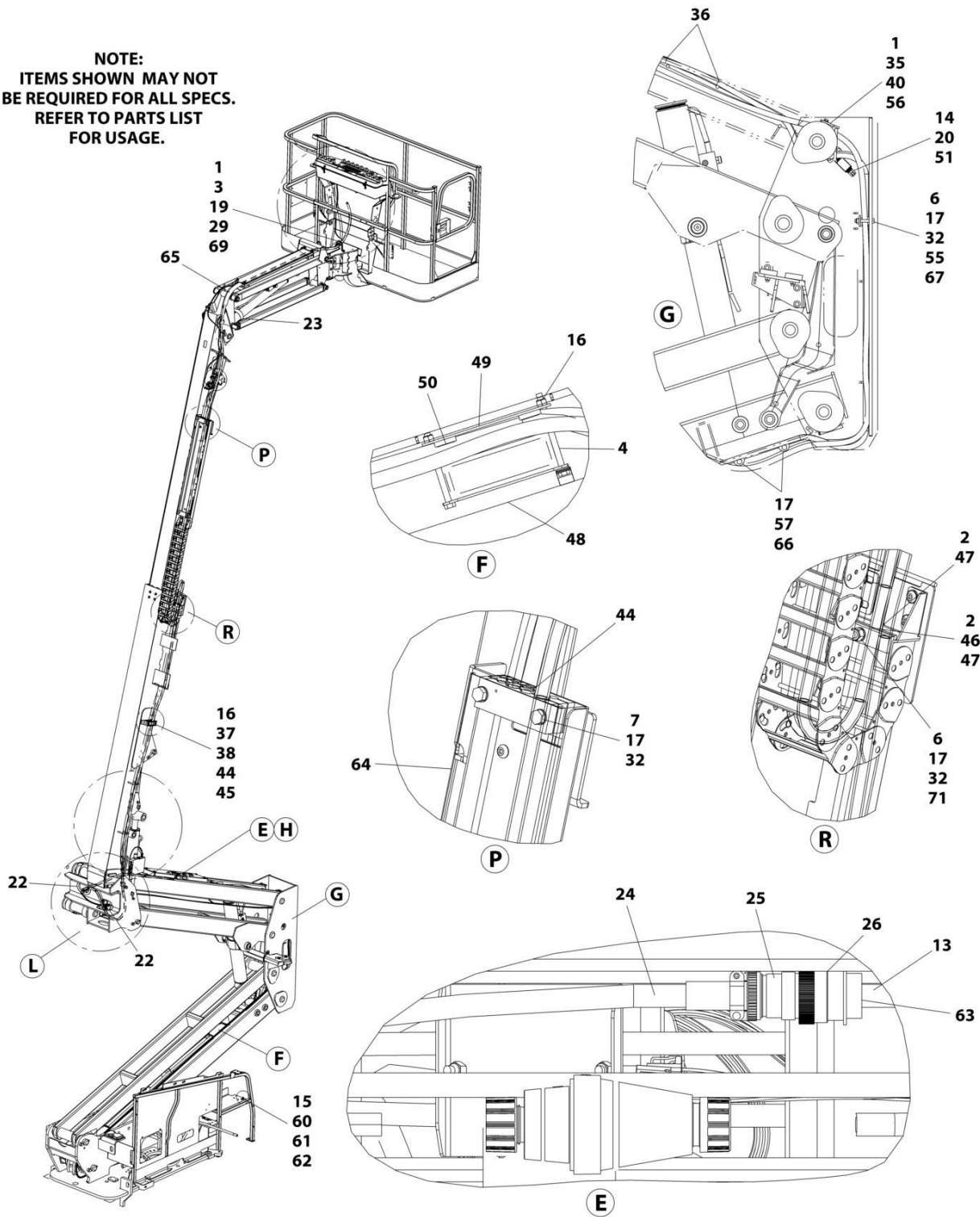
FIGURE 8-19. BEACON LIGHT HARNESS (BLUE AND RED BEACON LIGHT)

ITEM	PART NUMBER	QTY	DESCRIPTION	REV
	1001142736	Ref	STROBE LIGHT HARNESS	F
1	1001116808	1	Plug, Male - 12 Position	
1	4460928	3	Socket, Female	
1	4460518	9	Plug, Terminal	
2	1001116774	1	Plug, Male - 12 Position	
2	4460928	3	Socket, Female	
2	4460518	9	Plug, Terminal	
3	4460891	1	Plug, Male - 2 Position	
3	4460465	2	Socket, Female	
4	1001112612	1	Connector - 9 Position	
4	4460464	6	Pin, Male	
4	4460466	3	Plug, Terminal	
5	4460933	1	Plug, Male - 12 Position	
5	4460465	12	Socket, Female	
6	1001119020	1	Bussbar - 12 Position	
7	4461095	1	Plug, Male - 3 Position	
7	4460465	3	Socket, Female	
8	4461070	1	Bussbar - 3 Position	
9	1001112796	1	Connector - 9 Position	
9	4460465	6	Socket, Female	
9	4460466	3	Plug, Terminal	

SECTION 8 - ELECTRICAL

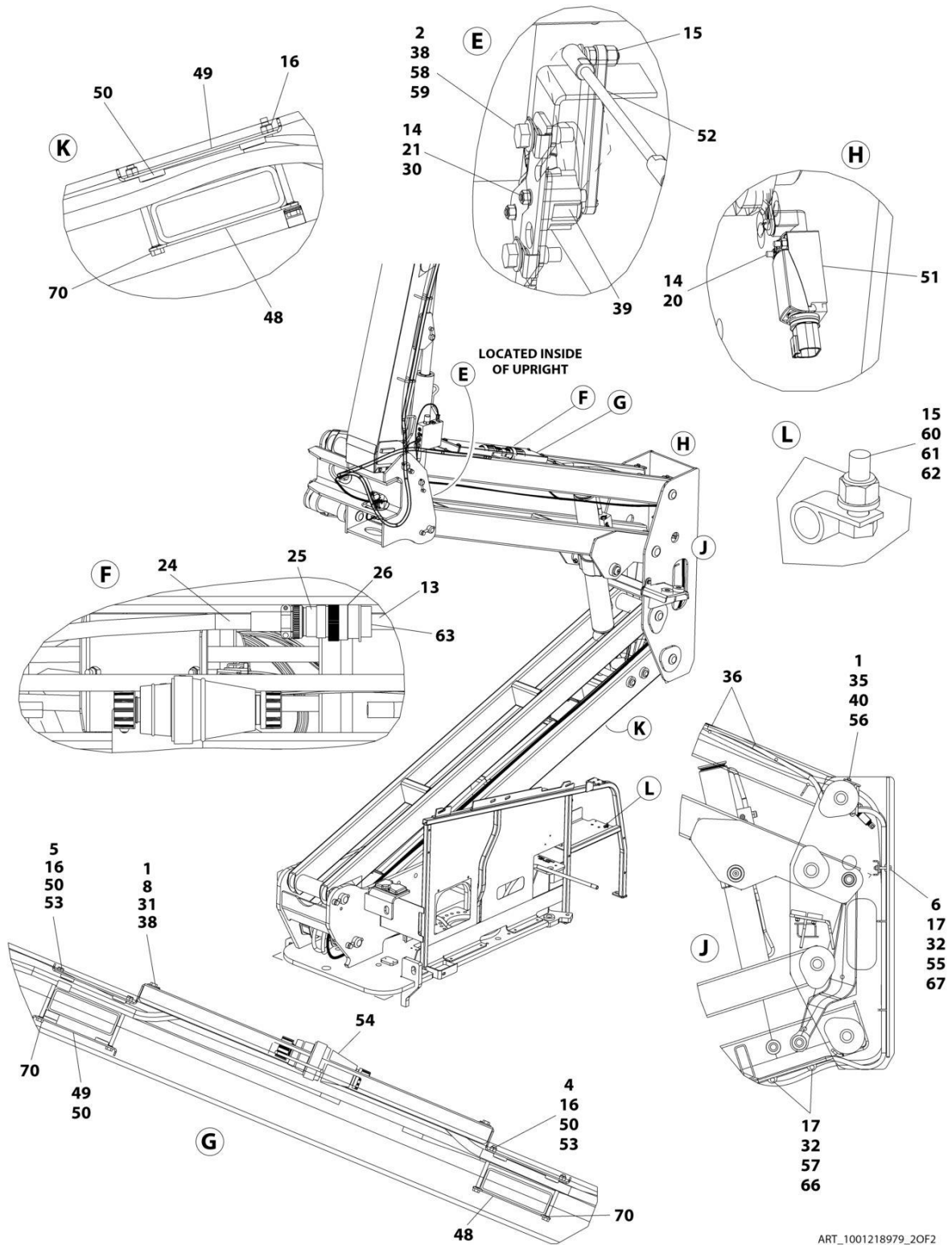
FIGURE 8-20. BOOM CABLES AND CLAMPS INSTALLATION - 450A (WITHOUT ARCTIC PACKAGE)

NOTE:
ITEMS SHOWN MAY NOT
BE REQUIRED FOR ALL SPECS.
REFER TO PARTS LIST
FOR USAGE.



ART_1001218979_10F2

SECTION 8 - ELECTRICAL



ART_1001218979_20F2

SECTION 8 - ELECTRICAL

FIGURE 8-20. BOOM CABLES AND CLAMPS INSTALLATION - 450A (WITHOUT ARCTIC PACKAGE)

ITEM	PART NUMBER	QTY	DESCRIPTION	REV
	1001218979	Ref	BOOM CABLES AND CLAMPS INSTALLATION (WITHOUT ARCTIC PACKAGE)	D
	1001219001	Ref	BOOM CABLES AND CLAMPS INSTALLATION KIT (WITHOUT ARCTIC PACKAGE)	G
1	0100011	AR	Compound, Locking	
2	0100081	AR	Adhesive	
3	0641509	2	Bolt 5/16 x 1-1/8	
4	0700827	6	Bolt M8 x 100	
5	0700828	2	Bolt M8 x 110	
6	0701021	3	Bolt M10 x 65	
7	0701024	4	Bolt M10 x 80	
8	0760812	4	Bolt M8 x 25	
13	2820031	AR	Heat Shrink	
14	3290405	4	Nut M4	
15	3290605	3	Nut M6	
16	3290805	10	Nut M8	
17	3291005	9	Nut M10	
19	3841340	1	Loop, Hose	
20	4010418	2	Screw M4 x 50	
21	4031511	2	Capscrew M4 x 35	
22	4060808	27.5 in /8.4m	Flex-Trim	
23	4240156	1	Strap, Clinch	
24	4460473	AR	Clamp, Cable	
25	4460865	1	Connector - 19 Position	
26	4460866	1	Connector - 19 Position	
29	4711500	1	Washer 5/16	
30	4811400	2	Washer M4	
31	4811902	4	Washer M8	
32	4812000	13	Washer M10	
33	1001176951	1	Harness, Tower Boom (Not Shown - See Separate Breakdown in this Section)	
34	1001174749	1	Harness, Tower Boom AC Cable (Not Shown - See Separate Breakdown in this Section)	
35	5251014	2	Bolt M10 x 30	
36	8881800	AR	Tie-Strap	
37	5281920	2	Screw M8 x 80	
37	5281918	2	Bolt M8 x 70	
38	1001118274	8	Nut M8	
39	1001118971	1	Sensor, Angle	
39	70005667	1	Arm	
40	1001118972	2	Nut M10	
41	1001172335	1	Harness, Main Boom (Not Shown - See Separate Breakdown in this Section)	
42	1001172336	1	Harness, Main Boom AC Cable (Not Shown - See Separate Breakdown in this Section)	
43	1001164738	1	Harness, Boom Valve (Not Shown - See Separate Breakdown in this Section)	
44	1001273302	3	Block, Clamping	
45	1001273303	1	Plate	
46	1001168472	1	Plate, Clamping	

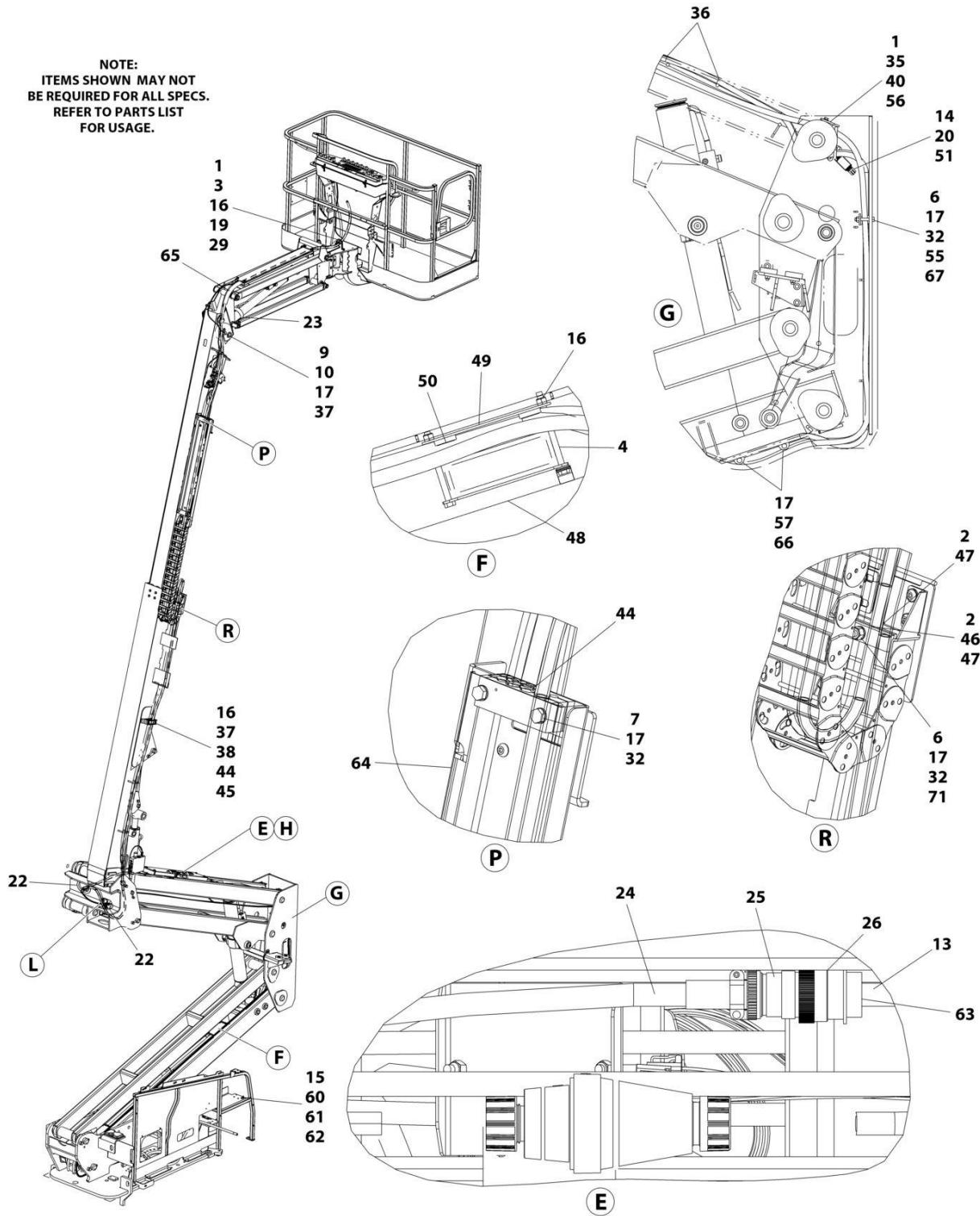
SECTION 8 - ELECTRICAL

ITEM	PART NUMBER	QTY	DESCRIPTION	REV
47	1001168473	2	Clamp, Rubber	
48	1001171553	3	Plate, Clamping	
49	1001171555	3	Plate, Clamping	
50	1001171559	10	Pad	
51	1001284504	1	Switch, Limit	
52	1001238466	1	Link, Sensor (Note: Sold as Assembly Only)	
53	1001178448	2	Plate, Clamping	
54	1001178449	1	Cover	
55	1001178644	1	Plate	
56	1001260306	1	Bracket	
57	1001182561	2	Roller	
58	5250812	2	Bolt M8 x 25	
59	1001179266	1	Plate, Mounting	
60	0760610	1	Bolt M6 x 20	
61	1320043	1	Clamp	
62	4811700	1	Washer M6	
63	4460466	AR	Plug, Terminal	
64	1001181875	1	Cover	
65	1001181923	1	Shield, Hose	
66	1001119280	2	Bolt M10 x 260	
67	1001185747	2	Pad	
69	88521205	2	Nut 5/16	
70	1001119228	8	Nut M8	
71	8310070	1	Pushnut 3/8	

SECTION 8 - ELECTRICAL

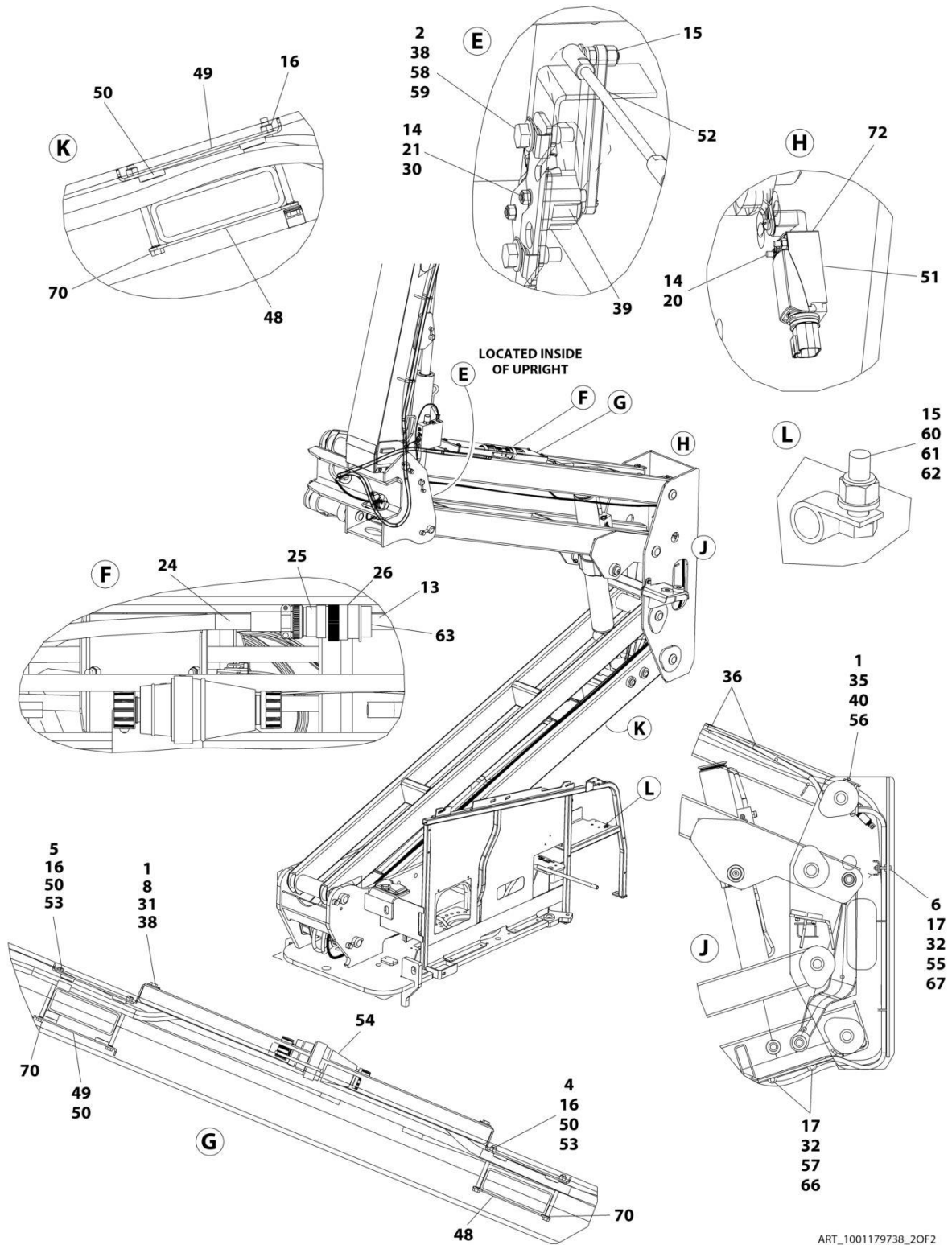
FIGURE 8-21. BOOM CABLES AND CLAMPS INSTALLATION - 450AJ (WITHOUT ARCTIC PACKAGE)

NOTE:
ITEMS SHOWN MAY NOT
BE REQUIRED FOR ALL SPECS.
REFER TO PARTS LIST
FOR USAGE.



ART_1001179738_10F2

SECTION 8 - ELECTRICAL



ART_1001179738_20F2

SECTION 8 - ELECTRICAL

FIGURE 8-21. BOOM CABLES AND CLAMPS INSTALLATION - 450AJ (WITHOUT ARCTIC PACKAGE)

ITEM	PART NUMBER	QTY	DESCRIPTION	REV
	1001179738	Ref	BOOM CABLES AND CLAMPS INSTALLATION	O
1	0100011	AR	Compound, Locking	
2	0100081	AR	Adhesive	
3	0760814	2	Bolt M8 x 30	
4	0700827	6	Bolt M8 x 100	
5	0700828	2	Bolt M8 x 110	
6	0701021	3	Bolt M10 x 65	
7	0701024	4	Bolt M10 x 80	
8	0760812	4	Bolt M8 x 25	
9	0761012	1	Bolt M10 x 25	
10	1320130	1	Clamp	
13	2820031	AR	Heat Shrink	
14	3290405	4	Nut M4	
15	3290605	3	Nut M6	
16	3290805	12	Nut M8	
17	3291005	10	Nut M10	
19	3841340	1	Loop, Hose	
20	4010418	2	Screw M4 x 50	
21	4031511	2	Capscrew M4 x 35	
22	4060808	27.5 in/ 8.38m	Flex-Trim	
23	4240156	2	Strap, Clinch	
24	4460473	AR	Clamp, Cable	
25	4460865	1	Connector - 19 Position	
26	4460866	1	Connector - 19 Position	
29	4811900	4	Washer M8	
30	4811400	2	Washer M4	
31	4811902	4	Washer M8	
32	4812000	13	Washer M10	
33	1001176951	1	Harness, Tower Boom (Not Shown - See Separate Breakdown in this Section)	
34	1001174749	1	Harness, Tower Boom AC Cable (Not Shown - See Separate Breakdown in this Section)	
35	5251014	2	Bolt M10 x 30	
36	8881800	AR	Tie-Strap	
37	5281920	2	Screw M8 x 80	
37	5281918	2	Bolt M8 x 70	
38	1001118274	8	Nut M8	
39	1001118971	1	Sensor, Angle	
39	70005667	1	Arm	
40	1001118972	2	Nut M10	
41	1001164730	1	Harness, Main Boom (Not Shown - See Separate Breakdown in this Section)	
42	1001164731	1	Harness, Main Boom AC Cable (Not Shown - See Separate Breakdown in this Section)	
43	1001164738	1	Harness, Boom Valve (Not Shown - See Separate Breakdown in this Section)	
44	1001273302	3	Block, Clamping	
45	1001273303	1	Plate	
46	1001168472	1	Plate, Clamping	
47	1001168473	2	Clamp, Rubber	

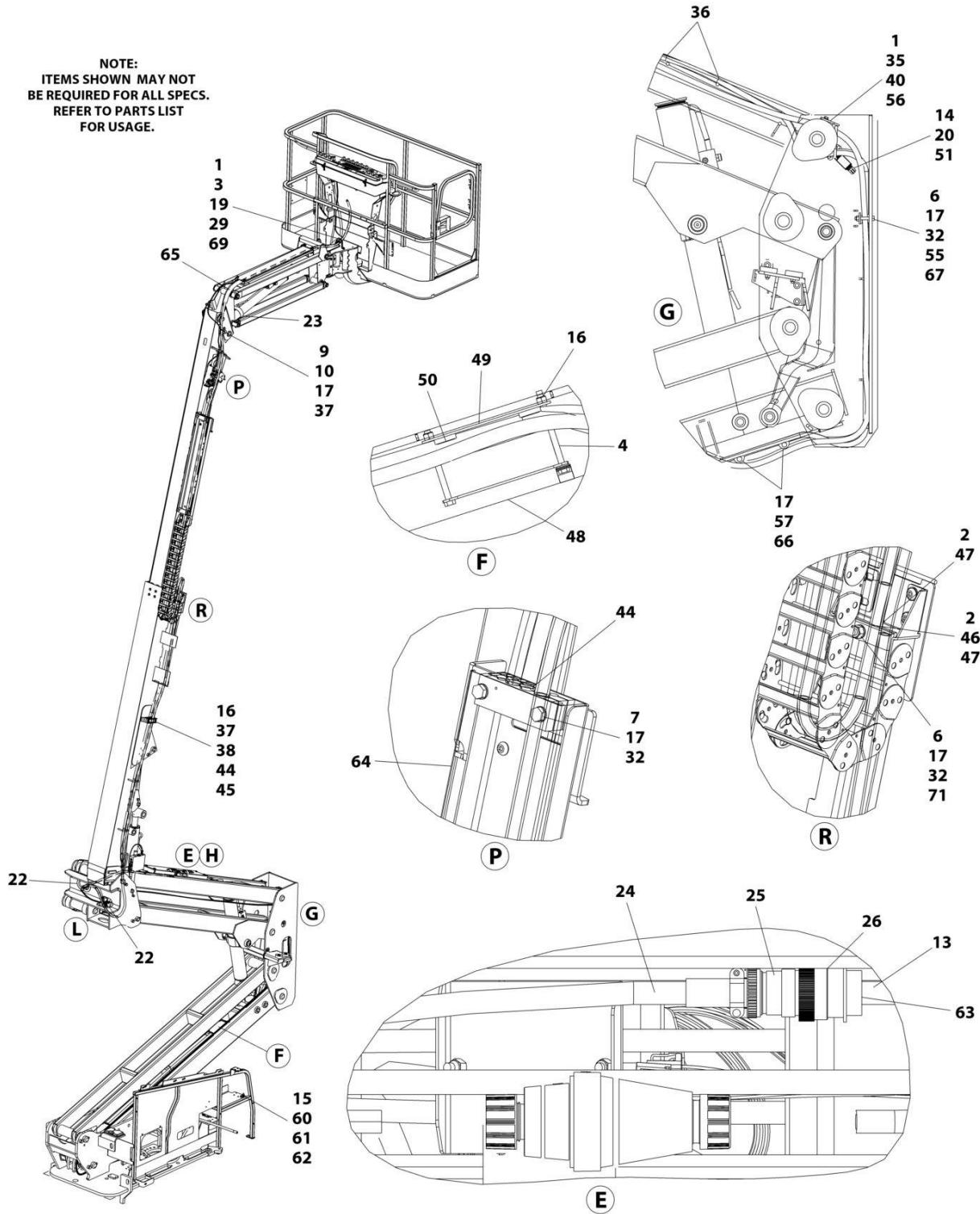
SECTION 8 - ELECTRICAL

ITEM	PART NUMBER	QTY	DESCRIPTION	REV
48	1001171553	3	Plate, Clamping	
49	1001171555	3	Plate, Clamping	
50	1001171559	10	Pad	
51	1001284504	1	Switch, Limit	
52	1001238466	1	Link, Sensor (Note: Sold as Assembly Only)	
53	1001178448	2	Plate, Clamping	
54	1001178449	1	Cover	
55	1001178644	1	Plate	
56	1001260306	1	Bracket	
57	1001182561	2	Roller	
58	5250812	2	Bolt M8 x 25	
59	1001179266	1	Plate, Mounting	
60	0760610	1	Bolt M6 x 20	
61	1320043	1	Clamp	
62	4811700	1	Washer M6	
63	4460466	AR	Plug, Terminal	
64	1001181621	1	Cover	
65	1001181923	1	Shield, Hose	
66	1001119280	2	Bolt M10 x 260	
67	1001185747	2	Pad	
70	1001119228	8	Nut M8	
71	8310070	1	Pushnut 3/8	
72	4750800	AR	Washer #8	

SECTION 8 - ELECTRICAL

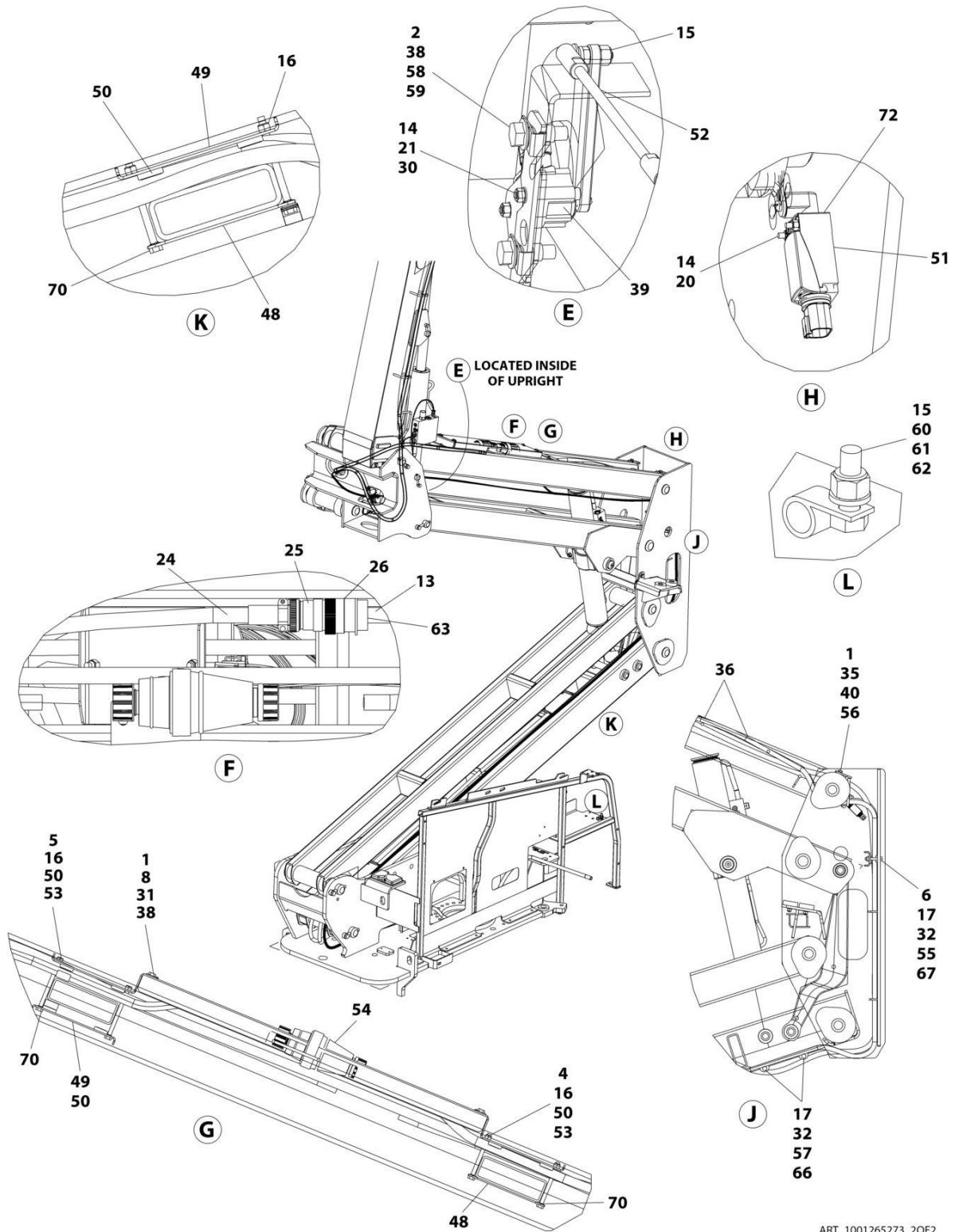
FIGURE 8-22. BOOM CABLES AND CLAMPS INSTALLATION - 450AJ (WITHOUT ARCTIC PACKAGE AND AC CABLES) (CHINA BUILT MACHINES)

NOTE:
ITEMS SHOWN MAY NOT
BE REQUIRED FOR ALL SPECS.
REFER TO PARTS LIST
FOR USAGE.



ART_1001265273_10F2

SECTION 8 - ELECTRICAL



ART_1001265273_20F2

SECTION 8 - ELECTRICAL

FIGURE 8-22. BOOM CABLES AND CLAMPS INSTALLATION - 450AJ (WITHOUT ARCTIC PACKAGE AND AC CABLES) (CHINA BUILT MACHINES)

ITEM	PART NUMBER	QTY	DESCRIPTION	REV
	1001265273	Ref	BOOM CABLES AND CLAMPS INSTALLATION	D
1	0100011	AR	Compound, Locking	
2	0100081	AR	Adhesive	
3	0760814	2	Bolt M8 x 30	
4	0700827	6	Bolt M8 x 100	
5	0700828	2	Bolt M8 x 110	
6	0701021	3	Bolt M10 x 65	
7	0701024	4	Bolt M10 x 80	
8	0760812	4	Bolt M8 x 25	
9	0761012	1	Bolt M10 x 25	
10	1320130	1	Clamp	
13	2820031	AR	Heat Shrink	
14	3290405	4	Nut M4	
15	3290605	3	Nut M6	
16	3290805	10	Nut M8	
17	3291005	10	Nut M10	
19	3841340	1	Loop, Hose	
20	4010418	2	Screw M4 x 50	
21	4031511	2	Capscrew M4 x 35	
22	4060808	27.5 in/ 8.38m	Flex-Trim	
23	4240156	2	Strap, Clinch	
24	4460473	AR	Clamp, Cable	
25	4460865	1	Connector - 19 Position	
26	4460866	1	Connector - 19 Position	
29	4711500	4	Washer 5/16	
30	4811400	2	Washer M4	
31	4811902	4	Washer M8	
32	4812000	13	Washer M10	
33	1001176951	1	Harness, Tower Boom (Not Shown - See Separate Breakdown in this Section)	
35	5251014	2	Bolt M10 x 30	
36	8881800	AR	Tie-Strap	
37	5281920	2	Screw M8 x 80	
37	5281918	2	Bolt M8 x 70	
38	1001118274	8	Nut M8	
39	1001118971	1	Sensor, Angle	
39	70005667	1	Arm	
40	1001118972	2	Nut M10	
41	1001164730	1	Harness, Main Boom (Not Shown - See Separate Breakdown in this Section)	
43	1001164738	1	Harness, Boom Valve (Not Shown - See Separate Breakdown in this Section)	
44	1001273302	3	Block, Clamping	
45	1001273303	1	Plate	
46	1001168472	1	Plate, Clamping	
47	1001168473	2	Clamp, Rubber	
48	1001171553	3	Plate, Clamping	
49	1001171555	3	Plate, Clamping	
50	1001171559	10	Pad	

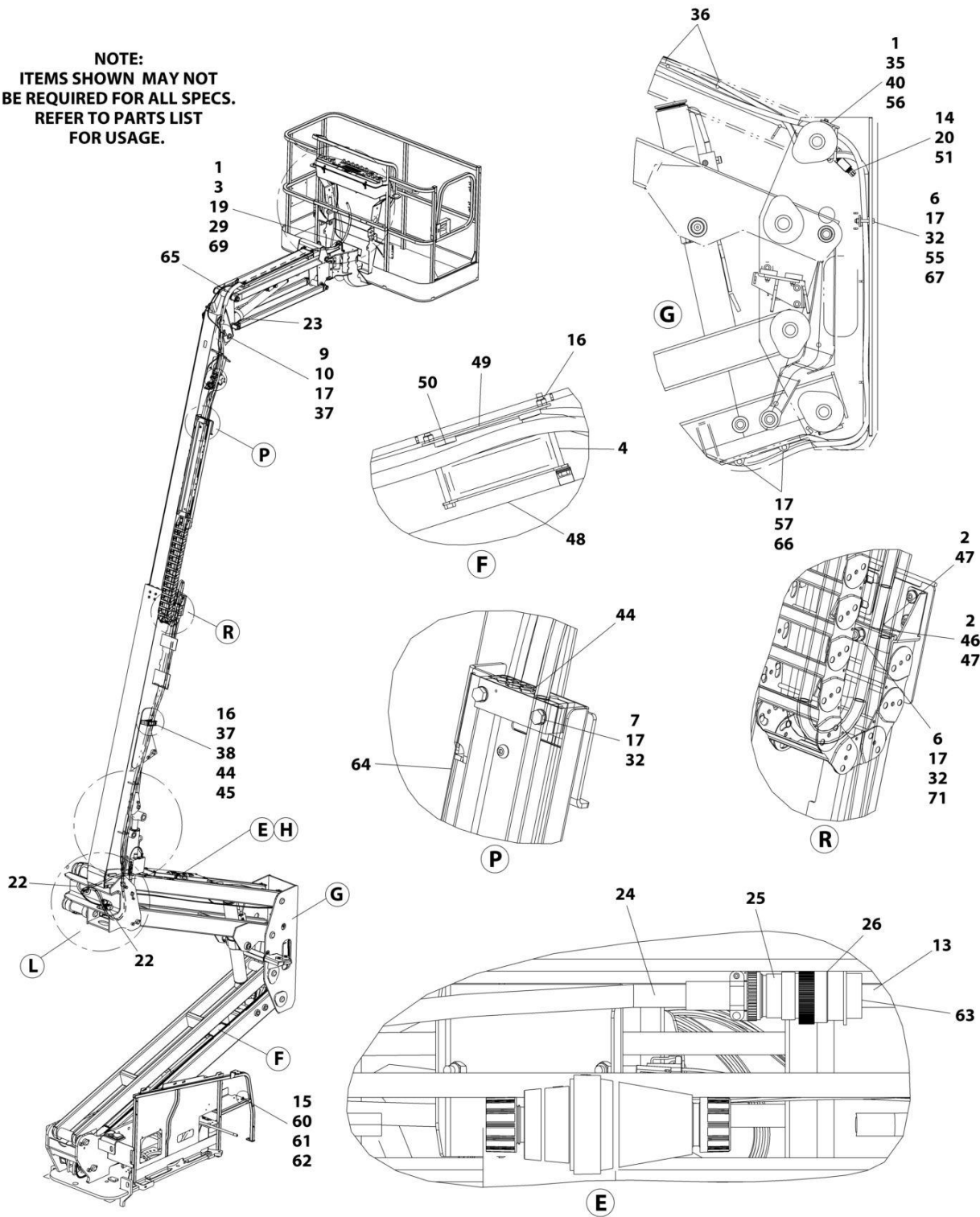
SECTION 8 - ELECTRICAL

ITEM	PART NUMBER	QTY	DESCRIPTION	REV
51	1001284504	1	Switch, Limit	
52	1001238466	1	Link, Sensor (Note: Sold as Assembly Only)	
53	1001178448	2	Plate, Clamping	
54	1001178449	1	Cover	
55	1001178644	1	Plate	
56	1001260306	1	Bracket	
57	1001182561	2	Roller	
58	5250812	2	Bolt M8 x 25	
59	1001179266	1	Plate, Mounting	
60	0760610	1	Bolt M6 x 20	
61	1320043	1	Clamp	
62	4811700	1	Washer M6	
63	4460466	AR	Plug, Terminal	
64	1001181621	1	Cover	
65	1001181923	1	Shield, Hose	
66	1001119280	2	Bolt M10 x 260	
67	1001185747	2	Pad	
70	1001119228	8	Nut M8	
71	8310070	1	Pushnut 3/8	
72	4750800	AR	Washer #8	

SECTION 8 - ELECTRICAL

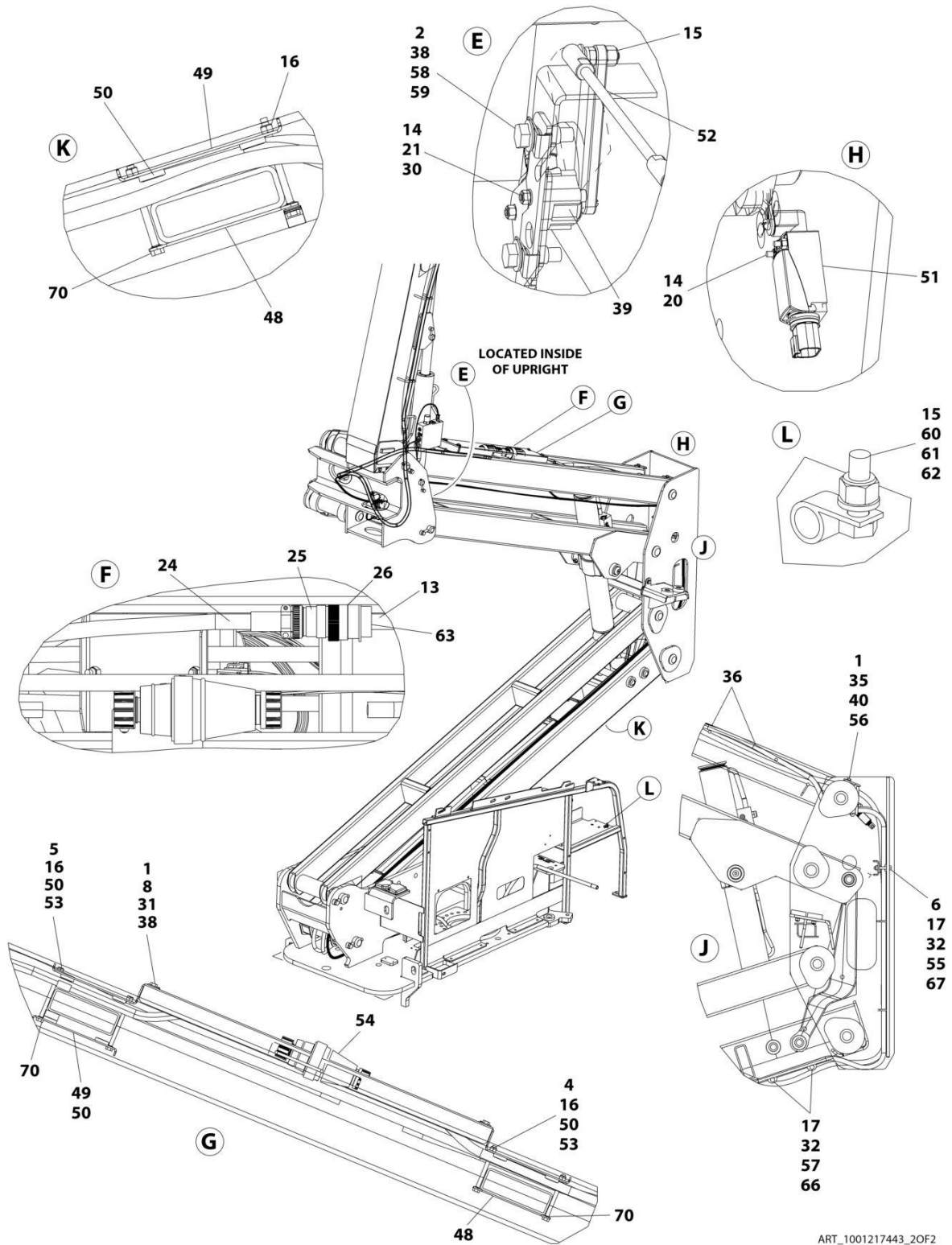
FIGURE 8-23. BOOM CABLES AND CLAMPS INSTALLATION - 450A (WITH ARCTIC PACKAGE)

NOTE:
ITEMS SHOWN MAY NOT
BE REQUIRED FOR ALL SPECS.
REFER TO PARTS LIST
FOR USAGE.



ART_1001217443_10F2

SECTION 8 - ELECTRICAL



ART_1001217443_20F2

SECTION 8 - ELECTRICAL

FIGURE 8-23. BOOM CABLES AND CLAMPS INSTALLATION - 450A (WITH ARCTIC PACKAGE)

ITEM	PART NUMBER	QTY	DESCRIPTION	REV
	1001217443	Ref	BOOM CABLES AND CLAMPS INSTALLATION (WITH ARCTIC PACKAGE)	G
1	0100011	AR	Compound, Locking	
2	0100081	AR	Adhesive	
3	0641509	2	Bolt 5/16 x 1-1/8	
4	0700827	6	Bolt M8 x 100	
5	0700828	2	Bolt M8 x 110	
6	0701021	3	Bolt M10 x 65	
7	0701024	4	Bolt M10 x 80	
8	0760812	4	Bolt M8 x 25	
9	0761012	1	Bolt M10 x 25	
10	1320130	1	Clamp	
13	2820031	AR	Heat Shrink	
14	3290405	4	Nut M4	
15	3290605	3	Nut M6	
16	3290805	10	Nut M8	
17	3291005	10	Nut M10	
19	3841340	1	Loop, Hose	
20	4010418	2	Screw M4 x 50	
21	4031511	2	Capscrew M4 x 35	
22	4060808	27.5 in /8.4m	Flex-Trim	
23	4240156	2	Strap, Clinch	
24	4460473	AR	Clamp, Cable	
25	4460865	1	Connector - 19 Position	
26	4460866	1	Connector - 19 Position	
29	4711500	4	Washer 5/16	
30	4811400	2	Washer M4	
31	4811902	4	Washer M8	
32	4812000	13	Washer M10	
33	1001179439	1	Harness, Tower Boom (Not Shown - See Separate Breakdown in this Section)	
34	1001174754	1	Harness, Tower Boom AC Cable (Not Shown - See Separate Breakdown in this Section)	
35	5251014	2	Bolt M10 x 30	
36	8881800	AR	Tie-Strap	
37	5281918	2	Screw M8 x 70	
38	1001118274	6	Nut M8	
39	1001118971	1	Sensor, Angle	
39	70005667	1	Arm	
40	1001118972	2	Nut M10	
41	1001217441	1	Harness, Main Boom (Not Shown - See Separate Breakdown in this Section)	
42	1001217440	1	Harness, Main Boom AC Cable (Not Shown - See Separate Breakdown in this Section)	
43	1001164738	1	Harness, Boom Valve (Not Shown - See Separate Breakdown in this Section)	
44	1001273304	3	Block, Clamping	
45	1001273303	1	Plate	
46	1001168472	1	Plate, Clamping	
47	1001168473	2	Clamp, Rubber	

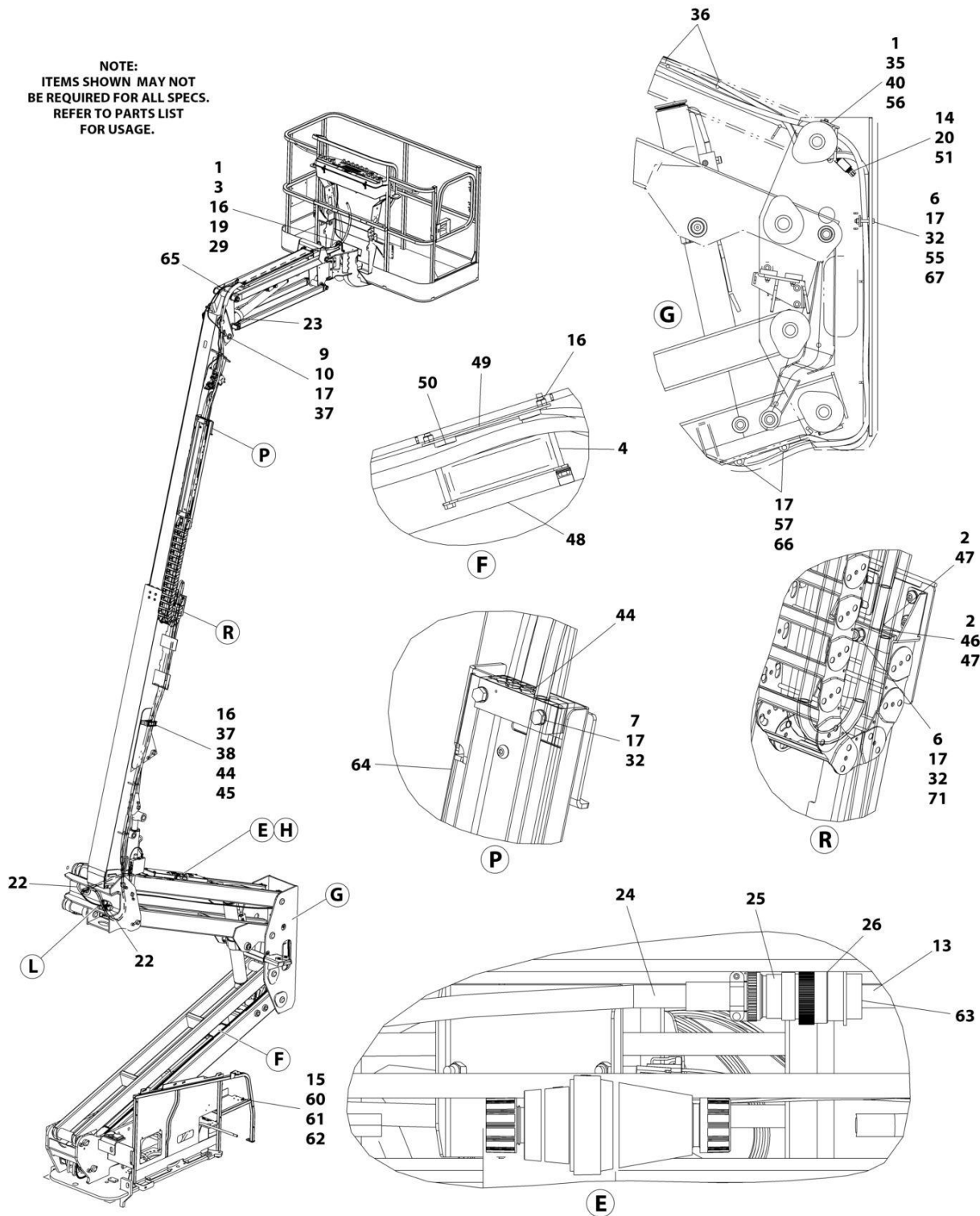
SECTION 8 - ELECTRICAL

ITEM	PART NUMBER	QTY	DESCRIPTION	REV
48	1001171553	3	Plate, Clamping	
49	1001171555	3	Plate, Clamping	
50	1001171559	10	Pad	
51	1001172271	1	Switch, Limit	
51	1001284504	1	Switch, Limit	
52	1001238466	1	Link, Sensor (Note: Sold as Assembly Only)	
53	1001178448	2	Plate, Clamping	
54	1001178449	1	Cover	
55	1001178644	1	Plate	
56	1001260306	1	Bracket	
57	1001182561	2	Roller	
58	5250812	2	Bolt M8 x 25	
59	1001179266	1	Plate, Mounting	
60	0760610	1	Bolt M6 x 20	
61	1320043	1	Clamp	
62	4811700	1	Washer M6	
63	4460466	AR	Plug, Terminal	
64	1001181875	1	Cover	
65	1001181923	1	Shield, Hose	
66	1001119280	2	Bolt M10 x 260	
67	1001185747	2	Pad	
69	88521205	2	Nut 5/16	
70	1001119228	8	Nut M8	
71	8310070	1	Pushnut 3/8	

SECTION 8 - ELECTRICAL

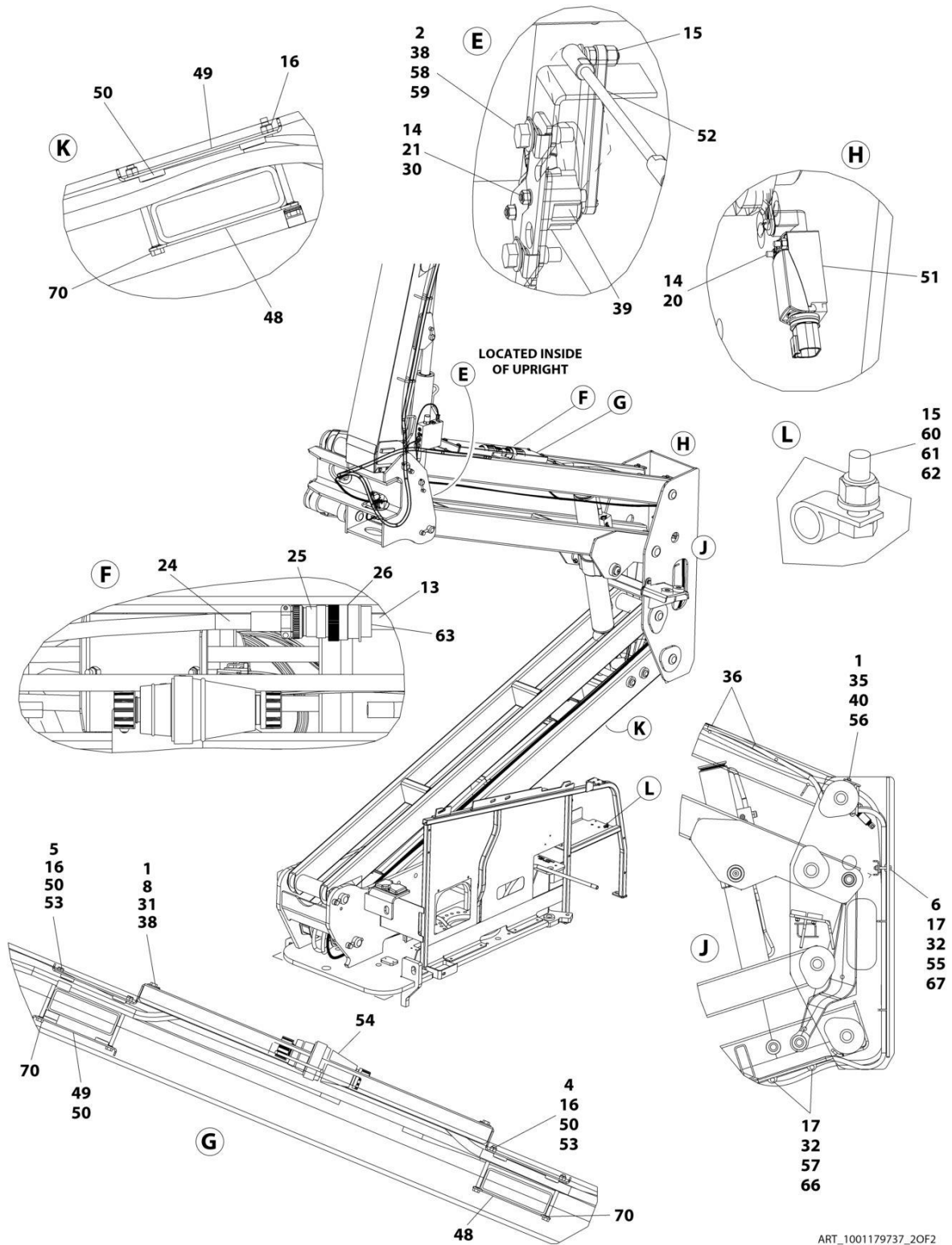
FIGURE 8-24. BOOM CABLES AND CLAMPS INSTALLATION - 450AJ (WITH ARCTIC PACKAGE)

NOTE:
ITEMS SHOWN MAY NOT
BE REQUIRED FOR ALL SPECS.
REFER TO PARTS LIST
FOR USAGE.



ART_1001179737_10F2

SECTION 8 - ELECTRICAL



ART_1001179737_20F2

SECTION 8 - ELECTRICAL

FIGURE 8-24. BOOM CABLES AND CLAMPS INSTALLATION - 450AJ (WITH ARCTIC PACKAGE)

ITEM	PART NUMBER	QTY	DESCRIPTION	REV
	1001179737	Ref	BOOM CABLES AND CLAMPS INSTALLATION (WITH ARCTIC PACKAGE)	N
1	0100011	AR	Compound, Locking	
2	0100081	AR	Adhesive	
3	0760814	2	Bolt M8 x 30	
4	0700827	6	Bolt M8 x 100	
5	0700828	2	Bolt M8 x 110	
6	0701021	3	Bolt M10 x 65	
7	0701024	4	Bolt M10 x 80	
8	0760812	4	Bolt M8 x 25	
9	0761012	1	Bolt M10 x 25	
10	1320130	1	Clamp	
13	2820031	AR	Heat Shrink	
14	3290405	4	Nut M4	
15	3290605	3	Nut M6	
16	3290805	12	Nut M8	
17	3291005	10	Nut M10	
19	3841340	1	Loop, Hose	
20	4010418	2	Screw M4 x 50	
21	4031511	2	Capscrew M4 x 35	
22	4060808	27.5 in/ 8.38m	Flex-Trim	
23	4240156	2	Strap, Clinch	
24	4460473	AR	Clamp, Cable	
25	4460865	1	Connector - 19 Position	
26	4460866	1	Connector - 19 Position	
29	4811900	4	Washer M8	
30	4811400	2	Washer M4	
31	4811902	4	Washer M8	
32	4812000	13	Washer M10	
33	1001179439	1	Harness, Tower Boom (Not Shown - See Separate Breakdown in this Section)	
34	1001174754	1	Harness, Tower Boom AC Cable (Not Shown - See Separate Breakdown in this Section)	
35	5251014	2	Bolt M10 x 30	
36	8881800	AR	Tie-Strap	
37	5281920	2	Screw M8 x 80	
37	5281918	2	Bolt M8 x 70	
38	1001118274	8	Nut M8	
39	1001118971	1	Sensor, Angle	
39	70005667	1	Arm	
40	1001118972	2	Nut M10	
41	1001174748	1	Harness, Main Boom (Not Shown - See Separate Breakdown in this Section)	
42	1001174750	1	Harness, Main Boom AC Cable (Not Shown - See Separate Breakdown in this Section)	
43	1001164738	1	Harness, Boom Valve (Not Shown - See Separate Breakdown in this Section)	
44	1001273304	3	Block, Clamping	
45	1001273303	1	Plate	
46	1001168472	1	Plate, Clamping	

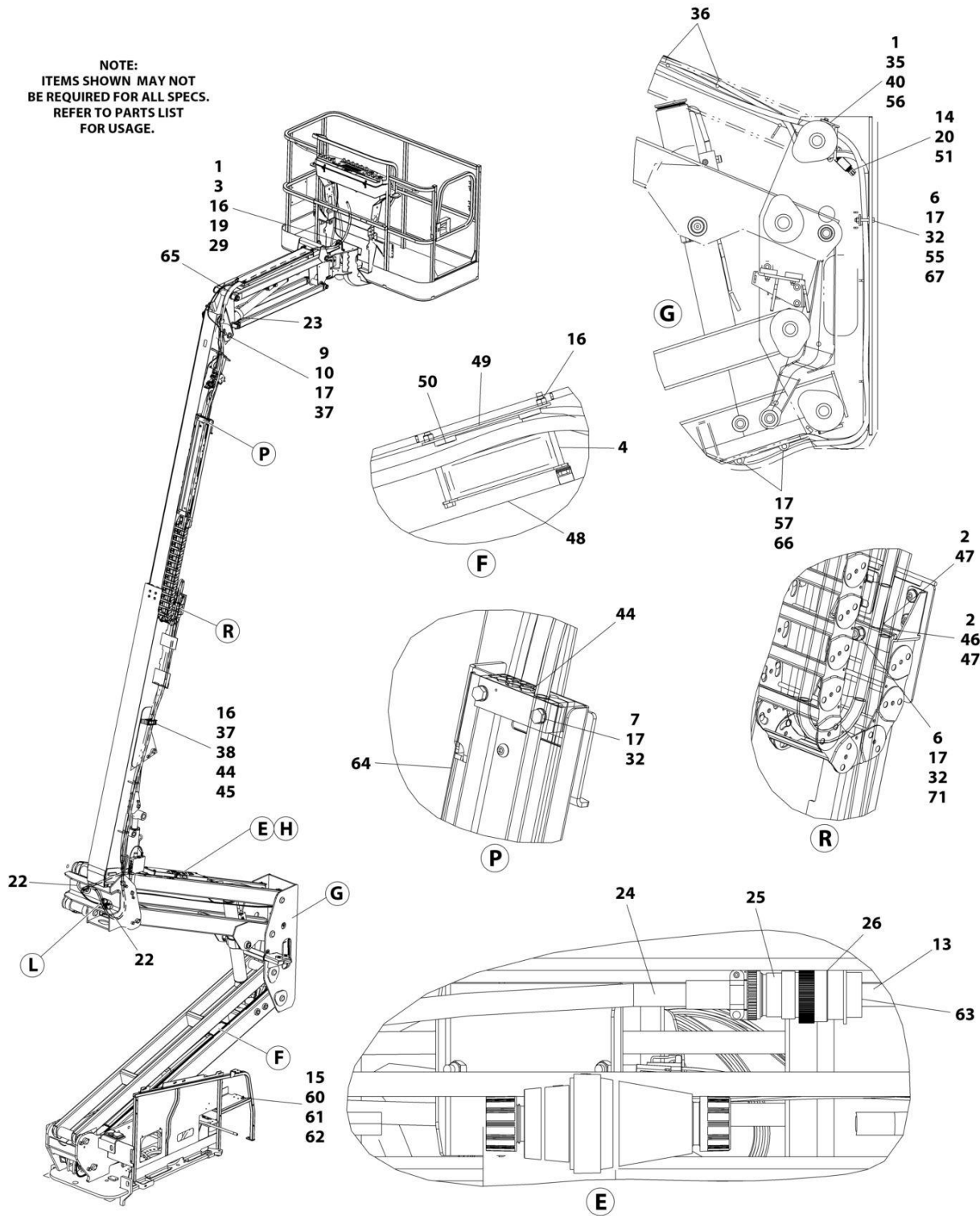
SECTION 8 - ELECTRICAL

ITEM	PART NUMBER	QTY	DESCRIPTION	REV
47	1001168473	2	Clamp, Rubber	
48	1001171553	3	Plate, Clamping	
49	1001171555	3	Plate, Clamping	
50	1001171559	10	Pad	
51	1001284504	1	Switch, Limit	
52	1001238466	1	Link, Sensor (Note: Sold as Assembly Only)	
53	1001178448	2	Plate, Clamping	
54	1001178449	1	Cover	
55	1001178644	1	Plate	
56	1001260306	1	Bracket	
57	1001182561	2	Roller	
58	5250812	2	Bolt M8 x 25	
59	1001179266	1	Plate, Mounting	
60	0760610	1	Bolt M6 x 20	
61	1320043	1	Clamp	
62	4811700	1	Washer M6	
63	4460466	AR	Plug, Terminal	
64	1001181621	1	Cover	
65	1001181923	1	Shield, Hose	
66	1001119280	2	Bolt M10 x 260	
67	1001185747	2	Pad	
70	1001119228	8	Nut M8	
71	8310070	1	Pushnut 3/8	

SECTION 8 - ELECTRICAL

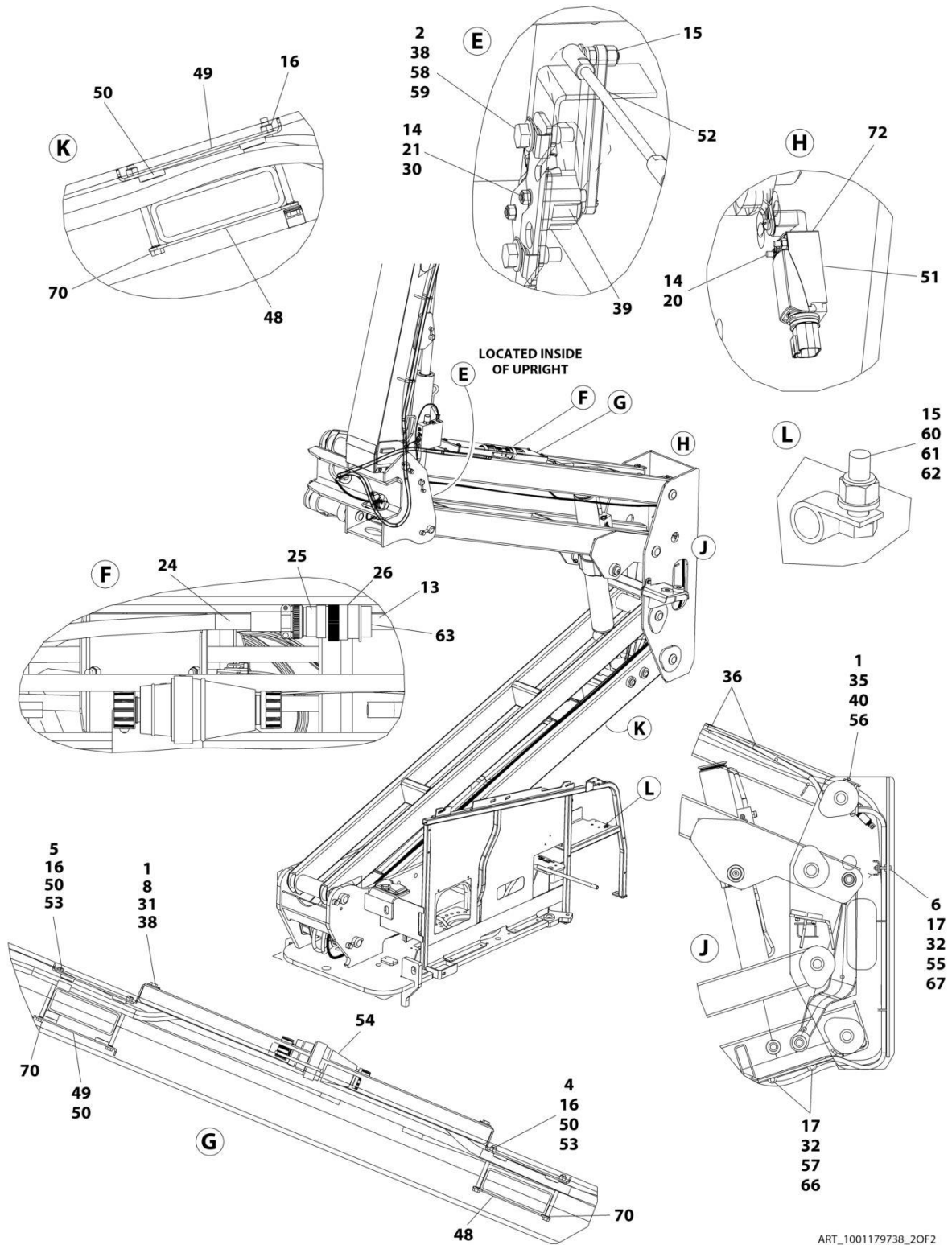
FIGURE 8-25. BOOM CABLES AND CLAMPS INSTALLATION - 450AJ (MACHINES WITH 50HZ 4000W GENERATORS)

NOTE:
ITEMS SHOWN MAY NOT
BE REQUIRED FOR ALL SPECS.
REFER TO PARTS LIST
FOR USAGE.



ART_1001179738_10F2

SECTION 8 - ELECTRICAL



ART_1001179738_20F2

SECTION 8 - ELECTRICAL

FIGURE 8-25. BOOM CABLES AND CLAMPS INSTALLATION - 450AJ (MACHINES WITH 50HZ 4000W GENERATORS)

ITEM	PART NUMBER	QTY	DESCRIPTION	REV
	1001179738	Ref	BOOM CABLES AND CLAMPS INSTALLATION	O
1	0100011	AR	Compound, Locking	
2	0100081	AR	Adhesive	
3	0760814	2	Bolt M8 x 30	
4	0700827	6	Bolt M8 x 100	
5	0700828	2	Bolt M8 x 110	
6	0701021	3	Bolt M10 x 65	
7	0701024	4	Bolt M10 x 80	
8	0760812	4	Bolt M8 x 25	
9	0761012	1	Bolt M10 x 25	
10	1320130	1	Clamp	
13	2820031	AR	Heat Shrink	
14	3290405	4	Nut M4	
15	3290605	3	Nut M6	
16	3290805	12	Nut M8	
17	3291005	10	Nut M10	
19	3841340	1	Loop, Hose	
20	4010418	2	Screw M4 x 50	
21	4031511	2	Capscrew M4 x 35	
22	4060808	27.5 in/ 8.38m	Flex-Trim	
23	4240156	2	Strap, Clinch	
24	4460473	AR	Clamp, Cable	
25	4460865	1	Connector - 19 Position	
26	4460866	1	Connector - 19 Position	
29	4811900	4	Washer M8	
30	4811400	2	Washer M4	
31	4811902	4	Washer M8	
32	4812000	13	Washer M10	
33	1001176951	1	Harness, Tower Boom (Not Shown - See Separate Breakdown in this Section)	
34	1001174749	1	Harness, Tower Boom AC Cable (Not Shown - See Separate Breakdown in this Section)	
35	5251014	2	Bolt M10 x 30	
36	8881800	AR	Tie-Strap	
37	5281920	2	Screw M8 x 80	
37	5281918	2	Bolt M8 x 70	
38	1001118274	8	Nut M8	
39	1001118971	1	Sensor, Angle	
39	70005667	1	Arm	
40	1001118972	2	Nut M10	
41	1001164730	1	Harness, Main Boom (Not Shown - See Separate Breakdown in this Section)	
42	1001164731	1	Harness, Main Boom AC Cable (Not Shown - See Separate Breakdown in this Section)	
43	1001164738	1	Harness, Boom Valve (Not Shown - See Separate Breakdown in this Section)	
44	1001273302	3	Block, Clamping	
45	1001273303	1	Plate	
46	1001168472	1	Plate, Clamping	

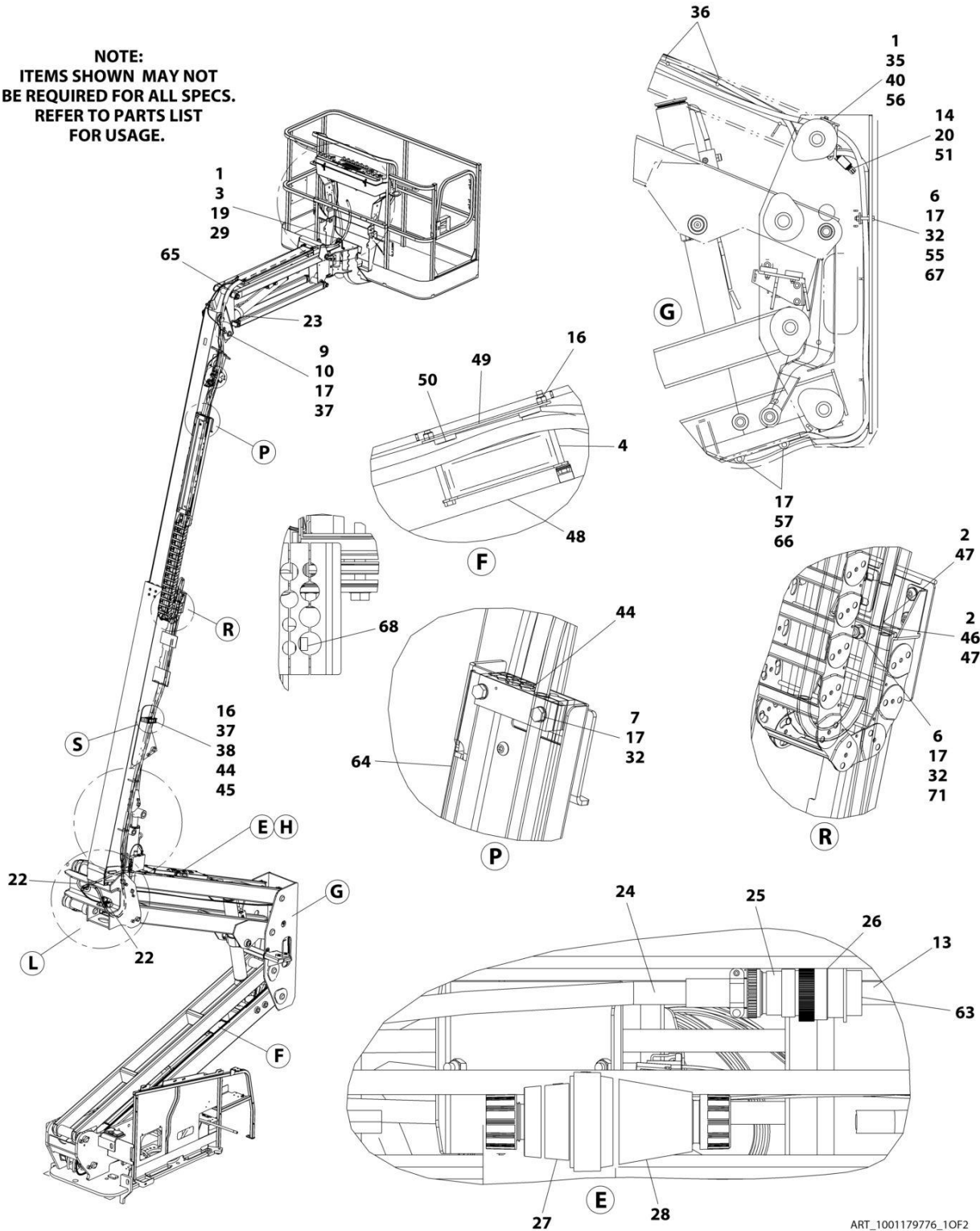
SECTION 8 - ELECTRICAL

ITEM	PART NUMBER	QTY	DESCRIPTION	REV
47	1001168473	2	Clamp, Rubber	
48	1001171553	3	Plate, Clamping	
49	1001171555	3	Plate, Clamping	
50	1001171559	10	Pad	
51	1001284504	1	Switch, Limit	
52	1001238466	1	Link, Sensor (Note: Sold as Assembly Only)	
53	1001178448	2	Plate, Clamping	
54	1001178449	1	Cover	
55	1001178644	1	Plate	
56	1001260306	1	Bracket	
57	1001182561	2	Roller	
58	5250812	2	Bolt M8 x 25	
59	1001179266	1	Plate, Mounting	
60	0760610	1	Bolt M6 x 20	
61	1320043	1	Clamp	
62	4811700	1	Washer M6	
63	4460466	AR	Plug, Terminal	
64	1001181621	1	Cover	
65	1001181923	1	Shield, Hose	
66	1001119280	2	Bolt M10 x 260	
67	1001185747	2	Pad	
70	1001119228	8	Nut M8	
71	8310070	1	Pushnut 3/8	
72	4750800	AR	Washer #8	

SECTION 8 - ELECTRICAL

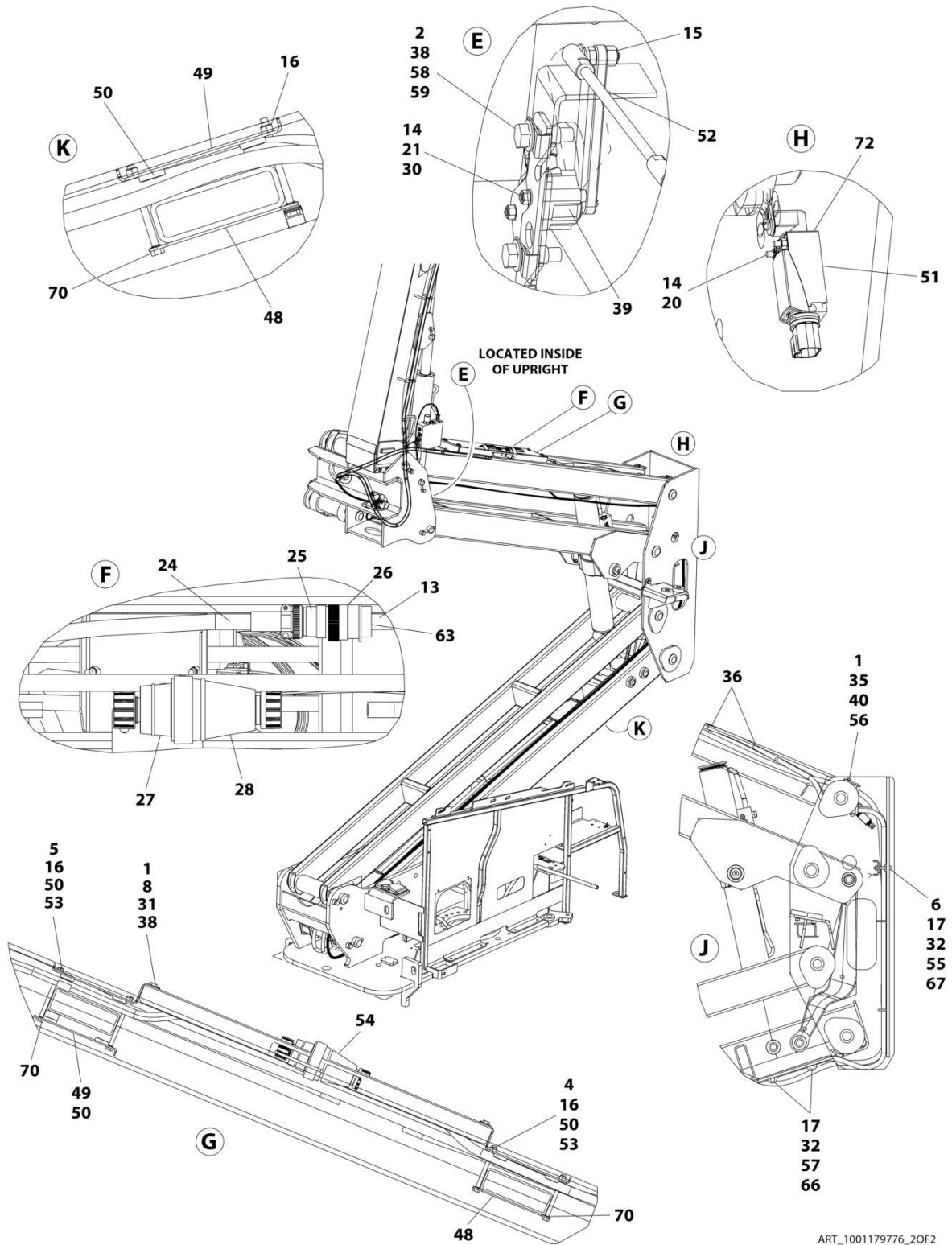
FIGURE 8-26. BOOM CABLES AND CLAMPS INSTALLATION - 450AJ (MACHINES WITH 60HZ 4000W GENERATORS)

NOTE:
ITEMS SHOWN MAY NOT
BE REQUIRED FOR ALL SPECS.
REFER TO PARTS LIST
FOR USAGE.



ART_1001179776_10F2

SECTION 8 - ELECTRICAL



ART_1001179776_20F2

SECTION 8 - ELECTRICAL

FIGURE 8-26. BOOM CABLES AND CLAMPS INSTALLATION - 450AJ (MACHINES WITH 60HZ 4000W GENERATORS)

ITEM	PART NUMBER	QTY	DESCRIPTION	REV
	1001179776	Ref	BOOM CABLES AND CLAMPS INSTALLATION	P
1	0100011	AR	Compound, Locking	
2	0100081	AR	Adhesive	
3	0760814	2	Bolt M8 x 30	
4	0700827	6	Bolt M8 x 100	
5	0700828	2	Bolt M8 x 110	
6	0701021	3	Bolt M10 x 65	
7	0701024	4	Bolt M10 x 80	
8	0760812	4	Bolt M8 x 25	
9	0761012	1	Bolt M10 x 25	
10	1320130	1	Clamp	
11	1671092	1	Cover, Connector (Not Shown)	
12	1671093	1	Cover, Plug (Not Shown)	
13	2820031	AR	Heat Shrink	
14	3290405	4	Nut M4	
15	3290605	2	Nut M6	
16	3290805	12	Nut M8	
17	3291005	10	Nut M10	
19	3841340	1	Loop, Hose	
20	4010418	2	Screw M4 x 50	
21	4031511	2	Capscrew M4 x 35	
22	4060808	27.5 in/ 8.38m	Flex-Trim	
23	4240156	2	Strap, Clinch	
24	4460473	AR	Clamp, Cable	
25	4460865	1	Connector - 19 Position	
26	4460866	1	Connector - 19 Position	
27	4460959	1	Plug, Male	
28	4460960	1	Receptacle, Female	
29	4811900	4	Washer M8	
30	4811400	2	Washer M4	
31	4811902	4	Washer M8	
32	4812000	13	Washer M10	
33	1001176951	1	Harness, Tower Boom (Not Shown - See Separate Breakdown in this Section)	
34	1001175663	1	Harness, Tower Boom - 10/4 - Lower Generator Cable (Not Shown)	
35	5251014	2	Bolt M10 x 30	
36	8881800	AR	Tie-Strap	
37	5281920	2	Screw M8 x 80	
37	5281918	2	Bolt M8 x 70	
38	1001118274	8	Nut M8	
39	1001118971	1	Sensor, Angle	
39	70005667	1	Arm	
40	1001118972	2	Nut M10	
41	1001164730	1	Harness, Main Boom (Not Shown - See Separate Breakdown in this Section)	
42	1001175664	1	Harness, Main Boom - 10/4 - Upper Generator Cable (Not Shown)	
43	1001164738	1	Harness, Boom Valve (Not Shown - See Separate Breakdown in this Section)	

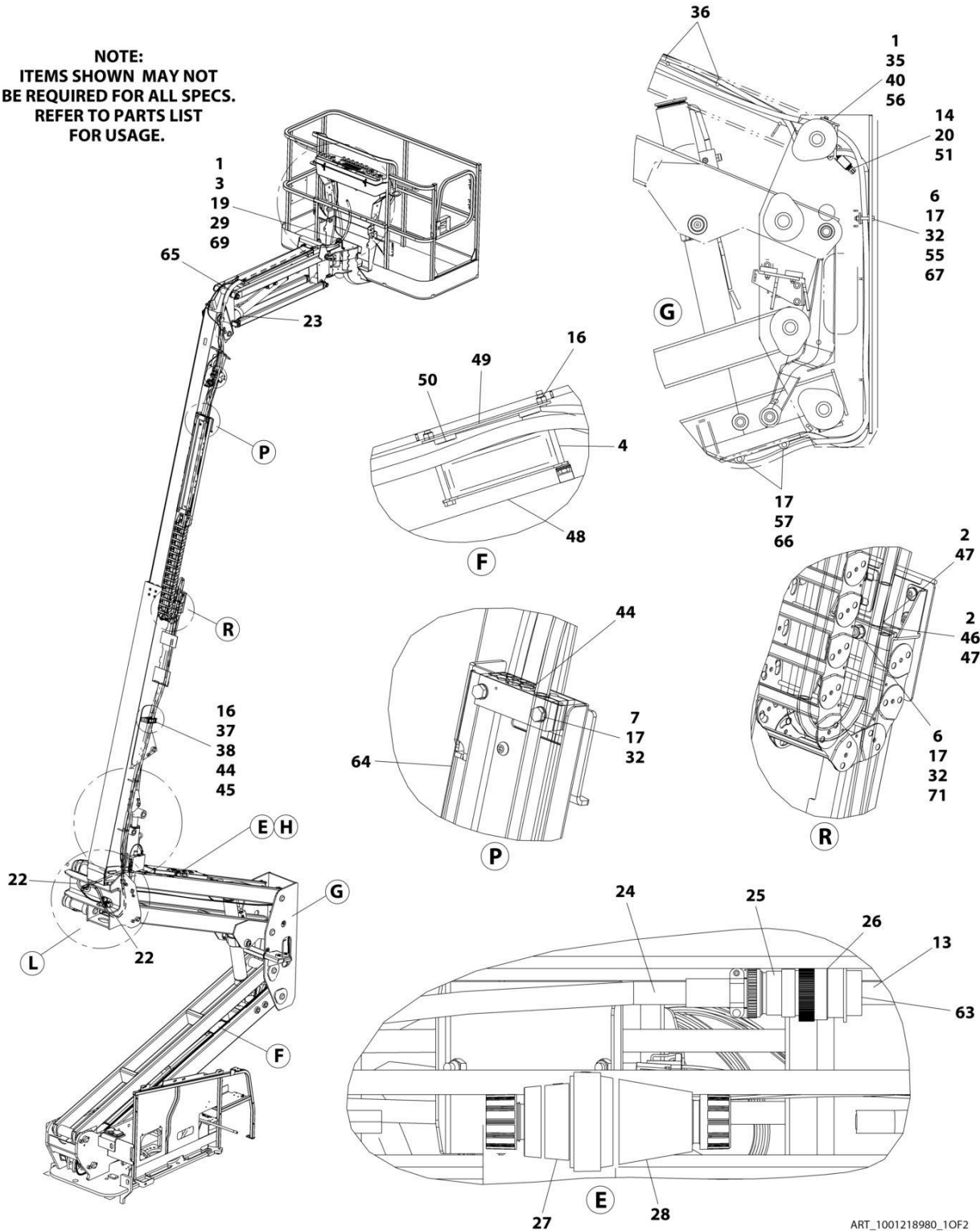
SECTION 8 - ELECTRICAL

ITEM	PART NUMBER	QTY	DESCRIPTION	REV
44	1001273302	3	Block, Clamping	
45	1001273303	1	Plate	
46	1001168472	1	Plate, Clamping	
47	1001168473	2	Clamp, Rubber	
48	1001171553	3	Plate, Clamping	
49	1001171555	3	Plate, Clamping	
50	1001171559	10	Pad	
51	1001284504	1	Switch, Limit	
52	1001238466	1	Link, Sensor (Note: Sold as Assembly Only)	
53	1001178448	2	Plate, Clamping	
54	1001178449	1	Cover	
55	1001178644	1	Plate	
56	1001260306	1	Bracket	
57	1001182561	2	Roller	
58	5250812	2	Bolt M8 x 25	
59	1001179266	1	Plate, Mounting	
63	4460466	AR	Plug, Terminal	
64	1001181621	1	Cover	
65	1001181923	1	Shield, Hose	
66	1001119280	2	Bolt M10 x 260	
67	1001185747	2	Pad	
68	1001191230	3	Pad	
70	1001119228	8	Nut M8	
71	8310070	1	Pushnut 3/8	
72	4750800	AR	Washer #8	

SECTION 8 - ELECTRICAL

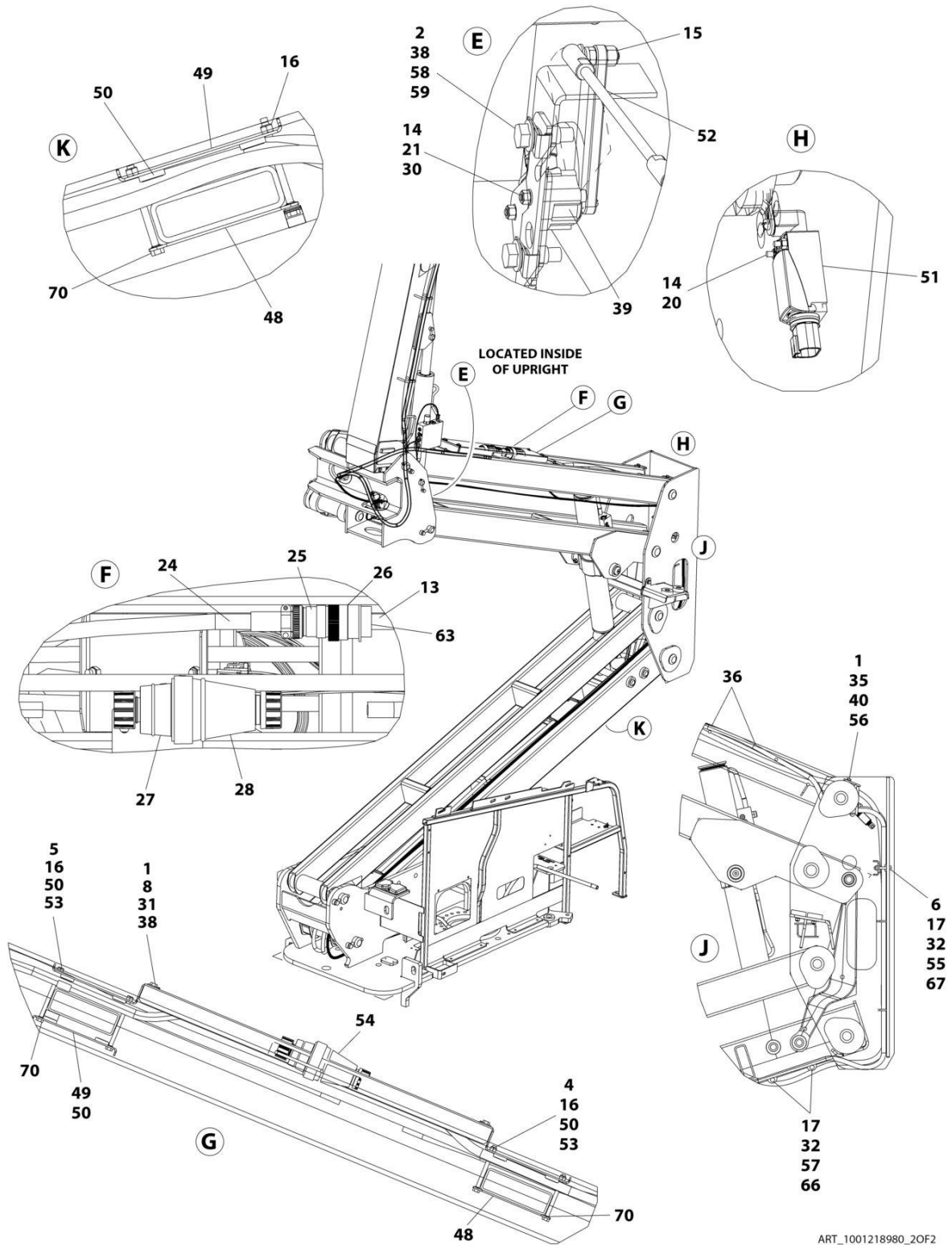
FIGURE 8-27. BOOM CABLES AND CLAMPS INSTALLATION - 450A (MACHINES WITH 7500W GENERATOR AND WITHOUT ARCTIC PACKAGE)

NOTE:
ITEMS SHOWN MAY NOT
BE REQUIRED FOR ALL SPECS.
REFER TO PARTS LIST
FOR USAGE.



ART_1001218980_10F2

SECTION 8 - ELECTRICAL



ART_1001218980_20F2

SECTION 8 - ELECTRICAL

FIGURE 8-27. BOOM CABLES AND CLAMPS INSTALLATION - 450A (MACHINES WITH 7500W GENERATOR AND WITHOUT ARCTIC PACKAGE)

ITEM	PART NUMBER	QTY	DESCRIPTION	REV
	1001218980	Ref	BOOM CABLES AND CLAMPS INSTALLATION	E
	1001219002	Ref	BOOM CABLES AND CLAMPS INSTALLATION KIT	H
1	0100011	AR	Compound, Locking	
2	0100081	AR	Adhesive	
3	0641509	2	Bolt 5/16 x 1-1/8	
4	0700827	6	Bolt M8 x 100	
5	0700828	2	Bolt M8 x 110	
6	0701021	3	Bolt M10 x 65	
7	0701024	4	Bolt M10 x 80	
8	0760812	4	Bolt M8 x 25	
13	2820031	AR	Heat Shrink	
14	3290405	4	Nut M4	
15	3290605	2	Nut M6	
16	3290805	10	Nut M8	
17	3291005	9	Nut M10	
19	3841340	1	Loop, Hose	
20	4010418	2	Screw M4 x 50	
21	4031511	2	Capscrew M4 x 35	
22	4060808	27.5 in/ 8.38m	Flex-Trim	
23	4240156	1	Strap, Clinch	
24	4460473	AR	Clamp, Cable	
25	4460865	1	Connector - 19 Position	
26	4460866	1	Connector - 19 Position	
27	1001218622	1	Terminal, Turnlock Plug	
28	1001218623	1	Terminal, Turnlock Connector	
29	4711500	4	Washer 5/16	
30	4811400	2	Washer M4	
31	4811902	4	Washer M8	
32	4812000	12	Washer M10	
33	1001176951	1	Harness, Tower Boom (Not Shown - See Separate Breakdown in this Section)	
34	4922929	1	Harness, Tower Boom - 8/5 Generator Cable (Not Shown)	
35	5251014	2	Bolt M10 x 30	
36	8881800	AR	Tie-Strap	
37	5281918	2	Bolt M8 x 70	
38	1001118274	6	Nut M8	
39	1001118971	1	Sensor, Angle	
39	70005667	1	Arm	
40	1001118972	2	Nut M10	
41	1001172335	1	Harness, Main Boom (Not Shown - See Separate Breakdown in this Section)	
42	1001172343	1	Harness, Main Boom - 8/5 Generator Cable (Not Shown)	
43	1001164738	1	Harness, Boom Valve (Not Shown - See Separate Breakdown in this Section)	
44	1001273302	3	Block, Clamping	
45	1001273303	1	Plate	
46	1001168472	1	Plate, Clamping	
47	1001168473	2	Clamp, Rubber	
48	1001171553	3	Plate, Clamping	

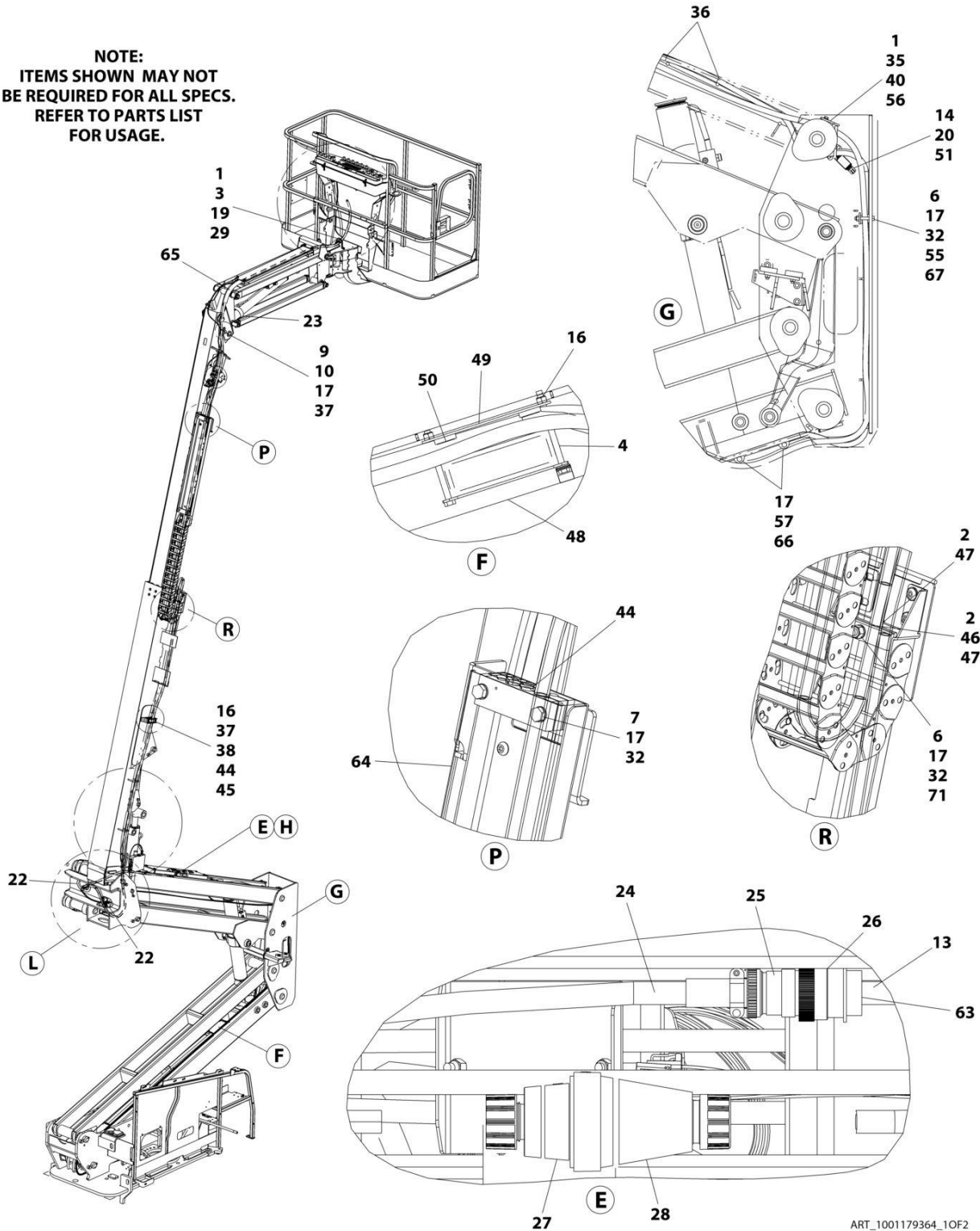
SECTION 8 - ELECTRICAL

ITEM	PART NUMBER	QTY	DESCRIPTION	REV
49	1001171555	3	Plate, Clamping	
50	1001171559	10	Pad	
51	1001284504	1	Switch, Limit	
52	1001238466	1	Link, Sensor (Note: Sold as Assembly Only)	
53	1001178448	2	Plate, Clamping	
54	1001178449	1	Cover	
55	1001178644	1	Plate	
56	1001260306	1	Bracket	
57	1001182561	2	Roller	
58	5250812	2	Bolt M8 x 25	
59	1001179266	1	Plate, Mounting	
63	4460466	AR	Plug, Terminal	
64	1001181875	1	Cover	
65	1001181923	1	Shield, Hose	
66	1001119280	2	Bolt M10 x 260	
67	1001185747	2	Pad	
69	88521205	2	Nut 5/16	
70	1001119228	8	Nut M8	
71	8310070	1	Pushnut 3/8	

SECTION 8 - ELECTRICAL

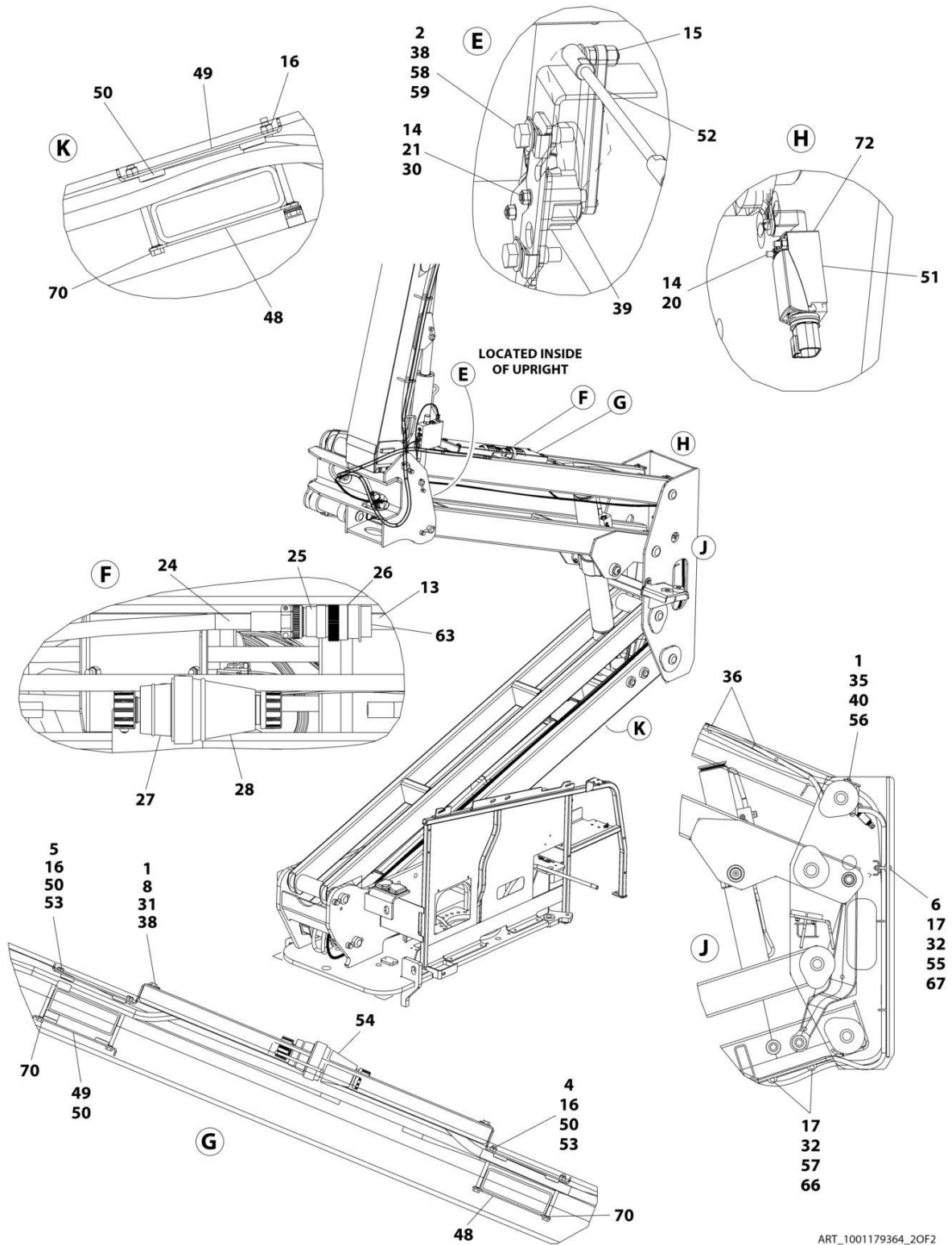
FIGURE 8-28. BOOM CABLES AND CLAMPS INSTALLATION - 450AJ (MACHINES WITH 7500W GENERATORS AND WITHOUT ARCTIC PACKAGE)

NOTE:
ITEMS SHOWN MAY NOT
BE REQUIRED FOR ALL SPECS.
REFER TO PARTS LIST
FOR USAGE.



ART_1001179364_10F2

SECTION 8 - ELECTRICAL



ART_1001179364_20F2

SECTION 8 - ELECTRICAL

FIGURE 8-28. BOOM CABLES AND CLAMPS INSTALLATION - 450AJ (MACHINES WITH 7500W GENERATORS AND WITHOUT ARCTIC PACKAGE)

ITEM	PART NUMBER	QTY	DESCRIPTION	REV
	1001179364	Ref	BOOM CABLES AND CLAMPS INSTALLATION	R
1	0100011	AR	Compound, Locking	
2	0100081	AR	Adhesive	
3	0760814	2	Bolt M8 x 30	
4	0700827	6	Bolt M8 x 100	
5	0700828	2	Bolt M8 x 110	
6	0701021	3	Bolt M10 x 65	
7	0701024	4	Bolt M10 x 80	
8	0760812	4	Bolt M8 x 25	
9	0761012	1	Bolt M10 x 25	
10	1320130	1	Clamp	
13	2820031	AR	Heat Shrink	
14	3290405	4	Nut M4	
15	3290605	2	Nut M6	
16	3290805	12	Nut M8	
17	3291005	10	Nut M10	
19	3841340	1	Loop, Hose	
20	4010418	2	Screw M4 x 50	
21	4031511	2	Capscrew M4 x 35	
22	4060808	27.5 in/ 8.38m	Flex-Trim	
23	4240156	2	Strap, Clinch	
24	4460473	AR	Clamp, Cable	
25	4460865	1	Connector - 19 Position	
26	4460866	1	Connector - 19 Position	
27	1001218622	1	Terminal, Turnlock Plug	
28	1001218623	1	Terminal, Turnlock Connector	
29	4811900	4	Washer M8	
30	4811400	2	Washer M4	
31	4811902	4	Washer M8	
32	4812000	13	Washer M10	
33	1001176951	1	Harness, Tower Boom (Not Shown - See Separate Breakdown in this Section)	
34	4922929	1	Harness, Tower Boom – 8/5 – Lower Generator Cable (Not Shown)	
35	5251014	2	Bolt M10 x 30	
36	8881800	AR	Tie-Strap	
37	5281920	2	Screw M8 x 80	
38	1001118274	6	Nut M8	
39	1001118971	1	Sensor, Angle	
39	70005667	1	Arm	
40	1001118972	2	Nut M10	
41	1001164730	1	Harness, Main Boom (Not Shown - See Separate Breakdown in this Section)	
42	1001164732	1	Harness, Main Boom – 8/5 – Upper Generator Cable (Not Shown)	
43	1001164738	1	Harness, Boom Valve (Not Shown - See Separate Breakdown in this Section)	
44	1001273302	3	Block, Clamping	
45	1001273303	1	Plate	
46	1001168472	1	Plate, Clamping	

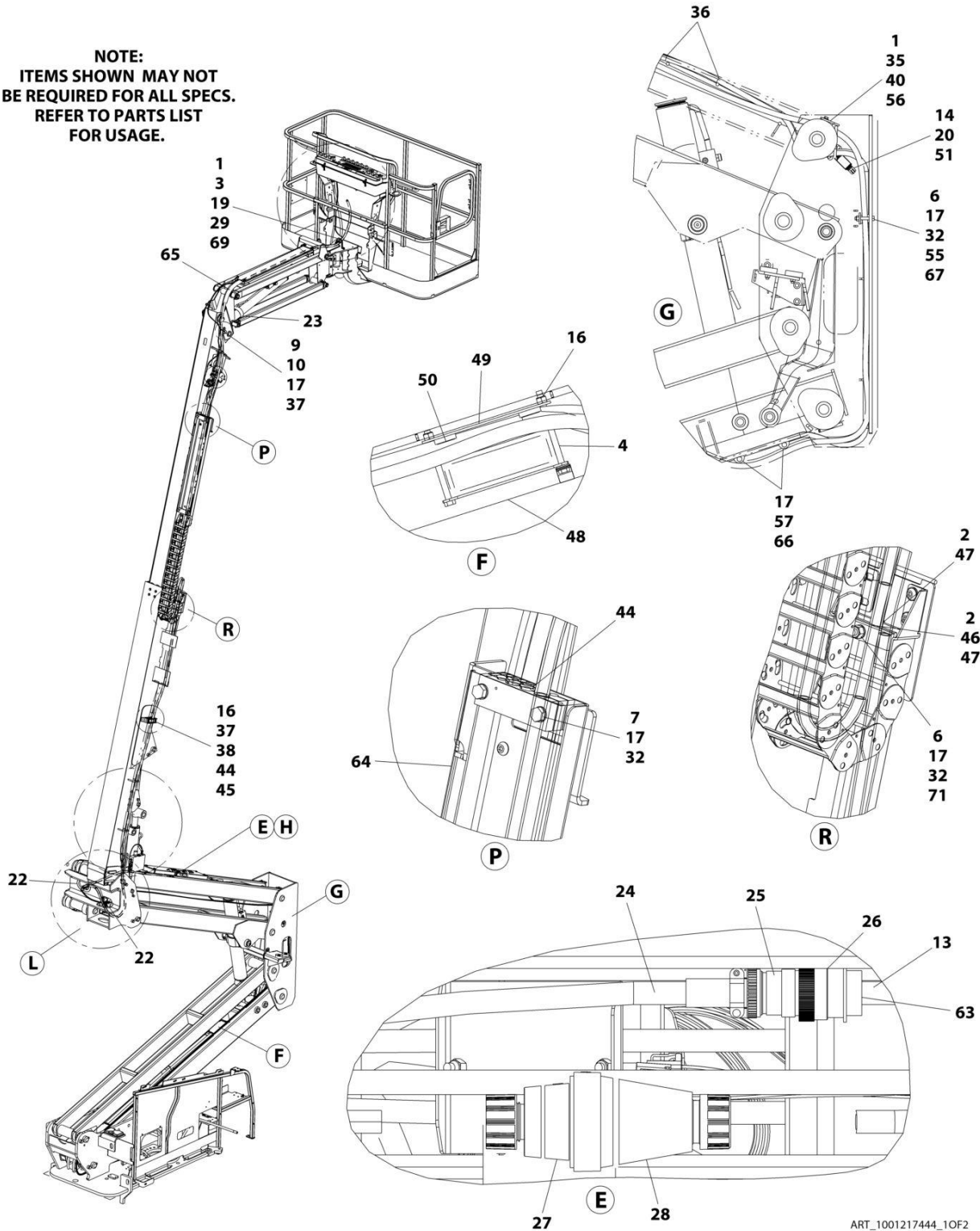
SECTION 8 - ELECTRICAL

ITEM	PART NUMBER	QTY	DESCRIPTION	REV
47	1001168473	2	Clamp, Rubber	
48	1001171553	3	Plate, Clamping	
49	1001171555	3	Plate, Clamping	
50	1001171559	10	Pad	
51	1001284504	1	Switch, Limit	
52	1001238466	1	Link, Sensor (Note: Sold as Assembly Only)	
53	1001178448	2	Plate, Clamping	
54	1001178449	1	Cover	
55	1001178644	1	Plate	
56	1001260306	1	Bracket	
57	1001182561	2	Roller	
58	5250812	2	Bolt M8 x 25	
59	1001179266	1	Plate, Mounting	
63	4460466	AR	Plug, Terminal	
64	1001181621	1	Cover	
65	1001181923	1	Shield, Hose	
66	1001119280	2	Bolt M10 x 260	
67	1001185747	2	Pad	
70	1001119228	8	Nut M8	
71	8310070	1	Pushnut 3/8	
72	4750800	AR	Washer #8	

SECTION 8 - ELECTRICAL

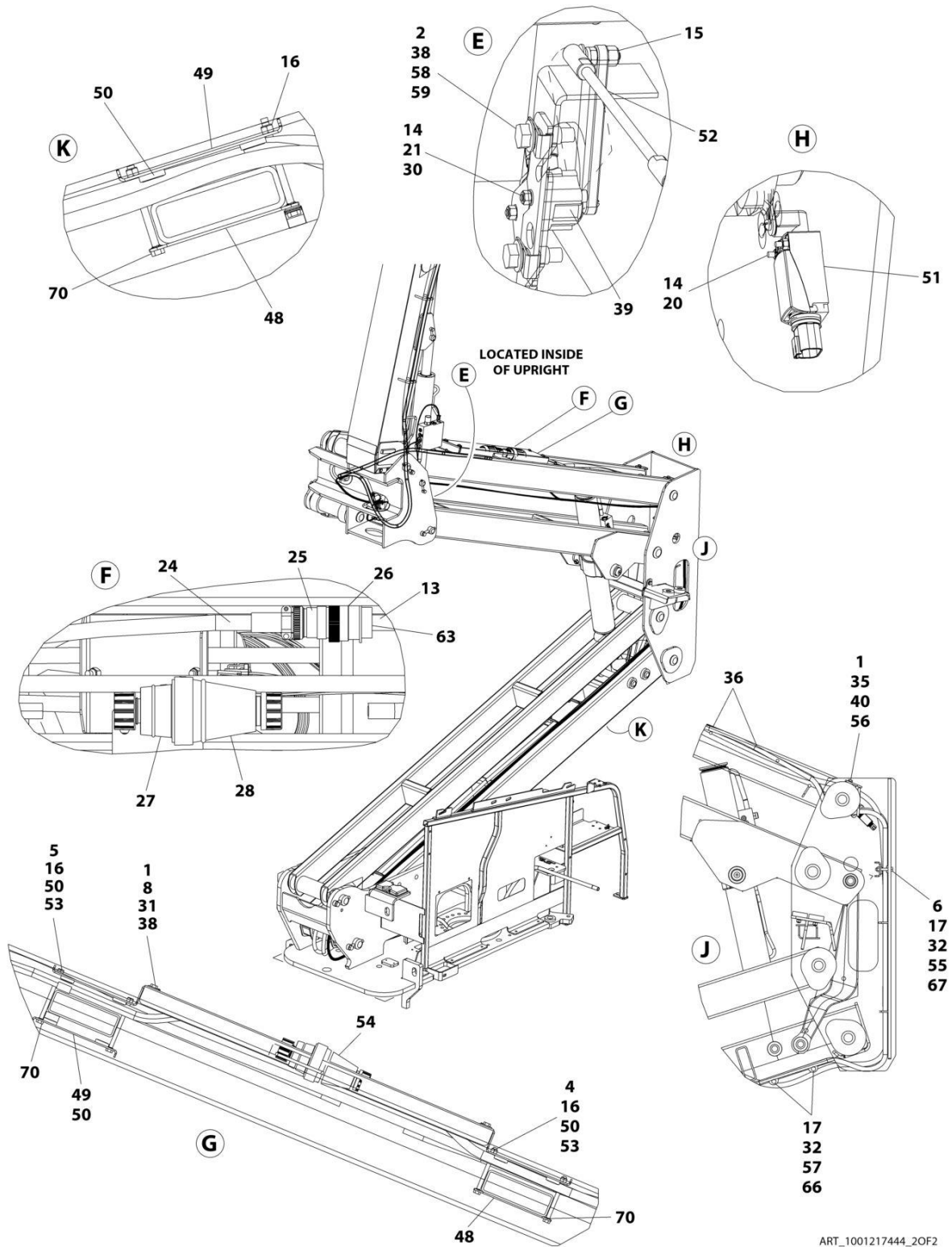
FIGURE 8-29. BOOM CABLES AND CLAMPS INSTALLATION - 450A (MACHINES WITH 7500W GENERATOR AND WITH ARCTIC PACKAGE)

NOTE:
ITEMS SHOWN MAY NOT
BE REQUIRED FOR ALL SPECS.
REFER TO PARTS LIST
FOR USAGE.



ART_1001217444_10F2

SECTION 8 - ELECTRICAL



ART_1001217444_20F2

SECTION 8 - ELECTRICAL

FIGURE 8-29. BOOM CABLES AND CLAMPS INSTALLATION - 450A (MACHINES WITH 7500W GENERATOR AND WITH ARCTIC PACKAGE)

ITEM	PART NUMBER	QTY	DESCRIPTION	REV
	1001217444	Ref	BOOM CABLES AND CLAMPS INSTALLATION	H
1	0100011	AR	Compound, Locking	
2	0100081	AR	Adhesive	
3	0641509	2	Bolt 5/16 x 1-1/8	
4	0700827	6	Bolt M8 x 100	
5	0700828	2	Bolt M8 x 110	
6	0701021	3	Bolt M10 x 65	
7	0701024	4	Bolt M10 x 80	
8	0760812	4	Bolt M8 x 25	
10	1320130	1	Clamp	
13	2820031	AR	Heat Shrink	
14	3290405	4	Nut M4	
15	3290605	2	Nut M6	
16	3290805	10	Nut M8	
17	3291005	10	Nut M10	
19	3841340	1	Loop, Hose	
20	4010418	2	Screw M4 x 50	
21	4031511	2	Capscrew M4 x 35	
22	4060808	27.5 in/ 8.4m	Flex-Trim	
23	4240156	1	Strap, Clinch	
24	4460473	AR	Clamp, Cable	
25	4460865	1	Connector - 19 Position	
26	4460866	1	Connector - 19 Position	
27	1001218622	1	Terminal, Turnlock Plug	
28	1001218623	1	Terminal, Turnlock Connector	
29	4711500	4	Washer 5/16	
30	4811400	2	Washer M4	
31	4811902	4	Washer M8	
32	4812000	13	Washer M10	
33	1001179439	1	Harness, Tower Boom (Not Shown - See Separate Breakdown in this Section)	
34	4922929	1	Harness, Tower Boom - 8/5 Generator Cable (Not Shown)	
35	5251014	2	Bolt M10 x 30	
36	8881800	AR	Tie-Strap	
37	5281918	2	Screw M8 x 70	
38	1001118274	6	Nut M8	
39	1001118971	1	Sensor, Angle	
39	70005667	1	Arm	
40	1001118972	2	Nut M10	
41	1001217441	1	Harness, Main Boom (Not Shown - See Separate Breakdown in this Section)	
42	1001172343	1	Harness, Main Boom - 8/5 Generator Cable (Not Shown)	
43	1001164738	1	Harness, Boom Valve (Not Shown - See Separate Breakdown in this Section)	
44	1001273304	1	Block, Clamping	
45	1001273303	1	Plate	
46	1001168472	1	Plate, Clamping	
47	1001168473	2	Clamp, Rubber	
48	1001171553	3	Plate, Clamping	

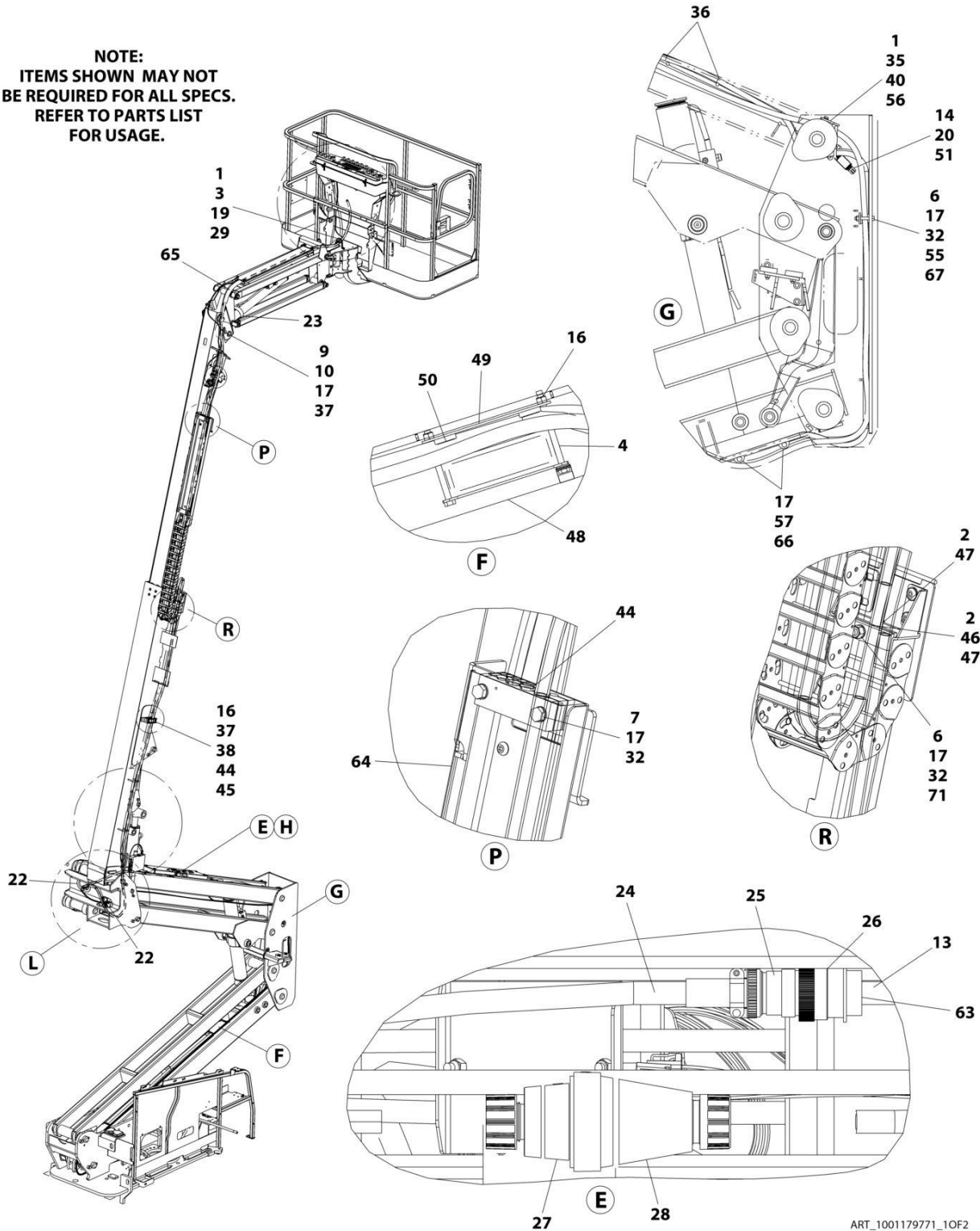
SECTION 8 - ELECTRICAL

ITEM	PART NUMBER	QTY	DESCRIPTION	REV
49	1001171555	3	Plate, Clamping	
50	1001171559	10	Pad	
51	1001284504	1	Switch, Limit	
52	1001238466	1	Link, Sensor (Note: Sold as Assembly Only)	
53	1001178448	2	Plate, Clamping	
54	1001178449	1	Cover	
55	1001178644	1	Plate	
56	1001260306	1	Bracket	
57	1001182561	2	Roller	
58	5250812	2	Bolt M8 x 25	
59	1001179266	1	Plate, Mounting	
63	4460466	AR	Plug, Terminal	
64	1001181875	1	Cover	
65	1001181923	1	Shield, Hose	
66	1001119280	2	Bolt M10 x 260	
67	1001185747	2	Pad	
69	88521205	2	Nut 5/16	
70	1001119228	8	Nut M8	
71	8310070	1	Pushnut 3/8	

SECTION 8 - ELECTRICAL

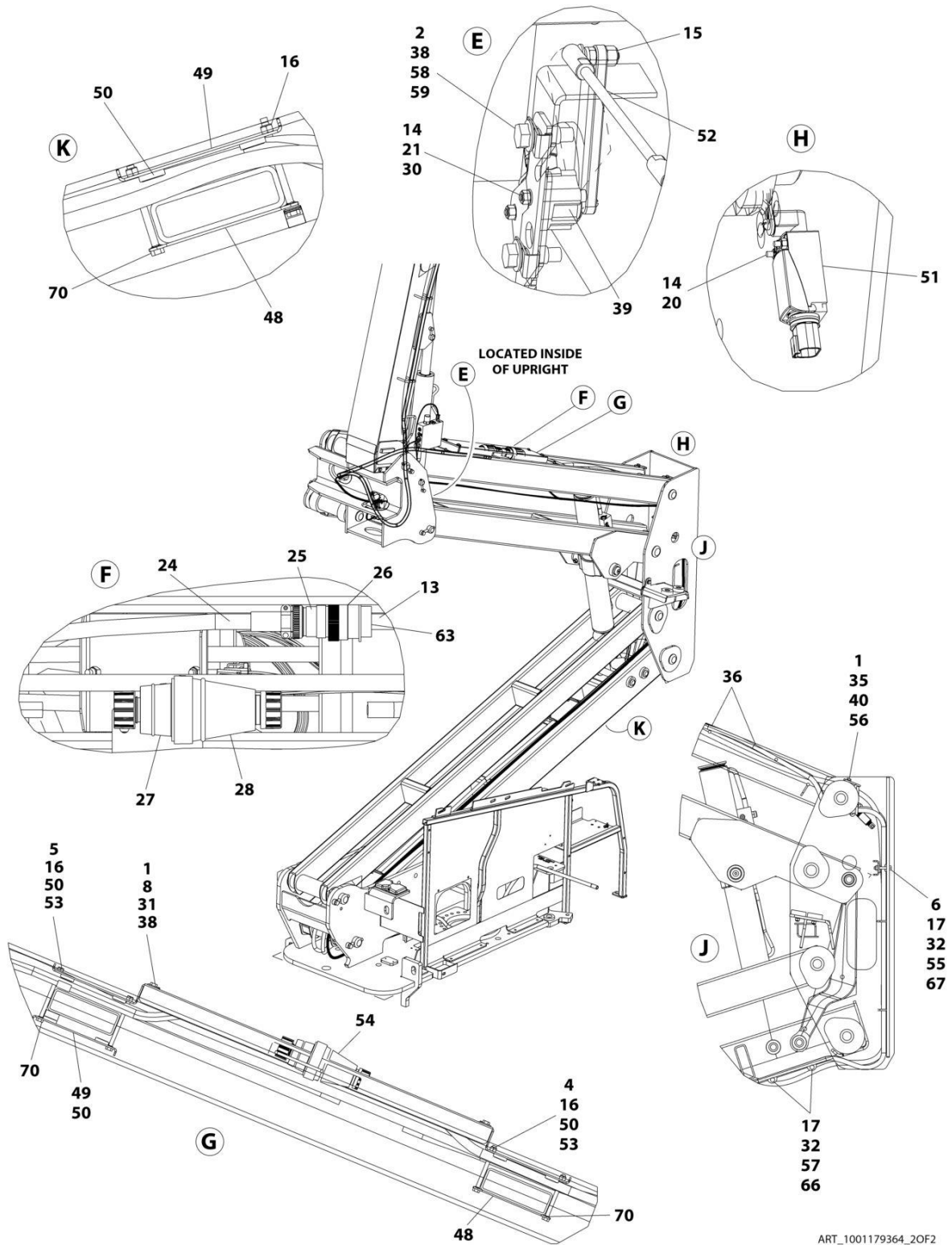
FIGURE 8-30. BOOM CABLES AND CLAMPS INSTALLATION - 450AJ (MACHINES WITH 7500W GENERATORS AND WITH ARCTIC PACKAGE)

NOTE:
ITEMS SHOWN MAY NOT
BE REQUIRED FOR ALL SPECS.
REFER TO PARTS LIST
FOR USAGE.



ART_1001179771_10F2

SECTION 8 - ELECTRICAL



ART_1001179364_20F2

SECTION 8 - ELECTRICAL

FIGURE 8-30. BOOM CABLES AND CLAMPS INSTALLATION - 450AJ (MACHINES WITH 7500W GENERATORS AND WITH ARCTIC PACKAGE)

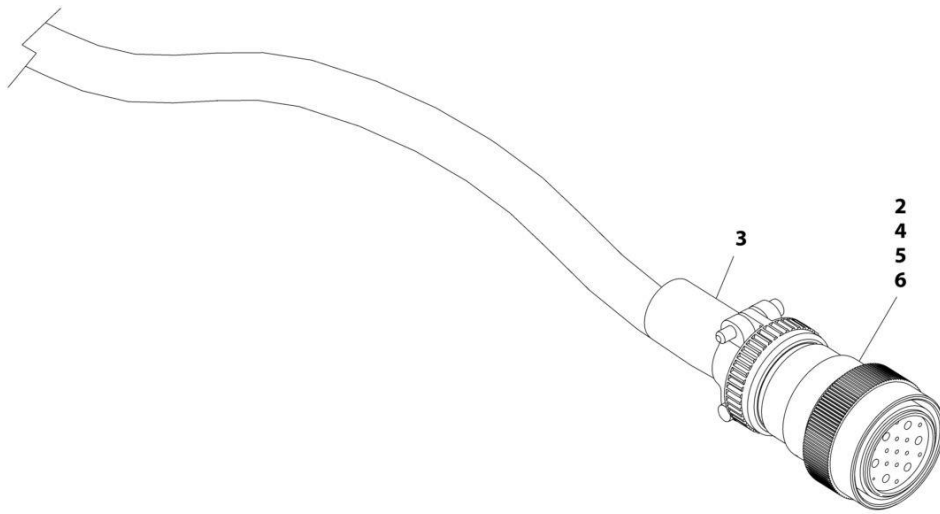
ITEM	PART NUMBER	QTY	DESCRIPTION	REV
	1001179771	Ref	BOOM CABLES AND CLAMPS INSTALLATION	O
1	0100011	AR	Compound, Locking	
2	0100081	AR	Adhesive	
3	0760814	2	Bolt M8 x 30	
4	0700827	6	Bolt M8 x 100	
5	0700828	2	Bolt M8 x 110	
6	0701021	3	Bolt M10 x 65	
7	0701024	4	Bolt M10 x 80	
8	0760812	4	Bolt M8 x 25	
9	0761012	1	Bolt M10 x 25	
10	1320130	1	Clamp	
13	2820031	AR	Heat Shrink	
14	3290405	4	Nut M4	
15	3290605	2	Nut M6	
16	3290805	12	Nut M8	
17	3291005	10	Nut M10	
19	3841340	1	Loop, Hose	
20	4010418	2	Screw M4 x 50	
21	4031511	2	Capscrew M4 x 35	
22	4060808	27.5 in/ 8.38m	Flex-Trim	
23	4240156	2	Strap, Clinch	
24	4460473	AR	Clamp, Cable	
25	4460865	1	Connector - 19 Position	
26	4460866	1	Connector - 19 Position	
27	1001218622	1	Terminal, Turnlock Plug	
28	1001218623	1	Terminal, Turnlock Connector	
29	4811900	4	Washer M8	
30	4811400	2	Washer M4	
31	4811902	4	Washer M8	
32	4812000	13	Washer M10	
33	1001179439	1	Harness, Tower Boom (Not Shown - See Separate Breakdown in this Section)	
34	4922929	1	Harness, Tower Boom - 8/5 Generator Cable (Not Shown)	
35	5251014	2	Bolt M10 x 30	
36	8881800	AR	Tie-Strap	
37	5281920	2	Screw M8 x 80	
37	5281918	2	Bolt M8 x 70	
38	1001118274	8	Nut M8	
39	1001118971	1	Sensor, Angle	
39	70005667	1	Arm	
40	1001118972	2	Nut M10	
41	1001174748	1	Harness, Main Boom (Not Shown - See Separate Breakdown in this Section)	
42	1001164732	1	Harness, Main Boom - 8/5 - Upper Generator Cable (Not Shown)	
43	1001164738	1	Harness, Boom Valve (Not Shown - See Separate Breakdown in this Section)	
44	1001273304	3	Block, Clamping	
45	1001273303	1	Plate	
46	1001168472	1	Plate, Clamping	

SECTION 8 - ELECTRICAL

ITEM	PART NUMBER	QTY	DESCRIPTION	REV
47	1001168473	2	Clamp, Rubber	
48	1001171553	3	Plate, Clamping	
49	1001171555	3	Plate, Clamping	
50	1001171559	10	Pad	
51	1001284504	1	Switch, Limit	
52	1001238466	1	Link, Sensor (Note: Sold as Assembly Only)	
53	1001178448	2	Plate, Clamping	
54	1001178449	1	Cover	
55	1001178644	1	Plate	
56	1001260306	1	Bracket	
57	1001182561	2	Roller	
58	5250812	2	Bolt M8 x 25	
59	1001179266	1	Plate, Mounting	
63	4460466	AR	Plug, Terminal	
64	1001181621	1	Cover	
65	1001181923	1	Shield, Hose	
66	1001119280	2	Bolt M10 x 260	
67	1001185747	2	Pad	
70	1001119228	8	Nut M8	
71	8310070	1	Pushnut 3/8	

SECTION 8 - ELECTRICAL

FIGURE 8-31. BOOM HARNESS - 450A (MAIN BOOM) (WITHOUT ARCTIC PACKAGE)



ART_1001172335

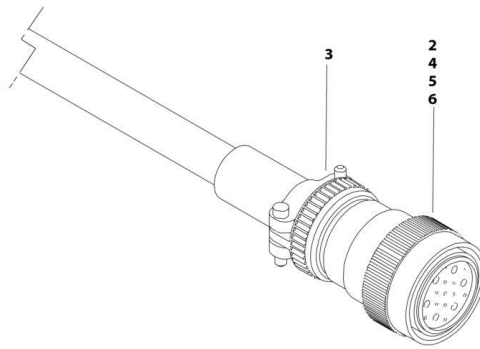
SECTION 8 - ELECTRICAL

FIGURE 8-31. BOOM HARNESS - 450A (MAIN BOOM) (WITHOUT ARCTIC PACKAGE)

ITEM	PART NUMBER	QTY	DESCRIPTION	REV
	1001172335	Ref	BOOM HARNESS - 450A (MAIN BOOM)	E
2	4460865	1	Connector - 19 Position	
3	4460473	1	Clamp	
4	4460465	20	Socket, Female	
5	4460509	8	Socket, Female	
6	4460466	5	Plug, Socket	

SECTION 8 - ELECTRICAL

FIGURE 8-32. BOOM HARNESS - 450AJ (MAIN BOOM) (WITHOUT ARCTIC PACKAGE)



ART_1001164730

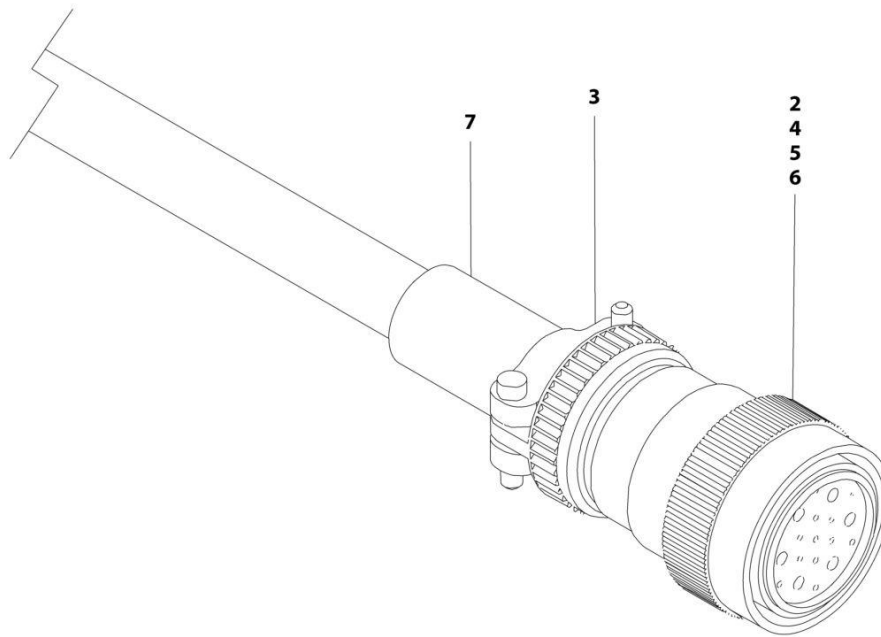
SECTION 8 - ELECTRICAL

FIGURE 8-32. BOOM HARNESS - 450AJ (MAIN BOOM) (WITHOUT ARCTIC PACKAGE)

ITEM	PART NUMBER	QTY	DESCRIPTION	REV
	1001164730	Ref	BOOM HARNESS - MAIN BOOM	D
2	4460865	1	Connector - 19 Position	
3	4460473	1	Clamp	
4	4460465	20	Socket, Female	
5	4460509	8	Socket, Female	
6	4460466	5	Plug, Socket	

SECTION 8 - ELECTRICAL

FIGURE 8-33. BOOM HARNESS - 450A (MAIN BOOM) (WITH ARCTIC PACKAGE)



ART_1001217441

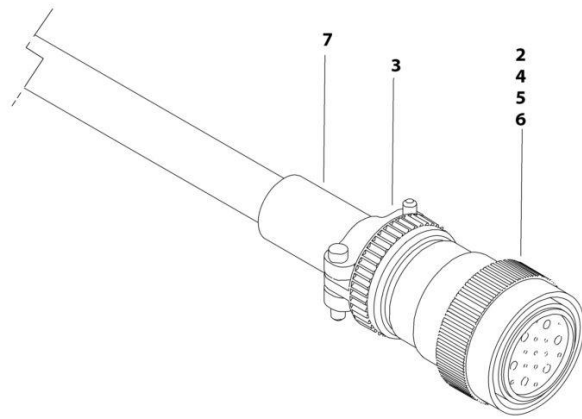
SECTION 8 - ELECTRICAL

FIGURE 8-33. BOOM HARNESS - 450A (MAIN BOOM) (WITH ARCTIC PACKAGE)

ITEM	PART NUMBER	QTY	DESCRIPTION	REV
	1001217441	Ref	BOOM HARNESS - 450A (MAIN BOOM)	A
2	4460865	1	Connector - 19 Position	
3	4460473	1	Clamp	
4	4460465	22	Socket, Female	
5	4460509	8	Socket, Female	
6	4460466	4	Plug, Socket	
7	2820118	AR	Heat Shrink	

SECTION 8 - ELECTRICAL

FIGURE 8-34. BOOM HARNESS - 450AJ (MAIN BOOM) (WITH ARCTIC PACKAGE)



ART_1001174748

SECTION 8 - ELECTRICAL

FIGURE 8-34. BOOM HARNESS - 450AJ (MAIN BOOM) (WITH ARCTIC PACKAGE)

ITEM	PART NUMBER	QTY	DESCRIPTION	REV
	1001174748	Ref	BOOM HARNESS - 450AJ (MAIN BOOM)	C
2	4460865	1	Connector - 19 Position	
3	4460473	1	Clamp	
4	4460465	20	Socket, Female	
5	4460509	8	Socket, Female	
6	4460466	5	Plug, Socket	

SECTION 8 - ELECTRICAL

FIGURE 8-35. BOOM HARNESS - 450A (MAIN BOOM AC CABLE) (WITHOUT ARCTIC PACKAGE)



ART_1001172336

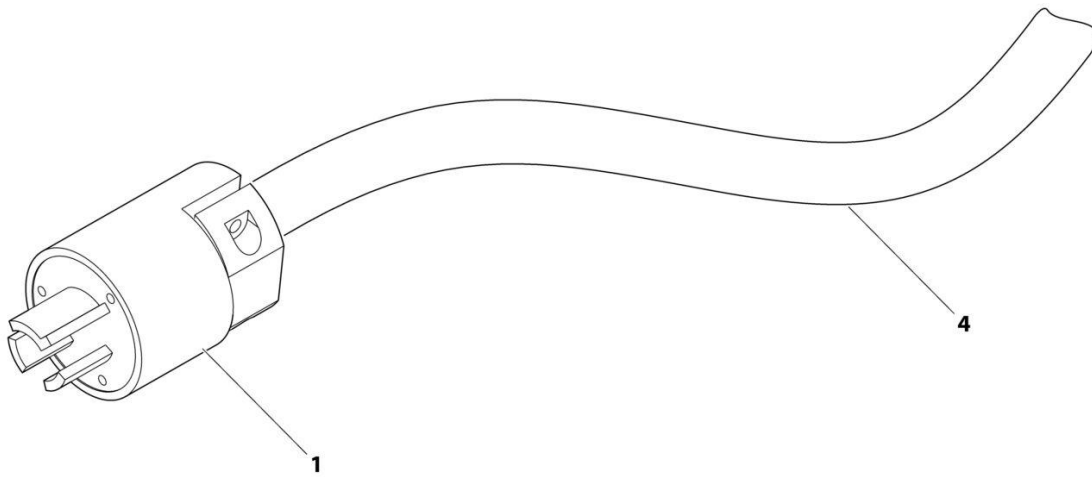
SECTION 8 - ELECTRICAL

FIGURE 8-35. BOOM HARNESS - 450A (MAIN BOOM AC CABLE) (WITHOUT ARCTIC PACKAGE)

ITEM	PART NUMBER	QTY	DESCRIPTION	REV
	1001172336	Ref	BOOM HARNESS - 450A (MAIN BOOM AC CABLE)	C
1	1001120204	1	Plug, Male	
4	1060461	494 in /12.6m	Cable, Electrical - 12/3	

SECTION 8 - ELECTRICAL

FIGURE 8-36. BOOM HARNESS - 450AJ (MAIN BOOM AC CABLE) (WITHOUT ARCTIC PACKAGE)



ART_1001164731

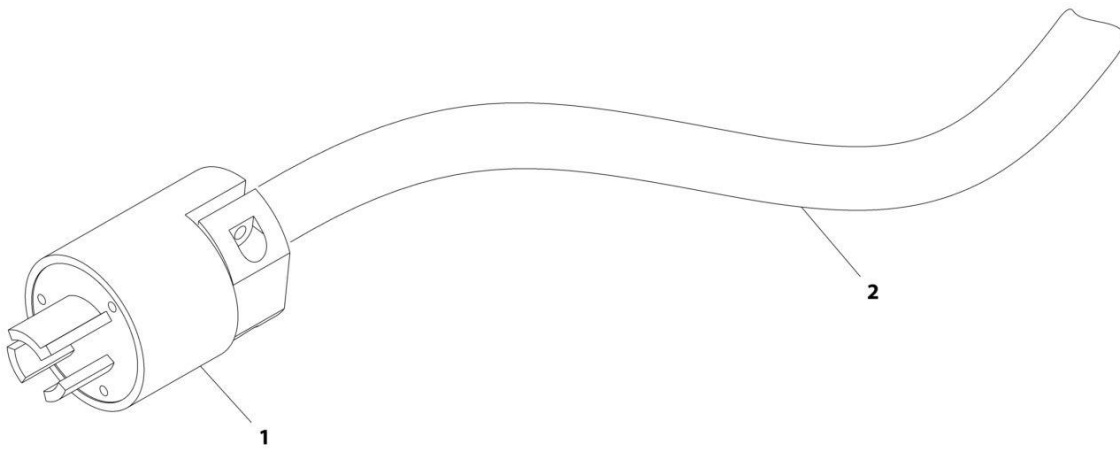
SECTION 8 - ELECTRICAL

FIGURE 8-36. BOOM HARNESS - 450AJ (MAIN BOOM AC CABLE) (WITHOUT ARCTIC PACKAGE)

ITEM	PART NUMBER	QTY	DESCRIPTION	REV
	1001164731	Ref	BOOM HARNESS - MAIN BOOM AC CABLE	C
1	1001120204	1	Plug, Male	
4	1060461	494 in/ 12.6m	Cable, Electrical - 12/3	

SECTION 8 - ELECTRICAL

FIGURE 8-37. BOOM HARNESS - 450A (MAIN BOOM AC CABLE) (WITH ARCTIC PACKAGE)



ART_1001217440

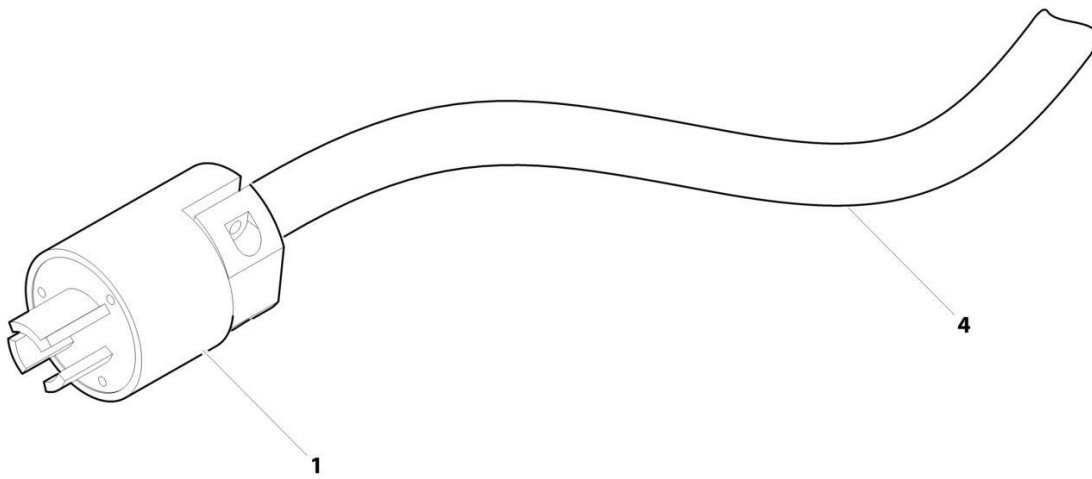
SECTION 8 - ELECTRICAL

FIGURE 8-37. BOOM HARNESS - 450A (MAIN BOOM AC CABLE) (WITH ARCTIC PACKAGE)

ITEM	PART NUMBER	QTY	DESCRIPTION	REV
	1001217440	Ref	BOOM HARNESS - 450A (MAIN BOOM AC CABLE)	A
1	1001120204	1	Plug, Male	
2	4923463	494 in /12.6m	Cable, Electrical - 12/3	

SECTION 8 - ELECTRICAL

FIGURE 8-38. BOOM HARNESS - 450AJ (MAIN BOOM AC CABLE) (WITH ARCTIC PACKAGE)



ART_1001174750

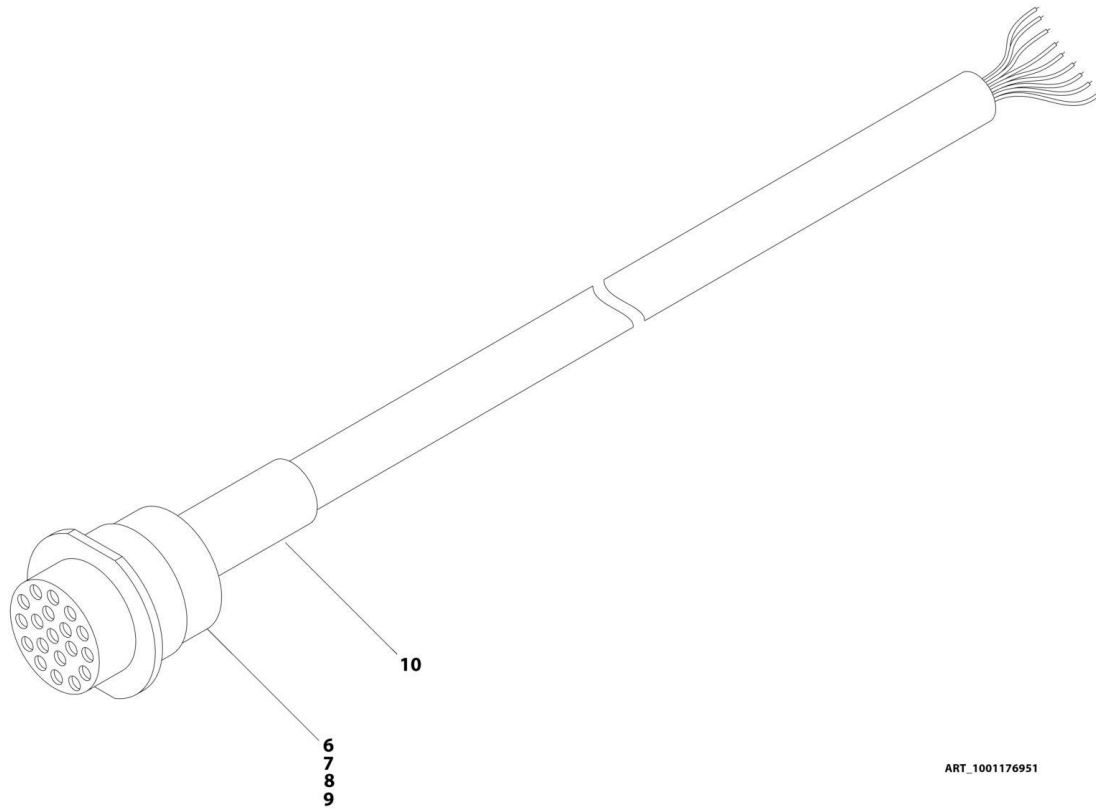
SECTION 8 - ELECTRICAL

FIGURE 8-38. BOOM HARNESS - 450AJ (MAIN BOOM AC CABLE) (WITH ARCTIC PACKAGE)

ITEM	PART NUMBER	QTY	DESCRIPTION	REV
	1001174750	Ref	BOOM HARNESS - 450AJ (MAIN BOOM AC CABLE)	B
1	1001120204	1	Plug, Male	
4	4923463	494 in/ 12.6m	Cable, Electrical - 12/3	

SECTION 8 - ELECTRICAL

FIGURE 8-39. BOOM HARNESS - TOWER BOOM (WITHOUT ARCTIC PACKAGE)



ART_1001176951

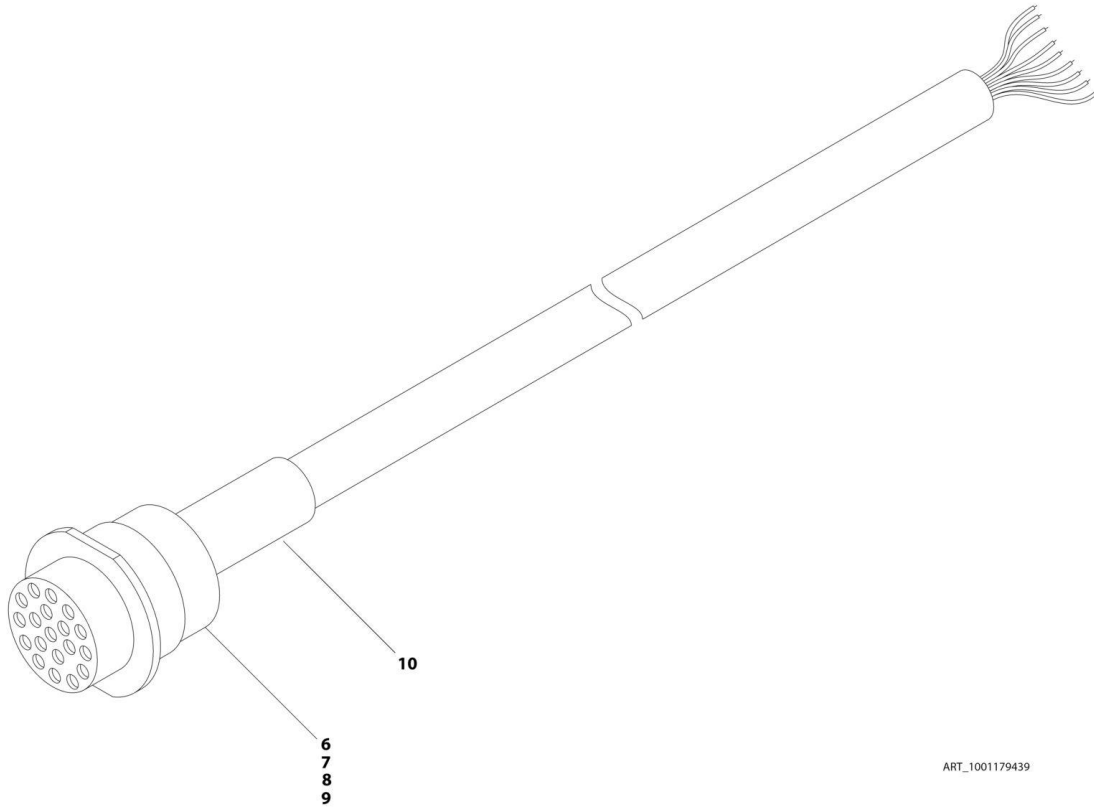
SECTION 8 - ELECTRICAL

FIGURE 8-39. BOOM HARNESS - TOWER BOOM (WITHOUT ARCTIC PACKAGE)

ITEM	PART NUMBER	QTY	DESCRIPTION	REV
	1001176951	Ref	BOOM HARNESS - TOWER BOOM	E
6	4460466	5	Plug, Terminal	
7	4460464	20	Pin, Male	
8	4460508	8	Pin, Male	
9	4460866	1	Connector - 19 Position	
10	2820031	AR	Heat Shrink	

SECTION 8 - ELECTRICAL

FIGURE 8-40. BOOM HARNESS - TOWER BOOM (WITH ARCTIC PACKAGE)



ART_1001179439

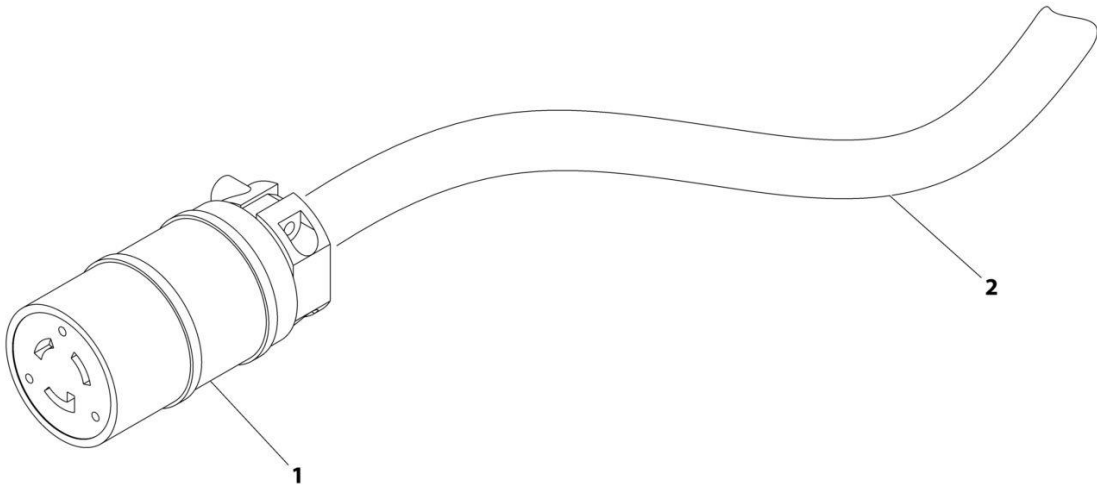
SECTION 8 - ELECTRICAL

FIGURE 8-40. BOOM HARNESS - TOWER BOOM (WITH ARCTIC PACKAGE)

ITEM	PART NUMBER	QTY	DESCRIPTION	REV
	1001179439	Ref	BOOM HARNESS - TOWER BOOM	D
6	4460466	4	Plug, Terminal	
7	4460464	22	Pin, Male	
8	4460508	8	Pin, Male	
9	4460866	1	Connector - 19 Position	
10	2820031	AR	Heat Shrink	

SECTION 8 - ELECTRICAL

FIGURE 8-41. BOOM HARNESS - TOWER BOOM AC CABLE (WITHOUT ARCTIC PACKAGE)



ART_1001174749

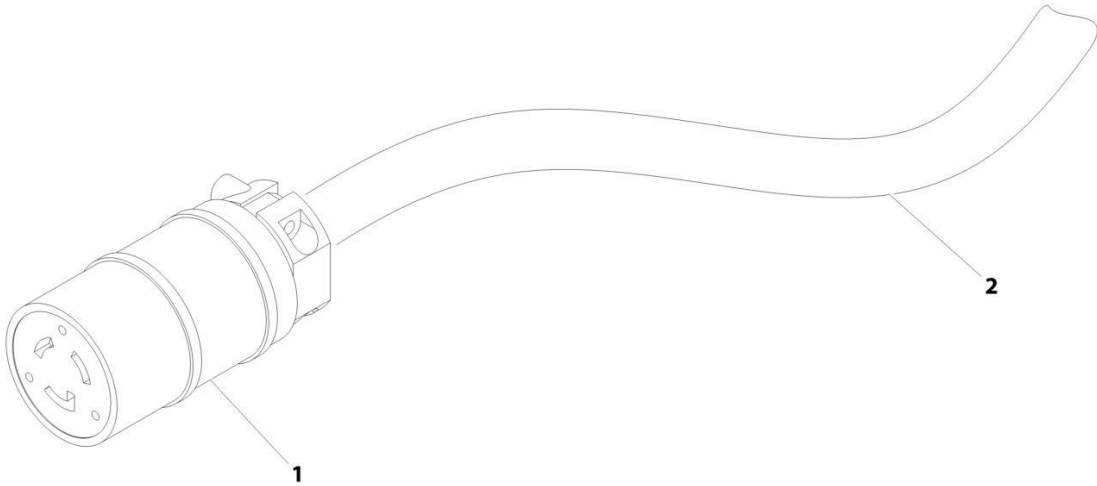
SECTION 8 - ELECTRICAL

FIGURE 8-41. BOOM HARNESS - TOWER BOOM AC CABLE (WITHOUT ARCTIC PACKAGE)

ITEM	PART NUMBER	QTY	DESCRIPTION	REV
	1001174749	Ref	BOOM HARNESS - TOWER BOOM AC CABLE	C
1	1001120205	1	Connector, Female	
2	1060461	28 ft/ 8.5m	Electrical Cable, 12/3	

SECTION 8 - ELECTRICAL

FIGURE 8-42. BOOM HARNESS - TOWER BOOM AC CABLE (WITH ARCTIC PACKAGE)



ART_1001174754

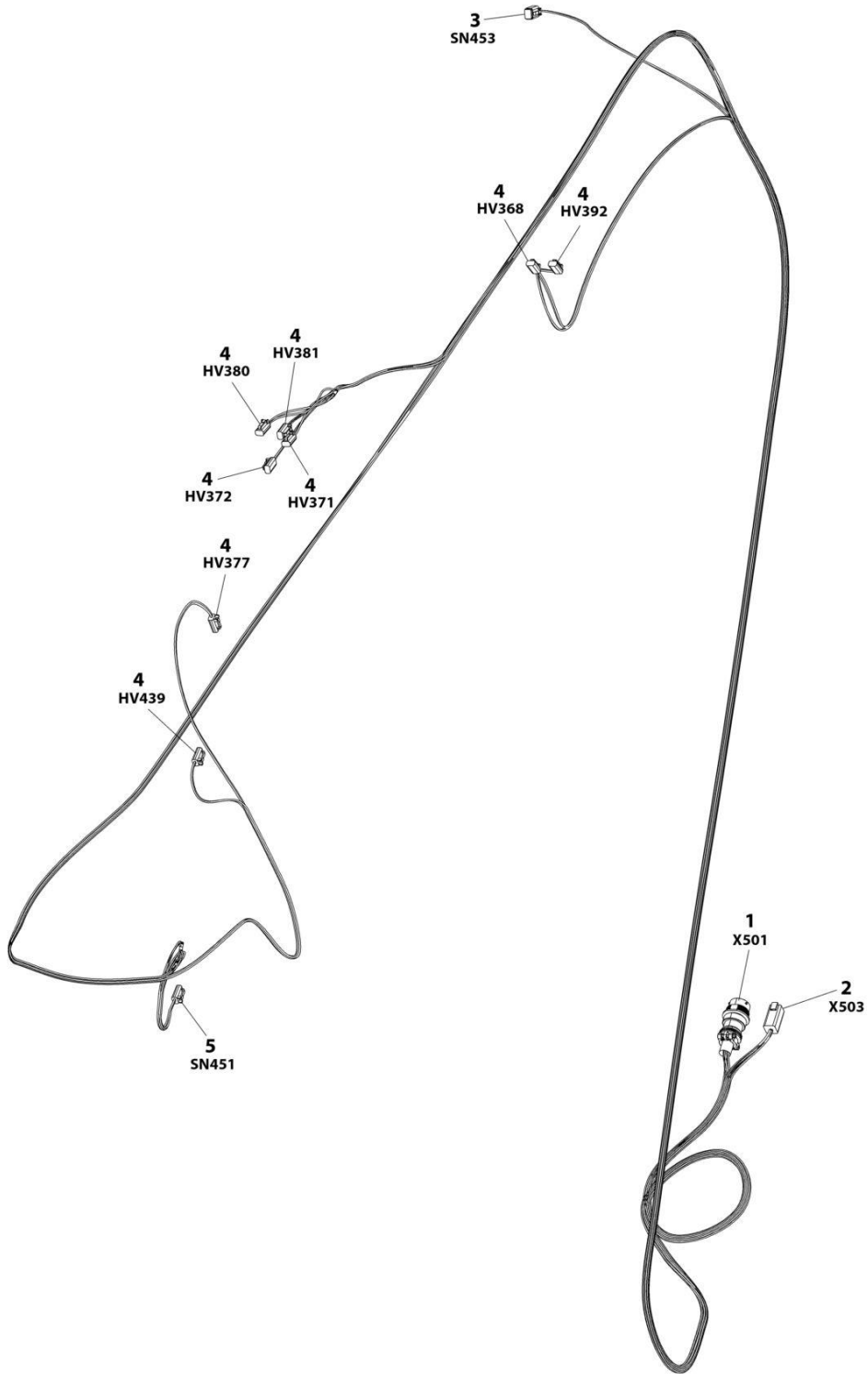
SECTION 8 - ELECTRICAL

FIGURE 8-42. BOOM HARNESS - TOWER BOOM AC CABLE (WITH ARCTIC PACKAGE)

ITEM	PART NUMBER	QTY	DESCRIPTION	REV
	1001174754	Ref	BOOM HARNESS - TOWER BOOM AC CABLE	B
1	1001120205	1	Connector, Female	
2	4920463	28 ft/ 8.5m	Cable, Electrical - 12/3	

SECTION 8 - ELECTRICAL

FIGURE 8-43. BOOM VALVE HARNESS



ART_1001164738

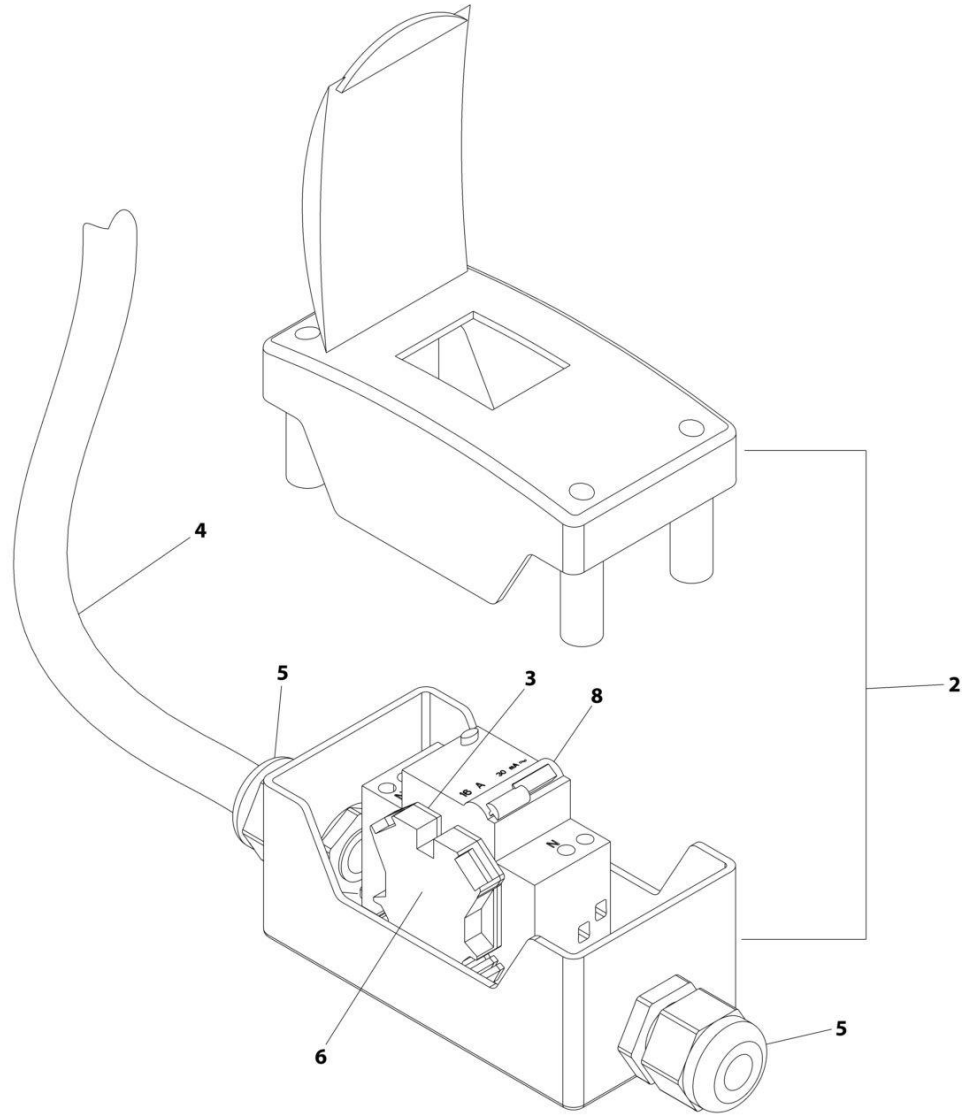
SECTION 8 - ELECTRICAL

FIGURE 8-43. BOOM VALVE HARNESS

ITEM	PART NUMBER	QTY	DESCRIPTION	REV
	1001164738	Ref	BOOM VALVE HARNESS	I
1	1001156541	1	Connector - 19 Position	
1	4460464	13	Pin, Male	
1	4460466	1	Plug, Terminal	
2	4460899	1	Connector - 6 Position	
2	4460464	6	Pin, Male	
3	4460884	1	Plug, Male - 4 Position	
3	4460465	2	Socket, Female	
3	4460466	2	Plug, Terminal	
4	4460891	8	Plug, Male - 2 Position	
4	4460465	16	Socket, Female	
5	1001230931	1	Plug, Male - 6 Position	
5	1001116748	6	Terminal	

SECTION 8 - ELECTRICAL

FIGURE 8-44. BREAKER BOX KIT WITH SINGLE DOUBLE POLE BREAKER - CE AND RUSSIA SPECS



ART_2902549

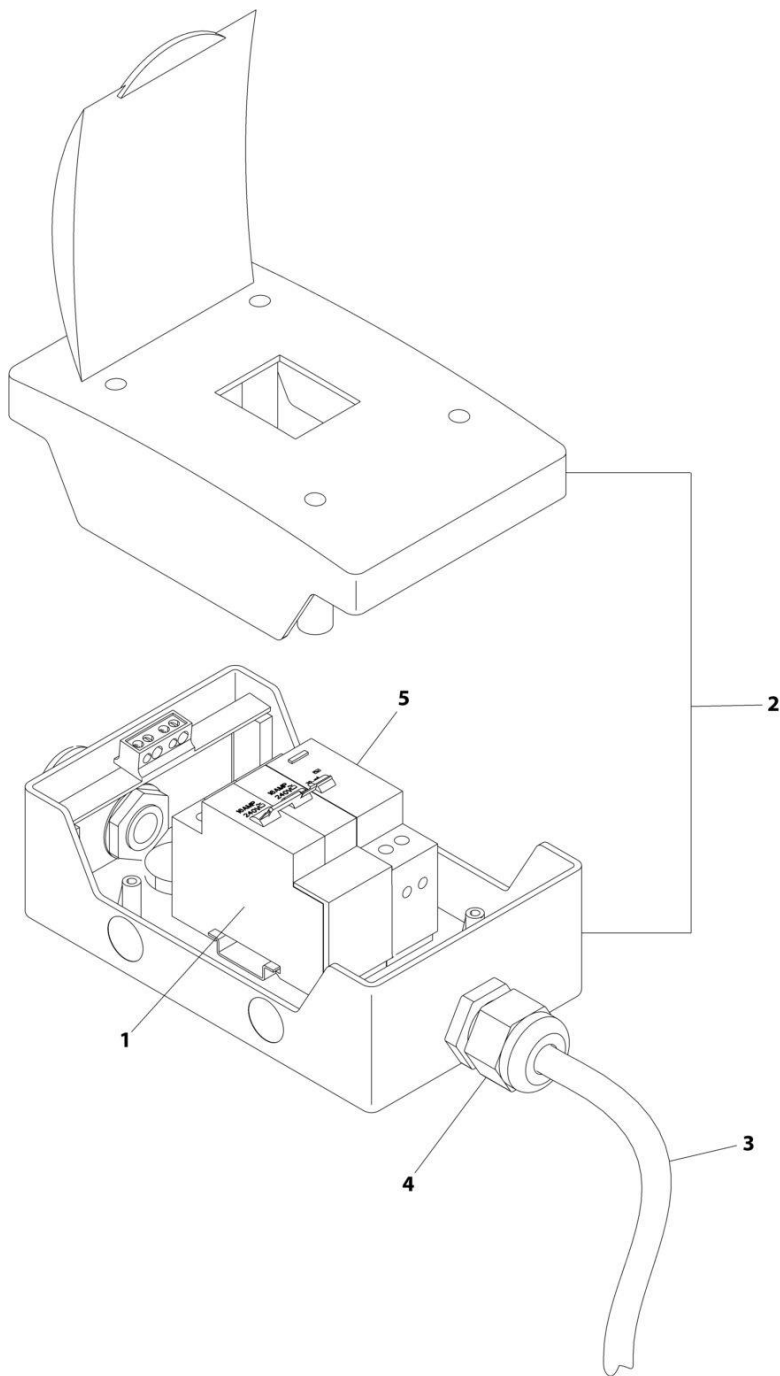
SECTION 8 - ELECTRICAL

FIGURE 8-44. BREAKER BOX KIT WITH SINGLE DOUBLE POLE BREAKER - CE AND RUSSIA SPECS

ITEM	PART NUMBER	QTY	DESCRIPTION	REV
	2902549	Ref	BREAKER BOX KIT - 110/220V 16AMP BREAKER	F
2	0861880	1	Box	
3	4460956	1	Barrier, Terminal	
4	1060908	6 ft/1.8m	Cable, 12/3	
5	1001097150	2	Connector, Strain Relief	
6	4460957	1	Block, Terminal	
8	1001181045	1	Breaker, Combination 16Amp/30mAmp	

SECTION 8 - ELECTRICAL

FIGURE 8-45. BREAKER BOX KIT WITH THREE BREAKERS - CE AND RUSSIA SPECS



ART_1001152485_F

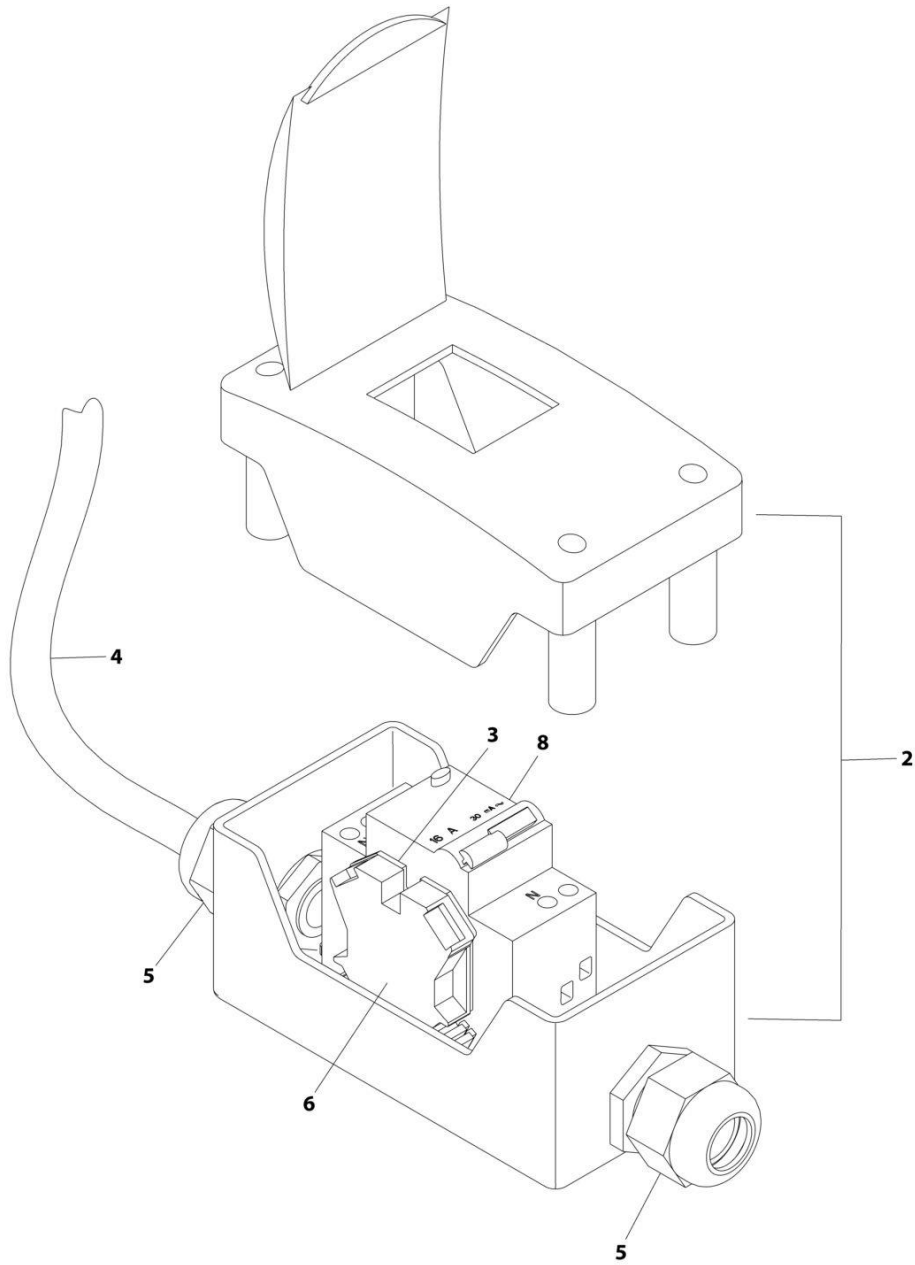
SECTION 8 - ELECTRICAL

FIGURE 8-45. BREAKER BOX KIT WITH THREE BREAKERS - CE AND RUSSIA SPECS

ITEM	PART NUMBER	QTY	DESCRIPTION	REV
	1001152485	Ref	BREAKER BOX KIT WITH TWO BREAKERS	F
1	1001189172	1	Breaker 16Amp Double	
2	1001152483	1	Box	
3	1060908	6 ft/1.8m	Cable, 12/3	
4	1001097150	2	Connector, Strain Relief	
5	1001189171	1	Breaker, 30mA	

SECTION 8 - ELECTRICAL

FIGURE 8-46. BREAKER BOX KIT - 30MA/16 AMP



ART_1001096070

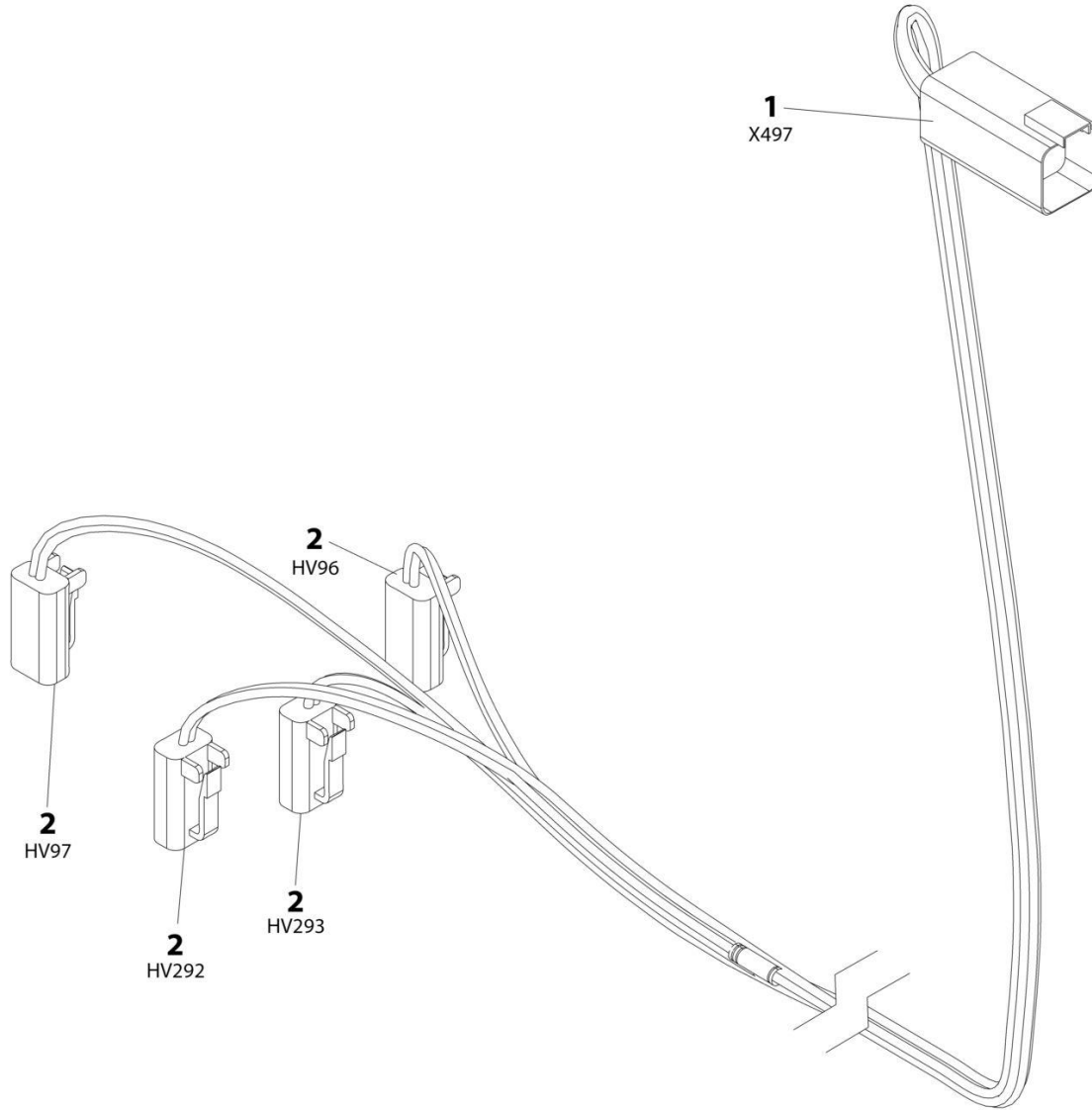
SECTION 8 - ELECTRICAL

FIGURE 8-46. BREAKER BOX KIT - 30MA/16 AMP

ITEM	PART NUMBER	QTY	DESCRIPTION	REV
	1001096070	Ref	BREAKER BOX KIT	E
2	0861880	1	Box	
3	4460956	1	Barrier, Terminal Block End	
4	1060908	12 ft/ 3.6m	Cable, 12/3	
5	1001097150	2	Connector, Strain Relief	
6	4460957	1	Block, Terminal	
8	1001181045	1	Breaker, 16Amp	

SECTION 8 - ELECTRICAL

FIGURE 8-47. CHASSIS SOLENOID HARNESS



ART_1001179236

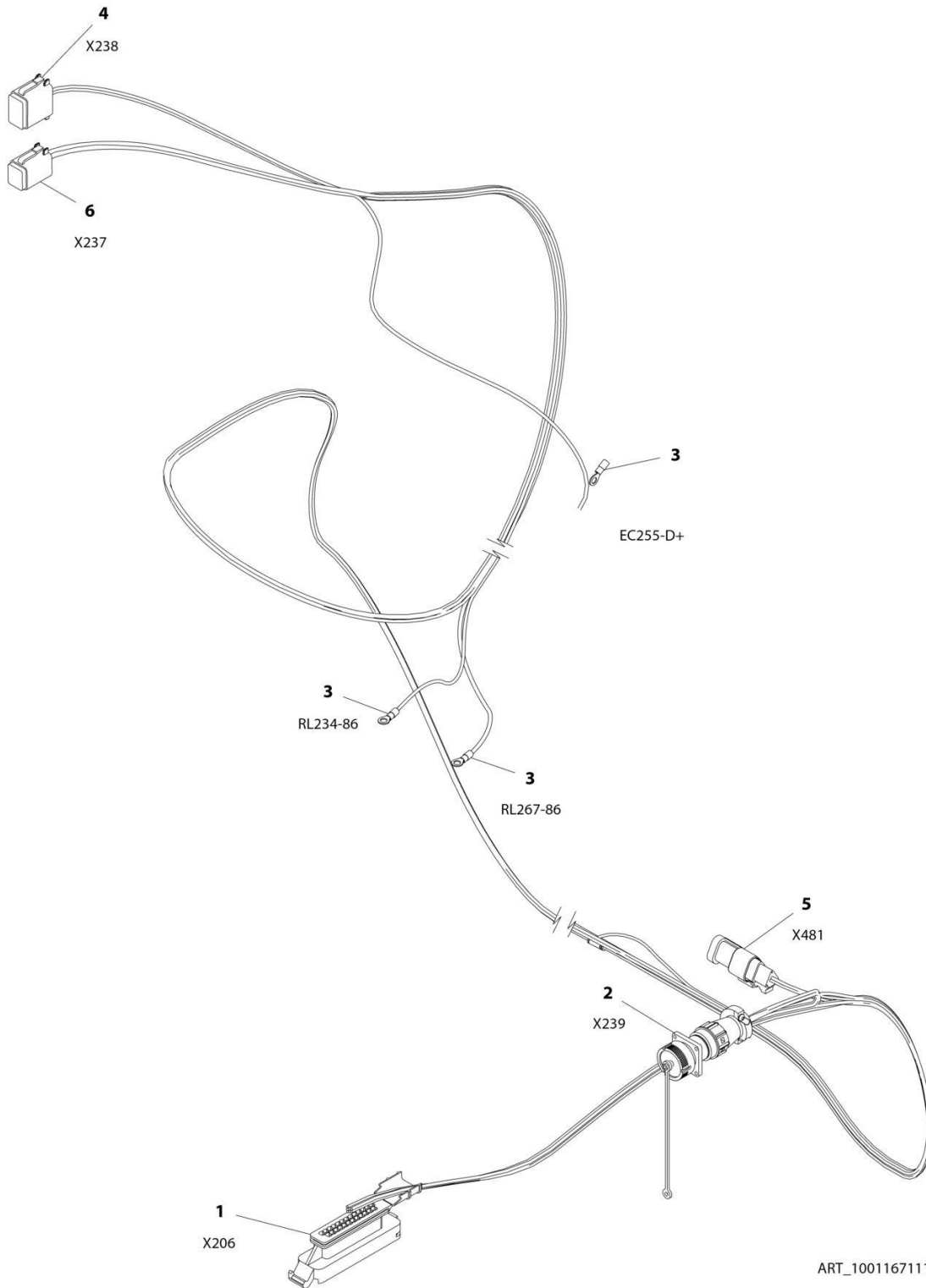
SECTION 8 - ELECTRICAL

FIGURE 8-47. CHASSIS SOLENOID HARNESS

ITEM	PART NUMBER	QTY	DESCRIPTION	REV
	1001179236	Ref	CHASSIS SOLENOID HARNESS	A
1	4460899	1	Receptacle, Female - 6 Position	
1	4460464	6	Pin, Male	
2	4460891	4	Plug, Male - 2 Position	
2	4460465	8	Socket, Female	

SECTION 8 - ELECTRICAL

FIGURE 8-48. ENGINE HARNESS - DEUTZ D2011



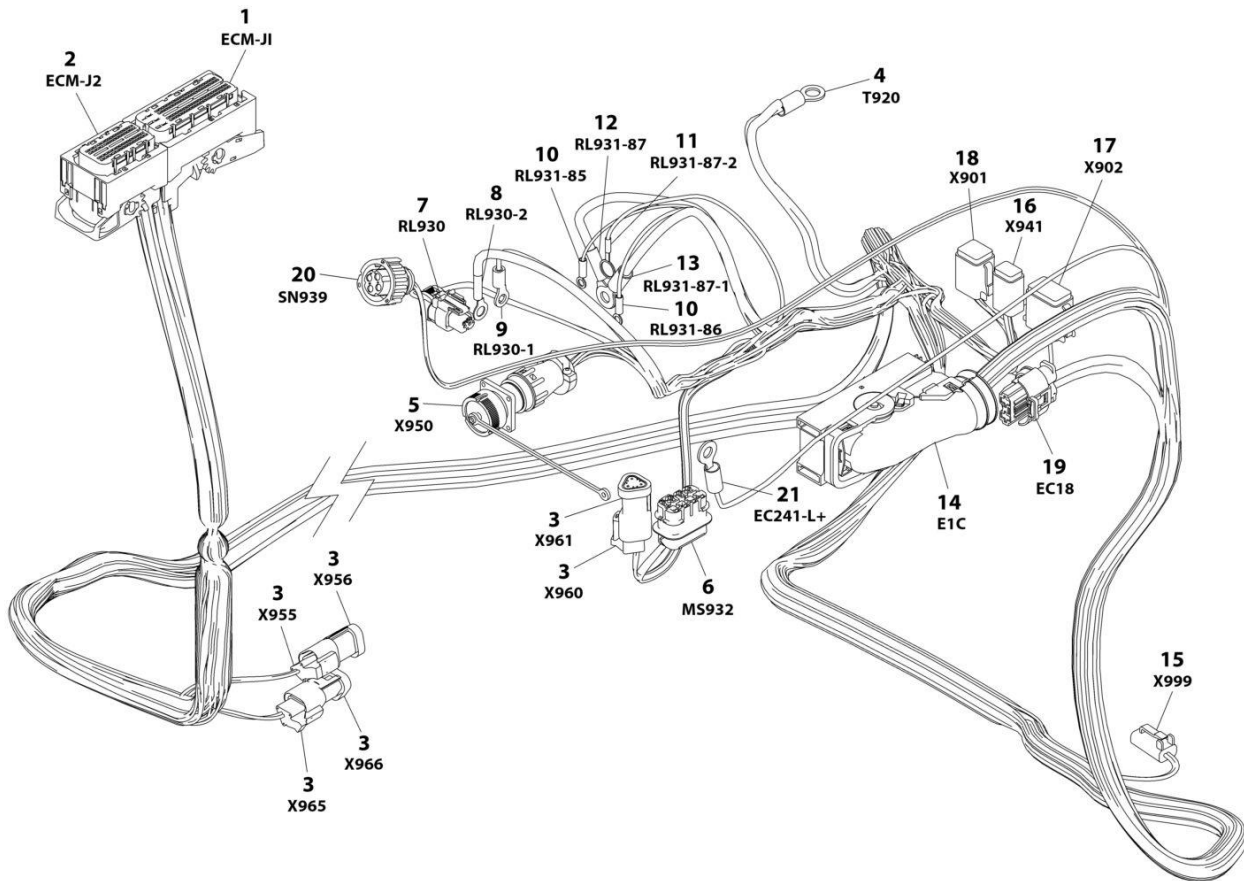
SECTION 8 - ELECTRICAL

FIGURE 8-48. ENGINE HARNESS - DEUTZ D2011

ITEM	PART NUMBER	QTY	DESCRIPTION	REV
	1001167111	Ref	ENGINE HARNESS - DEUTZ D2011	B
1	4461052	1	Connector - 25 Position	
1	4461005	7	Terminal	
1	4461008	18	Plug, Terminal	
2	2902443	1	Receptacle Kit	
2	4461071	8	Socket, Female	
2	4461072	1	Receptacle with Flange - 8 Position	
2	4461073	1	Cap, Dust	
2	4461074	1	Shell, Black	
3	4460313	3	Terminal, Ring	
4	4460930	1	Plug, Male - 8 Position	
4	4460465	2	Socket, Female	
4	4460466	6	Seal, Terminal	
5	4461095	1	Plug, Male - 3 Position	
5	4460465	3	Socket, Female	
6	4460894	1	Plug, Male - 6 Position	
6	4460465	6	Socket, Female	

SECTION 8 - ELECTRICAL

FIGURE 8-49. ENGINE HARNESS - DEUTZ D2.9L4



ART_1001167108_L

SECTION 8 - ELECTRICAL

FIGURE 8-49. ENGINE HARNESS - DEUTZ D2.9L4

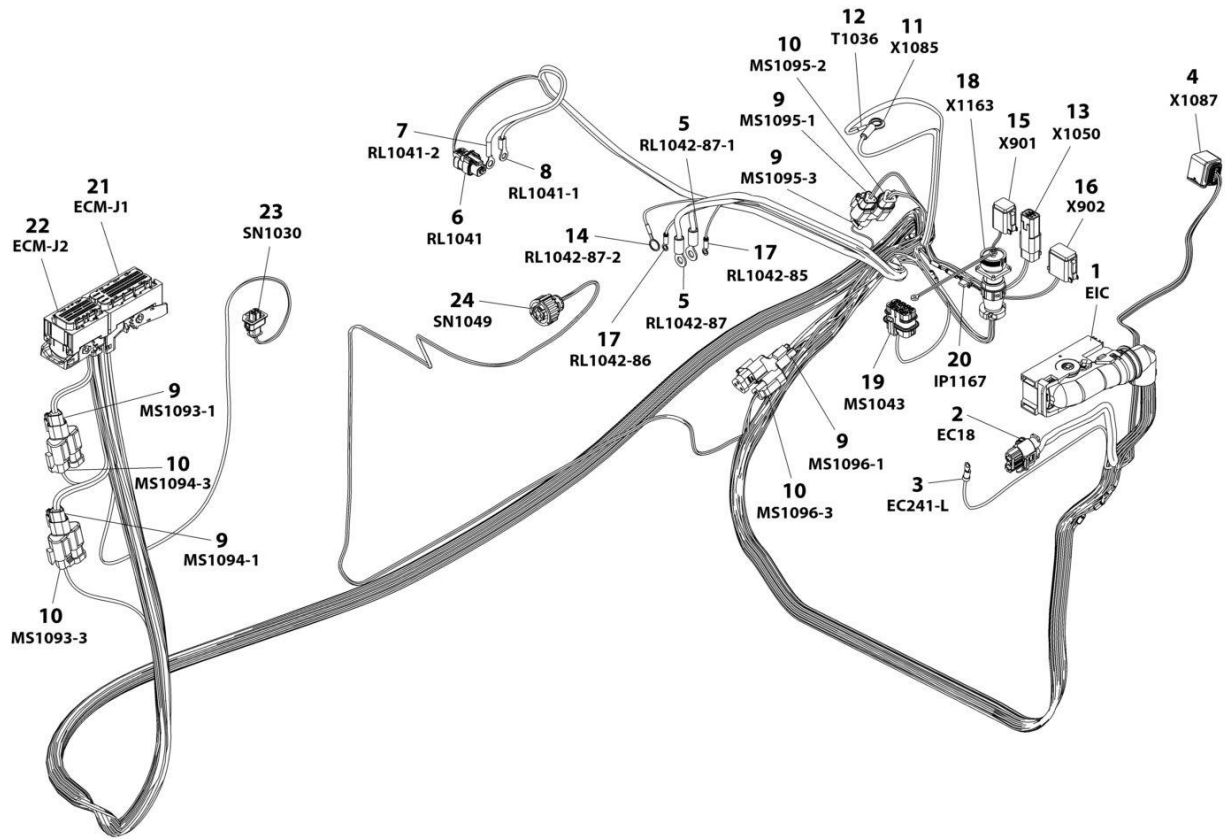
ITEM	PART NUMBER	QTY	DESCRIPTION	REV
	1001167108	Ref	ENGINE HARNESS - DEUTZ D2.9L4	L
1	1001133956	1	Connector, 94 Position	
1	1001182361	6	Terminal	
1	1001126351	2	Terminal	
1	1001230934	17	Terminal	
1	1001230935	63	Plug, Terminal	
1	1001256507	4	Terminal	
1	1001230936	2	Plug, Terminal	
1	1001182365	6	Seal	
2	1001133957	1	Connector - 60 Position	
2	1001230936	11	Plug, Terminal	
2	1001126351	13	Terminal	
2	1001230935	19	Plug, Terminal	
2	1001230934	11	Terminal	
2	1001252527	4	Terminal	
2	1001256507	2	Terminal	
3	4461095	3	Plug, Male - 3 Position	
3	4460944	6	Socket, Female	
3	4460466	3	Plug, Terminal	
3	4461070	3	Connector, Female with Resistor 3 Position	
4	8220115	1	Terminal, Ring	
5	2902443	1	Receptacle Kit	
5	4461071	8	Socket, Female	
5	4461072	1	Receptacle with Flange - 8 Position	
5	4461073	1	Cap, Dust	
5	4461074	1	Shell, Black	
6	80484084	1	Connector - 8 Position	
6	4460746	3	Terminal	
6	1001234800	1	Terminal	
6	4460748	4	Plug, Terminal	
6	4460458	4	Seal	
6	8229242	1	Fuse - 5Amp	
6	80983191	1	Fuse - 10Amp	
6	1001147264	1	Cap	
7	1001116952	1	Plug, Male - 2 Position	
7	4460465	2	Socket, Female	
8	1001117106	1	Terminal, Ring	
9	4460043	1	Terminal, Ring	
10	4460247	2	Terminal, Ring	
11	4460703	1	Terminal, Ring	
12	8220164	1	Terminal, Ring	
13	1001117107	1	Terminal, Ring	
14	1001126362	1	Connector - 62 Position	
14	1001126363	25	Terminal	
14	1001126391	21	Seal, Terminal	
14	1001126392	10	Terminal	
14	4461008	4	Seal, Terminal	
14	1001126365	2	Terminal	
14	1001223459	10	Seal, Terminal	
14	1001126364	23	Seal, Terminal	

SECTION 8 - ELECTRICAL

ITEM	PART NUMBER	QTY	DESCRIPTION	REV
14	1001256506	2	Seal, Terminal	
14	4461054	2	Seal, Terminal	
15	4460891	1	Plug, Male - 2 Position	
15	4460465	2	Socket, Female	
16	1001220379	1	Plug, Male - 4 Position	
16	4460465	2	Socket, Female	
16	4460942	2	Socket, Female	
17	4460930	1	Plug, Male - 8 Position	
17	4460465	1	Socket, Female	
17	4460466	7	Seal, Terminal	
18	4460894	1	Plug, Male - 6 Position	
18	4460465	3	Socket, Female	
18	4460944	2	Socket, Female	
18	4460466	1	Plug, Terminal	
19	1001142938	1	Connector - 2 Position	
19	1001142940	2	Terminal	
19	1001142941	2	Seal, Terminal	
20	1001133714	1	Plug, Male - 4 Position	
20	1001133715	3	Terminal	
20	1001135651	1	Plug, Terminal	
20	1001135650	3	Seal	
21	4460042	1	Terminal, Ring	

SECTION 8 - ELECTRICAL

FIGURE 8-50. ENGINE HARNESS - DEUTZ D2.9L4 ENGINE (STAGE V)



ART_1001245839

SECTION 8 - ELECTRICAL

FIGURE 8-50. ENGINE HARNESS - DEUTZ D2.9L4 ENGINE (STAGE V)

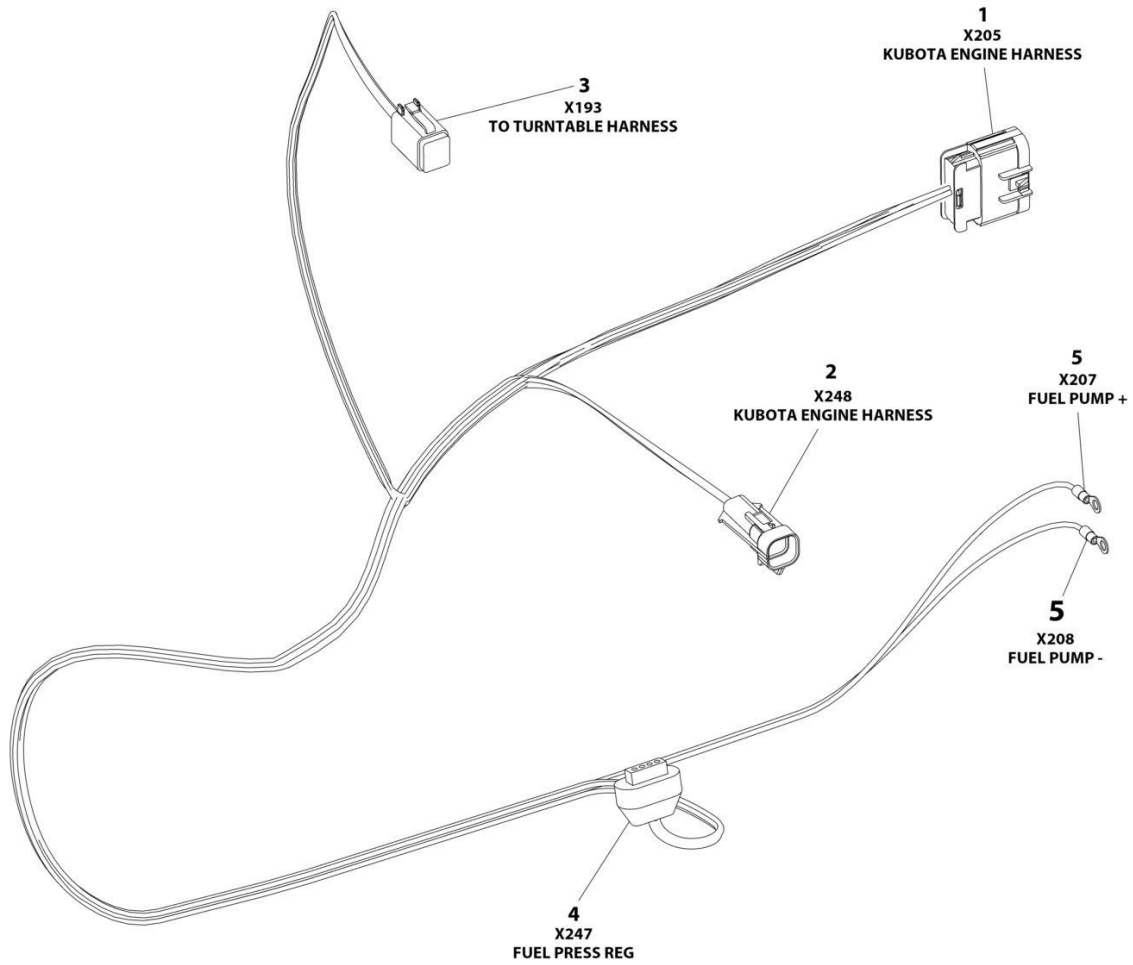
ITEM	PART NUMBER	QTY	DESCRIPTION	REV
	1001245839	Ref	ENGINE HARNESS - DEUTZ (STAGE V)	F
1	1001126362	1	Connector - 62 Position	
1	1001126363	37	Terminal	
1	1001126391	7	Seal, Terminal	
1	1001126392	12	Terminal	
1	4461008	4	Seal, Terminal	
1	1001167632	2	Terminal	
1	1001126364	36	Seal, Terminal	
1	1001223459	12	Seal, Terminal	
1	4461054	2	Seal, Terminal	
2	1001142938	1	Connector - 2 Position	
2	1001142940	2	Terminal	
2	1001142941	2	Seal, Terminal	
3	4460042	1	Terminal, Ring	
4	1001239202	1	Connector - 8 Position	
4	1001126363	7	Terminal	
4	1001126391	1	Seal, Terminal	
4	1001126364	7	Seal, Terminal	
5	1001117107	2	Terminal, Ring	
6	1001116952	1	Plug, Male - 2 Position	
6	4460465	2	Socket, Female	
7	1001117106	1	Terminal, Ring	
8	4460043	1	Terminal, Ring	
9	1001116812	5	Connector, 3 Position	
9	4460944	10	Socket, Female	
9	4460466	5	Plug, Terminal	
10	4460539	4	Plug, Male - 3 Position	
10	4460944	8	Socket, Female	
10	4460466	4	Plug, Terminal	
11	8220164	1	Terminal, Ring	
12	4460019	1	Terminal, Ring	
13	4460884	1	Plug, Male - 4 Position	
13	4460465	2	Socket, Female	
13	4460942	2	Socket, Female	
14	4460703	1	Terminal, Ring	
15	4460894	1	Plug, Male - 6 Position	
15	4460465	2	Socket, Female	
15	4460944	2	Socket, Female	
15	4460465	2	Socket, Female	
16	4460930	1	Plug, Male - 8 Position	
16	4460465	1	Socket, Female	
16	4460466	7	Plug, Terminal	
17	4460247	2	Terminal, Ring	
18	2902443	1	Receptacle Kit	
18	4461071	8	Socket, Female	
18	4461072	1	Receptacle with Flange - 8 Position	
18	4461073	1	Cap, Dust	
18	4461074	1	Shell, Black	
19	80484084	1	Connector - 8 Position	
19	4460746	3	Terminal	

SECTION 8 - ELECTRICAL

ITEM	PART NUMBER	QTY	DESCRIPTION	REV
19	1001234800	1	Terminal	
19	4460748	4	Plug, Terminal	
19	4460458	4	Seal	
20	1001170764	1	Holder, Fuse	
20	1001197719	1	Fuse 0.5 Watt	
21	1001133956	1	Connector, 94 Position	
21	1001182361	8	Terminal	
21	1001126351	3	Terminal	
21	1001230934	25	Terminal	
21	1001230935	55	Plug, Terminal	
21	1001252527	4	Terminal	
21	1001230936	1	Plug, Terminal	
21	1001182365	8	Seal	
22	1001133957	1	Connector - 60 Position	
22	1001230936	11	Plug, Terminal	
22	1001126351	13	Terminal	
22	1001230935	10	Plug, Terminal	
22	1001230934	26	Terminal	
23	1001126487	1	Connector - 2 Position	
23	1001167635	2	Terminal	
23	1001126485	2	Seal	
24	1001133714	1	Plug, Male - 4 Position	
24	1001133715	3	Terminal	
24	1001135651	1	Plug, Terminal	
24	1001135650	2	Seal	

SECTION 8 - ELECTRICAL

FIGURE 8-51. ENGINE HARNESS - KUBOTA



ART_1001213706

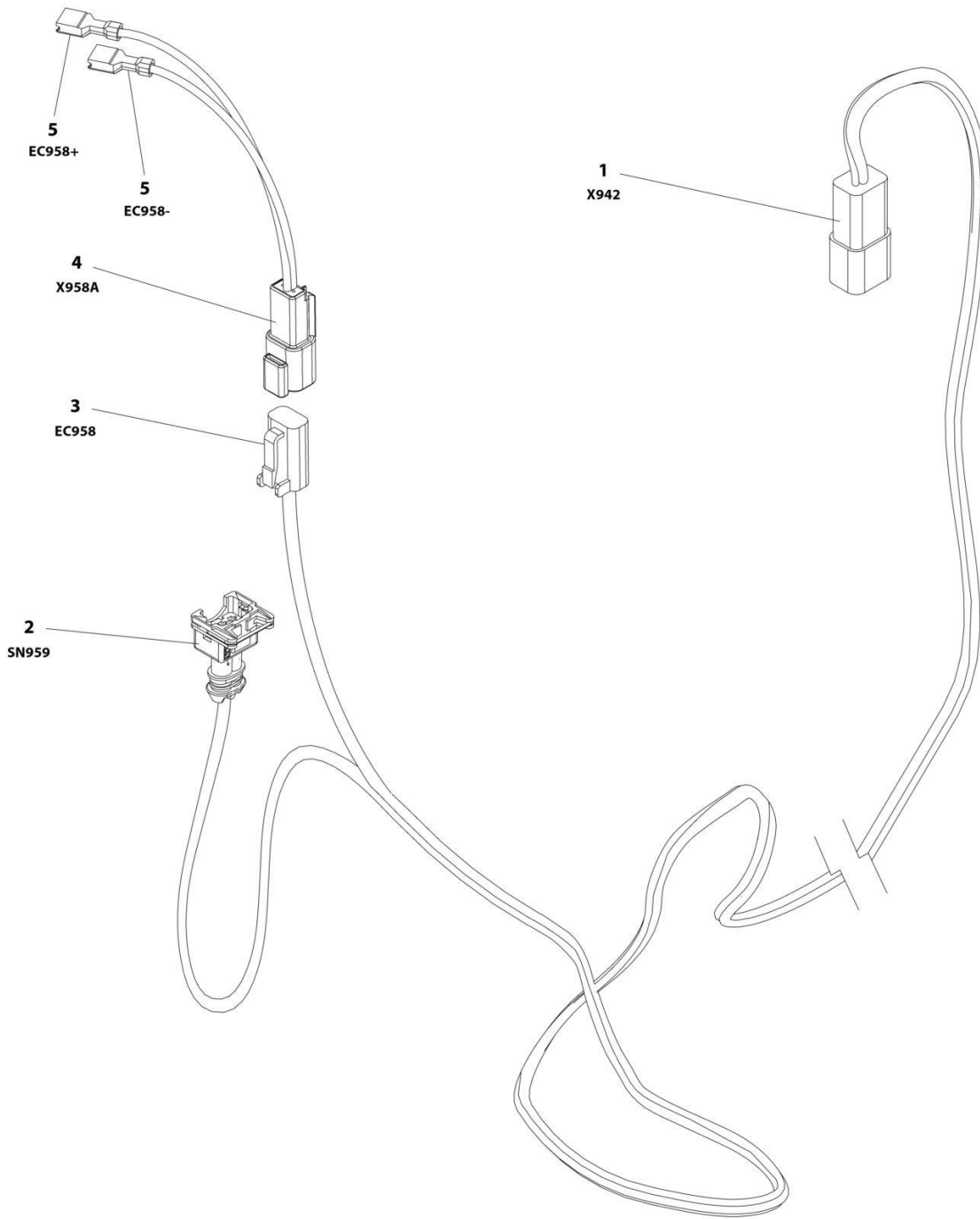
SECTION 8 - ELECTRICAL

FIGURE 8-51. ENGINE HARNESS - KUBOTA

ITEM	PART NUMBER	QTY	DESCRIPTION	REV
	1001213706	Ref	ENGINE HARNESS - KUBOTA	D
1	4461109	1	Plug, Male - 16 Position	
1	4461111	AR	Pin, Male	
1	4461113	AR	Seal	
1	4461222	AR	Plug	
2	4461124	1	Connector - 4 Position	
2	4460693	4	Terminal	
2	4461123	4	Seal	
3	4460894	1	Plug, Male - 6 Position	
3	4460465	5	Socket, Female	
3	4460466	1	Plug, Terminal	
4	4461121	1	Plug, Male - 4 Position	
4	4461122	4	Terminal	
4	4461006	4	Seal	
5	4460042	2	Terminal, Ring	

SECTION 8 - ELECTRICAL

FIGURE 8-52. FUEL HARNESS - DEUTZ D2.9L4 ENGINE



ART_1001181358

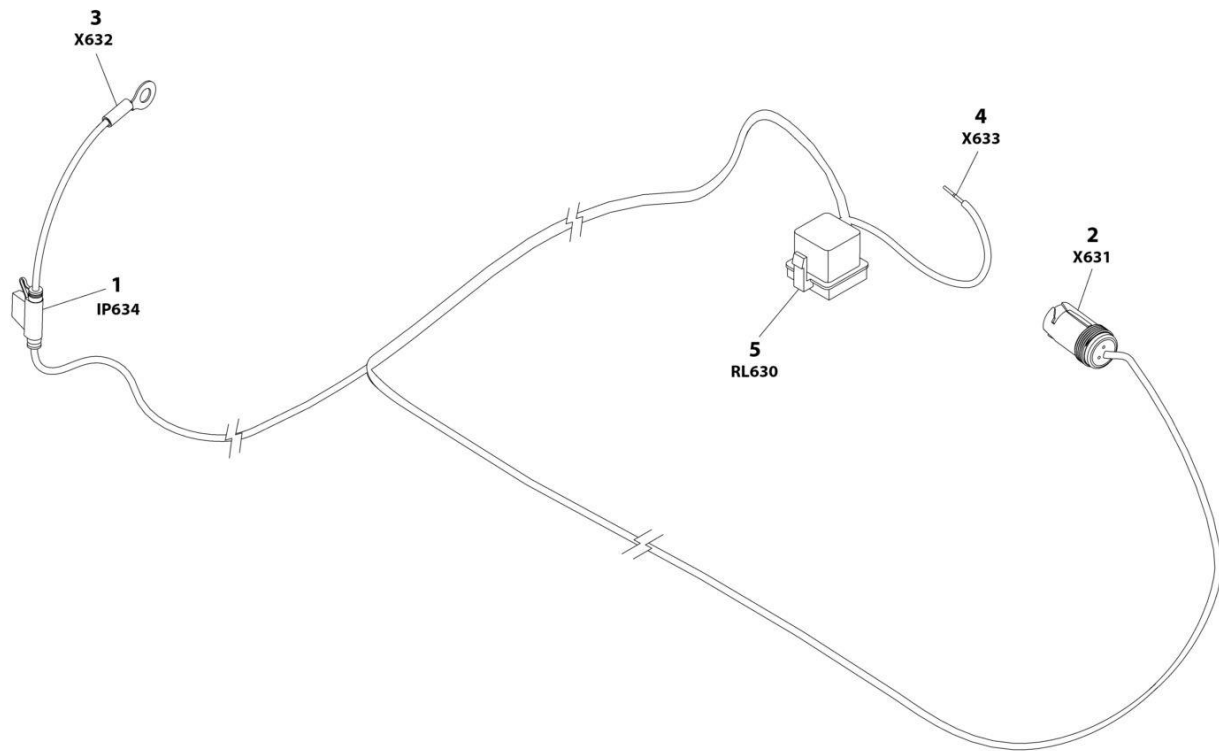
SECTION 8 - ELECTRICAL

FIGURE 8-52. FUEL HARNESS - DEUTZ D2.9L4 ENGINE

ITEM	PART NUMBER	QTY	DESCRIPTION	REV
	1001181358	Ref	FUEL HARNESS - DEUTZ D2.9L4 ENGINE	D
1	4460932	1	Receptacle, Female - 4 Position	
1	4460464	2	Pin, Male	
1	4460941	2	Pin, Male	
2	1001116983	1	Plug, Male - 2 Position	
2	4461060	2	Socket, Female	
2	4461054	2	Seal	
3	4460891	1	Plug, Male - 2 Position	
3	4460942	2	Socket, Female	
4	4460897	1	Receptacle, Female - 2 Position	
4	4460941	2	Pin, Male	
5	8220051	2	Coupler, Female	

SECTION 8 - ELECTRICAL

FIGURE 8-53. GENERATOR HARNESS - 2500W GENERATOR (60HZ)



ART_1001187522

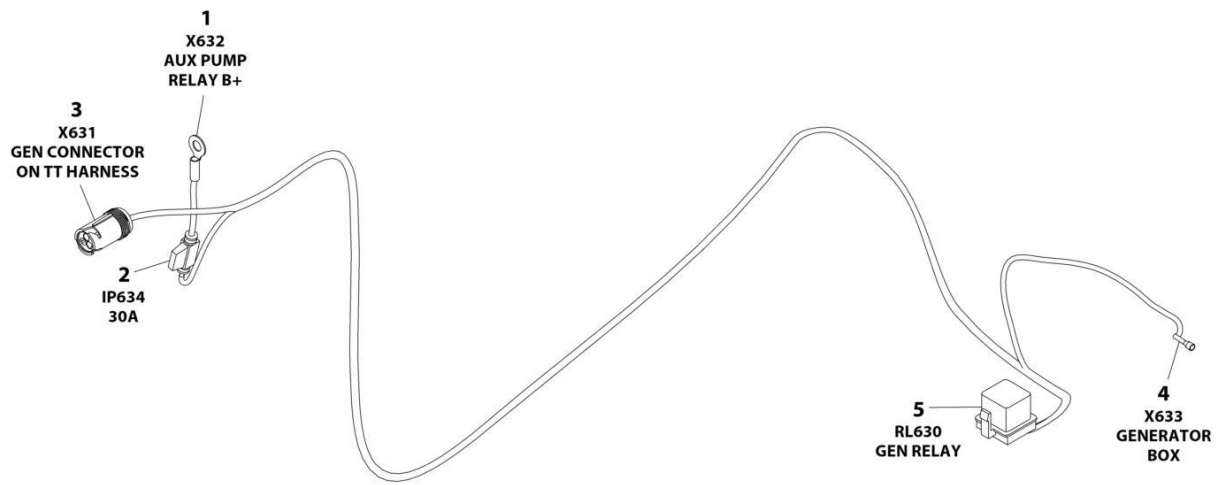
SECTION 8 - ELECTRICAL

FIGURE 8-53. GENERATOR HARNESS - 2500W GENERATOR (60HZ)

ITEM	PART NUMBER	QTY	DESCRIPTION	REV
	1001187522	Ref	GENERATOR HARNESS - 2500W	B
1	2400066	1	Fuseholder - 30Amp (Includes Cover)	
1	8229245	1	Fuse 30Amp	
2	1001154726	1	Receptacle, Female - 3 Position	
2	4460464	2	Pin, Male	
2	4460466	1	Plug, Terminal	
3	8220045	1	Terminal, Ring	
4	4460906	1	Socket, Female	
5	1001117057	1	Connector, Relay	
5	1001116734	2	Terminal	
5	1001116732	2	Terminal	
5	3740080	1	Relay	

SECTION 8 - ELECTRICAL

FIGURE 8-54. GENERATOR HARNESS - 2500W GENERATOR (50HZ)



ART_1001187352

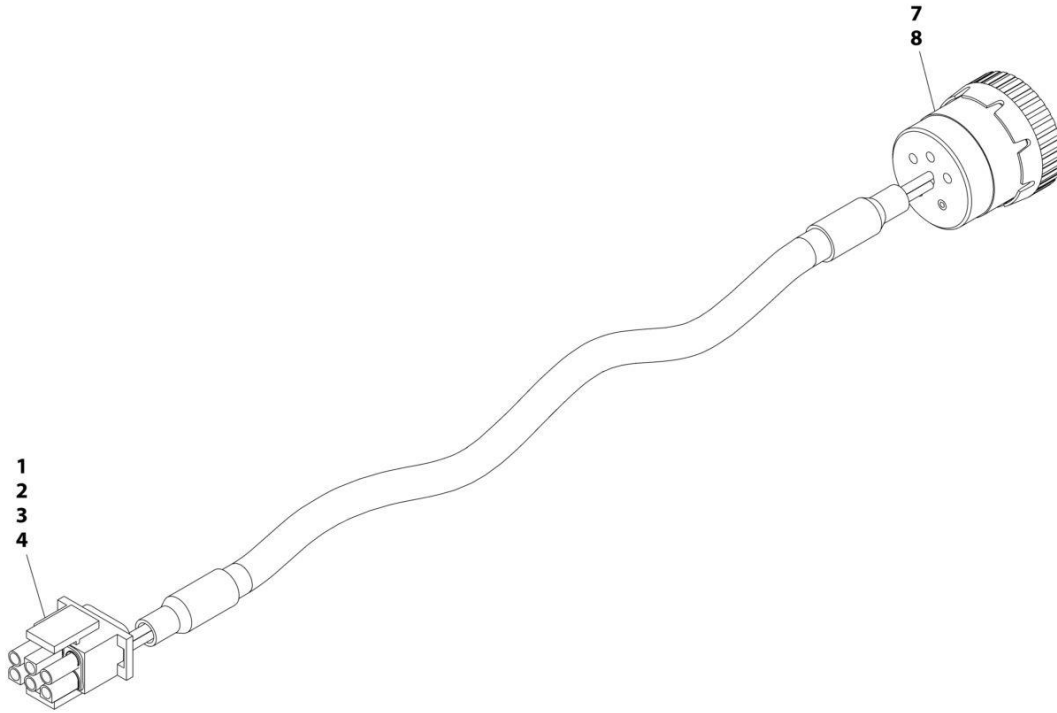
SECTION 8 - ELECTRICAL

FIGURE 8-54. GENERATOR HARNESS - 2500W GENERATOR (50HZ)

ITEM	PART NUMBER	QTY	DESCRIPTION	REV
	1001187352	Ref	GENERATOR HARNESS - 2500W GENERATOR (50HZ)	A
1	8220045	1	Terminal, Ring	
2	2400060	1	Holder, Fuse	
2	8229245	1	Fuse 30Amp	
3	1001154726	1	Connector - 3 Position	
3	4460464	2	Pin, Male	
3	4460466	1	Plug, Terminal	
4	1001100231	1	Terminal	
5	1001117057	1	Plug, Relay	
5	1001116734	2	Terminal	
5	1001116732	2	Terminal	

SECTION 8 - ELECTRICAL

FIGURE 8-55. GENERATOR HARNESS - 4000W GENERATOR



ART_1001152532

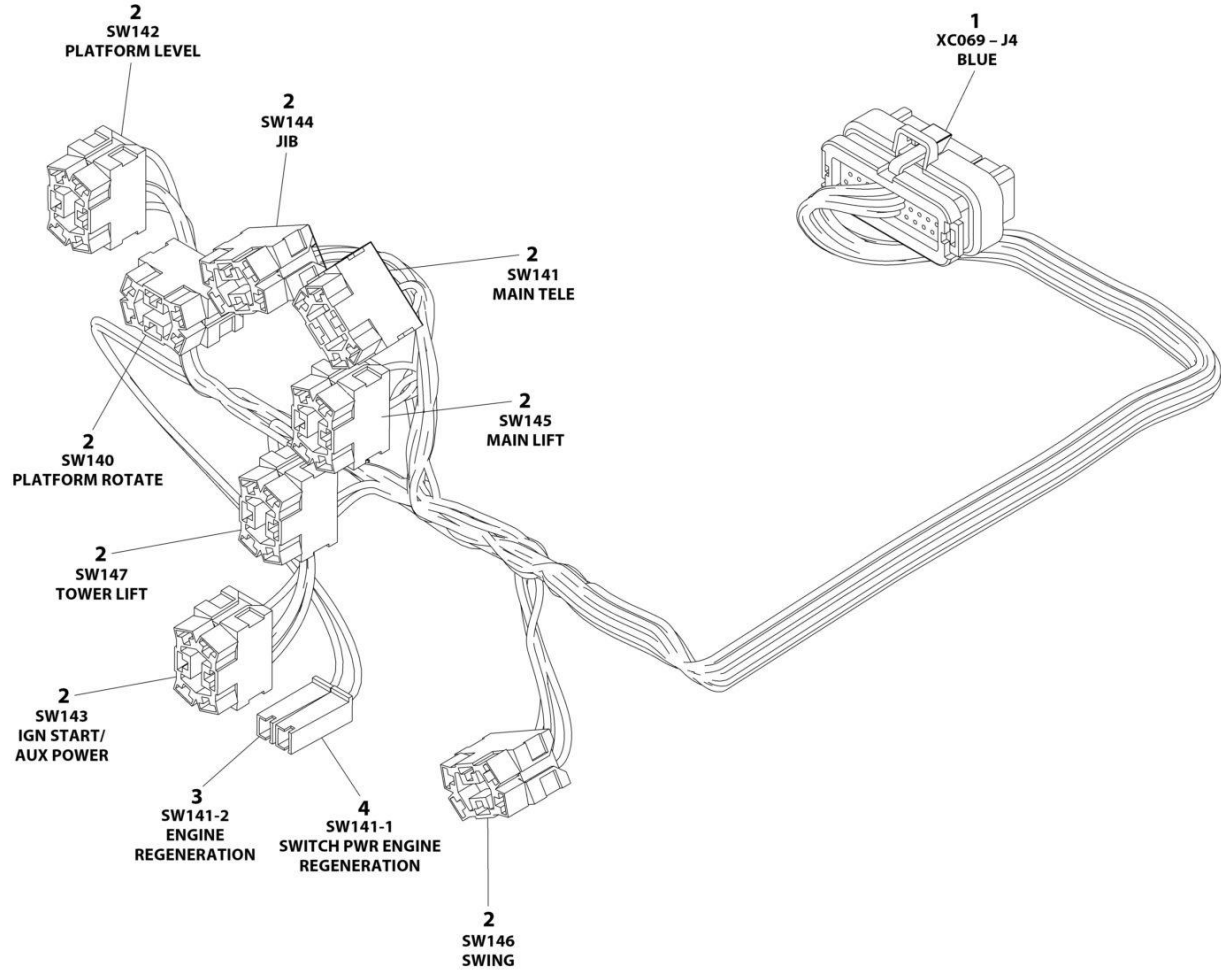
SECTION 8 - ELECTRICAL

FIGURE 8-55. GENERATOR HARNESS - 4000W GENERATOR

ITEM	PART NUMBER	QTY	DESCRIPTION	REV
	1001152532	Ref	GENERATOR HARNESS	A
1	4460225	1	Connector - 6 Position	
2	4460268	2	Socket, Female	
3	4460807	1	Seal	
4	4460808	1	Seal	
7	4460465	2	Socket, Female	
8	77363233	1	Connector - 6 Position	

SECTION 8 - ELECTRICAL

FIGURE 8-56. GROUND CONTROL PANEL HARNESS



ART_1001244295

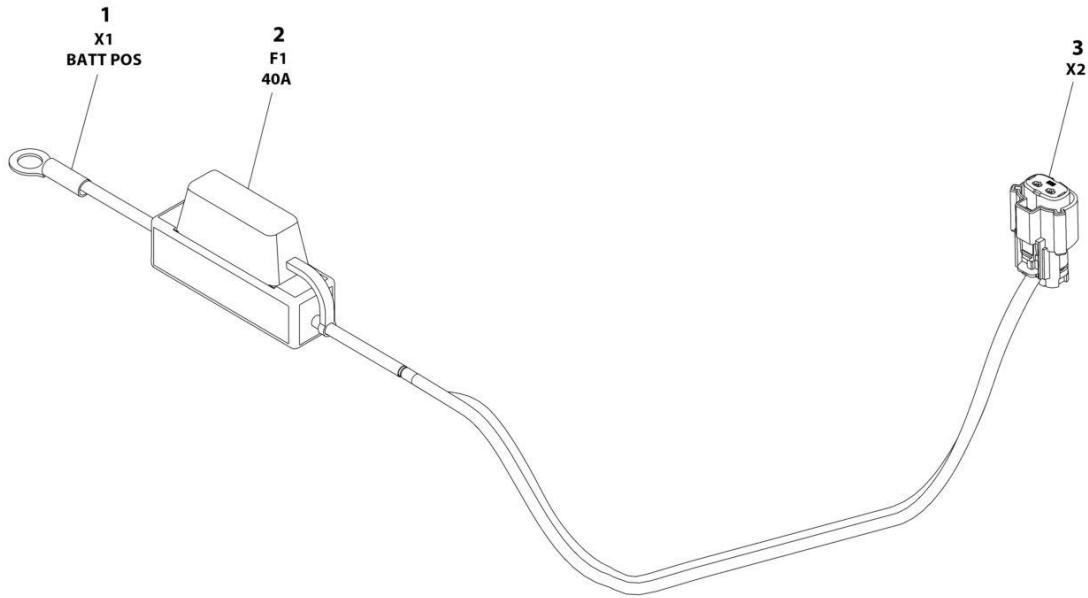
SECTION 8 - ELECTRICAL

FIGURE 8-56. GROUND CONTROL PANEL HARNESS

ITEM	PART NUMBER	QTY	DESCRIPTION	REV
	1001244295	Ref	GROUND CONTROL PANEL HARNESS	C
1	4460876	1	Connector - 35 Position	
1	4460871	18	Socket, Female	
1	4460905	17	Plug, Terminal	
2	4460418	8	Connector - 6 Position	
2	4460419	16	Terminal	
2	1001159186	16	Terminal	
3	4460260	2	Housing, Terminal	
3	4460259	2	Terminal	
4	4460260	1	Terminal, Housing	
4	4460259	1	Terminal	

SECTION 8 - ELECTRICAL

FIGURE 8-57. KUBOTA D/F POWER HARNESS



ART_1001229797

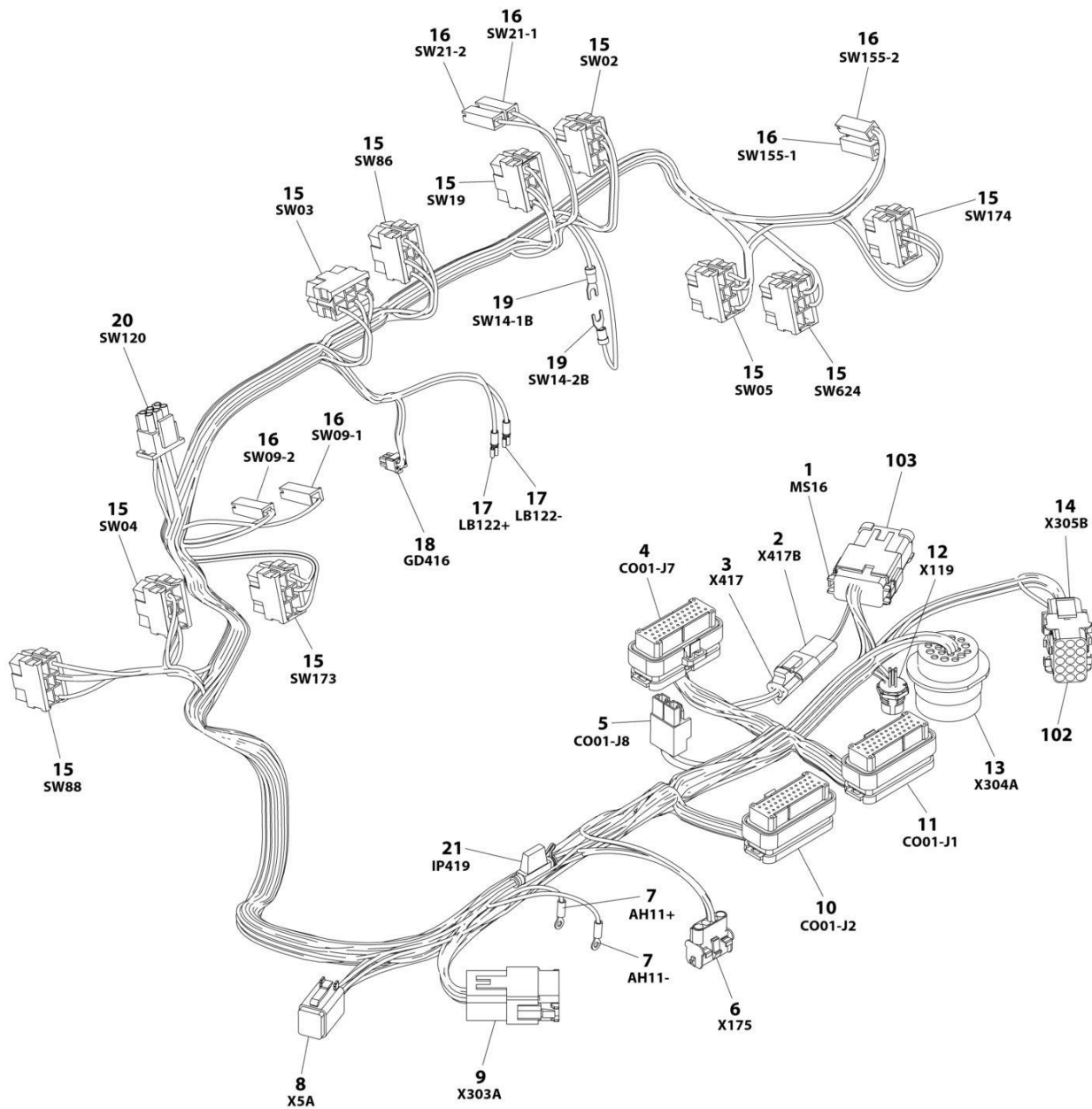
SECTION 8 - ELECTRICAL

FIGURE 8-57. KUBOTA D/F POWER HARNESS

ITEM	PART NUMBER	QTY	DESCRIPTION	REV
	1001229797	Ref	KUBOTA D/F POWER HARNESS	A
1	4460977	1	Terminal, Ring	
2	2400082	1	Fuse 40Amp	
3	1001229795	1	Connector - 2 Position	
3	1001229796	2	Socket, Female	

SECTION 8 - ELECTRICAL

FIGURE 8-58. PLATFORM CONSOLE BOX HARNESS



ART_1001238254

SECTION 8 - ELECTRICAL

FIGURE 8-58. PLATFORM CONSOLE BOX HARNESS

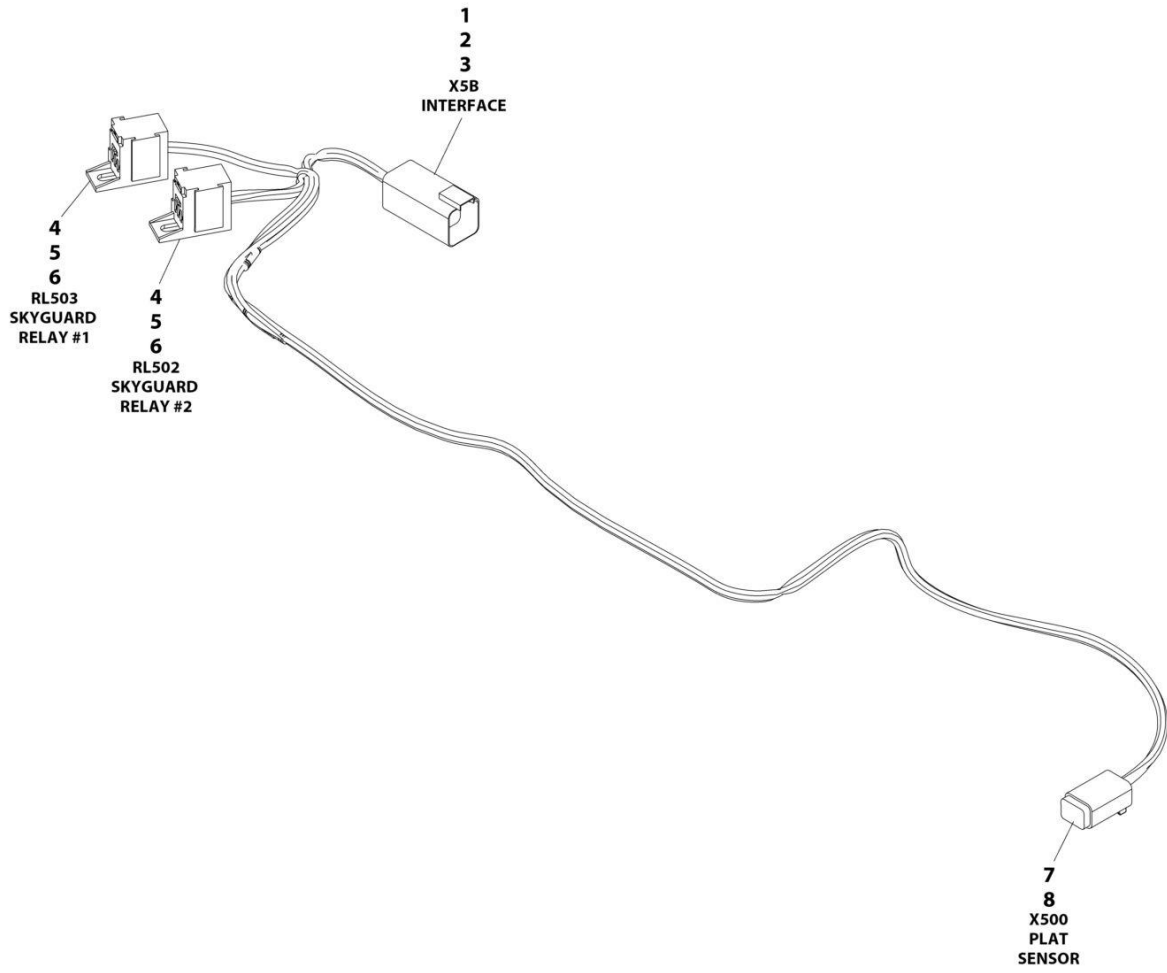
ITEM	PART NUMBER	QTY	DESCRIPTION	REV
	1001238254	Ref	PLATFORM CONSOLE BOX HARNESS	H
1	4460933	1	Plug, Male - 12 Position	
1	4460465	10	Socket, Female	
1	4460466	2	Plug, Terminal	
2	4460536	1	Receptacle, Female - 3 Position	
2	4460464	2	Pin, Male	
2	4460466	1	Plug, Terminal	
3	4460539	1	Plug, Male - 3 Position	
3	4460465	2	Socket, Female	
3	4460466	1	Plug, Terminal	
4	4460873	1	Connector - 35 Position	
4	4460871	21	Socket, Female	
4	4460905	14	Plug, Terminal	
5	4460879	1	Plug, Male - 2 Position	
5	4460887	2	Terminal	
6	4460761	1	Receptacle, Female - 4 Position	
6	4460267	4	Pin, Male	
7	1001098122	2	Terminal, Ring	
8	4460894	1	Plug, Male - 6 Position	
8	4460465	6	Socket, Female	
9	4460970	1	Receptacle, Female - 12 Position	
9	1001116693	9	Pin, Male	
9	4460466	1	Plug, Terminal	
9	4460464	2	Pin, Male	
10	4460875	1	Connector - 35 Position	
10	4460871	12	Socket, Female	
10	4460905	23	Plug, Terminal	
11	4460874	1	Connector - 35 Position	
11	4460871	27	Socket, Female	
11	4460905	8	Plug, Terminal	
12	1001213447	1	Connector - 4 Position	
12	See Note	NSS	Terminal (Note: Purchase p/n 1001213447)	
13	4460866	1	Connector - 19 Position	
13	4460464	5	Pin, Male	
13	4460466	11	Plug, Terminal	
13	4460508	1	Pin, Male	
14	4460434	1	Connector - 15 Position	
14	4460267	8	Pin, Male	
15	4460418	10	Connector - 6 Position	
15	4460419	45	Terminal	
16	4460260	6	Housing, Terminal	
16	4460259	8	Terminal	
17	1001271497	2	Terminal	
18	1001237667	1	Plug, Male - 6 Position	
18	1001237668	4	Terminal	
19	4460183	2	Terminal, Fork	
20	4460225	1	Plug, Male - 6 Position	
20	4460227	6	Pin, Male (Note: Used on Pump Potentiometer Connection Only)	
21	2400060	1	Fuse Holder	
102	4460708	1	Connector, Bussbar - 15 Position	

SECTION 8 - ELECTRICAL

ITEM	PART NUMBER	QTY	DESCRIPTION	REV
103	1001125677	1	Connector, Bussbar - 12 Posititon	

SECTION 8 - ELECTRICAL

FIGURE 8-59. PLATFORM INTERFACE HARNESS



ART_1001225580_E

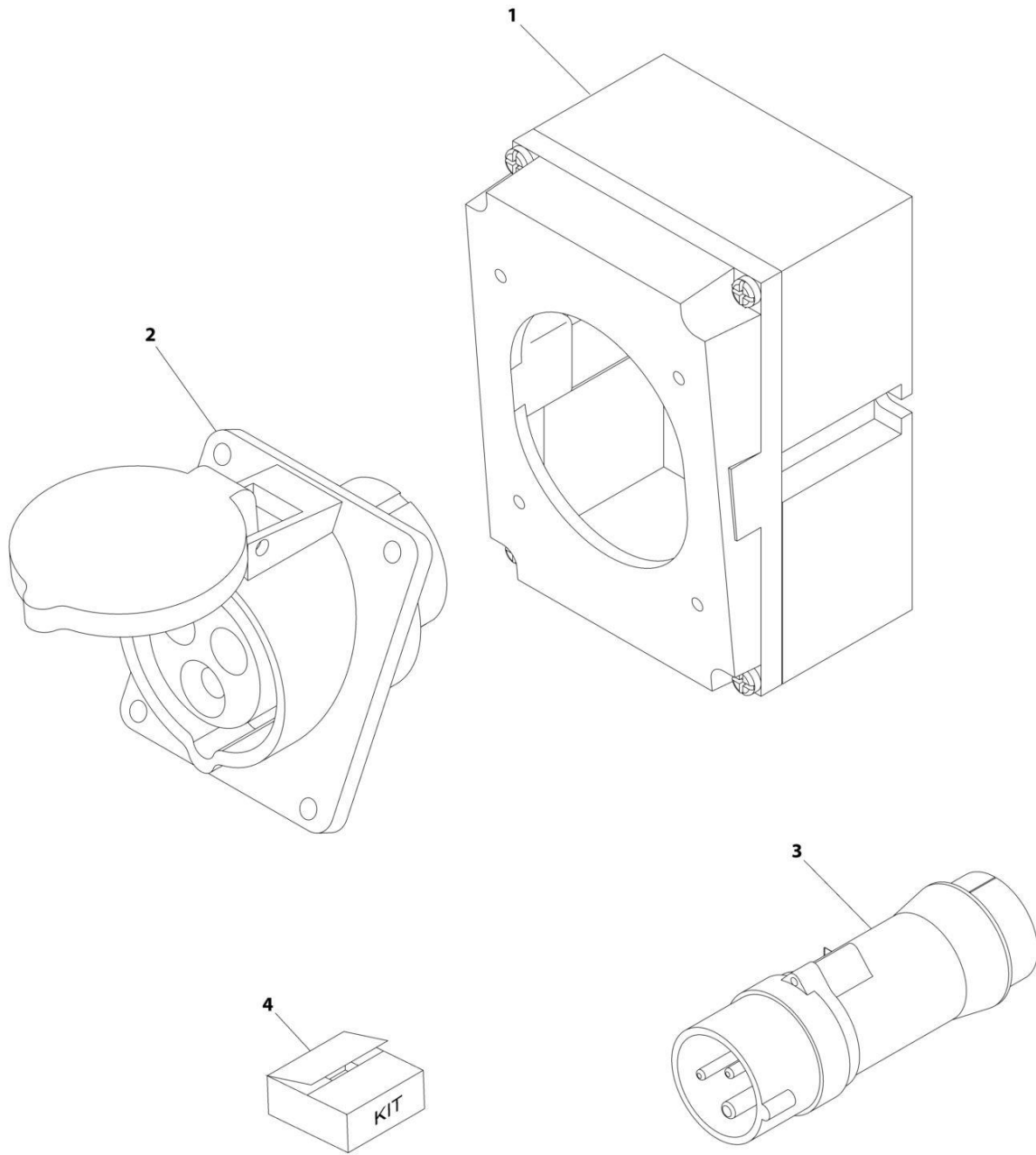
SECTION 8 - ELECTRICAL

FIGURE 8-59. PLATFORM INTERFACE HARNESS

ITEM	PART NUMBER	QTY	DESCRIPTION	REV
	1001225580	Ref	PLATFORM INTERFACE HARNESS - WITH 1 CELL LSS	E
1	4460899	1	Connector	
2	4460464	4	Terminal	
3	4460466	2	Plug	
4	1001186432	2	Connector	
5	1001253375	4	Terminal	
6	1001104519	4	Terminal	
7	4460884	1	Connector	
8	4460465	4	Terminal	

SECTION 8 - ELECTRICAL

FIGURE 8-60. RECEPTACLE BOX KIT - 110V IEC YELLOW (CE AND RUSSIA SPECS)



ART_0275216

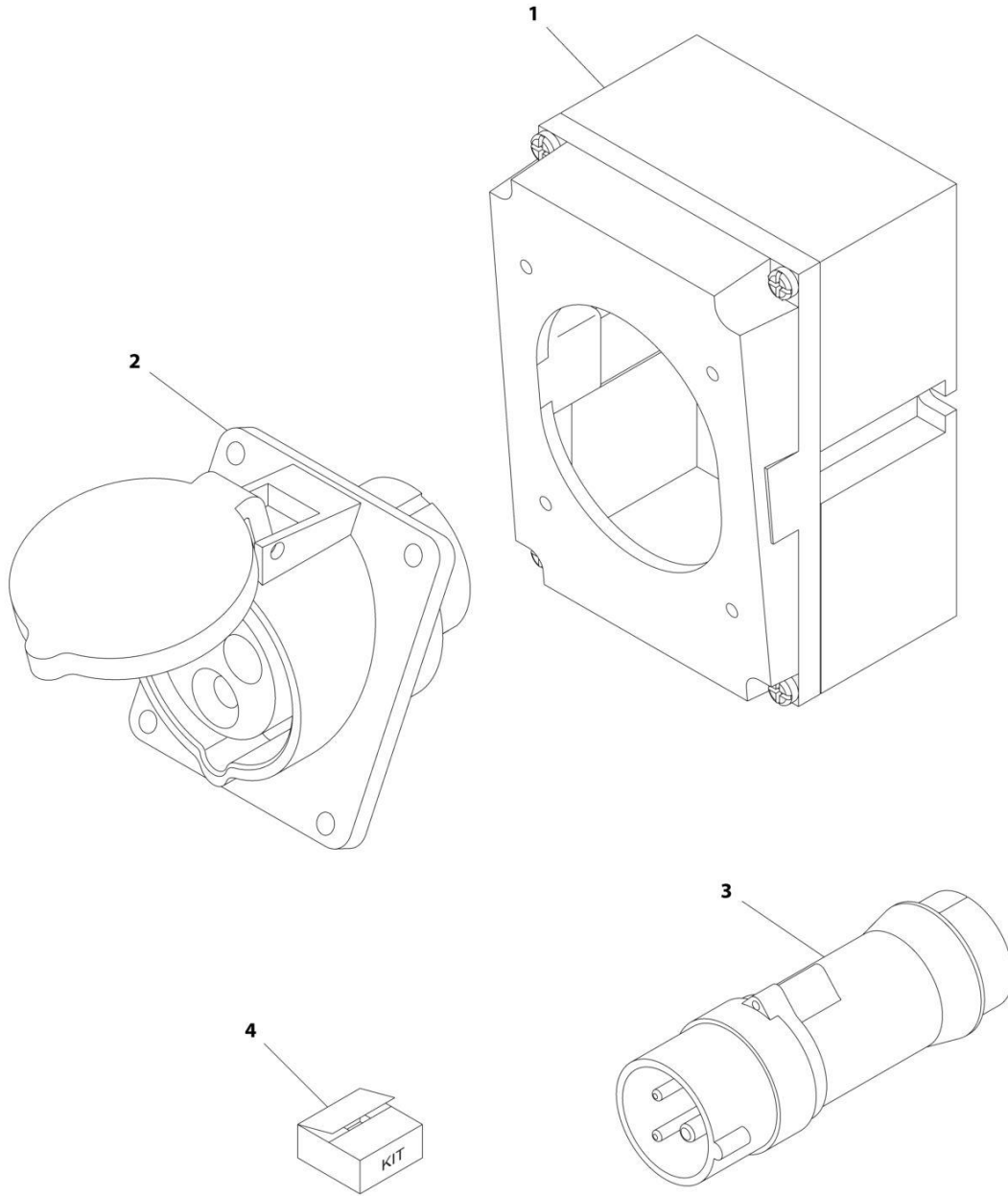
SECTION 8 - ELECTRICAL

FIGURE 8-60. RECEPTACLE BOX KIT - 110V IEC YELLOW (CE AND RUSSIA SPECS)

ITEM	PART NUMBER	QTY	DESCRIPTION	REV
	0275216	Ref	RECEPTACLE BOX KIT - 110V IEC YELLOW	B
1	0861781	1	Box, Switch	
2	4461198	1	Receptacle	
3	4461196	1	Plug, Male	
4	1001100341	1	Plug and Socket Kit (Includes Items 1-3 and Female Plug p/n 4461197)	

SECTION 8 - ELECTRICAL

FIGURE 8-61. RECEPTACLE BOX KIT - 220V IEC BLUE (CE AND RUSSIA SPECS)



ART_0275217

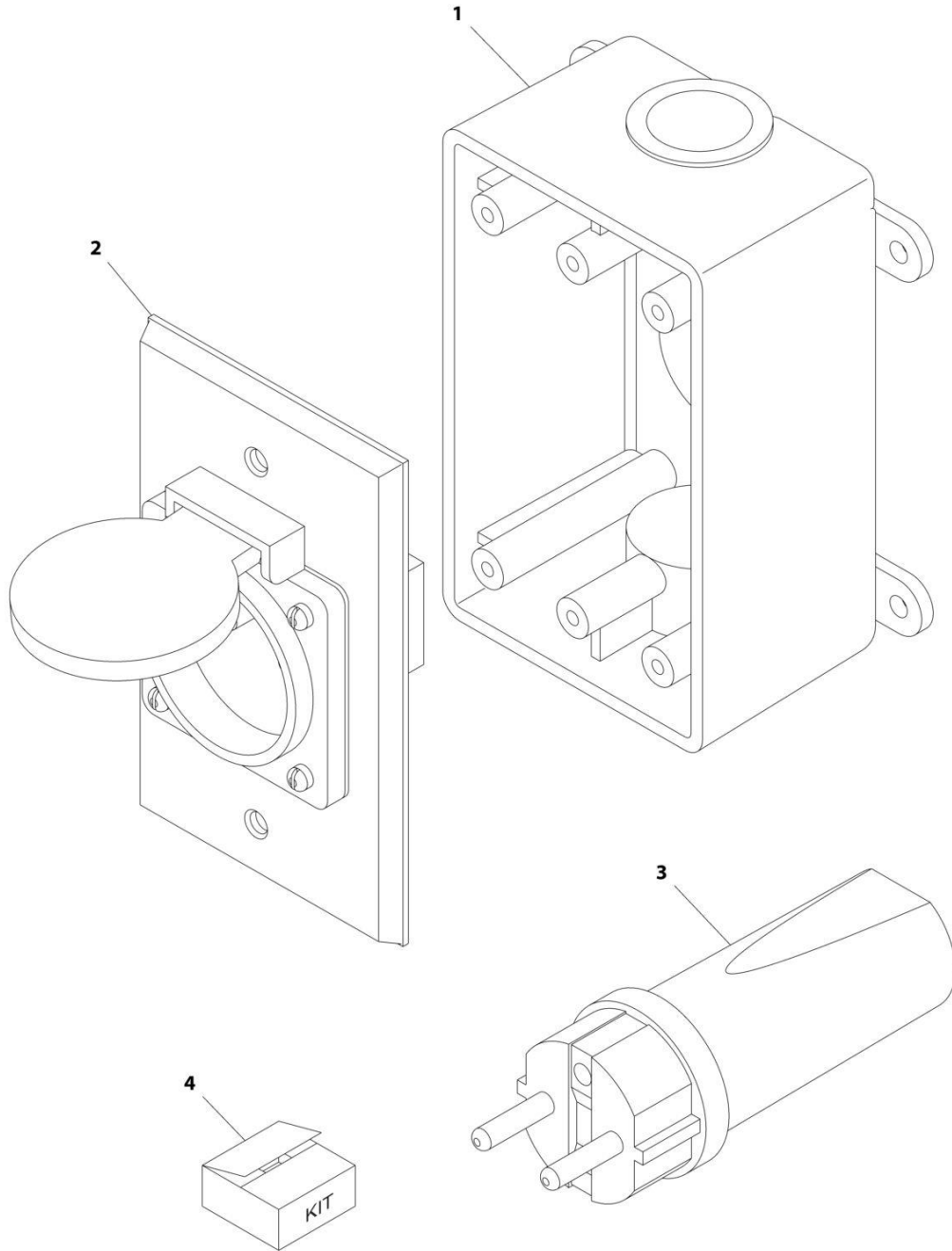
SECTION 8 - ELECTRICAL

FIGURE 8-61. RECEPTACLE BOX KIT - 220V IEC BLUE (CE AND RUSSIA SPECS)

ITEM	PART NUMBER	QTY	DESCRIPTION	REV
	0275217	Ref	RECEPTACLE BOX KIT - 220V IEC BLUE	B
1	0861781	1	Box, Switch	
2	4461201	1	Receptacle	
3	4461199	1	Plug, Male	
4	1001100342	1	Plug and Socket Kit (Includes Items 1-3 and Female Plug p/n 4461200)	

SECTION 8 - ELECTRICAL

FIGURE 8-62. RECEPTACLE BOX KIT - 220V CEE7 POST GROUND 2IN X 4IN BOX (CE AND RUSSIA SPECS)



ART_0275452

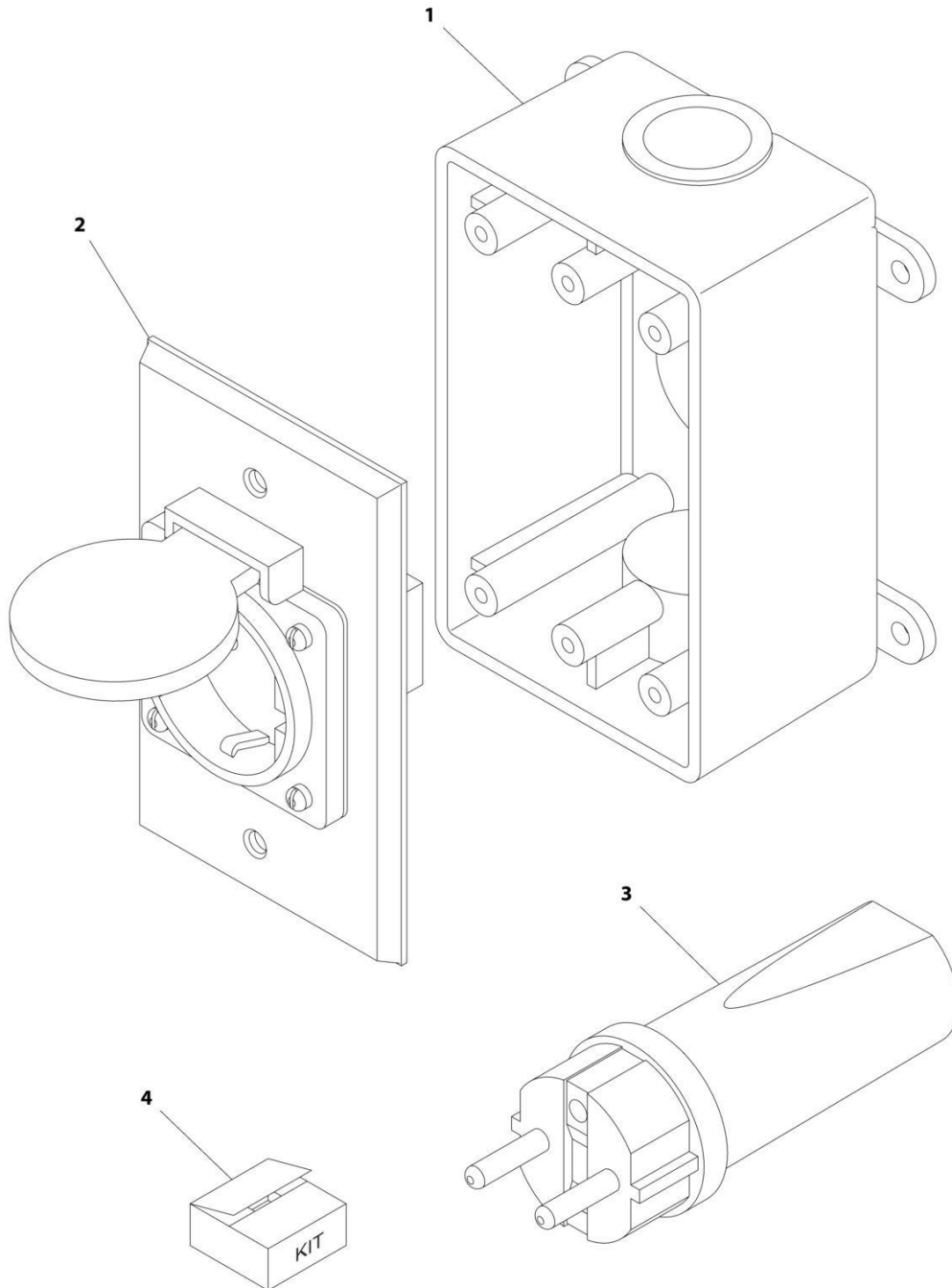
SECTION 8 - ELECTRICAL

FIGURE 8-62. RECEPTACLE BOX KIT - 220V CEE7 POST GROUND 2IN X 4IN BOX (CE AND RUSSIA SPECS)

ITEM	PART NUMBER	QTY	DESCRIPTION	REV
	0275452	Ref	RECEPTACLE BOX KIT - 220V CEE7 POST GROUND	C
1	0861731	1	Box, Switch	
2	4461244	1	Receptacle	
3	4461205	1	Plug, Male	
4	1001100345	1	Plug and Socket Kit (Includes Items 1-3 and Female Plug p/n 4461206)	

SECTION 8 - ELECTRICAL

FIGURE 8-63. RECEPTACLE BOX KIT - 220V CEE7 SIDE GROUND 2IN X 4IN BOX (CE AND RUSSIA SPECS)



ART_0275453

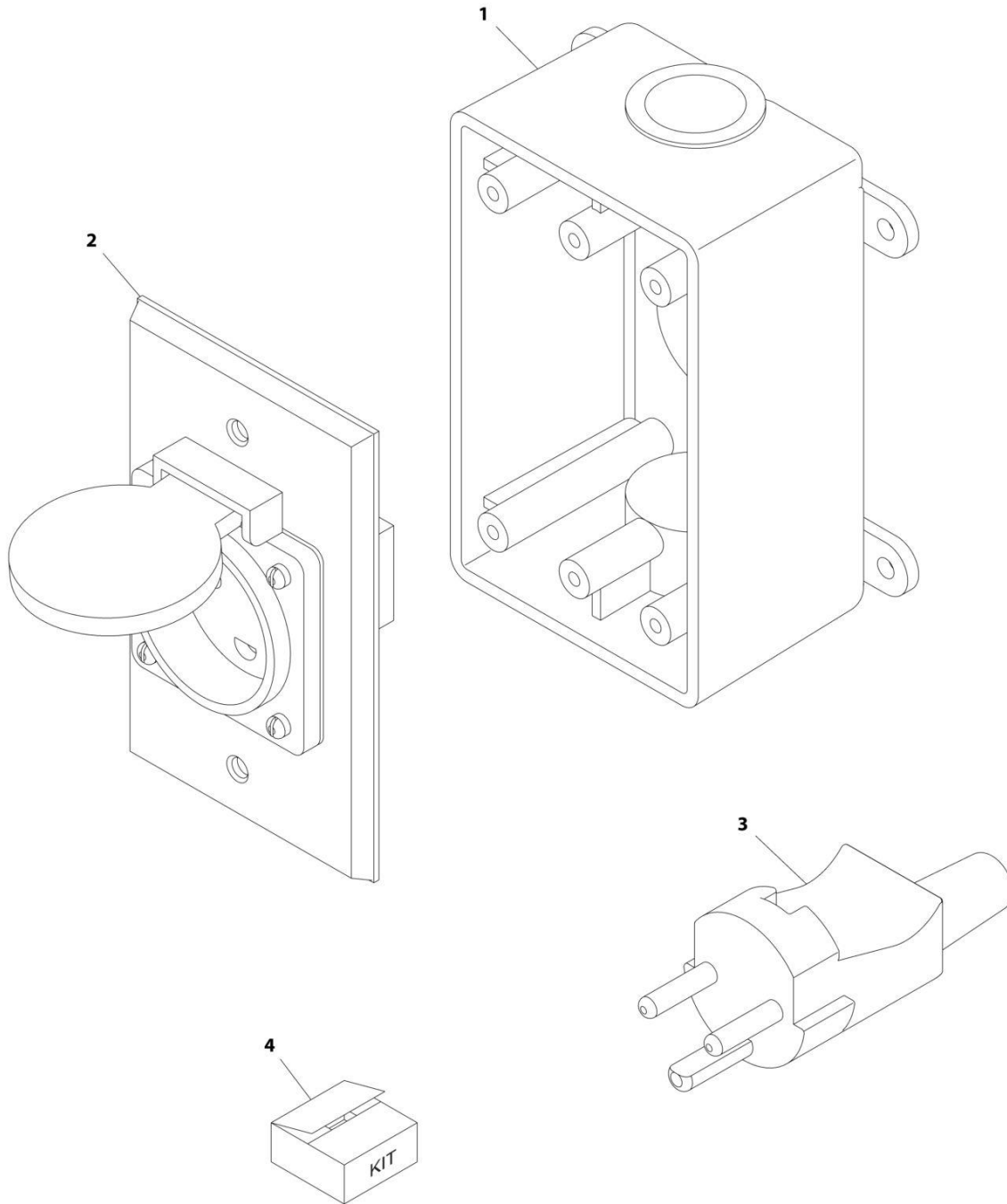
SECTION 8 - ELECTRICAL

FIGURE 8-63. RECEPTACLE BOX KIT - 220V CEE7 SIDE GROUND 2IN X 4IN BOX (CE AND RUSSIA SPECS)

ITEM	PART NUMBER	QTY	DESCRIPTION	REV
	0275453	Ref	RECEPTACLE BOX KIT - 220V CEE7 SIDE GROUND	B
1	0861731	1	Box, Switch	
2	4461245	1	Receptacle	
3	4461205	1	Plug, Male	
4	1001100347	1	Plug and Socket Kit (Includes Items 1-3 and Female Plug p/n 4461206)	

SECTION 8 - ELECTRICAL

FIGURE 8-64. RECEPTACLE BOX KIT - 220V AFSINT 107 (CE AND RUSSIA SPECS)



ART_0275454

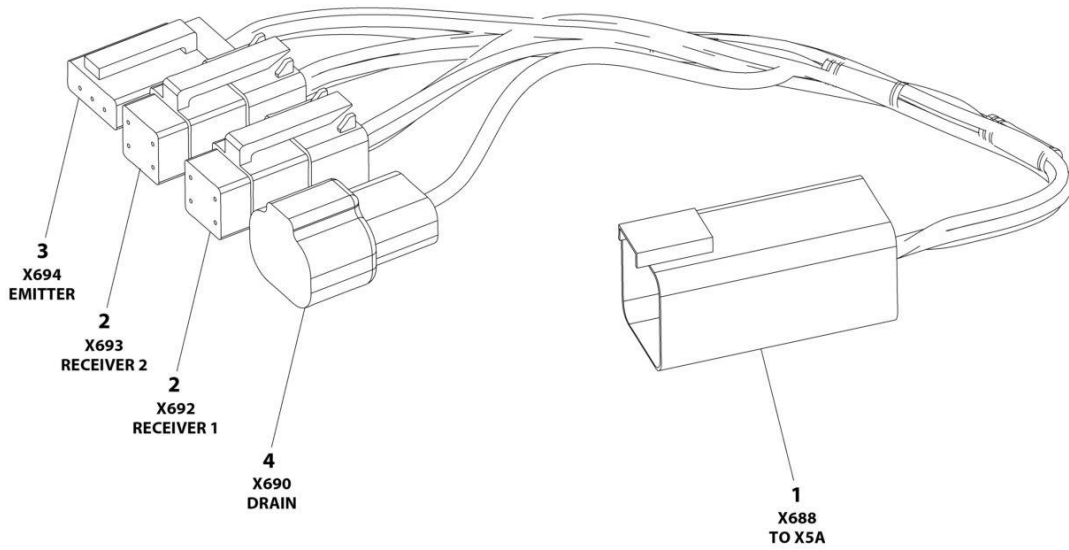
SECTION 8 - ELECTRICAL

FIGURE 8-64. RECEPTACLE BOX KIT - 220V AFSINT 107 (CE AND RUSSIA SPECS)

ITEM	PART NUMBER	QTY	DESCRIPTION	REV
	0275454	Ref	RECEPTACLE BOX KIT - 220V AFSINT 107	B
1	0861731	1	Box, Switch	
2	4461246	1	Receptacle	
3	4461249	1	Plug, Male	
4	1001100346	1	Plug and Socket Kit (Includes Items 1-3 and Female Plug p/n 4461250)	

SECTION 8 - ELECTRICAL

FIGURE 8-65. SKYEYE INTERMEDIATE HARNESS



ART_1001237865

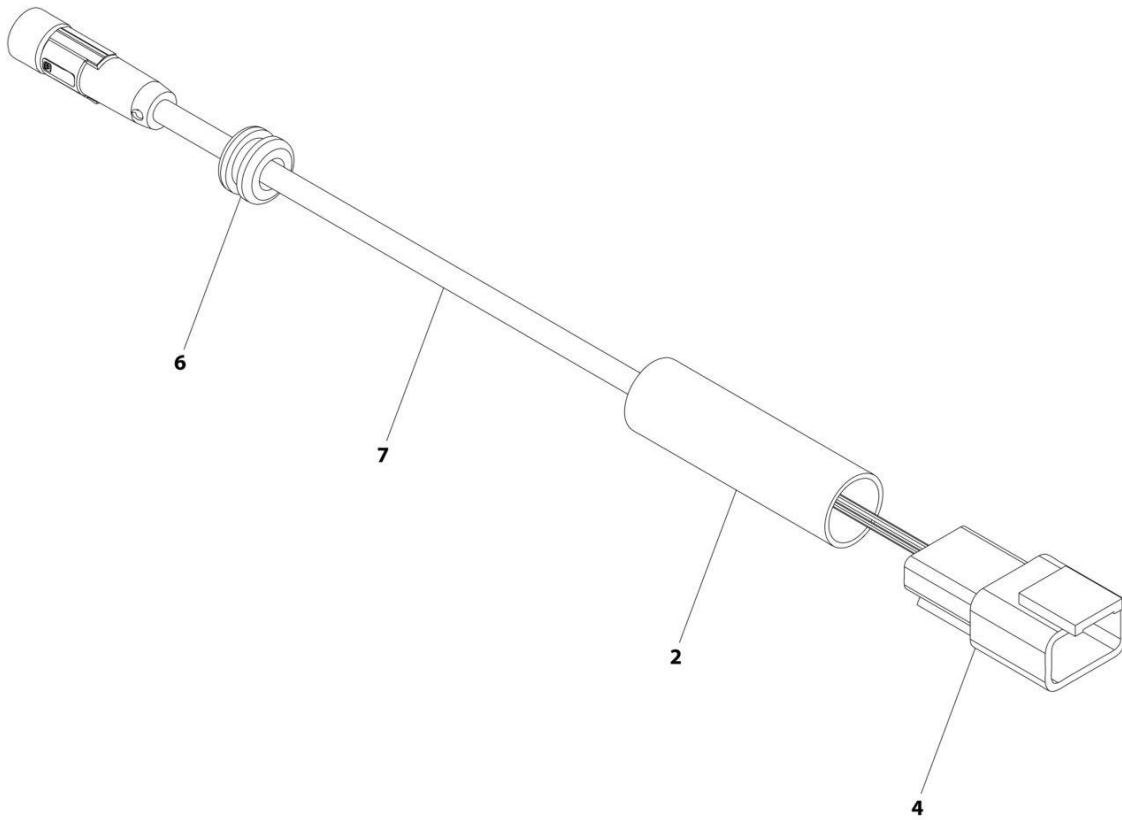
SECTION 8 - ELECTRICAL

FIGURE 8-65. SKYEYE INTERMEDIATE HARNESS

ITEM	PART NUMBER	QTY	DESCRIPTION	REV
	1001237865	Ref	SKYEYE INTERMEDIATE HARNESS	A
1	4460899	1	Connector - 6 Position	
1	4460943	4	Pin, Male	
1	4460466	2	Plug, Terminal	
2	4461077	2	Connector - 4 Position	
2	1001119619	8	Socket, Female	
3	4460911	1	Connector - 3 Position	
3	1001119619	3	Socket, Female	
4	1001187681	1	Connector - 2 Position	
4	4460941	1	Pin, Male	
4	4460466	1	Plug, Terminal	

SECTION 8 - ELECTRICAL

FIGURE 8-66. SKYEYE RECEIVER HARNESS



ART_1001237863_B

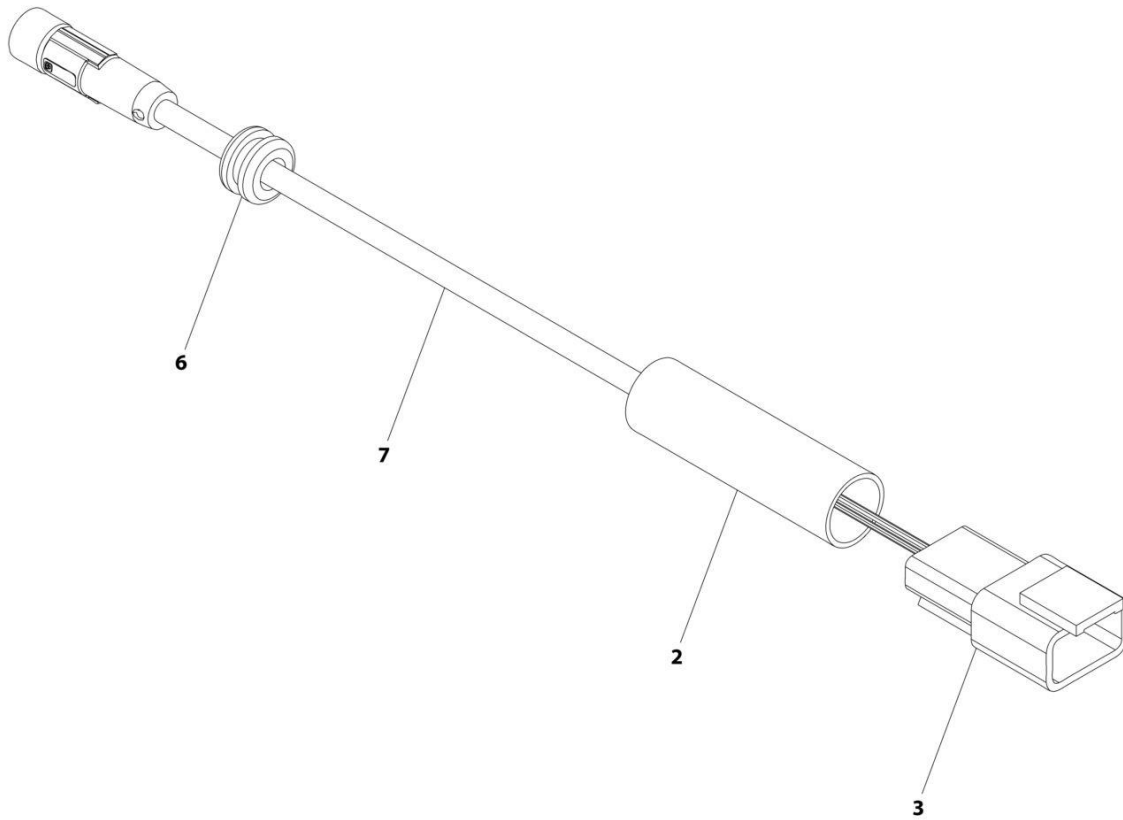
SECTION 8 - ELECTRICAL

FIGURE 8-66. SKYEYE RECEIVER HARNESS

ITEM	PART NUMBER	QTY	DESCRIPTION	REV
	1001237863	Ref	SKYEYE RECEIVER HARNESS	B
2	2820247	AR	Tubing, Heat Shrink	
4	1001097051	1	Connector - 4 Position	
4	1001119620	4	Pin, Male	
6	1001227996	1	Grommet	
7	1001258495	1	Cable, M8 Female Cordset	

SECTION 8 - ELECTRICAL

FIGURE 8-67. SKYEYE EMITTER HARNESS



ART_1001237864_B

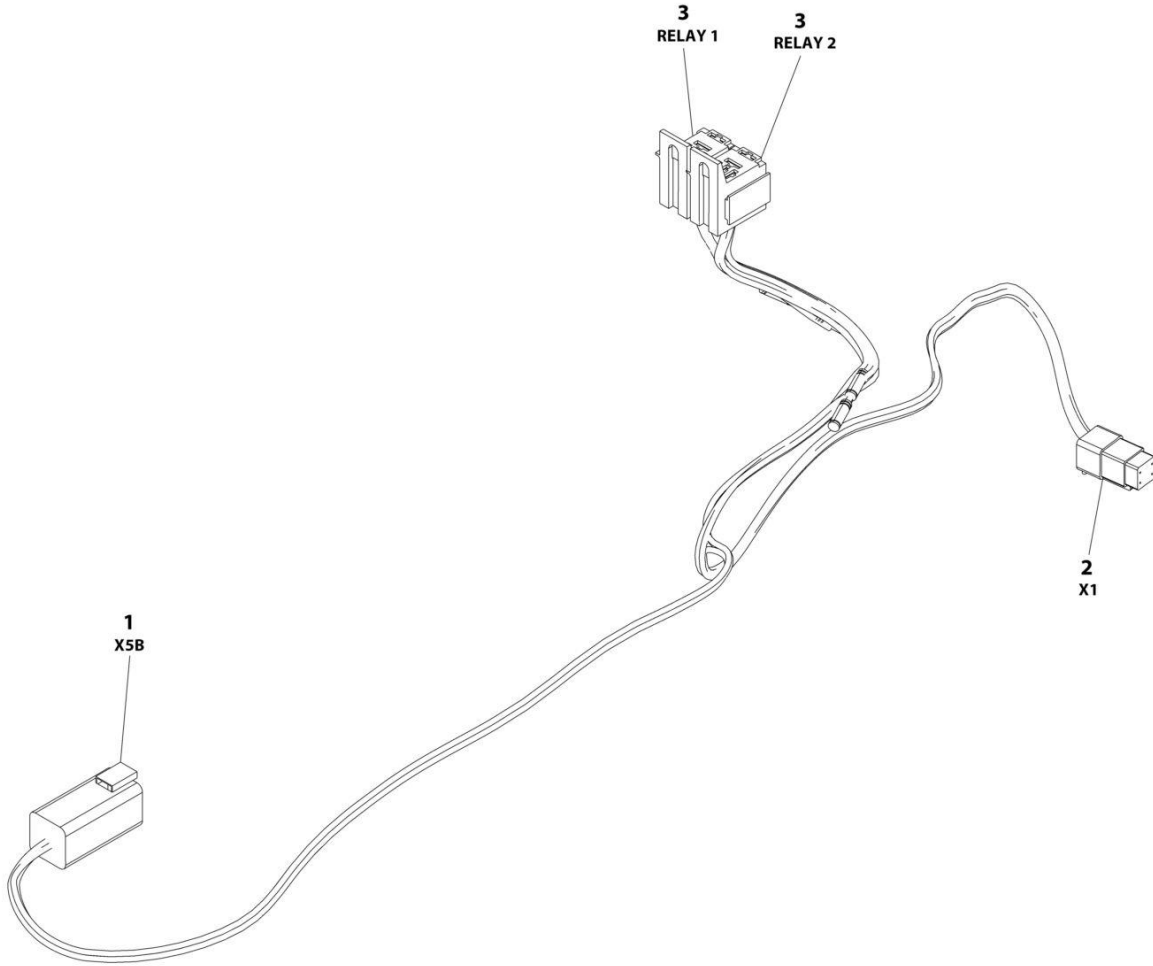
SECTION 8 - ELECTRICAL

FIGURE 8-67. SKYEYE EMITTER HARNESS

ITEM	PART NUMBER	QTY	DESCRIPTION	REV
	1001237864	Ref	SKYEYE EMITTER HARNESS	B
2	2820247	AR	Tubing, Heat Shrink	
3	4460910	1	Connector - 3 Position	
3	1001119620	3	Pin, Male	
6	1001227996	1	Grommet	
7	1001258495	1	Cable, M8 Female Cordset	

SECTION 8 - ELECTRICAL

FIGURE 8-68. SKYLINE HARNESS



ART_1001238418

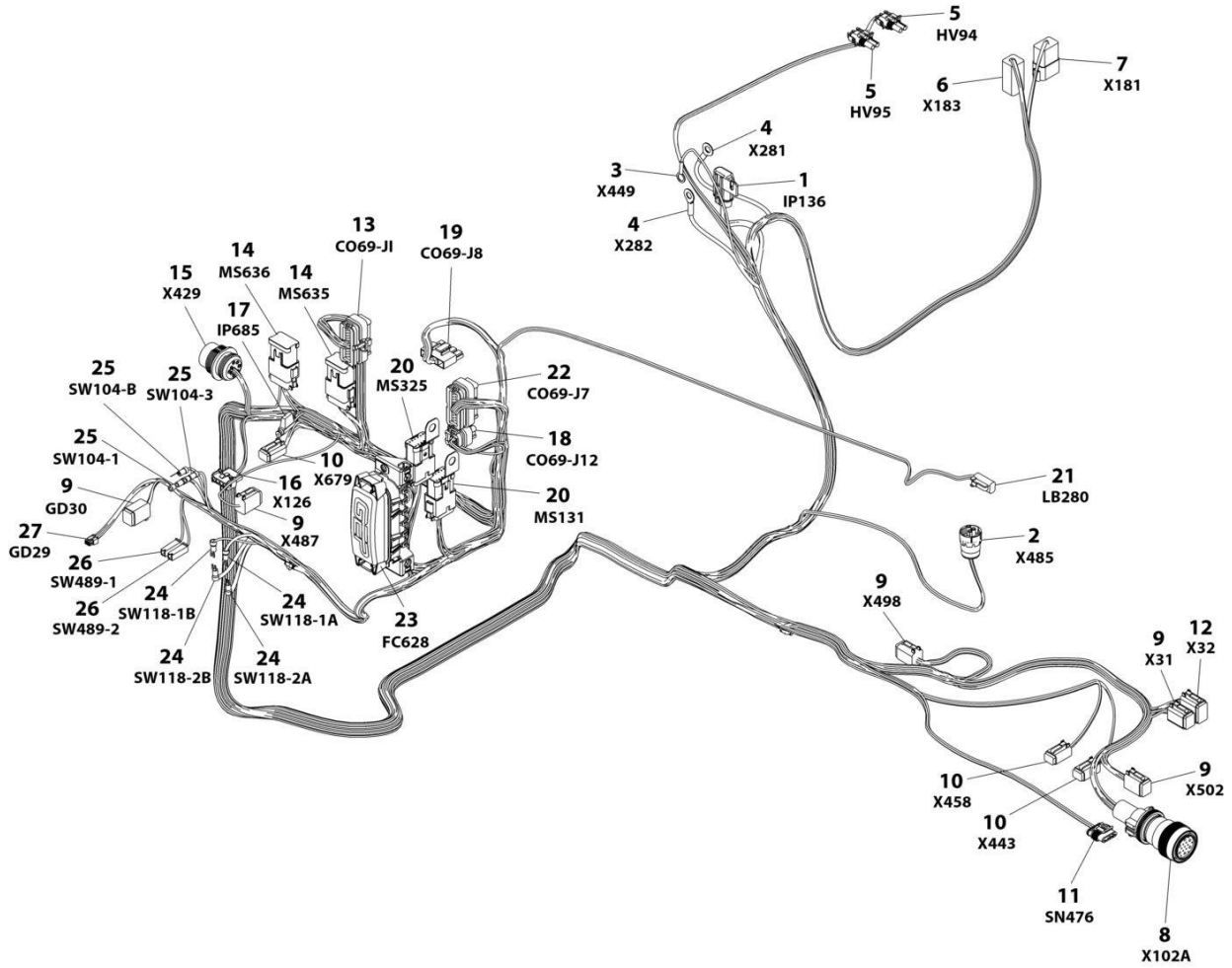
SECTION 8 - ELECTRICAL

FIGURE 8-68. SKYLINE HARNESS

ITEM	PART NUMBER	QTY	DESCRIPTION	REV
	1001238418	Ref	SKYLINE HARNESS	B
1	4460899	1	Connector - 6 Position	
1	4460464	4	Pin, Male	
1	4460466	2	Plug, Terminal	
2	4461077	1	Connector - 4 Position	
2	1001126009	4	Socket, Female	
3	1001186432	2	Plug, Relay	
3	1001118388	5	Terminal	
3	1001118384	3	Terminal	
3	3740086	2	Relay	

SECTION 8 - ELECTRICAL

FIGURE 8-69. TURNTABLE HARNESS



ART_1001244293

SECTION 8 - ELECTRICAL

FIGURE 8-69. TURNTABLE HARNESS

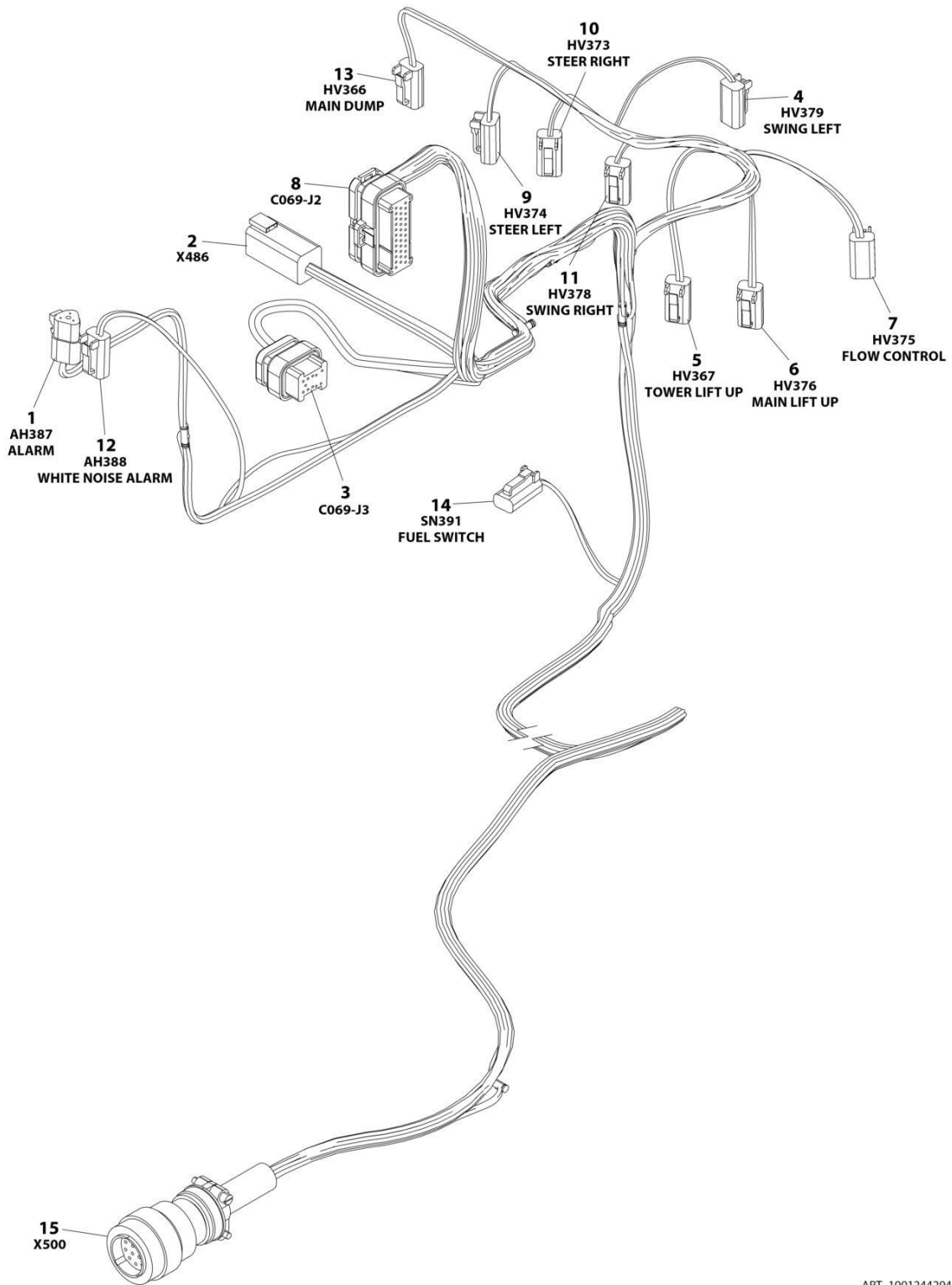
ITEM	PART NUMBER	QTY	DESCRIPTION	REV
	1001244293	Ref	TURNTABLE HARNESS	D
1	1001117070	1	Fuseholder with 30Amp Fuse	
1	See Note	1	Fuse 30Amp (Note: Not Available - Purchase Locally)	
1	1001116734	2	Terminal, Female	
2	4460967	1	Connector - 3 Position	
2	4460465	3	Socket, Female	
3	4460247	1	Terminal, Ring	
4	8220045	2	Terminal, Ring	
5	4460742	2	Plug, Male - 2 Position	
5	4460743	4	Socket, Female	
5	4460458	4	Seal, Terminal	
6	4460899	1	Receptacle, Female - 6 Position	
6	4460464	3	Pin, Male	
6	4460943	2	Pin, Male	
6	4460466	1	Plug, Terminal	
7	4460931	1	Receptacle, Female	
7	4460464	5	Pin, Male	
7	4460466	3	Plug, Terminal	
8	4460865	1	Connector - 19 Position	
8	4460465	6	Socket, Female	
8	4460509	2	Socket, Female	
8	4460466	11	Plug, Terminal	
8	1321647	1	Clamp	
9	4460894	5	Plug, Male - 6 Position	
9	4460465	24	Socket, Female	
9	4460466	6	Plug, Terminal	
10	4460884	3	Plug, Male - 4 Position	
10	4460465	8	Socket, Female	
10	4460466	4	Plug, Terminal	
11	1001103012	1	Connector - 4 Position	
11	1001107854	4	Socket, Female	
11	1001104498	4	Seal, Terminal	
12	4460930	1	Plug, Male - 8 Position	
12	4460465	6	Socket, Female	
12	4460466	2	Seal, Terminal	
13	4460874	1	Connector - 35 Position	
13	4460871	21	Socket, Female	
14	4460905	14	Plug, Terminal	
14	4460836	2	Connector - 12 Position	
14	4460465	16	Socket, Female	
14	4460466	8	Plug, Terminal	
14	4460837	2	Bussbar - 12 Position	
15	1001112612	1	Connector - 9 Position	
15	4460464	3	Pin, Male	
15	4460943	2	Pin, Male (Gold)	
15	4460466	4	Plug, Terminal	
16	4460761	1	Receptacle, Female - 4 Position	
16	4460267	4	Pin, Male	
17	2400060	1	Holder, Fuse	
17	8229242	1	Fuse 5Amp	

SECTION 8 - ELECTRICAL

ITEM	PART NUMBER	QTY	DESCRIPTION	REV
18	1001113961	1	Plug, Male - 8 Position	
18	4460871	5	Socket, Female	
18	4460905	3	Plug, Terminal	
19	4460878	1	Plug, Male - 4 Position	
19	4460887	4	Terminal	
20	4460933	2	Plug, Male - 12 Position	
20	4460465	12	Socket, Female	
20	4460466	11	Plug, Terminal	
20	1001125677	2	Bussbar - 12 Position	
20	1001120328	2	Clip, Mounting	
21	4460891	1	Plug, Male - 2 Position	
21	4460465	2	Socket, Female	
22	4460873	1	Connector - 35 Position	
22	4460871	28	Socket, Female	
22	4460905	7	Plug, Terminal	
23	1001185964	1	Fuse Box Assembly	
23	8229244	2	Fuse 15Amp	
23	8229242	4	Fuse 5Amp	
23	1001196635	1	Fuse 3Amp	
23	1001129285	2	Fuse with Diode	
23	1001095704	1	Relay	
23	1001116728	14	Terminal, Female	
23	8220125	9	Terminal, Female	
23	4460748	25	Plug, Terminal	
23	4460458	14	Seal, Terminal	
23	80963067	9	Seal, Cable	
24	4460806	4	Terminal, Fork	
25	4460142	3	Terminal, Ring	
26	4460260	2	Housing, Terminal	
26	4460259	2	Terminal	
27	1001237667	1	Connector - 6 Position	
27	1001237668	5	Socket, Female	

SECTION 8 - ELECTRICAL

FIGURE 8-70. VALVE HARNESS - MAIN VALVE



ART_1001244294

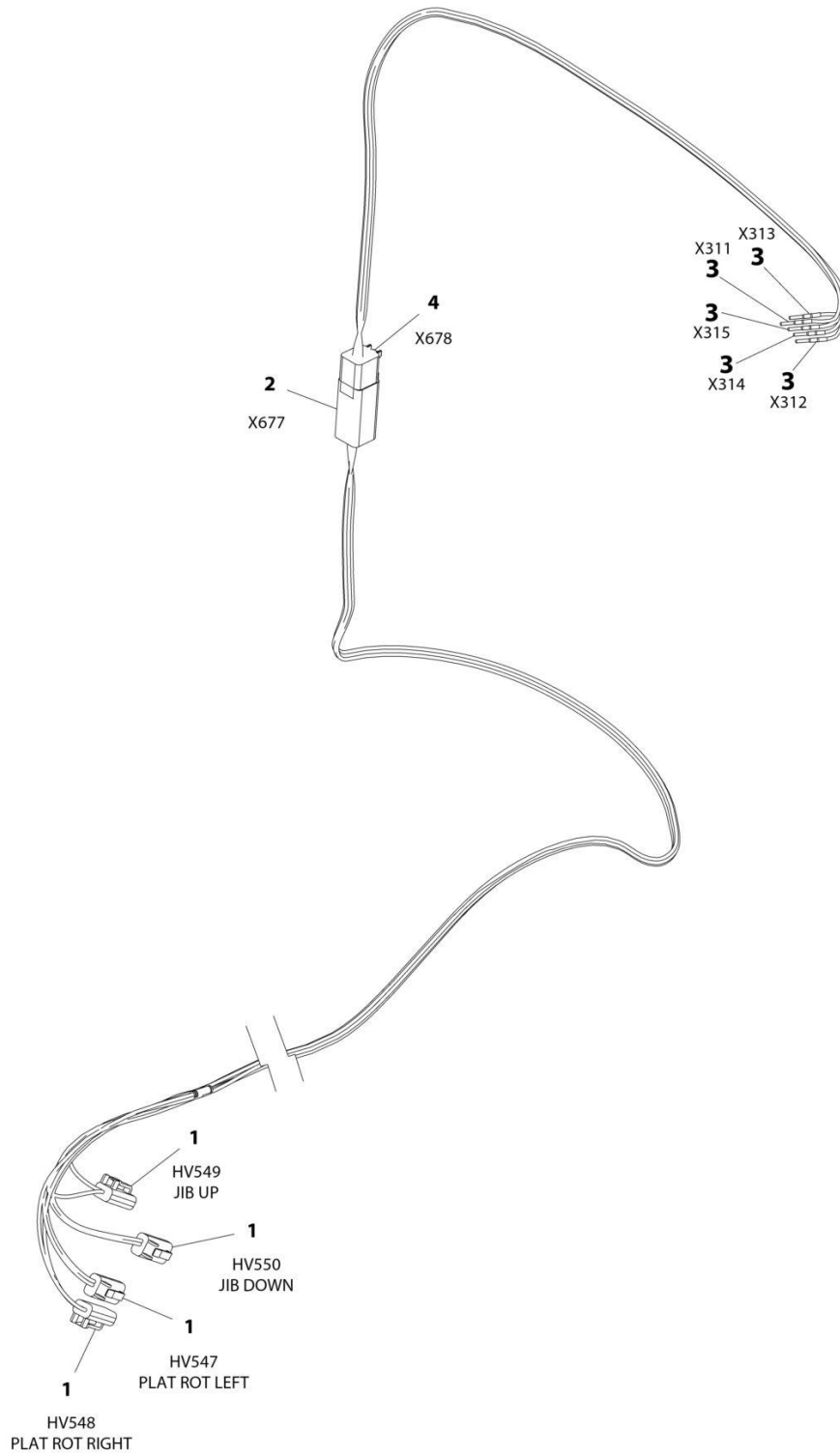
SECTION 8 - ELECTRICAL

FIGURE 8-70. VALVE HARNESS - MAIN VALVE

ITEM	PART NUMBER	QTY	DESCRIPTION	REV
	1001244294	Ref	TRACTION HARNESS	B
1	4460539	1	Plug, Male - 3 Position	
1	4460465	3	Socket, Female	
2	4460899	1	Connector - 6 Position	
2	4460464	4	Pin, Male	
2	4460466	2	Plug, Terminal	
3	4460872	1	Connector - 14 Position	
3	4460871	9	Terminal, Female	
3	4460905	5	Seal, Terminal	
4	4460891	1	Connector - 2 Position	
4	4460465	2	Socket, Female	
5	4460891	1	Connector - 2 Position	
5	4460465	2	Socket, Female	
6	4460891	1	Connector - 2 Position	
6	4460465	2	Socket, Female	
7	4460891	1	Connector - 2 Position	
7	4460465	2	Socket, Female	
8	4460875	1	Connector - 35 Position	
8	4460871	26	Socket, Female	
8	4460905	9	Plug, Terminal	
9	4460891	1	Plug, Male - 2 Position	
9	4460465	2	Socket, Female	
10	4460891	1	Connector - 2 Position	
10	4460465	2	Socket, Female	
11	4460891	1	Connector - 2 Position	
11	4460465	2	Socket, Female	
12	4460891	1	Connector - 2 Position	
12	4460465	2	Socket, Female	
13	4460891	1	Connector - 2 Position	
13	4460465	2	Socket, Female	
14	4460424	1	Connector - 2 Position	
14	4460268	2	Socket, Female	
15	4460754	1	Connector - 14 Position	
15	4460465	13	Socket, Female	
15	4460466	1	Plug, Terminal	

SECTION 8 - ELECTRICAL

FIGURE 8-71. VALVE HARNESS - PLATFORM VALVE



ART_1001164728

SECTION 8 - ELECTRICAL

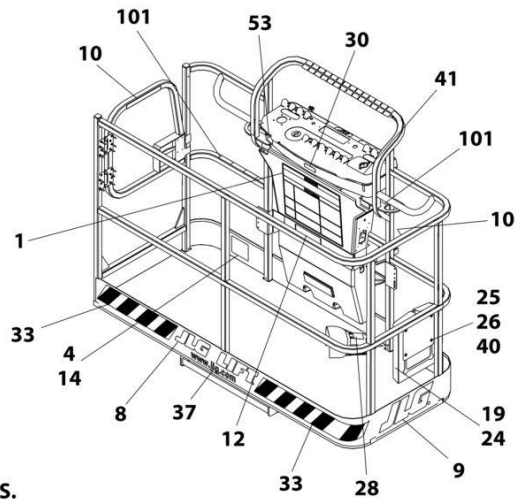
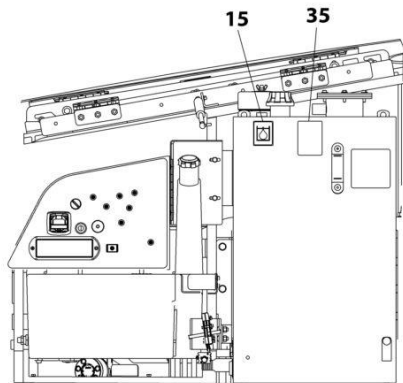
FIGURE 8-71. VALVE HARNESS - PLATFORM VALVE

ITEM	PART NUMBER	QTY	DESCRIPTION	REV
	1001164728	Ref	VALVE HARNESS - PLATFORM VALVE	D
1	4460891	4	Plug, Male - 2 Position	
1	4460465	8	Socket, Female	
2	4460899	1	Receptacle, Female - 6 Position	
2	4460464	5	Pin, Male	
2	4460466	1	Plug, Terminal	
3	4460465	5	Socket, Female	
4	4460894	1	Plug, Male - 6 Position	
4	4460465	5	Socket, Female	
4	4460466	1	Plug, Terminal	

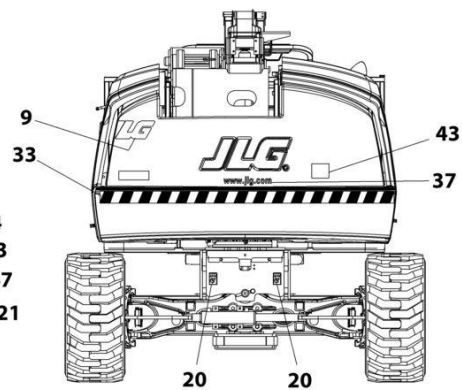
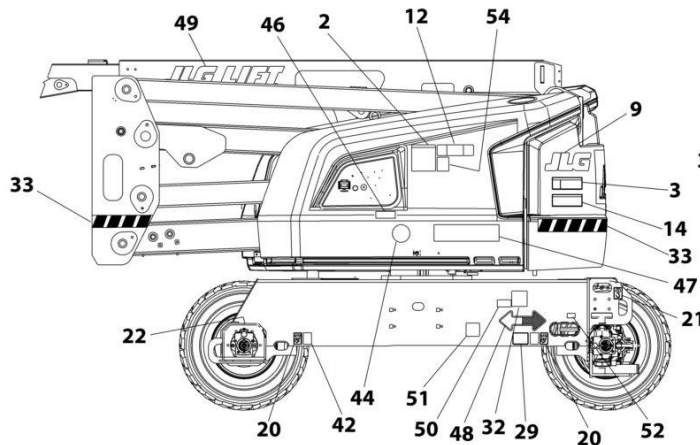
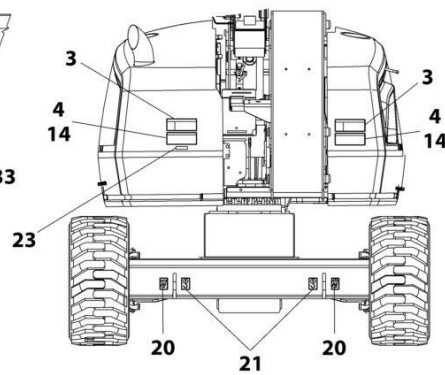
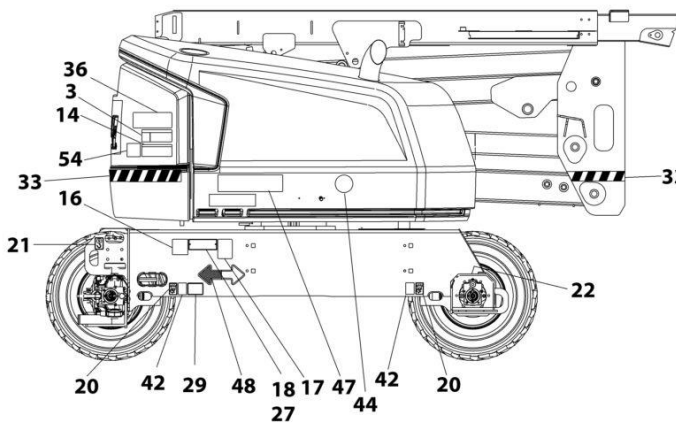
SECTION 9 - DECALS

SECTION 9 - DECALS

FIGURE 9-1. DECAL INSTALLATION – ANSI, ANSI EXPORT AND CSA SPECS WITH DEUTZ ENGINES (ENGLISH)



NOTE: SOME DECALS ARE CALLED OUT ON OPTIONAL DECALS INSTALLATION.
 NOTE: ITEMS SHOWN MAY NOT BE REQUIRED FOR ALL SPECS. REFER TO PARTS LIST FOR USAGE.



ART_1001246402

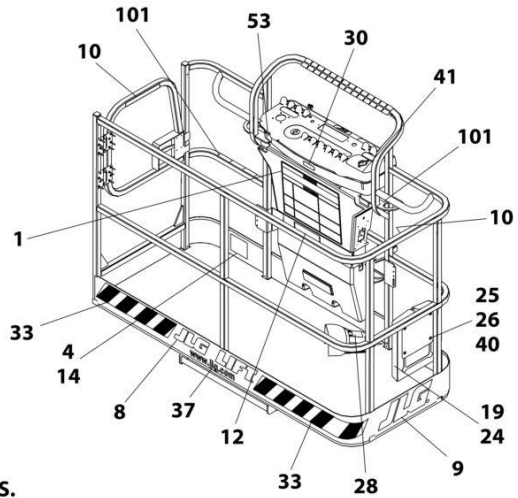
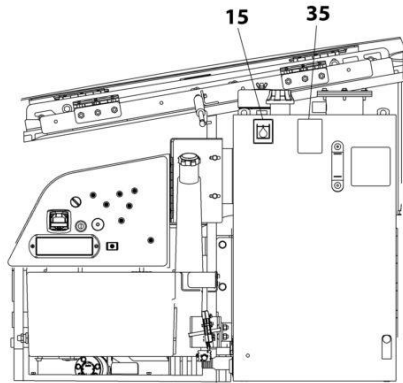
SECTION 9 - DECALS

**FIGURE 9-1. DECAL INSTALLATION – ANSI, ANSI EXPORT AND CSA SPECS WITH DEUTZ ENGINES
(ENGLISH)**

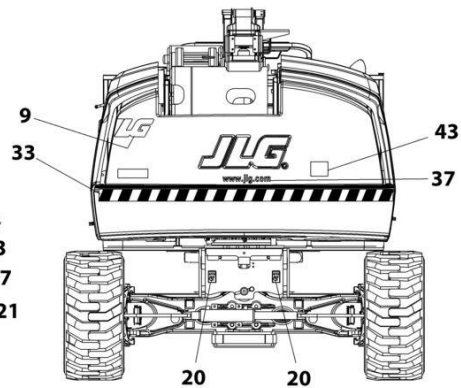
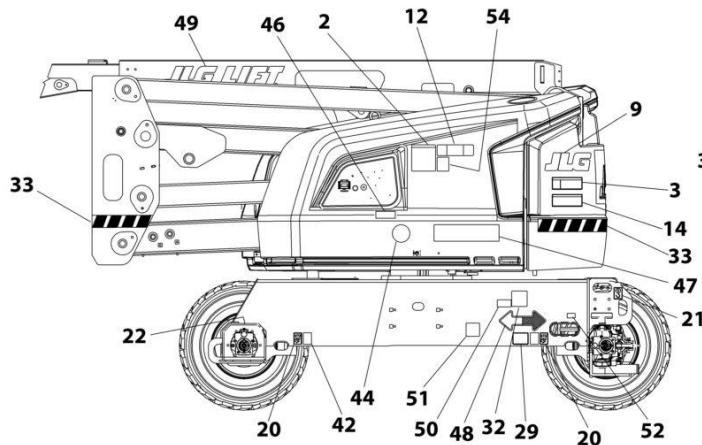
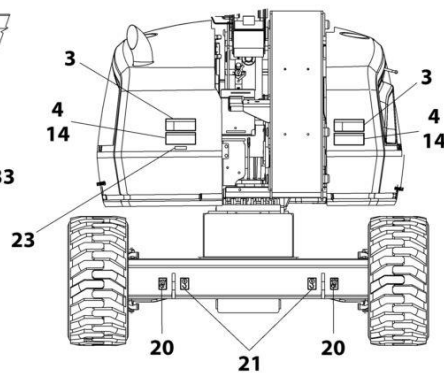
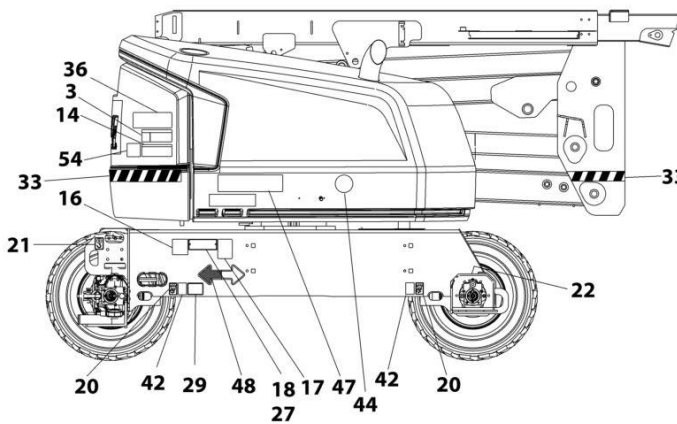
ITEM	PART NUMBER	QTY	DESCRIPTION	REV
	1001248008	Re	DECAL INSTALLATION - REFERENCE CHART	C
	1001246402	Re	DECAL INSTALLATION	D
1	1703797	1	Decal - Danger/Warning	
2	1705336	1	Decal - Danger/Warning	
3	1703805	4	Decal - Danger/Electrocution	
4	1703804	4	Decal - Warning/Crushing	
8		Ref	Decal, JLG (See DECAL INSTALLATION - OPTIONS)	
9		Ref	Decal, JLG (See DECAL INSTALLATION - OPTIONS)	
10	1702868	2	Decal - No Hands	
12	1001255511	2	Decal - Max Capacity	
14	1703953	2	Decal - Warning/Crushing	
15	1701504	1	Decal - Hydraulic Oil	
16	See Note	NSS	Decal - Bar Code (Note: Not Available for Purchase)	
17	1001131269	1	Decal - Patent	
18		Ref	Nameplate - Manufacturers Serial Number (See DECAL INSTALLATION - OPTIONS)	
19	1701509	1	Decal - Manual	
20	1702300	8	Decal - Tie Down /Lift	
21	1701500	4	Decal - Tie Down /Lift	
22	1703687	2	Decal - Arrow	
23	3251243	1	Nameplate 120V-60Hz	
24	0860520	1	Box, Manual Storage	
25	4751400	4	Washer, 1/4	
26	3311405	4	Nut, Lock 1/4-20	
27	3820001	2	Rivet	
28	3252347	1	Decal - Footswitch	
29		Ref	Decal - Max Tire Load (See DECAL INSTALLATION - OPTIONS)	
32		Ref	Decal - LP (See DECAL INSTALLATION - OPTIONS)	
33		Ref	Warning Stripes Installation (See DECAL INSTALLATION - OPTIONS)	
35	1704412	1	Decal - Hydraulic Fluid	
36	1001284875	1	Decal - Lift Diagram (Without Turntable Lock)	
36	1001223118	1	Decal - Lift Diagram (With Turntable Lock)	
37	1704885	2	Decal - Website	
40	0641406	4	Bolt, 1/4-20 x 3/4	
41	1705351	1	Decal - Drive/Steer	
42	1701499	4	Decal - Tie Down /Lift	
43	3251813	1	Decal - USA	
47		Ref	Decal - Model Designation (See DECAL INSTALLATION - OPTIONS)	
48	1701529	2	Decal - Arrow	
51	1001223055	1	Decal - Yearly Inspection	
52	1001223453	1	Decal - Ices (Canada)	
100	1001232026	1	Decal - Platform Lanyard Kit (Not Shown)	
101	1704277	3	Decal - Attach Lanyard Here	

SECTION 9 - DECALS

FIGURE 9-2. DECAL INSTALLATION – ANSI AND ANSI EXPORT SPECS WITH KUBOTA ENGINES (ENGLISH)



NOTE: SOME DECALS ARE CALLED OUT ON OPTIONAL DECALS INSTALLATION.
 NOTE: ITEMS SHOWN MAY NOT BE REQUIRED FOR ALL SPECS. REFER TO PARTS LIST FOR USAGE.



ART_1001246405

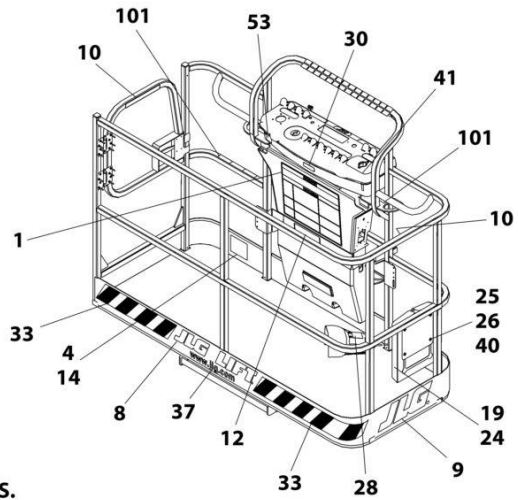
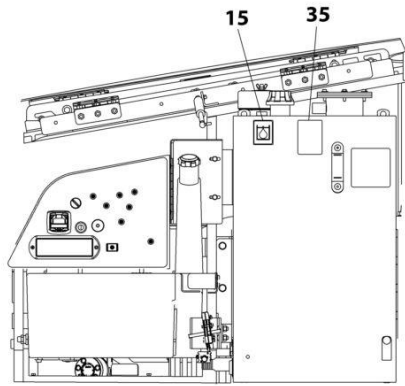
SECTION 9 - DECALS

**FIGURE 9-2. DECAL INSTALLATION – ANSI AND ANSI EXPORT SPECS WITH KUBOTA ENGINES
(ENGLISH)**

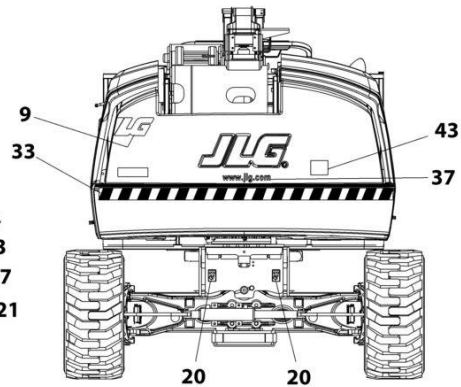
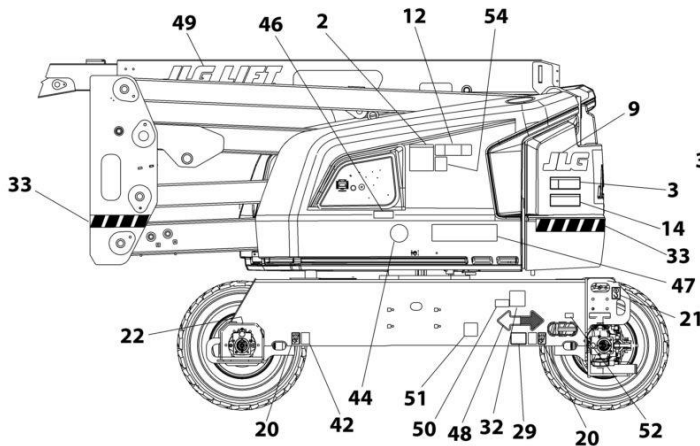
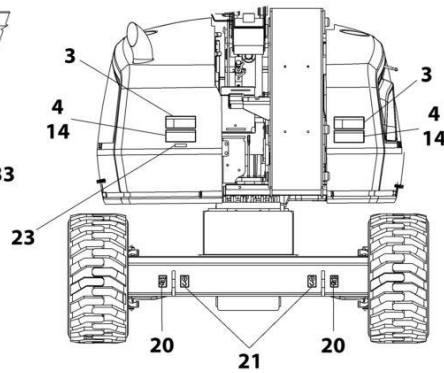
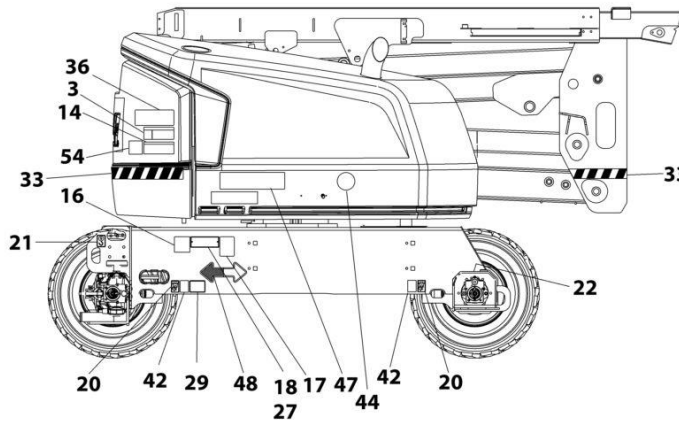
ITEM	PART NUMBER	QTY	DESCRIPTION	REV
	1001248008	Ref	DECAL INSTALLATION - REFERENCE CHART	C
	1001246405	Ref	DECAL INSTALLATION	C
1	1703797	1	Decal - Danger/Warning	
2	1705336	1	Decal - Danger/Warning	
3	1703805	4	Decal - Danger/Electrocution	
4	1703804	4	Decal - Warning/Crushing	
8		Ref	Decal, JLG (See DECAL INSTALLATION - OPTIONS)	
9		Ref	Decal, JLG (See DECAL INSTALLATION - OPTIONS)	
10	1702868	2	Decal - No Hands	
12	1001255511	2	Decal - Max Capacity	
14	1703953	2	Decal - Warning/Crushing	
15	1701504	1	Decal - Hydraulic Oil	
16	See Note	NSS	Decal - Bar Code (Note: Not Available for Purchase)	
17	1001131269	1	Decal - Patent	
18		Ref	Nameplate - Manufacturers Serial Number (See DECAL INSTALLATION - OPTIONS)	
19	1701509	1	Decal - Manual	
20	1702300	8	Decal - Tie Down /Lift	
21	1701500	4	Decal - Tie Down /Lift	
22	1703687	2	Decal - Arrow	
23	3251243	1	Nameplate 120V-60Hz	
24	0860520	1	Box, Manual Storage	
25	4751400	4	Washer, 1/4	
26	3311405	4	Nut, Lock 1/4-20	
27	3820001	2	Rivet	
28	3252347	1	Decal - Footswitch	
29		Ref	Decal - Max Tire Load (See DECAL INSTALLATION - OPTIONS)	
32		Ref	Decal - LP (See DECAL INSTALLATION - OPTIONS)	
33		Ref	Warning Stripes Installation (See DECAL INSTALLATION - OPTIONS)	
35	1704412	1	Decal - Hydraulic Fluid	
36	1001284875	1	Decal - Lift Diagram (Without Turntable Lock)	
36	1001223118	1	Decal - Lift Diagram (With Turntable Lock)	
37	1704885	2	Decal - Website	
40	0641406	4	Bolt, 1/4-20 x 3/4	
41	1705351	1	Decal - Drive/Steer	
42	1701499	4	Decal - Tie Down /Lift	
43	3251813	1	Decal - USA	
47		Ref	Decal - Model Designation (See DECAL INSTALLATION - OPTIONS)	
48	1701529	2	Decal - Arrow	
49		Ref	Decal, JLG (See DECAL INSTALLATION - OPTIONS)	
51	1001223055	1	Decal - Yearly Inspection	
52	1001223453	1	Decal - Ices (Canada)	
53		Ref	Decal - Warning (Prop 65) (See DECAL INSTALLATION - OPTIONS)	
100	1001232026	1	Decal - Platform Lanyard Kit (Not Shown)	
101	1704277	3	Decal - Attach Lanyard Here	

SECTION 9 - DECALS

FIGURE 9-3. DECAL INSTALLATION - AUSTRALIAN SPEC (ENGLISH)



NOTE: SOME DECALS ARE CALLED OUT ON OPTIONAL DECALS INSTALLATION.
NOTE: ITEMS SHOWN MAY NOT BE REQUIRED FOR ALL SPECS. REFER TO PARTS LIST FOR USAGE.



ART_1001162522

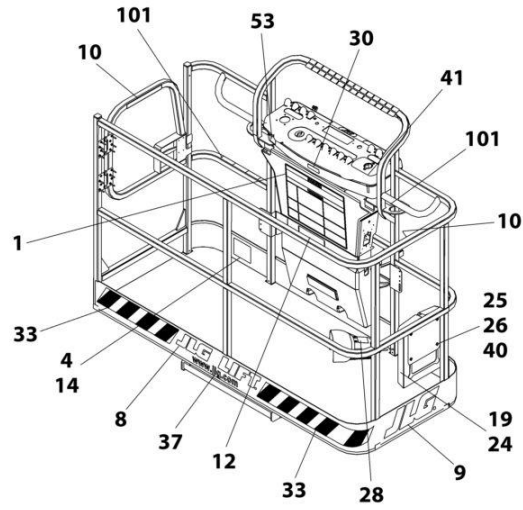
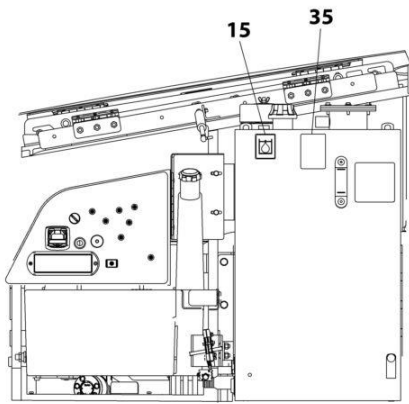
SECTION 9 - DECALS

FIGURE 9-3. DECAL INSTALLATION - AUSTRALIAN SPEC (ENGLISH)

ITEM	PART NUMBER	QTY	DESCRIPTION	REV
	1001248008	Ref	DECAL INSTALLATION - REFERENCE CHART	C
	1001162522	Ref	DECAL INSTALLATION	I
1	1001162429	1	Decal - Tipping/Electrocution	
2	1705822	1	Decal - Electrocution/Safety Manual	
3	1705961	4	Decal - Danger Electrocution	
8		Ref	Decal, JLG (See DECAL INSTALLATION - OPTIONS)	
9		Ref	Decal, JLG (See DECAL INSTALLATION - OPTIONS)	
12	1001190913	2	Decal - Max Capacity	
14	1701518	6	Decal - Warning/Crushing	
15	1701504	1	Decal - Hydraulic Oil	
16	See Note	NSS	Decal - Bar Code (Note: Not Available for Purchase)	
18		Ref	Nameplate - Manufacturers Serial Number (See DECAL INSTALLATION - OPTIONS)	
19	1701509	1	Decal - Manual	
20	1702300	8	Decal - Tie Down /Lift	
21	1701500	4	Decal - Tie Down /Lift	
22	1703687	2	Decal - Arrow	
24	0860520	1	Box, Manual Storage	
25	4751400	4	Washer, 1/4	
26	3311405	4	Nut, Lock 1/4-20	
27	3820001	4	Rivet	
28	1705828	1	Decal - Footswitch	
29		Ref	Decal - Max Tire Load (See DECAL INSTALLATION - OPTIONS)	
33		Ref	Warning Stripes Installation (See DECAL INSTALLATION - OPTIONS)	
35	1704412	1	Decal - Hydraulic Fluid	
36	1001284875	1	Decal - Lift Diagram (Without Turntable Lock)	
36	1001223118	1	Decal - Lift Diagram (With Turntable Lock)	
37	1704885	2	Decal - Website	
40	0641406	4	Bolt, 1/4-20 x 3/4	
42	1701499	4	Decal - No Tie Down/Lift	
43	1001204510	1	Decal - Sound Power Level	
46	1001112551	1	Decal - Emergency Controls	
47		Ref	Decal - Model Designation (See DECAL INSTALLATION - OPTIONS)	
48	1701529	2	Decal - Arrow	
49		Ref	Decal, JLG (See DECAL INSTALLATION - OPTIONS)	
50		Ref	Decal - Emissions Compliance (See DECAL INSTALLATION - OPTIONS)	
100	1001232026	1	Decal - Platform Lanyard Kit (Not Shown)	
101	1704277	3	Decal - Attach Lanyard Here	

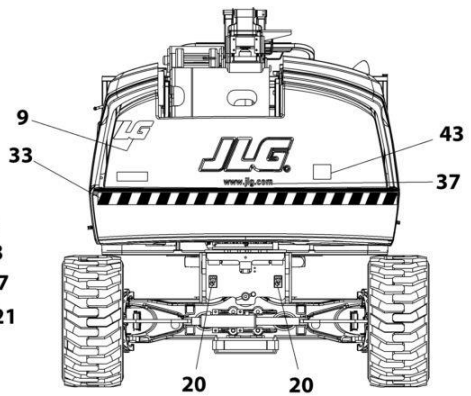
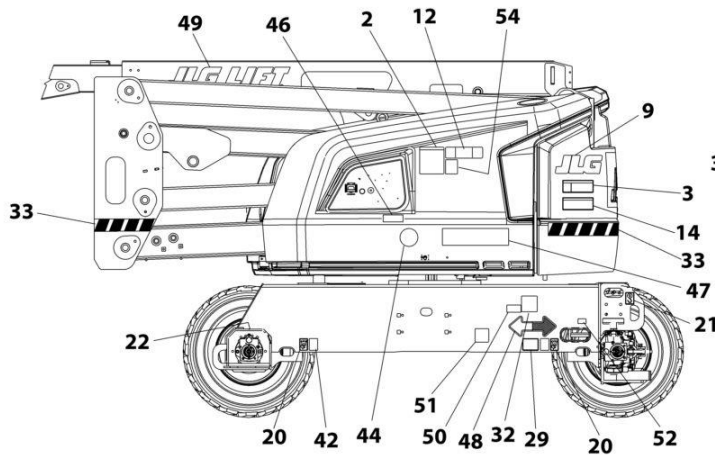
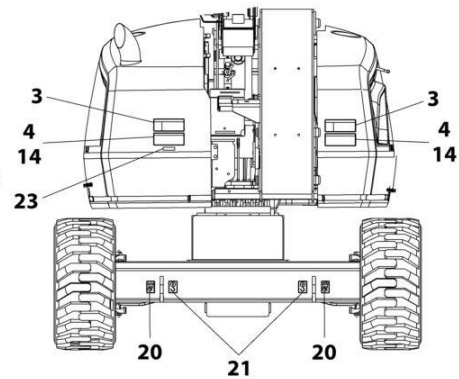
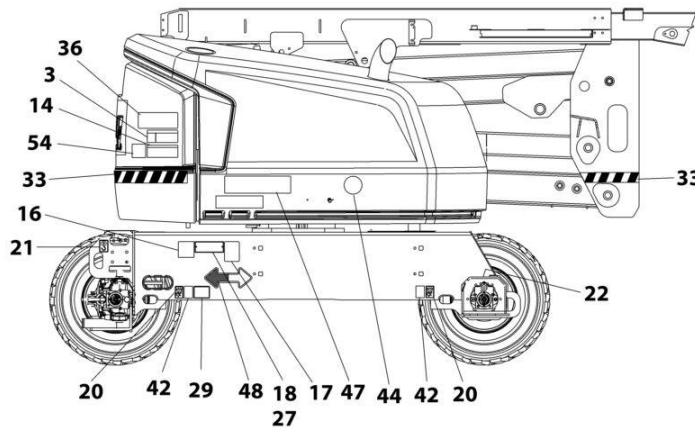
SECTION 9 - DECALS

FIGURE 9-4. DECAL INSTALLATION - BRAZIL SPEC (ENGLISH)



NOTE: SOME DECALS ARE CALLED OUT ON OPTIONAL DECALS INSTALLATION.

NOTE: ITEMS SHOWN MAY NOT BE REQUIRED FOR ALL SPECS. REFER TO PARTS LIST FOR USAGE.



ART_1001256207_D

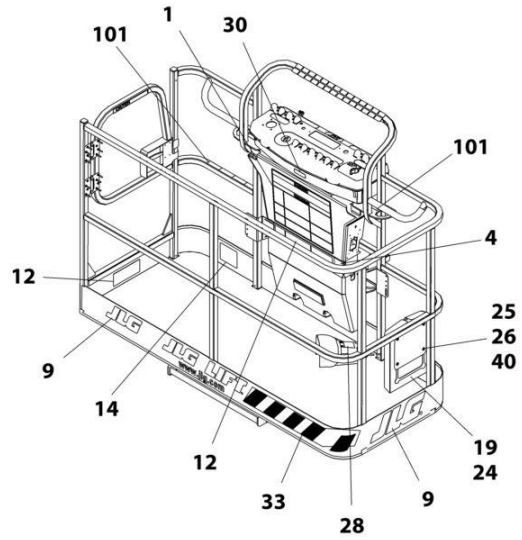
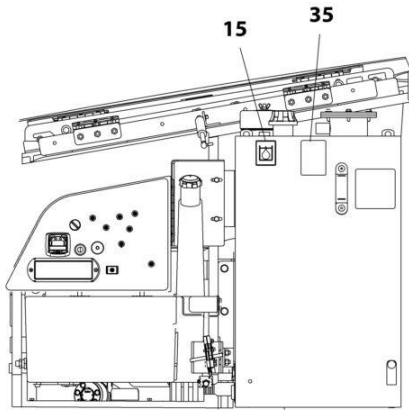
SECTION 9 - DECALS

FIGURE 9-4. DECAL INSTALLATION - BRAZIL SPEC (ENGLISH)

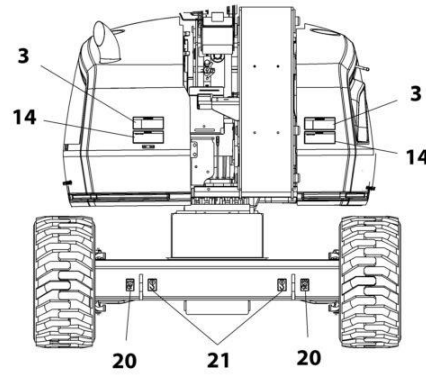
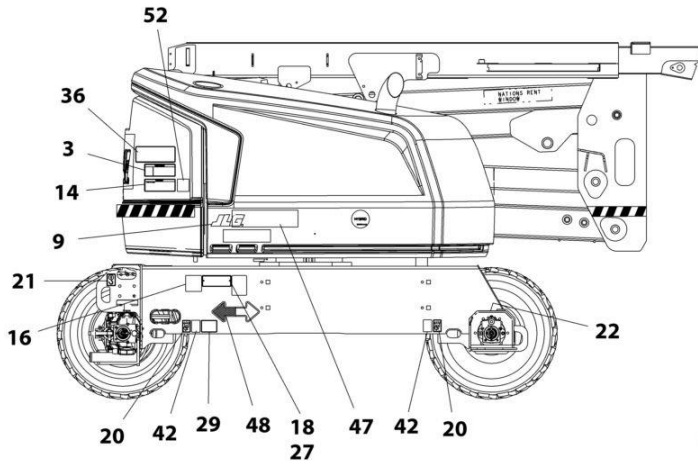
ITEM	PART NUMBER	QTY	DESCRIPTION	REV
	1001248008	Ref	DECAL INSTALLATION - REFERENCE CHART	C
	1001256207	Ref	DECAL INSTALLATION	D
1	1703928	1	Decal - Danger/Warning	
2	1705349	1	Decal - Warning Inspection	
3	1703940	4	Decal - Danger Electrocutation	
4	1703952	4	Decal - Warning/Crushing	
8		Ref	Decal, JLG (See DECAL INSTALLATION - OPTIONS)	
9		Ref	Decal, JLG (See DECAL INSTALLATION - OPTIONS)	
10	1704002	2	Decal - No Hands	
12	1001255515	2	Decal - Max Capacity	
14	1703946	2	Decal - Warning/Crushing	
15	1701504	1	Decal - Hydraulic Oil	
16	See Note	NSS	Decal - Bar Code (Note: Not Available for Purchase)	
18		Ref	Nameplate - Manufacturers Serial Number (See DECAL INSTALLATION - OPTIONS)	
19	1701509	1	Decal - Manual	
20	1702300	8	Decal - Tie Down /Lift	
21	1701500	4	Decal - Tie Down /Lift	
22	1703687	2	Decal - Arrow	
23	3251243	1	Decal - 120V-60Hz	
24	0860520	1	Box, Manual Storage	
25	4751400	4	Washer, 1/4	
26	3311405	4	Nut, Lock 1/4-20	
27	3820001	4	Rivet	
28	1703985	1	Decal, Foot Switch	
29		Ref	Decal - Max Tire Load (See DECAL INSTALLATION - OPTIONS)	
32		Ref	Decal - LP (See DECAL INSTALLATION - OPTIONS)	
33		Ref	Warning Stripes Installation (See DECAL INSTALLATION - OPTIONS)	
35	1704412	1	Decal - Hydraulic Fluid	
36	1001284875	1	Decal - Lift Diagram	
37	1704885	2	Decal - Website	
40	0641406	4	Bolt, 1/4-20 x 3/4	
41	1001113680	1	Decal - Drive/Steer	
42	1701499	4	Decal - No Tie Down/Lift	
43	3251813	1	Decal - USA	
47		Ref	Decal - Model Designation (See DECAL INSTALLATION - OPTIONS)	
48	1701529	2	Decal - Arrow	
49		Ref	Decal, JLG (See DECAL INSTALLATION - OPTIONS)	
50		Ref	Decal - Emissions Compliance (See DECAL INSTALLATION - OPTIONS)	
51	1001224052	1	Decal - Yearly Inspection	
100	1001232026	1	Decal - Platform Lanyard Kit (Not Shown)	
101	1704277	3	Decal - Attach Lanyard Here	

SECTION 9 - DECALS

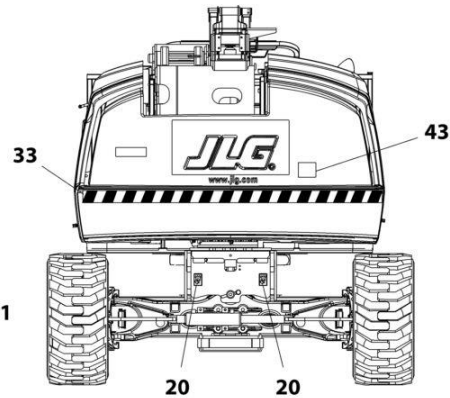
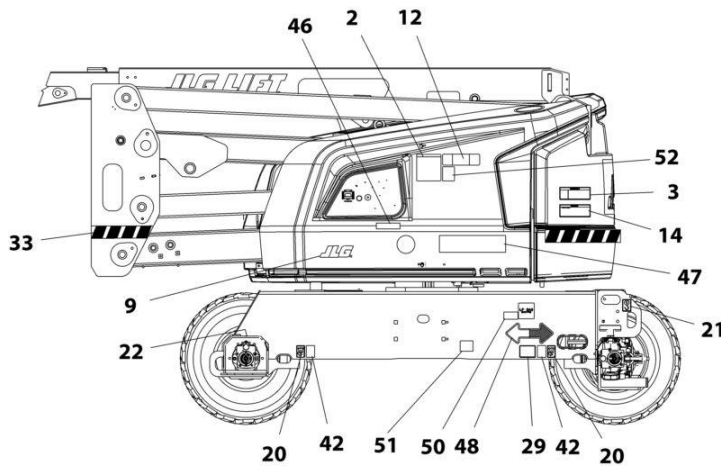
FIGURE 9-5. DECAL INSTALLATION - CE SPEC (ENGLISH)



NOTE: SOME DECALS ARE CALLED OUT ON OPTIONAL DECALS INSTALLATION.



NOTE: ITEMS SHOWN MAY NOT BE REQUIRED FOR ALL SPECS. REFER TO PARTS LIST FOR USAGE.



ART_1001162528_L

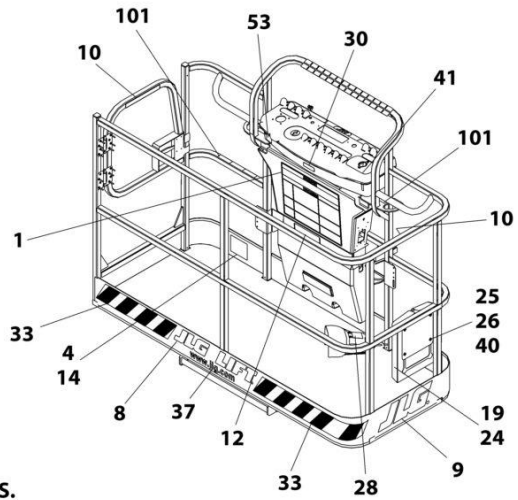
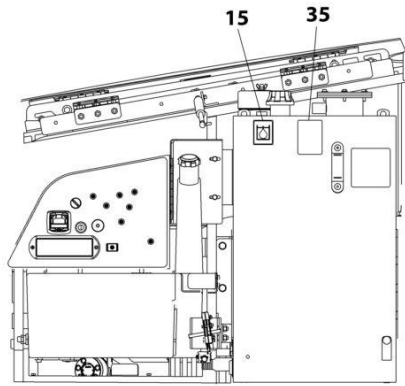
SECTION 9 - DECALS

FIGURE 9-5. DECAL INSTALLATION - CE SPEC (ENGLISH)

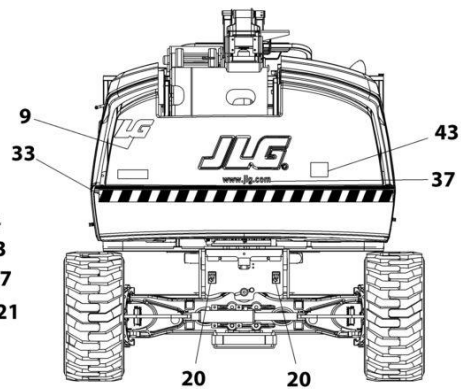
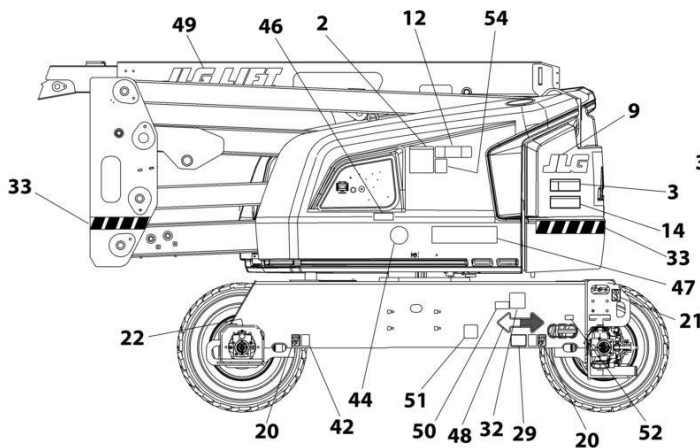
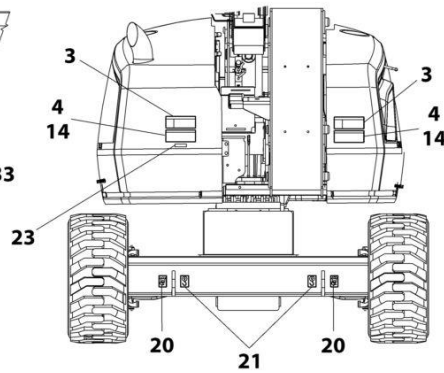
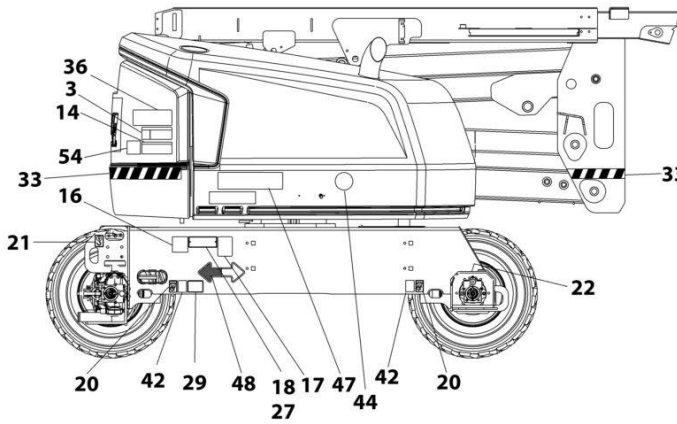
ITEM	PART NUMBER	QTY	DESCRIPTION	REV
	1001217904	Ref	DECAL INSTALLATION - REFERENCE CHART	F
	1001162528	Ref	DECAL INSTALLATION	L
1	1001162429	1	Decal - Tipping/Electrocution	
2	1705822	1	Decal - Electrocution/Safety Manual	
3	1705961	4	Decal - Danger Electrocution	
4	1001244301	1	Decal - No Platform to Ground	
9	1702773	3	Decal - JLG	
12	1001190913	1	Decal - Max Capacity	
14	1701518	6	Decal - Warning/Crushing	
15	1701504	1	Decal - Hydraulic Oil	
16	See Note	NSS	Decal - Bar Code (Note: Not Available for Purchase)	
18		Ref	Nameplate - Manufacturers Serial Number (See DECAL INSTALLATION - OPTIONS)	
19	1701509	1	Decal - Manual	
20	1702300	8	Decal - Tie Down /Lift	
21	1701500	4	Decal - Tie Down /Lift	
22	1703687	2	Decal - Arrow	
24	0860520	1	Box, Manual Storage	
25	4751400	4	Washer, 1/4	
26	3311405	4	Nut, Lock 1/4-20	
27	3820001	4	Rivet	
28	1705828	1	Decal - Footswitch	
29		Ref	Decal - Max Tire Load (See DECAL INSTALLATION - OPTIONS)	
33		Ref	Warning Stripes Installation (See DECAL INSTALLATION - OPTIONS)	
35	1704412	1	Decal - Hydraulic Fluid	
36	1001284875	1	Decal - Lift Diagram (Without Turntable Lock)	
36	1001223118	1	Decal - Lift Diagram (With Turntable Lock)	
40	0641406	4	Bolt, 1/4-20 x 3/4	
42	1701499	4	Decal - No Tie Down/Lift	
46	1001189882	1	Decal - MSSO	
47		Ref	Decal - Model Designation (See DECAL INSTALLATION - OPTIONS)	
48	1701529	2	Decal - Arrow	
50		Ref	Decal - Emissions Compliance (See DECAL INSTALLATION - OPTIONS)	
51		Ref	Decal - Quick Start Reference (See DECAL INSTALLATION - OPTIONS)	
52	1001244298	2	Decal - Wechat	
100	1001232026	1	Decal - Platform Lanyard Kit (Not Shown)	
101	1704277	3	Decal - Attach Lanyard Here	

SECTION 9 - DECALS

FIGURE 9-6. DECAL INSTALLATION - CSA SPEC WITH DEUTZ ENGINES (FRENCH/ENGLISH)



NOTE: SOME DECALS ARE CALLED OUT ON OPTIONAL DECALS INSTALLATION.
NOTE: ITEMS SHOWN MAY NOT BE REQUIRED FOR ALL SPECS. REFER TO PARTS LIST FOR USAGE.



ART_1001246403

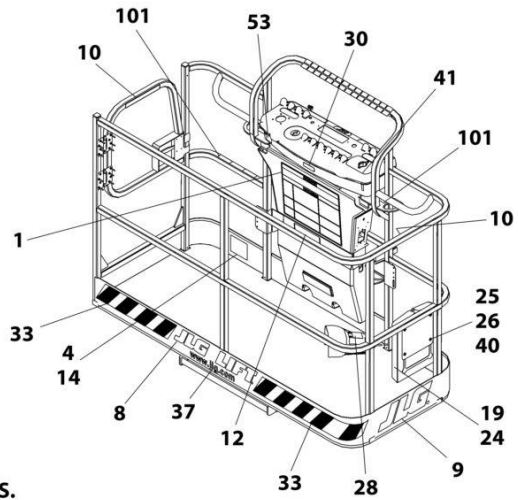
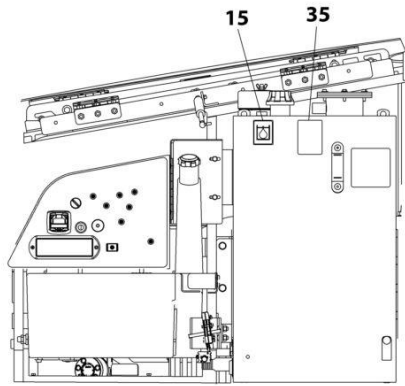
SECTION 9 - DECALS

FIGURE 9-6. DECAL INSTALLATION - CSA SPEC WITH DEUTZ ENGINES (FRENCH/ENGLISH)

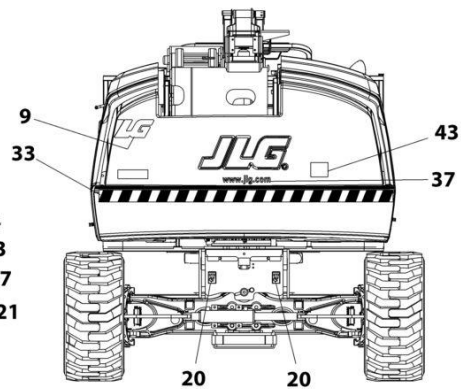
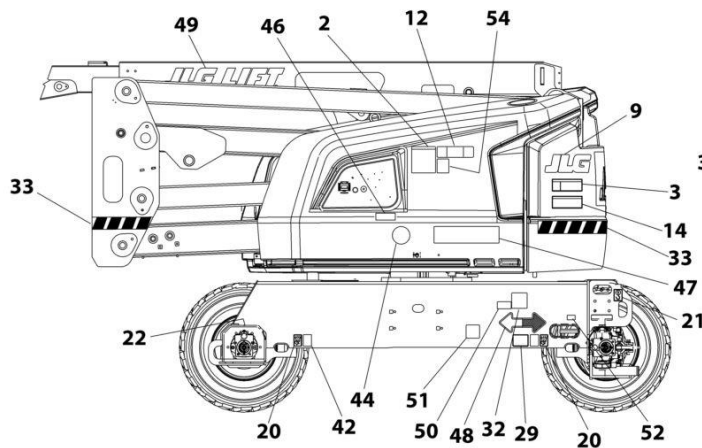
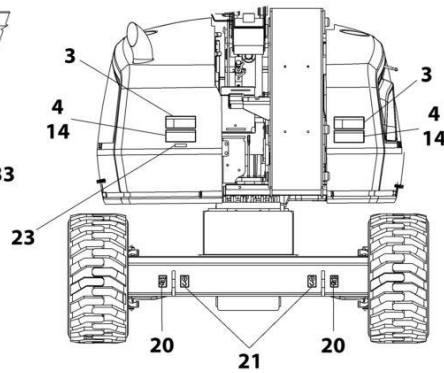
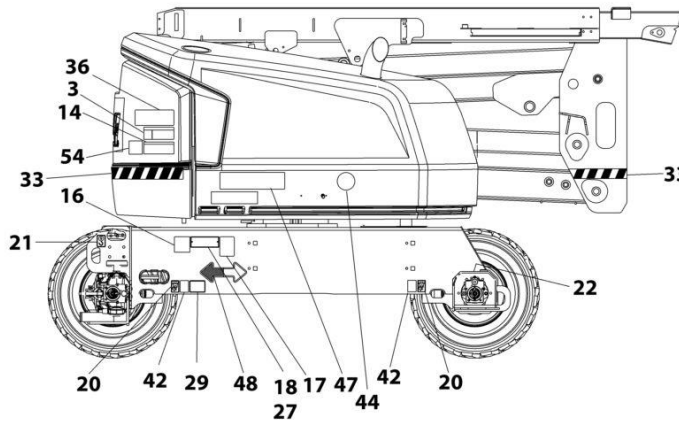
ITEM	PART NUMBER	QTY	DESCRIPTION	REV
	1001248008	Ref	DECAL INSTALLATION - REFERENCE CHART	C
	1001246403	Ref	DECAL INSTALLATION	C
1	1703924	1	Decal - Danger/Warning	
2	1705347	1	Decal - Warning Inspection	
3	1703936	4	Decal - Danger Electrocution	
4	1703948	4	Decal - Warning/Crushing	
8		Ref	Decal, JLG (See DECAL INSTALLATION - OPTIONS)	
9		Ref	Decal, JLG (See DECAL INSTALLATION - OPTIONS)	
10	1704000	2	Decal - No Hands	
12	1001255512	2	Decal - Max Capacity	
14	1703942	2	Decal - Warning/Crushing	
15	1701504	1	Decal - Hydraulic Oil	
16	See Note	NSS	Decal - Bar Code (Note: Not Available for Purchase)	
17	1001131269	1	Decal - Patent	
18		Ref	Nameplate - Manufacturers Serial Number (See DECAL INSTALLATION - OPTIONS)	
19	1701509	1	Decal - Manual	
20	1702300	8	Decal - Tie Down /Lift	
21	1701500	4	Decal - Tie Down /Lift	
22	1703687	2	Decal - Arrow	
23	3251243	1	Decal - 120V-60Hz	
24	0860520	1	Box, Manual Storage	
25	4751400	4	Washer, 1/4	
26	3311405	4	Nut, Lock 1/4-20	
27	3820001	4	Rivet	
28	1703984	1	Decal - Footswitch	
29		Ref	Decal - Max Tire Load (See DECAL INSTALLATION - OPTIONS)	
32		Ref	Decal - LP (See DECAL INSTALLATION - OPTIONS)	
33		Ref	Warning Stripes Installation (See DECAL INSTALLATION - OPTIONS)	
35	1704412	1	Decal - Hydraulic Fluid	
36	1001284875	1	Decal - Lift Diagram (Without Turntable Lock)	
36	1001223118	1	Decal - Lift Diagram (With Turntable Lock)	
37	1704885	2	Decal - Website	
40	0641406	4	Bolt, 1/4-20 x 3/4	
41	1705429	1	Decal - Drive/Steer	
42	1701499	4	Decal - No Tie Down/Lift	
43	3251813	1	Decal - USA	
47		Ref	Decal - Model Designation (See DECAL INSTALLATION - OPTIONS)	
48	1701529	2	Decal - Arrow	
49		Ref	Decal, JLG (See DECAL INSTALLATION - OPTIONS)	
51	1001223971	1	Decal - Yearly Inspection	
52	1001223453	1	Decal - Ices (Canada)	
100	1001232026	1	Decal - Platform Lanyard Kit (Not Shown)	
101	1704277	3	Decal - Attach Lanyard Here	

SECTION 9 - DECALS

FIGURE 9-7. DECAL INSTALLATION - CSA SPEC WITH KUBOTA ENGINES (FRENCH/ENGLISH)



NOTE: SOME DECALS ARE CALLED OUT ON OPTIONAL DECALS INSTALLATION.
NOTE: ITEMS SHOWN MAY NOT BE REQUIRED FOR ALL SPECS. REFER TO PARTS LIST FOR USAGE.



ART_1001246406

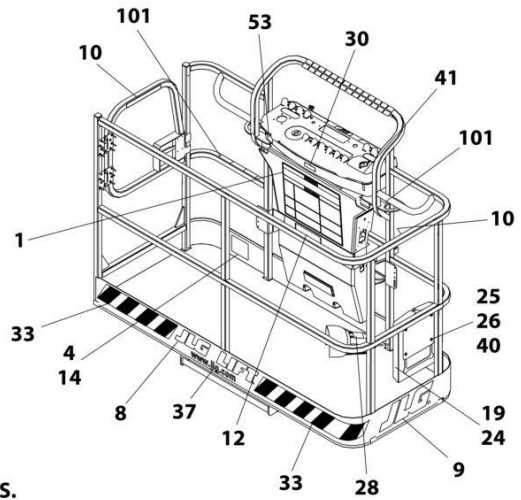
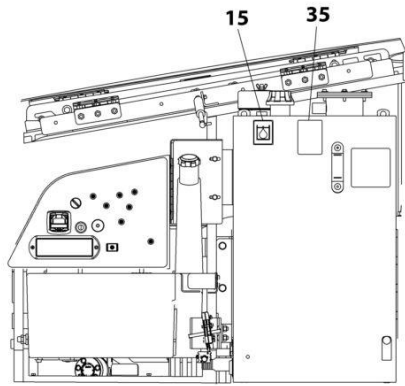
SECTION 9 - DECALS

FIGURE 9-7. DECAL INSTALLATION - CSA SPEC WITH KUBOTA ENGINES (FRENCH/ENGLISH)

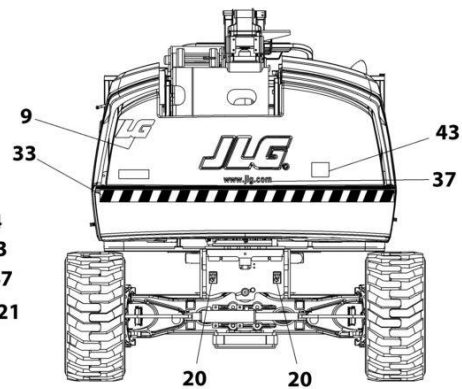
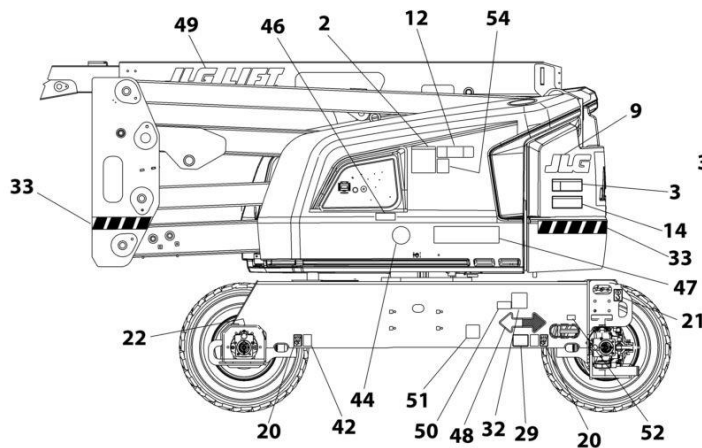
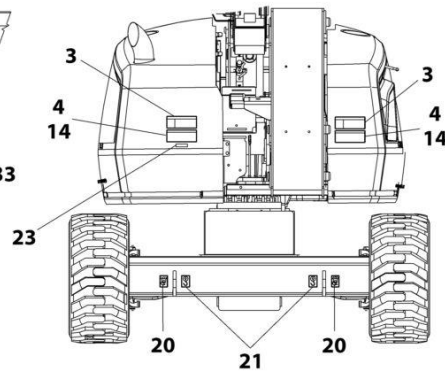
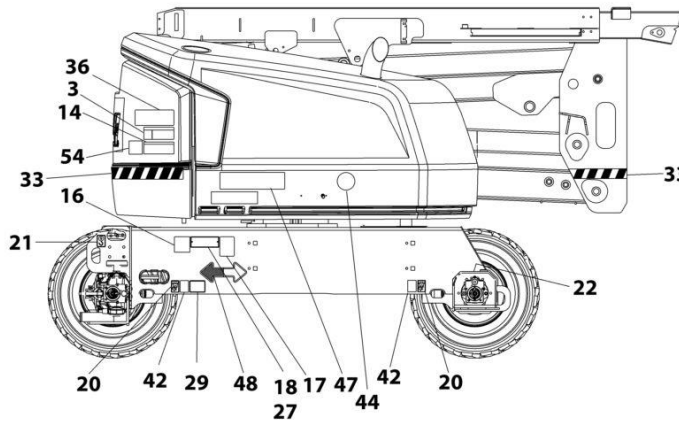
ITEM	PART NUMBER	QTY	DESCRIPTION	REV
	1001248008	Ref	DECAL INSTALLATION - REFERENCE CHART	C
	1001246406	Ref	DECAL INSTALLATION - WITH KUBOTA ENGINE	C
1	1703924	1	Decal - Danger/Warning	
2	1705347	1	Decal - Warning Inspection	
3	1703936	4	Decal - Danger Electrocution	
4	1703948	4	Decal - Warning/Crushing	
8		Ref	Decal, JLG (See DECAL INSTALLATION - OPTIONS)	
9		Ref	Decal, JLG (See DECAL INSTALLATION - OPTIONS)	
10	1704000	2	Decal - No Hands	
12	1001255512	2	Decal - Max Capacity	
14	1703942	2	Decal - Warning/Crushing	
15	1701504	1	Decal - Hydraulic Oil	
16	See Note	NSS	Decal - Bar Code (Note: Not Available for Purchase)	
17	1001131269	1	Decal - Patent	
18		Ref	Nameplate - Manufacturers Serial Number (See DECAL INSTALLATION - OPTIONS)	
19	1701509	1	Decal - Manual	
20	1702300	8	Decal - Tie Down /Lift	
21	1701500	4	Decal - Tie Down /Lift	
22	1703687	2	Decal - Arrow	
23	3251243	1	Decal - 120V-60Hz	
24	0860520	1	Box, Manual Storage	
25	4751400	4	Washer, 1/4	
26	3311405	4	Nut, Lock 1/4-20	
27	3820001	4	Rivet	
28	1703984	1	Decal - Footswitch	
29		Ref	Decal - Max Tire Load (See DECAL INSTALLATION - OPTIONS)	
32		Ref	Decal - LP (See DECAL INSTALLATION - OPTIONS)	
33		Ref	Warning Stripes Installation (See DECAL INSTALLATION - OPTIONS)	
35	1704412	1	Decal - Hydraulic Fluid	
36	1001284875	1	Decal - Lift Diagram (Without Turntable Lock)	
36	1001223118	1	Decal - Lift Diagram (With Turntable Lock)	
37	1704885	2	Decal - Website	
40	0641406	4	Bolt, 1/4-20 x 3/4	
41	1705429	1	Decal - Drive/Steer	
42	1701499	4	Decal - No Tie Down/Lift	
43	3251813	1	Decal - USA	
47		Ref	Decal - Model Designation (See DECAL INSTALLATION - OPTIONS)	
48	1701529	2	Decal - Arrow	
49		Ref	Decal, JLG (See DECAL INSTALLATION - OPTIONS)	
51	1001223971	1	Decal - Yearly Inspection	
52	1001223453	1	Decal - Ices (Canada)	
100	1001232026	1	Decal - Platform Lanyard Kit (Not Shown)	
101	1704277	3	Decal - Attach Lanyard Here	

SECTION 9 - DECALS

FIGURE 9-8. DECAL INSTALLATION - CHINESE SPEC (CHINESE/ENGLISH)



NOTE: SOME DECALS ARE CALLED OUT ON OPTIONAL DECALS INSTALLATION.
NOTE: ITEMS SHOWN MAY NOT BE REQUIRED FOR ALL SPECS. REFER TO PARTS LIST FOR USAGE.



ART_1001246206

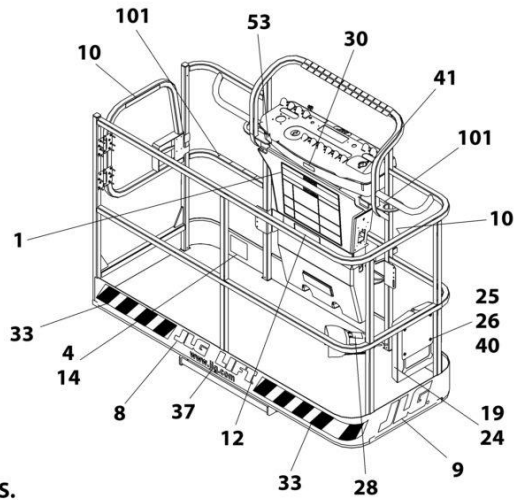
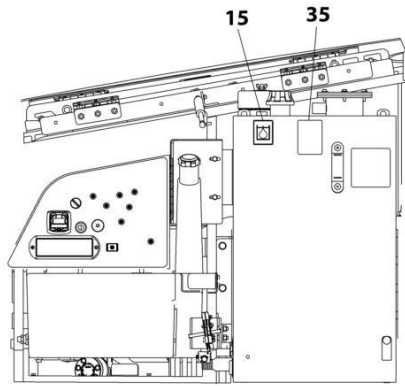
SECTION 9 - DECALS

FIGURE 9-8. DECAL INSTALLATION - CHINESE SPEC (CHINESE/ENGLISH)

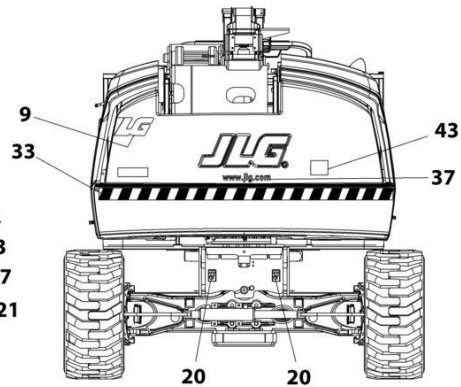
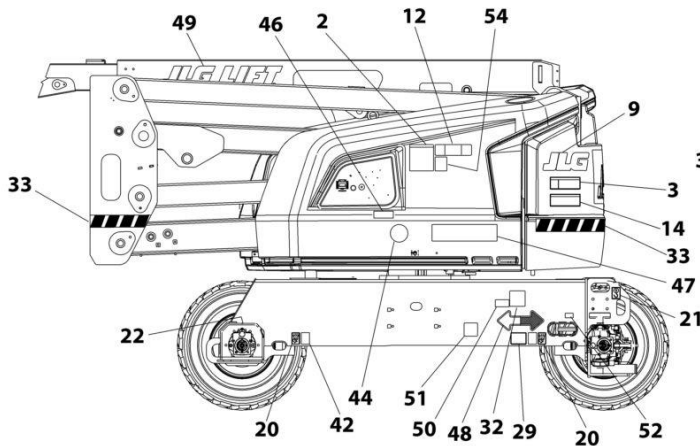
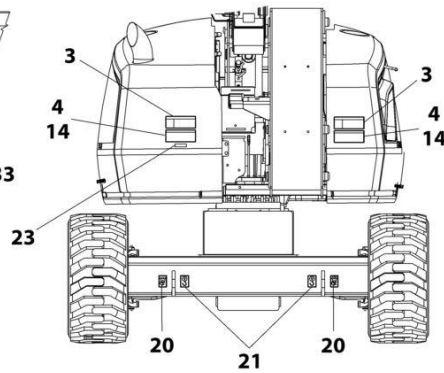
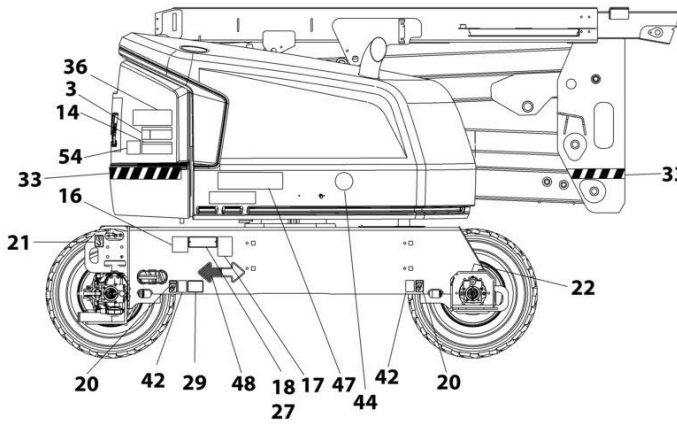
ITEM	PART NUMBER	QTY	DESCRIPTION	REV
	1001248008	Ref	DECAL INSTALLATION - REFERENCE CHART	C
	1001256206	Ref	DECAL INSTALLATION	B
1	1703925	1	Decal - Danger/Warning	
2	1001116849	1	Decal - Warning Inspection	
3	1703937	4	Decal - Danger Electrocution	
4	1703949	4	Decal - Warning/Crushing	
8		Ref	Decal, JLG (See DECAL INSTALLATION - OPTIONS)	
9		Ref	Decal, JLG (See DECAL INSTALLATION - OPTIONS)	
10	1705968	2	Decal - No Hands	
12	1001255514	2	Decal - Max Capacity	
14	1703943	2	Chinese Spec Decals (Chinese/English)	
15	1701504	1	Decal - Hydraulic Oil	
16	See Note	NSS	Decal - Bar Code (Note: Not Available for Purchase)	
18		Ref	Nameplate - Manufacturers Serial Number (See DECAL INSTALLATION - OPTIONS)	
19	1701509	1	Decal - Manual	
20	1702300	8	Decal - Tie Down /Lift	
21	1701500	4	Decal - Tie Down /Lift	
22	1703687	2	Decal - Arrow	
24	0860520	1	Box, Manual Storage	
25	4751400	4	Washer, 1/4	
26	3311405	4	Nut, Lock 1/4-20	
27	3820001	4	Rivet	
28	1703982	1	Decal - Footswitch	
29		Ref	Decal - Max Tire Load (See DECAL INSTALLATION - OPTIONS)	
33		Ref	Warning Stripes Installation (See DECAL INSTALLATION - OPTIONS)	
35	1704412	1	Decal - Hydraulic Fluid	
36	1001284875	1	Decal - Lift Diagram	
37	1704885	2	Decal - Website	
40	0641406	4	Bolt, 1/4-20 x 3/4	
41	1705430	1	Decal - Drive/Steer	
42	1701499	4	Decal - No Tie Down/Lift	
47		Ref	Decal - Model Designation (See DECAL INSTALLATION - OPTIONS)	
48	1701529	2	Decal - Arrow	
49		Ref	Decal, JLG (See DECAL INSTALLATION - OPTIONS)	
50		Ref	Decal - Emissions Compliance (See DECAL INSTALLATION - OPTIONS)	
51	1001224050	1	Decal - Yearly Inspection	
100	1001232026	1	Decal - Platform Lanyard Kit (Not Shown)	
101	1704277	3	Decal - Attach Lanyard Here	

SECTION 9 - DECALS

FIGURE 9-9. DECAL INSTALLATION - JAPANESE SPEC (JAPANESE/ENGLISH)



NOTE: SOME DECALS ARE CALLED OUT ON OPTIONAL DECALS INSTALLATION.
NOTE: ITEMS SHOWN MAY NOT BE REQUIRED FOR ALL SPECS. REFER TO PARTS LIST FOR USAGE.



ART_1001246208

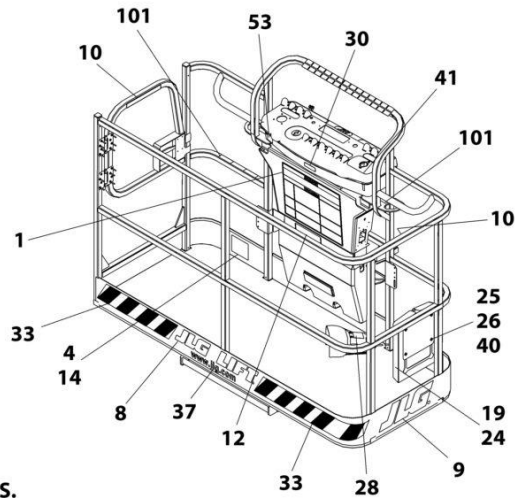
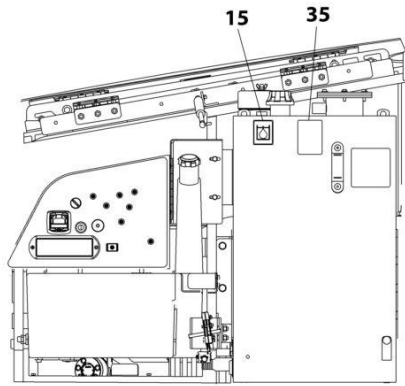
SECTION 9 - DECALS

FIGURE 9-9. DECAL INSTALLATION - JAPANESE SPEC (JAPANESE/ENGLISH)

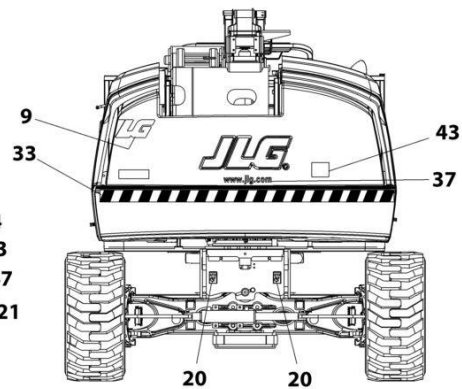
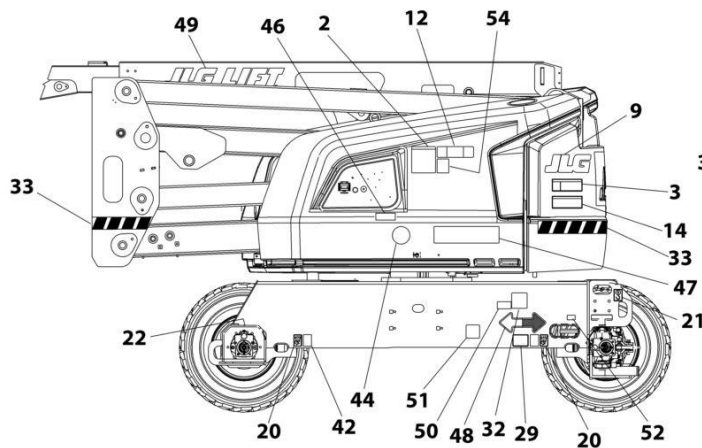
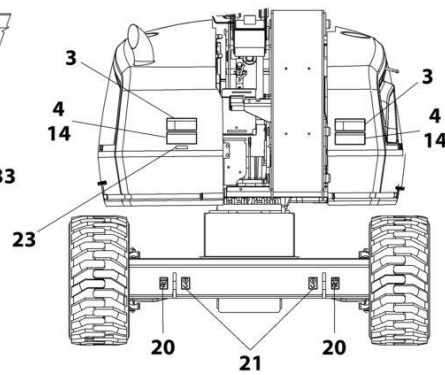
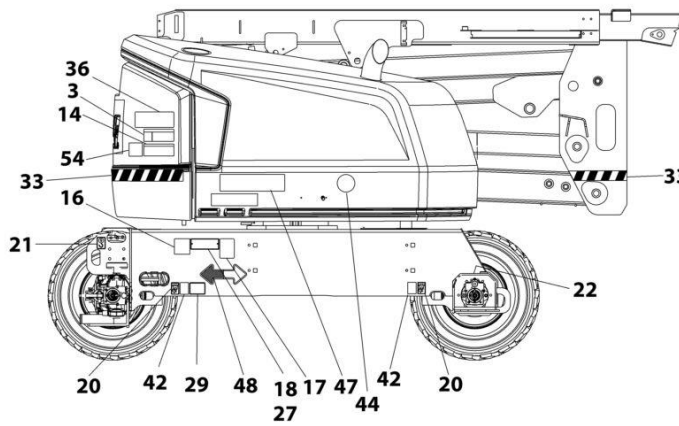
ITEM	PART NUMBER	QTY	DESCRIPTION	REV
	1001248008	Ref	DECAL INSTALLATION - REFERENCE CHART	C
	1001256208	Ref	DECAL INSTALLATION	B
1	1703926	1	Decal - Danger/Warning	
2	1705344	1	Decal - Warning Inspection	
3	1703938	4	Decal - Danger Electrocutation	
4	1703950	4	Decal - Warning/Crushing	
8		Ref	Decal, JLG (See DECAL INSTALLATION - OPTIONS)	
9		Ref	Decal, JLG (See DECAL INSTALLATION - OPTIONS)	
12	1001255517	2	Decal - Max Capacity	
14	1703944	2	Decal - Warning/Crushing	
15	1701504	1	Decal - Hydraulic Oil	
16	See Note	NSS	Decal - Bar Code (Note: Not Available for Purchase)	
18		Ref	Nameplate - Manufacturers Serial Number (See DECAL INSTALLATION - OPTIONS)	
19	1701509	1	Decal - Manual	
20	1702300	8	Decal - Tie Down /Lift	
21	1701500	4	Decal - Tie Down /Lift	
22	1703687	2	Decal - Arrow	
24	0860520	1	Box, Manual Storage	
25	4751400	4	Washer, 1/4	
26	3311405	4	Nut, Lock 1/4-20	
27	3820001	4	Rivet	
28	1703980	1	Decal - Footswitch	
29		Ref	Decal - Max Tire Load (See DECAL INSTALLATION - OPTIONS)	
33		Ref	Warning Stripes Installation (See DECAL INSTALLATION - OPTIONS)	
35	1704412	1	Decal - Hydraulic Fluid	
36	1001284875	1	Decal - Lift Diagram	
37	1704885	2	Decal - Website	
40	0641406	4	Bolt, 1/4-20 x 3/4	
41	1705426	1	Japanese Spec Decals (Japanese/English)	
42	1701499	4	Decal - No Tie Down/Lift	
47		Ref	Decal - Model Designation (See DECAL INSTALLATION - OPTIONS)	
48	1701529	2	Decal - Arrow	
49		Ref	Decal, JLG (See DECAL INSTALLATION - OPTIONS)	
51	1001224053	1	Decal - Yearly Inspection	
100	1001232026	1	Decal - Platform Lanyard Kit (Not Shown)	
101	1704277	3	Decal - Attach Lanyard Here	

SECTION 9 - DECALS

FIGURE 9-10. DECAL INSTALLATION - KOREAN SPEC (KOREAN/ENGLISH)



NOTE: SOME DECALS ARE CALLED OUT ON OPTIONAL DECALS INSTALLATION.
NOTE: ITEMS SHOWN MAY NOT BE REQUIRED FOR ALL SPECS. REFER TO PARTS LIST FOR USAGE.



ART_1001246205

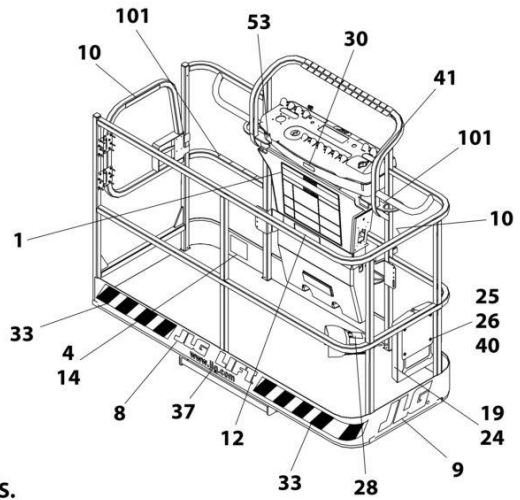
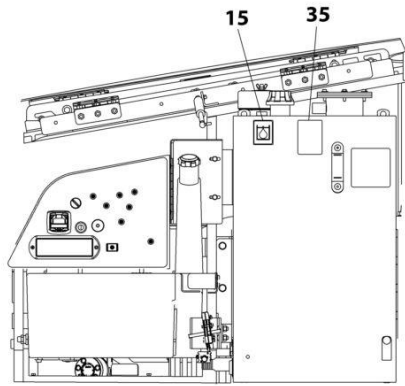
SECTION 9 - DECALS

FIGURE 9-10. DECAL INSTALLATION - KOREAN SPEC (KOREAN/ENGLISH)

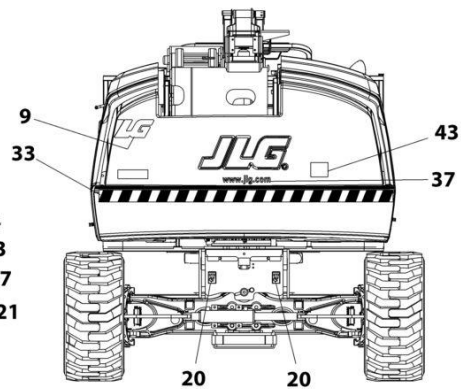
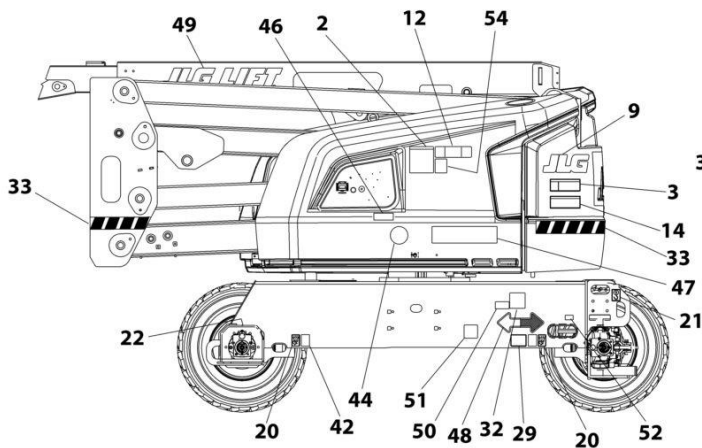
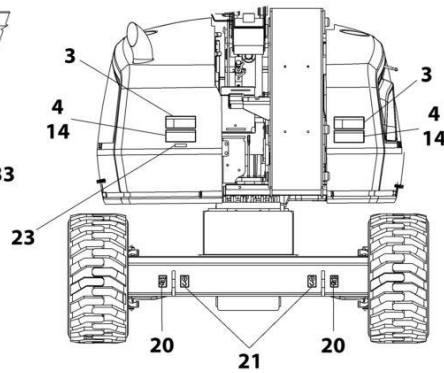
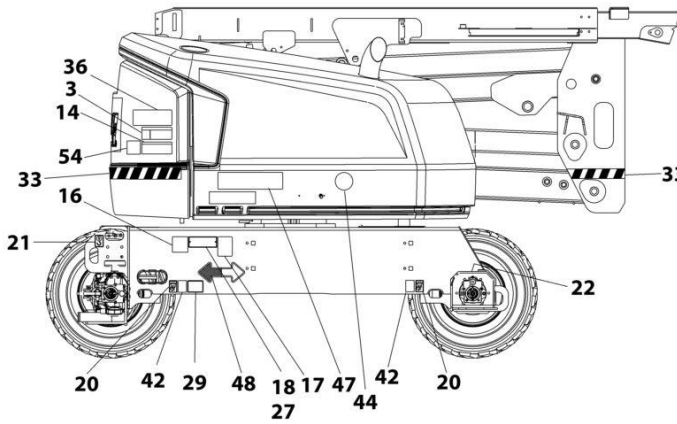
ITEM	PART NUMBER	QTY	DESCRIPTION	REV
	1001248008	Ref	DECAL INSTALLATION - REFERENCE CHART	C
	1001256205	Ref	DECAL INSTALLATION	B
1	1703927	1	Decal - Danger/Warning	
2	1705345	1	Decal - Warning Inspection	
3	1703939	4	Decal - Danger Electrocutation	
4	1703951	4	Decal - Warning/Crushing	
8		Ref	Decal, JLG (See DECAL INSTALLATION - OPTIONS)	
9		Ref	Decal, JLG (See DECAL INSTALLATION - OPTIONS)	
10	1705969	2	Decal - No Hands	
12	1001255513	2	Decal - Max Capacity	
14	1703945	2	Decal - Warning/Crushing	
15	1701504	1	Decal - Hydraulic Oil	
16	See Note	NSS	Decal - Bar Code (Note: Not Available for Purchase)	
18		Ref	Nameplate - Manufacturers Serial Number (See DECAL INSTALLATION - OPTIONS)	
19	1701509	1	Decal - Manual	
20	1702300	8	Decal - Tie Down /Lift	
21	1701500	4	Decal - Tie Down /Lift	
22	1703687	2	Decal - Arrow	
24	0860520	1	Box, Manual Storage	
25	4751400	4	Washer, 1/4	
26	3311405	4	Nut, Lock 1/4-20	
27	3820001	4	Rivet	
28	1703981	1	Decal - Footswitch	
29		Ref	Decal - Max Tire Load (See DECAL INSTALLATION - OPTIONS)	
33		Ref	Warning Stripes Installation (See DECAL INSTALLATION - OPTIONS)	
35	1704412	1	Decal - Hydraulic Fluid	
36	1001284875	1	Decal - Lift Diagram	
37	1704885	2	Decal - Website	
40	0641406	4	Bolt, 1/4-20 x 3/4	
41	1705427	1	Decal - Drive/Steer	
42	1701499	4	Decal - No Tie Down/Lift	
47		Ref	Decal - Model Designation (See DECAL INSTALLATION - OPTIONS)	
48	1701529	2	Decal - Arrow	
49		Ref	Decal, JLG (See DECAL INSTALLATION - OPTIONS)	
51	1001224048	1	Decal - Yearly Inspection	
100	1001232026	1	Decal - Platform Lanyard Kit (Not Shown)	
101	1704277	3	Decal - Attach Lanyard Here	

SECTION 9 - DECALS

FIGURE 9-11. DECAL INSTALLATION - LATIN AMERICA SPEC (SPANISH/ENGLISH)



NOTE: SOME DECALS ARE CALLED OUT ON OPTIONAL DECALS INSTALLATION.
NOTE: ITEMS SHOWN MAY NOT BE REQUIRED FOR ALL SPECS. REFER TO PARTS LIST FOR USAGE.



ART_1001162522

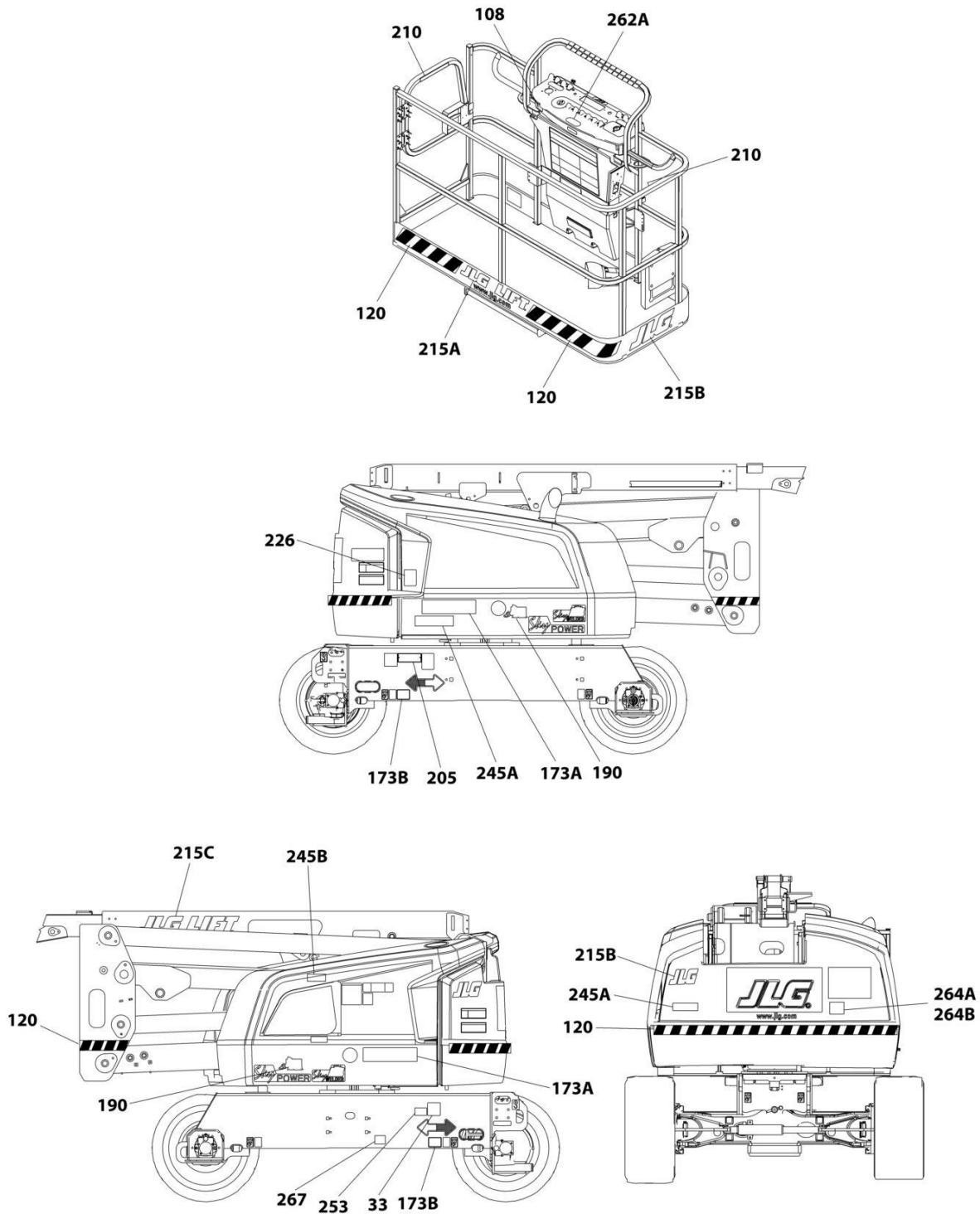
SECTION 9 - DECALS

FIGURE 9-11. DECAL INSTALLATION - LATIN AMERICA SPEC (SPANISH/ENGLISH)

ITEM	PART NUMBER	QTY	DESCRIPTION	REV
	1001248008	Ref	DECAL INSTALLATION - REFERENCE CHART	C
	1001246407	Ref	DECAL INSTALLATION	C
1	1703923	1	Decal - Danger/Warning	
2	1705917	1	Decal - Warning Inspection	
3	1703935	4	Decal - Danger Electrocutation	
4	1703947	4	Decal - Warning/Crushing	
8		Ref	Decal, JLG (See DECAL INSTALLATION - OPTIONS)	
9		Ref	Decal, JLG (See DECAL INSTALLATION - OPTIONS)	
10	1704001	2	Decal - No Hands	
12	1001255516	2	Decal - Max Capacity	
14	1703941	2	Decal - Warning/Crushing	
15	1701504	1	Decal - Hydraulic Oil	
16	See Note	NSS	Decal - Bar Code (Note: Not Available for Purchase)	
18		Ref	Nameplate - Manufacturers Serial Number (See DECAL INSTALLATION - OPTIONS)	
19	1701509	1	Decal - Manual	
20	1702300	8	Decal - Tie Down /Lift	
21	1701500	4	Decal - Tie Down /Lift	
22	1703687	2	Decal - Arrow	
23	3251243	1	Decal - 120V-60Hz	
24	0860520	1	Box, Manual Storage	
25	4751400	4	Washer, 1/4	
26	3311405	4	Nut, Lock 1/4-20	
27	3820001	8	Rivet	
28	1703983	1	Decal - Footswitch	
29		Ref	Decal - Max Tire Load (See DECAL INSTALLATION - OPTIONS)	
32		Ref	Decal - LP (See DECAL INSTALLATION - OPTIONS)	
33		Ref	Warning Stripes Installation (See DECAL INSTALLATION - OPTIONS)	
35	1704412	1	Decal - Hydraulic Fluid	
36	1001284875	1	Decal - Lift Diagram (Without Turntable Lock)	
36	1001223118	1	Decal - Lift Diagram (With Turntable Lock)	
37	1704885	2	Decal - Website	
40	0641406	4	Bolt, 1/4-20 x 3/4	
41	1705910	1	Decal - Drive/Steer	
42	1701499	4	Decal - No Tie Down/Lift	
43	3251813	1	Decal - USA	
47		Ref	Decal - Model Designation (See DECAL INSTALLATION - OPTIONS)	
48	1701529	2	Decal - Arrow	
49		Ref	Decal, JLG (See DECAL INSTALLATION - OPTIONS)	
50		Ref	Decal - Emissions Compliance (See DECAL INSTALLATION - OPTIONS)	
51	1001224049	1	Decal - Yearly Inspection	
100	1001232026	1	Decal - Platform Lanyard Kit (Not Shown)	
101	1704277	3	Decal - Attach Lanyard Here	

SECTION 9 - DECALS

FIGURE 9-12. DECAL INSTALLATION - OPTIONS



ART_DECAL_OPTIONS

SECTION 9 - DECALS

FIGURE 9-12. DECAL INSTALLATION - OPTIONS

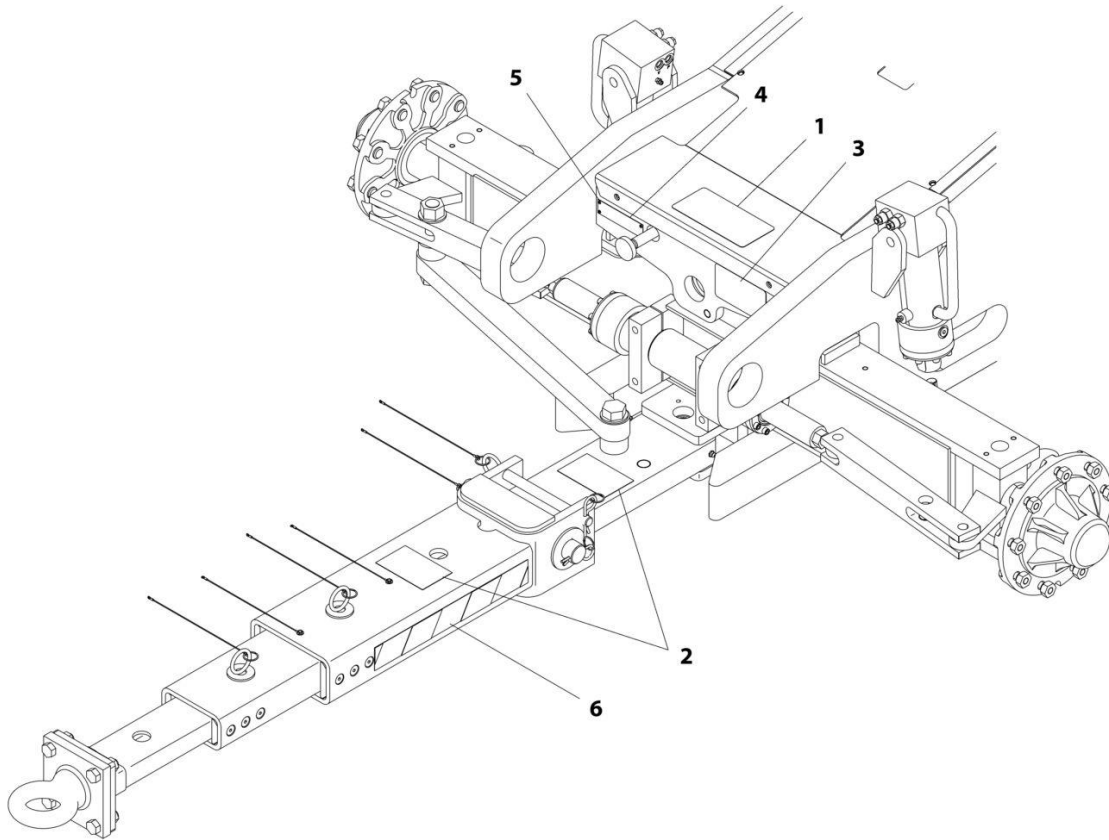
ITEM	PART NUMBER	QTY	DESCRIPTION	REV
	1001248008	Ref	DECAL INSTALLATION - REFERENCE CHART	C
	1001247248	Ref	DECAL INSTALLATION - OPTIONS	J
33	1700818	1	Decal - LP (ANSI, CSA and Latin America Specs)	
33	1704271	1	Decal - LP (CSA Specs)	
108	1001231801	1	Decal - Warning (Prop 65) (ANSI & CSA Specs)	
120	1001188883	Ref	Warning Stripes Installation	A
120	4420051	21.5 ft /6.55m	Tape, Safety	
173	1001215850	Ref	Model Decal Installation - 450A	B
173	1001166084	Ref	Model Decal Installation - 450AJ	D
173B	1703774	2	Decal - 450A (Prior to SN 0300280368, Prior to SN B300011406, Prior to SN E300008862)	
173A	1001272287	2	Decal - 450A (SN 0300280368 to Present, SN B300011406 to Present, SN E300008862 to Present)	
173A	1001172801	2	Decal - 450AJ (Prior to SN 0300280368, Prior to SN B300011406, Prior to SN E300008862)	
173A	1001267310	2	Decal - 450AJ (SN 0300280368 to Present, SN B300011406 to Present, SN E300008862 to Present)	
173A	1001195746	2	Decal - Max Tire Load (450A)	
173B	1704752	2	Decal - Max Tire Load (450AJ)	
190	1705358	2	Decal - SkyGlazier	
205	See Note	1	Nameplate - Manufacturers Serial Number (Note: Not Available for Purchase)	
210	1702868	2	Decal - No Hands (English Language)	
210	1704000	2	Decal - No Hands (English and French Languages)	
210	1705969	2	Decal - No Hands (English and Korean Languages)	
210	1704001	2	Decal - No Hands (English and Spanish Languages)	
210	1704002	2	Decal - No Hands (Portuguese and Spanish Language)	
215	1001166085	Ref	JLG Logo Installation (All Specs except Australian & CE Specs))	C
215A	1702774	1	Decal - JLG Lift (3in)	
215B	1702773	1	Decal - JLG	
215C	1702860	1	Decal - JLG Lift (5in)	
215	1001243697	Ref	JLG Logo Installation (CE Specs))	A
215B	1702773	1	Decal - JLG Lift (3in)	
215	1001243698	Ref	JLG Logo Installation (Australian Specs))	A
215A	1702774	1	Decal - JLG Lift (3in)	
215B	1702773	1	Decal - JLG	
215C	1702860	1	Decal - JLG Lift (5in)	
226	1704972	1	Decal - Warning Explosion/Fire (ANSI, ANSI Export and CSA Spec)	
226	1706059	1	Decal - Warning Explosion/Fire (Brazil Spec)	
226	1706098	1	Decal - Warning Explosion/Fire (CE Spec)	
226	1706060	1	Decal - Warning Explosion/Fire (Chinese Spec)	
226	1706064	1	Decal - Warning Explosion/Fire (CSA Spec)	
226	1706062	1	Decal - Warning Explosion/Fire (Japanese Spec)	
226	1706061	1	Decal - Warning Explosion/Fire (Korean Spec)	
226	1706063	1	Decal - Warning Explosion/Fire (Latin America Spec)	
245	1001127096	Ref	Decal - ClearSky	
245A	1001116208	2	Decal - ClearSky	
245B	1001120989	1	Decal - Radio Frequency	
253	1001143852	1	Decal - Emissions Compliance (Deutz D2011 Engines/Deutz	

SECTION 9 - DECALS

ITEM	PART NUMBER	QTY	DESCRIPTION	REV
262A	1001141300	1	D2011 Engines (Stage V)/Deutz D2.9L4 Engines (Stage V) Decal - SkyGuard Override	
264A	1001204510	1	Decal - Sound Power (Deutz D2011 Engines)	
264B	1001130492	1	Decal - Sound Power (Deutz D2011 (Stage V) Engines)	
267	1001200131	1	Decal - Quick Start Reference (Loxam Rental) (Danish Spec)	
	1001200129	1	Decal - Quick Start Reference (Loxam Rental) (Dutch Spec)	
	1001181145	1	Decal - Quick Start Reference (Loxam Rental) (English Spec)	
	1001200128	1	Decal - Quick Start Reference (Loxam Rental) (French Spec)	
	1001200130	1	Decal - Quick Start Reference (Loxam Rental) (German Spec)	
	1001200134	1	Decal - Quick Start Reference (Loxam Rental) (Norwegians Spec)	
	1001200133	1	Decal - Quick Start Reference (Loxam Rental) (Spanish Spec)	
	1001200132	1	Decal - Quick Start Reference (Loxam Rental) (Swedish Spec)	

SECTION 9 - DECALS

FIGURE 9-13. TOW BAR DECAL INSTALLATION - ENGLISH LANGUAGE (ANSI, ANSI EXPORT, CE, CHINA, JAPANESE AND RUSSIA SPECS)



ART_0270115

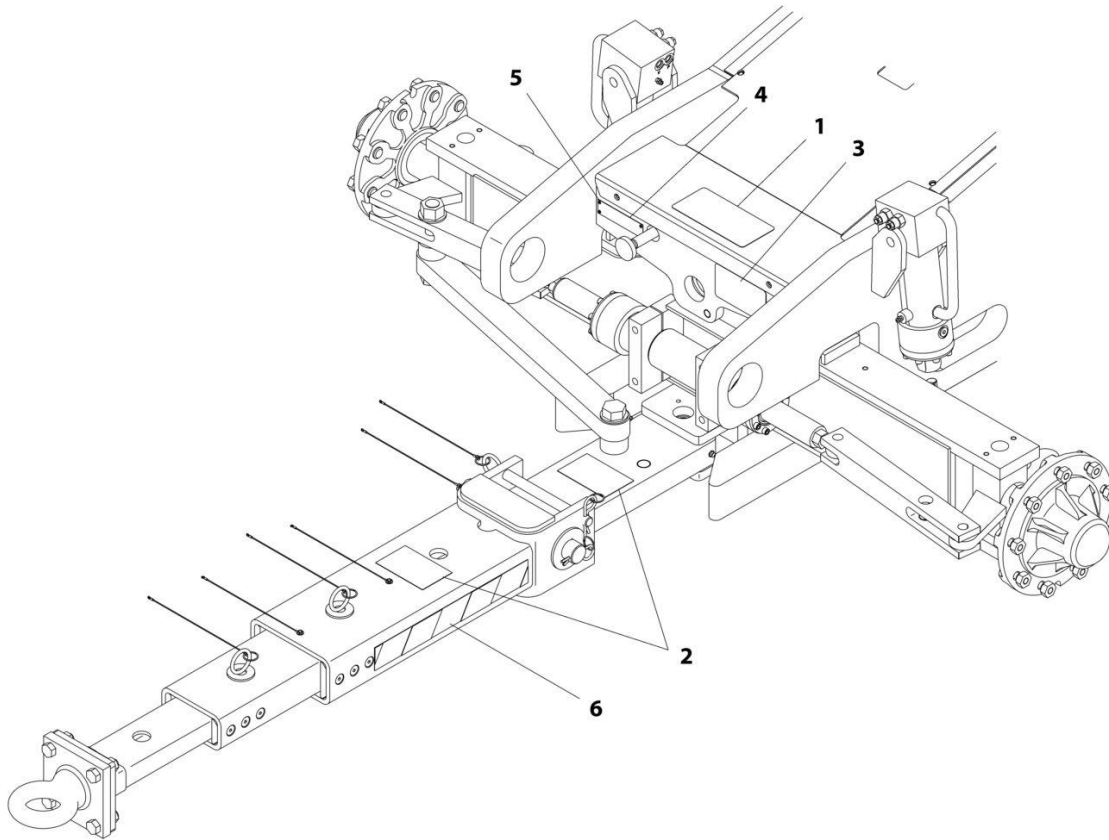
SECTION 9 - DECALS

FIGURE 9-13. TOW BAR DECAL INSTALLATION - ENGLISH LANGUAGE (ANSI, ANSI EXPORT, CE, CHINA, JAPANESE AND RUSSIA SPECS)

ITEM	PART NUMBER	QTY	DESCRIPTION	REV
	0270115	Ref	TOW BAR DECAL INSTALLATION	A
1	1704482	1	Decal - Tow Instructions	
2	1704578	3	Decal - Crushing	
3	1703450	1	Decal - Warning	
4	3250872	1	Nameplate - Steer/Tow Select Valve	
5	3820001	4	Rivet	
6	4420051	43 in /109.2cm	Tape, Safety	

SECTION 9 - DECALS

FIGURE 9-14. TOW BAR DECAL INSTALLATION - ENGLISH/SPANISH LANGUAGE (ANSI EXPORT SPECS)



ART_0270119

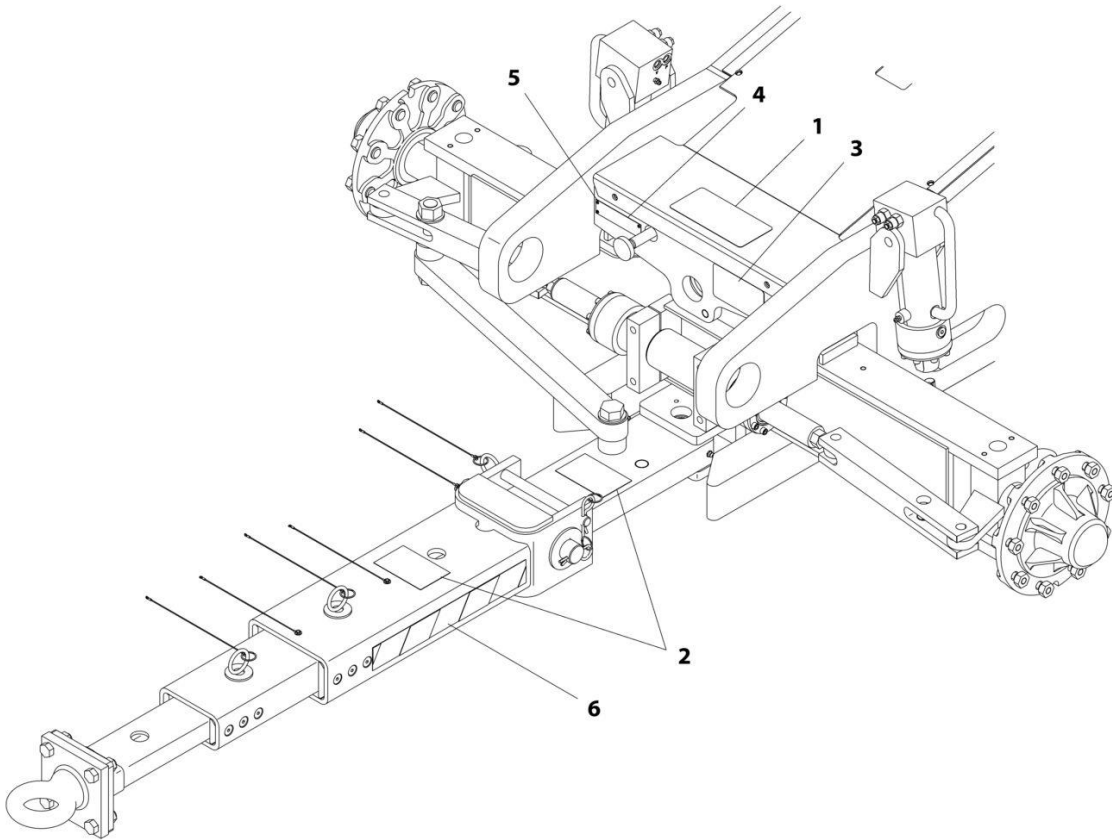
SECTION 9 - DECALS

FIGURE 9-14. TOW BAR DECAL INSTALLATION - ENGLISH/SPANISH LANGUAGE (ANSI EXPORT SPECS)

ITEM	PART NUMBER	QTY	DESCRIPTION	REV
	0270119	Ref	TOW BAR DECAL INSTALLATION	A
1	1704457	1	Decal - Tow Instructions	
2	1704577	3	Decal - Crushing	
3	1704576	1	Decal - Warning	
4	3252693	1	Nameplate - Steer/Tow Select Valve	
5	3820001	4	Rivet	
6	4420051	43 in /109.2cm	Tape, Safety	

SECTION 9 - DECALS

FIGURE 9-15. TOW BAR DECAL INSTALLATION - SPANISH LANGUAGE (ANSI EXPORT, CE AND RUSSIA SPECS)



ART_0270116

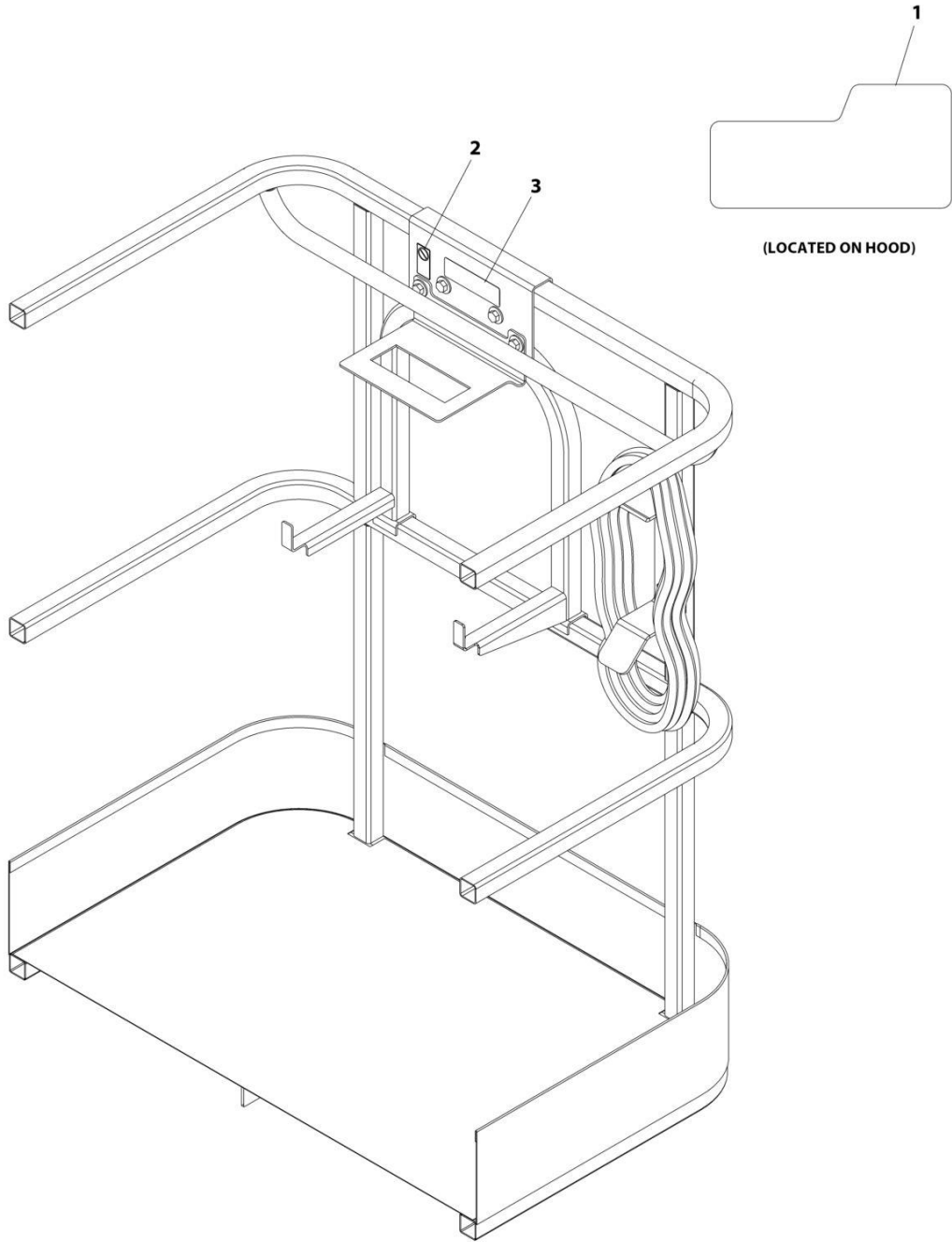
SECTION 9 - DECALS

FIGURE 9-15. TOW BAR DECAL INSTALLATION - SPANISH LANGUAGE (ANSI EXPORT, CE AND RUSSIA SPECS)

ITEM	PART NUMBER	QTY	DESCRIPTION	REV
	0270116	Ref	TOW BAR DECAL INSTALLATION	A
1	1704455	1	Decal - Tow Instructions	
2	1701518	3	Decal - Crushing	
3	1704456	1	Decal - Warning	
4	3252692	1	Nameplate - Steer/Tow Select Valve	
5	3820001	4	Rivet	
6	4420051	43 in /109.2cm	Tape, Safety	

SECTION 9 - DECALS

FIGURE 9-16. SKYWELDER DECAL INSTALLATION – 50HZ (ANSI EXPORT SPECS)



ART_0272588

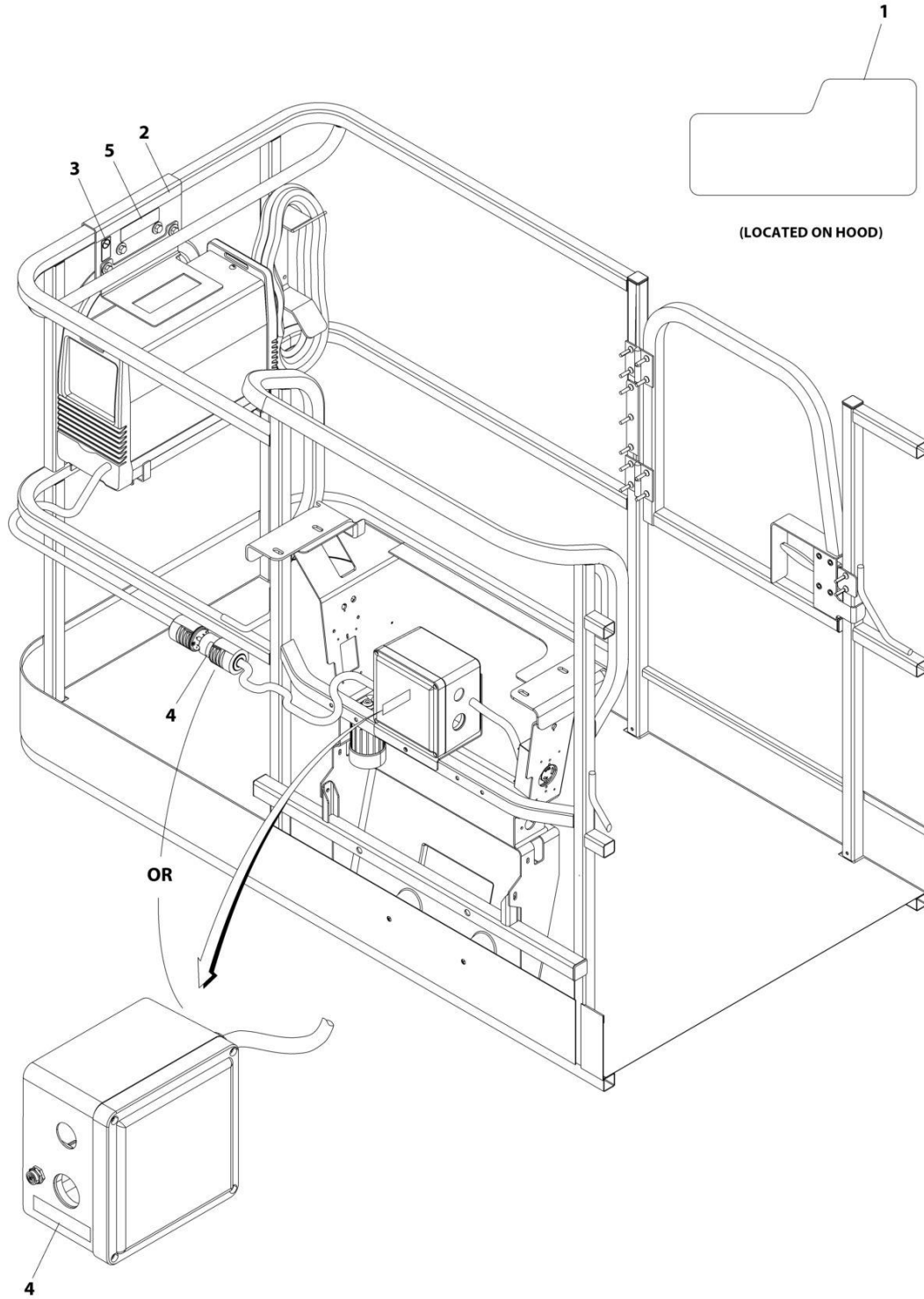
SECTION 9 - DECALS

FIGURE 9-16. SKYWELDER DECAL INSTALLATION – 50HZ (ANSI EXPORT SPECS)

ITEM	PART NUMBER	QTY	DESCRIPTION	REV
	0272588	Ref	SKYWELDER DECAL INSTALLATION - 50Hz	B
1	1705355	2	Decal - SkyWelder	
2	1705305	1	Decal - Weld Lead	
3	1001228988	1	Decal - Weight	

SECTION 9 - DECALS

FIGURE 9-17. SKYWELDER DECAL INSTALLATION - 60HZ (ANSI EXPORT SPECS)



ART_0272448_C

SECTION 9 - DECALS

FIGURE 9-17. SKYWELDER DECAL INSTALLATION - 60HZ (ANSI EXPORT SPECS)

ITEM	PART NUMBER	QTY	DESCRIPTION	REV
	0272448	Ref	SKYWELDER DECAL INSTALLATION - 60Hz	C
1	1705355	2	Decal - SkyWelder	
2	1702868	1	Decal - No Hands	
3	1705305	1	Decal - Weld Lead	
4	1705375	1	Decal - 240V - 3 Phase - 60Hz	
5	1001228988	1	Decal - Weight	

SECTION 10 - RECOMMENDED SERVICE PARTS STOCK

SECTION 10 - RECOMMENDED SERVICE PARTS STOCK

SECTION 10 - RECOMMENDED SERVICE PARTS STOCK

FIGURE 10-1. RECOMMENDED SERVICE PARTS STOCK

ITEM	PART NUMBER	QTY	DESCRIPTION	REV
		Ref	Note: The following list will service one machine (built to current production per date on the front cover) with emergency repair parts which can be installed in the field. Parts from the list should be replaced when inventory is depleted to keep service parts stock supplied. For further information, contact your JLG dealer or the JLG Industries Parts Department.	
		Ref	STANDARD PARTS	
	7024885	1	Coil	
	70002386	1	Coil	
	70003788	1	Coil	
	70005219	1	Coil	
	70004897	1	Coil	
	70004871	1	Coil	
	7027628	1	Coil	
	1001212415	1	Controller Assembly (Drive and Steer)	
	1001129555	1	Controller Assembly (Lift and Swing)	
	70010383	1	Element, Filter Charge Pump (Includes O-Ring)	
	70002838	1	Fill Cap Assembly (Includes Cap, Chain and Fill Basket)	
	70003614	1	Filter Kit (Includes Hydraulic Element, Breather Element and Gasket)	
	1001196635	2	Fuse - 3Amp	
	8229242	2	Fuse - 5Amp	
	8229244	2	Fuse - 15Amp	
	1001129285	2	Fuse with Diode – 1Amp	
	3740067	1	Relay	
	3740140	1	Relay	
	3740086	1	Relay	
	1001095704	1	Relay	
	1001117308	1	Relay	
	2860030	1	Key, Replacement	
	4360387	1	Switch, Push Button	
	4360475	1	Switch, Emergency Stop	
	4360476	1	Switch, Contact Block	
	4360407	1	Switch, Potentiometer	
	1001155045	1	Switch, Toggle	
	1001159256	1	Switch, Toggle	
	1001161709	1	Switch, Toggle	
	1001172271	1	Switch, Limit	
		Ref	VARIABLE PARTS	
	1001181045	1	Breaker, 30mA/16Amp (CE Spec with 2 Breaker Box)	
	1001189171	1	Breaker, Circuit 16A Double (CE Specs Machines with 3 Breaker Box)	
	1001189172	1	Breaker, Circuit 30mA (CE Specs Machines with 3 Breaker Box)	
	70003783	12	Element, Air Cleaner (Deutz 2.9L4, Deutz D2011 Engines and Deutz D2.9L4 Engines (Stage V))	
	70004020	12	Element, Air Cleaner (Kubota Engines)	
	7016331	12	Filter, Oil (Deutz Engines)	
	70006023	12	Filter, Oil (Kubota Engines)	
	70025153	12	Filter, Fuel (Deutz 2.9L4 Engines)	
	70025161	12	Filter, Fuel (Deutz 2.9L4 Engines)	

SECTION 10 - RECOMMENDED SERVICE PARTS STOCK

ITEM	PART NUMBER	QTY	DESCRIPTION	REV
	7020023	12	Filter, Fuel (Deutz D2011 Engines)	
	70003463	12	Filter, Fuel - RME Resistant (Deutz D2011 Engines)	
	8229249	2	Fuse - 3Amp	
	8229242	1	Fuse - 5Amp (Deutz D2.9L4 Engine)	
	80983191	1	Fuse - 10Amp (Deutz D2.9L4 Engine)	
	70023592	2	Fuse - 20Amp (Deutz D2.9L4 Engine)	
	70023593	2	Fuse - 30Amp (Deutz D2.9L4 Engine)	
	8229245	2	Fuse - 30Amp (Machines with 2500W Generator)	
	2400082	2	Fuse - 40Amp (Kubota Engine)	
	2940074	1	Latch (Machines with Gate)	
	1001142683	1	Module, Beacon Light (With SkyGuard)	
	70006061	1	Module, ECU (Kubota Engines)	
	1001170094	1	Module, Ground Control	
	1001118412	1	Module, Platform Control	
	1001138228	1	Module, Power Relay	
	3740080	1	Relay (Machines with 2500W Generator)	
	70006553	1	Relay (Machines Deutz D2011 Engines with 4000W Generator)	
	1001186431	1	Relay (Machines with SkyGuard Bar)	
	1001119176	1	Switch, Limit (Drive Orientation)	
	1001161710	1	Switch, Toggle (Dual Fuel Machines)	
	4360336	1	Switch, Toggle (Generator)	
	1001137673	1	Switch, SkyGuard Assembly	

SECTION 11 - SPECIAL OPTIONS

SECTION 11 - SPECIAL OPTIONS

FIGURE 11-1. SPECIAL OPTIONS

ITEM	PART NUMBER	QTY	DESCRIPTION	REV
	Note	Ref	Note: This list is to accommodate machines ordered with special equipment. Options may not be applicable to all models. For more specific parts information contact JLG Parts Department.	
		Ref	MISCELLANEOUS SPECIAL OPTIONS	
	1001218978	Ref	Airline Installation - 450A (Machines without Arctic Package)	
	1001172057	Ref	Airline Installation - 450AJ (Machines without Arctic Package)	
	1001217461	Ref	Airline Installation - 450A (Machines with Arctic Package)	
	1001174654	Ref	Airline Installation - 450AJ (Machines with Arctic Package)	
	70006428	Ref	Bearing and Seal Kit (For Huh Assembly 2780267 & 2780268)	
	1001241254	Ref	Boom Angle Sensor Offset Link Kit – 450AJ	
	1001206438	Ref	Boom Wear Pad Kit	
	1001236123	Ref	Boom Wiper Cover Installation	
	1001233047	Ref	Breather Heater Kit - Deutz D2.9L4 Engines)	
	1001172045	Ref	Cable Carrier Tray Installation	
		Ref	ClearSky (Telematics) Installations (Dealer Installed)	
	1001242639	Ref	ClearSky (Telematics) Access Control Installation Kit (Dealer Installed) (ANSI, ANSI Export, CSA and CE Specs)	
	1001243183	Ref	ClearSky (Telematics) Added-on Kit (Dealer Installed) (ANSI, ANSI Export, CSA and CE Specs)	
	1001246142	Ref	ClearSky (Telematics) Service Kit (Dealer Installed) (Australian Specs)	
	1001243184	Ref	ClearSky (Telematics) Added-on Kit (Dealer Installed) (CE Specs)	
		Ref	ClearSky Telematics (Factory Installed)	
	1001227278	Ref	ClearSky 4G (Telematics) Installation (Factory Installed) Canbus Connection (All Specs Except China and Russia Specs)	
	1001246433	Ref	ClearSky (Telematics) Installation (Factory Installed) 3-Wire Connection (Australian Specs)	
	1001228960	Ref	ClearSky 3G (Telematics) Installation (Factory Installed) Canbus Connection (ANSI Export, CE and Russia Specs)	
	1001246434	Ref	ClearSky (Telematics) Installation (Factory Installed) 3-Wire Connection (China Specs)	
	1001229107	Ref	ClearSky (Telematics) Installation (Factory Installed) 3-Wire Connection (ANSI and CSA Specs)	
	1001233237	Ref	ClearSky (Telematics) Installation (Factory Installed) 3-Wire Connection (ANSI Export, CE and Russia Specs)	
	1001262959	Ref	ClearSky Voltage Regulator Installation Kit	
	1001174767	Ref	Cold Weather Package - Deutz D2011 Engines	
	1001174766	Ref	Cold Weather Package - Deutz D2.9L4 Engines	
	1001255807	Ref	Cold Weather Package - Deutz D2.9L4 Engines (Stage V)	
	1001215181	Ref	Cold Weather Package - Kubota Engines	
	1001186976	Ref	Cold Weather Transformer Installation (Required with Deutz D2011 Engines)	
	1001148145	Ref	Container/Transport Wheels Installation - 12 x 16.5 Tires	
	0272031	Ref	Container/Transport Wheels Installation - 33/1550 x 16.5 Tires	
	1001176343	Ref	Cribbing Switch Installation (ANSI Only)	
	1001215865	Ref	Cylinder Bellows Installation - 450A	
	1001196012	Ref	Cylinder Bellows Installation - 450AJ	
	1001215382	Ref	Deutz Engine Installation (450A) (China III Specs)	
	70006429	Ref	Drive Hub Seal Kit (For Huh Assembly 2780267 & 2780268)	
	1001148902	Ref	Electrical Connector Kit - Amp/Tyco Electrical Connectors	

SECTION 11 - SPECIAL OPTIONS

ITEM	PART NUMBER	QTY	DESCRIPTION	REV
	1001148903	Ref	Electrical Connector Kit - Deutsch DT Electrical Connectors	
	1001148904	Ref	Electrical Connector Kit - Deutsch HD Electrical Connectors	
	1001148905	Ref	Electrical Connector Kit - Packard Electrical Connectors	
	1001148906	Ref	Electrical Connector Kit - Various Electrical Connectors	
	1001214833	Ref	Engine Block Heater Installation - Kubota Engines	
	1001243331	Ref	Fan Cover Installation - Deutz D2011 Engines	
	1001172751	Ref	Fan Cover Installation - Deutz D2.9L4 Engines/Deutz D2.9L4 Engines (Stage V)	
		Ref	Filter Kits:	
	1001204481	Ref	Combined Filter Kit (Hydraulic/Air and Fuel/Engine Oil) (Deutz D2011 Engine Only)	
	1001225794	1	Combined Filter Kit (Hydraulic/Air and Fuel/Engine Oil) (Deutz D2011 Engine Only) (Stage V)	
	1001204482	1	Combined Filter Kit - Deutz D2.9L4 Engine (Air/Engine Oil/Fuel/Hydraulic/Air)	
	1001242589	1	Combined Filter Kit (Hydraulic/Air and Fuel/Engine Oil) (Kobota Engine Only)	
	1001139099	Ref	Fire Extinguisher Installation	
	1001117294	Ref	Footswitch Shield Installation	
	1001191394	Ref	Fuel Cap Cover (Red) (Gas/Dual Fuel Machines)	
	1001191395	Ref	Fuel Cap Cover (Green)	
	1001202749	Ref	Fuel Cap Cover (Black)	
	1001220003	Ref	Ground Control and UGM Covers Kit	
	1001215868	Ref	Hostile Environment Package - 450A (Includes Cylinder Bellows, Platform Console Cover and Boom Wiper)	
	1001169831	Ref	Hostile Environment Package - 450AJ (Includes Cylinder Bellows, Platform Console Cover and Boom Wiper)	
	1001241397	Ref	Hostile Environment Kit - 450AJ (Includes Cylinder Bellows, Platform Console Cover and Boom Wiper)	
	1001258231	Ref	Hydraulic Load Installation (Deutz D2011, Deutz D2.9L4 and Stage V Engines)	
	1001265688	Ref	Hydraulic Tank Lock Installation (China Built Machines)	
	1001172001	Ref	Lights Installation - Headlights and Taillights	
	1001120466	Ref	Lights Installation - Platform Worklights	
	1001183407	Ref	Low Temperature Cutout Installation (Russian Specs)	
	1001173664	Ref	Oil Cooler Installation - Deutz D2011 Engines	
	1001164493	Ref	Oil Cooler Installation - Deutz D2.9L4 Engines/Deutz D2.9L4 Engines (Stage V)	
	1001216552	Ref	Oil Cooler Installation - Kubota Engines	
	1001236122	Ref	Platform Console Cover Installation (Plastic)	
	1001110974	Ref	Platform Console Cover Installation (Steel)	
	1580013	Ref	Platform Corner Storage Tray	
	1001267283	Ref	Platform Hose/Cable Protection	
	1001238421	Ref	Platform Leveling Kit	
	1001140318	Ref	Platform Mesh to Mid Rail Installation - 30in x 48in Platforms	
	1001140315	Ref	Platform Mesh to Mid Rail Installation - 30in x 60in Platforms	
	1001145985	Ref	Platform Mesh to Mid Rail Installation - 30in x 72in Platforms	
	1001266969	Ref	Platform Plastic Mesh to Mid Rail Installation - 30in x 48in Platforms	
	1001266799	Ref	Platform Plastic Mesh to Mid Rail Installation - 30in x 60in Platforms	
	1001266465	Ref	Platform Plastic Mesh to Mid Rail Installation - 30in x 72in Platforms	
	1001214478	Ref	Platform Mesh to Mid Rail Kit - 30in x 48in Platforms (Use on	

SECTION 11 - SPECIAL OPTIONS

ITEM	PART NUMBER	QTY	DESCRIPTION	REV
			Platform p/n 1001186387)	
	1001214515	Ref	Platform Mesh to Mid Rail Kit - 30in x 60in Platforms (Use on Platform p/n 1001186386)	
	0273147	Ref	Platform Mesh to Top Rail Installation - 30in x 48in Platforms	
	0273146	Ref	Platform Mesh to Top Rail Installation - 30in x 60in Platforms	
	0273148	Ref	Platform Mesh to Top Rail Installation - 30in x 72in Platforms	
	1001266807	1	Platform Plastic Mesh to Top Rail Installation - 30in x 48in Platforms	
	1001266801	1	Platform Plastic Mesh to Top Rail Installation - 30in x 60in Platforms	
	1001266491	1	Platform Plastic Mesh to Top Rail Installation - 30in x 72in Platforms	
	1001214552	Ref	Platform Mesh to Top Rail Kit - 30in x 48in Platforms (Use on Platform p/n 1001186387)	
	1001214559	Ref	Platform Mesh to Top Rail Kit - 30in x 60in Platforms (Use on Platform p/n 1001186386)	
	1001214560	Ref	Platform Mesh to Top Rail Kit - 30in x 72in Platforms (Use on Platform p/n 1001186385)	
	0274095	Ref	Platform Rail Extension Installation - 30in x 72in Platforms	
	1001239575	Ref	Platform Valve Hose Kit - 450AJ	
	1001209059	Ref	Platform Work Surface Installation	
	1001233080	Ref	Pump Rotation Kit (Re-orient Gear Pump 90 Degrees)	
	1001247800	Ref	Quad Tracks Replacement Kit	
	1001204110	Ref	Service Kits	Q
	1001247073	Ref	SkyEye Retrofit Kit	
	1001241547	Ref	SkyEye LH Housing Retrofit Kit	
	1001241548	Ref	SkyEye RH Retrofit Kit	
	1001249052	Ref	SkyGuard Retrofit Kit	
	1001250595	Ref	SkyGuard 6 Pin Retrofit Kit	
	1001203510	Ref	SkyGuard Platform Sensor Kit	
	1001203511	Ref	SkyGuard Beacon Kit (Blue Light)	
	1001210036	Ref	SkyGuard Beacon Kit (Red Light)	
	1001262016	Ref	SkyLine Kit	
	1001250465	Ref	SkySense (EDS) Level 1 Booms Installation (Factory Installed)	
	1001250466	Ref	SkySense (EDS) Level 2 Booms Installation (Factory Installed)	
	1001252033	Ref	SkySense Enhanced Detection System (EDS) Level 1 (2-Bar) Add-on Kit (Dealer Installed)	
	1001252034	Ref	SkySense Enhanced Detection System (EDS) Level 2 (3-Bar) Add-on Kit (Dealer Installed)	
	1001231235	Ref	SkyWelder Locking Bracket Installation	
	2901443	Ref	Tools - Analyzer Kit	
	1001249695	Ref	Tools - Analyzer and Cable Kit	
	1001249941	Ref	Tools - Analyzer and Cable Kit (Battery Powered)	
	1001137005	Ref	Tools - Cable Kit, Software (Not Shown)	
	7002821	Ref	Tools - Crimper, Wire	
	7002823	Ref	Tools - Pin Extractor - Universal (For Electrical Connectors with Pins and Sockets)	
	4460510	Ref	Tools - Pin Extractor - 12-14 Gauge (For Removal of Pin/Sockets from Deutsch Connectors)	
	4460467	Ref	Tools - Pin Extractor - 16-18 Gauge (For Removal of Pin/Sockets from Deutsch Connectors)	
	7016654	Ref	Tools - Screwdriver, Magnetic	
	7002822	Ref	Tools - Screwdriver, Potentiometer	
	7004275	Ref	Tools - Seal Tool 1in (For Cylinders)	

SECTION 11 - SPECIAL OPTIONS

ITEM	PART NUMBER	QTY	DESCRIPTION	REV
	7004276	Ref	Tools - Seal Tool 1-1/2in (For Cylinders)	
	7002828	Ref	Tools - Stripper, Wire	
	1001239573	Ref	Upper Power Track Hose Kit - 400A	
	1001239574	Ref	Upper Power Track Hose Kit - 400AJ	
	1001236496	Ref	Wet Stacking Prevention Kit (Deutz D2.9L4 Engines)	

PART NUMBER INDEX

SECTION 11 - SPECIAL OPTIONS

0080201.....256, 270	0272254459	0641812.....171, 185, 203, 225, 235, 253, 267	0760408249, 263
0080231.....228, 238	0272435329, 333	0642012.....455	0760512133
0100009.....427, 431	0272448735	0681608.....176, 190, 377	0760605256, 270
0100011.....15, 17, 19, 21, 23, 25, 39, 55, 57, 59, 61, 67, 73, 75, 77, 79, 91, 93, 95, 97, 99, 101, 103, 105, 107, 109, 111, 118, 121, 123, 133, 135, 138, 142, 146, 150, 154, 157, 159, 161, 163, 169, 171, 174, 181, 185, 188, 199, 203, 206, 215, 223, 225, 228, 233, 235, 238, 249, 253, 256, 263, 267, 270, 291, 295, 299, 303, 307, 311, 315, 319, 323, 327, 331, 335, 347, 349, 351, 353, 355, 357, 359, 365, 367, 369, 371, 373, 377, 379, 381, 383, 385, 407, 409, 411, 413, 415, 417, 419, 451, 453, 457, 459, 461, 566, 570, 574, 578, 582, 586, 590, 594, 598, 602, 606	0272521457	0681620.....469, 471	0760606 256, 270, 307, 311, 315, 319, 323, 327, 331
0100019...23, 25, 85, 299, 307, 311, 315, 319, 323, 327, 331	0272588733	0681810.....25	0760607 176, 190, 206
0100020 95, 97, 169, 174, 175, 181, 188, 199, 206, 223, 228, 233, 238, 249, 256, 263, 270, 445, 529, 531, 533, 535, 537, 539, 541, 543, 545, 547, 549	0273146744	0681814.....421	0760608 99, 256, 270, 291, 295, 299, 303
0100035.....217, 427, 431, 437	0273147744	0682014.....23, 25	0760610 118, 121, 123, 133, 135, 157, 159, 161, 163, 169, 174, 182, 188, 199, 206, 223, 228, 233, 238, 249, 256, 263, 270, 287, 289, 307, 311, 315, 319, 323, 327, 331, 335, 555, 557, 567, 571, 575, 579, 583, 587
0100048.....125, 127, 295, 299, 303, 307, 311, 315, 319, 323, 327, 331, 335, 427, 431	0273148744	0682040.....69	0760612 133, 135, 256, 270
0100079.....307, 311, 315, 323, 327, 331, 335	0274095744	0682424.....469, 471	0760614 129, 131, 169, 181, 199, 223, 229, 233, 239, 307, 319, 555
0100081.....174, 188, 206, 228, 238, 258, 272, 455, 566, 570, 574, 578, 582, 586, 590, 594, 598, 602, 606	0274661467	0700408.....529, 531, 533, 535, 537, 539, 541, 543, 545, 547, 549	0760615157, 159
0140011.....427, 431	0275216531, 673	0700616.....367	0760621118
0140043.....118	0275452537, 677	0700810.....256, 270	0760808 174, 188, 208, 256, 270
0181949.....249, 263	0275453539, 679	0700814.....256, 270	0760810 138, 142, 146, 150, 154, 176, 190, 206, 249, 263, 377
0257728.....465	0275454547, 681	0700815.....256, 270	0760812 55, 57, 59, 61, 95, 97, 101, 103, 105, 107, 109, 111, 138, 142, 146, 150, 154, 169, 174, 182, 188, 199, 206, 223, 233, 249, 256, 263, 270, 287, 289, 291, 295, 299, 308, 312, 316, 324, 328, 332, 365, 367, 561, 566, 570, 574, 578, 582, 586, 590, 594, 598, 602, 606
0258011.....49	036040669	0700816.....67, 258, 272	0760814 138, 142, 146, 150, 154, 174, 188, 206, 228, 238, 249, 256, 263, 270, 303, 335, 570, 574, 582, 586, 590, 598, 606
0258012.....49	0361810133	0700818.....311, 315, 323, 327, 331, 335	0760815 135, 176, 190, 206, 228, 238, 256, 270, 335
0270022.....527	036301967, 69	0700819.....335	0760816258, 272
0270092.....41	0440162 169, 181, 199, 223, 233, 249, 263	0700820.....361, 363	076081719, 21, 250, 264
0270115.....727	044027121	0700827.....566, 570, 574, 578, 582, 586, 590, 594, 598, 602, 606	0760818 347, 349, 351, 353, 355, 357, 359, 561, 570, 574, 578, 582, 586, 590, 598, 606
0270116.....731	0480100465, 467	0700828.....566, 570, 574, 578, 582, 586, 590, 594, 598, 602, 606	0760819138, 142, 146, 150, 154, 169, 174, 188, 206, 228, 238, 249, 256, 263, 270, 303, 335, 570, 574, 582, 586, 590, 598, 606
0270119.....729	0480120291	0701014.....67	076082019, 21, 250, 264
0270653.....43	0480122295	0701015.....369, 371, 373	0760821258, 272
0272031.....742	0480126307, 323	0701016.....258, 272, 335	0760822138, 142, 146, 150, 154
	0480128311, 327	0701018.....138, 142, 146, 150, 154	0760823361, 363
	0480129335	0701019.....361, 363	076082493, 369, 371, 373
	0630518 113, 115, 435, 437, 457, 459, 461	0701020 95, 97, 199, 361, 363	0760825174, 188, 206
	0630568427, 431	0701021.....566, 570, 574, 578, 582, 586, 590, 594, 598, 602, 606	076082619, 21
	0630613 138, 142, 146, 150, 154	0701024.....566, 570, 574, 578, 582, 586, 590, 594, 598, 602, 606	0760827174, 188, 206, 228, 238, 291, 295, 299, 303, 307, 311, 315, 319, 323, 327, 331
	0641404453	0701027.....369, 371, 373	0760828365, 367
	0641405 427, 431, 453	0701216.....256, 270	076082985
	0641406 423, 425, 447, 701, 703, 705, 707, 709, 711, 713, 715, 717, 719, 721	0701217.....15, 17	076083021
	0641408423, 425	0701224.....256, 270, 303, 335	076083185
	0641410 157, 159, 161, 163	0701616.....93, 369, 371, 373	0760832215, 217
	0641414 427, 431, 451	0701617.....21	0760833174, 188, 206
	0641416 529, 531, 533, 535, 537, 539, 541, 543, 545, 547, 549	0711214.....174, 188, 206	076083419, 21
	0641418 407, 409, 413, 415, 417, 419	0711220.....19, 21	0760835174, 188, 206, 228, 238, 291, 295, 299, 303, 307, 311, 315, 319, 323, 327, 331
	0641420411	0711224.....174, 188, 206, 228, 238, 291, 295, 299, 303, 307, 311, 315, 319, 323, 327, 331	0760836258, 272
	0641504 67, 133, 135	0711628.....85	0761009291, 295
	0641507 291, 295, 299, 303	0711629.....21	0761010 73, 75, 77, 79, 99
	0641509 566, 578, 594, 602	0711631.....85	0761011 .19, 21, 250, 264
	0641514465, 467	0721006.....215, 217	0761012 347, 349, 351, 353, 355, 357, 359, 561, 570, 574, 578, 582, 586, 590, 598, 606
	0641605 73, 75, 77, 79	0741606.....174, 188, 206	0761014 138, 142, 146, 150, 154, 169, 174,
	0641606 457, 459, 461	0741607.....307, 311, 315, 319, 331	
	0641610 215, 217, 423, 425	0741608.....335	
	0641616 307, 311, 315, 319, 323, 327, 331		
	0641772 291, 295, 299, 303		

SECTION 11 - SPECIAL OPTIONS

181, 188, 199, 206, 256, 270, 295, 299, 377	0961951 174, 188, 206, 228, 238, 256, 270, 361, 363, 481, 491	1001116208 723	1001120204 617, 619, 621, 623
0761015 169, 174, 181, 188, 199, 206, 223, 228, 233, 238, 249, 256, 263, 270, 299, 303, 347, 349, 351, 353, 355, 357, 359	0962257 375	1001116550 361, 363	1001120205 629, 631
0761016 174, 188, 206, 256, 270, 303	0962270 421	1001116693 667	1001120328 451, 453, 692
0761024 347, 349, 351, 353	0962292 21, 361, 363, 497	1001116728 692	1001120466 743
0761210 169, 174, 181, 188, 206	0962348 21	1001116732 657, 659	1001120471 473
0761212 174, 188, 206, 315, 319, 331, 355, 357, 359, 369, 371, 373	0962449 291	1001116748 633	1001120477 473
0761214 95, 97, 138, 142, 146, 150, 154, 299, 303, 307, 311, 323, 327, 335	0962520 307, 311, 315, 319, 323, 327, 331, 335	1001116774 563	1001120484 473
0761215 303, 335, 355, 357, 359	1001001939 258	1001116808 563	1001120989 723
0761216 377	1001091102 555, 557	1001116812 649	1001125387 169, 181
0761227 369, 371, 373	1001091969 531	1001116849 715	1001125677 668, 692
0761615 15, 17, 369, 371, 373	1001091970 535	1001116952 645, 649	1001126009 689
0762016 369, 371, 373	1001091973 537	1001116983 655	1001126351 645, 650
0770810 385	1001091974 539	1001117057 657, 659	1001126362 645, 649
0771212 199, 206	1001091975 547	1001117106 645, 649	1001126363 645, 649
0771414 174, 188, 206, 228, 238, 291, 295, 299, 307, 311, 315, 319, 323, 327, 331	1001094670 361	1001117107 645, 649	1001126364 645, 649
0771416 307, 311, 323, 327	1001095704 692, 738	1001117172 445	1001126365 645
0860038 311, 315, 327, 331, 335, 527	1001096070 307, 319, 639	1001117174 427, 431, 445	1001126391 645, 649
0860520 701, 703, 705, 707, 709, 711, 713, 715, 717, 719, 721	1001096653 55, 57, 59, 61	1001117240 133, 135	1001126392 645, 649
0861538 327, 331, 335	1001097051 685	1001117294 743	1001126485 650
0861572 323	1001097150 635, 637, 639	1001117308 175, 189, 207, 738	1001126487 650
0861731 541, 543, 545, 549, 677, 679, 681	1001097244 473	1001117372 477, 479	1001127096 723
0861781 529, 533, 673, 675	1001098122 445, 667	1001118274 95, 97, 101, 103, 105, 107, 109, 111, 138, 142, 146, 150, 154, 249, 258, 263, 365, 367, 379, 381, 383, 385, 566, 570, 574, 578, 582, 586, 590, 594, 598, 602, 606	1001128527 461
0861880 635, 639	1001098828 377	1001118384 689	1001128556 461
0902733 67	1001099869 291	1001118388 689	1001129285 692, 738
0902734 67	1001100231 659	1001118412 427, 431, 739	1001129407 99
0902888 311, 315, 323, 327, 331, 335	1001100233 291	1001118482 361	1001129555 738
0940048 369, 371, 373	1001100321 291	1001118511 15, 17	1001129858 312
0940049 138, 142, 146, 150, 154	1001100341 673	1001118518 15, 17	1001130220 118
0940071 138, 142, 146, 150, 154	1001100342 675	1001118519 15, 17	1001130492 724
0940199 455	1001100345 677	1001118878 175, 189, 207	1001131269 701, 703, 711, 713
0961845 407, 409, 411, 413, 415, 417, 419	1001100346 681	1001118971 566, 570, 574, 578, 582, 586, 590, 594, 598, 602, 606	1001132195 228, 238
0961947 375	1001100347 679	1001118972 67, 95, 97, 566, 570, 574, 578, 582, 586, 590, 594, 598, 602, 606	1001132196 228, 238
0961948 19, 21, 365, 367, 369, 371, 373, 485, 487, 489	1001100433 129, 131	1001119020 563	1001133714 646, 650
0961949 365, 367	1001101191 531, 535, 537, 539, 547	1001119176 99, 739	1001133715 646, 650
0961950 15, 17	1001101196 531, 535	1001119228 91, 567, 571, 575, 579, 583, 587, 591, 595, 599, 603, 607	1001133956 645, 650
	1001101197 537, 539, 547	1001119278 133, 135, 181, 233, 263	1001133957 645, 650
	1001103012 691	1001119280 133, 567, 571, 575, 579, 583, 587, 591, 595, 599, 603, 607	1001133972 85, 89
	1001104029 311, 315, 324, 328, 332, 335	1001119619 683	1001134488 175, 189
	1001104498 691	1001119620 685, 687	1001135196 169, 181, 199, 223, 233, 249, 264
	1001104519 671	1001119627 504, 510, 516, 522	1001135650 646, 650
	1001104850 85, 87		1001135651 646, 650
	1001106736 118		1001135679 299, 315, 319, 332
	1001107854 691		1001136834 175, 189, 207
	1001110434 427, 431		1001137005 744
	1001110872 551, 553		1001137336 258, 272
	1001110873 311, 315, 328, 332, 336, 527		1001137673 451, 739
	1001110974 743		1001138173 175, 189, 207, 228, 238, 257, 271
	1001111424 133, 135, 175, 189, 228, 238		1001138175 175, 189, 207, 228, 238, 257, 271
	1001112551 705		1001138228 175, 189, 207, 739
	1001112607 355, 357, 359		1001138248 175, 189, 207, 228, 239, 258, 272
	1001112612 563, 691		1001138494 409, 411, 413, 415, 417, 419
	1001112796 563		1001138514 409, 411, 413, 415, 417, 419
	1001113680 707		1001138565 307
	1001113961 692		1001138566 308, 312, 315, 319

SECTION 11 - SPECIAL OPTIONS

1001138827 175, 189	1001148866 41	1001160872 369, 373	590, 594, 598, 602,
1001139099 743	1001148869 43	1001161709 427, 431,	606, 633
1001139240 175, 189	1001148870 43	738	1001164817 477
1001139357 308, 312	1001148902 742	1001161710 249, 264,	1001165035 169, 181,
1001139384 157, 161	1001148903 743	739	199
1001139586 21	1001148904 743	1001161713 343, 345,	1001165388 175, 189,
1001139654 199	1001148905 743	497	207, 229, 239
1001139819 229, 238	1001148906 743	1001161715 341, 343,	1001165389 229, 239
1001140312 190	1001149160 257, 271	345, 489	1001165405 175, 189,
1001140315 743	1001149639 257, 271	1001161716 341, 343,	207
1001140318 743	1001149953 41, 43	345, 481	1001165406 175, 189,
1001140346 316	1001150998 229, 239	1001161717 341, 343,	207
1001140347 319	1001151393 101, 103,	345, 491	1001165622 146
1001140429 407, 409,	105, 107, 109, 111	1001161804 341, 495	1001165721 175, 189
411, 413, 415, 417, 419	1001152456 312, 316	1001162105 39	1001165722 175, 189,
1001140564 175, 189	1001152457 312, 316	1001162106 99	207
1001141300 724	1001152483 637	1001162107 39	1001165849 175, 189,
1001141304 175, 189,	1001152485 557, 637	1001162335 169, 176,	207
207	1001152489 175, 189,	182, 190, 215	1001165946 85
1001141694 175, 189,	207	1001162429 705, 709	1001165948 61, 79, 385
207, 229, 238	1001152525 312, 316,	1001162522 705	1001165968 39
1001141870 215, 217	325, 329, 333, 337	1001162528 709	1001166000 171, 174
1001141995 175, 189,	1001152530 312, 316	1001162534 73, 75, 77,	1001166001 169, 171
207, 229, 238, 257, 271	1001152532 308, 312,	79, 81	1001166020 225, 228
1001142501 169, 181,	316, 320, 661	1001162535 355, 379,	1001166021 223, 225
199, 215, 217	1001153260 312, 316	381, 383, 385, 387	1001166084 723
1001142643 316, 332	1001154405 169, 181,	1001162536 381, 385,	1001166085 723
1001142646 316, 332	199, 215, 217	391	1001166096 369, 371,
1001142679 504, 510,	1001154726 657, 659	1001162539 59, 61, 65	373
516, 522	1001155041 299, 303,	1001162807 101, 103,	1001166153 51, 53
1001142683 129, 131,	336	105, 107, 109, 111	1001166155 51
739	1001155043 101, 103,	1001162995 15, 17	1001166156 51
1001142736 129, 131,	105, 107, 109, 111	1001163061 95	1001166157 51
563	1001155044 101, 103,	1001163062 97	1001166208 489
1001142938 646, 649	105, 107, 109, 111,	1001163178 19, 21, 493	1001166232 67
1001142940 646, 649	249, 264, 427, 431	1001163179 19, 21	1001166239 25
1001142941 646, 649	1001155045 101, 103,	1001163405 19, 21	1001166304 169
1001143390 175, 189,	105, 107, 109, 111,	1001163580 15, 477	1001166305 223
207, 229, 238	427, 431, 738	1001163715 19, 21	1001166316 133
1001143797 175, 189,	1001155823 169, 181,	1001163716 19, 21	1001166317 135
207	199	1001163717 21	1001166538 427, 431,
1001143852 723	1001156107 200	1001163722 21	439
1001143936 504, 510,	1001156541 633	1001163724 21	1001166539 427, 431,
516, 522	1001156819 250, 264	1001163726 21	441
1001144116 175, 189,	1001157466 93	1001163767 343, 345,	1001166651 367
207	1001157520 325, 329,	483	1001166717 229, 239
1001144295 423	333, 337	1001163856 343	1001166718 175, 189,
1001144433 451	1001157521 325, 329,	1001163857 345	207, 229, 239, 257, 271
1001144629 395, 397,	333, 337	1001163937 361, 363	1001166767 99
399, 401, 403, 405	1001157525 324	1001164016 357, 361	1001166768 99
1001145781 401, 403,	1001157528 325, 329,	1001164017 359, 363	1001166852 371, 373
405, 415, 417, 419	333, 337	1001164092 19	1001166853 369, 371,
1001145985 743	1001157592 328, 332,	1001164093 15	373
1001146588 208	336	1001164095 21	1001166921 175, 189,
1001147233 303, 336	1001158007 325, 329,	1001164209 19, 21	207
1001147264 645	333, 337	1001164493 743	1001166922 175, 189,
1001147274 41, 43	1001158008 312, 316,	1001164709 485, 487,	207
1001147812 257, 271	325, 329, 333, 337	489	1001166924 175, 189,
1001147813 258, 272	1001158363 312, 316	1001164728 423, 425,	207
1001148059 320	1001159118 551, 553	697	1001167036 171, 185,
1001148138 300, 303	1001159119 551, 553	1001164730 570, 574,	203, 225, 235, 253,
1001148145 742	1001159120 551, 553	586, 590, 598, 611	267, 281
1001148641 292, 296,	1001159121 553	1001164731 559, 570,	1001167108 175, 189,
299, 308, 312, 316,	1001159186 663	586, 619	645
320, 324, 328, 332	1001159256 427, 431,	1001164732 598, 606	1001167111 229, 239,
1001148675 551, 553	738	1001164738 566, 570,	643
1001148865 41	1001160859 369, 373	574, 578, 582, 586,	

SECTION 11 - SPECIAL OPTIONS

1001167149 138, 142, 146, 150, 154	1001169297369, 371, 373	1001171683 169, 181, 199	1001173058.....505, 511, 517, 523
1001167159 138, 142, 146, 150, 154	1001169298369, 371, 373	1001171684 169, 181, 199	1001173059.....505, 511, 517, 523
1001167163 138, 142, 146, 150, 154	1001169299369, 371, 373	1001171953 171, 185, 203, 225, 235, 253, 267	1001173061505, 511, 517, 523
1001167164 287, 289	1001169300369, 371, 373	1001171954 171, 185, 203, 225, 235, 253, 267	1001173062.....505, 511, 517, 523
1001167169 138, 142, 146, 150, 154	1001169301369, 371, 373	1001172001743	1001173063.....505, 511, 517, 523
1001167312555	1001169302369, 371, 373	1001172045742	1001173066.....505, 511, 517, 523
1001167512 169, 181, 199, 223, 233, 249, 264	1001169304365, 367	1001172057742	1001173535256, 270
1001167520 175, 189, 207, 229, 239	1001169305365, 367	1001172202223, 233	1001173664743
1001167565377	1001169402365, 367	1001172264287	1001173810327
1001167567377	1001169403365, 367	1001172271579, 738	1001173811323
1001167596377	1001169525285	1001172282157	1001173925308, 312, 324, 328
1001167632649	1001169823169, 181, 199, 223, 233	1001172335566, 594, 609	1001173973455
1001167635650	1001169831743	1001172336566, 617	1001173975455
1001168018 175, 189, 207, 229, 239, 257, 271, 292, 296, 299, 303, 308, 312, 316, 320, 324, 328, 332, 336	100116989895, 97	1001172343594, 602	1001173983311
1001168026 175, 189, 207	1001169967176, 190, 207, 257, 271	1001172736169, 181	1001173984307
1001168059 229, 239	1001170018138, 142, 146, 150, 154	1001172751743	1001174040377
1001168099 175, 189, 207	1001170022138, 142, 146, 150, 154	1001172760427, 431	1001174065369
1001168166 176, 189, 207, 257, 271	1001170035176, 190, 207, 257, 271	1001172801723	1001174098138, 142, 154
1001168207 299, 316, 320, 332	1001170094118, 739	1001172833139, 143, 147, 155, 161	1001174158308, 320, 555
1001168210481	100117009845	1001173006504, 510, 517, 523	1001174367331
1001168402377	100117009945	1001173027505, 511, 517, 523	1001174378285
1001168472 566, 570, 574, 578, 582, 586, 591, 594, 598, 602, 606	1001170224285	1001173028505, 511, 517, 523	1001174486249, 264
1001168473 567, 570, 574, 578, 583, 587, 591, 594, 599, 602, 607	1001170226365, 367	1001173029505, 511, 517, 523	1001174536371
1001169046 138, 142, 146, 150, 154	1001170334365	1001173034504, 510, 517, 523	1001174537371
1001169054 176, 190, 207, 257, 271	1001170375379, 381, 383, 385	1001173035504, 510, 517, 523	1001174654742
100116905853	100117045853	1001173036504, 510, 517, 523	1001174675320, 324, 328, 332, 336
100116906245	100117045953	1001173037505, 511, 517, 523	1001174748582, 606, 615
100116907549	100117046053	1001173038505, 511, 517, 523	1001174749559, 566, 570, 586, 629
1001169138 176, 190, 207, 257, 271	1001170475159	1001173039505, 511, 517, 523	1001174750582, 623
1001169183 147, 154	100117048095, 97	1001173040511, 523	1001174754578, 582, 631
1001169240 369, 371, 373	1001170663287	1001173041511, 523	1001174766742
1001169241 369, 371, 373	1001170664287, 289	1001173042505, 511, 517, 523	1001174767742
1001169242 369, 371, 373	1001170693229, 239, 241	1001173043505, 511, 517, 523	1001174777185, 188
1001169246 355, 357, 359	1001170764650	1001173044511, 523	1001174778181, 185
1001169247 355, 357, 359	1001170859142, 154	1001173045511, 523	1001174779181
1001169249 369, 371, 373	1001171131551	1001173046511, 523	1001174783235, 238
1001169295 369, 371, 373	1001171216138, 142, 146, 150, 154	1001173048511, 523	1001174784233, 235
1001169296 369, 371, 373	1001171482101, 103, 105, 107, 109, 111	1001173049511, 523	1001174785233
	1001171553567, 571, 574, 579, 583, 587, 591, 594, 599, 602, 607	1001173052505, 511, 517, 523	1001174976125
	1001171555567, 571, 574, 579, 583, 587, 591, 595, 599, 603, 607	1001173053505, 511, 517, 523	1001175024516, 522
	1001171559567, 571, 574, 579, 583, 587, 591, 595, 599, 603, 607	1001173054505, 511, 517, 523	1001175542315
	1001171678133	1001173055517, 523	1001175631312, 316
	1001171679133, 135	1001173056517, 523	1001175663590
	1001171680133	1001173057517, 523	1001175664590
	1001171681223, 233		1001176299505, 517
	1001171682223, 233		1001176300505, 517
			1001176302505, 517
			1001176303257, 271
			1001176330742
			1001176469105, 107
			100117684819, 21
			1001176862551

SECTION 11 - SPECIAL OPTIONS

1001176951566, 570, 574, 586, 590, 594, 598, 625	1001180620.....176, 190, 207, 257, 271	1001186432671, 689	1001196637.....118
1001177359 176, 190, 207	1001180797.....299	1001186517451	1001197039.....505, 511, 517, 523
1001177820 93	1001180798.....295	1001186976742	1001197221.... 55, 57, 59, 61
1001177821 93	1001180872.....357	1001187352292, 659	1001197719.....650
100117783493	1001180873.....359	1001187382377	1001200128.....724
1001177896367	1001180916.....39	1001187383377	1001200129.....724
1001177897367	1001181045.....635, 639, 738	1001187522296, 300, 304, 657	1001200130.....724
1001178133369, 371, 373	1001181145.....724	1001187674449	1001200131.....724
1001178135369, 371, 373	1001181243.....300, 304	1001187681683	1001200132.....724
1001178228 163	1001181358.....169, 182, 199, 655	1001187807115, 437	1001200133.....724
1001178448567, 571, 575, 579, 583, 587, 591, 595, 599, 603, 607	1001181405.....125	1001187816559	1001200134.....724
1001178449567, 571, 575, 579, 583, 587, 591, 595, 599, 603, 607	1001181527.....67	1001188311419	1001200458.....157, 161
1001178554365	1001181621.....571, 575, 583, 587, 591, 599, 607	1001188312405	1001200491.....377
1001178555365	1001181875.....567, 579, 595, 603	1001188314417	1001200494.....377
1001178636357, 359, 367	1001181895.....190	1001188318415	1001200910.....129
1001178644567, 571, 575, 579, 583, 587, 591, 595, 599, 603, 607	1001181913.....67	1001188319401	1001201351.....377
1001178788175, 189, 207	1001181923.....567, 571, 575, 579, 583, 587, 591, 595, 599, 603, 607	1001188622377	1001202687.....377
1001178859229, 239	1001182169.....138, 142, 146, 150, 154	1001188731296, 300, 304	1001202749.....743
1001178876176, 190	1001182296.....296, 300, 304	1001188732292	1001202830.....163
1001179154312, 316, 328, 333, 336	1001182361.....645, 650	1001188844377	1001202910.....504, 510, 516, 522
1001179236118, 641	1001182365.....645, 650	1001188883723	1001203322.....159
1001179266567, 571, 575, 579, 583, 587, 591, 595, 599, 603, 607	1001182561.....567, 571, 575, 579, 583, 587, 591, 595, 599, 603, 607	1001188972181, 233, 264	1001203510.....744
100117933995, 97	1001182806.....121	1001189001377	1001203511.....744
1001179364598	1001182875.....138, 142, 146, 150, 154	1001189002377	1001203654.....421
1001179439578, 582, 602, 606, 627	1001182877.....138, 146, 150	1001189171637, 738	1001204110.....744
100117951755, 57, 59, 61	1001182879.....138, 142, 146, 150, 154	1001189172637, 738	1001204123.....249, 264
1001179626355, 365	1001182997.....95, 97	1001189882709	1001204481.....743
1001179737582	1001183171.....363	100119036819, 21	1001204510.....705, 724
1001179738570, 586	1001183407.....743	1001190633371	1001204725.....377
1001179771606	1001183477.....296, 300	1001190663121, 123	1001205750.....135
1001179776590	1001184618.....427, 431	1001190913705, 709	1001205752.....135
1001179836299, 303	1001184626.....427, 431	1001190985377	1001205958.....537, 539, 541, 543, 545, 547
1001179837299, 303	1001184637.....292, 296	1001191230591	1001206436.....85
1001179893300, 304	1001184644.....292, 296	1001191394743	1001206438.....742
1001179903176, 190, 207	1001184645.....292, 296	1001191395743	1001206476.....561
1001179904138, 142, 146, 150, 154	1001184682.....123	1001191620176, 190, 207	1001206625.....485, 487
1001180001299, 303	1001185025.....291	1001191832138, 142, 146, 150, 154, 169, 182, 199, 223, 233	1001206916.....95, 97
1001180004357, 371	1001185030.....15, 17	1001193018529, 531, 533, 535, 537, 539, 541, 543, 545, 547, 549	1001207004.....131
1001180005359, 373	1001185281.....427, 431	100119333695	1001207335.....504, 510, 516, 522
1001180006355, 369	1001185747.....567, 571, 575, 579, 583, 587, 591, 595, 599, 603, 607	1001194197541	1001207347.....95
1001180035505, 511, 517, 523	100118582173, 75, 77, 79, 83	1001194198543	1001207348.....97
1001180056369, 371, 373	1001185964.....692	1001194200545	1001207355.....522
1001180540367	1001186375.....409	1001194203529	1001208874.... 73, 75, 77, 79
1001180541365	1001186377.....411	1001194204533	1001208994.....377
	1001186378.....413	1001194365549	1001209059.....744
	1001186385.....399	1001194424510, 522	1001209617.....121
	1001186386.....397	1001194425511, 523	1001209664.....451
	1001186387.....395	1001194427517, 523	1001209677.....557
	1001186388.....421	1001194428505, 511, 517, 523	1001209832.....557
	1001186431.....451, 739	1001195039250, 264	1001209844.....257, 271, 279
		1001195746723	1001210036.....744
		1001196012742	1001210356.....504, 510, 516, 522
		1001196376249, 264	1001210636.....473
		1001196382308, 312, 316, 320, 324, 328, 332	1001211336.....97
		1001196634182, 219	1001211716.....138, 142, 146, 150, 154
		1001196635692, 738	

SECTION 11 - SPECIAL OPTIONS

1001211717 138, 142, 146, 150, 154	1001215227504, 516	1001218978 742	1001230935645, 650
1001211794 257, 271	1001215228427, 431	1001218979 566	1001230936645, 650
1001211797 257, 271	1001215259250, 264	1001218980 594	1001231235 744
1001212223 332, 336	1001215378... 59, 77, 383	1001218999 504, 516	1001231801 723
1001212257 249, 264	1001215382 742	1001219000 349, 351	1001231886 121
1001212415 738	1001215394 142, 154	1001219001 347, 349, 566	1001232026701, 703, 705, 707, 709, 711, 713, 715, 717, 719, 721
1001212989 257, 271	1001215503 23	1001219002 351, 353, 594	1001232164 449
1001212993 257, 271	1001215504 23	1001219003 347, 349, 351, 353, 355	1001232165 449
1001213029 304, 336	1001215523 336	1001219004 341, 355	1001232545207, 211
1001213060 250, 264	1001215659... 55, 73, 379	1001219129 91	1001232642 453
1001213061 250, 264	1001215813250, 264	1001219201 138	1001232667 453
1001213305 257, 271	1001215850 723	1001219202 142	1001232842182, 219
1001213425 257, 271	1001215865 742	1001219601 118	1001233047 742
1001213426 257, 271	1001215868 743	1001220003 743	1001233080 744
1001213447 667	1001215869258, 272	1001220266 200	1001233139 19
1001213482 257, 271	1001216308250, 264	1001220379 646	1001233237 742
1001213706 250, 264, 653	1001216400250, 264	1001223055 701, 703	1001233479 127
1001213824 257, 271	1001216401250, 264	1001223118 93, 701, 703, 705, 709, 711, 713, 721	1001233763182, 219
1001213882 427, 431	1001216405250, 264	1001223312 208, 308, 312, 316, 320, 324, 328, 332	1001233899146, 150
1001214138 257, 271	1001216415 289	1001223453 701, 703, 711, 713	1001234295 79
1001214159 23	1001216416 289	1001223459 645, 649	1001234800645, 650
1001214163 ...57, 75, 381	1001216512 289	1001223971 711, 713	1001235053 353
1001214174 23, 27	1001216552 743	1001224048 719	1001235055 353
1001214205 257, 271	1001216559 154	1001224049 721	1001235949208, 217
1001214207 171, 185, 203, 225, 235, 253, 267	1001216630377	1001224050 715	1001236089435, 437
1001214233 257, 271	1001216639347, 349, 351, 353	1001224052 707	1001236092113, 115
1001214234 257, 271	1001216677142, 154	1001224053 717	1001236122 743
1001214269 271	1001216802 510	1001224889 367	1001236123 742
1001214276 257, 271	1001216805304, 336	1001224894 365	1001236251 249
1001214277 257, 271	1001216825258, 272	1001225346 561	1001236253 263
1001214278 257, 271	1001216840 304	1001225430 193	1001236254249, 253
1001214307 257, 271	1001217342303, 336	1001225580 451, 671	1001236256253, 256
1001214316 55, 57, 63	1001217343256, 270	1001225794 743	1001236257257, 271
1001214397 561	1001217344303, 336	1001226530 561	1001236258264, 267
1001214478 743	1001217345250, 264, 303, 336	1001226872 407	1001236259267, 270
1001214503 250, 264	1001217440578, 621	1001227278 742	1001236393257, 271, 275
1001214508 257, 271	1001217441578, 602, 613	1001227633 449	1001236496 745
1001214515 744	1001217443 578	1001227634 449	1001236552 453
1001214546 304, 336	1001217444 602	1001227985 449	1001236780 208
1001214552 744	1001217461 742	1001227987 449	1001236891469, 471
1001214553 257, 271	1001217494250, 256, 264, 270	1001227993 369	1001236895469, 471
1001214555 257, 271	1001217676343, 345, 487	1001227996 685, 687	1001237545 437
1001214556 257, 271	1001217681341, 485	1001228215 407	1001237547 115
1001214558 257, 271	1001217779347, 349, 351, 353, 361, 363, 375	1001228224 449	1001237667667, 692
1001214559 744	1001217785250, 263	1001228225 449	1001237668667, 692
1001214560 744	1001217904 709	1001228960 742	1001237863449, 685
1001214570 561	1001217935 516	1001228988 461, 733, 735	1001237864449, 687
1001214571 561	1001217936 504	1001229107 742	1001237865449, 683
1001214598 257, 272	1001218533 91	1001229138 455	1001237878 561
1001214599 258, 272	1001218535 91	1001229341 449	1001237879 561
1001214616 505, 511	1001218537 91	1001229795 665	1001237880 561
1001214664 258, 272	1001218622594, 598, 602, 606	1001229796 665	1001237881 561
1001214694 258, 272	1001218623594, 598, 602, 606	1001229797250, 264, 665	1001238254428, 432, 667
1001214833 743	1001218940 347	1001230635 175, 189, 207	1001238263469, 471
1001214841 258, 272	1001218941 349	1001230784 320	1001238319 449
1001214909 303	1001218942 351	1001230931 633	1001238418453, 689
1001214975 229, 239	1001218943 347	1001230934 645, 650	1001238421377, 743
1001215058 347, 349, 351, 353	1001218946 349		1001238466567, 571, 575, 579, 583, 587, 591, 595, 599, 603, 607
1001215105 379, 383, 389	1001218947 351		1001238472 453
1001215125 258, 272			1001238495 451
1001215181 742			1001238559 453
1001215225 341			

SECTION 11 - SPECIAL OPTIONS

1001238672	435	1001248008.....	701, 703, 705, 707, 711, 713, 715, 717, 719, 721, 723	1001261338	469	10702077 ..	324, 329, 333, 337
1001238674	113	1001248140.....	469, 471	1001262016	744	10702082 ..	324, 329, 333, 337
1001238732	113, 435	1001248141.....	469, 471	1001262959	742	1120555	455
1001238911	208	1001248190.....	320	1001263174	123	1320016	228, 238
1001239202	649	1001249052.....	744	1001264731	107	1320022	169, 182, 199, 223, 233
1001239573	745	1001249695.....	744	1001264732	105	1320043	567, 571, 575, 579, 583, 587
1001239574	745	1001249941.....	744	1001264733	103, 109	1320061	200
1001239575	744	1001249965.....	176, 190, 193	1001264734	101, 111	1320130	570, 574, 578, 582, 586, 590, 598, 602, 606
1001241254	742	1001250291.....	138, 146, 150	1001264735	101, 103, 105, 107, 109, 111	1320176	285
1001241284	150	1001250465.....	744	1001264981	17	1320218	249, 263
1001241295	151, 163	1001250466.....	744	1001265163	473	1320220	249, 263
1001241296	159	1001250595.....	744	1001265186	379, 381, 383, 385	1320223	181, 233, 263, 561
1001241299	151	1001252033.....	744	1001265273	574	1320302	457, 459, 461
1001241397	743	1001252034.....	744	1001265275	559	1321283	249, 263
1001241403	113, 435	1001252034.....	744	1001265342	473	1321293	99
1001241404	115, 437	1001252527.....	645, 650	1001265688	743	1321647	691
1001241547	744	1001252629.....	469, 471	1001266465	743	1321716	169, 174, 182, 188, 199, 206, 223, 233, 291, 295, 299, 308, 312, 316, 319, 324, 328, 332
1001241548	744	1001252926.....	505, 511, 517, 523	1001266491	744	1580011	256, 270
1001241965	453	1001252946.....	465, 467	1001266664	127	1580012	447
1001242589	743	1001252947.....	465, 467	1001266799	743	1580013	743
1001242639	742	1001253375.....	671	1001266801	744	1670603	549
1001242855	129	1001254472.....	453	1001266807	744	1670836	365, 367
1001242856	131	1001254473.....	453	1001266969	743	1671092	328, 333, 336, 590
1001243183	742	1001254716.....	343	1001267283	743	1671093	459, 590
1001243184	742	1001254742.....	343	1001267310	723	1684290	477
1001243331	743	1001254743.....	343	1001270208	367	1580013	743
1001243414	138, 146, 150	1001255133.....	377	1001271497	667	1670603	549
1001243697	723	1001255133.....	377	1001271649	336	1670836	365, 367
1001243698	723	1001255511.....	701, 703	1001272123	335	1671092	328, 333, 336, 590
1001243895	219	1001255512.....	711, 713	1001272287	723	1671093	459, 590
1001244285	203	1001255513.....	719	1001272446	47	1684290	477
1001244286	203, 206	1001255514.....	715	1001272447	47	1700818	723
1001244287	199	1001255515.....	707	1001273302	347, 349, 351, 353, 566, 570, 574, 586, 591, 594, 598	1701499	701, 703, 705, 707, 709, 711, 713, 715, 717, 719, 721
1001244293	118, 691	1001255516.....	721	1001273303	566, 570, 574, 578, 582, 586, 591, 594, 598, 602, 606	1701500	701, 703, 705, 707, 709, 711, 713, 715, 717, 719, 721
1001244294	118, 695	1001255517.....	717	1001273304	602, 606	1701504	701, 703, 705, 707, 709, 711, 713, 715, 717, 719, 721
1001244295	118, 663	1001255807.....	742	1001275635	504, 510, 516	1701505	169, 181, 199, 223, 233
1001244298	709	1001256179.....	17, 479	1001277600	199	1701509	455, 701, 703, 705, 707, 709, 711, 713, 715, 717, 719, 721
1001244301	709	1001256205.....	719	1001283776	127	1701518	705, 709, 731
1001245656	107	1001256206.....	715	1001284504	567, 571, 575, 579, 583, 587, 591, 595, 599, 603, 607	1701529	701, 703, 705, 707, 709, 711, 713, 715, 717, 719, 721
1001245839	208, 649	1001256207.....	707	1001284875	701, 703, 705, 707, 709, 711, 713, 715, 717, 719, 721	1701542	249, 263
1001246142	742	1001256208.....	717	1001285597	138, 142, 147, 155	1701543	249, 263
1001246286	423, 427	1001256506.....	646	1001285598	138, 142	1701691	138, 142, 146, 150, 154
1001246297	423	1001256507.....	645	1001285691	146, 154	1702300	701, 703, 705, 707, 709, 711, 713, 715, 717, 719, 721
1001246369	118	1001256879.....	199	1001285788	151	1702565	427, 431
1001246402	701	1001256911.....	371	1001285790	150	1702566	427, 431
1001246403	711	1001257271.....	469, 471	1060343.....	328, 332, 336	1702567	427, 431
1001246405	703	1001257274.....	469, 471	1060379.....	465, 467	1702773	709, 723
1001246406	713	1001257275.....	471	1060461.....	617, 619, 629		
1001246407	721	1001258005.....	471	1060494.....	296, 300, 304		
1001246433	742	1001258231.....	743	1060626.....	181, 233, 263		
1001246434	742	1001258495.....	685, 687	1060908.....	635, 637, 639		
1001246435	425, 431	1001258804.....	208	1060918.....	445		
1001246436	425	1001259230.....	159, 163	1062255.....	200		
1001246446	101	1001260306.....	567, 571, 575, 579, 583, 587, 591, 595, 599, 603, 607				
1001246449	111	1001260412.....	176, 190, 208				
1001246450	103	1001260420.....	176, 189, 207				
1001246451	105	1001260432.....	319				
1001246581	109	1001261045.....	319				
1001247073	744	1001261085.....	319				
1001247248	723	1001261335.....	469				
1001247359	258, 272						
1001247440	199						
1001247468	377						
1001247656	319						
1001247800	744						

SECTION 11 - SPECIAL OPTIONS

1702774723	1704752723	2180876.....169, 181, 199, 223, 233	2220946 504, 510, 516, 522
1702860723	1704885 701, 703, 705, 707, 711, 713, 715, 717, 719, 721	2220237.....497	2220947 504, 510, 516, 522
1702868461, 701, 703, 723, 735	1704972 223, 233, 723	2220238.....67, 504, 510, 516, 522	2220998 504, 510, 516, 522
1702941 181, 233, 263	1705014421	2220261.....256, 270	2221033 504, 510, 516, 522
1702942 181, 233, 263	1705305 461, 733, 735	2220290.....249, 263	2221040516, 522
1702943 181, 233, 263	1705325529, 531	2220315.....174, 188, 206, 228, 238, 256, 270	222105267
1702944 181, 233, 263	1705336701, 703	2220371.....510, 522	2221086 65, 391, 504, 510, 516, 522
1703162 174, 188, 206, 228, 238, 256, 270	1705344717	2220372.....67, 504, 510, 516, 522	2230025 504, 510, 516, 522
1703450727	1705345719	2220373.....504, 510, 516, 522	2400060 182, 219, 473, 659, 667, 691
1703687 701, 703, 705, 707, 709, 711, 713, 715, 717, 719, 721	1705347711, 713	2220374.....504, 510, 516, 522	2400066657
1703774723	1705349707	2220375.....504, 510, 516, 522	2400082665, 739
1703797 701, 703	1705351701, 703	2220377.....504, 510, 516, 522	2410014421
1703804 701, 703	1705355733, 735	2220415.....510, 516, 522	2420203 295, 300, 304
1703805 701, 703	1705358723	2220435.....504, 510, 516, 522	24431386250, 264
1703923721	1705374 311, 315, 551, 553	2220451.....228, 238, 504, 510, 516, 522	2460048323, 327
1703924 711, 713	1705375 329, 333, 337, 461, 735	2220465.....504, 510, 516, 522	2460055295
1703925715	1705387 311, 315, 329, 333, 337	2220466.....504, 510, 516, 522	2540020 127, 129, 131
1703926717	1705426717	2220468.....504, 510, 516, 522	2560136427, 431
1703927719	1705427719	2220472.....504, 510, 516, 522	2560187 157, 159, 161, 163
1703928707	1705429711, 713	2220477.....504, 510, 516, 522	2580024 181, 233, 263
1703935721	1705430715	2220497.....504, 510, 516, 522	2580062238
1703936 711, 713	1705460 325, 329, 333, 337	2220500.....516, 522	2600281 395, 397, 399, 401, 403, 405
1703937715	1705461325	2220501.....504, 510, 516, 522	2720015 174, 188, 206
1703938717	1705489 307, 319, 324, 325	2220509.....67	2720058 169, 181, 199, 223, 233, 258, 272
1703939719	1705822705, 709	2220582.....504, 510, 516, 522	2720271258, 272
1703940707	1705828705, 709	2220596.....504, 510, 516, 522	2720340 174, 188, 206
1703941721	1705910721	2220600.....504, 510, 516, 522	2720398228, 239
1703942 711, 713	1705917721	2220603.....504, 510, 516, 522	2720447228, 239
1703943715	1705961705, 709	2220628.....504, 510, 516, 522	2720615258, 272
1703944717	1705968715	2220767.....199	2720644256, 270
1703945719	1705969719, 723	2220811.....504, 510, 516, 522	2752504 505, 511, 517, 523
1703946707	1705969723	2220881479	2752519 505, 511, 517, 523
1703947721	1706059723	2220883.....35, 37, 63, 65, 477, 479, 485, 487, 489, 504, 510, 516, 522	2780267 23, 25, 29
1703948 711, 713	1706060723	2220885.....65, 479, 495	278026825, 33
1703949715	1706061723	2220886 35, 37, 489, 495, 497	2820031 291, 295, 299, 303, 307, 311, 315, 319, 323, 327, 331, 335, 566, 570, 574, 578, 582, 586, 590, 594, 598, 602, 606, 625, 627
1703950717	1706062723	2220888.....37	290075665
1703951719	1706063723	2220906.....504, 510, 516, 522	2900770 481, 495, 497
1703952707	1706064723	2220923.....504, 510, 516, 522	2900792483
1703953 701, 703	1706098723	2220940.....504, 510, 516, 522	2901443744
1703980717	1706385421		2902065 174, 188, 206, 228, 239, 245
1703981719	1787217135		2902217457, 459
1703982715	2030010 457, 459, 461		2902266477
1703983721	2060025228, 238		2902443 643, 645, 649
1703984 711, 713	2080040 307, 319, 395, 397, 399, 401, 403, 405, 555, 557		
1703985707	2110810 504, 510, 516, 522		
1704000 711, 713, 723	2110812 504, 510, 516, 522		
1704001 721, 723	2151212 504, 510, 516, 522		
1704002 707, 723	216000185		
1704260 427, 431	2180348 223, 233, 249, 263		
1704271723	2180387249, 263		
1704277 701, 703, 705, 707, 709, 711, 713, 715, 717, 719, 721	2180389249, 263		
1704412 701, 703, 705, 707, 709, 711, 713, 715, 717, 719, 721	2180504 249, 258, 263, 272		
1704455731	2180736485, 487		
1704456731	2180832 169, 181, 199		
1704457729			
1704482727			
1704576729			
1704577729			
1704578727			

SECTION 11 - SPECIAL OPTIONS

2902549.....555, 635	331, 335, 361, 363,	3331211.....291, 295, 299,	3820001 701, 703, 705,
2920028.....427, 431	561, 566, 570, 574,	307, 311, 315, 319,	707, 709, 711, 713,
2920029.....427, 431	578, 582, 586, 590,	324, 328, 331	715, 717, 719, 721,
2940074.....395, 397, 399,	594, 598, 602, 606	3331215.....174, 188, 206,	727, 729, 731
401, 403, 405, 739	3290806377	228, 238	3820020 395, 397, 399,
2940173.....157, 159, 161,	3291001 174, 188, 206,	3340860.....361, 363	401, 403, 405
163	256, 270, 377	3340956.....455	3820032133, 135
3160348.....25, 37	3291005 133, 138, 142,	3380434.....423, 425	3841143 19, 21, 169, 181,
3160351.....23, 35	146, 150, 154, 157,	3420352.....69	199, 223, 233, 249,
3250872.....727	159, 161, 163, 169,	3420372.....69	263, 347, 349, 351,
3251102.....319	174, 181, 188, 199,	3422532.....169, 181, 199,	353, 355, 357, 359, 377
3251242.....533, 535, 537,	206, 223, 228, 233,	223, 233, 249, 263	3841203 347, 349, 351,
539, 541, 543, 545,	238, 249, 256, 263,	3422661.....465, 467	353, 355, 357, 359,
547, 549	270, 295, 299, 303,	3422755.....347, 349, 351,	369, 371, 373
3251243.....295, 299, 303,	347, 349, 351, 353,	353, 357, 359	3841258 15, 17, 369, 371,
311, 315, 329, 333,	355, 357, 359, 361,	3422790.....347, 349, 351,	373
701, 703, 707, 711,	363, 365, 367, 369,	353	3841287 369, 371, 373
713, 721	371, 373, 377, 561,	3422791.....361, 363	3841340 566, 570, 574,
3251813.....701, 703, 707,	566, 570, 574, 578,	3422792.....347, 349, 351,	578, 582, 586, 590,
711, 713, 721	582, 586, 590, 594,	353, 357, 359	594, 598, 602, 606
3252347701, 703	598, 602, 606	3422793.....347, 349, 351,	3900054421
3252692.....731	3291201 256, 270, 299,	353, 355, 357, 359	3900267312, 316
3252693.....729	303, 307, 311, 315,	3422806.....355, 357, 359	390029521
3252764.....323, 328, 331,	319, 324, 328, 331,	3422848.....21	3900300312, 316
335	335, 377	3423038.....355, 357, 359	3900349427, 431
3271605.....469, 471	3291205 347, 349, 351,	3423105.....347, 349, 351,	3900351365, 367
3271805.....421	353, 355, 357, 359,	353	3910408174, 188
3272001.....469, 471	369, 371, 373, 377	3423304.....19, 21	3910606 311, 315, 328,
3290405.....99, 127, 249,	330010623, 25	3430616.....427, 431	331, 335, 551, 553
263, 473, 529, 531,	3300151 407, 409, 411,	3460334.....455	3910610527
533, 535, 537, 539,	413, 415, 417, 419,	3470003.....428, 432	3910804 101, 103, 105,
541, 543, 545, 547,	457, 459, 461	3520028.....295, 300, 304	107, 109, 111
549, 555, 566, 570,	3300220 133, 135, 175,	3520054.....176, 190, 206,	3911010129, 131
574, 578, 582, 586,	189, 228, 238	228, 238, 427, 431	3931408451
590, 594, 598, 602, 606	3300353427, 431	3520072.....146, 150, 395,	3931512 174, 188, 206
3290501133	3300396 312, 316, 324,	397, 399, 407, 409,	3931618 171, 185, 203,
3290505.....125, 133, 291,	329, 333, 336	411, 413, 421	225, 235, 253, 267
311, 315, 324, 328,	3300408 113, 115, 435	3520189.....324	3931628 299, 315, 331
331, 335	3300430451	3520192.....324	3960407228, 238
3290601.....118, 121, 123,	3310401174, 188	3520198.....395, 397, 399,	3960422 311, 315, 328,
133, 135, 157, 159,	3311001 215, 217, 295,	407, 409, 411, 413	331, 335, 527, 551, 553
161, 163	299, 303, 312, 316,	3572551.....361, 363	396052623, 25
3290605.....55, 57, 59, 61,	324, 329, 333, 336	3573400.....457, 459, 461	4010405555, 557
99, 118, 129, 131, 133,	3311005 129, 131, 457,	3573642.....457, 459, 461	4010418 566, 570, 574,
135, 169, 174, 181,	459, 461	3577121.....457, 459, 461	578, 582, 586, 590,
188, 199, 206, 223,	3311405 423, 425, 453,	3580158.....291, 295	594, 598, 602, 606
228, 233, 238, 249,	529, 531, 533, 535,	3580276.....295	4010618 409, 411, 413,
263, 287, 289, 291,	537, 539, 541, 543,	3580317.....307, 311, 315,	415, 417, 419
295, 299, 303, 307,	545, 547, 549, 701,	319, 324, 328, 331, 335	4031505449
311, 315, 319, 324,	703, 705, 707, 709,	3580318.....311, 315, 328,	4031508127
328, 331, 335, 367,	711, 713, 715, 717,	331, 335	4031511 566, 570, 574,
555, 557, 566, 570,	719, 721	3580319.....307, 319, 324	578, 582, 586, 590,
574, 578, 582, 586,	3311501 138, 142, 146,	3580320.....299, 307, 311,	594, 598, 602, 606
590, 594, 598, 602, 606	150, 154	315, 324, 328, 331	403151299
3290606.....409, 411, 413,	3311505465, 467	3740067.....133, 135, 228,	4031516453
415, 417, 419	3311601 138, 142, 146,	238, 738	4031607291
3290607256, 270	150, 154, 427, 431, 453	3740080.....291, 296, 299,	4031914 174, 188, 206
3290801.....223, 233, 249,	3311605 176, 190, 215,	303, 657, 739	4032014 299, 315, 331
256, 263, 270	217, 421, 423, 425,	3740086.....689, 738	4032015 307, 311, 324,
3290805.....55, 57, 59, 61,	457, 459, 461	3740140.....228, 238, 738	328
67, 95, 97, 135, 138,	3311705 291, 295, 299,	3760115.....367	4060802 ... 291, 296, 299,
142, 146, 150, 154,	303	3760170.....69	303, 307, 311, 315,
174, 188, 206, 228,	331180123, 25	3760351.....365	319, 324, 328, 331, 335
238, 249, 256, 263,	3312002469, 471	3790012.....249, 263, 427,	4060805 174, 188, 206,
270, 287, 289, 291,	331200569, 455	431	228, 239, 258, 272
295, 299, 303, 307,	3321001 133, 135, 175,	3790152.....171, 185, 203,	406080691
311, 315, 324, 328,	189, 228, 238	225, 235, 253, 267	

SECTION 11 - SPECIAL OPTIONS

4060808566, 570, 574, 578, 582, 586, 590, 594, 598, 602, 606	4460225 324, 328, 331, 335, 661, 667	4460509.....609, 611, 613, 615, 691	4460942 449, 646, 649, 655
407045069	4460226 439, 442, 445	4460510..... 744	4460943 129, 131, 683, 691
407056069	4460227 667	4460518..... 563	4460944 645, 646, 649
407056169	4460234 125, 127, 427, 431	4460536..... 667	4460956635, 639
4070897 365, 367	4460247 645, 649, 691	4460539.....649, 667, 695	4460957635, 639
4070898 365, 367	4460259 473, 663, 667, 692	4460612..... 551, 553	4460958 553
4071101 15, 17	4460260 473, 663, 667, 692	4460662.....541, 543, 545, 549	4460959 590
4160182 138, 142, 146, 150, 154	4460265439, 442	4460693..... 653	4460960 590
4240018 551, 553	4460267 .95, 97, 667, 691	4460703..... 645, 649	4460961 295, 300, 304
4240032 125, 127, 129, 131	4460268 295, 300, 304, 661, 695	4460705.....295, 300, 304	4460962 459
4240033 449, 451, 453	4460313 643	4460708..... 667	4460963 329, 333, 336
4240099 174, 188, 199, 206, 219, 228, 238, 249, 256, 263, 270, 291, 296, 299, 303, 307, 311, 315, 319, 324, 328, 331, 335, 427, 431, 457, 459	4460315 527	4460722..... 219	4460967 691
4240149455	446032095, 97	4460742..... 691	4460968 291, 529, 533
4240156566, 570, 574, 578, 582, 586, 590, 594, 598, 602, 606	4460321 295, 300, 304	4460743..... 691	4460970 667
4341415455	4460346 311, 315, 328, 331, 335, 527	4460746..... 645, 649	4460977 665
4360070 312, 316, 324, 329, 333, 336	4460384 549	4460748.....645, 650, 692	4461005 643
4360274107	4460418663, 667	4460754..... 695	4461006 653
4360336291, 296, 299, 303, 307, 311, 315, 319, 324, 328, 331, 335, 739	4460419663, 667	4460761..... 667, 691	4461008 643, 645, 649
4360387 105, 107, 427, 431, 738	4460424695	4460806.....537, 539, 541, 543, 692	4461052 643
4360407 427, 431, 738	4460425 312, 316, 324, 329, 333, 336, 551, 553	4460807..... 661	4461054 646, 649, 655
4360436 95, 97	4460426 312, 316, 324, 329, 333, 336	4460808..... 661	4461060 655
4360469 101, 103, 105, 107, 109, 111	4460428427, 431	4460836..... 691	4461070563, 645
4360475 101, 103, 105, 107, 109, 111, 427, 431, 738	4460434 667	4460837..... 691	4461071 643, 645, 649
4360476 101, 103, 105, 107, 109, 111, 427, 431, 738	4460458 645, 650, 691, 692	4460865.....566, 570, 574, 578, 582, 586, 590, 594, 598, 602, 606, 609, 611, 613, 615, 691	4461072 643, 645, 649
4360542295, 300, 304	4460464 99, 125, 445, 473, 563, 625, 627, 633, 641, 655, 657, 659, 667, 671, 689, 691, 695, 697	4460866.....566, 570, 574, 578, 582, 586, 590, 594, 598, 602, 606, 625, 627, 667	4461073 643, 645, 649
4420014455	4460465 121, 123, 127, 473, 563, 609, 611, 613, 615, 633, 641, 643, 645, 646, 649, 653, 661, 667, 671, 691, 692, 695, 697	4460871..... 121, 123, 663, 667, 691, 692, 695	4461074 643, 645, 649
4420037457, 459, 461	4460466 250, 264, 449, 473, 563, 567, 571, 575, 579, 583, 587, 591, 595, 599, 603, 607, 609, 611, 613, 615, 625, 627, 633, 643, 645, 646, 649, 653, 657, 659, 667, 671, 683, 689, 691, 692, 695, 697	4460872..... 695	4461077683, 689
4420051723, 727, 729, 731	4460467 744	4460873..... 667, 692	4461095 563, 643, 645
4420060291	4460470427, 431	4460874..... 667, 691	4461109 653
4420062 465, 467	4460471427, 431	4460875..... 667, 695	4461111 653
4420066455	4460473 566, 570, 574, 578, 582, 586, 590, 594, 598, 602, 606, 609, 611, 613, 615	4460876..... 663	4461113 653
4460019649	4460488129, 131	4460878..... 692	4461121 653
4460027295, 300, 304	4460496 118	4460879..... 473, 667	4461122 653
4460042646, 649, 653	4460497 118	4460884.....473, 633, 649, 671, 691	4461123 653
4460043219, 645, 649	4460508 449, 625, 627, 667	4460887.....473, 667, 692	4461124 653
4460071311, 315, 328, 331, 335, 445, 527		4460891..... 121, 123, 127, 563, 633, 641, 646, 655, 692, 695, 697	4461196 673
4460134296, 300, 304		4460894.....643, 646, 649, 653, 667, 691, 697	4461198529, 673
4460138296, 300, 304		4460897.....125, 129, 131, 655	4461199 675
4460142692		4460899.....633, 641, 671, 683, 689, 691, 695, 697	4461201533, 675
4460183667		4460905.....663, 667, 691, 692, 695	4461205677, 679
4460190295, 300, 304		4460906..... 657	4461222 653
4460205527		4460910..... 687	4461244541, 677
		4460911..... 683	4461245543, 679
		4460928..... 563	4461246545, 681
		4460930.....250, 264, 643, 646, 649, 691	4461249 681
		4460931..... 691	4520216 41
		4460932..... 473, 655	4520217 49
		4460933.....563, 667, 692	4520240 43
		4460941 655, 683	4520262 47
			4520608 51
			4530028 457, 459, 463
			4640113 47
			4640261 67
			4640509 483
			4640751 174, 188, 206
			4640771495, 497
			4640858 477
			4641122 41, 43, 51, 53
			4641155 55, 57, 59, 61
			4641390 485, 487, 489
			4710400174, 188
			4711000 129, 131, 215, 217, 312, 316, 324, 329, 333, 337

SECTION 11 - SPECIAL OPTIONS

4711400.....157, 159, 161, 163, 407, 409, 411, 413, 415, 417, 419, 451, 453, 529, 531, 533, 535, 537, 539, 541, 543, 545, 547, 549	567, 571, 575, 579, 583, 587	4891800 23, 25, 171, 185, 203, 225, 235, 253, 267	70000100387	
4711500.....67, 133, 135, 138, 142, 146, 150, 154, 174, 188, 206, 566, 574, 578, 594, 602	4811702 118, 133, 135, 154, 176, 190, 206, 249, 256, 263, 270, 287, 308, 555, 557	4892000.....23, 25 4892600001 377 4920463..... 631 4922641.....296, 300, 304, 312, 316, 320, 324, 328, 332, 336 4922925.....324, 328, 331, 335 4922929.....594, 598, 602, 606	70000123291 70000342375 70000345211, 242 700004508 193 70000619 .. 323, 327, 331, 335 7000078163, 65 70000787242 70000793245 7000079735, 37 70000800241 70000851242 70000863 .. 323, 327, 332, 336 7000086589 70000912241 70000913241 70000914241 70000915241 70000916241 70000917241 70000918241 70000919242 70000931242 70001002241 70001100 .. 323, 327, 332, 336 70001181241 7000134929, 33 70001384 .. 323, 327, 332, 336 70001423241 70001435242 70001498242 70001654241 70001655241 70001696323, 327 70001844242 70001850241 70001866242 70001868242 70001870 ... 194, 212, 241 70001871242 70001872242 70001953323, 327 70001966 .. 307, 312, 316, 319, 323, 327, 332, 336 70001973 .. 323, 327, 332, 336 70001974 .. 323, 327, 332, 336 700020629, 33 7000206365 70002088323, 327 7000211295, 97 7000220687 7000220787 7000220965 70002234242 70002257282 700022929, 33 70002291332, 336 70002297 .. 323, 327, 332, 336 700023029, 33 70002316275	
4711600.....215, 217, 307, 311, 315, 319, 324, 328, 331, 428, 432, 469, 471	4811900 55, 57, 59, 61, 95, 97, 101, 103, 105, 107, 109, 111, 135, 138, 142, 146, 150, 154, 169, 174, 182, 188, 199, 206, 223, 228, 233, 238, 249, 256, 263, 270, 291, 296, 299, 303, 307, 311, 315, 324, 328, 331, 335, 377, 561, 570, 582, 586, 590, 598, 606	5240800.....142, 154, 249, 256, 263, 270 5241200.....15, 17, 19, 21, 67, 85, 174, 188, 206, 228, 238, 256, 270, 291, 296, 299, 303, 307, 311, 315, 319, 324, 328, 332, 335, 365, 367, 377 5241400.....256, 270 5241600.....21, 85 5250605.....256, 270 5250608..... 118 5250808.....308, 312, 316, 324, 328, 332 5250810.....101, 103, 105, 107, 109, 111, 176, 190, 308, 312, 316, 319, 324, 328, 332, 379, 381, 383, 385 5250812.....91, 567, 571, 575, 579, 583, 587, 591, 595, 599, 603, 607 5251008.....377 5251009.....365, 367 5251010.....55, 57, 59, 61, 73, 75, 77, 79, 355, 365, 367, 379, 381, 383, 385 5251012...15, 17, 39, 365, 367 5251014.....138, 142, 146, 150, 154, 566, 570, 574, 578, 582, 586, 590, 594, 598, 602, 606 5251016.....377 5251215.....23, 169, 181, 199, 208, 223, 233, 249, 263 5260800.....91, 101, 103, 105, 107, 109, 111, 308, 312, 316, 319, 324, 328, 332 5261200.....169, 181, 199, 208, 223, 233, 249, 263 5272114 85 5281918.....566, 570, 574, 578, 582, 586, 590, 594, 602, 606 5281920.....566, 570, 574, 582, 586, 590, 598, 606 70000088 87 70000089 87	4711700.....291, 296, 299, 303 4711800 421 4712000.....455, 469, 471 4740086 19, 21 4740155 21 4740158 15, 17 4740229 15, 17 4740362 423, 425 4740397 428, 432 4740491 21 4750800.....571, 575, 587, 591, 599 4751000.....296, 299, 303, 457, 459, 461 4751400.....423, 425, 427, 431, 447, 457, 459, 461, 701, 703, 705, 707, 709, 711, 713, 715, 717, 719, 721 4751500.....291, 296, 299, 303, 465, 467 4751600.....176, 190, 423, 425, 457, 459, 461 4751800 421 4752000 69 4760600 527 4761000.....133, 135, 175, 189, 228, 238 4761400 447 4811400.....99, 127, 473, 529, 531, 533, 535, 537, 539, 541, 543, 545, 547, 549, 566, 570, 574, 578, 582, 586, 590, 594, 598, 602, 606 4811600.....125, 133, 291, 311, 315, 324, 328, 331, 335 4811700.....99, 118, 121, 123, 129, 131, 133, 135, 157, 159, 161, 163, 169, 174, 181, 188, 199, 206, 223, 228, 233, 238, 249, 256, 263, 270, 291, 296, 299, 303, 307, 311, 315, 319, 324, 328, 331, 335, 367, 409, 411, 413, 415, 417, 419, 555, 557,	4811902 142, 208, 256, 270, 361, 363, 365, 367, 385, 566, 570, 574, 578, 582, 586, 590, 594, 598, 602, 606 4812000 73, 75, 77, 79, 99, 133, 138, 142, 146, 150, 154, 159, 163, 169, 174, 181, 188, 199, 206, 223, 228, 233, 238, 249, 256, 263, 270, 291, 296, 299, 303, 316, 319, 332, 347, 349, 351, 353, 355, 357, 359, 365, 367, 369, 371, 373, 377, 561, 566, 570, 574, 578, 582, 586, 590, 594, 598, 602, 606 4812002 .. 95, 97, 99, 138, 142, 146, 150, 154, 200, 208, 249, 263 4812100 138, 142, 146, 150, 154, 169, 174, 181, 188, 199, 206, 250, 263, 307, 311, 324, 328, 369, 371, 373, 377 4812102 95, 97, 138, 142, 146, 150, 154 4812200 174, 188, 206, 228, 238, 250, 264, 291, 296, 299, 304, 307, 311, 315, 319, 324, 328, 331, 335 4812300 93 4845582465, 467 4846627 457, 459, 461 4846689363 486017949 486023747 4871700 307, 311, 315, 319, 324, 328, 331 4891600 138, 146, 150, 171, 185, 203, 225, 235, 253, 267, 377

SECTION 11 - SPECIAL OPTIONS

70002318	275	70004060	242	70004750	439	70004911	282
7000232	29, 33	70004062	242	70004751	439	70004955	497
70002326	275	70004092	307, 312, 316, 319, 332, 336	70004752	441	70004956	497
70002335	483	70004094	332, 336	70004753	441	70004957	497
70002371	483	70004098	312, 316, 332, 336	70004754	441	70004958	495
70002373	483	70004099	316, 319, 332, 336	70004755	441	70004959	495
70002386	63, 65, 81, 485, 487, 489, 738	70004102	242	70004756	441	70004960	495
70002390	63	70004103	242	70004757	441	70004961	487
70002413	481	70004169	323, 327	70004758	441	70004962	487
7000246	29, 33	70004171	307, 312, 323, 327	70004759	441	70004963	487
70002460	323, 327, 332, 336	70004249	89	70004760	441	70004964	489
7000248	29, 33	70004250	89	70004761	441	70004965	489
7000253	29, 33	70004251	89	70004762	441	70004966	489
7000257	29, 33	70004252	89	70004763	441	70004967	485
7000258	29, 33	70004253	89	70004764	441	70004969	485
7000261	29, 33	70004254	89	70004765	441	70005010	481
7000262	29, 33	70004255	89	70004766	441	70005011	481
7000263	29, 33	70004256	89	70004767	441	70005012	481, 491
70002649	89	70004257	89	70004768	441	70005013	481, 491
70002651	89	70004258	89	70004769	441	70005014	481, 491
70002718	193, 241	70004259	89	70004770	441	70005016	481, 491
70002838	95, 97, 738	70004260	89	70004771	441	70005017	491
70002842	477, 479	70004261	89	70004772	441	70005018	491
70002902	445	70004262	89	70004773	441	70005065	83
70002903	445	70004263	89	70004774	442	70005066	83
70002904	445	70004264	89	70004775	442	70005067	83
70002905	445	70004265	89	70004829	275	70005068	83
70002962	65	70004266	89	70004864	387	70005069	81
70003463	241, 739	70004267	83	70004865	387	70005071	81
70003464	241	70004268	241	70004866	387	70005076	81
70003468	242	70004269	241	70004867	387, 389, 391	70005080	81
70003469	242	70004270	242	70004868	387	70005082	81
70003472	241	70004281	193, 211	70004869	387, 389, 391	70005084	81
70003473	241	70004282	193	70004871	387, 389, 391, 738	70005085	81
70003475	241	70004504	211	70004873	389, 391	70005087	81
70003479	241	70004508	212	70004875	387	70005088	81
70003480	241	70004577	63, 65	70004876	95	70005089	81
70003481	241	70004676	307, 312, 316, 319	70004877	97	70005090	81
70003612	83	70004677	307	70004883	65	70005092	81
70003614	95, 97, 738	70004678	307, 312, 316, 320	70004884	65	70005094	81
70003631	323, 327, 332, 336	70004679	308, 312, 316, 320	70004885	65	70005095	81
70003708	307, 312, 316, 319, 323, 327, 332, 336	70004680	308, 312, 316, 320	70004886	65	70005096	81
70003709	307, 312, 316, 319, 323, 327, 332, 336	70004681	308, 320	70004887	63, 65	70005097	81
70003783	175, 189, 207, 229, 239, 738	70004682	308, 312, 316, 320	70004888	63, 65	70005099	81
70003788	81, 485, 487, 738	70004683	308, 320	70004889	281	70005100	81
70003837	481, 491	70004684	312	70004890	281	70005139	83
70003838	481, 491	70004685	312, 316	70004891	281	70005143	483
70003931	242	70004686	320	70004892	281	70005150	493
70003932	242	70004687	316	70004893	281	70005151	493
70003975	65	70004738	439	70004894	281	70005152	493
70003977	81	70004739	439	70004895	281	70005153	493
70003978	63	70004740	439	70004896	281	70005154	493
70004000	83	70004741	439	70004897	281, 738	70005155	483
70004013	83	70004742	439	70004898	281	70005156	483
70004014	83	70004743	439	70004899	282	70005157	483
70004017	65	70004744	439	70004900	282	70005158	483
70004020	258, 272, 738	70004745	439	70004901	282	70005159	483
70004056	242	70004746	439	70004902	282	70005160	483
70004058	242	70004747	439	70004903	282	70005171	193
70004059	242	70004748	439	70004904	282	70005172	194, 212
		70004749	439	70004905	282	70005173	193
				70004906	282	70005177	193
				70004907	282	70005182	193
				70004908	282	70005183	193
				70004909	282	70005184	193, 211
				70004910	282	70005217	81

SECTION 11 - SPECIAL OPTIONS

70005218.....	81	70006049.....	276	70023370.....	483	7004035.....	87
70005219.....	81, 738	70006050.....	276	70023592.....	175, 189, 739	7004036.....	87
70005243.....	389, 391	70006051.....	276	70023593.....	175, 189, 739	7004043.....	87
70005504.....	211	70006052.....	276	70023606.....	63, 65	7004044.....	87
70005577.....	489	70006053.....	276	70024262.....	481	7004045.....	87
70005578.....	489	70006054.....	276	70024494.....	194, 212	7004047.....	87
70005667.....	566, 570, 574, 578, 582, 586, 590, 594, 598, 602, 606	70006055.....	276	70024504.....	193, 211	7004049.....	87
70005726.....	275	70006056.....	276	70024507.....	193	7004275.....	744
70005727.....	275	70006057.....	276	70024513.....	193, 211	7004276.....	745
70005737.....	275	70006058.....	276	70024904.....	194, 212	7007289.....	282
70005745.....	275	70006059.....	276	70024905.....	193	7007415.....	281, 282
70005746.....	275	70006060.....	276	70024906.....	193	7007419.....	281
70005747.....	275	70006061.....	276, 739	70024913.....	212	7007420.....	281, 282
70005751.....	275	70006062.....	276	70024915.....	193	7007437.....	35, 37
70005827.....	63	70006063.....	276	70024916.....	211	7007438.....	35, 37
70005828.....	63	70006064.....	276	70024918.....	211	7007439.....	35, 37
70005829.....	63	70006065.....	276	70024925.....	193, 212	7007446.....	35, 37
70005830.....	63	70006066.....	276	70024961.....	193, 211	7007493.....	282
70005831.....	63	70006067.....	276	70025082.....	241	7007495.....	281
70005832.....	63	70006068.....	276	70025084.....	241, 242	7007601.....	29, 33
70005931.....	193, 211	70006069.....	276	70025086.....	242	7007640.....	29, 33
70005941.....	194, 212	70006070.....	276	70025088.....	241	7010429.....	29, 33
70005942.....	193, 212	70006071.....	276	70025091.....	241	7010543.....	63, 65
70006000.....	63	70006072.....	276	70025099.....	211	7012513.....	291, 295, 299, 303
70006001.....	63	70006074.....	276	70025121.....	242	7012514.....	291, 295, 300, 303
70006002.....	63	70006075.....	276	70025123.....	241, 242	7012558.....	295
70006010.....	279	70006076.....	276	70025130.....	211	7012941.....	63
70006011.....	279	70006077.....	276	70025131.....	242	7012967.....	63, 65, 489
70006012.....	279	70006078.....	276	70025135.....	193	7012974.....	65
70006013.....	275	70006079.....	276	70025139.....	241	7012998.....	485, 487, 489
70006014.....	275	70006080.....	276	70025142.....	211	7016331.....	194, 212, 241, 738
70006015.....	275	70006093.....	332, 336	70025153.....	211, 738	7016654.....	744
70006016.....	275	70006094.....	332, 336	70025160.....	211	7017059.....	29, 33
70006017.....	275	70006095.....	332, 336	70025161.....	211, 738	7017067.....	29, 33
70006018.....	275	70006096.....	332, 336	70025164.....	193, 211	7017070.....	29, 33
70006019.....	275	70006097.....	332, 336	70025168.....	211	7017080.....	29, 33
70006020.....	275	70006104.....	485, 487	70025200.....	193	7017142.....	375
70006021.....	275	70006105.....	485, 487	70025210.....	193	7017159.....	375
70006022.....	275	70006144.....	193, 211	70025210.....	193	7017162.....	375
70006023.....	275, 738	70006256.....	365, 367	70025231.....	193	7017163.....	375
70006024.....	275	70006271.....	367	70025239.....	193	7017164.....	375
70006025.....	275	70006272.....	365	70025619.....	481	7017172.....	375
70006026.....	275	70006356.....	171, 185, 203, 225, 235, 253, 267	70025667.....	241	7017192.....	375
70006027.....	275	70006379.....	276	70025693.....	242	7017195.....	375
70006028.....	275	70006428.....	742	70025694.....	242	7017410.....	63, 65
70006029.....	275	70006429.....	742	70025959.....	491	7017467.....	485, 487, 489
70006030.....	275	70006552.....	308, 312	70026210.....	193, 211	7017496.....	63, 65, 485, 487, 489
70006031.....	275	70006553.....	308, 312, 739	70026444.....	63	7017904.....	275
70006032.....	275	70006639.....	276	70027405.....	211	7017932.....	275
70006033.....	275	70006640.....	276	7002821.....	744	7017959.....	276
70006034.....	275	70006652.....	193	7002822.....	744	7017992.....	276
70006035.....	275	70006660.....	387	7002823.....	744	7019680.....	295, 300, 304
70006036.....	275	7000731.....	30	7002828.....	745	7020023.....	241, 739
70006037.....	275	70007325.....	193	7002828.....	745	7020026.....	241
70006038.....	275	70007326.....	194	70028540.....	193	7020033.....	27
70006039.....	275	70007354.....	193	70029015.....	211	7020035.....	27
70006040.....	275	70007556.....	391	70029402.....	211	7020036.....	27
70006041.....	275	70007603.....	193, 211	70029403.....	211	7020037.....	27
70006042.....	275	70007784.....	211	70029404.....	211	7020038.....	27
70006043.....	275	70008244.....	479	70029451.....	193	7020039.....	27
70006044.....	275	70008246.....	479	70029512.....	211	7020040.....	27
70006045.....	276	70008247.....	479	70029797.....	211	7020041.....	27
70006046.....	276	70010383.....	73, 75, 77, 79, 738	70030360.....	193		
70006047.....	276	7001481.....	282	70030381.....	193		
70006048.....	276	7001998.....	29, 33	70031095.....	194		
				70031136.....	193		
				70031143.....	211		
				70031144.....	211		
				70031145.....	193		

SECTION 11 - SPECIAL OPTIONS

7020108291, 295, 300, 303	702237135, 37	702488163, 65	8229242 645, 691, 692, 738, 739
7020109291, 295, 300, 303	7022372 37	7024884 489	8229244692, 738
7020110291, 295, 300, 303	7022390 .63, 81, 485, 487	702488563, 65, 738	8229245 657, 659, 739
7020111291, 295, 300, 304	702239763, 65	7026042 89	8229249473, 739
7020175 101, 103, 105, 107, 109, 111, 427, 431	7022399 63, 65, 81	7026043 89	8305401 174, 188, 206, 228, 238, 256, 270
7020176 101, 103, 105, 107, 109, 111, 427, 431	7023154275	7026044 89	8307109 174, 188, 207, 228, 238, 256, 270
7020190291, 295, 300, 304	7023318 87	7026045 89	8310070 567, 571, 575, 579, 583, 587, 591, 595, 599, 603, 607
7020403241	7023900 81	7026046 89	8310548 175, 188, 207, 228, 238, 256, 270
7020430241	702390735, 37	7026047 89	831061499
7020460241	702390835, 37	7026048 89	8310668365, 367
7020465 194, 212, 241	702391035, 37	7026049 89	8310686 138, 142, 146, 150, 154
7020468241	7023936 81	7026050 89	8405006 169, 181, 199, 215, 217
7020471242	702418229, 30	7026051 89	8405007 175, 189, 207
7020479242	7024189 30	7026052 89	8405009 175, 189, 207, 257, 271
7020492 241, 242	7024190 30	7026053 89	8405102257, 271
7021237281	7024191 30	7026057 89	8405104 175, 189, 207, 257, 271
7021238281	7024192 30	7026188323, 327	8405202 175, 189, 207, 257, 271
7021239281	7024193 30	7026199295, 299, 303	8405203257, 271
7021240281	7024194 30	7026330 83	8405204 175, 189, 207, 229, 239, 257, 271
7021241281	7024196 30	7026597323, 327, 332	8406109 175, 189, 207, 257, 271
7021242281	7024197 30	7026626323, 327, 332, 336	8406110 176, 190, 207, 257, 271
7021243281	7024379 87	7027236 241	8406201 176, 190, 208, 257, 271
7021248281	7024380 87	7027350 89	8410001257, 271
7021249 35, 37, 281	7024381 87	7027351 89	8410009257, 271
7021253281	7024389 87	7027352 89	8410011258
7021257281	7024390 87	7027353 89	8410013 169, 181, 223, 233
7021258281	702444195, 97	7027354 89	8430007 169, 181, 199
7021259281	7024453 87	7027355 89	84521061303
7021262281	7024462463	7027419 35	84521062335
7021263281	7024463463	7027625387	85841094250, 264
7021265281	7024467463	7027628387, 738	8760477 504, 510, 516, 522
7021268281	7024469463	7027773463	8770289 504, 510, 516, 522
7021275 35, 37	7024470463	7027774463	878651449
7021276 35, 37, 282	7024471463	7027775463	88521205 .. 567, 579, 595, 603
7021277 35, 37, 282	7024472463	7027776463	88521214469, 471
7021278282	7024473463	7027777463	88662523 .. 138, 142, 146, 150, 154
7021281281	7024474463	7027778463	8881800 99, 566, 570, 574, 578, 582, 586, 590, 594, 598, 602, 606
7021290282	7024475463	7027779463	91164057 81
7021293281	7024478463	7027780463	91164059 81
7021299282	7024485323, 327	7027787242	91164079 81
702162565	7024488 323, 327, 331, 335	7027790242	91203039377
702163965	7024489 323, 327, 331, 335	7027791242	
7022300281	7024565242	7027792242	
7022302 35, 37	7024579194, 241	7027796242	
7022305 35, 37	702470529	7027799323, 327, 332, 336	
702231037	702471229, 33	7027887292, 295, 300, 304	
7022311 35, 37	702471329, 33	7027903 242	
7022312 35, 37	702471429, 33	77363233 661	
7022314 35, 37	702471529, 33	8008750 135	
7022326 35, 37	702471629, 33	80484084 645, 649	
7022328 35, 37	702471729	80633030 522	
7022341281	702471830	80963067 692	
7022346282	7024800281	80983191 645, 739	
7022347282	702481063	82033995258, 272	
7022368 35, 37	702485335	8220045657, 659, 691	
	702485435, 37	8220051655	
	7024855281	8220115645	
	7024857281	8220125692	
	7024858281	8220164645, 649	
	702486835, 37		



**Corporate Office
JLG Industries, Inc.
1 JLG Drive
McConnellsburg, PA 17233-9533 USA
☎ (717) 485-5161 (Corporate)
☎ (877) 554-5438 (Customer Support)
📠 (717) 485-6417**

**Visit our website for JLG Worldwide Locations.
www.jlg.com**



OSHKOSH™