



Illustrated Parts Manual

Models
450A
450AJ

PVC
2107

P/N
31217491

July15, 2023 - Rev D

ANSI

CE

EAC



UK
CA

AS/NZS



An Oshkosh Corporation Company

REVISION LOG

July 1, 2021 - A - Original Issue of Manual (Edited to 1001247248 Revision X)

November 15, 2021 - B - Revised Manual (Edited to 1001247248 Revision X)

July 11, 2022 - C - Revised Manual (Edited to 1001247248 Revision X)

July 15, 2023 - D - Revised Manual (Edited to 1001247248 Revision AK)

GENERAL INFORMATION



1) MACHINE IDENTIFICATION

Machines are identified by model and in some cases a combination of models, serial number (SN) or regional standard (i.e ANSI, CE, CSA). Components may also be identified by SN or manufacturer. Common components that may be identified by these characteristics are engines and hydraulic components.

2) PARTS MANUAL ORGANIZATION

Product information in this manual is organized under section titles. Frame, Cylinder, Hydraulic and Electrical are a few examples. Each section is organized by figure and page number. The information within the Figure is then organized by item number, part number, description and corresponding illustration (s).

3) TABLE OF CONTENTS (NOT SHOWN)

A table of contents is found toward the beginning of the manual. Figure number, description and page number are provided for quick reference to the page containing the related information.

4) RECOMMENDED SPARE PARTS (NOT SHOWN)

The Recommended Spare Parts List, located near the end of the manual, reference most frequently used maintenance parts.

5) PART NUMBER INDEX (NOT SHOWN)

A numerical index listing all part numbers and the corresponding page number(s) appears at the back of the manual.

GENERAL INFORMATION

6) NON-SERVICED PARTS

In some instances, it is necessary to display non-serviced parts, assemblies or installations. In the case of assemblies and installations there will be a Ref in the Qty. column. In case of parts that are not available for service within assemblies or components, there will be a NSS (Not Sold Separately) or NLA (No Longer Available) listed in the Qty. column of the manual.

7) PARTS LIST ITEM NUMBERS

Numbers shown in the item# column correspond to numbers used in the associated illustration (s). Item numbers which are missing from the sequence in the parts list are not used on that page.

8) INDENTED PARTS DESCRIPTION

An indented part description is included in the item under which it is indented.

9) ABBREVIATION AND SYMBOLS

AC.....	Alternating Current	L.....	Liter
ADE.....	Advanced Design Electronics	LB(LBS).....	Pounds
AG.....	Agricultural	LCD.....	Liquid Crystal Display
ANSI.....	American National Standards Institute	LED.....	Light Emitting Diodes
AR.....	As Required	LH.....	Left Hand
ASSY.....	Assembly	LRC.....	Low Rated Countries
AUS.....	Australia	LSS.....	Load Sensing System
AUX.....	Auxiliary	M(m).....	Metric/Meter
AWG.....	American Wire Gauge	MM(mm).....	Milimeter
B/M.....	Bill of Material	mA.....	Miliamps
CAC.....	Charge Air Cooler	NLA.....	No Longer Available
CE.....	European Conformity	NPT.....	National Pipe Threads
CCW.....	Counter Clockwise	NSS.....	Not Sold Separately
CM.....	Centimeter	OD.....	Outside Diameter
CW.....	Clockwise	ORB.....	O-Ring Boss
CSA.....	Canadian Standards Association	ORFS.....	O-Ring Face Seal
CYL.....	Cylinder	OZ (oz).....	Ounces
DIA.....	Diameter	PG.....	Page
DC.....	Direct Current	PN.....	Part Number
DEF.....	Diesel Exhaust Fluid	QT(qt.).....	Quarts
EMS.....	Emergency Stop	QTY.....	Quantity
ENG.....	Engine	REF.....	Reference
FT(ft).....	Feet	REV.....	Revision Level
GA(Ga).....	Gauge	RH.....	Right Hand
HRC.....	High Rated Countries	SAE.....	Society of Automotive Engineers
HVAC.....	Heating, Ventilating, and Air Conditioning	SN.....	Serial Number
HYD.....	Hydraulic	SPEC(S).....	Specifications
Hz.....	Hertz	T/T.....	Turntable
ID.....	Inside Diameter	UGM.....	Universal Ground Module
IN.....	inches	V.....	Volts
ISO.....	International Organization for Standards	W.....	Watts
JIC.....	Joint Industry Council	#.....	Number
KG.....	Kilogram		

10) ILLUSTRATION REFERENCE LETTERS

When necessary, illustrations may contain reference letters that are intended to track information (i. e. hoses, harnesses) from one point to another or to track visual enlargement of components to show details that may be located in another area on the illustration.

Note: Due to continuous product improvements, JLG Industries, Inc. reserves the right to make specification changes without prior notification. Contact JLG Industries, Inc. for updated information.

TABLE OF CONTENTS

SECTION 1 - FRAME.....	17
FIGURE 1-1. AXLE INSTALLATION (MACHINES WITH SN STARTING WITH 03).....	18
FIGURE 1-2. AXLE INSTALLATION (MACHINES WITH SN STARTING WITH B3).....	20
FIGURE 1-3. STEER INSTALLATION WITHOUT TOW PACKAGE	22
FIGURE 1-4. STEER INSTALLATION WITH TOW PACKAGE	24
FIGURE 1-5. WHEEL DRIVE INSTALLATION (2WD).....	26
FIGURE 1-6. WHEEL DRIVE INSTALLATION (4WD) (Prior to SN 0300286317, Except SN 0300285980 through 0300285985, Except SN 0300285987 through 0300285991, Except SN 0300285995 through 0300285999, Except SN 0300286006 through 0300286007, Except SN 0300286017 through 0300286019, Excluding 0300285993 and 0300286021).....	28
FIGURE 1-7. WHEEL DRIVE INSTALLATION (4WD) (SN 0300286317 to Present)	30
FIGURE 1-8. HUB - SPINDLE ASSEMBLY.....	32
FIGURE 1-9. DRIVE HUB AND BRAKE ASSEMBLY - REAR	34
FIGURE 1-10. DRIVE HUB ASSEMBLY - FRONT.....	38
FIGURE 1-11. DRIVE MOTOR ASSEMBLY (2WD)	40
FIGURE 1-12. DRIVE MOTOR ASSEMBLY (4WD)	42
FIGURE 1-13. FRAME SHIELD INSTALLATION	44
FIGURE 1-14. TIRE AND WHEEL INSTALLATION - 12 X 16.5 FOAM FILLED (AVAILABLE ON ANSI, ANSI EXPORT, CSA AND JAPANESE SPECS).....	46
FIGURE 1-15. TIRE AND WHEEL INSTALLATION - 12 X 16.5 FOAM FILLED NON MARKING (AVAILABLE ON ANSI, ANSI EXPORT, CSA AND JAPANESE SPECS)	48
FIGURE 1-16. TIRE AND WHEEL INSTALLATION - 33 X 12-20 SOLID NON-MARKING (AVAILABLE ON ANSI EXPORT, AUSTRALIAN, CE AND RUSSIA SPECS).....	50
FIGURE 1-17. TIRE AND WHEEL INSTALLATION - 33 X 16L500 TURF AND SAND FOAM-FILLED (AVAILABLE ON ANSI, ANSI EXPORT & CSA SPECS).....	52
FIGURE 1-18. TIRE AND WHEEL INSTALLATION - 33/1550 X 16.5 FOAM-FILLED (AVAILABLE ON ALL SPECS).....	54
FIGURE 1-19. TIRE AND WHEEL INSTALLATION - 315/55 D20 FOAM FILLED (AVAILABLE ON ANSI EXPORT, AUSTRALIAN, CE, CHINA AND RUSSIA SPECS)	56
FIGURE 1-20. TIRE AND WHEEL INSTALLATION - 315/55 D20 FOAM FILLED NON-MARKING (AVAILABLE ON ANSI EXPORT, AUSTRALIAN, CE, CHINA AND RUSSIA SPECS)	58
FIGURE 1-21. 2WD VALVES INSTALLATION - 450A FRAME MOUNTED.....	60
FIGURE 1-22. 2WD VALVES INSTALLATION - 450AJ FRAME MOUNTED	62
FIGURE 1-23. 4WD VALVES INSTALLATION - 450A FRAME MOUNTED.....	64
FIGURE 1-24. 4WD VALVES INSTALLATION - 450AJ FRAME MOUNTED (MACHINES WITH SN STARTING WITH 03)	66
FIGURE 1-25. 4WD VALVES INSTALLATION - 450AJ FRAME MOUNTED (MACHINES WITH SN STARTING WITH B3).....	68
FIGURE 1-26. TRACTION VALVE ASSEMBLY - 2WD.....	70
FIGURE 1-27. TRACTION VALVE ASSEMBLY - 4WD.....	72
FIGURE 1-28. TOW PACKAGE INSTALLATION (OPTIONAL)	74
FIGURE 1-29. TOW BAR ASSEMBLY	76
SECTION 2 - TURNTABLE.....	79
FIGURE 2-1. 2WD VALVES INSTALLATION - 450A TURNTABLE MOUNTED.....	80
FIGURE 2-2. 2WD VALVES INSTALLATION - 450AJ TURNTABLE MOUNTED	82
FIGURE 2-3. 4WD VALVES INSTALLATION - 450A TURNTABLE MOUNTED.....	84
FIGURE 2-4. 4WD VALVES INSTALLATION - 450AJ TURNTABLE MOUNTED (MACHINES WITH SN STARTING WITH 03).	86
FIGURE 2-5. 4WD VALVES INSTALLATION - 450AJ TURNTABLE MOUNTED (MACHINES WITH SN STARTING WITH B3)	88
FIGURE 2-6. MAIN VALVE ASSEMBLY	90
FIGURE 2-7. AUXILIARY PUMP ASSEMBLY (MACHINES WITH SN STARTING WITH 03)	92

TABLE OF CONTENTS

FIGURE 2-8. AUXILIARY PUMP ASSEMBLY (MACHINES WITH SN STARTING WITH B3)	94
FIGURE 2-9. SWING DRIVE AND TURNTABLE BEARING INSTALLATION (MACHINES WITH SN STARTING WITH 03)	96
FIGURE 2-10. SWING DRIVE AND TURNTABLE BEARING INSTALLATION (MACHINES WITH SN STARTING WITH B3)	98
FIGURE 2-11. SWING MOTOR ASSEMBLY	100
FIGURE 2-12. TURNTABLE BEARING ASSEMBLY (MACHINES WITH SN STARTING WITH 03).....	102
FIGURE 2-13. TURNTABLE BEARING ASSEMBLY (MACHINES WITH SN STARTING WITH B3)	104
FIGURE 2-14. TURNTABLE COVERS INSTALLATION.....	106
FIGURE 2-15. TURNTABLE LOCK INSTALLATION	108
FIGURE 2-16. TANKS INSTALLATION - DIESEL MACHINES (17 GAL HYDRAULIC TANK WITH 4 INCH BREATHER).....	110
FIGURE 2-17. TANKS INSTALLATION - DIESEL MACHINES (17 GAL HYDRAULIC TANK WITH 6 INCH BREATHER).....	112
FIGURE 2-18. TANKS INSTALLATION - DIESEL MACHINES (36 GAL HYDRAULIC TANK).....	114
FIGURE 2-19. TANKS INSTALLATION - GAS MACHINES.....	116
FIGURE 2-20. HYDRAULIC TANK ASSEMBLY - 17 GAL WITH 4 INCH BREATHER (DIESEL MACHINES).....	118
FIGURE 2-21. DRIVE ORIENTATION INSTALLATION.....	120
FIGURE 2-22. GROUND CONTROL ASSEMBLY - 450A (ANSI SPECS).....	122
FIGURE 2-23. GROUND CONTROL ASSEMBLY - 450AJ (ALL SPECS EXCEPT CE, RUSSIAN & UK CA SPECS)	124
FIGURE 2-24. GROUND CONTROL ASSEMBLY - 450AJ (CE, RUSSIA & UK CA SPECS).....	126
FIGURE 2-25. GROUND CONTROL ASSEMBLY - 450AJ (DEUTZ STAGE V) (CE & UK CA SPECS)	128
FIGURE 2-26. LIGHT PANEL INSTALLATION – GROUND CONTROL.....	130
FIGURE 2-27. LIGHT PANEL INSTALLATION - GROUND CONTROL (Prior to SN 0300295114).....	132
FIGURE 2-28. ELECTRICAL SYSTEM INSTALLATION (SN 0300295114 to Present)	134
FIGURE 2-29. WHITE NOISE ALARM AMBIENT INSTALLATION	138
FIGURE 2-30. WHITE NOISE ALARM INSTALLATION	140
FIGURE 2-31. BEACON LIGHT INSTALLATION - AMBER.....	142
FIGURE 2-32. BEACON LIGHT INSTALLATION - ORANGE.....	144
FIGURE 2-33. BEACON LIGHT INSTALLATION - BLUE	146
FIGURE 2-34. BEACON LIGHT INSTALLATION - RED.....	148
FIGURE 2-35. BATTERY AND CABLE INSTALLATION	150
FIGURE 2-36. HOOD PLUGS INSTALLATION (HOODS WITHOUT STROBE LIGHT)	152
FIGURE 2-37. HOODS INSTALLATION (ABS) - 450A WITH DEUTZ ENGINES.....	154
FIGURE 2-38. HOODS INSTALLATION (ABS) - 450A WITH KUBOTA ENGINE	158
FIGURE 2-39. HOODS INSTALLATION (ABS) - 450AJ WITH DEUTZ ENGINES (MACHINES WITH SN STARTING WITH 03)	162
FIGURE 2-40. HOODS INSTALLATION (ABS) - 450AJ WITH DEUTZ ENGINE (MACHINES WITH SN STARTING WITH B3).	166
FIGURE 2-41. HOODS INSTALLATION (STEEL) - 450AJ WITH DEUTZ ENGINES (MACHINES WITH SN STARTING WITH B3)	170
FIGURE 2-42. HOODS INSTALLATION (ABS) - 450AJ WITH KUBOTA ENGINE.....	174
FIGURE 2-43. HOOD ASSEMBLY (ABS) - TANK SIDE (MACHINES WITH SN STARTING WITH 03).....	178
FIGURE 2-44. HOOD ASSEMBLY (ABS) - TANK SIDE (MACHINES WITH SN STARTING WITH B3)	180
FIGURE 2-45. HOOD ASSEMBLY (STEEL) - ENGINE SIDE (MACHINES WITH SN STARTING WITH B3).....	182
FIGURE 2-46. HOOD ASSEMBLY (ABS) - ENGINE SIDE (MACHINES WITH SN STARTING WITH 03)	184
FIGURE 2-47. HOOD ASSEMBLY (ABS) - ENGINE SIDE (MACHINES WITH SN STARTING WITH B3).....	186
FIGURE 2-48. HOOD ASSEMBLY (STEEL) - TANK SIDE (MACHINES WITH SN STARTING WITH B3).....	188
SECTION 3 - ENGINE	191
FIGURE 3-1. ENGINE INSTALLATION - DEUTZ D2.9L4 ENGINE (WITHOUT ARCTIC PACKAGE) (ANSI, ANSI EXPORT, CSA AND JAPANESE SPECS).....	192

TABLE OF CONTENTS

FIGURE 3-2. ENGINE AND PUMP SUB-ASSEMBLY - DEUTZ D2.9L4 (WITHOUT ARCTIC PACKAGE) (ANSI, ANSI EXPORT, CSA AND JAPANESE SPECS).....	196
FIGURE 3-3. ENGINE ASSEMBLY - DEUTZ D2.9L4 ENGINE (WITHOUT ARCTIC PACKAGE) (ANSI, ANSI EXPORT, CSA AND JAPANESE SPECS).....	198
FIGURE 3-4. ENGINE INSTALLATION - DEUTZ D2.9L4 ENGINE (WITH ARCTIC PACKAGE) (ANSI AND CSA SPECS).....	204
FIGURE 3-5. ENGINE AND PUMP SUB-ASSEMBLY - DEUTZ D2.9L4 (WITH ARCTIC PACKAGE) (ANSI AND CSA SPECS)	210
FIGURE 3-6. ENGINE ASSEMBLY - DEUTZ D2.9L4 ENGINE (WITH ARCTIC PACKAGE) (ANSI AND CSA SPECS)	212
FIGURE 3-7. ENGINE COMPONENTS - DEUTZ D2.9L4 ENGINE (ANSI, ANSI EXPORT, CSA AND JAPANESE SPECS)...	218
FIGURE 3-8. ENGINE INSTALLATION - DEUTZ D2.9L4 ENGINE (STAGE V) (CE & UK CA SPECS)	222
FIGURE 3-9. ENGINE AND PUMP SUB-ASSEMBLY - DEUTZ D2.9L4 ENGINE (STAGE V) (CE & UK CA SPECS).....	228
FIGURE 3-10. ENGINE ASSEMBLY – DEUTZ D2.9L4 ENGINE (STAGE V) (CE & UK CA SPECS)	230
FIGURE 3-11. ENGINE COMPONENTS - DEUTZ D2.9L4 ENGINE (STAGE V) (CE & UK CA SPECS).....	236
FIGURE 3-12. BRACKET ASSEMBLY - FUEL PUMP AND FILTER (DEUTZ D2.9L4 ENGINE).....	240
FIGURE 3-13. BRACKET ASSEMBLY - FUEL PUMP AND FILTER (DEUTZ D2.9L4 ENGINE) (STAGE V)	242
FIGURE 3-14. BREATHER HEATER INSTALLATION - DEUTZ D2.9L4 ENGINE WITH ARCTIC PACKAGE	244
FIGURE 3-15. ENGINE MOUNT INSTALLATION - DEUTZ D2.9L4 WITHOUT GENERATOR	246
FIGURE 3-16. ENGINE MOUNT INSTALLATION - DEUTZ D2.9L4 WITH GENERATOR	248
FIGURE 3-17. ENGINE INSTALLATION - DEUTZ D2011 ENGINE (WITHOUT ARCTIC PACKAGE) (ANSI EXPORT, AUSTRALIAN, CE (LRC), CHINA, RUSSIA & UK CA SPECS).....	250
FIGURE 3-18. ENGINE AND PUMP SUB-ASSEMBLY - DEUTZ D2011 (WITHOUT ARCTIC PACKAGE) (ANSI EXPORT, AUSTRALIAN, CE (LRC), CHINA, RUSSIA & UK CA SPECS).....	254
FIGURE 3-19. ENGINE ASSEMBLY - DEUTZ D2011 ENGINE (WITHOUT ARCTIC PACKAGE) (ANSI EXPORT, AUSTRALIAN, CE (LRC), CHINA, RUSSIA & UK CA SPECS)	256
FIGURE 3-20. ENGINE INSTALLATION - DEUTZ D2011 ENGINE (WITH ARCTIC PACKAGE) (ANSI EXPORT, CHINA, RUSSIA & UK CA SPECS).....	260
FIGURE 3-21. ENGINE AND PUMP SUB-ASSEMBLY - DEUTZ D2011 (WITH ARCTIC PACKAGE) (ANSI EXPORT, CHINA, RUSSIA & UK CA SPECS).....	264
FIGURE 3-22. ENGINE ASSEMBLY - DEUTZ D2011 ENGINE (WITH ARCTIC PACKAGE) (ANSI EXPORT, CHINA, RUSSIA & UK CA SPECS)	266
FIGURE 3-23. ENGINE COMPONENTS - DEUTZ D2011	270
FIGURE 3-24. PUMP COUPLING KIT – DEUTZ ENGINES	274
FIGURE 3-25. ENGINE INSTALLATION - KUBOTA ENGINE (WITHOUT ARCTIC PACKAGE).....	276
FIGURE 3-26. ENGINE AND PUMP SUB-ASSEMBLY - KUBOTA ENGINE (WITHOUT ARCTIC PACKAGE)	282
FIGURE 3-27. ENGINE ASSEMBLY - KUBOTA ENGINE (WITHOUT ARCTIC PACKAGE).....	284
FIGURE 3-28. ENGINE ASSEMBLY - DEUTZ D2011 ENGINE (WITH ARCTIC PACKAGE).....	290
FIGURE 3-29. ENGINE ASSEMBLY - DEUTZ D2011 ENGINE (WITH ARCTIC PACKAGE).....	292
FIGURE 3-30. ENGINE ASSEMBLY - DEUTZ D2011 ENGINE (WITH ARCTIC PACKAGE).....	294
FIGURE 3-31. ENGINE ASSEMBLY - DEUTZ D2.9L4 ENGINE (WITH ARCTIC PACKAGE).....	296
FIGURE 3-32. ENGINE ASSEMBLY - DEUTZ D2.9L4 ENGINE (WITH ARCTIC PACKAGE).....	298
FIGURE 3-33. ENGINE ASSEMBLY - DEUTZ D2.9L4 ENGINE (WITH ARCTIC PACKAGE).....	300
FIGURE 3-34. ENGINE INSTALLATION - KUBOTA ENGINE (WITH ARCTIC PACKAGE)	304
FIGURE 3-35. ENGINE AND PUMP SUB-ASSEMBLY - KUBOTA ENGINE (WITH ARCTIC PACKAGE)	310
FIGURE 3-36. ENGINE ASSEMBLY - KUBOTA ENGINE (WITH ARCTIC PACKAGE)	312
FIGURE 3-37. ENGINE COMPONENTS - KUBOTA.....	318
FIGURE 3-38. PUMP COUPLING KIT - KUBOTA ENGINE	322
FIGURE 3-39. PISTON PUMP ASSEMBLY	324
FIGURE 3-40. SPARK ARRESTOR INSTALLATION - DEUTZ D2011 ENGINE	328
FIGURE 3-41. ENGINE BAFFLE INSTALLATION - WITH DEUTZ ENGINES	330

TABLE OF CONTENTS

FIGURE 3-42. ENGINE BAFFLE INSTALLATION – WITH KUBOTA ENGINE	332
FIGURE 3-43. GENERATOR INSTALLATION - 2500W/50HZ (DEUTZ D2011 ENGINE).....	334
FIGURE 3-44. GENERATOR INSTALLATION - 2500W/60HZ (DEUTZ D2011 ENGINE).....	338
FIGURE 3-45. GENERATOR INSTALLATION - 2500W/60HZ (DEUTZ D2.9L4 ENGINE).....	342
FIGURE 3-46. GENERATOR INSTALLATION - 2500W/60HZ (KUBOTA ENGINE)	346
FIGURE 3-47. GENERATOR INSTALLATION - 4000W/50HZ (DEUTZ D2011 ENGINE).....	350
FIGURE 3-48. GENERATOR INSTALLATION - 4000W/60HZ (DEUTZ D2011 ENGINE).....	354
FIGURE 3-49. GENERATOR INSTALLATION - 4000W/60HZ (DEUTZ D2.9L4 ENGINE).....	358
FIGURE 3-50. GENERATOR INSTALLATION - 4000W/50HZ (DEUTZ ENGINE) (STAGE V)	362
FIGURE 3-51. GENERATOR INSTALLATION - 7500W/50HZ (DEUTZ D2011 ENGINE).....	366
FIGURE 3-52. GENERATOR INSTALLATION - 7500W/60HZ (DEUTZ D2011 ENGINE).....	370
FIGURE 3-53. GENERATOR INSTALLATION - 7500W/60HZ (DEUTZ D2.9L4 ENGINE).....	374
FIGURE 3-54. GENERATOR INSTALLATION - 7500W/60HZ (KUBOTA ENGINE)	378
SECTION 4 - BOOM.....	383
FIGURE 4-1. CYLINDERS INSTALLATION - 450A	384
FIGURE 4-2. CYLINDERS INSTALLATION - 450AJ (MACHINES WITH SN STARTING WITH 03) (Prior to SN 0300289049, Excluding 0300287795 and 0300286754).....	386
FIGURE 4-3. CYLINDERS INSTALLATION - 450AJ (MACHINES WITH SN STARTING WITH 03) (SN 0300289049 to Present)	388
FIGURE 4-4. CYLINDERS INSTALLATION – 450AJ (MACHINES WITH SN STARTING WITH B3) (Prior to SN B300014343, Except SN B300013466 through B300013743, Except SN B300014141 through B300014263, Except SN B300014273 through B300014275).....	390
FIGURE 4-5. CYLINDERS INSTALLATION - 450AJ (MACHINES WITH SN STARTING WITH B3) (SN B300014343 to Present)	392
FIGURE 4-6. BOOM INSTALLATION - 450A.....	394
FIGURE 4-7. BOOM INSTALLATION WITH AIRLINE - 450A.....	396
FIGURE 4-8. BOOM INSTALLATION WITH SKYPOWER AND AIRLINE - 450A	398
FIGURE 4-9. BOOM INSTALLATION WITH SKYPOWER - 450A.....	400
FIGURE 4-10. BOOM INSTALLATION KIT - 450A	402
FIGURE 4-11. BOOM INSTALLATION - 450AJ (MACHINES WITH SN STARTING WITH 03 & B3).....	404
FIGURE 4-12. JIB INSTALLATION (MACHINES WITH SN STARTING WITH 03 & B3).....	406
FIGURE 4-13. MAIN BOOM ASSEMBLY - 450A.....	408
FIGURE 4-14. MAIN BOOM ASSEMBLY - 450AJ	410
FIGURE 4-15. TOWER BOOM ASSEMBLY - 450A	412
FIGURE 4-16. TOWER BOOM ASSEMBLY - 450AJ (MACHINES WITH SN STARTING WITH 03 & B3).....	414
FIGURE 4-17. ROTATOR ASSEMBLY.....	416
FIGURE 4-18. PLATFORM SUPPORT INSTALLATION	418
FIGURE 4-19. 2WD VALVES INSTALLATION - 450A BOOM MOUNTED.....	420
FIGURE 4-20. 2WD VALVES INSTALLATION - 450AJ BOOM MOUNTED	422
FIGURE 4-21. 4WD VALVES INSTALLATION - 450A BOOM MOUNTED.....	424
FIGURE 4-22. 4WD VALVES INSTALLATION - 450AJ BOOM MOUNTED (MACHINES WITH SN STARTING WITH 03).....	426
FIGURE 4-23. 4WD VALVES INSTALLATION - 450AJ BOOM MOUNTED (MACHINES WITH SN STARTING WITH B3)	428
FIGURE 4-24. UPRIGHT VALVE ASSEMBLY.....	430
FIGURE 4-25. BOOM VALVE ASSEMBLY - 450A	432
FIGURE 4-26. BOOM VALVE ASSEMBLY - 450AJ	434
SECTION 5 - PLATFORM.....	437

TABLE OF CONTENTS

FIGURE 5-1. PLATFORM ASSEMBLY - 30IN X 4FT (76CM X 1.22M) - SIDE GATE ENTRY	438
FIGURE 5-2. PLATFORM ASSEMBLY - 30IN X 5FT (76CM X 1.52M) - SIDE GATE ENTRY	440
FIGURE 5-3. PLATFORM ASSEMBLY - 30IN X 6FT (76CM X 1.83M) - SIDE GATE ENTRY	442
FIGURE 5-4. PLATFORM ASSEMBLY - 30IN X 3FT (76CM X .91M) - DROP BAR ENTRY.....	444
FIGURE 5-5. PLATFORM ASSEMBLY - 30IN X 4FT (76CM X 1.22M) - WITH DROP BAR.....	446
FIGURE 5-6. PLATFORM ASSEMBLY - 30IN X 5FT (76CM X 1.52M) - WITH DROP BAR.....	448
FIGURE 5-7. PLATFORM ASSEMBLY - 30IN X 6FT (76CM X 1.83M) - WITH DROP BAR.....	450
FIGURE 5-8. PLATFORM ASSEMBLY - 30IN X 5FT (76CM X 1.52M - FALL ARREST (ANSI, ANSI EXPORT AND CSA SPECS)	452
FIGURE 5-9. CONSOLE BOX INSTALLATION - 450A.....	454
FIGURE 5-10. CONSOLE BOX INSTALLATION - 450AJ	456
FIGURE 5-11. PLATFORM CONSOLE BOX ASSEMBLY - 450A.....	458
FIGURE 5-12. PLATFORM CONSOLE BOX ASSEMBLY - 450AJ.....	462
FIGURE 5-13. LIGHT PANEL INSTALLATION – PLATFORM CONSOLE (Prior to SN 0300295114).....	466
FIGURE 5-14. LIGHT PANEL INSTALLATION - PLATFORM CONSOLE (SN 0300295114 to Present).....	468
FIGURE 5-15. CONTROLLER ASSEMBLY - DRIVE AND STEER.....	470
FIGURE 5-16. CONTROLLER ASSEMBLY - LIFT AND SWING	472
FIGURE 5-17. FOOTSWITCH ASSEMBLY.....	476
FIGURE 5-18. TRAY ASSEMBLY	478
FIGURE 5-19. SKYEYE INSTALLATION	480
FIGURE 5-20. SKYGUARD BAR INSTALLATION	482
FIGURE 5-21. SKYLINE INSTALLATION	484
FIGURE 5-22. USB CHARGER INSTALLATION	486
FIGURE 5-23. SKYGLAZIER INSTALLATION	488
FIGURE 5-24. SKYWELDER INSTALLATION (50HZ).....	490
FIGURE 5-25. SKYWELDER INSTALLATION (60HZ).....	492
FIGURE 5-26. SKYWELDER PREP PACKAGE INSTALLATION	494
FIGURE 5-27. WELDER ASSEMBLY	496
FIGURE 5-28. PIPE RACK INSTALLATION (ALL SPECS EXCEPT AUSTRALIAN SPECS).....	498
FIGURE 5-29. PIPE RACK INSTALLATION (AUSTRALIAN SPEC).....	500
FIGURE 5-30. FALL ARREST INSTALLATION (BOLT-ON) (4FT/1.22M PLATFORM)	502
FIGURE 5-31. FALL ARREST INSTALLATION (BOLT-ON) (5FT/1.52M PLATFORM)	504
FIGURE 5-32. SOFT-TOUCH INSTALLATION (30X60)	506
FIGURE 5-33. SOFT-TOUCH INSTALLATION (30X72)	508
SECTION 6 - CYLINDER.....	511
FIGURE 6-1. AXLE LOCKOUT CYLINDER ASSEMBLY (MACHINES WITH SN STARTING WITH 03).....	512
FIGURE 6-2. AXLE LOCKOUT CYLINDER ASSEMBLY (MACHINES WITH SN STARTING WITH B3)	514
FIGURE 6-3. LEVEL (PLATFORM SLAVE) CYLINDER ASSEMBLY	516
FIGURE 6-4. LIFT CYLINDER ASSEMBLY - JIB.....	518
FIGURE 6-5. LIFT CYLINDER ASSEMBLY - 450A MAIN BOOM.....	520
FIGURE 6-6. LIFT CYLINDER ASSEMBLY - 450AJ MAIN BOOM (MACHINES WITH SN STARTING WITH 03).....	522
FIGURE 6-7. LIFT CYLINDER ASSEMBLY - 450AJ MAIN BOOM (MACHINES WITH SN STARTING WITH B3)	524
FIGURE 6-8. LIFT CYLINDER ASSEMBLY - TOWER BOOM (MACHINES WITH SN STARTING WITH 03)	526
FIGURE 6-9. LIFT CYLINDER ASSEMBLY - TOWER BOOM (MACHINES WITH SN STARTING WITH B3).....	528
FIGURE 6-10. MASTER CYLINDER ASSEMBLY.....	530

TABLE OF CONTENTS

FIGURE 6-11. STEER CYLINDER ASSEMBLY	532
FIGURE 6-12. TELESCOPE CYLINDER ASSEMBLY - 450A	534
FIGURE 6-13. TELESCOPE CYLINDER ASSEMBLY - 450AJ (MACHINES WITH SN STARTING WITH 03)	536
FIGURE 6-14. TELESCOPE CYLINDER ASSEMBLY - 450AJ (MACHINES WITH SN STARTING WITH B3).....	538
SECTION 7 - HYDRAULIC	541
FIGURE 7-1. 2WD HYDRAULIC SYSTEM INSTALLATION - 450A	542
FIGURE 7-2. 2WD HYDRAULIC SYSTEM INSTALLATION - 450A	548
FIGURE 7-3. 2WD HYDRAULIC SYSTEM INSTALLATION - 450A	550
FIGURE 7-4. 2WD HYDRAULIC SYSTEM INSTALLATION - 450A	552
FIGURE 7-5. 2WD HYDRAULIC SYSTEM INSTALLATION - 450A	554
FIGURE 7-6. 2WD HYDRAULIC SYSTEM INSTALLATION - 450AJ.....	558
FIGURE 7-7. 2WD HYDRAULIC SYSTEM INSTALLATION - 450AJ.....	560
FIGURE 7-8. 2WD HYDRAULIC SYSTEM INSTALLATION - 450AJ.....	562
FIGURE 7-9. 2WD HYDRAULIC SYSTEM INSTALLATION - 450AJ.....	564
FIGURE 7-10. 2WD HYDRAULIC SYSTEM INSTALLATION - 450AJ.....	568
FIGURE 7-11. 4WD HYDRAULIC SYSTEM INSTALLATION - 450A	574
FIGURE 7-12. 4WD HYDRAULIC SYSTEM INSTALLATION - 450A	576
FIGURE 7-13. 4WD HYDRAULIC SYSTEM INSTALLATION - 450A	578
FIGURE 7-14. 4WD HYDRAULIC SYSTEM INSTALLATION - 450A	580
FIGURE 7-15. 4WD HYDRAULIC SYSTEM INSTALLATION - 450A	584
FIGURE 7-16. 4WD HYDRAULIC SYSTEM INSTALLATION - 450AJ.....	590
FIGURE 7-17. 4WD HYDRAULIC SYSTEM INSTALLATION - 450AJ.....	592
FIGURE 7-18. 4WD HYDRAULIC SYSTEM INSTALLATION - 450AJ.....	594
FIGURE 7-19. 4WD HYDRAULIC SYSTEM INSTALLATION - 450AJ.....	596
FIGURE 7-20. 4WD HYDRAULIC SYSTEM INSTALLATION - 450AJ (SN THAT START WITH B3) (Prior to SN 0300285668, Except SN 0300285855 through 0300285657, Except SN 0300285659 through 0300285665).....	600
FIGURE 7-21. 4WD HYDRAULIC SYSTEM INSTALLATION - 450AJ (SN THAT START WITH B3) (Prior to SN 0300285668, Except SN 0300285855 through 0300285657, Except SN 0300285659 through 0300285665).....	602
FIGURE 7-22. 4WD HYDRAULIC SYSTEM INSTALLATION - 450AJ (SN THAT START WITH B3) (Prior to SN 0300285668, Except SN 0300285855 through 0300285657, Except SN 0300285659 through 0300285665).....	604
FIGURE 7-23. 4WD HYDRAULIC SYSTEM INSTALLATION - 450AJ (SN THAT START WITH 03) (SN 0300285668 to Present)	608
FIGURE 7-24. 4WD HYDRAULIC SYSTEM INSTALLATION - 450AJ (SN THAT START WITH 03) (SN 0300285668 to Present)	610
FIGURE 7-25. 4WD HYDRAULIC SYSTEM INSTALLATION - 450AJ (SN THAT START WITH 03) (SN 0300285668 to Present)	612
FIGURE 7-26. 4WD HYDRAULIC SYSTEM INSTALLATION - 450AJ (SN THAT START WITH 03) (SN 0300285668 to Present)	614
SECTION 8 - ELECTRICAL.....	617
FIGURE 8-1. AC BOX AT PLATFORM INSTALLATION - 110V - ANSI, ANSI EXPORT, CHINA, CSA AND JAPANESE SPECS	618
FIGURE 8-2. AC BOX AT PLATFORM INSTALLATION - 110V IEC YELLOW (CE, RUSSIA & UK CA SPECS WITH 4000W/50HZ GENERATOR)	620
FIGURE 8-3. AC BOX AT PLATFORM INSTALLATION - 110V IEC 60309 YELLOW WITHOUT 2500W GENERATOR (CE, RUSSIA & UK CA SPECS)	622
FIGURE 8-4. AC BOX AT PLATFORM INSTALLATION - 220V IEC BLUE (CE, RUSSIA & UK CA WITH 4000W/50HZ GENERATOR)	624

TABLE OF CONTENTS

FIGURE 8-5. AC BOX AT PLATFORM INSTALLATION - 220V IEC 60309 BLUE WITHOUT 2500W GENERATOR (CE, RUSSIA & UK CA SPECS).....	626
FIGURE 8-6. AC BOX AT PLATFORM INSTALLATION - 220V CEE7 POST GROUND (2X4 BOX) WITHOUT 2500W GENERATOR (CE, RUSSIA & UK CA SPECS).....	628
FIGURE 8-7. AC BOX AT PLATFORM INSTALLATION - 220V CEE7 SIDE GROUND (2X4 BOX) WITHOUT 2500W GENERATOR (CE, RUSSIA & UK CA SPECS).....	630
FIGURE 8-8. AC BOX AT PLATFORM INSTALLATION - 220V CEE7 2IN X 4IN POST GROUND (CE, RUSSIA & UK CA SPECS WITH 4000W/50HZ GENERATOR).....	632
FIGURE 8-9. AC BOX AT PLATFORM INSTALLATION - 220V CEE7 2IN X 4IN SIDE GROUND (CCE, RUSSIA & UK CA SPECS WITH 4000W/50HZ GENERATOR).....	634
FIGURE 8-10. AC BOX AT PLATFORM INSTALLATION - 220V AFSINT107 (CE, RUSSIA & UK CA SPECS WITH 4000W/50HZ GENERATOR).....	636
FIGURE 8-11. AC BOX AT PLATFORM INSTALLATION - 220V AFSINT 107 KEYED GROUND (2X4 BOX) WITHOUT 2500W GENERATOR (CE, RUSSIA & UK CA SPECS).....	638
FIGURE 8-12. AC BOX AT PLATFORM INSTALLATION - 220V CUSTOMER SUPPLIED COMPONENTS (AUSTRALIAN, CE & UK CA SPECS).....	640
FIGURE 8-13. AC BOX AT PLATFORM INSTALLATION - 240V (WITH 4000W GENERATOR) (ANSI, ANSI EXPORT, CSA AND JAPANESE SPECS).....	642
FIGURE 8-14. AC BOX AT PLATFORM INSTALLATION - 240V (WITH 7500W SKYPOWER GENERATOR) (ANSI, ANSI EXPORT, CSA AND JAPANESE SPECS).....	644
FIGURE 8-15. AC CABLE INSTALLATION - WITH TWO BREAKERS (CE, RUSSIA & UK CA SPECS).....	646
FIGURE 8-16. AC CABLE INSTALLATION - WITH THREE BREAKERS (CE, RUSSIA & UK CA SPECS).....	648
FIGURE 8-17. AC CABLE AND PLUG INSTALLATION (MACHINES WITH SN STARTING WITH B3).....	650
FIGURE 8-18. BATTERY DISCONNECT SWITCH.....	652
FIGURE 8-19. BEACON LIGHT HARNESS (BLUE AND RED BEACON LIGHT).....	654
FIGURE 8-20. BOOM CABLES AND CLAMPS INSTALLATION - 450A (WITHOUT ARCTIC PACKAGE).....	656
FIGURE 8-21. BOOM CABLES AND CLAMPS INSTALLATION - 450AJ (WITHOUT ARCTIC PACKAGE).....	660
FIGURE 8-22. BOOM CABLES AND CLAMPS INSTALLATION - 450AJ (WITHOUT ARCTIC PACKAGE AND AC CABLES) (MACHINES WITH SN STARTING WITH B3).....	664
FIGURE 8-23. BOOM CABLES AND CLAMPS INSTALLATION - 450A (WITH ARCTIC PACKAGE).....	668
FIGURE 8-24. BOOM CABLES AND CLAMPS INSTALLATION - 450AJ (WITH ARCTIC PACKAGE).....	672
FIGURE 8-25. BOOM CABLES AND CLAMPS INSTALLATION - 450AJ (MACHINES WITH 50HZ 4000W GENERATORS)....	676
FIGURE 8-26. BOOM CABLES AND CLAMPS INSTALLATION - 450AJ (MACHINES WITH 60HZ 4000W GENERATORS)....	680
FIGURE 8-27. BOOM CABLES AND CLAMPS INSTALLATION - 450A (MACHINES WITH 7500W GENERATOR AND WITHOUT ARCTIC PACKAGE).....	684
FIGURE 8-28. BOOM CABLES AND CLAMPS INSTALLATION - 450AJ (MACHINES WITH 7500W GENERATORS AND WITHOUT ARCTIC PACKAGE).....	688
FIGURE 8-29. BOOM CABLES AND CLAMPS INSTALLATION - 450A (MACHINES WITH 7500W GENERATOR AND WITH ARCTIC PACKAGE).....	692
FIGURE 8-30. BOOM CABLES AND CLAMPS INSTALLATION - 450AJ (MACHINES WITH 7500W GENERATORS AND WITH ARCTIC PACKAGE).....	696
FIGURE 8-31. BOOM HARNESS - 450A (MAIN BOOM) (WITHOUT ARCTIC PACKAGE).....	700
FIGURE 8-32. BOOM HARNESS - 450AJ (MAIN BOOM) (WITHOUT ARCTIC PACKAGE).....	702
FIGURE 8-33. BOOM HARNESS - 450A (MAIN BOOM) (WITH ARCTIC PACKAGE).....	704
FIGURE 8-34. BOOM HARNESS - 450AJ (MAIN BOOM) (WITH ARCTIC PACKAGE).....	706
FIGURE 8-35. BOOM HARNESS - 450A (MAIN BOOM AC CABLE) (WITHOUT ARCTIC PACKAGE).....	708
FIGURE 8-36. BOOM HARNESS - 450AJ (MAIN BOOM AC CABLE) (WITHOUT ARCTIC PACKAGE).....	710
FIGURE 8-37. BOOM HARNESS - 450A (MAIN BOOM AC CABLE) (WITH ARCTIC PACKAGE).....	712
FIGURE 8-38. BOOM HARNESS - 450AJ (MAIN BOOM AC CABLE) (WITH ARCTIC PACKAGE).....	714
FIGURE 8-39. BOOM HARNESS - TOWER BOOM (WITHOUT ARCTIC PACKAGE).....	716

TABLE OF CONTENTS

FIGURE 8-40. BOOM HARNESS - TOWER BOOM (WITH ARCTIC PACKAGE).....	718
FIGURE 8-41. BOOM HARNESS - TOWER BOOM AC CABLE (WITHOUT ARCTIC PACKAGE).....	720
FIGURE 8-42. BOOM HARNESS - TOWER BOOM AC CABLE (WITH ARCTIC PACKAGE).....	722
FIGURE 8-43. BOOM VALVE HARNESS.....	724
FIGURE 8-44. BREAKER BOX KIT WITH SINGLE DOUBLE POLE BREAKER - CE, RUSSIA & UK CA SPECS.....	726
FIGURE 8-45. BREAKER BOX KIT WITH THREE BREAKERS - CE, RUSSIA & UK CA SPECS.....	728
FIGURE 8-46. BREAKER BOX KIT - 30MA/16 AMP.....	730
FIGURE 8-47. CHASSIS SOLENOID HARNESS.....	732
FIGURE 8-48. CLEARSKY 3-WIRE CONNECTION INSTALLATION.....	734
FIGURE 8-49. ENGINE HARNESS - DEUTZ D2011.....	736
FIGURE 8-50. ENGINE HARNESS - DEUTZ D2.9L4.....	738
FIGURE 8-51. ENGINE HARNESS - DEUTZ D2.9L4 ENGINE (STAGE V).....	742
FIGURE 8-52. ENGINE HARNESS - KUBOTA.....	746
FIGURE 8-53. FUEL HARNESS - DEUTZ D2.9L4 ENGINE.....	748
FIGURE 8-54. GENERATOR HARNESS - 2500W GENERATOR (60HZ).....	750
FIGURE 8-55. GENERATOR HARNESS - 2500W GENERATOR (50HZ).....	752
FIGURE 8-56. GENERATOR HARNESS - 4000W GENERATOR.....	754
FIGURE 8-57. GROUND CONTROL PANEL HARNESS.....	756
FIGURE 8-58. KUBOTA D/F POWER HARNESS.....	758
FIGURE 8-59. PLATFORM CONSOLE BOX HARNESS.....	760
FIGURE 8-60. PLATFORM INTERFACE HARNESS.....	762
FIGURE 8-61. RECEPTACLE BOX KIT - 110V IEC YELLOW (CE, RUSSIA & UK CA SPECS).....	764
FIGURE 8-62. RECEPTACLE BOX KIT - 220V IEC BLUE (CE, RUSSIA & UK CA SPECS).....	766
FIGURE 8-63. RECEPTACLE BOX KIT - 220V CEE7 POST GROUND 2IN X 4IN BOX (CE, RUSSIA & UK CA SPECS).....	768
FIGURE 8-64. RECEPTACLE BOX KIT - 220V CEE7 SIDE GROUND 2IN X 4IN BOX (CE, RUSSIA & UK CA SPECS).....	770
FIGURE 8-65. RECEPTACLE BOX KIT - 220V AFSINT 107 (CE, RUSSIA & UK CA SPECS).....	772
FIGURE 8-66. SKYEYE INTERMEDIATE HARNESS.....	774
FIGURE 8-67. SKYEYE RECEIVER HARNESS.....	776
FIGURE 8-68. SKYEYE EMITTER HARNESS.....	778
FIGURE 8-69. SKYLINE HARNESS.....	780
FIGURE 8-70. TURNTABLE HARNESS.....	782
FIGURE 8-71. VALVE HARNESS - MAIN VALVE.....	786
FIGURE 8-72. VALVE HARNESS - PLATFORM VALVE.....	788
SECTION 9 - DECALS.....	791
FIGURE 9-1. DECAL INSTALLATION – ANSI, ANSI EXPORT AND CSA SPECS WITH DEUTZ ENGINES (ENGLISH).....	792
FIGURE 9-2. DECAL INSTALLATION – ANSI AND ANSI EXPORT SPECS WITH KUBOTA ENGINES (ENGLISH).....	794
FIGURE 9-3. DECAL INSTALLATION - AUSTRALIAN SPEC (ENGLISH).....	796
FIGURE 9-4. DECAL INSTALLATION - BRAZIL SPEC (ENGLISH).....	798
FIGURE 9-5. DECAL INSTALLATION - CE & UK CA SPEC (ENGLISH).....	800
FIGURE 9-6. DECAL INSTALLATION - CSA SPEC WITH DEUTZ ENGINES (FRENCH/ENGLISH).....	802
FIGURE 9-7. DECAL INSTALLATION - CSA SPEC WITH KUBOTA ENGINES (FRENCH/ENGLISH).....	804
FIGURE 9-8. DECAL INSTALLATION - CHINESE SPEC (CHINESE/ENGLISH).....	806
FIGURE 9-9. DECAL INSTALLATION - JAPANESE SPEC (JAPANESE/ENGLISH).....	808
FIGURE 9-10. DECAL INSTALLATION - KOREAN SPEC (KOREAN/ENGLISH).....	810
FIGURE 9-11. DECAL INSTALLATION - LATIN AMERICA SPEC (SPANISH/ENGLISH).....	812

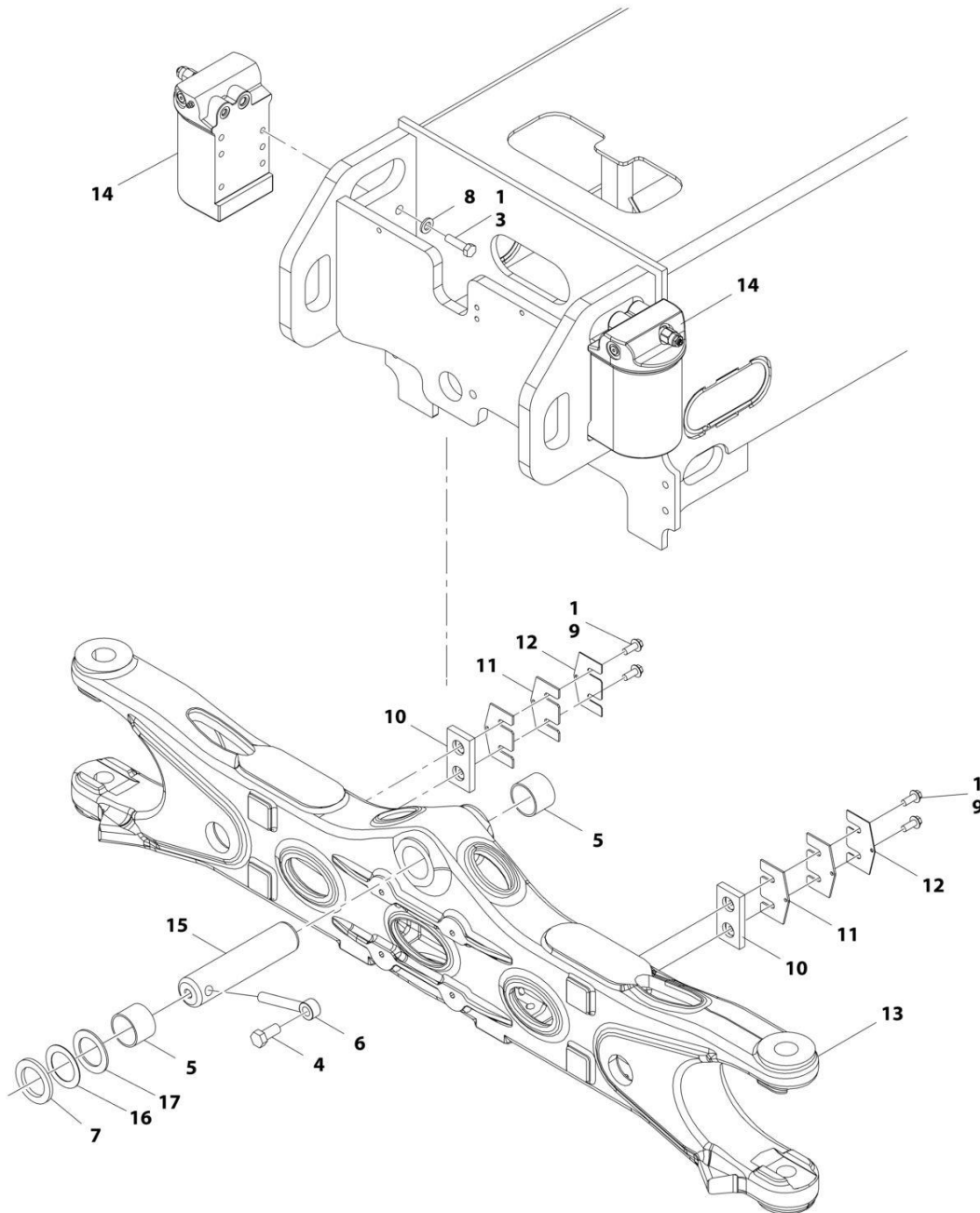
TABLE OF CONTENTS

FIGURE 9-12. DECAL INSTALLATION - OPTIONS	814
FIGURE 9-13. TOW BAR DECAL INSTALLATION - ENGLISH LANGUAGE (ANSI, ANSI EXPORT, CE, CHINA, JAPANESE AND RUSSIA SPECS)	818
FIGURE 9-14. TOW BAR DECAL INSTALLATION - ENGLISH/SPANISH LANGUAGE (ANSI EXPORT SPECS)	820
FIGURE 9-15. TOW BAR DECAL INSTALLATION - SPANISH LANGUAGE (ANSI EXPORT, CE AND RUSSIA SPECS)	822
FIGURE 9-16. SKYWELDER DECAL INSTALLATION – 50HZ (ANSI EXPORT SPECS)	824
FIGURE 9-17. SKYWELDER DECAL INSTALLATION - 60HZ (ANSI EXPORT SPECS)	826
SECTION 10 - RECOMMENDED SERVICE PARTS STOCK	829
FIGURE 10-1. RECOMMENDED SERVICE PARTS STOCK	830
SECTION 11 - SPECIAL OPTIONS/ACCESSORIES/KITS	833
FIGURE 11-1. SPECIAL OPTIONS/ACCESSORIES/KITS	834
PART NUMBER INDEX	839

SECTION 1 - FRAME

SECTION 1 - FRAME

FIGURE 1-1. AXLE INSTALLATION (MACHINES WITH SN STARTING WITH 03)



ART_1001164093

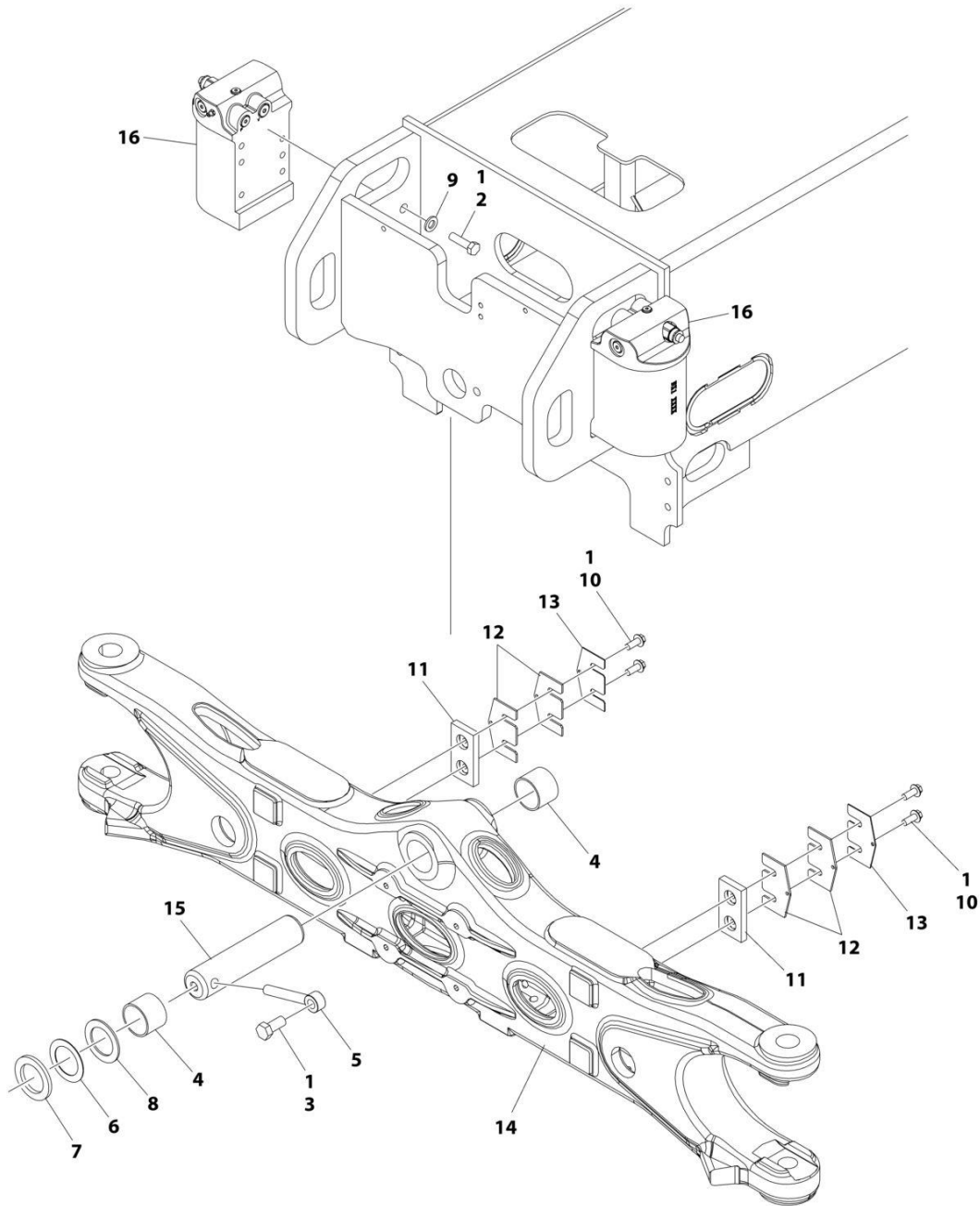
SECTION 1 - FRAME

FIGURE 1-1. AXLE INSTALLATION (MACHINES WITH SN STARTING WITH 03)

ITEM	PART NUMBER	QTY	DESCRIPTION	REV
	1001164093	Ref	AXLE INSTALLATION	D
1	0100011	AR	Compound, Locking	
3	0701217	8	Bolt M12 x 45	
4	0761615	1	Bolt M16 x 35	
5	0961950	2	Bearing	
6	3841258	1	Keeper, Pin	
7	4740158	AR	Washer	
8	5241200	8	Washer M12	
9	5251012	4	Bolt M10 x 25	
10	1001118511	2	Pad, Wear	
11	1001118518	4	Shim 11Ga	
12	1001118519	2	Shim 16Ga	
13	1001162995	1	Axle	
14	1001163580	2	Axle Lockout Cylinder Assembly (See Separate Breakdown in CYLINDER SECTION)	
15	1001185030	1	Pin	
16	4071101	AR	Shim	
17	4740229	AR	Washer	

SECTION 1 - FRAME

FIGURE 1-2. AXLE INSTALLATION (MACHINES WITH SN STARTING WITH B3)



ART_1001264981

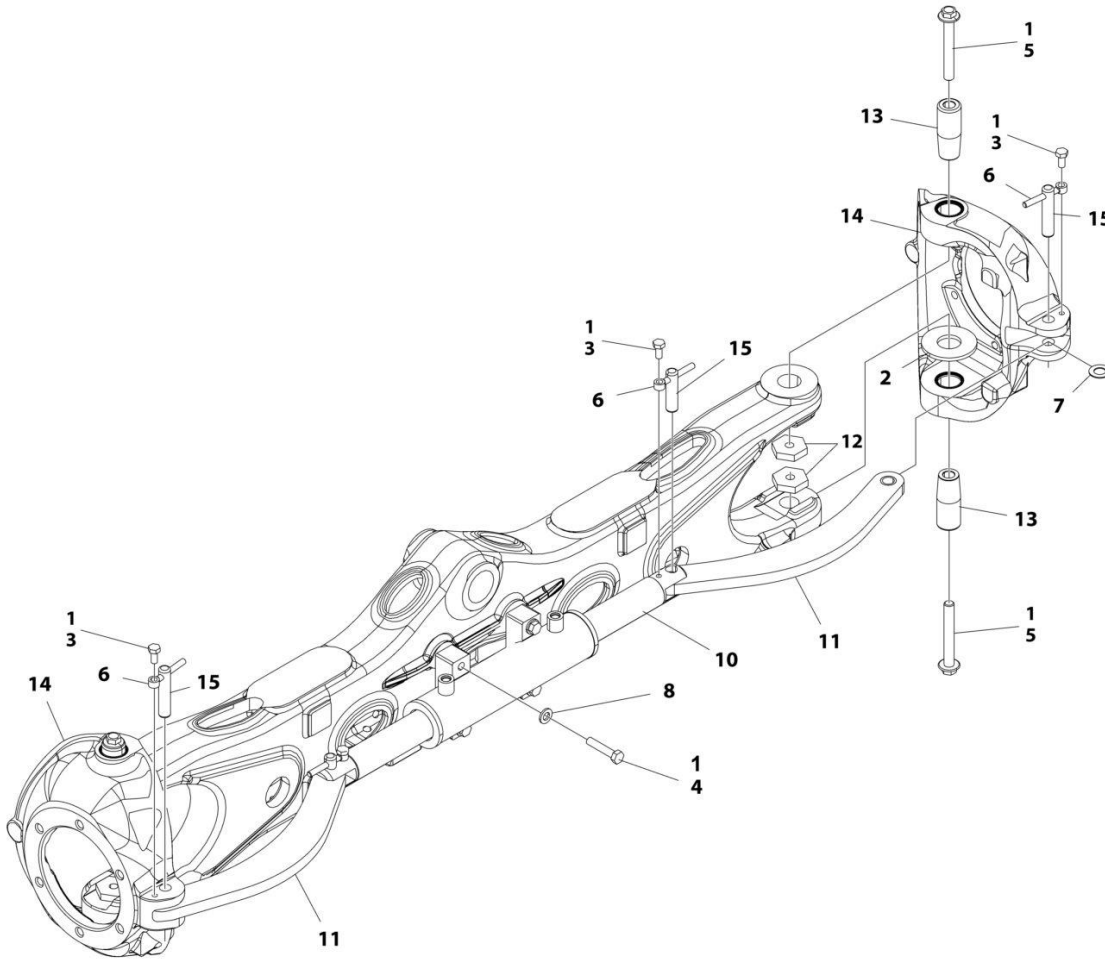
SECTION 1 - FRAME

FIGURE 1-2. AXLE INSTALLATION (MACHINES WITH SN STARTING WITH B3)

ITEM	PART NUMBER	QTY	DESCRIPTION	REV
	1001264981	Ref	AXLE INSTALLATION	B
1	0100011	AR	Compound, Locking	
2	0701217	8	Bolt M12 x 45	
3	0761615	1	Bolt M16 x 35	
4	0961950	2	Bearing	
5	3841258	1	Keeper, Pin	
6	4071101	AR	Shim	
7	4740158	AR	Washer	
8	4740229	AR	Washer	
9	5241200	8	Washer M12	
10	5251012	4	Bolt M10 x 25	
11	1001118511	2	Pad, Wear	
12	1001118518	AR	Shim 11Ga	
13	1001118519	AR	Shim 16Ga	
14	1001162995	1	Axle	
15	1001185030	1	Pin	
16	1001256179	2	Axle Lockout Cylinder Assembly (See Separate Breakdown in CYLINDER Section)	

SECTION 1 - FRAME

FIGURE 1-3. STEER INSTALLATION WITHOUT TOW PACKAGE



ART_1001164092

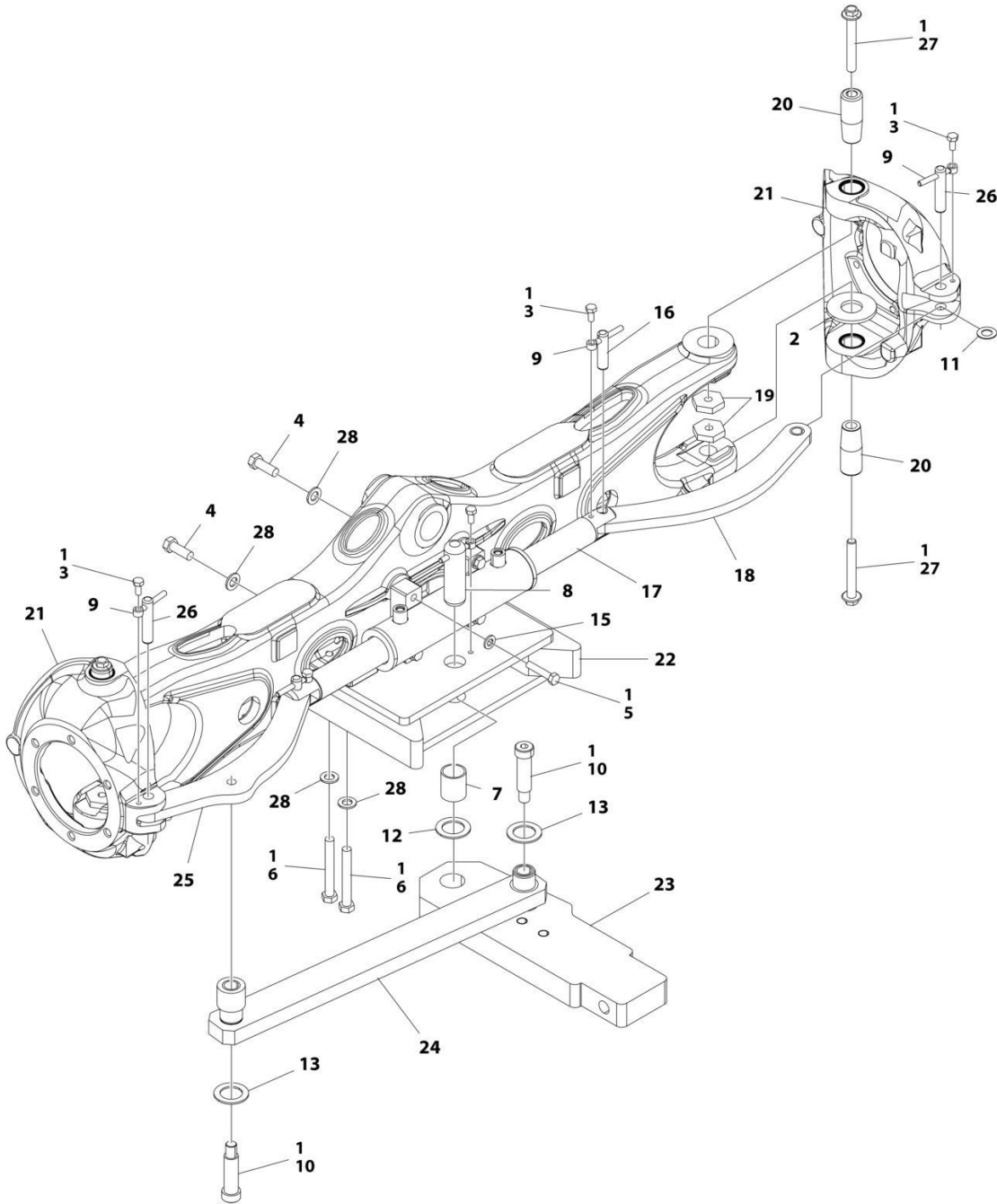
SECTION 1 - FRAME

FIGURE 1-3. STEER INSTALLATION WITHOUT TOW PACKAGE

ITEM	PART NUMBER	QTY	DESCRIPTION	REV
	1001164092	Ref	STEER INSTALLATION WITHOUT TOW PACKAGE	F
1	0100011	AR	Compound, Locking	
2	1001233139	2	Bearing, Thrust	
3	0761011	4	Bolt M10 x 22	
4	0711220	4	Bolt M12 x 60 Grade 10.9	
5	1001190368	4	Bolt M16 x 120	
6	3841143	4	Keeper, Pin	
7	4740086	4	Washer	
8	5241200	4	Washer M12	
10	1001163178	1	Steer Cylinder Assembly (See Separate Breakdown in CYLINDER SECTION)	
11	1001163179	2	Link	
11	1001164209	4	Bearing (2 Per Link)	
12	1001176848	4	Nut M16	
13	1001163405	4	Kingpin	
14	1001163715	2	Spindle	
14	0961948	4	Bearing (2 Per Spindle)	
14	1001163716	8	Seal (4 Per Spindle)	
15	3423304	4	Pin	

SECTION 1 - FRAME

FIGURE 1-4. STEER INSTALLATION WITH TOW PACKAGE



ART_1001164095

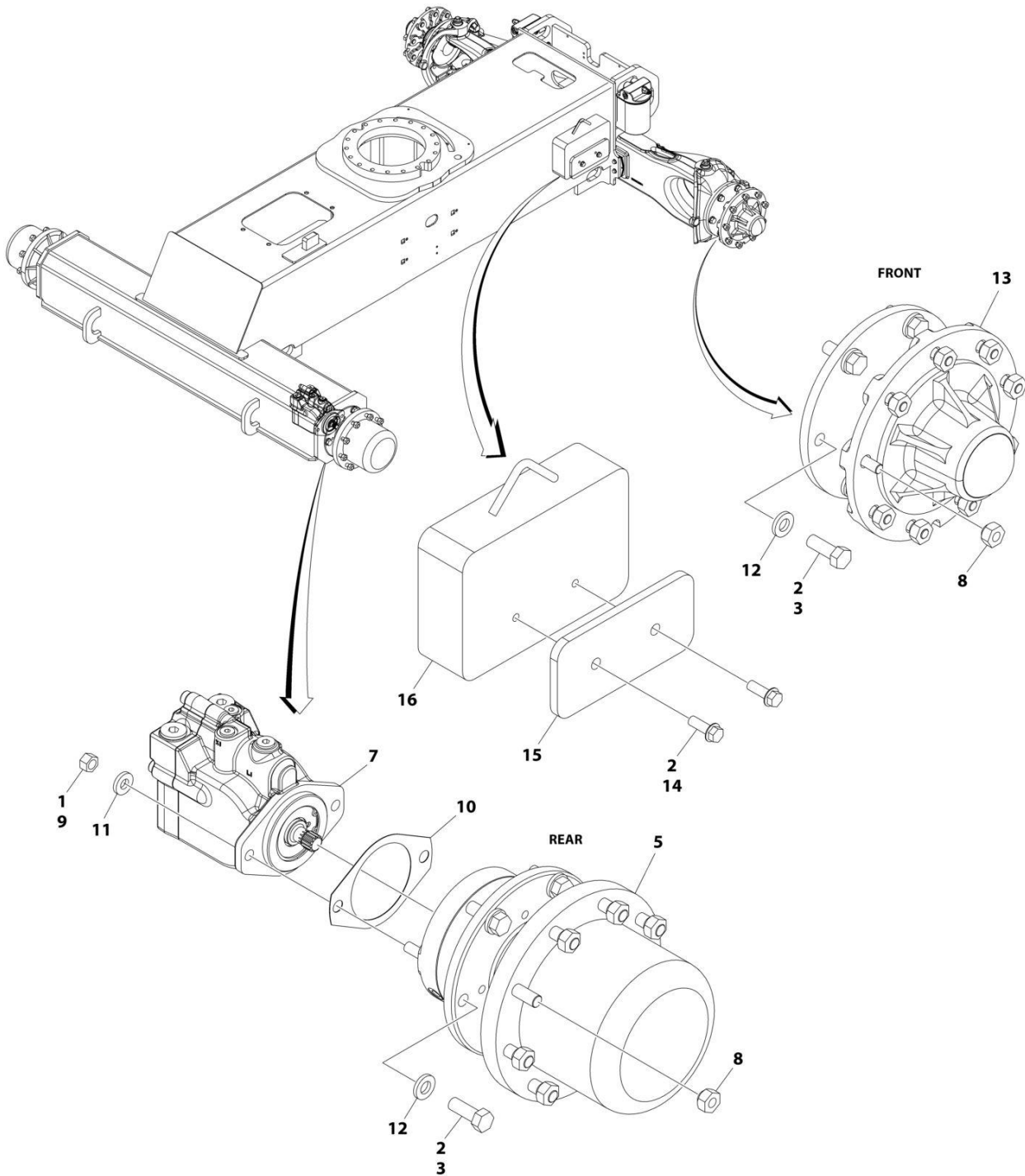
SECTION 1 - FRAME

FIGURE 1-4. STEER INSTALLATION WITH TOW PACKAGE

ITEM	PART NUMBER	QTY	DESCRIPTION	REV
	1001164095	Ref	STEER INSTALLATION WITH TOW PACKAGE	D
1	0100011	AR	Compound, Locking	
2	0440271	2	Bearing, Thrust	
3	0761011	5	Bolt M10 x 22	
4	0701617	2	Bolt M16 x 45	
5	0711220	4	Bolt M12 x 60 Grade 10.9	
6	0711629	4	Bolt M16 x 120	
7	0962348	1	Bearing	
8	3422848	1	Pin	
9	3841143	5	Keeper, Pin	
10	3900295	2	Bolt 1 X 3	
11	4740086	4	Washer	
12	4740155	1	Washer	
13	4740491	2	Washer	
15	5241200	4	Washer M12	
16	1001139586	2	Pin	
17	1001163178	1	Steer Cylinder Assembly (See Separate Breakdown in CYLINDER SECTION)	
18	1001163179	1	Link	
18	1001164209	2	Bearing	
19	1001176848	4	Nut M16	
20	1001163405	4	Kingpin	
21	1001163715	2	Spindle	
21	0961948	4	Bearing (2 per Spindle)	
21	1001163716	8	Seal (4 per Spindle)	
22	1001163717	1	Bracket, Tow	
23	1001163722	1	Plate	
24	1001163724	1	Link	
24	0962292	4	Bearing	
25	1001163726	1	Link	
25	1001164209	2	Bearing	
26	3423304	2	Pin	
27	1001190368	4	Bolt M16 x 120	
28	5241600	6	Washer M16	

SECTION 1 - FRAME

FIGURE 1-5. WHEEL DRIVE INSTALLATION (2WD)



ART_1001214159

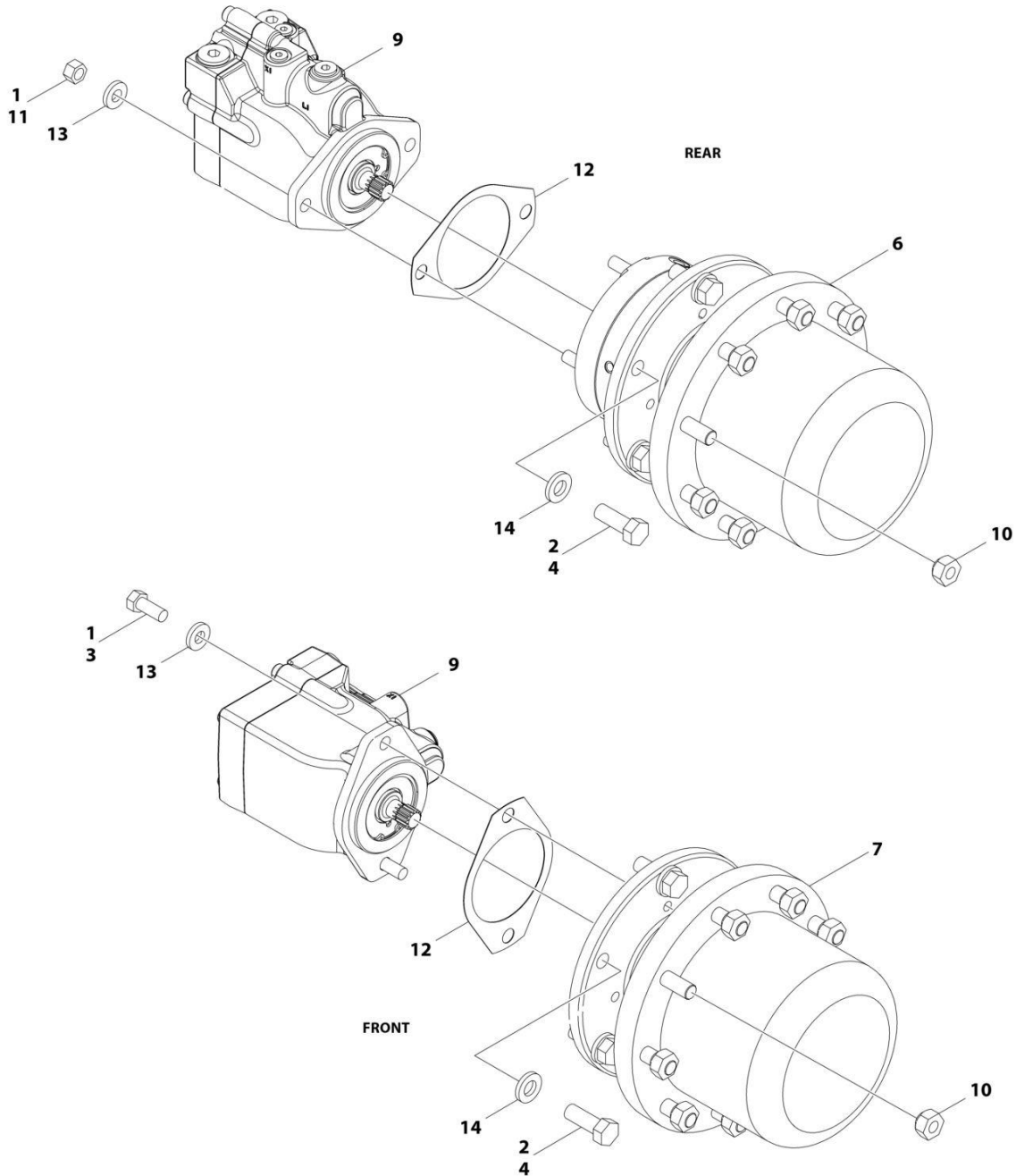
SECTION 1 - FRAME

FIGURE 1-5. WHEEL DRIVE INSTALLATION (2WD)

ITEM	PART NUMBER	QTY	DESCRIPTION	REV
	1001214159	Ref	WHEEL DRIVE INSTALLATION (2WD)	D
1	0100011	AR	Compound, Locking	
2	0100019	AR	Compound, Locking	
3	0682014	24	Bolt 5/8 x 1-3/4 Grade 8	
5	2780267	2	Drive Hub Assembly - Rear (See Separate Breakdown in this Section)	
7	3160351	2	Drive Motor Assembly (See Separate Breakdown in this Section)	
8	3300106	36	Lugnut	
9	3311801	4	Nut 1/2	
10	3960526	2	Gasket, Brake	
11	4891800	4	Washer 1/2	
12	4892000	24	Washer 5/8	
13	1001214174	2	Hub - Spindle Assembly (See Separate Breakdown in this Section)	
14	5251215	4	Bolt M12 x 35	
15	1001215503	2	Plate, Mounting	
16	1001215504	2	Weight, Counter	

SECTION 1 - FRAME

FIGURE 1-6. WHEEL DRIVE INSTALLATION (4WD) (Prior to SN 0300286317, Except SN 0300285980 through 0300285985, Except SN 0300285987 through 0300285991, Except SN 0300285995 through 0300285999, Except SN 0300286006 through 0300286007, Except SN 0300286017 through 0300286019, Excluding 0300285993 and 0300286021)



ART_1001166239

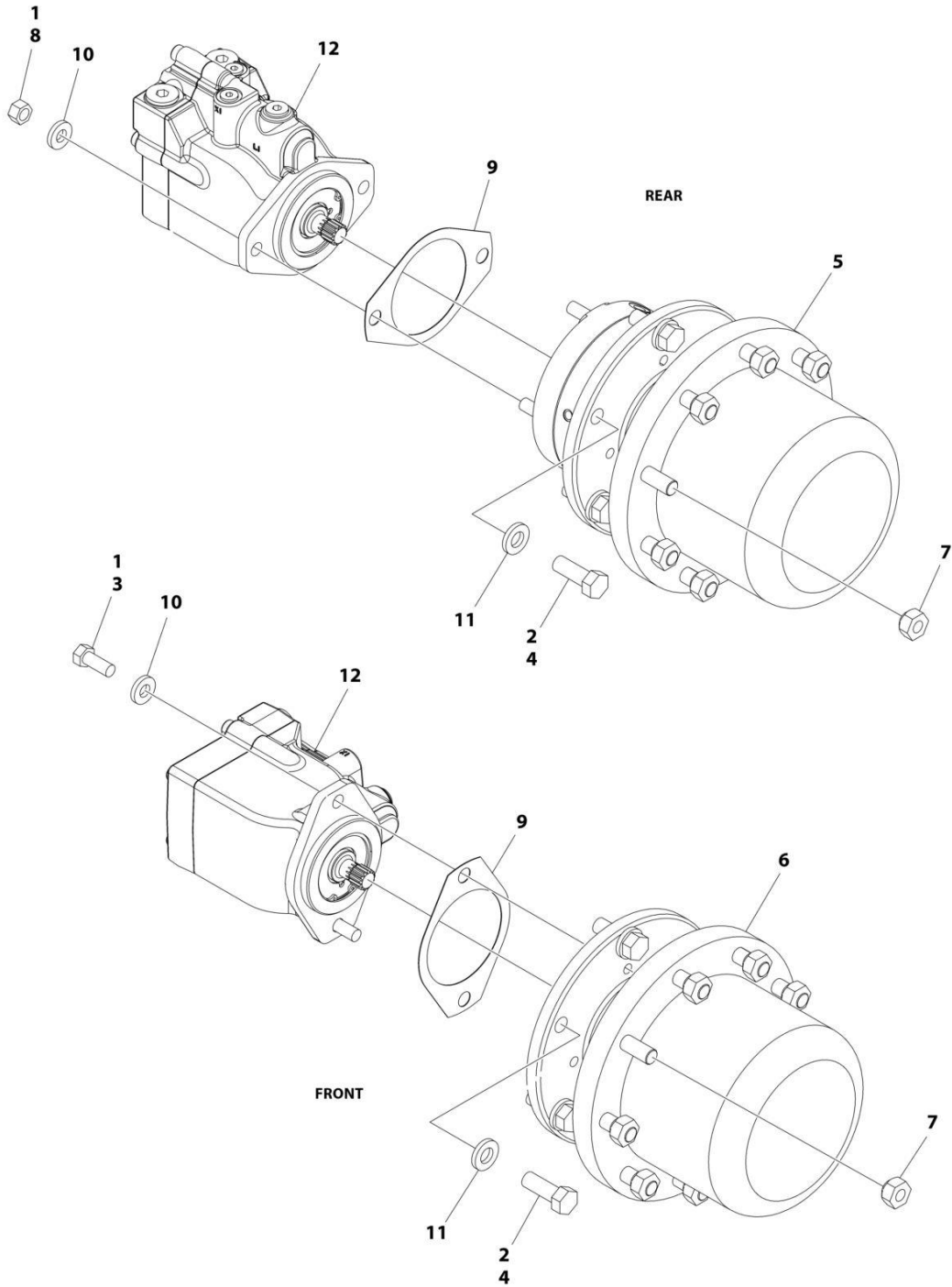
SECTION 1 - FRAME

FIGURE 1-6. WHEEL DRIVE INSTALLATION (4WD) (Prior to SN 0300286317, Except SN 0300285980 through 0300285985, Except SN 0300285987 through 0300285991, Except SN 0300285995 through 0300285999, Except SN 0300286006 through 0300286007, Except SN 0300286017 through 0300286019, Excluding 0300285993 and 0300286021)

ITEM	PART NUMBER	QTY	DESCRIPTION	REV
	1001166239	Ref	WHEEL DRIVE INSTALLATION (4WD)	E
1	0100011	AR	Compound, Locking	
2	0100019	AR	Compound, Locking	
3	0681810	4	Bolt 1/2 x 1-1/4 Grade 8	
4	0682014	24	Bolt 5/8 x 1-3/4 Grade 8	
6	2780267	2	Drive Hub Assembly - Rear (See Separate Breakdown in this Section)	
7	2780268	2	Drive Hub Assembly - Front (See Separate Breakdown in this Section)	
9	3160348	4	Drive Motor Assembly (See Separate Breakdown in this Section)	
10	3300106	36	Lugnut	
11	3311801	4	Nut 1/2	
12	3960526	4	Gasket, Brake	
13	4891800	8	Washer 1/2	
14	4892000	24	Washer 5/8	

SECTION 1 - FRAME

FIGURE 1-7. WHEEL DRIVE INSTALLATION (4WD) (SN 0300286317 to Present)



ART_1001285012

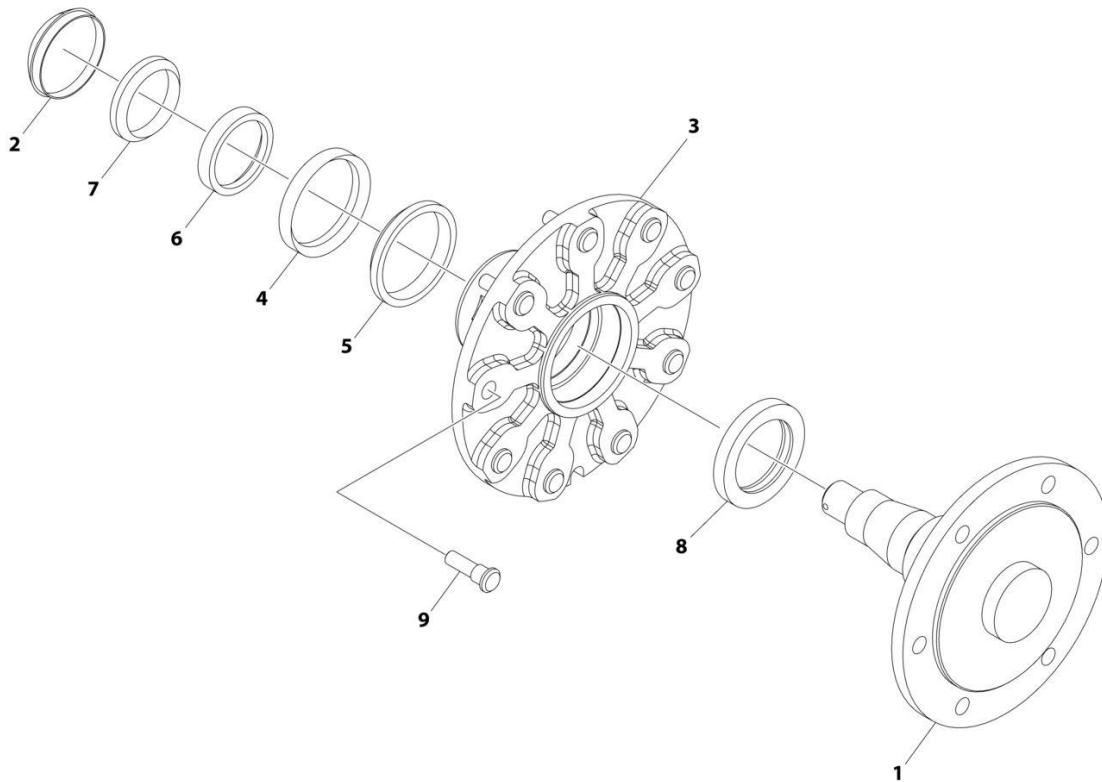
SECTION 1 - FRAME

FIGURE 1-7. WHEEL DRIVE INSTALLATION (4WD) (SN 0300286317 to Present)

ITEM	PART NUMBER	QTY	DESCRIPTION	REV
	1001285012	Ref	WHEEL DRIVE INSTALLATION (4WD)	A
1	0100011	AR	Compound, Locking	
2	0100019	AR	Compound, Locking	
3	0681810	4	Bolt 1/2 x 1-1/4 Grade 8	
4	0682014	24	Bolt 5/8 x 1-3/4 Grade 8	
5	2780267	2	Drive Hub Assembly - Rear (See Separate Breakdown in this Section)	
6	2780268	2	Drive Hub Assembly - Front (See Separate Breakdown in this Section)	
7	3300106	36	Lugnut	
8	3311801	4	Nut 1/2	
9	3960526	4	Gasket, Brake	
10	4891800	8	Washer 1/2	
11	4892000	24	Washer 5/8	
12	1001278022	4	Drive Motor Assembly (See Separate Breakdown in this Section)	

SECTION 1 - FRAME

FIGURE 1-8. HUB - SPINDLE ASSEMBLY



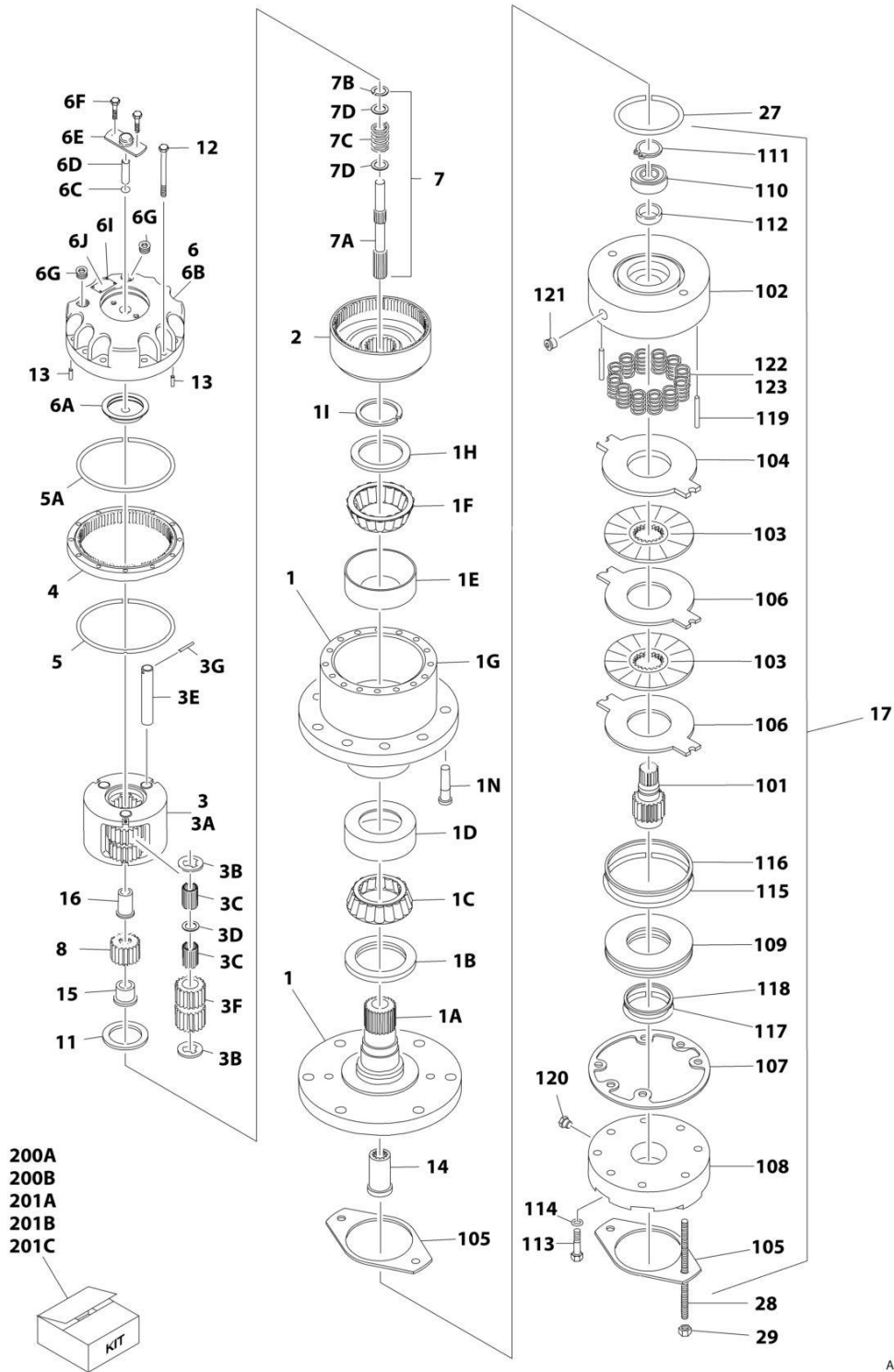
ART_1001214174

FIGURE 1-8. HUB - SPINDLE ASSEMBLY

ITEM	PART NUMBER	QTY	DESCRIPTION	REV
	1001214174	Ref	HUB - SPINDLE ASSEMBLY (2WD)	C
1	See Note	NSS	Spindle, Adapter (Note: Not Available for Purchase)	
2	7020033	1	Cap, Dust	
3	7020035	1	Hub, Casting	
4	7020036	1	Cup, Bearing	
5	7020037	1	Cone, Bearing	
6	7020038	1	Cup, Bearing	
7	7020039	1	Cone, Bearing	
8	7020040	1	Seal	
9	7020041	9	Stud	

SECTION 1 - FRAME

FIGURE 1-9. DRIVE HUB AND BRAKE ASSEMBLY - REAR



SECTION 1 - FRAME

FIGURE 1-9. DRIVE HUB AND BRAKE ASSEMBLY - REAR

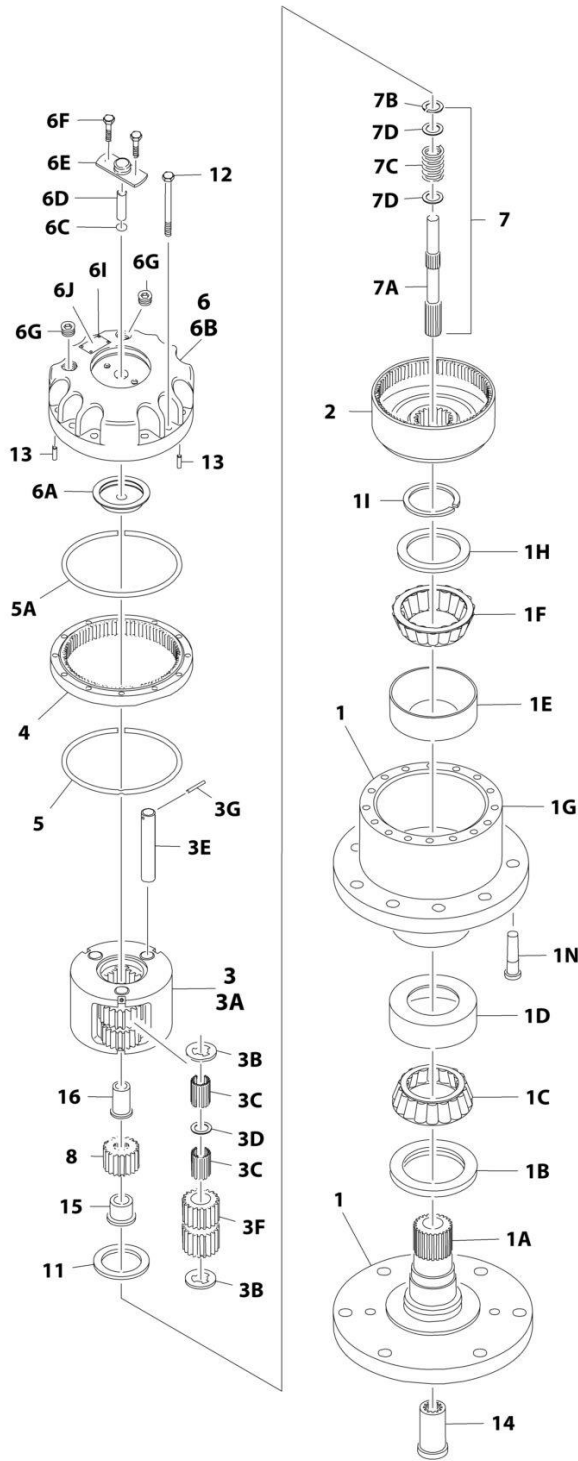
ITEM	PART NUMBER	QTY	DESCRIPTION	REV
	2780267	Ref	DRIVE HUB AND BRAKE ASSEMBLY - REAR	I
1	See Note	1	Spindle/Housing Assembly (Note: Purchase Individual Components)	
1A	7017059	1	Spindle	
1B	7001998	1	Seal	
1C	7010429	1	Cone, Bearing (Includes Item 1D)	
1D	7010429	1	Cup, Bearing (Includes Item 1C)	
1E	7000257	1	Cup, Bearing	
1F	7000258	1	Cone, Bearing	
1G	7007601	1	Housing/Ring Gear	
1H	7000232	1	Washer, Thrust	
1I	7000229	1	Ring, Retaining	
1N	7007640	9	Stud, Wheel	
2	7000246	1	Gear, Internal	
3	7024712	1	Carrier Assembly	
3A	See Note	1	Carrier (Note: Use Item 3)	
3B	See Note	6	Ring, Retaining (Note: Use Item 3)	
3C	See Note	AR	Bearing, Needle (Note: Use Item 3)	
3D	See Note	3	Washer, Thrust (Note: Use Item 3)	
3E	See Note	3	Shaft, Planet (Note: Use Item 3)	
3F	See Note	3	Gear, Planet (Note: Use Item 3)	
3G	See Note	3	Roll Pin (Note: Use Item 3)	
4	7000248	1	Ring Gear	
5	7000230	1	O-Ring	
5A	7017070	1	O-Ring	
6	70001349	1	Cover Assembly Kit	
6A	See Note	1	Spacer, Thrust (Note: Use Item 6)	
6B	See Note	1	Plate, Cover (Note: Use Item 6)	
6C	See Note	1	O-Ring (Note: Use Item 6)	
6D	See Note	1	Rod, Disconnect (Note: Use Item 6)	
6E	See Note	1	Cap, Disengage (Note: Use Item 6)	
6F	See Note	2	Bolt (Note: Use Item 6)	
6G	See Note	1	Plug, Pipe (Note: Use Item 6)	
6I	See Note	4	Rivet (Note: Not Available for Purchase)	
6J	See Note	1	Plate, ID (Note: Not Available for Purchase)	
7		Ref	Input Shaft Assembly	
7A	7024714	1	Shaft	
7B	7000261	1	Ring, Retaining	
7C	7000262	1	Spring	
7D	7000263	2	Spacer, Thrust	
8	7024713	1	Gear, Sun	
11	7000253	1	Washer, Thrust	
12	7017067	12	Bolt	
13	7017080	4	Pin, Dowel	
14	7000206	1	Coupling	
15	7024715	1	Spacer, Input	
16	7024716	1	Spacer, Input	
17	7024182	1	Brake Assembly (See Items 101-123 for Breakdown)	
27	7024705	1	O-Ring	
28	7024717	2	Rod, Threaded	

SECTION 1 - FRAME

ITEM	PART NUMBER	QTY	DESCRIPTION	REV
29	7024718	2	Nut 1/2in-13NC	
	7024182	Ref	BRAKE ASSEMBLY	
101	7024189	1	Shaft	
102	See Note	1	Housing (Note: Use Item 17)	
103	See Note	2	Plate, Friction (Note: Use Item 201B)	
104	See Note	1	Plate, Pressure (Note: Use Item 201B)	
105	7000731	2	Gasket	
106	See Note	2	Plate, Outer (Note: Use Item 201B)	
107	See Note	1	Gasket (Note: Use Item 200A, 201B or 201C)	
108	7024191	1	Cylinder	
109	7024192	1	Piston	
110	See Note	1	Bearing, Ball (Note: Use Item 201C)	
111	See Note	1	Ring, Retaining (Note: Use Item 201C)	
112	See Note	1	Seal, Shaft (Note: Use Item 201C)	
113	See Note	6	Capscrew (Note: Use Item 17)	
114	See Note	6	Lockwasher (Note: Use Item 17)	
115	See Note	1	O-Ring (Note: Use Item 200B)	
116	See Note	1	Ring, Back-up (Note: Use Item 200B)	
117	See Note	1	O-Ring (Note: Use Item 200B)	
118	See Note	1	Ring, Back-up (Note: Use Item 200B)	
119	7024190	2	Pin, Dowel	
120	See Note	1	Plug (Note: Use Item 17)	
121	See Note	2	Plug (Note: Use Item 17)	
122	See Note	12	Spring Kit (Natural) (Note: Use Item 201A)	
123	See Note	2	Spring Kit (Blue) (Note: Use Item 201A)	
		Ref	Kit Options	
200		Ref	Seal Kit Options:	
200A	See Note	1	Hub Seal Kit (Note: Purchase Individual Components)	
200B	7024194	1	Brake Seal Kit (Includes Items 105, 107 & 115-118)	
201		Ref	Repair Kit Options:	
201A	7024196	1	Brake Spring Kit (Includes 12 Natural Colored and 2 Blue Colored Springs Items 122 & 123)	
201B	7024193	1	Brake Friction Disc Kit (Includes Items 103, 104, 106 & 107)	
201C	7024197	1	Brake Bearing Kit (Includes Items 107 & 110-112)	

SECTION 1 - FRAME

FIGURE 1-10. DRIVE HUB ASSEMBLY - FRONT



ART_2780268

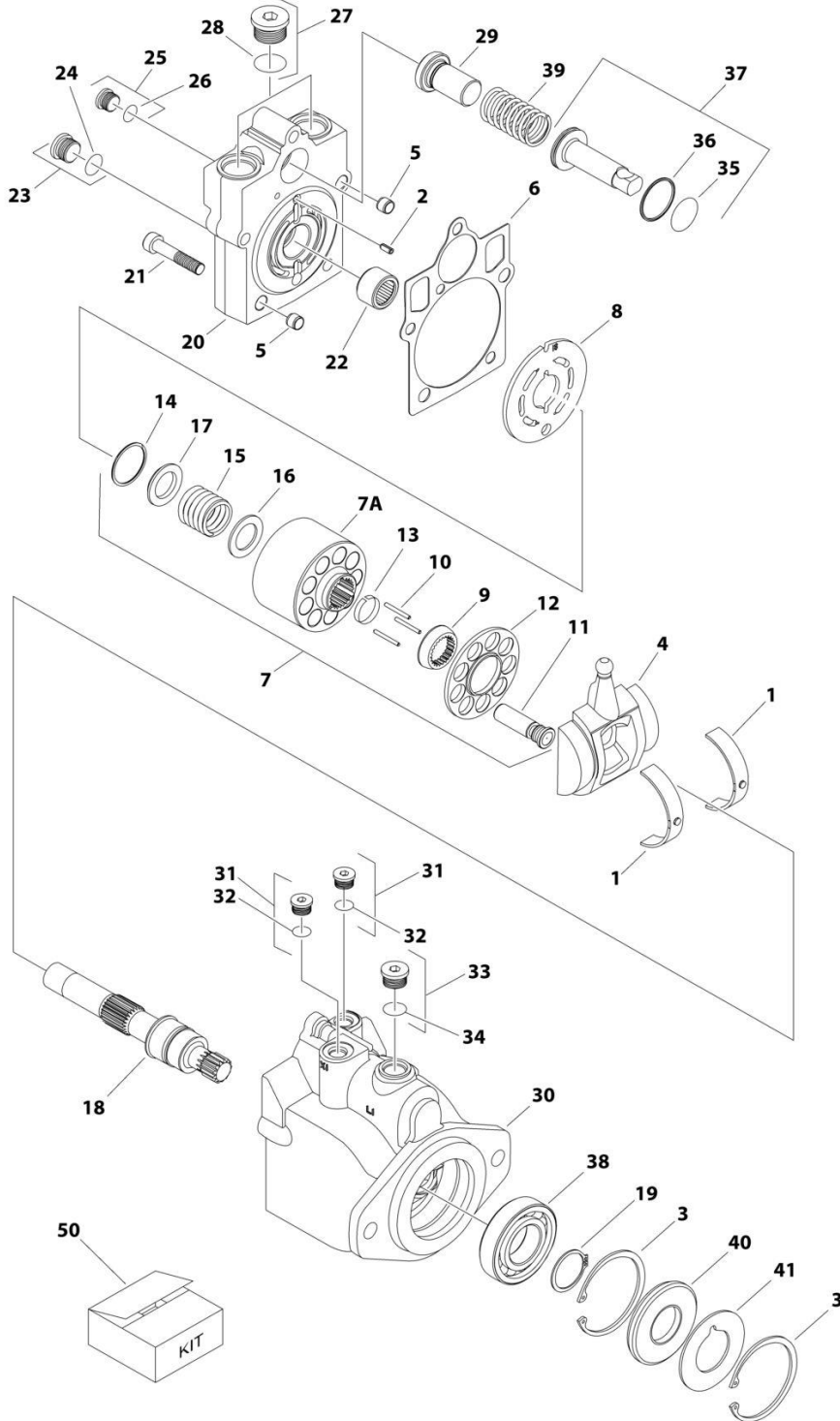
SECTION 1 - FRAME

FIGURE 1-10. DRIVE HUB ASSEMBLY - FRONT

ITEM	PART NUMBER	QTY	DESCRIPTION	REV
	2780268	Ref	DRIVE HUB ASSEMBLY - FRONT	F
1	See Note	1	Spindle/Housing Assembly (Note: Purchase Individual Components)	
1A	7017059	1	Spindle	
1B	7001998	1	Seal	
1C	7010429	1	Cone, Bearing (Includes Item 1D)	
1D	7010429	1	Cup, Bearing (Includes Item 1C)	
1E	7000257	1	Cup, Bearing	
1F	7000258	1	Cone, Bearing	
1G	7007601	1	Housing/Ring Gear	
1H	7000232	1	Washer, Thrust	
1I	7000229	1	Ring, Retaining	
1N	7007640	9	Stud, Wheel	
2	7000246	1	Gear, Internal	
3	7024712	1	Carrier Assembly	
3A	See Note	1	Carrier (Note: Use Item 3)	
3B	See Note	6	Ring, Retaining (Note: Use Item 3)	
3C	See Note	AR	Bearing, Needle (Note: Use Item 3)	
3D	See Note	3	Washer, Thrust (Note: Use Item 3)	
3E	See Note	3	Shaft, Planet (Note: Use Item 3)	
3F	See Note	3	Gear, Planet (Note: Use Item 3)	
3G	See Note	3	Roll Pin (Note: Use Item 3)	
4	7000248	1	Ring Gear	
5	7000230	1	O-Ring	
5A	7017070	1	O-Ring	
6	70001349	1	Cover Assembly Kit	
6A	See Note	1	Spacer, Thrust (Note: Use Item 6)	
6B	See Note	1	Plate, Cover (Note: Use Item 6)	
6C	See Note	1	O-Ring (Note: Use Item 6)	
6D	See Note	1	Rod, Disconnect (Note: Use Item 6)	
6E	See Note	1	Cap, Disengage (Note: Use Item 6)	
6F	See Note	2	Bolt (Note: Use Item 6)	
6G	See Note	1	Plug, Pipe (Note: Use Item 6)	
6I	See Note	4	Rivet (Note: Not Available for Purchase)	
6J	See Note	1	Plate, ID (Note: Not Available for Purchase)	
7		Ref	Input Shaft Assembly	
7A	7024714	1	Shaft	
7B	7000261	1	Ring, Retaining	
7C	7000262	1	Spring	
7D	7000263	2	Spacer, Thrust	
8	7024713	1	Gear, Sun	
11	7000253	1	Washer, Thrust	
12	7017067	12	Bolt	
13	7017080	4	Pin, Dowel	
14	7000206	1	Coupling	
15	7024715	1	Spacer, Input	
16	7024716	1	Spacer, Input	

SECTION 1 - FRAME

FIGURE 1-11. DRIVE MOTOR ASSEMBLY (2WD)



ART_3160351

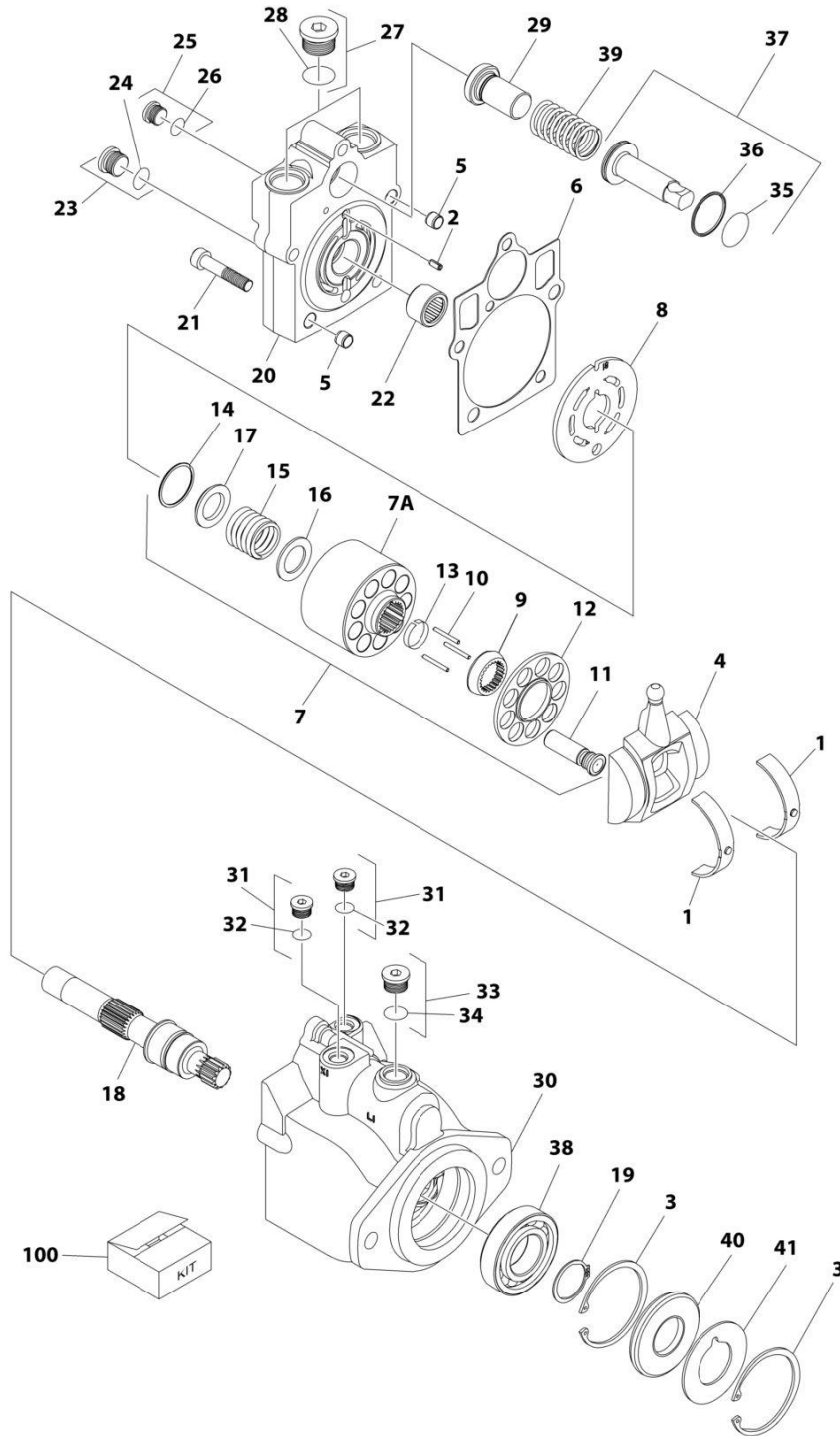
SECTION 1 - FRAME

FIGURE 1-11. DRIVE MOTOR ASSEMBLY (2WD)

ITEM	PART NUMBER	QTY	DESCRIPTION	REV
	3160351	Ref	DRIVE MOTOR ASSEMBLY (2WD)	D
1	7022302	2	Bearing, Journal	
2	7007446	1	Pin	
3	7007438	2	Ring, Retaining	
4	7022305	1	Swashplate	
5	See Note	2	Pin (Note: Not Available for Purchase)	
6	7022328	1	Gasket	
7	7023907	1	Cylinder Block Kit (Includes Items 7A & 9-17)	
7A	7023907	1	Block, Cylinder	
8	7023908	1	Plate, Valve	
9	7021277	1	Guide, Slipper Retainer	
10	7021275	3	Pin, Slipper Hold Down	
11	7023907	9	Piston Assembly	
12	7021276	1	Retainer, Hold Down Pin	
13	7023907	1	Retainer, Slipper	
14	7022311	1	Ring, Retaining	
15	7022312	1	Spring	
16	7024868	1	Washer	
17	7022314	1	Retainer, Spring	
18	7023910	1	Shaft	
19	7007439	1	Ring, Retaining	
20	70000797	1	Cap, End - Axial	
21	7022368	5	Screw	
22	7021249	1	Bearing, Needle	
23	2220886	1	Plug (Includes Item 24)	
24	7022328	1	O-Ring	
25	2220883	1	Plug (Includes Item 26)	
26	7022328	1	O-Ring	
27	7027419	2	Plug (Includes Item 28)	
28	7022328	2	O-Ring	
29	7024853	1	Seat, Spring	
30	See Note	NSS	Housing (Note: Not Available for Purchase – Purchase complete motor)	
31	2220883	2	Plug (Includes Item 32)	
32	7022328	2	O-Ring	
33	2220886	1	Plug (Includes Item 34)	
34	7022328	1	O-Ring	
35	7022328	1	O-Ring	
36	7022328	1	Ring, Seal	
37	7024854	1	Piston, Servo (Includes Items 35 & 36)	
38	7007437	1	Bearing	
39	7022326	1	Spring	
40	7022328	1	Seal, Lip	
41	7022371	1	Washer, Support	
50	7022328	1	Seal Kit (Includes Items 6, 24, 26, 28, 32, 34, 35, 36 & 40)	

SECTION 1 - FRAME

FIGURE 1-12. DRIVE MOTOR ASSEMBLY (4WD)



ART_3160348

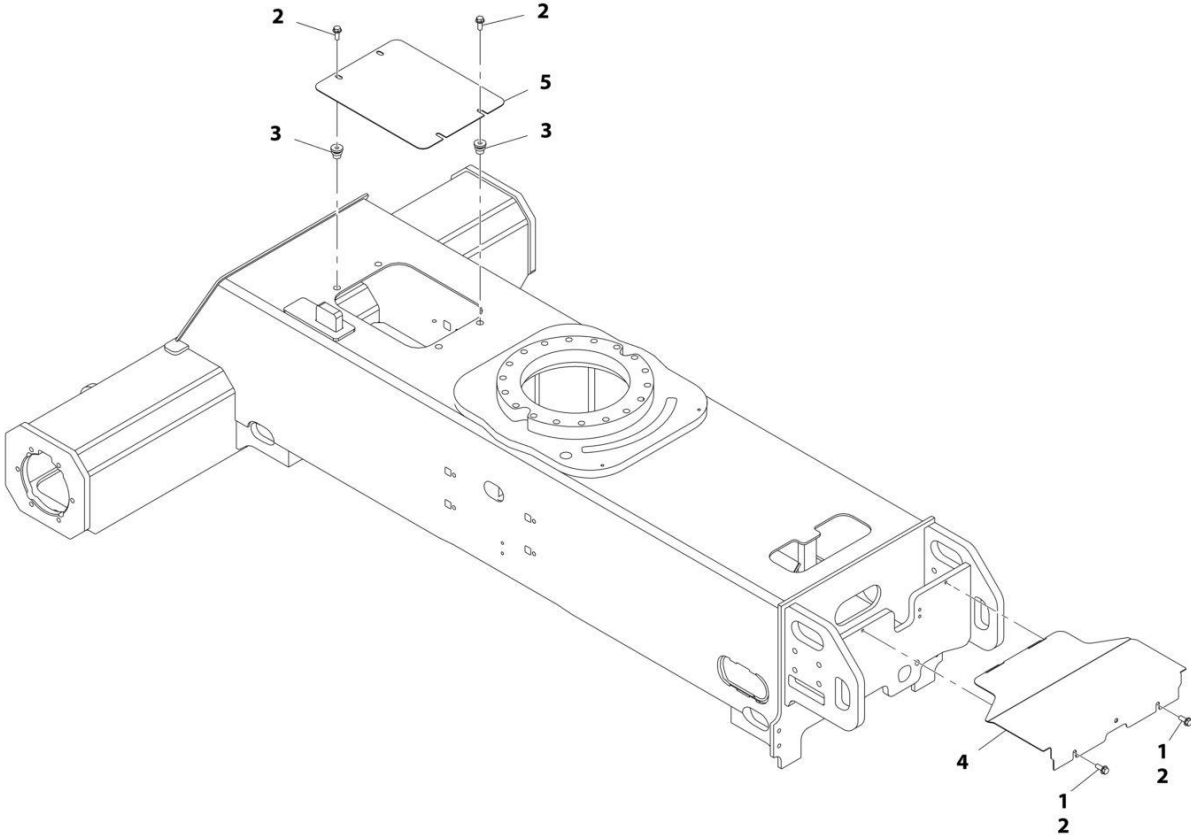
SECTION 1 - FRAME

FIGURE 1-12. DRIVE MOTOR ASSEMBLY (4WD)

ITEM	PART NUMBER	QTY	DESCRIPTION	REV
	3160348	Ref	DRIVE MOTOR ASSEMBLY	D
1	7022302	2	Bearing, Journal	
2	7007446	1	Pin	
3	7007438	2	Ring, Retaining	
4	7022305	1	Swash Plate	
5	See Note	2	Pin (Note: Not Available for Purchase)	
6	See Note	NSS	Gasket (Note: Use Item 100)	
7	7023907	1	Cylinder Block Kit (Includes Items 7A & 9-17)	
7A	See Note	NSS	Block, Cylinder (Note: Use Item 7)	
8	7023908	1	Plate, Valve	
9	7021277	1	Guide, Slipper Retainer	
10	7021275	3	Pin, Slipper Hold Down	
11	See Note	NSS	Piston Assembly (Note: Use Item 7)	
12	7022310	1	Retainer, Slipper	
13	7021276	1	Retainer, Hold Down Pin	
14	7022311	1	Ring, Retaining	
15	7022312	1	Spring	
16	7024868	1	Washer	
17	7022314	1	Retainer, Spring	
18	7023910	1	Shaft	
19	7007439	1	Ring, Retaining	
20	70000797	1	Cap, End - Axial	
21	7022368	5	Screw	
22	7021249	1	Bearing, Needle	
23	2220886	1	Plug (Includes Item 24)	
24	See Note	1	O-Ring (Note: Use Item 23 or 100)	
25	2220883	1	Plug (Includes Item 26)	
26	See Note	NSS	O-Ring (Note: Use Item 25 or 100)	
27	2220888	2	Plug (Includes Item 28)	
28	See Note	NSS	O-Ring (Note: Use Item 27 or 100)	
29	7022372	1	Seat, Spring	
30	See Note	NSS	Housing (Note: Not Available - Purchase Complete Assembly)	
31	2220883	2	Plug (Includes Item 32)	
32	See Note	NSS	O-Ring (Note: Use Item 31 or 100)	
33	2220886	1	Plug (Includes Item 34)	
34	See Note	NSS	O-Ring (Note: Use Item 33 or 100)	
35	See Note	NSS	O-Ring (Note: Use Item 100)	
36	See Note	NSS	Ring, Seal (Note: Use Item 100)	
37	7024854	1	Piston, Servo (Includes Items 35 & 36)	
38	7007437	1	Bearing	
39	7022326	1	Spring	
40	See Note	1	Seal, Lip (Note: Use Item 100)	
41	7022371	1	Washer, Support	
		Ref	KIT OPTIONS:	
100	7022328	1	Seal Kit (Includes Items 6, 24, 26, 28, 32, 34, 35, 36 & 40)	

SECTION 1 - FRAME

FIGURE 1-13. FRAME SHIELD INSTALLATION



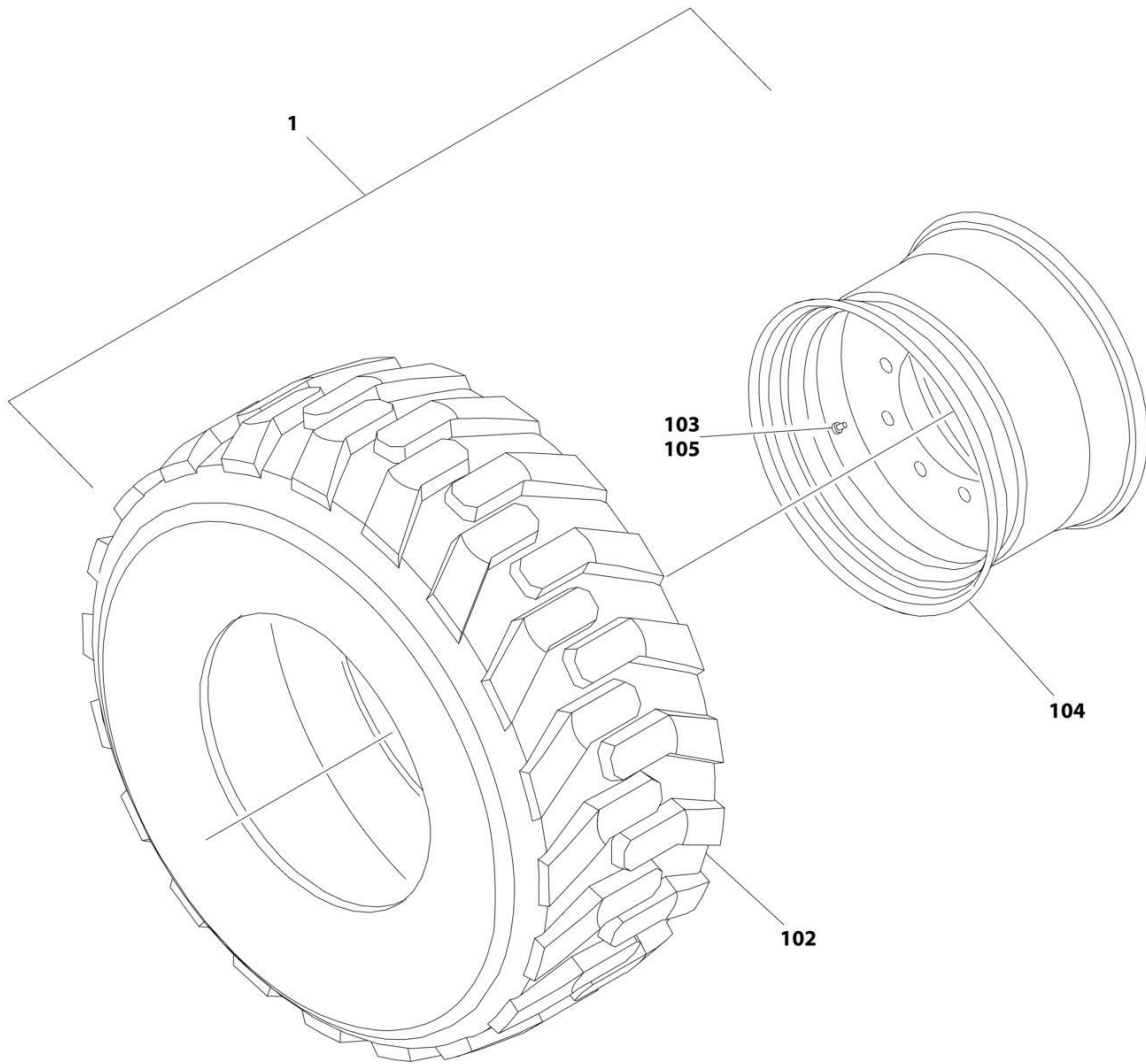
ART_1001162105

FIGURE 1-13. FRAME SHIELD INSTALLATION

ITEM	PART NUMBER	QTY	DESCRIPTION	REV
	1001162105	Ref	FRAME SHIELD INSTALLATION	B
1	0100011	AR	Compound, Locking	
2	5251012	6	Bolt, M10 x 25	
3	1001180916	4	Nut	
4	1001162107	1	Plate, Valve Cover	
5	1001165968	1	Plate, Cover	

SECTION 1 - FRAME

FIGURE 1-14. TIRE AND WHEEL INSTALLATION - 12 X 16.5 FOAM FILLED (AVAILABLE ON ANSI, ANSI EXPORT, CSA AND JAPANESE SPECS)



ART_0270092

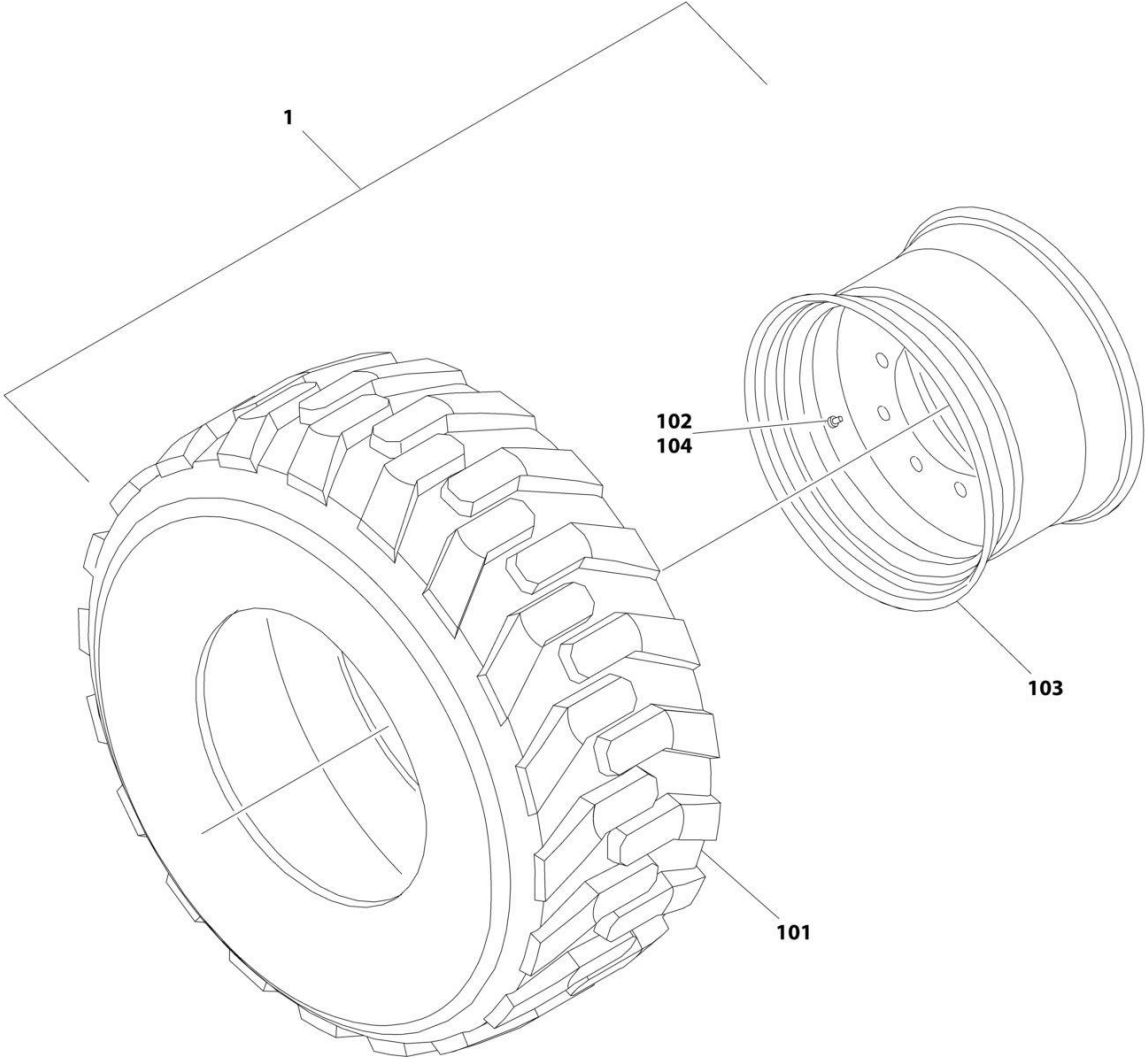
SECTION 1 - FRAME

FIGURE 1-14. TIRE AND WHEEL INSTALLATION - 12 X 16.5 FOAM FILLED (AVAILABLE ON ANSI, ANSI EXPORT, CSA AND JAPANESE SPECS)

ITEM	PART NUMBER	QTY	DESCRIPTION	REV
	0270092	Ref	TIRE AND WHEEL INSTALLATION - 12 X 16.5 FOAM FILLED Note: Assemblies may require ballast/foam filling to manufacturer's specifications prior to installing on a machine. Refer to Operation and Safety or Service and Maintenance Manuals. Purchase individual tire and/or rim only if able to foam fill tire and wheel assembly, otherwise, purchase complete assembly.	C
		Ref		
1	1001148865	2	Tire and Wheel Assembly - 12 x 16.5 (RH Side)	G
1	1001148866	2	Tire and Wheel Assembly - 12 x 16.5 (LH Side)	G
102	4520216	4	Tire - 12 x 16.5	
103	4641122	4	Valve	
104	1001147274	4	Rim, Wheel	
105	1001149953	4	Cap, Valve Stem	

SECTION 1 - FRAME

**FIGURE 1-15. TIRE AND WHEEL INSTALLATION - 12 X 16.5 FOAM FILLED NON MARKING
(AVAILABLE ON ANSI, ANSI EXPORT, CSA AND JAPANESE SPECS)**



ART_0270653

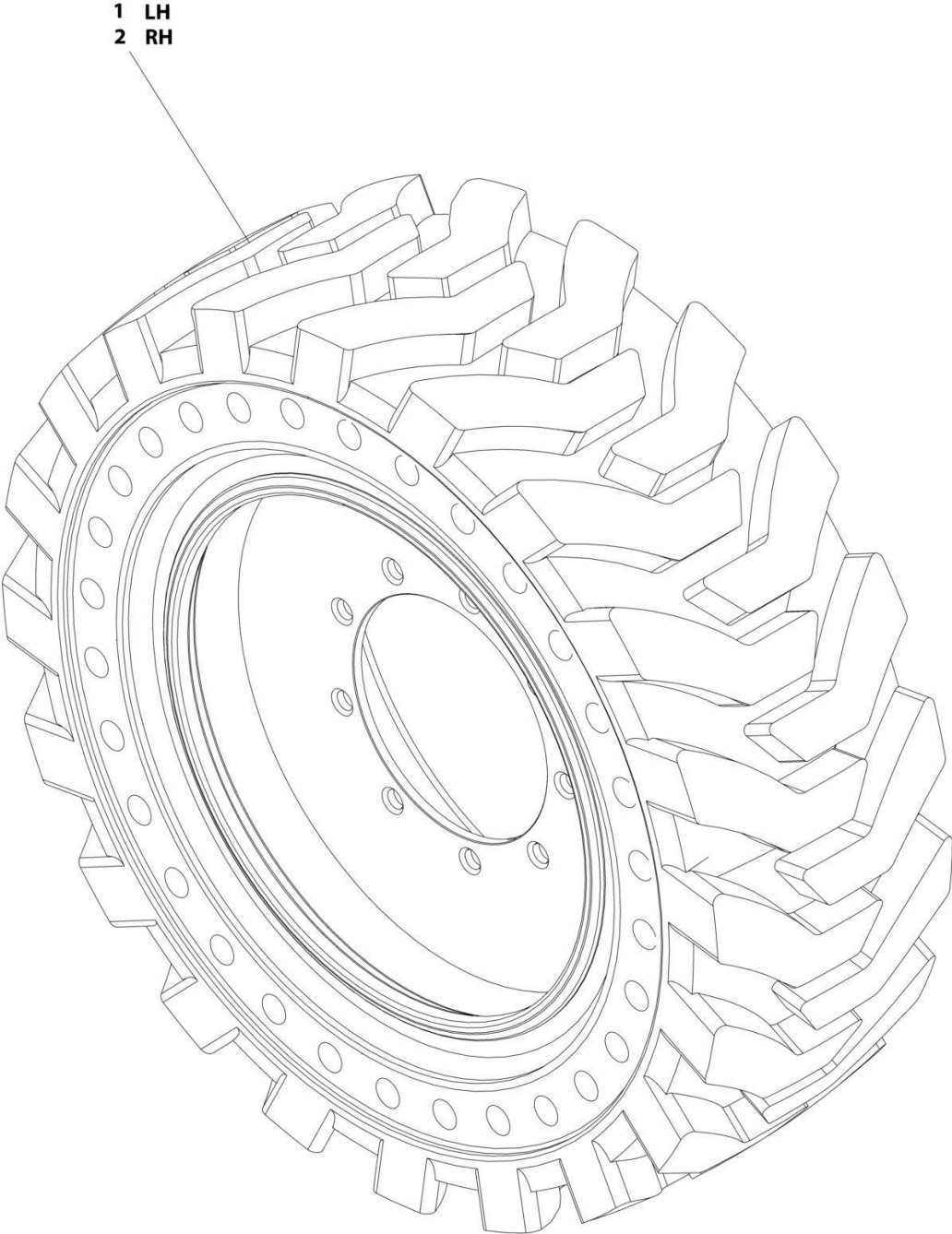
SECTION 1 - FRAME

**FIGURE 1-15. TIRE AND WHEEL INSTALLATION - 12 X 16.5 FOAM FILLED NON MARKING
(AVAILABLE ON ANSI, ANSI EXPORT, CSA AND JAPANESE SPECS)**

ITEM	PART NUMBER	QTY	DESCRIPTION	REV
	0270653	Ref Ref	TIRE AND WHEEL INSTALLATION - 12 X 16.5 FOAM FILLED Note: Assemblies may require ballast/foam filling to manufacturer's specifications prior to installing on a machine. Refer to Operation and Safety or Service and Maintenance Manuals. Purchase individual tire and/or rim only if able to foam fill tire and wheel assembly, otherwise, purchase complete assembly.	B
1	1001148869	1	Tire and Wheel Assembly - Right Side	H
1	1001148870	1	Tire and Wheel Assembly - Left Side	H
101	4520240	1	Tire 12 x 16.5 Non-Marking	
102	4641122	1	Valve	
103	1001147274	1	Rim, Wheel	
104	1001149953	1	Cap, Valve Stem	

SECTION 1 - FRAME

FIGURE 1-16. TIRE AND WHEEL INSTALLATION - 33 X 12-20 SOLID NON-MARKING (AVAILABLE ON ANSI EXPORT, AUSTRALIAN, CE AND RUSSIA SPECS)



ART_1001169062

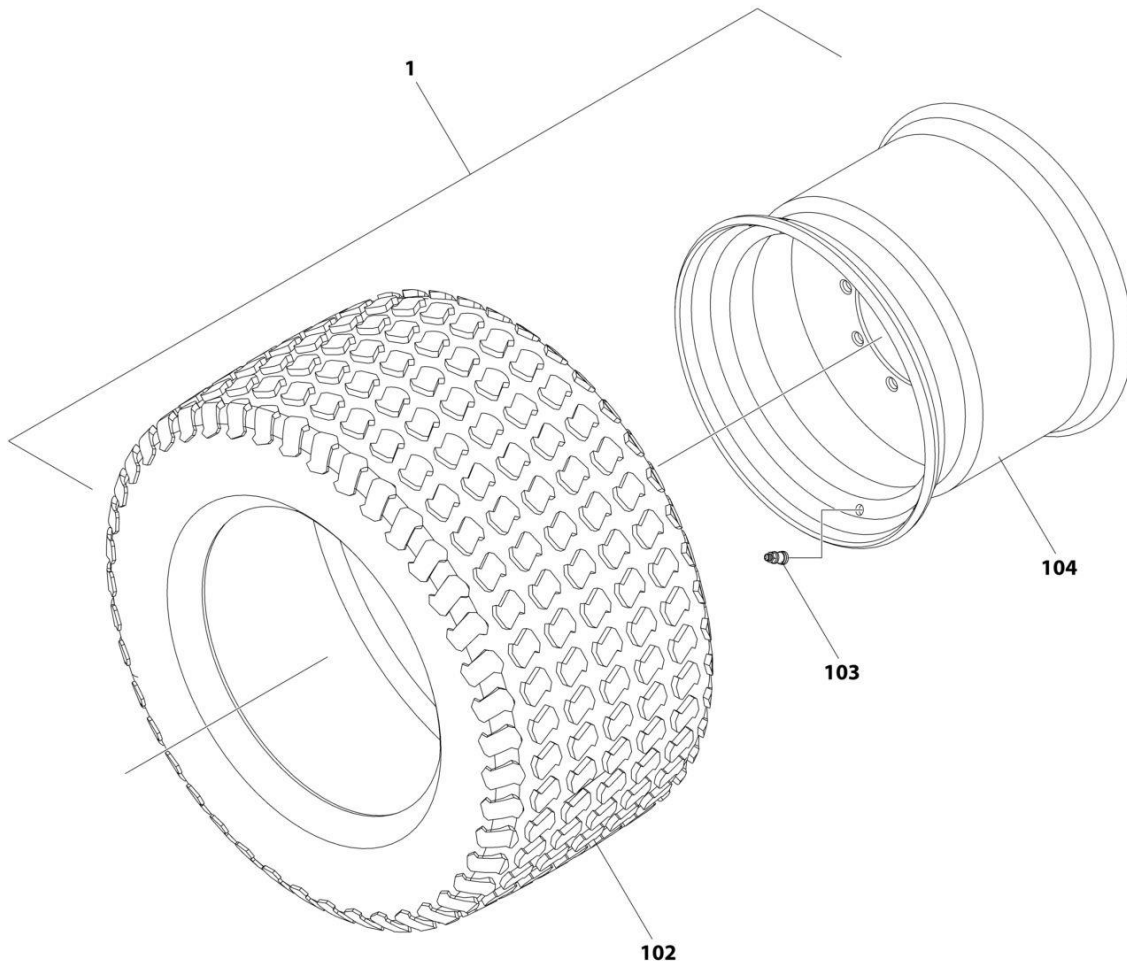
SECTION 1 - FRAME

FIGURE 1-16. TIRE AND WHEEL INSTALLATION - 33 X 12-20 SOLID NON-MARKING (AVAILABLE ON ANSI EXPORT, AUSTRALIAN, CE AND RUSSIA SPECS)

ITEM	PART NUMBER	QTY	DESCRIPTION	REV
	1001169062	Ref	TIRE AND WHEEL INSTALLATION - 33 X 12-20 SOLID NON-MARKING	A
		Ref	Note: Due to critical stable weights, only replace tire and wheel assemblies with like components.	
1	1001170098	2	Tire and Wheel Assembly - 33 x 12-20 Solid Non-Marking (LH Side)	
2	1001170099	2	Tire and Wheel Assembly - 33 x 12-20 Solid Non-Marking (RH Side)	

SECTION 1 - FRAME

FIGURE 1-17. TIRE AND WHEEL INSTALLATION - 33 X 16L500 TURF AND SAND FOAM-FILLED
(AVAILABLE ON ANSI, ANSI EXPORT & CSA SPECS)



ART_1001272447

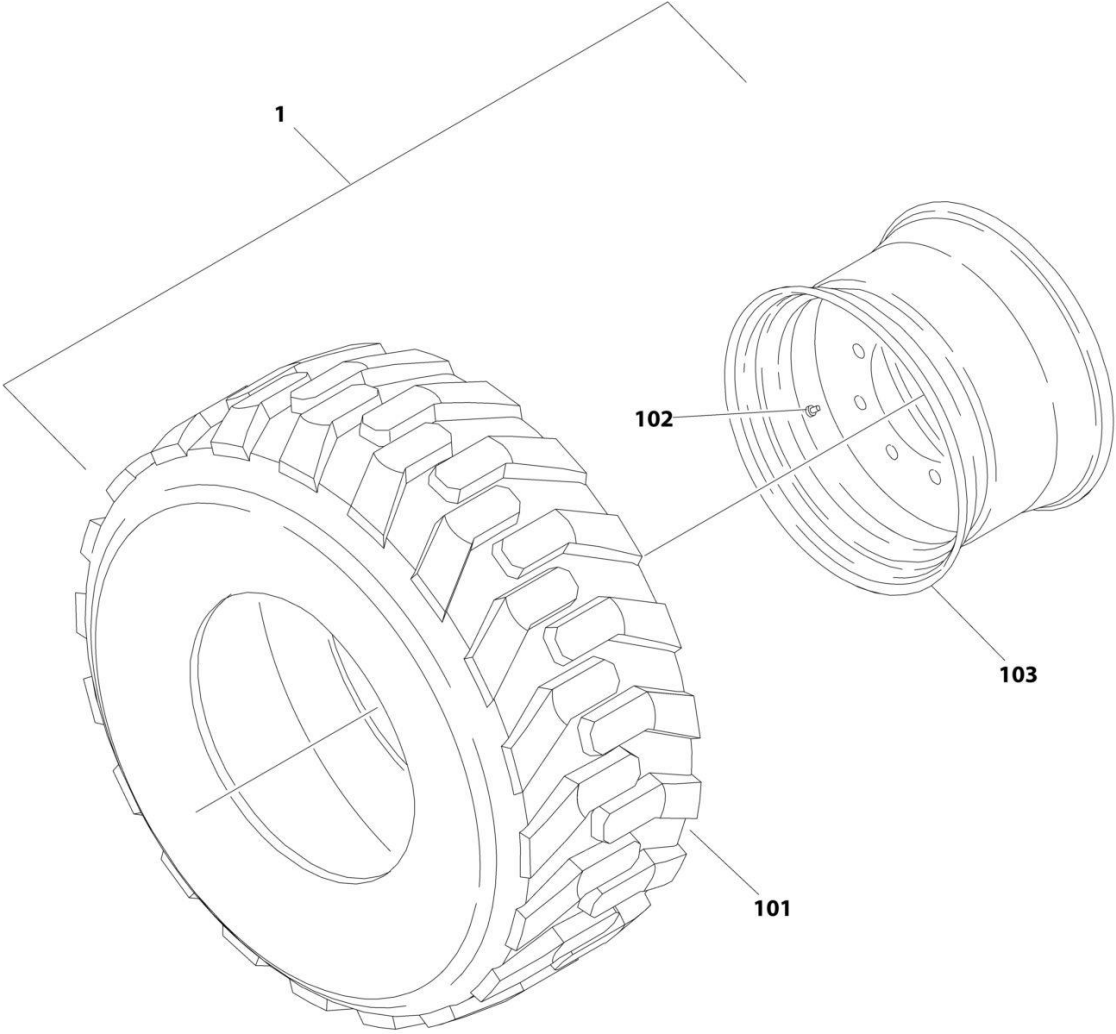
SECTION 1 - FRAME

**FIGURE 1-17. TIRE AND WHEEL INSTALLATION - 33 X 16L500 TURF AND SAND FOAM-FILLED
(AVAILABLE ON ANSI, ANSI EXPORT & CSA SPECS)**

ITEM	PART NUMBER	QTY	DESCRIPTION	REV
	1001272447	Ref	TIRE AND WHEEL INSTALLATION - 33 X 16L500 TURF AND SAND FOAM-FILLED (AVAILABLE ON ANSI, ANSI EXPORT & CSA SPECS)	A
		Ref	Note: Assemblies may require ballast/foam filling to manufacturer's specifications prior to installing on a machine. Refer to Operation and Safety or Service and Maintenance Manuals. Purchase individual tire and/or rim only if able to foam fill tire and wheel assembly, otherwise, purchase complete assembly.	
1	1001272446	4	Tire and Wheel Assembly	A
102	4520262	4	Tire, 33 x 16L500	
103	4640113	4	Valve, Stem	
104	4860237	4	Rim, Wheel	

SECTION 1 - FRAME

FIGURE 1-18. TIRE AND WHEEL INSTALLATION - 33/1550 X 16.5 FOAM-FILLED (AVAILABLE ON ALL SPECS)



ART_1001169075

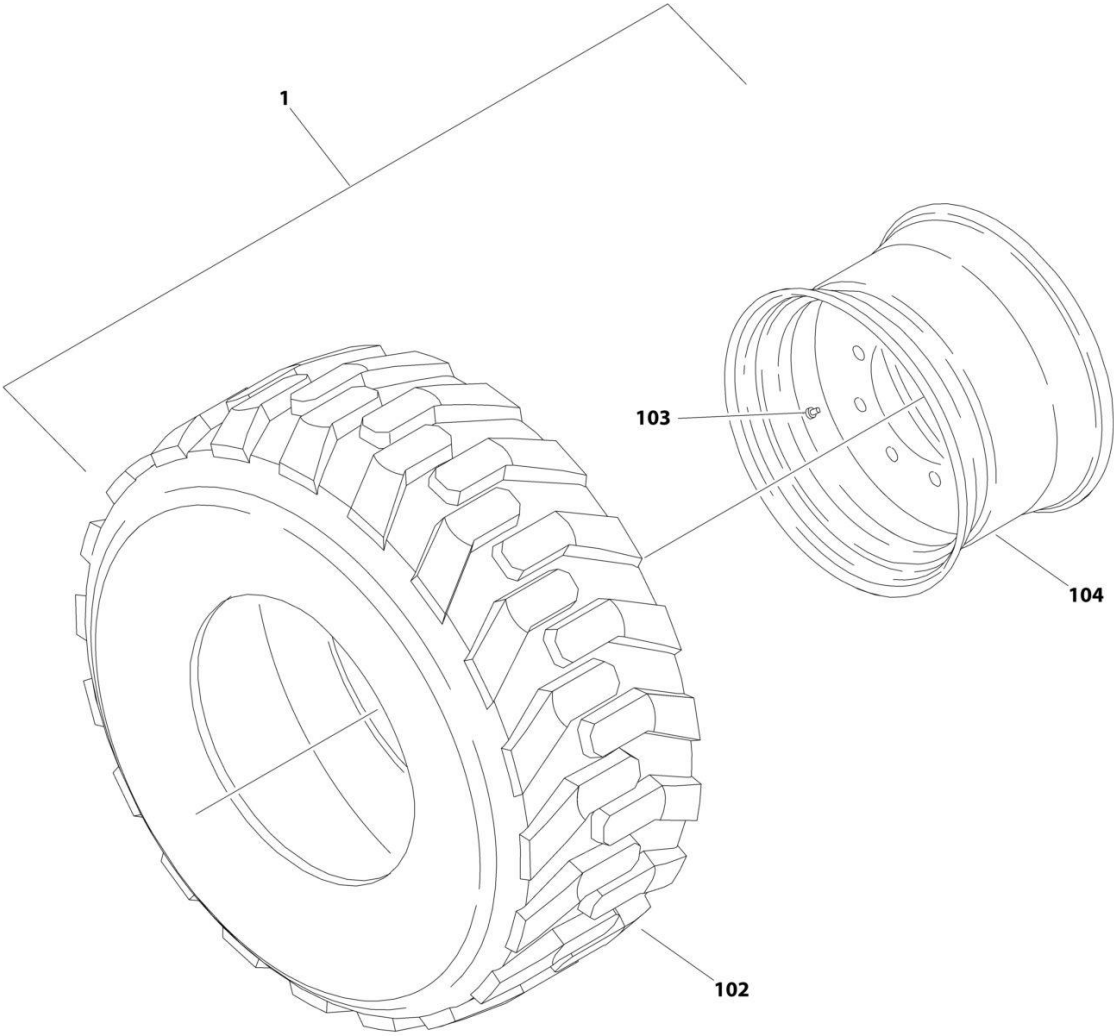
SECTION 1 - FRAME

FIGURE 1-18. TIRE AND WHEEL INSTALLATION - 33/1550 X 16.5 FOAM-FILLED (AVAILABLE ON ALL SPECS)

ITEM	PART NUMBER	QTY	DESCRIPTION	REV
	1001169075	Ref	TIRE AND WHEEL INSTALLATION - 33/1550 X 16.5 FOAM-FILLED	A
		Ref	Note: Assemblies may require ballast/foam filling to manufacturer's specifications prior to installing on a machine. Refer to Operation and Safety or Service and Maintenance Manuals. Purchase individual tire and/or rim only if able to foam fill tire and wheel assembly, otherwise, purchase complete assembly.	
1	0258011	2	Tire and Wheel Assembly (RH Side)	I
1	0258012	2	Tire and Wheel Assembly (LH Side)	I
101	4520217	4	Tire, 33/1550 x 16.5	
102	8786514	4	Valve, Stem	
103	4860179	4	Rim, Wheel	

SECTION 1 - FRAME

FIGURE 1-19. TIRE AND WHEEL INSTALLATION - 315/55 D20 FOAM FILLED (AVAILABLE ON ANSI EXPORT, AUSTRALIAN, CE, CHINA AND RUSSIA SPECS)



ART_1001166157

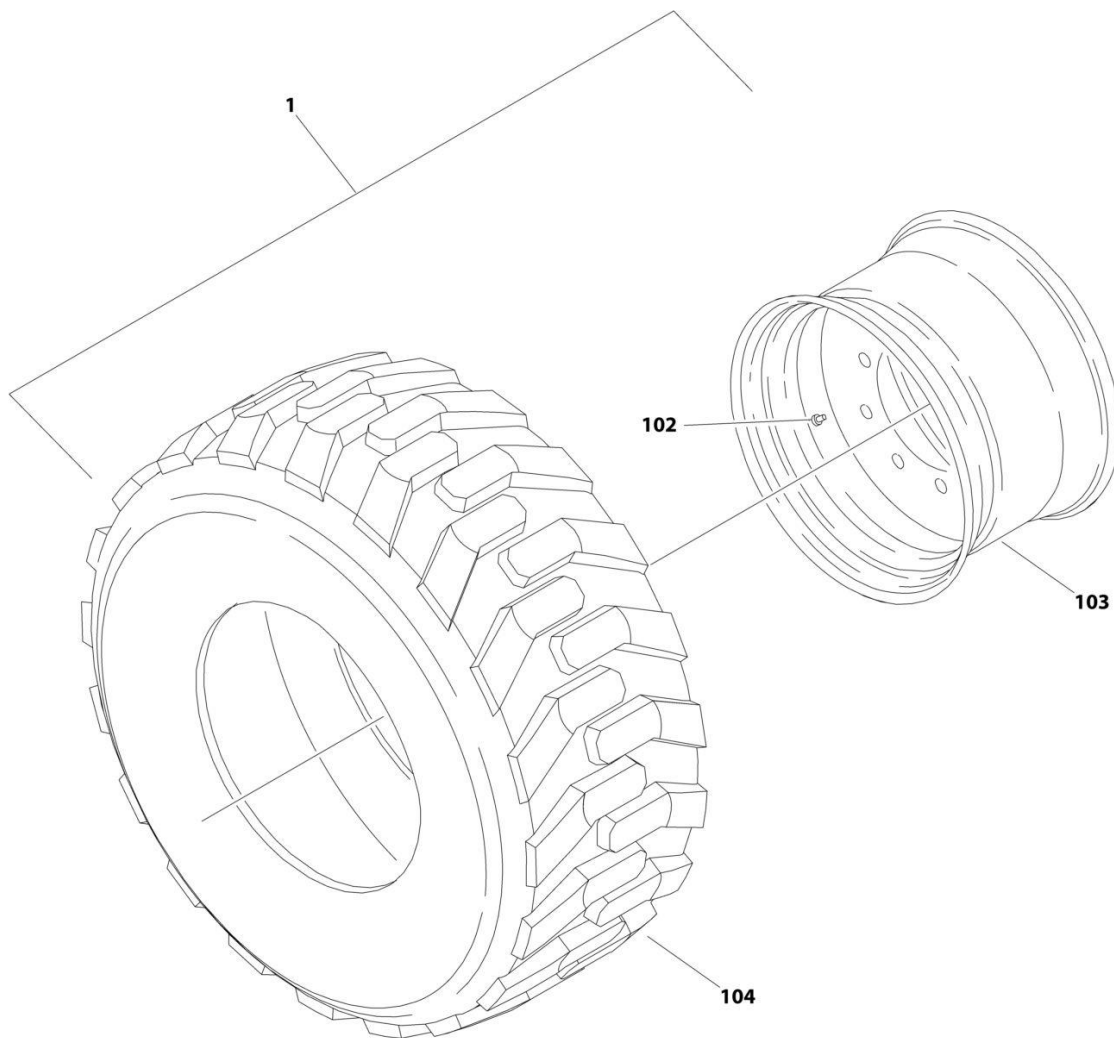
SECTION 1 - FRAME

FIGURE 1-19. TIRE AND WHEEL INSTALLATION - 315/55 D20 FOAM FILLED (AVAILABLE ON ANSI EXPORT, AUSTRALIAN, CE, CHINA AND RUSSIA SPECS)

ITEM	PART NUMBER	QTY	DESCRIPTION	REV
	1001166157	Ref Ref	TIRE AND WHEEL INSTALLATION - 315/55 D20 FOAM FILLED Note: Assemblies may require ballast/foam filling to manufacturer's specifications prior to installing on a machine. Refer to Operation and Safety or Service and Maintenance Manuals. Purchase individual tire and/or rim only if able to foam fill tire and wheel assembly, otherwise, purchase complete assembly.	A
1	1001166155	2	Tire and Wheel Assembly (LH Side)	I
1	1001166156	2	Tire and Wheel Assembly (RH Side)	I
102	4520608	4	Tire IN315/55/D20	
103	4641122	4	Valve, Stem	
104	1001166153	4	Rim, Wheel	

SECTION 1 - FRAME

FIGURE 1-20. TIRE AND WHEEL INSTALLATION - 315/55 D20 FOAM FILLED NON-MARKING
(AVAILABLE ON ANSI EXPORT, AUSTRALIAN, CE, CHINA AND RUSSIA SPECS)



ART_1001169058

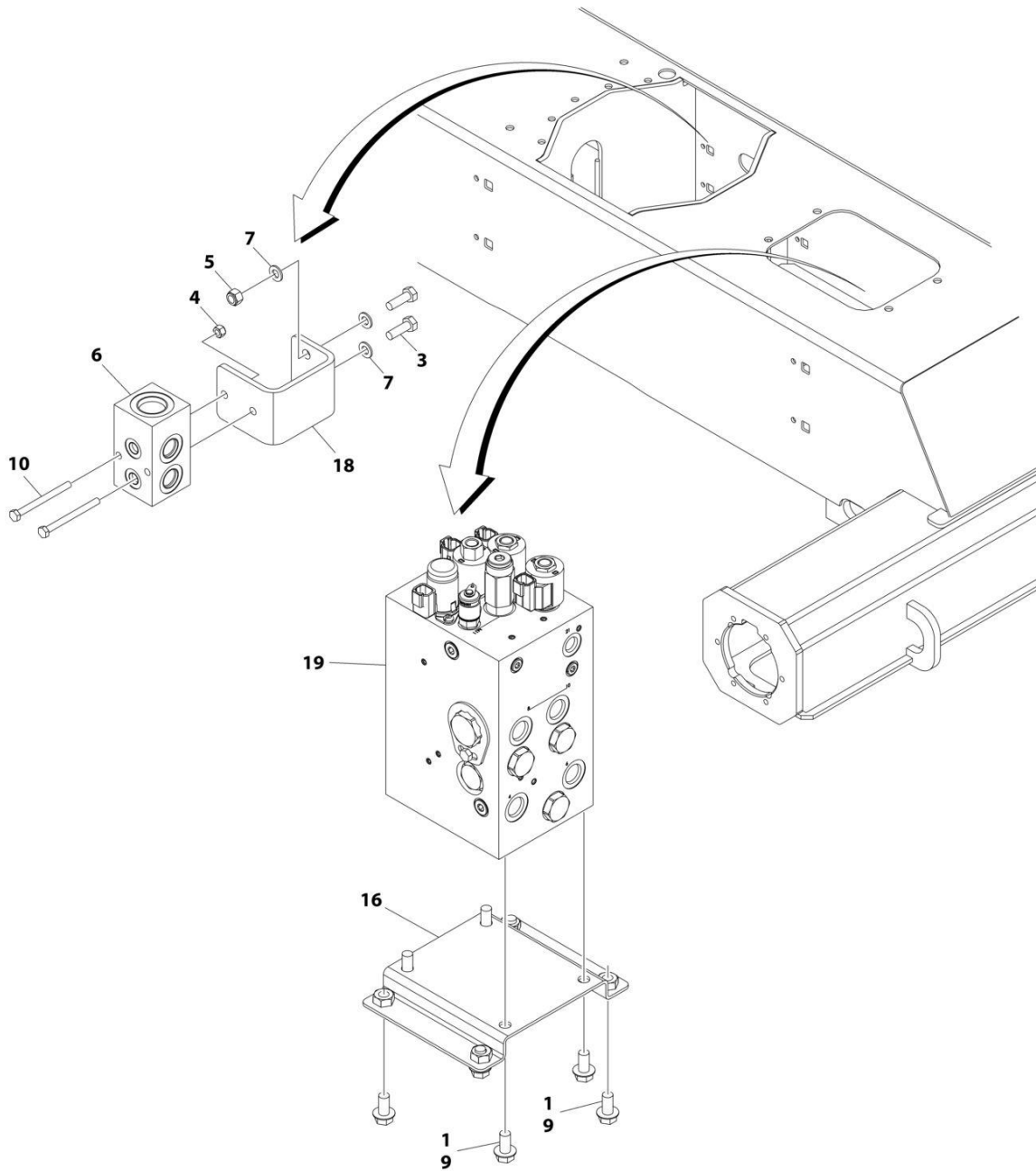
SECTION 1 - FRAME

**FIGURE 1-20. TIRE AND WHEEL INSTALLATION - 315/55 D20 FOAM FILLED NON-MARKING
(AVAILABLE ON ANSI EXPORT, AUSTRALIAN, CE, CHINA AND RUSSIA SPECS)**

ITEM	PART NUMBER	QTY	DESCRIPTION	REV
	1001169058	Ref	TIRE AND WHEEL INSTALLATION - 315/55 D20 FOAM FILLED NON-MARKING	A
		Ref	Note: Assemblies may require ballast/foam filling to manufacturer's specifications prior to installing on a machine. Refer to Operation and Safety or Service and Maintenance Manuals. Purchase individual tire and/or rim only if able to foam fill tire and wheel assembly, otherwise, purchase complete assembly.	
1	1001170459	2	Tire and Wheel Assembly (RH Side)	F
1	1001170460	2	Tire and Wheel Assembly (LH Side)	F
102	4641122	4	Valve, Stem	
103	1001166153	4	Rim, Wheel	
104	1001170458	4	Tire 315/55 D20 Non Marking	

SECTION 1 - FRAME

FIGURE 1-21. 2WD VALVES INSTALLATION - 450A FRAME MOUNTED



ART_1001215659_10F3

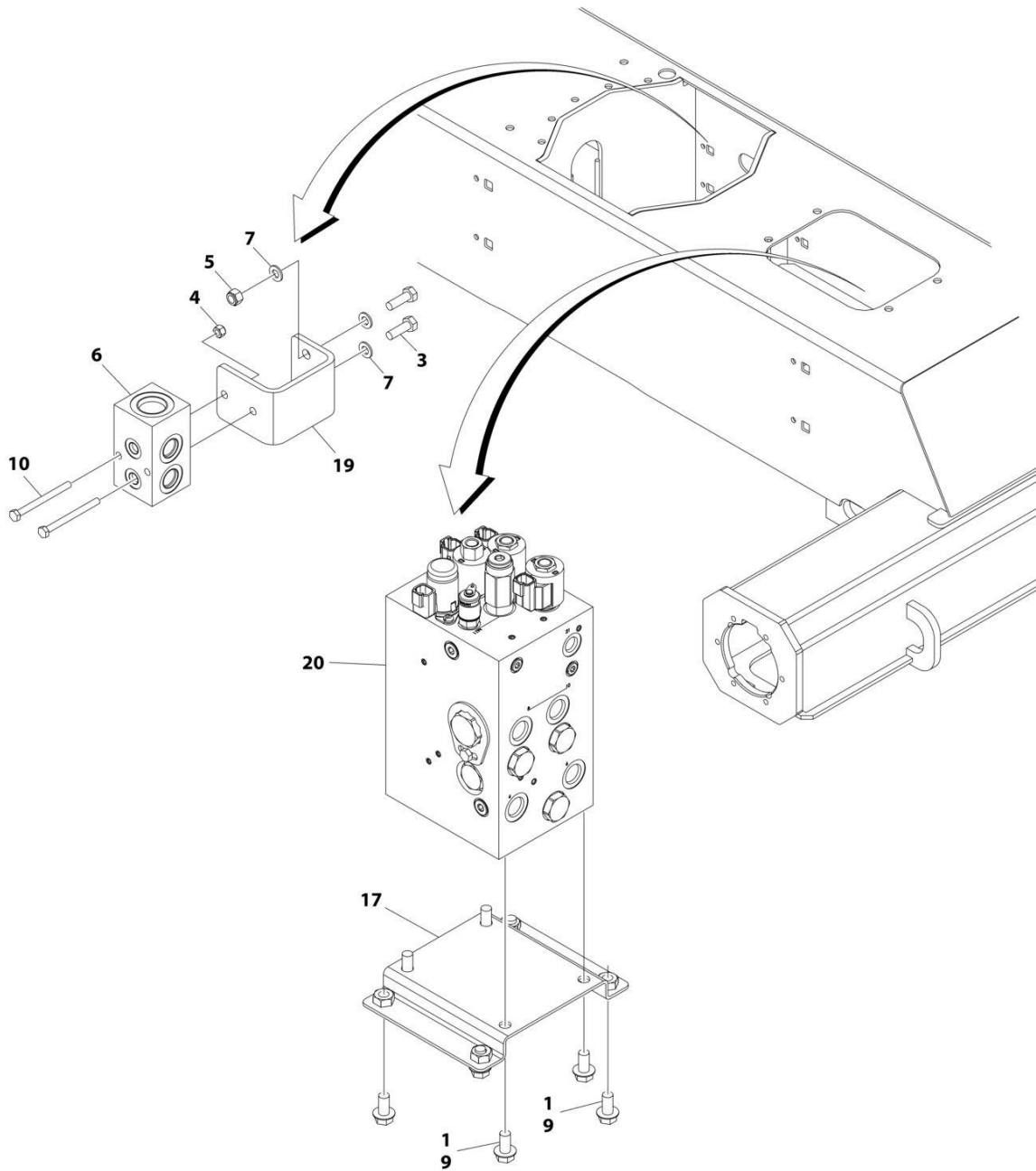
SECTION 1 - FRAME

FIGURE 1-21. 2WD VALVES INSTALLATION - 450A FRAME MOUNTED

ITEM	PART NUMBER	QTY	DESCRIPTION	REV
	1001215659	Ref	2WD VALVES INSTALLATION - 450A FRAME MOUNTED	D
1	0100011	AR	Compound, Locking	
3	0760812	2	Bolt M8 x 25	
4	3290605	2	Nut M6	
5	3290805	2	Nut M8	
6	4641155	1	Junction Valve Assembly	
7	4811900	4	Washer M8	
9	5251010	8	Bolt M10 x 20	
10	1001096653	2	Bolt M6 x 70	
16	1001179517	1	Bracket	
18	1001197221	1	Bracket	
19	1001214316	1	Traction Valve Assembly (See Separate Breakdown in this Section)	

SECTION 1 - FRAME

FIGURE 1-22. 2WD VALVES INSTALLATION - 450AJ FRAME MOUNTED



ART_1001214163_10F3

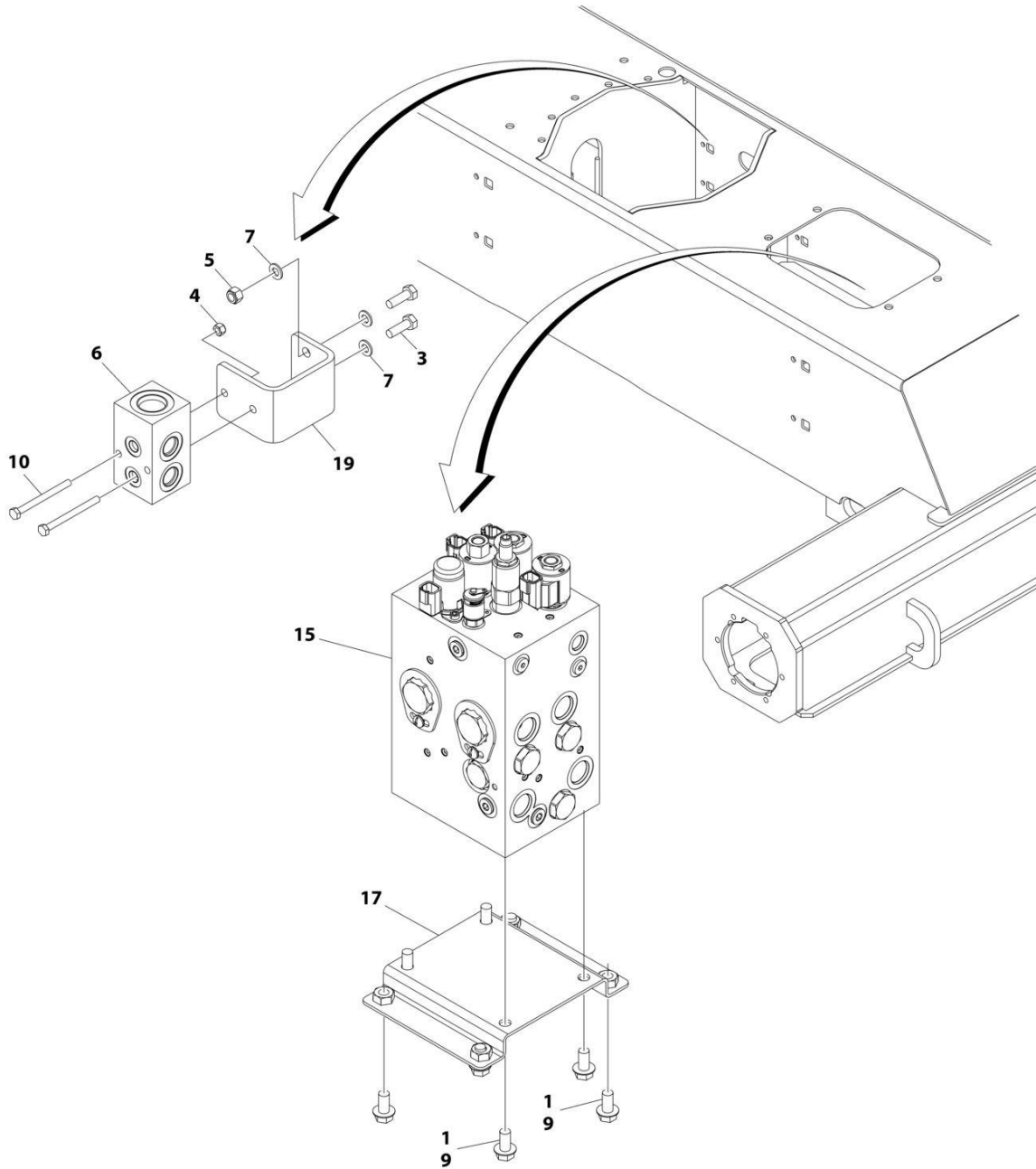
SECTION 1 - FRAME

FIGURE 1-22. 2WD VALVES INSTALLATION - 450AJ FRAME MOUNTED

ITEM	PART NUMBER	QTY	DESCRIPTION	REV
	1001214163	Ref	2WD VALVES INSTALLATION - 450AJ FRAME MOUNTED	C
1	0100011	AR	Compound, Locking	
3	0760812	2	Bolt M8 x 25	
4	3290605	2	Nut M6	
5	3290805	2	Nut M8	
6	4641155	1	Junction Valve Assembly	
7	4811900	4	Washer M8	
9	5251010	8	Bolt M10 x 20	
10	1001096653	2	Bolt M6 x 70	
17	1001179517	1	Bracket	
19	1001197221	1	Bracket	
20	1001214316	1	Traction Valve Assembly (See Separate Breakdown in this Section)	

SECTION 1 - FRAME

FIGURE 1-23. 4WD VALVES INSTALLATION - 450A FRAME MOUNTED



ART_1001215378_10F3

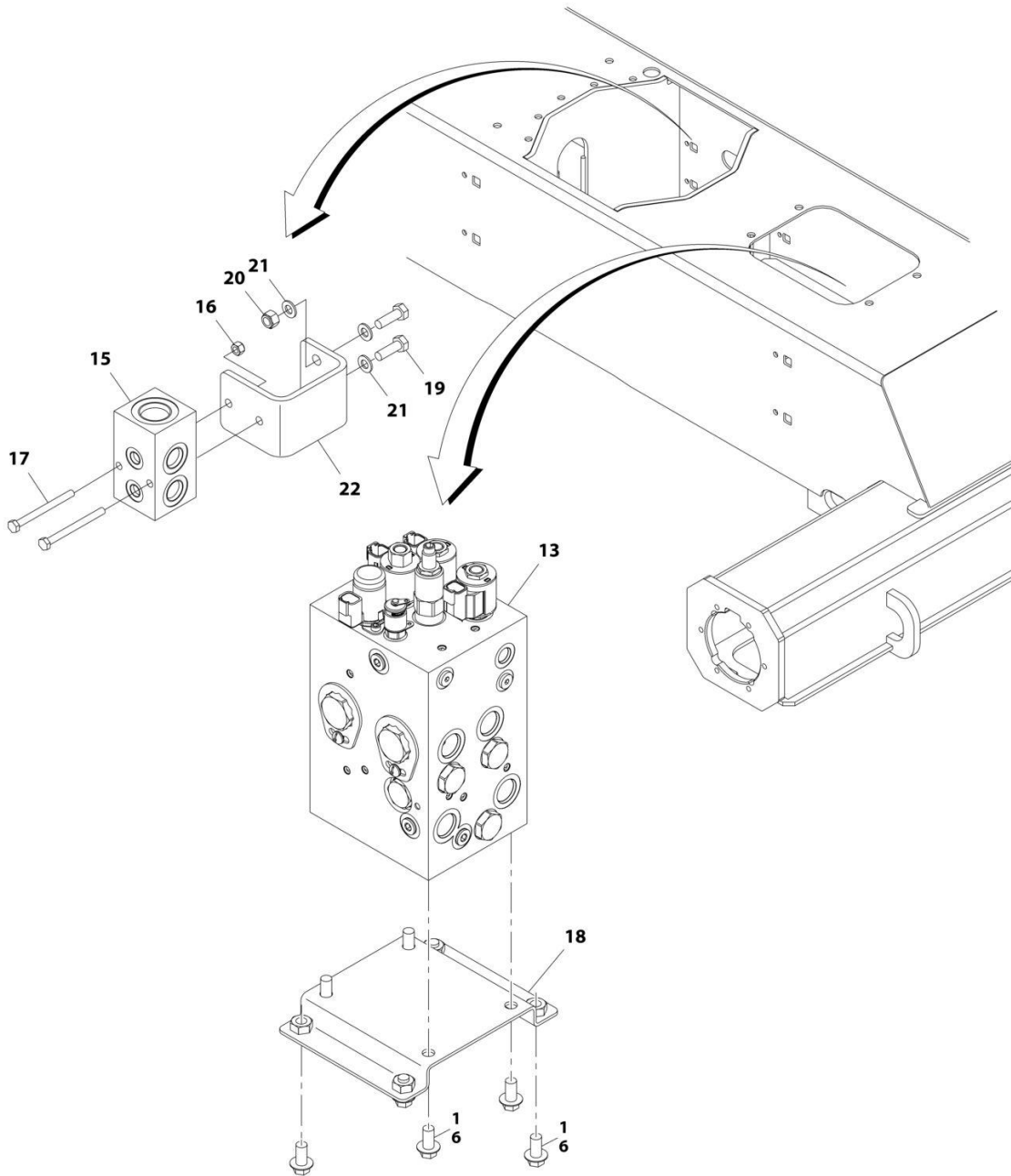
SECTION 1 - FRAME

FIGURE 1-23. 4WD VALVES INSTALLATION - 450A FRAME MOUNTED

ITEM	PART NUMBER	QTY	DESCRIPTION	REV
	1001215378	Ref	4WD VALVES INSTALLATION - 450A FRAME MOUNTED	D
1	0100011	AR	Compound, Locking	
3	0760812	2	Bolt M8 x 25	
4	3290605	2	Nut M6	
5	3290805	2	Nut M8	
6	4641155	1	Junction Valve Assembly	
7	4811900	4	Washer M8	
9	5251010	8	Bolt M10 x 20	
10	1001096653	2	Bolt M6 x 70	
15	1001162539	1	Traction Valve Assembly (See Separate Breakdown in this Section)	
17	1001179517	1	Bracket	
19	1001197221	1	Bracket	

SECTION 1 - FRAME

FIGURE 1-24. 4WD VALVES INSTALLATION - 450AJ FRAME MOUNTED (MACHINES WITH SN STARTING WITH 03)



ART_1001165948_1OF3

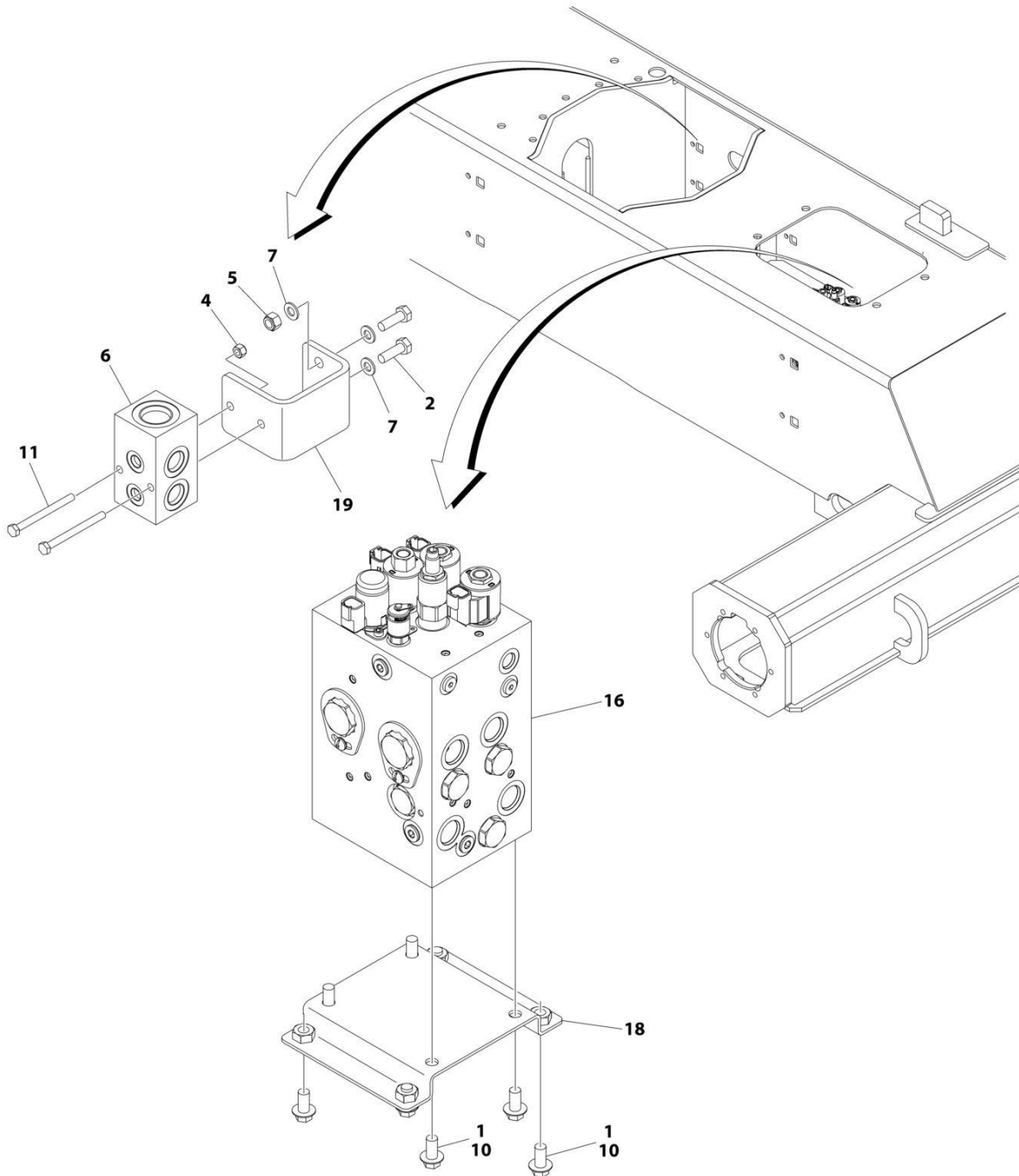
SECTION 1 - FRAME

FIGURE 1-24. 4WD VALVES INSTALLATION - 450AJ FRAME MOUNTED (MACHINES WITH SN STARTING WITH 03)

ITEM	PART NUMBER	QTY	DESCRIPTION	REV
	1001165948	Ref	4WD VALVES INSTALLATION - FRAME MOUNTED	J
1	0100011	AR	Compound, Locking	
3	0760812	1	Bolt M8 x 25	
6	5251010	4	Bolt M10 x 20 Class 10.9	
13	1001162539	1	Traction Valve Assembly (See Separate Breakdown in this Section)	
15	4641155	1	Junction Valve Assembly	
16	3290605	2	Nut, M6	
17	1001096653	2	Bolt M6 x 70	
18	1001179517	1	Bracket	
19	0760812	1	Bolt M8 x 25	
20	3290805	1	Nut M8	
21	4811900	1	Washer M8	
22	1001197221	1	Bracket	

SECTION 1 - FRAME

FIGURE 1-25. 4WD VALVES INSTALLATION - 450AJ FRAME MOUNTED (MACHINES WITH SN STARTING WITH B3)



ART_1001271413_1OF3

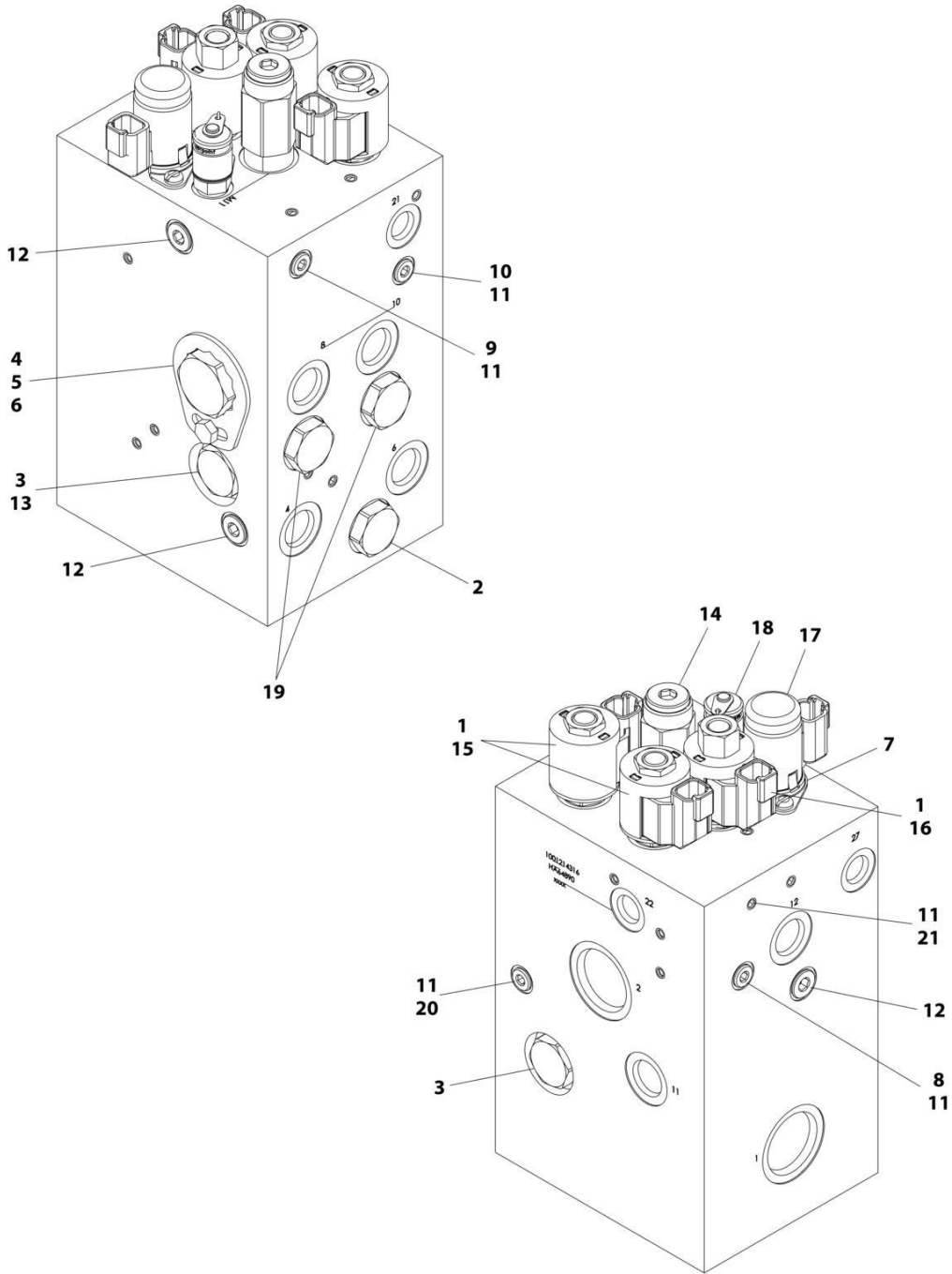
SECTION 1 - FRAME

FIGURE 1-25. 4WD VALVES INSTALLATION - 450AJ FRAME MOUNTED (MACHINES WITH SN STARTING WITH B3)

ITEM	PART NUMBER	QTY	DESCRIPTION	REV
	1001271413	Ref	4WD VALVES INSTALLATION - FRAME MOUNTED	A
1	0100011	AR	Compound, Locking	
2	0760812	2	Bolt M8 x 25	
4	3290605	2	Nut, M6	
5	3290805	2	Nut M8	
6	4641155	1	Junction Valve Assembly	
7	4811900	4	Washer M8	
10	5251010	15	Bolt M10 x 20	
11	1001096653	2	Bolt M6 x 70	
16	1001162539	1	Traction Valve Assembly (See Separate Breakdown in this Section)	
18	1001179517	1	Bracket	
19	1001197221	1	Bracket	

SECTION 1 - FRAME

FIGURE 1-26. TRACTION VALVE ASSEMBLY - 2WD



ART_1001214316

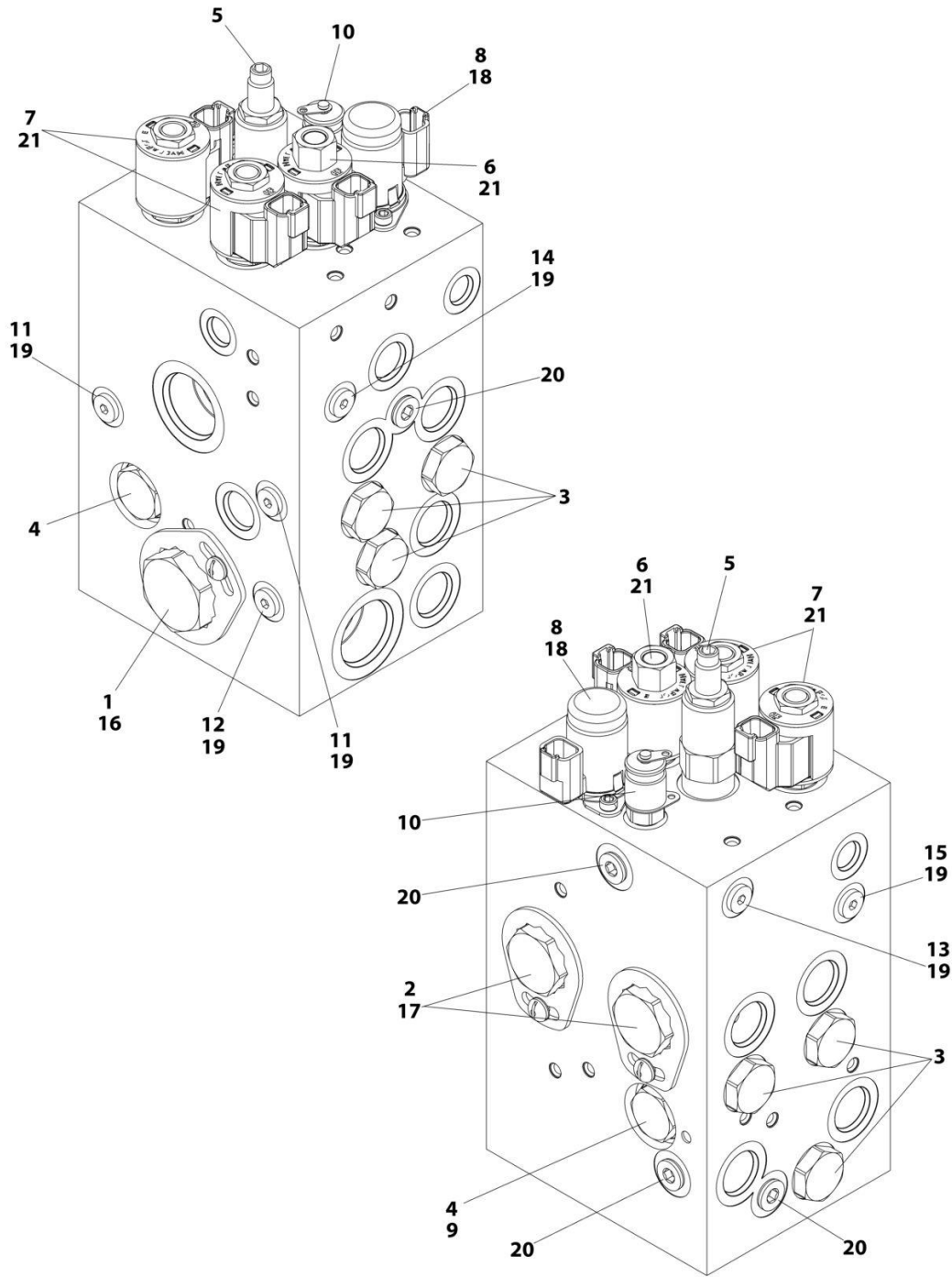
SECTION 1 - FRAME

FIGURE 1-26. TRACTION VALVE ASSEMBLY - 2WD

ITEM	PART NUMBER	QTY	DESCRIPTION	REV
	1001214316	Ref	TRACTION VALVE ASSEMBLY - 2WD	D
1	70002386	3	Coil	
2	7022397	1	Cartridge	
2	7022399	1	Seal Kit - 7022397 Valve	
3	70002390	2	Cartridge, Check Valve	
3	7022399	2	Seal Kit - 70002390 Valve	
4	70006000	1	Cartridge, Flow Divider	
4	70004577	1	Seal Kit - 70006000 Valve	
5	70000781	1	Locking Kit	
6	70005827	1	Screw	
7	70004888	2	Screw	
8	7024810	1	Orifice	
9	70005828	1	Orifice	
10	70005829	1	Orifice	
11	2220883	5	Plug #4	
12	70005830	3	Plug #6	
13	7024881	1	Piston, Pilot	
14	70005831	1	Cartridge, Relief Valve	
14	7017496	1	Seal Kit - 70005831 Valve	
15	7012941	2	Cartridge, Solenoid Less Coil	
15	7010543	2	Seal Kit - 7012941 Valve	
15	7022390	2	Nut, Coil	
16	7017410	1	Cartridge, Solenoid Less Coil	
16	7012967	1	Seal Kit - 7017410 Valve	
16	70003978	1	Nut, Coil	
17	70004887	1	Cartridge, Solenoid Less Coil	
17	70023606	1	Seal Kit - 70004887 Valve	
17	7024885	1	Coil	
18	70005832	1	Fitting, Diagnostic	
19	70026444	2	Cartridge	
19	7022399	2	Seal Kit - 70026444 Valve	
20	70006001	1	Orifice	
21	70006002	1	Orifice	

SECTION 1 - FRAME

FIGURE 1-27. TRACTION VALVE ASSEMBLY - 4WD



ART_1001162539

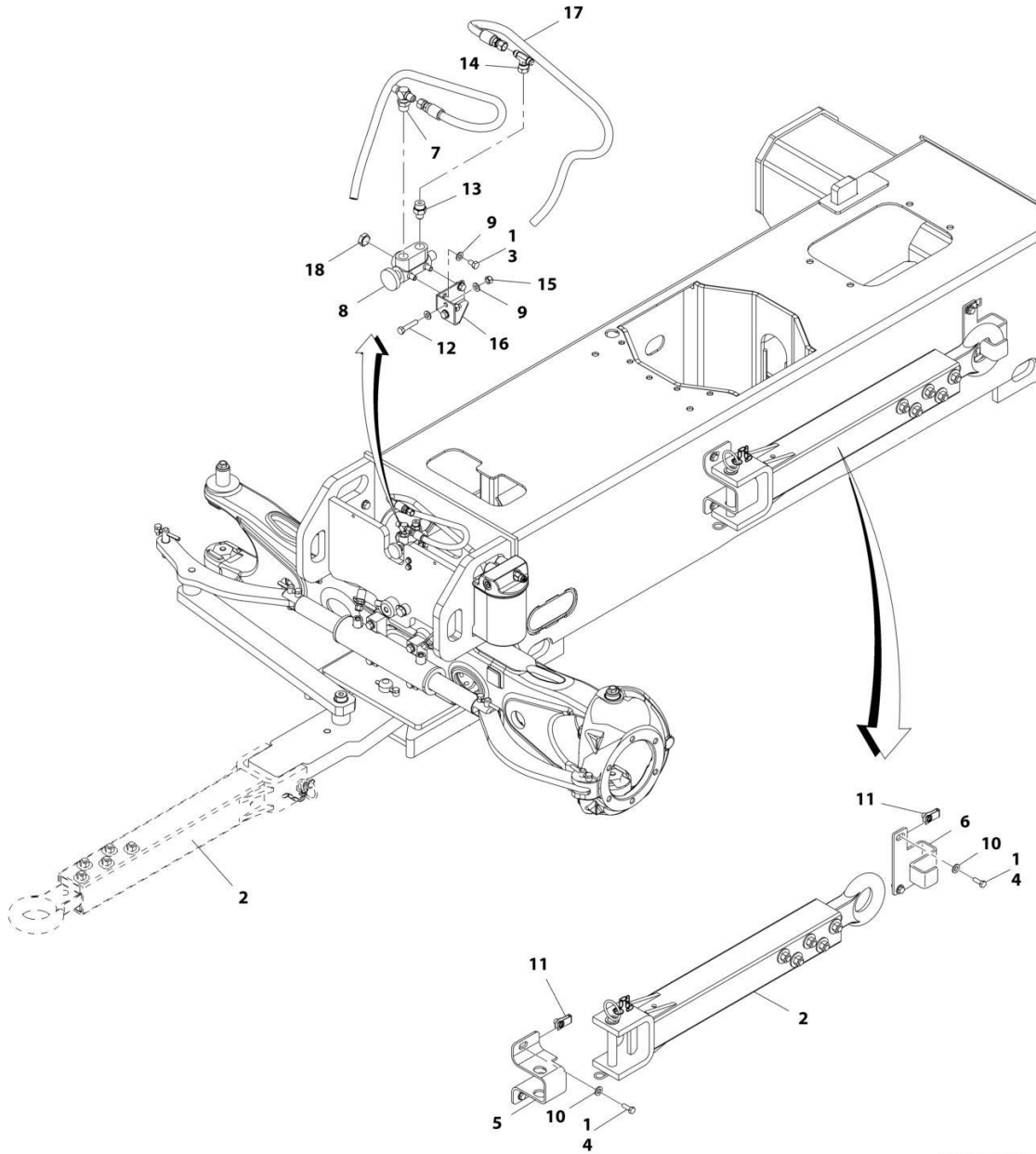
SECTION 1 - FRAME

FIGURE 1-27. TRACTION VALVE ASSEMBLY - 4WD

ITEM	PART NUMBER	QTY	DESCRIPTION	REV
	1001162539	Ref	TRACTION VALVE ASSEMBLY - 4WD	D
1	70004017	1	Cartridge, Flow Divider	
1	7021625	1	Seal Kit - 70004017 Valve	
2	70004885	2	Cartridge, Flow Divider	
2	70004577	2	Seal Kit - 70004885 Valve	
3	7022397	6	Cartridge, Check Valve	
3	7022399	6	Seal Kit - 7022397 Valve	
4	7021639	2	Cartridge, Check Valve	
4	2900756	2	Seal Kit - 7021639 Valve	
5	70004886	1	Cartridge, Relief Valve	
5	7017496	1	Seal Kit - 70004886 Valve	
6	7017410	1	Cartridge, Solenoid Less Coil	
6	7012967	1	Seal Kit - 7017410 Valve	
7	7012974	2	Cartridge, Solenoid Less Coil	
7	7010543	2	Seal Kit - 7012974 Valve	
8	70004887	1	Cartridge, Solenoid Less Coil	
8	70023606	1	Seal Kit - 70004887 Valve	
8	7024885	1	Coil	
9	7024881	1	Piston, Pilot	
10	2221086	1	Fitting, Diagnostic	
11	70003975	2	Orifice	
12	70002209	1	Orifice	
13	70002063	1	Orifice	
14	70004884	1	Orifice	
15	70004883	1	Orifice	
16	70000781	1	Locking Kit	
17	70002962	2	Locking Kit	
18	70004888	2	Screw	
19	2220883	6	Plug #4	
20	2220885	5	Plug #6	
21	70002386	3	Coil	

SECTION 1 - FRAME

FIGURE 1-28. TOW PACKAGE INSTALLATION (OPTIONAL)



ART_1001166232

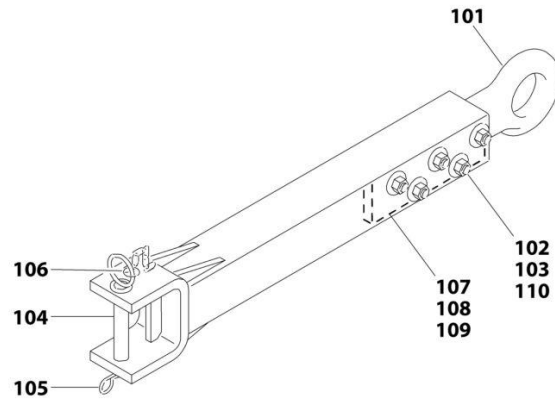
SECTION 1 - FRAME

FIGURE 1-28. TOW PACKAGE INSTALLATION (OPTIONAL)

ITEM	PART NUMBER	QTY	DESCRIPTION	REV
	1001166232	Ref	TOW PACKAGE INSTALLATION (OPTIONAL)	D
1	0100011	AR	Compound, Locking	
2	0363019	1	Tow Bar Assembly (See Separate Breakdown in this Section)	
3	0641504	2	Bolt 5/16 x 1/2	
4	0701014	4	Bolt M10 x 30	
5	0902733	1	Bracket	
6	0902734	1	Bracket	
7	2221052	1	Fitting, Tee JIC/ORB/JIC	
8	4640261	1	Steer/Tow Select Valve Assembly	
9	4711500	6	Washer 5/16	
10	5241200	4	Washer M12	
11	1001118972	4	Nut M10	
12	0700816	2	Bolt M8 x 40	
13	2220372	1	Fitting, Straight JIC/ORB	
14	2220579	1	Fitting, Tee JIC/FSJIC/JIC	
15	3290805	2	Nut M8	
16	1001181527	1	Bracket	
17	1001181913	2	Hose	
18	2220238	1	Plug	

SECTION 1 - FRAME

FIGURE 1-29. TOW BAR ASSEMBLY



ART_0363019

SECTION 1 - FRAME

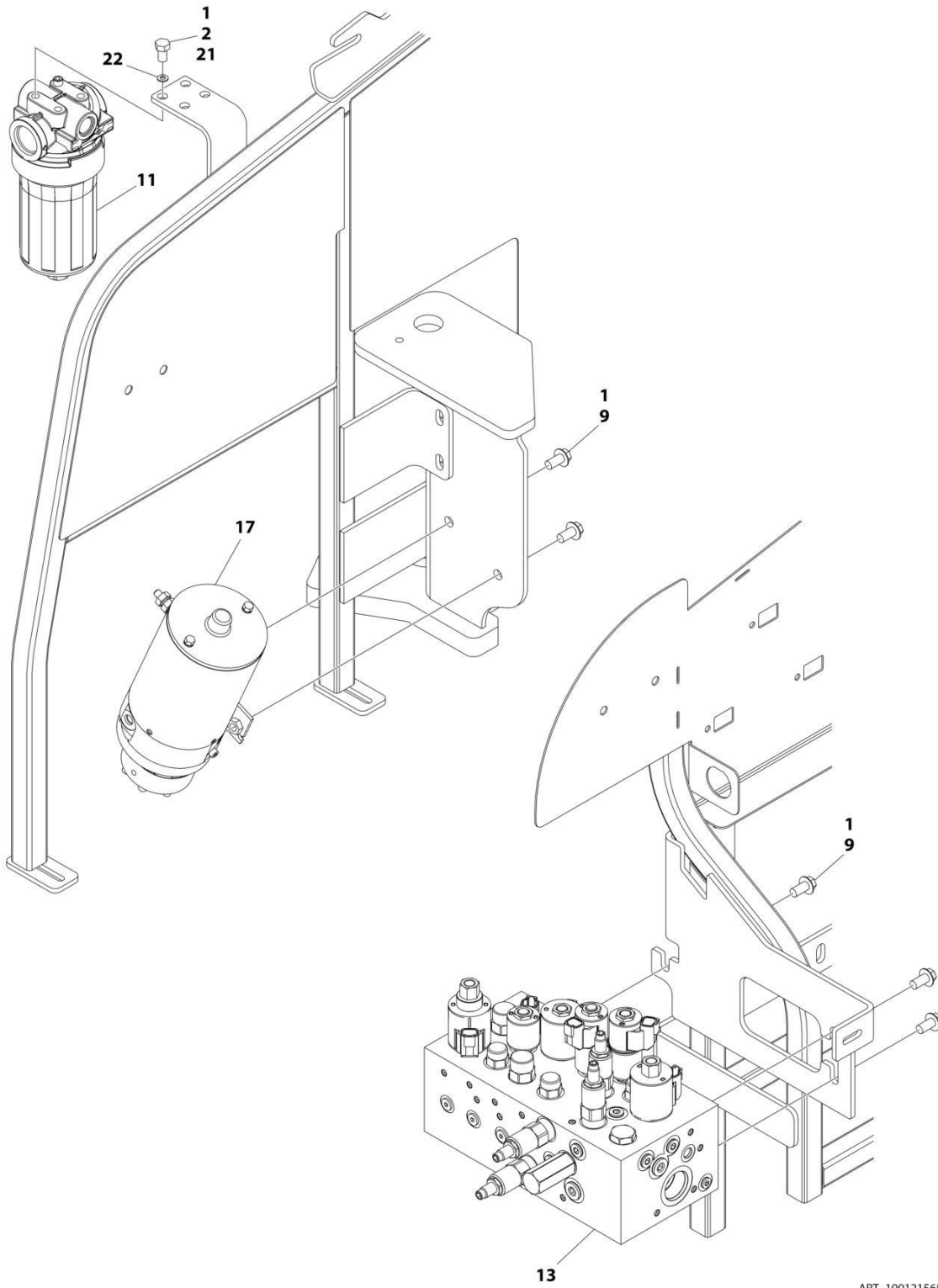
FIGURE 1-29. TOW BAR ASSEMBLY

ITEM	PART NUMBER	QTY	DESCRIPTION	REV
	0363019	Ref	TOW BAR ASSEMBLY	B
101	0360406	1	Pintle, Draw Eye	
102	0682040	5	Bolt 5/8 x 5	
103	3312005	5	Nut 5/8	
104	3420352	1	Pin, Towing	
105	3420372	1	Hairpin	
106	3760170	1	Ring, Split	
107	4070450	2	Shim (.07)	
108	4070560	2	Shim (.88)	
109	4070561	2	Shim (.12)	
110	4752000	10	Washer 5/8	

SECTION 2 - TURNTABLE

SECTION 2 - TURNTABLE

FIGURE 2-1. 2WD VALVES INSTALLATION - 450A TURNTABLE MOUNTED



ART_1001215659_20F3

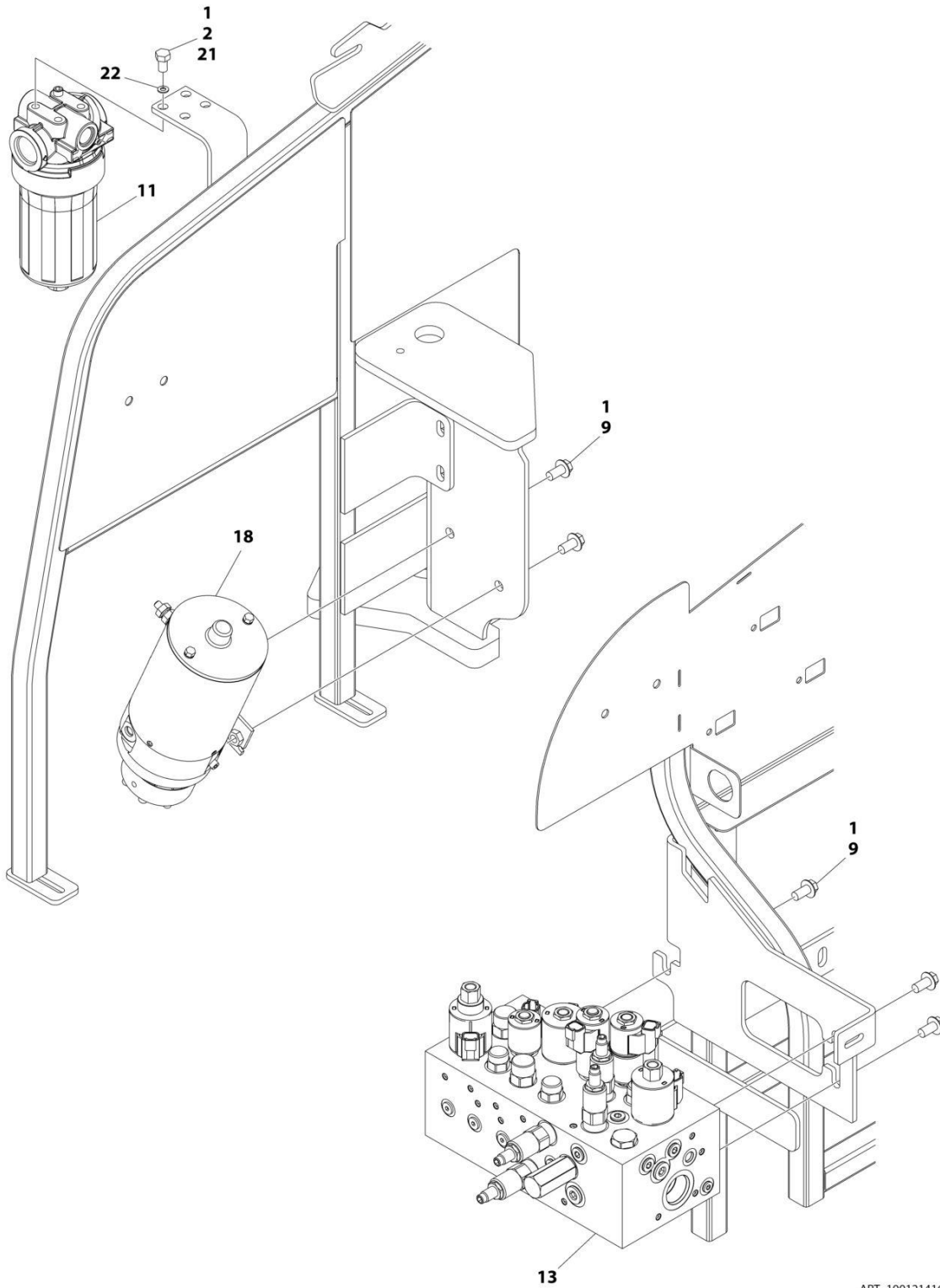
SECTION 2 - TURNTABLE

FIGURE 2-1. 2WD VALVES INSTALLATION - 450A TURNTABLE MOUNTED

ITEM	PART NUMBER	QTY	DESCRIPTION	REV
	1001215659	Ref	2WD VALVES INSTALLATION - 450A TURNTABLE MOUNTED	C
1	0100011	AR	Compound, Locking	
2	0641605	AR	Bolt 3/8 x 5/8	
9	5251010	5	Bolt M10 x 20	
11	1001208874	1	Filter, Charge Pump	
11	70010383	1	Element, Filter (Includes O-Ring)	
13	1001162534	1	Main Valve Assembly (See Separate Breakdown in this Section)	
17	1001185821	1	Auxiliary Pump Assembly (See Separate Breakdown in this Section)	
21	0761010	3	Bolt M10 x 20	
22	4812000	3	Washer M10	

SECTION 2 - TURNTABLE

FIGURE 2-2. 2WD VALVES INSTALLATION - 450AJ TURNTABLE MOUNTED



ART_1001214163_2OF3

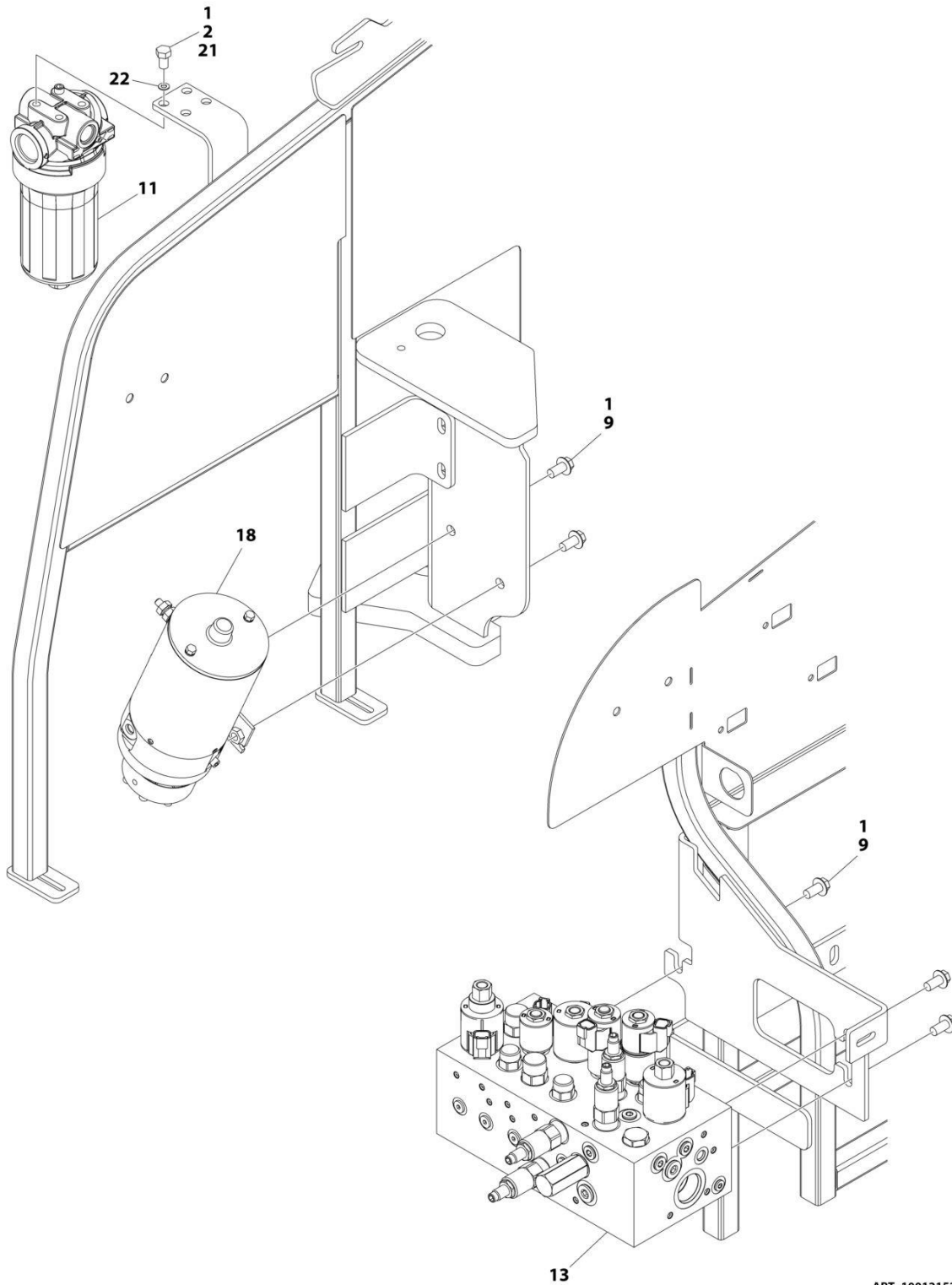
SECTION 2 - TURNTABLE

FIGURE 2-2. 2WD VALVES INSTALLATION - 450AJ TURNTABLE MOUNTED

ITEM	PART NUMBER	QTY	DESCRIPTION	REV
	1001214163	Ref	2WD VALVES INSTALLATION – 450AJ TURNTABLE MOUNTED	C
1	0100011	AR	Compound, Locking	
2	0641605	AR	Bolt 3/8 x 5/8	
9	5251010	5	Bolt M10 x 20	
11	1001208874	1	Filter, Charge Pump	
11	70010383	1	Element, Filter (Includes O-Ring)	
13	1001162534	1	Main Valve Assembly (See Separate Breakdown in this Section)	
18	1001185821	1	Auxiliary Pump Assembly (See Separate Breakdown in this Section)	
21	0761010	3	Bolt M10 x 20	
22	4812000	3	Washer M10	

SECTION 2 - TURNTABLE

FIGURE 2-3. 4WD VALVES INSTALLATION - 450A TURNTABLE MOUNTED



ART_1001215378_20F3

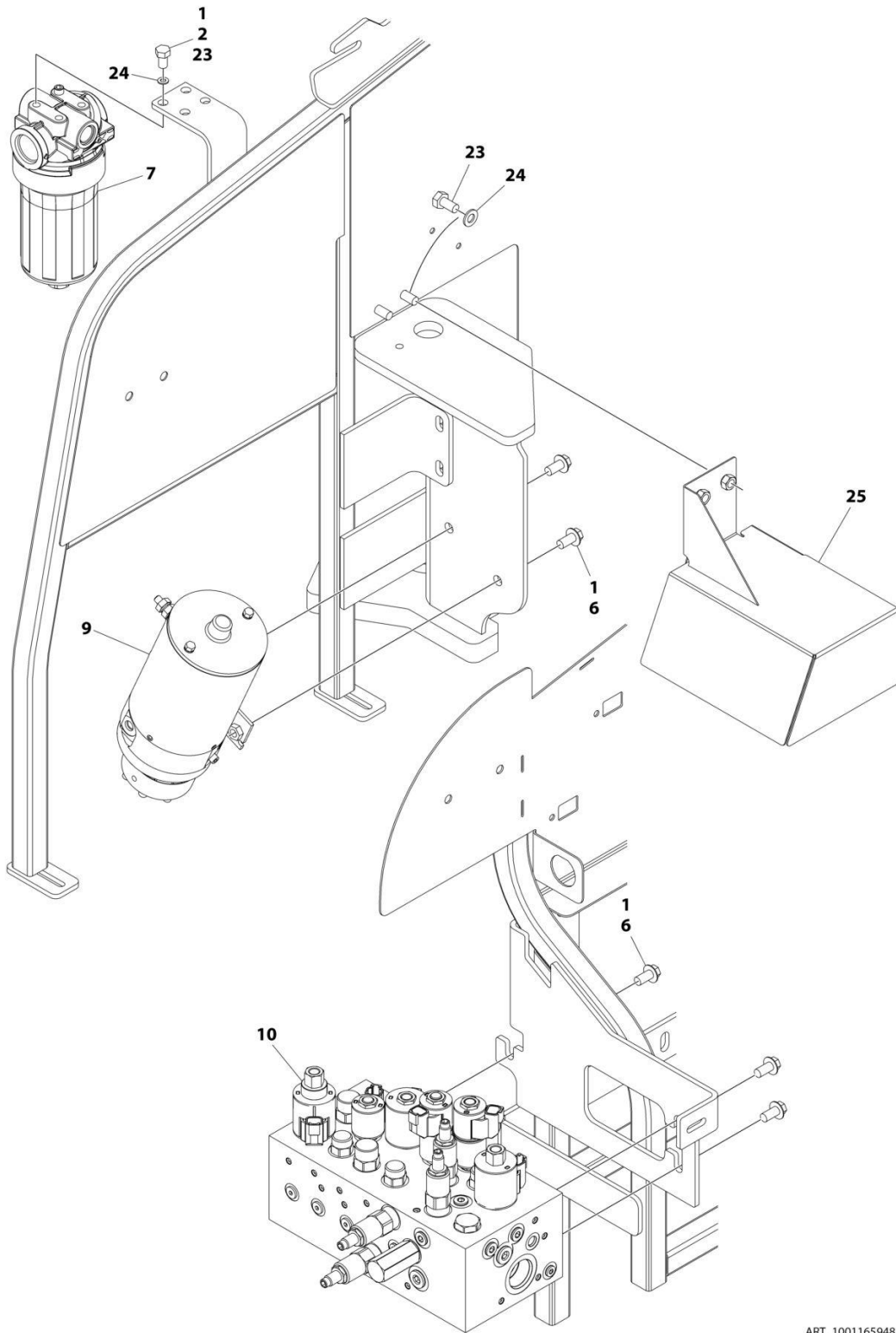
SECTION 2 - TURNTABLE

FIGURE 2-3. 4WD VALVES INSTALLATION - 450A TURNTABLE MOUNTED

ITEM	PART NUMBER	QTY	DESCRIPTION	REV
	1001215378	Ref	4WD VALVES INSTALLATION - 450A TURNTABLE MOUNTED	D
1	0100011	AR	Compound, Locking	
2	0641605	AR	Bolt 3/8 x 5/8	
9	5251010	5	Bolt M10 x 20	
11	1001208874	1	Filter, Charge Pump	
11	70010383	1	Element, Filter (Includes O-Ring)	
13	1001162534	1	Main Valve Assembly (See Separate Breakdown in this Section)	
18	1001185821	1	Auxiliary Pump Assembly (See Separate Breakdown in this Section)	
21	0761010	3	Bolt M10 x 20	
22	4812000	3	Washer M10	

SECTION 2 - TURNTABLE

FIGURE 2-4. 4WD VALVES INSTALLATION - 450AJ TURNTABLE MOUNTED (MACHINES WITH SN STARTING WITH 03)



ART_1001165948_2OF3

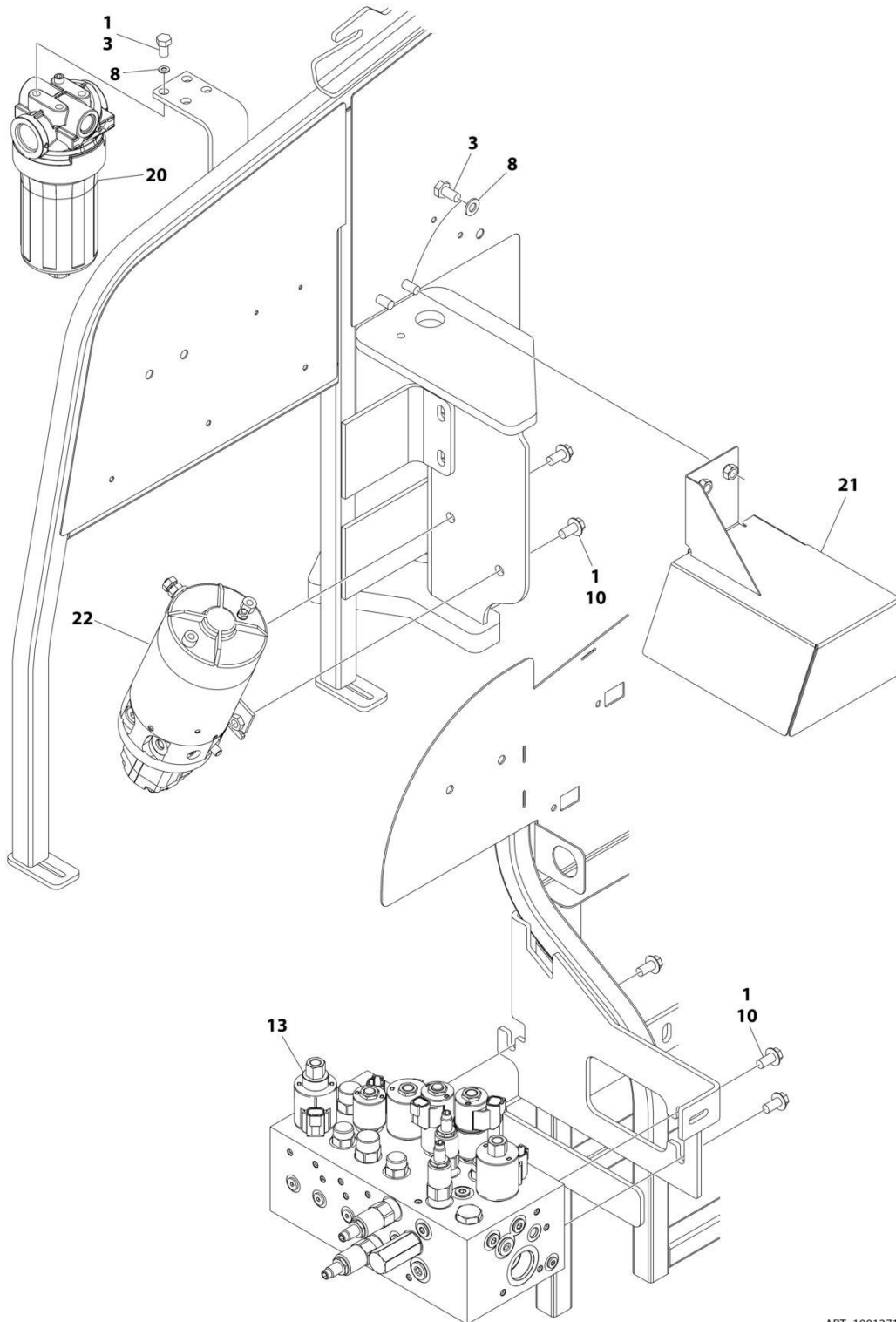
SECTION 2 - TURNTABLE

FIGURE 2-4. 4WD VALVES INSTALLATION - 450AJ TURNTABLE MOUNTED (MACHINES WITH SN STARTING WITH 03)

ITEM	PART NUMBER	QTY	DESCRIPTION	REV
	1001165948	Ref	4WD VALVES INSTALLATION - TURNTABLE MOUNTED	J
1	0100011	AR	Compound, Locking	
2	0641605	AR	Bolt 3/8 x 5/8	
6	5251010	15	Bolt M10 x 20 Class 10.9	
7	1001208874	1	Filter, Charge Pump	
7	70010383	1	Element, Filter (Includes O-Ring)	
9	1001185821	1	Auxiliary Pump Assembly (See Separate Breakdown in this Section)	
10	1001162534	1	Main Valve Assembly (See Separate Breakdown in this Section)	
23	0761010	AR	Bolt M10 x 20	
24	4812000	AR	Washer M10	
25	1001234295	1	Cover	

SECTION 2 - TURNTABLE

FIGURE 2-5. 4WD VALVES INSTALLATION - 450AJ TURNTABLE MOUNTED (MACHINES WITH SN STARTING WITH B3)



ART_1001271413_20F3

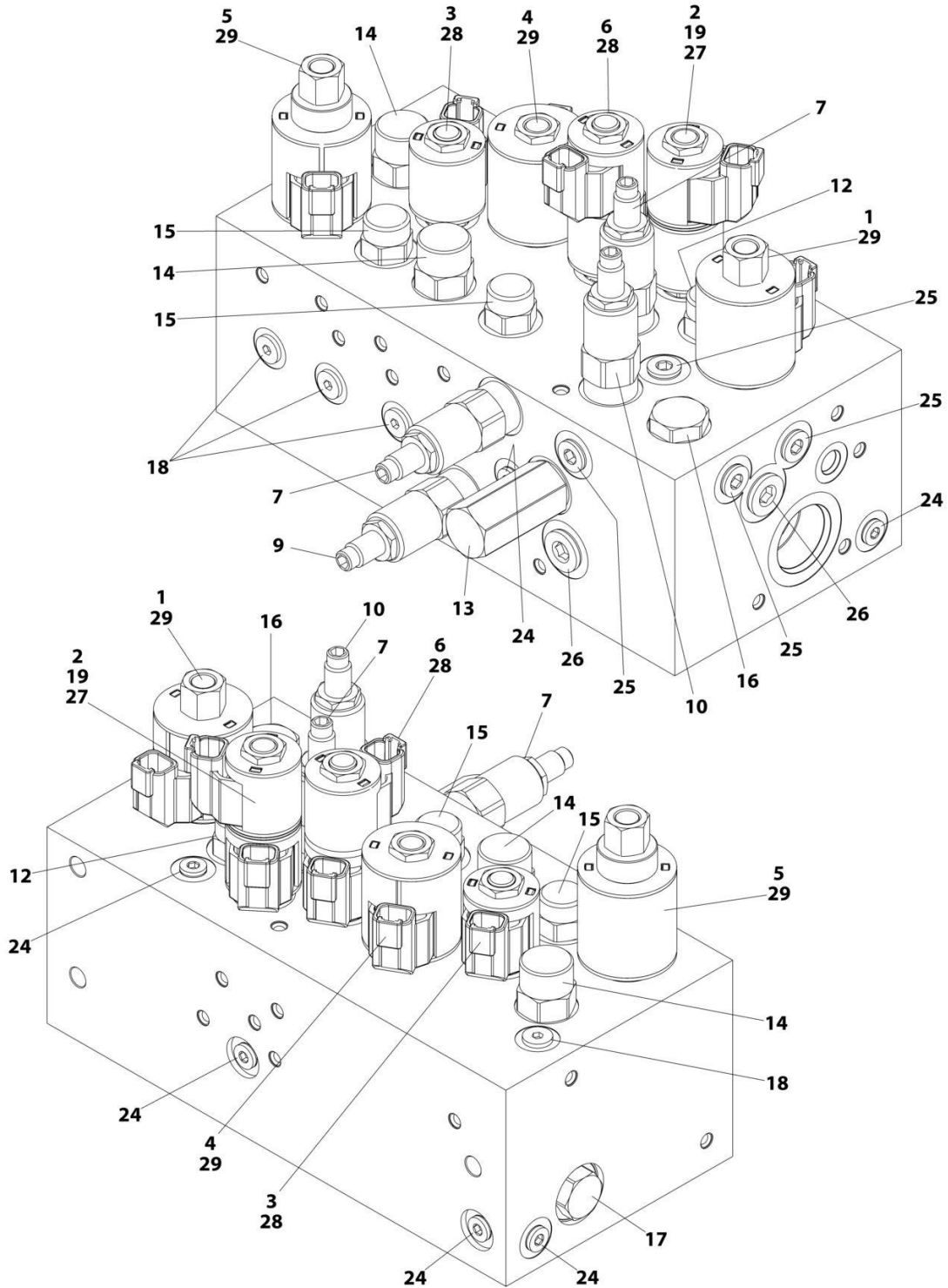
SECTION 2 - TURNTABLE

FIGURE 2-5. 4WD VALVES INSTALLATION - 450AJ TURNTABLE MOUNTED (MACHINES WITH SN STARTING WITH B3)

ITEM	PART NUMBER	QTY	DESCRIPTION	REV
	1001271413	Ref	4WD VALVES INSTALLATION - TURNTABLE MOUNTED	A
1	0100011	AR	Compound, Locking	
3	0761010	AR	Bolt M10 x 20	
8	4812000	AR	Washer M10	
10	5251010	15	Bolt M10 x 20	
13	1001162534	1	Main Valve Assembly (See Separate Breakdown in this Section)	
20	1001208874	1	Filter, Charge Pump	
20	70010383	1	Element, Filter (Includes O-Ring)	
21	1001234295	1	Cover	
22	1001271414	1	Auxiliary Pump Assembly (See Separate Breakdown in this Section)	

SECTION 2 - TURNTABLE

FIGURE 2-6. MAIN VALVE ASSEMBLY



ART_1001162534

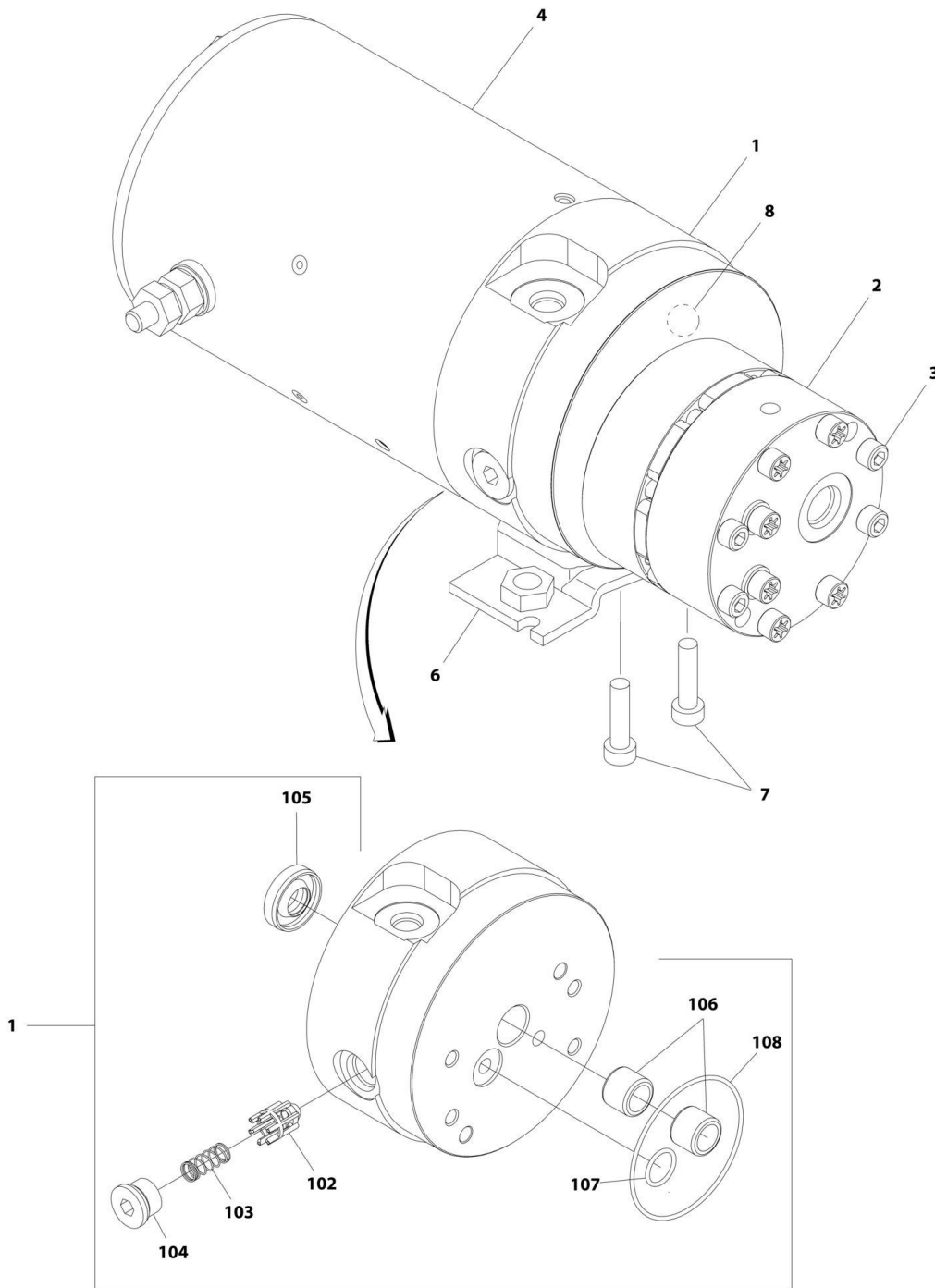
SECTION 2 - TURNTABLE

FIGURE 2-6. MAIN VALVE ASSEMBLY

ITEM	PART NUMBER	QTY	DESCRIPTION	REV
	1001162534	Ref	MAIN VALVE ASSEMBLY	F
1	70005069	1	Cartridge, Solenoid Less Coil (Main Dump)	
1	7022399	1	Seal Kit - 70005069 Valve	
1	70003977	1	Nut, Coil	
2	70005217	1	Cartridge, Solenoid Less Coil (Steer)	
2	70005071	1	Seal Kit - 70005217 Valve	
2	7022390	1	Nut, Coil	
3	70005094	1	Cartridge, Solenoid Less Coil (Main Lift Up)	
3	7023936	1	Seal Kit - 70005094 Valve	
3	7022390	1	Nut, Coil	
4	70005076	1	Cartridge, Solenoid Less Coil (Tower Lift Up)	
4	7022399	1	Seal Kit - 70005076 Valve	
4	7022390	1	Nut, Coil	
5	70005095	1	Cartridge, Solenoid Less Coil (Flow Control)	
5	7022399	1	Seal Kit - 70005095 Valve	
5	70003977	1	Nut, Coil	
6	70005096	1	Cartridge, Solenoid Less Coil (Swing)	
6	70005071	1	Seal Kit - 70005096 Valve	
7	70005097	1	Cartridge, Solenoid Less Coil	
7	70005082	2	Seal Kit - 70005097 Valve	
9	70005098	1	Cartridge, Relief Valve	
9	7023936	1	Seal Kit - 70005098 Valve	
10	70005080	1	Cartridge, Relief Valve	
10	7022399	1	Seal Kit - 70005080 Valve	
12	70005218	1	Cartridge, Valve	
12	70005082	1	Seal Kit - 70005218 Valve	
13	70005084	1	Cartridge, Valve	
13	70005085	1	Seal Kit - 70005084 Valve	
14	70005099	2	Cartridge, Valve	
14	70005087	2	Seal Kit - 70005099 Valve	
15	70005088	2	Cartridge, Valve	
15	7023900	2	Seal Kit - 70005088 Valve	
16	70005100	1	Cartridge, Check Valve	
16	7022399	1	Seal Kit - 70005100 Valve	
17	70005089	1	Cartridge, Check Valve	
17	7023936	1	Seal Kit - 70005089 Valve	
18	70005090	5	Cartridge, Check Valve	
18	70005092	5	Seal Kit - 70005092 Valve	
19	See Note	1	Disc, Check Valve (Note: Not Available for Purchase)	
24	91164059	7	Plug	
25	91164079	4	Plug	
26	91164057	2	Plug	
27	70005219	2	Coil	
28	70002386	3	Coil	
29	70003788	3	Coil	

SECTION 2 - TURNTABLE

FIGURE 2-7. AUXILIARY PUMP ASSEMBLY (MACHINES WITH SN STARTING WITH 03)



ART_1001185821

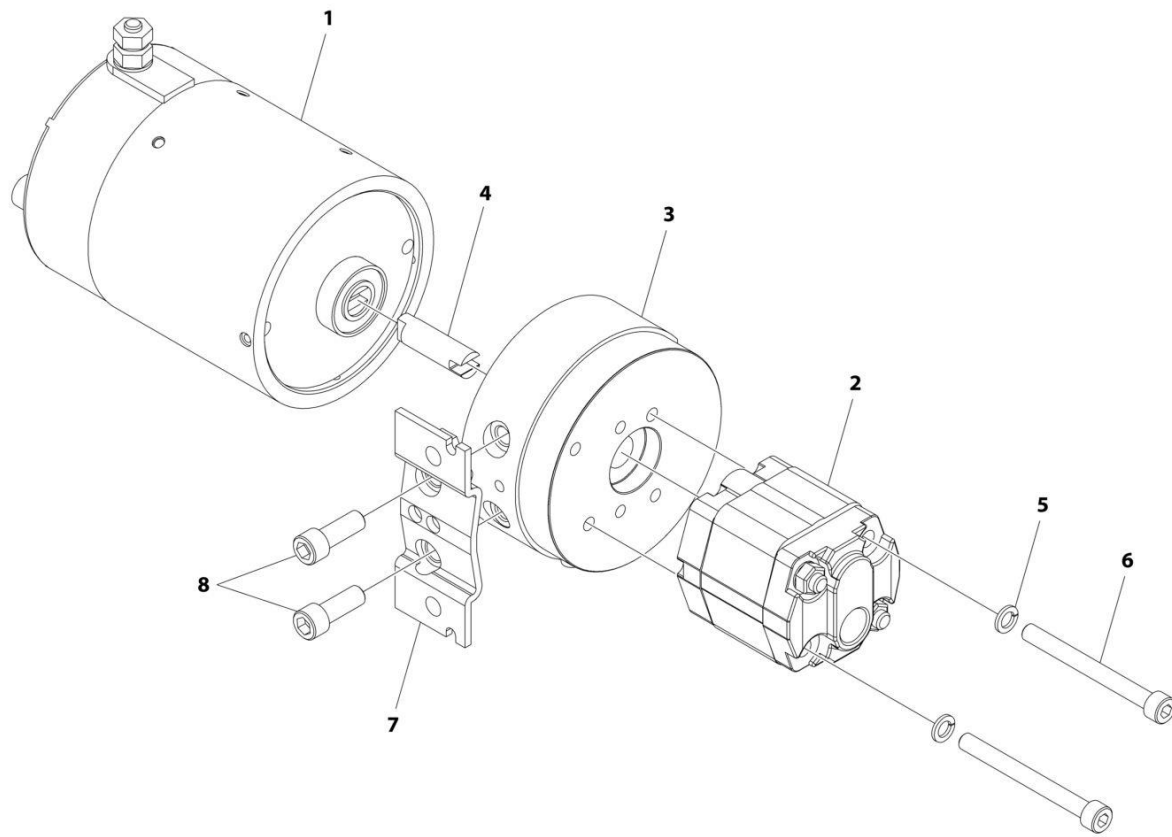
SECTION 2 - TURNTABLE

FIGURE 2-7. AUXILIARY PUMP ASSEMBLY (MACHINES WITH SN STARTING WITH 03)

ITEM	PART NUMBER	QTY	DESCRIPTION	REV
	1001185821	Ref	AUXILIARY PUMP ASSEMBLY	B
1	70005065	1	Base Assembly (See Items 102-108 for Breakdown)	
2	70005066	1	Pump Assembly (Note: No Seal Kit or Internal Components are Available - Purchase Complete Pump Assembly)	
3	70005067	4	Capscrew 1/4 x 2-3/4	
4	70004013	1	Motor Assembly (Note: No Internal Components are Available - Purchase Complete Motor Assembly)	
6	70004014	1	Bracket	
7	70004000	2	Capscrew 3/8 x 1	
8	70005068	1	Relief Valve Assembly	
	70005065	Ref	BASE ASSEMBLY	
102	See Note	NSS	Poppet, Check (Note: Use p/n 70005065)	
103	See Note	NSS	Spring (Note: Use p/n 70005065)	
104	See Note	NSS	Plug (Note: Use p/n 70005065)	
105	7026330	1	Seal, Shaft	
106	70005139	2	Bearing	
107	70003612	1	O-Ring	
108	70004267	1	O-Ring	

SECTION 2 - TURNTABLE

FIGURE 2-8. AUXILIARY PUMP ASSEMBLY (MACHINES WITH SN STARTING WITH B3)



ART_1001271414

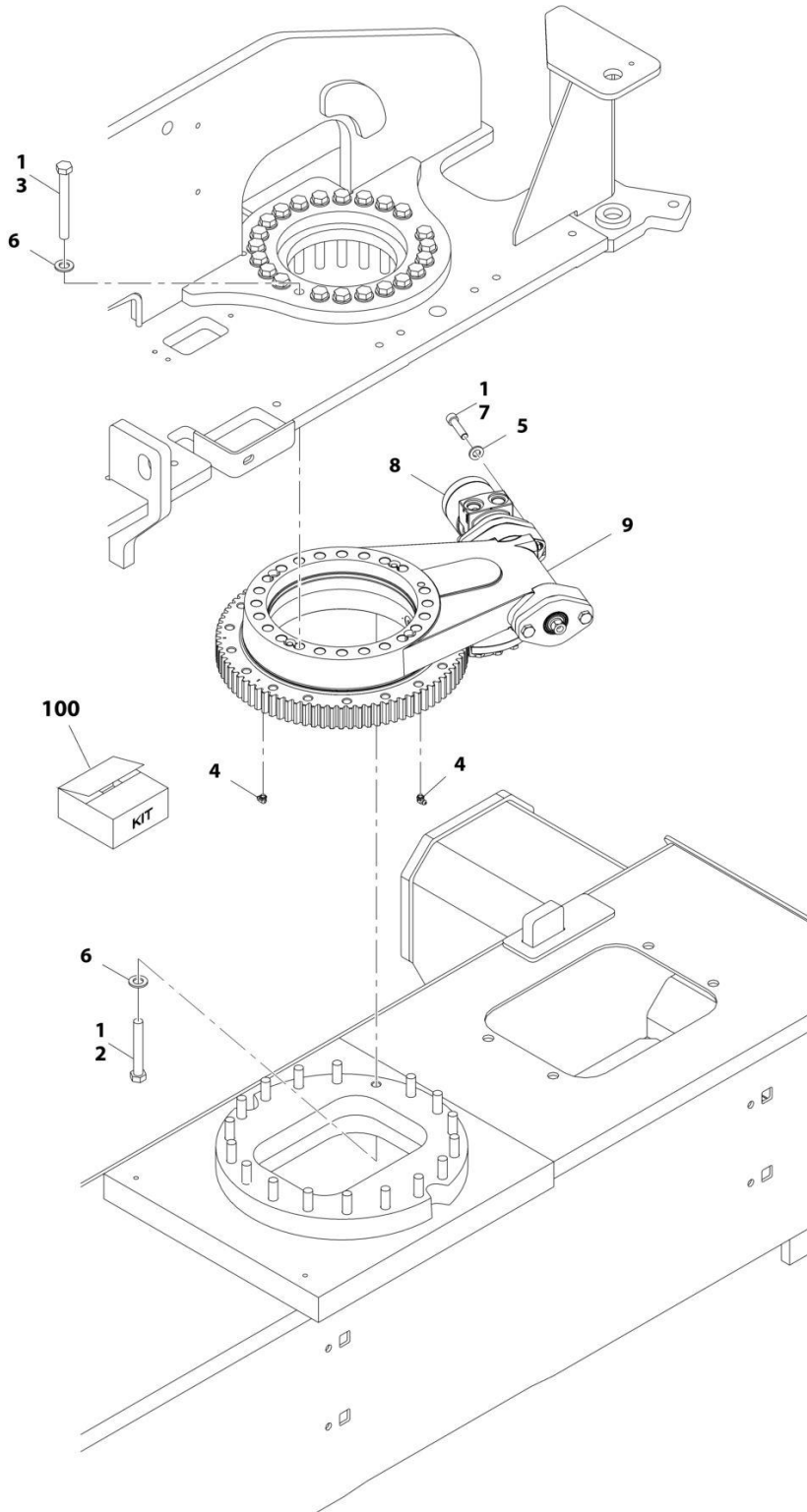
SECTION 2 - TURNTABLE

FIGURE 2-8. AUXILIARY PUMP ASSEMBLY (MACHINES WITH SN STARTING WITH B3)

ITEM	PART NUMBER	QTY	DESCRIPTION	REV
	1001271414	Ref	AUXILIARY MOTOR/PUMP ASSEMBLY	A
1	70008403	1	Motor	
2	70008404	1	Pump	
3	70008405	1	Block, Valve	
4	70008397	1	Shaft, Connecting	
5	70008400	2	Washer M8	
6	70008406	2	Capscrew M8 x 80	
7	70008407	1	Bracket	
8	70008408	2	Capscrew 3/8 x 1	

SECTION 2 - TURNTABLE

FIGURE 2-9. SWING DRIVE AND TURNTABLE BEARING INSTALLATION (MACHINES WITH SN STARTING WITH 03)



ART_1001165946

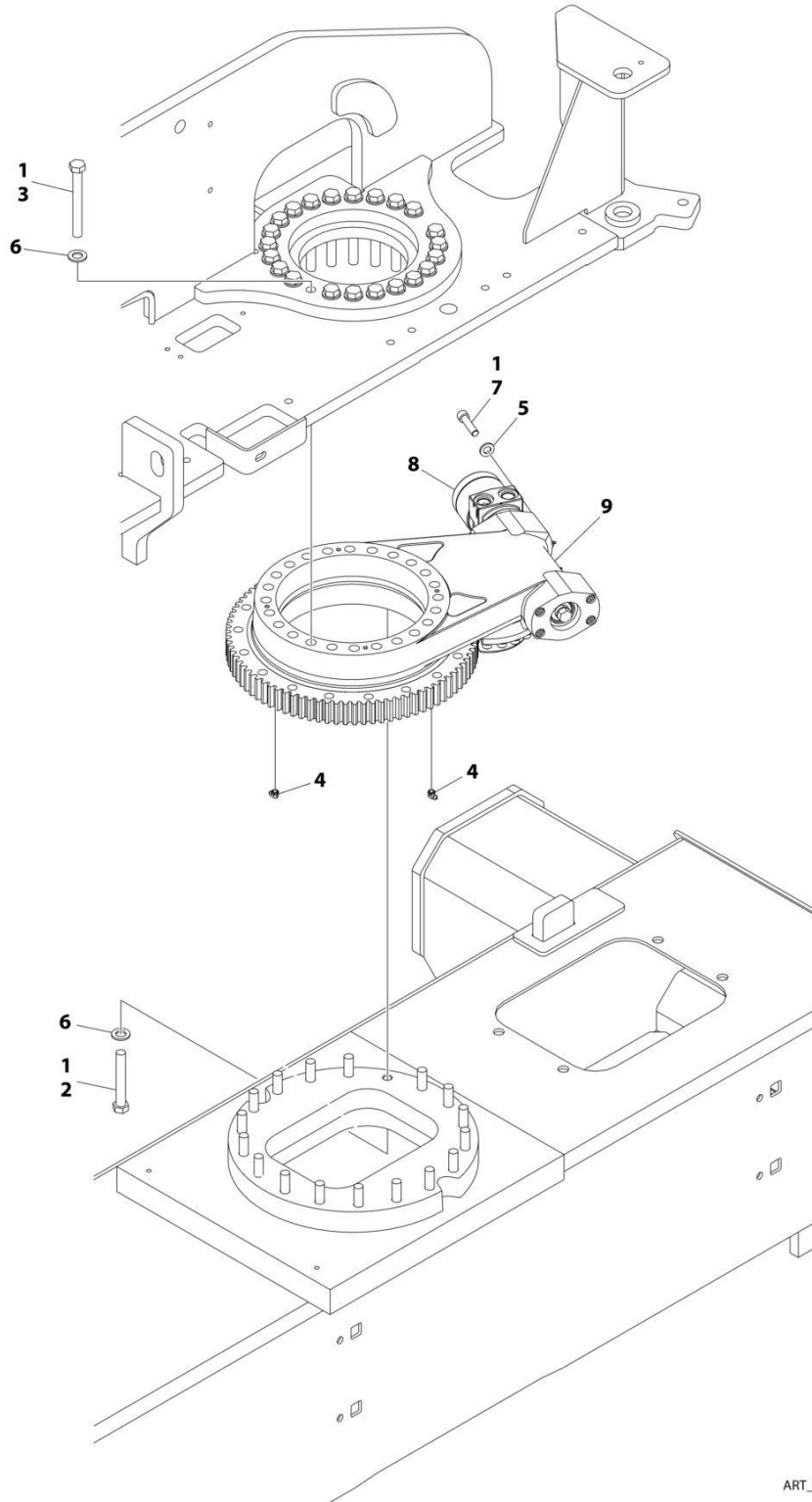
SECTION 2 - TURNTABLE

FIGURE 2-9. SWING DRIVE AND TURNTABLE BEARING INSTALLATION (MACHINES WITH SN STARTING WITH 03)

ITEM	PART NUMBER	QTY	DESCRIPTION	REV
	1001165946	Ref	SWING DRIVE AND TURNTABLE BEARING INSTALLATION	B
1	0100019	AR	Compound, Locking	
2	0711628	18	Bolt M16 x 110 Grade 10.9	
3	0711631	23	Bolt M16 x 140	
4	2160001	2	Fitting, Grease 90	
5	5241200	2	Washer M12	
6	5241600	41	Washer M16	
7	5272114	2	Capscrew M12 x 50 Grade 12.9	
8	1001104850	1	Swing Motor Assembly (See Separate Breakdown in this Section)	
9	1001133972	1	Turntable Bearing Assembly (See Separate Breakdown in this Section)	
100	1001206436	1	Turntable Bearing Kit (Includes Items 2-7 & 9)	

SECTION 2 - TURNTABLE

FIGURE 2-10. SWING DRIVE AND TURNTABLE BEARING INSTALLATION (MACHINES WITH SN STARTING WITH B3)



ART_1001277273

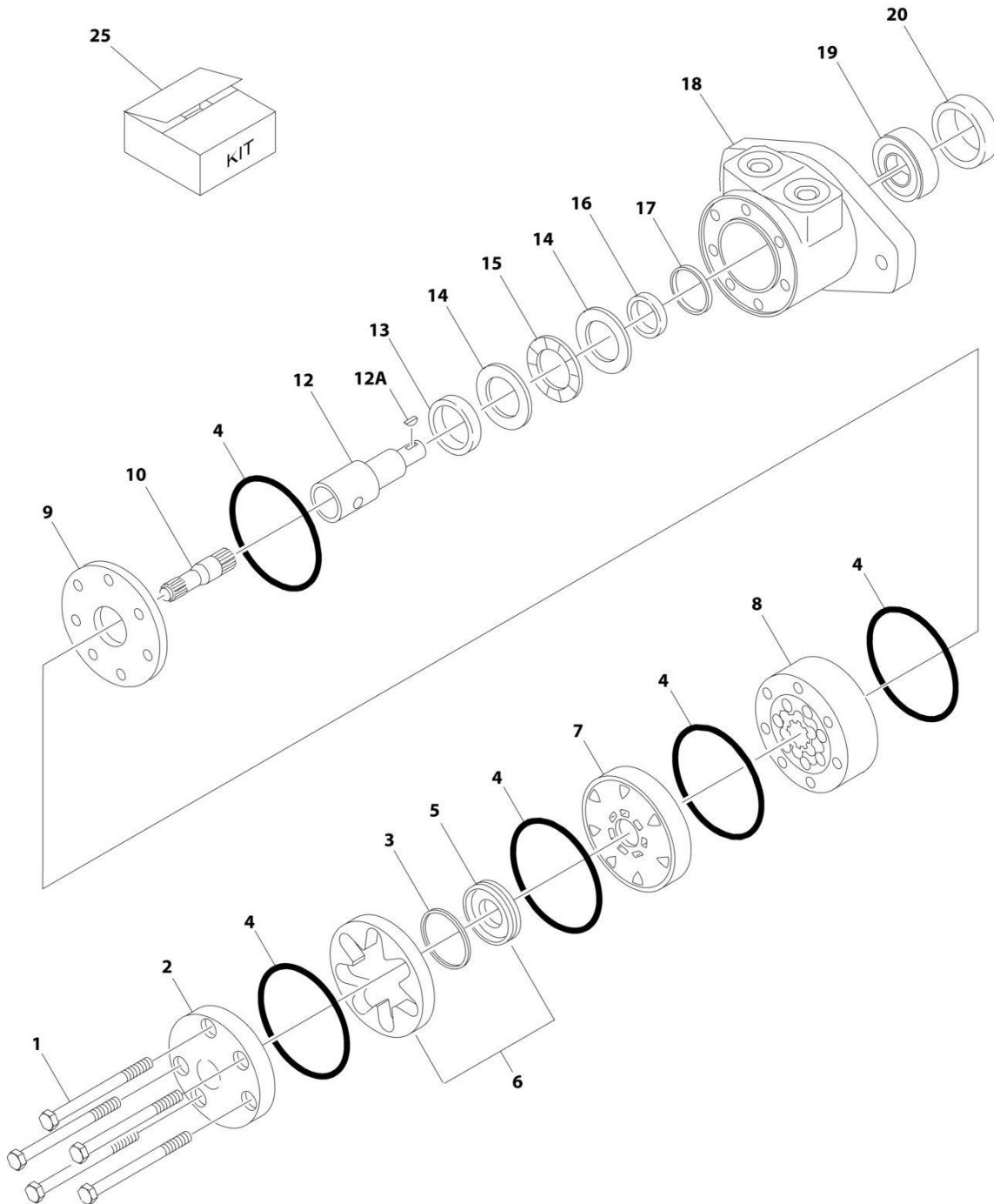
SECTION 2 - TURNTABLE

FIGURE 2-10. SWING DRIVE AND TURNTABLE BEARING INSTALLATION (MACHINES WITH SN STARTING WITH B3)

ITEM	PART NUMBER	QTY	DESCRIPTION	REV
	1001277273	Ref	SWING DRIVE AND TURNTABLE BEARING INSTALLATION	A
1	0100019	AR	Compound, Locking	
2	0711628	18	Bolt M16 x 110 Grade 10.9	
3	0711631	23	Bolt M16 x 140	
4	2160001	2	Fitting, Grease 90	
5	5241200	2	Washer M12	
6	5241600	41	Washer M16	
7	5272114	2	Capscrew M12 x 50 Grade 12.9	
8	1001104850	1	Swing Motor Assembly (See Separate Breakdown in this Section)	
9	1001277009	1	Turntable Bearing Assembly (See Separate Breakdown in this Section)	

SECTION 2 - TURNTABLE

FIGURE 2-11. SWING MOTOR ASSEMBLY



ART_1001104850

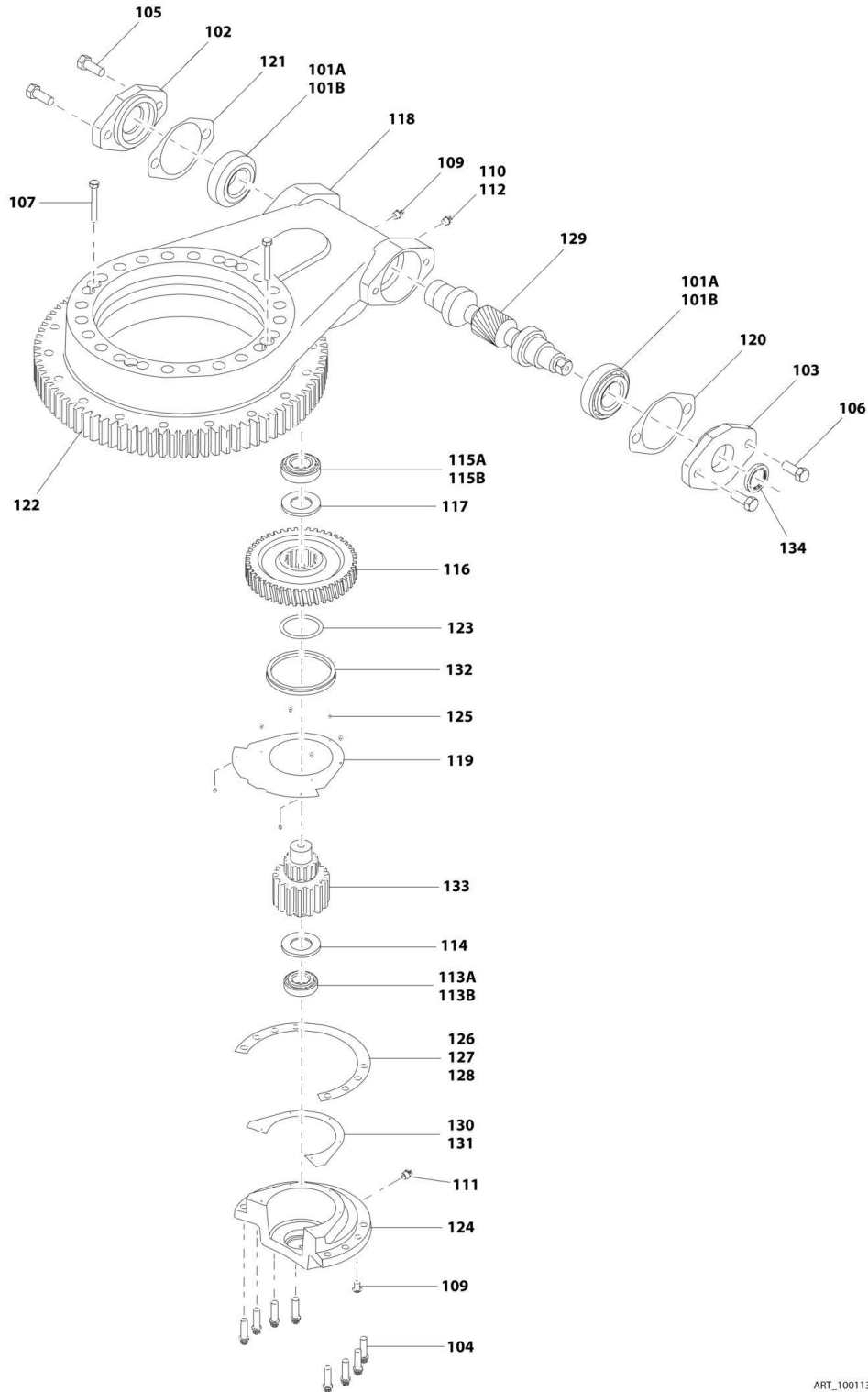
SECTION 2 - TURNTABLE

FIGURE 2-11. SWING MOTOR ASSEMBLY

ITEM	PART NUMBER	QTY	DESCRIPTION	REV
	1001104850	Ref	SWING MOTOR ASSEMBLY	A
1	See Note	5	Bolt (Note: Not Available for Purchase)	
2	7004035	1	Cover, End	
3	7023318	1	Seal, Commutator	
4	7004036	5	O-Ring	
5	See Note	NSS	Commutator (Note: Use Item 6)	
6	7024453	1	Commutator and Ring Assembly (Includes Item 5)	
7	7024379	1	Manifold	
8	70002206	1	Rotor Set	
9	7024380	1	Plate, Wear	
10	70002207	1	Link, Drive	
12	70000088	1	Shaft, Coupling	
12A	70000089	1	Key	
13	7024381	1	Bushing, Inner	
14	7004043	1	Thrustwasher	
15	7004044	1	Bearing, Thrust	
16	7004049	1	Seal, Inner Shaft	
17	7004045	1	Ring, Back-up	
18	See Note	NSS	Housing (Note: Not Available - Purchase Complete Motor)	
19	7024390	1	Bearing	
20	7004047	1	Seal, Outer Shaft	
25	7024389	1	Seal Kit (Includes Items 3, 4, 16, 17 & 20)	

SECTION 2 - TURNTABLE

FIGURE 2-12. TURNTABLE BEARING ASSEMBLY (MACHINES WITH SN STARTING WITH 03)



ART_1001133972

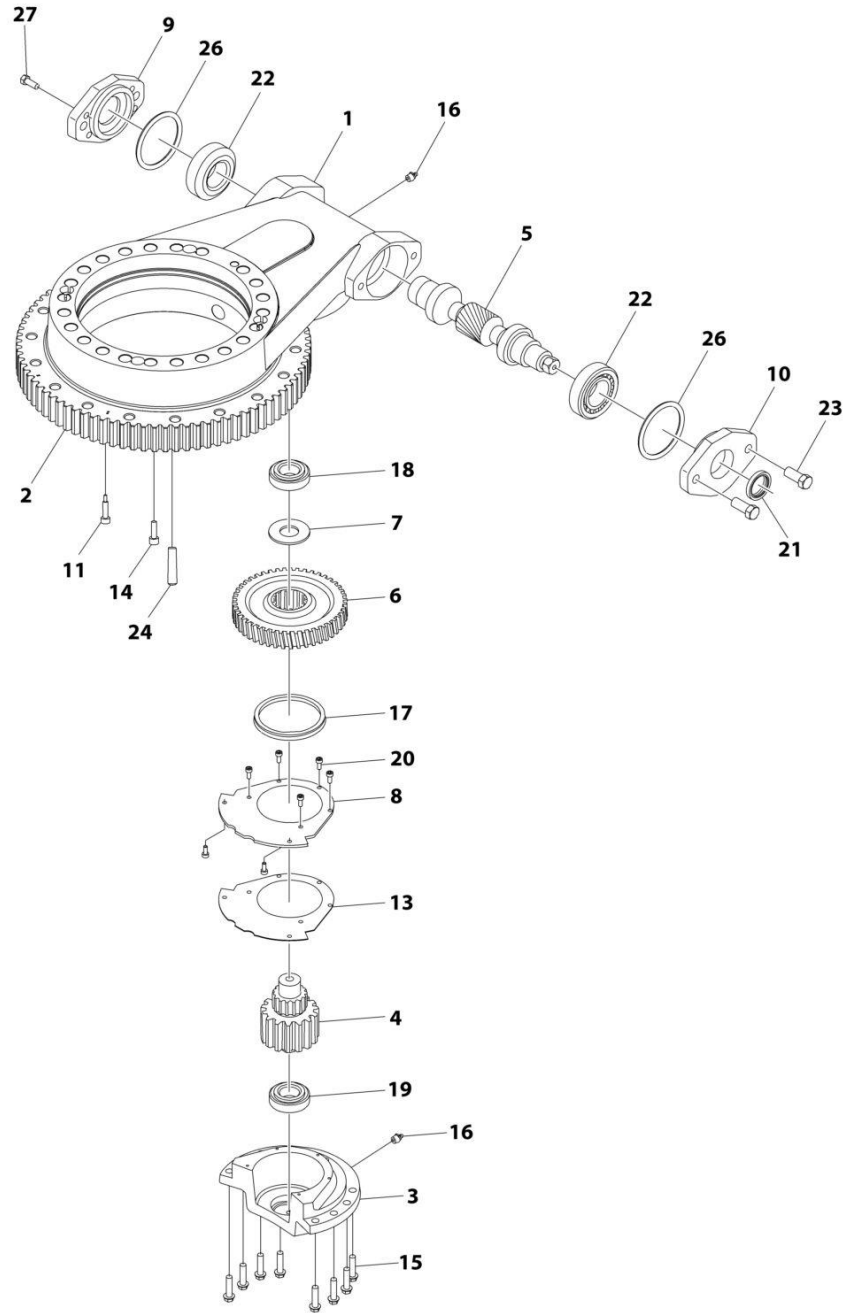
SECTION 2 - TURNTABLE

FIGURE 2-12. TURNTABLE BEARING ASSEMBLY (MACHINES WITH SN STARTING WITH 03)

ITEM	PART NUMBER	QTY	DESCRIPTION	REV
	1001133972	Ref	TURNTABLE BEARING ASSEMBLY	D
101A	7026042	2	Cup, Bearing	
101B	7026043	2	Cone, Bearing	
102	7027356	1	Adapter, Motor	
103	7027354	1	Cap, Worm	
104	70004249	8	Bolt M10 x 35 Grade 10.9	
105	70004250	2	Bolt M12 x 30 Grade 10.9	
106	70004251	2	Bolt M12 x 40 Grade 10.9	
107	70004252	2	Bolt M8 x 65mm	
109	70000865	1	Plug	
110	70002649	1	Vent, Pressure	
111	70002651	1	Fitting, Grease	
112	7026044	1	Bushing, Reducer	
113A	7026045	1	Cup, Bearing	
113B	7026047	1	Cone, Bearing	
114	7026046	1	Ring, Grease	
115A	7026048	1	Cup, Bearing	
115B	7026049	1	Cone, Bearing	
116	7026050	1	Worm-Gear	
117	7026052	1	Spacer, Washer	
118	See Note	1	Housing (Note: Not Available - Purchase Complete Assembly)	
119	7026053	1	Cover, Gear	
120	7027350	AR	Shim, Blue (.005in)	
120	7027351	AR	Shim, Clear (.0075in)	
120	7027352	AR	Shim, Brown (.010in)	
121	7027353		Shim, Yellow (.020in)	
122	70004253	1	Bearing, Turntable	
123	70004254	1	O-Ring	
124	70004255	1	Cap, Gear	
125	70004256	8	Bolt M4 x 8	
126	70004257	AR	Shim, Green (.003)	
127	70004258	AR	Shim, Blue (.005)	
128	70004259	AR	Shim, Natural (.0075)	
129	7026057	1	Gear, Worm	
130	70004260	AR	Shim, Blue (.005)	
131	70004261	AR	Shim, Yellow (.020)	
132	70004262	1	Seal, Oil	
133	7026051	1	Pinion, Output	
134	70004263	1	Seal, Oil	

SECTION 2 - TURNTABLE

FIGURE 2-13. TURNTABLE BEARING ASSEMBLY (MACHINES WITH SN STARTING WITH B3)



ART_1001277009

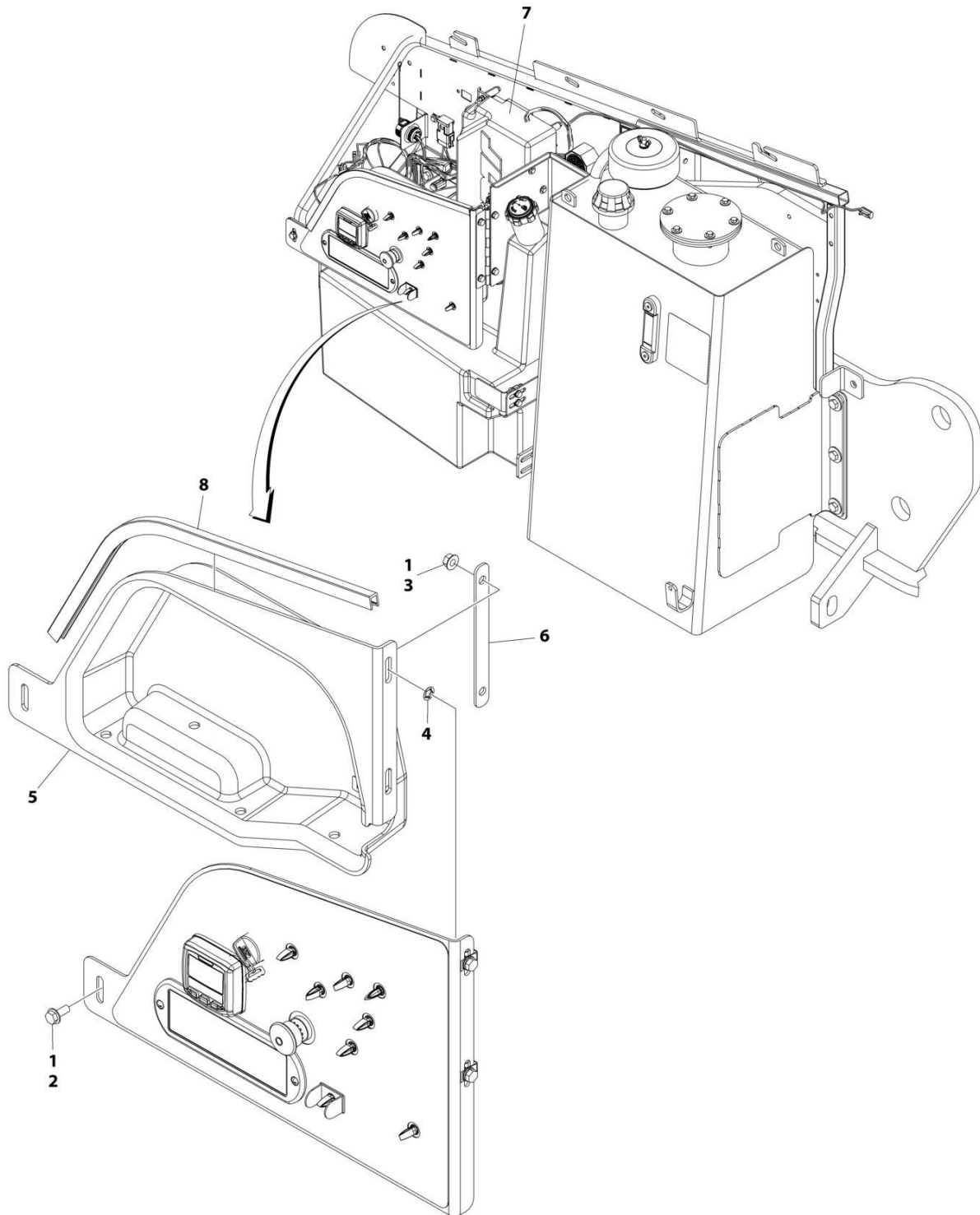
SECTION 2 - TURNTABLE

FIGURE 2-13. TURNTABLE BEARING ASSEMBLY (MACHINES WITH SN STARTING WITH B3)

ITEM	PART NUMBER	QTY	DESCRIPTION	REV
	1001277009	Ref	TURNTABLE BEARING ASSEMBLY	A
1	See Note	NSS	Housing (Note: Not Sold Separately)	
2	70008371	1	Ring, Slewing	
3	70008372	1	Cap, Gear	
4	70008373	1	Gear, Pinion	
5	70008374	1	Gear, Worm	
6	70008375	1	Gear, Worm Wheel	
7	70008376	1	Adapter, Worm Wheel Gear	
8	70008377	1	Cover, Gear	
9	70008378	1	Adapter, Motor	
10	70008379	1	Cover	
11	70008380	2	Bolt, Positioning	
12	See Note	NSS	Plate, Serial Number (Not Shown) (Note: Not Sold Separately)	
13	70008381	AR	Shim	
14	70008382	4	Bolt M8 x 40 Class 12.9	
15	70008383	8	Bolt M10 x 30 Class 12.9	
16	70008384	2	Fitting, Grease	
17	70008385	1	Seal	
18	70008386	1	Bearing	
19	70008387	1	Bearing	
20	70008388	7	Bolt M4 x 8	
21	70008389	1	Seal	
22	70008390	2	Bearing	
23	70008391	4	Bolt M12 x 35	
24	70008392	2	Cotter, Tapered	
25	See Note	NSS	Rivet (Not Shown) (Note: Not Sold Separately)	
26	70008393	AR	Shim	
27	4031707	4	Bolt M5 x 16	

SECTION 2 - TURNTABLE

FIGURE 2-14. TURNTABLE COVERS INSTALLATION



ART_1001219129

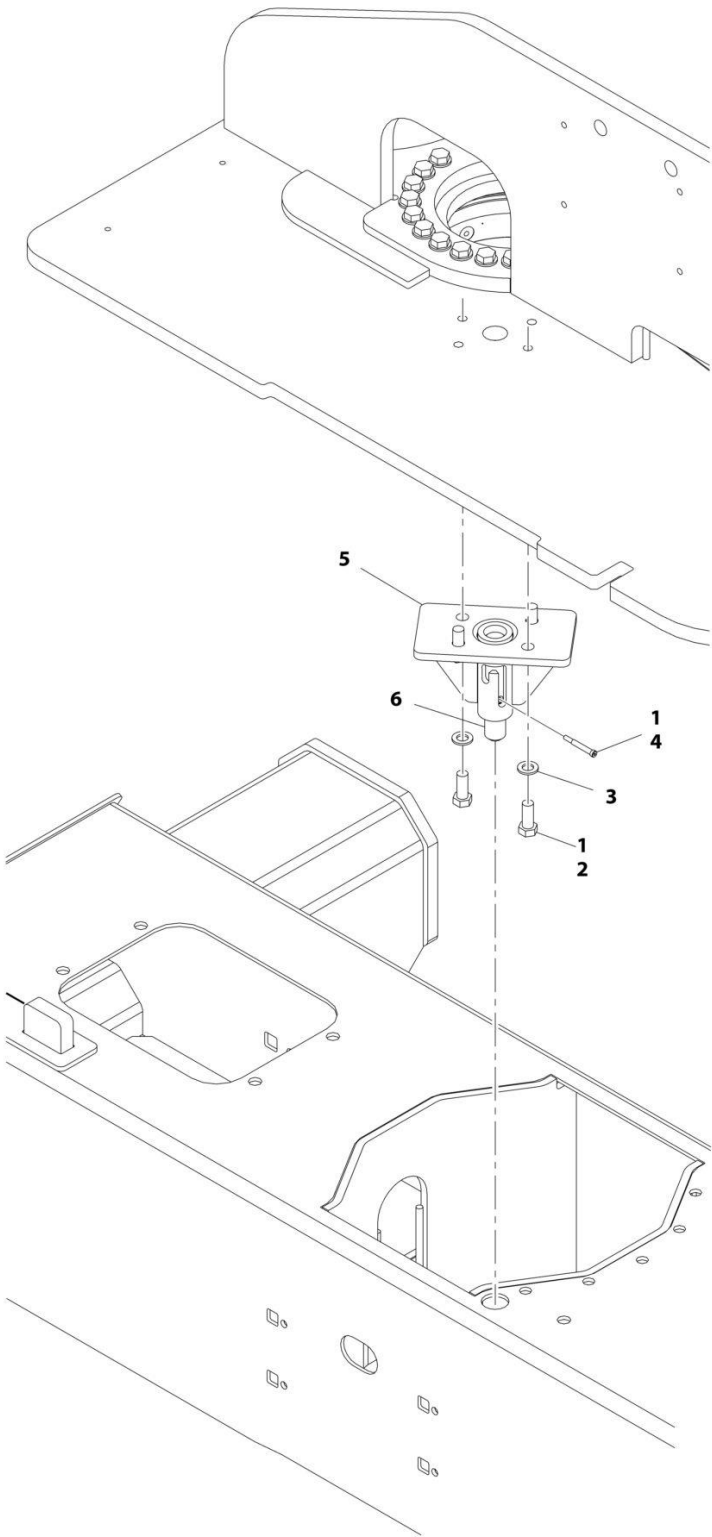
SECTION 2 - TURNTABLE

FIGURE 2-14. TURNTABLE COVERS INSTALLATION

ITEM	PART NUMBER	QTY	DESCRIPTION	REV
	1001219129	Ref	TURNTABLE COVERS INSTALLATION	A
1	0100011	AR	Compound, Locking	
2	5250812	1	Bolt M8 x 25	
3	5260800	2	Nut M8	
4	1001119228	2	Nut M8	
5	1001218533	1	Cover	
6	1001218535	1	Plate, Mounting	
7	1001218537	1	Cover	
8	4060806	2 ft/0.6m	Shield, Flex	

SECTION 2 - TURNTABLE

FIGURE 2-15. TURNTABLE LOCK INSTALLATION



ART_1001177820

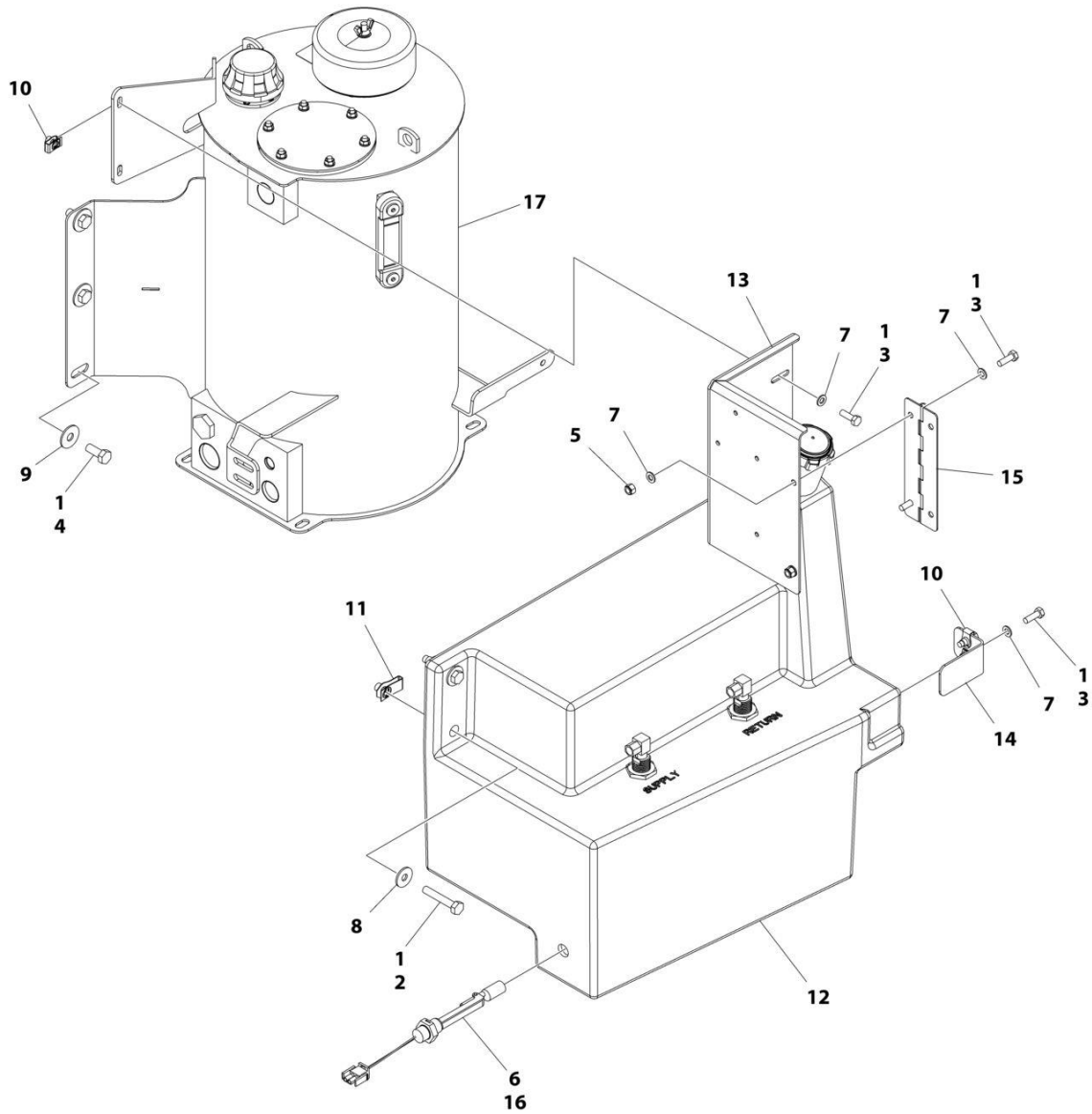
SECTION 2 - TURNTABLE

FIGURE 2-15. TURNTABLE LOCK INSTALLATION

ITEM	PART NUMBER	QTY	DESCRIPTION	REV
	1001177820	Ref	TURNTABLE LOCK INSTALLATION	B
1	0100011	AR	Compound, Locking	
2	0701616	4	Bolt M16 x 40	
3	4812300	4	Washer M16	
4	1001157466	1	Bolt M10 x 30	
5	1001177821	1	Support, Lock	
6	1001177834	1	Pin, Lock	
7	1001223118	1	Decal – Lift Diagram (Not Shown)	

SECTION 2 - TURNTABLE

FIGURE 2-16. TANKS INSTALLATION - DIESEL MACHINES (17 GAL HYDRAULIC TANK WITH 4 INCH BREATHER)



ART_1001282831

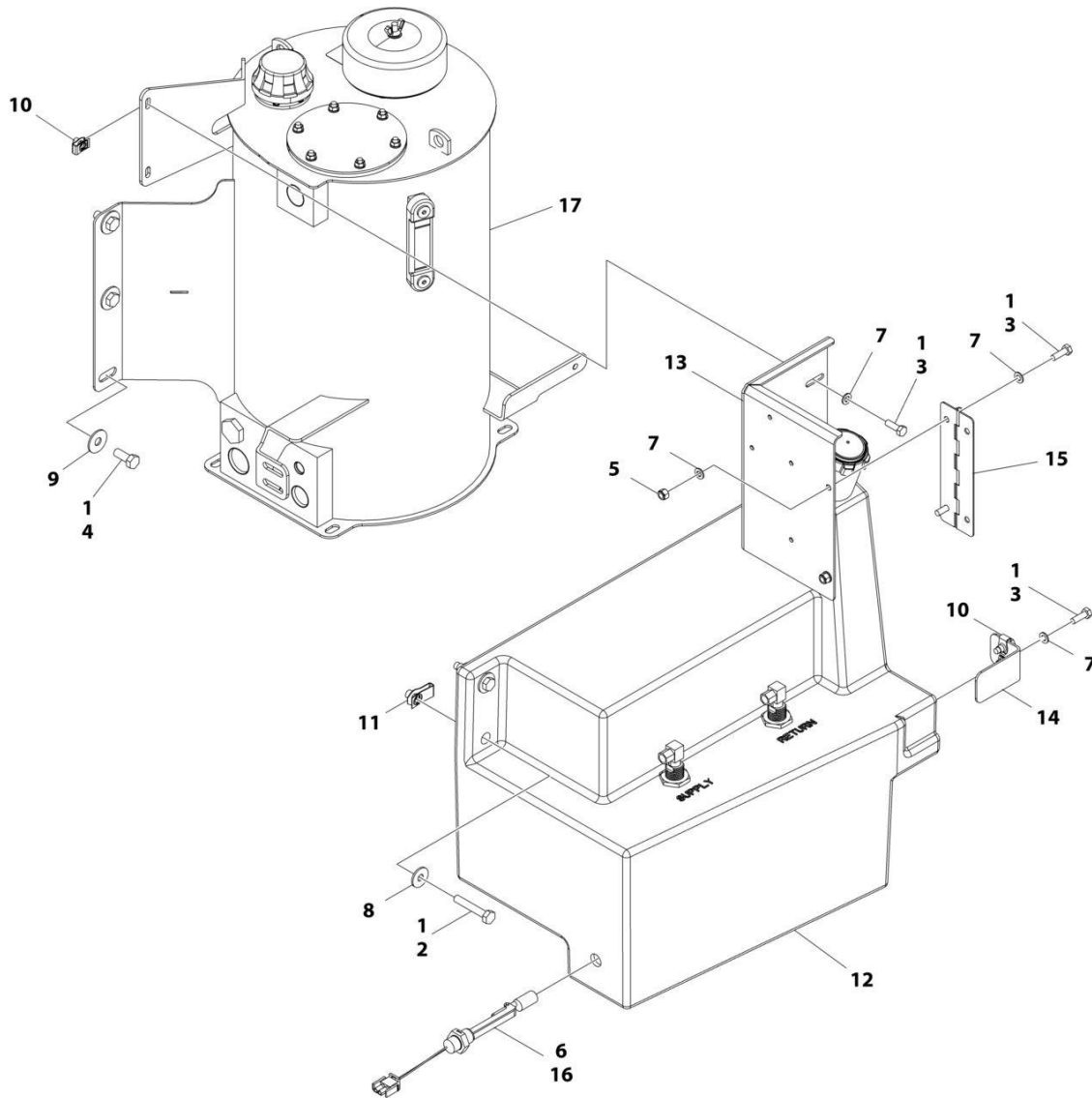
SECTION 2 - TURNTABLE

FIGURE 2-16. TANKS INSTALLATION - DIESEL MACHINES (17 GAL HYDRAULIC TANK WITH 4 INCH BREATHER)

ITEM	PART NUMBER	QTY	DESCRIPTION	REV
	1001282831	Ref	TANKS INSTALLATION - DIESEL MACHINES	A
1	0100011	AR	Compound, Locking	
2	0701020	2	Bolt M10 x 60	
3	0760812	6	Bolt M8 x 25	
4	0761214	6	Bolt M12 x 30	
5	3290805	2	Nut M8	
6	4360436	1	Switch, Fuel Level	
6	4460320	1	Plug, Male - 2 Position	
6	4460267	1	Pin, Male	
7	4811900	8	Washer M8	
8	4812002	2	Washer M10	
9	4812102	6	Washer M12	
10	1001118274	4	Nut M8	
11	1001118972	2	Nut M10	
12	1001163061	1	Fuel Tank Assembly	
12	1001193336	1	Cap, Fuel	
12	70004876	2	Tube, Pick-up	
12	0100020	AR	Compound, Locking	
13	1001169898	1	Support, Ground Control	
14	1001170480	1	Support, Tank	
15	1001179339	1	Hinge	
16	1001182997	AR	Adhesive	
17	1001274525	1	Hydraulic Tank Assembly (See Separate Breakdown in this Section)	

SECTION 2 - TURNTABLE

FIGURE 2-17. TANKS INSTALLATION - DIESEL MACHINES (17 GAL HYDRAULIC TANK WITH 6 INCH BREATHER)



ART_1001207347

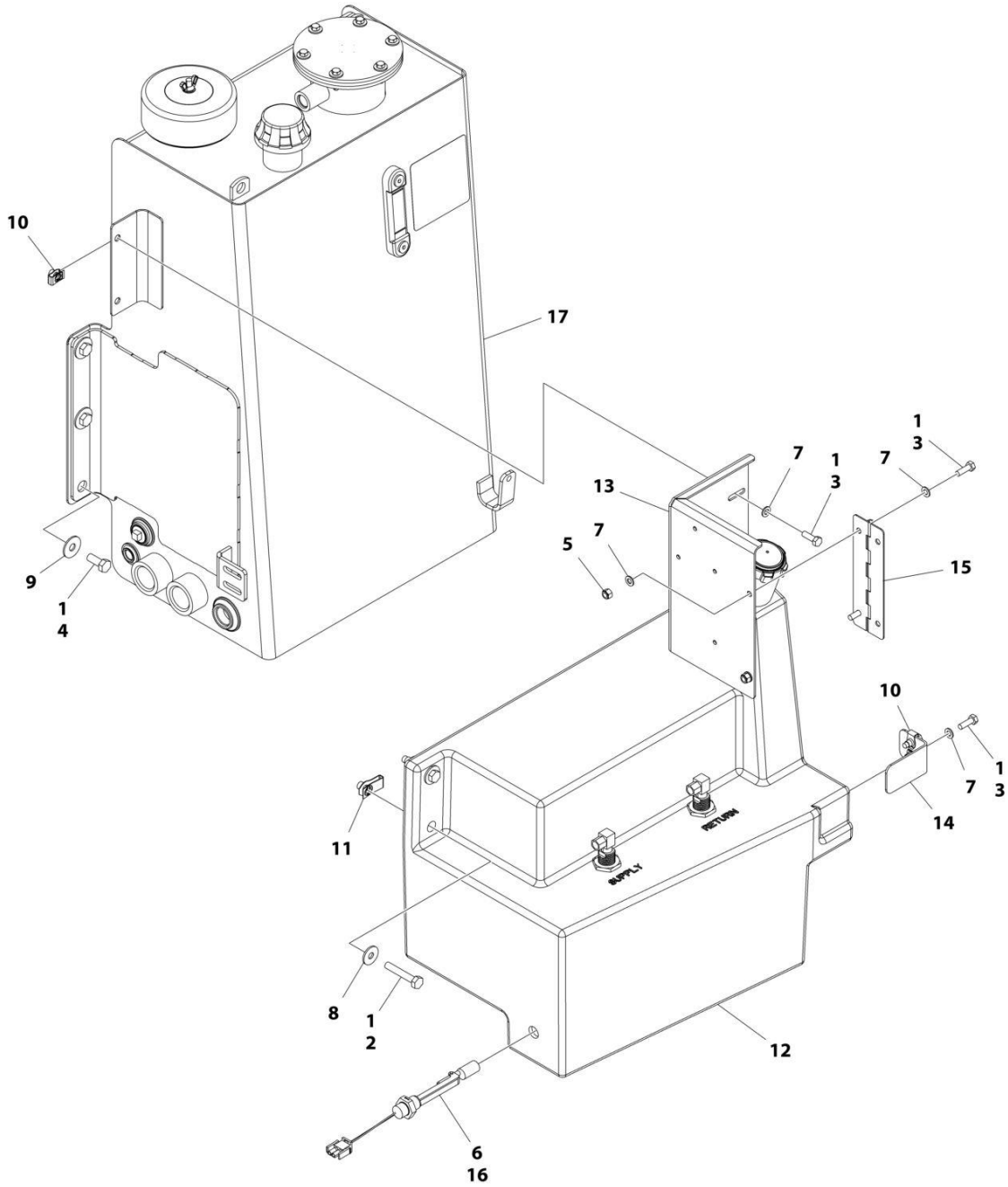
SECTION 2 - TURNTABLE

FIGURE 2-17. TANKS INSTALLATION - DIESEL MACHINES (17 GAL HYDRAULIC TANK WITH 6 INCH BREATHER)

ITEM	PART NUMBER	QTY	DESCRIPTION	REV
	1001207347	Ref	TANKS INSTALLATION - DIESEL MACHINES	B
1	0100011	AR	Compound, Locking	
2	0701020	2	Bolt M10 x 60	
3	0760812	6	Bolt M8 x 25	
4	0761214	6	Bolt M12 x 30	
5	3290805	2	Nut M8	
6	4360436	1	Switch, Fuel Level	
6	4460320	1	Plug, Male - 2 Position	
6	4460267	1	Pin, Male	
7	4811900	8	Washer M8	
8	4812002	2	Washer M10	
9	4812102	6	Washer M12	
10	1001118274	4	Nut M8	
11	1001118972	2	Nut M10	
12	1001163061	1	Fuel Tank Assembly	
12	1001193336	1	Cap, Fuel	
12	70004876	2	Tube, Pick-up	
12	0100020	AR	Compound, Locking	
13	1001169898	1	Support, Ground Control	
14	1001170480	1	Support, Tank	
15	1001179339	1	Hinge	
16	1001182997	AR	Adhesive	
17	1001206916	1	Hydraulic Tank Assembly	
17	70003614	1	Filter Kit (Includes Hydraulic Element, Breather Element and Gasket)	
17	70002838	1	Fill Cap Assembly (Includes Cap, Chain and Fill Basket)	
17	7024441	1	Gauge, Sight	
17	70002112	1	Plug, Drain	

SECTION 2 - TURNTABLE

FIGURE 2-18. TANKS INSTALLATION - DIESEL MACHINES (36 GAL HYDRAULIC TANK)



ART_1001286651

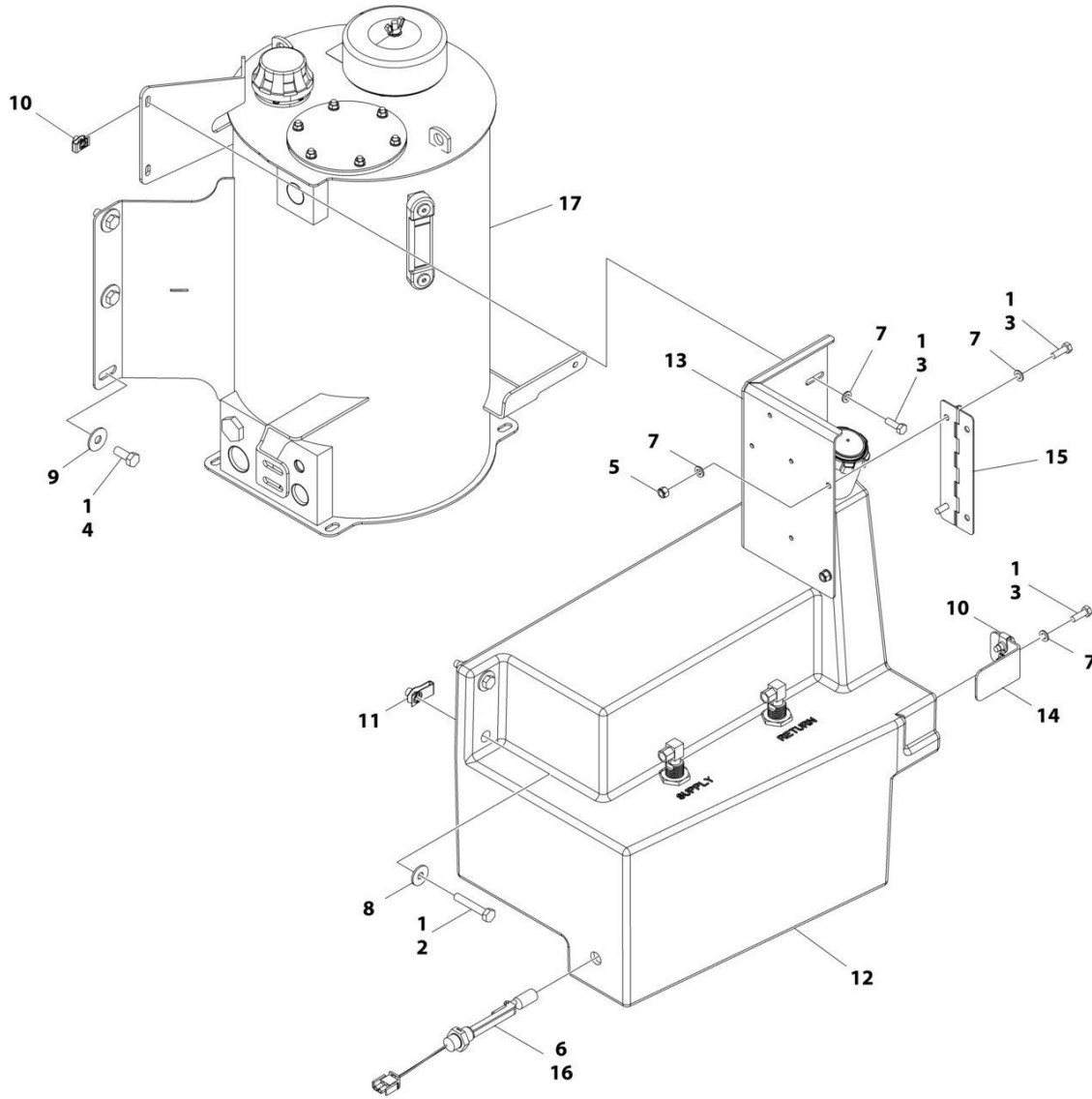
SECTION 2 - TURNTABLE

FIGURE 2-18. TANKS INSTALLATION - DIESEL MACHINES (36 GAL HYDRAULIC TANK)

ITEM	PART NUMBER	QTY	DESCRIPTION	REV
	1001286651	Ref	TANKS INSTALLATION - DIESEL MACHINES	A
1	0100011	AR	Compound, Locking	
2	0701020	2	Bolt M10 x 60	
3	0760812	6	Bolt M8 x 25	
4	0761214	6	Bolt M12 x 30	
5	3290805	2	Nut M8	
6	4360436	1	Switch, Fuel Level	
6	4460320	1	Plug, Male - 2 Position	
6	4460267	1	Pin, Male	
7	4811900	8	Washer M8	
8	4812002	2	Washer M10	
9	4812102	6	Washer M12	
10	1001118274	4	Nut M8	
11	1001118972	2	Nut M10	
12	1001163061	1	Fuel Tank Assembly	
12	1001193336	1	Cap, Fuel	
12	70004876	2	Tube, Pick-up	
12	0100020	AR	Compound, Locking	
13	1001169898	1	Support, Ground Control	
14	1001170480	1	Support, Tank	
15	1001179339	1	Hinge	
16	1001182997	AR	Adhesive	
17	1001286650	1	Hydraulic Tank Assembly	
17	70003614	1	Filter Kit (Includes Hydraulic Element, Breather Element and Gasket)	

SECTION 2 - TURNTABLE

FIGURE 2-19. TANKS INSTALLATION - GAS MACHINES



ART_1001207348

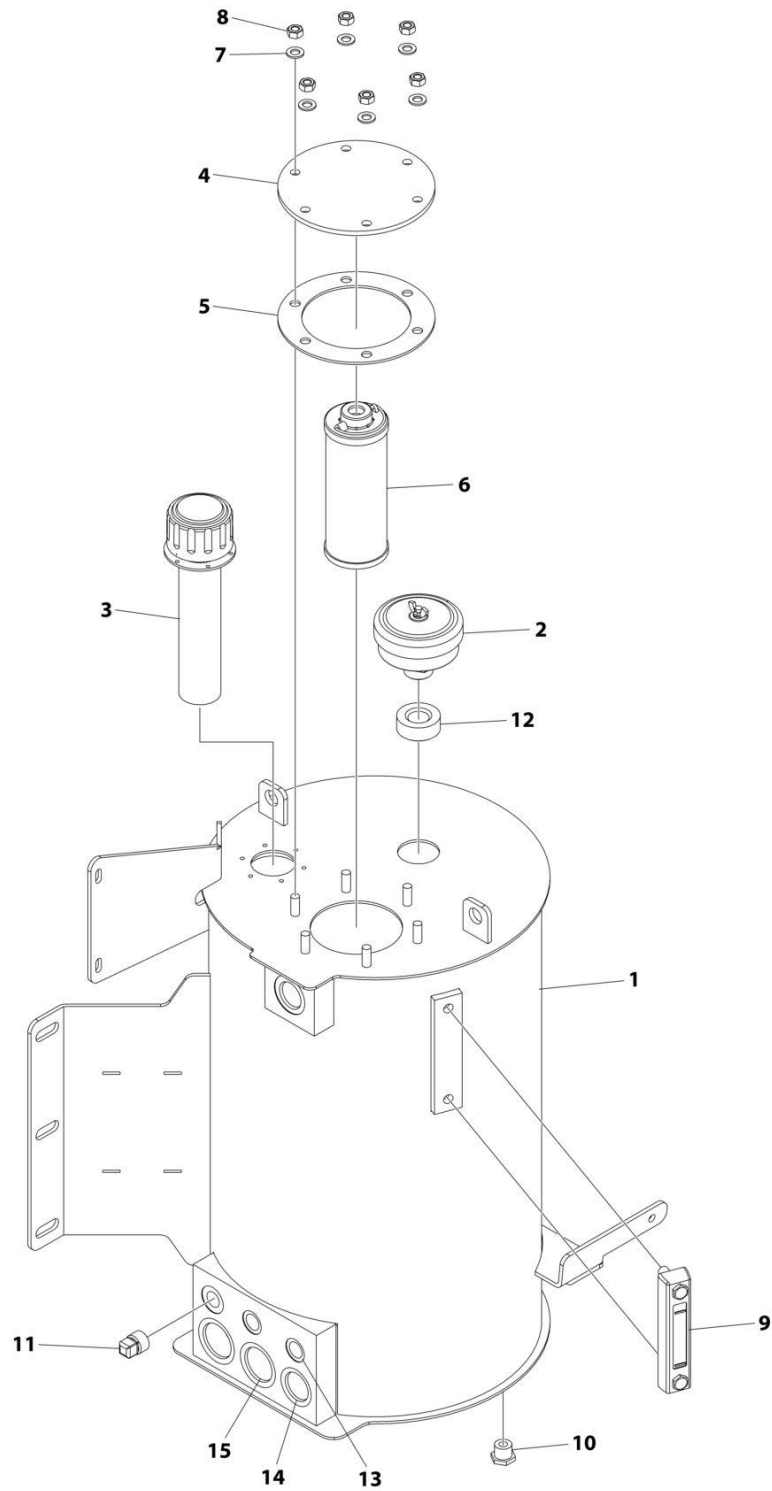
SECTION 2 - TURNTABLE

FIGURE 2-19. TANKS INSTALLATION - GAS MACHINES

ITEM	PART NUMBER	QTY	DESCRIPTION	REV
	1001207348	Ref	TANKS INSTALLATION - GAS MACHINES	B
1	0100011	AR	Compound, Locking	
2	0701020	2	Bolt M10 x 60	
3	0760812	6	Bolt M8 x 25	
4	0761214	6	Bolt M12 x 30	
5	3290805	2	Nut M8	
6	4360436	1	Switch, Fuel Level	
6	4460320	1	Plug, Male - 2 Position	
6	4460267	1	Pin, Male	
7	4811900	8	Washer M8	
8	4812002	2	Washer M10	
9	4812102	6	Washer M12	
10	1001118274	4	Nut M8	
11	1001118972	2	Nut M10	
12	1001163062	1	Fuel Tank Assembly	
12	1001211336	1	Cap, Tank	
12	70004877	2	Tube, Pick-up	
12	0100020	AR	Compound, Locking	
13	1001169898	1	Support, Ground Control	
14	1001170480	1	Support, Tank	
15	1001179339	1	Hinge	
16	1001182997	AR	Adhesive	
17	1001206916	1	Hydraulic Tank Assembly	
17	70003614	1	Filter Kit (Includes Hydraulic Element, Breather Element and Gasket)	
17	70002838	1	Fill Cap Assembly (Includes Cap, Chain and Fill Basket)	
17	7024441	1	Gauge, Sight	
17	70002112	1	Plug, Drain	

SECTION 2 - TURNTABLE

FIGURE 2-20. HYDRAULIC TANK ASSEMBLY - 17 GAL WITH 4 INCH BREATHER (DIESEL MACHINES)



ART_1001274525

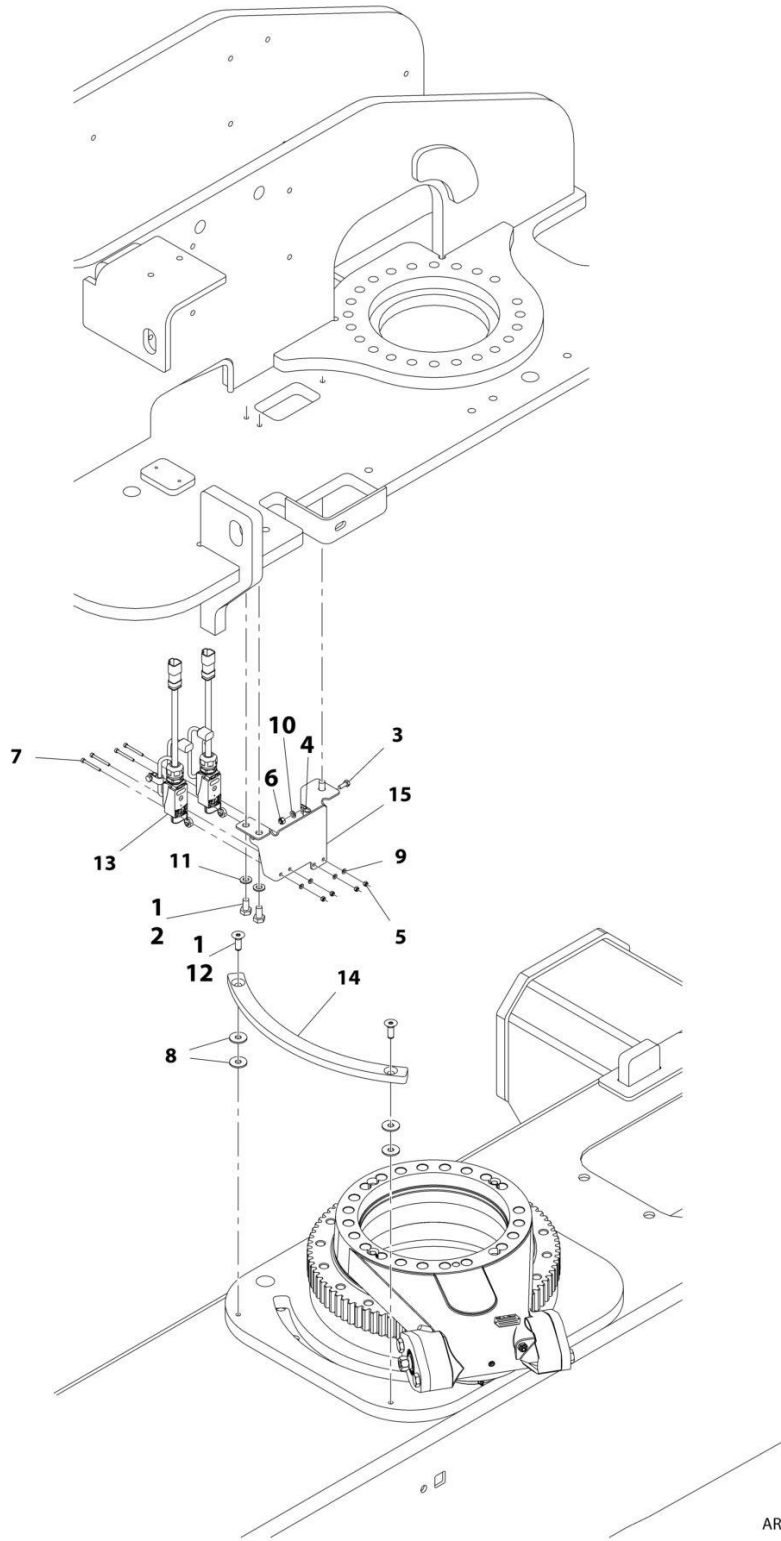
SECTION 2 - TURNTABLE

FIGURE 2-20. HYDRAULIC TANK ASSEMBLY - 17 GAL WITH 4 INCH BREATHER (DIESEL MACHINES)

ITEM	PART NUMBER	QTY	DESCRIPTION	REV
	1001274525	Ref	HYDRAULIC TANK ASSEMBLY	A
1	See Note	NSS	Tank (Note: Not Available for Purchase)	
2	70008258	1	Breather	
3	70008253	1	Cap, Fill	
4	70008259	1	Cover	
5	70008260	1	Gasket	
6	70008261	1	Filter	
7	70008262	6	Washer	
8	70008263	6	Nut M10	
9	70008264	1	Gauge, Level	
10	70008254	1	Plug 7/8	
11	70008265	1	Plug	
12	70008266	1	O-Ring	
13	70008256	2	Cover 3/4	
14	70008267	2	Cover 1-5/16	
15	70008268	2	Cover 1-5/8	

SECTION 2 - TURNTABLE

FIGURE 2-21. DRIVE ORIENTATION INSTALLATION



ART_1001166767

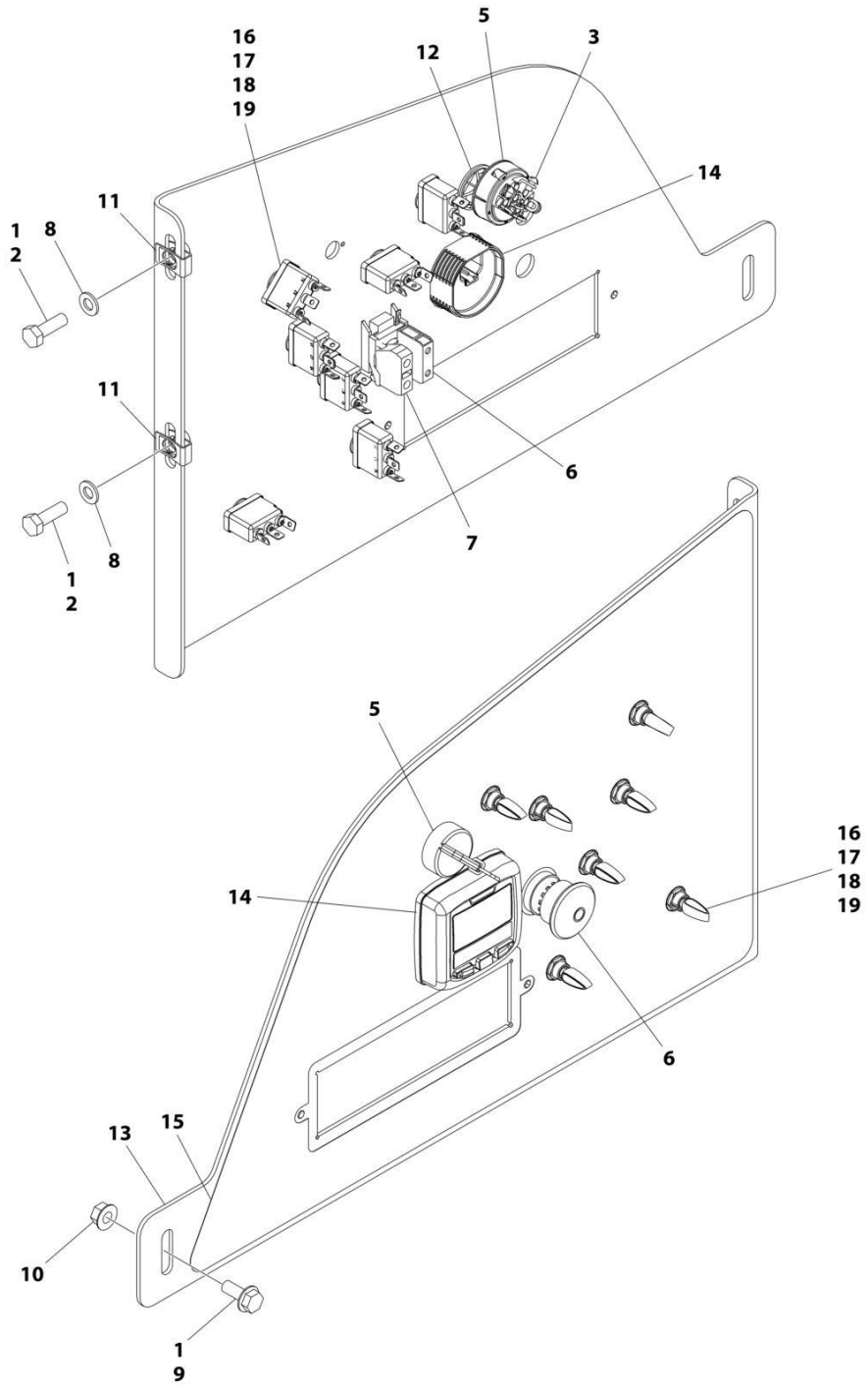
SECTION 2 - TURNTABLE

FIGURE 2-21. DRIVE ORIENTATION INSTALLATION

ITEM	PART NUMBER	QTY	DESCRIPTION	REV
	1001166767	Ref	DRIVE ORIENTATION INSTALLATION	F
1	0100011	AR	Compound, Locking	
2	0761010	3	Bolt M10 x 20	
3	0760608	2	Bolt M6 x 16	
4	1321293	2	Clamp, Cable	
5	3290405	4	Nut M4	
6	3290605	2	Nut M6	
7	4031512	4	Capscrew M4 x 40	
8	4812002	4	Washer M10	
9	4811400	4	Washer M4	
10	4811700	2	Washer M6	
11	4812000	3	Washer M10	
12	8310614	2	Screw M10 x 30	
13	1001119176	2	Switch, Limit	
13	1001129407	1	Receptacle, Female - 4 Position	
13	4460464	4	Pin, Male	
14	1001162106	1	Cam	
15	1001166768	1	Bracket	
16	8881800	AR	Tie-Strap (Not Shown)	

SECTION 2 - TURNTABLE

FIGURE 2-22. GROUND CONTROL ASSEMBLY - 450A (ANSI SPECS)



ART_1001246446

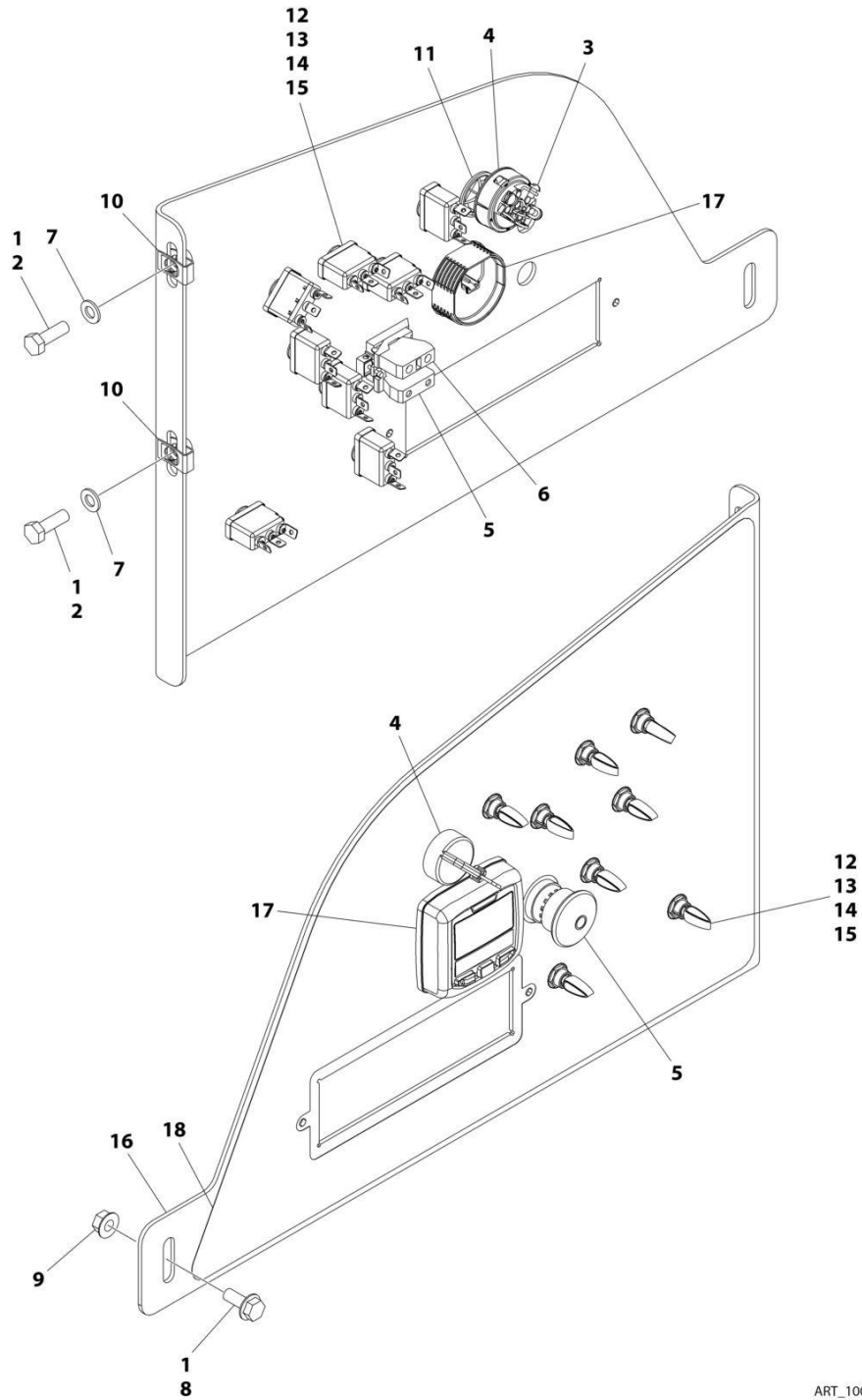
SECTION 2 - TURNTABLE

FIGURE 2-22. GROUND CONTROL ASSEMBLY - 450A (ANSI SPECS)

ITEM	PART NUMBER	QTY	DESCRIPTION	REV
	1001246446	Ref	GROUND CONTROL ASSEMBLY	B
1	0100011	AR	Compound, Locking	
2	0760812	2	Bolt M8 x 25	
3	3910804	3	Screw M8 x 1/4	
5	4360469	1	Switch, Key	
5	2860030	1	Key, Replacement	
6	4360475	1	Switch, Emergency	
6	7020175	1	Cap	
6	7020176	1	Block, Contact	
7	4360476	1	Block, Contact	
8	4811900	2	Washer M8	
9	5250810	1	Bolt M8 x 20	
10	5260800	1	Nut M8	
11	1001118274	2	Nut M8	
12	1001151393	1	Shim .063	
13	1001264735	1	Panel, Ground Control	
14	1001171482	1	Gauge, Display	
15	1001264734	1	Decal - Ground Control	
16	1001155043	7	Washer	
17	1001155044	7	Spacer	
18	1001155045	7	Switch, Toggle	
19	1001162807	7	Washer	

SECTION 2 - TURNTABLE

FIGURE 2-23. GROUND CONTROL ASSEMBLY - 450AJ (ALL SPECS EXCEPT CE, RUSSIAN & UK CA SPECS)



ART_1001246450

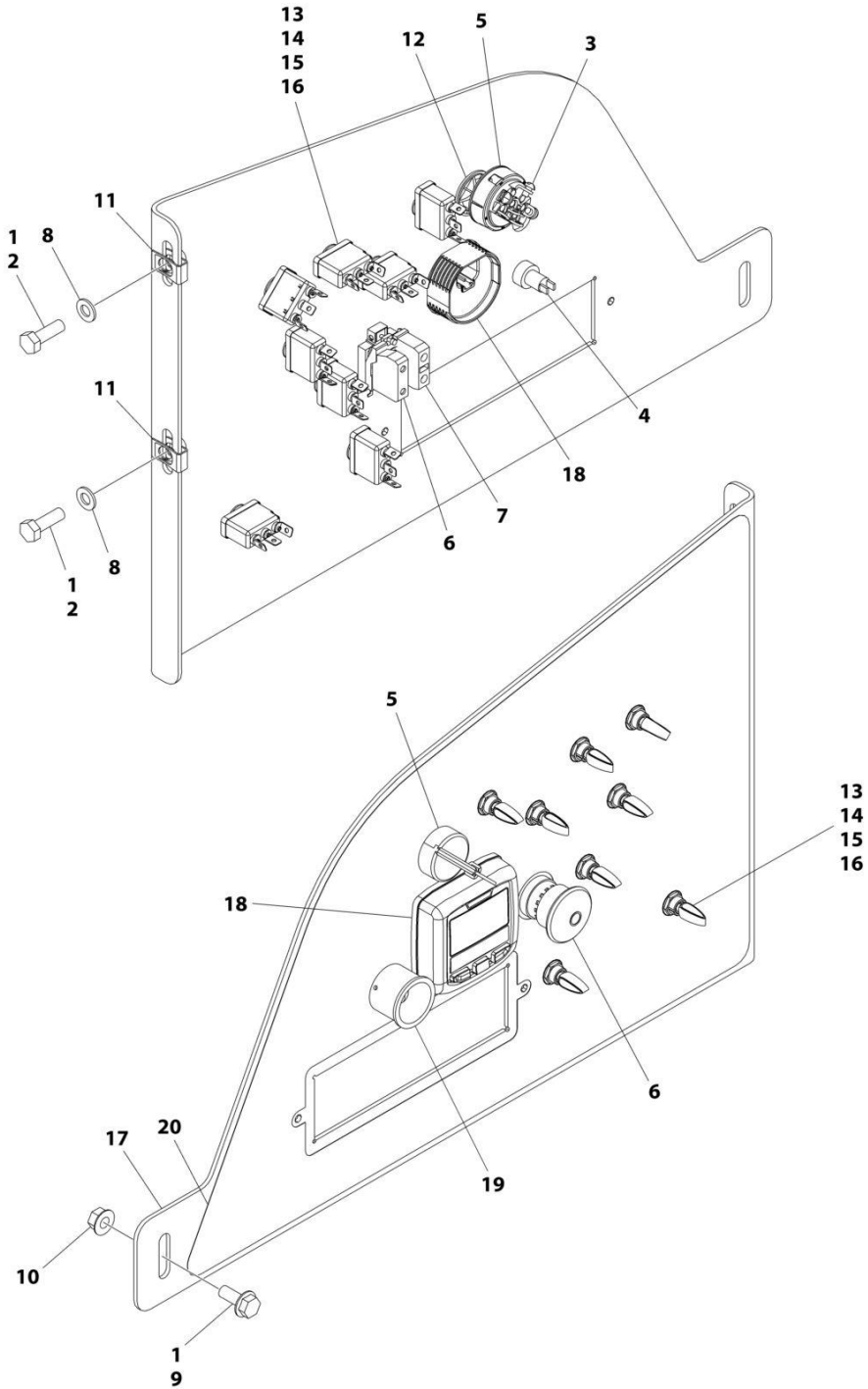
SECTION 2 - TURNTABLE

FIGURE 2-23. GROUND CONTROL ASSEMBLY - 450AJ (ALL SPECS EXCEPT CE, RUSSIAN & UK CA SPECS)

ITEM	PART NUMBER	QTY	DESCRIPTION	REV
	1001246450	Ref	GROUND CONTROL ASSEMBLY	B
1	0100011	AR	Compound, Locking	
2	0760812	2	Bolt M8 x 25	
3	3910804	3	Screw M8 x 1/4	
4	4360469	1	Switch, Key	
4	2860030	1	Key, Replacement	
5	4360475	1	Switch, Emergency	
5	7020175	1	Cap	
5	7020176	1	Block, Contact	
6	4360476	1	Block, Contact	
7	4811900	2	Washer M8	
8	5250810	1	Bolt M8 x 20	
9	5260800	1	Nut M8	
10	1001118274	2	Nut M8	
11	1001151393	1	Shim .063	
12	1001155043	8	Washer	
13	1001155044	8	Nut, Special 15/32-32	
14	1001155045	8	Switch, Toggle	
15	1001162807	8	Washer	
16	1001264735	1	Panel, Ground Control	
17	1001171482	1	Gauge, Display	
18	1001264733	1	Decal - Ground Control	

SECTION 2 - TURNTABLE

FIGURE 2-24. GROUND CONTROL ASSEMBLY - 450AJ (CE, RUSSIA & UK CA SPECS)



ART_1001246451

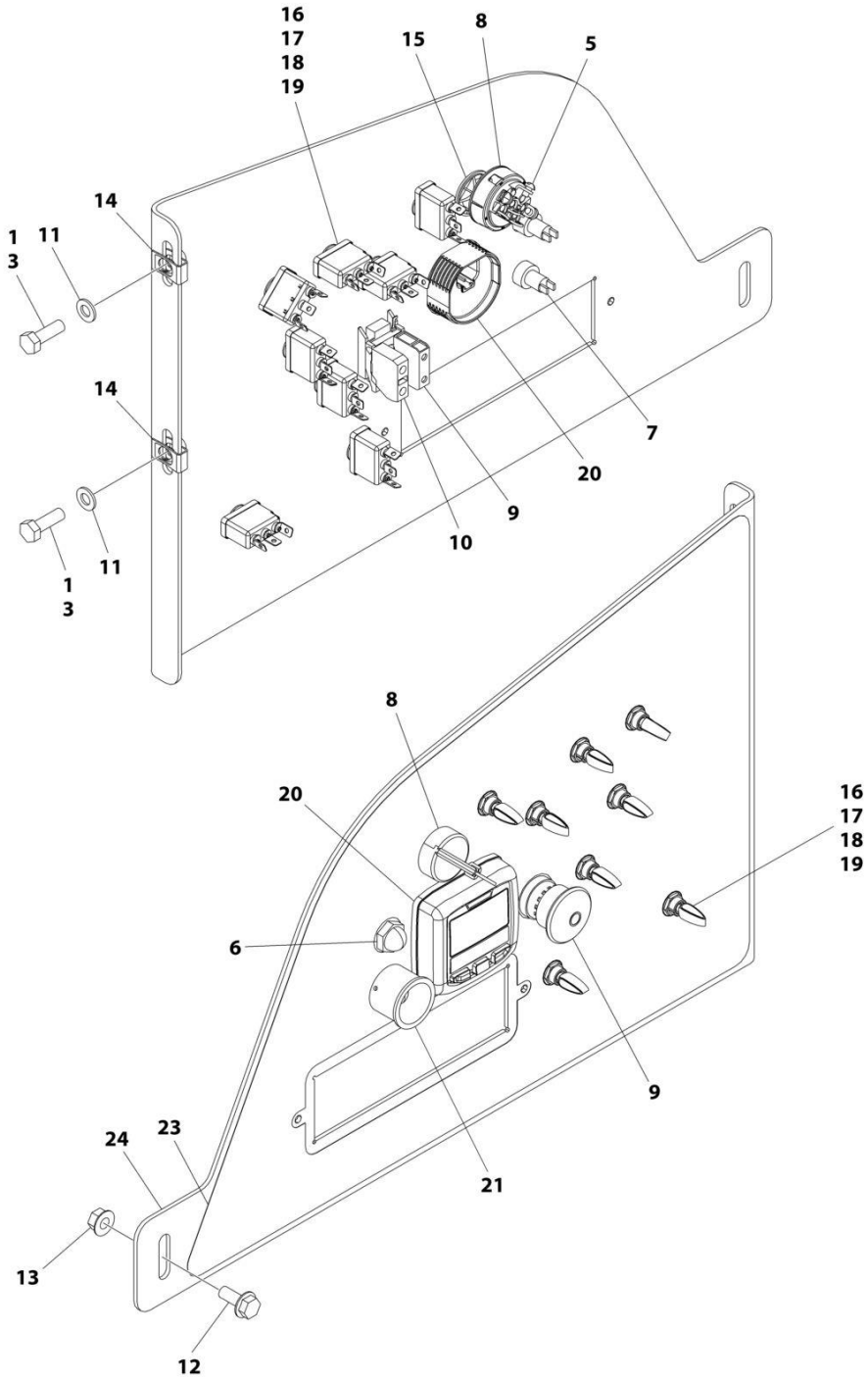
SECTION 2 - TURNTABLE

FIGURE 2-24. GROUND CONTROL ASSEMBLY - 450AJ (CE, RUSSIA & UK CA SPECS)

ITEM	PART NUMBER	QTY	DESCRIPTION	REV
	1001246451	Ref	GROUND CONTROL ASSEMBLY	B
1	0100011	AR	Compound, Locking	
2	0760812	2	Bolt M8 x 25	
3	3910804	3	Screw M8 x 1/4	
4	4360387	1	Switch, Push Button	
5	4360469	1	Switch, Key	
5	2860030	1	Key, Replacement	
6	4360475	1	Switch, Emergency	
6	7020175	1	Cap	
6	7020176	1	Block, Contact	
7	4360476	1	Block, Contact	
8	4811900	2	Washer M8	
9	5250810	1	Bolt M8 x 20	
10	5260800	1	Nut M8	
11	1001118274	2	Nut M8	
12	1001151393	1	Shim .063	
13	1001155043	8	Washer	
14	1001155044	8	Nut, Special 15/32-32	
15	1001155045	8	Switch, Toggle	
16	1001162807	8	Washer	
17	1001264735	1	Panel, Ground Control	
18	1001171482	1	Gauge, Display	
19	1001176469	1	Shroud, Switch	
20	1001264732	1	Decal - Ground Control	

SECTION 2 - TURNTABLE

FIGURE 2-25. GROUND CONTROL ASSEMBLY - 450AJ (DEUTZ STAGE V) (CE & UK CA SPECS)



ART_1001245656

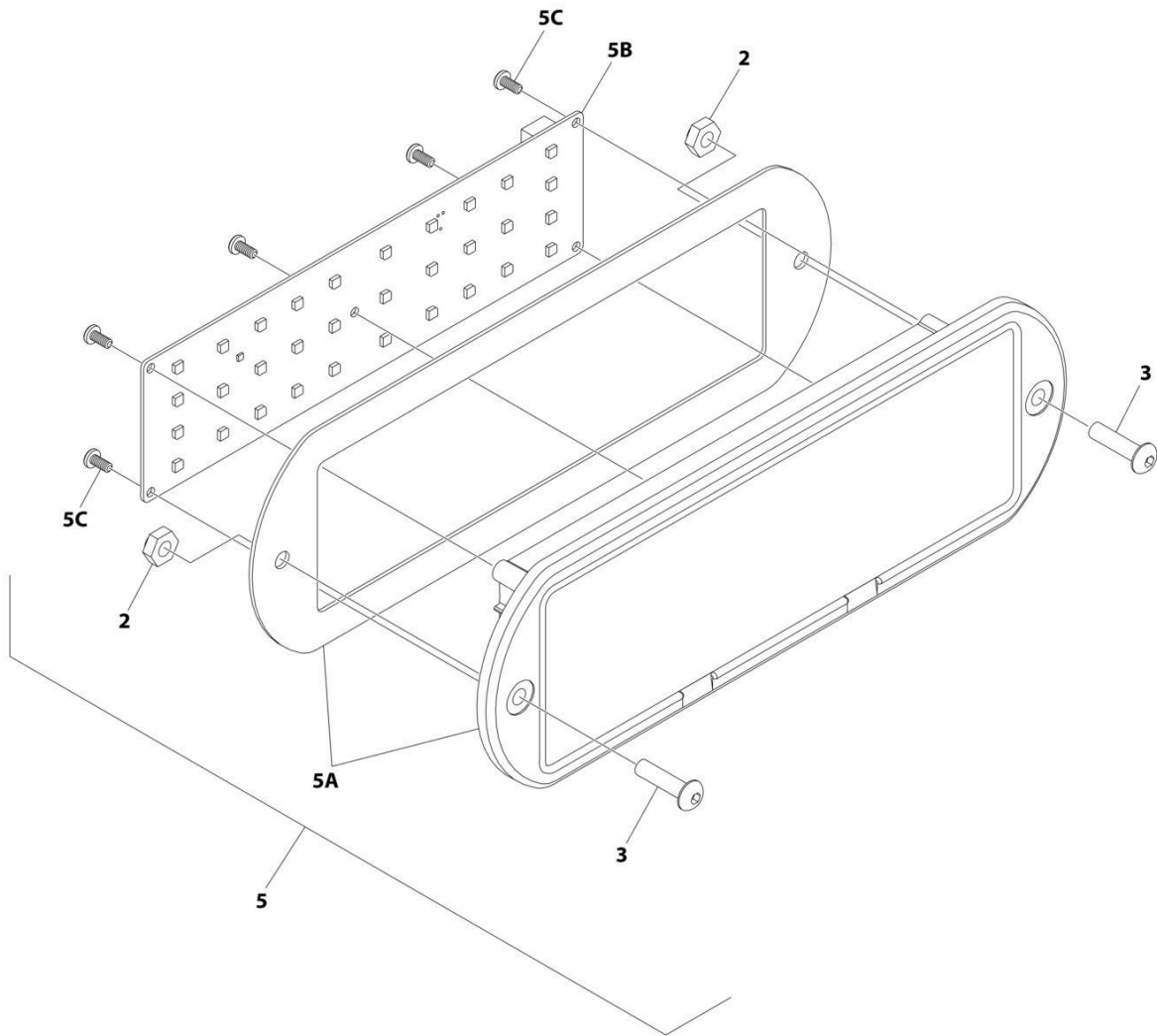
SECTION 2 - TURNTABLE

FIGURE 2-25. GROUND CONTROL ASSEMBLY - 450AJ (DEUTZ STAGE V) (CE & UK CA SPECS)

ITEM	PART NUMBER	QTY	DESCRIPTION	REV
	1001245656	Ref	GROUND CONTROL ASSEMBLY	C
1	0100011	AR	Compound, Locking	
3	0760812	2	Bolt M8 x 25	
5	3910804	3	Screw M8 x 1/4	
6	4360274	1	Switch, Push Button	
7	4360387	1	Switch, Push Button	
8	4360469	1	Switch, Key	
8	2860030	1	Key, Replacement	
9	4360475	1	Switch, Emergency	
9	7020175	1	Cap	
9	7020176	1	Block, Contact	
10	4360476	1	Block, Contact	
11	4811900	2	Washer M8	
12	5250810	1	Bolt M8 x 20	
13	5260800	1	Nut M8	
14	1001118274	2	Nut M8	
15	1001151393	1	Shim .063	
16	1001155043	8	Washer	
17	1001155044	8	Nut, Special 15/32-32	
18	1001155045	8	Switch, Toggle	
19	1001162807	8	Washer	
20	1001171482	1	Gauge, Display	
21	1001176469	1	Shroud, Switch	
23	1001264731	1	Decal - Ground Control	
24	1001264735	1	Panel, Ground Control	

SECTION 2 - TURNTABLE

FIGURE 2-26. LIGHT PANEL INSTALLATION – GROUND CONTROL



ART_1001241403_10F2

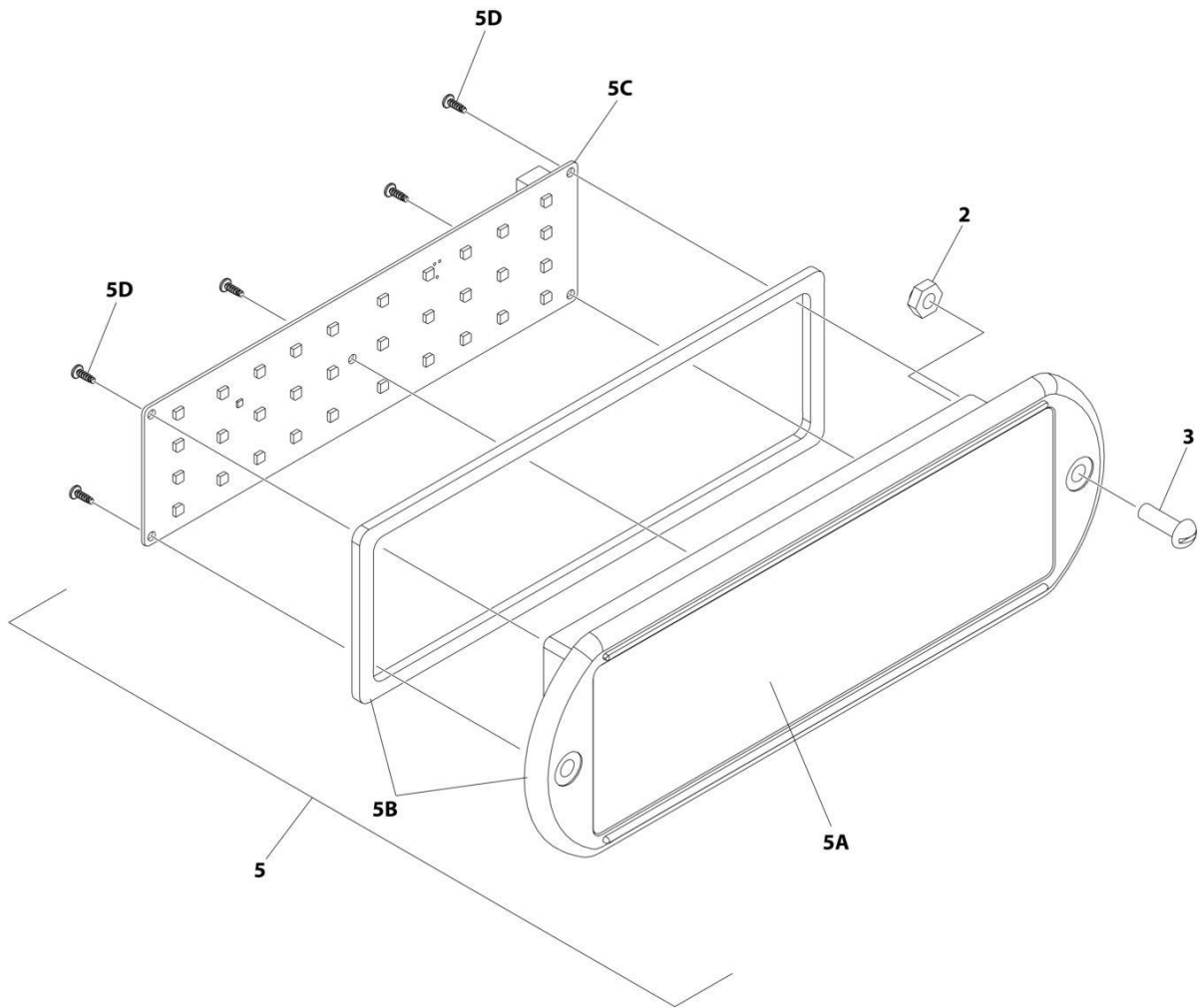
SECTION 2 - TURNTABLE

FIGURE 2-26. LIGHT PANEL INSTALLATION – GROUND CONTROL

ITEM	PART NUMBER	QTY	DESCRIPTION	REV
	1001241403	Ref	LIGHT PANEL INSTALLATION - GROUND CONTROL	C
2	3300408	2	Nut, Nylon Insert	
3	0630518	2	Screw #10 x 3/4	
5	1001238674	1	Light Panel Assembly	H
5A	1001236092	1	Lens Assembly (Includes Housing Shell, Decal/Lens with Icons & Gasket)	
5B	1001238732	1	Panel, LED Light	
5C		Ref	Screw	

SECTION 2 - TURNTABLE

FIGURE 2-27. LIGHT PANEL INSTALLATION - GROUND CONTROL (Prior to SN 0300295114)



ART_1001233959_10F2

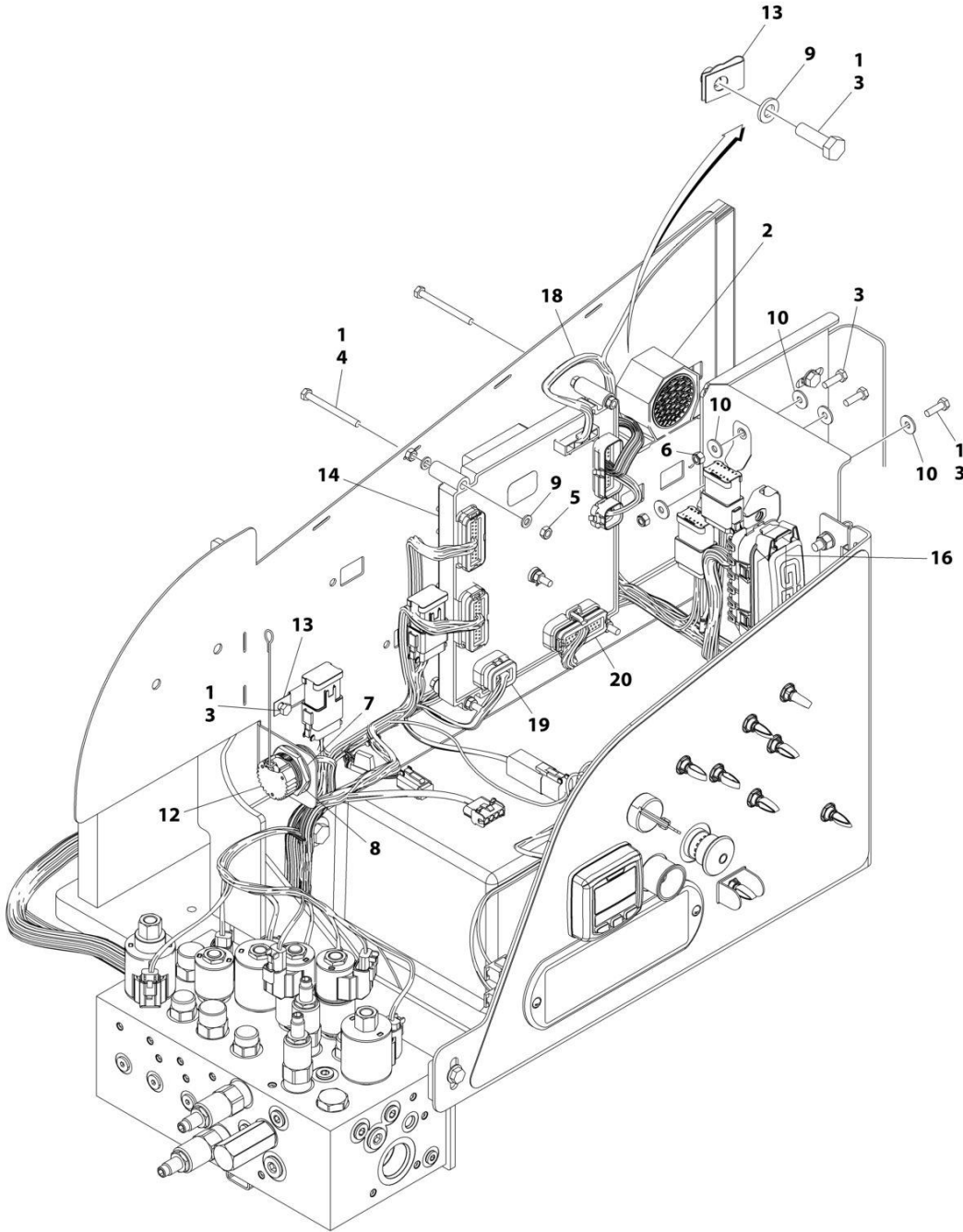
SECTION 2 - TURNTABLE

FIGURE 2-27. LIGHT PANEL INSTALLATION - GROUND CONTROL (Prior to SN 0300295114)

ITEM	PART NUMBER	QTY	DESCRIPTION	REV
	1001233959	Ref	LIGHT PANEL INSTALLATION	C
2	3300408	2	Nut, Nylon Insert	
3	0630518	2	Screw #10 x 3/4	
5	1001237546	1	Light Panel Assembly	
5A	1001236091	1	Lens, I-Con/Bezel	
5C	1001187807	1	Panel, LED Light	
5D		Ref	Screw	

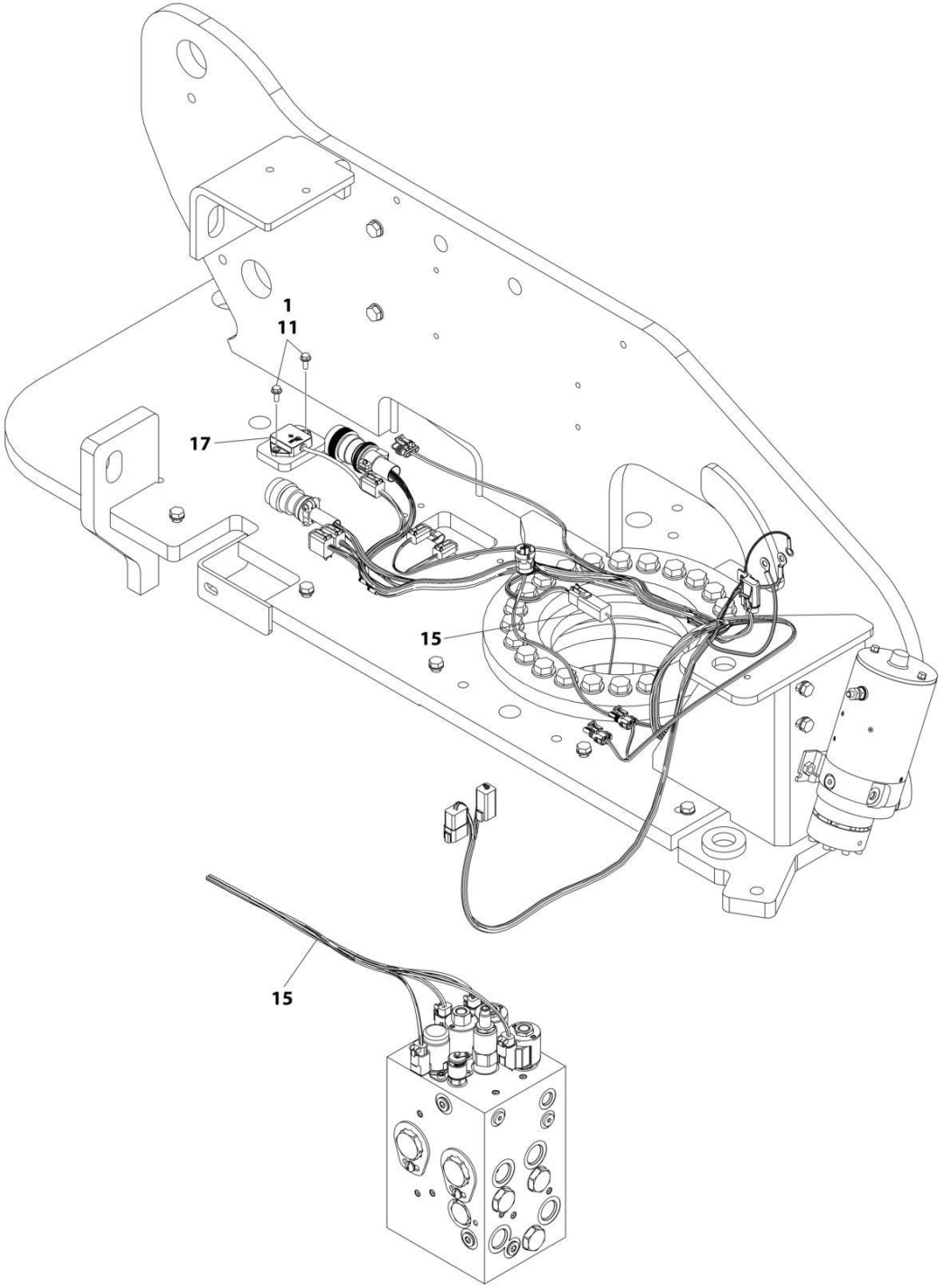
SECTION 2 - TURNTABLE

FIGURE 2-28. ELECTRICAL SYSTEM INSTALLATION (SN 0300295114 to Present)



ART_1001246369_10F2

SECTION 2 - TURNTABLE



DETAIL OF TRACTION VALVE

ART_1001246369_2OF2

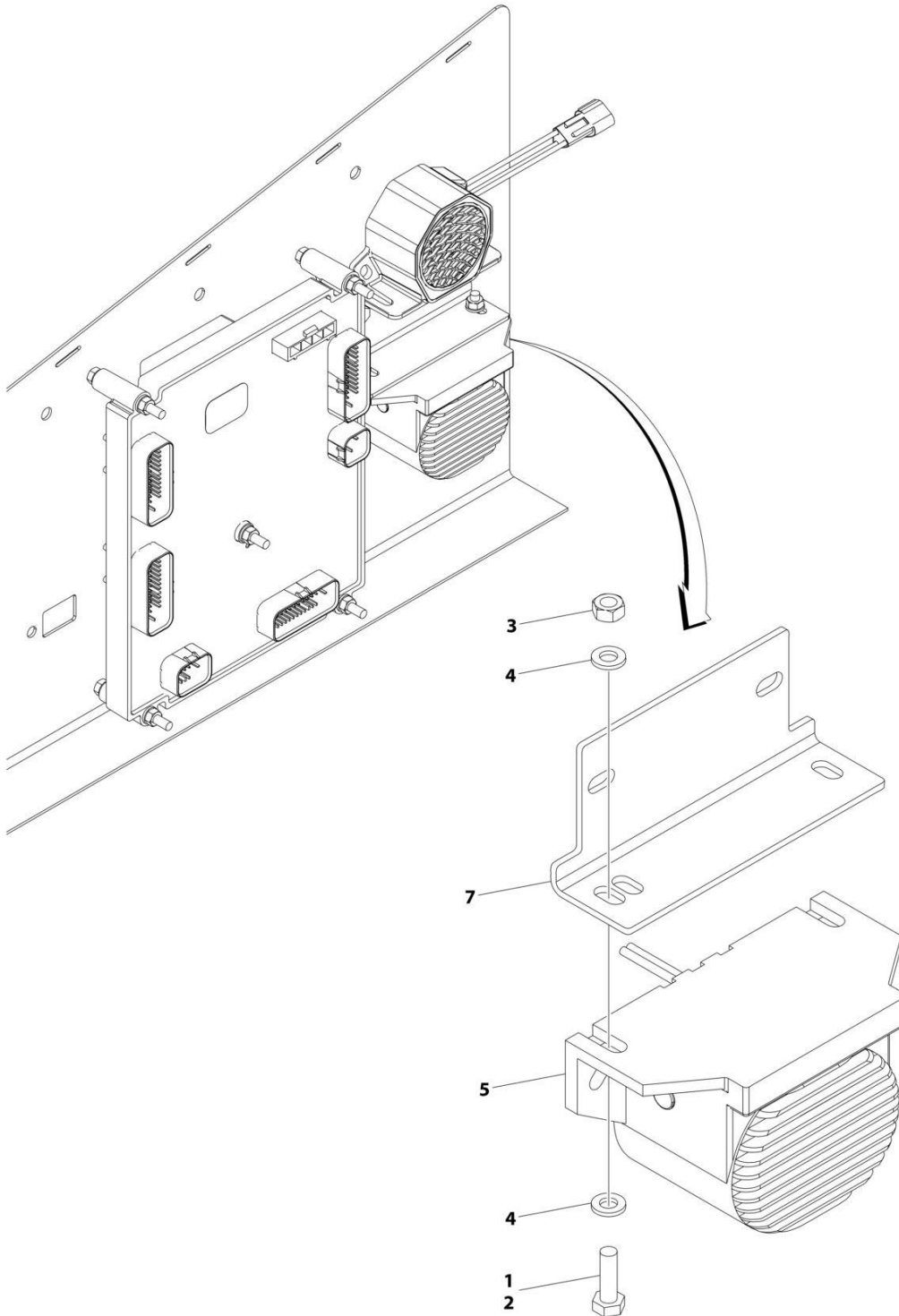
SECTION 2 - TURNTABLE

FIGURE 2-28. ELECTRICAL SYSTEM INSTALLATION

ITEM	PART NUMBER	QTY	DESCRIPTION	REV
	1001246369	Ref	ELECTRICAL SYSTEM INSTALLATION	A
1	0100011	AR	Compound, Locking	
2	0140043	1	Alarm	
3	0760610	7	Bolt M6 x 20	
4	0760621	5	Bolt M6 x 65	
5	3290601	10	Nut M6	
6	3290605	2	Nut M6	
7	4460496	1	Washer, Terminal	
8	4460497	1	Nut, Terminal	
9	4811700	12	Washer M6	
10	4811702	7	Washer M6	
11	5250608	2	Bolt M6 x 16	
12	1001106736	1	Cap, Dust	
13	1001130220	3	Nut, Tinnerman M6	
14	1001170094	1	Module, Ground Control	
	See Note	Ref	Note: Re-calibration Required when Replaced	
15	1001179236	1	Chassis Solenoid Harness (See Separate Breakdown in ELECTRICAL SECTION)	
16	1001196637	1	Decal - Fuse Box	
17	1001219601	1	Sensor	
17	See Note	1	Receptacle, Female - 4 Position (Note: Not Available for Purchase)	
17	See Note	4	Pin, Male (Note: Not Available for Purchase)	
18	1001244293	1	Turntable Harness (See Separate Breakdown in ELECTRICAL SECTION)	
19	1001244294	1	Valve Harness - Main Valve (See Separate Breakdown in ELECTRICAL SECTION)	
20	1001244295	1	Ground Control Panel Harness (See Separate Breakdown in ELECTRICAL SECTION)	

SECTION 2 - TURNTABLE

FIGURE 2-29. WHITE NOISE ALARM AMBIENT INSTALLATION



ART_1001209617

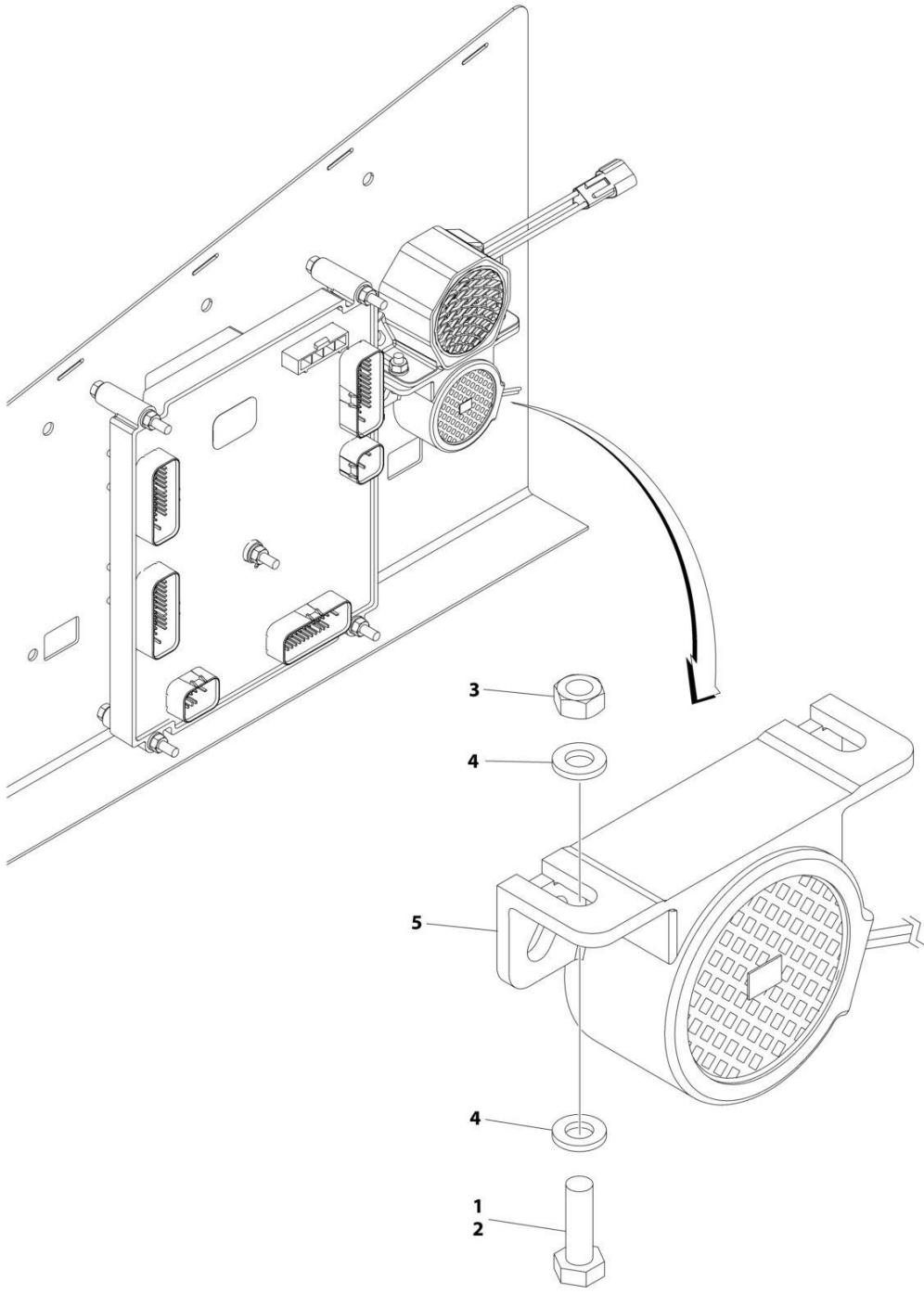
SECTION 2 - TURNTABLE

FIGURE 2-29. WHITE NOISE ALARM AMBIENT INSTALLATION

ITEM	PART NUMBER	QTY	DESCRIPTION	REV
	1001209617	Ref	WHITE NOISE AMBIENT ALARM INSTALLATION	C
1	0100011	AR	Compound, Locking	
2	0760610	2	Bolt M6 x 20	
3	3290601	2	Nut M6	
4	4811700	4	Washer M6	
5	1001182806	1	Alarm	
6	1001190663	1	Harness, Jumper (Not Shown)	
6	4460891	1	Connector – 2 Position	
6	4460465	2	Socket, Female	
6	4460871	2	Socket, Female	
7	1001231886	1	Plate	

SECTION 2 - TURNTABLE

FIGURE 2-30. WHITE NOISE ALARM INSTALLATION



ART_1001263174

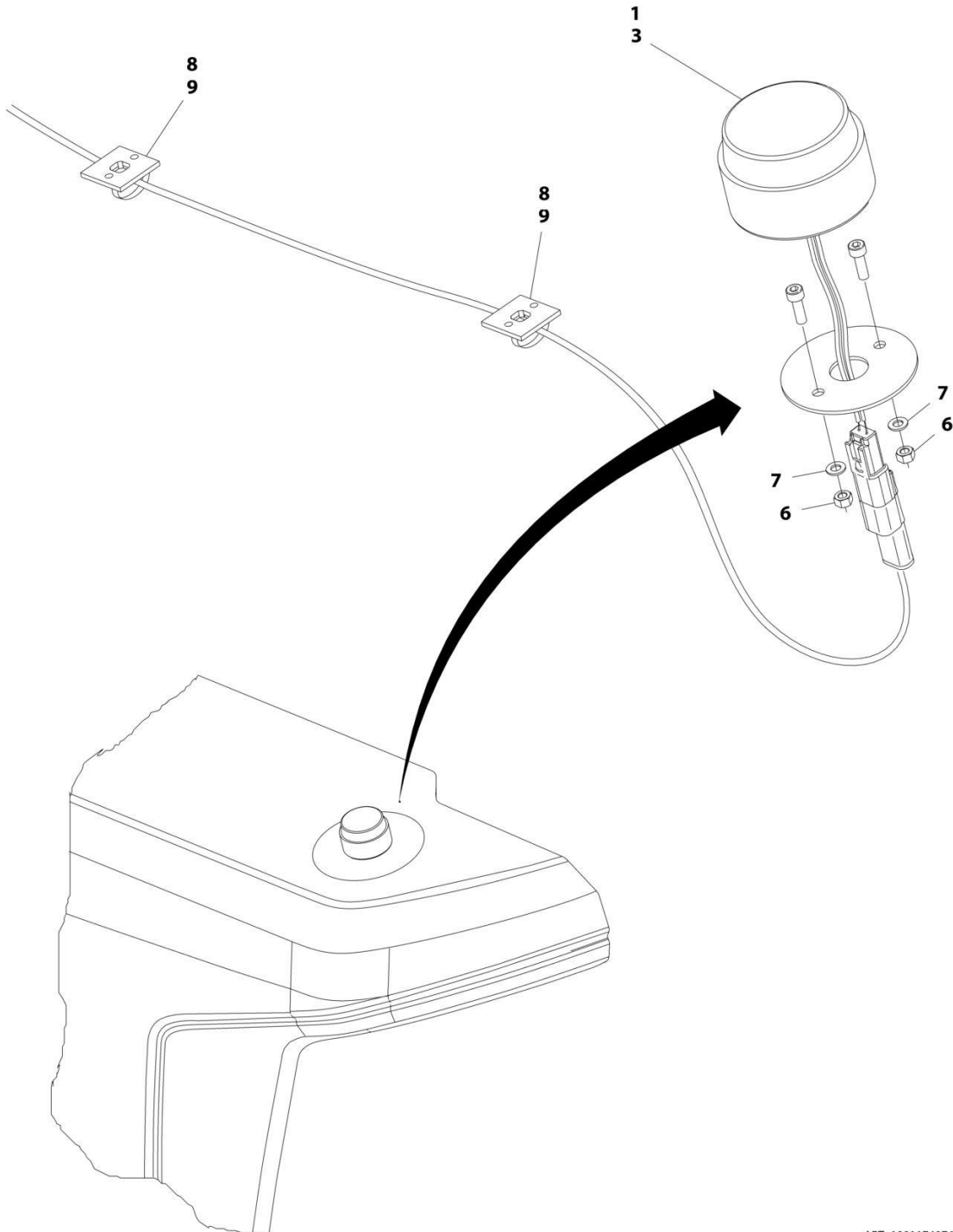
SECTION 2 - TURNTABLE

FIGURE 2-30. WHITE NOISE ALARM INSTALLATION

ITEM	PART NUMBER	QTY	DESCRIPTION	REV
	1001263174	Ref	WHITE NOISE ALARM INSTALLATION	A
1	0100011	AR	Compound, Locking	
2	0760610	2	Bolt M6 x 20	
3	3290601	2	Nut M6	
4	4811700	4	Washer M6	
5	1001184682	1	Alarm	
6	1001190663	1	Harness, Jumper (Not Shown)	
6	4460891	1	Connector – 2 Position	
6	4460465	2	Socket, Female	
6	4460871	2	Socket, Female	

SECTION 2 - TURNTABLE

FIGURE 2-31. BEACON LIGHT INSTALLATION - AMBER



ART_1001174976

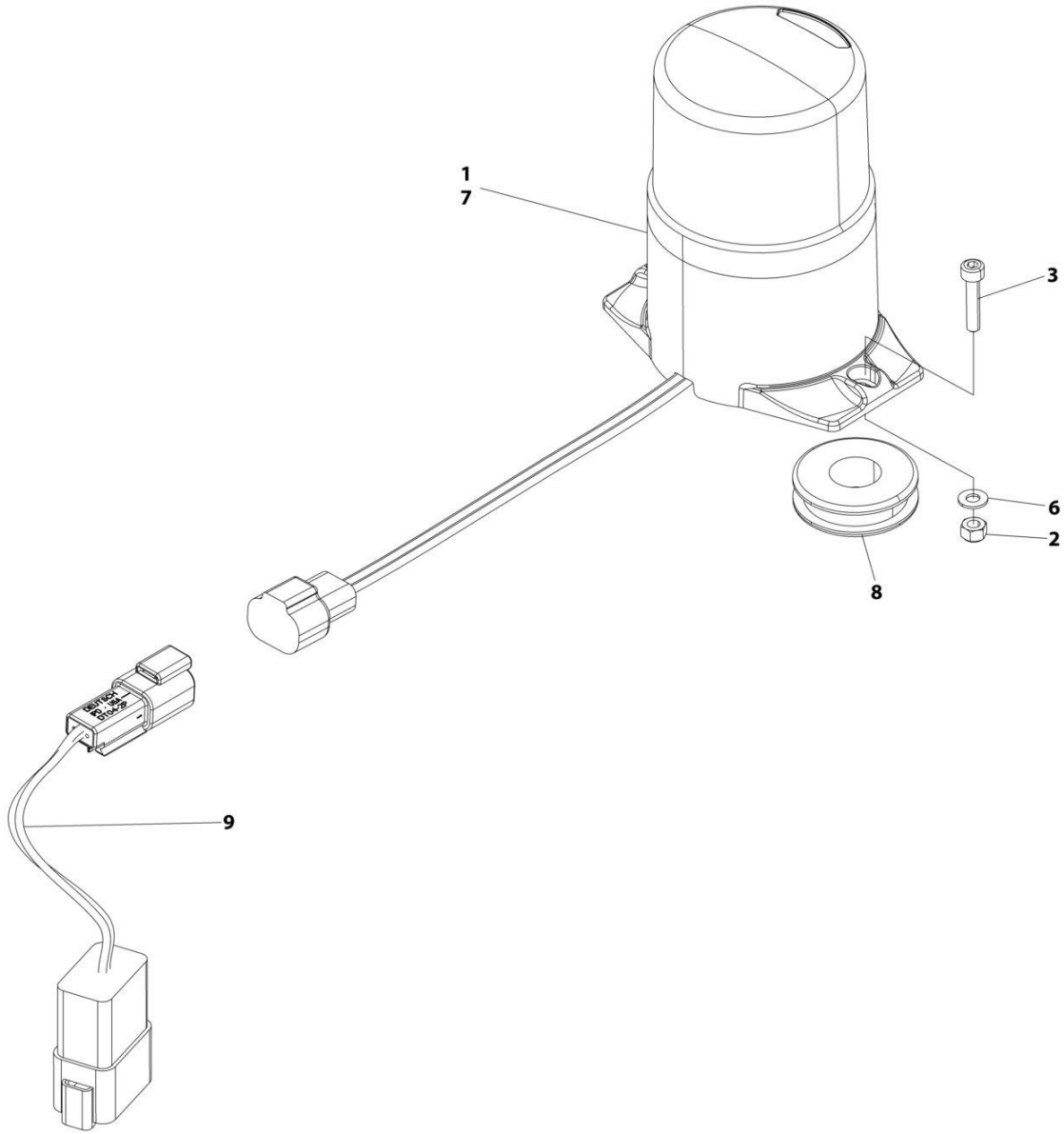
SECTION 2 - TURNTABLE

FIGURE 2-31. BEACON LIGHT INSTALLATION - AMBER

ITEM	PART NUMBER	QTY	DESCRIPTION	REV
	1001174976	Ref	BEACON LIGHT INSTALLATION - AMBER	D
1	0100048	AR	Compound, Silicone	
3	1001181405	1	Lamp, Strobe	
3	4460897	1	Receptacle, Female - 2 Position	
3	4460464	2	Pin, Male	
6	3290505	2	Nut M5	
7	4811600	2	Washer M5	
8	4240032	AR	Tie-Strap	
9	4460234	2	Mount, Tie-Strap	

SECTION 2 - TURNTABLE

FIGURE 2-32. BEACON LIGHT INSTALLATION - ORANGE



ART_1001266664

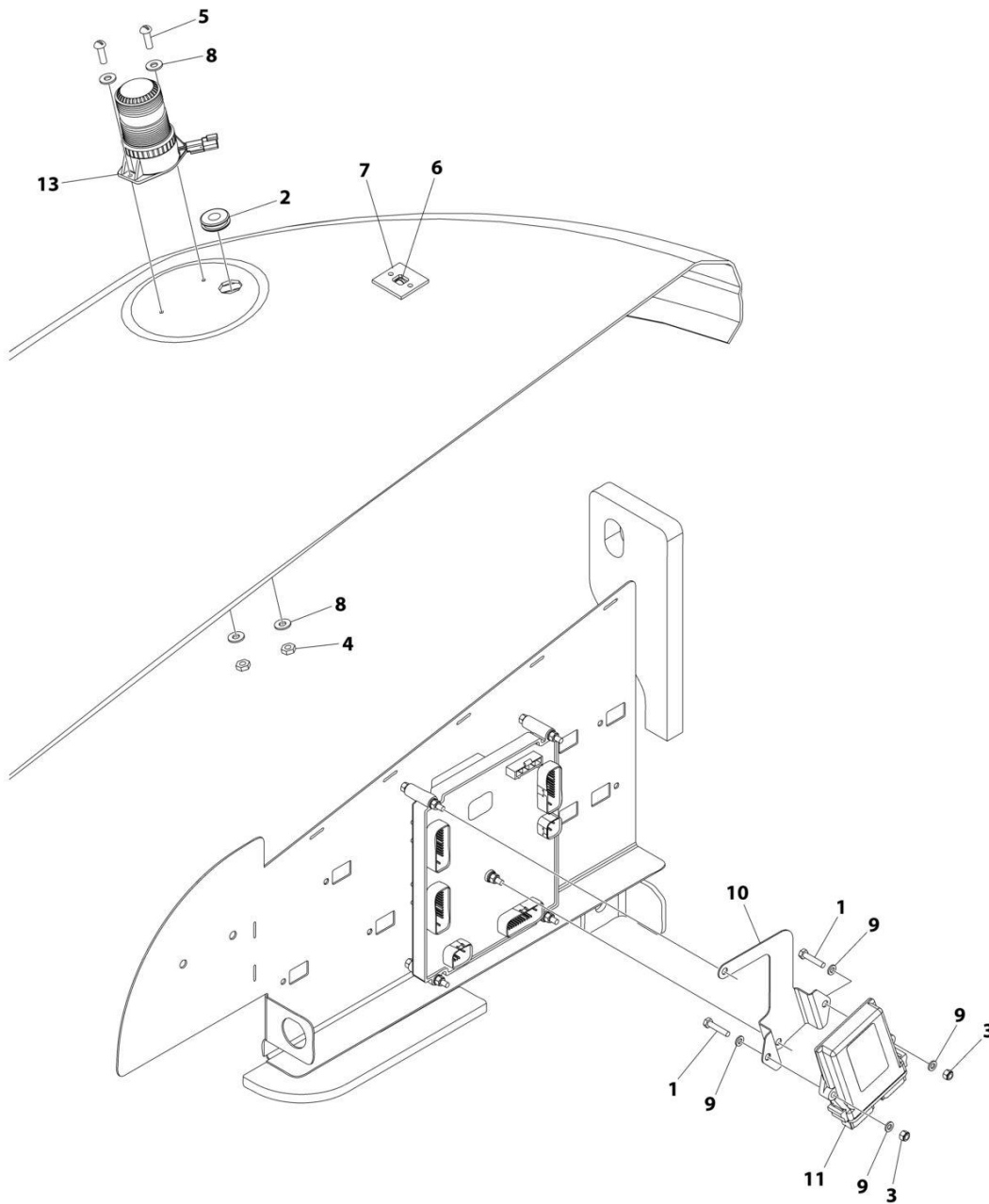
SECTION 2 - TURNTABLE

FIGURE 2-32. BEACON LIGHT INSTALLATION - ORANGE

ITEM	PART NUMBER	QTY	DESCRIPTION	REV
	1001266664	Ref	BEACON LIGHT INSTALLATION - AMBER	B
1	0100048	AR	Compound, Silicone	
2	3290405	2	Nut, Lock M4	
3	4031508	2	Capscrew M4 x 20	
4	4240032	AR	Tie-Strap (Not Shown)	
5	4460234	AR	Mount, Tie-Strap (Not Shown)	
6	4811400	2	Washer M4	
7	1001233479	1	Lamp, Strobe	
7	4460891	1	Connector	
7	4460465	2	Socket	
8	2540020	1	Grommet	
9	1001283776	1	Harness, Beacon Jumper (See Separate Breakdown in ELECTRICAL Section)	

SECTION 2 - TURNTABLE

FIGURE 2-33. BEACON LIGHT INSTALLATION - BLUE



ART_1001242855_B

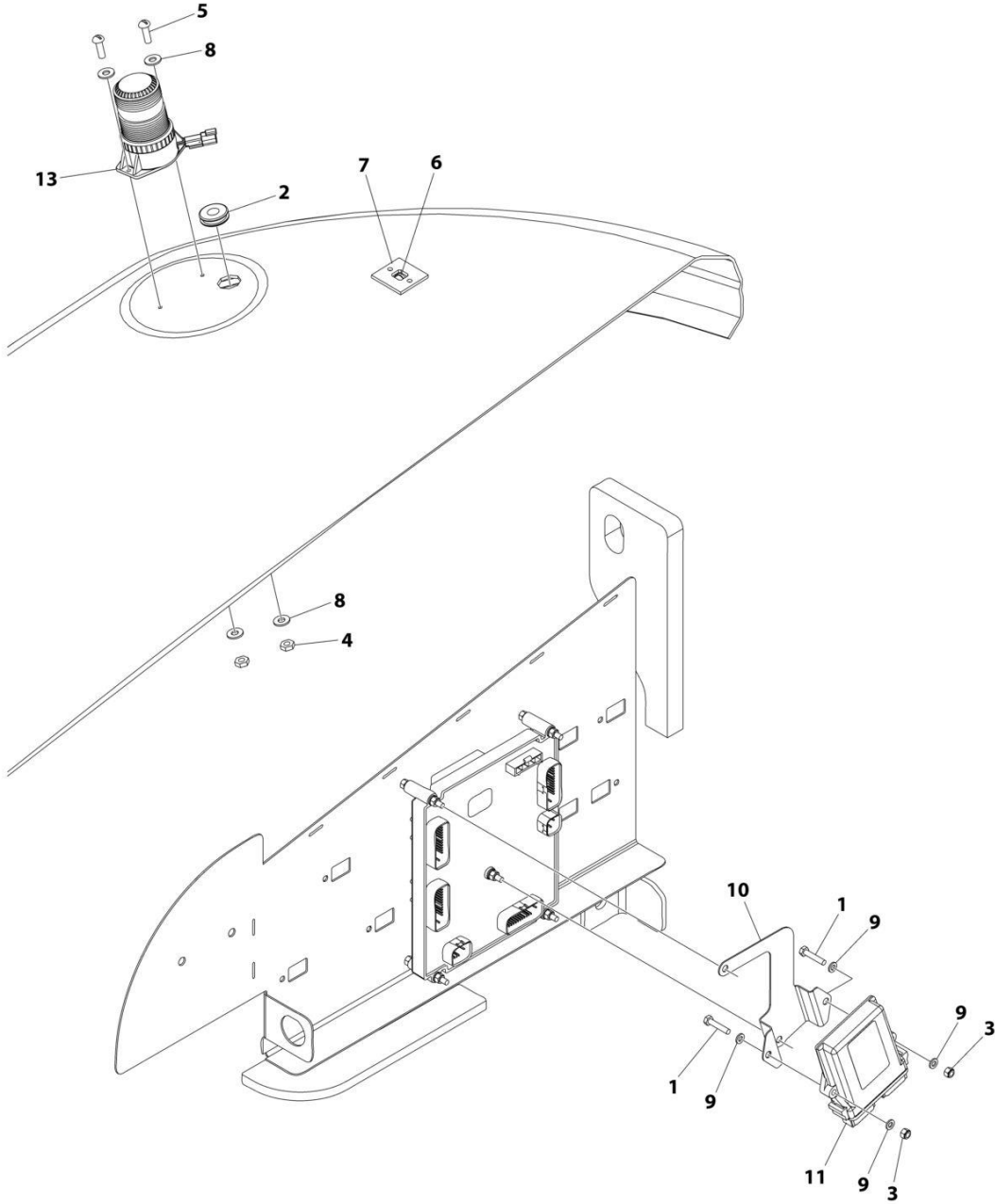
SECTION 2 - TURNTABLE

FIGURE 2-33. BEACON LIGHT INSTALLATION - BLUE

ITEM	PART NUMBER	QTY	DESCRIPTION	REV
	1001242855	Ref	BEACON LIGHT INSTALLATION - BLUE	B
1	0760614	2	Bolt M6 x 30	
2	2540020	1	Grommet	
3	3290605	2	Nut M6	
4	3311005	2	Nut #10	
5	3911010	2	Screw #10 x 5/8	
6	4240032	AR	Tie-Strap	
7	4460488	AR	Terminal, Mounting	
8	4711000	4	Washer #10	
9	4811700	4	Washer M6	
10	1001276626	1	Mount, Module	
11	1001142683	1	Module, Control	
12	1001142736	1	Beacon Harness (Not Shown - See Separate Breakdown in ELECTRICAL Section)	
13	1001200910	1	Light, Beacon	
13	4460897	1	Receptacle, Female - 2 Position	
13	4460943	2	Pin, Male	

SECTION 2 - TURNTABLE

FIGURE 2-34. BEACON LIGHT INSTALLATION - RED



ART_1001242856_B

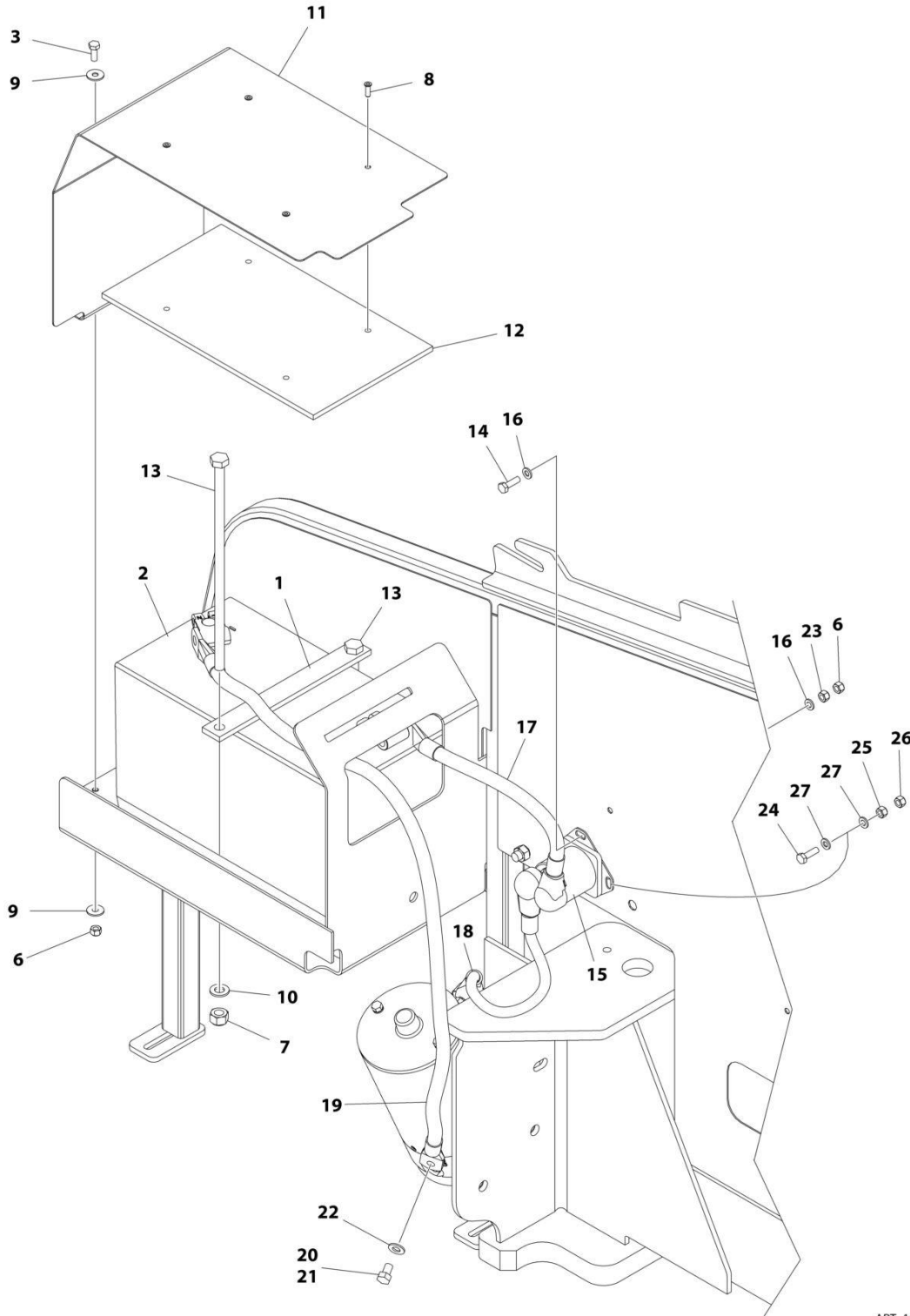
SECTION 2 - TURNTABLE

FIGURE 2-34. BEACON LIGHT INSTALLATION - RED

ITEM	PART NUMBER	QTY	DESCRIPTION	REV
	1001242856	Ref	BEACON LIGHT INSTALLATION - RED	B
1	0760614	2	Bolt M6 x 30	
2	2540020	1	Grommet	
3	3290605	2	Nut M6	
4	3311005	2	Nut #10	
5	3911010	2	Screw #10 x 5/8	
6	4240032	AR	Tie-Strap	
7	4460488	AR	Terminal, Mounting	
8	4711000	4	Washer #10	
9	4811700	4	Washer M6	
10	1001276626	1	Mount, Module	
11	1001142683	1	Module, Control	
12	1001142736	1	Beacon Harness (Not Shown - See Separate Breakdown in ELECTRICAL Section)	
13	1001207004	1	Light, Beacon	
13	4460897	1	Receptacle, Female - 2 Position	
13	4460943	2	Pin, Male	

SECTION 2 - TURNTABLE

FIGURE 2-35. BATTERY AND CABLE INSTALLATION



ART_1001166316_H

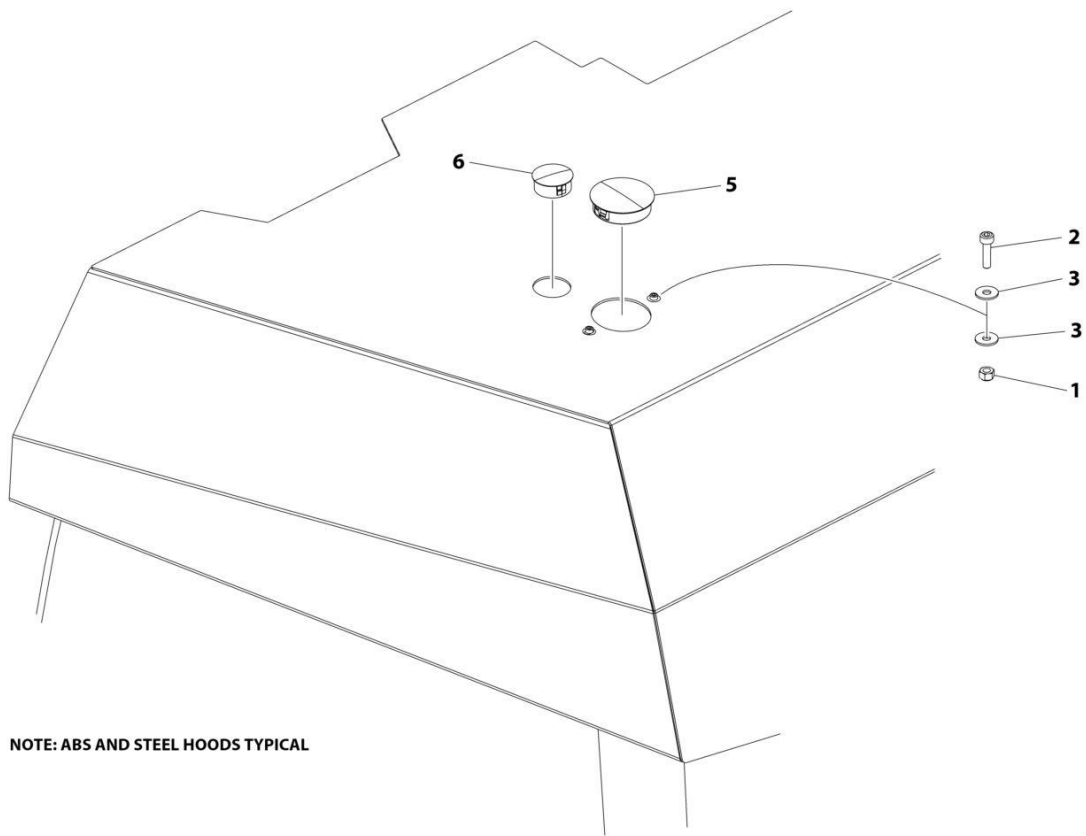
SECTION 2 - TURNTABLE

FIGURE 2-35. BATTERY AND CABLE INSTALLATION

ITEM	PART NUMBER	QTY	DESCRIPTION	REV
	1001166316	Ref	BATTERY AND CABLE INSTALLATION	H
1	0361810	1	Bar, Hold-down	
2	0400075	1	Battery	
3	0760610	2	Bolt M6 x 20	
6	3290605	3	Nut M6	
7	3291005	2	Nut M10	
8	3820032	4	Rivet	
9	4811702	4	Washer M6	
10	4812000	2	Washer M10	
11	1001117240	1	Cover	
12	1001119278	1	Insulation	
13	1001119280	2	Bolt M16 x 260	
14	0760612	1	Bolt M6 x 25	
15	3740067	1	Relay	
15	3300220	2	Nut 3/8	
15	1001111424	2	Washer 3/8	
15	3321001	1	Nut #10	
15	4761000	1	Washer #10	
16	4811700	2	Washer M6	
17	1001171678	1	Cable, Battery (Positive + to Aux Relay)	
18	1001171679	1	Cable, Battery (Aux Relay to Aux Pump)	
19	1001171680	1	Cable, Battery (Negative - to Aux Pump)	
20	0100011	AR	Compound, Locking	
21	0641504	1	Bolt 5/16 x 1/2	
22	4711500	1	Washer 5/16	
23	3290601	2	Nut M6	
24	0760512	1	Bolt M5 x 25	
25	3290501	1	Nut M5	
26	3290505	1	Nut M5	
27	4811600	2	Washer M5	

SECTION 2 - TURNTABLE

FIGURE 2-36. HOOD PLUGS INSTALLATION (HOODS WITHOUT STROBE LIGHT)



NOTE: ABS AND STEEL HOODS TYPICAL

ART_1001285811

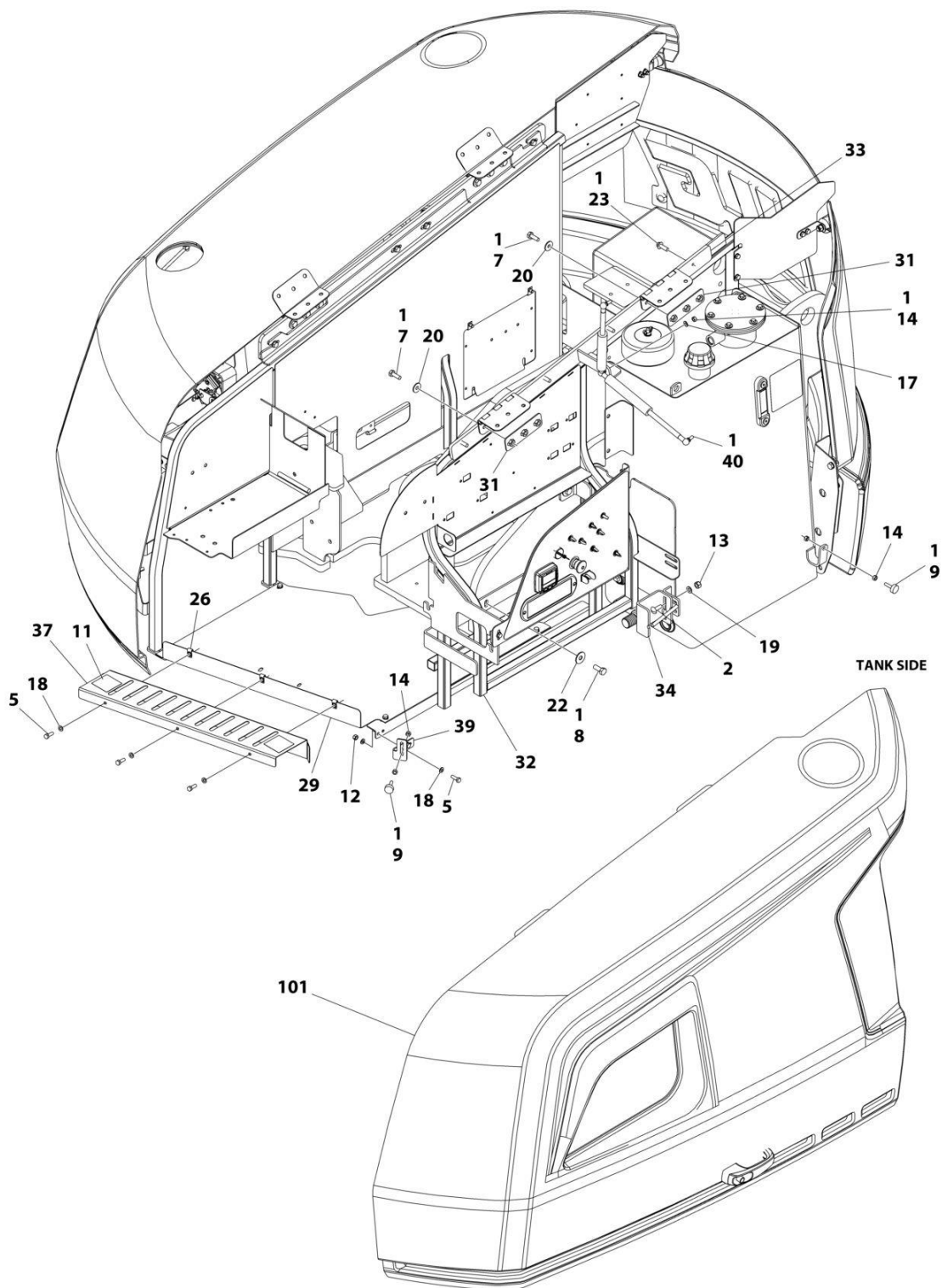
SECTION 2 - TURNTABLE

FIGURE 2-36. HOOD PLUGS INSTALLATION (HOODS WITHOUT STROBE LIGHT)

ITEM	PART NUMBER	QTY	DESCRIPTION	REV
	1001285811	Ref	HOOD PLUGS INSTALLATION	A
1	3290405	2	Nut M4	
2	4031507	2	Capscrew M4 x 16	
3	1001091102	4	Washer M6	
4	1001244462	1	Cap, Dust (Not Shown)	
5	1001285891	1	Plug	
6	1001285892	1	Plug	

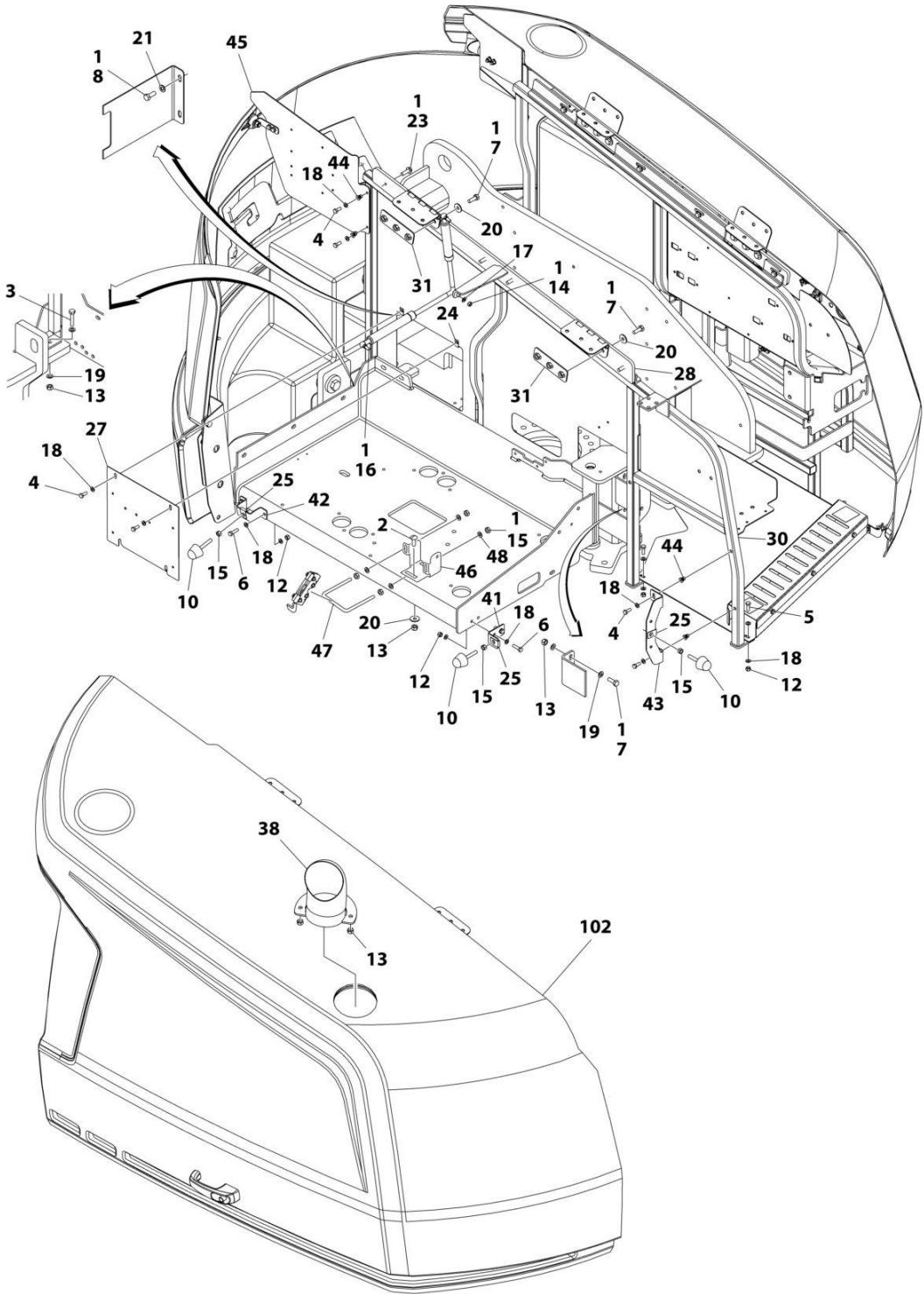
SECTION 2 - TURNTABLE

FIGURE 2-37. HOODS INSTALLATION (ABS) - 450A WITH DEUTZ ENGINES



ART_1001219201_F_10F2

SECTION 2 - TURNTABLE



ART_1001219201_F_20F2

SECTION 2 - TURNTABLE

FIGURE 2-37. HOODS INSTALLATION (ABS) - 450A WITH DEUTZ ENGINES

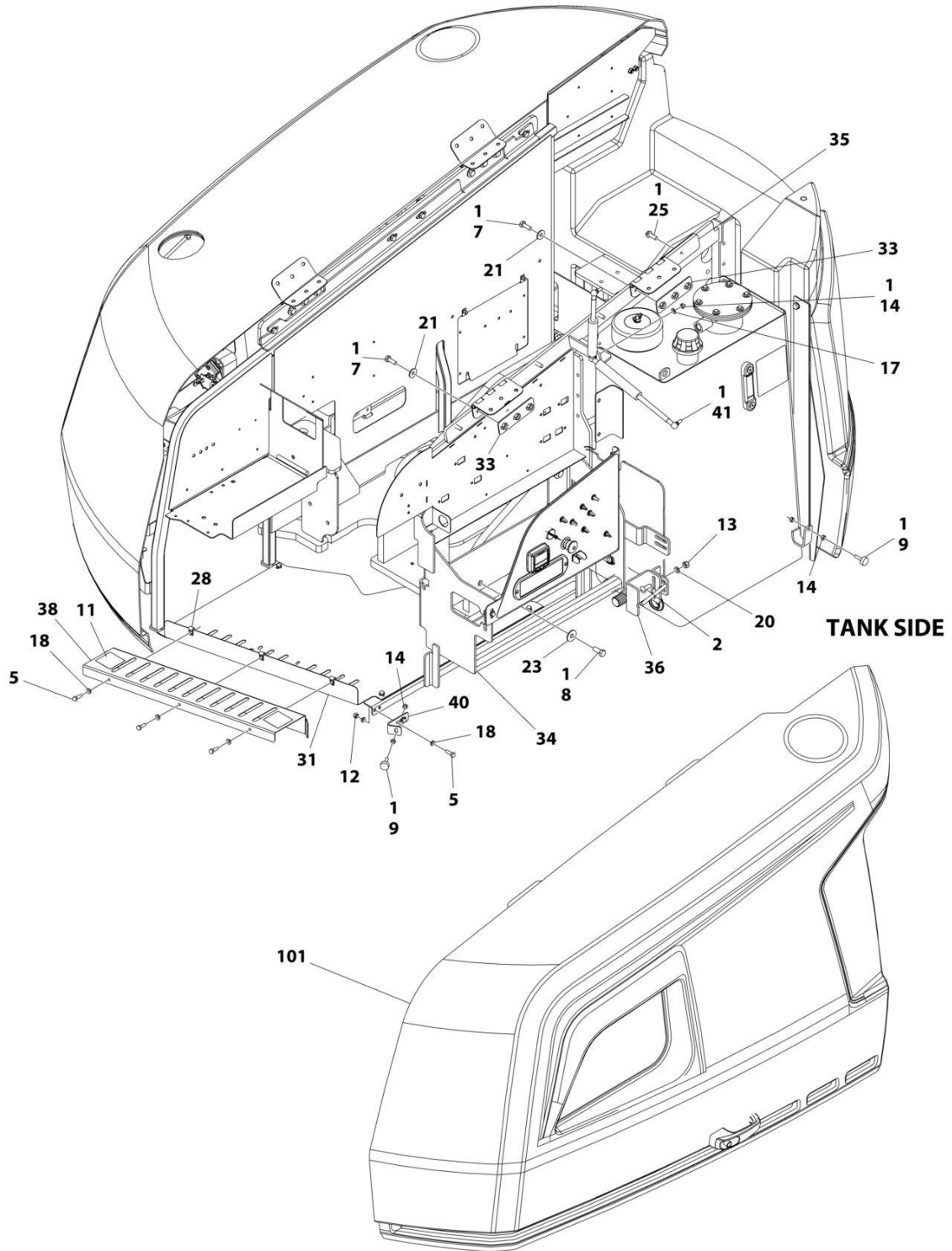
ITEM	PART NUMBER	QTY	DESCRIPTION	REV
	1001219201	Ref	HOODS INSTALLATION	F
1	0100011	AR	Compound, Locking	
2	0630613	4	Bolt M10 x 30	
3	0701018	5	Bolt M10 x 50	
4	0760810	4	Bolt M8 x 20	
5	0760812	11	Bolt M8 x 25	
6	0760814	4	Bolt M8 x 30	
7	0761014	14	Bolt M10 x 30	
8	0761214	6	Bolt M12 x 30	
9	0940049	2	Bumper	
10	0940071	3	Bumper	
11	1701691	2	Decal - No Step	
12	3290805	10	Nut M8	
13	3291005	14	Nut M10	
14	3311501	6	Nut 5/16	
15	3311601	7	Nut 3/8	
16	4160182	1	Spring, Gas	
17	4711500	2	Washer 5/16	
18	4811900	29	Washer M8	
19	4812000	16	Washer M10	
20	4812002	14	Washer M10	
21	4812100	2	Washer M12	
22	4812102	4	Washer M12	
23	5251014	8	Bolt M10 x 30	
24	8310686	2	Nut, Retainer M8	
25	88662523	3	Nut, Tinnerman	
26	1001118274	3	Nut M8	
27	1001167149	1	Panel, Filler	
28	1001167159	1	Mount	
29	1001167163	1	Tray	
30	1001167169	1	Mount	
31	1001169046	4	Nut	
32	1001211716	1	Support, Hood	
33	1001170018	1	Mount	
34	1001170022	1	Mount	
37	1001171216	1	Cover	
38	1001174098	1	Pipe, Exhaust	
39	1001179904	1	Mount	
40	1001182169	1	Spring, Gas	
41	1001182875	1	Mount	
42	1001182877	1	Mount	
43	1001182879	1	Mount	
44	1001191832	4	Rivnut M8	
45	1001211717	1	Support	
46	1001250291	1	Bracket	
47	1001243414	1	U-Bolt	
48	4891600	1	Washer 3/8	
100	1001285598	1	Hood Kit (Includes Items 101-102)	A
101	1001285597	1	Hood Assembly - Tank Side (See Separate Breakdown in this Section)	

SECTION 2 - TURNTABLE

ITEM	PART NUMBER	QTY	DESCRIPTION	REV
102	1001172833	1	Hood Assembly - Engine Side (See Separate Breakdown in this Section)	

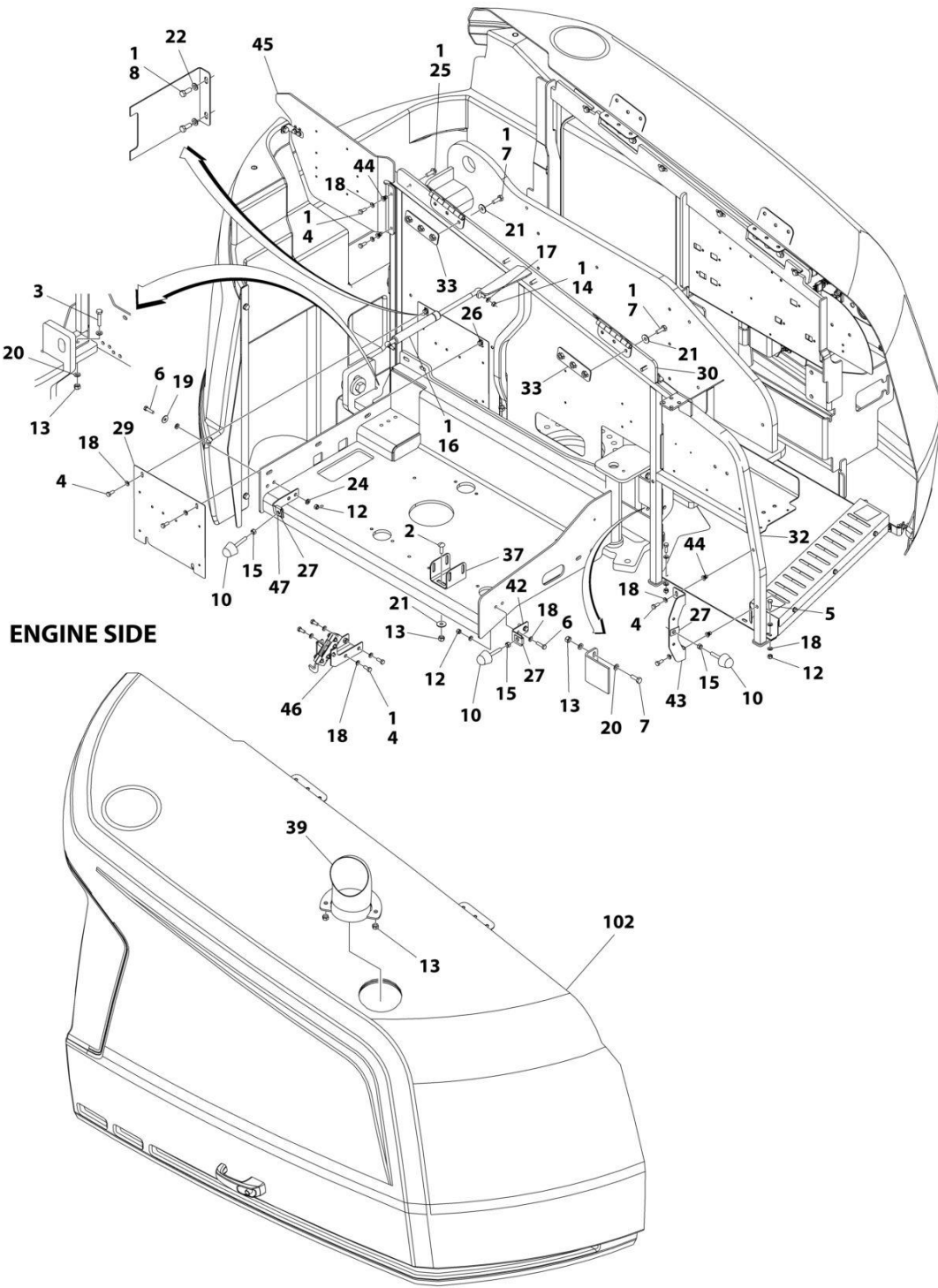
SECTION 2 - TURNTABLE

FIGURE 2-38. HOODS INSTALLATION (ABS) - 450A WITH KUBOTA ENGINE



ART_1001219202_10F2

SECTION 2 - TURNTABLE



ART_1001219202_2OF2

SECTION 2 - TURNTABLE

FIGURE 2-38. HOODS INSTALLATION (ABS) - 450A WITH KUBOTA ENGINE

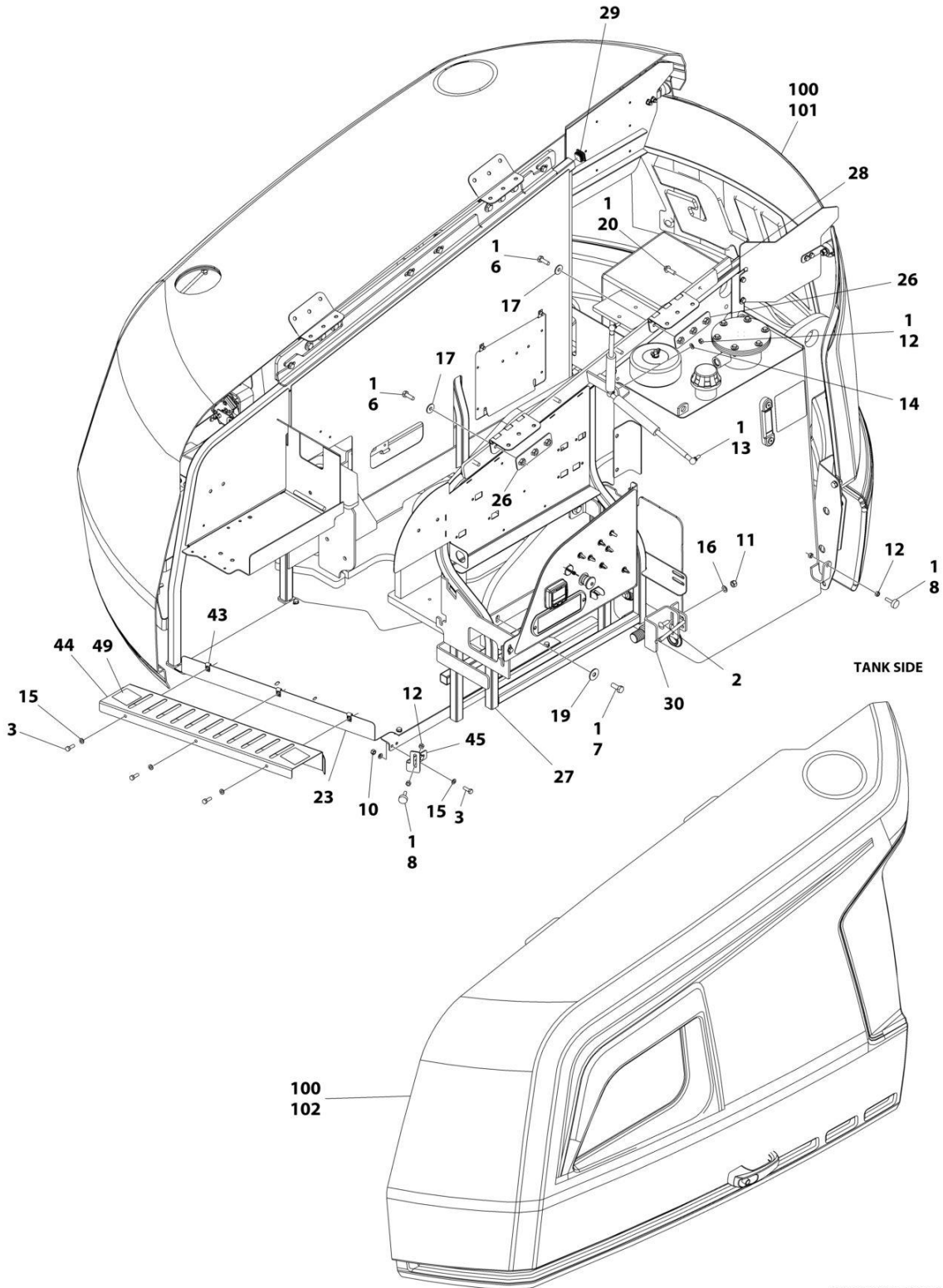
ITEM	PART NUMBER	QTY	DESCRIPTION	REV
	1001219202	Ref	HOODS INSTALLATION – 450A WITH KUBOTA ENGINE	D
1	0100011	AR	Compound, Locking	
2	0630613	4	Bolt M10 x 30	
3	0701018	5	Bolt M10 x 50	
4	0760810	10	Bolt M8 x 20	
5	0760812	11	Bolt M8 x 25	
6	0760814	4	Bolt M8 x 30	
7	0761014	14	Bolt M10 x 30	
8	0761214	6	Bolt M12 x 30	
9	0940049	2	Bumper	
10	0940071	3	Bumper	
11	1701691	2	Decal - No Step	
12	3290805	10	Nut M8	
13	3291005	14	Nut M10	
14	3311501	6	Nut 5/16	
15	3311601	3	Nut 3/8	
16	4160182	1	Spring, Gas	
17	4711500	2	Washer 5/16	
18	4811900	29	Washer M8	
19	4811902	2	Washer M8	
20	4812000	16	Washer M10	
21	4812002	14	Washer M10	
22	4812100	2	Washer M12	
23	4812102	4	Washer M12	
24	5240800	4	Washer M8	
25	5251014	8	Bolt M10 x 30	
26	8310686	2	Nut, Retainer M8	
27	88662523	3	Nut, Tinnerman	
28	1001118274	3	Nut M8	
29	1001167149	1	Panel, Filler	
30	1001167159	1	Mount	
31	1001167163	1	Tray	
32	1001167169	1	Mount	
33	1001169046	4	Nut	
34	1001211716	1	Support, Hood	
35	1001170018	1	Mount	
36	1001170022	1	Mount	
37	1001170859	1	Mount	
38	1001171216	1	Cover	
39	1001174098	1	Pipe, Exhaust	
40	1001179904	1	Mount	
41	1001182169	1	Spring, Gas	
42	1001182875	1	Mount	
43	1001182879	1	Mount	
44	1001191832	4	Rivnut M8	
45	1001211717	1	Support	
46	1001215394	1	Support	
47	1001216677	1	Bracket	
100	1001285598	1	Hood Kit (Includes Items 101-102)	A

SECTION 2 - TURNTABLE

ITEM	PART NUMBER	QTY	DESCRIPTION	REV
101	1001285597	1	Hood Assembly - Tank Side (See Separate Breakdown in this Section)	
102	1001172833	1	Hood Assembly - Engine Side (See Separate Breakdown in this Section)	

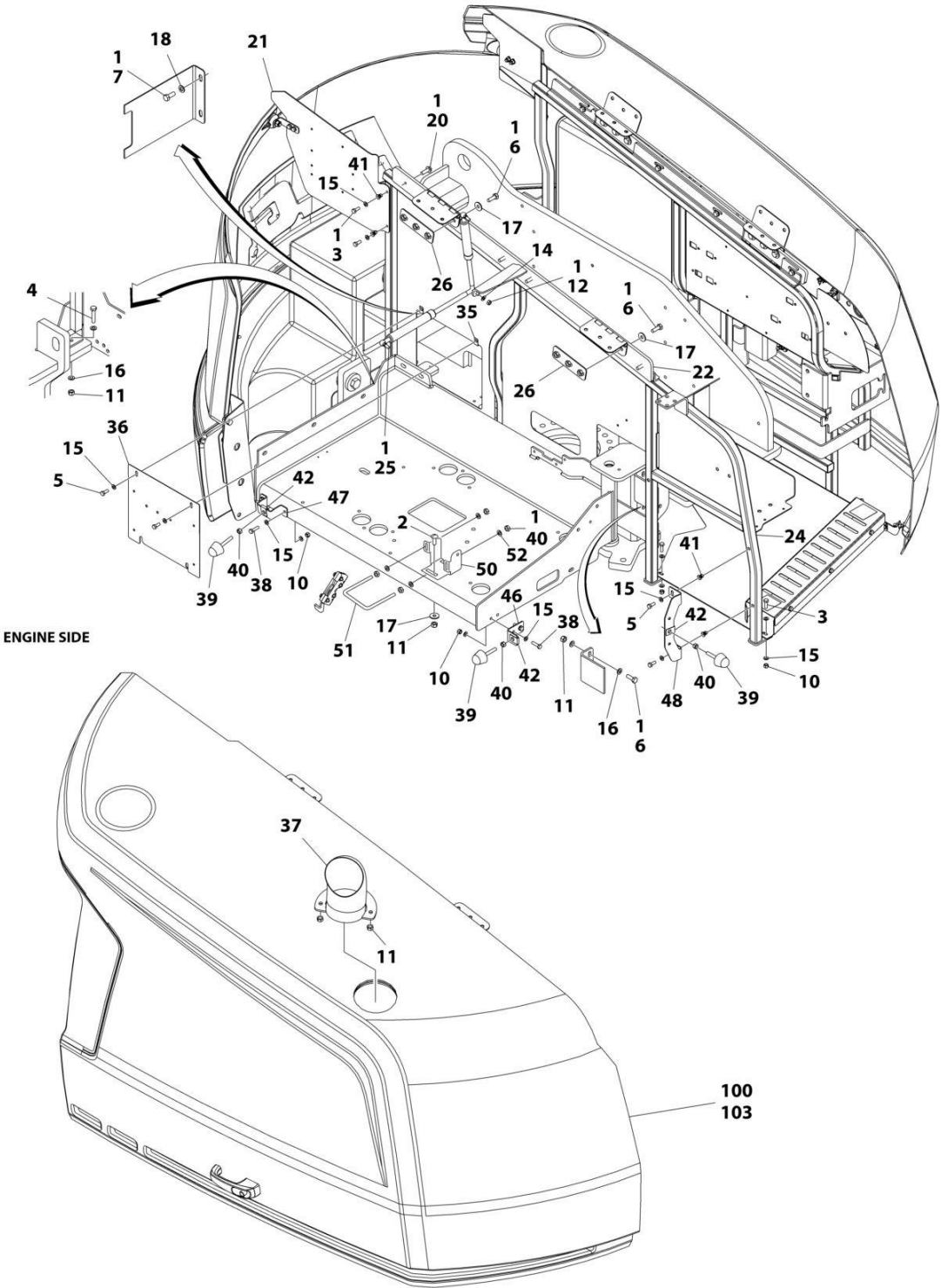
SECTION 2 - TURNTABLE

FIGURE 2-39. HOODS INSTALLATION (ABS) - 450AJ WITH DEUTZ ENGINES (MACHINES WITH SN STARTING WITH 03)



ART_1001165622_P_10F2

SECTION 2 - TURNTABLE



ART_1001165622_P_20F2

SECTION 2 - TURNTABLE

FIGURE 2-39. HOODS INSTALLATION (ABS) - 450AJ WITH DEUTZ ENGINES (MACHINES WITH SN STARTING WITH 03)

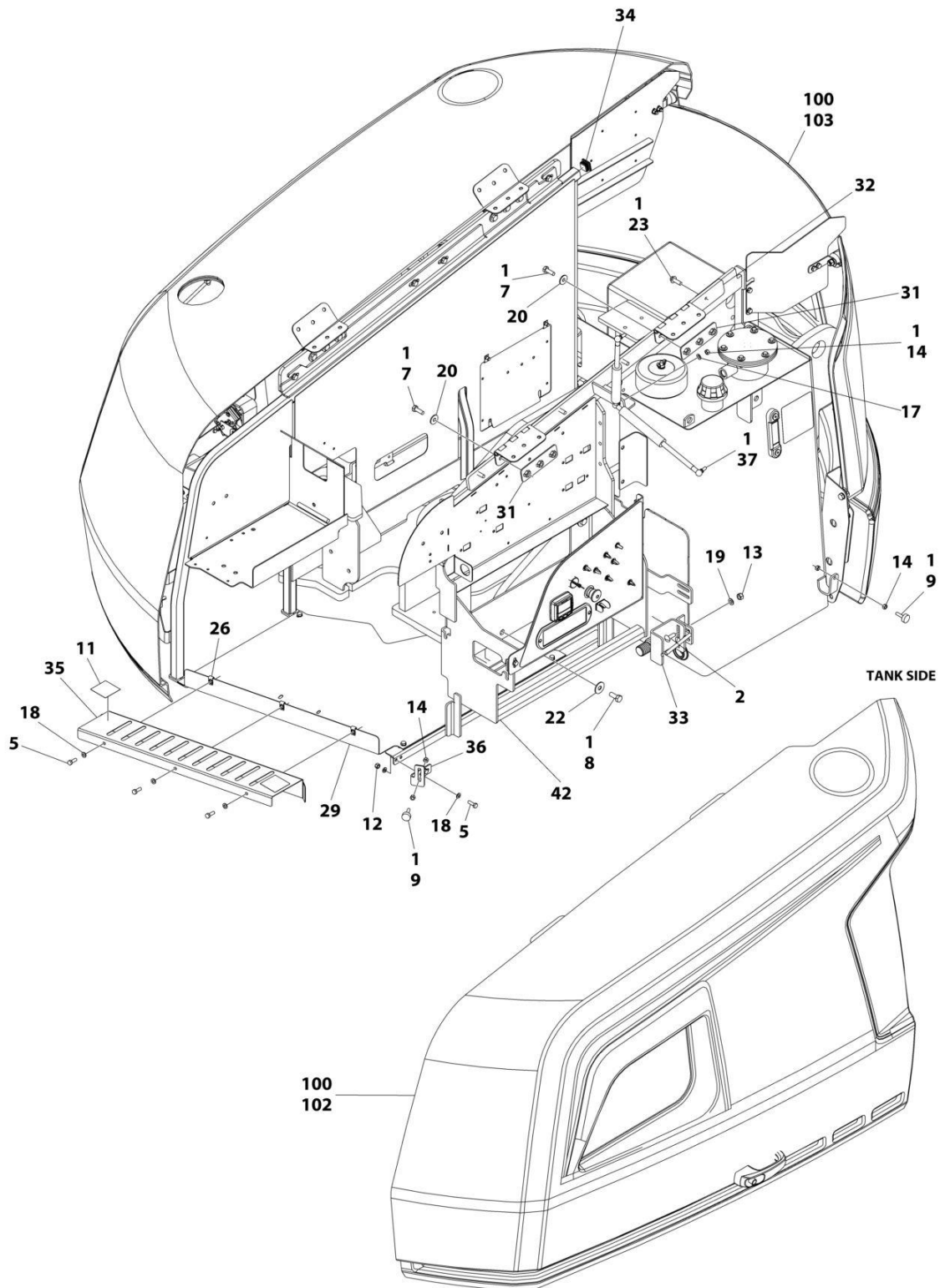
ITEM	PART NUMBER	QTY	DESCRIPTION	REV
	1001165622	Ref	HOODS INSTALLATION	P
1	0100011	AR	Compound, Locking	
2	0630613	4	Bolt M10 x 30	
3	0760812	11	Bolt M8 x 25	
4	0701018	5	Bolt M10 x 50	
5	0760810	4	Bolt M8 x 20	
6	0761014	14	Bolt M10 x 30	
7	0761214	6	Bolt M12 x 30	
8	0940049	2	Bumper	
10	3290805	10	Nut M8	
11	3291005	14	Nut M10	
12	3311501	6	Nut 5/16	
13	1001182169	1	Spring, Gas	
14	4711500	2	Washer 5/16	
15	4811900	29	Washer M8	
16	4812000	16	Washer M10	
17	4812002	14	Washer M10	
18	4812100	2	Washer M12	
19	4812102	4	Washer M12	
20	5251014	8	Bolt M10 x 30	
21	1001211717	1	Panel, Filler	
22	1001167159	1	Mount	
23	1001167163	1	Tray	
24	1001167169	1	Mount	
25	4160182	1	Spring, Gas	
26	1001169046	4	Nut	
27	1001211716	1	Support, Hood	
28	1001170018	1	Mount	
29	3520072	1	Plug	
30	1001170022	1	Mount	
35	8310686	2	Nut, Retainer M8	
36	1001167149	1	Panel, Filler	
37	1001233899	1	Pipe, Exhaust	
38	0760814	4	Bolt M8 x 30	
39	0940071	3	Bumper	
40	3311601	7	Nut 3/8	
41	1001191832	4	Rivnut M8	
42	88662523	3	Nut, Tinnerman	
43	1001118274	3	Nut M8	
44	1001171216	1	Cover	
45	1001179904	1	Mount	
46	1001182875	1	Mount	
47	1001182877	1	Mount	
48	1001182879	1	Mount	
49	1701691	2	Decal - No Step	
50	1001250291	1	Bracket	
51	1001243414	1	U-Bolt	
52	4891600	4	Washer 3/8	
100	1001285691	1	Hood Kit (Includes Items 33, 34 & 101)	A

SECTION 2 - TURNTABLE

ITEM	PART NUMBER	QTY	DESCRIPTION	REV
101	1001169183	1	Hood, Front	
102	1001285597	1	Hood Assembly - Tank Side (See Separate Breakdown in this Section)	
103	1001172833	1	Hood Assembly - Engine Side (See Separate Breakdown in this Section)	

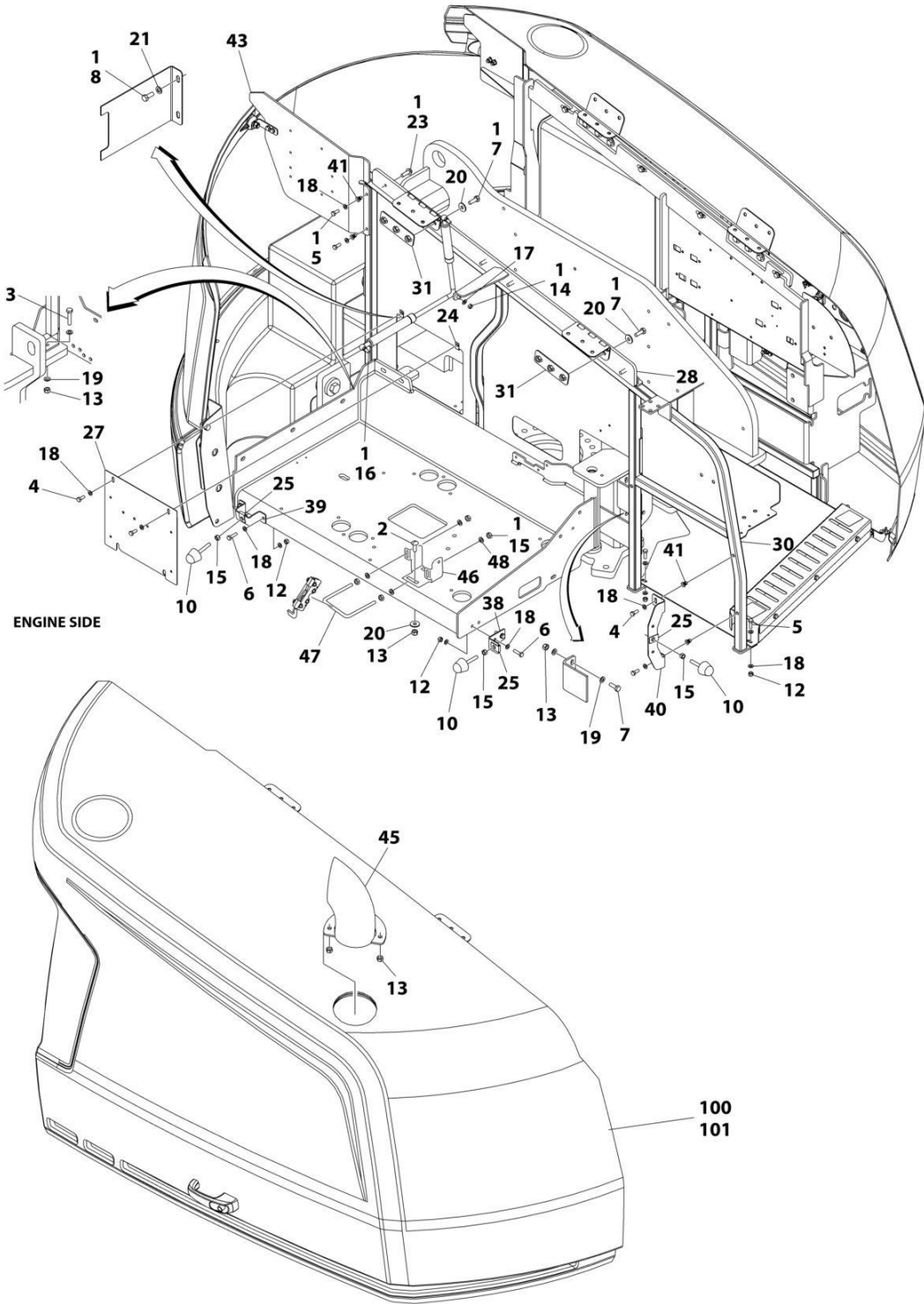
SECTION 2 - TURNTABLE

FIGURE 2-40. HOODS INSTALLATION (ABS) - 450AJ WITH DEUTZ ENGINE (MACHINES WITH SN STARTING WITH B3)



ART_1001241284_E_10F2

SECTION 2 - TURNTABLE



ART_1001241284_E_20F2

SECTION 2 - TURNTABLE

FIGURE 2-40. HOODS INSTALLATION (ABS) - 450AJ WITH DEUTZ ENGINE (MACHINES WITH SN STARTING WITH B3)

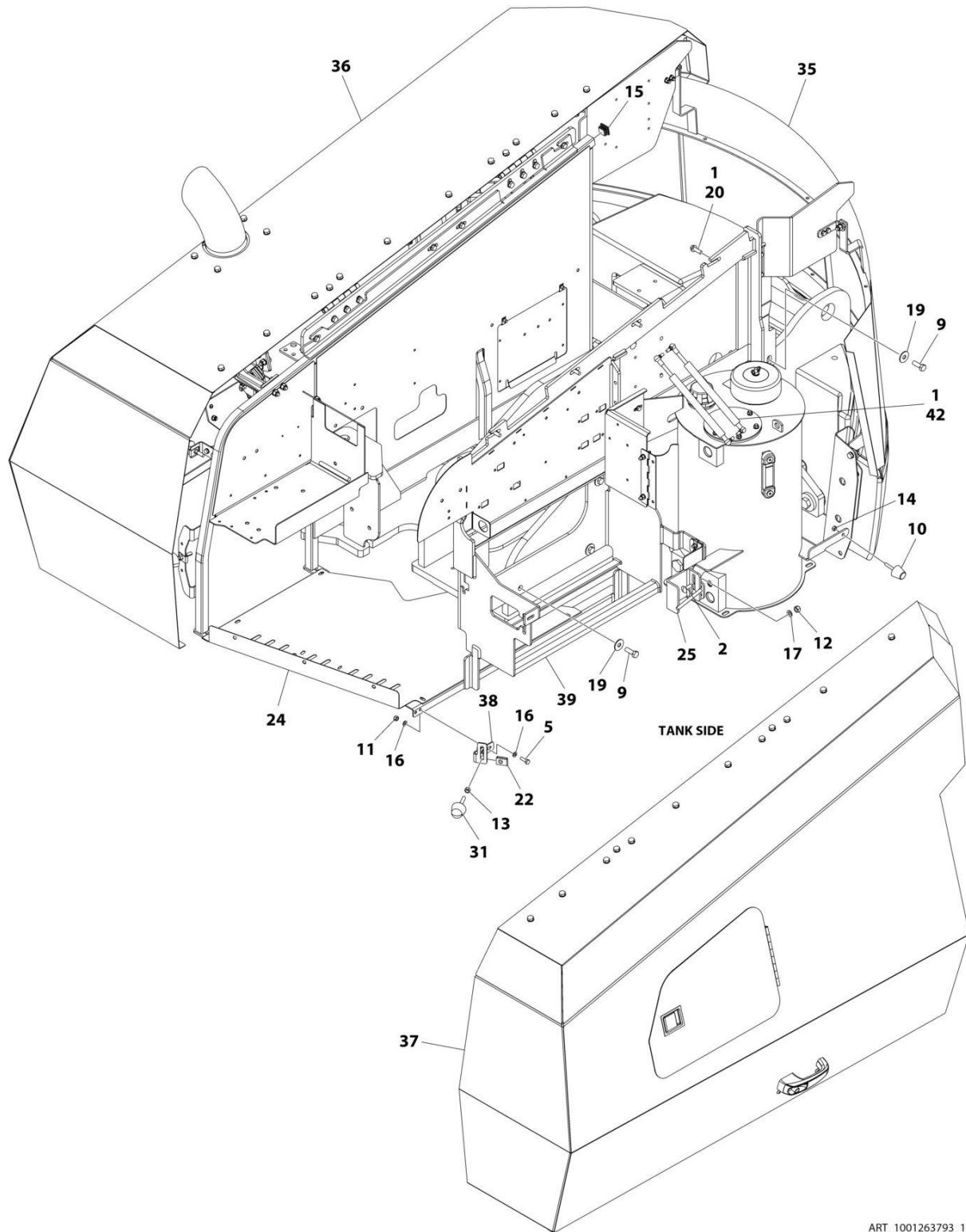
ITEM	PART NUMBER	QTY	DESCRIPTION	REV
	1001241284	Ref	HOODS INSTALLATION	E
1	0100011	AR	Compound, Locking	
2	0630613	4	Bolt M10 x 30	
3	0701018	5	Bolt M10 x 50	
4	0760810	4	Bolt M8 x 20	
5	0760812	11	Bolt M8 x 25	
6	0760814	4	Bolt M8 x 30	
7	0761014	14	Bolt M10 x 30	
8	0761214	6	Bolt M12 x 30	
9	0940049	2	Bumper	
10	0940071	3	Bumper	
11	1701691	2	Decal - No Step	
12	3290805	10	Nut M8	
13	3291005	14	Nut M10	
14	3311501	6	Nut 5/16	
15	3311601	7	Nut 3/8	
16	4160182	1	Spring, Gas	
17	4711500	2	Washer 5/16	
18	4811900	29	Washer M8	
19	4812000	16	Washer M10	
20	4812002	14	Washer M10	
21	4812100	2	Washer M12	
22	4812102	4	Washer M12	
23	5251014	8	Bolt M10 x 30	
24	8310686	2	Nut, Retainer M8	
25	88662523	3	Nut, Tinnerman	
26	1001118274	3	Nut M8	
27	1001167149	1	Panel, Filler	
28	1001167159	1	Mount	
29	1001167163	1	Tray	
30	1001167169	1	Mount	
31	1001169046	4	Nut	
32	1001170018	1	Mount	
33	1001170022	1	Mount	
34	3520072	1	Plug	
35	1001171216	1	Cover	
36	1001179904	1	Mount	
37	1001182169	1	Spring, Gas	
38	1001182875	1	Mount	
39	1001182877	1	Mount	
40	1001182879	1	Mount	
41	1001191832	4	Rivnut M8	
42	1001211716	1	Support, Hood	
43	1001211717	1	Panel, Filler	
45	1001233899	1	Pipe, Exhaust	
46	1001250291	1	Bracket	
47	1001243414	1	U-Bolt	
48	4891600	4	Washer 3/8	
100	1001285790	1	Hood Kit (Includes Items 101-103)	A

SECTION 2 - TURNTABLE

ITEM	PART NUMBER	QTY	DESCRIPTION	REV
101	1001241295	1	Hood Assembly - Engine Side (See Separate Breakdown in this Section)	
102	1001285788	1	Hood Assembly - Tank Side (See Separate Breakdown in this Section)	
103	1001241299	1	Hood Assembly - Front	

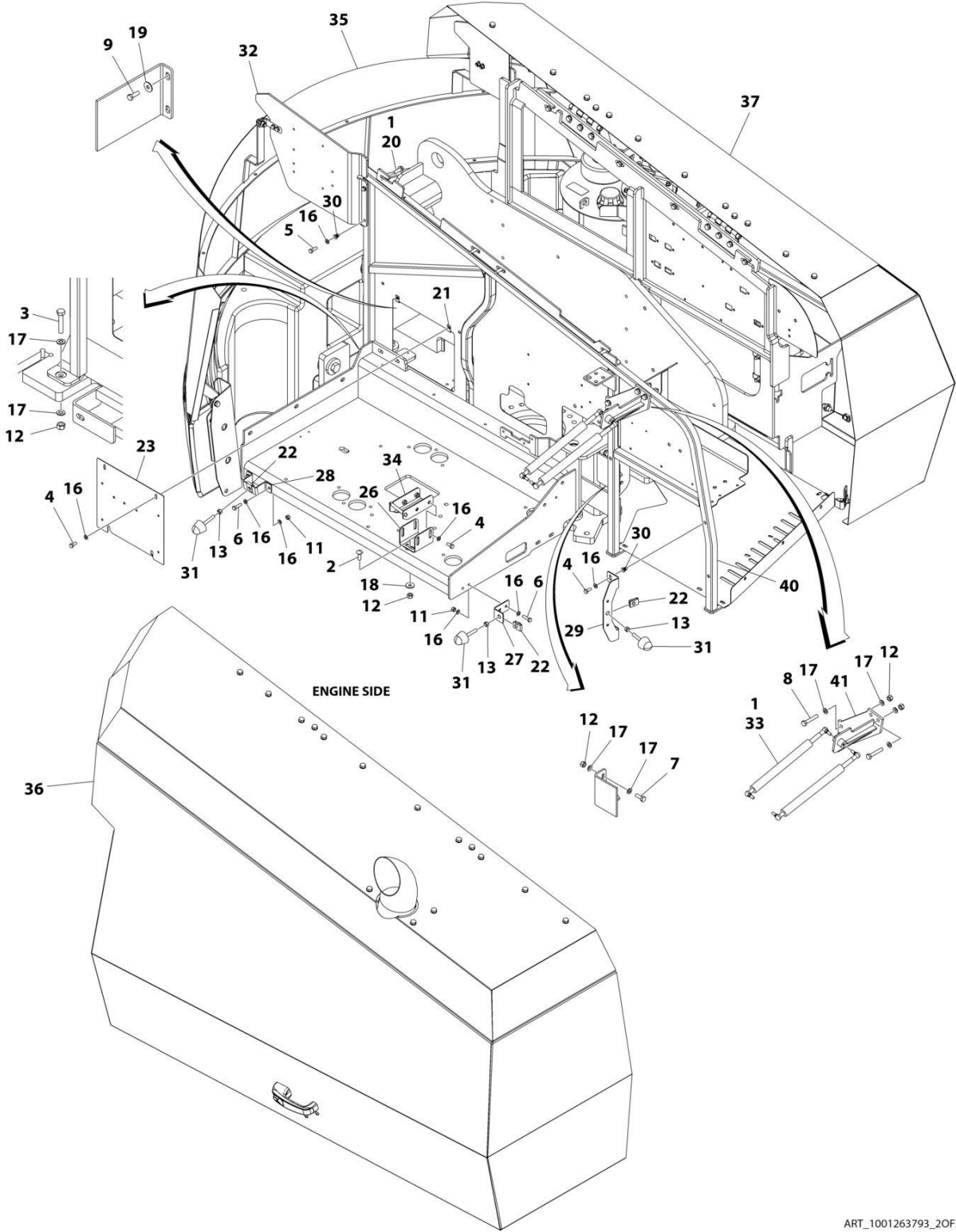
SECTION 2 - TURNTABLE

FIGURE 2-41. HOODS INSTALLATION (STEEL) - 450AJ WITH DEUTZ ENGINES (MACHINES WITH SN STARTING WITH B3)



ART_1001263793_1OF2

SECTION 2 - TURNTABLE



ART_1001263793_20F2

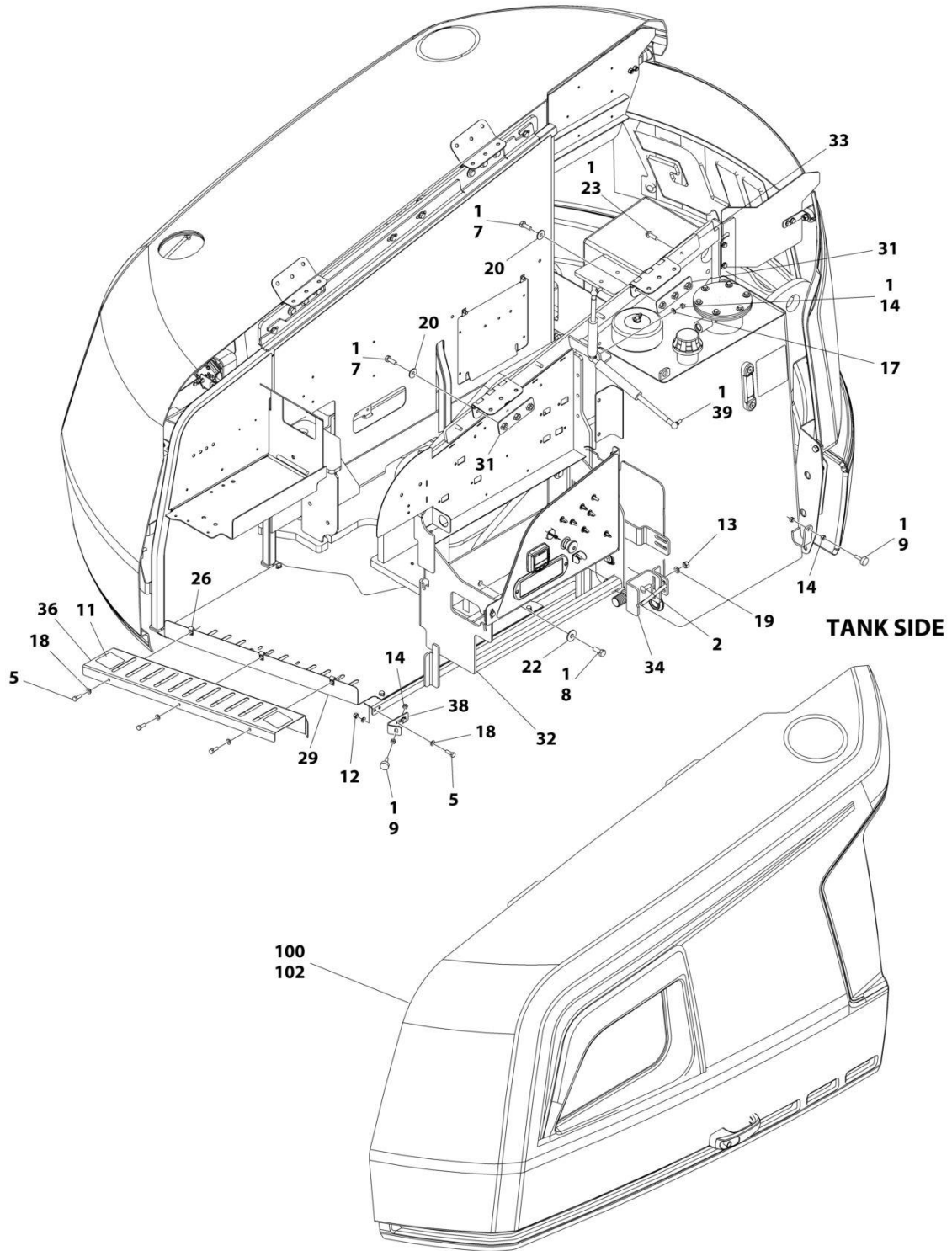
SECTION 2 - TURNTABLE

FIGURE 2-41. HOODS INSTALLATION (STEEL) - 450AJ WITH DEUTZ ENGINES (MACHINES WITH SN STARTING WITH B3)

ITEM	PART NUMBER	QTY	DESCRIPTION	REV
	1001263793	Ref	HOODS INSTALLATION (STEEL)	B
1	0100011	AR	Compound, Locking	
2	0630613	4	Bolt M10 x 30	
3	0701019	5	Bolt M10 x 55	
4	0760810	8	Bolt M8 x 20	
5	0760812	4	Bolt M8 x 25	
6	0760814	4	Bolt M8 x 30	
7	0761014	2	Bolt M10 x 30	
8	0761020	4	Bolt M12 x 60	
9	0761215	6	Bolt M12 x 35	
10	0940088	1	Bumper	
11	3290805	6	Nut M8	
12	3291005	15	Nut M10	
13	3311601	4	Nut 3/8	
14	3321501	1	Nut 5/16	
15	3520072	1	Plug	
16	4811900	22	Washer M8	
17	4812000	24	Washer M10	
18	4812002	2	Washer M10	
19	4812102	6	Washer M12	
20	5251014	8	Bolt M10 x 30	
21	8310686	2	Nut, Retainer M8	
22	88662523	4	Nut, Tinnerman	
23	1001167149	1	Panel, Filler	
24	1001167163	1	Tray	
25	1001170022	1	Mount	
26	1001170859	1	Mount	
27	1001182875	1	Mount	
28	1001182877	1	Mount	
29	1001182879	1	Mount	
30	1001191832	4	Rivnut M8	
31	1001206314	4	Bumper	
32	1001211717	1	Panel, Filler	
33	1001213794	2	Spring, Gas	
34	1001223777	1	Support, Striker	
35	1001263696	1	Hood Assembly - Front	
36	1001263699	1	Hood Assembly - Engine Side (See Separate Breakdown in this Section)	
37	1001285641	1	Hood Assembly - Tank Side (See Separate Breakdown in this Section)	
38	1001269476	1	Mount	
39	1001279651	1	Support, Hood	
40	1001280240	1	Mount	
41	1001280242	1	Mount	
42	1001280549	2	Spring, Gas	

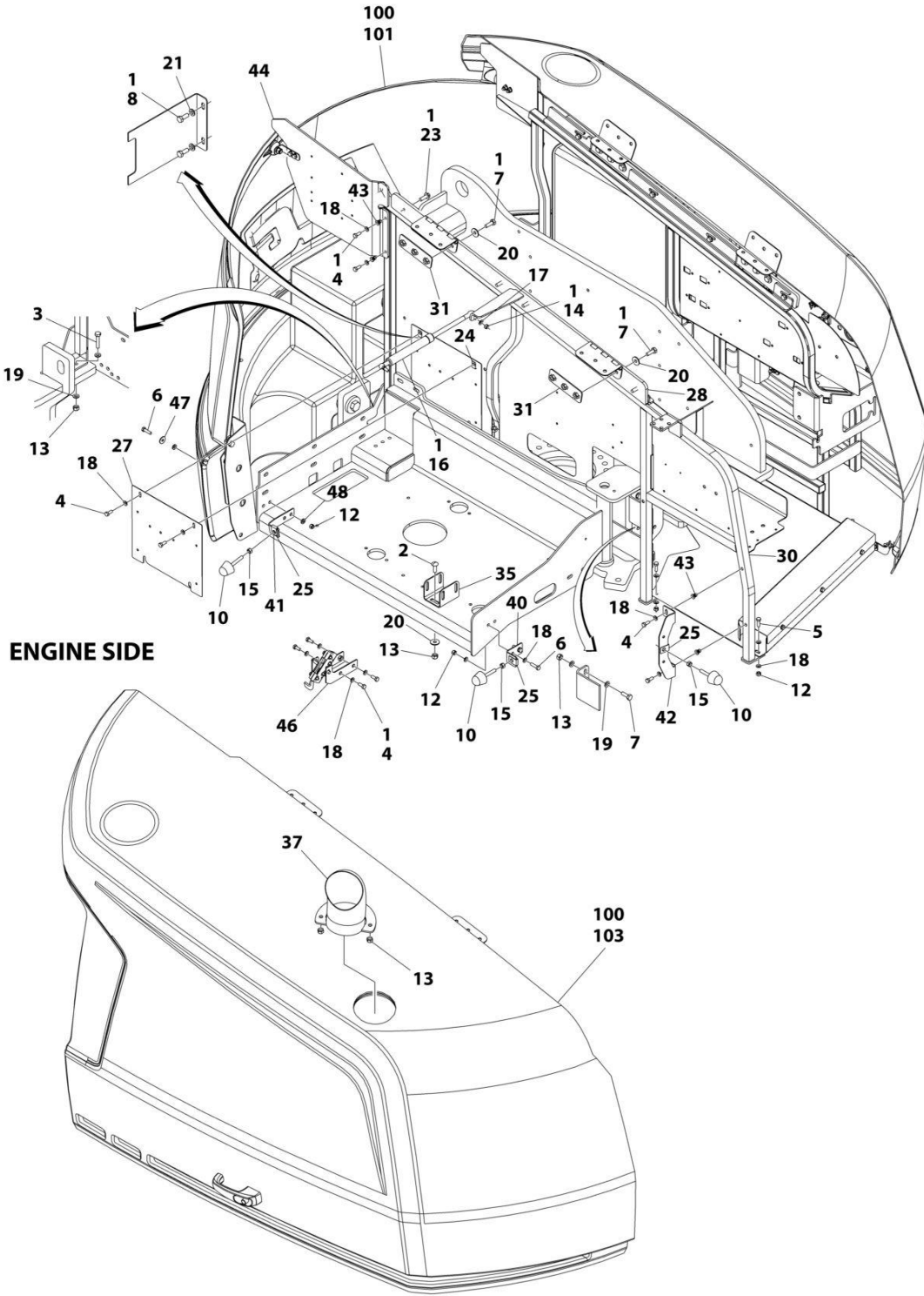
SECTION 2 - TURNTABLE

FIGURE 2-42. HOODS INSTALLATION (ABS) - 450AJ WITH KUBOTA ENGINE



ART_1001216599_10F2

SECTION 2 - TURNTABLE



ART_1001216599_20F2

SECTION 2 - TURNTABLE

FIGURE 2-42. HOODS INSTALLATION (ABS) - 450AJ WITH KUBOTA ENGINE

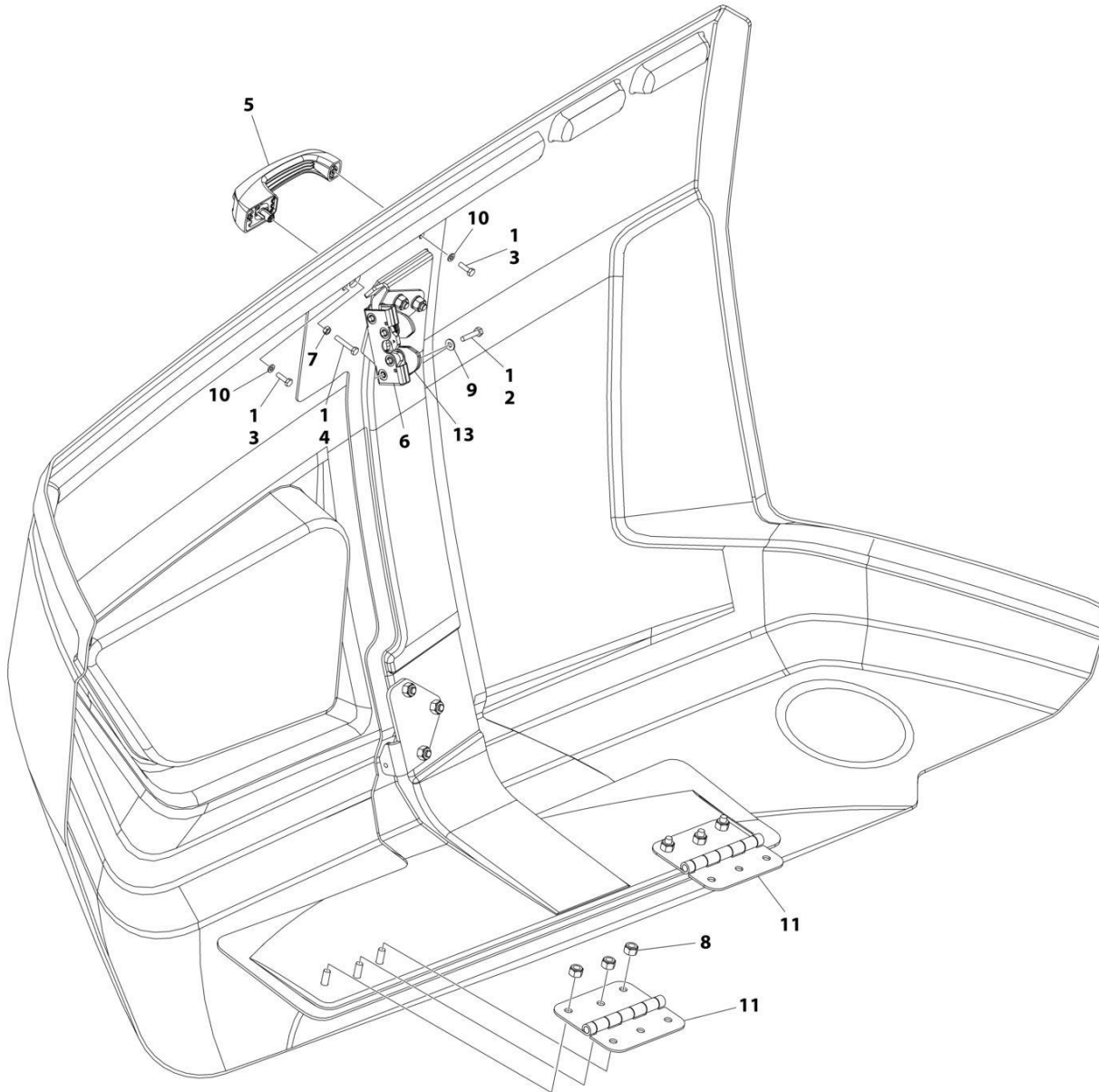
ITEM	PART NUMBER	QTY	DESCRIPTION	REV
	1001216599	Ref	HOODS INSTALLATION - KUBOTA ENGINE	E
1	0100011	AR	Compound, Locking	
2	0630613	4	Bolt M10 x 30	
3	0701018	5	Bolt M10 x 50	
4	0760810	8	Bolt M8 x 20	
5	0760812	11	Bolt M8 x 25	
6	0760814	4	Bolt M8 x 30	
7	0761014	14	Bolt M10 x 30	
8	0761214	6	Bolt M12 x 30	
9	0940049	2	Bumper	
10	0940071	6	Bumper	
11	1701691	2	Decal - No Step	
12	3290805	10	Nut M8	
13	3291005	14	Nut M10	
14	3311501	6	Nut 5/16	
15	3311601	3	Nut 3/8	
16	4160182	1	Spring, Gas	
17	4711500	2	Washer 5/16	
18	4811900	29	Washer M8	
19	4812000	19	Washer M10	
20	4812002	14	Washer M10	
21	4812100	2	Washer M12	
22	4812102	4	Washer M12	
23	5251014	8	Bolt M10 x 30	
24	8310686	2	Nut, Retainer M8	
25	88662523	3	Nut, Tinnerman	
26	1001118274	3	Nut M8	
27	1001167149	1	Panel, Filler	
28	1001167159	1	Mount	
29	1001167163	1	Tray	
30	1001167169	1	Mount	
31	1001169046	4	Nut	
32	1001211716	1	Support, Hood	
33	1001170018	1	Mount	
34	1001170022	1	Mount	
35	1001170859	1	Mount	
36	1001171216	1	Cover	
37	1001174098	1	Pipe, Exhaust	
38	1001179904	1	Mount	
39	1001182169	1	Spring, Gas	
40	1001182875	1	Mount	
41	1001216677	1	Bracket	
42	1001182879	1	Mount	
43	1001191832	4	Rivnut M8	
44	1001211717	1	Support	
46	1001215394	1	Support	
47	4811702	2	Washer M6	
48	5240800	4	Washer M8	
100	1001285691	1	Hood Kit (Includes Items 101-103)	A
101	1001169183	1	Hood, Front	

SECTION 2 - TURNTABLE

ITEM	PART NUMBER	QTY	DESCRIPTION	REV
102	1001285597	1	Hood Assembly - Tank Side (See Separate Breakdown in this Section)	
103	1001172833	1	Hood Assembly - Engine Side (See Separate Breakdown in this Section)	

SECTION 2 - TURNTABLE

FIGURE 2-43. HOOD ASSEMBLY (ABS) - TANK SIDE (MACHINES WITH SN STARTING WITH 03)



NOTE: REPLACEMENT DECALS MUST BE ORDERED SEPARATELY - SEE DECAL SECTION.

ART_1001172282

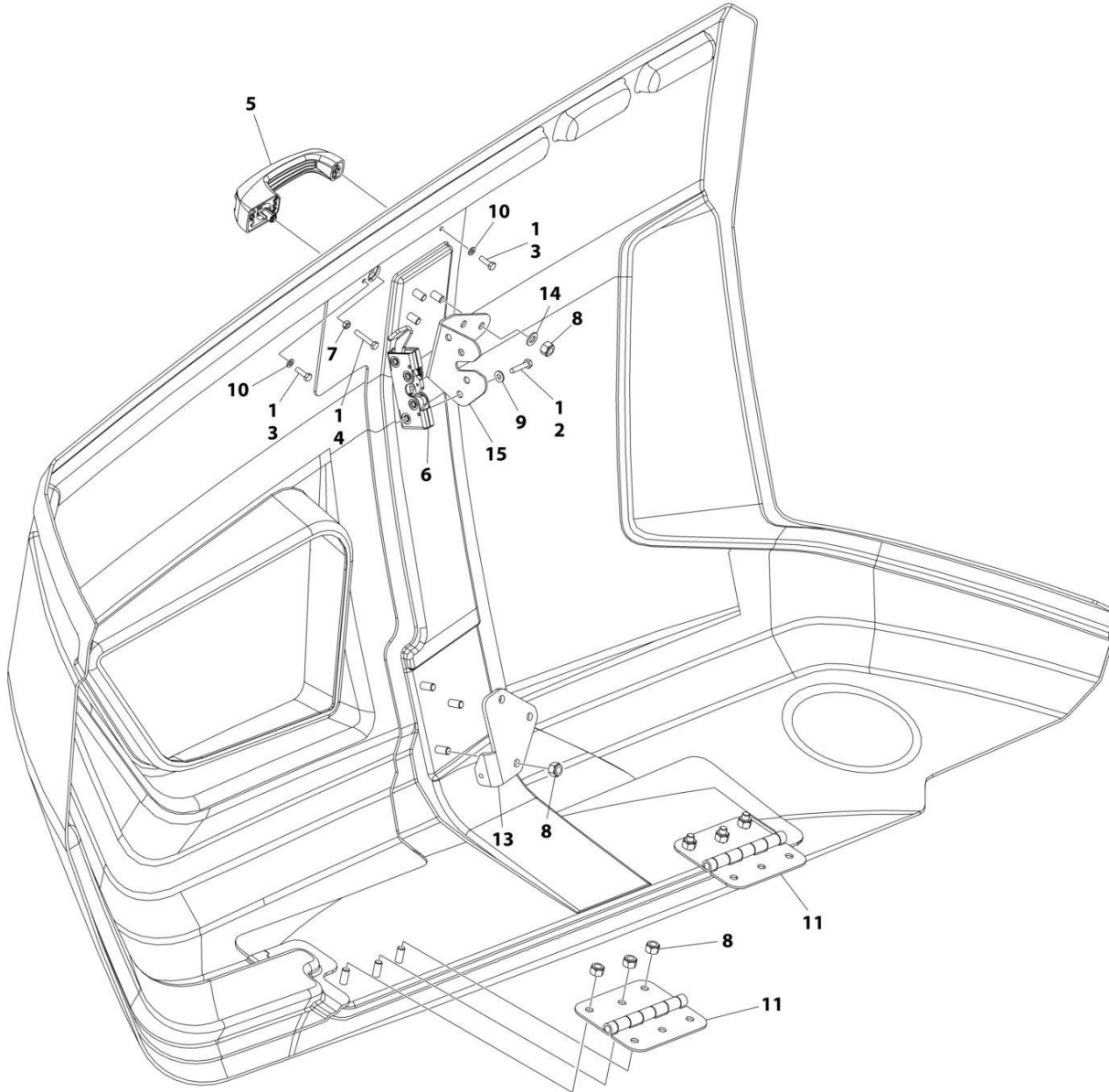
SECTION 2 - TURNTABLE

FIGURE 2-43. HOOD ASSEMBLY (ABS) - TANK SIDE (MACHINES WITH SN STARTING WITH 03)

ITEM	PART NUMBER	QTY	DESCRIPTION	REV
	1001172282	Ref	HOOD ASSEMBLY - TANK SIDE	C
1	0100011	AR	Compound, Locking	
2	0641410	4	Bolt 1/4 x 1-1/4	
3	0760610	2	Bolt M6 x 20	
4	0760615	1	Bolt M6 x 35	
5	2560187	1	Handle	
6	2940173	1	Latch	
7	3290601	1	Nut M6	
8	3291005	6	Nut M10	
9	4711400	4	Washer 1/4	
10	4811700	2	Washer M6	
11	1001139384	2	Hinge	
13	1001200458	1	Plate, Latch Guide	

SECTION 2 - TURNTABLE

FIGURE 2-44. HOOD ASSEMBLY (ABS) - TANK SIDE (MACHINES WITH SN STARTING WITH B3)



NOTE: REPLACEMENT DECALS MUST BE ORDERED SEPARATELY - SEE DECAL SECTION.

ART_1001241296

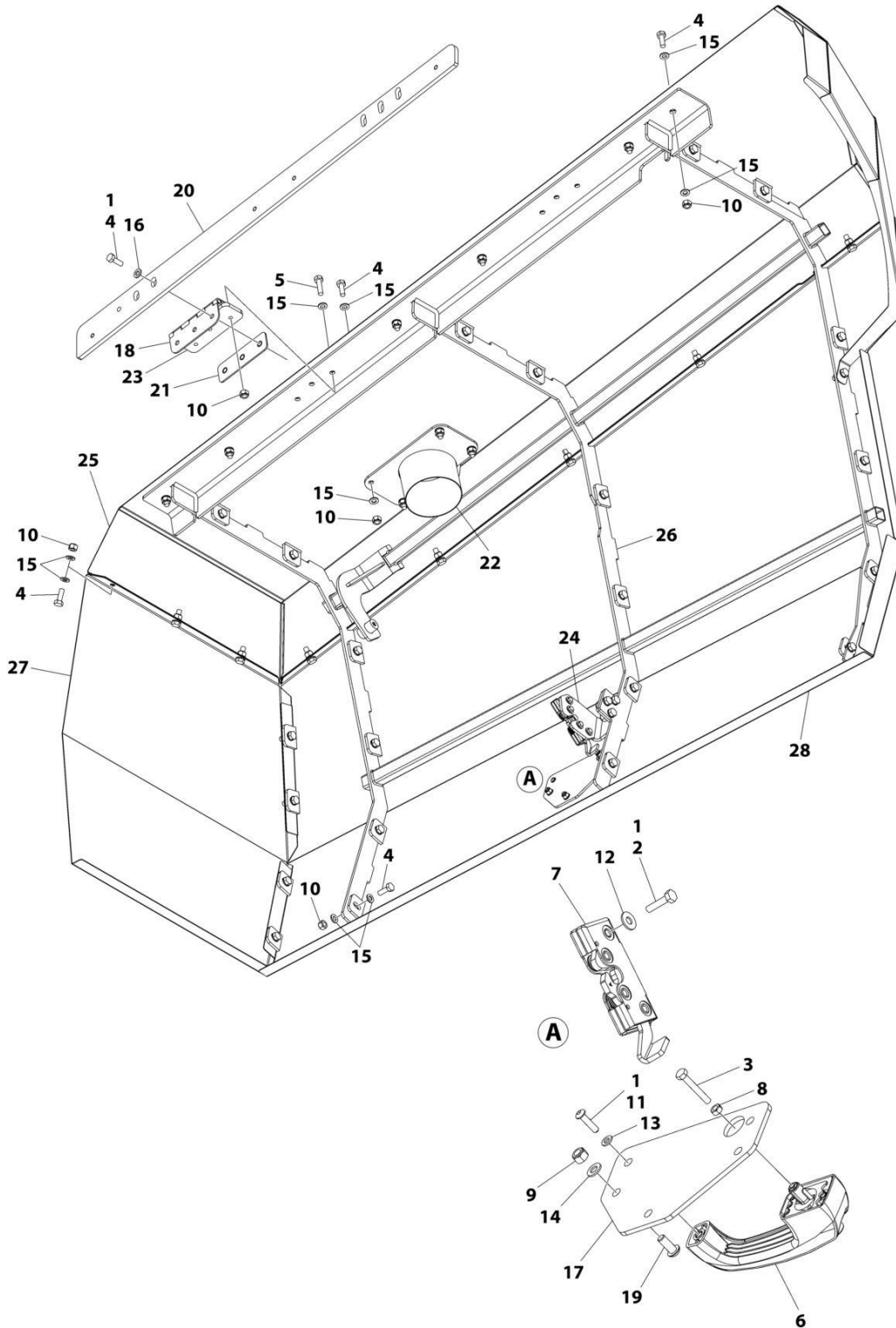
SECTION 2 - TURNTABLE

FIGURE 2-44. HOOD ASSEMBLY (ABS) - TANK SIDE (MACHINES WITH SN STARTING WITH B3)

ITEM	PART NUMBER	QTY	DESCRIPTION	REV
	1001241296	Ref	HOOD ASSEMBLY - TANK SIDE	C
1	0100011	AR	Compound, Locking	
2	0641410	4	Bolt 1/4 x 1-1/4	
3	0760610	2	Bolt M6 x 20	
4	0760615	1	Bolt M6 x 35	
5	2560187	1	Handle	
6	2940173	1	Latch	
7	3290601	1	Nut M6	
8	3291005	12	Nut M10	
9	4711400	4	Washer 1/4	
10	4811700	2	Washer M6	
11	1001259230	2	Hinge	
13	1001170475	1	Bracket	
14	4812000	3	Washer M10	
15	1001203322	1	Support	

SECTION 2 - TURNTABLE

FIGURE 2-45. HOOD ASSEMBLY (STEEL) - ENGINE SIDE (MACHINES WITH SN STARTING WITH B3)



ART_1001263699

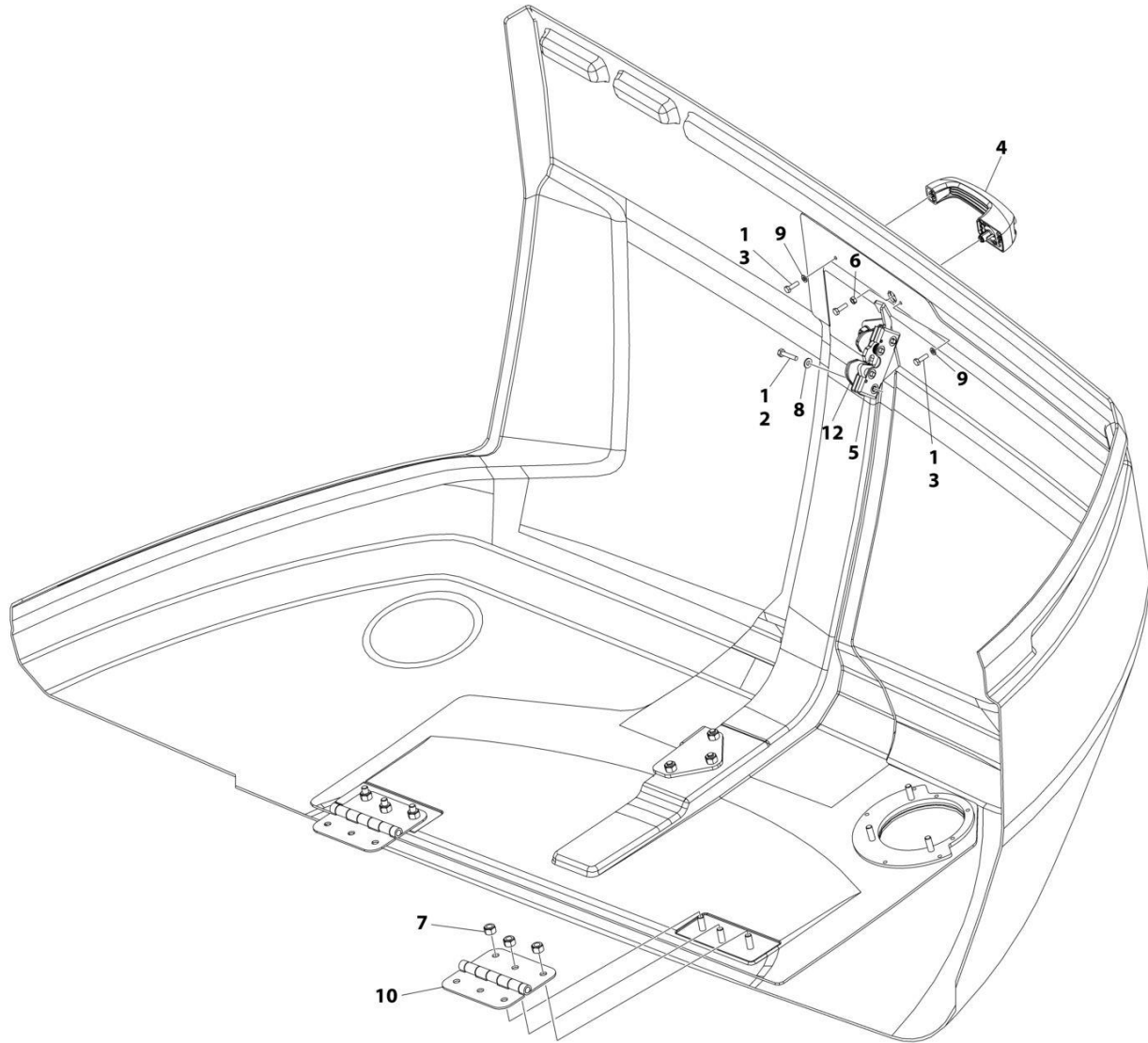
SECTION 2 - TURNTABLE

FIGURE 2-45. HOOD ASSEMBLY (STEEL) - ENGINE SIDE (MACHINES WITH SN STARTING WITH B3)

ITEM	PART NUMBER	QTY	DESCRIPTION	REV
	1001263699	Ref	HOOD ASSEMBLY (STEEL) - ENGINE SIDE	A
1	0100011	AR	Compound, Locking	
2	0641409	4	Bolt 1/4 x 1/8	
3	0700616	1	Bolt M6 x 40	
4	0761014	50	Bolt M10 x 30	
5	0761016	6	Bolt M10 x 40	
6	2560187	1	Handle	
7	2940173	1	Latch	
8	3290601	1	Nut M6	
9	3290805	3	Nut M8 x 1-1/4	
10	3291005	50	Nut M10 x 1-1/2	
11	3900363	2	Screw M6 x 25	
12	4751400	4	Washer 1/4	
13	4811700	2	Washer M6	
14	4811900	3	Washer M8	
15	4812000	94	Washer M10	
16	5241000	6	Washer M10	
17	1001116290	1	Plate	
18	1001139384	2	Hinge	
19	1001164726	3	Screw M8 x 20	
20	1001167157	1	Mount, Hood	
21	1001169046	2	Nut	
22	1001194888	1	Pipe, Exhaust	
23	1001202333	2	Plate, Nut	
24	1001263664	1	Bracket	
25	1001263669	1	Panel (Top)	
26	1001263677	1	Bracket	
27	1001263693	1	Panel (End)	
28	1001265389	1	Panel (Side)	

SECTION 2 - TURNTABLE

FIGURE 2-46. HOOD ASSEMBLY (ABS) - ENGINE SIDE (MACHINES WITH SN STARTING WITH 03)



NOTE: REPLACEMENT DECALS MUST BE ORDERED SEPARATELY - SEE DECAL SECTION.

ART_1001172833

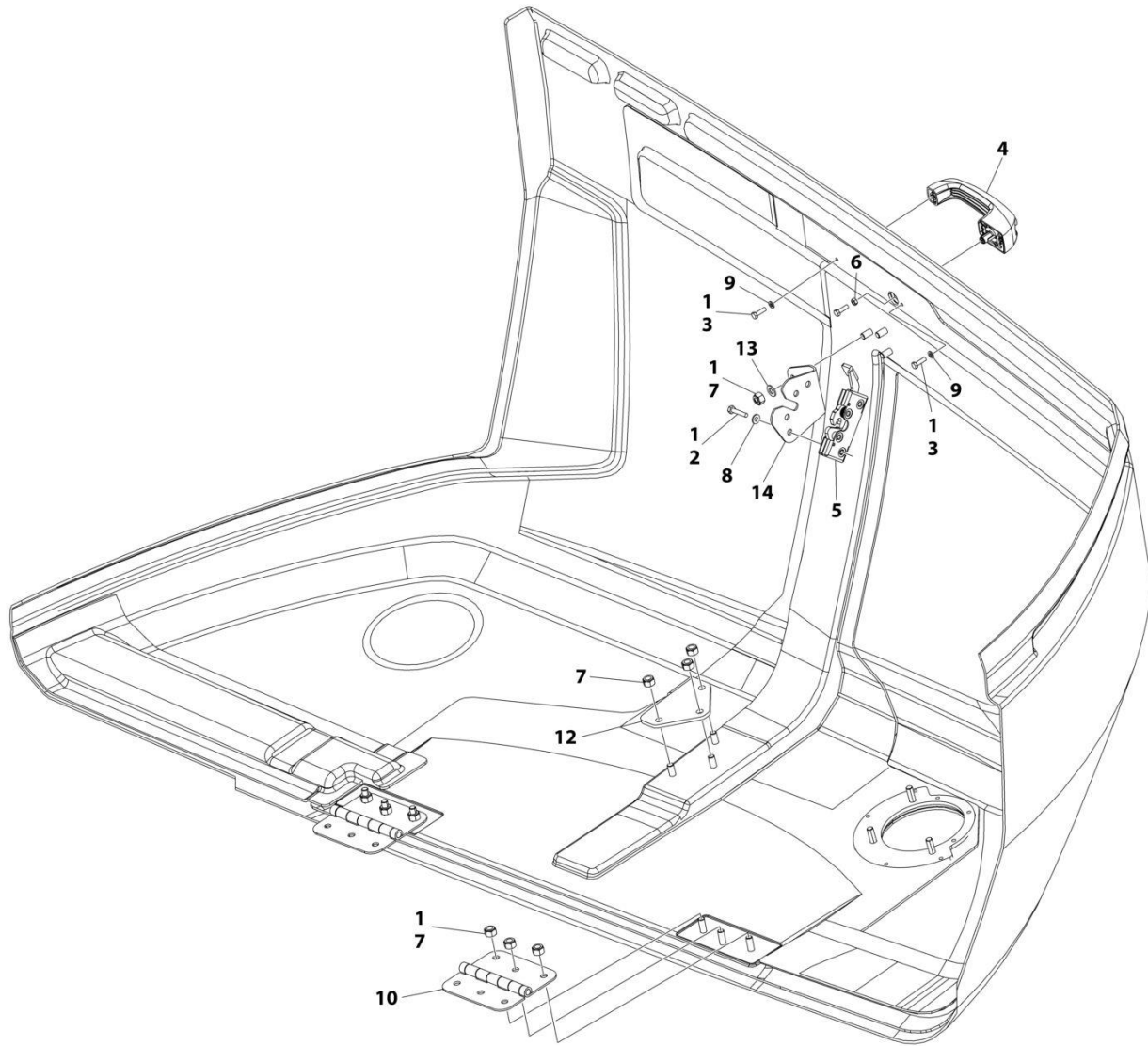
SECTION 2 - TURNTABLE

FIGURE 2-46. HOOD ASSEMBLY (ABS) - ENGINE SIDE (MACHINES WITH SN STARTING WITH 03)

ITEM	PART NUMBER	QTY	DESCRIPTION	REV
	1001172833	Ref	HOOD ASSEMBLY - ENGINE SIDE	C
1	0100011	AR	Compound, Locking	
2	0641410	4	Bolt 1/4 x 1-1/4	
3	0760610	3	Bolt M6 x 20	
4	2560187	1	Handle	
5	2940173	1	Latch	
6	3290601	1	Nut M6	
7	3291005	6	Nut M10	
8	4711400	4	Washer 1/4	
9	4811700	2	Washer M6	
10	1001139384	2	Hinge	
12	1001200458	1	Plate, Latch Guide	

SECTION 2 - TURNTABLE

FIGURE 2-47. HOOD ASSEMBLY (ABS) - ENGINE SIDE (MACHINES WITH SN STARTING WITH B3)



NOTE: REPLACEMENT DECALS MUST BE ORDERED SEPARATELY - SEE DECAL SECTION.

ART_1001241295

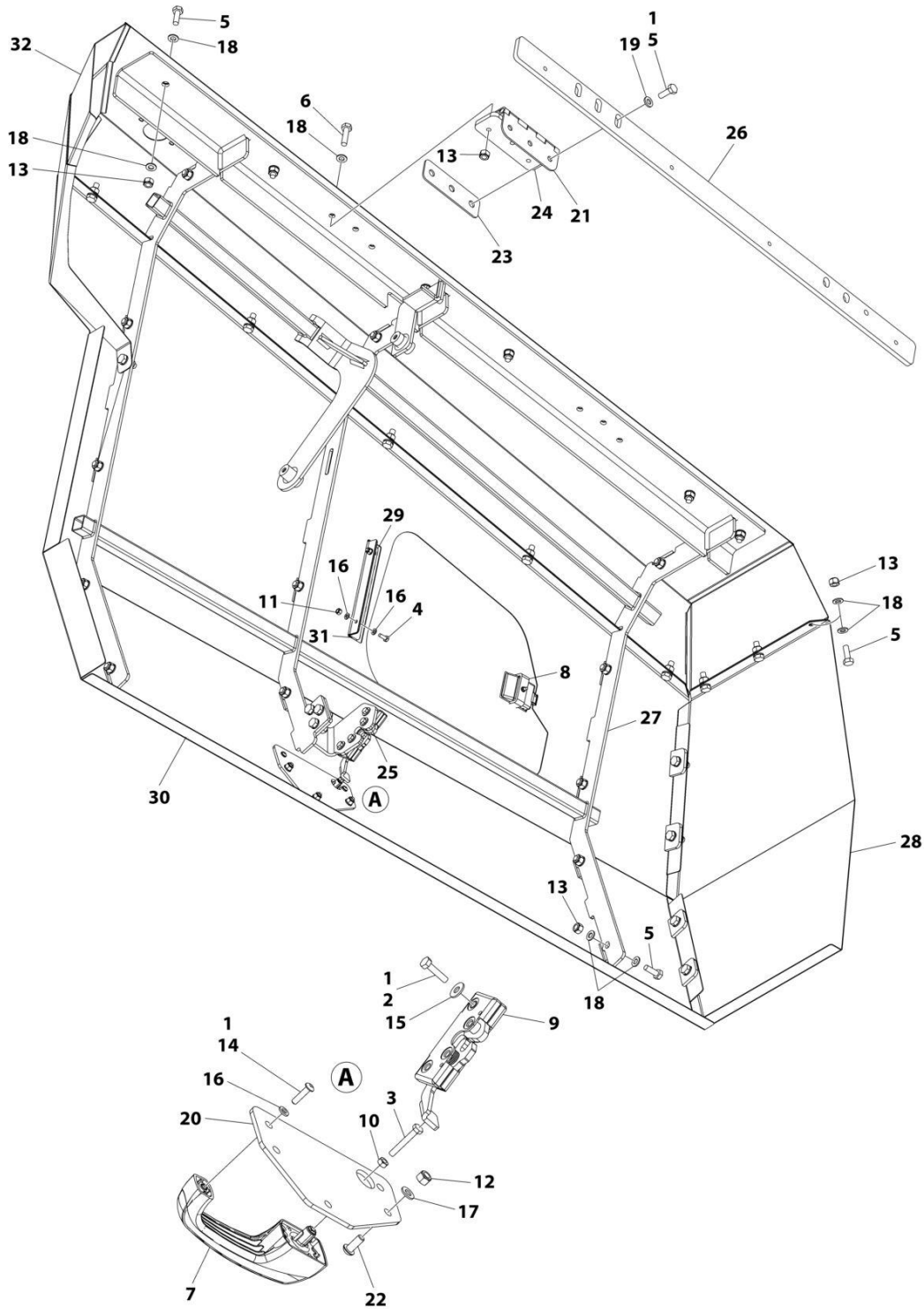
SECTION 2 - TURNTABLE

FIGURE 2-47. HOOD ASSEMBLY (ABS) - ENGINE SIDE (MACHINES WITH SN STARTING WITH B3)

ITEM	PART NUMBER	QTY	DESCRIPTION	REV
	1001241295	Ref	HOOD ASSEMBLY - ENGINE SIDE	C
1	0100011	AR	Compound, Locking	
2	0641410	4	Bolt 1/4 x 1-1/4	
3	0760610	3	Bolt M6 x 20	
4	2560187	1	Handle	
5	2940173	1	Latch	
6	3290601	1	Nut M6	
7	3291005	12	Nut M10	
8	4711400	4	Washer 1/4	
9	4811700	2	Washer M6	
10	1001259230	2	Hinge	
12	1001178228	1	Bracket	
13	4812000	3	Washer M10	
14	1001202830	1	Support	

SECTION 2 - TURNTABLE

FIGURE 2-48. HOOD ASSEMBLY (STEEL) - TANK SIDE (MACHINES WITH SN STARTING WITH B3)



ART_1001285641

SECTION 2 - TURNTABLE

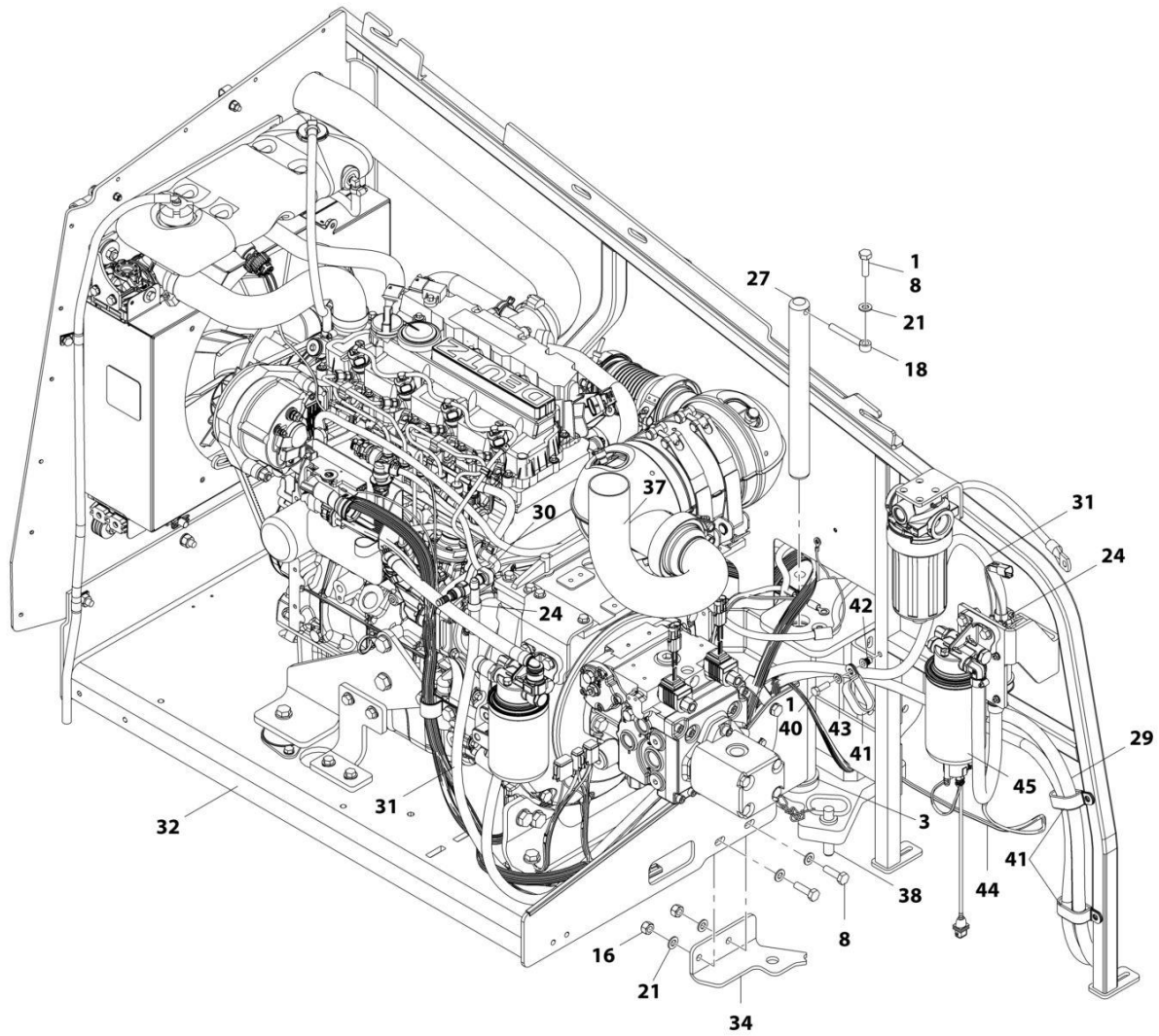
FIGURE 2-48. HOOD ASSEMBLY (STEEL) - TANK SIDE (MACHINES WITH SN STARTING WITH B3)

ITEM	PART NUMBER	QTY	DESCRIPTION	REV
	1001285641	Ref	HOOD ASSEMBLY (STEEL) - TANK SIDE	A
1	0100011	AR	Compound, Locking	
2	0641409	4	Bolt 1/4 x 1/8	
3	0700616	1	Bolt M6 x 40	
4	0760608	2	Bolt M6 x 16	
5	0761014	42	Bolt M10 x 30	
6	0761016	6	Bolt M10 x 40	
7	2560187	1	Handle	
8	2940045	1	Latch	
9	2940173	1	Latch	
10	3290601	1	Nut M6	
11	3290605	2	Nut M6	
12	3290805	3	Nut M8 x 1-1/4	
13	3291005	42	Nut M10 x 1-1/2	
14	3900363	2	Screw M6 x 25	
15	4751400	4	Washer 1/4	
16	4811700	6	Washer M6	
17	4811900	3	Washer M8	
18	4812000	78	Washer M10	
19	5241000	6	Washer M10	
20	1001116290	1	Plate	
21	1001139384	2	Hinge	
22	1001164726	3	Screw M8 x 20	
23	1001169046	2	Nut	
24	1001202333	2	Plate, Nut	
25	1001263663	1	Bracket	
26	1001263668	1	Plate, Hinge	
27	1001263678	1	Bracket	
28	1001263694	1	Panel (End)	
29	1001263787	1	Door	
30	1001265390	1	Panel (Side)	
31	1001281623	4.88 ft/1.49m	Seal	
32	1001285640	1	Panel (Top)	

SECTION 3 - ENGINE

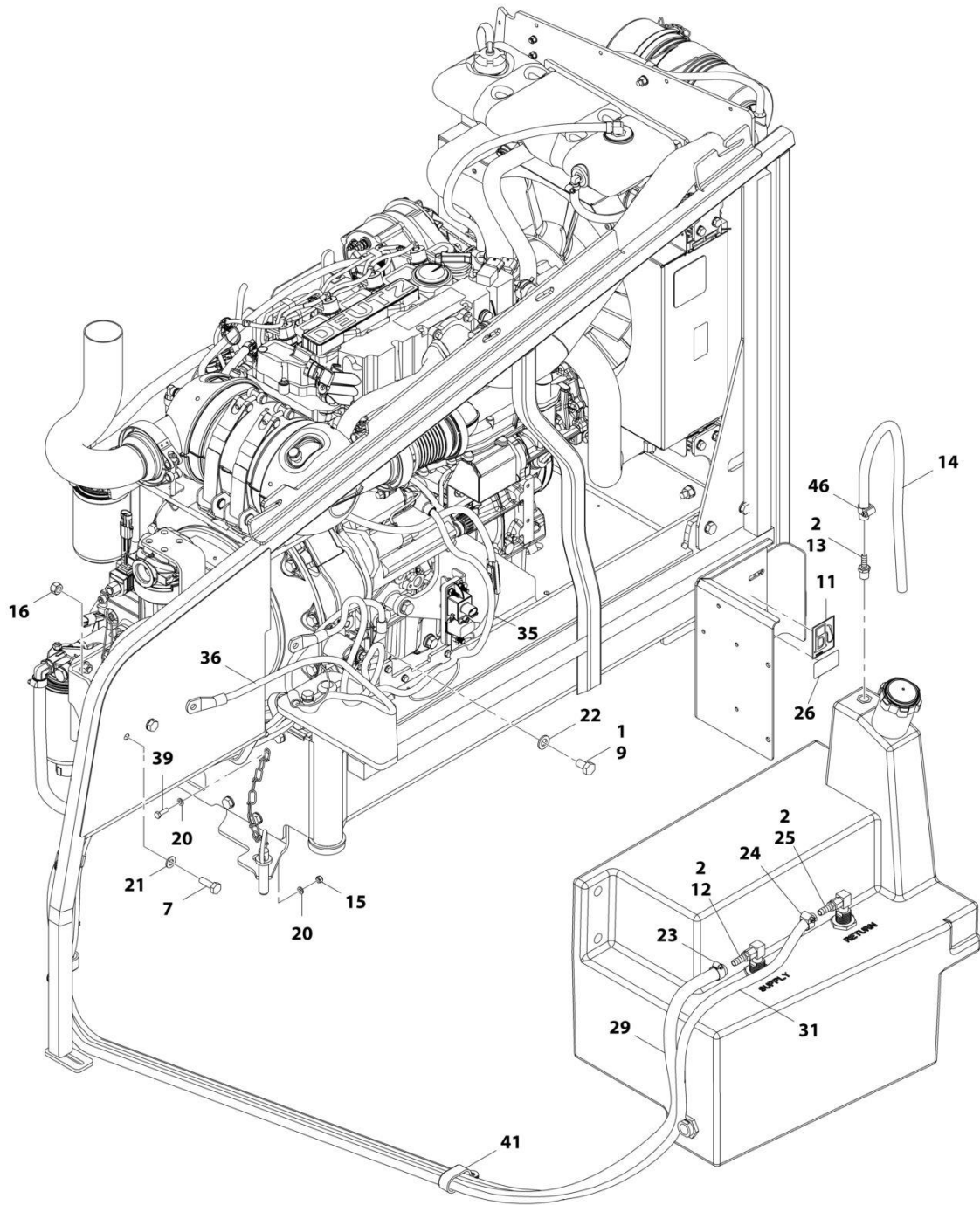
SECTION 3 - ENGINE

FIGURE 3-1. ENGINE INSTALLATION - DEUTZ D2.9L4 ENGINE (WITHOUT ARCTIC PACKAGE) (ANSI, ANSI EXPORT, CSA AND JAPANESE SPECS)



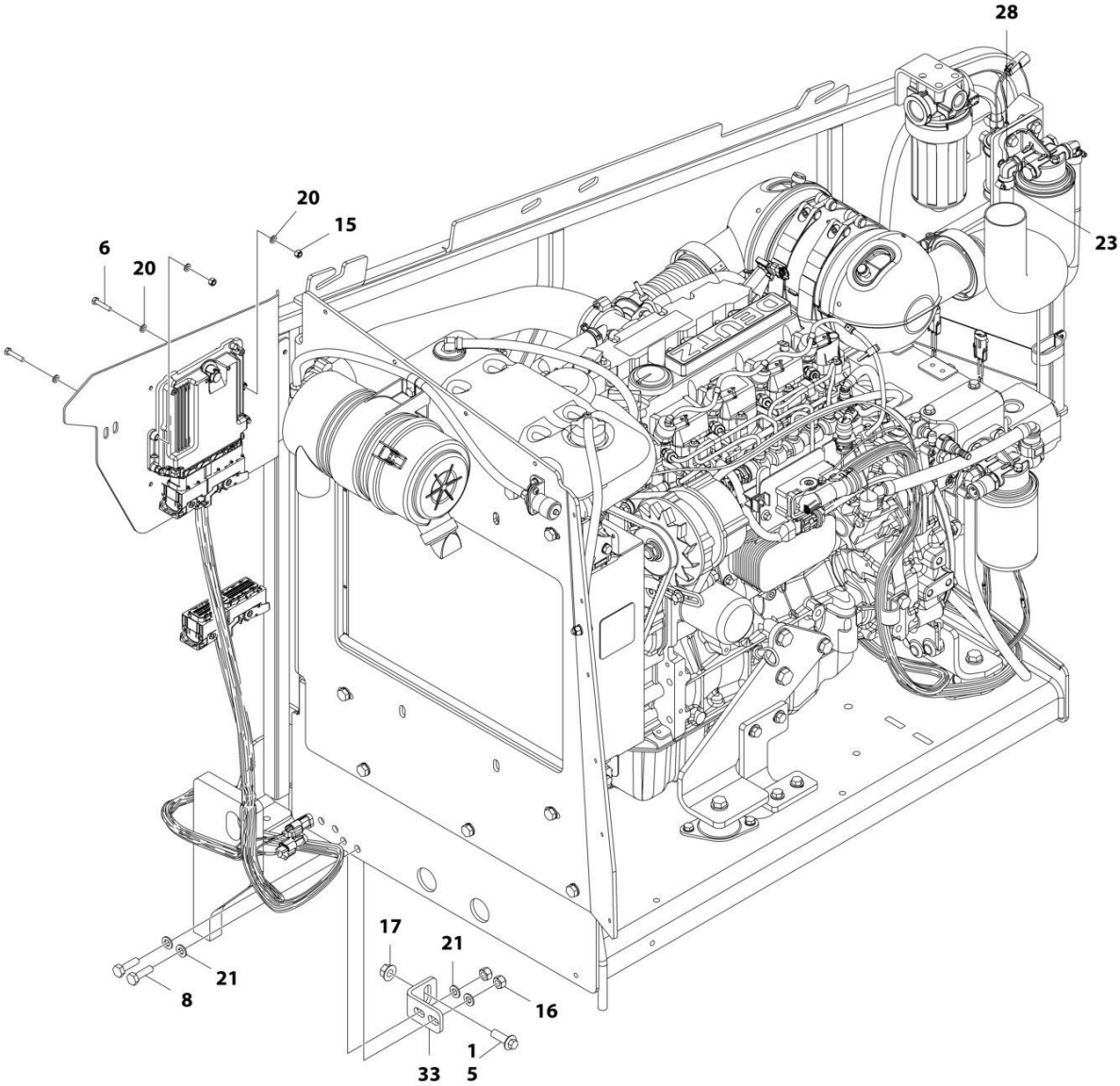
ART_1001166304_10F3

SECTION 3 - ENGINE



ART_1001166304_20F3

SECTION 3 - ENGINE



ART_1001166304_30F3

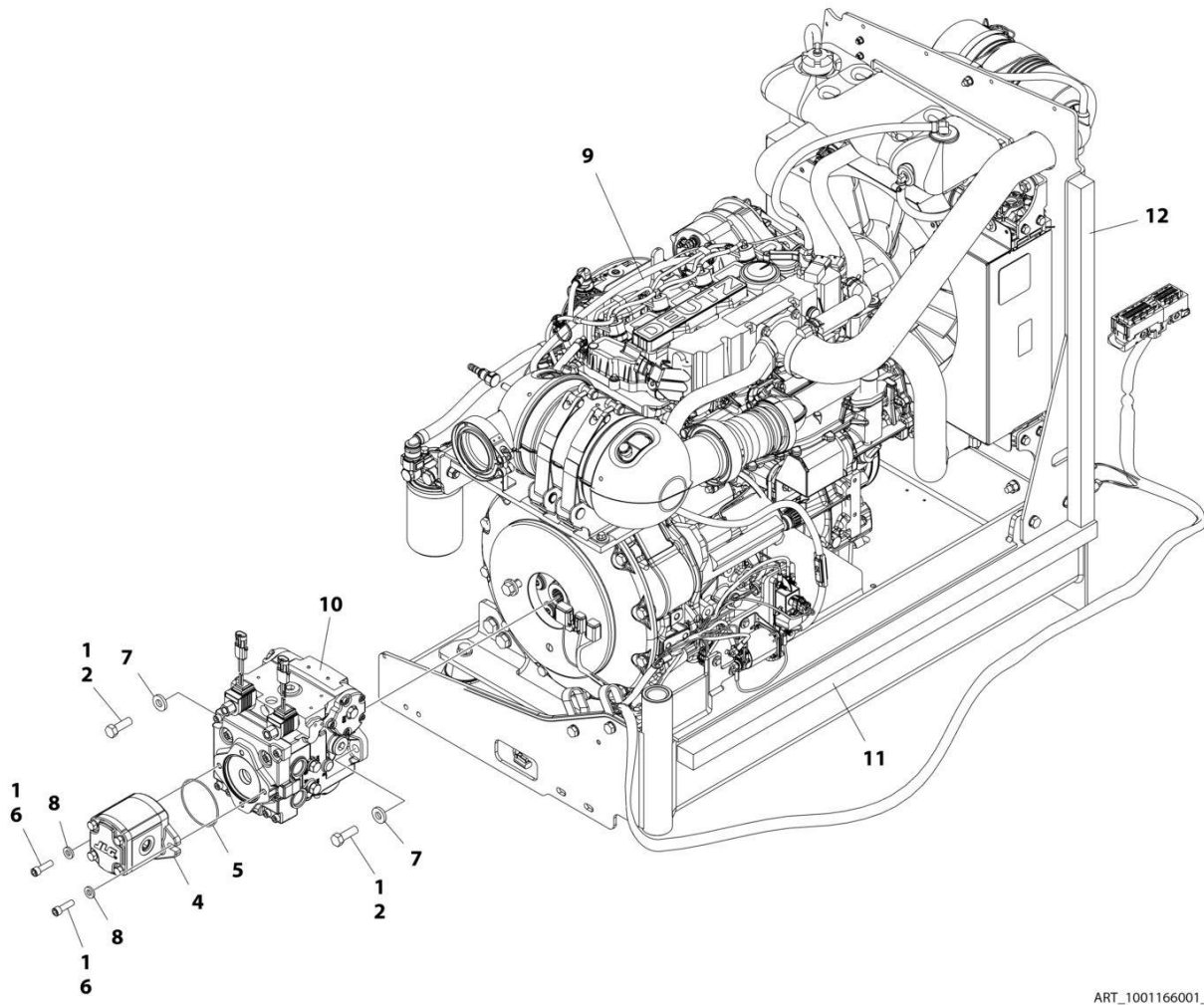
SECTION 3 - ENGINE

FIGURE 3-1. ENGINE INSTALLATION - DEUTZ D2.9L4 ENGINE (WITHOUT ARCTIC PACKAGE) (ANSI, ANSI EXPORT, CSA AND JAPANESE SPECS)

ITEM	PART NUMBER	QTY	DESCRIPTION	REV
	1001166304	Ref	ENGINE INSTALLATION - DEUTZ D2.9L4 ENGINE (WITHOUT ARCTIC PACKAGE)	G
1	0100011	AR	Compound, Locking	
2	0100020	AR	Sealant, Pipe	
3	0440162	1	Bearing	
5	5251215	1	Bolt M12 x 35	
6	0760614	4	Bolt M6 x 30	
7	0761014	2	Bolt M10 x 30	
8	0761015	5	Bolt M10 x 35	
9	0761210	1	Bolt M12 x 20	
11	1701505	1	Decal - Diesel Fuel	
12	2180832	1	Fitting, Barbed	
13	2180876	1	Fitting, Barbed	
14	2720058	2 ft /0.6m	Hose	
15	3290605	5	Nut M6	
16	3291005	6	Nut M10	
17	5261200	1	Nut, Flange M12 Grade 10.9	
18	3841143	1	Keeper, Pin	
20	4811700	10	Washer M6	
21	4812000	11	Washer M10	
22	4812100	1	Washer M12	
23	8405006	2	Clamp	
24	8410013	4	Clamp	
25	8430007	1	Coupling	
26	1001125387	1	Decal - Ultra Low Sulfur Diesel	
27	1001135196	1	Pin	
28	1001142501	1	Fitting, Barbed 90	
29	1001154405	7.25 ft /2.21m	Hose	
30	1001155823	1	Coupling, Quick Disconnect 90	
31	1001165035	17.25 ft /5.26m	Hose	
32	1001166001	1	Engine and Pump Sub-Assembly - Deutz D2.9L4 (Without Arctic Package) (See Separate Breakdown in this Section)	
33	1001167512	1	Bracket	
34	1001169823	1	Plate, Engine Lock	
35	1001171683	1	Cable, Battery (Red) (Battery Positive to Auxiliary Power Relay)	
36	1001171684	1	Cable, Battery (Black) (Battery Negative to Auxiliary Power Pump)	
37	1001172736	1	Pipe, Exhaust	
38	3422532	1	Pin	
39	0760610	1	Bolt M6 x 20	
40	0760812	1	Bolt M8 x 25	
41	1321716	4	Clamp	
42	1001191832	1	Nut, Rivet M8	
43	4811900	1	Washer M8	
44	1001181358	1	Harness, Fuel Pump (See Separate Breakdown in ELECTRICAL SECTION)	
45	1001162335	1	Bracket Assembly - Fuel Pump/Filter (See Separate Breakdown in this Section)	
46	1320022	1	Clamp	

SECTION 3 - ENGINE

FIGURE 3-2. ENGINE AND PUMP SUB-ASSEMBLY - DEUTZ D2.9L4 (WITHOUT ARCTIC PACKAGE)
(ANSI, ANSI EXPORT, CSA AND JAPANESE SPECS)



ART_1001166001_J

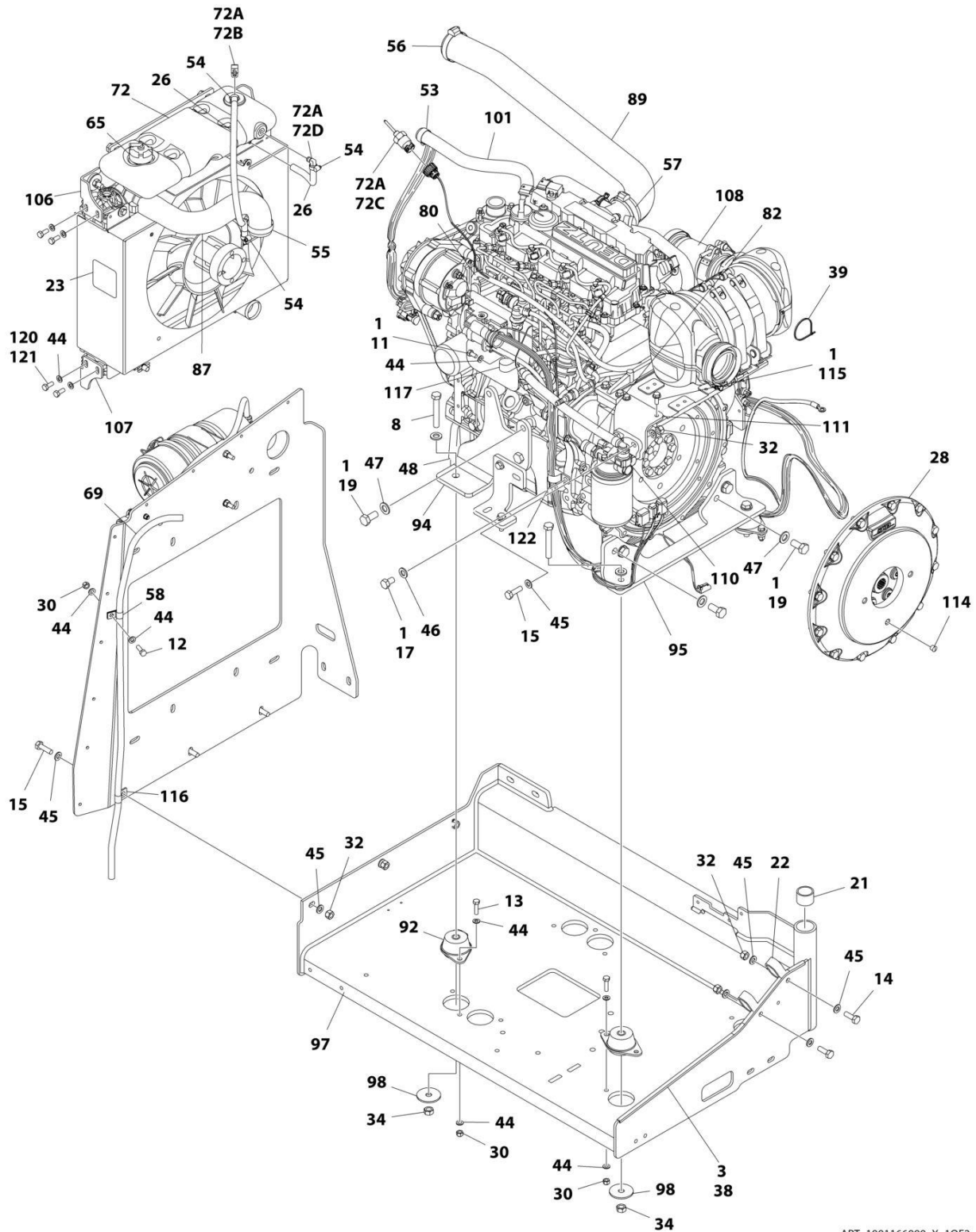
SECTION 3 - ENGINE

**FIGURE 3-2. ENGINE AND PUMP SUB-ASSEMBLY - DEUTZ D2.9L4 (WITHOUT ARCTIC PACKAGE)
(ANSI, ANSI EXPORT, CSA AND JAPANESE SPECS)**

ITEM	PART NUMBER	QTY	DESCRIPTION	REV
	1001166001	Ref	ENGINE AND PUMP SUB-ASSEMBLY - DEUTZ D2.9L4 (WITHOUT ARCTIC PACKAGE)	J
1	0100011	AR	Compound, Locking	
2	0641812	2	Bolt 1/2 x 1-1/2	
4	1001214207	1	Gear Pump Assembly	
4	70006356	1	Seal Kit - 1001214207 Pump	
5	3790152	1	O-Ring	
6	3931618	2	Capscrew 3/8 x 1-1/8	
7	4891800	2	Washer 1/2 Hardened	
8	4891600	2	Washer 3/8 Hardened	
9	1001166000	1	Engine Assembly - Deutz D2.9L4 Engine (Without Arctic Package) (See Separate Breakdown in this Section)	
10	1001167036	1	Piston Pump Assembly (See Separate Breakdown in this Section)	
11	1001171953	1	Seal	
12	1001171954	1	Seal	

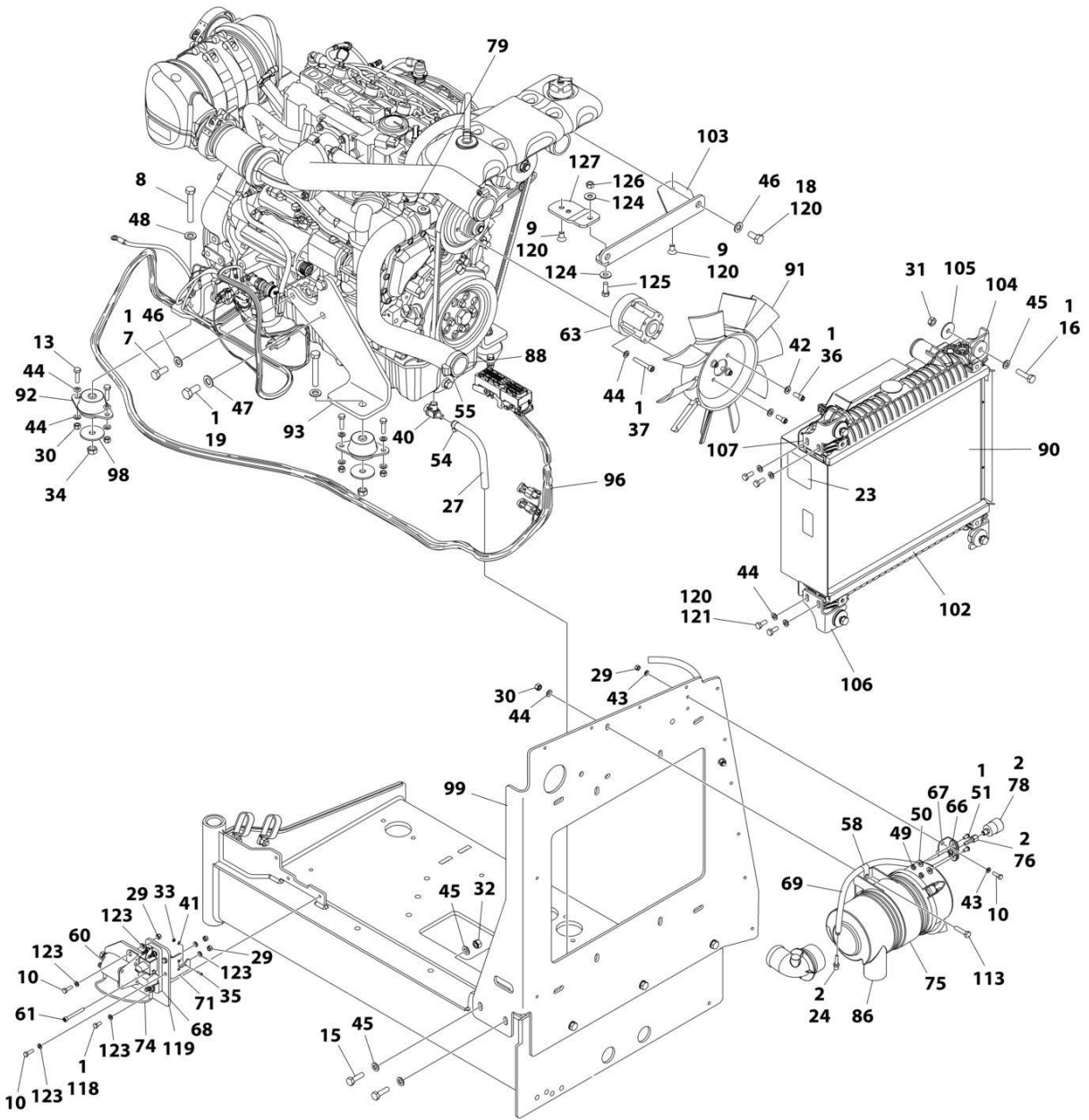
SECTION 3 - ENGINE

FIGURE 3-3. ENGINE ASSEMBLY - DEUTZ D2.9L4 ENGINE (WITHOUT ARCTIC PACKAGE) (ANSI, ANSI EXPORT, CSA AND JAPANESE SPECS)



ART_1001166000_X_10F2

SECTION 3 - ENGINE



ART_1001166000_X_2OF2

SECTION 3 - ENGINE

FIGURE 3-3. ENGINE ASSEMBLY - DEUTZ D2.9L4 ENGINE (WITHOUT ARCTIC PACKAGE) (ANSI, ANSI EXPORT, CSA AND JAPANESE SPECS)

ITEM	PART NUMBER	QTY	DESCRIPTION	REV
	1001166000	Ref	ENGINE ASSEMBLY - DEUTZ D2.9L4 ENGINE (WITHOUT ARCTIC PACKAGE)	Y
1	0100011	AR	Compound, Locking	
2	0100020	AR	Sealant, Pipe	
3	0100081	AR	Adhesive	
7	0711214	1	Bolt M12 x 30	
8	0711224	AR	Bolt M12 x 80 Grade 10.9	
9	0741606	2	Screw 3/8 x 3/4	
10	0760610	6	Bolt M6 x 20	
11	0760808	1	Bolt M8 x 16	
12	0760812	1	Bolt M8 x 25	
13	0760814	AR	Bolt M8 x 30	
14	0761014	2	Bolt M10 x 30	
15	0761015	7	Bolt M10 x 35	
16	0761016	4	Bolt M10 x 40	
17	0761210	1	Bolt M12 x 20	
18	0761212	2	Bolt M12 x 25	
19	0771414	AR	Bolt M14 x 30 Grade 10.9	
21	0961951	2	Bushing	
22	1321716	2	Clamp	
23	1703162	2	Decal - Caution Fan	
24	2220315	1	Fitting, Straight Barbed	
26	2720015	2 ft/ 0.61m	Hose	
27	2720340	8 in/ 20.3cm	Hose	
28	2902065	1	Pump Coupling Kit (See Separate Breakdown in this Section)	
29	3290605	7	Nut M6	
30	3290805	AR	Nut M8	
31	3291001	4	Nut M10	
32	3291005	9	Nut M10	
33	3310401	3	Nut #4	
34	3331215	AR	Nut M12	
35	3910408	3	Screw #4- x 1/2	
36	3931512	4	Capscrew, 5/16 x 3/4	
37	4031914	4	Bolt M8 x 50	
38	4060805	2.25 ft/ 0.69m	Flex-Trim	
39	4240099	AR	Tie-Strap	
40	4640751	1	Valve, Oil Drain	
41	4710400	3	Washer #4	
42	4711500	4	Washer 5/16	
43	4811700	4	Washer M6	
44	4811900	AR	Washer M8	
45	4812000	22	Washer M10	
46	4812100	4	Washer M12	
47	4812200	AR	Washer M14	
48	5241200	4	Washer M12 Hardened	
49	8305401	2	Nut, Jam	
50	8307109	2	Washer	

SECTION 3 - ENGINE

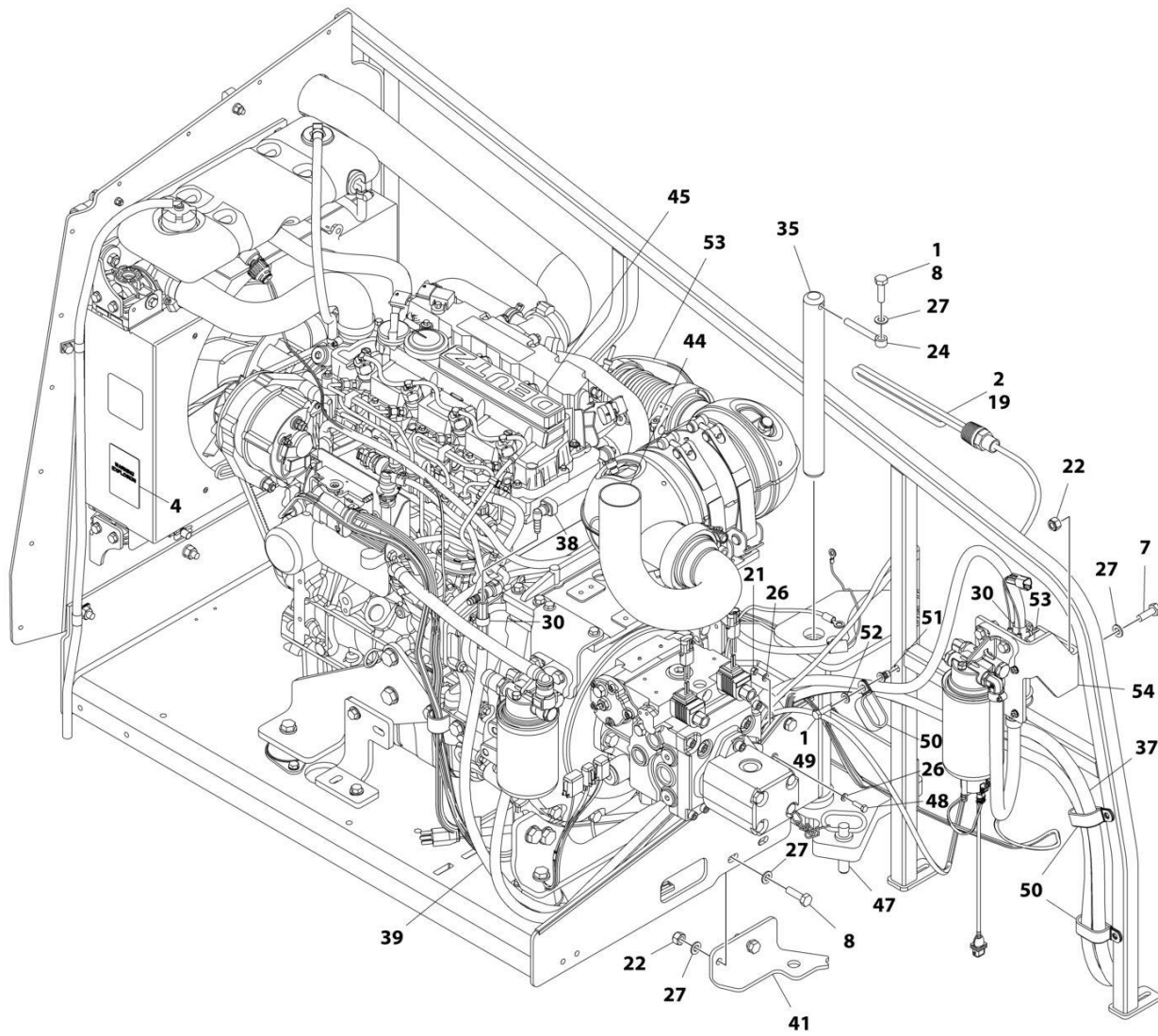
ITEM	PART NUMBER	QTY	DESCRIPTION	REV
51	8310548	2	Screw, 1/4 x 1/2	
53	8405007	2	Clamp	
54	8405009	5	Clamp	
55	8405104	4	Clamp	
56	8405202	1	Clamp	
57	8405204	1	Clamp	
58	8406109	2	Clip	
60	1001117308	1	Relay, 200Amp	
60	3300220	2	Nut	
60	3321001	2	Nut #10	
60	4761000	2	Washer #10	
60	1001111424	2	Washer	
61	1001118878	1	Bolt M6 x 55	
63	1001144116	1	Spacer, Fan	
65	1001136834	1	Cap, Tank	
66	1001138173	1	Support, Service Indicator	
67	1001138175	1	Bracket, Service Indicator	
68	1001138228	1	Relay, Power Module	
68	70023592	1	Fuse 20Amp	
68	70023593	1	Fuse 30Amp	
69	1001138248	5.25 ft/ 1.6m	Tube	
71	1001139240	1	Bracket	
72	1001230635	1	Tank, Surge (Includes Items 72A-72D)	
72A	0100020	AR	Sealant, Pipe	
72B	1001134488	1	Fitting, Barbed	
72C	1001138827	1	Sensor, Coolant Level	
72D	1001140564	1	Fitting, Barbed 90	
74	1001141304	1	Harness, Glow Plug	
75	1001141694	1	Clamp, Air Cleaner	
76	1001141995	1	Fitting, Barbed	
78	1001143390	1	Indicator	
79	1001143797	1	Fitting, Barbed	
80	1001178788	1	Cable, Alternator	
82	1001152489	1	Fitting, Barbed 90	
86	1001165388	1	Air Cleaner Assembly	
86	70003783	1	Element, Air Cleaner	
87	1001165405	1	Hose, Upper Radiator	
88	1001165406	1	Hose, Lower Radiator	
89	1001165721	1	Hose, Air Intake	
90	1001165722	1	Radiator	
91	1001165849	1	Fan	
92	1001166718	AR	Mount, Motor	
93	1001166921	1	Plate, Engine Mount	
94	1001166922	Ref	Plate, Engine Mount	
95	1001166924	1	Plate, Engine Mount	
96	1001167108	1	Harness Engine - Deutz D2.9L4 (See Separate Breakdown in ELECTRICAL SECTION)	
97	1001167520	1	Tray, Engine	
98	1001168018	4	Washer, Special	
99	1001168026	1	Plate, Radiator Mounting	
101	1001168099	1	Hose	

SECTION 3 - ENGINE

ITEM	PART NUMBER	QTY	DESCRIPTION	REV
102	1001168166	2	Seal	
103	1001260420	1	Bracket	
104	1001169054	4	Isolator	
105	1001169138	4	Washer, Snubbing	
106	1001169967	2	Bracket	
107	1001170035	2	Bracket	
108	1001249965	1	Engine, Deutz D2.9L4 (See Separate Breakdown in this Section)	
110	1001177359	1	Hose	
111	1001178876	1	Mount, Fuel Filter	
113	0760815	2	Bolt M8 x 35	
114	3520054	1	Plug	
115	5250810	2	Bolt M8 x 20	
116	8406110	1	Clip	
117	8406201	1	Clip	
118	0760607	3	Bolt M6 x 14	
119	1001179903	1	Bracket	
120	1001180620	AR	Adhesive	
121	0760810	8	Bolt M8 x 20	
122	1001191620	1	Clamp	
123	4811702	12	Washer M6	
124	4751600	2	Washer 3/8	
125	0681608	1	Bolt 3/8 x 1	
126	3311605	1	Nut 3/8	
127	1001260412	1	Bracket	
128	1001162335	1	Bracket Assembly - Fuel Pump/Filter (Not Shown - See Separate Breakdown in this Section)	

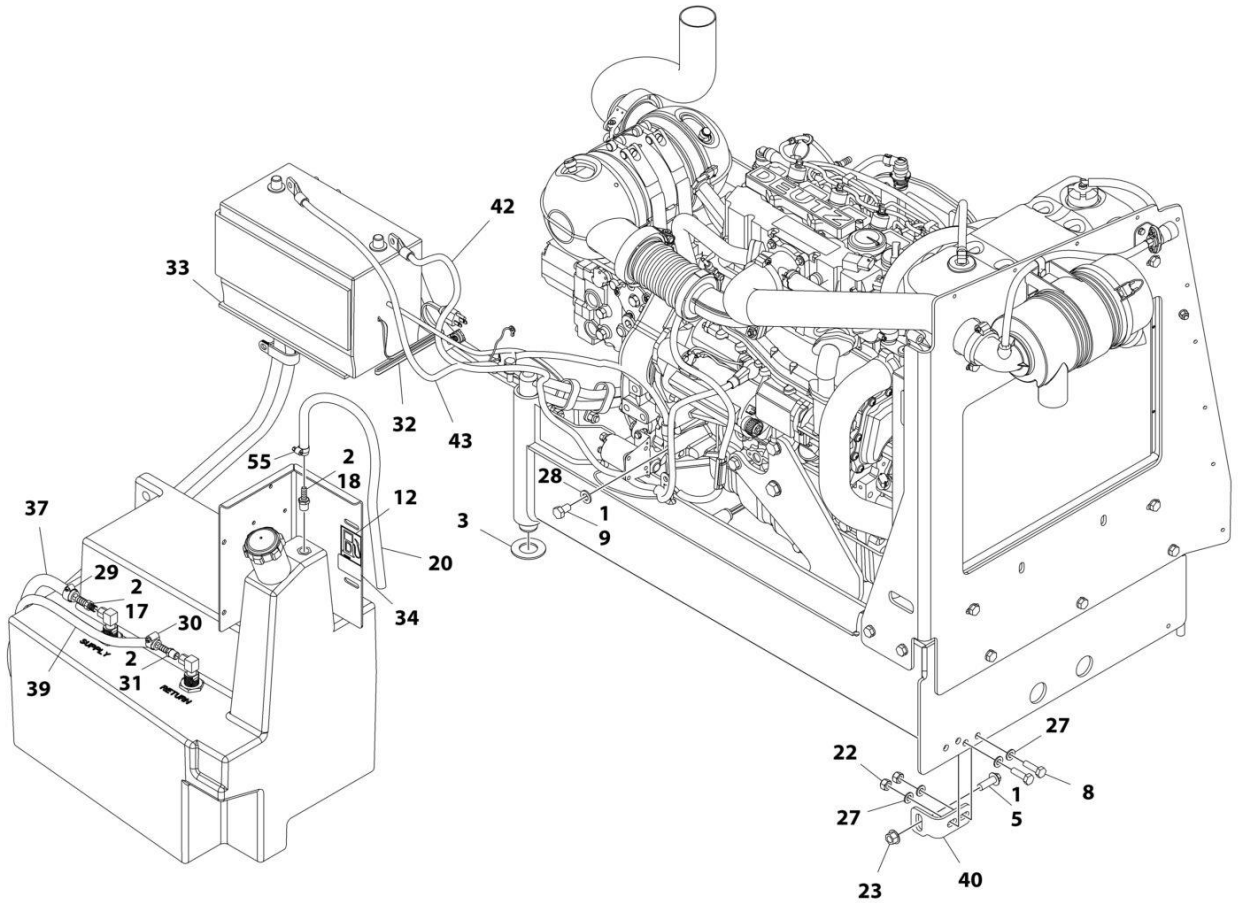
SECTION 3 - ENGINE

FIGURE 3-4. ENGINE INSTALLATION - DEUTZ D2.9L4 ENGINE (WITH ARCTIC PACKAGE) (ANSI AND CSA SPECS)



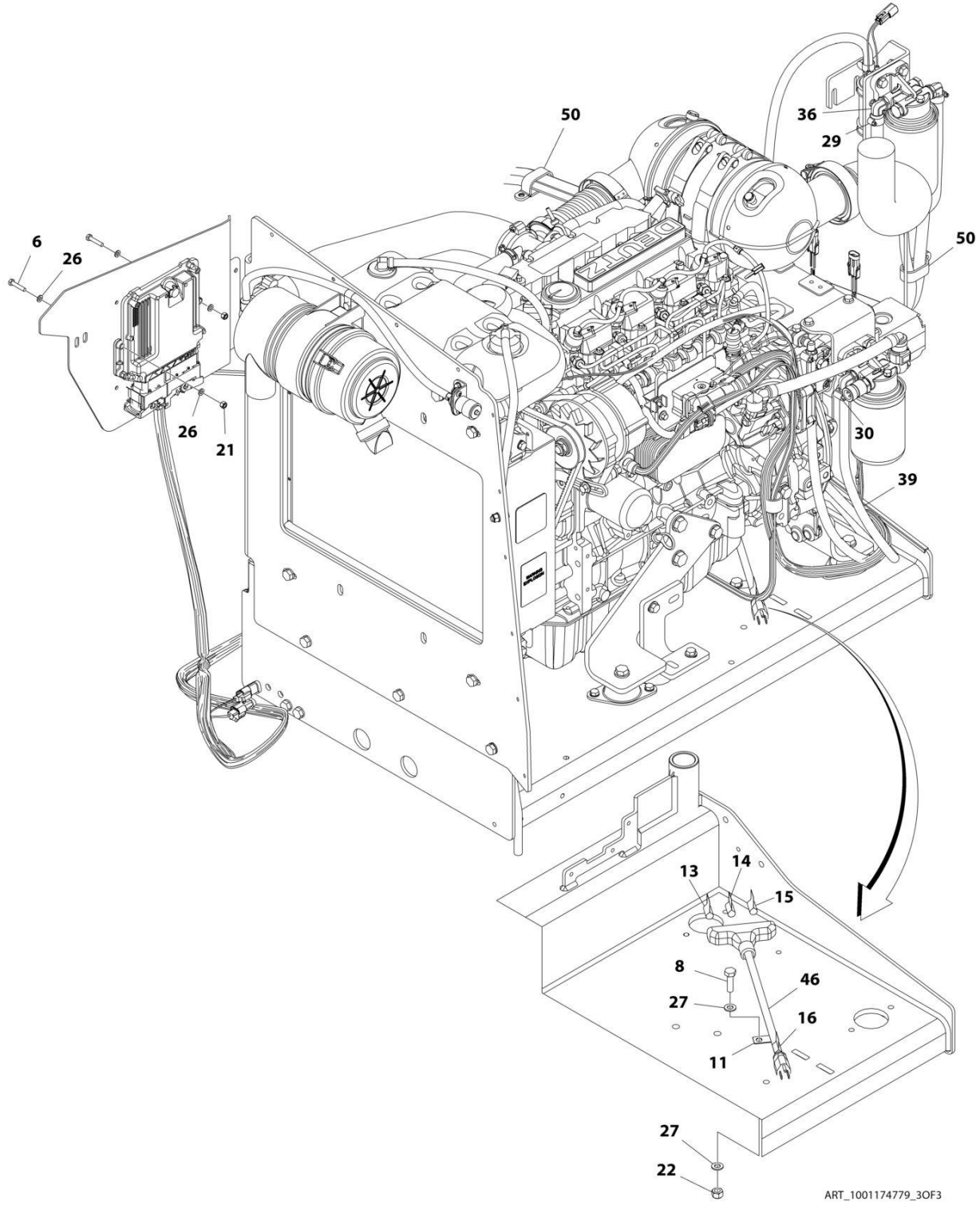
ART_1001174779_10F3

SECTION 3 - ENGINE



ART_1001174779_20F3

SECTION 3 - ENGINE



ART_1001174779_3OF3

SECTION 3 - ENGINE

FIGURE 3-4. ENGINE INSTALLATION - DEUTZ D2.9L4 ENGINE (WITH ARCTIC PACKAGE) (ANSI AND CSA SPECS)

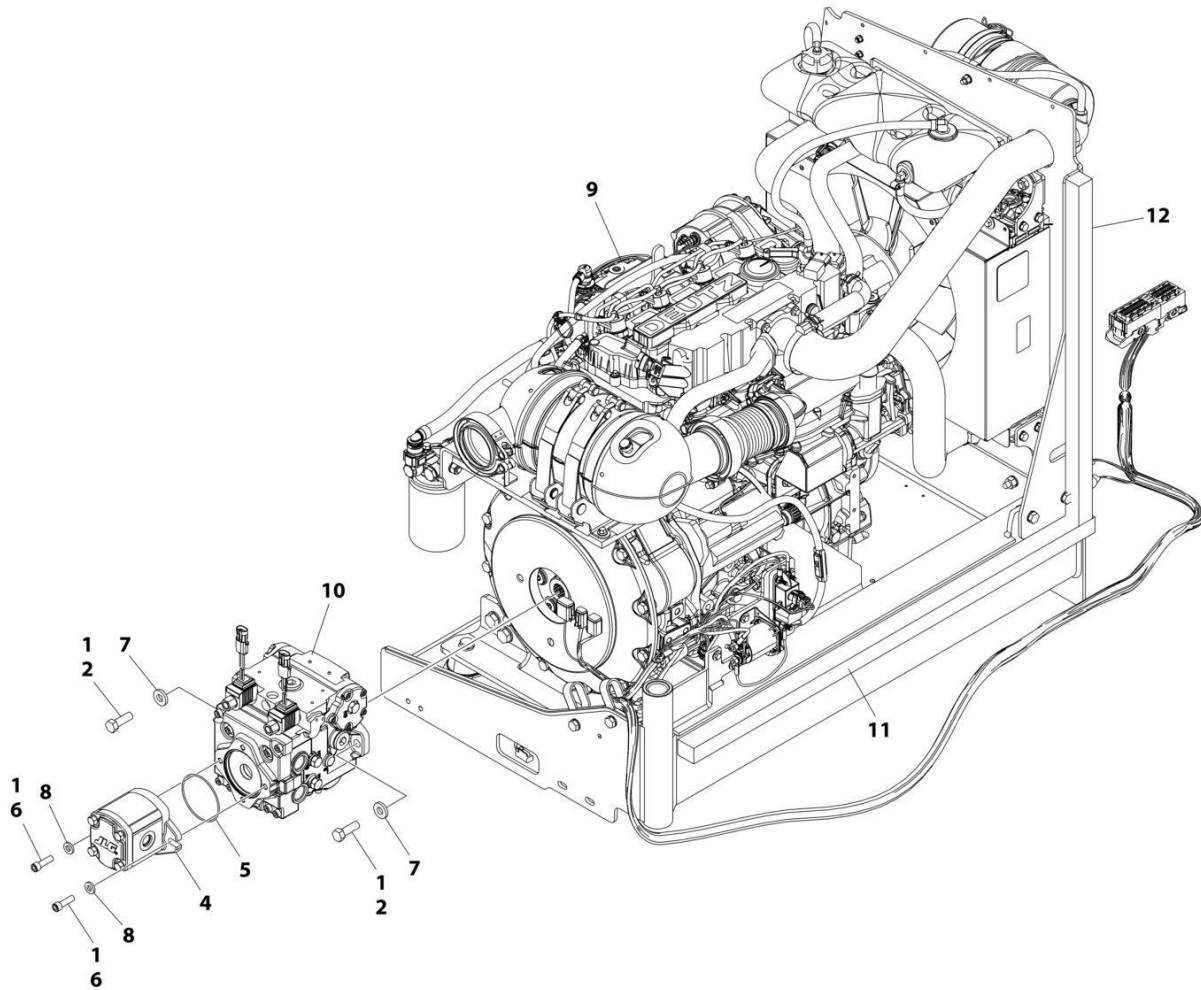
ITEM	PART NUMBER	QTY	DESCRIPTION	REV
	1001174779	Ref	ENGINE INSTALLATION - DEUTZ D2.9L4 ENGINE (WITH ARCTIC PACKAGE)	H
1	0100011	AR	Compound, Locking	
2	0100020	AR	Sealant, Pipe	
3	0440162	1	Bearing	
5	5251215	1	Bolt, M12 x 35	
6	0760614	4	Bolt M6 x 30	
7	0761014	2	Bolt M10 x 30	
8	0761015	6	Bolt M10 x 35	
9	0761210	1	Bolt M12 x 20	
11	1320223	1	Clamp	
12	1701505	1	Decal - Diesel Fuel	
13	1702941	1	Decal - Battery Heater	
14	1702942	1	Decal - Engine Block Heater	
15	1702943	1	Decal - Hydraulic Tank Heater	
16	1702944	1	Decal - Heater Cord	
17	2180832	1	Fitting, Barbed	
18	2180876	1	Fitting, Barbed	
19	1001188972	1	Heater, Hydraulic Tank	
20	2720058	2 ft /0.61m	Hose	
21	3290605	5	Nut Lock M6	
22	3291005	7	Nut Lock M10	
23	5261200	1	Nut, Flange M12 Grade 10.9	
24	3841143	1	Keeper, Pin	
26	4811700	10	Washer M6	
27	4812000	13	Washer M10	
28	4812100	1	Washer M12	
29	8405006	2	Clamp	
30	8410013	4	Clamp	
31	8430007	1	Coupling	
32	2580024	1	Heater, Battery	
33	1001119278	1	Insulate	
34	1001125387	1	Decal - Ultra Low Sulfur Fuel	
35	1001135196	1	Pin	
36	1001142501	1	Fitting, Barbed 90	
37	1001154405	7.25 ft /2.21m	Hose	
38	1001155823	1	Coupling, Quick Disconnect 90	
39	1001165035	17.25 ft /5.26m	Hose	
40	1001167512	1	Bracket, Engine Tray	
41	1001169823	1	Plate, Engine Lock	
42	1001171683	1	Cable, Battery (Red) (Battery Positive to Auxiliary Power Relay)	
43	1001171684	1	Cable, Battery (Black) (Battery Negative to Auxiliary Power Pump)	
44	1001172736	1	Pipe, Exhaust	
45	1001174778	1	Engine and Pump Sub-Assembly - Deutz D2.9L4 (With Arctic Package) (See Separate Breakdown in this Section)	
46	1060626	1	Plug, 3 Way	
47	3422532	1	Pin	

SECTION 3 - ENGINE

ITEM	PART NUMBER	QTY	DESCRIPTION	REV
48	0760610	1	Bolt M6 x 20	
49	0760812	1	Bolt M8 x 25	
50	1321716	4	Clamp	
51	1001191832	1	Nut, Rivet M8	
52	4811900	1	Washer, M8	
53	1001181358	1	Harness, Fuel Pump (See Separate Breakdown in ELECTRICAL SECTION)	
54	1001162335	1	Bracket Assembly - Fuel Pump/Filter (See Separate Breakdown in this Section)	
55	1320022	1	Clamp	
56	1001233763	Ref	Breather Heater Installation (Not Shown - See Separate Breakdown in this Section)	
56	1001196634	1	Fuse, 2 Amp	
56	1001232842	1	Breather Heater Kit	
56	2400060	1	Holder, Fuse	

SECTION 3 - ENGINE

FIGURE 3-5. ENGINE AND PUMP SUB-ASSEMBLY - DEUTZ D2.9L4 (WITH ARCTIC PACKAGE) (ANSI AND CSA SPECS)



ART_1001174778_I

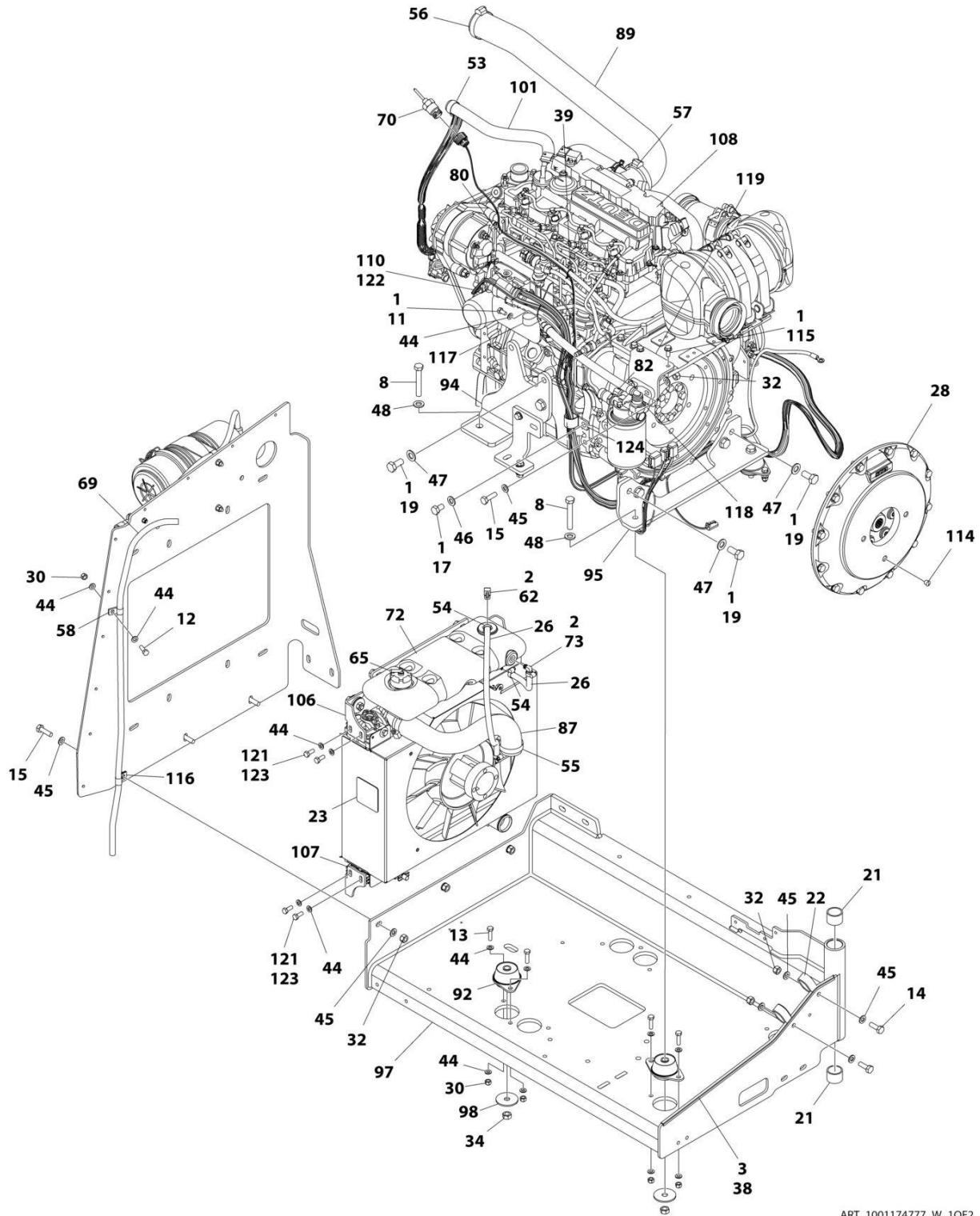
SECTION 3 - ENGINE

FIGURE 3-5. ENGINE AND PUMP SUB-ASSEMBLY - DEUTZ D2.9L4 (WITH ARCTIC PACKAGE) (ANSI AND CSA SPECS)

ITEM	PART NUMBER	QTY	DESCRIPTION	REV
	1001174778	Ref	ENGINE AND PUMP SUB-ASSEMBLY - DEUTZ D2.9L4 (WITH ARCTIC PACKAGE)	I
1	0100011	AR	Compound, Locking	
2	0641812	2	Bolt 1/2 x 1-1/2	
4	1001214207	1	Gear Pump Assembly	
4	70006356	1	Seal Kit - 1001214207 Pump	
5	3790152	1	O-Ring	
6	3931618	2	Capscrew 3/8 x 1 1/8	
7	4891800	2	Washer 1/2 Hardened	
8	4891600	2	Washer 3/8 Hardened	
9	1001174777	1	Engine Assembly - Deutz D2.9L4 Engine (With Arctic Package) (See Separate Breakdown in this Section)	
10	1001167036	1	Piston Pump Assembly (See Separate Breakdown in this Section)	
11	1001171953	1	Seal	
12	1001171954	1	Seal	

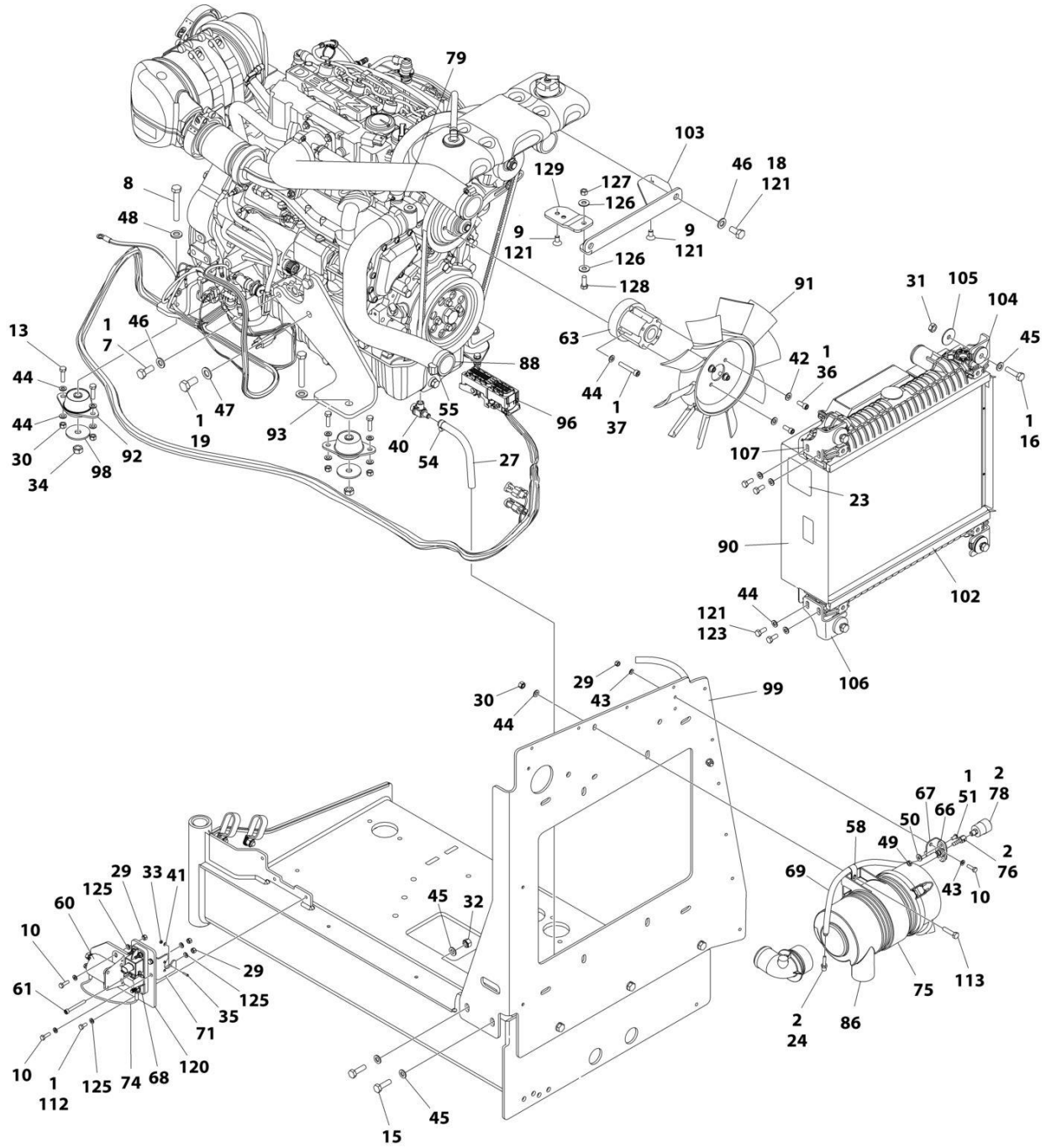
SECTION 3 - ENGINE

FIGURE 3-6. ENGINE ASSEMBLY - DEUTZ D2.9L4 ENGINE (WITH ARCTIC PACKAGE) (ANSI AND CSA SPECS)



ART_1001174777_W_10F2

SECTION 3 - ENGINE



ART_1001174777_W_20F2

SECTION 3 - ENGINE

FIGURE 3-6. ENGINE ASSEMBLY - DEUTZ D2.9L4 ENGINE (WITH ARCTIC PACKAGE) (ANSI AND CSA SPECS)

ITEM	PART NUMBER	QTY	DESCRIPTION	REV
	1001174777	Ref	ENGINE ASSEMBLY - DEUTZ D2.9L4 ENGINE (WITH ARCTIC PACKAGE)	X
1	0100011	AR	Compound, Locking	
2	0100020	AR	Sealant, Pipe	
3	0100081	AR	Adhesive	
7	0711214	1	Bolt M12 x 30	
8	0711224	AR	Bolt M12 x 80	
9	0741606	2	Screw 3/8 x 3/4	
10	0760610	6	Bolt M6 x 20	
11	0760808	1	Bolt M8 x 16	
12	0760812	1	Bolt M8 x 25	
13	0760814	8	Bolt M8 x 30	
14	0761014	2	Bolt M10 x 30	
15	0761015	7	Bolt M10 x 35	
16	0761016	4	Bolt M10 x 40	
17	0761210	1	Bolt M12 x 20	
18	0761212	2	Bolt M12 x 25	
19	0771414	AR	Bolt M14 x 30 Grade 10.9	
21	0961951	2	Bushing	
22	1321716	2	Clamp	
23	1703162	2	Decal - Caution Fan	
24	2220315	1	Fitting, Barbed	
26	2720015	2 ft/0.61m	Hose	
27	2720340	8 in /0.2m	Hose	
28	2902065	1	Pump Coupling Kit (See Separate Breakdown in this Section)	
29	3290605	7	Nut M6	
30	3290805	AR	Nut M8	
31	3291001	4	Nut M10	
32	3291005	9	Nut M10	
33	3310401	3	Nut #4	
34	3331215	AR	Nut M12 x 1.75	
35	3910408	3	Screw #4- x 1/2	
36	3931512	4	Capscrew 5/16 x 3/4	
37	4031914	4	Bolt M8 x 50	
38	4060805	2.25 ft/ 0.69m	Flex-Trim	
39	4240099	AR	Tie-Strap	
40	4640751	1	Valve, Oil Drain	
41	4710400	3	Washer #4	
42	4711500	4	Washer 5/16	
43	4811700	4	Washer M6	
44	4811900	AR	Washer M8	
45	4812000	22	Washer M10	
46	4812100	4	Washer M12	
47	4812200	9	Washer M14	
48	5241200	AR	Washer M12	
49	8305401	2	Nut Jam	
50	8307109	2	Washer, .250	
51	8310548	2	Screw 1/4 x 1/2	

SECTION 3 - ENGINE

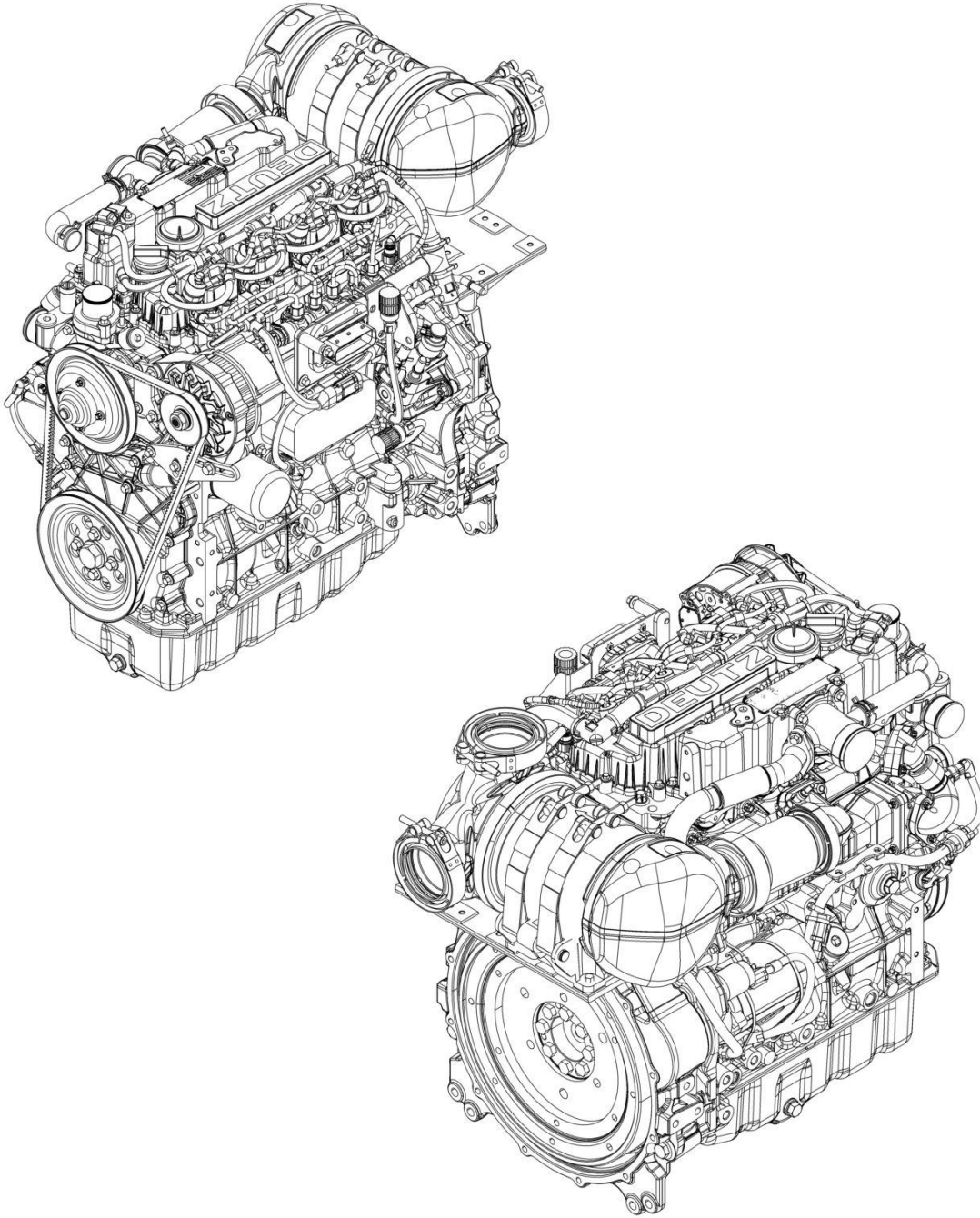
ITEM	PART NUMBER	QTY	DESCRIPTION	REV
53	8405007	2	Clamp	
54	8405009	5	Clamp	
55	8405104	4	Clamp	
56	8405202	1	Clamp	
57	8405204	1	Clamp	
58	8406109	2	Clip	
60	1001117308	1	Relay, 200Amp	
60	3300220	2	Nut	
60	3321001	2	Nut #10	
60	4761000	2	Washer #10	
60	1001111424	2	Washer	
61	1001118878	1	Bolt M6 x 55	
62	1001134488	1	Fitting, Barbed 90	
63	1001144116	1	Spacer, Fan	
65	1001136834	1	Cap, Tank	
66	1001138173	1	Support, Service Indicator	
67	1001138175	1	Bracket, Service Indicator	
68	1001138228	1	Relay, Power Module	
68	70023592	1	Fuse 20Amp	
68	70023593	1	Fuse 30Amp	
69	1001138248	5.25 ft/ 1.6m	Tube	
70	1001138827	1	Sensor, Coolant Level	
71	1001139240	1	Bracket	
72	1001230635	1	Tank, Surge (Includes Items 62, 70 & 73)	
73	1001140564	1	Fitting, Barbed 90	
74	1001141304	1	Harness, Glow Plug	
75	1001141694	1	Clamp, Air Cleaner	
76	1001141995	1	Fitting, Barbed	
78	1001143390	1	Indicator	
79	1001143797	1	Fitting, Barbed	
80	1001178788	1	Cable, Alternator	
82	1001152489	1	Fitting, Barbed 90	
86	1001165388	1	Air Cleaner Assembly	
86	70003783	1	Element, Air Cleaner	
87	1001165405	1	Hose, Upper Radiator	
88	1001165406	1	Hose, Lower Radiator	
89	1001165721	1	Hose, Air Intake	
90	1001165722	1	Radiator	
91	1001165849	1	Fan	
92	1001166718	AR	Mount, Motor	
93	1001166921	1	Plate, Engine Mount	
94	1001166922	Ref	Plate, Engine Mount	
95	1001166924	1	Plate, Engine Mount	
96	1001167108	1	Harness Engine - Deutz D2.9L4 (See Separate Breakdown in ELECTRICAL SECTION)	
97	1001167520	1	Tray, Engine	
98	1001168018	AR	Washer, Special	
99	1001168026	1	Plate, Radiator Mounting	
101	1001168099	1	Hose	
102	1001168166	2	Seal	
103	1001260420	1	Bracket	

SECTION 3 - ENGINE

ITEM	PART NUMBER	QTY	DESCRIPTION	REV
104	1001169054	4	Isolator	
105	1001169138	4	Washer, Snubbing	
106	1001169967	2	Bracket	
107	1001170035	2	Bracket	
108	1001249965	1	Engine, Deutz D2.9L4 (See Separate Breakdown in this Section)	
110	1001140312	1	Heater, Engine Block	
112	0760607	3	Bolt M6 x 14	
113	0760815	2	Bolt M8 x 35	
114	3520054	1	Plug	
115	5250810	2	Bolt M8 x 20	
116	8406110	1	Clip	
117	8406201	1	Clip	
118	1001177359	1	Hose	
119	1001178876	1	Mount, Fuel Filter	
120	1001179903	1	Bracket	
121	1001180620	AR	Adhesive	
122	1001181895	AR	Adhesive	
123	0760810	8	Bolt M8 x 20	
124	1001191620	1	Clamp	
125	4811702	12	Washer M6	
126	4751600	2	Washer 3/8	
127	3311605	1	Nut 3/8	
128	0681608	1	Bolt 3/8 x 1	
129	1001260412	1	Bracket	
130	1001162335	1	Bracket Assembly - Fuel Pump/Filter (Not Shown) (See Separate Breakdown in this Section)	

SECTION 3 - ENGINE

FIGURE 3-7. ENGINE COMPONENTS - DEUTZ D2.9L4 ENGINE (ANSI, ANSI EXPORT, CSA AND JAPANESE SPECS)



ART_1001249965

SECTION 3 - ENGINE

FIGURE 3-7. ENGINE COMPONENTS - DEUTZ D2.9L4 ENGINE (ANSI, ANSI EXPORT, CSA AND JAPANESE SPECS)

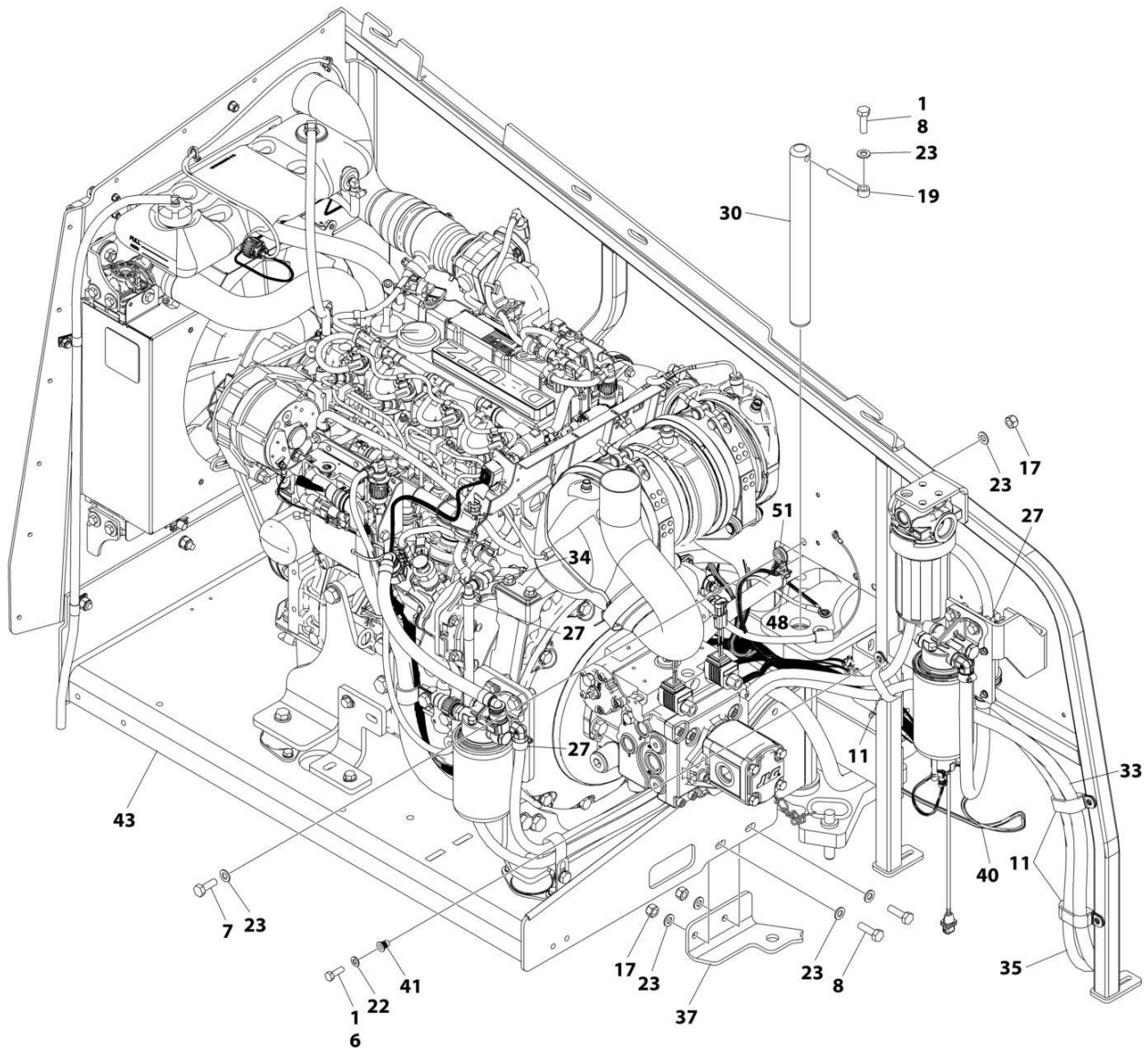
ITEM	PART NUMBER	QTY	DESCRIPTION	REV
	1001249965	Ref	DEUTZ D2.9L4 - EMR4 (49HP) ENGINE COMPONENTS	B
	See Note	Ref	Note: Contact JLG Customer Service for Availability of Additional Components.	
		Ref	Air Intake System	
	70005182	1	Charge Air Elbow	
	70005183	1	Breather Line	
		Ref	Cooling System Components	
	70030360	1	Pump, Coolant	
	70007603	1	Thermostat	
		Ref	Electrical Components	
	70025210	1	Module, Engine Control (ECM/ECU)	
	70024513	1	Harness, Fuel Filter Sensor	
	70024504	1	Sensor, Fuel Pressure	
	70006652	1	Generator	
	70024915	1	Starter	
	70025231	1	Harness, Glow Plug	
	70028540	1	Sensor, Temperature	
	70026210	1	Sensor, Speed	
	70024507	1	Sensor, Pressure (Air Intake)	
	70031145	4	Plug, Glow	
		Ref	Exhaust Components	
	70031136	1	Pipe, Exhaust	
	70004282	1	Exhaust Manifold	
		Ref	Fuel System Components	
	70030381	1	Pump, High Pressure	
	700004508	1	Valve, Volume Control	
	70004281	1	Injector, Fuel	
	70006144	1	Pump, Fuel Supply (Includes Qty 2 Mounting Clamps)	
	1001225430	1	Filter, Fuel (Pre-Filter) Assembly	
	70024961	1	Filter, Fuel	
	70025239	1	Seal	
	70024513	1	Cable, Sensor	
	70029451	1	Filter, Fuel	
		Ref	Gasket & Seal Components	
	70024905	1	Seal, Dipstick	
	70005942	2	Seal, Oil Plug	
	70024906	1	Gasket, Head	
	70005171	1	Gasket, Valve Cover	
	70002718	1	Seal, Rear Main	
	70025135	1	O-Ring, Oil Lube Pump	
	70005173	1	Gasket, Oil Lube Pump	
	70024925	1	Seal, Oil Cooler	
	70005177	1	Gasket, Charge Air Housing	
	70025200	1	O-Ring, Coolant Pump	
	70007325	1	Seal, Coolant Pump	
	70005184	1	O-Ring, Thermostat	
	70005931	1	Seal, Thermostat	
	70025164	1	Gasket, Exhaust Manifold to Head	
	70007354	1	Gasket, Short Exhaust Pipe to JLG supplied Exhaust	

SECTION 3 - ENGINE

ITEM	PART NUMBER	QTY	DESCRIPTION	REV
	70007326	1	Gasket EGR Valve	
	70031095	1	Gasket, Exhaust Return Pipe (to Air Intake Housing)	
		Ref	Other Components	
	70001870	1	Flywheel	
	7024579	1	Gear, Ring	
		Ref	Oil Lube System	
	7020465	1	Cap, Oil Fill	
	70024904	1	Dipstick	
	70005941	2	Plug, Oil (Includes Seal)	
	70005172	1	Pump, Oil Lube (Includes O-Ring & Gasket)	
	70024494	1	Oil Cooler	
	7016331	1	Filter, Oil	

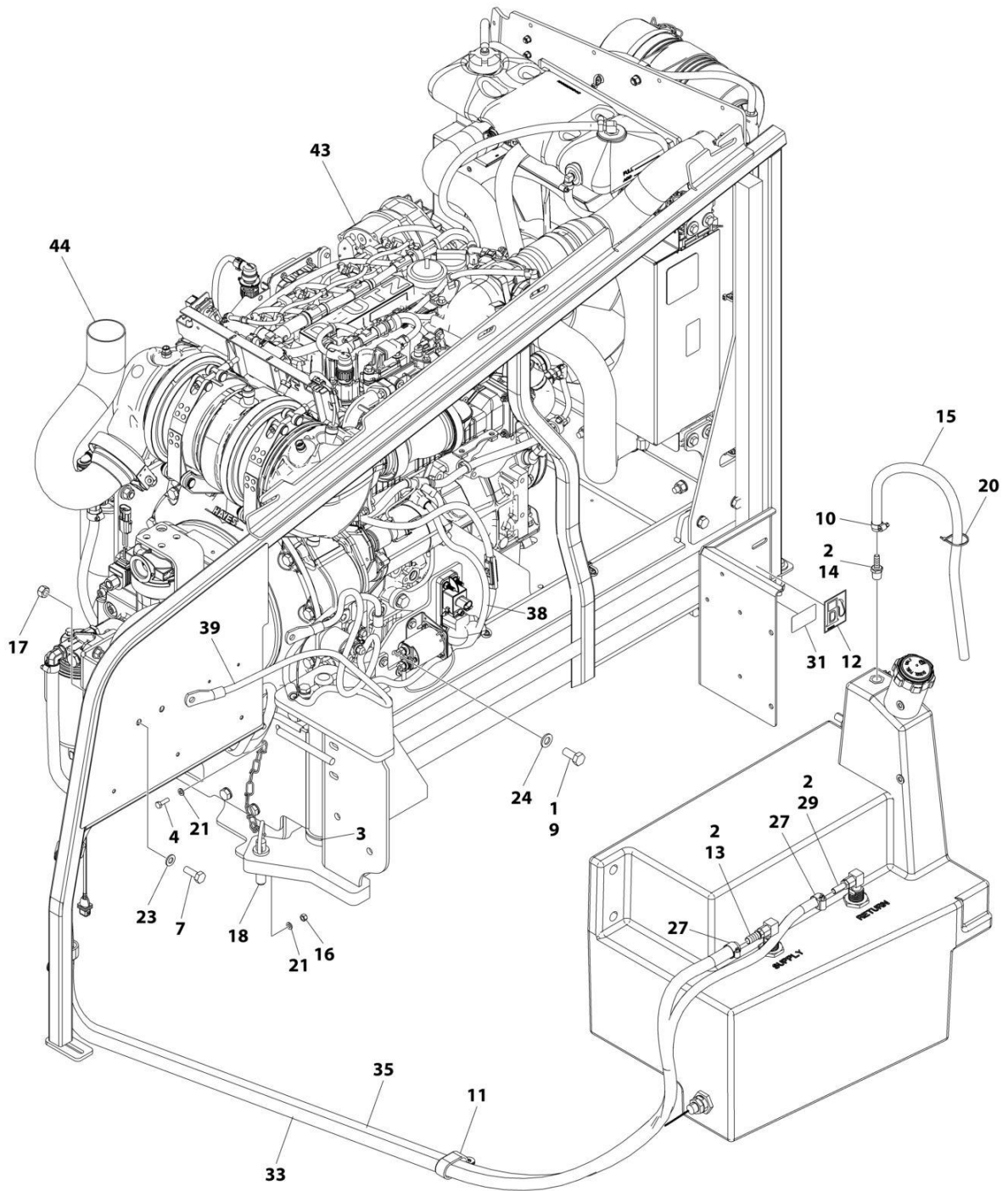
SECTION 3 - ENGINE

FIGURE 3-8. ENGINE INSTALLATION - DEUTZ D2.9L4 ENGINE (STAGE V) (CE & UK CA SPECS)



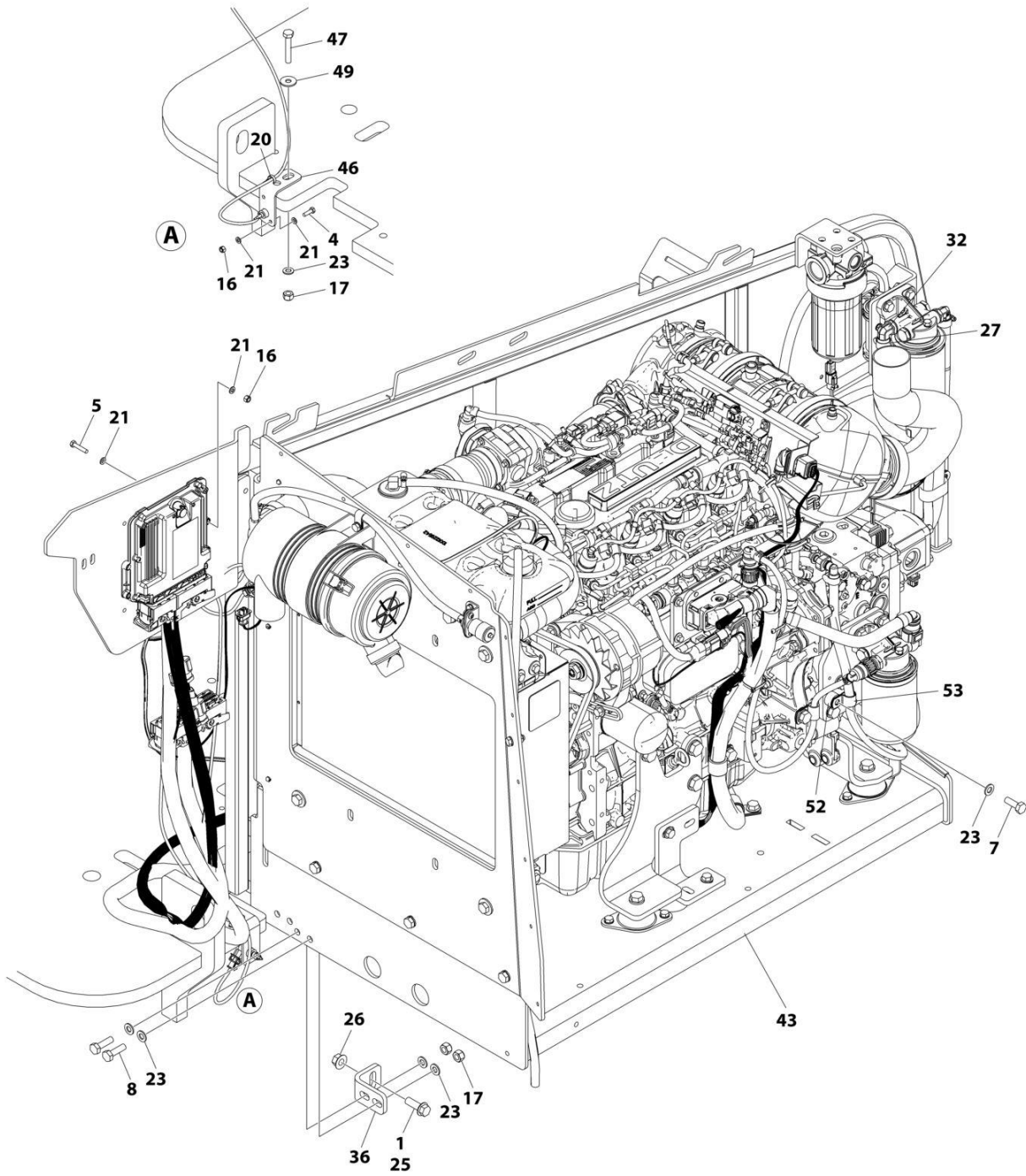
ART_1001244287_H_10F3

SECTION 3 - ENGINE



ART_1001244287_H_20F3

SECTION 3 - ENGINE



ART_1001244287_H_30F3

SECTION 3 - ENGINE

FIGURE 3-8. ENGINE INSTALLATION - DEUTZ D2.9L4 ENGINE (STAGE V) (CE & UK CA SPECS)

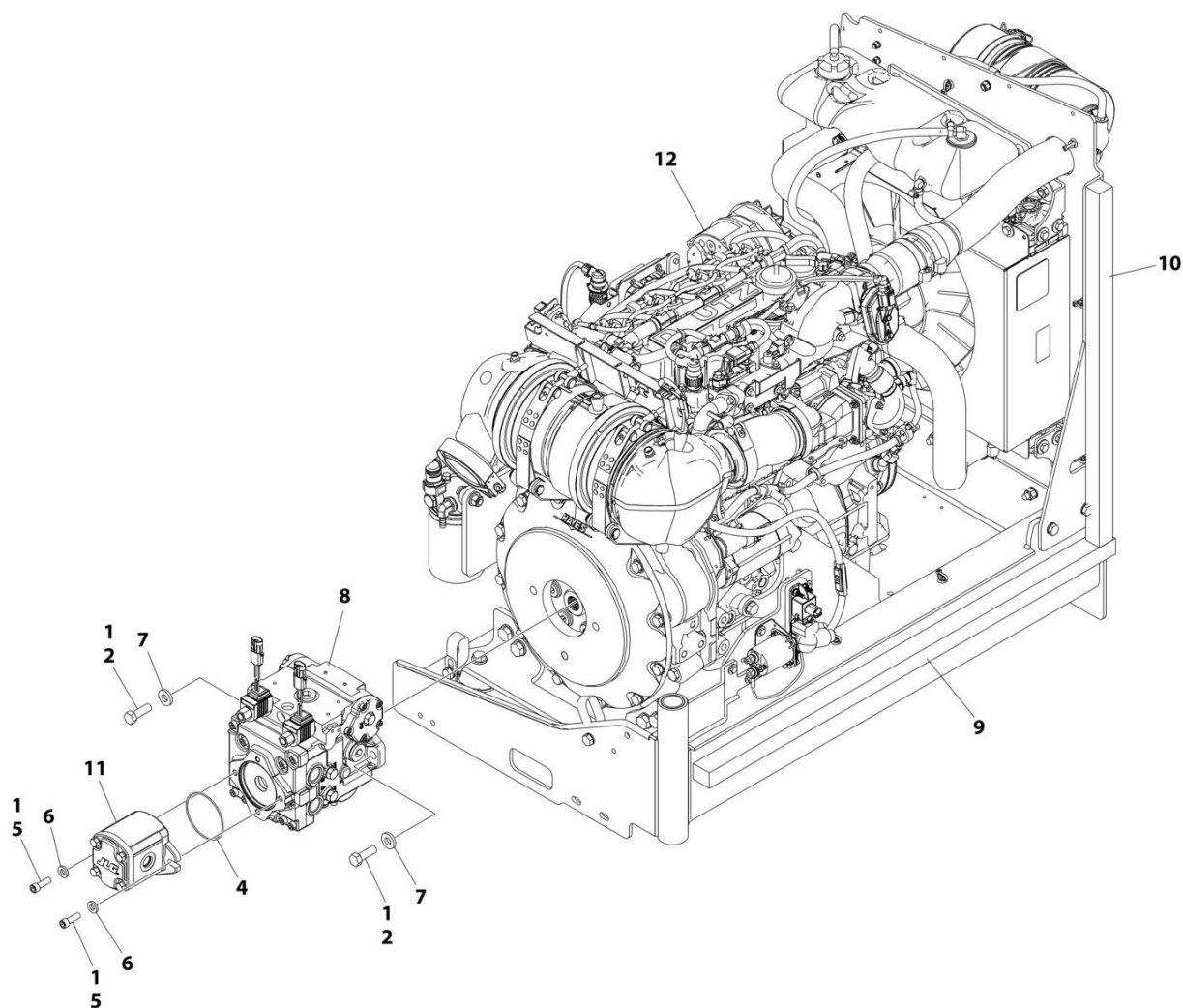
ITEM	PART NUMBER	QTY	DESCRIPTION	REV
	1001244287	Ref	ENGINE INSTALLATION - DEUTZ D2.9L4 ENGINE (STAGE V)	H
1	0100011	AR	Compound, Locking	
2	0100020	AR	Sealant, Pipe	
3	0440162	1	Bearing	
4	0760610	2	Bolt M6 x 20	
5	0760614	4	Bolt M6 x 30	
6	0760812	1	Bolt M8 x 25	
7	0761014	4	Bolt M10 x 30	
8	0761015	5	Bolt M10 x 35	
9	0771212	1	Bolt M12 x 25	
10	1320022	1	Clamp	
11	1321716	4	Clamp	
12	1701505	1	Decal - Diesel Fuel	
13	2180832	1	Fitting, Barbed	
14	2180876	1	Fitting, Barbed	
15	2720058	2 ft /0.6m	Hose	
16	3290605	6	Nut M6	
17	3291005	8	Nut M10	
18	3422532	1	Pin	
19	3841143	1	Keeper, Pin	
20	4240099	AR	Tie-Strap	
21	4811700	12	Washer M6	
22	4811900	1	Washer M8	
23	4812000	15	Washer M10	
24	4812100	1	Washer M12	
25	5251215	1	Bolt M12 x 35	
26	5261200	1	Nut, Flange M12 Grade 10.9	
27	8405006	6	Clamp	
29	2220767	AR	Fitting, Barbed 90	
29	8430007	AR	Fitting, Barbed	
30	1001135196	1	Pin	
31	1001139654	1	Decal - Ultra Low Sulfur Diesel	
32	1001142501	1	Fitting, Barbed 90	
33	1001154405	7.25 ft /2.21m	Hose	
34	1001155823	1	Coupling, Quick Disconnect 90	
35	1001165035	17.25 ft /5.26m	Hose	
36	1001167512	1	Bracket	
37	1001169823	1	Plate, Engine Lock	
38	1001171683	1	Cable, Battery (Red) (Battery Positive to Auxiliary Power Relay)	
39	1001171684	1	Cable, Battery (Black) (Battery Negative to Auxiliary Power Pump)	
40	1001181358	1	Harness, Fuel Pump (See Separate Breakdown in ELECTRICAL SECTION)	
41	1001191832	1	Nut, Rivet M8	
43	1001277600	1	Engine and Pump Sub-Assembly - Deutz D2.9L4 (Without Arctic Package) (See Separate Breakdown in this Section)	
44	1001247440	1	Pipe, Exhaust	
46	1001256879	1	Bracket	
47	0701020	1	Bolt M10 x 60	

SECTION 3 - ENGINE

ITEM	PART NUMBER	QTY	DESCRIPTION	REV
48	1062255	1	Tie-Strap	
49	4812002	1	Washer M10	
51	1001156107	1	Holder	
52	1001220266	1	Spacer	
53	1320061	1	Clamp	

SECTION 3 - ENGINE

FIGURE 3-9. ENGINE AND PUMP SUB-ASSEMBLY - DEUTZ D2.9L4 ENGINE (STAGE V) (CE & UK CA SPECS)



ART_1001244285

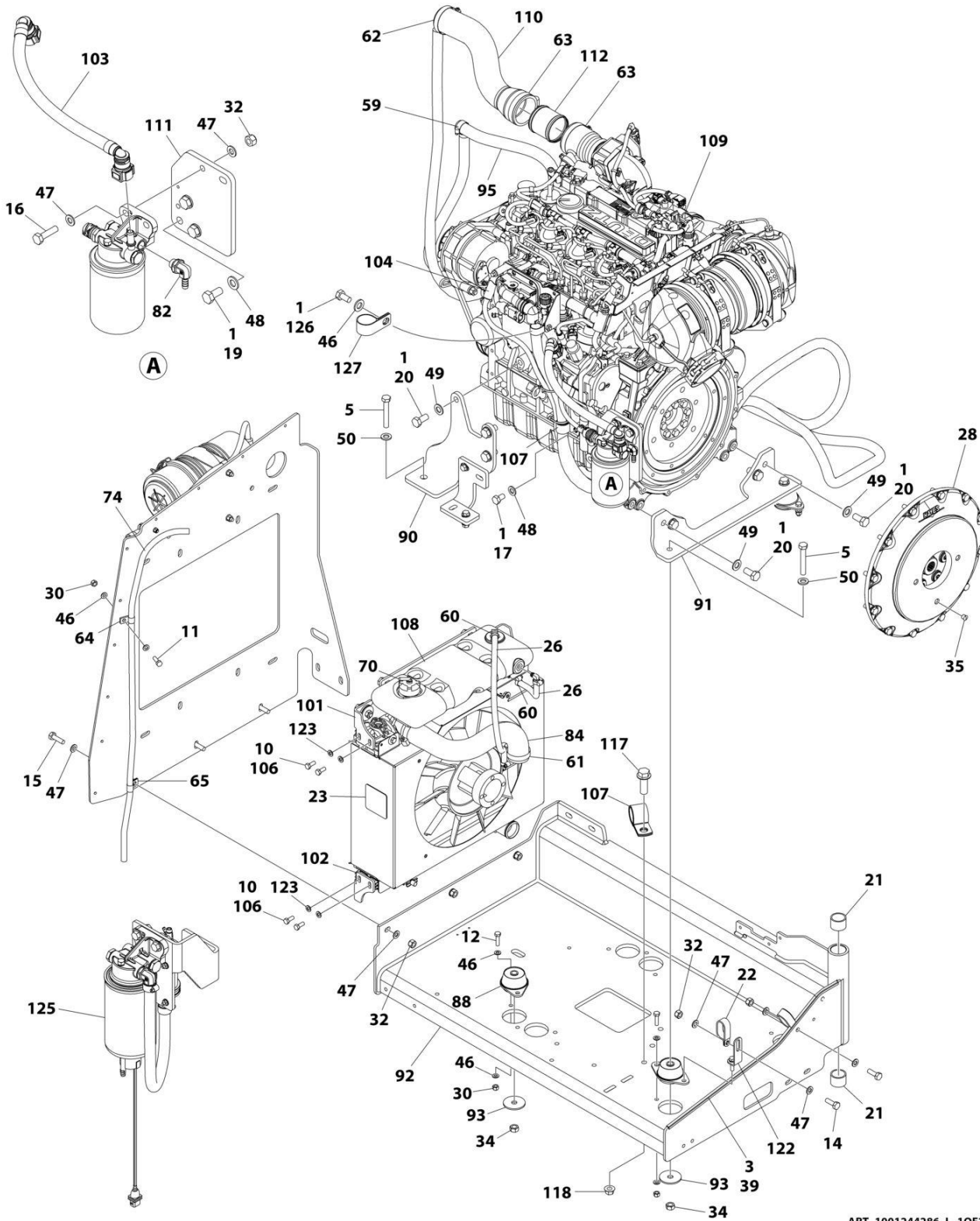
SECTION 3 - ENGINE

FIGURE 3-9. ENGINE AND PUMP SUB-ASSEMBLY - DEUTZ D2.9L4 ENGINE (STAGE V) (CE & UK CA SPECS)

ITEM	PART NUMBER	QTY	DESCRIPTION	REV
	1001244285	Ref	ENGINE AND PUMP SUB-ASSEMBLY - DEUTZ (STAGE V) ENGINE	E
1	0100011	AR	Compound, Locking	
2	0641812	2	Bolt 1/2 x 1-1/2	
4	3790152	1	O-Ring	
5	3931618	2	Capscrew, 3/8 x 1-1/8	
6	4891600	2	Washer, 3/8 Hardened	
7	4891800	2	Washer 1/2 Hardened	
8	1001167036	1	Piston Pump Assembly (See Separate Breakdown in this Section)	
9	1001171953	1	Seal	
10	1001171954	1	Seal	
11	1001214207	1	Gear Pump Assembly	
11	70006356	1	Seal Kit - 1001214207 Pump	
12	1001244286	1	Engine Assembly, Deutz (Stage V) Engine (See Separate Breakdown in this Section)	

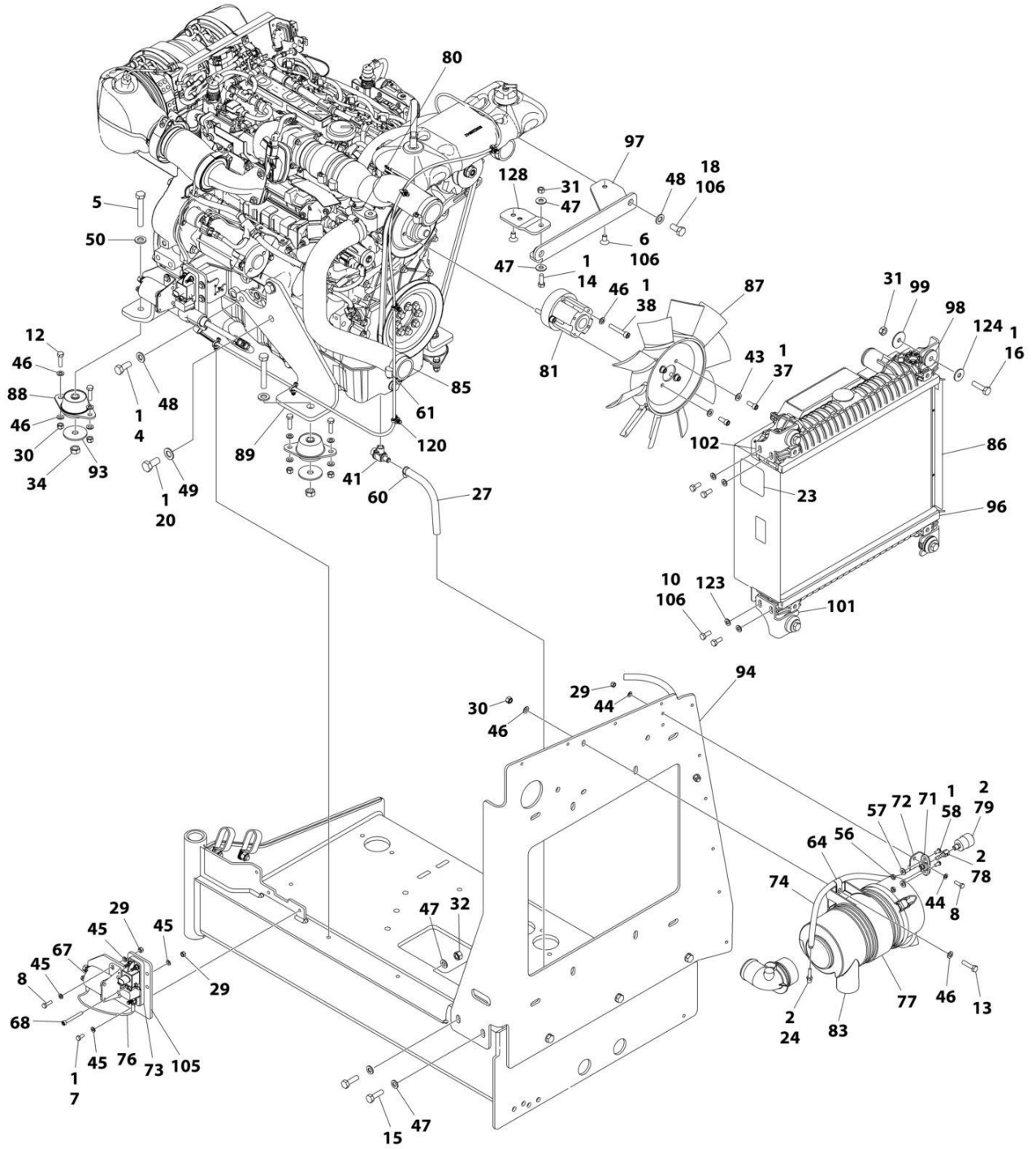
SECTION 3 - ENGINE

FIGURE 3-10. ENGINE ASSEMBLY – DEUTZ D2.9L4 ENGINE (STAGE V) (CE & UK CA SPECS)



ART_1001244286_L_10F2

SECTION 3 - ENGINE



ART_1001244286_L_20F2

SECTION 3 - ENGINE

FIGURE 3-10. ENGINE ASSEMBLY – DEUTZ D2.9L4 ENGINE (STAGE V) (CE & UK CA SPECS)

ITEM	PART NUMBER	QTY	DESCRIPTION	REV
	1001244286	Ref	ENGINE ASSEMBLY - DEUTZ (STAGE V)	L
1	0100011	AR	Compound, Locking	
2	0100020	AR	Sealant, Pipe	
3	0100081	AR	Adhesive	
4	0711214	1	Bolt M12 x 30	
5	0711224	AR	Bolt M12 x 80	
6	0741606	2	Screw 3/8 x 3/4	
7	0760607	3	Bolt M6 x 14	
8	0760610	4	Bolt M6 x 20	
10	0760810	8	Bolt M8 x 20	
11	0760812	1	Bolt M8 x 25	
12	0760814	AR	Bolt M8 x 30	
13	0760815	2	Bolt M8 x 35	
14	0761014	3	Bolt M10 x 30	
15	0761015	5	Bolt M8 x 35	
16	0761016	6	Bolt M10 x 40	
17	0761210	1	Bolt M12 x 20	
18	0761212	2	Bolt M12 x 25	
19	0771212	3	Bolt M12 x 25	
20	0771414	AR	Bolt M14 x 30	
21	0961951	2	Bushing	
22	1321716	2	Clamp	
23	1703162	2	Decal - Caution Fan	
24	2220315	1	Fitting, Barbed	
26	2720015	1.94 ft /0.59m	Hose	
27	2720340	0.66 ft/ 0.20m	Hose	
28	2902065	1	Pump Coupling Kit (See Separate Breakdown in this Section)	
29	3290605	5	Nut M6	
30	3290805	AR	Nut M8	
31	3291001	5	Nut M10	
32	3291005	9	Nut M10	
34	3331215	AR	Nut M12 x 1.75	
35	3520054	1	Plug	
37	3931512	4	Capscrew, 5/16 x 3/4	
38	4031914	4	Bolt M8 x 50	
39	4060805	2.03 ft /0.62m	Flex-Trim	
40	4240099	AR	Tie-Strap (Not Shown)	
41	4640751	1	Valve, Oil Drain	
43	4711500	4	Washer 5/16	
44	4811700	4	Washer M6	
45	4811702	8	Washer M6	
46	4811900	AR	Washer M8	
47	4812000	20	Washer M10	
48	4812100	7	Washer M12	
49	4812200	AR	Washer M14	
50	5241200	AR	Washer M12	
56	8305401	2	Nut Jam	

SECTION 3 - ENGINE

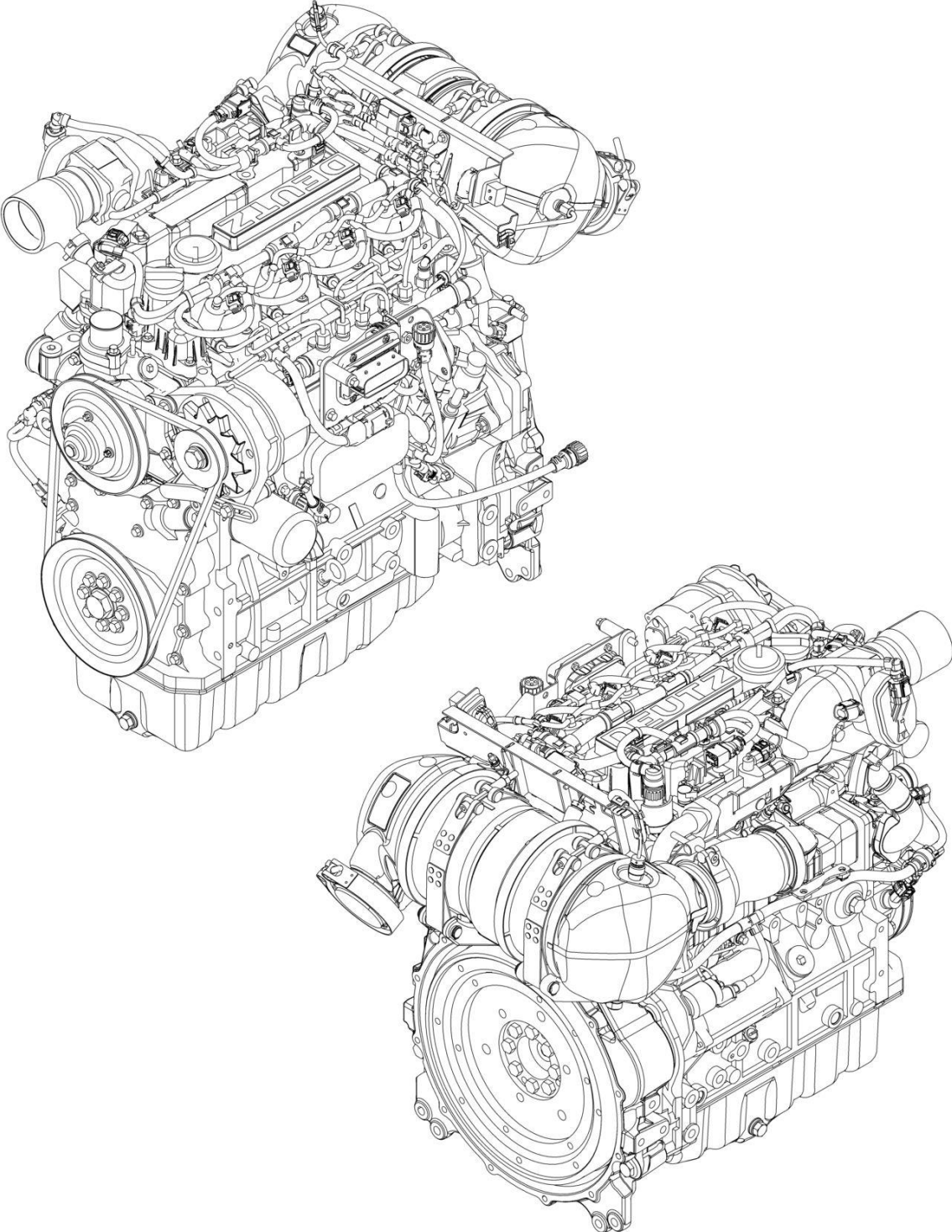
ITEM	PART NUMBER	QTY	DESCRIPTION	REV
57	8307109	2	Washer 1/4	
58	8310548	2	Screw 1/4 x 1/2	
59	8405007	2	Clamp	
60	8405009	5	Clamp	
61	8405104	4	Clamp	
62	8405202	1	Clamp	
63	8405204	2	Clamp	
64	8406109	2	Clip	
65	8406110	1	Clip	
67	1001117308	1	Relay, 200Amp	
68	1001118878	1	Bolt M6 x 55	
70	1001136834	1	Cap, Tank	
71	1001138173	1	Support, Service Indicator	
72	1001138175	1	Bracket, Service Indicator	
73	1001138228	1	Relay, Power Module	
74	1001138248	5.09 ft /1.55m	Tube	
76	1001141304	1	Harness, Glow Plug	
77	1001141694	1	Clamp, Air Cleaner	
78	1001141995	1	Fitting, Barbed	
79	1001143390	1	Indicator	
80	1001143797	1	Fitting, Barbed	
81	1001144116	1	Spacer, Fan	
82	1001152489	1	Fitting, Barbed 90	
83	1001165388	1	Air Cleaner Assembly	
83	70003783	1	Element, Air Cleaner	
84	1001165405	1	Hose, Upper Radiator	
85	1001165406	1	Hose, Lower Radiator	
86	1001165722	1	Radiator	
87	1001165849	1	Fan	
88	1001166718	3	Mount, Motor	
89	1001166921	1	Plate, Engine Mount	
91	1001166924	1	Plate, Engine Mount	
92	1001167520	1	Tray, Engine	
93	1001168018	AR	Washer, Special	
94	1001168026	1	Plate, Radiator Mounting	
95	1001168099	1	Hose	
96	1001168166	2	Seal	
97	1001260420	1	Bracket (note: may require P/N 1001260412)	
98	1001169054	4	Isolator	
99	1001169138	4	Washer, Snubbing	
101	1001169967	2	Bracket	
102	1001170035	2	Bracket	
103	1001177359	1	Hose	
104	1001178788	1	Cable, Alternator	
105	1001179903	1	Bracket	
106	1001180620	AR	Adhesive	
107	1001191620	2	Clamp	
108	1001230635	1	Tank, Surge (Includes Items 62, 70, & 73)	
109	1001232545	1	Engine, Deutz 2.9L4 (Stage V) (See Separate Breakdown in this Section)	
110	1001236780	1	Hose, Air Intake	

SECTION 3 - ENGINE

ITEM	PART NUMBER	QTY	DESCRIPTION	REV
111	1001258804	1	Mount, Fuel Filter	
112	1001238911	1	Pipe, Air Intake	
113	1001245839	1	Harness, Engine (Not Shown - See Separate Breakdown in ELECTRICAL Section)	
117	5251215	1	Bolt M12 x 35	
118	5261200	1	Nut, Flange M12 Class10	
120	1001146588	AR	Tie-Strap (Not Shown)	
122	1001223122	1	Support	
123	4811902	8	Washer M8	
124	4812002	4	Washer M10	
125	1001235949	1	Bracket Assembly (See Separate Breakdown in this Section)	
126	0760808	1	Bolt M8 x 16	
127	8406201	1	Clip	
128	1001260412	1	Bracket	

SECTION 3 - ENGINE

FIGURE 3-11. ENGINE COMPONENTS - DEUTZ D2.9L4 ENGINE (STAGE V) (CE & UK CA SPECS)



ART_1001232545

SECTION 3 - ENGINE

FIGURE 3-11. ENGINE COMPONENTS - DEUTZ D2.9L4 ENGINE (STAGE V) (CE & UK CA SPECS)

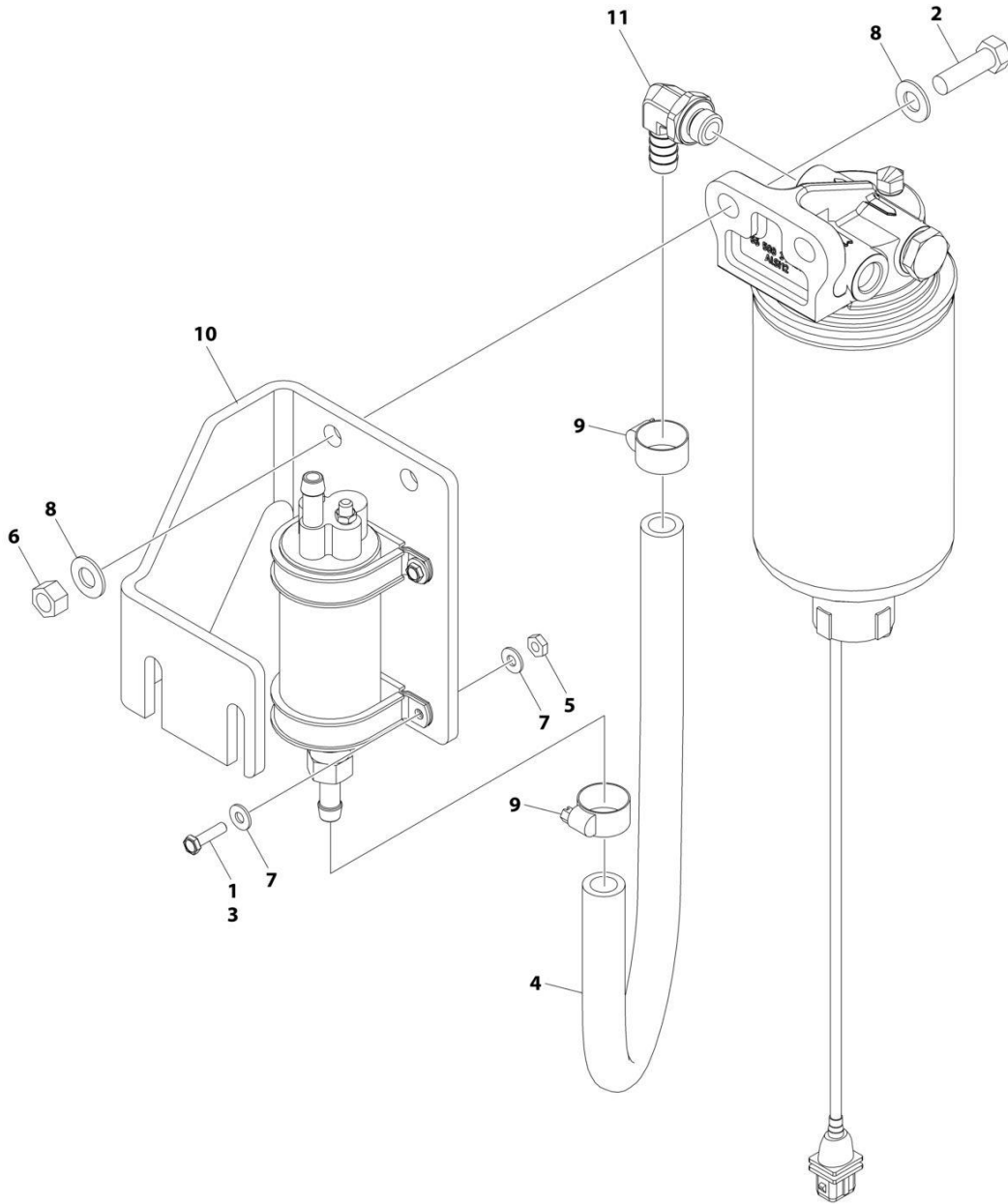
ITEM	PART NUMBER	QTY	DESCRIPTION	REV
	1001232545	Ref	DEUTZ ENGINE COMPONENTS	H
		Ref	Note: For complete list of parts, contact JLG Parts Department	
		Ref	Air Intake System Components	
		Ref	Charge Air Pipe	
	70025168	1	Intake Pipe	
		Ref	Mixing Tube	
		Ref	Throttle Valve	
		Ref	Cooling System Components	
	70029797	1	Pump, Coolant (Includes Gasket & Seals)	
	70007603	1	Thermostat	
	70005184	1	O-Ring	
	70005931	1	Gasket	
	70025142	1	Cover	
		Ref	Electrical System Components	
	70029512	1	Module, ECU/ECM	
	70007784	1	Alternator	
	70031143	1	Module, Alternator Control	
	70029015	1	Fan, Alternator	
	70029402	1	Nut, Alternator Fan	
	70029403	1	Nut, Alternator Power Stud	
	70029404	1	Washer, Alternator Power Stud Spring	
	70031144	1	Starter (Includes Solenoid)	
	70025099	1	Bolt, Starter Mounting	
	70026210	1	Sender, Tacho-Generator (Speed) (On Rear of Block) (Includes Seal)	
	70024916	1	Sender, Tacho-Generator (Speed) (On Cover) (Includes Seal)	
	70024918	1	Sender, Temperature (Includes Seal) (On Air Intake Manifold)	
		Ref	Sensor, Pressure (Includes Seal) (On Air Intake Manifold)	
	70024504	1	Sensor, Pressure (Includes Seal) (On Fuel Filter & Side of Block)	
	70005504	1	Sensor, Pressure (Includes Seal) (On Exhaust Manifold)	
	70027405	1	Sensor, Temperature (Includes Seal) (On Exhaust Manifold)	
	70000345	4	Plug, Glow	
		Ref	Exhaust System Components	
		Ref	Valve, EGR	
	70025130	8	Bolt, Exhaust Manifold	
	70025164	1	Gasket, Exhaust Manifold	
		Ref	Outlet, Muffler	
		Ref	Muffler	
		Ref	Bracket, Muffler Mounting	
	70004504	1	Compensator, Exhaust	
		Ref	Fuel System Components	
		Ref	Pump, High Pressure	
	70004281	1	Injector (Includes Sealing washer, Clamp & O-Ring)	
	70006144	1	Pump, Fuel Supply (Includes Clamps)	
	70024961	1	Filter, Fuel (Pre-Filter Assembly) (Includes Head, Spin on filter, Sensor Cable & Seal)	
	70025153	1	Filter, Fuel Spin On	
	70024513	1	Sensor Cable (Includes Seal)	
	70025160	1	Filter, Fuel (Assembly) (Includes Head & Spin on Filter)	
	70025161	1	Filter, Fuel Spin On	

SECTION 3 - ENGINE

ITEM	PART NUMBER	QTY	DESCRIPTION	REV
	70004508	1	Vol. Control Valve (Includes O-Ring & Gasket)	
		Ref	Lubricating System Components	
	7020465	2	Cap, Oil Fill	
	70005941	2	Plug, Oil Drain	
	70005942	2	Seal, Oil Drain Plug	
	70005172	1	Pump, Oil (Includes Seal & Gasket)	
	7016331	1	Filter, Oil	
	70024494	1	Cooler, Oil	
	70024925	1	Gasket, Oil Cooler	
	70024904	1	Dipstick (Includes Seal)	
		Ref	Mechanical Components	
	70001870	1	Flywheel (includes Gear)	
	70024913	1	V-Belt	
		Ref	Gasket Set - Complete	

SECTION 3 - ENGINE

FIGURE 3-12. BRACKET ASSEMBLY - FUEL PUMP AND FILTER (DEUTZ D2.9L4 ENGINE)



ART_1001162335

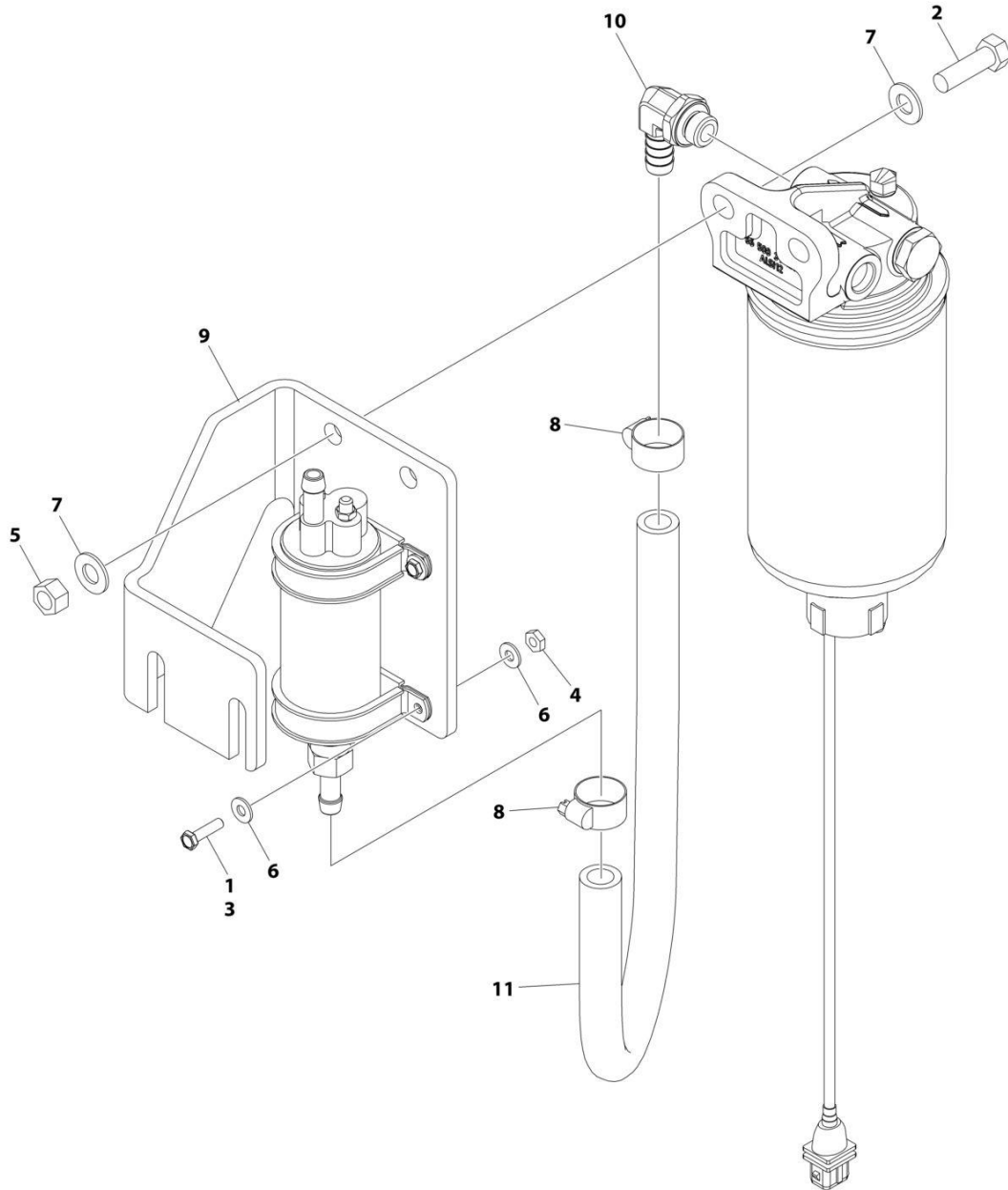
SECTION 3 - ENGINE

FIGURE 3-12. BRACKET ASSEMBLY - FUEL PUMP AND FILTER (DEUTZ D2.9L4 ENGINE)

ITEM	PART NUMBER	QTY	DESCRIPTION	REV
	1001162335	Ref	BRACKET ASSEMBLY - FUEL PUMP AND FILTER (DEUTZ D2.9L4 ENGINE)	E
1	0100011	AR	Compound, Locking	
2	0641610	2	Bolt 3/8 x 1-1/4	
3	0721006	4	Bolt #10 x 3/4	
4	1001154405	AR	Hose	
5	3311001	4	Nut #10	
6	3311605	2	Nut 3/8	
7	4711000	8	Washer #10	
8	4711600	4	Washer 3/8	
9	8405006	2	Clamp	
10	1001141870	1	Plate, Fuel Pump Mount	
11	1001142501	1	Fitting, Elbow Barbed	

SECTION 3 - ENGINE

FIGURE 3-13. BRACKET ASSEMBLY - FUEL PUMP AND FILTER (DEUTZ D2.9L4 ENGINE) (STAGE V)



ART_1001235949

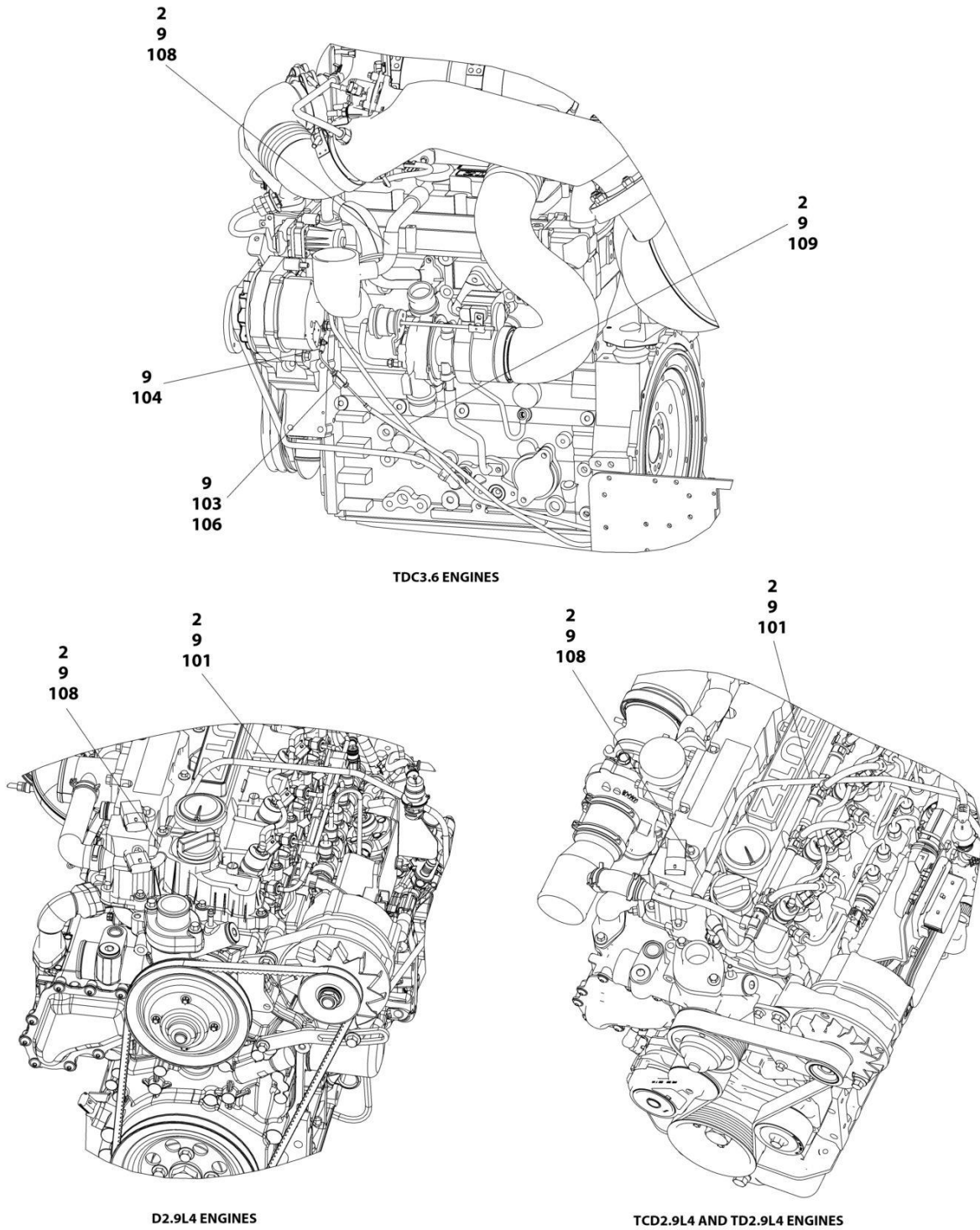
SECTION 3 - ENGINE

FIGURE 3-13. BRACKET ASSEMBLY - FUEL PUMP AND FILTER (DEUTZ D2.9L4 ENGINE) (STAGE V)

ITEM	PART NUMBER	QTY	DESCRIPTION	REV
	1001235949	Ref	BRACKET ASSEMBLY - FUEL PUMP AND FILTER (DEUTZ D2.9L4 (STAGE V) ENGINE)	A
1	0100035	AR	Compound, Locking	
2	0641610	2	Bolt 3/8 x 1-1/4	
3	0721006	4	Bolt #10 x 3/4	
4	3311001	4	Nut #10	
5	3311605	2	Nut 3/8	
6	4711000	8	Washer #10	
7	4711600	4	Washer 3/8	
8	8405006	2	Clamp	
9	1001141870	1	Plate, Fuel Pump Mount	
10	1001142501	1	Fitting, Elbow Barbed	
11	1001154405	1.5 ft /0.4m	Hose	

SECTION 3 - ENGINE

FIGURE 3-14. BREATHER HEATER INSTALLATION - DEUTZ D2.9L4 ENGINE WITH ARCTIC PACKAGE



ART_1001233763

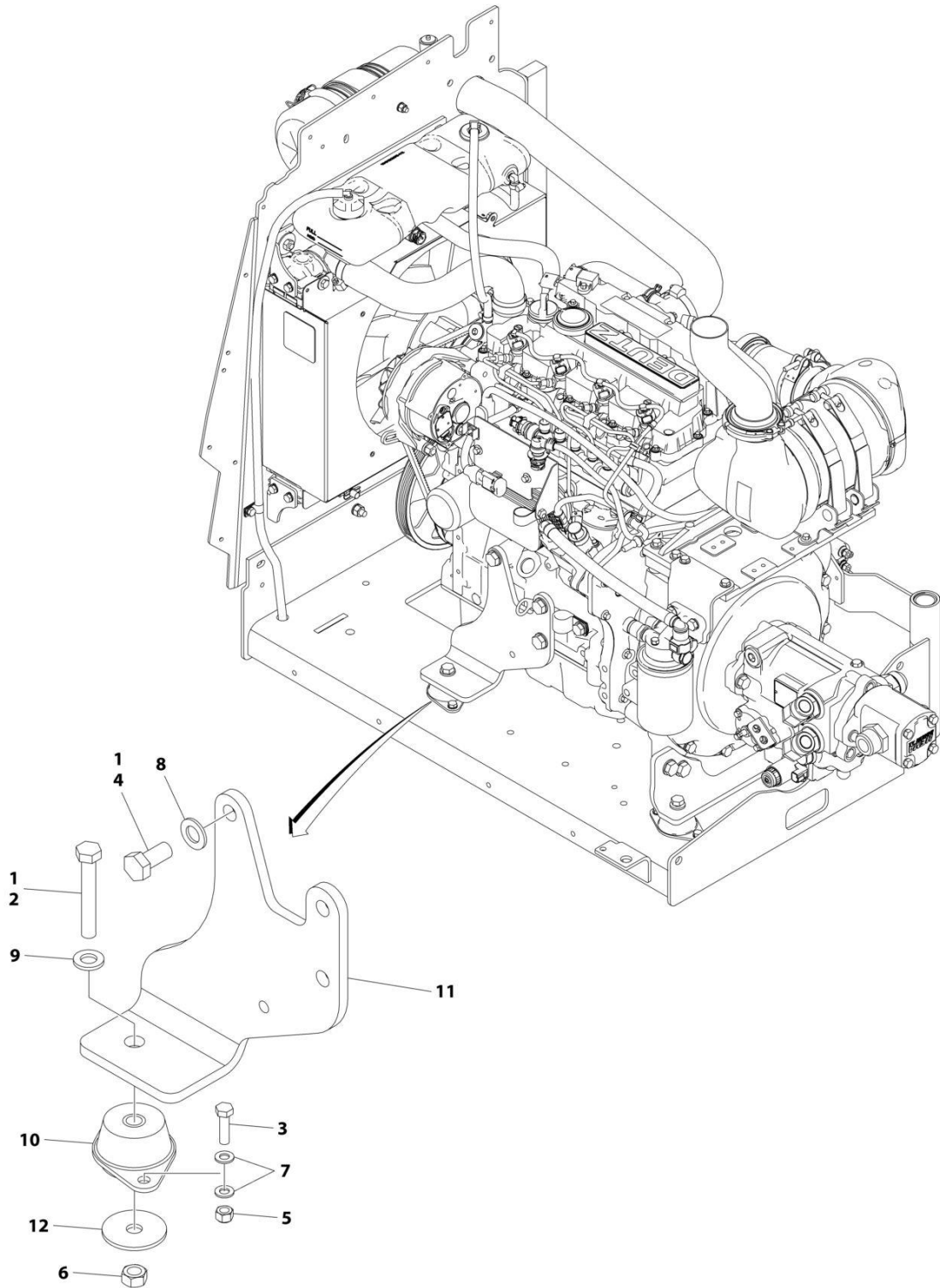
SECTION 3 - ENGINE

FIGURE 3-14. BREATHER HEATER INSTALLATION - DEUTZ D2.9L4 ENGINE WITH ARCTIC PACKAGE

ITEM	PART NUMBER	QTY	DESCRIPTION	REV
	1001233763	Ref	BREATHER HEATER INSTALLATION - DEUTZ ENGINES	D
2	4240099	AR	Tie-Strap	
9	1001243895	1	Breather Heater Harness	C
101	2820035	AR	Insulation	
103	2400060	1	Fuseholder with Cover	
104	4460043	1	Terminal, Ring	
105	4460722	1	Terminal, Ring (Not Shown)	
106	1001196634	1	Fuse - 2 Amp	
108	1001232842	1	Breather Heater Kit	

SECTION 3 - ENGINE

FIGURE 3-15. ENGINE MOUNT INSTALLATION - DEUTZ D2.9L4 WITHOUT GENERATOR



ART_1001244024

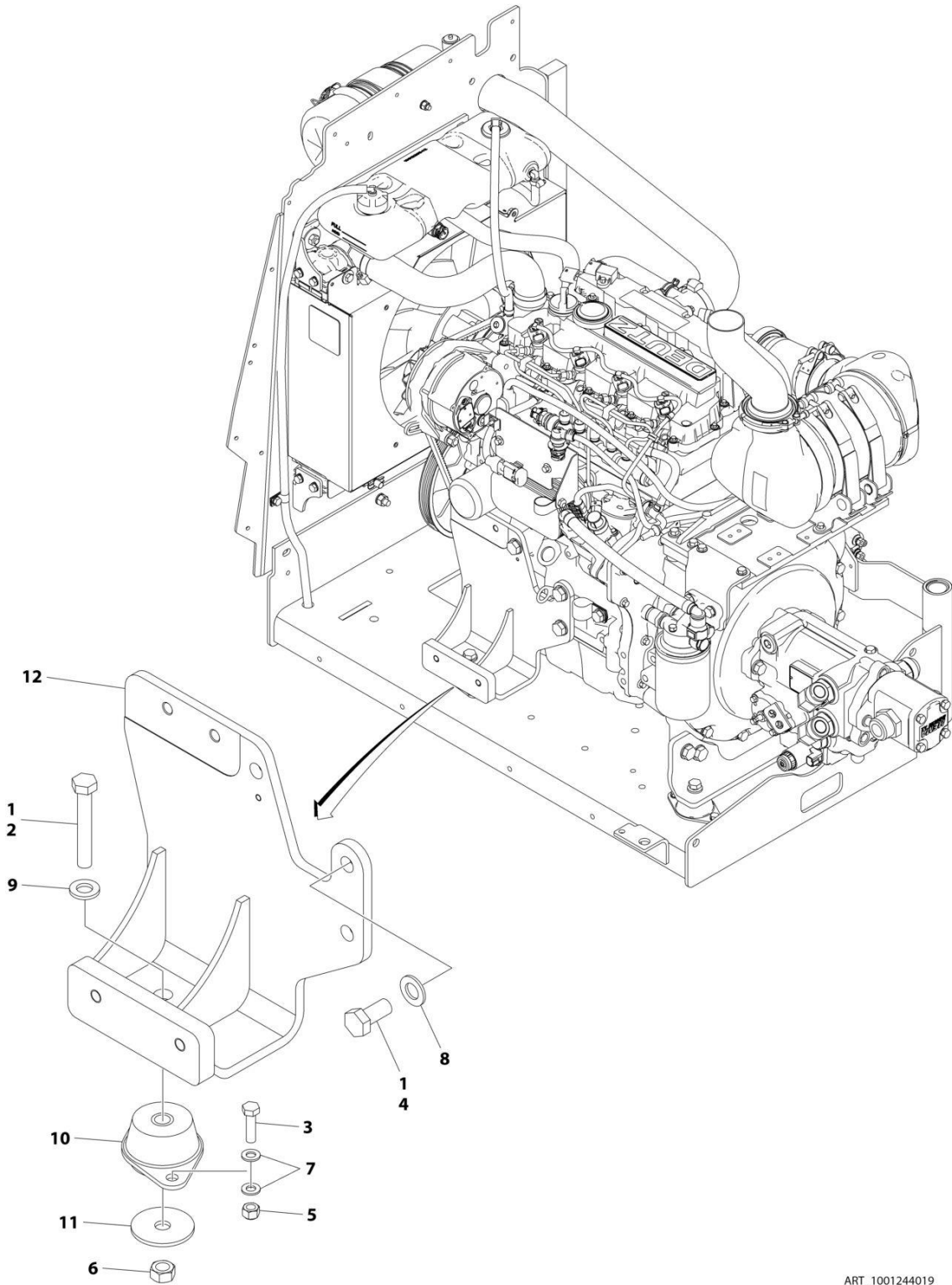
SECTION 3 - ENGINE

FIGURE 3-15. ENGINE MOUNT INSTALLATION - DEUTZ D2.9L4 WITHOUT GENERATOR

ITEM	PART NUMBER	QTY	DESCRIPTION	REV
	1001244024	Ref	MOTOR MOUNT INSTALLATION	A
1	0100011	AR	Compound, Locking	
2	0711224	1	Bolt M12 x 80	
3	0760814	2	Bolt M8 x 30	
4	0771414	3	Bolt M14 x 30	
5	3290805	2	Nut M8	
6	3331211	1	Nut M12	
7	4811900	4	Washer M8	
8	4812200	3	Washer M14	
9	5241200	1	Washer M12	
10	1001166718	1	Mount, Motor	
11	1001166922	1	Mount	
12	1001168018	1	Washer	

SECTION 3 - ENGINE

FIGURE 3-16. ENGINE MOUNT INSTALLATION - DEUTZ D2.9L4 WITH GENERATOR



ART_1001244019

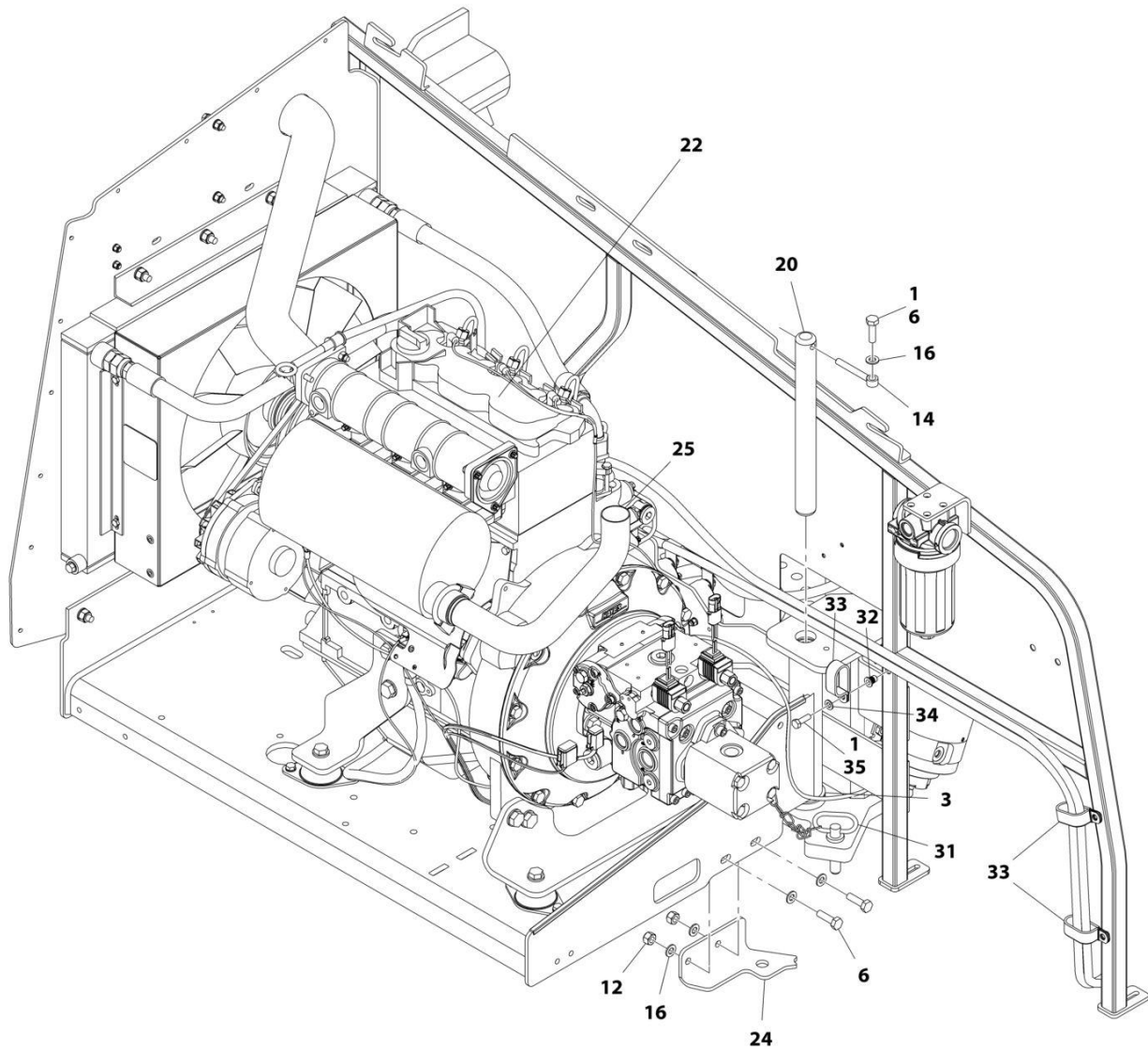
SECTION 3 - ENGINE

FIGURE 3-16. ENGINE MOUNT INSTALLATION - DEUTZ D2.9L4 WITH GENERATOR

ITEM	PART NUMBER	QTY	DESCRIPTION	REV
	1001244019	Ref	MOTOR MOUNT INSTALLATION	A
1	0100011	AR	Compound, Locking	
2	0711224	1	Bolt M12 x 80	
3	0760814	2	Bolt M8 x 30	
4	0771414	3	Bolt M14 x 30	
5	3290805	2	Nut M8	
6	3331211	1	Nut M12	
7	4811900	4	Washer M8	
8	4812200	3	Washer M14	
9	5241200	1	Washer M12	
10	1001166718	1	Mount, Motor	
11	1001168018	1	Washer	
12	1001168207	1	Mount	

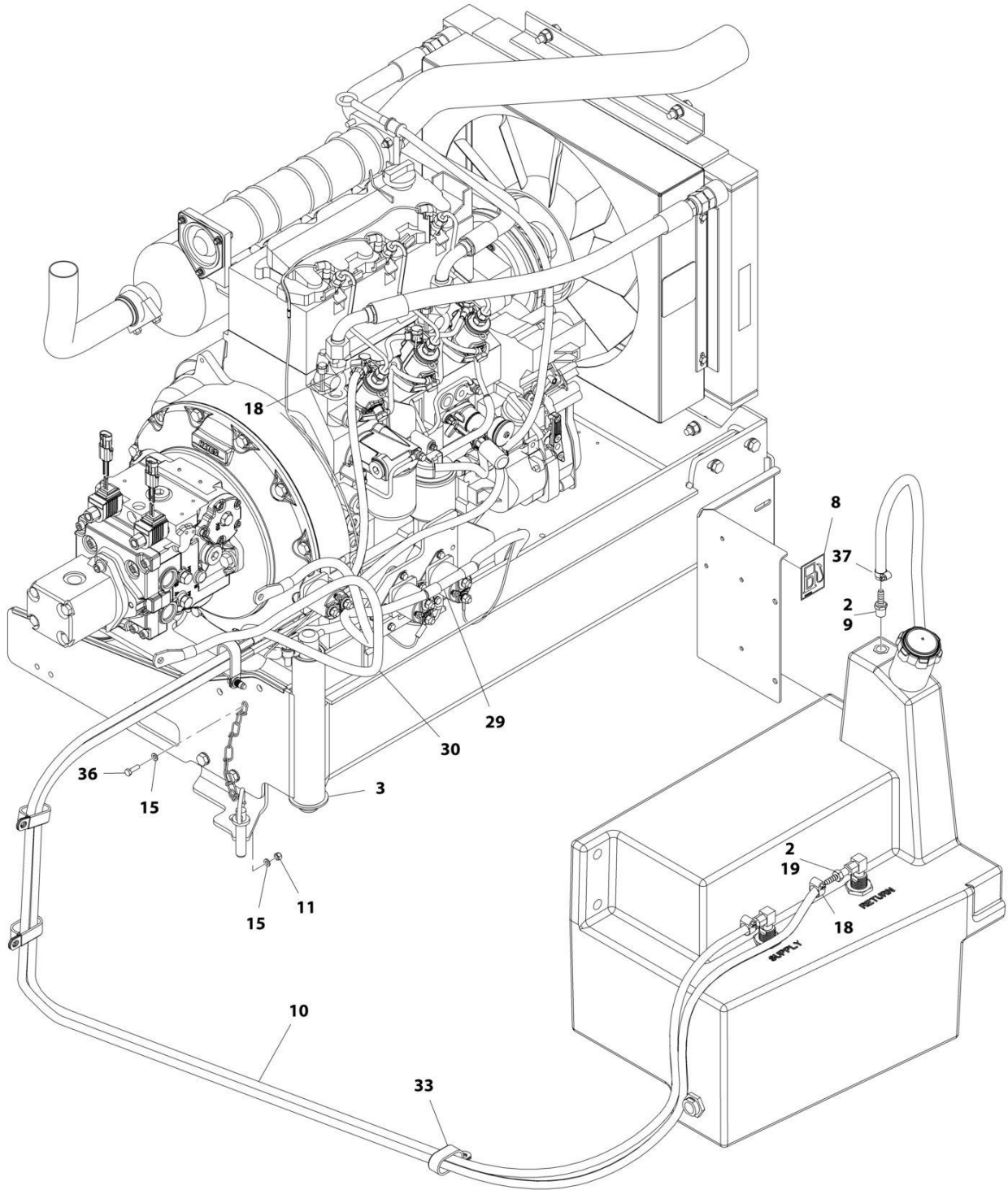
SECTION 3 - ENGINE

FIGURE 3-17. ENGINE INSTALLATION - DEUTZ D2011 ENGINE (WITHOUT ARCTIC PACKAGE) (ANSI EXPORT, AUSTRALIAN, CE (LRC), CHINA, RUSSIA & UK CA SPECS)



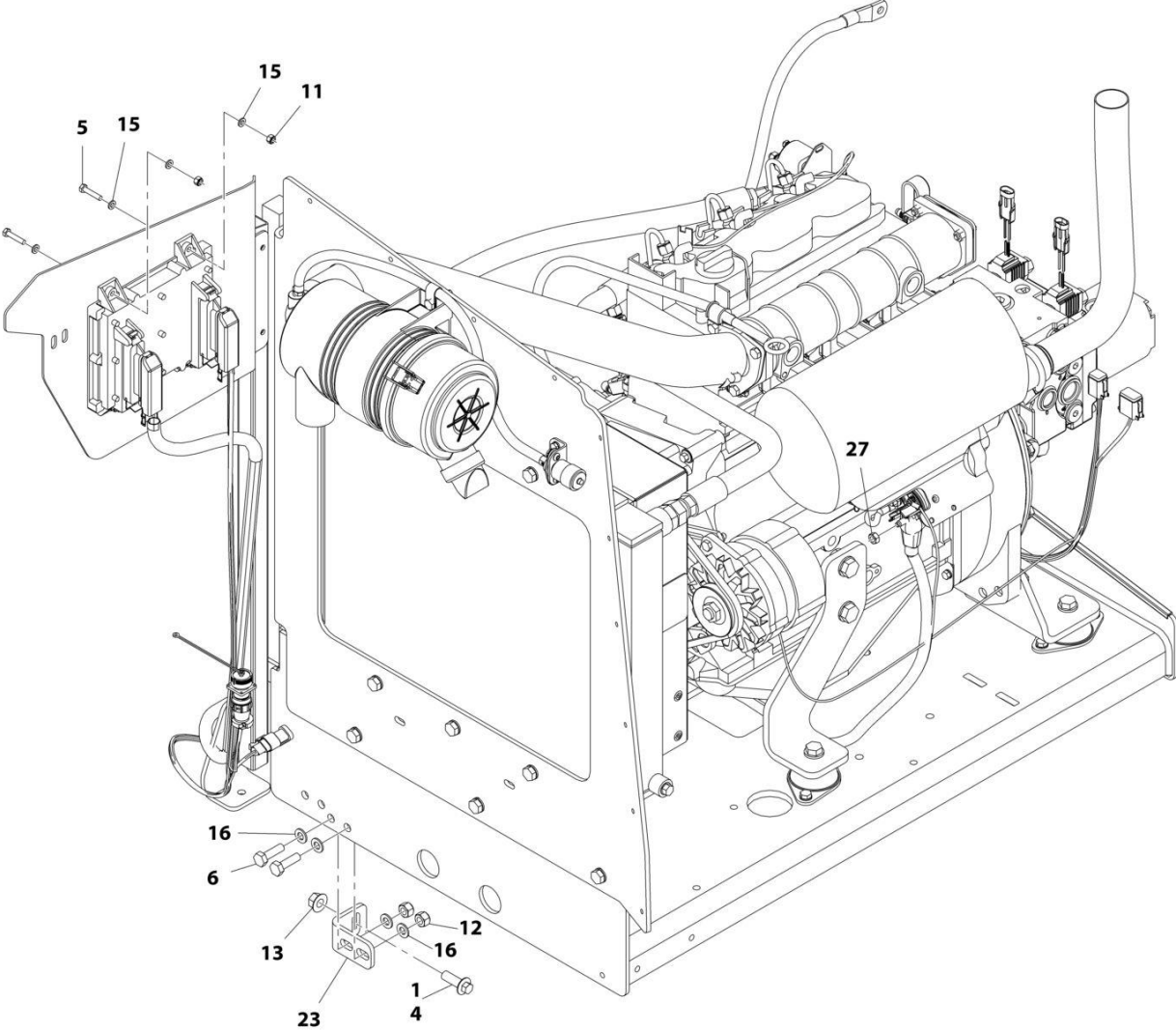
ART_1001166305_1OF3

SECTION 3 - ENGINE



ART_1001166305_20F3

SECTION 3 - ENGINE



ART_1001166305_3OF3

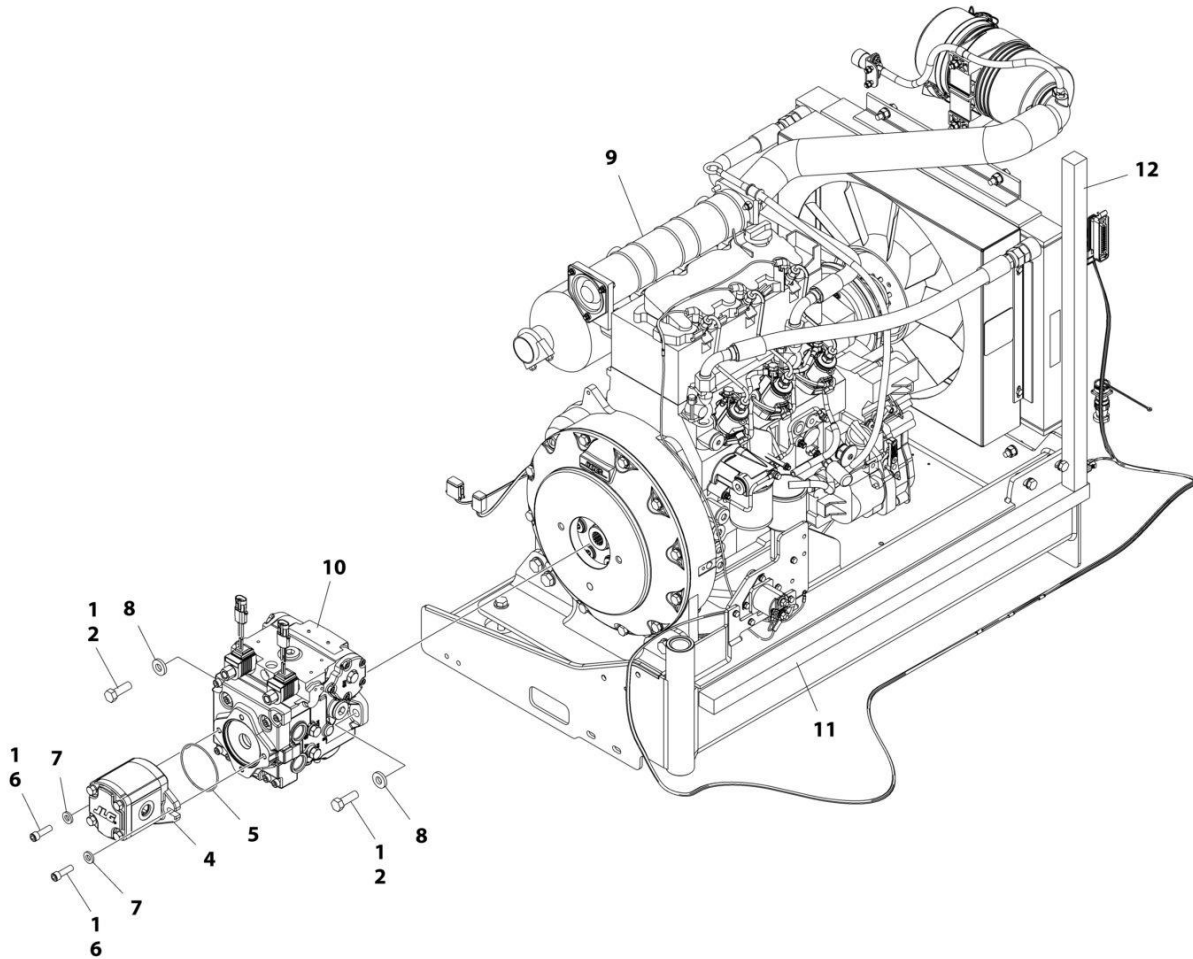
SECTION 3 - ENGINE

FIGURE 3-17. ENGINE INSTALLATION - DEUTZ D2011 ENGINE (WITHOUT ARCTIC PACKAGE) (ANSI EXPORT, AUSTRALIAN, CE (LRC), CHINA, RUSSIA & UK CA SPECS)

ITEM	PART NUMBER	QTY	DESCRIPTION	REV
	1001166305	Ref	ENGINE INSTALLATION - DEUTZ D2011 ENGINE (WITHOUT ARCTIC PACKAGE)	F
1	0100011	AR	Compound, Locking	
2	0100020	AR	Sealant, Pipe	
3	0440162	1	Bearing	
4	5251215	1	Bolt M12 x 35	
5	0760614	4	Bolt M6 x 30	
6	0761015	5	Bolt M10 x 35	
7	1704972	1	Decal - Warning Explosion/Fire	
8	1701505	1	Decal - Diesel Fuel	
9	2180876	1	Fitting, Barbed	
10	2720058	22 ft /6.7m	Hose	
11	3290605	5	Nut M6	
12	3291005	4	Nut M10	
13	5261200	1	Nut, Flange M12 Grade 10.9	
14	3841143	1	Keeper, Pin	
15	4811700	10	Washer M6	
16	4812000	9	Washer M10	
18	8410013	4	Clamp	
19	2180348	2	Fitting, Barbed	
20	1001135196	1	Pin	
22	1001166021	1	Engine and Pump Sub-Assembly - Deutz D2011 (Without Arctic Package) (See Separate Breakdown in this Section)	
23	1001167512	1	Bracket, Engine	
24	1001169823	1	Bracket, Engine	
25	1001172202	1	Pipe, Exhaust	
27	3290801	1	Nut M8	
29	1001171681	1	Cable, Battery (Red) (Battery Positive to Auxiliary Power Relay)	
30	1001171682	1	Cable, Battery (Black) (Battery Negative to Auxiliary Power Pump)	
31	3422532	1	Pin	
32	1001191832	1	Nut, Rivet, M8	
33	1321716	4	Clamp	
34	4811900	1	Washer M8	
35	0760812	1	Bolt M8 x 25	
36	0760610	1	Bolt M6 x 20	
37	1320022	1	Clamp	

SECTION 3 - ENGINE

FIGURE 3-18. ENGINE AND PUMP SUB-ASSEMBLY - DEUTZ D2011 (WITHOUT ARCTIC PACKAGE)
(ANSI EXPORT, AUSTRALIAN, CE (LRC), CHINA, RUSSIA & UK CA SPECS)



ART_1001166021_G

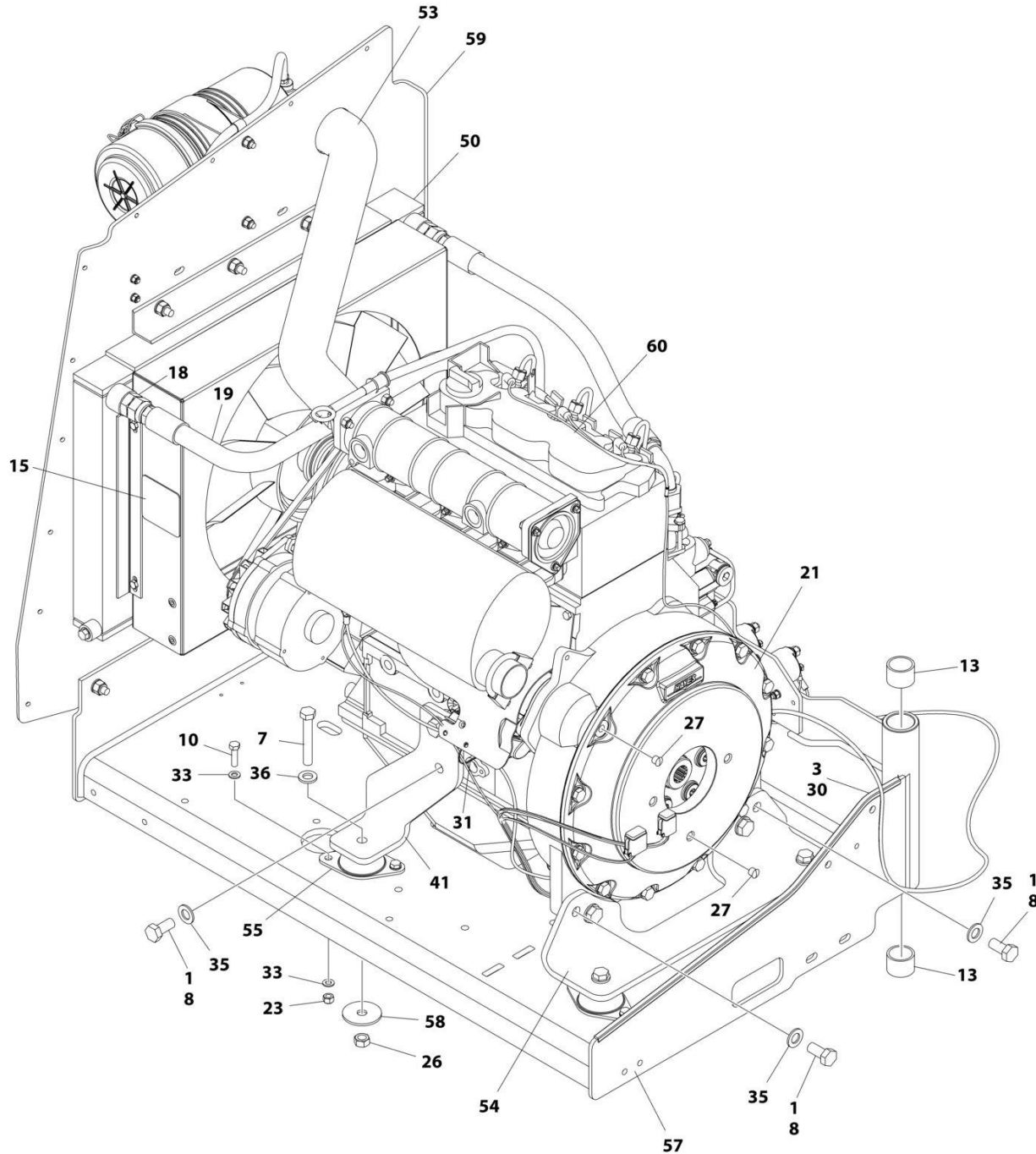
SECTION 3 - ENGINE

**FIGURE 3-18. ENGINE AND PUMP SUB-ASSEMBLY - DEUTZ D2011 (WITHOUT ARCTIC PACKAGE)
(ANSI EXPORT, AUSTRALIAN, CE (LRC), CHINA, RUSSIA & UK CA SPECS)**

ITEM	PART NUMBER	QTY	DESCRIPTION	REV
	1001166021	Ref	ENGINE AND PUMP SUB-ASSEMBLY - DEUTZ D2011 (WITHOUT ARCTIC PACKAGE)	G
1	0100011	AR	Compound, Locking	
2	0641812	2	Bolt 1/2 x 1-1/2	
4	1001214207	1	Gear Pump Assembly	
4	70006356	1	Seal Kit	
5	3790152	1	O-Ring	
6	3931618	2	Capscrew 3/8 x 1-1/8	
7	4891600	2	Washer 3/8 Hardened	
8	4891800	2	Washer 1/2 Hardened	
9	1001166020	1	Engine Assembly - Deutz D2011 Engine (Without Arctic Package) (See Separate Breakdown in this Section)	
10	1001167036	1	Piston Pump Assembly (See Separate Breakdown in this Section)	
11	1001171953	1	Seal	
12	1001171954	1	Seal	

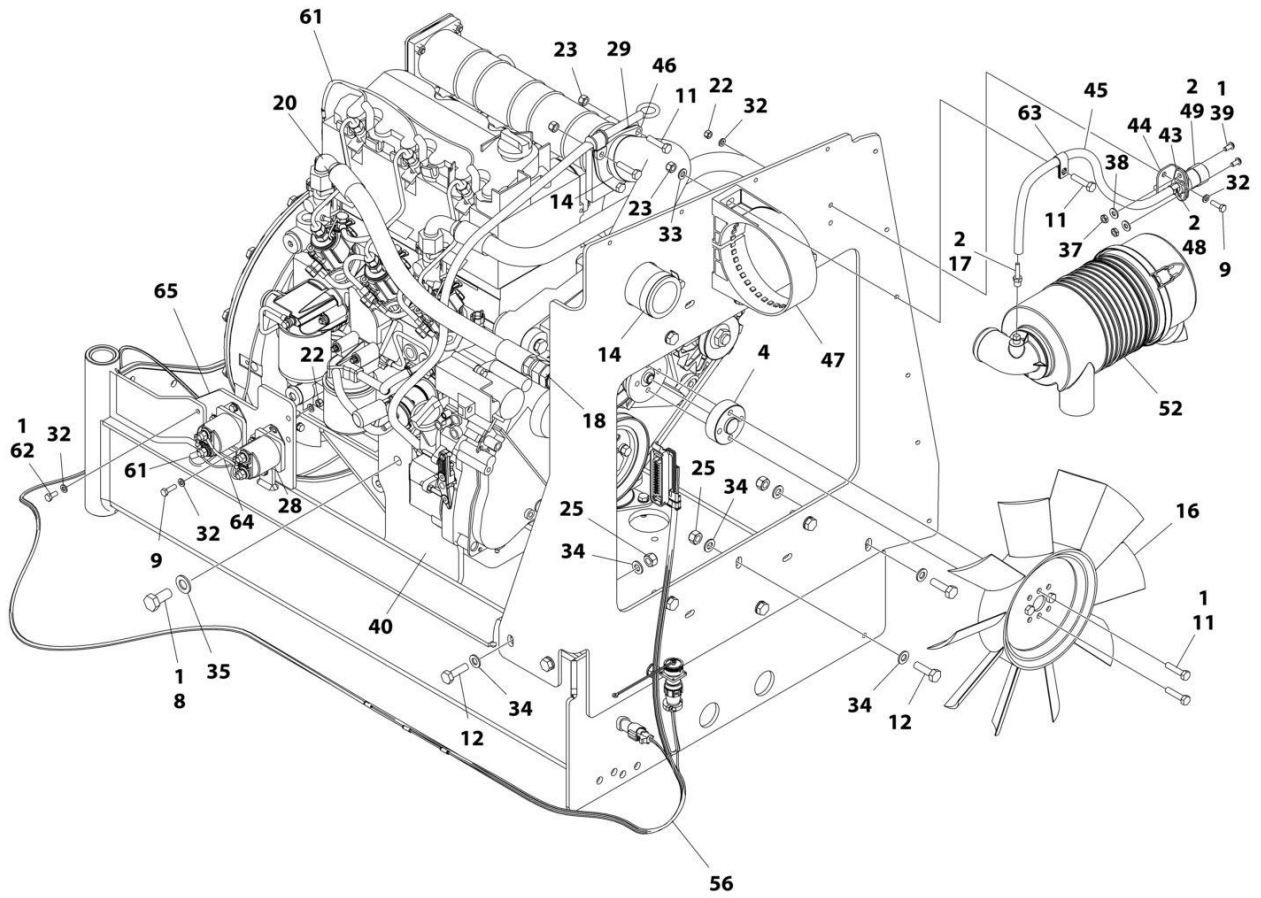
SECTION 3 - ENGINE

FIGURE 3-19. ENGINE ASSEMBLY - DEUTZ D2011 ENGINE (WITHOUT ARCTIC PACKAGE) (ANSI EXPORT, AUSTRALIAN, CE (LRC), CHINA, RUSSIA & UK CA SPECS)



ART_1001166020_10F2

SECTION 3 - ENGINE



ART_1001166020_20F2

SECTION 3 - ENGINE

FIGURE 3-19. ENGINE ASSEMBLY - DEUTZ D2011 ENGINE (WITHOUT ARCTIC PACKAGE) (ANSI EXPORT, AUSTRALIAN, CE (LRC), CHINA, RUSSIA & UK CA SPECS)

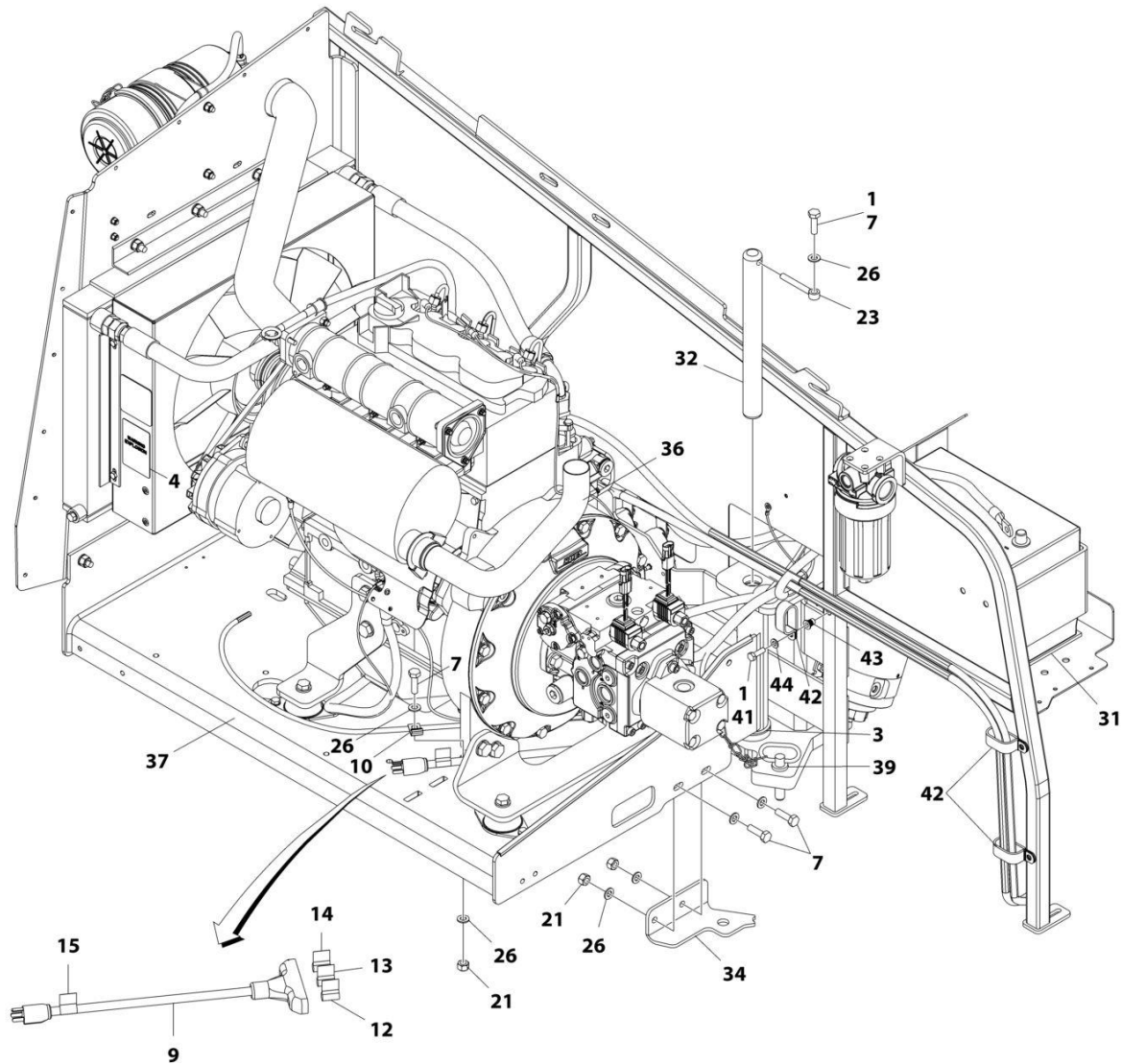
ITEM	PART NUMBER	QTY	DESCRIPTION	REV
	1001166020	Ref	ENGINE ASSEMBLY - DEUTZ D2011 ENGINE (WITHOUT ARCTIC PACKAGE)	O
1	0100011	AR	Compound, Locking	
2	0100020	AR	Sealant, Pipe	
3	0100081	AR	Adhesive	
4	0080231	1	Spacer, Fan	
7	0711224	4	Bolt M12 x 80 Grade 10.9	
8	0771414	8	Bolt M14 x 30 Grade 10.9	
9	0760610	6	Bolt M6 x 20	
10	0760814	8	Bolt M8 x 30	
11	0760815	9	Bolt M8 x 35	
12	0761015	11	Bolt M10 x 35	
13	0961951	2	Bushing	
14	1320016	2	Clamp	
15	1703162	2	Decal - Caution Fan	
16	2060025	1	Fan	
17	2220315	1	Fitting, Barbed	
18	2220451	2	Fitting, Straight JIC/ORB	
19	2720398	1	Hose	
20	2720447	1	Hose	
21	2902065	1	Pump Coupling Kit (See Separate Breakdown in this Section)	
22	3290605	6	Nut M6 x 1	
23	3290805	13	Nut M8 x 1-1/4	
25	3291005	11	Nut M10 x 1-1/2	
26	3331215	4	Nut M12 x 1-3/4	
27	3520054	2	Plug	
28	3740067	2	Relay Assembly	
28	3300220	2	Nut	
28	3321001	1	Nut #10	
28	3740140	1	Relay	
28	4761000	1	Washer #10	
28	1001111424	2	Washer	
29	3960407	1	Gasket	
30	4060805	2.25 ft/ 0.69m	Trim-Flex	
31	4240099	AR	Tie-Strap	
32	4811700	15	Washer M6	
33	4811900	20	Washer M8	
34	4812000	22	Washer M10	
35	4812200	8	Washer M14	
36	5241200	4	Washer M12	
37	8305401	2	Nut, Jam	
38	8307109	2	Washer, .250	
39	8310548	2	Screw 1/4 x 1/2	
40	1001132195	1	Bracket, Engine Mount	
41	1001132196	1	Bracket, Engine Mount	
43	1001138173	1	Support, Service Indicator	
44	1001138175	1	Bracket, Service Indicator	

SECTION 3 - ENGINE

ITEM	PART NUMBER	QTY	DESCRIPTION	REV
45	1001138248	2 ft/ 0.61m	Tube	
46	1001139819	1	Adapter, Air Intake	
47	1001141694	1	Clamp, Air Cleaner	
48	1001141995	1	Fitting, Barbed	
49	1001143390	1	Indicator	
50	1001150998	1	Radiator	
52	1001165388	1	Air Cleaner Assembly	
52	70003783	1	Element, Air Cleaner	
53	1001165389	1	Hose	
54	1001166717	1	Bracket, Engine Mount	
55	1001166718	4	Isolator, Engine Mount	
56	1001167111	1	Harness Engine - Deutz D2011 (See Separate Breakdown in ELECTRICAL SECTION)	
57	1001167520	1	Tray, Engine	
58	1001168018	4	Washer, Snubbing	
59	1001168059	1	Plate, Radiator Mounting	
60	1001170693	1	Engine, Deutz D2011 (See Separate Breakdown in this Section)	
61	4923451	1	Harness, Glow Plugs	
62	0760614	3	Bolt M6 x 30	
63	8406109	1	Clip	
64	1001178859	1	Cable, Alternator	
65	1001214975	1	Bracket	

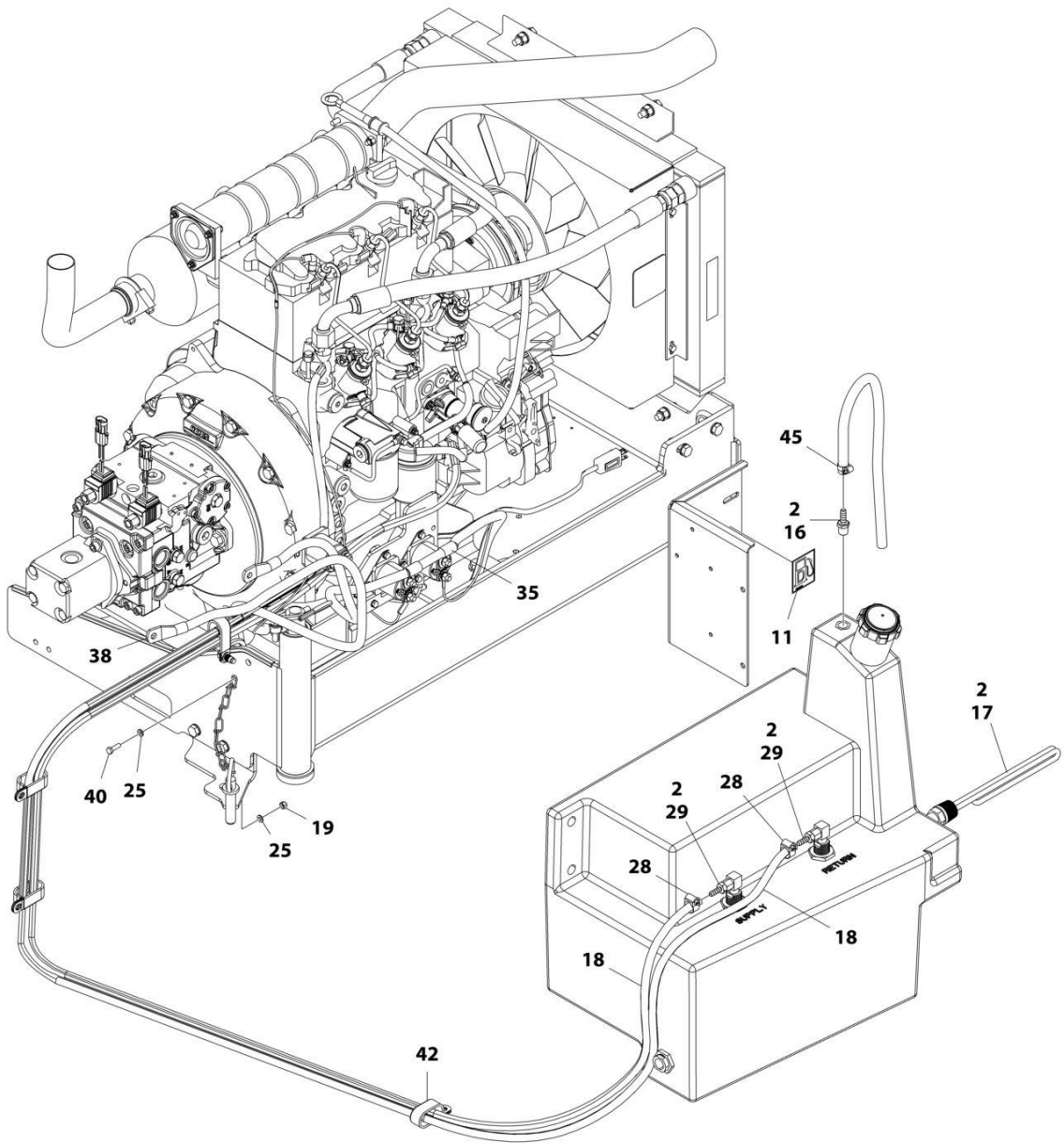
SECTION 3 - ENGINE

FIGURE 3-20. ENGINE INSTALLATION - DEUTZ D2011 ENGINE (WITH ARCTIC PACKAGE) (ANSI EXPORT, CHINA, RUSSIA & UK CA SPECS)



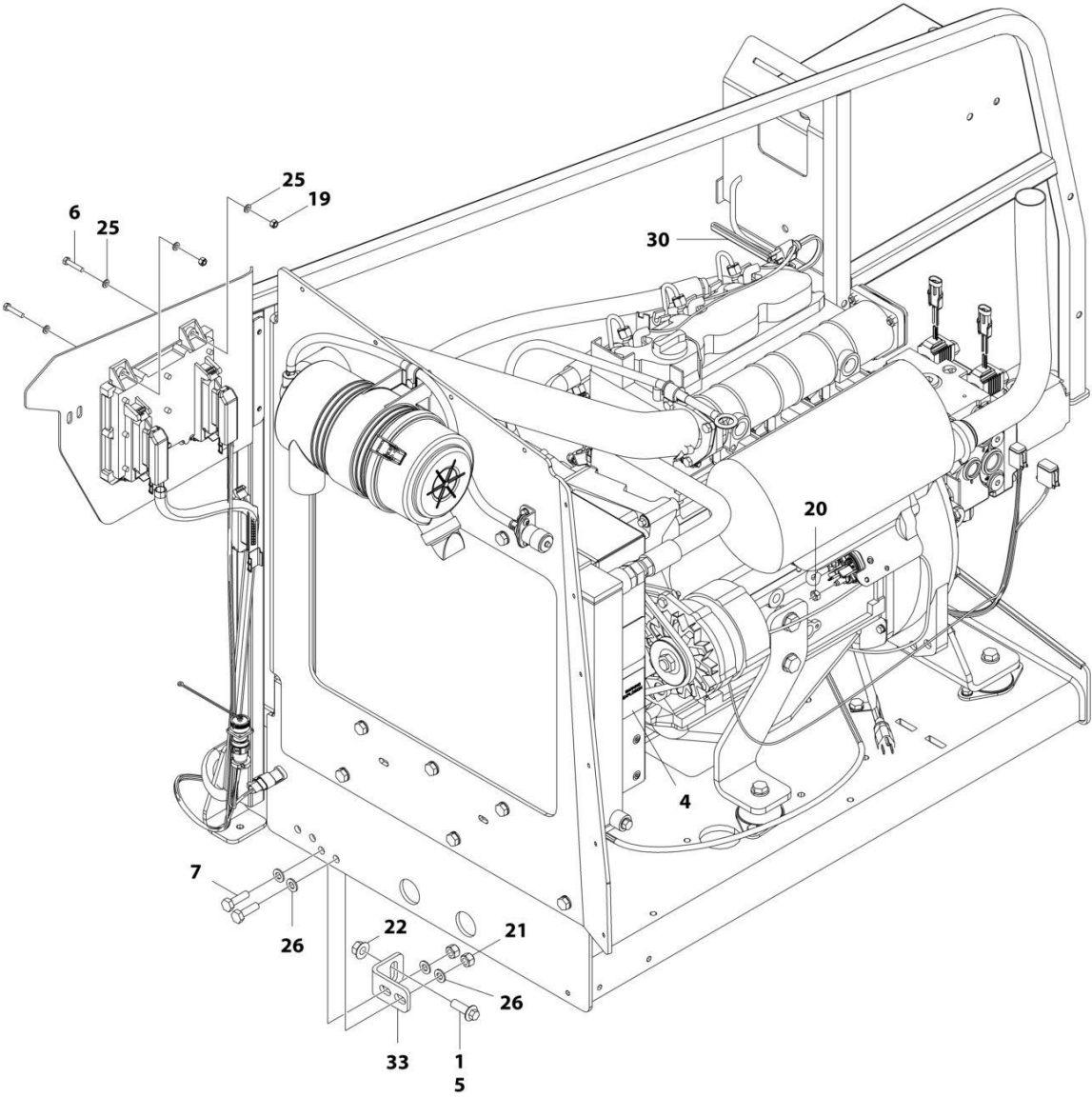
ART_1001174785_1OF3

SECTION 3 - ENGINE



ART_1001174785_20F3

SECTION 3 - ENGINE



ART_1001174785_30F3

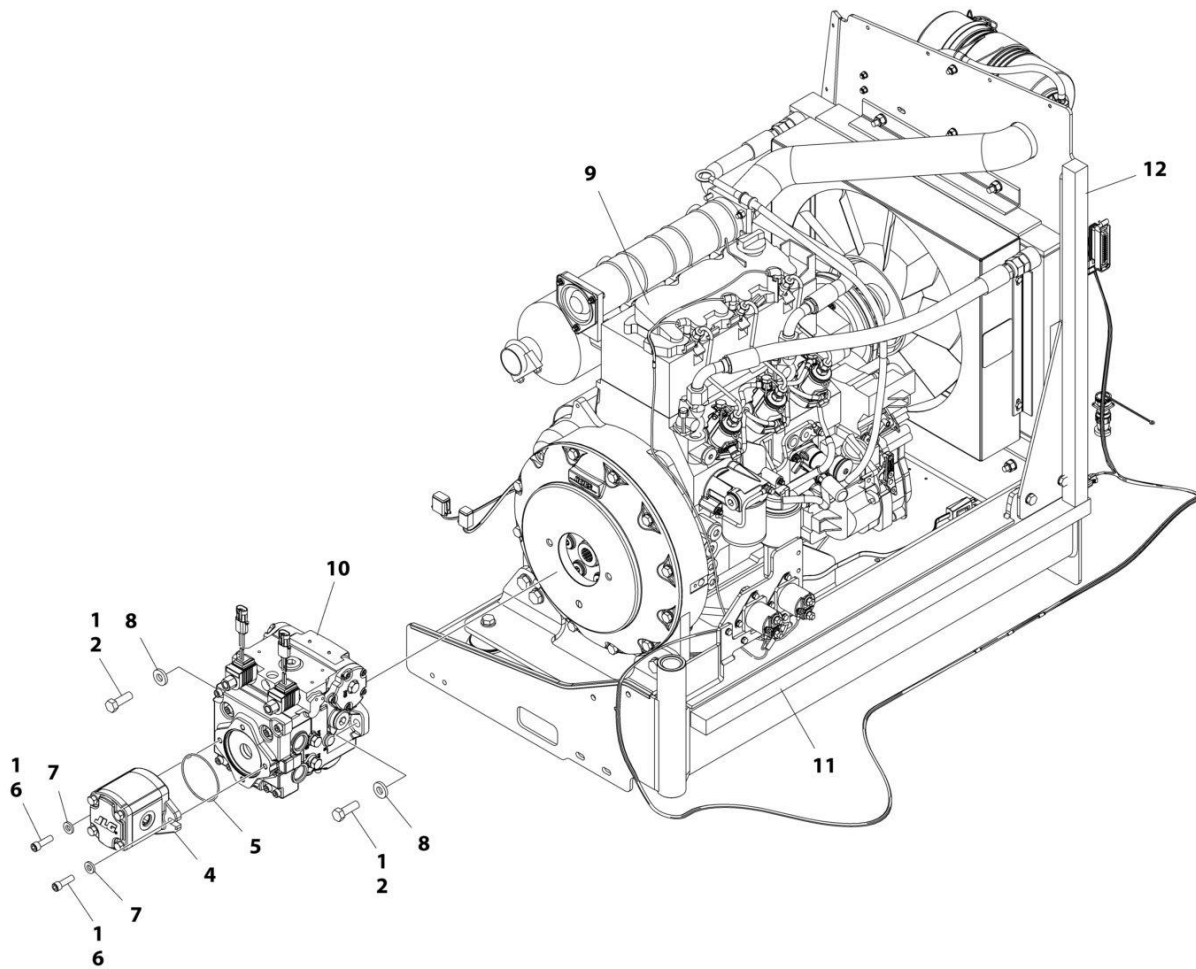
SECTION 3 - ENGINE

FIGURE 3-20. ENGINE INSTALLATION - DEUTZ D2011 ENGINE (WITH ARCTIC PACKAGE) (ANSI EXPORT, CHINA, RUSSIA & UK CA SPECS)

ITEM	PART NUMBER	QTY	DESCRIPTION	REV
	1001174785	Ref	ENGINE INSTALLATION - DEUTZ D2011 ENGINE (WITH ARCTIC PACKAGE)	F
1	0100011	AR	Compound, Locking	
2	0100020	AR	Sealant, Pipe	
3	0440162	1	Bearing	
4	1704972	1	Decal - Warning Explosion/Fire	
5	5251215	1	Bolt M12 x 35	
6	0760614	4	Bolt M6 x 30	
7	0761015	6	Bolt M10 x 35	
9	1060626	1	Plug, 3 Way	
10	1320223	1	Clamp	
11	1701505	1	Decal - Diesel Fuel	
12	1702941	1	Decal - Battery Heater	
13	1702942	1	Decal - Engine Block Heater	
14	1702943	1	Decal - Hydraulic Tank Heater	
15	1702944	1	Decal - Heater Cord	
16	2180876	1	Fitting, Barbed	
17	1001188972	1	Heater, Hydraulic Tank	
18	2720058	22 ft /6.7m	Hose	
19	3290605	5	Nut M6	
20	3290801	1	Nut M8	
21	3291005	5	Nut M10	
22	5261200	1	Nut, Flange M12 Grade 10.9	
23	3841143	1	Keeper, Pin	
25	4811700	10	Washer M6	
26	4812000	11	Washer M10	
28	8410013	4	Clamp	
29	2180348	2	Fitting, Barbed	
30	2580024	1	Heater, Battery	
31	1001119278	1	Insulate	
32	1001135196	1	Pin	
33	1001167512	1	Bracket, Engine	
34	1001169823	1	Plate, Engine Lock	
35	1001171681	1	Cable, Battery (Red) (Battery Positive to Auxiliary Power Relay)	
36	1001172202	1	Pipe, Exhaust	
37	1001174784	1	Engine and Pump Sub-Assembly - Deutz D2011 (With Arctic Package) (See Separate Breakdown in this Section)	
38	1001171682	1	Cable, Battery (Black) (Battery Negative to Auxiliary Power Pump)	
39	3422532	1	Pin	
40	0760610	1	Bolt M6 x 20	
41	0760812	1	Bolt M8 x 25	
42	1321716	4	Clamp	
43	1001191832	1	Nut, Rivet M8	
44	4811900	1	Washer M8	
45	1320022	1	Clamp	

SECTION 3 - ENGINE

FIGURE 3-21. ENGINE AND PUMP SUB-ASSEMBLY - DEUTZ D2011 (WITH ARCTIC PACKAGE) (ANSI EXPORT, CHINA, RUSSIA & UK CA SPECS)



ART_1001174784_G

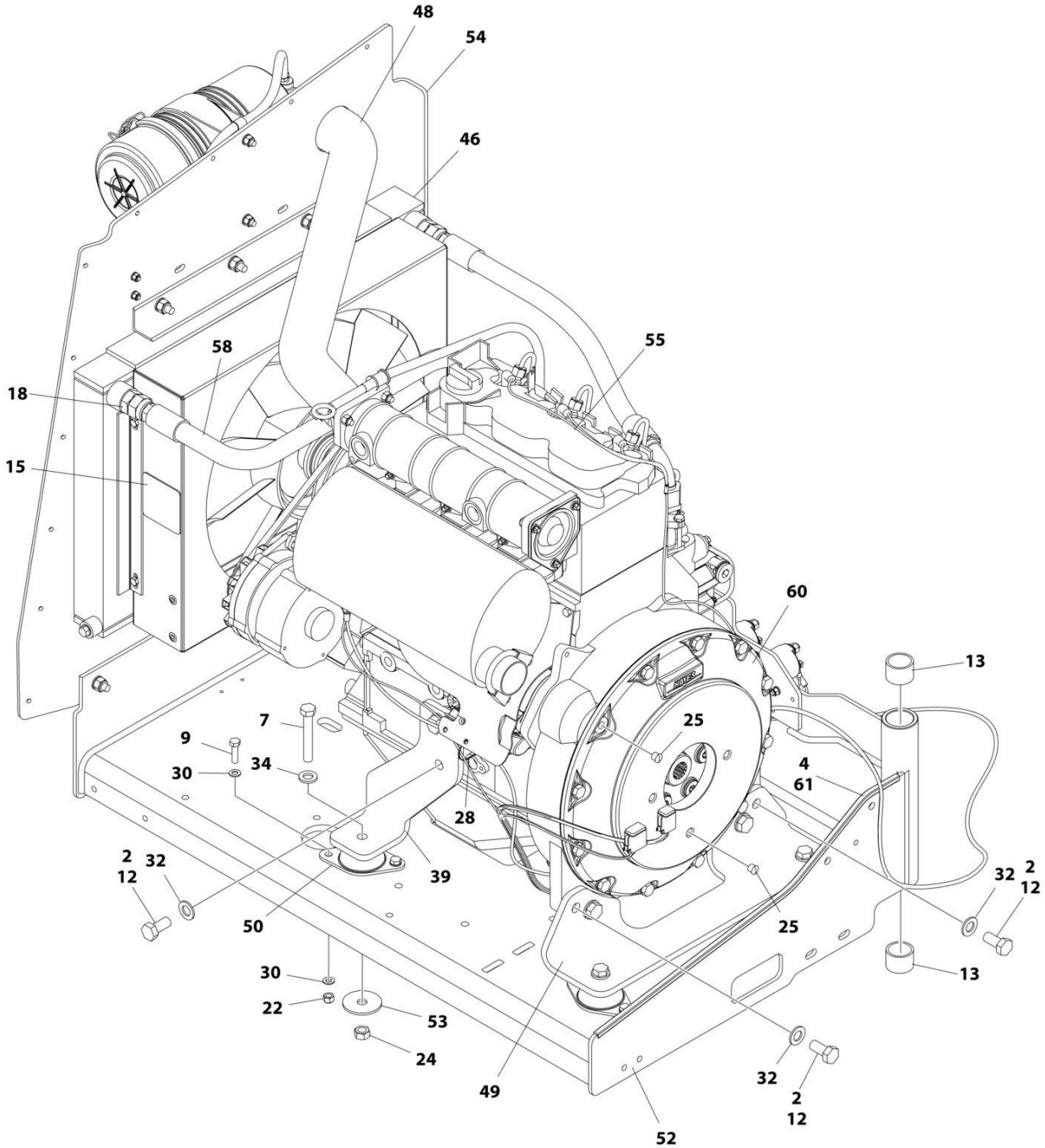
SECTION 3 - ENGINE

FIGURE 3-21. ENGINE AND PUMP SUB-ASSEMBLY - DEUTZ D2011 (WITH ARCTIC PACKAGE) (ANSI EXPORT, CHINA, RUSSIA & UK CA SPECS)

ITEM	PART NUMBER	QTY	DESCRIPTION	REV
	1001174784	Ref	ENGINE AND PUMP SUB-ASSEMBLY - DEUTZ D2011 (WITH ARCTIC PACKAGE)	G
1	0100011	AR	Compound, Locking	
2	0641812	2	Bolt 1/2 x 1-1/2	
4	1001214207	1	Gear Pump Assembly	
4	70006356	1	Seal Kit - 1001214207 Pump	
5	3790152	1	O-Ring	
6	3931618	2	Capscrew 3/8 x 1 1/8	
7	4891600	2	Washer 3/8 Hardened	
8	4891800	2	Washer 1/2 Hardened	
9	1001174783	1	Engine Assembly - Deutz D2011 Engine (With Arctic Package) (See Separate Breakdown in this Section)	
10	1001167036	1	Piston Pump Assembly (See Separate Breakdown in this Section)	
11	1001171953	1	Seal	
12	1001171954	1	Seal	

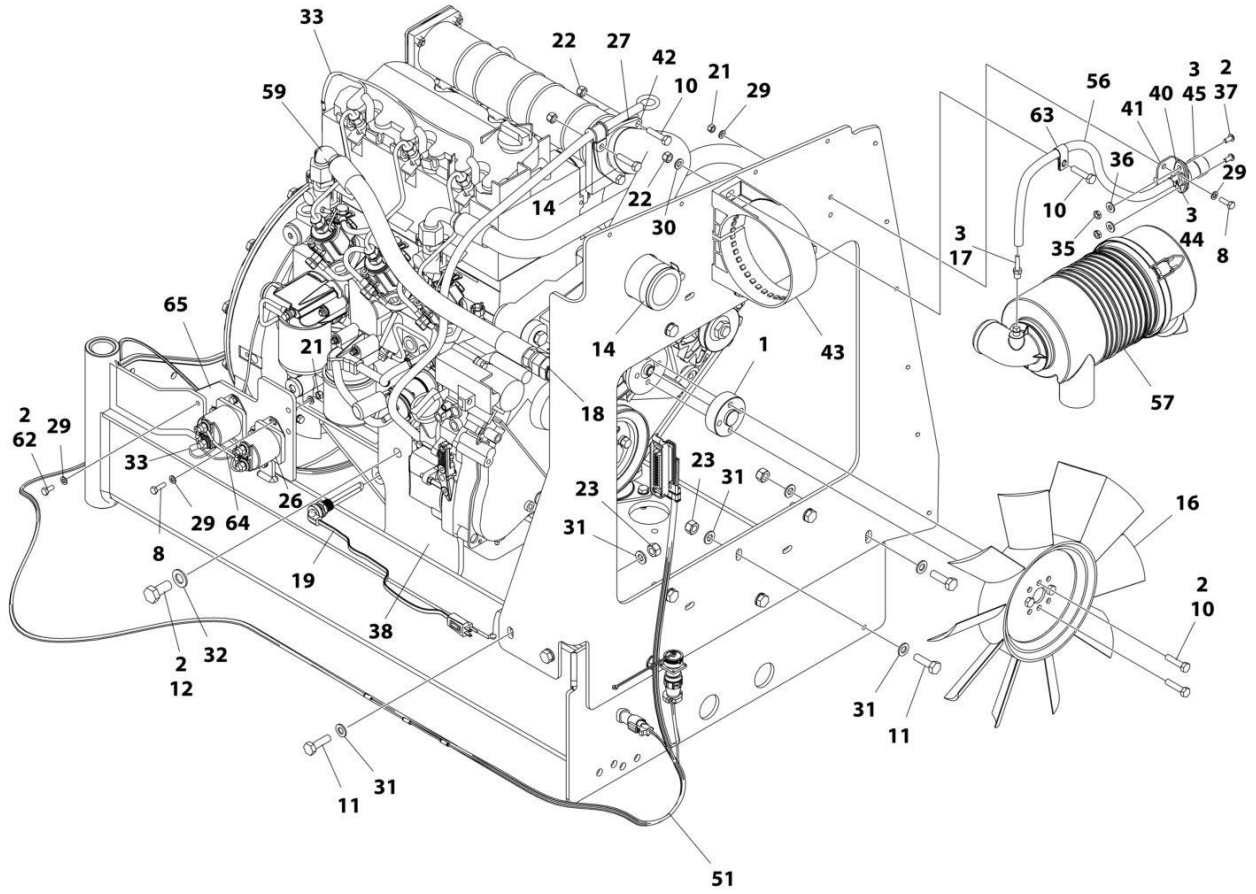
SECTION 3 - ENGINE

FIGURE 3-22. ENGINE ASSEMBLY - DEUTZ D2011 ENGINE (WITH ARCTIC PACKAGE) (ANSI EXPORT, CHINA, RUSSIA & UK CA SPECS)



ART_1001174783_1OF2

SECTION 3 - ENGINE



ART_1001174783_2OF2

SECTION 3 - ENGINE

FIGURE 3-22. ENGINE ASSEMBLY - DEUTZ D2011 ENGINE (WITH ARCTIC PACKAGE) (ANSI EXPORT, CHINA, RUSSIA & UK CA SPECS)

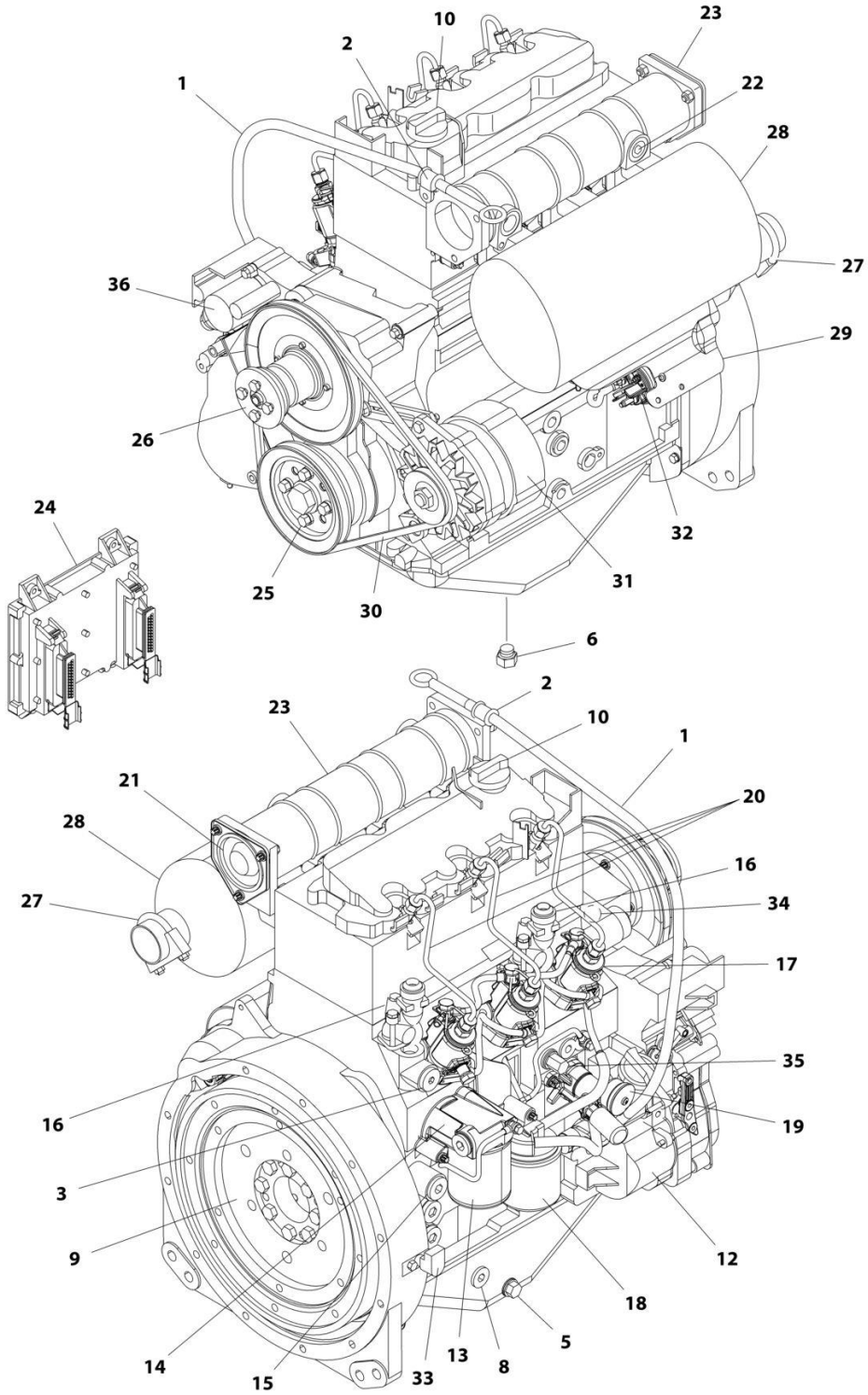
ITEM	PART NUMBER	QTY	DESCRIPTION	REV
	1001174783	Ref	ENGINE ASSEMBLY - DEUTZ D2011 ENGINE (WITH ARCTIC PACKAGE)	N
1	0080231	1	Spacer, Fan	
2	0100011	AR	Compound, Locking	
3	0100020	AR	Sealant, Pipe	
4	0100081	AR	Adhesive	
7	0711224	4	Bolt M12 x 80 Grade 10.9	
8	0760610	6	Bolt M6 x 20	
9	0760814	8	Bolt M8 x 30	
10	0760815	9	Bolt M8 x 35	
11	0761015	11	Bolt M10 x 35	
12	0771414	8	Bolt M14 x 30 Grade 10.9	
13	0961951	2	Bushing	
14	1320016	2	Clamp	
15	1703162	2	Decal - Caution Fan	
16	2060025	1	Fan	
17	2220315	1	Fitting, Barbed	
18	2220451	2	Fitting, Straight JIC/ORB	
19	2580062	1	Heater, Engine Block	
21	3290605	6	Nut M6	
22	3290805	13	Nut M8	
23	3291005	11	Nut M10	
24	3331215	4	Nut M12	
25	3520054	2	Plug	
26	3740067	2	Relay Assembly	
26	3300220	2	Nut	
26	3321001	1	Nut #10	
26	3740140	1	Relay	
26	4761000	1	Washer #10	
26	1001111424	2	Washer	
27	3960407	1	Gasket	
28	4240099	AR	Tie-Strap (Not Shown)	
29	4811700	15	Washer M6	
30	4811900	20	Washer M8	
31	4812000	22	Washer M10	
32	4812200	8	Washer M14	
33	4923451	1	Harness, Glow Plugs	
34	5241200	4	Washer M12	
35	8305401	2	Nut, Jam	
36	8307109	2	Washer	
37	8310548	2	Screw 1/4 x 1/2	
38	1001132195	1	Bracket, Engine Mount	
39	1001132196	1	Bracket, Engine Mount	
40	1001138173	1	Support, Service Indicator	
41	1001138175	1	Bracket, Service Indicator	
42	1001139819	1	Adapter, Air Intake	
43	1001141694	1	Clamp, Air Cleaner	
44	1001141995	1	Fitting, Barbed	
45	1001143390	1	Indicator	

SECTION 3 - ENGINE

ITEM	PART NUMBER	QTY	DESCRIPTION	REV
46	1001150998	1	Radiator	
48	1001165389	1	Hose	
49	1001166717	1	Bracket, Engine Mount	
50	1001166718	4	Isolator, Engine Mount	
51	1001167111	1	Harness Engine - Deutz D2011 (See Separate Breakdown in ELECTRICAL SECTION)	
52	1001167520	1	Tray, Engine	
53	1001168018	4	Washer, Snubbing	
54	1001168059	1	Plate, Radiator Mounting	
55	1001170693	1	Engine, Deutz D2011 (See Separate Breakdown in this Section)	
56	1001138248	2 ft/ 0.61m	Tube	
57	1001165388	1	Air Cleaner Assembly	
57	70003783	1	Element, Air Cleaner	
58	2720398	1	Hose	
59	2720447	1	Hose	
60	2902065	1	Pump Coupling Kit (See Separate Breakdown in this Section)	
61	4060805	2.25 ft/ 0.69m	Flex-Trim	
62	0760614	3	Bolt M6 x 30	
63	8406109	1	Clip	
64	1001178859	1	Cable, Alternator	
65	1001214975	1	Bracket	

SECTION 3 - ENGINE

FIGURE 3-23. ENGINE COMPONENTS - DEUTZ D2011



ART_1001170693

SECTION 3 - ENGINE

FIGURE 3-23. ENGINE COMPONENTS - DEUTZ D2011

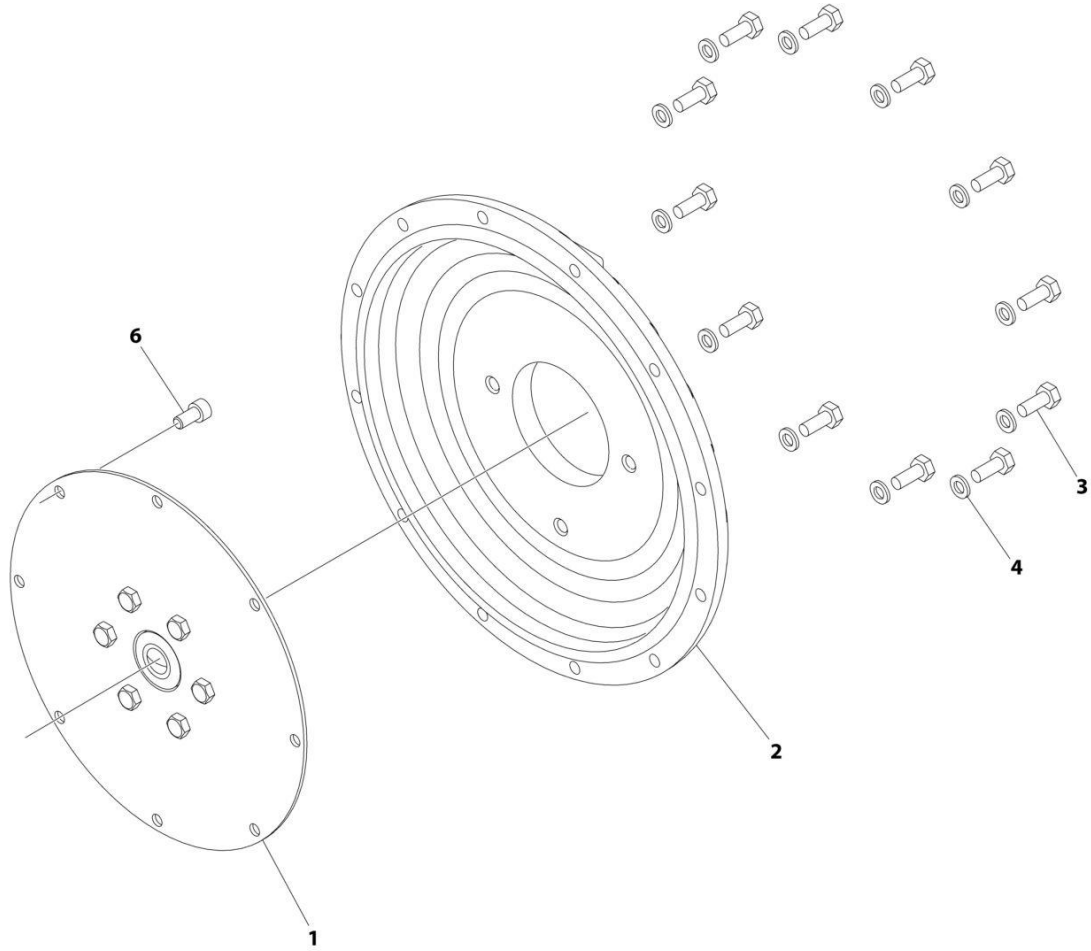
ITEM	PART NUMBER	QTY	DESCRIPTION	REV
	1001170693	Ref	ENGINE COMPONENTS - DEUTZ D2011	C
1	70001002	1	Tube, Dipstick	
1	7020403	1	Seal, Tube	
1	7020026	1	Dipstick	
2	70001654	1	Clamp	
2	70001655	1	Bolt	
3	70003475	1	Thermostat	
3	7020460	1	Spring	
4		Ref	Seal and Gasket Options (Not Shown):	
4	70002718	1	Seal, Rear Main	
4	7020430	1	Gasket, Valve Cover	
4	70003479	1	Gasket, Head - 1 Notch	
4	70003480	1	Gasket, Head - 2 Notch	
4	70003481	1	Gasket, Head - 3 Notch	
5	70025088	1	Plug	
6	70025667	1	Plug	
7	70025123	22	Bolt, Torx (Oil Pan Bolts) (Not Shown)	
8	7020492	1	Seal	
8	70025084	1	Plug	
9	70001870	1	Flywheel	
9	7024579	1	Ring Gear (Part of Flywheel)	
9	70025139	8	Bolt	
10	7020465	1	Cap, Oil Fill	
11	70000800	1	Timing Belt/Idler Kit (Includes Timing Belt, Tensioner and Tensioner Bolt) (Not Shown)	
12	70001850	1	Pump, Lubricating	
12	7020468	1	Seal, Pump to Engine Block (Not Shown)	
13	7016331	1	Filter, Oil	
14	70003472	1	Bracket, Oil Filter (Includes Plug with Seal, Temperature Sensor, Control Valve and Compression Spring)	
14	7027236	1	Sensor, Temperature	
14	70025082	1	Seal, Plug	
14	70025091	1	Plug	
14	70003473	1	Gasket, Bracket to Engine Block (Not Shown)	
15	70001181	1	Valve	
15	70025091	1	Plug	
15	70025082	1	Seal, Plug	
16	70004268	2	Connector, Radiator Neck	
16	70004269	2	Seal, Radiator Neck to Engine Block	
17	70000912	3	Pump, Fuel Injector - A Spec	
17	70000913	3	Pump, Fuel Injector - B Spec	
17	70000914	3	Pump, Fuel Injector - C Spec	
17	70000915	3	Pump, Fuel Injector - D Spec	
17	70003464	3	O-Ring, Pump to Engine Block	
18	7020023	1	Filter, Fuel	
18	70003463	1	Filter, Fuel - RME Resistant	
18	70001423	1	Bracket, Fuel Filter	
19	70000916	1	Pump Fuel Supply	
19	70000917	1	O-Seal Between Fuel Pump and Engine Block	
19	70000918	1	Sealing Ring Between Hand Pump and Supply Pump	

SECTION 3 - ENGINE

ITEM	PART NUMBER	QTY	DESCRIPTION	REV
19	70000919	1	Pump, Hand	
19	70001435	1	Repair Kit	
19	70025694	2	Bolt, Torx	
20	70000931	3	Pipe, High Pressure	
21	70003469	1	Flange, Intake	
21	70003468	1	Seal	
22	70025084	1	Plug	
22	7020492	1	Seal, Plug	
23	7027903	1	Manifold, Air Intake	
23	70001871	3	Gasket Between Manifold and Engine Block	
24	See Note	1	Module, Engine Control (Note: Not Currently Available)	
24	7027796	1	Cable, Electrical Between Module and Engine Harness (Not Shown)	
24	70001872	1	Harness, Engine (Connects to p/n 70004060) (Not Shown)	
24	70004060	1	Plug, Connector Located on Cable Near Module (Not Shown)	
24	70004059	1	Plug, Analyzer (Not Shown)	
25	70025123	4	Bolt, Torx	
26	70000787	1	Support, Fan (Includes Support, Internal Shaft, Bearings and Circlip)	
27	70001844	1	Clamp	
28	See Note	1	Muffler (Note: See Separate Breakdown in this Section)	
28	7020471	3	Gasket, Exhaust Between Muffler and Engine Block	
28	70004270	6	Stud, Muffler	
29	70001498	1	Shield, Starter	
29	70025693	3	Bolt	
30	70004102	1	V-Belt	
31	70004056	1	Alternator (Includes Voltage Regulator and Gaskets, Fan and Fan Mounting Hardware)	
31	70001868	1	Regulator, Voltage	
31	70001866	1	Gasket Set, Voltage Regulator	
31	70025131	1	Fan	
31	70025086	1	Nut, Fan	
31	70000851	1	Bracket, Alternator Mounting	
31	70002234	1	Bracket, Alternator Adjustment	
31	70004103	1	Harness, Alternator (Not Shown)	
32	7020479	1	Starter	
32	70025121	2	Bolt, Starter Mounting	
32	70004058	1	Relay	
32	70004062	1	Harness, Starter (Not Shown)	
33	7024565	1	Sensor, Speed	
33	70003931	1	Bolt	
33	70003932	1	Spacer, Sleeve	
34	7027791	1	Sensor, Temperature	
35	7027790	1	Sensor, Oil Pressure	
36	7027792	1	Actuator	
37	70000345	3	Plug, Glow (Not Shown)	

SECTION 3 - ENGINE

FIGURE 3-24. PUMP COUPLING KIT – DEUTZ ENGINES



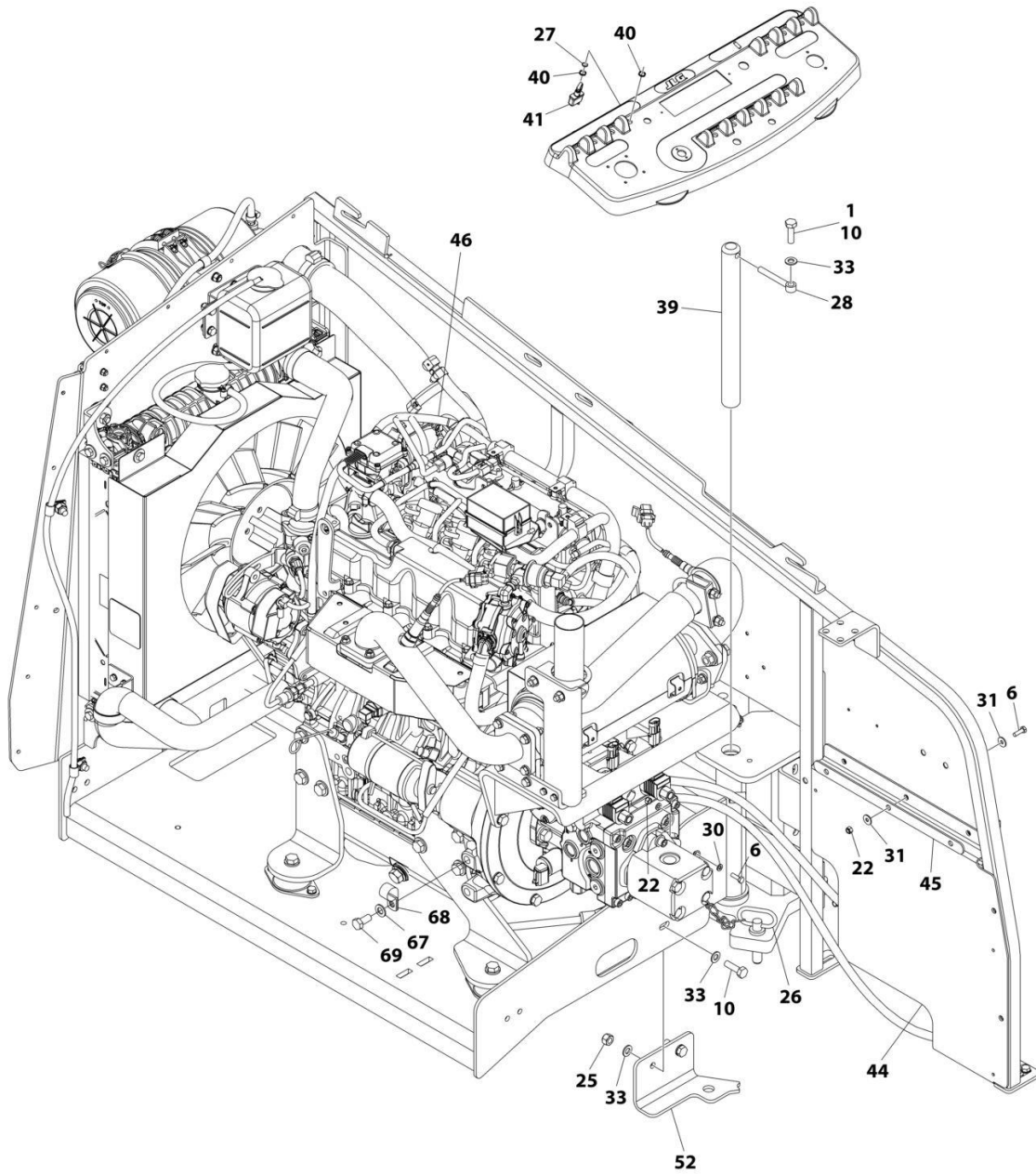
ART_2902065

FIGURE 3-24. PUMP COUPLING KIT – DEUTZ ENGINES

ITEM	PART NUMBER	QTY	DESCRIPTION	REV
	2902065	Ref	PUMP COUPLING KIT	L
1	70000793	1	Coupling, Hayes	
2	See Note	NSS	Plate, Pump Adapter (Note: Use p/n 2902065)	
3	See Note	NSS	Bolt M10 x 30 Grade 10.9 (Note: Use p/n 2902065)	
4	See Note	NSS	Washer M10 (Note: Use p/n 2902065)	
6	See Note	NSS	Bolt M10 x 20 Grade 10.9 (Note: Use p/n 2902065)	

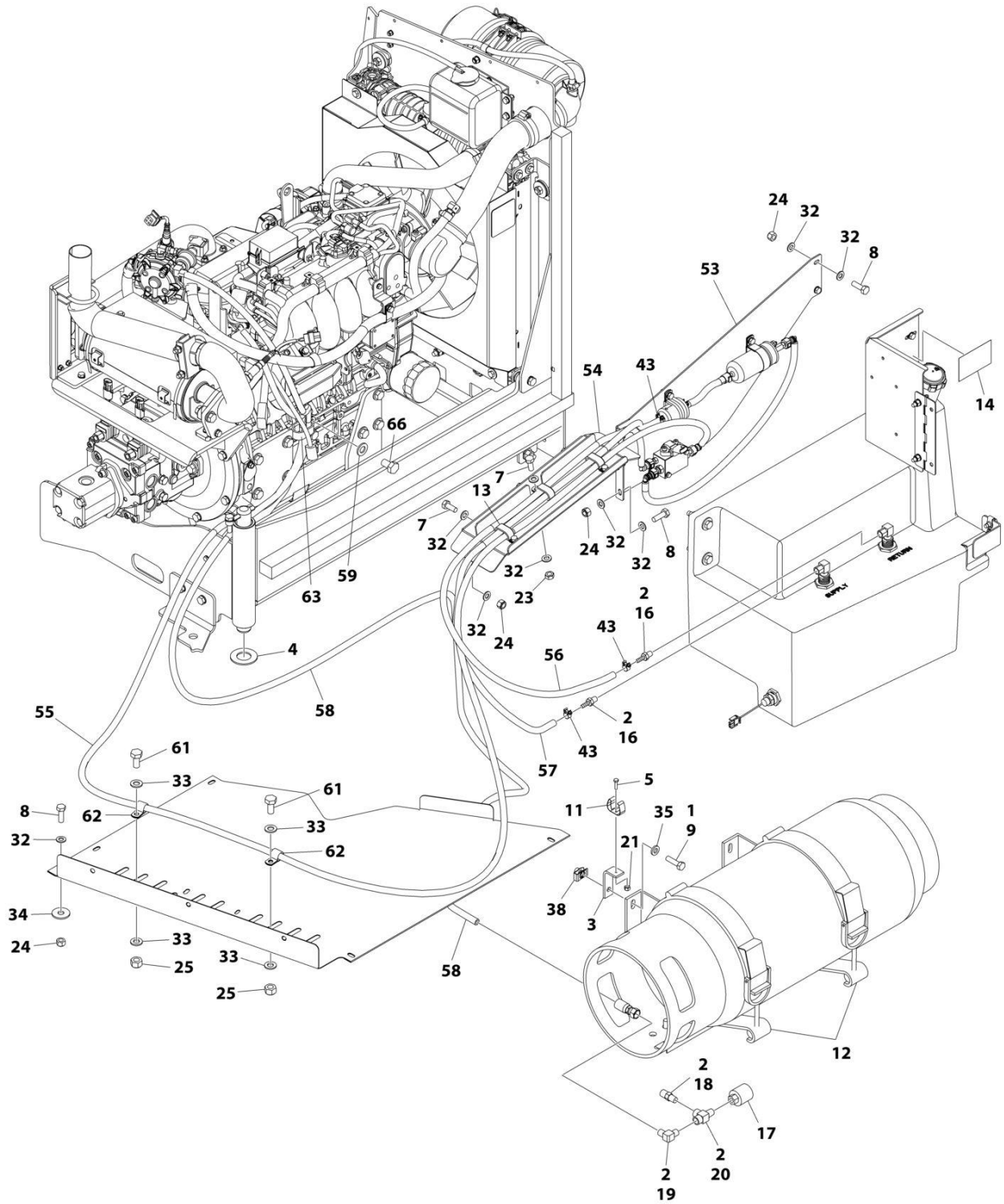
SECTION 3 - ENGINE

FIGURE 3-25. ENGINE INSTALLATION - KUBOTA ENGINE (WITHOUT ARCTIC PACKAGE)



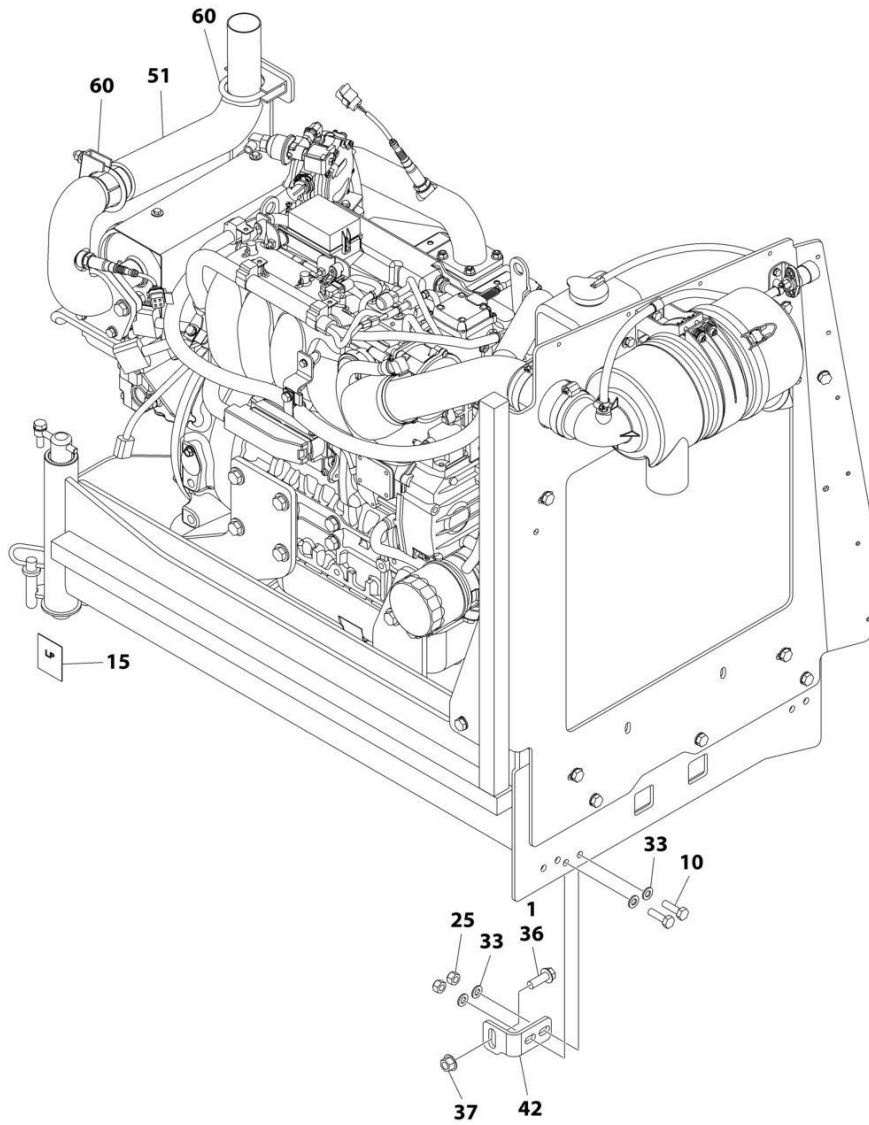
ART_1001236251_10F3

SECTION 3 - ENGINE



ART_1001236251_20F3

SECTION 3 - ENGINE



ART_1001236251_30F3

SECTION 3 - ENGINE

FIGURE 3-25. ENGINE INSTALLATION - KUBOTA ENGINE (WITHOUT ARCTIC PACKAGE)

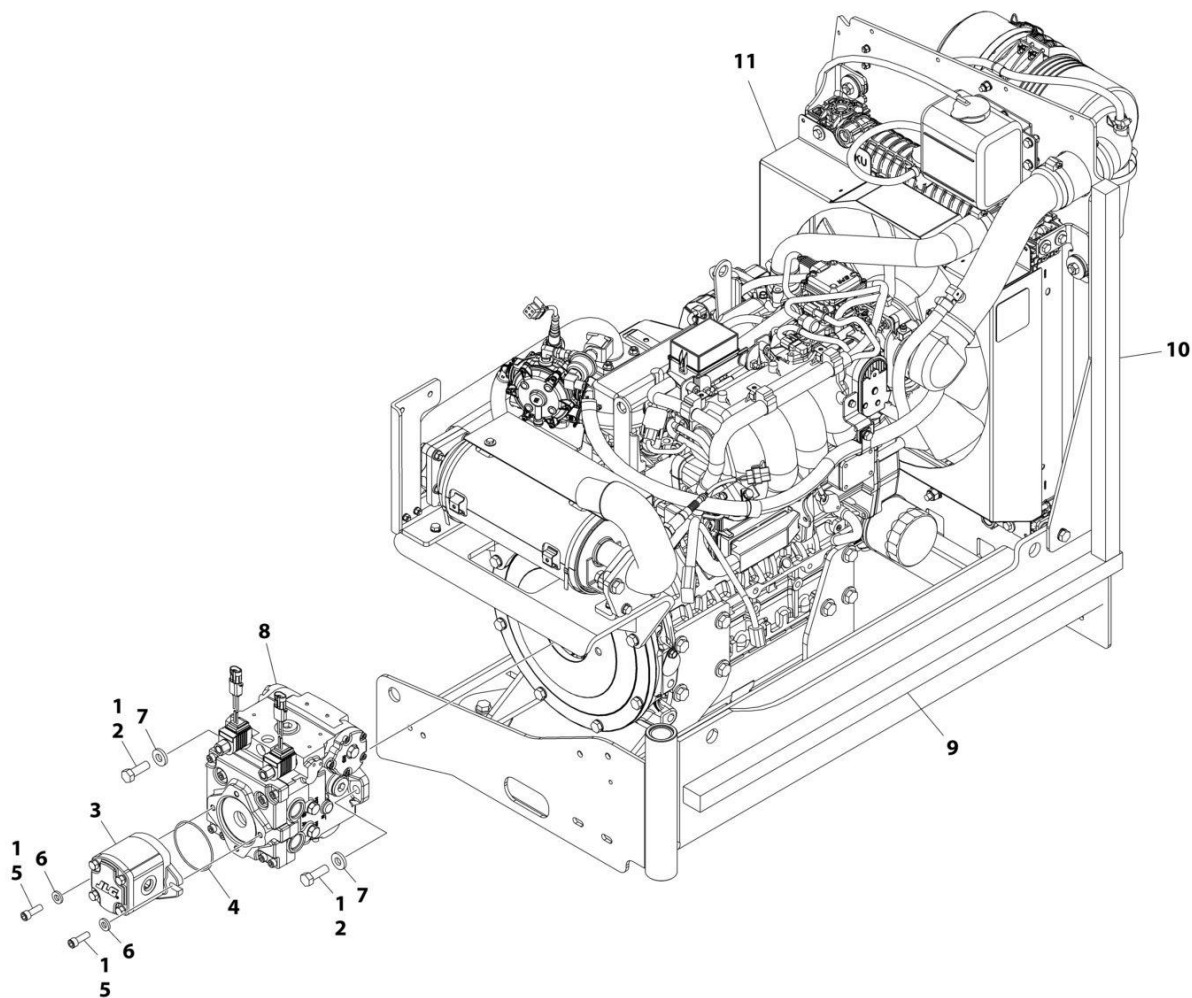
ITEM	PART NUMBER	QTY	DESCRIPTION	REV
	1001236251	Ref	ENGINE INSTALLATION - KUBOTA ENGINE (WITHOUT ARCTIC PACKAGE)	A
1	0100011	AR	Compound, Locking	
2	0100020	AR	Sealant, Pipe	
3	0181949	1	Angle	
4	0440162	1	Bearing	
5	0760408	1	Bolt M4 x 16	
6	0760610	4	Bolt M6 x 20	
7	0760810	6	Bolt M8 x 20	
8	0760812	4	Bolt M8 x 25	
9	0760814	4	Bolt M8 x 30	
10	0761015	5	Bolt M10 x 35	
11	1320218	1	Clamp	
12	1320220	1	Clamp Kit - LP	
13	1321283	3	Clamp	
14	1701542	1	Decal - Gas	
15	1701543	1	Decal - LPG	
16	2180348	2	Fitting, Barbed	
17	2180387	1	Fitting, LP	
18	2180389	1	Fitting	
19	2180504	1	Fitting, Barbed	
20	2220290	1	Fitting, Tee FNPTF/NPTF/FNPTF	
21	3290405	1	Nut Lock M4	
22	3290605	4	Nut Lock M6	
23	3290801	3	Nut M8	
24	3290805	7	Nut Lock M8	
25	3291005	8	Nut Lock M10	
26	3422532	1	Pin	
27	3790012	1	O-Ring	
28	3841143	1	Keeper, Pin	
29	4240099	AR	Tie-Strap (Not Shown)	
30	4811700	2	Washer M6	
31	4811702	6	Washer M6	
32	4811900	19	Washer M8	
33	4812000	17	Washer M10	
34	4812002	1	Washer M10	
35	5240800	4	Washer M8 Hardened	
36	5251215	1	Bolt M12 x 35	
37	5261200	1	Nut M12 Grade 10.9	
38	1001118274	4	Nut Special M8	
39	1001135196	1	Pin	
40	1001155044	2	Nut Special 15/32	
41	1001161710	1	Switch, Toggle	
42	1001167512	1	Bracket, Engine Tray Stow	
43	1001174486	3	Clamp	
44	1001196376	1	Seal, Rubber	
45	1001204123	1	Plate, Support	
46	1001236254	1	Engine and Pump Sub-Assembly - Kubota Engine (Without Arctic Package) (See Separate Breakdown in this Section)	
47	1001212257	1	Cable, Battery (Red) (Alternator Positive to Starter) (Not Shown)	

SECTION 3 - ENGINE

ITEM	PART NUMBER	QTY	DESCRIPTION	REV
48	1001213060	1	Cable, Battery (Red) (Battery Positive to Auxiliary Power Relay) (Not Shown)	
49	1001213061	1	Cable, Battery (Black) (Battery Negative to Pivot Pin to Engine Ground) (Not Shown)	
50	1001213706	1	Harness Engine - Kubota Engine (Not Shown - See Separate Breakdown in ELECTRICAL SECTION)	
51	1001214503	1	Pipe, Tail Pipe	
52	1001215259	1	Plate, Engine Lock	
53	1001215813	1	Mount, Fuel System	
54	1001216308	1	Support, Fuel Lines	
55	1001216400	1	Hose	
56	1001216401	1	Hose	
57	1001156819	4.5 ft/ 1.3m	Hose	
58	1001216405	1	Hose	
59	4812100	2	Washer M12	
60	1001217785	2	Clamp	
61	0761011	2	Bolt M10 x 22	
62	85841094	6	Clamp	
63	1001195039	1	Clamp	
64	4460466	8	Terminal, Sealing Plug (Not Shown)	
65	4460930	1	Plug (Not Shown)	
66	1001217494	2	Bolt M12 x 20	
67	4812200	1	Washer M14	
68	24431386	1	Clamp	
69	1001217345	1	Bolt M14 x 30	
70	1001229797	1	Harness, Kubota D/F Power (Not Shown - See Separate Breakdown in ELECTRICAL SECTION)	

SECTION 3 - ENGINE

FIGURE 3-26. ENGINE AND PUMP SUB-ASSEMBLY - KUBOTA ENGINE (WITHOUT ARCTIC PACKAGE)



ART_1001236254

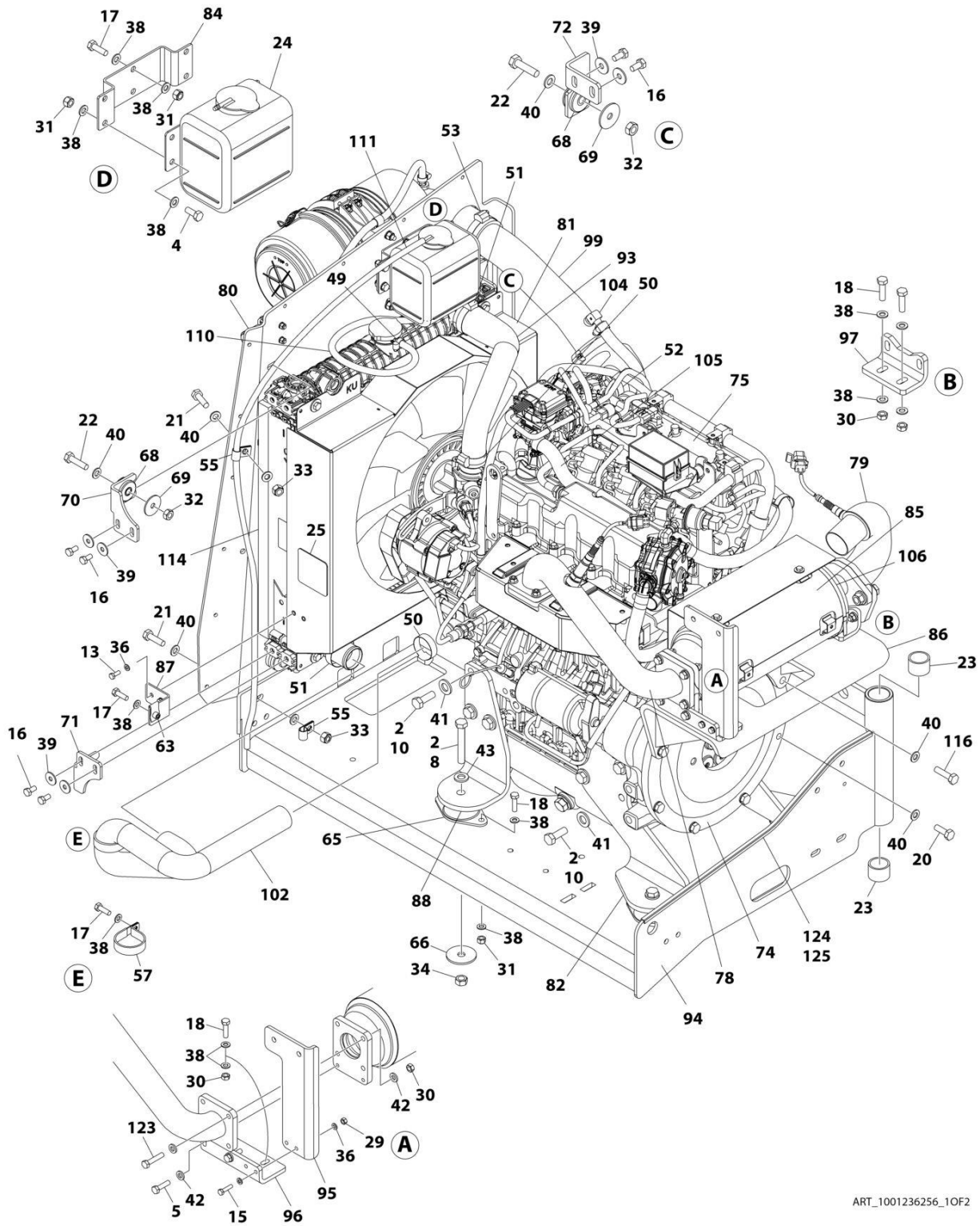
SECTION 3 - ENGINE

FIGURE 3-26. ENGINE AND PUMP SUB-ASSEMBLY - KUBOTA ENGINE (WITHOUT ARCTIC PACKAGE)

ITEM	PART NUMBER	QTY	DESCRIPTION	REV
	1001236254	Ref	ENGINE AND PUMP SUB-ASSEMBLY - KUBOTA ENGINE (WITHOUT ARCTIC PACKAGE)	A
1	0100011	AR	Compound, Locking	
2	0641812	2	Bolt 1/2 x 1-1/2	
3	1001214207	1	Pump, Gear	
3	70006356	1	Seal Kit - 1001214207 Pump	
4	3790152	1	O-Ring	
5	3931618	2	Bolt 3/8 x 1-1/8	
6	4891600	2	Washer 3/8	
7	4891800	2	Washer 1/2	
8	1001167036	1	Piston Pump Assembly (See Separate Breakdown in this Section)	
9	1001171953	1	Seal, Gasket	
10	1001171954	1	Seal, Gasket	
11	1001236256	1	Engine Assembly - Kubota Engine (Without Arctic Package) (See Separate Breakdown in this Section)	

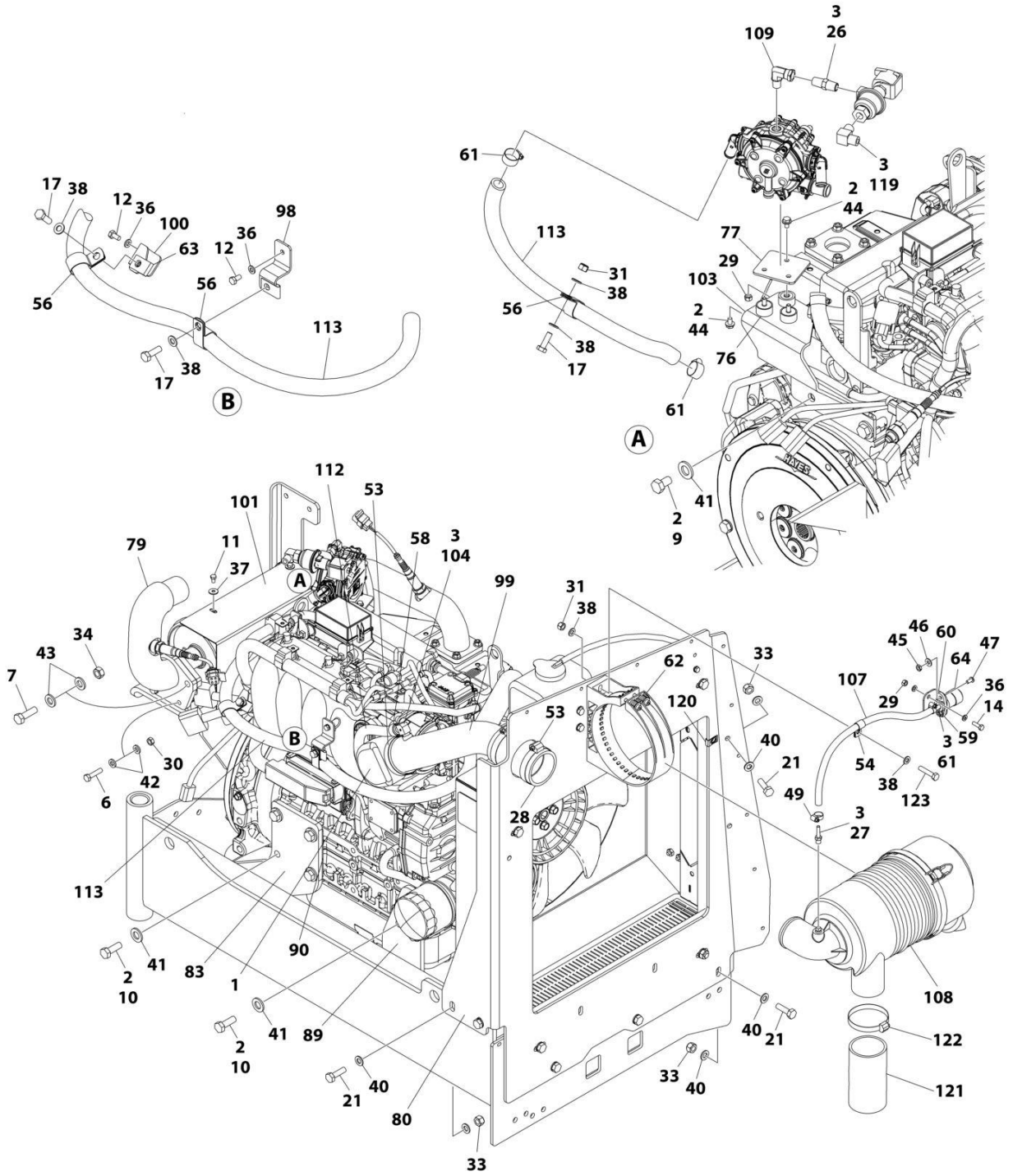
SECTION 3 - ENGINE

FIGURE 3-27. ENGINE ASSEMBLY - KUBOTA ENGINE (WITHOUT ARCTIC PACKAGE)



ART_1001236256_10F2

SECTION 3 - ENGINE



ART_1001236256_20F2

SECTION 3 - ENGINE

FIGURE 3-27. ENGINE ASSEMBLY - KUBOTA ENGINE (WITHOUT ARCTIC PACKAGE)

ITEM	PART NUMBER	QTY	DESCRIPTION	REV
	1001236256	Ref	ENGINE ASSEMBLY - KUBOTA ENGINE (WITHOUT ARCTIC PACKAGE)	E
1	0080201	1	Adapter, 90	
2	0100011	AR	Compound, Locking	
3	0100020	AR	Sealant, Pipe	
4	0700810	4	Bolt M8 x 20	
5	0700814	2	Bolt M8 x 30	
6	0700815	2	Bolt M8 x 35	
7	0701216	2	Bolt M12 x 40	
8	0701224	4	Bolt M12 x 80	
9	1001217494	2	Bolt M12 x 20	
10	1001217343	14	Bolt M12 x 35	
11	0760605	4	Bolt M6 x 10	
12	0760606	2	Bolt M6 x 12	
13	0760608	2	Bolt M6 x 16	
14	0760610	2	Bolt M6 x 20	
15	0760612	2	Bolt M6 x 25	
16	0760808	8	Bolt M8 x 16	
17	0760812	6	Bolt M8 x 25	
18	0760814	12	Bolt M8 x 30	
19	0760815	1	Bolt M8 x 35	
20	0761014	4	Bolt M10 x 30	
21	0761015	6	Bolt M10 x 35	
22	0761016	4	Bolt M10 x 40	
23	0961951	2	Bushing	
24	1580011	1	Container, Coolant Overflow	
25	1703162	2	Decal - Caution Fan	
26	2220261	1	Fitting, Nipple NPTF/NPTF	
27	2220315	1	Fitting, Barbed	
28	2720644	1	Hose	
29	3290607	5	Nut M6	
30	3290801	10	Nut M8	
31	3290805	17	Nut M8	
32	3291001	4	Nut M10	
33	3291005	6	Nut M10	
34	3291201	6	Nut M12	
35	4240099	AR	Tie-Strap (Not Shown)	
36	4811700	12	Washer M6	
37	4811702	4	Washer M6	
38	4811900	45	Washer M8	
39	4811902	8	Washer M8	
40	4812000	24	Washer M10	
41	5241400	16	Washer M14	
42	5240800	14	Washer M8	
43	5241200	8	Washer M12	
44	5250605	3	Bolt M6 x 10	
45	8305401	2	Nut 1/4	
46	8307109	2	Washer 1/4	
47	8310548	2	Screw 1/4 NC x 1/2	
48	1001173535	2	Clamp	

SECTION 3 - ENGINE

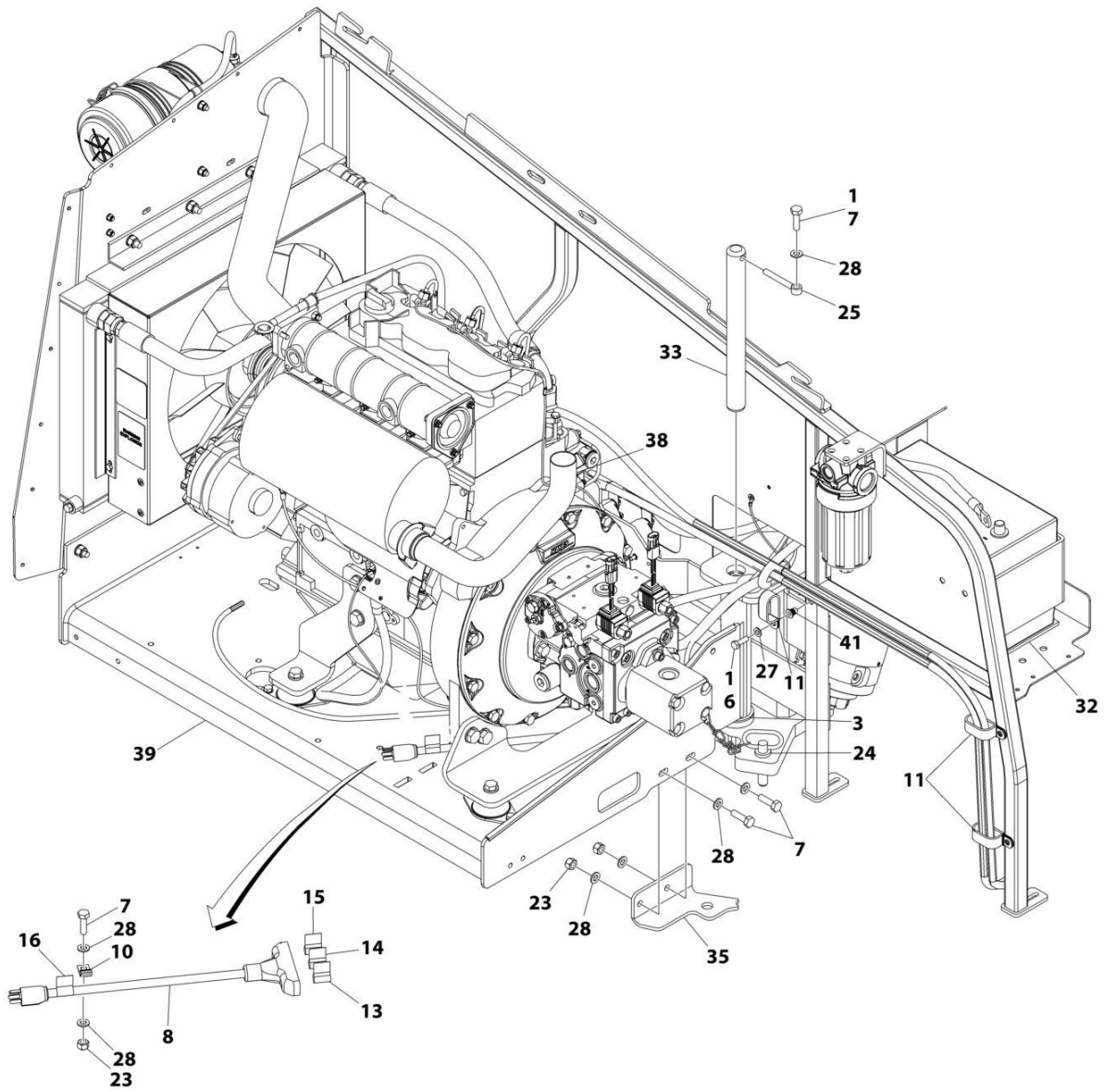
ITEM	PART NUMBER	QTY	DESCRIPTION	REV
49	8405009	4	Clamp	
50	8405102	2	Clamp	
51	8405104	2	Clamp	
52	8405202	1	Clamp	
53	8405203	3	Clamp	
54	8406109	1	Clip	
55	8406110	2	Clip	
56	8406201	3	Clip	
57	8410001	1	Clamp	
58	8410009	6	Clamp	
59	1001138173	1	Support, Service Indicator	
60	1001138175	1	Bracket, Service Indicator	
61	1001141995	1	Fitting, Barbed	
62	1001147812	1	Clamp, Air Cleaner	
63	1001149160	3	Nut M8	
64	1001149639	1	Indicator, Air Intake	
65	1001166718	4	Isolator, Engine Mount	
66	1001168018	4	Washer, Snubbing	
67	1001168166	2	Seal	
68	1001169054	4	Isolator, Radiator	
69	1001169138	4	Washer, Snubbing	
70	1001169967	2	Bracket	
71	1001170035	1	Bracket	
72	1001176330	1	Bracket	
73	1001180620	AR	Adhesive	
74	1001209844	1	Pump Coupling Kit (See Separate Breakdown in this Section)	
75	1001236393	1	Engine, Kubota (See Separate Breakdown in this Section)	
76	1001211794	3	Mount	
77	1001211797	1	Mount	
78	1001212989	1	Pipe, Exhaust (Inlet)	
79	1001212993	1	Pipe Exhaust (Outlet)	
80	1001213305	1	Plate, Mounting	
81	1001236257	1	Radiator	
82	1001213425	1	Plate, Engine Mount (Left Rear)	
83	1001213426	1	Plate, Engine Mount (Right Rear)	
84	1001213482	1	Bracket	
85	1001213824	1	Insulation	
86	1001214138	1	Bracket	
87	1001214205	1	Support	
88	1001214233	1	Plate (Front Left)	
89	1001214234	1	Plate (Front Right)	
90	1001214276	1	Shim	
91	1001214277	1	Shim	
92	1001214278	2	Shim	
93	1001214307	1	Hose	
94	1001214508	1	Support	
95	1001214553	1	Support	
96	1001214555	1	Bracket	
97	1001214556	1	Bracket	
98	1001214558	1	Bracket	
99	1001214598	1	Tube	

SECTION 3 - ENGINE

ITEM	PART NUMBER	QTY	DESCRIPTION	REV
100	1001214599	1	Bracket	
101	1001214664	1	Cover	
102	1001214694	1	Hose	
103	1001214841	1	Bracket	
104	1001215125	1	Fitting, 90	
105	1001215869	1	Hose	
106	1001137336	2	Strap	
107	1001138248	2 ft/ 0.61m	Tube	
108	1001147813	1	Air Cleaner Assembly Including Filter Element	
108	70004020	1	Element, Air Filter	
109	1001247359	1	Fitting, 90	
110	2720058	1.75 ft/ 0.53m	Hose	
111	2720271	4 ft/ 1.22m	Hose	
112	2720615	1.25 ft/ 0.38m	Hose	
113	82033995	5.5 ft/ 1.68m	Hose	
114	1001216825	2	Seal	
115	0700816	4	Bolt M8 x 40	
116	0701016	4	Bolt M10 x 40	
119	2180504	1	Fitting, Barbed	
120	1001118274	1	Nut, Special M8	
121	1001001939	1	Tube, Flex	
122	8410011	1	Clamp	
123	0760816	1	Bolt M8 x 40	
124	4060805	1.94 ft/ 0.59m	Flex-Trim	
125	0100081	AR	Adhesive	

SECTION 3 - ENGINE

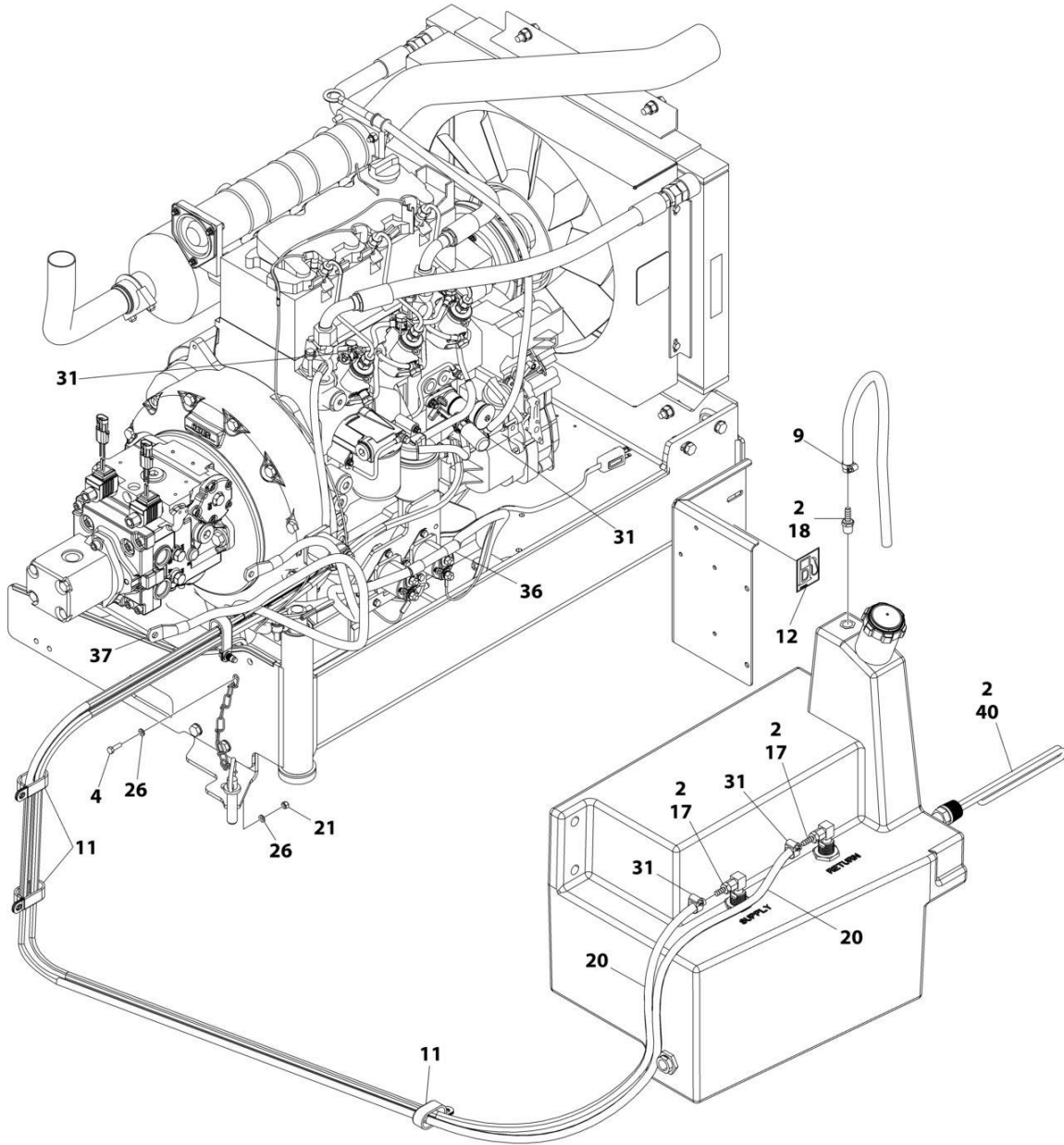
FIGURE 3-28. ENGINE ASSEMBLY - DEUTZ D2011 ENGINE (WITH ARCTIC PACKAGE)



ART_1001287816_10F3

SECTION 3 - ENGINE

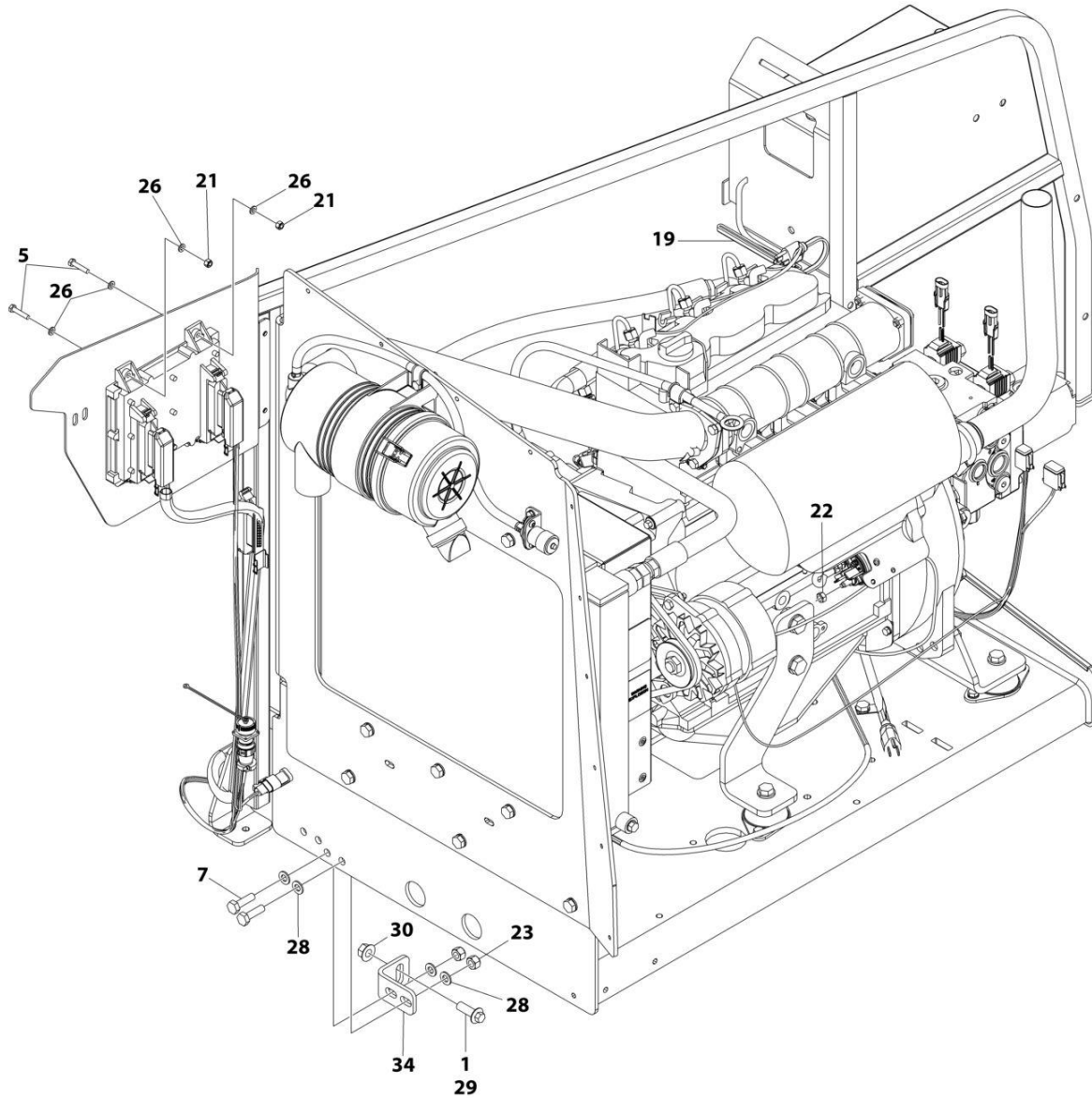
FIGURE 3-29. ENGINE ASSEMBLY - DEUTZ D2011 ENGINE (WITH ARCTIC PACKAGE)



ART_1001287816_20F3

SECTION 3 - ENGINE

FIGURE 3-30. ENGINE ASSEMBLY - DEUTZ D2011 ENGINE (WITH ARCTIC PACKAGE)



ART_1001287816_30F3

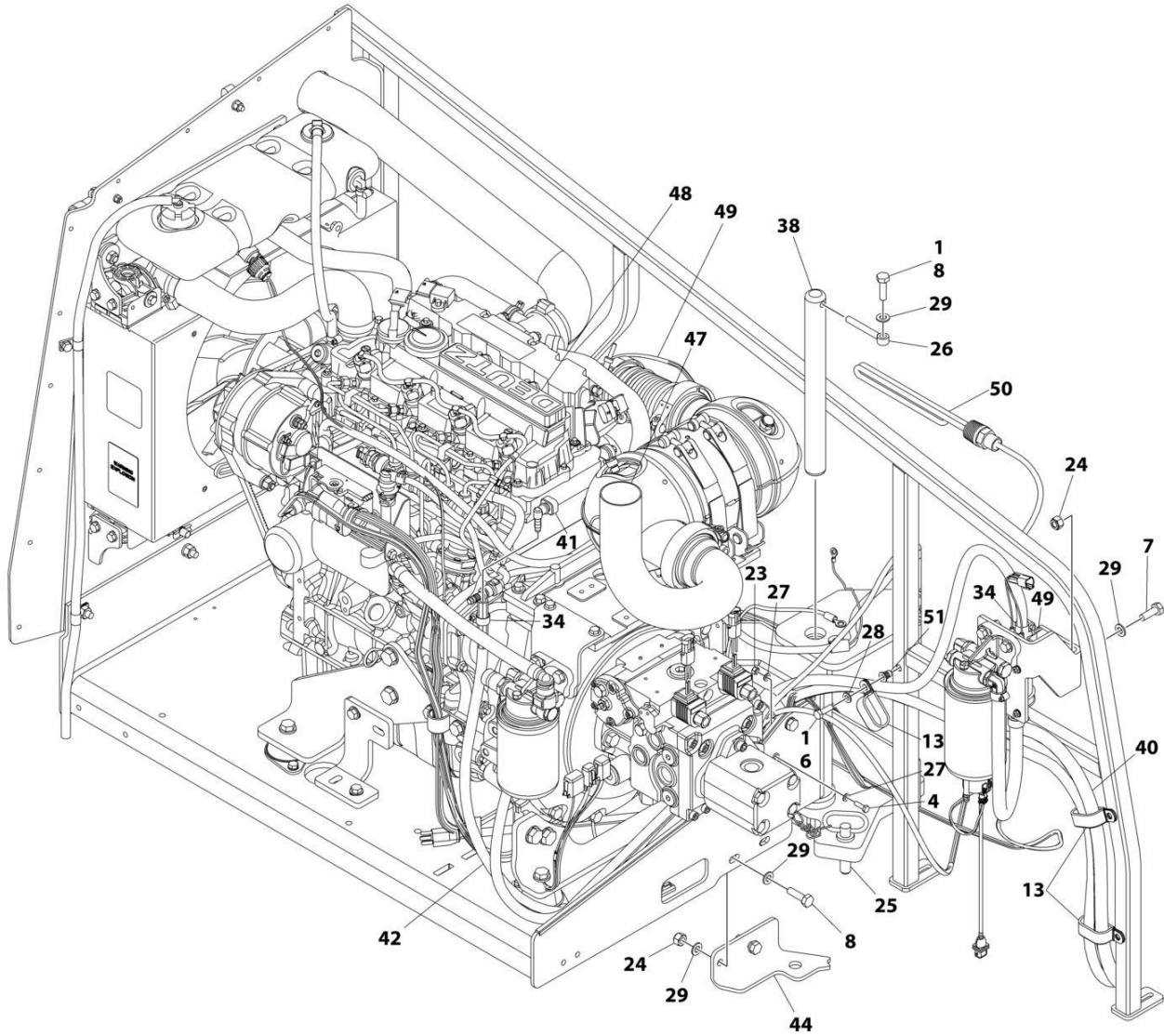
SECTION 3 - ENGINE

FIGURE 3-30. ENGINE ASSEMBLY - DEUTZ D2011 ENGINE (WITH ARCTIC PACKAGE)

ITEM	PART NUMBER	QTY	DESCRIPTION	REV
	1001287816	Ref	ENGINE INSTALLATION - DEUTZ D2011	A
1	0100011	AR	Compound, Locking	
2	0100020	AR	Sealant, Pipe	
3	0440162	1	Bearing	
4	0760610	1	Bolt M6 x 20	
5	0760614	4	Bolt M6 x 30	
6	0760812	1	Bolt M8 x 25	
7	0761015	6	Bolt M10 x 35	
8	1060626	1	Plug, 3 Way	
9	1320022	1	Clamp	
10	1320223	1	Clamp	
11	1321716	4	Clamp	
12	1701505	1	Decal - Diesel Fuel	
13	1702941	1	Decal - Battery Heater	
14	1702942	1	Decal - Engine Block Heater	
15	1702943	1	Decal - Hydraulic Tank Heater	
16	1702944	1	Decal - Heater Cord	
17	2180348	2	Fitting, Barbed	
18	2180876	1	Fitting, Barbed	
19	2580024	1	Heater, Battery	
20	2720058	22 ft /6.7m	Hose	
21	3290605	5	Nut, Lock M6	
22	3290801	1	Nut M8	
23	3291005	5	Nut, Lock M10	
24	3422532	1	Pin	
25	3841143	1	Keeper, Pin	
26	4811700	10	Washer M6	
27	4811900	1	Washer M8	
28	4812000	11	Washer M10	
29	5251215	1	Bolt M12 x 35 Class 10.9	
30	5261200	1	Nut, Flange M12 Class 10	
31	8410013	4	Clamp	
32	1001119278	1	Insulate	
33	1001135196	1	Pin	
34	1001167512	1	Bracket, Engine	
35	1001169823	1	Plate, Engine Lock	
36	1001171681	1	Cable, Battery (Red) (Battery Positive to Auxiliary Power Relay)	
37	1001171682	1	Cable, Battery (Black) (Battery Negative to Auxiliary Power Pump)	
38	1001172202	1	Pipe, Exhaust	
39	1001174784	1	Engine and Pump Sub-Assembly - Deutz D2011 (With Arctic Package) (See Separate Breakdown in this Section)	
40	1001188972	1	Heater, Hydraulic Tank	
41	1001191832	1	Nut, Rivet M8	

SECTION 3 - ENGINE

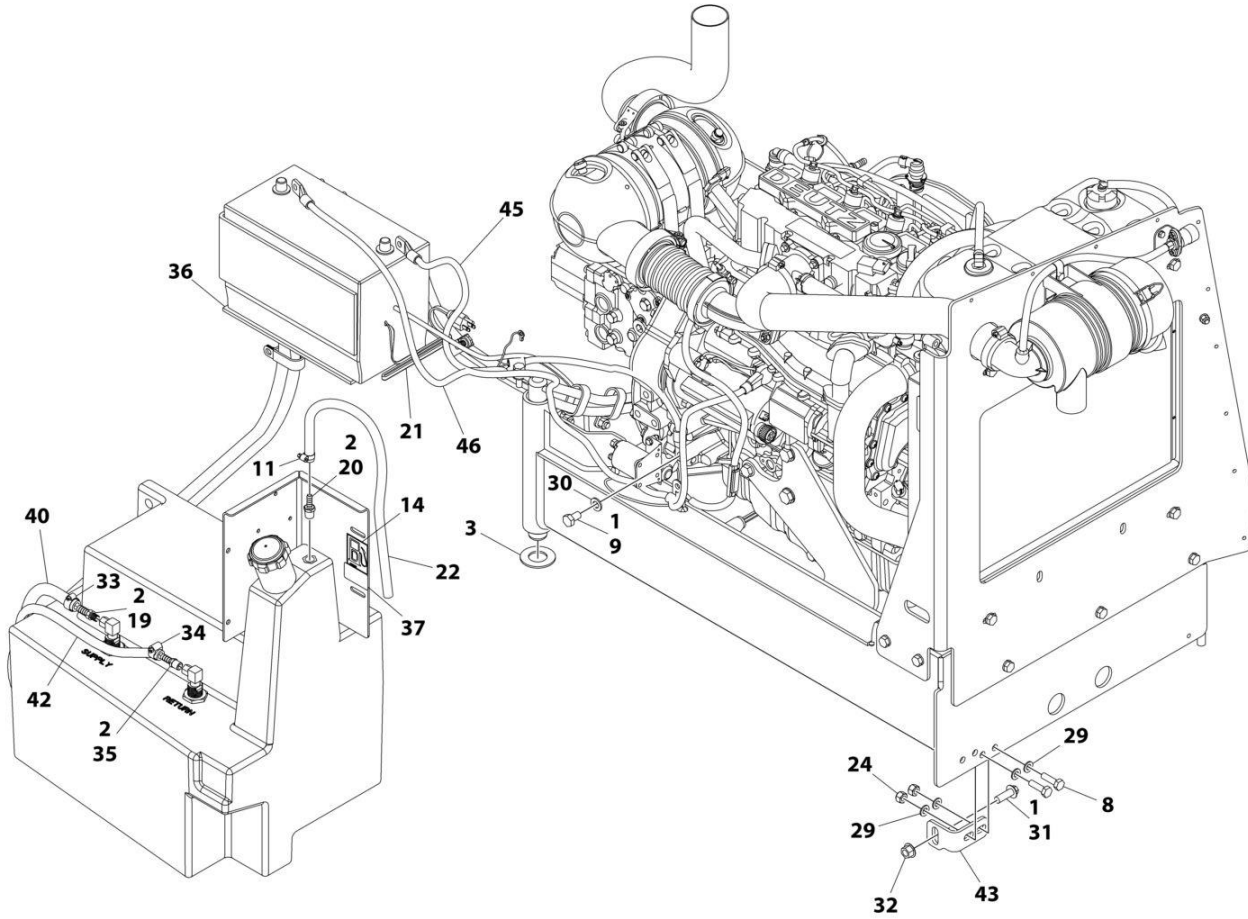
FIGURE 3-31. ENGINE ASSEMBLY - DEUTZ D2.9L4 ENGINE (WITH ARCTIC PACKAGE)



ART_1001287815_10F3

SECTION 3 - ENGINE

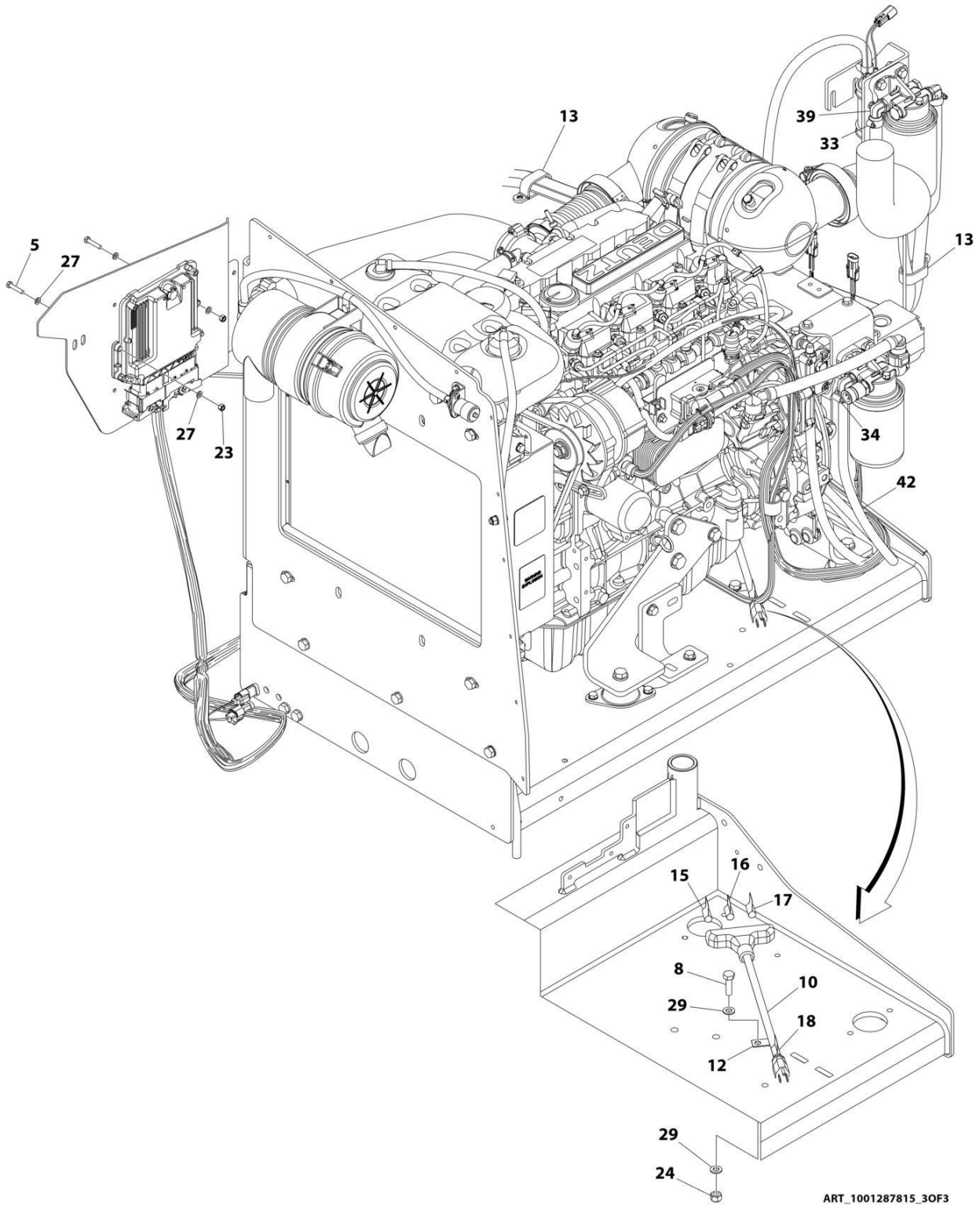
FIGURE 3-32. ENGINE ASSEMBLY - DEUTZ D2.9L4 ENGINE (WITH ARCTIC PACKAGE)



ART_1001287815_20F3

SECTION 3 - ENGINE

FIGURE 3-33. ENGINE ASSEMBLY - DEUTZ D2.9L4 ENGINE (WITH ARCTIC PACKAGE)



ART_1001287815_30F3

SECTION 3 - ENGINE

FIGURE 3-33. ENGINE ASSEMBLY - DEUTZ D2.9L4 ENGINE (WITH ARCTIC PACKAGE)

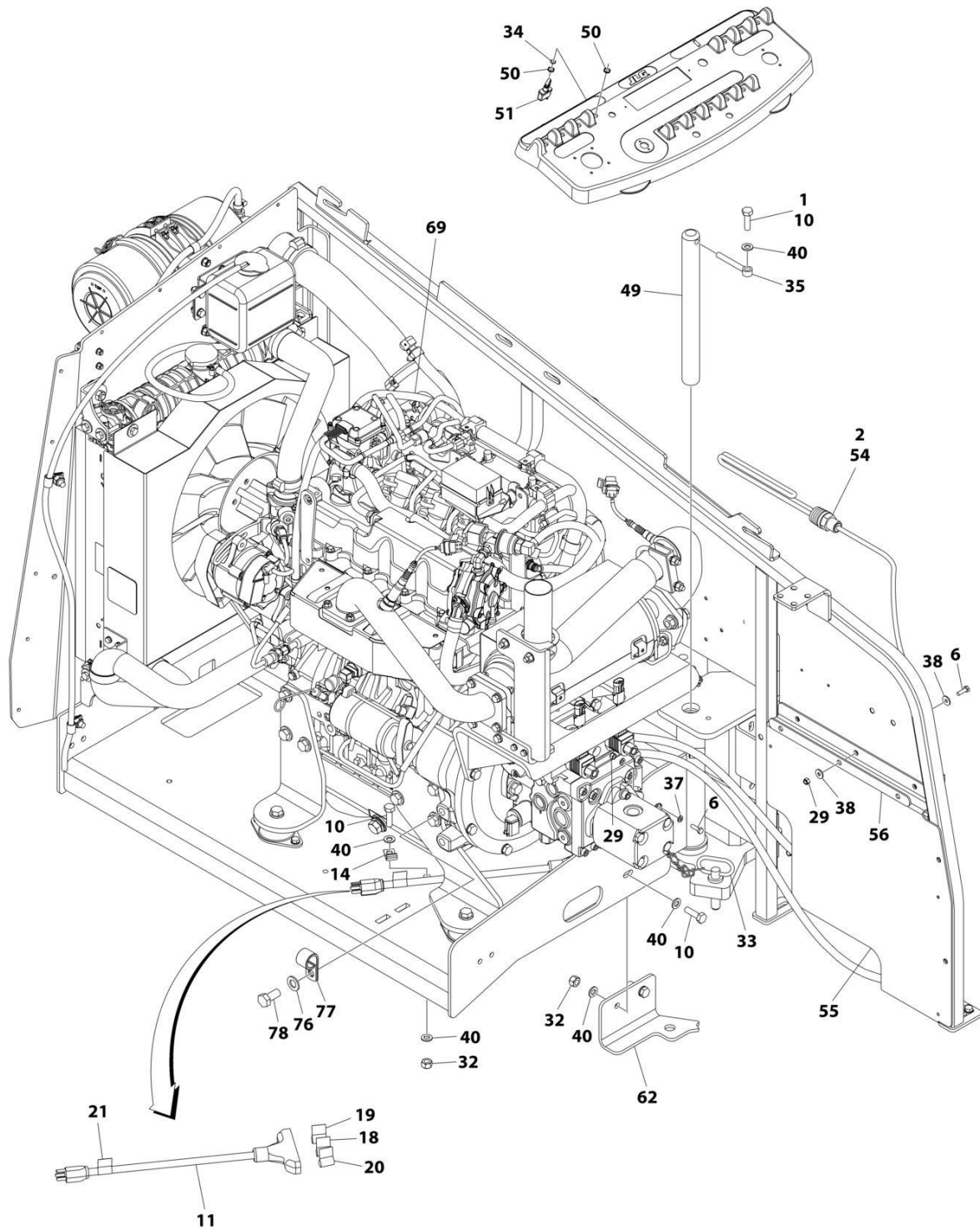
ITEM	PART NUMBER	QTY	DESCRIPTION	REV
	1001287815	Ref	ENGINE INSTALLATION - DEUTZ D2.9L4	A
1	0100011	AR	Compound, Locking	
2	0100020	AR	Sealant, Pipe	
3	0440162	1	Bearing	
4	0760610	1	Bolt M6 x 20	
5	0760614	4	Bolt M6 x 30	
6	0760812	1	Bolt M8 x 25	
7	0761014	2	Bolt M10 x 30	
8	0761015	6	Bolt M10 x 35	
9	0761210	1	Bolt M12 x 20	
10	1060626	1	Plug, 3 Way	
11	1320022	1	Clamp	
12	1320223	1	Clamp	
13	1321716	4	Clamp	
14	1701505	1	Decal - Diesel Fuel	
15	1702941	1	Decal - Battery Heater	
16	1702942	1	Decal - Engine Block Heater	
17	1702943	1	Decal - Hydraulic Tank Heater	
18	1702944	1	Decal - Heater Cord	
19	2180832	1	Fitting, Barbed	
20	2180876	1	Fitting, Barbed	
21	2580024	1	Heater, Battery	
22	2720058	2 ft /0.61m	Hose	
23	3290605	5	Nut, Lock M6	
24	3291005	7	Nut, Lock M10	
25	3422532	1	Pin	
26	3841143	1	Keeper, Pin	
27	4811700	10	Washer M6	
28	4811900	1	Washer, M8	
29	4812000	13	Washer M10	
30	4812100	1	Washer M12	
31	5251215	1	Bolt, M12 x 35 Class 10.9	
32	5261200	1	Nut, Flange M12 Class 10	
33	8405006	2	Clamp	
34	8410013	4	Clamp	
35	8430007	1	Coupling	
36	1001119278	1	Insulate	
37	1001125387	1	Decal - Ultra Low Sulfur Fuel	
38	1001135196	1	Pin	
39	1001142501	1	Fitting, Barbed 90	
40	1001154405	7.25 ft /2.21m	Hose	
41	1001155823	1	Coupling, Quick Disconnect 90	
42	1001165035	17.25 ft /5.26m	Hose	
43	1001167512	1	Bracket, Engine Tray	
44	1001169823	1	Plate, Engine Lock	
45	1001171683	1	Cable, Battery (Red) (Battery Positive to Auxiliary Power Relay)	
46	1001171684	1	Cable, Battery (Black) (Battery Negative to Auxiliary Power Pump)	

SECTION 3 - ENGINE

ITEM	PART NUMBER	QTY	DESCRIPTION	REV
47	1001172736	1	Pipe, Exhaust	
48	1001174778	1	Engine and Pump Sub-Assembly - Deutz D2.9L4 (With Arctic Package) (See Separate Breakdown in this Section)	
49	1001181358	1	Harness, Fuel Pump (See Separate Breakdown in ELECTRICAL Section)	
50	1001188972	1	Heater, Hydraulic Tank	
51	1001191832	1	Nut, Rivet M8	
52	1001233763	Ref	Breather Heater Installation (Not Shown - See Separate Breakdown in this Section)	

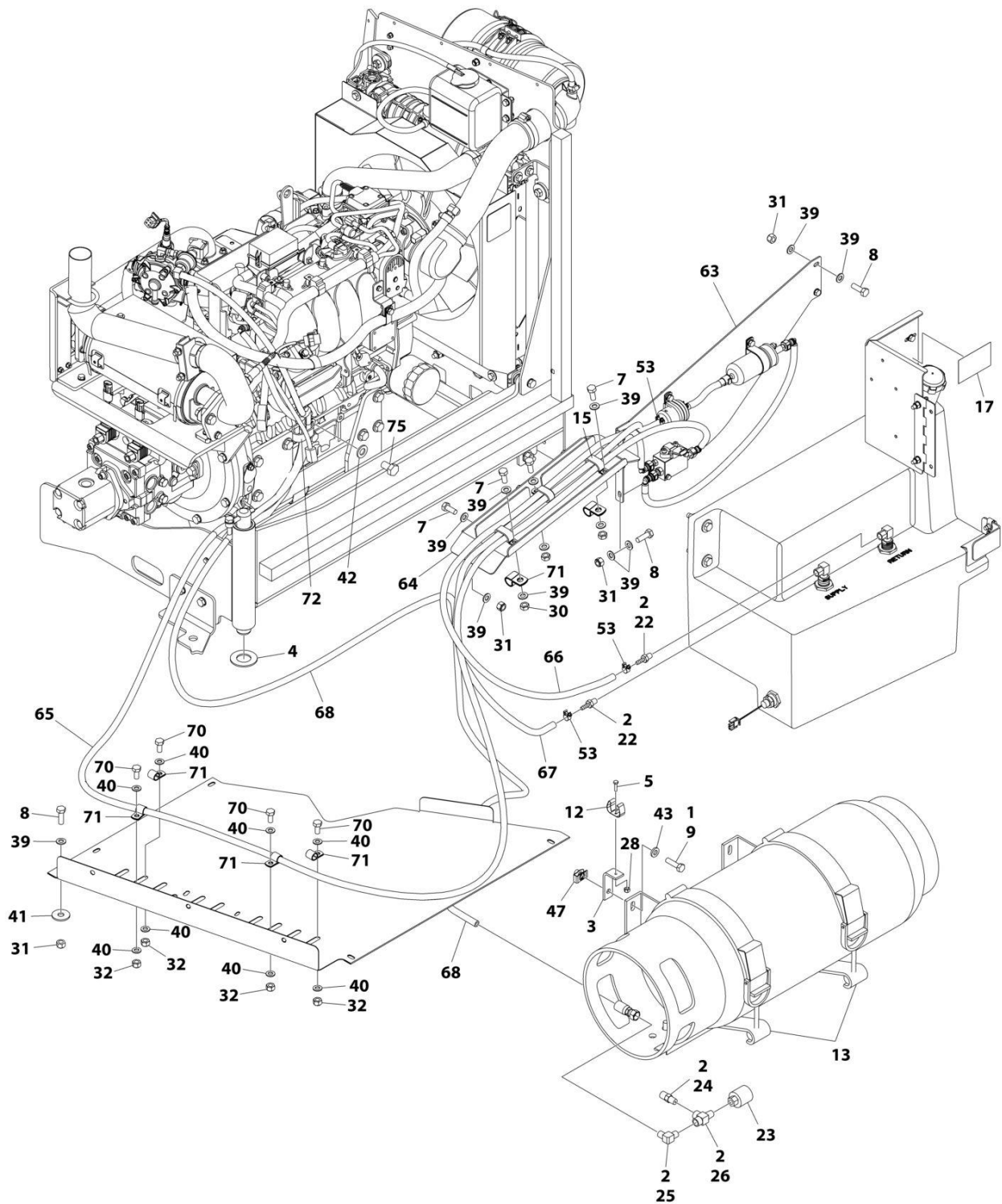
SECTION 3 - ENGINE

FIGURE 3-34. ENGINE INSTALLATION - KUBOTA ENGINE (WITH ARCTIC PACKAGE)



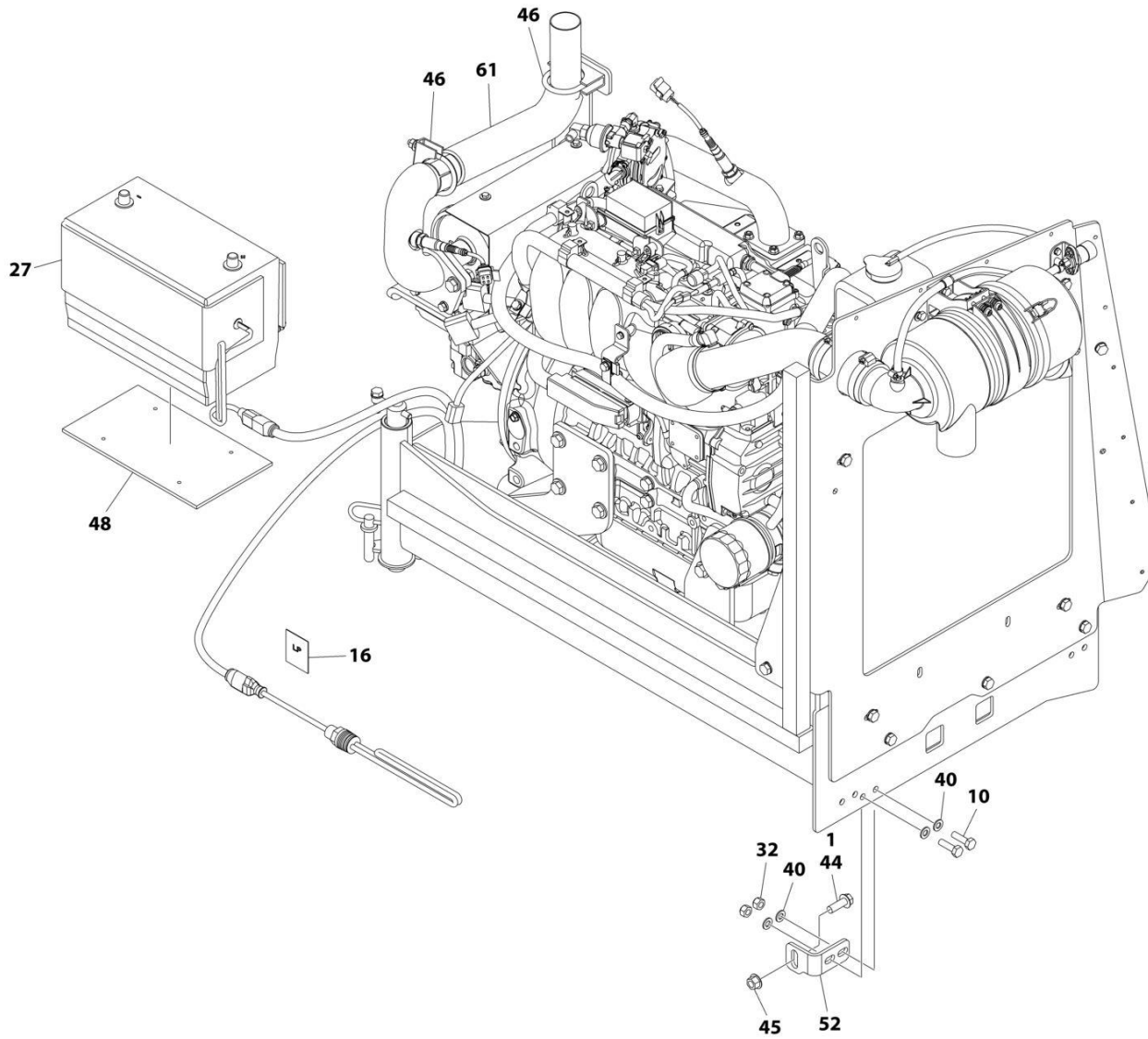
ART_1001236253_10F3

SECTION 3 - ENGINE



ART_1001236253_20F3

SECTION 3 - ENGINE



ART_1001236253_30F3

SECTION 3 - ENGINE

FIGURE 3-34. ENGINE INSTALLATION - KUBOTA ENGINE (WITH ARCTIC PACKAGE)

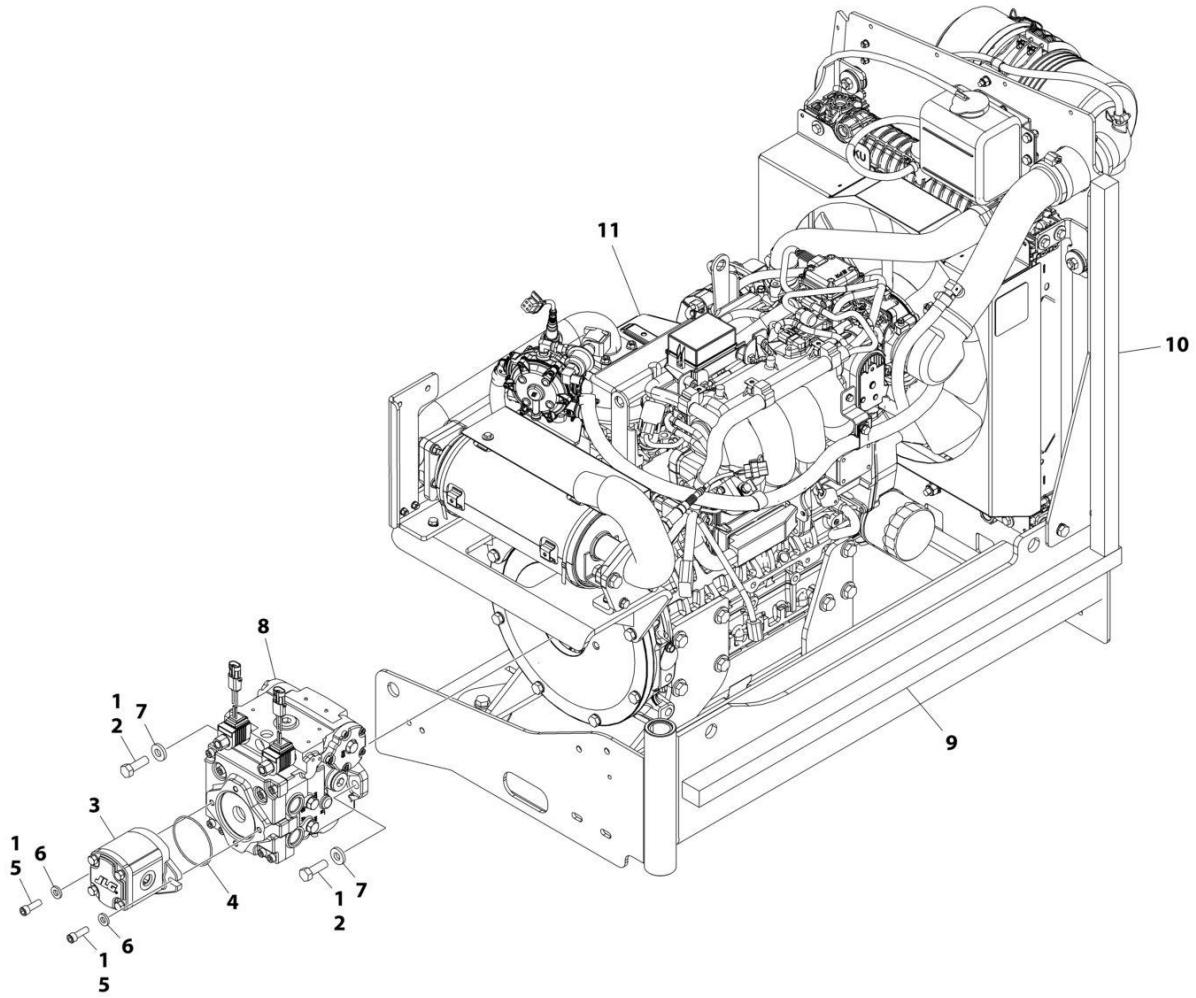
ITEM	PART NUMBER	QTY	DESCRIPTION	REV
	1001236253	Ref	ENGINE INSTALLATION - KUBOTA ENGINE (WITH ARCTIC PACKAGE)	A
1	0100011	AR	Compound, Locking	
2	0100020	AR	Sealant, Pipe	
3	0181949	1	Angle	
4	0440162	1	Bearing	
5	0760408	1	Bolt M4 x 16	
6	0760610	4	Bolt M6 x 20	
7	0760810	6	Bolt M8 x 20	
8	0760812	4	Bolt M8 x 25	
9	0760814	4	Bolt M8 x 30	
10	0761015	6	Bolt M10 x 35	
11	1060626	1	Cord, 3 Way Extension	
12	1320218	1	Clamp	
13	1320220	1	Clamp Kit - LP	
14	1320223	1	Clamp	
15	1321283	3	Clamp	
16	1701543	1	Decal - LPG	
17	1701542	1	Decal - Gas	
18	1702941	1	Decal - Battery Heater	
19	1702942	1	Decal - Engine Block Heater	
20	1702943	1	Decal - Hydraulic Tank Heater	
21	1702944	1	Decal - Heater Cord	
22	2180348	2	Fitting, Barbed	
23	2180387	1	Fitting, LP	
24	2180389	1	Fitting	
25	2180504	1	Fitting, Barbed	
26	2220290	1	Fitting, Tee FNPTF/NPTF/FNPTF	
27	2580024	1	Heater, Battery	
28	3290405	1	Nut M4	
29	3290605	4	Nut M6	
30	3290801	3	Nut M8	
31	3290805	7	Nut M8	
32	3291005	9	Nut M10	
33	3422532	1	Pin	
34	3790012	1	O-Ring	
35	3841143	1	Keeper, Pin	
36	4240099	AR	Tie-Strap (Not Shown)	
37	4811700	2	Washer M6	
38	4811702	6	Washer M6	
39	4811900	19	Washer M8	
40	4812000	19	Washer M10	
41	4812002	1	Washer M10	
42	4812100	2	Washer M12	
43	5240800	4	Washer M8	
44	5251215	1	Bolt M12 x 35	
45	5261200	1	Nut M12 Grade 10.9	
46	1001217785	2	Clamp	
47	1001118274	4	Nut Special M8	
48	1001119278	1	Insulate	

SECTION 3 - ENGINE

ITEM	PART NUMBER	QTY	DESCRIPTION	REV
49	1001135196	1	Pin	
50	1001155044	2	Nut, Special 15/32	
51	1001161710	1	Switch, Toggle	
52	1001167512	1	Bracket, Engine Tray Stow	
53	1001174486	3	Clamp	
54	1001188972	1	Heater, Hydraulic Tank	
55	1001196376	1	Seal, Rubber	
56	1001204123	1	Plate, Support	
57	1001212257	1	Cable, Battery (Red) (Alternator Positive to Starter) (Not Shown)	
58	1001213060	1	Cable, Battery (Red) (Battery Positive to Auxiliary Power Relay) (Not Shown)	
59	1001213061	1	Cable, Battery (Black) (Battery Negative to Pivot Pin to Engine Ground) (Not Shown)	
60	1001213706	1	Harness Engine - Kubota Engine (Not Shown - See Separate Breakdown in ELECTRICAL SECTION)	
61	1001214503	1	Pipe, Tail Pipe	
62	1001215259	1	Plate, Engine Lock	
63	1001215813	1	Mount, Fuel System	
64	1001216308	1	Support, Fuel Lines	
65	1001216400	1	Hose	
66	1001216401	1	Hose	
67	1001156819	4.5 ft/ 1.4m	Hose	
68	1001216405	1	Hose	
69	1001236258	1	Engine and Pump Sub-Assembly - Kubota Engine (With Arctic Package) (See Separate Breakdown in this Section)	
70	0761011	4	Bolt M10 x 22	
71	85841094	6	Clamp	
72	1001195039	1	Clamp	
73	4460466	8	Seal, Terminal (Not Shown)	
74	4460930	1	Plug (Not Shown)	
75	1001217494	2	Bolt M12 x 20	
76	4812200	1	Washer M14	
77	24431386	1	Clamp	
78	1001217345	1	Bolt M14 x 30	
79	1001229797	1	Harness, Kubota D/F Power (Not Shown - See Separate Breakdown in ELECTRICAL SECTION)	

SECTION 3 - ENGINE

FIGURE 3-35. ENGINE AND PUMP SUB-ASSEMBLY - KUBOTA ENGINE (WITH ARCTIC PACKAGE)



ART_1001236258

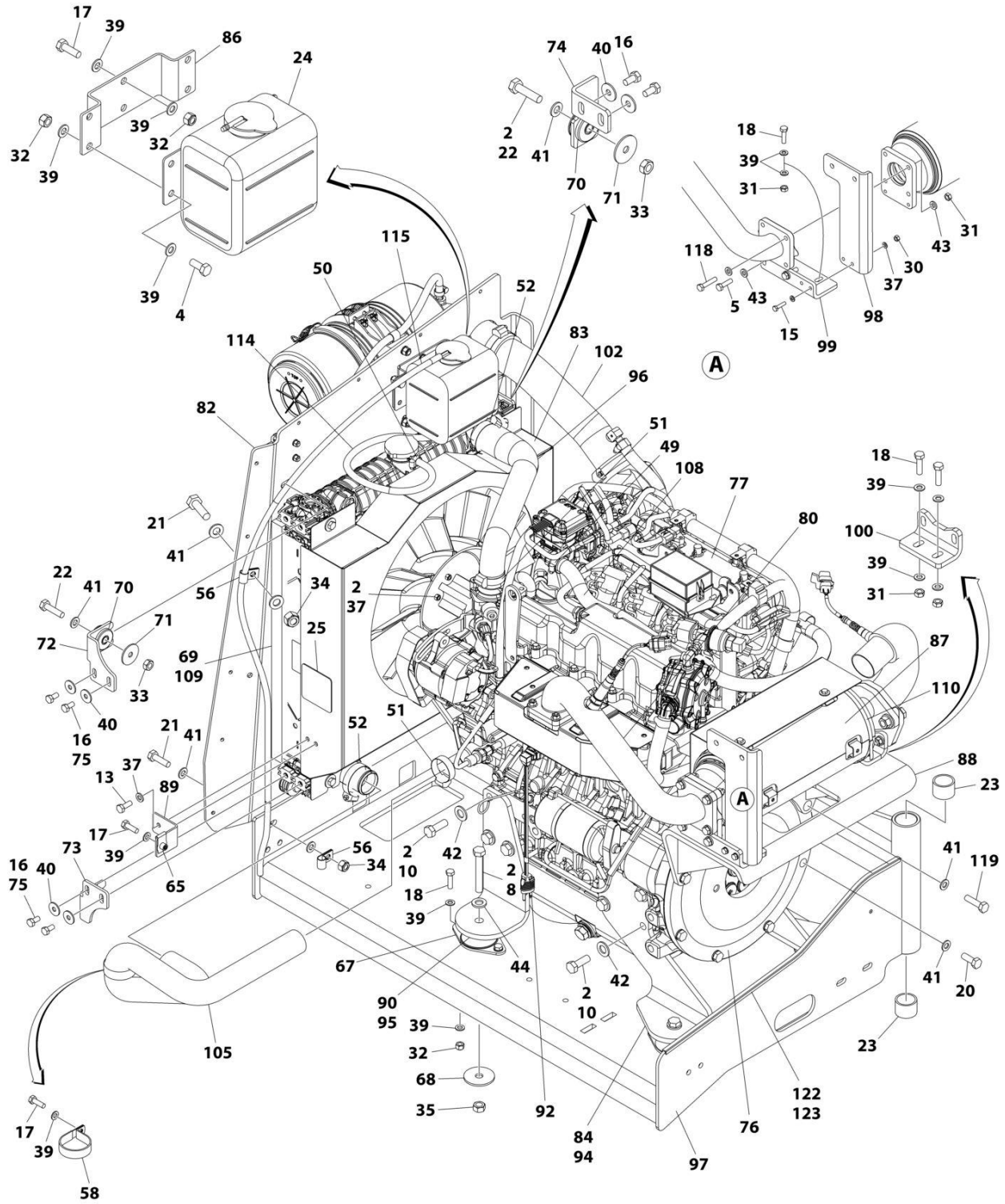
SECTION 3 - ENGINE

FIGURE 3-35. ENGINE AND PUMP SUB-ASSEMBLY - KUBOTA ENGINE (WITH ARCTIC PACKAGE)

ITEM	PART NUMBER	QTY	DESCRIPTION	REV
	1001236258	Ref	ENGINE AND PUMP SUB-ASSEMBLY - KUBOTA ENGINE (WITH ARCTIC PACKAGE)	A
1	0100011	AR	Compound, Locking	
2	0641812	2	Bolt 1/2 x 1-1/2	
3	1001214207	1	Gear Pump Assembly	
3	70006356	1	Seal Kit - 1001214207 Pump	
4	3790152	1	O-Ring	
5	3931618	2	Capscrew 3/8 x 1-1/8	
6	4891600	2	Washer 3/8	
7	4891800	2	Washer 1/2	
8	1001167036	1	Piston Pump Assembly (See Separate Breakdown in this Section)	
9	1001171953	1	Seal	
10	1001171954	1	Seal	
11	1001236259	1	Engine Assembly - Kubota Engine (With Arctic Package) (See Separate Breakdown in this Section)	

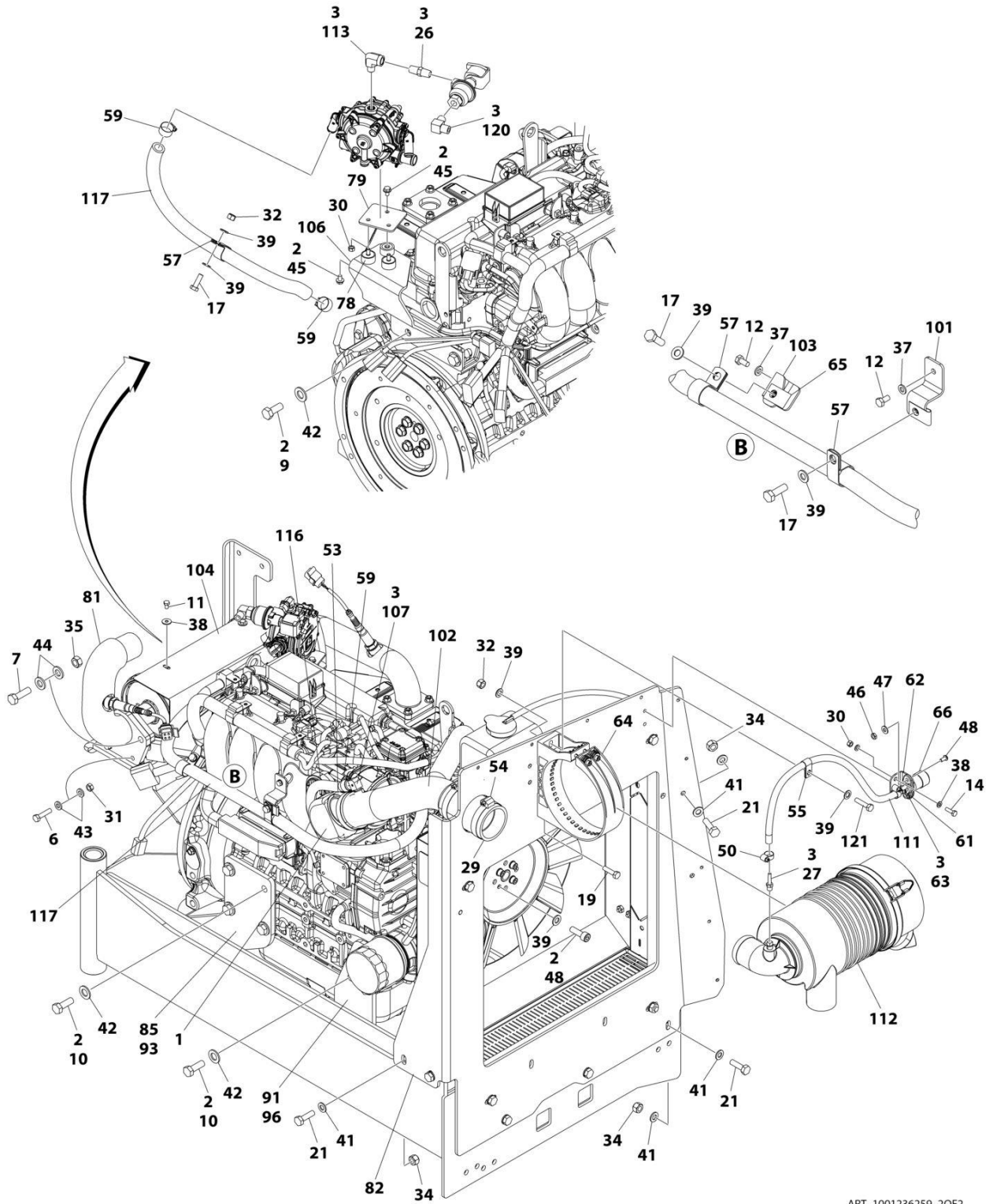
SECTION 3 - ENGINE

FIGURE 3-36. ENGINE ASSEMBLY - KUBOTA ENGINE (WITH ARCTIC PACKAGE)



ART_1001236259_10F2

SECTION 3 - ENGINE



ART_1001236259_2OF2

SECTION 3 - ENGINE

FIGURE 3-36. ENGINE ASSEMBLY - KUBOTA ENGINE (WITH ARCTIC PACKAGE)

ITEM	PART NUMBER	QTY	DESCRIPTION	REV
	1001236259	Ref	ENGINE ASSEMBLY - KUBOTA ENGINE (WITH ARCTIC PACKAGE)	E
1	0080201	1	Adapter, 90	
2	0100011	AR	Compound, Locking	
3	0100020	AR	Sealant, Pipe	
4	0700810	4	Bolt M8 x 20	
5	0700814	2	Bolt M8 x 30	
6	0700815	2	Bolt M8 x 35	
7	0701216	2	Bolt M12 x 40	
8	0701224	4	Bolt M12 x 80	
9	1001217494	2	Bolt M12 x 20	
10	1001217343	14	Bolt M12 x 35	
11	0760605	4	Bolt M6 x 10	
12	0760606	2	Bolt M6 x 12	
13	0760608	2	Bolt M6 x 16	
14	0760610	2	Bolt M6 x 20	
15	0760612	2	Bolt M6 x 25	
16	0760808	8	Bolt M8 x 16	
17	0760812	6	Bolt M8 x 25	
18	0760814	12	Bolt M8 x 30	
19	0760815	1	Bolt M8 x 35	
20	0761014	4	Bolt M10 x 30	
21	0761015	6	Bolt M10 x 35	
22	0761016	4	Bolt M10 x 40	
23	0961951	2	Bushing	
24	1580011	1	Container, Coolant Overflow	
25	1703162	2	Decal - Caution Fan	
26	2220261	1	Fitting, Nipple NPTF/NPTF	
27	2220315	1	Fitting, Barbed	
29	2720644	1	Hose	
30	3290607	5	Nut M6	
31	3290801	10	Nut M8	
32	3290805	17	Nut M8	
33	3291001	4	Nut M10	
34	3291005	6	Nut M10	
35	3291201	6	Nut M12	
36	4240099	AR	Tie-Strap (Not Shown)	
37	4811700	16	Washer M6	
38	4811702	4	Washer M6	
39	4811900	45	Washer M8	
40	4811902	8	Washer M8	
41	4812000	24	Washer M10	
42	5241400	16	Washer M14	
43	5240800	14	Washer M8	
44	5241200	8	Washer M12	
45	5250605	3	Bolt M6 x 10	
46	8305401	2	Nut 1/4	
47	8307109	2	Washer 1/4	
48	8310548	2	Screw 1/4 x 1/2	
49	1001173535	2	Clamp	

SECTION 3 - ENGINE

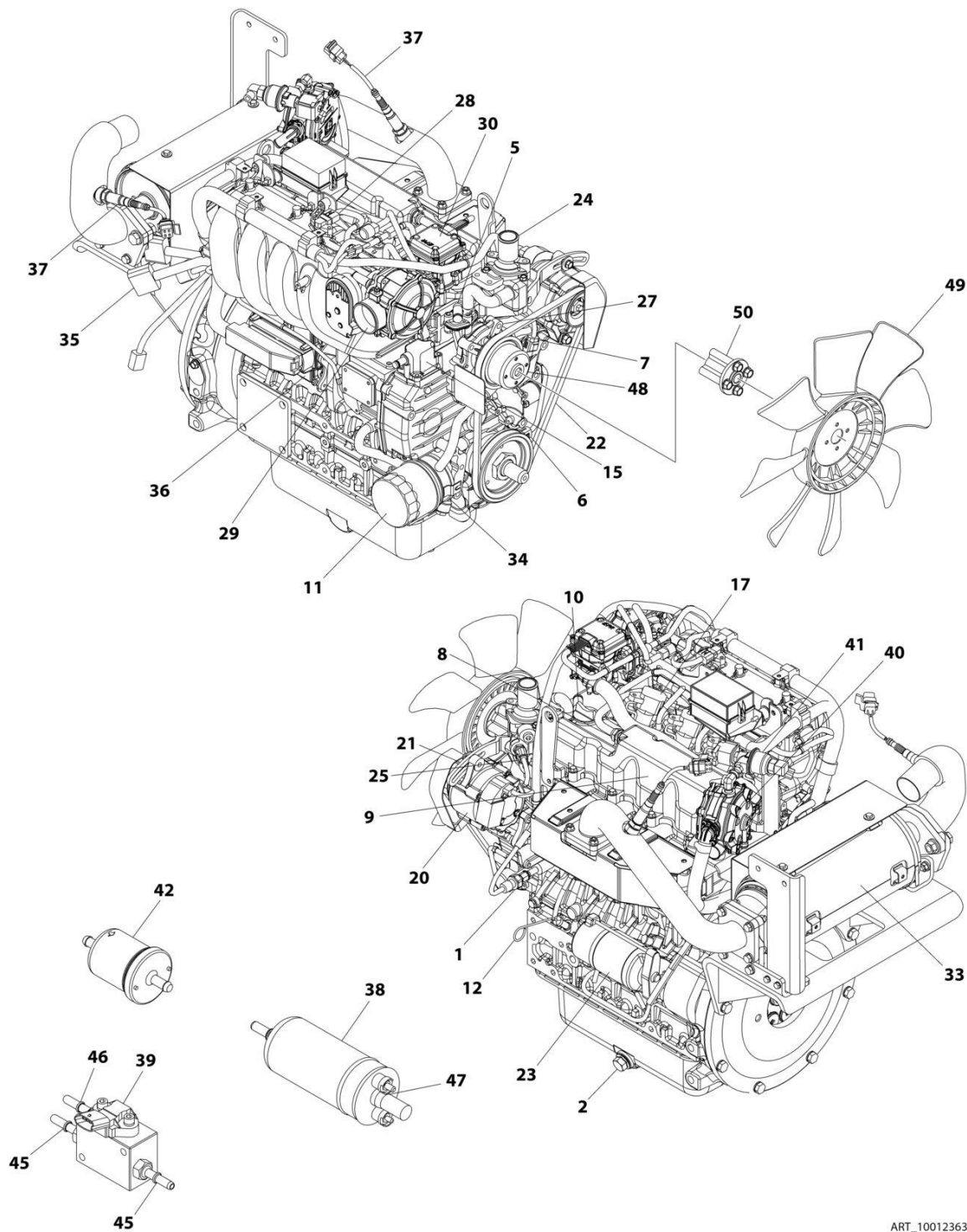
ITEM	PART NUMBER	QTY	DESCRIPTION	REV
50	8405009	4	Clamp	
51	8405102	2	Clamp	
52	8405104	2	Clamp	
53	8405202	1	Clamp	
54	8405203	3	Clamp	
55	8406109	1	Clip	
56	8406110	2	Clip	
57	8406201	3	Clip	
58	8410001	1	Clamp	
59	8410009	6	Clamp	
61	1001138173	1	Support, Service Indicator	
62	1001138175	1	Bracket, Service Indicator	
63	1001141995	1	Fitting, Barbed	
64	1001147812	1	Clamp, Air Cleaner	
65	1001149160	3	Nut M8	
66	1001149639	1	Indicator, Air Intake	
67	1001166718	4	Isolator, Engine Mount	
68	1001168018	4	Washer, Snubbing	
69	1001168166	2	Seal	
70	1001169054	4	Isolator, Radiator	
71	1001169138	4	Washer, Snubbing	
72	1001169967	2	Bracket	
73	1001170035	1	Bracket	
74	1001176330	1	Bracket	
75	1001180620	AR	Adhesive	
76	1001209844	1	Pump Coupling Kit (See Separate Breakdown in this Section)	
77	1001236393	1	Engine, Kubota (See Separate Breakdown in this Section)	
78	1001211794	3	Mount	
79	1001211797	1	Mount	
80	1001212989	1	Pipe, Exhaust (Inlet)	
81	1001212993	1	Pipe, Exhaust (Outlet)	
82	1001213305	1	Plate, Mounting	
83	1001236257	1	Radiator	
84	1001213425	1	Plate, Engine Mount (Left Rear)	
85	1001213426	1	Plate, Engine Mount (Right Rear)	
86	1001213482	1	Bracket	
87	1001213824	1	Insulation	
88	1001214138	1	Bracket	
89	1001214205	1	Support	
90	1001214233	1	Plate (Front Left)	
91	1001214234	1	Plate (Front Right)	
92	1001214269	1	Heater, Block	
93	1001214276	1	Shim	
94	1001214277	1	Shim	
95	1001214278	2	Shim	
96	1001214307	1	Hose	
97	1001214508	1	Support	
98	1001214553	1	Support	
99	1001214555	1	Bracket	
100	1001214556	1	Bracket	
101	1001214558	1	Bracket	

SECTION 3 - ENGINE

ITEM	PART NUMBER	QTY	DESCRIPTION	REV
102	1001214598	1	Tube	
103	1001214599	1	Bracket	
104	1001214664	1	Cover	
105	1001214694	1	Hose	
106	1001214841	1	Bracket	
107	1001215125	1	Fitting, 90	
108	1001215869	1	Hose	
109	1001216825	2	Seal	
110	1001137336	2	Strap	
111	1001138248	2 ft/ 0.6m	Tube	
112	1001147813	1	Air Cleaner Assembly Including Filter Element	
112	70004020	1	Element, Filter (Not Shown)	
113	1001247359	1	Fitting, Street Elbow	
114	2720058	1.8 ft/ 0.5m	Hose	
115	2720271	4 ft/ 1.2m	Hose	
116	2720615	1.2 ft/ 0.4m	Hose	
117	82033995	5.5 ft/ 1.7m	Hose	
118	0700816	4	Bolt M8 x 40	
119	0701016	4	Bolt M10 x 40	
120	2180504	1	Fitting, Barbed	
121	0760816	1	Bolt M8 x 40	
122	4060805	1.94 ft/ 59m	Flex-Trim	
123	0100081	AR	Adhesive	

SECTION 3 - ENGINE

FIGURE 3-37. ENGINE COMPONENTS - KUBOTA



ART_1001236393

SECTION 3 - ENGINE

FIGURE 3-37. ENGINE COMPONENTS - KUBOTA

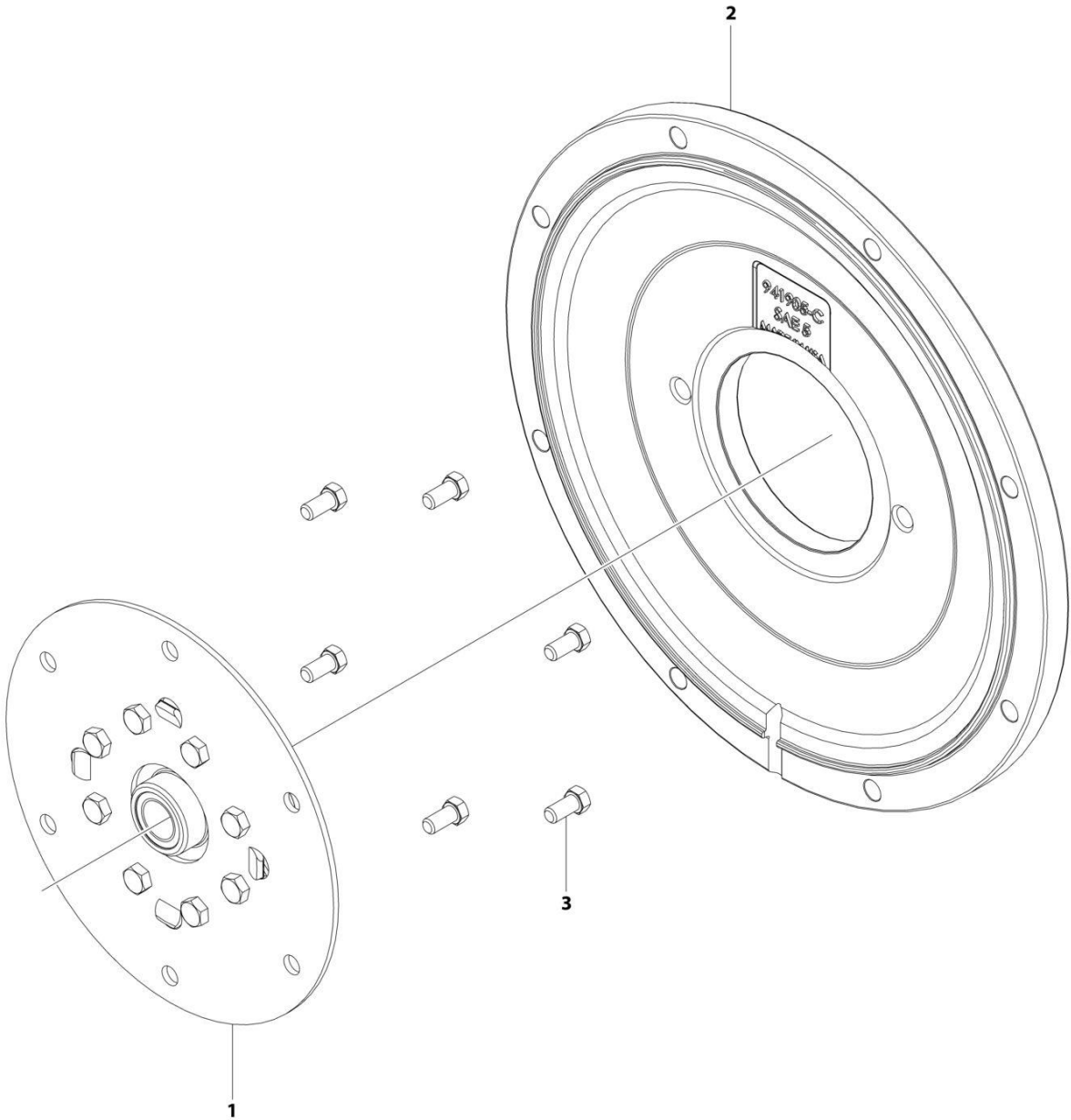
ITEM	PART NUMBER	QTY	DESCRIPTION	REV
	1001236393	Ref	ENGINE COMPONENTS - KUBOTA	D
1	70005745	1	Switch, Oil	
1	70006013	1	Adapter	
2	7023154	1	Plug, Drain	
2	7017904	1	Gasket, Oil Pan Drain	
3	70006014	1	Gasket, Cylinder Head (Not Shown)	
4	70006015	1	Sensor (Knock) (Not Shown - Located on Left Side of Engine)	
5	70006016	1	Flange Assembly (Water Return)	
5	70002316	1	Pipe	
5	70006017	1	Gasket	
6	70005737	1	Sensor Stick Assembly	
7	70006018	1	Sensor	
8	70006019	1	Valve (PCV)	
8	70006020	1	Seal	
9	7017932	3	Element, Breather	
9	70006021	1	Gasket	
10	70002318	1	Oil Filler Cap	
10	70006022	1	O-Ring	
11	70006023	1	Filter, Oil	
12	70006024	1	Dipstick	
13	70006025	1	Pump Assembly, Oil (Not Shown - Located Under Front Cover)	
13	70006026	1	Gasket	
13	70006027	1	Key	
14	70006028	1	Flywheel (Not Shown - Located Behind Coupling Plate)	
14	70006029	1	Ring Gear (Part of Flywheel)	
15	70006030	1	Flange Assembly (Breather)	
15	70002316	1	Pipe	
15	70006031	1	Gasket	
16	70006035	1	Pipe Assembly (Not Shown)	
16	70005727	1	Gasket	
17	70006034	4	Coil	
17	70006033	4	Spark Plug	
18	70006032	1	Gasket (Not Shown)	
19	70005751	4	Injector (Not Shown)	
20	70006036	1	Alternator (Includes Voltage Regulator and Gaskets, Fan and Fan Mounting Hardware)	
21	70006037	1	Bracket	
22	70006038	1	Belt	
23	70006039	1	Starter	
24	70006041	1	Thermostat	
24	70002326	1	Gasket	
25	70005726	1	Sensor	
25	70006042	1	O-Ring	
26	70006040	1	Gasket (Not Shown - Located Between Engine Head and Water Flange)	
27	70006043	1	Water Pump Assembly	
27	70004829	1	Pipe	
27	70006044	1	Gasket	
28	70005746	1	Sensor (TMAP)	
28	70005747	1	O-Ring	

SECTION 3 - ENGINE

ITEM	PART NUMBER	QTY	DESCRIPTION	REV
29	70006049	1	Mixer Assembly	
29	70006050	1	Seal, Rubber	
29	70006045	1	Throttle Body	
29	70006046	1	Gasket	
29	70006047	1	Adapter	
29	70006048	1	O-Ring	
30	70006051	1	Regulator Assembly	
30	70006052	1	Seal, Rubber	
30	70006053	1	Seal, Rubber	
30	70006054	1	Seal, Rubber	
31	70006055	1	Gasket (Not Shown - Located Between Intake Manifold and Engine Head)	
32	70006056	1	Gasket (Not Shown - Located Between Exhaust Manifold and Engine Head)	
33	70006057	1	Muffler	
33	70006065	1	Gasket	
33	70006066	1	Gasket	
33	70006072	1	Gasket	
34	70006058	1	Oil Cooler Assembly	
34	70006059	1	Seal	
34	7017959	2	Clamp	
35	70006060	1	Engine Harness	
36	70006061	1	Module, Engine Control	
37	70006062	2	Sensor (O2)	
38	70006063	1	Pump, Fuel	
39	70006064	1	Manifold (FPM)	
40	70006067	1	Regulator Assembly	
40	70006068	1	Connector	
40	70006069	3	Clip	
40	70006070	2	Connector	
41	70006071	1	Valve, Lockoff	
41	70006078	1	Valve, Lockoff Kit	
42	7017992	1	Filter, Fuel	
43	70006079	1	Gasket Kit (Upper) (Not Shown)	
44	70006080	1	Gasket Kit (Lower) (Not Shown)	
45	70006074	2	Joint (Includes O-Ring)	
46	70006075	1	Joint (Includes O-Ring)	
47	70006076	1	Joint (Includes O-Ring)	
47	70006077	1	Gasket	
48	70006379	1	Pulley	
49	70006639	1	Fan	
50	70006640	1	Collar, Fan	

SECTION 3 - ENGINE

FIGURE 3-38. PUMP COUPLING KIT - KUBOTA ENGINE



ART_1001209844

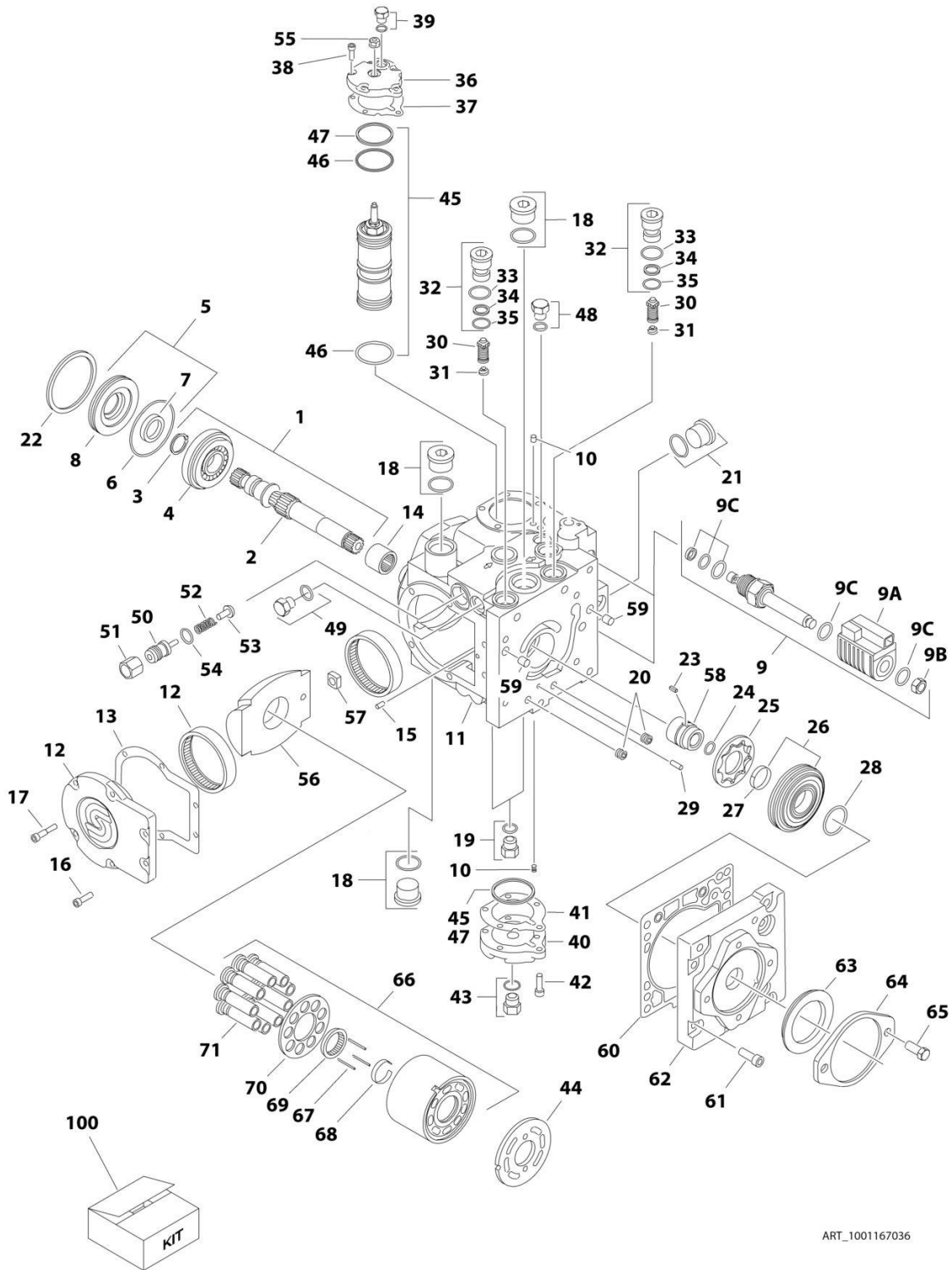
SECTION 3 - ENGINE

FIGURE 3-38. PUMP COUPLING KIT - KUBOTA ENGINE

ITEM	PART NUMBER	QTY	DESCRIPTION	REV
	1001209844	Ref	PUMP COUPLING KIT - KUBOTA ENGINE	C
1	70006010	1	Coupling Assembly, Hayes	
2	70006011	1	Plate, Pump Adapter	
3	70006012	1	Bolt Kit	

SECTION 3 - ENGINE

FIGURE 3-39. PISTON PUMP ASSEMBLY



ART_1001167036

SECTION 3 - ENGINE

FIGURE 3-39. PISTON PUMP ASSEMBLY

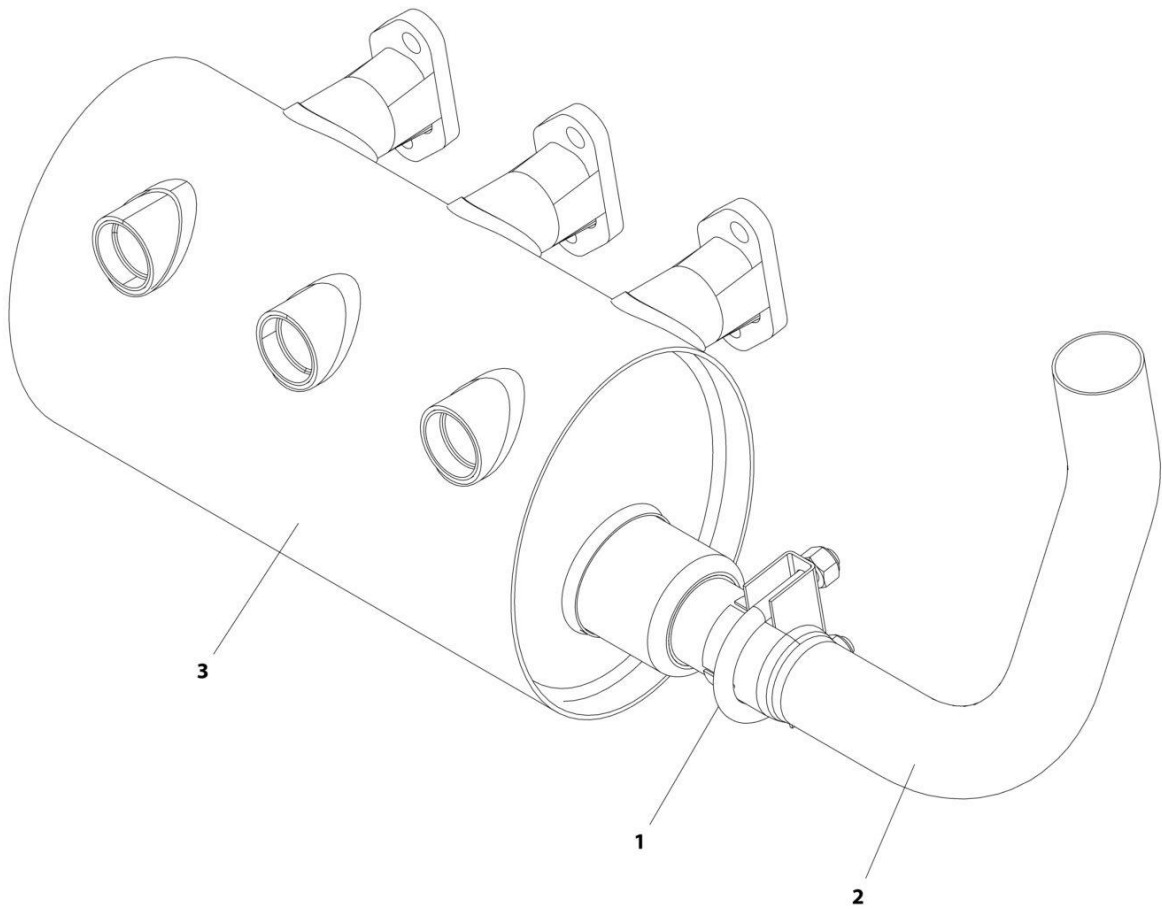
ITEM	PART NUMBER	QTY	DESCRIPTION	REV
	1001167036	Ref	PISTON PUMP ASSEMBLY	B
1	7021240	1	Shaft Assembly (Includes Items 2-4)	
2	7021237	1	Shaft	
3	7021238	1	Ring, Retaining	
4	7021239	1	Bearing, Roller	
5	70004896	1	Shaft Seal Kit (Includes Items 6-8)	
6	7021241	1	O-Ring	
7	7021242	1	Seal, Lip	
8	7021243	1	Carrier, Seal Shaft	
9	7024855	2	Solenoid Assembly	
9A	70004897	2	Coil (1 Per Assembly)	
9B	7024857	2	Nut (1 Per Assembly)	
9C	7024858	2	Seal Kit - 7024855 Cartridge (1 Per Assembly)	
10	70004889	2	Orifice	
11	See Note	NSS	Housing Assembly (Note: Not Available for Purchase)	
12	7021248	1	Side Cover Assembly (Includes Item 13)	
13	70004891	1	Gasket	
14	7021249	1	Bearing, Needle	
15	See Note	NSS	Pin (Note: Not Available for Purchase)	
16	70004890	2	Screw	
17	70004892	4	Screw	
18	7007419	2	Plug Assembly (Includes O-Ring)	
19	7007420	2	Plug Assembly (Includes O-Ring)	
20	See Note	NSS	Plug (Note: Not Available for Purchase)	
21	7007419	1	Plug Assembly (Includes O-Ring)	
22	7021257	1	Ring, Retaining	
23	70004893	1	Key	
24	7022341	1	Ring, Retaining	
25	7021258	1	Gerotor	
26	70004894	1	Gerotor Cover Assembly (Includes Item 27)	
27	7021259	1	Bearing, Journal	
28	7021262	1	O-Ring	
29	See Note	NSS	Pin (Note: Not Available for Purchase)	
30	7021263	2	Bypass Valve Assembly	
31	7024800	2	Spring	
32	7021265	2	Bypass Valve Assembly (Includes Items 32-34)	
33	7007415	2	O-Ring	
34	7021293	2	Ring, Back-up	
35	7022300	2	O-Ring	
36	70004895	1	Cover, Servo	
37	7021253	1	Gasket	
38	70004892	5	Screw	
39	7007420	1	Plug Assembly (Includes O-Ring)	
40	7021268	1	Cover, Servo	
41	7021253	1	Gasket	
42	70004892	5	Screw	
43	7007420	1	Plug Assembly (Includes O-Ring)	
44	7021281	1	Plate, Valve	
45	70004898	1	Servo Piston Kit (Includes Items 46 & 47)	
46	7007495	2	O-Ring	

SECTION 3 - ENGINE

ITEM	PART NUMBER	QTY	DESCRIPTION	REV
47	7007493	2	O-Ring	
48	7007420	1	Plug Assembly (Includes O-Ring)	
49	70004900	1	Plug Assembly (Includes O-Ring)	
50	7022346	1	Adjuster	
51	7021290	1	Nut	
52	7022347	1	Spring	
53	70004901	1	Poppet	
54	7007415	1	O-Ring	
55	70004902	1	Nut, Seal	
56	70004903	1	Swash Plate	
57	70004904	1	Bearing Assembly	
58	70004905	1	Coupling	
59	7001481	2	Pin	
60	70002257	1	Gasket	
61	70004906	8	Screw	
62	70004907	1	Cover, Charge Pump	
63	70004908	1	Seal	
64	7021299	1	Plate, Cover	
65	7007289	2	Screw	
66	70004909	1	Cylinder Block Assembly (Includes Items 67-71)	
67	70004910	3	Pin, Slipper Hold Down	
68	7021276	1	Retainer, Hold Down Pin	
69	7021277	1	Guide, Slipper Retainer	
70	7021278	1	Retainer, Slipper	
71	70004911	1	Piston Assembly	
100	70004899	1	Seal Kit (Includes Items 5-8, 33-35, 37, 41, 46, 47 & 54)	

SECTION 3 - ENGINE

FIGURE 3-40. SPARK ARRESTOR INSTALLATION - DEUTZ D2011 ENGINE



ART_1001174378

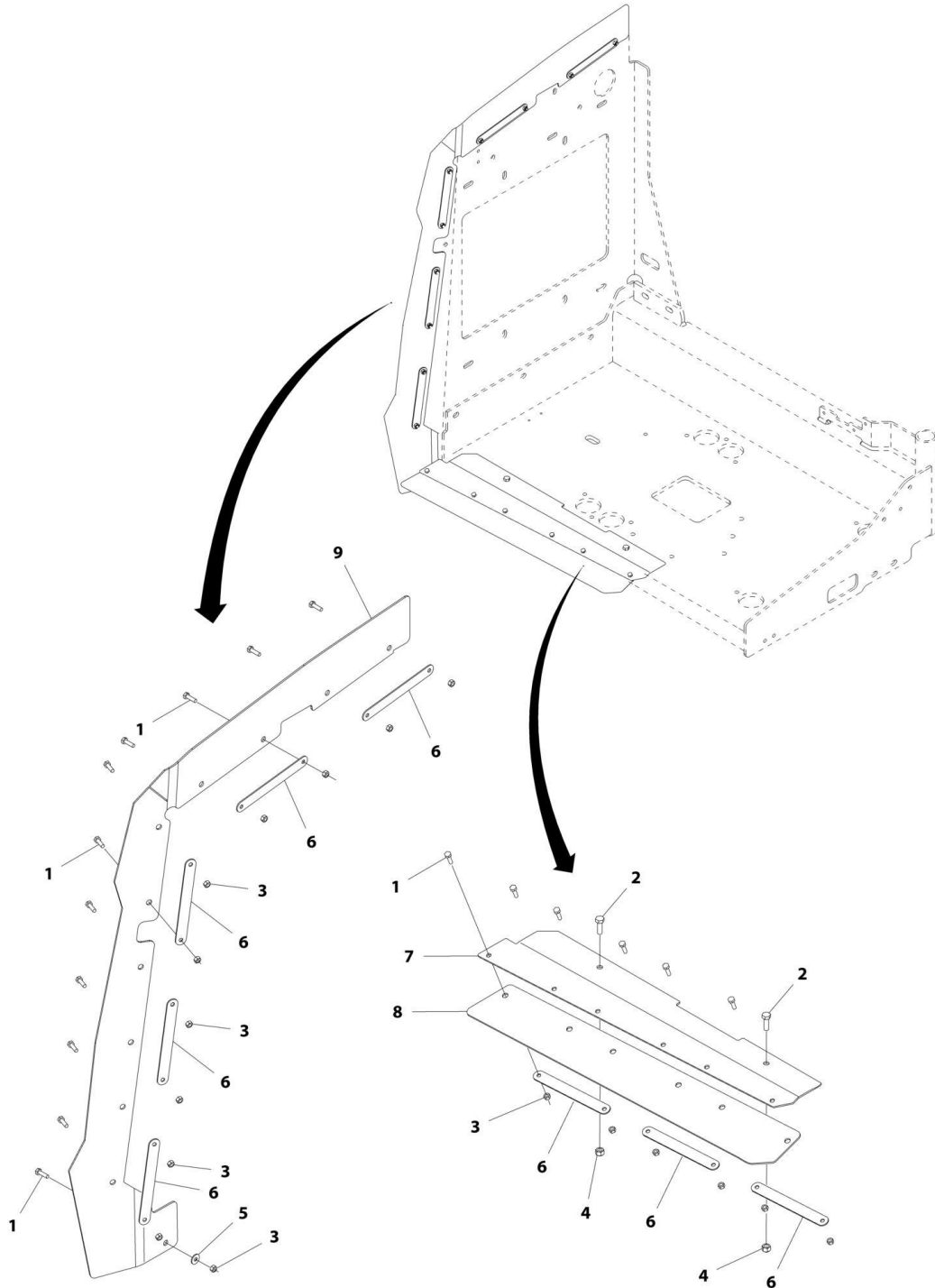
SECTION 3 - ENGINE

FIGURE 3-40. SPARK ARRESTOR INSTALLATION - DEUTZ D2011 ENGINE

ITEM	PART NUMBER	QTY	DESCRIPTION	REV
	1001174378	Ref	SPARK ARRESTOR INSTALLATION - DEUTZ D2011 ENGINE	A
1	1320176	1	Clamp	
2	1001169525	1	Pipe, Exhaust	
3	1001170224	1	Muffler, Spark Arresting	

SECTION 3 - ENGINE

FIGURE 3-41. ENGINE Baffle INSTALLATION - WITH DEUTZ ENGINES



ART_1001172265

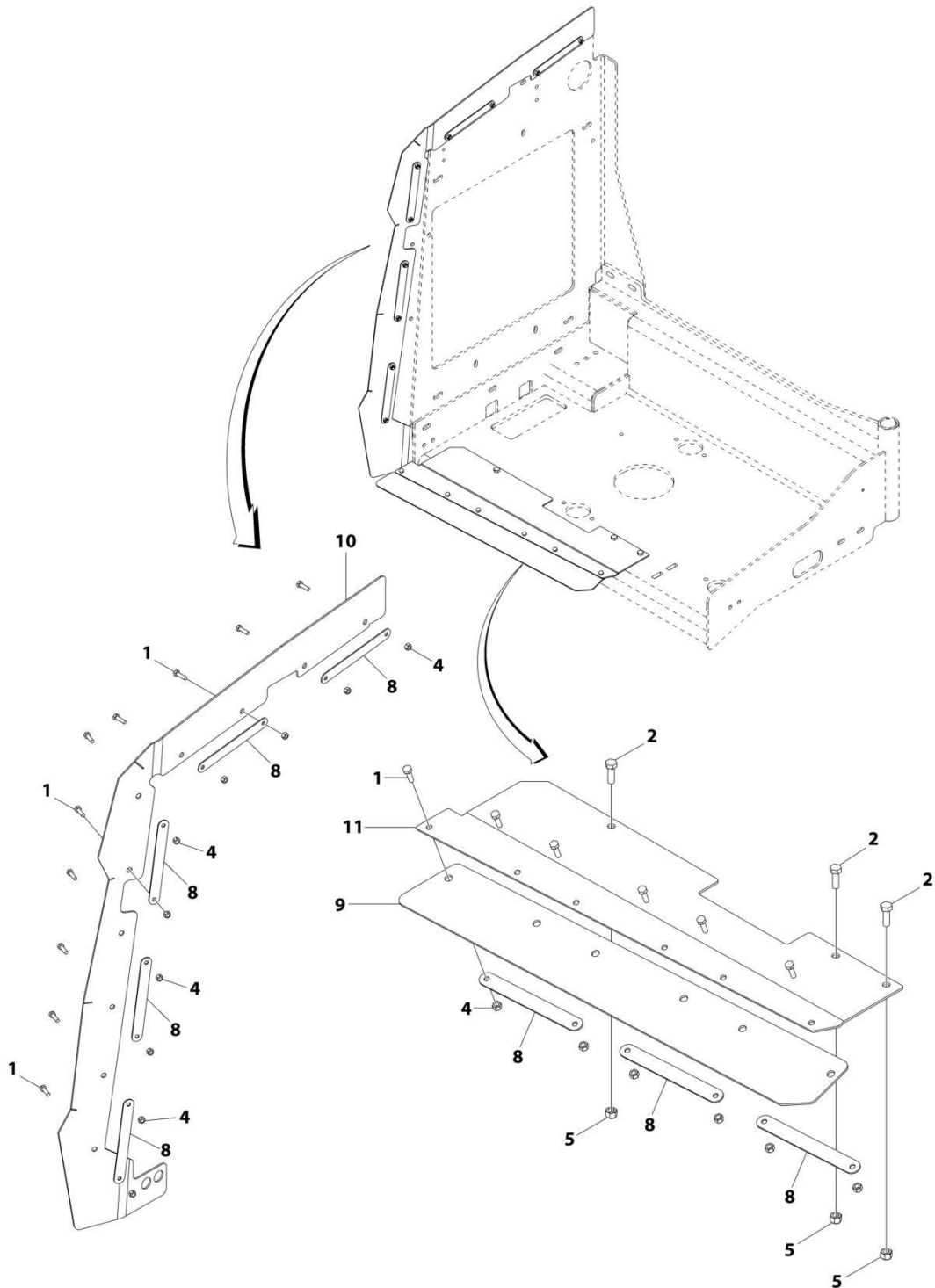
SECTION 3 - ENGINE

FIGURE 3-41. ENGINE BAFFLE INSTALLATION - WITH DEUTZ ENGINES

ITEM	PART NUMBER	QTY	DESCRIPTION	REV
	1001172265	Ref	ENGINE BAFFLE INSTALLATION - WITH DEUTZ/GM ENGINES	B
1	0760610	17	Bolt M6 x 20	
2	0760812	2	Bolt M8 x 25	
3	3290605	17	Nut M6	
4	3290805	2	Nut M8	
5	4811702	1	Washer M6	
6	1001167164	8	Plate, Support	
7	1001170663	1	Bracket	
8	1001170664	1	Seal	
9	1001172264	1	Seal	

SECTION 3 - ENGINE

FIGURE 3-42. ENGINE Baffle INSTALLATION – WITH KUBOTA ENGINE



ART_1001216415

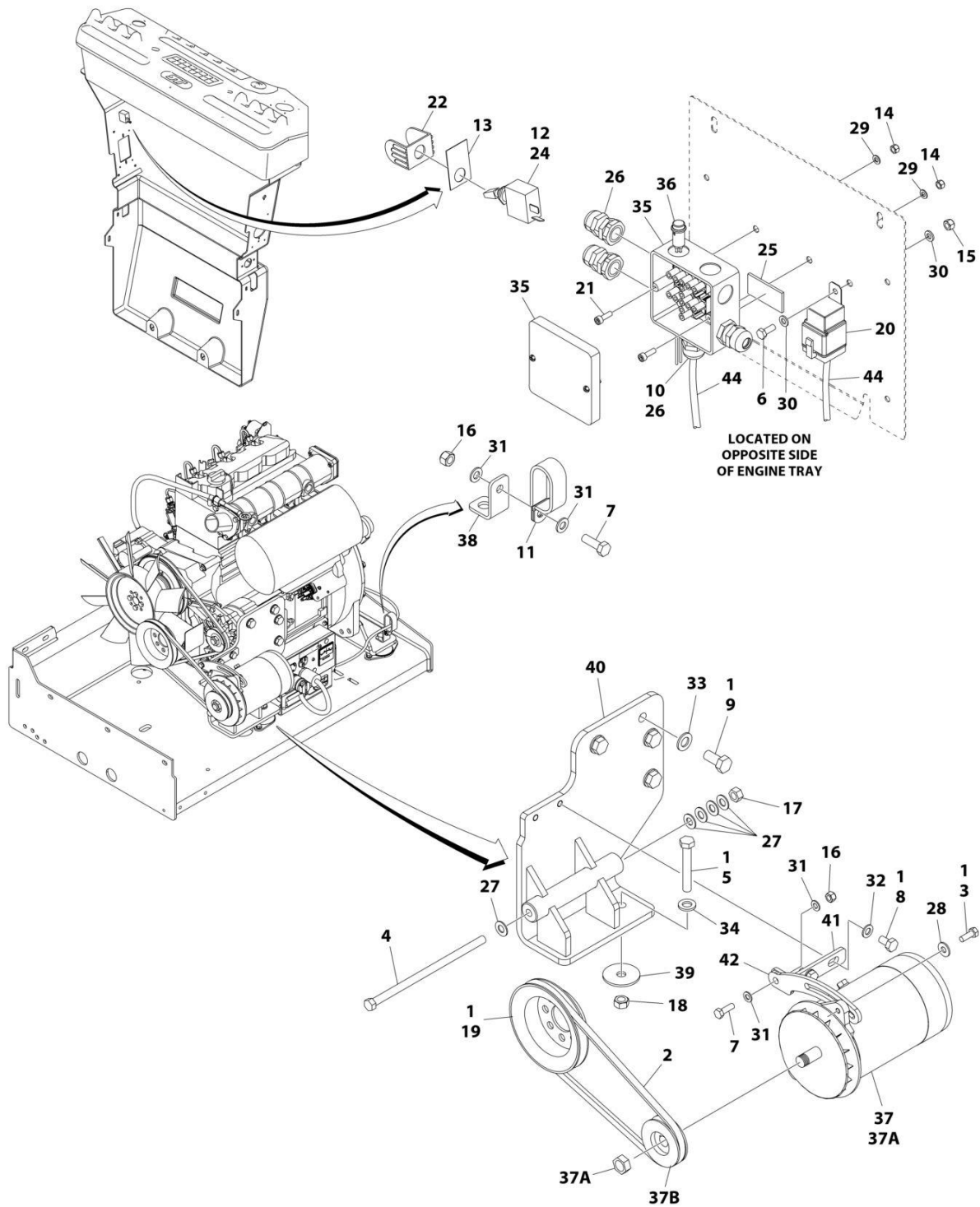
SECTION 3 - ENGINE

FIGURE 3-42. ENGINE BAFFLE INSTALLATION – WITH KUBOTA ENGINE

ITEM	PART NUMBER	QTY	DESCRIPTION	REV
	1001216415	Ref	ENGINE BAFFLE INSTALLATION – WITH KUBOTA ENGINE	C
1	0760610	16	Bolt M6 x 20	
2	0760812	3	Bolt M8 x 25	
4	3290605	16	Nut M6	
5	3290805	3	Nut M8	
8	1001167164	8	Plate, Support	
9	1001170664	1	Seal	
10	1001216416	1	Seal	
11	1001216512	1	Bracket	

SECTION 3 - ENGINE

FIGURE 3-43. GENERATOR INSTALLATION - 2500W/50HZ (DEUTZ D2011 ENGINE)



ART_1001185025

SECTION 3 - ENGINE

FIGURE 3-43. GENERATOR INSTALLATION - 2500W/50HZ (DEUTZ D2011 ENGINE)

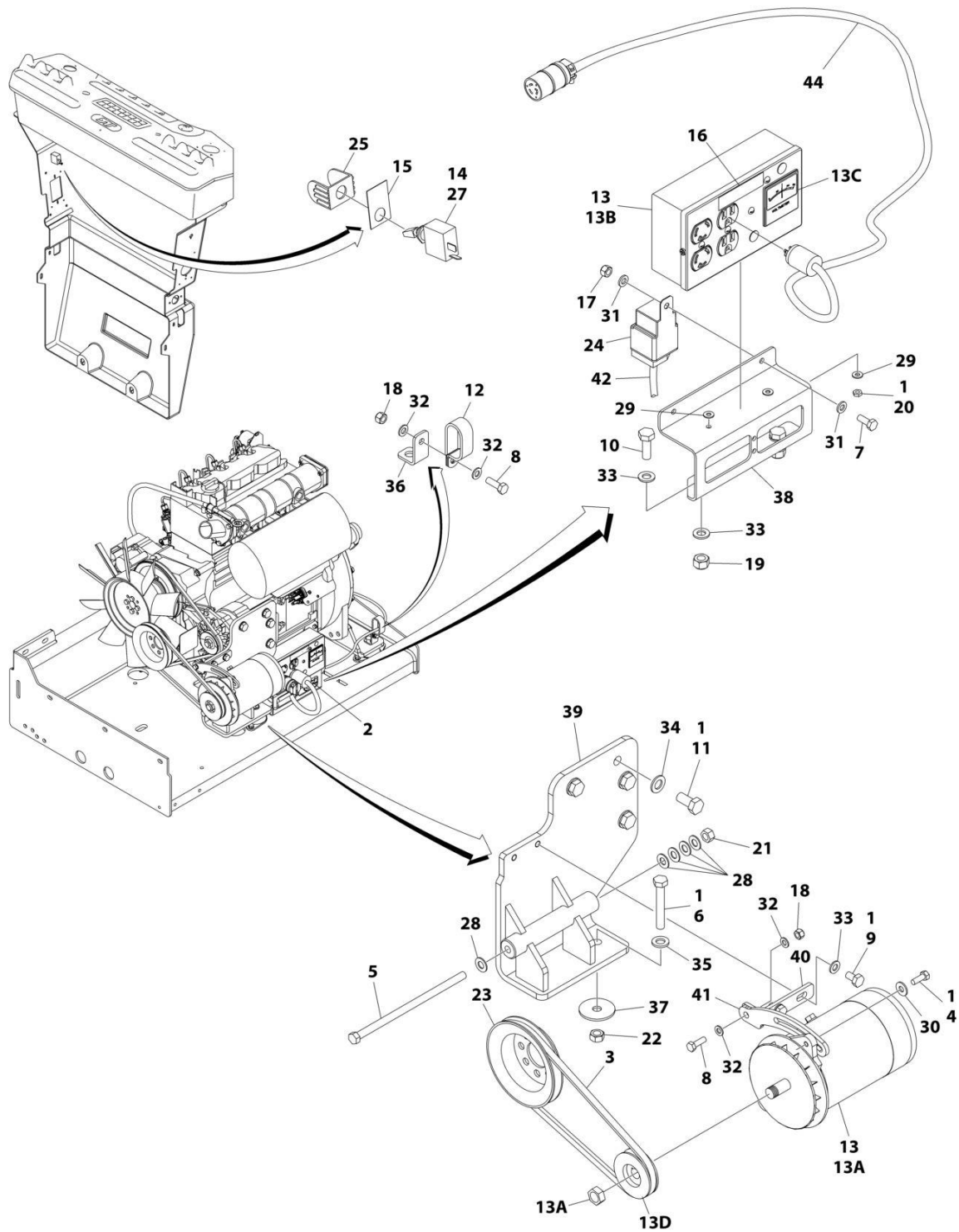
ITEM	PART NUMBER	QTY	DESCRIPTION	REV
	1001185025	Ref	GENERATOR INSTALLATION - 2500W/50Hz (DEUTZ D2011 ENGINE)	C
1	0100011	AR	Compound, Locking	
2	0480120	1	Belt	
3	0641507	1	Bolt 5/16 x 7/8	
4	0641772	1	Bolt 7/16 x 9	
5	0711224	1	Bolt M12 x 80 Grade 10.9	
6	0760608	1	Bolt M6 x 16	
7	0760812	2	Bolt M8 x 25	
8	0761009	2	Bolt M10 x 18	
9	0771414	4	Bolt M14 x 30 Grade 10.9	
10	0962449	1	Bushing	
11	1321716	1	Clamp	
12	2820031	AR	Heat Shrink	
13	See Note	1	Nameplate (Note: Not Available for Purchase)	
14	3290505	2	Nut M5	
15	3290605	1	Nut M6	
16	3290805	2	Nut M8	
17	3311705	1	Nut 7/16	
18	3331211	1	Nut M12	
19	3580158	1	Pulley	
20	3740080	1	Relay	
21	4031607	2	Bolt M5 x 16	
22	4060802	1	Guard, Switch	
23	4240099	AR	Tie-Strap (Not Shown)	
24	4360336	1	Switch, Toggle	
25	4420060	AR	Tape, Double Sided	
26	4460968	3	Connector, Strain Relief	
27	4711700	5	Washer 7/16	
28	4751500	1	Washer 5/16	
29	4811600	2	Washer M5	
30	4811700	2	Washer M6	
31	4811900	4	Washer M8	
32	4812000	2	Washer M10	
33	4812200	4	Washer M14	
34	5241200	1	Washer M12 Hardened	
35	1001099869	1	Box, Junction	
36	1001100233	1	Light Red	
37	1001100321	1	Generator and Control Box Assembly	
	See Note	Ref	Note: Replacement Generators come standard with p/n 3580134 pulley. This pulley may not be correct for all applications. Refer to pulley options below.	
37A	70000123	1	Armature with Slip Rings	
37A	7012513	4	Cap, Brush Holder	
37A	7020108	4	Brush	
37A	7020109	4	Holder, Brush	
37A	7012514	1	Fan	
37A	7020110	1	Bell, Front	
37A	7020111	1	Bell, Rear	
37A	7020190	2	Bearing	

SECTION 3 - ENGINE

ITEM	PART NUMBER	QTY	DESCRIPTION	REV
37B	7027887	1	Key, Woodruff	
38	1001148641	1	Bracket	
39	1001168018	1	Washer, Snubbing	
40	1001184637	1	Mount, Engine	
41	1001184644	1	Support	
42	1001184645	1	Bracket	
43	1001188732	1	Wiring Diagram (Not Shown)	
44	1001187352	1	Harness, Generator (See Separate Breakdown in ELECTRICAL SECTION)	

SECTION 3 - ENGINE

FIGURE 3-44. GENERATOR INSTALLATION - 2500W/60HZ (DEUTZ D2011 ENGINE)



ART_1001180798

SECTION 3 - ENGINE

FIGURE 3-44. GENERATOR INSTALLATION - 2500W/60HZ (DEUTZ D2011 ENGINE)

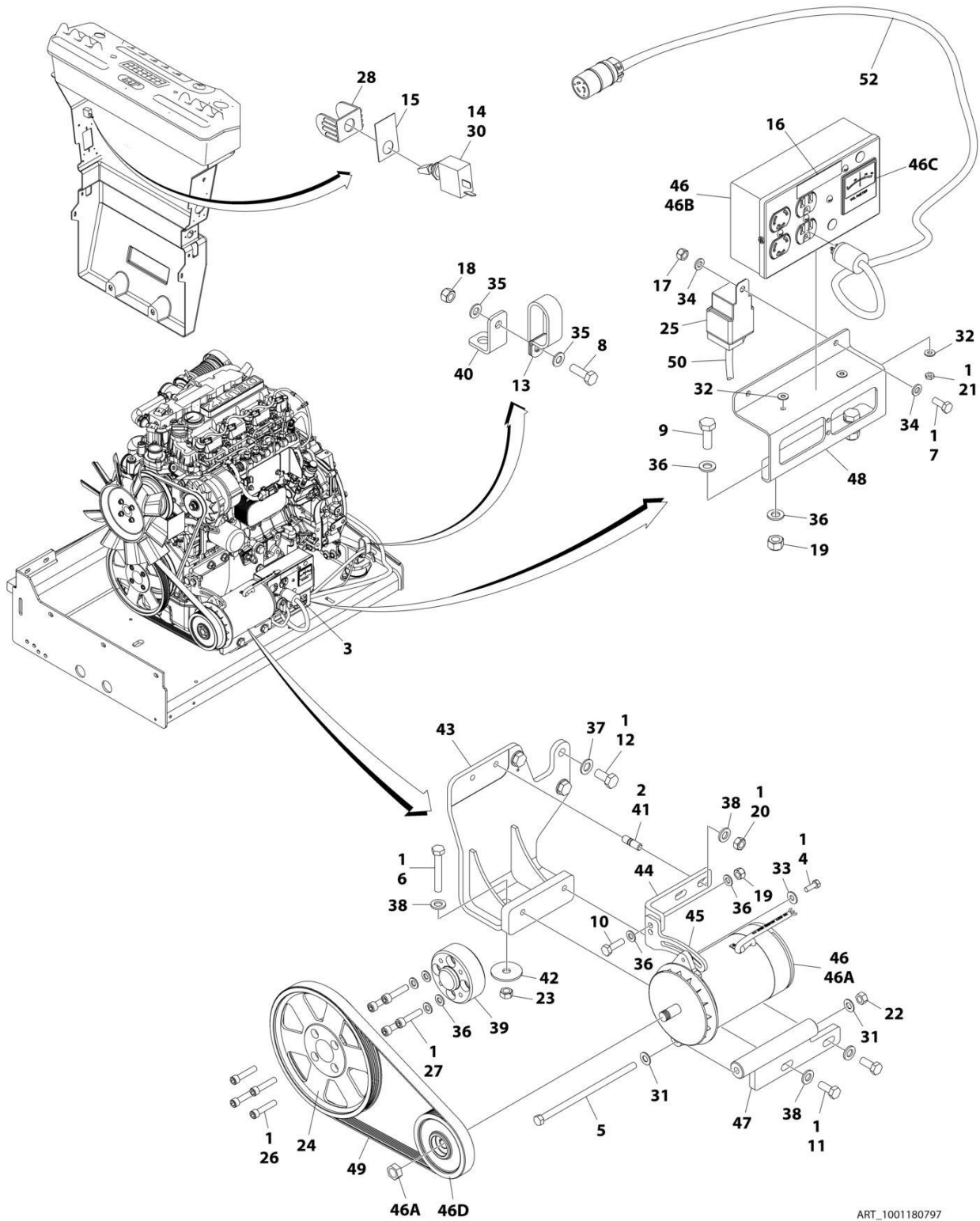
ITEM	PART NUMBER	QTY	DESCRIPTION	REV
	1001180798	Ref	GENERATOR INSTALLATION - 2500W/60HZ (DEUTZ D2011 ENGINE)	B
1	0100011	AR	Compound, Locking	
2	0100048	AR	Grease, Dielectric	
3	0480122	1	Belt	
4	0641507	1	Bolt 5/16 x 7/8	
5	0641772	1	Bolt 7/16 x 9	
6	0711224	1	Bolt M12 x 80 Grade 10.9	
7	0760608	1	Bolt M6 x 16	
8	0760812	2	Bolt M8 x 25	
9	0761009	2	Bolt M10 x 18	
10	0761014	2	Bolt M10 x 30	
11	0771414	4	Bolt M14 x 30 Grade 10.9	
12	1321716	1	Clamp	
13	2460055	1	Generator and Control Box Assembly	
13A	7012558	1	Generator	
	See Note	Ref	Note: Replacement Generators come standard with p/n 3580134 pulley. This pulley may not be correct for all applications. Refer to pulley options below.	
13A	7026199	1	Armature with Slip Rings	
13A	7012513	3	Cap, Brush Holder	
13A	7020108	4	Brush	
13A	7020109	4	Holder, Brush	
13A	7012514	1	Fan	
13A	7020110	1	Bell, Front	
13A	7020111	1	Bell, Rear	
13A	7020190	1	Bearing	
13B	7019680	1	Box, Control	
13B	4460190	1	Receptacle, Standard	
13B	4460027	1	Receptacle, Twistlock	
13B	4360542	1	Breaker, Circuit	
13B	3520028	1	Plug, Hole	
13B	4460961	1	Connector - 4 Position	
13B	4460705	4	Pin, Male	
13B	4460321	1	Connector - 4 Position (Note: Mate to p/n 4460961 Purchase Separately)	
13B	4460268	3	Socket, Female (Note: Mate to p/n 4460705 Purchase Separately)	
13C	2420203	1	Voltmeter	
13D	3580276	1	Pulley	
13D	7027887	1	Key, Woodruff	
14	2820031	AR	Heat Shrink	
15	See Note	1	Nameplate (Note: Not Available for Purchase)	
16	3251243	1	Nameplate 120V-60Hz	
17	3290605	1	Nut M6	
18	3290805	2	Nut M8	
19	3291005	2	Nut M10	
20	3311001	2	Nut #10	
21	3311705	1	Nut 7/16	
22	3331211	1	Nut M12	
23	3580158	1	Pulley	

SECTION 3 - ENGINE

ITEM	PART NUMBER	QTY	DESCRIPTION	REV
24	3740080	1	Relay	
25	4060802	1	Guard, Switch	
26	4240099	AR	Tie-Strap (Not Shown)	
27	4360336	1	Switch, Toggle	
28	4711700	5	Washer 7/16	
29	4751000	4	Washer #10	
30	4751500	1	Washer 5/16	
31	4811700	2	Washer M6	
32	4811900	4	Washer M8	
33	4812000	6	Washer M10	
34	4812200	4	Washer M14	
35	5241200	1	Washer M12 Hardened	
36	1001148641	1	Bracket	
37	1001168018	1	Washer, Snubbing	
38	1001183477	1	Support	
39	1001184637	1	Mount, Engine	
40	1001184644	1	Support	
41	1001184645	1	Bracket	
42	1001187522	1	Harness, Generator (See Separate Breakdown in ELECTRICAL SECTION)	
43	1001188731	1	Wiring Diagram (Not Shown)	
43	4922641	1	Harness, On/Off Switch (Not Shown - Located at Platform)	
44	1001182296	1	Harness, Inverter	
44	1060494	10 ft/3.5m	Cable, Electrical - 12/3	
44	4460134	1	Receptacle, Female	
44	4460138	1	Plug, Male	

SECTION 3 - ENGINE

FIGURE 3-45. GENERATOR INSTALLATION - 2500W/60HZ (DEUTZ D2.9L4 ENGINE)



ART_1001180797

SECTION 3 - ENGINE

FIGURE 3-45. GENERATOR INSTALLATION - 2500W/60HZ (DEUTZ D2.9L4 ENGINE)

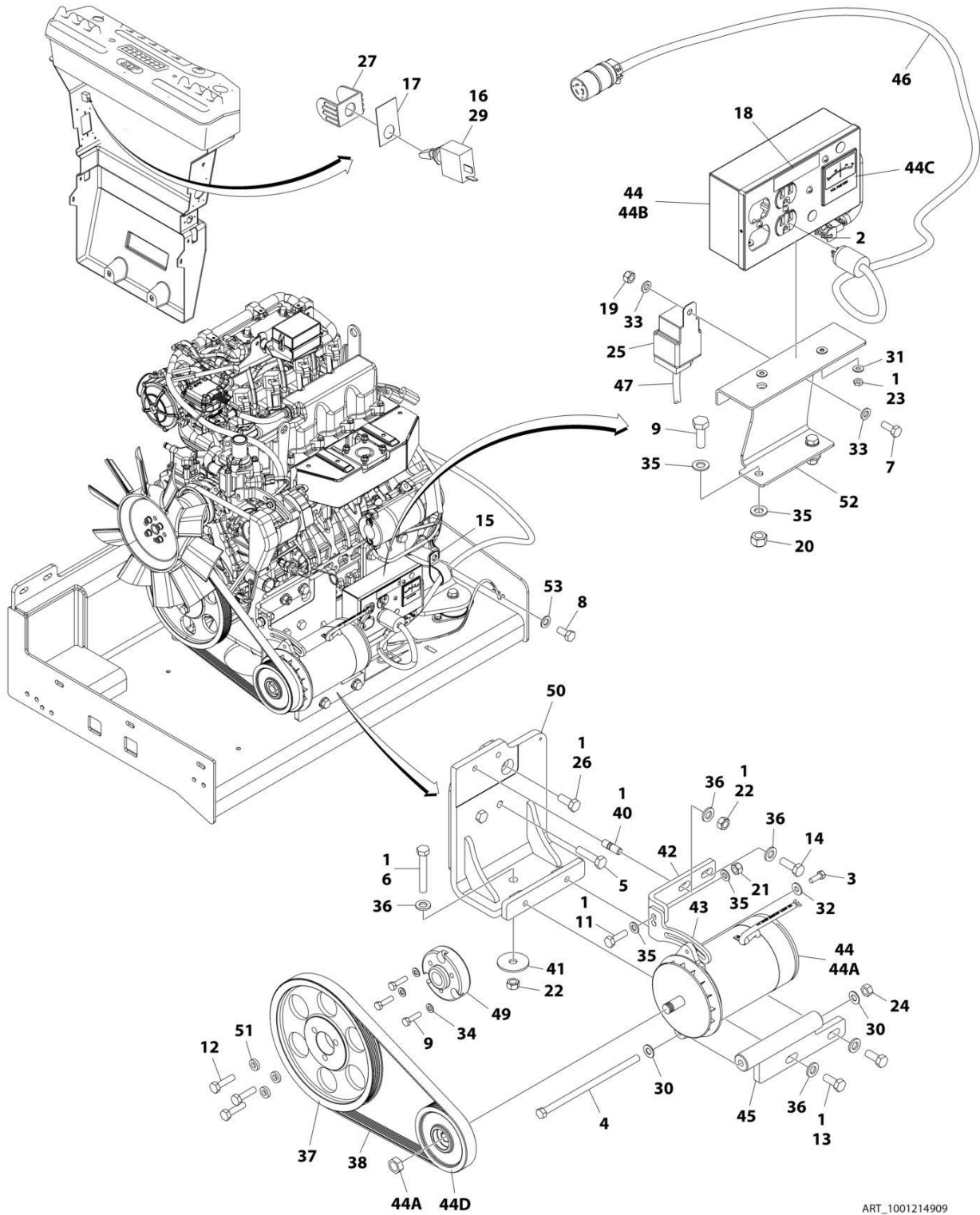
ITEM	PART NUMBER	QTY	DESCRIPTION	REV
	1001180797	Ref	GENERATOR INSTALLATION - 2500W/60HZ (DEUTZ D2.9L4 ENGINE)	F
1	0100011	AR	Compound, Locking	
2	0100019	AR	Compound, Locking	
3	0100048	AR	Grease, Dielectric	
4	0641507	1	Bolt 5/16 x 7/8	
5	0641772	1	Bolt 7/16 x 9	
6	0711224	AR	Bolt M12 x 80 Grade 10.9	
7	0760608	1	Bolt M6 x 16	
8	0760812	1	Bolt M8 x 25	
9	0761014	2	Bolt M10 x 30	
10	0761015	1	Bolt M10 x 35	
11	0761214	2	Bolt M12 x 30	
12	0771414	3	Bolt M14 x 30 Grade 10.9	
13	1321716	1	Clamp	
14	2820031	AR	Heat Shrink	
15	See Note	1	Nameplate (Note: Not Available for Purchase)	
16	3251243	1	Nameplate 120V-60Hz	
17	3290605	1	Nut M6	
18	3290805	1	Nut M8	
19	3291005	3	Nut M10	
20	3291201	2	Nut M12	
21	3311001	2	Nut #10	
22	3311705	1	Nut 7/16	
23	3331211	AR	Nut M12	
24	3580320	1	Pulley	
25	3740080	1	Relay	
26	3931628	4	Capscrew 3/8 x 1-3/4	
27	4032014	4	Bolt M10 x 50	
28	4060802	1	Guard, Switch	
29	4240099	AR	Tie-Strap (Not Shown)	
30	4360336	1	Switch, Toggle	
31	4711700	2	Washer 7/16	
32	4751000	4	Washer #10	
33	4751500	1	Washer 5/16	
34	4811700	2	Washer M6	
35	4811900	2	Washer M8	
36	4812000	AR	Washer M10	
37	4812200	AR	Washer M14	
38	5241200	AR	Washer M12 Hardened	
39	1001135679	1	Adapter	
40	1001148641	1	Bracket	
41	1001155041	2	Stud	
42	1001168018	AR	Washer, Snubbing	
43	1001168207	Ref	Support	
44	1001179836	1	Mount, Upper Generator	
45	1001179837	1	Arm Adjustment	
46	1001180001	1	Generator	
46A	7026199	1	Armature with Slip Rings	
46A	7012513	3	Cap, Brush Holder	

SECTION 3 - ENGINE

ITEM	PART NUMBER	QTY	DESCRIPTION	REV
46A	7020108	4	Brush	
46A	7020109	4	Holder, Brush	
46A	7012514	1	Fan	
46A	7020110	1	Bell, Front	
46A	7020111	1	Bell, Rear	
46A	7020190	1	Bearing	
46B	7019680	1	Box, Control	
46B	4460190	1	Receptacle, Standard	
46B	4460027	1	Receptacle, Twistlock	
46B	4360542	1	Breaker, Circuit	
46B	3520028	1	Plug, Hole	
46B	4460961	1	Connector - 4 Position	
46B	4460705	4	Pin, Male	
46B	4460321	1	Connector - 4 Position (Note: Mate to p/n 4460961 Purchase Separately)	
46B	4460268	3	Socket, Female (Note: Mate to p/n 4460705 Purchase Separately)	
46C	2420203	1	Voltmeter	
46D	1001179893	1	Pulley	
46D	7027887	1	Key, Woodruff	
47	1001181243	1	Mount, Lower Generator	
48	1001183477	1	Support	
49	1001148138	1	Belt	
50	1001187522	1	Harness, Generator (See Separate Breakdown in ELECTRICAL SECTION)	
51	1001188731	1	Wiring Diagram (Not Shown)	
51	4922641	1	Harness, On/Off Switch (Not Shown - Located at Platform)	
52	1001182296	1	Harness, Inverter	
52	1060494	10 ft/3.5m	Cable, Electrical - 12/3	
52	4460134	1	Receptacle, Female	
52	4460138	1	Plug, Male	

SECTION 3 - ENGINE

FIGURE 3-46. GENERATOR INSTALLATION - 2500W/60HZ (KUBOTA ENGINE)



ART_1001214909

SECTION 3 - ENGINE

FIGURE 3-46. GENERATOR INSTALLATION - 2500W/60HZ (KUBOTA ENGINE)

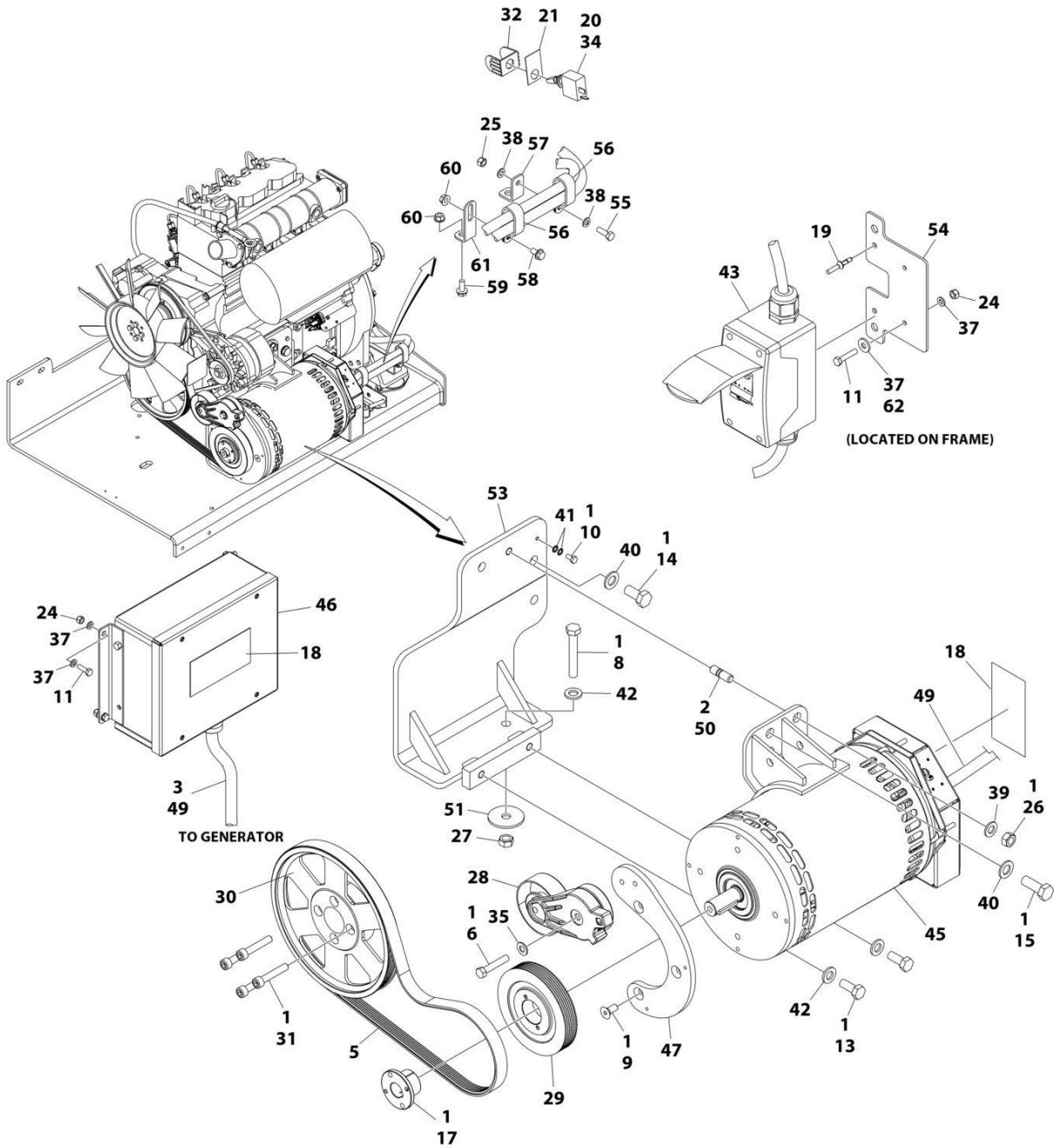
ITEM	PART NUMBER	QTY	DESCRIPTION	REV
	1001214909	Ref	GENERATOR INSTALLATION - 2500W/60Hz (KUBOTA ENGINE)	E
1	0100011	AR	Compound, Locking	
2	0100048	AR	Grease, Dielectric	
3	0641507	1	Bolt 5/16 x 7/8	
4	0641772	1	Bolt 7/16 x 9	
5	1001217344	2	Bolt M12 x 50	
6	0711224	AR	Bolt M12 x 80 Grade 10.9	
6	0701224	AR	Bolt M12 x 80	
7	0760608	1	Bolt M6 x 16	
8	1001217345	1	Bolt M14 x 30	
9	0760814	5	Bolt M8 x 30	
11	0761015	1	Bolt M10 x 35	
12	0761016	3	Bolt M10 x 40	
13	0761214	2	Bolt M12 x 30	
14	0761215	1	Bolt M12 x 35	
15	84521061	1	Clamp	
16	2820031	AR	Heat Shrink	
17	See Note	1	Nameplate (Note: Not Available for Purchase)	
18	3251243	1	Nameplate 120V-60Hz	
19	3290605	1	Nut M6	
20	3290805	2	Nut M8	
21	3291005	1	Nut M10	
22	3291201	2	Nut M12	
23	3311001	2	Nut #10	
24	3311705	1	Nut 7/16	
25	3740080	1	Relay	
26	1001217342	1	Bolt M12 x 30	
27	4060802	1	Guard, Switch	
28	4240099	AR	Tie-Strap (Not Shown)	
29	4360336	1	Switch, Toggle	
30	4711700	2	Washer 7/16	
31	4751000	4	Washer #10	
32	4751500	1	Washer 5/16	
33	4811700	2	Washer M6	
34	4811900	5	Washer M8	
35	4812000	4	Washer M10	
36	5241200	1	Washer M12 Hardened	
37	1001147233	1	Pulley	
38	1001148138	1	Belt	
40	1001155041	1	Stud	
41	1001168018	1	Washer, Snubbing	
42	1001179836	1	Mount, Upper Generator	
43	1001179837	1	Arm Adjustment	
44	1001180001	1	Generator	
44A	7026199	1	Armature with Slip Rings	
44A	7012513	3	Cap, Brush Holder	
44A	7020108	4	Brush	
44A	7020109	4	Holder, Brush	
44A	7012514	1	Fan	
44A	7020110	1	Bell, Front	

SECTION 3 - ENGINE

ITEM	PART NUMBER	QTY	DESCRIPTION	REV
44A	7020111	1	Bell, Rear	
44A	7020190	1	Bearing	
44B	7019680	1	Box, Control	
44B	4460190	1	Receptacle, Standard	
44B	4460027	1	Receptacle, Twistlock	
44B	4360542	1	Breaker, Circuit	
44B	3520028	1	Plug, Hole	
44B	4460961	1	Connector - 4 Position	
44B	4460705	4	Pin, Male	
44B	4460321	1	Connector - 4 Position (Note: Mate to p/n 4460961 Purchase Separately)	
44B	4460268	3	Socket, Female (Note: Mate to p/n 4460705 Purchase Separately)	
44C	2420203	1	Voltmeter	
44D	1001179893	1	Pulley	
44D	7027887	1	Key, Woodruff	
45	1001181243	1	Mount, Lower Generator	
46	1001182296	1	Harness, Inverter	
46	1060494	10 ft/ 3.5m	Cable, Electrical - 12/3	
46	4460134	1	Receptacle, Female	
46	4460138	1	Plug, Male	
47	1001187522	1	Harness, Generator (See Separate Breakdown in ELECTRICAL SECTION)	
48	1001188731	1	Wiring Diagram (Not Shown)	
48	4922641	1	Harness, On/Off Switch (Not Shown - Located at Platform)	
49	1001213029	1	Adapter, Pulley	
50	1001214546	1	Support	
51	1001216805	1	Spacer	
52	1001216840	1	Support	
53	4812200	1	Washer M14	

SECTION 3 - ENGINE

FIGURE 3-47. GENERATOR INSTALLATION - 4000W/50HZ (DEUTZ D2011 ENGINE)



ART_1001173984

SECTION 3 - ENGINE

FIGURE 3-47. GENERATOR INSTALLATION - 4000W/50HZ (DEUTZ D2011 ENGINE)

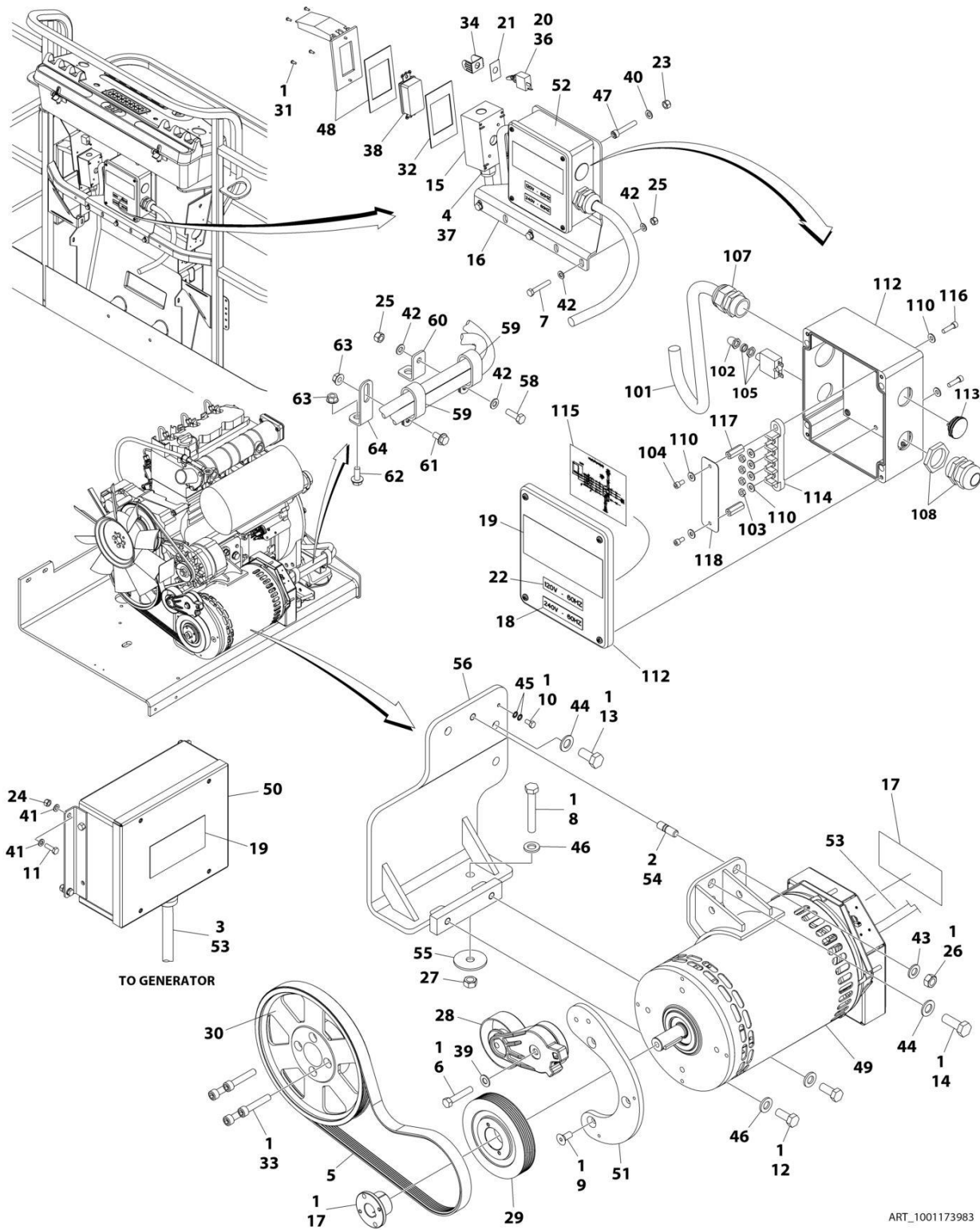
ITEM	PART NUMBER	QTY	DESCRIPTION	REV
	1001173984	Ref	GENERATOR INSTALLATION - 4000W/50HZ (DEUTZ D2011 ENGINE)	J
1	0100011	AR	Compound, Locking	
2	0100019	AR	Compound, Locking	
3	0100048	AR	Grease, Dielectric	
4	0100079	AR	Sealant (Not Shown)	
5	0480126	1	Belt	
6	0641616	1	Bolt 3/8 x 2	
8	0711224	1	Bolt M12 x 80 Grade 10.9	
9	0741607	3	Screw 3/8 x 7/8	
10	0760606	1	Bolt M6 x 12	
11	0760610	AR	Bolt M6 x 20	
11	0760614	AR	Bolt M6 x 30	
13	0761214	2	Bolt M12 x 30	
14	0771414	2	Bolt M14 x 30 Grade 10.9	
15	0771416	1	Bolt M14 x 40	
17	0962520	1	Bushing	
18	1705489	AR	Decal - Hazardous Voltage	
19	2080040	2	Fastener, Huck	
20	2820031	AR	Heat Shrink	
21	See Note	1	Nameplate (Note: Not Available for Purchase)	
24	3290605	6	Nut M6	
25	3290805	1	Nut M8	
26	3291201	1	Nut M12	
27	3331211	1	Nut M12	
28	3580317	1	Pulley	
29	3580319	1	Pulley	
30	3580320	1	Pulley	
31	4032015	4	Bolt M10 x 55	
32	4060802	1	Guard, Switch	
33	4240099	AR	Tie-Strap (Not Shown)	
34	4360336	1	Switch, Toggle	
35	4711600	1	Washer 3/8	
37	4811700	AR	Washer M6	
38	4811900	1	Washer M8	
39	4812100	1	Washer M12	
40	4812200	3	Washer M14	
41	4871700	2	Washer M6	
42	5241200	3	Washer M12 Hardened	
43	1001096070	1	Breaker Box Kit (50Hz) (See Separate Breakdown in ELECTRICAL Section)	
45	1001138565	1	Generator Assembly	
45	70003709	1	Ring, Retaining (External)	
45	70003708	1	Ring, Retaining (Internal)	
45	70001966	1	Bearing	
45	70004092	1	Endbell (Shaft End)	
45	70004171	1	Key	
45	70004676	1	Rotor	
45	70004677	1	Stator	
45	70004678	1	Endbell (Rear)	

SECTION 3 - ENGINE

ITEM	PART NUMBER	QTY	DESCRIPTION	REV
45	70004679	1	Cover, Endbell (Rear)	
45	70004680	1	Enclosure, Wiring	
45	70004681	1	Cover, Enclosure	
45	70004682	1	Switch, Reset (Located on Enclosure Cover)	
45	70004683	1	Connector, Strain Relief (Located on Enclosure Cover)	
46	1001138566	1	Box, Control	
46	70006552	1	Capacitor	
46	70006553	1	Relay	
47	1001139357	1	Mount, Tensioner	
49	1001152532	1	Harness, Generator (See Separate Breakdown in ELECTRICAL Section)	
50	1001196382	1	Stud	
51	1001168018	1	Washer, Snubbing	
53	1001173925	1	Mount	
54	1001174158	1	Mount	
55	0760812	1	Bolt M8 x 25	
56	1321716	2	Clamp	
57	1001148641	1	Bracket	
58	5250808	1	Bolt M8 x 16	
59	5250810	1	Bolt M8 x 20	
60	5260800	2	Nut M8	
61	1001223122	1	Support	
62	4811702	AR	Washer M6	

SECTION 3 - ENGINE

FIGURE 3-48. GENERATOR INSTALLATION - 4000W/60HZ (DEUTZ D2011 ENGINE)



ART_1001173983

SECTION 3 - ENGINE

FIGURE 3-48. GENERATOR INSTALLATION - 4000W/60HZ (DEUTZ D2011 ENGINE)

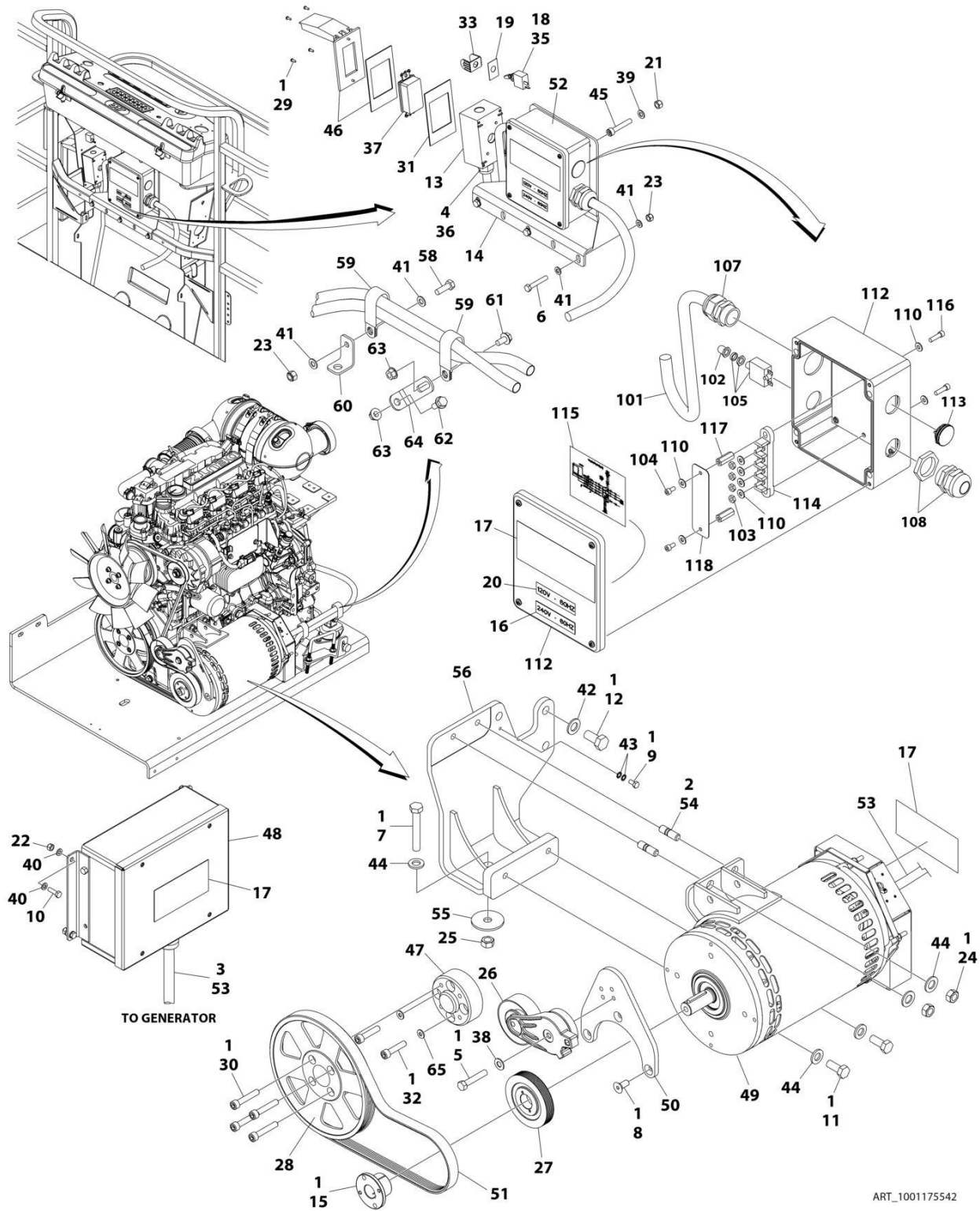
ITEM	PART NUMBER	QTY	DESCRIPTION	REV
	1001173983	Ref	GENERATOR INSTALLATION - 4000W/60HZ (DEUTZ D2011 ENGINE)	F
1	0100011	AR	Compound, Locking	
2	0100019	AR	Compound, Locking	
3	0100048	AR	Grease, Dielectric	
4	0100079	AR	Sealant	
5	0480128	1	Belt	
6	0641616	1	Bolt 3/8 x 2	
7	0700818	3	Bolt M8 x 50	
8	0711224	1	Bolt M12 x 80 Grade 10.9	
9	0741607	3	Screw 3/8 x 7/8	
10	0760606	1	Bolt M6 x 12	
11	0760610	4	Bolt M6 x 20	
12	0761214	2	Bolt M12 x 30	
13	0771414	2	Bolt M14 x 30 Grade 10.9	
14	0771416	1	Bolt M14 x 40	
15	0860038	1	Box, Switch	
16	0902888	1	Bracket	
17	0962520	1	Bushing	
18	1705374	1	Decal - 240V-60Hz	
19	1705387	3	Decal - Hazardous Voltage	
20	2820031	AR	Heat Shrink	
21	See Note	1	Nameplate (Note: Not Available for Purchase)	
22	3251243	1	Nameplate 120V-60Hz	
23	3290505	4	Nut M5	
24	3290605	4	Nut M6	
25	3290805	4	Nut M8	
26	3291201	2	Nut M12	
27	3331211	1	Nut M12	
28	3580317	1	Pulley	
29	3580318	1	Pulley	
30	3580320	1	Pulley	
31	3910606	4	Screw #6 x 3/8	
32	3960422	1	Gasket	
33	4032015	4	Bolt M10 x 55	
34	4060802	1	Guard, Switch	
35	4240099	AR	Tie-Strap (Not Shown)	
36	4360336	1	Switch, Toggle	
37	4460071	1	Connector, Strain Relief	
38	4460346	1	Receptacle	
39	4711600	1	Washer 3/8	
40	4811600	4	Washer M5	
41	4811700	8	Washer M6	
42	4811900	8	Washer M8	
43	4812100	1	Washer M12	
44	4812200	3	Washer M14	
45	4871700	2	Washer M6	
46	5241200	3	Washer M12 Hardened	
47	1001104029	4	Screw M5 x 30	
48	1001110873	1	Shield, Cover	

SECTION 3 - ENGINE

ITEM	PART NUMBER	QTY	DESCRIPTION	REV
49	1001129858	1	Generator	
49	70003709	1	Ring, Retaining (External)	
49	70003708	1	Ring, Retaining (Internal)	
49	70001966	1	Bearing	
49	70004092	1	Endbell (Shaft End)	
49	70004171	1	Key	
49	70004676	1	Rotor	
49	70004684	1	Stator	
49	70004678	1	Endbell (Rear)	
49	70004679	1	Cover, Endbell (Rear)	
49	70004680	1	Enclosure, Wiring	
49	70004685	1	Cover, Enclosure	
49	70004682	1	Switch, Reset (Located on Enclosure Cover)	
49	70004098	1	Connector, Strain Relief (Located on Enclosure Cover)	
50	1001138566	1	Box, Control	
50	70006552	1	Capacitor	
50	70006553	1	Relay	
51	1001139357	1	Mount, Tensioner	
52	1001152457	1	Generator Junction Box Assembly (See Items 101-118 for Breakdown)	
53	1001152532	1	Harness, Generator (See Separate Breakdown in ELECTRICAL SECTION)	
54	1001196382	1	Stud	
55	1001168018	1	Washer, Snubbing	
56	1001173925	1	Mount	
57	1001175631	1	Wiring Diagram (Not Shown)	
57	4922641	1	Harness, On/Off Switch (Not Shown - Located at Platform)	
58	0760812	1	Bolt M8 x 25	
59	1321716	2	Clamp	
60	1001148641	1	Bracket	
61	5250808	1	Bolt M8 x 16	
62	5250810	1	Bolt M8 x 20	
63	5260800	2	Nut M8	
64	1001223122	1	Support	
	1001152457	Ref	GENERATOR JUNCTION BOX COMPONENTS	
101	1001179154	2.5 ft/ 0.8m	Cable, Electrical - 12/3	
102	3300396	1	Cover, Breaker	
103	3311001	4	Nut #10	
104	3900300	2	Screw	
105	4360070	1	Breaker, Circuit - 15Amp	
107	4460425	1	Connector, Strain Relief (LH Side)	
108	4460426	1	Connector, Strain Relief (RH Side)	
110	4711000	8	Washer #10	
112	1001152456	1	Box, Junction	
113	1001152525	1	Plug	
114	1001152530	1	Terminal, Block	
115	1001153260	1	Decal - Wiring Diagram	
116	3900267	2	Screw	
117	1001158008	2	Stand-Off	
118	1001158363	1	Cover, Terminal Block	

SECTION 3 - ENGINE

FIGURE 3-49. GENERATOR INSTALLATION - 4000W/60HZ (DEUTZ D2.9L4 ENGINE)



ART_1001175542

SECTION 3 - ENGINE

FIGURE 3-49. GENERATOR INSTALLATION - 4000W/60HZ (DEUTZ D2.9L4 ENGINE)

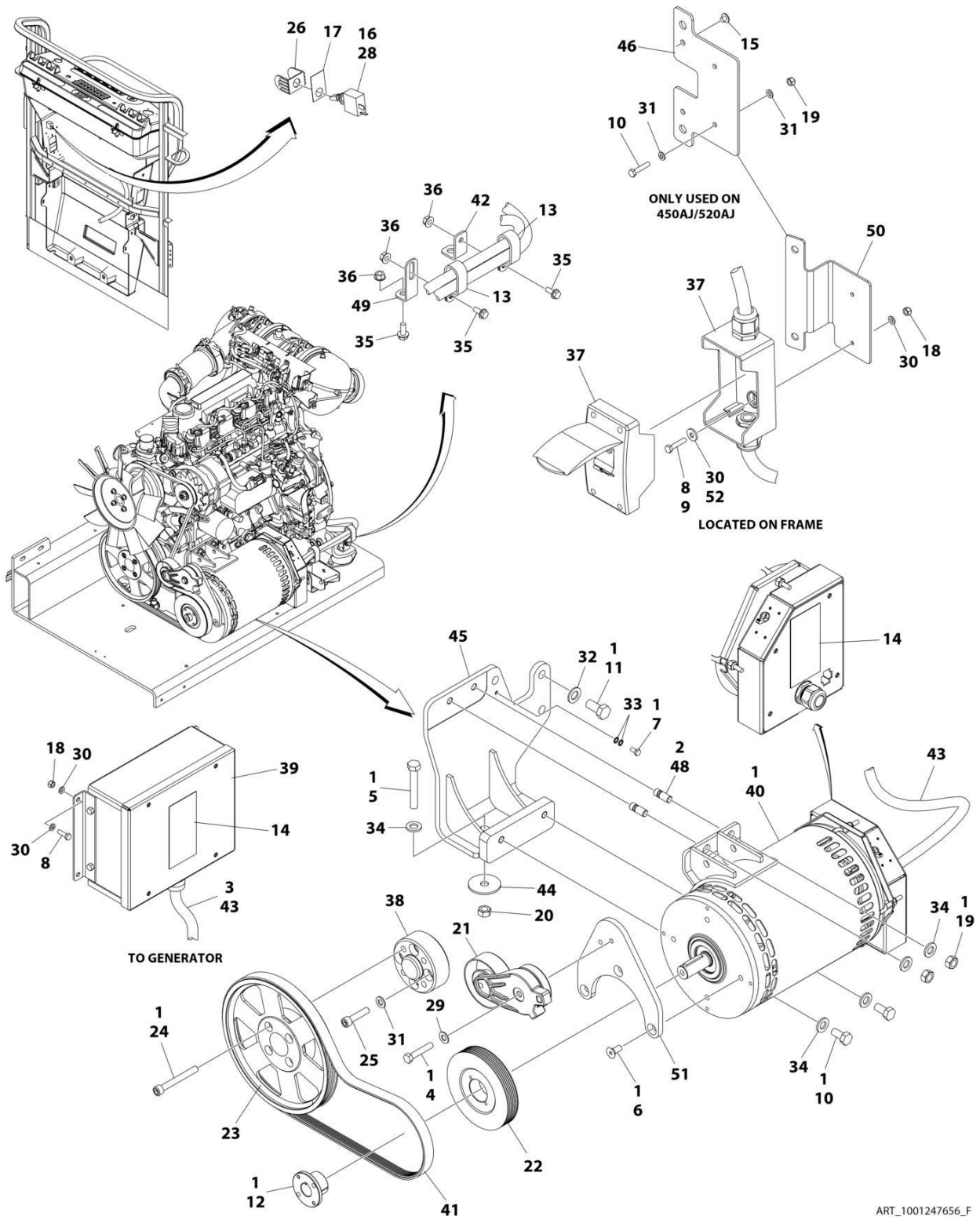
ITEM	PART NUMBER	QTY	DESCRIPTION	REV
	1001175542	Ref	GENERATOR INSTALLATION - 4000W/60HZ (DEUTZ D2.9L4 ENGINE)	J
1	0100011	AR	Compound, Locking	
2	0100019	AR	Compound, Locking	
3	0100048	AR	Grease, Dielectric	
4	0100079	AR	Sealant	
5	0641616	1	Bolt 3/8 x 2	
6	0700818	3	Bolt M8 x 50	
7	0711224	AR	Bolt M12 x 80 Grade 10.9	
8	0741607	3	Screw 3/8 x 7/8	
9	0760606	1	Bolt M6 x 12	
10	0760610	4	Bolt M6 x 20	
11	0761212	2	Bolt M12 x 25	
12	0771414	AR	Bolt M14 x 30 Grade 10.9	
13	0860038	1	Box, Switch	
14	0902888	1	Bracket	
15	0962520	1	Bushing	
16	1705374	1	Decal - 240V-60Hz	
17	1705387	3	Decal - Hazardous Voltage	
18	2820031	AR	Heat Shrink	
19	See Note	1	Nameplate (Note: Not Available for Purchase)	
20	3251243	1	Nameplate 120V-60Hz	
21	3290505	4	Nut M5	
22	3290605	4	Nut M6	
23	3290805	4	Nut M8	
24	3291201	2	Nut M12	
25	3331211	AR	Nut M12	
26	3580317	1	Pulley	
27	3580318	1	Pulley	
28	3580320	1	Pulley	
29	3910606	4	Screw #6 x 3/8	
30	3931628	4	Capscrew 3/8 x 1-3/4	
31	3960422	1	Gasket	
32	4032014	4	Capscrew M10 x 50	
33	4060802	1	Guard, Switch	
34	4240099	AR	Tie-Strap (Not Shown)	
35	4360336	1	Switch, Toggle	
36	4460071	1	Connector, Strain Relief	
37	4460346	1	Receptacle	
38	4711600	1	Washer 3/8	
39	4811600	4	Washer M5	
40	4811700	8	Washer M6	
41	4811900	8	Washer M8	
42	4812200	AR	Washer M14	
43	4871700	2	Washer M6	
44	5241200	AR	Washer M12 Hardened	
45	1001104029	4	Screw M5 x 30	
46	1001110873	1	Shield, Cover	
47	1001135679	1	Adapter	
48	1001138566	1	Box, Control	

SECTION 3 - ENGINE

ITEM	PART NUMBER	QTY	DESCRIPTION	REV
49	1001140346	1	Generator Assembly	
49	70003709	1	Ring, Retaining (External)	
49	70003708	1	Ring, Retaining (Internal)	
49	70001966	1	Bearing	
49	70004092	1	Endbell (Shaft End)	
49	70004099	1	Key	
49	70004676	1	Rotor	
49	70004687	1	Stator	
49	70004678	1	Endbell (Rear)	
49	70004679	1	Cover, Endbell (Rear)	
49	70004680	1	Enclosure, Wiring	
49	70004685	1	Cover, Enclosure	
49	70004682	1	Switch, Reset (Located on Enclosure Cover)	
49	70004098	1	Connector, Strain Relief (Located on Enclosure Cover)	
50	1001142643	1	Support	
51	1001142646	1	Belt	
52	1001152457	1	Generator Junction Box Assembly (See Items 101-118 for Breakdown)	
53	1001152532	1	Harness, Generator (See Separate Breakdown in ELECTRICAL SECTION)	
54	1001196382	2	Stud	
55	1001168018	AR	Washer, Snubbing	
56	1001168207	Ref	Support	
57	1001175631	1	Wiring Diagram (Not Shown)	
57	4922641	1	Harness, On/Off Switch (Not Shown - Located at Platform)	
58	0760812	1	Bolt M8 x 25	
59	1321716	2	Clamp	
60	1001148641	1	Bracket	
61	5250808	1	Bolt M8 x 16	
62	5250810	1	Bolt M8 x 20	
63	5260800	2	Nut M8	
64	1001223122	1	Support	
65	4812000	4	Washer M10	
	1001152457	Ref	GENERATOR JUNCTION BOX COMPONENTS	
101	1001179154	2.5 ft/ 0.8m	Cable, Electrical - 12/3	
102	3300396	1	Cover, Breaker	
103	3311001	4	Nut #10	
104	3900300	2	Screw	
105	4360070	1	Breaker, Circuit - 15Amp	
107	4460425	1	Connector, Strain Relief (LH Side)	
108	4460426	1	Connector, Strain Relief (RH Side)	
110	4711000	8	Washer #10	
112	1001152456	1	Box, Junction	
113	1001152525	1	Plug	
114	1001152530	1	Terminal, Block	
115	1001153260	1	Decal - Wiring Diagram	
116	3900267	2	Screw	
117	1001158008	2	Stand-Off	
118	1001158363	1	Cover, Terminal Block	

SECTION 3 - ENGINE

FIGURE 3-50. GENERATOR INSTALLATION - 4000W/50HZ (DEUTZ ENGINE) (STAGE V)



ART_1001247656_F

SECTION 3 - ENGINE

FIGURE 3-50. GENERATOR INSTALLATION - 4000W/50HZ (DEUTZ ENGINE) (STAGE V)

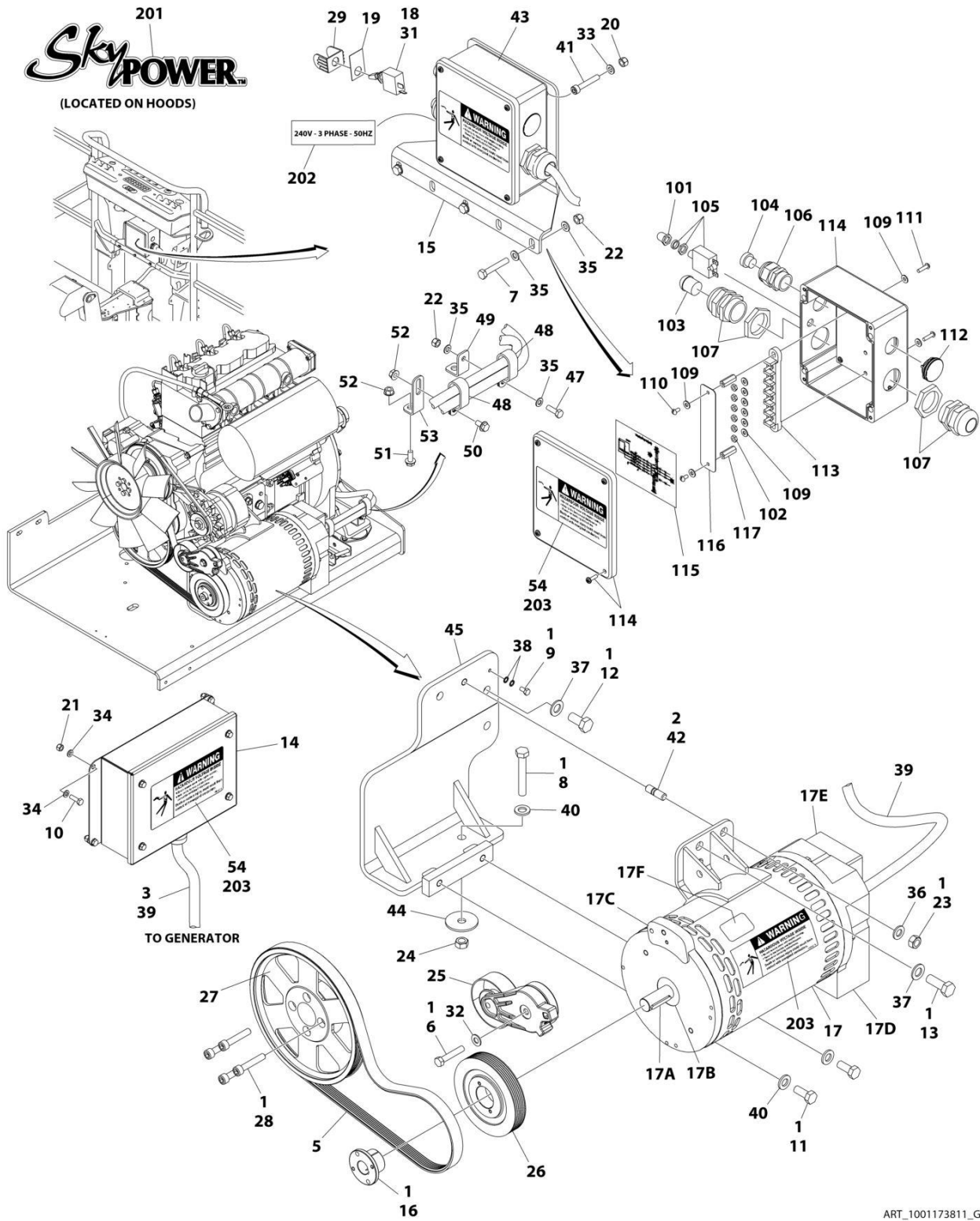
ITEM	PART NUMBER	QTY	DESCRIPTION	REV
	1001247656	Ref	GENERATOR INSTALLATION - 4000W/50HZ (DEUTZ (STAGE V) ENGINE)	F
1	0100011	AR	Compound, Locking	
2	0100019	AR	Compound, Locking	
3	0100048	AR	Grease, Dielectric	
4	0641616	1	Bolt 3/8 x 2	
5	0711224	AR	Bolt M12 x 80	
6	0741607	3	Screw 3/8 x 7/8	
7	0760606	1	Bolt M6 x 12	
8	0760610	AR	Bolt M6 x 20	
9	0760614	AR	Bolt M6 x 30	
10	0761212	2	Bolt M12 x 25	
11	0771414	AR	Bolt M14 x 30	
12	0962520	1	Bushing	
13	1321716	2	Clamp	
14	1705489	2	Decal - Hazardous Voltage	
15	2080040	2	Fastener, Huck	
16	2820031	0.33 ft /0.10m	Heat Shrink	
17	3251102	1	Nameplate, Generator	
18	3290605	AR	Nut M6	
19	3291201	2	Nut M12	
20	3331211	AR	Nut M12	
21	3580317	1	Pulley	
22	3580319	1	Pulley	
23	1001260432	1	Pulley	
24	1001261085	4	Capscrew M10 x 85	
25	1001261045	4	Capscrew M10 x 45	
26	4060802	1	Guard, Switch	
27	4240099	AR	Tie-Strap (Not Shown)	
28	4360336	1	Switch, Toggle	
29	4711600	1	Washer 3/8	
30	4811700	12	Washer M6	
31	4812000	4	Washer M14	
32	4812200	AR	Washer M14	
33	4871700	2	Washer M6	
34	5241200	AR	Washer M12 Hardened	
35	5250810	3	Bolt M8 x 20	
36	5260800	3	Nut M8	
37	1001096070	1	Breaker Box Kit (50Hz) (See Separate Breakdown in ELECTRICAL Section)	
38	1001135679	1	Adapter	
39	1001138566	1	Box, Control	
40	1001140347	1	Generator, 4000W/ 50HZ - Deutz Engine	
40	70003709	1	Ring, Retaining (External)	
40	70003708	1	Ring, Retaining (Internal)	
40	70001966	1	Bearing	
40	70004092	1	Endbell (Shaft End)	
40	70004099	1	Key	
40	70004676	1	Rotor	

SECTION 3 - ENGINE

ITEM	PART NUMBER	QTY	DESCRIPTION	REV
40	70004686	1	Stator	
40	70004678	1	Endbell (Rear)	
40	70004679	1	Cover, Endbell (Rear)	
40	70004680	1	Enclosure, Wiring	
40	70004681	1	Cover, Enclosure	
40	70004682	1	Switch, Reset (Located on Enclosure Cover)	
40	70004683	1	Connector, Strain Relief (Located on Enclosure Cover)	
41	1001148059	1	Belt, Generator	
42	1001148641	1	Bracket	
43	1001152532	1	Harness, Generator (See Separate Breakdown in ELECTRICAL Section)	
44	1001168018	AR	Washer, Snubbing	
45	1001168207	AR	Support (Prior to PVC 2107)	
46	1001174158	1	Mount	
47	1001174675	1	Wiring Diagram (Not Shown)	
48	1001196382	2	Stud	
49	1001223122	1	Support	
50	1001230784	1	Bracket	
51	1001248190	1	Support	
52	4811702	4	Washer M6	
		Ref	ELECTRICAL DIAGRAM COMPONENTS	
101	4922641	1	Generator Switch Harness (Not Shown)	

SECTION 3 - ENGINE

FIGURE 3-51. GENERATOR INSTALLATION - 7500W/50HZ (DEUTZ D2011 ENGINE)



ART_1001173811_G

SECTION 3 - ENGINE

FIGURE 3-51. GENERATOR INSTALLATION - 7500W/50HZ (DEUTZ D2011 ENGINE)

ITEM	PART NUMBER	QTY	DESCRIPTION	REV
	1001173811	Ref	GENERATOR INSTALLATION - 7500W/50HZ (DEUTZ D2011 ENGINE)	G
1	0100011	AR	Compound, Locking	
2	0100019	AR	Compound, Locking	
3	0100048	AR	Grease, Dielectric	
4	0100079	AR	Sealant (Not Shown)	
5	0480126	1	Belt	
6	0641616	1	Bolt 3/8 x 2	
7	0700818	3	Bolt M8 x 50	
8	0711224	1	Bolt M12 x 80 Grade 10.9	
9	0760606	1	Bolt M6 x 12	
10	0760610	4	Bolt M6 x 20	
11	0761214	2	Bolt M12 x 30	
12	0771414	2	Bolt M14 x 30 Grade 10.9	
13	0771416	1	Bolt M14 x 40	
14	0861572	1	Control Box Assembly	
14	7024488	1	Card, Circuit - Generator Power	
14	See Note	NSS	Fuse (Note: Not Available - Purchase Locally)	
14	7024489	1	Card, Circuit - Control	
14	70000619	1	Harness, Control Box (Internal)	
15	0902888	1	Bracket	
16	0962520	1	Bushing	
17	2460048	1	Generator Assembly	
17	70001100	1	Rotor (Includes p/n 70001384 & 70000863) (Not Shown)	
17	70001384	1	Bearing, Ball Radial (Not Shown)	
17	70000863	1	Fan (Not Shown)	
17	70002088	1	Stator (Not Shown)	
17	70002297	1	Stud	
17	70003631	1	Brushholder Assembly (Not Shown)	
17A	70004171	1	Key	
17B	70001966	1	Bearing, Ball Radial (Located in Belt Tensioner Endbell)	
17B	70003708	1	Ring, Internal Retaining (Located in Belt Tensioner Endbell)	
17B	70003709	1	Ring, External Retaining (Located in Belt Tensioner Endbell)	
17C	70001953	1	Endbell, Belt Tensioner	
17D	70004169	1	Endbell, Brush Block	
17E	70004169	1	Shroud	
17E	See Note	NSS	Insulator, Endbell (Note: Not Available for Purchase)	
17E	7027799	1	Block, Connector 6 Position (Not Shown)	
17E	70002460	1	Nut, Brass (Attaches p/n 7027799 to Cover) (Not Shown)	
17E	7024485	1	Breaker, Circuit 30Amp (Not Shown)	
17E	70001696	1	Boot, Breaker (Not Shown)	
17E	7026626	1	Connector, 6 Position (Includes Seal) (Not Shown - Plugs into Item 39)	
17E	7026597	1	Connector, with Leads (Not Shown)	
17E	7026188	1	Clamp, Cable Options (Not Shown)	
17E	70004169	1	Plate, End Panel	
17E	70001974	1	Decal - Terminal Connections	
17F	70001973	1	Decal - Warning Moving Parts	
18	2820031	AR	Heat Shrink	
19	3252764	1	Nameplate	

SECTION 3 - ENGINE

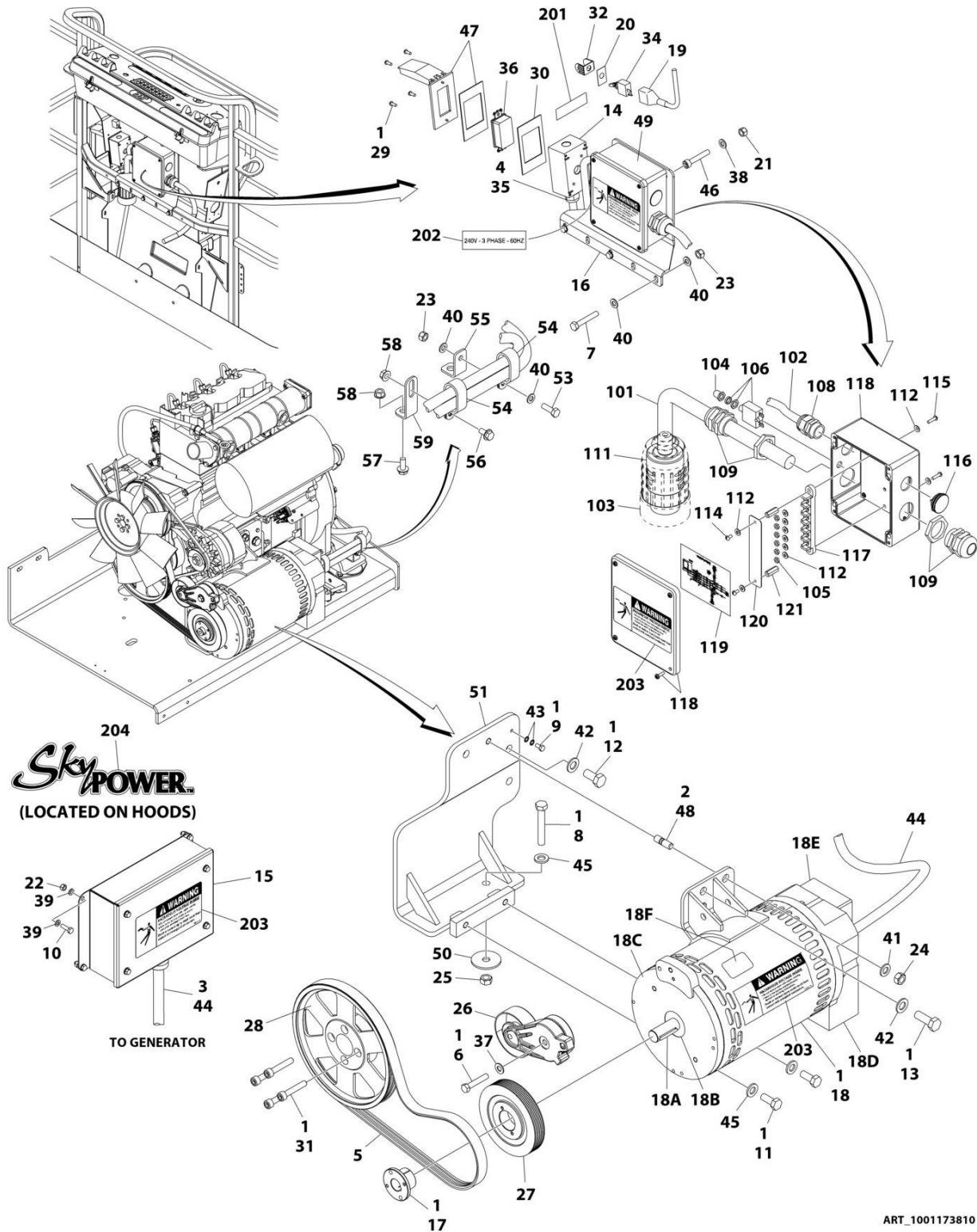
ITEM	PART NUMBER	QTY	DESCRIPTION	REV
20	3290505	4	Nut M5	
21	3290605	4	Nut M6	
22	3290805	4	Nut M8	
23	3291201	1	Nut M12	
24	3331211	1	Nut M12	
25	3580317	1	Pulley	
26	3580319	1	Pulley	
27	3580320	1	Pulley	
28	4032015	4	Bolt M10 x 55	
29	4060802	1	Guard, Switch	
30	4240099	AR	Tie-Strap (Not Shown)	
31	4360336	1	Switch, Toggle	
32	4711600	1	Washer 3/8	
33	4811600	4	Washer M5	
34	4811700	8	Washer M6	
35	4811900	8	Washer M8	
36	4812100	1	Washer M12	
37	4812200	3	Washer M14	
38	4871700	2	Washer M6	
39	4922925	1	Harness, Generator	
39	4460225	1	Plug, Male 6 Position (Plugs into Generator)	
39	See Note	NSS	Socket, Female (Use with 4460225)	
39	See Note	NSS	Seal, Plug (Use with 4460225)	
39	See Note	NSS	Seal, Interface (Use with 4460225)	
40	5241200	3	Washer M12 Hardened	
41	1001104029	4	Screw M5 x 30	
42	1001196382	1	Stud	
43	1001157525	1	Junction Box Assembly (See Items 101-117 for Breakdown)	
44	1001168018	1	Washer, Snubbing	
45	1001173925	1	Mount	
46	1001174675	1	Wiring Diagram (Not Shown)	
46	4922641	1	Harness, On/Off Switch (Not Shown - Located at Platform)	
47	0760812	1	Bolt M8 x 25	
48	1321716	2	Clamp	
49	1001148641	1	Bracket	
50	5250808	1	Bolt M8 x 16	
51	5250810	1	Bolt M8 x 20	
52	5260800	2	Nut M8	
53	1001223122	1	Support	
54	1705489	2	Decal - Hazardous Voltage	
	1001157525	Ref	JUNCTION BOX ASSEMBLY	B
101	3300396	1	Cover, Fuse	
102	3311001	6	Nut #10	
103	3520189	1	Plug	
104	3520192	1	Plug	
105	4360070	1	Circuit Breaker - 15Amp	
106	4460425	1	Connector, Strain Relief	
107	4460426	2	Connector, Strain Relief	
109	4711000	10	Flatwasher #10	
110	10702077	2	Screw #10 x 3/8	
111	10702082	2	Screw #10 x 3/4	

SECTION 3 - ENGINE

ITEM	PART NUMBER	QTY	DESCRIPTION	REV
112	1001152525	1	Plug	
113	1001157520	1	Block, Terminal	
114	1001157521	1	Box, Junction	
115	1001157528	1	Decal - Wiring Schematic	
116	1001158007	1	Cover, PVC	
117	1001158008	2	Stand-Off	
	0272589	Ref	DECAL INSTALLATION	A
201	1705460	2	Decal - SkyPower	
202	1705461	1	Decal - 240V - 3 Phase - 50Hz	
203	1705489	3	Decal - Hazardous Voltage	

SECTION 3 - ENGINE

FIGURE 3-52. GENERATOR INSTALLATION - 7500W/60HZ (DEUTZ D2011 ENGINE)



ART_1001173810

SECTION 3 - ENGINE

FIGURE 3-52. GENERATOR INSTALLATION - 7500W/60HZ (DEUTZ D2011 ENGINE)

ITEM	PART NUMBER	QTY	DESCRIPTION	REV
	1001173810	Ref	GENERATOR INSTALLATION - 7500W/60Hz (DEUTZ D2011 ENGINE)	F
1	0100011	AR	Compound, Locking	
2	0100019	AR	Compound, Locking	
3	0100048	AR	Grease, Dielectric	
4	0100079	AR	Sealant	
5	0480128	1	Belt	
6	0641616	1	Bolt 3/8 x 2	
7	0700818	3	Bolt M8 x 50	
8	0711224	1	Bolt M12 x 80 Grade 10.9	
9	0760606	1	Bolt M6 x 12	
10	0760610	4	Bolt M6 x 20	
11	0761214	2	Bolt M12 x 30	
12	0771414	2	Bolt M14 x 30 Grade 10.9	
13	0771416	1	Bolt M14 x 40	
14	0860038	1	Box, Switch	
15	0861538	1	Control Box Assembly	
15	7024488	1	Card, Circuit - Generator Power	
15	See Note	NSS	Fuse (Note: Not Available - Purchase Locally)	
15	7024489	1	Card, Circuit - Control	
15	70000619	1	Harness, Control Box (Internal)	
16	0902888	1	Bracket	
17	0962520	1	Bushing	
18	2460048	1	Generator Assembly	
18	70001100	1	Rotor (Includes p/n 70001384 & 70000863) (Not Shown)	
18	70001384	1	Bearing, Ball Radial (Not Shown)	
18	70000863	1	Fan (Not Shown)	
18	70002088	1	Stator (Not Shown)	
18	70002297	1	Stud	
18	70003631	1	Brushholder Assembly (Not Shown)	
18A	70004171	1	Key	
18B	70001966	1	Bearing, Ball Radial (Located in Belt Tensioner Endbell)	
18B	70003708	1	Ring, Internal Retaining (Located in Belt Tensioner Endbell)	
18B	70003709	1	Ring, External Retaining (Located in Belt Tensioner Endbell)	
18C	70001953	1	Endbell, Belt Tensioner	
18D	70004169	1	Endbell, Brush Block	
18E	70004169	1	Shroud	
18E	See Note	NSS	Insulator, Endbell (Note: Not Available for Purchase)	
18E	7027799	1	Block, Connector 6 Position (Not Shown)	
18E	70002460	1	Nut, Brass (Attaches p/n 7027799 to Cover) (Not Shown)	
18E	7024485	1	Breaker, Circuit 30Amp (Not Shown)	
18E	70001696	1	Boot, Breaker (Not Shown)	
18E	7026626	1	Connector, 6 Position (Includes Seal) (Not Shown - Plugs into Item 39)	
18E	7026597	1	Connector, with Leads (Not Shown)	
18E	7026188	1	Clamp, Cable Options (Not Shown)	
18E	70004169	1	Plate, End Panel	
18E	70001974	1	Decal - Terminal Connections	
18F	70001973	1	Decal - Warning Moving Parts	
19	2820031	AR	Heat Shrink	

SECTION 3 - ENGINE

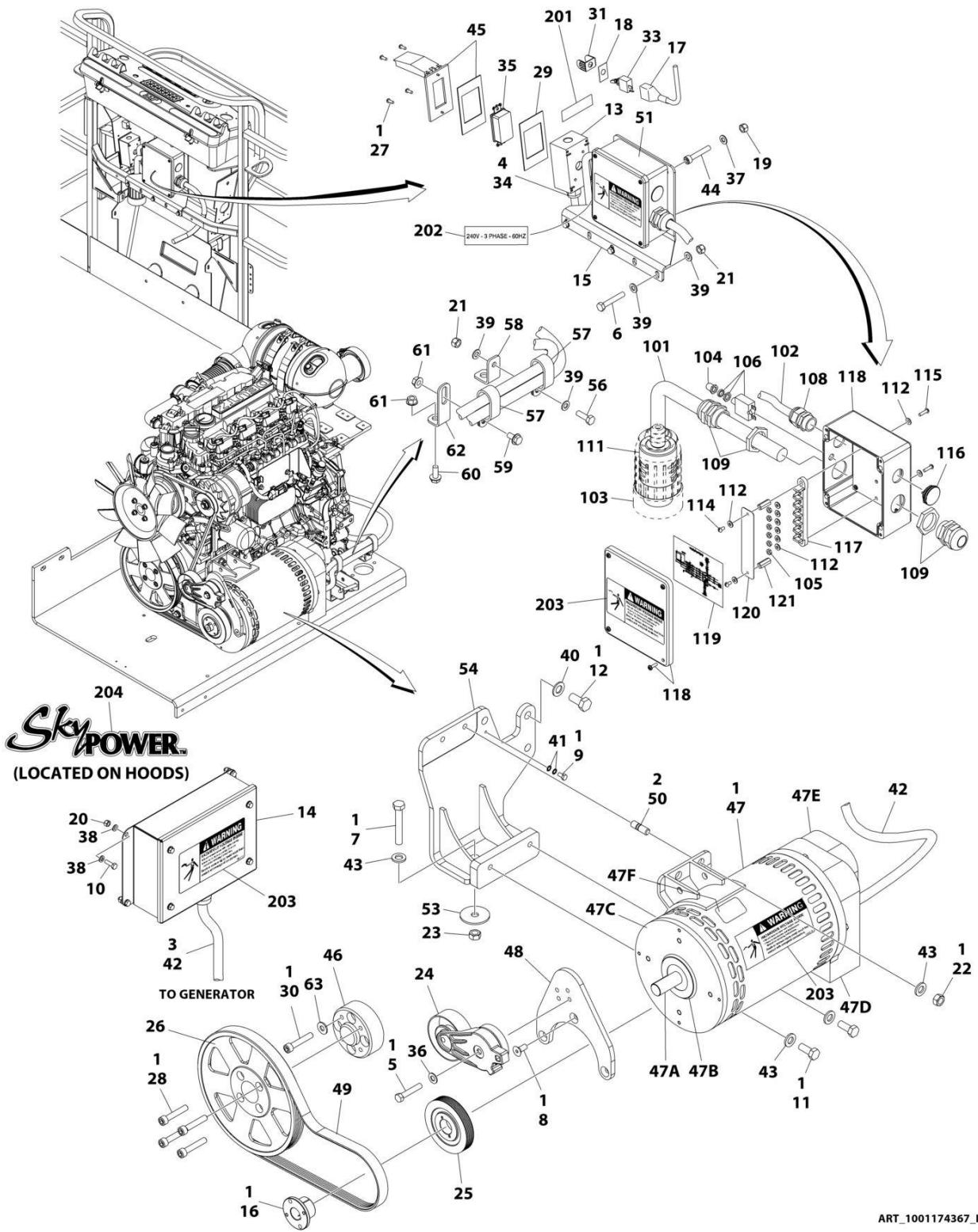
ITEM	PART NUMBER	QTY	DESCRIPTION	REV
20	3252764	1	Nameplate	
21	3290505	4	Nut M5	
22	3290605	4	Nut M6	
23	3290805	4	Nut M8	
24	3291201	1	Nut M12	
25	3331211	1	Nut M12	
26	3580317	1	Pulley	
27	3580318	1	Pulley	
28	3580320	1	Pulley	
29	3910606	4	Screw #6 x 3/8	
30	3960422	1	Gasket	
31	4032015	4	Bolt M10 x 55	
32	4060802	1	Guard, Switch	
33	4240099	AR	Tie-Strap (Not Shown)	
34	4360336	1	Switch, Toggle	
35	4460071	1	Connector, Strain Relief	
36	4460346	1	Receptacle	
37	4711600	1	Washer 3/8	
38	4811600	4	Washer M5	
39	4811700	8	Washer M6	
40	4811900	8	Washer M8	
41	4812100	1	Washer M12	
42	4812200	3	Washer M14	
43	4871700	2	Washer M6	
44	4922925	1	Harness, Generator	
44	4460225	1	Plug, Male 6 Position (Plugs into Generator)	
44	See Note	NSS	Socket, Female (Use with 4460225)	
44	See Note	NSS	Seal, Plug (Use with 4460225)	
44	See Note	NSS	Seal, Interface (Use with 4460225)	
45	5241200	3	Washer M12 Hardened	
46	1001104029	4	Screw M5 x 30	
47	1001110873	1	Shield, Cover	
48	1001196382	1	Stud	
49	1001157592	1	Junction Box Assembly Options (See Items 101-121 for Breakdown)	
50	1001168018	1	Washer, Snubbing	
51	1001173925	1	Mount	
52	1001174675	1	Wiring Diagram (Not Shown)	
52	4922641	1	Harness, On/Off Switch (Not Shown - Located at Platform)	
53	0760812	1	Bolt M8 x 25	
54	1321716	2	Clamp	
55	1001148641	1	Bracket	
56	5250808	1	Bolt M8 x 16	
57	5250810	1	Bolt M8 x 20	
58	5260800	2	Nut M8	
59	1001223122	1	Support	
	1001157592	Ref	JUNCTION BOX ASSEMBLY	C
101	1060343	1.5 ft /0.5m	Cable, Electrical 10/4	
102	1001179154	2.5 ft /0.8m	Cable, Electrical 12/3	
103	1671092	1	Cover	

SECTION 3 - ENGINE

ITEM	PART NUMBER	QTY	DESCRIPTION	REV
104	3300396	1	Cover, Fuse	
105	3311001	6	Nut #10	
106	4360070	1	Circuit Breaker - 15Amp	
108	4460425	1	Connector, Strain Relief	
109	4460426	2	Connector, Strain Relief	
111	4460963	1	Connector	
112	4711000	10	Flatwasher #10	
114	10702077	2	Screw #10 x 3/8	
115	10702082	2	Screw #10 x 3/4	
116	1001152525	1	Plug	
117	1001157520	1	Block, Terminal	
118	1001157521	1	Box, Junction	
119	1001157528	1	Decal - Wiring Schematic	
120	1001158007	1	Cover, PVC	
121	1001158008	2	Stand-Off	
	0272435	Ref	DECAL INSTALLATION	D
	0273380	Ref	DECAL INSTALLATION	B
201	3251243	1	Decal - 120V - 60Hz	
202	1705375	1	Decal - 240V - 3 Phase - 60Hz	
203	1705387	3	Decal - Hazardous Voltage	
204	1705460	2	Decal - SkyPower	

SECTION 3 - ENGINE

FIGURE 3-53. GENERATOR INSTALLATION - 7500W/60HZ (DEUTZ D2.9L4 ENGINE)



SECTION 3 - ENGINE

FIGURE 3-53. GENERATOR INSTALLATION - 7500W/60HZ (DEUTZ D2.9L4 ENGINE)

ITEM	PART NUMBER	QTY	DESCRIPTION	REV
	1001174367	Ref	GENERATOR INSTALLATION - 7500W/60Hz (DEUTZ D2.9L4 ENGINE)	J
1	0100011	AR	Compound, Locking	
2	0100019	AR	Compound, Locking	
3	0100048	AR	Grease, Dielectric	
4	0100079	AR	Sealant	
5	0641616	1	Bolt 3/8 x 2	
6	0700818	3	Bolt M8 x 50	
7	0711224	Ref	Bolt M12 x 80 Grade 10.9	
8	0741607	3	Screw 3/8 x 7/8	
9	0760606	1	Bolt M6 x 12	
10	0760610	4	Bolt M6 x 20	
11	0761212	2	Bolt M12 x 25	
12	0771414	Ref	Bolt M14 x 30 Grade 10.9	
13	0860038	1	Box, Switch	
14	0861538	1	Control Box Assembly	
14	7024488	1	Card, Circuit - Generator Power	
14	See Note	NSS	Fuse (Note: Not Available - Purchase Locally)	
14	7024489	1	Card, Circuit - Control	
14	70000619	1	Harness, Control Box (Internal)	
15	0902888	1	Bracket	
16	0962520	1	Bushing	
17	2820031	AR	Heat Shrink	
18	3252764	1	Nameplate	
19	3290505	4	Nut M5	
20	3290605	4	Nut M6	
21	3290805	4	Nut M8	
22	3291201	2	Nut M12	
23	3331211	Ref	Nut M12	
24	3580317	1	Pulley	
25	3580318	1	Pulley	
26	3580320	1	Pulley	
27	3910606	4	Screw #6 x 3/8	
28	3931628	4	Capscrew 3/8 x 1-3/4	
29	3960422	1	Gasket	
30	4032014	4	Bolt M10 x 50	
31	4060802	1	Guard, Switch	
32	4240099	AR	Tie-Strap (Not Shown)	
33	4360336	1	Switch, Toggle	
34	4460071	1	Connector, Strain Relief	
35	4460346	1	Receptacle	
36	4711600	1	Washer 3/8	
37	4811600	4	Washer M5	
38	4811700	8	Washer M6	
39	4811900	8	Washer M8	
40	4812200	Ref	Washer M14	
41	4871700	2	Washer M6	
42	4922925	1	Harness, Generator	
42	4460225	1	Plug, Male 6 Position (Plugs into Generator)	
42	See Note	NSS	Socket, Female (Use with 4460225)	

SECTION 3 - ENGINE

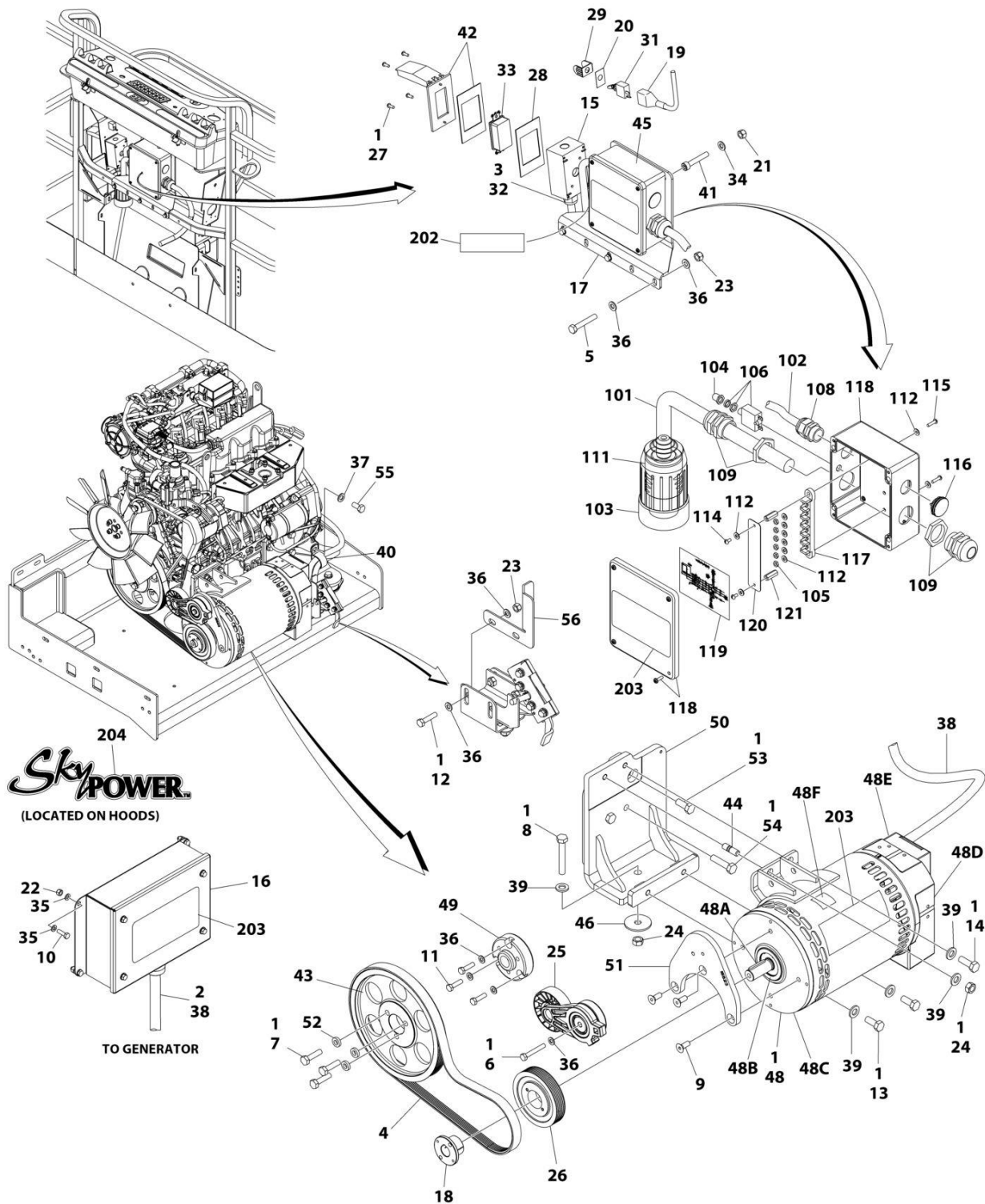
ITEM	PART NUMBER	QTY	DESCRIPTION	REV
42	See Note	NSS	Seal, Plug (Use with 4460225)	
42	See Note	NSS	Seal, Interface (Use with 4460225)	
43	5241200	5	Washer M12 Hardened	
44	1001104029	4	Screw M5 x 30	
45	1001110873	1	Shield, Cover	
46	1001135679	1	Adapter	
47	1001212223	1	Generator Assembly	
47	70001100	1	Rotor (Includes p/n 70001384 & 70000863) (Not Shown)	
47	70001384	1	Bearing, Ball Radial (Not Shown)	
47	70000863	1	Fan (Not Shown)	
47	70006093	1	Stator (Not Shown)	
47	70002297	1	Stud	
47	70003631	1	Brushholder Assembly (Not Shown)	
47A	70004099	1	Key	
47B	70001966	1	Bearing, Ball Radial (Located in Belt Tensioner Endbell)	
47B	70003708	1	Ring, Internal Retaining (Located in Belt Tensioner Endbell)	
47B	70003709	1	Ring, External Retaining (Located in Belt Tensioner Endbell)	
47C	70004092	1	Endbell, Belt Tensioner	
47D	70004094	1	Endbell, Brush Block	
47E	70006094	1	Shroud	
47E	70002291	1	Insulator, Endbell	
47E	7027799	1	Block, Connector 6 Position (Not Shown)	
47E	70002460	1	Nut, Brass (Attaches p/n 7027799 to Cover) (Not Shown)	
47E	70006095	1	Breaker, Circuit 30Amp (Not Shown)	
47E	70006096	1	Guard, Breaker (Not Shown)	
47E	7026626	1	Connector, 6 Position (Includes Seal) (Not Shown - Plugs into Item 36)	
47E	7026597	1	Connector, with Leads (Not Shown)	
47E	70004098	1	Clamp, Cable (Not Shown)	
47E	70006097	1	Plate, End Panel	
47E	70001974	1	Decal - Terminal Connections	
47F	70001973	1	Decal - Warning Moving Parts	
48	1001142643	1	Support	
49	1001142646	1	Belt	
50	1001196382	2	Stud	
51	1001157592	1	Junction Box Assembly Options (See Items 101-121 for Breakdown)	
53	1001168018	Ref	Washer, Snubbing	
54	1001168207	Ref	Support	
55	1001174675	1	Wiring Diagram (Not Shown)	
55	4922641	1	Harness, On/Off Switch (Not Shown - Located at Platform)	
56	0760812	1	Bolt M8 x 25	
57	1321716	2	Clamp	
58	1001148641	1	Bracket	
59	5250808	1	Bolt M8 x 16	
60	5250810	1	Bolt M8 x 20	
61	5260800	2	Nut M8	
62	1001223122	1	Support	
63	4812000	4	Washer M10	
	1001157592	Ref	JUNCTION BOX ASSEMBLY	C
101	1060343	1.5 ft/ 0.5m	Cable, Electrical 10/4	

SECTION 3 - ENGINE

ITEM	PART NUMBER	QTY	DESCRIPTION	REV
102	1001179154	2.5 ft/ 0.8m	Cable, Electrical 12/3	
103	1671092	1	Cover	
104	3300396	1	Cover, Fuse	
105	3311001	6	Nut #10	
106	4360070	1	Circuit Breaker - 15Amp	
108	4460425	1	Connector, Strain Relief	
109	4460426	2	Connector, Strain Relief	
111	4460963	1	Connector	
112	4711000	10	Flatwasher #10	
114	10702077	2	Screw #10 x 3/8	
115	10702082	2	Screw #10 x 3/4	
116	1001152525	1	Plug	
117	1001157520	1	Block, Terminal	
118	1001157521	1	Box, Junction	
119	1001157528	1	Decal - Wiring Schematic	
120	1001158007	1	Cover, PVC	
121	1001158008	2	Stand-Off	
	0272435	Ref	DECAL INSTALLATION	D
	0273380	Ref	DECAL INSTALLATION	B
201	3251243	1	Decal - 120V - 60Hz	
202	1705375	1	Decal - 240V - 3 Phase - 60Hz	
203	1705387	3	Decal - Hazardous Voltage	
204	1705460	2	Decal - SkyPower	

SECTION 3 - ENGINE

FIGURE 3-54. GENERATOR INSTALLATION - 7500W/60HZ (KUBOTA ENGINE)



ART_1001272123

SECTION 3 - ENGINE

FIGURE 3-54. GENERATOR INSTALLATION - 7500W/60HZ (KUBOTA ENGINE)

ITEM	PART NUMBER	QTY	DESCRIPTION	REV
	1001272123	Ref	GENERATOR INSTALLATION - 7500W/60HZ (KUBOTA ENGINE)	A
1	0100011	AR	Compound, Locking	
2	0100048	AR	Grease, Dielectric	
3	0100079	AR	Sealant	
4	0480129	1	Belt	
5	0700818	3	Bolt M8 x 50	
6	0700819	1	Bolt M8 x 55	
7	0701016	3	Bolt M10 x 40	
8	0701224	1	Bolt M12 x 80	
9	0741608	3	Screw 3/8 x 1	
10	0760610	4	Bolt M6 x 20	
11	0760814	3	Bolt M8 x 30	
12	0760815	2	Bolt M8 x 35	
13	0761214	2	Bolt M12 x 30	
14	0761215	1	Bolt M12 x 35	
15	0860038	1	Box, Switch	
16	0861538	1	Control Box Assembly	
16	7024488	1	Card, Circuit - Generator Power	
16	See Note	NSS	Fuse (Note: Not Available - Purchase Locally)	
16	7024489	1	Card, Circuit - Control	
16	70000619	1	Harness, Control Box (Internal)	
17	0902888	1	Bracket	
18	0962520	1	Bushing	
19	2820031	AR	Heat Shrink	
20	3252764	1	Nameplate	
21	3290505	4	Nut M5	
22	3290605	4	Nut M6	
23	3290805	5	Nut M8	
24	3291201	2	Nut M12	
25	3580317	1	Pulley	
26	3580318	1	Pulley	
27	3910606	4	Screw #6 x 3/8	
28	3960422	1	Gasket	
29	4060802	1	Guard, Switch	
30	4240099	AR	Tie-Strap (Not Shown)	
31	4360336	1	Switch, Toggle	
32	4460071	1	Connector, Strain Relief	
33	4460346	1	Receptacle	
34	4811600	4	Washer M5	
35	4811700	8	Washer M6	
36	4811900	12	Washer M8	
37	4812200	1	Washer M14	
38	4922925	1	Harness, Generator	
38	4460225	1	Plug, Male - 6 Position (Plugs into Generator)	
38	See Note	NSS	Socket, Female (Use with 4460225)	
38	See Note	NSS	Seal, Plug (Use with 4460225)	
38	See Note	NSS	Seal, Interface (Use with 4460225)	
39	5241200	5	Washer M12 Hardened	
40	84521062	1	Clamp	
41	1001104029	4	Screw M5 x 30	

SECTION 3 - ENGINE

ITEM	PART NUMBER	QTY	DESCRIPTION	REV
42	1001110873	1	Shield, Cover	
43	1001147233	1	Pulley	
44	1001155041	1	Stud	
45	1001157592	1	Junction Box Assembly (See Items 101-121 for Breakdown)	
46	1001168018	1	Washer, Snubbing	
47	1001174675	1	Wiring Diagram (Not Shown)	
47	4922641	1	Harness, On/Off Switch (Not Shown - Located at Platform)	
48	1001212223	1	Generator Assembly	
48	70001100	1	Rotor (Includes p/n 70001384 & 70000863) (Not Shown)	
48	70001384	1	Bearing, Ball Radial (Not Shown)	
48	70000863	1	Fan (Not Shown)	
48	70006093	1	Stator (Not Shown)	
48	70002297	1	Stud	
48	70003631	1	Brushholder Assembly (Not Shown)	
48A	70004099	1	Key	
48B	70001966	1	Bearing, Ball Radial (Located in Belt Tensioner Endbell)	
48B	70003708	1	Ring, Internal Retaining (Located in Belt Tensioner Endbell)	
48B	70003709	1	Ring, External Retaining (Located in Belt Tensioner Endbell)	
48C	70004092	1	Endbell, Belt Tensioner	
48D	70004094	1	Endbell, Brush Block	
48E	70006094	1	Shroud	
48E	70002291	1	Insulator, Endbell	
48E	7027799	1	Block, Connector 6 Position (Not Shown)	
48E	70002460	1	Nut, Brass (Attaches p/n 7027799 to Cover) (Not Shown)	
48E	70006095	1	Breaker, Circuit 30Amp (Not Shown)	
48E	70006096	1	Guard, Breaker (Not Shown)	
48E	7026626	1	Connector, 6 Position (Includes Seal) (Not Shown - Plugs into Item 36)	
48E	70004098	1	Clamp, Cable (Not Shown)	
48E	70006097	1	Plate, End Panel	
48E	70001974	1	Decal - Terminal Connections	
48F	70001973	1	Decal - Warning Moving Parts	
49	1001213029	1	Adapter, Pulley	
50	1001214546	1	Support	
51	1001215523	1	Support	
52	1001216805	3	Spacer	
53	1001217342	1	Bolt M12 x 30	
54	1001217344	2	Bolt M12 x 50	
55	1001217345	1	Bolt M14 x 30	
56	1001271649	1	Bracket	
	1001157592	Ref	JUNCTION BOX ASSEMBLY	C
101	1060343	1.5 ft/ 0.5m	Cable, Electrical 10/4	
102	1001179154	2.5 ft/ 0.8m	Cable, Electrical 12/3	
103	1671092	1	Cover	
104	3300396	1	Cover, Fuse	
105	3311001	6	Nut #10	
106	4360070	1	Circuit Breaker - 15Amp	
108	4460425	1	Connector, Strain Relief	
109	4460426	2	Connector, Strain Relief	
111	4460963	1	Connector	

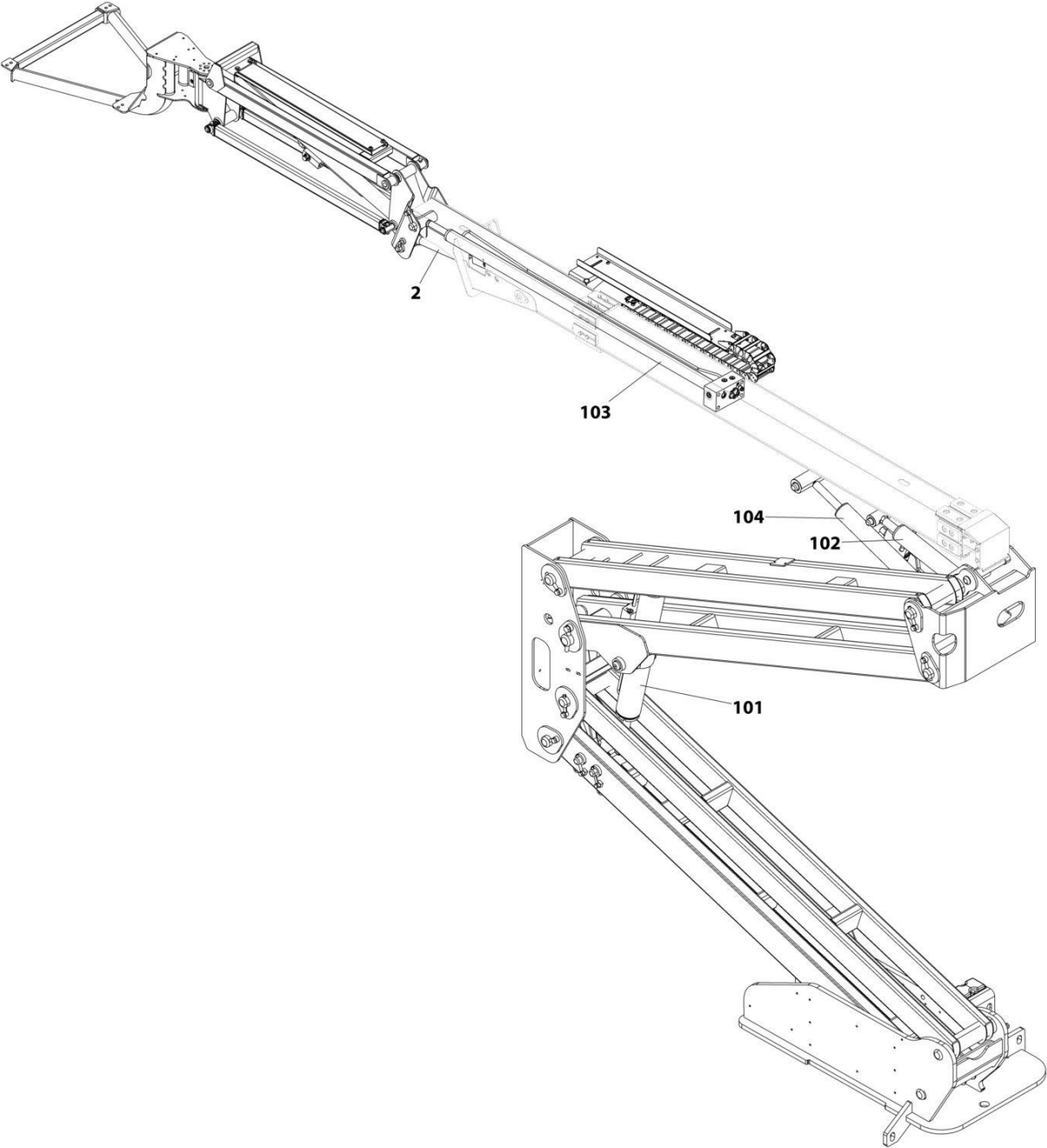
SECTION 3 - ENGINE

ITEM	PART NUMBER	QTY	DESCRIPTION	REV
112	4711000	10	Washer #10	
114	10702077	2	Screw #10 x 3/8	
115	10702082	2	Screw #10 x 3/4	
116	1001152525	1	Plug	
117	1001157520	1	Block, Terminal	
118	1001157521	1	Box, Junction	
119	1001157528	1	Decal - Wiring Schematic	
120	1001158007	1	Cover, PVC	
121	1001158008	2	Stand-Off	
	0273380	Ref	DECAL INSTALLATION	B
202	1705375	1	Decal - 240V-3 Phase-60Hz	
203	1705387	3	Decal - Hazardous Voltage	
204	1705460	2	Decal - SkyPower	

SECTION 4 - BOOM

SECTION 4 - BOOM

FIGURE 4-1. CYLINDERS INSTALLATION - 450A



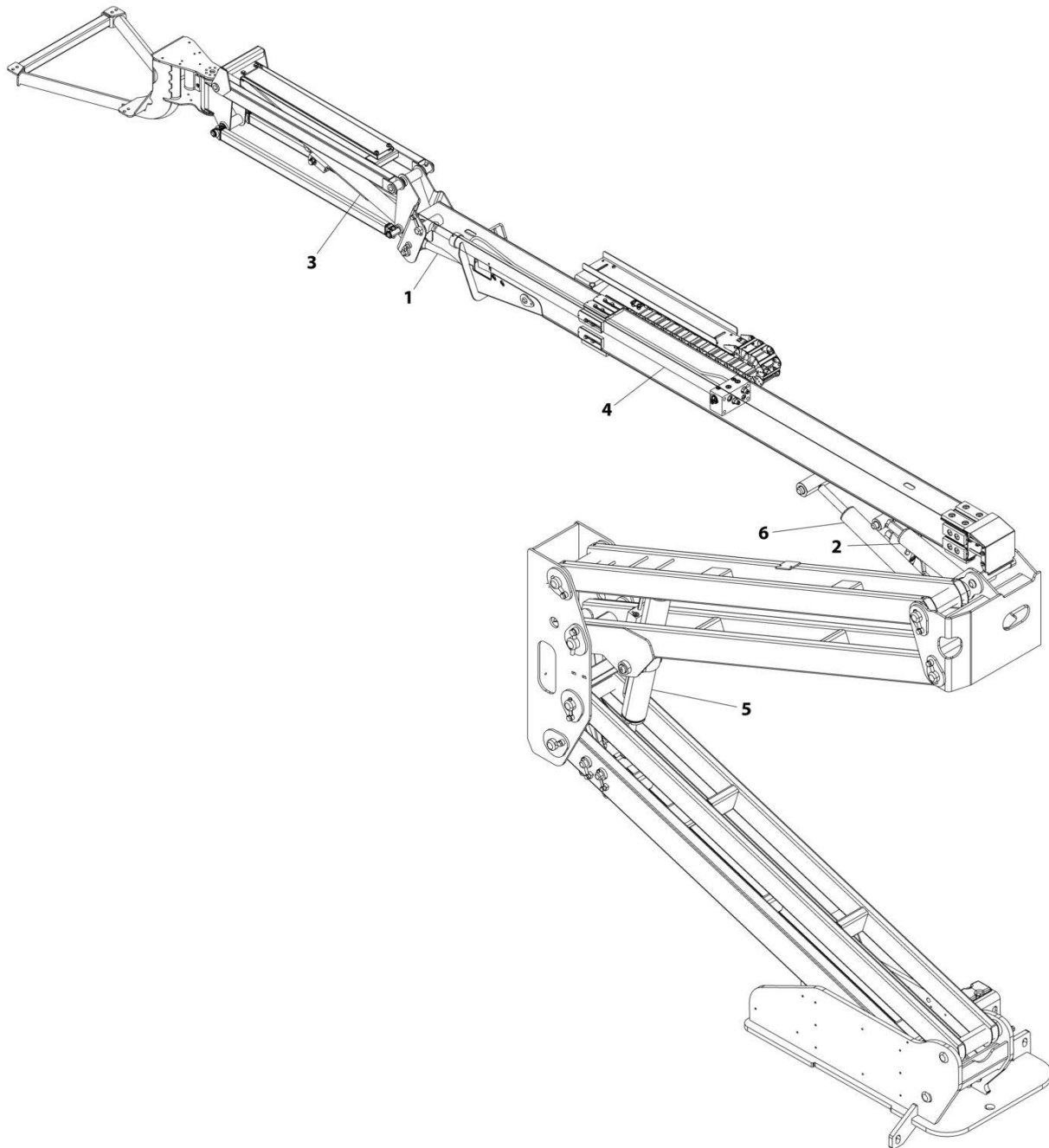
ART_1001215225

SECTION 4 - BOOM**FIGURE 4-1. CYLINDERS INSTALLATION - 450A**

ITEM	PART NUMBER	QTY	DESCRIPTION	REV
	1001215225	Ref	CYLINDERS INSTALLATION - 450A	C
2	1001161716	1	Level (Platform Slave) Cylinder Assembly (See Separate Breakdown in CYLINDER SECTION)	
100	1001219004	Ref	CYLINDER KIT INSTALLATION	B
101	1001161715	1	Lift Cylinder Assembly - Tower Boom (See Separate Breakdown in CYLINDER SECTION)	
102	1001161717	1	Master Cylinder Assembly (See Separate Breakdown in CYLINDER SECTION)	
103	1001161804	1	Telescope Cylinder Assembly (See Separate Breakdown in CYLINDER SECTION)	
104	1001217681	1	Lift Cylinder Assembly - Main Boom (See Separate Breakdown in CYLINDER SECTION)	

SECTION 4 - BOOM

FIGURE 4-2. CYLINDERS INSTALLATION - 450AJ (MACHINES WITH SN STARTING WITH 03) (Prior to SN 0300289049, Excluding 0300287795 and 0300286754)



ART_1001163856

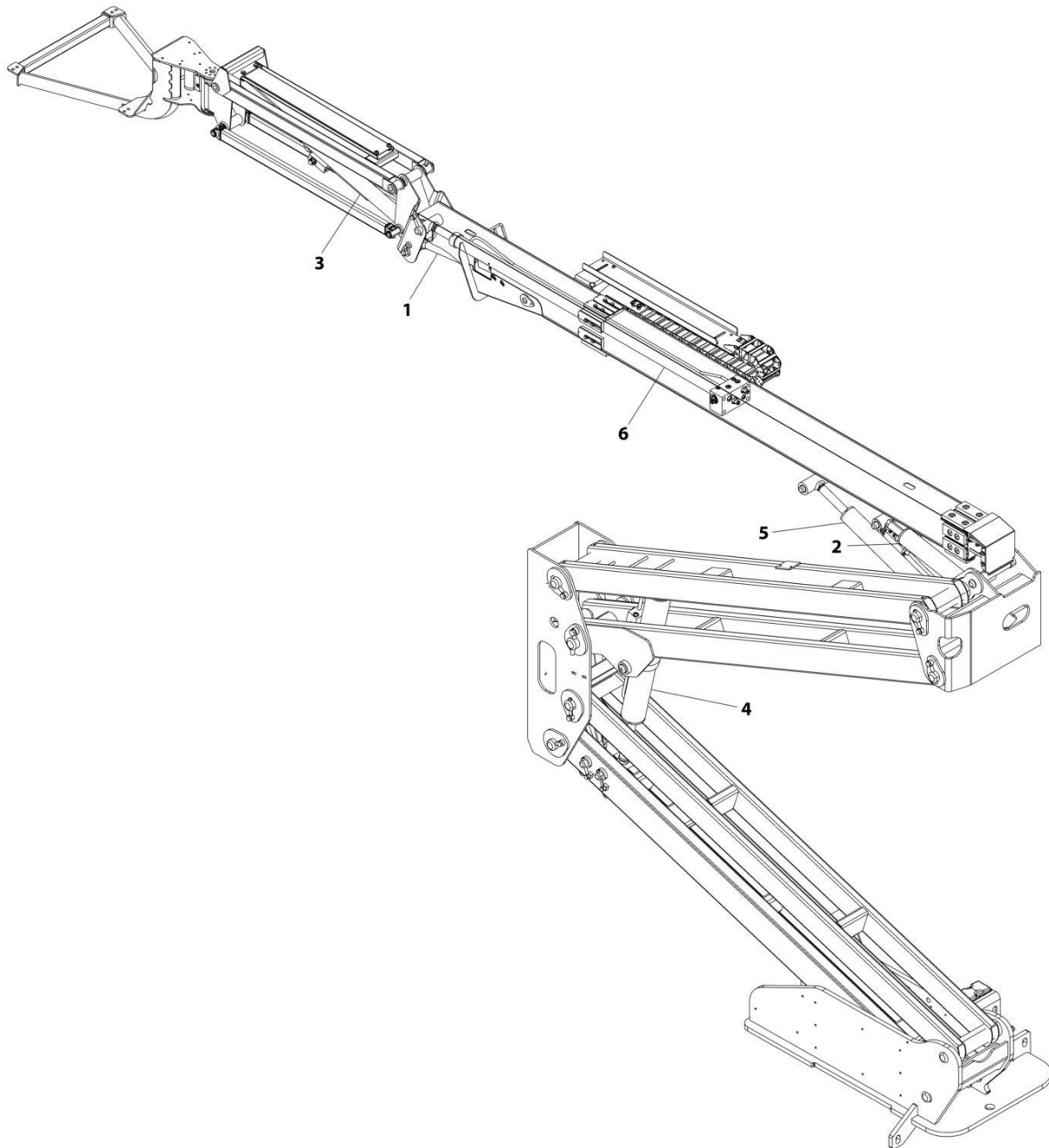
SECTION 4 - BOOM

FIGURE 4-2. CYLINDERS INSTALLATION - 450AJ (MACHINES WITH SN STARTING WITH 03) (Prior to SN 0300289049, Excluding 0300287795 and 0300286754)

ITEM	PART NUMBER	QTY	DESCRIPTION	REV
	1001163856	Ref	CYLINDERS INSTALLATION	F
1	1001161716	1	Level (Platform Slave) Cylinder Assembly (See Separate Breakdown in CYLINDER Section)	
2	1001161717	1	Master Cylinder Assembly (See Separate Breakdown in CYLINDER Section)	
3	1001163767	1	Lift Cylinder Assembly - Jib (See Separate Breakdown in CYLINDER Section)	
4	1001161713	1	Telescope Cylinder Assembly (See Separate Breakdown in CYLINDER Section) (Prior to SN 0300285053, Prior to SN B300012230)	
4	1001254743	1	Telescope Cylinder Assembly (See Separate Breakdown in CYLINDER Section) (SN 0300285053 to Present, SN B300012230 to Present)	
5	1001161715	1	Lift Cylinder Assembly - Tower Boom (See Separate Breakdown in CYLINDER Section) (Prior to SN 0300285053, Prior to SN B300012230)	
5	1001254716	1	Lift Cylinder Assembly - Tower Boom (See Separate Breakdown in CYLINDER Section) (SN 0300285053 to Present, SN B300012230 to Present)	
6	1001217676	1	Lift Cylinder Assembly - Main Boom (See Separate Breakdown in CYLINDER Section) (Prior to SN 0300285053, Prior to SN B300012230)	
6	1001254742	1	Lift Cylinder Assembly - Main Boom (See Separate Breakdown in CYLINDER Section) (SN 0300285053 to Present, SN B300012230 to Present)	

SECTION 4 - BOOM

FIGURE 4-3. CYLINDERS INSTALLATION - 450AJ (MACHINES WITH SN STARTING WITH 03) (SN 0300289049 to Present)



ART_1001273650

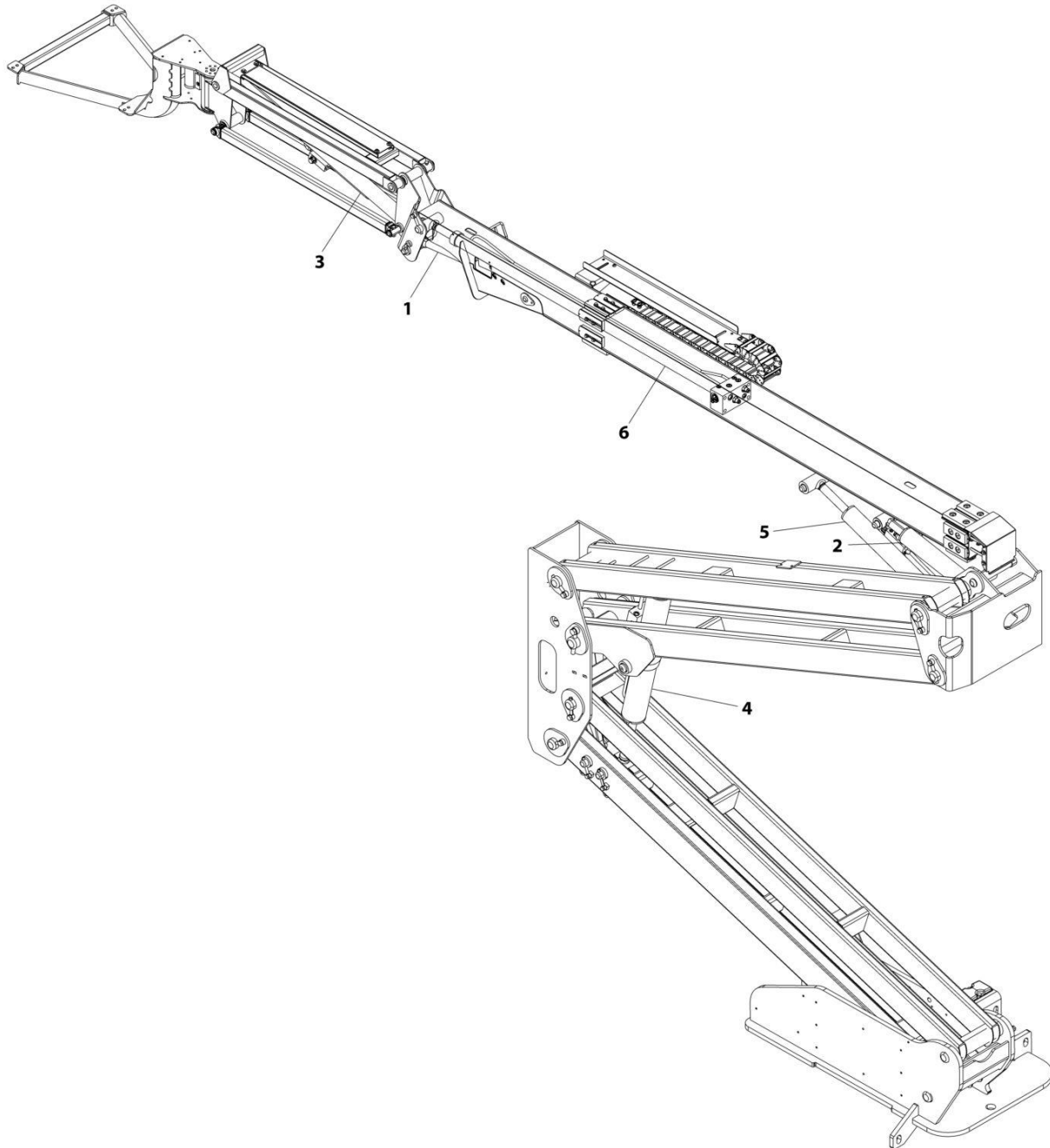
SECTION 4 - BOOM

FIGURE 4-3. CYLINDERS INSTALLATION - 450AJ (MACHINES WITH SN STARTING WITH 03) (SN 0300289049 to Present)

ITEM	PART NUMBER	QTY	DESCRIPTION	REV
	1001273650	Ref	CYLINDERS INSTALLATION	A
1	1001161716	1	Level (Platform Slave) Cylinder Assembly (See Separate Breakdown in CYLINDER Section)	
2	1001161717	1	Master Cylinder Assembly (See Separate Breakdown in CYLINDER Section)	
3	1001163767	1	Lift Cylinder Assembly - Jib (See Separate Breakdown in CYLINDER Section)	
4	1001254716	1	Lift Cylinder Assembly - Tower Boom (See Separate Breakdown in CYLINDER Section)	
5	1001254742	1	Lift Cylinder Assembly - Main Boom (See Separate Breakdown in CYLINDER Section)	
6	1001254743	1	Telescope Cylinder Assembly (See Separate Breakdown in CYLINDER Section)	

SECTION 4 - BOOM

FIGURE 4-4. CYLINDERS INSTALLATION – 450AJ (MACHINES WITH SN STARTING WITH B3) (Prior to SN B300014343, Except SN B300013466 through B300013743, Except SN B300014141 through B300014263, Except SN B300014273 through B300014275)



ART_1001273650

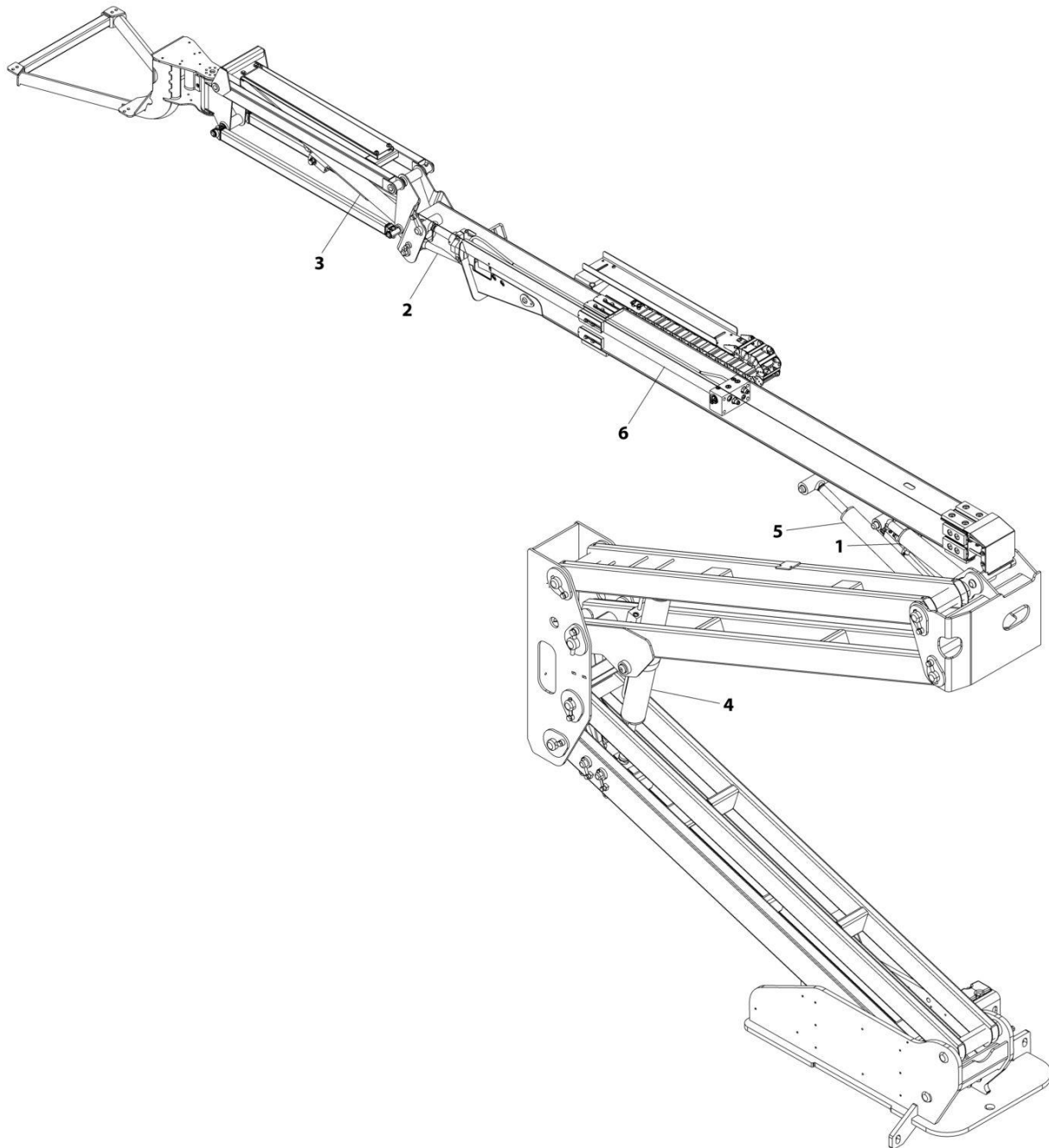
SECTION 4 - BOOM

FIGURE 4-4. CYLINDERS INSTALLATION – 450AJ (MACHINES WITH SN STARTING WITH B3) (Prior to SN B300014343, Except SN B300013466 through B300013743, Except SN B300014141 through B300014263, Except SN B300014273 through B300014275)

ITEM	PART NUMBER	QTY	DESCRIPTION	REV
	1001273650	Ref	CYLINDERS INSTALLATION	A
1	1001161716	1	Level (Platform Slave) Cylinder Assembly (See Separate Breakdown in CYLINDER Section)	
2	1001161717	1	Master Cylinder Assembly (See Separate Breakdown in CYLINDER Section)	
3	1001163767	1	Lift Cylinder Assembly - Jib (See Separate Breakdown in CYLINDER Section)	
4	1001254716	1	Lift Cylinder Assembly - Tower Boom (See Separate Breakdown in CYLINDER Section)	
5	1001254742	1	Lift Cylinder Assembly - Main Boom (See Separate Breakdown in CYLINDER Section)	
6	1001254743	1	Telescope Cylinder Assembly (See Separate Breakdown in CYLINDER Section)	

SECTION 4 - BOOM

FIGURE 4-5. CYLINDERS INSTALLATION - 450AJ (MACHINES WITH SN STARTING WITH B3) (SN B300014343 to Present)



ART_1001280826

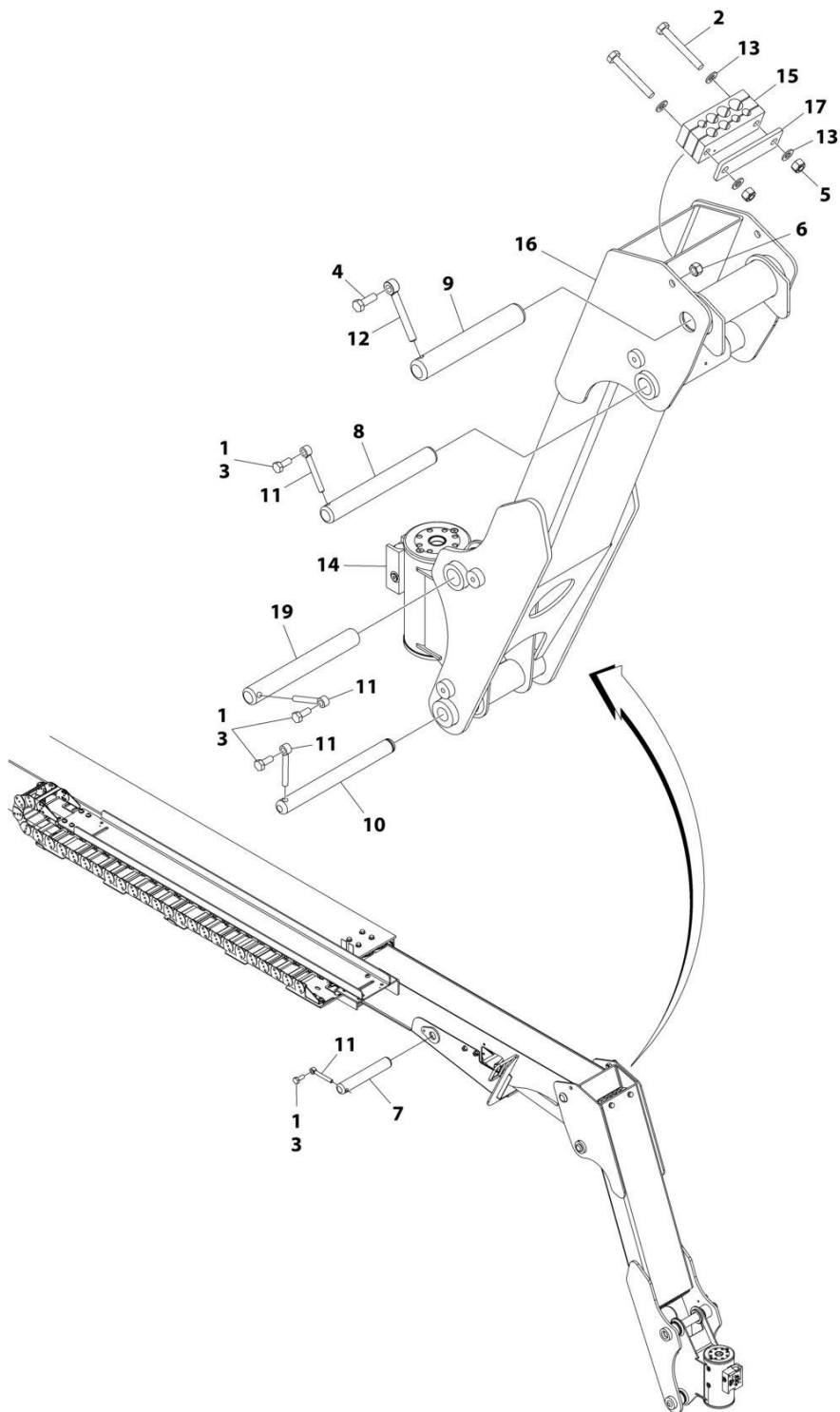
SECTION 4 - BOOM

FIGURE 4-5. CYLINDERS INSTALLATION - 450AJ (MACHINES WITH SN STARTING WITH B3) (SN B300014343 to Present)

ITEM	PART NUMBER	QTY	DESCRIPTION	REV
	1001280826	Ref	CYLINDERS INSTALLATION	A
1	1001253628	1	Master Cylinder Assembly (See Separate Breakdown in CYLINDER Section)	
2	1001253629	1	Level (Platform Slave) Cylinder Assembly (See Separate Breakdown in CYLINDER Section)	
3	1001163767	1	Lift Cylinder Assembly - Jib (See Separate Breakdown in CYLINDER Section)	
4	1001254716	1	Lift Cylinder Assembly - Tower Boom (See Separate Breakdown in CYLINDER Section)	
5	1001254742	1	Lift Cylinder Assembly - Main Boom (See Separate Breakdown in CYLINDER Section)	
6	1001272671	1	Telescope Cylinder Assembly (See Separate Breakdown in CYLINDER Section)	

SECTION 4 - BOOM

FIGURE 4-6. BOOM INSTALLATION - 450A



ART_1001218940

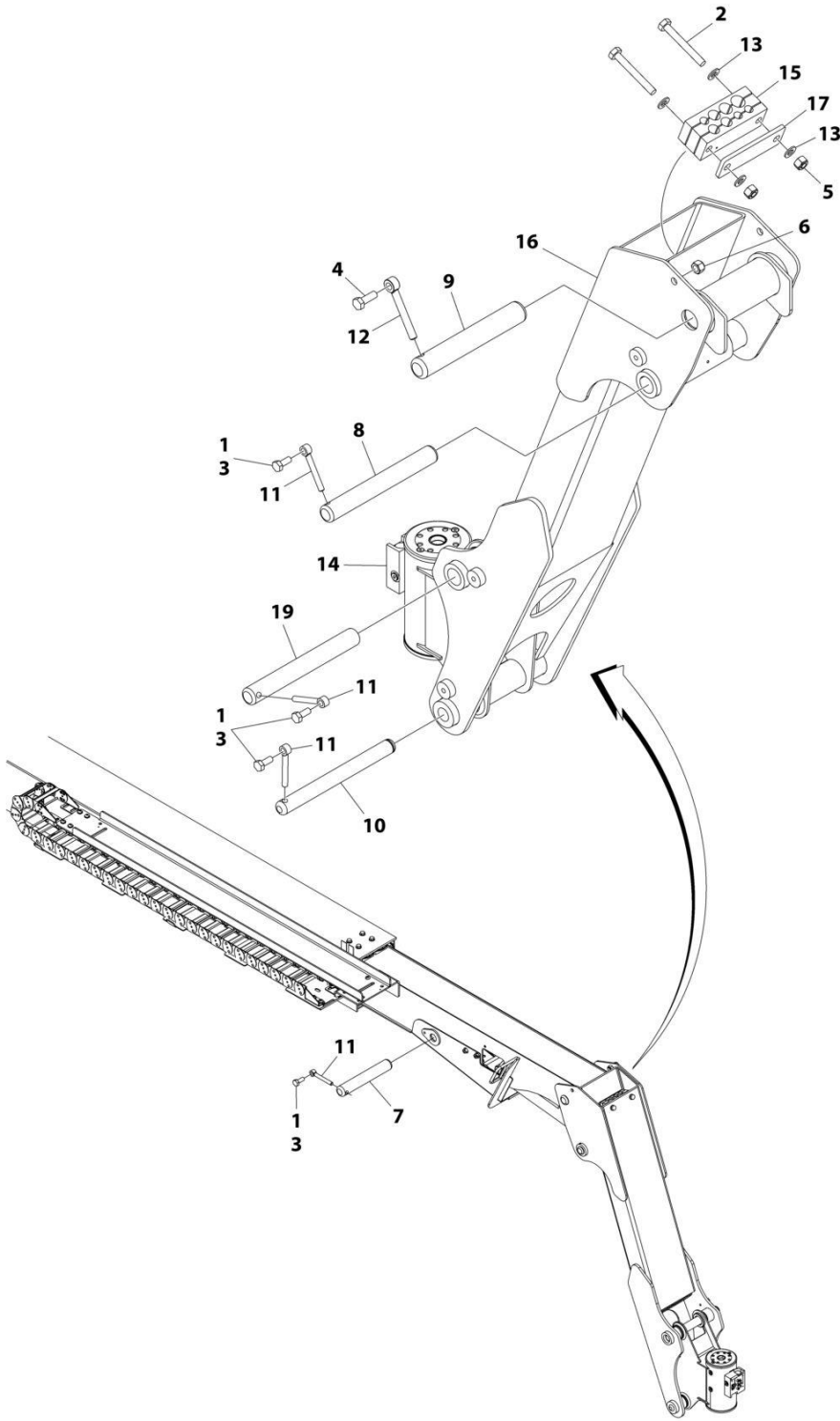
SECTION 4 - BOOM

FIGURE 4-6. BOOM INSTALLATION - 450A

ITEM	PART NUMBER	QTY	DESCRIPTION	REV
	1001218940	Ref	BOOM INSTALLATION - 450A	D
1	0100011	AR	Compound, Locking	
2	0761024	2	Bolt M10 x 80	
3	0761012	4	Bolt M10 x 25	
4	0761015	1	Bolt M10 x 35	
5	3291005	2	Nut M10 (Grade8)	
6	3291205	1	Nut M12 (Grade8)	
7	3422755	1	Pin	
8	3422792	1	Pin	
9	3422793	1	Pin	
10	3423105	1	Pin	
11	3841143	4	Keeper, Pin	
12	3841203	1	Keeper, Pin	
13	4812000	4	Washer M10	
14	1001217779	1	Rotator Assembly (See Separate Breakdown in this Section)	
15	1001273302	1	Block, Clamping	
16	1001215058	1	Link, Fixed Jib	
17	1001216639	1	Clamp	
19	3422790	1	Pin	
100	1001218943	Ref	BOOM INSTALLATION (Not Shown)	A
101	1001219001	1	Cables and Clamps Installation (Not Shown - See Separate Breakdown in ELECTRICAL Section)	
102	1001219003	1	Boom Installation Kit (Not Shown - See Separate Breakdown in this Section)	

SECTION 4 - BOOM

FIGURE 4-7. BOOM INSTALLATION WITH AIRLINE - 450A



ART_1001218941

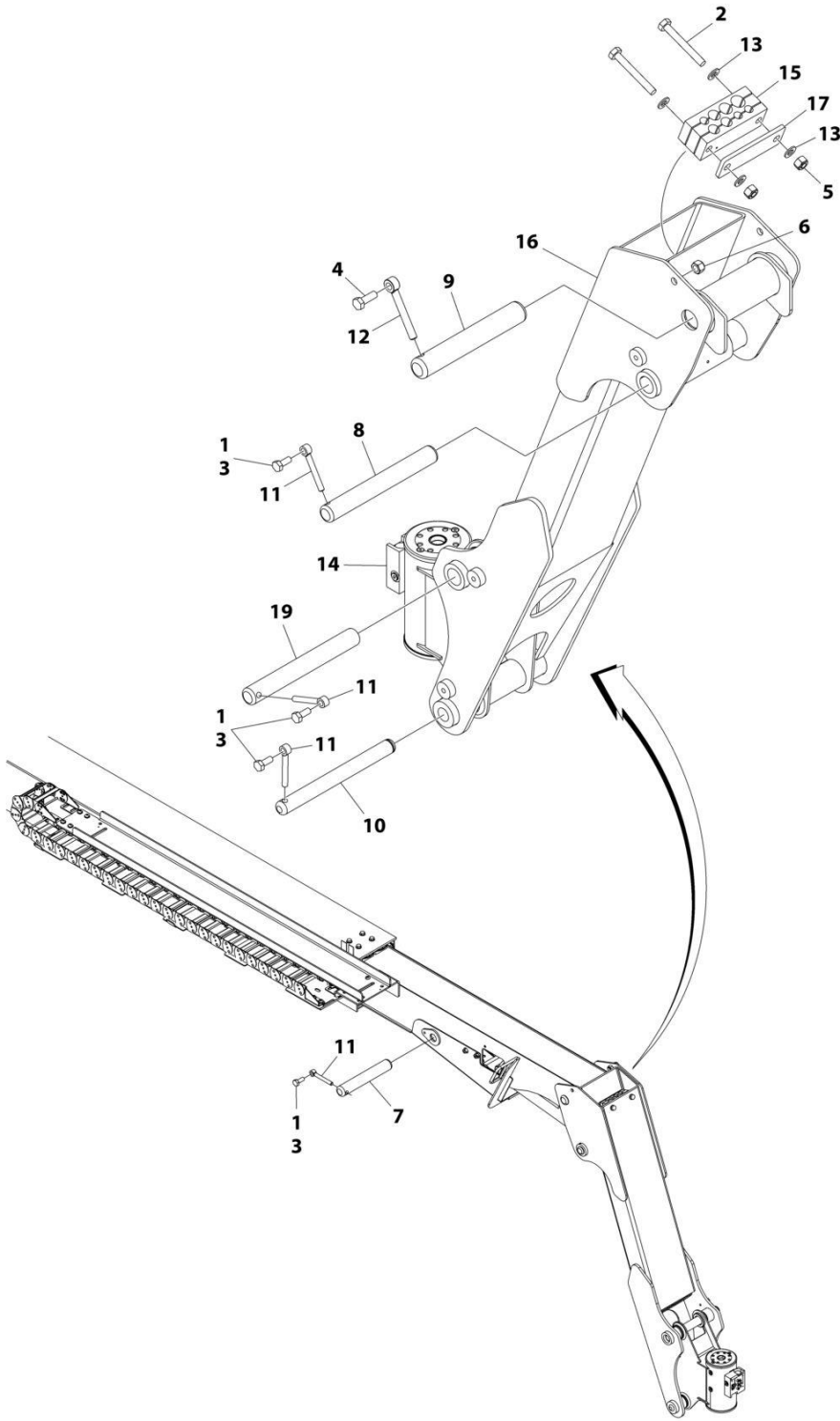
SECTION 4 - BOOM

FIGURE 4-7. BOOM INSTALLATION WITH AIRLINE - 450A

ITEM	PART NUMBER	QTY	DESCRIPTION	REV
	1001218941	Ref	BOOM INSTALLATION WITH AIRLINE- 450A	D
1	0100011	AR	Compound, Locking	
2	0761024	2	Bolt M10 x 80	
3	0761012	4	Bolt M10 x 25	
4	0761015	1	Bolt M10 x 35	
5	3291005	2	Nut M10 (Grade8)	
6	3291205	1	Nut M12 (Grade8)	
7	3422755	1	Pin	
8	3422792	1	Pin	
9	3422793	1	Pin	
10	3423105	1	Pin	
11	3841143	4	Keeper, Pin	
12	3841203	1	Keeper, Pin	
13	4812000	4	Washer M10	
14	1001217779	1	Rotator Assembly (See Separate Breakdown in this Section)	
15	1001273302	1	Block, Clamping	
16	1001215058	1	Link, Fixed Jib	
17	1001216639	1	Clamp	
19	3422790	1	Pin	
100	1001218946	Ref	BOOM INSTALLATION WITH AIRLINE (Not Shown)	A
101	1001219000	1	Airline Installation Kit (Not Shown - See SPECIAL OPTIONS)	
102	1001219001	1	Cables and Clamps Installation (Not Shown - See Separate Breakdown in ELECTRICAL Section)	
103	1001219003	1	Boom Installation Kit (Not Shown - See Separate Breakdown in this Section)	

SECTION 4 - BOOM

FIGURE 4-8. BOOM INSTALLATION WITH SKYPOWER AND AIRLINE - 450A



ART_1001218942

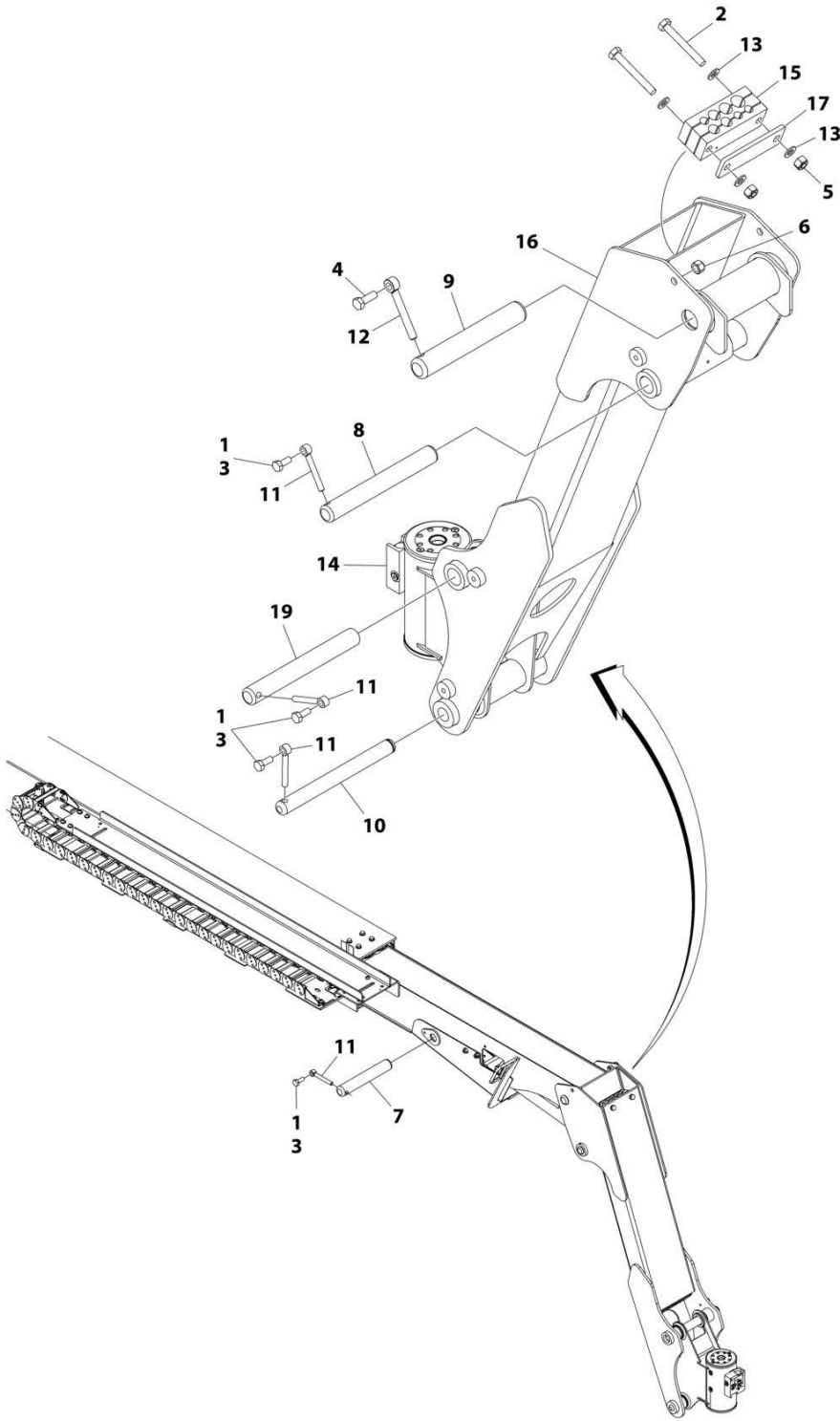
SECTION 4 - BOOM

FIGURE 4-8. BOOM INSTALLATION WITH SKYPOWER AND AIRLINE - 450A

ITEM	PART NUMBER	QTY	DESCRIPTION	REV
	1001218942	Ref	BOOM INSTALLATION WITH SKYPOWER AND AIRLINE- 450A	D
1	0100011	AR	Compound, Locking	
2	0761024	2	Bolt M10 x 80	
3	0761012	4	Bolt M10 x 25	
4	0761015	1	Bolt M10 x 35	
5	3291005	2	Nut M10 (Grade8)	
6	3291205	1	Nut M12 (Grade8)	
7	3422755	1	Pin	
8	3422792	1	Pin	
9	3422793	1	Pin	
10	3423105	1	Pin	
11	3841143	4	Keeper, Pin	
12	3841203	1	Keeper, Pin	
13	4812000	4	Washer M10	
14	1001217779	1	Rotator Assembly (See Separate Breakdown in this Section)	
15	1001273302	1	Block, Clamping	
16	1001215058	1	Link, Fixed Jib	
17	1001216639	1	Clamp	
19	3422790	1	Pin	
100	1001218947	Ref	BOOM INSTALLATION WITH AIRLINE (Not Shown)	A
101	1001219000	1	Airline Installation Kit (Not Shown - See SPECIAL OPTIONS)	
102	1001219002	1	Boom Installation Kit (Not Shown - See Separate Breakdown in this Section)	
103	1001219003	1	Boom Installation Kit (Not Shown - See Separate Breakdown in this Section)	

SECTION 4 - BOOM

FIGURE 4-9. BOOM INSTALLATION WITH SKYPOWER - 450A



ART_1001235055

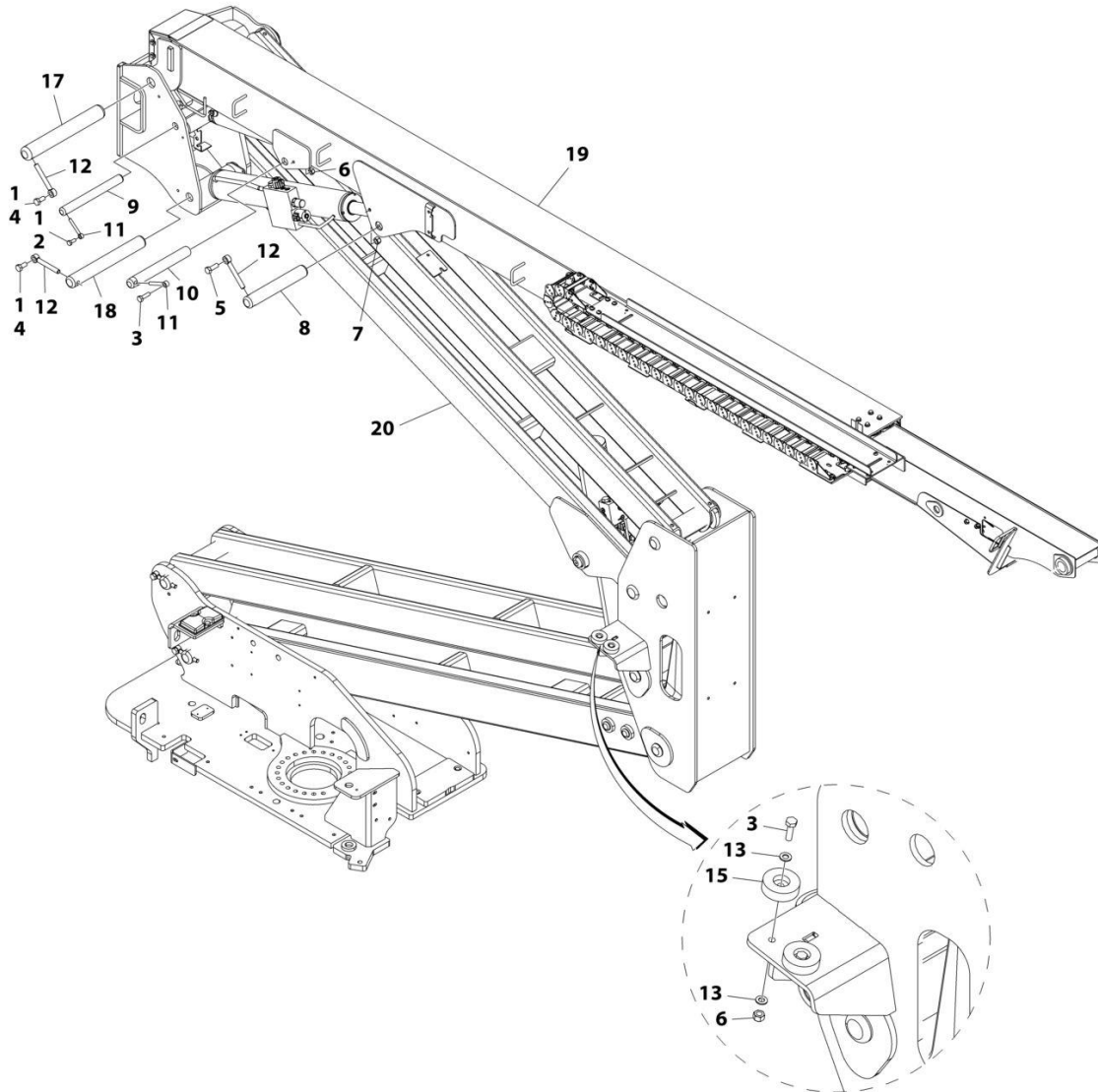
SECTION 4 - BOOM

FIGURE 4-9. BOOM INSTALLATION WITH SKYPOWER - 450A

ITEM	PART NUMBER	QTY	DESCRIPTION	REV
	1001235055	Ref	BOOM INSTALLATION WITH SKYPOWER	B
1	0100011	AR	Compound, Locking	
2	0761024	2	Bolt M10 x 80	
3	0761012	4	Bolt M10 x 25	
4	0761015	1	Bolt M10 x 35	
5	3291005	2	Nut M10 (Grade8)	
6	3291205	1	Nut M12 (Grade8)	
7	3422755	1	Pin	
8	3422792	1	Pin	
9	3422793	1	Pin	
10	3423105	1	Pin	
11	3841143	4	Keeper, Pin	
12	3841203	1	Keeper, Pin	
13	4812000	4	Washer M10	
14	1001217779	1	Rotator Assembly (See Separate Breakdown in this Section)	
15	1001273302	1	Block, Clamping	
16	1001215058	1	Link, Fixed Jib	
17	1001216639	1	Clamp	
19	3422790	1	Pin	
100	1001235053	Ref	BOOM INSTALLATION WITH AIRLINE (Not Shown)	A
101	1001219002	1	Cables and Clamps Installation (Not Shown - See Separate Breakdown in ELECTRICAL Section)	
102	1001219003	1	Boom Installation Kit (Not Shown - See Separate Breakdown in this Section)	

SECTION 4 - BOOM

FIGURE 4-10. BOOM INSTALLATION KIT - 450A



ART_1001219003

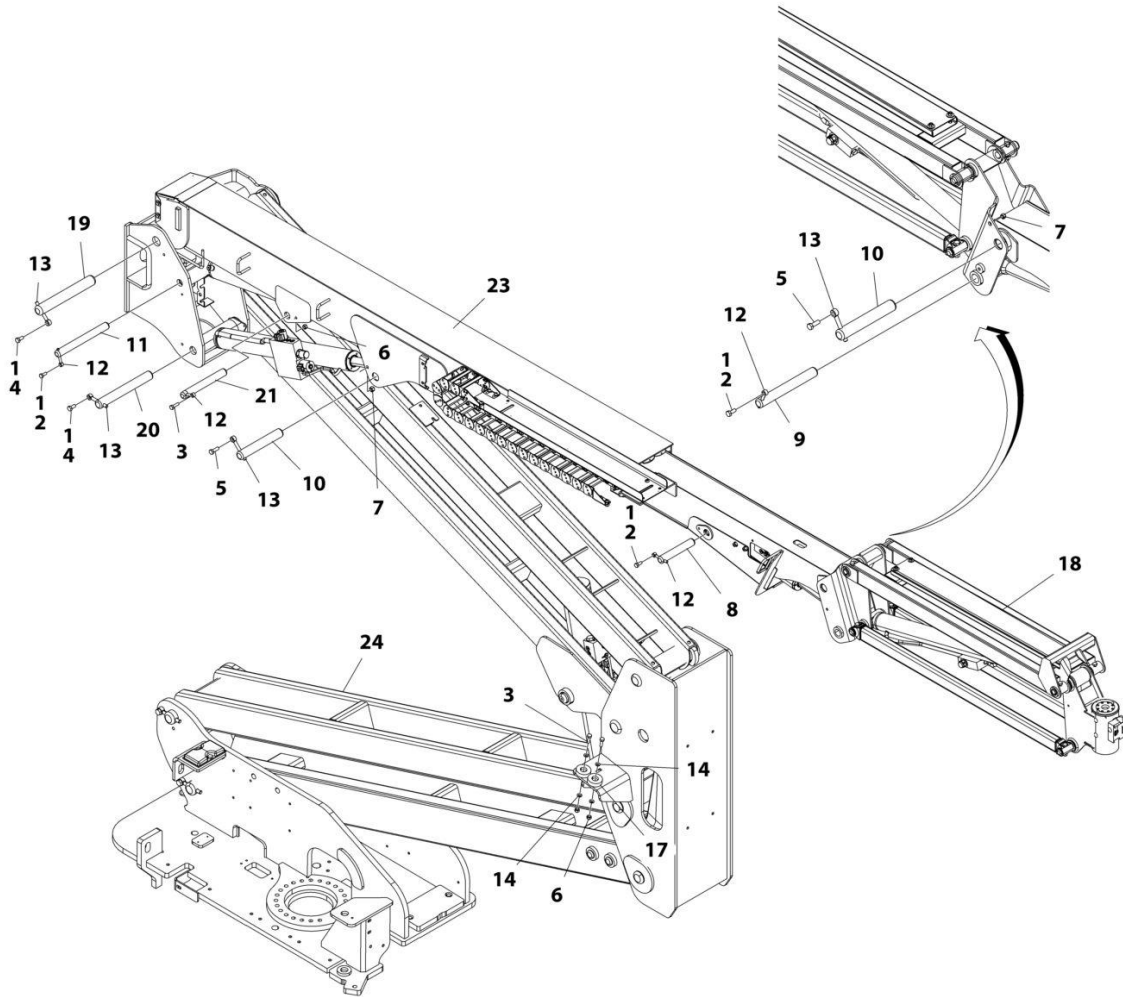
SECTION 4 - BOOM

FIGURE 4-10. BOOM INSTALLATION KIT - 450A

ITEM	PART NUMBER	QTY	DESCRIPTION	REV
	1001219003	Ref	BOOM INSTALLATION KIT - 450A	C
1	0100011	AR	Compound, Locking	
2	0761012	1	Bolt M10 x 25	
3	0761015	3	Bolt M10 x 35	
4	0761212	2	Bolt M12 x 25	
5	0761215	1	Bolt M12 x 35	
6	3291005	3	Nut M10 (Grade8)	
7	3291205	2	Nut M12 (Grade8)	
8	3422793	2	Pin	
9	3422806	1	Pin	
10	3423038	1	Pin	
11	3841143	2	Keeper, Pin	
12	3841203	3	Keeper, Pin	
13	4812000	4	Washer M10	
14	5251010	2	Bolt M10 x 25	
15	1001112607	2	Block, Boom Rest	
16	1001162535	1	Upright Valve Assembly (Not Shown - See Separate Breakdown in this Section)	
17	1001169246	1	Pin	
18	1001169247	1	Pin	
19	1001179626	1	Main Boom Assembly (See Separate Breakdown in this Section)	
20	1001180006	1	Tower Boom Assembly (See Separate Breakdown in this Section)	
200	1001219004	1	Cylinder Installation (Not Shown - See 450A Cylinders Installation in this Section)	

SECTION 4 - BOOM

FIGURE 4-11. BOOM INSTALLATION - 450AJ (MACHINES WITH SN STARTING WITH 03 & B3)



ART_1001180872

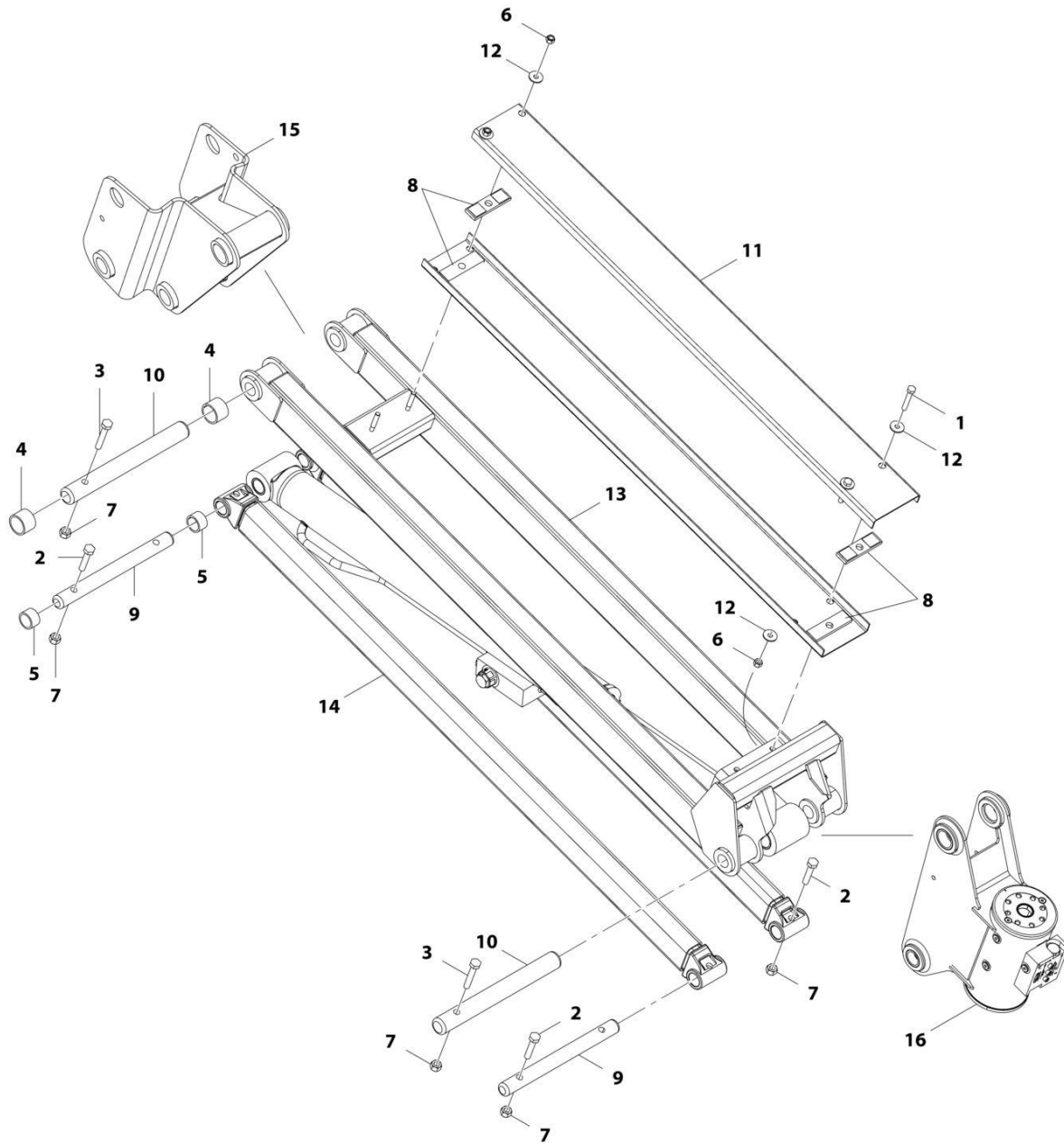
SECTION 4 - BOOM

FIGURE 4-11. BOOM INSTALLATION - 450AJ (MACHINES WITH SN STARTING WITH 03 & B3)

ITEM	PART NUMBER	QTY	DESCRIPTION	REV
	1001180872	Ref	BOOM INSTALLATION - 450AJ	D
1	0100011	AR	Compound, Locking	
2	0761012	3	Bolt M10 x 25	
3	0761015	3	Bolt M10 x 35	
4	0761212	2	Bolt M12 x 25	
5	0761215	2	Bolt M12 x 35	
6	3291005	3	Nut M10 (Grade8)	
7	3291205	2	Nut M12 (Grade8)	
8	3422755	1	Pin	
9	3422792	1	Pin	
10	3422793	2	Pin	
11	3422806	1	Pin	
12	3841143	4	Keeper, Pin	
13	3841203	4	Keeper, Pin	
14	4812000	4	Washer M10	
17	1001112607	2	Block, Boom Rest	
18	1001164016	1	Jib Installation (See Separate Breakdown in this Section)	
19	1001169246	1	Pin	
20	1001169247	1	Pin	
21	3423038	1	Pin	
23	1001178636	1	Main Boom Assembly (See Separate Breakdown in this Section)	
24	1001180004	1	Tower Boom Assembly (See Separate Breakdown in this Section)	

SECTION 4 - BOOM

FIGURE 4-12. JIB INSTALLATION (MACHINES WITH SN STARTING WITH 03 & B3)



ART_1001164016

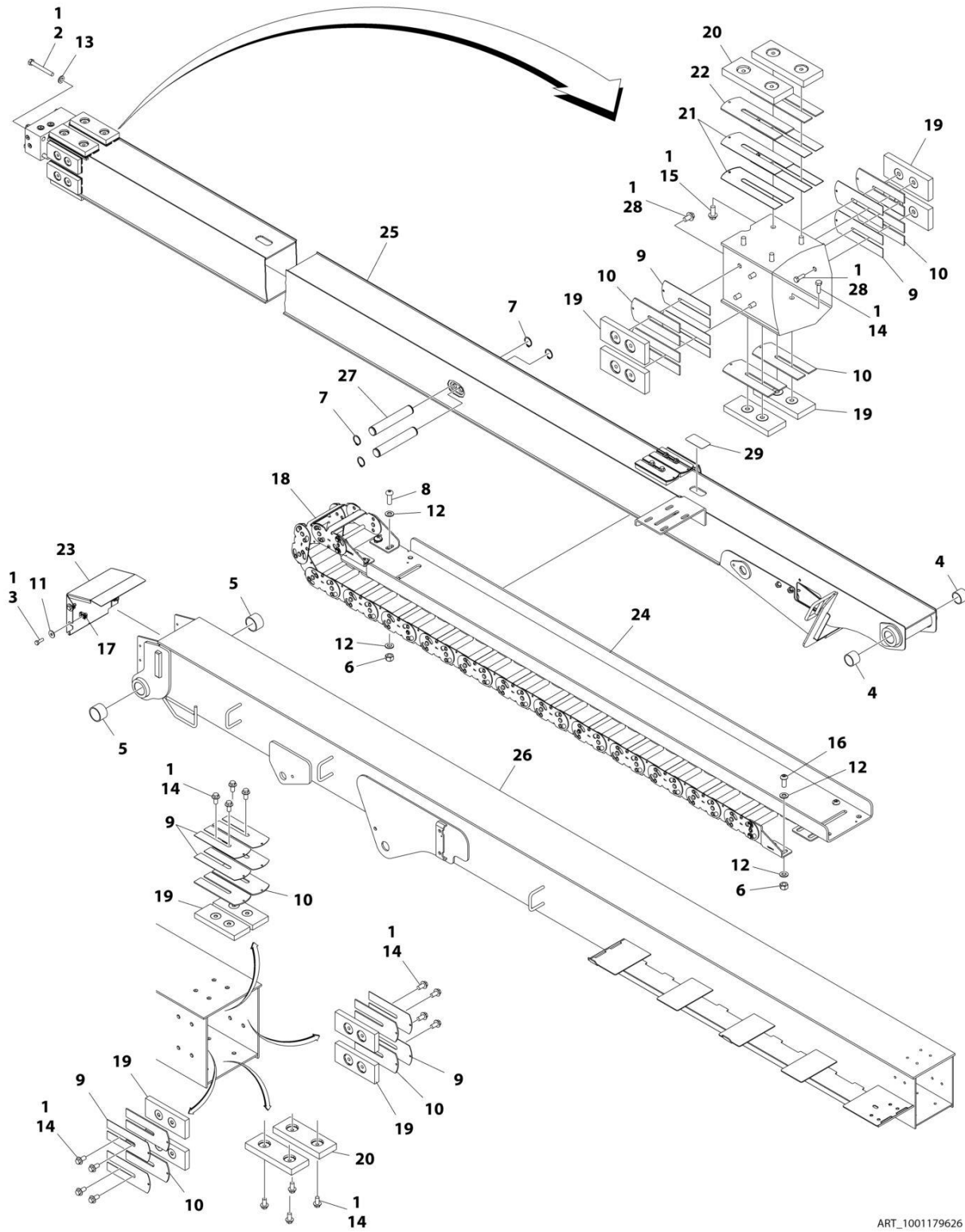
SECTION 4 - BOOM

FIGURE 4-12. JIB INSTALLATION (MACHINES WITH SN STARTING WITH 03 & B3)

ITEM	PART NUMBER	QTY	DESCRIPTION	REV
	1001164016	Ref	JIB INSTALLATION	D
1	0700820	2	Bolt M8 x 60	
2	0701019	4	Bolt M10 x 55	
3	0701020	2	Bolt M10 x 60	
4	0961951	2	Bushing	
5	0962292	2	Bearing	
6	3290805	4	Nut M8	
7	3291005	6	Nut M10	
8	3340860	4	Pad, Rubber	
9	3422791	2	Pin	
10	1001116550	2	Pin	
11	3572551	2	Channel	
12	4811902	6	Washer M8	
13	1001118482	1	Link (Upper)	
14	1001094670	2	Link (Lower)	
15	1001163937	1	Pivot	
16	1001217779	1	Rotator Assembly (See Separate Breakdown in this Section)	

SECTION 4 - BOOM

FIGURE 4-13. MAIN BOOM ASSEMBLY - 450A



ART_1001179626

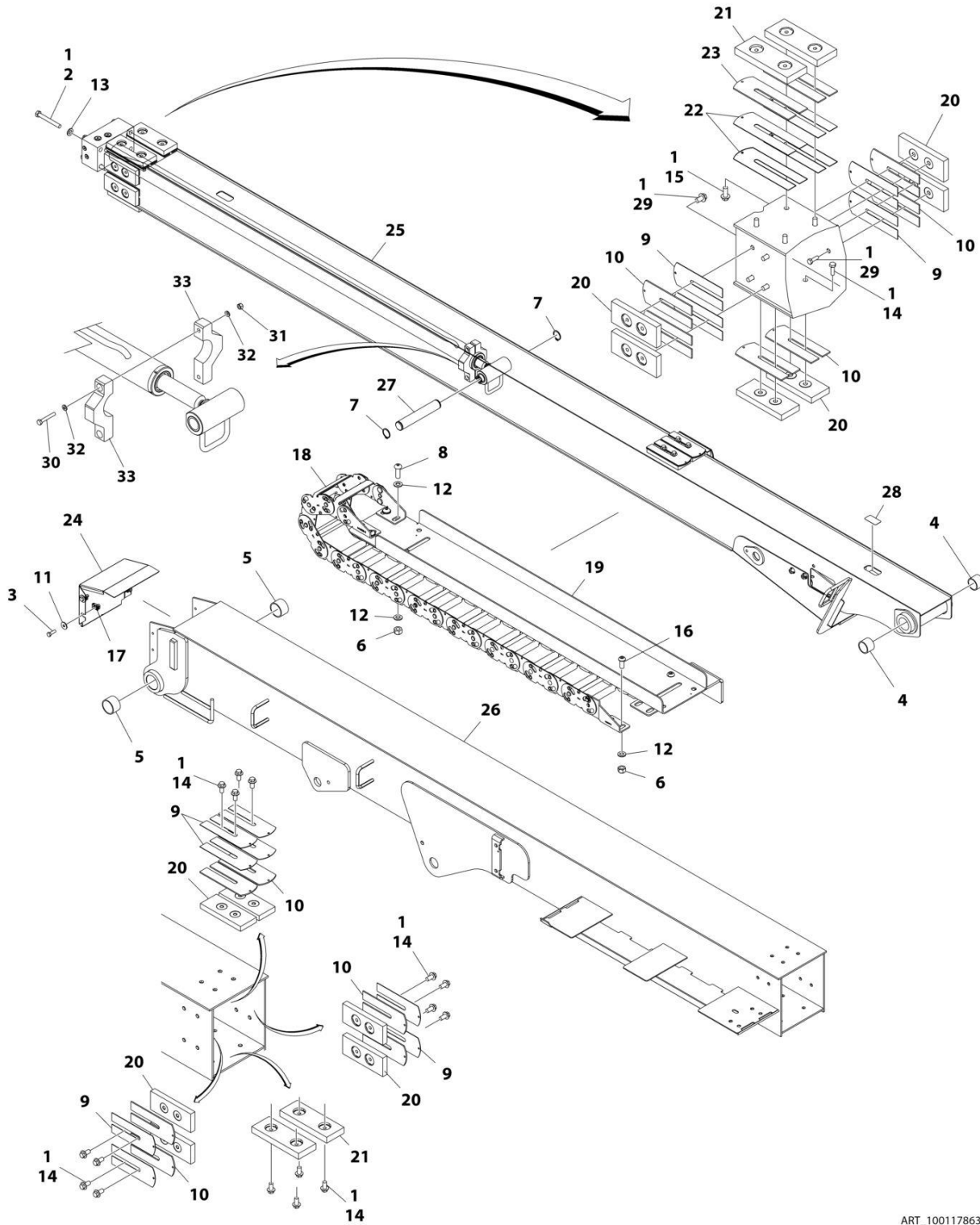
SECTION 4 - BOOM

FIGURE 4-13. MAIN BOOM ASSEMBLY - 450A

ITEM	PART NUMBER	QTY	DESCRIPTION	REV
	1001179626	Ref	MAIN BOOM ASSEMBLY	D
1	0100011	AR	Compound, Locking	
2	0711227	4	Bolt M12 x 100	
3	0760812	4	Bolt M8 x 25	
4	0961948	2	Bearing	
5	0961949	2	Bearing	
6	3291005	10	Nut M10	
7	3760351	4	Ring, Retaining	
8	3900351	4	Screw M10 x 30	
9	4070897	12	Shim	
10	4070898	12	Shim	
11	4811902	4	Washer M8	
12	4812000	18	Washer M10	
13	5241200	4	Washer M12 Hardened	
14	5251010	20	Bolt M10 x 20	
15	5251012	4	Bolt M10 x 25	
16	8310668	6	Screw M10 x 25 Grade 10.9	
17	1001118274	4	Nut M8	
18	1001224894	1	Powertrack Assembly	
18	70006256	1	Link, Repair	
18	70006272	1	Feet, Mounting	
19	1001169304	12	Pad, Wear	
20	1001169305	4	Pad, Wear	
21	1001169402	4	Shim	
22	1001169403	2	Shim	
23	1001170226	1	Cover, Boom End	
24	1001170334	1	Tube, Carrier	
25	1001178554	1	Fly, Boom	
26	1001178555	1	Base, Boom	
27	1001180541	2	Pin	
28	5251009	8	Bolt M10 x 18	
29	1670836	1	Cover	

SECTION 4 - BOOM

FIGURE 4-14. MAIN BOOM ASSEMBLY - 450AJ



ART_1001178636

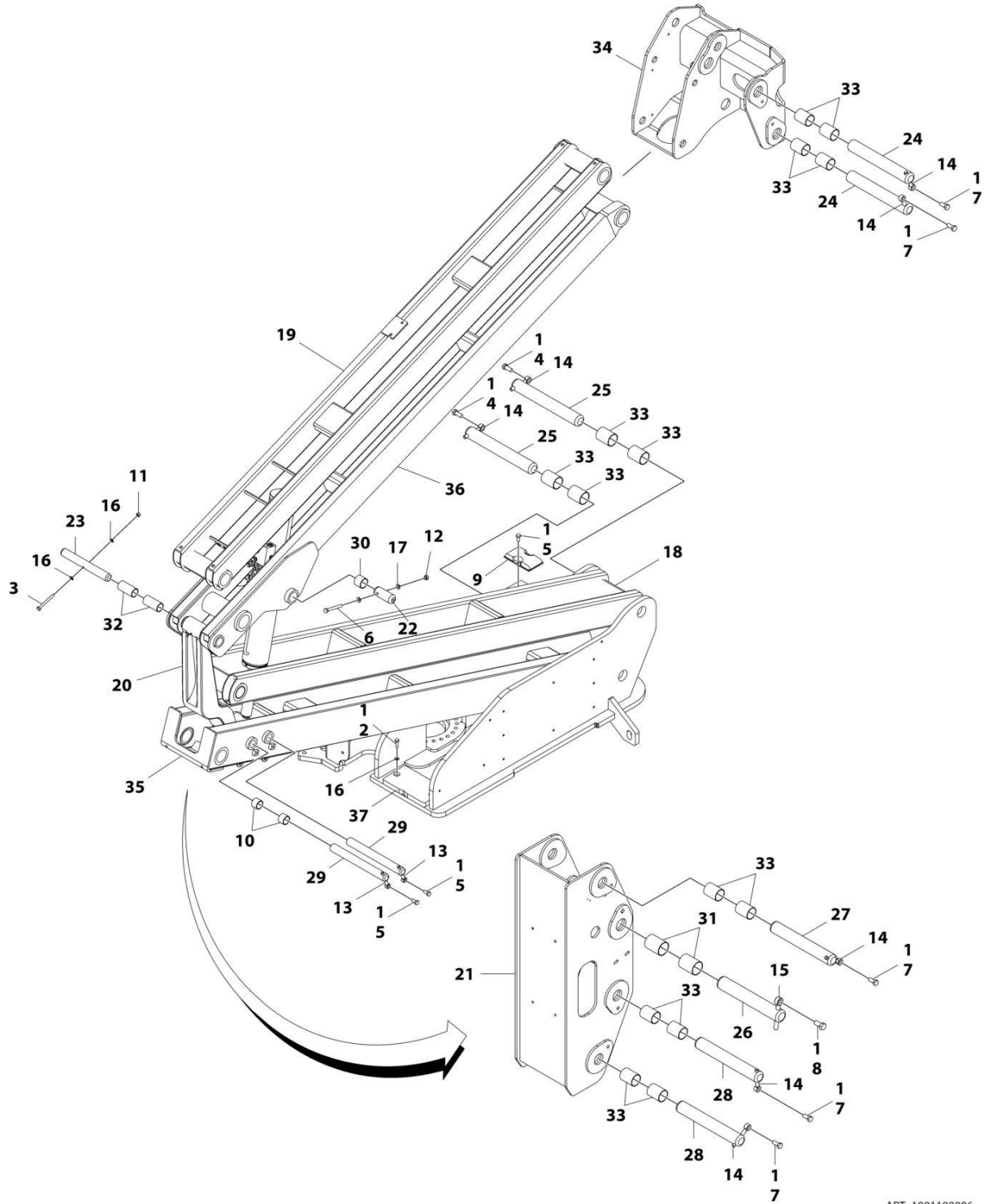
SECTION 4 - BOOM

FIGURE 4-14. MAIN BOOM ASSEMBLY - 450AJ

ITEM	PART NUMBER	QTY	DESCRIPTION	REV
	1001178636	Ref	MAIN BOOM ASSEMBLY	D
1	0100011	AR	Compound, Locking	
2	0711227	4	Bolt M12 x 100	
3	0760812	4	Bolt M8 x 25	
4	0961948	2	Bearing	
5	0961949	2	Bearing	
6	3291005	10	Nut M10	
7	3760115	2	Ring, Retaining	
8	3900351	4	Screw M10 x 30	
9	4070897	12	Shim	
10	4070898	12	Shim	
11	4811902	4	Washer M8	
12	4812000	18	Washer M10	
13	5241200	4	Washer M12	
14	5251010	20	Bolt M10 x 20	
15	5251012	4	Bolt M10 x 25	
16	8310668	6	Screw M10 x 25	
17	1001118274	4	Nut M8	
18	1001224889	1	Powertrack Assembly	
18	70006256	1	Link, Repair	
18	70006271	1	Feet, Mounting	
19	1001166651	1	Tube, Carrier	
20	1001169304	12	Pad, Wear	
21	1001169305	4	Pad, Wear	
22	1001169402	4	Shim	
23	1001169403	2	Shim	
24	1001170226	1	Cover, Boom End	
25	1001177896	1	Fly, Boom	
26	1001177897	1	Base, Boom	
27	1001180540	1	Pin	
28	1670836	1	Cover	
29	5251009	8	Bolt M10 x 18	
30	0700616	2	Bolt M6 x 40	
31	3290605	2	Nut M6	
32	4811700	4	Washer M6	
33	1001270208	2	Support	

SECTION 4 - BOOM

FIGURE 4-15. TOWER BOOM ASSEMBLY - 450A



ART_1001180006

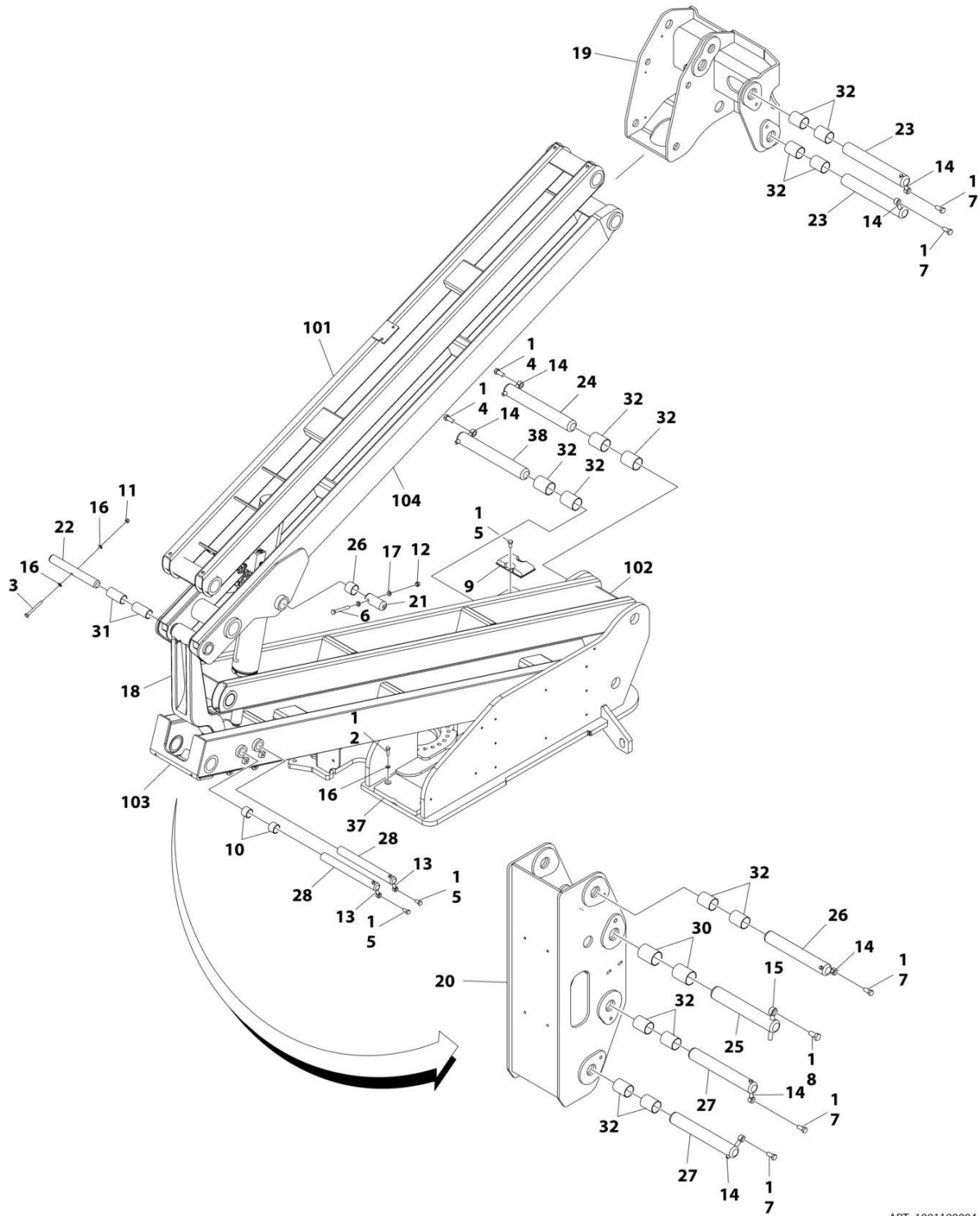
SECTION 4 - BOOM

FIGURE 4-15. TOWER BOOM ASSEMBLY - 450A

ITEM	PART NUMBER	QTY	DESCRIPTION	REV
	1001180006	Ref	TOWER BOOM ASSEMBLY - 450A	B
1	0100011	AR	Compound, Locking	
2	0701015	2	Bolt M10 x 35	
3	0701027	1	Bolt M10 x 100	
4	0701616	2	Bolt M16 x 40	
5	0761212	4	Bolt M12 x 25	
6	0761227	2	Bolt M12 x 100	
7	0761615	5	Bolt M16 x 35	
8	0762016	1	Bolt M20 x 40	
9	0940048	1	Bumper	
10	0961948	2	Bearing	
11	3291005	1	Nut M10	
12	3291205	2	Nut M12	
13	3841203	2	Keeper, Pin	
14	3841258	7	Keeper, Pin	
15	3841287	1	Keeper, Pin	
16	4812000	4	Washer M10	
17	4812100	4	Washer M12	
18	1001160859	1	Link, Lower Tower Boom	
19	1001160872	1	Link, Upper Tower Boom	
20	1001166096	1	Link, Timing	
21	1001166853	1	Upright, Lower	
22	1001169240	2	Pin	
23	1001169241	1	Pin	
24	1001169242	2	Pin	
25	1001169249	2	Pin	
26	1001169295	1	Pin	
27	1001169296	1	Pin	
28	1001169297	2	Pin	
29	1001169298	2	Pin	
30	1001169299	2	Bearing	
31	1001169300	2	Bearing	
32	1001169301	2	Bearing	
33	1001169302	14	Bearing	
34	1001174065	1	Upright, Upper	
35	1001178133	1	Tower Boom (Lower)	
36	1001178135	1	Tower, Boom (Upper)	
37	1001180056	1	Pad, Wear	
38	1001227993	1	Tower Boom Kit (Not Shown – Includes Items 18, 19, 35 & 36)	

SECTION 4 - BOOM

FIGURE 4-16. TOWER BOOM ASSEMBLY - 450AJ (MACHINES WITH SN STARTING WITH 03 & B3)



ART_1001180004

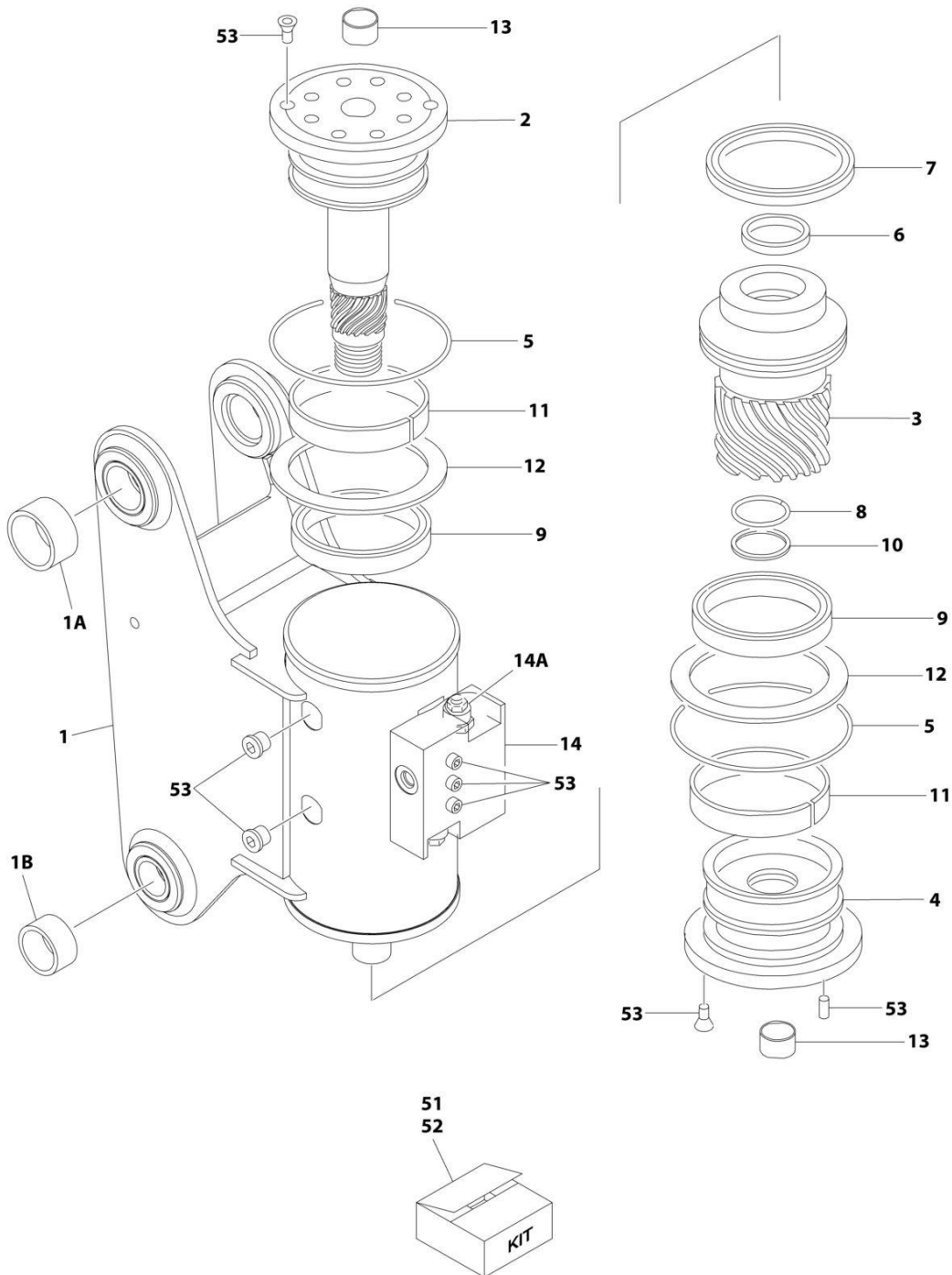
SECTION 4 - BOOM

FIGURE 4-16. TOWER BOOM ASSEMBLY - 450AJ (MACHINES WITH SN STARTING WITH 03 & B3)

ITEM	PART NUMBER	QTY	DESCRIPTION	REV
	1001180004	Ref	TOWER BOOM ASSEMBLY - 450AJ	D
1	0100011	AR	Compound, Locking	
2	0701015	2	Bolt M10 x 35	
3	0701027	1	Bolt M10 x 100	
4	0701616	2	Bolt M16 x 40	
5	0761212	4	Bolt M12 x 25	
6	0761227	2	Bolt M12 x 100	
7	0761615	5	Bolt M16 x 35	
8	0762016	1	Bolt M20 x 40	
9	0940048	1	Bumper	
10	0961948	2	Bearing	
11	3291005	1	Nut Lock M10	
12	3291205	2	Nut Lock M12	
13	3841203	2	Keeper, Pin	
14	3841258	7	Keeper, Pin	
15	3841287	1	Keeper, Pin	
16	4812000	4	Washer M10	
17	4812100	4	Washer M12	
18	1001166096	1	Link, Timing	
19	1001166852	1	Upright, Upper	
20	1001166853	1	Upright, Lower	
21	1001169240	2	Pin	
22	1001169241	1	Pin	
23	1001169242	2	Pin	
24	1001169249	1	Pin	
25	1001169295	1	Pin	
26	1001169296	1	Pin	
27	1001169297	2	Pin	
28	1001169298	2	Pin	
29	1001169299	2	Bearing	
30	1001169300	2	Bearing	
31	1001169301	2	Bearing	
32	1001169302	14	Bearing	
37	1001180056	1	Pad, Wear	
38	1001169249	1	Pin (Prior to SN 0300280962, Prior to SN B300011406)	
38	1001256911	1	Pin (SN 0300280962 to Present, SN B300011406 to Present)	
100	1001190633	Ref	Tower Boom Kit (Not Shown - Includes Items 101-104)	
101	1001174536	1	Link, Upper Tower Boom	
102	1001174537	1	Link, Lower Tower Boom	
103	1001178133	1	Tower Boom (Lower)	
104	1001178135	1	Tower, Boom (Upper)	

SECTION 4 - BOOM

FIGURE 4-17. ROTATOR ASSEMBLY



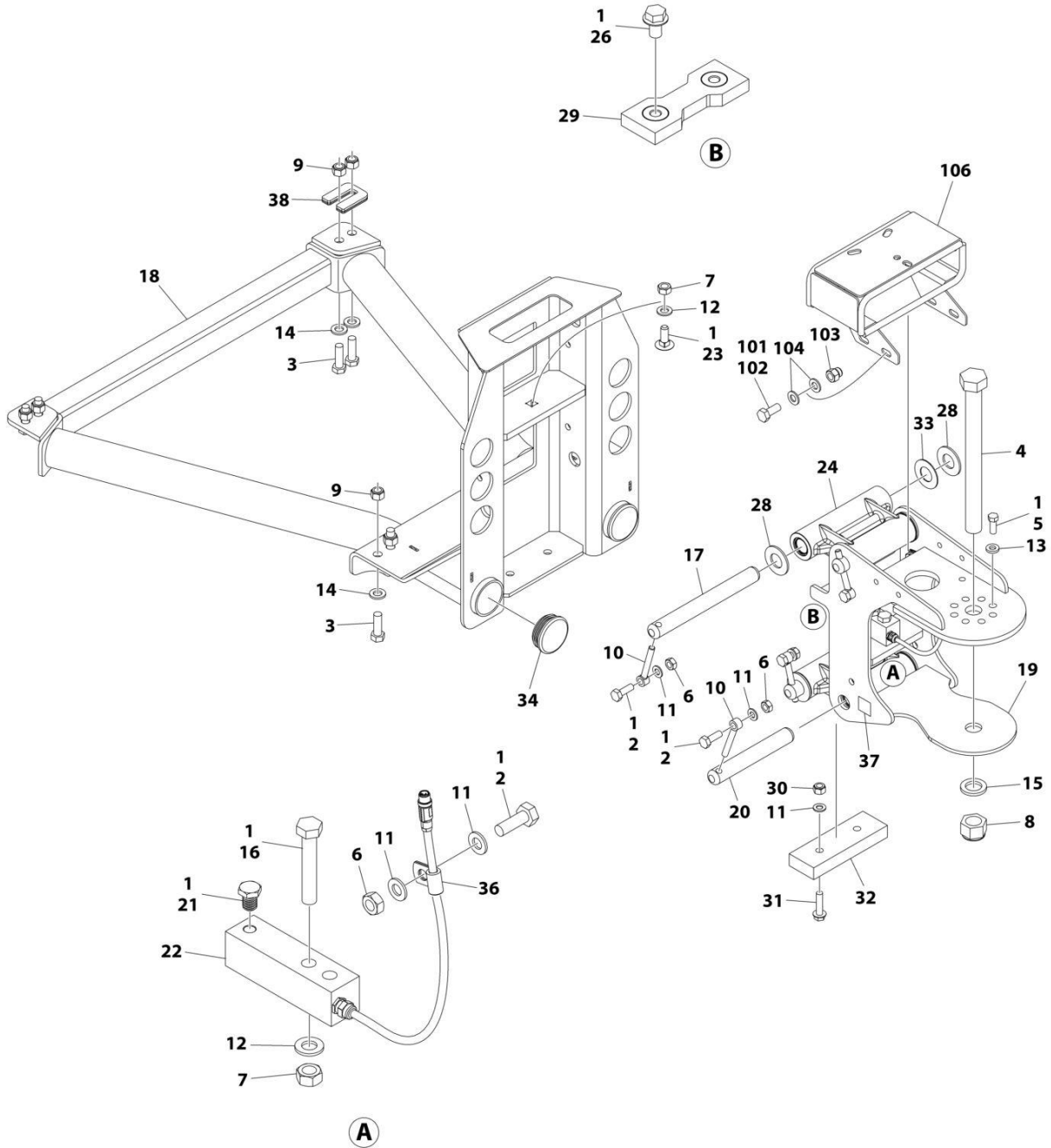
ART_1001217779

FIGURE 4-17. ROTATOR ASSEMBLY

ITEM	PART NUMBER	QTY	DESCRIPTION	REV
	1001217779	Ref	ROTATOR ASSEMBLY	B
1	See Note	NSS	Housing (Note: Purchase Complete Assembly)	
1A	0962257	2	Bushing	
1B	0961947	2	Bushing	
2	7017162	1	Shaft	
3	7017163	1	Piston	
4	7017164	1	Cap, End	
5	See Note	NSS	O-Ring (Note: Use p/n 70000342)	
6	See Note	NSS	Seal, Rod (Note: Purchase p/n 70000342)	
7	See Note	NSS	Seal, Piston (Note: Purchase p/n 70000342)	
8	See Note	NSS	Seal, Cap (Note: Purchase p/n 70000342)	
9	See Note	NSS	Packing, Bearing (Note: Purchase p/n 70000342)	
10	See Note	NSS	Ring, Back-up (Note: Purchase p/n 70000342)	
11	See Note	NSS	Bearing, Shaft (Note: Purchase p/n 7017159)	
12	See Note	NSS	Washer, Thrust (Note: Purchase p/n 7017159)	
13	7017195	2	Bushing	
14	7017172	1	Counterbalance Valve Assembly	
14A	7017192	2	Valve Cartridge (No Seal Kit Available)	
51	70000342	1	Seal Kit (Includes Items 5-10)	
52	7017159	1	Bearing Kit (Includes Items 11 & 12)	
53	7017142	1	Hardware Kit	

SECTION 4 - BOOM

FIGURE 4-18. PLATFORM SUPPORT INSTALLATION



ART_1001167596_N

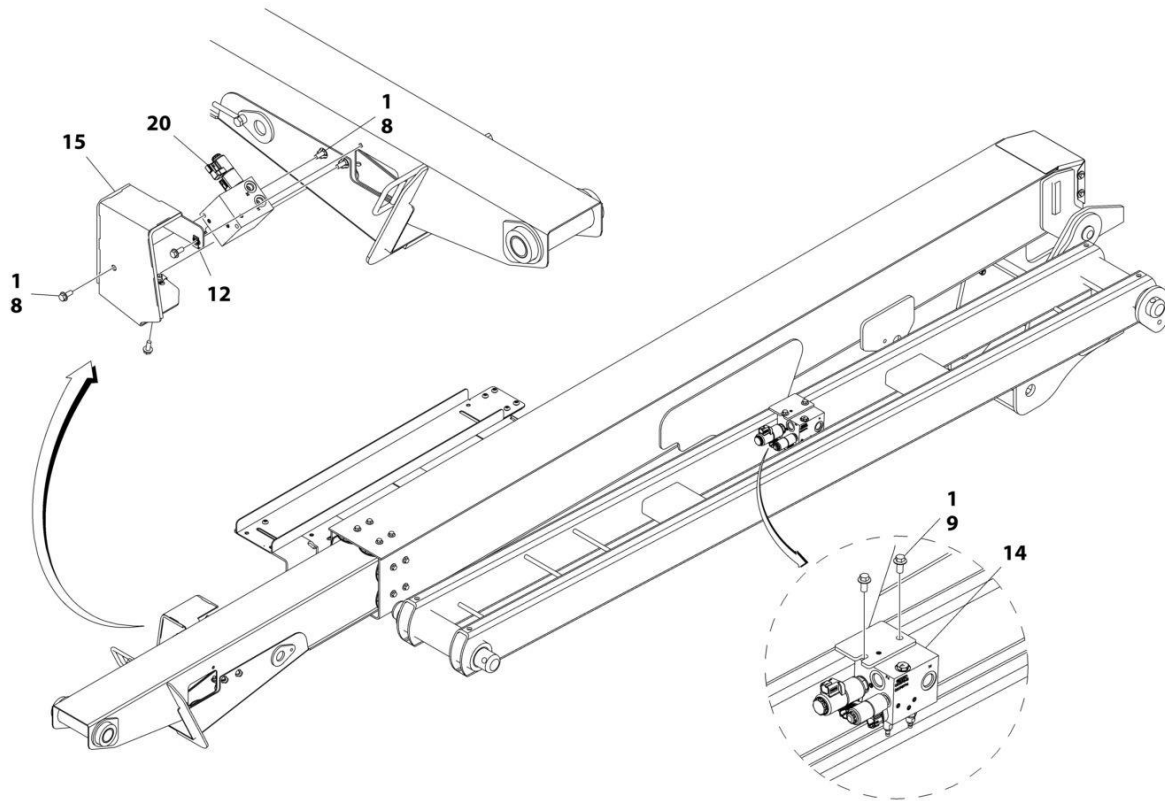
SECTION 4 - BOOM

FIGURE 4-18. PLATFORM SUPPORT INSTALLATION

ITEM	PART NUMBER	QTY	DESCRIPTION	REV
	1001167596	Ref	PLATFORM SUPPORT INSTALLATION	N
1	0100011	AR	Compound, Locking	
2	0761014	5	Bolt M10 x 30	
3	0761216	8	Bolt M12 x 40	
4	1001255133	1	Bolt 1 x 11 GRD8	
5	0681608	8	Bolt 3/8 x 1 GRD8	
6	3291001	5	Nut M10	
7	3291201	3	Nut M12	
8	1001174040	1	Nut 1	
9	3291205	8	Nut M12	
10	3841143	4	Keeper, Pin	
11	4812000	8	Washer M10	
12	4812100	3	Washer M12	
13	4891600	8	Washer 3/8	
14	5241200	8	Washer M12	
15	4892600001	1	Washer 1	
16	1001098828	2	Bolt M12 x 70 CL10.9	
17	1001167565	2	Pin	
18	1001200494	1	Support, Platform	
19	1001167567	1	Support, Rotator	
20	1001168402	2	Pin	
21	1001188622	1	Screw	
22	1001247468	1	Loadcell	
23	1001188844	1	Bolt M12 x 35	
24	1001201351	2	Link	
24	1001187382	4	Bearing	
24	1001187383	4	Seal	
26	5251008	2	Bolt M10 x 16 CL10.9	
28	1001189002	8	Bearing	
29	1001190985	1	Pad, Wear	
30	3291005	2	Nut M10	
31	5251016	2	Bolt M10 x 40 CL10.9	
32	1001200491	1	Pad, Wear	
33	1001189001	4	Bearing	
34	1001204725	2	Plug	
36	91203039	1	Clamp	
37	1001216630	2	Decal - Tie Down/No Lift	
38	1001238421	Ref	Kit, Platform Leveling (Not Shown)	
	1001202687	Ref	VALVE MOUNT INSTALLATION	B
101	0100011	AR	Compound, Locking	
102	0760810	4	Bolt M8 x 20	
103	3290806	4	Nut M8	
104	4811900	8	Washer M8	
106	1001208994	1	Mount, Valve	

SECTION 4 - BOOM

FIGURE 4-19. 2WD VALVES INSTALLATION - 450A BOOM MOUNTED



ART_1001215659_30F3

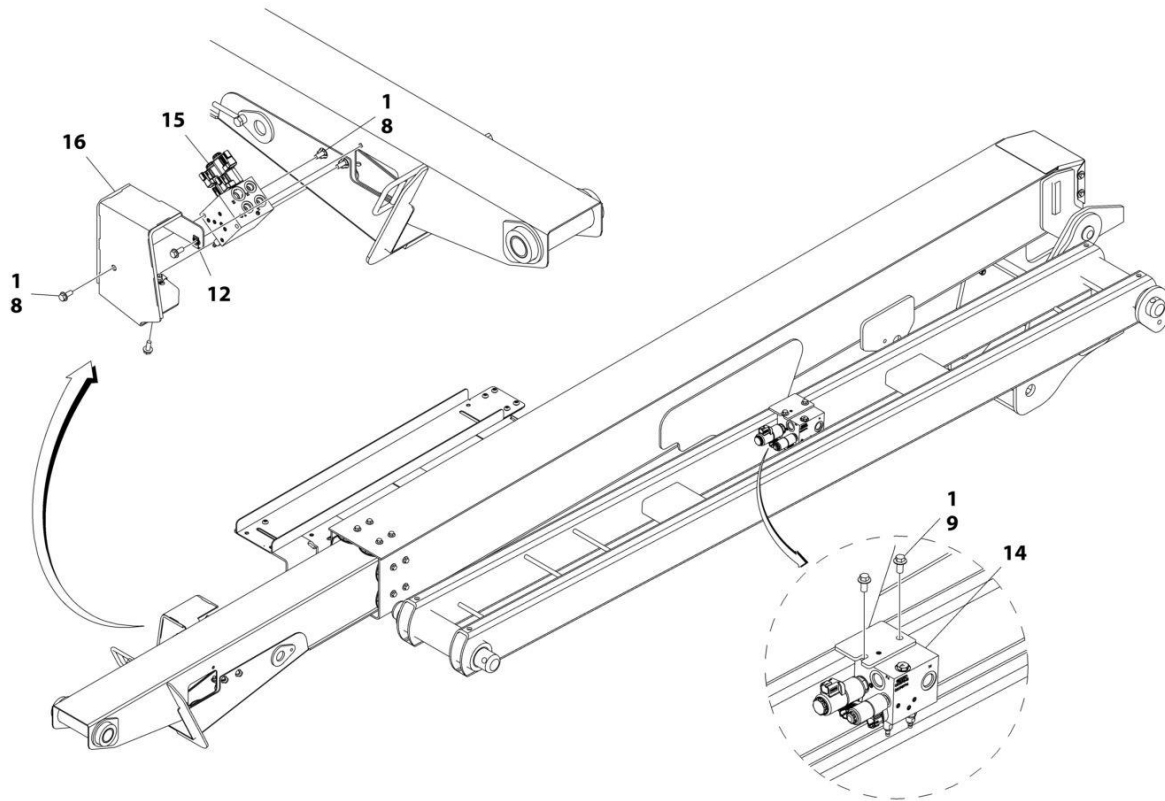
SECTION 4 - BOOM

FIGURE 4-19. 2WD VALVES INSTALLATION - 450A BOOM MOUNTED

ITEM	PART NUMBER	QTY	DESCRIPTION	REV
	1001215659	Ref	2WD VALVES INSTALLATION - 450A BOOM MOUNTED	D
1	0100011	AR	Compound, Locking	
8	5250810	5	Bolt M8 x 20	
9	5251010	2	Bolt M10 x 20	
12	1001118274	2	Nut M8	
14	1001162535	1	Upright Valve Assembly (See Separate Breakdown in this Section)	
15	1001170375	1	Shield (Prior to SN 0300280962, Prior to SN B300011406, Prior to SN E300008862)	
15	1001265186	1	Shield (SN 0300280962 to Present, SN B300011406 to Present, SN E300008862 to Present)	
20	1001215105	1	Boom Valve Assembly - Fixed Jib (See Separate Breakdown in this Section)	

SECTION 4 - BOOM

FIGURE 4-20. 2WD VALVES INSTALLATION - 450AJ BOOM MOUNTED



ART_1001214163_3OF3

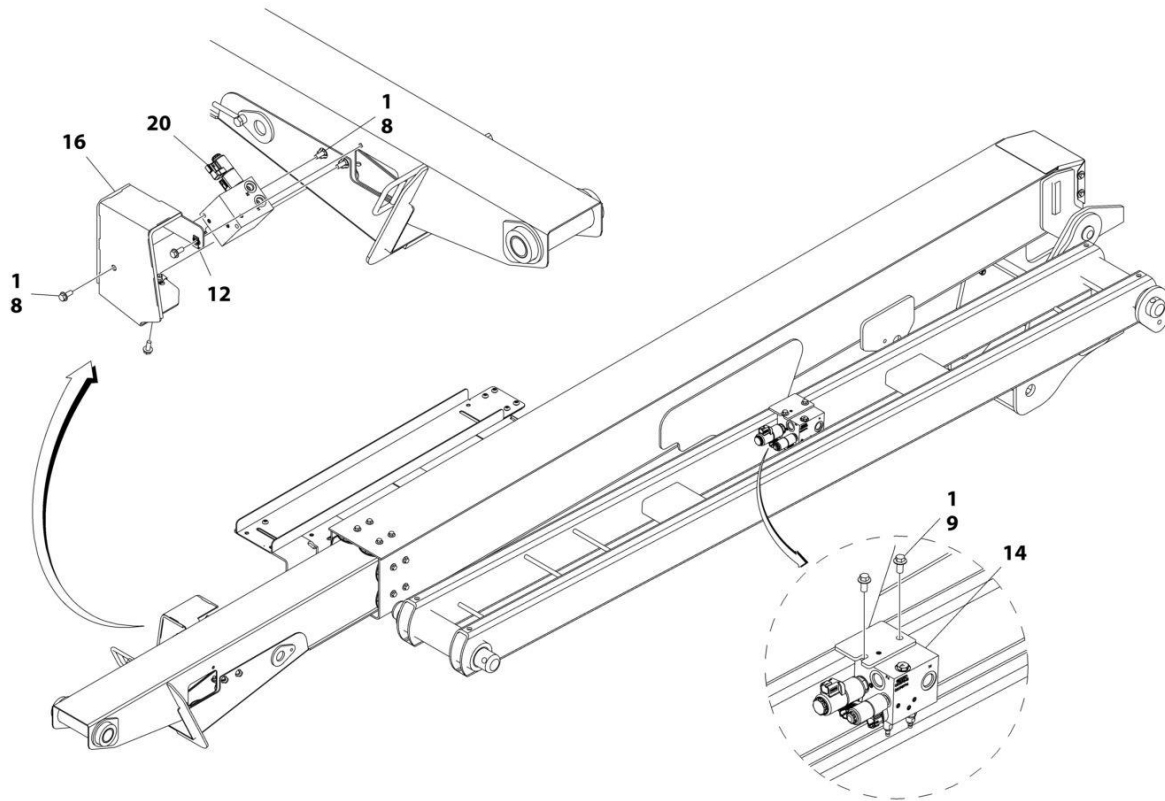
SECTION 4 - BOOM

FIGURE 4-20. 2WD VALVES INSTALLATION - 450AJ BOOM MOUNTED

ITEM	PART NUMBER	QTY	DESCRIPTION	REV
	1001214163	Ref	2WD VALVES INSTALLATION - 450AJ BOOM MOUNTED	C
1	0100011	AR	Compound, Locking	
8	5250810	3	Bolt M8 x 20	
9	5251010	2	Bolt M10 x 20	
12	1001118274	2	Nut M8	
14	1001162535	1	Upright Valve Assembly (See Separate Breakdown in this Section)	
15	1001162536	1	Boom Valve Assembly (See Separate Breakdown in this Section)	
16	1001170375	1	Shield (Prior to SN 0300280962, Prior to SN B300011406)	
16	1001265186	1	Shield (SN 0300280962 to Present, SN B300011406 to Present)	

SECTION 4 - BOOM

FIGURE 4-21. 4WD VALVES INSTALLATION - 450A BOOM MOUNTED



ART_1001215378_3OF3

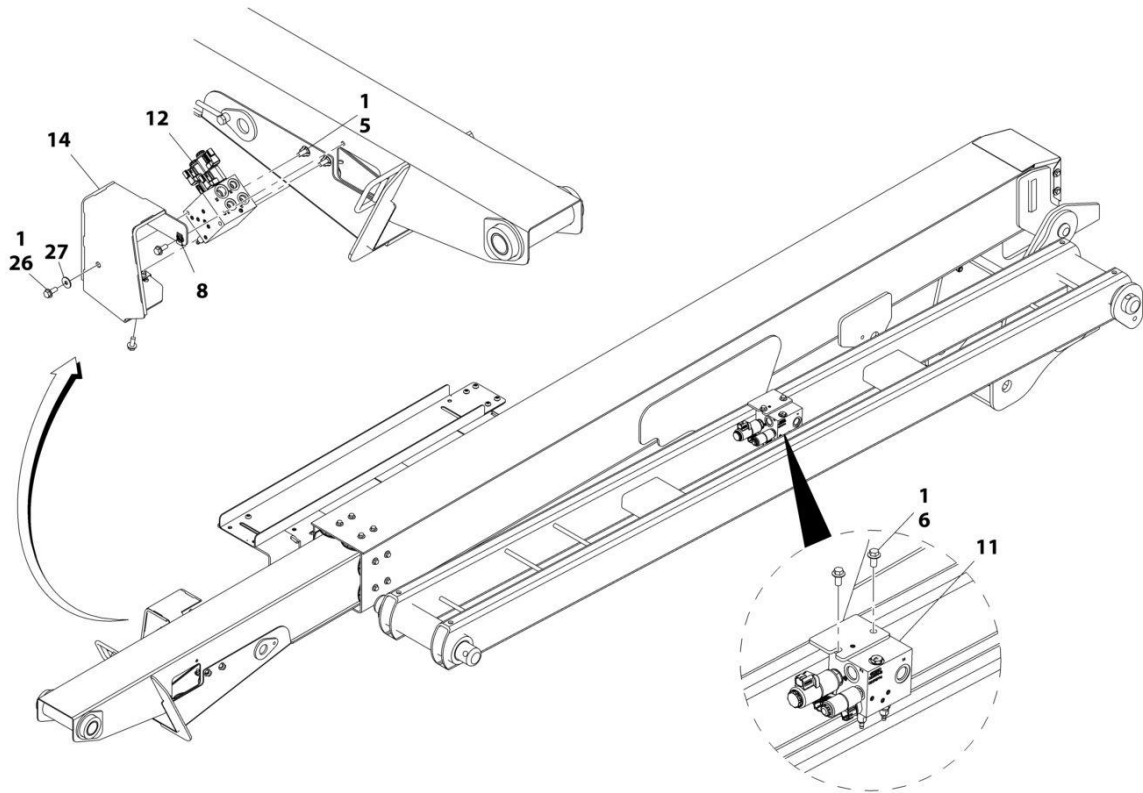
SECTION 4 - BOOM

FIGURE 4-21. 4WD VALVES INSTALLATION - 450A BOOM MOUNTED

ITEM	PART NUMBER	QTY	DESCRIPTION	REV
	1001215378	Ref	4WD VALVES INSTALLATION - 450A BOOM MOUNTED	D
1	0100011	AR	Compound, Locking	
8	5250810	5	Bolt M8 x 20	
9	5251010	2	Bolt M10 x 20	
12	1001118274	2	Nut M8	
14	1001162535	1	Upright Valve Assembly (See Separate Breakdown in this Section)	
16	1001170375	1	Shield (Prior to SN 0300280962, Prior to SN B300011406)	
16	1001265186	1	Shield (SN 0300280962 to Present, SN B300011406 to Present)	
20	1001215105	1	Boom Valve Assembly - Fixed Jib (See Separate Breakdown in this Section)	

SECTION 4 - BOOM

FIGURE 4-22. 4WD VALVES INSTALLATION - 450AJ BOOM MOUNTED (MACHINES WITH SN STARTING WITH 03)



ART_1001165948_30F3

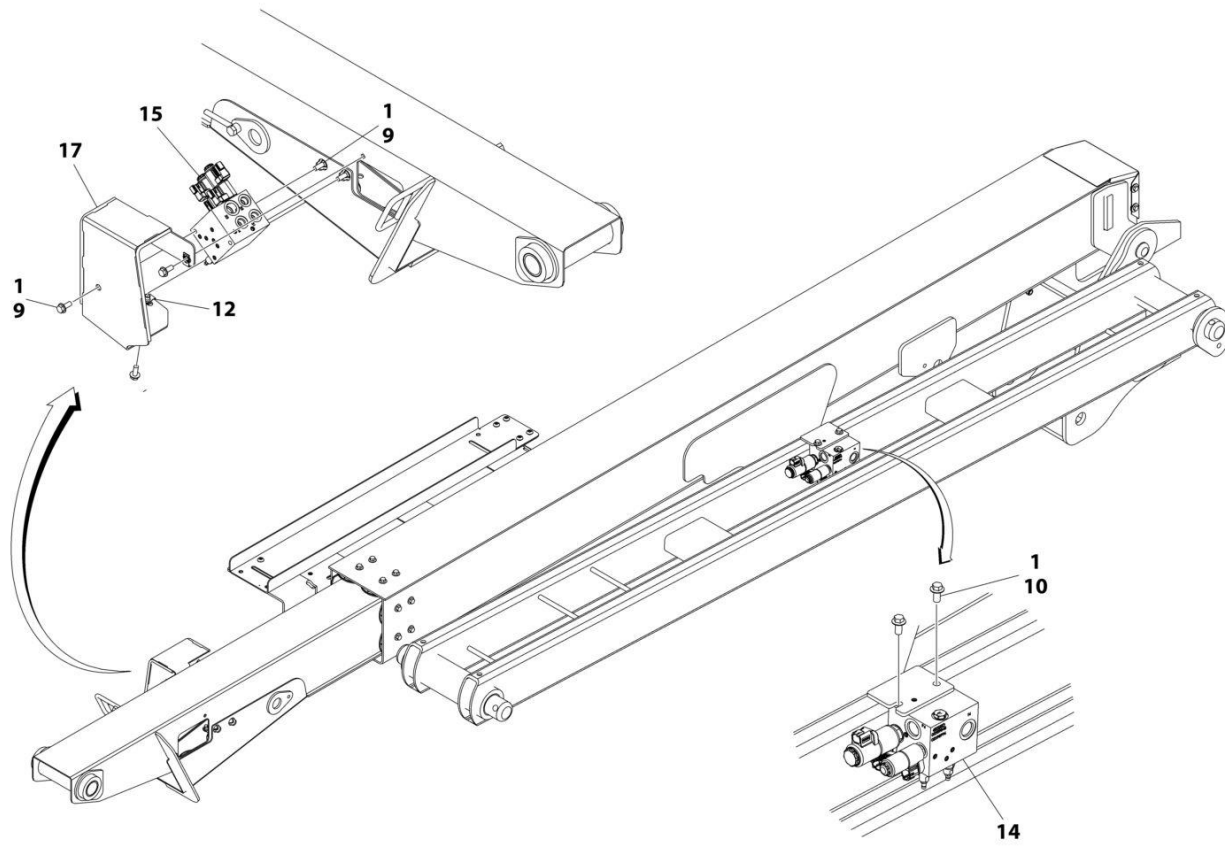
SECTION 4 - BOOM

FIGURE 4-22. 4WD VALVES INSTALLATION - 450AJ BOOM MOUNTED (MACHINES WITH SN STARTING WITH 03)

ITEM	PART NUMBER	QTY	DESCRIPTION	REV
	1001165948	Ref	4WD VALVES INSTALLATION - 450AJ BOOM MOUNTED	J
1	0100011	AR	Compound, Locking	
5	5250810	4	Bolt M8 x 20 Class 10.9	
6	5251010	2	Bolt M10 x 20 Class 10.9	
8	1001118274	2	Nut, Tinnerman M8	
11	1001162535	1	Upright Valve Assembly (See Separate Breakdown in this Section)	
12	1001162536	1	Boom Valve Assembly (See Separate Breakdown in this Section)	
14	1001170375	1	Shield (Prior to SN 0300280962, Prior to SN B300011406, Prior to SN E300008862)	
14	1001265186	1	Shield (SN 0300280962 to Present, SN E300008862 to Present, Including B300011406)	
26	0770810	1	Bolt M8 x 20 Class 10.9	
27	4811902	1	Washer M8	

SECTION 4 - BOOM

FIGURE 4-23. 4WD VALVES INSTALLATION - 450AJ BOOM MOUNTED (MACHINES WITH SN STARTING WITH B3)



ART_1001271413_30F3

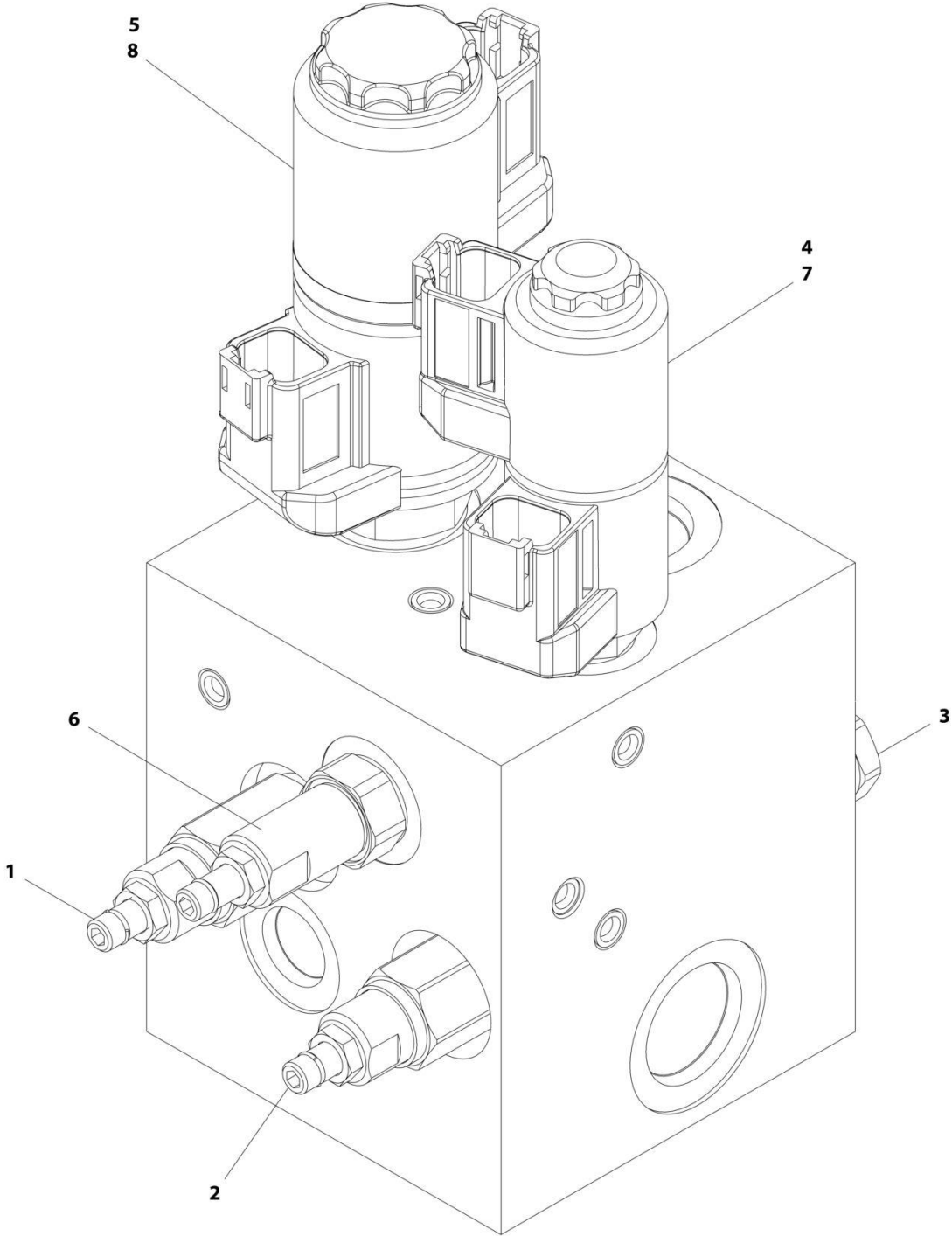
SECTION 4 - BOOM

FIGURE 4-23. 4WD VALVES INSTALLATION - 450AJ BOOM MOUNTED (MACHINES WITH SN STARTING WITH B3)

ITEM	PART NUMBER	QTY	DESCRIPTION	REV
	1001271413	Ref	4WD VALVES INSTALLATION - 450AJ BOOM MOUNTED	A
1	0100011	AR	Compound, Locking	
9	5250810	5	Bolt M8 x 20	
10	5251010	2	Bolt M10 x 20	
12	1001118274	2	Nut M8	
14	1001162535	1	Upright Valve Assembly (See Separate Breakdown in this Section)	
15	1001162536	1	Boom Valve Assembly (See Separate Breakdown in this Section)	
17	1001170375	1	Shield	

SECTION 4 - BOOM

FIGURE 4-24. UPRIGHT VALVE ASSEMBLY



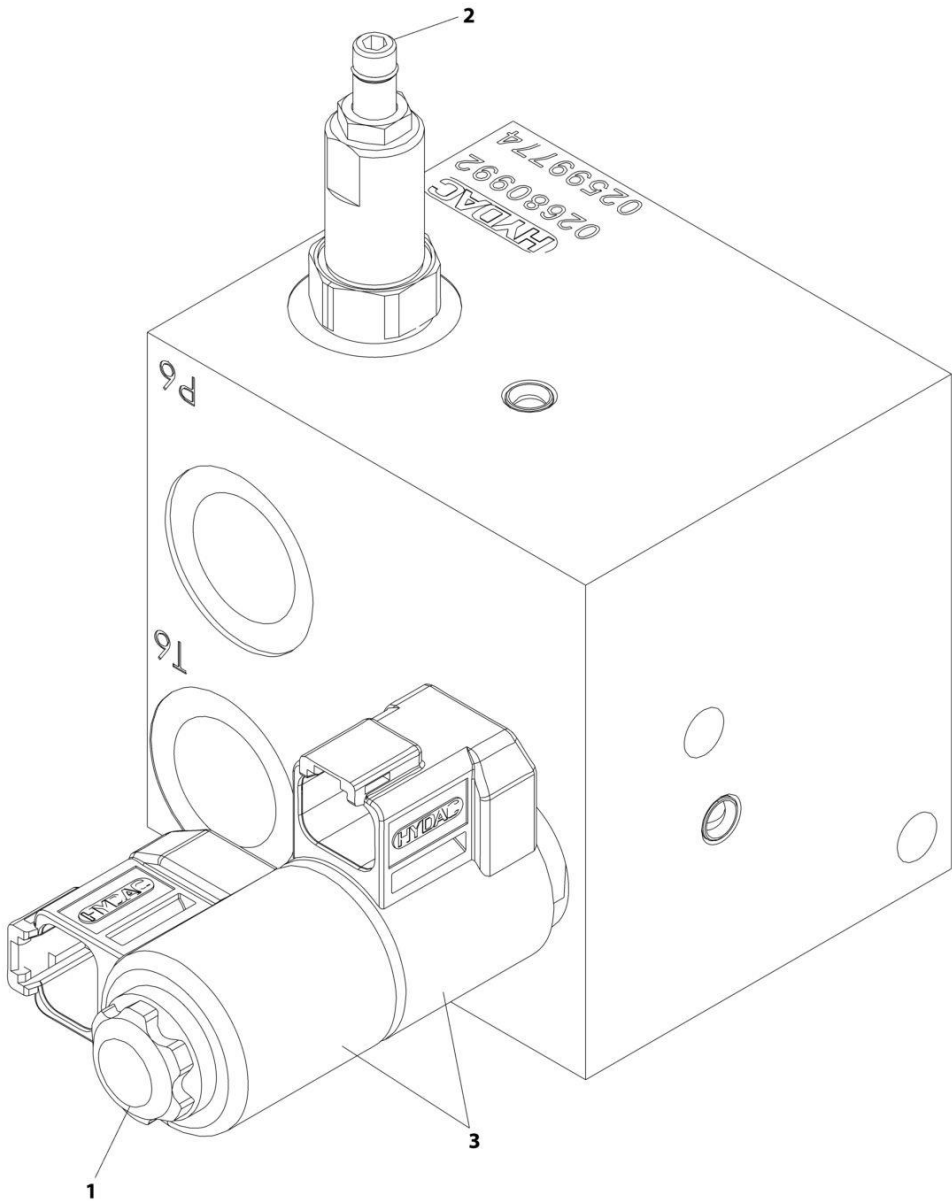
ART_1001162535

FIGURE 4-24. UPRIGHT VALVE ASSEMBLY

ITEM	PART NUMBER	QTY	DESCRIPTION	REV
	1001162535	Ref	UPRIGHT VALVE ASSEMBLY	D
1	70004864	1	Cartridge, Valve	
1	70004875	1	Seal Kit - 70004864 Valve	
2	70004865	1	Cartridge, Valve	
2	70004875	1	Seal Kit - 70004865 Valve	
3	70004866	1	Cartridge, Relief Valve	
3	70004867	1	Seal Kit - 70004866 Valve	
4	70004868	1	Cartridge, Solenoid Valve Less Coil	
4	70004869	1	Seal Kit - 70004868 Valve	
5	7027625	1	Cartridge, Solenoid Valve Less Coil	
5	70000100	1	Seal Kit - 7027625 Valve	
6	70006660	1	Cartridge, Valve	
6	70004867	1	Seal Kit - 70006660 Valve	
7	70004871	2	Coil	
8	7027628	2	Coil	

SECTION 4 - BOOM

FIGURE 4-25. BOOM VALVE ASSEMBLY - 450A



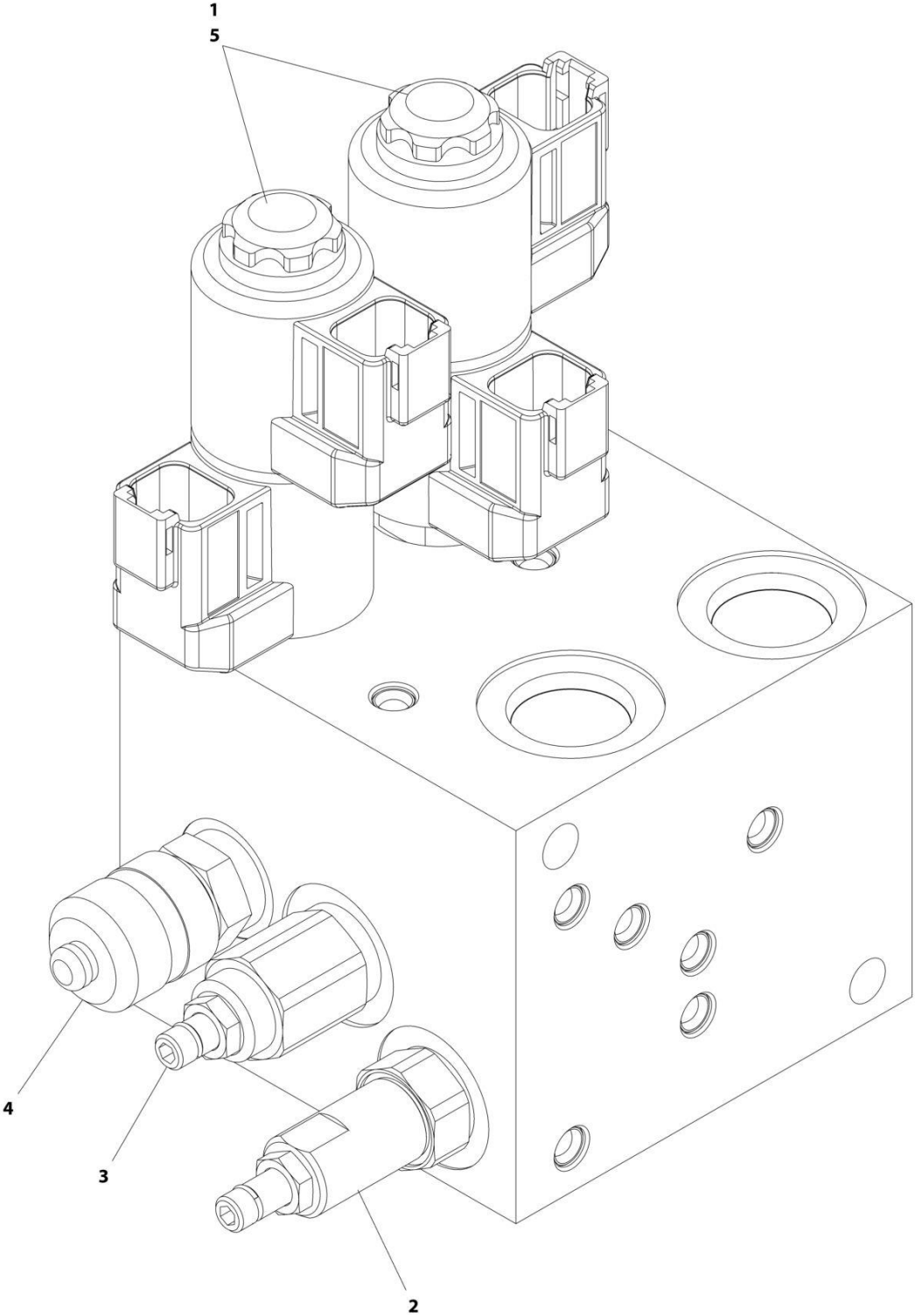
ART_1001215105

FIGURE 4-25. BOOM VALVE ASSEMBLY - 450A

ITEM	PART NUMBER	QTY	DESCRIPTION	REV
	1001215105	Ref	BOOM VALVE ASSEMBLY - 450A	A
1	70005243	1	Cartridge, Solenoid Valve Less Coil	
1	70004869	1	Seal Kit - 70005243 Valve	
2	70004873	1	Cartridge, Valve	
2	70004867	1	Seal Kit - 70004873 Valve	
3	70004871	2	Coil	

SECTION 4 - BOOM

FIGURE 4-26. BOOM VALVE ASSEMBLY - 450AJ



ART_1001162536_G

SECTION 4 - BOOM

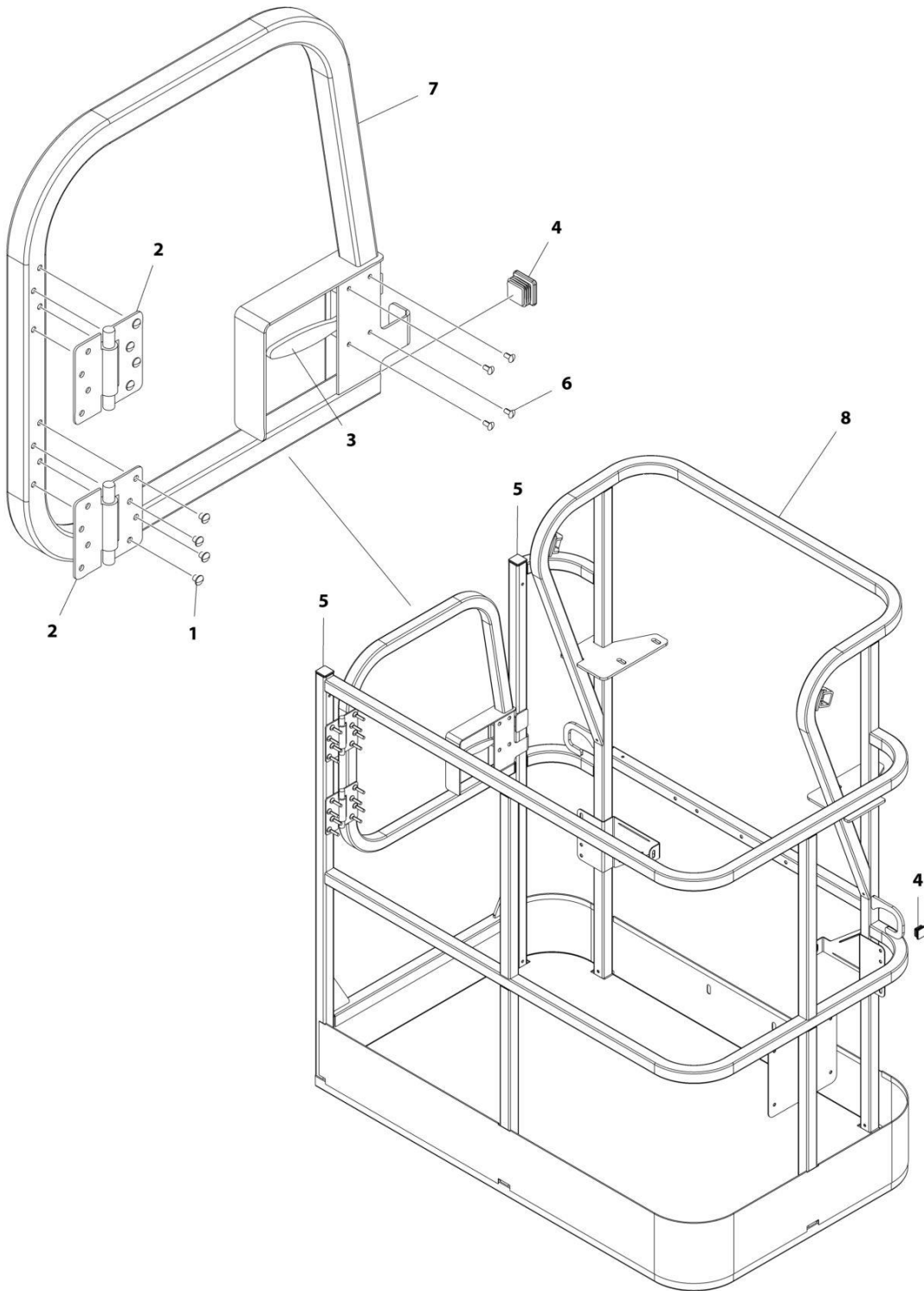
FIGURE 4-26. BOOM VALVE ASSEMBLY - 450AJ

ITEM	PART NUMBER	QTY	DESCRIPTION	REV
	1001162536	Ref	BOOM VALVE ASSEMBLY	G
1	70005243	2	Cartridge, Solenoid Valve Less Coil	
1	70004869	2	Seal Kit - 70005243 Valve	
2	70004873	1	Cartridge, Valve	
2	70004867	1	Seal Kit - 70004873 Valve	
3	70007556	1	Cartridge, Valve	
3	70004867	1	Seal Kit - 70006970 Valve	
4	2221086	1	Fitting, Test	
5	70004871	4	Coil	

SECTION 5 - PLATFORM

SECTION 5 - PLATFORM

FIGURE 5-1. PLATFORM ASSEMBLY - 30IN X 4FT (76CM X 1.22M) - SIDE GATE ENTRY



ART_1001186387

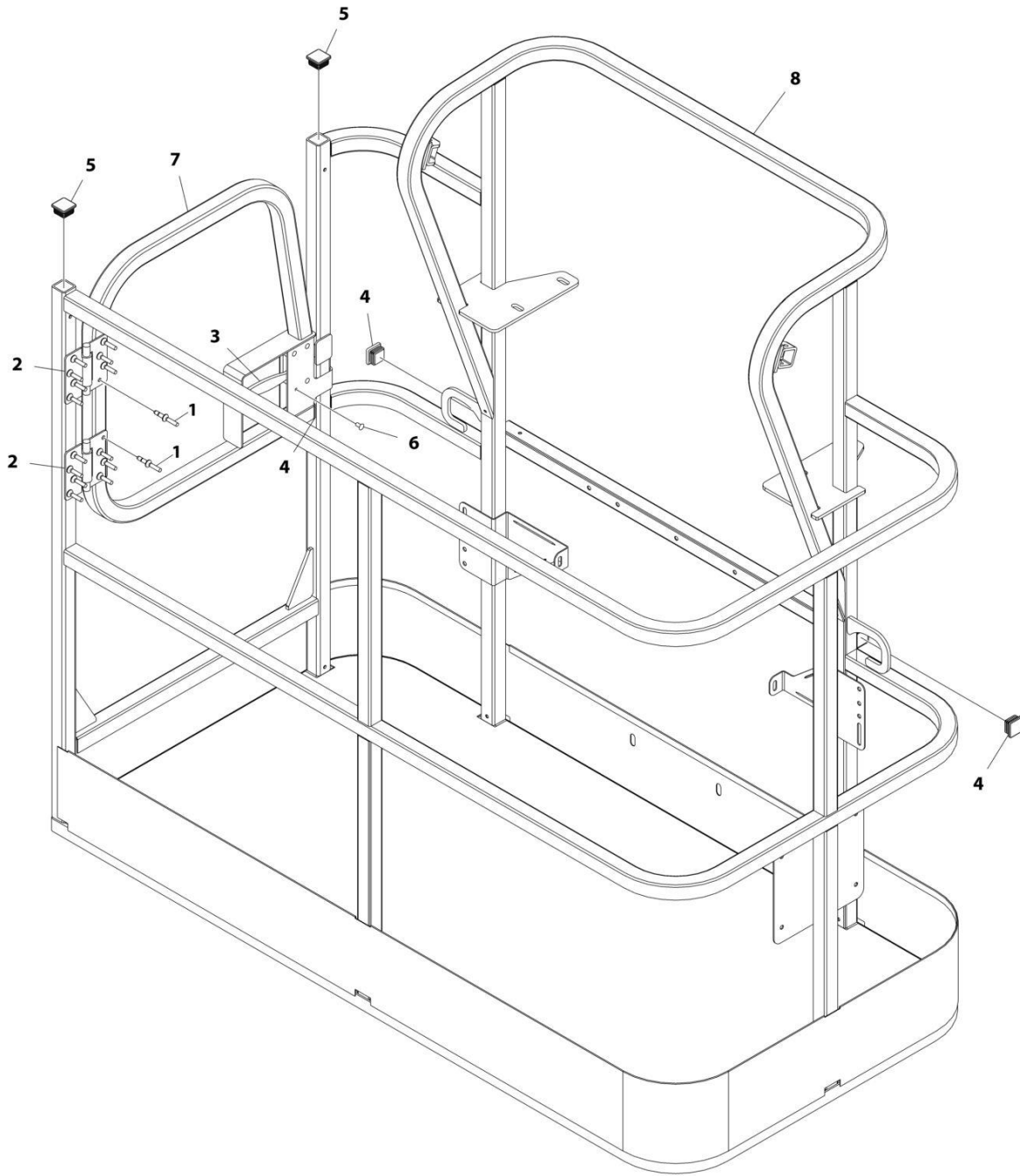
SECTION 5 - PLATFORM

FIGURE 5-1. PLATFORM ASSEMBLY - 30IN X 4FT (76CM X 1.22M) - SIDE GATE ENTRY

ITEM	PART NUMBER	QTY	DESCRIPTION	REV
	1001186387	Ref	PLATFORM ASSEMBLY	C
		Ref	Note: Platform and Mesh must be ordered separately for Platforms with Mesh. See SPECIAL OPTIONS SECTION for Mesh Installations.	
		Ref	Note: Replacement Decals Must be Ordered Separately - See DECALS SECTION.	
1	2080040	16	Fastener, Huck	
2	2600281	2	Hinge, Self-Closing	
3	2940074	1	Latch	
4	3520072	3	Plug	
5	3520198	2	Plug	
6	3820020	4	Rivet	
7	1001144629	1	Gate	
8	See Note	1	Platform (Note: Not Available - Purchase Platform Assembly)	

SECTION 5 - PLATFORM

FIGURE 5-2. PLATFORM ASSEMBLY - 30IN X 5FT (76CM X 1.52M) - SIDE GATE ENTRY



ART_1001186386

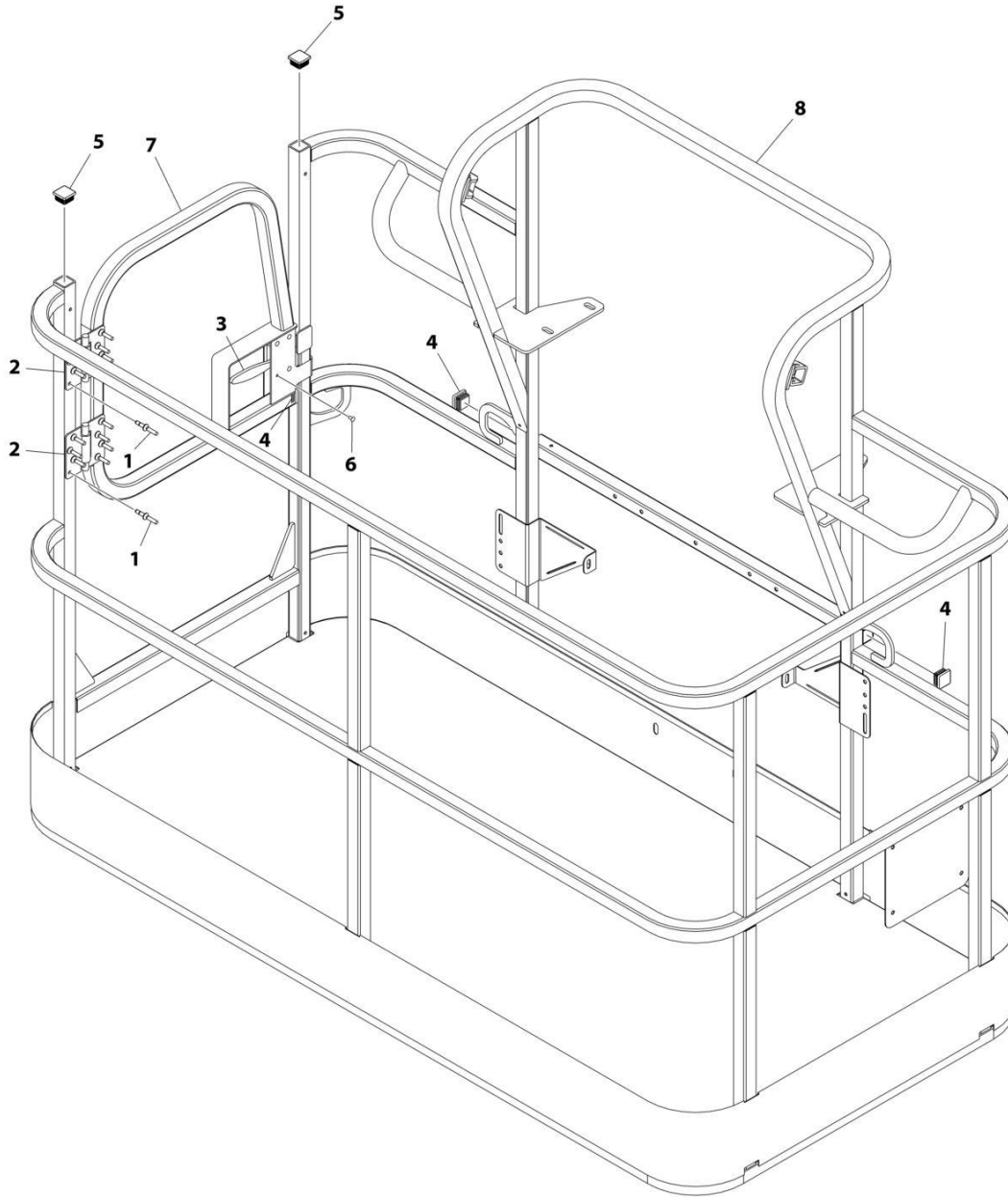
SECTION 5 - PLATFORM

FIGURE 5-2. PLATFORM ASSEMBLY - 30IN X 5FT (76CM X 1.52M) - SIDE GATE ENTRY

ITEM	PART NUMBER	QTY	DESCRIPTION	REV
	1001186386	Ref	PLATFORM ASSEMBLY	C
		Ref	Note: Platform and Mesh must be ordered separately for Platforms with Mesh. See SPECIAL OPTIONS SECTION for Mesh Installations.	
		Ref	Note: Replacement Decals Must be Ordered Separately - See DECALS SECTION.	
1	2080040	16	Fastener, Huck	
2	2600281	2	Hinge, Self-Closing	
3	2940074	1	Latch	
4	3520072	3	Plug	
5	3520198	2	Plug	
6	3820020	4	Rivet	
7	1001144629	1	Gate	
8	See Note	NSS	Platform (Note: Not Available - Purchase Platform Assembly)	

SECTION 5 - PLATFORM

FIGURE 5-3. PLATFORM ASSEMBLY - 30IN X 6FT (76CM X 1.83M) - SIDE GATE ENTRY



ART_1001186385

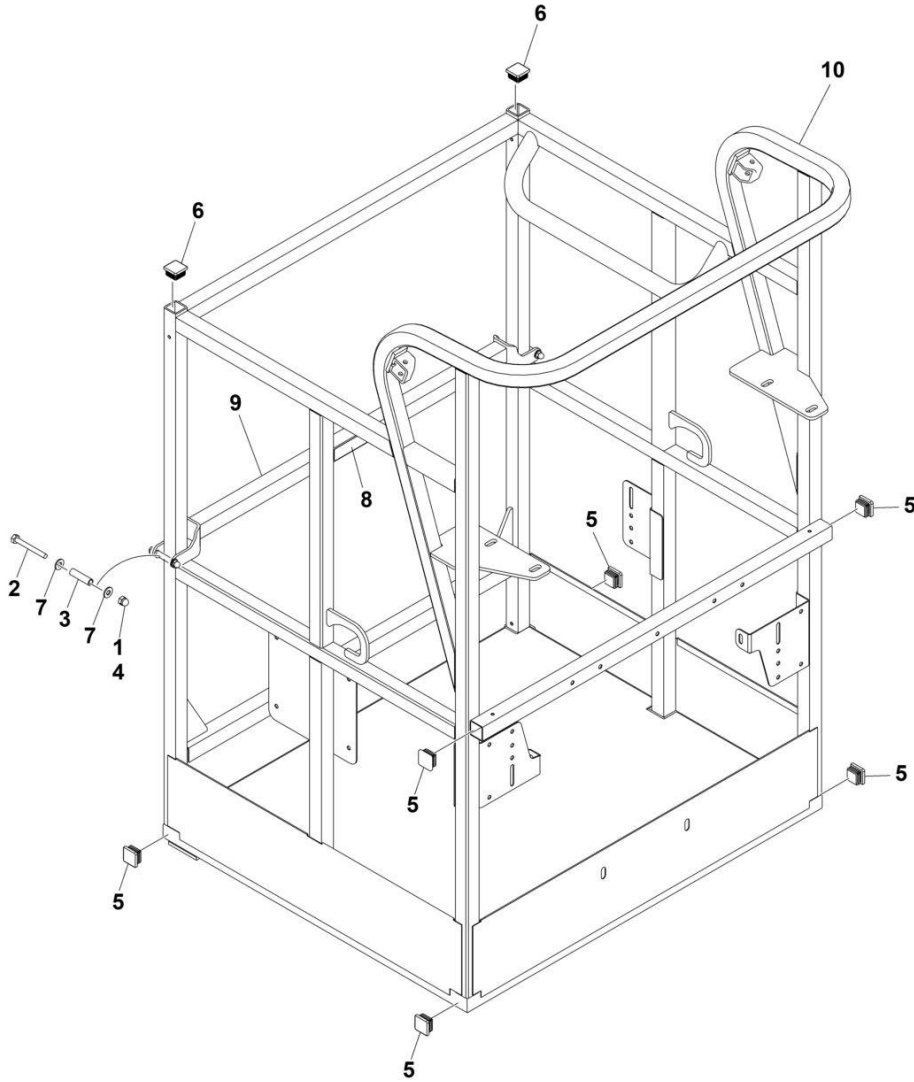
SECTION 5 - PLATFORM

FIGURE 5-3. PLATFORM ASSEMBLY - 30IN X 6FT (76CM X 1.83M) - SIDE GATE ENTRY

ITEM	PART NUMBER	QTY	DESCRIPTION	REV
	1001186385	Ref	PLATFORM ASSEMBLY	D
		Ref	Note: Platform and Mesh must be ordered separately for Platforms with Mesh. See SPECIAL OPTIONS SECTION for Mesh Installations.	
		Ref	Note: Replacement Decals Must be Ordered Separately - See DECALS SECTION.	
1	2080040	16	Fastener, Huck	
2	2600281	2	Hinge	
3	2940074	1	Latch	
4	3520072	3	Plug	
5	3520198	2	Plug	
6	3820020	4	Rivet	
7	1001144629	1	Gate	
8	See Note	NSS	Platform (Note: Not Available - Purchase Platform Assembly)	

SECTION 5 - PLATFORM

FIGURE 5-4. PLATFORM ASSEMBLY - 30IN X 3FT (76CM X .91M) - DROP BAR ENTRY



ART_1001228215

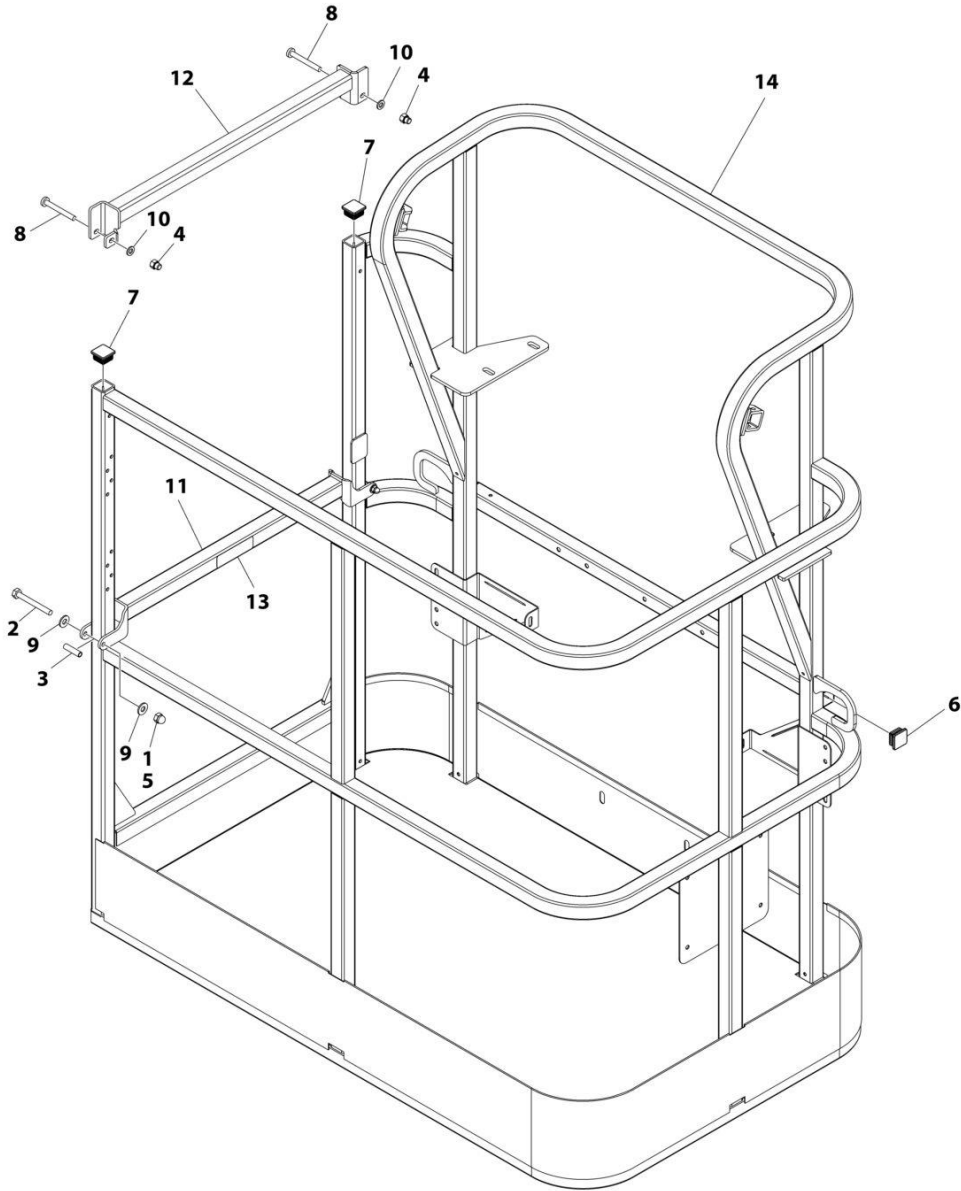
SECTION 5 - PLATFORM

FIGURE 5-4. PLATFORM ASSEMBLY - 30IN X 3FT (76CM X .91M) - DROP BAR ENTRY

ITEM	PART NUMBER	QTY	DESCRIPTION	REV
	1001228215	Ref	PLATFORM ASSEMBLY	A
	See Note	Ref	Note: Platform and Mesh must be ordered separately for Platforms with Mesh. See SPECIAL OPTIONS SECTION for Mesh Installations.	
	See Note	Ref	Note: Replacement Decals Must be Ordered Separately - See DECAL SECTION.	
1	0100011	AR	Compound, Locking	
2	0641418	2	Bolt 1/4 x 2-1/4	
3	0961845	2	Bushing	
4	3300151	2	Nut 1/4	
5	3520072	6	Cap, Plug	
6	3520198	2	Cap, Plug	
7	4711400	4	Washer 1/4	
8	1001140429	1	Decal - Drop Bar	
9	1001226872	1	Bar, Drop	
10	See Note	NSS	Platform (Note: Not Available - Purchase Platform Assembly)	

SECTION 5 - PLATFORM

FIGURE 5-5. PLATFORM ASSEMBLY - 30IN X 4FT (76CM X 1.22M) - WITH DROP BAR



ART_1001186375

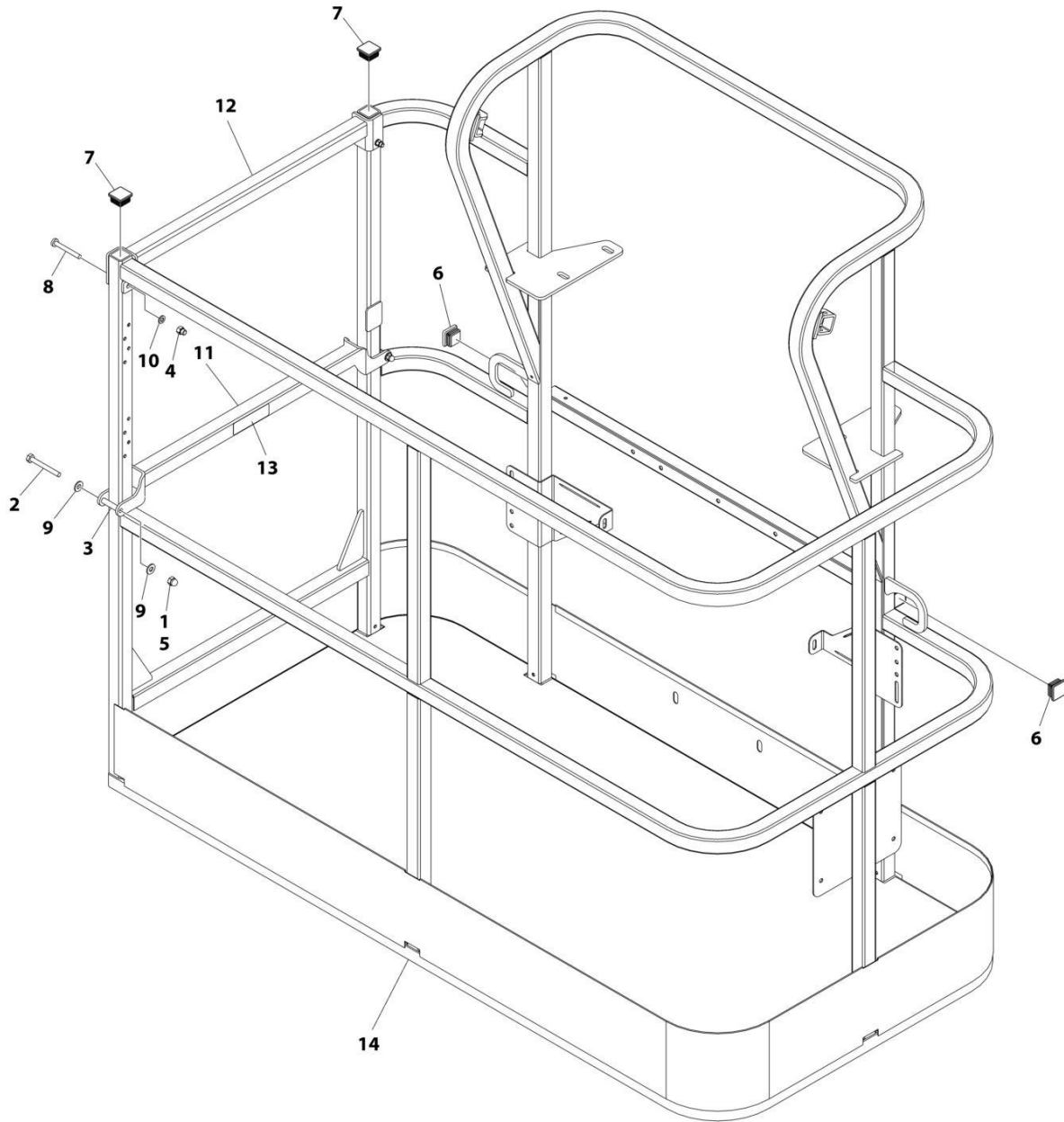
SECTION 5 - PLATFORM

FIGURE 5-5. PLATFORM ASSEMBLY - 30IN X 4FT (76CM X 1.22M) - WITH DROP BAR

ITEM	PART NUMBER	QTY	DESCRIPTION	REV
	1001186375	Ref	PLATFORM ASSEMBLY	B
		Ref	Note: Platform and Mesh must be ordered separately for Platforms with Mesh. See SPECIAL OPTIONS SECTION for Mesh Installations.	
		Ref	Note: Replacement Decals Must be Ordered Separately - See DECALS SECTION.	
1	0100011	AR	Compound, Locking	
2	0641418	2	Bolt 1/4 x 2-1/4	
3	0961845	2	Bushing	
4	3290606	2	Nut M6	
5	3300151	2	Nut 1/4	
6	3520072	2	Plug	
7	3520198	2	Plug	
8	4010618	2	Screw M6 x 50	
9	4711400	4	Washer 1/4	
10	4811700	2	Washer M6	
11	1001138494	1	Bar, Drop	
12	1001138514	1	Rail - Top	
13	1001140429	1	Decal - Drop Bar	
14	See Note	1	Platform (Note: Not Available - Purchase Platform Assembly)	

SECTION 5 - PLATFORM

FIGURE 5-6. PLATFORM ASSEMBLY - 30IN X 5FT (76CM X 1.52M) - WITH DROP BAR



ART_1001186377

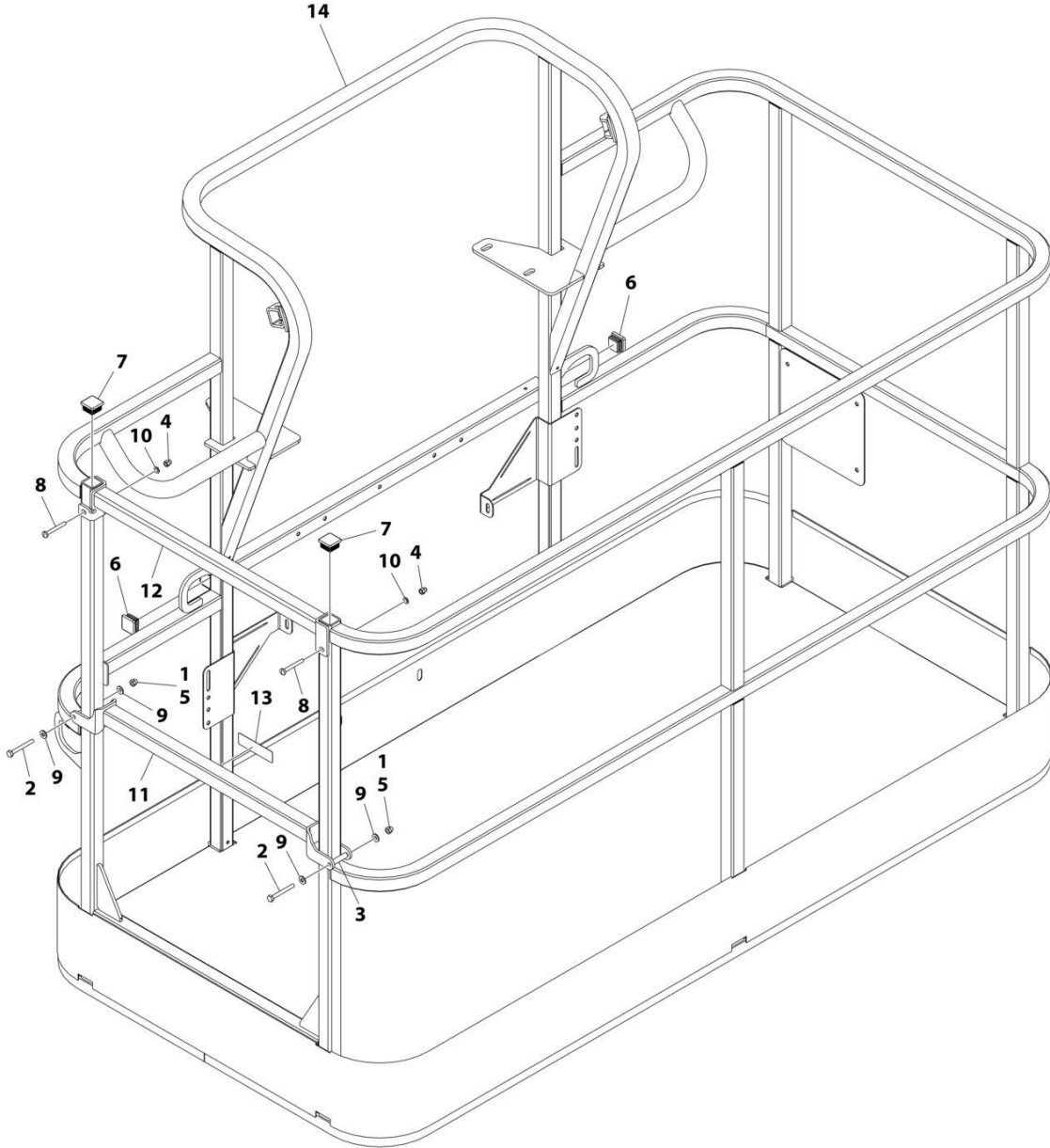
SECTION 5 - PLATFORM

FIGURE 5-6. PLATFORM ASSEMBLY - 30IN X 5FT (76CM X 1.52M) - WITH DROP BAR

ITEM	PART NUMBER	QTY	DESCRIPTION	REV
	1001186377	Ref	PLATFORM ASSEMBLY	C
		Ref	Note: Platform and Mesh must be ordered separately for Platforms with Mesh. See SPECIAL OPTIONS SECTION for Mesh Installations.	
		Ref	Note: Replacement Decals Must be Ordered Separately - See DECALS SECTION.	
1	0100011	AR	Compound, Locking	
2	0641420	2	Bolt 1/4 x 2-1/2	
3	0961845	2	Bushing	
4	3290606	2	Nut M6	
5	3300151	2	Nut 1/4	
6	3520072	2	Plug	
7	3520198	2	Plug	
8	4010618	2	Screw M6 x 50	
9	4711400	4	Washer 1/4	
10	4811700	2	Washer M6	
11	1001138494	1	Bar, Drop	
12	1001138514	1	Rail (Top)	
13	1001140429	1	Decal - Drop Bar	
14	See Note	NSS	Platform (Note: Not Available - Purchase Platform Assembly)	

SECTION 5 - PLATFORM

FIGURE 5-7. PLATFORM ASSEMBLY - 30IN X 6FT (76CM X 1.83M) - WITH DROP BAR



ART_1001186378

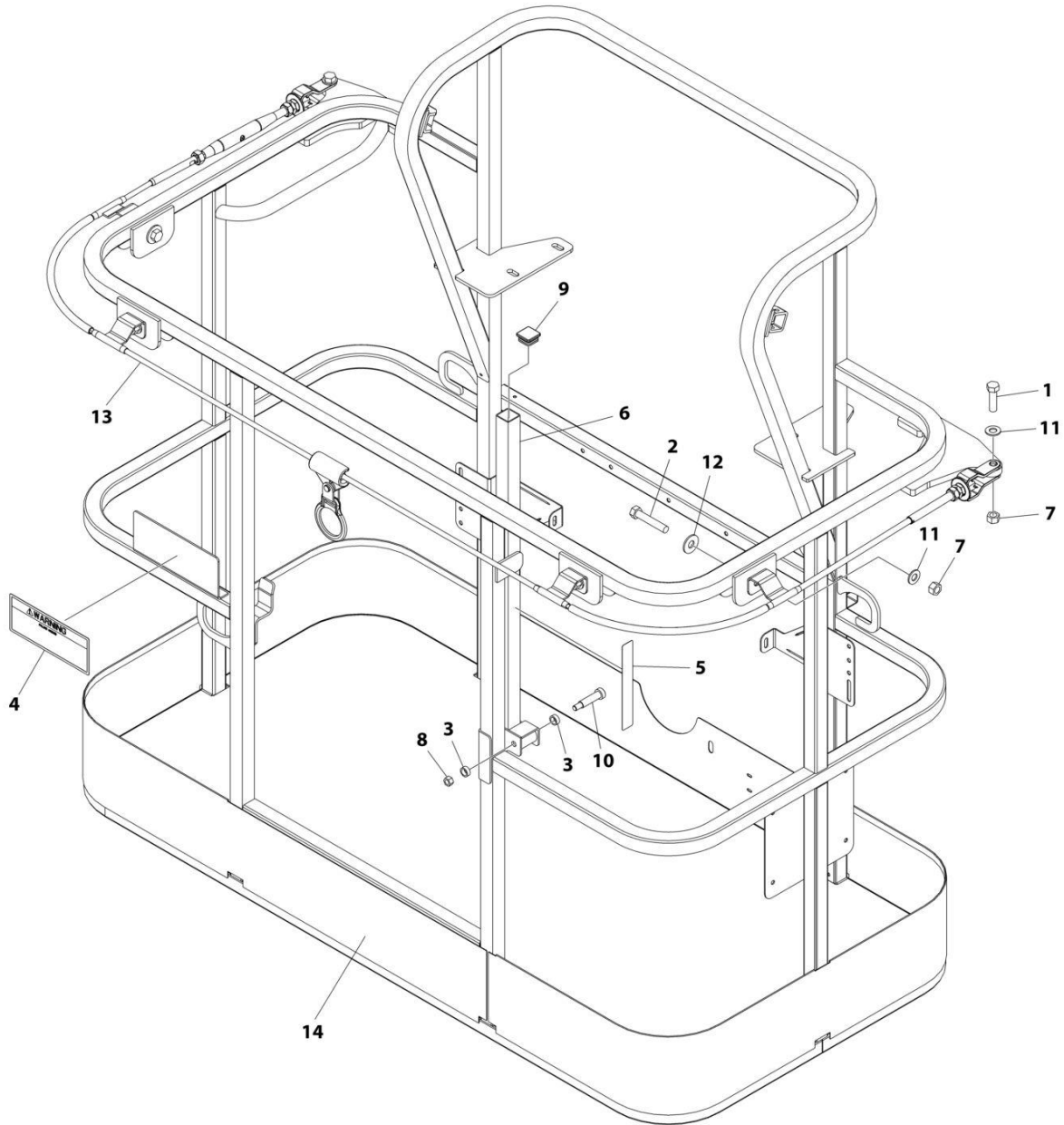
SECTION 5 - PLATFORM

FIGURE 5-7. PLATFORM ASSEMBLY - 30IN X 6FT (76CM X 1.83M) - WITH DROP BAR

ITEM	PART NUMBER	QTY	DESCRIPTION	REV
	1001186378	Ref	PLATFORM ASSEMBLY	C
		Ref	Note: Platform and Mesh must be ordered separately for Platforms with Mesh. See SPECIAL OPTIONS SECTION for Mesh Installations.	
		Ref	Note: Replacement Decals Must be Ordered Separately - See DECALS SECTION.	
1	0100011	AR	Compound, Locking	
2	0641418	2	Bolt 1/4 x 2-1/4	
3	0961845	2	Bushing	
4	3290606	2	Nut M6	
5	3300151	2	Nut 1/4	
6	3520072	2	Plug	
7	3520198	2	Plug	
8	4010618	2	Screw M6 x 50	
9	4711400	4	Washer 1/4	
10	4811700	2	Washer M6	
11	1001138494	1	Bar, Drop	
12	1001138514	1	Rail (Top)	
13	1001140429	1	Decal - Drop Bar	
14	See Note	NSS	Platform (Note: Not Available - Purchase Platform Assembly)	

SECTION 5 - PLATFORM

FIGURE 5-8. PLATFORM ASSEMBLY - 30IN X 5FT (76CM X 1.52M - FALL ARREST (ANSI, ANSI EXPORT AND CSA SPECS)



ART_1001186388

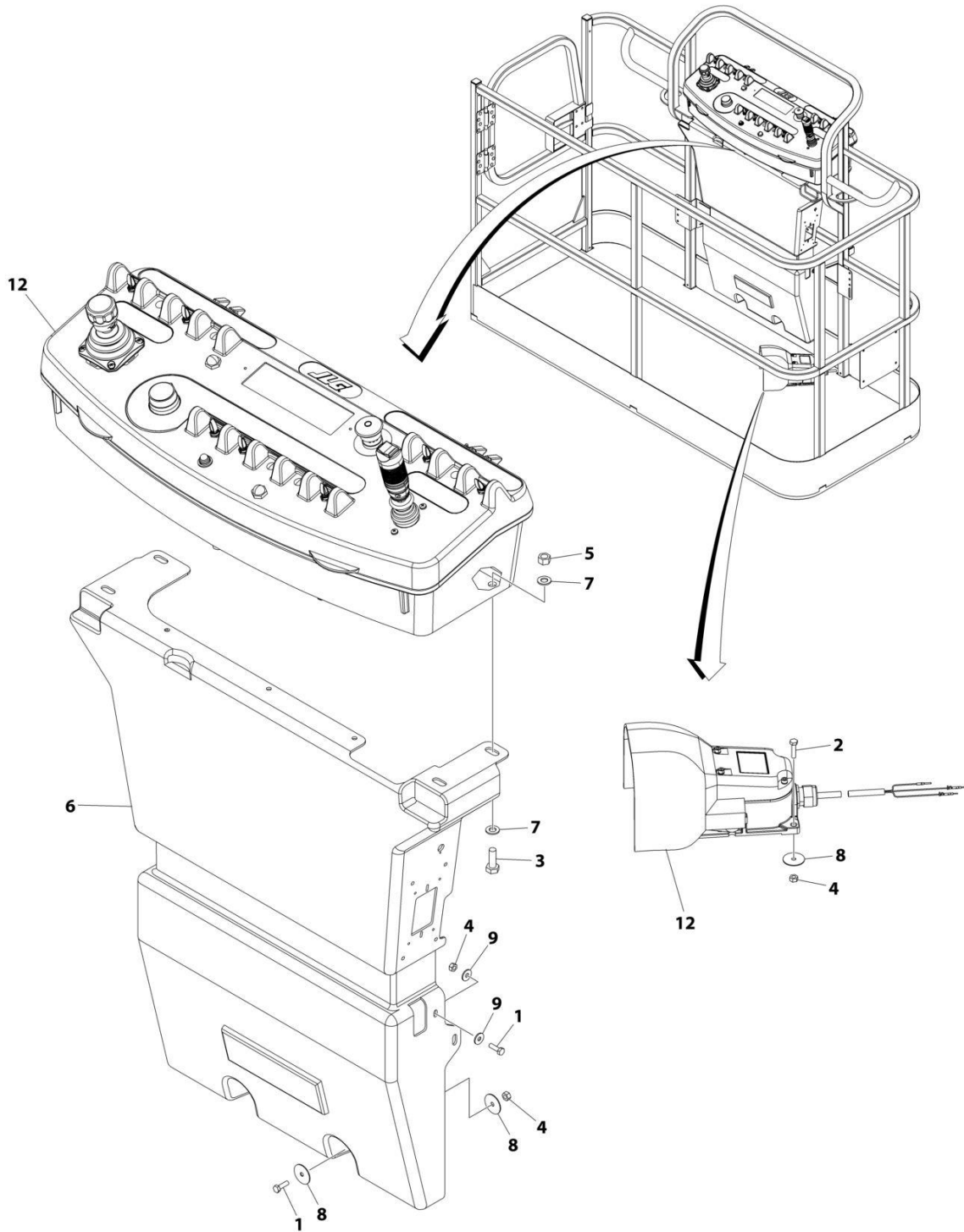
SECTION 5 - PLATFORM

FIGURE 5-8. PLATFORM ASSEMBLY - 30IN X 5FT (76CM X 1.52M - FALL ARREST (ANSI, ANSI EXPORT AND CSA SPECS)

ITEM	PART NUMBER	QTY	DESCRIPTION	REV
	1001186388	Ref	PLATFORM ASSEMBLY	C
	See Note	Ref	Note: Replacement Decals Must be Ordered Separately - See DECALS SECTION.	
1	0681814	2	Bolt 1/2 x 1-3/4 (Grade 8)	
2	0681822	4	Bolt 1/2 x 2-3/4 (Grade 8)	
3	0962270	2	Bearing	
4	1705014	1	Decal - Safety	
5	1706385	1	Decal - Drop Bar	
6	2410014	1	Gate, Weldment	
7	3271805	6	Nut 1/2	
8	3311605	1	Nut 3/8	
9	3520072	1	Cap, Plug	
10	3900054	1	Bolt 1/2 x 1-3/4	
11	4711800	6	Washer 1/2	
12	4751800	4	Washer 1/2	
13	1001203654	1	Lanyard	
14	See Note	NSS	Platform (Note: Not Available - Purchase Platform Assembly)	

SECTION 5 - PLATFORM

FIGURE 5-9. CONSOLE BOX INSTALLATION - 450A



ART_1001246297

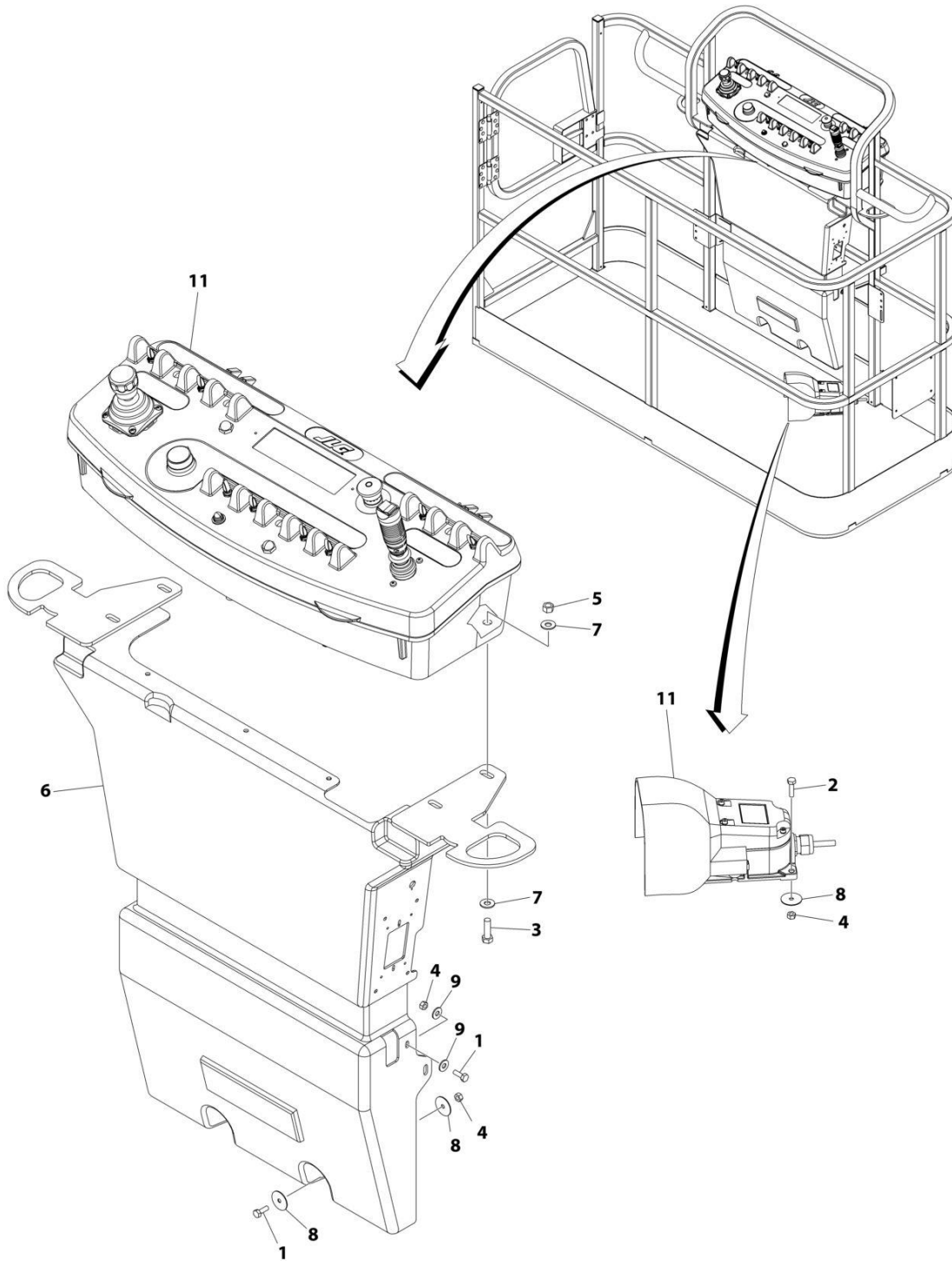
SECTION 5 - PLATFORM

FIGURE 5-9. CONSOLE BOX INSTALLATION - 450A

ITEM	PART NUMBER	QTY	DESCRIPTION	REV
	1001246297	Ref	CONSOLE BOX INSTALLATION	A
1	0641406	4	Bolt 1/4 x 3/4	
2	0641408	3	Bolt 1/4 x 1	
3	0641610	4	Bolt 3/8 x 1-1/4	
4	3311405	7	Nut Lock 1/4	
5	3311605	4	Nut Lock 3/8	
6	3380434	1	Panel, Decal Mount	
7	4751600	8	Washer 3/8	
8	4740362	7	Washer 1/4	
9	4751400	4	Washer 1/4	
10	1001144295	2	Cap, Connector (Not Shown)	
11	1001164728	1	Harness, Platform Valve (Not Shown - See Separate Breakdown in ELECTRICAL SECTION)	
12	1001246286	1	Platform Console Box Assembly (See Separate Breakdown in this Section)	

SECTION 5 - PLATFORM

FIGURE 5-10. CONSOLE BOX INSTALLATION - 450AJ



ART_1001246436

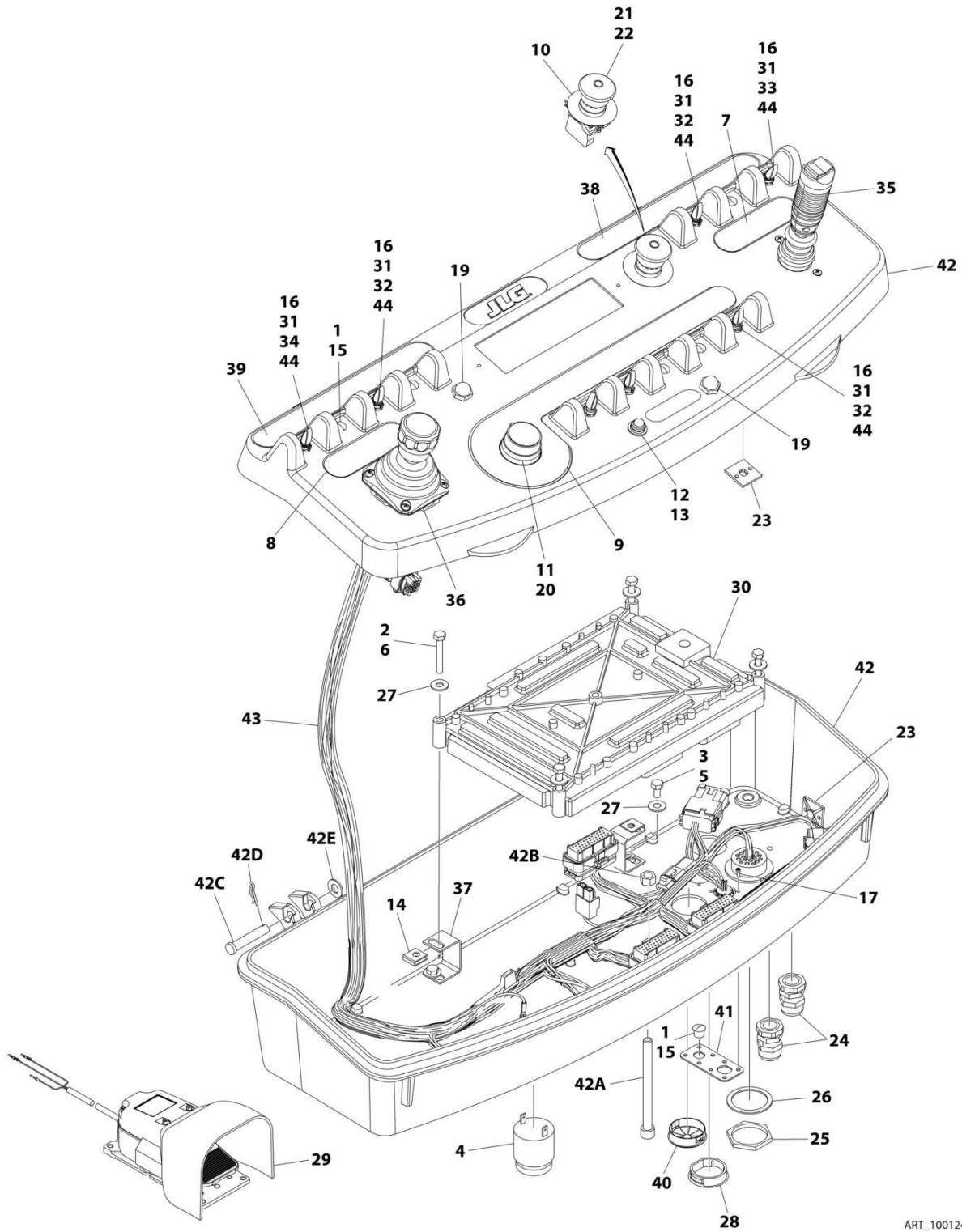
SECTION 5 - PLATFORM

FIGURE 5-10. CONSOLE BOX INSTALLATION - 450AJ

ITEM	PART NUMBER	QTY	DESCRIPTION	REV
	1001246436	Ref	CONSOLE BOX INSTALLATION	A
1	0641406	4	Bolt 1/4 x 3/4	
2	0641408	3	Bolt 1/4 x 1	
3	0641610	4	Bolt 3/8 x 1-1/4	
4	3311405	7	Nut Lock 1/4	
5	3311605	4	Nut Lock 3/8	
6	3380434	1	Panel, Decal Mount	
7	4751600	8	Washer 3/8	
8	4740362	7	Washer 1/4	
9	4751400	4	Washer 1/4	
10	1001164728	1	Harness, Platform Valve (Not Shown - See Separate Breakdown in ELECTRICAL SECTION)	
11	1001246435	1	Platform Console Box Assembly (See Separate Breakdown in this Section)	

SECTION 5 - PLATFORM

FIGURE 5-11. PLATFORM CONSOLE BOX ASSEMBLY - 450A



ART_1001246286

SECTION 5 - PLATFORM

FIGURE 5-11. PLATFORM CONSOLE BOX ASSEMBLY - 450A

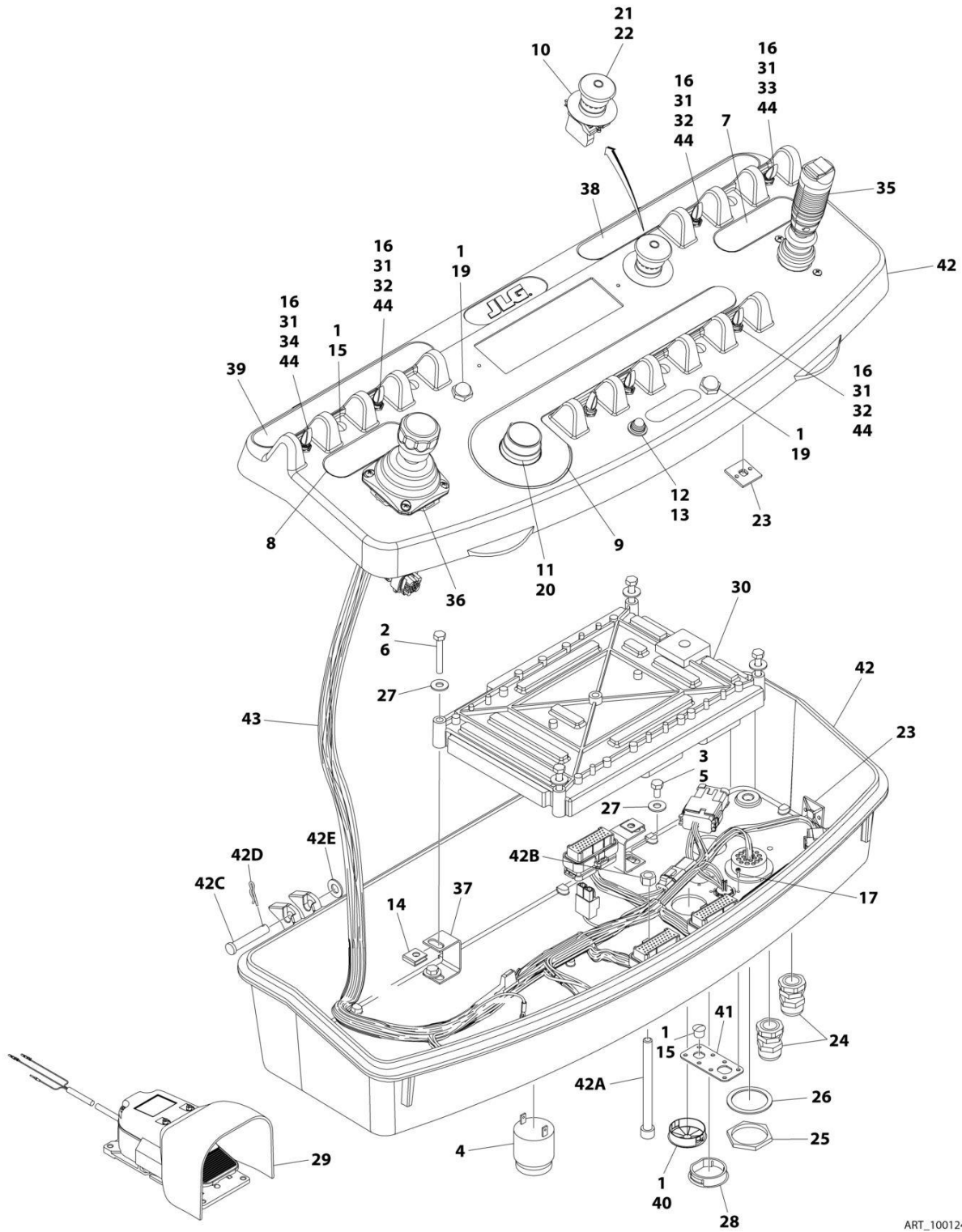
ITEM	PART NUMBER	QTY	DESCRIPTION	REV
	1001246286	Ref	PLATFORM CONSOLE BOX ASSEMBLY	B
1	0100009	AR	Sealant	
2	0100048	AR	Grease, Dielectric	
3	0100035	AR	Compound, Locking	
4	0140011	1	Alarm	
5	0641405	4	Bolt 1/4 x 5/8	
6	0641414	4	Bolt 1/4 x 1-3/4	
7	1702565	1	Decal - Drive and Steer	
8	1702566	1	Decal - Lift and Swing	
9	1702567	1	Decal - Function Speed	
10	1704260	1	Decal - EMS	
11	2560136	1	Handle, Knob	
12	2920028	1	Light, Indicator	
13	2920029	1	Bulb, Light	
14	3300353	4	Nut	
15	3520054	6	Plug	
16	3790012	7	O-Ring	
17	3900349	8	Screw	
18	4240099	AR	Tie-Strap (Not Shown)	
19	4360387	2	Switch, Pushbutton	
20	4360407	1	Switch, Potentiometer	
21	4360475	1	Switch, Emergency	
21	7020175	1	Cap, Red	
21	7020176	1	Contact Block	
22	4360476	1	Switch, Contact	
23	4460234	4	Terminal	
24	4460428	2	Connector, Strain Relief	
25	4460470	1	Nut	
26	4460471	1	Washer	
27	4751400	8	Washer 1/4	
28	1001110434	1	Plug	
29	1001117174	1	Footswitch Assembly (See Separate Breakdown in this Section)	
30	1001118412	1	Module, Control	
31	1001155044	7	Nut 15/32	
32	1001155045	5	Switch, Toggle	
33	1001159256	1	Switch, Toggle	
34	1001161709	1	Switch, Toggle	
35	1001166538	NLA	Controller Assembly (Drive and Steer) (Use p/n 1001212415) (See Separate Breakdown in this Section)	
36	1001166539	NLA	Controller Assembly (Lift and Swing) (See Separate Breakdown in this Section) (Note: Use p/n 1001129555 as Replacement)	
37	1001172760	4	Bracket	
38	1001184618	1	Decal - Stop	
39	1001184626	1	Decal - Horn	
40	1001185281	1	Plug	
41	1001213882	1	Connector, Mounting	
42	1001215228	1	Platform Console Box	
42A	0630568	1	Capscrew 3/8 x 4-1/2	
42B	3311601	1	Nut 3/8	
42C	3430616	2	Pin, Clevis	

SECTION 5 - PLATFORM

ITEM	PART NUMBER	QTY	DESCRIPTION	REV
42D	3470003	2	Hairpin	
42E	4711600	2	Washer 3/8	
43	1001238254	1	Harness, Platform Console Box (See Separate Breakdown in ELECTRICAL SECTION)	
44	4740397	7	Spacer	

SECTION 5 - PLATFORM

FIGURE 5-12. PLATFORM CONSOLE BOX ASSEMBLY - 450AJ



ART_1001246435

SECTION 5 - PLATFORM

FIGURE 5-12. PLATFORM CONSOLE BOX ASSEMBLY - 450AJ

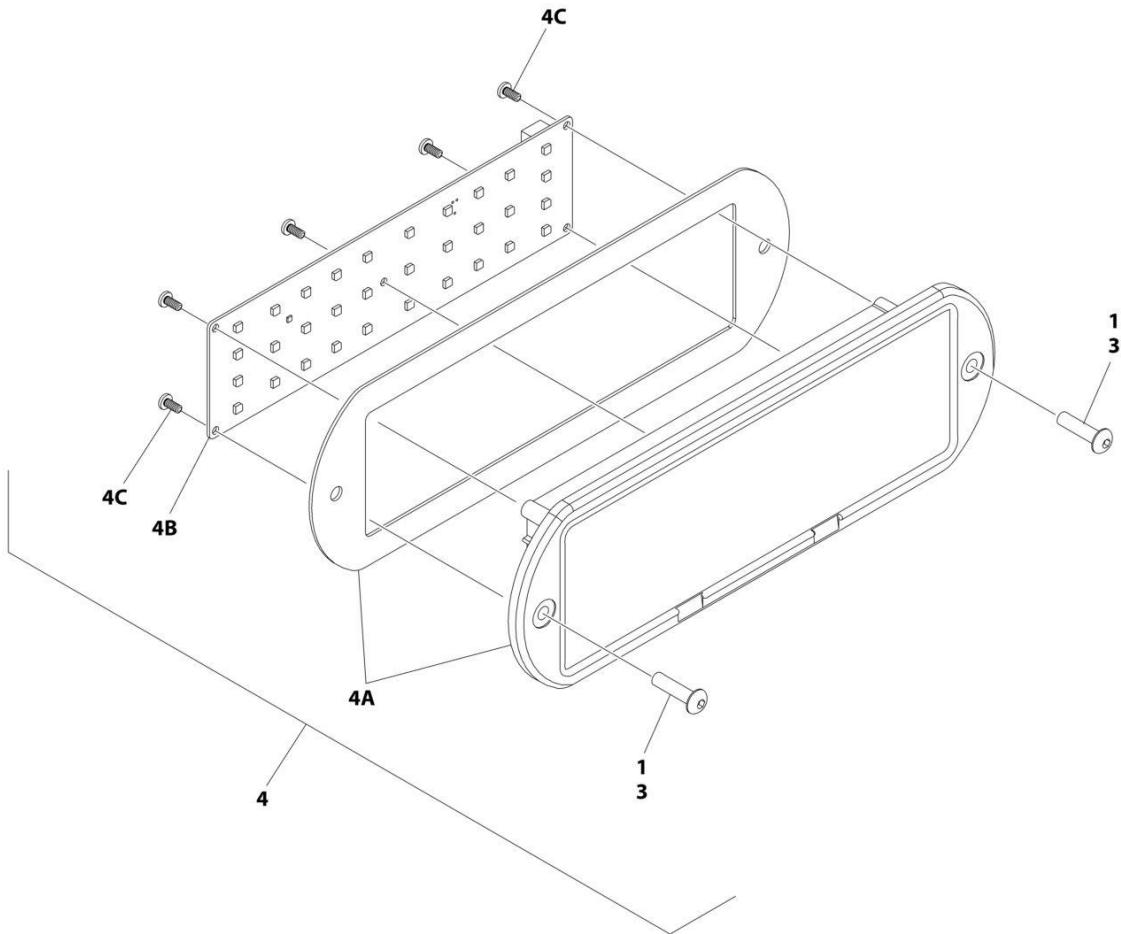
ITEM	PART NUMBER	QTY	DESCRIPTION	REV
	1001246435	Ref	PLATFORM CONSOLE BOX ASSEMBLY	B
1	0100009	AR	Sealant	
2	0100048	AR	Grease, Dielectric	
3	0100035	AR	Compound, Locking	
4	0140011	1	Alarm	
5	0641405	4	Bolt 1/4 x 5/8	
6	0641414	4	Bolt 1/4 x 1-3/4	
7	1702565	1	Decal - Drive and Steer	
8	1702566	1	Decal - Lift and Swing	
9	1702567	1	Decal - Function Speed	
10	1704260	1	Decal - EMS	
11	2560136	1	Handle, Knob	
12	2920028	1	Light, Indicator	
13	2920029	1	Bulb, Light	
14	3300353	4	Nut	
15	3520054	5	Plug	
16	3790012	8	O-Ring	
17	3900349	8	Screw	
18	4240099	AR	Tie-Strap (Not Shown)	
19	4360387	2	Switch, Pushbutton	
20	4360407	1	Switch, Potentiometer	
21	4360475	1	Switch, Emergency	
21	7020175	1	Cap, Red	
21	7020176	1	Contact Block	
22	4360476	1	Block, Contact	
23	4460234	4	Terminal	
24	4460428	2	Connector, Strain Relief	
25	4460470	1	Nut	
26	4460471	1	Washer	
27	4751400	8	Washer 1/4	
28	1001110434	1	Plug	
29	1001117174	1	Footswitch Assembly (See Separate Breakdown in this Section)	
30	1001118412	1	Module, Control	
31	1001155044	8	Nut 15/32	
32	1001155045	6	Switch, Toggle	
33	1001159256	1	Switch, Toggle	
34	1001161709	1	Switch, Toggle	
35	1001166538	NLA	Controller Assembly (Drive and Steer) (Use p/n 1001212415) (See Separate Breakdown in this Section)	
36	1001166539	NLA	Controller Assembly (Lift and Swing) (See Separate Breakdown in this Section) (Note: Use p/n 1001129555 as Replacement)	
37	1001172760	4	Bracket	
38	1001184618	1	Decal - Stop	
39	1001184626	1	Decal - Horn	
40	1001185281	1	Plug	
41	1001213882	1	Connector, Mounting	
42	1001215228	1	Platform Console Box	
42A	0630568	1	Capscrew 3/8 x 4-1/2	
42B	3311601	1	Nut 3/8	
42C	3430616	2	Pin, Clevis	

SECTION 5 - PLATFORM

ITEM	PART NUMBER	QTY	DESCRIPTION	REV
42D	3470003	2	Hairpin	
42E	4711600	2	Washer 3/8	
43	1001238254	1	Harness, Platform Console Box (See Separate Breakdown in ELECTRICAL SECTION)	
44	4740397	7	Spacer	

SECTION 5 - PLATFORM

FIGURE 5-13. LIGHT PANEL INSTALLATION – PLATFORM CONSOLE (Prior to SN 0300295114)



ART_1001241403_2OF2

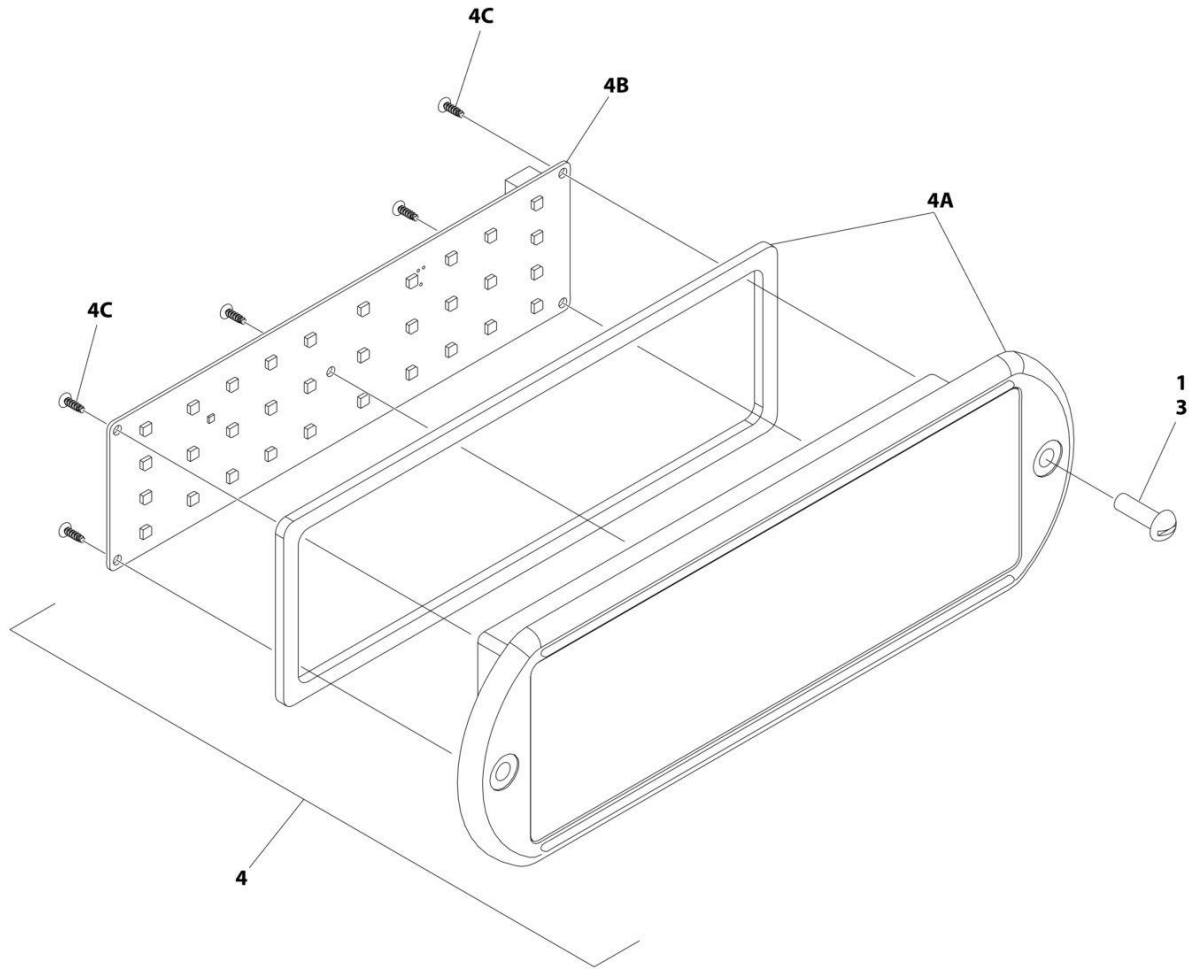
SECTION 5 - PLATFORM

FIGURE 5-13. LIGHT PANEL INSTALLATION – PLATFORM CONSOLE (Prior to SN 0300295114)

ITEM	PART NUMBER	QTY	DESCRIPTION	REV
	1001241403	Ref	LIGHT PANEL INSTALLATION - PLATFORM CONSOLE	C
1	3300408	1	Nut, Nylon Insert	
3	0630518	2	Screw #10 x 3/4	
4	1001238672	1	Light Panel Electrical Assembly	H
4A	1001236089	1	Lens Assembly (Includes Housing Shell, Decal/Lens with Icons & Gasket)	
4B	1001238732	1	Panel, LED Light	
4C		Ref	Screw	

SECTION 5 - PLATFORM

FIGURE 5-14. LIGHT PANEL INSTALLATION - PLATFORM CONSOLE (SN 0300295114 to Present)



ART_1001233959_2OF2

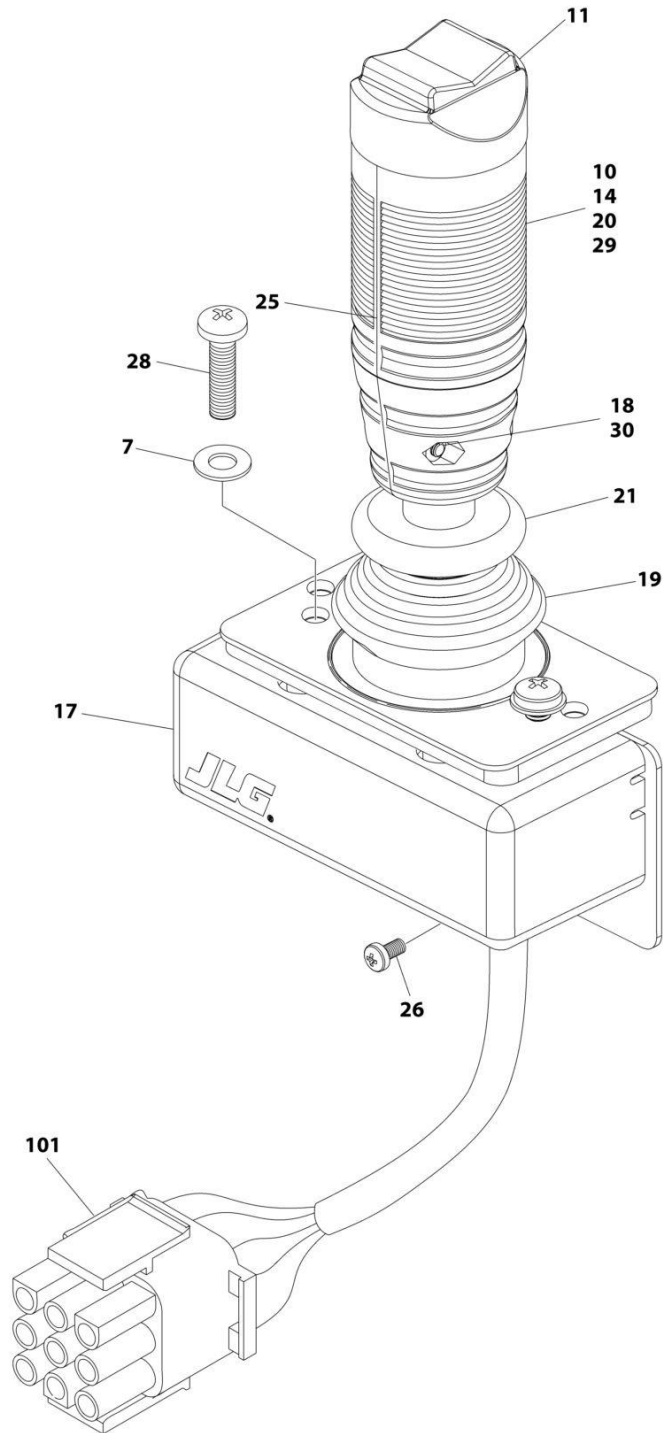
SECTION 5 - PLATFORM

FIGURE 5-14. LIGHT PANEL INSTALLATION - PLATFORM CONSOLE (SN 0300295114 to Present)

ITEM	PART NUMBER	QTY	DESCRIPTION	REV
	1001233959	Ref	LIGHT PANEL INSTALLATION - PLATFORM CONSOLE	C
1	0100035	AR	Compound, Locking	
3	0630518	2	Screw #10 x 3/4	
4	1001237544	1	Light Panel Assembly	
4A	1001236087	1	Lens, I-Con (Includes Gasket)	
4B	1001187807	1	Panel, LED Light	
4C		Ref	Screw	

SECTION 5 - PLATFORM

FIGURE 5-15. CONTROLLER ASSEMBLY - DRIVE AND STEER



ART_1001166538

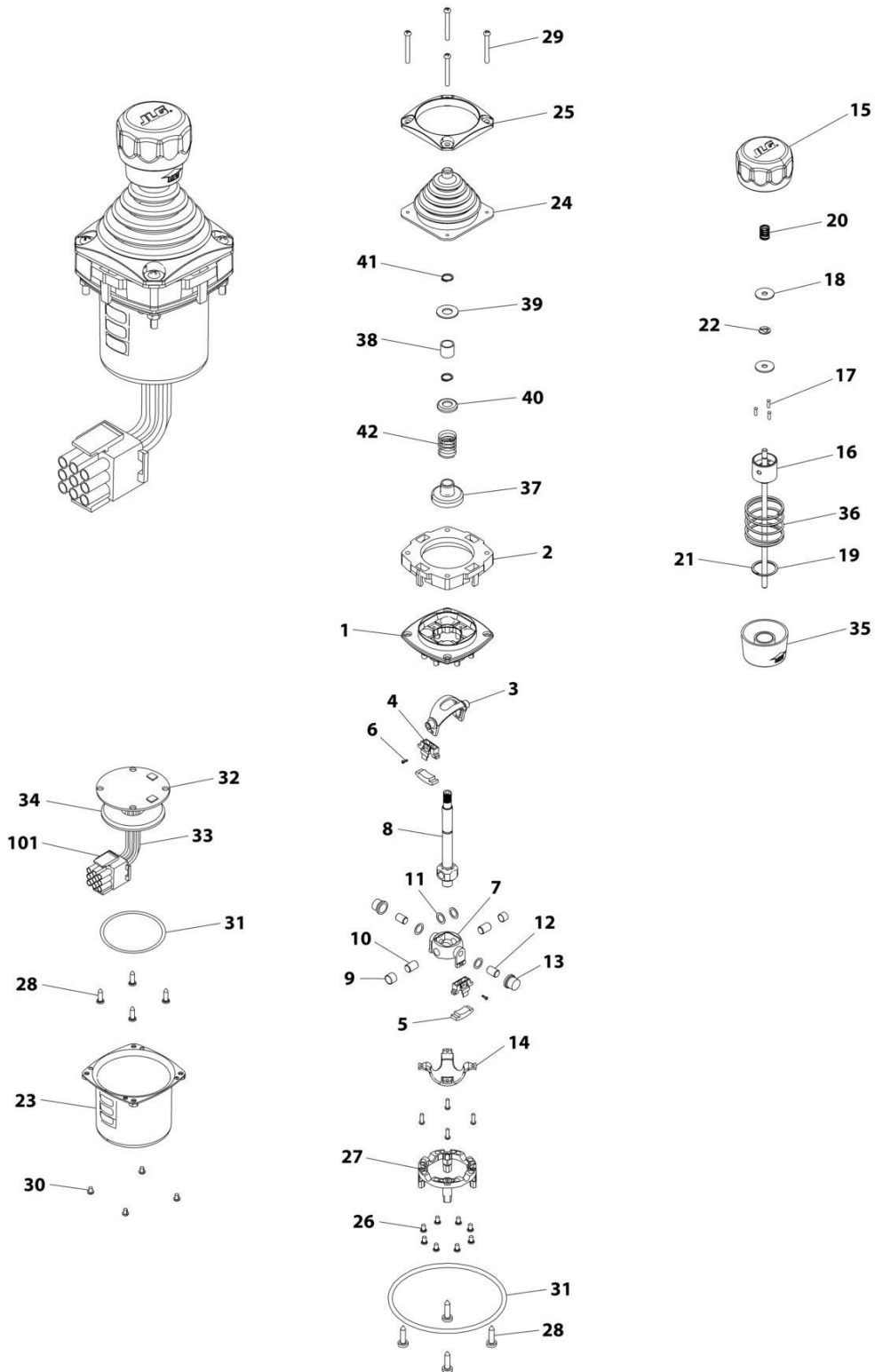
SECTION 5 - PLATFORM

FIGURE 5-15. CONTROLLER ASSEMBLY - DRIVE AND STEER

ITEM	PART NUMBER	QTY	DESCRIPTION	REV
	1001166538	Ref	CONTROLLER ASSEMBLY - DRIVE AND STEER	G
		Ref	Note: For Replacement, Use p/n 1001212415.	
7	70004738	2	Washer	
10	70004739	1	Roller	
11	70004740	1	Boot, Switch	
14	70004741	2	Half, Handle	
17	70004742	1	Enclosure	
18	70004743	4	Nut	
19	70004744	NLA	Boot, Controller (Use p/n 70005230 Boot/Base Assembly)	
20	70004745	NLA	Tube, Locking (Use p/n 70005230 Boot/Base Assembly)	
21	70004746	NLA	Disc, Locking (Use p/n 70005230 Boot/Base Assembly)	
25	70004747	2	Seal, Rope	
26	70004748	1	Screw M3 x 6	
28	70004749	2	Screw M5 x 20	
29	70004750	1	Pin, Dowel	
30	70004751	4	Screw M3 x 16	
101	4460265	1	Connector - 9 Position	
101	4460226	7	Socket, Female	

SECTION 5 - PLATFORM

FIGURE 5-16. CONTROLLER ASSEMBLY - LIFT AND SWING



ART_1001166539

SECTION 5 - PLATFORM

FIGURE 5-16. CONTROLLER ASSEMBLY - LIFT AND SWING

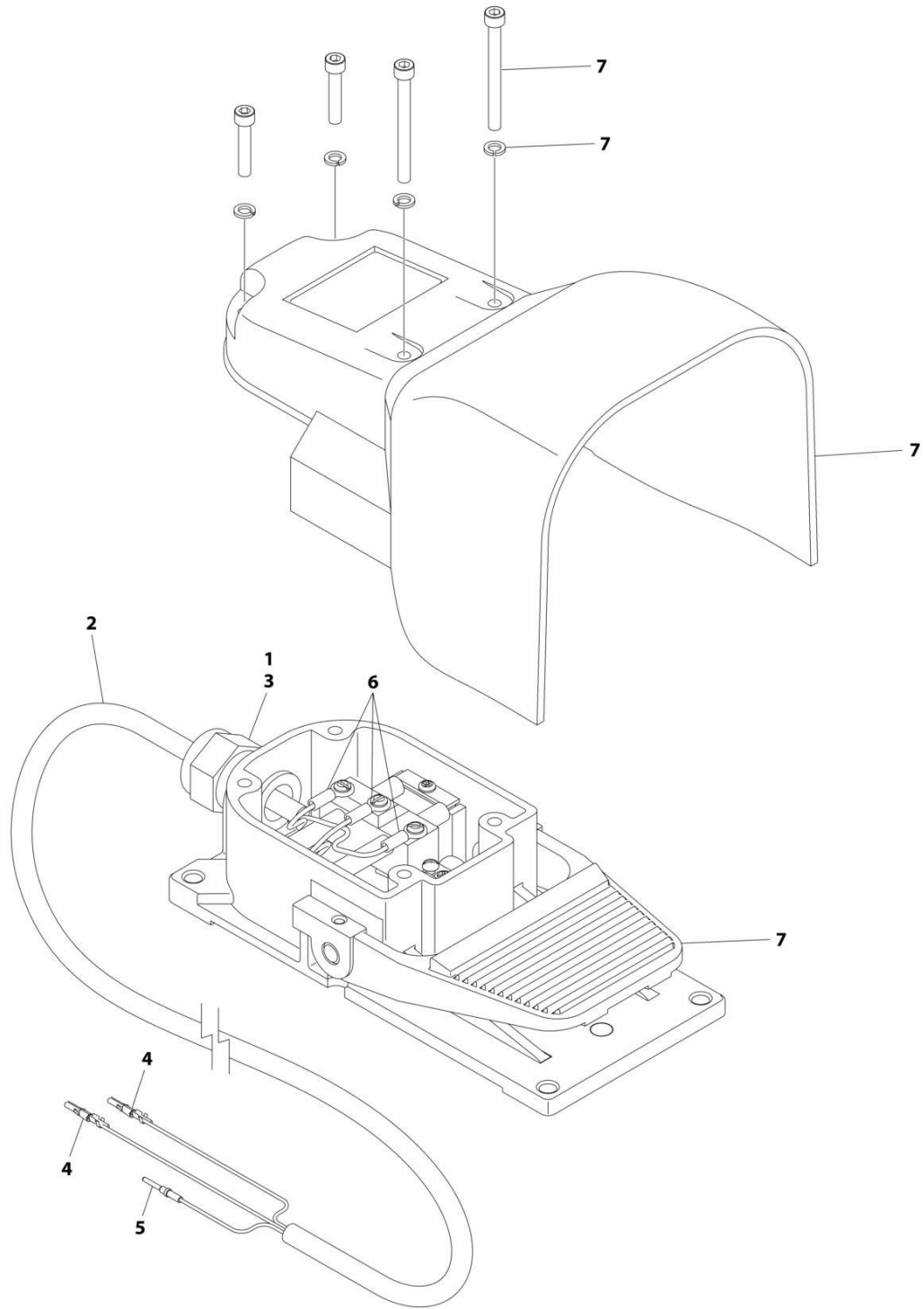
ITEM	PART NUMBER	QTY	DESCRIPTION	REV
	1001166539	Ref	CONTROLLER ASSEMBLY	E
		Ref	Note: Original Equipment Controller May Have Been Replaced with Service Replacement Controller. Visually Identify Controller Before Ordering Parts.	
		Ref	Note: For Replacement, Use p/n 1001129555	
1	See Note	NSS	Main Cast Body (Note: Not Available - Purchase Complete Assembly)	
2	70004752	1	Adapter	
3	See Note	NSS	Pivot Arm, Plastic (Note: Not Available - Purchase Complete Assembly)	
4	See Note	NSS	Holder, Magnet (Note: Not Available - Purchase Complete Assembly)	
5	See Note	NSS	Arc, Magnet (Note: Not Available - Purchase Complete Assembly)	
6	See Note	NSS	Screw (Note: Not Available for Purchase)	
7	See Note	NSS	Pivot Arm, Cast (Note: Not Available - Purchase Complete Assembly)	
8	See Note	NSS	Shaft, Main (Note: Not Available - Purchase Complete Assembly)	
9	See Note	NSS	Bearing (Note: Not Available - Purchase Complete Assembly)	
10	See Note	NSS	Pin (Note: Not Available - Purchase Complete Assembly)	
11	See Note	NSS	Shim (Note: Not Available - Purchase Complete Assembly)	
12	See Note	NSS	Pin (Note: Not Available - Purchase Complete Assembly)	
13	See Note	NSS	Bearing (Note: Not Available - Purchase Complete Assembly)	
14	See Note	NSS	Dome, Centering (Note: Not Available - Purchase Complete Assembly)	
15	70004753	1	Cap	
16	70004754	1	Insert, Cap	
17	70004755	3	Pin	
18	70004756	2	Washer	
19	70004757	1	Pin, Centering	
20	70004758	1	Spring	
21	70004759	1	Ring, Retaining	
22	70004760	1	E-Ring	
23	70004761	1	Can, Enclosure	
24	70004762	1	Boot	
25	70004763	1	Bezel	
26	See Note	NSS	Screw (Note: Not Available for Purchase)	
27	See Note	NSS	Base Mounting (Note: Not Available - Purchase Complete Assembly)	
28	See Note	NSS	Screw (Note: Not Available for Purchase)	
29	70004764	4	Screw	
30	70004765	4	Screw	
31	70004766	1	O-Ring	
32	See Note	NSS	Plate (Note: Not Available - Purchase Complete Assembly)	
33	See Note	NSS	Harness (Note: Not Available - Purchase Complete Assembly)	
34	70004767	1	Grommet, Rubber	
35	70004768	1	Housing	
36	70004769	1	Spring	
37	70004770	1	Stopper	
38	70004771	1	Spacer	
39	70004772	1	Washer	
40	70004773	1	Disc	

SECTION 5 - PLATFORM

ITEM	PART NUMBER	QTY	DESCRIPTION	REV
41	70004774	2	Ring, Retaining	
42	70004775	1	Spring	
101	4460265	1	Connector - 9 Position	
101	4460226	6	Socket, Female	

SECTION 5 - PLATFORM

FIGURE 5-17. FOOTSWITCH ASSEMBLY



ART_100117174

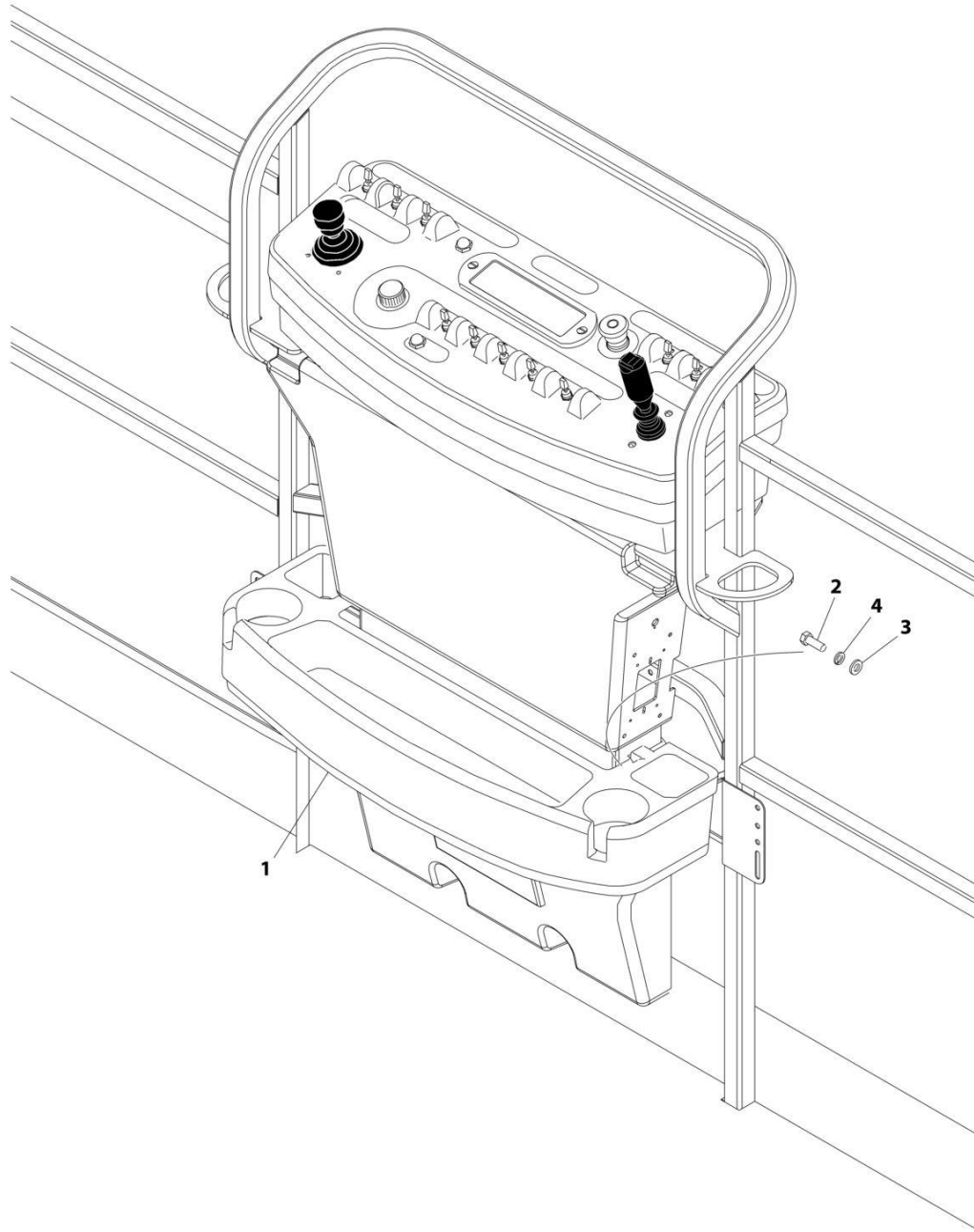
SECTION 5 - PLATFORM

FIGURE 5-17. FOOTSWITCH ASSEMBLY

ITEM	PART NUMBER	QTY	DESCRIPTION	REV
	1001117174	Ref	FOOTSWITCH ASSEMBLY	C
1	0100020	AR	Sealant	
2	1060918	7.5 ft/ 2.3m	Cable, Electrical - 18/3	
3	4460071	1	Connector, Strain Relief	
4	4460226	2	Socket, Female	
5	4460464	1	Pin, Male	
6	1001098122	3	Terminal	
7	1001117172	1	Footswitch	
7	70002902	1	Switch, 20Amp	
7	70002903	1	Gasket	
7	70002905	1	Cover	
7	70002904	1	Kit, Replacement Bolt	

SECTION 5 - PLATFORM

FIGURE 5-18. TRAY ASSEMBLY



ART_1580012

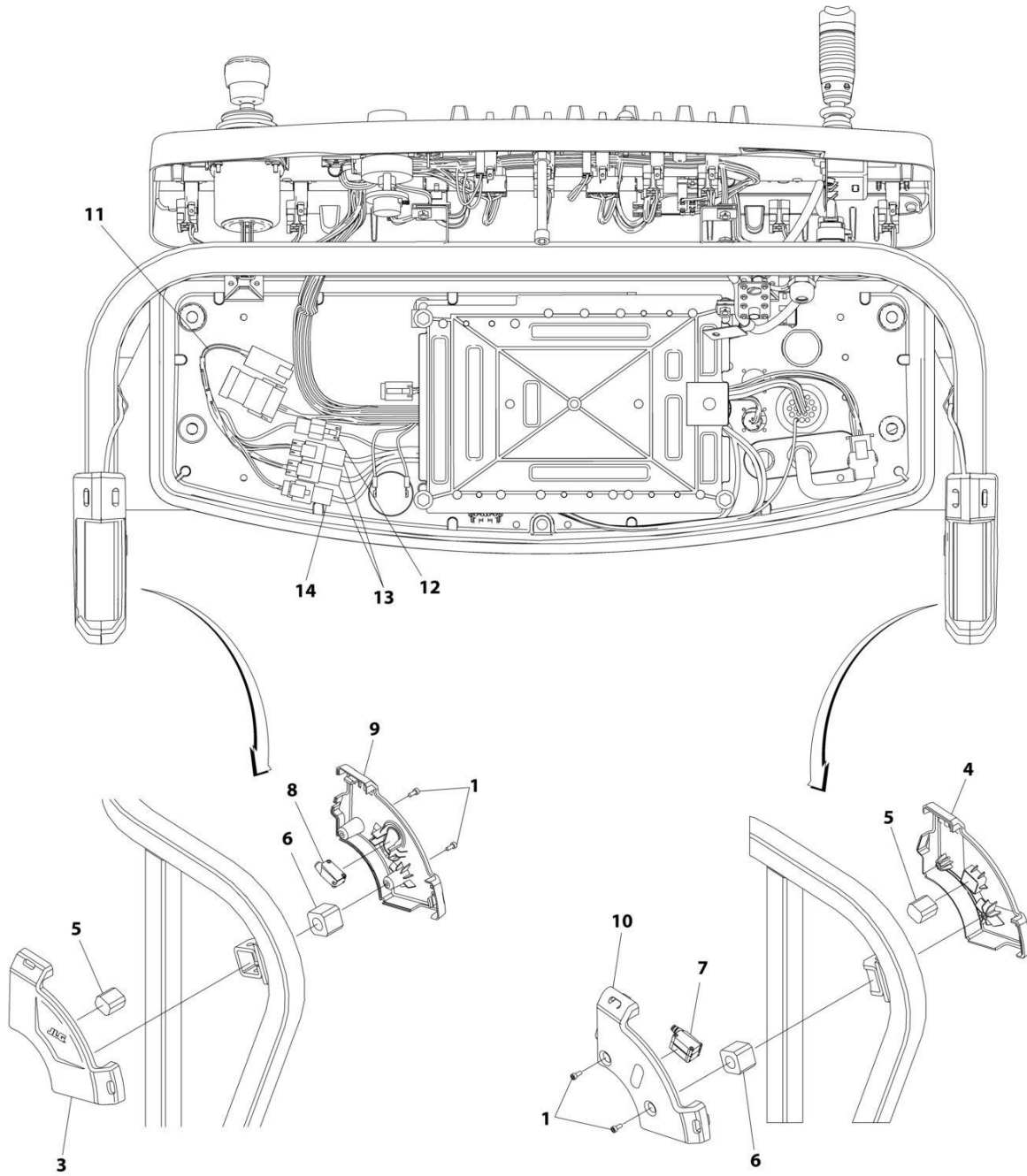
SECTION 5 - PLATFORM

FIGURE 5-18. TRAY ASSEMBLY

ITEM	PART NUMBER	QTY	DESCRIPTION	REV
	1580012	Ref	TRAY ASSEMBLY	C
1	See Note	NSS	Tray, Storage (Center) (Note: Purchase p/n 1580012)	
2	0641406	2	Bolt 1/4 x 3/4	
3	4751400	2	Washer 1/4	
4	4761400	2	Washer 1/4	

SECTION 5 - PLATFORM

FIGURE 5-19. SKYEYE INSTALLATION



ART_1001229341

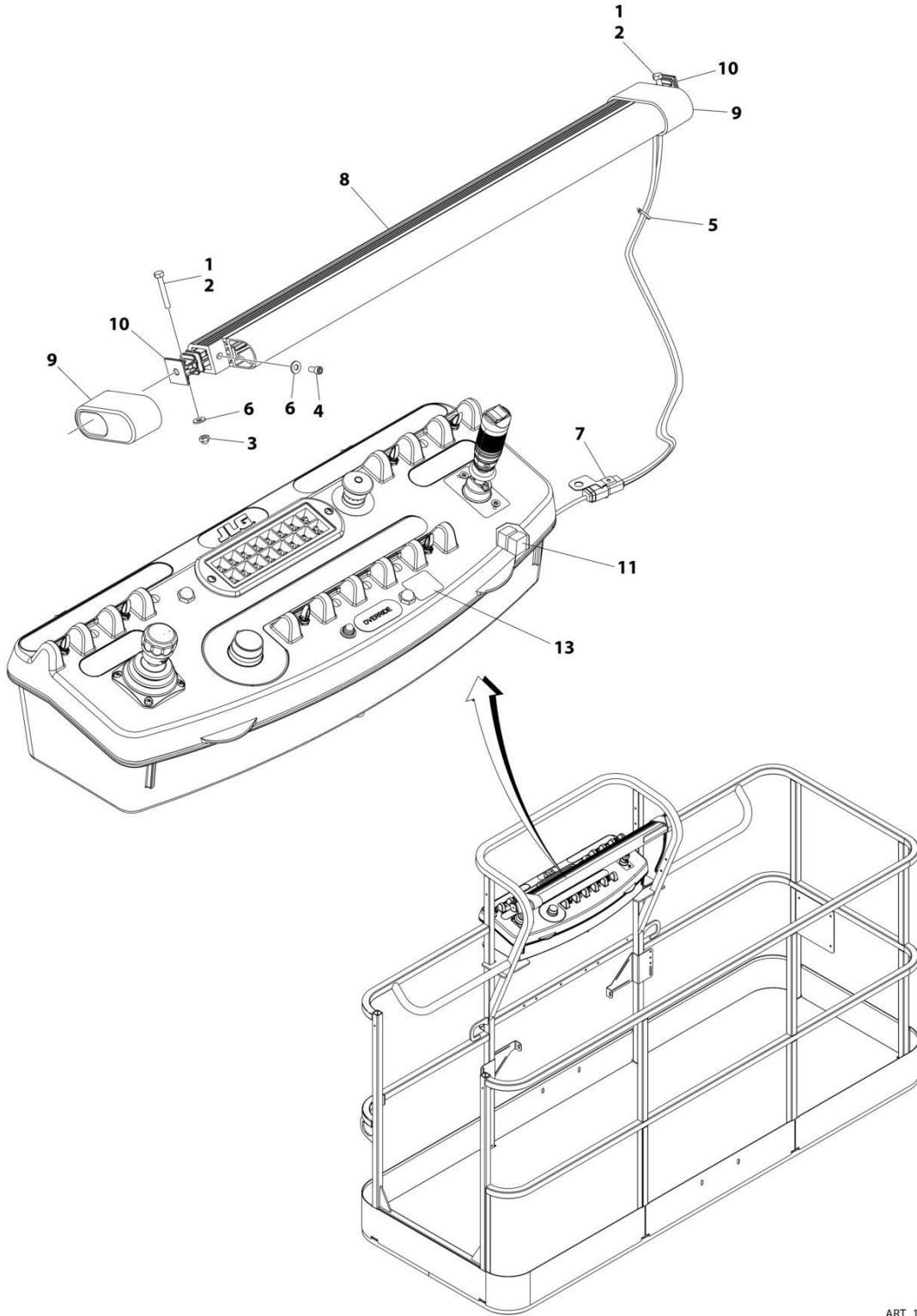
SECTION 5 - PLATFORM

FIGURE 5-19. SKYEYE INSTALLATION

ITEM	PART NUMBER	QTY	DESCRIPTION	REV
	1001229341	Ref	SKYEYE INSTALLATION	B
1	4031505	4	Bolt M4 x 10	
2	4240033	AR	Tie-Strap (Not Shown)	
3	1001227633	1	Housing, LH Outer	
4	1001227634	1	Housing, RH Outer	
5	1001227985	2	Shim	
6	1001227987	2	Shim	
7	1001228224	2	Sensor, Receiver	
8	1001228225	1	Sensor, Emitter	
9	1001232164	1	Housing, LH Inner	
10	1001232165	1	Housing, RH Inner	
11	1001237865	1	Harness, Skyeeye Intermediate (See Separate Breakdown in ELECTRICAL Section)	
12	1001238319	NLA	Harness, Skyeeye Drain Jumper	
12	1001187674	1	Plug, Male - 2 Position	
12	4460942	1	Terminal	
12	4460466	1	Plug, Terminal	
12	4460508	1	Pin, Male	
13	1001237863	2	Harness, Skyeeye Receiver (See Separate Breakdown in ELECTRICAL Section)	
14	1001237864	1	Harness, Skyeeye Emitter (See Separate Breakdown in ELECTRICAL Section)	

SECTION 5 - PLATFORM

FIGURE 5-20. SKYGUARD BAR INSTALLATION



ART_1001238495

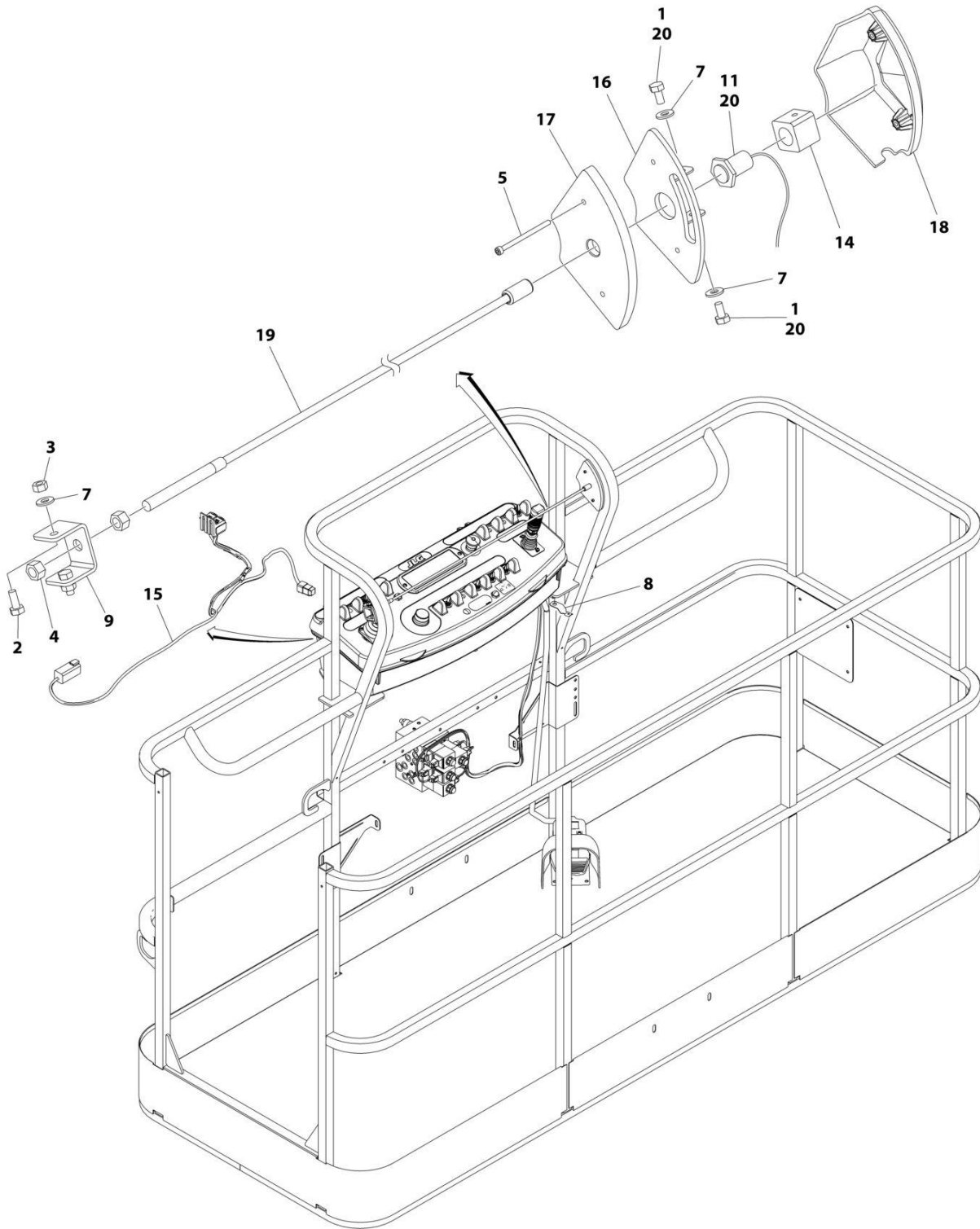
SECTION 5 - PLATFORM

FIGURE 5-20. SKYGUARD BAR INSTALLATION

ITEM	PART NUMBER	QTY	DESCRIPTION	REV
	1001238495	Ref	SKYGUARD BAR INSTALLATION	A
1	0100011	AR	Compound, Locking	
2	0641414	2	Bolt 1/4 x 1-3/4	
3	3300430	2	Nut 1/4	
4	3931408	2	Capscrew 1/4 x 1/2	
5	4240033	8	Tie-Strap	
6	4711400	6	Washer 1/4	
7	1001120328	1	Mount	
8	1001137673	1	SkyGuard Switch Assembly	
9	1001186517	2	Cover, Platform Sensor	
10	1001209664	2	Support, Block	
11	1001186431	2	Relay	
12	1001225580	1	Interface Harness Assembly (Not Shown - Located Inside Console Box) (See Separate Breakdown in ELECTRICAL Section)	
13	1001144433	1	Decal - No Weight SkyGuard	

SECTION 5 - PLATFORM

FIGURE 5-21. SKYLINE INSTALLATION



ART_1001238559_D

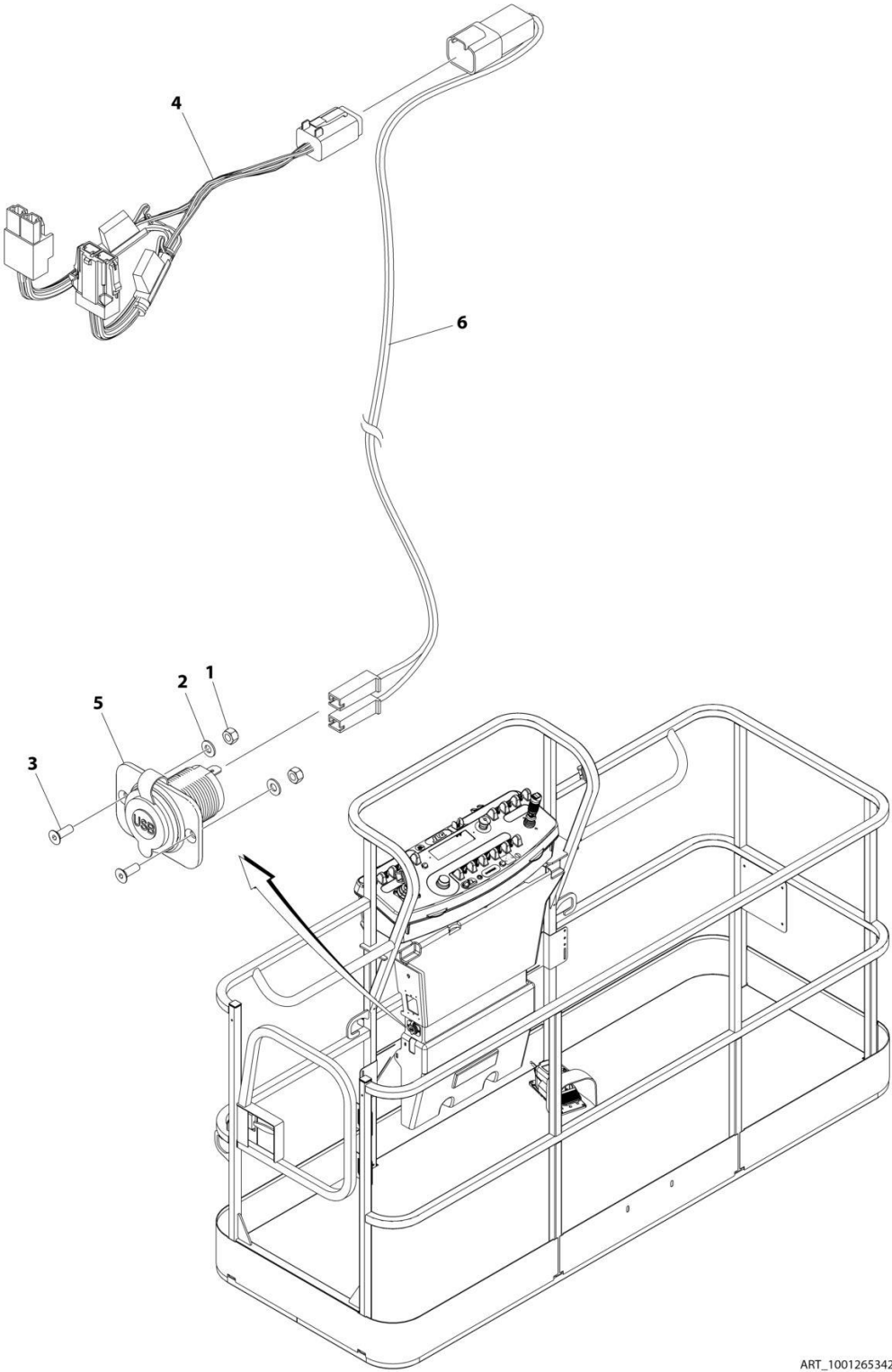
SECTION 5 - PLATFORM

FIGURE 5-21. SKYLINE INSTALLATION

ITEM	PART NUMBER	QTY	DESCRIPTION	REV
	1001238559	Ref	SKYLINE INSTALLATION	D
1	0641404	2	Bolt 1/4 x 1/2	
2	0641405	2	Bolt 1/4 x 5/8	
3	3311405	2	Nut 1/4	
4	3311601	2	Nut 3/8	
5	4031516	2	Capscrew M4 x 60	
6	4240033	AR	Tie-Strap (Not Shown)	
7	4711400	4	Washer 1/4	
8	1001120328	1	Mount	
9	1001232642	1	Bracket	
11	1001232667	1	Sensor, Proximity	
14	1001236552	1	Block	
15	1001238418	1	Harness, Skyline (See Separate Breakdown in ELECTRICAL Section)	
16	1001238472	1	Mount	
17	1001254473	1	Housing, LH	
18	1001241965	1	Housing, RH	
19	1001254472	1	Rod	
20	0100011	AR	Compound, Locking	

SECTION 5 - PLATFORM

FIGURE 5-22. USB CHARGER INSTALLATION



ART_1001265342

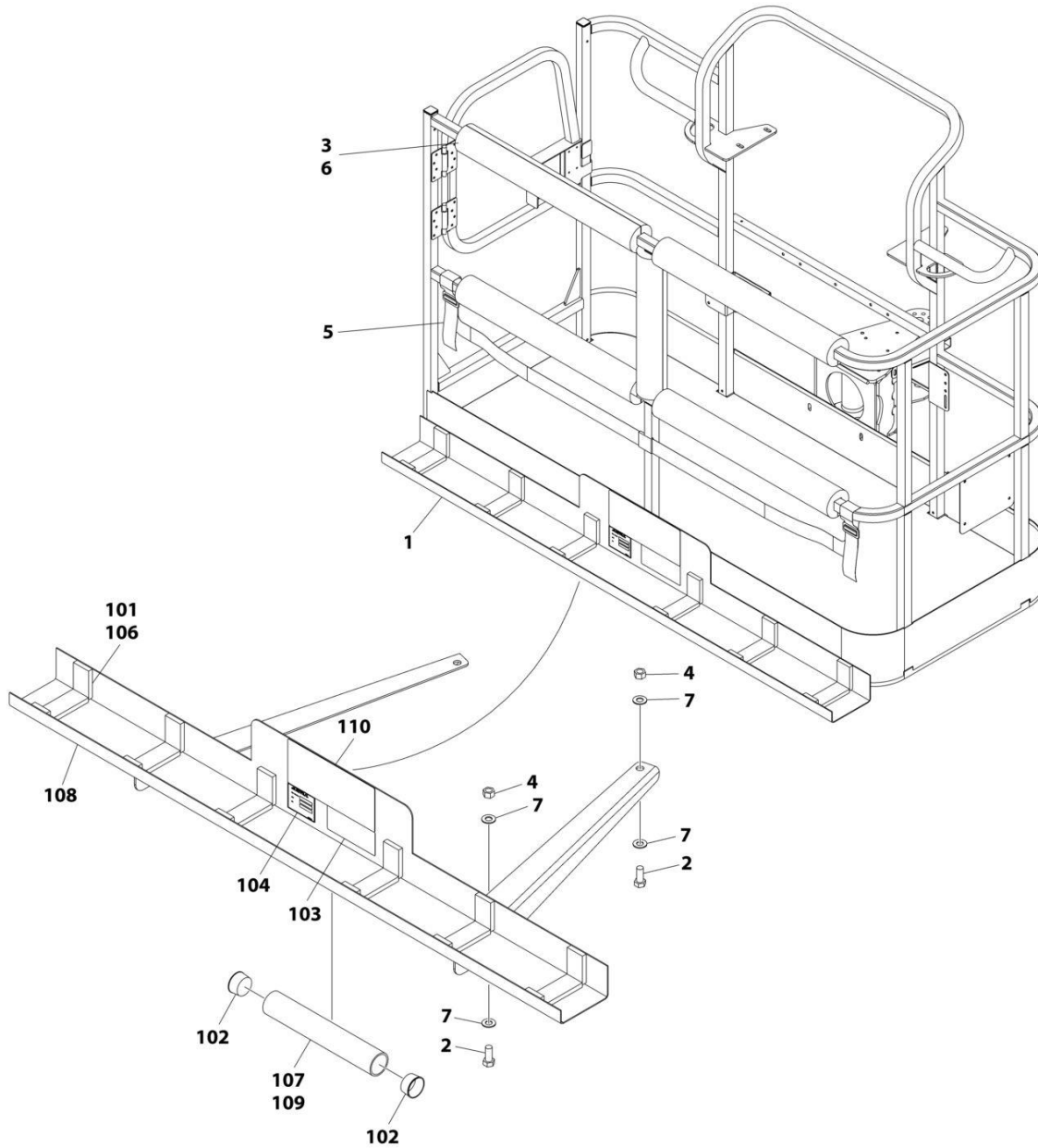
SECTION 5 - PLATFORM

FIGURE 5-22. USB CHARGER INSTALLATION

ITEM	PART NUMBER	QTY	DESCRIPTION	REV
	1001265342	Ref	USB CHARGER INSTALLATION	A
1	3290405	2	Nut M4	
2	4811400	2	Washer M4	
3	1001097244	2	Screw M4 x 12	
4	1001120484	1	Harness, Work Lights	
4	4460879	1	Plug, Male - 2 Position	
4	4460887	2	Terminal	
4	2400060	2	Fuseholder Includes Cover	
4	8229249	2	Fuse, 3 Amp	
4	4460884	1	Connector - 4 Position	
4	4460465	4	Socket, Female	
4	1001120471	1	Connector - 2 Position	
4	1001120477	2	Terminal	
5	1001210636	1	Receptacle, USB	
6	1001265163	1	Harness, USB	A
6	4460260	2	Cover, Terminal	
6	4460259	2	Terminal	
6	4460932	1	Receptacle, Bussbar - 4 Position	
6	4460464	2	Pin, Male	
6	4460466	2	Plug, Terminal	

SECTION 5 - PLATFORM

FIGURE 5-23. SKYGLAZIER INSTALLATION



ART_1001173975

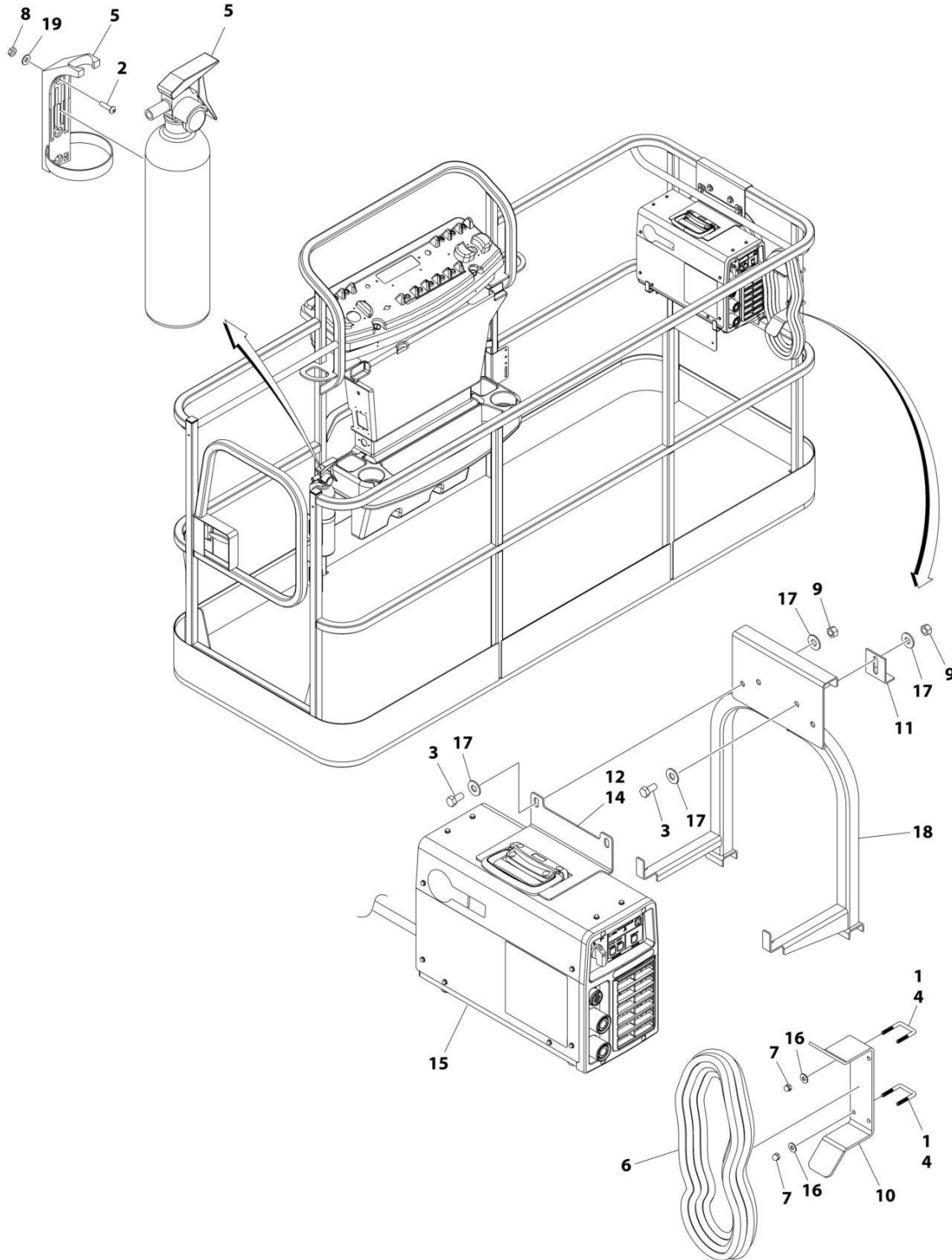
SECTION 5 - PLATFORM

FIGURE 5-23. SKYGLAZIER INSTALLATION

ITEM	PART NUMBER	QTY	DESCRIPTION	REV
	1001173975	Ref	SKYGLAZIER INSTALLATION	B
1	1001173973	1	Tray Assembly (See Items 101-110 for Breakdown)	
2	0642012	4	Bolt 5/8 x 1-1/2	
3	0940199	1	Bumper Kit	
4	3312005	4	Nut 5/8	
5	4240149	1	Strap Kit	
6	4420014	AR	Tape	
7	4712000	8	Washer 5/8	
	1001173973	Ref	TRAY ASSEMBLY	C
101	0100081	AR	Adhesive	
102	1120555	2	Cap, Tube	
103	1701509	1	Decal - Manual	
104	See Note	NSS	Nameplate - Serial Number (Note: Not Available for Purchase)	
106	3340956	1	Pad Kit	
107	3460334	1	Tube	
108	4341415	1	Support	
109	4420066	AR	Tape, Double Sided	
110	1001229138	1	Decal - Glazier Capacity	

SECTION 5 - PLATFORM

FIGURE 5-24. SKYWELDER INSTALLATION (50HZ)



ART_0272521_G

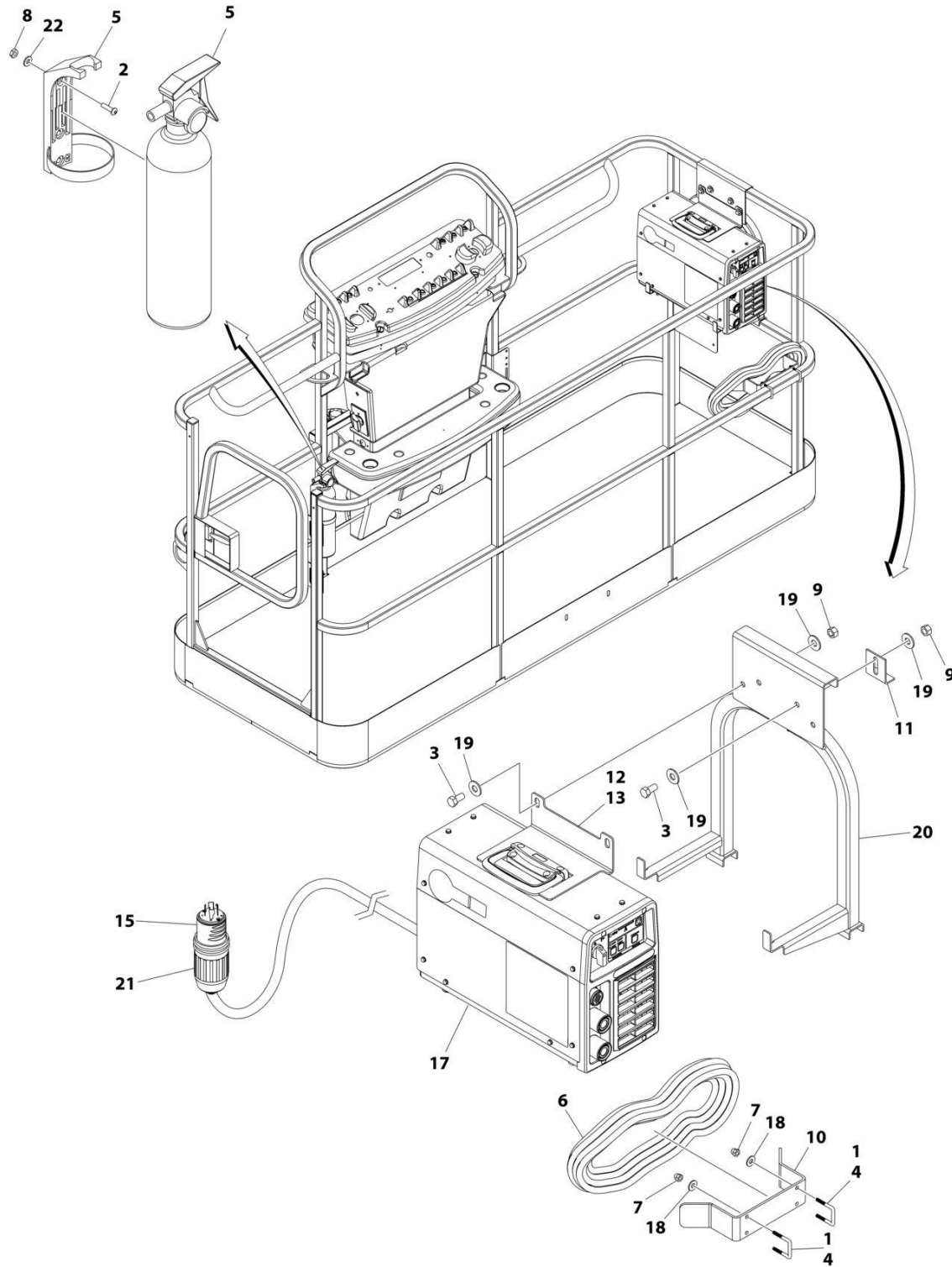
SECTION 5 - PLATFORM

FIGURE 5-24. SKYWELDER INSTALLATION (50HZ)

ITEM	PART NUMBER	QTY	DESCRIPTION	REV
	0272521	Ref	SKYWELDER INSTALLATION	G
1	0100011	AR	Compound, Locking	
2	0630518	2	Screw #10 x 3/4	
3	0641606	4	Bolt 3/8 x 3/4	
4	1320302	2	U-Clamp	
5	2030010	1	Extinguisher, Fire	
6	2902217	1	Weld Leads Kit	
7	3300151	4	Nut 1/4	
8	3311005	2	Nut #10	
9	3311605	4	Nut 3/8	
10	3573400	1	Bracket	
11	3577121	2	Angle	
12	1001269573	1	Plate	
13	4240099	AR	Tie-Strap (Not Shown)	
14	4420037	AR	Tape	
15	1001268820	1	Welder Assembly (See Separate Breakdown in this Section)	
16	4751400	4	Washer 1/4	
17	4751600	8	Washer 3/8	
18	1001269322	1	Support	
19	4751000	2	Washer #10	

SECTION 5 - PLATFORM

FIGURE 5-25. SKYWELDER INSTALLATION (60HZ)



ART_0272254_J

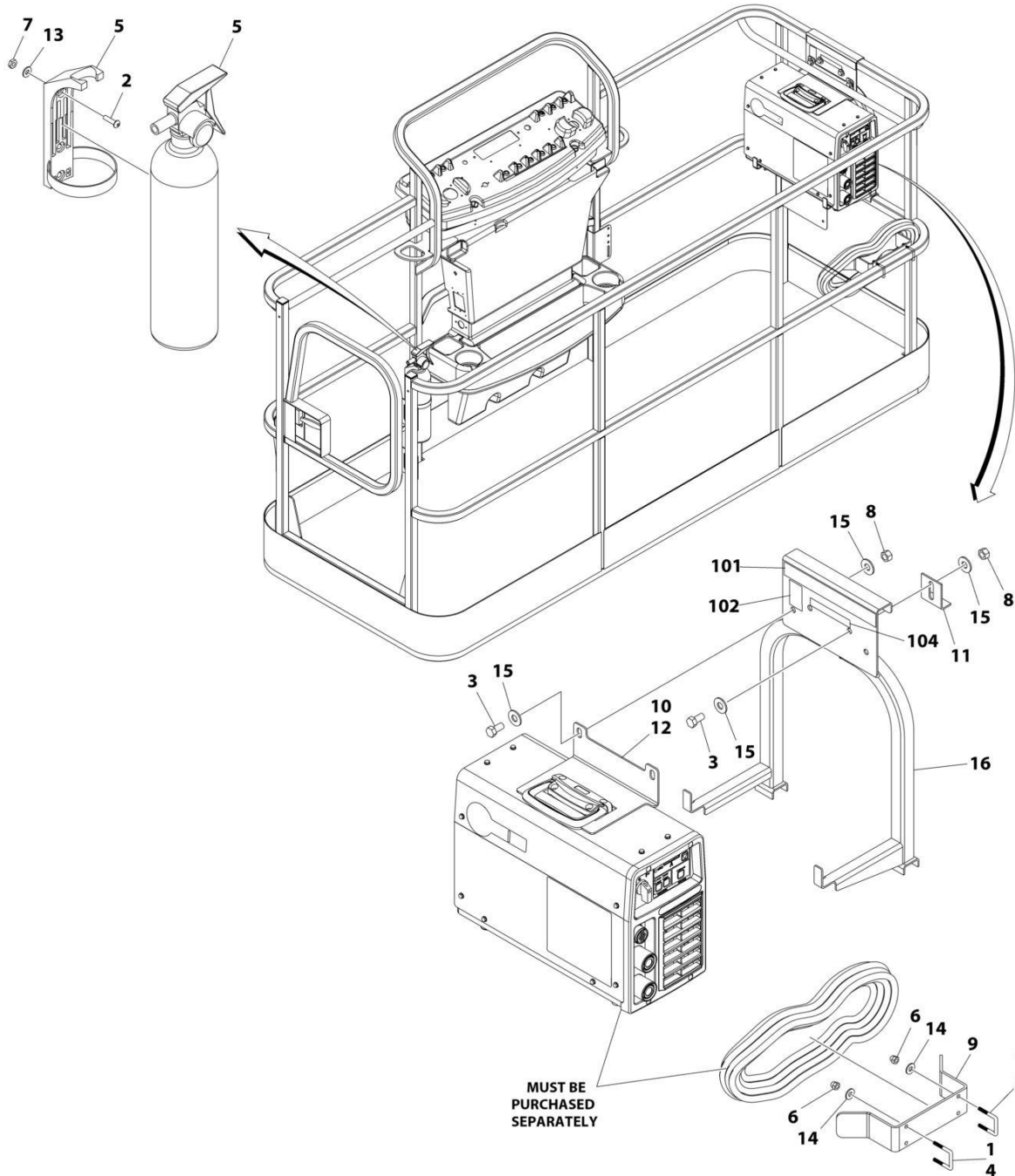
SECTION 5 - PLATFORM

FIGURE 5-25. SKYWELDER INSTALLATION (60HZ)

ITEM	PART NUMBER	QTY	DESCRIPTION	REV
	0272254	Ref	SKYWELDER INSTALLATION	J
1	0100011	AR	Compound, Locking	
2	0630518	2	Screw #10 x 3/4	
3	0641606	4	Bolt 3/8 x 3/4	
4	1320302	2	U-Clamp	
5	2030010	1	Extinguisher, Fire	
6	2902217	1	Weld Leads Kit	
7	3300151	4	Nut 1/4	
8	3311005	2	Nut #10	
9	3311605	4	Nut 3/8	
10	3573400	1	Bracket	
11	3577121	2	Angle	
12	1001269573	1	Plate	
13	4420037	AR	Tape	
14	4240099	AR	Tie-Strap (Not Shown)	
15	4460962	1	Plug, Male Twistlock	
17	1001268820	1	Welder Assembly (See Separate Breakdown in this Section)	
18	4751400	4	Washer 1/4	
19	4751600	8	Washer 3/8	
20	1001269322	1	Support	
21	1671093	1	Cover, Plug	
22	4751000	2	Washer #10	

SECTION 5 - PLATFORM

FIGURE 5-26. SKYWELDER PREP PACKAGE INSTALLATION



ART_1001128527_C

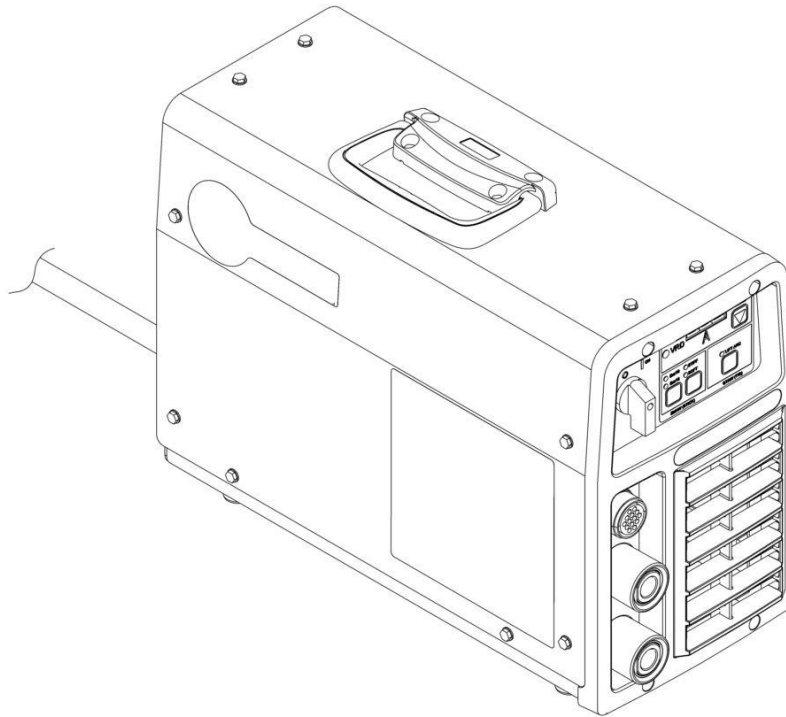
SECTION 5 - PLATFORM

FIGURE 5-26. SKYWELDER PREP PACKAGE INSTALLATION

ITEM	PART NUMBER	QTY	DESCRIPTION	REV
	1001128527	Ref	SKYWELDER PREP PACKAGE	C
1	0100011	AR	Compound, Locking	
2	0630518	2	Screw #10 x 3/4	
3	0641606	4	Bolt 3/8 x 3/4	
4	1320302	2	U-Clamp	
5	2030010	1	Extinguisher, Fire	
6	3300151	4	Nut 1/4	
7	3311005	2	Nut #10	
8	3311605	4	Nut 3/8	
9	3573400	1	Bracket	
10	1001269573	1	Plate	
11	3577121	2	Angle	
12	4420037	AR	Tape	
13	4751000	2	Washer #10	
14	4751400	4	Washer 1/4	
15	4751600	8	Washer 3/8	
16	1001269322	1	Support	
	1001128556	Ref	SKYWELDER DECAL INSTALLATION	D
101	1702868	1	Decal - No Hands	
102	1705305	1	Decal - Weld Lead	
104	1001228988	1	Decal - Weight	

SECTION 5 - PLATFORM

FIGURE 5-27. WELDER ASSEMBLY



ART_1001268820

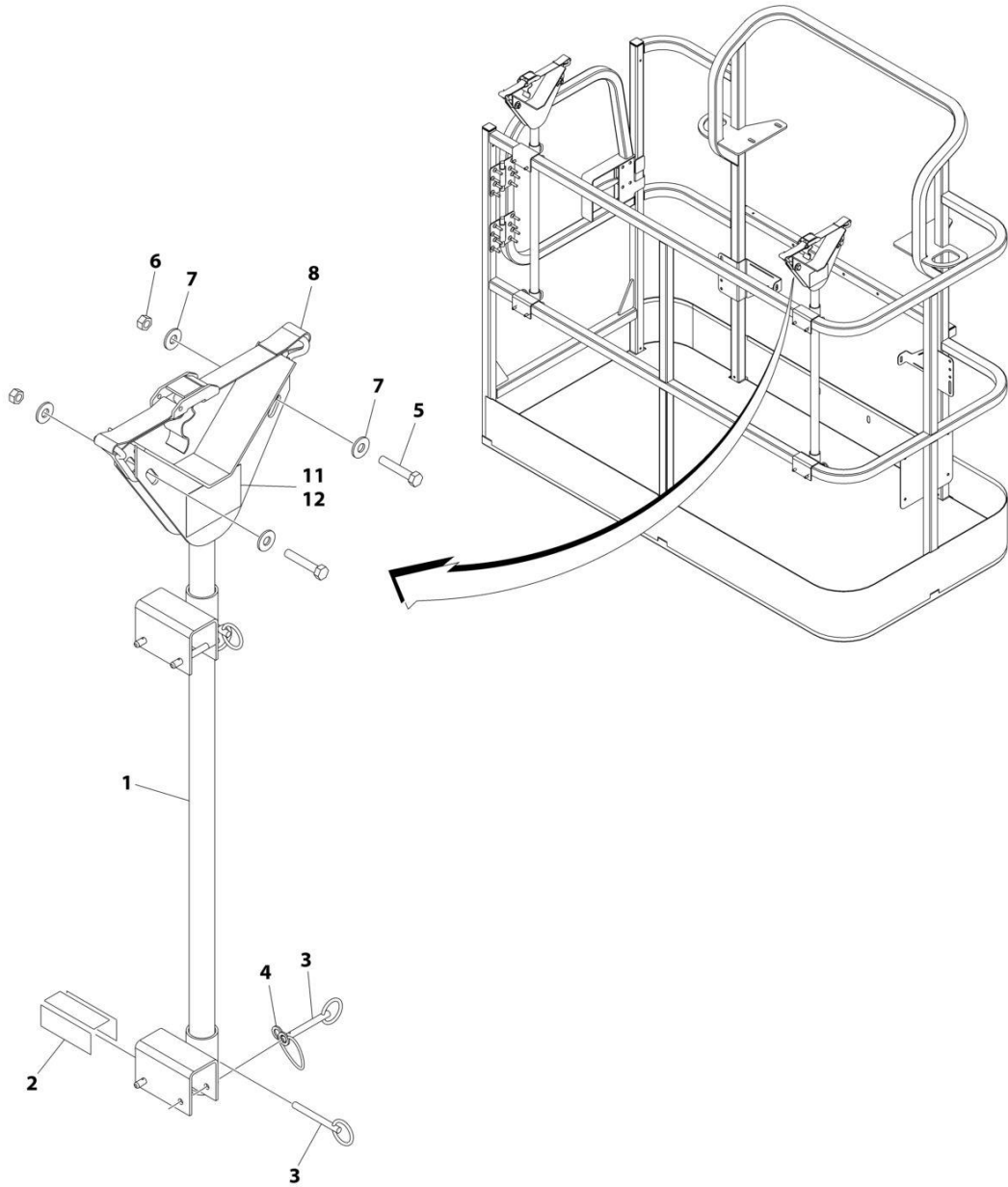
SECTION 5 - PLATFORM

FIGURE 5-27. WELDER ASSEMBLY

ITEM	PART NUMBER	QTY	DESCRIPTION	REV
	1001268820	1 Ref	WELDER ASSEMBLY Note: No Service Parts available at time of Printing.	B

SECTION 5 - PLATFORM

FIGURE 5-28. PIPE RACK INSTALLATION (ALL SPECS EXCEPT AUSTRALIAN SPECS)



ART_0257728_E

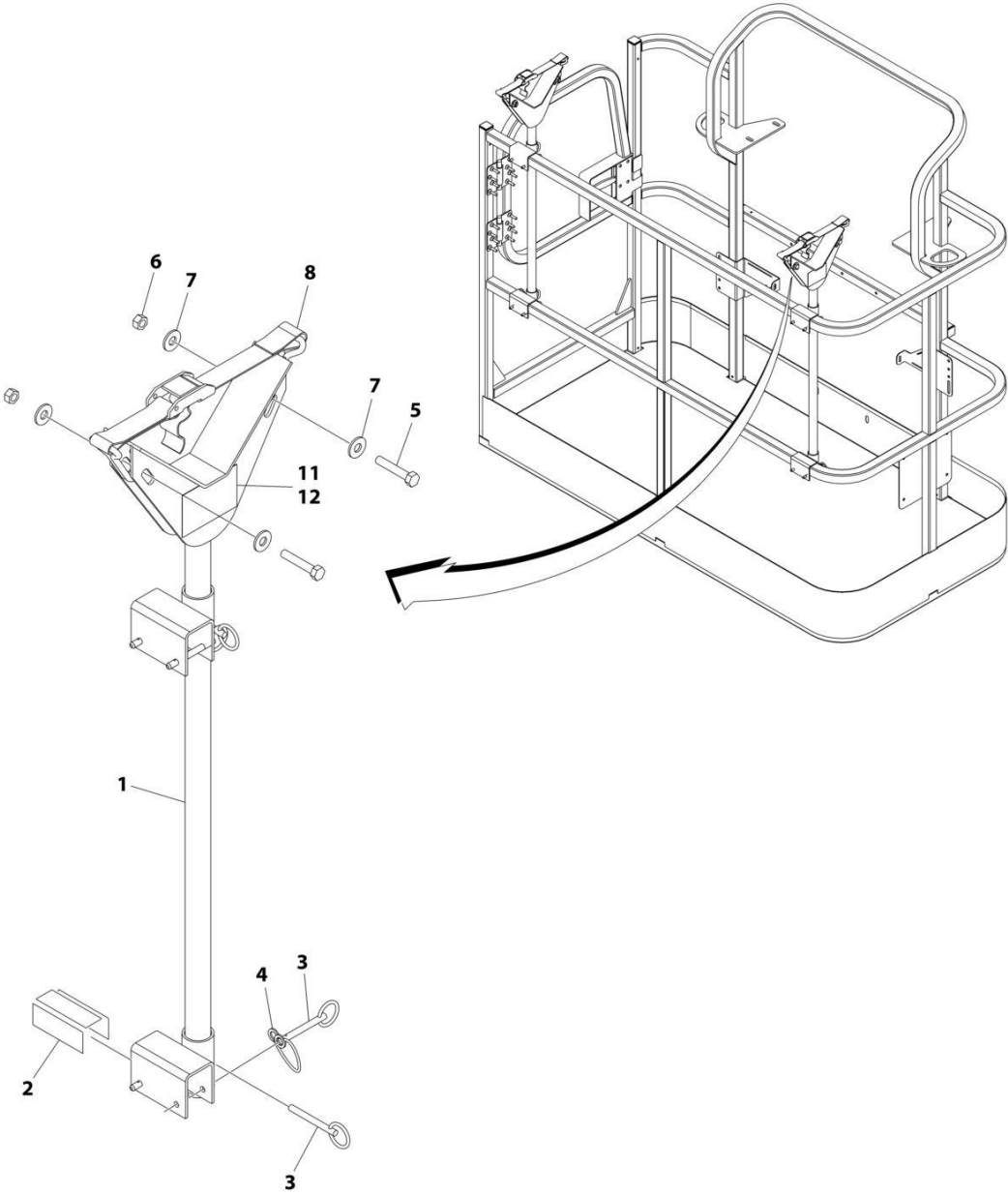
SECTION 5 - PLATFORM

FIGURE 5-28. PIPE RACK INSTALLATION (ALL SPECS EXCEPT AUSTRALIAN SPECS)

ITEM	PART NUMBER	QTY	DESCRIPTION	REV
	0257728	Ref	PIPE RACK INSTALLATION	E
1	4845582	2	Rack, Pipe	
2	4420062	AR	Tape	
3	3422661	10	Pin	
4	1060379	4	Lanyard	
5	0641514	4	Bolt 5/16 x 1-3/4	
6	3311505	4	Nut 5/16	
7	4751500	8	Washer 5/16	
8	0480100	2	Tie-Down	
11	1001252946	2	Decal - Capacity (500-600LBS/2227-272KG Zones)	
12	1001252947	2	Decal - Capacity (660-1000LBS/299-454KG Zones)	

SECTION 5 - PLATFORM

FIGURE 5-29. PIPE RACK INSTALLATION (AUSTRALIAN SPEC)



ART_0274661_C

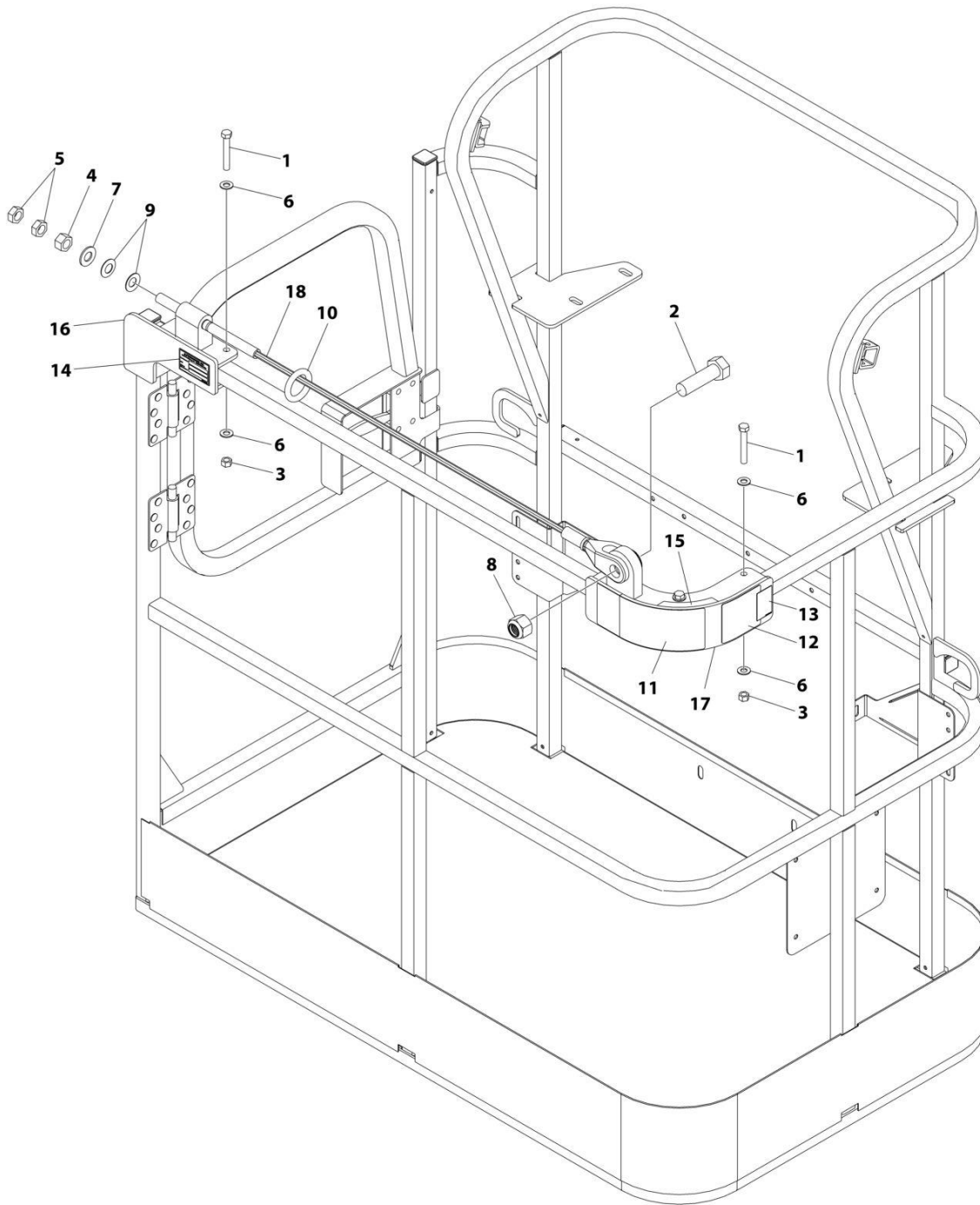
SECTION 5 - PLATFORM

FIGURE 5-29. PIPE RACK INSTALLATION (AUSTRALIAN SPEC)

ITEM	PART NUMBER	QTY	DESCRIPTION	REV
	0274661	Ref	PIPE RACK INSTALLATION	C
1	4845582	2	Rack, Pipe	
2	4420062	AR	Tape	
3	3422661	10	Pin	
4	1060379	4	Lanyard	
5	0641514	4	Bolt 5/16 x 1-3/4	
6	3311505	4	Nut 5/16	
7	4751500	8	Washer 5/16	
8	0480100	2	Tie-Down	
11	1001252946	2	Decal - Capacity (1) (500-600LBSS/227-272KG Zones)	
12	1001252947	2	Decal - Capacity (2) (660-1000LBSS/299-454KG Zones)	

SECTION 5 - PLATFORM

FIGURE 5-30. FALL ARREST INSTALLATION (BOLT-ON) (4FT/1.22M PLATFORM)



ART_1001261338

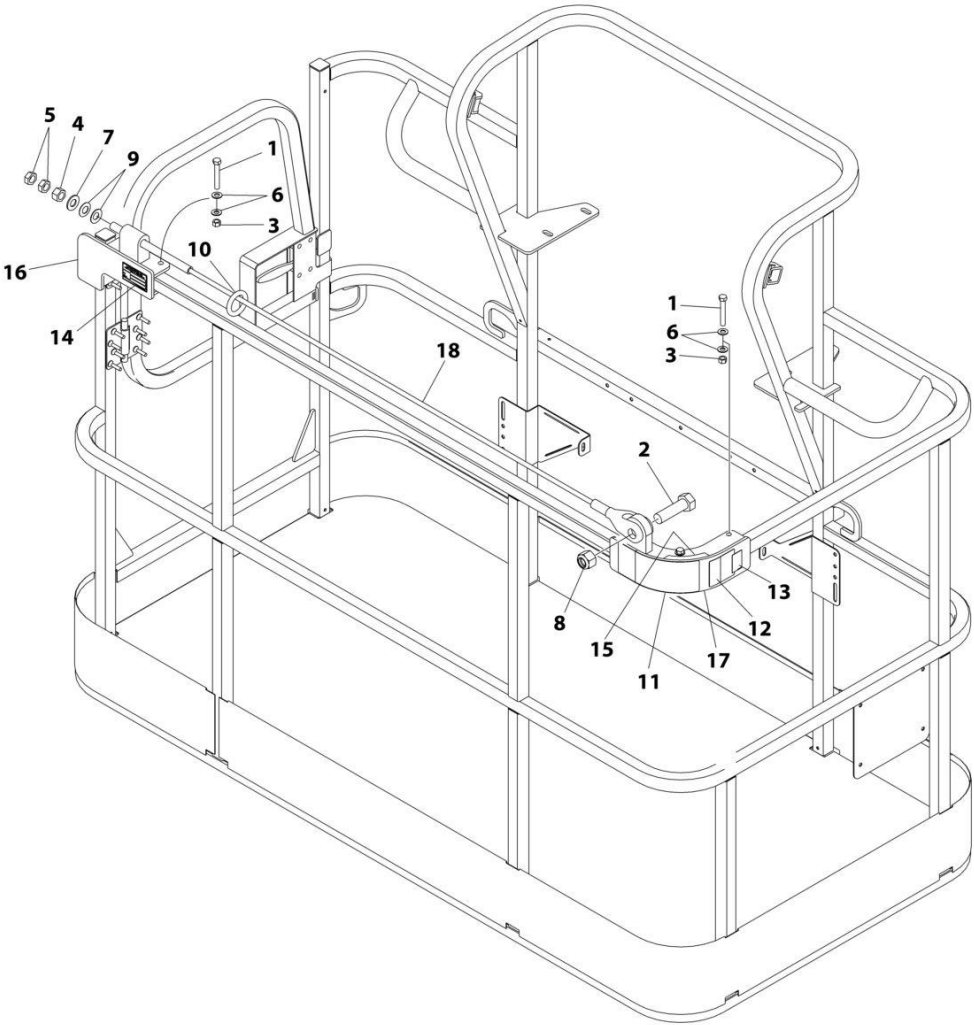
SECTION 5 - PLATFORM

FIGURE 5-30. FALL ARREST INSTALLATION (BOLT-ON) (4FT/1.22M PLATFORM)

ITEM	PART NUMBER	QTY	DESCRIPTION	REV
	1001261338	Ref	FALL ARREST INSTALLATION	A
1	0681620	6	Bolt 3/8 x 2-1/2	
2	0682424	1	Bolt 7/8 x 3	
3	3271605	6	Nut 3/8	
4	3272001	1	Nut 5/8	
5	3312002	2	Nut 5/8	
6	4711600	12	Washer 3/8	
7	4712000	1	Washer 5/8	
8	88521214	1	Nut 7/8	
9	1001236891	2	Washer	
10	1001236895	1	Ring	
11	1001238263	1	Decal - Warning Falling Hazard	
12	1001248140	1	Decal - Bolt Fall Arrest Re-Cert	
13	1001248141	1	Decal - Incription	
14	See Note	NSS	Nameplate - Manufacturers Serial Number (Note: Not Available for Purchase)	
15	1001252629	1	Decal - Weight	
16	1001257271	1	Bracket (RH)	
17	1001257274	1	Bracket (LH)	
18	1001261335	1	Rope	

SECTION 5 - PLATFORM

FIGURE 5-31. FALL ARREST INSTALLATION (BOLT-ON) (5FT/1.52M PLATFORM)



ART_1001257275

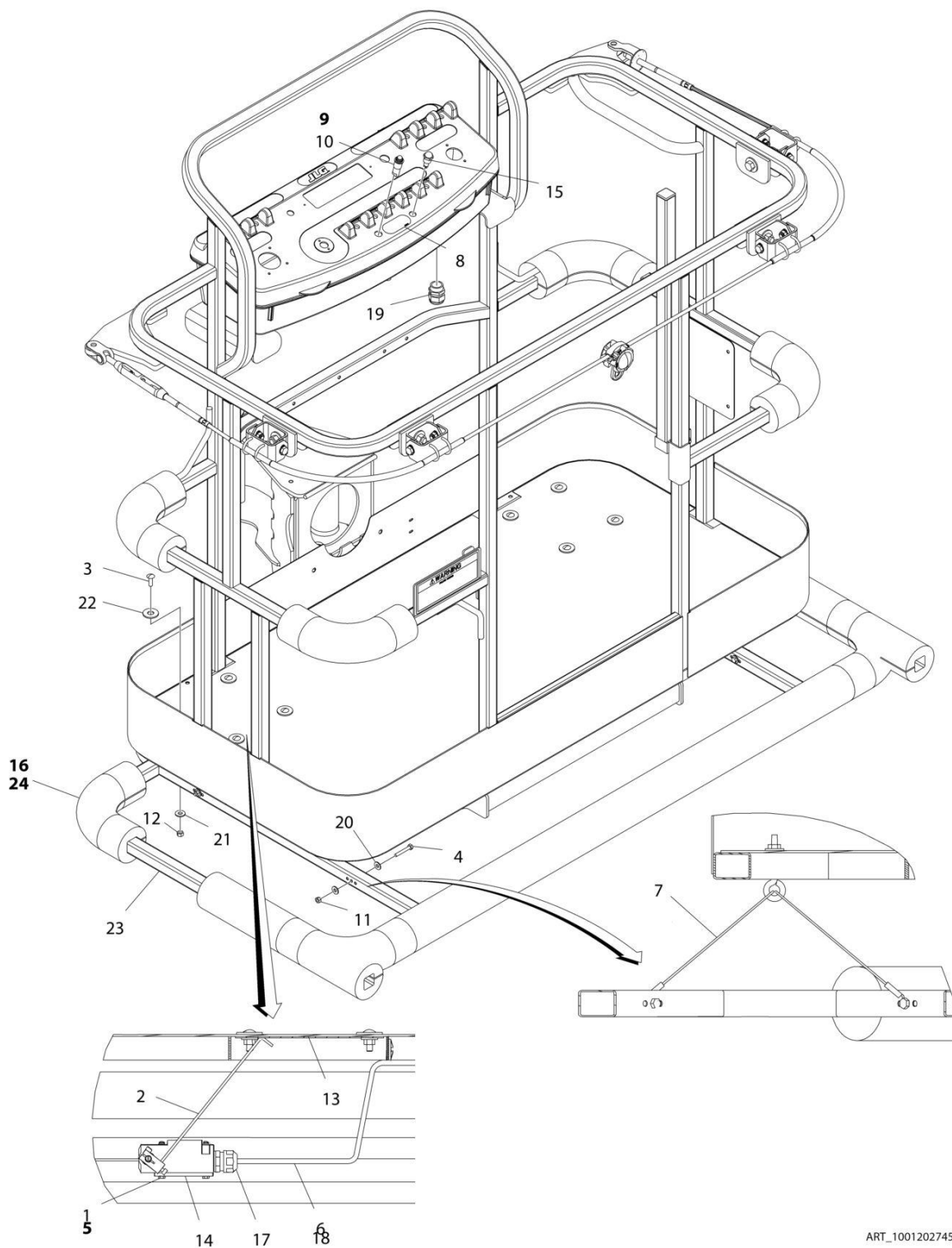
SECTION 5 - PLATFORM

FIGURE 5-31. FALL ARREST INSTALLATION (BOLT-ON) (5FT/1.52M PLATFORM)

ITEM	PART NUMBER	QTY	DESCRIPTION	REV
	1001257275	Ref	FALL ARREST INSTALLATION (BOLT - ON) 6FT/1.82M PLATFORM	A
1	0681620	6	Bolt 3/8 x 2-1/2	
2	0682424	1	Bolt 7/8 x 3	
3	3271605	6	Nut 3/8	
4	3272001	1	Nut 5/8	
5	3312002	2	Nut 5/8	
6	4711600	12	Washer 3/8	
7	4712000	1	Washer 5/8	
8	88521214	1	Nut 7/8	
9	1001236891	2	Washer	
10	1001236895	1	Ring	
11	1001238263	1	Decal - Warning Falling Hazard	
12	1001248140	1	Decal - Bolt Fall Arrest Re-Cert	
13	1001248141	1	Decal - Incription	
14	See Note	NSS	Nameplate - Manufacturers Serial Number (Note: Not Available for Purchase)	
15	1001252629	1	Decal - Weight	
16	1001257271	1	Bracket (RH)	
17	1001257274	1	Bracket (LH)	
18	1001258005	1	Rope	

SECTION 5 - PLATFORM

FIGURE 5-32. SOFT-TOUCH INSTALLATION (30X60)



ART_1001202745

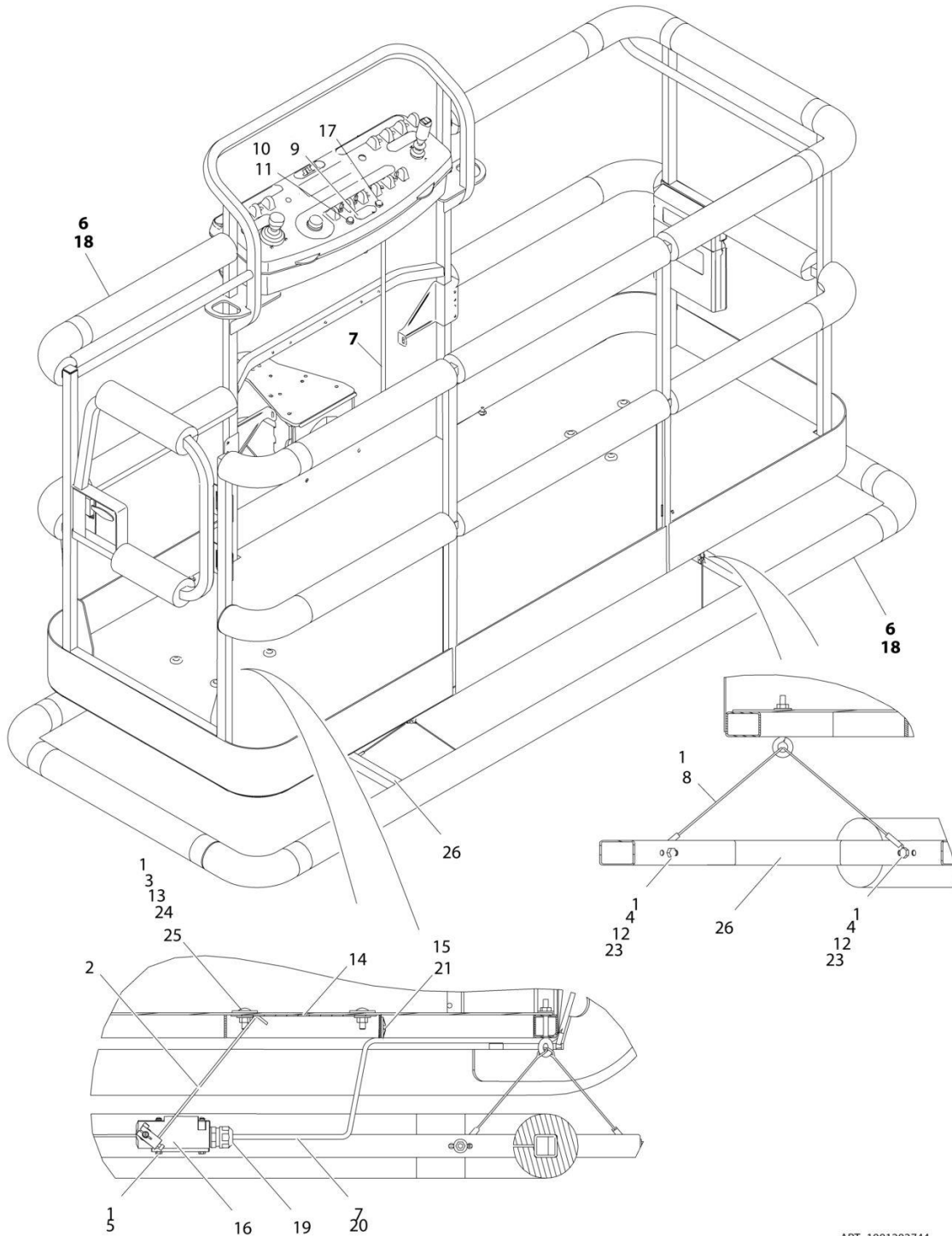
SECTION 5 - PLATFORM

FIGURE 5-32. SOFT-TOUCH INSTALLATION (30X60)

ITEM	PART NUMBER	QTY	DESCRIPTION	REV
	1001202745	Ref	SOFT TOUCH INSTALLATION - 5FT/1.52M PLATFORM WITH FALL ARREST	B
1	0100011	AR	Compound, Locking	
2	0200048	2	Arm, Switch	
3	0630462	8	Bolt, Carriage	
4	0641414	8	Bolt 1/4 x 1-3/4	
5	0721005	4	Bolt #10 x 5/8	
6	1060341	15 ft /4.57m	Cable, Electrical - 16/2	
7	1060903	4	Wire Rope and Eyebolt Assembly	
8	1702938	1	Decal - Soft Touch Override	
9	2920028	1	Lamp, Indicator	
10	2920029	1	Bulb, Light	
11	3311405	8	Nut 1/4	
12	3311501	8	Nut 5/16	
13	3575705	2	Plate, Switch Strike	
14	4360057	2	Switch, Limit	
15	4360387	1	Switch, Push Button	
16	4420068	1	Tape, Adhesive	
16	1001197017	AR	Tie-Strap	
17	4460049	2	Connector, Strain Relief	
18	4460226	4	Socket, Female	
19	4460425	1	Connector, Strain Relief	
20	4751400	16	Washer 1/4	
21	4751500	8	Washer 5/16	
22	4751800	8	Washer 1/2	
23	1001115641	1	Rail, Soft Touch	
24	1001115848	1	Bumper Kits (Includes Corners and Enough Straight Material for One Platform)	

SECTION 5 - PLATFORM

FIGURE 5-33. SOFT-TOUCH INSTALLATION (30X72)



ART_1001202744

SECTION 5 - PLATFORM

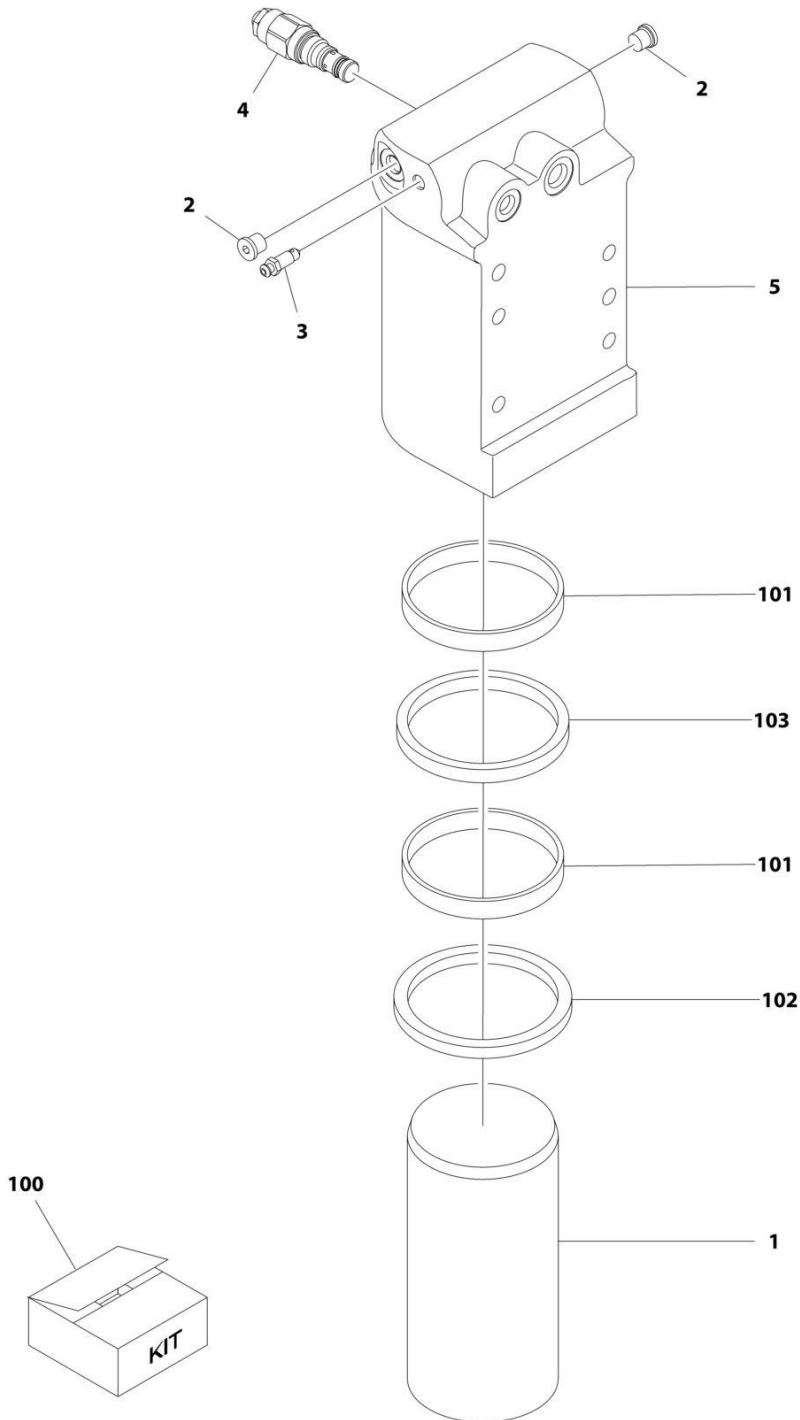
FIGURE 5-33. SOFT-TOUCH INSTALLATION (30X72)

ITEM	PART NUMBER	QTY	DESCRIPTION	REV
	1001202744	Ref	SOFT TOUCH INSTALLATION - 6FT/1.8M PLATFORM	B
1	0100011	AR	Compound, Locking	
2	0200048	2	Arm, Switch	
3	0630462	8	Bolt, Carriage	
4	0641414	8	Bolt 1/4 x 1-3/4	
5	0721005	4	Bolt #10 x 5/8	
6	0940167	1	Bumper Kits (Includes Corners and Enough Straight Material for One Platform)	
7	1060341	15 ft /4.57m	Cable, Electrical - 16/2	
8	1060903	4	Wire Rope and Eyebolt Assembly	
9	1702938	1	Decal - Soft Touch Override	
10	2920028	1	Lamp, Indicator	
11	2920029	1	Bulb, Light	
12	3311401	8	Nut 1/4	
13	3311501	8	Nut 5/16	
14	3575705	2	Plate, Switch Strike	
15	4240099	AR	Tie-Strap	
16	4360057	2	Switch, Limit	
17	4360387	1	Switch, Push Button	
18	4420068	1	Tape, Adhesive	
18	1001197017	AR	Tie-Strap	
19	4460049	2	Connector, Strain Relief	
20	4460226	4	Socket, Female	
21	4460234	2	Tie-Strap Mount	
22	4460425	1	Connector, Strain Relief (Not Shown - Located on bottom of console box)	
23	4751400	16	Washer 1/4	
24	4751500	8	Washer 5/16	
25	4751800	8	Washer 1/2	
26	4846370	1	Rail, Soft Touch	

SECTION 6 - CYLINDER

SECTION 6 - CYLINDER

FIGURE 6-1. AXLE LOCKOUT CYLINDER ASSEMBLY (MACHINES WITH SN STARTING WITH 03)



ART_1001163580

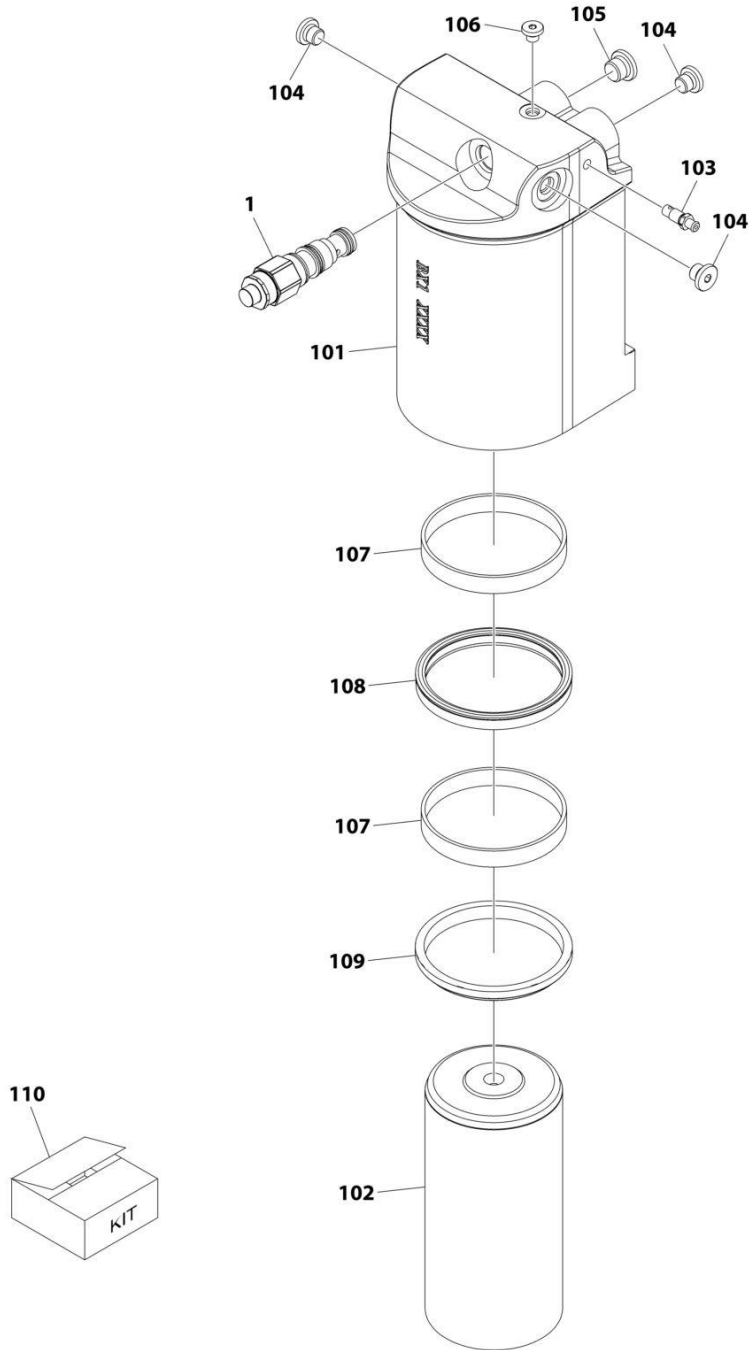
SECTION 6 - CYLINDER

FIGURE 6-1. AXLE LOCKOUT CYLINDER ASSEMBLY (MACHINES WITH SN STARTING WITH 03)

ITEM	PART NUMBER	QTY	DESCRIPTION	REV
	1001163580	Ref	AXLE LOCKOUT CYLINDER ASSEMBLY	1
		Ref	Note: Original Cylinder May Have Been Replaced with Service Replacement. Identify PN Stamped on Cylinder Before Ordering Parts.	
1	1684290	1	Rod	
2	2220883	2	Plug #4	
3	4640858	1	Valve, Bleeder	
4	1001117372	1	Cartridge, Valve	
4	70002842	1	Seal Kit - 1001117372 Valve	
5	1001164817	1	Barrel	
100	2902266	NLA	Seal Kit - 1001163590 Cylinder (Includes Items 101-103)	
101	See Note	NSS	Ring, Wear (Note: Use Item 100)	
102	See Note	NSS	Seal (Note: Use Item 100)	
103	See Note	NSS	Wiper (Note: Use Item 100)	

SECTION 6 - CYLINDER

FIGURE 6-2. AXLE LOCKOUT CYLINDER ASSEMBLY (MACHINES WITH SN STARTING WITH B3)



ART_1001256179

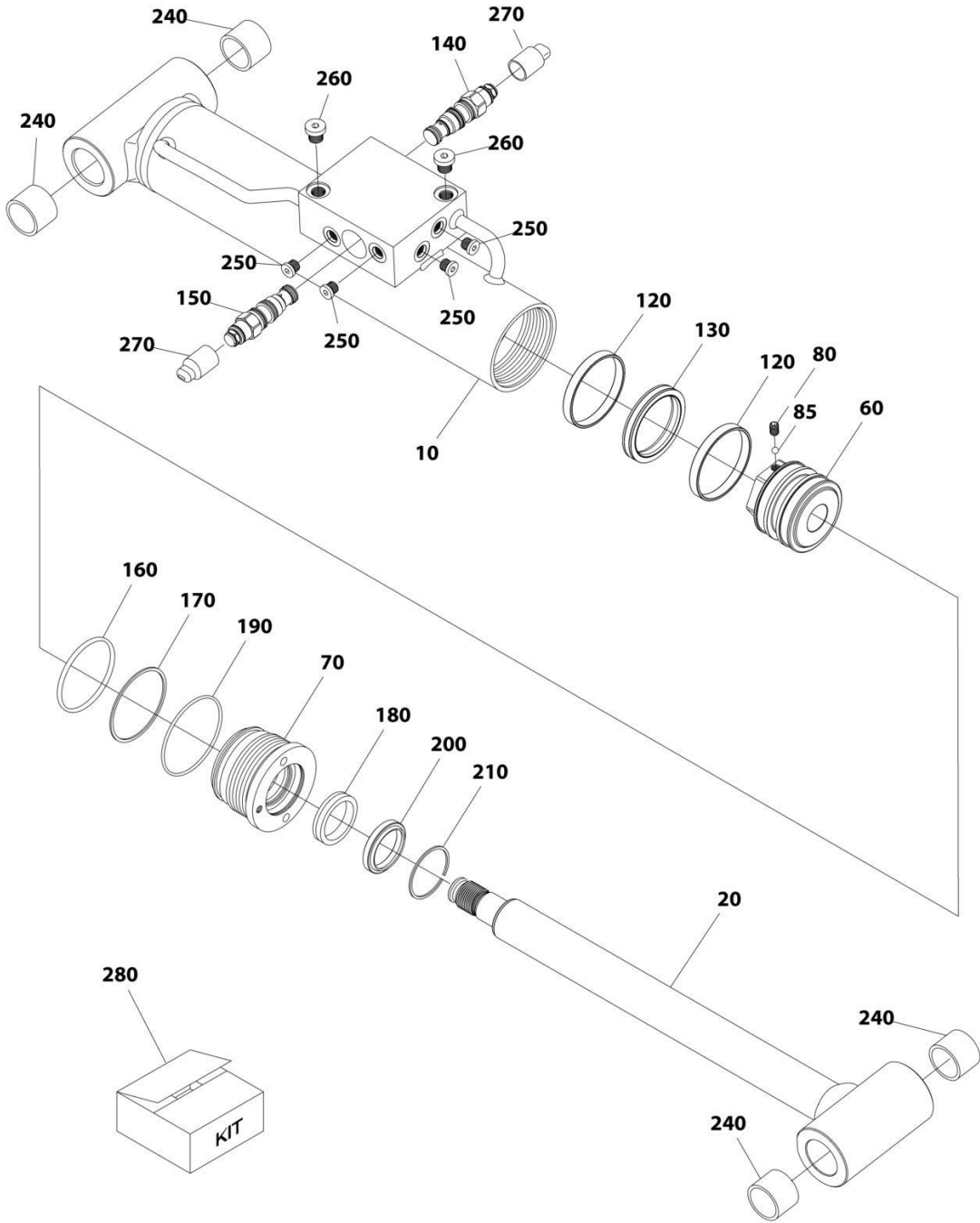
SECTION 6 - CYLINDER

FIGURE 6-2. AXLE LOCKOUT CYLINDER ASSEMBLY (MACHINES WITH SN STARTING WITH B3)

ITEM	PART NUMBER	QTY	DESCRIPTION	REV
	1001256179	Ref	MASTER CYLINDER ASSEMBLY	A
		Ref	Note: Original Cylinder May Have Been Replaced with Service Replacement. Identify PN Stamped on Cylinder Before Ordering Parts.	
1	1001117372	1	Cartridge, Valve	
1	70002842	1	Seal Kit - 1001117372	
101	See Note	NSS	Tube (Note: Not Available for Purchase)	
102	70008244	1	Rod	
103	70008246	1	Plug, Bleeder	
104	2220883	3	Plug 7/16	
105	2220885	1	Plug 9/16	
106	2220881	1	Plug 5/16	
107	See Note	NSS	Ring, Wear (Note: Use Item 110)	
108	See Note	NSS	Seal, Rod (Note: Use Item 110)	
109	See Note	NSS	Wiper, Rod (Note: Use Item 110)	
110	70008247	1	Seal Kit (Includes Items 107-109)	

SECTION 6 - CYLINDER

FIGURE 6-3. LEVEL (PLATFORM SLAVE) CYLINDER ASSEMBLY



ART_1001161716

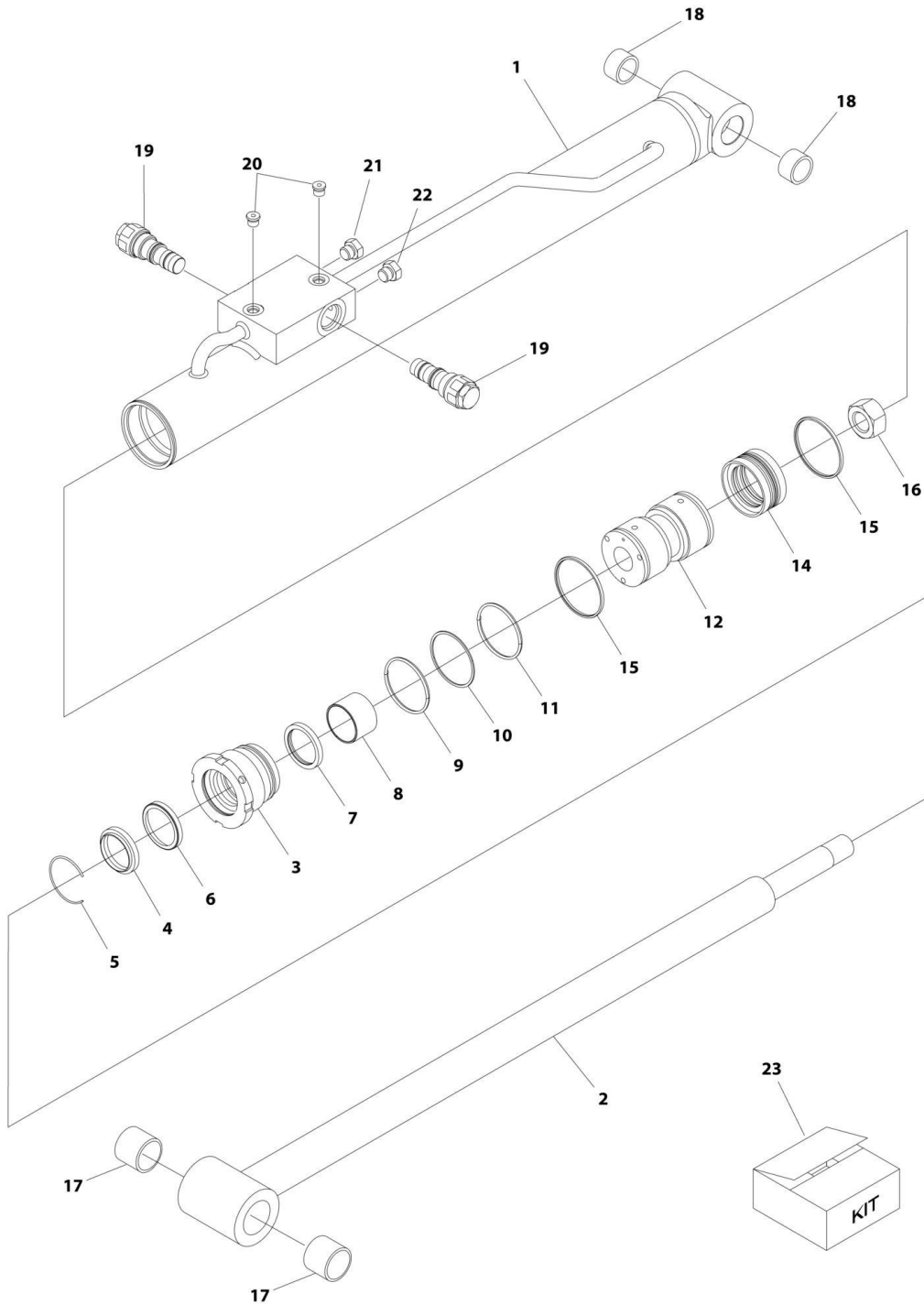
SECTION 6 - CYLINDER

FIGURE 6-3. LEVEL (PLATFORM SLAVE) CYLINDER ASSEMBLY

ITEM	PART NUMBER	QTY	DESCRIPTION	REV
	1001161716	Ref	LEVEL (PLATFORM SLAVE) CYLINDER ASSEMBLY	D
		Ref	Note: Original Cylinder May Have Been Replaced with Service Replacement. Identify PN Stamped on Cylinder Before Ordering Parts.	
10	70005010	1	Barrel	
20	70005011	1	Rod	
60	70005012	1	Piston	
70	70003837	1	Head	
80	70005013	1	Setscrew	
85	70005014	1	Ball	
120	See Note	NSS	Ring, Bearing (Note: Use Item 280)	
130	See Note	NSS	Seal, Piston (Note: Use Item 280)	
140	70002413	1	Cartridge, Valve	
140	2900770	1	Seal Kit - 70002413 Valve	
150	1001168210	1	Cartridge, Valve	
150	2900770	1	Seal Kit - 1001168210 Valve	
160	See Note	NSS	O-Ring (Note: Use Item 280)	
170	See Note	NSS	Seal (Note: Use Item 280)	
180	See Note	NSS	Seal (Note: Use Item 280)	
190	See Note	NSS	O-Ring (Note: Use Item 280)	
200	See Note	NSS	Wiper (Note: Use Item 280)	
210	70003838	1	Ring, Retaining	
240	0961951	4	Bushing	
250	70025619	4	Plug 7/16	
260	70024262	2	Plug 1/4	
270	See Note	2	Plug, Shipping (Note: Not Available for Purchase)	
280	70005016	1	Seal Kit - 1001161716 Cylinder (Includes Items 120 ,130 & 160-200)	

SECTION 6 - CYLINDER

FIGURE 6-4. LIFT CYLINDER ASSEMBLY - JIB



ART_1001163767

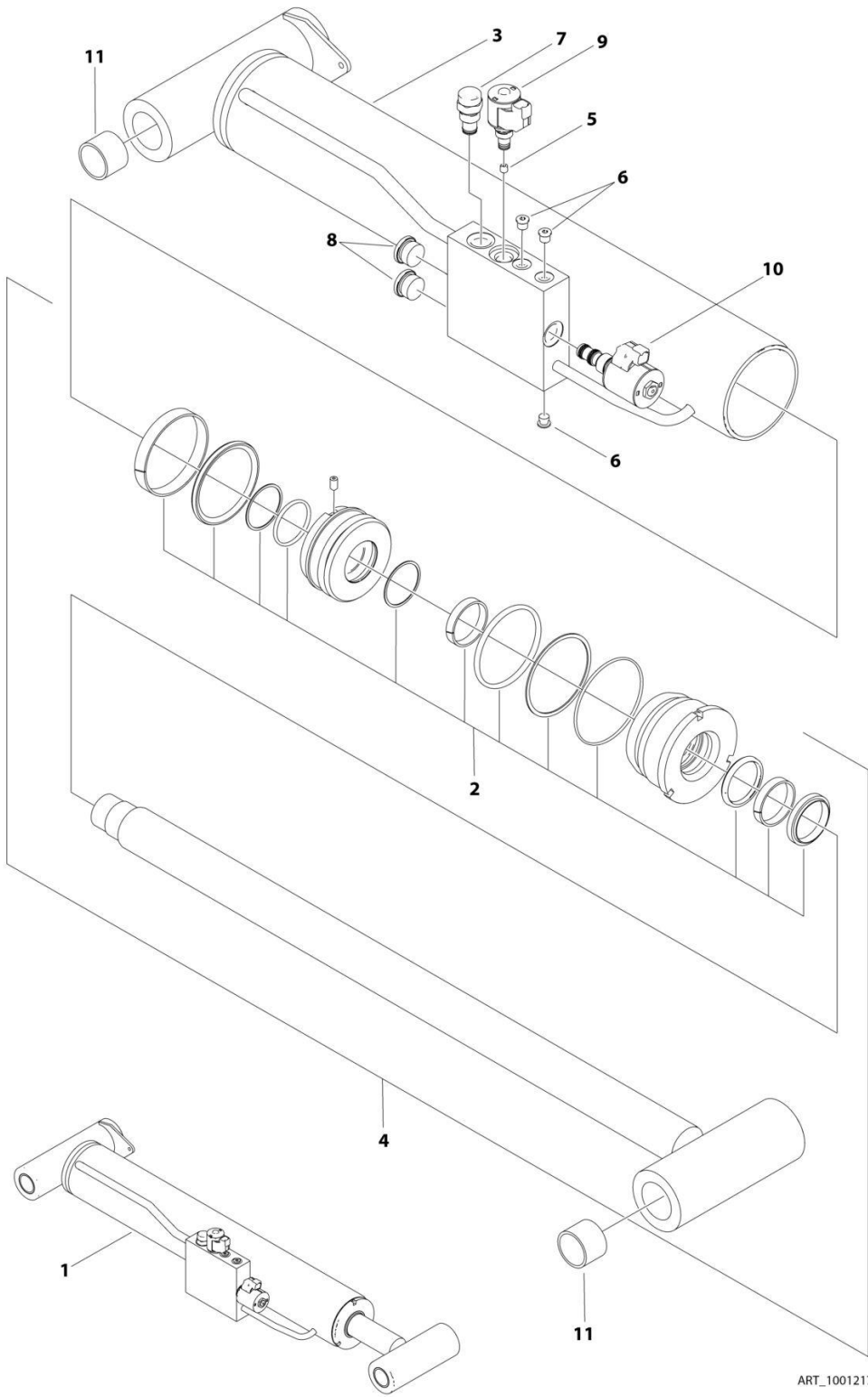
SECTION 6 - CYLINDER

FIGURE 6-4. LIFT CYLINDER ASSEMBLY - JIB

ITEM	PART NUMBER	QTY	DESCRIPTION	REV
	1001163767	Ref	LIFT CYLINDER ASSEMBLY - JIB	B
		Ref	Note: Original Cylinder May Have Been Replaced with Service Replacement. Identify PN Stamped on Cylinder Before Ordering Parts.	
1	70005155	1	Barrel	
2	70005156	1	Rod	
3	70005157	1	Head	
4	See Note	NSS	Wiper (Note: Use Item 23)	
5	70002373	1	Ring, Retaining	
6	See Note	NSS	Seal, Rod (Note: Use Item 23)	
7	See Note	NSS	Ring, Back-up (Note: Use Item 23)	
8	70005143	1	Bearing, Dry	
9	See Note	NSS	O-Ring (Note: Use Item 23)	
10	See Note	NSS	Ring, Back-up (Note: Use Item 23)	
11	See Note	NSS	O-Ring (Note: Use Item 23)	
12	70002371	1	Piston	
13	See Note	NSS	O-Ring (Note: Use Item 23)	
14	See Note	NSS	Seal, Piston (Note: Use Item 23)	
15	See Note	NSS	Ring, Piston (Note: Use Item 23)	
16	70002335	2	Nut	
17	70005158	2	Bushing	
18	70005159	2	Bushing	
19	4640509	2	Cartridge, Valve	
19	2900792	2	Seal Kit - 4640509 Valve	
20	70023370	2	Plug 7/16	
21	See Note	1	Plug 7/16 (Note: Not Available for Purchase)	
22	See Note	1	Plug 9/16 (Note: Not Available for Purchase)	
23	70005160	1	Seal Kit - 1001163767 Cylinder (Includes Items 4, 6, 7, 9-11 & 13-15)	

SECTION 6 - CYLINDER

FIGURE 6-5. LIFT CYLINDER ASSEMBLY - 450A MAIN BOOM



ART_1001217681

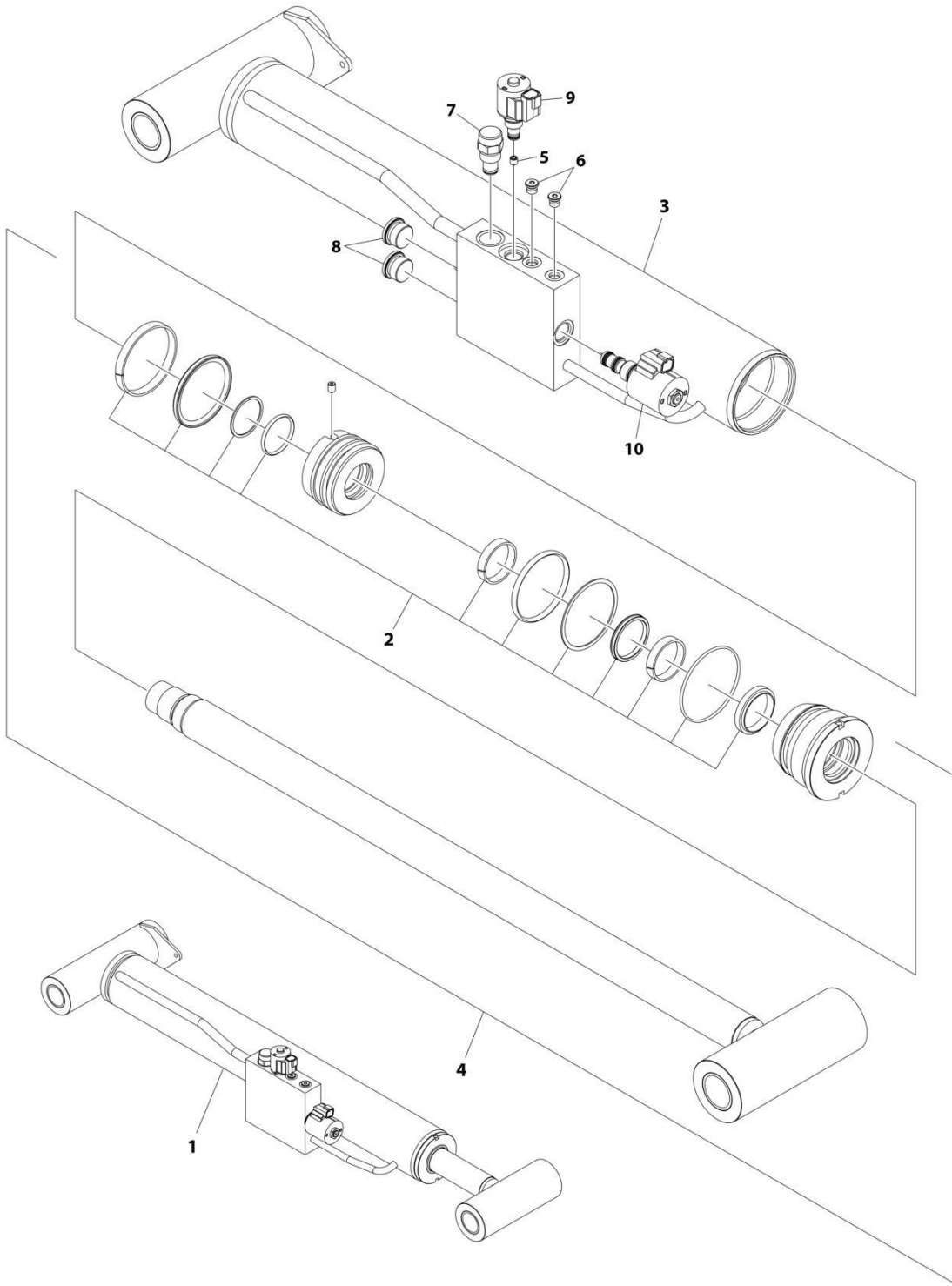
SECTION 6 - CYLINDER

FIGURE 6-5. LIFT CYLINDER ASSEMBLY - 450A MAIN BOOM

ITEM	PART NUMBER	QTY	DESCRIPTION	REV
	1001217681	Ref	LIFT CYLINDER ASSEMBLY - MAIN BOOM	B
		Ref	Note: Original Cylinder May Have Been Replaced with Service Replacement. Identify PN Stamped on Cylinder Before Ordering Parts.	
2	70004969	1	Seal Kit - 1001217681 Cylinder	
3	See Note	NSS	Barrel (Note: Not Available for Purchase)	
4	70004967	1	Rod Assembly (Includes Item 2)	
5	2180736	1	Orifice	
6	2220883	3	Plug #4	
7	4641390	1	Cartridge, Check Valve	
7	7017496	1	Seal Kit - 4641390 Valve	
8	See Note	NSS	Plug (Note: Not Available for Purchase)	
9	1001164709	1	Cartridge, Solenoid Valve (Includes Coil)	
9	7017467	1	Cartridge, Solenoid Valve Less Coil	
9	7012998	1	Seal Kit - 1001164709 & 7017467 Valves	
9	70002386	1	Coil	
10	1001206625	1	Cartridge, Compensator Valve	
10	70006104	1	Cartridge, Solenoid Valve Less Coil	
10	70006105	1	Seal Kit - 70006104 Valve	
10	70003788	1	Coil	
10	7022390	1	Coil Nut	
11	0961948	4	Bushing	

SECTION 6 - CYLINDER

FIGURE 6-6. LIFT CYLINDER ASSEMBLY - 450AJ MAIN BOOM (MACHINES WITH SN STARTING WITH 03)



ART_1001217676

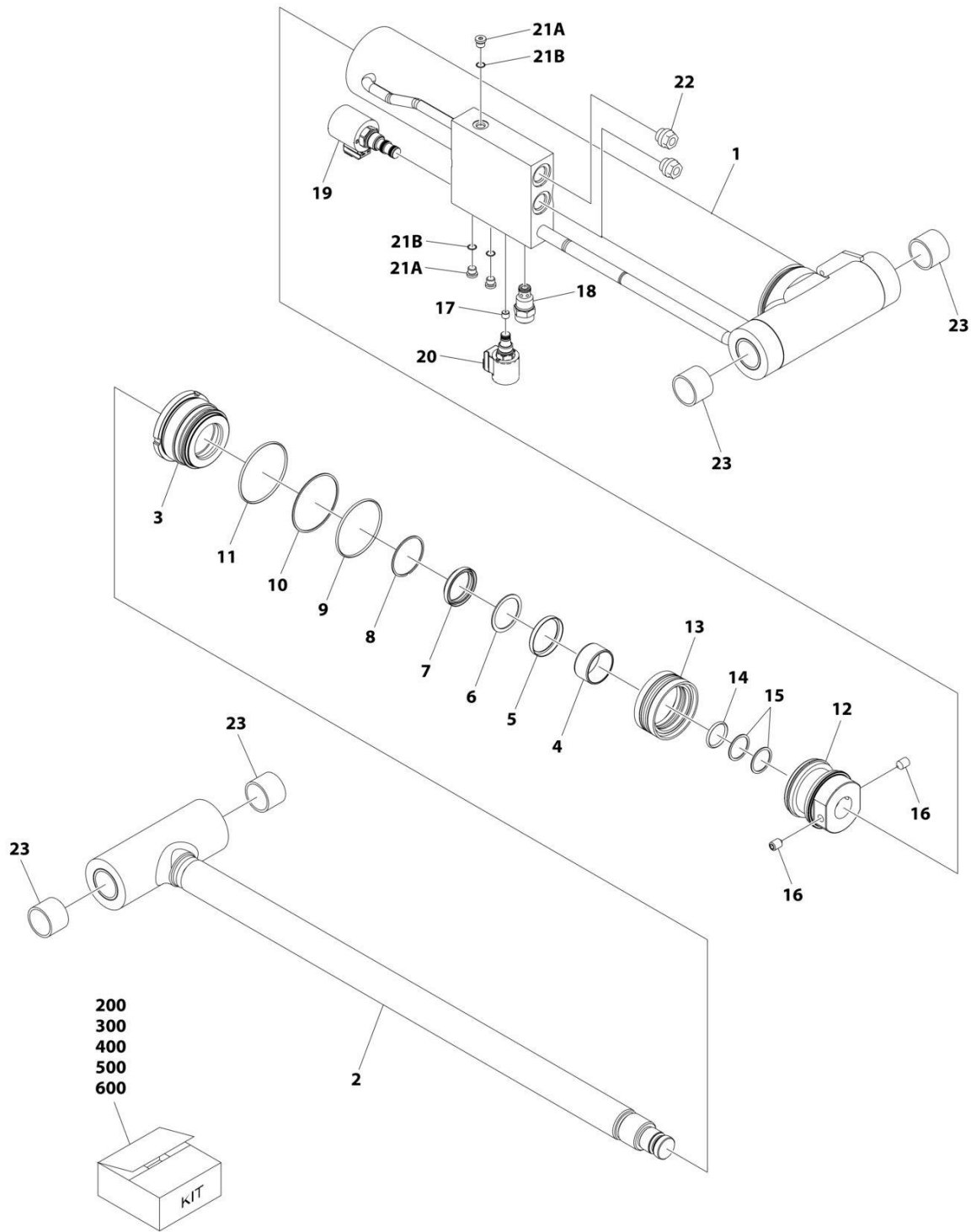
SECTION 6 - CYLINDER

FIGURE 6-6. LIFT CYLINDER ASSEMBLY - 450AJ MAIN BOOM (MACHINES WITH SN STARTING WITH 03)

ITEM	PART NUMBER	QTY	DESCRIPTION	REV
1	1001217676	Ref	LIFT CYLINDER ASSEMBLY - MAIN BOOM	D
		Ref	Note: Original Cylinder May Have Been Replaced with Service Replacement. Identify PN Stamped on Cylinder Before Ordering Parts.	
2	70004963	1	Seal Kit - 1001217676 Cylinder (Part of Item 4)	
3	70004962	NSS	Barrel (Includes Bushings) (Note: Not Available for Purchase)	
3	0961948	2	Bushing	
4	70004961	1	Rod Assembly (Includes Seal Kit and Bushings)	
4	0961948	2	Bushing	
5	2180736	1	Orifice	
6	2220883	3	Plug #4	
7	4641390	1	Cartridge, Check Valve	
7	7017496	1	Seal Kit - 4641390 Valve	
8	See Note	NSS	Plug, Shipping (Note: Not Available for Purchase)	
9	1001164709	1	Cartridge, Solenoid Valve (Includes Coil)	
9	7017467	1	Cartridge, Solenoid Valve Less Coil	
9	7012998	1	Seal Kit - 1001164709 & 7017467 Valve	
9	70002386	1	Coil	
10	1001206625	1	Cartridge, Solenoid Valve (Includes Coil)	
10	70006104	1	Cartridge, Solenoid Valve Less Coil	
10	70006105	1	Seal Kit - 1001206625 & 70006104 Valves	
10	70003788	1	Coil	
10	7022390	1	Nut, Coil	

SECTION 6 - CYLINDER

FIGURE 6-7. LIFT CYLINDER ASSEMBLY - 450AJ MAIN BOOM (MACHINES WITH SN STARTING WITH B3)



ART_1001254742

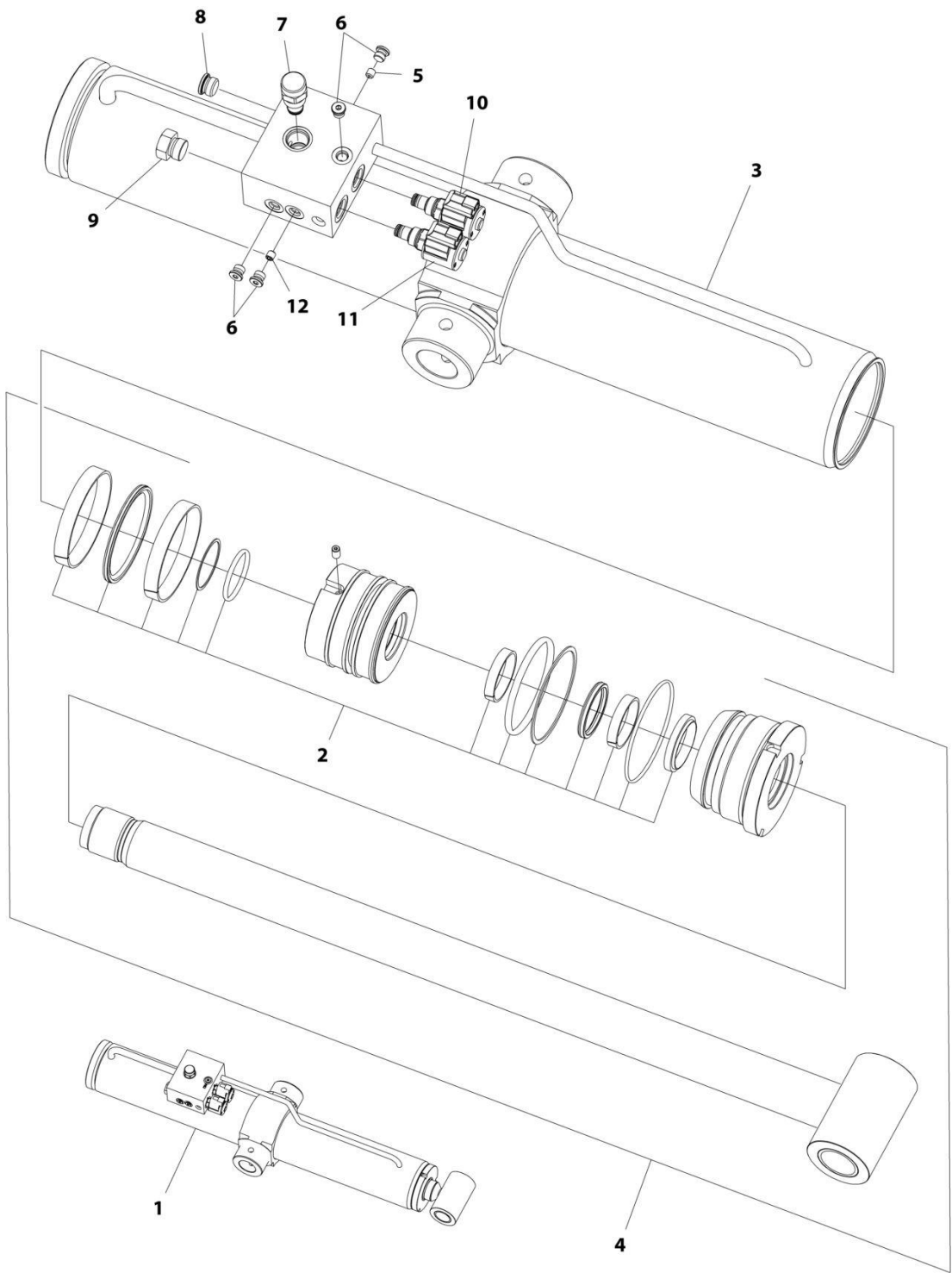
SECTION 6 - CYLINDER

FIGURE 6-7. LIFT CYLINDER ASSEMBLY - 450AJ MAIN BOOM (MACHINES WITH SN STARTING WITH B3)

ITEM	PART NUMBER	QTY	DESCRIPTION	REV
	1001254742	Ref	LIFT CYLINDER ASSEMBLY	B
		Ref	Note: Original Cylinder May Have Been Replaced with Service Replacement. Identify PN Stamped on Cylinder Before Ordering Parts.	
1	See Note	NSS	Barrel (Note: Use PN 1001254742)	
2	See Note	NSS	Rod (Note: Use Item 200)	
3	See Note	NSS	Head (Note: Use Item 300)	
4	See Note	NSS	Ring, Wear (Note: Use Item 300)	
5	See Note	NSS	Seal (Note: Use Item 400)	
6	See Note	NSS	Ring, Back-up (Note: Use Item 400)	
7	See Note	NSS	Wiper (Note: Use Item 400)	
8	See Note	NSS	Ring, Retaining (Note: Use Item 400)	
9	See Note	NSS	O-Ring (Note: Use Item 400)	
10	See Note	NSS	Ring, Back-up (Note: Use Item 400)	
11	See Note	NSS	O-Ring (Note: Use Item 400)	
12	See Note	NSS	Piston (Note: Use Item 500)	
13	See Note	NSS	Seal (Note: Use Item 400)	
14	See Note	NSS	O-Ring (Note: Use Item 400)	
15	See Note	NSS	Ring, Back-up (Note: Use Item 400)	
16	See Note	NSS	Set Screw (Note: Use Item 500)	
17	See Note	NSS	Orifice (Note: Use PN 1001254742)	
18	4641390	1	Cartridge, Check Valve	
18	7017496	1	Seal Kit - 4641390 Valve	
19	1001206625	1	Cartridge, Solenoid Valve (Includes Coil)	
19	70006104	1	Cartridge, Solenoid Valve Less Coil	
19	70006105	1	Seal Kit - 1001206625 & 70006104 Valves	
19	70003788	1	Coil	
19	7022390	1	Nut, Coil	
20	1001164709	1	Cartridge, Solenoid Valve (Includes Coil)	
20	7017467	1	Cartridge, Solenoid Valve Less Coil	
20	7012998	1	Seal Kit - 1001164709 & 7017467 Valve	
20	70002386	1	Coil	
21A	See Note	NSS	Plug (Note: Use Item 600)	
21B	See Note	NSS	O-Ring (Note: Use Item 600)	
22	See Note	NSS	Dust Cap (Note: Shipping Use Only)	
23	0961948	4	Bushing	
200	70007891	1	Rod Kit (Includes Items 2 & 23)	
300	70007892	1	Head Kit (Includes Items 3 & 4)	
400	70007893	1	Seal Kit (Includes Items 5-11 & 13-15)	
500	70007894	1	Piston Kit (Includes Items 12 & 16)	
600	70007895	1	Plug Kit (Includes Items 21A & 21B)	

SECTION 6 - CYLINDER

FIGURE 6-8. LIFT CYLINDER ASSEMBLY - TOWER BOOM (MACHINES WITH SN STARTING WITH 03)



ART_1001161715

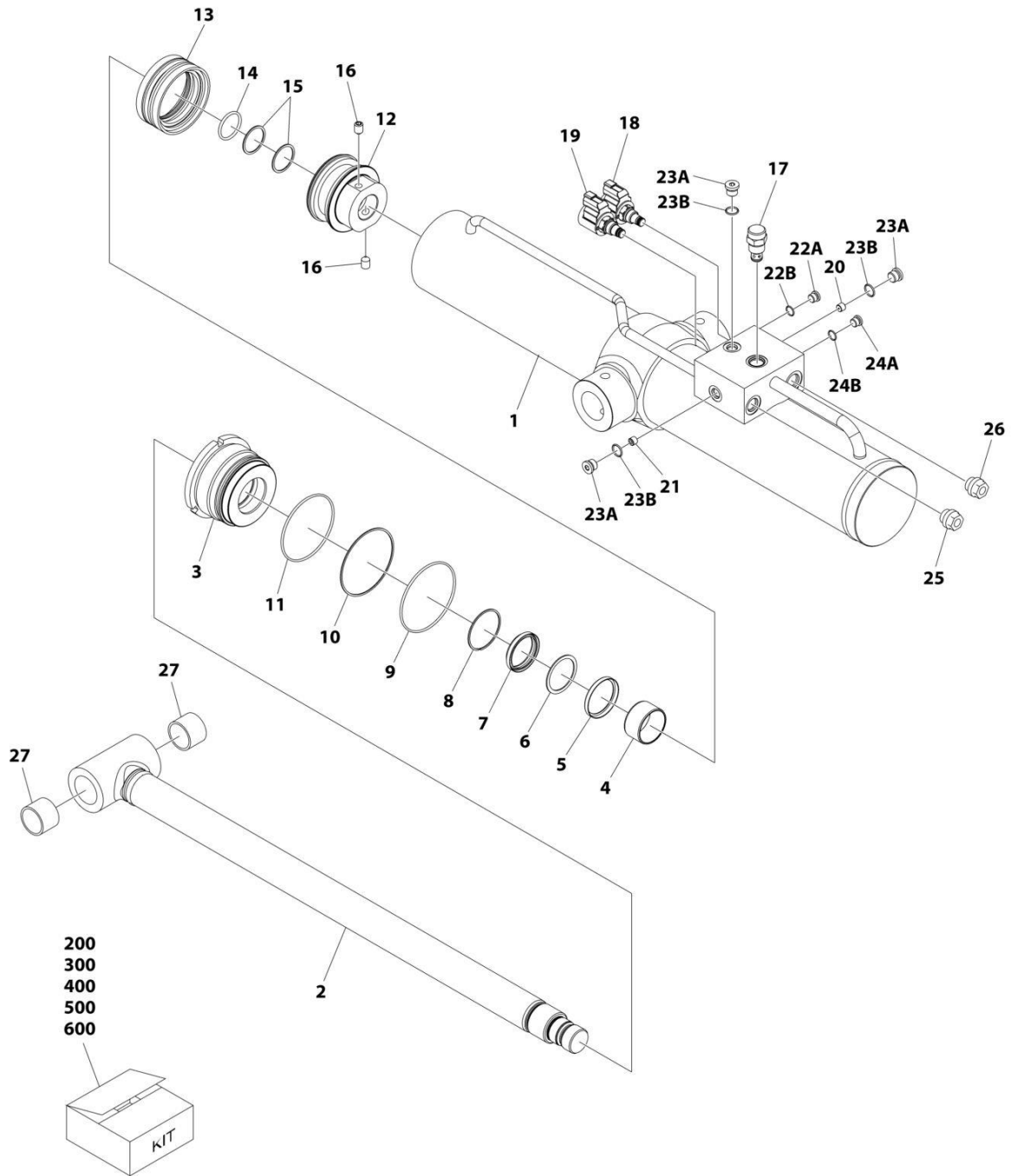
SECTION 6 - CYLINDER

FIGURE 6-8. LIFT CYLINDER ASSEMBLY - TOWER BOOM (MACHINES WITH SN STARTING WITH 03)

ITEM	PART NUMBER	QTY	DESCRIPTION	REV
1	1001161715	1	LIFT CYLINDER ASSEMBLY - TOWER BOOM	H
		Ref	Note: Original Cylinder May Have Been Replaced with Service Replacement. Identify PN Stamped on Cylinder Before Ordering Parts.	
2	70004966	1	Seal Kit - 1001161715 Cylinder	
3	70004965	1	Barrel	
4	70004964	1	Rod Assembly (Includes Seal Kit and Bushings)	
4	0961948	2	Bushing	
5	70005578	1	Plug, Orifice	
6	2220883	4	Plug #4	
7	4641390	1	Cartridge, Check Valve	
7	7017496	1	Seal Kit - 4641390 Valve	
8	2220886	1	Plug #8	
9	See Note	1	Plug, Shipping (Note: Not Available for Purchase)	
10	1001166208	1	Cartridge, Solenoid Valve (Includes Coil)	
10	7024884	1	Cartridge, Solenoid Valve Less Coil	
10	7012967	1	Seal Kit - 1001166208 & 7024884 Valves	
10	70002386	1	Coil	
11	1001164709	1	Cartridge, Solenoid Valve (Includes Coil)	
11	7017467	1	Cartridge, Solenoid Valve Less Coil	
11	7012998	1	Seal Kit - 1001164709 & 7017467 Valves	
11	70002386	1	Coil	
12	70005577	1	Plug, Orifice	

SECTION 6 - CYLINDER

FIGURE 6-9. LIFT CYLINDER ASSEMBLY - TOWER BOOM (MACHINES WITH SN STARTING WITH B3)



ART_1001254716

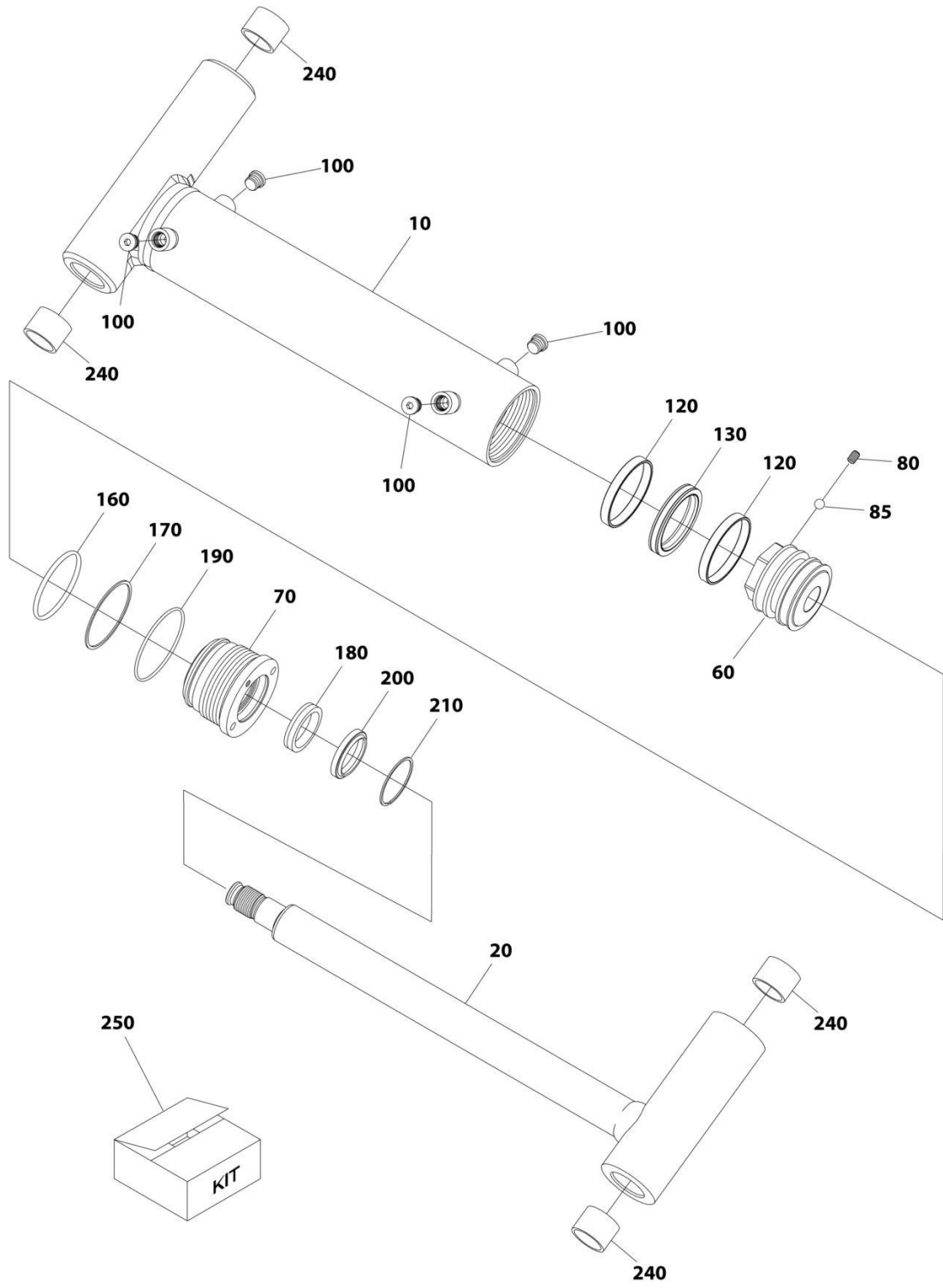
SECTION 6 - CYLINDER

FIGURE 6-9. LIFT CYLINDER ASSEMBLY - TOWER BOOM (MACHINES WITH SN STARTING WITH B3)

ITEM	PART NUMBER	QTY	DESCRIPTION	REV
	1001254716	Ref	LIFT CYLINDER ASSEMBLY - TOWER BOOM	B
		Ref	Note: Original Cylinder May Have Been Replaced with Service Replacement. Identify PN Stamped on Cylinder Before Ordering Parts.	
1	See Note	NSS	Barrel (Note: Use PN 1001254716)	
2	See Note	NSS	Rod (Note: Use Item 200)	
3	See Note	NSS	Head (Note: Use Item 300)	
4	See Note	NSS	Ring, Wear (Note: Use Item 300)	
5	See Note	NSS	Seal (Note: Use Item 400)	
6	See Note	NSS	Ring, Back-up (Note: Use Item 400)	
7	See Note	NSS	Wiper (Note: Use Item 400)	
8	See Note	NSS	Ring, Retaining (Note: Use Item 400)	
9	See Note	NSS	O-Ring (Note: Use Item 400)	
10	See Note	NSS	Ring, Back-up (Note: Use Item 400)	
11	See Note	NSS	O-Ring (Note: Use Item 400)	
12	See Note	NSS	Piston (Note: Use Item 500)	
13	See Note	NSS	Seal (Note: Use Item 400)	
14	See Note	NSS	O-Ring (Note: Use Item 400)	
15	See Note	NSS	Ring, Back-up (Note: Use Item 400)	
16	See Note	NSS	Set Screw (Note: Use Item 500)	
17	4641390	1	Cartridge, Counterbalance Valve	
17	7017496	1	Seal Kit - 4641390 Valve	
18	1001164709	1	Cartridge, Solenoid Valve	
18	7012967	1	Seal Kit - 1001164709 Valve	
18	70002386	1	Coil	
19	1001166208	1	Cartridge, Solenoid Valve	
19	7012967	1	Seal Kit - 1001166208 Valve	
19	70002386	1	Coil	
20	See Note	NSS	Orifice (Note: Use PN 1001254716)	
21	See Note	NSS	Orifice (Note: Use PN 1001254716)	
22A	See Note	NSS	Plug (Note: Use Item 600)	
22B	See Note	NSS	O-Ring (Note: Use Item 600)	
23A	See Note	NSS	Plug (Note: Use Item 600)	
23B	See Note	NSS	O-Ring (Note: Use Item 600)	
24A	See Note	NSS	Plug (Note: Use Item 600)	
24B	See Note	NSS	O-Ring (Note: Use Item 600)	
25	See Note	NSS	Dust Cap (Note: Shipping Use Only)	
26	See Note	NSS	Dust Cap (Note: Shipping Use Only)	
27	0961948	2	Bushing (Note: Use Item 200)	
200	70007886	1	Rod Kit (Includes Items 2 & 27)	
300	70007887	1	Head Kit (Includes Items 3 & 4)	
400	70007888	1	Seal Kit (Includes Items 5-11 & 13-15)	
500	70007889	1	Piston Kit (Includes Items 12 & 16)	
600	70007890	1	Plug Kit (Includes Items 22A-24B)	

SECTION 6 - CYLINDER

FIGURE 6-10. MASTER CYLINDER ASSEMBLY



ART_1001161717

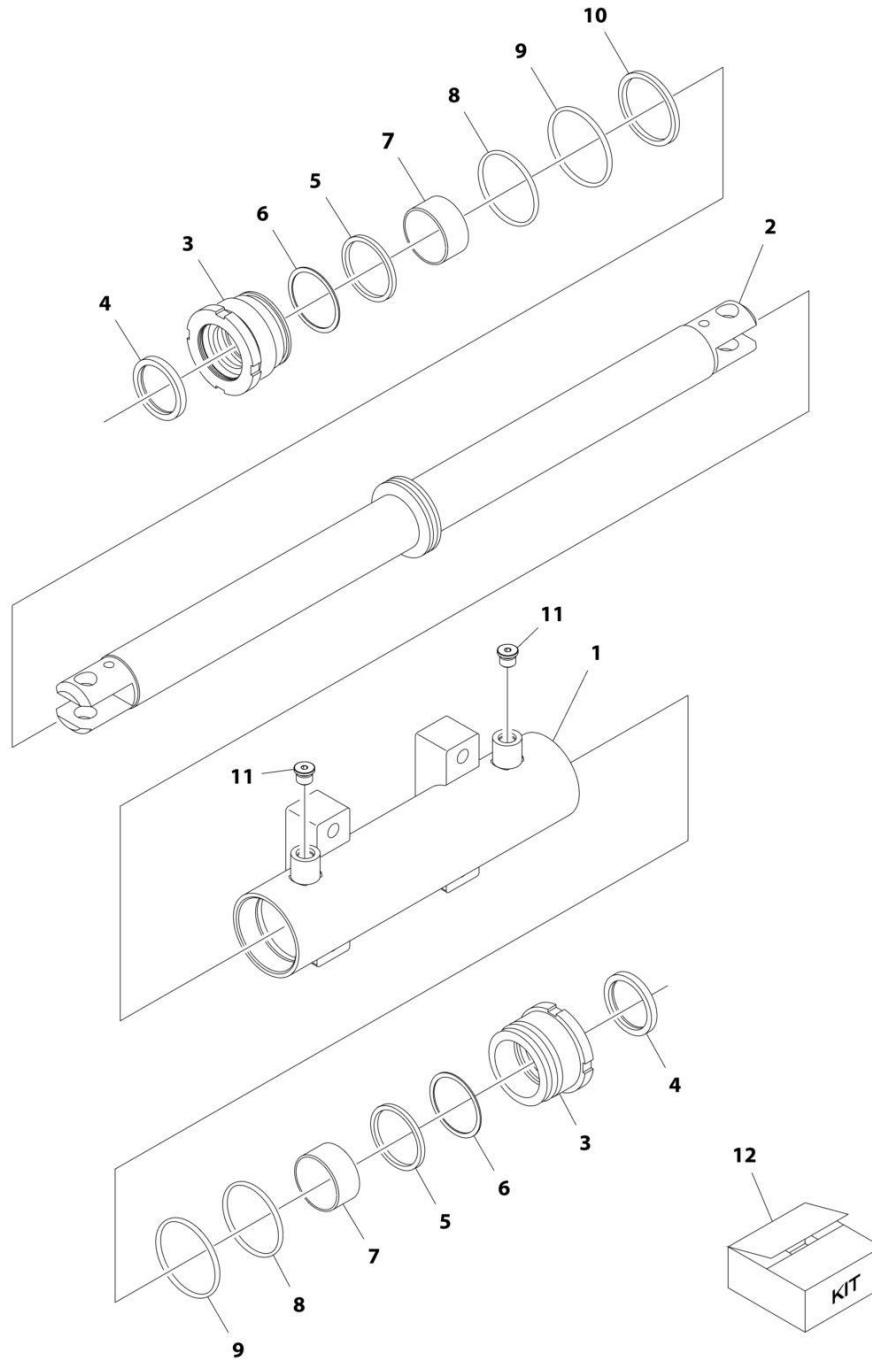
SECTION 6 - CYLINDER

FIGURE 6-10. MASTER CYLINDER ASSEMBLY

ITEM	PART NUMBER	QTY	DESCRIPTION	REV
	1001161717	Ref	MASTER CYLINDER ASSEMBLY	D
		Ref	Note: Original Cylinder May Have Been Replaced with Service Replacement. Identify PN Stamped on Cylinder Before Ordering Parts.	
10	70005017	1	Barrel	
20	70005018	1	Rod	
60	70005012	1	Piston	
70	70003837	1	Head	
80	70005013	1	Setscrew	
85	70005014	1	Ball	
100	70025959	4	Plug 9/16	
120	See Note	NSS	Ring, Piston (Note: Use Item 250)	
130	See Note	NSS	Seal (Note: Use Item 250)	
160	See Note	NSS	O-Ring (Note: Use Item 250)	
170	See Note	NSS	Ring (Note: Use Item 250)	
180	See Note	NSS	Seal (Note: Use Item 250)	
190	See Note	NSS	O-Ring (Note: Use Item 250)	
200	See Note	NSS	Wiper (Note: Use Item 250)	
210	70003838	1	Ring, Retaining	
240	0961951	4	Bushing	
250	70005016	1	Seal Kit - 1001161717 Cylinder (Includes Items 120-200)	

SECTION 6 - CYLINDER

FIGURE 6-11. STEER CYLINDER ASSEMBLY



ART_1001163178

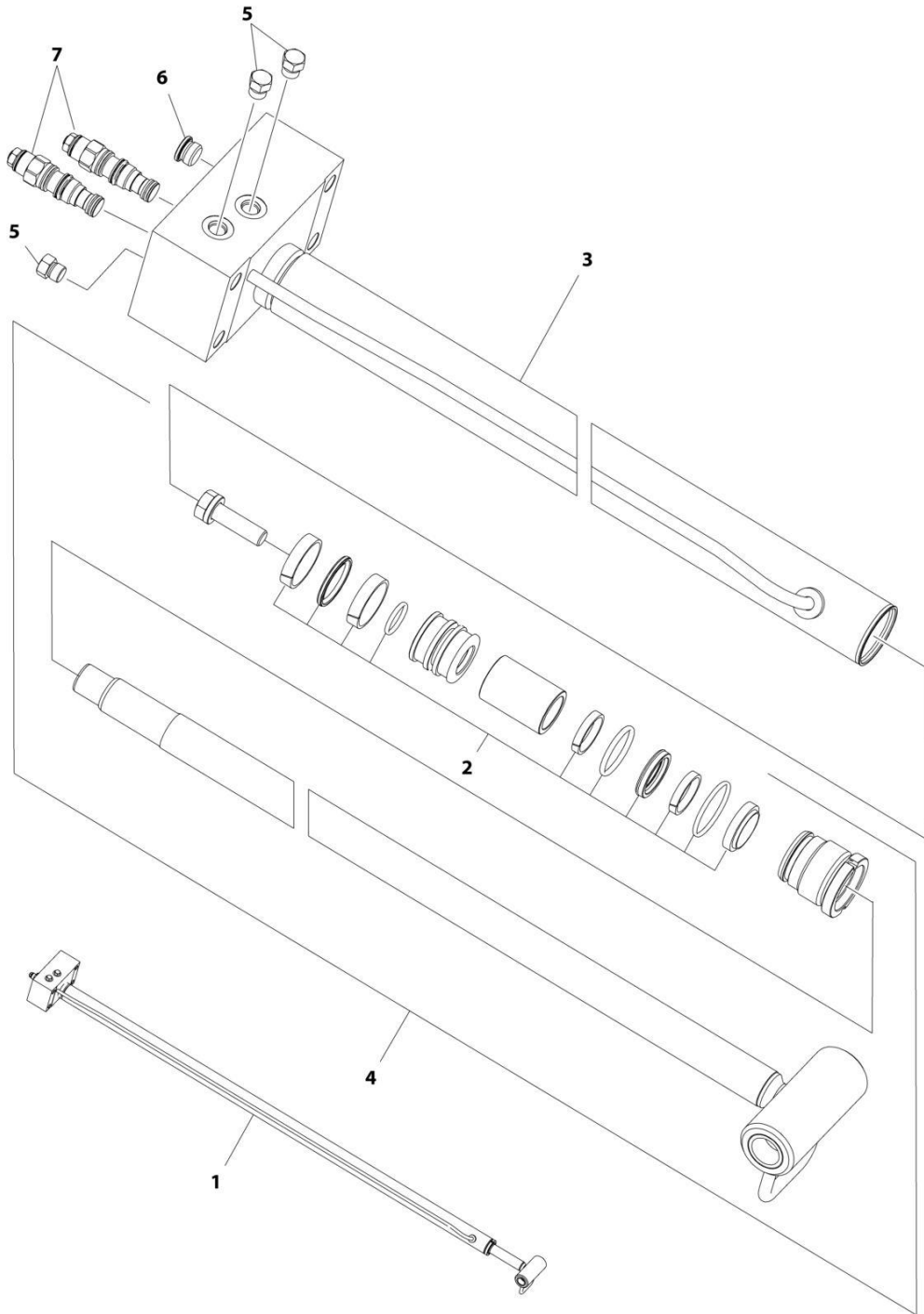
SECTION 6 - CYLINDER

FIGURE 6-11. STEER CYLINDER ASSEMBLY

ITEM	PART NUMBER	QTY	DESCRIPTION	REV
	1001163178	Ref	STEER CYLINDER ASSEMBLY	E
		Ref	Note: Original Cylinder May Have Been Replaced with Service Replacement. Identify PN Stamped on Cylinder Before Ordering Parts.	
1	70005150	1	Barrel	
2	70005151	1	Rod	
3	70005152	2	Head	
4	See Note	NSS	Wiper (Note: Use Item 12)	
5	See Note	NSS	Seal, Rod (Note: Use Item 12)	
6	See Note	NSS	Ring, Back-up (Note: Use Item 12)	
7	70005153	2	Bearing, Dry	
8	See Note	NSS	O-Ring (Note: Use Item 12)	
9	See Note	NSS	O-Ring (Note: Use Item 12)	
10	See Note	NSS	Seal, Piston (Note: Use Item 12)	
11	See Note	2	Plug 9/16 (Note: Not Available for Purchase)	
12	70005154	1	Seal Kit - 1001163178 Cylinder (Includes Items 4-6 & 8-10)	

SECTION 6 - CYLINDER

FIGURE 6-12. TELESCOPE CYLINDER ASSEMBLY - 450A



ART_1001161804

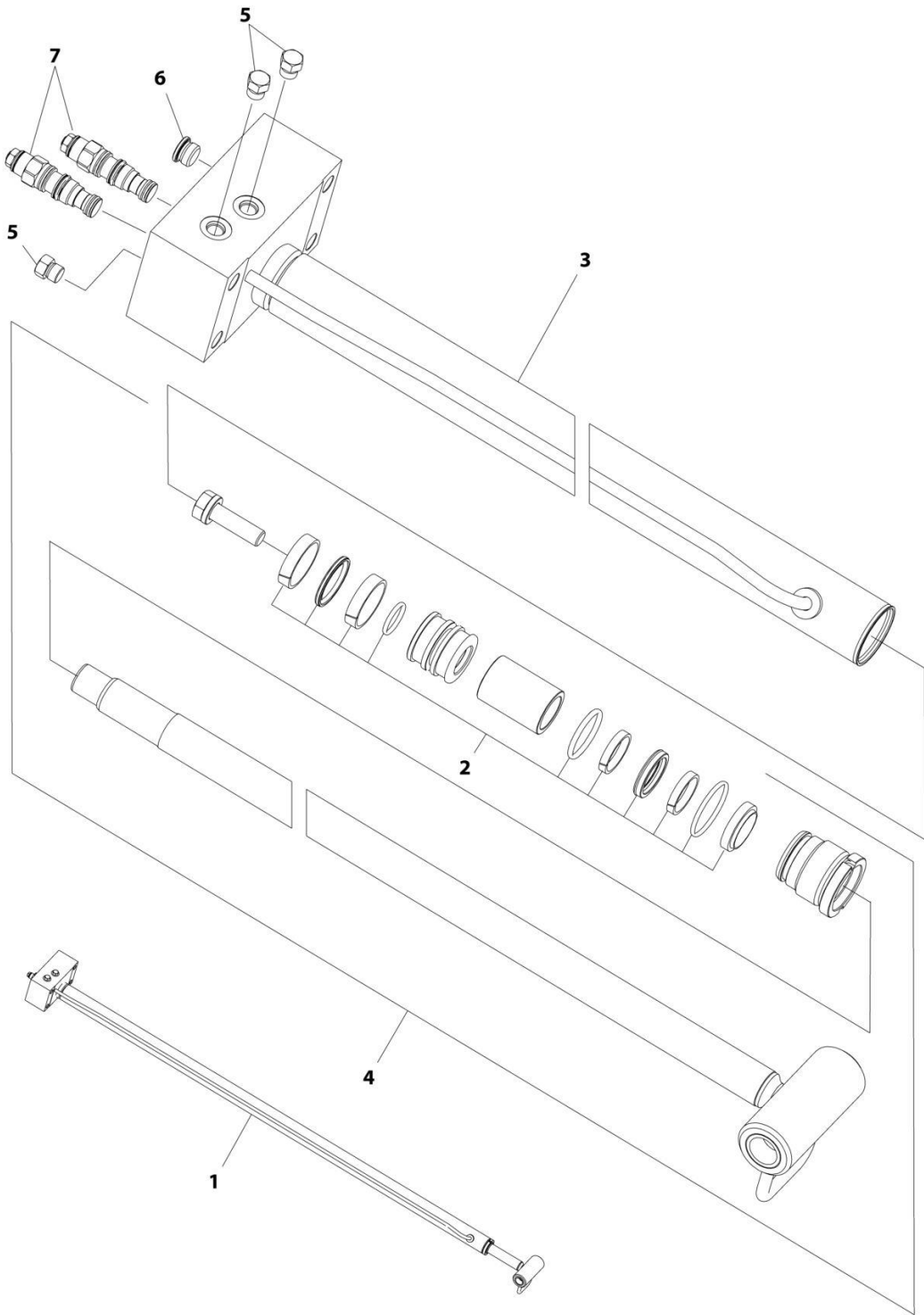
SECTION 6 - CYLINDER

FIGURE 6-12. TELESCOPE CYLINDER ASSEMBLY - 450A

ITEM	PART NUMBER	QTY	DESCRIPTION	REV
	1001161804	Ref	TELESCOPE CYLINDER ASSEMBLY	G
		Ref	Note: Original Cylinder May Have Been Replaced with Service Replacement. Identify PN Stamped on Cylinder Before Ordering Parts.	
2	70004960	1	Seal Kit - 1001161804 Cylinder (Part of Item 4)	
3	70004959	1	Barrel	
4	70004958	1	Rod Assembly (Includes Seal Kit)	
5	2220885	3	Plug #6wmellott	
6	2220886	1	Plug #8	
7	4640771	2	Cartridge, Valve	
7	2900770	2	Seal Kit - 4460771 Valve	

SECTION 6 - CYLINDER

FIGURE 6-13. TELESCOPE CYLINDER ASSEMBLY - 450AJ (MACHINES WITH SN STARTING WITH 03)



ART_1001161713

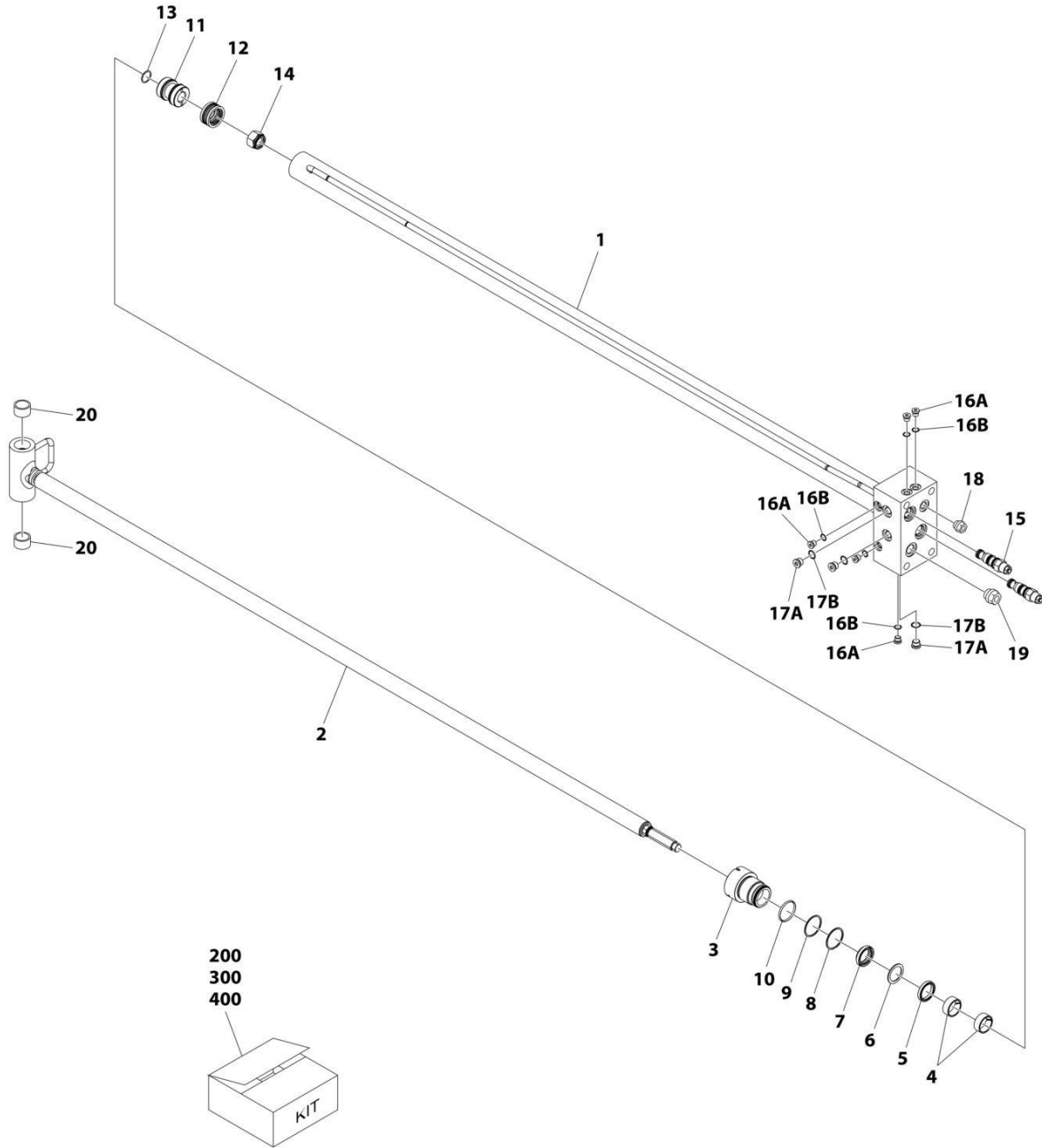
SECTION 6 - CYLINDER

FIGURE 6-13. TELESCOPE CYLINDER ASSEMBLY - 450AJ (MACHINES WITH SN STARTING WITH 03)

ITEM	PART NUMBER	QTY	DESCRIPTION	REV
1	1001161713	Ref Ref	TELESCOPE CYLINDER ASSEMBLY Note: Original Cylinder May Have Been Replaced with Service Replacement. Identify PN Stamped on Cylinder Before Ordering Parts.	E
2	70004957	1	Seal Kit - 1001161713 Cylinder (Part of Item 4)	
3	70004956	1	Barrel	
4	70004955	1	Rod Assembly (Includes Seal Kit and Bushings)	
4	0962292	2	Bushing	
5	2220237	3	Plug #6	
6	2220886	1	Plug #8	
7	4640771	2	Cartridge, Valve	
7	2900770	2	Seal Kit - 4640771 Valve	

SECTION 6 - CYLINDER

FIGURE 6-14. TELESCOPE CYLINDER ASSEMBLY - 450AJ (MACHINES WITH SN STARTING WITH B3)



ART_1001254743

SECTION 6 - CYLINDER

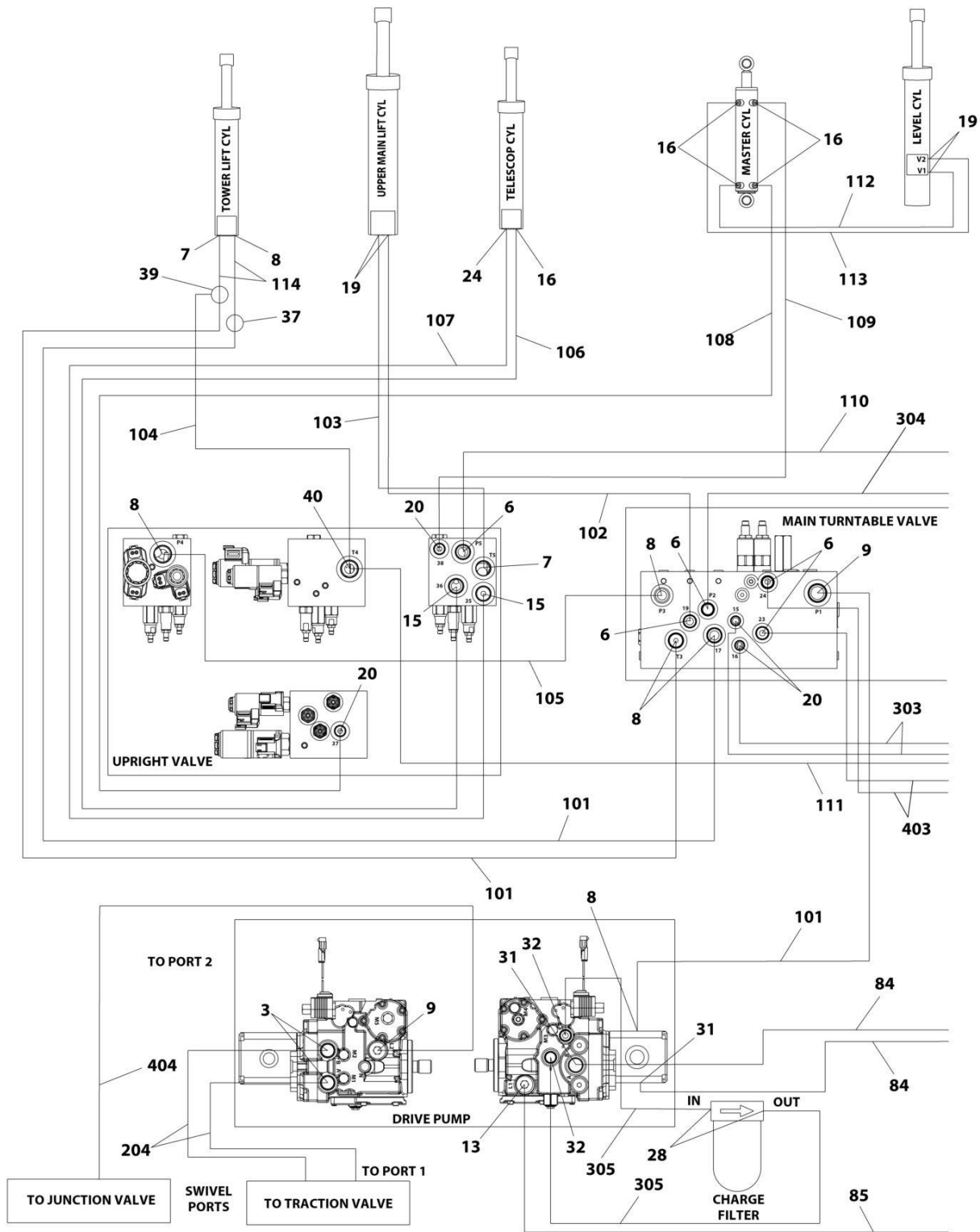
FIGURE 6-14. TELESCOPE CYLINDER ASSEMBLY - 450AJ (MACHINES WITH SN STARTING WITH B3)

ITEM	PART NUMBER	QTY	DESCRIPTION	REV
	1001254743	Ref	TELESCOPE CYLINDER ASSEMBLY	B
		Ref	Note: Original Cylinder May Have Been Replaced with Service Replacement. Identify PN Stamped on Cylinder Before Ordering Parts.	
1	See Note	NSS	Barrel (Note: Use PN 1001254743)	
2	See Note	NSS	Rod (Note: Use Item 200)	
3	70007896	1	Head	
4	See Note	1	Seal (Note: Use Item 300)	
5	See Note	1	Ring, Back-up (Note: Use Item 300)	
6	See Note	2	Ring, Wear (Note: Use Item 300)	
7	See Note	1	Wiper (Note: Use Item 300)	
8	See Note	1	Ring, Retaining (Note: Use Item 300)	
9	See Note	1	O-Ring (Note: Use Item 300)	
10	See Note	1	Ring, Back-up (Note: Use Item 300)	
11	70007897	1	Piston	
12	See Note	1	Seal (Note: Use Item 300)	
13	See Note	1	O-Ring (Note: Use Item 300)	
14	70007360	1	Nut	
15	4640771	2	Cartridge, Valve	
15	2900770	2	Seal Kit - 4640771 Valve	
16A	See Note	5	Plug (Note: Use Item 400)	
16B	See Note	5	O-Ring (Note: Use Item 400)	
17A	See Note	3	Plug (Note: Use Item 400)	
17B	See Note	3	O-Ring (Note: Use Item 400)	
18	See Note	1	Dust Cap (Note: Shipping Use Only)	
19	See Note	1	Dust Cap (Note: Shipping Use Only)	
20	0962292	2	Bushing	
200	70007898	1	Rod Kit (Includes Items 2 & 20)	
300	70007899	1	Seal Kit (Includes Items 4-10 & 12-13)	
400	70007900	1	Plug Kit (Includes Items 16A-17B)	

SECTION 7 - HYDRAULIC

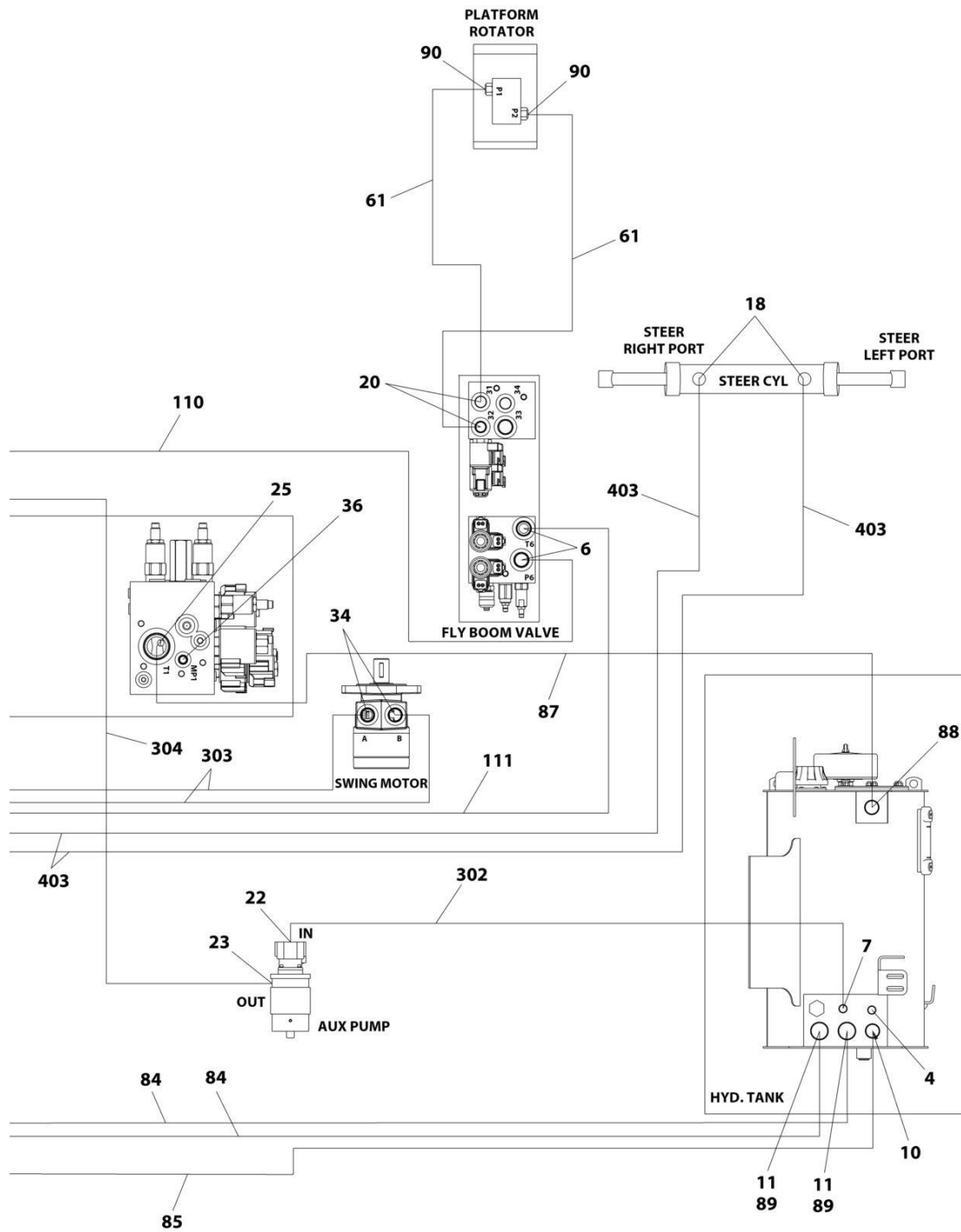
SECTION 7 - HYDRAULIC

FIGURE 7-1. 2WD HYDRAULIC SYSTEM INSTALLATION - 450A



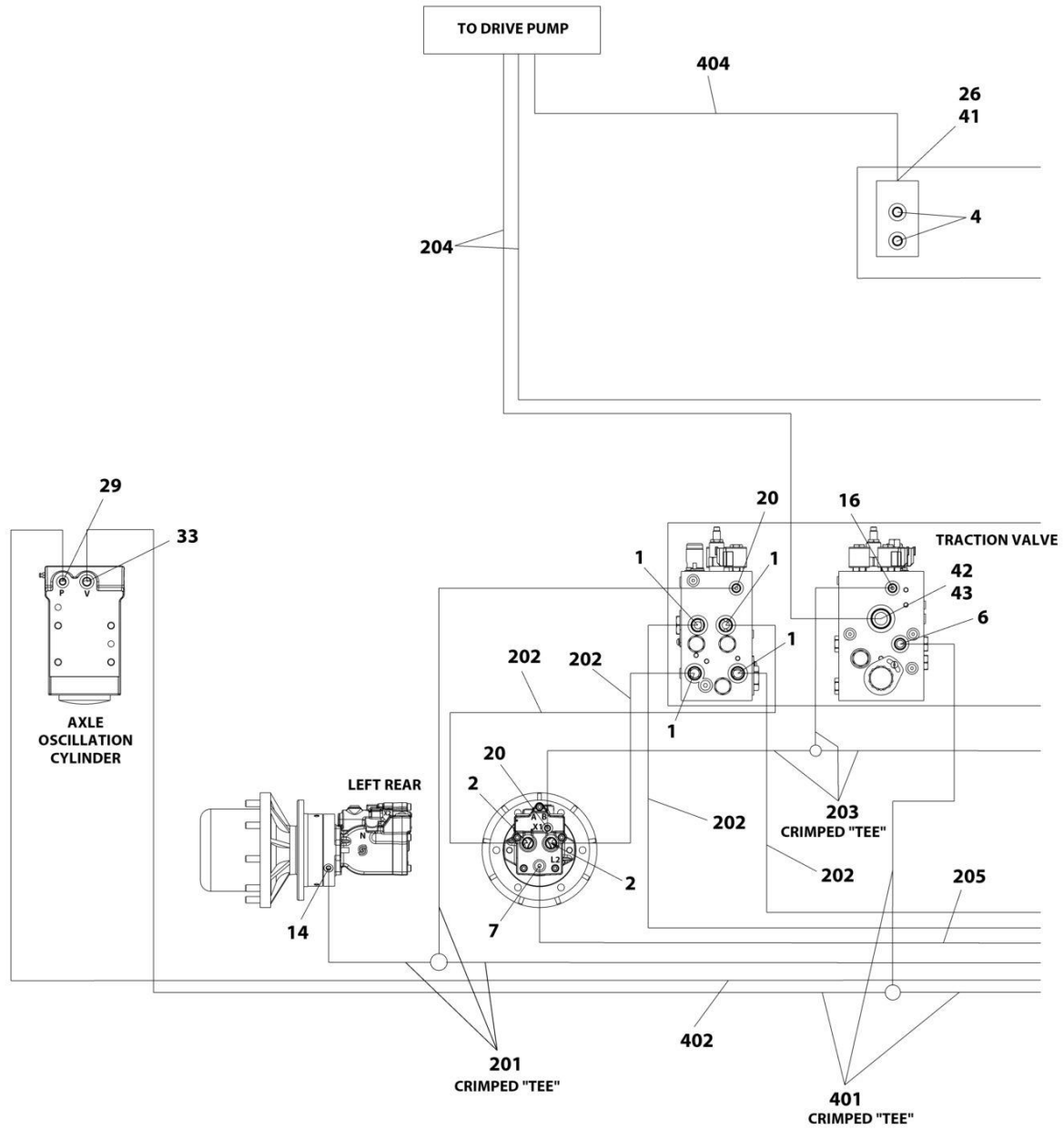
ART_1001217936_10F4

SECTION 7 - HYDRAULIC



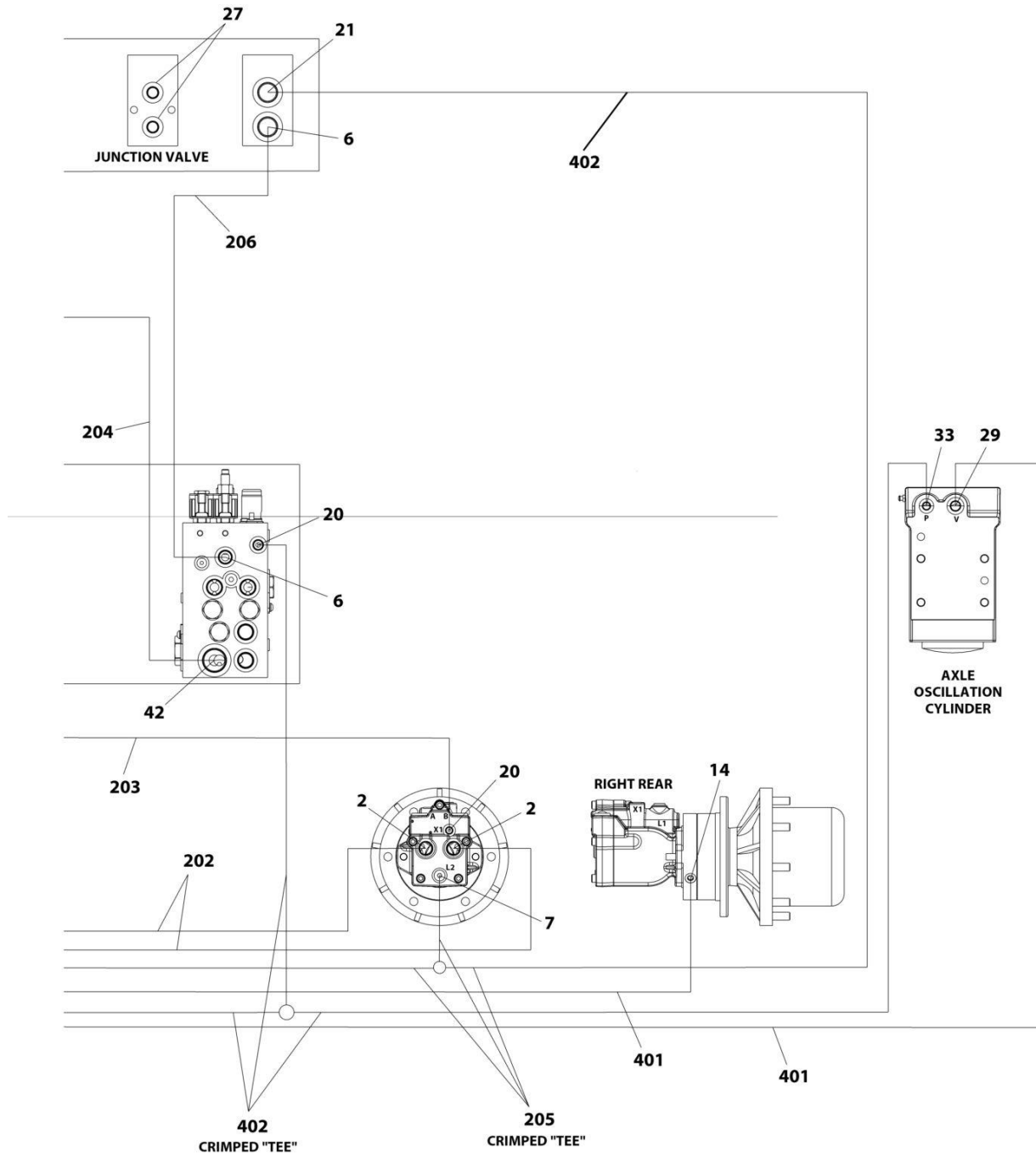
ART_1001217936_20F4

SECTION 7 - HYDRAULIC



ART_1001217936_30F4

SECTION 7 - HYDRAULIC



ART_1001217936_40F4

SECTION 7 - HYDRAULIC

FIGURE 7-1. 2WD HYDRAULIC SYSTEM INSTALLATION - 450A

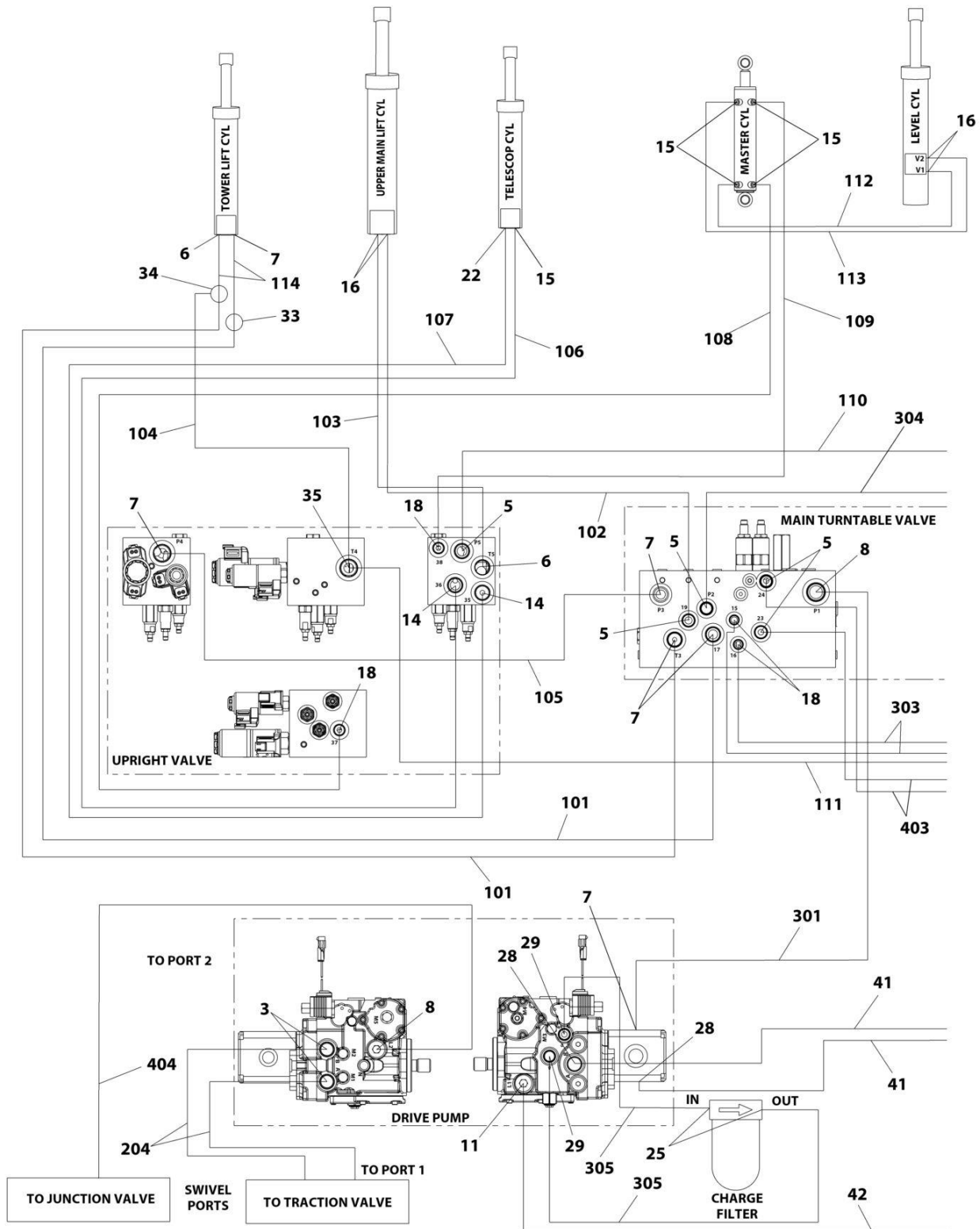
ITEM	PART NUMBER	QTY	DESCRIPTION	REV
	1001217936	Ref	2WD HYDRAULIC SYSTEM INSTALLATION	H
1	2110810	4	Fitting, Straight ORFS/ORB	
2	2110812	4	Fitting, Straight ORFS/ORB	
3	2151212	2	Fitting, 45 ORFS/ORB	
4	2220238	3	Plug	
6	2220372	9	Fitting, Straight JIC/ORB	
7	2220373	3	Fitting, Straight JIC/ORB	
8	2220374	4	Fitting, Straight JIC/ORB	
9	2220375	2	Fitting, Straight JIC/ORB	
10	2220377	1	Fitting, Straight JIC/ORB	
11	1001202910	2	Fitting, Straight MORB	
13	2220451	1	Fitting, Straight JIC/ORB	
14	2220466	2	Fitting, 90 JIC/ORB	
15	2220468	2	Fitting, Straight JIC/ORB	
16	2220472	5	Fitting, 90 JIC/ORB	
18	2220501	2	Fitting, 45 JIC/ORB	
19	2220497	2	Fitting, Straight JIC/ORB	
20	2220582	8	Fitting, Straight JIC/ORB	
21	2220596	1	Fitting, 90 JIC/ORB	
22	2220600	1	Fitting, Straight JIC/ORB	
23	2220603	1	Fitting, Straight JIC/ORB	
24	2220628	1	Fitting, 90 JIC/ORB	
25	2220465	1	Fitting, 90 JIC/ORB	
26	2220811	1	Fitting, Straight FORB/ORB	
27	2220883	2	Plug #4	
28	2220906	2	Fitting, 90 JIC/ORB	
29	2220923	2	Fitting, Straight JIC/ORB	
31	2220946	2	Fitting, Straight JIC/ORB	
32	2220947	2	Fitting, Straight JIC/ORB	
33	2220998	2	Fitting, Straight JIC/ORB	
34	2221033	2	Fitting, Straight JIC/ORB	
36	2221086	1	Fitting, Diagnostic	
37	2230025	1	Fitting, Straight JIC/JIC	
39	8760477	1	Fitting, Tee JIC/JIC/JIC	
40	8770289	1	Fitting, Tee JIC/ORB/JIC	
41	1001119627	1	Fitting, Straight JIC/ORB	
42	1001142679	2	Fitting, Straight ORFS/ORB	
43	1001143936	1	Fitting, 90 FORB/ORB	
61	1001215227	2	Hose	
84	1001207335	1	Hose	
85	1001207336	1	Hose	
87	1001210356	1	Hose	
88	2220435	1	Fitting, Straight JIC/ORB	
89	1001275635	2	Clamp, Hose	
90	2220940	2	Fitting, 90 JIC/ORB	
100	1001218999	1	Hose Kit (Not Shown)	
101	1001173006	2	Hose	
102	1001173034	1	Hose	
103	1001173035	1	Hose	
104	1001173036	1	Hose	

SECTION 7 - HYDRAULIC

ITEM	PART NUMBER	QTY	DESCRIPTION	REV
105	1001173037	1	Hose	
106	1001173038	1	Hose	
107	1001173039	1	Hose	
108	1001173042	1	Hose	
109	1001173043	1	Hose	
110	1001176299	1	Hose	
111	1001176300	1	Hose	
112	1001176301	1	Hose	
113	1001176302	1	Hose	
114	1001180035	2	Hose	
200	1001194428	1	Hose Kit - Rear (Not Shown)	
201	1001173052	1	Hose	
202	1001173059	1	Hose	
203	1001173061	1	Hose	
204	1001173062	1	Hose	
205	1001173063	1	Hose	
206	1001197039	1	Hose	
300	1001252926	1	Hose Kit - Turntable (Not Shown)	
301	2752504	1	Hose	
302	2752519	1	Hose	
303	1001173027	1	Hose	
304	1001173028	1	Hose	
305	1001173029	1	Hose	
400	1001214616	1	Hose Kit - Front (Not Shown)	
401	1001173053	1	Hose	
402	1001173054	1	Hose	
403	1001173058	1	Hose	
404	1001173066	1	Hose	

SECTION 7 - HYDRAULIC

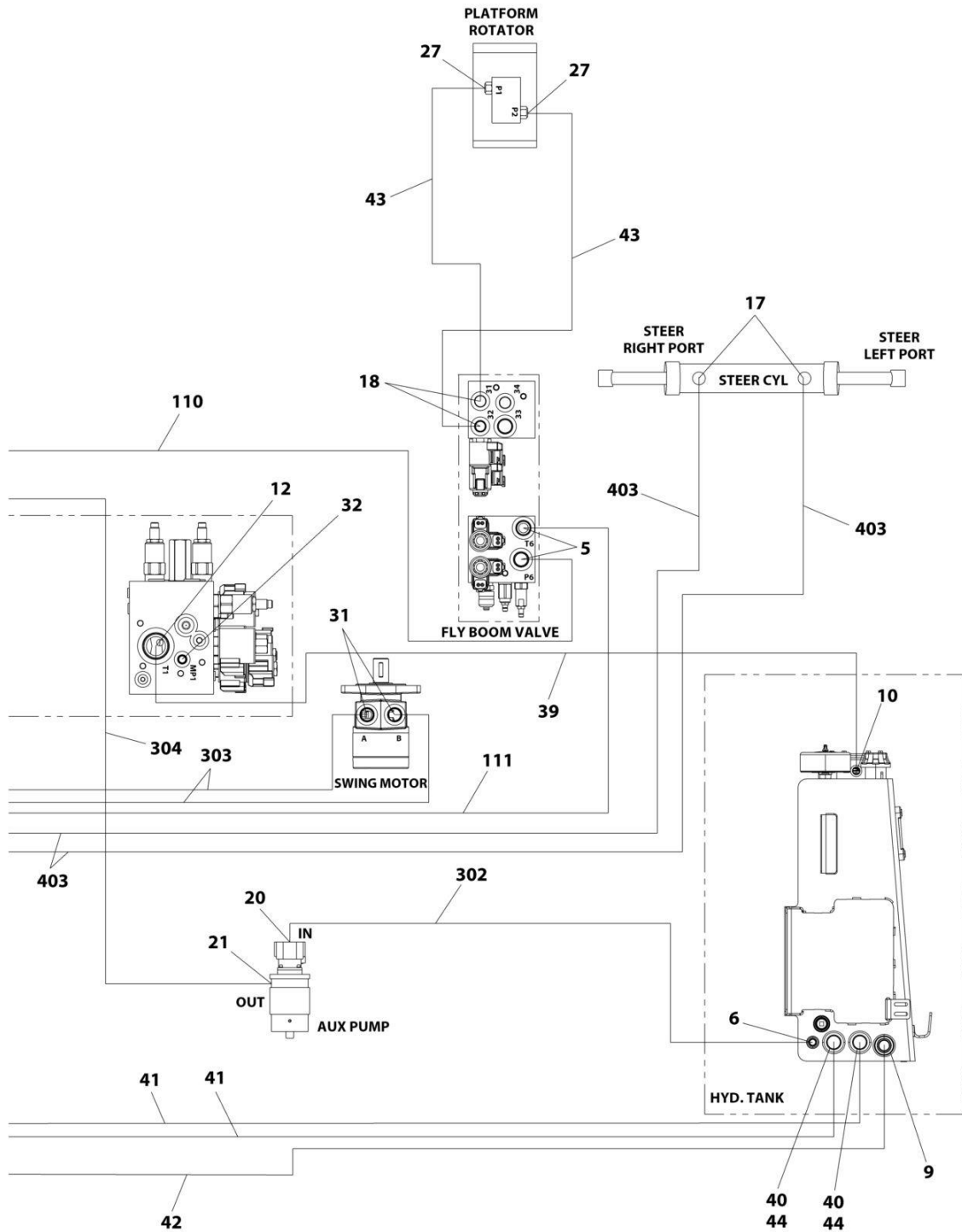
FIGURE 7-2. 2WD HYDRAULIC SYSTEM INSTALLATION - 450A



ART_1001287819_10F4

SECTION 7 - HYDRAULIC

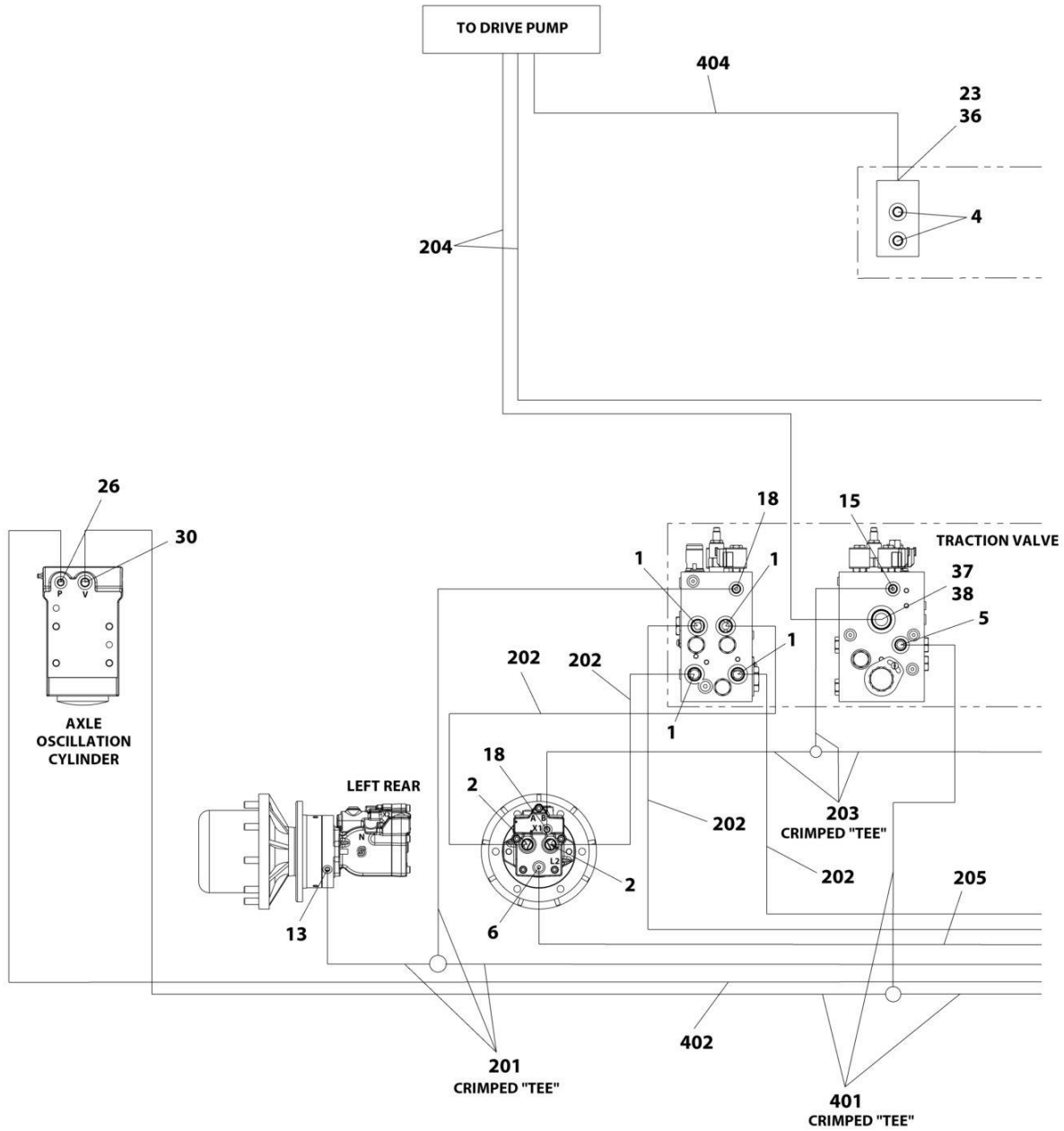
FIGURE 7-3. 2WD HYDRAULIC SYSTEM INSTALLATION - 450A



ART_1001287819_20F4

SECTION 7 - HYDRAULIC

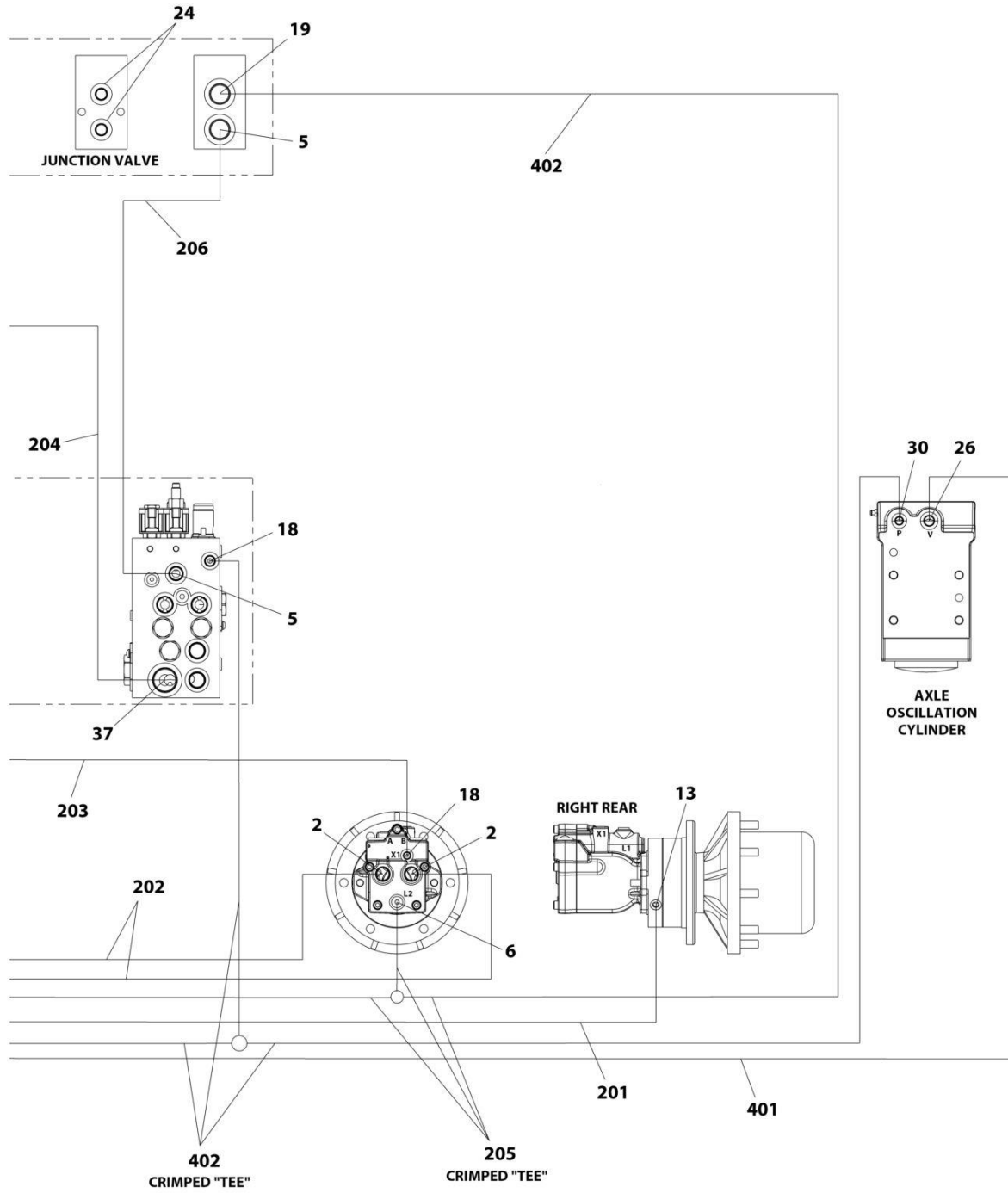
FIGURE 7-4. 2WD HYDRAULIC SYSTEM INSTALLATION - 450A



ART_1001287819_30F4

SECTION 7 - HYDRAULIC

FIGURE 7-5. 2WD HYDRAULIC SYSTEM INSTALLATION - 450A



ART_1001287819_40F4

SECTION 7 - HYDRAULIC

FIGURE 7-5. 2WD HYDRAULIC SYSTEM INSTALLATION - 450A

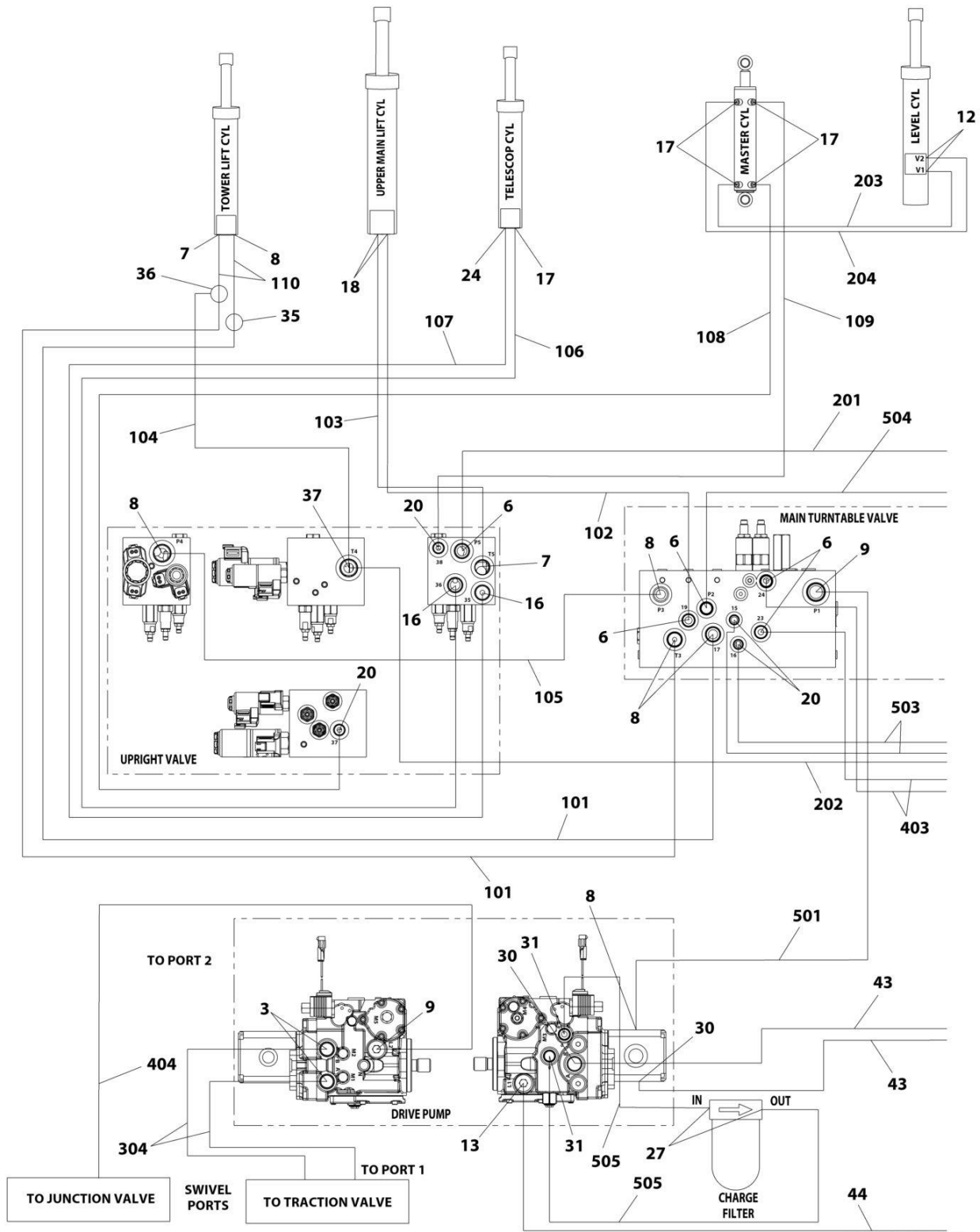
ITEM	PART NUMBER	QTY	DESCRIPTION	REV
	1001287819	Ref	2WD HYDRAULIC SYSTEM INSTALLATION	A
1	2110810	4	Fitting, Straight ORFS/ORB	
2	2110812	4	Fitting, Straight ORFS/ORB	
3	2151212	2	Fitting, 45 ORFS/ORB	
4	2220238	2	Plug	
5	2220372	9	Fitting, Straight JIC/ORB	
6	2220373	3	Fitting, Straight JIC/ORB	
7	2220374	4	Fitting, Straight JIC/ORB	
8	2220375	2	Fitting, Straight JIC/ORB	
9	2220377	1	Fitting, Straight JIC/ORB	
10	2220408	1	Fitting, Straight JIC/ORB	
11	2220451	1	Fitting, Straight JIC/ORB	
12	2220465	1	Fitting, 90 JIC/ORB	
13	2220466	2	Fitting, 90 JIC/ORB	
14	2220468	2	Fitting, Straight JIC/ORB	
15	2220472	6	Fitting, 90 JIC/ORB	
16	2220497	2	Fitting, Straight JIC/ORB	
17	2220501	2	Fitting, 45 JIC/ORB	
18	2220582	8	Fitting, Straight JIC/ORB	
19	2220596	1	Fitting, 90 JIC/ORB	
20	2220600	1	Fitting, Straight JIC/ORB	
21	2220603	1	Fitting, Straight JIC/ORB	
22	2220628	1	Fitting, 90 JIC/ORB	
23	2220811	1	Fitting, Straight FORB/ORB	
24	2220883	2	Plug #4	
25	2220906	2	Fitting, 90 JIC/ORB	
26	2220923	2	Fitting, Straight JIC/ORB	
27	2220940	2	Fitting, 90 JIC/ORB	
28	2220946	2	Fitting, Straight JIC/ORB	
29	2220947	2	Fitting, Straight JIC/ORB	
30	2220998	2	Fitting, Straight JIC/ORB	
31	2221033	2	Fitting, Straight JIC/ORB	
32	2221086	1	Fitting, Diagnostic	
33	2230025	1	Fitting, Straight JIC/JIC	
34	8760477	1	Fitting, Tee JIC/JIC/JIC	
35	8770289	1	Fitting, Tee JIC/ORB/JIC	
36	1001119627	1	Fitting, Straight JIC/ORB	
37	1001142679	2	Fitting, Straight ORFS/ORB	
38	1001143936	1	Fitting, 90 FORB/ORB	
39	1001173631	1	Tube	
40	1001202910	2	Fitting, Straight MORB	
41	1001207335	2	Hose	
42	1001207336	1	Hose	
43	1001215227	2	Hose	
44	1001275635	2	Clamp, Hose	
100	1001218999	1	Hose Kit (Not Shown)	
101	1001173006	2	Hose	
102	1001173034	1	Hose	
103	1001173035	1	Hose	
104	1001173036	1	Hose	

SECTION 7 - HYDRAULIC

ITEM	PART NUMBER	QTY	DESCRIPTION	REV
105	1001173037	1	Hose	
106	1001173038	1	Hose	
107	1001173039	1	Hose	
108	1001173042	1	Hose	
109	1001173043	1	Hose	
110	1001176299	1	Hose	
111	1001176300	1	Hose	
112	1001176301	1	Hose	
113	1001176302	1	Hose	
114	1001180035	2	Hose	
200	1001194428	1	Hose Kit - Rear (Not Shown)	
201	1001173052	1	Hose	
202	1001173059	1	Hose	
203	1001173061	1	Hose	
204	1001173062	1	Hose	
205	1001173063	1	Hose	
206	1001197039	1	Hose	
300	1001252926	1	Hose Kit - Turntable (Not Shown)	
301	2752504	1	Hose	
302	2752519	1	Hose	
303	1001173027	1	Hose	
304	1001173028	1	Hose	
305	1001173029	1	Hose	
400	1001214616	1	Hose Kit - Front (Not Shown)	
401	1001173053	1	Hose	
402	1001173054	1	Hose	
403	1001173058	1	Hose	
404	1001173066	1	Hose	

SECTION 7 - HYDRAULIC

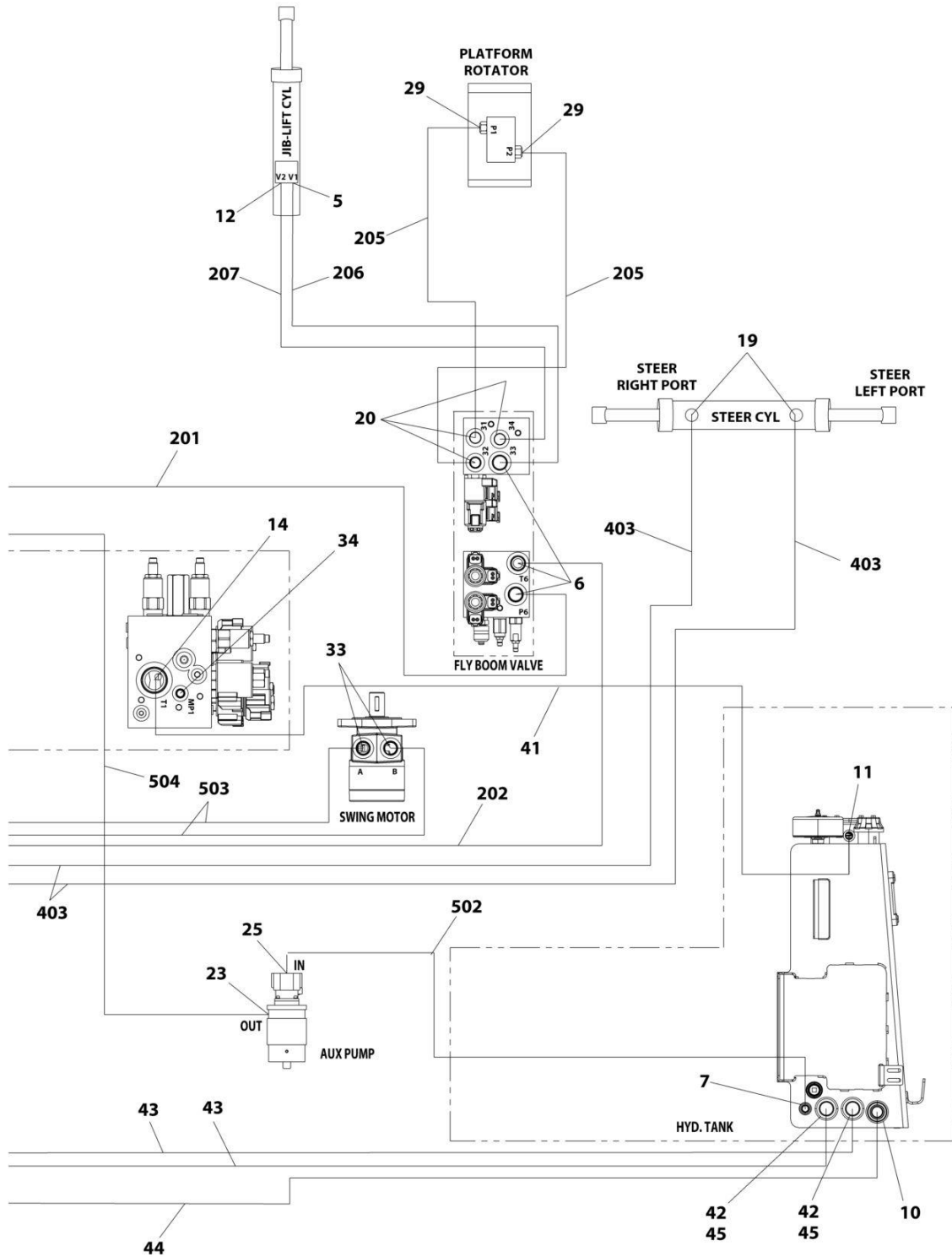
FIGURE 7-6. 2WD HYDRAULIC SYSTEM INSTALLATION - 450AJ



ART_1001287817_10F4

SECTION 7 - HYDRAULIC

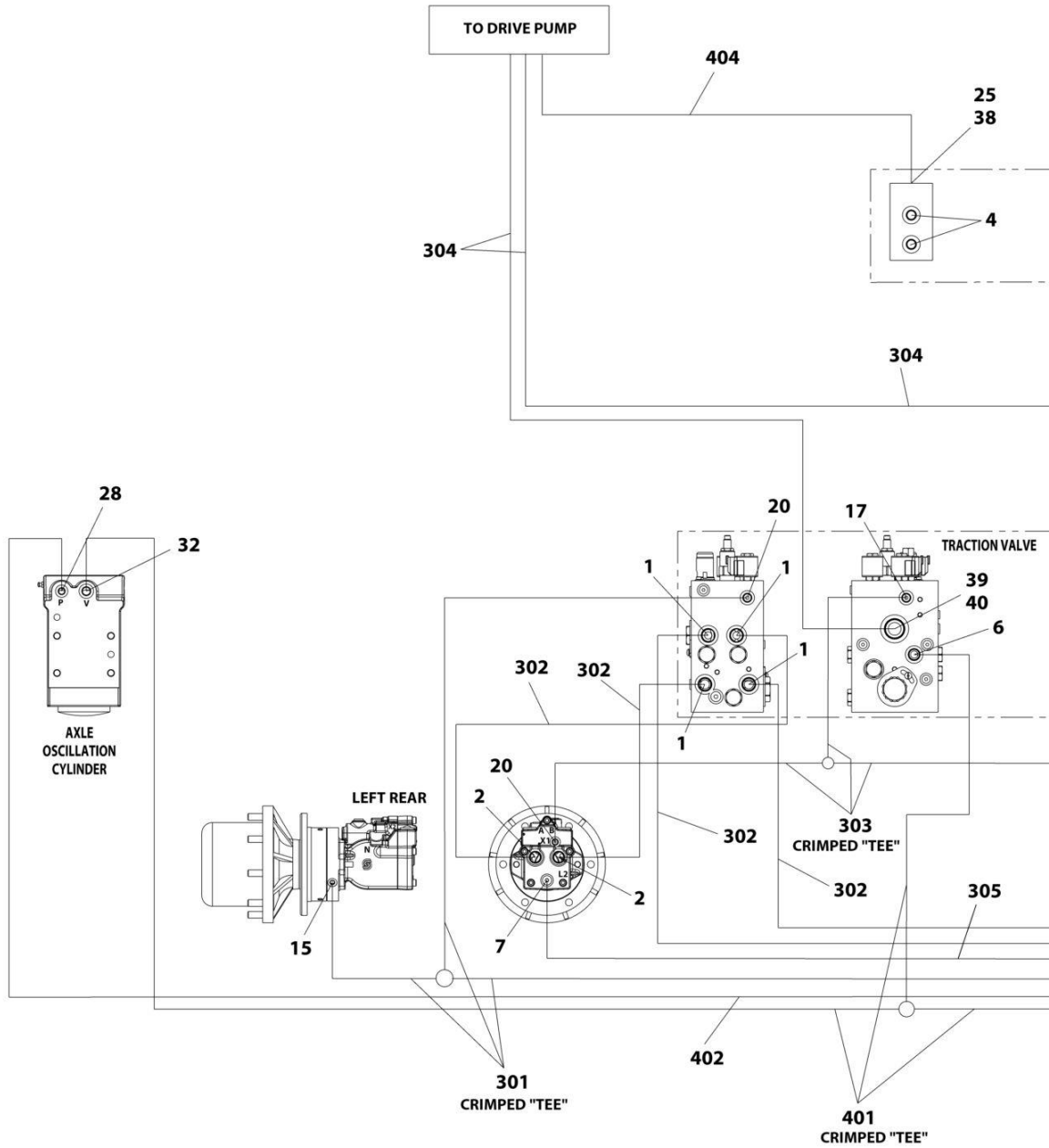
FIGURE 7-7. 2WD HYDRAULIC SYSTEM INSTALLATION - 450AJ



ART_1001287817_20F4

SECTION 7 - HYDRAULIC

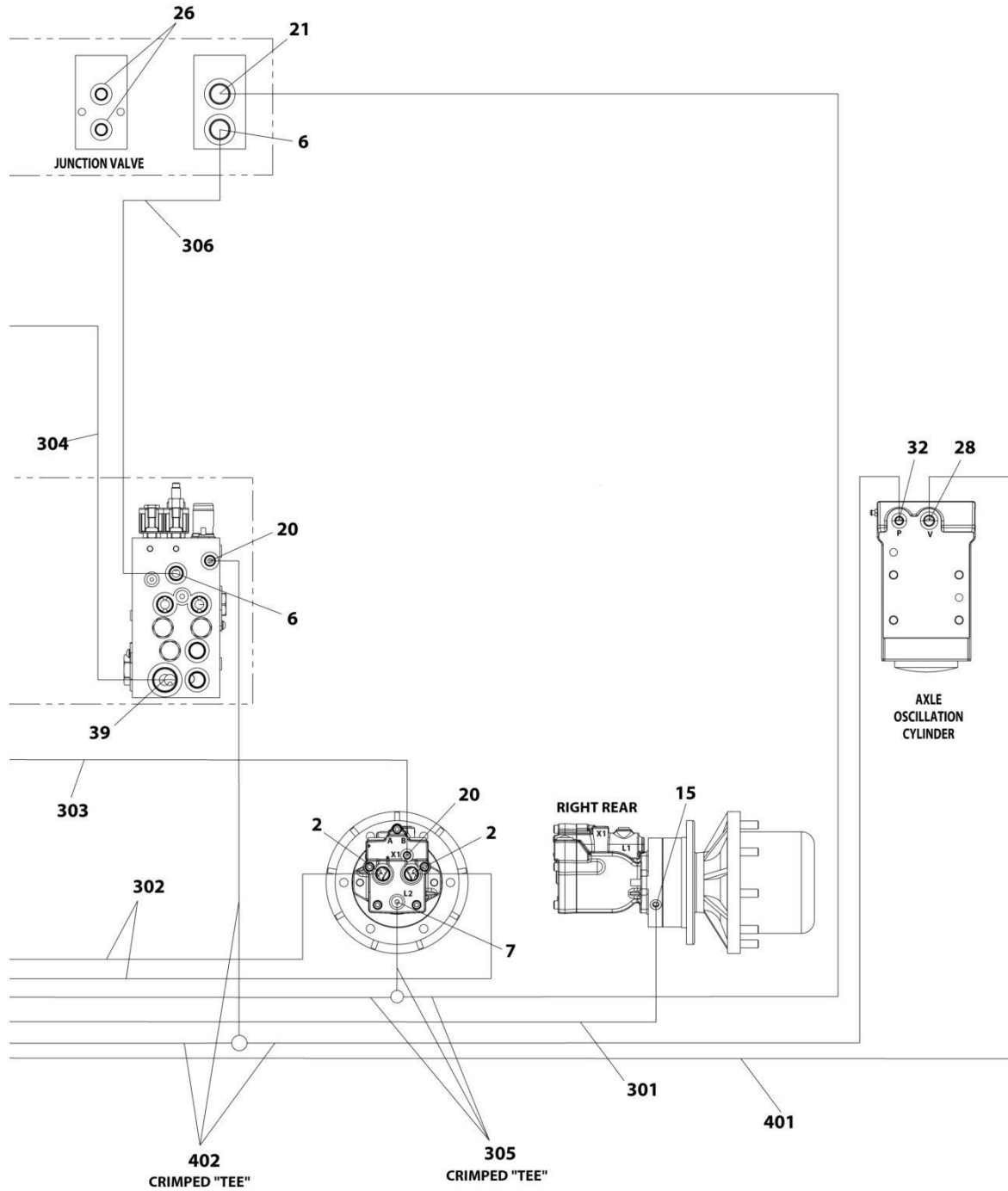
FIGURE 7-8. 2WD HYDRAULIC SYSTEM INSTALLATION - 450AJ



ART_1001287817_30F4

SECTION 7 - HYDRAULIC

FIGURE 7-9. 2WD HYDRAULIC SYSTEM INSTALLATION - 450AJ



ART_1001216802_40F4

SECTION 7 - HYDRAULIC

FIGURE 7-9. 2WD HYDRAULIC SYSTEM INSTALLATION - 450AJ

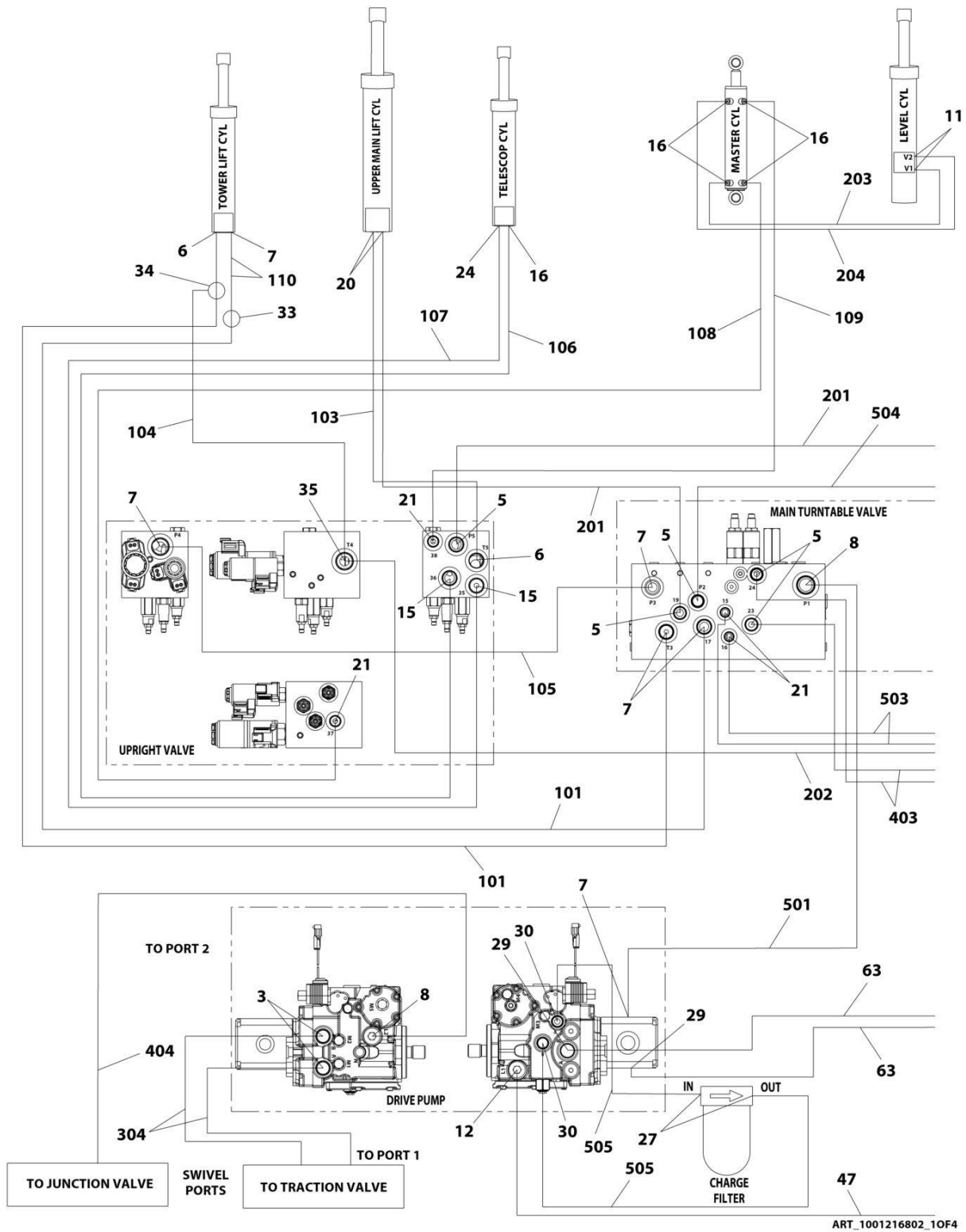
ITEM	PART NUMBER	QTY	DESCRIPTION	REV
	1001287817	Ref	2WD HYDRAULIC SYSTEM INSTALLATION	A
1	2110810	4	Fitting, Straight ORFS/ORB	
2	2110812	4	Fitting, Straight ORFS/ORB	
3	2151212	2	Fitting, 45 ORFS/ORB	
4	2220238	2	Plug	
5	2220371	1	Fitting, Straight JIC/ORB	
6	2220372	11	Fitting, Straight JIC/ORB	
7	2220373	5	Fitting, Straight JIC/ORB	
8	2220374	6	Fitting, Straight JIC/ORB	
9	2220375	2	Fitting, Straight JIC/ORB	
10	2220377	1	Fitting, Straight JIC/ORB	
11	2220408	1	Fitting, Straight JIC/ORB	
12	2220415	3	Fitting, Straight JIC/ORB	
13	2220451	1	Fitting, Straight JIC/ORB	
14	2220465	1	Fitting, 90 JIC/ORB	
15	2220466	2	Fitting, 90 JIC/ORB	
16	2220468	2	Fitting, Straight JIC/ORB	
17	2220472	6	Fitting, 90 JIC/ORB	
18	2220497	2	Fitting, Straight JIC/ORB	
19	2220501	2	Fitting, 45 JIC/ORB	
20	2220582	11	Fitting, Straight JIC/ORB	
21	2220596	1	Fitting, 90 JIC/ORB	
22	2220600	1	Fitting, Straight JIC/ORB	
23	2220603	1	Fitting, Straight JIC/ORB	
24	2220628	1	Fitting, 90 JIC/ORB	
25	2220811	1	Fitting, Straight FORB/ORB	
26	2220883	2	Plug	
27	2220906	2	Fitting, 90 JIC/ORB	
28	2220923	2	Fitting, Straight JIC/ORB	
29	2220940	2	Fitting, Elbow	
30	2220946	2	Fitting, Straight JIC/ORB	
31	2220947	2	Fitting, Straight JIC/ORB	
32	2220998	2	Fitting, Straight JIC/ORB	
33	2221033	2	Fitting, Straight JIC/ORB	
34	2221086	1	Fitting, Diagnostic	
35	2230025	1	Fitting, Straight JIC/JIC	
36	8760477	1	Fitting, Tee JIC/JIC/JIC	
37	8770289	1	Fitting, Tee JIC/ORB/JIC	
38	1001119627	1	Fitting, Straight JIC/ORB	
39	1001142679	2	Fitting, Straight ORFS/ORB	
40	1001143936	1	Fitting, 90 FORB/ORB	
41	1001173631	1	Tube	
42	1001202910	2	Fitting, Straight MORB	
43	1001207335	2	Hose	
44	1001207336	1	Hose	
45	1001275635	2	Clamp, Hose	
100	1001194424	1	Hose Kit - Lower Boom (Not Shown)	
101	1001173006	2	Hose	
102	1001173034	1	Hose	
103	1001173035	1	Hose	

SECTION 7 - HYDRAULIC

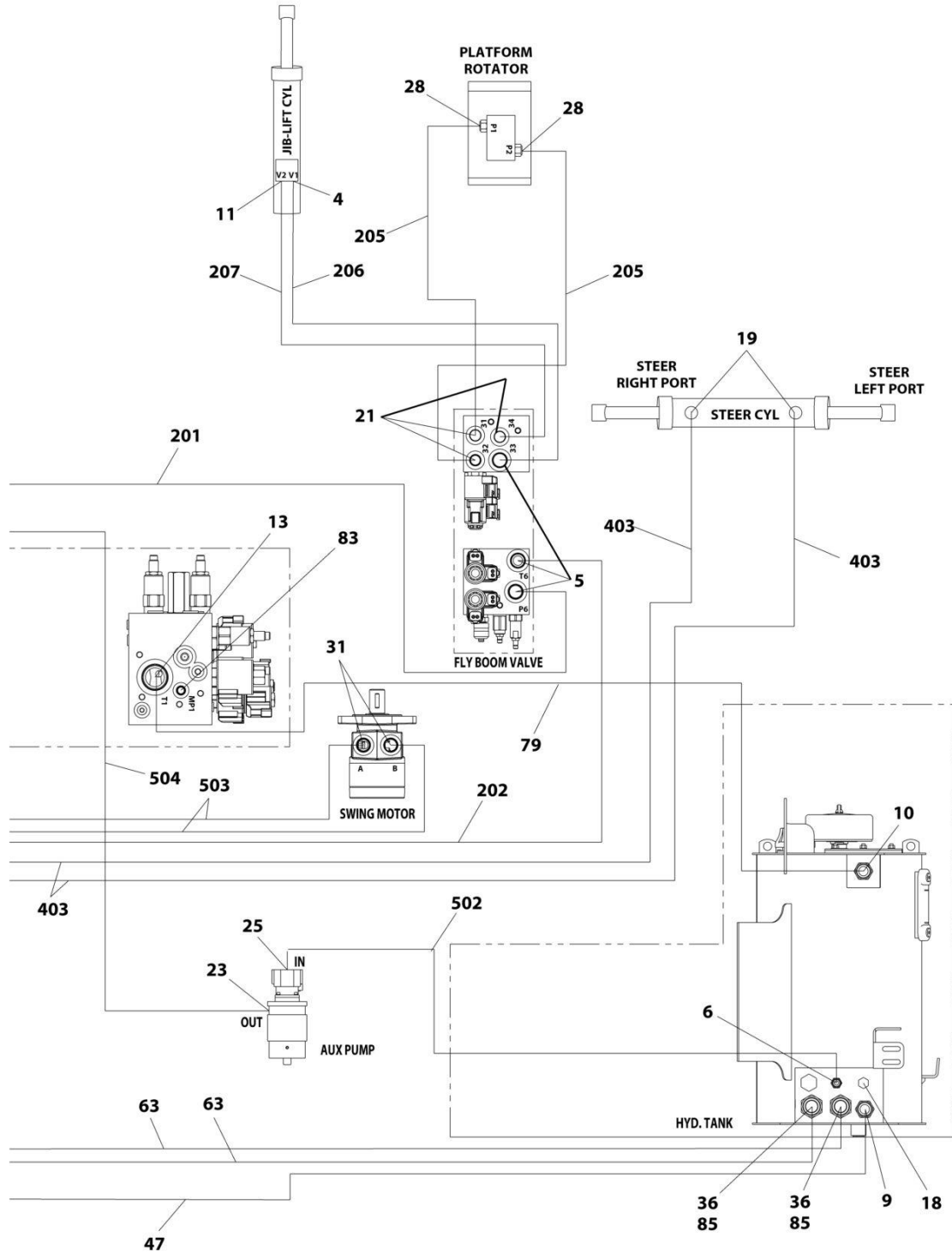
ITEM	PART NUMBER	QTY	DESCRIPTION	REV
104	1001173036	1	Hose	
105	1001173037	1	Hose	
106	1001173038	1	Hose	
107	1001173039	1	Hose	
108	1001173042	1	Hose	
109	1001173043	1	Hose	
110	1001180035	2	Hose	
200	1001194425	1	Hose Kit - Upper Boom (Not Shown)	
201	1001173040	1	Hose	
202	1001173041	1	Hose	
203	1001173044	1	Hose	
204	1001173045	1	Hose	
205	1001173046	2	Hose	
206	1001173048	1	Hose	
207	1001173049	1	Hose	
300	1001194428	1	Hose Kit - Rear (Not Shown)	
301	1001173052	1	Hose	
302	1001173059	4	Hose	
303	1001173061	1	Hose	
304	1001173062	2	Hose	
305	1001173063	1	Hose	
306	1001197039	1	Hose	
400	1001214616	1	Hose Kit - Front (Not Shown)	
401	1001173053	1	Hose	
402	1001173054	1	Hose	
403	1001173058	2	Hose	
404	1001173066	1	Hose	
500	1001252926	1	Hose Kit - Turntable (Not Shown)	
501	2752504	1	Hose	
502	2752519	1	Hose	
503	1001173027	2	Hose	
504	1001173028	1	Hose	
505	1001173029	2	Hose	

SECTION 7 - HYDRAULIC

FIGURE 7-10. 2WD HYDRAULIC SYSTEM INSTALLATION - 450AJ

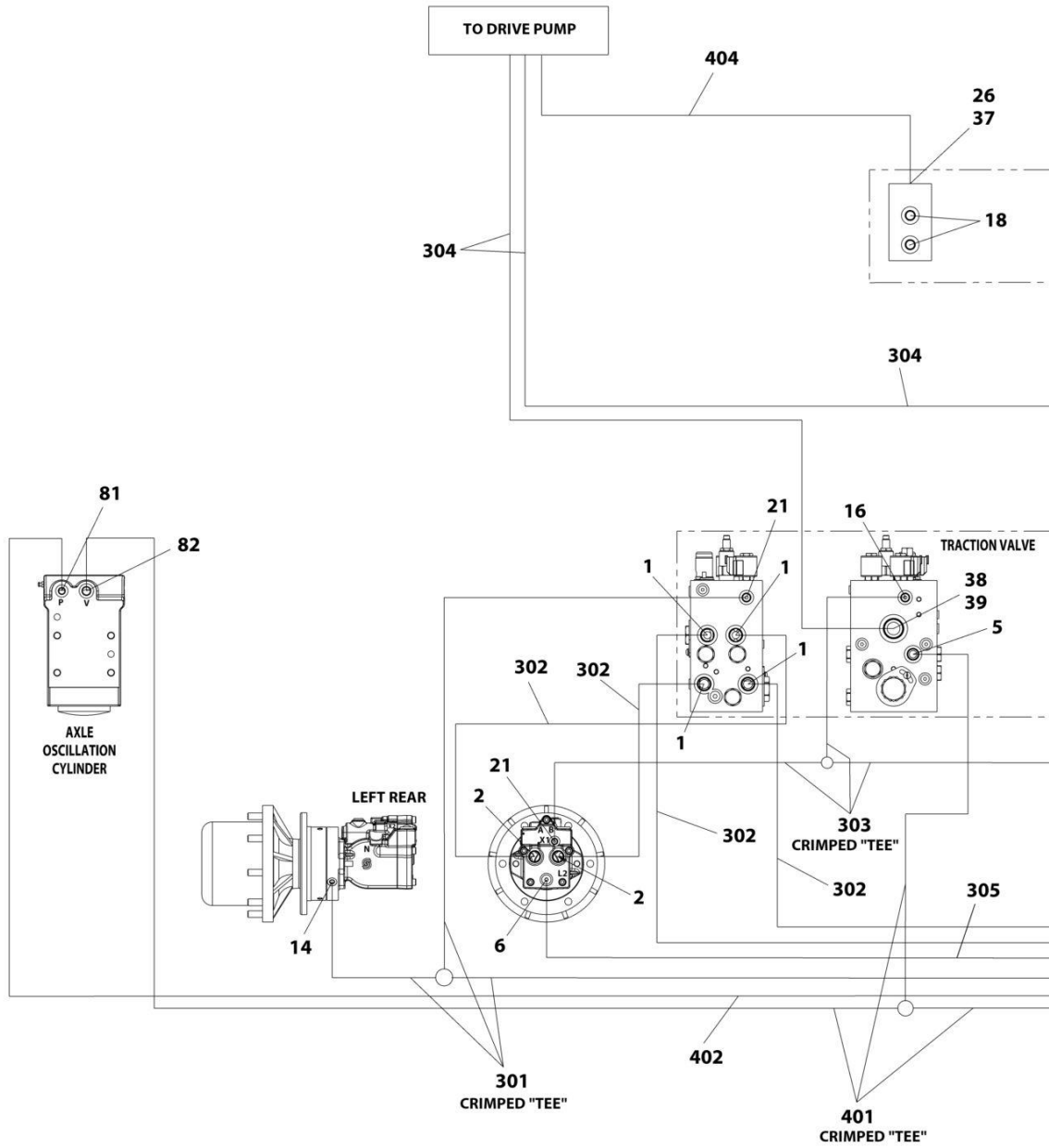


SECTION 7 - HYDRAULIC



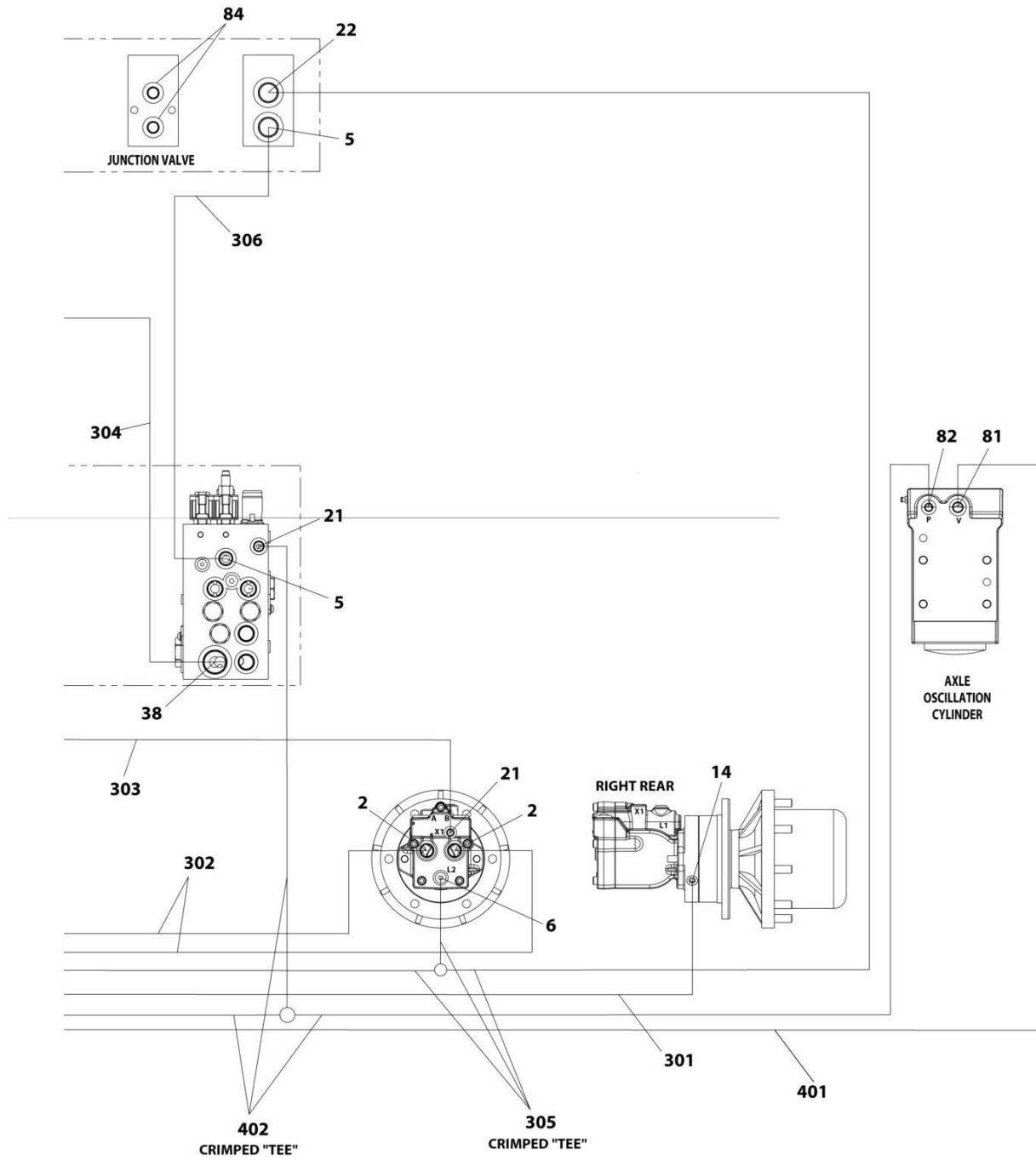
ART_1001216802_20F4

SECTION 7 - HYDRAULIC



ART_1001216802_30F4

SECTION 7 - HYDRAULIC



ART_1001216802_40F4

SECTION 7 - HYDRAULIC

FIGURE 7-10. 2WD HYDRAULIC SYSTEM INSTALLATION - 450AJ

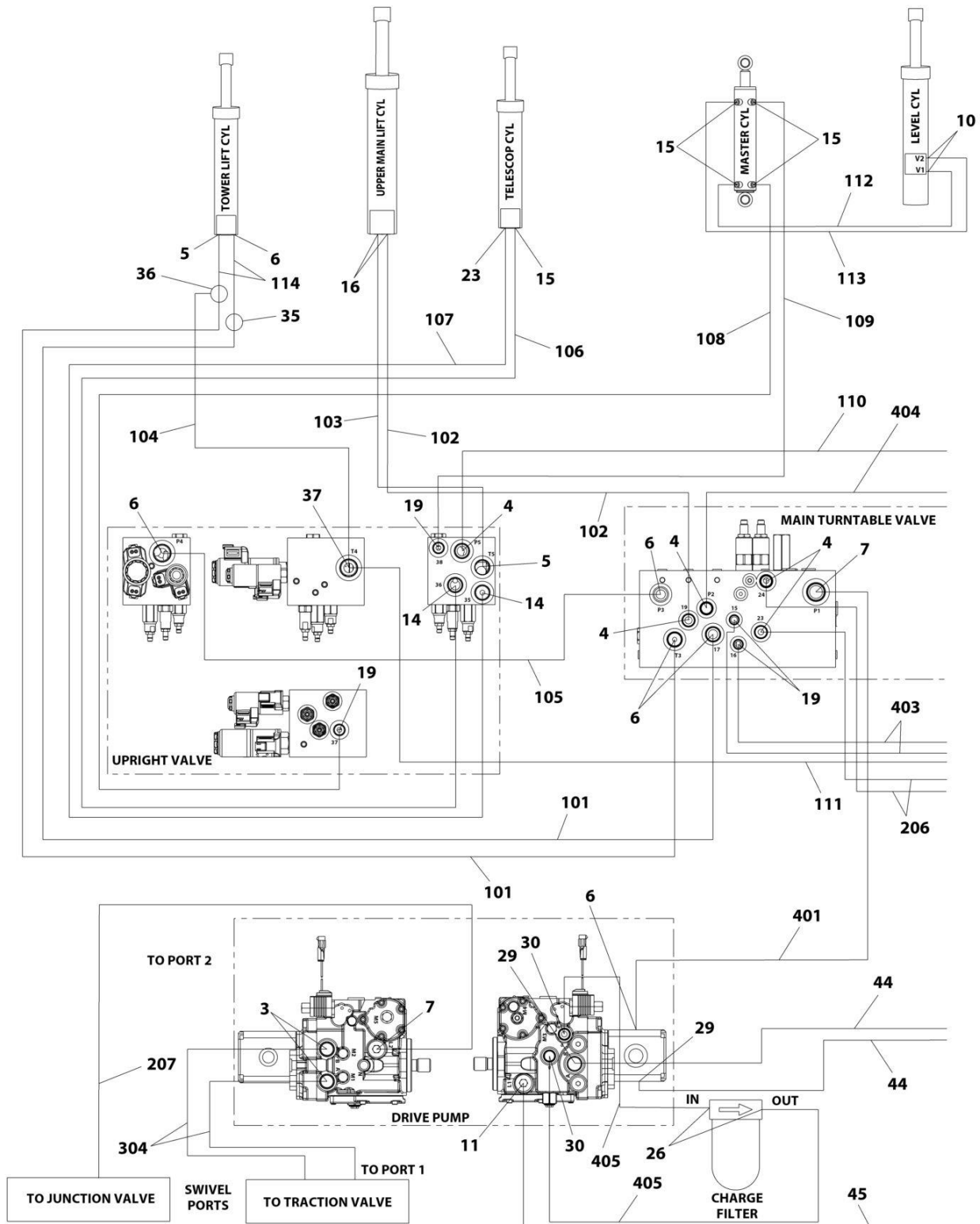
ITEM	PART NUMBER	QTY	DESCRIPTION	REV
	1001216802	Ref	2WD HYDRAULIC SYSTEM INSTALLATION	E
1	2110810	4	Fitting, Straight ORFS/ORB	
2	2110812	4	Fitting, Straight ORFS/ORB	
3	2151212	2	Fitting, 45 ORFS/ORB	
4	2220371	1	Fitting, Straight JIC/ORB	
5	2220372	11	Fitting, Straight JIC/ORB	
6	2220373	5	Fitting, Straight JIC/ORB	
7	2220374	6	Fitting, Straight JIC/ORB	
8	2220375	2	Fitting, Straight JIC/ORB	
9	2220377	1	Fitting, Straight JIC/ORB	
10	2220435	1	Fitting, Straight JIC/ORB	
11	2220415	3	Fitting, Straight JIC/ORB	
12	2220451	1	Fitting, Straight JIC/ORB	
13	2220465	1	Fitting, 90 JIC/ORB	
14	2220466	2	Fitting, 90 JIC/ORB	
15	2220468	2	Fitting, Straight JIC/ORB	
16	2220472	6	Fitting, 90 JIC/ORB	
18	2220238	3	Plug	
19	2220501	2	Fitting, 45 JIC/ORB	
20	2220497	2	Fitting, Straight JIC/ORB	
21	2220582	11	Fitting, Straight JIC/ORB	
22	2220596	1	Fitting, 90 JIC/ORB	
23	2220603	1	Fitting, Straight JIC/ORB	
24	2220628	1	Fitting, 90 JIC/ORB	
25	2220600	1	Fitting, Straight JIC/ORB	
26	2220811	1	Fitting, Straight FORB/ORB	
27	2220906	2	Fitting, 90 JIC/ORB	
28	2220940	2	Fitting, Elbow	
29	2220946	2	Fitting, Straight JIC/ORB	
30	2220947	2	Fitting, Straight JIC/ORB	
31	2221033	2	Fitting, Straight JIC/ORB	
33	2230025	1	Fitting, Straight JIC/JIC	
34	8760477	1	Fitting, Tee JIC/JIC/JIC	
35	8770289	1	Fitting, Tee JIC/ORB/JIC	
36	1001275635	2	Clamp, Hose	
37	1001119627	1	Fitting, Straight JIC/ORB	
38	1001142679	2	Fitting, Straight ORFS/ORB	
39	1001143936	1	Fitting, 90 FORB/ORB	
47	1001207336	1	Hose	
63	1001207335	2	Hose	
79	1001210356	1	Tube	
81	2220923	2	Fitting, Straight JIC/ORB	
82	2220998	2	Fitting, Straight JIC/ORB	
83	2221086	1	Fitting, Diagnostic	
84	2220883	2	Plug #4	
85	1001202910	2	Fitting, Straight MORB	
100	1001194424	1	Hose Kit - Lower Boom (Not Shown)	
101	1001173006	2	Hose	
102	1001173034	1	Hose	
103	1001173035	1	Hose	

SECTION 7 - HYDRAULIC

ITEM	PART NUMBER	QTY	DESCRIPTION	REV
104	1001173036	1	Hose	
105	1001173037	1	Hose	
106	1001173038	1	Hose	
107	1001173039	1	Hose	
108	1001173042	1	Hose	
109	1001173043	1	Hose	
110	1001180035	2	Hose	
200	1001194425	1	Hose Kit - Upper Boom (Not Shown)	
201	1001173040	1	Hose	
202	1001173041	1	Hose	
203	1001173044	1	Hose	
204	1001173045	1	Hose	
205	1001173046	2	Hose	
206	1001173048	1	Hose	
207	1001173049	1	Hose	
300	1001194428	1	Hose Kit - Rear (Not Shown)	
301	1001173052	1	Hose	
302	1001173059	4	Hose	
303	1001173061	1	Hose	
304	1001173062	2	Hose	
305	1001173063	1	Hose	
306	1001197039	1	Hose	
400	1001214616	1	Hose Kit - Front (Not Shown)	
401	1001173053	1	Hose	
402	1001173054	1	Hose	
403	1001173058	2	Hose	
404	1001173066	1	Hose	
500	1001252926	1	Hose Kit - Turntable (Not Shown)	
501	2752504	1	Hose	
502	2752519	1	Hose	
503	1001173027	2	Hose	
504	1001173028	1	Hose	
505	1001173029	2	Hose	

SECTION 7 - HYDRAULIC

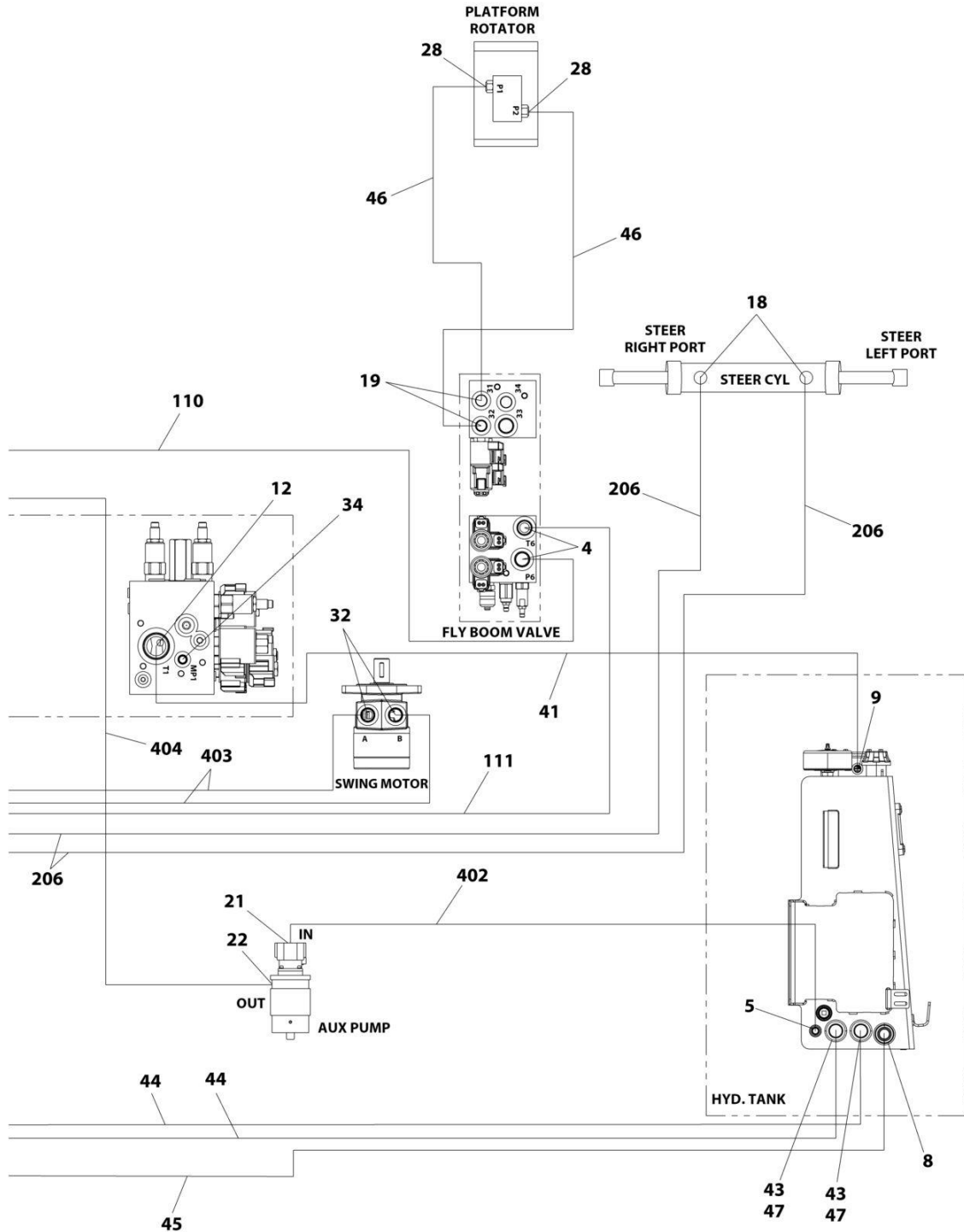
FIGURE 7-11. 4WD HYDRAULIC SYSTEM INSTALLATION - 450A



ART_1001287818_10F4

SECTION 7 - HYDRAULIC

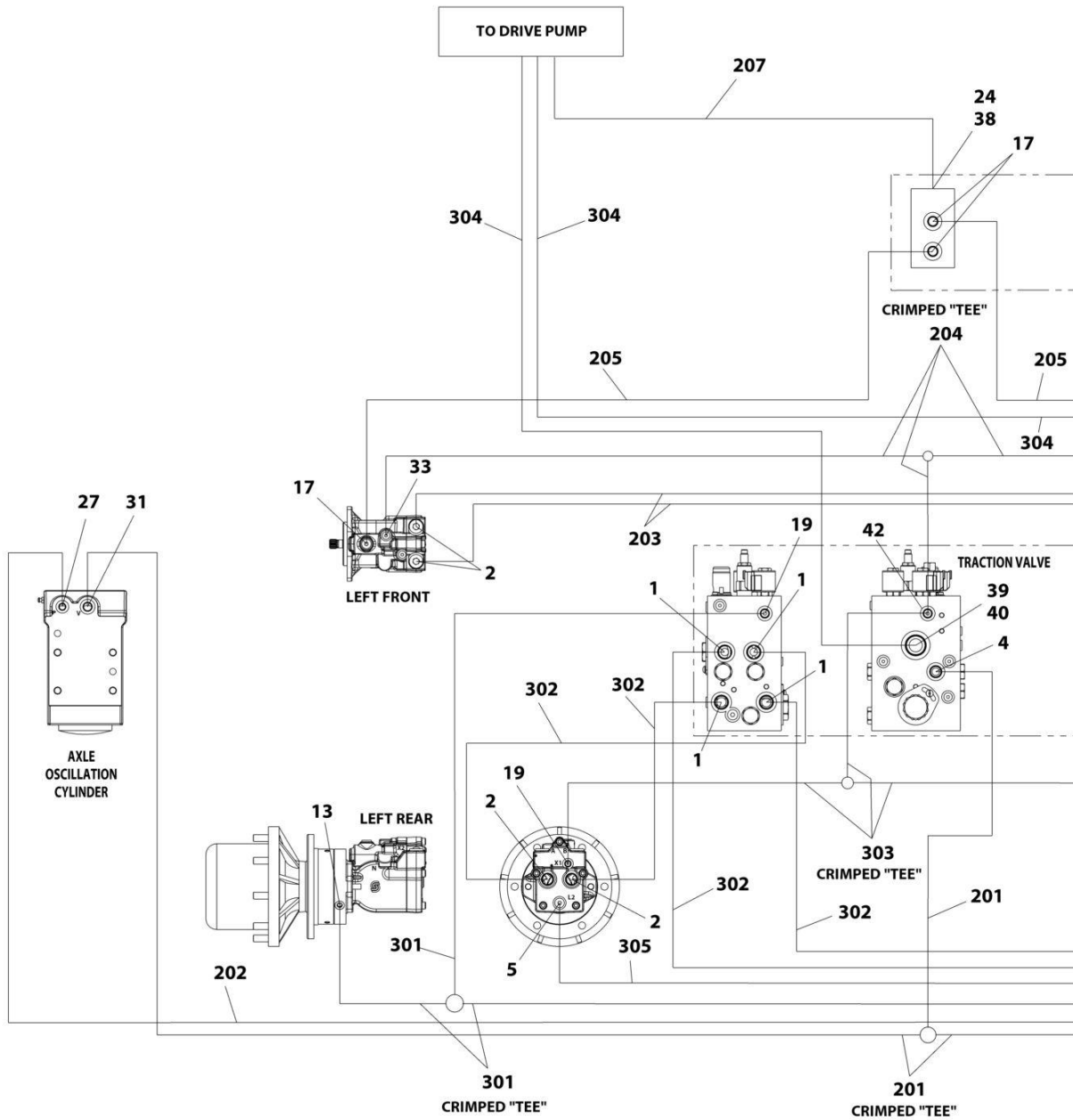
FIGURE 7-12. 4WD HYDRAULIC SYSTEM INSTALLATION - 450A



ART_1001287818_20F4

SECTION 7 - HYDRAULIC

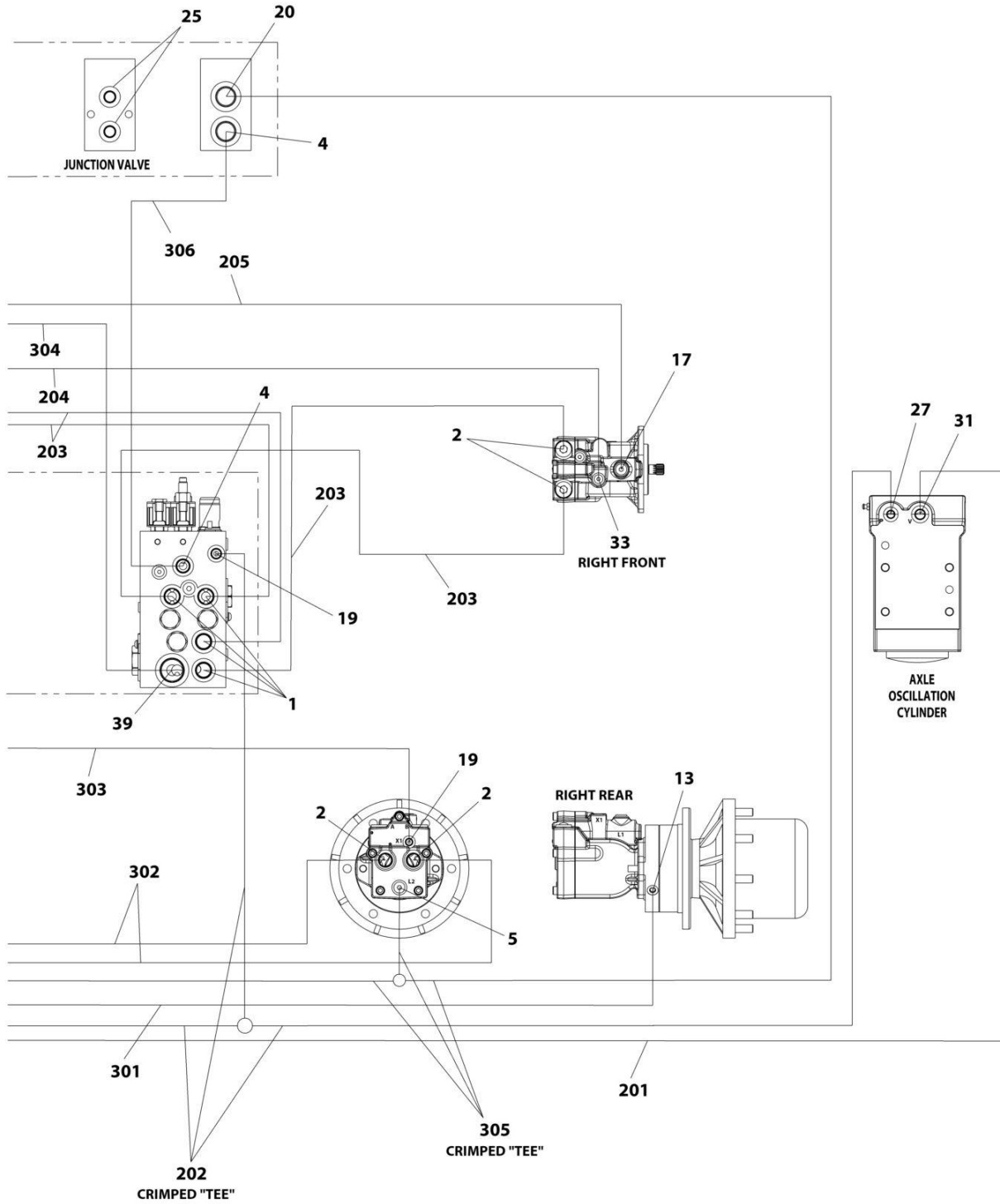
FIGURE 7-13. 4WD HYDRAULIC SYSTEM INSTALLATION - 450A



ART_1001287818_30F4

SECTION 7 - HYDRAULIC

FIGURE 7-14. 4WD HYDRAULIC SYSTEM INSTALLATION - 450A



ART_1001287818_4OF4

SECTION 7 - HYDRAULIC

FIGURE 7-14. 4WD HYDRAULIC SYSTEM INSTALLATION - 450A

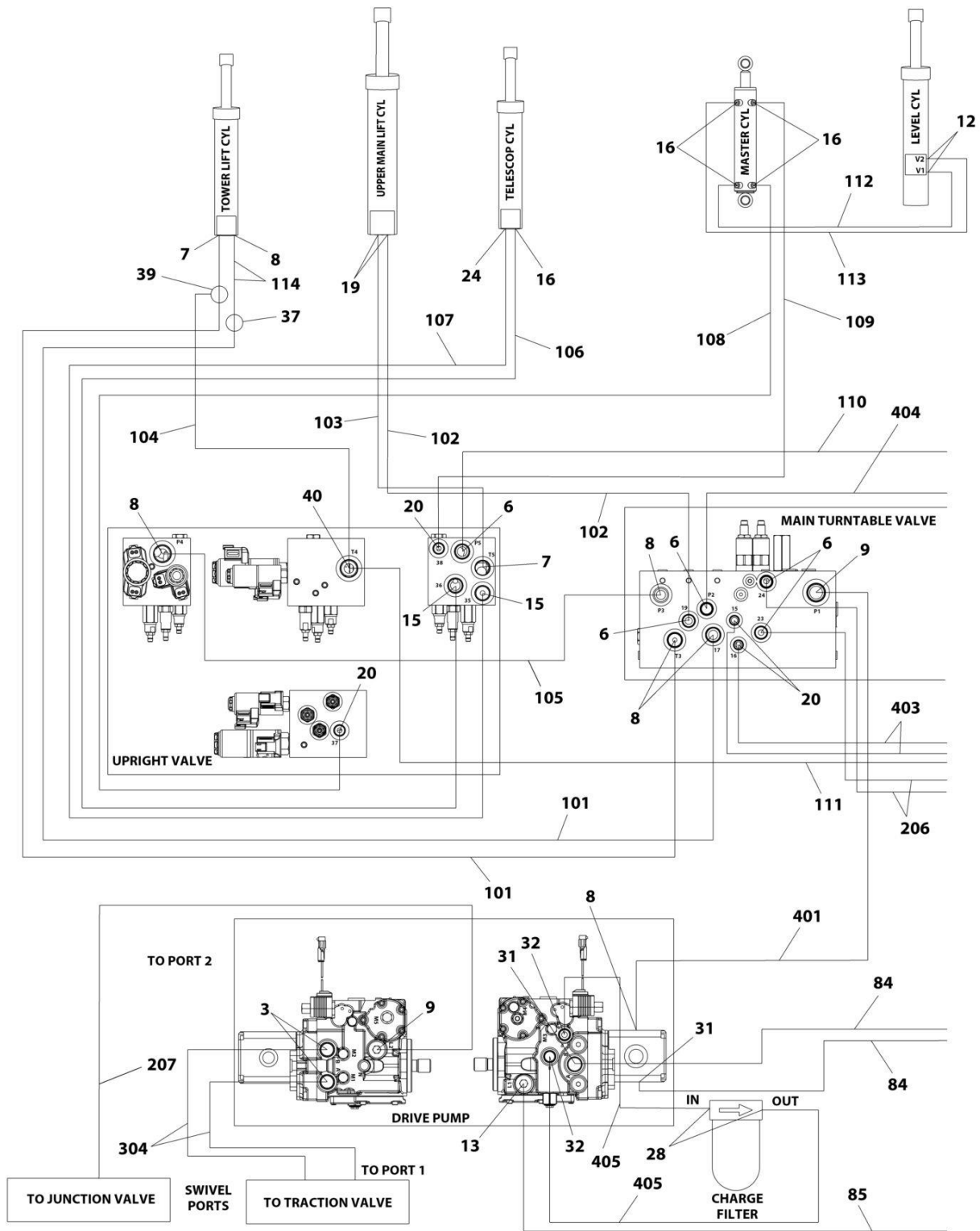
ITEM	PART NUMBER	QTY	DESCRIPTION	REV
	1001287818	Ref	4WD HYDRAULIC SYSTEM INSTALLATION	A
1	2110810	8	Fitting, Straight ORFS/ORB	
2	2110812	8	Fitting, Straight ORFS/ORB	
3	2151212	2	Fitting, 45 ORFS/ORB	
4	2220372	9	Fitting, Straight JIC/ORB	
5	2220373	3	Fitting, Straight JIC/ORB	
6	2220374	4	Fitting, Straight JIC/ORB	
7	2220375	2	Fitting, Straight JIC/ORB	
8	2220377	1	Fitting, Straight JIC/ORB	
9	2220408	1	Fitting, Straight JIC/ORB	
10	2220415	2	Fitting, Straight JIC/ORB	
11	2220451	1	Fitting, Straight JIC/ORB	
12	2220465	1	Fitting, 90 JIC/ORB	
13	2220466	2	Fitting, 90 JIC/ORB	
14	2220468	2	Fitting, Straight JIC/ORB	
15	2220472	5	Fitting, 90 JIC/ORB	
16	2220497	2	Fitting, Straight JIC/ORB	
17	2220500	4	Fitting, 45 JIC/ORB	
18	2220501	2	Fitting, 45 JIC/ORB	
19	2220582	8	Fitting, Straight JIC/ORB	
20	2220596	1	Fitting, 90 JIC/ORB	
21	2220600	1	Fitting, Straight JIC/ORB	
22	2220603	1	Fitting, Straight JIC/ORB	
23	2220628	1	Fitting, 90 JIC/ORB	
24	2220811	1	Fitting, Straight FORB/ORB	
25	2220883	2	Plug #4	
26	2220906	2	Fitting, 90 JIC/ORB	
27	2220923	2	Fitting, Straight JIC/ORB	
28	2220940	2	Fitting, Elbow	
29	2220946	2	Fitting, Straight JIC/ORB	
30	2220947	2	Fitting, Straight JIC/ORB	
31	2220998	2	Fitting, Straight JIC/ORB	
32	2221033	2	Fitting, Straight JIC/ORB	
33	2221040	2	Fitting, 45 JIC/ORB	
34	2221086	1	Fitting, Diagnostic	
35	2230025	1	Fitting, Straight JIC/JIC	
36	8760477	1	Fitting, Tee JIC/JIC/JIC	
37	8770289	1	Fitting, Tee JIC/ORB/JIC	
38	1001119627	1	Fitting, Straight JIC/ORB	
39	1001142679	2	Fitting, Straight ORFS/ORB	
40	1001143936	1	Fitting, 90 FORB/ORB	
41	1001173631	1	Tube	
42	1001175024	1	Fitting, Tee JIC/JIC/ORB	
43	1001202910	2	Fitting, Straight MORB	
44	1001207335	2	Hose	
45	1001207336	1	Hose	
46	1001215227	2	Hose	
47	1001275635	2	Clamp, Hose	
100	1001218999	1	Hose Kit (Not Shown)	
101	1001173006	2	Hose	

SECTION 7 - HYDRAULIC

ITEM	PART NUMBER	QTY	DESCRIPTION	REV
102	1001173034	1	Hose	
103	1001173035	1	Hose	
104	1001173036	1	Hose	
105	1001173037	1	Hose	
106	1001173038	1	Hose	
107	1001173039	1	Hose	
108	1001173042	1	Hose	
109	1001173043	1	Hose	
110	1001176299	1	Hose	
111	1001176300	1	Hose	
112	1001176301	1	Hose	
113	1001176302	1	Hose	
114	1001180035	2	Hose	
200	1001194427	1	Hose Kit - Front (Not Shown)	
201	1001173053	1	Hose	
202	1001173054	1	Hose	
203	1001173055	4	Hose	
204	1001173056	1	Hose	
205	1001173057	2	Hose	
206	1001173058	2	Hose	
207	1001173066	1	Hose	
300	1001194428	1	Hose Kit - Rear (Not Shown)	
301	1001173052	1	Hose	
302	1001173059	4	Hose	
303	1001173061	1	Hose	
304	1001173062	2	Hose	
305	1001173063	1	Hose	
306	1001197039	1	Hose	
400	1001252926	1	Hose Kit - Turntable (Not Shown)	
401	2752504	1	Hose	
402	2752519	1	Hose	
403	1001173027	2	Hose	
404	1001173028	1	Hose	
405	1001173029	2	Hose	

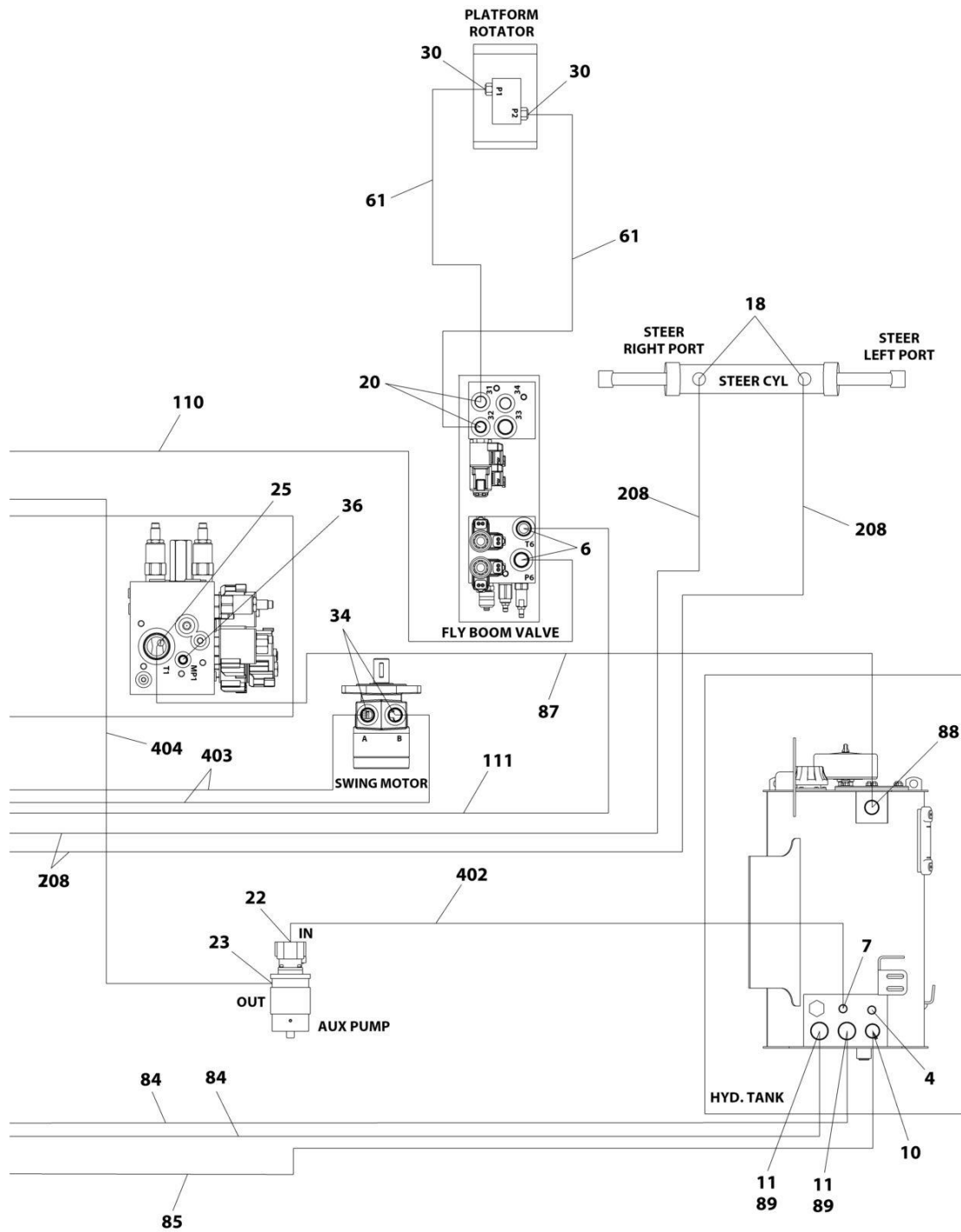
SECTION 7 - HYDRAULIC

FIGURE 7-15. 4WD HYDRAULIC SYSTEM INSTALLATION - 450A



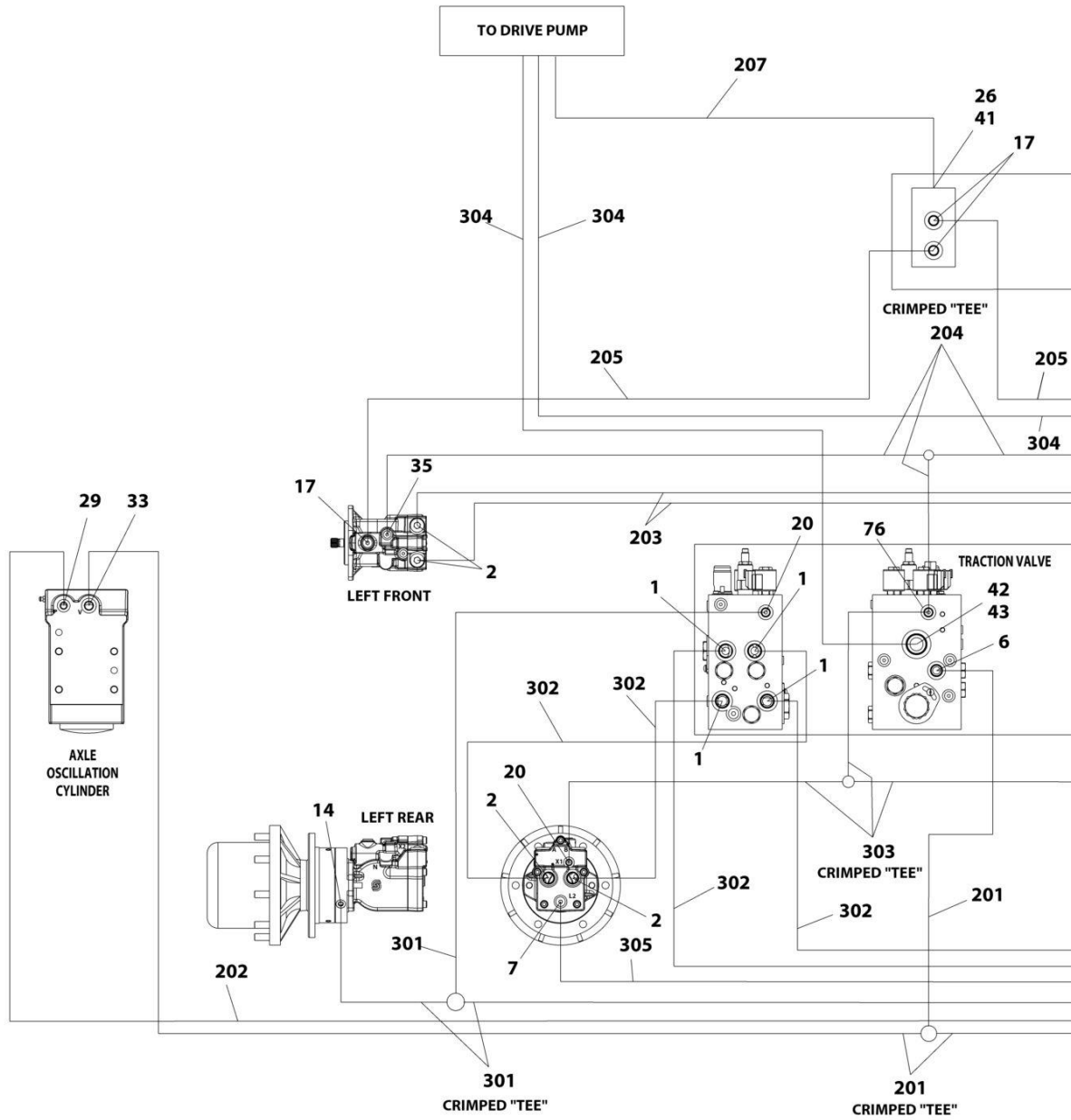
ART_1001217935_10F4

SECTION 7 - HYDRAULIC



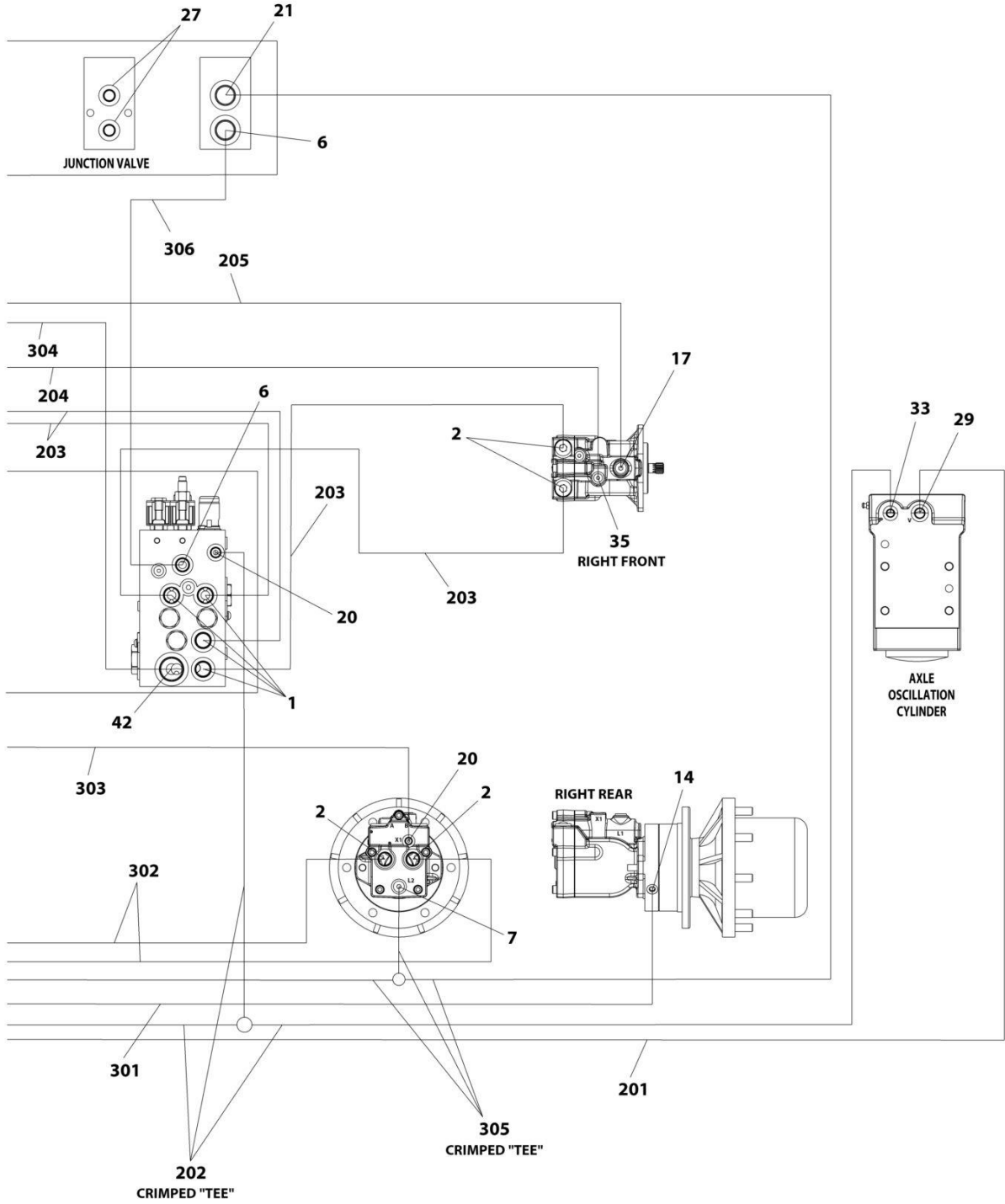
ART_1001217935_20F4

SECTION 7 - HYDRAULIC



ART_1001217935_30F4

SECTION 7 - HYDRAULIC



ART_1001217935_40F4

SECTION 7 - HYDRAULIC

FIGURE 7-15. 4WD HYDRAULIC SYSTEM INSTALLATION - 450A

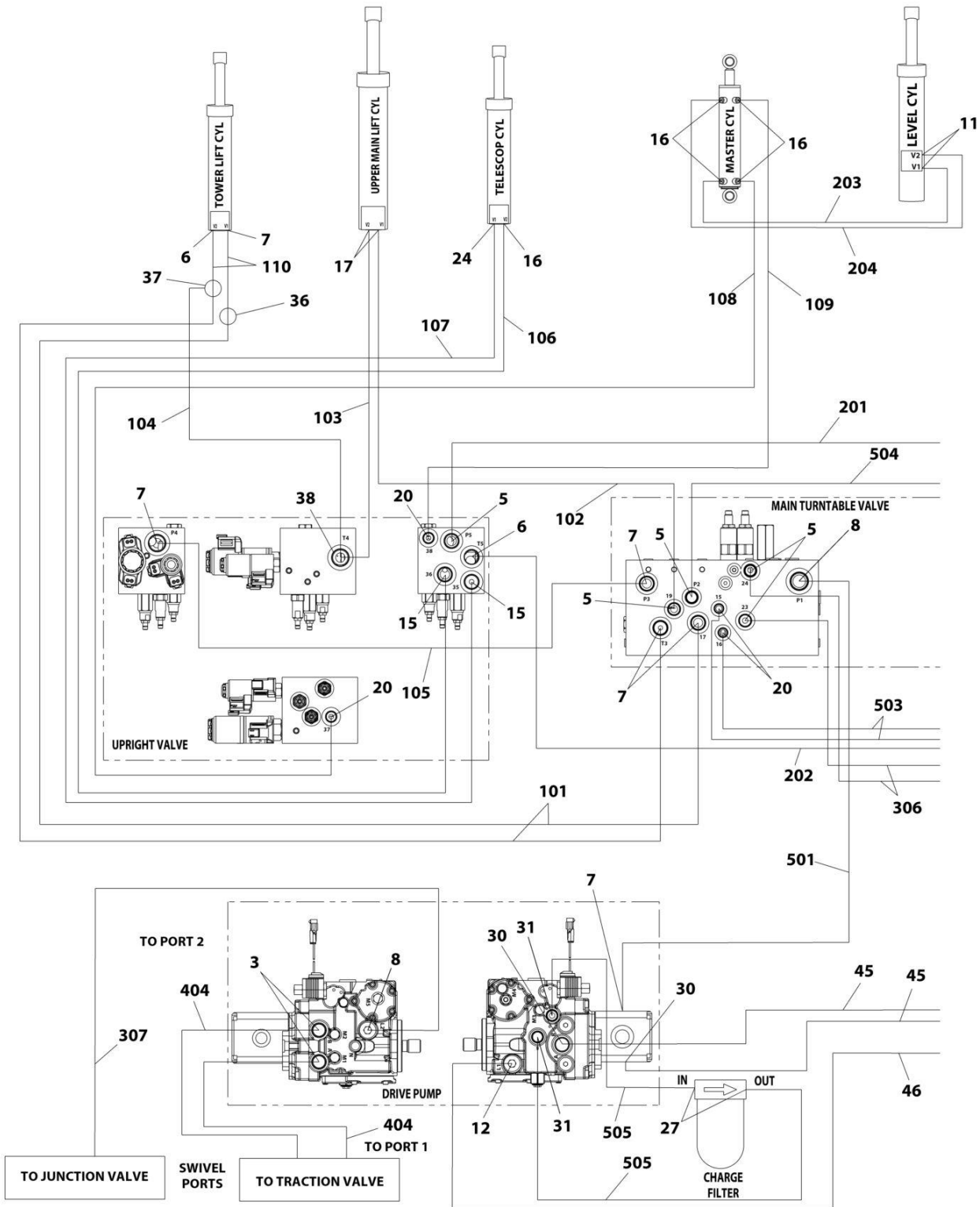
ITEM	PART NUMBER	QTY	DESCRIPTION	REV
	1001217935	Ref	4WD HYDRAULIC SYSTEM INSTALLATION	H
1	2110810	8	Fitting, Straight ORFS/ORB	
2	2110812	8	Fitting, Straight ORFS/ORB	
3	2151212	2	Fitting, 45 ORFS/ORB	
4	2220238	1	Plug	
6	2220372	9	Fitting, Straight JIC/ORB	
7	2220373	3	Fitting, Straight JIC/ORB	
8	2220374	4	Fitting, Straight JIC/ORB	
9	2220375	2	Fitting, Straight JIC/ORB	
10	2220377	1	Fitting, Straight JIC/ORB	
11	1001202910	2	Fitting, Straight MORB	
12	2220415	2	Fitting, Straight JIC/ORB	
13	2220451	1	Fitting, Straight JIC/ORB	
14	2220466	2	Fitting, 90 JIC/ORB	
15	2220468	2	Fitting, Straight JIC/ORB	
16	2220472	5	Fitting, 90 JIC/ORB	
17	2220500	4	Fitting, 45 JIC/ORB	
18	2220501	2	Fitting, 45 JIC/ORB	
19	2220497	2	Fitting, Straight JIC/ORB	
20	2220582	8	Fitting, Straight JIC/ORB	
21	2220596	1	Fitting, 90 JIC/ORB	
22	2220600	1	Fitting, Straight JIC/ORB	
23	2220603	1	Fitting, Straight JIC/ORB	
24	2220628	1	Fitting, 90 JIC/ORB	
25	2220465	1	Fitting, 90 JIC/ORB	
26	2220811	1	Fitting, Straight FORB/ORB	
27	2220883	2	Plug #4	
28	2220906	2	Fitting, 90 JIC/ORB	
29	2220923	2	Fitting, Straight JIC/ORB	
30	2220940	2	Fitting, Elbow	
31	2220946	2	Fitting, Straight JIC/ORB	
32	2220947	2	Fitting, Straight JIC/ORB	
33	2220998	2	Fitting, Straight JIC/ORB	
34	2221033	2	Fitting, Straight JIC/ORB	
35	2221040	2	Fitting, 45 JIC/ORB	
36	2221086	1	Fitting, Diagnostic	
37	2230025	1	Fitting, Straight JIC/JIC	
39	8760477	1	Fitting, Tee JIC/JIC/JIC	
40	8770289	1	Fitting, Tee JIC/ORB/JIC	
41	1001119627	1	Fitting, Straight JIC/ORB	
42	1001142679	2	Fitting, Straight ORFS/ORB	
43	1001143936	1	Fitting, 90 FORB/ORB	
61	1001215227	2	Hose	
76	1001175024	1	Fitting, Tee JIC/JIC/ORB	
84	1001207335	2	Hose	
85	1001207336	1	Hose	
87	1001210356	1	Tube Assembly	
88	2220435	1	Fitting, Straight JIC/ORB	
89	1001275635	2	Clamp, Hose	
100	1001218999	1	Hose Kit (Not Shown)	

SECTION 7 - HYDRAULIC

ITEM	PART NUMBER	QTY	DESCRIPTION	REV
101	1001173006	2	Hose	
102	1001173034	1	Hose	
103	1001173035	1	Hose	
104	1001173036	1	Hose	
105	1001173037	1	Hose	
106	1001173038	1	Hose	
107	1001173039	1	Hose	
108	1001173042	1	Hose	
109	1001173043	1	Hose	
110	1001176299	1	Hose	
111	1001176300	1	Hose	
112	1001176301	1	Hose	
113	1001176302	1	Hose	
114	1001180035	2	Hose	
200	1001194427	1	Hose Kit - Front (Not Shown)	
201	1001173053	1	Hose	
202	1001173054	1	Hose	
203	1001173055	4	Hose	
204	1001173056	1	Hose	
205	1001173057	2	Hose	
206	1001173058	2	Hose	
207	1001173066	1	Hose	
300	1001194428	1	Hose Kit - Rear (Not Shown)	
301	1001173052	1	Hose	
302	1001173059	4	Hose	
303	1001173061	1	Hose	
304	1001173062	2	Hose	
305	1001173063	1	Hose	
306	1001197039	1	Hose	
400	1001252926	1	Hose Kit - Turntable (Not Shown)	
401	2752504	1	Hose	
402	2752519	1	Hose	
403	1001173027	2	Hose	
404	1001173028	1	Hose	
405	1001173029	2	Hose	

SECTION 7 - HYDRAULIC

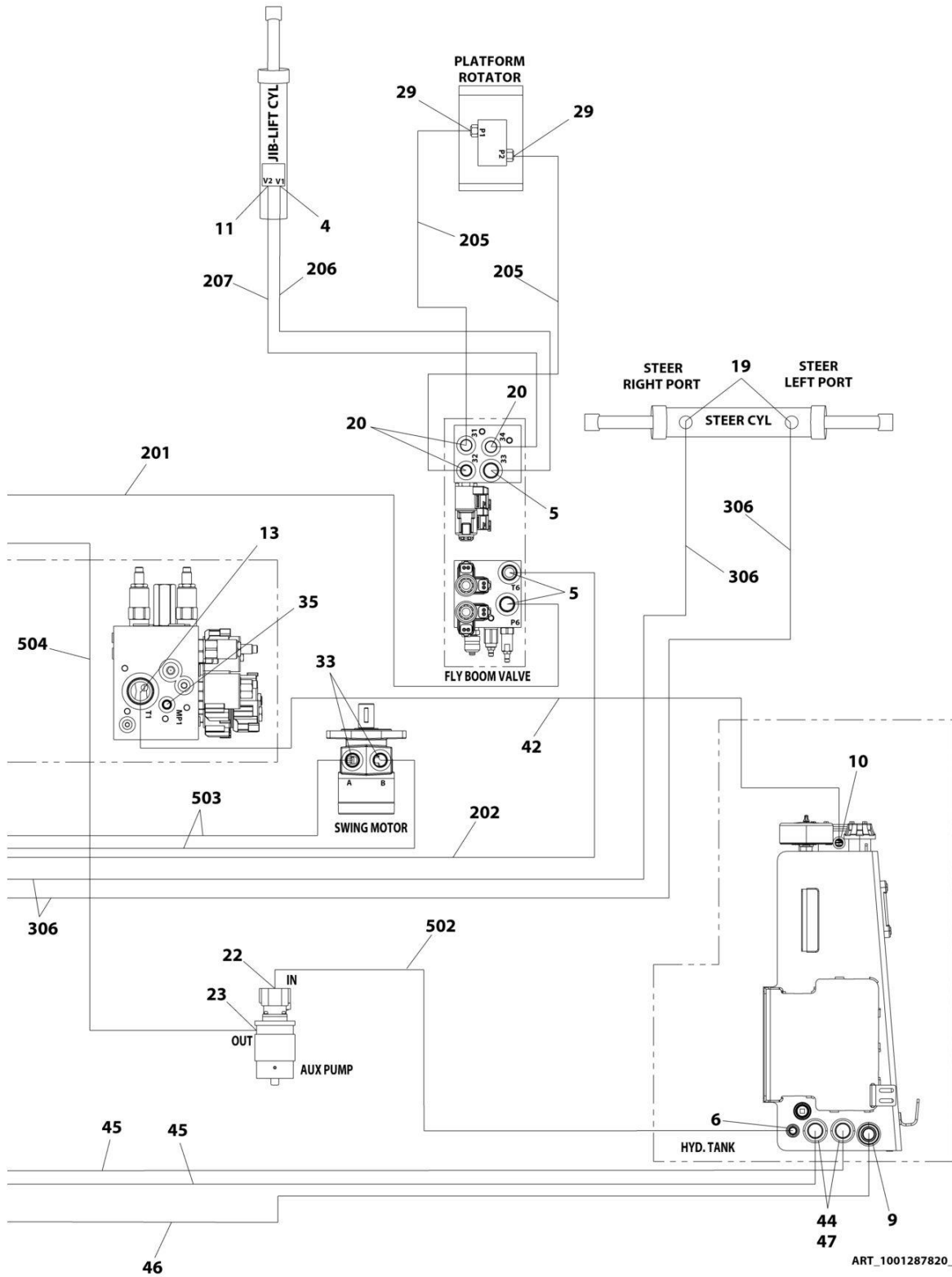
FIGURE 7-16. 4WD HYDRAULIC SYSTEM INSTALLATION - 450AJ



ART_1001287820_10F4

SECTION 7 - HYDRAULIC

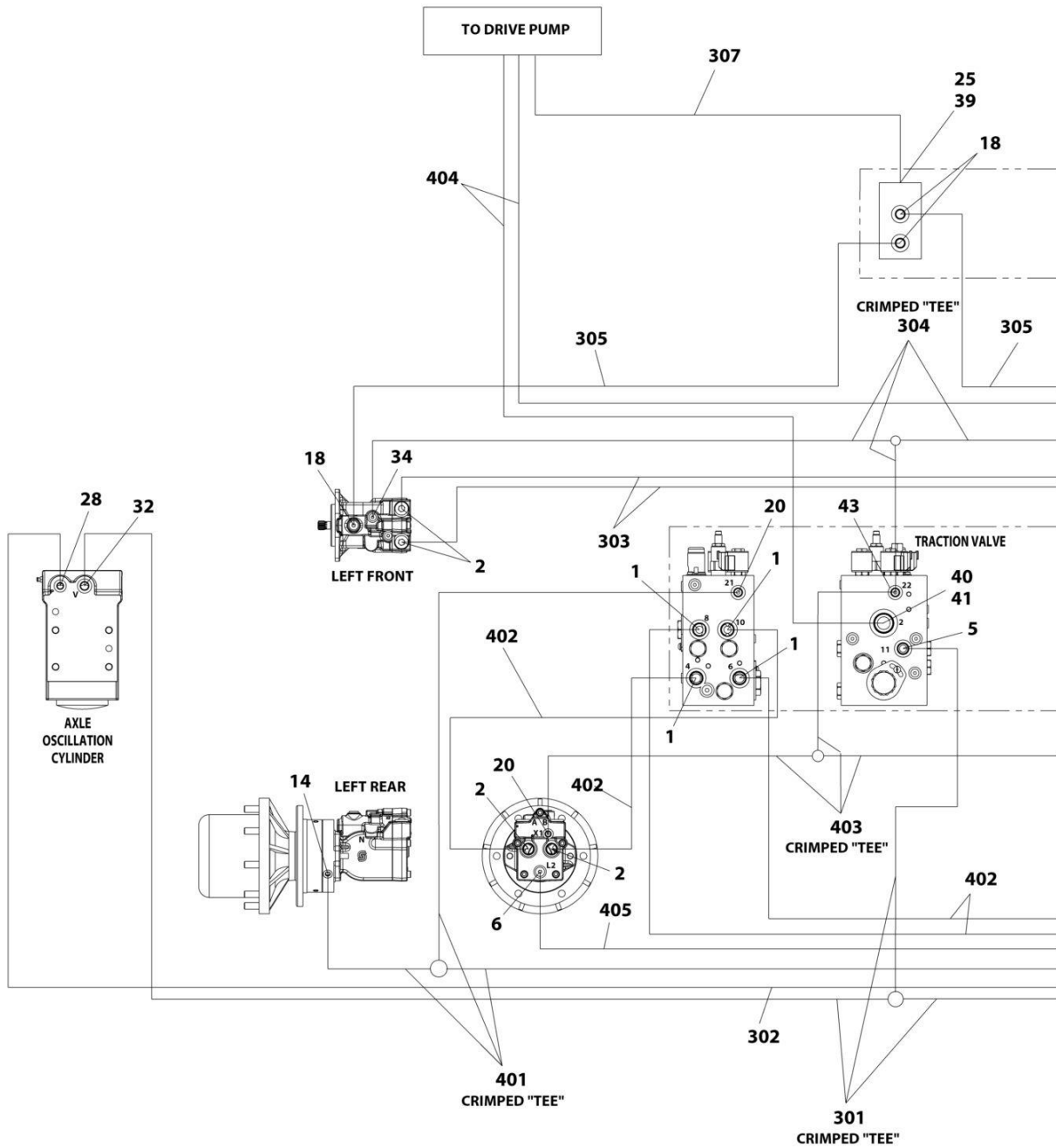
FIGURE 7-17. 4WD HYDRAULIC SYSTEM INSTALLATION - 450AJ



ART_1001287820_20F4

SECTION 7 - HYDRAULIC

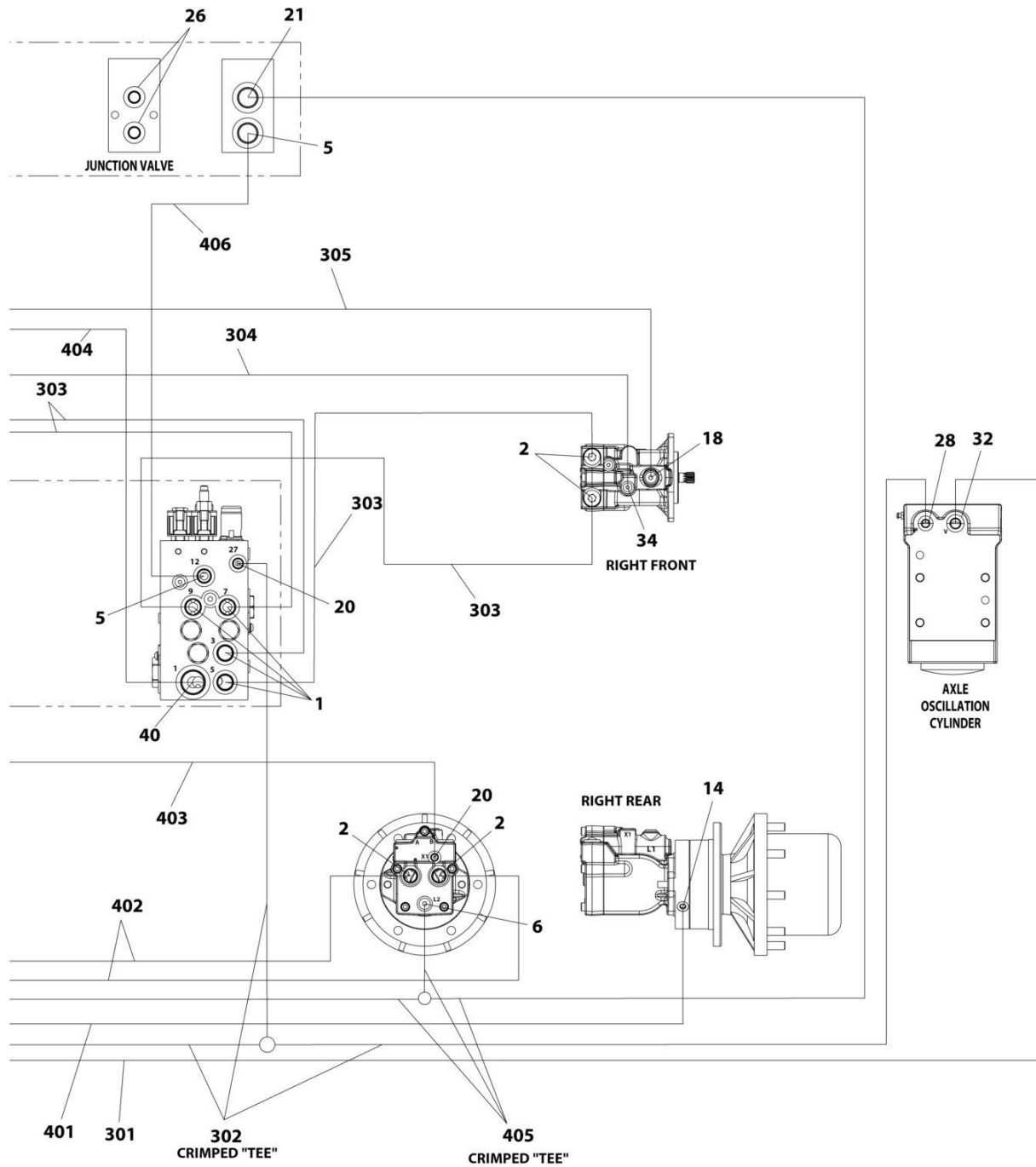
FIGURE 7-18. 4WD HYDRAULIC SYSTEM INSTALLATION - 450AJ



ART_1001287820_30F4

SECTION 7 - HYDRAULIC

FIGURE 7-19. 4WD HYDRAULIC SYSTEM INSTALLATION - 450AJ



ART_1001287820_40F4

SECTION 7 - HYDRAULIC

FIGURE 7-19. 4WD HYDRAULIC SYSTEM INSTALLATION - 450AJ

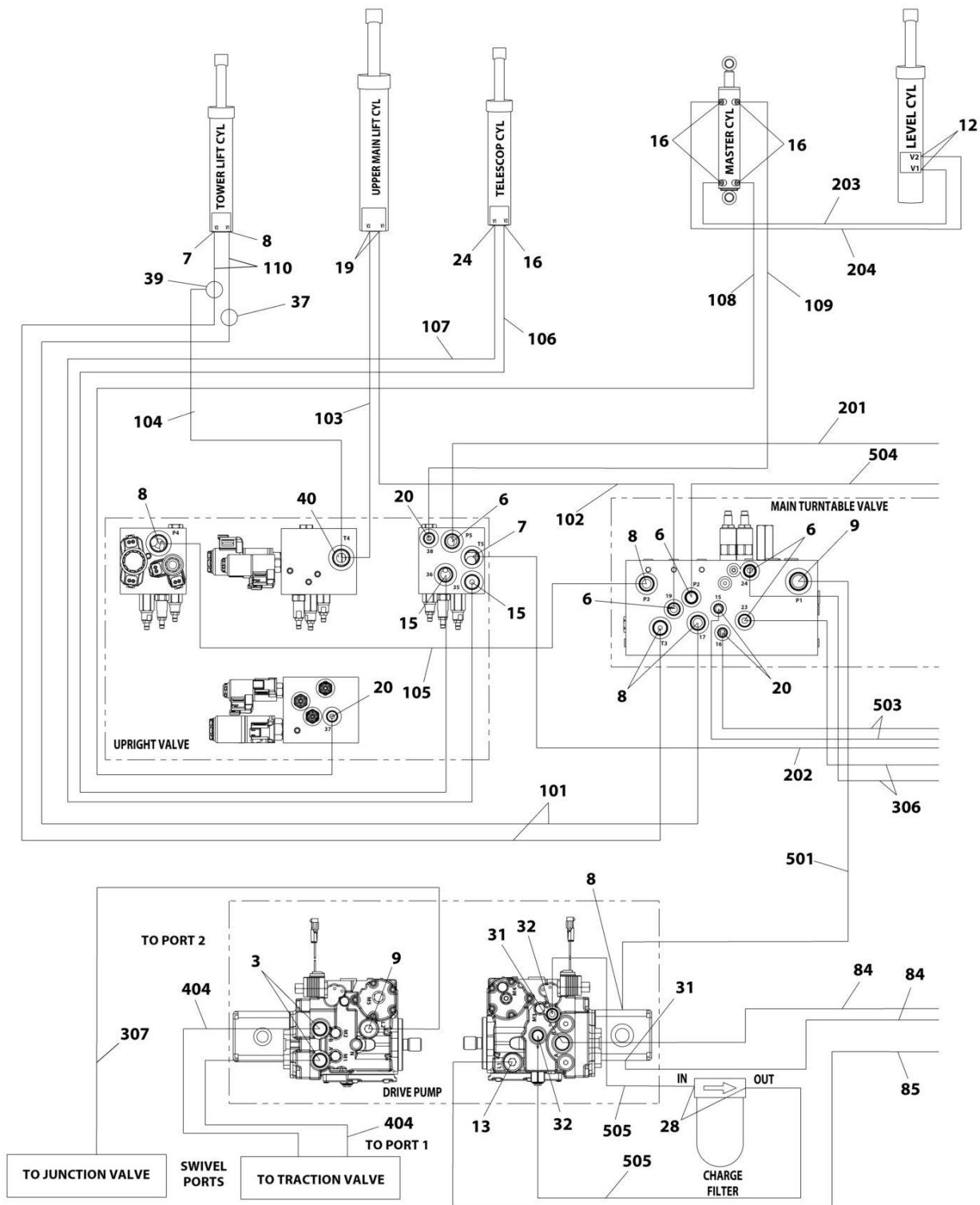
ITEM	PART NUMBER	QTY	DESCRIPTION	REV
	1001287820	Ref	4WD HYDRAULIC SYSTEM INSTALLATION	A
1	2110810	8	Fitting, Straight ORFS/ORB	
2	2110812	8	Fitting, Straight ORFS/ORB	
3	2151212	2	Fitting, 45 ORFS/ORB	
4	2220371	1	Fitting, Straight JIC/ORB	
5	2220372	11	Fitting, Straight JIC/ORB	
6	2220373	5	Fitting, Straight JIC/ORB	
7	2220374	6	Fitting, Straight JIC/ORB	
8	2220375	2	Fitting, Straight JIC/ORB	
9	2220377	1	Fitting, Straight JIC/ORB	
10	2220408	1	Fitting, Straight JIC/ORB	
11	2220415	3	Fitting, Straight JIC/ORB	
12	2220451	1	Fitting, Straight JIC/ORB	
13	2220465	1	Fitting, 90 JIC/ORB	
14	2220466	2	Fitting, 90 JIC/ORB	
15	2220468	2	Fitting, Straight JIC/ORB	
16	2220472	5	Fitting, 90 JIC/ORB	
17	2220497	2	Fitting, Straight JIC/ORB	
18	2220500	4	Fitting, 45 JIC/ORB	
19	2220501	2	Fitting, 45 JIC/ORB	
20	2220582	11	Fitting, Straight JIC/ORB	
21	2220596	1	Fitting, 90 JIC/ORB	
22	2220600	1	Fitting, Straight JIC/ORB	
23	2220603	1	Fitting, Straight JIC/ORB	
24	2220628	1	Fitting, 90 JIC/ORB	
25	2220811	1	Fitting, Straight FORB/ORB	
26	2220883	2	Plug #4	
27	2220906	2	Fitting, 90 JIC/ORB	
28	2220923	2	Fitting, Straight JIC/ORB	
29	2220940	2	Fitting, Elbow	
30	2220946	2	Fitting, Straight JIC/ORB	
31	2220947	2	Fitting, Straight JIC/ORB	
32	2220998	2	Fitting, Straight JIC/ORB	
33	2221033	2	Fitting, Straight JIC/ORB	
34	2221040	2	Fitting, 45 JIC/ORB	
35	2221086	1	Fitting, Diagnostic	
36	2230025	1	Fitting, Straight JIC/JIC	
37	8760477	1	Fitting, Tee JIC/JIC/JIC	
38	8770289	1	Fitting, Tee JIC/ORB/JIC	
39	1001119627	1	Fitting, Straight JIC/ORB	
40	1001142679	2	Fitting, Straight ORFS/ORB	
41	1001143936	1	Fitting, 90 FORB/ORB	
42	1001173631	1	Tube	
43	1001175024	1	Fitting, Tee JIC/JIC/ORB	
44	1001202910	2	Fitting, Straight MORB	
45	1001207335	2	Hose	
46	1001207336	1	Hose	
47	1001275635	2	Clamp, Hose	
100	1001194424	1	Hose Kit - Lower Boom (Not Shown)	
101	1001173006	2	Hose	

SECTION 7 - HYDRAULIC

ITEM	PART NUMBER	QTY	DESCRIPTION	REV
102	1001173034	1	Hose	
103	1001173035	1	Hose	
104	1001173036	1	Hose	
105	1001173037	1	Hose	
106	1001173038	1	Hose	
107	1001173039	1	Hose	
108	1001173042	1	Hose	
109	1001173043	1	Hose	
110	1001180035	2	Hose	
200	1001194425	1	Hose Kit - Upper Boom (Not Shown)	
201	1001173040	1	Hose	
202	1001173041	1	Hose	
203	1001173044	1	Hose	
204	1001173045	1	Hose	
205	1001173046	2	Hose	
206	1001173048	1	Hose	
207	1001173049	1	Hose	
300	1001194427	1	Hose Kit - Front (Not Shown)	
301	1001173053	1	Hose	
302	1001173054	1	Hose	
303	1001173055	4	Hose	
304	1001173056	1	Hose	
305	1001173057	2	Hose	
306	1001173058	2	Hose	
307	1001173066	1	Hose	
400	1001194428	1	Hose Kit - Rear (Not Shown)	
401	1001173052	1	Hose	
402	1001173059	4	Hose	
403	1001173061	1	Hose	
404	1001173062	2	Hose	
405	1001173063	1	Hose	
406	1001197039	1	Hose	
500	1001252926	1	Hose Kit - Turntable (Not Shown)	
501	2752504	1	Hose	
502	2752519	1	Hose	
503	1001173027	2	Hose	
504	1001173028	1	Hose	
505	1001173029	2	Hose	

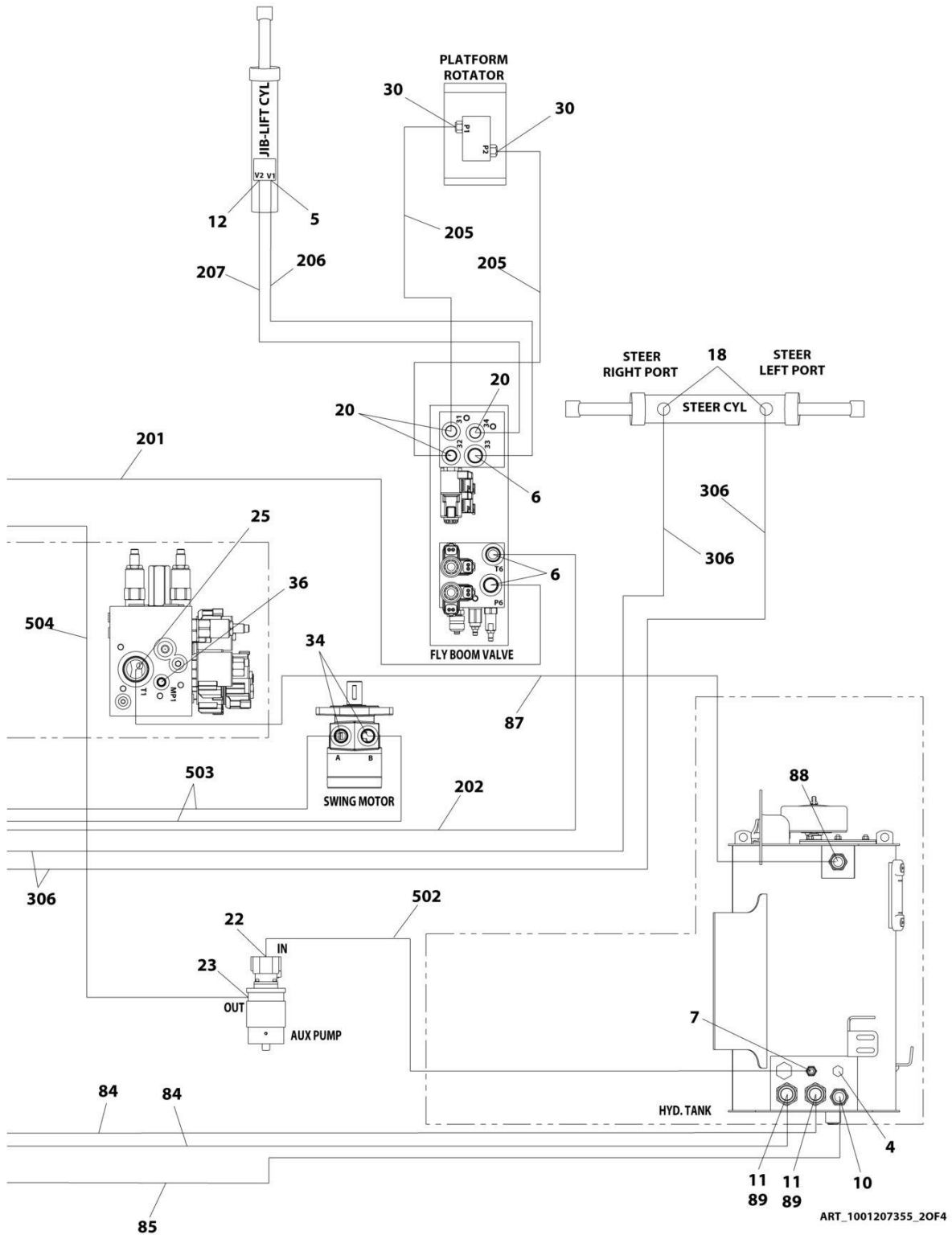
SECTION 7 - HYDRAULIC

FIGURE 7-20. 4WD HYDRAULIC SYSTEM INSTALLATION - 450AJ (SN THAT START WITH B3) (Prior to SN 0300285668, Except SN 0300285855 through 0300285657, Except SN 0300285659 through 0300285665)



ART_1001207355_10F4

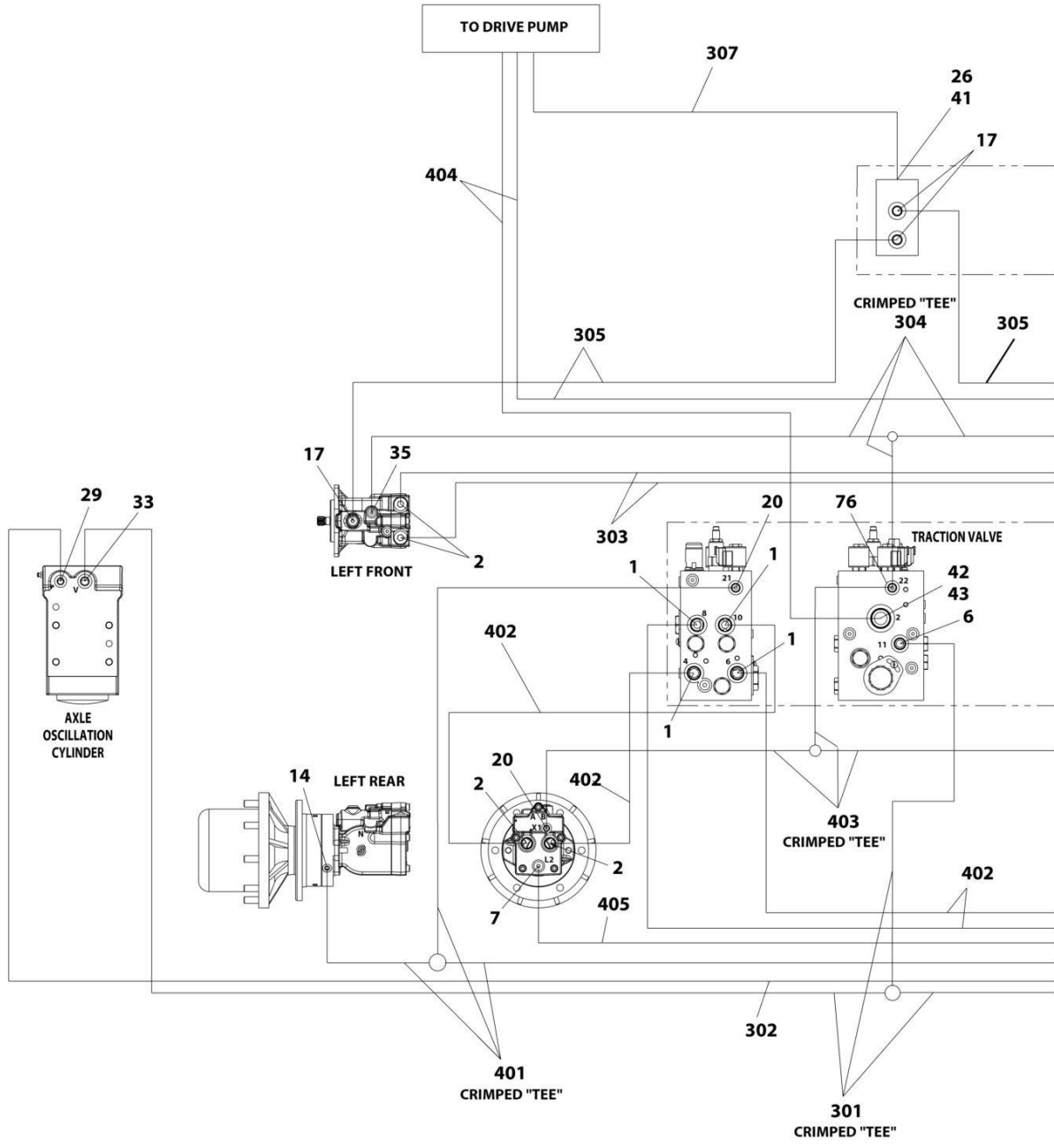
SECTION 7 - HYDRAULIC



ART_1001207355_20F4

SECTION 7 - HYDRAULIC

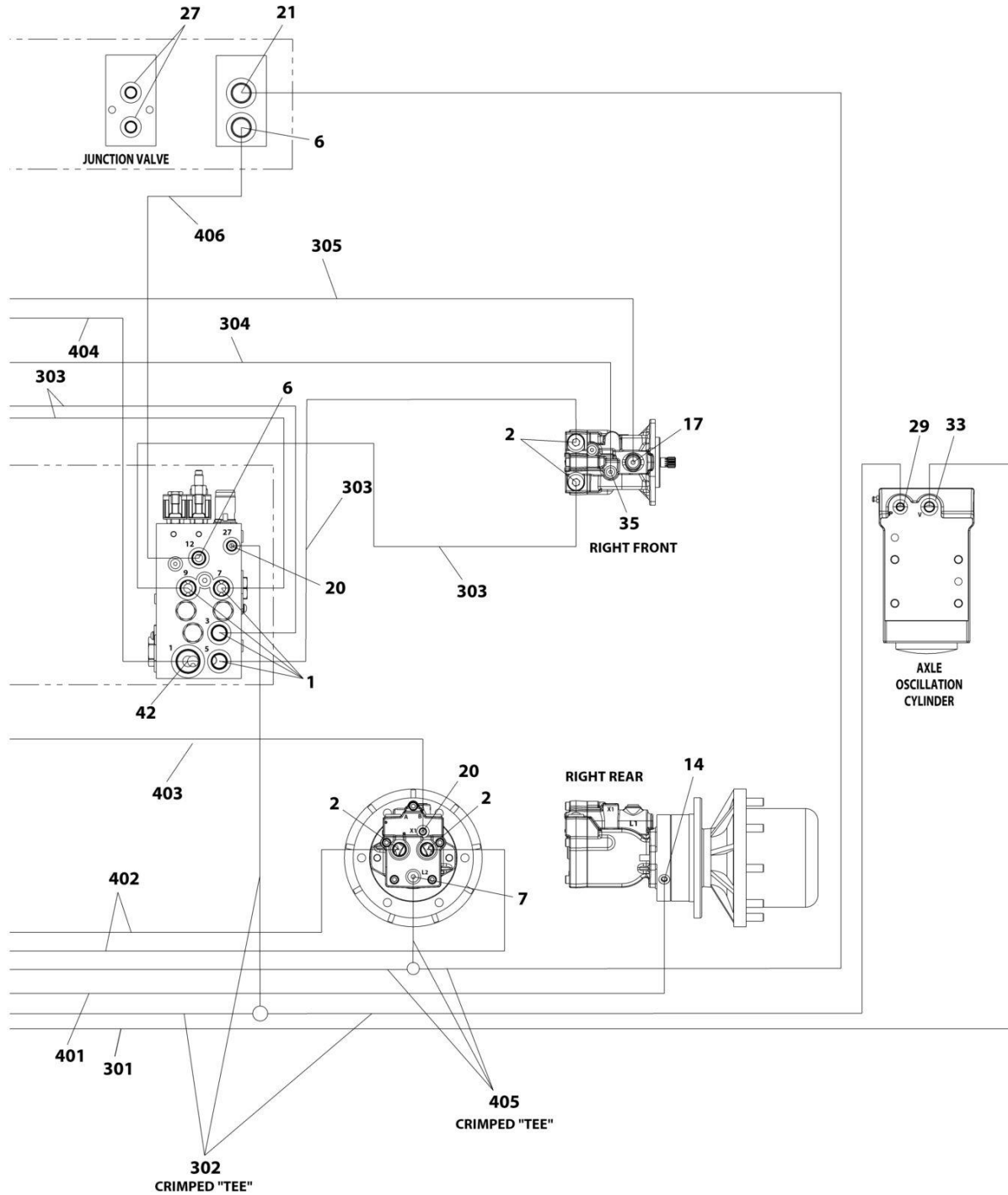
FIGURE 7-21. 4WD HYDRAULIC SYSTEM INSTALLATION - 450AJ (SN THAT START WITH B3) (Prior to SN 0300285668, Except SN 0300285855 through 0300285657, Except SN 0300285659 through 0300285665)



ART_1001207355_30F4

SECTION 7 - HYDRAULIC

FIGURE 7-22. 4WD HYDRAULIC SYSTEM INSTALLATION - 450AJ (SN THAT START WITH B3) (Prior to SN 0300285668, Except SN 0300285855 through 0300285657, Except SN 0300285659 through 0300285665)



ART_1001207355_40F4

SECTION 7 - HYDRAULIC

FIGURE 7-22. 4WD HYDRAULIC SYSTEM INSTALLATION - 450AJ (SN THAT START WITH B3) (Prior to SN 0300285668, Except SN 0300285855 through 0300285657, Except SN 0300285659 through 0300285665)

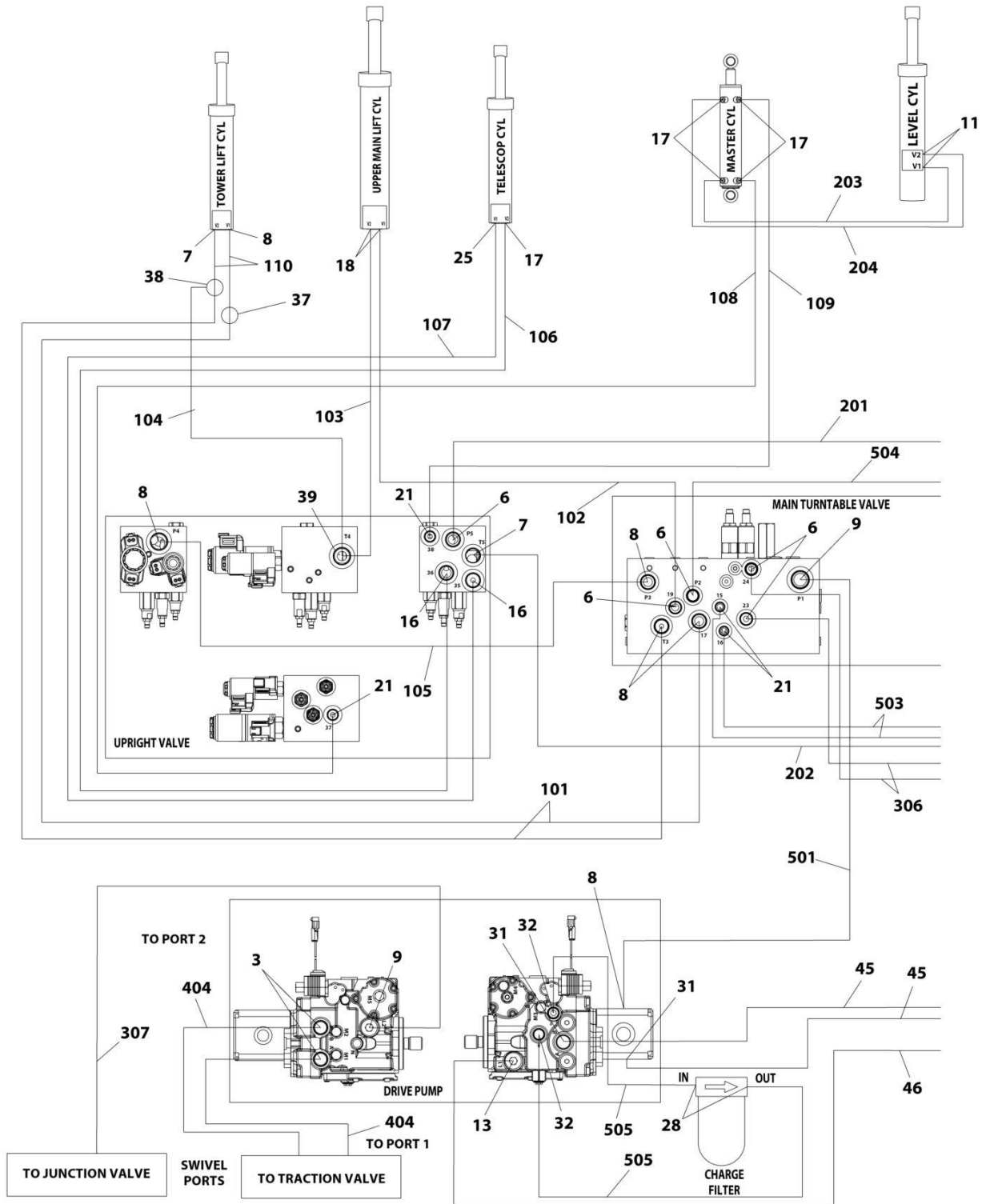
ITEM	PART NUMBER	QTY	DESCRIPTION	REV
	1001207355	Ref	4WD HYDRAULIC SYSTEM INSTALLATION	D
1	2110810	8	Fitting, Straight ORFS/ORB	
2	2110812	8	Fitting, Straight ORFS/ORB	
3	2151212	2	Fitting, 45 ORFS/ORB	
4	2220238	1	Plug	
5	2220371	1	Fitting, Straight JIC/ORB	
6	2220372	11	Fitting, Straight JIC/ORB	
7	2220373	5	Fitting, Straight JIC/ORB	
8	2220374	6	Fitting, Straight JIC/ORB	
9	2220375	2	Fitting, Straight JIC/ORB	
10	2220377	1	Fitting, Straight JIC/ORB	
11	1001202910	2	Fitting, Straight MORB	
12	2220415	3	Fitting, Straight JIC/ORB	
13	2220451	1	Fitting, Straight JIC/ORB	
14	2220466	2	Fitting, 90 JIC/ORB	
15	2220468	2	Fitting, Straight JIC/ORB	
16	2220472	5	Fitting, 90 JIC/ORB	
17	2220500	4	Fitting, 45 JIC/ORB	
18	2220501	2	Fitting, 45 JIC/ORB	
19	2220497	2	Fitting, Straight JIC/ORB	
20	2220582	11	Fitting, Straight JIC/ORB	
21	2220596	1	Fitting, 90 JIC/ORB	
22	2220600	1	Fitting, Straight JIC/ORB	
23	2220603	1	Fitting, Straight JIC/ORB	
24	2220628	1	Fitting, 90 JIC/ORB	
25	2220465	1	Fitting, 90 JIC/ORB	
26	2220811	1	Fitting, Straight FORB/ORB	
27	2220883	2	Plug #4	
28	2220906	2	Fitting, 90 JIC/ORB	
29	2220923	2	Fitting, Straight JIC/ORB	
30	2220940	2	Fitting, Elbow	
31	2220946	2	Fitting, Straight JIC/ORB	
32	2220947	2	Fitting, Straight JIC/ORB	
33	2220998	2	Fitting, Straight JIC/ORB	
34	2221033	2	Fitting, Straight JIC/ORB	
35	2221040	2	Fitting, 45 JIC/ORB	
36	2221086	1	Fitting, Diagnostic	
37	2230025	1	Fitting, Straight JIC/JIC	
39	8760477	1	Fitting, Tee JIC/JIC/JIC	
40	8770289	1	Fitting, Tee JIC/ORB/JIC	
41	1001119627	1	Fitting, Straight JIC/ORB	
42	1001142679	2	Fitting, Straight ORFS/ORB	
43	1001143936	1	Fitting, 90 FORB/ORB	
76	1001175024	1	Fitting, Tee JIC/JIC/ORB	
84	1001207335	2	Hose	
85	1001207336	1	Hose	
87	1001210356	1	Tube	
88	2220435	1	Fitting, Straight JIC/ORB	

SECTION 7 - HYDRAULIC

ITEM	PART NUMBER	QTY	DESCRIPTION	REV
89	80633030	2	Clamp, Hose	
100	1001194424	1	Hose Kit - Lower Boom (Not Shown)	
101	1001173006	2	Hose	
102	1001173034	1	Hose	
103	1001173035	1	Hose	
104	1001173036	1	Hose	
105	1001173037	1	Hose	
106	1001173038	1	Hose	
107	1001173039	1	Hose	
108	1001173042	1	Hose	
109	1001173043	1	Hose	
110	1001180035	2	Hose	
200	1001194425	1	Hose Kit - Upper Boom (Not Shown)	
201	1001173040	1	Hose	
202	1001173041	1	Hose	
203	1001173044	1	Hose	
204	1001173045	1	Hose	
205	1001173046	2	Hose	
206	1001173048	1	Hose	
207	1001173049	1	Hose	
300	1001194427	1	Hose Kit - Front (Not Shown)	
301	1001173053	1	Hose	
302	1001173054	1	Hose	
303	1001173055	4	Hose	
304	1001173056	1	Hose	
305	1001173057	2	Hose	
306	1001173058	2	Hose	
307	1001173066	1	Hose	
400	1001194428	1	Hose Kit - Rear (Not Shown)	
401	1001173052	1	Hose	
402	1001173059	4	Hose	
403	1001173061	1	Hose	
404	1001173062	2	Hose	
405	1001173063	1	Hose	
406	1001197039	1	Hose	
500	1001252926	1	Hose Kit - Turntable (Not Shown)	
501	2752504	1	Hose	
502	2752519	1	Hose	
503	1001173027	2	Hose	
504	1001173028	1	Hose	
505	1001173029	2	Hose	

SECTION 7 - HYDRAULIC

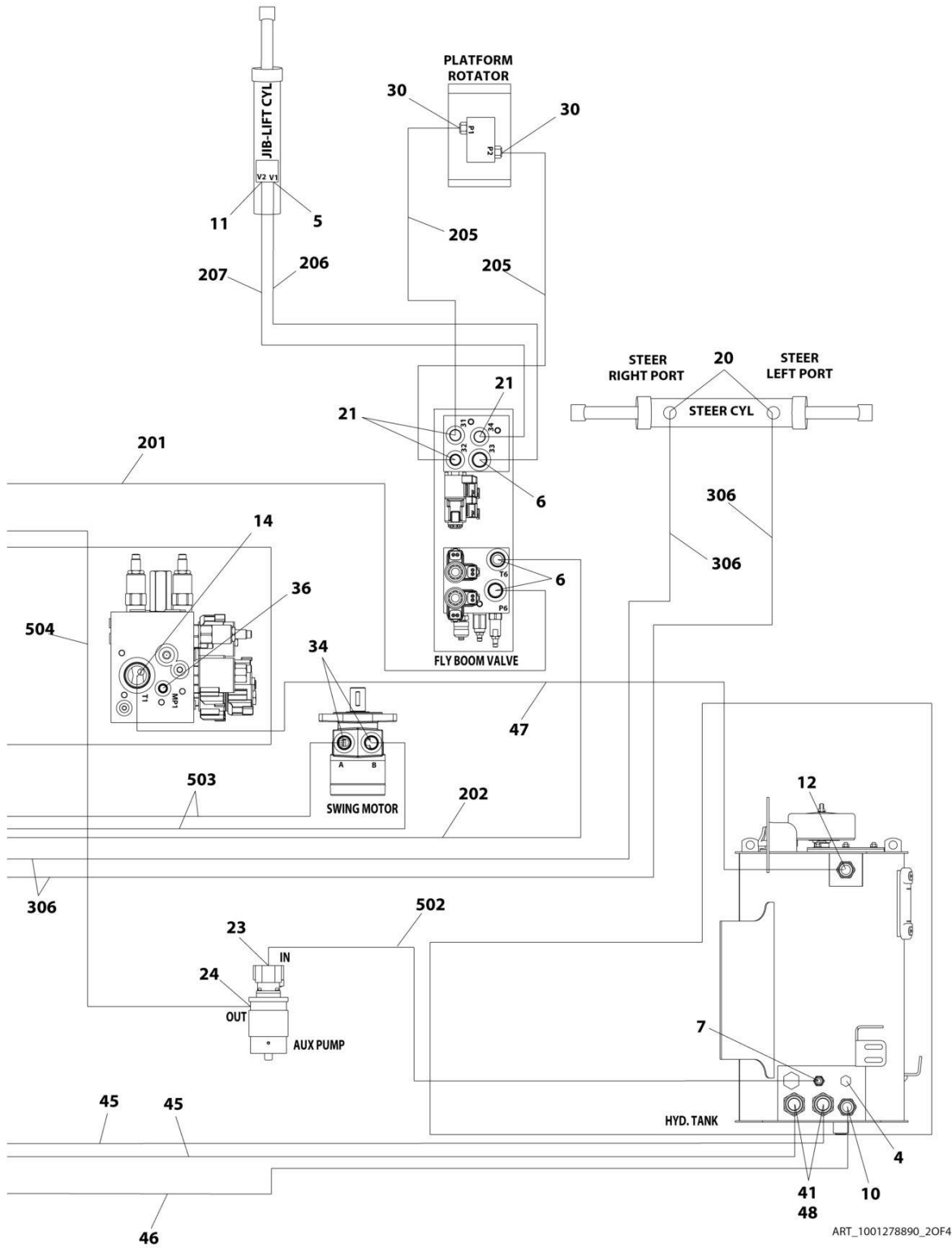
FIGURE 7-23. 4WD HYDRAULIC SYSTEM INSTALLATION - 450AJ (SN THAT START WITH 03) (SN 0300285668 to Present)



ART_1001278890_10F4

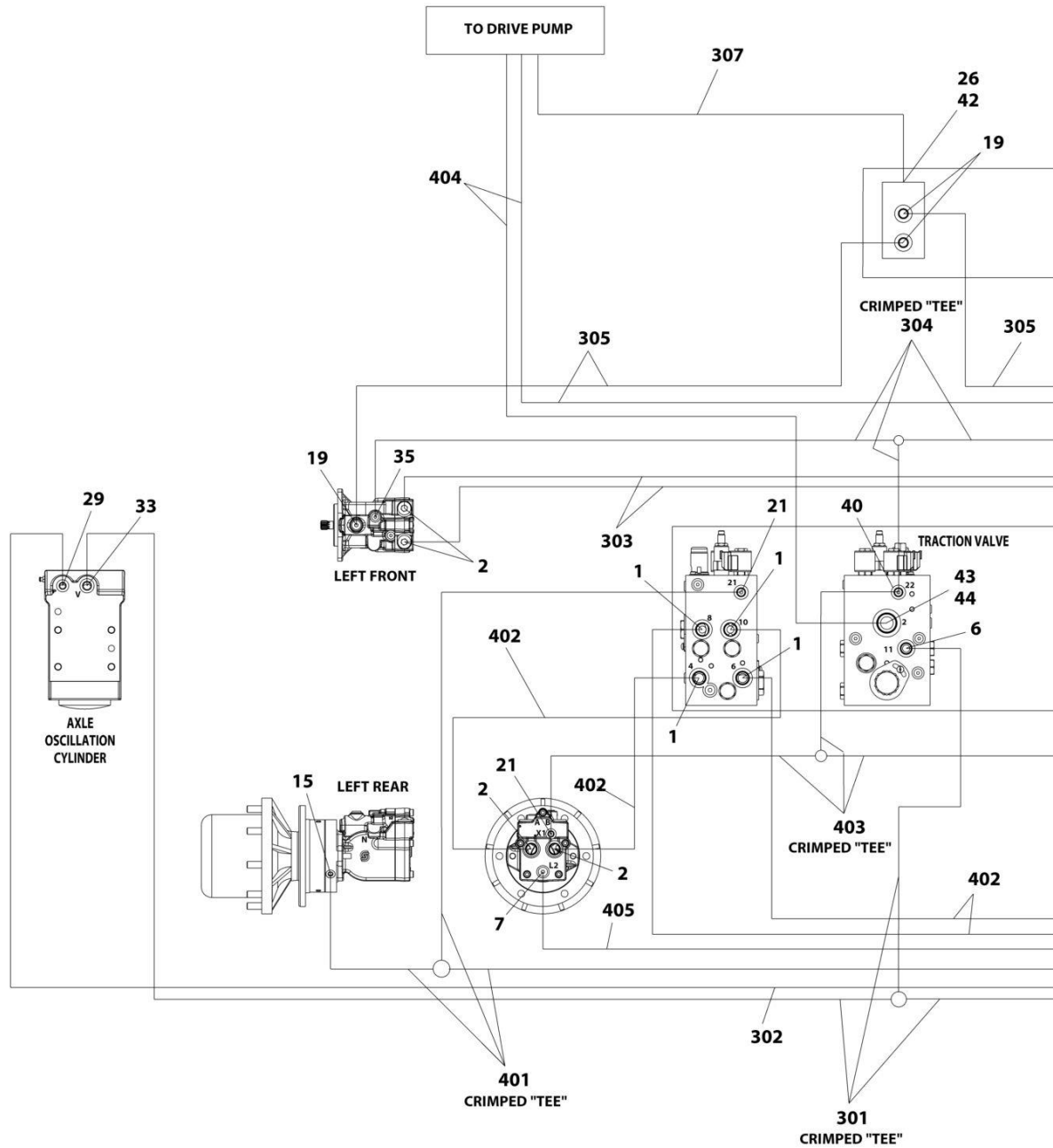
SECTION 7 - HYDRAULIC

FIGURE 7-24. 4WD HYDRAULIC SYSTEM INSTALLATION - 450AJ (SN THAT START WITH 03) (SN 0300285668 to Present)



SECTION 7 - HYDRAULIC

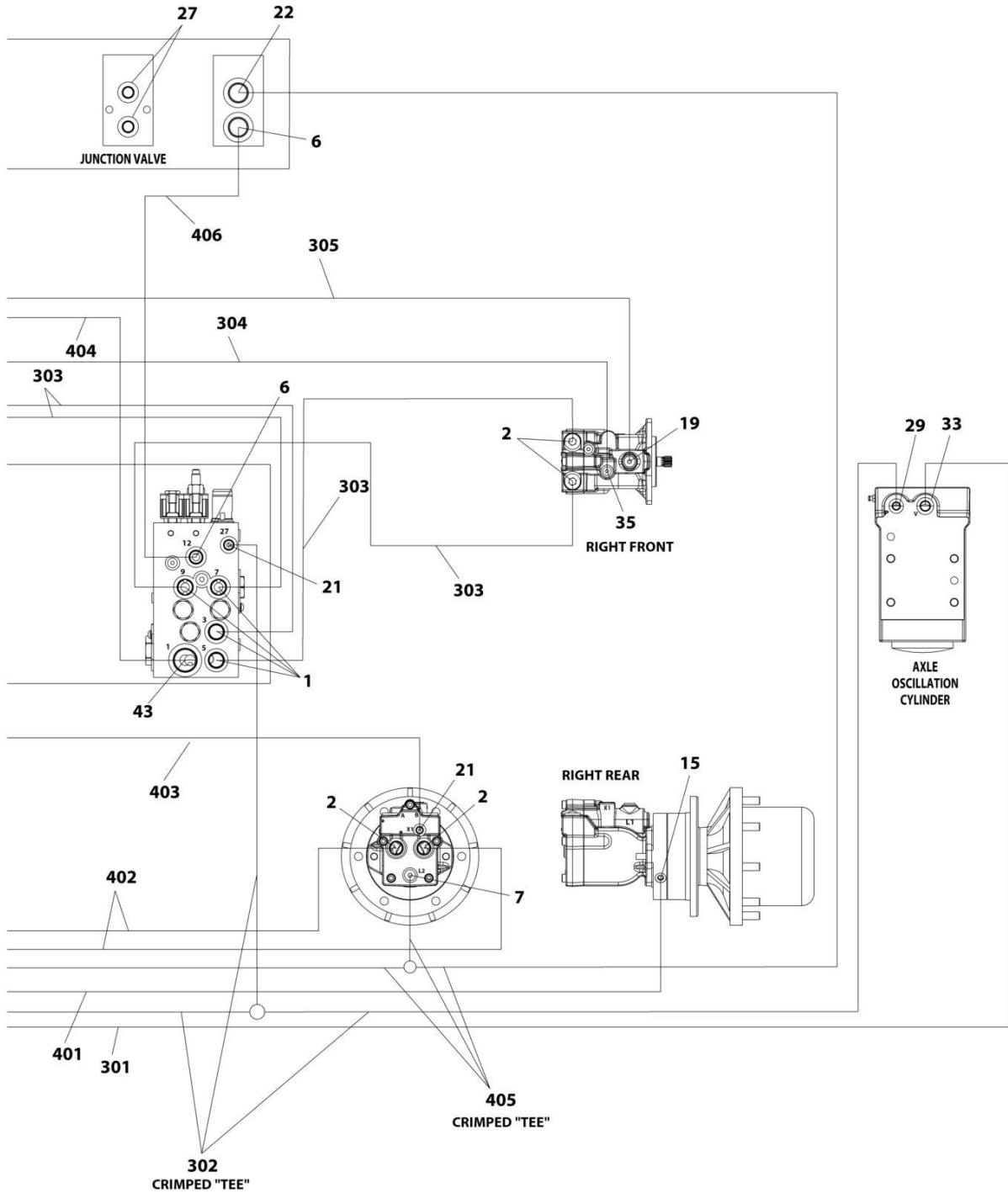
FIGURE 7-25. 4WD HYDRAULIC SYSTEM INSTALLATION - 450AJ (SN THAT START WITH 03) (SN 0300285668 to Present)



ART_1001278890_3OF4

SECTION 7 - HYDRAULIC

FIGURE 7-26. 4WD HYDRAULIC SYSTEM INSTALLATION - 450AJ (SN THAT START WITH 03) (SN 0300285668 to Present)



ART_1001278890_4OF4

SECTION 7 - HYDRAULIC

FIGURE 7-26. 4WD HYDRAULIC SYSTEM INSTALLATION - 450AJ (SN THAT START WITH 03) (SN 0300285668 to Present)

ITEM	PART NUMBER	QTY	DESCRIPTION	REV
	1001278890	Ref	4WD HYDRAULIC SYSTEM INSTALLATION	A
1	2110810	8	Fitting, Straight ORFS/ORB	
2	2110812	8	Fitting, Straight ORFS/ORB	
3	2151212	2	Fitting, 45 ORFS/ORB	
4	2220238	1	Plug	
5	2220371	1	Fitting, Straight JIC/ORB	
6	2220372	11	Fitting, Straight JIC/ORB	
7	2220373	5	Fitting, Straight JIC/ORB	
8	2220374	6	Fitting, Straight JIC/ORB	
9	2220375	2	Fitting, Straight JIC/ORB	
10	2220377	1	Fitting, Straight JIC/ORB	
11	2220415	3	Fitting, Straight JIC/ORB	
12	2220435	1	Fitting, Straight JIC/ORB	
13	2220451	1	Fitting, Straight JIC/ORB	
14	2220465	1	Fitting, 90 JIC/ORB	
15	2220466	2	Fitting, 90 JIC/ORB	
16	2220468	2	Fitting, Straight JIC/ORB	
17	2220472	5	Fitting, 90 JIC/ORB	
18	2220497	2	Fitting, Straight JIC/ORB	
19	2220500	4	Fitting, 45 JIC/ORB	
20	2220501	2	Fitting, 45 JIC/ORB	
21	2220582	11	Fitting, Straight JIC/ORB	
22	2220596	1	Fitting, 90 JIC/ORB	
23	2220600	1	Fitting, Straight JIC/ORB	
24	2220603	1	Fitting, Straight JIC/ORB	
25	2220628	1	Fitting, 90 JIC/ORB	
26	2220811	1	Fitting, Straight FORB/ORB	
27	2220883	2	Plug #4	
28	2220906	2	Fitting, 90 JIC/ORB	
29	2220923	2	Fitting, Straight JIC/ORB	
30	2220940	2	Fitting, Elbow	
31	2220946	2	Fitting, Straight JIC/ORB	
32	2220947	2	Fitting, Straight JIC/ORB	
33	2220998	2	Fitting, Straight JIC/ORB	
34	2221033	2	Fitting, Straight JIC/ORB	
35	2221040	2	Fitting, 45 JIC/ORB	
36	2221086	1	Fitting, Diagnostic	
37	2230025	1	Fitting, Straight JIC/JIC	
38	8760477	1	Fitting, Tee JIC/JIC/JIC	
39	8770289	1	Fitting, Tee JIC/ORB/JIC	
40	1001175024	1	Fitting, Tee JIC/JIC/ORB	
41	1001202910	2	Fitting, Straight MORB	
42	1001119627	1	Fitting, Straight JIC/ORB	
43	1001142679	2	Fitting, Straight ORFS/ORB	
44	1001143936	1	Fitting, 90 FORB/ORB	
45	1001207335	2	Hose	
46	1001207336	1	Hose	
47	1001210356	1	Tube	
48	1001275635	2	Clamp, Hose	

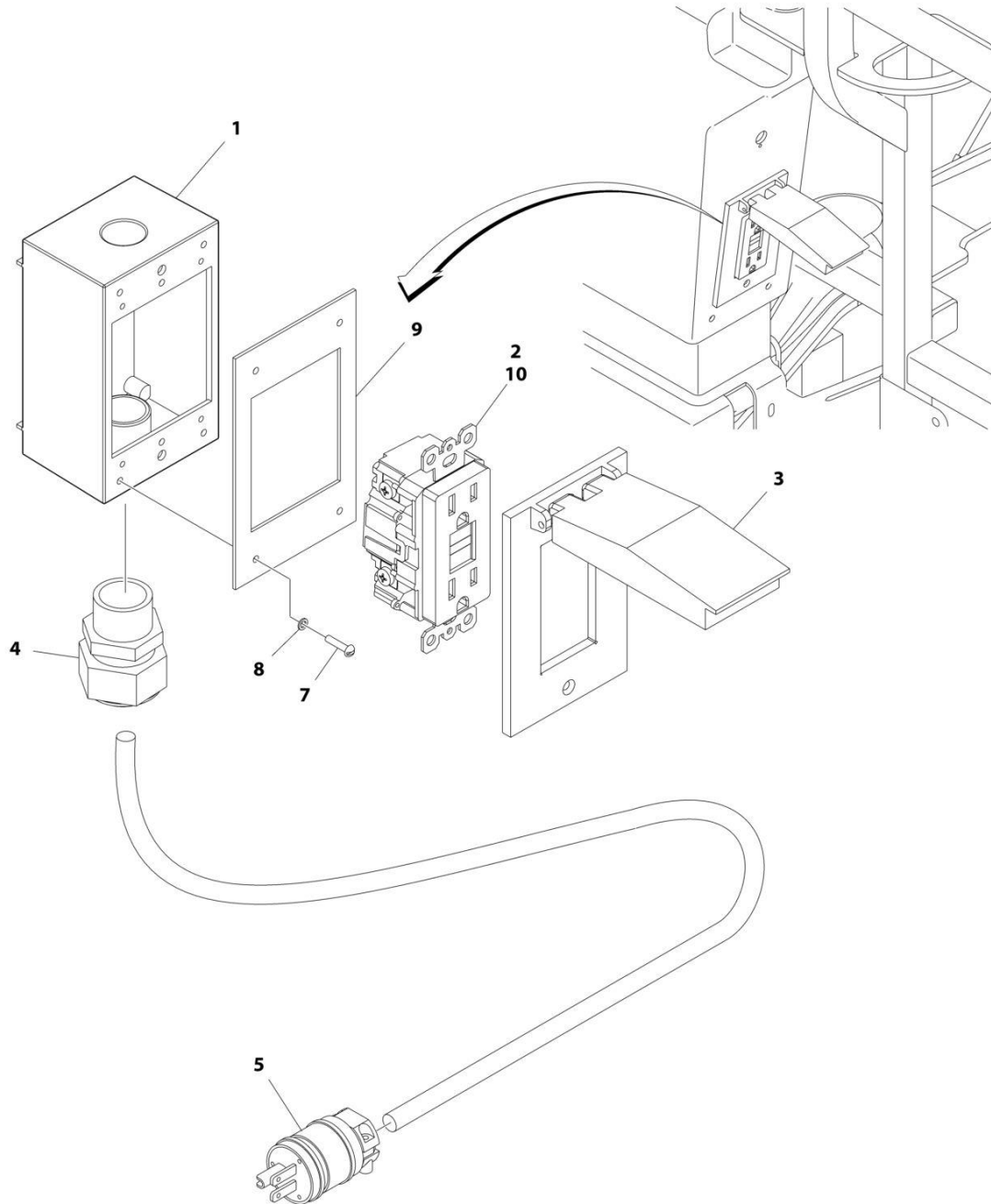
SECTION 7 - HYDRAULIC

ITEM	PART NUMBER	QTY	DESCRIPTION	REV
100	1001194424	1	Hose Kit - Lower Boom (Not Shown)	
101	1001173006	2	Hose	
102	1001173034	1	Hose	
103	1001173035	1	Hose	
104	1001173036	1	Hose	
105	1001173037	1	Hose	
106	1001173038	1	Hose	
107	1001173039	1	Hose	
108	1001173042	1	Hose	
109	1001173043	1	Hose	
110	1001180035	2	Hose	
200	1001194425	1	Hose Kit - Upper Boom (Not Shown)	
201	1001173040	1	Hose	
202	1001173041	1	Hose	
203	1001173044	1	Hose	
204	1001173045	1	Hose	
205	1001173046	2	Hose	
206	1001173048	1	Hose	
207	1001173049	1	Hose	
300	1001194427	1	Hose Kit - Front (Not Shown)	
301	1001173053	1	Hose	
302	1001173054	1	Hose	
303	1001173055	4	Hose	
304	1001173056	1	Hose	
305	1001173057	2	Hose	
306	1001173058	2	Hose	
307	1001173066	1	Hose	
400	1001194428	1	Hose Kit - Rear (Not Shown)	
401	1001173052	1	Hose	
402	1001173059	4	Hose	
403	1001173061	1	Hose	
404	1001173062	2	Hose	
405	1001173063	1	Hose	
406	1001197039	1	Hose	
500	1001252926	1	Hose Kit - Turntable (Not Shown)	
501	2752504	1	Hose	
502	2752519	1	Hose	
503	1001173027	2	Hose	
504	1001173028	1	Hose	
505	1001173029	2	Hose	

SECTION 8 - ELECTRICAL

SECTION 8 - ELECTRICAL

FIGURE 8-1. AC BOX AT PLATFORM INSTALLATION - 110V - ANSI, ANSI EXPORT, CHINA, CSA AND JAPANESE SPECS



ART_0270022

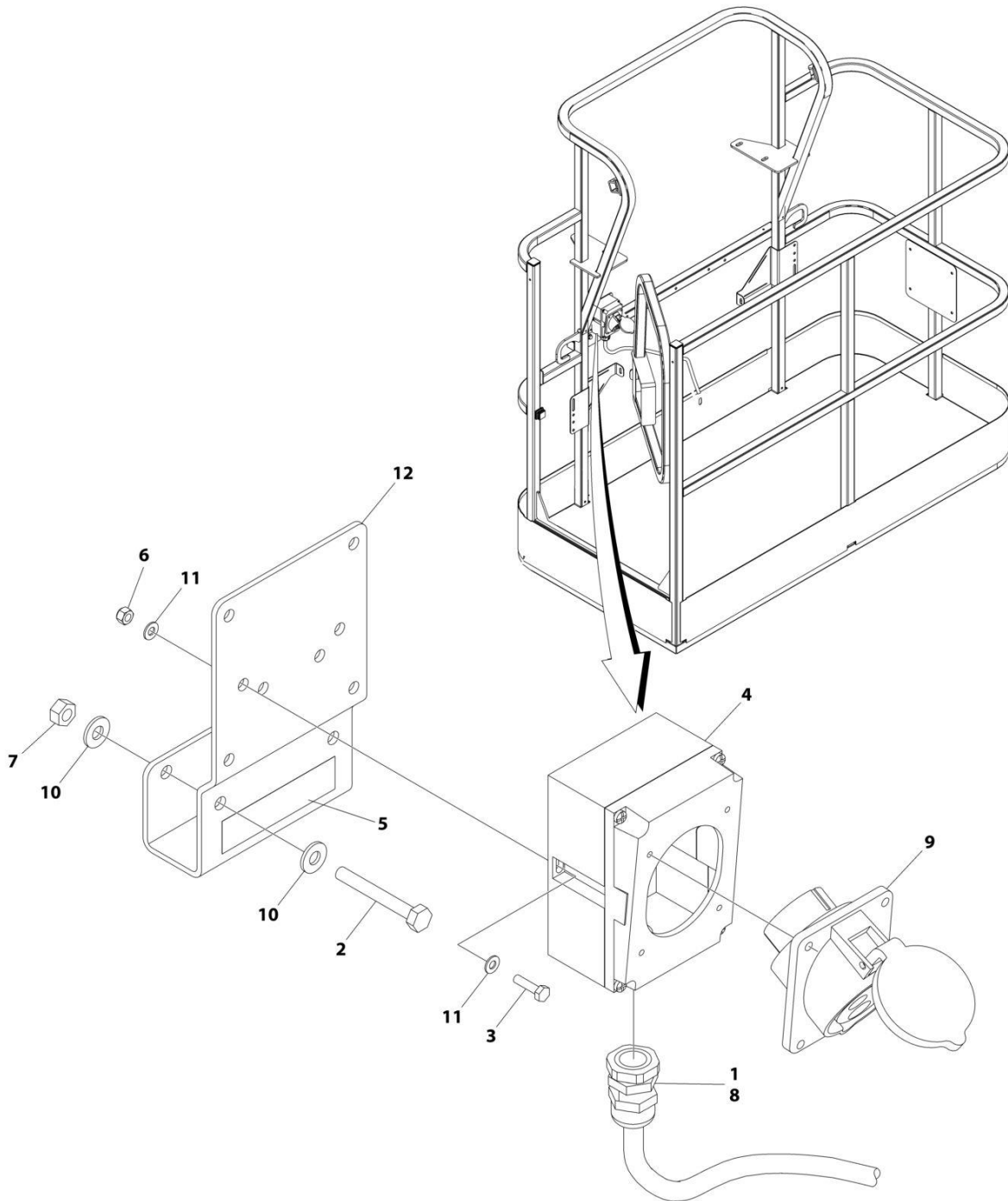
SECTION 8 - ELECTRICAL

FIGURE 8-1. AC BOX AT PLATFORM INSTALLATION - 110V - ANSI, ANSI EXPORT, CHINA, CSA AND JAPANESE SPECS

ITEM	PART NUMBER	QTY	DESCRIPTION	REV
	0270022	Ref	AC BOX AT PLATFORM INSTALLATION - 110V	4-B
1	0860038	1	Box, Switch	
2	4460346	1	Receptacle	
3	1001110873	1	Shield, Cover	
4	4460071	1	Connector, Strain Relief	
5	4460205	1	Plug, Male	
7	3910610	4	Screw #6 x 5/8	
8	4760600	4	Washer #6	
9	3960422	1	Gasket	
10	4460315	1	Terminal, Spade	

SECTION 8 - ELECTRICAL

FIGURE 8-2. AC BOX AT PLATFORM INSTALLATION - 110V IEC YELLOW (CE, RUSSIA & UK CA SPECS WITH 4000W/50HZ GENERATOR)



ART_1001194203

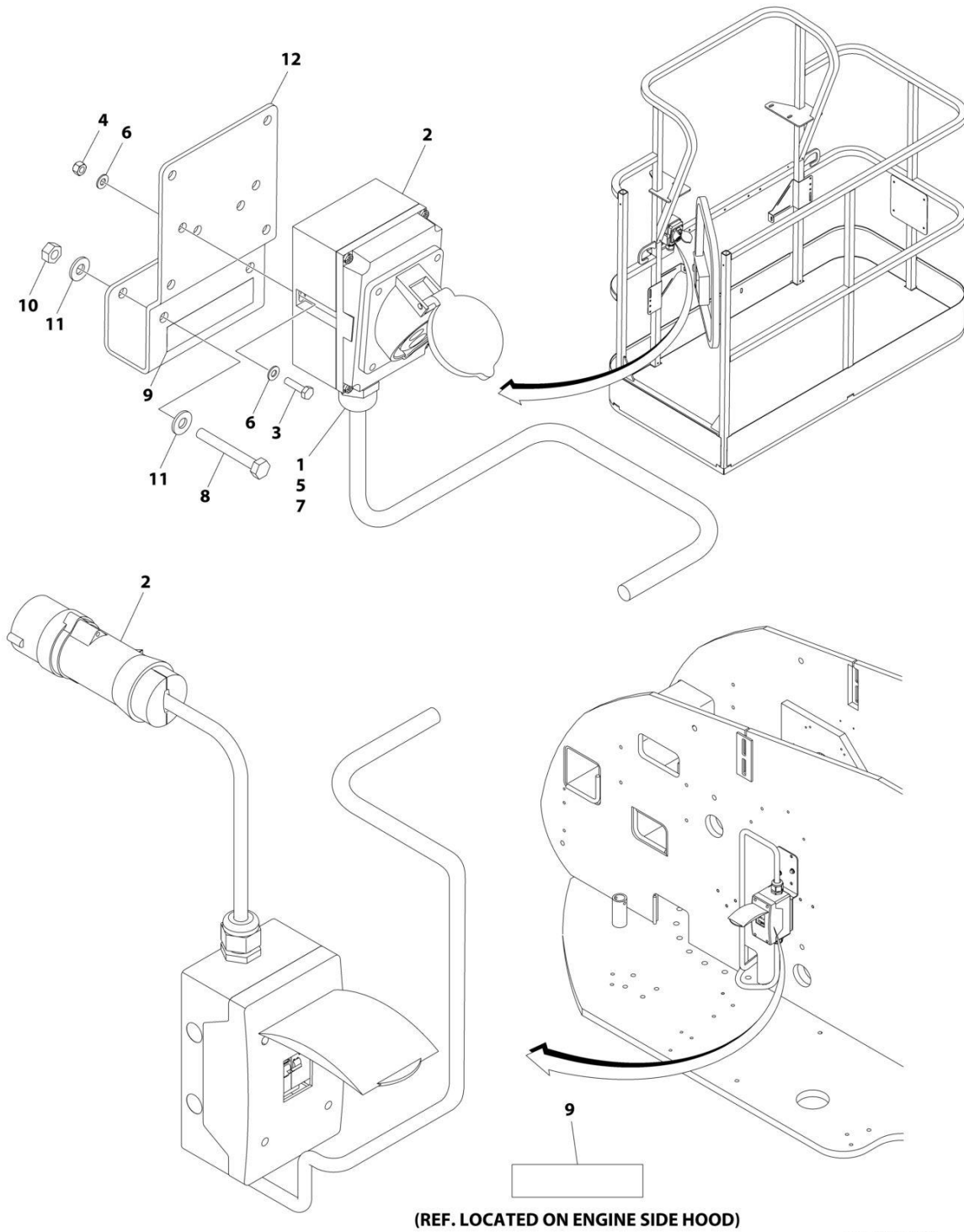
SECTION 8 - ELECTRICAL

FIGURE 8-2. AC BOX AT PLATFORM INSTALLATION - 110V IEC YELLOW (CE, RUSSIA & UK CA SPECS WITH 4000W/50HZ GENERATOR)

ITEM	PART NUMBER	QTY	DESCRIPTION	REV
	1001194203	Ref	AC BOX AT PLATFORM INSTALLATION	B
1	0100020	AR	Sealant, Pipe	
2	0641416	2	Bolt 1/4 x 2	
3	0700408	2	Bolt M4 x 16	
4	0861781	1	Box, Switch	
5	1705325	1	Decal - 110V	
6	3290405	2	Nut M4	
7	3311405	2	Nut 1/4	
8	4460968	1	Connector, Strain Relief	
9	4461198	1	Receptacle	
10	4711400	4	Washer 1/4	
11	4811400	4	Washer M4	
12	1001193018	1	Bracket, AC Receptacle	

SECTION 8 - ELECTRICAL

FIGURE 8-3. AC BOX AT PLATFORM INSTALLATION - 110V IEC 60309 YELLOW WITHOUT 2500W GENERATOR (CE, RUSSIA & UK CA SPECS)



ART_1001091969

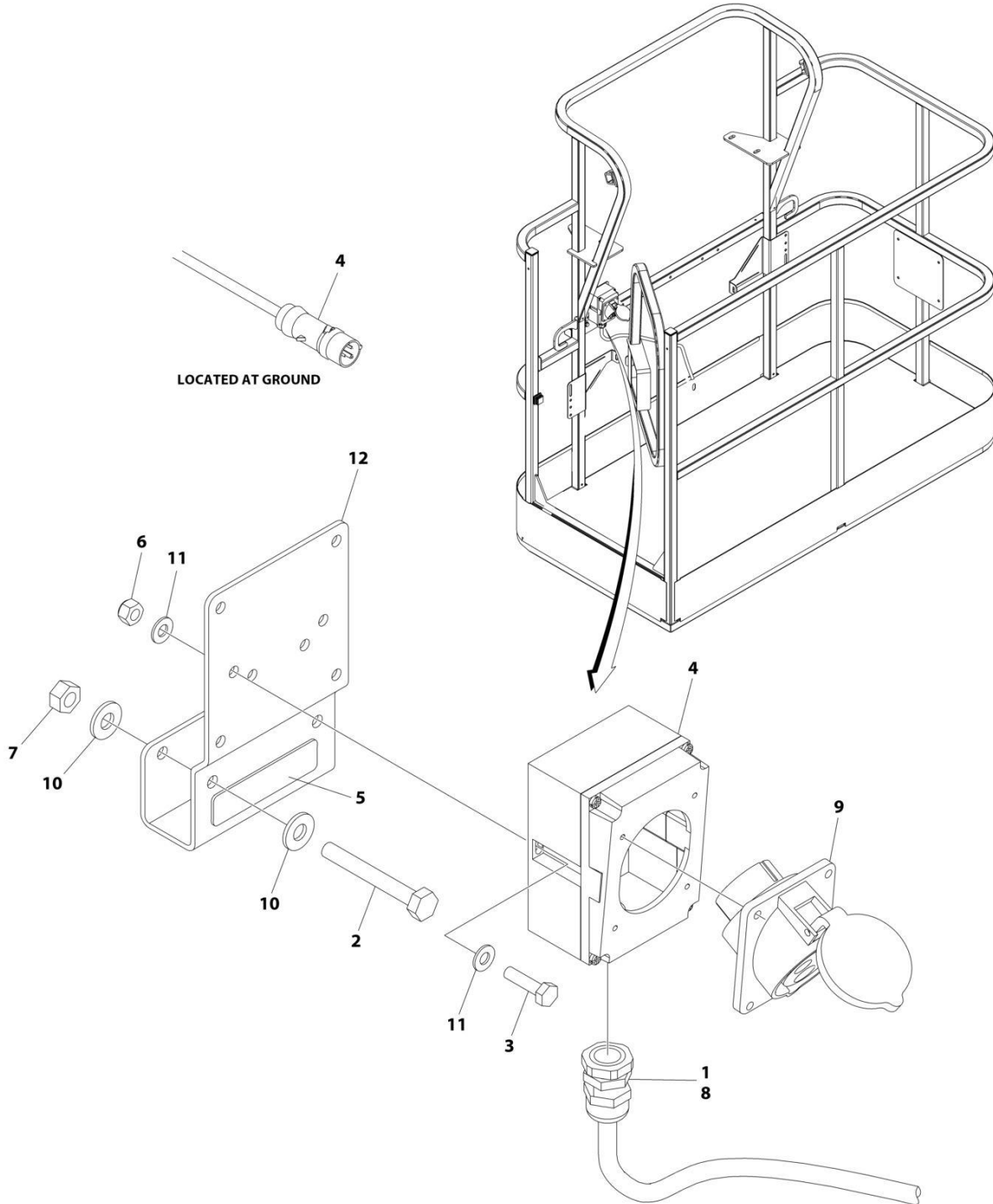
SECTION 8 - ELECTRICAL

FIGURE 8-3. AC BOX AT PLATFORM INSTALLATION - 110V IEC 60309 YELLOW WITHOUT 2500W GENERATOR (CE, RUSSIA & UK CA SPECS)

ITEM	PART NUMBER	QTY	DESCRIPTION	REV
	1001091969	Ref	AC BOX AT PLATFORM INSTALLATION - 110V IEC YELLOW	D
1	0100020	AR	Sealant, Pipe	
2	0275216	1	Receptacle Box Kit (See Separate Breakdown in this Section)	
3	0700408	2	Bolt M4 x 16	
4	3290405	2	Nut M4	
5	1001101196	1	Adapter	
6	4811400	4	Washer M4	
7	1001101191	1	Connector, Strain Relief	
8	0641416	2	Bolt 1/4 x 2	
9	1705325	2	Decal - 110V	
10	3311405	2	Nut 1/4	
11	4711400	4	Washer 1/4	
12	1001193018	1	Bracket	

SECTION 8 - ELECTRICAL

FIGURE 8-4. AC BOX AT PLATFORM INSTALLATION - 220V IEC BLUE (CE, RUSSIA & UK CA WITH 4000W/50HZ GENERATOR)



ART_1001194204

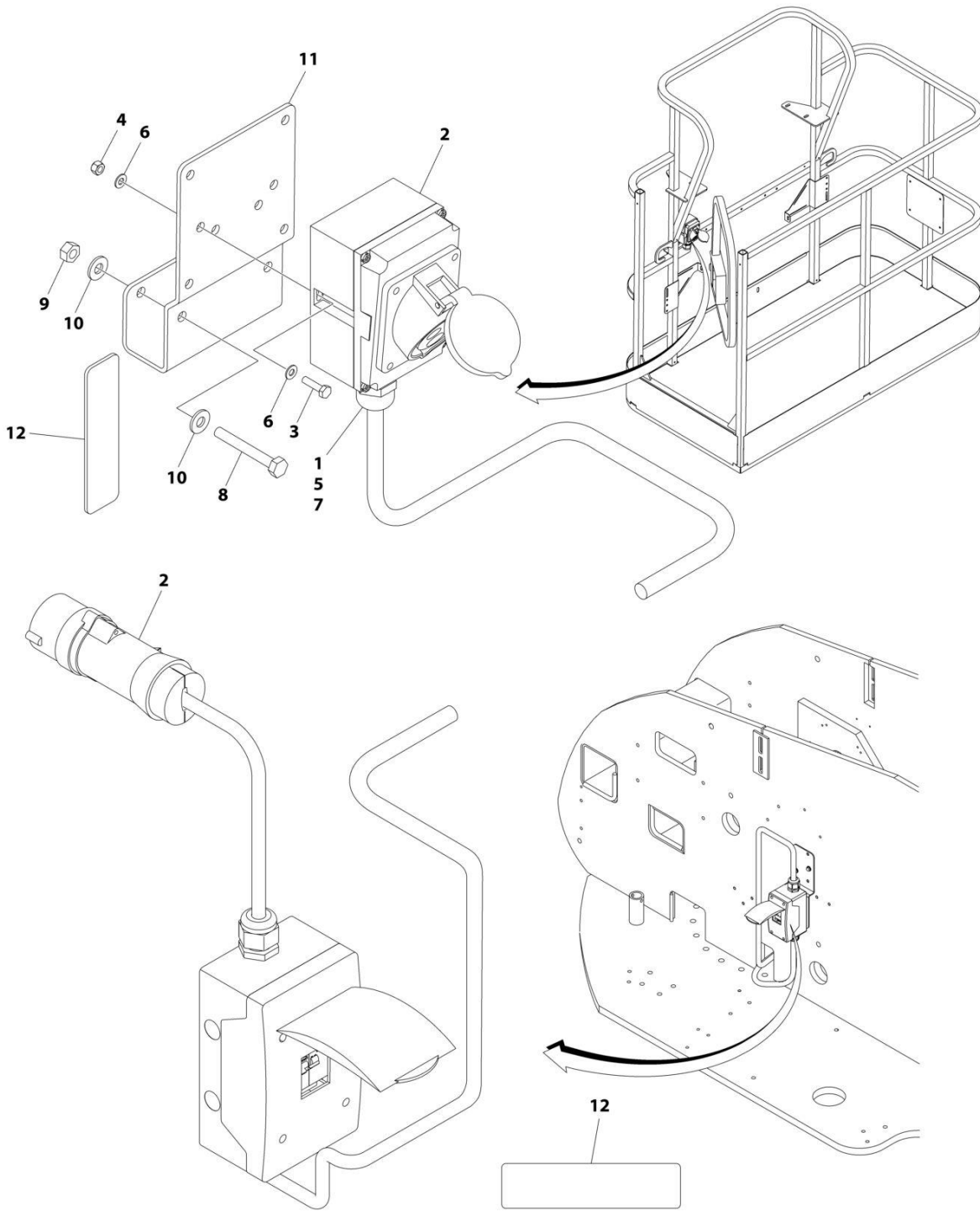
SECTION 8 - ELECTRICAL

FIGURE 8-4. AC BOX AT PLATFORM INSTALLATION - 220V IEC BLUE (CE, RUSSIA & UK CA WITH 4000W/50HZ GENERATOR)

ITEM	PART NUMBER	QTY	DESCRIPTION	REV
	1001194204	Ref	AC BOX AT PLATFORM INSTALLATION	B
1	0100020	AR	Sealant, Pipe	
2	0641416	2	Bolt 1/4 x 2	
3	0700408	2	Bolt M4 x 16	
4	0861781	1	Box, Switch	
5	3251242	1	Decal - 240V/50Hz	
6	3290405	2	Nut M4	
7	3311405	2	Nut 1/4	
8	4460968	1	Connector, Strain Relief	
9	4461201	1	Receptacle	
10	4711400	4	Washer 1/4	
11	4811400	4	Washer M4	
12	1001193018	1	Bracket, AC Receptacle	

SECTION 8 - ELECTRICAL

FIGURE 8-5. AC BOX AT PLATFORM INSTALLATION - 220V IEC 60309 BLUE WITHOUT 2500W GENERATOR (CE, RUSSIA & UK CA SPECS)



(REF. LOCATED ON ENGINE SIDE HOOD)

ART_1001091970

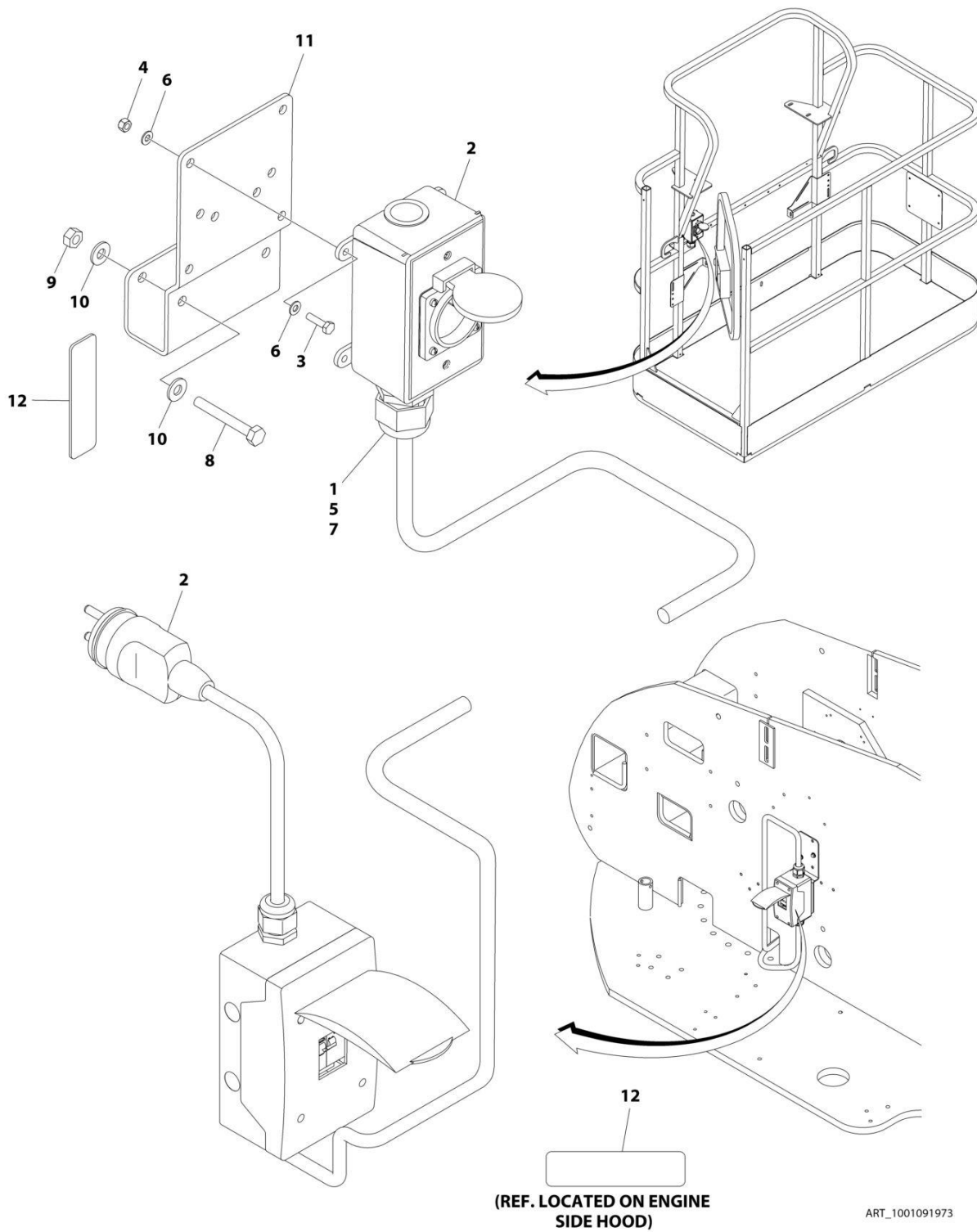
SECTION 8 - ELECTRICAL

FIGURE 8-5. AC BOX AT PLATFORM INSTALLATION - 220V IEC 60309 BLUE WITHOUT 2500W GENERATOR (CE, RUSSIA & UK CA SPECS)

ITEM	PART NUMBER	QTY	DESCRIPTION	REV
	1001091970	Ref	AC BOX AT PLATFORM INSTALLATION - 220V IEC BLUE	D
1	0100020	AR	Sealant, Pipe	
2	0275217	1	Receptacle Box Kit (See Separate Breakdown in this Section)	
3	0700408	2	Bolt M4 x 16	
4	3290405	2	Nut M4	
5	1001101196	1	Adapter	
6	4811400	4	Washer M4	
7	1001101191	1	Connector, Strain Relief	
8	0641416	2	Bolt 1/4 x 2	
9	3311405	2	Nut 1/4	
10	4711400	4	Washer 1/4	
11	1001193018	1	Bracket	
12	3251242	2	Decal - 240V/50Hz	

SECTION 8 - ELECTRICAL

**FIGURE 8-6. AC BOX AT PLATFORM INSTALLATION - 220V CEE7 POST GROUND (2X4 BOX)
WITHOUT 2500W GENERATOR (CE, RUSSIA & UK CA SPECS)**



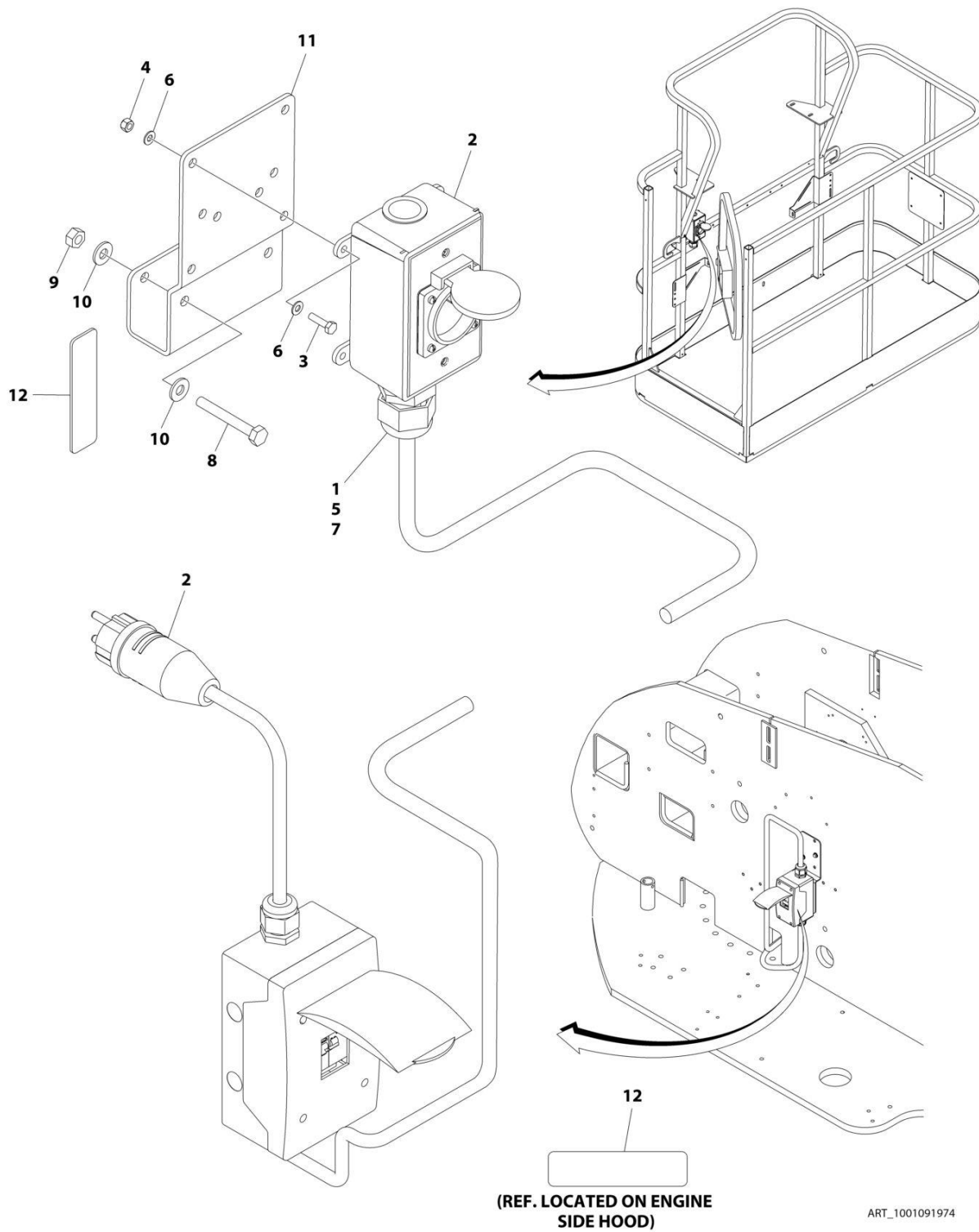
SECTION 8 - ELECTRICAL

**FIGURE 8-6. AC BOX AT PLATFORM INSTALLATION - 220V CEE7 POST GROUND (2X4 BOX)
WITHOUT 2500W GENERATOR (CE, RUSSIA & UK CA SPECS)**

ITEM	PART NUMBER	QTY	DESCRIPTION	REV
	1001091973	Ref	AC BOX AT PLATFORM INSTALLATION - 220V CEE7 2X4 BOX POST GROUND	F
1	0100020	AR	Sealant, Pipe	
2	0275452	1	Receptacle Box Kit (See Separate Breakdown in this Section)	
3	0700408	4	Bolt M4 x 16	
4	3290405	4	Nut M4	
5	1001101197	1	Adapter	
6	4811400	8	Washer M4	
7	1001101191	1	Connector, Strain Relief	
8	0641416	2	Bolt 1/4 x 2	
9	3311405	2	Nut 1/4	
10	4711400	4	Washer 1/4	
11	1001193018	1	Bracket	
12	3251242	2	Decal - 240V/50Hz	
13	4460806	2	Terminal, Fork (Not Shown)	
14	1001205958	1	Terminal (Not Shown)	

SECTION 8 - ELECTRICAL

**FIGURE 8-7. AC BOX AT PLATFORM INSTALLATION - 220V CEE7 SIDE GROUND (2X4 BOX)
WITHOUT 2500W GENERATOR (CE, RUSSIA & UK CA SPECS)**



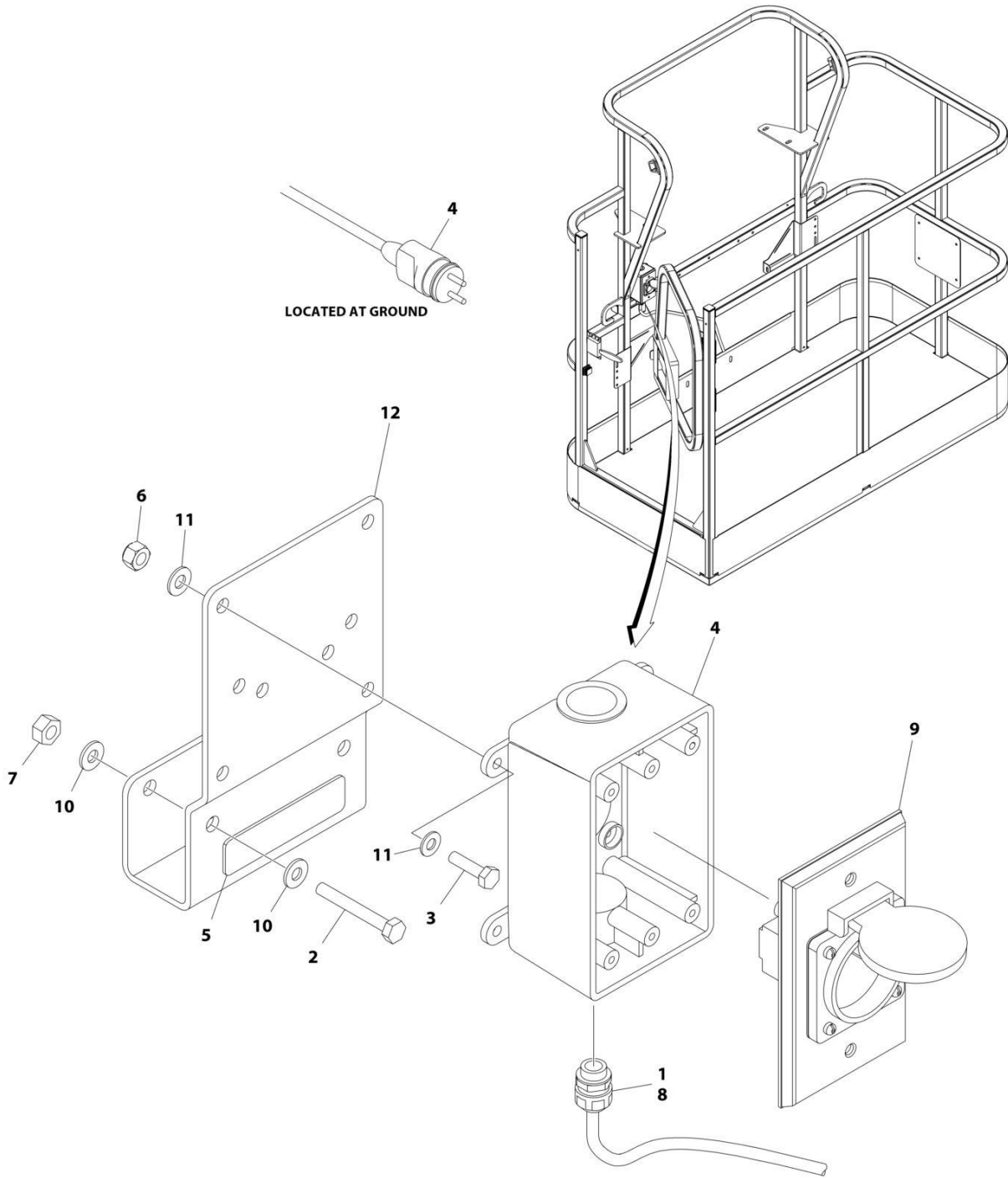
SECTION 8 - ELECTRICAL

**FIGURE 8-7. AC BOX AT PLATFORM INSTALLATION - 220V CEE7 SIDE GROUND (2X4 BOX)
WITHOUT 2500W GENERATOR (CE, RUSSIA & UK CA SPECS)**

ITEM	PART NUMBER	QTY	DESCRIPTION	REV
	1001091974	Ref	AC BOX AT PLATFORM INSTALLATION - 220V CEE7 2X4 BOX SIDE GROUND	F
1	0100020	AR	Sealant, Pipe	
2	0275453	1	Receptacle Box Kit (See Separate Breakdown in this Section)	
3	0700408	4	Bolt M4 x 16	
4	3290405	4	Nut M4	
5	1001101197	1	Adapter	
6	4811400	8	Washer M4	
7	1001101191	1	Connector, Strain Relief	
8	0641416	2	Bolt 1/4 x 2	
9	3311405	2	Nut 1/4	
10	4711400	4	Washer 1/4	
11	1001193018	1	Bracket	
12	3251242	2	Decal - 240V/50Hz	
13	4460806	2	Terminal, Fork (Not Shown)	
14	1001205958	1	Terminal (Not Shown)	

SECTION 8 - ELECTRICAL

FIGURE 8-8. AC BOX AT PLATFORM INSTALLATION - 220V CEE7 2IN X 4IN POST GROUND (CE, RUSSIA & UK CA SPECS WITH 4000W/50HZ GENERATOR)



ART_1001194197

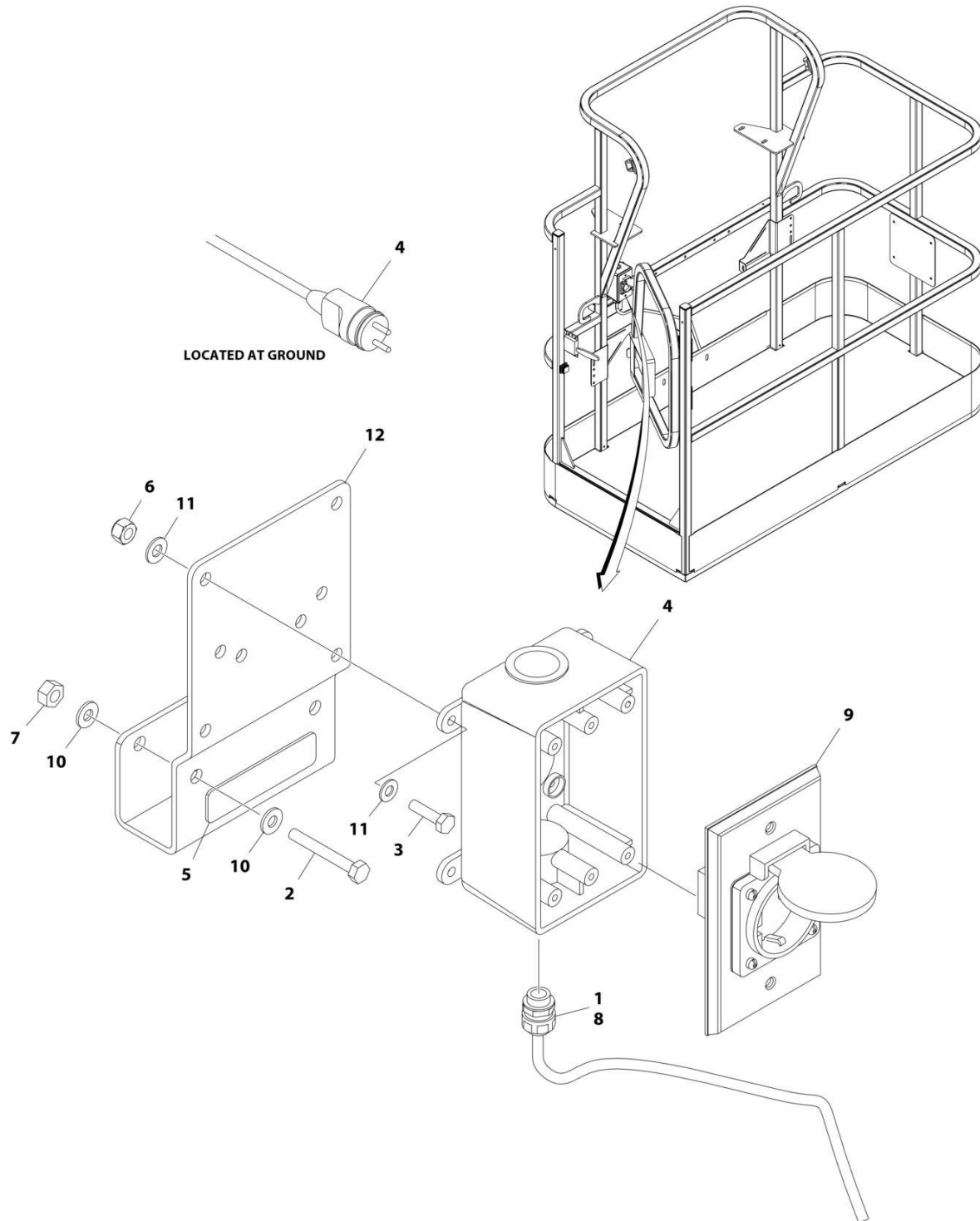
SECTION 8 - ELECTRICAL

FIGURE 8-8. AC BOX AT PLATFORM INSTALLATION - 220V CEE7 2IN X 4IN POST GROUND (CE, RUSSIA & UK CA SPECS WITH 4000W/50HZ GENERATOR)

ITEM	PART NUMBER	QTY	DESCRIPTION	REV
	1001194197	Ref	AC BOX AT PLATFORM INSTALLATION	B
1	0100020	AR	Sealant, Pipe	
2	0641416	2	Bolt 1/4 x 2	
3	0700408	4	Bolt M4 x 16	
4	0861731	1	Box, Switch	
5	3251242	1	Decal - 240V/50Hz	
6	3290405	4	Nut M4	
7	3311405	2	Nut 1/4	
8	4460662	1	Connector, Strain Relief	
9	4461244	1	Receptacle	
10	4711400	4	Washer 1/4	
11	4811400	8	Washer M4	
12	1001193018	1	Bracket, AC Receptacle	
13	4460806	2	Terminal, Fork (Not Shown)	
14	1001205958	1	Terminal (Not Shown)	

SECTION 8 - ELECTRICAL

FIGURE 8-9. AC BOX AT PLATFORM INSTALLATION - 220V CEE7 2IN X 4IN SIDE GROUND (CCE, RUSSIA & UK CA SPECS WITH 4000W/50HZ GENERATOR)



ART_1001194198

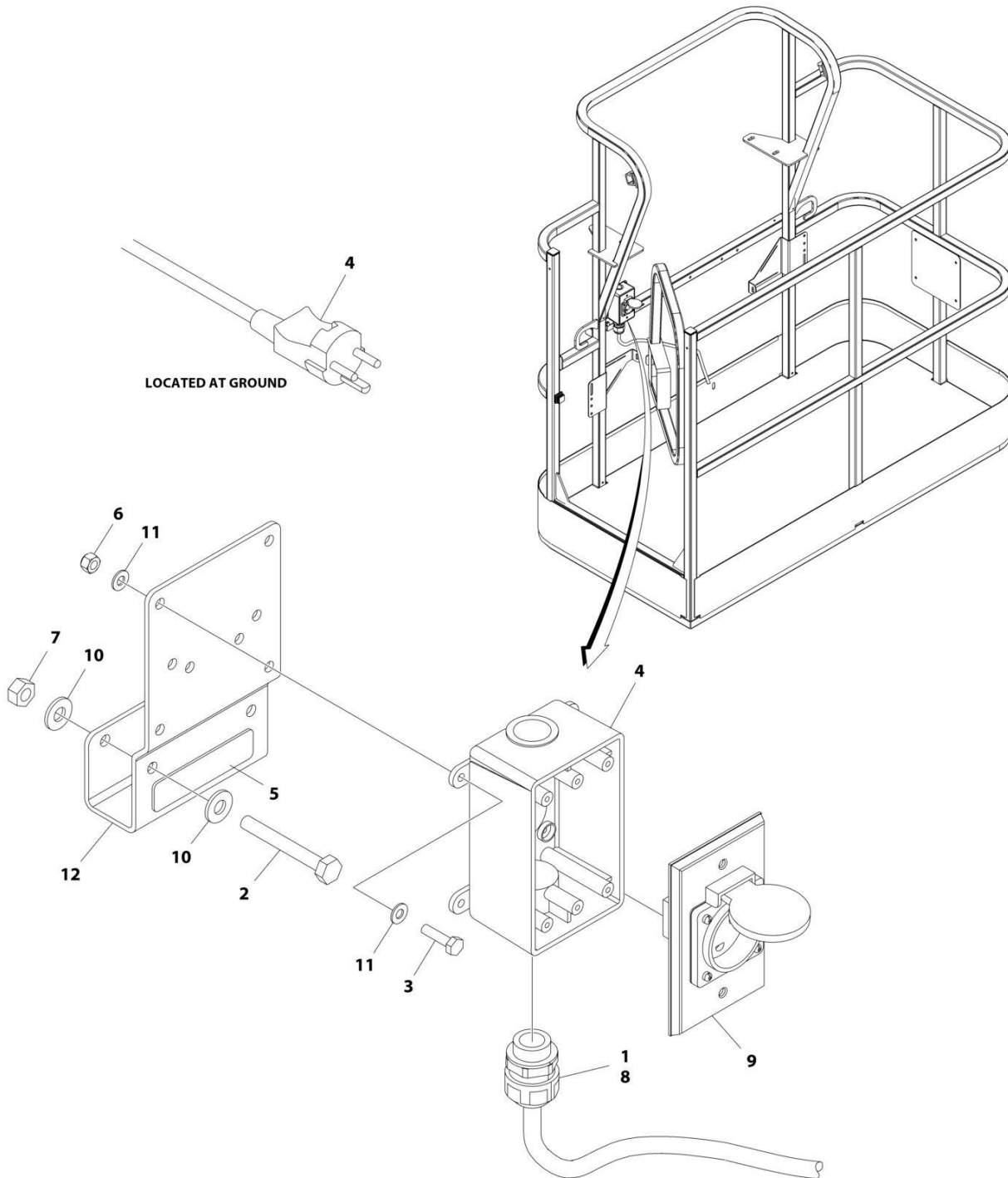
SECTION 8 - ELECTRICAL

FIGURE 8-9. AC BOX AT PLATFORM INSTALLATION - 220V CEE7 2IN X 4IN SIDE GROUND (CCE, RUSSIA & UK CA SPECS WITH 4000W/50HZ GENERATOR)

ITEM	PART NUMBER	QTY	DESCRIPTION	REV
	1001194198	Ref	AC BOX AT PLATFORM INSTALLATION	B
1	0100020	AR	Sealant, Pipe	
2	0641416	2	Bolt 1/4 x 2	
3	0700408	4	Bolt M4 x 16	
4	0861731	1	Box, Switch	
5	3251242	1	Decal - 240V/50Hz	
6	3290405	4	Nut M4	
7	3311405	2	Nut 1/4	
8	4460662	1	Connector, Strain Relief	
9	4461245	1	Receptacle	
10	4711400	4	Washer 1/4	
11	4811400	8	Washer M4	
12	1001193018	1	Bracket, AC Receptacle	
13	4460806	2	Terminal, Fork (Not Shown)	
14	1001205958	1	Terminal (Not Shown)	

SECTION 8 - ELECTRICAL

FIGURE 8-10. AC BOX AT PLATFORM INSTALLATION - 220V AFSINT107 (CE, RUSSIA & UK CA SPECS WITH 4000W/50HZ GENERATOR)



ART_1001194200

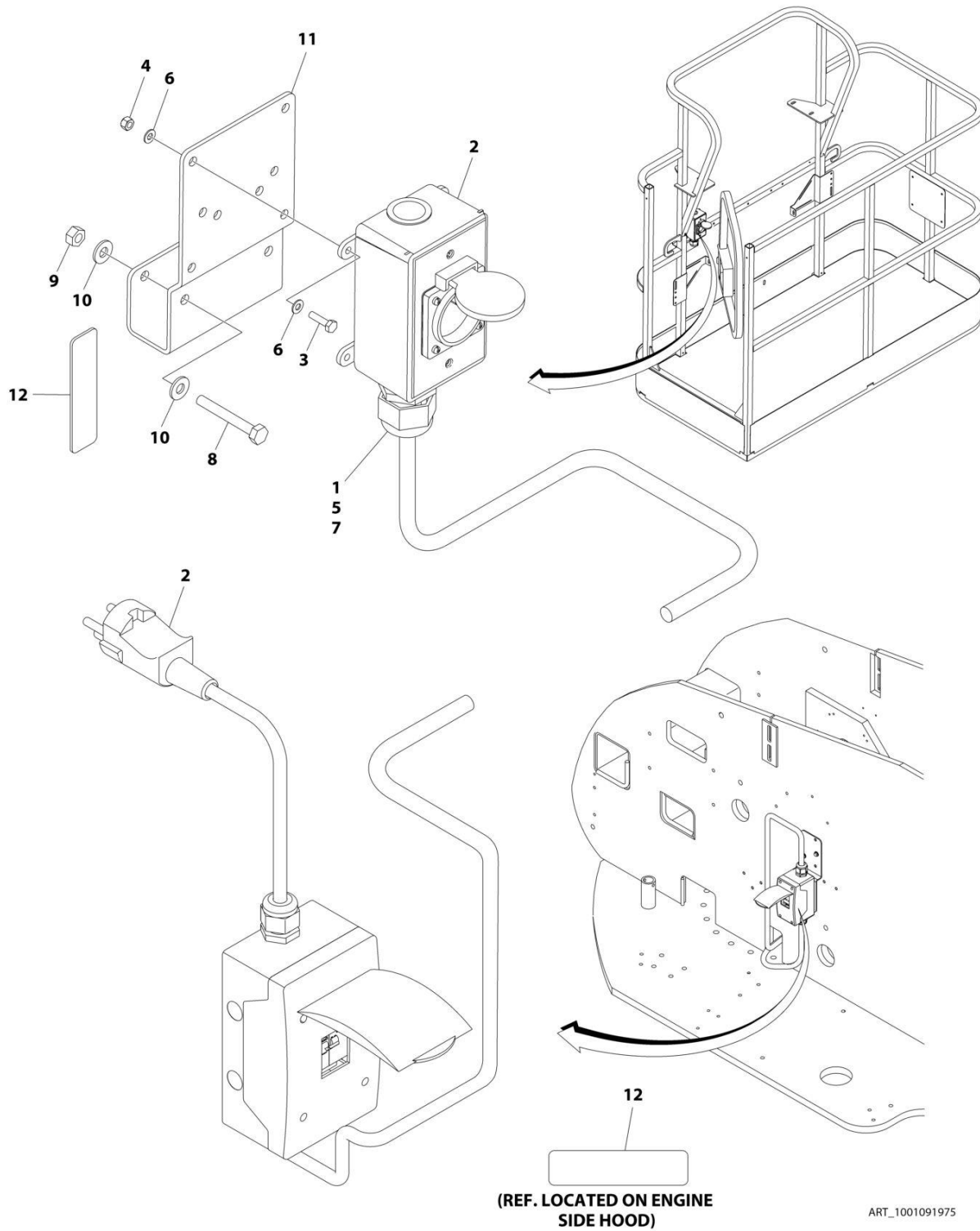
SECTION 8 - ELECTRICAL

FIGURE 8-10. AC BOX AT PLATFORM INSTALLATION - 220V AFSINT107 (CE, RUSSIA & UK CA SPECS WITH 4000W/50HZ GENERATOR)

ITEM	PART NUMBER	QTY	DESCRIPTION	REV
	1001194200	Ref	AC BOX AT PLATFORM INSTALLATION	B
1	0100020	AR	Sealant, Pipe	
2	0641416	2	Bolt 1/4 x 2	
3	0700408	4	Bolt M4 x 16	
4	0861731	1	Box, Switch	
5	3251242	1	Decal - 240V/50Hz	
6	3290405	4	Nut M4	
7	3311405	2	Nut 1/4	
8	4460662	1	Connector, Strain Relief	
9	4461246	1	Receptacle	
10	4711400	4	Washer 1/4	
11	4811400	8	Washer M4	
12	1001193018	1	Bracket, AC Receptacle	
13	1001205958	1	Terminal (Not Shown)	

SECTION 8 - ELECTRICAL

FIGURE 8-11. AC BOX AT PLATFORM INSTALLATION - 220V AFSINT 107 KEYED GROUND (2X4 BOX) WITHOUT 2500W GENERATOR (CE, RUSSIA & UK CA SPECS)



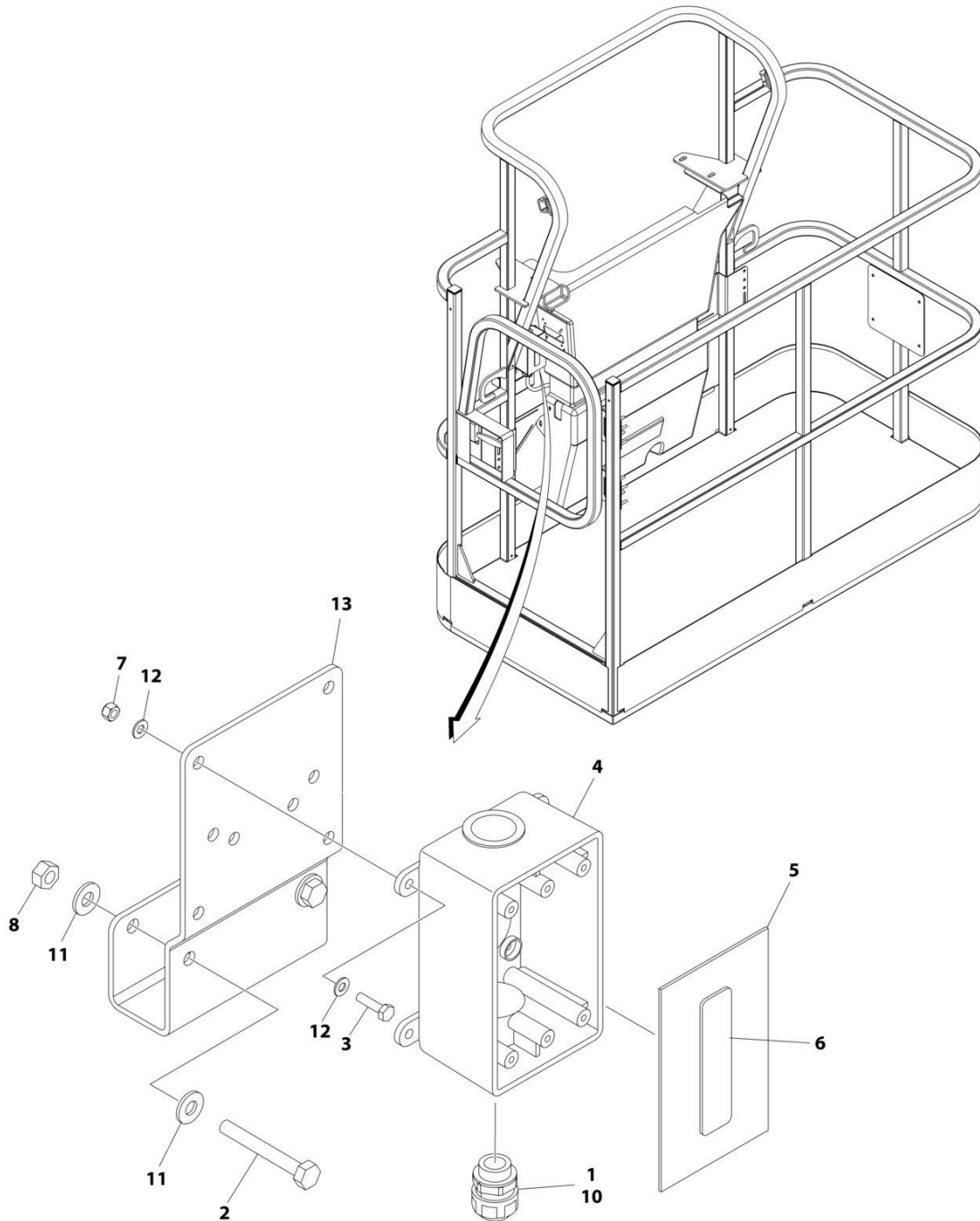
SECTION 8 - ELECTRICAL

FIGURE 8-11. AC BOX AT PLATFORM INSTALLATION - 220V AFSINT 107 KEYED GROUND (2X4 BOX) WITHOUT 2500W GENERATOR (CE, RUSSIA & UK CA SPECS)

ITEM	PART NUMBER	QTY	DESCRIPTION	REV
	1001091975	Ref	AC BOX AT PLATFORM INSTALLATION - 220V AFSINT 107 2X4 BOX KEYED GROUND	F
1	0100020	AR	Sealant, Pipe	
2	0275454	1	Receptacle Box Kit (See Separate Breakdown in this Section)	
3	0700408	4	Bolt M4 x 16	
4	3290405	4	Nut M4	
5	1001101197	1	Adapter	
6	4811400	8	Washer M4	
7	1001101191	1	Connector, Strain Relief	
8	0641416	2	Bolt 1/4 x 2	
9	3311405	2	Nut 1/4	
10	4711400	4	Washer 1/4	
11	1001193018	1	Bracket	
12	3251242	2	Decal - 240V/50Hz	
13	1001205958	3	Terminal (Not Shown)	

SECTION 8 - ELECTRICAL

FIGURE 8-12. AC BOX AT PLATFORM INSTALLATION - 220V CUSTOMER SUPPLIED COMPONENTS
(AUSTRALIAN, CE & UK CA SPECS)



ART_1001194365

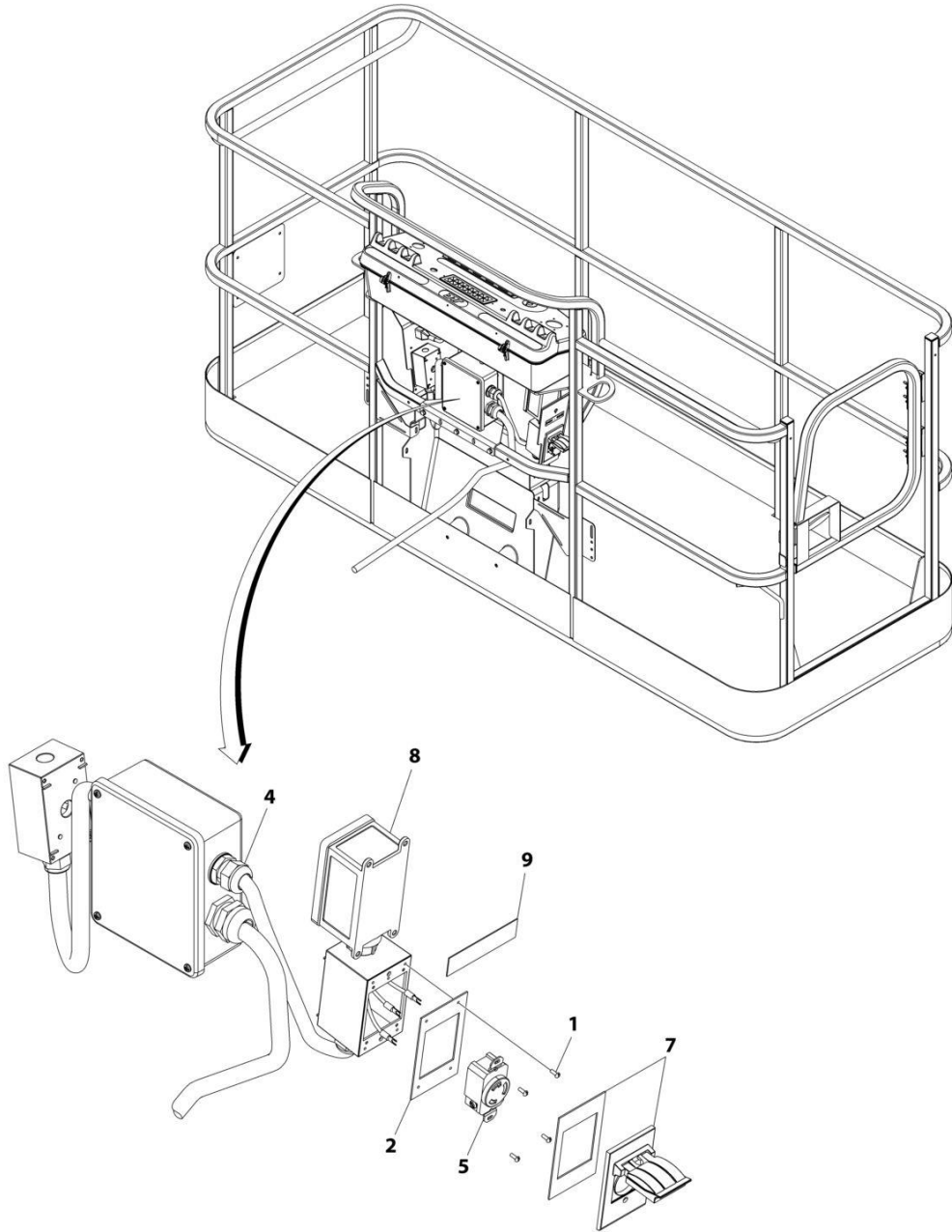
SECTION 8 - ELECTRICAL

**FIGURE 8-12. AC BOX AT PLATFORM INSTALLATION - 220V CUSTOMER SUPPLIED COMPONENTS
(AUSTRALIAN, CE & UK CA SPECS)**

ITEM	PART NUMBER	QTY	DESCRIPTION	REV
	1001194365	Ref	AC BOX AT PLATFORM INSTALLATION - BOX WITH COVER (2X4 BOX)	A
1	0100020	AR	Sealant	
2	0641416	2	Bolt 1/4 x 2	
3	0700408	4	Bolt M4 x 16	
4	0861731	1	Box, Switch	
5	1670603	1	Cover	
6	3251242	1	Decal - 240V/50Hz	
7	3290405	4	Nut M4	
8	3311405	2	Nut 1/4	
9	4460384	3	Terminal (Not Shown)	
10	4460662	1	Connector, Strain Relief	
11	4711400	4	Washer 1/4	
12	4811400	8	Washer M4	
13	1001193018	1	Bracket, AC Receptacle	

SECTION 8 - ELECTRICAL

FIGURE 8-13. AC BOX AT PLATFORM INSTALLATION - 240V (WITH 4000W GENERATOR) (ANSI, ANSI EXPORT, CSA AND JAPANESE SPECS)



ART_1001171131

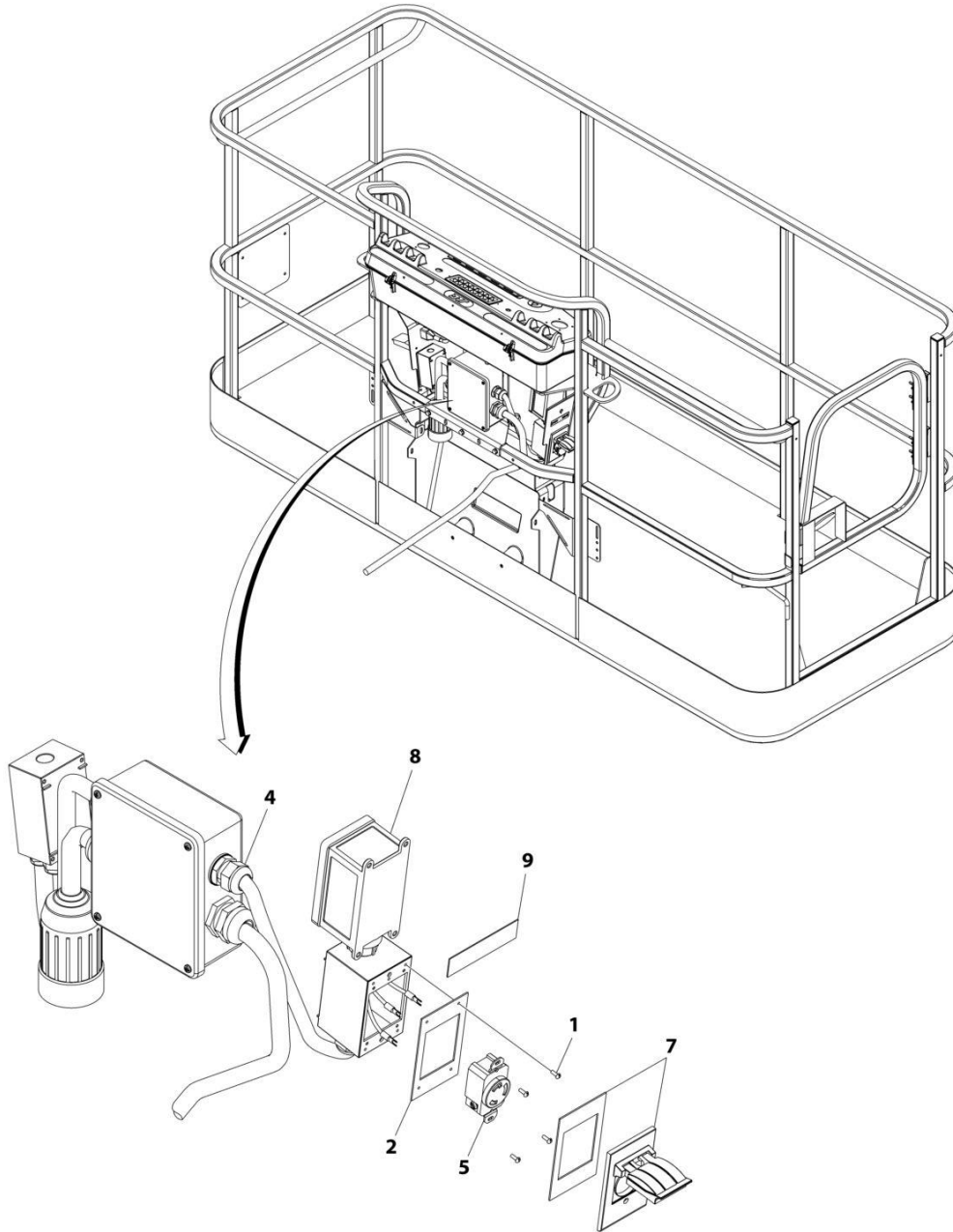
SECTION 8 - ELECTRICAL

FIGURE 8-13. AC BOX AT PLATFORM INSTALLATION - 240V (WITH 4000W GENERATOR) (ANSI, ANSI EXPORT, CSA AND JAPANESE SPECS)

ITEM	PART NUMBER	QTY	DESCRIPTION	REV
	1001171131	Ref	AC BOX AT PLATFORM INSTALLATION - 240V RECEPTACLE	B
1	3910606	4	Screw 6 x 3/8	
2	3960422	1	Gasket	
3	4240018	AR	Tie-Strap (Not Shown)	
4	4460425	1	Connector, Strain Relief	
5	1001176862	1	Receptacle	
7	1001110872	1	Cover, Receptacle	
8	1001159120	1	Receptacle/Breaker Box Assembly	
8	1001148675	1	Box, Receptacle	
8	1001159118	1	Breaker GFCI 30Amp 240VAC	
8	4460612	1	Connector, Strain Relief	
8	1001159119	1	Connector (Between Boxes)	
9	1705374	1	Decal - 240V/60Hz	

SECTION 8 - ELECTRICAL

FIGURE 8-14. AC BOX AT PLATFORM INSTALLATION - 240V (WITH 7500W SKYPOWER GENERATOR) (ANSI, ANSI EXPORT, CSA AND JAPANESE SPECS)



ART_1001159121

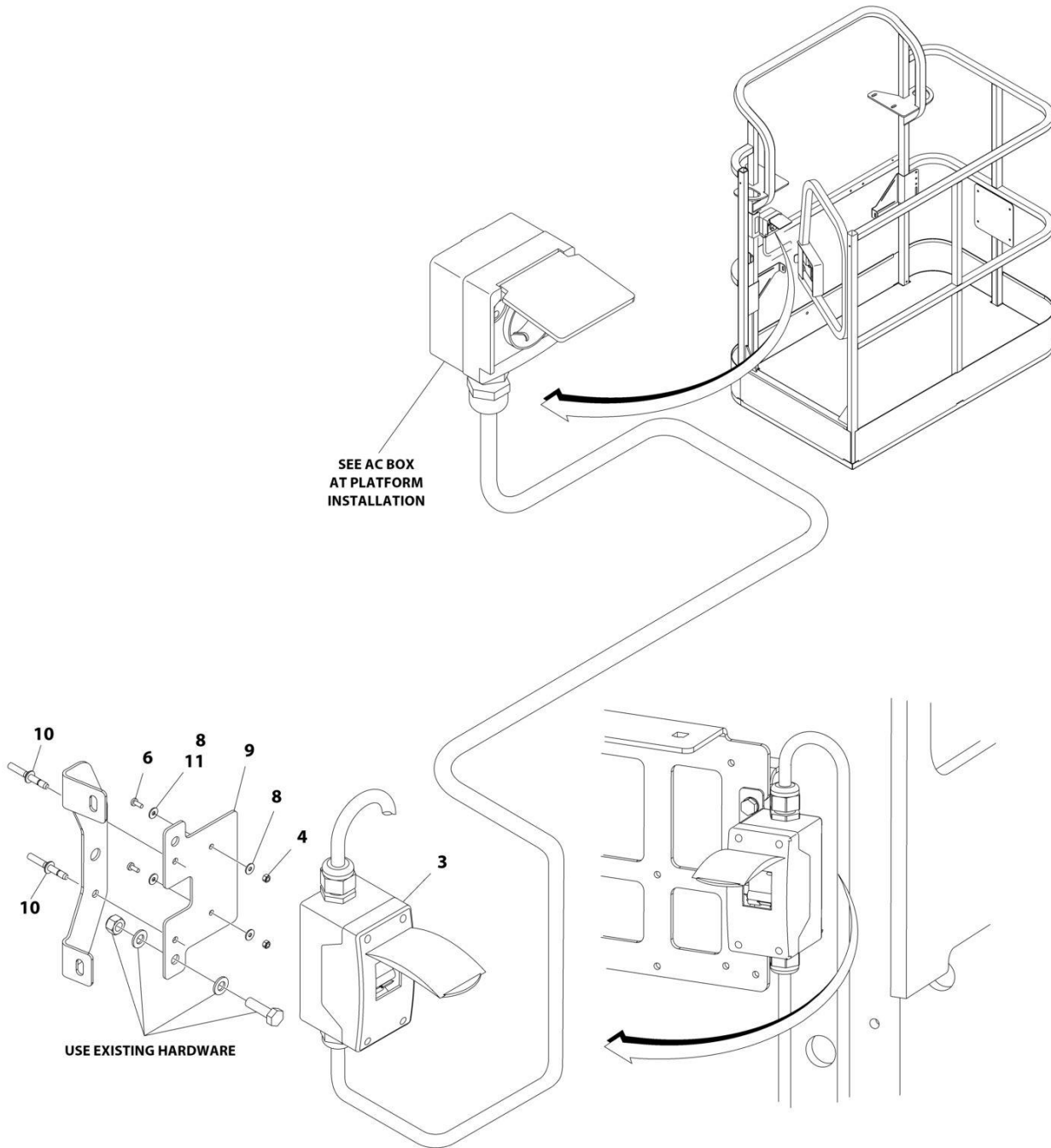
SECTION 8 - ELECTRICAL

FIGURE 8-14. AC BOX AT PLATFORM INSTALLATION - 240V (WITH 7500W SKYPOWER GENERATOR) (ANSI, ANSI EXPORT, CSA AND JAPANESE SPECS)

ITEM	PART NUMBER	QTY	DESCRIPTION	REV
	1001159121	Ref	AC BOX AT PLATFORM INSTALLATION - 240V RECEPTACLE	B
1	3910606	4	Screw 6 x 3/8	
2	3960422	1	Gasket	
3	4240018	AR	Tie-Strap (Not Shown)	
4	4460425	1	Connector, Strain Relief	
5	4460958	1	Receptacle	
7	1001110872	1	Cover, Receptacle	
8	1001159120	1	Receptacle/Breaker Box Assembly	
8	1001148675	1	Box, Receptacle	
8	1001159118	1	Breaker Box Assembly	
8	4460612	1	Connector, Strain Relief	
8	1001159119	1	Connector (Between Boxes)	
9	1705374	1	Decal - 240V/60Hz	

SECTION 8 - ELECTRICAL

FIGURE 8-15. AC CABLE INSTALLATION - WITH TWO BREAKERS (CE, RUSSIA & UK CA SPECS)



ART_1001167312

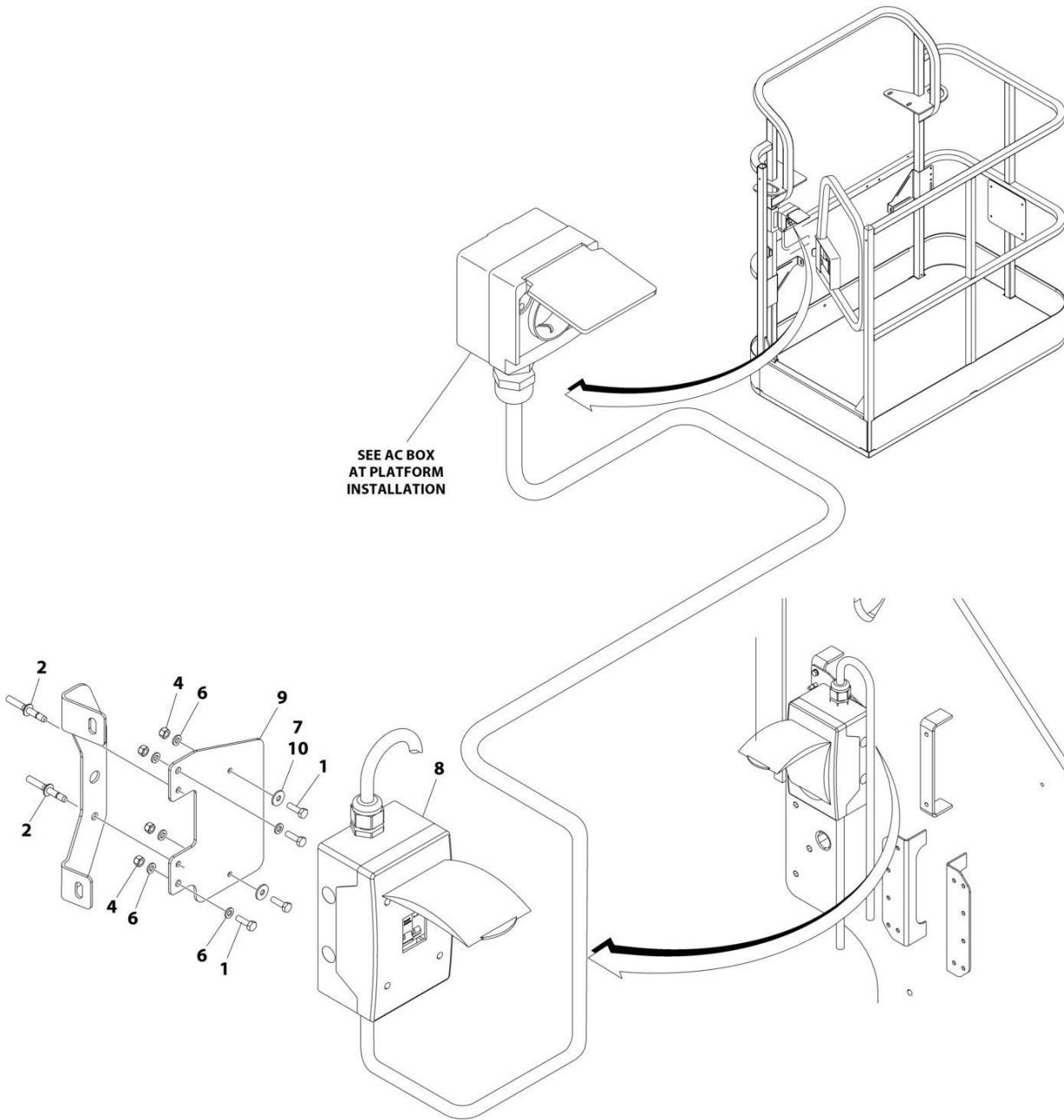
SECTION 8 - ELECTRICAL

FIGURE 8-15. AC CABLE INSTALLATION - WITH TWO BREAKERS (CE, RUSSIA & UK CA SPECS)

ITEM	PART NUMBER	QTY	DESCRIPTION	REV
	1001167312	Ref	AC CABLE INSTALLATION - WITH TWO BREAKERS	G
3	2902549	1	Breaker Box Kit - CE Spec (See Separate Breakdown in this Section)	
4	3290405	2	Nut M4	
4	3290605	2	Nut M6	
6	4010405	AR	Screw M4 x 10	
6	0760610	AR	Screw M6 x 20	
6	0760614	AR	Screw M6 x 30	
8	1001091102	2	Washer M4	
8	4811700	AR	Washer M6	
9	1001174158	1	Bracket	
10	2080040	2	Fastener, Huck	
11	4811702	2	Washer M6	

SECTION 8 - ELECTRICAL

FIGURE 8-16. AC CABLE INSTALLATION - WITH THREE BREAKERS (CE, RUSSIA & UK CA SPECS)



ART_1001209677

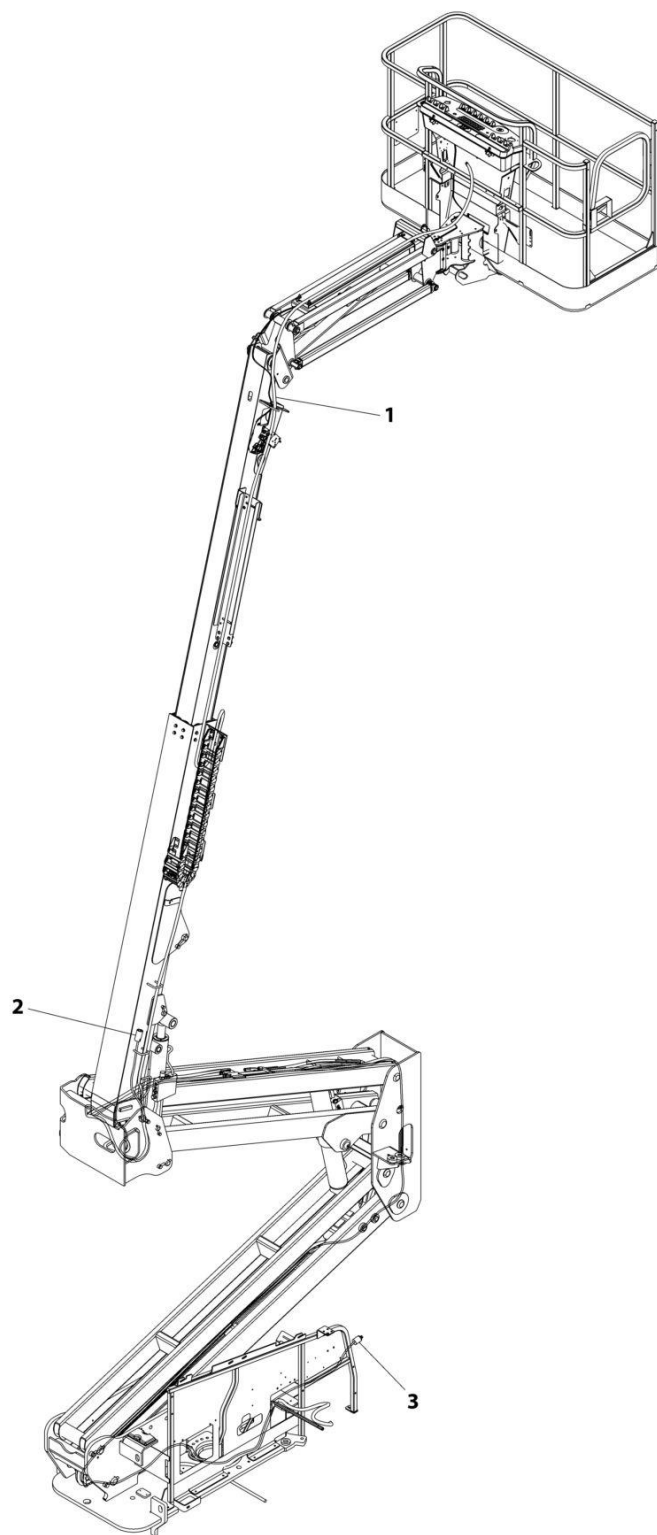
SECTION 8 - ELECTRICAL

FIGURE 8-16. AC CABLE INSTALLATION - WITH THREE BREAKERS (CE, RUSSIA & UK CA SPECS)

ITEM	PART NUMBER	QTY	DESCRIPTION	REV
	1001209677	Ref	AC CABLE INSTALLATION - WITH THREE BREAKERS	B
1	0760610	AR	Bolt M6 x 20	
1	4010405	AR	Bolt M4 x 10	
2	2080040	AR	Fastener, Huck	
4	3290605	AR	Nut M6	
6	4811700	4	Washer M6	
7	1001091102	AR	Washer M4	
8	1001152485	1	Breaker Box Kit (See Separate Breakdown in this Section)	
9	1001209832	1	Bracket	
10	4811702	AR	Washer M6	

SECTION 8 - ELECTRICAL

FIGURE 8-17. AC CABLE AND PLUG INSTALLATION (MACHINES WITH SN STARTING WITH B3)



ART_1001265275

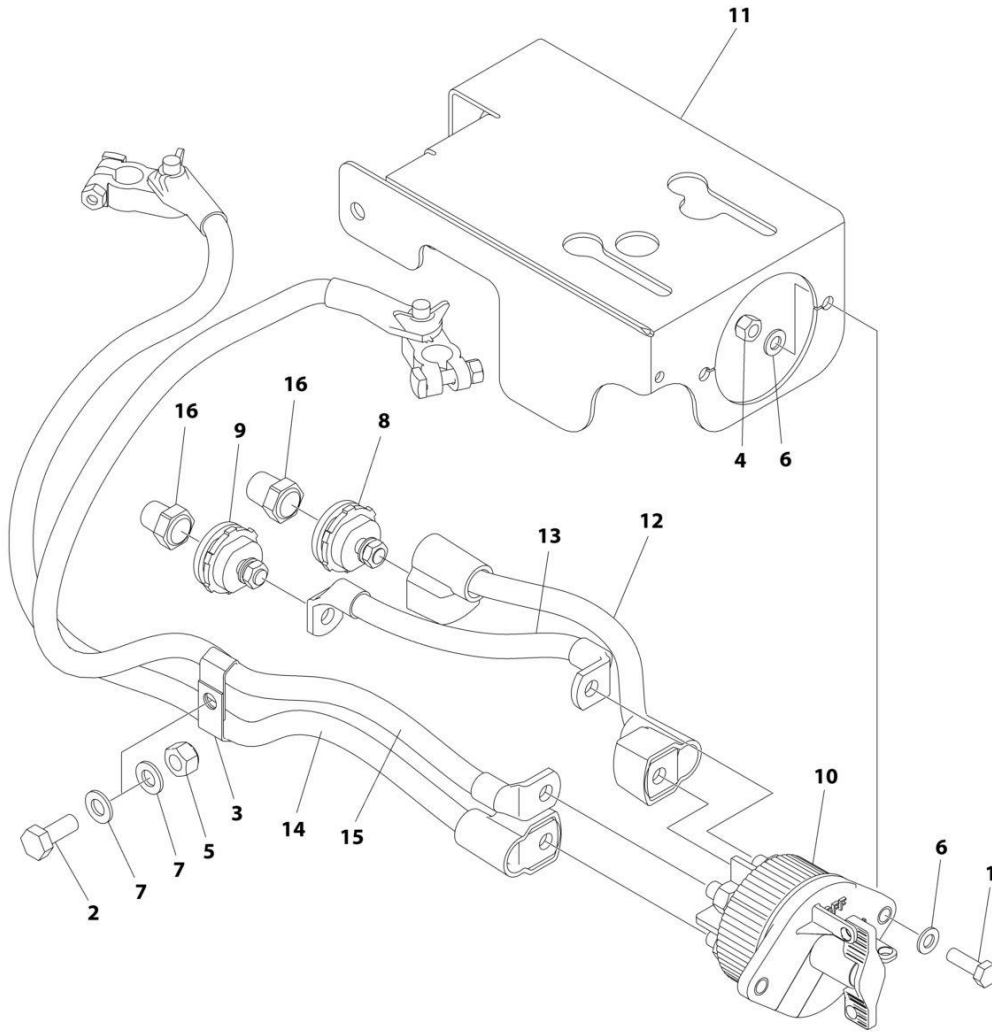
SECTION 8 - ELECTRICAL

FIGURE 8-17. AC CABLE AND PLUG INSTALLATION (MACHINES WITH SN STARTING WITH B3)

ITEM	PART NUMBER	QTY	DESCRIPTION	REV
1	1001265275	Ref	AC CABLE AND PLUG INSTALLATION	A
	1001164731	1	Harness, Main Boom AC Cable (See Separate Breakdown in this Section)	
2	1001174749	1	Harness, Tower Boom AC Cable (See Separate Breakdown in this Section)	
3	1001187816	1	Plug, Male	

SECTION 8 - ELECTRICAL

FIGURE 8-18. BATTERY DISCONNECT SWITCH



ART_1001214397

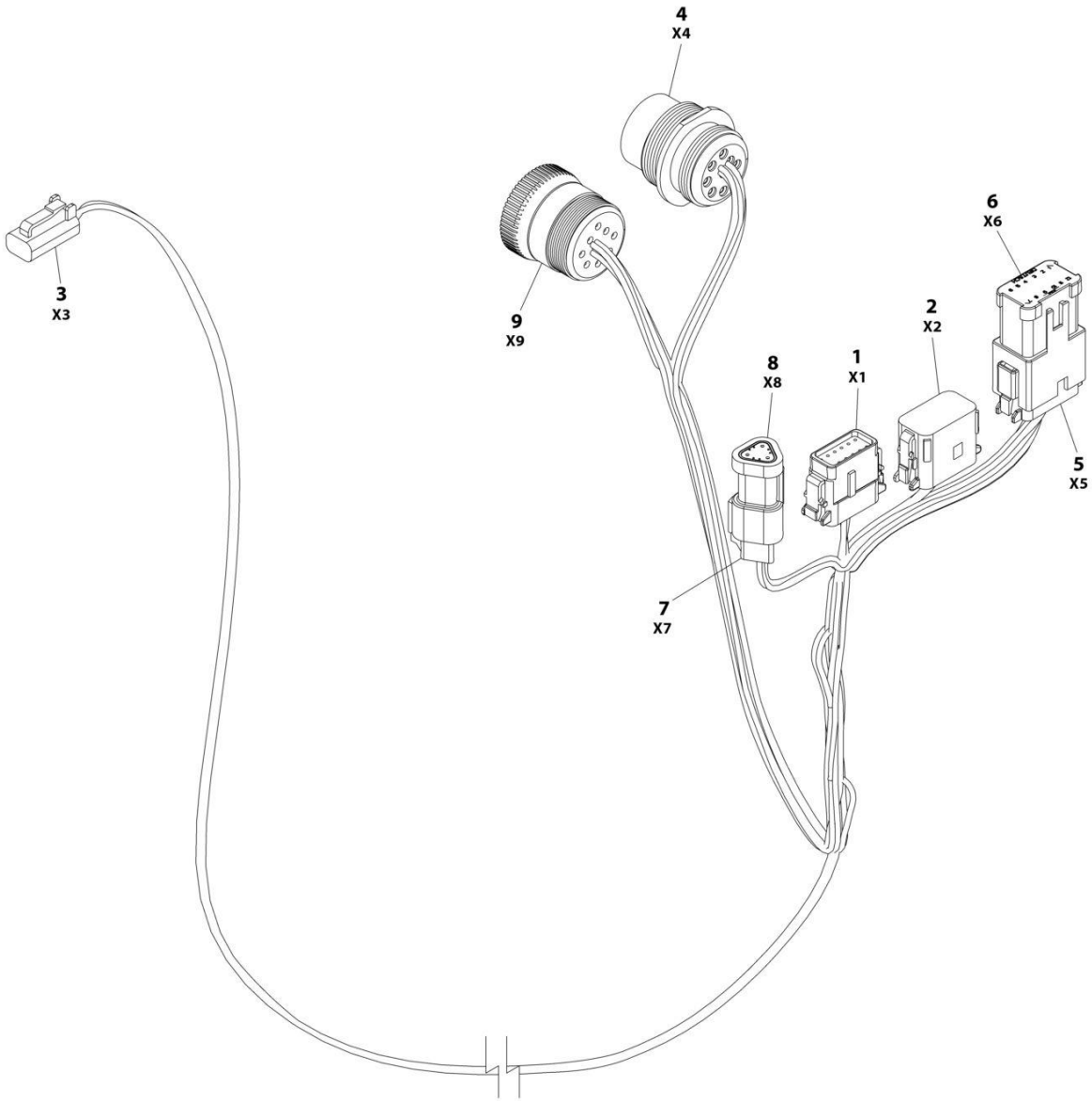
SECTION 8 - ELECTRICAL

FIGURE 8-18. BATTERY DISCONNECT SWITCH

ITEM	PART NUMBER	QTY	DESCRIPTION	REV
	1001214397	Ref	BATTERY DISCONNECT SWITCH	A
1	0760812	2	Bolt M8 x 25	
2	0761012	1	Bolt M10 x 25	
3	1320223	2	Clamp	
4	3290805	2	Nut M8	
5	3291005	1	Nut M10	
6	4811900	4	Washer M8	
7	4812000	2	Washer M10	
8	1001214570	1	Connector (Red)	
9	1001214571	1	Connector (Black)	
10	1001225346	1	Switch	
11	1001226530	1	Mount	
12	1001237878	1	Cable, Battery Disconnect (Positive)	
13	1001237879	1	Cable, Battery Disconnect (Negative)	
14	1001237880	1	Cable (Positive)	
15	1001237881	1	Cable (Negative)	
16	1001206476	1	Connector	

SECTION 8 - ELECTRICAL

FIGURE 8-19. BEACON LIGHT HARNESS (BLUE AND RED BEACON LIGHT)



ART_1001142736

SECTION 8 - ELECTRICAL

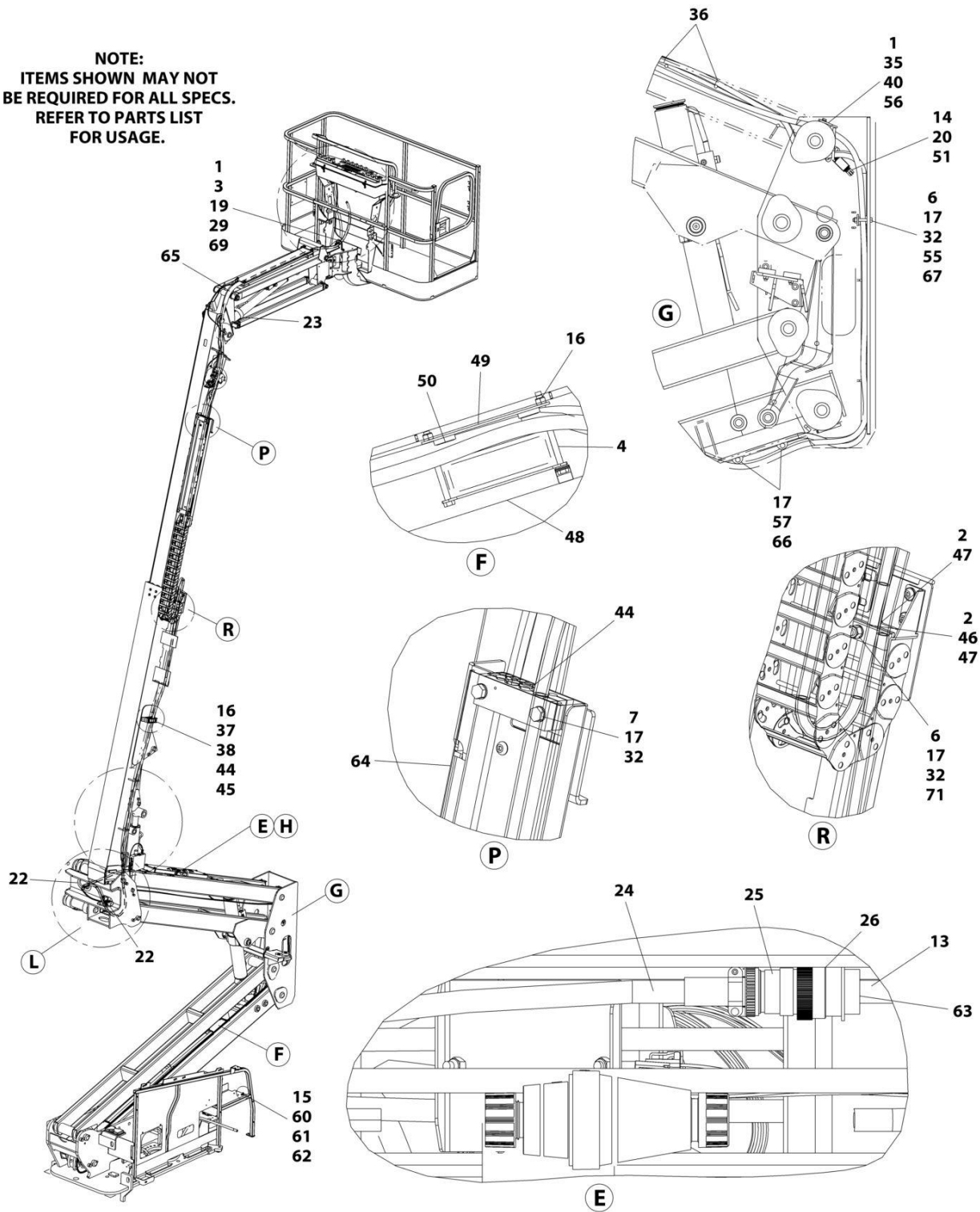
FIGURE 8-19. BEACON LIGHT HARNESS (BLUE AND RED BEACON LIGHT)

ITEM	PART NUMBER	QTY	DESCRIPTION	REV
	1001142736	Ref	STROBE LIGHT HARNESS	F
1	1001116808	1	Plug, Male - 12 Position	
1	4460928	3	Socket, Female	
1	4460518	9	Plug, Terminal	
2	1001116774	1	Plug, Male - 12 Position	
2	4460928	3	Socket, Female	
2	4460518	9	Plug, Terminal	
3	4460891	1	Plug, Male - 2 Position	
3	4460465	2	Socket, Female	
4	1001112612	1	Connector - 9 Position	
4	4460464	6	Pin, Male	
4	4460466	3	Plug, Terminal	
5	4460933	1	Plug, Male - 12 Position	
5	4460465	12	Socket, Female	
6	1001119020	1	Bussbar - 12 Position	
7	4461095	1	Plug, Male - 3 Position	
7	4460465	3	Socket, Female	
8	4461070	1	Bussbar - 3 Position	
9	1001112796	1	Connector - 9 Position	
9	4460465	6	Socket, Female	
9	4460466	3	Plug, Terminal	

SECTION 8 - ELECTRICAL

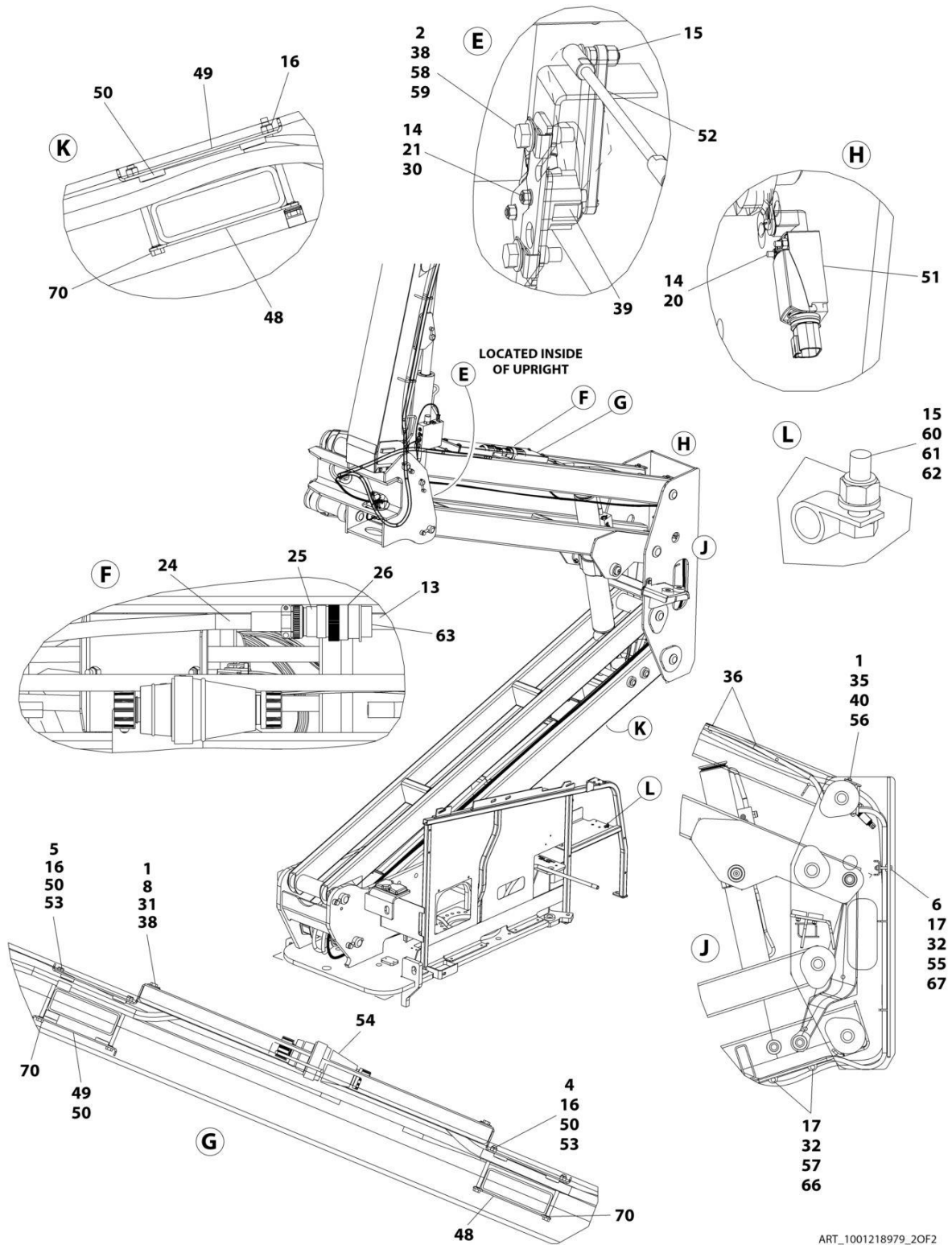
FIGURE 8-20. BOOM CABLES AND CLAMPS INSTALLATION - 450A (WITHOUT ARCTIC PACKAGE)

NOTE:
ITEMS SHOWN MAY NOT
BE REQUIRED FOR ALL SPECS.
REFER TO PARTS LIST
FOR USAGE.



ART_1001218979_10F2

SECTION 8 - ELECTRICAL



SECTION 8 - ELECTRICAL

FIGURE 8-20. BOOM CABLES AND CLAMPS INSTALLATION - 450A (WITHOUT ARCTIC PACKAGE)

ITEM	PART NUMBER	QTY	DESCRIPTION	REV
	1001218979	Ref	BOOM CABLES AND CLAMPS INSTALLATION (WITHOUT ARCTIC PACKAGE)	D
	1001219001	Ref	BOOM CABLES AND CLAMPS INSTALLATION KIT (WITHOUT ARCTIC PACKAGE)	G
1	0100011	AR	Compound, Locking	
2	0100081	AR	Adhesive	
3	0641509	2	Bolt 5/16 x 1-1/8	
4	0700827	6	Bolt M8 x 100	
5	0700828	2	Bolt M8 x 110	
6	0701021	3	Bolt M10 x 65	
7	0701024	4	Bolt M10 x 80	
8	0760812	4	Bolt M8 x 25	
13	2820031	AR	Heat Shrink	
14	3290405	4	Nut M4	
15	3290605	3	Nut M6	
16	3290805	10	Nut M8	
17	3291005	9	Nut M10	
19	3841340	1	Loop, Hose	
20	4010418	2	Screw M4 x 50	
21	4031511	2	Capscrew M4 x 35	
22	4060808	27.5 in /8.4m	Flex-Trim	
23	4240156	1	Strap, Clinch	
24	4460473	AR	Clamp, Cable	
25	4460865	1	Connector - 19 Position	
26	4460866	1	Connector - 19 Position	
29	4711500	1	Washer 5/16	
30	4811400	2	Washer M4	
31	4811902	4	Washer M8	
32	4812000	13	Washer M10	
33	1001176951	1	Harness, Tower Boom (Not Shown - See Separate Breakdown in this Section)	
34	1001174749	1	Harness, Tower Boom AC Cable (Not Shown - See Separate Breakdown in this Section)	
35	5251014	2	Bolt M10 x 30	
36	8881800	AR	Tie-Strap	
37	5281920	2	Screw M8 x 80	
37	5281918	2	Bolt M8 x 70	
38	1001118274	8	Nut M8	
39	1001118971	1	Sensor, Angle	
39	70005667	1	Arm	
40	1001118972	2	Nut M10	
41	1001172335	1	Harness, Main Boom (Not Shown - See Separate Breakdown in this Section)	
42	1001172336	1	Harness, Main Boom AC Cable (Not Shown - See Separate Breakdown in this Section)	
43	1001164738	1	Harness, Boom Valve (Not Shown - See Separate Breakdown in this Section)	
44	1001273302	3	Block, Clamping	
45	1001273303	1	Plate	
46	1001168472	1	Plate, Clamping	

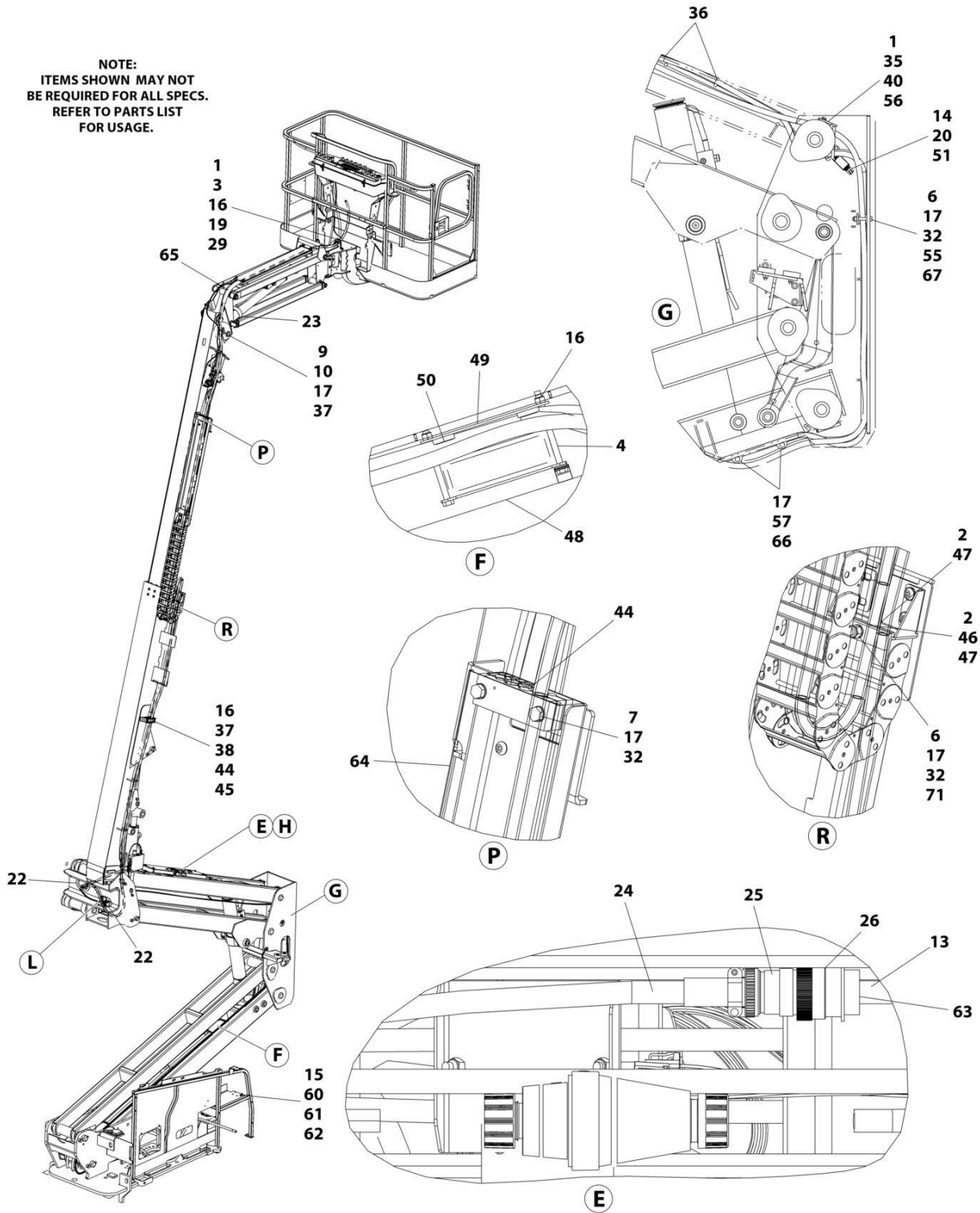
SECTION 8 - ELECTRICAL

ITEM	PART NUMBER	QTY	DESCRIPTION	REV
47	1001168473	2	Clamp, Rubber	
48	1001171553	3	Plate, Clamping	
49	1001171555	3	Plate, Clamping	
50	1001171559	10	Pad	
51	1001284504	1	Switch, Limit	
52	1001238466	1	Link, Sensor (Note: Sold as Assembly Only)	
53	1001178448	2	Plate, Clamping	
54	1001178449	1	Cover	
55	1001178644	1	Plate	
56	1001260306	1	Bracket	
57	1001182561	2	Roller	
58	5250812	2	Bolt M8 x 25	
59	1001179266	1	Plate, Mounting	
60	0760610	1	Bolt M6 x 20	
61	1320043	1	Clamp	
62	4811700	1	Washer M6	
63	4460466	AR	Plug, Terminal	
64	1001181875	1	Cover	
65	1001181923	1	Shield, Hose	
66	1001119280	2	Bolt M10 x 260	
67	1001185747	2	Pad	
69	88521205	2	Nut 5/16	
70	1001119228	8	Nut M8	
71	8310070	1	Pushnut 3/8	

SECTION 8 - ELECTRICAL

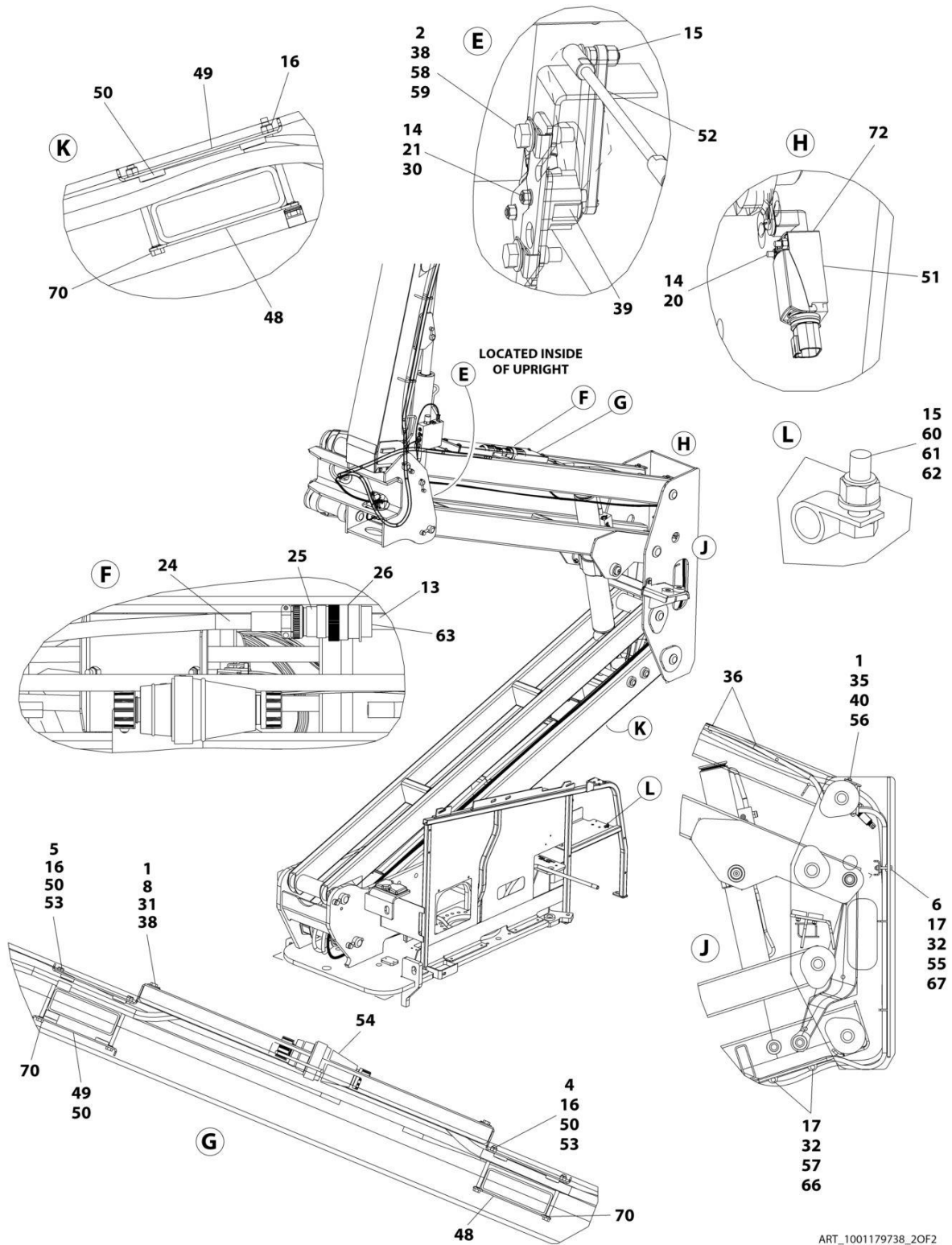
FIGURE 8-21. BOOM CABLES AND CLAMPS INSTALLATION - 450AJ (WITHOUT ARCTIC PACKAGE)

NOTE:
ITEMS SHOWN MAY NOT
BE REQUIRED FOR ALL SPECS.
REFER TO PARTS LIST
FOR USAGE.



ART_1001179738_10F2

SECTION 8 - ELECTRICAL



ART_1001179738_20F2

SECTION 8 - ELECTRICAL

FIGURE 8-21. BOOM CABLES AND CLAMPS INSTALLATION - 450AJ (WITHOUT ARCTIC PACKAGE)

ITEM	PART NUMBER	QTY	DESCRIPTION	REV
	1001179738	Ref	BOOM CABLES AND CLAMPS INSTALLATION	O
1	0100011	AR	Compound, Locking	
2	0100081	AR	Adhesive	
3	0760814	2	Bolt M8 x 30	
4	0700827	6	Bolt M8 x 100	
5	0700828	2	Bolt M8 x 110	
6	0701021	3	Bolt M10 x 65	
7	0701024	4	Bolt M10 x 80	
8	0760812	4	Bolt M8 x 25	
9	0761012	1	Bolt M10 x 25	
10	1320130	1	Clamp	
13	2820031	AR	Heat Shrink	
14	3290405	4	Nut M4	
15	3290605	3	Nut M6	
16	3290805	12	Nut M8	
17	3291005	10	Nut M10	
19	3841340	1	Loop, Hose	
20	4010418	2	Screw M4 x 50	
21	4031511	2	Capscrew M4 x 35	
22	4060808	27.5 in/ 8.38m	Flex-Trim	
23	4240156	2	Strap, Clinch	
24	4460473	AR	Clamp, Cable	
25	4460865	1	Connector - 19 Position	
26	4460866	1	Connector - 19 Position	
29	4811900	4	Washer M8	
30	4811400	2	Washer M4	
31	4811902	4	Washer M8	
32	4812000	13	Washer M10	
33	1001176951	1	Harness, Tower Boom (Not Shown - See Separate Breakdown in this Section)	
34	1001174749	1	Harness, Tower Boom AC Cable (Not Shown - See Separate Breakdown in this Section)	
35	5251014	2	Bolt M10 x 30	
36	8881800	AR	Tie-Strap	
37	5281920	2	Screw M8 x 80	
37	5281918	2	Bolt M8 x 70	
38	1001118274	8	Nut M8	
39	1001118971	1	Sensor, Angle	
39	70005667	1	Arm	
40	1001118972	2	Nut M10	
41	1001164730	1	Harness, Main Boom (Not Shown - See Separate Breakdown in this Section)	
42	1001164731	1	Harness, Main Boom AC Cable (Not Shown - See Separate Breakdown in this Section)	
43	1001164738	1	Harness, Boom Valve (Not Shown - See Separate Breakdown in this Section)	
44	1001273302	3	Block, Clamping	
45	1001273303	1	Plate	
46	1001168472	1	Plate, Clamping	
47	1001168473	2	Clamp, Rubber	

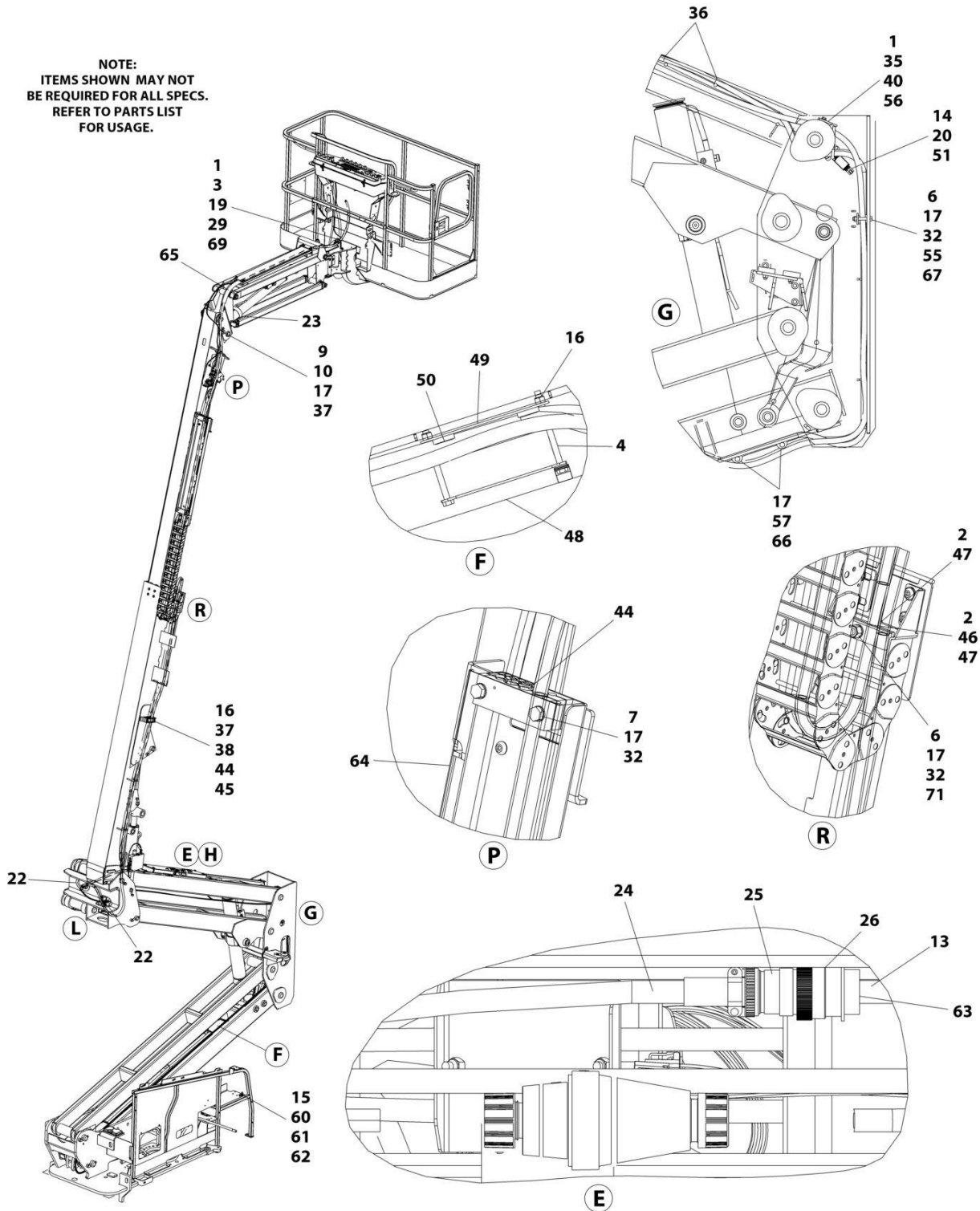
SECTION 8 - ELECTRICAL

ITEM	PART NUMBER	QTY	DESCRIPTION	REV
48	1001171553	3	Plate, Clamping	
49	1001171555	3	Plate, Clamping	
50	1001171559	10	Pad	
51	1001284504	1	Switch, Limit	
52	1001238466	1	Link, Sensor (Note: Sold as Assembly Only)	
53	1001178448	2	Plate, Clamping	
54	1001178449	1	Cover	
55	1001178644	1	Plate	
56	1001260306	1	Bracket	
57	1001182561	2	Roller	
58	5250812	2	Bolt M8 x 25	
59	1001179266	1	Plate, Mounting	
60	0760610	1	Bolt M6 x 20	
61	1320043	1	Clamp	
62	4811700	1	Washer M6	
63	4460466	AR	Plug, Terminal	
64	1001181621	1	Cover	
65	1001181923	1	Shield, Hose	
66	1001119280	2	Bolt M10 x 260	
67	1001185747	2	Pad	
70	1001119228	8	Nut M8	
71	8310070	1	Pushnut 3/8	
72	4750800	AR	Washer #8	

SECTION 8 - ELECTRICAL

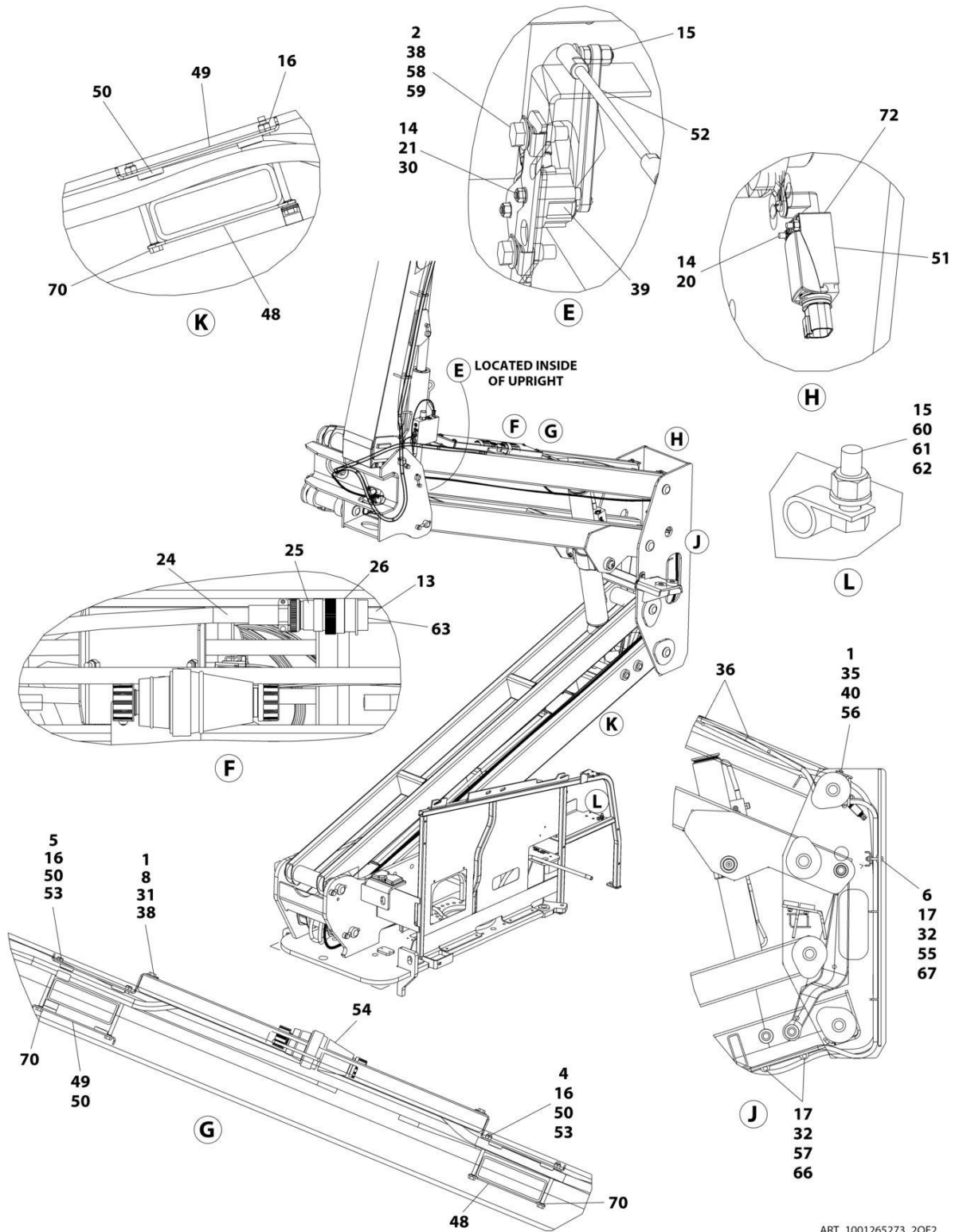
FIGURE 8-22. BOOM CABLES AND CLAMPS INSTALLATION - 450AJ (WITHOUT ARCTIC PACKAGE AND AC CABLES) (MACHINES WITH SN STARTING WITH B3)

NOTE:
ITEMS SHOWN MAY NOT
BE REQUIRED FOR ALL SPECS.
REFER TO PARTS LIST
FOR USAGE.



ART_1001265273_10F2

SECTION 8 - ELECTRICAL



ART_1001265273_20F2

SECTION 8 - ELECTRICAL

FIGURE 8-22. BOOM CABLES AND CLAMPS INSTALLATION - 450AJ (WITHOUT ARCTIC PACKAGE AND AC CABLES) (MACHINES WITH SN STARTING WITH B3)

ITEM	PART NUMBER	QTY	DESCRIPTION	REV
	1001265273	Ref	BOOM CABLES AND CLAMPS INSTALLATION	D
1	0100011	AR	Compound, Locking	
2	0100081	AR	Adhesive	
3	0760814	2	Bolt M8 x 30	
4	0700827	6	Bolt M8 x 100	
5	0700828	2	Bolt M8 x 110	
6	0701021	3	Bolt M10 x 65	
7	0701024	4	Bolt M10 x 80	
8	0760812	4	Bolt M8 x 25	
9	0761012	1	Bolt M10 x 25	
10	1320130	1	Clamp	
13	2820031	AR	Heat Shrink	
14	3290405	4	Nut M4	
15	3290605	3	Nut M6	
16	3290805	10	Nut M8	
17	3291005	10	Nut M10	
19	3841340	1	Loop, Hose	
20	4010418	2	Screw M4 x 50	
21	4031511	2	Capscrew M4 x 35	
22	4060808	27.5 in/ 8.38m	Flex-Trim	
23	4240156	2	Strap, Clinch	
24	4460473	AR	Clamp, Cable	
25	4460865	1	Connector - 19 Position	
26	4460866	1	Connector - 19 Position	
29	4711500	4	Washer 5/16	
30	4811400	2	Washer M4	
31	4811902	4	Washer M8	
32	4812000	13	Washer M10	
33	1001176951	1	Harness, Tower Boom (Not Shown - See Separate Breakdown in this Section)	
35	5251014	2	Bolt M10 x 30	
36	8881800	AR	Tie-Strap	
37	5281920	2	Screw M8 x 80	
37	5281918	2	Bolt M8 x 70	
38	1001118274	8	Nut M8	
39	1001118971	1	Sensor, Angle	
39	70005667	1	Arm	
40	1001118972	2	Nut M10	
41	1001164730	1	Harness, Main Boom (Not Shown - See Separate Breakdown in this Section)	
43	1001164738	1	Harness, Boom Valve (Not Shown - See Separate Breakdown in this Section)	
44	1001273302	3	Block, Clamping	
45	1001273303	1	Plate	
46	1001168472	1	Plate, Clamping	
47	1001168473	2	Clamp, Rubber	
48	1001171553	3	Plate, Clamping	
49	1001171555	3	Plate, Clamping	
50	1001171559	10	Pad	

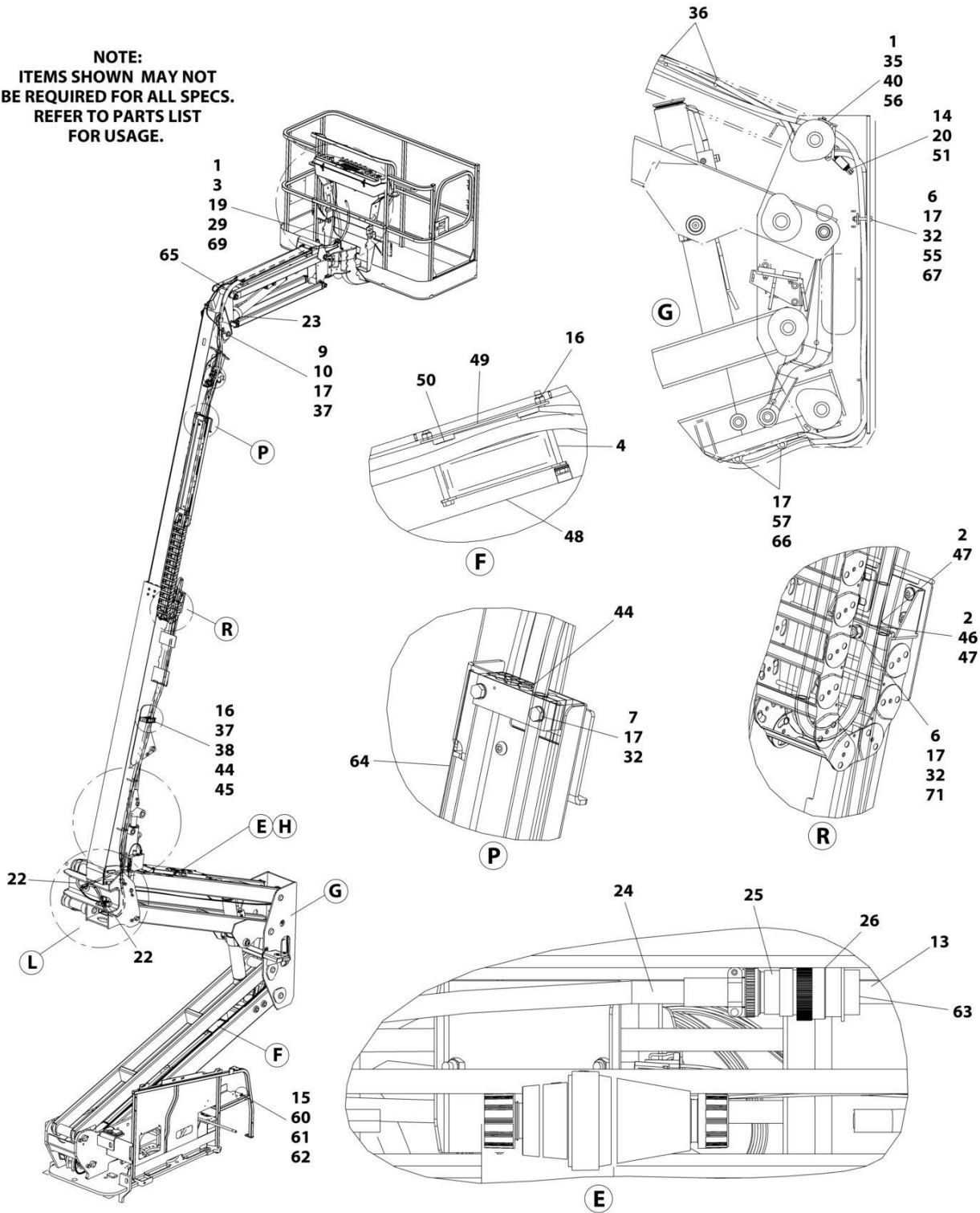
SECTION 8 - ELECTRICAL

ITEM	PART NUMBER	QTY	DESCRIPTION	REV
51	1001284504	1	Switch, Limit	
52	1001238466	1	Link, Sensor (Note: Sold as Assembly Only)	
53	1001178448	2	Plate, Clamping	
54	1001178449	1	Cover	
55	1001178644	1	Plate	
56	1001260306	1	Bracket	
57	1001182561	2	Roller	
58	5250812	2	Bolt M8 x 25	
59	1001179266	1	Plate, Mounting	
60	0760610	1	Bolt M6 x 20	
61	1320043	1	Clamp	
62	4811700	1	Washer M6	
63	4460466	AR	Plug, Terminal	
64	1001181621	1	Cover	
65	1001181923	1	Shield, Hose	
66	1001119280	2	Bolt M10 x 260	
67	1001185747	2	Pad	
70	1001119228	8	Nut M8	
71	8310070	1	Pushnut 3/8	
72	4750800	AR	Washer #8	

SECTION 8 - ELECTRICAL

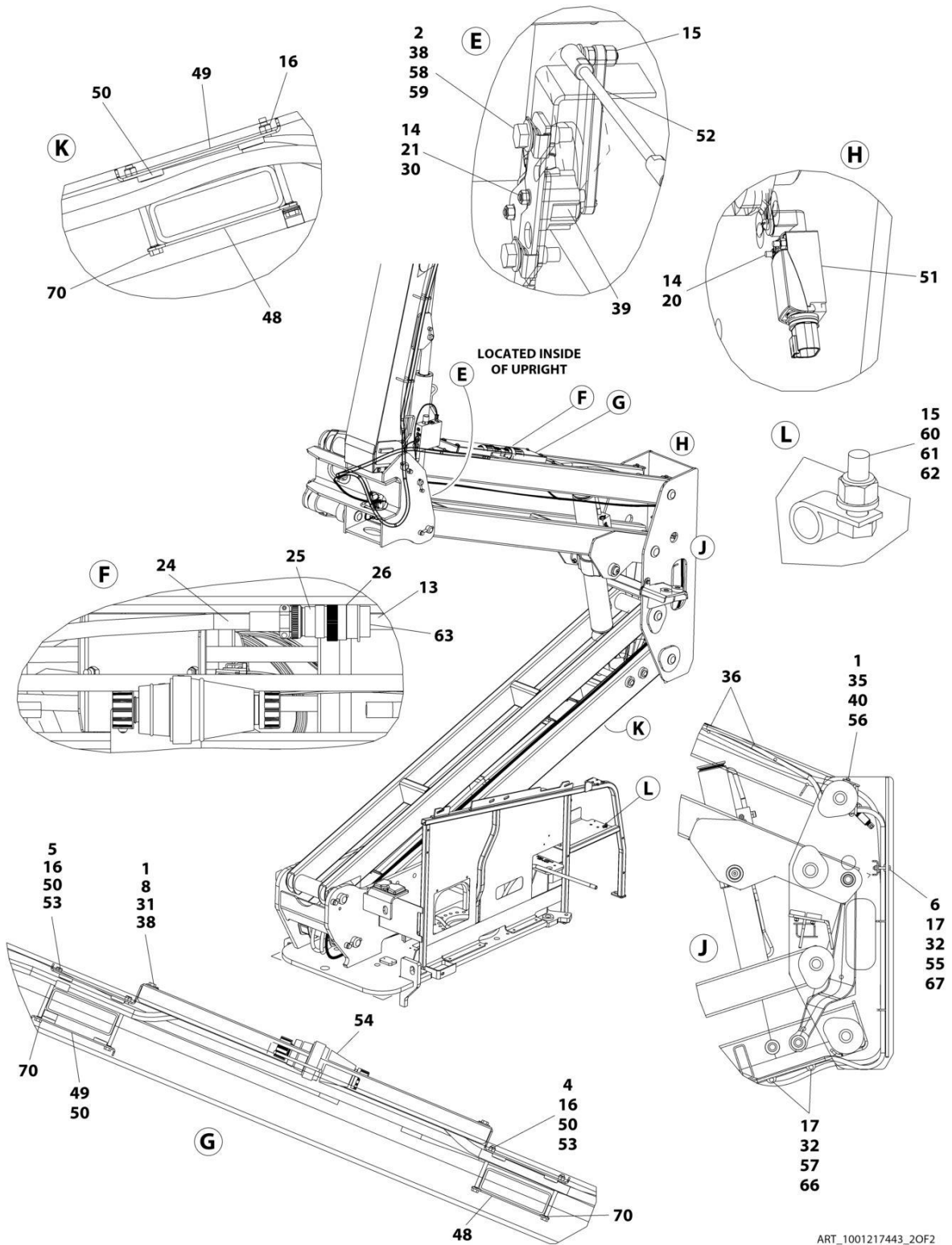
FIGURE 8-23. BOOM CABLES AND CLAMPS INSTALLATION - 450A (WITH ARCTIC PACKAGE)

NOTE:
ITEMS SHOWN MAY NOT
BE REQUIRED FOR ALL SPECS.
REFER TO PARTS LIST
FOR USAGE.



ART_1001217443_10F2

SECTION 8 - ELECTRICAL



SECTION 8 - ELECTRICAL

FIGURE 8-23. BOOM CABLES AND CLAMPS INSTALLATION - 450A (WITH ARCTIC PACKAGE)

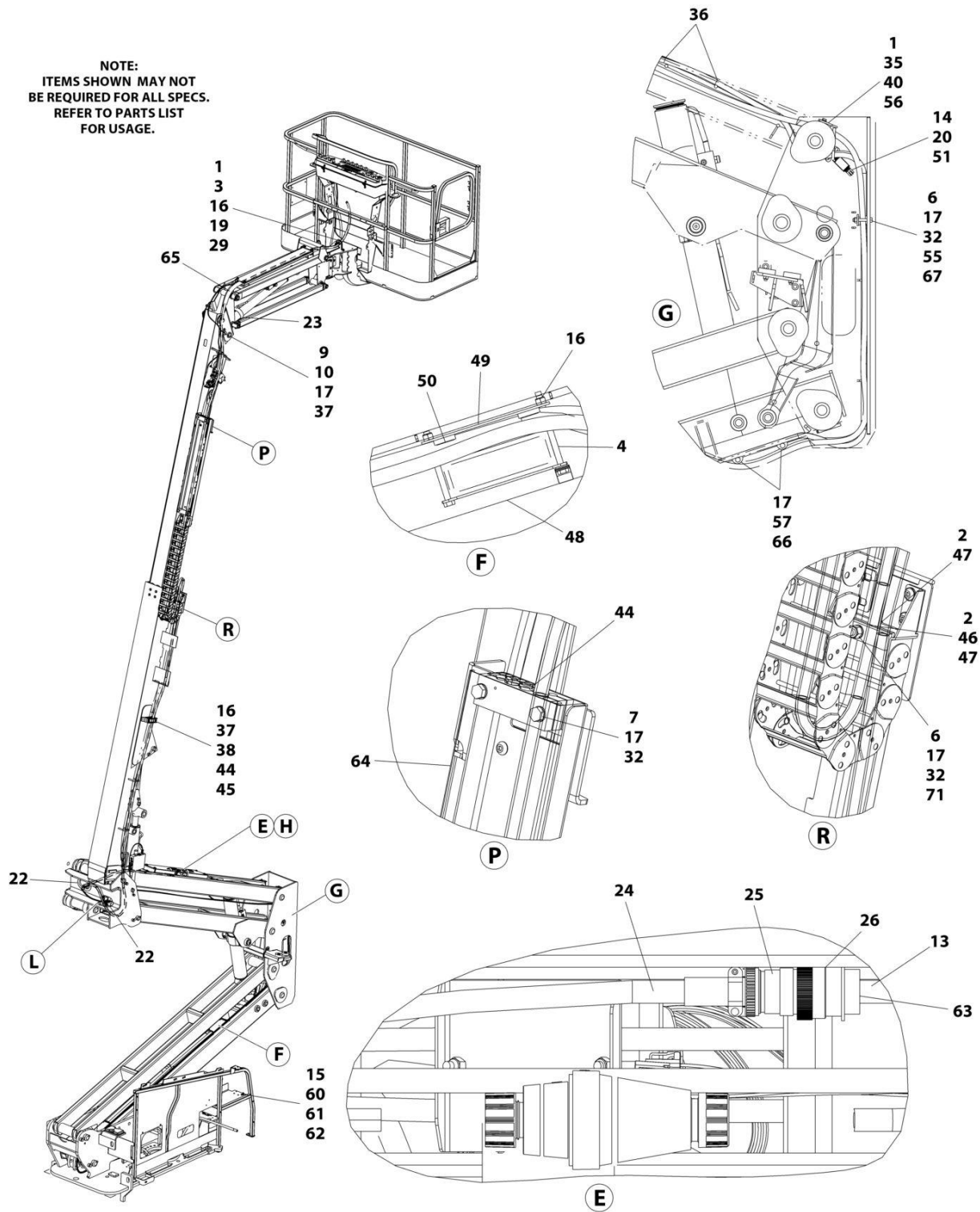
ITEM	PART NUMBER	QTY	DESCRIPTION	REV
	1001217443	Ref	BOOM CABLES AND CLAMPS INSTALLATION (WITH ARCTIC PACKAGE)	G
1	0100011	AR	Compound, Locking	
2	0100081	AR	Adhesive	
3	0641509	2	Bolt 5/16 x 1-1/8	
4	0700827	6	Bolt M8 x 100	
5	0700828	2	Bolt M8 x 110	
6	0701021	3	Bolt M10 x 65	
7	0701024	4	Bolt M10 x 80	
8	0760812	4	Bolt M8 x 25	
9	0761012	1	Bolt M10 x 25	
10	1320130	1	Clamp	
13	2820031	AR	Heat Shrink	
14	3290405	4	Nut M4	
15	3290605	3	Nut M6	
16	3290805	10	Nut M8	
17	3291005	10	Nut M10	
19	3841340	1	Loop, Hose	
20	4010418	2	Screw M4 x 50	
21	4031511	2	Capscrew M4 x 35	
22	4060808	27.5 in /8.4m	Flex-Trim	
23	4240156	2	Strap, Clinch	
24	4460473	AR	Clamp, Cable	
25	4460865	1	Connector - 19 Position	
26	4460866	1	Connector - 19 Position	
29	4711500	4	Washer 5/16	
30	4811400	2	Washer M4	
31	4811902	4	Washer M8	
32	4812000	13	Washer M10	
33	1001179439	1	Harness, Tower Boom (Not Shown - See Separate Breakdown in this Section)	
34	1001174754	1	Harness, Tower Boom AC Cable (Not Shown - See Separate Breakdown in this Section)	
35	5251014	2	Bolt M10 x 30	
36	8881800	AR	Tie-Strap	
37	5281918	2	Screw M8 x 70	
38	1001118274	6	Nut M8	
39	1001118971	1	Sensor, Angle	
39	70005667	1	Arm	
40	1001118972	2	Nut M10	
41	1001217441	1	Harness, Main Boom (Not Shown - See Separate Breakdown in this Section)	
42	1001217440	1	Harness, Main Boom AC Cable (Not Shown - See Separate Breakdown in this Section)	
43	1001164738	1	Harness, Boom Valve (Not Shown - See Separate Breakdown in this Section)	
44	1001273304	3	Block, Clamping	
45	1001273303	1	Plate	
46	1001168472	1	Plate, Clamping	
47	1001168473	2	Clamp, Rubber	

SECTION 8 - ELECTRICAL

ITEM	PART NUMBER	QTY	DESCRIPTION	REV
48	1001171553	3	Plate, Clamping	
49	1001171555	3	Plate, Clamping	
50	1001171559	10	Pad	
51	1001172271	1	Switch, Limit	
51	1001284504	1	Switch, Limit	
52	1001238466	1	Link, Sensor (Note: Sold as Assembly Only)	
53	1001178448	2	Plate, Clamping	
54	1001178449	1	Cover	
55	1001178644	1	Plate	
56	1001260306	1	Bracket	
57	1001182561	2	Roller	
58	5250812	2	Bolt M8 x 25	
59	1001179266	1	Plate, Mounting	
60	0760610	1	Bolt M6 x 20	
61	1320043	1	Clamp	
62	4811700	1	Washer M6	
63	4460466	AR	Plug, Terminal	
64	1001181875	1	Cover	
65	1001181923	1	Shield, Hose	
66	1001119280	2	Bolt M10 x 260	
67	1001185747	2	Pad	
69	88521205	2	Nut 5/16	
70	1001119228	8	Nut M8	
71	8310070	1	Pushnut 3/8	

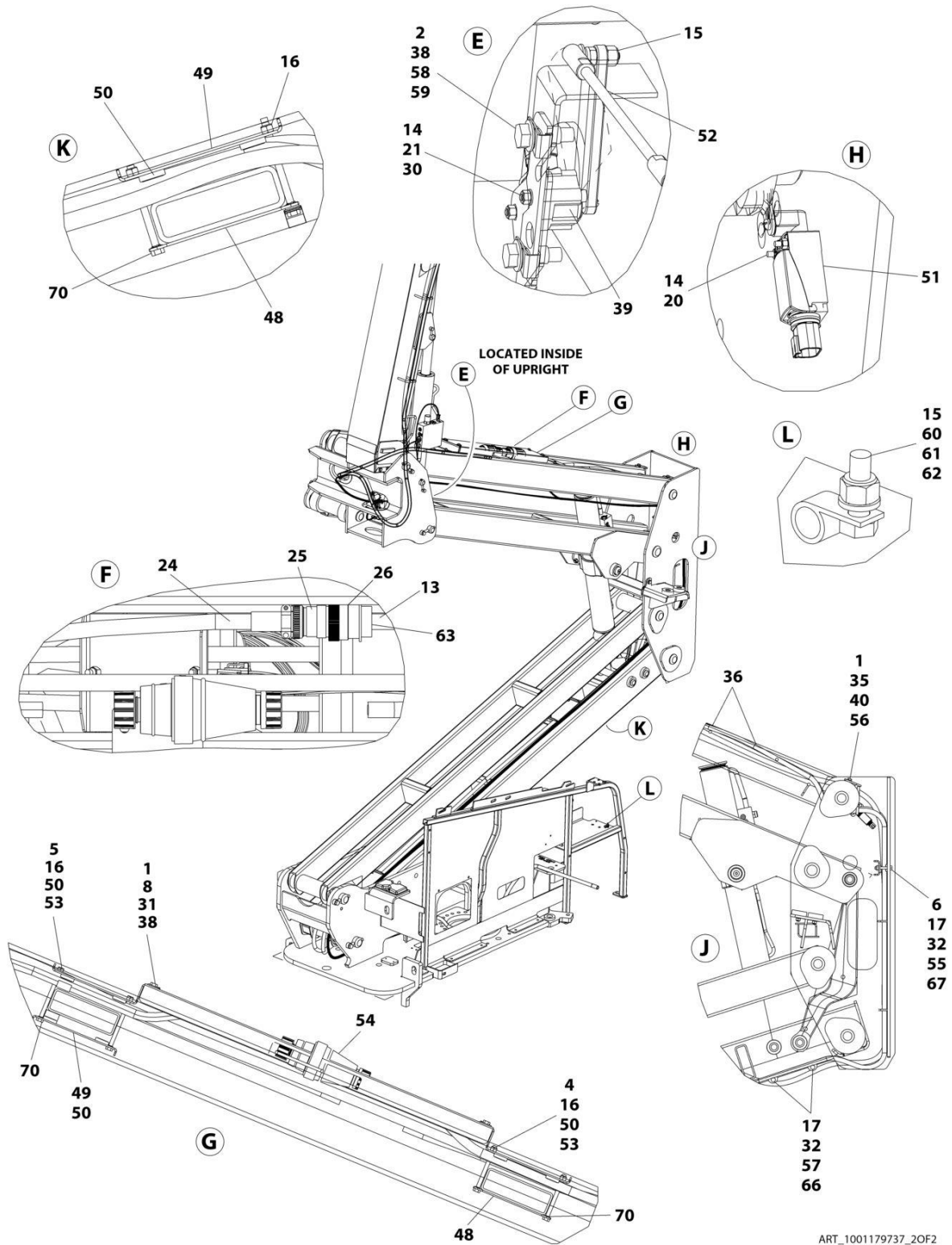
SECTION 8 - ELECTRICAL

FIGURE 8-24. BOOM CABLES AND CLAMPS INSTALLATION - 450AJ (WITH ARCTIC PACKAGE)



ART_1001179737_10F2

SECTION 8 - ELECTRICAL



ART_1001179737_20F2

SECTION 8 - ELECTRICAL

FIGURE 8-24. BOOM CABLES AND CLAMPS INSTALLATION - 450AJ (WITH ARCTIC PACKAGE)

ITEM	PART NUMBER	QTY	DESCRIPTION	REV
	1001179737	Ref	BOOM CABLES AND CLAMPS INSTALLATION (WITH ARCTIC PACKAGE)	N
1	0100011	AR	Compound, Locking	
2	0100081	AR	Adhesive	
3	0760814	2	Bolt M8 x 30	
4	0700827	6	Bolt M8 x 100	
5	0700828	2	Bolt M8 x 110	
6	0701021	3	Bolt M10 x 65	
7	0701024	4	Bolt M10 x 80	
8	0760812	4	Bolt M8 x 25	
9	0761012	1	Bolt M10 x 25	
10	1320130	1	Clamp	
13	2820031	AR	Heat Shrink	
14	3290405	4	Nut M4	
15	3290605	3	Nut M6	
16	3290805	12	Nut M8	
17	3291005	10	Nut M10	
19	3841340	1	Loop, Hose	
20	4010418	2	Screw M4 x 50	
21	4031511	2	Capscrew M4 x 35	
22	4060808	27.5 in/ 8.38m	Flex-Trim	
23	4240156	2	Strap, Clinch	
24	4460473	AR	Clamp, Cable	
25	4460865	1	Connector - 19 Position	
26	4460866	1	Connector - 19 Position	
29	4811900	4	Washer M8	
30	4811400	2	Washer M4	
31	4811902	4	Washer M8	
32	4812000	13	Washer M10	
33	1001179439	1	Harness, Tower Boom (Not Shown - See Separate Breakdown in this Section)	
34	1001174754	1	Harness, Tower Boom AC Cable (Not Shown - See Separate Breakdown in this Section)	
35	5251014	2	Bolt M10 x 30	
36	8881800	AR	Tie-Strap	
37	5281920	2	Screw M8 x 80	
37	5281918	2	Bolt M8 x 70	
38	1001118274	8	Nut M8	
39	1001118971	1	Sensor, Angle	
39	70005667	1	Arm	
40	1001118972	2	Nut M10	
41	1001174748	1	Harness, Main Boom (Not Shown - See Separate Breakdown in this Section)	
42	1001174750	1	Harness, Main Boom AC Cable (Not Shown - See Separate Breakdown in this Section)	
43	1001164738	1	Harness, Boom Valve (Not Shown - See Separate Breakdown in this Section)	
44	1001273304	3	Block, Clamping	
45	1001273303	1	Plate	
46	1001168472	1	Plate, Clamping	

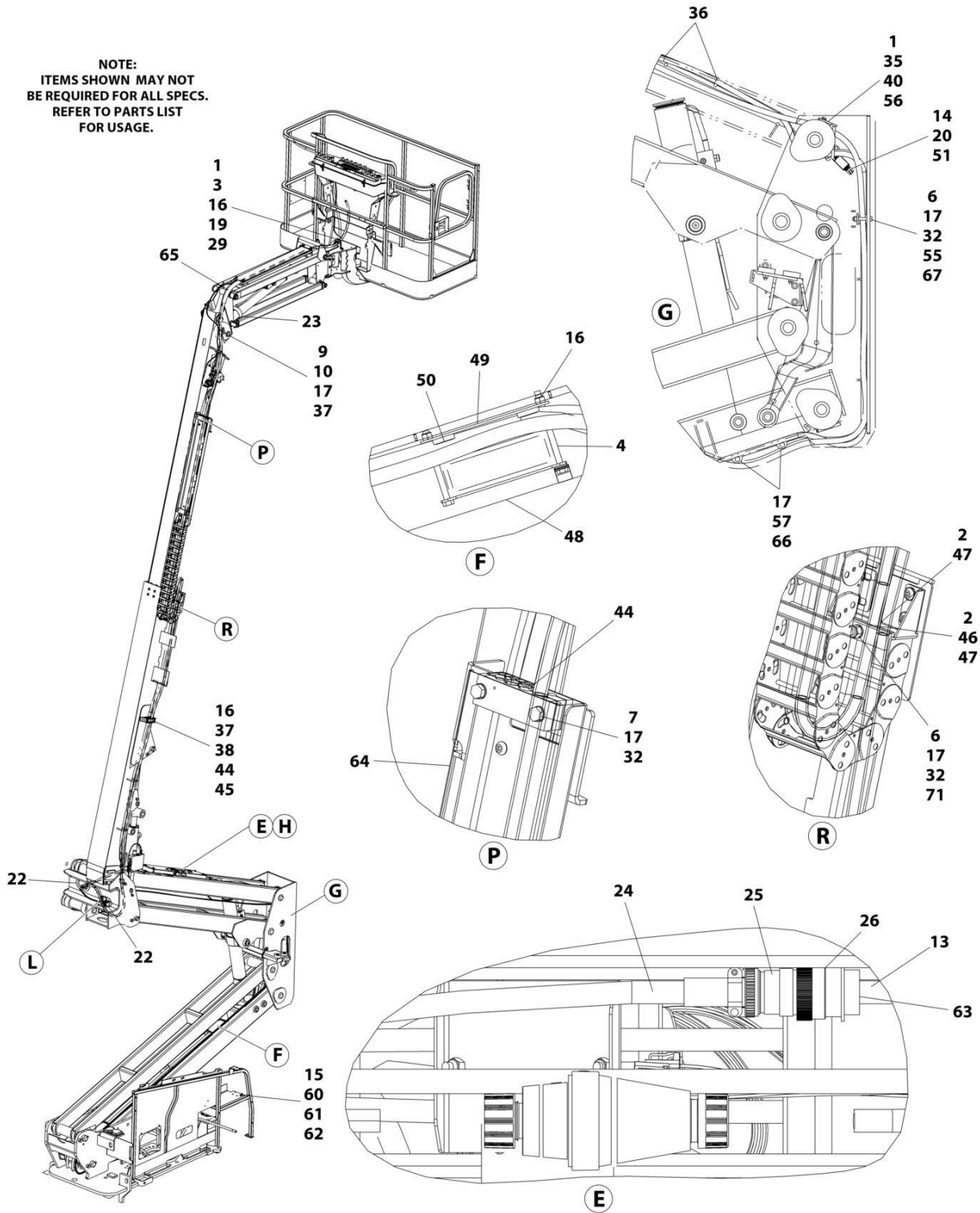
SECTION 8 - ELECTRICAL

ITEM	PART NUMBER	QTY	DESCRIPTION	REV
47	1001168473	2	Clamp, Rubber	
48	1001171553	3	Plate, Clamping	
49	1001171555	3	Plate, Clamping	
50	1001171559	10	Pad	
51	1001284504	1	Switch, Limit	
52	1001238466	1	Link, Sensor (Note: Sold as Assembly Only)	
53	1001178448	2	Plate, Clamping	
54	1001178449	1	Cover	
55	1001178644	1	Plate	
56	1001260306	1	Bracket	
57	1001182561	2	Roller	
58	5250812	2	Bolt M8 x 25	
59	1001179266	1	Plate, Mounting	
60	0760610	1	Bolt M6 x 20	
61	1320043	1	Clamp	
62	4811700	1	Washer M6	
63	4460466	AR	Plug, Terminal	
64	1001181621	1	Cover	
65	1001181923	1	Shield, Hose	
66	1001119280	2	Bolt M10 x 260	
67	1001185747	2	Pad	
70	1001119228	8	Nut M8	
71	8310070	1	Pushnut 3/8	

SECTION 8 - ELECTRICAL

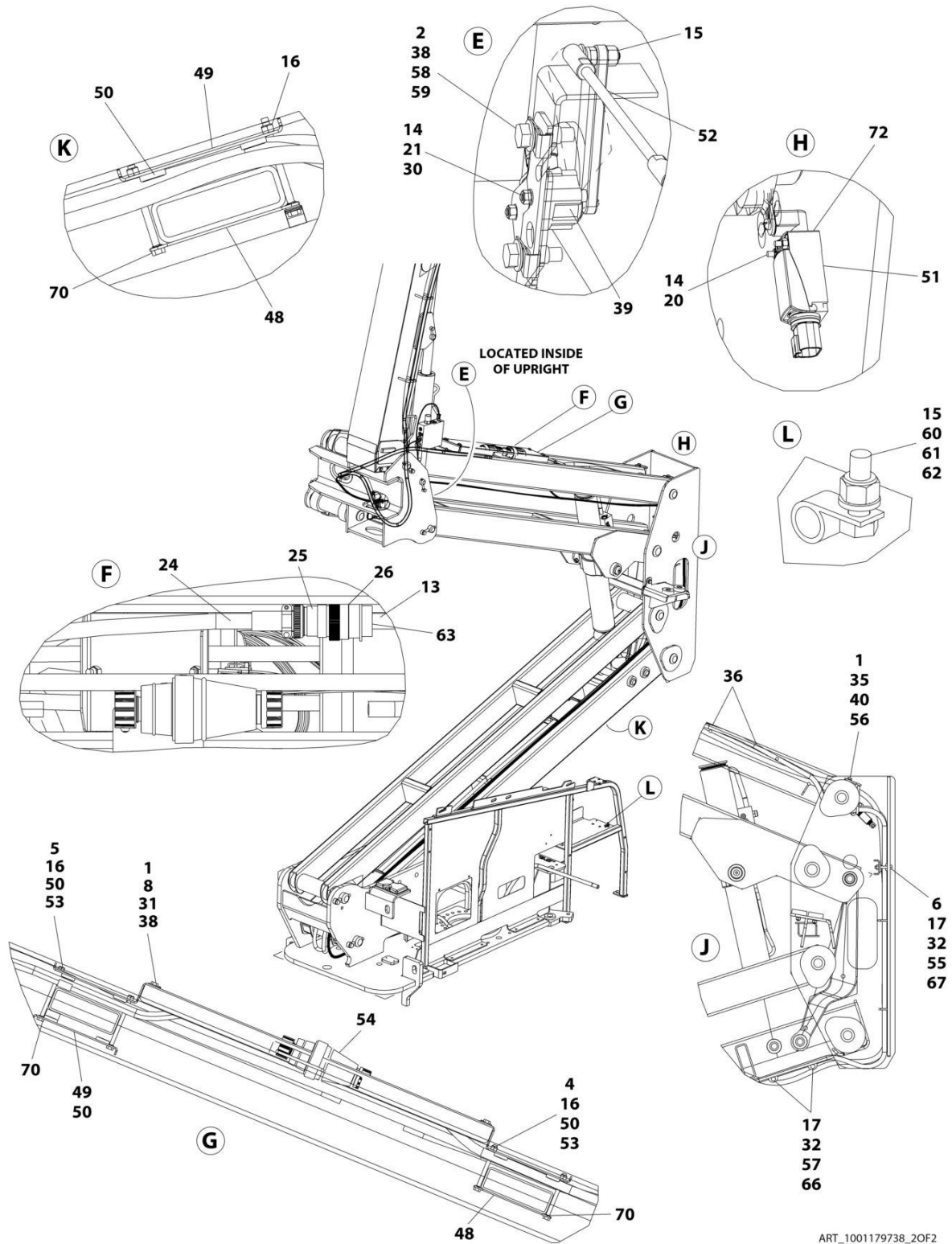
FIGURE 8-25. BOOM CABLES AND CLAMPS INSTALLATION - 450AJ (MACHINES WITH 50HZ 4000W GENERATORS)

NOTE:
ITEMS SHOWN MAY NOT
BE REQUIRED FOR ALL SPECS.
REFER TO PARTS LIST
FOR USAGE.



ART_1001179738_10F2

SECTION 8 - ELECTRICAL



ART_1001179738_20F2

SECTION 8 - ELECTRICAL

FIGURE 8-25. BOOM CABLES AND CLAMPS INSTALLATION - 450AJ (MACHINES WITH 50HZ 4000W GENERATORS)

ITEM	PART NUMBER	QTY	DESCRIPTION	REV
	1001179738	Ref	BOOM CABLES AND CLAMPS INSTALLATION	0
1	0100011	AR	Compound, Locking	
2	0100081	AR	Adhesive	
3	0760814	2	Bolt M8 x 30	
4	0700827	6	Bolt M8 x 100	
5	0700828	2	Bolt M8 x 110	
6	0701021	3	Bolt M10 x 65	
7	0701024	4	Bolt M10 x 80	
8	0760812	4	Bolt M8 x 25	
9	0761012	1	Bolt M10 x 25	
10	1320130	1	Clamp	
13	2820031	AR	Heat Shrink	
14	3290405	4	Nut M4	
15	3290605	3	Nut M6	
16	3290805	12	Nut M8	
17	3291005	10	Nut M10	
19	3841340	1	Loop, Hose	
20	4010418	2	Screw M4 x 50	
21	4031511	2	Capscrew M4 x 35	
22	4060808	27.5 in/ 8.38m	Flex-Trim	
23	4240156	2	Strap, Clinch	
24	4460473	AR	Clamp, Cable	
25	4460865	1	Connector - 19 Position	
26	4460866	1	Connector - 19 Position	
29	4811900	4	Washer M8	
30	4811400	2	Washer M4	
31	4811902	4	Washer M8	
32	4812000	13	Washer M10	
33	1001176951	1	Harness, Tower Boom (Not Shown - See Separate Breakdown in this Section)	
34	1001174749	1	Harness, Tower Boom AC Cable (Not Shown - See Separate Breakdown in this Section)	
35	5251014	2	Bolt M10 x 30	
36	8881800	AR	Tie-Strap	
37	5281920	2	Screw M8 x 80	
37	5281918	2	Bolt M8 x 70	
38	1001118274	8	Nut M8	
39	1001118971	1	Sensor, Angle	
39	70005667	1	Arm	
40	1001118972	2	Nut M10	
41	1001164730	1	Harness, Main Boom (Not Shown - See Separate Breakdown in this Section)	
42	1001164731	1	Harness, Main Boom AC Cable (Not Shown - See Separate Breakdown in this Section)	
43	1001164738	1	Harness, Boom Valve (Not Shown - See Separate Breakdown in this Section)	
44	1001273302	3	Block, Clamping	
45	1001273303	1	Plate	
46	1001168472	1	Plate, Clamping	

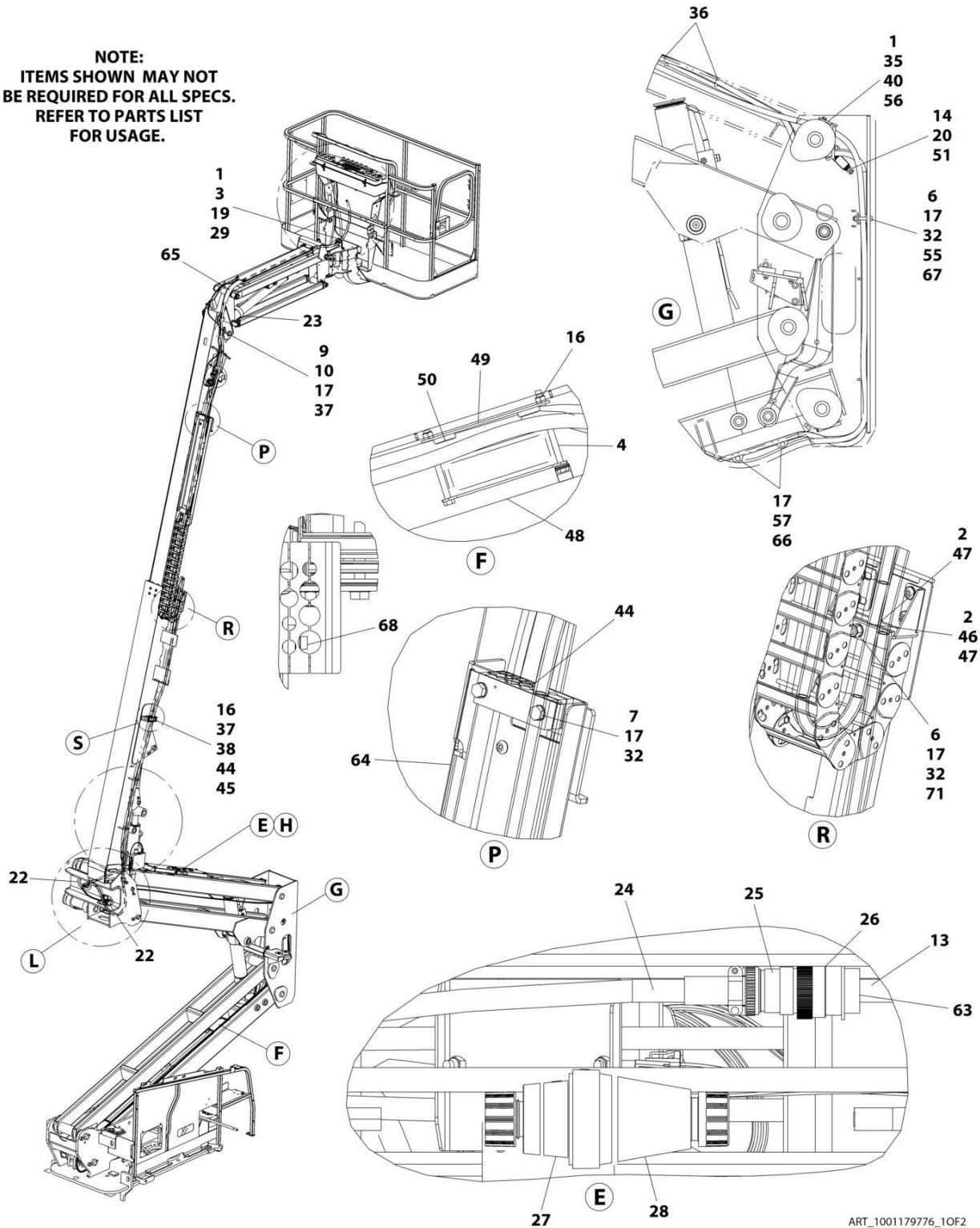
SECTION 8 - ELECTRICAL

ITEM	PART NUMBER	QTY	DESCRIPTION	REV
47	1001168473	2	Clamp, Rubber	
48	1001171553	3	Plate, Clamping	
49	1001171555	3	Plate, Clamping	
50	1001171559	10	Pad	
51	1001284504	1	Switch, Limit	
52	1001238466	1	Link, Sensor (Note: Sold as Assembly Only)	
53	1001178448	2	Plate, Clamping	
54	1001178449	1	Cover	
55	1001178644	1	Plate	
56	1001260306	1	Bracket	
57	1001182561	2	Roller	
58	5250812	2	Bolt M8 x 25	
59	1001179266	1	Plate, Mounting	
60	0760610	1	Bolt M6 x 20	
61	1320043	1	Clamp	
62	4811700	1	Washer M6	
63	4460466	AR	Plug, Terminal	
64	1001181621	1	Cover	
65	1001181923	1	Shield, Hose	
66	1001119280	2	Bolt M10 x 260	
67	1001185747	2	Pad	
70	1001119228	8	Nut M8	
71	8310070	1	Pushnut 3/8	
72	4750800	AR	Washer #8	

SECTION 8 - ELECTRICAL

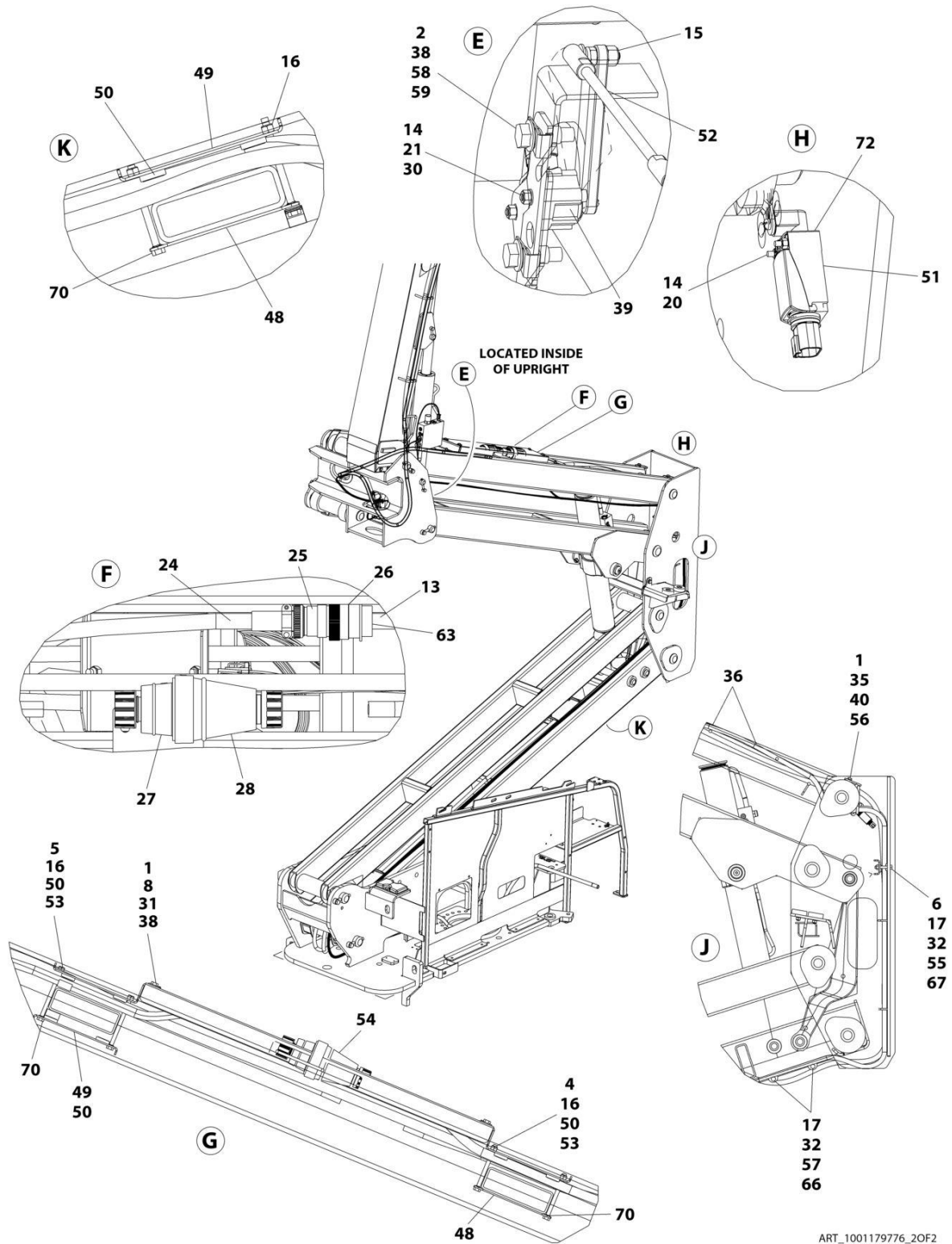
FIGURE 8-26. BOOM CABLES AND CLAMPS INSTALLATION - 450AJ (MACHINES WITH 60HZ 4000W GENERATORS)

NOTE:
ITEMS SHOWN MAY NOT
BE REQUIRED FOR ALL SPECS.
REFER TO PARTS LIST
FOR USAGE.



ART_1001179776_10F2

SECTION 8 - ELECTRICAL



ART_1001179776_20F2

SECTION 8 - ELECTRICAL

FIGURE 8-26. BOOM CABLES AND CLAMPS INSTALLATION - 450AJ (MACHINES WITH 60HZ 4000W GENERATORS)

ITEM	PART NUMBER	QTY	DESCRIPTION	REV
	1001179776	Ref	BOOM CABLES AND CLAMPS INSTALLATION	P
1	0100011	AR	Compound, Locking	
2	0100081	AR	Adhesive	
3	0760814	2	Bolt M8 x 30	
4	0700827	6	Bolt M8 x 100	
5	0700828	2	Bolt M8 x 110	
6	0701021	3	Bolt M10 x 65	
7	0701024	4	Bolt M10 x 80	
8	0760812	4	Bolt M8 x 25	
9	0761012	1	Bolt M10 x 25	
10	1320130	1	Clamp	
11	1671092	1	Cover, Connector (Not Shown)	
12	1671093	1	Cover, Plug (Not Shown)	
13	2820031	AR	Heat Shrink	
14	3290405	4	Nut M4	
15	3290605	2	Nut M6	
16	3290805	12	Nut M8	
17	3291005	10	Nut M10	
19	3841340	1	Loop, Hose	
20	4010418	2	Screw M4 x 50	
21	4031511	2	Capscrew M4 x 35	
22	4060808	27.5 in/ 8.38m	Flex-Trim	
23	4240156	2	Strap, Clinch	
24	4460473	AR	Clamp, Cable	
25	4460865	1	Connector - 19 Position	
26	4460866	1	Connector - 19 Position	
27	4460959	1	Plug, Male	
28	4460960	1	Receptacle, Female	
29	4811900	4	Washer M8	
30	4811400	2	Washer M4	
31	4811902	4	Washer M8	
32	4812000	13	Washer M10	
33	1001176951	1	Harness, Tower Boom (Not Shown - See Separate Breakdown in this Section)	
34	1001175663	1	Harness, Tower Boom - 10/4 - Lower Generator Cable (Not Shown)	
35	5251014	2	Bolt M10 x 30	
36	8881800	AR	Tie-Strap	
37	5281920	2	Screw M8 x 80	
37	5281918	2	Bolt M8 x 70	
38	1001118274	8	Nut M8	
39	1001118971	1	Sensor, Angle	
39	70005667	1	Arm	
40	1001118972	2	Nut M10	
41	1001164730	1	Harness, Main Boom (Not Shown - See Separate Breakdown in this Section)	
42	1001175664	1	Harness, Main Boom - 10/4 - Upper Generator Cable (Not Shown)	
43	1001164738	1	Harness, Boom Valve (Not Shown - See Separate Breakdown in this Section)	

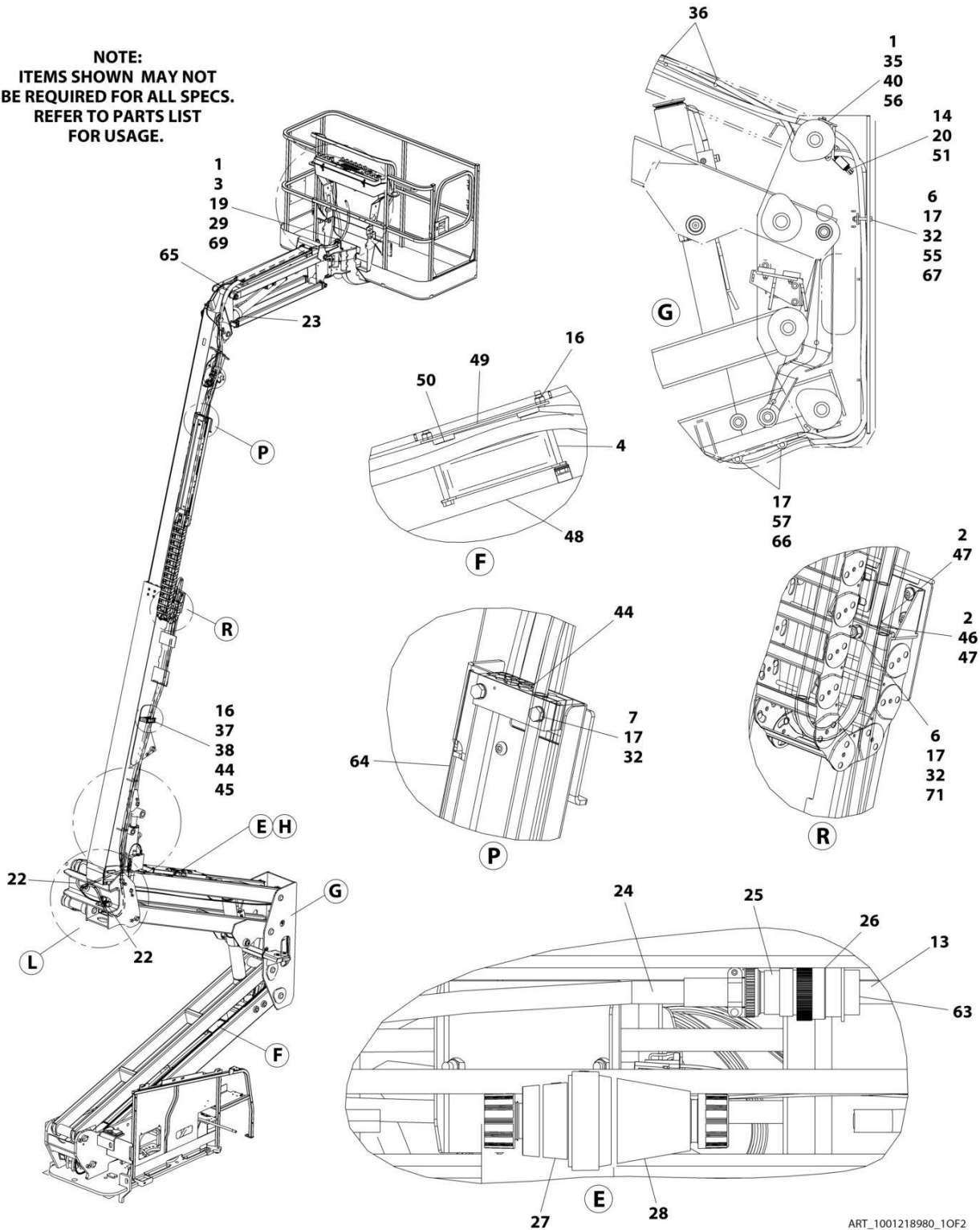
SECTION 8 - ELECTRICAL

ITEM	PART NUMBER	QTY	DESCRIPTION	REV
44	1001273302	3	Block, Clamping	
45	1001273303	1	Plate	
46	1001168472	1	Plate, Clamping	
47	1001168473	2	Clamp, Rubber	
48	1001171553	3	Plate, Clamping	
49	1001171555	3	Plate, Clamping	
50	1001171559	10	Pad	
51	1001284504	1	Switch, Limit	
52	1001238466	1	Link, Sensor (Note: Sold as Assembly Only)	
53	1001178448	2	Plate, Clamping	
54	1001178449	1	Cover	
55	1001178644	1	Plate	
56	1001260306	1	Bracket	
57	1001182561	2	Roller	
58	5250812	2	Bolt M8 x 25	
59	1001179266	1	Plate, Mounting	
63	4460466	AR	Plug, Terminal	
64	1001181621	1	Cover	
65	1001181923	1	Shield, Hose	
66	1001119280	2	Bolt M10 x 260	
67	1001185747	2	Pad	
68	1001191230	3	Pad	
70	1001119228	8	Nut M8	
71	8310070	1	Pushnut 3/8	
72	4750800	AR	Washer #8	

SECTION 8 - ELECTRICAL

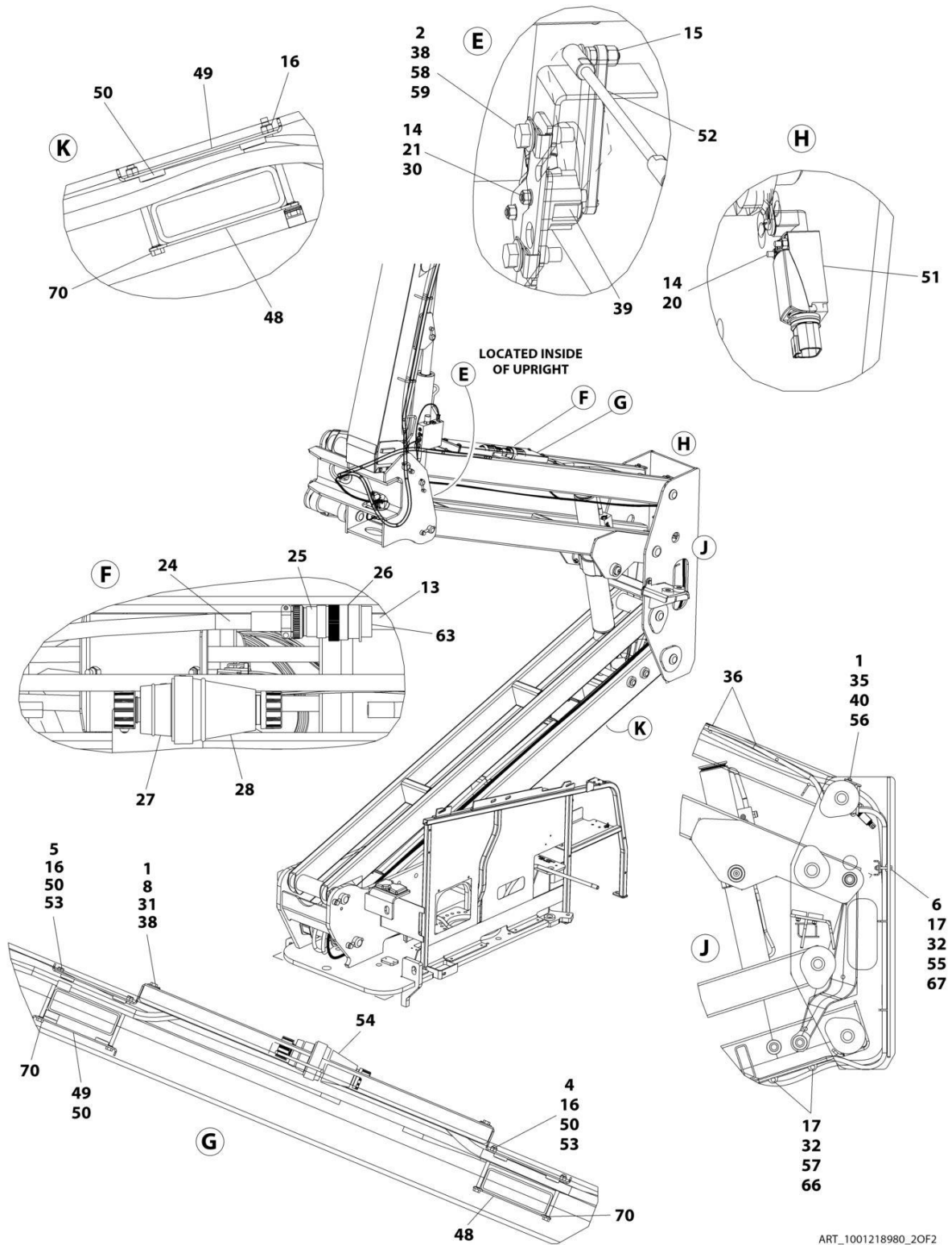
FIGURE 8-27. BOOM CABLES AND CLAMPS INSTALLATION - 450A (MACHINES WITH 7500W GENERATOR AND WITHOUT ARCTIC PACKAGE)

NOTE:
ITEMS SHOWN MAY NOT
BE REQUIRED FOR ALL SPECS.
REFER TO PARTS LIST
FOR USAGE.



ART_1001218980_10F2

SECTION 8 - ELECTRICAL



ART_1001218980_2OF2

SECTION 8 - ELECTRICAL

FIGURE 8-27. BOOM CABLES AND CLAMPS INSTALLATION - 450A (MACHINES WITH 7500W GENERATOR AND WITHOUT ARCTIC PACKAGE)

ITEM	PART NUMBER	QTY	DESCRIPTION	REV
	1001218980	Ref	BOOM CABLES AND CLAMPS INSTALLATION	E
	1001219002	Ref	BOOM CABLES AND CLAMPS INSTALLATION KIT	H
1	0100011	AR	Compound, Locking	
2	0100081	AR	Adhesive	
3	0641509	2	Bolt 5/16 x 1-1/8	
4	0700827	6	Bolt M8 x 100	
5	0700828	2	Bolt M8 x 110	
6	0701021	3	Bolt M10 x 65	
7	0701024	4	Bolt M10 x 80	
8	0760812	4	Bolt M8 x 25	
13	2820031	AR	Heat Shrink	
14	3290405	4	Nut M4	
15	3290605	2	Nut M6	
16	3290805	10	Nut M8	
17	3291005	9	Nut M10	
19	3841340	1	Loop, Hose	
20	4010418	2	Screw M4 x 50	
21	4031511	2	Capscrew M4 x 35	
22	4060808	27.5 in/ 8.38m	Flex-Trim	
23	4240156	1	Strap, Clinch	
24	4460473	AR	Clamp, Cable	
25	4460865	1	Connector - 19 Position	
26	4460866	1	Connector - 19 Position	
27	1001218622	1	Terminal, Turnlock Plug	
28	1001218623	1	Terminal, Turnlock Connector	
29	4711500	4	Washer 5/16	
30	4811400	2	Washer M4	
31	4811902	4	Washer M8	
32	4812000	12	Washer M10	
33	1001176951	1	Harness, Tower Boom (Not Shown - See Separate Breakdown in this Section)	
34	4922929	1	Harness, Tower Boom - 8/5 Generator Cable (Not Shown)	
35	5251014	2	Bolt M10 x 30	
36	8881800	AR	Tie-Strap	
37	5281918	2	Bolt M8 x 70	
38	1001118274	6	Nut M8	
39	1001118971	1	Sensor, Angle	
39	70005667	1	Arm	
40	1001118972	2	Nut M10	
41	1001172335	1	Harness, Main Boom (Not Shown - See Separate Breakdown in this Section)	
42	1001172343	1	Harness, Main Boom - 8/5 Generator Cable (Not Shown)	
43	1001164738	1	Harness, Boom Valve (Not Shown - See Separate Breakdown in this Section)	
44	1001273302	3	Block, Clamping	
45	1001273303	1	Plate	
46	1001168472	1	Plate, Clamping	
47	1001168473	2	Clamp, Rubber	
48	1001171553	3	Plate, Clamping	

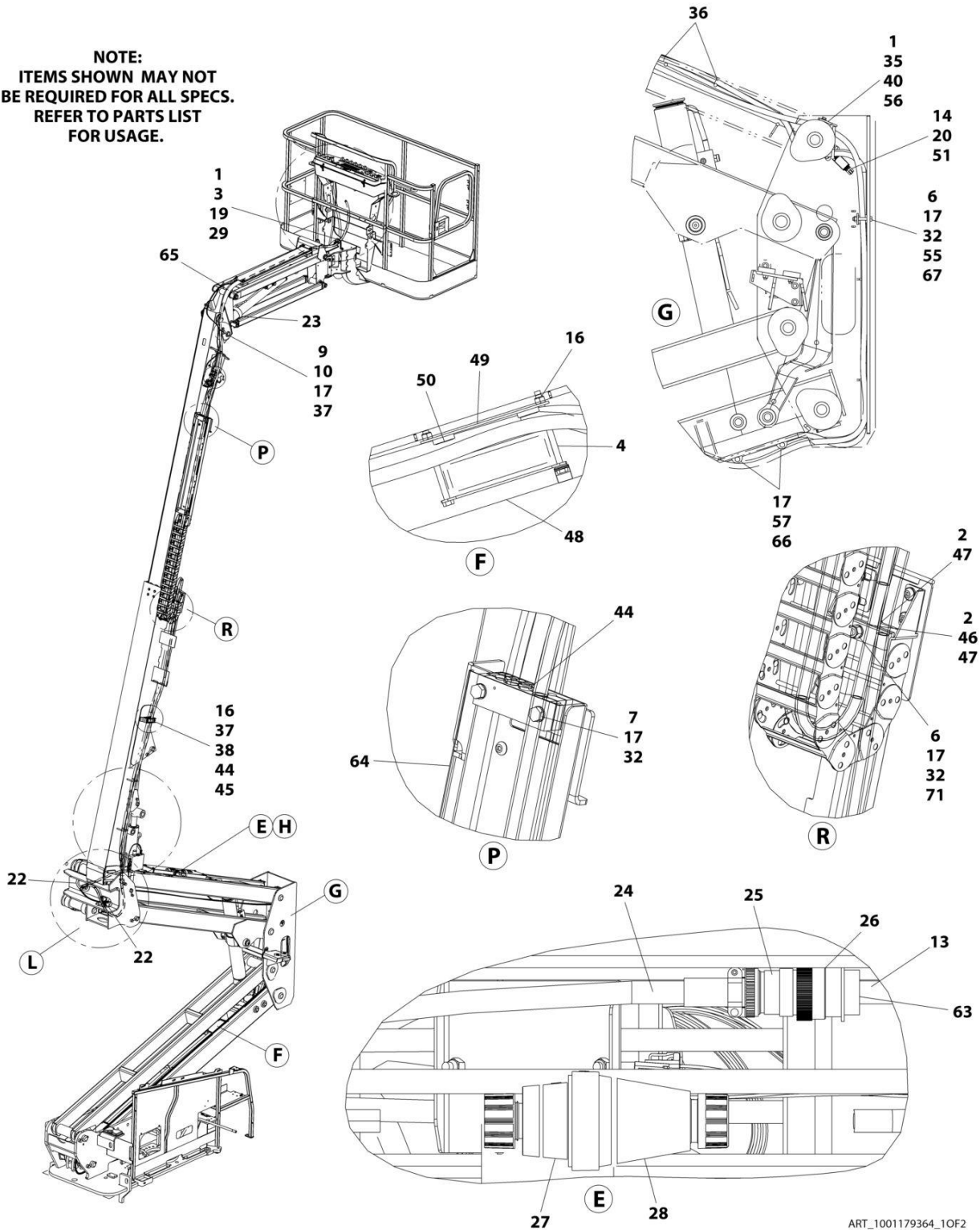
SECTION 8 - ELECTRICAL

ITEM	PART NUMBER	QTY	DESCRIPTION	REV
49	1001171555	3	Plate, Clamping	
50	1001171559	10	Pad	
51	1001284504	1	Switch, Limit	
52	1001238466	1	Link, Sensor (Note: Sold as Assembly Only)	
53	1001178448	2	Plate, Clamping	
54	1001178449	1	Cover	
55	1001178644	1	Plate	
56	1001260306	1	Bracket	
57	1001182561	2	Roller	
58	5250812	2	Bolt M8 x 25	
59	1001179266	1	Plate, Mounting	
63	4460466	AR	Plug, Terminal	
64	1001181875	1	Cover	
65	1001181923	1	Shield, Hose	
66	1001119280	2	Bolt M10 x 260	
67	1001185747	2	Pad	
69	88521205	2	Nut 5/16	
70	1001119228	8	Nut M8	
71	8310070	1	Pushnut 3/8	

SECTION 8 - ELECTRICAL

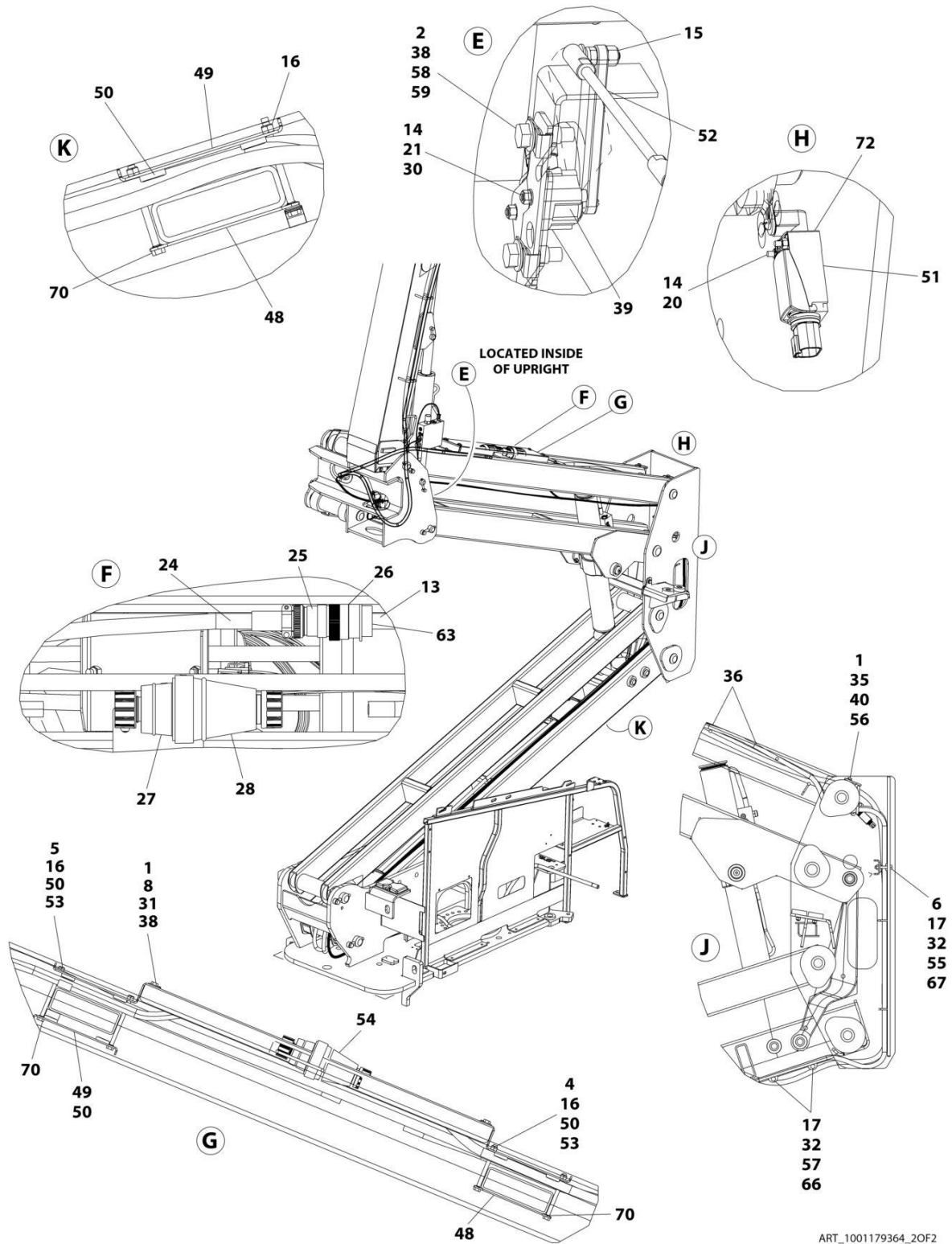
FIGURE 8-28. BOOM CABLES AND CLAMPS INSTALLATION - 450AJ (MACHINES WITH 7500W GENERATORS AND WITHOUT ARCTIC PACKAGE)

NOTE:
ITEMS SHOWN MAY NOT
BE REQUIRED FOR ALL SPECS.
REFER TO PARTS LIST
FOR USAGE.



ART_1001179364_10F2

SECTION 8 - ELECTRICAL



ART_1001179364_2OF2

SECTION 8 - ELECTRICAL

FIGURE 8-28. BOOM CABLES AND CLAMPS INSTALLATION - 450AJ (MACHINES WITH 7500W GENERATORS AND WITHOUT ARCTIC PACKAGE)

ITEM	PART NUMBER	QTY	DESCRIPTION	REV
	1001179364	Ref	BOOM CABLES AND CLAMPS INSTALLATION	R
1	0100011	AR	Compound, Locking	
2	0100081	AR	Adhesive	
3	0760814	2	Bolt M8 x 30	
4	0700827	6	Bolt M8 x 100	
5	0700828	2	Bolt M8 x 110	
6	0701021	3	Bolt M10 x 65	
7	0701024	4	Bolt M10 x 80	
8	0760812	4	Bolt M8 x 25	
9	0761012	1	Bolt M10 x 25	
10	1320130	1	Clamp	
13	2820031	AR	Heat Shrink	
14	3290405	4	Nut M4	
15	3290605	2	Nut M6	
16	3290805	12	Nut M8	
17	3291005	10	Nut M10	
19	3841340	1	Loop, Hose	
20	4010418	2	Screw M4 x 50	
21	4031511	2	Capscrew M4 x 35	
22	4060808	27.5 in/ 8.38m	Flex-Trim	
23	4240156	2	Strap, Clinch	
24	4460473	AR	Clamp, Cable	
25	4460865	1	Connector - 19 Position	
26	4460866	1	Connector - 19 Position	
27	1001218622	1	Terminal, Turnlock Plug	
28	1001218623	1	Terminal, Turnlock Connector	
29	4811900	4	Washer M8	
30	4811400	2	Washer M4	
31	4811902	4	Washer M8	
32	4812000	13	Washer M10	
33	1001176951	1	Harness, Tower Boom (Not Shown - See Separate Breakdown in this Section)	
34	4922929	1	Harness, Tower Boom – 8/5 – Lower Generator Cable (Not Shown)	
35	5251014	2	Bolt M10 x 30	
36	8881800	AR	Tie-Strap	
37	5281920	2	Screw M8 x 80	
38	1001118274	6	Nut M8	
39	1001118971	1	Sensor, Angle	
39	70005667	1	Arm	
40	1001118972	2	Nut M10	
41	1001164730	1	Harness, Main Boom (Not Shown - See Separate Breakdown in this Section)	
42	1001164732	1	Harness, Main Boom – 8/5 – Upper Generator Cable (Not Shown)	
43	1001164738	1	Harness, Boom Valve (Not Shown - See Separate Breakdown in this Section)	
44	1001273302	3	Block, Clamping	
45	1001273303	1	Plate	
46	1001168472	1	Plate, Clamping	

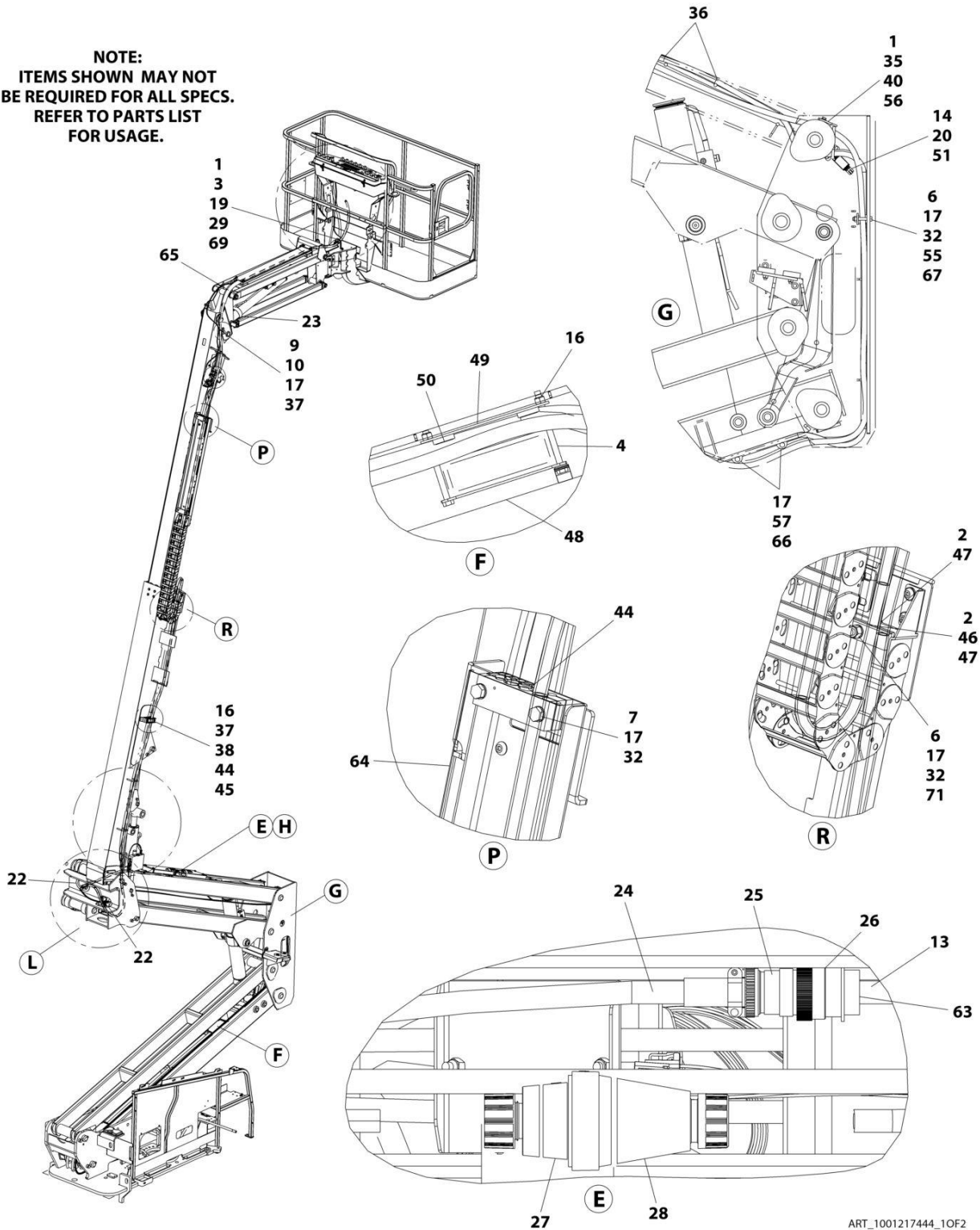
SECTION 8 - ELECTRICAL

ITEM	PART NUMBER	QTY	DESCRIPTION	REV
47	1001168473	2	Clamp, Rubber	
48	1001171553	3	Plate, Clamping	
49	1001171555	3	Plate, Clamping	
50	1001171559	10	Pad	
51	1001284504	1	Switch, Limit	
52	1001238466	1	Link, Sensor (Note: Sold as Assembly Only)	
53	1001178448	2	Plate, Clamping	
54	1001178449	1	Cover	
55	1001178644	1	Plate	
56	1001260306	1	Bracket	
57	1001182561	2	Roller	
58	5250812	2	Bolt M8 x 25	
59	1001179266	1	Plate, Mounting	
63	4460466	AR	Plug, Terminal	
64	1001181621	1	Cover	
65	1001181923	1	Shield, Hose	
66	1001119280	2	Bolt M10 x 260	
67	1001185747	2	Pad	
70	1001119228	8	Nut M8	
71	8310070	1	Pushnut 3/8	
72	4750800	AR	Washer #8	

SECTION 8 - ELECTRICAL

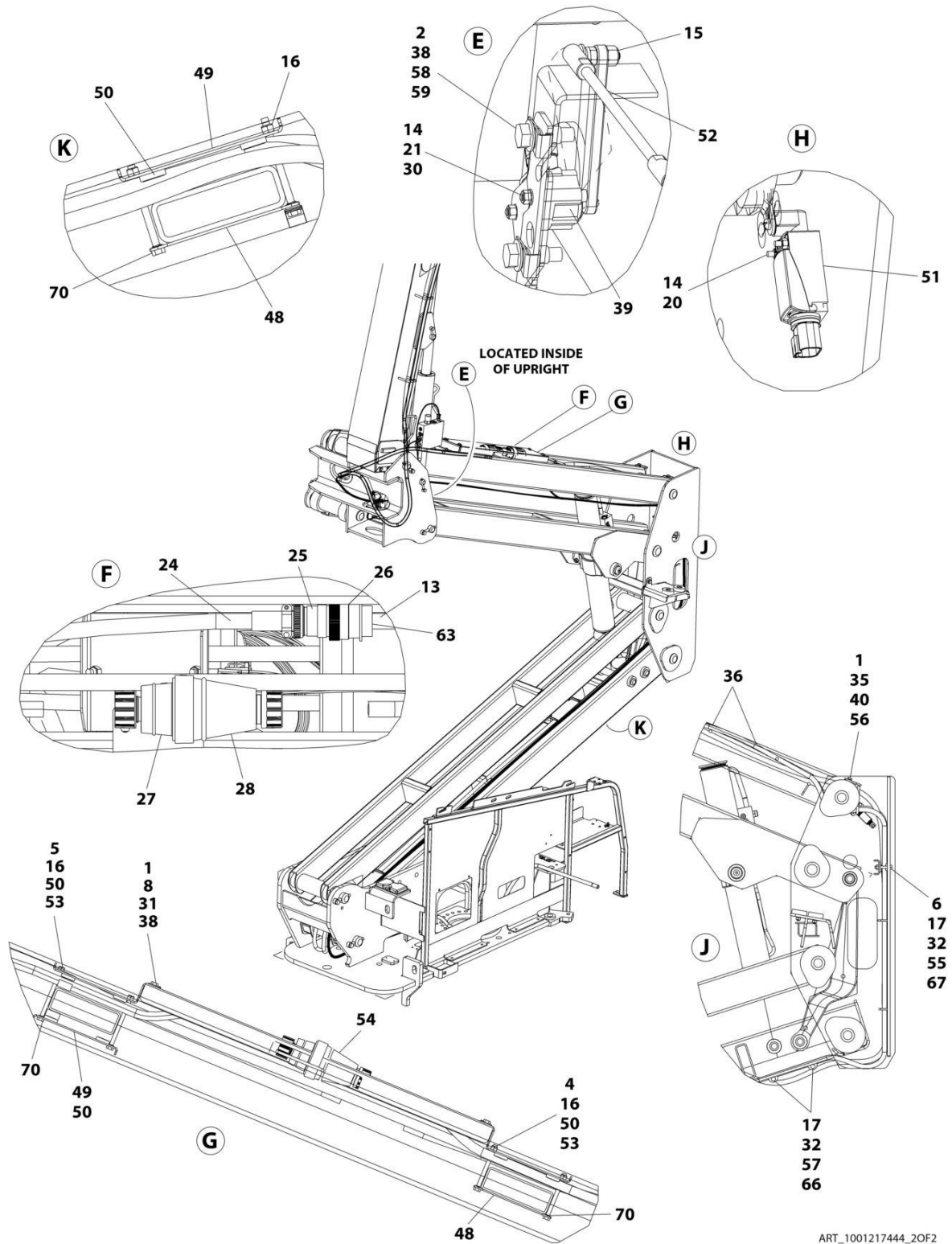
FIGURE 8-29. BOOM CABLES AND CLAMPS INSTALLATION - 450A (MACHINES WITH 7500W GENERATOR AND WITH ARCTIC PACKAGE)

NOTE:
ITEMS SHOWN MAY NOT
BE REQUIRED FOR ALL SPECS.
REFER TO PARTS LIST
FOR USAGE.



ART_1001217444_10F2

SECTION 8 - ELECTRICAL



ART_1001217444_20F2

SECTION 8 - ELECTRICAL

FIGURE 8-29. BOOM CABLES AND CLAMPS INSTALLATION - 450A (MACHINES WITH 7500W GENERATOR AND WITH ARCTIC PACKAGE)

ITEM	PART NUMBER	QTY	DESCRIPTION	REV
	1001217444	Ref	BOOM CABLES AND CLAMPS INSTALLATION	H
1	0100011	AR	Compound, Locking	
2	0100081	AR	Adhesive	
3	0641509	2	Bolt 5/16 x 1-1/8	
4	0700827	6	Bolt M8 x 100	
5	0700828	2	Bolt M8 x 110	
6	0701021	3	Bolt M10 x 65	
7	0701024	4	Bolt M10 x 80	
8	0760812	4	Bolt M8 x 25	
10	1320130	1	Clamp	
13	2820031	AR	Heat Shrink	
14	3290405	4	Nut M4	
15	3290605	2	Nut M6	
16	3290805	10	Nut M8	
17	3291005	10	Nut M10	
19	3841340	1	Loop, Hose	
20	4010418	2	Screw M4 x 50	
21	4031511	2	Capscrew M4 x 35	
22	4060808	27.5 in/ 8.4m	Flex-Trim	
23	4240156	1	Strap, Clinch	
24	4460473	AR	Clamp, Cable	
25	4460865	1	Connector - 19 Position	
26	4460866	1	Connector - 19 Position	
27	1001218622	1	Terminal, Turnlock Plug	
28	1001218623	1	Terminal, Turnlock Connector	
29	4711500	4	Washer 5/16	
30	4811400	2	Washer M4	
31	4811902	4	Washer M8	
32	4812000	13	Washer M10	
33	1001179439	1	Harness, Tower Boom (Not Shown - See Separate Breakdown in this Section)	
34	4922929	1	Harness, Tower Boom - 8/5 Generator Cable (Not Shown)	
35	5251014	2	Bolt M10 x 30	
36	8881800	AR	Tie-Strap	
37	5281918	2	Screw M8 x 70	
38	1001118274	6	Nut M8	
39	1001118971	1	Sensor, Angle	
39	70005667	1	Arm	
40	1001118972	2	Nut M10	
41	1001217441	1	Harness, Main Boom (Not Shown - See Separate Breakdown in this Section)	
42	1001172343	1	Harness, Main Boom - 8/5 Generator Cable (Not Shown)	
43	1001164738	1	Harness, Boom Valve (Not Shown - See Separate Breakdown in this Section)	
44	1001273304	1	Block, Clamping	
45	1001273303	1	Plate	
46	1001168472	1	Plate, Clamping	
47	1001168473	2	Clamp, Rubber	
48	1001171553	3	Plate, Clamping	

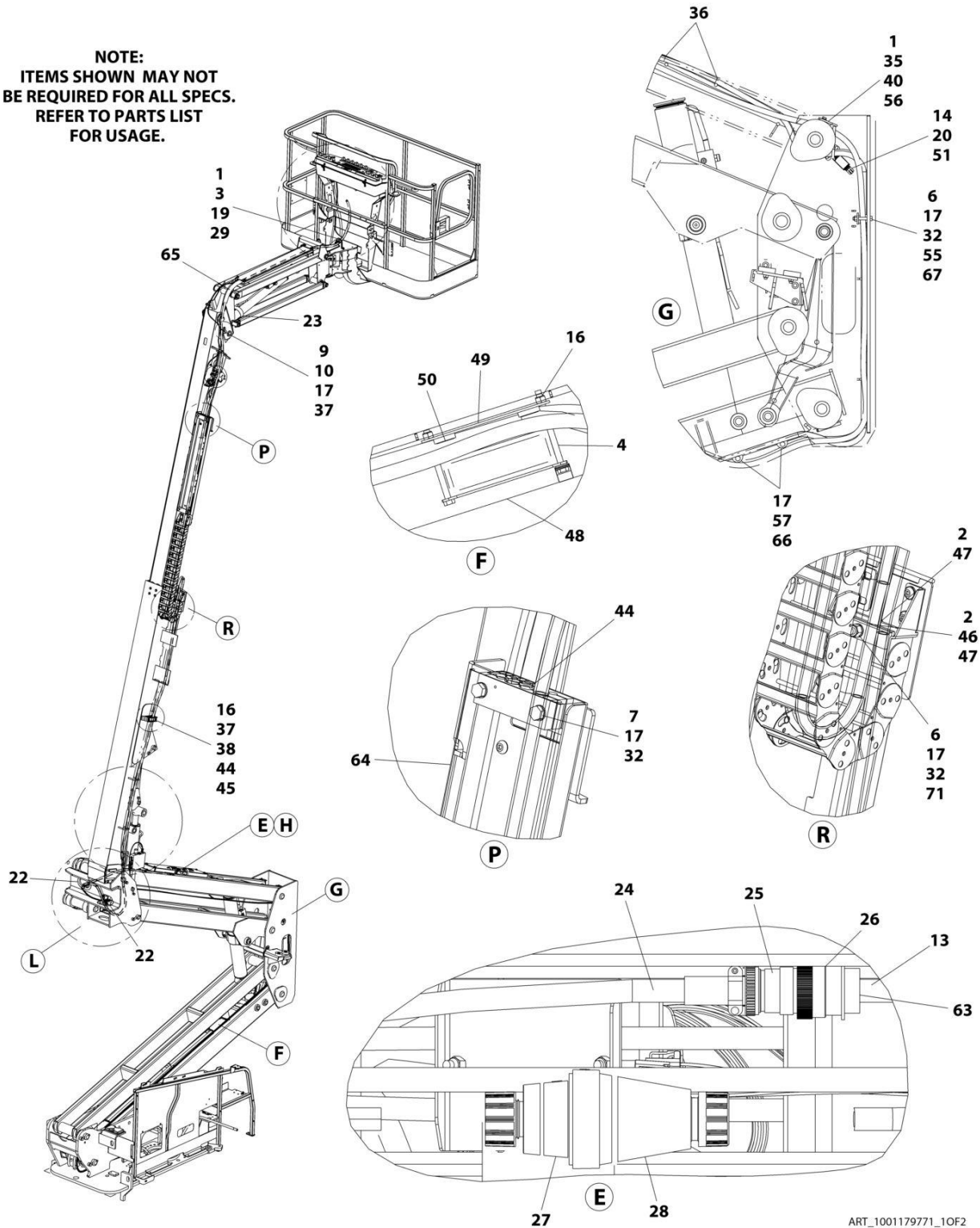
SECTION 8 - ELECTRICAL

ITEM	PART NUMBER	QTY	DESCRIPTION	REV
49	1001171555	3	Plate, Clamping	
50	1001171559	10	Pad	
51	1001284504	1	Switch, Limit	
52	1001238466	1	Link, Sensor (Note: Sold as Assembly Only)	
53	1001178448	2	Plate, Clamping	
54	1001178449	1	Cover	
55	1001178644	1	Plate	
56	1001260306	1	Bracket	
57	1001182561	2	Roller	
58	5250812	2	Bolt M8 x 25	
59	1001179266	1	Plate, Mounting	
63	4460466	AR	Plug, Terminal	
64	1001181875	1	Cover	
65	1001181923	1	Shield, Hose	
66	1001119280	2	Bolt M10 x 260	
67	1001185747	2	Pad	
69	88521205	2	Nut 5/16	
70	1001119228	8	Nut M8	
71	8310070	1	Pushnut 3/8	

SECTION 8 - ELECTRICAL

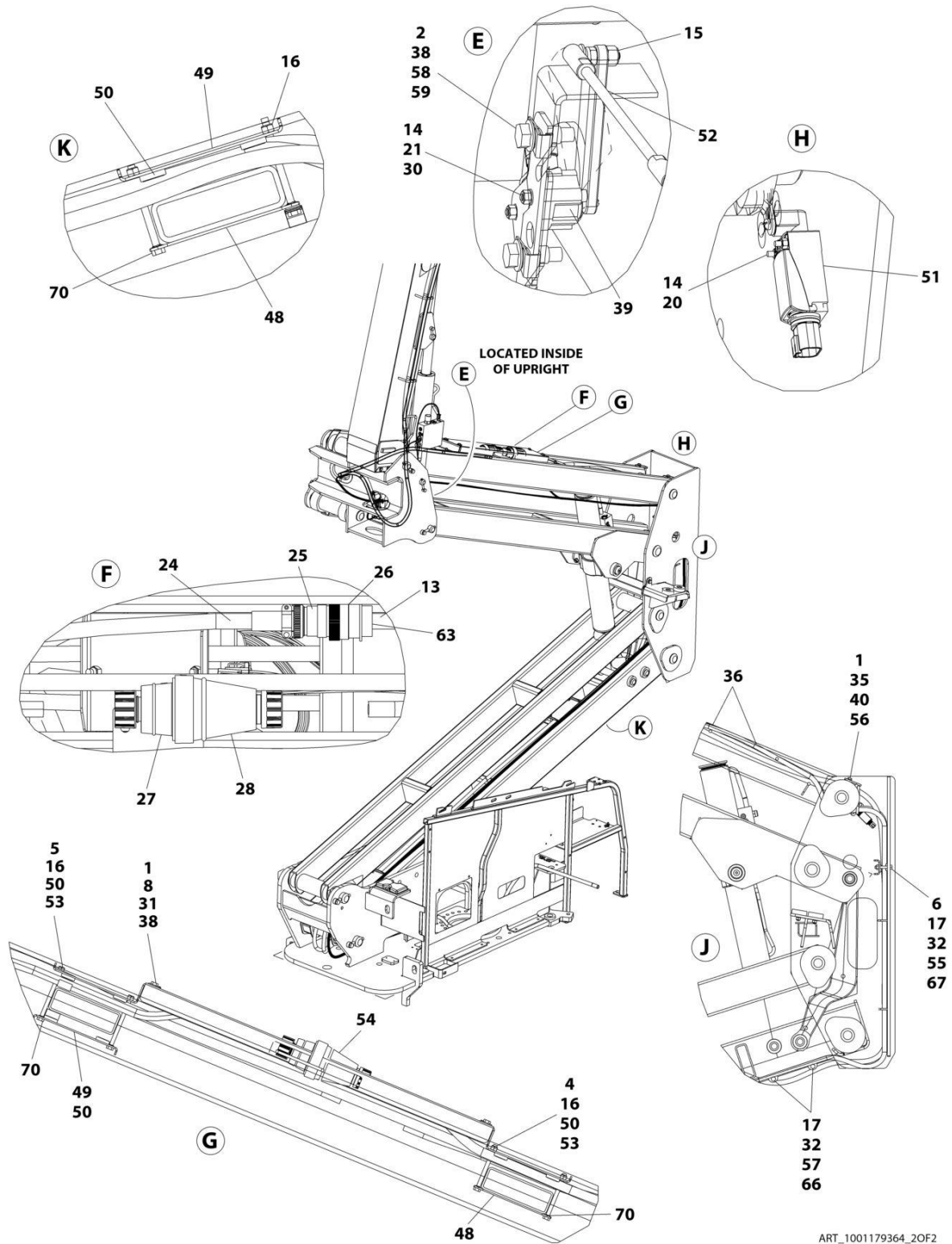
FIGURE 8-30. BOOM CABLES AND CLAMPS INSTALLATION - 450AJ (MACHINES WITH 7500W GENERATORS AND WITH ARCTIC PACKAGE)

NOTE:
ITEMS SHOWN MAY NOT
BE REQUIRED FOR ALL SPECS.
REFER TO PARTS LIST
FOR USAGE.



ART_1001179771_10F2

SECTION 8 - ELECTRICAL



ART_1001179364_20F2

SECTION 8 - ELECTRICAL

FIGURE 8-30. BOOM CABLES AND CLAMPS INSTALLATION - 450AJ (MACHINES WITH 7500W GENERATORS AND WITH ARCTIC PACKAGE)

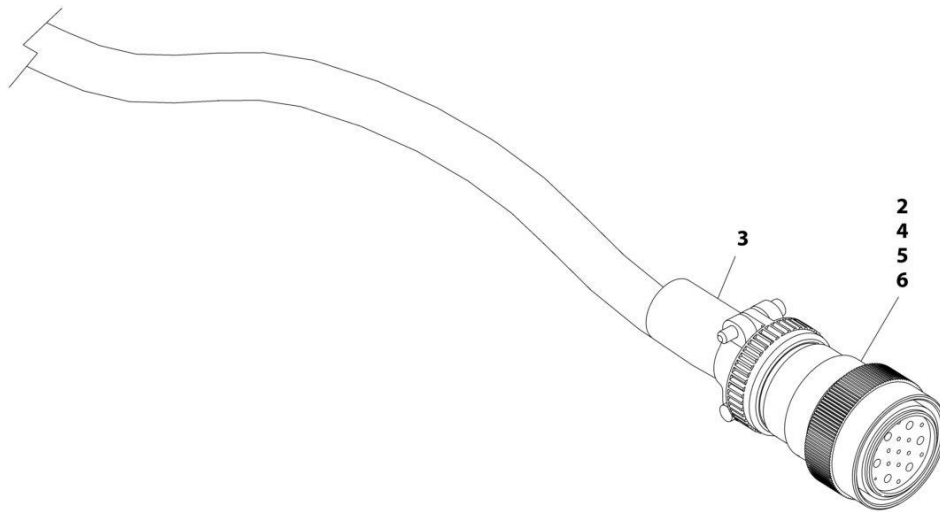
ITEM	PART NUMBER	QTY	DESCRIPTION	REV
	1001179771	Ref	BOOM CABLES AND CLAMPS INSTALLATION	O
1	0100011	AR	Compound, Locking	
2	0100081	AR	Adhesive	
3	0760814	2	Bolt M8 x 30	
4	0700827	6	Bolt M8 x 100	
5	0700828	2	Bolt M8 x 110	
6	0701021	3	Bolt M10 x 65	
7	0701024	4	Bolt M10 x 80	
8	0760812	4	Bolt M8 x 25	
9	0761012	1	Bolt M10 x 25	
10	1320130	1	Clamp	
13	2820031	AR	Heat Shrink	
14	3290405	4	Nut M4	
15	3290605	2	Nut M6	
16	3290805	12	Nut M8	
17	3291005	10	Nut M10	
19	3841340	1	Loop, Hose	
20	4010418	2	Screw M4 x 50	
21	4031511	2	Capscrew M4 x 35	
22	4060808	27.5 in/ 8.38m	Flex-Trim	
23	4240156	2	Strap, Clinch	
24	4460473	AR	Clamp, Cable	
25	4460865	1	Connector - 19 Position	
26	4460866	1	Connector - 19 Position	
27	1001218622	1	Terminal, Turnlock Plug	
28	1001218623	1	Terminal, Turnlock Connector	
29	4811900	4	Washer M8	
30	4811400	2	Washer M4	
31	4811902	4	Washer M8	
32	4812000	13	Washer M10	
33	1001179439	1	Harness, Tower Boom (Not Shown - See Separate Breakdown in this Section)	
34	4922929	1	Harness, Tower Boom - 8/5 Generator Cable (Not Shown)	
35	5251014	2	Bolt M10 x 30	
36	8881800	AR	Tie-Strap	
37	5281920	2	Screw M8 x 80	
37	5281918	2	Bolt M8 x 70	
38	1001118274	8	Nut M8	
39	1001118971	1	Sensor, Angle	
39	70005667	1	Arm	
40	1001118972	2	Nut M10	
41	1001174748	1	Harness, Main Boom (Not Shown - See Separate Breakdown in this Section)	
42	1001164732	1	Harness, Main Boom - 8/5 - Upper Generator Cable (Not Shown)	
43	1001164738	1	Harness, Boom Valve (Not Shown - See Separate Breakdown in this Section)	
44	1001273304	3	Block, Clamping	
45	1001273303	1	Plate	
46	1001168472	1	Plate, Clamping	

SECTION 8 - ELECTRICAL

ITEM	PART NUMBER	QTY	DESCRIPTION	REV
47	1001168473	2	Clamp, Rubber	
48	1001171553	3	Plate, Clamping	
49	1001171555	3	Plate, Clamping	
50	1001171559	10	Pad	
51	1001284504	1	Switch, Limit	
52	1001238466	1	Link, Sensor (Note: Sold as Assembly Only)	
53	1001178448	2	Plate, Clamping	
54	1001178449	1	Cover	
55	1001178644	1	Plate	
56	1001260306	1	Bracket	
57	1001182561	2	Roller	
58	5250812	2	Bolt M8 x 25	
59	1001179266	1	Plate, Mounting	
63	4460466	AR	Plug, Terminal	
64	1001181621	1	Cover	
65	1001181923	1	Shield, Hose	
66	1001119280	2	Bolt M10 x 260	
67	1001185747	2	Pad	
70	1001119228	8	Nut M8	
71	8310070	1	Pushnut 3/8	

SECTION 8 - ELECTRICAL

FIGURE 8-31. BOOM HARNESS - 450A (MAIN BOOM) (WITHOUT ARCTIC PACKAGE)



ART_1001172335

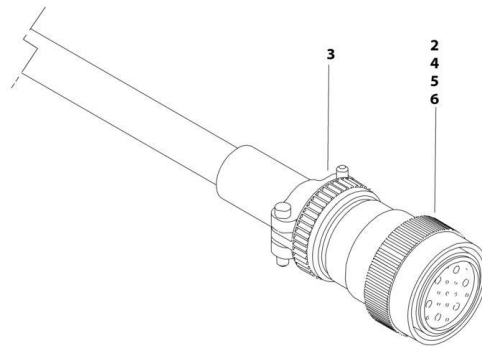
SECTION 8 - ELECTRICAL

FIGURE 8-31. BOOM HARNESS - 450A (MAIN BOOM) (WITHOUT ARCTIC PACKAGE)

ITEM	PART NUMBER	QTY	DESCRIPTION	REV
	1001172335	Ref	BOOM HARNESS - 450A (MAIN BOOM)	E
2	4460865	1	Connector - 19 Position	
3	4460473	1	Clamp	
4	4460465	20	Socket, Female	
5	4460509	8	Socket, Female	
6	4460466	5	Plug, Socket	

SECTION 8 - ELECTRICAL

FIGURE 8-32. BOOM HARNESS - 450AJ (MAIN BOOM) (WITHOUT ARCTIC PACKAGE)



ART_1001164730

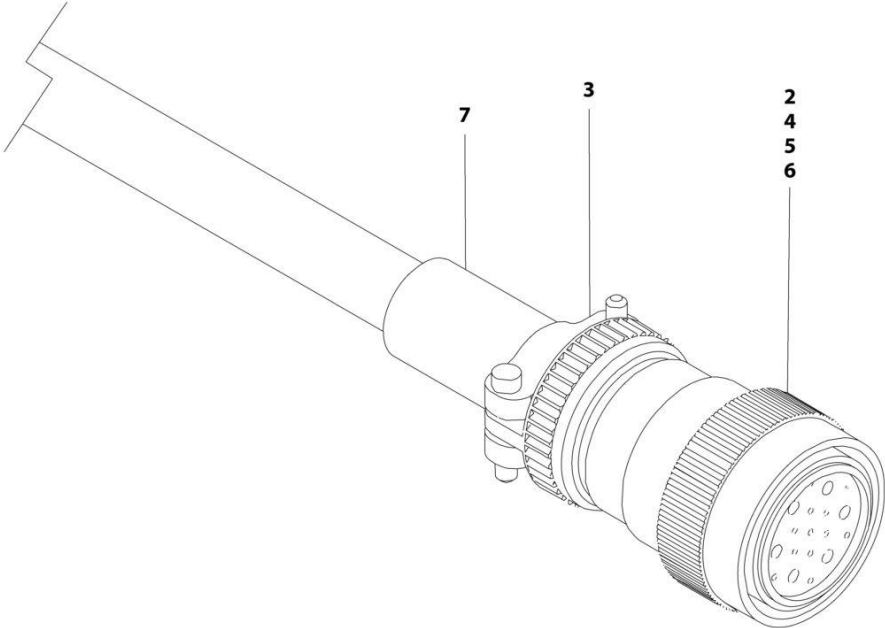
SECTION 8 - ELECTRICAL

FIGURE 8-32. BOOM HARNESS - 450AJ (MAIN BOOM) (WITHOUT ARCTIC PACKAGE)

ITEM	PART NUMBER	QTY	DESCRIPTION	REV
	1001164730	Ref	BOOM HARNESS - MAIN BOOM	D
2	4460865	1	Connector - 19 Position	
3	4460473	1	Clamp	
4	4460465	20	Socket, Female	
5	4460509	8	Socket, Female	
6	4460466	5	Plug, Socket	

SECTION 8 - ELECTRICAL

FIGURE 8-33. BOOM HARNESS - 450A (MAIN BOOM) (WITH ARCTIC PACKAGE)



ART_1001217441

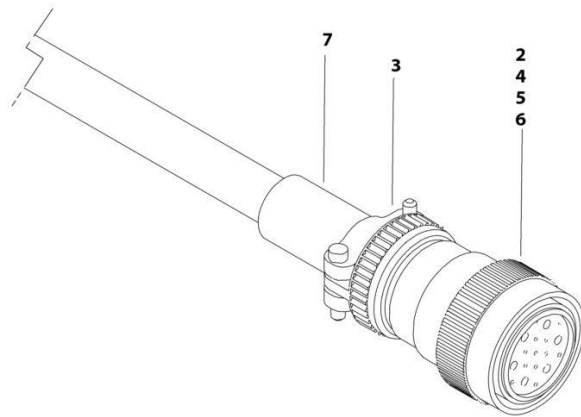
SECTION 8 - ELECTRICAL

FIGURE 8-33. BOOM HARNESS - 450A (MAIN BOOM) (WITH ARCTIC PACKAGE)

ITEM	PART NUMBER	QTY	DESCRIPTION	REV
	1001217441	Ref	BOOM HARNESS - 450A (MAIN BOOM)	A
2	4460865	1	Connector - 19 Position	
3	4460473	1	Clamp	
4	4460465	22	Socket, Female	
5	4460509	8	Socket, Female	
6	4460466	4	Plug, Socket	
7	2820118	AR	Heat Shrink	

SECTION 8 - ELECTRICAL

FIGURE 8-34. BOOM HARNESS - 450AJ (MAIN BOOM) (WITH ARCTIC PACKAGE)



ART_1001174748

SECTION 8 - ELECTRICAL

FIGURE 8-34. BOOM HARNESS - 450AJ (MAIN BOOM) (WITH ARCTIC PACKAGE)

ITEM	PART NUMBER	QTY	DESCRIPTION	REV
	1001174748	Ref	BOOM HARNESS - 450AJ (MAIN BOOM)	C
2	4460865	1	Connector - 19 Position	
3	4460473	1	Clamp	
4	4460465	20	Socket, Female	
5	4460509	8	Socket, Female	
6	4460466	5	Plug, Socket	

SECTION 8 - ELECTRICAL

FIGURE 8-35. BOOM HARNESS - 450A (MAIN BOOM AC CABLE) (WITHOUT ARCTIC PACKAGE)



ART_1001172336

SECTION 8 - ELECTRICAL

FIGURE 8-35. BOOM HARNESS - 450A (MAIN BOOM AC CABLE) (WITHOUT ARCTIC PACKAGE)

ITEM	PART NUMBER	QTY	DESCRIPTION	REV
1	1001172336	Ref	BOOM HARNESS - 450A (MAIN BOOM AC CABLE)	C
4	1001120204	1	Plug, Male	
	1060461	494 in /12.6m	Cable, Electrical - 12/3	

SECTION 8 - ELECTRICAL

FIGURE 8-36. BOOM HARNESS - 450AJ (MAIN BOOM AC CABLE) (WITHOUT ARCTIC PACKAGE)



ART_1001164731

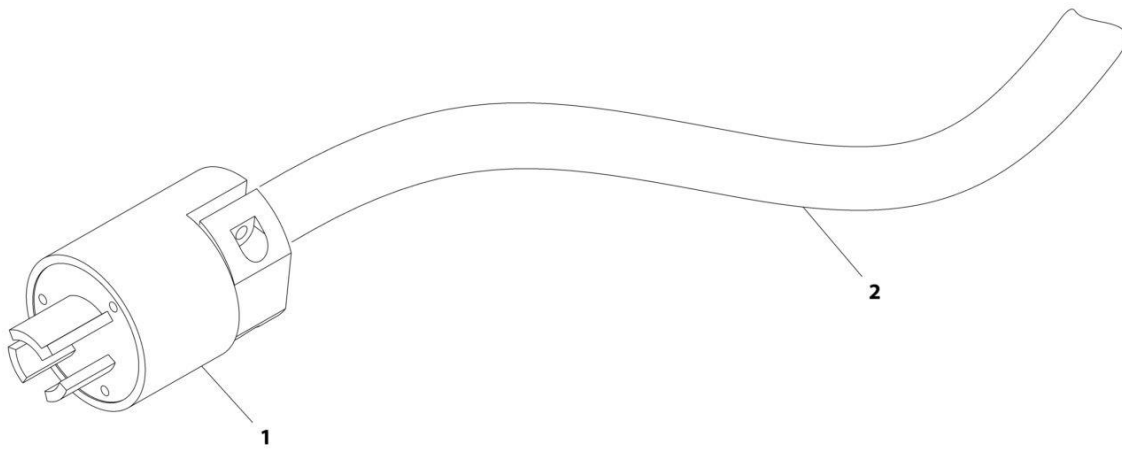
SECTION 8 - ELECTRICAL

FIGURE 8-36. BOOM HARNESS - 450AJ (MAIN BOOM AC CABLE) (WITHOUT ARCTIC PACKAGE)

ITEM	PART NUMBER	QTY	DESCRIPTION	REV
	1001164731	Ref	BOOM HARNESS - MAIN BOOM AC CABLE	C
1	1001120204	1	Plug, Male	
4	1060461	494 in/ 12.6m	Cable, Electrical - 12/3	

SECTION 8 - ELECTRICAL

FIGURE 8-37. BOOM HARNESS - 450A (MAIN BOOM AC CABLE) (WITH ARCTIC PACKAGE)



ART_1001217440

SECTION 8 - ELECTRICAL

FIGURE 8-37. BOOM HARNESS - 450A (MAIN BOOM AC CABLE) (WITH ARCTIC PACKAGE)

ITEM	PART NUMBER	QTY	DESCRIPTION	REV
1	1001217440	Ref	BOOM HARNESS - 450A (MAIN BOOM AC CABLE)	A
2	1001120204	1	Plug, Male	
	4923463	494 in /12.6m	Cable, Electrical - 12/3	

SECTION 8 - ELECTRICAL

FIGURE 8-38. BOOM HARNESS - 450AJ (MAIN BOOM AC CABLE) (WITH ARCTIC PACKAGE)



ART_1001174750

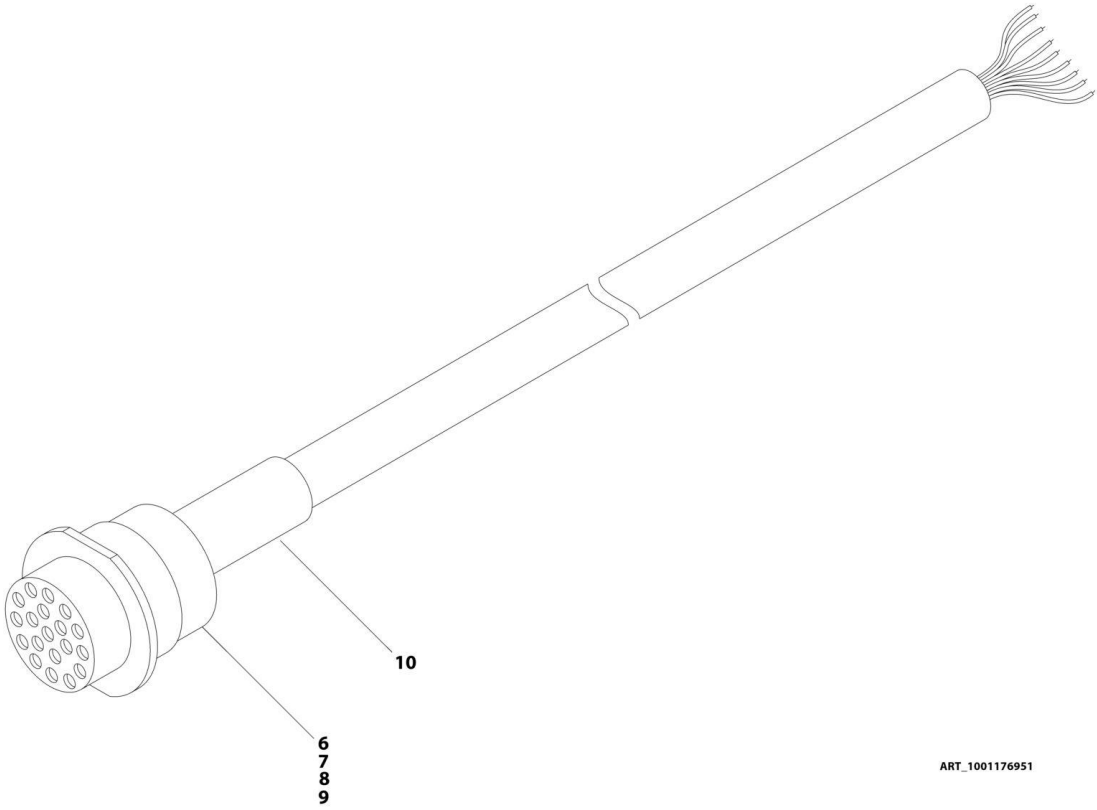
SECTION 8 - ELECTRICAL

FIGURE 8-38. BOOM HARNESS - 450AJ (MAIN BOOM AC CABLE) (WITH ARCTIC PACKAGE)

ITEM	PART NUMBER	QTY	DESCRIPTION	REV
1	1001174750	Ref	BOOM HARNESS - 450AJ (MAIN BOOM AC CABLE)	B
	1001120204	1	Plug, Male	
4	4923463	494 in/ 12.6m	Cable, Electrical - 12/3	

SECTION 8 - ELECTRICAL

FIGURE 8-39. BOOM HARNESS - TOWER BOOM (WITHOUT ARCTIC PACKAGE)



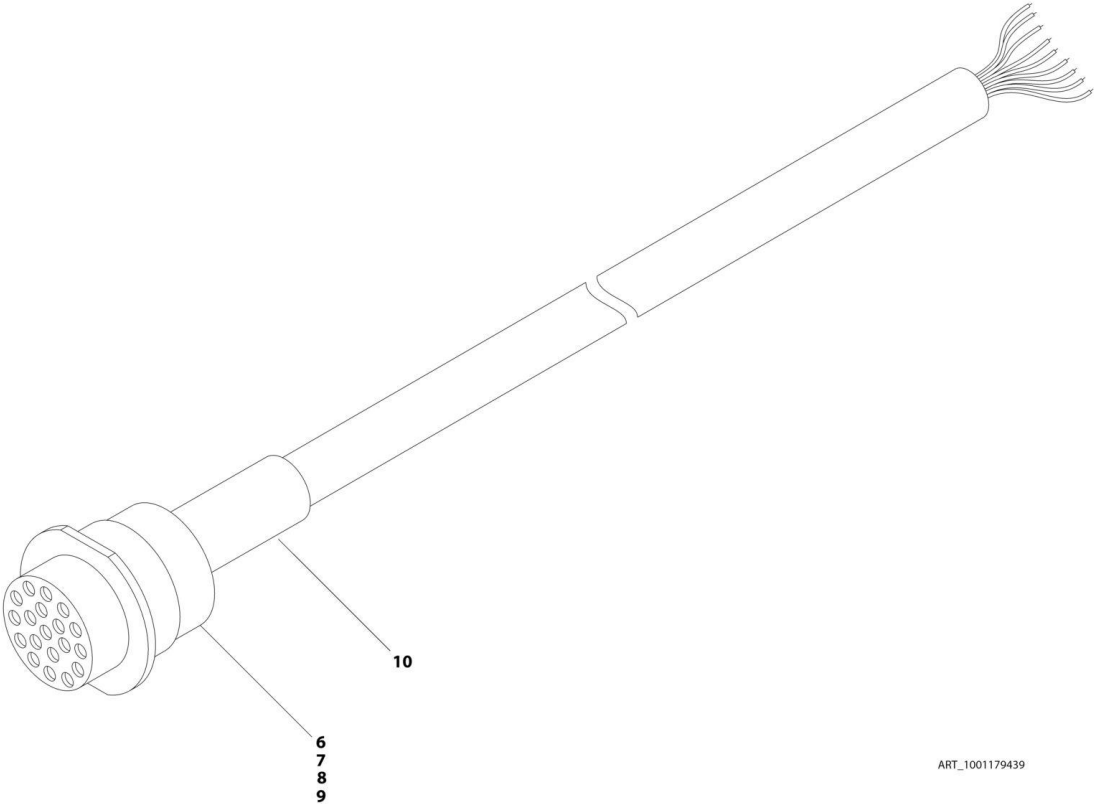
SECTION 8 - ELECTRICAL

FIGURE 8-39. BOOM HARNESS - TOWER BOOM (WITHOUT ARCTIC PACKAGE)

ITEM	PART NUMBER	QTY	DESCRIPTION	REV
	1001176951	Ref	BOOM HARNESS - TOWER BOOM	E
6	4460466	5	Plug, Terminal	
7	4460464	20	Pin, Male	
8	4460508	8	Pin, Male	
9	4460866	1	Connector - 19 Position	
10	2820031	AR	Heat Shrink	

SECTION 8 - ELECTRICAL

FIGURE 8-40. BOOM HARNESS - TOWER BOOM (WITH ARCTIC PACKAGE)



ART_1001179439

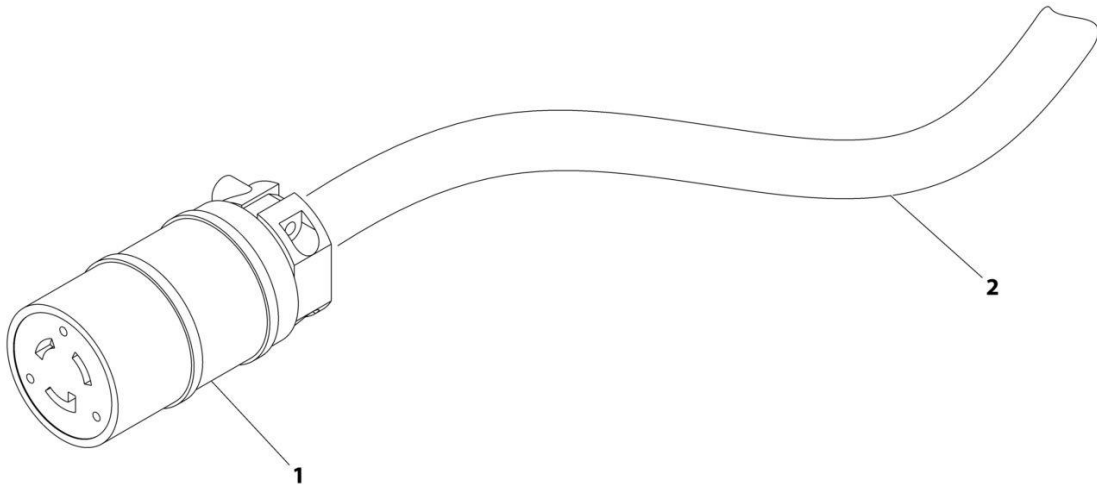
SECTION 8 - ELECTRICAL

FIGURE 8-40. BOOM HARNESS - TOWER BOOM (WITH ARCTIC PACKAGE)

ITEM	PART NUMBER	QTY	DESCRIPTION	REV
	1001179439	Ref	BOOM HARNESS - TOWER BOOM	D
6	4460466	4	Plug, Terminal	
7	4460464	22	Pin, Male	
8	4460508	8	Pin, Male	
9	4460866	1	Connector - 19 Position	
10	2820031	AR	Heat Shrink	

SECTION 8 - ELECTRICAL

FIGURE 8-41. BOOM HARNESS - TOWER BOOM AC CABLE (WITHOUT ARCTIC PACKAGE)



ART_1001174749

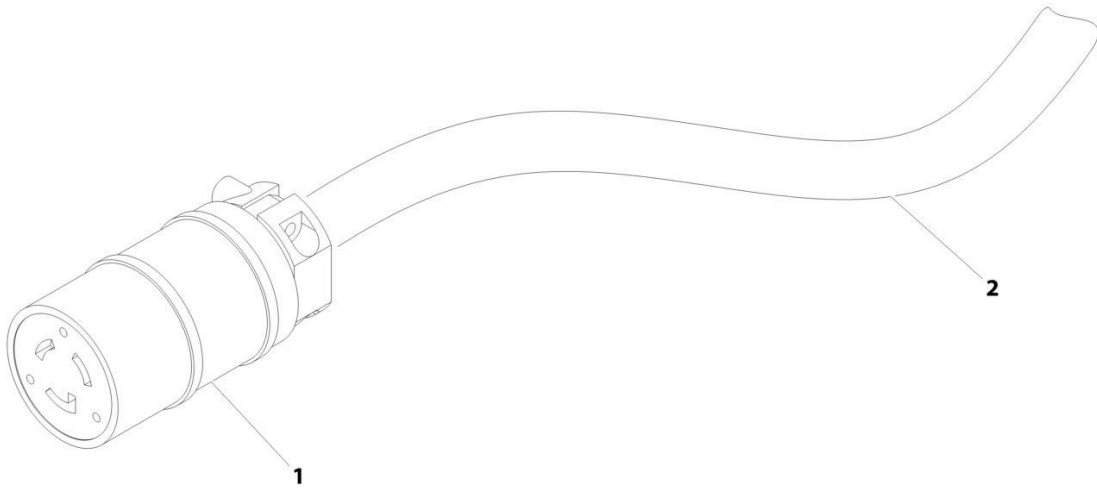
SECTION 8 - ELECTRICAL

FIGURE 8-41. BOOM HARNESS - TOWER BOOM AC CABLE (WITHOUT ARCTIC PACKAGE)

ITEM	PART NUMBER	QTY	DESCRIPTION	REV
	1001174749	Ref	BOOM HARNESS - TOWER BOOM AC CABLE	C
1	1001120205	1	Connector, Female	
2	1060461	28 ft/ 8.5m	Electrical Cable, 12/3	

SECTION 8 - ELECTRICAL

FIGURE 8-42. BOOM HARNESS - TOWER BOOM AC CABLE (WITH ARCTIC PACKAGE)



ART_1001174754

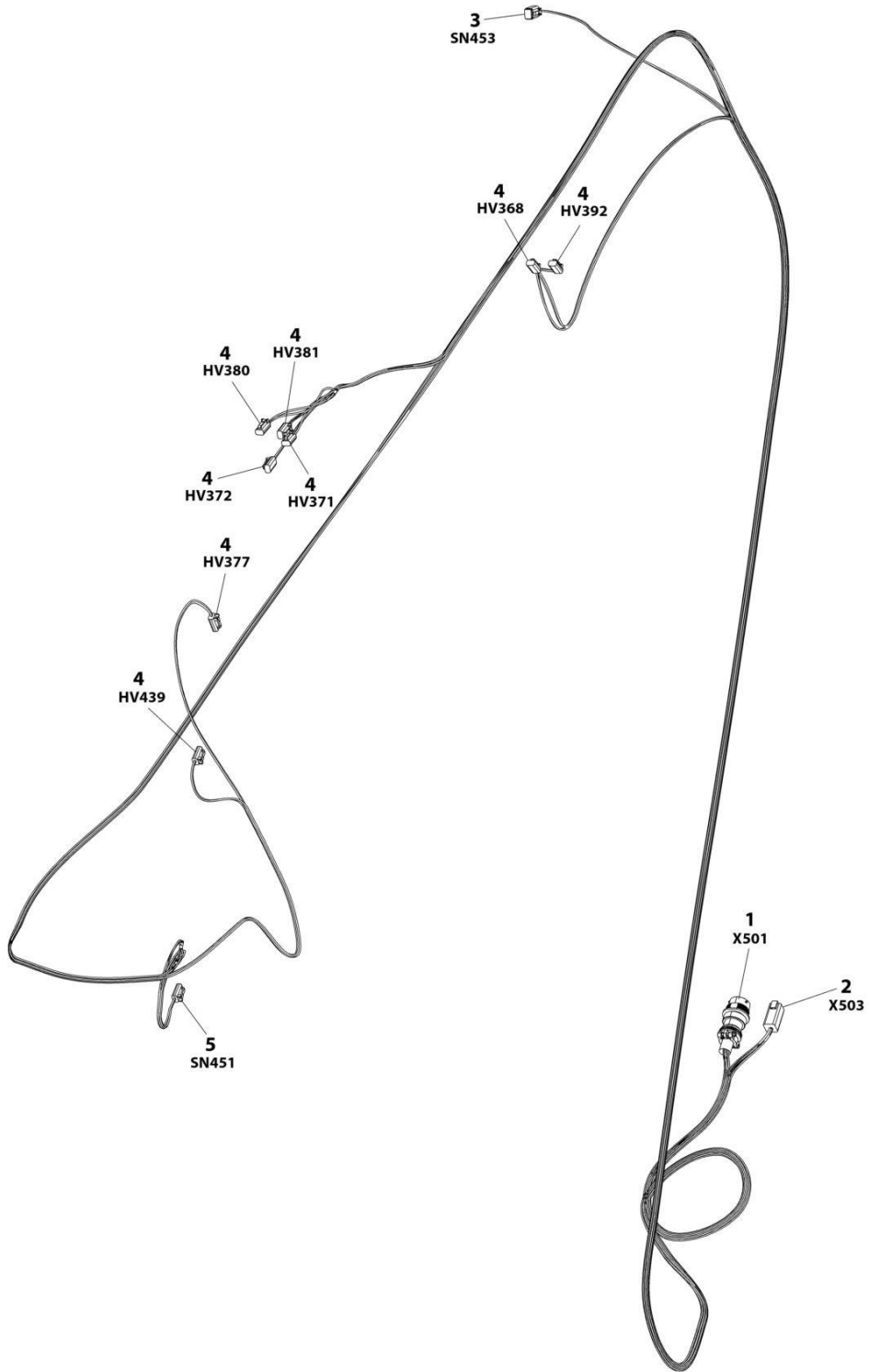
SECTION 8 - ELECTRICAL

FIGURE 8-42. BOOM HARNESS - TOWER BOOM AC CABLE (WITH ARCTIC PACKAGE)

ITEM	PART NUMBER	QTY	DESCRIPTION	REV
	1001174754	Ref	BOOM HARNESS - TOWER BOOM AC CABLE	B
1	1001120205	1	Connector, Female	
2	4920463	28 ft/ 8.5m	Cable, Electrical - 12/3	

SECTION 8 - ELECTRICAL

FIGURE 8-43. BOOM VALVE HARNESS



ART_1001164738

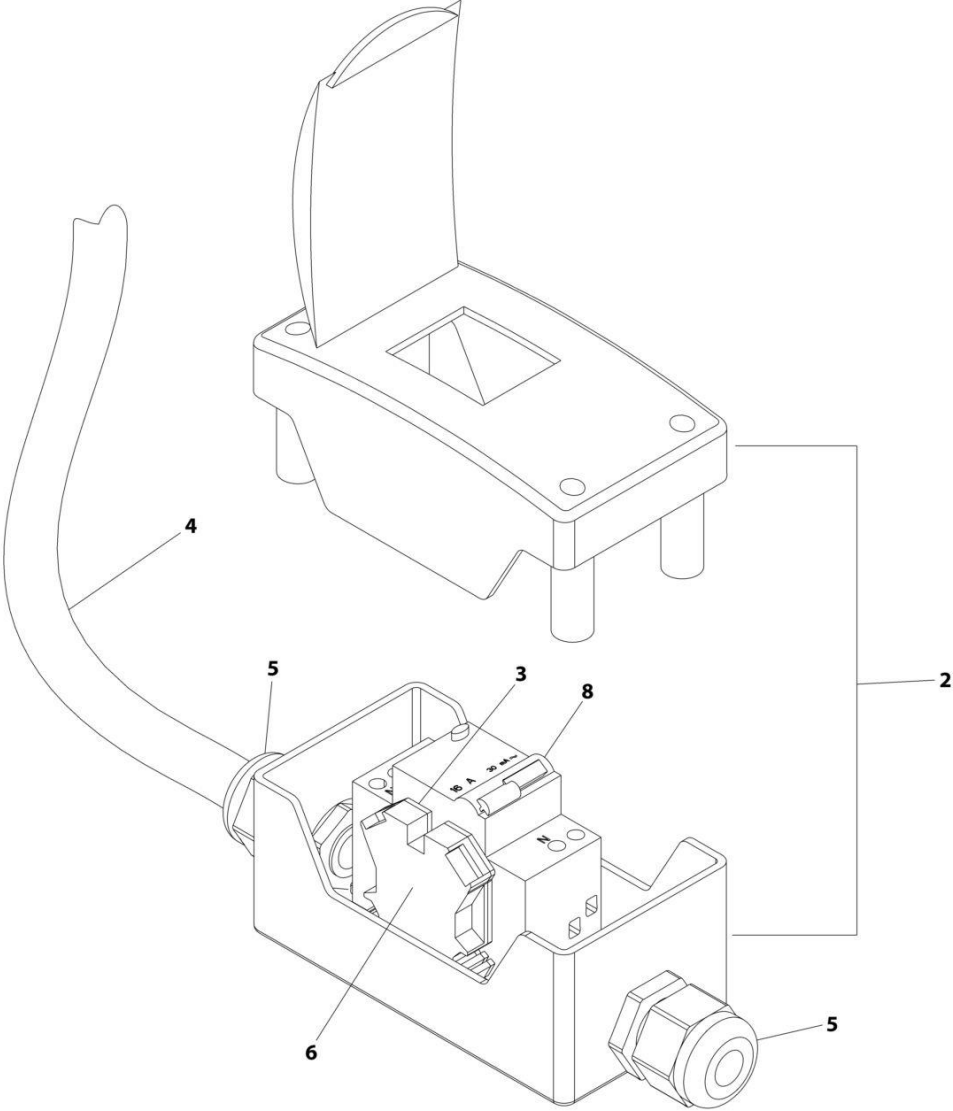
SECTION 8 - ELECTRICAL

FIGURE 8-43. BOOM VALVE HARNESS

ITEM	PART NUMBER	QTY	DESCRIPTION	REV
	1001164738	Ref	BOOM VALVE HARNESS	I
1	1001156541	1	Connector - 19 Position	
1	4460464	13	Pin, Male	
1	4460466	1	Plug, Terminal	
2	4460899	1	Connector - 6 Position	
2	4460464	6	Pin, Male	
3	4460884	1	Plug, Male - 4 Position	
3	4460465	2	Socket, Female	
3	4460466	2	Plug, Terminal	
4	4460891	8	Plug, Male - 2 Position	
4	4460465	16	Socket, Female	
5	1001230931	1	Plug, Male - 6 Position	
5	1001116748	6	Terminal	

SECTION 8 - ELECTRICAL

FIGURE 8-44. BREAKER BOX KIT WITH SINGLE DOUBLE POLE BREAKER - CE, RUSSIA & UK CA SPECS



ART_2902549

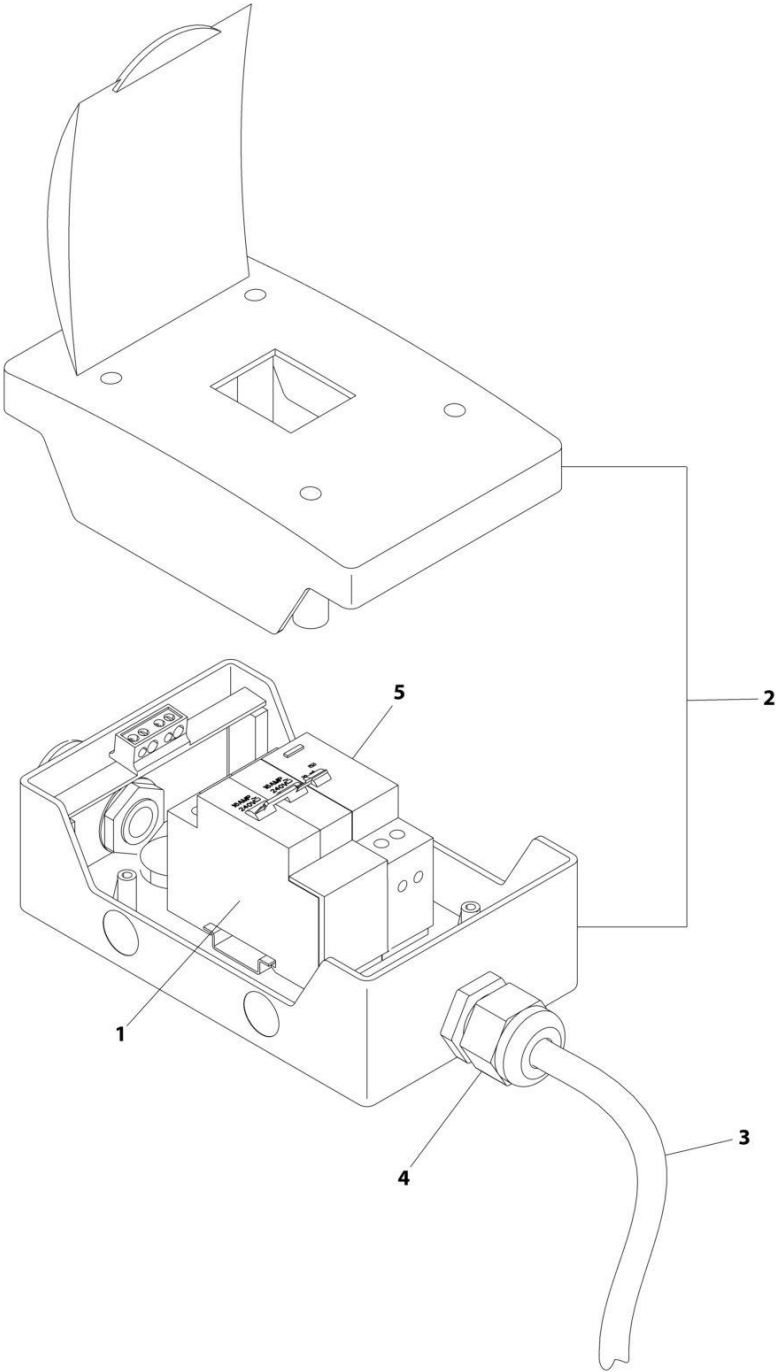
SECTION 8 - ELECTRICAL

FIGURE 8-44. BREAKER BOX KIT WITH SINGLE DOUBLE POLE BREAKER - CE, RUSSIA & UK CA SPECS

ITEM	PART NUMBER	QTY	DESCRIPTION	REV
	2902549	Ref	BREAKER BOX KIT - 110/220V 16AMP BREAKER	F
2	0861880	1	Box	
3	4460956	1	Barrier, Terminal	
4	1060908	6 ft/1.8m	Cable, 12/3	
5	1001097150	2	Connector, Strain Relief	
6	4460957	1	Block, Terminal	
8	1001181045	1	Breaker, Combination 16Amp/30mAmp	

SECTION 8 - ELECTRICAL

FIGURE 8-45. BREAKER BOX KIT WITH THREE BREAKERS - CE, RUSSIA & UK CA SPECS



ART_1001152485_F

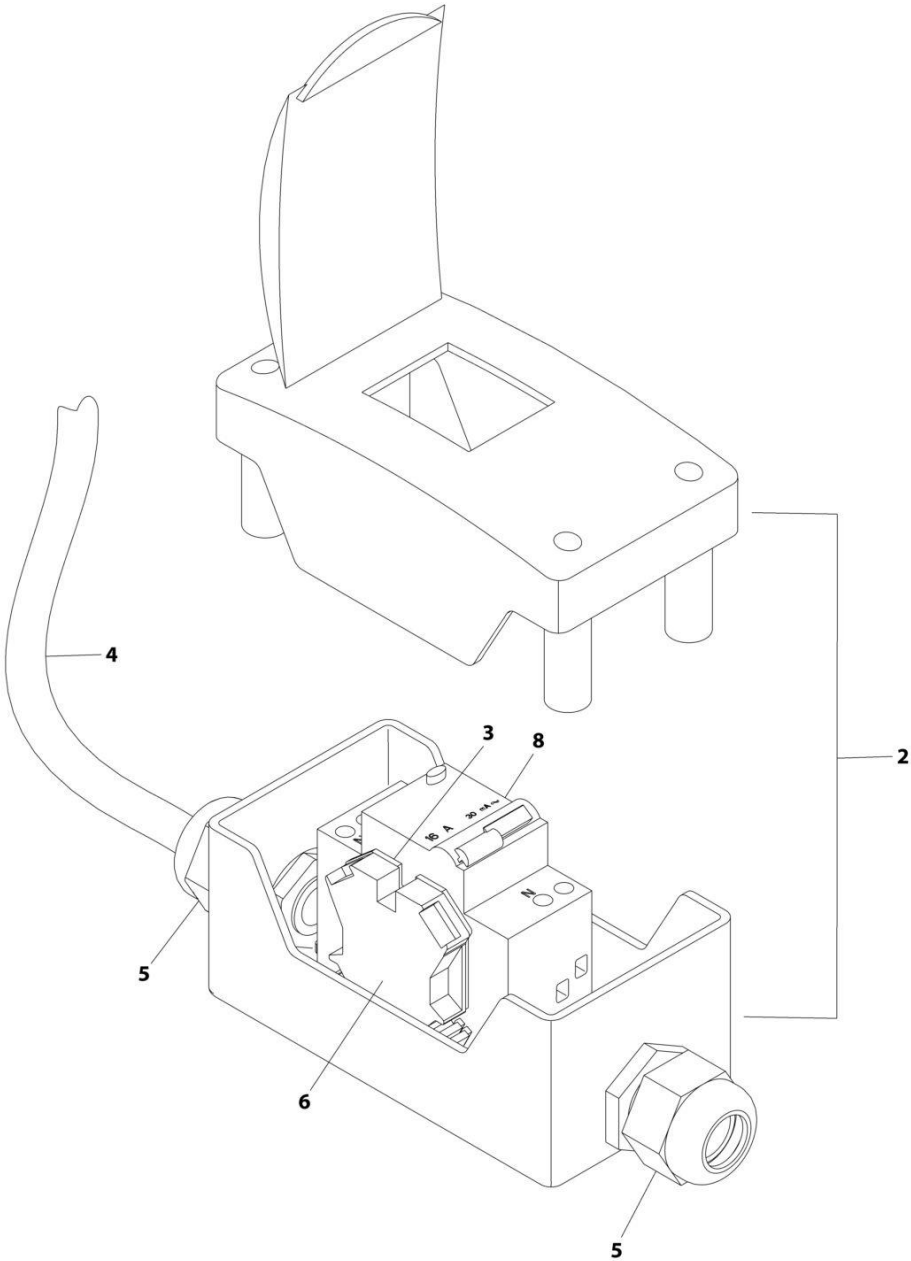
SECTION 8 - ELECTRICAL

FIGURE 8-45. BREAKER BOX KIT WITH THREE BREAKERS - CE, RUSSIA & UK CA SPECS

ITEM	PART NUMBER	QTY	DESCRIPTION	REV
	1001152485	Ref	BREAKER BOX KIT WITH TWO BREAKERS	F
1	1001189172	1	Breaker 16Amp Double	
2	1001152483	1	Box	
3	1060908	6 ft/1.8m	Cable, 12/3	
4	1001097150	2	Connector, Strain Relief	
5	1001189171	1	Breaker, 30mA	

SECTION 8 - ELECTRICAL

FIGURE 8-46. BREAKER BOX KIT - 30MA/16 AMP



ART_1001096070

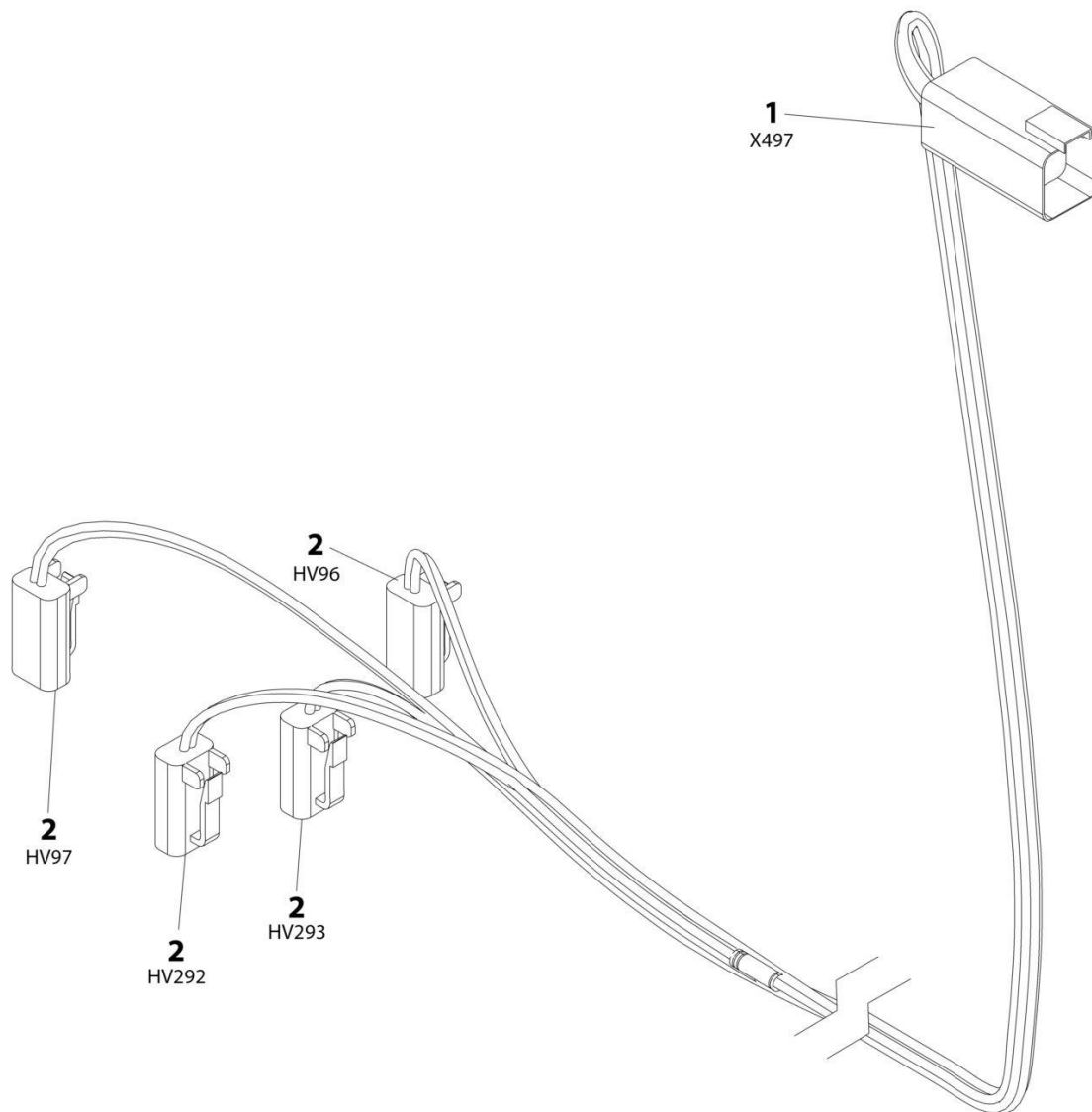
SECTION 8 - ELECTRICAL

FIGURE 8-46. BREAKER BOX KIT - 30MA/16 AMP

ITEM	PART NUMBER	QTY	DESCRIPTION	REV
	1001096070	Ref	BREAKER BOX KIT	E
2	0861880	1	Box	
3	4460956	1	Barrier, Terminal Block End	
4	1060908	12 ft/ 3.6m	Cable, 12/3	
5	1001097150	2	Connector, Strain Relief	
6	4460957	1	Block, Terminal	
8	1001181045	1	Breaker, 16Amp	

SECTION 8 - ELECTRICAL

FIGURE 8-47. CHASSIS SOLENOID HARNESS



ART_1001179236

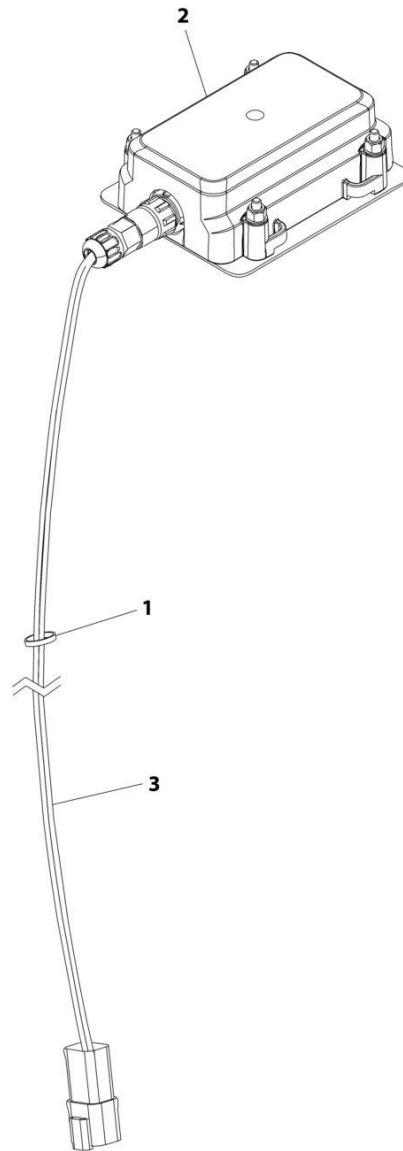
SECTION 8 - ELECTRICAL

FIGURE 8-47. CHASSIS SOLENOID HARNESS

ITEM	PART NUMBER	QTY	DESCRIPTION	REV
	1001179236	Ref	CHASSIS SOLENOID HARNESS	A
1	4460899	1	Receptacle, Female - 6 Position	
1	4460464	6	Pin, Male	
2	4460891	4	Plug, Male - 2 Position	
2	4460465	8	Socket, Female	

SECTION 8 - ELECTRICAL

FIGURE 8-48. CLEARSKY 3-WIRE CONNECTION INSTALLATION



ART_1001276610

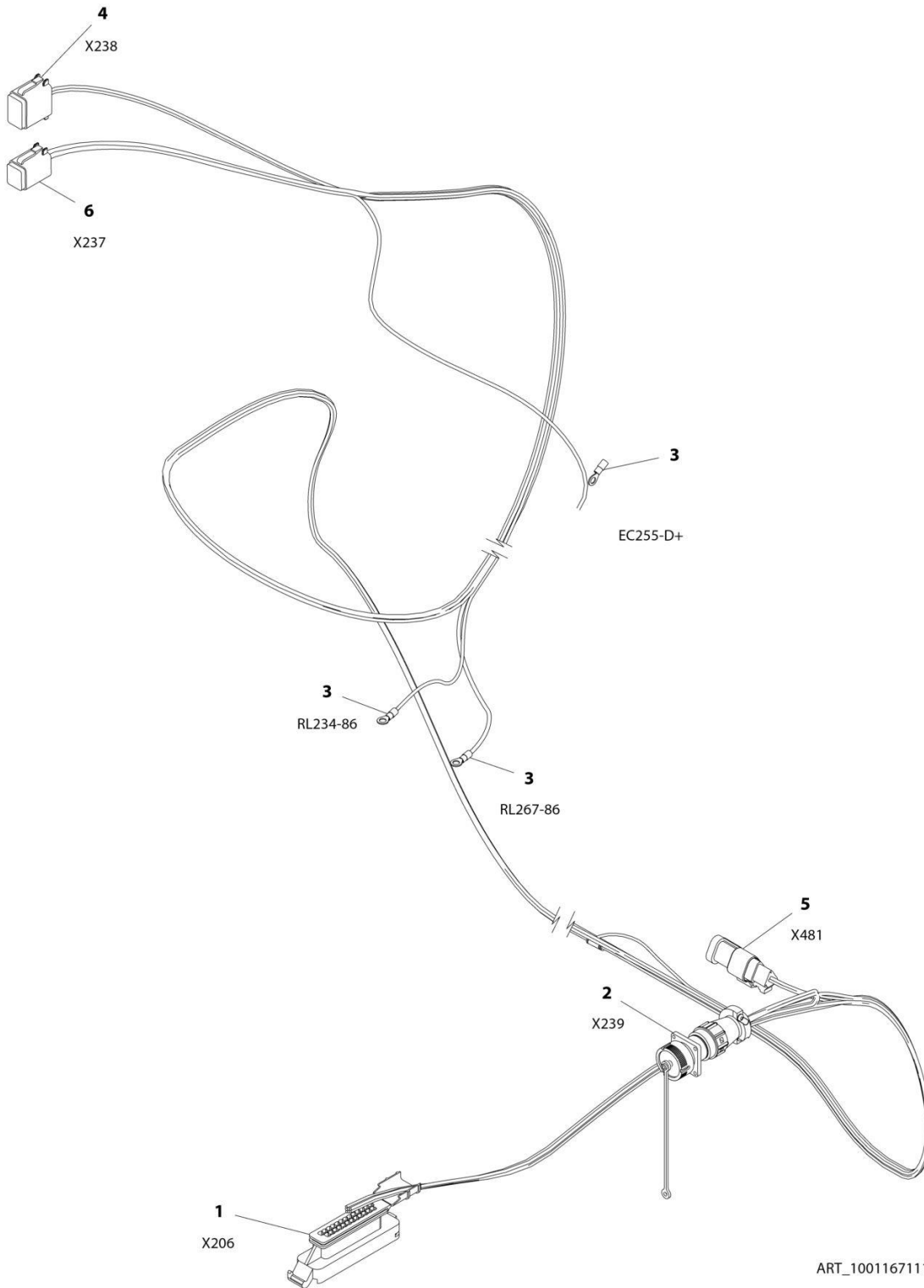
SECTION 8 - ELECTRICAL

FIGURE 8-48. CLEARSKY 3-WIRE CONNECTION INSTALLATION

ITEM	PART NUMBER	QTY	DESCRIPTION	REV
	1001276610	Ref	CLEARSKY INSTALLATION 3-WIRE CONNECTION	A
1	4240032	AR	Tie-Strap	
2	1001272659	1	Telematics Control Module Assembly (Note: Re-calibration Required when Replaced)	
3	1001273012	1	ClearSky Harness (See Separate Breakdown in this Section)	

SECTION 8 - ELECTRICAL

FIGURE 8-49. ENGINE HARNESS - DEUTZ D2011



ART_1001167111

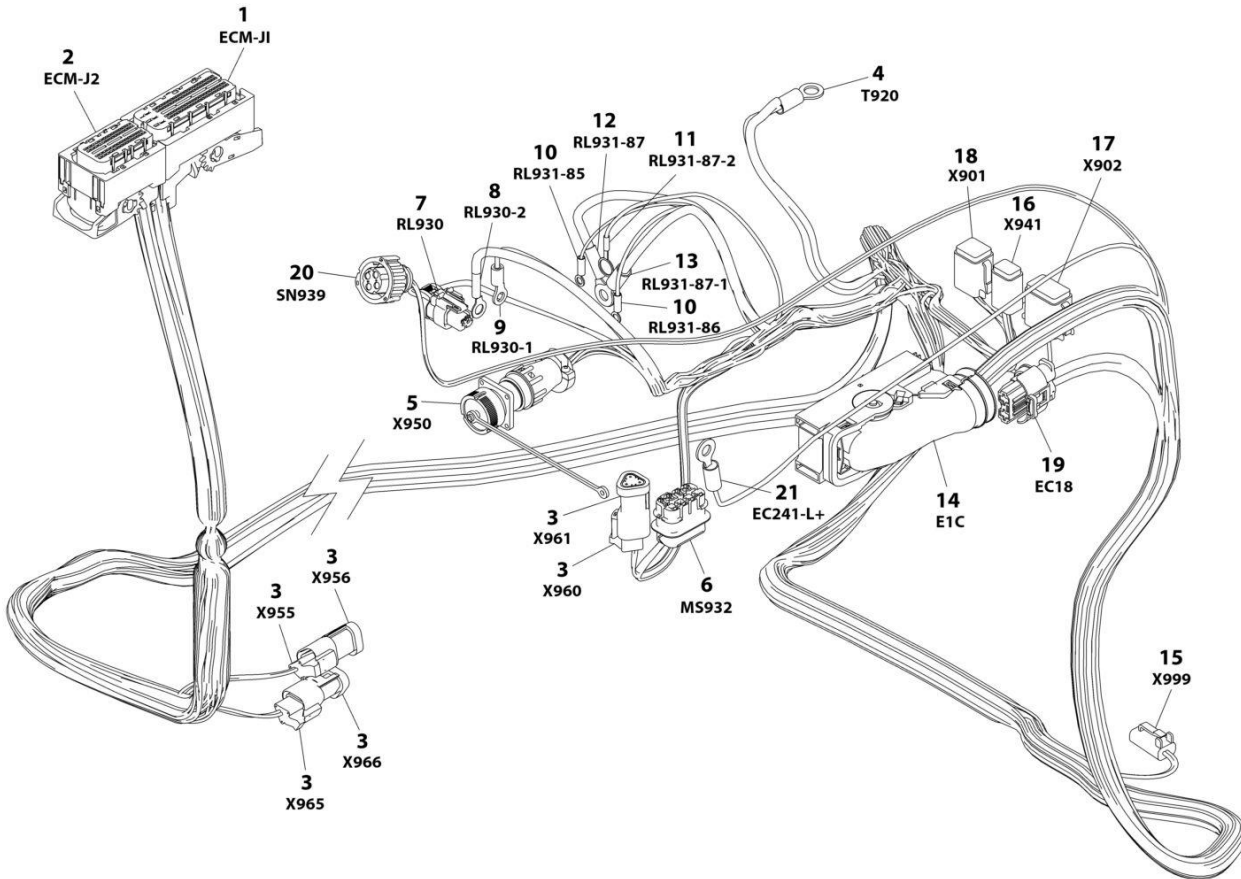
SECTION 8 - ELECTRICAL

FIGURE 8-49. ENGINE HARNESS - DEUTZ D2011

ITEM	PART NUMBER	QTY	DESCRIPTION	REV
	1001167111	Ref	ENGINE HARNESS - DEUTZ D2011	B
1	4461052	1	Connector - 25 Position	
1	4461005	7	Terminal	
1	4461008	18	Plug, Terminal	
2	2902443	1	Receptacle Kit	
2	4461071	8	Socket, Female	
2	4461072	1	Receptacle with Flange - 8 Position	
2	4461073	1	Cap, Dust	
2	4461074	1	Shell, Black	
3	4460313	3	Terminal, Ring	
4	4460930	1	Plug, Male - 8 Position	
4	4460465	2	Socket, Female	
4	4460466	6	Seal, Terminal	
5	4461095	1	Plug, Male - 3 Position	
5	4460465	3	Socket, Female	
6	4460894	1	Plug, Male - 6 Position	
6	4460465	6	Socket, Female	

SECTION 8 - ELECTRICAL

FIGURE 8-50. ENGINE HARNESS - DEUTZ D2.9L4



ART_1001167108_L

SECTION 8 - ELECTRICAL

FIGURE 8-50. ENGINE HARNESS - DEUTZ D2.9L4

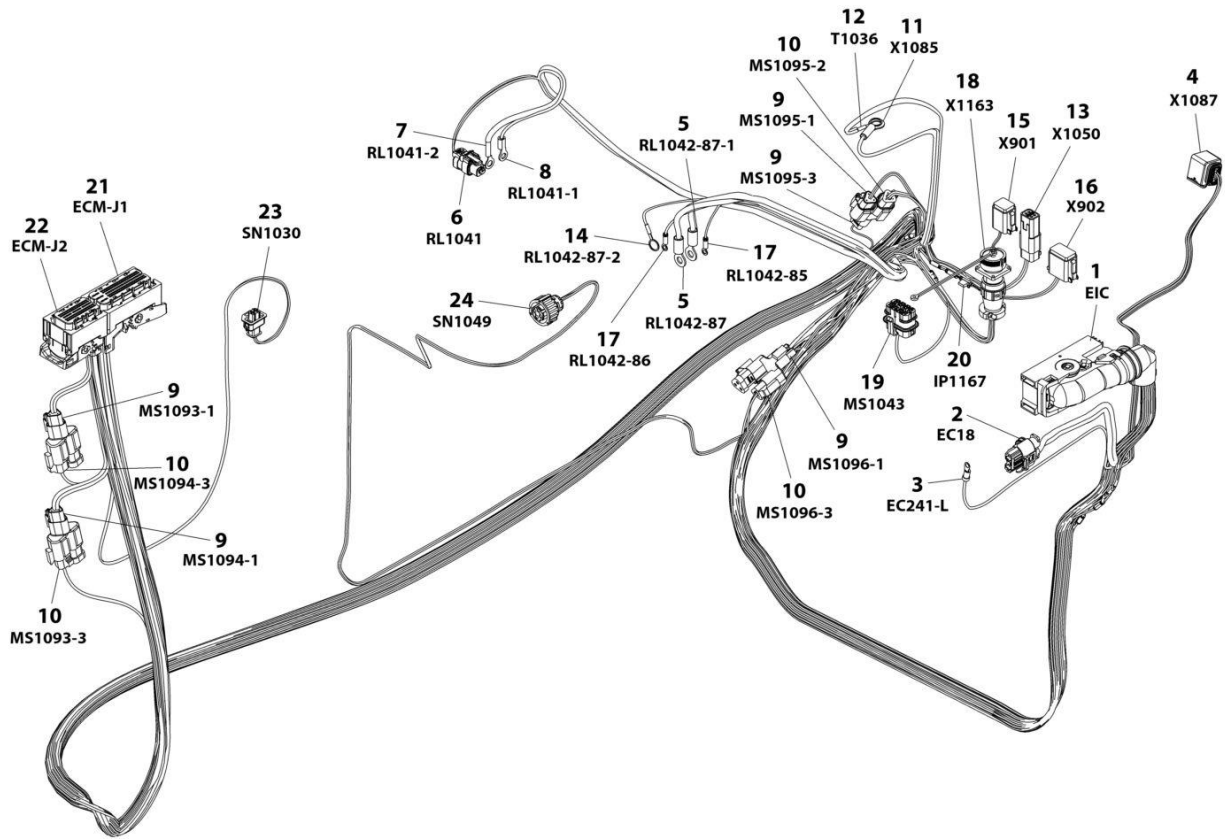
ITEM	PART NUMBER	QTY	DESCRIPTION	REV
	1001167108	Ref	ENGINE HARNESS - DEUTZ D2.9L4	L
1	1001133956	1	Connector, 94 Position	
1	1001182361	6	Terminal	
1	1001126351	2	Terminal	
1	1001230934	17	Terminal	
1	1001230935	63	Plug, Terminal	
1	1001256507	4	Terminal	
1	1001230936	2	Plug, Terminal	
1	1001182365	6	Seal	
2	1001133957	1	Connector - 60 Position	
2	1001230936	11	Plug, Terminal	
2	1001126351	13	Terminal	
2	1001230935	19	Plug, Terminal	
2	1001230934	11	Terminal	
2	1001252527	4	Terminal	
2	1001256507	2	Terminal	
3	4461095	3	Plug, Male - 3 Position	
3	4460944	6	Socket, Female	
3	4460466	3	Plug, Terminal	
3	4461070	3	Connector, Female with Resistor 3 Position	
4	8220115	1	Terminal, Ring	
5	2902443	1	Receptacle Kit	
5	4461071	8	Socket, Female	
5	4461072	1	Receptacle with Flange - 8 Position	
5	4461073	1	Cap, Dust	
5	4461074	1	Shell, Black	
6	80484084	1	Connector - 8 Position	
6	4460746	3	Terminal	
6	1001234800	1	Terminal	
6	4460748	4	Plug, Terminal	
6	4460458	4	Seal	
6	8229242	1	Fuse - 5Amp	
6	80983191	1	Fuse - 10Amp	
6	1001147264	1	Cap	
7	1001116952	1	Plug, Male - 2 Position	
7	4460465	2	Socket, Female	
8	1001117106	1	Terminal, Ring	
9	4460043	1	Terminal, Ring	
10	4460247	2	Terminal, Ring	
11	4460703	1	Terminal, Ring	
12	8220164	1	Terminal, Ring	
13	1001117107	1	Terminal, Ring	
14	1001126362	1	Connector - 62 Position	
14	1001126363	25	Terminal	
14	1001126391	21	Seal, Terminal	
14	1001126392	10	Terminal	
14	4461008	4	Seal, Terminal	
14	1001126365	2	Terminal	
14	1001223459	10	Seal, Terminal	
14	1001126364	23	Seal, Terminal	

SECTION 8 - ELECTRICAL

ITEM	PART NUMBER	QTY	DESCRIPTION	REV
14	1001256506	2	Seal, Terminal	
14	4461054	2	Seal, Terminal	
15	4460891	1	Plug, Male - 2 Position	
15	4460465	2	Socket, Female	
16	1001220379	1	Plug, Male - 4 Position	
16	4460465	2	Socket, Female	
16	4460942	2	Socket, Female	
17	4460930	1	Plug, Male - 8 Position	
17	4460465	1	Socket, Female	
17	4460466	7	Seal, Terminal	
18	4460894	1	Plug, Male - 6 Position	
18	4460465	3	Socket, Female	
18	4460944	2	Socket, Female	
18	4460466	1	Plug, Terminal	
19	1001142938	1	Connector - 2 Position	
19	1001142940	2	Terminal	
19	1001142941	2	Seal, Terminal	
20	1001133714	1	Plug, Male - 4 Position	
20	1001133715	3	Terminal	
20	1001135651	1	Plug, Terminal	
20	1001135650	3	Seal	
21	4460042	1	Terminal, Ring	

SECTION 8 - ELECTRICAL

FIGURE 8-51. ENGINE HARNESS - DEUTZ D2.9L4 ENGINE (STAGE V)



ART_1001245839

SECTION 8 - ELECTRICAL

FIGURE 8-51. ENGINE HARNESS - DEUTZ D2.9L4 ENGINE (STAGE V)

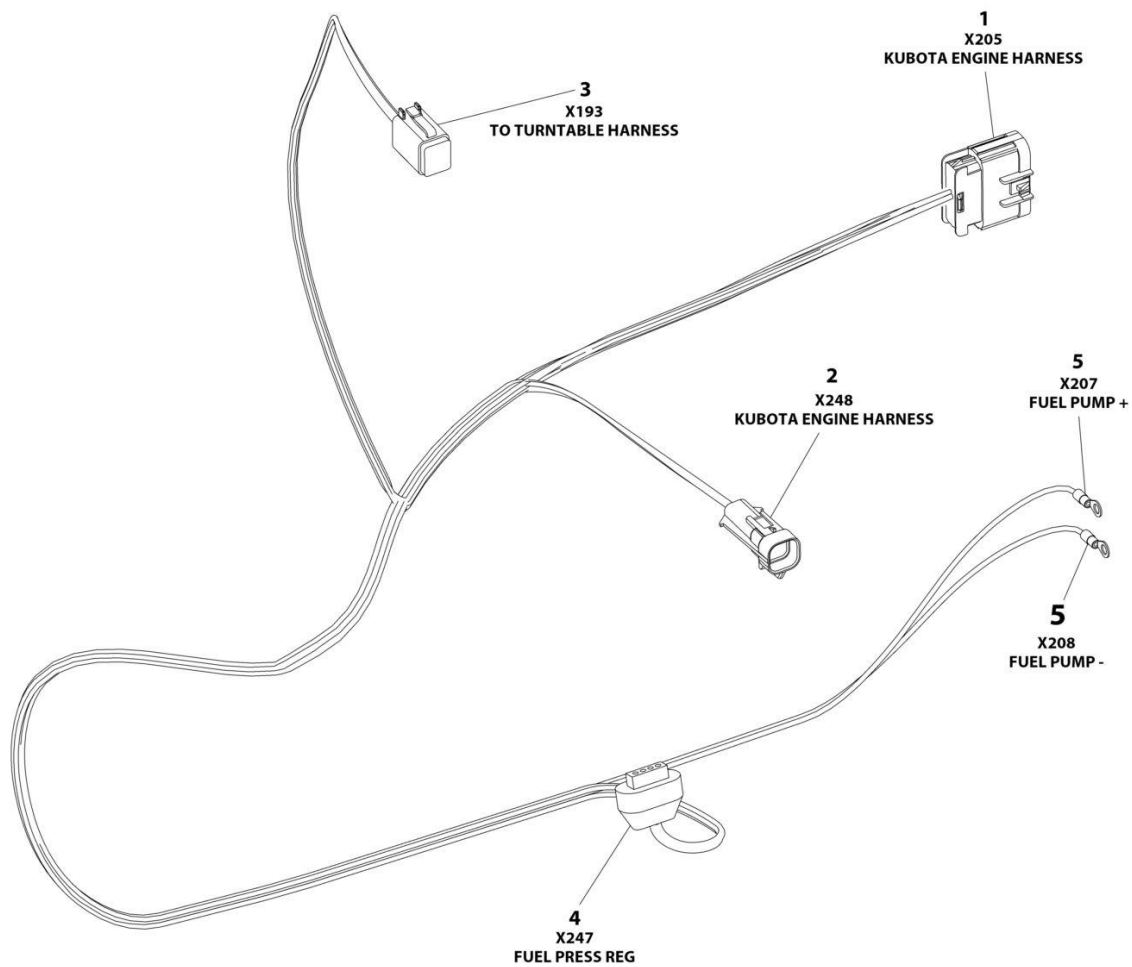
ITEM	PART NUMBER	QTY	DESCRIPTION	REV
	1001245839	Ref	ENGINE HARNESS - DEUTZ (STAGE V)	F
1	1001126362	1	Connector - 62 Position	
1	1001126363	37	Terminal	
1	1001126391	7	Seal, Terminal	
1	1001126392	12	Terminal	
1	4461008	4	Seal, Terminal	
1	1001167632	2	Terminal	
1	1001126364	36	Seal, Terminal	
1	1001223459	12	Seal, Terminal	
1	4461054	2	Seal, Terminal	
2	1001142938	1	Connector - 2 Position	
2	1001142940	2	Terminal	
2	1001142941	2	Seal, Terminal	
3	4460042	1	Terminal, Ring	
4	1001239202	1	Connector - 8 Position	
4	1001126363	7	Terminal	
4	1001126391	1	Seal, Terminal	
4	1001126364	7	Seal, Terminal	
5	1001117107	2	Terminal, Ring	
6	1001116952	1	Plug, Male - 2 Position	
6	4460465	2	Socket, Female	
7	1001117106	1	Terminal, Ring	
8	4460043	1	Terminal, Ring	
9	1001116812	5	Connector, 3 Position	
9	4460944	10	Socket, Female	
9	4460466	5	Plug, Terminal	
10	4460539	4	Plug, Male - 3 Position	
10	4460944	8	Socket, Female	
10	4460466	4	Plug, Terminal	
11	8220164	1	Terminal, Ring	
12	4460019	1	Terminal, Ring	
13	4460884	1	Plug, Male - 4 Position	
13	4460465	2	Socket, Female	
13	4460942	2	Socket, Female	
14	4460703	1	Terminal, Ring	
15	4460894	1	Plug, Male - 6 Position	
15	4460465	2	Socket, Female	
15	4460944	2	Socket, Female	
15	4460465	2	Socket, Female	
16	4460930	1	Plug, Male - 8 Position	
16	4460465	1	Socket, Female	
16	4460466	7	Plug, Terminal	
17	4460247	2	Terminal, Ring	
18	2902443	1	Receptacle Kit	
18	4461071	8	Socket, Female	
18	4461072	1	Receptacle with Flange - 8 Position	
18	4461073	1	Cap, Dust	
18	4461074	1	Shell, Black	
19	80484084	1	Connector - 8 Position	
19	4460746	3	Terminal	

SECTION 8 - ELECTRICAL

ITEM	PART NUMBER	QTY	DESCRIPTION	REV
19	1001234800	1	Terminal	
19	4460748	4	Plug, Terminal	
19	4460458	4	Seal	
20	1001170764	1	Holder, Fuse	
20	1001197719	1	Fuse 0.5 Watt	
21	1001133956	1	Connector, 94 Position	
21	1001182361	8	Terminal	
21	1001126351	3	Terminal	
21	1001230934	25	Terminal	
21	1001230935	55	Plug, Terminal	
21	1001252527	4	Terminal	
21	1001230936	1	Plug, Terminal	
21	1001182365	8	Seal	
22	1001133957	1	Connector - 60 Position	
22	1001230936	11	Plug, Terminal	
22	1001126351	13	Terminal	
22	1001230935	10	Plug, Terminal	
22	1001230934	26	Terminal	
23	1001126487	1	Connector - 2 Position	
23	1001167635	2	Terminal	
23	1001126485	2	Seal	
24	1001133714	1	Plug, Male - 4 Position	
24	1001133715	3	Terminal	
24	1001135651	1	Plug, Terminal	
24	1001135650	2	Seal	

SECTION 8 - ELECTRICAL

FIGURE 8-52. ENGINE HARNESS - KUBOTA



ART_1001213706

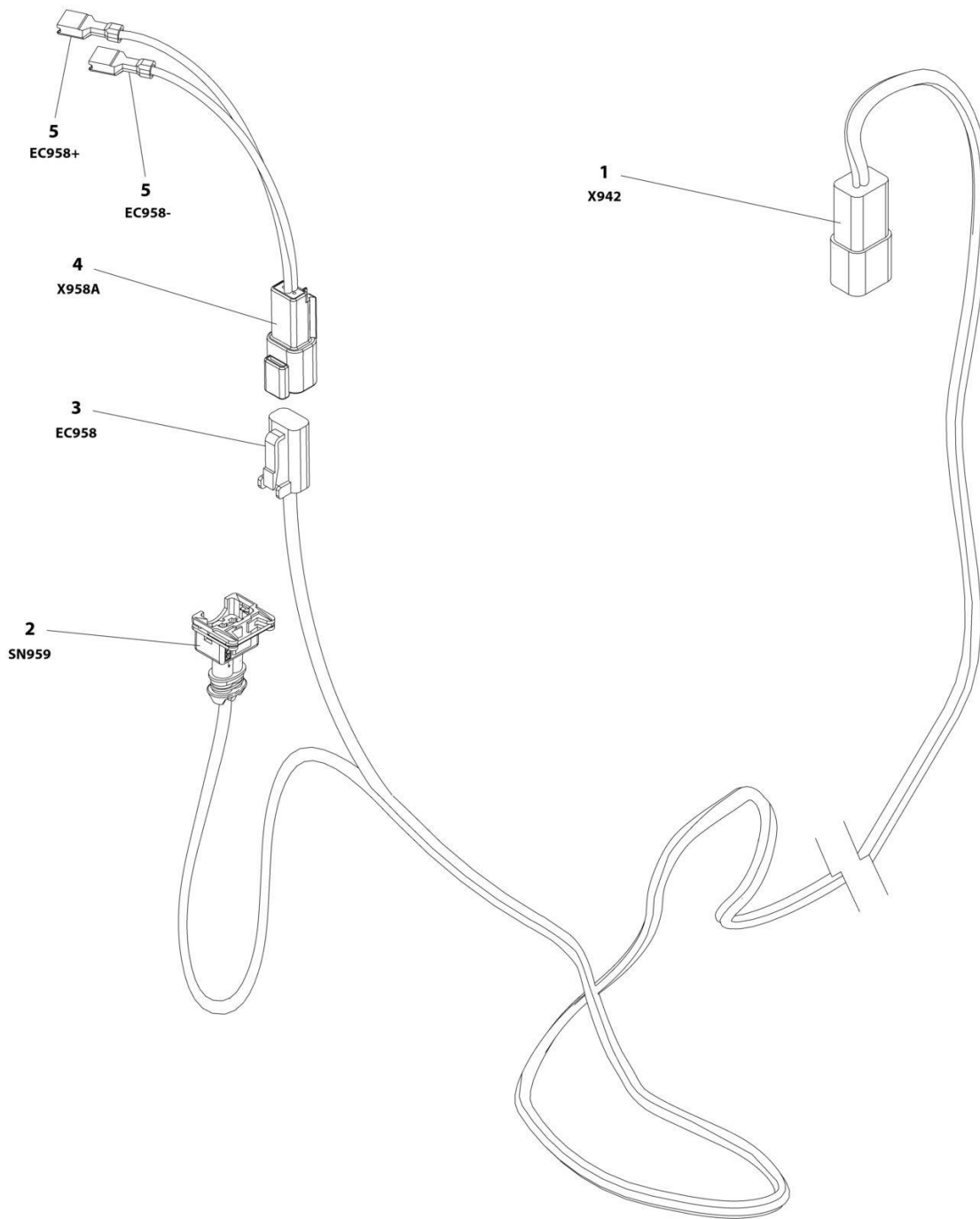
SECTION 8 - ELECTRICAL

FIGURE 8-52. ENGINE HARNESS - KUBOTA

ITEM	PART NUMBER	QTY	DESCRIPTION	REV
	1001213706	Ref	ENGINE HARNESS - KUBOTA	D
1	4461109	1	Plug, Male - 16 Position	
1	4461111	AR	Pin, Male	
1	4461113	AR	Seal	
1	4461222	AR	Plug	
2	4461124	1	Connector - 4 Position	
2	4460693	4	Terminal	
2	4461123	4	Seal	
3	4460894	1	Plug, Male - 6 Position	
3	4460465	5	Socket, Female	
3	4460466	1	Plug, Terminal	
4	4461121	1	Plug, Male - 4 Position	
4	4461122	4	Terminal	
4	4461006	4	Seal	
5	4460042	2	Terminal, Ring	

SECTION 8 - ELECTRICAL

FIGURE 8-53. FUEL HARNESS - DEUTZ D2.9L4 ENGINE



ART_1001181358

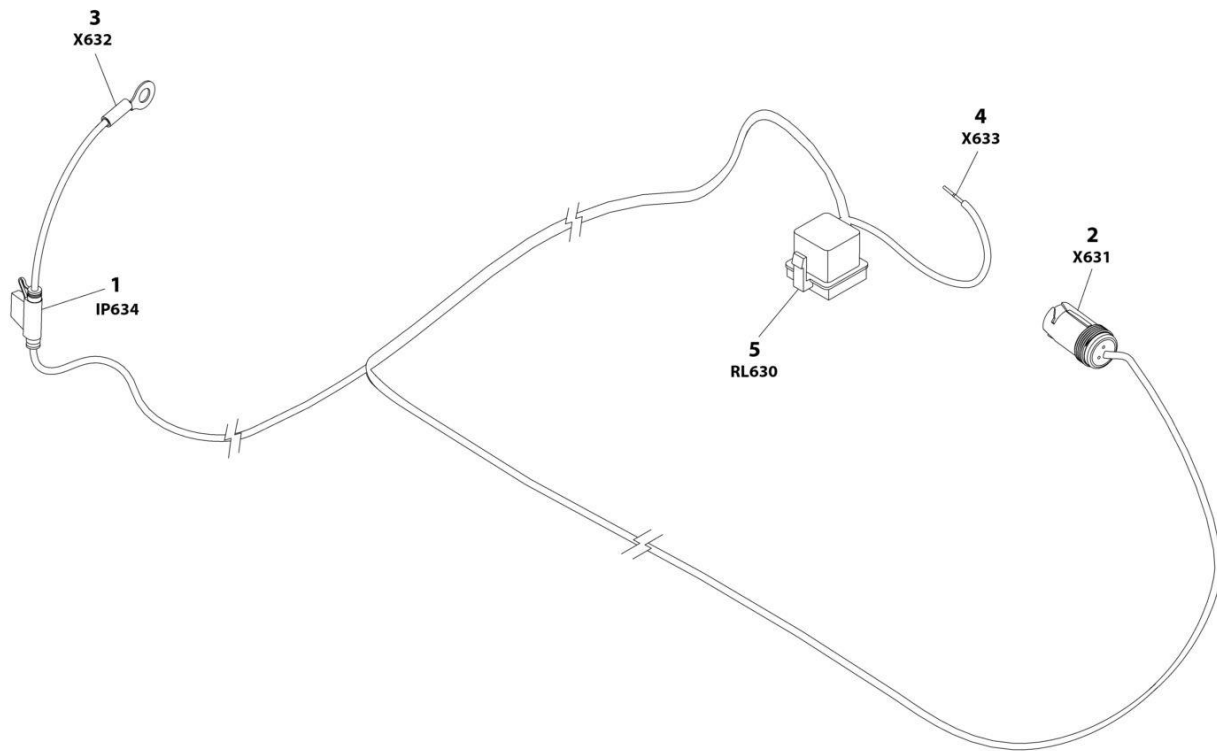
SECTION 8 - ELECTRICAL

FIGURE 8-53. FUEL HARNESS - DEUTZ D2.9L4 ENGINE

ITEM	PART NUMBER	QTY	DESCRIPTION	REV
	1001181358	Ref	FUEL HARNESS - DEUTZ D2.9L4 ENGINE	D
1	4460932	1	Receptacle, Female - 4 Position	
1	4460464	2	Pin, Male	
1	4460941	2	Pin, Male	
2	1001116983	1	Plug, Male - 2 Position	
2	4461060	2	Socket, Female	
2	4461054	2	Seal	
3	4460891	1	Plug, Male - 2 Position	
3	4460942	2	Socket, Female	
4	4460897	1	Receptacle, Female - 2 Position	
4	4460941	2	Pin, Male	
5	8220051	2	Coupler, Female	

SECTION 8 - ELECTRICAL

FIGURE 8-54. GENERATOR HARNESS - 2500W GENERATOR (60HZ)



ART_1001187522

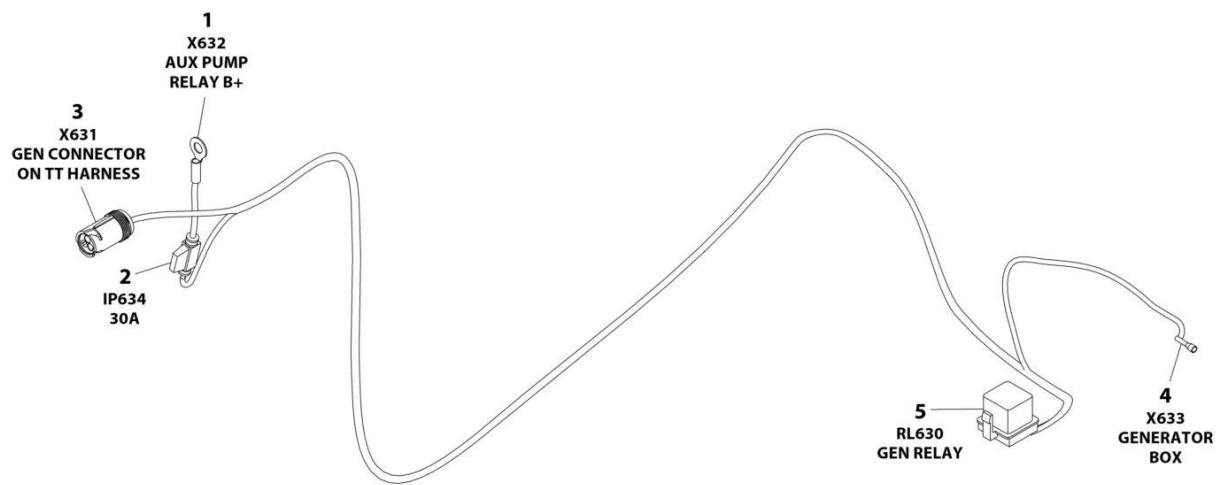
SECTION 8 - ELECTRICAL

FIGURE 8-54. GENERATOR HARNESS - 2500W GENERATOR (60HZ)

ITEM	PART NUMBER	QTY	DESCRIPTION	REV
	1001187522	Ref	GENERATOR HARNESS - 2500W	B
1	2400066	1	Fuseholder - 30Amp (Includes Cover)	
1	8229245	1	Fuse 30Amp	
2	1001154726	1	Receptacle, Female - 3 Position	
2	4460464	2	Pin, Male	
2	4460466	1	Plug, Terminal	
3	8220045	1	Terminal, Ring	
4	4460906	1	Socket, Female	
5	1001117057	1	Connector, Relay	
5	1001116734	2	Terminal	
5	1001116732	2	Terminal	
5	3740080	1	Relay	

SECTION 8 - ELECTRICAL

FIGURE 8-55. GENERATOR HARNESS - 2500W GENERATOR (50HZ)



ART_1001187352

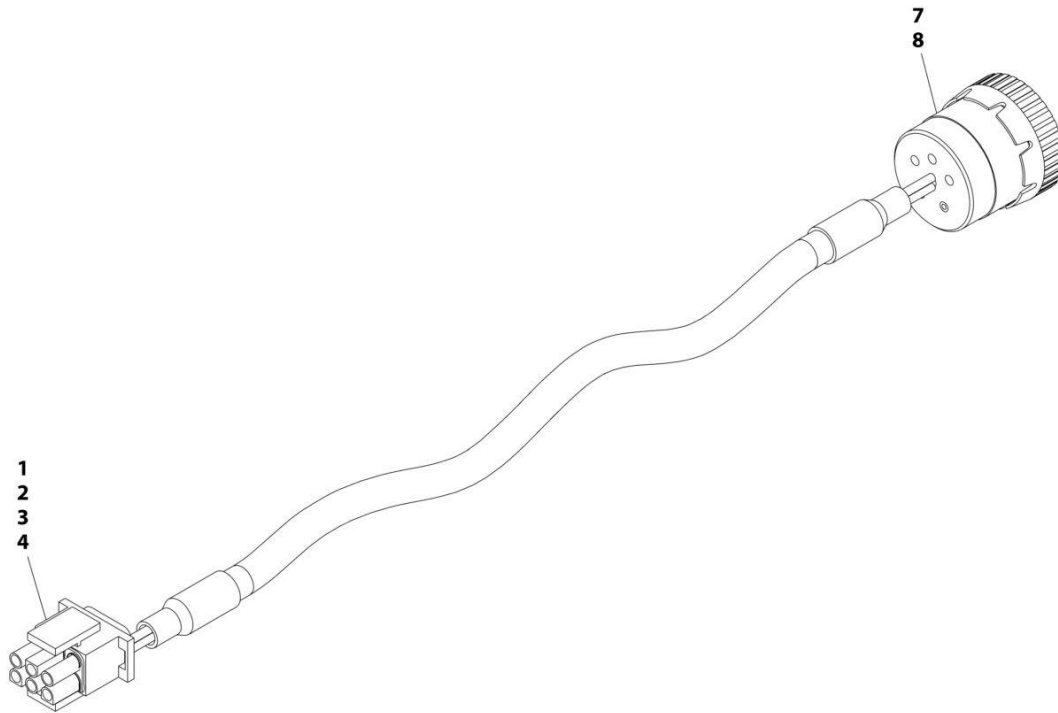
SECTION 8 - ELECTRICAL

FIGURE 8-55. GENERATOR HARNESS - 2500W GENERATOR (50HZ)

ITEM	PART NUMBER	QTY	DESCRIPTION	REV
	1001187352	Ref	GENERATOR HARNESS - 2500W GENERATOR (50HZ)	A
1	8220045	1	Terminal, Ring	
2	2400060	1	Holder, Fuse	
2	8229245	1	Fuse 30Amp	
3	1001154726	1	Connector - 3 Position	
3	4460464	2	Pin, Male	
3	4460466	1	Plug, Terminal	
4	1001100231	1	Terminal	
5	1001117057	1	Plug, Relay	
5	1001116734	2	Terminal	
5	1001116732	2	Terminal	

SECTION 8 - ELECTRICAL

FIGURE 8-56. GENERATOR HARNESS - 4000W GENERATOR



ART_1001152532

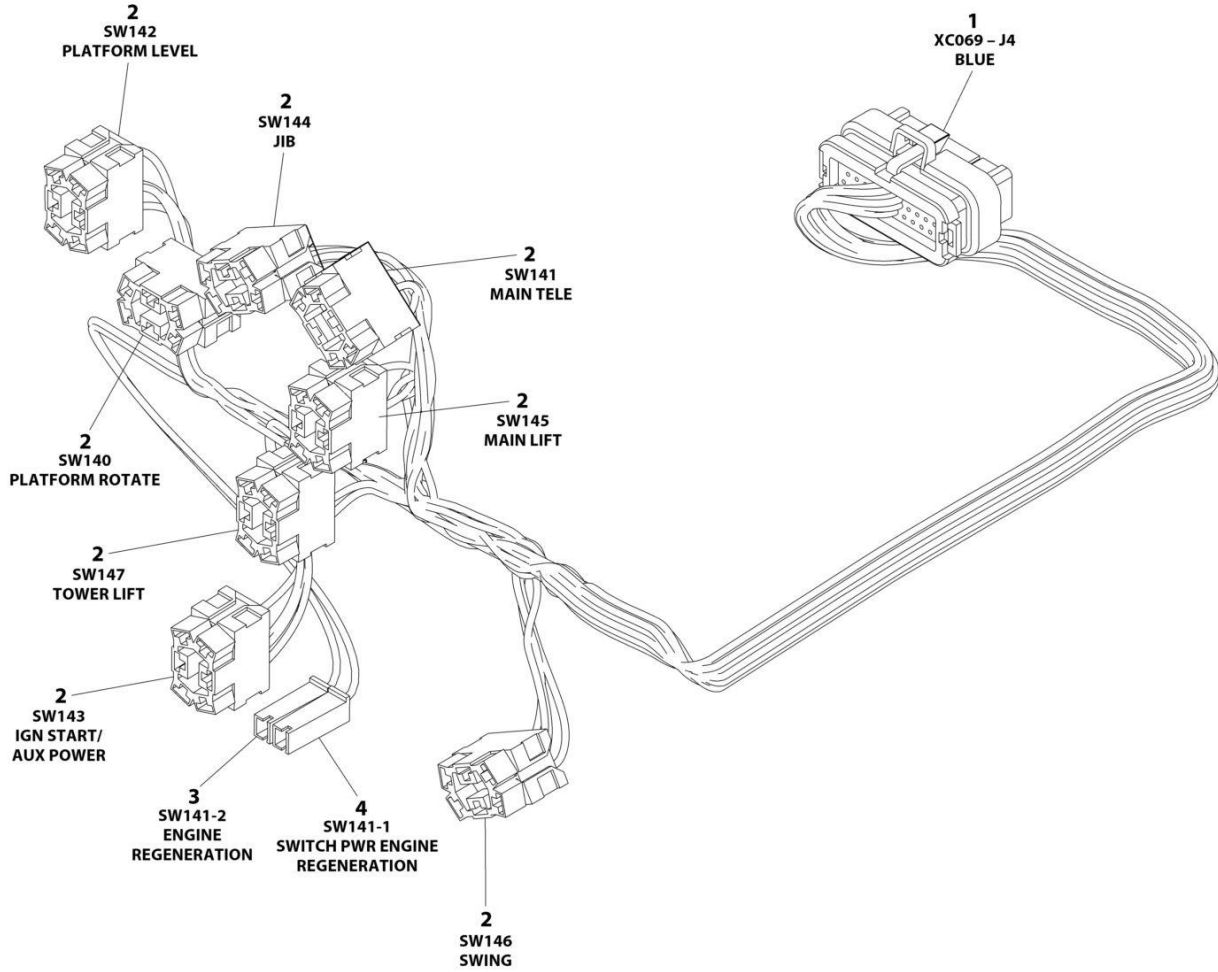
SECTION 8 - ELECTRICAL

FIGURE 8-56. GENERATOR HARNESS - 4000W GENERATOR

ITEM	PART NUMBER	QTY	DESCRIPTION	REV
	1001152532	Ref	GENERATOR HARNESS	A
1	4460225	1	Connector - 6 Position	
2	4460268	2	Socket, Female	
3	4460807	1	Seal	
4	4460808	1	Seal	
7	4460465	2	Socket, Female	
8	77363233	1	Connector - 6 Position	

SECTION 8 - ELECTRICAL

FIGURE 8-57. GROUND CONTROL PANEL HARNESS



ART_1001244295

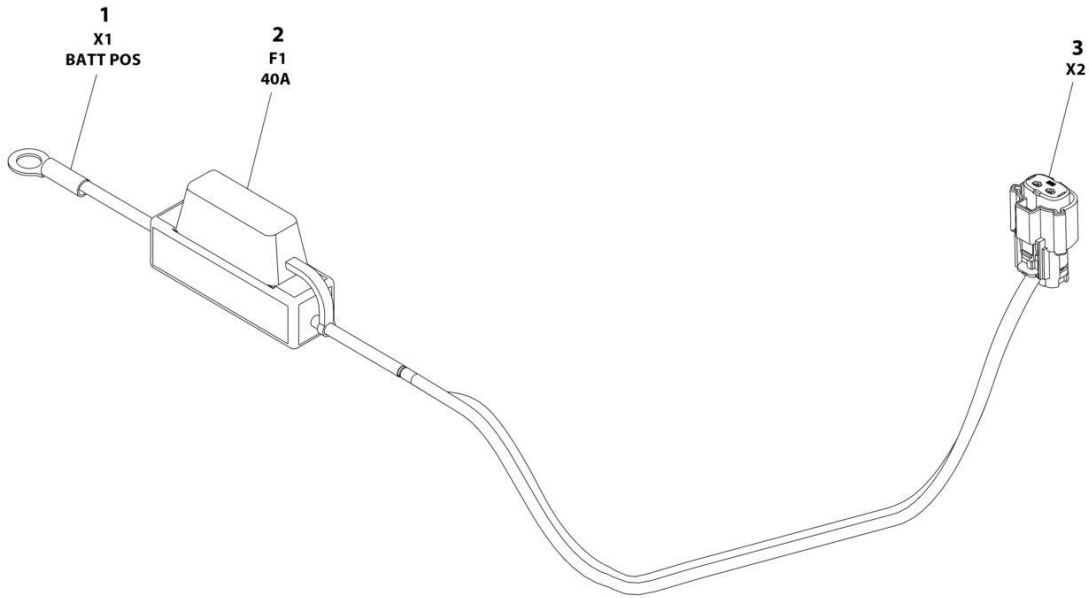
SECTION 8 - ELECTRICAL

FIGURE 8-57. GROUND CONTROL PANEL HARNESS

ITEM	PART NUMBER	QTY	DESCRIPTION	REV
	1001244295	Ref	GROUND CONTROL PANEL HARNESS	C
1	4460876	1	Connector - 35 Position	
1	4460871	18	Socket, Female	
1	4460905	17	Plug, Terminal	
2	4460418	8	Connector - 6 Position	
2	4460419	16	Terminal	
2	1001159186	16	Terminal	
3	4460260	2	Housing, Terminal	
3	4460259	2	Terminal	
4	4460260	1	Terminal, Housing	
4	4460259	1	Terminal	

SECTION 8 - ELECTRICAL

FIGURE 8-58. KUBOTA D/F POWER HARNESS



ART_1001229797

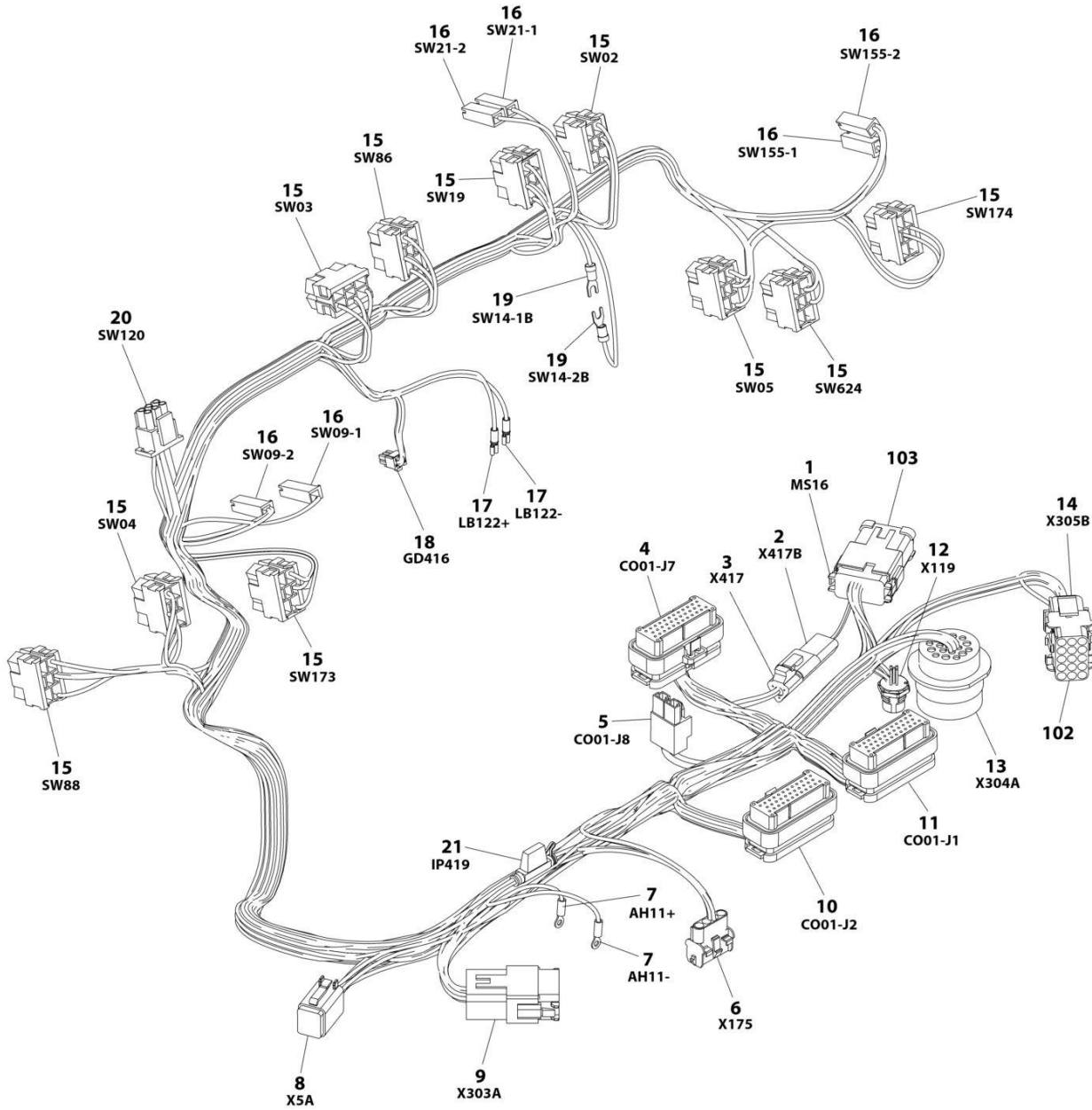
SECTION 8 - ELECTRICAL

FIGURE 8-58. KUBOTA D/F POWER HARNESS

ITEM	PART NUMBER	QTY	DESCRIPTION	REV
	1001229797	Ref	KUBOTA D/F POWER HARNESS	A
1	4460977	1	Terminal, Ring	
2	2400082	1	Fuse 40Amp	
3	1001229795	1	Connector - 2 Position	
3	1001229796	2	Socket, Female	

SECTION 8 - ELECTRICAL

FIGURE 8-59. PLATFORM CONSOLE BOX HARNESS



ART_1001238254

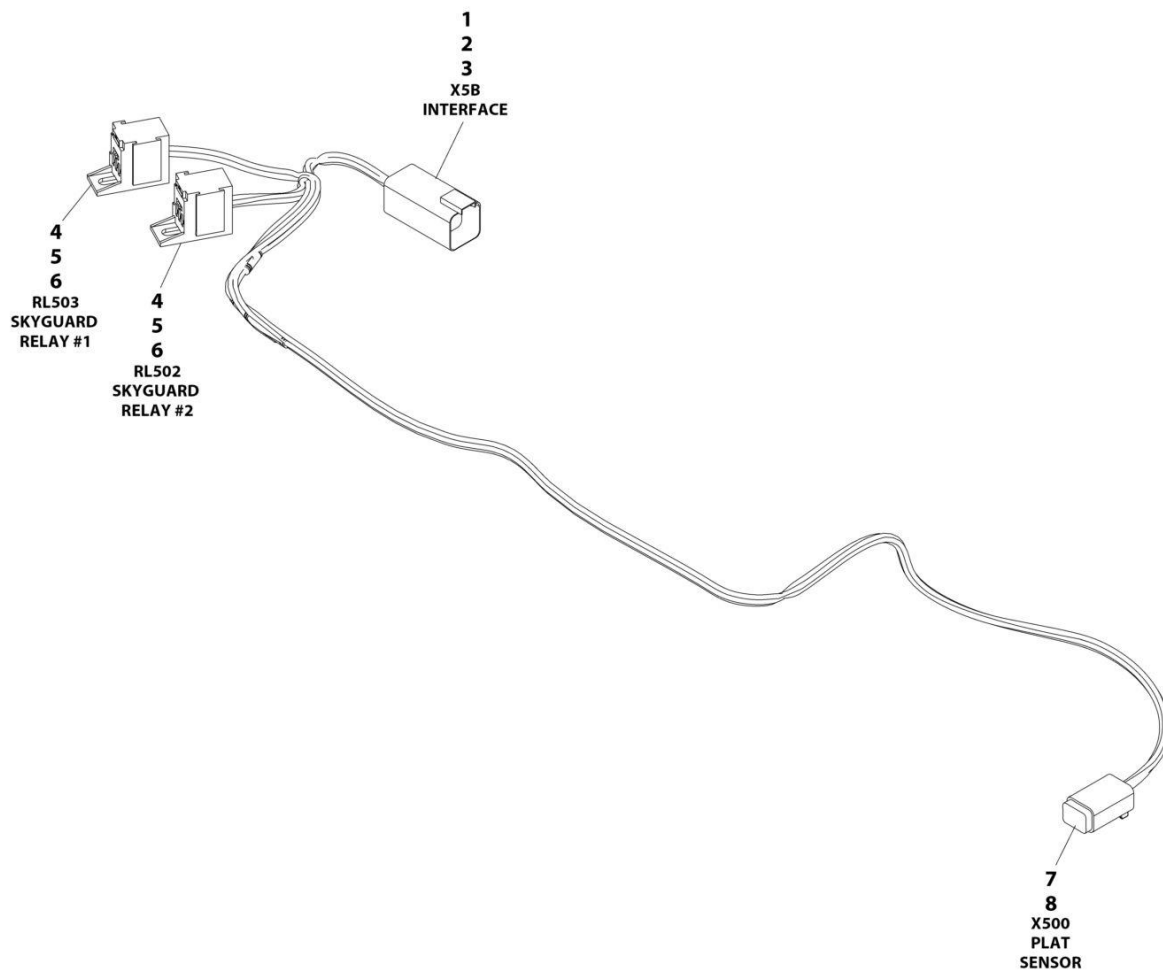
SECTION 8 - ELECTRICAL

FIGURE 8-59. PLATFORM CONSOLE BOX HARNESS

ITEM	PART NUMBER	QTY	DESCRIPTION	REV
	1001238254	Ref	PLATFORM CONSOLE BOX HARNESS	I
1	4460933	1	Plug, Male - 12 Position	
1	4460465	10	Socket, Female	
1	4460466	2	Plug, Terminal	
2	4460536	1	Receptacle, Female - 3 Position	
2	4460464	2	Pin, Male	
2	4460466	1	Plug, Terminal	
3	4460539	1	Plug, Male - 3 Position	
3	4460465	2	Socket, Female	
3	4460466	1	Plug, Terminal	
4	4460873	1	Connector - 35 Position	
4	4460871	21	Socket, Female	
4	4460905	14	Plug, Terminal	
5	4460879	1	Plug, Male - 2 Position	
5	4460887	2	Terminal	
6	4460761	1	Receptacle, Female - 4 Position	
6	4460267	4	Pin, Male	
7	1001098122	2	Terminal, Ring	
8	4460894	1	Plug, Male - 6 Position	
8	4460465	6	Socket, Female	
9	4460970	1	Receptacle, Female - 12 Position	
9	1001116693	11	Pin, Male	
9	4460466	1	Plug, Terminal	
10	4460875	1	Connector - 35 Position	
10	4460871	12	Socket, Female	
10	4460905	23	Plug, Terminal	
11	4460874	1	Connector - 35 Position	
11	4460871	27	Socket, Female	
11	4460905	8	Plug, Terminal	
12	1001213447	1	Connector - 4 Position	
12	See Note	NSS	Terminal (Note: Purchase p/n 1001213447)	
13	4460866	1	Connector - 19 Position	
13	4460464	5	Pin, Male	
13	4460466	11	Plug, Terminal	
13	4460508	1	Pin, Male	
14	4460434	1	Connector - 15 Position	
14	4460267	8	Pin. Male	
15	4460418	10	Connector - 6 Position	
15	4460419	45	Terminal	
16	4460260	6	Housing, Terminal	
16	4460259	8	Terminal	
17	1001271497	2	Terminal	
18	1001237667	1	Plug, Male - 6 Position	
18	1001237668	4	Terminal	
19	4460183	2	Terminal, Fork	
20	4460225	1	Plug, Male - 6 Position	
20	4460227	6	Pin, Male (Note: Used on Pump Potentiometer Connection Only)	
21	2400060	1	Fuse Holder	
102	4460708	1	Connector, Bussbar - 15 Position	
103	1001125677	1	Connector, Bussbar - 12 Position	

SECTION 8 - ELECTRICAL

FIGURE 8-60. PLATFORM INTERFACE HARNESS



ART_1001225580_E

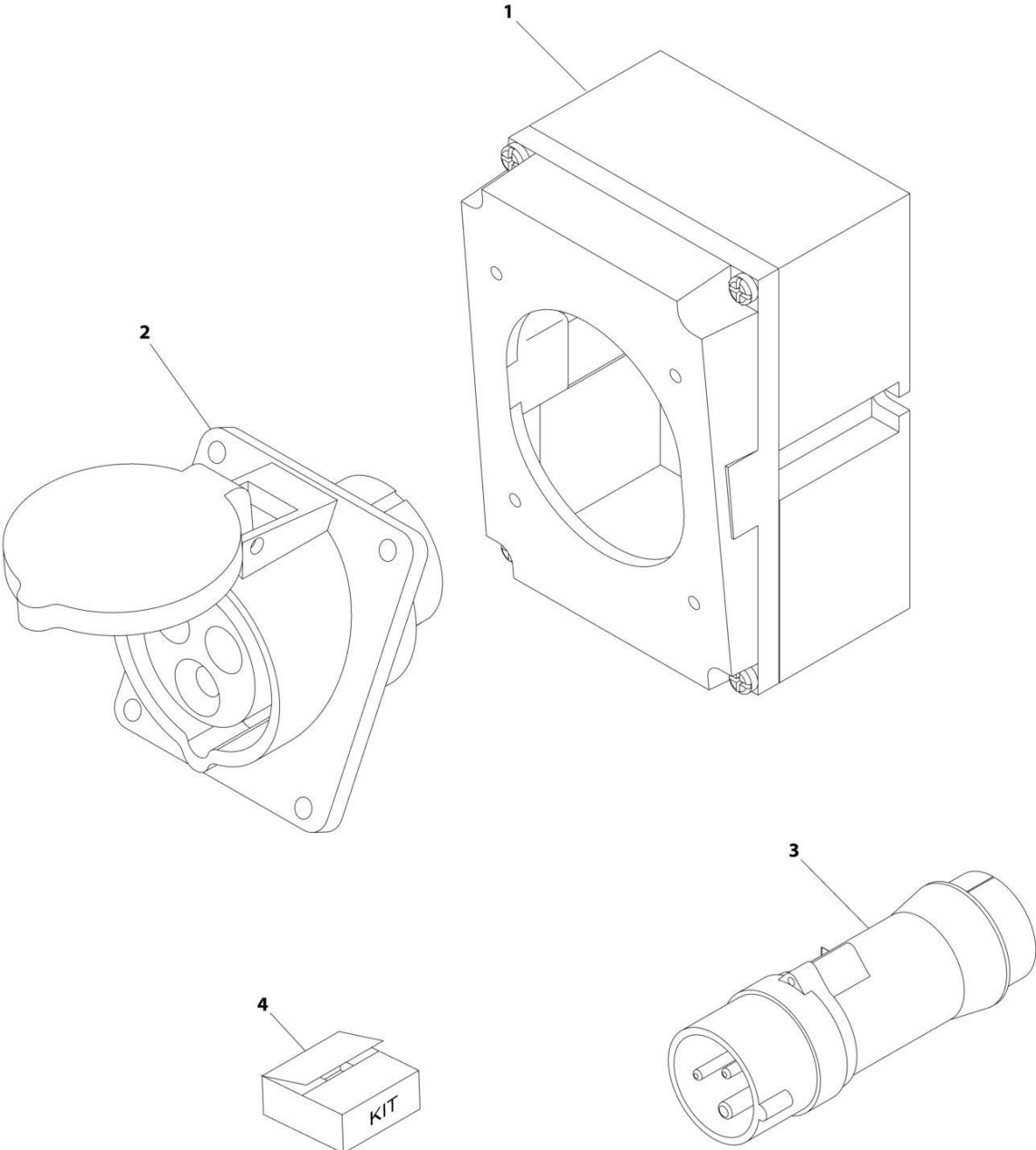
SECTION 8 - ELECTRICAL

FIGURE 8-60. PLATFORM INTERFACE HARNESS

ITEM	PART NUMBER	QTY	DESCRIPTION	REV
	1001225580	Ref	PLATFORM INTERFACE HARNESS - WITH 1 CELL LSS	E
1	4460899	1	Connector	
2	4460464	4	Terminal	
3	4460466	2	Plug	
4	1001186432	2	Connector	
5	1001253375	4	Terminal	
6	1001104519	4	Terminal	
7	4460884	1	Connector	
8	4460465	4	Terminal	

SECTION 8 - ELECTRICAL

FIGURE 8-61. RECEPTACLE BOX KIT - 110V IEC YELLOW (CE, RUSSIA & UK CA SPECS)



ART_0275216

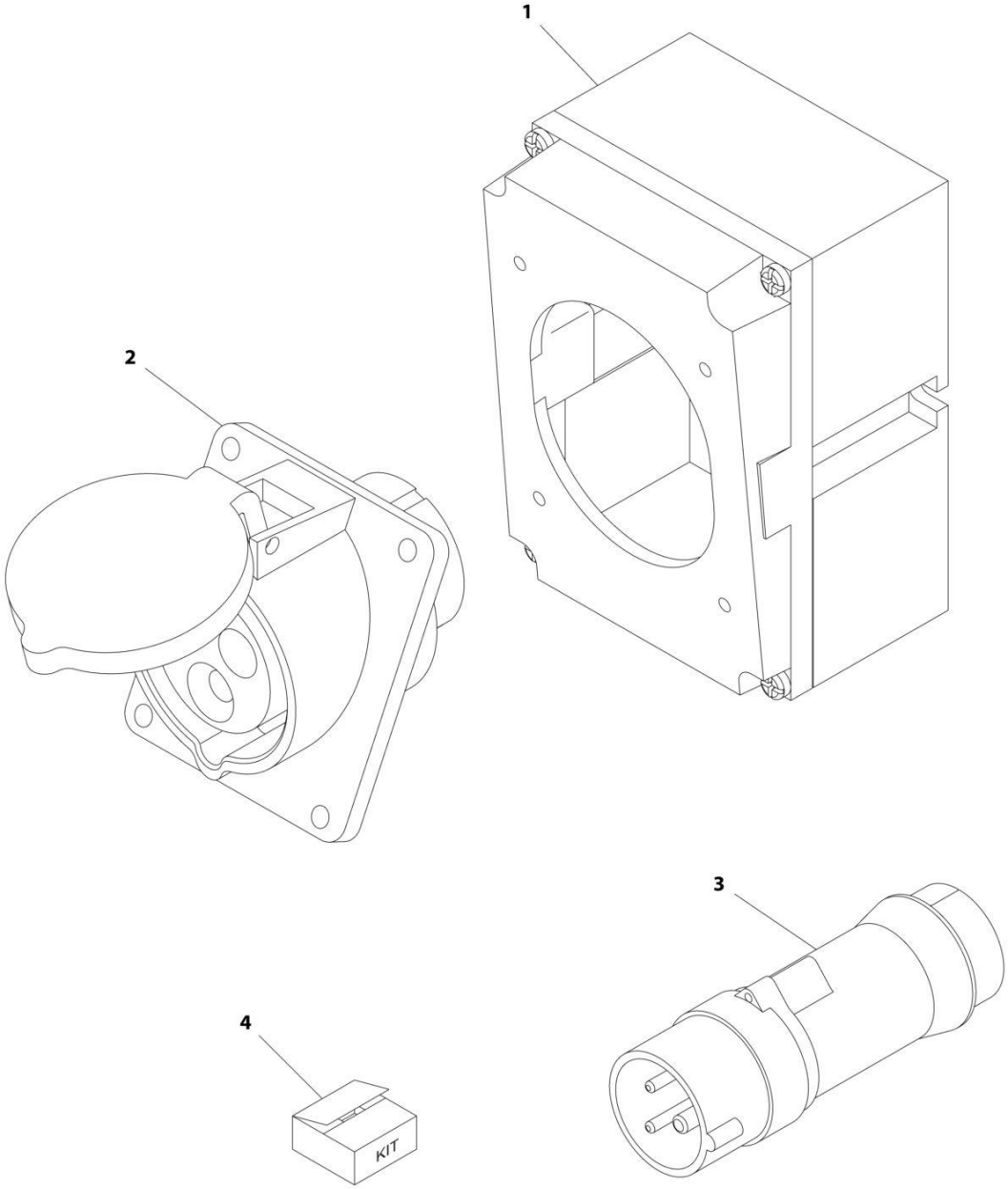
SECTION 8 - ELECTRICAL

FIGURE 8-61. RECEPTACLE BOX KIT - 110V IEC YELLOW (CE, RUSSIA & UK CA SPECS)

ITEM	PART NUMBER	QTY	DESCRIPTION	REV
	0275216	Ref	RECEPTACLE BOX KIT - 110V IEC YELLOW	B
1	0861781	1	Box, Switch	
2	4461198	1	Receptacle	
3	4461196	1	Plug, Male	
4	1001100341	1	Plug and Socket Kit (Includes Items 1-3 and Female Plug p/n 4461197)	

SECTION 8 - ELECTRICAL

FIGURE 8-62. RECEPTACLE BOX KIT - 220V IEC BLUE (CE, RUSSIA & UK CA SPECS)



ART_0275217

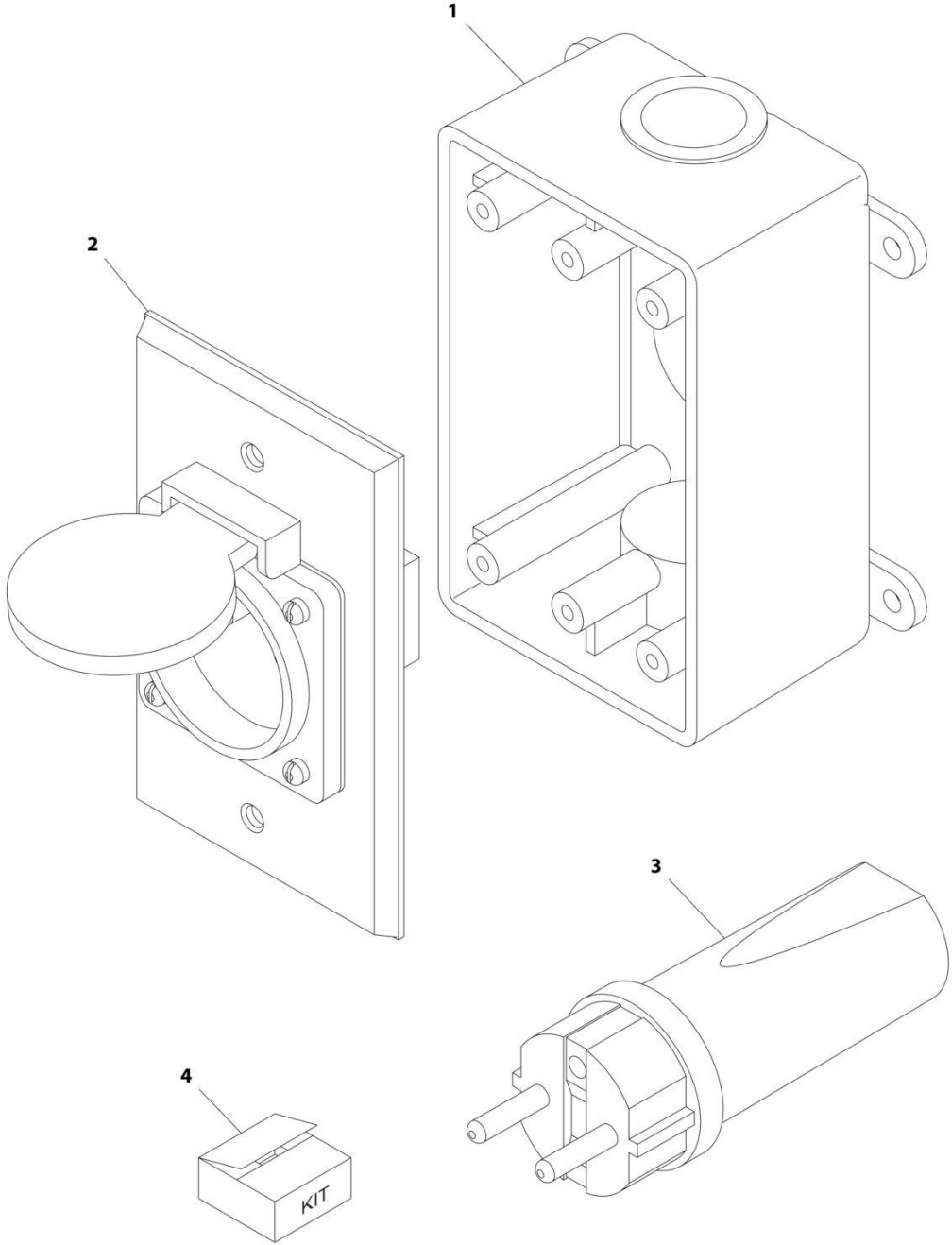
SECTION 8 - ELECTRICAL

FIGURE 8-62. RECEPTACLE BOX KIT - 220V IEC BLUE (CE, RUSSIA & UK CA SPECS)

ITEM	PART NUMBER	QTY	DESCRIPTION	REV
	0275217	Ref	RECEPTACLE BOX KIT - 220V IEC BLUE	B
1	0861781	1	Box, Switch	
2	4461201	1	Receptacle	
3	4461199	1	Plug, Male	
4	1001100342	1	Plug and Socket Kit (Includes Items 1-3 and Female Plug p/n 4461200)	

SECTION 8 - ELECTRICAL

FIGURE 8-63. RECEPTACLE BOX KIT - 220V CEE7 POST GROUND 2IN X 4IN BOX (CE, RUSSIA & UK CA SPECS)



ART_0275452

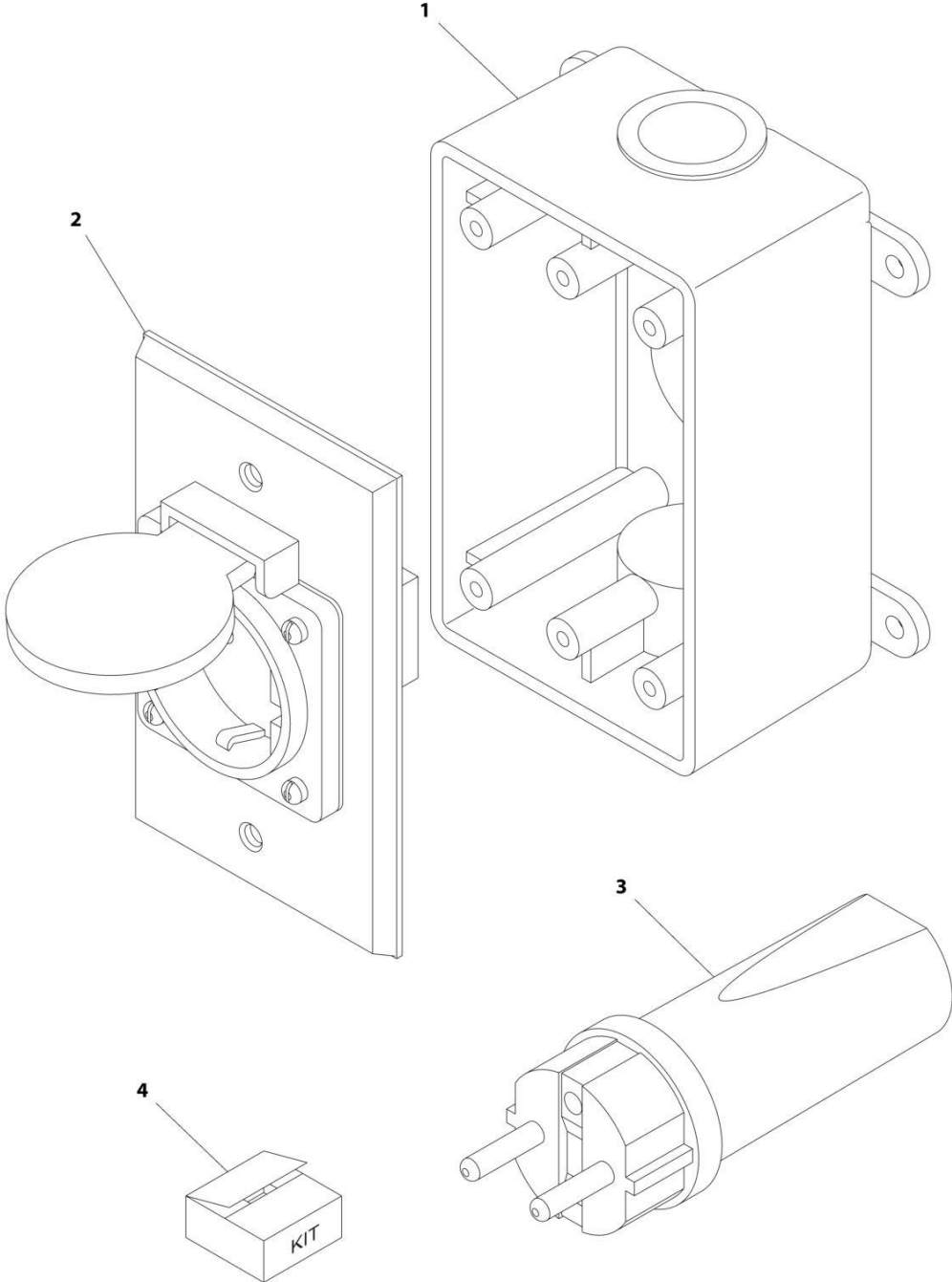
SECTION 8 - ELECTRICAL

FIGURE 8-63. RECEPTACLE BOX KIT - 220V CEE7 POST GROUND 2IN X 4IN BOX (CE, RUSSIA & UK CA SPECS)

ITEM	PART NUMBER	QTY	DESCRIPTION	REV
	0275452	Ref	RECEPTACLE BOX KIT - 220V CEE7 POST GROUND	C
1	0861731	1	Box, Switch	
2	4461244	1	Receptacle	
3	4461205	1	Plug, Male	
4	1001100345	1	Plug and Socket Kit (Includes Items 1-3 and Female Plug p/n 4461206)	

SECTION 8 - ELECTRICAL

FIGURE 8-64. RECEPTACLE BOX KIT - 220V CEE7 SIDE GROUND 2IN X 4IN BOX (CE, RUSSIA & UK CA SPECS)



ART_0275453

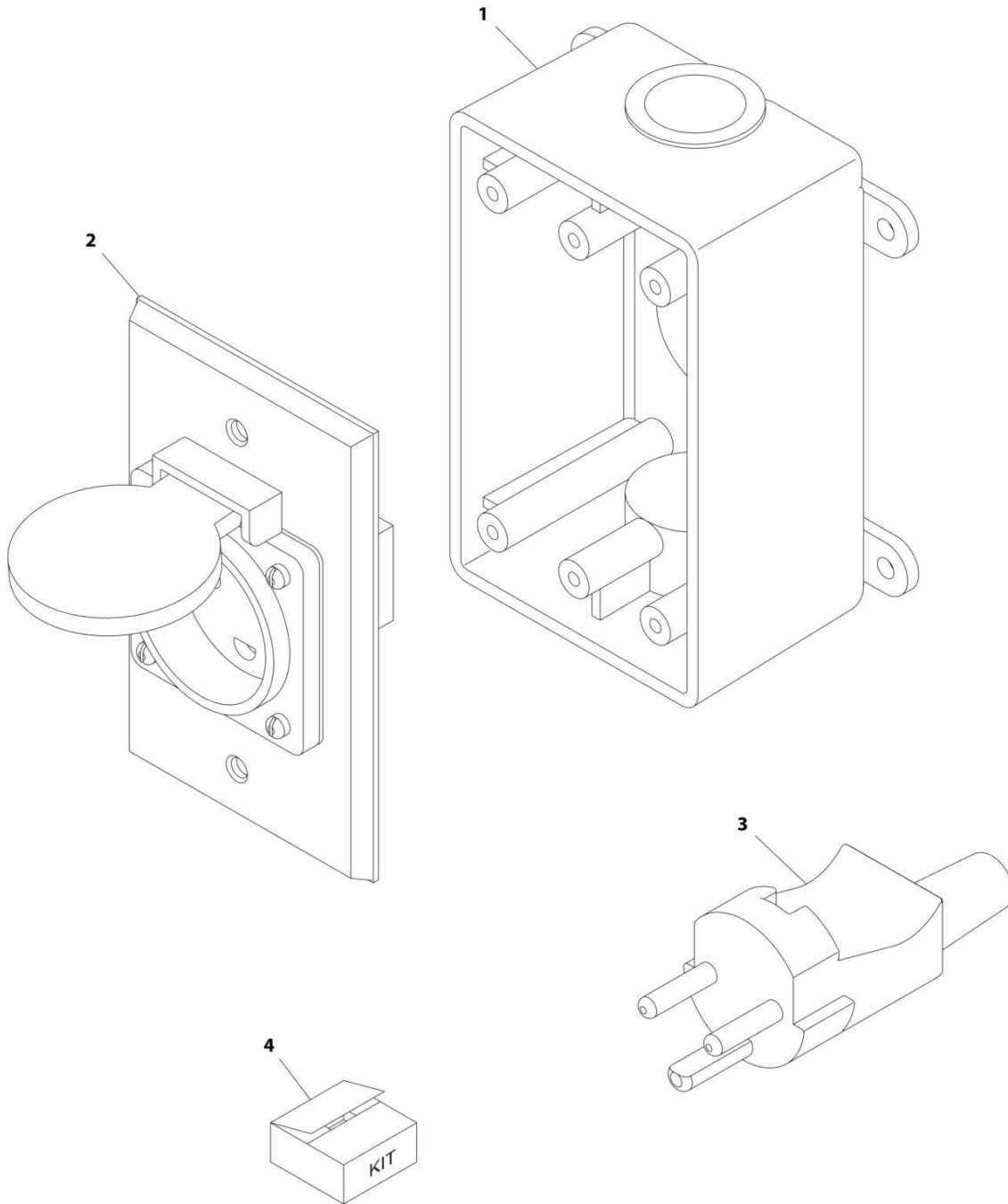
SECTION 8 - ELECTRICAL

FIGURE 8-64. RECEPTACLE BOX KIT - 220V CEE7 SIDE GROUND 2IN X 4IN BOX (CE, RUSSIA & UK CA SPECS)

ITEM	PART NUMBER	QTY	DESCRIPTION	REV
	0275453	Ref	RECEPTACLE BOX KIT - 220V CEE7 SIDE GROUND	B
1	0861731	1	Box, Switch	
2	4461245	1	Receptacle	
3	4461205	1	Plug, Male	
4	1001100347	1	Plug and Socket Kit (Includes Items 1-3 and Female Plug p/n 4461206)	

SECTION 8 - ELECTRICAL

FIGURE 8-65. RECEPTACLE BOX KIT - 220V AFSINT 107 (CE, RUSSIA & UK CA SPECS)



ART_0275454

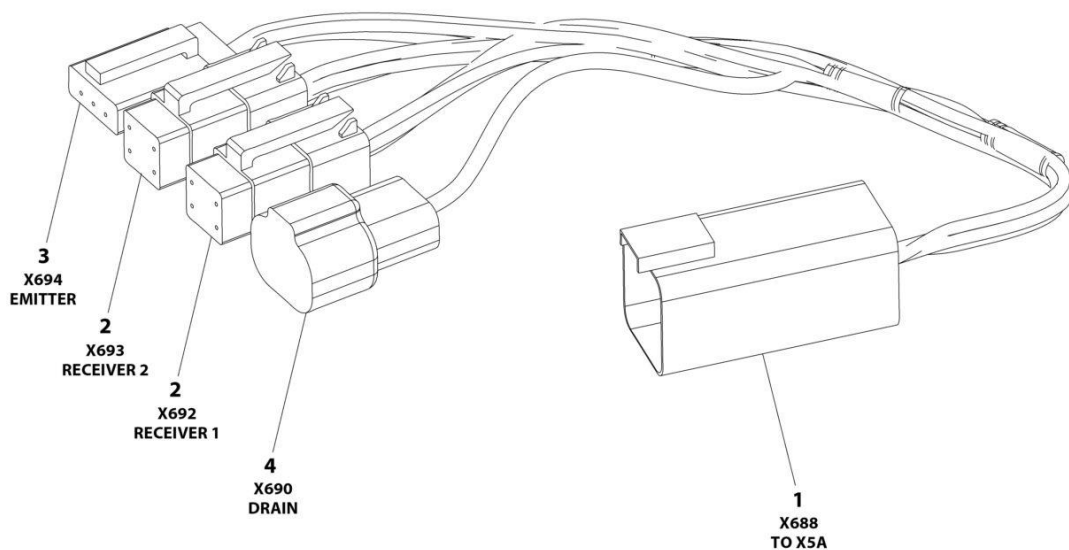
SECTION 8 - ELECTRICAL

FIGURE 8-65. RECEPTACLE BOX KIT - 220V AFSINT 107 (CE, RUSSIA & UK CA SPECS)

ITEM	PART NUMBER	QTY	DESCRIPTION	REV
	0275454	Ref	RECEPTACLE BOX KIT - 220V AFSINT 107	B
1	0861731	1	Box, Switch	
2	4461246	1	Receptacle	
3	4461249	1	Plug, Male	
4	1001100346	1	Plug and Socket Kit (Includes Items 1-3 and Female Plug p/n 4461250)	

SECTION 8 - ELECTRICAL

FIGURE 8-66. SKYEYE INTERMEDIATE HARNESS



ART_1001237865

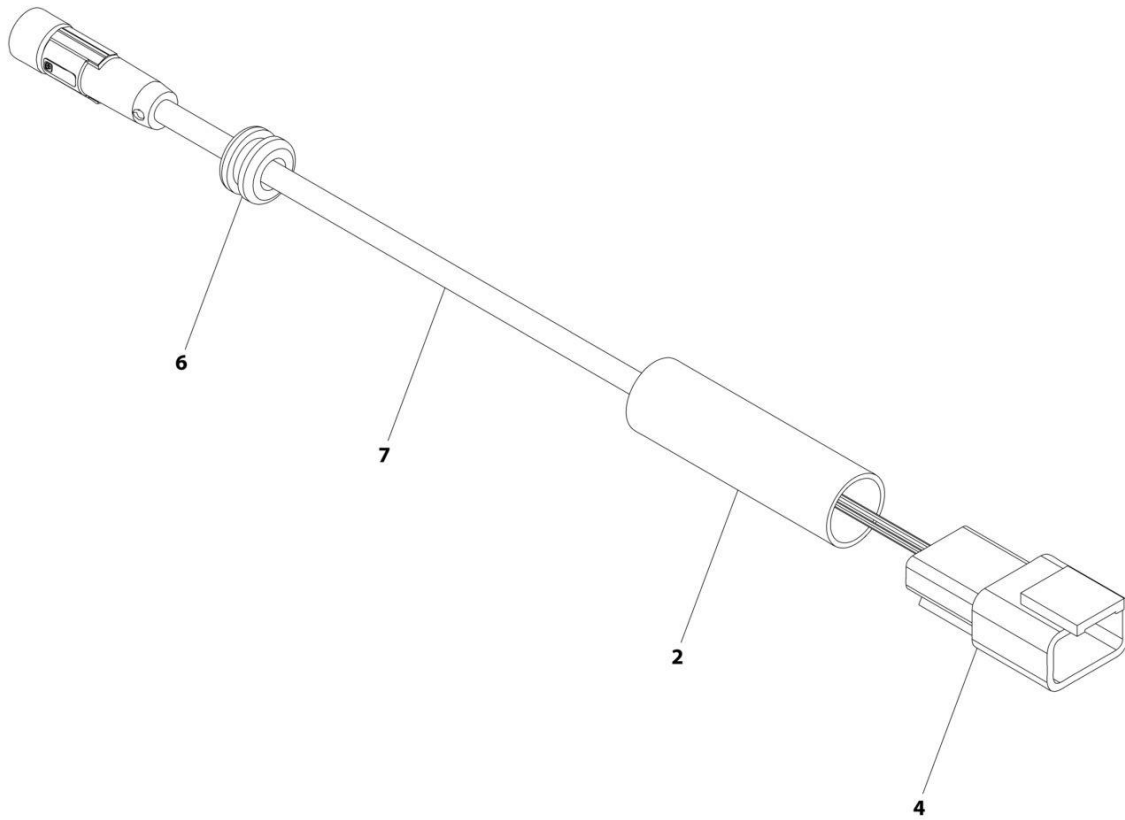
SECTION 8 - ELECTRICAL

FIGURE 8-66. SKYEYE INTERMEDIATE HARNESS

ITEM	PART NUMBER	QTY	DESCRIPTION	REV
	1001237865	Ref	SKYEYE INTERMEDIATE HARNESS	A
1	4460899	1	Connector - 6 Position	
1	4460943	4	Pin, Male	
1	4460466	2	Plug, Terminal	
2	4461077	2	Connector - 4 Position	
2	1001119619	8	Socket, Female	
3	4460911	1	Connector - 3 Position	
3	1001119619	3	Socket, Female	
4	1001187681	1	Connector - 2 Position	
4	4460941	1	Pin, Male	
4	4460466	1	Plug, Terminal	

SECTION 8 - ELECTRICAL

FIGURE 8-67. SKYEYE RECEIVER HARNESS



ART_1001237863_B

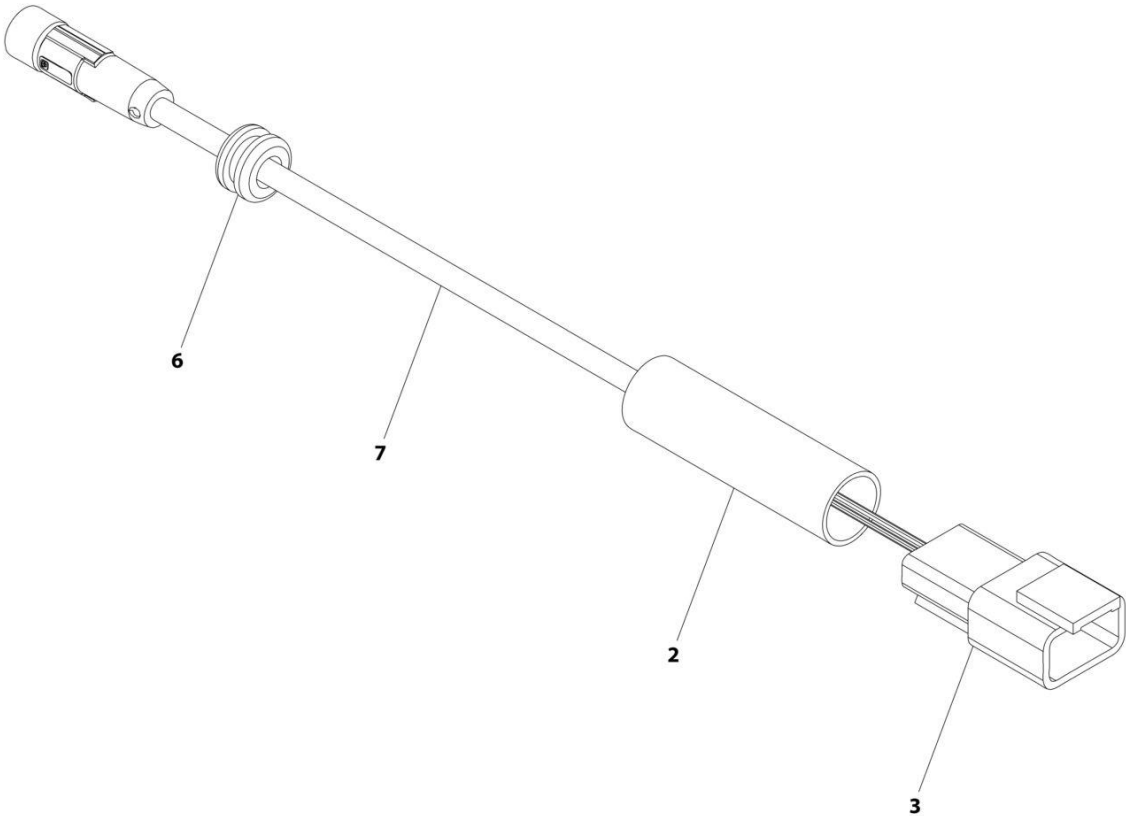
SECTION 8 - ELECTRICAL

FIGURE 8-67. SKYEYE RECEIVER HARNESS

ITEM	PART NUMBER	QTY	DESCRIPTION	REV
	1001237863	Ref	SKYEYE RECEIVER HARNESS	B
2	2820247	AR	Tubing, Heat Shrink	
4	1001097051	1	Connector - 4 Position	
4	1001119620	4	Pin, Male	
6	1001227996	1	Grommet	
7	1001258495	1	Cable, M8 Female Cordset	

SECTION 8 - ELECTRICAL

FIGURE 8-68. SKYEYE EMITTER HARNESS



ART_1001237864_B

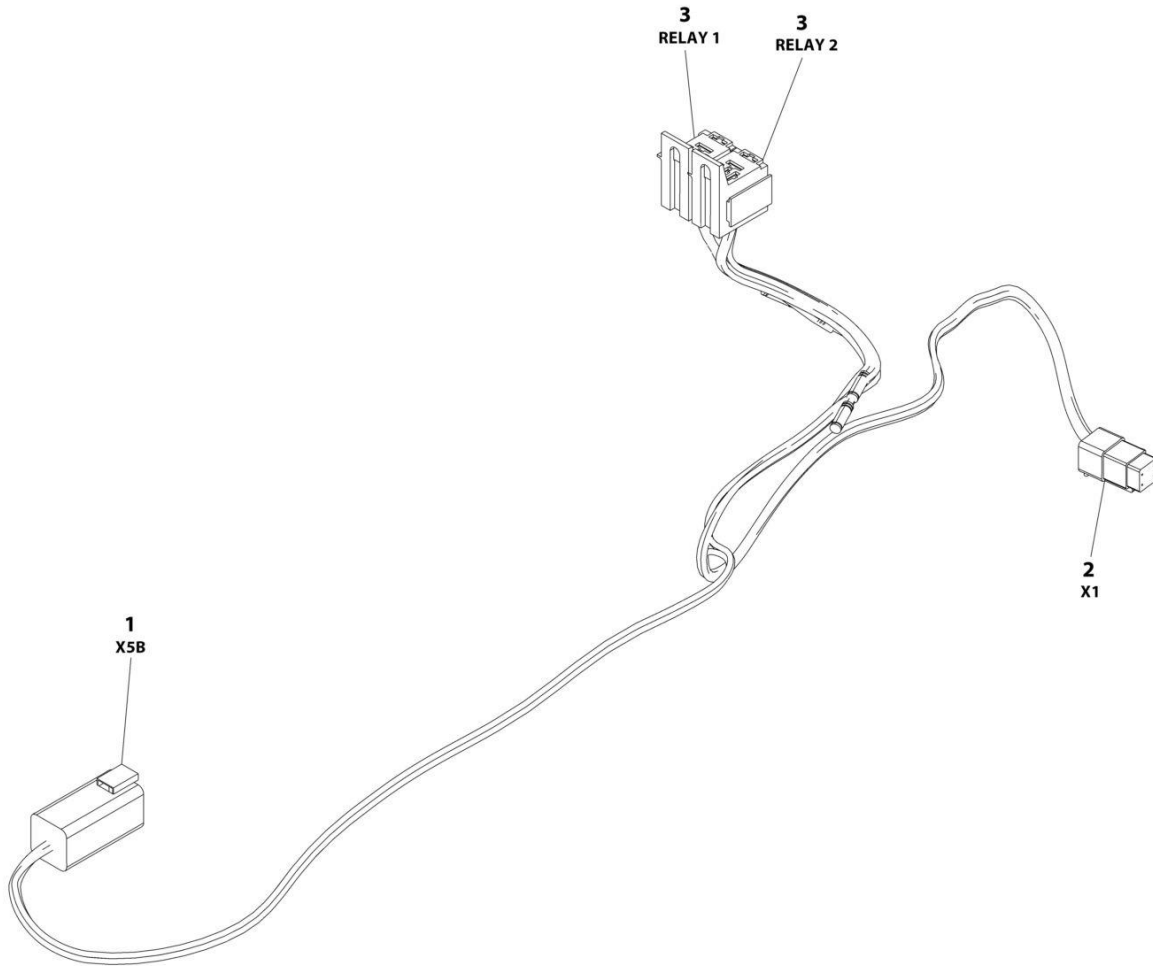
SECTION 8 - ELECTRICAL

FIGURE 8-68. SKYEYE EMITTER HARNESS

ITEM	PART NUMBER	QTY	DESCRIPTION	REV
	1001237864	Ref	SKYEYE EMITTER HARNESS	B
2	2820247	AR	Tubing, Heat Shrink	
3	4460910	1	Connector - 3 Position	
3	1001119620	3	Pin, Male	
6	1001227996	1	Grommet	
7	1001258495	1	Cable, M8 Female Cordset	

SECTION 8 - ELECTRICAL

FIGURE 8-69. SKYLINE HARNESS



ART_1001238418

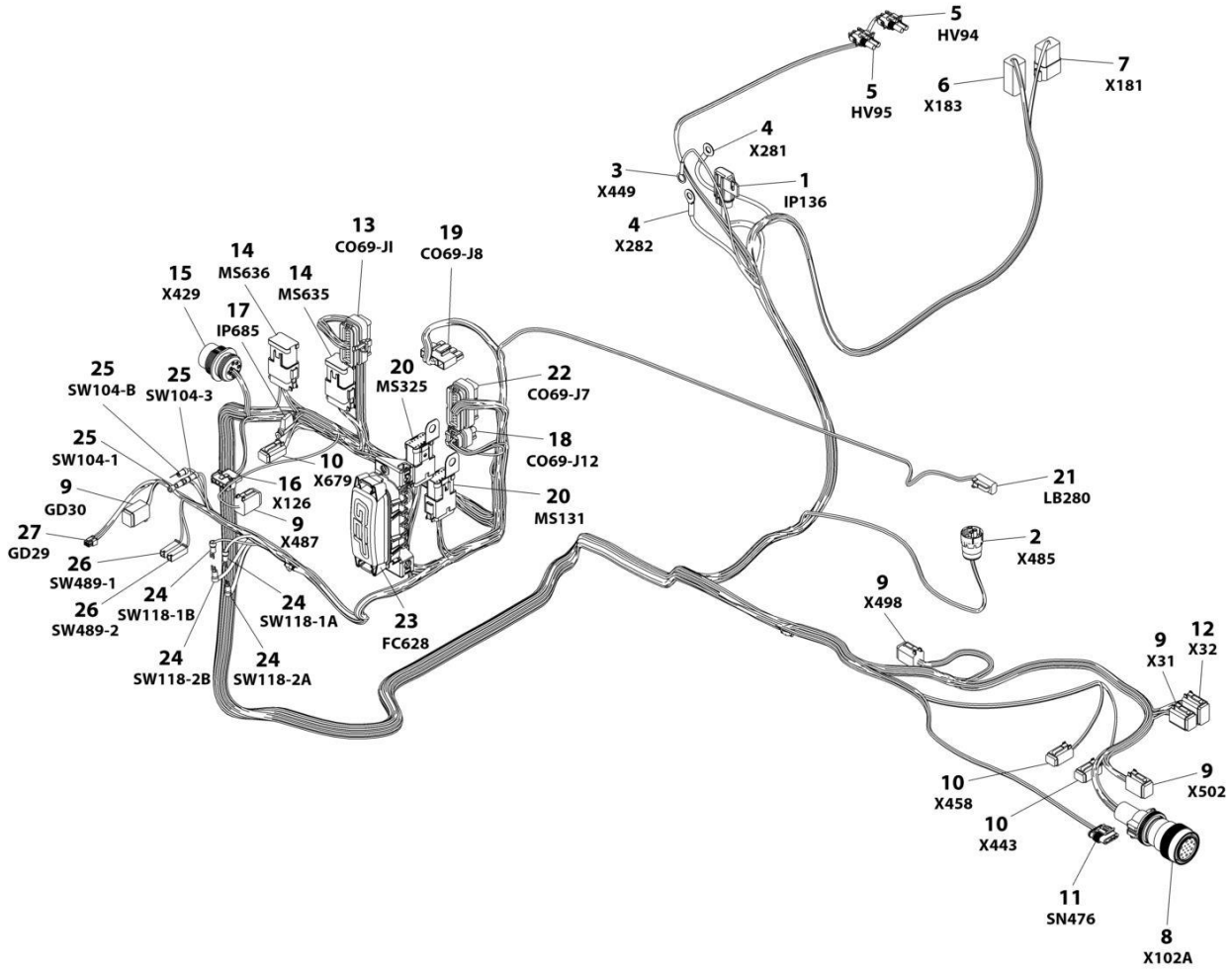
SECTION 8 - ELECTRICAL

FIGURE 8-69. SKYLINE HARNESS

ITEM	PART NUMBER	QTY	DESCRIPTION	REV
	1001238418	Ref	SKYLINE HARNESS	B
1	4460899	1	Connector - 6 Position	
1	4460464	4	Pin, Male	
1	4460466	2	Plug, Terminal	
2	4461077	1	Connector - 4 Position	
2	1001126009	4	Socket, Female	
3	1001186432	2	Plug, Relay	
3	1001118388	5	Terminal	
3	1001118384	3	Terminal	
3	3740086	2	Relay	

SECTION 8 - ELECTRICAL

FIGURE 8-70. TURNTABLE HARNESS



ART_1001244293

SECTION 8 - ELECTRICAL

FIGURE 8-70. TURNTABLE HARNESS

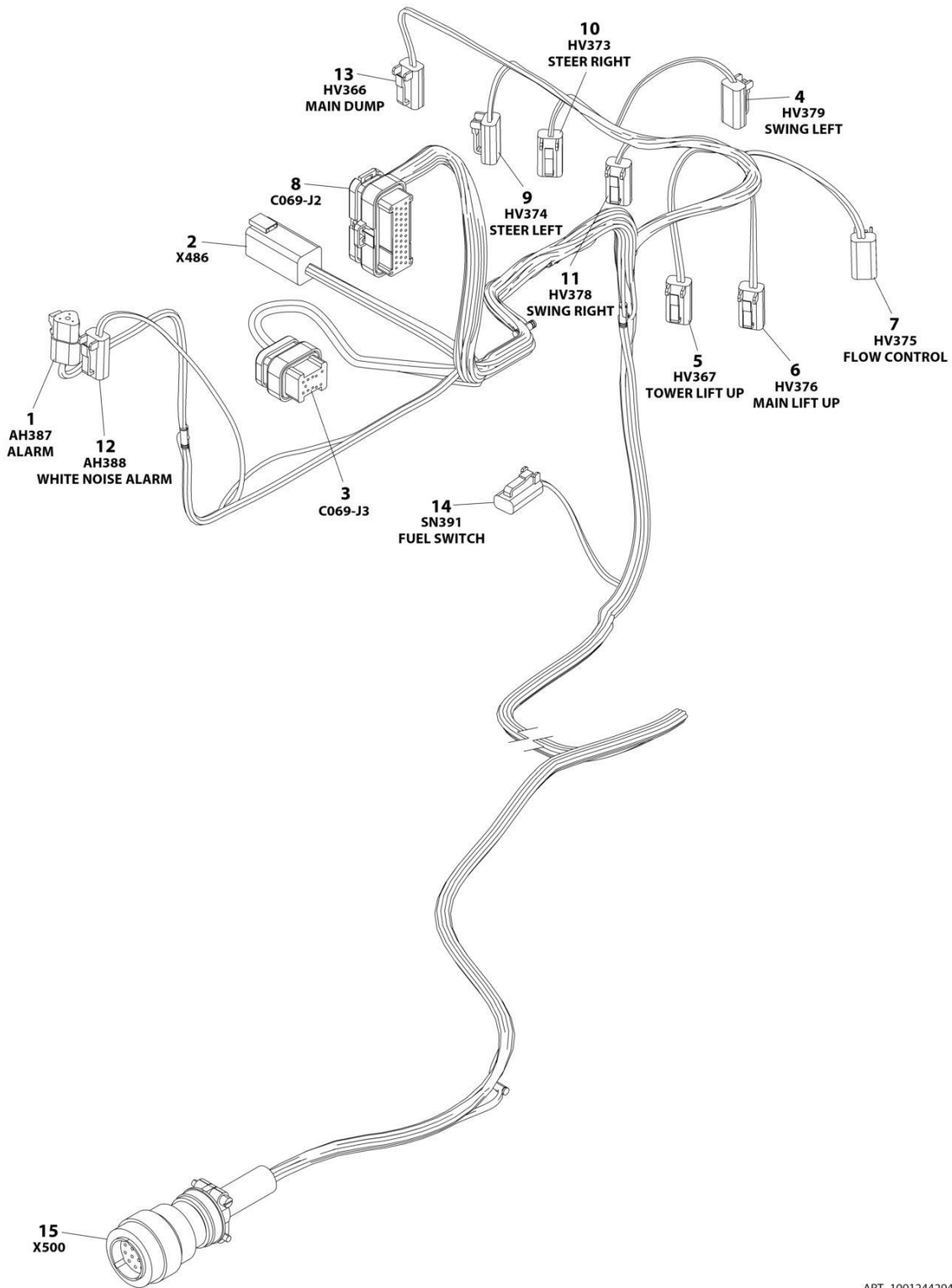
ITEM	PART NUMBER	QTY	DESCRIPTION	REV
	1001244293	Ref	TURNTABLE HARNESS	D
1	1001117070	1	Fuseholder with 30Amp Fuse	
1	See Note	1	Fuse 30Amp (Note: Not Available - Purchase Locally)	
1	1001116734	2	Terminal, Female	
2	4460967	1	Connector - 3 Position	
2	4460465	3	Socket, Female	
3	4460247	1	Terminal, Ring	
4	8220045	2	Terminal, Ring	
5	4460742	2	Plug, Male - 2 Position	
5	4460743	4	Socket, Female	
5	4460458	4	Seal, Terminal	
6	4460899	1	Receptacle, Female - 6 Position	
6	4460464	3	Pin, Male	
6	4460943	2	Pin, Male	
6	4460466	1	Plug, Terminal	
7	4460931	1	Receptacle, Female	
7	4460464	5	Pin, Male	
7	4460466	3	Plug, Terminal	
8	4460865	1	Connector - 19 Position	
8	4460465	6	Socket, Female	
8	4460509	2	Socket, Female	
8	4460466	11	Plug, Terminal	
8	1321647	1	Clamp	
9	4460894	5	Plug, Male - 6 Position	
9	4460465	24	Socket, Female	
9	4460466	6	Plug, Terminal	
10	4460884	3	Plug, Male - 4 Position	
10	4460465	8	Socket, Female	
10	4460466	4	Plug, Terminal	
11	1001103012	1	Connector - 4 Position	
11	1001107854	4	Socket, Female	
11	1001104498	4	Seal, Terminal	
12	4460930	1	Plug, Male - 8 Position	
12	4460465	6	Socket, Female	
12	4460466	2	Seal, Terminal	
13	4460874	1	Connector - 35 Position	
13	4460871	21	Socket, Female	
14	4460905	14	Plug, Terminal	
14	4460836	2	Connector - 12 Position	
14	4460465	16	Socket, Female	
14	4460466	8	Plug, Terminal	
14	4460837	2	Bussbar - 12 Position	
15	1001112612	1	Connector - 9 Position	
15	4460464	3	Pin, Male	
15	4460943	2	Pin, Male (Gold)	
15	4460466	4	Plug, Terminal	
16	4460761	1	Receptacle, Female - 4 Position	
16	4460267	4	Pin, Male	
17	2400060	1	Holder, Fuse	
17	8229242	1	Fuse 5Amp	

SECTION 8 - ELECTRICAL

ITEM	PART NUMBER	QTY	DESCRIPTION	REV
18	1001113961	1	Plug, Male - 8 Position	
18	4460871	5	Socket, Female	
18	4460905	3	Plug, Terminal	
19	4460878	1	Plug, Male - 4 Position	
19	4460887	4	Terminal	
20	4460933	2	Plug, Male - 12 Position	
20	4460465	12	Socket, Female	
20	4460466	11	Plug, Terminal	
20	1001125677	2	Bussbar - 12 Position	
20	1001120328	2	Clip, Mounting	
21	4460891	1	Plug, Male - 2 Position	
21	4460465	2	Socket, Female	
22	4460873	1	Connector - 35 Position	
22	4460871	28	Socket, Female	
22	4460905	7	Plug, Terminal	
23	1001185964	1	Fuse Box Assembly	
23	8229244	2	Fuse 15Amp	
23	8229242	4	Fuse 5Amp	
23	1001196635	1	Fuse 3Amp	
23	1001129285	2	Fuse with Diode	
23	1001095704	1	Relay	
23	1001116728	14	Terminal, Female	
23	8220125	9	Terminal, Female	
23	4460748	25	Plug, Terminal	
23	4460458	14	Seal, Terminal	
23	80963067	9	Seal, Cable	
24	4460806	4	Terminal, Fork	
25	4460142	3	Terminal, Ring	
26	4460260	2	Housing, Terminal	
26	4460259	2	Terminal	
27	1001237667	1	Connector - 6 Position	
27	1001237668	5	Socket, Female	

SECTION 8 - ELECTRICAL

FIGURE 8-71. VALVE HARNESS - MAIN VALVE



ART_1001244294

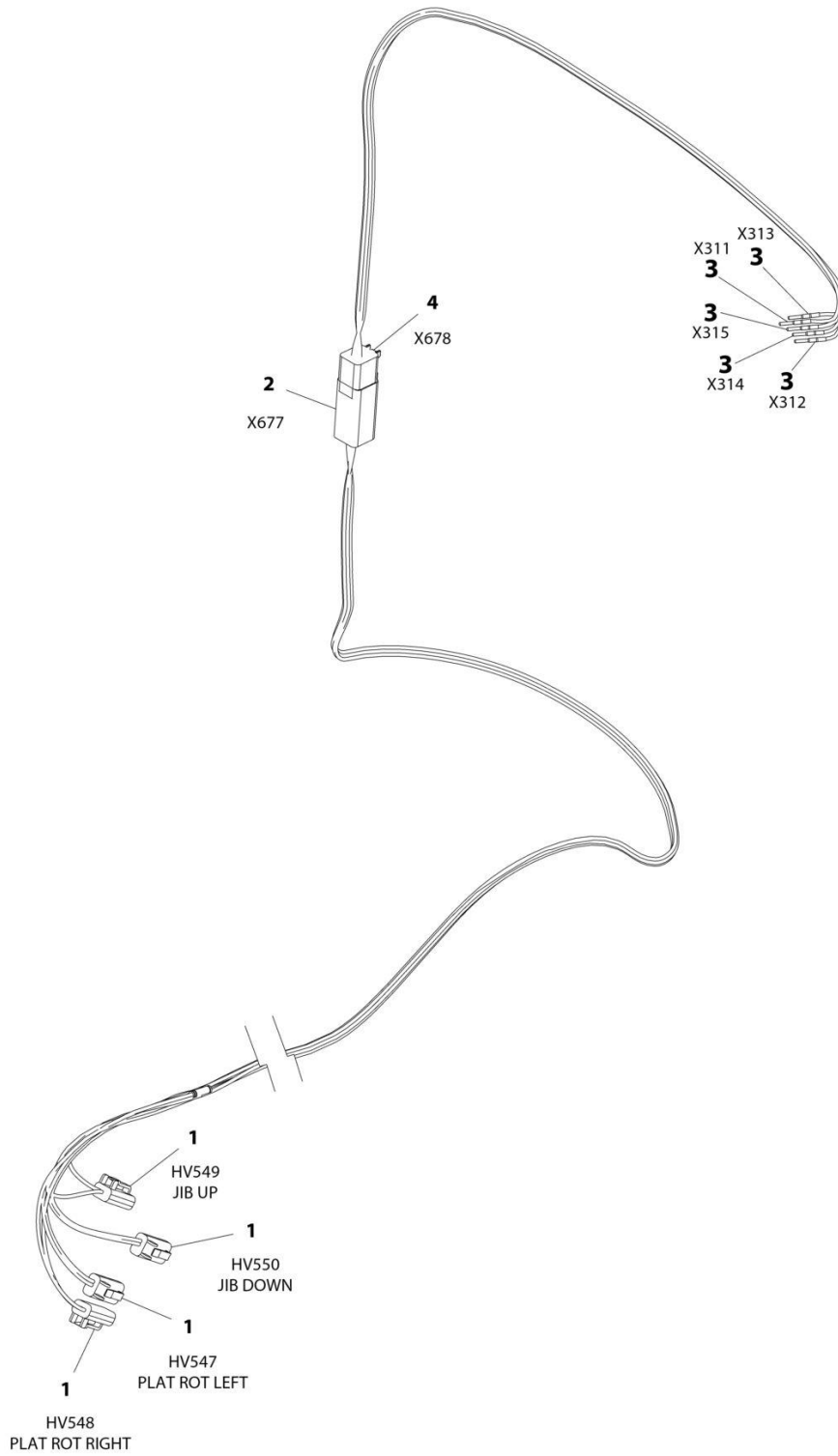
SECTION 8 - ELECTRICAL

FIGURE 8-71. VALVE HARNESS - MAIN VALVE

ITEM	PART NUMBER	QTY	DESCRIPTION	REV
	1001244294	Ref	TRACTION HARNESS	B
1	4460539	1	Plug, Male - 3 Position	
1	4460465	3	Socket, Female	
2	4460899	1	Connector - 6 Position	
2	4460464	4	Pin, Male	
2	4460466	2	Plug, Terminal	
3	4460872	1	Connector - 14 Position	
3	4460871	9	Terminal, Female	
3	4460905	5	Seal, Terminal	
4	4460891	1	Connector - 2 Position	
4	4460465	2	Socket, Female	
5	4460891	1	Connector - 2 Position	
5	4460465	2	Socket, Female	
6	4460891	1	Connector - 2 Position	
6	4460465	2	Socket, Female	
7	4460891	1	Connector - 2 Position	
7	4460465	2	Socket, Female	
8	4460875	1	Connector - 35 Position	
8	4460871	26	Socket, Female	
8	4460905	9	Plug, Terminal	
9	4460891	1	Plug, Male - 2 Position	
9	4460465	2	Socket, Female	
10	4460891	1	Connector - 2 Position	
10	4460465	2	Socket, Female	
11	4460891	1	Connector - 2 Position	
11	4460465	2	Socket, Female	
12	4460891	1	Connector - 2 Position	
12	4460465	2	Socket, Female	
13	4460891	1	Connector - 2 Position	
13	4460465	2	Socket, Female	
14	4460424	1	Connector - 2 Position	
14	4460268	2	Socket, Female	
15	4460754	1	Connector - 14 Position	
15	4460465	13	Socket, Female	
15	4460466	1	Plug, Terminal	

SECTION 8 - ELECTRICAL

FIGURE 8-72. VALVE HARNESS - PLATFORM VALVE



ART_1001164728

SECTION 8 - ELECTRICAL

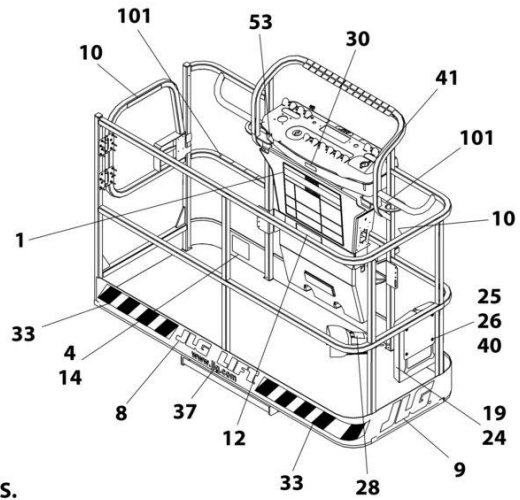
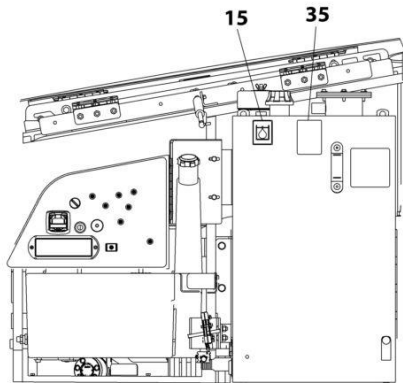
FIGURE 8-72. VALVE HARNESS - PLATFORM VALVE

ITEM	PART NUMBER	QTY	DESCRIPTION	REV
	1001164728	Ref	VALVE HARNESS - PLATFORM VALVE	D
1	4460891	4	Plug, Male - 2 Position	
1	4460465	8	Socket, Female	
2	4460899	1	Receptacle, Female - 6 Position	
2	4460464	5	Pin, Male	
2	4460466	1	Plug, Terminal	
3	4460465	5	Socket, Female	
4	4460894	1	Plug, Male - 6 Position	
4	4460465	5	Socket, Female	
4	4460466	1	Plug, Terminal	

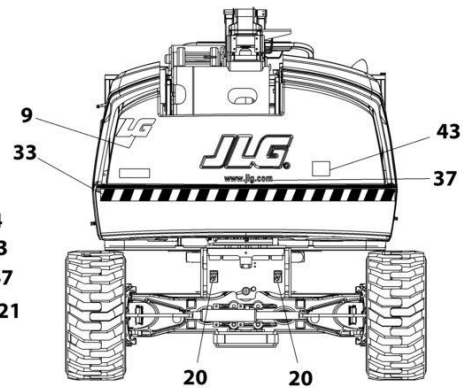
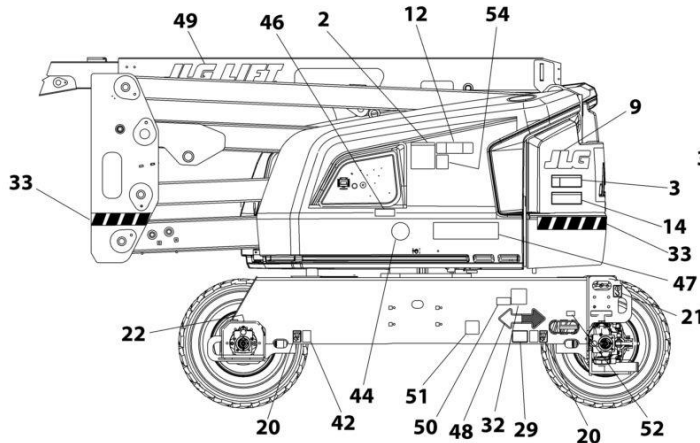
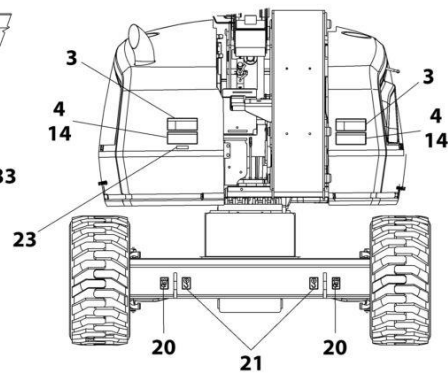
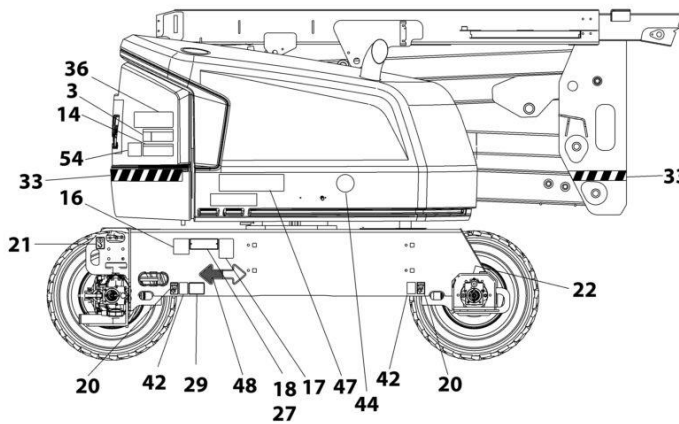
SECTION 9 - DECALS

SECTION 9 - DECALS

FIGURE 9-1. DECAL INSTALLATION – ANSI, ANSI EXPORT AND CSA SPECS WITH DEUTZ ENGINES (ENGLISH)



NOTE: SOME DECALS ARE CALLED OUT ON OPTIONAL DECALS INSTALLATION.
 NOTE: ITEMS SHOWN MAY NOT BE REQUIRED FOR ALL SPECS. REFER TO PARTS LIST FOR USAGE.



ART_1001246402

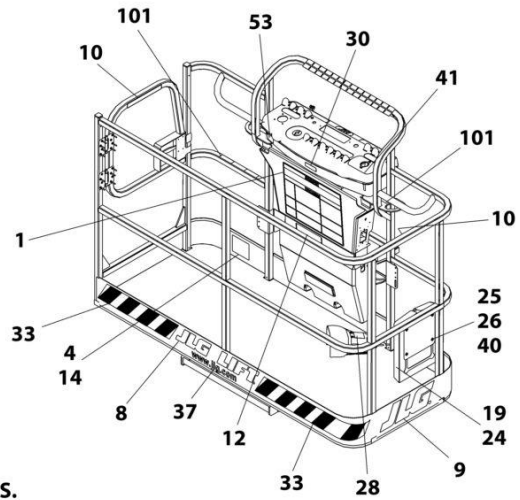
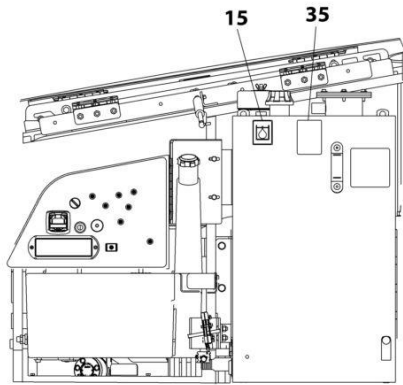
SECTION 9 - DECALS

**FIGURE 9-1. DECAL INSTALLATION – ANSI, ANSI EXPORT AND CSA SPECS WITH DEUTZ ENGINES
(ENGLISH)**

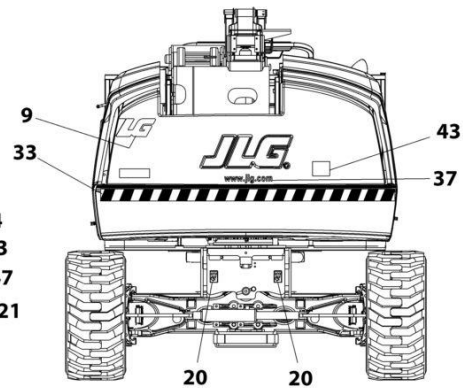
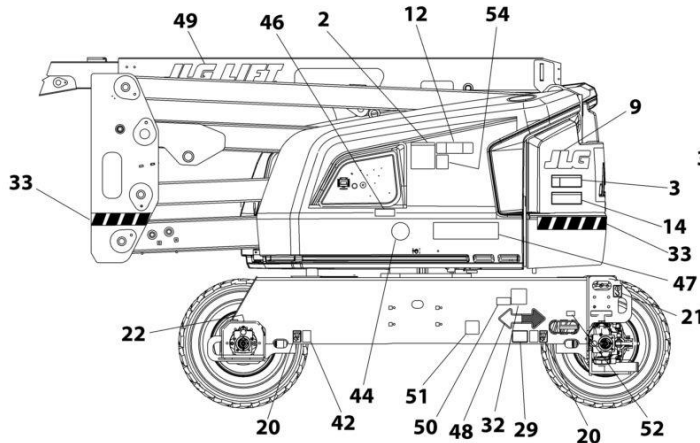
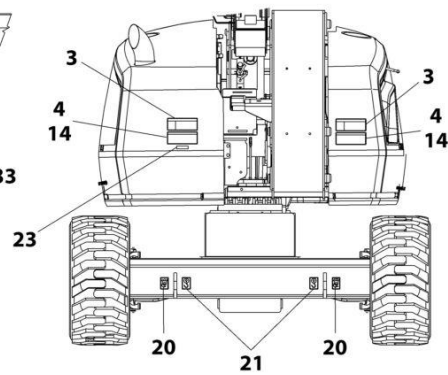
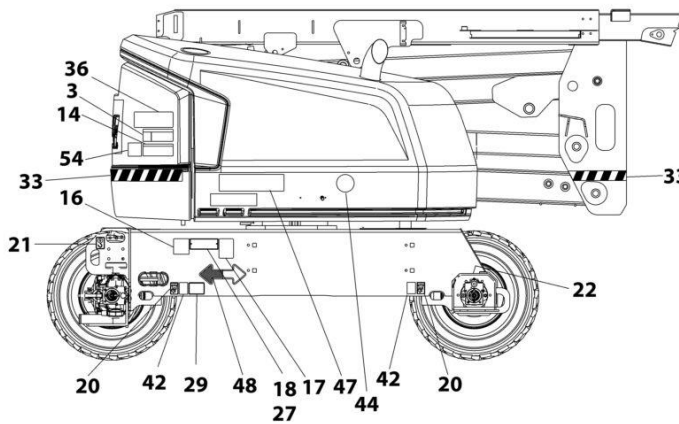
ITEM	PART NUMBER	QTY	DESCRIPTION	REV
	1001248008	Re	DECAL INSTALLATION - REFERENCE CHART	C
	1001246402	Re	DECAL INSTALLATION	D
1	1703797	1	Decal - Danger/Warning	
2	1705336	1	Decal - Danger/Warning	
3	1703805	4	Decal - Danger/Electrocution	
4	1703804	4	Decal - Warning/Crushing	
8		Ref	Decal, JLG (See DECAL INSTALLATION - OPTIONS)	
9		Ref	Decal, JLG (See DECAL INSTALLATION - OPTIONS)	
10	1702868	2	Decal - No Hands	
12	1001255511	2	Decal - Max Capacity	
14	1703953	2	Decal - Warning/Crushing	
15	1701504	1	Decal - Hydraulic Oil	
16	See Note	NSS	Decal - Bar Code (Note: Not Available for Purchase)	
17	1001131269	1	Decal - Patent	
18		Ref	Nameplate - Manufacturers Serial Number (See DECAL INSTALLATION - OPTIONS)	
19	1701509	1	Decal - Manual	
20	1702300	8	Decal - Tie Down /Lift	
21	1701500	4	Decal - Tie Down /Lift	
22	1703687	2	Decal - Arrow	
23	3251243	1	Nameplate 120V-60Hz	
24	0860520	1	Box, Manual Storage	
25	4751400	4	Washer, 1/4	
26	3311405	4	Nut, Lock 1/4-20	
27	3820001	2	Rivet	
28	3252347	1	Decal - Footswitch	
29		Ref	Decal - Max Tire Load (See DECAL INSTALLATION - OPTIONS)	
32		Ref	Decal - LP (See DECAL INSTALLATION - OPTIONS)	
33		Ref	Warning Stripes Installation (See DECAL INSTALLATION - OPTIONS)	
35	1704412	1	Decal - Hydraulic Fluid	
36	1001284875	1	Decal - Lift Diagram (Without Turntable Lock)	
36	1001223118	1	Decal - Lift Diagram (With Turntable Lock)	
37	1704885	2	Decal - Website	
40	0641406	4	Bolt, 1/4-20 x 3/4	
41	1705351	1	Decal - Drive/Steer	
42	1701499	4	Decal - Tie Down /Lift	
43	3251813	1	Decal - USA	
47		Ref	Decal - Model Designation (See DECAL INSTALLATION - OPTIONS)	
48	1701529	2	Decal - Arrow	
51	1001223055	1	Decal - Yearly Inspection	
52	1001223453	1	Decal - Ices (Canada)	
100	1001232026	1	Decal - Platform Lanyard Kit (Not Shown)	
101	1704277	3	Decal - Attach Lanyard Here	

SECTION 9 - DECALS

FIGURE 9-2. DECAL INSTALLATION – ANSI AND ANSI EXPORT SPECS WITH KUBOTA ENGINES (ENGLISH)



NOTE: SOME DECALS ARE CALLED OUT ON OPTIONAL DECALS INSTALLATION.
 NOTE: ITEMS SHOWN MAY NOT BE REQUIRED FOR ALL SPECS. REFER TO PARTS LIST FOR USAGE.



ART_1001246405

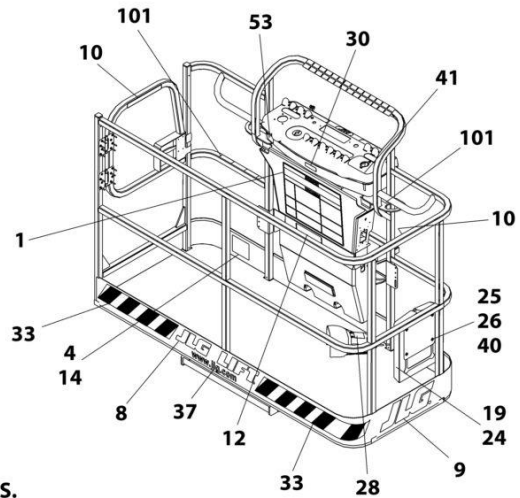
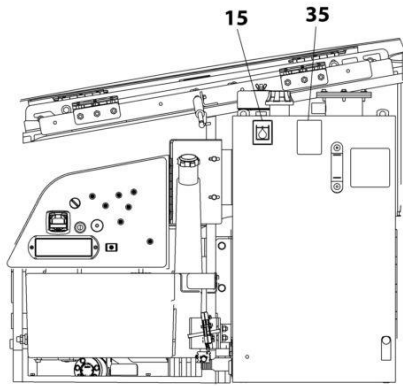
SECTION 9 - DECALS

**FIGURE 9-2. DECAL INSTALLATION – ANSI AND ANSI EXPORT SPECS WITH KUBOTA ENGINES
(ENGLISH)**

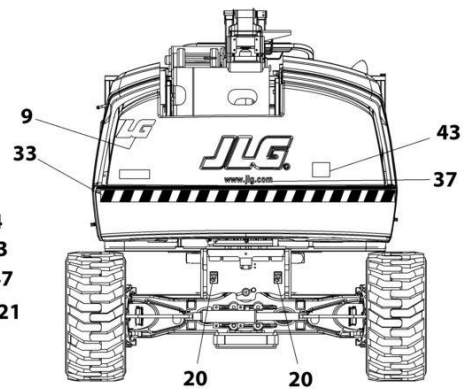
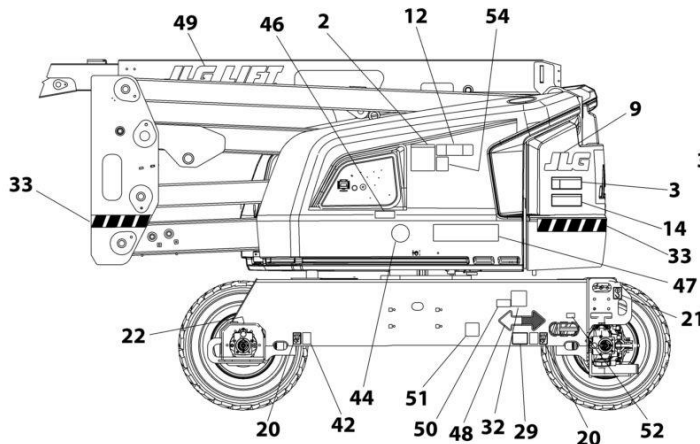
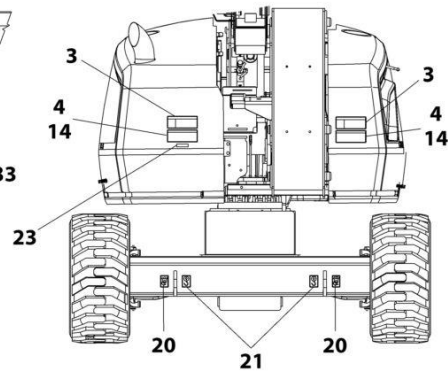
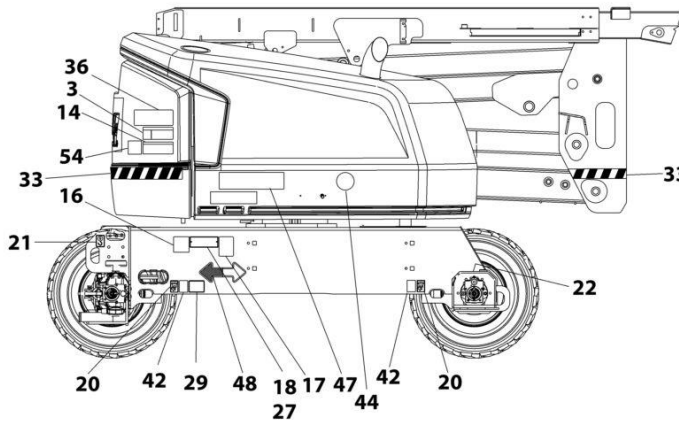
ITEM	PART NUMBER	QTY	DESCRIPTION	REV
	1001248008	Ref	DECAL INSTALLATION - REFERENCE CHART	C
	1001246405	Ref	DECAL INSTALLATION	C
1	1703797	1	Decal - Danger/Warning	
2	1705336	1	Decal - Danger/Warning	
3	1703805	4	Decal - Danger/Electrocution	
4	1703804	4	Decal - Warning/Crushing	
8		Ref	Decal, JLG (See DECAL INSTALLATION - OPTIONS)	
9		Ref	Decal, JLG (See DECAL INSTALLATION - OPTIONS)	
10	1702868	2	Decal - No Hands	
12	1001255511	2	Decal - Max Capacity	
14	1703953	2	Decal - Warning/Crushing	
15	1701504	1	Decal - Hydraulic Oil	
16	See Note	NSS	Decal - Bar Code (Note: Not Available for Purchase)	
17	1001131269	1	Decal - Patent	
18		Ref	Nameplate - Manufacturers Serial Number (See DECAL INSTALLATION - OPTIONS)	
19	1701509	1	Decal - Manual	
20	1702300	8	Decal - Tie Down /Lift	
21	1701500	4	Decal - Tie Down /Lift	
22	1703687	2	Decal - Arrow	
23	3251243	1	Nameplate 120V-60Hz	
24	0860520	1	Box, Manual Storage	
25	4751400	4	Washer, 1/4	
26	3311405	4	Nut, Lock 1/4-20	
27	3820001	2	Rivet	
28	3252347	1	Decal - Footswitch	
29		Ref	Decal - Max Tire Load (See DECAL INSTALLATION - OPTIONS)	
32		Ref	Decal - LP (See DECAL INSTALLATION - OPTIONS)	
33		Ref	Warning Stripes Installation (See DECAL INSTALLATION - OPTIONS)	
35	1704412	1	Decal - Hydraulic Fluid	
36	1001284875	1	Decal - Lift Diagram (Without Turntable Lock)	
36	1001223118	1	Decal - Lift Diagram (With Turntable Lock)	
37	1704885	2	Decal - Website	
40	0641406	4	Bolt, 1/4-20 x 3/4	
41	1705351	1	Decal - Drive/Steer	
42	1701499	4	Decal - Tie Down /Lift	
43	3251813	1	Decal - USA	
47		Ref	Decal - Model Designation (See DECAL INSTALLATION - OPTIONS)	
48	1701529	2	Decal - Arrow	
49		Ref	Decal, JLG (See DECAL INSTALLATION - OPTIONS)	
51	1001223055	1	Decal - Yearly Inspection	
52	1001223453	1	Decal - Ices (Canada)	
53		Ref	Decal - Warning (Prop 65) (See DECAL INSTALLATION - OPTIONS)	
100	1001232026	1	Decal - Platform Lanyard Kit (Not Shown)	
101	1704277	3	Decal - Attach Lanyard Here	

SECTION 9 - DECALS

FIGURE 9-3. DECAL INSTALLATION - AUSTRALIAN SPEC (ENGLISH)



NOTE: SOME DECALS ARE CALLED OUT ON OPTIONAL DECALS INSTALLATION.
NOTE: ITEMS SHOWN MAY NOT BE REQUIRED FOR ALL SPECS. REFER TO PARTS LIST FOR USAGE.



ART_1001162522

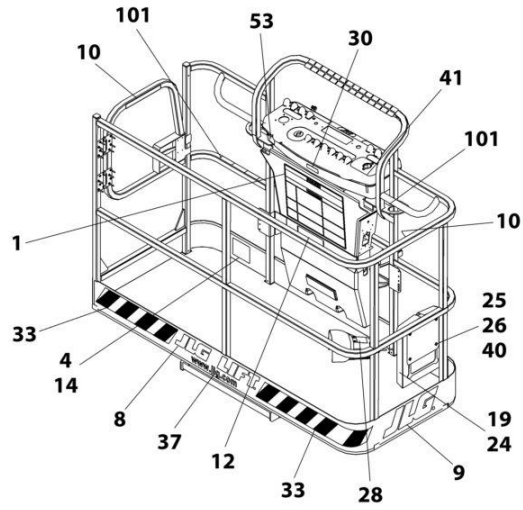
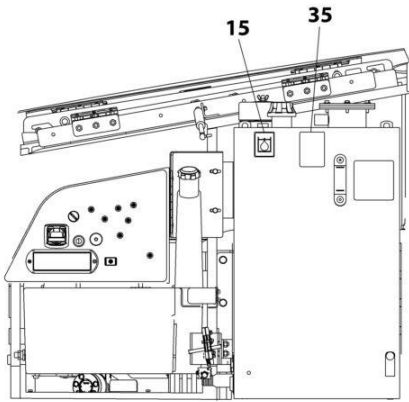
SECTION 9 - DECALS

FIGURE 9-3. DECAL INSTALLATION - AUSTRALIAN SPEC (ENGLISH)

ITEM	PART NUMBER	QTY	DESCRIPTION	REV
	1001248008	Ref	DECAL INSTALLATION - REFERENCE CHART	C
	1001162522	Ref	DECAL INSTALLATION	I
1	1001162429	1	Decal - Tipping/Electrocution	
2	1705822	1	Decal - Electrocution/Safety Manual	
3	1705961	4	Decal - Danger Electrocution	
8		Ref	Decal, JLG (See DECAL INSTALLATION - OPTIONS)	
9		Ref	Decal, JLG (See DECAL INSTALLATION - OPTIONS)	
12	1001190913	2	Decal - Max Capacity	
14	1701518	6	Decal - Warning/Crushing	
15	1701504	1	Decal - Hydraulic Oil	
16	See Note	NSS	Decal - Bar Code (Note: Not Available for Purchase)	
18		Ref	Nameplate - Manufacturers Serial Number (See DECAL INSTALLATION - OPTIONS)	
19	1701509	1	Decal - Manual	
20	1702300	8	Decal - Tie Down /Lift	
21	1701500	4	Decal - Tie Down /Lift	
22	1703687	2	Decal - Arrow	
24	0860520	1	Box, Manual Storage	
25	4751400	4	Washer, 1/4	
26	3311405	4	Nut, Lock 1/4-20	
27	3820001	4	Rivet	
28	1705828	1	Decal - Footswitch	
29		Ref	Decal - Max Tire Load (See DECAL INSTALLATION - OPTIONS)	
33		Ref	Warning Stripes Installation (See DECAL INSTALLATION - OPTIONS)	
35	1704412	1	Decal - Hydraulic Fluid	
36	1001284875	1	Decal - Lift Diagram (Without Turntable Lock)	
36	1001223118	1	Decal - Lift Diagram (With Turntable Lock)	
37	1704885	2	Decal - Website	
40	0641406	4	Bolt, 1/4-20 x 3/4	
42	1701499	4	Decal - No Tie Down/Lift	
43	1001204510	1	Decal - Sound Power Level	
46	1001112551	1	Decal - Emergency Controls	
47		Ref	Decal - Model Designation (See DECAL INSTALLATION - OPTIONS)	
48	1701529	2	Decal - Arrow	
49		Ref	Decal, JLG (See DECAL INSTALLATION - OPTIONS)	
50		Ref	Decal - Emissions Compliance (See DECAL INSTALLATION - OPTIONS)	
100	1001232026	1	Decal - Platform Lanyard Kit (Not Shown)	
101	1704277	3	Decal - Attach Lanyard Here	

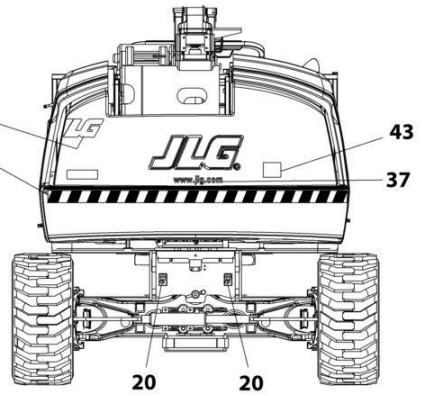
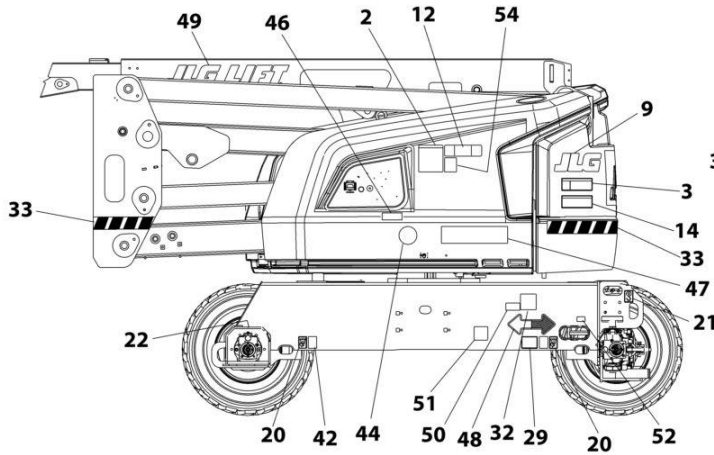
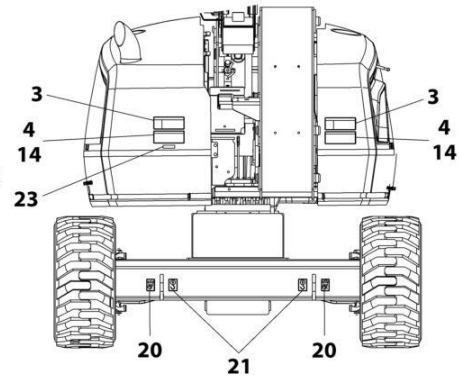
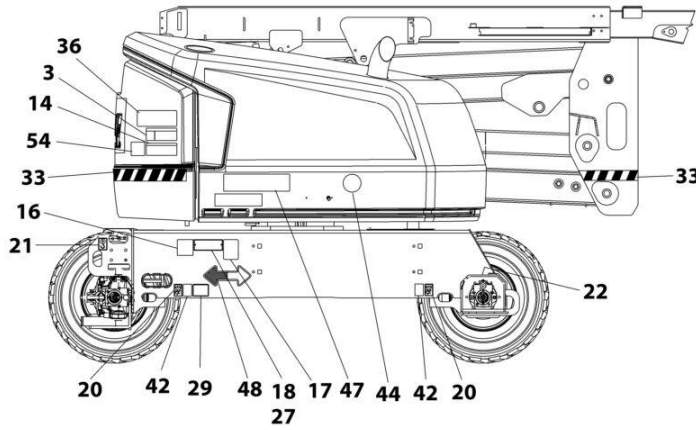
SECTION 9 - DECALS

FIGURE 9-4. DECAL INSTALLATION - BRAZIL SPEC (ENGLISH)



NOTE: SOME DECALS ARE CALLED OUT ON OPTIONAL DECALS INSTALLATION.

NOTE: ITEMS SHOWN MAY NOT BE REQUIRED FOR ALL SPECS. REFER TO PARTS LIST FOR USAGE.



ART_1001256207_D

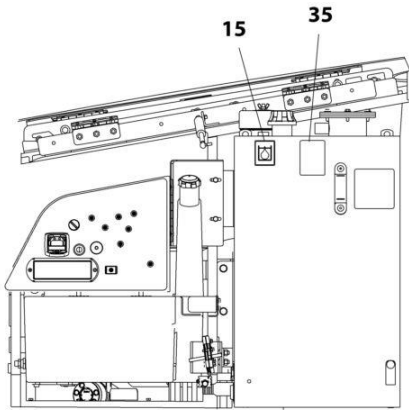
SECTION 9 - DECALS

FIGURE 9-4. DECAL INSTALLATION - BRAZIL SPEC (ENGLISH)

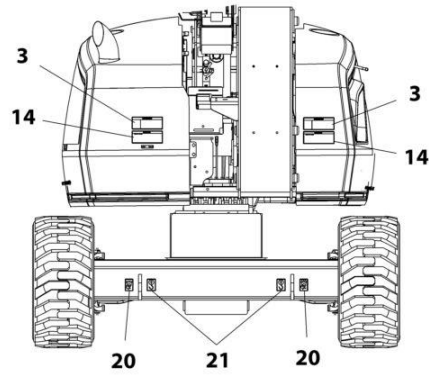
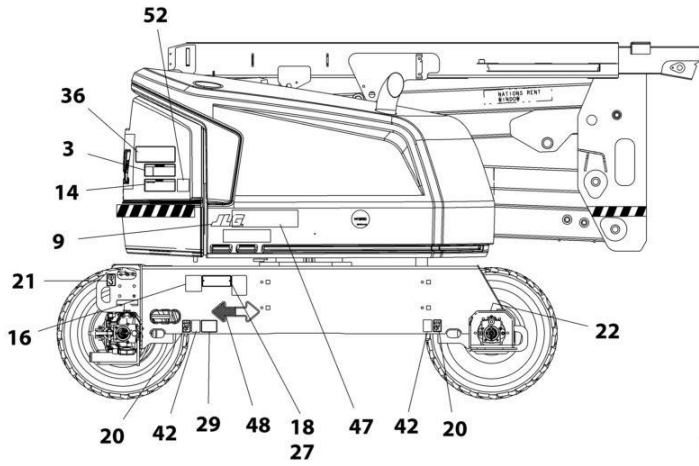
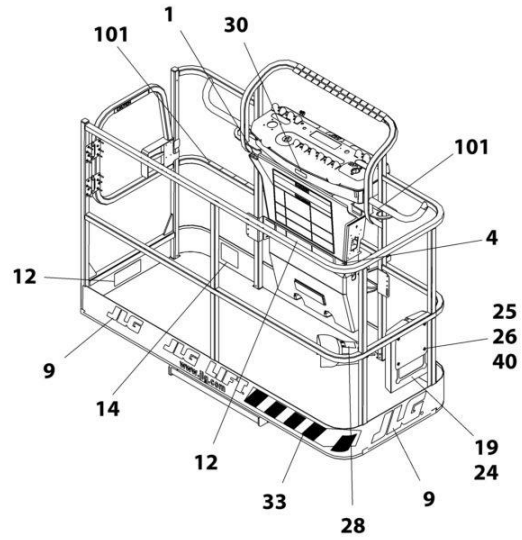
ITEM	PART NUMBER	QTY	DESCRIPTION	REV
	1001248008	Ref	DECAL INSTALLATION - REFERENCE CHART	C
	1001256207	Ref	DECAL INSTALLATION	D
1	1703928	1	Decal - Danger/Warning	
2	1705349	1	Decal - Warning Inspection	
3	1703940	4	Decal - Danger Electrocution	
4	1703952	4	Decal - Warning/Crushing	
8		Ref	Decal, JLG (See DECAL INSTALLATION - OPTIONS)	
9		Ref	Decal, JLG (See DECAL INSTALLATION - OPTIONS)	
10	1704002	2	Decal - No Hands	
12	1001255515	2	Decal - Max Capacity	
14	1703946	2	Decal - Warning/Crushing	
15	1701504	1	Decal - Hydraulic Oil	
16	See Note	NSS	Decal - Bar Code (Note: Not Available for Purchase)	
18		Ref	Nameplate - Manufacturers Serial Number (See DECAL INSTALLATION - OPTIONS)	
19	1701509	1	Decal - Manual	
20	1702300	8	Decal - Tie Down /Lift	
21	1701500	4	Decal - Tie Down /Lift	
22	1703687	2	Decal - Arrow	
23	3251243	1	Decal - 120V-60Hz	
24	0860520	1	Box, Manual Storage	
25	4751400	4	Washer, 1/4	
26	3311405	4	Nut, Lock 1/4-20	
27	3820001	4	Rivet	
28	1703985	1	Decal, Foot Switch	
29		Ref	Decal - Max Tire Load (See DECAL INSTALLATION - OPTIONS)	
32		Ref	Decal - LP (See DECAL INSTALLATION - OPTIONS)	
33		Ref	Warning Stripes Installation (See DECAL INSTALLATION - OPTIONS)	
35	1704412	1	Decal - Hydraulic Fluid	
36	1001284875	1	Decal - Lift Diagram	
37	1704885	2	Decal - Website	
40	0641406	4	Bolt, 1/4-20 x 3/4	
41	1001113680	1	Decal - Drive/Steer	
42	1701499	4	Decal - No Tie Down/Lift	
43	3251813	1	Decal - USA	
47		Ref	Decal - Model Designation (See DECAL INSTALLATION - OPTIONS)	
48	1701529	2	Decal - Arrow	
49		Ref	Decal, JLG (See DECAL INSTALLATION - OPTIONS)	
50		Ref	Decal - Emissions Compliance (See DECAL INSTALLATION - OPTIONS)	
51	1001224052	1	Decal - Yearly Inspection	
100	1001232026	1	Decal - Platform Lanyard Kit (Not Shown)	
101	1704277	3	Decal - Attach Lanyard Here	

SECTION 9 - DECALS

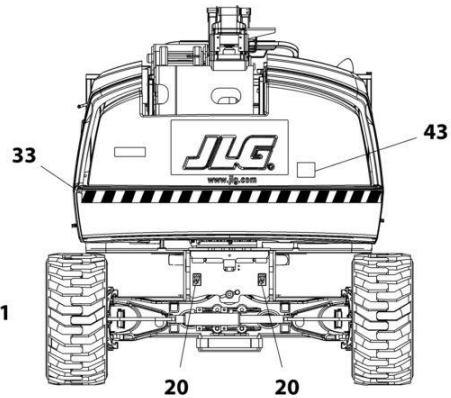
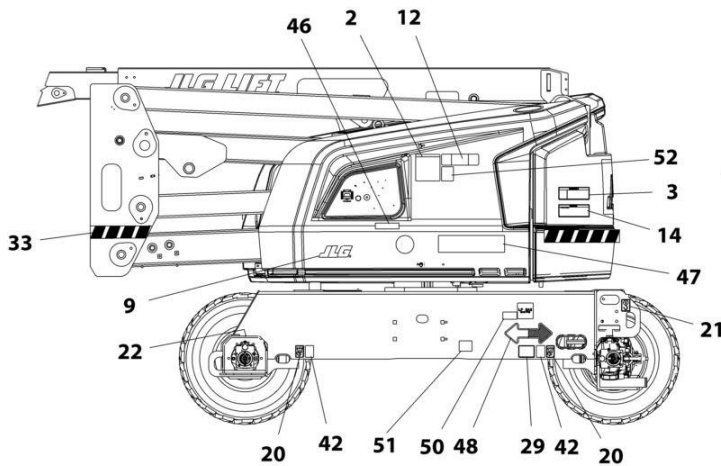
FIGURE 9-5. DECAL INSTALLATION - CE & UK CA SPEC (ENGLISH)



NOTE: SOME DECALS ARE CALLED OUT ON OPTIONAL DECALS INSTALLATION.



NOTE: ITEMS SHOWN MAY NOT BE REQUIRED FOR ALL SPECS. REFER TO PARTS LIST FOR USAGE.



ART_1001162528_L

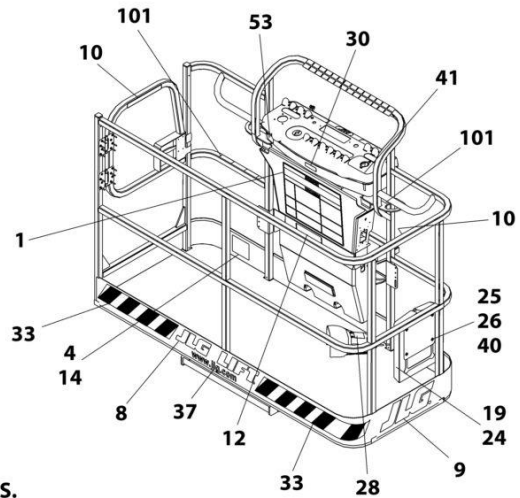
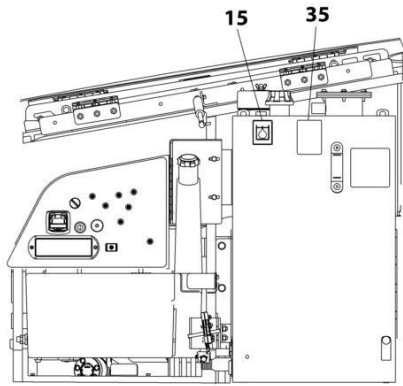
SECTION 9 - DECALS

FIGURE 9-5. DECAL INSTALLATION - CE & UK CA SPEC (ENGLISH)

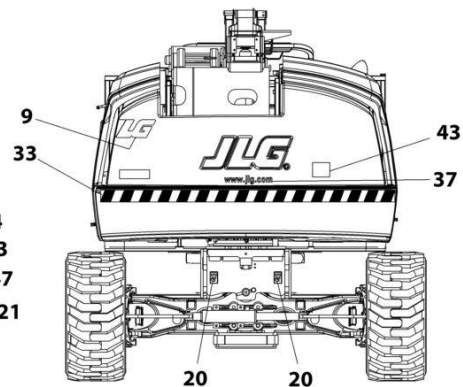
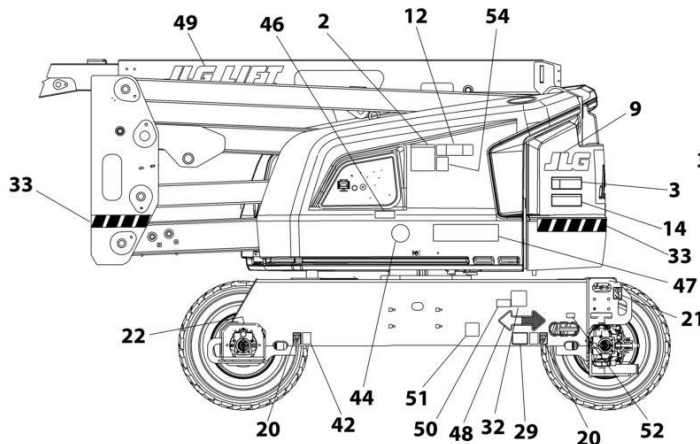
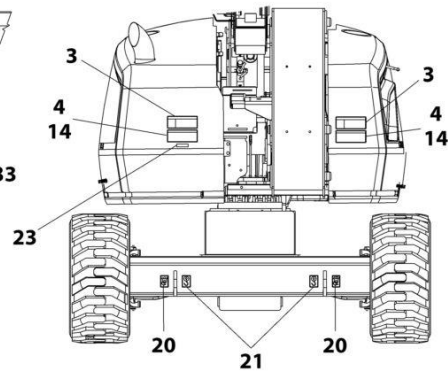
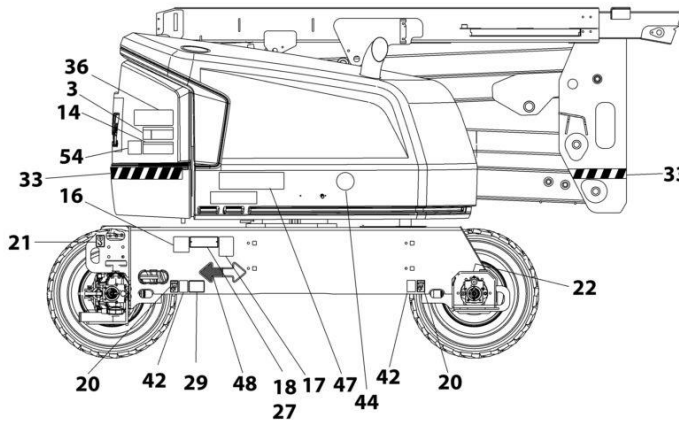
ITEM	PART NUMBER	QTY	DESCRIPTION	REV
	1001217904	Ref	DECAL INSTALLATION - REFERENCE CHART	F
	1001162528	Ref	DECAL INSTALLATION	L
1	1001162429	1	Decal - Tipping/Electrocution	
2	1705822	1	Decal - Electrocution/Safety Manual	
3	1705961	4	Decal - Danger Electrocution	
4	1001244301	1	Decal - No Platform to Ground	
9	1702773	3	Decal - JLG	
12	1001190913	1	Decal - Max Capacity	
14	1701518	6	Decal - Warning/Crushing	
15	1701504	1	Decal - Hydraulic Oil	
16	See Note	NSS	Decal - Bar Code (Note: Not Available for Purchase)	
18		Ref	Nameplate - Manufacturers Serial Number (See DECAL INSTALLATION - OPTIONS)	
19	1701509	1	Decal - Manual	
20	1702300	8	Decal - Tie Down /Lift	
21	1701500	4	Decal - Tie Down /Lift	
22	1703687	2	Decal - Arrow	
24	0860520	1	Box, Manual Storage	
25	4751400	4	Washer, 1/4	
26	3311405	4	Nut, Lock 1/4-20	
27	3820001	4	Rivet	
28	1705828	1	Decal - Footswitch	
29		Ref	Decal - Max Tire Load (See DECAL INSTALLATION - OPTIONS)	
33		Ref	Warning Stripes Installation (See DECAL INSTALLATION - OPTIONS)	
35	1704412	1	Decal - Hydraulic Fluid	
36	1001284875	1	Decal - Lift Diagram (Without Turntable Lock)	
36	1001223118	1	Decal - Lift Diagram (With Turntable Lock)	
40	0641406	4	Bolt, 1/4-20 x 3/4	
42	1701499	4	Decal - No Tie Down/Lift	
46	1001189882	1	Decal - MSSO	
47		Ref	Decal - Model Designation (See DECAL INSTALLATION - OPTIONS)	
48	1701529	2	Decal - Arrow	
50		Ref	Decal - Emissions Compliance (See DECAL INSTALLATION - OPTIONS)	
51		Ref	Decal - Quick Start Reference (See DECAL INSTALLATION - OPTIONS)	
52	1001244298	2	Decal - Wechat	
100	1001232026	1	Decal - Platform Lanyard Kit (Not Shown)	
101	1704277	3	Decal - Attach Lanyard Here	

SECTION 9 - DECALS

FIGURE 9-6. DECAL INSTALLATION - CSA SPEC WITH DEUTZ ENGINES (FRENCH/ENGLISH)



NOTE: SOME DECALS ARE CALLED OUT ON OPTIONAL DECALS INSTALLATION.
NOTE: ITEMS SHOWN MAY NOT BE REQUIRED FOR ALL SPECS. REFER TO PARTS LIST FOR USAGE.



ART_1001246403

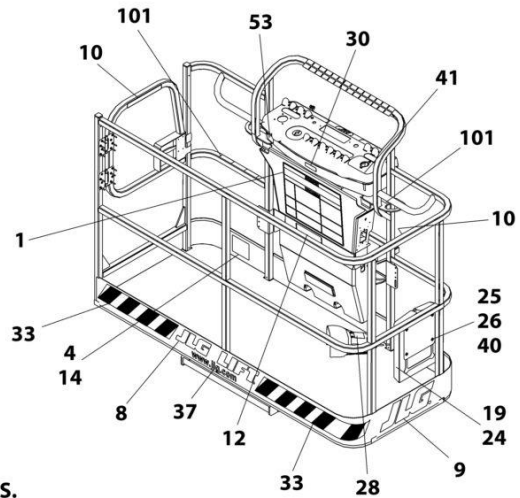
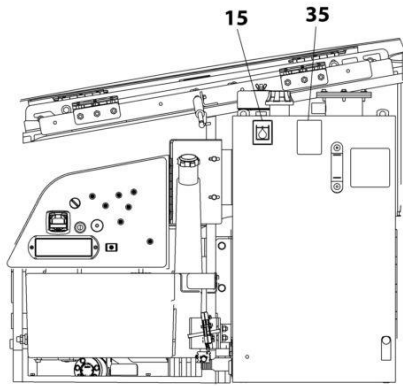
SECTION 9 - DECALS

FIGURE 9-6. DECAL INSTALLATION - CSA SPEC WITH DEUTZ ENGINES (FRENCH/ENGLISH)

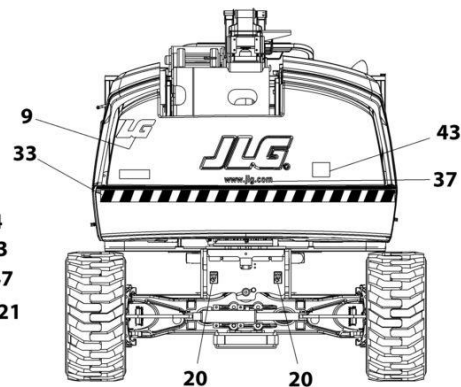
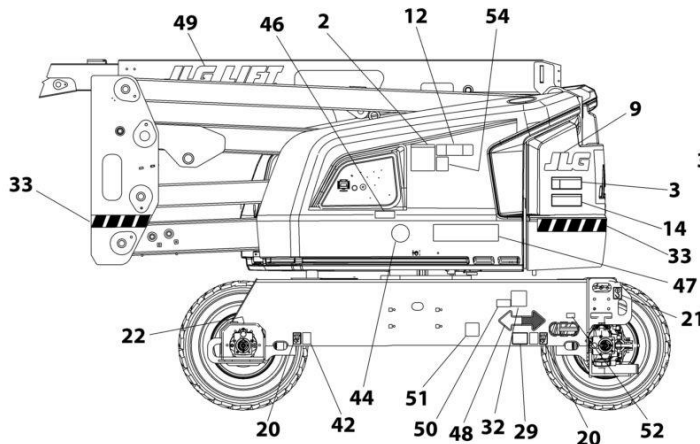
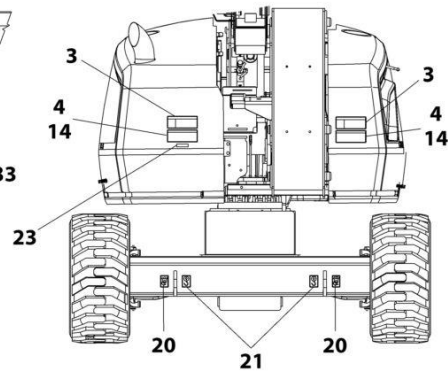
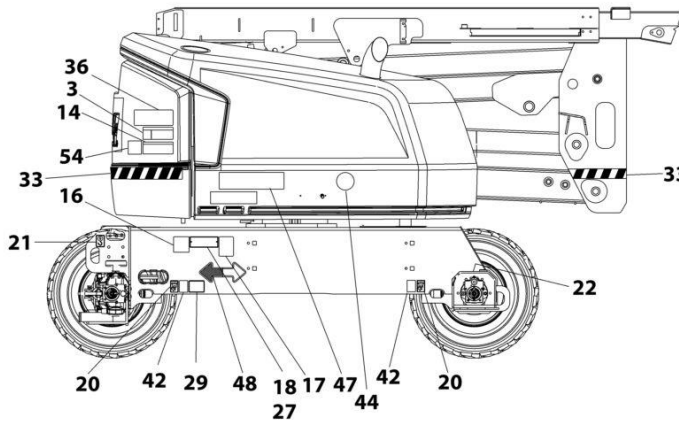
ITEM	PART NUMBER	QTY	DESCRIPTION	REV
	1001248008	Ref	DECAL INSTALLATION - REFERENCE CHART	C
	1001246403	Ref	DECAL INSTALLATION	C
1	1703924	1	Decal - Danger/Warning	
2	1705347	1	Decal - Warning Inspection	
3	1703936	4	Decal - Danger Electrocution	
4	1703948	4	Decal - Warning/Crushing	
8		Ref	Decal, JLG (See DECAL INSTALLATION - OPTIONS)	
9		Ref	Decal, JLG (See DECAL INSTALLATION - OPTIONS)	
10	1704000	2	Decal - No Hands	
12	1001255512	2	Decal - Max Capacity	
14	1703942	2	Decal - Warning/Crushing	
15	1701504	1	Decal - Hydraulic Oil	
16	See Note	NSS	Decal - Bar Code (Note: Not Available for Purchase)	
17	1001131269	1	Decal - Patent	
18		Ref	Nameplate - Manufacturers Serial Number (See DECAL INSTALLATION - OPTIONS)	
19	1701509	1	Decal - Manual	
20	1702300	8	Decal - Tie Down /Lift	
21	1701500	4	Decal - Tie Down /Lift	
22	1703687	2	Decal - Arrow	
23	3251243	1	Decal - 120V-60Hz	
24	0860520	1	Box, Manual Storage	
25	4751400	4	Washer, 1/4	
26	3311405	4	Nut, Lock 1/4-20	
27	3820001	4	Rivet	
28	1703984	1	Decal - Footswitch	
29		Ref	Decal - Max Tire Load (See DECAL INSTALLATION - OPTIONS)	
32		Ref	Decal - LP (See DECAL INSTALLATION - OPTIONS)	
33		Ref	Warning Stripes Installation (See DECAL INSTALLATION - OPTIONS)	
35	1704412	1	Decal - Hydraulic Fluid	
36	1001284875	1	Decal - Lift Diagram (Without Turntable Lock)	
36	1001223118	1	Decal - Lift Diagram (With Turntable Lock)	
37	1704885	2	Decal - Website	
40	0641406	4	Bolt, 1/4-20 x 3/4	
41	1705429	1	Decal - Drive/Steer	
42	1701499	4	Decal - No Tie Down/Lift	
43	3251813	1	Decal - USA	
47		Ref	Decal - Model Designation (See DECAL INSTALLATION - OPTIONS)	
48	1701529	2	Decal - Arrow	
49		Ref	Decal, JLG (See DECAL INSTALLATION - OPTIONS)	
51	1001223971	1	Decal - Yearly Inspection	
52	1001223453	1	Decal - Ices (Canada)	
100	1001232026	1	Decal - Platform Lanyard Kit (Not Shown)	
101	1704277	3	Decal - Attach Lanyard Here	

SECTION 9 - DECALS

FIGURE 9-7. DECAL INSTALLATION - CSA SPEC WITH KUBOTA ENGINES (FRENCH/ENGLISH)



NOTE: SOME DECALS ARE CALLED OUT ON OPTIONAL DECALS INSTALLATION.
NOTE: ITEMS SHOWN MAY NOT BE REQUIRED FOR ALL SPECS. REFER TO PARTS LIST FOR USAGE.



ART_1001246406

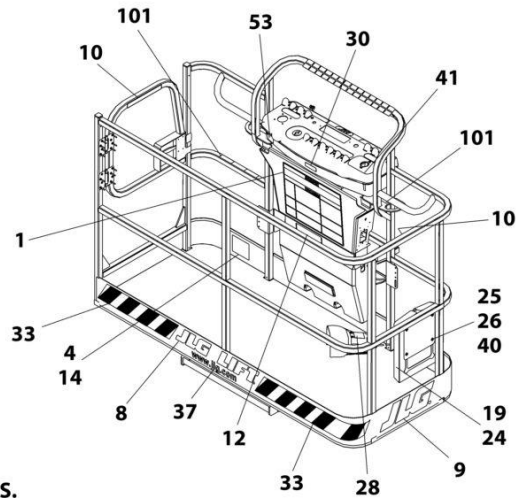
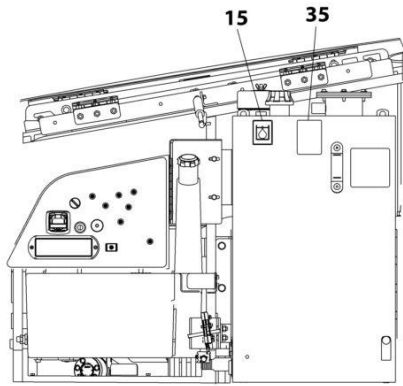
SECTION 9 - DECALS

FIGURE 9-7. DECAL INSTALLATION - CSA SPEC WITH KUBOTA ENGINES (FRENCH/ENGLISH)

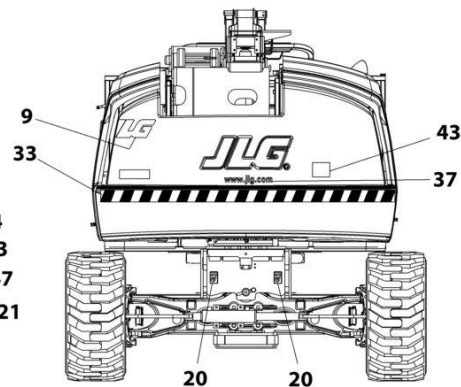
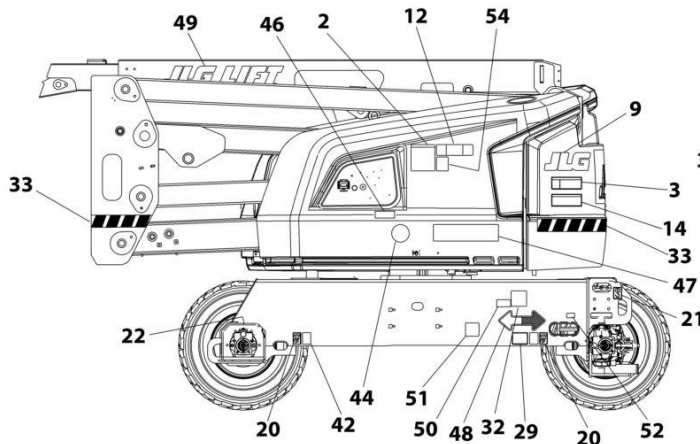
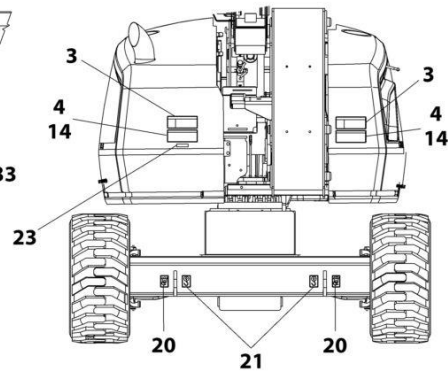
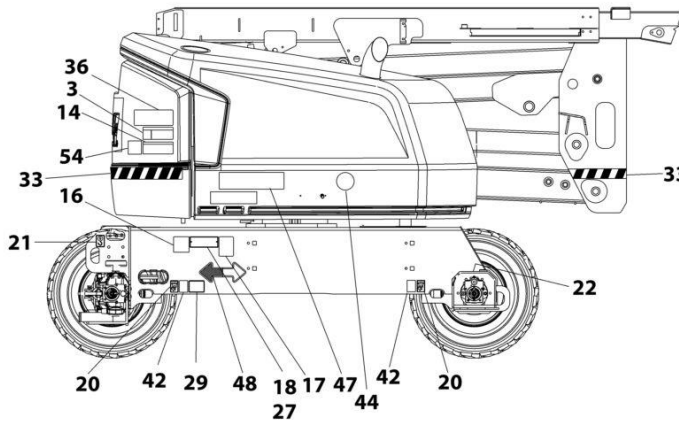
ITEM	PART NUMBER	QTY	DESCRIPTION	REV
	1001248008	Ref	DECAL INSTALLATION - REFERENCE CHART	C
	1001246406	Ref	DECAL INSTALLATION - WITH KUBOTA ENGINE	C
1	1703924	1	Decal - Danger/Warning	
2	1705347	1	Decal - Warning Inspection	
3	1703936	4	Decal - Danger Electrocution	
4	1703948	4	Decal - Warning/Crushing	
8		Ref	Decal, JLG (See DECAL INSTALLATION - OPTIONS)	
9		Ref	Decal, JLG (See DECAL INSTALLATION - OPTIONS)	
10	1704000	2	Decal - No Hands	
12	1001255512	2	Decal - Max Capacity	
14	1703942	2	Decal - Warning/Crushing	
15	1701504	1	Decal - Hydraulic Oil	
16	See Note	NSS	Decal - Bar Code (Note: Not Available for Purchase)	
17	1001131269	1	Decal - Patent	
18		Ref	Nameplate - Manufacturers Serial Number (See DECAL INSTALLATION - OPTIONS)	
19	1701509	1	Decal - Manual	
20	1702300	8	Decal - Tie Down /Lift	
21	1701500	4	Decal - Tie Down /Lift	
22	1703687	2	Decal - Arrow	
23	3251243	1	Decal - 120V-60Hz	
24	0860520	1	Box, Manual Storage	
25	4751400	4	Washer, 1/4	
26	3311405	4	Nut, Lock 1/4-20	
27	3820001	4	Rivet	
28	1703984	1	Decal - Footswitch	
29		Ref	Decal - Max Tire Load (See DECAL INSTALLATION - OPTIONS)	
32		Ref	Decal - LP (See DECAL INSTALLATION - OPTIONS)	
33		Ref	Warning Stripes Installation (See DECAL INSTALLATION - OPTIONS)	
35	1704412	1	Decal - Hydraulic Fluid	
36	1001284875	1	Decal - Lift Diagram (Without Turntable Lock)	
36	1001223118	1	Decal - Lift Diagram (With Turntable Lock)	
37	1704885	2	Decal - Website	
40	0641406	4	Bolt, 1/4-20 x 3/4	
41	1705429	1	Decal - Drive/Steer	
42	1701499	4	Decal - No Tie Down/Lift	
43	3251813	1	Decal - USA	
47		Ref	Decal - Model Designation (See DECAL INSTALLATION - OPTIONS)	
48	1701529	2	Decal - Arrow	
49		Ref	Decal, JLG (See DECAL INSTALLATION - OPTIONS)	
51	1001223971	1	Decal - Yearly Inspection	
52	1001223453	1	Decal - Ices (Canada)	
100	1001232026	1	Decal - Platform Lanyard Kit (Not Shown)	
101	1704277	3	Decal - Attach Lanyard Here	

SECTION 9 - DECALS

FIGURE 9-8. DECAL INSTALLATION - CHINESE SPEC (CHINESE/ENGLISH)



NOTE: SOME DECALS ARE CALLED OUT ON OPTIONAL DECALS INSTALLATION.
NOTE: ITEMS SHOWN MAY NOT BE REQUIRED FOR ALL SPECS. REFER TO PARTS LIST FOR USAGE.



ART_1001246206

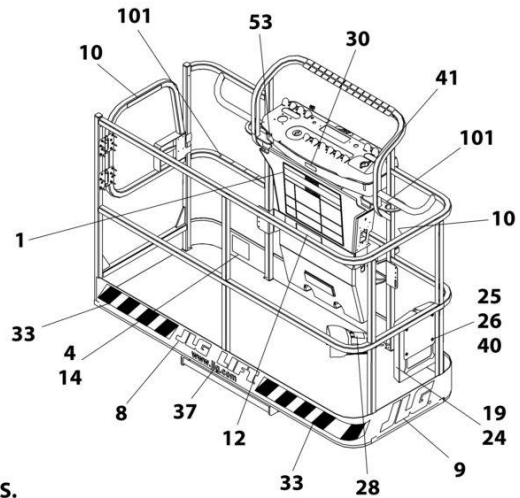
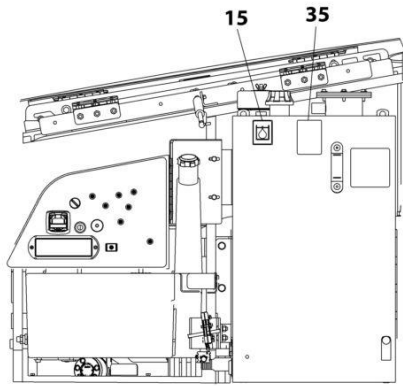
SECTION 9 - DECALS

FIGURE 9-8. DECAL INSTALLATION - CHINESE SPEC (CHINESE/ENGLISH)

ITEM	PART NUMBER	QTY	DESCRIPTION	REV
	1001248008	Ref	DECAL INSTALLATION - REFERENCE CHART	C
	1001256206	Ref	DECAL INSTALLATION	B
1	1703925	1	Decal - Danger/Warning	
2	1001116849	1	Decal - Warning Inspection	
3	1703937	4	Decal - Danger Electrocution	
4	1703949	4	Decal - Warning/Crushing	
8		Ref	Decal, JLG (See DECAL INSTALLATION - OPTIONS)	
9		Ref	Decal, JLG (See DECAL INSTALLATION - OPTIONS)	
10	1705968	2	Decal - No Hands	
12	1001255514	2	Decal - Max Capacity	
14	1703943	2	Chinese Spec Decals (Chinese/English)	
15	1701504	1	Decal - Hydraulic Oil	
16	See Note	NSS	Decal - Bar Code (Note: Not Available for Purchase)	
18		Ref	Nameplate - Manufacturers Serial Number (See DECAL INSTALLATION - OPTIONS)	
19	1701509	1	Decal - Manual	
20	1702300	8	Decal - Tie Down /Lift	
21	1701500	4	Decal - Tie Down /Lift	
22	1703687	2	Decal - Arrow	
24	0860520	1	Box, Manual Storage	
25	4751400	4	Washer, 1/4	
26	3311405	4	Nut, Lock 1/4-20	
27	3820001	4	Rivet	
28	1703982	1	Decal - Footswitch	
29		Ref	Decal - Max Tire Load (See DECAL INSTALLATION - OPTIONS)	
33		Ref	Warning Stripes Installation (See DECAL INSTALLATION - OPTIONS)	
35	1704412	1	Decal - Hydraulic Fluid	
36	1001284875	1	Decal - Lift Diagram	
37	1704885	2	Decal - Website	
40	0641406	4	Bolt, 1/4-20 x 3/4	
41	1705430	1	Decal - Drive/Steer	
42	1701499	4	Decal - No Tie Down/Lift	
47		Ref	Decal - Model Designation (See DECAL INSTALLATION - OPTIONS)	
48	1701529	2	Decal - Arrow	
49		Ref	Decal, JLG (See DECAL INSTALLATION - OPTIONS)	
50		Ref	Decal - Emissions Compliance (See DECAL INSTALLATION - OPTIONS)	
51	1001224050	1	Decal - Yearly Inspection	
100	1001232026	1	Decal - Platform Lanyard Kit (Not Shown)	
101	1704277	3	Decal - Attach Lanyard Here	

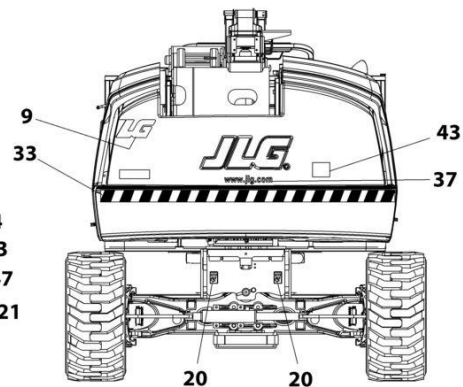
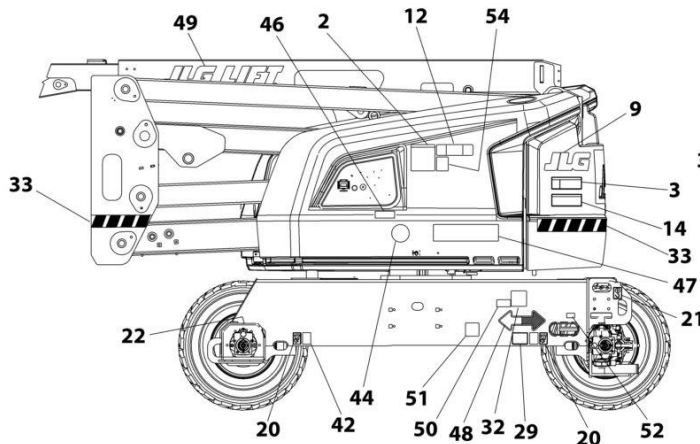
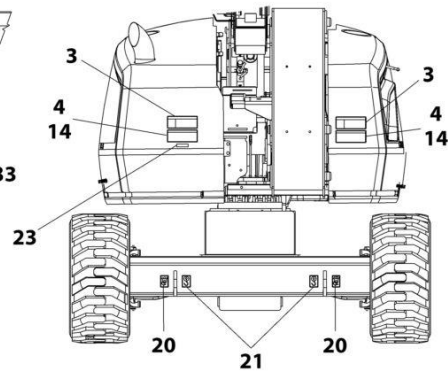
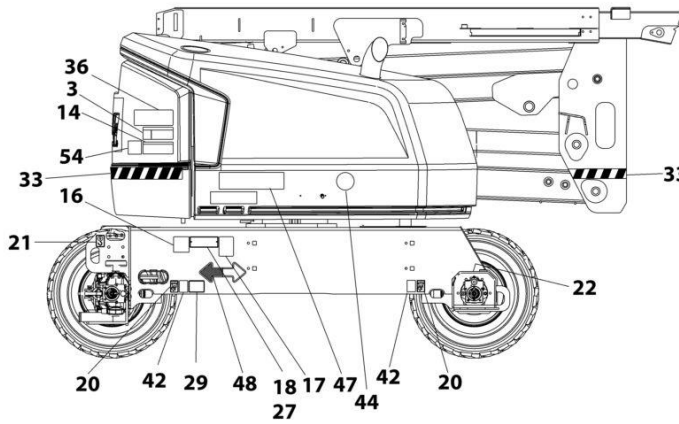
SECTION 9 - DECALS

FIGURE 9-9. DECAL INSTALLATION - JAPANESE SPEC (JAPANESE/ENGLISH)



NOTE: SOME DECALS ARE CALLED OUT ON OPTIONAL DECALS INSTALLATION.

NOTE: ITEMS SHOWN MAY NOT BE REQUIRED FOR ALL SPECS. REFER TO PARTS LIST FOR USAGE.



ART_1001246208

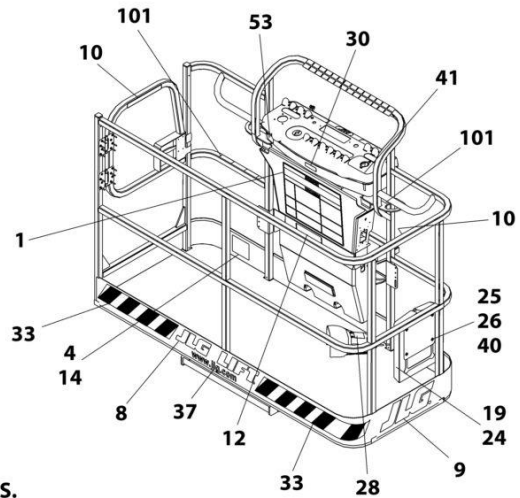
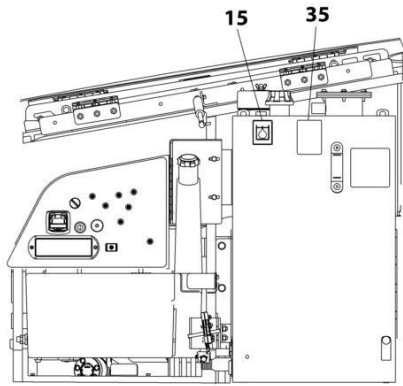
SECTION 9 - DECALS

FIGURE 9-9. DECAL INSTALLATION - JAPANESE SPEC (JAPANESE/ENGLISH)

ITEM	PART NUMBER	QTY	DESCRIPTION	REV
	1001248008	Ref	DECAL INSTALLATION - REFERENCE CHART	C
	1001256208	Ref	DECAL INSTALLATION	B
1	1703926	1	Decal - Danger/Warning	
2	1705344	1	Decal - Warning Inspection	
3	1703938	4	Decal - Danger Electrocution	
4	1703950	4	Decal - Warning/Crushing	
8		Ref	Decal, JLG (See DECAL INSTALLATION - OPTIONS)	
9		Ref	Decal, JLG (See DECAL INSTALLATION - OPTIONS)	
12	1001255517	2	Decal - Max Capacity	
14	1703944	2	Decal - Warning/Crushing	
15	1701504	1	Decal - Hydraulic Oil	
16	See Note	NSS	Decal - Bar Code (Note: Not Available for Purchase)	
18		Ref	Nameplate - Manufacturers Serial Number (See DECAL INSTALLATION - OPTIONS)	
19	1701509	1	Decal - Manual	
20	1702300	8	Decal - Tie Down /Lift	
21	1701500	4	Decal - Tie Down /Lift	
22	1703687	2	Decal - Arrow	
24	0860520	1	Box, Manual Storage	
25	4751400	4	Washer, 1/4	
26	3311405	4	Nut, Lock 1/4-20	
27	3820001	4	Rivet	
28	1703980	1	Decal - Footswitch	
29		Ref	Decal - Max Tire Load (See DECAL INSTALLATION - OPTIONS)	
33		Ref	Warning Stripes Installation (See DECAL INSTALLATION - OPTIONS)	
35	1704412	1	Decal - Hydraulic Fluid	
36	1001284875	1	Decal - Lift Diagram	
37	1704885	2	Decal - Website	
40	0641406	4	Bolt, 1/4-20 x 3/4	
41	1705426	1	Japanese Spec Decals (Japanese/English)	
42	1701499	4	Decal - No Tie Down/Lift	
47		Ref	Decal - Model Designation (See DECAL INSTALLATION - OPTIONS)	
48	1701529	2	Decal - Arrow	
49		Ref	Decal, JLG (See DECAL INSTALLATION - OPTIONS)	
51	1001224053	1	Decal - Yearly Inspection	
100	1001232026	1	Decal - Platform Lanyard Kit (Not Shown)	
101	1704277	3	Decal - Attach Lanyard Here	

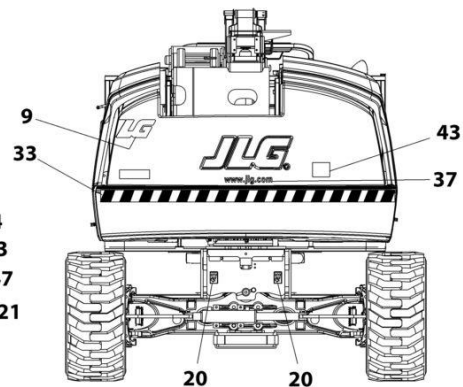
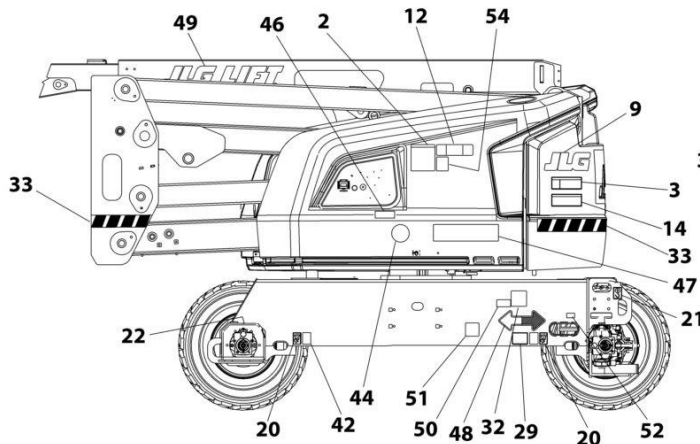
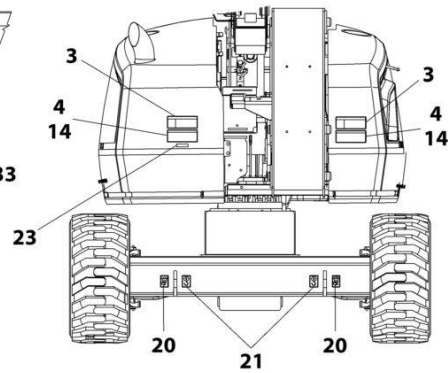
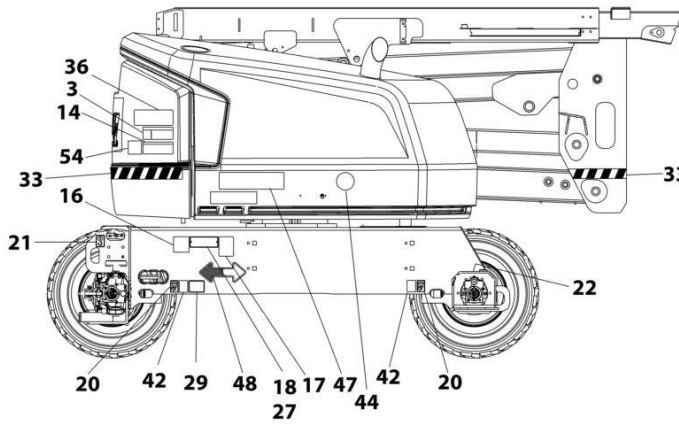
SECTION 9 - DECALS

FIGURE 9-10. DECAL INSTALLATION - KOREAN SPEC (KOREAN/ENGLISH)



NOTE: SOME DECALS ARE CALLED OUT ON OPTIONAL DECALS INSTALLATION.

NOTE: ITEMS SHOWN MAY NOT BE REQUIRED FOR ALL SPECS. REFER TO PARTS LIST FOR USAGE.



ART_1001246205

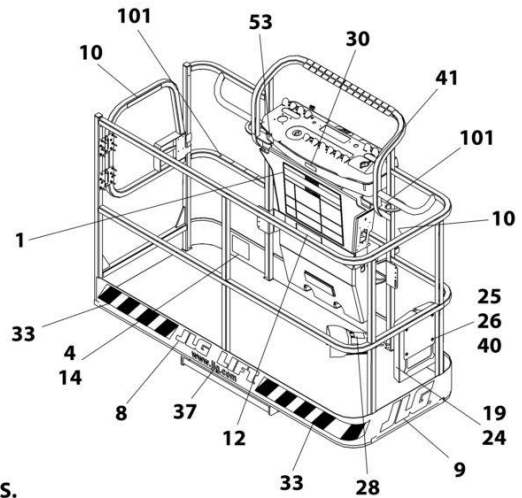
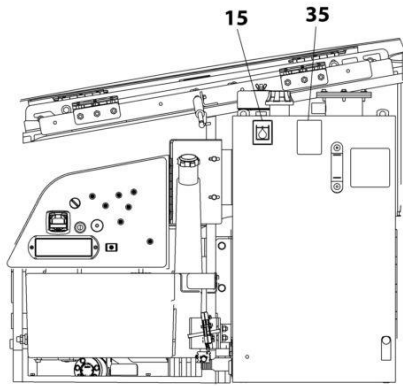
SECTION 9 - DECALS

FIGURE 9-10. DECAL INSTALLATION - KOREAN SPEC (KOREAN/ENGLISH)

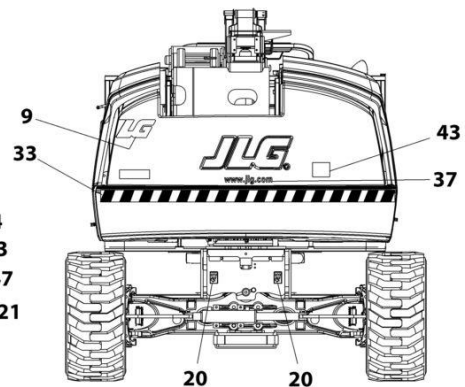
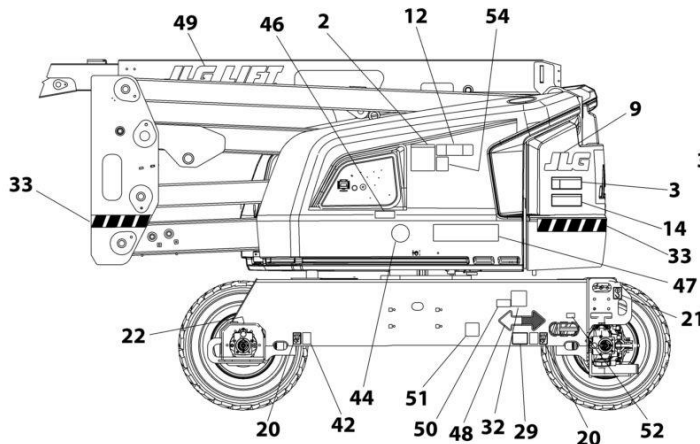
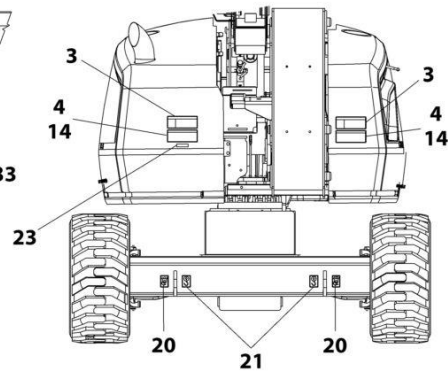
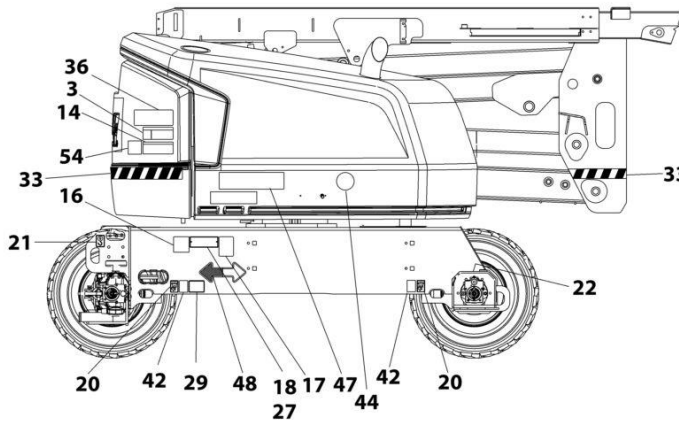
ITEM	PART NUMBER	QTY	DESCRIPTION	REV
	1001248008	Ref	DECAL INSTALLATION - REFERENCE CHART	C
	1001256205	Ref	DECAL INSTALLATION	B
1	1703927	1	Decal - Danger/Warning	
2	1705345	1	Decal - Warning Inspection	
3	1703939	4	Decal - Danger Electrocution	
4	1703951	4	Decal - Warning/Crushing	
8		Ref	Decal, JLG (See DECAL INSTALLATION - OPTIONS)	
9		Ref	Decal, JLG (See DECAL INSTALLATION - OPTIONS)	
10	1705969	2	Decal - No Hands	
12	1001255513	2	Decal - Max Capacity	
14	1703945	2	Decal - Warning/Crushing	
15	1701504	1	Decal - Hydraulic Oil	
16	See Note	NSS	Decal - Bar Code (Note: Not Available for Purchase)	
18		Ref	Nameplate - Manufacturers Serial Number (See DECAL INSTALLATION - OPTIONS)	
19	1701509	1	Decal - Manual	
20	1702300	8	Decal - Tie Down /Lift	
21	1701500	4	Decal - Tie Down /Lift	
22	1703687	2	Decal - Arrow	
24	0860520	1	Box, Manual Storage	
25	4751400	4	Washer, 1/4	
26	3311405	4	Nut, Lock 1/4-20	
27	3820001	4	Rivet	
28	1703981	1	Decal - Footswitch	
29		Ref	Decal - Max Tire Load (See DECAL INSTALLATION - OPTIONS)	
33		Ref	Warning Stripes Installation (See DECAL INSTALLATION - OPTIONS)	
35	1704412	1	Decal - Hydraulic Fluid	
36	1001284875	1	Decal - Lift Diagram	
37	1704885	2	Decal - Website	
40	0641406	4	Bolt, 1/4-20 x 3/4	
41	1705427	1	Decal - Drive/Steer	
42	1701499	4	Decal - No Tie Down/Lift	
47		Ref	Decal - Model Designation (See DECAL INSTALLATION - OPTIONS)	
48	1701529	2	Decal - Arrow	
49		Ref	Decal, JLG (See DECAL INSTALLATION - OPTIONS)	
51	1001224048	1	Decal - Yearly Inspection	
100	1001232026	1	Decal - Platform Lanyard Kit (Not Shown)	
101	1704277	3	Decal - Attach Lanyard Here	

SECTION 9 - DECALS

FIGURE 9-11. DECAL INSTALLATION - LATIN AMERICA SPEC (SPANISH/ENGLISH)



NOTE: SOME DECALS ARE CALLED OUT ON OPTIONAL DECALS INSTALLATION.
NOTE: ITEMS SHOWN MAY NOT BE REQUIRED FOR ALL SPECS. REFER TO PARTS LIST FOR USAGE.



ART_1001162522

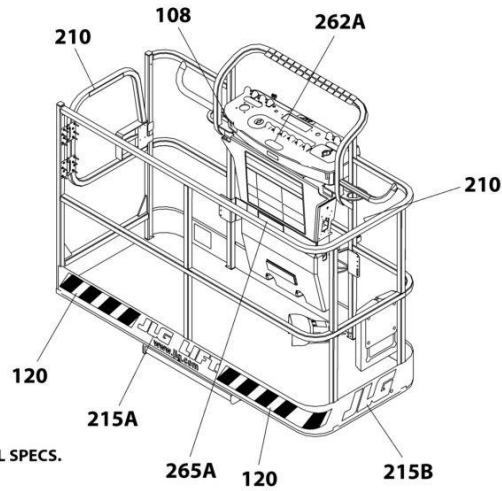
SECTION 9 - DECALS

FIGURE 9-11. DECAL INSTALLATION - LATIN AMERICA SPEC (SPANISH/ENGLISH)

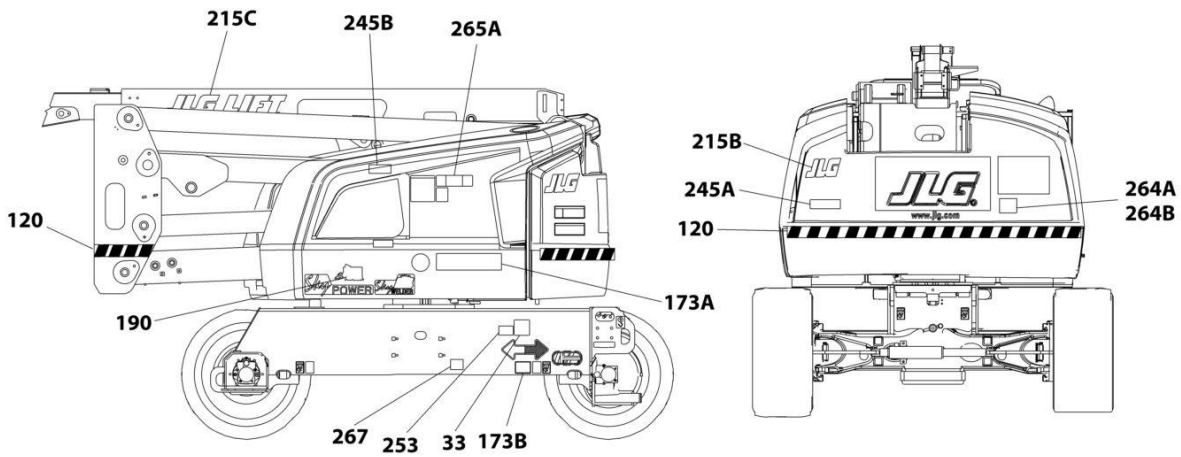
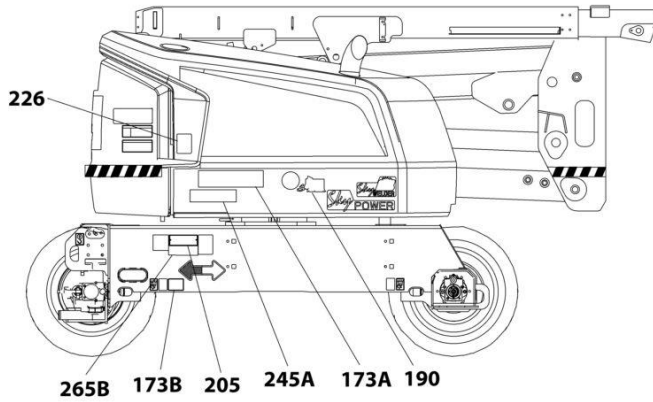
ITEM	PART NUMBER	QTY	DESCRIPTION	REV
	1001248008	Ref	DECAL INSTALLATION - REFERENCE CHART	C
	1001246407	Ref	DECAL INSTALLATION	C
1	1703923	1	Decal - Danger/Warning	
2	1705917	1	Decal - Warning Inspection	
3	1703935	4	Decal - Danger Electrocution	
4	1703947	4	Decal - Warning/Crushing	
8		Ref	Decal, JLG (See DECAL INSTALLATION - OPTIONS)	
9		Ref	Decal, JLG (See DECAL INSTALLATION - OPTIONS)	
10	1704001	2	Decal - No Hands	
12	1001255516	2	Decal - Max Capacity	
14	1703941	2	Decal - Warning/Crushing	
15	1701504	1	Decal - Hydraulic Oil	
16	See Note	NSS	Decal - Bar Code (Note: Not Available for Purchase)	
18		Ref	Nameplate - Manufacturers Serial Number (See DECAL INSTALLATION - OPTIONS)	
19	1701509	1	Decal - Manual	
20	1702300	8	Decal - Tie Down /Lift	
21	1701500	4	Decal - Tie Down /Lift	
22	1703687	2	Decal - Arrow	
23	3251243	1	Decal - 120V-60Hz	
24	0860520	1	Box, Manual Storage	
25	4751400	4	Washer, 1/4	
26	3311405	4	Nut, Lock 1/4-20	
27	3820001	8	Rivet	
28	1703983	1	Decal - Footswitch	
29		Ref	Decal - Max Tire Load (See DECAL INSTALLATION - OPTIONS)	
32		Ref	Decal - LP (See DECAL INSTALLATION - OPTIONS)	
33		Ref	Warning Stripes Installation (See DECAL INSTALLATION - OPTIONS)	
35	1704412	1	Decal - Hydraulic Fluid	
36	1001284875	1	Decal - Lift Diagram (Without Turntable Lock)	
36	1001223118	1	Decal - Lift Diagram (With Turntable Lock)	
37	1704885	2	Decal - Website	
40	0641406	4	Bolt, 1/4-20 x 3/4	
41	1705910	1	Decal - Drive/Steer	
42	1701499	4	Decal - No Tie Down/Lift	
43	3251813	1	Decal - USA	
47		Ref	Decal - Model Designation (See DECAL INSTALLATION - OPTIONS)	
48	1701529	2	Decal - Arrow	
49		Ref	Decal, JLG (See DECAL INSTALLATION - OPTIONS)	
50		Ref	Decal - Emissions Compliance (See DECAL INSTALLATION - OPTIONS)	
51	1001224049	1	Decal - Yearly Inspection	
100	1001232026	1	Decal - Platform Lanyard Kit (Not Shown)	
101	1704277	3	Decal - Attach Lanyard Here	

SECTION 9 - DECALS

FIGURE 9-12. DECAL INSTALLATION - OPTIONS



NOTE: ITEMS SHOWN MAY NOT BE REQUIRED FOR ALL SPECS.
REFER TO PARTS LIST FOR USAGE.



ART_DECAL_OPTIONS

SECTION 9 - DECALS

FIGURE 9-12. DECAL INSTALLATION - OPTIONS

ITEM	PART NUMBER	QTY	DESCRIPTION	REV
	1001248008	Ref	DECAL INSTALLATION - REFERENCE CHART	C
	1001247248	Ref	DECAL INSTALLATION - OPTIONS	X
33	1700818	1	Decal - LP (ANSI, CSA and Latin America Specs)	
33	1704271	1	Decal - LP (CSA Specs)	
108	1001231801	1	Decal - Warning (Prop 65) (ANSI & CSA Specs)	
120	1001188883	Ref	Warning Stripes Installation	A
120	4420051	21.5 ft /6.55m	Tape, Safety	
173	1001215850	Ref	Model Decal Installation - 450A	B
173	1001166084	Ref	Model Decal Installation - 450AJ	D
173A	1001272287	2	Decal - 450A	
173A	1001267310	2	Decal - 450AJ	
173B	1001195746	2	Decal - Max Tire Load (450A)	
173B	1704752	2	Decal - Max Tire Load (450AJ)	
190	1705358	2	Decal - SkyGlazier	
205	See Note	1	Nameplate - Manufacturers Serial Number (Note: Not Available for Purchase)	
210	1702868	2	Decal - No Hands (English Language)	
210	1705968	2	Decal - No Hands (English and China Languages)	
210	1704000	2	Decal - No Hands (English and French Languages)	
210	1705969	2	Decal - No Hands (English and Korean Languages)	
210	1704001	2	Decal - No Hands (English and Spanish Languages)	
210	1704002	2	Decal - No Hands (Portuguese and Spanish Language)	
215	1001166085	Ref	JLG Logo Installation (All Specs except Australian, CE & UK CA Specs)	C
215A	1702774	1	Decal - JLG Lift (3in)	
215B	1702773	1	Decal - JLG	
215C	1702860	1	Decal - JLG Lift (5in)	
215	1001243697	Ref	JLG Logo Installation (CE & UK CA Specs)	A
215B	1702773	1	Decal - JLG Lift (3in)	
215	1001243698	Ref	JLG Logo Installation (Australian Specs))	A
215A	1702774	1	Decal - JLG Lift (3in)	
215B	1702773	1	Decal - JLG	
215C	1702860	1	Decal - JLG Lift (5in)	
226	1704972	1	Decal - Warning Explosion/Fire (ANSI, ANSI Export and CSA Spec)	
226	1706059	1	Decal - Warning Explosion/Fire (Brazil Spec)	
226	1706098	1	Decal - Warning Explosion/Fire (CE & UK CE Spec)	
226	1706060	1	Decal - Warning Explosion/Fire (Chinese Spec)	
226	1706064	1	Decal - Warning Explosion/Fire (CSA Spec)	
226	1706062	1	Decal - Warning Explosion/Fire (Japanese Spec)	
226	1706061	1	Decal - Warning Explosion/Fire (Korean Spec)	
226	1706063	1	Decal - Warning Explosion/Fire (Latin America Spec)	
245	1001127096	Ref	Decal - ClearSky	
245A	1001116208	2	Decal - ClearSky	
245B	1001120989	1	Decal - Radio Frequency	
253	1001143852	1	Decal - Emissions Compliance (Deutz D2011 Engines/Deutz D2011 Engines (Stage V)/Deutz D2.9L4 Engines (Stage V))	
262	1001141300	1	Decal - SkyGuard Override	
262	1001141302	1	Decal - SkyGuard Override with Soft-Touch	
264A	1001204510	1	Decal - Sound Power (Deutz D2011 Engines)	

SECTION 9 - DECALS

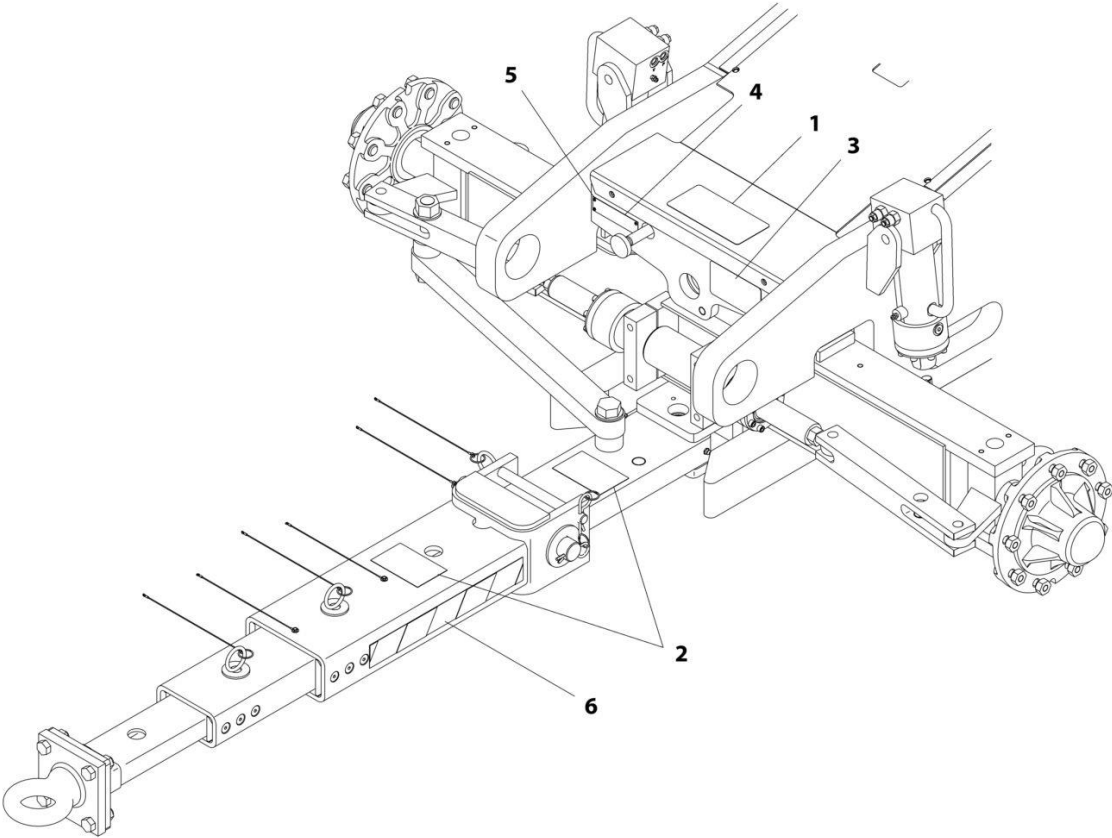
ITEM	PART NUMBER	QTY	DESCRIPTION	REV
264B	1001130492	1	Decal - Sound Power (Deutz D2011 (Stage V) Engines)	
265	1001272149	Ref	Decal Installation - Soft-Touch	A
265	1001271950	Ref	Decal Installation - Soft-Touch w/o Fall Arrest (ANSI Export & CSA Specs)	A
265	1001271958	Ref	Decal Installation - Soft-Touch w/ Fall Arrest (ANSI Export & CSA Specs)	A
265	1001271957	Ref	Decal Installation - Soft-Touch w/o Fall Arrest (CIS Specs)	A
265	1001271967	Ref	Decal Installation - Soft-Touch w/ Fall Arrest (CIS Specs)	A
265	1001271956	Ref	Decal Installation - Soft-Touch w/o Fall Arrest (Brazil Spanish/Portuguese Specs)	A
265	1001271966	Ref	Decal Installation - Soft-Touch w/ Fall Arrest (Brazil Spanish/Portuguese Specs)	A
265	1001271951	Ref	Decal Installation - Soft-Touch w/o Fall Arrest (Chinese Specs)	A
265	1001271959	Ref	Decal Installation - Soft-Touch w/ Fall Arrest (Chinese Specs)	A
265	1001271953	Ref	Decal Installation - Soft-Touch w/o Fall Arrest (French Specs)	A
265	1001271963	Ref	Decal Installation - Soft-Touch w/ Fall Arrest (French Specs)	A
265	1001271954	Ref	Decal Installation - Soft-Touch w/o Fall Arrest (Japanese Specs)	A
265	1001271964	Ref	Decal Installation - Soft-Touch w/ Fall Arrest (Japanese Specs)	A
265	1001271955	Ref	Decal Installation - Soft-Touch w/o Fall Arrest (Korean Specs)	A
265	1001271965	Ref	Decal Installation - Soft-Touch w/ Fall Arrest (Korean Specs)	A
265	1001271952	Ref	Decal Installation - Soft-Touch w/o Fall Arrest (Latin American Spanish Specs)	A
265	1001271961	Ref	Decal Installation - Soft-Touch w/ Fall Arrest (Latin American Spanish Specs)	A
265A		Ref	Decal - Capacity Options	
265A	1001271687	2	Decal - Capacity w/o Fall Arrest (ANSI, ANSI Export & CSA Specs)	
265A	1001271698	2	Decal - Capacity w/ Fall Arrest (ANSI, ANSI Export & CSA Specs)	
265A	1001271688	2	Decal - Capacity w/o Fall Arrest (CSI Specs)	
265A	1001271699	2	Decal - Capacity w/ Fall Arrest (CSI Specs)	
265A	1001271697	2	Decal - Capacity w/o Fall Arrest (Brazil Spanish/Portuguese Specs)	
265A	1001271705	2	Decal - Capacity w/ Fall Arrest (Brazil Spanish/Portuguese Specs)	
265A	1001271689	2	Decal - Capacity w/o Fall Arrest (Chinese Specs)	
265A	1001271700	2	Decal - Capacity w/ Fall Arrest (Chinese Specs)	
265A	1001271691	2	Decal - Capacity w/o Fall Arrest (French Specs)	
265A	1001271701	2	Decal - Capacity w/ Fall Arrest (French Specs)	
265A	1001271696	2	Decal - Capacity w/o Fall Arrest (Japanese/English Specs)	
265A	1001271704	2	Decal - Capacity w/ Fall Arrest (Japanese/English Specs)	
265A	1001271692	2	Decal - Capacity w/o Fall Arrest (Korean/English Specs)	
265A	1001271702	2	Decal - Capacity w/ Fall Arrest (Korean/English Specs)	
265A	1001271695	2	Decal - Capacity w/o Fall Arrest (Latin America Spanish/English Specs)	
265A	1001271703	2	Decal - Capacity w/ Fall Arrest (Latin America Spanish/English Specs)	
265B		Ref	Decal - Notice Options:	
265B	1001195491	1	Decal - Notice (ANSI, ANSI Export & CSA Specs)	
265B	1001195490	1	Decal - Notice (CIS Specs)	
265B	1001271707	1	Decal - Notice (Brazil Spanish/Portuguese Specs)	
265B	1001271708	1	Decal - Notice (Chinese Specs)	
265B	1001271709	1	Decal - Notice (French Specs)	
265B	1001271712	1	Decal - Notice (Japanese/English Specs)	

SECTION 9 - DECALS

ITEM	PART NUMBER	QTY	DESCRIPTION	REV
265B	1001271710	1	Decal - Notice (Korean/English Specs)	
265B	1001271711	1	Decal - Notice (Latin American Spanish/English Specs)	
267	1001200131	1	Decal - Quick Start Reference (Loxam Rental) (Danish Spec)	
267	1001200129	1	Decal - Quick Start Reference (Loxam Rental) (Dutch Spec)	
267	1001181145	1	Decal - Quick Start Reference (Loxam Rental) (English Spec)	
267	1001200128	1	Decal - Quick Start Reference (Loxam Rental) (French Spec)	
267	1001200130	1	Decal - Quick Start Reference (Loxam Rental) (German Spec)	
267	1001200134	1	Decal - Quick Start Reference (Loxam Rental) (Norwegians Spec)	
267	1001200133	1	Decal - Quick Start Reference (Loxam Rental) (Spanish Spec)	
267	1001200132	1	Decal - Quick Start Reference (Loxam Rental) (Swedish Spec)	

SECTION 9 - DECALS

FIGURE 9-13. TOW BAR DECAL INSTALLATION - ENGLISH LANGUAGE (ANSI, ANSI EXPORT, CE, CHINA, JAPANESE AND RUSSIA SPECS)



ART_0270115

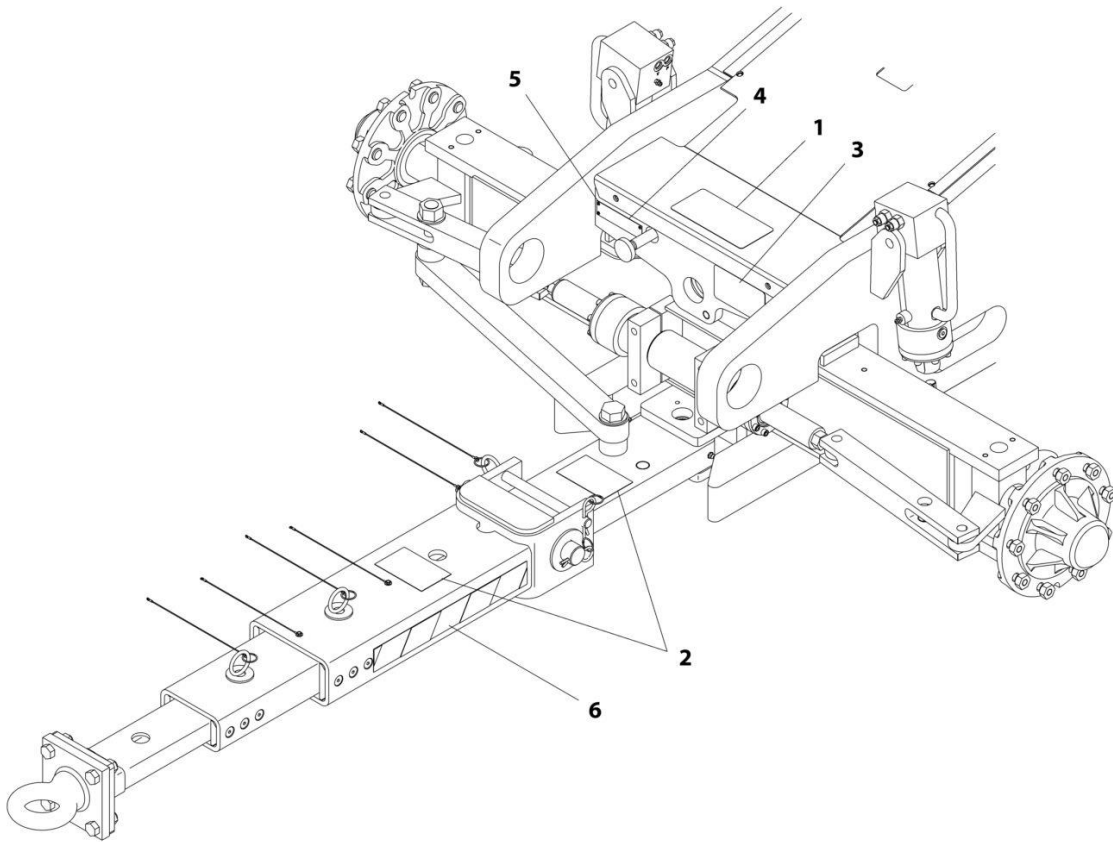
SECTION 9 - DECALS

FIGURE 9-13. TOW BAR DECAL INSTALLATION - ENGLISH LANGUAGE (ANSI, ANSI EXPORT, CE, CHINA, JAPANESE AND RUSSIA SPECS)

ITEM	PART NUMBER	QTY	DESCRIPTION	REV
	0270115	Ref	TOW BAR DECAL INSTALLATION	A
1	1704482	1	Decal - Tow Instructions	
2	1704578	3	Decal - Crushing	
3	1703450	1	Decal - Warning	
4	3250872	1	Nameplate - Steer/Tow Select Valve	
5	3820001	4	Rivet	
6	4420051	43 in /109.2cm	Tape, Safety	

SECTION 9 - DECALS

FIGURE 9-14. TOW BAR DECAL INSTALLATION - ENGLISH/SPANISH LANGUAGE (ANSI EXPORT SPECS)



ART_0270119

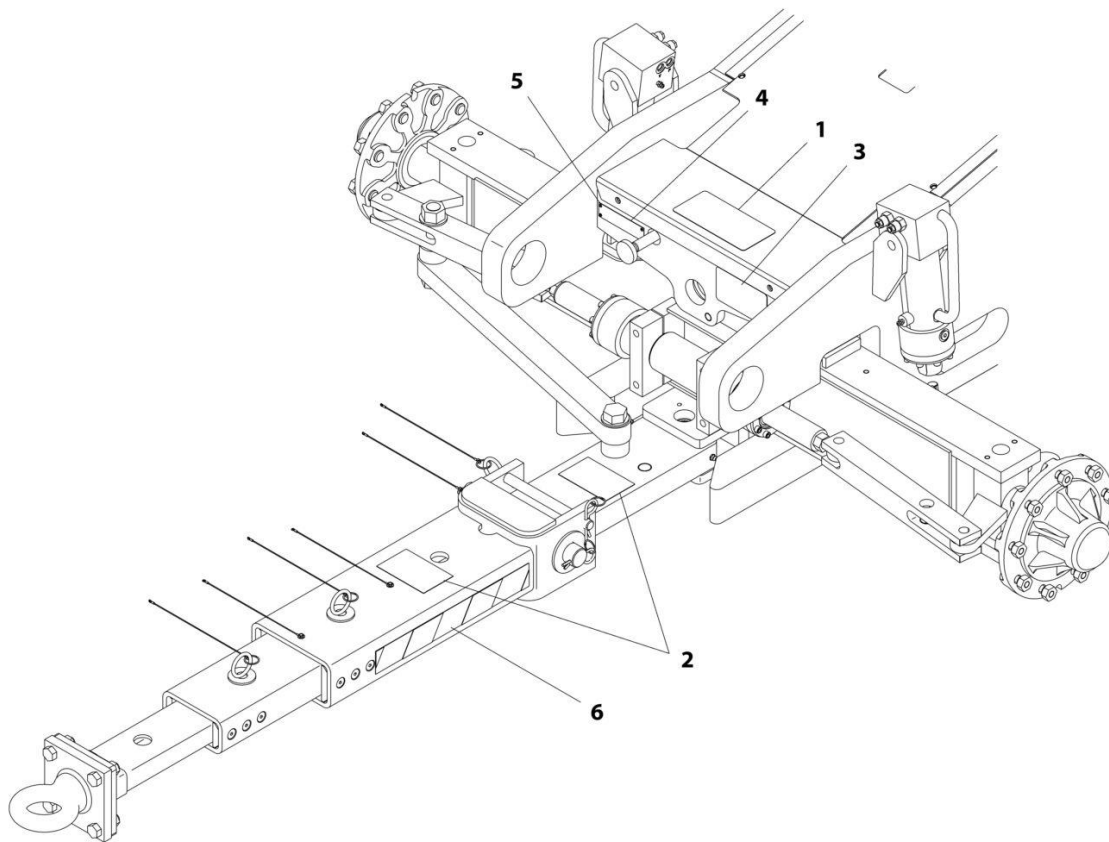
SECTION 9 - DECALS

FIGURE 9-14. TOW BAR DECAL INSTALLATION - ENGLISH/SPANISH LANGUAGE (ANSI EXPORT SPECS)

ITEM	PART NUMBER	QTY	DESCRIPTION	REV
	0270119	Ref	TOW BAR DECAL INSTALLATION	A
1	1704457	1	Decal - Tow Instructions	
2	1704577	3	Decal - Crushing	
3	1704576	1	Decal - Warning	
4	3252693	1	Nameplate - Steer/Tow Select Valve	
5	3820001	4	Rivet	
6	4420051	43 in /109.2cm	Tape, Safety	

SECTION 9 - DECALS

FIGURE 9-15. TOW BAR DECAL INSTALLATION - SPANISH LANGUAGE (ANSI EXPORT, CE AND RUSSIA SPECS)



ART_0270116

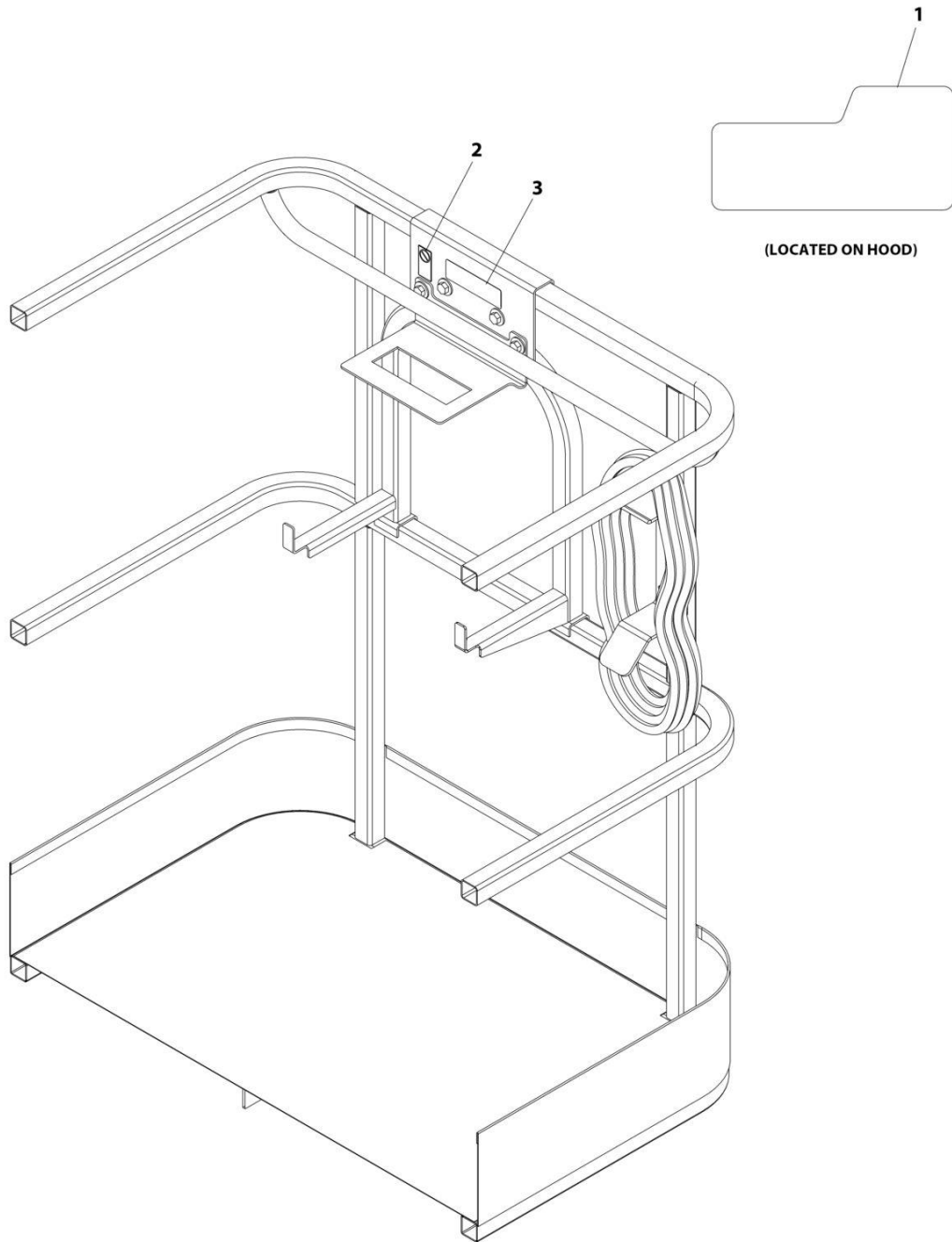
SECTION 9 - DECALS

FIGURE 9-15. TOW BAR DECAL INSTALLATION - SPANISH LANGUAGE (ANSI EXPORT, CE AND RUSSIA SPECS)

ITEM	PART NUMBER	QTY	DESCRIPTION	REV
	0270116	Ref	TOW BAR DECAL INSTALLATION	A
1	1704455	1	Decal - Tow Instructions	
2	1701518	3	Decal - Crushing	
3	1704456	1	Decal - Warning	
4	3252692	1	Nameplate - Steer/Tow Select Valve	
5	3820001	4	Rivet	
6	4420051	43 in /109.2cm	Tape, Safety	

SECTION 9 - DECALS

FIGURE 9-16. SKYWELDER DECAL INSTALLATION – 50HZ (ANSI EXPORT SPECS)



ART_0272588

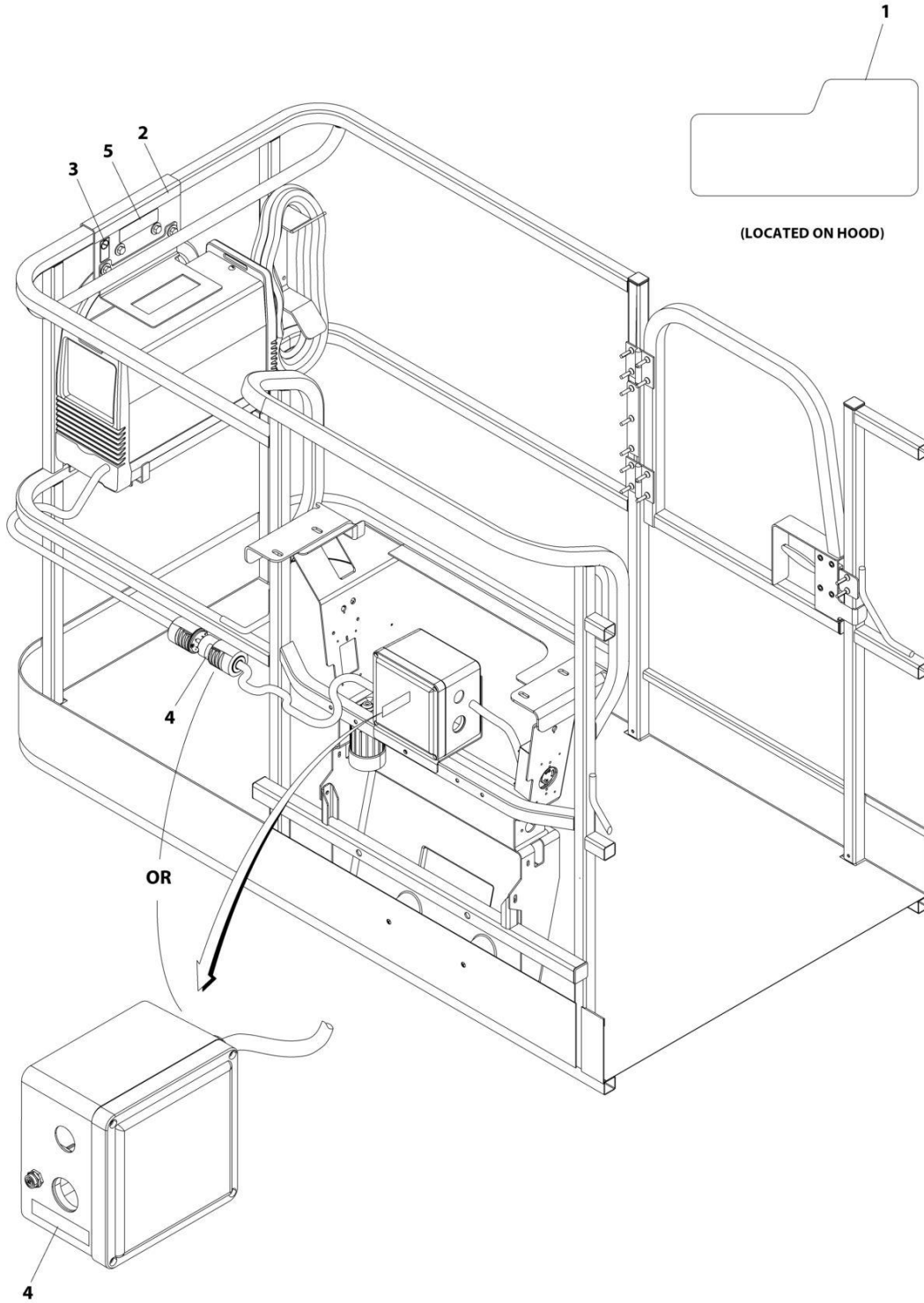
SECTION 9 - DECALS

FIGURE 9-16. SKYWELDER DECAL INSTALLATION – 50HZ (ANSI EXPORT SPECS)

ITEM	PART NUMBER	QTY	DESCRIPTION	REV
	0272588	Ref	SKYWELDER DECAL INSTALLATION - 50Hz	B
1	1705355	2	Decal - SkyWelder	
2	1705305	1	Decal - Weld Lead	
3	1001228988	1	Decal - Weight	

SECTION 9 - DECALS

FIGURE 9-17. SKYWELDER DECAL INSTALLATION - 60HZ (ANSI EXPORT SPECS)



ART_0272448_C

SECTION 9 - DECALS

FIGURE 9-17. SKYWELDER DECAL INSTALLATION - 60HZ (ANSI EXPORT SPECS)

ITEM	PART NUMBER	QTY	DESCRIPTION	REV
	0272448	Ref	SKYWELDER DECAL INSTALLATION - 60Hz	C
1	1705355	2	Decal - SkyWelder	
2	1702868	1	Decal - No Hands	
3	1705305	1	Decal - Weld Lead	
4	1705375	1	Decal - 240V - 3 Phase - 60Hz	
5	1001228988	1	Decal - Weight	

SECTION 10 - RECOMMENDED SERVICE PARTS STOCK

SECTION 10 - RECOMMENDED SERVICE PARTS STOCK

SECTION 10 - RECOMMENDED SERVICE PARTS STOCK

FIGURE 10-1. RECOMMENDED SERVICE PARTS STOCK

ITEM	PART NUMBER	QTY	DESCRIPTION	REV
		Ref	Note: The following list will service one machine (built to current production per date on the front cover) with emergency repair parts which can be installed in the field. Parts from the list should be replaced when inventory is depleted to keep service parts stock supplied. For further information, contact your JLG dealer or the JLG Industries Parts Department.	
	1001189172	1	Breaker, 16Amp Double (Breaker Box with Three Breakers)	
	1001189171	1	Breaker, 30mA (Breaker Box with Three Breakers)	
	4360542	1	Breaker, Circuit (2500W/60HZ Generators)	
	4360070	1	Breaker, Circuit 15Amp (4000W/60HZ and 7500W Generators)	
	7024485	1	Breaker, Circuit 30Amp (7500W Generators with Deutz D2011 Engines)	
	70006095	1	Breaker, Circuit 30Amp (7500W Generators with Deutz D2.9L4 and Kubota Engines)	
	1001181045	1	Breaker, Combination 16Amp/30mAmp (Breaker Box with Single Breaker)	
	1001159118	1	Breaker, GFCI 30Amp (240V AC Box at Platform)	
	70005219	1	Coil (Main Valve)	
	70003788	1	Coil (Main Valve and Tower Lift Cylinder)	
	7024885	1	Coil (Traction Valves)	
	70002386	1	Coil (Traction Valves, Main Valve, and Lift Cylinders)	
	7027628	1	Coil (Upright Valve)	
	70004871	1	Coil (Upright Valve and Boom Valves)	
	4360476	1	Contact, Block	
	7020176	1	Contact, Block	
	1001212415	1	Controller Assembly (Drive and Steer)	
	1001129555	1	Controller Assembly (Lift and Swing)	
	1001117174	1	Controller, Footswitch	
		Ref	Engine - Deutz D2.9L4	
	70003783	12	Filter, Air	
	1001196634	2	Fuse, 2 Amp (Arctic Package)	
	8229242	2	Fuse, 5Amp	
	80983191	2	Fuse, 10Amp	
	70023592	2	Fuse, 20Amp	
	70023593	2	Fuse, 30Amp	
	1001117308	2	Relay, 200Amp	
		Ref	Engine - Deutz D2.9L4 (Stage V)	
	70003783	12	Filter, Air	
	70025161	12	Filter, Fuel	
	70025153	12	Filter, Fuel Pre	
	7016331	12	Filter, Oil	
	1001197719	2	Fuse, 0.5 Watt	
	70023592	2	Fuse, 20Amp	
	70023593	2	Fuse, 30Amp	
	1001117308	1	Relay, 200Amp	
		Ref	Engine - Deutz D2011	
	70003783	12	Filter, Air	
	7020023	12	Filter, Fuel	
	70003463	12	Filter, Fuel - RME Resistant	
	7016331	12	Filter, Oil	

SECTION 10 - RECOMMENDED SERVICE PARTS STOCK

ITEM	PART NUMBER	QTY	DESCRIPTION	REV
	3740140	1	Relay	
	70004058	1	Relay	
		Ref	Engine - Kubota	
	70004020	12	Filter, Air	
	7017992	12	Filter, Fuel	
	70006023	12	Filter, Oil	
	2400082	2	Fuse, 40Amp	
	70006061	1	Module, Engine Control	
	70010383	12	Element, Filter (2WD and 4WD Valves)	
	1001196635	2	Fuse, 3Amp (Turntable Harness)	
	8229249	2	Fuse, 3 Amp (USB Charger)	
	8229242	2	Fuse, 5Amp (Turntable Harness)	
	8229244	2	Fuse, 15Amp (Turntable Harness)	
	8229245	2	Fuse 30Amp (2500W Generator Harness)	
	1001129285	2	Fuse with Diode (Turntable Harness)	
	2860030	1	Key, Replacement (Ground Control Assemblies)	
	2940074	1	Latch (Platforms with Gate Entry)	
	1001142683	1	Module, Control (Beacon Light Installations)	
	1001118412	1	Module, Control (Platform Console Box)	
	1001170094	1	Module, Ground Control	
	3740140	1	Relay (Battery and Cable Installation)	
	3740080	1	Relay (2500W Generators)	
	70006553	1	Relay (4000W Generators with Deutz D2011 Engines)	
	1001186431	1	Relay (SkyGuard)	
	3740086	1	Relay (SkyLine)	
	1001095704	1	Relay (Turntable Harness)	
	1001219601	1	Sensor (Electrical System Installation)	
	1001118971	1	Sensor, Angle (Boom Cables and Clamps Installation)	
	1001228225	1	Sensor, Emitter (SkyEye)	
	4360436	1	Sensor, Fuel Level (Gas and Diesel Tanks)	
	1001172271	1	Sensor, Limit (Boom Cables and Clamps Installation)	
	1001119176	1	Sensor, Limit (Drive Orientation Installation)	
	4360057	1	Sensor, Limit (Soft-Touch Installation)	
	1001247468	1	Sensor, Loadcell (Platform Support Installation)	
	1001228224	1	Sensor, Receiver (SkyEye)	
	1001232667	1	Sensor, Proximity (SkyLine)	
	1001137673	1	Sensor, SkyGuard	
	1001225346	1	Switch (Battery Disconnect)	
	4360475	1	Switch, Emergency (Ground Control Assemblies and Platform Control Box)	
	4360469	1	Switch, Key (Ground Control Assemblies)	
	4360407	1	Switch, Potentiometer (Platform Console Box)	
	4360274	1	Switch, Push Button (Ground Control Assembly with Duetz Stage V Engines)	
	4360387	1	Switch, Push Button (Ground Control Assembly Russia, CE & UK CA Specs, Platform Console Box, and Soft-Touch)	
	4360336	1	Switch, Toggle (Generator Installations)	
	1001155045	1	Switch, Toggle (Ground Control Assemblies and Platform Control Box)	
	1001159256	1	Switch, Toggle (Platform Console Box)	
	1001161709	1	Switch, Toggle (Platform Console Box)	

SECTION 11 - SPECIAL OPTIONS/ACCESSORIES/KITS

SECTION 11 - SPECIAL OPTIONS/ACCESSORIES/KITS

SECTION 11 - SPECIAL OPTIONS/ACCESSORIES/KITS

FIGURE 11-1. SPECIAL OPTIONS/ACCESSORIES/KITS

ITEM	PART NUMBER	QTY	DESCRIPTION	REV
	Note	Ref	Note: This list is to accommodate machines ordered with special equipment. Options may not be applicable to all models. For more specific parts information contact JLG Parts Department.	
		Ref	SPECIAL OPTIONS/ACCESSORIES/KITS	
	1001218978	Ref	Airline Installation - 450A (Machines without Arctic Package)	
	1001172057	Ref	Airline Installation - 450AJ (Machines without Arctic Package)	
	1001217461	Ref	Airline Installation - 450A (Machines with Arctic Package)	
	1001174654	Ref	Airline Installation - 450AJ (Machines with Arctic Package)	
	70006428	Ref	Bearing and Seal Kit (For Huh Assembly 2780267 & 2780268)	
	1001241254	Ref	Boom Angle Sensor Offset Link Kit – 450AJ	
	1001206438	Ref	Boom Wear Pad Kit	
	1001236123	Ref	Boom Wiper Cover Installation	
	1001233047	Ref	Breather Heater Kit - Deutz D2.9L4 Engines)	
	1001172045	Ref	Cable Carrier Tray Installation	
		Ref	ClearSky (Telematics) Installations (Dealer Installed)	
	1001242639	Ref	ClearSky (Telematics) Access Control Installation Kit (Dealer Installed) (ANSI, ANSI Export, CSA, CE & UK CA Specs)	
	1001243183	Ref	ClearSky (Telematics) Added-on Kit (Dealer Installed) (ANSI, ANSI Export, CSA, CE & UK CA Specs)	
	1001246142	Ref	ClearSky (Telematics) Service Kit (Dealer Installed) (Australian Specs)	
	1001243184	Ref	ClearSky (Telematics) Added-on Kit (Dealer Installed) (CE & UK CA Specs)	
		Ref	ClearSky Telematics (Factory Installed)	
	1001227278	Ref	ClearSky 4G (Telematics) Installation (Factory Installed) Canbus Connection (All Specs Except China and Russia Specs)	
	1001246433	Ref	ClearSky (Telematics) Installation (Factory Installed) 3-Wire Connection (Australian Specs)	
	1001228960	Ref	ClearSky 3G (Telematics) Installation (Factory Installed) Canbus Connection (ANSI Export, CE and Russia Specs)	
	1001246434	Ref	ClearSky (Telematics) Installation (Factory Installed) 3-Wire Connection (China Specs)	
	1001229107	Ref	ClearSky (Telematics) Installation (Factory Installed) 3-Wire Connection (ANSI and CSA Specs)	
	1001233237	Ref	ClearSky (Telematics) Installation (Factory Installed) 3-Wire Connection (ANSI Export, CE, Russian & UK CA Specs)	
	1001262959	Ref	ClearSky Voltage Regulator Installation Kit	
	1001174767	Ref	Cold Weather Package - Deutz D2011 Engines	
	1001174766	Ref	Cold Weather Package - Deutz D2.9L4 Engines	
	1001255807	Ref	Cold Weather Package - Deutz D2.9L4 Engines (Stage V)	
	1001215181	Ref	Cold Weather Package - Kubota Engines	
	1001186976	Ref	Cold Weather Transformer Installation (Required with Deutz D2011 Engines)	
	1001148145	Ref	Container/Transport Wheels Installation - 12 x 16.5 Tires	
	0272031	Ref	Container/Transport Wheels Installation - 33/1550 x 16.5 Tires	
	1001176343	Ref	Cribbing Switch Installation (ANSI Only)	
	1001215865	Ref	Cylinder Bellows Installation - 450A	
	1001196012	Ref	Cylinder Bellows Installation - 450AJ	
	1001272197	Ref	Decal Kit - Platform	
	70006429	Ref	Drive Hub Seal Kit (For Huh Assembly 2780267 & 2780268)	
	1001148902	Ref	Electrical Connector Kit - Amp/Tyco Electrical Connectors	

SECTION 11 - SPECIAL OPTIONS/ACCESSORIES/KITS

ITEM	PART NUMBER	QTY	DESCRIPTION	REV
	1001148903	Ref	Electrical Connector Kit - Deutsch DT Electrical Connectors	
	1001148904	Ref	Electrical Connector Kit - Deutsch HD Electrical Connectors	
	1001148905	Ref	Electrical Connector Kit - Packard Electrical Connectors	
	1001148906	Ref	Electrical Connector Kit - Various Electrical Connectors	
	1001214833	Ref	Engine Block Heater Installation - Kubota Engines	
	1001243331	Ref	Fan Cover Installation - Deutz D2011 Engines	
	1001172751	Ref	Fan Cover Installation - Deutz D2.9L4 Engines/Deutz D2.9L4 Engines (Stage V)	
		Ref	Filter Kits:	
	1001204481	Ref	Combined Filter Kit (Hydraulic/Air and Fuel/Engine Oil) (Deutz D2011 Engine Only)	
	1001225794	1	Combined Filter Kit (Hydraulic/Air and Fuel/Engine Oil) (Deutz D2011 Engine Only) (Stage V)	
	1001204482	1	Combined Filter Kit - Deutz D2.9L4 Engine (Air/Engine Oil/Fuel/Hydraulic/Air)	
	1001242589	1	Combined Filter Kit (Hydraulic/Air and Fuel/Engine Oil) (Kobota Engine Only)	
	1001139099	Ref	Fire Extinguisher Installation	
	1001117294	Ref	Footswitch Shield Installation	
	1001191394	Ref	Fuel Cap Cover (Red) (Gas/Dual Fuel Machines)	
	1001191395	Ref	Fuel Cap Cover (Green)	
	1001202749	Ref	Fuel Cap Cover (Black)	
	1001220003	Ref	Ground Control and UGM Covers Kit	
	1001256416	Ref	Hood Latch Bracket Service Kit (Engine Side)	
	1001215868	Ref	Hostile Environment Package - 450A (Includes Cylinder Bellows, Platform Console Cover and Boom Wiper)	
	1001169831	Ref	Hostile Environment Package - 450AJ (Includes Cylinder Bellows, Platform Console Cover and Boom Wiper)	
	1001241397	Ref	Hostile Environment Kit - 450AJ (Includes Cylinder Bellows, Platform Console Cover and Boom Wiper)	
	1001258231	Ref	Hydraulic Load Installation (Deutz D2011, Deutz D2.9L4 and Stage V Engines)	
	1001265688	Ref	Hydraulic Tank Lock Installation (Machines With SN Starting With B3)	
	1001172001	Ref	Lights Installation - Headlights and Taillights	
	1001120466	Ref	Lights Installation - Platform Worklights	
	1001183407	Ref	Low Temperature Cutout Installation (Russian Specs)	
	1001173664	Ref	Oil Cooler Installation - Deutz D2011 Engines	
	1001164493	Ref	Oil Cooler Installation - Deutz D2.9L4 Engines/Deutz D2.9L4 Engines (Stage V)	
	1001216552	Ref	Oil Cooler Installation - Kubota Engines	
	1001236122	Ref	Platform Console Cover Installation (Plastic)	
	1001110974	Ref	Platform Console Cover Installation (Steel)	
	1580013	Ref	Platform Corner Storage Tray	
	1001267283	Ref	Platform Hose/Cable Protection	
	1001238421	Ref	Platform Leveling Kit	
	1001272274	Ref	Platform Mesh to Mid Rail Installation - 30in x 48in Platforms	
	1001272178	Ref	Platform Mesh to Mid Rail Installation - 30in x 60in Platforms	
	1001272313	Ref	Platform Mesh to Mid Rail Installation - 30in x 72in Platforms	
	1001266969	Ref	Platform Plastic Mesh to Mid Rail Installation - 30in x 48in Platforms	
	1001266799	Ref	Platform Plastic Mesh to Mid Rail Installation - 30in x 60in Platforms	

SECTION 11 - SPECIAL OPTIONS/ACCESSORIES/KITS

ITEM	PART NUMBER	QTY	DESCRIPTION	REV
	1001266465	Ref	Platform Plastic Mesh to Mid Rail Installation - 30in x 72in Platforms	
	1001214478	Ref	Platform Mesh to Mid Rail Kit - 30in x 48in Platforms (Use on Platform p/n 1001186387)	
	1001214515	Ref	Platform Mesh to Mid Rail Kit - 30in x 60in Platforms (Use on Platform p/n 1001186386)	
	1001272182	Ref	Platform Mesh to Top Rail Installation - 30in x 48in Platforms	
	1001271888	Ref	Platform Mesh to Top Rail Installation - 30in x 60in Platforms	
	1001272310	Ref	Platform Mesh to Top Rail Installation - 30in x 72in Platforms	
	1001266807	Ref	Platform Plastic Mesh to Top Rail Installation - 30in x 48in Platforms	
	1001266801	Ref	Platform Plastic Mesh to Top Rail Installation - 30in x 60in Platforms	
	1001266491	Ref	Platform Plastic Mesh to Top Rail Installation - 30in x 72in Platforms	
	1001214552	Ref	Platform Mesh to Top Rail Kit - 30in x 48in Platforms (Use on Platform p/n 1001186387)	
	1001214559	Ref	Platform Mesh to Top Rail Kit - 30in x 60in Platforms (Use on Platform p/n 1001186386)	
	1001214560	Ref	Platform Mesh to Top Rail Kit - 30in x 72in Platforms (Use on Platform p/n 1001186385)	
	0274095	Ref	Platform Rail Extension Installation - 30in x 72in Platforms	
	1001239575	Ref	Platform Valve Hose Kit - 450AJ	
	1001209059	Ref	Platform Work Surface Installation	
	1001233080	Ref	Pump Rotation Kit (Re-orient Gear Pump 90 Degrees)	
	1001247800	Ref	Quad Tracks Replacement Kit	
	1001204110	Ref	Service Kits	Q
	1001247073	Ref	SkyEye Retrofit Kit	
	1001241547	Ref	SkyEye LH Housing Retrofit Kit	
	1001241548	Ref	SkyEye RH Retrofit Kit	
	1001249052	Ref	SkyGuard Retrofit Kit	
	1001250595	Ref	SkyGuard 6 Pin Retrofit Kit	
	1001203510	Ref	SkyGuard Platform Sensor Kit	
	1001203511	Ref	SkyGuard Beacon Kit (Blue Light)	
	1001210036	Ref	SkyGuard Beacon Kit (Red Light)	
	1001262016	Ref	SkyLine Kit	
	1001250465	Ref	SkySense (EDS) Level 1 Booms Installation (Factory Installed)	
	1001250466	Ref	SkySense (EDS) Level 2 Booms Installation (Factory Installed)	
	1001252033	Ref	SkySense Enhanced Detection System (EDS) Level 1 (2-Bar) Add-on Kit (Dealer Installed)	
	1001252034	Ref	SkySense Enhanced Detection System (EDS) Level 2 (3-Bar) Add-on Kit (Dealer Installed)	
	1001231235	Ref	SkyWelder Locking Bracket Installation	
	2901443	Ref	Tools - Analyzer Kit	
	1001249695	Ref	Tools - Analyzer and Cable Kit	
	1001249941	Ref	Tools - Analyzer and Cable Kit (Battery Powered)	
	1001137005	Ref	Tools - Cable Kit, Software (Not Shown)	
	7002821	Ref	Tools - Crimper, Wire	
	7002823	Ref	Tools - Pin Extractor - Universal (For Electrical Connectors with Pins and Sockets)	
	4460510	Ref	Tools - Pin Extractor - 12-14 Gauge (For Removal of Pin/Sockets from Deutsch Connectors)	
	4460467	Ref	Tools - Pin Extractor - 16-18 Gauge (For Removal of Pin/Sockets from Deutsch Connectors)	

SECTION 11 - SPECIAL OPTIONS/ACCESSORIES/KITS

ITEM	PART NUMBER	QTY	DESCRIPTION	REV
	7016654	Ref	Tools - Screwdriver, Magnetic	
	7002822	Ref	Tools - Screwdriver, Potentiometer	
	7004275	Ref	Tools - Seal Tool 1in (For Cylinders)	
	7004276	Ref	Tools - Seal Tool 1-1/2in (For Cylinders)	
	7002828	Ref	Tools - Stripper, Wire	
	1001239573	Ref	Upper Power Track Hose Kit - 400A	
	1001239574	Ref	Upper Power Track Hose Kit - 400AJ	
	1001236496	Ref	Wet Stacking Prevention Kit (Deutz D2.9L4 Engines)	

SECTION 11 - SPECIAL OPTIONS/ACCESSORIES/KITS

PART NUMBER INDEX

SECTION 11 - SPECIAL OPTIONS/ACCESSORIES/KITS

0080201.....286, 314	0270116 823	0641772 ... 335, 339, 343, 347	0741607.... 351, 355, 359, 363, 375
0080231.....258, 268	0270119 821	0641812 ... 197, 211, 229, 255, 265, 283, 311	0741608.....379
0100009.....459, 463	0270653 49	0642012 489	0760408.....279, 307
0100011.... 19, 21, 23, 25, 27, 29, 31, 45, 61, 63, 65, 67, 69, 75, 81, 83, 85, 87, 89, 107, 109, 111, 113, 115, 117, 121, 123, 125, 127, 129, 136, 139, 141, 151, 156, 160, 164, 168, 172, 176, 179, 181, 183, 185, 187, 189, 195, 197, 200, 207, 211, 214, 225, 229, 232, 241, 247, 249, 253, 255, 258, 263, 265, 268, 279, 283, 286, 295, 301, 307, 311, 314, 335, 339, 343, 347, 351, 355, 359, 363, 367, 371, 375, 379, 395, 397, 399, 401, 403, 405, 409, 411, 413, 415, 419, 421, 423, 425, 427, 429, 445, 447, 449, 451, 483, 485, 491, 493, 495, 507, 509, 658, 662, 666, 670, 674, 678, 682, 686, 690, 694, 698	0272031 834	0681608 202, 216, 419	0760512.....151
	0272254 493	0681620 503, 505	0760605.....286, 314
	0272435 373, 377	0681810 29, 31	0760606.... 286, 314, 351, 355, 359, 363, 367, 371, 375
	0272448 827	0681814 453	0760607.... 202, 216, 232
	0272521 491	0682014 27, 29, 31	0760608.... 121, 189, 286, 314, 335, 339, 343, 347
	0272588 825	0682040 77	0760610.... 136, 139, 141, 151, 179, 181, 185, 187, 195, 200, 208, 214, 225, 232, 253, 258, 263, 268, 279, 286, 295, 301, 307, 314, 331, 333, 351, 355, 359, 363, 367, 371, 375, 379, 647, 649, 659, 663, 667, 671, 675, 679
	0272589 369	0682424 503, 505	0760612.... 151, 286, 314
	0273380 373, 377, 381	0700408 ... 621, 623, 625, 627, 629, 631, 633, 635, 637, 639, 641	0760614.... 147, 149, 195, 207, 225, 253, 259, 263, 269, 295, 301, 351, 363, 647
	0274095 836	0700616 183, 189, 411	0760615..... 179, 181
	0274661 501	0700810 286, 314	0760621.....136
	0275216 623, 765	0700814 286, 314	0760808.... 200, 214, 234, 286, 314
	0275217 627, 767	0700815 286, 314	0760810.... 156, 160, 164, 168, 172, 176, 202, 216, 232, 279, 307, 419
	0275452 629, 769	0700816 75, 288, 316	0760812.... 61, 63, 65, 67, 69, 111, 113, 115, 117, 123, 125, 127, 129, 156, 160, 164, 168, 172, 176, 195, 200, 208, 214, 225, 232, 253, 263, 279, 286, 295, 301, 307, 314, 331, 333, 335, 339, 343, 352, 356, 360, 368, 372, 376, 409, 411, 653, 658, 662, 666, 670, 674, 678, 682, 686, 690, 694, 698
	0275453 631, 771	0700818 ... 355, 359, 367, 371, 375, 379	0760814.... 156, 160, 164, 168, 172, 176, 200, 214, 232, 247, 249, 258, 268, 279, 286, 307, 314, 347, 379, 662, 666, 674, 678, 682, 690, 698
	0275454 639, 773	0700819 379	0760815.... 202, 216, 232, 258, 268, 286, 314, 379
	0360406 77	0700820 407	0760816..... 288, 316
	0361810 151	0700827 ... 658, 662, 666, 670, 674, 678, 682, 686, 690, 694, 698	0760817.... 109, 413, 415
	0363019 75, 77	0700828 ... 658, 662, 666, 670, 674, 678, 682, 686, 690, 694, 698	0760818.... 200, 214, 232
	0400075 151	0701014 75	0760819.... 19, 21
	0440162 ... 195, 207, 225, 253, 263, 279, 295, 301, 307	0701015 413, 415	0760822 ... 286, 314, 347, 379
	0440271 25	0701016 288, 316, 379	0760824 109, 413, 415
	0480100 499, 501	0701018 ... 156, 160, 164, 168, 176	0760825 25
	0480120 335	0701019 172, 407	0760826 23, 25
	0480122 339	0701020 ... 111, 113, 115, 117, 225, 407	0760827 ... 200, 214, 232
	0480126 351, 367	0701021 ... 658, 662, 666, 670, 674, 678, 682, 686, 690, 694, 698	0760828 ... 200, 214, 232, 247, 249, 258, 268, 335, 339, 343, 347, 351, 355, 359, 363, 367, 371, 375
	0480128 355, 371	0701022 ... 658, 662, 666, 670, 674, 678, 682, 686, 690, 694, 698	0760829 25
	0480129 379	0701024 ... 658, 662, 666, 670, 674, 678, 682, 686, 690, 694, 698	0760830 25
	0630462 507, 509	0701027 413, 415	0760831 25
	0630518 ... 131, 133, 467, 469, 491, 493, 495	0701216 286, 314	0760832 25
	0630568 459, 463	0701217 19, 21	0760833 25
	0630613 ... 156, 160, 164, 168, 172, 176	0701224 ... 286, 314, 347, 379	0760834 25
	0641404 485	0701616 109, 413, 415	0760835.... 202, 216, 232, 258, 268, 286, 314, 379
	0641405 459, 463, 485	0701617 25	0760836..... 288, 316
	0641406 ... 455, 457, 479, 793, 795, 797, 799, 801, 803, 805, 807, 809, 811, 813	0711214 200, 214, 232	0761009..... 335, 339
	0641408 455, 457	0711220 23, 25	0761010.... 81, 83, 85, 87, 89, 121
	0641409 183, 189	0711224 ... 200, 214, 232, 247, 249, 258, 268, 335, 339, 343, 347, 351, 355, 359, 363, 367, 371, 375	0761011. 23, 25, 280, 308
	0641410 ... 179, 181, 185, 187	0711227 409, 411	0761012.... 395, 397, 399, 401, 403, 405, 653, 662, 666, 670, 674, 678, 682, 690, 698
	0641414 ... 459, 463, 483, 507, 509	0711628 97, 99	
	0641416 ... 621, 623, 625, 627, 629, 631, 633, 635, 637, 639, 641	0711629 25	
	0641418 445, 447, 451	0711631 97, 99	
	0641420 449	0721005 507, 509	
	0641504 75, 151	0721006 241, 243	
	0641507 ... 335, 339, 343, 347	0741606 200, 214, 232	
	0641509 ... 658, 670, 686, 694		
	0641514 499, 501		
	0641605 81, 83, 85, 87		
	0641606 491, 493, 495		
	0641610 ... 241, 243, 455, 457		
	0641616 ... 351, 355, 359, 363, 367, 371, 375		
0100019.... 27, 29, 31, 97, 99, 343, 351, 355, 359, 363, 367, 371, 375			
0100020.... 111, 113, 115, 117, 195, 200, 201, 207, 214, 225, 232, 253, 258, 263, 268, 279, 286, 295, 301, 307, 314, 477, 621, 623, 625, 627, 629, 631, 633, 635, 637, 639, 641			
0100035.... 243, 459, 463, 469			
0100048.... 143, 145, 339, 343, 347, 351, 355, 359, 363, 367, 371, 375, 379, 459, 463			
0100079.... 351, 355, 359, 367, 371, 375, 379			
0100081.... 200, 214, 232, 258, 268, 288, 316, 489, 658, 662, 666, 670, 674, 678, 682, 686, 690, 694, 698			
0140011.....459, 463			
0140043.....136			
0181949.....279, 307			
0200048.....507, 509			
0257728.....499			
0258011.....55			
0258012.....55			
0270022.....619			
0270092.....47			
0270115.....819			

SECTION 11 - SPECIAL OPTIONS/ACCESSORIES/KITS

0761014 ... 156, 160, 164, 168, 172, 176, 183, 189, 195, 200, 207, 214, 225, 232, 286, 301, 314, 339, 343, 419	096194823, 25, 409, 411, 413, 415, 521, 523, 525, 527, 529	1001112612.....655, 783	1001119278..... 151, 207, 263, 295, 301, 307
0761015 ... 195, 200, 207, 214, 225, 232, 253, 258, 263, 268, 279, 286, 295, 301, 307, 314, 343, 347, 395, 397, 399, 401, 403, 405	0961949 409, 411	1001112796.....655	1001119280..... 151, 659, 663, 667, 671, 675, 679, 683, 687, 691, 695, 699
0761016 ... 183, 189, 200, 214, 232, 286, 314, 347	0961950 19, 21	1001113680.....799	1001119619 775
0761020 172	0961951 ... 200, 214, 232, 258, 268, 286, 314, 407, 517, 531	1001113961.....784	1001119620 777, 779
0761024 ... 395, 397, 399, 401	0962257 417	1001115641.....507	1001119627 546, 555, 565, 572, 581, 588, 597, 605, 615
0761210 ... 195, 200, 207, 214, 232, 301	0962270 453	1001115848.....507	1001120204 709, 711, 713, 715
0761212 ... 200, 214, 232, 359, 363, 375, 403, 405, 413, 415	0962292 25, 407, 537, 539	1001116208.....815	1001120205 721, 723
0761214 ... 111, 113, 115, 117, 156, 160, 164, 168, 176, 343, 347, 351, 355, 367, 371, 379	0962348 25	1001116290..... 183, 189	1001120328 483, 485, 784
0761215 ... 172, 347, 379, 403, 405	0962449 335	1001116550.....407	1001120466 835
0761216 419	0962520 ... 351, 355, 359, 363, 367, 371, 375, 379	1001116693.....761	1001120471 487
0761227 413, 415	1001001939.....288	1001116728.....784	1001120477 487
0761615 19, 21, 413, 415	1001091102..... 153, 647, 649	1001116732.....751, 753	1001120484 487
0762016 413, 415	1001091969.....623	1001116734.....751, 753, 783	1001120989 815
0770810 427	1001091970.....627	1001116748.....725	1001125387 195, 207, 301
0771212 225, 232	1001091973.....629	1001116774.....655	1001125677 761, 784
0771414 ... 200, 214, 232, 247, 249, 258, 268, 335, 339, 343, 351, 355, 359, 363, 367, 371, 375	1001091974.....631	1001116808.....655	1001126009 781
0771416 ... 351, 355, 367, 371	1001091975.....639	1001116812.....743	1001126351 739, 744
0860038 ... 355, 359, 371, 375, 379, 619	1001094670.....407	1001116849.....807	1001126362 739, 743
0860520 ... 793, 795, 797, 799, 801, 803, 805, 807, 809, 811, 813	1001095704..... 784, 831	1001116952..... 739, 743	1001126363 739, 743
0861538 371, 375, 379	1001096070..... 351, 363, 731	1001116983.....749	1001126364 739, 743
0861572 367	1001096653.... 61, 63, 65, 67, 69	1001117057.....751, 753	1001126365 739
0861731 ... 633, 635, 637, 641, 769, 771, 773	1001097051.....777	1001117070.....783	1001126391 739, 743
0861781 ... 621, 625, 765, 767	1001097150..... 727, 729, 731	1001117106..... 739, 743	1001126392 739, 743
0861880 727, 731	1001097244.....487	1001117107..... 739, 743	1001126485 744
0902733 75	1001098122..... 477, 761	1001117172.....477	1001126487 744
0902734 75	1001098828.....419	1001117174.....459, 463, 477, 830	1001127096 815
0902888 ... 355, 359, 367, 371, 375, 379	1001099869.....335	1001117240.....151	1001128527 495
0940048 413, 415	1001100231.....753	1001117294.....835	1001128556 495
0940049 ... 156, 160, 164, 168, 176	1001100233.....335	1001117308.....201, 215, 233, 830	1001129285 784, 831
0940071 ... 156, 160, 164, 168, 176	1001100321.....335	1001117372.....513, 515	1001129407 121
0940088 172	1001100341.....765	1001118274..... 111, 113, 115, 117, 123, 125, 127, 129, 156, 160, 164, 168, 176, 279, 288, 307, 409, 411, 421, 423, 425, 427, 429, 658, 662, 666, 670, 674, 678, 682, 686, 690, 694, 698	1001129555 830
0940167 509	1001100342.....767	1001118274..... 111, 113, 115, 117, 123, 125, 127, 129, 156, 160, 164, 168, 176, 279, 288, 307, 409, 411, 421, 423, 425, 427, 429, 658, 662, 666, 670, 674, 678, 682, 686, 690, 694, 698	1001129858 356
0940199 489	1001100345.....769	1001118384.....781	1001130220 136
0961845 ... 445, 447, 449, 451	1001100346.....773	1001118388.....781	1001130492 816
0961947 417	1001100347.....771	1001118412.....459, 463, 831	1001131269 793, 795, 803, 805
	1001101191.....623, 627, 629, 631, 639	1001118482.....407	1001132195 258, 268
	1001101196.....623, 627	1001118511 19, 21	1001132196 258, 268
	1001101197.....629, 631, 639	1001118518 19, 21	1001133714 740, 744
	1001103012.....783	1001118519 19, 21	1001133715 740, 744
	1001104029.....355, 359, 368, 372, 376, 379	1001118878.....201, 215, 233	1001133956 739, 744
	1001104498.....783	1001118971658, 662, 666, 670, 674, 678, 682, 686, 690, 694, 698, 831	1001133957 739, 744
	1001104519.....763	100111897275, 111, 113, 115, 117, 658, 662, 666, 670, 674, 678, 682, 686, 690, 694, 698	1001133972 97, 103
	1001104850...97, 99, 101	1001119020.....655	1001134488 201, 215
	1001106736.....136	1001119176.....121, 831	1001135196 195, 207, 225, 253, 263, 279, 295, 301, 308
	1001107854.....783	1001119228.....107, 659, 663, 667, 671, 675, 679, 683, 687, 691, 695, 699	1001135650 740, 744
	1001110434.....459, 463		1001135651 740, 744
	1001110872.....643, 645		1001135679 343, 359, 363, 376
	1001110873.....355, 359, 372, 376, 380, 619		1001136834 201, 215, 233
	1001110974.....835		1001137005 836
	1001111424.....151, 201, 215, 258, 268		1001137336 288, 316
	1001112551.....797		1001137673 483, 831
	1001112607.....403, 405		1001138173 201, 215, 233, 258, 268, 287, 315

SECTION 11 - SPECIAL OPTIONS/ACCESSORIES/KITS

1001138175.....201, 215, 233, 258, 268, 287, 315	1001147264 739	1001158008 356, 360, 369, 373, 377, 381	1001164709..... 521, 523, 525, 527, 529
1001138228.....201, 215, 233	1001147274 47, 49	1001158363 356, 360	1001164726..... 183, 189
1001138248.....201, 215, 233, 259, 269, 288, 316	1001147812 287, 315	1001159118 643, 645, 830	1001164728..... 455, 457, 789
1001138494.....447, 449, 451	1001147813 288, 316	1001159119 643, 645	1001164730..... 662, 666, 678, 682, 690, 703
1001138514.....447, 449, 451	1001148059 364	1001159120 643, 645	1001164731..... 651, 662, 678, 711
1001138565.....351	1001148138 344, 347	1001159121 645	1001164732..... 690, 698
1001138566.....352, 356, 359, 363	1001148145 834	1001159186 757	1001164738..... 658, 662, 666, 670, 674, 678, 682, 686, 690, 694, 698, 725
1001138827.....201, 215	1001148641 336, 340, 343, 352, 356, 360, 364, 368, 372, 376	1001159256 459, 463, 831	1001164817..... 513
1001139099.....835	1001148675 643, 645	1001160859 413	1001165035..... 195, 207, 225, 301
1001139240.....201, 215	1001148865 47	1001160872 413	1001165388..... 201, 215, 233, 259, 269
1001139357.....352, 356	1001148866 47	1001161709 459, 463, 831	1001165389..... 259, 269
1001139384.....179, 183, 185, 189	1001148869 49	1001161710 279, 308	1001165405..... 201, 215, 233
1001139586.....25	1001148870 49	1001161713 387, 537	1001165406..... 201, 215, 233
1001139654.....225	1001148902 834	1001161715 385, 387, 527	1001165622..... 164
1001139819.....259, 268	1001148903 835	1001161716 385, 387, 389, 391, 517	1001165721..... 201, 215
1001140312.....216	1001148904 835	1001161717 385, 387, 389, 391, 531	1001165722..... 201, 215, 233
1001140346.....360	1001148905 835	1001161804 385, 535	1001165849..... 201, 215, 233
1001140347 363	1001148906 835	1001162105 45	1001165946..... 97
1001140429.....445, 447, 449, 451	1001149160 287, 315	1001162106 121	1001165948... 67, 87, 427
1001140564.....201, 215	1001149639 287, 315	1001162107 45	1001165968..... 45
1001141300.....815	1001149953 47, 49	1001162335 195, 202, 208, 216, 241	1001166000..... 197, 200
1001141302.....815	1001150998 259, 269	1001162429 797, 801	1001166001..... 195, 197
1001141304.....201, 215, 233	1001151393 123, 125, 127, 129	1001162522 797	1001166020..... 255, 258
1001141694.....201, 215, 233, 259, 268	1001152456 356, 360	1001162528 801	1001166021..... 253, 255
1001141870.....241, 243	1001152457 356, 360	1001162534 ... 81, 83, 85, 87, 89, 91	1001166084..... 815
1001141995.....201, 215, 233, 259, 268, 287, 315	1001152483 729	1001162535 403, 421, 423, 425, 427, 429, 431	1001166085..... 815
1001142501.....195, 207, 225, 241, 243, 301	1001152485 649, 729	1001162536 423, 427, 429, 435	1001166096..... 413, 415
1001142643.....360, 376	1001152489 201, 215, 233	1001162539 ... 65, 67, 69, 73	1001166153..... 57, 59
1001142646.....360, 376	1001152525 356, 360, 369, 373, 377, 381	1001162807 123, 125, 127, 129	1001166155..... 57
1001142679.....546, 555, 565, 572, 581, 588, 597, 605, 615	1001152530 356, 360	1001162995 19, 21	1001166156..... 57
1001142683.....147, 149, 831	1001152532 352, 356, 360, 364, 755	1001163061 111, 113, 115	1001166157..... 57
1001142736.....147, 149, 655	1001153260 356, 360	1001163062 117	1001166208..... 527, 529
1001142938.....740, 743	1001154405 195, 207, 225, 241, 243, 301	1001163178 .. 23, 25, 533	1001166232..... 75
1001142940.....740, 743	1001154726 751, 753	1001163179 23, 25	1001166239..... 29
1001142941.....740, 743	1001155041 343, 347, 380	1001163405 23, 25	1001166304..... 195
1001143390.....201, 215, 233, 259, 268	1001155043 123, 125, 127, 129	1001163405 23, 25	1001166305..... 253
1001143797 201, 215, 233	1001155044 123, 125, 127, 129, 279, 308, 459, 463	1001163580 19, 513	1001166316..... 151
1001143852.....815	1001155045 123, 125, 127, 129, 459, 463, 831	1001163715 23, 25	1001166538..... 459, 463, 471
1001143936.....546, 555, 565, 572, 581, 588, 597, 605, 615	1001155823 195, 207, 225, 301	1001163716 23, 25	1001166539..... 459, 463, 473
1001144116.....201, 215, 233	1001156107 226	1001163717 25	1001166651..... 411
1001144295.....455	1001156541 725	1001163722 25	1001166717..... 259, 269
1001144433.....483	1001156819 280, 308	1001163724 25	1001166718..... 201, 215, 233, 247, 249, 259, 269, 287, 315
1001144629.....439, 441, 443	1001157466 109	1001163726 25	1001166767..... 121
1001146588.....234	1001157520 369, 373, 377, 381	1001163767 387, 389, 391, 393, 519	1001166768..... 121
1001147233.....347, 380	1001157521 369, 373, 377, 381	1001163856 387	1001166852..... 415
	1001157525 368	1001163937 407	1001166853..... 413, 415
	1001157528 369, 373, 377, 381	1001164016 405, 407	1001166921..... 201, 215, 233
	1001157592 372, 376, 380	1001164092 23	1001166922..... 201, 215, 247
	1001158007 369, 373, 377, 381	1001164093 19	
		1001164095 25	
		1001164209 23, 25	
		1001164493 835	

SECTION 11 - SPECIAL OPTIONS/ACCESSORIES/KITS

1001166924 201, 215, 233	1001169247..... 403, 405	1001171681.....253, 263, 295	1001173042 547, 556, 566, 573, 582, 589, 598, 606, 616
1001167036 197, 211, 229, 255, 265, 283, 311, 325	1001169249..... 413, 415	1001171682.....253, 263, 295	1001173043 547, 556, 566, 573, 582, 589, 598, 606, 616
1001167108 201, 215, 739	1001169295..... 413, 415	1001171683.....195, 207, 225, 301	1001173044 566, 573, 598, 606, 616
1001167111 259, 269, 737	1001169296..... 413, 415	1001171684.....195, 207, 225, 301	1001173045 566, 573, 598, 606, 616
1001167149 156, 160, 164, 168, 172, 176	1001169297..... 413, 415	1001171953.....197, 211, 229, 255, 265, 283, 311	1001173046 566, 573, 598, 606, 616
1001167157 183	1001169298..... 413, 415	1001171954.....197, 211, 229, 255, 265, 283, 311	1001173048 566, 573, 598, 606, 616
1001167159 156, 160, 164, 168, 176	1001169299..... 413, 415	1001172001 835	1001173049 566, 573, 598, 606, 616
1001167163 156, 160, 164, 168, 172, 176	1001169300..... 413, 415	1001172045 834	1001173052 547, 556, 566, 573, 582, 589, 598, 606, 616
1001167164 331, 333	1001169301..... 413, 415	1001172057 834	1001173053 547, 556, 566, 573, 582, 589, 598, 606, 616
1001167169 156, 160, 164, 168, 176	1001169302..... 413, 415	1001172202.....253, 263, 295	1001173054 547, 556, 566, 573, 582, 589, 598, 606, 616
1001167312 647	1001169304..... 409, 411	1001172264 331	1001173055 582, 589, 598, 606, 616
1001167512 195, 207, 225, 253, 263, 279, 295, 301, 308	1001169305..... 409, 411	1001172265 331	1001173056 582, 589, 598, 606, 616
1001167520 201, 215, 233, 259, 269	1001169402..... 409, 411	1001172271 671, 831	1001173057 582, 589, 598, 606, 616
1001167565 419	1001169403..... 409, 411	1001172282 179	1001173058 547, 556, 566, 573, 582, 589, 598, 606, 616
1001167567 419	1001169525..... 329	1001172335 658, 686, 701	1001173059 547, 556, 566, 573, 582, 589, 598, 606, 616
1001167596 419	1001169823..... 195, 207, 225, 253, 263, 295, 301	1001172336 658, 709	1001173061 547, 556, 566, 573, 582, 589, 598, 606, 616
1001167632 743	1001169831..... 835	1001172343 686, 694	1001173062 547, 556, 566, 573, 582, 589, 598, 606, 616
1001167635 744	1001169898..... 111, 113, 115, 117	1001172736 195, 207, 302	1001173063 547, 556, 566, 573, 582, 589, 598, 606, 616
1001168018 201, 215, 233, 247, 249, 259, 269, 287, 315, 336, 340, 343, 347, 352, 356, 360, 364, 368, 372, 376, 380	1001169967..... 202, 216, 233, 287, 315	1001172751 835	1001173064 547, 556, 566, 573, 582, 589, 598, 606, 616
1001168026 201, 215, 233	1001170018..... 156, 160, 164, 168, 176	1001172760 459, 463	1001173065 547, 556, 566, 573, 582, 589, 598, 606, 616
1001168059 259, 269	1001170022..... 156, 160, 164, 168, 172, 176	1001172833 157, 161, 165, 177, 185	1001173066 547, 556, 566, 573, 582, 589, 598, 606, 616
1001168099 201, 215, 233	1001170035..... 202, 216, 233, 287, 315	1001173006 546, 555, 565, 572, 581, 589, 597, 606, 616	1001173067 547, 556, 566, 573, 582, 589, 598, 606, 616
1001168166 202, 215, 233, 287, 315	1001170094..... 136, 831	1001173027 547, 556, 566, 573, 582, 589, 598, 606, 616	1001173068 547, 556, 566, 573, 582, 589, 598, 606, 616
1001168207 249, 343, 360, 364, 376	1001170098..... 51	1001173028 547, 556, 566, 573, 582, 589, 598, 606, 616	1001173069 547, 556, 566, 573, 582, 589, 598, 606, 616
1001168210 517	1001170099..... 51	1001173029 547, 556, 566, 573, 582, 589, 598, 606, 616	1001173070 547, 556, 566, 573, 582, 589, 598, 606, 616
1001168402 419	1001170224..... 329	1001173034 546, 555, 565, 572, 582, 589, 598, 606, 616	1001173071 547, 556, 566, 573, 582, 589, 598, 606, 616
1001168472 658, 662, 666, 670, 674, 678, 683, 686, 690, 694, 698	1001170226..... 409, 411	1001173035 546, 555, 565, 572, 582, 589, 598, 606, 616	1001173072 286, 314
1001168473 659, 662, 666, 670, 675, 679, 683, 686, 691, 694, 699	1001170334..... 409	1001173036 546, 555, 566, 573, 582, 589, 598, 606, 616	1001173073 835
1001169046 156, 160, 164, 168, 176, 183, 189	1001170375..... 421, 423, 425, 427, 429	1001173037 547, 556, 566, 573, 582, 589, 598, 606, 616	1001173074 371
1001169054 202, 216, 233, 287, 315	1001170458..... 59	1001173038 547, 556, 566, 573, 582, 589, 598, 606, 616	1001173075 367
1001169058 59	1001170459..... 59	1001173039 547, 556, 566, 573, 582, 589, 598, 606, 616	1001173076 489
1001169062 51	1001170460..... 59	1001173040 566, 573, 582, 589, 598, 606, 616	1001173077 489
1001169075 55	1001170475..... 181	1001173041 566, 573, 582, 589, 598, 606, 616	1001173078 355
1001169138 202, 216, 233, 287, 315	1001170480..... 111, 113, 115, 117	1001173042 566, 573, 582, 589, 598, 606, 616	1001173079 351
1001169183 165, 176	1001170663..... 331	1001173043 546, 555, 565, 572, 582, 589, 598, 606, 616	1001174040 419
1001169240 413, 415	1001170664..... 331, 333	1001173044 546, 555, 565, 572, 582, 589, 598, 606, 616	1001174065 413
1001169241 413, 415	1001170693..... 259, 269, 271	1001173045 546, 555, 565, 572, 582, 589, 598, 606, 616	1001174098 156, 160, 176
1001169242 413, 415	1001170764..... 744	1001173046 546, 555, 565, 572, 582, 589, 598, 606, 616	1001174158 352, 364, 647
1001169246 403, 405	1001170859..... 160, 172, 176	1001173047 546, 555, 566, 573, 582, 589, 598, 606, 616	
	1001171131..... 643	1001173048 547, 556, 566, 573, 582, 589, 598, 606, 616	
	1001171216..... 156, 160, 164, 168, 176	1001173049 547, 556, 566, 573, 582, 589, 598, 606, 616	
	1001171482..... 123, 125, 127, 129	1001173050 547, 556, 566, 573, 582, 589, 598, 606, 616	
	1001171553..... 659, 663, 666, 671, 675, 679, 683, 686, 691, 694, 699	1001173051 547, 556, 566, 573, 582, 589, 598, 606, 616	
	1001171555..... 659, 663, 666, 671, 675, 679, 683, 687, 691, 695, 699	1001173052 547, 556, 566, 573, 582, 589, 598, 606, 616	
	1001171559..... 659, 663, 666, 671, 675, 679, 683, 687, 691, 695, 699	1001173053 547, 556, 566, 573, 582, 589, 598, 606, 616	
	1001171678..... 151	1001173054 547, 556, 566, 573, 582, 589, 598, 606, 616	
	1001171679..... 151	1001173055 547, 556, 566, 573, 582, 589, 598, 606, 616	
	1001171680..... 151	1001173056 547, 556, 566, 573, 582, 589, 598, 606, 616	

SECTION 11 - SPECIAL OPTIONS/ACCESSORIES/KITS

1001174367.....375	1001178644..... 659, 663, 667, 671, 675, 679, 683, 687, 691, 695, 699	1001182296 340, 344, 348	1001190633.....415
1001174378.....329	1001178788 201, 215, 233	1001182361 739, 744	1001190663..... 139, 141
1001174486.....279, 308	1001178859 259, 269	1001182365 739, 744	1001190913.....797, 801
1001174536.....415	1001178876 202, 216	1001182561 659, 663, 667, 671, 675, 679, 683, 687, 691, 695, 699	1001190985.....419
1001174537.....415	1001179154 356, 360, 372, 377, 380	1001182806 139	1001191230.....683
1001174654.....834	1001179236 136, 733	1001182875 156, 160, 164, 168, 172, 176	1001191394.....835
1001174675.....364, 368, 372, 376, 380	1001179266 659, 663, 667, 671, 675, 679, 683, 687, 691, 695, 699	1001182877 156, 164, 168, 172	1001191395.....835
1001174748.....674, 698, 707	1001179339 111, 113, 115, 117	1001182879 156, 160, 164, 168, 172, 176	1001191620.....202, 216, 233
1001174749.....651, 658, 662, 678, 721	1001179364 690	1001182997 111, 113, 115, 117	1001191832..... 156, 160, 164, 168, 172, 176, 195, 208, 225, 253, 263, 295, 302
1001174750.....674, 715	1001179439 670, 674, 694, 698, 719	1001183407 835	1001193018..... 621, 623, 625, 627, 629, 631, 633, 635, 637, 639, 641
1001174754.....670, 674, 723	1001179517 ... 61, 63, 65, 67, 69	1001183477 340, 344	1001193336..... 111, 113, 115
1001174766.....834	1001179626 403, 409	1001184618 459, 463	1001194197.....633
1001174767.....834	1001179737 674	1001184626 459, 463	1001194198.....635
1001174777.....211, 214	1001179738 662, 678	1001184637 336, 340	1001194200.....637
1001174778.....207, 211, 302	1001179771 698	1001184644 336, 340	1001194203.....621
1001174779.....207	1001179776 682	1001184645 336, 340	1001194204.....625
1001174783.....265, 268	1001179836 343, 347	1001184682 141	1001194365.....641
1001174784.....263, 265, 295	1001179837 343, 347	1001185025 335	1001194424.....565, 572, 597, 606, 616
1001174785.....263	1001179893 344, 348	1001185030 19, 21	1001194425.....566, 573, 598, 606, 616
1001174976.....143	1001179903 202, 216, 233	1001185281 459, 463	1001194427.....582, 589, 598, 606, 616
1001175024.....581, 588, 597, 605, 615	1001179904 156, 160, 164, 168, 176	1001185747 659, 663, 667, 671, 675, 679, 683, 687, 691, 695, 699	1001194428.....547, 556, 566, 573, 582, 589, 598, 606, 616
1001175542.....359	1001180001 343, 347	1001185821 ... 81, 83, 85, 87, 93	1001194888.....183
1001175631.....356, 360	1001180004 405, 415	1001185964 784	1001195039.....280, 308
1001175663.....682	1001180006 403, 413	1001186375 447	1001195490.....816
1001175664.....682	1001180008 547, 556, 566, 573, 582, 589, 598, 606, 616	1001186377 449	1001195491.....816
1001176299.....547, 556, 582, 589	1001180056 413, 415	1001186378 451	1001195746.....815
1001176300.....547, 556, 582, 589	1001180540 411	1001186385 443	1001195746.....815
1001176301.....547, 556, 582, 589	1001180541 409	1001186386 441	1001196012.....834
1001176302.....547, 556, 582, 589	1001180620 202, 216, 233, 287, 315	1001186387 439	1001196376.....279, 308
1001176330.....287, 315	1001180797 343	1001186388 453	1001196382.....352, 356, 360, 364, 368, 372, 376
1001176343.....834	1001180798 339	1001186431 483, 831	1001196634.....208, 245, 830
1001176469.....127, 129	1001180872 405	1001186432 763, 781	1001196635.....784, 831
1001176848.....23, 25	1001180916 45	1001186517 483	1001196637.....136
1001176862.....643	1001181045 727, 731, 830	1001186976 834	1001197017.....507, 509
1001176951.....658, 662, 666, 678, 682, 686, 690, 717	1001181145 817	1001187352 336, 753	1001197039.....547, 556, 566, 573, 582, 589, 598, 606, 616
1001177359.....202, 216, 233	1001181243 344, 348	1001187382 419	1001197221...61, 63, 65, 67, 69
1001177820.....109	1001181358 195, 208, 225, 302, 749	1001187383 419	1001197719.....744, 830
1001177821.....109	1001181405 143	1001187522 340, 344, 348, 751	1001200128.....817
1001177834.....109	1001181527 75	1001187674 481	1001200129.....817
1001177896.....411	1001181621 663, 667, 675, 679, 683, 691, 699	1001187681 775	1001200130.....817
1001177897.....411	1001181875 659, 671, 687, 695	1001187807 133, 469	1001200131.....817
1001178133.....413, 415	1001181895 216	1001187816 651	1001200132.....817
1001178135.....413, 415	1001181913 75	1001188622 419	1001200133.....817
1001178228.....187	1001181923 659, 663, 667, 671, 675, 679, 683, 687, 691, 695, 699	1001188731 340, 344, 348	1001200134.....817
1001178448.....659, 663, 667, 671, 675, 679, 683, 687, 691, 695, 699	1001182169 156, 160, 164, 168, 176	1001188732 336	1001200458.....179, 185
1001178449.....659, 663, 667, 671, 675, 679, 683, 687, 691, 695, 699		1001188844 419	1001200491.....419
1001178554.....409		1001188883 815	1001200494.....419
1001178555.....409		1001188972 207, 263, 295, 302, 308	1001200910.....147
1001178636.....405, 411		1001189001 419	1001201351.....419
		1001189002 419	1001202333.....183, 189
		1001189171 729, 830	1001202687.....419
		1001189172 729, 830	
		1001189882 801	
		1001190368 23, 25	

SECTION 11 - SPECIAL OPTIONS/ACCESSORIES/KITS

1001202744 509	1001213426.....287, 315	1001215865.....834	1001219129 107
1001202745 507	1001213447.....761	1001215868.....835	1001219201 156
1001202749 835	1001213482..... 287, 315	1001215869.....288, 316	1001219202 160
1001202830 187	1001213706.....280, 308, 747	1001216308.....280, 308	1001219601 136, 831
1001202910 546, 555, 565, 572, 581, 588, 597, 605, 615	1001213794.....172	1001216400.....280, 308	1001220003 835
1001203322 181	1001213824..... 287, 315	1001216401.....280, 308	1001220266 226
1001203510 836	1001213882..... 459, 463	1001216405.....280, 308	1001220379 740
1001203511 836	1001214138..... 287, 315	1001216415.....333	1001223055 793, 795
1001203654 453	1001214159..... 27	1001216416.....333	1001223118 109, 793, 795, 797, 801, 803, 805, 813
1001204110 836	1001214163... 63, 83, 423	1001216552.....835	1001223122 234, 352, 356, 360, 364, 368, 372, 376
1001204123 279, 308	1001214174..... 27, 33	1001216599.....176	1001223453 793, 795, 803, 805
1001204481 835	1001214205..... 287, 315	1001216630.....419	1001223459 739, 743
1001204482 835	1001214207..... 197, 211, 229, 255, 265, 283, 311	1001216639.....395, 397, 399, 401	1001223777 172
1001204510 797, 815	1001214233..... 287, 315	1001216677 160, 176	1001223971 803, 805
1001204725 419	1001214234..... 287, 315	1001216802.....572	1001224048 811
1001205958 629, 631, 633, 635, 637, 639	1001214269.....315	1001216805.....348, 380	1001224049 813
1001206314 172	1001214276..... 287, 315	1001216825.....288, 316	1001224050 807
1001206436 97	1001214277..... 287, 315	1001216840.....348	1001224052 799
1001206438 834	1001214278..... 287, 315	1001217342..... 347, 380	1001224053 809
1001206476 653	1001214307..... 287, 315	1001217343.....286, 314	1001224889 411
1001206625 521, 523, 525	1001214316.....61, 63, 71	1001217344.....347, 380	1001224894 409
1001206916 113, 117	1001214397.....653	1001217345.....280, 308, 347, 380	1001225346 653, 831
1001207004 149	1001214478.....836	1001217440.....670, 713	1001225430 219
1001207335 546, 555, 565, 572, 581, 588, 597, 605, 615	1001214503.....280, 308	1001217441.....670, 694, 705	1001225580 483, 763
1001207336 546, 555, 565, 572, 581, 588, 597, 605, 615	1001214508..... 287, 315	1001217443.....670	1001225794 835
1001207347 113	1001214515.....836	1001217444.....694	1001226530 653
1001207348 117	1001214546..... 348, 380	1001217461.....834	1001226872 445
1001207355 605	1001214552.....836	1001217494.....280, 286, 308, 314	1001227278 834
1001208874 ... 81, 83, 85, 87, 89	1001214553..... 287, 315	1001217676.....387, 523	1001227633 481
1001208994 419	1001214555..... 287, 315	1001217681.....385, 521	1001227634 481
1001209059 836	1001214556..... 287, 315	1001217779.....395, 397, 399, 401, 407, 417	1001227985 481
1001209617 139	1001214558..... 287, 315	1001217785.....280, 307	1001227987 481
1001209664 483	1001214559.....836	1001217904.....801	1001227993 413
1001209677 649	1001214560.....836	1001217935.....588	1001227996 777, 779
1001209832 649	1001214570.....653	1001217936.....546	1001228215 445
1001209844 287, 315, 323	1001214571.....653	1001218533.....107	1001228224 481, 831
1001210036 836	1001214598..... 287, 316	1001218535.....107	1001228225 481, 831
1001210356 546, 572, 588, 605, 615	1001214599.....288, 316	1001218537.....107	1001228960 834
1001210636 487	1001214616.....547, 556, 566, 573	1001218622.....686, 690, 694, 698	1001228988 495, 825, 827
1001211336 117	1001214664..... 288, 316	1001218623.....686, 690, 694, 698	1001229107 834
1001211716 156, 160, 164, 168, 176	1001214694.....288, 316	1001218940.....395	1001229138 489
1001211717 156, 160, 164, 168, 172, 176	1001214833.....835	1001218941.....397	1001229341 481
1001211794 287, 315	1001214841.....288, 316	1001218942.....399	1001229795 759
1001211797 287, 315	1001214909.....347	1001218943.....395	1001229796 759
1001212223 376, 380	1001214975.....259, 269	1001218946.....397	1001229797 280, 308, 759
1001212257 279, 308	1001215058.....395, 397, 399, 401	1001218947.....399	1001230635 201, 215, 233
1001212415 830	1001215105.....421, 425, 433	1001218978.....834	1001230784 364
1001212989 287, 315	1001215125.....288, 316	1001218979.....658	1001230931 725
1001212993 287, 315	1001215181.....834	1001218980.....686	1001230934 739, 744
1001213029 348, 380	1001215225.....385	1001218999.....546, 555, 581, 588	1001230935 739, 744
1001213060 280, 308	1001215227..... 546, 555, 581, 588	1001219000.....397, 399	1001230936 739, 744
1001213061 280, 308	1001215228..... 459, 463	1001219001.....395, 397, 658	1001231235 836
1001213305 287, 315	1001215259.....280, 308	1001219002.....399, 401, 686	1001231801 815
1001213425 287, 315	1001215378...65, 85, 425	1001219003.....395, 397, 399, 401, 403	1001231886 139
	1001215394..... 160, 176	1001219004.....385, 403	1001232026 793, 795, 797, 799, 801, 803, 805, 807, 809, 811, 813
	1001215503..... 27		1001232164 481
	1001215504..... 27		1001232165 481
	1001215523.....380		
	1001215659...61, 81, 421		
	1001215813.....280, 308		
	1001215850.....815		

SECTION 11 - SPECIAL OPTIONS/ACCESSORIES/KITS

1001232545.....	233, 237	1001239574.....	837	1001249695.....	836	1001261338.....	503
1001232642.....	485	1001239575.....	836	1001249941.....	836	1001262016.....	836
1001232667.....	485, 831	1001241254.....	834	1001249965.....	202, 216, 219	1001262959.....	834
1001232842.....	208, 245	1001241284.....	168	1001250291.....	156, 164, 168	1001263174.....	141
1001233047.....	834	1001241295.....	169, 187	1001250465.....	836	1001263663.....	189
1001233080.....	836	1001241296.....	181	1001250466.....	836	1001263664.....	183
1001233139.....	23	1001241299.....	169	1001250595.....	836	1001263668.....	189
1001233237.....	834	1001241397.....	835	1001252033.....	836	1001263669.....	183
1001233479.....	145	1001241403.....	131, 467	1001252034.....	836	1001263677.....	183
1001233763.....	208, 245, 302	1001241547.....	836	1001252527.....	739, 744	1001263678.....	189
1001233899.....	164, 168	1001241548.....	836	1001252629.....	503, 505	1001263693.....	183
1001233959.....	133, 469	1001241965.....	485	1001252926.....	547, 556, 566, 573, 582, 589, 598, 606, 616	1001263694.....	189
1001234295.....	87, 89	1001242589.....	835	1001252946.....	499, 501	1001263696.....	172
1001234800.....	739, 744	1001242639.....	834	1001252947.....	499, 501	1001263699.....	172, 183
1001235053.....	401	1001242855.....	147	1001253375.....	763	1001263787.....	189
1001235055.....	401	1001242856.....	149	1001253628.....	393	1001263793.....	172
1001235949.....	234, 243	1001243183.....	834	1001253629.....	393	1001264731.....	129
1001236087.....	469	1001243184.....	834	1001254472.....	485	1001264732.....	127
1001236089.....	467	1001243331.....	835	1001254473.....	485	1001264733.....	125
1001236091.....	133	1001243414.....	156, 164, 168	1001254716.....	387, 389, 391, 393, 529	1001264734.....	123
1001236092.....	131	1001243697.....	815	1001254742.....	387, 389, 391, 393, 525	1001264735.....	123, 125, 127, 129
1001236122.....	835	1001243698.....	815	1001255133.....	419	1001264981.....	21
1001236123.....	834	1001243895.....	245	1001255511.....	793, 795	1001265163.....	487
1001236251.....	279	1001244019.....	249	1001255512.....	803, 805	1001265186.....	421, 423, 425, 427
1001236253.....	307	1001244024.....	247	1001255513.....	811	1001265273.....	666
1001236254.....	279, 283	1001244024.....	247	1001255514.....	807	1001265275.....	651
1001236256.....	283, 286	1001244285.....	229	1001255515.....	799	1001265342.....	487
1001236257.....	287, 315	1001244286.....	229, 232	1001255516.....	813	1001265389.....	183
1001236258.....	308, 311	1001244287.....	225	1001255517.....	809	1001265390.....	189
1001236259.....	311, 314	1001244293.....	136, 783	1001255518.....	834	1001265688.....	835
1001236393.....	287, 315, 319	1001244294.....	136, 787	1001255519.....	836	1001266465.....	836
1001236496.....	837	1001244295.....	136, 757	1001255520.....	807	1001266491.....	836
1001236552.....	485	1001244298.....	801	1001255521.....	799	1001266664.....	145
1001236780.....	233	1001244301.....	801	1001255522.....	813	1001266799.....	835
1001236891.....	503, 505	1001244462.....	153	1001255523.....	809	1001266801.....	836
1001236895.....	503, 505	1001245656.....	129	1001255524.....	834	1001266807.....	836
1001237544.....	469	1001246142.....	834	1001255525.....	836	1001266969.....	835
1001237546.....	133	1001246286.....	455, 459	1001255526.....	811	1001267283.....	835
1001237667.....	761, 784	1001246297.....	455	1001255527.....	807	1001267310.....	815
1001237668.....	761, 784	1001246369.....	136	1001255528.....	799	1001268820.....	491, 493, 497
1001237863.....	481, 777	1001246402.....	793	1001255529.....	809	1001269322.....	491, 493, 495
1001237864.....	481, 779	1001246403.....	803	1001255530.....	739	1001269476.....	172
1001237865.....	481, 775	1001246405.....	795	1001255531.....	225	1001269573.....	491, 493, 495
1001237878.....	653	1001246406.....	805	1001255532.....	415	1001270208.....	411
1001237879.....	653	1001246407.....	813	1001255533.....	503, 505	1001271413.....	69, 89, 429
1001237880.....	653	1001246433.....	834	1001255534.....	503, 505	1001271414.....	89, 95
1001237881.....	653	1001246434.....	834	1001255535.....	505	1001271497.....	761
1001238254.....	460, 464, 761	1001246435.....	457, 463	1001255536.....	505	1001271649.....	380
1001238263.....	503, 505	1001246436.....	457	1001255537.....	835	1001271687.....	816
1001238319.....	481	1001246446.....	123	1001255538.....	234	1001271688.....	816
1001238418.....	485, 781	1001246450.....	125	1001255539.....	181, 187	1001271689.....	816
1001238421.....	419, 835	1001246451.....	127	1001255540.....	659, 663, 667, 671, 675, 679, 683, 687, 691, 695, 699	1001271691.....	816
1001238466.....	659, 663, 667, 671, 675, 679, 683, 687, 691, 695, 699	1001247073.....	836	1001255541.....	202, 216, 234	1001271692.....	816
1001238472.....	485	1001247248.....	815	1001255542.....	202, 215, 233	1001271695.....	816
1001238495.....	483	1001247359.....	288, 316	1001255543.....	363	1001271696.....	816
1001238559.....	485	1001247359.....	288, 316	1001255544.....	363	1001271697.....	816
1001238672.....	467	1001247440.....	225	1001255545.....	363	1001271698.....	816
1001238674.....	131	1001247468.....	419, 831	1001255546.....	363	1001271699.....	816
1001238732.....	131, 467	1001247656.....	363	1001255547.....	363	1001271700.....	816
1001238911.....	234	1001247800.....	836	1001255548.....	363	1001271701.....	816
1001239202.....	743	1001248008.....	793, 795, 797, 799, 803, 805, 807, 809, 811, 813, 815	1001255549.....	363	1001271702.....	816
1001239573.....	837	1001248140.....	503, 505	1001255550.....	503	1001271703.....	816
		1001248141.....	503, 505	1001255551.....	503		
		1001248190.....	364	1001255552.....	503		
		1001249052.....	836	1001255553.....	503		

SECTION 11 - SPECIAL OPTIONS/ACCESSORIES/KITS

1001271704..... 816	1001284504..... 659, 663,	1580013..... 835	1703937..... 807
1001271705..... 816	667, 671, 675, 679,	1670603..... 641	1703938..... 809
1001271707..... 816	683, 687, 691, 695, 699	1670836..... 409, 411	1703939..... 811
1001271708..... 816	1001284875..... 793, 795,	1671092.... 372, 377, 380,	1703940..... 799
1001271709..... 816	797, 799, 801, 803,	682	1703941..... 813
1001271710..... 817	805, 807, 809, 811, 813	1671093..... 493, 682	1703942..... 803, 805
1001271711..... 817	1001285012..... 31	1684290..... 513	1703943..... 807
1001271712..... 816	1001285597..... 156, 161,	1700818..... 815	1703944..... 809
1001271888..... 836	165, 177	1701499.... 793, 795, 797,	1703945..... 811
1001271950..... 816	1001285598..... 156, 160	799, 801, 803, 805,	1703946..... 799
1001271951..... 816	1001285640..... 189	807, 809, 811, 813	1703947..... 813
1001271952..... 816	1001285641..... 172, 189	1701500.... 793, 795, 797,	1703948..... 803, 805
1001271953..... 816	1001285691..... 164, 176	799, 801, 803, 805,	1703949..... 807
1001271954..... 816	1001285788..... 169	807, 809, 811, 813	1703950..... 809
1001271955..... 816	1001285790..... 168	1701504.... 793, 795, 797,	1703951..... 811
1001271956..... 816	1001285811..... 153	799, 801, 803, 805,	1703952..... 799
1001271957..... 816	1001285891..... 153	807, 809, 811, 813	1703953..... 793, 795
1001271958..... 816	1001285892..... 153	1701505.... 195, 207, 225,	1703980..... 809
1001271959..... 816	1001286650..... 115	253, 263, 295, 301	1703981..... 811
1001271961..... 816	1001286651..... 115	1701509.... 489, 793, 795,	1703982..... 807
1001271963..... 816	1001287815..... 301	797, 799, 801, 803,	1703983..... 813
1001271964..... 816	1001287816..... 295	805, 807, 809, 811, 813	1703984..... 803, 805
1001271965..... 816	1001287817..... 565	1701518.... 797, 801, 823	1703985..... 799
1001271966..... 816	1001287818..... 581	1701529.... 793, 795, 797,	1704000 ... 803, 805, 815
1001271967..... 816	1001287819..... 555	799, 801, 803, 805,	1704001 813, 815
1001272123..... 379	1001287820..... 597	807, 809, 811, 813	1704002 799, 815
1001272149..... 816	1060341 507, 509	1701542..... 279, 307	1704260 459, 463
1001272178..... 835	1060343 ... 372, 376, 380	1701543..... 279, 307	1704271 815
1001272182..... 836	1060379 499, 501	1701691.... 156, 160, 164,	1704277 ... 793, 795, 797,
1001272197..... 834	1060461 ... 709, 711, 721	168, 176	799, 801, 803, 805,
1001272274..... 835	1060494 ... 340, 344, 348	1702300.... 793, 795, 797,	807, 809, 811, 813
1001272287..... 815	1060626 ... 207, 263, 295,	799, 801, 803, 805,	1704412 ... 793, 795, 797,
1001272310..... 836	301, 307	807, 809, 811, 813	799, 801, 803, 805,
1001272313..... 835	1060903 507, 509	1702565..... 459, 463	807, 809, 811, 813
1001272446..... 53	1060908 ... 727, 729, 731	1702566..... 459, 463	1704455 823
1001272447..... 53	1060918 477	1702567..... 459, 463	1704456 823
1001272659..... 735	1062255 226	1702773..... 801, 815	1704457 821
1001272671..... 393	10702077 . 368, 373, 377,	1702774..... 815	1704482 819
1001273012..... 735	381	1702860..... 815	1704576 821
1001273302 395, 397,	10702082 . 368, 373, 377,	1702868.... 495, 793, 795,	1704577 821
399, 401, 658, 662,	381	815, 827	1704578 819
666, 678, 683, 686, 690	1120555 489	1702938..... 507, 509	1704752 815
1001273303 658, 662,	1320016 258, 268	1702941.... 207, 263, 295,	1704885 ... 793, 795, 797,
666, 670, 674, 678,	1320022 ... 195, 208, 225,	301, 307	799, 803, 805, 807,
683, 686, 690, 694, 698	253, 263, 295, 301	1702942.... 207, 263, 295,	809, 811, 813
1001273304 670, 674,	1320043 ... 659, 663, 667,	301, 307	1704972 253, 263, 815
694, 698	671, 675, 679	1702943.... 207, 263, 295,	1705014 453
1001273650 389, 391	1320061 226	301, 307	1705305 495, 825, 827
1001274525 111, 119	1320130 ... 662, 666, 670,	1702944.... 207, 263, 295,	1705325 621, 623
1001275635 546, 555,	674, 678, 682, 690,	301, 307	1705336 793, 795
565, 572, 581, 588,	694, 698	1703162.... 200, 214, 232,	1705344 809
597, 615	1320176 329	258, 268, 286, 314	1705345 811
1001276610 735	1320218 279, 307	1703450..... 819	1705347 803, 805
1001276626 147, 149	1320220 279, 307	1703687 ... 793, 795, 797,	1705349 799
1001277009 99, 105	1320223 ... 207, 263, 295,	799, 801, 803, 805,	1705351 793, 795
1001277273 99	301, 307, 653	807, 809, 811, 813	1705355 825, 827
1001277600 225	1320302 ... 491, 493, 495	1703797..... 793, 795	1705358 815
1001278022 31	1321283 279, 307	1703804..... 793, 795	1705374 ... 355, 359, 643,
1001278890 615	1321293 121	1703805..... 793, 795	645
1001279651 172	1321647 783	1703923..... 813	1705375 ... 373, 377, 381,
1001280240 172	1321716 ... 195, 200, 208,	1703924..... 803, 805	827
1001280242 172	214, 225, 232, 253,	1703925..... 807	1705387 ... 355, 359, 373,
1001280549 172	263, 295, 301, 335,	1703926..... 809	377, 381
1001280826 393	339, 343, 352, 356,	1703927..... 811	1705426 809
1001281623 189	360, 363, 368, 372, 376	1703928..... 799	1705427 811
1001282831 111	1580011 286, 314	1703935..... 813	1705429 803, 805
1001283776 145	1580012 479	1703936..... 803, 805	1705430 807

SECTION 11 - SPECIAL OPTIONS/ACCESSORIES/KITS

1705460.....369, 373, 377, 381	2220377 ... 546, 555, 565, 572, 581, 588, 597, 605, 615	2220923 ... 546, 555, 565, 572, 581, 588, 597, 605, 615	686, 690, 694, 698, 717, 719
1705461.....369	2220408 ... 555, 565, 581, 597	2220940 ... 546, 555, 565, 572, 581, 588, 597, 605, 615	2820035.....245
1705489.....351, 363, 368, 369	2220415 ... 565, 572, 581, 588, 597, 605, 615	2220946 ... 546, 555, 565, 572, 581, 588, 597, 605, 615	2820118.....705
1705822.....797, 801	2220435 ... 546, 572, 588, 605, 615	2220947 ... 546, 555, 565, 572, 581, 588, 597, 605, 615	2820247.....777, 779
1705828.....797, 801	2220451 ... 258, 268, 546, 555, 565, 572, 581, 588, 597, 605, 615	2220998 ... 546, 555, 565, 572, 581, 588, 597, 605, 615	2860030....123, 125, 127, 129, 831
1705910.....813	2220465 ... 546, 555, 565, 572, 581, 588, 597, 605, 615	2221033 ... 546, 555, 565, 572, 581, 588, 597, 605, 615	2900756.....73
1705917.....813	2220466 ... 546, 555, 565, 572, 581, 588, 597, 605, 615	2221040 ... 581, 588, 597, 605, 615	2900770....517, 535, 537, 539
1705961.....797, 801	2220468 ... 546, 555, 565, 572, 581, 588, 597, 605, 615	2221052 75	2900792.....519
1705968.....807, 815	2220472 ... 546, 555, 565, 572, 581, 588, 597, 605, 615	2221086 73, 435, 546, 555, 565, 572, 581, 588, 597, 605, 615	2901443.....836
1705969.....811, 815	2220497 ... 546, 555, 565, 572, 581, 588, 597, 605, 615	22230025 ... 546, 555, 565, 572, 581, 588, 597, 605, 615	2902065....200, 214, 232, 258, 269, 275
1706059.....815	2220500 ... 581, 588, 597, 605, 615	2400060 ... 208, 245, 487, 753, 761, 783	2902217.....491, 493
1706060.....815	2220501 ... 546, 555, 565, 572, 581, 588, 597, 605, 615	2400066 751	2902266.....513
1706061.....815	2220579 75	2400082 759, 831	2902443....737, 739, 743
1706062.....815	2220582 ... 546, 555, 565, 572, 581, 588, 597, 605, 615	2410014 453	2902549.....647, 727
1706063.....815	2220596 ... 546, 555, 565, 572, 581, 588, 597, 605, 615	2420203 339, 344, 348	2920028....459, 463, 507, 509
1706064.....815	2220600 ... 546, 555, 565, 572, 581, 588, 597, 605, 615	24431386 280, 308	2920029....459, 463, 507, 509
1706098.....815	2220603 ... 546, 555, 565, 572, 581, 588, 597, 605, 615	2460048 367, 371	2940045.....189
1706385.....453	2220628 ... 546, 555, 565, 572, 581, 588, 597, 605, 615	2460055 339	2940074....439, 441, 443, 831
2030010....491, 493, 495	2220661 225	2540020 145, 147, 149	2940173....179, 181, 183, 185, 187, 189
2060025.....258, 268	2220681 515	2560136 459, 463	3160348.....29, 43
2080040....351, 363, 439, 441, 443, 647, 649	2220688 ... 41, 43, 71, 73, 513, 515, 521, 523, 527, 546, 555, 565, 572, 581, 588, 597, 605, 615	2560187 ... 179, 181, 183, 185, 187, 189	3160351.....27, 41
2110810....546, 555, 565, 572, 581, 588, 597, 605, 615	2220767 225	2580024 ... 207, 263, 295, 301, 307	3250872.....819
2110812....546, 555, 565, 572, 581, 588, 597, 605, 615	2220811 ... 546, 555, 565, 572, 581, 588, 597, 605, 615	2580062 268	3251102.....363
2151212....546, 555, 565, 572, 581, 588, 597, 605, 615	2220881 515	2600281 439, 441, 443	3251242....625, 627, 629, 631, 633, 635, 637, 639, 641
2160001.....97, 99	2220888 43	2720015 200, 214, 232	3251243....339, 343, 347, 355, 359, 373, 377, 793, 795, 799, 803, 805, 813
2180348....253, 263, 279, 295, 307	2220906 ... 546, 555, 565, 572, 581, 588, 597, 605, 615	2720058 ... 195, 207, 225, 253, 263, 288, 295, 301, 316	3251813....793, 795, 799, 803, 805, 813
2180387.....279, 307	2220988 225	2720271 288, 316	3252347.....793, 795
2180389.....279, 307	2220988 43	2720340 200, 214, 232	3252692.....823
2180504....279, 288, 307, 316	2220996 225	2720398 258, 269	3252693.....821
2180736.....521, 523	2220996 225	2720447 258, 269	3252764....367, 372, 375, 379
2180832....195, 207, 225, 301	2220996 225	2720615 288, 316	3271605.....503, 505
2180876....195, 207, 225, 253, 263, 295, 301	2220996 225	2720644 286, 314	3271805.....453
2220237537	2220996 225	2752504 ... 547, 556, 566, 573, 582, 589, 598, 606, 616	3272001.....503, 505
2220238.....75, 546, 555, 565, 572, 588, 605, 615	2220996 225	2752519 ... 547, 556, 566, 573, 582, 589, 598, 606, 616	3290405....121, 145, 153, 279, 307, 487, 621, 623, 625, 627, 629, 631, 633, 635, 637, 639, 641, 647, 658, 662, 666, 670, 674, 678, 682, 686, 690, 694, 698
2220261.....286, 314	2220996 225	2780267 27, 29, 31, 35	3290501.....151
2220290.....279, 307	2220996 225	2780268 29, 31, 39	3290505....143, 151, 335, 355, 359, 368, 372, 375, 379
2220315....200, 214, 232, 258, 268, 286, 314	2220996 225	2820031 ... 335, 339, 343, 347, 351, 355, 359, 363, 367, 371, 375, 379, 658, 662, 666, 670, 674, 678, 682,	3290601....136, 139, 141, 151, 179, 181, 183, 185, 187, 189
2220371....565, 572, 597, 605, 615	2220996 225		3290605....61, 63, 65, 67, 69, 121, 136, 147, 149, 151, 189, 195, 200, 207, 214, 225, 232,
2220372.....75, 546, 555, 565, 572, 581, 588, 597, 605, 615	2220996 225		
2220373....546, 555, 565, 572, 581, 588, 597, 605, 615	2220996 225		
2220374....546, 555, 565, 572, 581, 588, 597, 605, 615	2220996 225		
2220375....546, 555, 565, 572, 581, 588, 597, 605, 615	2220996 225		

SECTION 11 - SPECIAL OPTIONS/ACCESSORIES/KITS

253, 258, 263, 268, 279, 295, 301, 307, 331, 333, 335, 339, 343, 347, 351, 355, 359, 363, 368, 372, 375, 379, 411, 647, 649, 658, 662, 666, 670, 674, 678, 682, 686, 690, 694, 698	3311401509	3572551.....407	4010418... 658, 662, 666, 670, 674, 678, 682, 686, 690, 694, 698
3290606 447, 449, 451	3311405 ... 455, 457, 485, 507, 621, 623, 625, 627, 629, 631, 633, 635, 637, 639, 641, 793, 795, 797, 799, 801, 803, 805, 807, 809, 811, 813	3573400.....491, 493, 495	4010618 447, 449, 451
3290607 286, 314	3311501 ... 156, 160, 164, 168, 176, 507, 509	3575705.....507, 509	4031505 481
3290801 ... 253, 263, 279, 286, 295, 307, 314	3311505 499, 501	3577121.....491, 493, 495	4031507 153
3290805... 61, 63, 65, 67, 69, 75, 111, 113, 115, 117, 156, 160, 164, 168, 172, 176, 183, 189, 200, 214, 232, 247, 249, 258, 268, 279, 286, 307, 314, 331, 333, 335, 339, 343, 347, 351, 355, 359, 368, 372, 375, 379, 407, 653, 658, 662, 666, 670, 674, 678, 682, 686, 690, 694, 698	3311601 ... 156, 160, 164, 168, 172, 176, 459, 463, 485	3580158.....335, 339	4031508 145
3290806 419	3311605 ... 202, 216, 241, 243, 453, 455, 457, 491, 493, 495	3580276.....339	4031511 ... 658, 662, 666, 670, 674, 678, 682, 686, 690, 694, 698
3291001 ... 200, 214, 232, 286, 314, 419	3311705 ... 335, 339, 343, 347	3580317....351, 355, 359, 363, 368, 372, 375, 379	4031512 121
3291005 ... 151, 156, 160, 164, 168, 172, 176, 179, 181, 183, 185, 187, 189, 195, 200, 207, 214, 225, 232, 253, 258, 263, 268, 279, 286, 295, 301, 307, 314, 339, 343, 347, 395, 397, 399, 401, 403, 405, 407, 409, 411, 413, 415, 419, 653, 658, 662, 666, 670, 674, 678, 682, 686, 690, 694, 698	3311801 27, 29, 31	3580318....355, 359, 372, 375, 379	4031516 485
3291201 ... 286, 314, 343, 347, 351, 355, 359, 363, 368, 372, 375, 379, 419	3312002 503, 505	3580319.....351, 363, 368	4031607 335
3291205 ... 395, 397, 399, 401, 403, 405, 413, 415, 419	3312005 77, 489	3580320....343, 351, 355, 359, 368, 372, 375	4031707 105
3300106 27, 29, 31	3321001 ... 151, 201, 215, 258, 268	3740067.... 151, 258, 268	4031914 200, 214, 232
3300151 ... 445, 447, 449, 451, 491, 493, 495	3321501 172	3740080....335, 340, 343, 347, 751, 831	4032014 343, 359, 375
3300220 ... 151, 201, 215, 258, 268	3331211 ... 247, 249, 335, 339, 343, 351, 355, 359, 363, 368, 372, 375	3740086.....781, 831	4032015 ... 351, 355, 368, 372
3300353 459, 463	3331215 ... 200, 214, 232, 258, 268	3740140....258, 268, 831	4060802 ... 335, 340, 343, 347, 351, 355, 359, 363, 368, 372, 375, 379
3300396 ... 356, 360, 368, 373, 377, 380	3340860 407	3760115.....411	4060805 ... 200, 214, 232, 258, 269, 288, 316
3300408 131, 133, 467	3340956 489	3760170.....77	4060806 107
3300430 483	3380434 455, 457	3760351.....409	4060808 ... 658, 662, 666, 670, 674, 678, 682, 686, 690, 694, 698
3310401 200, 214	3420352 77	3790012....279, 307, 459, 463	4070450 77
3311001 ... 241, 243, 339, 343, 347, 356, 360, 368, 373, 377, 380	3420372 77	3790152.... 197, 211, 229, 255, 265, 283, 311	4070560 77
3311005 ... 147, 149, 491, 493, 495	3422532 ... 195, 207, 225, 253, 263, 279, 295, 301, 307	3820001....793, 795, 797, 799, 801, 803, 805, 807, 809, 811, 813, 819, 821, 823	4070561 77
	3422661 499, 501	3820020....439, 441, 443	4070897 409, 411
	3422755 ... 395, 397, 399, 401, 405	3820032.....151	4070898 409, 411
	3422790 ... 395, 397, 399, 401	3841143 23, 25, 195, 207, 225, 253, 263, 279, 295, 301, 307, 395, 397, 399, 401, 403, 405, 419	4071101 19, 21
	3422791 407	3841203....395, 397, 399, 401, 403, 405, 413, 415	4160182 ... 156, 160, 164, 168, 176
	3422792 ... 395, 397, 399, 401, 405	3841258.19, 21, 413, 415	4240018 643, 645
	3422793 ... 395, 397, 399, 401, 403, 405	3841287.....413, 415	4240032 ... 143, 145, 147, 149, 735
	3422806 403, 405	3841340....658, 662, 666, 670, 674, 678, 682, 686, 690, 694, 698	4240033 481, 483, 485
	3422848 25	3900054.....453	4240099 ... 200, 214, 225, 232, 245, 258, 268, 279, 286, 307, 314, 335, 340, 343, 347, 351, 355, 359, 363, 368, 372, 375, 379, 459, 463, 491, 493, 509
	3423038 403, 405	3900267.....356, 360	4240149 489
	3423105 ... 395, 397, 399, 401	3900295.....25	4240156 ... 658, 662, 666, 670, 674, 678, 682, 686, 690, 694, 698
	3423304 23, 25	3900300.....356, 360	4341415 489
	3430616 459, 463	3900349.....459, 463	4360057 507, 509, 831
	3460334 489	3900351.....409, 411	4360070 ... 356, 360, 368, 373, 377, 380, 830
	3470003 460, 464	3900363.....183, 189	4360274 129, 831
	3520028 339, 344, 348	3910408.....200, 214	4360336 ... 335, 340, 343, 347, 351, 355, 359, 363, 368, 372, 375, 379, 831
	3520054 ... 202, 216, 232, 258, 268, 459, 463	3910606....355, 359, 372, 375, 379, 643, 645	4360387 ... 127, 129, 459, 463, 507, 509, 831
	3520072 ... 164, 168, 172, 439, 441, 443, 445, 447, 449, 451, 453	3910610.....619	4360407 459, 463, 831
	3520189 368	3910804.... 123, 125, 127, 129	4360436 ... 111, 113, 115, 117, 831
	3520192 368	3911010.....147, 149	4360469 ... 123, 125, 127, 129, 831
	3520198 ... 439, 441, 443, 445, 447, 449, 451	3931408.....483	
		3931512....200, 214, 232	
		3931618....197, 211, 229, 255, 265, 283, 311	
		3931628....343, 359, 375	
		3960407.....258, 268	
		3960422....355, 359, 372, 375, 379, 619, 643, 645	
		3960526.....27, 29, 31	
		4010405.....647, 649	

SECTION 11 - SPECIAL OPTIONS/ACCESSORIES/KITS

4360475.....123, 125, 127, 129, 459, 463, 831	753, 761, 763, 781, 783, 787, 789	4460873 761, 784	4461196.....765
4360476.....123, 125, 127, 129, 459, 463, 830	4460465 ... 139, 141, 145, 487, 655, 701, 703, 705, 707, 725, 733, 737, 739, 740, 743, 747, 755, 761, 763, 783, 784, 787, 789	4460874 761, 783	4461198.....621, 765
4360542.....339, 344, 348, 830	4460466 ... 280, 308, 481, 487, 655, 659, 663, 667, 671, 675, 679, 683, 687, 691, 695, 699, 701, 703, 705, 707, 717, 719, 725, 737, 739, 740, 743, 747, 751, 753, 761, 763, 775, 781, 783, 784, 787, 789	4460875 761, 787	4461199.....767
4420014.....489	4460467 836	4460876 757	4461201.....625, 767
4420037.....491, 493, 495	4460470 459, 463	4460877 784	4461205.....769, 771
4420051.....815, 819, 821, 823	4460471 459, 463	4460878 487, 761	4461222.....747
4420060.....335	4460473 ... 658, 662, 666, 670, 674, 678, 682, 686, 690, 694, 698, 701, 703, 705, 707	4460884 ... 487, 725, 743, 763, 783	4461244.....633, 769
4420062.....499, 501	4460488 147, 149	4460887 ... 487, 761, 784	4461245.....635, 771
4420066.....489	4460496 136	4460891 ... 139, 141, 145, 655, 725, 733, 740, 749, 784, 787, 789	4461246.....637, 773
4420068.....507, 509	4460497 136	4460892 ... 737, 740, 743, 747, 761, 783, 789	4461249.....773
4460019.....743	4460508 ... 481, 717, 719, 761	4460897 ... 143, 147, 149, 749	4520216.....47
4460027.....339, 344, 348	4460509 ... 701, 703, 705, 707, 783	4460899 ... 725, 733, 763, 775, 781, 783, 787, 789	4520217.....55
4460042.....740, 743, 747	4460510 836	4460905 ... 757, 761, 783, 784, 787	4520240.....49
4460043.....245, 739, 743	4460518 655	4460906 751	4520262.....53
4460049.....507, 509	4460536 761	4460907 779	4520608.....57
4460071.....355, 359, 372, 375, 379, 477, 619	4460539 ... 743, 761, 787	4460908 775	4640113.....53
4460134.....340, 344, 348	4460612 643, 645	4460928 655	4640261.....75
4460138.....340, 344, 348	4460662 ... 633, 635, 637, 641	4460930 ... 280, 308, 737, 740, 743, 783	4640509.....519
4460142.....784	4460693 747	4460931 783	4640751.....200, 214, 232
4460183.....761	4460703 739, 743	4460932 487, 749	4640771.....535, 537, 539
4460190.....339, 344, 348	4460705 ... 339, 344, 348	4460933 ... 655, 761, 784	4640858.....513
4460205.....619	4460708 761	4460941 749, 775	4641122.....47, 49, 57, 59
4460225.....368, 372, 375, 379, 755, 761	4460722 245	4460942 ... 481, 740, 743, 749	4641155.....61, 63, 65, 67, 69
4460226.....471, 474, 477, 507, 509	4460742 783	4460943 ... 147, 149, 775, 783	4641390.....521, 523, 525, 527, 529
4460227.....761	4460743 783	4460944 ... 739, 740, 743	4710400.....200, 214
4460234.....143, 145, 459, 463, 509	4460746 739, 743	4460956 727, 731	4711000.....147, 149, 241, 243, 356, 360, 368, 373, 377, 381
4460247.....739, 743, 783	4460748 ... 739, 744, 784	4460957 727, 731	4711400.....179, 181, 185, 187, 445, 447, 449, 451, 483, 485, 621, 623, 625, 627, 629, 631, 633, 635, 637, 639, 641
4460259.....487, 757, 761, 784	4460754 787	4460958 645	4711500.....75, 151, 156, 160, 164, 168, 176, 200, 214, 232, 658, 666, 670, 686, 694
4460260.....487, 757, 761, 784	4460761 761, 783	4460959 682	4711600.....241, 243, 351, 355, 359, 363, 368, 372, 375, 460, 464, 503, 505
4460265.....471, 474	4460806 ... 629, 631, 633, 635, 784	4460960 682	4711700.....335, 340, 343, 347
4460267.....111, 113, 115, 117, 761, 783	4460807 755	4460961 ... 339, 344, 348	4711800.....453
4460268.....339, 344, 348, 755, 787	4460808 755	4460962 493	4712000.....489, 503, 505
4460313.....737	4460836 783	4460963 ... 373, 377, 380	4740086.....23, 25
4460315.....619	4460837 783	4460967 783	4740155.....25
4460320.....111, 113, 115, 117	4460865 ... 658, 662, 666, 670, 674, 678, 682, 686, 690, 694, 698, 701, 703, 705, 707, 783	4460968 ... 335, 621, 625	4740158.....19, 21
4460321.....339, 344, 348	4460866 ... 658, 662, 666, 670, 674, 678, 682, 686, 690, 694, 698, 717, 719, 761	4460970 761	4740229.....19, 21
4460346.....355, 359, 372, 375, 379, 619	4460871 ... 139, 141, 757, 761, 783, 784, 787	4460977 759	4740362.....455, 457
4460384.....641	4460872 787	4461005 737	4740397.....460, 464
4460418.....757, 761		4461006 747	4740491.....25
4460419.....757, 761		4461008 ... 737, 739, 743	4750800.....663, 667, 679, 683, 691
4460424.....787		4461052 737	4751000.....340, 343, 347, 491, 493, 495
4460425.....356, 360, 368, 373, 377, 380, 507, 509, 643, 645		4461054 ... 740, 743, 749	4751400.....183, 189, 455, 457, 459, 463, 479, 491, 493, 495, 507, 509, 793, 795, 797, 799, 801, 803, 805, 807, 809, 811, 813
4460426.....356, 360, 368, 373, 377, 380		4461060 749	4751500.....335, 340, 343, 347, 499, 501, 507, 509
4460428.....459, 463		4461070 655, 739	
4460434.....761		4461071 ... 737, 739, 743	
4460458.....739, 744, 783, 784		4461072 ... 737, 739, 743	
4460464.....121, 143, 477, 487, 655, 717, 719, 725, 733, 749, 751,		4461073 ... 737, 739, 743	
		4461074 ... 737, 739, 743	
		4461077 775, 781	
		4461095 ... 655, 737, 739	
		4461109 747	
		4461111 747	
		4461113 747	
		4461121 747	
		4461122 747	
		4461123 747	
		4461124 747	

SECTION 11 - SPECIAL OPTIONS/ACCESSORIES/KITS

4751600 ... 202, 216, 455, 457, 491, 493, 495	415, 419, 653, 658, 662, 666, 670, 674, 678, 682, 686, 690, 694, 698	356, 360, 363, 368, 372, 376, 421, 423, 425, 427, 429	70001384. 367, 371, 376, 380
4751800 453, 507, 509		5250812....107, 659, 663, 667, 671, 675, 679, 683, 687, 691, 695, 699	70001423..... 271
4752000 77		5251008.....419	70001435..... 272
4760600 619	4812002 ... 111, 113, 115, 117, 121, 156, 160, 164, 168, 172, 176, 226, 234, 279, 307	5251009.....409, 411	70001498..... 272
4761000 ... 151, 201, 215, 258, 268		5251010....61, 63, 65, 67, 69, 81, 83, 85, 87, 89, 403, 409, 411, 421, 423, 425, 427, 429	70001654..... 271
4761400 479	4812100 ... 156, 160, 164, 168, 176, 195, 200, 207, 214, 225, 232, 280, 301, 307, 351, 355, 368, 372, 413, 415, 419	5251012..19, 21, 45, 409, 411	70001655..... 271
4811400 ... 121, 145, 487, 621, 623, 625, 627, 629, 631, 633, 635, 637, 639, 641, 658, 662, 666, 670, 674, 678, 682, 686, 690, 694, 698	4812102 ... 111, 113, 115, 117, 156, 160, 164, 168, 172, 176	5251014....156, 160, 164, 168, 172, 176, 658, 662, 666, 670, 674, 678, 682, 686, 690, 694, 698	70001696..... 367, 371
4811600 ... 143, 151, 335, 355, 359, 368, 372, 375, 379	4812200 ... 200, 214, 232, 247, 249, 258, 268, 280, 308, 335, 340, 343, 348, 351, 355, 359, 363, 368, 372, 375, 379	5251016.....419	70001844..... 272
4811700 ... 121, 136, 139, 141, 147, 149, 151, 179, 181, 183, 185, 187, 189, 195, 200, 207, 214, 225, 232, 253, 258, 263, 268, 279, 286, 295, 301, 307, 314, 335, 340, 343, 347, 351, 355, 359, 363, 368, 372, 375, 379, 411, 447, 449, 451, 647, 649, 659, 663, 667, 671, 675, 679	4812300 109	5251215.....27, 195, 207, 225, 234, 253, 263, 279, 295, 301, 307	70001850..... 271
4811702 ... 136, 151, 176, 202, 216, 232, 279, 286, 307, 314, 331, 352, 364, 647, 649	4845582 499, 501	5260800....107, 123, 125, 127, 129, 352, 356, 360, 363, 368, 372, 376	70001866..... 272
4811900 ... 61, 63, 65, 67, 69, 111, 113, 115, 117, 123, 125, 127, 129, 156, 160, 164, 168, 172, 176, 183, 189, 195, 200, 208, 214, 225, 232, 247, 249, 253, 258, 263, 268, 279, 286, 295, 301, 307, 314, 335, 340, 343, 347, 351, 355, 359, 368, 372, 375, 379, 419, 653, 662, 674, 678, 682, 690, 698	4846370 509	5261200....195, 207, 225, 234, 253, 263, 279, 295, 301, 307	70001868..... 272
4811902 ... 160, 234, 286, 314, 407, 409, 411, 427, 658, 662, 666, 670, 674, 678, 682, 686, 690, 694, 698	4860179 55	5272114.....97, 99	70001870.. 220, 238, 271
4812000 ... 81, 83, 85, 87, 89, 121, 151, 156, 160, 164, 168, 172, 176, 181, 183, 187, 189, 195, 200, 207, 214, 225, 232, 253, 258, 263, 268, 279, 286, 295, 301, 307, 314, 335, 340, 343, 347, 360, 363, 376, 395, 397, 399, 401, 403, 405, 409, 411, 413,	4860237 53	5281918....658, 662, 666, 670, 674, 678, 682, 686, 694, 698	70001871 272
	4871700 ... 351, 355, 359, 363, 368, 372, 375	5281920....658, 662, 666, 674, 678, 682, 690, 698	70001872..... 272
	4891600 ... 156, 164, 168, 197, 211, 229, 255, 265, 283, 311, 419	70000088.....101	70001953..... 367, 371
	4891800 .27, 29, 31, 197, 211, 229, 255, 265, 283, 311	70000089.....101	70001966. 351, 356, 360, 363, 367, 371, 376, 380
	4892000 27, 29, 31	70000100.....431	70001973. 367, 371, 376, 380
	4892600001.....419	70000102.....335	70001974. 367, 371, 376, 380
	4920463 723	70000123.....335	7000206 35, 39
	4922641 ... 340, 344, 348, 356, 360, 364, 368, 372, 376, 380	70000342.....417	70002063 73
	4922925 ... 368, 372, 375, 379	70000345.....237, 272	70002088 367, 371
	4922929 ... 686, 690, 694, 698	700004508.....219	70002112 113, 117
	4923451 259, 268	70000619..367, 371, 375, 379	70002206 101
	4923463 713, 715	70000781.....71, 73	70002207 101
	5240800 ... 160, 176, 279, 286, 307, 314	70000787.....272	70002209 73
	5241000 183, 189	70000793.....275	70002234 272
	5241200 ... 19, 21, 23, 25, 75, 97, 99, 200, 214, 232, 247, 249, 258, 268, 286, 314, 335, 340, 343, 347, 351, 355, 359, 363, 368, 372, 376, 379, 409, 411, 419	70000797.....41, 43	70002257 326
	5250605 286, 314	70000800.....271	7000229 35, 39
	5250608 136	70000851.....272	70002291 376, 380
	5250808 ... 352, 356, 360, 368, 372, 376	70000863..367, 371, 376, 380	70002297. 367, 371, 376, 380
	5250810 ... 123, 125, 127, 129, 202, 216, 352,	70000865.....103	7000230 35, 39
		70000912.....271	70002316 319
		70000913.....271	70002318 319
		70000914.....271	7000232 35, 39
		70000915.....271	70002326 319
		70000916.....271	70002335 519
		70000917.....271	70002371 519
		70000918.....271	70002373 519
		70000919.....272	7000238671, 73, 91, 521, 523, 525, 527, 529, 830
		70000931.....272	70002390 71
		70001002.....271	70002413 517
		70001100..367, 371, 376, 380	7000246 35, 39
		70001181.....271	70002460. 367, 371, 376, 380
		70001349.....35, 39	7000248 35, 39
			7000253 35, 39
			7000257 35, 39
			7000258 35, 39
			7000261 35, 39
			7000262 35, 39
			7000263 35, 39
			70002649 103
			70002651 103
			70002718 219, 271
			70002838 113, 117
			70002842 513, 515
			70002902 477
			70002903 477
			70002904 477
			70002905 477
			70002962 73

SECTION 11 - SPECIAL OPTIONS/ACCESSORIES/KITS

70003463.....271, 830	70004268..... 271	70004867 .. 431, 433, 435	70005080.....91
70003464.....271	70004269..... 271	70004868 431	70005082.....91
70003468.....272	70004270..... 272	70004869 .. 431, 433, 435	70005084.....91
70003469.....272	70004281..... 219, 237	70004871 . 431, 433, 435,	70005085.....91
70003472.....271	70004282..... 219	830	70005087.....91
70003473.....271	70004504..... 237	70004873 433, 435	70005088.....91
70003475.....271	70004508..... 238	70004875 431	70005089.....91
70003479.....271	70004577..... 71, 73	70004876 .. 111, 113, 115	70005090.....91
70003480.....271	70004676 . 351, 356, 360,	70004877 117	70005092.....91
70003481.....271	363	70004883 73	70005094.....91
70003612.....93	70004677..... 351	70004884 73	70005095.....91
70003614... 113, 115, 117	70004678 . 351, 356, 360,	70004885 73	70005096.....91
70003631..367, 371, 376,	364	70004886 73	70005097.....91
380	70004679 . 352, 356, 360,	70004887 71, 73	70005098.....91
70003708..351, 356, 360,	364	70004888 71, 73	70005099.....91
363, 367, 371, 376, 380	70004680 . 352, 356, 360,	70004889 325	70005100.....91
70003709..351, 356, 360,	364	70004890 325	70005139.....93
363, 367, 371, 376, 380	70004681 352, 364	70004891 325	70005143.....519
70003783..201, 215, 233,	70004682 . 352, 356, 360,	70004892 325	70005150.....533
259, 269, 830	364	70004893 325	70005151.....533
70003788....91, 521, 523,	70004683 352, 364	70004894 325	70005152.....533
525, 830	70004684 356	70004895 325	70005153.....533
70003837.....517, 531	70004685 356, 360	70004896 325	70005154.....533
70003838.....517, 531	70004686 364	70004897 325	70005155.....519
70003931.....272	70004687 360	70004898 325	70005156.....519
70003932.....272	70004738 471	70004899 326	70005157.....519
70003975.....73	70004739 471	70004900 326	70005158.....519
70003977.....91	70004740 471	70004901 326	70005159.....519
70003978.....71	70004741 471	70004902 326	70005160.....519
70004000.....93	70004742 471	70004903 326	70005171.....219
70004013.....93	70004743 471	70004904 326	70005172..... 220, 238
70004014.....93	70004744 471	70004905 326	70005173.....219
70004017.....73	70004745 471	70004906 326	70005177.....219
70004020...288, 316, 831	70004746 471	70004907 326	70005182.....219
70004056.....272	70004747 471	70004908 326	70005183.....219
70004058.....272, 831	70004748 471	70004909 326	70005184..... 219, 237
70004059.....272	70004749 471	70004910 326	70005217.....91
70004060.....272	70004750 471	70004911 326	70005218.....91
70004062.....272	70004751 471	70004955 537	70005219..... 91, 830
70004092..351, 356, 360,	70004752 473	70004956 537	70005243..... 433, 435
363, 376, 380	70004753 473	70004957 537	70005504.....237
70004094.....376, 380	70004754 473	70004958 535	70005577.....527
70004098..356, 360, 376,	70004755 473	70004959 535	70005578.....527
380	70004756 473	70004960 535	70005667..658, 662, 666,
70004099..360, 363, 376,	70004757 473	70004961 523	670, 674, 678, 682,
380	70004758 473	70004962 523	686, 690, 694, 698
70004102.....272	70004759 473	70004963 523	70005726.....319
70004103.....272	70004760 473	70004964 527	70005727.....319
70004169.....367, 371	70004761 473	70004965 527	70005737.....319
70004171..351, 356, 367,	70004762 473	70004966 527	70005745.....319
371	70004763 473	70004967 521	70005746.....319
70004249.....103	70004764 473	70004969 521	70005747.....319
70004250.....103	70004765 473	70005010 517	70005751.....319
70004251.....103	70004766 473	70005011 517	70005827.....71
70004252.....103	70004767 473	70005012 517, 531	70005828.....71
70004253.....103	70004768 473	70005013 517, 531	70005829.....71
70004254.....103	70004769 473	70005014 517, 531	70005830.....71
70004255.....103	70004770 473	70005016 517, 531	70005831.....71
70004256.....103	70004771 473	70005017 531	70005832.....71
70004257.....103	70004772 473	70005018 531	70005931..... 219, 237
70004258.....103	70004773 473	70005065 93	70005941..... 220, 238
70004259.....103	70004774 474	70005066 93	70005942..... 219, 238
70004260.....103	70004775 474	70005067 93	70006000.....71
70004261.....103	70004829 319	70005068 93	70006001.....71
70004262.....103	70004864 431	70005069 91	70006002.....71
70004263.....103	70004865 431	70005071 91	70006010.....323
70004267.....93	70004866 431	70005076 91	70006011.....323

SECTION 11 - SPECIAL OPTIONS/ACCESSORIES/KITS

70006012	323	70006080	320	70008375.....	105	70025200.....	219
70006013	319	70006093	376, 380	70008376.....	105	70025210.....	219
70006014	319	70006094	376, 380	70008377.....	105	70025231.....	219
70006015	319	70006095	376, 380, 830	70008378.....	105	70025239.....	219
70006016	319	70006096	376, 380	70008379.....	105	70025619.....	517
70006017	319	70006097	376, 380	70008380.....	105	70025667.....	271
70006018	319	70006104	521, 523, 525	70008381.....	105	70025693.....	272
70006019	319	70006105	521, 523, 525	70008382.....	105	70025694.....	272
70006020	319	70006144	219, 237	70008383.....	105	70025959.....	531
70006021	319	70006256	409, 411	70008384.....	105	70026210.....	219, 237
70006022	319	70006271	411	70008385.....	105	70026444.....	71
70006023	319, 831	70006272	409	70008386.....	105	70027405.....	237
70006024	319	70006356	197, 211, 229, 255, 265, 283, 311	70008387.....	105	7002821.....	836
70006025	319	70006379	320	70008388.....	105	7002822.....	837
70006026	319	70006428	834	70008389.....	105	7002823.....	836
70006027	319	70006429	834	70008390.....	105	7002828.....	837
70006028	319	70006552	352, 356	70008391.....	105	70028540.....	219
70006029	319	70006553	352, 356, 831	70008392.....	105	70029015.....	237
70006030	319	70006639	320	70008393.....	105	70029402.....	237
70006031	319	70006640	320	70008397.....	95	70029403.....	237
70006032	319	70006652	219	70008400.....	95	70029404.....	237
70006033	319	70006660	431	70008403.....	95	70029451.....	219
70006034	319	7000731.....	36	70008404.....	95	70029512.....	237
70006035	319	70007325	219	70008405.....	95	70029797.....	237
70006036	319	70007326	220	70008406.....	95	70030360.....	219
70006037	319	70007354	219	70008407.....	95	70030381.....	219
70006038	319	70007360	539	70008408.....	95	70031095.....	220
70006039	319	70007556	435	70010383.....	81, 83, 85, 87, 89, 831	70031136.....	219
70006040	319	70007603	219, 237	7001481.....	326	70031143.....	237
70006041	319	70007784	237	7001998.....	35, 39	70031144.....	237
70006042	319	70007886	529	70023370.....	519	70031145.....	219
70006043	319	70007887	529	70023592.....	201, 215, 830	7004035.....	101
70006044	319	70007888	529	70023593.....	201, 215, 830	7004036.....	101
70006045	320	70007889	529	70023606.....	71, 73	7004043.....	101
70006046	320	70007890	529	70024262.....	517	7004044.....	101
70006047	320	70007891	525	70024494.....	220, 238	7004045.....	101
70006048	320	70007892	525	70024504.....	219, 237	7004047.....	101
70006049	320	70007893	525	70024507.....	219	7004049.....	101
70006050	320	70007894	525	70024513.....	219, 237	7004275.....	837
70006051	320	70007895	525	70024904.....	220, 238	7004276.....	837
70006052	320	70007896	539	70024905.....	219	7007289.....	326
70006053	320	70007897	539	70024906.....	219	7007415.....	325, 326
70006054	320	70007898	539	70024913.....	238	7007419.....	325
70006055	320	70007899	539	70024915.....	219	7007420.....	325, 326
70006056	320	70007900	539	70024916.....	237	7007437.....	41, 43
70006057	320	70008244	515	70024918.....	237	7007438.....	41, 43
70006058	320	70008246	515	70024925.....	219, 238	7007439.....	41, 43
70006059	320	70008247	515	70024961.....	219, 237	7007446.....	41, 43
70006060	320	70008253	119	70025082.....	271	7007493.....	326
70006061	320, 831	70008254	119	70025084.....	271, 272	7007495.....	325
70006062	320	70008256	119	70025086.....	272	7007601.....	35, 39
70006063	320	70008258	119	70025088.....	271	7007640.....	35, 39
70006064	320	70008259	119	70025091.....	271	7010429.....	35, 39
70006065	320	70008260	119	70025099.....	237	7010543.....	71, 73
70006066	320	70008261	119	70025121.....	272	7012513... 335, 339, 343, 347	
70006067	320	70008262	119	70025123.....	271, 272	7012514... 335, 339, 344, 347	
70006068	320	70008263	119	70025130.....	237	7012558.....	339
70006069	320	70008264	119	70025131.....	272	7012941.....	71
70006070	320	70008265	119	70025135.....	219	7012967.71, 73, 527, 529	
70006071	320	70008266	119	70025139.....	271	7012974.....	73
70006072	320	70008267	119	70025142.....	237	7012998... 521, 523, 525, 527	
70006074	320	70008268	119	70025153.....	237, 830	7016331... 220, 238, 271, 830	
70006075	320	70008371	105	70025160.....	237	7016654.....	837
70006076	320	70008372	105	70025161.....	237, 830		
70006077	320	70008373	105	70025164.....	219, 237		
70006078	320	70008374	105	70025168.....	237		
70006079	320						

SECTION 11 - SPECIAL OPTIONS/ACCESSORIES/KITS

7017059.....35, 39	7021259..... 325	7024713..... 35, 39	8229242....739, 783, 784,
7017067.....35, 39	7021262..... 325	7024714..... 35, 39	830, 831
7017070.....35, 39	7021263..... 325	7024715..... 35, 39	8229244..... 784, 831
7017080.....35, 39	7021265..... 325	7024716..... 35, 39	8229245.... 751, 753, 831
7017142.....417	7021268..... 325	7024717..... 35	8229249.....487, 831
7017159.....417	7021275..... 41, 43	7024718..... 36	8305401.... 200, 214, 232,
7017162.....417	7021276..... 41, 43, 326	7024800..... 325	258, 268, 286, 314
7017163.....417	7021277..... 41, 43, 326	7024810..... 71	8307109....200, 214, 233,
7017164.....417	7021278..... 326	7024853..... 41	258, 268, 286, 314
7017172.....417	7021281..... 325	7024854..... 41, 43	8310070....659, 663, 667,
7017192.....417	7021290..... 326	7024855..... 325	671, 675, 679, 683,
7017195.....417	7021293..... 325	7024857..... 325	687, 691, 695, 699
7017410.....71, 73	7021299..... 326	7024858..... 325	8310548....201, 214, 233,
7017467....521, 523, 525,	7021625..... 73	7024868..... 41, 43	258, 268, 286, 314
527	7021639..... 73	7024881..... 71, 73	8310614.....121
701749671, 73, 521, 523,	7022300..... 325	7024884..... 527	8310668.....409, 411
525, 527, 529	7022302..... 41, 43	7024885..... 71, 73, 830	8310686....156, 160, 164,
7017904.....319	7022305..... 41, 43	7026042..... 103	168, 172, 176
7017932.....319	7022310..... 43	7026043..... 103	8405006....195, 207, 225,
7017959.....320	7022311..... 41, 43	7026044..... 103	241, 243, 301
7017992.....320, 831	7022312..... 41, 43	7026045..... 103	8405007....201, 215, 233
7019680....339, 344, 348	7022314..... 41, 43	7026046..... 103	8405009....201, 215, 233,
7020023.....271, 830	7022326..... 41, 43	7026047..... 103	287, 315
7020026.....271	7022328..... 41, 43	7026048..... 103	8405102.....287, 315
7020033.....33	7022341..... 325	7026049..... 103	8405104....201, 215, 233,
7020035.....33	7022346..... 326	7026050..... 103	287, 315
7020036.....33	7022347..... 326	7026051..... 103	8405202....201, 215, 233,
7020037.....33	7022368..... 41, 43	7026052..... 103	287, 315
7020038.....33	7022371..... 41, 43	7026053..... 103	8405203.....287, 315
7020039.....33	7022372..... 43	7026057..... 103	8405204....201, 215, 233
7020040.....33	702239071, 91, 521, 523,	7026188..... 367, 371	8406109....201, 215, 233,
7020041.....33	525	7026199.... 339, 343, 347	259, 269, 287, 315
7020108....335, 339, 344,	7022397..... 71, 73	7026330..... 93	8406110....202, 216, 233,
347	7022399..... 71, 73, 91	7026597.... 367, 371, 376	287, 315
7020109....335, 339, 344,	7023154..... 319	7026626... 367, 371, 376,	8406201....202, 216, 234,
347	7023318..... 101	380	287, 315
7020110....335, 339, 344,	7023900..... 91	7027236..... 271	8410001.....287, 315
347	7023907..... 41, 43	7027350..... 103	8410009.....287, 315
7020111....335, 339, 344,	7023908..... 41, 43	7027351..... 103	8410011.....288
348	7023910..... 41, 43	7027352..... 103	8410013....195, 207, 253,
7020175....123, 125, 127,	7023936..... 91	7027353..... 103	263, 295, 301
129, 459, 463	7024182..... 35, 36	7027354..... 103	8430007....195, 207, 225,
7020176....123, 125, 127,	7024189..... 36	7027356..... 103	301
129, 459, 463, 830	7024190..... 36	7027419..... 41	84521061.....347
7020190....335, 339, 344,	7024191..... 36	7027625..... 431	84521062.....379
348	7024192..... 36	7027628..... 431, 830	85841094.....280, 308
7020403.....271	7024193..... 36	7027790..... 272	8760477....546, 555, 565,
7020430.....271	7024194..... 36	7027791..... 272	572, 581, 588, 597,
7020460.....271	7024196..... 36	7027792..... 272	605, 615
7020465....220, 238, 271	7024197..... 36	7027796..... 272	8770289....546, 555, 565,
7020468.....271	7024379..... 101	7027799... 367, 371, 376,	572, 581, 588, 597,
7020471.....272	7024380..... 101	380	605, 615
7020479.....272	7024381..... 101	7027887... 336, 339, 344,	8786514.....55
7020492.....271, 272	7024389..... 101	348	88521205..659, 671, 687,
7021237.....325	7024390..... 101	7027903..... 272	695
7021238.....325	7024441..... 113, 117	77363233..... 755	88521214.....503, 505
7021239.....325	7024453..... 101	80484084..... 739, 743	88662523..156, 160, 164,
7021240.....325	7024485.... 367, 371, 830	80633030..... 606	168, 172, 176
7021241.....325	7024488... 367, 371, 375,	80963067..... 784	8881800....121, 658, 662,
7021242.....325	379	80983191..... 739, 830	666, 670, 674, 678,
7021243.....325	7024489... 367, 371, 375,	82033995..... 288, 316	682, 686, 690, 694, 698
7021248.....325	379	8220045.... 751, 753, 783	91164057.....91
7021249.....41, 43, 325	7024565..... 272	8220051..... 749	91164059.....91
7021253.....325	7024579..... 220, 271	8220115..... 739	91164079.....91
7021257.....325	7024705..... 35	8220125..... 784	91203039.....419
7021258.....325	7024712..... 35, 39	8220164..... 739, 743	



**Corporate Office
JLG Industries, Inc.
1 JLG Drive
McConnellsburg, PA 17233-9533 USA
☎ (717) 485-5161 (Corporate)
☎ (877) 554-5438 (Customer Support)
📠 (717) 485-6417**

**Visit our website for JLG Worldwide Locations.
www.jlg.com**



OSHKOSH™