



Illustrated Parts Manual

Models

E400A/M400A

E400Anarrow

M400Anarrow

E400AJP/M400AJP

E400AJPnarrow

M400AJPnarrow

E450A/M450A

E450AJ/M450AJ

**Prior to SN 0300189901
(See Revision Log Page for Exclusions)**

**P/N
3121128**

July 1, 2021 - Rev AL

ANSI



An Oshkosh Corporation Company

REVISION LOG

List of SN Exclusions: SN 0300185900, 0300186011, 0300189900

August 28, 2000 - A - Original Issue Of Manual (Edited to B/M 0010554 Revision 23 & B/M 0010571 Revision 1)

September 15, 2000 - B - Revised Manual (Added UL Components)

January 15, 2001 - C - Revised Manual and added E/M400A (Edited to B/M 0010554 Revision 26 & B/M 0010571 Revision 3)

July 31, 2001 - D - Revised Manual (Edited to B/M 0010554 Revision 30 & B/M 0010571 Revision 7)

May 31, 2002 - E - Revised Manual (Edited to B/M 0010554 Revision 37 & B/M 0010571 Revision 16)

March 14, 2003 - F - Revised Manual (Edited to B/M 0010554 Revision 43 & B/M 0010571 Revision 21)

July 1, 2003 - G - Revised Manual (Edited to B/M 0010554 Revision 49 & B/M 0010571 Revision 25)

November 15, 2003 - H - Revised Manual (Edited to B/M 0010554 Revision 50 & B/M 0010571 Revision 26)

June 18, 2004 - I - Revised Manual (Edited to B/M 0010554 Revision 54 & B/M 0010571 Revision 29)

December 9, 2004 - J - Revised Manual (Edited to B/M 0010554 Revision 54 & B/M 0010571 Revision 30)

April 15, 2005 - K - Revised Manual (Edited to B/M 0010554 Revision 56 & B/M 0010571 Revision 30)

July 31, 2005 - L - Revised Manual (Edited to B/M 0010554 Revision 58 & B/M 0010571 Revision 33)

August 22, 2006 - M - Revised Manual (Edited to B/M 0010554 Revision 65 & B/M 0010571 Revision 38)

March 8, 2007 - N - Revised Manual (Edited to B/M 0010554 Revision 70 & B/M 0010571 Revision 42)

August 30, 2007 - O - Revised Manual (Edited to B/M 0010554 Revision 73 & B/M 0010571 Revision 46)

April 15, 2008 - P - Revised Manual (Edited to B/M 0010554 Revision 73 & B/M 0010571 Revision 46)

October 28, 2008 - Q - Revised Manual (Edited to B/M 0010554 Revision 79 & B/M 0010571 Revision 51)

May 10, 2009 - R - Revised Manual (Edited to B/M 0010554 Revision 80 & B/M 0010571 Revision 51)

July 15, 2010 - S - Revised Manual (Edited to B/M 0010554 Revision 85 & B/M 0010571 Revision 56)

January 19, 2011 - T - Revised Manual (Edited to B/M 0010554 Revision 88 & B/M 0010571 Revision 56)

May 9, 2011 - U - Revised Manual (Edited to B/M 0010554 Revision 90 & B/M 0010571 Revision 62)

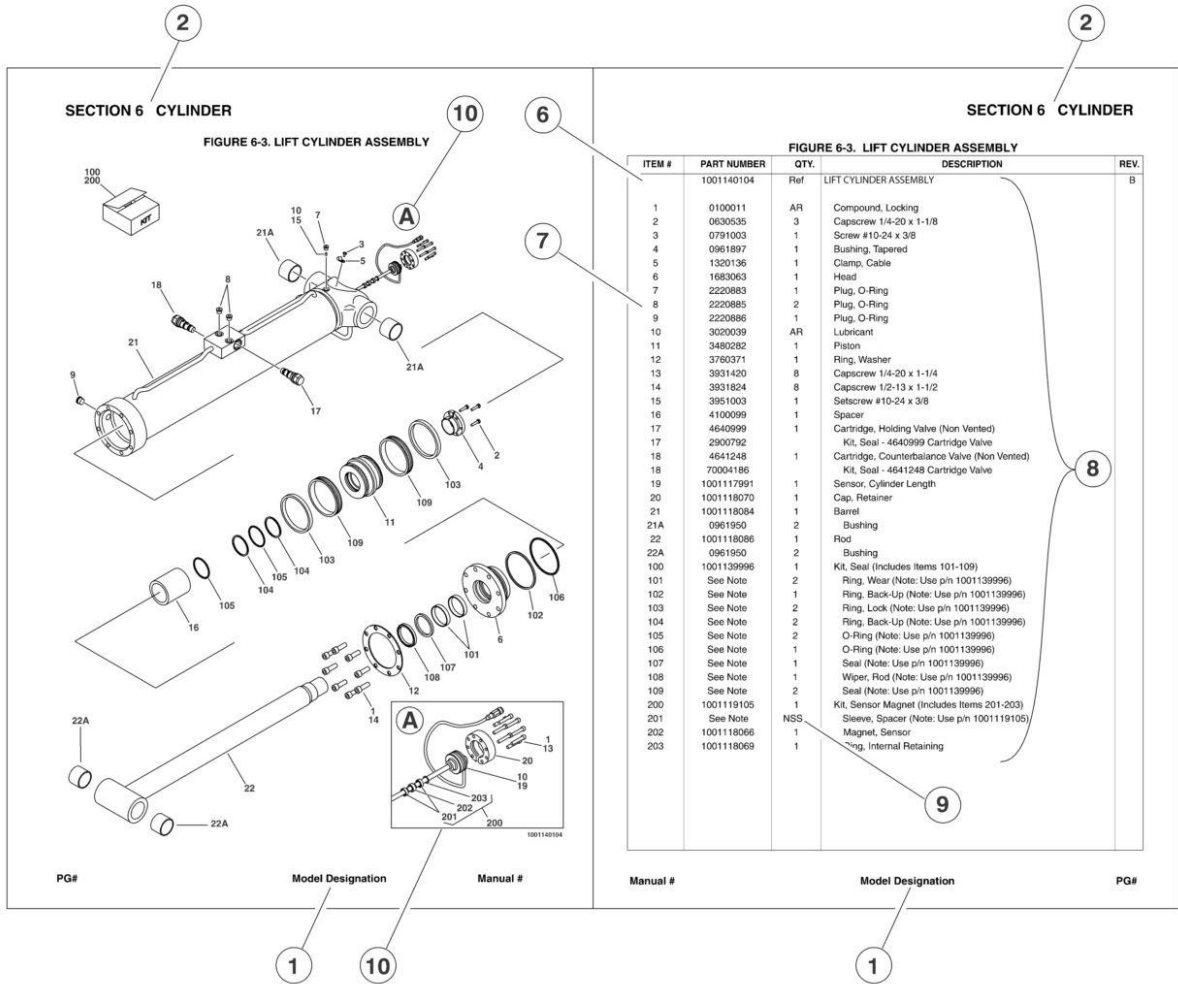
August 5, 2011 - V - Revised Manual (Edited to B/M 0010554 Revision 91 & B/M 0010571 Revision 63)

November 28, 2011 -W - Revised Manual (Edited to B/M 0010554 Revision 91 & B/M 0010571 Revision 63)

REVISION LOG

March 21, 2012 - X - Revised Manual (Edited to B/M 0010554 Revision 91 & B/M 0010571 Revision 63)
July 16, 2012 - Y - Revised Manual (Edited to B/M 0010554 Revision D & B/M 0010571 Revision D)
October 18, 2012 - Z - Revised Manual (Edited to B/M 0010554 Revision E & B/M 0010571 Revision F)
February 20, 2013 - AA - Revised Manual (Edited to B/M 0010554 Revision F & B/M 0010571 Revision G)
May 8, 2013 - AB - Revised Manual (Edited to B/M 0010554 Revision J & B/M 0010571 Revision L)
August 14, 2013 - AC - Revised Manual (Edited to B/M 0010554 Revision J & B/M 0010571 Revision L)
November 7, 2013 - AD - Revised Manual (Edited to B/M 0010554 Revision J & B/M 0010571 Revision L)
September 8, 2014 - AE - Revised Manual (Edited to B/M 0010554 Revision P & B/M 0010571 Revision Q)
March 10, 2015 - AF - Revised Manual
October 30, 2015 - AG - Revised Manual
April 29, 2016 - AH - Revised Manual
February 28, 2017 - AI - Revised Manual
March 31, 2017 - AJ - Revised Manual
November 16, 2018 - AK - Revised Manual
July 1, 2021 - AL - Revised Manual

GENERAL INFORMATION



1) MACHINE IDENTIFICATION

Machines are identified by model and in some cases a combination of models, serial number (SN) or regional standard (i.e ANSI, CE, CSA). Components may also be identified by SN or manufacturer. Common components that may be identified by these characteristics are engines and hydraulic components.

2) PARTS MANUAL ORGANIZATION

Product information in this manual is organized under section titles. Frame, Cylinder, Hydraulic and Electrical are a few examples. Each section is organized by figure and page number. The information within the Figure is then organized by item number, part number, description and corresponding illustration (s).

3) TABLE OF CONTENTS

A table of contents is found toward the beginning of the manual. Figure number, description and page number are provided for quick reference to the page containing the related information.

4) RECOMMENDED SPARE PARTS

The Recommended Spare Parts, located near the end of the manual, reference most frequently used maintenance parts.

5) PART NUMBER INDEX

A numerical index listing all part numbers and the corresponding page number(s) appears at the back of the manual.

GENERAL INFORMATION

6) NON-SERVICED PARTS

In some instances, it is necessary to display non-serviced parts, assemblies or installations. In the case of assemblies and installations there will be a Ref in the Qty column. In case of parts that are not available for service within assemblies or components, there will be a NSS (Not Sold Separately) or NLA (No Longer Available) listed in the Qty. column of the manual.

7) PARTS LIST ITEM NUMBERS

Numbers shown in the item# column correspond to numbers used in the associated illustration (s). Item numbers which are missing from the sequence in the parts list are not used on that page

8) INDENTED PARTS DESCRIPTION

An indented part description is included in the item under which it is indented.

9) ABB REVIATION AND SYMBOLS

AC.....	.. Alternating Current	LCD Liquid Crystal Display
ADE.Advanced Design Electronics	LED Light Emitting Diodes
ANSIAmerican National Standards Institute	LH... Left Hand
AR.As Required	LSSLoad Sensing System
ASSY Assembly	M(m)... Metric/Meter
AUX...Auxiliary	MM (mm)Milimeter
AWG.....	..American WireGauge	mA.....	.. Milliamps
B/M.....	.. Bill of Material	NLA.....	..No Longer Available
CE.....	..European Conformity	NPT National Pipe T threads
CCWCounter Clockwise	NSSNot Sold Separately
cm.....	.. Centimeter	OD.....	..Outside Diameter
CWClockwise	OR B.....	.. O-Ring Bos s
CSA.Canadian Standards Association	ORFS.....	.. O-Ring Face Seal
CYL...Cylinder	OZ (oz).Ounces
DIA.Diameter	PGPage
DCDirect Current	P/N.....	..Part Number
EMS Emergency Stop	qt.....	..Quarts
ENGEngine	QTY.....	..Quantity
FT (ft).....	.. Feet	REFReference
GA(Ga)..Gauge	REVRevision Level
HYDHydraulic	RH... Right Hand
Hz.Hertz	SAE.....	.. Society of Automotive Engineers
ID.....	..Inside Diameter	SN.Serial Number
in.....	.. inches	SPEC(S).....	..Specifications
ISOInternational Organization for Standards	T/T.....	..Turntable
JIC.....	..Joint Industry Council	UGMUniversal Ground Module
KGKilogram	V.....	.. Volts
L.....	..Liter	W.....	.. Watts
LBPounds	#.....	.. Number

10) ILLUSTRATION REFERENCE LETTERS

When necessary, illustrations may contain reference letters that are intended to track information (i. e. hoses, harnesses) from one point to another or to track visual enlargement of components to show details that may be located in another area on the illustration.

Note: Due to continuous product improvements, JLG Industries, Inc. reserves the right to make specification changes without prior notification. Contact JLG Industries, Inc. for updated information.

TABLE OF CONTENTS

SECTION 1 - FRAME.....	11
FIGURE 1-1. STEERING INSTALLATION	12
FIGURE 1-2. TIRE AND WHEEL INSTALLATIONS.....	16
FIGURE 1-3. DRIVE HUB ASSEMBLY (Prior to SN 0300154191)	22
FIGURE 1-4. DRIVE HUB ASSEMBLY	26
FIGURE 1-5. HYDRAULIC COMPONENTS INSTALLATION	30
FIGURE 1-6. BRAKE/STEER VALVE ASSEMBLY	32
FIGURE 1-7. BATTERIES AND CHARGER INSTALLATIONS.....	34
FIGURE 1-8. MAC BATTERY CHARGER ASSEMBLY	38
FIGURE 1-9. ELECTRICAL COMPONENTS INSTALLATION (FRAME MOUNTED).....	42
FIGURE 1-10. YANMAR MOTOR/GENERATOR INSTALLATION (M400A,M400AJP,M400AJPNARROW,M400ANARROW,M450A,M450AJ).....	46
FIGURE 1-11. KUBOTA MOTOR/GENERATOR INSTALLATION (M400A,M400AJP,M400AJPNARROW,M400ANARROW,M450A,M450AJ).....	50
FIGURE 1-12. FRAME COVER INSTALLATION	54
SECTION 2 - TURNTABLE.....	59
FIGURE 2-1. VALVES AND HORN INSTALLATIONS	60
FIGURE 2-2. MAIN CONTROL VALVE ASSEMBLY.....	64
FIGURE 2-3. TURNTABLE AND SWING DRIVE INSTALLATION.....	68
FIGURE 2-4. SWING MOTOR ASSEMBLY (Prior to SN 0300135649).....	72
FIGURE 2-5. SWING MOTOR ASSEMBLY	74
FIGURE 2-6. SWING BEARING ASSEMBLY	76
FIGURE 2-7. FUEL TANK AND MOTOR CONTROL MODULE INSTALLATION (M400A,M400AJP,M400AJPNARROW,M400ANARROW,M450A,M450AJ).....	80
FIGURE 2-8. GROUND CONTROL BOX ASSEMBLY.....	82
FIGURE 2-9. HOODS AND BEACON LIGHT INSTALLATIONS	86
SECTION 3 - BOOM.....	91
FIGURE 3-1. BOOMS AND CYLINDERS INSTALLATION	92
FIGURE 3-2. MAIN BOOM ASSEMBLY AND PLATFORM SUPPORT INSTALLATION (E400A,E400ANARROW,E450A,M400A,M400ANARROW,M450A).....	98
FIGURE 3-3. MAIN BOOM ASSEMBLY (E450AJ,M450AJ).....	102
FIGURE 3-4. JIB AND PLATFORM SUPPORT AND ROTATOR INSTALLATION (E450AJ,M450AJ)	106
FIGURE 3-5. MAIN BOOM ASSEMBLY (E400AJP,E400AJPNARROW,M400AJP,M400AJPNARROW)	110
FIGURE 3-6. JIB AND PLATFORM SUPPORT AND ROTATOR INSTALLATION (E400AJP,E400AJPNARROW,M400AJP,M400AJPNARROW)	114
FIGURE 3-7. ROTATOR ASSEMBLY	118
FIGURE 3-8. PLATFORM SUPPORT INSTALLATION - WITH LSS.....	122
FIGURE 3-9. CABLES/CLAMPS AND LIMIT SWITCHES INSTALLATIONS.....	126
SECTION 4 - PLATFORM.....	131
FIGURE 4-1. PLATFORM COMPONENTS INSTALLATION (FRONT ENTRY PLATFORM)	132
FIGURE 4-2. PLATFORM COMPONENTS INSTALLATION (SIDE ENTRY PLATFORM)	136
FIGURE 4-3. PLATFORM COMPONENTS INSTALLATION (FALL ARREST PLATFORM) (OPTIONAL)	140
FIGURE 4-4. PLATFORM PADDING INSTALLATION (FRONT ENTRY PLATFORM).....	142
FIGURE 4-5. PLATFORM PADDING INSTALLATION (SIDE ENTRY PLATFORM).....	144

TABLE OF CONTENTS

FIGURE 4-6. SOFT-TOUCH INSTALLATION (OPTIONAL)	146
FIGURE 4-7. PLATFORM TOP RAIL EXTENSION INSTALLATION (SIDE ENTRY PLATFORM)	148
FIGURE 4-8. PLATFORM CONSOLE ASSEMBLY	150
FIGURE 4-9. CONTROLLER ASSEMBLY (SWING AND LIFT)	156
FIGURE 4-10. CONTROLLER ASSEMBLY (DRIVE AND STEER)	160
FIGURE 4-11. PIPE RACKS INSTALLATION.....	164
SECTION 5 - CYLINDER.....	167
FIGURE 5-1. JIB CYLINDER ASSEMBLY (E400AJP,E400AJPNARROW,E450AJ,M400AJP,M400AJPNARROW,M450AJ).....	168
FIGURE 5-2. JIB CYLINDER ASSEMBLY (E400AJP,E400AJPNARROW,E450AJ,M400AJP,M400AJPNARROW,M450AJ).....	170
FIGURE 5-3. PLATFORM LEVEL CYLINDER ASSEMBLY (E400A,E400ANARROW,E450A,M400A,M400ANARROW,M450A) (Prior to SN 0300165128)	172
FIGURE 5-4. PLATFORM LEVEL CYLINDER ASSEMBLY (E400A,E400ANARROW,E450A,M400A,M400ANARROW,M450A) (SN 0300165128 through 0300189901)	176
FIGURE 5-5. PLATFORM LEVEL CYLINDER ASSEMBLY - JIB (E400AJP,E400AJPNARROW,E450AJ,M400AJP,M400AJPNARROW,M450AJ) (Prior to SN 0300163453)	178
FIGURE 5-6. PLATFORM LEVEL CYLINDER ASSEMBLY - JIB (E400AJP,E400AJPNARROW,E450AJ,M400AJP,M400AJPNARROW,M450AJ) (SN 0300163453 through 0300189901)	180
FIGURE 5-7. LIFT CYLINDER ASSEMBLY - LOWER.....	182
FIGURE 5-8. LIFT CYLINDER ASSEMBLY - LOWER (SERVICE REPLACEMENT) (E400A,E400ANARROW,M400A,M400ANARROW)	186
FIGURE 5-9. LIFT CYLINDER ASSEMBLY - LOWER (SERVICE REPLACEMENT) (E450A,M450A)	188
FIGURE 5-10. LIFT CYLINDER ASSEMBLY - LOWER (SERVICE REPLACEMENT) (E400AJP,E400AJPNARROW,E450AJ,M400AJP,M400AJPNARROW,M450AJ).....	190
FIGURE 5-11. LIFT CYLINDER ASSEMBLY - MID	192
FIGURE 5-12. LIFT CYLINDER ASSEMBLY - MID (SERVICE REPLACEMENT) (E450A,M450A).....	196
FIGURE 5-13. MID LIFT CYLINDER ASSEMBLY (SERVICE REPLACEMENT) (E400AJP,E400AJPNARROW,E450AJ,M400AJP,M400AJPNARROW,M450AJ).....	198
FIGURE 5-14. MID LIFT CYLINDER ASSEMBLY (SERVICE REPLACEMENT) (E400A,E400ANARROW,M400A,M400ANARROW)	200
FIGURE 5-15. LIFT CYLINDER ASSEMBLY - UPPER	202
FIGURE 5-16. LIFT CYLINDER ASSEMBLY - UPPER (SERVICE REPLACEMENT) (E400A,E400ANARROW,E450A,M400A,M400ANARROW,M450A)	206
FIGURE 5-17. LIFT CYLINDER ASSEMBLY - UPPER (SERVICE REPLACEMENT) (E400AJP,E400AJPNARROW,E450AJ,M400AJP,M400AJPNARROW,M450AJ).....	208
FIGURE 5-18. MASTER CYLINDER ASSEMBLY (E400A,E400ANARROW,E450A,M400A,M400ANARROW,M450A) (Prior to SN 0300165128)	210
FIGURE 5-19. MASTER CYLINDER ASSEMBLY (E400A,E400ANARROW,E450A,M400A,M400ANARROW,M450A) (SN 0300165128 through 0300189901)	212
FIGURE 5-20. MASTER CYLINDER ASSEMBLY (E400AJP,E400AJPNARROW,E450AJ,M400AJP,M400AJPNARROW,M450AJ) (Prior to SN 0300163453)	214
FIGURE 5-21. MASTER CYLINDER ASSEMBLY (E400AJP,E400AJPNARROW,E450AJ,M400AJP,M400AJPNARROW,M450AJ) (SN 0300163453 through 0300189901).....	216
FIGURE 5-22. STEER CYLINDER ASSEMBLY	218
FIGURE 5-23. TELESCOPE CYLINDER ASSEMBLY (ORIGINAL EQUIPMENT) (E400A,E400ANARROW,E450A,E450AJ,M400A,M400ANARROW,M450A,M450AJ) (Prior to SN 0300175016)	220
FIGURE 5-24. TELESCOPE CYLINDER ASSEMBLY (ORIGINAL EQUIPMENT) (E400A,E400ANARROW,E450A,E450AJ,M400A,M400ANARROW,M450A,M450AJ) (SN 0300175016 to Present)	224
FIGURE 5-25. TELESCOPE CYLINDER ASSEMBLY (SERVICE REPLACEMENT) (E400ANARROW,E450A,M400ANARROW,M450A)	228
FIGURE 5-26. TELESCOPE CYLINDER ASSEMBLY (SERVICE REPLACEMENT) (E450A,M450A)	230

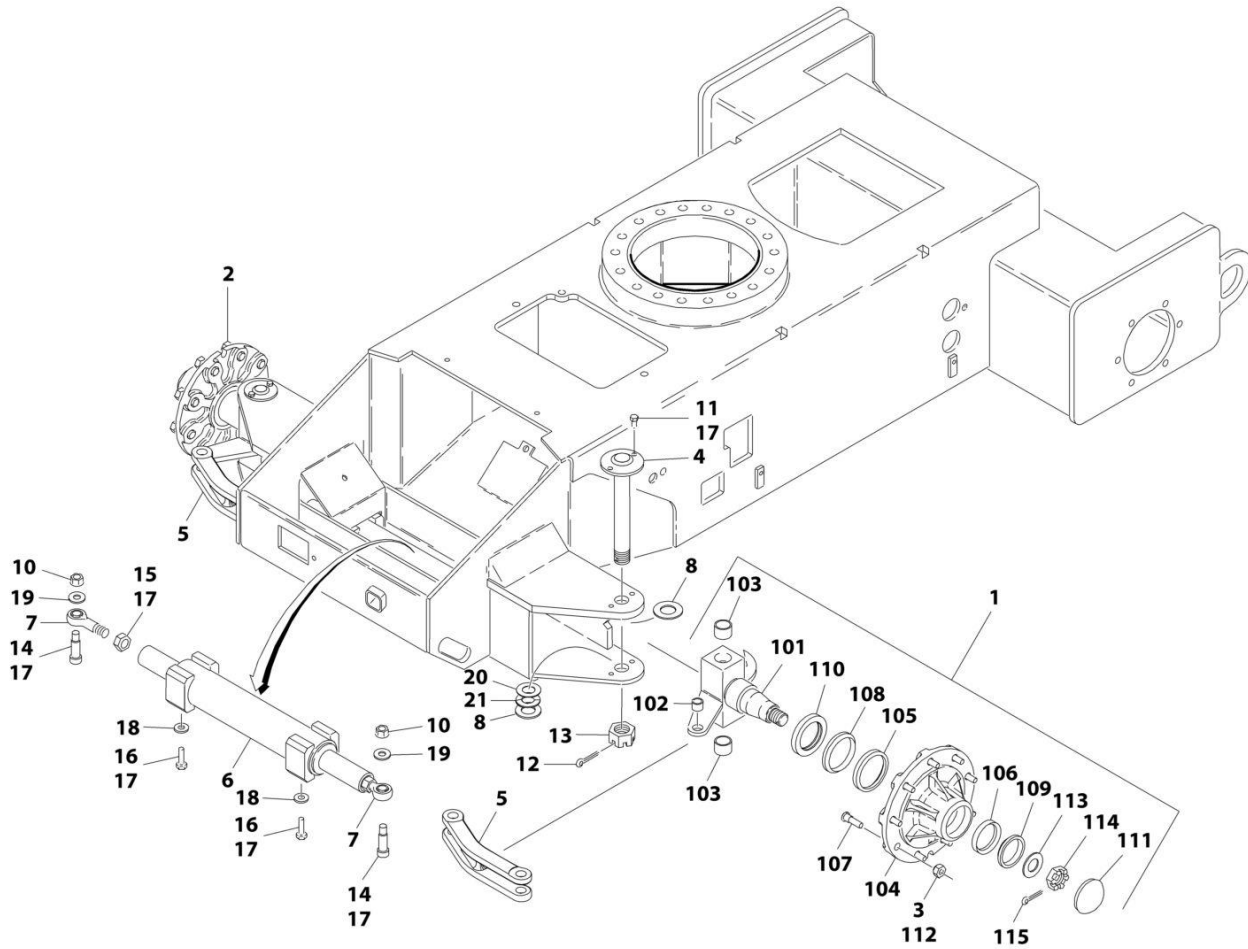
TABLE OF CONTENTS

FIGURE 5-27. TELESCOPE CYLINDER ASSEMBLY (SERVICE REPLACEMENT) (E450AJ,M450AJ)	232
FIGURE 5-28. TELESCOPE CYLINDER ASSEMBLY (ORIGINAL EQUIPMENT) (E400AJP,E400AJPNARROW,M400AJP,M400AJPNARROW)	234
FIGURE 5-29. TELESCOPE CYLINDER ASSEMBLY (SERVICE REPLACEMENT) (E450AJ,M450AJ)	236
FIGURE 5-30. COUNTERBALANCE VALVE ASSEMBLY	238
SECTION 6 - HYDRAULIC	241
FIGURE 6-1. STANDARD HYDRAULIC DIAGRAM (E400A,E400ANARROW,E450A,M400A,M400ANARROW,M450A)	242
FIGURE 6-2. STANDARD HYDRAULIC DIAGRAM (E450AJ,M450AJ)	246
FIGURE 6-3. STANDARD HYDRAULIC DIAGRAM (E400AJP,E400AJPNARROW,M400AJP,M400AJPNARROW)	250
FIGURE 6-4. HYDRAULIC DIAGRAM LIST	254
SECTION 7 - ELECTRICAL	255
FIGURE 7-1. ELECTRICAL DIAGRAM LIST	256
FIGURE 7-2. HARNESS COMPONENTS INSTALLATION (WITH MAC CHARGER)	258
FIGURE 7-3. HARNESS COMPONENTS INSTALLATION (WITH DELTA-Q CHARGER)	270
SECTION 8 - DECALS	281
FIGURE 8-1. DECAL INSTALLATION - ANSI SPEC	282
FIGURE 8-2. DECAL INSTALLATION - COUNTRY SPECS	286
SECTION 9 - RECOMMENDED SERVICE PARTS STOCK	293
FIGURE 9-1. RECOMMENDED SERVICE PARTS STOCK (STANDARD PARTS)	294
FIGURE 9-2. RECOMMENDED SERVICE PARTS STOCK (VARIABLE PARTS)	296
SECTION 10 - SPECIAL OPTIONS	297
FIGURE 10-1. SPECIAL OPTIONS	298
PART NUMBER INDEX	303

SECTION 1 - FRAME

SECTION 1 - FRAME

FIGURE 1-1. STEERING INSTALLATION



SECTION 1 - FRAME

FIGURE 1-1. STEERING INSTALLATION

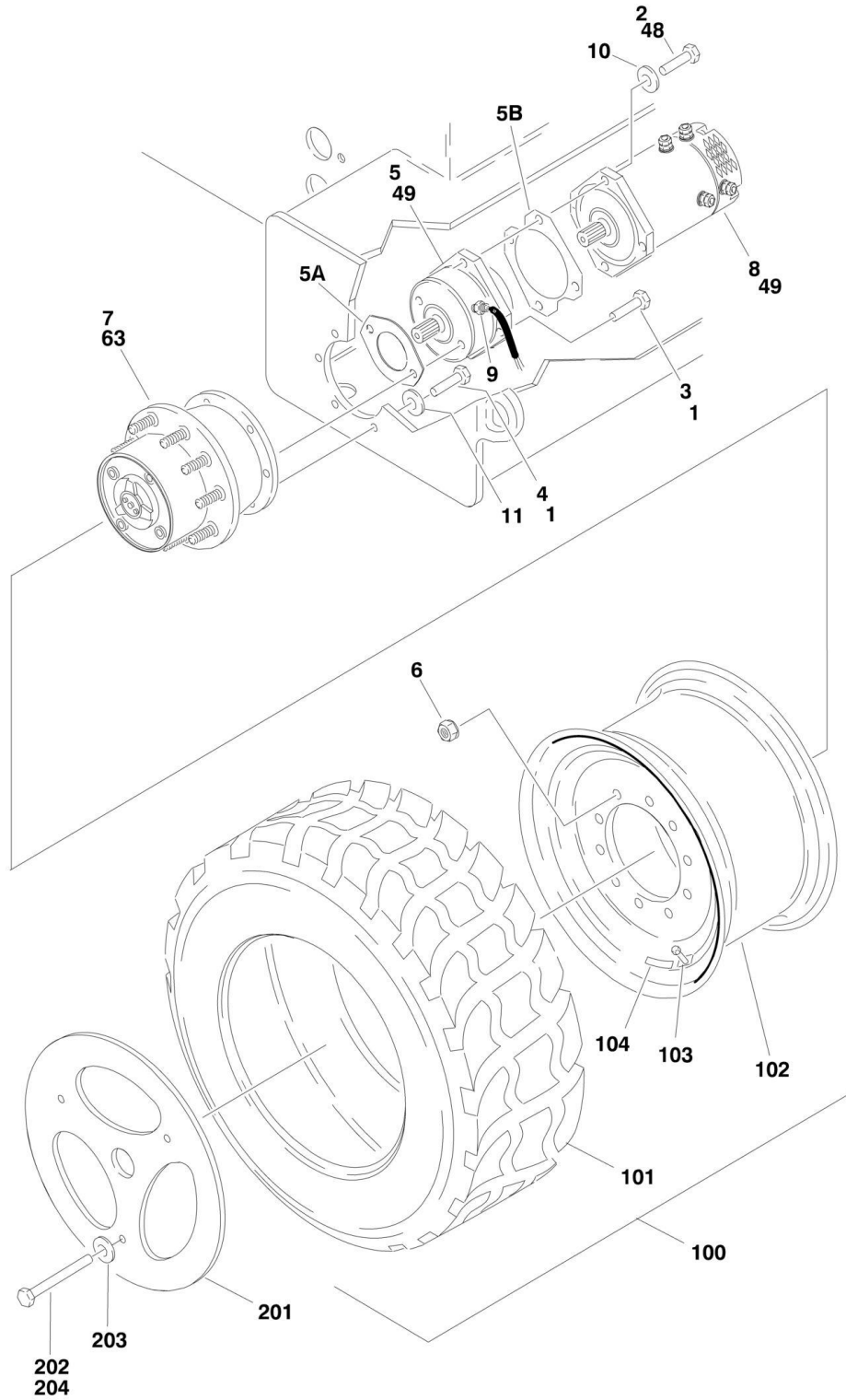
ITEM	PART NUMBER	QTY	DESCRIPTION	REV
		Ref	STEER INSTALLATION OPTIONS:	
	0257817	Ref	Standard Width Machines (E400A,E400AJP,E450A,E450AJ,M400A,M400AJP,M450A,M450AJ)	F
	0270010	Ref	Narrow Width Machines (E400AJPnarrow,E400Anarrow,M400AJPnarrow,M400Anarrow)	F
1		Ref	Hub/Spindle Assembly Options (Left Side) (See Items 101-115 for Breakdown):	
1	2780242	1	Hub/Spindle Assembly (Left Side) (E400A,E400AJP,E450A,E450AJ,M400A,M400AJP,M450A,M450AJ)	
1	2780250	1	Hub/Spindle Assembly (Left Side) (E400AJPnarrow,E400Anarrow,M400AJPnarrow,M400Anarrow)	
2		Ref	Hub/Spindle Assembly Options (Right Side) (See Items 101-115 for Breakdown):	
2	2780241	1	Hub/Spindle Assembly (Right Side) (E400A,E400AJP,E450A,E450AJ,M400A,M400AJP,M450A,M450AJ)	
2	2780251	1	Hub/Spindle Assembly (Right Side) (E400AJPnarrow,E400Anarrow,M400AJPnarrow,M400Anarrow)	
3	3300426	18	Lugnut 5/8in-18NF	
4	3422692	2	Kingpin	
5		Ref	Steering Link Options:	
5	3010119	NLA	Steering Link (Use p/n 1001153021) (E400A,E400AJP,E450A,E450AJ,M400A,M400AJP,M450A,M450AJ) (Prior to SN 0300187085)	
5	1001153021	2	Steering Link (E400A,E400AJP,E450A,E450AJ,M400A,M400AJP,M450A,M450AJ) (SN 0300187085 through 0300189898)	
5	3010121	NLA	Steering Link (Use p/n 1001153023) (E400AJPnarrow,E400Anarrow,M400AJPnarrow,M400Anarrow) (Prior to SN 0300187090)	
5	1001153023	2	Steering Link (E400AJPnarrow,E400Anarrow,M400AJPnarrow,M400Anarrow) (SN 0300187090 through 0300189898)	
6	1683591	1	Steer Cylinder Assembly (See CYLINDER SECTION for Breakdown)	
7		Ref	End, Rod Options:	
7	3841367	2	End, Rod (Prior to SN 0300058200)	
7	3841517	2	End, Rod (SN 0300058200 through 0300189898)	
8	0440162	AR	Washer, Thrust	
10	3312008	4	Nut, Serrated 5/8in-11NC	
11	0641606	4	Bolt 3/8in-16NC x 3/4in	
12	3450810	2	Pin, Cotter 1/4in x 2-1/2in	
13	3323003	2	Nut, Castle 1-1/4in-12NF	
14	3900109	4	Screw, Socket Head Shoulder 3/4in-16NF x 1-3/4in	
15	3322202	2	Nut, Jam 3/4in-16NF	
16	0681810	4	Bolt 1/2in-13NC x 1-1/4in (Grade 8)	
17	0100011	AR	Compound, Locking	
18	4891800	4	Washer, Hardened 1/2in	
19	4740156	2	Washer, Thrust Only (SN 0300058200 through 0300189898)	
20	1001151395	AR	Shim, Plate (SN 0300176717 through 0300189898)	

SECTION 1 - FRAME

ITEM	PART NUMBER	QTY	DESCRIPTION	REV
21	1001151428	AR	Shim, Plate (SN 0300176717 through 0300189898)	
		Ref	HUB/SPINDLE ASSEMBLY OPTIONS:	
	2780242	Ref	Standard Width Machines (Left Side) (E400A,E400AJP,E450A,E450AJ,M400A,M400AJP,M450A,M450AJ)	C
	2780241	Ref	Standard Width Machines (Right Side) (E400A,E400AJP,E450A,E450AJ,M400A,M400AJP,M450A,M450AJ)	C
	2780250	Ref	Narrow Width Machines (Left Side) (E400AJPnarrow,E400Anarrow,M400AJPnarrow,M400Anarrow)	C
	2780251	Ref	Narrow Width Machines (Right Side) (E400AJPnarrow,E400Anarrow,M400AJPnarrow,M400Anarrow)	C
101		Ref	Spindle Options:	
101	4130350	AR	Spindle - (Left Side) (E400A,E400AJP,E450A,E450AJ,M400A,M400AJP,M450A,M450AJ)	
101	4130351	AR	Spindle - (Right Side) (E400A,E400AJP,E450A,E450AJ,M400A,M400AJP,M450A,M450AJ)	
101	7023216	AR	Spindle - (Left Side) (E400AJPnarrow,E400Anarrow,M400AJPnarrow,M400Anarrow)	
101	7023217	AR	Spindle - (Right Side) (E400AJPnarrow,E400Anarrow,M400AJPnarrow,M400Anarrow)	
102	0962140	2	Bushing (1 per Assembly)	
103	0961951	4	Bushing (2 per Assembly)	
104	7020035	2	Hub Assy (1 per Assembly)	
105	7020036	2	Cup, Bearing - Inner (1 per Assembly)	
106	7020038	2	Cup, Bearing - Outer (1 per Assembly)	
107	7020041	18	Stud (9 per Assembly)	
108	7020037	2	Cone, Bearing - Inner (1 per Assembly)	
109	7020039	2	Cone, Bearing - Outer (1 per Assembly)	
110	7020040	2	Seal, Lip (1 per Assembly)	
111	7020137	2	Dust Cap (1 per Assembly)	
112	3300426	18	Lugnut 5/8in-18NF (9 per Assembly)	
113	7020055	2	Washer, Tanged (1 per Assembly)	
114	7020054	2	Nut, Castle (1 per Assembly)	
115	7020140	2	Pin, Cotter (1 per Assembly)	

SECTION 1 - FRAME

FIGURE 1-2. TIRE AND WHEEL INSTALLATIONS



SECTION 1 - FRAME

FIGURE 1-2. TIRE AND WHEEL INSTALLATIONS

ITEM	PART NUMBER	QTY	DESCRIPTION	REV
		Ref	WHEEL DRIVE INSTALLATION OPTIONS:	
	0259069	Ref	Wheel Drive Installation (Standard Spec Machines) (E450A,E450AJ,M450A,M450AJ) (Prior to SN 0300059390)	7
	0270103	Ref	Wheel Drive Installation (Standard Spec Machines) (E450A,E450AJ,M450A,M450AJ) (SN 0300059390 through 0300189898)	K
	0270103	Ref	Wheel Drive Installation (Standard Spec Machines) (E400A,E400AJP,E400AJPnarrow,E400Anarrow,M400A,M400AJP,M400AJPnarrow,M400Anarrow)	K
	0270377	Ref	UL/EE Rated Spec Machines	H
1	0100019	AR	Compound, Locking	
2	0641609	8	Bolt 3/8in-16NC x 1-1/8in	
3	0641826	4	Bolt 1/2in-13NC x 3-1/4in	
4		Ref	Bolt (Grade 8) Options:	
4	0682010	12	Bolt 5/8in-11NC x 1-1/4in	
4	0682012	12	Bolt 5/8in-11NC x 1-1/2in	
5	0920113	2	Drive Brake Assembly	
5	See Note	NLA	Ring, Sensor (1 Per Assembly) (was p/n 7027275 which is no longer available.) (Note: Use p/n 0920113)	
5	7007977	2	Ring, Bearing Retaining (Large) (1 per Assembly)	
5	7011716	2	Ring, Bearing Retaining (Small) (1 per Assembly)	
5	7007913	4	Bolt	
5	7011757	2	Complete Repair Kit (Includes Case and Oil Seals, O-Rings, Back-up Rings, Stator and Rotor Discs, Return Plate, Springs, Bearing and Brake to Hub Gasket (1 per Assembly)	
5	2900768	2	Bearing Kit (1 per Assembly)	
5	7007900	2	Seal, Oil - Front (1 per Assembly)	
5A	7007933	2	Gasket, Brake to Hub (1 Per Assembly)	
5B	70002408	2	Gasket, Brake to Motor (1 Per Assembly) (Not Included in Repair Kit)	
6	3300426	18	Lugnut	
7		Ref	Drive Hub Assembly Options:	
7	2780236	2	Drive Hub Assembly (See DRIVE HUB ASSEMBLY for Breakdown) (Prior to SN 0300154191)	
7	2780282	2	Drive Hub Assembly (See DRIVE HUB ASSEMBLY for Breakdown) (SN 0300154191 through 0300189901)	
8	3160239	2	Drive Motor Assembly	
8	7020138	2	Brush Kit for 3160239 (1 per Assembly)	
8	7020150	2	Holder for 3160239 (1 per Assembly)	
9	3990105	2	Sensor, Speed	
10	4711600	8	Flatwasher 3/8in Narrow	
11	4892000	12	Washer, Hardened 5/8in	
48	0100011	AR	Compound, Locking	
49	3020037	AR	Lube, Coupling Grease	
63	3020008	0.4gal	Lube, Grease Oil	
		Ref	TIRE AND WHEEL INSTALLATIONS	
	0258995	Ref	IN240/55-17.5 Pneumatic (Tire with JLG Pattern in Tread)	1
	0270416	Ref	IN240/55-17.5 Pneumatic (Non-Marking Tire with JLG Pattern in Tread) (Prior to SN 0300075100)	2
	0273683	Ref	IN240/55-17.5 Pneumatic (Non-Marking Tire with Lightning Tread Pattern) (SN 0300075100 through 0300189901)	A
	0272314	Ref	IN240/55-17.5 Pneumatic (Tire with JLG Pattern in Tread and Tire Sealant)	2

SECTION 1 - FRAME

ITEM	PART NUMBER	QTY	DESCRIPTION	REV
	0273272	Ref	IN240/55-17.5 Pneumatic (Non-Marking Tire with JLG Pattern in Tread and Tire Sealant) (Prior to SN 0300075100)	2
	0273686	Ref	IN240/55-17.5 Pneumatic (Non-Marking Tire with JLG Pattern in Tread and Tire Sealant) (SN 0300075100 through 0300189901)	A
	0258996	Ref	IN240/55-17.5 Foam-Filled (Tire with JLG Pattern in Tread)	B
	0270418	Ref	IN240/55-17.5 Foam-Filled (Non-Marking Tire with JLG Pattern in Tread) (Prior to SN 0300075100)	2
	0273684	Ref	IN240/55-17.5 Pneumatic (Non-Marking Tire with Lightning Tread Pattern) (SN 0300075100 through 0300189901)	A
	0259679	Ref	LT215/8R16 Pneumatic	1
	0270037	Ref	26in x 7in x 20in Solid (Non-Marking)	2/A
	0270028	Ref	Solid (Non-Marking) (Narrow Machines Only)	B
100		Ref	Tire Assembly Options:	
100		Ref	Standard Width Machines: (E400A,E400AJP,E450A,E450AJ,M400A,M400AJP,M450A,M450AJ)	
		Ref	Note: Assemblies may require ballast/foam filling to manufacturer's specifications prior to installing on a machine. Refer to Operation and Safety or Service and Maintenance Manuals. Purchase individual tire and/or rim only if able to foam fill tire and wheel assembly, otherwise, purchase complete assembly. (E400A,E400AJP,E450A,E450AJ,M400A,M400AJP,M450A,M450AJ)	
100	0258688	4	OTR IN240/55-17.5 Pneumatic (Tire with JLG Pattern in Tread) (E400A,E400AJP,E450A,E450AJ,M400A,M400AJP,M450A,M450AJ)	2-A
100	0270415	4	OTR IN240/55-17.5 Pneumatic (Non-Marking Tire with JLG Pattern in Tread) (E400A,E400AJP,E450A,E450AJ,M400A,M400AJP,M450A,M450AJ) (Prior to SN 0300075100)	3-B
100	4520279	4	OTR IN240/55-17.5 Pneumatic (Non-Marking Tire with Lightning Tread Pattern) (E400A,E400AJP,E450A,E450AJ,M400A,M400AJP,M450A,M450AJ) (SN 0300075100 through 0300189901)	A
100	0272335	4	OTR IN240/55-17.5 Pneumatic (Tire with JLG Pattern in Tread and Tire Sealant) (E400A,E400AJP,E450A,E450AJ,M400A,M400AJP,M450A,M450AJ)	2-B
100	0273273	4	OTR IN240/55-17.5 Pneumatic (Non-Marking Tire with JLG Pattern in Tread and Tire Sealant) (E400A,E400AJP,E450A,E450AJ,M400A,M400AJP,M450A,M450AJ) (Prior to SN 0300075100)	2-B
100	4520282	4	OTR IN240/55-17.5 Pneumatic (Non-Marking Tire with Lightning Tread Pattern and Tire Sealant) (E400A,E400AJP,E450A,E450AJ,M400A,M400AJP,M450A,M450AJ) (SN 0300075100 through 0300189901)	A
100	0258997	4	OTR IN240/55-17.5 Foam-Filled (Tire with JLG Pattern in Tread) (E400A,E400AJP,E450A,E450AJ,M400A,M400AJP,M450A,M450AJ)	1-A
100	0270417	4	OTR IN240/55-17.5 Foam-Filled (Non-Marking Tire with JLG Pattern in Tread) (use p/n 0273468) (E400A,E400AJP,E450A,E450AJ,M400A,M400AJP,M450A,M450AJ) (Prior to SN 0300154685)	2-B
100	0273468	4	OTR IN240/55-17.5 Foam-Filled (Non-Marking Tire with Lightning Tread Pattern)	E

SECTION 1 - FRAME

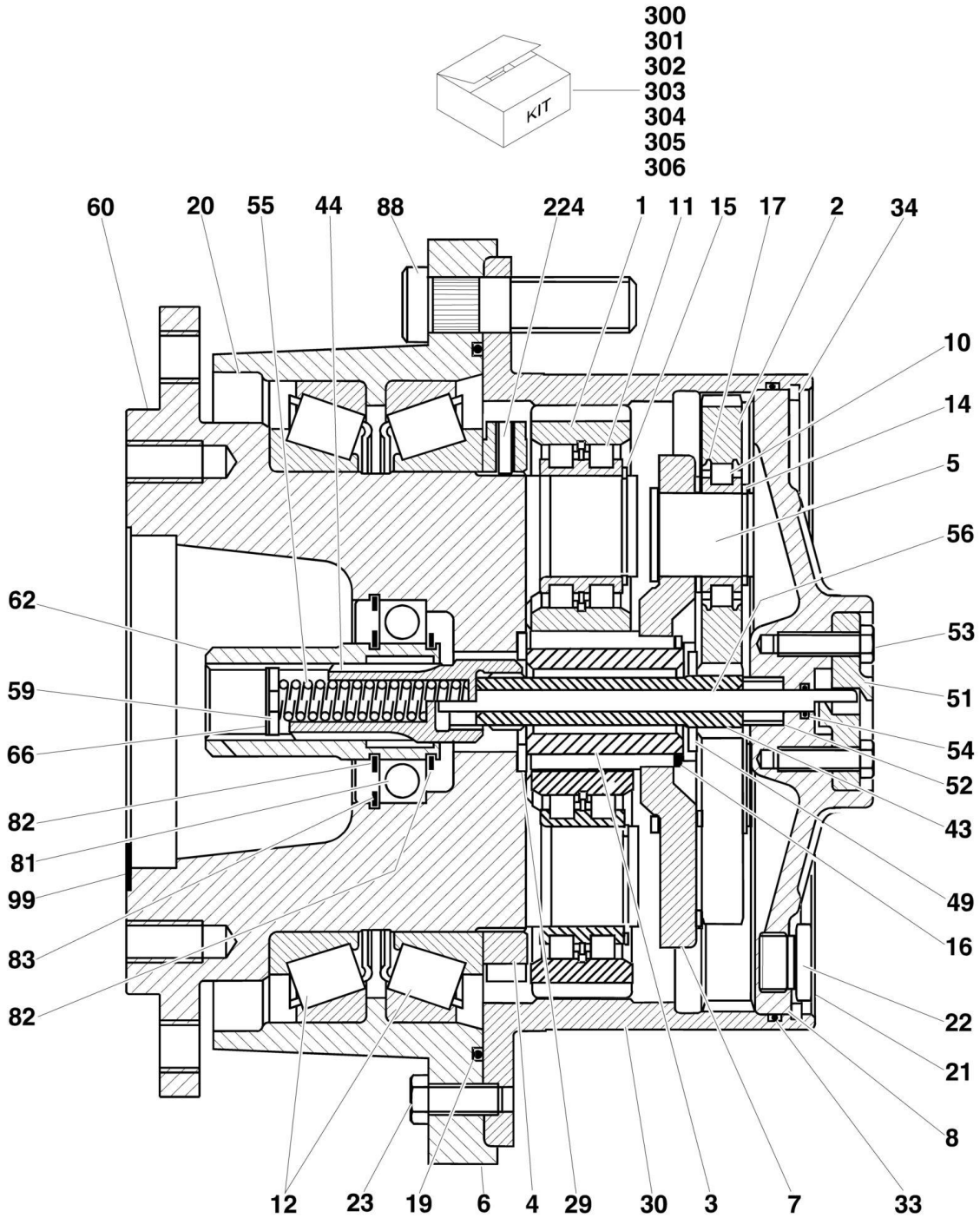
ITEM	PART NUMBER	QTY	DESCRIPTION	REV
100	0258037	4	(E400A,E400AJP,E450A,E450AJ,M400A,M400AJP,M450A,M450AJ) (SN 0300154685 through 0300189901) Goodyear LT215/8R16 Pneumatic	1-A
100		Ref	(E400A,E400AJP,E450A,E450AJ,M400A,M400AJP,M450A,M450AJ)	
		Ref	Solid Non-Marking Tire and Wheel Assembly Options (E400A,E400AJP,E450A,E450AJ,M400A,M400AJP,M450A,M450AJ)	
		Ref	Note: Must replace Tire and Wheel Assemblies in pairs per axle. (E400A,E400AJP,E450A,E450AJ,M400A,M400AJP,M450A,M450AJ)	
100	4520232	AR	Monarch 26in x 7in x 20in Solid Non-Marking (Steer Axle Tire) (use p/n 1001110775) (E400A,E400AJP,E450A,E450AJ,M400A,M400AJP,M450A,M450AJ) (Prior to SN 0300142352)	
100	1001110775	AR	Solideal 26in x 7in x 20in Solid Non-Marking (Steer Axle Tire) (E400A,E400AJP,E450A,E450AJ,M400A,M400AJP,M450A,M450AJ) (SN 0300142352 through 0300189901)	
100		Ref	Narrow Width Machines: (E400AJPnarrow,E400Anarrow,M400AJPnarrow,M400Anarrow)	
		Ref	Note: Must replace Tire and Wheel Assemblies in pairs per axle. (E400AJPnarrow,E400Anarrow,M400AJPnarrow,M400Anarrow)	
100		Ref	22in x 6in x 17.75in Solid Non-Marking Tire and Wheel Assembly (Steer Axle Tire) (E400AJPnarrow,E400Anarrow,M400AJPnarrow,M400Anarrow)	
100	4520231	2	Trelleborg Tire and Wheel Assembly (Steer Axle Tire) (use p/n 1001110774) (E400AJPnarrow,E400Anarrow,M400AJPnarrow,M400Anarrow) (Prior to SN 0300141858)	
100	1001110774	2	Solideal Tire and Wheel Assembly (Steer Axle Tire) (E400AJPnarrow,E400Anarrow,M400AJPnarrow,M400Anarrow) (SN 0300141858 through 0300189901)	
100		Ref	25in x 7in x 16in Solid Non-Marking Tire and Wheel Assembly (Drive Axle Tire) Options: (E400AJPnarrow,E400Anarrow,M400AJPnarrow,M400Anarrow)	
100	4520208	2	Trelleborg Tire and Wheel Assembly (Drive Axle Tire) (use p/n 1001110772) (E400AJPnarrow,E400Anarrow,M400AJPnarrow,M400Anarrow) (Prior to SN 0300141858)	
100	1001110772	2	Solideal Tire and Wheel Assembly (Drive Axle Tire) (E400AJPnarrow,E400Anarrow,M400AJPnarrow,M400Anarrow) (SN 0300141858 through 0300189901)	
		Ref	Note: Assemblies may require ballast/foam filling to manufacturer's specifications prior to installing on a machine. Refer to Operation and Safety or Service and Maintenance Manuals. Purchase individual tire and/or rim only if able to foam fill tire and wheel assembly, otherwise, purchase complete assembly.	
101		Ref	Tire Options:	
101	4520209	1	IN240/55-17.5 Tire with JLG Pattern in Tread	
101	4520247	1	IN240/55-17.5 Non-Marking Tire with JLG Pattern in Tread	
101	4520269	1	IN240/55-17.5 Non-Marking Tire with Lightning Tread Pattern	
	4520206		LT215/8R16	

SECTION 1 - FRAME

ITEM	PART NUMBER	QTY	DESCRIPTION	REV
102		Ref	Rim, Wheel Options:	
102	4860191	1	Use with IN240/55-17.5 Tires	
102	4860181	1	Use with LT215/8R16 Tires	
102	See Note	1	Other Tire/Wheel Assemblies (Note: Purchase Complete Assembly)	
103		Ref	Valve, Air Options:	
103	4641167	1	Pneumatic Tires	
103	4640392	1	Foam-Filled Tires	
103	1120552	1	Cap, Green (Used on Tires with Sealant)	
104		Ref	Decal - Tire Air Pressure Options:	
104	1702740	1	90PSI	
104	1702701	1	95PSI	
105	1300019	AR	Sealant, Tire (Not Shown)	
106	1705364	1	Decal - Tire Sealant (Not Shown - Used on Tires with Sealant)	
	0259302	Ref	WHEEL COVER INSTALLATION (IN240/55-17.5 TIRES ONLY)	1-A
201	1670887	4	Cover, Wheel	
202	0641542	12	Bolt 5/16in-18NC x 5-1/4in	
203	4711500	12	Flatwasher 5/16in Narrow	
204	0100011	AR	Compound, Locking	

SECTION 1 - FRAME

FIGURE 1-3. DRIVE HUB ASSEMBLY (Prior to SN 0300154191)



SECTION 1 - FRAME

FIGURE 1-3. DRIVE HUB ASSEMBLY (Prior to SN 0300154191)

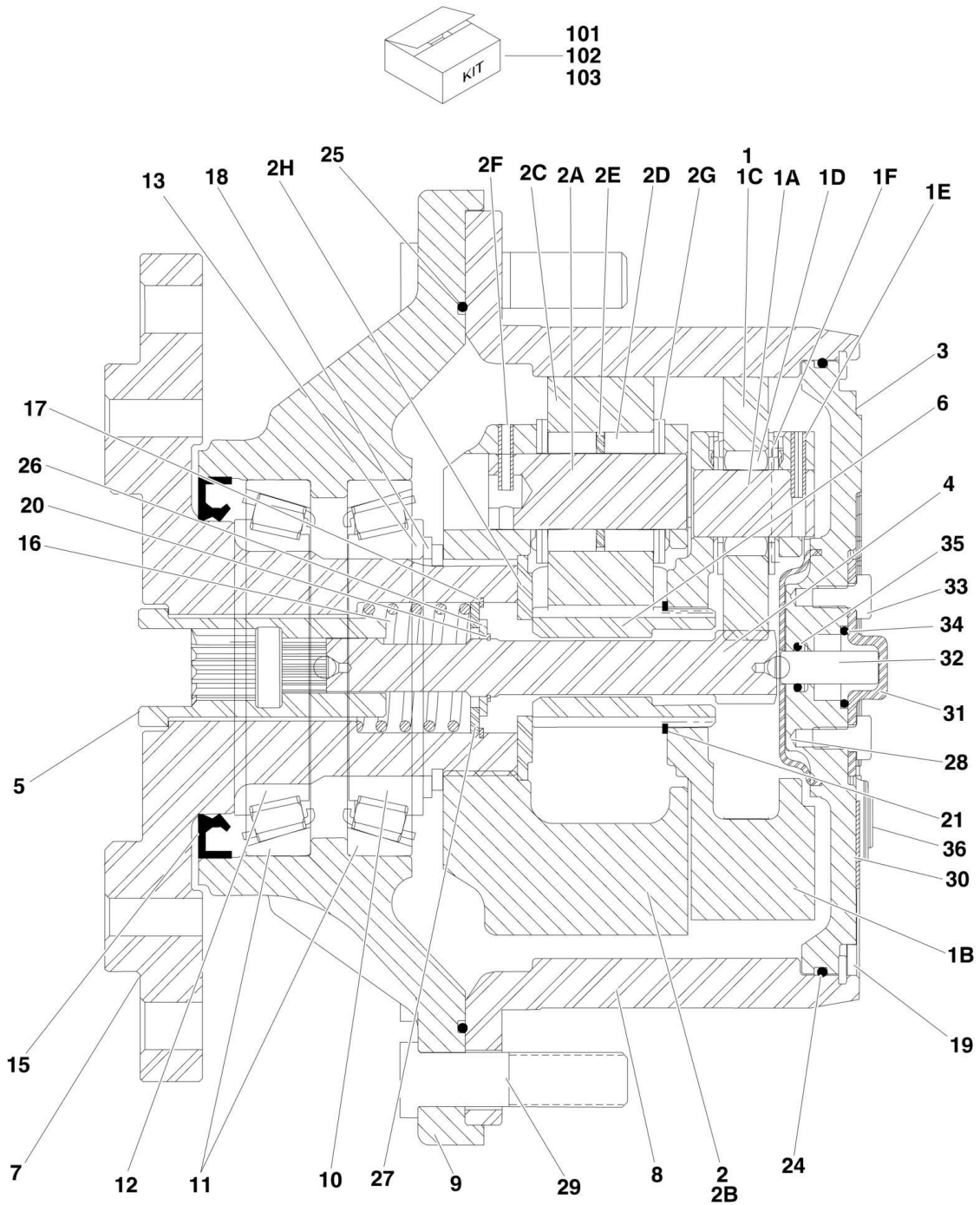
ITEM	PART NUMBER	QTY	DESCRIPTION	REV
	2780236	Ref	DRIVE HUB ASSEMBLY	E
1	7021323	4	Gear, Planet	
2	7021324	3	Gear, Planet	
3	7021325	1	Gear, Sun	
4	7023803	1	Nut, Shaft	
		Ref	NOTE: Unless there is capability to torque shaft nut (item 4) to 625 ft/lbs. (850Nm) Repair beyond this level is NOT advised.	
5	7021326	3	Bolt, Planet	
6	7021327	1	Ring, Support	
7	7021328	1	Carrier, Planet	
8	70003711	1	Cover	
10	70003712	3	Bearing, Roller	
11	70003713	4	Bearing, Roller	
12	70003714	2	Bearing, Roller	
14	70003715	3	Ring, Retaining	
15	70003716	4	Ring, Retaining	
16	7021341	1	Ring, Retaining	
17	70003717	3	Disk, Support	
19	See Note	1	O-Ring (Note: Use Items 300 or 303)	
20	See Note	1	Seal, Ring (Note: Use Items 300 or 303)	
21	See Note	3	Plug (Note: Use Items 300 or 304)	
22	See Note	3	Seal, Ring (Note: Use Items 300 or 304)	
23	7021342	3	Bolt	
29	7024049	1	Washer, Housing	
30	7021335	1	Gear, Ring	
33	See Note	1	O-Ring (Note: Use Items 300, 303 or 304)	
34	70003718	1	Ring, Retaining	
43	7021336	1	Shaft, Sun Gear	
44	7021337	1	Shaft, Input	
49	7024051	1	Washer, Thrust	
51	70003719	1	Cover	
52	70003720	1	Disk	
53	70003721	2	Bolt	
54	See Note	1	O-Ring (Note: Use Items 300, 304, 305 or 306)	
55	7024053	1	Spring, Pressure	
56	70003722	1	Rod, Shaft	
59	70003723	1	Disk, Rotor	
60	7021339	1	Spindle	
62	7021340	1	Coupler	
66	70003724	1	Ring, Retaining	
81	7024983	1	Bearing, Ball	
82	7021341	2	Ring, Retaining	
83	7024931	1	Ring, Retaining	
88	7021344	9	Stud, Wheel (was p/n 7024984)	
99	7024985	1	Plug	
224		Ref	Component Options:	
224	See Note	2	Ball (Note: Not Available - Use Slotted Pin in Kit 303) (Prior to SN 0300089390)	
224	See Note	2	Expander (Note: Not Available - Use Slotted Pin in Kit 303) (Prior to SN 0300089390)	

SECTION 1 - FRAME

ITEM	PART NUMBER	QTY	DESCRIPTION	REV
224	See Note	2	Plug (Note: Not Available - Use Slotted Pin in Kit 303) (Prior to SN 0300089390)	
224	70003725	2	Pin, Slotted (SN 0300089390 through 0300189901)	
		Ref	SEAL/REPAIR KIT OPTIONS:	
300	7021333	1	Seal Kit (Includes Items 19-22, 33 & 54)	
301	7024981	1	Planet Gear Kit 1 (Includes Items 1, 11 & 15)	
302	7024986	1	Planet Gear Kit 2 (Includes Items 2, 10,14 & 17)	
303	7024047	1	Bearing Kit (Includes Items 4, 12, 19, 20, 23, 33 & 224)	
		Ref	NOTE: Unless there is capability to torque shaft nut (item 4) to 625 ft/lbs. (850Nm) Repair beyond this level is NOT advised.	
304	7021329	1	Cover Kit (Includes Items 8, 21, 22, 33, 34 & 51-54)	
305	7021338	1	Mechanical Disconnect Kit 1 (Includes Items 54-56, 59 & 66)	
306	7024054	1	Mechanical Disconnect Kit 2 (Includes Items 51, 53, 54 & 56)	

SECTION 1 - FRAME

FIGURE 1-4. DRIVE HUB ASSEMBLY



SECTION 1 - FRAME

FIGURE 1-4. DRIVE HUB ASSEMBLY

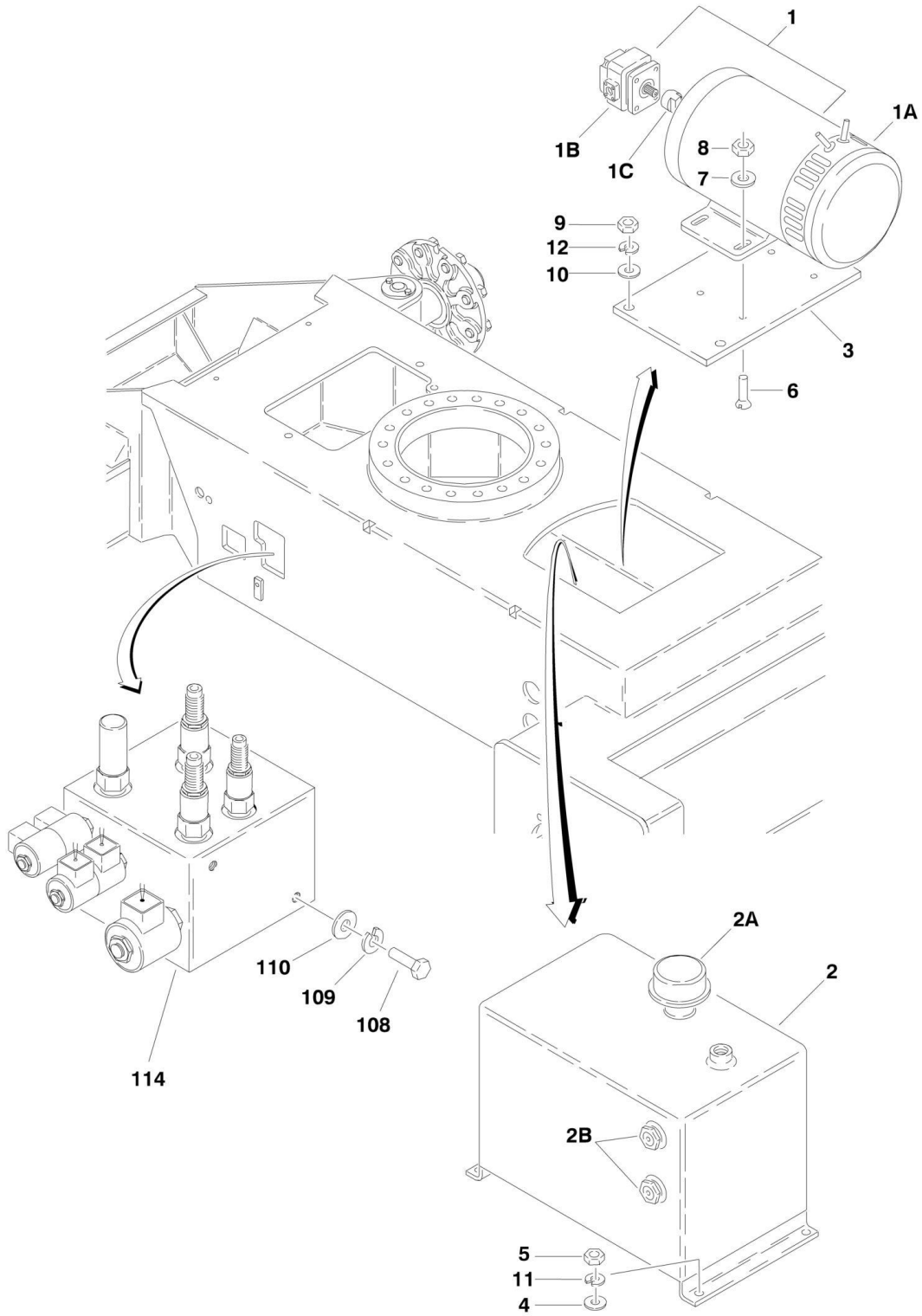
ITEM	PART NUMBER	QTY	DESCRIPTION	REV
	2780282	Ref	DRIVE HUB ASSEMBLY	B
1	70001366	1	Carrier, Sub Assembly (Includes Items 1A-1F)	
1A	See Note	NSS	Shaft, Planet (Note: Use Item 1)	
1B	See Note	NSS	Carrier (Note: Use Item 1)	
1C	See Note	NSS	Gear, Planet (Note: Use Item 1)	
1D	See Note	NSS	Bearing, Needle (Note: Use Item 1)	
1E	See Note	NSS	Pin, Roll (Note: Use Item 1)	
1F	See Note	NSS	Washer, Thrust (Note: Use Item 1)	
2	70001367	1	Carrier, Input (Includes Items 2A-2H)	
2A	See Note	NSS	Shaft, Planet (Note: Use Item 2)	
2B	See Note	NSS	Carrier (Note: Use Item 2)	
2C	See Note	NSS	Gear, Planet (Note: Use Item 2)	
2D	See Note	NSS	Bearing, Needle (Note: Use Item 2)	
2E	See Note	NSS	Spacer, Thrust (Note: Use Item 2)	
2F	See Note	NSS	Pin, Roll (Note: Use Item 2)	
2G	See Note	NSS	Washer, Thrust (Note: Use Item 2)	
2H	See Note	NSS	Washer, Thrust (Note: Use Item 2)	
3	70001368	1	Cover	
4	70001369	1	Shaft, Input	
5	70001370	1	Coupling	
6	70001371	1	Shaft, Sun Gear	
7	70001372	1	Spindle	
8	70001373	1	Gear, Ring	
9	2780282	1	Housing	
10	See Note	NSS	Bearing, Tapered-Cone (Note: Use Item 101)	
11	See Note	NSS	Bearing, Tapered-Cup (Note: Use Item 101)	
12	See Note	NSS	Bearing, Tapered-Cone (Note: Use Item 101)	
13	7017009	1	Washer, Thrust	
15	See Note	NSS	Seal, Lip (Note: Use Item 102)	
16	70001374	1	Spring	
17	70001375	1	Ring, Retaining (Internal)	
18	See Note	NSS	Ring, Retaining (External) (Note: Use Item 102)	
19	7024738	1	Ring, Retaining (Internal)	
20	70001376	1	Ring, Retaining (External)	
21	70001377	1	Ring, Retaining (External)	
22	7000281	4	Screw (Not Shown - ID plate screws)	
23	7017022	3	Bolt, Flathead (Not Shown - Located on front of hub)	
24	See Note	NSS	O-Ring (Note: Use Item 102)	
25	See Note	NSS	O-Ring (Note: Use Item 102)	
26	70001378	1	Spacer, Thrust	
27	70001379	1	Washer, Thrust	
28	7024741	1	Spacer, Thrust	
29	7007640	9	Stud, Wheel	
30	See Note	NSS	Flange, Plate (Note: Use Item 103)	
31	See Note	NSS	Cap, Disengage (Note: Use Item 103)	
32	See Note	NSS	Pin, Dowel (Note: Use Item 103)	
33	See Note	NSS	Bolt (Note: Use Item 103)	
34	See Note	NSS	O-Ring (Note: Use Item 103)	
35	See Note	NSS	O-Ring (Note: Use Item 103)	
36	See Note	NSS	Plug (Note: Use Item 103)	

SECTION 1 - FRAME

ITEM	PART NUMBER	QTY	DESCRIPTION	REV
		Ref	Kit Options	
101	7017007	1	Planet Gear Bearing Kit (Includes Items 10-12)	
102	70001380	1	Planet Gear Seal Kit (Includes Items 15, 18, 24 & 25)	
103	70001368	1	Cap/Disengage Kit (Includes Items 30-36)	

SECTION 1 - FRAME

FIGURE 1-5. HYDRAULIC COMPONENTS INSTALLATION



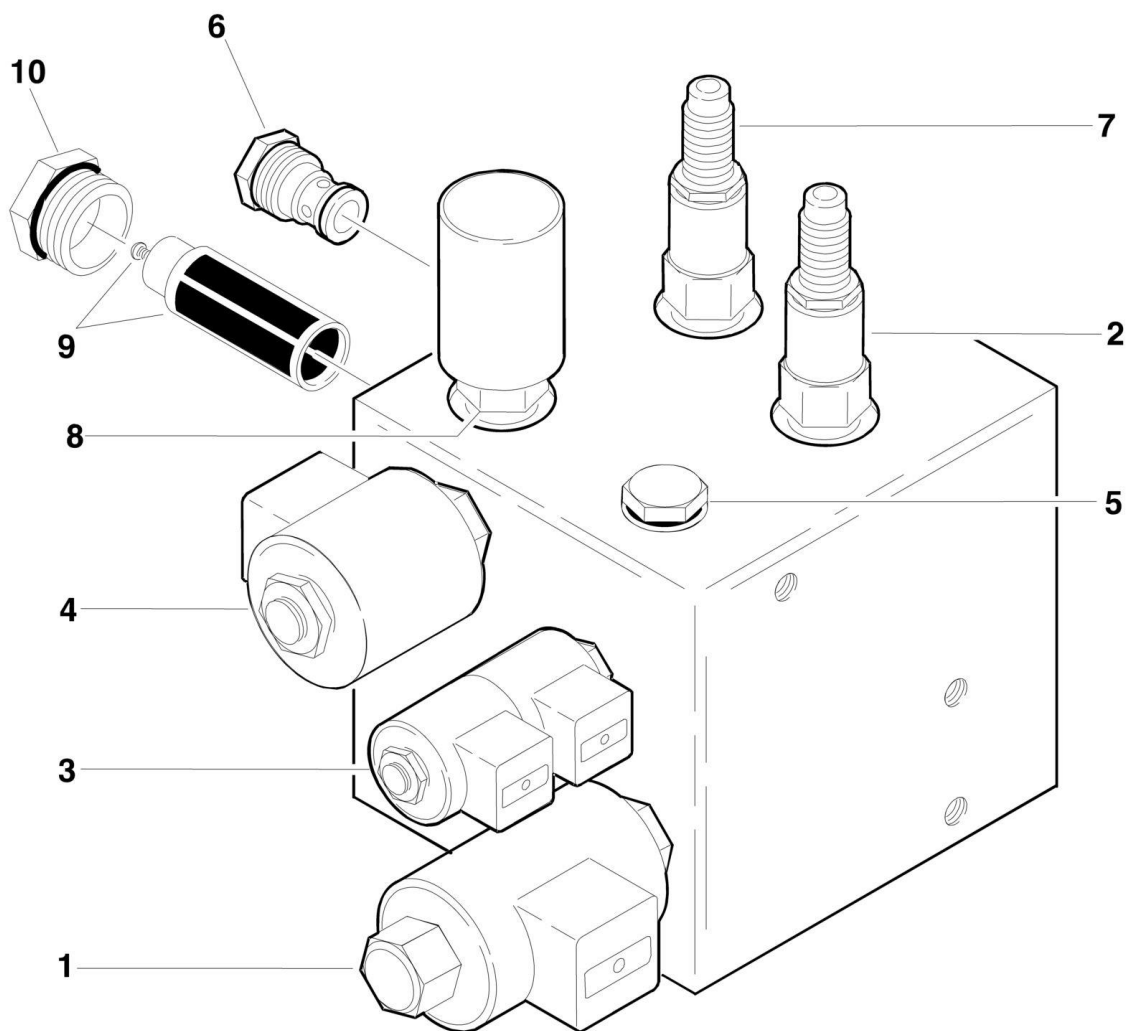
SECTION 1 - FRAME

FIGURE 1-5. HYDRAULIC COMPONENTS INSTALLATION

ITEM	PART NUMBER	QTY	DESCRIPTION	REV
		Ref	HYDRAULIC MOTOR/PUMP/TANK INSTALLATION	
	0257816	Ref	Standard Spec Machines	4-C
	0270376	Ref	UL/EE Rated Spec Machines	1-A
1	3600289	1	Motor/Pump Assembly	
1A	7021318	1	Motor Assembly	
1A	7021361	1	Brush Kit (was p/n 7021368)	
1A	70003171	4	Spring, Brush	
1A	70001961	1	Seal, Oil	
1B	7021319	1	Pump Assembly	
1B	7021377	1	Seal Kit (Note: Not available for purchase)	
1C	7021367	1	Coupling	
2	4400416	1	Hydraulic Tank Assembly	
2A	7021320	1	Cap	
2B	7021369	2	Gauge, Oil Level Sight	
2B	2220886	1	Plug, Non-magnetic Drain	
3	3571160	1	Plate, Mounting	
4	4711400	4	Flatwasher 1/4in Narrow	
5	3311405	4	Locknut 1/4in-20NC	
6	0741506	4	Screw, Flathead Countersink 5/16in-18NC x 3/4in	
7	4751500	4	Flatwasher 5/16in	
8	3311505	4	Locknut 5/16in-18NC	
9	3311605	2	Locknut 3/8in-16NC	
10	4751600	2	Flatwasher 3/8in	
11	4761400	4	Lockwasher 1/4in	
12	4761600	2	Lockwasher 3/8in	
13	0340048	1	Band, Motor (Not Shown - UL/EE Rated Machines)	
		Ref	VALVES INSTALLATIONS	
	0258034	Ref	Valves Installations (E450A/M450A)	E
	0259399	Ref	Valves Installations (E450AJ/M450AJ)	E
	0258034	Ref	Valves Installations (E400A,E400Anarrow,M400A,M400Anarrow)	E
	0259951	Ref	Valves Installations (E400AJP,E400AJPnarrow,M400AJP,M400AJPnarrow)	C
108	0641608	AR	Bolt 3/8in-16NC x 1in	
109	4711600	AR	Flatwasher 3/8in	
110	4761600	AR	Lockwasher 3/8in	
114		Ref	Brake/Steer Control Valve Assembly Options:	
114	4641149	1	Brake/Steer Control Valve Assembly (use p/n 1001097506) (Prior to SN 0300129142)	
114	1001097506	1	Brake/Steer Control Valve Assembly (SN 0300129142 through 0300189901)	
120	4922328	1	Harness Assembly - Brake/Steer Control Valve (Not Shown -See ELECTRICAL SECTION for Breakdown)	

SECTION 1 - FRAME

FIGURE 1-6. BRAKE/STEER VALVE ASSEMBLY



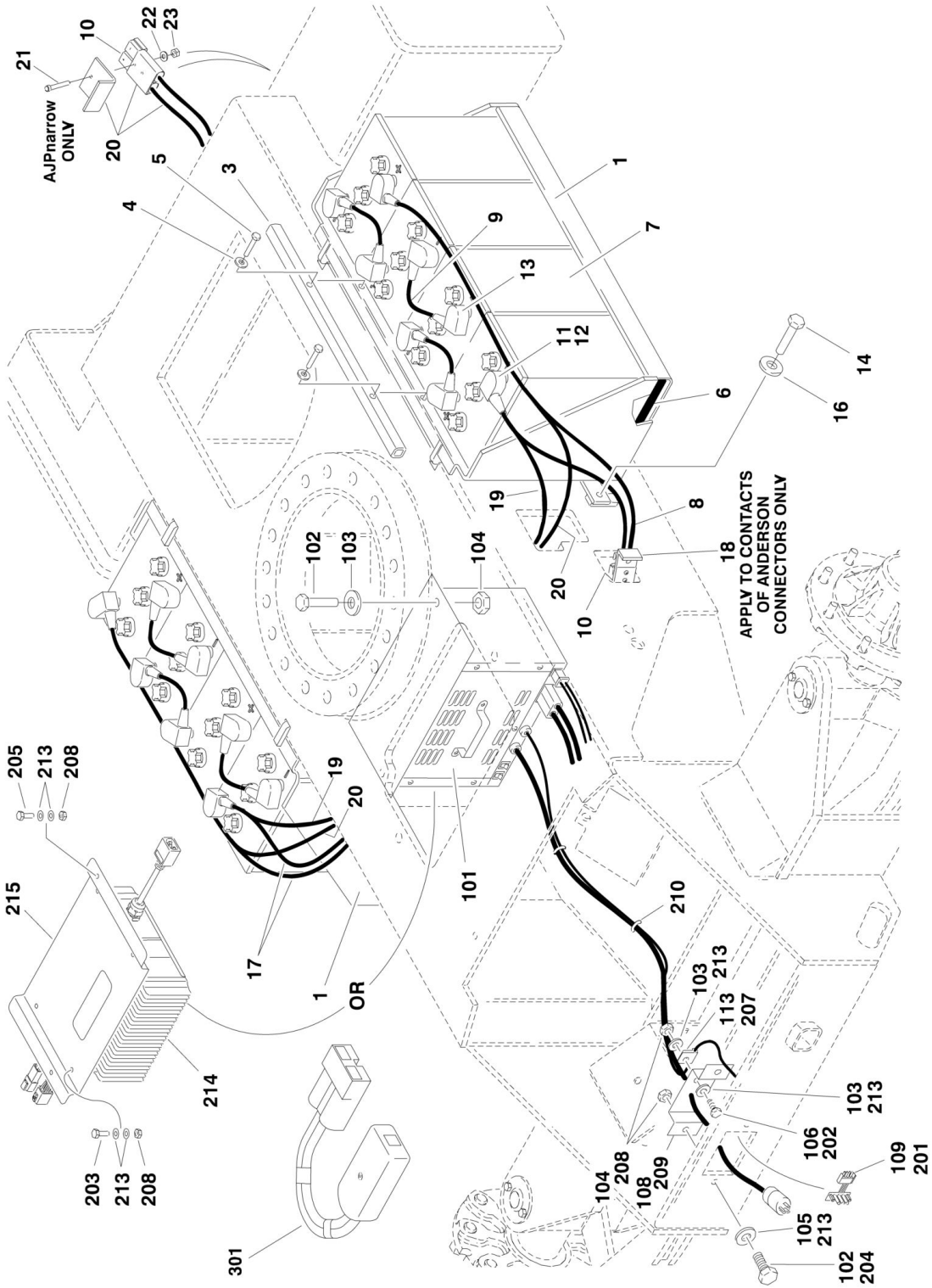
SECTION 1 - FRAME

FIGURE 1-6. BRAKE/STEER VALVE ASSEMBLY

ITEM	PART NUMBER	QTY	DESCRIPTION	REV
		Ref	BRAKE/STEER VALVE ASSEMBLIES	
	4641149	Ref	Hydro Air Brand (Prior to SN 0300129142)	G
	1001097506	Ref	Hydraforce Brand (SN 0300129142 through 0300189901)	B
1		Ref	Cartridge, Proportional without Coil Options: (Flow Control)	
1	7017450	1	Cartridge, Proportional without Coil (Prior to SN 0300062645)	
1	7021611	1	Cartridge, Proportional without Coil (SN 0300062645 through 0300189901)	
1	7012518	1	Seal Kit - 7017450/7021611 Cartridges	
1	7021618	1	Coil	
2	7021659	1	Cartridge, Relief (Main)	
2	7012972	1	Seal Kit - 7021659 Cartridge	
3	7017433	1	Cartridge (Steer)	
3	7017402	1	Seal Kit - 7017433 Cartridge	
3	7021609	2	Coil	
4	7012941	1	Cartridge without Coil (Brake Release)	
4	7010543	1	Seal Kit - 7012941 Cartridge	
4	7021609	1	Coil	
5	7022391	1	Cartridge, Check (was p/n 7017412)	
5	7012967	1	Seal Kit - 7022391 Cartridge	
6	7010542	1	Cartridge, Shuttle	
6	7010543	1	Seal Kit - 7010542 Cartridge	
7	7017488	1	Cartridge, Relief (Steer) (was p/n 7017428)	
7	7012998	1	Seal Kit - 7017488 Cartridge	
8	7021619	1	Switch, Pressure	
9	7021616	1	Cartridge, Filter	
10	7024832	1	Plug	

SECTION 1 - FRAME

FIGURE 1-7. BATTERIES AND CHARGER INSTALLATIONS



SECTION 1 - FRAME

FIGURE 1-7. BATTERIES AND CHARGER INSTALLATIONS

ITEM	PART NUMBER	QTY	DESCRIPTION	REV
		Ref	BATTERIES INSTALLATION	
	0258689	Ref	Batteries Installation (Standard Batteries) (E450A,E450AJ,M450A,M450AJ) (Prior to SN 0300059390)	2-C
	0259763	Ref	Batteries Installation (Standard Batteries) (E450A,E450AJ,M450A,M450AJ) (SN 0300059390 through 0300189898)	B
	0259763	Ref	Batteries Installation (Standard Batteries) (E400A,E400AJP,E400AJPnarrow,E400Anarrow,M400A,M400AJP,M400AJPnarrow,M400Anarrow)	B
	1001150161	Ref	Batteries Installation (AGM Batteries)	A
1		Ref	Battery Box Weldment Options:	
1	4845846	2	Battery Box Weldment (Both Sides - Standard Batteries) (E450A,E450AJ,M450A,M450AJ) (Prior to SN 0300059390)	
1	4846106	1	Battery Box Weldment (Left Side - Standard Batteries) (E450A,E450AJ,M450A,M450AJ) (SN 0300059390 through 0300189898)	
1	4846107	1	Battery Box Weldment (Right Side - Standard Batteries) (E450A,E450AJ,M450A,M450AJ) (SN 0300059390 through 0300189898)	
1	4846106	1	Battery Box Weldment (Left Side - Standard Batteries) (E400A,E400AJP,E400AJPnarrow,E400Anarrow,M400A,M400AJP,M400AJPnarrow,M400Anarrow)	
1	4846107	1	Battery Box Weldment (Right Side - Standard Batteries) (E400A,E400AJP,E400AJPnarrow,E400Anarrow,M400A,M400AJP,M400AJPnarrow,M400Anarrow)	
1	1001150514	1	Battery Box Weldment (Left Side) (AGM Batteries)	
1	1001150513	1	Battery Box Weldment (Right Side) (AGM Batteries)	
3		Ref	Battery Hold Down Options:	
3	4567679	2	Battery Hold Down (Standard Batteries) (E450A,E450AJ,M450A,M450AJ) (Prior to SN 0300059390)	
3	0182010	2	Battery Hold Down (Standard Batteries) (E450A,E450AJ,M450A,M450AJ) (SN 0300059390 through 0300189898)	
3	0182010	2	Battery Hold Down (Standard Batteries) (E400A,E400AJP,E400AJPnarrow,E400Anarrow,M400A,M400AJP,M400AJPnarrow,M400Anarrow)	
3	1001150181	2	Battery Hold Down (AGM Batteries)	
4	4711500	4	Flatwasher 5/16in Narrow	
5	0641514	4	Bolt 5/16in-18NC x 1-3/4in	
5	0641504	4	Bolt 5/16in-18NC x 1/2in	
5	0641506	4	Bolt 5/16in-18NC x 3/4in	
6	3000003	2	Liner, Battery Box	
7		Ref	Battery Options:	
7	0400055	8	Wet	
7	7016177	8	Dry	
7	1001114782	8	Wet (AGM Battery)	
8		Ref	Cable, Battery (Left)	
8	1060760	1	Cable, Battery (Left) (Standard Batteries) (E450A,E450AJ,M450A,M450AJ) (Prior to SN 0300059390)	
8	See Note	1	Cable, Battery (Left) (Standard Batteries) (Note: See Item 19 & 20) (E450A,E450AJ,M450A,M450AJ) (SN 0300059390 through 0300189898)	
8	See Note	1	Cable, Battery (Standard Batteries) (Note: See Item 19 & 20) (E400A,E400AJP,E400AJPnarrow,E400Anarrow,M400A,M400AJP,M400AJPnarrow,M400Anarrow)	

SECTION 1 - FRAME

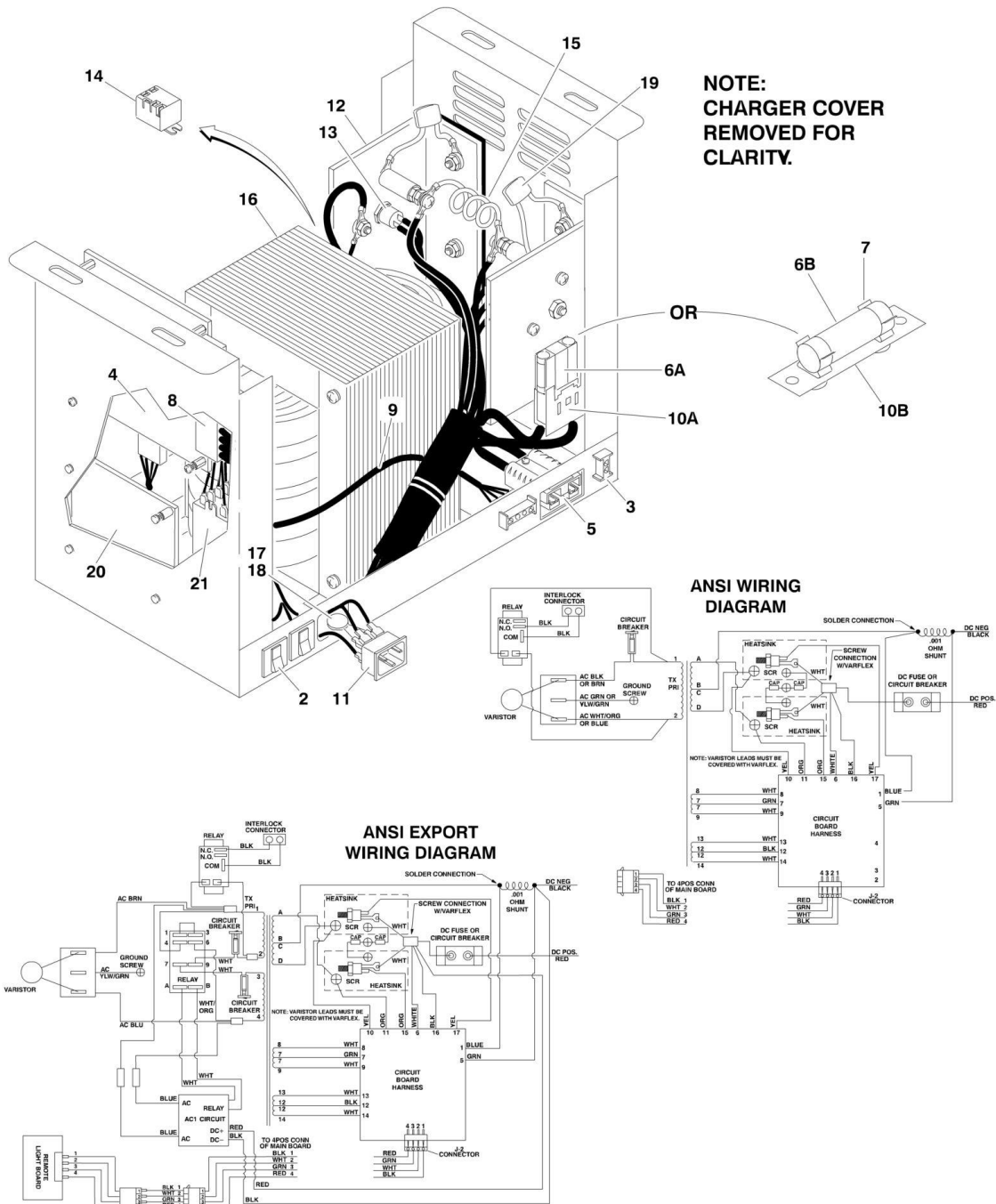
ITEM	PART NUMBER	QTY	DESCRIPTION	REV
8	See Note	1	Cable, Battery (AGM Batteries) (Note: See Item 19 & 20)	
9	1060092	6	Cable, Battery	
10	0100048	AR	Adhesive, Silicone	
11	0100051	AR	Grease, Terminal	
12	0840031	8	Boot, Terminal ("d" shape)	
13	0840032	8	Boot, Terminal ("b" shape)	
14	0641808	4	Bolt 1/2in-13NC x 1in	
14	0641813	8	Bolt 1/2in-13NC x 1- 5/8in	
16	4711800	8	Flatwasher 1/2in Narrow	
16	4751800	8	Flatwasher 1/2in Wide	
17		Ref	Cable, Battery (Right)	
17	1060761	1	Cable, Battery (Right) (Standard Batteries) (E450A,E450AJ,M450A,M450AJ) (Prior to SN 0300059390)	
17	See Note	1	Cable, Battery (Right) (Standard Batteries) (Note: See Item 19 & 20) (E450A,E450AJ,M450A,M450AJ) (SN 0300059390 through 0300189898)	
17	See Note	1	Cable, Battery (Right) (Standard Batteries) (Note: See Item 19 & 20) (E400A,E400AJP,E400AJPnarrow,E400Anarrow,M400A,M400AJP,M400AJPnarrow,M400Anarrow)	
17	See Note	1	Cable, Battery (Right) (AGM Batteries) (Note: See Item 19 & 20)	
18	1320172	2	Clamp, Cable	
19	1060811	AR	Cable, Battery (Battery to Battery)	
20	1060809	AR	Cable, Battery (Battery to Clamp)	
21	3311405	2	Locknut 1/4in-20NC	
22	3931430	2	Capscrew, Socket Head 1/4in-20NC x 1-7/8in	
23	4711400	2	Flatwasher 1/4in Narrow	
		Ref	MAC BATTERY CHARGER INSTALLATIONS (Prior to SN 0300144567)	
	0259825	Ref	ANSI Spec (105V/132V - Auto Seeking Hz)	4
	0259826	Ref	ANSI Export Spec (110V/220V - Auto Seeking Hz)	3
	0259693	Ref	ANSI Export Spec (250V - Auto Seeking Hz)	3
	0259692	Ref	Japanese Spec (100V - Auto Seeking Hz)	2
	1001092890	Ref	UL Spec (110V/220V - Auto Seeking Hz) (E450A,E450AJ,M450A,M450AJ)	1
101		Ref	MAC Battery Charger Assembly Options	
		Ref	Note: See MAC BATTERY CHARGER ASSEMBLY for Replacement Parts for MAC Chargers. To replace complete charger use kit p/n 1001123046. Kit includes Items 214, 215, mounting hardware and connecting harnesses.	
101	0400196	1	ANSI Spec (105V/132V Auto Seeking Hz) (Use p/n 1001123046)	
101	0400197	1	ANSI Export/UL Spec (110V/220V - Auto Seeking Hz) (Use p/n 1001123046)	
101	0400195	1	ANSI Export Spec (250V - Auto Seeking Hz) (Use p/n 1001123046)	
101	0400194	1	Japanese Spec (100V - Auto Seeking Hz) (Use p/n 1001123046)	
102	0641408	4	Bolt 1/4in-20NC x 1in	
103	4711400	6	Flatwasher 1/4in Thin	
104	3311405	5	Locknut 1/4in-20NC	
105	4711400	2	Flatwasher 1/4in Thin	
106	0641404	1	Bolt 1/4in-20NC x 1/2in	
108	3571834	1	Plate, Panel	

SECTION 1 - FRAME

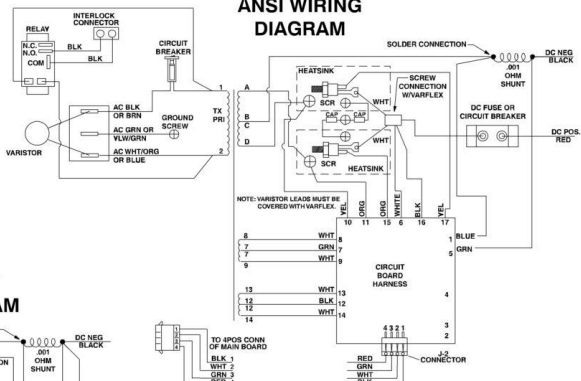
ITEM	PART NUMBER	QTY	DESCRIPTION	REV
109	0610131	1	Charger LED Assembly	
113	1320136	1	Clamp, Insulated	
	1001123054	Ref	Delta-Q Battery Charger Installations Machines with 110V Plug (ANSI, ANSI Export and CSA Specs)	B
	1001107780	Ref	Delta-Q Battery Charger Installations Machines with Locally Supplied Plug (ANSI Export Spec)	B
201	0610131	1	Charger LED Assembly	
202	0641404	1	Bolt 1/4in-20NC x 1/2in	
203	0641405	4	Bolt 1/4in-20NC x 5/8in	
204	0641406	2	Bolt 1/4in-20NC x 3/4in	
205	0641408	2	Bolt 1/4in-20NC x 1in	
207	1320136	1	Clamp, Insulated	
208	3311405	9	Locknut 1/4in-20NC	
209	3571834	1	Plate, Panel	
210	4240033	4	Tie-Strap	
213	4711400	16	Flatwasher 1/4in Thin	
214	1001103105	1	Battery Charger Assembly (See ELECTRICAL SECTION for Breakdown)	
215	1001107779	1	Plate, Battery Charger Mounting	
301	1600466	1	BATTERY CHARGER REPROGRAM CONTROLLER KIT (Use p/n 2915230)	

SECTION 1 - FRAME

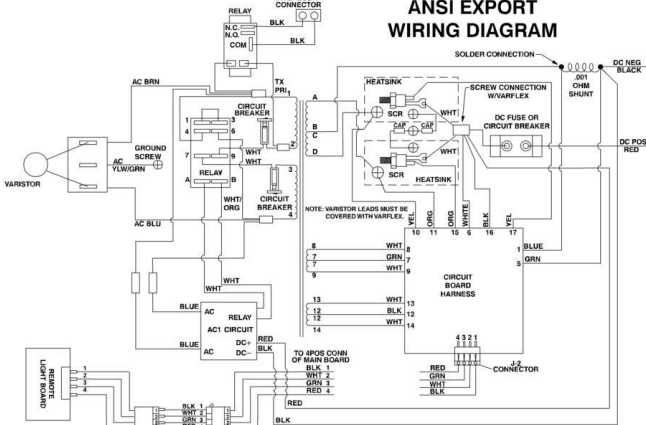
FIGURE 1-8. MAC BATTERY CHARGER ASSEMBLY



ANSI WIRING DIAGRAM



ANSI EXPORT WIRING DIAGRAM



SECTION 1 - FRAME

FIGURE 1-8. MAC BATTERY CHARGER ASSEMBLY

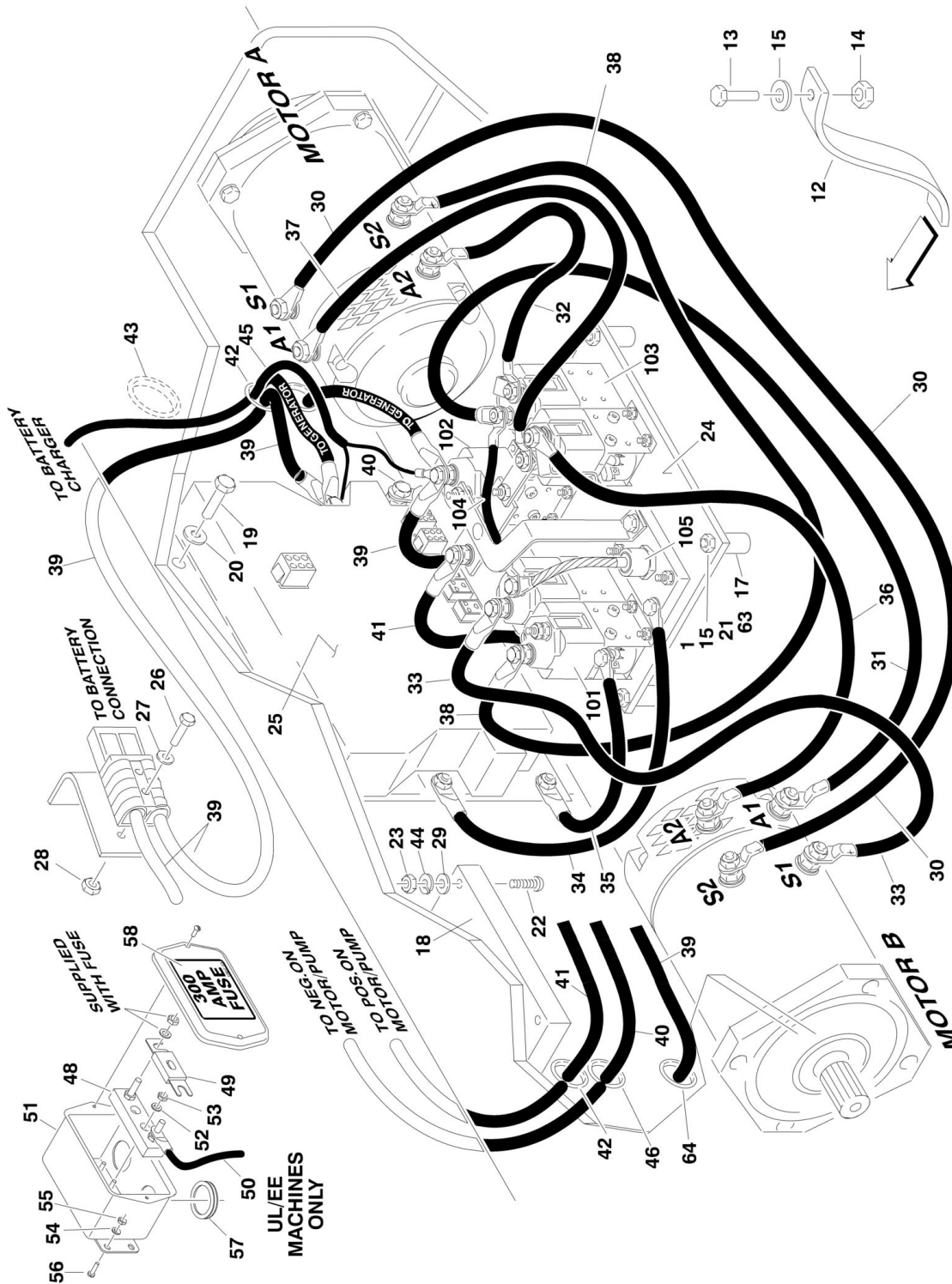
ITEM	PART NUMBER	QTY	DESCRIPTION	REV
		Ref	Note: Refer to battery charger serial number nameplate for build date. Example: BA515 (Spec) 9631 (Date Code). First and second digits in the date code indicate year. Third and fourth digits indicate the week of manufacture.	
		Ref	Note: When replacing complete charger use kit p/n 1001123046.	
		Ref	BATTERY CHARGER ASSEMBLIES	
	0400196	Ref	ANSI Spec (105/132V - Auto Seeking Hz)	B
	0400197	Ref	ANSI Export/UL Spec (110/220V - Auto Seeking Hz)	B
	0400195	Ref	ANSI Export Spec (250V - Auto Seeking Hz)	B
	0400194	Ref	Japanese Spec (100V - Auto Seeking Hz)	B
2		Ref	Breaker, Circuit Options:	
2	7020642	1	0400196 Charger	
2	7020653	2	0400197 Charger	
2	7018525	1	0400195 Charger	
2	7020642	1	0400194 Charger	
3	7011621	1	Connector, Enable Switch	
4		Ref	Circuit, Control Options:	
4	7022906	1	0400196 Charger	
4	7022908	1	0400197 Charger Prior to Date Code 0143 (was p/n 7022902)	
4	7022925	1	0400197 Charger Date Code 0143 to Present	
4	7020685	1	0400195 Charger	
4	7020696	1	0400194 Charger	
5		Ref	DC Cord Assembly	
5	7020644	1	Charger with Automotive Fuse	
5	7022909	1	Charger with Bussman Fuse	
6		Ref	Fuse Options:	
6A	7020690	1	Automotive Fuse Assembly	
6A	7020691	1	Automotive Fuse	
6B	7011593	1	Bussman Fuse	
7	7011577	2	Clip, Fuse	
8	7020697	1	Harness	
9	7020693	1	Harness	
10		Ref	Holder, Fuse	
10A	7018571	1	Automotive Fuse	
10B	7011594	1	Bussman Fuse	
11	7020648	1	Plug, AC Inlet	
12	7020649	2	Rectifier Assembly	
13	7020650	1	Rectifier, SCR 40-Amp	
14		Ref	Relay (Black) Options:	
14	7018506	1	0400196 Charger	
14	7018564	1	0400197 Charger	
14	7018563	1	0400195 Charger (240V) (Used Prior to MAC Charger S/N 06416736)	
14	7018564	1	0400195 Charger (120V) (Used MAC Charger) (SN 06416736 through 0300189901)	
14	7018506	1	0400194 Charger	
15	7020651	1	Shunt Assembly	
16		Ref	Transformer, Main Options:	
16	7022900	1	0400196 Charger	
16	7022905	1	0400197 Charger	

SECTION 1 - FRAME

ITEM	PART NUMBER	QTY	DESCRIPTION	REV
16	7020699	1	0400195 Charger	
16	7020698	1	0400194 Charger	
17		Ref	Varistor Assembly Options:	
17	7020603	1	0400196 Charger	
17	7018537	1	0400197 Charger	
17	7018537	1	0400195 Charger	
17	7018537	1	0400194 Charger	
18		Ref	Varistor Options:	
18	7011596	1	0400196 Charger	
18	7020663	1	0400197 Charger	
18	7020663	1	0400195 Charger	
18	7020663	1	0400194 Charger	
19		Ref	Capacitor Assembly Options:	
19	Not Required	0	0400196 Charger	
19	7018577	2	0400197 Charger	
19	Not Required	0	0400195 Charger	
19	Not Required	0	0400194 Charger	
20		Ref	Control, AC1-48V Options:	
20	Not Required	0	0400196 Charger	
20	7022903	1	0400197 Charger	
20	Not Required	0	0400195 Charger	
20	Not Required	0	0400194 Charger	
21		Ref	Relay, 24VDC-30A (Clear) Options:	
21	Not Required	0	0400196 Charger	
21	7020654	2	0400197 Charger	A
21	Not Required	0	0400195 Charger	
21	Not Required	0	0400194 Charger	

SECTION 1 - FRAME

FIGURE 1-9. ELECTRICAL COMPONENTS INSTALLATION (FRAME MOUNTED)



SECTION 1 - FRAME

FIGURE 1-9. ELECTRICAL COMPONENTS INSTALLATION (FRAME MOUNTED)

ITEM	PART NUMBER	QTY	DESCRIPTION	REV
		Ref	CONTACTOR INSTALLATION OPTIONS:	
	0259069	Ref	Contactor Installation (Standard Spec Machines) (E450A,E450AJ,M450A,M450AJ) (Prior to SN 0300059390)	7
	0270103	Ref	Contactor Installation (Standard Spec Machines) (E450A,E450AJ,M450A,M450AJ) (SN 0300059390 through 0300189898)	K
	0270103	Ref	Contactor Installation (Standard Spec Machines) (E400A,E400AJP,E400AJPnarrow,E400Anarrow,M400A,M400AJP,M400AJPnarrow,M400Anarrow)	K
	0270377	Ref	Contactor Installation (UL/EE Rated Spec Machines)	H
1	0100019	AR	Compound, Locking (Prior to SN 0300078578)	
12	4240084	1	Strap, Static	
13	0641508	1	Bolt 5/16in-18NC x 1in	
14	3311505	1	Locknut 5/16in-15NC	
15	4751500	10	Flatwasher 5/16in	
17		Ref	Hardware Options:	
17	4300135	4	Stud, Stand-Off (Prior to SN 0300078578)	
17	4568114	4	Spacer, Tube (SN 0300078578 through 0300189901)	
18	1600293	1	Module (Positrac/Tilt) (Note: Re-calibration Required when Replaced)	
19	0641406	6	Bolt 1/4in-20NC x 3/4in	
20	4761400	6	Lockwasher 1/4in	
21	3311505	AR	Nut 5/16in-18NC	
22	3910636	4	Screw #6-32NC x 2-1/4in	
23	3310601	4	Nut #10-24NC	
24		Ref	Contactor Plate Assembly Options:	
24	1600294	1	Standard Spec (See Items 101-105 for Breakdown)	
24	1600300	1	UL/EE Spec (See Items 201-205 for Breakdown)	
25	1600292	1	Module, Power	
26	3931430	AR	Capscrew, Socket Head 1/4in-20NC x 2in	
27	4711400	AR	Flatwasher 1/4in	
28	3311405	AR	Locknut 1/4in-20NC	
29	4750600	4	Flatwasher #6	
30		Ref	Cable, Electrical (Motor B S1 to Motor A S2)	
30	1060717	1	Standard Spec Machines	
30	1060835	1	UL/EE Rated Spec Machines	
31		Ref	Cable, Electrical (Motor B A1 to Contactor Plate MB1)	
31	1060718	1	Standard Spec Machines	
31	1060836	1	UL/EE Rated Spec Machines	
32		Ref	Cable, Electrical (Motor A A2 to Contactor Plate MA2)	
32	1060719	1	Standard Spec Machines	
32	1060837	1	UL/EE Rated Spec Machines	
33		Ref	Cable, Electrical (Motor B A2 to Contactor Plate SB1)	
33	1060720	1	Standard Spec Machines	
33	1060838	1	UL/EE Rated Spec Machines	
34		Ref	Cable, Electrical (Power Module A to Contactor Plate)	
34	1060721	1	Standard Spec Machines	
34	1060839	1	UL/EE Rated Spec Machines	
35		Ref	Cable, Electrical (Power Module B+ to Contactor Plate)	
35	1060722	1	Standard Spec Machines	
35	1060840	1	UL/EE Rated Spec Machines	

SECTION 1 - FRAME

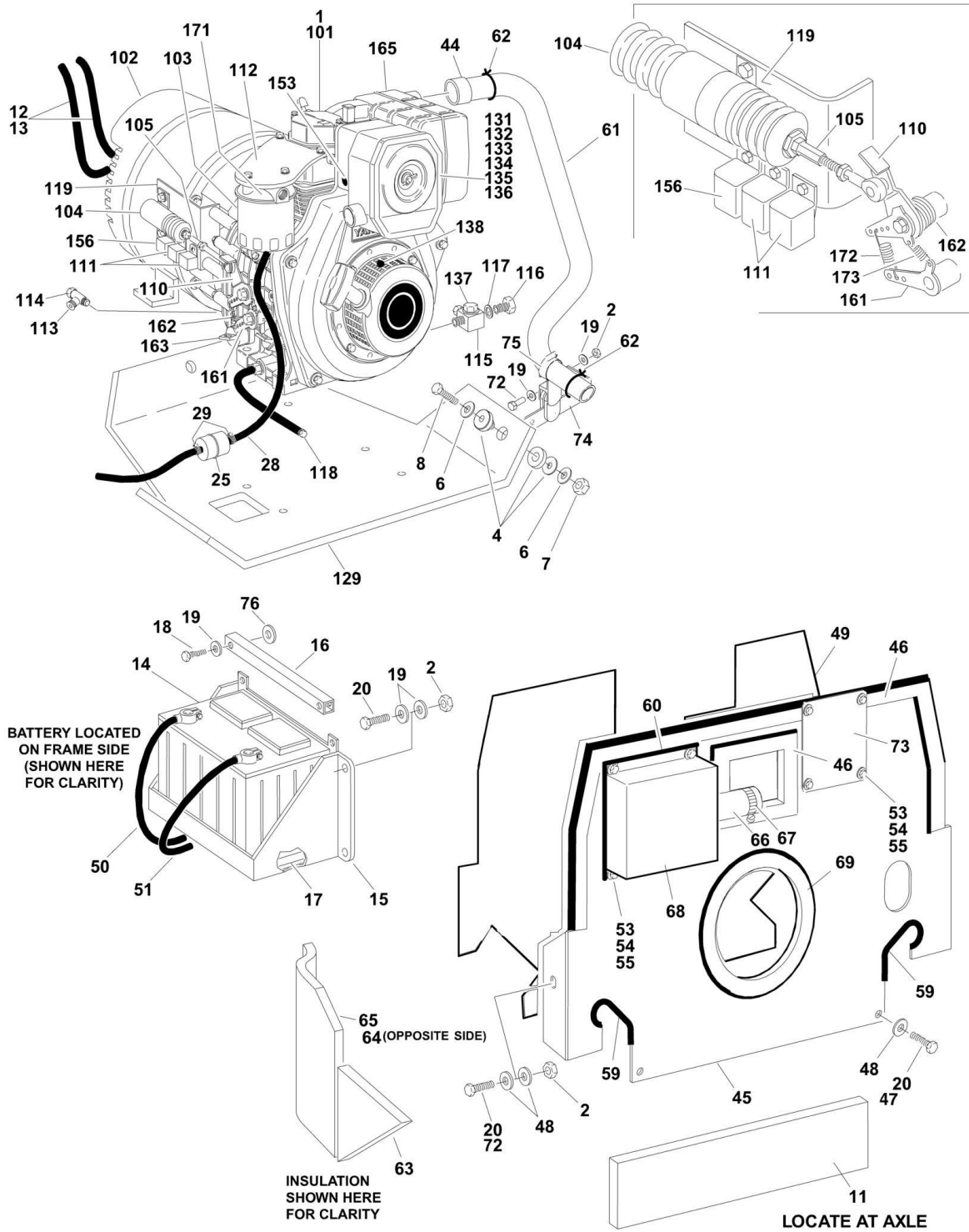
ITEM	PART NUMBER	QTY	DESCRIPTION	REV
36		Ref	Cable, Electrical (Motor B S2 to Contactor Plate MB2)	
36	1060723	1	Standard Spec Machines	
36	1060841	1	UL/EE Rated Spec Machines	
37		Ref	Cable, Electrical (Motor A A1 to Contactor Plate MA1)	
37	1060724	1	Standard Spec Machines	
37	1060842	1	UL/EE Rated Spec Machines	
38		Ref	Cable, Electrical (Motor A S1 to Contactor Plate SA1)	
38	1060725	1	Standard Spec Machines	
38	1060843	1	UL/EE Rated Spec Machines	
39		Ref	Cable, Electrical Options: (Contactor Plate to Batteries)	
39	1060726	1	Cable, Electrical (Standard Spec Machines) (E450A,E450AJ,M450A,M450AJ) (Prior to SN 0300059390)	
39	1060810	1	Cable, Electrical (Standard Spec Machines) (E450A,E450AJ,M450A,M450AJ) (SN 0300059390 through 0300189898)	
39	1060810	1	Cable, Electrical (Standard Spec Machines) (E400A,E400AJP,E400AJPnarrow,E400Anarrow,M400A,M400AJP,M400AJPnarrow,M400Anarrow)	
39	1060835	1	Cable, Electrical (UL/EE Rated Spec Machines)	
40		Ref	Cable, Electrical (Module to Hydraulic Pump Motor -)	
40	1060727	1	Standard Spec Machines	
40	1060844	1	UL/EE Rated Spec Machines	
41		Ref	Cable, Electrical (Contactor Plate to Hydraulic Pump Motor +)	
41	1060728	1	Standard Spec Machines	
41	1060845	1	UL/EE Rated Spec Machines	
42	2540019	4	Grommet	
43	2540021	1	Grommet	
44	4760600	4	Lockwasher #6	
45	4922103	1	Cable, Electrical (Contactor/Module to Charger)	
45	4460444	1	Connector, DC	
46	2540020	2	Grommet	
47	1320172	AR	Clamp, Cable Options (Not Shown - Located on Item 39):	
48	2400044	1	Block, Fuse Mounting (UL/EE Rated Machines Only)	
49	2400062	1	Fuse - 300 Amp (UL/EE Rated Machines Only)	
50	1060847	1	Jumper, Fuse (UL/EE Rated Machines Only)	
51	0861375	1	Box, Fuse (UL/EE Rated Machines Only)	
52	4711500	AR	Flatwasher 5/16in Narrow	
53	3311501	AR	Nut 5/16in-18NC	
54	4751000	AR	Flatwasher #10	
55	3311001	AR	Nut #10-24NC	
56	0721005	AR	Screw, Machine #10-24NC x 5/8in	
57	2540037	2	Grommet (UL/EE Rated Machines Only)	
58	1704712	1	Decal - 300 Amp Fuse (UL/EE Rated Machines Only)	
59	4060807	2 ft/.6m	Trim (Not Shown - Located at Battery Boxes) (UL/EE Rated Machines Only)	
60	0340047	2	Band, Motor (Not Shown) (UL/EE Rated Machines Only)	
63	0641524	4	Bolt 5/16in-18NC x 3in	
64	2540020	1	Grommet (SN 0300101253 through 0300189901)	
65		Ref	Electrical Cable Kit Options (Not Shown):	
65	2902048	1	Standard Spec Machines (Includes Items 30-38 & 40-41) (E450A,E450AJ,M450A,M450AJ) (Prior to SN 0300059390)	

SECTION 1 - FRAME

ITEM	PART NUMBER	QTY	DESCRIPTION	REV
65	2902046	1	Standard Spec Machines (Includes Items 30-41) (E450A,E450AJ,M450A,M450AJ) (SN 0300059390 through 0300189898)	
65	2902046	1	Standard Spec Machines (Includes Items 30-41) (E400A,E400AJP,E400AJPnarrow,E400Anarrow,M400A,M400AJP,M400AJPnarrow,M400Anarrow)	
65	2902047	1	UL/EE Rated Spec (Includes Items 30-41)	
		Ref	CONTACTOR PLATE ASSEMBLIES	
	1600294	Ref	Standard Spec	E
	1600300	Ref	UL/EE Spec	B
98		Ref	Harness, Contactor Options (Not Shown) (See ELECTRICAL SECTION for Breakdown):	
98	7022003	1	Standard Spec	
98	7022008	1	UL/EE Spec	
99		Ref	Harness, Posi-Track Contactor Options (Not Shown) (See ELECTRICAL SECTION for Breakdown):	
99	7022004	1	Standard Spec	
99	Not Required	0	UL/EE Spec	
100	7022005	1	Harness, Shunt (Not Shown) (See ELECTRICAL SECTION for Breakdown)	
101		Ref	Contactor (Forward/Reverse) Options:	
101	7022002	1	Standard Spec	
101	7022007	1	UL/EE Spec	
102		Ref	Contactor (Main) Options:	
102	7022001	1	Standard Spec	
102	7022009	1	UL/EE Spec	
103		Ref	Contactor (Posi-Track) Options:	
103	7022000	1	Standard Spec	
103	7022010	1	UL/EE Spec	
104		Ref	Cable, Power Options:	
104	7022012	1	Standard Spec	
104	Not Required	1	UL/EE Spec	
105		Ref	Diode, Power Options:	
105	7022011	1	Standard Spec	
105	Not Required	1	UL/EE Spec	

SECTION 1 - FRAME

**FIGURE 1-10. YANMAR MOTOR/GENERATOR INSTALLATION
(M400A, M400AJP, M400AJPNARROW, M400ANARROW, M450A, M450AJ)**



SECTION 1 - FRAME

**FIGURE 1-10. YANMAR MOTOR/GENERATOR INSTALLATION
(M400A,M400AJP,M400AJPNARROW,M400ANARROW,M450A,M450AJ)**

ITEM	PART NUMBER	QTY	DESCRIPTION	REV
		Ref	MOTOR/GENERATOR INSTALLATION (YANMAR DIESEL)	
	0257824	Ref	Motor/Generator Installation (Yanmar Diesel) (M450A,M450AJ) (Prior to SN 0300059390)	11
	0270344	Ref	Motor/Generator Installation (Yanmar Diesel) (M450A,M450AJ) (SN 0300059390 through 0300079057)	5-B
	0270344	Ref	Motor/Generator Installation (Yanmar Diesel) (M400A,M400AJP,M400AJPNarrow,M400Anarrow) (Prior to SN 0300079057)	5-B
	0273573	Ref	Motor/Generator Installation (Yanmar Diesel) (All Models) (SN 0300079057 through 0300088539)	C
1		Ref	Motor/Generator Assembly Options: (See Items 101 to 173 for Breakdown)	
1	0257858	1	Motor/Generator Assembly (Prior to SN 0300063771)	
1	0271641	1	Motor/Generator Assembly (SN 0300063771 through 0300088539)	
2	3311505	AR	Locknut 5/16in-18NC	
4	3200404	3	Mount, Insolation	
6	4751600	6	Flatwasher 3/8in	
7	3311605	3	Locknut 3/8in-16NC	
8	0641618	3	Bolt 3/8in-16NC x 2-1/4in	
11	2820117	1	Foam, Sound (Steer Axle)	
12	1060755	1	Cable, Battery (Includes Terminal Boot) (+ Generator)	
13	1060754	1	Cable, Battery (Includes Terminal Boot) (- Generator)	
14	0400201	1	Battery	
15		Ref	Starter Battery Tray Options:	
15	4845642	1	Starter Battery Tray (M450A,M450AJ) (Prior to SN 0300059390)	
15	Not Required	1	Starter Battery Tray (Welded-In Part of Battery Tray) (M450A,M450AJ) (SN 0300059390 through 0300088539)	
15	Not Required	1	Starter Battery Tray (Welded-In Part of Battery Tray) (M400A,M400AJP,M400AJPNarrow,M400Anarrow)	
16		Ref	Battery Hold Down Options:	
16	4220179	1	Battery Hold Down (M450A,M450AJ) (Prior to SN 0300056547)	
16	0362966	1	Battery Hold Down (M450A,M450AJ) (SN 0300056547 through 0300059389)	
16	4220179	1	Battery Hold Down (M450A,M450AJ) (SN 0300059390 through 0300079057)	
16	4220179	1	Battery Hold Down (M400A,M400AJP,M400AJPNarrow,M400Anarrow) (Prior to SN 0300079057)	
16	0362966	1	Battery Hold Down (M400A,M400AJP,M400AJPNarrow,M400Anarrow) (SN 0300079057 through 0300088539)	
17	3980035	1	Battery Seat	
18		Ref	Bolt Options:	
18	0641518	2	Bolt 5/16in-18NC x 1-5/8in (Prior to SN 0300079057)	
18	0641512	2	Bolt 5/16in-18NC x 1-1/2in (SN 0300079057 through 0300088539)	
19	4711500	6	Flatwasher 5/16in Narrow	
20	0641505	AR	Bolt 5/16in-18NC x 5/8in	
25	2120042	1	Filter, In-Line Fuel	
28	2720058	12 ft/3.7m	Hose	

SECTION 1 - FRAME

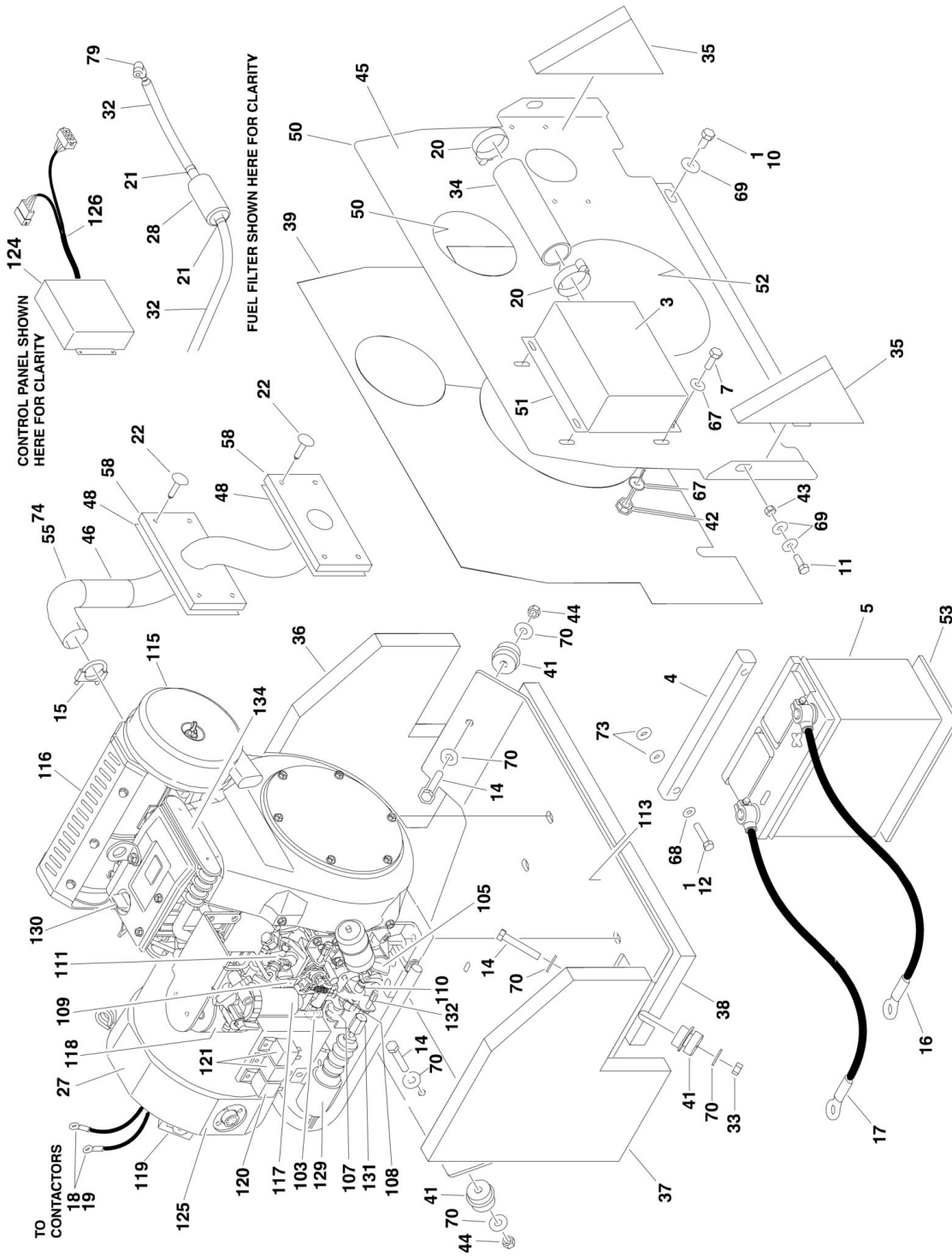
ITEM	PART NUMBER	QTY	DESCRIPTION	REV
29	1320022	7	Clamp, Hose	
33	4240033	8	Strap, Tie	
44	4567845	1	Tube, Exhaust	
45		Ref	Shield, Heat Options:	
45	3571401	1	Shield, Heat (Prior to SN 0300079057)	
45	3380510	1	Shield, Heat (SN 0300079057 through 0300088539)	
46	3960389	5 ft/1.5m	Seal	
47	0100011	AR	Compound, Locking	
48	4751500	6	Flatwasher 5/16in	
49		Ref	Insulation Options:	
49	2820107	1	Insulation (Prior to SN 0300079057)	
49	2820165	1	Insulation (SN 0300079057 through 0300088539)	
50	1060731	1	Cable, Battery (Includes Terminal Boot) (- Battery to Ground)	
51	1060730	1	Cable, Battery (Includes Terminal Boot) (+ Battery to Starter)	
53	0641406	AR	Bolt 1/4in-20NC x 3/4in	
54	4711400	AR	Flatwasher 1/4in Narrow	
55	3311405	AR	Locknut 1/4in-20NC	
59	4060803	Ref	Flex-Trim	
59	4060803	16	Flex-Trim (Prior to SN 0300079057)	
		in/4.9cm		
59	4060803	27	Flex-Trim (SN 0300079057 through 0300088539)	
		in/69cm		
60	3960417	28	Seal	
		in/71cm		
61	4100025	Ref	Sleeve, Fiberglass	
61	4100025	26	Sleeve, Fiberglass (Prior to SN 0300079057)	
		in/66cm		
61	4100025	12	Sleeve, Fiberglass (SN 0300079057 through 0300088539)	
		in/30cm		
62	4920385	7 in/18cm	Wire, Safety	
63	2820111	2	Insulation	
64	2820112	1	Insulation (Right Side)	
65	2820116	1	Insulation (Left Side)	
66	2720455	1	Hose	
67	1320012	2	Clamp	
68	0259481	1	Plenum Box Assembly	
69	3960418	3 ft/.9m	Seal	
70	4922319	1	Harness, Generator (Not Shown - See ELECTRICAL SRCTION for Breakdown)	
71	4460267	1	Socket, Female (Not Shown - See ELECTRICAL SECTION for Call-Out)	
72	0641507	2	Bolt 5/16in-18NC x 7/8in Only (SN 0300061430 through 0300088539)	
73	3380511	1	Shield, Heat (SN 0300079057 through 0300088539)	
74	0903099	1	Bracket, Exhaust Hanger (SN 0300079057 through 0300088539)	
75		Ref	Clamp Options:	
75	1320033	1	Clamp (SN 0300079057 through 0300079826)	
75	1320135	1	Clamp (SN 0300079827 through 0300088539)	
76	4891600	2	Flatwasher Hardened 3/8in (SN 0300079057 through 0300088539)	
		Ref	Motor/generator assembly	
	0257858	Ref	Motor/generator assembly (Prior to SN 0300063771)	E

SECTION 1 - FRAME

ITEM	PART NUMBER	QTY	DESCRIPTION	REV
	0271641	Ref	Motor/generator assembly (SN 0300063771 through 0300088539)	C
101	7018126	1	Motor, Yanmar	
102		Ref	Alternator Options:	
102	7020203	1	Alternator (Prior to SN 0300063771)	
102	7023485	1	Alternator (SN 0300063771 through 0300088539)	
103	See Note	1	Filter, Oil with Element (Note: Not available for purchase)	
103	7020215	1	Element, Oil	
104	7020167	1	Solenoid, Throttle	
105	7020166	1	Swivel, In-line	
110	7018125	1	Handle, Regulator	
111	70000323	2	Relay, Bosch (was p/n 7020207)	
112	3571412	1	Plate, Mounting, Oil Filter	
113	7018127	1	Switch, Pressure	
114	7020164	1	Fitting, Adapter	
115	7020163	1	Adapter, Oil Drain	
116	7020162	1	Bolt, Banjo	
117	See Note	1	Washer, Rubber (Note: Not available for purchase)	
118	7020204	1	Drain Line Assembly	
119	7020161	1	Bracket	
129	3570581	1	Baseplate	
131	7020160	1	Flange, Air Intake	
132	7020159	1	Flange, Air Intake	
133	7020165	1	Plate, Air Intake Adapter	
134	7018123	2	Gasket, Air Cleaner	
135	7018122	2	Gasket, Air Adapter	
136	7018124	1	Cover, Air Filter	
137	7020158	1	Probe, Temperature	
138	70000901	1	Recoil Assembly	
138	70001758	NSS	Starter, Pulley (Us	
138	7020157	1	Bracket, Magnetic Pick-Up (Not Shown - Located Behind Starter Pulley)	
153	7020206	1	Sensor, Hall Effect Zero Speed	
156	7023274	1	Relay, Sealed 14VDC/40Amp	
161	7020197	1	Lever	
162	7020198	1	Spring	
163	7020199	1	Dipstick	
164	7020200	1	Regulator, Voltage (Not Shown - Located Below Starter)	
165	7020201	1	Muffler	
166	7020202	1	Starter (Not Shown - Located Below Muffler)	
167	7020217	1	Element, Air Cleaner (Washable)	
168	7018142	1	Pump, Fuel (Not Shown - Located on Top of Cylinder Block)	
169	7023349	1	Fuse, Control - 15 Amp (Not Shown - Located on Right Side of Engine)	
170	7023350	1	Fuse, Dynamo Output - 20 Amp (Not Shown - Located on Left Side of Engine)	
171	7023489	1	Head, Filter	
172	7026669	1	Spring, Governor	
173	7026670	1	Spring, Return	

SECTION 1 - FRAME

**FIGURE 1-11. KUBOTA MOTOR/GENERATOR INSTALLATION
(M400A,M400AJP,M400AJPNARROW,M400ANARROW,M450A,M450AJ)**



SECTION 1 - FRAME

**FIGURE 1-11. KUBOTA MOTOR/GENERATOR INSTALLATION
(M400A,M400AJP,M400AJPNARROW,M400ANARROW,M450A,M450AJ)**

ITEM	PART NUMBER	QTY	DESCRIPTION	REV
		Ref	MOTOR/GENERATOR INSTALLATION (KUBOTA DIESEL)	
	0274617	Ref	Motor/Generator Installation (Kubota Diesel) (Prior to SN 0300182839)	G
	1001159362	Ref	Motor/Generator Installation (Kubota Diesel) (SN 0300182839 through 0300189901)	A
1	0100011	AR	Compound, Locking	
3	0259481	1	Plenum Box Assembly	
4	0362966	1	Tube, Battery Hold-Down	
5	0400201	1	Battery	
7	0641406	4	Bolt 1/4in-20NC x 3/4in	
10	0641505	2	Bolt 5/16in-18NC x 5/8in	
11	0641507	2	Bolt 5/16in-18NC x 7/8in	
12	0641512	2	Bolt 5/16in-18NC x 1-1/2in	
14	0641618	3	Bolt 3/8in-16NC x 2-1/4in	
15	1320135	1	Clamp	
16	1060730	1	Cable, Battery (Battery +)	
17	1060731	1	Cable, Battery (Battery -)	
18	1060754	1	Cable, Battery (Includes Terminal Boot) (- Generator)	
19	1060755	1	Cable, Battery (Includes Terminal Boot) (+ Generator)	
20	1320012	2	Clamp	
21	1320022	AR	Clamp	
22	1380164	8	Clip	
27	2000320	Ref	Motor/Generator Assembly (Use p/n 1001159361) (Prior to SN 0300182839)	
27	1001159361	1	Motor/Generator Assembly (SN 0300182839 through 0300189901)	
28	2120042	1	Filter, In-Line Fuel (SN 0300088539 through 0300093848)	
32	2720058	1 ft/.3m	Hose	
34	2720559	1	Hose, Air Intake	
35	2820111	2	Insulation	
36	2820112	1	Insulation (Right Side)	
37	2820116	1	Insulation (Left Side)	
38	2820117	1	Foam, Sound (Steer Axle)	
39	2820218	2	Insulation, Acoustic Barrier	
41		Ref	Mount, Insolated Engine Options:	
41	3200404	3	Mount, Insolated Engine (Prior to SN 0300145130)	
41	1001125248	3	Mount, Insolated Engine (SN 0300145130 through 0300189901)	
42	3311405	4	Locknut 1/4in-20NC	
43	3311505	2	Locknut 5/16in-18NC	
44	3311605	3	Locknut 3/8in-16NC	
45	3380602	1	Shield, Heat	
46	3460457	1	Pipe, Exhaust	
48	3575961	1	Plate, Exhaust Mounting	
50	3960389	5 ft/1.5m	Seal	
51	3960417	28 in/71cm	Seal	
52	3960418	3 ft/.9m	Seal	
53	3980035	1	Battery Seat	

SECTION 1 - FRAME

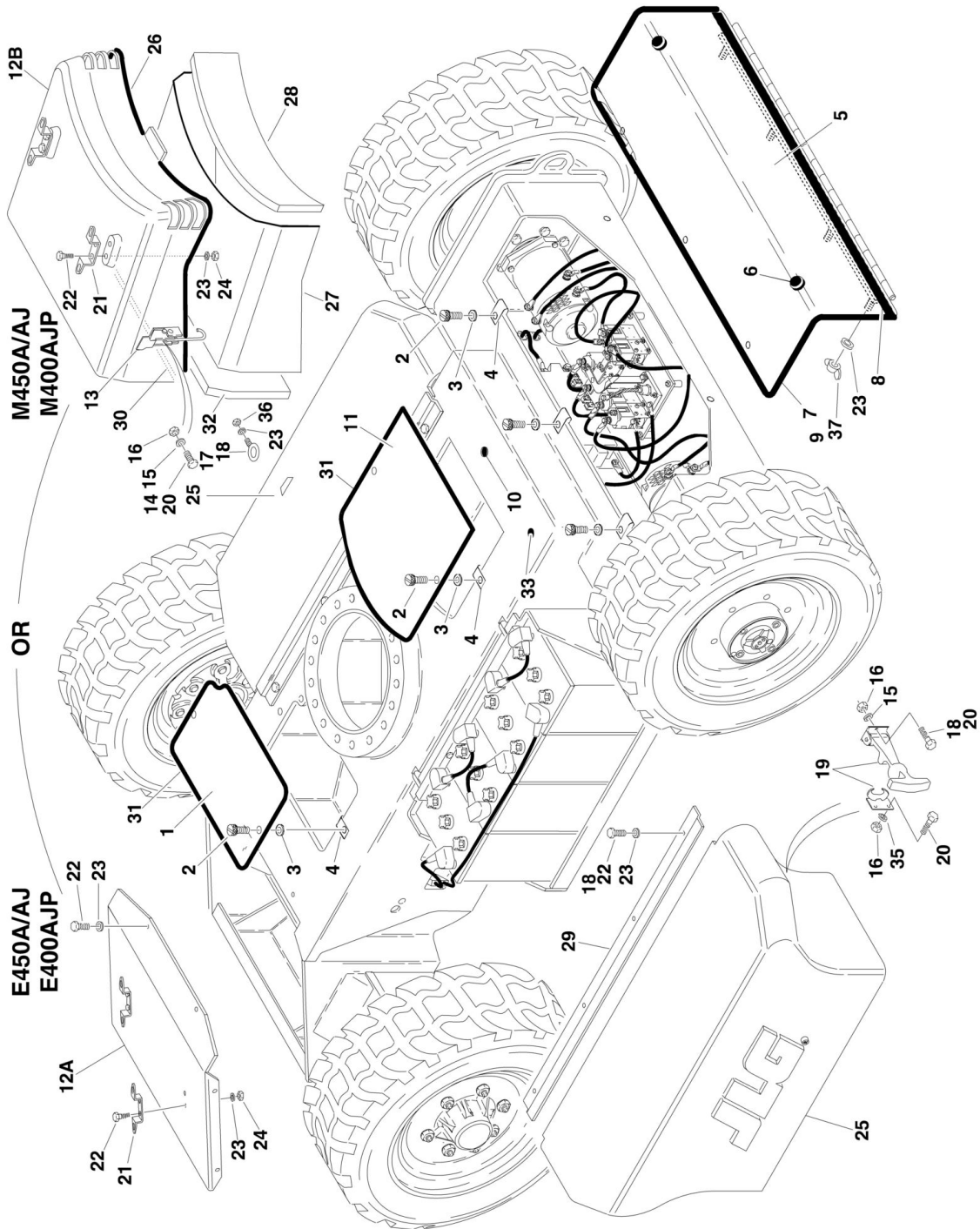
ITEM	PART NUMBER	QTY	DESCRIPTION	REV
55	4100025	22 in/55cm	Sleeve, Fiberglass	
58	4341072	2	Support, Exhaust Mount	
67	4711400	8	Flatwasher 1/4in Narrow	
68	4711500	6	Flatwasher 5/16in Narrow	
69	4751500	6	Flatwasher 5/16in Wide	
70	4751600	AR	Flatwasher 3/8in Wide	
73	4891600	2	Flatwasher 3/8in Hardened	
74	4920385	6 in/15cm	Wire, Safety	
79	2220805	1	Fitting, Coupling (Not shown)	
		Ref	MOTOR/GENERATOR ASSEMBLY	
	2000320	Ref	Motor/Generator Assembly (Use p/n 1001159361) (Prior to SN 0300182839)	F
	1001159361	1	Motor/Generator Assembly (SN 0300182839 through 0300189901)	B
101	70003557	1	Regulator, Voltage (Not Shown - Located on Opposite Side of Engine) (was p/n 70000289)	
102	70000290	1	Glow Plug (Not Shown)	
102	70000291	1	Harness, Glow Plug (Not Shown)	
103	70000292	1	Screen, Oil Sump (Includes O-Ring)	
104	70000293	1	Cap, Oil Filler (Includes O-Ring) (Not Shown - Located on the Engine Block - See Item 130 for Fill Cap on Top of Head)	
105	70000294	1	Dipstick	
106	70000295	1	Pump, Oil Rotor (Not Shown - Located Beside Item 107)	
106	70000296	1	O-Ring, Oil Rotor Pump (Not Shown)	
107	70000297	1	Switch, Oil	
108	70000298	1	Lever, Governor	
108	70000299	1	Pin, Governor Lever	
108	70000300	1	Spring, Governor Lever	
109	70000301	1	Spring, Idling	
109	70000304	1	Lever, Spring Control	
109	70000305	1	Spring, Stop (Speed Control Lever)	
110	70000302	1	Valve, Fuel Limit (Not Shown)	
110	70000303	1	Gasket, Fuel Limit Valve (Not Shown)	
111	70000306	1	Pump, Injection	
111	70000307	1	Kit, Pump Adjustment Shim	
112	70000308	1	Flywheel/Ring Gear Assembly (Not Shown - Located Behind Front Cover)	
112	70000309	1	Ring Gear (Not Shown)	
112	70001121	1	Stator, Engine (Not Shown - Located Behind Flywheel) (Includes Coil and Grommet)	
113	3575952	1	Tray, Engine	
114	70000311	1	Solenoid, Starter (Not Shown - Located on Opposite Side of Engine)	
115	70000312	1	Air Cleaner Assembly	
115	70000313	1	Element, Air Cleaner	
115	70000314	1	Gasket, Air Cleaner	
116	70000315	1	Muffler Assembly	
116	70000316	1	Gasket, Muffler	
117	70000317	1	Inline Fuel Check Valve Assembly (Not Shown)	
117	70000967	1	Fuel Filter Assembly	
117	70000318	1	Element, Fuel Filter	
118	70000319	1	Element, Oil Filter	

SECTION 1 - FRAME

ITEM	PART NUMBER	QTY	DESCRIPTION	REV
118	70001144	1	Head, Oil Filter Head (Note: Does not Include element)	
119	70000320	1	Pump, Fuel	
120	70000322	1	Relay	
121	70000323	2	Relay	
122	70000324	1	Sensor, Speed (Not Shown - Located Inside Front Cover)	
122	70004265	1	Bracket, Speed Sensor (Not Shown - Located Inside Front Cover)	
123	70000325	1	Sensor, Oil Temperature (Not Shown - Located on Opposite Side of Engine on Base)	
124	70000326	1	Module, Engine Control	
125	70000327	1	Alternator	
125	70000382	1	Stator, Alternator	
126	70000328	1	Harness, Engine	
127	70000329	1	Fuse 15Amp (Not Shown)	
128	70000330	1	Fuse 20Amp (Not Shown)	
129	70000321	1	Solenoid, Fuel	
130	70002244	1	Cap, Oil Filler (Includes O-Ring) (See Item 104 for Fill Cap on Engine Block)	
131	70003618	1	Adapter, Solenoid	
132	70000321	1	Rod, Adapter	
133	70000310	1	Starter (Not Shown - Located on Opposite Side of Engine)	
134	70004785	1	Cooler, Oil	

SECTION 1 - FRAME

FIGURE 1-12. FRAME COVER INSTALLATION



SECTION 1 - FRAME

FIGURE 1-12. FRAME COVER INSTALLATION

ITEM	PART NUMBER	QTY	DESCRIPTION	REV
		Ref	FRAME COVERS INSTALLATIONS	
	0258974	Ref	Frame Covers Installations (Standard Machines) (E450A,E450AJ) (Prior to SN 0300059390)	4
	0270510	Ref	Frame Covers Installations (Standard Machines) (E450A,E450AJ) (SN 0300059390 through 0300189898)	E
	0258035	Ref	Frame Covers Installations (Standard Machines) (M450A,M450AJ) (Prior to SN 0300059390)	7
	0270509	Ref	Frame Covers Installations (Standard Machines) (M450A,M450AJ) (SN 0300059390 through 0300189898)	F
	0270510	Ref	Frame Covers Installations (Standard Machines) (E400A,E400AJP)	E
	0270509	Ref	Frame Covers Installations (Standard Machines) (M400A,M400AJP)	F
	0270101	Ref	Frame Covers Installations (Standard Machines) (E400AJPnarrow,E400Anarrow)	E
	0270100	Ref	Frame Covers Installations (Standard Machines) (M400AJPnarrow,M400Anarrow)	F
	0270101	Ref	Frame Covers Installations (UL/EE Rated Machines) (E400AJP,E450A,E450AJ)	E
	0270540	Ref	Frame Covers Installations (UL/EE Rated Machines) (E400AJPnarrow)	E
1	3570572	1	Cover, Charger	
2	3900174	7	Screw, Special	
3	3760308	7	Retainer	
4	1380138	1	Cup, Receptacle	
5		Ref	Axle Cover Options: (E400AJPnarrow,E400Anarrow,E450AJ,M400AJPnarrow,M400Anarrow,M450AJ)	
5	4844603	1	Standard Width Machines (E450AJ,M450AJ)	
5	4846223	1	Narrow Width Machines (E400AJPnarrow,E400Anarrow,M400AJPnarrow,M400Anarrow)	
6	0940036	2	Bumper	
7	3960447	AR	Seal	
8	3960433	AR	Seal	
9		Ref	Hardware Options:	
9	3300371	AR	Wingnut (Prior to SN 0300104964)	
9	3311401	AR	Nut 1/4in-20NC (SN 0300104964 through 0300189901)	
10	3520026	2	Plug, Hole	
11	3570573	1	Cover, Pump	
12		Ref	Cover Options:	
12A	3571094	1	Cover (E400A,E400AJP,E400AJPnarrow,E400Anarrow,E450A,E450AJ)	
12B	1670880	1	Cover (M400A,M400AJP,M400AJPnarrow,M400Anarrow,M450A,M450AJ)	
13		Ref	Latch Options:	
13	Not Required	0	Latch (E400A,E400AJP,E400AJPnarrow,E400Anarrow,E450A,E450AJ)	
13	2940115	2	Latch (M400AJP,M400AJP,M400AJPnarrow,M400Anarrow,M450A,M450AJ)	

SECTION 1 - FRAME

ITEM	PART NUMBER	QTY	DESCRIPTION	REV
14	0721006	AR	Screw, Machine #10-24NC x 3/4in (Prior to SN 0300070080)	
15	4751000	AR	Flatwasher #10	
16	3311005	12	Locknut #10-24NC	
17	0630440	AR	Eyebolt	
18	0100011	AR	Compound, Locking	
19	2940095	4	Latch	
20	0721004	AR	Screw, Machine #10-24NC x 1/2in	
21	2700093	2	Hook	
22	0641406	AR	Bolt 1/4in-20NC x 3/4in	
23	4751400	AR	Flatwasher 1/4in	
24	3311405	4	Locknut 1/4in-20NC	
25		Ref	Battery Cover Options:	
25		Ref	Standard Spec Machines:	
25	1670879	2	Cover (E450A,E450AJ,M450A,M450AJ) (Prior to SN 0300059390)	
25	1670951	2	Cover (E450A,E450AJ,M450A,M450AJ) (SN 0300059390 through 0300189901)	
25	1670951	2	Cover (E400A,E400AJP,E400AJPnarrow,E400Anarrow,M400A,M400AJP,M400AJPnarrow,M400Anarrow)	
25		Ref	UL/EE Rated Spec Machines:	
25	1670963	2	Cover (All UL/EE Rated Spec Machines)	
25	0902645	2	Bracket (Not Shown - UL/EE Rated Only)	
25	2560126	4	Handle, Pocket (Not Shown - UL/EE Rated Only)	
26		Ref	Flex-Trim Options:	
26	Not Required	0	Flex-Trim (Standard Spec Machines) (E400A,E400AJP,E400AJPnarrow,E400Anarrow,E450A,E450AJ)	
26	4060804	6 ft/1.8m	Flex-Trim (Standard Spec Machines) (M400A,M400AJP,M400AJPnarrow,M400Anarrow,M450A,M450AJ)	
26	Not Required	0	UL/EE Rated Spec Machines	
27		Ref	Flex-Trim Options:	
27	Not Required	0	Flex-Trim (Standard Spec Machines) (E400A,E400AJP,E400AJPnarrow,E400Anarrow,E450A,E450AJ)	
27	2820105	1	Flex-Trim (Standard Spec Machines) (M400A,M400AJP,M400AJPnarrow,M400Anarrow,M450A,M450AJ)	
27	Not Required	0	UL/EE Rated Spec Machines	
28		Ref	Flex-Trim Options:	
28	Not Required	0	Flex-Trim (Standard Spec Machines) (E400A,E400AJP,E400AJPnarrow,E400Anarrow,E450A,E450AJ)	
28	2820106	1	Flex-Trim (Standard Spec Machines) (M400A,M400AJP,M400AJPnarrow,M400Anarrow,M450A,M450AJ)	
28	Not Required	0	UL/EE Rated Spec Machines	
29		Ref	Strip, Mounting Options:	
29	0902543	2	Standard Spec Machines (E450A,E450AJ,M450A,M45AJ) (Prior to SN 0300059390)	
29	0902681	2	Standard Spec Machines (E450A,E450AJ,M450A,M45AJ) (SN 0300059390 through 0300189901)	
29	0902681	2	Standard Spec Machines (E400A,E400AJP,E400AJPnarrow,E400Anarrow,M400A,M400AJP,M400AJPnarrow,M400Anarrow)	

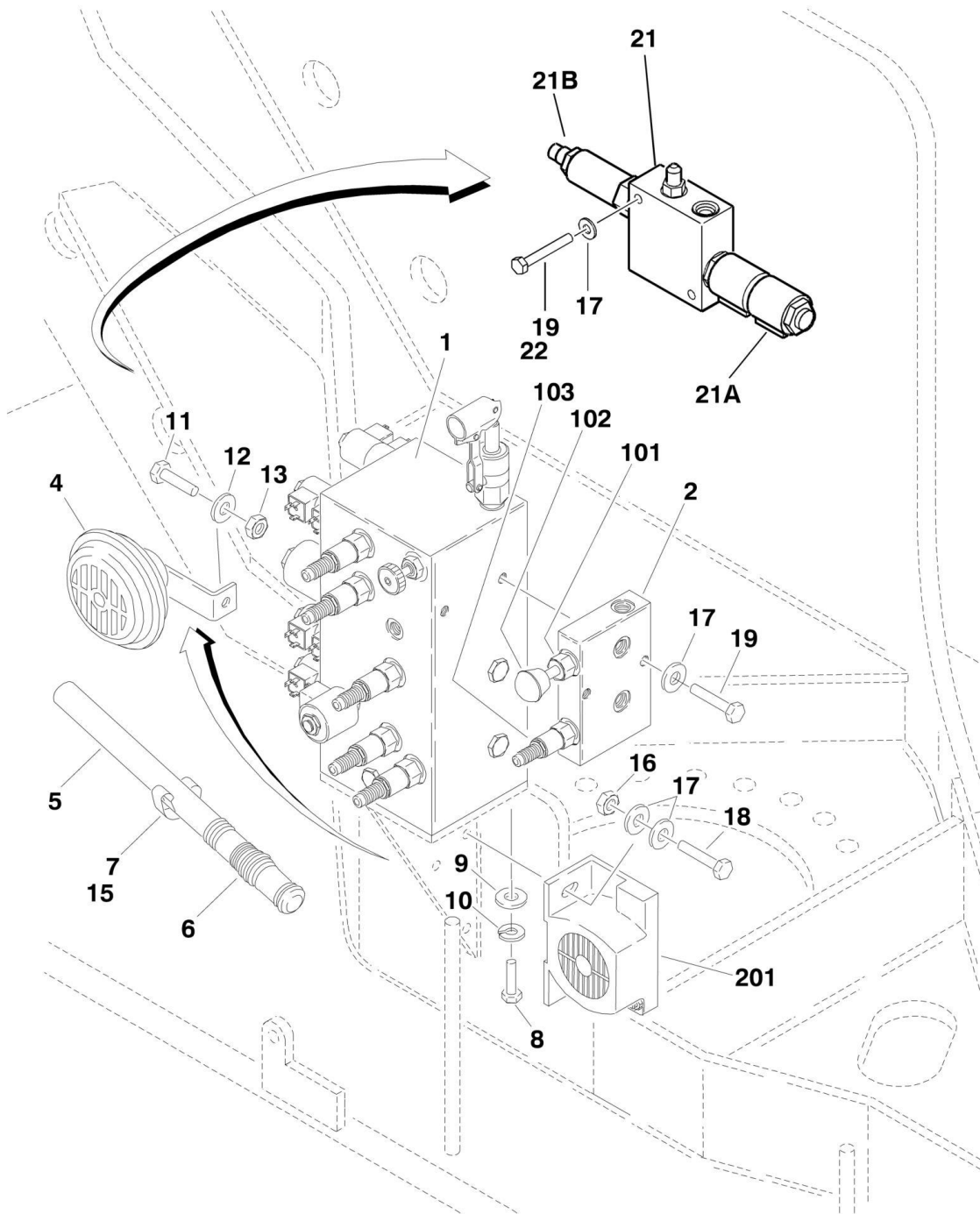
SECTION 1 - FRAME

ITEM	PART NUMBER	QTY	DESCRIPTION	REV
29	Not Required	0	UL/EE Rated Spec Machines	
30		Ref	Seal Options:	
30	Not Required	0	Seal (E400A,E400AJP,E400AJPnarrow,E400Anarrow,E450A,E450AJ)	
30	3960389	2.5 ft/7.6m	Seal (M400A,M400AJP,M400AJPnarrow,M400Anarrow,M450A,M450AJ)	
31		Ref	Seal Options:	
31	Not Required	0	Seal (E400A,E400AJP,E400AJPnarrow,E400Anarrow,E450A,E450AJ)	
31	3960417	10 ft/3m	Seal (M400A,M400AJP,M400AJPnarrow,M400Anarrow,M450A,M450AJ)	
32		Ref	Insulation Options:	
32	Not Required	0	Insulation (E400A,E400AJP,E400AJPnarrow,E400Anarrow,E450A,E450AJ)	
32	2820110	1	Insulation (M400A,M400AJP,M400AJPnarrow,M400Anarrow,M450A,M450AJ)	
33	3520082	1	Plug	
34	2820121	2	Cover, Phenolic (Not Shown - Located over Batteries inside cover) (UL/EE Rated Machines Only)	
35	4750800	AR	Flatwasher #8 (Wide)	
36	3311401	AR	Nut 1/4in-20NC	
37	0100035	AR	Compound, Locking	

SECTION 2 - TURNTABLE

SECTION 2 - TURNTABLE

FIGURE 2-1. VALVES AND HORN INSTALLATIONS



SECTION 2 - TURNTABLE

FIGURE 2-1. VALVES AND HORN INSTALLATIONS

ITEM	PART NUMBER	QTY	DESCRIPTION	REV
		Ref	VALVE AND HORN INSTALLATIONS	
	0258034	Ref	Valve and Horn Installations (E450A,M450A)	E
	0259399	Ref	Valve and Horn Installations (E450AJ,M450AJ)	E
	0258034	Ref	Valve and Horn Installations (E400A,E400Anarrow,M400A,M400Anarrow)	E
	0259951	Ref	Valve and Horn Installations (E400AJP,E400AJPnarrow,M400AJP,M400AJPnarrow)	C
1		Ref	Main Control Valve Assembly (See MAIN CONTROL VALVE ASSEMBLY for Breakdown)	
1	4641070	1	Main Control Valve Assembly (Prior to SN 0300062642)	
1	4641195	NLA	Main Control Valve Assembly (Use p/ns 1001097507 & 1001104864 as Replacement) (SN 0300062642 through 0300129141)	
1	1001097507	1	Valve, Main Control (SN 0300129142 through 0300189901)	
2		Ref	Releveling Valve Assembly Options (See Items 101-103 for Breakdown):	
2	4641029	1	Releveling Valve Assembly (Use p/n 1001097777) (E450A,E450AJ,M450A,M450AJ) (Prior to SN 0300086022)	
2	4641394	NLA	Releveling Valve Assembly (Use p/n 1001097777) (E450A,E450AJ,M450A,M450AJ) (SN 0300086022 through 0300129141)	
2	1001097777	1	Releveling Valve Assembly (E450A,E450AJ,M450A,M450AJ) (SN 0300129142 through 0300189898)	
2	4641029	1	Releveling Valve Assembly (E400A,E400Anarrow,M400A,M400Anarrow) (Prior to SN 0300086022)	
2	4641394	NLA	Releveling Valve Assembly (Use p/n 1001097777) (E400A,E400Anarrow,M400A,M400Anarrow) (SN 0300086022 through 0300129141)	
2	1001097777	1	Releveling Valve Assembly (E400A,E400Anarrow,M400A,M400Anarrow) (SN 0300129142 through 0300189901)	
2	4641029	1	Releveling Valve Assembly (E400AJP,E400AJPnarrow,M400AJP,M400AJPnarrow) (Prior to SN 0300091053)	
2	4641394	NLA	Releveling Valve Assembly (Use p/n 1001097777) (E400AJP,E400AJPnarrow,M400AJP,M400AJPnarrow) (SN 0300091053 through 0300129141)	
2	1001097777	1	Releveling Valve Assembly (E400AJP,E400AJPnarrow,M400AJP,M400AJPnarrow) (SN 0300129142 through 0300189901)	
4	0140028	1	Horn	
5	2560122	1	Handle	
6	2560123	1	Grip, Handle	
7	1380136	1	Clip	
8	0641608	4	Bolt 3/8in-16NC x 1in	
9	4711400	4	Flatwasher 3/8in Narrow	
10	4761400	4	Lockwasher 3/8in	
11	0641508	1	Bolt 5/16in-18NC x 1in	
12	4711500	2	Flatwasher 5/16in Narrow	
13	3311505	1	Locknut 5/16in-18NC	
15	4300106	1	Stud	
16	3311405	AR	Locknut 1/4in-20NC	
17	4711400	AR	Flatwasher 1/4in Narrow	

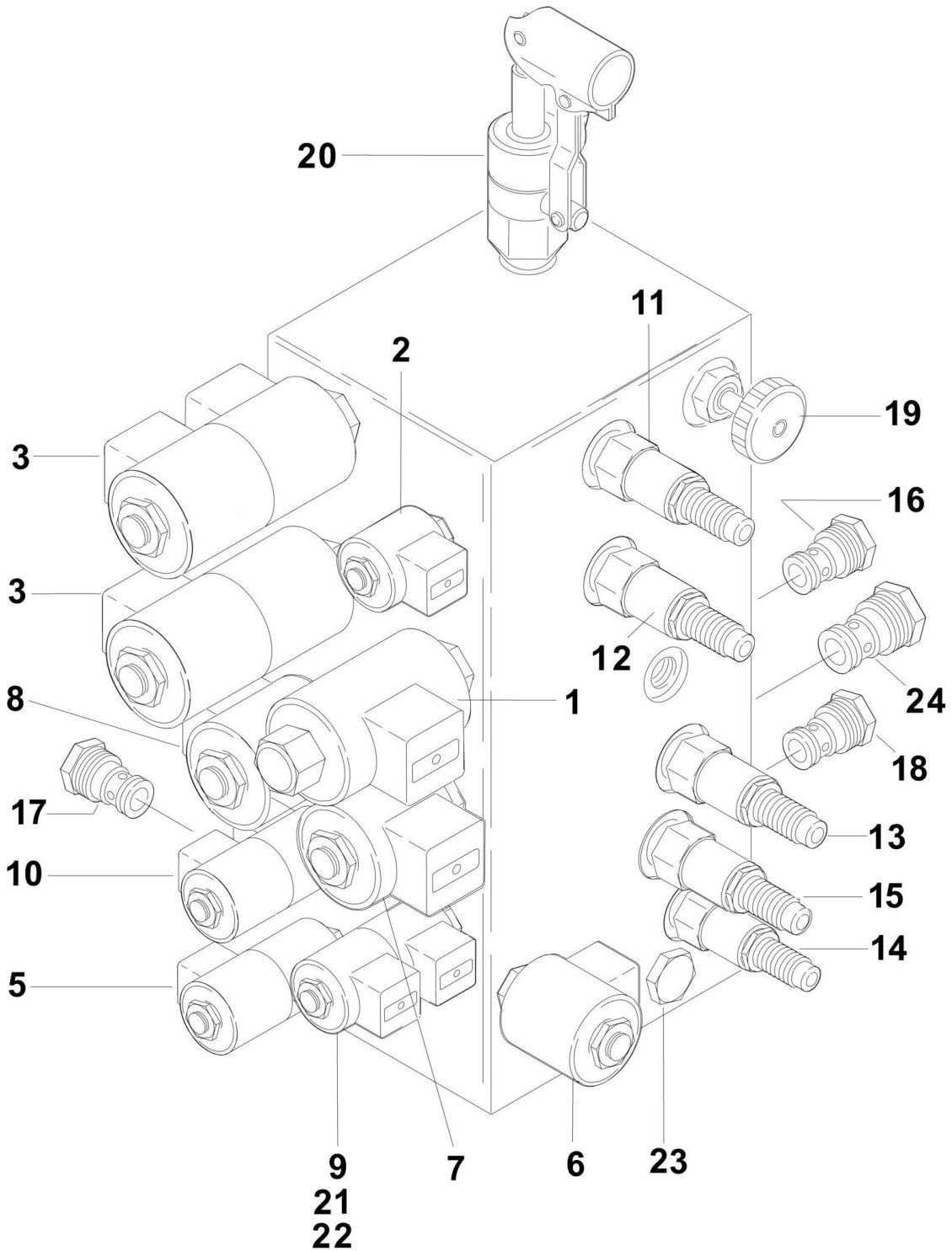
SECTION 2 - TURNTABLE

ITEM	PART NUMBER	QTY	DESCRIPTION	REV
18	0641408	AR	Bolt 1/4in-20NC x 1in	
19		Ref	Bolt Options:	
19	0641413	AR	Bolt 1/4in-20NC x 1-5/8in	
19	0641426	AR	Bolt 1/4in-20NC x 3-1/4in	
21		Ref	Jib Valve Assembly Options:	
21	Not Required	0	Jib Valve Assembly (E400A,E400Anarrow,E450A,M400A,M400Anarrow,M450A)	
21	4641102	NLA	Jib Valve Assembly (Use p/n 1001097775) (E450AJ,M450AJ) (Prior to SN 0300129142)	
21	1001097775	1	Jib Valve Assembly (Shown) (E450AJ,M450AJ) (SN 0300129142 through 0300189898)	
21	4641119	NLA	Jib Valve Assembly (Use p/n 1001097505) (E400AJP,E400AJPnarrow,M400AJP,M400AJPnarrow) (Prior to SN 0300129142)	
21	1001097505	1	Jib Valve Assembly (E400AJP,E400AJPnarrow,M400AJP,M400AJPnarrow) (SN 0300129142 through 0300189901)	
21A	7017452	1	Cartridge without Coils	
21A	7017402	1	Seal Kit - 7017452 Cartridge	
21A	7021609	2	Coil	
21B		Ref	Cartridge, Relief Valve Options:	
21B	70002807	1	Port RV1 (was p/n 7017460)	
21B	70002808	1	Port RV2 (was p/ns 7021623 & 7017460) (E400AJP,E400AJPnarrow,M400AJP,M400AJPnarrow)	
21B	7021653	AR	Seal Kit - 70002807 & 70002808 Cartridges	
22	0100011	AR	Compound, Locking	
		Ref	RELEVELING VALVE ASSEMBLIES	
		Ref	Note: Refer to Item 2 for Usage.	
	4641029	Ref	Releveling Valve	
	4641394	Ref	Releveling Valve	
	1001097777	Ref	Releveling Valve	
101	7017466	1	Cartridge	
101	2900708	1	Seal Kit - 7017466 Cartridge	
102	7012959	1	Knob	
103		Ref	Cartridge Options:	
103	7012981		Cartridge - 4641029 Valve	
103	7012998	1	Seal Kit - 7012981 Cartridge	
103	7024891		Cartridge - 4641394 & 1001097777 Valves	
103	7012953	1	Seal Kit - 7024891 Cartridge	
	0259064	Ref	ALARM INSTALLATIONS	
201	0140031	1	Alarm, Motion (Remove ground strap before installation)	
201	3311405	2	Locknut 1/4in-20NC	
201	4711400	4	Flatwasher 1/4in Narrow	
201	0641408	2	Bolt 1/4in-20NC	
201	4460685	2	Terminal, Stud Mounted Tab	

1

SECTION 2 - TURNTABLE

FIGURE 2-2. MAIN CONTROL VALVE ASSEMBLY



SECTION 2 - TURNTABLE

FIGURE 2-2. MAIN CONTROL VALVE ASSEMBLY

ITEM	PART NUMBER	QTY	DESCRIPTION	REV
		Ref	Main Control Valve Assembly Options:	
	4641070	Ref	Main Control Valve Assembly (Prior to SN 0300062642)	G
	4641195	Ref	Main Control Valve Assembly (Use p/ns 1001097507 & 001104864 as Replacement) (SN 0300062642 through 0300129141)	
	1001097507	Ref	Main Control Valve Assembly (SN 0300129142 through 0300189901)	C
1		Ref	Cartridge without Coil Options (Flow Regulator):	
1	7021611	1	Cartridge without Coil - 4641070 Valve (was p/n 7017450)	
1	7021611	1	Cartridge without Coil - 4641195 & 001097507 Valves	
1	7012518	1	Seal Kit - 7017450/7021611 Cartridge	
1	7021618	1	Coil	
2	7017410	1	Cartridge without Coil (Bypass Unloading)	
2	7012998	1	Seal Kit - 7017410 Cartridge (was p/n 7012967)	
2	7021609	2	Coil	
3	7021603	2	Cartridge without Coil (Lower and Upper Lift)	
3	7012903	2	Seal Kit - 7021603 Cartridge (1 Per Cartridge)	
3	7021610	4	Coil (2 Per Valve)	
5	7017433	1	Cartridge without Coil (Swing)	
5	7017402	1	Seal Kit - 7017433 Cartridge	
5	7021609	1	Coil	
6	7021604	1	Cartridge without Coil (Swing Restrictor)	
6	7012953	1	Seal Kit - 7021604 Cartridge	
6	7021609	1	Coil	
7		Ref	Cartridge without Coil Options (Telescope Out):	
7	7017479	1	Cartridge without Coil - 4641070 & 4641195 Valves	
7	7012995	1	Cartridge without Coil - 1001097507 Valve	
7	7012518	1	Seal Kit - 7017479 & 7012995 Cartridges	
7	7021610	1	Coil	
8		Ref	Cartridge without Coil Options (Telescope In):	
8	7017479	1	Cartridge without Coil - 4641070 & 4641195 Valves	
8	7022394	1	Cartridge without Coil - 1001097507 Valve	
8	7012518	1	Seal Kit - 7017479 & 7022394 Cartridges	
8	7021610	1	Coil	
9	7017452	1	Cartridge without Coil (Platform Level)	
9	7017402	1	Seal Kit - 7017452 Cartridge	
9	7021609	2	Coil	
10	7017452	1	Cartridge without Coil (Rotator)	
10	7017402	1	Seal Kit - 7017452 Cartridge	
10	7021609	2	Coil	
11		Ref	Cartridge Options:	
		Ref	(Note: Before ordering parts, refer to p/n stamped on hose side of valve block to determine if valve has been replaced.)	
11		Ref	Cartridge - 4641070 Valve Components: (Prior to SN 0300062642)	
11	70001876	1	Cartridge, (Lower Lift Down) (was p/n 7017423)	
11	7012998	1	Seal Kit - 7017423 & 70001876 Cartridge	
11		Ref	Cartridge - 4641195 & 1001097507 Valve Components (SN 0300062642 through 0300189901)	
11	70002806	1	Cartridge, (Upper Lift Down)	

SECTION 2 - TURNTABLE

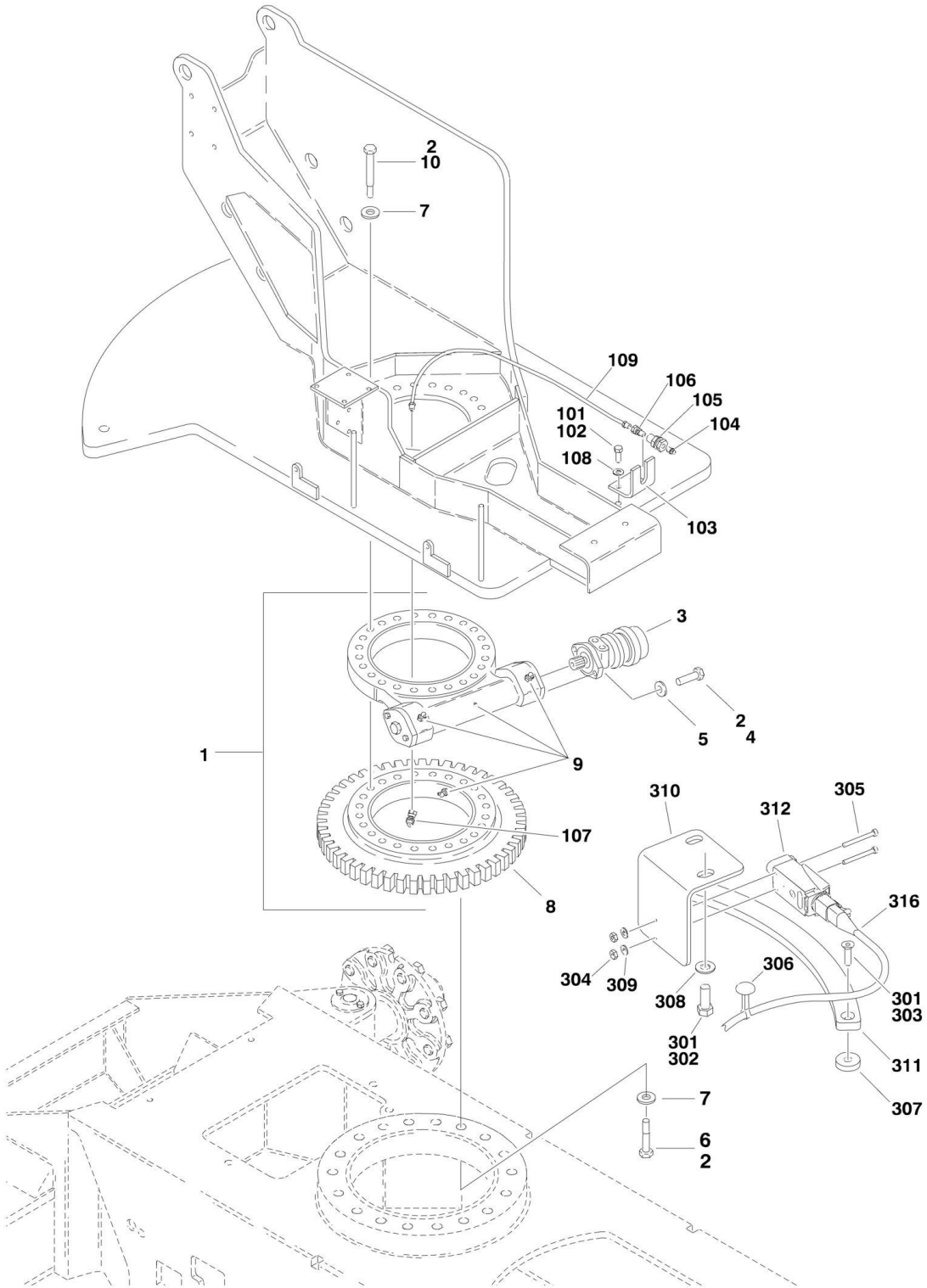
ITEM	PART NUMBER	QTY	DESCRIPTION	REV
11	7012998	1	Seal Kit - 70002806 Cartridge	
12		Ref	Cartridge Options:	
		Ref	(Note: Before ordering parts, refer to p/n stamped on hose side of valve block to determine if valve has been replaced.)	
12		Ref	Cartridge - 4641070 Valve Components (Prior to SN 0300062642)	
12	7021606	1	Cartridge, (Upper Lift Down)	
12	7012998	1	Seal Kit - 7021606 Cartridge	
12		Ref	Cartridge - 4641195 Components (SN 0300062642 through 0300129141)	
12	7017423	1	Cartridge, (Lower Lift Down) (use p/n 70001876) (E400A,E400Anarrow,E450AJ,M400A,M400Anarrow,M450AJ) (SN 0300062642 through 0300086021)	
12	70001876	1	Cartridge, (Lower Lift Down) (E400A,E400Anarrow,E450AJ,M400A,M400Anarrow,M450AJ) (SN 0300086022 through 0300129141)	
12	7017423	1	Cartridge, (Lower Lift Down) (use p/n 70001876) (E400AJP,E400AJPnarrow,E450A,M400AJP,M400AJPnarrow,M450A) (SN 0300062642 through 0300091052)	
12	70001876	1	Cartridge, (Lower Lift Down) (E400AJP,E400AJPnarrow,E450A,M400AJP,M400AJPnarrow,M450A) (SN 0300091053 through 0300129141)	
12	7012998	1	Seal Kit - 7017423 & 70001876 Cartridge	
12		Ref	Cartridge - 1001097507 Valve Components (SN 0300129142 through 0300189901)	
12	70001876	1	Cartridge, (Lower Lift Down)	
12	7012998	1	Seal Kit - 70001876 Cartridge	
13		Ref	Cartridge (Telescope) Options:	
13	7021607	1	Cartridge - 4641070 & 4641195 Valves	
13	7017418	1	Cartridge - 1001097507 Valve	
13	7012998	1	Seal Kit - 7021607 & 7017418 Cartridges	
14		Ref	Cartridge Options:	
14		Ref	Cartridge - 4641070 Valve Components:	
14	7017421	1	Cartridge (Platform Level Backward Piston End)	
14	7012998	1	Seal Kit - 7017421 Cartridge	
14		Ref	Cartridge - 4641195 & 1001097507 Valve Components	
14	7017418	1	Cartridge (Platform Level Forward Rod End) (was p/n 7017422)	
14	7012998	1	Seal Kit - 7017418 Cartridge	
15		Ref	Cartridge Options:	
15		Ref	Cartridge - 4641070 Valve Components	
15	7017418	1	Cartridge (Platform Level Forward Rod End) (was p/n 7017422)	
15	7012998	1	Seal Kit - 7017418 Cartridge	
15		Ref	Cartridge - 4641195 & 1001097507 Valve Components	
15	7017421	1	Cartridge (Platform Level Backward Piston End)	
15	7012998	1	Seal Kit - 7017421 Cartridge	
16	10837580	1	Cartridge (Telescope)	
16	7010543	1	Seal Kit - 10837580 Cartridge	
17	7012914	1	Cartridge (Platform Level Piston Side)	
17	7021653	1	Seal Kit - 7012914 Cartridge (was p/n 7012918)	
18	7012914	1	Cartridge (Platform Level Rod Side)	
18	7021653	1	Seal Kit - 7012914 Cartridge (was p/n 7012918)	
19	7012947	1	Cartridge, (Emergency Descent)	

SECTION 2 - TURNTABLE

ITEM	PART NUMBER	QTY	DESCRIPTION	REV
19	7012518	1	Seal Kit - 7012947 Cartridge	
19		Ref	Knob Options:	
19	7012949	1	Knob - 4641070 & 4641195 Valves	
19	7012961	1	Knob - 1001097507 Valve	
20	70004019	1	Pump, Manual (was p/n 7012694)	
20	7017496	1	Seal Kit - 7012694 Cartridge	
21	See Note	1	Plug, Orifice (.031in) (Note: Not available for purchase)	
22	7021624	1	Disc, Orifice (.028in)	
23	70000381	1	Cartridge, Plug	
24	7012975	1	Valve, Check (4641195 & 1001097507 Valves Only)	
24	7012540	1	Seal Kit - 7012975 Cartridge	

SECTION 2 - TURNTABLE

FIGURE 2-3. TURNTABLE AND SWING DRIVE INSTALLATION



SECTION 2 - TURNTABLE

FIGURE 2-3. TURNTABLE AND SWING DRIVE INSTALLATION

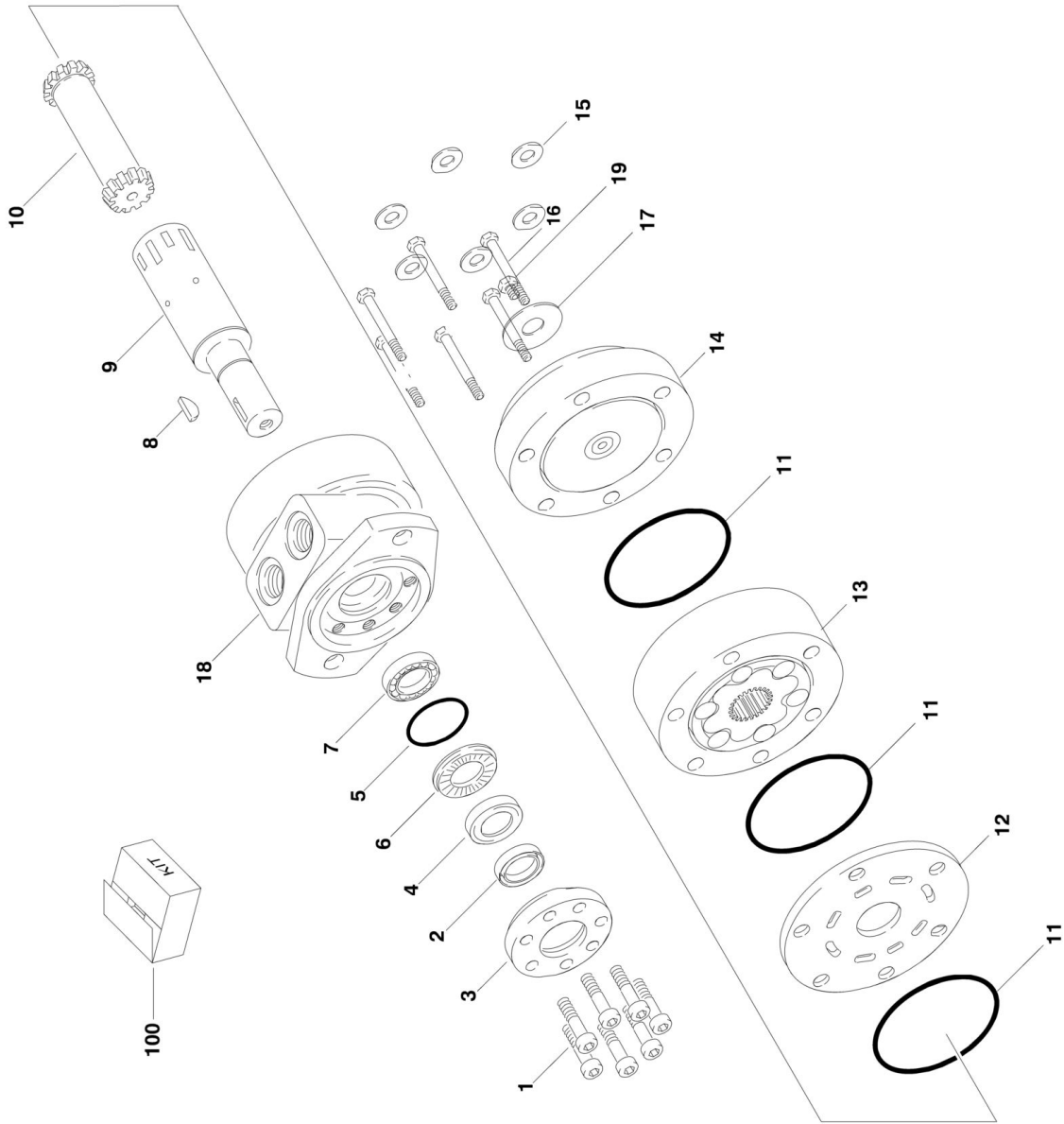
ITEM	PART NUMBER	QTY	DESCRIPTION	REV
		Ref	TURNTABLE BEARING AND SWING DRIVE INSTALLATIONS	
	0258653	Ref	Turntable Bearing and Swing Drive (DOHI)	5
	1001153366	Ref	Turntable Bearing and Swing Drive (JING WEI)	A
1		Ref	Turntable Bearing and Rotation Box Assembly Options (See SWING BEARING ASSEMBLY for Breakdown):	
1	0440203	NLA	Dohi (Use p/n 0440339) (Prior to SN 0300097888)	
1	0440339	1	Dohi (SN 0300097888 through 0300189901)	
1	1001153017	1	JING WEI	
2	0100019	AR	Compound, Locking	
3		Ref	Swing Motor Assembly Options:	
3	3160233	NLA	Swing Motor Assembly (See SWING MOTOR ASSEMBLY for Breakdown) (Use p/n 1001105455) (Prior to SN 0300135649)	
3	1001104850	1	Swing Motor Assembly (See SWING MOTOR ASSEMBLY for Breakdown) (SN 0300135649 through 0300189901)	
4		Ref	Bolt Options:	
4	0681814	2	Bolt 1/2in-13NC x 1-3/4in (Grade 8) (Prior to SN 0300099082)	
4	0681816	2	Bolt 1/2in-13NC x 2in (Grade 8) (SN 0300099082 through 0300135648)	
4	3931832	2	Capscrew 1/2in-13NC x 2in (Grade 8) (SN 0300135649 through 0300189901)	
5	4740171	2	Washer, Hardened	
6	0682026	18	Bolt 5/8in-11NC x 3-1/4in (Grade 8)	
7	4892000	42	Washer, Hardened (Early Jing Wei Brand & All DOHI Brand Bearings)	
7	4892000	41	Washer, Hardened (Jing Wei Brand Bearings)	
8	3020027	AR	Lube (5 gal bucket)	
8	70010724	AR	Lube (14 oz. tube)	
9	3020029	AR	Grease, Bearing	
10	0682028	24	Bolt 5/8in-11NC x 3-1/2in (Grade 8) (Early Jing Wei Brand & All DOHI Brand Bearings)	
10	0682028	23	Bolt 5/8in-11NC x 3-1/2in (Grade 8) (Jing Wei Brand Bearings)	
	1001103732	Ref	REMOTE BEARING LUBE INSTALLATION (OPTIONAL)	A
101	0100011	AR	Compound, Locking	
102	0641608	1	Bolt 3/8in-16NC x 1in	
103	0902520	1	Bracket	
104	2160002	1	Fitting, Straight	
105	2180344	1	Fitting, Bulkhead	
106	2220001		Fitting, Straight	
107	2220124	1	Fitting, Elbow	
108	4711600	1	Flatwasher 3/8in (Narrow)	
109	2751095	1	Hose	
	1001116193	Ref	DRIVE ORIENTATION INSTALLATION ONLY (SN 0300141884 through 0300189901)	B
301	0100011	AR	Compound, Locking	
302	0641608	2	Bolt 3/8in-16NC x 1in	
303	0741408	2	Capscrew, Countersunk 1/4in-20NC x1in	
304	3310805	2	Locknut #8-32NC	
305	3930824	2	Capscrew #8-32NC x 1-1/2in	
306	4240175	2	Tie - Strap	
307	4564417	2	Tube, Spacer	
308	4711600	2	Flatwasher 3/8in Narrow	

SECTION 2 - TURNTABLE

ITEM	PART NUMBER	QTY	DESCRIPTION	REV
309	4750800	2	Flatwasher #8 Wide	
310	1001116130	1	Bracket, Mounting	
311	1001116195	1	Cam	
312	1001116232	1	Switch, Limit	
316	1001116522	1	Harness, Drive Orientation (See ELECTRICAL SECTION for Breakdown)	

SECTION 2 - TURNTABLE

FIGURE 2-4. SWING MOTOR ASSEMBLY (Prior to SN 0300135649)



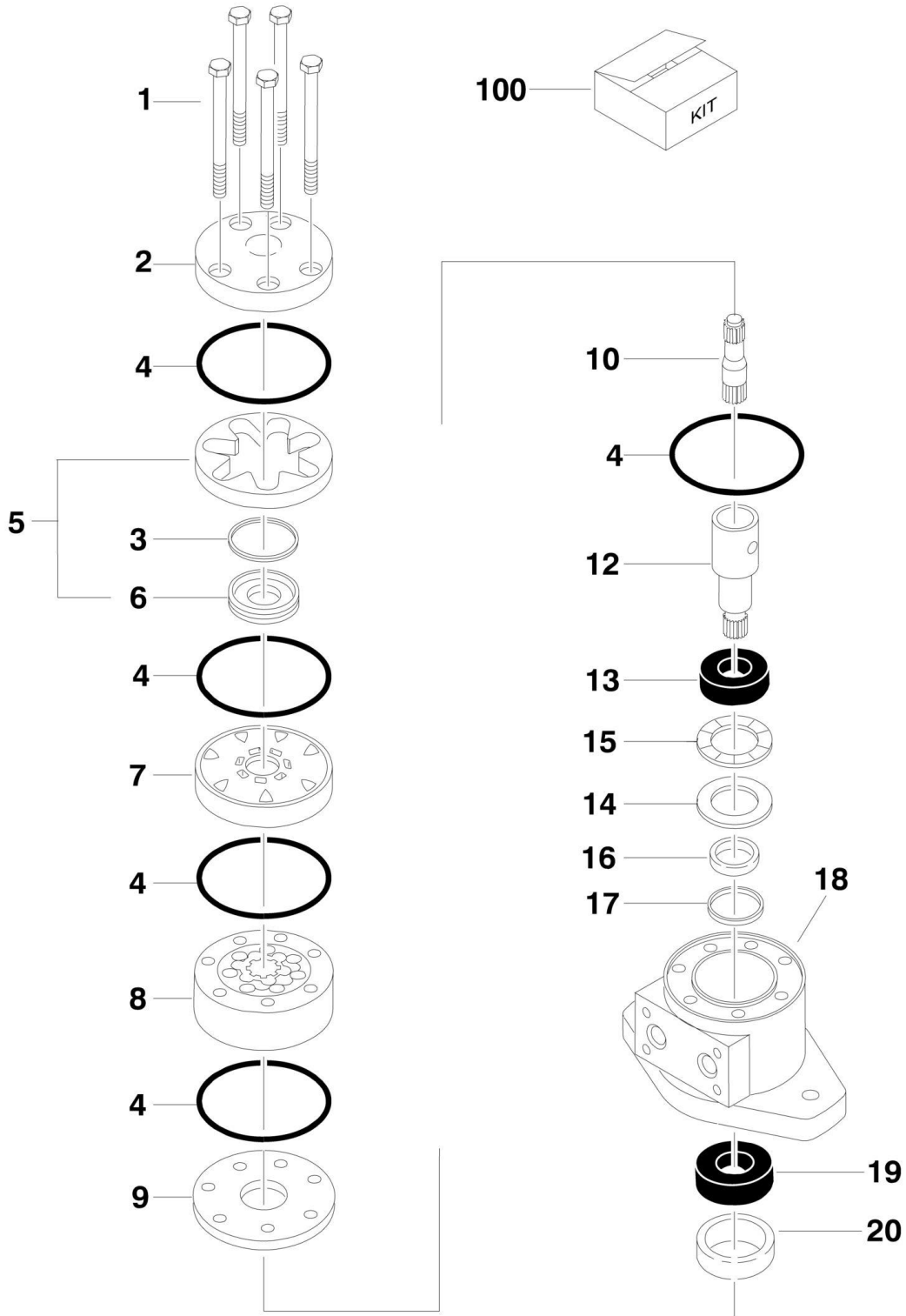
SECTION 2 - TURNTABLE

FIGURE 2-4. SWING MOTOR ASSEMBLY (Prior to SN 0300135649)

ITEM	PART NUMBER	QTY	DESCRIPTION	REV
	3160233	Ref	SWING MOTOR ASSEMBLY	D
		Ref		
			Note: Identify motor before ordering parts. Original Equipment Motors up to SN 0300135649 use 6 bolts in motor cover. Service Replacement Motor from SN 0300135649 to present use 5 bolts in motor cover. Make sure the motor has not been replaced with a Service Replacement Motor before ordering parts. See next illustration for Service Replacement Motor components.	
1	See Note	6	Screw, Metric M6 x 20mm (Note: Not Available - Purchase Locally)	
2	See Note	1	Ring, Dust (Note: Not Available - Purchase Locally)	
3	3160233	1	Flange, Spigot (Note: Not Available for Purchase)	
4	See Note	NSS	Seal, Shaft (Note: Use Item 100)	
5	See Note	NSS	O-Ring (Note: Use Item 100)	
6	7020128	1	Race, Bearing	
7	7020129	1	Bearing, Needle	
8	7020126	1	Key, Woodruff	
9	3160233	1	Shaft, Output (Note: Not Available for Purchase)	
10	7020130	1	Shaft	
11	See Note	NSS	O-Ring (Note: Use Item 100)	
12	See Note	1	Plate, Distributor (Note: Not Available - Purchase Complete Assembly)	
13	7020131	1	Gear Set	
14	See Note	1	Cover, End (Note: Not Available - Purchase Complete Assembly)	
15	See Note	6	Washer (Note: Not Available - Purchase Locally)	
16	See Note	6	Screw, Metric M8 x 35mm (Note: Not Available - Purchase Locally)	
17	See Note	1	Nameplate (Note: Not Available for Purchase)	
18	3160233	1	Housing (Note: Not Available for Purchase)	
19	See Note	1	Plug, Drain 7/16in-20NF (Note: Not Available - Purchase Locally)	
100	7020127	1	Seal Kit (Includes Items 4, 5 & 11)	

SECTION 2 - TURNTABLE

FIGURE 2-5. SWING MOTOR ASSEMBLY



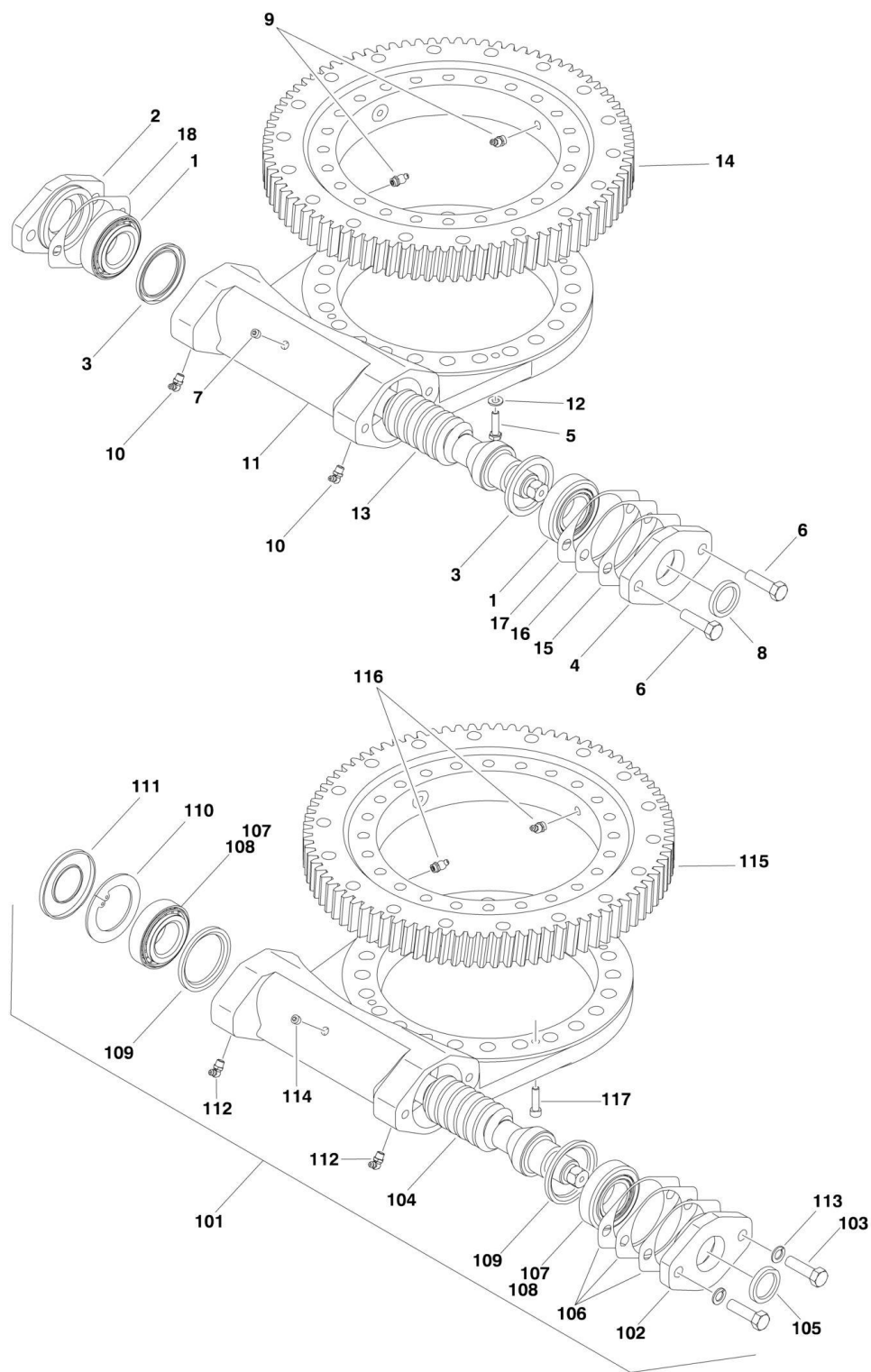
SECTION 2 - TURNTABLE

FIGURE 2-5. SWING MOTOR ASSEMBLY

ITEM	PART NUMBER	QTY	DESCRIPTION	REV
	1001104850	Ref	SWING MOTOR ASSEMBLY	A
1	See Note	5	Bolt, Special (Note: Not Available for Purchase)	
2	7004035	1	Cover, End	
3	7023318	1	Seal, Commutator	
4	7004036	5	O-Ring	
5	7024453	1	Commutator and Ring Assembly	
6	7024453	1	Ring	
7	7024379	1	Manifold	
8	70002206	1	Rotor Set	
9	7024380	1	Plate, Ware	
10	70002207	1	Link, Drive	
12	70000088	1	Shaft, Coupling	
12A	70000089	1	Key, Woodruff	
13	7024381	1	Bearing, Inner	
14	7004043	1	Washer, Thrust	
15	7004044	1	Bearing, Thrust	
16	7004049	1	Seal, Inner	
17	7004045	1	Washer, Back-up	
18	See Note	NSS	Housing (Note: Use p/n 1001104850)	
19	7024390	1	Bearing, Outer	
20	7004047	1	Seal	
100	7024389	1	Seal Kit (Includes Items 3, 4, 16, 17 & 20)	

SECTION 2 - TURNTABLE

FIGURE 2-6. SWING BEARING ASSEMBLY



SECTION 2 - TURNTABLE

FIGURE 2-6. SWING BEARING ASSEMBLY

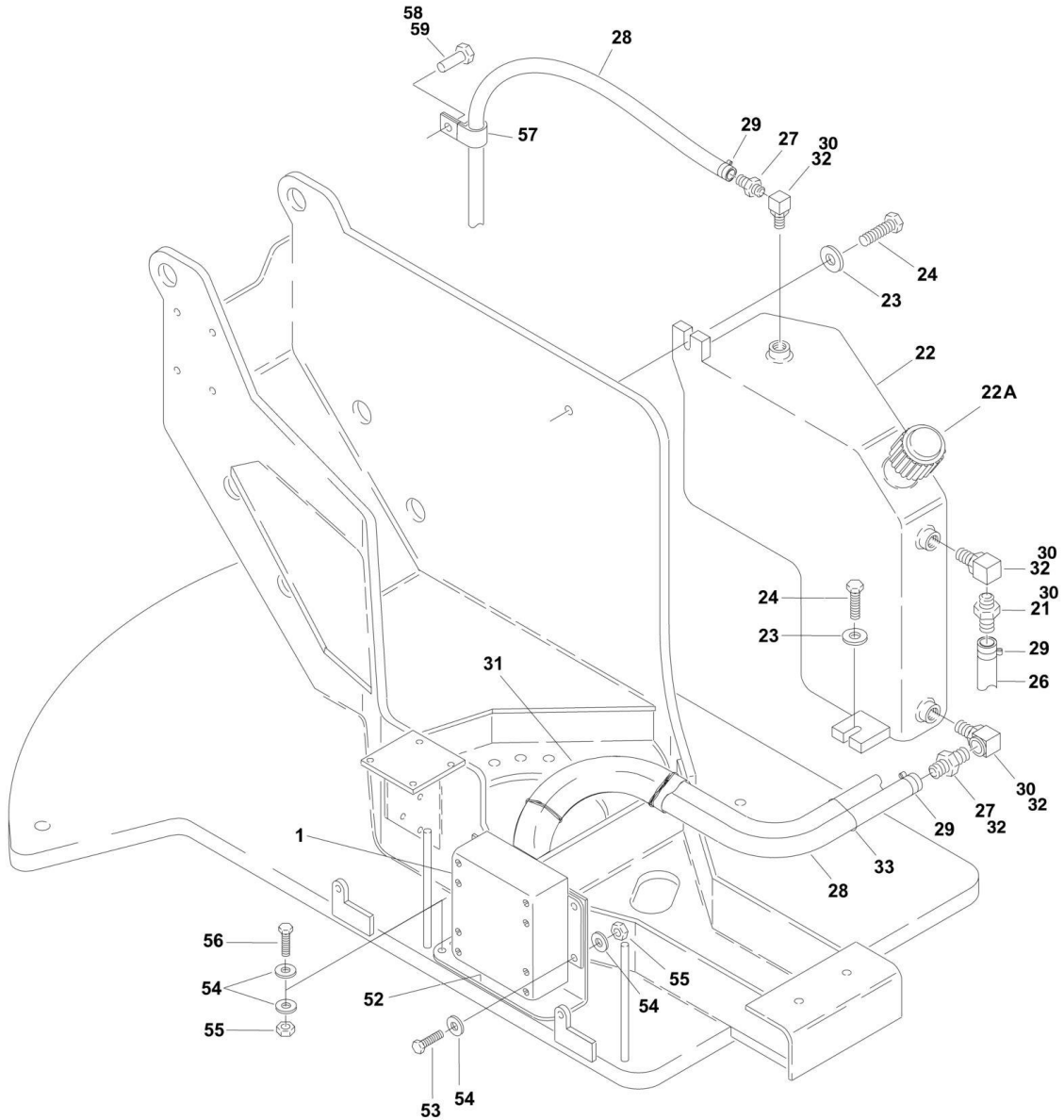
ITEM	PART NUMBER	QTY	DESCRIPTION	REV
		Ref	Note: For Machines Built Prior to SN 0300097888, visually identify the brand before ordering replacement parts.	
		Ref	SWING BEARING ASSEMBLIES (PERFECTION GEAR) (SN 0300097888 through 0300189901)	
	0440339	Ref	Turntable Bearing (DOHI)	D
	1001153017	Ref	Turntable Bearing (JING WEI)	A
1	7026042	2	Bearing, Cup	
1	7026043	2	Bearing, Cone	
2	7027356	1	Adapter, Motor	
3	7027361	2	Seal	
4	7027354	1	Cap, End	
5	0641510	2	Bolt 5/16in-18NC x 1-1/4in	
6	0641812	2	Bolt 1/2in-13NC x 1-1/2in	
7	70000865	1	Plug	
8	7027360	1	Seal	
9	7027359	2	Straight Fitting, Grease	
9	2160003	2	Fitting, Grease - Elbow	
10	7027358	2	Fitting, Grease - Elbow	
11	See Note	1	Housing (Note: Not Available - Purchase Complete Assembly)	
12	4891500	2	Flatwasher 5/16in (Hardened)	
13	7027363	1	Gear, Worm	
14		Ref	Ring Gear Options:	
14	70000868	1	DOHI (Ring Gear Kit Includes Ring Gear and Mounting Hardware)	
14	70004159	1	JING WEI (Ring Gear Only)	
15	7027352	AR	Gasket (.010 - Brown)	
16	7027351	AR	Gasket (.0075 - Clear)	
17	7027350	AR	Gasket (.005 - Blue)	
18	7027353	1	Gasket (.020 - Yellow)	
	0440203	Ref	SWING BEARING ASSEMBLY (KAYDON) (Prior to SN 0300097888)	G
		Ref	Note: When replacing major components, consider replacing with p/n 0440339 Complete Bearing Assembly.	
101	7012597	1	Swing Rotation Box Assembly	
102	7023484	1	Cap, End	
103	See Note	2	Bolt 1/2in-13NC x 1-1/2in Grade 8 (Note: Not Available - Purchase Locally)	
104	See Note	1	Gear, Worm (Note: Not Available - Purchase Complete Assembly)	
105	7012654	1	Seal, Outer - Capped End (1.75 O.D.)	
106	7016682	1	Shims Kit (Includes Qty 3 each of .005, .0075 & .010 Shims)	
107	70001677	2	Cup, Bearing	
108	90206369	2	Cone, Bearing	
109	7016676	2	Seal, Outer - Capped End (2.063 O.D.)	
110	See Note	1	Ring, Retaining (Note: Not Available for Purchase)	
111	7012655	1	Seal, Outer - Motor End	
112	2160001	2	Fitting, Grease - Elbow	
113	See Note	2	Lockwasher 1/2in (Note: Not Available - Purchase Locally)	
114		Ref	Component Options:	
114	See Note	1	Plug, Pipe (Note: Not Available - Purchase Locally)	
114	2160001	1	Fitting, Grease - Elbow	

SECTION 2 - TURNTABLE

ITEM	PART NUMBER	QTY	DESCRIPTION	REV
115	7012596	1	Ring Gear Kit (use p/n 2915104) (Kit Includes Ring Gear and Mounting Hardware)	
116	2160003	2	Fitting, Grease - Elbow	
117	See Note	4	Capscrew, Socket Head 5/16in-18NC (Note: Not Available - Purchase Locally)	
117	See Note	4	Washer 5/16in (Not Shown) (Note: Not Available - Purchase Locally)	

SECTION 2 - TURNTABLE

FIGURE 2-7. FUEL TANK AND MOTOR CONTROL MODULE INSTALLATION
(M400A,M400AJP,M400AJPNARROW,M400ANARROW,M450A,M450AJ)



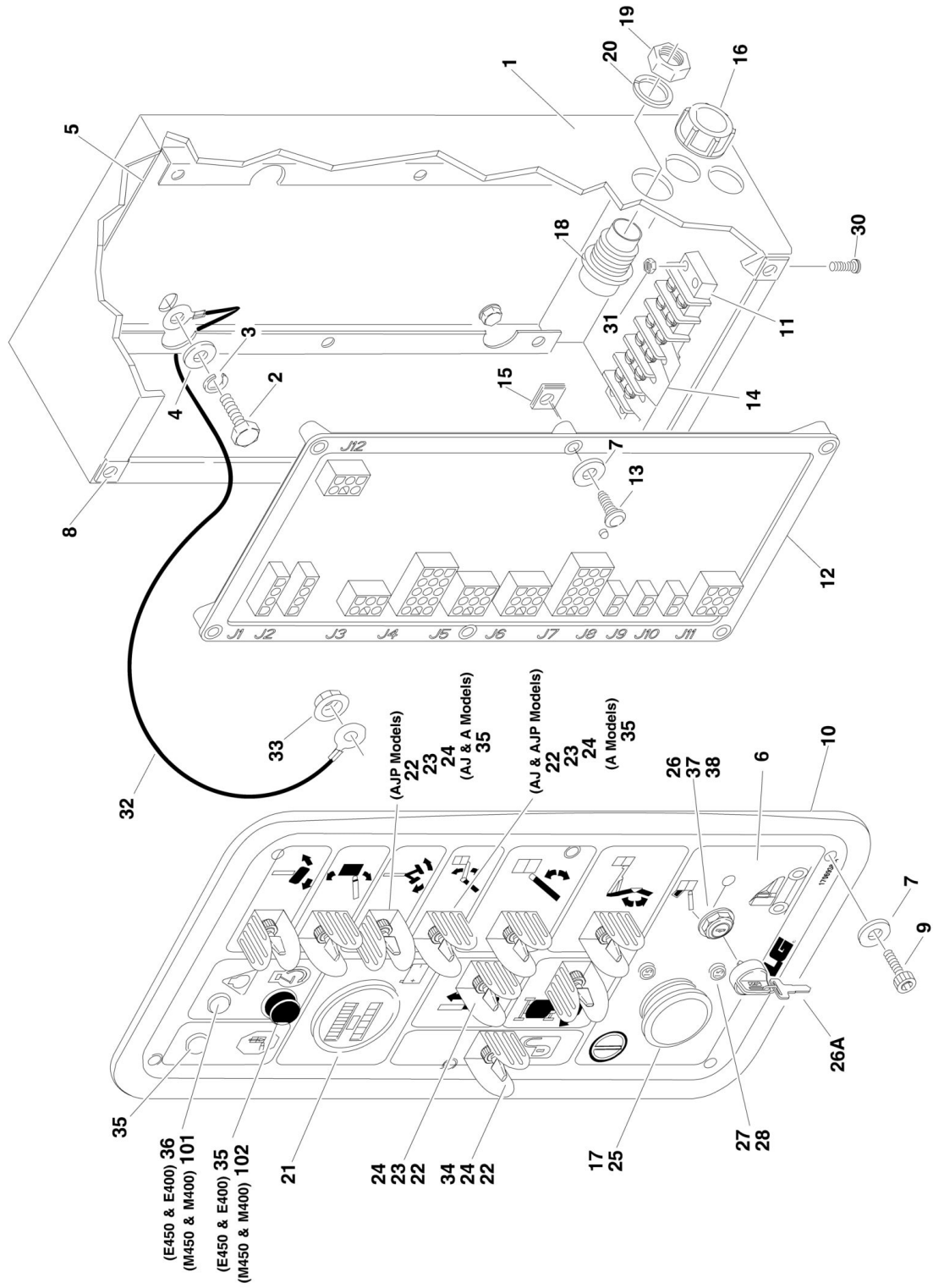
SECTION 2 - TURNTABLE

**FIGURE 2-7. FUEL TANK AND MOTOR CONTROL MODULE INSTALLATION
(M400A,M400AJP,M400AJPNARROW,M400ANARROW,M450A,M450AJ)**

ITEM	PART NUMBER	QTY	DESCRIPTION	REV
		Ref	TANK AND MOTOR/GENERATOR COMPONENTS INSTALLATION (TURNTABLE MOUNTED)	
	0257824	Ref	Tank and Motor/Generator Components Installation (Turntable Mounted) (M450A,M450AJ) (Prior to SN 0300059390)	11
	0270344	Ref	Tank and Motor/Generator Components Installation (Turntable Mounted) (M450A,M450AJ) (SN 0300059390 through 0300079056)	5-B
	0270344	Ref	Tank and Motor/Generator Components Installation (Turntable Mounted) (M400A,M400AJP,M400AJPNarrow,M400Anarrow) (Prior to SN 0300079057)	5-B
	0273573	Ref	Tank and Motor/Generator Components Installation (Turntable Mounted) (SN 0300079057 through 0300088538)	B
	0274617	Ref	Tank and Motor/Generator Components Installation (Turntable Mounted) (Use p/n 1001159362) (Prior to SN 0300088539)	G
	1001159362	Ref	Tank and Motor/Generator Components Installation (Turntable Mounted) (SN 0300182839 through 0300189901)	A
1		Ref	Module, Control Options:	
		Ref	Note: Re-calibration Required when Replaced.	
1	7020156	1	Module, Control (Prior to SN 0300088539)	
1	70000326	1	Module, Control (SN 0300088539 through 0300189901)	
2		Ref	Harness, Wiring (Not Shown - See ELECTRICAL SECTION for Breakdown)	
2	7020155	1	Harness, Wiring (Prior to SN 0300063771)	
2	7023486	1	Harness, Wiring (SN 0300063771 through 0300088538)	
2	70000328	1	Harness, Wiring (SN 0300088539 through 0300189901)	
21		Ref	Fitting Options:	
21	2180536	2	Fitting, Barbed (Prior to SN 0300098816)	
21	2221047	2	Fitting, Elbow (SN 0300098816 through 0300189901)	
22	4400417	1	Tank, Gas	
22A	7016314	1	Cap (Standard)	
22A	1120487	1	Lockable Cap (Blue) (Optional)	
23	4751600	2	Flatwasher 3/8in	
24	0641616	2	Bolt 3/8in-16NC x 2in	
26	2720271	10 ft/3m	Hose	
27		Ref	Fitting Options:	
27	2220315	2	Fitting, Barbed (Prior to SN 0300098816)	
27	2221046	2	Fitting, Elbow (SN 0300098816 through 0300189901)	
28	2720058	16 ft/4.9m	Hose	
29	1320022	AR	Clamp, Hose	
30	0100020	AR	Sealant	
31	4100026	3 ft/1m	Sleeve, Hose	
32	2220459	3	Fitting, Elbow (Prior to SN 0300098816)	
33	4240033	10	Strap, Tie	
52	3571157	1	Plate	
53	0641406	4	Bolt 1/4in-20NC x 3/4in	
54	4711400	16	Flatwasher 1/4in Narrow	
55	3311405	8	Locknut 1/4in-20NC	
56	0641413	4	Bolt 1/4in-20NC x 1-1/2in	
57	1320041	1	Clamp	
58	0641408	1	Bolt 1/4in-20NC x 1in	
59	0100011	AR	Compound, Locking	

SECTION 2 - TURNTABLE

FIGURE 2-8. GROUND CONTROL BOX ASSEMBLY



SECTION 2 - TURNTABLE

FIGURE 2-8. GROUND CONTROL BOX ASSEMBLY

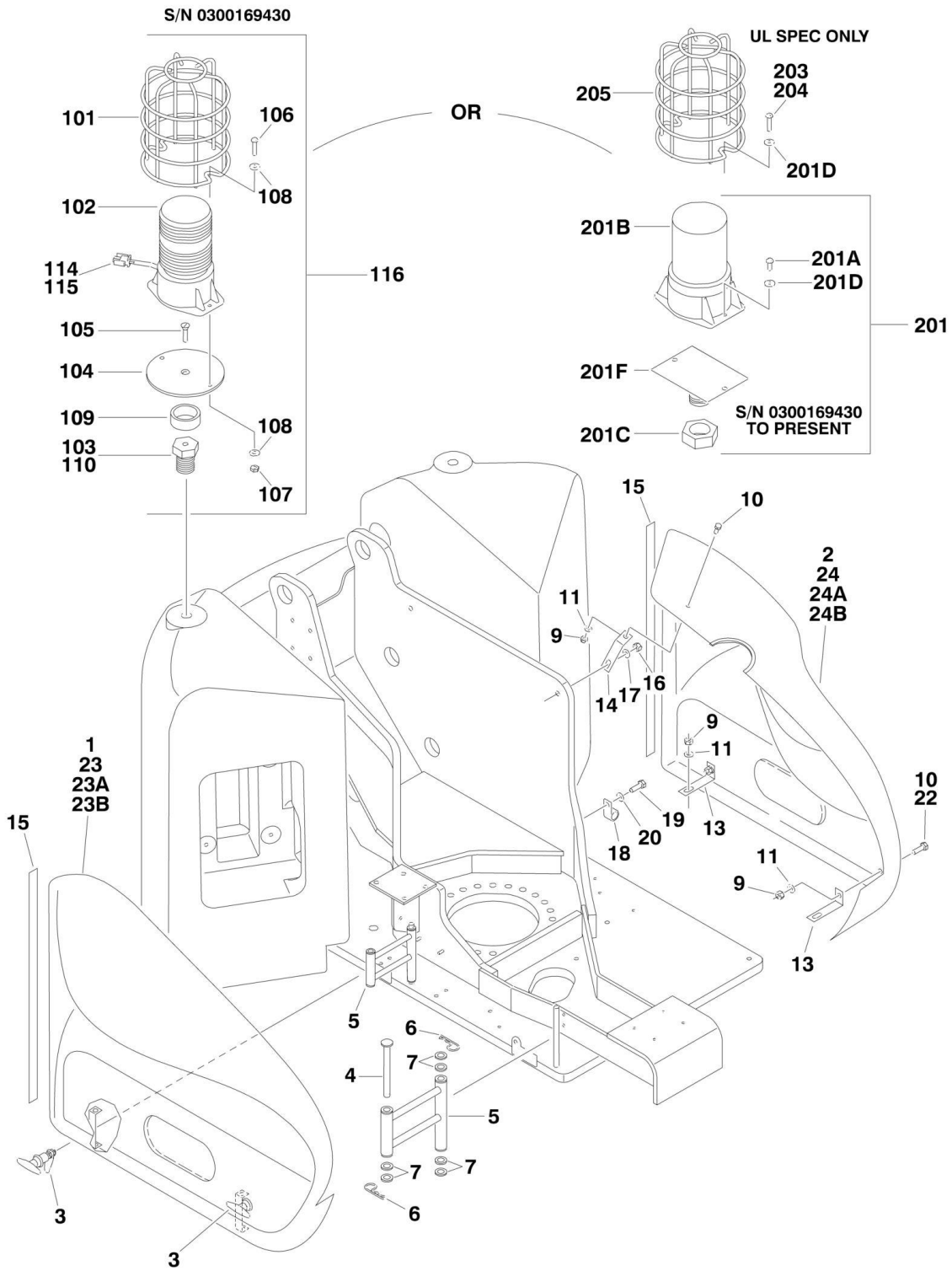
ITEM	PART NUMBER	QTY	DESCRIPTION	REV
		Ref	GROUND CONTROL BOX ASSEMBLY	
		Ref	Ground Control Box Assembly (Prior to SN 0300100540)	
	0861177	Ref	Ground Control Box Assembly (E450A,M450A)	8-E
	0861400	Ref	Ground Control Box Assembly (E450AJ,M450AJ)	5-E
	0861177	Ref	Ground Control Box Assembly (E400A,E400Anarrow,M400A,M400Anarrow)	7-C
	0861351	Ref	Ground Control Box Assembly (E400AJP,E400AJPnarrow,M400AJP,M400AJPnarrow)	7-E
		Ref	Ground Control Box Assembly (SN 0300100540 through 0300189901)	
	1810136	Ref	Ground Control Box Assembly (E450A,M450A)	D
	1810138	Ref	Ground Control Box Assembly (E450AJ,M450AJ)	D
	1810136	Ref	Ground Control Box Assembly (E400A,E400Anarrow,M400A,M400Anarrow)	D
	1810134	Ref	Ground Control Box Assembly (E400AJP,E400AJPnarrow,M400AJP,M400AJPnarrow)	D
1	0861152	1	Box Weldment	
2	0641605	4	Bolt 3/8in-16NC x 5/8in	
3	4761600	4	Lockwasher 3/8in	
4	4751600	4	Flatwasher 3/8in	
5	0902406	1	Bracket, Module Mounting	
6		Ref	Nameplate Options:	
6	3252632	NLA	Nameplate (use p/n 3252812) (Prior to SN 0300057535)	
6	3252669	NLA	Nameplate (use p/n 3252812) (SN 0300057535 through 0300074683)	
6	3252812	1	Nameplate (SN 0300074684 through 0300100539)	
6	1706938	1	Nameplate (SN 0300100540 through 0300189901)	
7	4740120	12	Washer, Nylon	
8	3300365	6	Nut, Retainer	
9	0630518	6	Screw #10-24 x 3/4in	
10	3960438	50	Seal	
		in/1.26m		
11	4460007	1	Strip, Terminal - 6 Position	
12		Ref	Module Options:	
		Ref	Note: Re-calibration Required when Replaced.	
12	0610129	NLA	Module (use p/n 1001109497) (Prior to SN 0300059841)	
12	0610139	NLA	Module (use p/n 1001109497) (SN 0300059841 through 0300072453)	
12	0610166	NLA	Module (use p/n 1001109497) (SN 0300072454 through 0300189901)	
13	0750808	6	Screw #8 x 1in	
14	4460264	3	Buss, Terminal	
15	3300188	6	Nut, Tinnerman	
16	4460425	1	Connector, Strain Relief	
17	4360476	1	Block, Contact	
18	4460495	1	Connector 14 Position	
19	4460497	1	Nut, Conduit	
20	4460496	1	Lockwasher	
21	2420106	1	Gauge, Hourmeter/Battery Capacity	
22	4740397	AR	Spacer	
23	4360328	AR	Switch, Toggle	
24		Ref	Guard, Switch Options:	

SECTION 2 - TURNTABLE

ITEM	PART NUMBER	QTY	DESCRIPTION	REV
24	4060906	AR	Guard, Switch (Prior to SN 0300079931)	
24	4060802	AR	Guard, Switch (SN 0300079931 through 0300189901)	
25	4360475	1	Switch, Emergency Stop	
25	7020175	1	Mushroom Head	
25	7020176	1	Block, Contact	
26	4360469	1	Keyswitch	
26A	2860030	AR	Key, Replacement (Set of 2)	
27	4360070	2	Breaker, Circuit - 15Amp	
28	3300396	2	Nut, Special	
30	0721005	2	Screw #10-24NC x 5/8in	
31	3311005	2	Locknut #10-24NC	
32	1060584	1	Cable, Lanyard	
33	3311011	1	Nut, Push #10	
34	4360330	1	Switch, Toggle (SN 0300100540 through 0300189901)	
35	3520028	AR	Plug, Hole 1/2in	
36		Ref	Plug, Hole Options:	
36	3520054	1	Plug, Hole 7/16in (Prior to SN 0300108951)	
36	3520026	1	Plug, Hole 5/8in (SN 0300108951 through 0300189901)	
37		Ref	Shim, Nylon Options:	
37	4070987	5	Shim, Nylon (Prior to SN 0300175721)	
37	1001151393	1	Shim, Nylon (SN 0300175721 through 0300189901)	
38	3910804	6	Screw #8-32NC x 1/4in	
		Ref	MOTOR CONTROLS INSTALLATION (M400A,M400AJP,M400AJPnarrow,M400Anarrow,M450A,M450AJ)	
	0257824	Ref	Motor Controls Installation (M450A,M450AJ) (Prior to SN 0300059390)	11
	0270344	Ref	Motor Controls Installation (M450A,M450AJ) (SN 0300059390 through 0300079056)	5-B
	0270344	Ref	Motor Controls Installation (M400A,M400AJP,M400AJPnarrow,M400Anarrow) (Prior to SN 0300079057)	5-B
	0273573	Ref	Motor Controls Installation (SN 0300079057 through 0300088538)	B
	0274617	Ref	Tank and Motor/Generator Components Installation (Turntable Mounted) (Use p/n 1001159362) (Prior to SN 0300182839)	G
	1001159362	Ref	Tank and Motor/Generator Components Installation (Turntable Mounted) (SN 0300182839 through 0300189901)	A
101	2920151	1	Led (Red)	
101	4460248	2	Terminal, Button Splice	
101	4922319	1	Harness Generator (See ELECTRICAL SECTION for Breakdown)	
101	4460267	1	Pin, Male	
102	4360274	1	Switch, Push Button	
102	4460259	2	Terminal, Posi-Lock	
102	4460260	2	Terminal, Housing	

SECTION 2 - TURNTABLE

FIGURE 2-9. HOODS AND BEACON LIGHT INSTALLATIONS



SECTION 2 - TURNTABLE

FIGURE 2-9. HOODS AND BEACON LIGHT INSTALLATIONS

ITEM	PART NUMBER	QTY	DESCRIPTION	REV
		Ref	HOODS INSTALLATION	
	0258953	Ref	Hoods Installation (M400A,M400AJP,M400AJPnarrow,M400Anarrow,M450A,M450AJ) (Prior to SN 030075499)	5-C
	0253709	Ref	Hoods Installation (E400A,E400AJP,E400AJPnarrow,E400Anarrow,E450A,E450AJ) (Prior to SN 0300075499)	7-G
	0258953	Ref	Hoods Installation (SN 0300075499 through 0300189901)	5-C
1	See Note	1	Hood, LH (was p/n 2680473) (Note: Use Items 23A or 23B)	
2		Ref	Hood Options:	
2	See Note	1	Hood (was p/n 2680474) (Note: Use Items 24A or 24B) (M400A,M400AJP,M400AJPnarrow,M400Anarrow,M450A,M450AJ)	
2	See Note	1	Hood (was p/n 2680475) (Note: Use Items 24A or 24B) (E400A,E400AJP,E400AJPnarrow,E400Anarrow,E450A,E450AJ)	
3	2940071	2	Latch	
4	3430840	2	Pin, Clevis	
5	0253687	2	Hinge, Swing	
5	0961749	4	Bushing	
6	3420156	4	Pin, Hair Cotter	
7	4751800	AR	Flatwasher 1/2in	
9	3311501	AR	Nut 5/16in-18NC	
10	0630468	3	Bolt 5/16in-18NC x 1in	
11	4751500	5	Flatwasher 5/16in	
12		Ref	Shield, Flex Trim Options:	
12	4060803	AR	Shield, Flex Trim (Prior to SN 0300134967)	
12	4060805	AR	Shield, Flex Trim (SN 0300134967 through 0300189901)	
13	0901923	2	Bracket, Hood Mounting	
14	0901921	1	Bracket, Hood Mounting	
15	3960453	5 ft/1.5m	Seal, Door	
16	3311601	AR	Nut 3/8in-16NC	
17	4751600	AR	Flatwasher 3/8in	
18		Ref	Clamp Options:	
18	1320043	1	Clamp, Insulated Cable 3/8in (Prior to SN 0300093848)	
18	1320041	1	Clamp, Insulated Cable 1/2in (SN 0300093848 through 0300189901)	
19	0641510	AR	Bolt 5/16in-18NC x 1-1/4in	
20	4751400	1	Flatwasher 1/4in	
21	3311401	1	Nut 1/4in-20NC	
22	0100011	AR	Compound, Locking	
23		Ref	LH Side Hood Kit Options:	
		Ref	Note: Replacement Decals Must be Ordered Separately - See DECAL SECTION.	
23A	2901482	1	LH Side Hood Kit (Includes Items 1, 3-6 & 15) (Use p/n 2901778) (E400A,E400AJP,E400AJPnarrow,E400Anarrow,E450A,E450AJ)	
23B	2901778	1	LH Side Hood Kit (Includes Items 1, 3-6 & 15) (M400A,M400AJP,M400AJPnarrow,M400Anarrow,M450A,M450AJ)	
24		Ref	RH Side Hood Kit Options:	

SECTION 2 - TURNTABLE

ITEM	PART NUMBER	QTY	DESCRIPTION	REV
		Ref	Note: Replacement Decals Must be Ordered Separately - See DECAL SECTION.	
24A	2901486	1	RH Side Hood Kit (Includes Items 7-10, 13-15 & #2 - 2680475 Hood) (Use p/n 2901777) (E400A,E400AJP,E400AJPnarrow,E400Anarrow,E450A,E450AJ)	
24B	2901777	1	RH Side Hood Kit (Includes Items 7, 10, 13-15 & #2 - 2680474 Hood) (M400A,M400AJP,M400AJPnarrow,M400Anarrow,M450A,M450AJ)	
	0259305	Ref	STROBE LIGHT INSTALLATION (AMBER) (OPTIONAL) (Prior to SN 0300169430)	2
		Ref	Note: If machine is equipped with BLUE Strobe Light, see SPECIAL OPTIONS SECTION SkyGuard Kit.	
101	4060865	1	Guard, Light	
102	2920146	1	Light, Strobe (Amber) (Use p/n 0272529)	
102	7016319	1	Bulb, Light	
102	7016372	1	Amber Lens	
103	0630491	1	Bolt, Special (Prior to SN 0300069568)	
104		Ref	Plate, Mounting Options:	
104	3537903	1	Plate, Mounting (Prior to SN 0300069568)	
104	4846698	1	Plate, Mounting (SN 0300069568 through 0300189901)	
105	0741606	1	Screw, Flathead 3/8in-16NC x 3/4in (Prior to SN 0300069568)	
106		Ref	Hardware Options:	
106	0721008	2	Bolt #10-24NC x 1in (Prior to SN 0300069568)	
106	3911014	2	Screw (SN 0300069568 through 0300189901)	
107		Ref	Nut Options:	
107	3311005	2	Locknut #10-24NC (Prior to SN 0300069568)	
107	3311001	2	Nut #10-24NC (SN 0300069568 through 0300189901)	
108	4751000	4	Flatwasher #10	
109	4220162	1	Spacer	
110	0100011	AR	Compound, Locking	
111	4240032	1	Tie-Strap	
112	4460234	1	Clamp	
113		Ref	Loom Options (Not Shown):	
113	2820036	16 in/41cm	Loom (Prior to SN 0300069568)	
113	2820035	16 in/41cm	Loom (SN 0300069568 through 0300189901)	
114	4460267	2	Pin, Male (SN 0300069568 through 0300189901)	
115	4460320	1	Plug, Male, 2 Position (SN 0300069568 through 0300189901)	
116	0272529	1	Kit Light, Strobe Assembly (Includes Items 101, 102, 104, 106, 107, 108, 109, 110, 113, 114 & 115) (SN 0300069568 through 0300189901)	A
		Ref	STROBE LIGHT INSTALLATIONS (AMBER) (OPTIONAL) (SN 0300169430 through 0300189901)	
	1001149955	Ref	Standard Spec	A
	1001158612	Ref	UL Spec	A
		Ref	Note: If machine is equipped with BLUE Strobe Light, see SPECIAL OPTIONS Section SkyGuard Kit.	
201	1001150406	1	Strobe Light Assembly	
201A	0100035	AR	Compound, Locking	
201B	2920161	1	Light, Strobe (Amber)	
201B	7016319	1	Bulb, Light	
201B	7016372	1	Amber Lens	

SECTION 2 - TURNTABLE

ITEM	PART NUMBER	QTY	DESCRIPTION	REV
201C	3312602	1	Nut, Jam 1in-8NC	
201D	3900085	2	Screw #10-32NC X 1/2in	
201E	4751000	2	Flatwasher #10 (Wide)	
201F	1001149994	1	Plate, Mounting	
202	1001149818	1	Harness, Strobe Light (Not Shown - See ELECTRICAL SECTION for Breakdown)	
203	0100035	AR	Compound, Locking (UL Spec Only)	
204	3900128	2	Screw #10-32NC X 7/8in (UL Spec Only)	
205	4060865	1	Guard (UL Spec Only)	

SECTION 3 - BOOM

SECTION 3 - BOOM

FIGURE 3-1. BOOMS AND CYLINDERS INSTALLATION

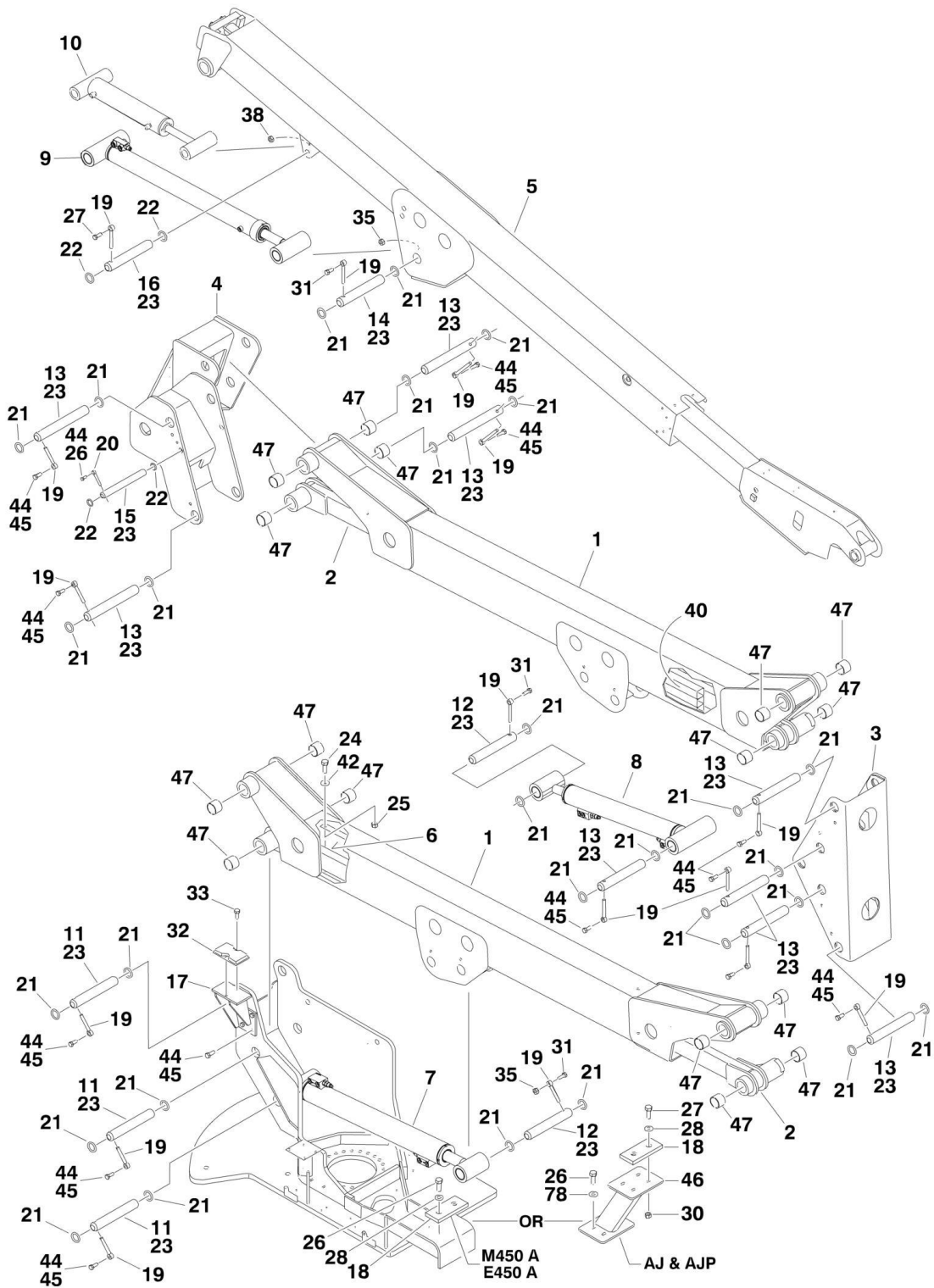


FIGURE 3-1. BOOMS AND CYLINDERS INSTALLATION

ITEM	PART NUMBER	QTY	DESCRIPTION	REV
		Ref	BOOMS INSTALLATIONS	
	0258691	Ref	Booms Installations (E450A,M450A)	B
	0259366	Ref	Booms Installations (E450AJ,M450AJ)	I
	0270724	Ref	Booms Installations (E400A,E400Anarrow,M400A,M400Anarrow)	F
	0259939	Ref	Booms Installations (E400AJP,E400AJPnarrow,M400AJP,M400AJPnarrow) (Prior to SN 0300064958)	4-E
	0271647	Ref	Booms Installations (E400AJP,E400AJPnarrow,M400AJP,M400AJPnarrow) (SN 0300064958 through 0300189901)	D
1		Ref	Boom Assembly -Tower Options:	
1	0800852	2	Boom Assembly -Tower (E450A,E450AJ,M450A,M450AJ) (Prior to SN 0300056571)	
1	0801264	2	Boom Assembly -Tower (E450A,E450AJ,M450A,M450AJ) (SN 0300056571 through 0300189898)	
1	0801262	2	Boom Assembly -Tower (E400A,E400Anarrow,M400A,M400Anarrow)	
1	0801227	2	Boom Assembly -Tower (E400AJP,E400AJPnarrow,M400AJP,M400AJPnarrow)	
2		Ref	Level Link Options:	
2	4844541	2	Level Link (E450A,E450AJ,M450A,M450AJ) (Prior to SN 0300056571)	
2	4846307	2	Level Link (E450A,E450AJ,M450A,M450AJ) (SN 0300056571 through 0300189898)	
2	4846209	2	Level Link (E400A,E400AJP,E400AJPnarrow,E400Anarrow,M400A,M400AJP,M400AJPnarrow,M400Anarrow)	
3		Ref	Upright Weldment (Lower)	
3	4844427	1	Upright Weldment (Lower) (E450A,E450AJ,M450A,M450AJ)	
3	4844303	1	Upright Weldment (Lower) (E400A,E400Anarrow,M400A,M400Anarrow)	
3	4844427	1	Upright Weldment (Lower) (E400AJP,E400AJPnarrow,M400AJP,M400AJPnarrow)	
4		Ref	Upright Weldment (Upper) Options:	
4	4844304	1	Upright Weldment (Upper) (E400A,E400Anarrow,E450A,M400A,M400Anarrow,M450A)	
4	4846026	1	Upright Weldment (Upper) (E400AJP,E400AJPnarrow,E450AJ,M400AJP,M400AJPnarrow,M450AJ)	
5		Ref	Boom Assembly - Main Options:	
5	0801169	1	Boom Assembly - Main (See Separate Breakdown in this Section) (E450A,M450A)	
5	0801197	1	Boom Assembly - Main (See Separate Breakdown in this Section) (E450AJ,M450AJ)	
5	0270725	1	Boom Assembly - Main (See Separate Breakdown in this Section) (E400A,E400Anarrow,M400A,M400Anarrow)	
5	0801225	1	Boom Assembly - Main (See Separate Breakdown in this Section) (E400AJP,E400AJPnarrow,M400AJP,M400AJPnarrow)	
6		Ref	Hose Guard Plate Options:	
6	3537045	1	Hose Guard Plate (E450A,E450AJ,M450A,M450AJ) (Prior to SN 0300093848)	

SECTION 3 - BOOM

ITEM	PART NUMBER	QTY	DESCRIPTION	REV
6	3536491	1	Hose Guard Plate (E400A,E400AJP,E400AJPnarrow,E400Anarrow,M400A,M400AJP,M400AJPnarrow,M400Anarrow)	
7		Ref	Lift Cylinder Assy - Lower (See CYLINDER SECTION for Breakdown):	
7	1683711	1	Lift Cylinder Assy - Lower (E450A,M450A) (Prior to SN 0300058843)	
7	1684058	1	Lift Cylinder Assy - Lower (E450A,M450A) (SN 0300058843 through 0300091052)	
7	1684492	NLA	Lift Cylinder Assy - Lower (Use p/n 1001228039) (Original Equipment) (E450A,M450A) (SN 0300091053 through 0300189898)	
7	1001228039	1	Lift Cylinder Assy - Lower (Service Replacement) (E450A,M450A)	
7	1683826	1	Lift Cylinder Assy - Lower (E450AJ,M450AJ) (Prior to SN 0300056571)	
7	1683939	1	Lift Cylinder Assy - Lower (E450AJ,M450AJ) (SN 0300056571 through 0300086021)	
7	1684451	NLA	Lift Cylinder Assy - Lower (Use p/n 1001228035) (Original Equipment) (E450AJ,M450AJ) (SN 0300086022 through 0300189898)	
7	1001228035	1	Lift Cylinder Assy - Lower (Service Replacement) (E450AJ,M450AJ)	
7	1684024	1	Lift Cylinder Assy - Lower (E400A,E400Anarrow,M400A,M400Anarrow) (Prior to SN 0300086022)	
7	1684453	NLA	Lift Cylinder Assy - Lower (Use p/n 1001228037) (Original Equipment) (E400A,E400Anarrow,M400A,M400Anarrow) (SN 0300086022 through 0300189901)	
7	1001228037	1	Lift Cylinder Assy - Lower (Service Replacement) (E400A,E400Anarrow,M400A,M400Anarrow)	
7	1683939	1	Lift Cylinder Assy - Lower (E400AJP,E400AJPnarrow,M400AJP,M400AJPnarrow) (Prior to SN 0300091053)	
7	1684451	NLA	Lift Cylinder Assy - Lower (Use p/n 1001228035) (Original Equipment) (E400AJP,E400AJPnarrow,M400AJP,M400AJPnarrow) (SN 0300091053 through 0300189901)	
7	1001228035	1	Lift Cylinder Assy - Lower (Service Replacement) (E400AJP,E400AJPnarrow,M400AJP,M400AJPnarrow)	
8		Ref	Lift Cylinder Assy - Mid Options (See CYLINDER SECTION for Breakdown):	
8	1683713	1	Lift Cylinder Assy - Mid (E450A,M450A) (Prior to SN 0300058843)	
8	1684057	1	Lift Cylinder Assy - Mid (E450A,M450A) (SN 0300058843 through 0300091052)	
8	1684493	NLA	Lift Cylinder Assy - Mid (use p/n 1001237443) (Original Equipment) (E450A,M450A) (SN 0300091053 through 0300189898)	
8	1001237443	1	Lift Cylinder Assy - Mid (Service Replacement) (E450A,M450A)	
8	1683825	1	Lift Cylinder Assy - Mid (E450AJ,M450AJ) (Prior to SN 0300056571)	
8	1683942	1	Lift Cylinder Assy - Mid (E450AJ,M450AJ) (SN 0300056571 through 0300086021)	
8	1684452	NLA	Lift Cylinder Assy - Mid (use p/n 1001228036) (Original Equipment) (E450AJ,M450AJ) (SN 0300086022 through 0300189898)	
8	1001228036	1	Lift Cylinder Assy - Mid (Service Replacement) (E450AJ,M450AJ)	

SECTION 3 - BOOM

ITEM	PART NUMBER	QTY	DESCRIPTION	REV
8	1684027	NLA	Lift Cylinder Assy - Mid (use p/n 1684447) (E400A,E400Anarrow,M400A,M400AJPnarrow) (Prior to SN 0300080496)	
8	1684447	1	Lift Cylinder Assy - Mid (E400A,E400Anarrow,M400A,M400AJPnarrow) (SN 0300080496 through 0300086021)	
8	1684454	NLA	Lift Cylinder Assy - Mid (use p/n 1001228038) (Original Equipment) (E400A,E400Anarrow,M400A,M400AJPnarrow) (SN 0300086022 through 0300189901)	
8	1001228038	1	Lift Cylinder Assy - Mid (Service Replacement) (E400A,E400Anarrow,M400A,M400AJPnarrow)	
8	1683942	1	Lift Cylinder Assy - Mid (E400AJP,E400AJPnarrow,M400AJP,M400AJPnarrow) (Prior to SN 0300091053)	
8	1684452	NLA	Lift Cylinder Assy - Mid (use p/n 1001228036) (Original Equipment) (E400AJP,E400AJPnarrow,M400AJP,M400AJPnarrow) (SN 0300091053 through 0300189901)	
8	1001228036	1	Lift Cylinder Assy - Mid (Service Replacement) (E400AJP,E400AJPnarrow,M400AJP,M400AJPnarrow)	
9		Ref	Lift Cylinder Assembly - Upper Options (See CYLINDER SECTION for Breakdown):	
9	1683708	1	Lift Cylinder Assembly - Upper (E450A,M450A) (Prior to SN 0300058843)	
9	1684061	NLA	Lift Cylinder Assembly - Upper (use p/n 1001228018) (Original Equipment) (E450A,M450A) (SN 0300058843 through 0300189898)	
9	1001228018	1	Lift Cylinder Assembly - Upper (Service Replacement) (E450A,M450A)	
9	1683813	1	Lift Cylinder Assembly - Upper (E450AJ,M450AJ) (Prior to SN 0300056571)	
9	1683945	NLA	Lift Cylinder Assembly - Upper (use p/n 1001228016) (Original Equipment) (E450AJ,M450AJ) (SN 0300056571 through 0300189898)	
9	1001228016	1	Lift Cylinder Assembly - Upper (Service Replacement) (E450AJ,M450AJ)	
9	1684033	1	Lift Cylinder Assembly - Upper (E400A,E400Anarrow,M400A,M400Anarrow) (Prior to SN 0300073768)	
9	1684061	NLA	Lift Cylinder Assembly - Upper (use p/n 1001228018) (Original Equipment) (E400A,E400Anarrow,M400A,M400Anarrow) (SN 0300073768 through 0300189901)	
9	1001228018	1	Lift Cylinder Assembly - Upper (Service Replacement) (E400A,E400Anarrow,M400A,M400Anarrow)	
9	1683945	NLA	Lift Cylinder Assembly - Upper (use p/n 1001228016) (Original Equipment) (E400AJP,E400AJPnarrow,M400AJP,M400AJPnarrow)	
9	1001228016	1	Lift Cylinder Assembly - Upper (Service Replacement) (E400AJP,E400AJPnarrow,M400AJP,M400AJPnarrow)	
10		Ref	Master Cylinder Assembly Options (See CYLINDER SECTION for Breakdown):	
10	1683325	1	Master Cylinder Assembly (E450A,M450A) (Prior to SN 0300056894)	
10	1683932	NLA	Master Cylinder Assembly (use p/n 1001140597) (E450A,M450A) (SN 0300056894 through 0300165127)	
10	1001140597	1	Master Cylinder Assembly (E450A,M450A) (SN 0300165128 through 0300189898)	
10	1683923	NLA	Master Cylinder Assembly (use p/n 1001140278) (E450AJ,M450AJ) (Prior to SN 0300163453)	

SECTION 3 - BOOM

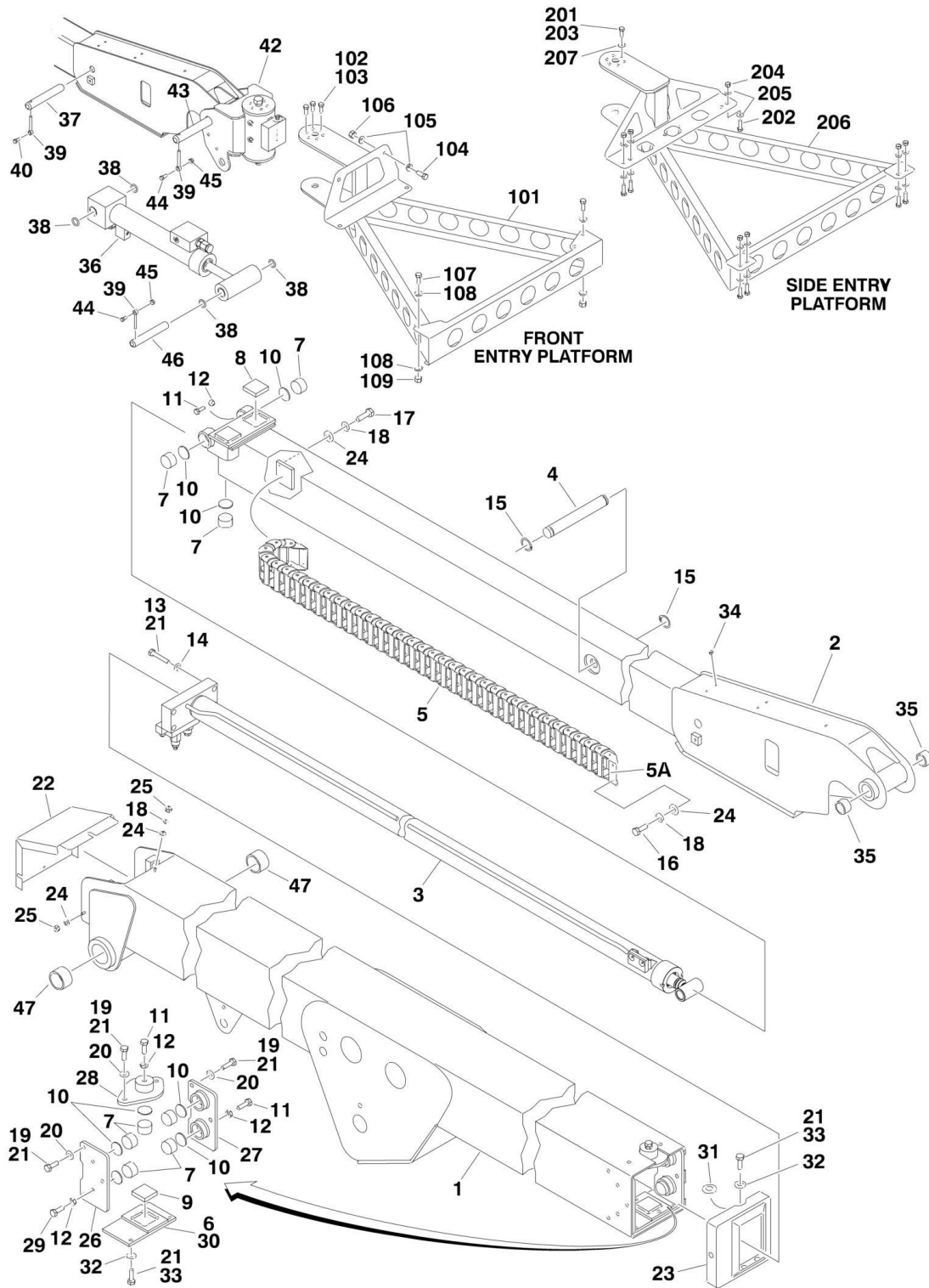
ITEM	PART NUMBER	QTY	DESCRIPTION	REV
10	1001140278	1	Master Cylinder Assembly (E450AJ,M450AJ) (SN 0300163453 through 0300189898)	
10	1683932	NLA	Master Cylinder Assembly (use p/n 1001140597) (E400A,E400Anarrow,M400A,M400Anarrow) (Prior to SN 0300165128)	
10	1001140597	1	Master Cylinder Assembly (E400A,E400Anarrow,M400A,M400Anarrow) (SN 0300165128 through 0300189901)	
10	1683923	NLA	Master Cylinder Assembly (use p/n 1001140278) (E400AJP,E400AJPnarrow,M400AJP,M400AJPnarrow) (Prior to SN 0300163453)	
10	1001140278	1	Master Cylinder Assembly (E400AJP,E400AJPnarrow,M400AJP,M400AJPnarrow) (SN 0300163453 through 0300189901)	
11		Ref	Pin Options:	
11	3422175	3	Pin (E450A,E450AJ,M450A,M450AJ)	
11	3422175	3	Pin (E400A,E400Anarrow,M400A,M400Anarrow)	
11	3422481	3	Pin (E400AJP,E400AJPnarrow,M400AJP,M400AJPnarrow)	
12		Ref	Pin Options:	
12	3422176	2	Pin (E450A,E450AJ,M450A,M450AJ)	
12	3422176	2	Pin (E400A,E400Anarrow,M400A,M400Anarrow)	
12	3422845	2	Pin (E400AJP,E400AJPnarrow,M400AJP,M400AJPnarrow)	
13		Ref	Pin Options:	
13	3422177	9	Pin (E450A,E450AJ,M450A,M450AJ)	
13	3422177	9	Pin (E400A,E400Anarrow,M400A,M400Anarrow)	
13	3422177	9	Pin (E400AJP,E400AJPnarrow,M400AJP,M400AJPnarrow) (Prior to SN 0300064627)	
13	3422480	9	Pin (E400AJP,E400AJPnarrow,M400AJP,M400AJPnarrow) (SN 0300064627 through 0300189901)	
14		Ref	Pin Options:	
14	3422178	1	Pin (E450A,E450AJ,M450A,M450AJ)	
14	3422178	1	Pin (E400A,E400Anarrow,M400A,M400Anarrow)	
14	3422844	1	Pin (E400AJP,E400AJPnarrow,M400AJP,M400AJPnarrow)	
15		Ref	Pin Options:	
15	3422179	1	Pin (E450A,M450A)	
15	3422179	1	Pin (E400A,E400Anarrow,M400A,M400Anarrow)	
15	3422806	1	Pin (E400AJP,E400AJPnarrow,E450AJ,M400AJP,M400AJPnarrow,M450AJ)	
16		Ref	Pin Options:	
16	3422180	1	Pin (E450A,M450A)	
16	3422180	1	Pin (E400A,E400Anarrow,M400A,M400Anarrow)	
16	3422582	1	Pin (E400AJP,E400AJPnarrow,E450AJ,M400AJP,M400AJPnarrow,M450AJ)	
17	4844467	1	Boom Rest Weldment	
18	0561076	1	Block, Boom Rest	
19	3841203	AR	Keeper, Pin - 1/2in	
20	3841143	AR	Keeper, Pin - 3/8in	
21	3780184	30	O-Ring - 2in (E450A,E450AJ,M450A,M450AJ) (Prior to SN 0300058843)	
22	3780181	4	O-Ring - 1in (E450A,E450AJ,M450A,M450AJ) (Prior to SN 0300058843)	
23	3020022	AR	Grease Only (Prior to SN 0300058843)	
24	0641506	4	Bolt 5/16in-18NC x 3/4in (Prior to SN 0300093848)	

SECTION 3 - BOOM

ITEM	PART NUMBER	QTY	DESCRIPTION	REV
25	3311505	4	Locknut 5/16in-18NC (Prior to SN 0300093848)	
26	0641608	AR	Bolt 3/8in-16NC x 1in	
27	0641610	AR	Bolt 3/8in-16NC x 1-1/4in	
28	4751600	AR	Flatwasher 5/16in	
30	3311605	3	Locknut 3/8in-16NC	
31	0641812	3	Bolt 1/2in-13NC x 1-1/2in	
32	0940048	1	Bumper	
33	0641806	AR	Bolt 1/2in-13NC x 3/4in	
35	3311805	AR	Locknut 1/2in-13NC	
40		Ref	Tube	
40	4566356	AR	Tube (E450A,E450AJ,M450A,M450AJ)	
40	4566427	AR	Tube (E400A,E400AJP,E400AJPnarrow,E400Anarrow,M400A,M400AJP,M400AJPnarrow,M400Anarrow)	
42	4751500	AR	Flatwasher 5/16in	
44	0100011	AR	Compound, Locking	
45	0641810	12	Bolt 1/2in-13NC x 1-1/4in	
46	4846091	1	Rest, Boom (E400AJP,E400AJPnarrow,E450AJ,M400AJP,M400AJPnarrow,M450AJ) (Prior to SN 0300084057)	
47		Ref	Teflon Bushing Options:	
47	0961726	16	Teflon Bushing (E450A,E450AJ,M450A,M450AJ) (Prior to SN 0300056571)	
47	0961950	16	Teflon Bushing (E450A,E450AJ,M450A,M450AJ) (SN 0300056571 through 0300189898)	
47	0961950	16	Teflon Bushing (E400A,E400AJP,E400AJPnarrow,E400Anarrow,M400A,M400AJP,M400AJPnarrow,M400Anarrow)	

SECTION 3 - BOOM

FIGURE 3-2. MAIN BOOM ASSEMBLY AND PLATFORM SUPPORT INSTALLATION (E400A,E400ANARROW,E450A,M400A,M400ANARROW,M450A)



SECTION 3 - BOOM

**FIGURE 3-2. MAIN BOOM ASSEMBLY AND PLATFORM SUPPORT INSTALLATION
(E400A,E400ANARROW,E450A,M400A,M400ANARROW,M450A)**

ITEM	PART NUMBER	QTY	DESCRIPTION	REV
		Ref	MAIN BOOM ASSEMBLY	
	0801169	Ref	Main Boom Assembly (E450A,M450A)	D
	0270725	Ref	Main Boom Assembly (E400A,E400Anarrow,M400A,M400Anarrow)	D
1		Ref	Base Weldment Options:	
1	0800584	1	Base Weldment (E450A,M450A) (Prior to SN 0300056571)	
1	0801261	1	Base Weldment (E450A,M450A) (SN 0300056571 through 0300189898)	
1	0801263	1	Base Weldment (E400A,E400Anarrow,M400A,M400Anarrow)	
2		Ref	Fly Weldment Options:	
2	0801154	1	Fly Weldment (E450A,M450A)	
2	0801267	1	Fly Weldment (E400A,E400Anarrow,M400A,M400Anarrow)	
3		Ref	Telescope Cylinder Assembly Options (See CYLINDER SECTION for Breakdown):	
3	1683704	NLA	Telescope Cylinder Assembly (use p/n 1001228062) (Original Equipment) (E450A,M450A) (Prior to SN 0300175016)	
3	1001151414	NLA	Telescope Cylinder Assembly (use p/n 1001228062) (Original Equipment) (E450A,M450A) (SN 0300175016 through 0300189898)	
3	1001228062	1	Telescope Cylinder Assembly (Service Replacement) (E450A,M450A)	
3	1684030	NLA	Telescope Cylinder Assembly (use p/n 1001228063) (Original Equipment) (E400A,E400Anarrow,M400A,M400Anarrow) (Prior to SN 0300175016)	
3	1001151497	NLA	Telescope Cylinder Assembly (use p/n 1001228063) (Original Equipment) (E400A,E400Anarrow,M400A,M400Anarrow) (SN 0300175016 through 0300189901)	
3	1001228063	1	Telescope Cylinder Assembly (Service Replacement) (E400A,E400Anarrow,M400A,M400Anarrow)	
4		Ref	Pin Options:	
4	3422185	1	Pin (Prior to SN 0300067313)	
4	3422901	1	Pin (SN 0300067313 through 0300189901)	
5	1180302	1	Powertrack Assembly	
5	7019698	1	Link, Repair	
5A	7019699	1	Feet, Mounting	
6	4844579	1	Holder, Wear Pad	
7	3340663	8	Pad, Wear (Base Front Top and Sides/Fly Rear Sides and Bottom)	
8	3340820	2	Pad, Wear (Fly Rear Top)	
9	3340682	1	Pad, Wear (Base Front Bottom)	
10	1760160	8	Disc	
11	0630487	6	Bolt, Special	
12	3311602	8	Nut, Jam 3/8in-16NC	
13	0641818	4	Bolt 1/2in-13NC x 2-1/4in	
14	4761800	4	Lockwasher 1/2in	
15	3760115	2	Ring, Snap	
16	0641405	2	Bolt 1/4in-20NC x 5/8in	
17	0641404	2	Bolt 1/4in-20NC x 1/2in	
18	4761400	7	Lockwasher 1/4in	
19	0641606	7	Bolt 3/8in-16NC x 3/4in	
20	4761600	7	Lockwasher 3/8in	

SECTION 3 - BOOM

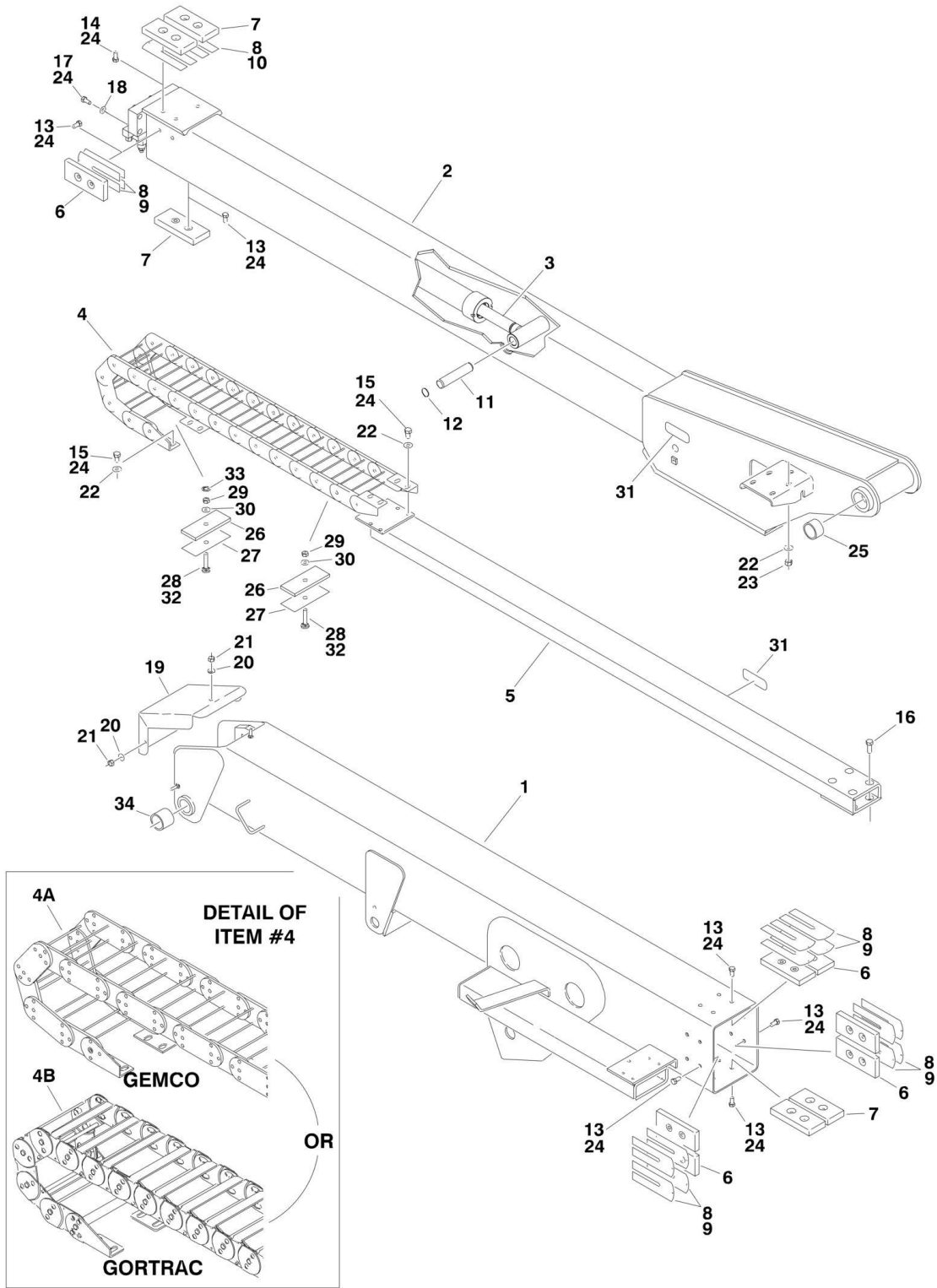
ITEM	PART NUMBER	QTY	DESCRIPTION	REV
21	0100011	AR	Compound, Locking	
22	1670678	1	Cover, Boom (Use p/n 1670679) (Prior to SN 0300137414)	
23	1670698	1	Cover, Boom	
24	4751400	7	Flatwasher 1/4in	
25	3311401	3	Nut 1/4in-20NC	
26	1220038	1	Holder, Wear Pad (Base Front Left Sides)	
27	1220039	1	Holder, Wear Pad (Base Front Right Side)	
28	1220040	1	Holder, Wear Pad (Base Front Top)	
29	0630399	2	Bolt, Special	
30	0100009	AR	Silicone	
31	4740413	5	Washer, Spacer	
32	4751600	5	Flatwasher 3/8in	
33	0641608	5	Bolt 3/8in-16NC x 1in	
34	3520034	4	Plug, Hole	
35	0961951	2	Bearing, Garmax	
36		Ref	Cylinder Assembly Options (See CYLINDER SECTION for Breakdown):	
36	1683285	1	Cylinder Assembly (E450A,M450A) (Prior to SN 0300056894)	
36	1683933	NLA	Cylinder Assembly (use p/n 1001140598) (E450A,M450A) (SN 0300056894 through 0300165127)	
36	1001140598	1	Cylinder Assembly (E450A,M450A) (SN 0300165128 through 0300189898)	
36	1683933	NLA	Cylinder Assembly (use p/n 1001140598) (E400A,E400Anarrow,M400A,M400Anarrow) (Prior to SN 0300165128)	
36	1001140598	1	Cylinder Assembly (E400A,E400Anarrow,M400A,M400Anarrow) (SN 0300165128 through 0300189901)	
37	3422181	1	Shaft, Pin	
38	3780181	4	O-Ring (1in) (Prior to SN 0300103057)	
39	3841143	3	Keeper	
40	0641607	1	Bolt 3/8in-16NC x 7/8in	
42	0060052	1	Rotator Assembly (See ROTATOR ASSEMBLY for Breakdown)	
43	3422709	1	Shaft, Pin	
44	0641608	2	Bolt 3/8in-16NC x 1in	
45	3311605	2	Locknut 3/8in-16NC	
46	3422180	1	Shaft, Pin	
47	0961950	2	Bearing	
		Ref	PLATFORM ROTATOR AND SUPPORT INSTALLATION (FRONT ENTRY PLATFORM)	
	0259439	Ref	Platform Rotator and Support Installation (Front Entry Platform)	E
101		Ref	Weldment, Support Options:	
101	4846050	1	Weldment, Support (Prior to SN 0300069152)	
101	4846322	1	Weldment, Support (SN 0300069152 through 0300189901)	
102	0681608	6	Bolt 3/8in-16NC x 1in (Grade 8)	
103	0100011	AR	Compound, Locking	
104	0641407	2	Bolt 1/4in-20NC x 7/8in	
105	4740362	4	Washer, Fender	
106	3311405	2	Nut 1/4in-20NC	
107	0641610	6	Bolt 3/8in-16NC x 1-1/4in	
108	4711600	18	Flatwasher	
109	3311605	6	Locknut 3/8in-16NC	

SECTION 3 - BOOM

ITEM	PART NUMBER	QTY	DESCRIPTION	REV
		Ref	PLATFORM ROTATOR AND SUPPORT INSTALLATION (SIDE ENTRY PLATFORM)	
	0272976	Ref	Platform Rotator and Support Installation (Side Entry Platform) without Load Sensing	A
	See Note	Ref	Platform Rotator and Support Installation (Side Entry Platform) with Load Sensing (Note: See Separate Breakdown in this Section)	
201	0100011	AR	Compound, Locking	
202	0641610	8	Bolt 3/8in-16NC x 1-1/4in	
203	0681608	6	Bolt 3/8in-16NC x 1in (Grade 8)	
204	3311605	8	Locknut 3/8in-16NC	
205	4711600	16	Flatwasher 3/8in	
206		Ref	Weldment, Support Options:	
206	4846608	1	Machines without Load Sensing	
206	See Note Above	1	Machines with Load Sensing	
207	4891600	6	Flatwasher 3/8in (Hardened)	

SECTION 3 - BOOM

FIGURE 3-3. MAIN BOOM ASSEMBLY (E450AJ,M450AJ)



SECTION 3 - BOOM

FIGURE 3-3. MAIN BOOM ASSEMBLY (E450AJ,M450AJ)

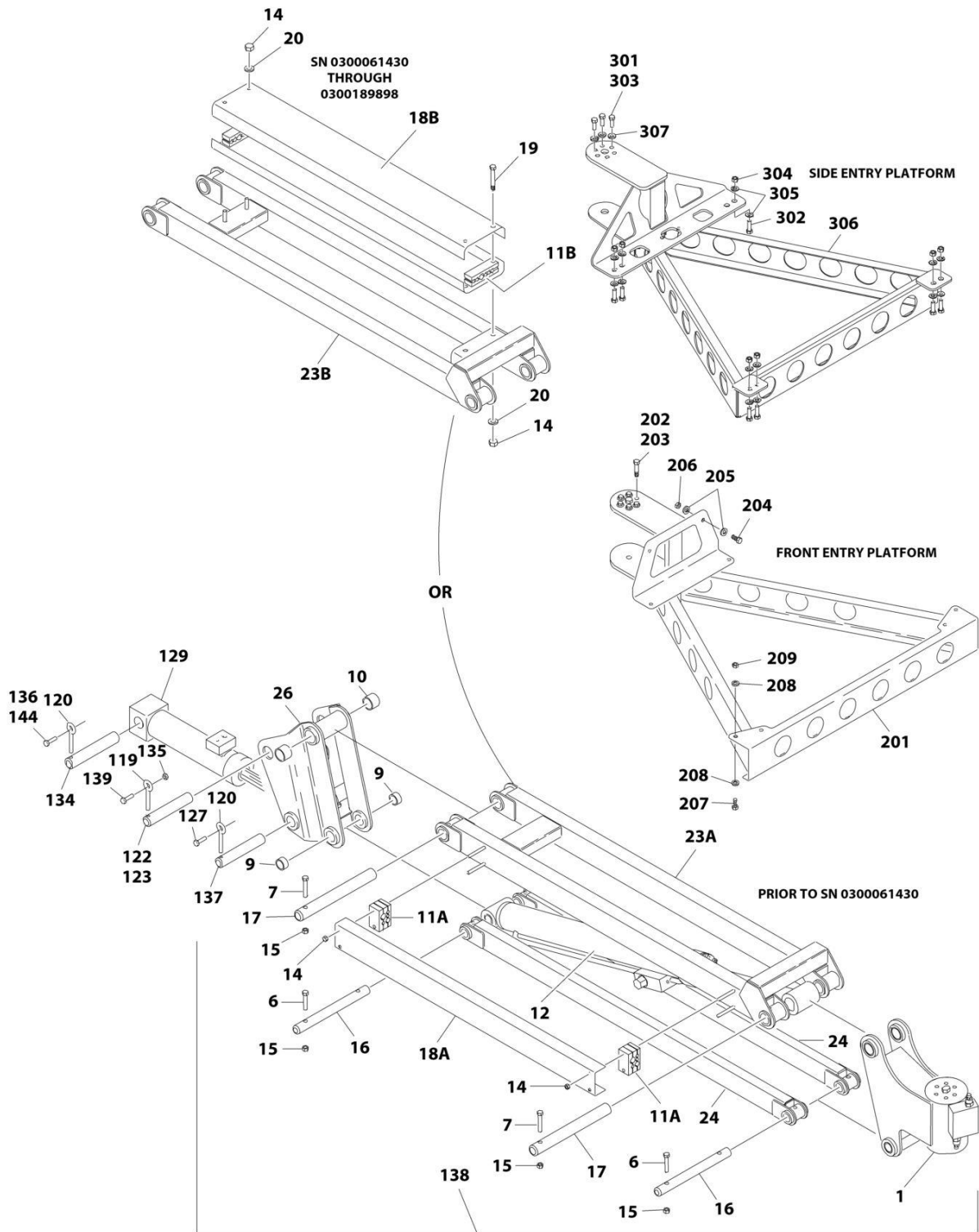
ITEM	PART NUMBER	QTY	DESCRIPTION	REV
	0801197	Ref	MAIN BOOM ASSEMBLY	J
1		Ref	Base Weldment Options:	
1	0801198	1	Base Weldment (Prior to SN 0300056571)	
1	0801260	1	Base Weldment (SN 0300056571 through 0300189898)	
2	0801192	1	Fly Weldment	
3		Ref	Telescope Cylinder Assembly Options (See CYLINDER SECTION for Breakdown):	
3	1683798	NLA	Telescope Cylinder Assembly (use p/n 1001228061) (Original Equipment) (Prior to SN 0300175016)	
3	1001151368	NLA	Telescope Cylinder Assembly (use p/n 1001228061) (Original Equipment) (SN 0300175016 through 0300189898)	
3	1001228061	1	Telescope Cylinder Assembly (Service Replacement)	
4		Ref	Powertrack Assembly Options:	
		Ref	Note: Various Power Tracks use on this model. Identify brand before ordering parts.	
4A	1180352	NLA	Powertrack (Gemco) (Use p/n 1001099833) (Prior to SN 0300135622)	
4A	7006139	AR	Repair Section (Includes Repair Section, 4 Rod Carriers, Pins and Mounting Slugs)	
4A	7006151	AR	Feet, Mounting (Includes Left and Right Mounting Feet and 2 Round Spacers)	
4A	7006152	AR	Pin Kit (Includes 1 Pin, 4 Washers and 1 Retaining Ring)	
4B	1001099833	1	Powertrack (Gortrac) (SN 0300135622 through 0300189898)	
4B	70001996	1	Repair Section (Includes 4 links, 10 pins, 10 washers, 10 snap rings, 2 Rod Carriers and 4 self-tapping screws)	
4B	70001998	1	Bracket Kit (Includes 2 Left and 2 Right Mounting Feet, 4 center pins, 4 center pin snap rings, 8 pins for bracket lockout, 8 washers and 8 snap rings)	
5	4846033	1	Pushtube Weldment	
6	3340756	8	Pad, Wear (Base Front Top and Sides/Fly Rear Sides) (Use p/n 3340881)	
7	3340837	5	Pad, Wear (Base Bottom/Fly Rear Top and Bottom)	
8	4070897	10	Shim 18 Gauge	
9	4070898	8	Shim 16 Gauge	
10	4070982	2	Shim 11 Gauge	
11	3422804	1	Pin	
12	3760115	2	Ring, Snap	
13	0641606	22	Bolt 3/8in-16NC x 3/4in	
14	0641607	4	Bolt 3/8in-16NC x 7/8in	
15	0641605	8	Bolt 3/8in-16NC x 5/8in	
16	0641608	4	Bolt 3/8in-16NC x 1in	
17	0641818	4	Bolt 1/2in-13NC x 2-1/4in	
18	4761800	4	Lockwasher 1/2in	
6	1670678	1	Cover, Boom (Use p/n 1670679) (Prior to SN 0300137414)	
20	4761400	3	Lockwasher 1/4in	
21	3311401	3	Nut 1/4in-20NC	
22	4711600	12	Flatwasher 3/8in	
23	3311605	4	Locknut 3/8in-16NC	
24	0100011	AR	Compound, Locking	
25	0961948	AR	Bearing, Garmax	
26		Ref	Plate, Clamp Options:	
26	3570958	3	Plate, Clamp (SN 0300057118 through 0300135621)	

SECTION 3 - BOOM

ITEM	PART NUMBER	QTY	DESCRIPTION	REV
26	1001106757	3	Plate, Clamp (SN 0300135622 through 0300189898)	
27		Ref	Pad, Rubber Options:	
27	Not Required	0	Pad, Rubber (Prior to SN 0300057118)	
27	3340859	2	Pad, Rubber (SN 0300057118 through 0300074607)	
27	3340940	2	Pad, Rubber (SN 0300074608 through 0300135621)	
27	3340939	2	Pad, Rubber (SN 0300135622 through 0300189898)	
28	0630401	2	Bolt, Carriage 5/16in-18NC x 2in (SN 0300057118 through 0300189898)	
29	3311505	2	Locknut 5/16in-18in (SN 0300057118 through 0300189898)	
30	4711500	2	Flatwasher 5/16in Narrow (SN 0300057118 through 0300189898)	
31	4060804	15	Flex-Trim	
32	0100081	AR	Adhesive	
33	1001119228	1	Push Nut, M8 (SN 0300175016 through 0300189898)	
34	0961726	2	Bearing (Prior to SN 0300056571)	
	0961950	2	Bearing (SN 0300056571 through 0300189898)	

SECTION 3 - BOOM

FIGURE 3-4. JIB AND PLATFORM SUPPORT AND ROTATOR INSTALLATION (E450AJ,M450AJ)



SECTION 3 - BOOM

FIGURE 3-4. JIB AND PLATFORM SUPPORT AND ROTATOR INSTALLATION (E450AJ,M450AJ)

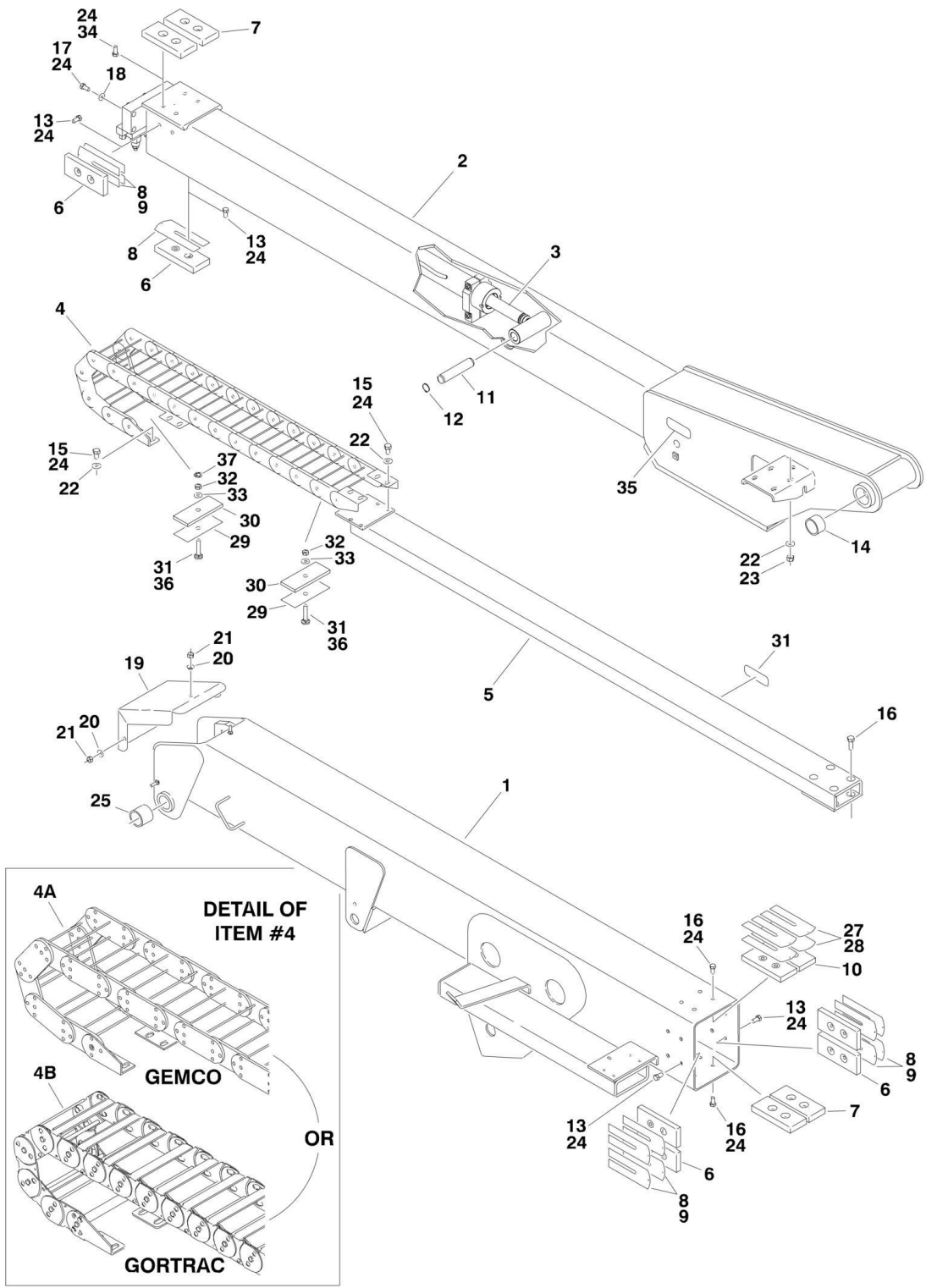
ITEM	PART NUMBER	QTY	DESCRIPTION	REV
		Ref	JIB ASSEMBLIES	
	0259440	Ref	Jib Assemblies (Prior to SN 0300061430)	D
	0270400	Ref	Jib Assemblies (SN 0300061430 through 0300189898)	F
1	0060044	1	Rotator Assembly (See ROTATOR ASSEMBLY for Breakdown)	
6	0641616	4	Bolt 3/8in-16NC x 2in	
7	0641618	2	Bolt 3/8in-16NC x 2-1/4in	
8	0641810	AR	Bolt 1/2in-13NC x 1 1/4in	
9		Ref	Bushing, Garmax Options:	
9	0961947	AR	Bushing, Garmax (Prior to SN 0300144003)	
9	0962292	AR	Bushing, Garmax (SN 0300144003 through 0300189898)	
10	0961951	2	Bushing, Garmax	
11		Ref	Clamp, Block Options:	
11A	1320259	2	Clamp, Block (Prior to SN 0300061430)	
11B	3340860	4	Clamp, Block (SN 0300061430 through 0300189898)	
12		Ref	Jib Cylinder Assembly Options (See CYLINDER SECTION for Breakdown):	
12	1683779	NLA	Jib Cylinder Assembly (Use p/n 1001140280) (Prior to SN 0300164333)	
12	1001140280	1	Jib Cylinder Assembly (SN 0300164333 through 0300189898)	
14	3311501	AR	Nut 5/16in-18NC	
15	3311605	12	Locknut 3/8in-16NC	
16	3422791	2	Pin	
17	3422794	2	Pin	
18		Ref	Plate, Jib Cover Options:	
18A	3571406	1	Plate, Jib Cover (Prior to SN 0300061430)	
18B	3572551	2	Plate, Jib Cover (SN 0300061430 through 0300189898)	
19	0641516	2	Bolt 5/16in-18NC x 2in Only (SN 0300061430 through 0300189898)	
20	4751500	4	Flatwasher 5/16in (Wide Only) (SN 0300061430 through 0300189898)	
23		Ref	Link Options: (Upper)	
23A	4845926	1	Link (Upper) (Prior to SN 0300061430)	
23B	4846278	1	Link (Upper) (SN 0300061430 through 0300189898)	
24	4845927	2	Link (Lower) (Use p/n 1001094670)	
26	4845925	1	Pivot	
		Ref	SUPPORT AND ROTATOR ASSEMBLY	
	0259366	Ref	Support and Rotator Assembly	H
119	3841203	1	Keeper, Pin	
120	3841143	2	Keeper, Pin	
122	3422793	1	Pin	
123	3020022	AR	Grease	
127	0641610	1	Bolt 3/8in-16NC x 1-1/4in	
129		Ref	Platform Level Cylinder Assembly Options (See CYLINDER SECTION for Breakdown): (E450AJ,M450AJ)	
129	1683760	NLA	Platform Level Cylinder Assembly (use p/n 1001140279) (E450AJ,M450AJ) (Prior to SN 0300056571)	
129	1683924	NLA	Platform Level Cylinder Assembly (use p/n 1001140279) (E450AJ,M450AJ) (SN 0300056571 through 0300163452)	
129	1001140279	1	Platform Level Cylinder Assembly (E450AJ,M450AJ) (SN 0300163453 through 0300189898)	
134	3422669	1	Pin	

SECTION 3 - BOOM

ITEM	PART NUMBER	QTY	DESCRIPTION	REV
135	3311805	1	Locknut 1/2in-13NC	
136	0641607	1	Bolt 3/8in-16NC x 7/8in	
137	3422792	1	Pin	
138		Ref	Jib Assembly Options (Includes Items 1-27): (E450AJ,M450AJ)	
138	0259440	1	Jib Assembly (E450AJ,M450AJ) (Prior to SN 0300061430)	
138	0270400	1	Jib Assembly (E450AJ,M450AJ) (SN 0300061430 through 0300189901)	
139	0641809	1	Bolt 1/2in-13NC x 1-1/8in	
144	0100011	AR	Compound, Locking	
		Ref	PLATFORM ROTATOR AND SUPPORT INSTALLATION (FRONT ENTRY PLATFORM)	
	0259439	Ref	Platform Rotator and Support Installation (Front Entry Platform)	E
201	4846322	1	Weldment, Support	
202	0681608	6	Bolt 3/8in-16NC x 1in (Grade 8)	
203	0100011	AR	Compound, Locking	
204	0641407	2	Bolt 1/4in-20NC x 7/8in	
205	4740362	4	Washer, Fender	
206	3311405	2	Nut 1/4in-20NC	
207	0641610	6	Bolt 3/8in-16NC x 1-1/4in	
208	4711600	18	Flatwasher	
209	3311605	6	Locknut 3/8in-16NC	
		Ref	PLATFORM ROTATOR AND SUPPORT INSTALLATION (SIDE ENTRY PLATFORM)	
	0272976	Ref	Platform Rotator and Support Installation (Side Entry Platform) (Without Load Sensing)	A
	See Note	Ref	Platform Rotator and Support Installation (Side Entry Platform) (With Load Sensing) (Note: See Separate Breakdown in this Section)	
301	0100011	AR	Compound, Locking	
302	0641610	8	Bolt 3/8in-16NC x 1-1/4in	
303	0681608	6	Bolt 3/8in-16NC x 1in (Grade 8)	
304	3311605	8	Locknut 3/8in-16NC	
305	4711600	16	Flatwasher 3/8in	
306		Ref	Weldment, Support Options:	
306	4846608	1	Weldment, Support (Without Load Sensing)	
306	See Note Above	1	Weldment, Support (With Load Sensing)	
307	4891600	6	Flatwasher 3/8in Hardened	

SECTION 3 - BOOM

FIGURE 3-5. MAIN BOOM ASSEMBLY (E400AJP,E400AJPNARROW,M400AJP,M400AJPNARROW)



SECTION 3 - BOOM

FIGURE 3-5. MAIN BOOM ASSEMBLY (E400AJP,E400AJPNARROW,M400AJP,M400AJPNARROW)

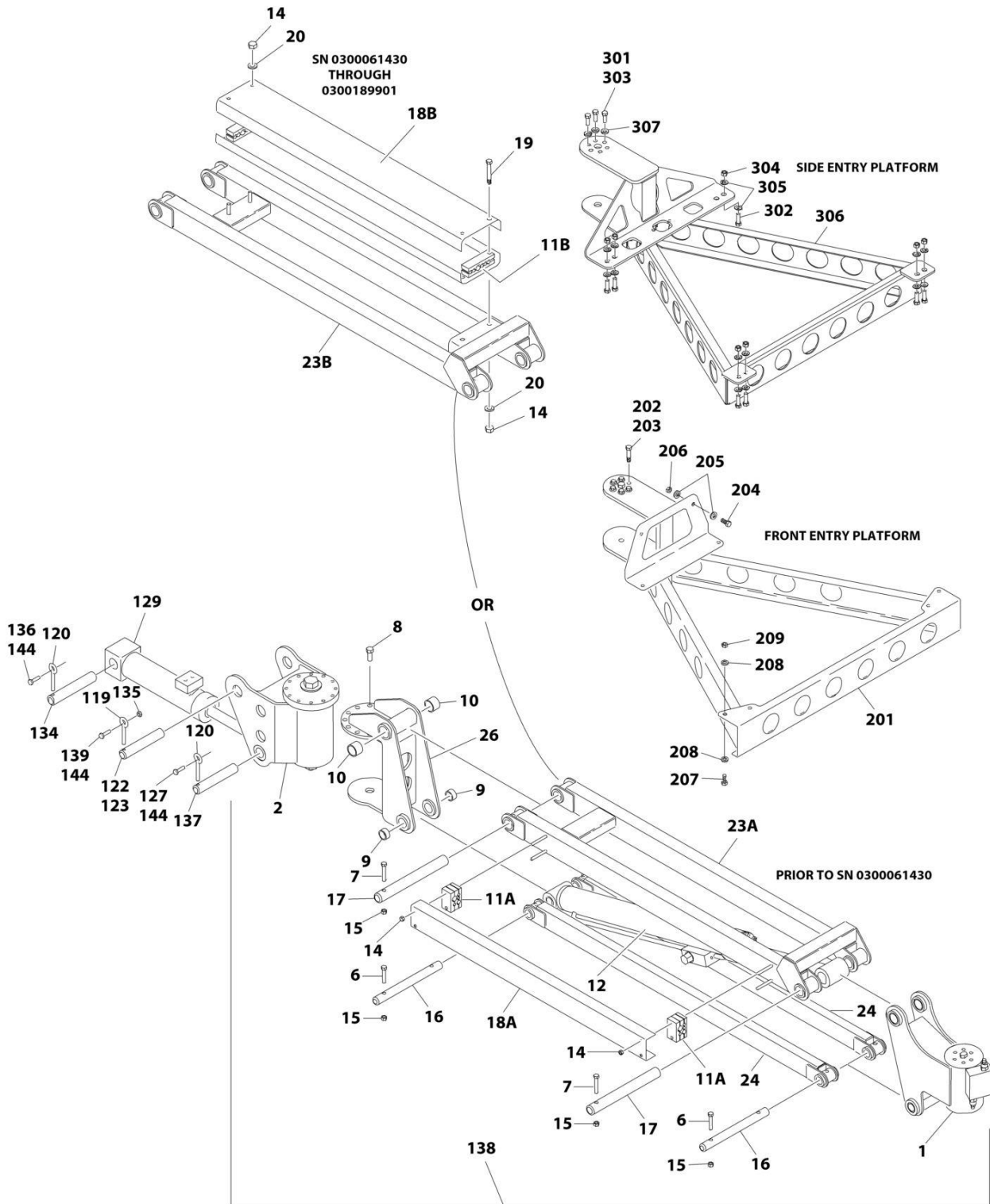
ITEM	PART NUMBER	QTY	DESCRIPTION	REV
	0801225	Ref	MAIN BOOM ASSEMBLY	I
1	0801224	1	Base, Boom	
2	0801226	1	Fly, Boom	
		Ref	Cylinder, Telescope Assembly (See CYLINDER SECTION for Breakdown)	
3	1683911	NLA	Cylinder, Telescope Assembly (Use p/n 1001228015) (Original Equipment)	
3	1001228015	1	Cylinder, Telescope Assembly (Service Replacement)	
4		Ref	Carrier, Power Track Options:	
		Ref	Note: Various Power Tracks use on this model. Identify brand before ordering parts.	
4A	1180353	NLA	Powertrack (Gemco) (Use p/n 1001099834) (Prior to SN 0300135622)	
4A	7006139	AR	Repair Section (Includes Repair Section, 4 Rod Carriers, Pins and Mounting Slugs)	
4A	7006151	AR	Feet, Mounting (Includes Left and Right Mounting Feet and 2 Round Spacers)	
4A	7006152	AR	Pin Kit (Includes 1 Pin, 4 Washers and 1 Retaining Ring)	
4B	1001099834	1	Powertrack (Gortrac) (SN 0300135622 through 0300189901)	
4B	70001996	1	Repair Section (Includes 4 links, 10 pins, 10 washers, 10 snap rings, 2 Rod Carriers and 4 self-tapping screws)	
4B	70001998	1	Bracket Kit (Includes 2 Left and 2 Right Mounting Feet, 4 center pins, 4 center pin snap rings, 8 pins for bracket lockout, 8 washers and 8 snap rings)	
5	4846180	1	Weldment, Push Tube	
6	3340878	10	Pad, Wear	
7	3340884	4	Pad, Wear	
8	4070864	12	Shim 18 Gauge	
9	4070863	8	Shim 11 Gauge	
10	3340886	2	Pad, Wear	
11	3422804	1	Pin	
12	3760115	2	Ring, Retaining	
13	0641606	30	Bolt 3/8in-16NC x 3/4in	
14	0961948	2	Bearing	
15	0641605	8	Bolt 3/8in-16NC x 5/8in	
16	0641608	16	Bolt 3/8in-16NC x 1in	
17	0641818	4	Bolt 1/2in-13NC x 2-1/4in	
18	4761800	4	Lockwasher 1/2in	
19	1670959	1	Cover	
20	4761400	3	Lockwasher 1/4in	
21	3311401	3	Nut 1/4in-20NC	
22	4711600	12	Flatwasher 3/8in	
23	3311605	4	Locknut 3/8in-16NC	
24	0100011	AR	Compound, Locking	
25	0961950	2	Bearing	
26	3520082	2	Plug (Not Shown)	
27	4070997	2	Shim 16 Gauge	
28	4070998	2	Shim 18 Gauge	
29		Ref	Plate, Clamp Options:	
29	3570958	3	Plate, Clamp (SN 0300057118 through 0300135621)	
29	1001106757	3	Plate, Clamp (SN 0300135622 through 0300189901)	
30		Ref	Pad, Rubber Options:	

SECTION 3 - BOOM

ITEM	PART NUMBER	QTY	DESCRIPTION	REV
30	Not Required	0	Pad, Rubber (Prior to SN 0300057118)	
30	3340859	2	Pad, Rubber (SN 0300057118 through 0300074607)	
30	3340940	2	Pad, Rubber (SN 0300074608 through 0300135622)	
30	3340939	2	Pad, Rubber (SN 0300135622 through 0300189901)	
31	0630401	2	Bolt, Carriage 5/16in-18NC x 2in (SN 0300057118 through 0300189901)	
32	3311505	2	Locknut 5/16in-18NC (SN 0300057118 through 0300189901)	
33	4711500	2	Flatwasher 5/16in Narrow (SN 0300057118 through 0300189901)	
34		Ref	Screw, Countersunk 3/8in-16NC Options:	
34	0741608	6	Screw, Countersunk 3/8in-16NC x 1in	
34	0741606	6	Screw, Countersunk 3/8in-16NC x 3/4in	
35	4060804	15 in/38cm	Flex-Trim	
36	0100081	AR	Adhesive	
37	1001119228	1	Push Nut, M8 (SN 0300175016 through 0300189901)	

SECTION 3 - BOOM

**FIGURE 3-6. JIB AND PLATFORM SUPPORT AND ROTATOR INSTALLATION
(E400AJP,E400AJPNARROW,M400AJP,M400AJPNARROW)**



SECTION 3 - BOOM

**FIGURE 3-6. JIB AND PLATFORM SUPPORT AND ROTATOR INSTALLATION
(E400AJP,E400AJPNARROW,M400AJP,M400AJPNARROW)**

ITEM	PART NUMBER	QTY	DESCRIPTION	REV
		Ref	JIB ASSEMBLIES	
	0259441	Ref	Jib Assemblies (Prior to SN 0300061430)	E
	0270402	Ref	Jib Assemblies (SN 0300061430 through 0300064957)	C
	0271649	Ref	Jib Assemblies (SN 0300064958 through 0300189901)	D
1	0060044	1	Rotator Assembly (Jib to Platform Support) (See ROTATOR ASSEMBLY for Breakdown)	
2		Ref	Rotator Assembly (Main Boom to Jib) Options (See ROTATOR ASSEMBLY for Breakdown): (E400AJP,E400AJPNarrow,M400AJP,M400AJPNarrow)	
2	0060046	1	Rotator Assembly (Main Boom to Jib) (E400AJP,E400AJPNarrow,M400AJP,M400AJPNarrow) (Prior to SN 0300064958)	
2	0060065	1	Rotator Assembly (Main Boom to Jib) (E400AJP,E400AJPNarrow,M400AJP,M400AJPNarrow) (SN 0300064958 through 0300189901)	
6	0641616	4	Bolt 3/8in-16NC x 2in	
7	0641618	2	Bolt 3/8in-16NC x 2-1/4in	
8		Ref	Bolt 1/2in Options: (E400AJP,E400AJPNarrow,M400AJP,M400AJPNarrow)	
8	0641810	AR	Bolt 1/2in (E400AJP,E400AJPNarrow,M400AJP,M400AJPNarrow) (Prior to SN 0300064958)	
8	3931816	AR	Bolt 1/2in (E400AJP,E400AJPNarrow,M400AJP,M400AJPNarrow) (SN 0300064958 through 0300189901)	
9		Ref	Bushing, Garmax Options:	
9	0961947	AR	Bushing, Garmax (Prior to SN 0300144003)	
9	0962292	AR	Bushing, Garmax (SN 0300144003 through 0300189901)	
10	0961951	2	Bushing, Garmax	
11		Ref	Clamp, Block Options:	
11A	1320259	2	Clamp, Block (Prior to SN 0300061430)	
11B	3340860	4	Clamp, Block (SN 0300061430 through 0300189901)	
12		Ref	Jib Cylinder Assembly Options (See CYLINDER SECTION for Breakdown):	
12	1683779	NLA	Jib Cylinder Assembly (use p/n 1001140280) (Prior to SN 0300163453)	
12	1001140280	1	Jib Cylinder Assembly (SN 0300163453 through 0300189901)	
14	3311501	AR	Nut 5/16in-18NC	
15	3311605	12	Locknut 3/8in-16NC	
16	3422791	2	Pin	
17	3422794	2	Pin	
18		Ref	Plate, Jib Cover Options:	
18A	3571406	1	Plate, Jib Cover (Prior to SN 0300061430)	
18B	3572551	2	Plate, Jib Cover (SN 0300061430 through 0300189901)	
19	0641516	2	Bolt 5/16in-18NC x 2in Only (SN 0300061430 through 0300189901)	
20	4751500	4	Flatwasher 3/8in Wide Only (SN 0300061430 through 0300189901)	
23		Ref	Link Options: (Upper)	
23A	4845926	1	Link (Upper) (Prior to SN 0300061430)	
23B	4846278	1	Link (Upper) (SN 0300061430 through 0300189901)	
24	4845927	NLA	Link (Lower) (Use p/n 1001094670)	

SECTION 3 - BOOM

ITEM	PART NUMBER	QTY	DESCRIPTION	REV
26		Ref	Pivot Options:	
26	4846073	1	Pivot (Prior to SN 0300064958)	
26	4846502	1	Pivot (SN 0300064958 through 0300189901)	
		Ref	SUPPORT AND ROTATOR ASSEMBLY	
	0259939	Ref	Support and Rotator Assembly (Prior to SN 0300064958)	4
	0271647	Ref	Support and Rotator Assembly (SN 0300064958 through 0300189901)	D
119	3841203	1	Keeper, Pin	
120	3841143	2	Keeper, Pin	
122	3422814	1	Pin	
123	3020022	AR	Grease	
127	0641610	1	Bolt 3/8in-16NC x 1-1/4in	
129		Ref	Platform Level Cylinder Assembly Options (See CYLINDER SECTION for Breakdown):	
129	1683924	NLA	Platform Level Cylinder Assembly (use p/n 1001140279) (Prior to SN 0300163453)	
129	1001140279	1	Platform Level Cylinder Assembly (SN 0300163453 through 0300189901)	
134	3422669	1	Pin	
135	3311805	1	Locknut 1/2in-13NC	
136	0641607	1	Bolt 3/8in-16NC x 7/8in	
137	3422792	1	Pin	
138		Ref	Jib Assembly Options (Includes Items 1-27):	
138	0259441	1	Jib Assembly (Prior to SN 0300061430)	
138	0270402	1	Jib Assembly (SN 0300061430 through 0300064957)	
138	0271649	1	Jib Assembly (SN 0300064958 through 0300189901)	
139		Ref	Bolt Options:	
139	0641809	1	Bolt 1/2in-13NC x 1-1/8in (Prior to SN 0300093848)	
139	0641810	1	Bolt 1/2in-13NC x 1-1/4in (SN 0300093848 through 0300189901)	
144	0100011	AR	Compound, Locking	
		Ref	PLATFORM ROTATOR AND SUPPORT INSTALLATION (FRONT ENTRY PLATFORM)	
	0259439	Ref	Platform Rotator and Support Installation	D
201	4846050	1	Weldment, Support	
202	0681608	6	Bolt 3/8in-16NC x 1in (Grade 8)	
203	0100011	AR	Compound, Locking	
204	0641407	2	Bolt 1/4in-20NC x 7/8in	
205	4740362	4	Washer, Fender	
206	3311405	2	Nut 1/4in-20NC	
207	0641610	6	Bolt 3/8in-16NC x 1-1/4in	
208	4711600	18	Flatwasher	
209	3311605	6	Locknut 3/8in-16NC	
		Ref	PLATFORM ROTATOR AND SUPPORT INSTALLATION (SIDE ENTRY PLATFORM)	
	0272976	Ref	Platform Rotator and Support Installation (Side Entry Platform) (Without Load Sensing)	A
	See Note	Ref	Platform Rotator and Support Installation (Side Entry Platform) (With Load Sensing) (Note: See Separate Breakdown in this Section)	
301	0100011	AR	Compound, Locking	
302	0641610	8	Bolt 3/8in-16NC x 1-1/4in	
303	0681608	6	Bolt 3/8in-16NC x 1in (Grade 8)	
304	3311605	8	Locknut 3/8in-16NC	

SECTION 3 - BOOM

ITEM	PART NUMBER	QTY	DESCRIPTION	REV
305	4711600	16	Flatwasher 3/8in	
306		Ref	Weldment, Support Options:	
306	4846608	1	Weldment, Support (With Load Sensing)	
306	See Note Above	1	Weldment, Support (With Load Sensing)	
307	4891600	6	Flatwasher 3/8in Hardened	

SECTION 3 - BOOM

FIGURE 3-7. ROTATOR ASSEMBLY

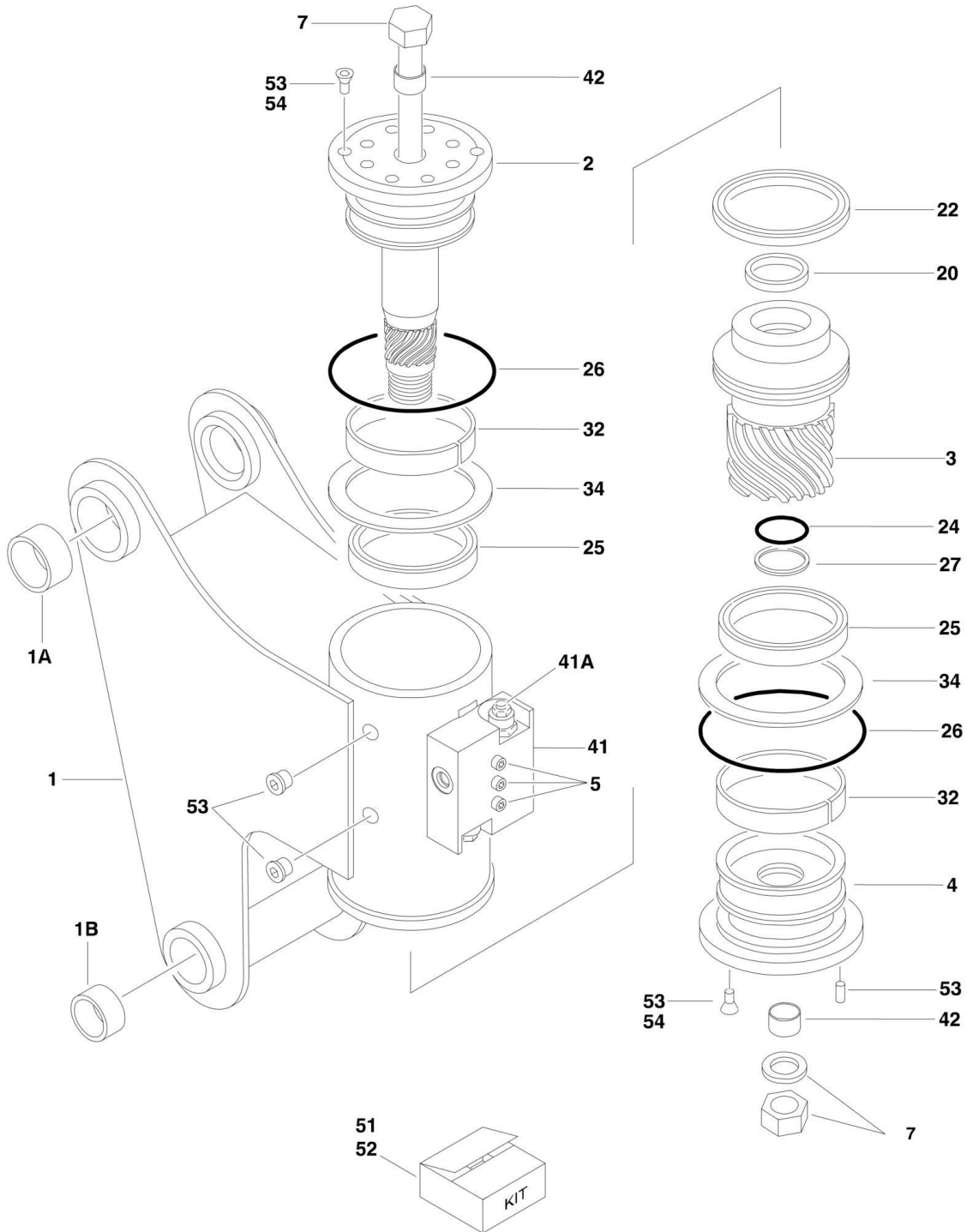


FIGURE 3-7. ROTATOR ASSEMBLY

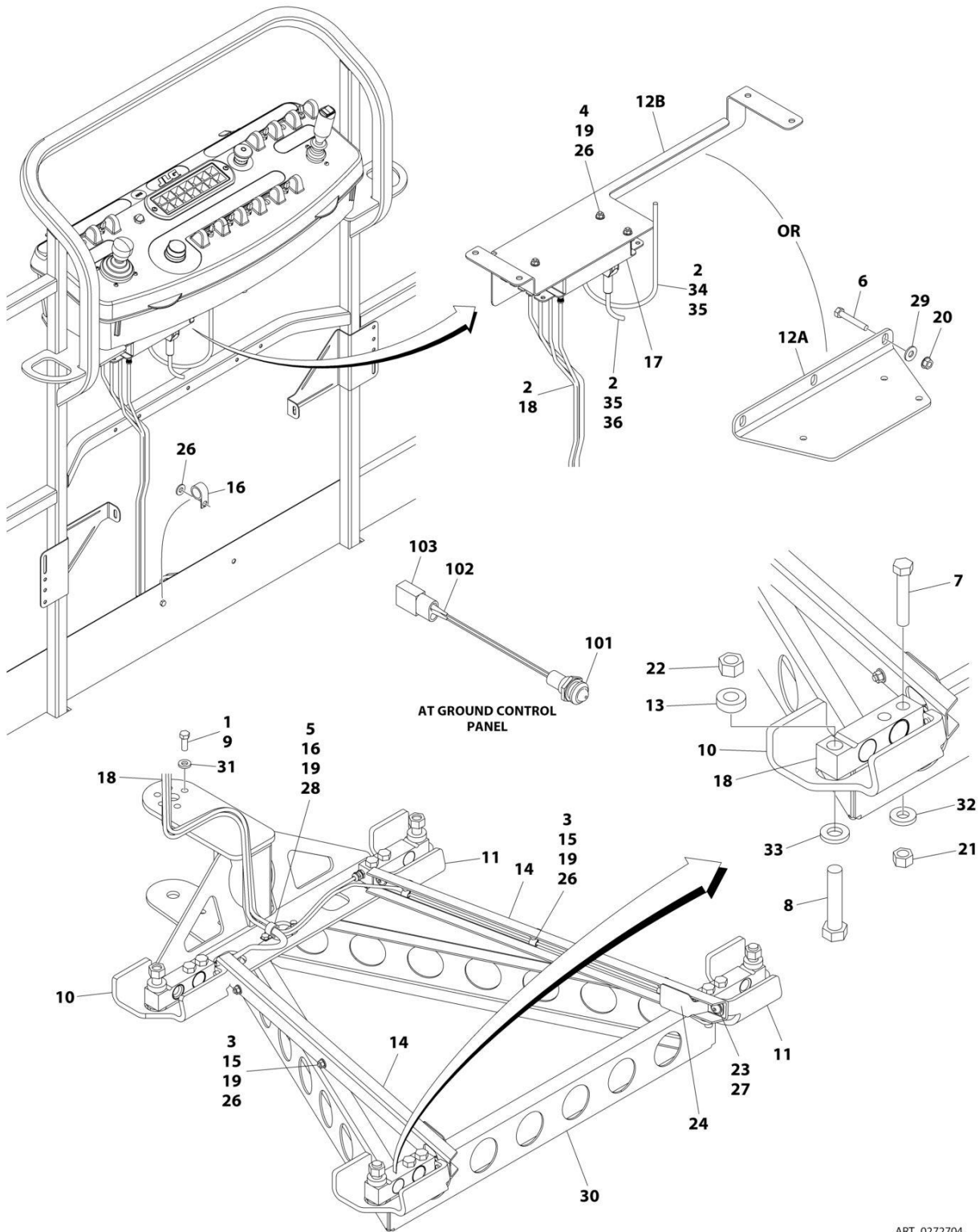
ITEM	PART NUMBER	QTY	DESCRIPTION	REV
		Ref	ROTATOR ASSEMBLIES	
	0060052	Ref	Rotator Assemblies (E400A,E400Anarrow,E450A,M400A,M400Anarrow,M450A)	F
	0060044	Ref	Rotator Assemblies (E450AJ,M450AJ)	D
	0060044	Ref	Rotator Assemblies (Platform Support to Jib) (E400AJP,E400AJPnarrow,M400AJP,M400AJPnarrow)	D
	0060046	Ref	Rotator Assemblies (Main Boom to Jib) (E400AJP,E400AJPnarrow,M400AJP,M400AJPnarrow) (Prior to SN 0300064958)	C
	0060065	Ref	Rotator Assemblies (Main Boom to Jib) (E400AJP,E400AJPnarrow,M400AJP,M400AJPnarrow) (SN 0300064958 through 0300189901)	C
		Ref	Note: There are 2 different versions each of Rotators p/n 0060044 & 0060052. No SN break exists. Order parts by the Helac Control #.	
1	See Note	1	Case/Bracket Weldment (Note: Not Available - Purchase Complete Assembly)	
1A	0962257	2	Bushing, Garmax (0060044 Rotator Only)	
1B	0961947	2	Bushing, Garmax (0060044 Rotator Only)	
2		Ref	Shaft Options:	
2	7017120	1	0060052 Rotators with Helac Control #26409	
2	7017196	1	0060052 Rotators with Helac Control #26966	
2	7017120	1	0060044 Rotators with Helac Control #25928	
2	7017196	1	0060044 Rotators with Helac Control #26962	
2	7017130	1	0060046 Rotator	
2	7017167	1	0060065 Rotator	
3		Ref	Piston Sleeve Options:	
3	7017121	1	0060052 Rotators with Helac Control #26409	
3	7027900	1	0060052 Rotators with Helac Control #26966	
3	7017121	1	0060044 Rotators with Helac Control #25928	
3	7027900	1	0060044 Rotators with Helac Control #26962	
3	7017131	1	0060046 Rotator	
3	7017168	1	0060065 Rotator	
4		Ref	Cap, End Options:	
4	7017153	1	0060052 Rotators with Helac Control #26409	
4	7027901	1	0060052 Rotators with Helac Control #26966	
4	0060044	1	0060044 Rotators with Helac Control #25928 (Note: Not available for purchase)	
4	7027901	1	0060044 Rotators with Helac Control #26962	
4	0060046	1	0060046 Rotator (Note: Not available for purchase)	
4	7017169	1	0060065 Rotator	
5	See Note	3	Capscrew 1/4in-20NC (Grade 8) (Note: Not Available - Purchase Locally)	
7		Ref	Tie Rod Assembly Options:	
7	7017126	1	0060044 & 0060052 Rotators	
7	7017135	1	0060046 Rotator	
7	7017173	1	0060065 Rotator	
20	See Note	1	Seal, Rod (Note: Use Item 52)	
22	See Note	1	Seal, Piston (Note: Use Item 52)	
24	See Note	1	Seal, Cap (Note: Use Item 52)	
25	See Note	2	Packing, Bearing (Note: Use Item 52)	
26	See Note	2	Seal (Note: Use Item 52)	

SECTION 3 - BOOM

ITEM	PART NUMBER	QTY	DESCRIPTION	REV
27	See Note	1	Ring, Back-Up Cap (Note: Use Item 52)	
32	See Note	2	Bearing, Shaft (Note: See Item 51)	
34	See Note	2	Washer, Thrust (Note: See Item 51)	
41		Ref	Counterbalance Valve Assembly Options:	
41	7017172	1	Helac p/n 24327 Stamped beside Mounting Screws (was p/n 7017125)	
41	7017172	1	Helac p/n 26553 or 26554 Stamped beside Mounting Screws	
41A		Ref	Valve, Cartridge Options:	
41A	7011323	2	Valve, Cartridge for Helac p/n 24327 Valve	
41A	2900770	2	Seal Kit - 7011323 Cartridge (1 Per Assembly)	
41A	7017192	2	Valve, Cartridge Helac p/n 26553 & 26554 (No Seal Kit Available)	
42	See Note	2	Bushing, Shaft (Note: Not available for purchase)	
51		Ref	Bearing Kit Options (Includes Items 32 - 34):	
51	7017122	1	0060044 & 0060052 Rotators	
51	7017134	1	0060046 Rotator	
51	7017178	1	0060065 Rotator	
52		Ref	Seal Kit Options (Includes Items 20, 22, 24, 25, 26 & 27):	
52		Ref	0060044 & 0060052 Rotators Options:	
52	7017127	1	Standard	
52	70000341	1	Low Temperature	
52		Ref	0060046 Rotator Options:	
52	7017165	1	Standard (was p/n 7017133)	
52	See Note	1	Low Temperature (Note: Not available for purchase)	
52		Ref	0060065 Rotator Options:	
52	7017165	1	Standard	
52	70000340	1	Low Temperature	
53		Ref	Hardware Kit Options:	
53	7017123	1	0060044 & 0060052 Rotators	
53	7017132	1	0060046 Rotator	
53	7017179	1	0060065 Rotator	
54	70001697	4	Screw 1/4 x 3/8 Grade 8	

SECTION 3 - BOOM

FIGURE 3-8. PLATFORM SUPPORT INSTALLATION - WITH LSS



ART_0272704

SECTION 3 - BOOM

FIGURE 3-8. PLATFORM SUPPORT INSTALLATION - WITH LSS

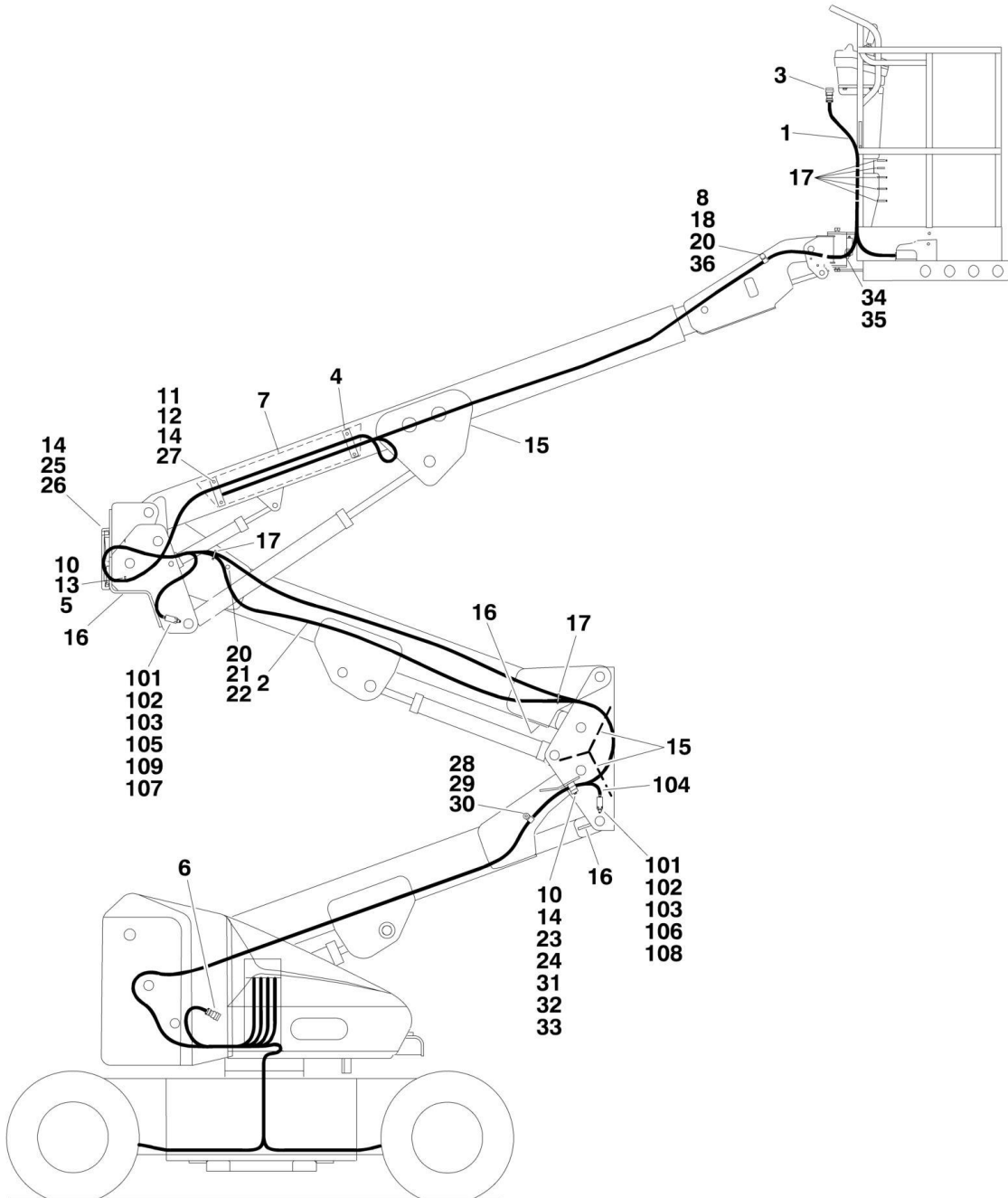
ITEM	PART NUMBER	QTY	DESCRIPTION	REV
		Ref	PLATFORM SUPPORT INSTALLATION - WITH LSS	
	0272704	Ref	Platform Support Installation (E400AJP,E400AJPnarrow,E450AJ,M400AJP,M400AJPnarrow, M450AJ)	K
	1001108604	Ref	Platform Support Installation (E400A,E400Anarrow,E450A,M400A,M400Anarrow,M450A)	C
1	0100011	AR	Compound, Locking	
2	0100048	AR	Grease, Dielectric	
3		Ref	Bolt Options:	
3	0630407	6	Capscrew 1/4 x 5/8	
3	0641405	6	Bolt 1/4 x 5/8	
4		Ref	Bolt Options:	
4	0641405	3	Bolt 1/4 x 5/8	
4	0641406	3	Bolt 1/4 x 3/4	
4	0641416	3	Bolt 1/4 x 2	
5	0641407	1	Bolt 1/4 x 7/8	
6	0641516	3	Bolt 5/16 x 2	
7	0641822	8	Bolt 1/2 x 2-3/4	
8	0642024	4	Bolt 5/8 x 3	
9	0681608	6	Bolt 3/8 x 1	
10	0902919	2	Bracket, Cell Guard	
11	0902920	1	Bracket, Cell Guard	
12		Ref	Bracket, Module Mounting Options:	
12A	0902894	1	Design A (Prior to SN 0300138471)	
12B	1001113483	1	Design B (SN 0300138471 through 0300189901)	
13	0962450	4	Bushing, Spacer	
14	1271538	2	Channel	
15	1320136	6	Clamp	
16	1320224	2	Clamp	
17		Ref	Electronic Interface Module Options (Note: Re-calibration Required when Replaced):	
17	1600350	1	Electronic Interface Module (Prior to SN 0300076525)	
17	1600387	1	Electronic Interface Module	
18	2420202	4	Load Cell Assembly	
19	3311405	10	Nut 1/4	
20	3311508	3	Nut 5/16	
21	3311805	8	Nut 1/2	
22	3312005	4	Nut 5/8	
23	3900283	4	Screw 3/8 x 3/4	
24	4061054	2	Shield	
25	4240033	AR	Tie-Strap (Not Shown)	
26	4711400	13	Washer 1/4	
27	4711600	4	Washer 3/8	
28	4751400	1	Washer 1/4	
29	4751500	3	Washer 5/16	
30	4846608	1	Platform Support	
31	4891600	6	Washer 3/8	
32	4891800	8	Washer 1/2	
33	4892000	4	Washer 5/8	
34	4922916	1	Harness, LSS System	

SECTION 3 - BOOM

ITEM	PART NUMBER	QTY	DESCRIPTION	REV
34	4460933	1	Connector - 12 Position (Grey) (J1)	
34	4460465	3	Socket, Female	
34	4460466	9	Plug, Terminal	
34	0840055	1	Boot	
34	4460313	3	Terminal, Ring	
35	4933289	1	EIM Load Cell to Platform Console Box Wiring (See Separate Breakdown in ELECTRICAL SECTION)	
36	4922917	1	Harness, Analyzer	
36	4460836	1	Connector - 12 Position (Black) (J2)	
36	4460465	4	Socket, Female	
36	4460466	8	Plug, Terminal	
36	0840055	1	Boot	
36	4460761	1	Connector - 4 Position	
36	4460227	4	Pin, Male	
37	4460225	1	Connector - 6 Position (Not Shown – Located in Platform Console Box (J8) (E400A,E400Anarrow,E450A,M400A,M400Anarrow,M450A)	
	0273104	Ref	INDICATOR LIGHT INSTALLATION (LSS)	A/1
101	2920151	1	Light (Located on Ground Control Box)	
102	4460226	2	Socket, Female	
103	4460424	1	Connector - 2 Position	
104	4922926	1	Harness, Indicator Lamp (Not Shown - Located at Ground Control Box)	
104	4460265	1	Plug, Male - 9 Position	
104	4460320	1	Plug, Male - 2 Position	
104	4460226	3	Socket, Female	
104	4460227	2	Pin, Male	
104	4460042	1	Terminal, Ring	
104	4460313	1	Terminal, Ring	

SECTION 3 - BOOM

FIGURE 3-9. CABLES/CLAMPS AND LIMIT SWITCHES INSTALLATIONS



SECTION 3 - BOOM

FIGURE 3-9. CABLES/CLAMPS AND LIMIT SWITCHES INSTALLATIONS

ITEM	PART NUMBER	QTY	DESCRIPTION	REV
		Ref	CABLES AND CLAMPS INSTALLATION	
	0257735	Ref	Cables and Clamps Installation (E450A,M450A)	H
	0259367	Ref	Cables and Clamps Installation (E450AJ,M450AJ)	E
	0270817	Ref	Cables and Clamps Installation (E400A,E400Anarrow,M400A,M400Anarrow)	C
	0259970	Ref	Cables and Clamps Installation (E400AJP,E400AJPnarrow,M400AJP,M400AJPnarrow)	D
1		Ref	Harness Assembly - Upper Boom Options (See ELECTRICAL SECTION for Breakdown):	
1	4922178	1	Harness Assembly - Upper Boom (E450A,M450A)	
1	4922552	1	Harness Assembly - Upper Boom (E450AJ,M450AJ)	
1	4922496	1	Harness Assembly - Upper Boom (E400A,E400Anarrow,M400A,M400Anarrow)	
1	4922364	1	Harness Assembly - Upper Boom (E400AJP,E400AJPnarrow,M400AJP,M400AJPnarrow) (Prior to SN 0300071419)	
1	4922496	1	Harness Assembly - Upper Boom (E400AJP,E400AJPnarrow,M400AJP,M400AJPnarrow) (SN 0300071419 through 0300189901)	
2		Ref	Harness Assembly - Lower Boom Options (See ELECTRICAL SECTION for Breakdown):	
2	4922179	1	Harness Assembly - Lower Boom (E450A,E450AJ,M450A,M450AJ)	
2	4922495	1	Harness Assembly - Lower Boom (E400A,E400Anarrow,M400A,M400Anarrow) (Prior to SN 0300071418)	
2	4922363	1	Harness Assembly - Lower Boom (E400A,E400Anarrow,M400A,M400Anarrow) (SN 0300071418 through 0300189901)	
2	4922363	1	Harness Assembly - Lower Boom (E400AJP,E400AJPnarrow,M400AJP,M400AJPnarrow)	
3	4460754	1	Connector	
4	1320260	2	Block, Hose Clamp	
5	0561317	1	Block, Hose Clamp	
6	4460753	1	Connector	
7		Ref	Shield Options:	
7	3536999	1	Shield (E400A,E400Anarrow,E450A,M400A,M400Anarrow,M450A)	
7	3571462	1	Shield (E400AJP,E400AJPnarrow,E450AJ,M400AJP,M400AJPnarrow,M450AJ)	
8		Ref	Cover, Clamp Options:	
8	1320195	1	Cover, Clamp (E450A,M450A) (Prior to SN 0300060132)	
8	Not Required	0	Cover, Clamp (E450A,M450A) (SN 0300060132 through 0300189898)	
8	Not Required	0	Cover, Clamp (E400A,E400AJP,E400AJPnarrow,E400Anarrow,E450AJ,M400A,M400AJP,M400AJPnarrow,M400Anarrow,M450AJ)	
10	4751500	5	Flatwasher 5/16in	
11	4751400	12	Flatwasher 1/4in	
12	3311401	6	Nut 1/4in-20NC	
13	0641514	3	Bolt 5/16in-18NC x 1 3/4in	
14	0100011	AR	Compound, Locking	
15	4060805	AR	Trim	

SECTION 3 - BOOM

ITEM	PART NUMBER	QTY	DESCRIPTION	REV
16	4060808	8 ft/2.4m	Trim 1/2in	
17	4240099	26	Tie-Strap	
18	0641516	AR	Bolt 5/16in-18NC x 2in	
20	3311505	2	Locknut 5/16in-18NC	
21	4566243	1	Roller	
22	0641560	1	Bolt 5/16in-18NC x 7-1/2in	
23	4300140	2	Stud, Weld 5/16in-18NC x 3-5/8in	
24		Ref	Hose Clamp Block Options:	
24	0561384	1	Hose Clamp Block (E450A,M450A)	
24	0561359	1	Hose Clamp Block (E450AJ,M450AJ)	
24	0561384	1	Hose Clamp Block (E400A,E400AJP,E400AJPnarrow,E400Anarrow,M400A,M400AJP,M400AJPnarrow,M400Anarrow)	
25	1670697	1	Cover, Hose	
26	0630467	4	Capscrew, Button 5/16in-18NC x 1/2in	
27	3300151	6	Nut, Acorn 1/4in - 20NC	
28		Ref	Clamp, Cable Options:	
28	1320040	1	Clamp, Cable (Prior to SN 0300177913)	
28	1320043	1	Clamp, Cable (SN 0300177913 through 0300189901)	
29	0641410	1	Bolt 1/4in-20NC x 1-1/4in	
30	3311405	1	Locknut 1/4in-20NC	
31		Ref	Hose Clamp Block Options:	
31	0561360	1	Hose Clamp Block (E450A,E450AJ,M450A,M450AJ)	
31	0561385	1	Hose Clamp Block (E400A,E400AJP,E400AJPnarrow,E400Anarrow,M400A,M400AJP,M400AJPnarrow,M400Anarrow)	
32		Ref	Hose Clamp Block Options: (E400A,E400AJP,E400AJPnarrow,E400Anarrow,M400A,M400AJP,M400AJPnarrow,M400Anarrow)	
32	0561361	1	Hose Clamp Block (E400A,E400AJP,E400AJPnarrow,E400Anarrow,M400A,M400AJP,M400AJPnarrow,M400Anarrow)	
32	0561386	1	Hose Clamp Block (E400A,E400AJP,E400AJPnarrow,E400Anarrow,M400A,M400AJP,M400AJPnarrow,M400Anarrow)	
33	0100019	AR	Compound, Locking	
34		Ref	Clamp Options:	
34	Not Required	0	Clamp (E450A,M450A)	
34	1320095	1	Clamp (E450AJ,M450AJ)	
34	Not Required	0	Clamp (E400A,E400AJP,E400AJPnarrow,E400Anarrow,M400A,M400AJP,M400AJPnarrow,M400Anarrow)	
35		Ref	Sleeve Options:	
35	4100065	1	Sleeve (E400AJP,E400AJPnarrow,M400AJP,M400AJPnarrow)	
35	4100065	1	Sleeve (E400A,E400Anarrow,E450A,M400A,M400AJPnarrow,M450A) (Prior to SN 0300070932)	
35	4100067	1	Sleeve (E400AJP,E400AJPnarrow,M400AJP,M400AJPnarrow)	
35	4100067	1	Sleeve (E450AJ,M450AJ)	
36		Ref	Clamp Options:	
36	1320199	1	Clamp (E450A,M450A) (Prior to SN 0300060132)	
36	0561424	1	Clamp (E450A,M450A) (SN 0300060132 through 0300189898)	

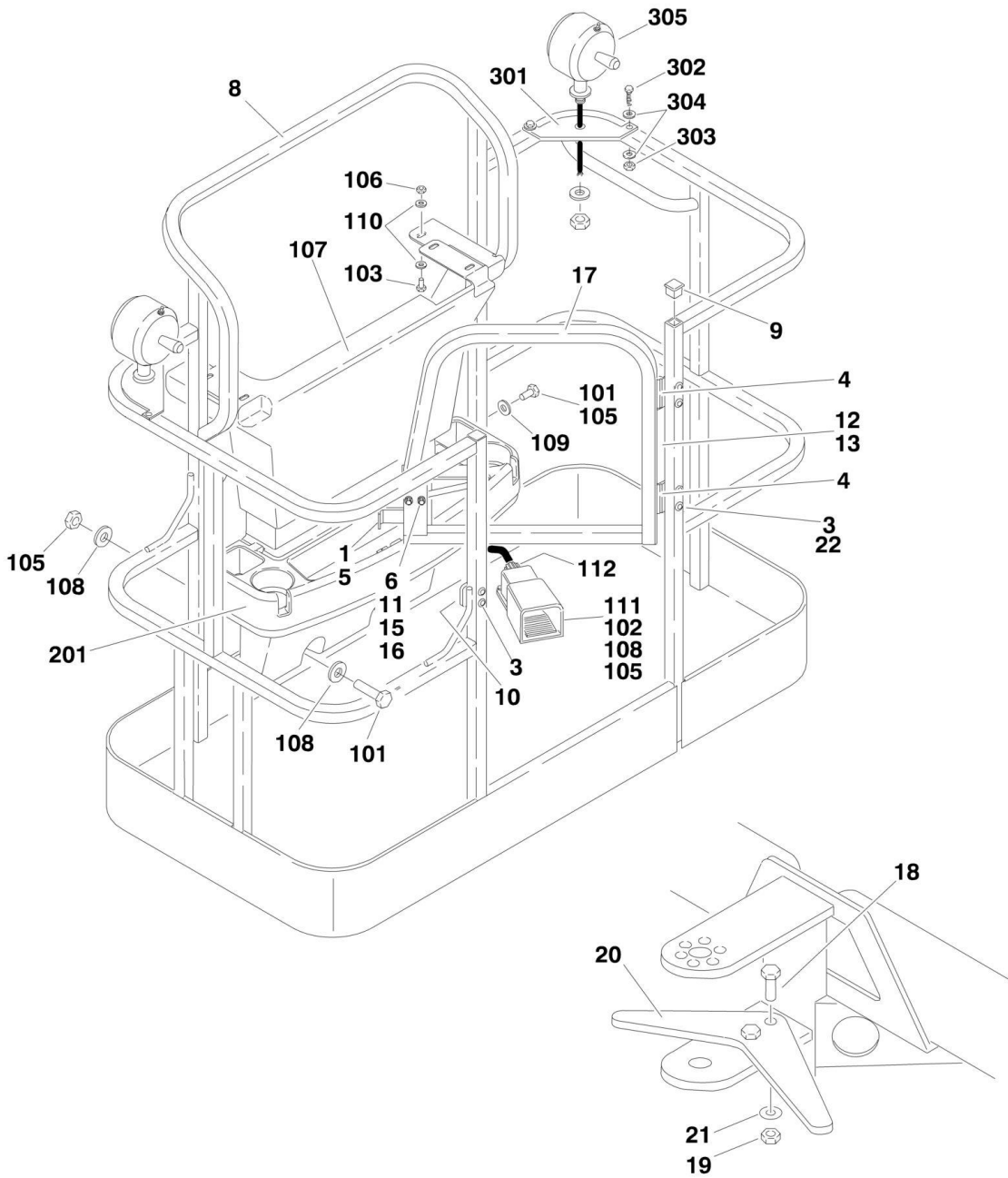
SECTION 3 - BOOM

ITEM	PART NUMBER	QTY	DESCRIPTION	REV
36	Not Required	0	Clamp (E400AJP,E400AJPnarrow,E450AJ,M400AJP,M400AJPnarrow,M450AJ)	
36	0561424	1	Clamp (E400A,E400Anarrow,M400A,M400Anarrow)	
		Ref	LIMIT SWITCHES INSTALLATION	
	0254875	Ref	Limit Switches Installation (E450A,E450AJ,M450A,M450AJ) (Prior to SN 0300063768)	5
	0271493	Ref	Limit Switches Installation (E450A,E450AJ,M450A,M450AJ) (SN 0300063768 through 0300189898)	2
	0254875	Ref	Limit Switches Installation (E400A,E400Anarrow,M400A,M400Anarrow) (Prior to SN 0300063768)	5
	0253704	Ref	Limit Switches Installation (E400AJP,E400AJPnarrow,M400AJP,M400AJPnarrow) (Prior to SN 0300063768)	6
	0271494	Ref	Limit Switches Installation (E400A,E400AJP,E400AJPnarrow,E400Anarrow,M400A,M400AJP,M400AJPnarrow,M400Anarrow) (SN 0300063768 through 0300189901)	2
101		Ref	Switch, Limit Options:	
101	4360321	2	Switch, Limit (Prior to SN 0300074300)	
101	4360548	2	Switch, Limit (SN 0300074300 through 0300189901)	
102		Ref	Connector, Strain Relief Options:	
102	4460428	2	Use with 4360321 Limit Switch	
102	4460968	2	Use with 4360548 Limit Switch	
103	3311005	4	Locknut #10-24NC	
104		Ref	Harness (Lower) Options:	
104	1060341	AR	Harness (Lower) (Prior to SN 0300063768)	
104	4922614	1	Harness (Lower) (SN 0300063768 through 0300189901)	
105		Ref	Screw Options:	
105	3900246	2	Screw, Filister Head #10-24NC x 1-3/4in (Prior to SN 0300070080)	
105	3931028	2	Screw #10-24NC x 1-3/4in (SN 0300070080 through 0300189901)	
106	3900104	2	Screw, Filister Head #10-24NC x 2-1/4in	
107		Ref	Harness (Upper) Options:	
107	1060341	AR	Harness (Upper) (Prior to SN 0300063768)	
107	4922613	1	Harness (Upper) (E450A,E450AJ,M450A,M450AJ) (SN 0300063768 through 0300189898)	
107	4922615	1	Harness (Upper) (E400A,E400AJP,E400AJPnarrow,E400Anarrow,M400A,M400AJP,M400AJPnarrow,M400Anarrow) (SN 0300063768 through 0300189901)	
108	1670832	1	Cover, Switch Lower	
109	1670833	1	Cover, Switch Upper	

SECTION 4 - PLATFORM

SECTION 4 - PLATFORM

FIGURE 4-1. PLATFORM COMPONENTS INSTALLATION (FRONT ENTRY PLATFORM)



SECTION 4 - PLATFORM

FIGURE 4-1. PLATFORM COMPONENTS INSTALLATION (FRONT ENTRY PLATFORM)

ITEM	PART NUMBER	QTY	DESCRIPTION	REV
		Ref	PLATFORM INSTALLATIONS WITH SWING GATE	
	3510694	Ref	4ft/1.22m Width without Mesh	D
	3510725	Ref	4ft/1.22m Width with Mesh to Top Rail/Self Closing Gate	C
	3510714	Ref	4ft/1.22m Width with Self Closing Gate	C
	3510693	Ref	5ft/1.52m Width without Mesh (Without Stop)	D
	0270407	Ref	5ft/1.52m Width without Mesh (With Stop)	C
	3510735	Ref	5ft/1.52m Width with Mesh to Top Rail/Self Closing Gate (Without Stop)	C
	0270409	Ref	5ft/1.52m Width with Mesh to Top Rail/Self Closing Gate (With Stop)	C
	3510810	Ref	5ft/1.52m Width with Self Closing Gate (Without Stop)	B
		Ref	Note: Replacement Decals Must be Ordered Separately - See DECAL SECTION.	
1	0100040	AR	Adhesive, Sealant	
3	2080040	13	Fastener, Huck	
4		Ref	Hinge Options:	
4	2600216	2	Standard Gates	
4	2600219	2	Self Closing Gates (Prior to SN 0300068512)	
4	2600287	2	Self Closing Gates (SN 0300068512 through 0300189901)	
5	2940074	1	Latch	
6	3311001	4	Nut #10-24NC (Standard Gates)	
6	3311005	4	Nut #10-24NC (Self Closing Gates) (Prior to SN 0300068512)	
8		Ref	Platform Weldment Options (Purchase Complete Platform):	
8	3510694	1	4ft/1.22m Width without Mesh	
8	3510725	1	4ft/1.22m Width with Mesh to Top Rail/Self Closing Gate	
8	3510690	1	4ft/1.22m Width with Self Closing Gate	
8	3510693	1	5ft/1.52m Width without Mesh (Without Stop)	
8	0270407	1	5ft/1.52m Width without Mesh (With Stop)	
8	3510735	1	5ft/1.52m Width with Mesh to Top Rail/Self Closing Gate (Without Stop)	
8	0270409	1	5ft/1.52m Width with Mesh to Top Rail/Self Closing Gate (With Stop)	
8	3510689	1	5ft/1.52m Width with Self Closing Gate (Without Stop)	
9	3520072	3	Cap-Plug	
10	3539685	1	Plate, Latch	
11	3911008	4	Screw #10-24NC x 1in	
12	4060803	AR	Trimlock	
13	4220165	1	Stop, Gate	
15	4751000	4	Flatwasher #10	
16	4761000	4	Lockwasher #10 (Standard Gates)	
16	4761000	4	Lockwasher #10 (Self Closing Gates) (Prior to SN 0300068512)	
17		Ref	Gate Weldment Options:	
17	4845327	1	Without Mesh	
17	4845426	1	Without Mesh/Self Closing	
17	4845951	1	With Mesh to Top Rail	
18	0641610	2	Bolt 3/8in-16NC x 1-1/4in (Platform with Stop Only)	
19	3311605	2	Locknut 3/8in-16NC (Platform with Stop Only)	
20		Ref	Stop Options (Platform with Stop Only):	
20	4846276	1	Weldment, Stop (Prior to SN 0300072144)	
20	3572413	1	Weldment, Stop (SN 0300072144 through 0300189901)	
21	4711600	4	Flatwasher 3/8in Narrow (Platform with Stop Only)	

SECTION 4 - PLATFORM

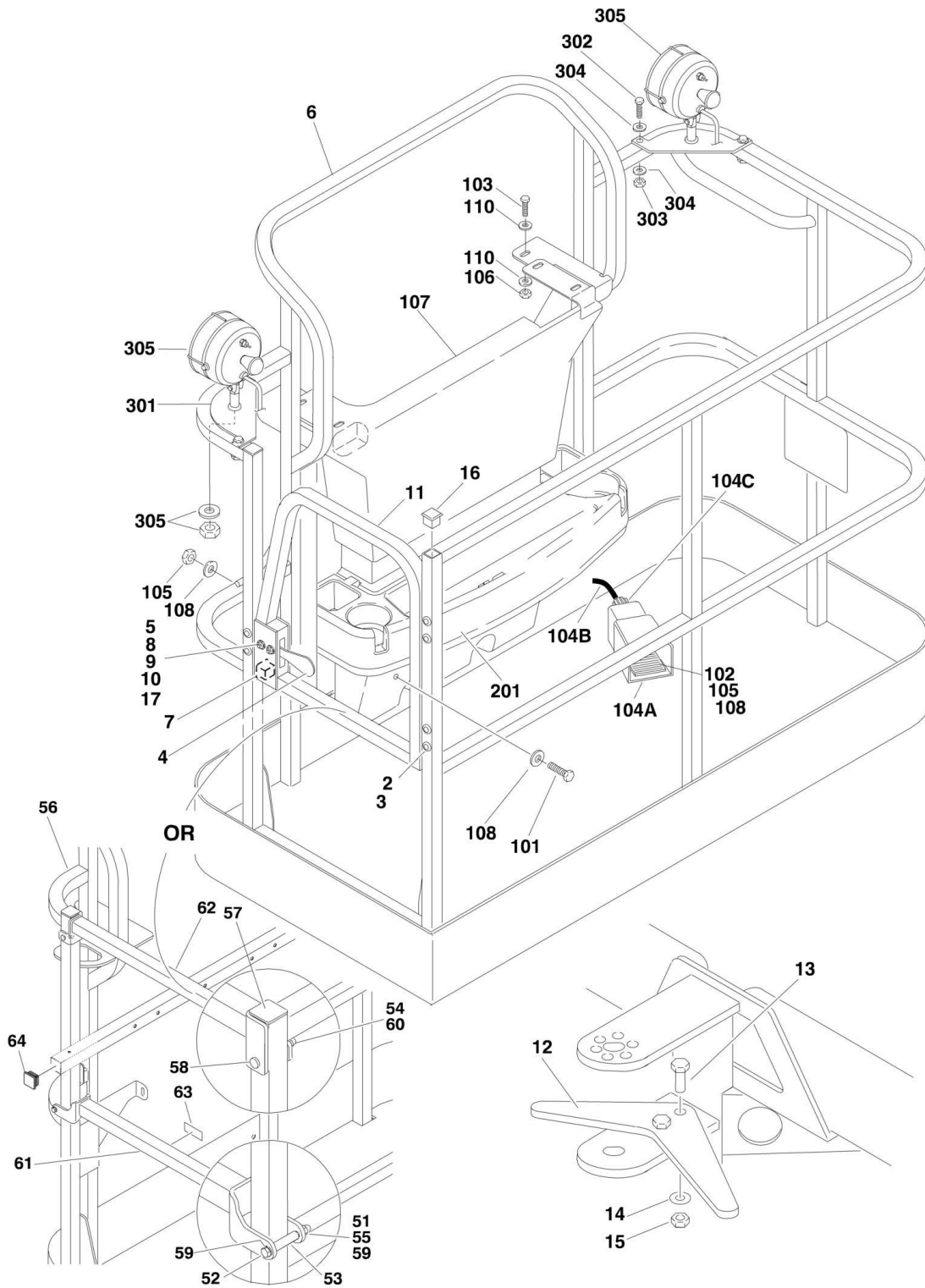
ITEM	PART NUMBER	QTY	DESCRIPTION	REV
22	7016652	13	Huck Fastener Kit (Replaces Huck Fasteners with Bolts)	
		Ref	CONSOLE BOX INSTALLATIONS AND ASSEMBLIES	
	0861176	Ref	Standard Spec (E450A,E450AJ,M450A,M450AJ) (Prior to SN 0300068945)	10-G
	0272082	Ref	Standard Spec (E450A,E450AJ,M450A,M450AJ) (SN 0300068945 through 0300189898)	B
	0861452	Ref	U/L Rated Spec (E450A,E450AJ,M450A,M450AJ) (Prior to SN 0300068945)	1-A
	0272105	Ref	U/L Rated Spec (E450A,E450AJ,M450A,M450AJ) (SN 0300068945 through 0300189898)	A
	0861176	Ref	Standard Spec (E400A,E400Anarrow,M400A,M400Anarrow) (Prior to SN 0300068945)	10-G
	0272082	Ref	Standard Spec (E400A,E400Anarrow,M400A,M400Anarrow) (SN 0300068945 through 0300189901)	A
	0861452	Ref	U/L Rated Spec (E400A,E400Anarrow,M400A,M400Anarrow) (Prior to SN 0300068945)	1-A
	0272105	Ref	U/L Rated Spec (E400A,E400Anarrow,M400A,M400Anarrow) (SN 0300068945 through 0300189901)	A
	0861314	Ref	Standard Spec (E400AJP,E400AJPnarrow,M400AJP,M400AJPnarrow) (Prior to SN 0300068945)	4-D
	0272106	Ref	Standard Spec (E400AJP,E400AJPnarrow,M400AJP,M400AJPnarrow) (SN 0300068945 through 0300189901)	A
	0861449	Ref	U/L Rated Spec (E400AJP,E400AJPnarrow,M400AJP,M400AJPnarrow) (Prior to SN 0300068945)	1-A
	0272104	Ref	U/L Rated Spec (E400AJP,E400AJPnarrow,M400AJP,M400AJPnarrow) (SN 0300068945 through 0300189901)	A
101	0641406	4	Bolt 1/4in-20NC x 3/4in	
102	0641408	3	Bolt 1/4in-20NC x 1in	
103	0641610	4	Bolt 3/8in-16NC x 1-1/4in	
104		Ref	Console Box Assembly Options: (Not Shown - See PLATFORM CONSOLE ASSEMBLY for Breakdown)	
104	0861529	1	Standard Spec (E450A,E450AJ,M450A,M450AJ)	
104	0861531	1	U/L Spec (E450A,E450AJ,M450A,M450AJ)	
104	0861529	1	Standard Spec (E400A,E400Anarrow,M400A,M400Anarrow)	
104	0861531	1	U/L Spec (E400A,E400Anarrow,M400A,M400Anarrow)	
104	0861532	1	Standard Spec (E400AJP,E400AJPnarrow,M400AJP,M400AJPnarrow)	
104	0861530	1	U/L Spec (E400AJP,E400AJPnarrow,M400AJP,M400AJPnarrow)	
105	3311405	7	Locknut 1/4in-20NC	
106	3311605	4	Locknut 3/8in-16NC	
107	3380434	1	Panel, Pedestal	
108	4740362	7	Washer, Fender 1/4in	
109	4751400	4	Flatwasher 1/4in (Wide)	
110	4751600	8	Flatwasher 3/8in (Wide)	
111	4360031	1	Footswitch	
111	7000625	2	Block, Contact	
111	3252347	1	Nameplate (Note: See DECAL SECTION for Other Languages)	
112	4460071	1	Connector, Strain Relief	
		Ref	TRAY INSTALLATIONS (OPTIONAL)	
201	1580012	1	Tray, Storage (Center)	

SECTION 4 - PLATFORM

ITEM	PART NUMBER	QTY	DESCRIPTION	REV
202	1580013	1	Tray, Storage (Rail Mounted - Not Shown)	
		Ref	WORKLIGHTS INSTALLATION (optional)	
	0259338	Ref	Standard Spec	2-B
	0271301	Ref	U/L Rated Spec	2-B
301	3536089	2	Plate, Mounting	
302	0641414	4	Bolt 1/4in-20NC x 1-3/4in	
303	3311405	4	Locknut 1/4in-20NC	
304	4711400	8	Flatwasher 1/4in Narrow	
305	2920095	2	Worklight	
305	7016356	2	Bulb, Replacement (1 Per Assembly)	
306	4240099	10	Tie-Strap (Not Shown)	
307	2820035	9	Loom, Vinyl (Not Shown)	
309	4460428	1	Connector, Strain Relief (Not Shown - Located at Console Box)	
312	4923061	1	Harness, Platform Work Lights (Not Shown)	
312	4460464	1	Pin, Male	

SECTION 4 - PLATFORM

FIGURE 4-2. PLATFORM COMPONENTS INSTALLATION (SIDE ENTRY PLATFORM)



SECTION 4 - PLATFORM

FIGURE 4-2. PLATFORM COMPONENTS INSTALLATION (SIDE ENTRY PLATFORM)

ITEM	PART NUMBER	QTY	DESCRIPTION	REV
		Ref	PLATFORM ASSEMBLY WITH GATE	
		Ref	Platform Assembly With Gate (Prior to SN 0300163749)	
	3510832	Ref	6ft (1.83m) with No Mesh and No Stop (Use p/n 1001144025) (E450A,M450A)	L
	3510831	Ref	5ft (1.52m) with No Mesh and No Stop (Use p/n 1001144026) (E400A,E400Anarrow,E450A,E450AJ,M400A,M400Anarrow,M450A,M450AJ)	L
	3510844	Ref	5ft (1.52m) with No Mesh and With Stop (E400AJP,E400AJPnarrow,M400AJP,M400AJPnarrow)	D
	3510830	Ref	4ft (1.22m) with No Mesh and No Stop (Use p/n 1001144027)	M
		Ref	Platform Assembly With Gate (SN 0300163749 through 0300189901)	
	1001144025	Ref	6ft (1.83m) with No Mesh and No Stop (E450A,M450A)	C
	1001144026	Ref	5ft (1.52m) with No Mesh and No Stop (E400A,E400Anarrow,E450A,E450AJ,M400A,M400Anarrow,M450A,M450AJ)	C
	3510844	Ref	5ft (1.52m) with No Mesh and With Stop (E400AJP,E400AJPnarrow,M400AJP,M400AJPnarrow)	E
	1001144027	Ref	4ft (1.22m) with No Mesh and No Stop	C
		Ref	Note: Platform and Mesh must be ordered separately for Platforms with Mesh. See Section 10 for Mesh Installations.	
		Ref	Note: Replacement Decals Must be Ordered Separately - See DECAL SECTION.	
1	0100040	AR	Sealant, Adhesive (Not Shown) (Prior to SN 0300103057)	
2	2080040	16	Fastener, Huck	
3	2600281	2	Hinge, Self-Closing	
4	2940074	1	Latch	
5	3311001	4	Nut #10-24NC - Platform with No Stop Only (Prior to SN 0300077390)	
6	See Note	1	Platform Weldment (Note: Not Available - Purchase Platform Assembly)	
7	3520072	1	Cap-Plug	
8		Ref	Hardware Options:	
8		Ref	Platform with No Stop:	
8	3911008	4	Screw #10-24NC x 1in (Prior to SN 0300077390)	
8	3820020	4	Pop Rivet (SN 0300077390 through 0300189901)	
8		Ref	Platform with Stop:	
8	3911008	4	Screw #10-24NC x 1in	
9	4751000	AR	Flatwasher #10 - Platform with No Stop Only (Prior to SN 0300077390)	
10	4761000	AR	Lockwasher #10 - Platform with No Stop Only (Prior to SN 0300077390)	
11		Ref	Gate Weldment Options:	
11	4846452	1	Gate Weldment (Prior to SN 0300163749)	
11	1001144629	1	Gate Weldment (SN 0300163749 through 0300189901)	
12	3572413	1	Stop (Platform with Stop Only)	
13	0641610	2	Bolt 3/8in-16NC x 1-1/4in (Platform with Stop Only)	
14	4711600	4	Flatwasher 3/8in Narrow (Platform with Stop Only)	
15	3311605	2	Locknut 3/8in-16NC (Platform with Stop Only)	
16	3520198	2	Cap-Plug	
17	0100011	AR	Compound, Locking - Platform with No Stop Only (Prior to SN 0300077390)	
		Ref	PLATFORM ASSEMBLY WITH DROP-BAR	

SECTION 4 - PLATFORM

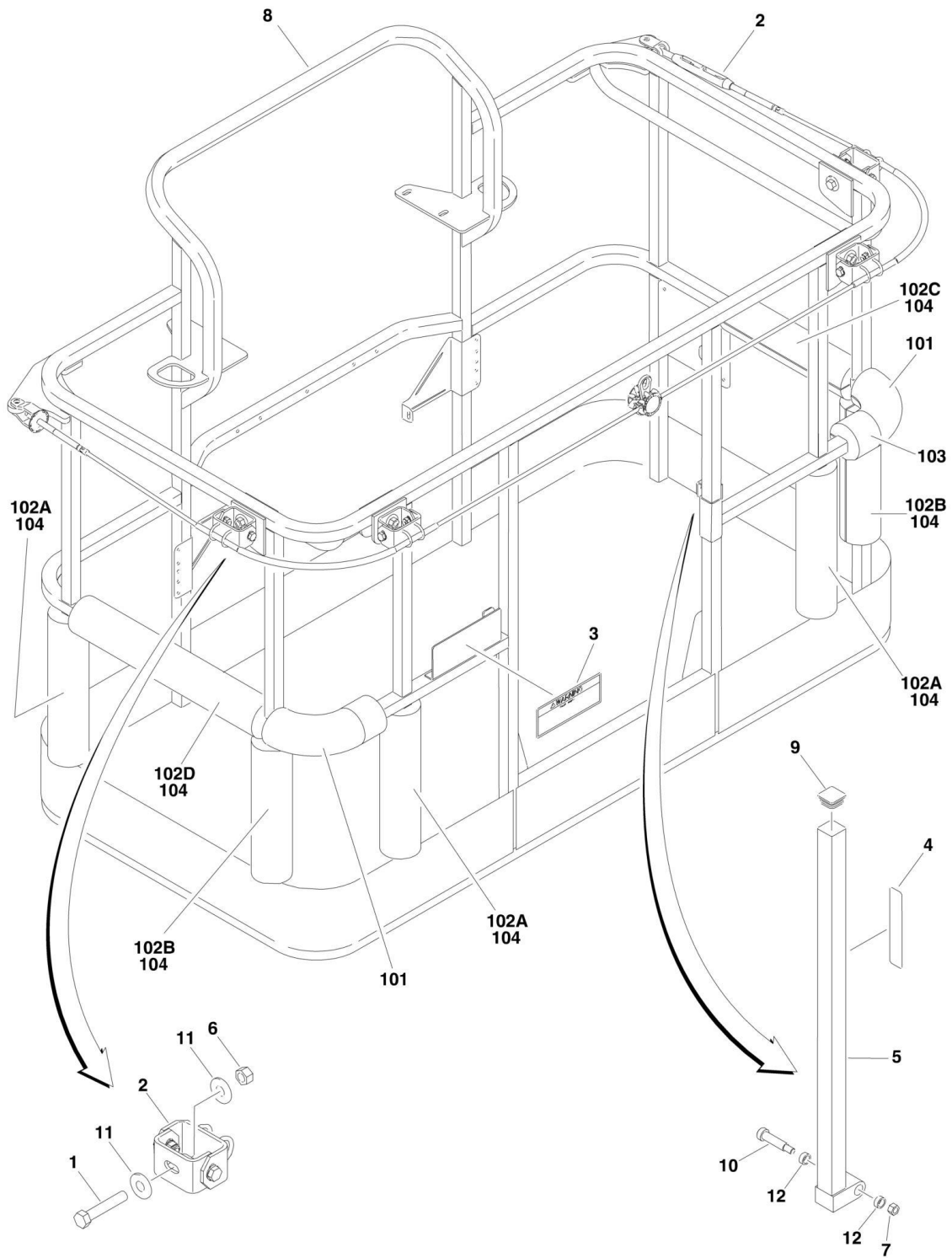
ITEM	PART NUMBER	QTY	DESCRIPTION	REV
		Ref	Platform Assembly With Drop-Bar (Prior to SN 0300163749)	
	1001138431	Ref	4ft x 2.5ft (1.2m x .76m) (Use p/n 1001144018)	B
	1001138432	Ref	5ft x 2.5ft (1.5m x .76m) (Use p/n 1001144019) (E400A,E400Anarrow,E450A,E450AJ,M400A,M400Anarrow,M450A,M450AJ)	B
	1001138433	Ref	6ft x 2.5ft (1.8m x .76m) (Use p/n 1001144020) (E450A,M450A)	B
		Ref	Platform Assembly With Drop-Bar (SN 0300163749 through 0300189901)	
	1001144018	Ref	4ft x 2.5ft (1.2m x .76m)	C
	1001144019	Ref	5ft x 2.5ft (1.5m x .76m) (E400A,E400Anarrow,E450A,E450AJ,M400A,M400Anarrow,M450A,M450AJ)	C
	1001144020	Ref	6ft x 2.5ft (1.8m x .76m) (E450A,M450A)	C
51	0100011	AR	Compound, Locking	
52	0641418	2	Bolt 1/4in-20NC x 2-1/4in	
53	0961845	2	Bushing	
54	3290606	2	Nut M6	
55	3300151	2	Nut, Acorn	
56	See Note	1	Platform Weldment (Note: Purchase Platform Assembly.)	
57	3520198	2	Cap-Plug	
58	4010618	2	Screw M6 x 50mm	
59	4711400	4	Flatwasher 1/4in	
60	4811700	2	Flatwasher M6	
61	1001138494	1	Bar, Drop	
62	1001138514	1	Rail (Top)	
63	1001140429	1	Decal - Drop-Bar	
64	3520072	2	Cap-Plug (SN 0300185894 through 0300189901)	
		Ref	CONSOLE BOX INSTALLATIONS AND ASSEMBLIES	
	1001146082	Ref	Standard Spec (was p/n 0272082) (E450A,E450AJ,M450A,M450AJ)	A-B
	1001145800	Ref	U/L Rated Spec (was p/n 0272105) (E450A,E450AJ,M450A,M450AJ)	A-B
	1001146082	Ref	Standard Spec (was p/n 027282) (E400A,E400Anarrow,M400A,M400Anarrow)	A-B
	1001145800	Ref	U/L Rated Spec (was p/n 0272105) (E400A,E400Anarrow,M400A,M400Anarrow)	A-B
	1001145801	Ref	Standard Spec (was p/n 0272106) (E400AJP,E400AJPnarrow,M400AJP,M400AJPnarrow)	A-B
	1001145796	Ref	U/L Rated Spec (was p/n 0272104) (E400AJP,E400AJPnarrow,M400AJP,M400AJPnarrow)	A-B
101	0641406	4	Bolt 1/4in-20NC x 3/4in	
102	0641408	3	Bolt 1/4in-20NC x 1in	
103	0641610	4	Bolt 3/8in-16NC x 1-1/4in	
104		Ref	Console Box Assembly Options: (Not Shown - See PLATFORM CONSOLE ASSEMBLY for Breakdown)	
104	0861529	NLA	Standard Spec (Use p/n 1001146083) (E450A,E450AJ,M450A,M450AJ)	
104	0861531	NLA	U/L Spec (Use p/n 1001145798) (E450A,E450AJ,M450A,M450AJ)	
104	0861529	NLA	Standard Spec (Use p/n 1001146083) (E400A,E400Anarrow,M400A,M400Anarrow)	
104	0861531	NLA	U/L Spec (Use p/n 1001145798) (E400A,E400Anarrow,M400A,M400Anarrow)	
104	0861532	NLA	Standard Spec (Use p/n 1001145799) (E400AJP,E400AJPnarrow,M400AJP,M400AJPnarrow)	

SECTION 4 - PLATFORM

ITEM	PART NUMBER	QTY	DESCRIPTION	REV
104	0861530	NLA	U/L Spec (Use p/n 1001145797) (E400AJP,E400AJPnarrow,M400AJP,M400AJPnarrow)	
104A		Ref	Footswitch Assembly Options:	
104A	0272971	1	Footswitch Assembly (Prior to SN 0300167691)	
104A	1001136889	1	Footswitch Assembly (SN 0300167691 through 0300189901)	
104A		Ref	Footswitch Options:	
104A	4360031	1	Footswitch (Prior to SN 0300143940)	
104A	7000625	2	Block, Contact for 4360031 Footswitch	
104A	1001117320	1	Footswitch (SN 0300143940 through 0300167691)	
104A	70003483	1	Block, Contact for 1001117320 Footswitch	
104A	1001117172	1	Footswitch (SN 0300167691 through 0300189901)	
104A	70002902	1	Block, Contact for 1001117172 Footswitch	
104A	70002903	1	Gasket for 1001117172 Footswitch	
104A	70002905	1	Cover for 1001117172 Footswitch	
104A	70002904	1	Bolt Replacement Kit for 1001117172 Footswitch	
104B	1060330	7 ft/2.14m	Cable, Electrical - 16/3	
104C	4460071	1	Connector, Strain Relief	
105	3311405	7	Locknut 1/4in-20NC	
106	3311605	4	Locknut 3/8in-16NC	
107	3380434	1	Panel, Pedestal	
108	4740362	7	Washer, Fender 1/4in	
109	4751400	4	Flatwasher 1/4in (Wide)	
110	4751600	8	Flatwasher 3/8in (Wide)	
		Ref	TRAY INSTALLATIONS (OPTIONAL)	
201	1580012	1	Tray, Storage (Center)	
202	1580013	1	Tray, Storage (Rail Mounted - Not Shown)	
		Ref	WORKLIGHTS INSTALLATION (optional)	
	0259338	Ref	Standard Spec	C
	0271301	Ref	U/L Rated Spec	C
301	3536089	2	Plate, Mounting	
302	0641414	4	Bolt 1/4in-20NC x 1-3/4in	
303	3311405	4	Locknut 1/4in-20NC	
304	4711400	8	Flatwasher 1/4in Narrow	
305	2920095	2	Worklight	
305	7016356	2	Bulb, Replacement (1 Per Assembly)	
306	4240099	10	Tie-Strap (Not Shown)	
307	2820035	9	Loom, Vinyl (Not Shown)	
309	4460428	1	Connector, Strain Relief (Not Shown - Located at Console Box)	
312	4923061	1	Harness, Platform Work Lights (Not Shown)	
312	4460464	1	Pin, Male	

SECTION 4 - PLATFORM

FIGURE 4-3. PLATFORM COMPONENTS INSTALLATION (FALL ARREST PLATFORM) (OPTIONAL)



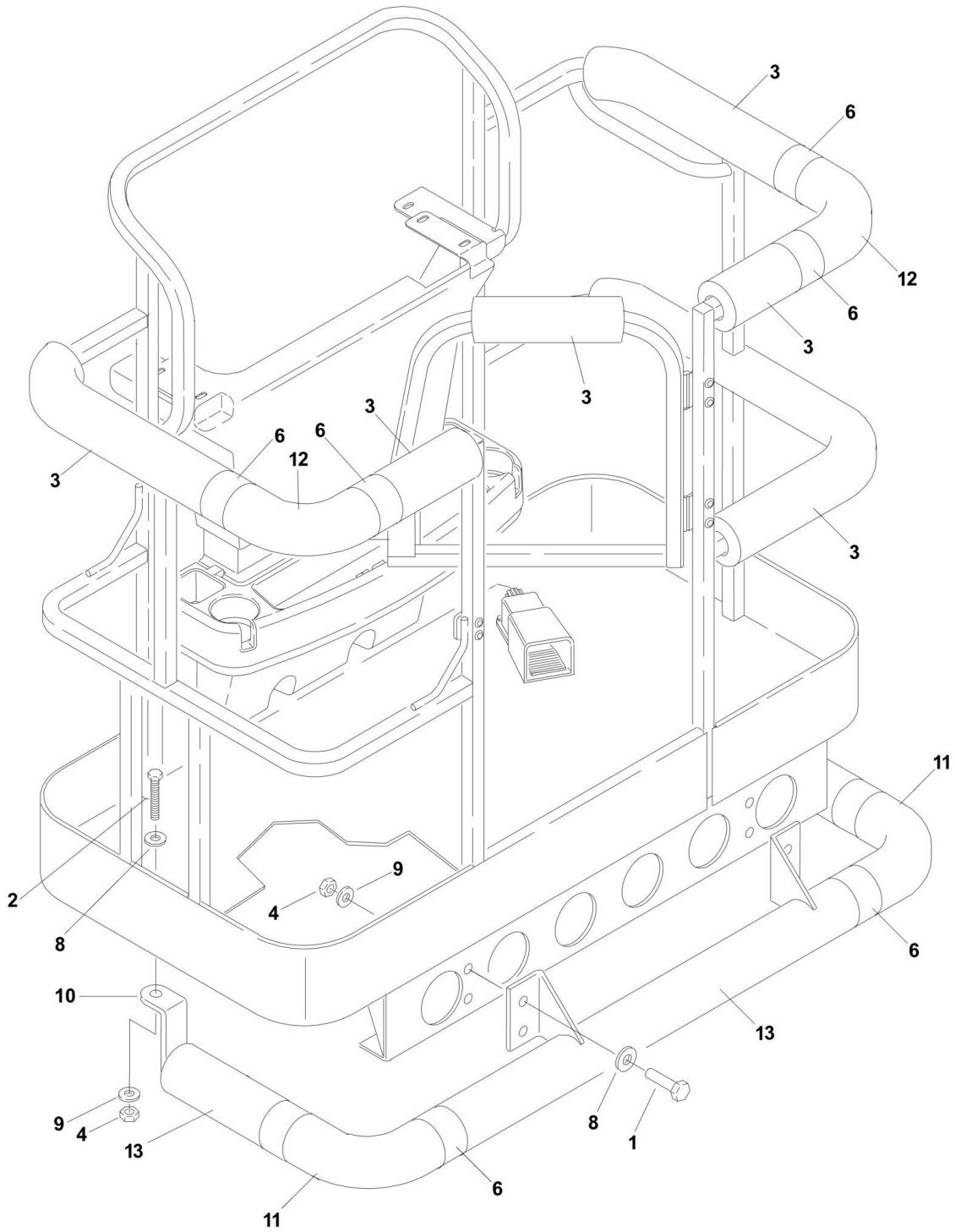
SECTION 4 - PLATFORM

FIGURE 4-3. PLATFORM COMPONENTS INSTALLATION (FALL ARREST PLATFORM) (OPTIONAL)

ITEM	PART NUMBER	QTY	DESCRIPTION	REV
	3510884	Ref	PLATFORM ASSEMBLY (FALL ARREST)	B
		Ref	Note: Replacement Decals Must be Ordered Separately - See DECAL SECTION.	
1	0681822	4	Bolt 1/2in-13NC x 2-3/4in	
2	1060919	1	Cable, Fall Arrest	
3	1705014	1	Decal - Safety	
4	1706385	1	Decal - Drop Bar	
5	2410014	1	Gate Weldment	
6	3271805	4	Locknut 1/2in-13NC	
7	3311605	1	Locknut 3/8in-16NC	
8	3510884	1	Platform Weldment (Note: Not available for purchase)	
9	3520072	1	Cap-Plug	
10	3900054	1	Bolt 1/2in-13NC x 1-3/4in	
11	4751800	8	Flatwasher 1/2in (Wide)	
12	0962270	2	Bearing, Oilite	
		Ref	PLATFORM PADDING INSTALLATION (OPTIONAL)	
	0275698	Ref	Platform Padding Installation 36in x 72in Platform	A
101	0940092	2	Pad, Corner Bumper	
102	0940094	AR	Pad, Bumper Options:	
102A		Ref	Pad, Bumper 14.875in	
102B		Ref	Pad, Bumper 13.750in	
102C		Ref	Pad, Bumper 14.500in	
102D		Ref	Pad, Bumper 22.000in	
103	4420068	AR	Tape, Yellow Safety	
104	0940198	1	Kit, Pre-Cut Bumper	

SECTION 4 - PLATFORM

FIGURE 4-4. PLATFORM PADDING INSTALLATION (FRONT ENTRY PLATFORM)



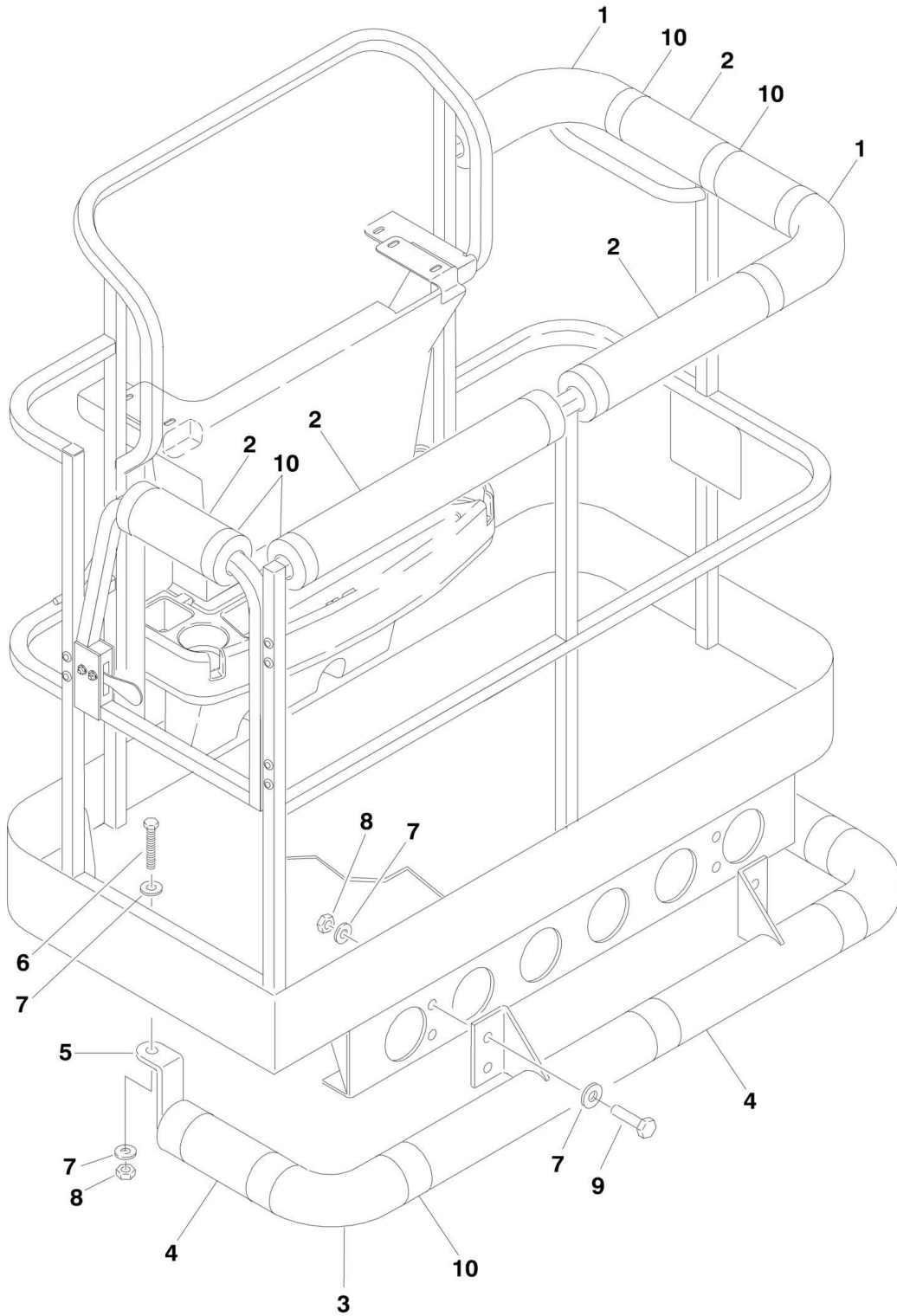
SECTION 4 - PLATFORM

FIGURE 4-4. PLATFORM PADDING INSTALLATION (FRONT ENTRY PLATFORM)

ITEM	PART NUMBER	QTY	DESCRIPTION	REV
		Ref	PLATFORM PADDING INSTALLATION OPTIONS:	
	0270338	Ref	30in x 48in	B
	0271937	Ref	Platform Padding Installation (30in x 60in)	1-A
1		Ref	Bolt Options:	
1	0641508	4	30in x 48in Assemblies (Bolt 5/16in-18NC x 1in)	
1	0641506	4	30in x 60in Assemblies (Bolt 5/16in-18NC x 3/4in)	
2	0641516	2	Bolt 5/16in-18NC x 2in	
3	0940094	AR	Padding	
4		Ref	Nut Options:	
4	3311501	6	30in x 48in Assemblies (Nut 5/16in-18NC)	
4	3311505	6	30in x 60in Assemblies (Locknut 5/16in-18NC)	
6	4420068	36 ft/11m	Tape, Yellow Adhesive	
8	4751500	6	Flatwasher 5/16in (Wide)	
9	4761500	6	Lockwasher 5/16in	
10		Ref	Bumper Rail Options:	
10	4844917	1	30in x 48in Assemblies	
10	4845346	1	30in x 60in Assemblies	
11	0940091	2	Corner, Padded	
12	0940092	2	Corner, Padded	
13	0940093	AR	Padding (Bottom)	

SECTION 4 - PLATFORM

FIGURE 4-5. PLATFORM PADDING INSTALLATION (SIDE ENTRY PLATFORM)



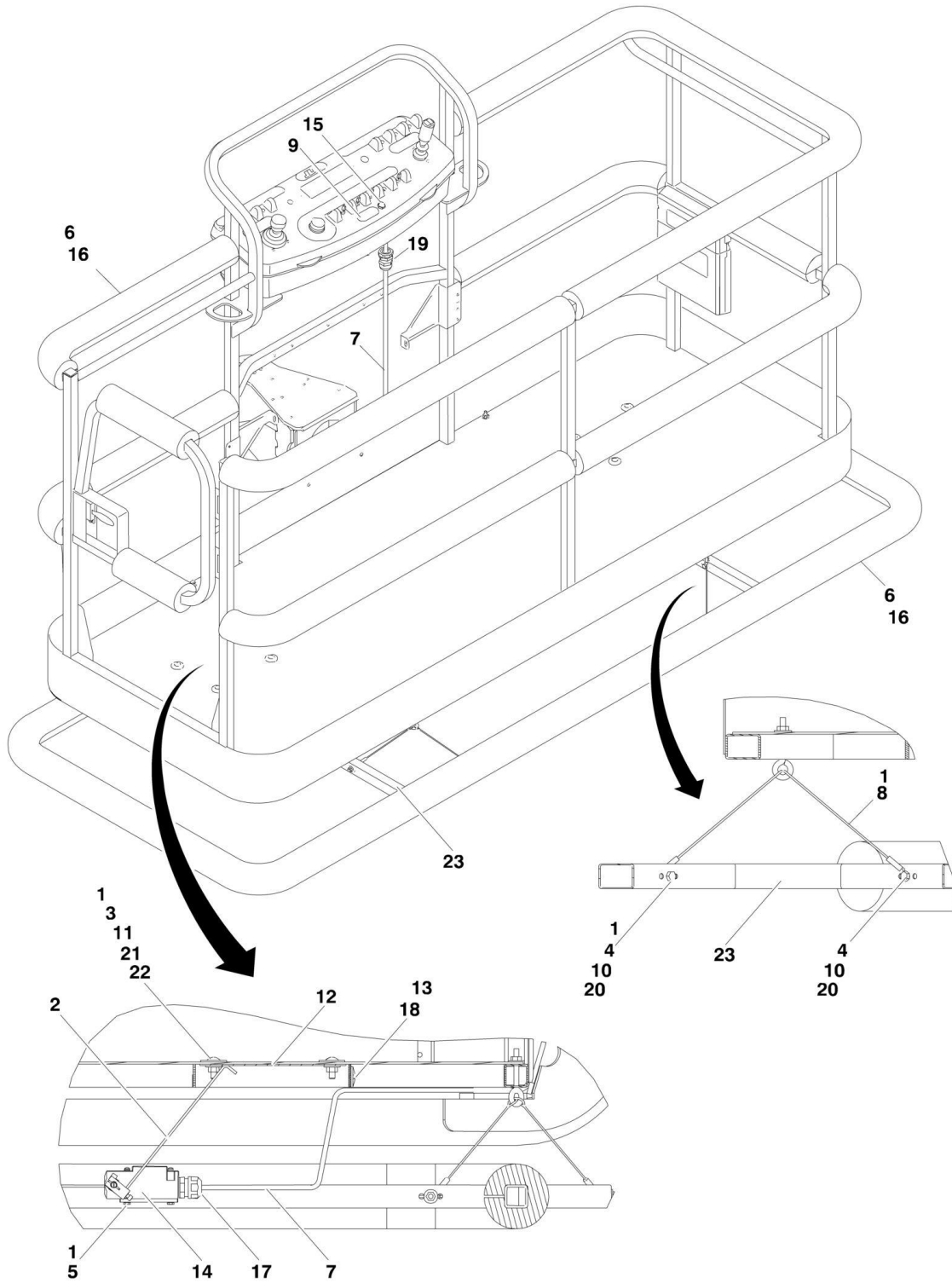
SECTION 4 - PLATFORM

FIGURE 4-5. PLATFORM PADDING INSTALLATION (SIDE ENTRY PLATFORM)

ITEM	PART NUMBER	QTY	DESCRIPTION	REV
		Ref	PLATFORM PADDING INSTALLATION	
	0273381	Ref	30in x 48in Platform	2-A
	0273382	Ref	30in x 60in Platform	2-A
1	0940092	Ref	Pad, Corner Bumper Options:	
1	0940092	2	30in x 48in Platform	
1	0940092	3	30in x 60in Platform	
2	0940094	1	Pad, Bumper Options:	
2	0940094	63 in	30in x 48in Platform	
2	0940094	87 in	30in x 60in Platform	
3	0940091	2	Pad, Corner Bumper	
4	0940093	1	Pad, Bumper Options:	
4	0940093	51 in	30in x 48in Platform	
4	0940093	66 in	30in x 60in Platform	
5		Ref	Rail, Bumper Options:	
5	4846936	1	30in x 48in Platform	
5	4846937	1	30in x 60in Platform	
6	0641516	2	Bolt 5/16in-18NC x 2in	
7	4751500	6	Flatwasher 5/16in Wide	
8	3311501	6	Nut 5/16in-18NC	
9	0641506	4	Bolt 5/16in-18NC x 3/4in	
10	4420068	Ref	Tape, Yellow Safety Options:	
10	4420068	30 ft	Tape, Yellow Safety 30in x 48in Platform	
10	4420068	34 ft	Tape, Yellow Safety 30in x 60in Platform	

SECTION 4 - PLATFORM

FIGURE 4-6. SOFT-TOUCH INSTALLATION (OPTIONAL)



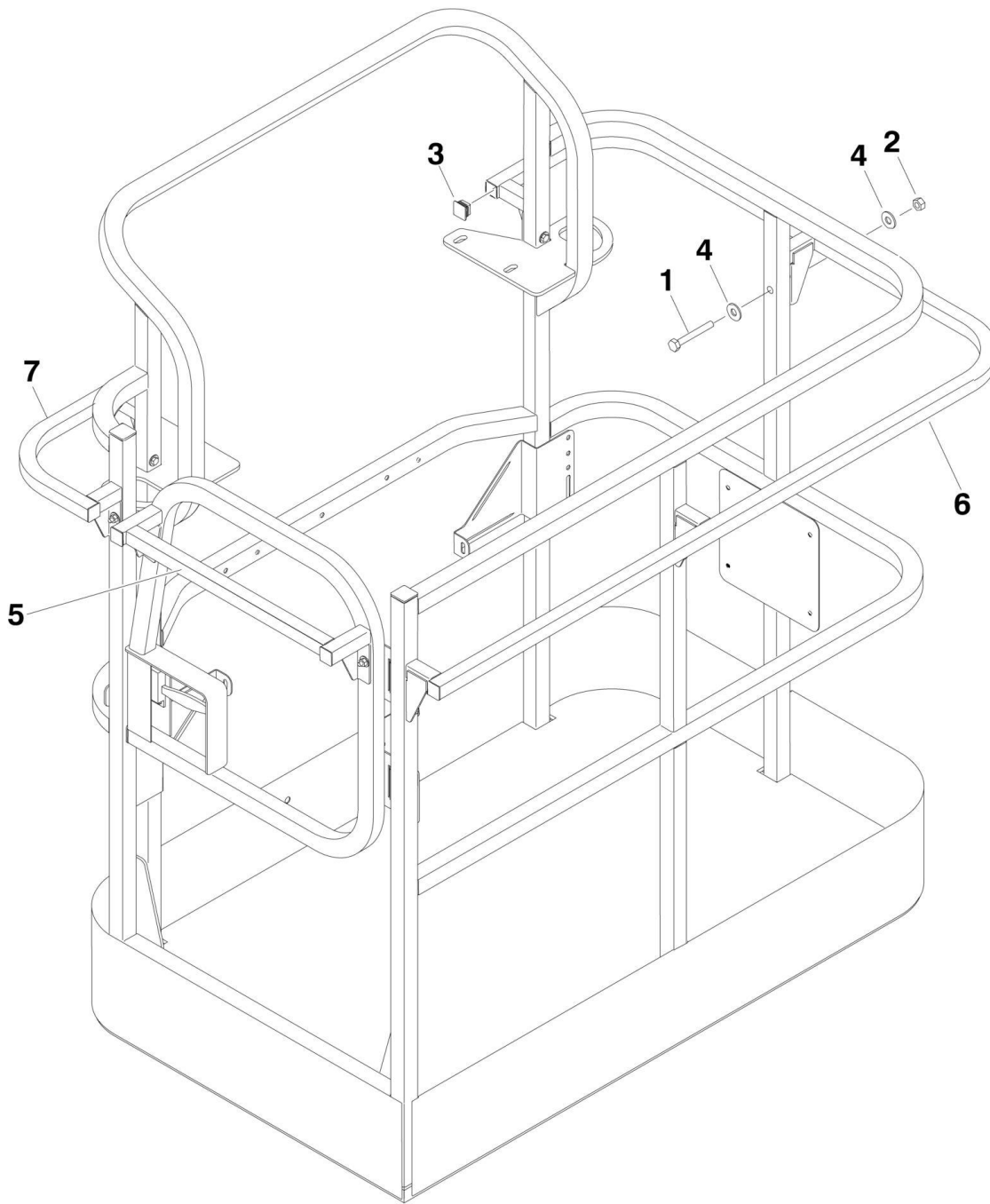
SECTION 4 - PLATFORM

FIGURE 4-6. SOFT-TOUCH INSTALLATION (OPTIONAL)

ITEM	PART NUMBER	QTY	DESCRIPTION	REV
		Ref	SOFT-TOUCH INSTALLATION (OPTIONAL)	
	0274323	Ref	36in x 72in Platform	A
1	0100011	AR	Compound, Locking	
2	0200048	2	Arm, Switch Activator	
3	0630462	8	Bolt, Carriage	
4	0641414	8	Bolt 1/4in-20NC x 1-3/4in	
5	0721005	4	Screw #10-32NF x 5/8in	
6	0940167		Bumper Kit (Includes Corners and Enough Straight Material for One Platform)	
7	1060494	15 ft/4.6m	Cable, Control - 12/3	
8	1060903	4	Wire Rope and Eyebolt Assembly	
9	1702938	1	Decal, Soft Touch Override	
10	3311401	8	Nut 1/4in-20NC	
11	3311501	8	Nut 5/16in-18NC	
12	3575705	2	Plate, Switch Strike	
13	4240099	1	Tie, Wire	
14	4360057	2	Switch, Limit	
15	4360387	1	Switch, Yellow Push Button	
16	4420068	1	Tape, Yellow Adhesive	
17	4460049	2	Connector, Strain Relief	
18	4460234	2	Terminal, Mount Cable Tie	
19	4460425	1	Terminal, Strain Relief (Not Shown)	
20	4751400	16	Flatwasher 1/4in (Wide)	
21	4751500	8	Flatwasher 5/16in (Wide)	
22	4751800	8	Flatwasher 1/2in (Wide)	
23	4846370	1	Rail, Soft Touch	

SECTION 4 - PLATFORM

FIGURE 4-7. PLATFORM TOP RAIL EXTENSION INSTALLATION (SIDE ENTRY PLATFORM)



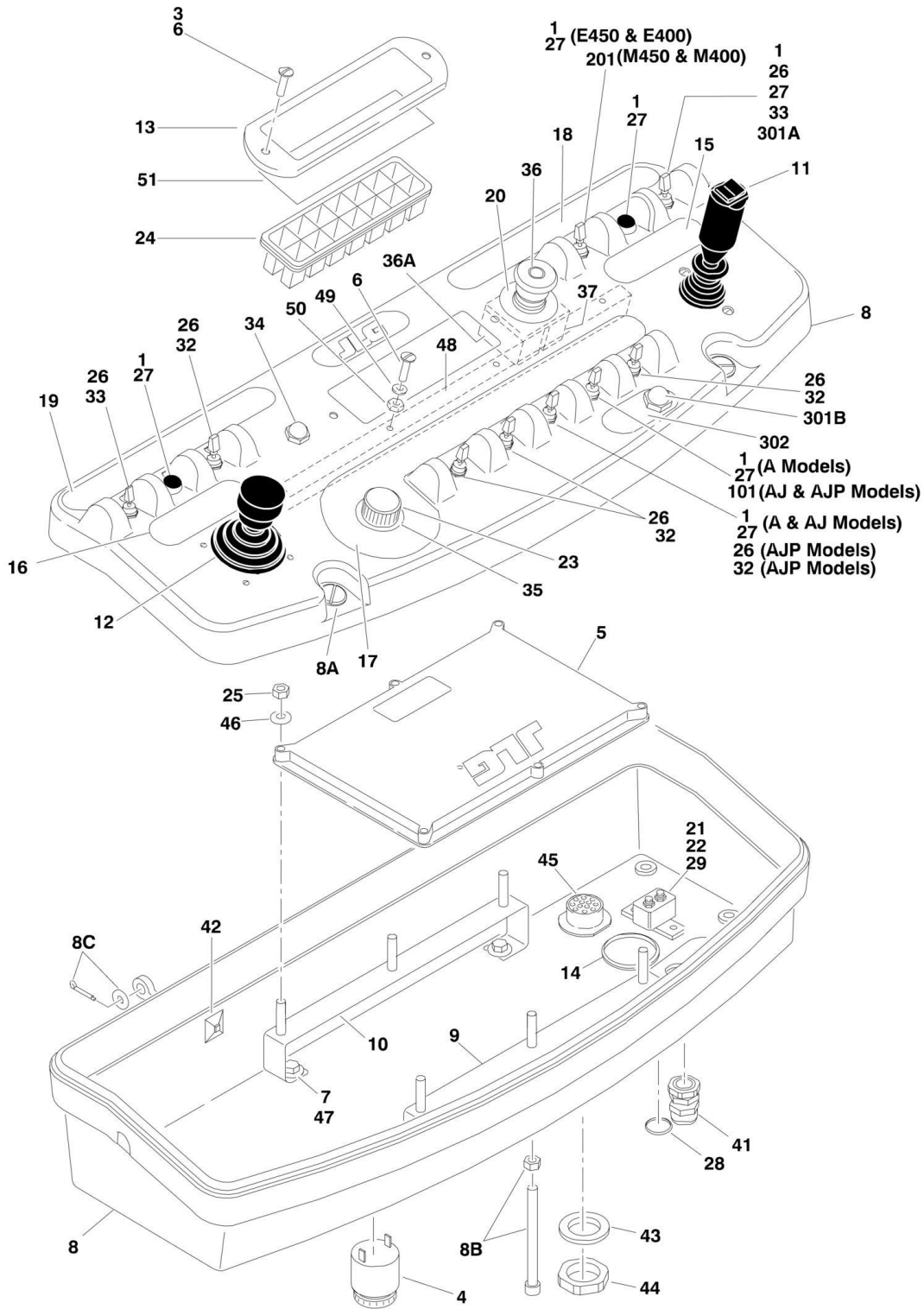
SECTION 4 - PLATFORM

FIGURE 4-7. PLATFORM TOP RAIL EXTENSION INSTALLATION (SIDE ENTRY PLATFORM)

ITEM	PART NUMBER	QTY	DESCRIPTION	REV
		Ref	PLATFORM TOP RAIL EXTENSION INSTALLATION	
	1001103617	Ref	30in x 48in Platform	A
	1001103558	Ref	30in x 60in Platform	A
1	0641416	8	Bolt 1/4in-20NC x 2in	
2	3311405	8	Locknut 1/4in-20NC	
3	3520182	6	Plug	
4	4751400	16	Flatwasher 1/4in	
5	4846759	1	Rail, Extension Gate	
6		Ref	Rail, Rear Extension Options:	
6	1001103614	1	30in x 48in Platform	
6	1001103559	1	30in x 60in Platform	
7		Ref	Rail, Extension Options:	
7	1001103616	1	30in x 48in Platform	
7	1001103560	1	30in x 60in Platform	

SECTION 4 - PLATFORM

FIGURE 4-8. PLATFORM CONSOLE ASSEMBLY



SECTION 4 - PLATFORM

FIGURE 4-8. PLATFORM CONSOLE ASSEMBLY

ITEM	PART NUMBER	QTY	DESCRIPTION	REV
		Ref	CONSOLE BOX ASSEMBLIES	
	0861176	Ref	Standard Spec (E450A,E450AJ,M450A,M450AJ) (Prior to SN 0300068945)	10-G
	0861529	Ref	Standard Spec (E450A,E450AJ,M450A,M450AJ) (SN 0300068945 through 0300189898)	A-O
	0861452	Ref	U/L Rated Spec (E450A,E450AJ,M450A,M450AJ) (Prior to SN 0300068945)	1-A
	0861531	Ref	U/L Rated Spec (E450A,E450AJ,M450A,M450AJ) (SN 0300068945 through 0300189898)	A-J
	0861176	Ref	Standard Spec (E400A,E400Anarrow,M400A,M400Anarrow) (Prior to SN 0300068945)	10-G
	0861529	Ref	Standard Spec (E400A,E400Anarrow,M400A,M400Anarrow) (SN 0300068945 through 0300189901)	A-O
	0861452	Ref	U/L Rated Spec (E400A,E400Anarrow,M400A,M400Anarrow) (Prior to SN 0300068945)	1-A
	0861531	Ref	U/L Rated Spec (E400A,E400Anarrow,M400A,M400Anarrow) (SN 0300068945 through 0300189901)	A-J
	0861314	Ref	Standard Spec (E400AJP,E400AJPnarrow,M400AJP,M400AJPnarrow) (Prior to SN 0300068945)	4-D
	0861532	Ref	Standard Spec (E400AJP,E400AJPnarrow,M400AJP,M400AJPnarrow) (SN 0300068945 through 0300189901)	A-L
	0861449	Ref	U/L Rated Spec (E400AJP,E400AJPnarrow,M400AJP,M400AJPnarrow) (Prior to SN 0300068945)	1-A
	0861530	Ref	U/L Rated Spec (E400AJP,E400AJPnarrow,M400AJP,M400AJPnarrow) (SN 0300068945 through 0300189901)	A-K
	0273089	Ref	Light Panel Installation	B
1	0100009	AR	Sealant	
3	0100035	AR	Compound, Locking	
4	0140011	1	Alarm	
5		Ref	Module, PC Options:	
		Ref	Note: Re-calibration Required when Replaced.	
5	0610128	NLA	Module (Use p/n 1001109498) (Prior to SN 0300139889)	
5	1001109498	1	Module (SN 0300139889 through 0300189901)	
6	0630464	2	Bolt #10-24 x 1/2in	
7	0720804	AR	Bolt #8-32 x 1/2in	
8		Ref	Console Box Assembly Options:	
8	0861215	1	Console Assembly (Prior to SN 0300068945)	
8A	7020099	2	Screw	
8A	3760308	2	Retainer, Screw	
8A	7020100	2	Receptacle, Clip-on Screw	
8A	0861537	1	Console Assembly (SN 0300068945 through 0300189901)	
8A	0861537	1	Casting, Console (Bottom) (Note: Not available for purchase)	
8A	0861537	1	Casting, Console (Top) (Note: Not available for purchase)	
8B	0630568	1	Capscrew, Socket Head 3/8in-16NC x 4-1/2in	
8B	3311601	1	Nut 3/8in-16NC	
8C	3420156	2	Pin, Cotter	
8C	4711500	2	Flatwasher 5/16in Narrow	
9	0902575	1	Bracket, Platform Module	
10	0902588	1	Bracket, Platform Module	

SECTION 4 - PLATFORM

ITEM	PART NUMBER	QTY	DESCRIPTION	REV
11		Ref	Controller Assembly (Drive and Steer) (See CONTROLLER ASSEMBLY (DRIVE AND STEER) for Breakdown)	
11	1600273	NLA	Controller Assembly (use p/n 1001118418) (Prior to SN 0300145789)	
11	1001118418	1	Control, Drive/Steer (SN 0300145789 through 0300189901)	
12		Ref	Controller Assembly (Lift and Swing) (See CONTROLLER ASSEMBLY (LIFT AND SWING) for Breakdown)	
12	1600274	NLA	Controller Assembly (use p/n 1001118419) (Prior to SN 0300145789)	
12	1001118419	1	Control, Lift/Swing (SN 0300145789 through 0300189901)	
13	1670829	1	Bezel	
14		Ref	Cover Options:	
14	Not Required	0	Cover (Prior to SN 0300068945)	
14	1671037	1	Cover (SN 0300068945 through 0300139524)	
14	1001110435	1	Cover (SN 0300139525 through 0300189901)	
15	1702565	1	Decal - Drive and Steer	
16	1702566	1	Decal - Lift and Swing	
17		Ref	Decal - Function Speed Options:	
17	1702567	1	Decal - Function Speed (E450A,E450AJ,M450A,M450AJ)	
17	1702567	1	Decal - Function Speed (E400A,E400Anarrow,M400A,M400Anarrow)	
17	1704422	1	Decal - Function Speed (E400AJP,E400AJPnarrow,M400AJP,M400AJPnarrow)	
18		Ref	Decal - Stop Options:	
18	1704192	1	Decal - Stop (Prior to SN 0300139889)	
18	1001107677	NLA	Decal - Stop (use p/n 1001132175) (SN 0300139889 through 0300150083)	
18	1001132175	1	Decal - Stop (SN 0300150084 through 0300189901)	
19	1704240	1	Decal - Horn	
20	1704260	1	Decal - EMS	
21		Ref	Holder, Fuse Options:	
21	Not Required	0	Standard Spec	
21	2400067	1	U/L Rated Spec	
22		Ref	Hardware Options:	
22	4360448	1	Standard Spec (Circuit Breaker - 10 Amp)	
22	2400068	1	U/L Rated Spec (Fuse - 10 Amp)	
23	2560136	1	Handle, Knob	
24	2760105	1	Fixture, Light	
25	3310601	6	Nut #6-32	
26	3790012	AR	Ring	
27		Ref	Plug, Hole Options:	
27	3520028	AR	Plug, Hole (Prior to SN 0300077413)	
27	3520054	AR	Plug, Hole (SN 0300077413 through 0300189901)	
28	3520030	2	Plug, Hole	
29	3910808	1	Screw	
30	4240032	2	Tie, Wire (Not Shown)	
32	4360328	AR	Switch, Toggle	
33	4360330	AR	Switch, Toggle Options	
34	4360387	1	Switch, Push Button	
35	4360462	1	Switch, Potentiometer	
36	4360475	1	Switch, Emergency Stop	
36	7020175	1	Cap, Mushroom with Sealing Ring	
36A	7020176	1	Block, Contact	

SECTION 4 - PLATFORM

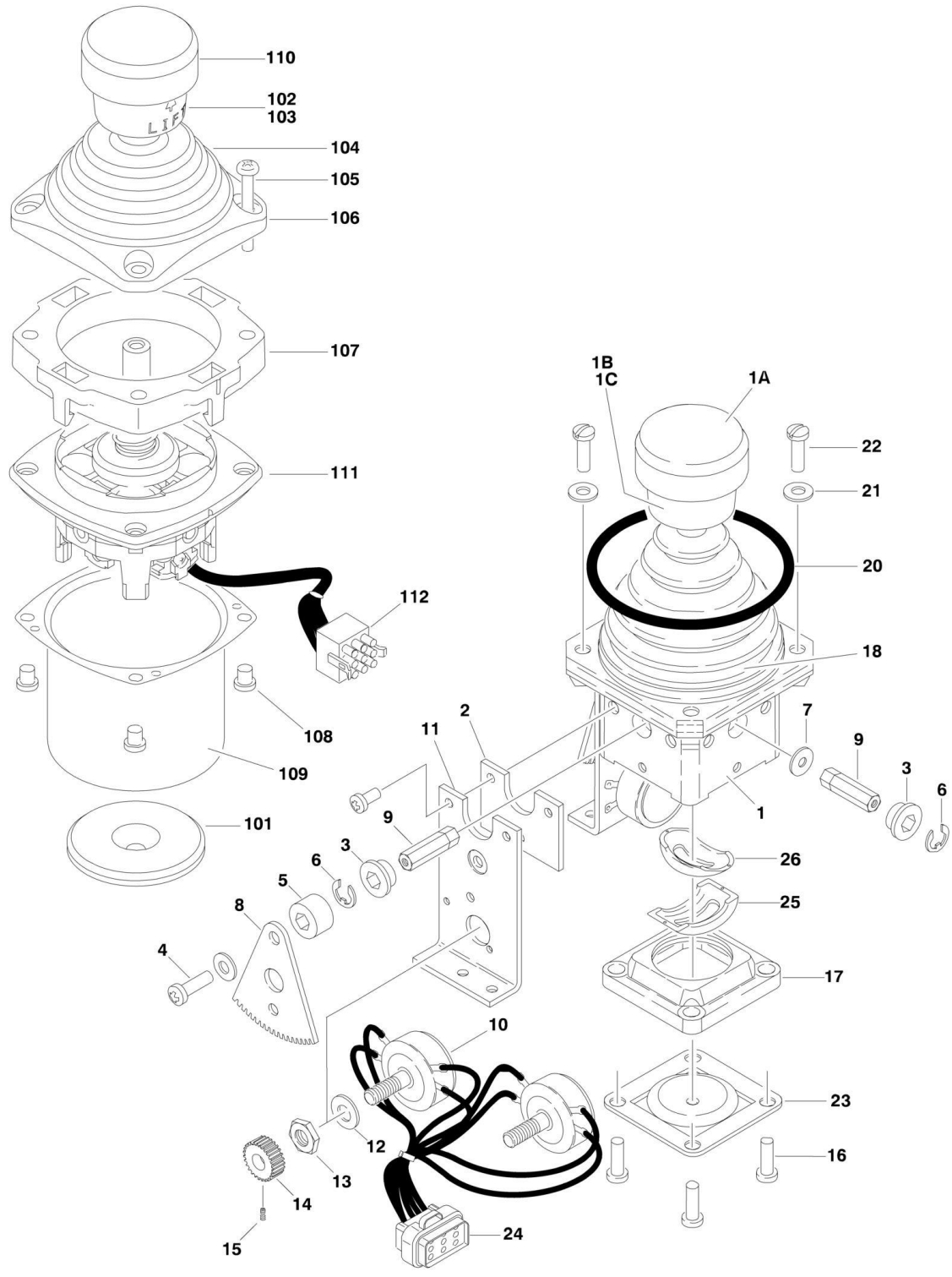
ITEM	PART NUMBER	QTY	DESCRIPTION	REV
37	4360476	1	Block, Contact	
40	4460234	3	Tie, Wire (Not Shown)	
41	4460428	1	Connector, Strain Relief	
42	4460488	1	Base, Terminal Mounting	
43	4460496	1	Lockwasher, Receptacle	
44	4460497	1	Nut, Terminal	
45	4460752	1	Connector - 14 Position	
46	4750600	6	Flatwasher #6	
47	4750800	4	Flatwasher #8	
48	3571222	1	Angle, Relay Mounting Only (Prior to SN 0300068945)	
49	4740120	4	Washer, Nylon Only (Prior to SN 0300068945)	
50	3311005	4	Locknut #10-24NC Only (Prior to SN 0300068945)	
51		Ref	Display - Light Panel Options:	
51	1704239	1	Display (Prior to SN 0300139889)	
51	1001110226	1	Display (SN 0300139889 through 0300189901)	
	0259102	Ref	JIB CONSOLE SWITCH (E400AJP,E400AJPnarrow,E450AJ,M400AJP,M400AJPnarrow,M450AJ)	2-B
101	4360328	1	Switch, Toggle (E400AJP,E400AJPnarrow,E450AJ,M400AJP,M400AJPnarrow,M450AJ)	
101	3790012	1	O-Ring (E400AJP,E400AJPnarrow,E450AJ,M400AJP,M400AJPnarrow,M450AJ)	
101	4922294	1	Harness, Jib Function (See ELECTRICAL SECTION for Breakdown) (E400AJP,E400AJPnarrow,E450AJ,M400AJP,M400AJPnarrow,M450AJ)	
101	4240032	6	Tie-Strap (E400AJP,E400AJPnarrow,E450AJ,M400AJP,M400AJPnarrow,M450AJ)	
		Ref	MOTOR CONTROLS INSTALLATION OPTIONS: (M400A,M400AJP,M400AJPnarrow,M400Anarrow,M450A,M450AJ)	
	0257824	Ref	Models Built (M450A,M450AJ) (Prior to SN 0300059390)	11
	0270344	Ref	Models Built (M450A,M450AJ) (SN 0300059390 through 0300079056)	5-B
	0270344	Ref	Models Built (M400A,M400AJP,M400AJPnarrow,M400Anarrow) (Prior to SN 0300079057)	5-B
	0273573	Ref	Generator Installation (M400A,M400AJP,M400AJPnarrow,M400Anarrow,M450A,M450AJ) (SN 0300079057 through 0300088538)	B
	0274617	Ref	Tank and Motor/Generator Components Installation (Turntable Mounted) (Prior to SN 0300182839)	G
	1001159362	Ref	Tank and Motor/Generator Components Installation (Turntable Mounted) (M400A,M400AJP,M400AJPnarrow,M400Anarrow,M450A,M450AJ) (SN 0300182839 through 0300189901)	A
201	4360336	1	Switch, Toggle	
201	3790012	1	O-Ring	
201	4922222	1	Harness (See ELECTRICAL SECTION for Breakdown)	
201	4922223	1	Harness (See ELECTRICAL SECTION for Breakdown)	
		Ref	WORKLIGHTS INSTALLATION (optional)	
	0259338	Ref	Standard Spec	C
	0271301	Ref	U/L Rated Spec	C

SECTION 4 - PLATFORM

ITEM	PART NUMBER	QTY	DESCRIPTION	REV
301		Ref	Switch Options:	
301A	4360336	1	Switch, Toggle (Prior to SN 0300161792)	
301B	4360522	1	Switch, Push Button (SN 0300161792 through 0300189901)	
302	1705170	1	Decal, Lights (SN 0300161792 through 0300189901)	
	0270732	Ref	SEALED ENCLOSURES INSTALLATION OPTIONS: (UL/EE RATED MACHINES ONLY) (NOT SHOWN) (Prior to SN 0300064627)	A
	0272111	Ref	SEALED ENCLOSURES INSTALLATION OPTIONS: (UL/EE RATED MACHINES ONLY) (NOT SHOWN) (SN 0300064627 through 0300189901)	A
	0100009	AR	Sealant (Seal Around Analyzer Port)	
	3520173	4	Plug (Located in Bottom of Console Box)	

SECTION 4 - PLATFORM

FIGURE 4-9. CONTROLLER ASSEMBLY (SWING AND LIFT)



SECTION 4 - PLATFORM

FIGURE 4-9. CONTROLLER ASSEMBLY (SWING AND LIFT)

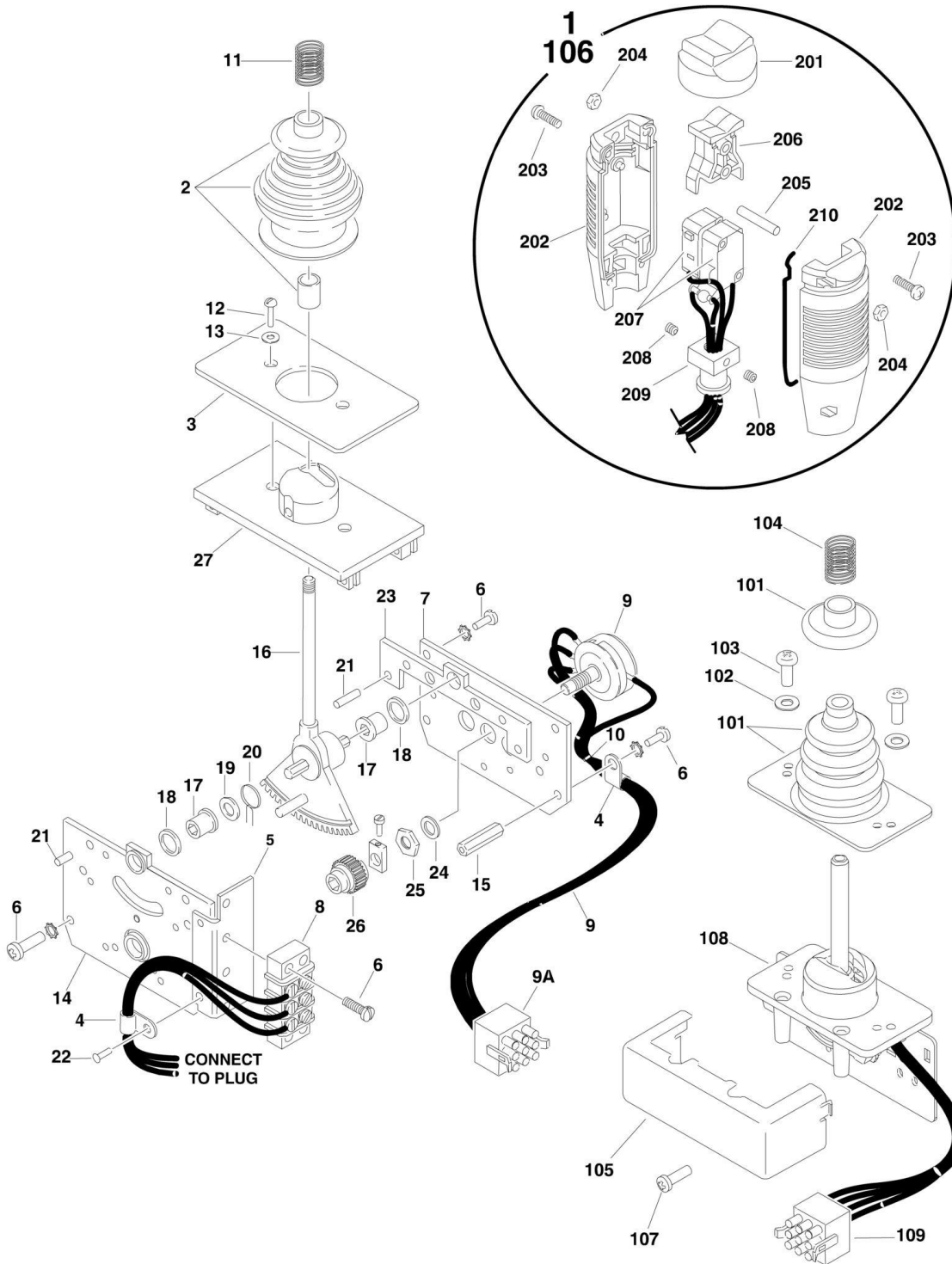
ITEM	PART NUMBER	QTY	DESCRIPTION	REV
		Ref	CONTROLLER ASSEMBLY	
	1600274	Ref	Controller Assy (Original Equipment) (Prior to SN 0300145789)	F
1	7019141	1	Mechanical Assembly (Includes Base, Handle Stem and Items 18, 1A, 1B & 1C)	
1A	7019197	1	Handle Cap and Rod	
1B	7003928	1	Spring	
1C	7022808	1	Cap, Lift	
2	7019142	2	Plate	
3	7019111	4	Bearing, Gear	
4	7019143	2	Screw	
5	7019144	2	Spacer	
6	7019145	4	E-Clip	
7	7019174	2	Spacer, Cam	
8	7003977	2	Gear, Drive	
9	7019147	4	Shaft	
10	7019195	2	Potentiometer Assembly	
10	7003974	1	Potentiometer	
11	7019142	2	Plate	
12	7003992	2	Washer	
13	7003993	2	Nut	
14	7003976	2	Gear, Slave	
15	7019149	2	Setscrew	
16	7003952	4	Screw	
17	7019150	1	Gate	
18	7022813	1	Boot (was p/n 7003955)	
19	7022813	1	Plate, Plastic (was p/n 7003954)	
20	7003956	1	O-Ring	
21	7003953	4	Washer	
22	7019137	4	Screw	
23	7019170	1	Center, Detent	
24	4460265	1	Plug, Male - 9 Position	
24	4460226	8	Socket, Female	
25	7019122	1	Gimble, Outer	
26	7019123	1	Gimble, Inner	
	1001118419	Ref	Controller Assembly (Service Replacement) (Prior to SN 0300145789)	B
	1001118419	Ref	Controller Assembly (Original Equipment) (SN 0300145789 through 0300189901)	B
101	70002730	1	Gasket	
102	7003928	1	Spring	
103	7022808	1	Cap, Lift	
104	70002731	1	Boot	
105	70002732	4	Screw	
106	7022815	1	Bezel	
107	70002733	1	Adapter	
108	70002734	4	Screw	
109	70002735	1	Can, Enclosure	
110	70002906	1	CAP	
111	1001118419	1	Mechanical Assembly (Note: Not available for purchase)	
112	4460265	1	Plug, Male - 9 Position	

SECTION 4 - PLATFORM

ITEM	PART NUMBER	QTY	DESCRIPTION	REV
112	4460226	8	Socket, Female	

SECTION 4 - PLATFORM

FIGURE 4-10. CONTROLLER ASSEMBLY (DRIVE AND STEER)



SECTION 4 - PLATFORM

FIGURE 4-10. CONTROLLER ASSEMBLY (DRIVE AND STEER)

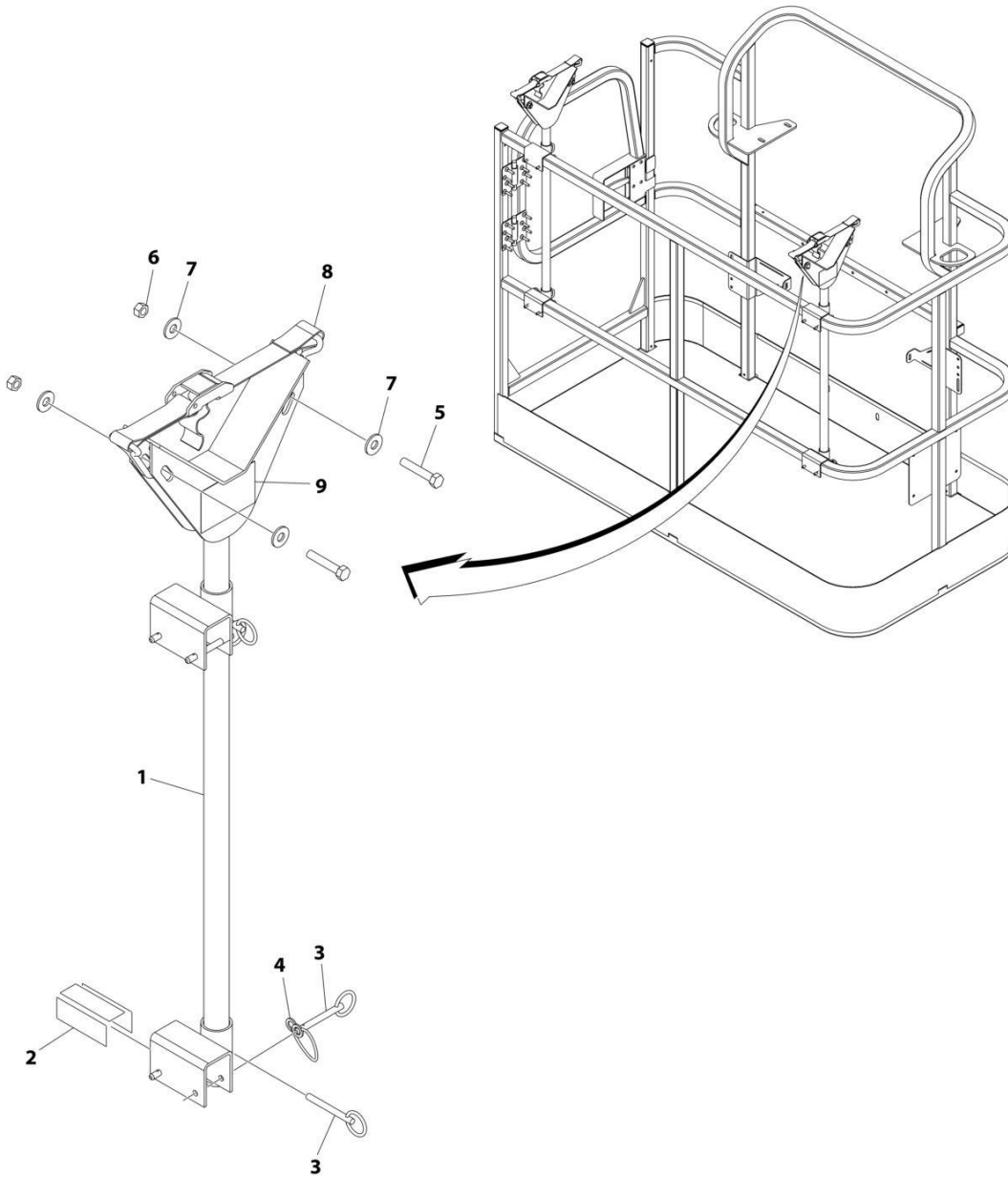
ITEM	PART NUMBER	QTY	DESCRIPTION	REV
		Ref	CONTROLLER ASSEMBLY	
	1600273	Ref	Controller Assembly (Original Equipment) (Prior to SN 0300145789)	G
1	7022812	1	Handle Assembly (See Items 201-210 for Breakdown)	
2	7019161	1	Boot and Sleeve	
3	7003933	1	Gasket	
4	7019154	2	Clamp, Wire	
5	7019159	1	Bracket, Mounting	
6	7003994	10	Screw	
7	7019157	1	Plate, Pot Mounting	
8	7003986	1	Strip, Terminal - 3 Position	
9	7019191	1	Electric Assembly	
9	7003974	1	Potentiometer	
9A	4460265	1	Plug, Male - 9 Position	
9A	4460226	7	Socket, Female	
10	7019151	AR	Tie-Strap	
11	7019162	1	Spring	
12	7003940	2	Screw (was p/n 7003969)	
13	7003941	2	Washer	
14	7019158	1	Plate, Mounting (Left Side)	
15	7019115	2	Stand-Off	
16	1600273	1	Shaft 8mm (Note: Not available for purchase)	
17	7019111	2	Bearing	
18	7019110	2	Spacer, Head Gear	
19	7019112	1	Washer	
20	7003946	1	Spring, Return	
21	7019103	4	Pin	
22	See Note	1	Rivet (Note: Not available for purchase)	
23	7019168	1	Plate, Mounting (Right Side)	
24	7003992	1	Washer	
25	7003993	1	Nut	
26	7003935	1	Gear, Slave	
27	7019160	1	Base	
	1001118418	Ref	Controller Assembly (Service Replacement) (Prior to SN 0300145789)	B
	1001118418	Ref	Controller Assembly (Original Equipment) (SN 0300145789 through 0300189901)	B
101	70002724	1	Boot and Control Lock Assembly	
102	7003941	2	Washer	
103	70002725	2	Screw	
104	7019162	1	Spring	
105	70002726	1	Enclosure	
106	70002736	1	Handle Assembly (See Items 201-210 for Breakdown)	
107	70002728	1	Screw	
108	1001118418	1	Mechanical Assembly (Note: Not available for purchase)	
109	4460265	1	Plug, Male - 9 Position	
109	4460226	7	Socket, Female	
		Ref	HANDLE ASSEMBLIES	
	7022812	Ref	Controller Assembly p/n 1600273	
	70002736	Ref	Controller Assembly p/n 1001118418	

SECTION 4 - PLATFORM

ITEM	PART NUMBER	QTY	DESCRIPTION	REV
201	7003972	1	Boot, Switch	
202	7003973	2	Half, Handle	
203	7003980	4	Screw	
204	7019167	4	Nut	
205	7019164	1	Axle	
206	7019165	1	Rocker	
207		Ref	Wiring Assembly Options:	
207	7019196	1	Controller Assembly p/n 1600273	
207	7003982	2	Switch, Micro	
207	70002737	1	Controller Assembly p/n 1001118418	
207	7003982	2	Switch, Micro	
208	7003983	2	Setscrew	
209	7019194	1	Coupling	
210	7003989	2	Gasket	

SECTION 4 - PLATFORM

FIGURE 4-11. PIPE RACKS INSTALLATION



ART_0257728

SECTION 4 - PLATFORM

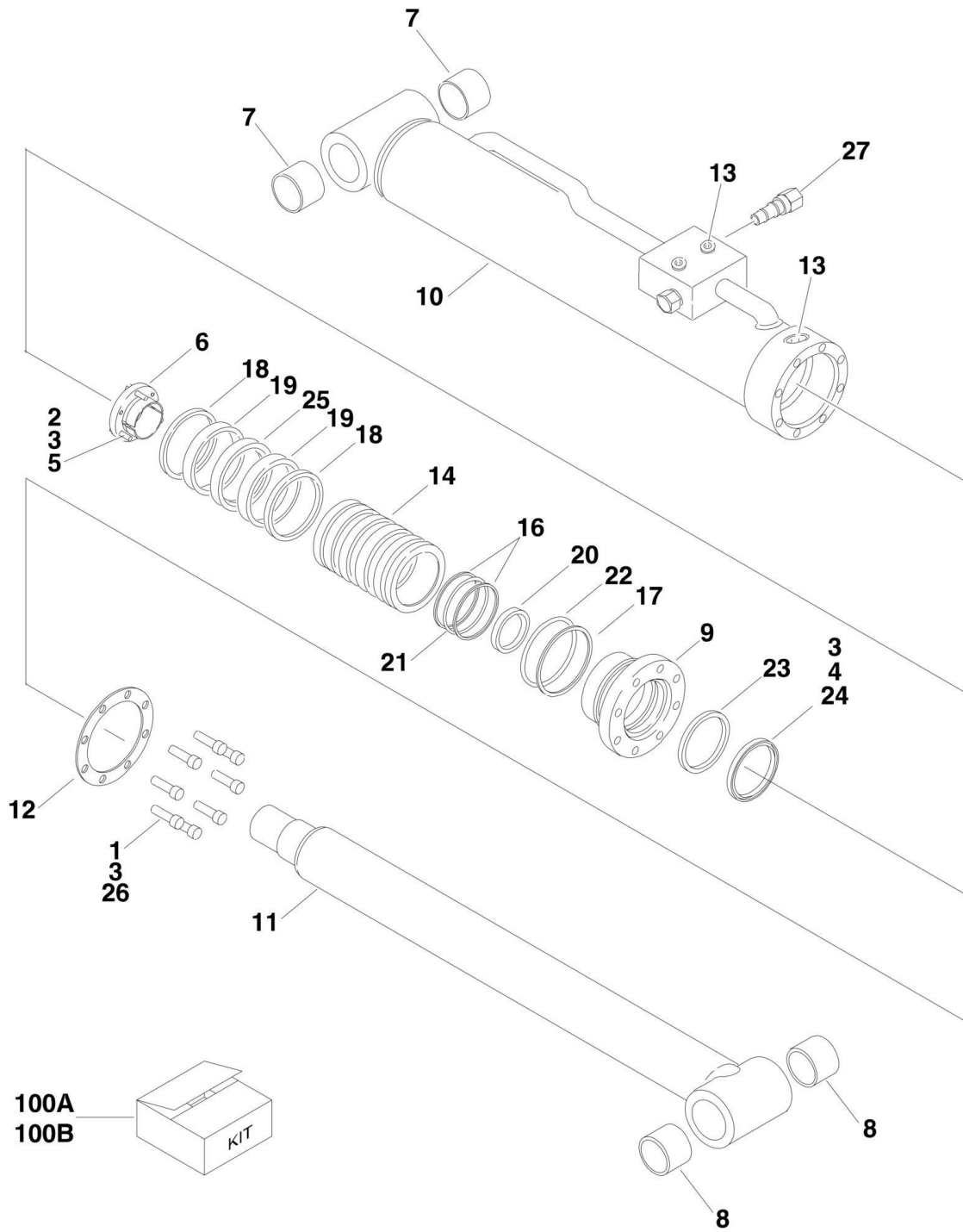
FIGURE 4-11. PIPE RACKS INSTALLATION

ITEM	PART NUMBER	QTY	DESCRIPTION	REV
	0257728	Ref	PIPE RACKS INSTALLATION	2/C
1	4845582	2	Rack, Pipe	
2	4420062	AR	Tape	
3	3422661	10	Pin	
4	1060379	4	Lanyard	
5	0641514	4	Bolt 5/16 x 1-3/4	
6	3311505	4	Nut 5/16	
7	4751500	8	Washer 5/16	
8	0480100	2	Tie-Down	
9	1703683	2	Decal - Capacity	

SECTION 5 - CYLINDER

SECTION 5 - CYLINDER

FIGURE 5-1. JIB CYLINDER ASSEMBLY
(E400AJP,E400AJPNARROW,E450AJ,M400AJP,M400AJPNARROW,M450AJ)



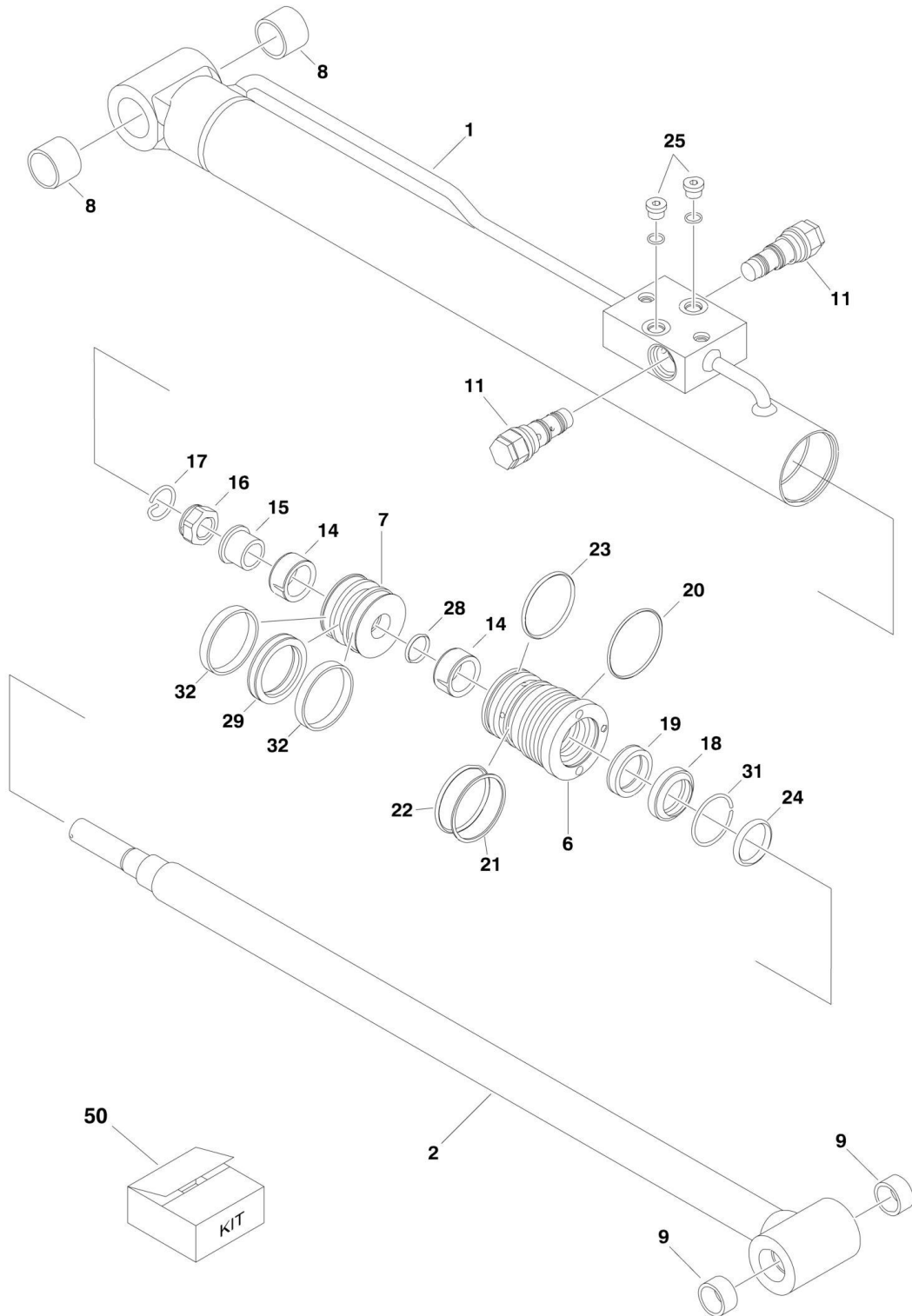
SECTION 5 - CYLINDER

**FIGURE 5-1. JIB CYLINDER ASSEMBLY
(E400AJP,E400AJPNARROW,E450AJ,M400AJP,M400AJPNARROW,M450AJ)**

ITEM	PART NUMBER	QTY	DESCRIPTION	REV
	1683779	Ref	JIB CYLINDER ASSEMBLY	H
		Ref		
1	0100011	AR	Compound, Locking	
2	0100035	AR	Compound, Locking (Prior to SN 0300052727)	
3	0100038	AR	Primer, Locking	
4	0100063	AR	Adhesive (Prior to SN 0300106518)	
5	0630534	3	Bolt #10-24NC x 1in	
6	0961893	1	Bushing, Tapered	
7	0961947	2	Bearing, Garmax	
8	0961951	2	Bushing, Garmax	
9	1683051	1	Head, Cylinder	
10	1683780	1	Barrel	
11	1683783	1	Rod	
12	3760367	1	Ring, Washer	
13	2220885	3	O-Ring Plug	
14	3480249	1	Piston, Head	
16	See Note	2	Back-Up (Note: Use Items 100A or 100B)	
17	See Note	1	Back-Up (Note: Use Items 100A or 100B)	
18	See Note	2	Ring, Seal (Note: Use Items 100A or 100B)	
19	See Note	2	Ring, Wear (Note: Use Items 100A or 100B)	
20	See Note	1	Ring, Wear (Note: Use Items 100A or 100B)	
21	See Note	1	O-Ring (Note: Use Items 100A or 100B)	
22	See Note	1	O-Ring (Note: Use Items 100A or 100B)	
23	See Note	1	Seal (Note: Use Items 100A or 100B)	
24	See Note	1	Wiper (Note: Use Items 100A or 100B)	
25	See Note	1	Seal (Note: Use Items 100A or 100B)	
26	3931516	8	Bolt 5/16in-18NC x 1in	
27	4640509	2	Cartridge, Valve	
27	2900792	2	Seal Kit- 4640509 Valve (1 Per Cartridge)	
100		Ref	Seal Kit Options (Includes Items 16-25):	
100A	2901810	1	Seal Kit (Prior to SN 0300068111)	
100B	2902209	1	Seal Kit (SN 0300068111 through 0300189901)	

SECTION 5 - CYLINDER

**FIGURE 5-2. JIB CYLINDER ASSEMBLY
(E400AJP,E400AJPNARROW,E450AJ,M400AJP,M400AJPNARROW,M450AJ)**



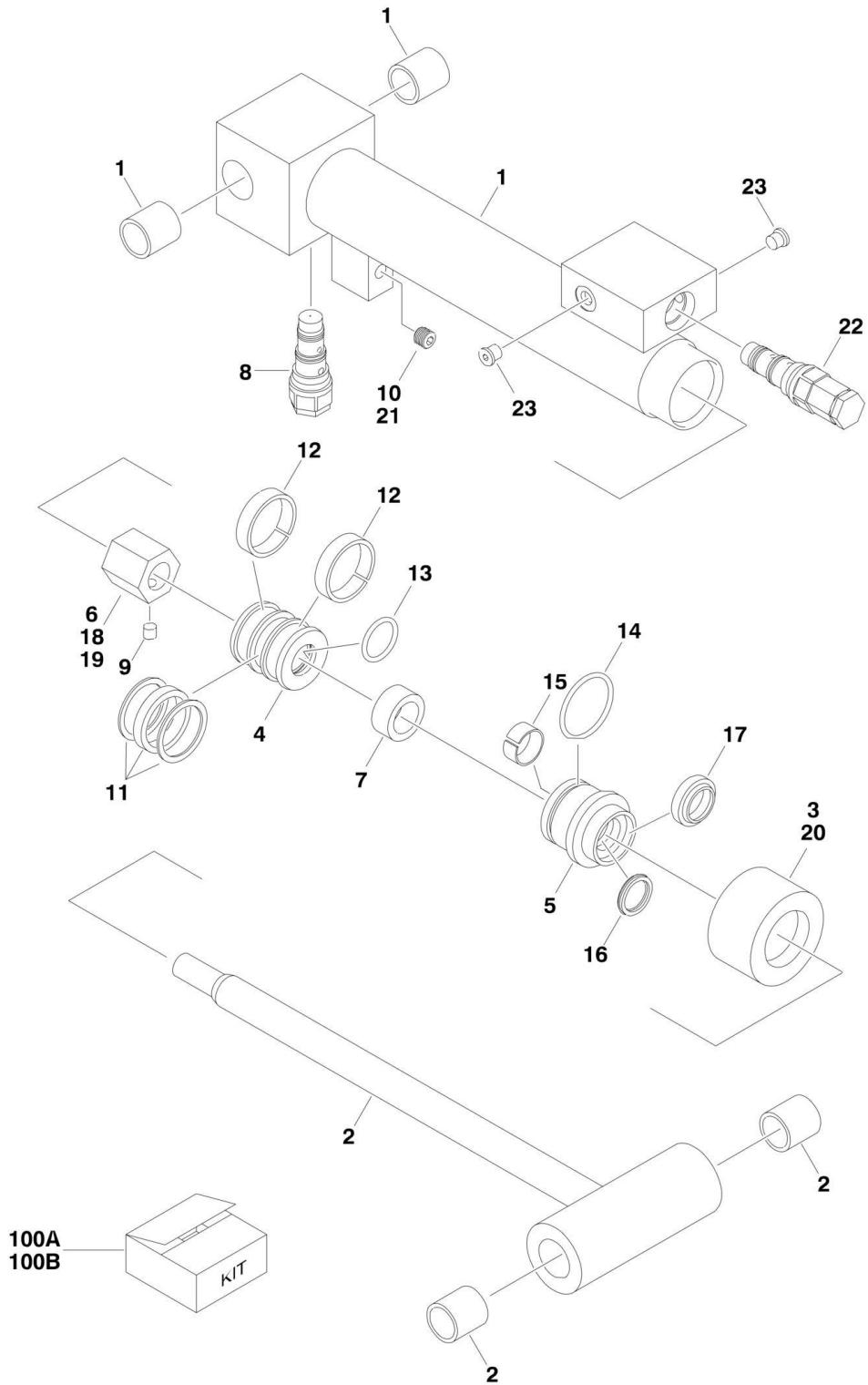
SECTION 5 - CYLINDER

**FIGURE 5-2. JIB CYLINDER ASSEMBLY
(E400AJP,E400AJPNARROW,E450AJ,M400AJP,M400AJPNARROW,M450AJ)**

ITEM	PART NUMBER	QTY	DESCRIPTION	REV
	1001140280	Ref	JIB CYLINDER ASSEMBLY Note: Original Equipment components may have been replaced with Service Replacement components part. Identify p/n stamped on cylinder before ordering parts.	A
		Ref		
1	70003863	1	Barrel	
2	70003864	1	Rod	
6	7026088	1	Head	
7	70003833	1	Piston	
8	0961951	2	Bushing	
9	0961947	2	Bushing	
11	4640509	1	Cartridge, Counterbalance Valve	
11	2900792	2	Seal Kit - 4640509 Valve	
14	7026090	2	Bushing	
15	7026091	1	Sleeve	
16	7026092	1	Nut	
17	70002223	1	Retainer	
18	See Note	1	Wiper (Note: Use Item 50)	
19	See Note	1	Seal (Note: Use Item 50)	
20	See Note	1	O-Ring (Note: Use Item 50)	
21	See Note	1	Ring, Backup (Note: Use Item 50)	
22	See Note	1	O-Ring (Note: Use Item 50)	
23	See Note	1	O-Ring (Note: Use Item 50)	
24	7026068	1	O-Ring	
25	7024844	2	Plug	
28	See Note	1	O-Ring (Note: Use Item 50)	
29	See Note	1	Seal (Note: Use Item 50)	
31	70002220	1	Ring, Retaining	
32	See Note	1	Ring, Wear (Note: Use Item 50)	
50	70003836	1	Seal Kit - 1001140280 Cylinder (Includes Items 18-23, 28, 29 & 32)	

SECTION 5 - CYLINDER

FIGURE 5-3. PLATFORM LEVEL CYLINDER ASSEMBLY
(E400A,E400ANARROW,E450A,M400A,M400ANARROW,M450A) (Prior to SN 0300165128)



SECTION 5 - CYLINDER

**FIGURE 5-3. PLATFORM LEVEL CYLINDER ASSEMBLY
(E400A,E400ANARROW,E450A,M400A,M400ANARROW,M450A) (Prior to SN 0300165128)**

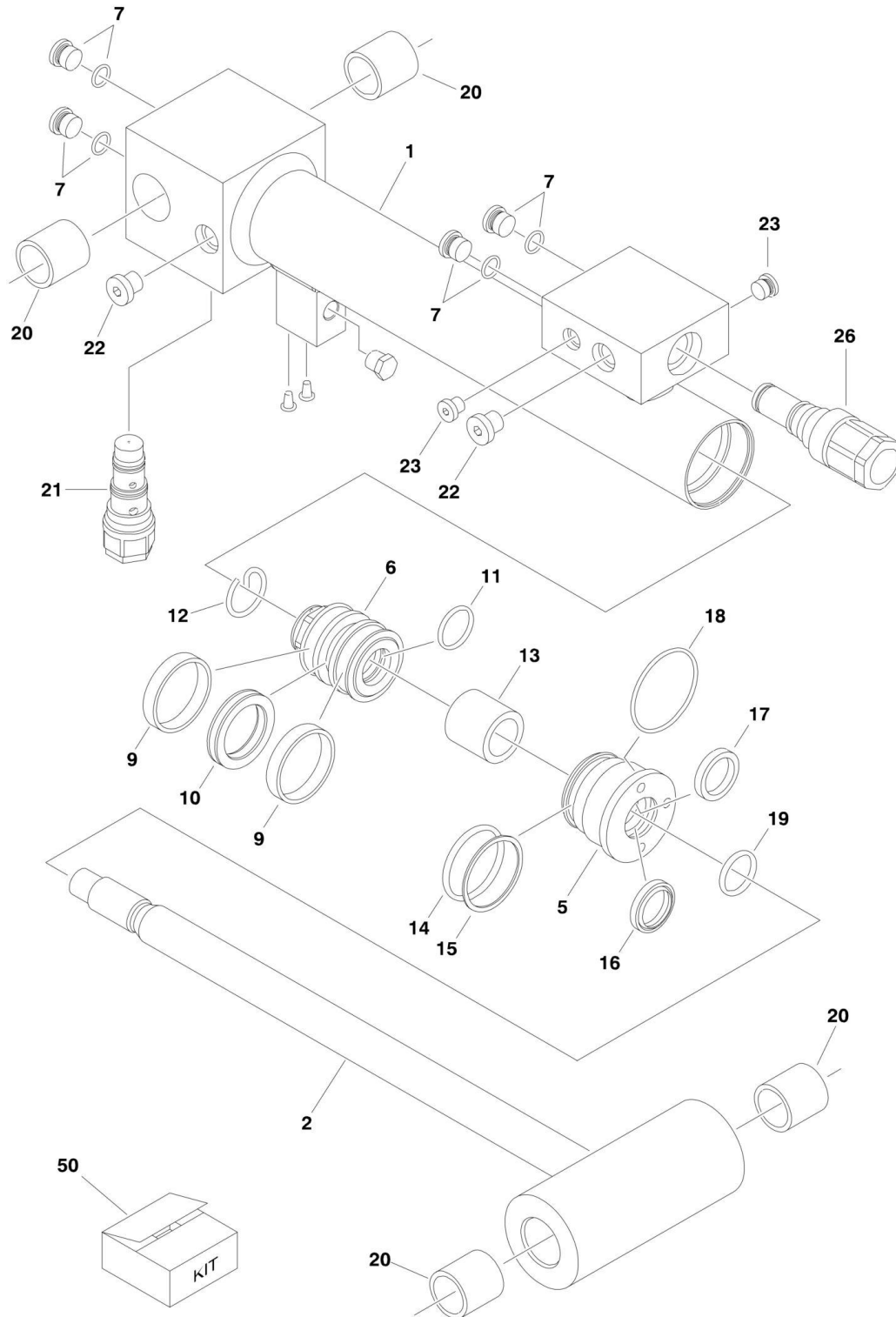
ITEM	PART NUMBER	QTY	DESCRIPTION	REV
		Ref	PLATFORM LEVEL CYLINDER ASSEMBLY	
	1683285	Ref	Platform Level Cylinder Assembly (E450A,M450A) (Prior to SN 0300056894)	A
	1683933	Ref	Platform Level Cylinder Assembly (E450A,M450A) (SN 0300056894 through 0300189898)	G
	1683933	Ref	Platform Level Cylinder Assembly (E400A,E400Anarrow,M400A,M400Anarrow)	G
		Ref	Note: Original Equipment components may have been replaced with Service Replacement components part. Identify p/n stamped on cylinder before ordering parts.	
1		Ref	Barrel Weldment Options:	
1	1682878	1	Barrel Weldment (1683285 Cylinder)	
1	1683995	1	Barrel Weldment (1683933 Cylinder)	
1		Ref	Bushing Options:	
1	0961608	2	Bushing (1683285 Cylinder)	
1	0962356	2	Bushing (1683933 Cylinder)	
2		Ref	Rod Weldment Options:	
2	1683286	1	Rod Weldment (1683285 Cylinder)	
2	1684007	1	Rod Weldment (1683933 Cylinder)	
2		Ref	Bushing Options:	
2	0961608	2	Bushing (1683285 Cylinder)	
2	0962356	2	Bushing (1683933 Cylinder)	
3	1120110	1	Retainer	
4		Ref	Piston Options:	
4	3480217	1	Piston (1683285 Cylinder)	
4	3480261	1	Piston (1683933 Cylinder)	
5		Ref	Head Options:	
5	1682154	1	Head (1683285 Cylinder)	
5	1683934	1	Head (1683933 Cylinder)	
6	3300308	1	Nut, Hex	
7		Ref	Spacer, Tube Options:	
7	4566023	1	Spacer, Tube (1683285 Cylinder)	
7	4568136	1	Spacer, Tube (1683933 Cylinder)	
8	4640509	1	Valve, Holding	
8	2900792	1	Seal Kit - 4640509 Valve	
9	3900170	1	Setscrew 3/8in-16NC x 3/8in	
10	2200222	1	Plug, Pipe	
11	See Note	1	T-Seal (Note: Use Items 100A or 100B)	
12	See Note	AR	Ring, Wear (Note: Use Items 100A or 100B)	
12		Ref	Ring, Wear (Prior to SN 0300056894)	
12		Ref	Ring, Wear (SN 0300056894 through 0300189901)	
13	See Note	1	O-Ring (Note: Use Items 100A or 100B)	
14	See Note	1	O-Ring (Note: Use Items 100A or 100B)	
15	See Note	1	Ring, Wear (Note: Use Items 100A or 100B)	
16	See Note	1	Seal, Rod (Note: Use Items 100A or 100B)	
17	See Note	1	Wiper, Rod (Note: Use Items 100A or 100B)	
18	0100038	AR	Primer, Locking	
19	0100011	AR	Compound, Locking	
20	0100035	AR	Compound, Locking	
21	0100020	AR	Sealant, Pipe	

SECTION 5 - CYLINDER

ITEM	PART NUMBER	QTY	DESCRIPTION	REV
22	4640932	1	Cartridge, Holding Valve	
22	7011112	1	Seal Kit - 4640932 Valve	
23	2220883	2	Plug, Socket Hex	
100		Ref	Seal Kit Options (Includes Items 11-17):	
100A	2901147	1	Level Cylinder p/n 1683285	
100B	2901902	1	Level Cylinder p/n 1683933	

SECTION 5 - CYLINDER

**FIGURE 5-4. PLATFORM LEVEL CYLINDER ASSEMBLY
(E400A,E400ANARROW,E450A,M400A,M400ANARROW,M450A) (SN 0300165128 through
0300189901)**



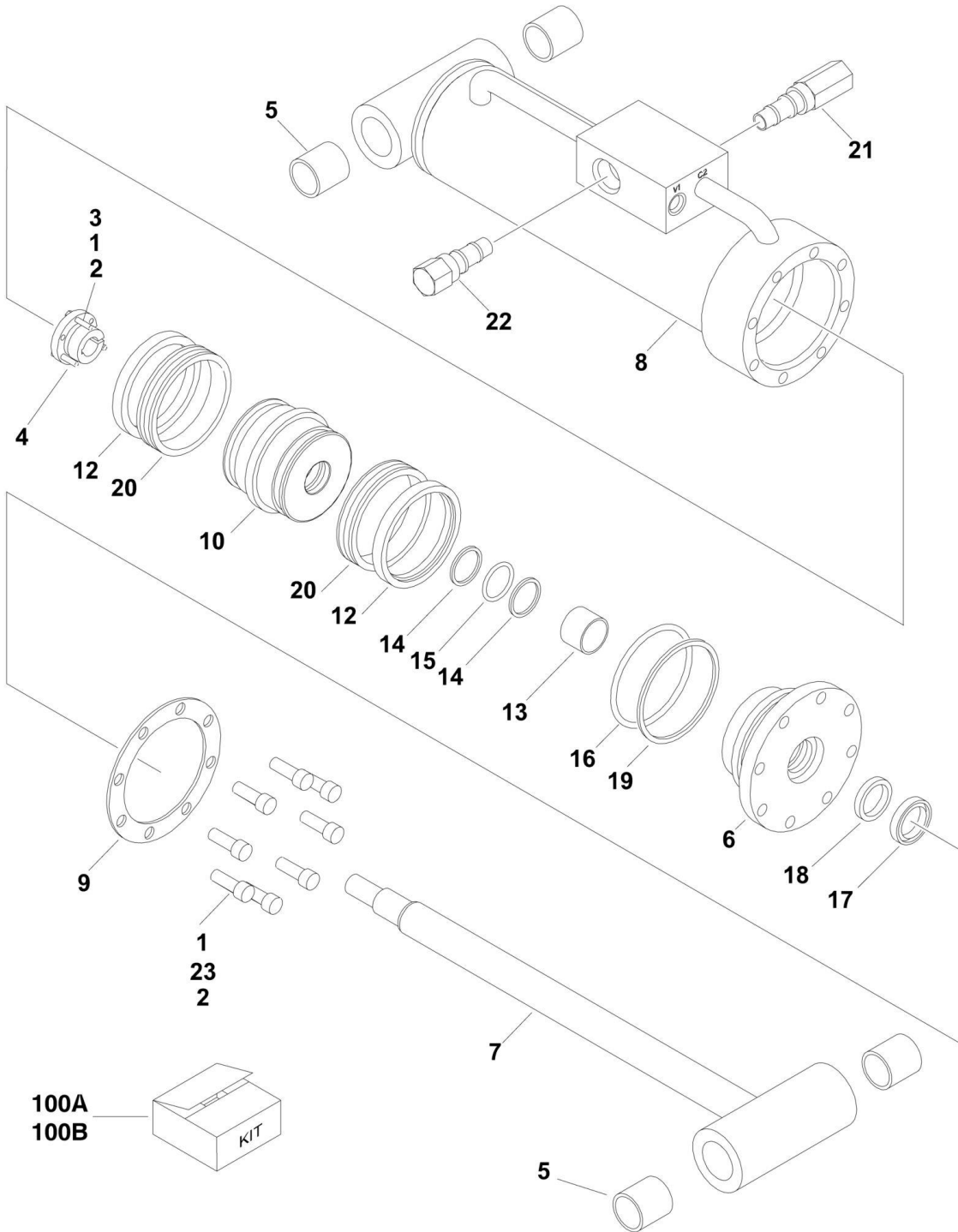
SECTION 5 - CYLINDER

**FIGURE 5-4. PLATFORM LEVEL CYLINDER ASSEMBLY
(E400A,E400ANARROW,E450A,M400A,M400ANARROW,M450A) (SN 0300165128 through
0300189901)**

ITEM	PART NUMBER	QTY	DESCRIPTION	REV
	1001140598	Ref	PLATFORM LEVEL CYLINDER ASSEMBLY Note: Original Equipment components may have been replaced with Service Replacement components part. Identify p/n stamped on cylinder before ordering parts.	A
		Ref		
1	70004146	1	Barrel	
2	70004147	1	Rod	
5	70000739	1	Head	
6	70004141	1	Piston	
7	See Note	4	Plug (Note: Not available for purchase)	
9	See Note	2	Ring, Wear (Note: Use Item 50)	
10	See Note	1	Seal (Note: Use Item 50)	
11	70023094	1	O-Ring (Note: Use Item 50)	
12	70004142	1	Retainer	
13	70004143	1	Spacer	
14	See Note	1	O-Ring (Note: Use Item 50)	
15	See Note	1	Ring, Back-up (Note: Use Item 50)	
16	See Note	1	Wiper (Note: Use Item 50)	
17	See Note	1	Seal (Note: Use Item 50)	
18	See Note	1	O-Ring (Note: Use Item 50)	
19	70000740	1	O-Ring	
20	0962356	4	Bushing	
21	4640509	1	Cartridge, Counterbalance Valve	
21	2900792	1	Seal Kit - 4640509 Valve	
22	70024262	2	Plug	
23	See Note	2	Plug (Note: Not available for purchase)	
26	4640932	1	Cartridge, Counterbalance Valve	
26	7011112	1	Seal Kit - 4640832 Valve	
50	70004131	1	Seal Kit (Includes Items 9-11 & 14-18)	

SECTION 5 - CYLINDER

FIGURE 5-5. PLATFORM LEVEL CYLINDER ASSEMBLY - JIB
(E400AJP,E400AJPNARROW,E450AJ,M400AJP,M400AJPNARROW,M450AJ) (Prior to SN 0300163453)



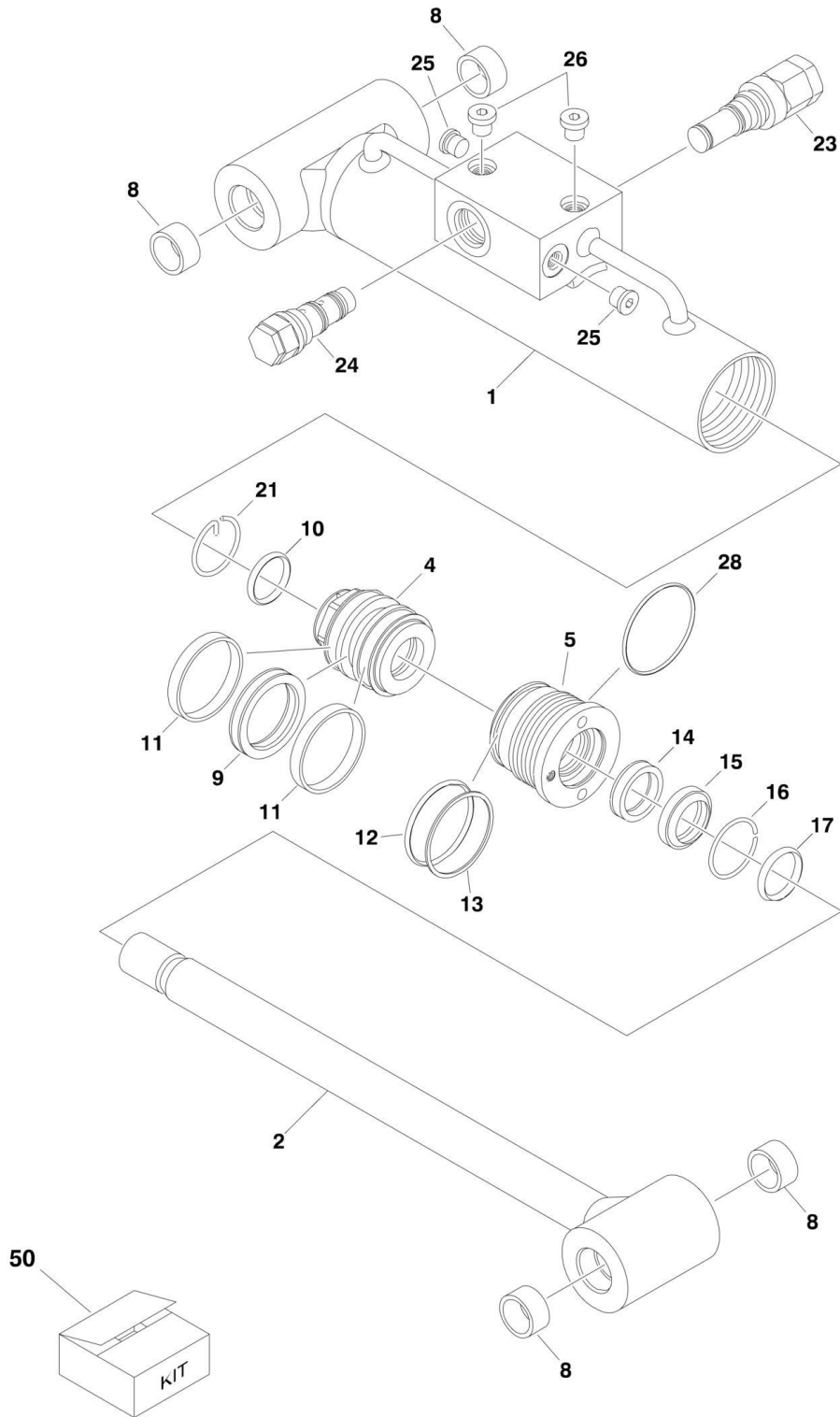
SECTION 5 - CYLINDER

**FIGURE 5-5. PLATFORM LEVEL CYLINDER ASSEMBLY - JIB
(E400AJP,E400AJPNARROW,E450AJ,M400AJP,M400AJPNARROW,M450AJ) (Prior to SN
0300163453)**

ITEM	PART NUMBER	QTY	DESCRIPTION	REV
		Ref	PLATFORM LEVEL CYLINDER ASSEMBLY	
	1683760	Ref	Platform Level Cylinder Assembly (E450AJ,M450AJ) (Prior to SN 0300056571)	B
	1683924	Ref	Platform Level Cylinder Assembly (E450AJ,M450AJ) (SN 0300056571 through 0300163452)	H
	1683924	Ref	Platform Level Cylinder Assembly (E400AJP,E400AJPNarrow,M400AJP,M400AJPNarrow)	H
		Ref	Note: Original Equipment components may have been replaced with Service Replacement components part. Identify p/n stamped on cylinder before ordering parts.	
1	0100011	AR	Compound, Locking	
2	0100038	AR	Primer, Locking	
3	3931016	3	Bolt, Socket Head #10-24NC x 1in	
4		Ref	Tapered Bushing Options:	
4	0961900	1	1683760 Cylinder	
4	0962185	1	1683924 Cylinder	
5	0961951	4	Bushing, Garmax	
6		Ref	Head Options:	
6	1683052	1	1683760 Cylinder	
6	1683925	1	1683924 Cylinder	
7	1683759	1	Rod	
8	1683761	1	Barrel	
9	3760368	1	Washer, Ring	
10		Ref	Piston Options:	
10	3480247	1	1683760 Cylinder	
10	3480259	1	1683924 Cylinder	
12	See Note	2	Ring, Lock (Note: Use Items 100A or 100B)	
13	See Note	1	Ring, Wear (Note: Use Items 100A or 100B)	
14	See Note	2	Ring, Back-up (Note: Use Items 100A or 100B)	
15	See Note	1	O-Ring (Note: Use Items 100A or 100B)	
16	See Note	1	O-Ring (Note: Use Items 100A or 100B)	
17	See Note	1	Wiper (Note: Use Items 100A or 100B)	
18	See Note	1	Seal (Note: Use Items 100A or 100B)	
19	See Note	1	Ring, Back-up (Note: Use Items 100A or 100B)	
20	See Note	2	Seal (Note: Use Items 100A or 100B)	
21	4640932	1	Cartridge, Valve (Counterbalance Vented)	
21	7011112	1	Seal Kit-4640932 Valve	
22	4641086	1	Cartridge, Valve (Counterbalance Non vented)	
22	2900792	1	Seal Kit-4641086 Valve	
23	3931516	8	Bolt, Socket Head 5/16in-18NC x 1in	
100		Ref	Seal Kit Options (Includes Items 12-20):	
100A	2901776	1	1683760 Cylinder	
100B	2901898	1	1683924 Cylinder	

SECTION 5 - CYLINDER

FIGURE 5-6. PLATFORM LEVEL CYLINDER ASSEMBLY - JIB
(E400AJP,E400AJPNARROW,E450AJ,M400AJP,M400AJPNARROW,M450AJ) (SN 0300163453 through 0300189901)



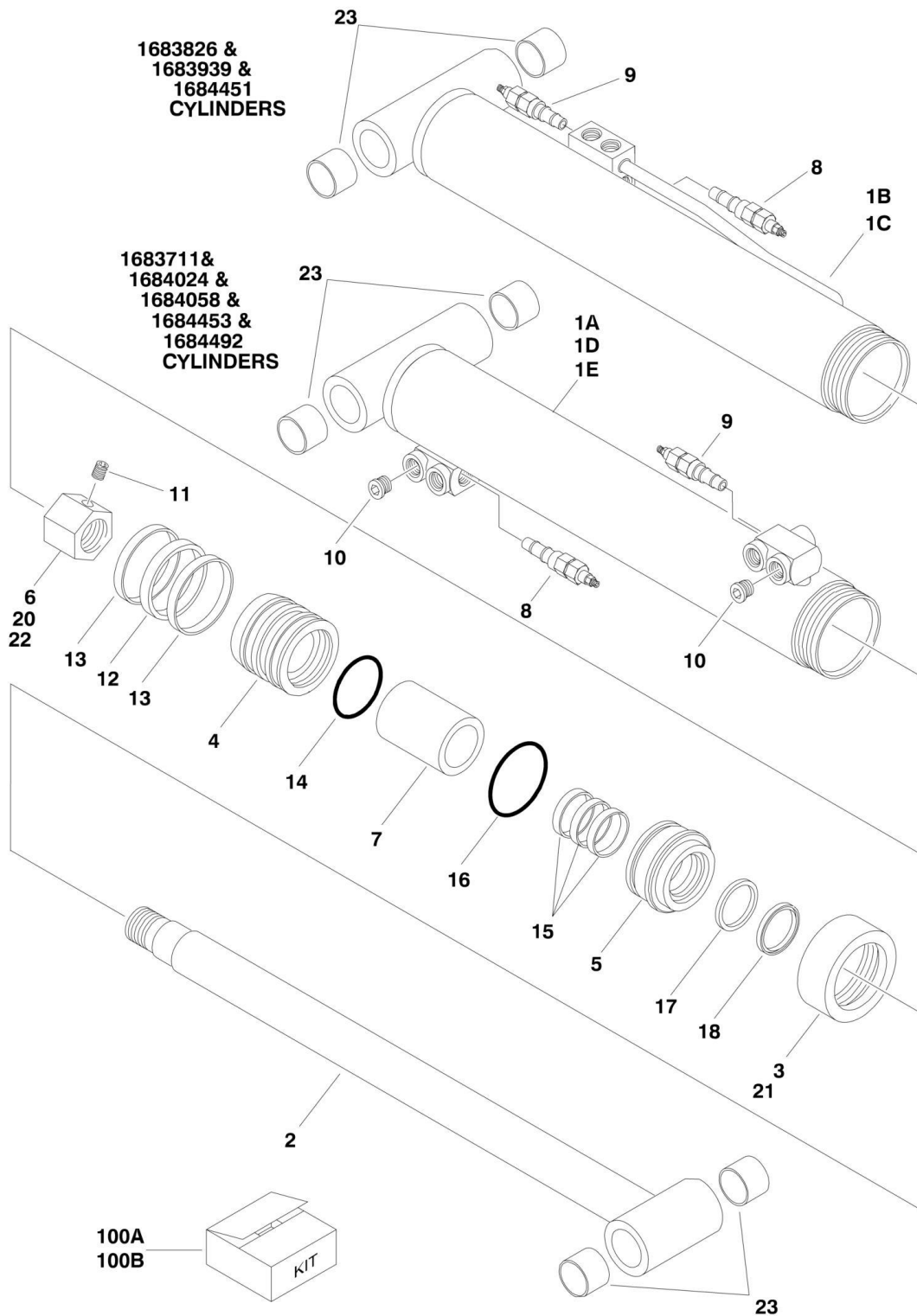
SECTION 5 - CYLINDER

**FIGURE 5-6. PLATFORM LEVEL CYLINDER ASSEMBLY - JIB
(E400AJP,E400AJPNARROW,E450AJ,M400AJP,M400AJPNARROW,M450AJ) (SN 0300163453
through 0300189901)**

ITEM	PART NUMBER	QTY	DESCRIPTION	REV
	1001140279	Ref	PLATFORM LEVEL CYLINDER ASSEMBLY Note: Original Equipment components may have been replaced with Service Replacement components part. Identify p/n stamped on cylinder before ordering parts.	A
		Ref		
1	70003846	1	Barrel	
2	70003847	1	Rod	
4	70003819	1	Piston	
5	7026082	1	Head	
8	0961951	4	Bushing	
9	See Note	1	Seal (Note: Use Item 50)	
10	See Note	1	O-Ring (Note: Use Item 50)	
11	See Note	2	Ring, Wear (Note: Use Item 50)	
12	See Note	1	O-Ring (Note: Use Item 50)	
13	See Note	1	Ring, Back-up (Note: Use Item 50)	
14	See Note	1	Seal (Note: Use Item 50)	
15	See Note	1	Wiper (Note: Use Item 50)	
16	70002217	1	Ring, Retaining	
17	7026084	1	O-Ring	
21	70002216	1	Retainer	
23	4640932	1	Cartridge, Counterbalance Valve	
23	7011112	1	Seal Kit - 4640932 Valve	
24	4641086	1	Cartridge, Counterbalance Valve	
24	2900792	1	Seal Kit - 4641086 Valve	
25	7024844	2	Plug	
26	See Note	2	Plug (Note: Not available for purchase)	
28	See Note	1	O-Ring (Note: Use Item 50)	
50	70003845	1	Seal Kit (Includes Items 9-15 & 28)	

SECTION 5 - CYLINDER

FIGURE 5-7. LIFT CYLINDER ASSEMBLY - LOWER



SECTION 5 - CYLINDER

FIGURE 5-7. LIFT CYLINDER ASSEMBLY - LOWER

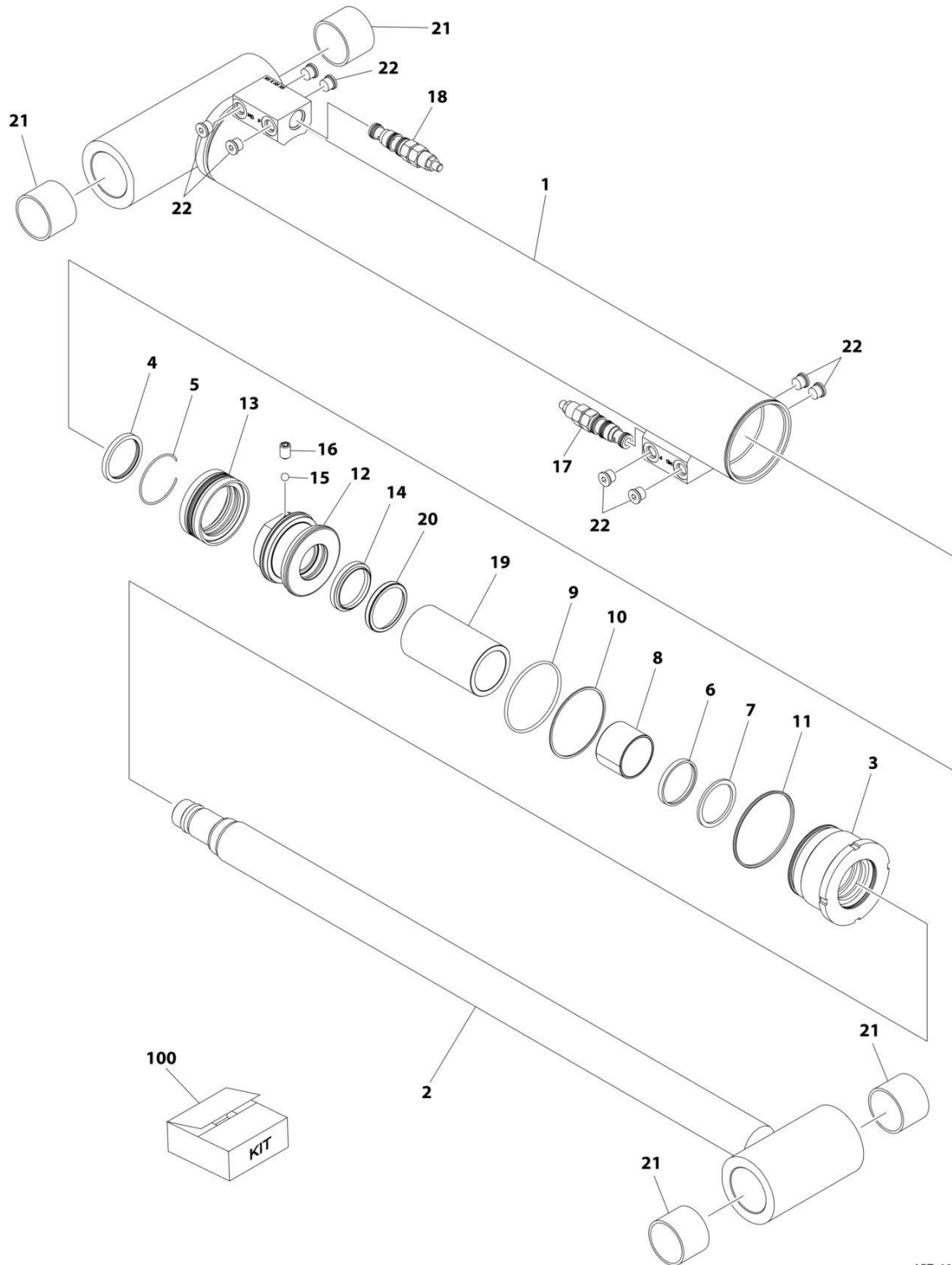
ITEM	PART NUMBER	QTY	DESCRIPTION	REV
		Ref	LOWER LIFT CYLINDER ASSEMBLIES	
	1683711	Ref	Lower Lift Cylinder Assemblies (E450A,M450A) (Prior to SN 0300058843)	1-A
	1684058	Ref	Lower Lift Cylinder Assemblies (E450A,M450A) (SN 0300058843 through 0300091052)	3-B
	1684492	Ref	Lower Lift Cylinder Assemblies (Original Equipment) (E450A,M450A) (SN 0300091053 through 0300189898)	B
	1683826	Ref	Lower Lift Cylinder Assemblies (E450AJ,M450AJ) (Prior to SN 0300056571)	1-A
	1683939	Ref	Lower Lift Cylinder Assemblies (E450AJ,M450AJ) (SN 0300056571 through 0300086021)	3-B
	1684451	Ref	Lower Lift Cylinder Assemblies (Original Equipment) (E450AJ,M450AJ) (SN 0300086022 through 0300189898)	D
	1684024	Ref	Lower Lift Cylinder Assemblies (E400A,E400Anarrow,M400A,M400Anarrow) (Prior to SN 0300086022)	3-B
	1684453	Ref	Lower Lift Cylinder Assemblies (Original Equipment) (E400A,E400Anarrow,M400A,M400Anarrow) (SN 0300086022 through 0300189901)	C
	1683939	Ref	Lower Lift Cylinder Assemblies (E400AJP,E400AJPnarrow,M400AJP,M400AJPnarrow) (Prior to SN 0300091053)	3-B
	1684451	Ref	Lower Lift Cylinder Assemblies (Original Equipment) (E400AJP,E400AJPnarrow,M400AJP,M400AJPnarrow) (SN 0300091053 through 0300189901)	C
		Ref	Note: Original Cylinder may have been replaced with Service Replacement. Identify PN Stamped on Cylinder Before Ordering Parts.	
1		Ref	Barrel Weldment Options:	
1A	1683515	1	1683711 Cylinder (Note: Includes Item #23)	
1B	1683827	1	1683826 Cylinder (Note: Includes Item #23)	
1C	1683940	1	1683939 & 1684451Cylinders	
1D	1684022	1	1684024 & 1684453 Cylinder	
1E	1684055	1	1684058 & 1684492 Cylinder	
2		Ref	Rod Weldment Options:	
2	1683016	1	1683711 & 1683826 Cylinders (Note: Includes Item #23)	
2	1683941	1	1683939, 1683941, 1684451 & 1684492 Cylinders	
2	1684023	1	1684024 & 1684453 Cylinder	
3		Ref	Retainer Options:	
3	1120094	1	1683711, 1683826, 1683939, 1684024, 1684451 & 1684058 Cylinders	
3	1120305	1	1684024 & 1684453 Cylinder	
3	1120407	1	1684492 Cylinder	
4		Ref	Piston Options:	
4	3480241	1	1683711, 1683826, 1683939, 1684024, 1684492, 1684451 & 1684058 Cylinders	
4	3480242	1	1684024 & 1684453 Cylinder	
5		Ref	Head Options:	
5	1683710	1	1683711, 1683826, 1683939, 1684024, 1684492, 1684451 & 1684058 Cylinders	
5	1683712	1	1684024 & 1684453 Cylinder	
6	3300281	1	Nut, Hex	
7		Ref	Spacer Options:	

SECTION 5 - CYLINDER

ITEM	PART NUMBER	QTY	DESCRIPTION	REV
7	4566432	1	1683711, 1683826, 1683939, 1684024, 1684492, 1684451 & 1684058 Cylinders	
7	4565992	1	1684024 & 1684453 Cylinder (Spacer)	
7	4740207	1	1684024 & 1684453 Cylinder (Washer)	
8		Ref	Cartridge, Holding Valve Options:	
8	4640816	1	Cartridge, Holding Valve For 1683711, 1683826, 1683939, 1684024 & 1684058 Cylinder	
8	2900770	1	Seal Kit - 4640816 Valve	
8	4641386	1	Cartridge, Holding Valve For 1684451, 1684453 & 1684492 Cylinder	
8	7011376	1	Seal Kit - 4641386 Valve	
9	4640634	1	Cartridge, Holding Valve	
9	2900770	1	Seal Kit - 4640634 Valve	
10		Ref	Plug Options:	
10	2220885	2	1683711, 1684024, 1684058, 1684453 & 1684492 Cylinders	
10	Not Required	0	1683826, 1683939 & 1684451 Cylinders	
11	3900170	1	Setscrew	
12	See Note	1	Seal, Piston (Note: Use Items 100A or 100B)	
13	See Note	2	Ring, Wear (Note: Use Items 100A or 100B)	
14	See Note	1	O-Ring (Note: Use Items 100A or 100B)	
15	See Note	3	Ring, Wear (Note: Use Items 100A or 100B)	
16	See Note	1	O-Ring (Note: Use Items 100A or 100B)	
16	See Note	1	Ring, Back-up (1684024 Cylinder Only) (Note: Use Item 100B)	
17	See Note	1	Seal, Rod (Note: Use Items 100A or 100B)	
18	See Note	1	Wiper, Rod (Note: Use Items 100A or 100B)	
20	0100011	AR	Compound, Locking	
21	0100035	AR	Compound, Locking	
22	0100038	AR	Primer, Locking	
23		Ref	Bushing Options:	
23	0961726	4	1683711 & 1683826 Cylinders	
23	0961950	4	1683939, 1684024, 1684058, 1684551, 1684453 & 1684492 Cylinders	
100		Ref	Seal Kit Options (Includes Items 12-18):	
100A	2901806	1	1683711, 1683826, 1683939, 1684492, 1684451 & 1684058 Cylinders	
100B	2901805	1	1684024 & 1684453 Cylinders	

SECTION 5 - CYLINDER

FIGURE 5-8. LIFT CYLINDER ASSEMBLY - LOWER (SERVICE REPLACEMENT) (E400A,E400ANARROW,M400A,M400ANARROW)



ART_1001228037

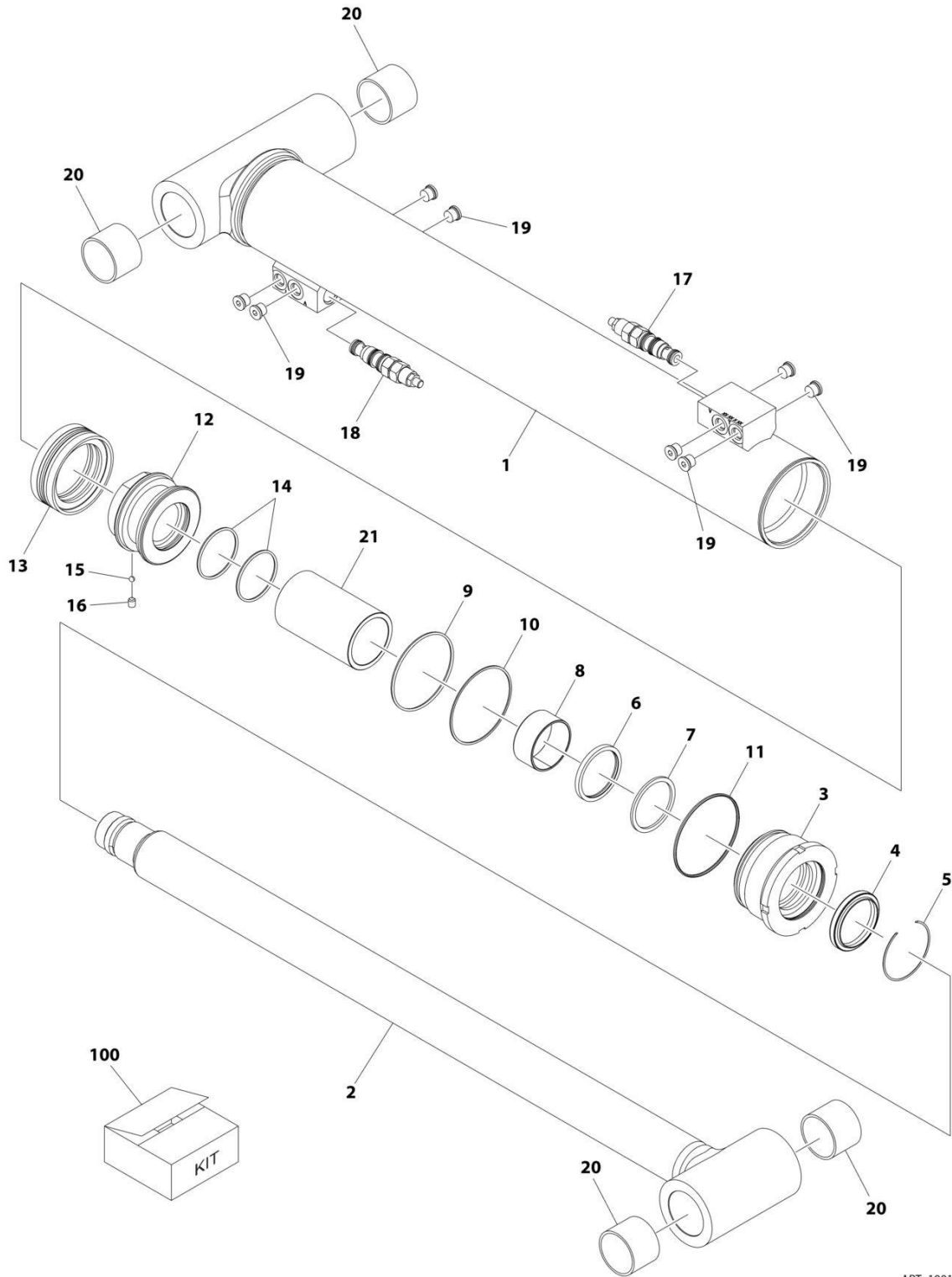
SECTION 5 - CYLINDER

**FIGURE 5-8. LIFT CYLINDER ASSEMBLY - LOWER (SERVICE REPLACEMENT)
(E400A,E400ANARROW,M400A,M400ANARROW)**

ITEM	PART NUMBER	QTY	DESCRIPTION	REV
	1001228037	Ref	LIFT CYLINDER ASSEMBLY - LOWER	A
		Ref	Note: Original Cylinder may have been replaced with Service Replacement. Identify PN Stamped on Cylinder Before Ordering Parts.	
1	See Note	NSS	Barrel (Note: Not Available for Purchase)	
2	70006593	1	Rod	
3	70006592	1	Head	
4	See Note	NSS	Wiper (Note: Use Item 100)	
5	70002412	1	Retainer	
6	See Note	NSS	Seal, Rod (Note: Use Item 100)	
7	See Note	NSS	Ring, Back-up (Note: Use Item 100)	
8	70006591	1	Bearing	
9	See Note	NSS	O-Ring (Note: Use Item 100)	
10	See Note	NSS	Ring, Back-up (Note: Use Item 100)	
11	70050801	1	O-Ring	
12	70006590	1	Piston	
13	See Note	NSS	Seal (Note: Use Item 100)	
14	See Note	NSS	O-Ring (Note: Use Item 100)	
15	70022564	1	Ball, Steel	
16	70006601	1	Setscrew	
17	4640634	1	Cartridge, Holding Valve	
17	2900770	1	Seal Kit - 4640634 Valve	
18	4641386	1	Cartridge, Holding Valve	
18	7011376	1	Seal Kit - 4641386 Valve	
19	70006589	1	Spacer	
20	70006588	1	O-Ring	
21	0961950	4	Bushing	
22	2220883	8	Plug, O-Ring	
100	70006587	1	Seal Kit (Includes Items 4, 6, 7, 9, 10, 13 & 14)	

SECTION 5 - CYLINDER

FIGURE 5-9. LIFT CYLINDER ASSEMBLY - LOWER (SERVICE REPLACEMENT) (E450A,M450A)



ART_1001228039

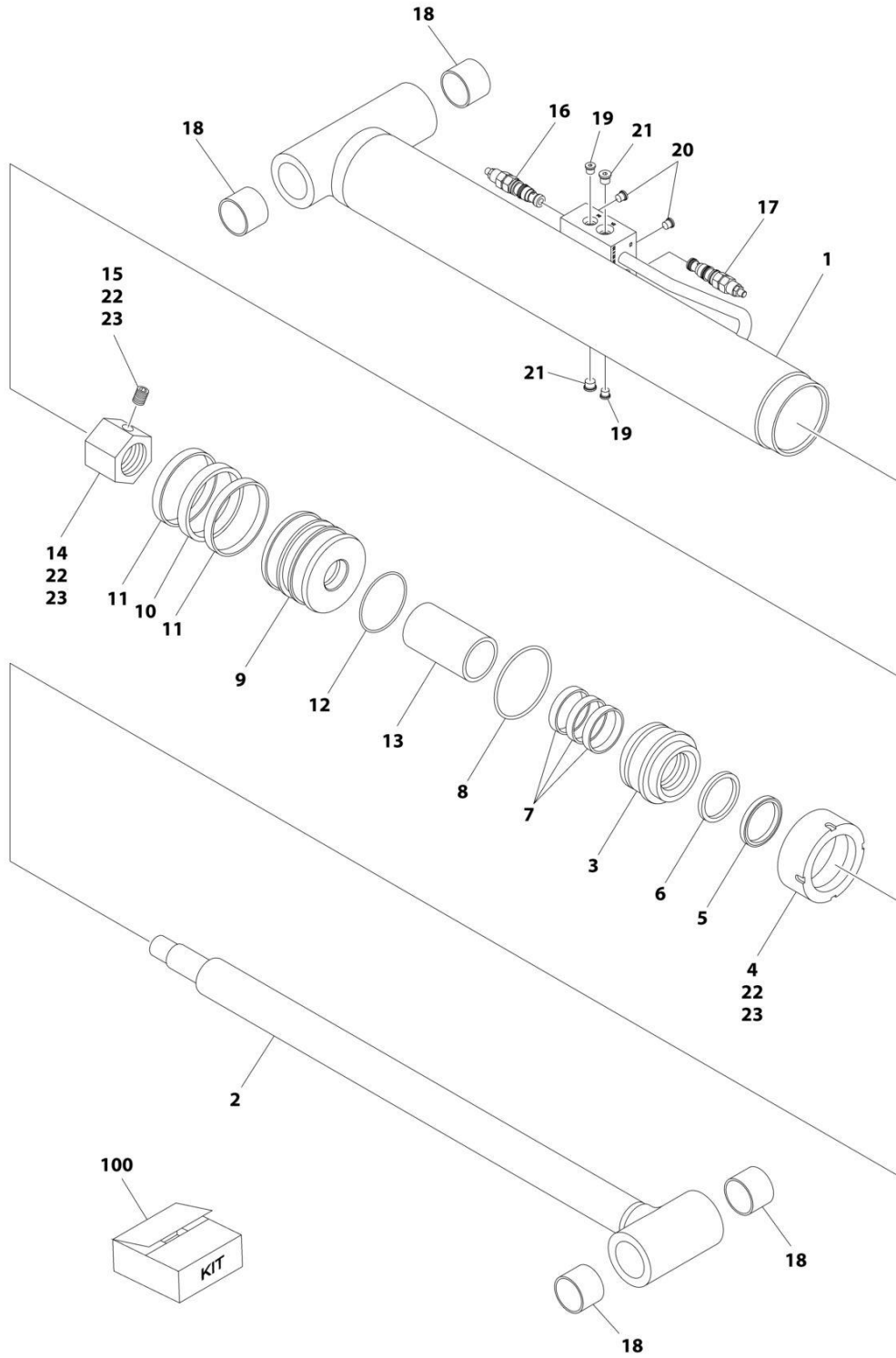
SECTION 5 - CYLINDER

FIGURE 5-9. LIFT CYLINDER ASSEMBLY - LOWER (SERVICE REPLACEMENT) (E450A,M450A)

ITEM	PART NUMBER	QTY	DESCRIPTION	REV
	1001228039	Ref	LIFT CYLINDER ASSEMBLY - LOWER	B
		Ref	Note: Original Cylinder may have been replaced with Service Replacement. Identify PN Stamped on Cylinder Before Ordering Parts.	
1	See Note	NSS	Barrel (Note: Not Available for Purchase)	
2	70006602	1	Rod	
3	70006603	1	Head	
4	70006604	NSS	Wiper (Note: Use Item 100)	
5	70027244	1	Retainer	
6	70006605	NSS	Seal, Rod (Note: Use Item 100)	
7	See Note	NSS	Ring, Back-up (Note: Use Item 100)	
8	70004637	1	Bearing	
9	70006606	NSS	O-Ring (Note: Use Item 100)	
10	See Note	NSS	Ring, Back-up (Note: Use Item 100)	
11	See Note	NSS	O-Ring	
12	70006607	1	Piston	
13	See Note	NSS	Seal (Note: Use Item 100)	
14	See Note	NSS	O-Ring (Note: Use Item 100)	
15	70022564	1	Ball, Steel	
16	70023369	1	Setscrew	
17	4640634	1	Cartridge, Holding Valve	
17	2900770	1	Seal Kit - 4640634 Valve	
18	4641386	1	Cartridge, Holding Valve	
18	7011376	1	Seal Kit - 4641386 Valve	
19	2220885	8	Plug, O-Ring	
20	0961950	4	Bushing	
21	70006608	1	Spacer	
100	70006609	1	Seal Kit (Includes Items 4, 6, 7, 9-11, 13 & 14)	

SECTION 5 - CYLINDER

**FIGURE 5-10. LIFT CYLINDER ASSEMBLY - LOWER (SERVICE REPLACEMENT)
(E400AJP,E400AJPNARROW,E450AJ,M400AJP,M400AJPNARROW,M450AJ)**



ART_1001228035

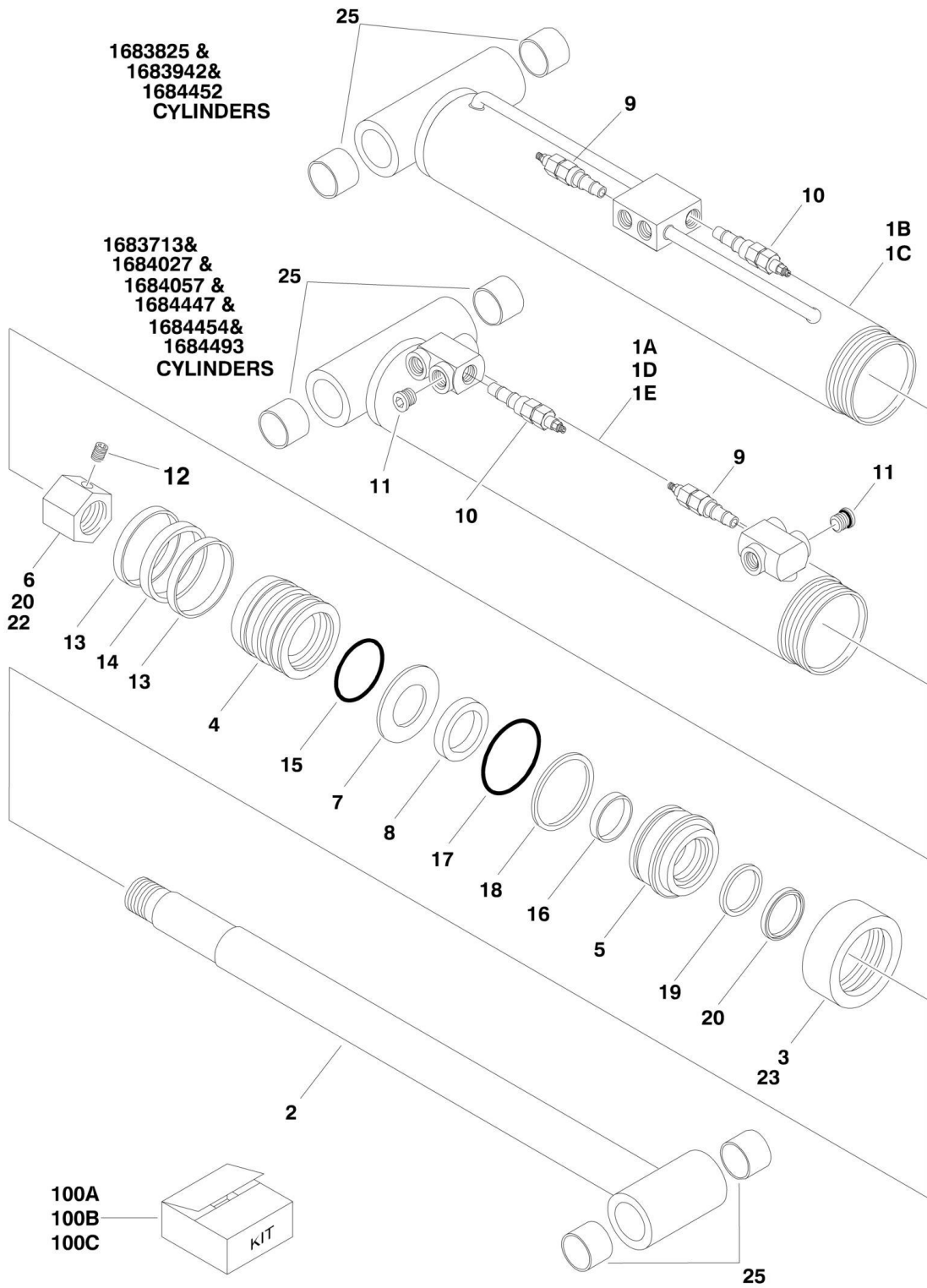
SECTION 5 - CYLINDER

**FIGURE 5-10. LIFT CYLINDER ASSEMBLY - LOWER (SERVICE REPLACEMENT)
(E400AJP,E400AJPNARROW,E450AJ,M400AJP,M400AJPNARROW,M450AJ)**

ITEM	PART NUMBER	QTY	DESCRIPTION	REV
	1001228035	Ref	LIFT CYLINDER ASSEMBLY - LOWER	C
		Ref	Note: Original Cylinder may have been replaced with Service Replacement. Identify PN Stamped on Cylinder Before Ordering Parts.	
1	See Note	NSS	Barrel Weldment (Note: Not Available for Purchase)	
2	70006535	1	Rod Weldment	
3	70006533	1	Head	
4	70006533	1	Retainer	
5	See Note	NSS	Wiper (Note: Use Item 100)	
6	See Note	NSS	Seal, Rod (Note: Use Item 100)	
7	See Note	NSS	Ring, Wear (Note: Use Item 100)	
8	See Note	NSS	O-Ring (Note: Use Item 100)	
9	70006532	1	Piston	
10	See Note	NSS	Seal (Note: Use Item 100)	
11	See Note	NSS	Ring, Wear (Note: Use Item 100)	
12	See Note	NSS	O-Ring (Note: Use Item 100)	
13	70006531	1	Spacer	
14	3300281	1	Nut	
15	3900170	1	Setscrew	
16	4640634	1	Cartridge, Holding Valve	
16	2900770	1	Seal Kit - 4640634 Valve	
17	4641386	1	Cartridge, Holding Valve	
17	7011376	1	Seal Kit - 4641386 Valve	
18	0961950	4	Bushing	
19	2220883	2	Plug, O-Ring	
20	2220883	2	Plug, O-Ring	
21	2220885	2	Plug, O-Ring	
22	0100011	AR	Compound, Locking	
23	0100038	AR	Primer, Locking	
100	2901806	1	Seal Kit (Includes Items 5-8 & 10-12)	

SECTION 5 - CYLINDER

FIGURE 5-11. LIFT CYLINDER ASSEMBLY - MID



SECTION 5 - CYLINDER

FIGURE 5-11. LIFT CYLINDER ASSEMBLY - MID

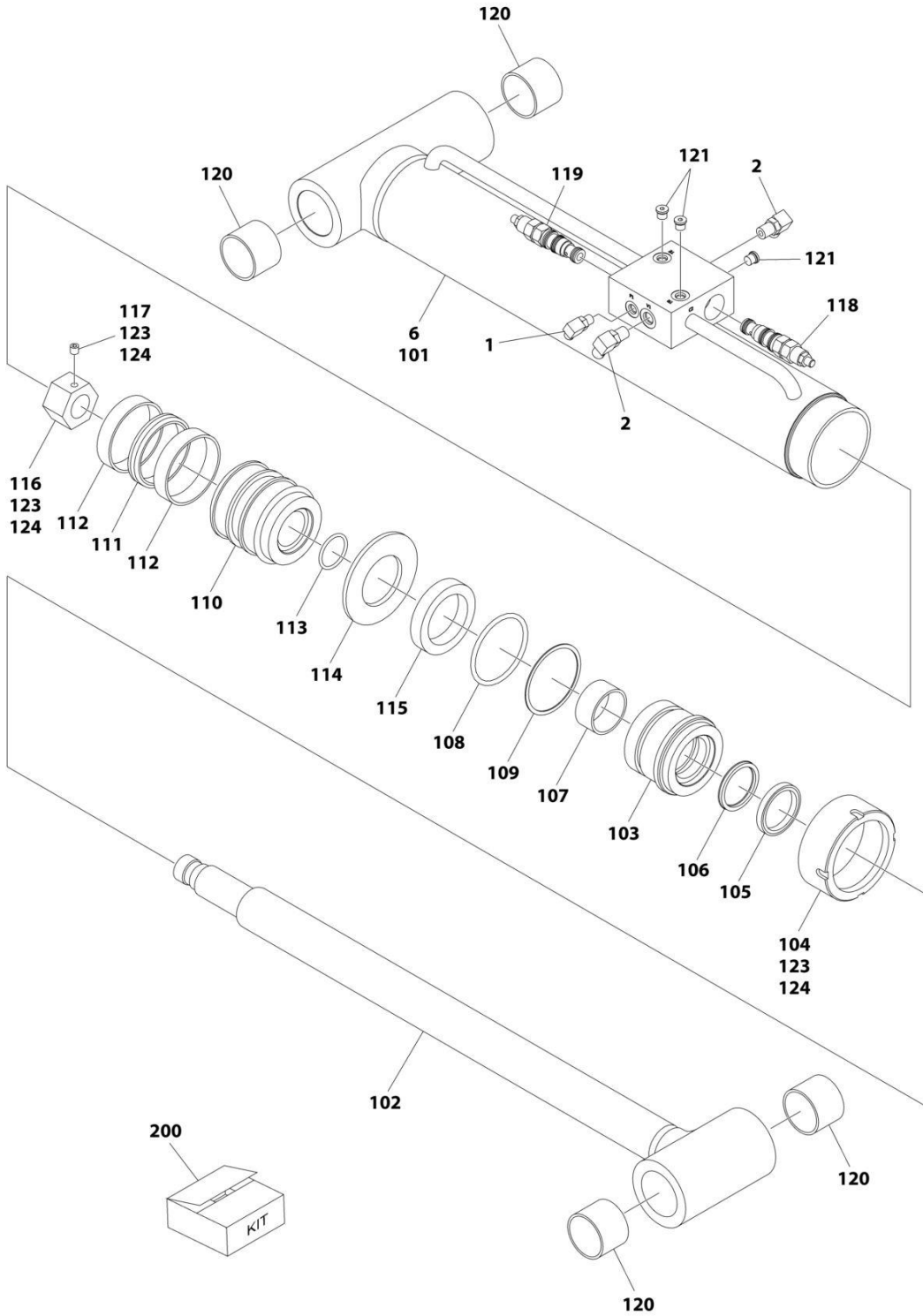
ITEM	PART NUMBER	QTY	DESCRIPTION	REV
		Ref	MID LIFT CYLINDER ASSEMBLY	
	1683713	Ref	Mid Lift Cylinder Assembly (E450A,M450A) (Prior to SN 0300058843)	1A
	1684057	Ref	Mid Lift Cylinder Assembly (E450A,M450A) (SN 0300058843 through 0300091052)	3-B
	1684493	Ref	Mid Lift Cylinder Assembly (Original Equipment) (E450A,M450A) (SN 0300091053 through 0300189898)	B
	1683825	Ref	Mid Lift Cylinder Assembly (E450AJ,M450AJ) (Prior to SN 0300056571)	1-A
	1683942	Ref	Mid Lift Cylinder Assembly (E450AJ,M450AJ) (SN 0300056571 through 0300086021)	3-C
	1684452	Ref	Mid Lift Cylinder Assembly (Original Equipment) (E450AJ,M450AJ) (SN 0300086022 through 0300189898)	C
	1684027	Ref	Mid Lift Cylinder Assembly (Original Equipment) (E400A,E400Anarrow,M400A,M400Anarrow) (Prior to SN 0300080496)	1-A
	1684447	Ref	Mid Lift Cylinder Assembly (E400A,E400Anarrow,M400A,M400Anarrow) (SN 0300080496 through 0300086021)	B
	1684454	Ref	Mid Lift Cylinder Assembly (Original Equipment) (E400A,E400Anarrow,M400A,M400Anarrow) (SN 0300086022 through 0300189901)	A
	1683942	Ref	Mid Lift Cylinder Assembly (E400AJP,E400AJPnarrow,M400AJP,M400AJPnarrow) (Prior to SN 0300091053)	3-C
	1684452	Ref	Mid Lift Cylinder Assembly (Original Equipment) (E400AJP,E400AJPnarrow,M400AJP,M400AJPnarrow) (SN 0300091053 through 0300189901)	C
		Ref	Note: Original Cylinder may have been replaced with Service Replacement. Identify PN Stamped on Cylinder Before Ordering Parts.	
1		Ref	Barrel Weldment Options:	
1A	1683516	1	1683713 Cylinder (Note: Includes Item #25)	
1B	1683829	1	1683825 Cylinder (Note: Includes Item #25)	
1C	1683943	1	1683942 & 1684452 Cylinders	
1D	1684025	1	1684027 & 1684447 & 1684454 Cylinders	
1E	1684056	1	1684057 & 1684493 Cylinder	
2		Ref	Rod Weldment Options:	
2	1683021	1	1683713 & 1683825 Cylinders (Note: Includes Item #25)	
2	1683944	1	1683942, 1684057, 1684452 & 1684493 Cylinders	
2	1684026	1	1684027 & 1684447 & 1684454 Cylinders	
3		Ref	Retainer Options:	
3	1120305	1	1683713, 1684057, 1683825, 1683942 & 1684452 Cylinders	
3	1120108	1	1684027, 1684447 & 1684454 Cylinder	
3	1120375	1	1684493 Cylinder	
4		Ref	Piston Options:	
4	3480242	1	1683713, 1684057, 1683825, 1683942, 1684452 & 1684493 Cylinders	
4	3480115	1	1684027 Cylinder (Not Shown) (Use p/n 3480240) Note: When replacing the piston you must order seal kit p/n 2902419 separate from piston.	
4	3480240	1	1684447 & 1684454 Cylinder (Not Shown)	
5		Ref	Head Options:	

SECTION 5 - CYLINDER

ITEM	PART NUMBER	QTY	DESCRIPTION	REV
5	1683712	1	1683713, 1684057, 1683825, 1683942, 1684452 & 1684493 Cylinders	
5	1681344	1	1684027, 1684447 & 1684454 Cylinder	
6		Ref	Nut, Hex Options:	
6	3300281	1	1683713, 1684057, 1683825, 1683942, 1684452 & 1684493 Cylinders	
6	3300279	1	1684027, 1684447 & 1684454 Cylinder	
7		Ref	Washer Options:	
7	4740207	1	1683713, 1684057, 1683825, 1683942, 1684452 & 1684493 Cylinders	
7	4740394	1	1684027, 1684447 & 1684454 Cylinder	
8		Ref	Spacer Options:	
8	4566435	1	1683713, 1684057, 1683825, 1683942, 1684452 & 1684493 Cylinders	
8	4565994	1	1684027, 1684447 & 1684454 Cylinders	
8	3951402	1	Setscrew 1/4in-20NC x 1/4in (1684027, 1684447 & 1684454 Cylinder Only)	
9	4640634	1	Cartridge, Holding Valve	
9	2900770	1	Seal Kit - 4640634 Valve	
10		Ref	Cartridge, Holding Valve Options:	
10	4640816	1	Cartridge, Holding Valve For 1683713, 1683825, 1683942, 1684027, 1684056 & 1684447 Cylinders	
10	2900770	1	Seal Kit - 4640816 Valve	
10	4641386	1	Cartridge, Holding Valve For 1684452, 1684454 & 1684493 Cylinder	
10	7011376	1	Seal Kit - 464136 Valve	
11		Ref	Plug Options:	
11	2220885	2	1683713, 1684027, 1684057, 1684447, 1684454 & 1684493 Cylinders	
11	Not Required	0	1683825, 1683942 & 1684452 Cylinders	
12	3900170	2	Setscrew	
13	See Note		Ring (Note: Use Items 100A, 100B or 100C)	
14	See Note	AR	Seal, Piston (Note: Use Items 100A, 100B or 100C)	
15	See Note	1	O-Ring (Note: Use Items 100A, 100B or 100C)	
16	See Note	1	Ring, Wear (Note: Use Items 100A, 100B or 100C)	
17	See Note	1	O-Ring (Note: Use Items 100A, 100B or 100C)	
18	See Note	1	Ring, Back-up (All except 1684027, 1684447 & 1684454 Cylinders) (Note: Use Items 100B or 100C)	
19	See Note	1	Seal, Rod (Note: Use Items 100A, 100B or 100C)	
20	See Note	1	Wiper, Rod (Note: Use Items 100A, 100B or 100C)	
21	0100011	AR	Compound, Locking	
22	0100035	AR	Compound, Locking	
23	0100038	AR	Primer, Locking	
25		Ref	Bushing Options:	
25	0961726	4	1683713 & 1683825 Cylinders	
25	0961950	4	1683942, 1684027, 1684057, 1684447, 1684452, 1684454 & 1684493 Cylinders	
100		Ref	Seal Kit Options (Includes Items 13-20):	
100A	2901805	1	All Cylinders except 1684027, 16844447 & 1684454	
100B	2900371	1	1684027 Cylinder (Use p/n 2902419) Note: If piston has not been replaced before, order piston p/n 3480240 also. Old style piston and seal kit must be replaced.	
100C	2902419	1	1684447 & 1684454 Cylinders	

SECTION 5 - CYLINDER

FIGURE 5-12. LIFT CYLINDER ASSEMBLY - MID (SERVICE REPLACEMENT) (E450A,M450A)



ART_1001237443

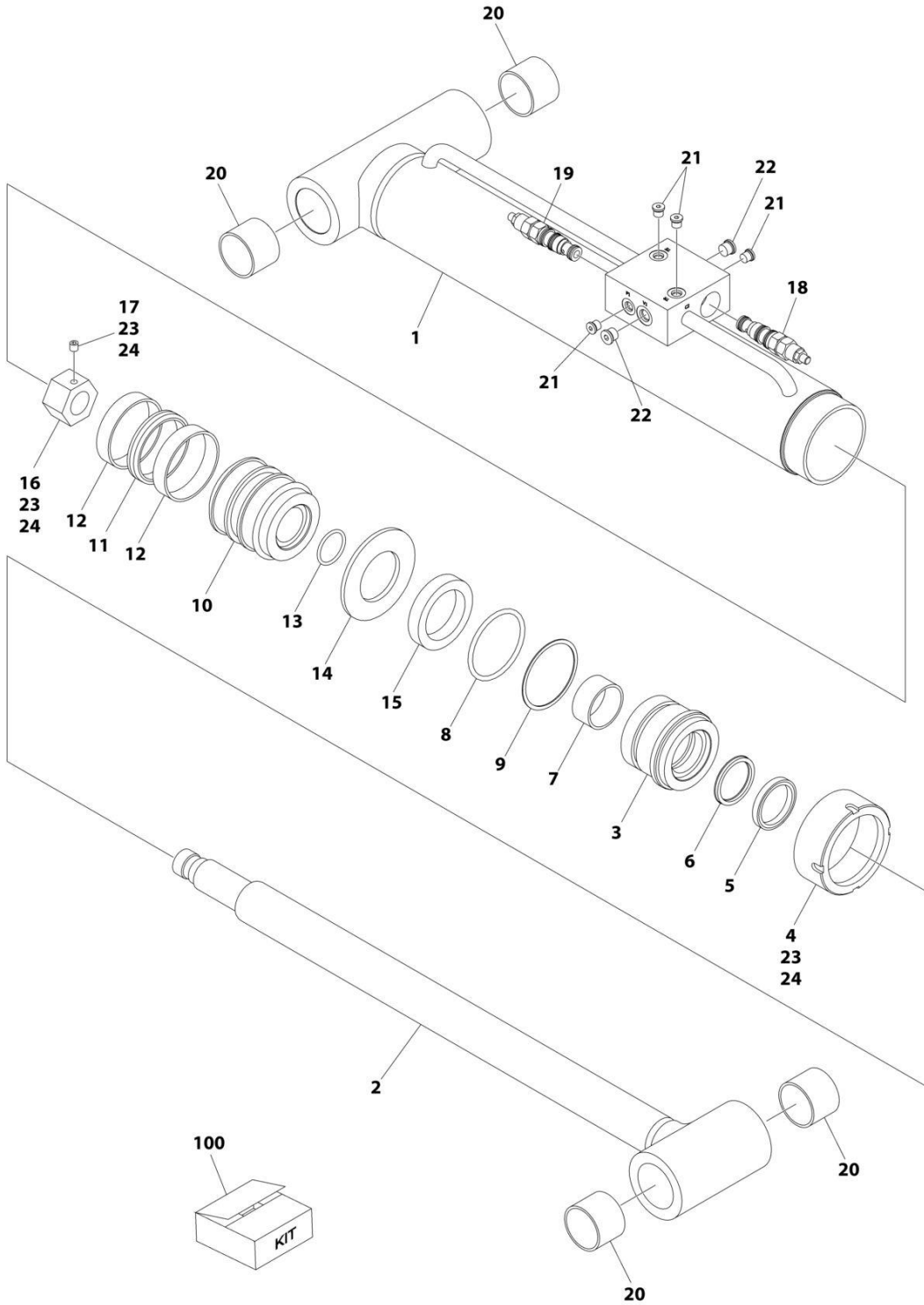
SECTION 5 - CYLINDER

FIGURE 5-12. LIFT CYLINDER ASSEMBLY - MID (SERVICE REPLACEMENT) (E450A,M450A)

ITEM	PART NUMBER	QTY	DESCRIPTION	REV
	1001237443	Ref	LIFT CYLINDER ASSEMBLY - MID	A
		Ref	Note: Original Cylinder may have been replaced with Service Replacement. Identify PN Stamped on Cylinder Before Ordering Parts.	
1	2220446	1	Fitting, 90 JIC/ORB	
2	2220473	2	Fitting, 90 JIC/ORB	
	See Note	Ref	Note: See Hydraulic Diagram p/n 1001178385 for item 3 hose replaces hose p/n 2751126 & item 4 hose replaces p/n 2751127.	
3	2751009	1	Hose (Not Shown)	
4	2753301	1	Hose (Not Shown)	
6	1001228036	1	Lift Cylinder Assembly - Mid (See Items 101-124 for Breakdown)	
101	See Note	NSS	Barrel Weldment (Note: Not Available for Purchase)	
102	70006543	1	Rod Weldment	
103	70006542	1	Head	
104	70006533	1	Retainer	
105	See Note	NSS	Wiper (Note: Use Item 200)	
106	See Note	NSS	Seal, Rod (Note: Use Item 200)	
107	See Note	NSS	Ring, Wear (Note: Use Item 200)	
108	See Note	NSS	O-Ring (Note: Use Item 200)	
109	See Note	NSS	Ring, Back-up (Note: Use Item 200)	
110	70006532	1	Piston	
111	See Note	NSS	Seal (Note: Use Item 200)	
112	See Note	NSS	Ring, Wear (Note: Use Item 200)	
113	See Note	NSS	O-Ring (Note: Use Item 200)	
114	4740207	1	Washer	
115	70006539	1	Spacer	
116	3300281	1	Nut	
117	3900170	1	Setscrew	
118	4640634	1	Cartridge, Holding Valve	
118	2900770	1	Seal Kit - 4640634 Valve	
119	4641386	1	Cartridge, Holding Valve	
119	7011376	1	Seal Kit - 4641386 Valve	
120	0961950	4	Bushing	
121	2220883	3	Plug, O-Ring	
123	0100011	AR	Compound, Locking	
124	0100038	AR	Primer, Locking	
200	2901806	1	Seal Kit (Includes Items 105-109 & 111-113)	

SECTION 5 - CYLINDER

**FIGURE 5-13. MID LIFT CYLINDER ASSEMBLY (SERVICE REPLACEMENT)
(E400AJP,E400AJPNARROW,E450AJ,M400AJP,M400AJPNARROW,M450AJ)**



ART_1001228036

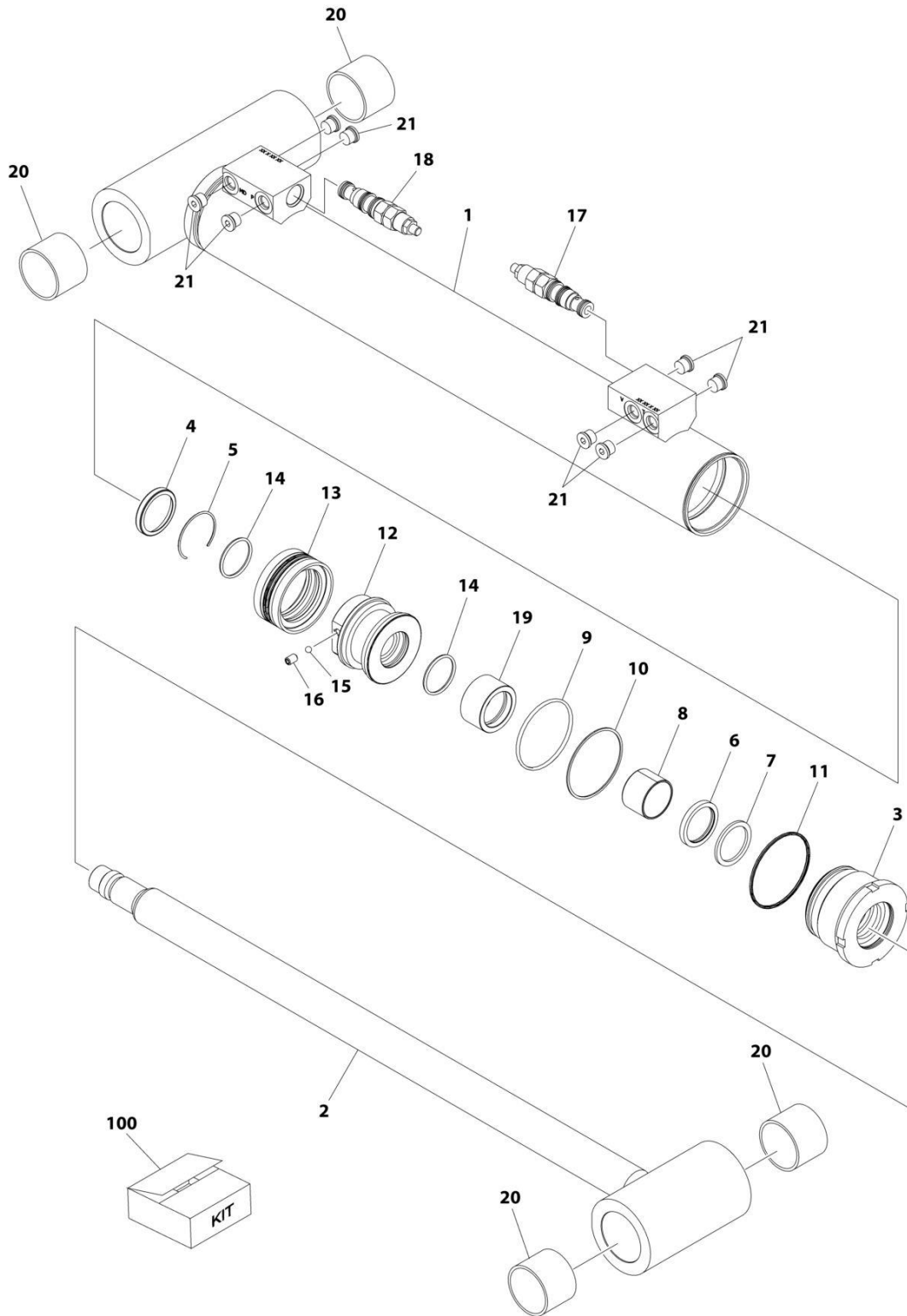
SECTION 5 - CYLINDER

**FIGURE 5-13. MID LIFT CYLINDER ASSEMBLY (SERVICE REPLACEMENT)
(E400AJP,E400AJPNARROW,E450AJ,M400AJP,M400AJPNARROW,M450AJ)**

ITEM	PART NUMBER	QTY	DESCRIPTION	REV
	1001228036	Ref	LIFT CYLINDER ASSEMBLY - MID	F
		Ref	Note: Original Cylinder may have been replaced with Service Replacement. Identify PN Stamped on Cylinder Before Ordering Parts.	
1	See Note	NSS	Barrel Weldment (Note: Not Available for Purchase)	
2	70006543	1	Rod Weldment	
3	70006542	1	Head	
4	70006533	1	Retainer	
5	See Note	NSS	Wiper (Note: Use Item 100)	
6	See Note	NSS	Seal, Rod (Note: Use Item 100)	
7	See Note	NSS	Ring, Wear (Note: Use Item 100)	
8	See Note	NSS	O-Ring (Note: Use Item 100)	
9	See Note	NSS	Ring, Back-up (Note: Use Item 100)	
10	70006532	1	Piston	
11	See Note	NSS	Seal (Note: Use Item 100)	
12	See Note	NSS	Ring, Wear (Note: Use Item 100)	
13	See Note	NSS	O-Ring (Note: Use Item 100)	
14	4740207	1	Washer	
15	70006539	1	Spacer	
16	3300281	1	Nut	
17	3900170	1	Setscrew	
18	4640634	1	Cartridge, Holding Valve	
18	2900770	1	Seal Kit - 4640634 Valve	
19	4641386	1	Cartridge, Holding Valve	
19	7011376	1	Seal Kit - 4641386 Valve	
20	0961950	4	Bushing	
21	2220883	4	Plug, O-Ring	
22	2220885	2	Plug, O-Ring	
23	0100011	AR	Compound, Locking	
24	0100038	AR	Primer, Locking	
100	2901805	1	Seal Kit (Includes Items 5-9 & 11-13)	

SECTION 5 - CYLINDER

FIGURE 5-14. MID LIFT CYLINDER ASSEMBLY (SERVICE REPLACEMENT) (E400A,E400ANARROW,M400A,M400ANARROW)



ART_1001228038

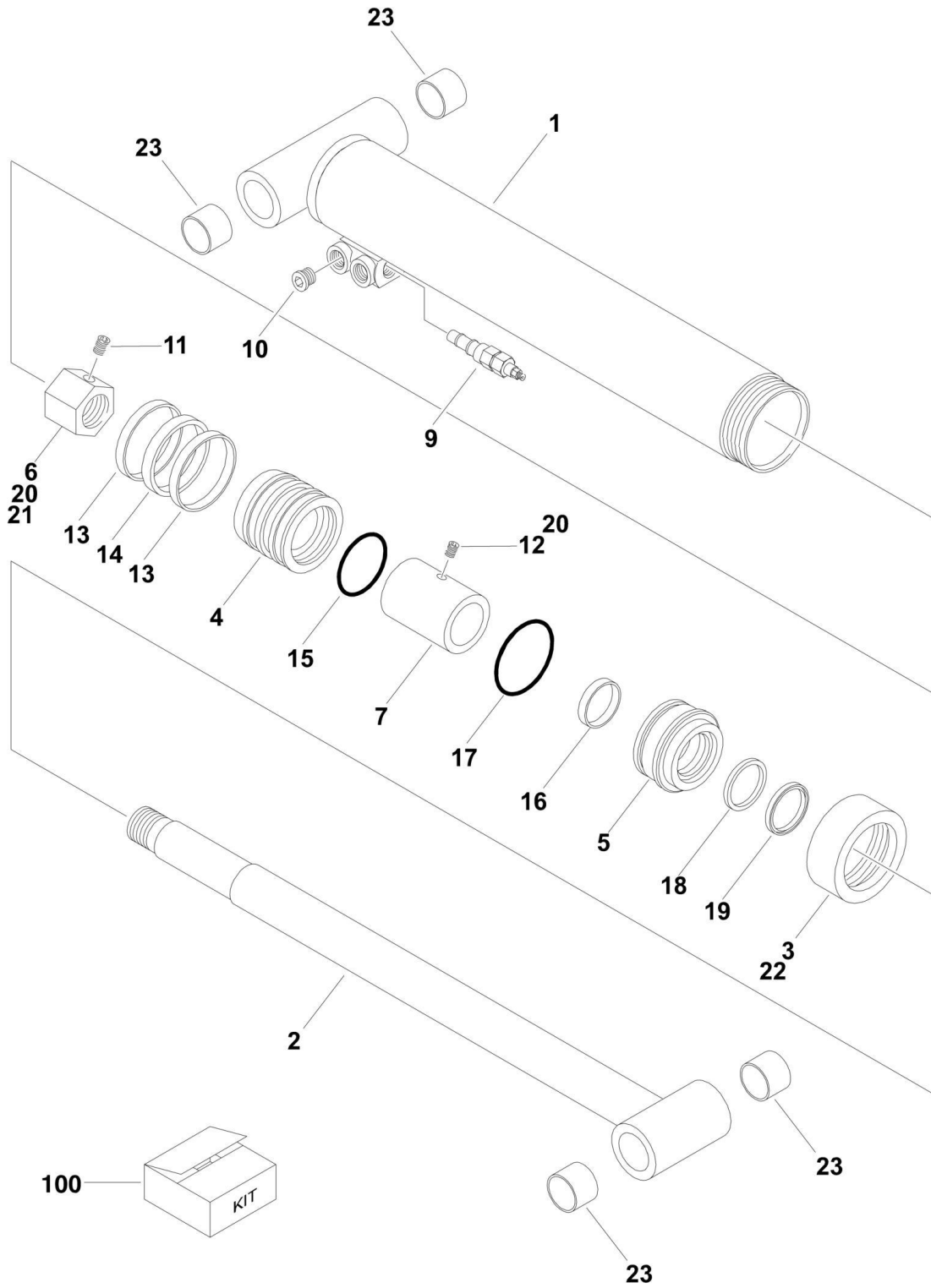
SECTION 5 - CYLINDER

**FIGURE 5-14. MID LIFT CYLINDER ASSEMBLY (SERVICE REPLACEMENT)
(E400A,E400ANARROW,M400A,M400ANARROW)**

ITEM	PART NUMBER	QTY	DESCRIPTION	REV
	1001228038	Ref	LIFT CYLINDER ASSEMBLY - MID	A
		Ref	Note: Original Cylinder may have been replaced with Service Replacement. Identify PN Stamped on Cylinder Before Ordering Parts.	
1	See Note	NSS	Barrel Weldment (Note: Not Available for Purchase)	
2	70006600	1	Rod Weldment	
3	70006599	1	Head	
4	See Note	1	Wiper (Note: Use Item 100)	
5	70002373	1	Retainer	
6	See Note	NSS	Seal, Rod (Note: Use Item 100)	
7	See Note	NSS	Ring, Back-up (Note: Use Item 100)	
8	70005143	1	Bearing	
9	See Note	NSS	O-Ring (Note: Use Item 100)	
10	See Note	NSS	Ring, Back-up (Note: Use Item 100)	
11	70006598	1	O-Ring	
12	70006597	1	Piston	
13	See Note	NSS	Seal (Note: Use Item 100)	
14	See Note	NSS	O-Ring (Note: Use Item 100)	
15	70022564	1	Ball, Steel	
16	70006596	1	Setscrew	
17	4640634	1	Cartridge, Holding Valve	
17	2900770	1	Seal Kit - 4640634 Valve	
18	4641386	1	Cartridge, Holding Valve	
18	7011376	1	Seal Kit - 4641386 Valve	
19	70006595	1	Spacer	
20	0961950	4	Bushing	
21	2220885	8	Plug, O-Ring	
100	70006594	1	Seal Kit (Includes 4, 6, 7, 9, 10, 13 & 14)	

SECTION 5 - CYLINDER

FIGURE 5-15. LIFT CYLINDER ASSEMBLY - UPPER



SECTION 5 - CYLINDER

FIGURE 5-15. LIFT CYLINDER ASSEMBLY - UPPER

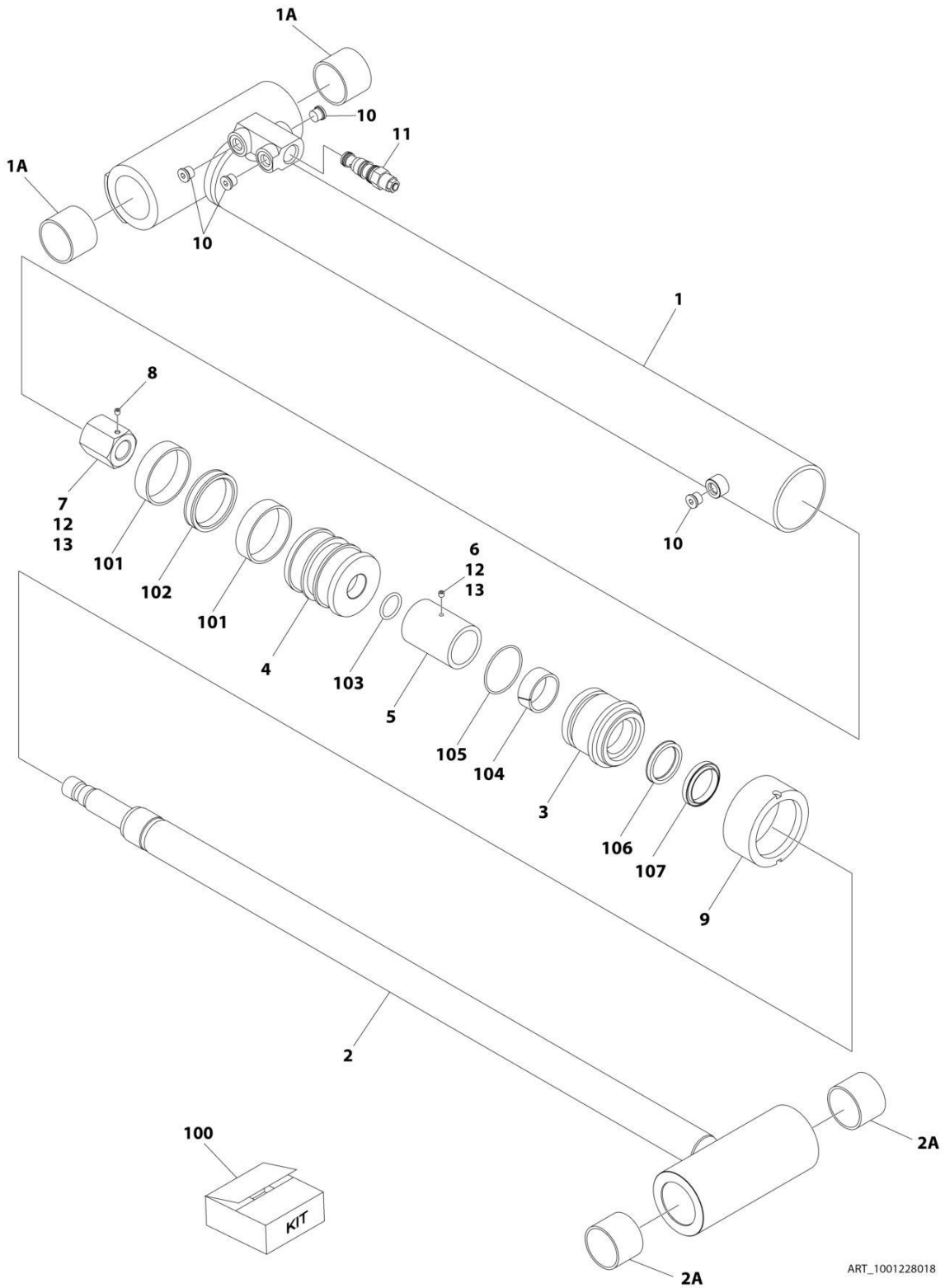
ITEM	PART NUMBER	QTY	DESCRIPTION	REV
		Ref	UPPER LIFT CYLINDER ASSEMBLIES	
	1683708	Ref	Upper Lift Cylinder Assemblies (E450A,M450A) (Prior to SN 0300058843)	2-B
	1684061	Ref	Upper Lift Cylinder Assemblies (Original Equipment) (E450A,M450A) (SN 0300058843 through 0300189898)	5-F
	1683813	Ref	Upper Lift Cylinder Assemblies (E450AJ,M450AJ) (Prior to SN 0300056571)	1-A
	1683945	Ref	Upper Lift Cylinder Assemblies (Original Equipment) (E450AJ,M450AJ) (SN 0300056571 through 0300189898)	4-F
	1684033	Ref	Upper Lift Cylinder Assemblies (Original Equipment) (E400A,E400Anarrow,M400A,M400Anarrow) (Prior to SN 0300073768)	1-A
	1684061	Ref	Upper Lift Cylinder Assemblies (Original Equipment) (E400A,E400Anarrow,M400A,M400Anarrow) (SN 0300073768 through 0300189901)	5-F
	1683945	Ref	Upper Lift Cylinder Assemblies (Original Equipment) (E400AJP,E400AJPNarrow,M400AJP,M400AJPNarrow)	4-F
		Ref	Note: Original Cylinder may have been replaced with Service Replacement. Identify PN Stamped on Cylinder Before Ordering Parts.	
1		Ref	Barrel Weldment Options:	
1	1683514	1	1683708 Cylinder (Note: Includes Item #23)	
1	1683815	1	1683713 Cylinder (Note: Includes Item #23)	
1	1683946	1	1683945 Cylinder	
1	1684031	1	1684033 Cylinder	
1	1684060	1	1684061 Cylinder	
2		Ref	Rod Weldment Options:	
2	1683505	1	1683708 Cylinder (Note: Includes Item #23)	
2	1683817	1	1683713 Cylinder (Note: Includes Item #23)	
2	1683947	1	1683945 Cylinder	
2	1684032	1	1684033 Cylinder	
2	1684059	1	1684061 Cylinder	
3	1120108	1	Cap, End	
4	3480240	1	Piston	
5	1683709	1	Head	
6		Ref	Nut, Hex Options:	
6	3300315	1	1683708, 1684033 & 1684061 Cylinders	
6	3300279	1	1683713 & 1683945 Cylinder	
7		Ref	Spacer, Tube Options:	
7	4567177	1	1683708, 1684033 & 1684061 Cylinders	
7	4567908	1	1683713 & 1683945 Cylinders	
9	4640936	1	Cartridge, Valve	
9	2900770	1	Seal Kit - 4640936 Valve	
10	2220885	4	Plug, O-Ring	
11	3900170	1	Setscrew	
12		Ref	Setscrew Options:	
12	3951402	1	1683708, 1684033 & 1684061 Cylinders	
12	3900142	1	1683713 & 1683945 Cylinders	
13	See Note	2	Ring, Wear (Note: Use Item 100)	
14	See Note	1	Seal (Note: Use Item 100)	
15	See Note	1	O-Ring (Note: Use Item 100)	
16	See Note	1	Ring, Wear (Note: Use Item 100)	

SECTION 5 - CYLINDER

ITEM	PART NUMBER	QTY	DESCRIPTION	REV
17	See Note	1	O-Ring (Note: Use Item 100)	
18	See Note	1	Seal (Note: Use Item 100)	
19	See Note	1	Wiper (Note: Use Item 100)	
20	0100011	AR	Compound, Locking	
21	0100038	AR	Primer, Locking	
22	0100035	AR	Compound, Locking	
23		Ref	Bushing Options:	
23	0961726	4	1683708, 1683813 & 1684061 Cylinders	
23	0961950	4	1683945 & 1684033 Cylinders	
100	2901804	1	Seal Kit (Includes Items 13-19)	

SECTION 5 - CYLINDER

**FIGURE 5-16. LIFT CYLINDER ASSEMBLY - UPPER (SERVICE REPLACEMENT)
(E400A,E400ANARROW,E450A,M400A,M400ANARROW,M450A)**



ART_1001228018

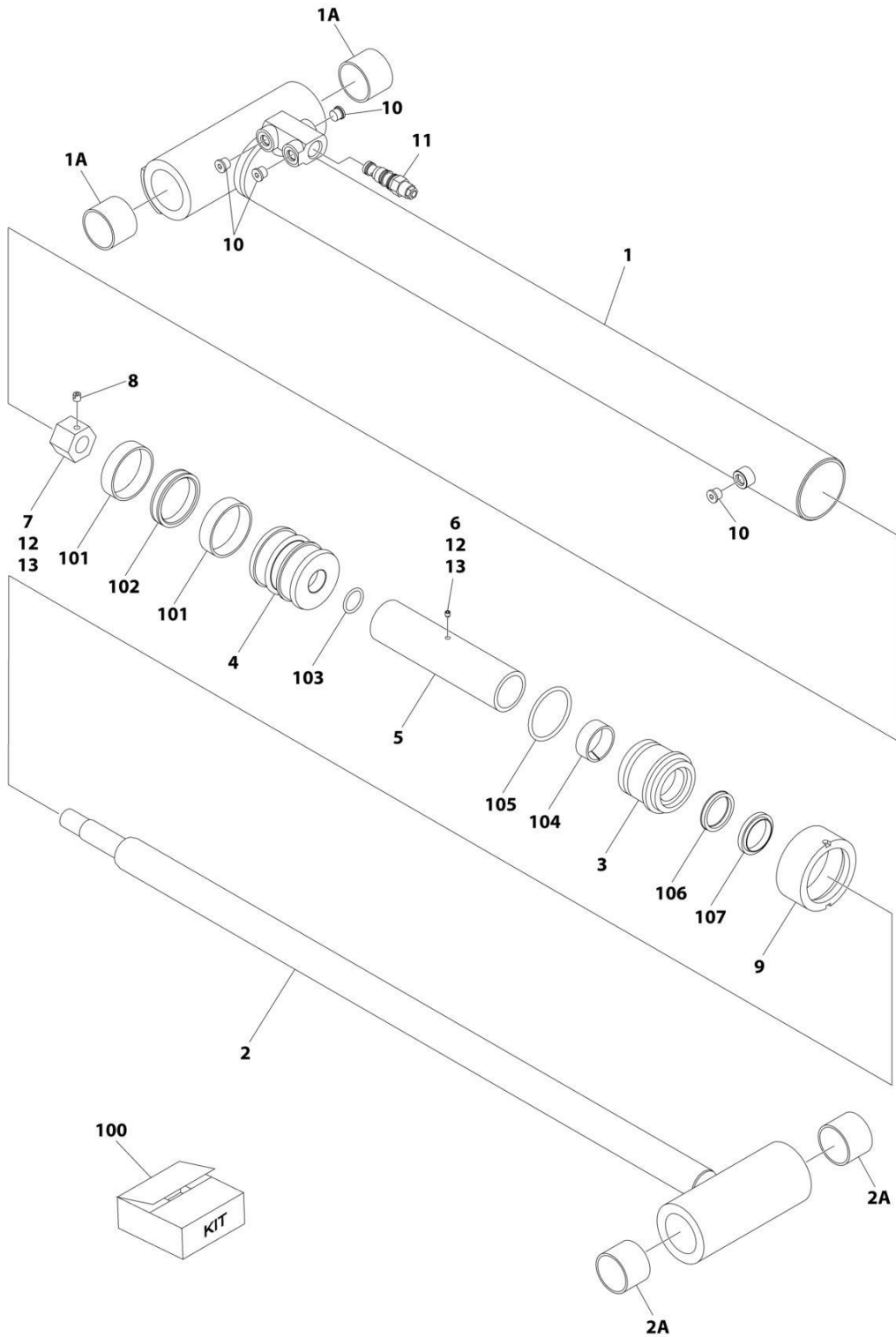
SECTION 5 - CYLINDER

**FIGURE 5-16. LIFT CYLINDER ASSEMBLY - UPPER (SERVICE REPLACEMENT)
(E400A,E400ANARROW,E450A,M400A,M400ANARROW,M450A)**

ITEM	PART NUMBER	QTY	DESCRIPTION	REV
	1001228018	Ref	LIFT CYLINDER ASSEMBLY - UPPER	B
		Ref	Note: Original Cylinder may have been replaced with Service Replacement. Identify PN Stamped on Cylinder Before Ordering Parts.	
1	See Note	NSS	Barrel Weldment (Note: Not Available for Purchase)	
1A	0961950	2	Bushing	
2	70006415	1	Rod Weldment	
2A	0961950	2	Bushing	
3	70006401	1	Head	
4	70006400	1	Piston	
5	70006414	1	Spacer	
6	70006413	1	Setscrew	
7	70006412	1	Nut	
8	70023915	1	Setscrew	
9	70006411	4	Retainer	
10	2220885	1	Plug, O-Ring	
11	4640936	1	Cartridge, Holding Valve	
11	2900770	1	Seal Kit - 4640936 Valve	
12	0100011	AR	Compound, Locking	
13	0100038	AR	Primer, Locking	
100	2901804	1	Seal Kit (Includes Items 101-107)	
101	See Note	NSS	Ring, Wear (Note: Use Item 100)	
102	See Note	NSS	Seal, Piston (Note: Use Item 100)	
103	See Note	NSS	O-Ring (Note: Use Item 100)	
104	See Note	NSS	Ring, Wear (Note: Use Item 100)	
105	See Note	NSS	O-Ring (Note: Use Item 100)	
106	See Note	NSS	Seal, Rod (Note: Use Item 100)	
107	See Note	NSS	Wiper, Rod (Note: Use Item 100)	

SECTION 5 - CYLINDER

**FIGURE 5-17. LIFT CYLINDER ASSEMBLY - UPPER (SERVICE REPLACEMENT)
(E400AJP,E400AJPNARROW,E450AJ,M400AJP,M400AJPNARROW,M450AJ)**



ART_1001228016

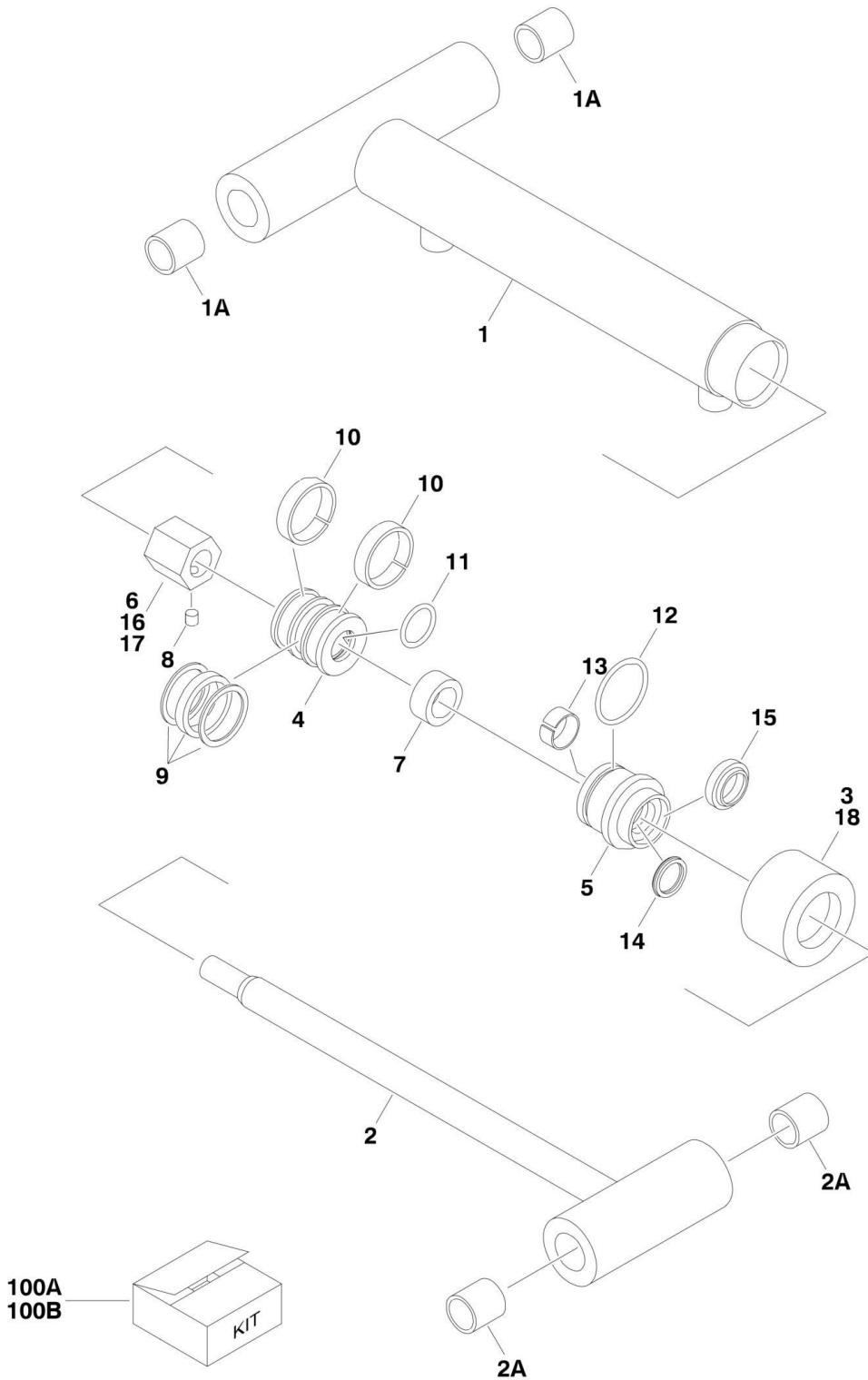
SECTION 5 - CYLINDER

**FIGURE 5-17. LIFT CYLINDER ASSEMBLY - UPPER (SERVICE REPLACEMENT)
(E400AJP,E400AJPNARROW,E450AJ,M400AJP,M400AJPNARROW,M450AJ)**

ITEM	PART NUMBER	QTY	DESCRIPTION	REV
	1001228016	Ref	LIFT CYLINDER ASSEMBLY - UPPER	C
		Ref	Note: Original Cylinder may have been replaced with Service Replacement. Identify PN Stamped on Cylinder Before Ordering Parts.	
1	See Note	NSS	Barrel Weldment (Note: Not Available for Purchase)	
1A	0961950	2	Bushing	
2	70006402	1	Rod Weldment	
2A	0961950	2	Bushing	
3	70006401	1	Head	
4	70006400	1	Piston	
5	70006399	1	Spacer	
6	70006398	1	Setscrew	
7	70006397	1	Nut	
8	70023915	1	Setscrew	
9	70006396	1	Retainer	
10	2220885	4	Plug, O-Ring	
11	4640936	1	Cartridge, Holding Valve	
11	2900770	1	Seal Kit - 4640936 Valve	
12	0100011	AR	Compound, Locking	
13	0100038	AR	Primer, Locking	
100	2901804	1	Seal Kit (Includes Items 101-107)	
101	See Note	NSS	Ring, Wear (Note: Use Item 100)	
102	See Note	NSS	Seal, Piston (Note: Use Item 100)	
103	See Note	NSS	O-Ring (Note: Use Item 100)	
104	See Note	NSS	Ring, Wear (Note: Use Item 100)	
105	See Note	NSS	O-Ring (Note: Use Item 100)	
106	See Note	NSS	Seal, Rod (Note: Use Item 100)	
107	See Note	NSS	Wiper, Rod (Note: Use Item 100)	

SECTION 5 - CYLINDER

FIGURE 5-18. MASTER CYLINDER ASSEMBLY
(E400A,E400ANARROW,E450A,M400A,M400ANARROW,M450A) (Prior to SN 0300165128)



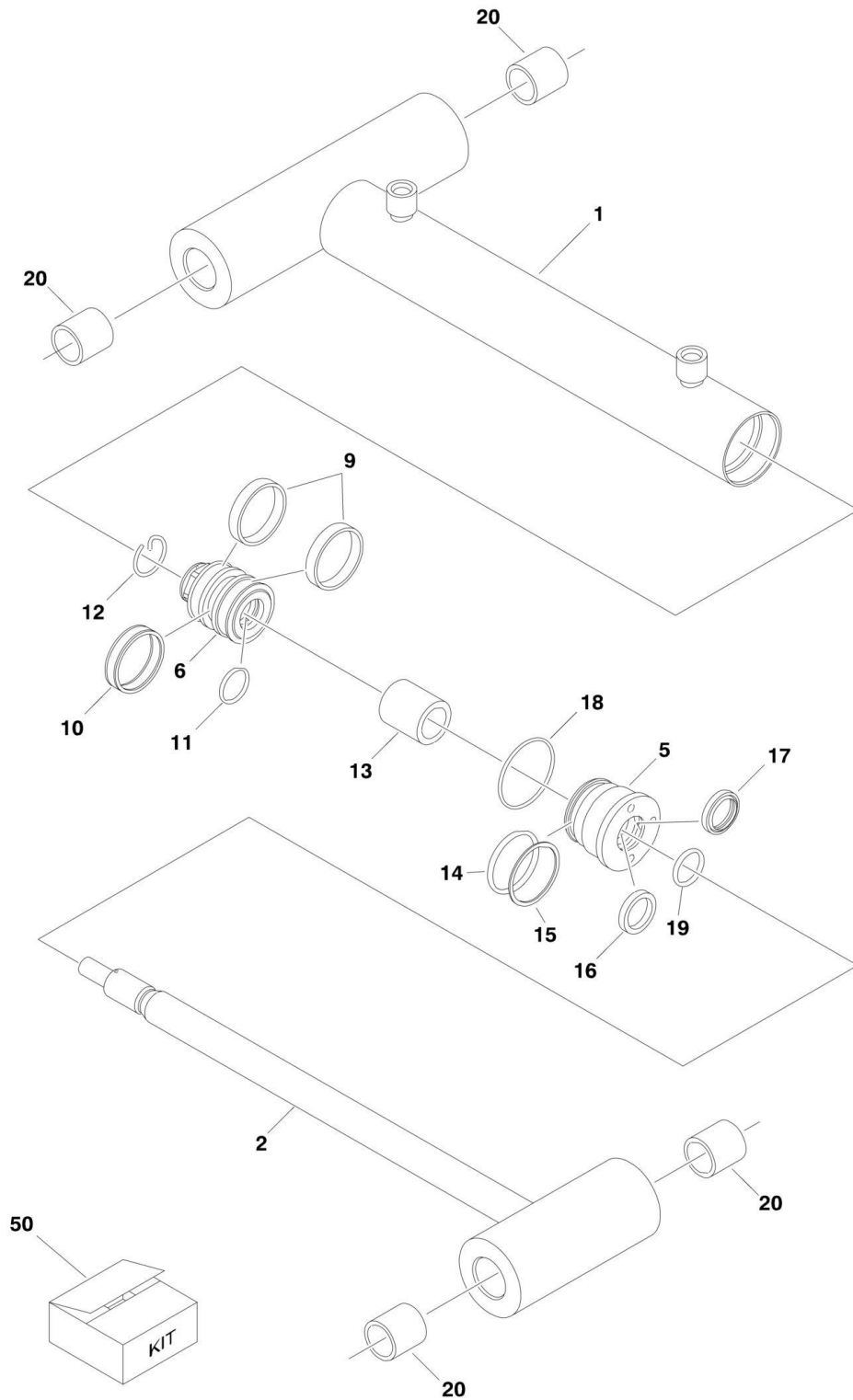
SECTION 5 - CYLINDER

**FIGURE 5-18. MASTER CYLINDER ASSEMBLY
(E400A,E400ANARROW,E450A,M400A,M400ANARROW,M450A) (Prior to SN 0300165128)**

ITEM	PART NUMBER	QTY	DESCRIPTION	REV
		Ref	MASTER CYLINDER ASSEMBLY	
	1683325	Ref	Master Cylinder Assembly (Prior to SN 0300056894)	1/A
	1683932	Ref	Master Cylinder Assembly (SN 0300056894 through 0300165128)	G
		Ref	Note: Original Equipment components may have been replaced with Service Replacement components part. Identify p/n stamped on cylinder before ordering parts.	
1		Ref	Barrel Weldment Options:	
1	1682879	1	Barrel Weldment (1683325 Cylinder)	
1	1684002	1	Barrel Weldment (1683932 Cylinder)	
1A		Ref	Bushing Option:	
1A	0961608	2	Bushing (1683325 Cylinder)	
1A	0962356	2	Bushing (1683932 Cylinder)	
2		Ref	Rod Weldment Options:	
2	1682886	1	Rod Weldment (1683325 Cylinder)	
2	1684007	1	Rod Weldment (1683932 Cylinder)	
2A		Ref	Bushing Options:	
2A	0961608	2	Bushing (1683325 Cylinder)	
2A	0962356	2	Bushing (1683932 Cylinder)	
3	1120110	1	Retainer	
4		Ref	Piston Options:	
4	3480217	1	Piston (1683325 Cylinder)	
4	3480261	1	Piston (1683932 Cylinder)	
5		Ref	Head Options:	
5	1682154	1	Head (1683325 Cylinder)	
5	1683934	1	Head (1683932 Cylinder)	
6	3300308	1	Nut, Hex	
7		Ref	Spacer, Tube Options:	
7	4566023	1	Spacer, Tube (1683325 Cylinder)	
7	4568136	1	Spacer, Tube (1683932 Cylinder)	
8	3900170	1	Setscrew 3/8in-16NC x 3/8in	
9	See Note	1	T-Seal (Note: Use Items 100A or 100B)	
10	See Note	AR	Ring, Wear (Note: Use Items 100A or 100B)	
11	See Note	1	O-Ring (Note: Use Items 100A or 100B)	
12	See Note	1	O-Ring (Note: Use Items 100A or 100B)	
13	See Note	1	Ring, Wear (Note: Use Items 100A or 100B)	
14	See Note	1	Seal, Rod (Note: Use Items 100A or 100B)	
15	See Note	1	Wiper, Rod (Note: Use Items 100A or 100B)	
16	0100038	AR	Primer, Locking	
17	0100011	AR	Compound, Locking	
18	0100035	AR	Compound, Locking	
100		Ref	Seal Kit - Cylinder Options (Includes Items 9-15):	
100A	2901147	1	Level Cylinder p/n 1683325	
100B	2901902	1	Level Cylinder p/n 1683932	

SECTION 5 - CYLINDER

FIGURE 5-19. MASTER CYLINDER ASSEMBLY
(E400A,E400ANARROW,E450A,M400A,M400ANARROW,M450A) (SN 0300165128 through 0300189901)



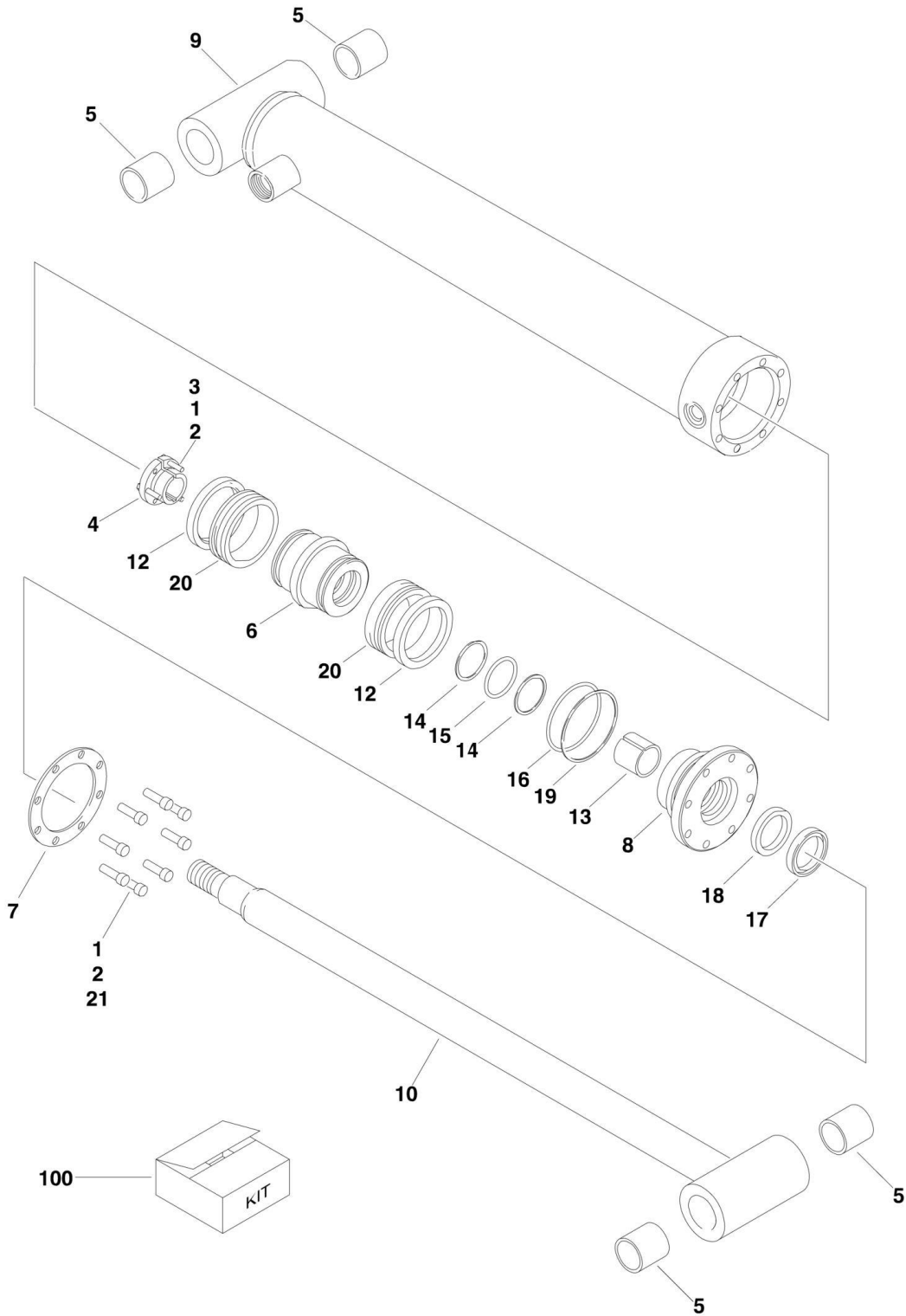
SECTION 5 - CYLINDER

**FIGURE 5-19. MASTER CYLINDER ASSEMBLY
(E400A,E400ANARROW,E450A,M400A,M400ANARROW,M450A) (SN 0300165128 through
0300189901)**

ITEM	PART NUMBER	QTY	DESCRIPTION	REV
	1001140597	Ref	MASTER CYLINDER ASSEMBLY Note: Original Equipment components may have been replaced with Service Replacement components part. Identify p/n stamped on cylinder before ordering parts.	A
		Ref		
1	70004144	1	Barrel	
2	70004145	1	Rod	
5	70000739	1	Head	
6	70004141	1	Piston	
9	See Note	2	Ring, Wear (Note: Use Item 50)	
10	See Note	1	Seal (Note: Use Item 50)	
11	70023094	1	O-Ring (Note: Use Item 50)	
12	70004142	1	Retainer	
13	70004143	1	Spacer	
14	See Note	1	O-Ring (Note: Use Item 50)	
15	See Note	1	Ring, Back-up (Note: Use Item 50)	
16	See Note	1	Seal (Note: Use Item 50)	
17	See Note	1	Wiper (Note: Use Item 50)	
18	See Note	1	O-Ring (Note: Use Item 50)	
19	70000740	1	O-Ring	
20	0962356	4	Bushing	
50	70004130	1	Seal Kit (Includes Items 9-11 & 14-18)	

SECTION 5 - CYLINDER

FIGURE 5-20. MASTER CYLINDER ASSEMBLY
(E400AJP,E400AJPNARROW,E450AJ,M400AJP,M400AJPNARROW,M450AJ) (Prior to SN 0300163453)



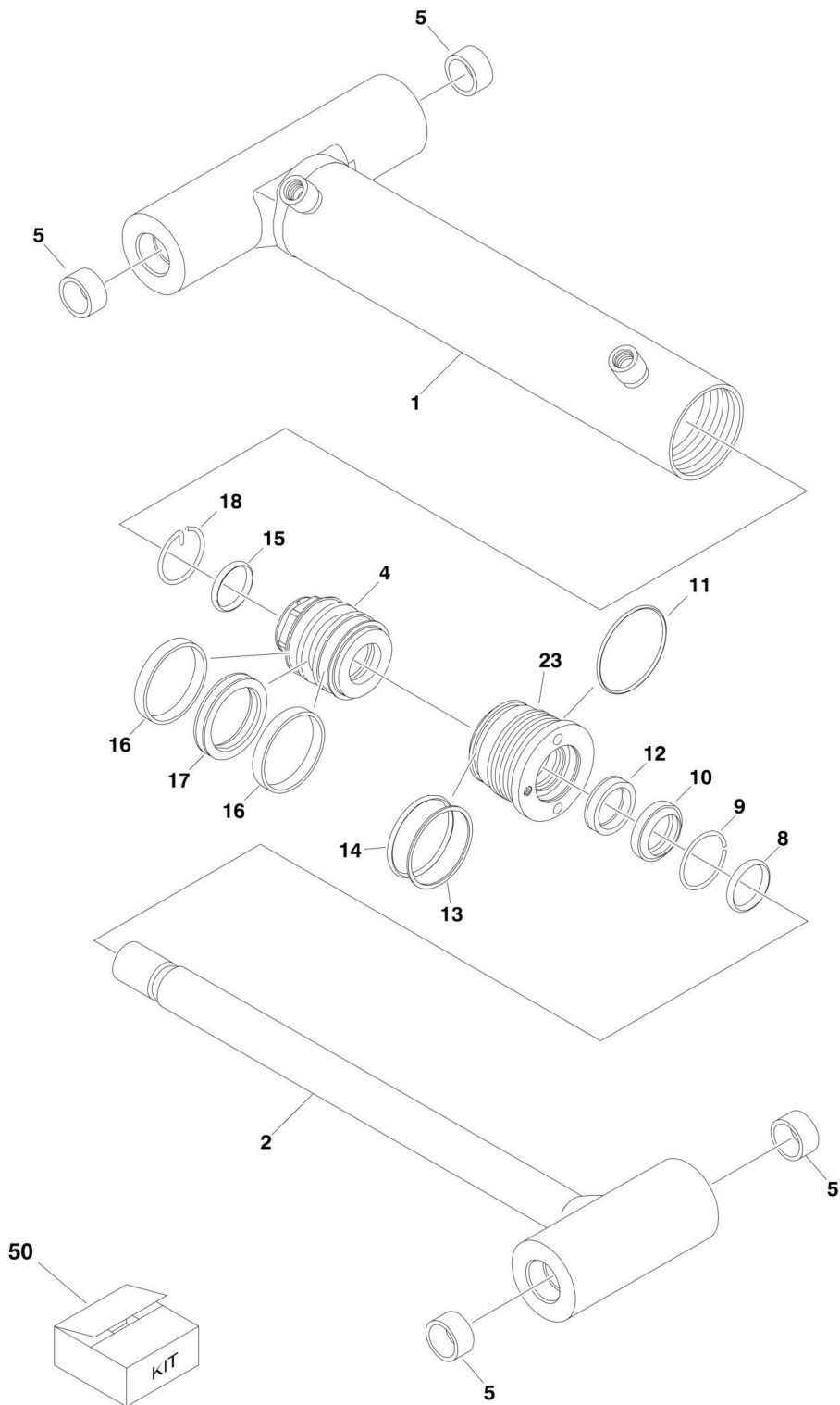
SECTION 5 - CYLINDER

**FIGURE 5-20. MASTER CYLINDER ASSEMBLY
(E400AJP,E400AJPNARROW,E450AJ,M400AJP,M400AJPNARROW,M450AJ) (Prior to SN
0300163453)**

ITEM	PART NUMBER	QTY	DESCRIPTION	REV
	1683923	Ref	MASTER CYLINDER ASSEMBLIES Note: Original Equipment components may have been replaced with Service Replacement components part. Identify p/n stamped on cylinder before ordering parts.	F
		Ref		
1	0100011	AR	Compound, Locking	
2	0100038	AR	Primer, Locking	
3	3931016	3	Bolt Socket Head #10-24NC x 1in	
4	0962185	1	Tapered Bushing	
5	0961951	4	Bushing, Garmax	
6	3480259	1	Piston	
7	3760368	1	Washer, Ring	
8	1683925	1	Head	
9	1683756	1	Barrel	
10	1683772		Rod	
12	See Note	2	Ring, Lock (Note: Use Item 100)	
13	See Note	1	Ring, Wear (Note: Use Item 100)	
14	See Note	2	Ring Back-up (Note: Use Item 100)	
15	See Note	1	O-Ring (Note: Use Item 100)	
16	See Note	1	O-Ring (Note: Use Item 100)	
17	See Note	1	Wiper (Note: Use Item 100)	
18	See Note	1	Seal (Note: Use Item 100)	
19	See Note	1	Ring, Back-up (Note: Use Item 100)	
20	See Note	2	Seal (Note: Use Item 100)	
21	3931516	8	Bolt Socket Head 5/16in-18NC x 1in	
100	2901898	1	Seal Kit (Includes Items 12-20)	

SECTION 5 - CYLINDER

FIGURE 5-21. MASTER CYLINDER ASSEMBLY
(E400AJP,E400AJPNARROW,E450AJ,M400AJP,M400AJPNARROW,M450AJ) (SN 0300163453
through 0300189901)



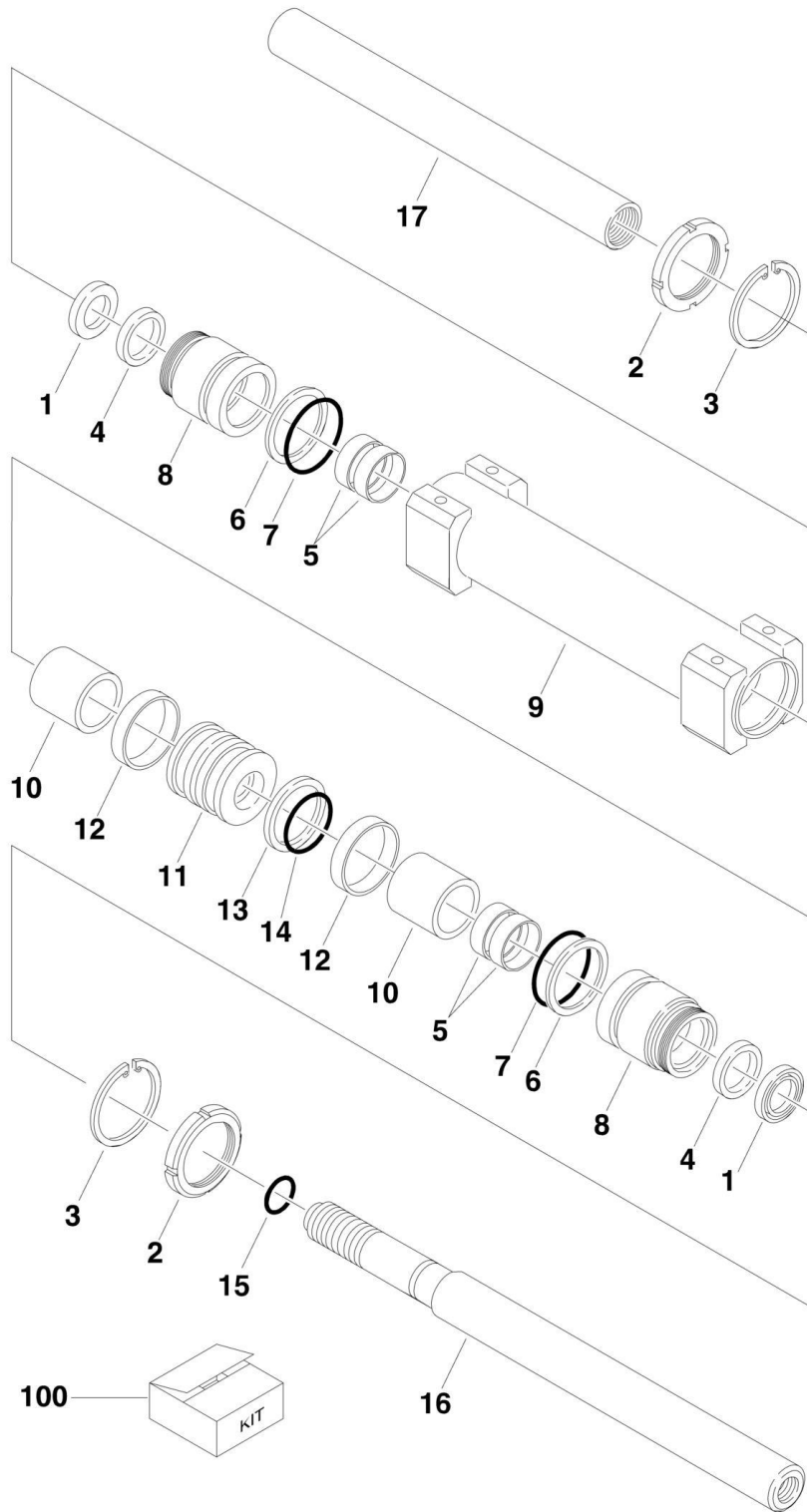
SECTION 5 - CYLINDER

**FIGURE 5-21. MASTER CYLINDER ASSEMBLY
(E400AJP,E400AJPNARROW,E450AJ,M400AJP,M400AJPNARROW,M450AJ) (SN 0300163453
through 0300189901)**

ITEM	PART NUMBER	QTY	DESCRIPTION	REV
	1001140278	Ref	MASTER CYLINDER ASSEMBLIES Note: Original Equipment components may have been replaced with Service Replacement components part. Identify p/n stamped on cylinder before ordering parts.	A
		Ref		
1	70003843	1	Barrel	
2	70003844	1	Rod	
4	70003819	1	Piston	
5	0961951	4	Bushing	
8	7026084	1	O-Ring	
9	70002217	1	Ring, Retaining	
10	See Note	1	Wiper (Note: Use Item 50)	
11	See Note	1	O-Ring (Note: Use Item 50)	
12	See Note	1	Seal (Note: Use Item 50)	
13	See Note	1	Ring, Back-up (Note: Use Item 50)	
14	See Note	1	O-Ring (Note: Use Item 50)	
15	See Note	1	O-Ring (Note: Use Item 50)	
16	See Note	2	Ring, Wear (Note: Use Item 50)	
17	See Note	1	Seal (Note: Use Item 50)	
18	70002216	1	Retainer	
23	7026082	1	Head	
50	70003845	1	Seal Kit (Includes Items 10-17)	

SECTION 5 - CYLINDER

FIGURE 5-22. STEER CYLINDER ASSEMBLY



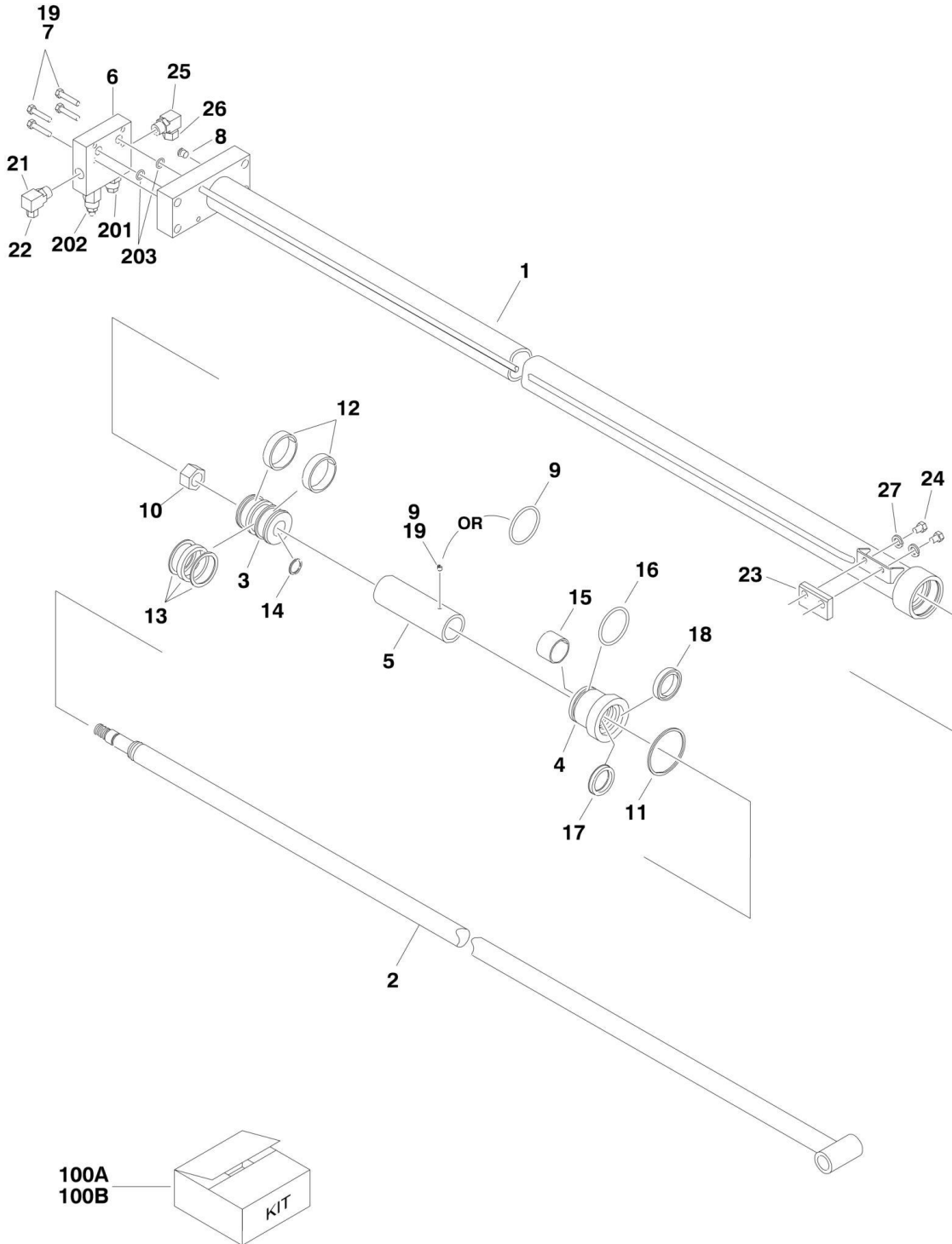
SECTION 5 - CYLINDER

FIGURE 5-22. STEER CYLINDER ASSEMBLY

ITEM	PART NUMBER	QTY	DESCRIPTION	REV
	1683591	Ref	STEER CYLINDER ASSEMBLY	B
1	See Note	2	Wiper (Note: Use Item 100)	
2	7001630	2	Nut, Spanner	
3	7017247	2	Ring, Retaining	
4	See Note	2	Seal, Lip (Note: Use Item 100)	
5	See Note	4	Ring, Wear (Note: Use Item 100)	
6	See Note	2	Ring, Back-up (Note: Use Item 100)	
7	See Note	2	O-Ring (Note: Use Item 100)	
8	7017248	2	Guide	
9	70003341	1	Barrel Weldment	
10	7017249	2	Tube	
11	7017250	1	Piston	
12	See Note	2	Ring, Wear (Note: Use Item 100)	
13	See Note	1	Seal (Note: Use Item 100)	
14	See Note	1	O-Ring (Note: Use Item 100)	
15	See Note	1	O-Ring (Note: Use Item 100)	
16	7017251	1	Rod (Male End)	
17	7017252	1	Rod (Female End)	
100	7017246	1	Seal Kit (Includes Items 1, 4-7 & 12-15)	

SECTION 5 - CYLINDER

**FIGURE 5-23. TELESCOPE CYLINDER ASSEMBLY (ORIGINAL EQUIPMENT)
(E400A,E400ANARROW,E450A,E450AJ,M400A,M400ANARROW,M450A,M450AJ) (Prior to SN
0300175016)**



SECTION 5 - CYLINDER

**FIGURE 5-23. TELESCOPE CYLINDER ASSEMBLY (ORIGINAL EQUIPMENT)
(E400A,E400ANARROW,E450A,E450AJ,M400A,M400ANARROW,M450A,M450AJ) (Prior to SN
0300175016)**

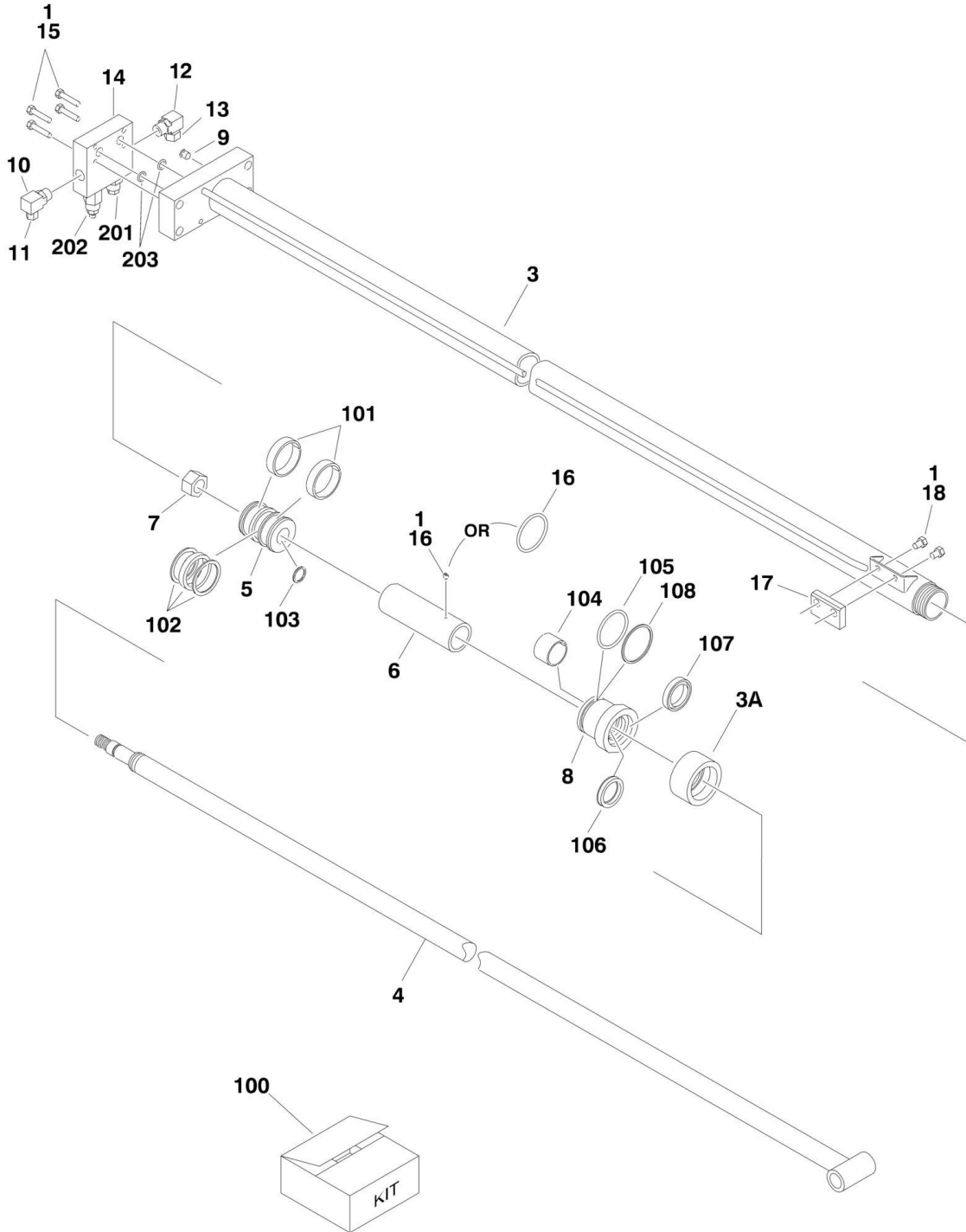
ITEM	PART NUMBER	QTY	DESCRIPTION	REV
		Ref	TELESCOPE CYLINDER ASSEMBLY	
	1683704	Ref	Telescope Cylinder Assembly (E450A,M450A)	D
	1683798	Ref	Telescope Cylinder Assembly (E450AJ,M450AJ)	E
	1684030	Ref	Telescope Cylinder Assembly (E400A,E400Anarrow,M400A,M400Anarrow)	B
		Ref	Note: Original Cylinder may have been replaced with Service Replacement. Identify PN Stamped on Cylinder Before Ordering Parts.	
1		Ref	Barrel Weldment Options:	
1	1682948	1	Barrel Weldment (E450A,M450A)	
1	1683800	1	Barrel Weldment (E450AJ,M450AJ)	
1	1682888	1	Barrel Weldment (E400A,E400Anarrow,M400A,M400Anarrow)	
2		Ref	Rod Weldment Options:	
2	1683706	1	Rod Weldment (E450A,M450A)	
2	1683802	1	Rod Weldment (E450AJ,M450AJ)	
2	1684029	1	Rod Weldment (E400A,E400Anarrow,M400A,M400Anarrow)	
3	3480239	1	Piston	
4	1683705	1	Head	
5		Ref	Spacer, Tube Options:	
5	4567704	1	Spacer, Tube (E400A,E400Anarrow,E450A,M400A,M400Anarrow,M450A)	
5	4566027	1	Spacer, Tube (E450AJ,M450AJ)	
6	4640807	1	Counterbalance Valve Assy (See Items 201-203 for Breakdown)	
7	0641512	4	Bolt 5/16in-18NC x 1-1/2in	
8	2220883	2	Plug, O-Ring	
9	3951402	1	Setscrew 1/4in-20NC x 1/4in	
9	See Note	1	O-Ring (Note: Use Item 100B)	
10	3322205	1	Locknut	
11	3760318	1	Ring, Retaining	
12	See Note	2	Ring, Wear (Note: Use Item 100A or 100B)	
13	See Note	1	Seal, Cap (Note: Use Item 100A or 100B)	
14	See Note	1	O-Ring (Note: Use Item 100A or 100B)	
15	See Note	1	Ring, Wear (Note: Use Item 100A or 100B)	
16	See Note	1	O-Ring (Note: Use Item 100A or 100B)	
17	See Note	1	Seal, Rod (Note: Use Item 100A or 100B)	
18	See Note	1	Wiper (Note: Use Item 100A or 100B)	
19	0100011	AR	Compound, Locking	
19	0100038	AR	Primer, Locking	
21	2220628	1	Fitting, Elbow	
22	2220516	1	Fitting, Cap	
23	3340679	1	Wear Pad Assembly	
24	0641604	2	Bolt 3/8in-16NC x 1/2in	
25	2220596	1	Fitting, Elbow	
26	2220517	1	Fitting, Cap	
27	4761600	2	Lockwasher 3/8in	
100		Ref	Seal Kit Options:	

SECTION 5 - CYLINDER

ITEM	PART NUMBER	QTY	DESCRIPTION	REV
100A	2901807	1	Seal Kit (Includes Items 12-18) (Telescope Cylinder p/n 1683704 & p/n 1684030)	D
100B	1001141760	1	Seal Kit (Includes Items 12-18 & 9) (Telescope Cylinder p/n 1683798)	
	4640807	Ref	COUNTERBALANCE VALVE ASSEMBLY	
201	4640771	1	Cartridge, Counterbalance	
201	2900770	1	Seal Kit - 4640771 Cartridge	
202	4640709	1	Cartridge, Vented Counterbalance	
202	2900770	1	Seal Kit - 4640709 Cartridge	
203	3790113	2	O-Ring (Between Valve and Cylinder Block)	

SECTION 5 - CYLINDER

FIGURE 5-24. TELESCOPE CYLINDER ASSEMBLY (ORIGINAL EQUIPMENT)
(E400A,E400ANARROW,E450A,E450AJ,M400A,M400ANARROW,M450A,M450AJ) (SN 0300175016 to Present)



SECTION 5 - CYLINDER

**FIGURE 5-24. TELESCOPE CYLINDER ASSEMBLY (ORIGINAL EQUIPMENT)
(E400A,E400ANARROW,E450A,E450AJ,M400A,M400ANARROW,M450A,M450AJ) (SN 0300175016 to Present)**

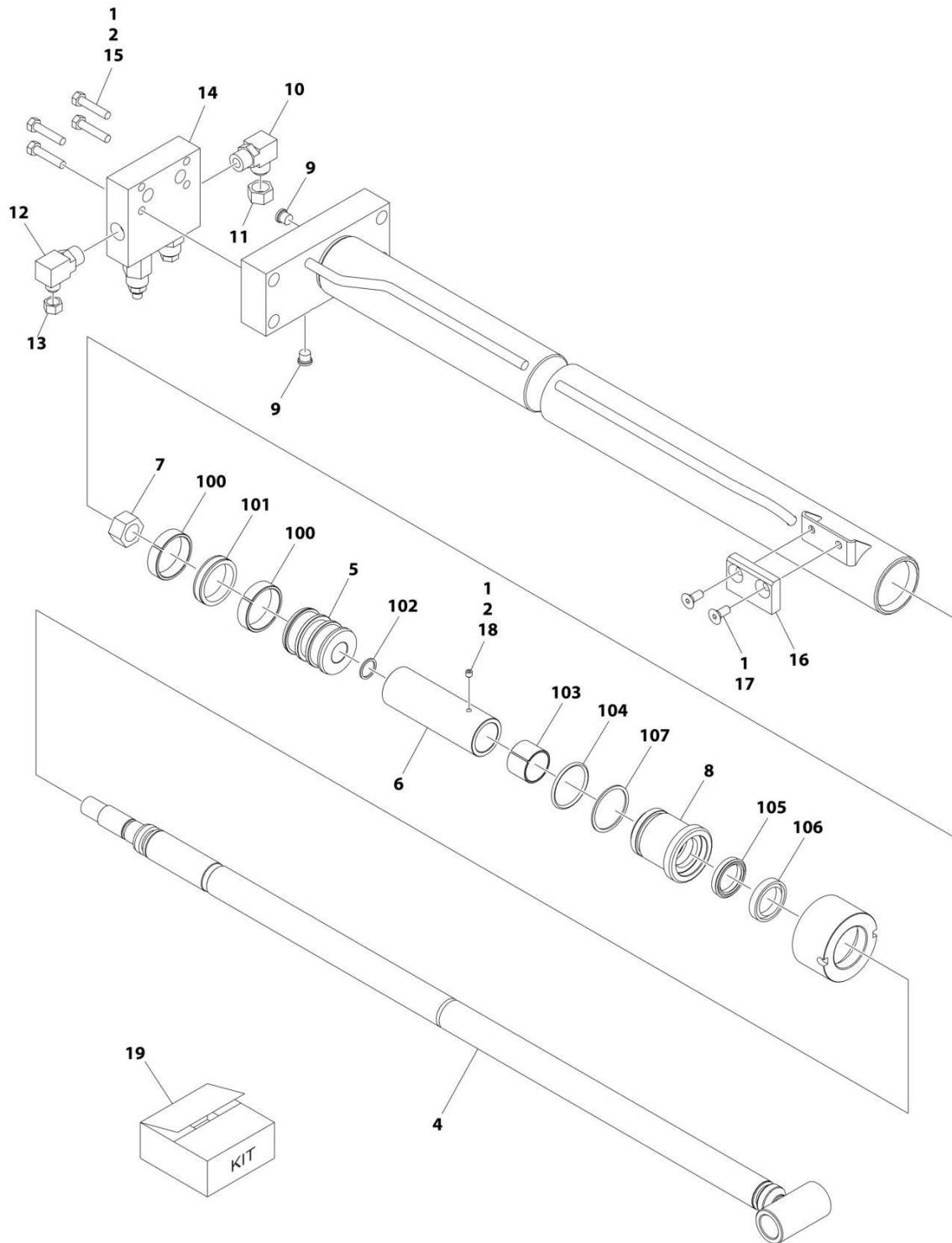
ITEM	PART NUMBER	QTY	DESCRIPTION	REV
		Ref	TELESCOPE CYLINDER ASSEMBLY	
	1001151414	Ref	Telescope Cylinder Assembly (E450A,M450A)	A
	1001151368	Ref	Telescope Cylinder Assembly (E450AJ,M450AJ)	B
	1001151497	Ref	Telescope Cylinder Assembly (E400A,E400Anarrow,M400A,M400Anarrow)	A
		Ref	Note: Original Cylinder may have been replaced with Service Replacement. Identify PN Stamped on Cylinder Before Ordering Parts.	
1	0100011	AR	Compound, Locking	
1	0100038	AR	Primer, Locking	
3		Ref	Barrel Weldment Options:	
3	1001151413	1	Barrel Weldment (E450A,M450A)	
3	1001151386	1	Barrel Weldment (E450AJ,M450AJ)	
3	1001151496	1	Barrel Weldment (E400A,E400Anarrow,M400A,M400Anarrow)	
3A	1120110	1	Cap, End	
4		Ref	Rod Weldment Options:	
4	1683706	1	Rod Weldment (E450A,M450A)	
4	1683802	1	Rod Weldment (E450AJ,M450AJ)	
4	1684029	1	Rod Weldment (E400A,E400Anarrow,M400A,M400Anarrow)	
5	3480239	1	Piston	
6		Ref	Spacer, Tube Options:	
6	4567704	1	Spacer, Tube (E400A,E400Anarrow,E450A,M400A,M400Anarrow,M450A)	
6	4566027	1	Spacer, Tube (E450AJ,M450AJ)	
7	3322205	1	Locknut	
8	1683584	1	Head	
9	2220883	1	Plug, O-Ring	
10	2220596	1	Fitting, Elbow	
11	2220517	1	Fitting, Cap	
12	2220628	1	Fitting, Elbow	
13	2220516	1	Fitting, Cap	
14	4640807	1	Counterbalance Valve Assy (See Items 201-203 for Breakdown)	
15	0641512	4	Bolt 5/16in-18NC x 1-1/2in	
16	3951402	1	Setscrew 1/4in-20NC x 1/4in	
16	See Note	1	O-Ring (Note: Use Item 100)	
17	3340679	1	Wear Pad Assembly	
18	0641604	2	Bolt 3/8in-16NC x 1/2in	
100	1001152230	1	Seal Kit Options (Includes Items 101-108):	
101	See Note	2	Ring, Wear (Note: Use Item 100)	
102	See Note	1	Seal, Cap (Note: Use Item 100)	
103	See Note	1	O-Ring (Note: Use Item 100)	
104	See Note	1	Ring, Wear (Note: Use Item 100)	
105	See Note	1	O-Ring (Note: Use Item 100)	
106	See Note	1	Seal, Rod (Note: Use Item 100)	
107	See Note	1	Wiper (Note: Use Item 100)	
108	See Note	1	Ring, Back-up (Note: Use Item 100)	
	4640807	Ref	COUNTERBALANCE VALVE ASSEMBLY	D

SECTION 5 - CYLINDER

ITEM	PART NUMBER	QTY	DESCRIPTION	REV
201	4640771	1	Cartridge, Counterbalance	
201	2900770	1	Seal Kit - 4640771 Cartridge	
202	4640709	1	Cartridge, Vented Counterbalance	
202	2900770	1	Seal Kit - 4640709 Cartridge	
203	3790113	2	O-Ring (Between Valve and Cylinder Block)	

SECTION 5 - CYLINDER

FIGURE 5-25. TELESCOPE CYLINDER ASSEMBLY (SERVICE REPLACEMENT) (E400ANARROW,E450A,M400ANARROW,M450A)



ART_1001228063

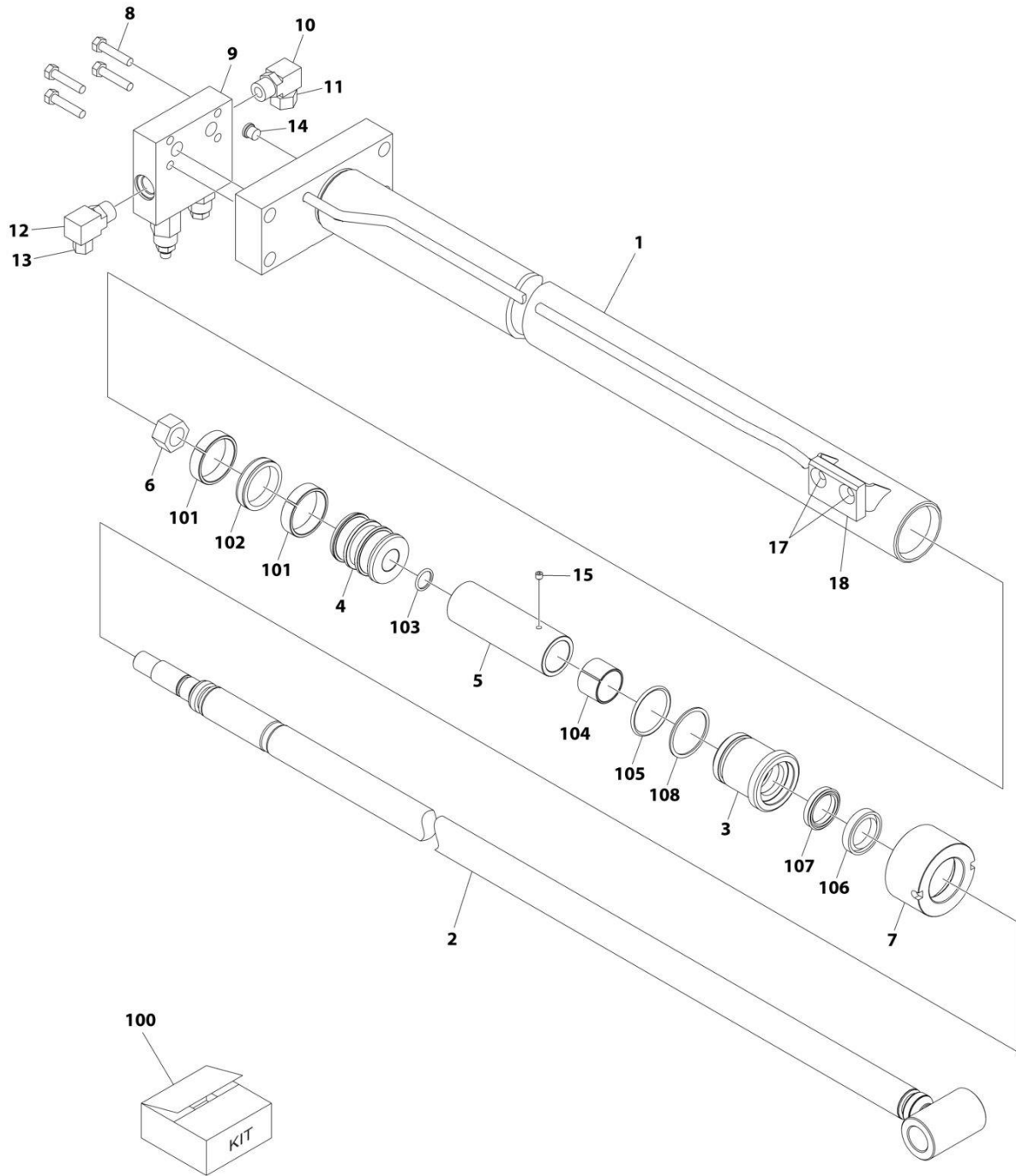
SECTION 5 - CYLINDER

**FIGURE 5-25. TELESCOPE CYLINDER ASSEMBLY (SERVICE REPLACEMENT)
(E400ANARROW,E450A,M400ANARROW,M450A)**

ITEM	PART NUMBER	QTY	DESCRIPTION	REV
	1001228063	Ref	TELESCOPE CYLINDER ASSEMBLY	B
		Ref	Note: Original Cylinder may have been replaced with Service Replacement. Identify PN Stamped on Cylinder Before Ordering Parts.	
1	0100011	AR	Compound, Locking	
2	0100038	AR	Primer, Locking	
4	70006566	1	Rod	
5	70006564	1	Piston	
6	70006563	1	Spacer	
7	70006971	1	Nut	
8	70006565	1	Head	
9	2220883	1	Plug	
10	2220596	1	Fitting, 90 JIC/ORB	
11	2220517	1	Fitting, Cap	
12	2220628	1	Fitting, 90 JIC/ORB	
13	2220516	1	Fitting, Cap	
14	4640807	1	Counterbalance Valve Assembly (See Separate Breakdown in this Section)	
15	0641512	4	Bolt 5/16 x 1-1/2	
16	3340679	1	Pad, Wear	
17	70006976	2	Screw	
18	70023915	1	Setscrew M6 x 8	
19	1001152230	1	Seal Kit (Includes Items 100-107)	
100	See Note	NSS	Ring, Wear (Note: Use p/n 1001152230)	
101	See Note	NSS	Seal, Piston(Note: Use p/n 1001152230)	
102	See Note	NSS	O-Ring (Note: Use p/n 1001152230)	
103	See Note	NSS	Ring, Wear (Note: Use p/n 1001152230)	
104	See Note	NSS	O-Ring (Note: Use p/n 1001152230)	
105	See Note	NSS	Seal, Rod (Note: Use p/n 1001152230)	
106	See Note	NSS	Seal, Rod (Note: Use p/n 1001152230)	
107	See Note	NSS	Ring, Back-Up (Note: Use p/n 1001152230)	

SECTION 5 - CYLINDER

FIGURE 5-26. TELESCOPE CYLINDER ASSEMBLY (SERVICE REPLACEMENT) (E450A,M450A)



ART_1001228062

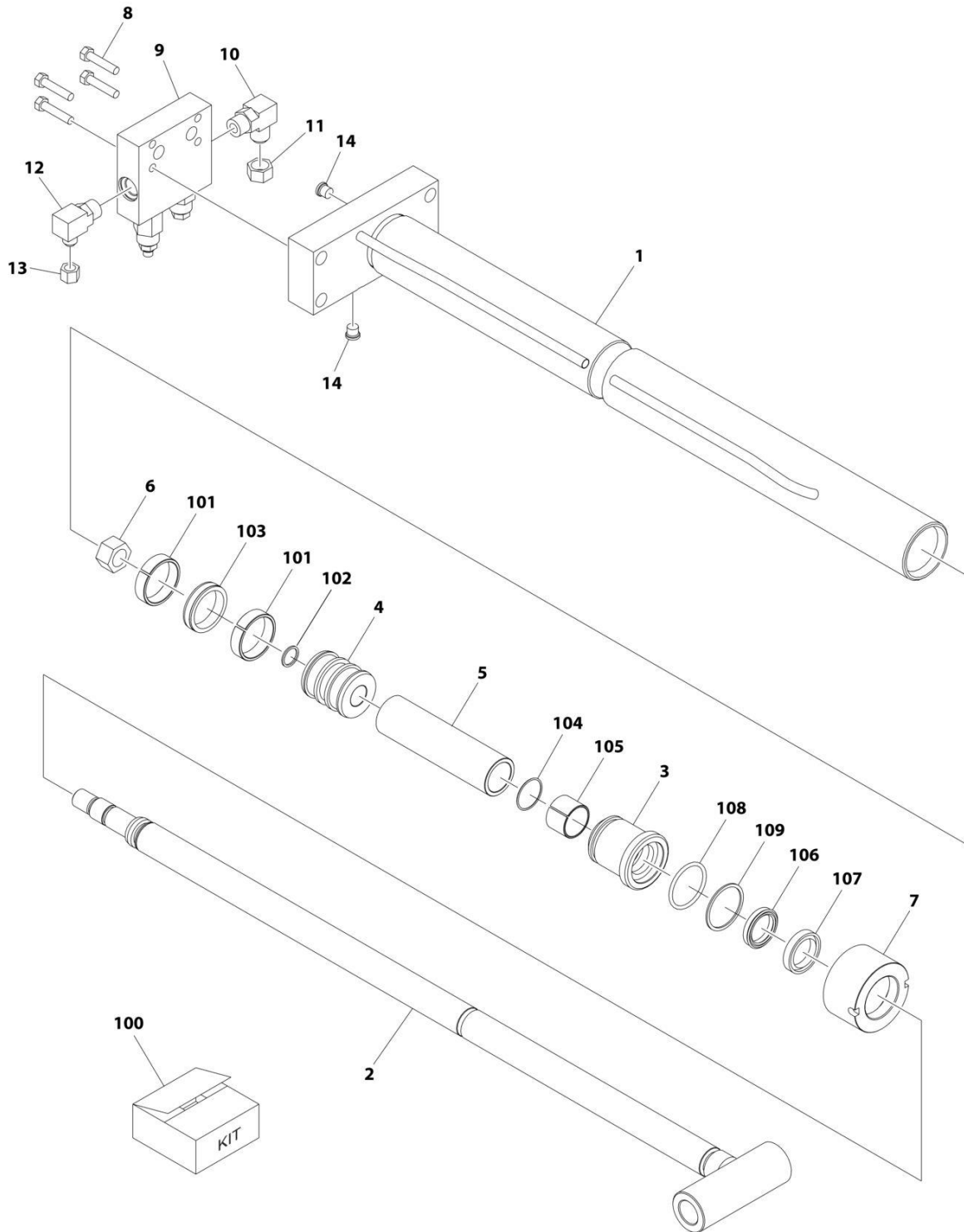
SECTION 5 - CYLINDER

FIGURE 5-26. TELESCOPE CYLINDER ASSEMBLY (SERVICE REPLACEMENT) (E450A,M450A)

ITEM	PART NUMBER	QTY	DESCRIPTION	REV
	1001228062	Ref	TELESCOPE CYLINDER ASSEMBLY	A
		Ref	Note: Original Cylinder may have been replaced with Service Replacement. Identify PN Stamped on Cylinder Before Ordering Parts.	
1	See Note	NSS	Barrel (Note: Not Available for Purchase)	
2	70006567	1	Rod	
3	70006565	1	Head	
4	70006564	1	Piston	
5	70006563	1	Spacer	
6	70006971	1	Nut, Lock	
7	70006561	1	Cap, End	
8	0641512	4	Bolt 5/16 X 1-1/2	
9	4640807	1	Counterbalance Valve Assembly (See Separate Breakdown in this Section)	
10	2220596	1	Fitting, 90 JIC/ORB	
11	2220517	1	Fitting, Cap	
12	2220628	1	Fitting, 90 JIC/ORB	
13	2220516	1	Fitting, Cap	
14	2220883	2	Plug	
15	70023915	1	Setscrew M6 x 8	
17	70006976	2	Screw	
18	3340679	1	Pad, Wear	
100	1001152230	1	Seal Kit (Includes Items 101-108)	
101	See Note	NSS	Ring, Wear (Note: Use p/n 1001152230)	
102	See Note	NSS	Seal, Cap (Note: Use p/n 1001152230)	
103	See Note	NSS	O-Ring (Note: Use p/n 1001152230)	
104	See Note	NSS	Ring, Wear (Note: Use p/n 1001152230)	
105	See Note	NSS	O-Ring (Note: Use p/n 1001152230)	
106	See Note	NSS	Seal, Rod (Note: Use p/n 1001152230)	
107	See Note	NSS	Wiper, Rod (Note: Use p/n 1001152230)	
108	See Note	NSS	Ring, Back-Up (Note: Use p/n 1001152230)	

SECTION 5 - CYLINDER

FIGURE 5-27. TELESCOPE CYLINDER ASSEMBLY (SERVICE REPLACEMENT) (E450AJ,M450AJ)



ART_1001228061

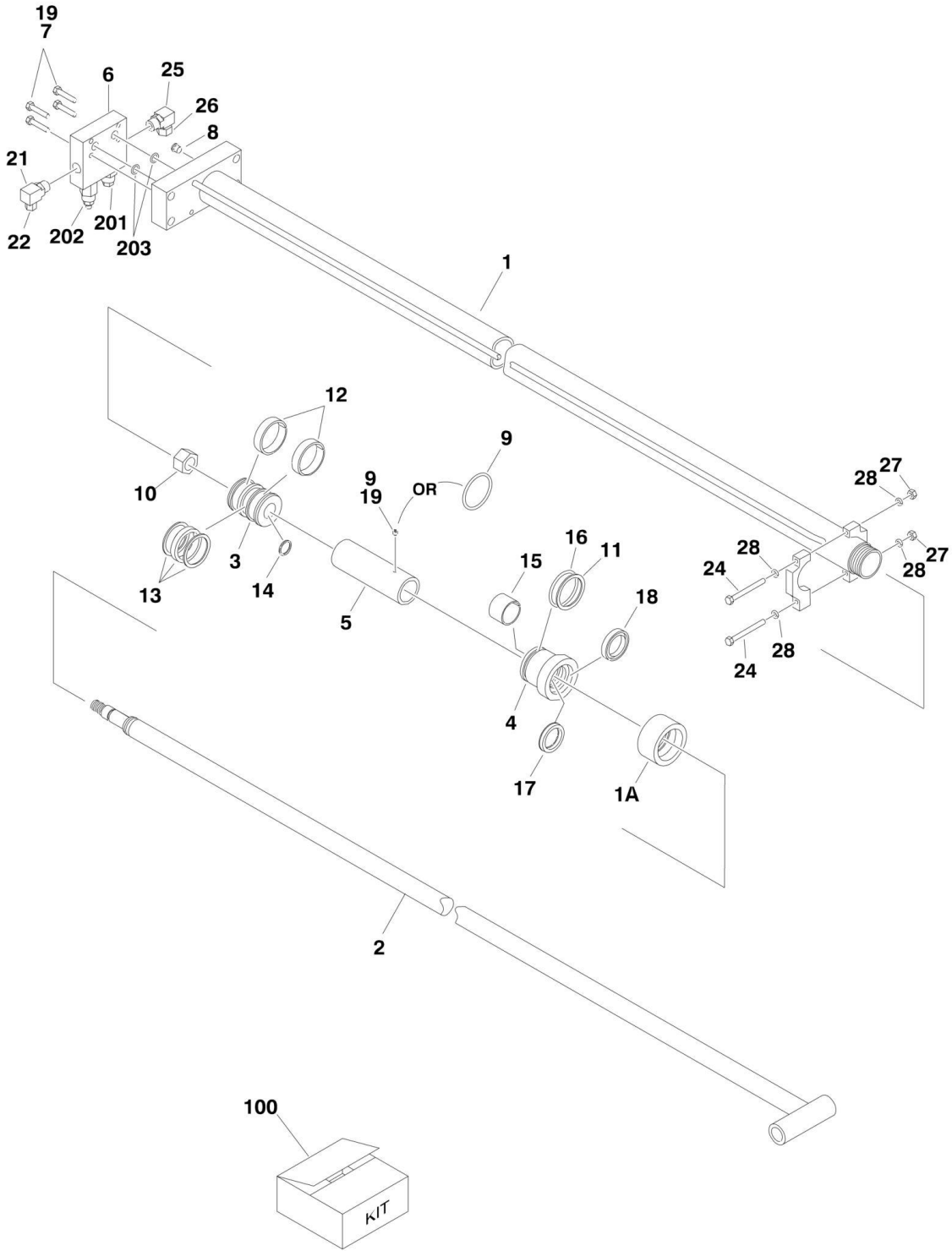
SECTION 5 - CYLINDER

FIGURE 5-27. TELESCOPE CYLINDER ASSEMBLY (SERVICE REPLACEMENT) (E450AJ,M450AJ)

ITEM	PART NUMBER	QTY	DESCRIPTION	REV
	1001228061	Ref	TELESCOPE CYLINDER ASSEMBLY	B
		Ref	Note: Original Cylinder may have been replaced with Service Replacement. Identify PN Stamped on Cylinder Before Ordering Parts.	
1	See Note	NSS	Barrel (Note: Not Available for Purchase)	
2	70006973	1	Rod	
3	70006565	1	Head	
4	70006564	1	Piston	
5	70006972	1	Spacer	
6	70006971	1	Nut, Lock	
7	70006561	1	Cap, End	
8	0641512	4	Bolt, 5/16 X 1-1/2	
9	4640807	1	Counterbalance Valve Assembly (See Separate Breakdown in this Section)	
10	2220596	1	Fitting, 90 JIC/ORB	
11	2220517	1	Fitting, Cap	
12	2220628	1	Fitting, 90 JIC/ORB	
13	2220516	1	Fitting, Cap	
14	2220883	2	Plug	
100	1001152230	1	Seal Kit (Includes Items 101-108)	
101	See Note	NSS	Ring, Wear (Note: Use p/n 1001152230)	
102	See Note	NSS	Seal Cap (Note: Use p/n 1001152230)	
103	See Note	NSS	O-Ring (Note: Use p/n 1001152230)	
104	See Note	NSS	Ring, Wear (Note: Use p/n 1001152230)	
105	See Note	NSS	O-Ring (Note: Use p/n 1001152230)	
106	See Note	NSS	Seal, Rod (Note: Use p/n 1001152230)	
107	See Note	NSS	Wiper, Rod (Note: Use p/n 1001152230)	
108	See Note	NSS	Ring, Back-Up (Note: Use p/n 1001152230)	

SECTION 5 - CYLINDER

FIGURE 5-28. TELESCOPE CYLINDER ASSEMBLY (ORIGINAL EQUIPMENT)
(E400AJP,E400AJPNARROW,M400AJP,M400AJPNARROW)



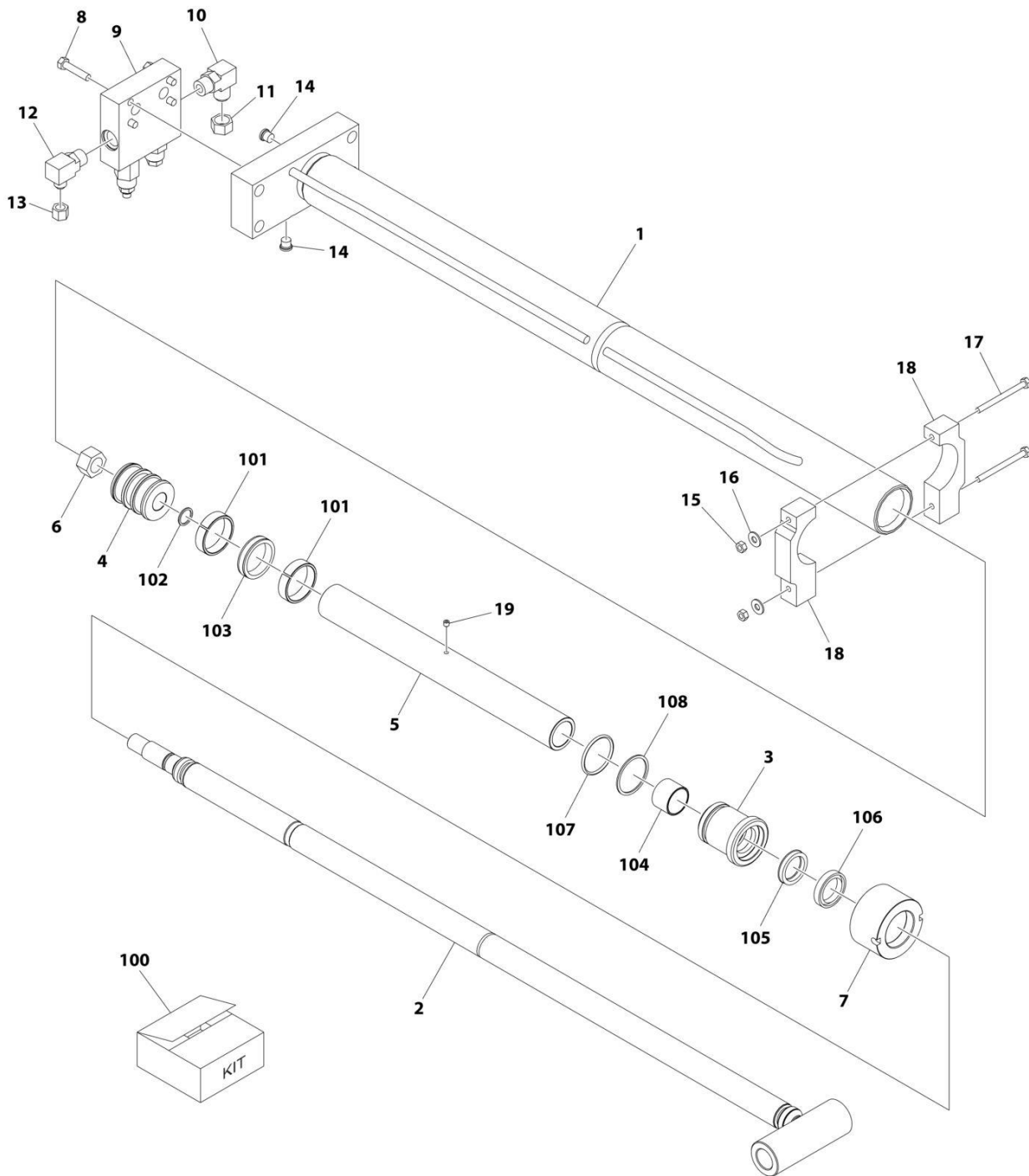
SECTION 5 - CYLINDER

**FIGURE 5-28. TELESCOPE CYLINDER ASSEMBLY (ORIGINAL EQUIPMENT)
(E400AJP,E400AJPNARROW,M400AJP,M400AJPNARROW)**

ITEM	PART NUMBER	QTY	DESCRIPTION	REV
	1683911	Ref	TELESCOPE CYLINDER ASSEMBLY	4/C
		Ref		
1	1683912	1	Barrel	
1A	1120110	1	Cap, End	
1A	0100035	AR	Compound, Locking (Note: Not Included with Barrel Weldment)	
2	1683980	1	Rod	
3	3480239	1	Piston	
4		Ref	Head	
4	1683863	1	Head (use p/n 1683584) (Prior to SN 03001122425)	
4	1683584	1	Head (SN 03001122425 through 0300189901)	
5	4567963	1	Spacer, Tube	
6	4640807	1	Counterbalance Valve Assembly (See Items 201-203 for Breakdown)	
7	0641512	4	Bolt 5/16 x 1-1/2	
8	2220883	2	Plug, O-Ring	
9	3951402	1	Setscrew 1/4 x 1/4	
10	3322205	1	Locknut	
11	3760318	1	Ring, Retaining	
12	See Note	2	Ring, Wear (Note: Use Item 100)	
13	See Note	1	Seal, Cap (Note: Use Item 100)	
14	See Note	1	O-Ring (Note: Use Item 100)	
15	See Note	1	Ring, Wear (Note: Use Item 100)	
16	See Note	1	O-Ring (Note: Use Item 100)	
17	See Note	1	Seal, Rod (Note: Use Item 100)	
18	See Note	1	Wiper (Note: Use Item 100)	
19	0100011	AR	Compound, Locking	
19	0100038	AR	Primer, Locking	
21	2220628	1	Fitting, Elbow	
22	2220516	1	Fitting, Cap	
23	3340882	1	Wear Pad Assembly	
24	0641424	2	Bolt 1/4in-20NC x 3in	
25	2220596	1	Fitting, Elbow	
26	2220517	1	Fitting, Cap	
27	3311405	2	Nut 1/4inx20NC	
28	4751400	4	Flatwasher 1/4in	
100	2901903	1	Seal Kit (Includes Items 12-18)	
	4640807	Ref	COUNTERBALANCE VALVE ASSEMBLY	D
201	4640771	1	Cartridge, Counterbalance	
201	2900770	1	Seal Kit - 4640771 Cartridge	
202	4640709	1	Cartridge, Vented Counterbalance	
202	2900770	1	Seal Kit - 4640709 Cartridge	
203	3790113	2	O-Ring (Between Valve and Cylinder Block)	

SECTION 5 - CYLINDER

FIGURE 5-29. TELESCOPE CYLINDER ASSEMBLY (SERVICE REPLACEMENT) (E450AJ,M450AJ)



ART_1001228015

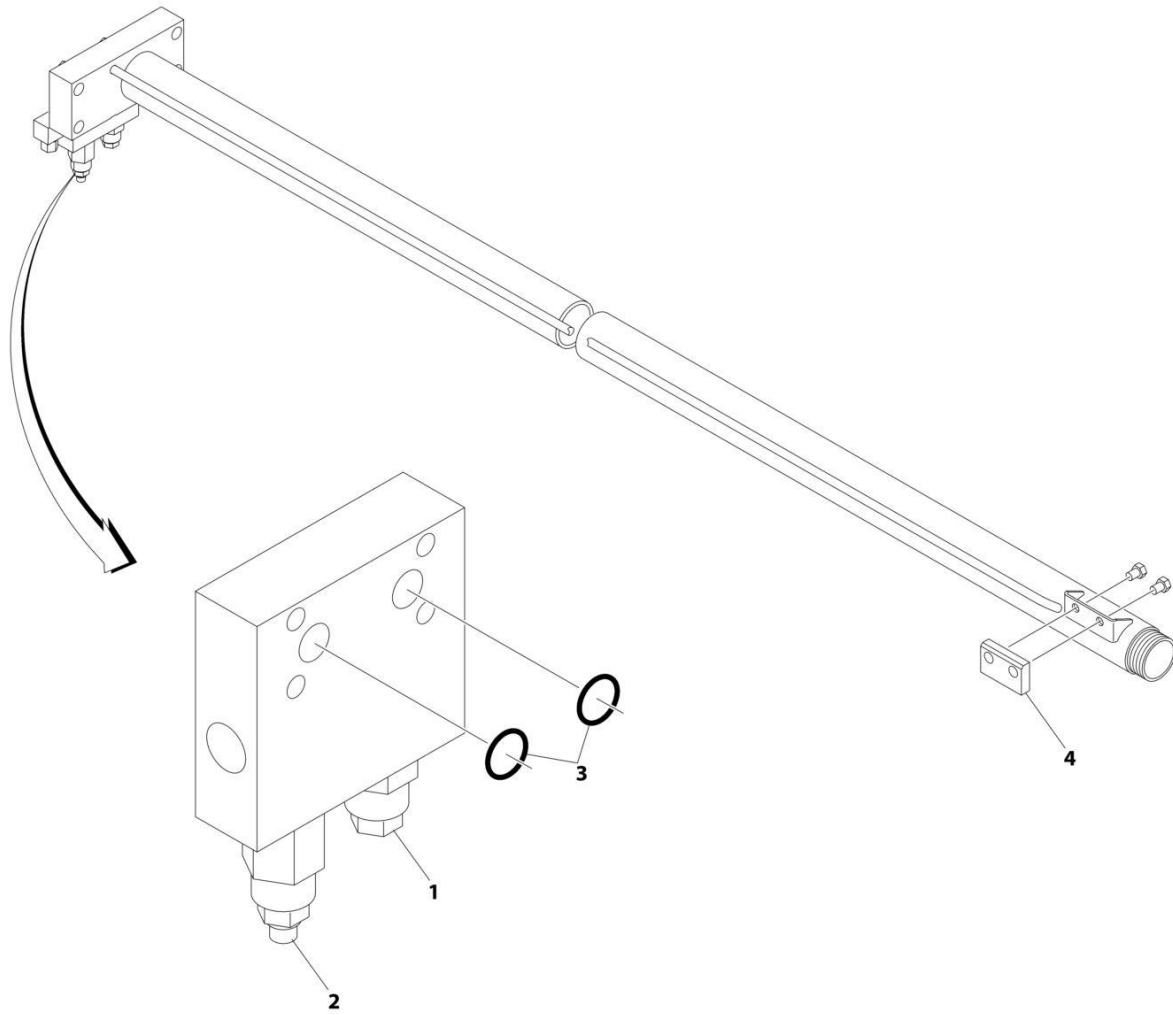
SECTION 5 - CYLINDER

FIGURE 5-29. TELESCOPE CYLINDER ASSEMBLY (SERVICE REPLACEMENT) (E450AJ,M450AJ)

ITEM	PART NUMBER	QTY	DESCRIPTION	REV
	1001228015	Ref	TELESCOPE CYLINDER ASSEMBLY	C
		Ref	Note: Original Cylinder may have been replaced with Service Replacement. Identify PN Stamped on Cylinder Before Ordering Parts.	
1	See Note	NSS	Barrel Weldment (Note: Not Available for Purchase)	
2	70006975	1	Rod	
3	70006565	1	Head	
4	70006564	1	Piston	
5	70006974	1	Spacer	
6	70006971	1	Nut, Lock	
7	70006561	1	Cap, End	
8	0641512	4	Bolt 5/16 x 1-1/2	
9	4640807	1	Counterbalance Valve Assembly (See Separate Breakdown in this Section)	
10	2220596	1	Fitting, 90 JIC/ORB	
11	2220517	1	Fitting, Cap	
12	2220628	1	Fitting, 90 JIC/ORB	
13	2220516	1	Fitting, Cap	
14	2220883	2	Plug	
15	3311405	2	Nut 1/4	
16	4751400	4	Flatwasher 1/4	
17	0641424	2	Bolt 1/4 x 3	
18	3340882	2	Wear Pad Assembly	
19	70006413	1	Setscrew	
100	2901903	1	Seal Kit (Includes Items 101-108)	
101	See Note	NSS	Ring, Wear (Note: Use p/n 2901903)	
102	See Note	NSS	O-Ring (Note: Use p/n 2901903)	
103	See Note	NSS	Seal, Piston (Note: Use p/n 2901903)	
104	See Note	NSS	Ring, Wear (Note: Use p/n 2901903)	
105	See Note	NSS	Seal, Rod (Note: Use p/n 2901903)	
106	See Note	NSS	Wiper, Rod (Note: Use p/n 2901903)	
107	See Note	NSS	O-Ring (Note: Use p/n 2901903)	
108	See Note	NSS	Ring, Back-Up (Note: Use p/n 2901903)	

SECTION 5 - CYLINDER

FIGURE 5-30. COUNTERBALANCE VALVE ASSEMBLY



ART_4640807

SECTION 5 - CYLINDER

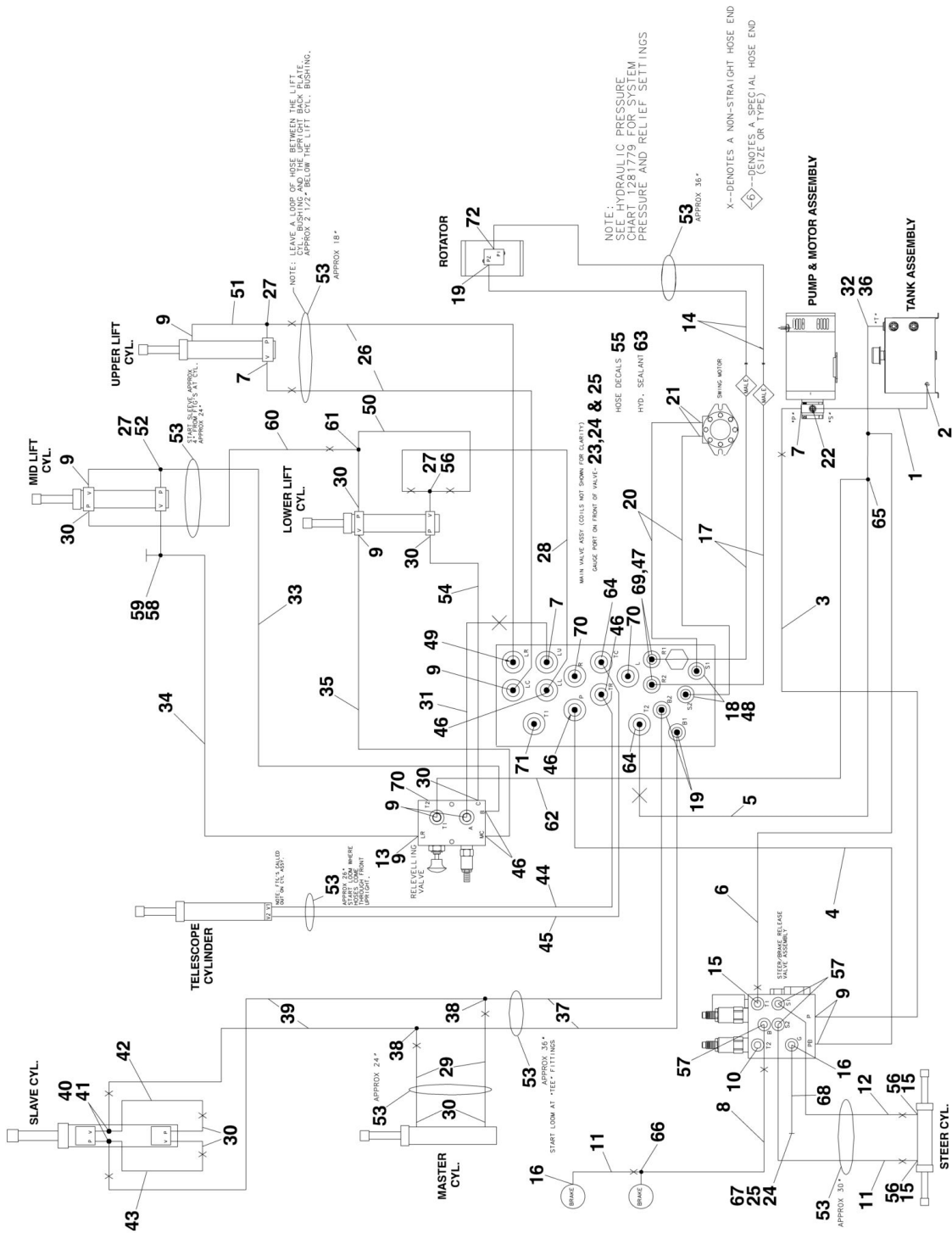
FIGURE 5-30. COUNTERBALANCE VALVE ASSEMBLY

ITEM	PART NUMBER	QTY	DESCRIPTION	REV
	4640807	Ref	COUNTERBALANCE VALVE ASSEMBLY	D
1	4640771	1	Cartridge, Counterbalance	
1	2900770	1	Seal Kit - 4640771 Cartridge	
2	4640709	1	Cartridge, Vented Counterbalance	
2	2900770	1	Seal Kit - 4640709 Cartridge	
3	3790113	2	O-Ring (Between Valve and Cylinder Block)	

SECTION 6 - HYDRAULIC

SECTION 6 - HYDRAULIC

FIGURE 6-1. STANDARD HYDRAULIC DIAGRAM (E400A,E400ANARROW,E450A,M400A,M400ANARROW,M450A)



SECTION 6 - HYDRAULIC

**FIGURE 6-1. STANDARD HYDRAULIC DIAGRAM
(E400A,E400ANARROW,E450A,M400A,M400ANARROW,M450A)**

ITEM	PART NUMBER	QTY	DESCRIPTION	REV
		Ref	STANDARD HYDRAULIC DIAGRAM	
	2792506	Ref	Standard Hydraulic Diagram (E450A,M450A)	8-H
	2792510	Ref	Standard Hydraulic Diagram (E400A,E400Anarrow,M400A,M400Anarrow)	9-H
1	2752675	1	Hose	
2	1320033	1	Clamp	
3	2752487	1	Hose	
4	2752488	1	Hose	
5	2751498	1	Hose	
6	2752476	1	Hose	
7	2220371	AR	Fitting, Straight	
8	2752600	1	Hose	
9	2220473	AR	Fitting, Elbow	
10	2220885	5	Plug	
11	2752595	2	Hose	
12	2752446	1	Hose	
13	2220507	AR	Fitting, Elbow	
14		Ref	Hose Options:	
14	2753337	2	Hose (E400A,E400Anarrow,M400A,M400Anarrow)	
14	2753326	2	Hose (E450A,M450A)	
15	2220998	3	Fitting, Straight	
16	2220466	AR	Fitting, Elbow	
17		Ref	Hose Options:	
17	2753332	2	Hose (E400A,E400Anarrow,M400A,M400Anarrow)	
17	2752795	2	Hose (E450A,M450A)	
18	2220415	2	Fitting, Straight	
19	2220502	AR	Fitting, Elbow	
20	2752459	2	Hose	
21	2221033	2	Fitting, Straight	
22	2220593	1	Fitting, Straight	
23	2220873	1	Fitting, Straight	
24	2220428	2	Fitting, Quick Coupling	
25	2220429	2	Dust Cap	
26		Ref	Hose Options:	
26	2753519	2	Hose (E400A,E400Anarrow,M400A,M400Anarrow)	
26	2753050	2	Hose (E450A,M450A)	
27	2220899	3	Fitting, Tee	
28	2752620	1	Hose	
29		Ref	Hose Options:	
29	2752437	2	Hose (E400A,E400Anarrow,M400A,M400Anarrow)	
29	2752580	2	Hose (E450A,M450A)	
30	2220472	8	Fitting, Elbow	
31	2750910	1	Hose	
32	2220999	1	Fitting, Tee	
33		Ref	Hose Options:	
33	2753335	1	Hose (E400A,E400Anarrow,M400A,M400Anarrow)	
33	2751127	1	Hose (E450A,M450A)	
34		Ref	Hose Options:	
34	2753334	1	Hose (E400A,E400Anarrow,M400A,M400Anarrow)	

SECTION 6 - HYDRAULIC

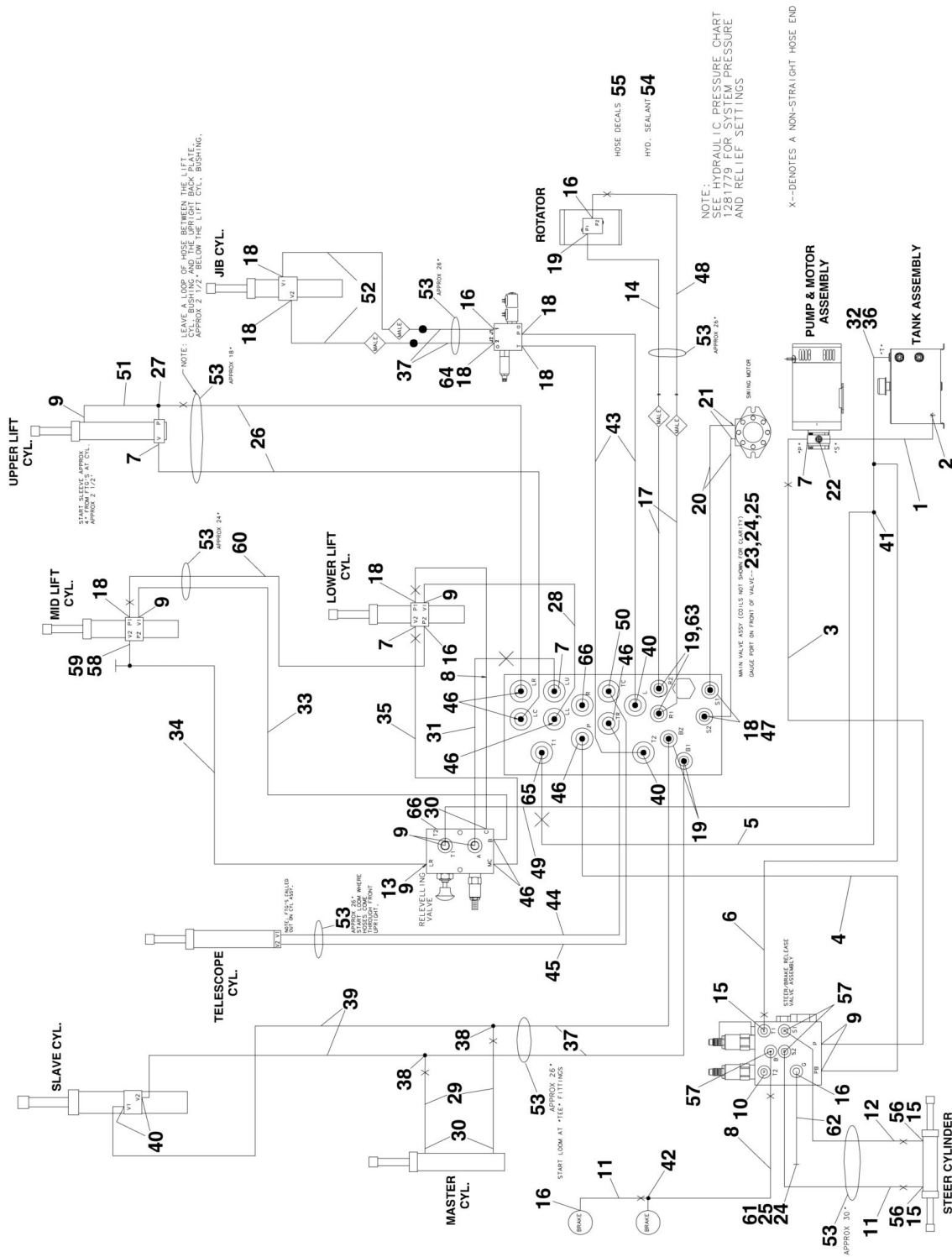
ITEM	PART NUMBER	QTY	DESCRIPTION	REV
34	2751126	1	Hose (E450A,M450A)	
35	2752475	1	Hose	
36	2220386	1	Fitting, Elbow	
37		Ref	Hose Options:	
37	2753520	2	Hose (E400A,E400Anarrow,M400A,M400Anarrow)	
37	2752585	2	Hose (E450A,M450A)	
38	2220504	2	Fitting, Tee	
39		Ref	Hose Options:	
39	2753535	2	Hose (E400A,E400Anarrow,M400A,M400Anarrow)	
39	2752572	2	Hose (E450A,M450A)	
40	2220727	2	Fitting, Straight	
41	2220684	2	Fitting, Tee	
42	2752435	1	Hose	
43	2752573	1	Hose	
44		Ref	Hose Options:	
44	2753474	1	Hose (E400A,E400Anarrow,M400A,M400Anarrow)	
44	2750996	1	Hose (E450A,M450A)	
45		Ref	Hose Options:	
45	2753475	1	Hose (E400A,E400Anarrow,M400A,M400Anarrow)	
45	2751508	1	Hose (E450A,M450A)	
46	2220501	AR	Fitting, Elbow	
47	2220502	2	Fitting, Elbow	
48	2220677	2	Fitting, Adapter	
49		Ref	Fitting, Long Options:	
49	2220819	AR	Fitting, Long (Prior to SN 0300067501)	
49	2221147	AR	Fitting, Long (SN 0300067501 through 0300189901)	
50	2752581	1	Hose	
51	4566188	1	Tube	
52		Ref	Tube Options:	
52	4566187	1	Tube (E400A,E400Anarrow,M400A,M400Anarrow)	
52	4566623	1	Tube (E450A,M450A)	
53	4100026	AR	Nylon, Sleeve	
54	2752983	1	Hose	
55	1702124	1	Hose, Tags	
56	2220609	3	Fitting, Reducer	
57	2220923	3	Fitting, Adapter	
58	2220934	1	Fitting, Tee	
59	4640861	1	Bleeder, Kit	
60	2752440	1	Hose	
61	2220605	1	Fitting, Tee	
62	2752611	1	Hose	
63	0100020	AR	Sealant	
64	2220600	2	Fitting, Straight	
65	2221054	1	Fitting, Tee	
66	2220711	1	Fitting, Tee	
67	2220414	1	Fitting, Straight	
68	2790900	1	Hose	
69	2220909	2	Fitting, Restrictor	
70	2220237	3	Fitting, Plug	
71	2220239	1	Fitting, Plug	
72		Ref	Fitting Options:	

SECTION 6 - HYDRAULIC

ITEM	PART NUMBER	QTY	DESCRIPTION	REV
72	2220466	1	Fitting, Elbow (Prior to SN 0300114239)	
72	2220502	1	Fitting, Elbow (SN 0300114239 through 0300189901)	

SECTION 6 - HYDRAULIC

FIGURE 6-2. STANDARD HYDRAULIC DIAGRAM (E450AJ,M450AJ)



SECTION 6 - HYDRAULIC

FIGURE 6-2. STANDARD HYDRAULIC DIAGRAM (E450AJ,M450AJ)

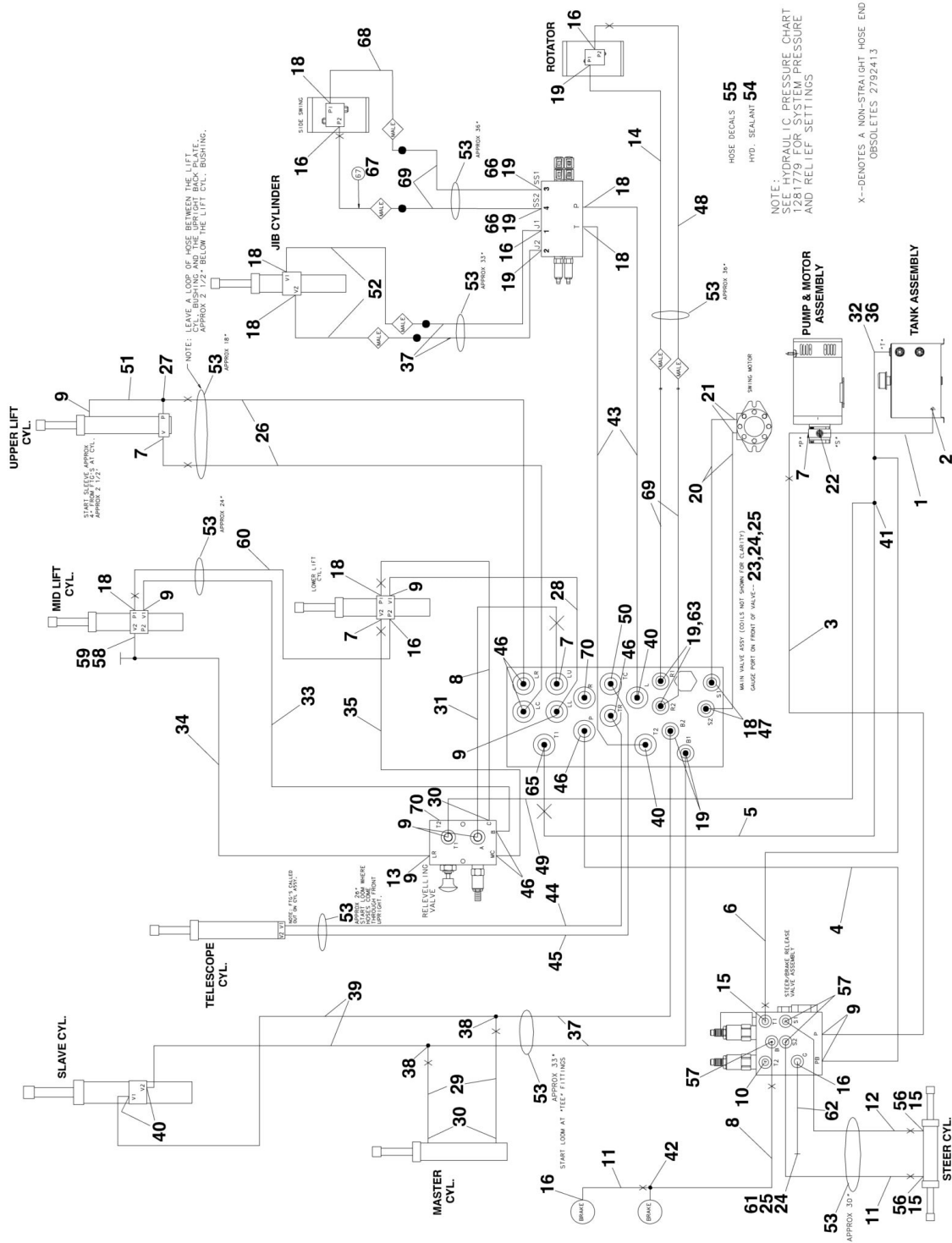
ITEM	PART NUMBER	QTY	DESCRIPTION	REV
	2792507	Ref	STANDARD HYDRAULIC DIAGRAM	F
1	2752675	1	Hose	
2	1320017	1	Clamp (Use p/n 1320033)	
3	2752487	1	Hose	
4	2752488	1	Hose	
5	2751498	1	Hose	
6	2752476	1	Hose	
7	2220371	4	Fitting, Straight	
8	2752600	2	Hose	
9	2220473	7	Fitting, Elbow	
10	2220885	6	Plug	
11	2752595	2	Hose	
12	2752446	1	Hose	
13	2220507	1	Fitting, Elbow	
14	2753304	1	Hose	
15	2220998	3	Fitting, Straight	
16	2220466	5	Fitting, Elbow	
17	2752795	2	Hose	
18	2220415	9	Fitting, Straight	
19	2220502	5	Fitting, Elbow	
20	2752459	2	Hose	
21	2221033	2	Fitting, Straight	
22	2220593	1	Fitting, Straight	
23	2220873	1	Fitting, Straight	
24	2220428	2	Fitting, Quick Coupling	
25	2220429	2	Dust Cap	
26	2753050	2	Hose	
27	2220899	1	Fitting, Tee	
28	2752466	1	Hose	
29	2752437	2	Hose	
30	2220472	3	Fitting, Elbow	
31	2750910	1	Hose	
32	2220999	1	Fitting, Tee	
33	2753301	1	Hose	
34	2751009	1	Hose	
35	2752611	1	Hose	
36	2220386	1	Fitting, Elbow	
37	2752585	4	Hose	
38		Ref	Fitting, Tee Options:	
38	2220605	2	Fitting, Tee (Prior to SN 0300168138)	
38	2220504	2	Fitting, Tee (SN 0300168138 through 0300189901)	
39	2753302	2	Hose	
40	2220582	4	Fitting, Straight	
41	2221054	1	Fitting, Tee	
42	2220711	1	Fitting, Tee	
43	2752430	2	Hose	
44	2750996	1	Hose	
45	2751508	1	Hose	
46	2220501	8	Fitting, Elbow	
47	2220677	2	Fitting, Elbow	

SECTION 6 - HYDRAULIC

ITEM	PART NUMBER	QTY	DESCRIPTION	REV
48	2753305	1	Hose	
49	2752611	1	Hose	
50	2220600	2	Fitting, Straight	
51	4567946	1	Tube	
52	2753303	2	Hose	
53	4100026	AR	Nylon, Sleeve	
54	0100020	AR	Sealant (Not Shown)	
55	1702124	1	Hose, Tags (Not Shown)	
56	2220609	2	Fitting, Reducer	
57	2220923	3	Fitting, Adapter	
58	2220934	1	Fitting, Tee	
59	4640861	1	Bleeder, Kit	
60	2751414	1	Hose	
61	2220414	1	Fitting, Straight	
62	2750900	1	Hose	
63	2220909	2	Orifice (.015)	
64	2220654	1	Fitting, Straight	
65	2220374	1	Fitting, Straight	
66	2220237	2	Fitting, Plug	

SECTION 6 - HYDRAULIC

FIGURE 6-3. STANDARD HYDRAULIC DIAGRAM (E400AJP,E400AJPNARROW,M400AJP,M400AJPNARROW)



SECTION 6 - HYDRAULIC

**FIGURE 6-3. STANDARD HYDRAULIC DIAGRAM
(E400AJP,E400AJPNARROW,M400AJP,M400AJPNARROW)**

ITEM	PART NUMBER	QTY	DESCRIPTION	REV
	2792509	Ref	STANDARD HYDRAULIC DIAGRAM	G
1	2752675	1	Hose	
2	1320033	1	Clamp	
3	2752487	1	Hose	
4	2752488	1	Hose	
5	2751498	1	Hose	
6	2752476	1	Hose	
7	2220371	4	Fitting, Straight	
8	2752600	2	Hose	
9	2220473	8	Fitting, Elbow	
10	2220885	1	Plug	
11	2752595	2	Hose	
12	2752446	1	Hose	
13	2220507	1	Fitting, Elbow	
14	2753337	1	Hose	
15	2220998	3	Fitting, Straight	
16	2220466	6	Fitting, Elbow	
18	2220415	9	Fitting, Straight	
19	2220502	8	Fitting, Elbow	
20	2752459	2	Hose	
21	2221033	2	Fitting, Straight	
22	2220593	1	Fitting, Straight	
23	2220873	1	Fitting, Straight	
24	2220428	2	Fitting, Quick Coupling	
25	2220429	2	Dust Cap	
26	2752619	2	Hose	
27	2220899	1	Fitting, Tee	
28	2752466	1	Hose	
29	2752437	2	Hose	
30	2220472	3	Fitting, Elbow	
31	2750910	1	Hose	
32	2220999	1	Fitting, Tee	
33	2753335	1	Hose	
34	2753334	1	Hose	
35	2752611	1	Hose	
36	2220386	1	Fitting, Elbow	
37	2752571	4	Hose	
38		Ref	Fitting, Tee Options:	
38	2220605	2	Fitting, Tee (Prior to SN 0300168138)	
38	2220504	2	Fitting, Tee (SN 0300168138 through 0300189901)	
39	2753333	2	Hose	
40	2220582	4	Fitting, Straight	
41	2221054	1	Fitting, Tee	
42	2220711	1	Fitting, Tee	
43	2752430	2	Hose	
44	2753474	1	Hose	
45	2753475	1	Hose	
46	2220501	7	Fitting, Elbow	
47	2220677	2	Fitting, Elbow	

SECTION 6 - HYDRAULIC

ITEM	PART NUMBER	QTY	DESCRIPTION	REV
48	2753336	1	Hose	
49	2752611	1	Hose	
50	2220600	2	Fitting, Straight	
51	4567946	1	Tube	
52	2753329	2	Hose	
53	4100026	AR	Nylon, Sleeve	
54	0100020	AR	Sealant (Not Shown)	
55	1702124	1	Hose, Tags (Not Shown)	
56	2220609	2	Fitting, Reducer	
57	2220923	3	Fitting, Adapter	
58	2220934	1	Fitting, Tee	
59	4640861	1	Bleeder, Kit	
60	2751890	1	Hose	
61	2220414	1	Fitting, Straight	
62	2750900	1	Hose	
63	2220909	2	Orifice (.015)	
65	2220374	1	Fitting, Straight	
66	2221039	2	Orifice (.022)	
67	2753330	1	Hose	
68	2753331	1	Hose	
69	2753332	4	Hose	
70	2220237	2	Fitting, Plug	

SECTION 6 - HYDRAULIC

FIGURE 6-4. HYDRAULIC DIAGRAM LIST

ITEM	PART NUMBER	QTY	DESCRIPTION	REV
		Ref	Note: Diagrams not shown in manual are available from JLG Service/Parts Department.	
	2792334	Ref	Standard Hydraulic Diagram Options:	
	2792506	Ref	Standard Hydraulic Diagram (E450A,M450A) (Prior to SN 0300062857)	
	2792395	Ref	Standard Hydraulic Diagram (E450A,M450A) (SN 0300062857 through 0300189901)	
	2792507	Ref	Standard Hydraulic Diagram (E450AJ,M450AJ) (Prior to SN 0300062857)	
	2792458	Ref	Standard Hydraulic Diagram (E450AJ,M450AJ) (SN 0300062857 through 0300189901)	
	2792510	Ref	Standard Hydraulic Diagram (E400A,E400Anarrow,M400A,M400Anarrow) (Prior to SN 0300062857)	
	2792413	Ref	Standard Hydraulic Diagram (E400A,E400Anarrow,M400A,M400Anarrow) (SN 0300062857 through 0300189901)	
	2792509	Ref	Standard Hydraulic Diagram (E400AJ,E400AJPnarrow,M400AJ,M400Anarrow) (Prior to SN 0300062857)	
		Ref	Standard Hydraulic Diagram (E400AJ,E400AJPnarrow,M400AJ,M400Anarrow) (SN 0300062857 through 0300189901)	
		Ref	Standard Hydraulic Schematic Options:	
	2792337	Ref	Standard Hydraulic Schematic (Prior to SN 0300062857)	
	2792505	Ref	Standard Hydraulic Schematic (SN 0300062857 through 0300189901)	

SECTION 7 - ELECTRICAL

SECTION 7 - ELECTRICAL

FIGURE 7-1. ELECTRICAL DIAGRAM LIST

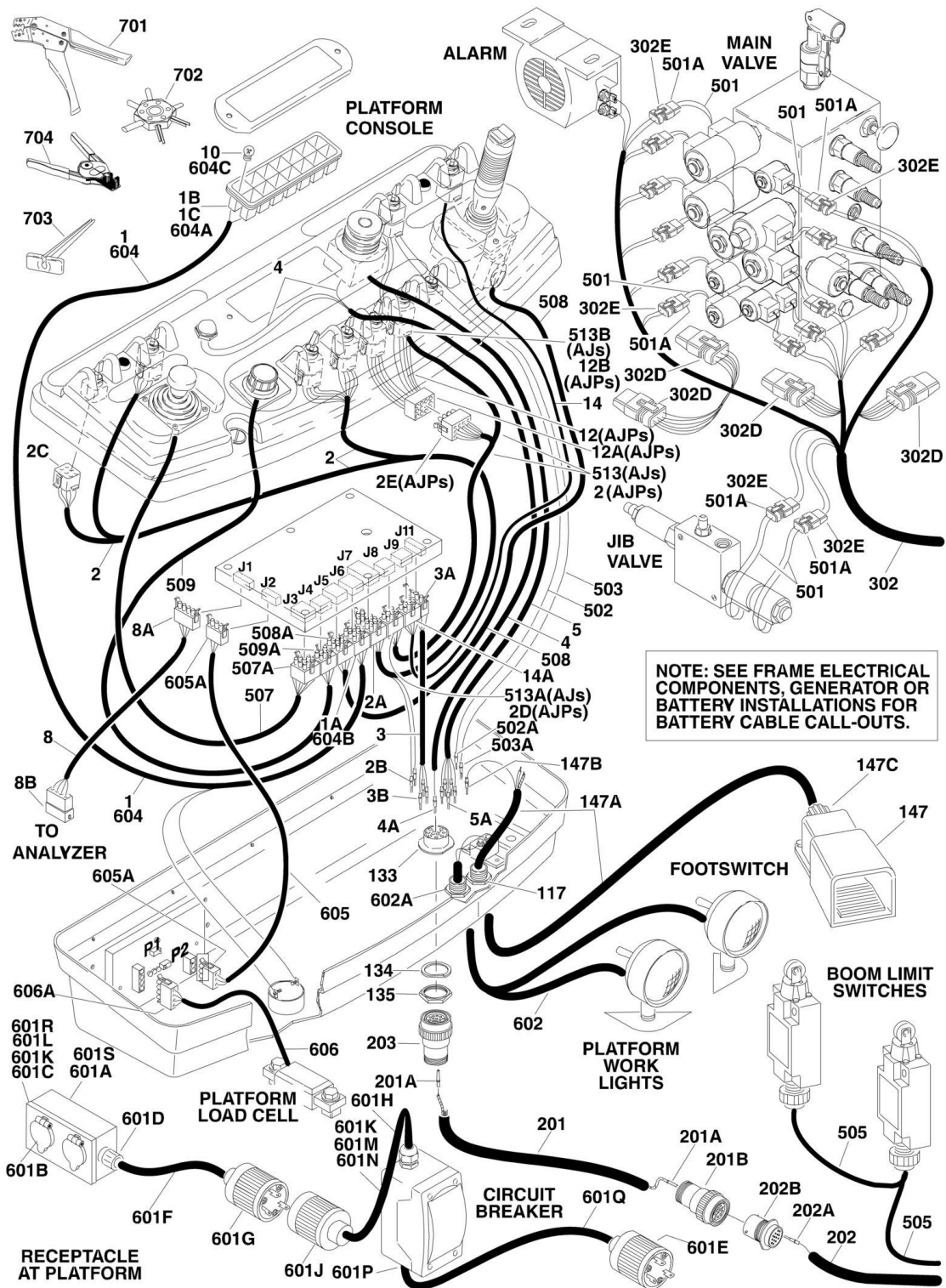
ITEM	PART NUMBER	QTY	DESCRIPTION	REV
	Note	Ref	Note: Diagrams not shown in manual are available from JLG Service/Parts Department.	
		Ref	LIGHTS ELECTRICAL DIAGRAMS	
		Ref	Headlights and Taillights	
	4933102	Ref		
	4360336	1	Switch, Toggle (Located on Platform Console Box)	
	3740087	1	Relay (Located in Ground Control Box)	
	4120027	1	Socket, Relay (Located in Ground Control Box)	
	3740063	1	Spring (Located in Ground Control Box)	
	4360448	1	Breaker, Circuit 10 Amp (Located in Ground Control Box)	
		Ref	STROBE LIGHT OPTIONS:	
	0259305	Ref	Strobe Light (Prior to SN 0300169430)	
	1283055	Ref	Strobe Light (Prior to SN 0300169430)	
		Ref	Strobe Light (SN 0300169430 through 0300189901)	
	1001149955	Ref	Standard Spec	
	1001158612	Ref	UL Spec	
	4933289	Ref	LSS PLATFORM MODULE ELECTRICAL DIAGRAM	
	0259064	Ref	MOTION ALARM ELECTRICAL DIAGRAM	
	1283055	Ref	MOTION ALARM ELECTRICAL DIAGRAM	
		Ref	PLATFORM ELECTRICAL DIAGRAM	
	4933060	Ref	Platform Electrical Diagram (E450A,E450AJ,M450A,M450AJ)	
	4933181	Ref	Platform Electrical Diagram (UL Spec) (E450A,E450AJ)	
	4933105	Ref	Platform Electrical Diagram (E400A,E400AJPnarrow,M400A,M400AJPnarrow)	
	4933060	Ref	Platform Electrical Diagram (E400A,E400AJPnarrow,M400A,M400AJPnarrow)	
	4933182	Ref	Platform Electrical Diagram (UL Spec) (E400A,E400AJP,E400AJPnarrow,E400Anarrow)	
	4933181	Ref	Platform Electrical Diagram (UL Spec) (E400A,E400AJP,E400AJPnarrow,E400Anarrow)	
	4933317	Ref	SOFT-TOUCH ELECTRICAL DIAGRAM	
		Ref	STANDARD ELECTRICAL DIAGRAMS	
	4933059	Ref	Standard Electrical Diagrams (E450A,M450A) (Prior to SN 0300057534)	
	4933128	Ref	Standard Electrical Diagrams (E450A,M450A) (SN 0300057534 through 0300100539)	
	4933388	Ref	Standard Electrical Diagrams (E450A,M450A) (SN 0300100540 through 0300189898)	
	4933128	Ref	Standard Electrical Diagrams (E450AJ,M450AJ) (Prior to SN 0300100540)	
	4933388	Ref	Standard Electrical Diagrams (E450AJ,M450AJ) (SN 0300100540 through 0300189898)	
	4933059	Ref	Standard Electrical Diagrams (E400A,E400Anarrow,M400A,M400Anarrow) (Prior to SN 0300057534)	
	4933128	Ref	Standard Electrical Diagrams (E400A,E400Anarrow,M400A,M400Anarrow) (SN 0300057534 through 0300100539)	
	4933388	Ref	Standard Electrical Diagrams (E400A,E400Anarrow,M400A,M400Anarrow) (SN 0300100540 through 0300189901)	

SECTION 7 - ELECTRICAL

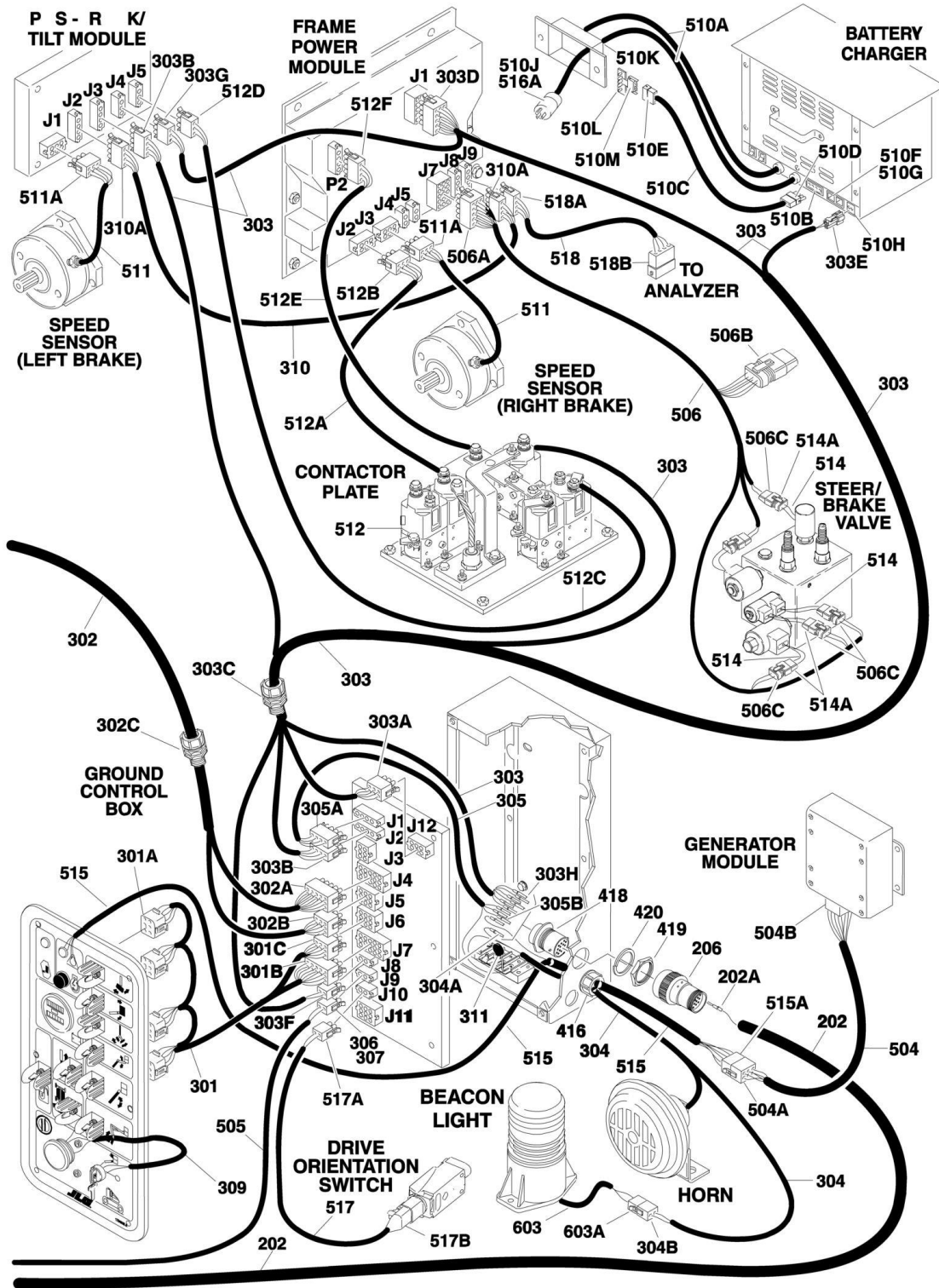
ITEM	PART NUMBER	QTY	DESCRIPTION	REV
	4933128	Ref	Standard Electrical Diagrams (E400AJP,E400AJPnarrow,M400AJP,M400AJPnarrow) (Prior to SN 0300100540)	
	4933388	Ref	Standard Electrical Diagrams (E400AJP,E400AJPnarrow,M400AJP,M400AJPnarrow) (SN 0300100540 through 0300189901)	
		Ref	STANDARD ELECTRICAL SCHEMATIC	
	1870072	Ref	Standard Electrical Schematic (E450A,E450AJ,M450A,M450AJ) (Prior to SN 0300100540)	
	1870227	Ref	Standard Electrical Schematic (E450A,E450AJ,M450A,M450AJ) (SN 0300100540 through 0300189898)	
	1870072	Ref	Standard Electrical Schematic (E400A,E400Anarrow,M400A,M400Anarrow) (Prior to SN 0300100540)	
	1870227	Ref	Standard Electrical Schematic (E400A,E400Anarrow,M400A,M400Anarrow) (SN 0300100540 through 0300189901)	
	1870126	Ref	Standard Electrical Schematic (E400AJP,E400AJPnarrow,M400AJP,M400AJPnarrow) (Prior to SN 0300100540)	
	1870227	Ref	Standard Electrical Schematic (E400AJP,E400AJPnarrow,M400AJP,M400AJPnarrow) (SN 0300100540 through 0300189901)	

SECTION 7 - ELECTRICAL

FIGURE 7-2. HARNESS COMPONENTS INSTALLATION (WITH MAC CHARGER)



SECTION 7 - ELECTRICAL



SECTION 7 - ELECTRICAL

FIGURE 7-2. HARNESS COMPONENTS INSTALLATION (WITH MAC CHARGER)

ITEM	PART NUMBER	QTY	DESCRIPTION	REV
		Ref	HARNESS COMPONENTS INSTALLATION	
		Ref	PLATFORM BOX ELECTRICAL DIAGRAM	
	4933060	Ref	Standard Spec (E400A,E400Anarrow,E450A,E450AJ,M400A,M400Anarrow,M450A,M450AJ)	7-L
	4933181	Ref	U/L Rated Spec (E400A,E400Anarrow,E450A,E450AJ)	5-G
	4933105	Ref	Standard Spec (E400AJP,E400AJPnarrow,M400AJP,M400AJPnarrow)	5-G
	4933182	Ref	U/L Rated Spec (E400AJP,E400AJPnarrow)	5-G
1		Ref	Harness, Indicator Lamp	
1	4922074	1	Harness (Prior to SN 0300141884)	5-H
1	1001109860	1	Harness (SN 0300141884 through 0300189901)	B
1A	4460265	1	Connector - 9 Position	
1A	4460227	AR	Pin, Male	
1B	4120035	AR	Socket, Lamp	
1C	4460634	AR	Socket (Single Wire)	
1C	4460635	AR	Socket (Two Wire)	
2		Ref	Harness, Function Switch	
2	4922060	1	Harness, Function Switch (E400A,E400Anarrow,E450A,E450AJ,M400A,M400Anarrow,M450A,M450AJ)	2-C
2	4922303	1	Harness, Function Switch (E400AJP,E400AJPnarrow,M400AJP,M400AJPnarrow)	5-D
2A	4460434	1	Connector - 15 Position	
2A	4460226	12	Pin, Male	
2B	4460464	2	Pin, Male	
2C	4460418	4	Connector, Female	
2C	4460419	12	Terminal	
2D	4460225	1	Connector - 6 Position (E400AJP,E400AJPnarrow,M400AJP,M400AJPnarrow)	
2D	4460227	5	Socket, Female	
2E	4460343	1	Connector - 12 Position (E400AJP,E400AJPnarrow,M400AJP,M400AJPnarrow)	
2E	4460227	10	Socket, Female	
3	4922071	1	Harness, Can Bus	2/B
3A	4460321	1	Connector - 4 Position	
3A	4460227	2	Pin, Male	
3A	4460267	1	Pin, Male	
3B	4460464	3	Pin, Male	
4		Ref	Harness, Box Horn Options:	
4	4922118	1	Standard Spec	2-B
4	4922555	1	U/L Rated Spec	1-A
4A	4460464	1	Pin, Male	
5		Ref	Harness, Miscellaneous	
5	4922157	1	Standard Spec	4-D
5	4922556	1	U/L Rated Spec	B
5A	4460464	AR	Pin, Male	
8	4922160	1	Harness, Analyzer	3-C
8A	4460321	1	Connector - 4 Position	
8A	4460226	4	Socket, Female	
8B	4460761	1	Connector, Female - 4 Position	

SECTION 7 - ELECTRICAL

ITEM	PART NUMBER	QTY	DESCRIPTION	REV
8B	4460227	4	Pin, Male	
10	2920129	AR	Bulb, Light	
12	4922307	1	Jib Harness (E400AJP,E400AJPnarrow,M400AJP,M400AJPnarrow)	3-C
12A	4460367	1	Connector, Female - 12 Position (E400AJP,E400AJPnarrow,M400AJP,M400AJPnarrow)	
12A	4460226	10	Socket, Female (E400AJP,E400AJPnarrow,M400AJP,M400AJPnarrow)	
12B	4460260	6	Connector, Female (E400AJP,E400AJPnarrow,M400AJP,M400AJPnarrow)	
12B	4460259	6	Terminal (E400AJP,E400AJPnarrow,M400AJP,M400AJPnarrow)	
14	1001116368	1	Harness, Drive Orientation Override Switch (SN 0300141884 through 0300189901)	A
14A	4460225	1	Connector - 6 Position	
14A	4460227	2	Socket, Female	
		Ref	PLATFORM BOX ASSEMBLY COMPONENTS	
117	4460428	1	Connector, Strain Relief	
133	4460752	1	Connector, 14 Position	
134	4460497	1	Nut, Conduit	
135	4460496	1	Lockwasher, Conduit	
147	0272971	1	Footswitch Assembly	B
147A	1060330	7 ft/2.2m	Cable, Electrical - 16/3	
147B	4460464	AR	Pin, Male	
147C	4460071	2	Connector, Strain Relief	
		Ref	BOOM CABLES INSTALLATION	
	0257735	Ref	Boom Cables Installation (E450A,M450A)	8-G
	0259367	Ref	Boom Cables Installation (E450AJ,M450AJ)	4-D
	0270817	Ref	Boom Cables Installation (E400A,E400Anarrow,M400A,M400Anarrow)	4-B
	0259970	Ref	Boom Cables Installation (E400AJP,E400AJPnarrow,M400AJP,M400AJPnarrow)	5-C
201		Ref	Main Boom Harness Assembly Options:	
201	4922178	1	Main Boom Harness Assembly (E450A,M450A)	3
201	4922178	1	Main Boom Harness Assembly (E450AJ,M450AJ)	1
201	4922496	1	Main Boom Harness Assembly (E400A,E400Anarrow,M400A,M400Anarrow)	2
201	1060677	26.5 ft/8.1m	Cable, Electrical (E450A,M450A)	
201	1060677	28 ft/8.53m	Cable, Electrical (E450AJ,M450AJ)	
201	1060677	25.25 ft/7.7m	Cable, Electrical (E400A,E400Anarrow,M400A,M400Anarrow)	
201	4922364	1	Main Boom Harness Assembly (E400AJP,E400AJPnarrow,M400AJP,M400AJPnarrow) (Prior to SN 0300071419)	1
201	1060780	25.25 ft/7.7m	Cable, Electrical - 18/6 (E400AJP,E400AJPnarrow,M400AJP,M400AJPnarrow)	
201	1060781	25.25 ft/7.7m	Cable, Electrical - 18/5 (E400AJP,E400AJPnarrow,M400AJP,M400AJPnarrow)	
201	4922496	1	Main Boom Harness Assembly (E400AJP,E400AJPnarrow,M400AJP,M400AJPnarrow) (SN 0300071419 through 0300189901)	2
201	1060677	25.25 ft/7.7m	Cable, Electrical (E400AJP,E400AJPnarrow,M400AJP,M400AJPnarrow)	

SECTION 7 - ELECTRICAL

ITEM	PART NUMBER	QTY	DESCRIPTION	REV
201A	4460465	28	Socket, Female	
201B	4460754	1	Connector - 14 Position	
202		Ref	Tower Boom Harness Assembly Options:	
202	4922179	1	Tower Boom Harness Assembly (E450A,E450AJ,M450A,M450AJ)	3
202	4922363	1	Tower Boom Harness Assembly (E400AJP,E400AJPnarrow,M400AJP,M400AJPnarrow)	3
202	4922495	1	Tower Boom Harness Assembly (E400A,E400Anarrow,M400A,M400Anarrow) (Prior to SN 0300071418)	2
202	4922363	1	Tower Boom Harness Assembly (E400A,E400Anarrow,M400A,M400Anarrow) (SN 0300071418 through 0300189901)	3
202	1060677	Ref	Cable, Electrical Options: - 10/4-18/16	
202	1060677	35.5 ft/11m	Cable, Electrical (E450A,E450AJ,M450A,M450AJ)	
202	1060677	32 ft/9.8m	Cable, Electrical (E400A,E400AJP,E400AJPnarrow,E400Anarrow,M400A,M400AJP,M400AJPnarrow,M400Anarrow)	
202A	4460464	28	Pin, Male	
202B		Ref	Connector - 14 Position Options:	
202B	4460495	1	Terminal, Connector (Prior to SN 0300077939)	
202B	4460752	1	Deutsch Receptacles (SN 0300077939 through 0300189901)	
203	4460754	1	Connector - 14 Position	
206	4460753	1	Connector - 14 Position	
		Ref	GROUND CONTROL BOX DIAGRAM	
	4933059	Ref	Ground Control Box Diagram (E450A,M450A) (Prior to SN 0300057534)	3-G
	4933128	Ref	Ground Control Box Diagram (E450A,M450A) (SN 0300057534 through 0300100539)	2-C
	4933388	Ref	Ground Control Box Diagram (E450A,M450A) (SN 0300100540 through 0300189901)	2-C
	4933128	Ref	Ground Control Box Diagram (E400A,E400AJP,E400AJPnarrow,E400Anarrow,E450AJ,M400A,M400AJP,M400AJPnarrow,M400Anarrow,M450AJ) (Prior to SN 0300100540)	2-C
	4933388	Ref	Ground Control Box Diagram (E400A,E400AJP,E400AJPnarrow,E400Anarrow,E450AJ,M400A,M400AJP,M400AJPnarrow,M400Anarrow,M450AJ) (SN 0300100540 through 0300189901)	2-C
301		Ref	Function Switch Harness Assembly Options:	
301	4922058	1	Function Switch Harness Assembly (E450A,M450A) (Prior to SN 0300057534)	4-D
301	4922366	1	Function Switch Harness Assembly (E450A,M450A) (SN 0300057534 through 0300100539)	2-B
301	4923625	1	Function Switch Harness Assembly (E450A,M450A) (SN 0300100540 through 0300189901)	1-C
301	4922366	1	Function Switch Harness Assembly (E400A,E400AJP,E400AJPnarrow,E400Anarrow,E450AJ,M400A,M400AJP,M400AJPnarrow,M400Anarrow,M450AJ) (Prior to SN 0300100540)	2-B
301	4923625	1	Function Switch Harness Assembly (E400A,E400AJP,E400AJPnarrow,E400Anarrow,E450AJ,M400A,M400AJP,M400AJPnarrow,M400Anarrow,M450AJ) (SN 0300100540 through 0300189901)	1-B
301A	4460418	AR	Connector - 6 Position	

SECTION 7 - ELECTRICAL

ITEM	PART NUMBER	QTY	DESCRIPTION	REV
301A	4460419	AR	Terminal, Female	
301B	4460434	1	Connector - 15 Position	
301B	4460226	15	Socket, Female	
301C	4460265	1	Connector - 9 Position	
301C	4460227	3	Pin, Male	
302		Ref	Harness Assembly - Valve	
302	4922057	1	Harness Assembly - Valve (E450A,M450A) (Prior to SN 0300057534)	4-C
302	4922367	1	Harness Assembly - Valve (E450A,M450A) (SN 0300057534 through 0300189898)	2-C
302	4922367	1	Harness Assembly - Valve (E400A,E400AJP,E400AJNarrow,E400Anarrow,E450AJ,M400A,M400AJP,M400AJNarrow,M400Anarrow,M450AJ)	2-C
302A	4460434	1	Connector - 15 Position	
302A	4460227	14	Pin, Male	
302B	4460265	1	Connector - 9 Position	
302B	4460226	4	Socket, Female	
302C	4460425	1	Connector, Strain Relief	
302D		Ref	Components Options:	
302D		Ref	Components (Prior to SN 0300057534)	
302D	4460744	6	Connector, 6 Position	
302D	4460746	24	Socket, Female	
302D	4460745	4	Lock, Secondary	
302D	4460749	4	Cap, Shell	
302D	4460750	4	Bar, Buss - 6 Position	
302D	4460458	24	Seal	
302D	4460751	4	Clip, Mounting	
302D		Ref	Components (SN 0300057534 through 0300189901)	
302D	4460836	2	Connector, 12 Position	
302D	4460837	2	Housing, Terminal - 12 Position	
302D	4460465	22	Pin, Terminal	
302E	4460742	17	Connector - 2 Position	
302E	4460743	34	Terminal, Female	
302E	4460458	34	Seal	
303	4922104	1	Harness Assembly - Turntable/Frame (Includes Item 304 Also)	7-G
303A	4460225	1	Connector - 6 Position	
303A	4460268	6	Socket, Female	
303B	4460321	2	Connector - 4 Position	
303B	4460227	2	Pin, Male	
303B	4460267	8	Pin, Male	
303C	4460425	1	Connector, Strain Relief	
303D	4460343	1	Connector, 12 Position	
303D	4460268	12	Socket, Female	
303E	4460320	1	Connector, 2 Position	
303E	4460268	2	Socket, Female	
303F	4460320	1	Connector, 2 Position	
303F	4460267	2	Pin, Male	
303G	4460326	1	Connector, 3 Position	
303G	4460267	3	Pin, Male	
303H	4460465	6	Socket, Female	
304	4922073	1	Harness Assembly - Horn/Beacon	5-E
304	3990001	1	Diode (Not Shown)	

SECTION 7 - ELECTRICAL

ITEM	PART NUMBER	QTY	DESCRIPTION	REV
304A	4460465	1	Socket, Female	
304B	4460424	1	Connector, 2 Position	
304B	4460268	2	Socket, Female	
305	4922117	1	Harness Assembly - Ground Control Can	3-B
305A	4460321	1	Connector - 4 Position	
305A	4460227	2	Pin, Male	
305A	4460267	1	Pin, Male	
305B	4460465	1	Socket, Female	
306	4460320	1	Connector, 2 Position	
307	4460268	2	Socket, Female	
309	4922267	1	Harness Assembly - Power Supply	3-C
310	4922263	1	Harness Assembly - Posi-Track Module Can	2-A
310A	4460321	2	Connector - 4 Position	
310A	4460227	4	Pin, Male	
310A	4460267	2	Pin, Male	
311	3990106	1	Limiter, Inrush	
		Ref	GROUND CONTROL BOX ASSY COMPONENTS	
416	4460425	1	Connector, Strain Relief	
418	4460495	1	Connector, Male - 14 Position	
419	4460497	1	Nut, Conduit	
420	4460496	1	Lockwasher	
		Ref	STANDARD HARNESS COMPONENTS	
501	See Note	17	Solenoid Harness (Note: Not Available - Purchase Complete Solenoid)	
501A	4460867	17	Connector, Female - 2 Position	
501A	4460979	34	Terminal, Male	
501A	4460458	34	Seal	
502	4922222	1	Generator Enable Harness (Yellow/Red) (M400A,M400AJP,M400AJPnarrow,M400Anarrow,M450A,M450AJ)	2-B
502A	4460464	1	Pin, Male (M400A,M400AJP,M400AJPnarrow,M400Anarrow,M450A,M450AJ)	
503	4922223	1	Generator Enable Harness (White/Yellow) (M400A,M400AJP,M400AJPnarrow,M400Anarrow,M450A,M450AJ)	1-A
503A	4460464	1	Pin, Male (M400A,M400AJP,M400AJPnarrow,M400Anarrow,M450A,M450AJ)	
504		Ref	Generator Harness Options: (M400A,M400AJP,M400AJPnarrow,M400Anarrow,M450A,M450AJ)	
504	7020155	1	Generator Harness (Prior to SN 0300063771)	
504	7023486	1	Generator Harness (SN 0300063771 through 0300088538)	
504	70000328	1	Generator Harness (SN 0300088539 through 0300189901)	
504A	4460224	1	Connector, Female - 6 Position	
504A	4460809	1	Plug, Seal	
504A	4460268	5	Socket, Female	
504B	7023337	1	Receptacle - 35 Position	
504B	7023338	35	Pin, Male	
505	See Note	1	Boom Limit Switches Harness (Note: Not Available - Purchase Complete Limit Switch)	
505	1060341	58	Cable, Electrical - 16/2 (Prior to SN 0300063768)	
		ft/17.7m		

SECTION 7 - ELECTRICAL

ITEM	PART NUMBER	QTY	DESCRIPTION	REV
505	4922614	1	Cable, Electrical (Lower) (Includes Limit Switch) (SN 0300063768 through 0300189901)	
505	4922613	1	Cable, Electrical (Upper) (Includes Limit Switch) (SN 0300063768 through 0300189901)	
506	4922328	1	Harness Assembly - Valve	
506A	4460434	1	Connector - 15 Position	
506A	4460226	7	Socket, Female	
506B	4460749	1	Cap, Shell	
506B	4460750	1	Bar, Buss - 6 Position	
506B	4460744	1	Connector, 6 Position	
506B	4460745	1	Lock, Secondary	
506B	4460746	5	Socket, Female	
506B	4460458	6	Seal	
506B	4460748	1	Plug, Cavity	
506B	4460751	1	Clip, Mounting	
506C	4460742	5	Connector - 2 Position	
506C	4460743	10	Terminal, Female	
506C	4460458	10	Seal	
507	See Note	1	Controller Harness Assembly (Lift and Swing) (Note: Not Available - Refer to PLATFORM SECTION for Parts Breakdown)	
507A	4460265	1	Connector - 9 Position	
507A	4460226	8	Socket, Female	
508	See Note	1	Controller Harness/Circuit Board Assembly (Drive and Steer) (Note: Not Available - Refer to PLATFORM SECTION for Parts Breakdown)	
508A	4460265	1	Connector - 9 Position	
508A	4460226	7	Socket, Female	
509	See Note	1	Controller Harness Assembly (Speed) (Note: Not Available - Refer to PLATFORM SECTION for Parts Breakdown)	
509A	4460225	1	Connector - 6 Position	
509A	4460226	4	Socket, Female	
509A	4460226	4	Socket, Female	
510		Ref	Battery Charger Components	
510A		Ref	AC Cord Options:	
510A	1060777	1	AC Cord (ANSI Export Spec) (Prior to SN 0300082279)	
510A	1060759	1	AC Cord (ANSI Export Spec) (SN 0300082279 through 0300189901)	
510A	1060776	1	AC Cord (ANSI Spec and Japanese Spec) (Prior to SN 0300082279)	
510A	1060751	1	AC Cord (ANSI Spec and Japanese Spec) (SN 0300082279 through 0300189901)	
510B	7020693	1	LED Internal Harness	
510B	4460761	1	Connector, Female - 4 Position	
510B	4460227	4	Male Pin	
510C	1060778	1	LED Remote Harness	
510D	4460321	1	Connector - 4 Position	
510D	4460226	4	Socket, Female	
510E	4460761	1	Connector, Female - 4 Position	
510E	4460226	4	Socket, Female	
510F		Ref	DC Cord Options:	
510F	7020644	1	Charger with Automotive Fuse	
510F	7022909	1	Charger with Bussman Fuse	
510G	7011590	1	Connector, DC	

SECTION 7 - ELECTRICAL

ITEM	PART NUMBER	QTY	DESCRIPTION	REV
510H	7011621	1	Connector, Enable Switch	
510J		Ref	Plug, Connector (Not Supplied with Charger)	
510J	4460138	1	ANSI Spec	
510J	See Note	1	ANSI Export Spec (Note: Not Available - Purchase Locally)	
510J	4460138	1	Japanese Spec	
510K	4460428	1	Connector, Strain Relief (Not Supplied with Charger)	
510L	0610131	1	LED Assembly (Not Supplied with Charger)	
510M	4460321	1	Connector - 4 Position	
510M	4460227	4	Male Pin	
511	3990105	2	Speed Sensor Harness (P/N 3990105 Includes Sensor)	
511A	4460225	1	Connector - 6 Position	
511A	4460226	4	Socket, Female	
512		Ref	Contactors Plate Assembly Options:	
512	1600294	1	Standard Spec	
512	1600300	1	UL/EE Spec	
512A		Ref	Contactors Harness Options:	
512A	7022003	1	Standard Spec	
512A	7022008	1	UL/EE Spec	
512B	4460225	1	Connector - 6 Position	
512B	4460226	6	Socket, Female	
512C		Ref	Posi-Track Harness	
512C	7022004	1	Standard Spec	
512C	Not Required	0	UL/EE Spec	
512D	4460326	1	Connector - 3 Position	
512D	4460227	3	Pin, Male	
512E	7022005	1	Shunt Harness	
512F	4460321	1	Connector - 4 Position	
512F	4460227	4	Pin, Male	
513	4922294	1	Jib Harness (E450AJ,M450AJ)	1-B
513A	4460225	1	Connector - 6 Position (E450AJ,M450AJ)	
513A	4460227	3	Pin, Male (E450AJ,M450AJ)	
513B	4460418	1	Connector, Female (E450AJ,M450AJ)	
513B	4460419	3	Terminal (E450AJ,M450AJ)	
514	See Note	5	Solenoid Harnesses - Steer/Brake Valve (Note: Not Available - Refer to PLATFORM SECTION for Parts Breakdown)	
514A	4460867	5	Connector, Female - 2 Position	
514A	4460979	10	Terminal, Male	
514A	4460458	10	Seal	
515	4922319	1	Harness, Generator to Ground Control Box	1-A
515A	4460225	1	Connector - 6 Position	
515A	4460807	1	Seal, Terminal	
515A	4460808	1	Seal, Terminal	
515A	4460809	1	Pin, Terminal	
515A	4460267	5	Pin, Terminal	
516	Not Required	0	Not Required	
517	1001116522	1	Harness, Drive Orientation Limit Switch (SN 0300141884 through 0300189901)	B
517A	4460320	1	Connector - 2 Position	
517A	4460227	2	Pin, Male	
517B	4460884	1	Connector - 4 Position	
517B	4460465	2	Socket, Female	
517B	4460466	2	Seal	

SECTION 7 - ELECTRICAL

ITEM	PART NUMBER	QTY	DESCRIPTION	REV
518	4922160	1	Harness, Analyzer	3-C
518A	4460321	1	Connector - 4 Position	
518A	4460226	4	Socket, Female	
518B	4460761	1	Connector, Female - 4 Position	
518B	4460227	4	Pin, Male	
		Ref	OPTIONAL HARNESS COMPONENTS	
601		Ref	AC to Platform Receptacle Components Options:	
601	0259123	Ref	110V Receptacle (ANSI) (E450A,E450AJ,M450A,M450AJ)	5
601	0270013	Ref	110V Receptacle (ANSI and ANSI Export) (E400A,E400AJP,E400AJPnarrow,E400Anarrow,M400A,M400AJP,M400AJPnarrow,M400Anarrow)	5
601	0259125	Ref	220V Receptacle (ANSI) (E450A,E450AJ,M450A,M450AJ)	4
601	0270012	Ref	220V Receptacle (ANSI) (E400A,E400AJP,E400AJPnarrow,E400Anarrow,M400A,M400AJP,M400AJPnarrow,M400Anarrow)	4
601	0253717	Ref	220V Receptacle (ANSI Export) (E400A,E400AJP,E400AJPnarrow,E400Anarrow,M400A,M400AJP,M400AJPnarrow,M400Anarrow) (Prior to SN 0300062642)	1
601	0271464	Ref	220V Receptacle (ANSI and ANSI Export) (E400A,E400AJP,E400AJPnarrow,E400Anarrow,M400A,M400AJP,M400AJPnarrow,M400Anarrow) (SN 0300062642 through 0300189901)	2
601	0259127	Ref	220V Receptacle (ANSI Export) (E450A,E450AJ,M450A,M450AJ)	2
601A	0860038	1	Box, Switch	
601B		Ref	Receptacle Options:	
601B	4460346	1	110V GFI (ANSI)	
601B	4460125	1	220V GFI (ANSI)	
601B	See Note	1	220V GFI (ANSI Export) (Note: Not Available - Purchase Locally)	
601C		Ref	Shield, Cover Options:	
601C	4060700	1	110V GFI (ANSI) (Side Hinged Cover)	
601C	1001110873	1	110V GFI (ANSI) (Top Hinged Cover)	
601C	4060092	1	220V GFI (ANSI)	
601C	See Note	1	220V GFI (ANSI Export) (Note: Not Available - Purchase Locally)	
601D		Ref	Connector, Strain Relief Options:	
601D	4460071	1	110V GFI (ANSI)	
601D	4460071	1	220V GFI (ANSI)	
601D	See Note	1	220V GFI (ANSI Export) (Note: Not Available - Purchase Locally)	
601E		Ref	Plug, Male Options:	
601E	4460205	1	110V GFI (ANSI)	
601E	4460233	1	220V GFI (ANSI)	
601E	See Note	1	220V GFI (ANSI Export) (Note: Not Available - Purchase Locally)	
601F		Ref	Harness (Main Boom) Options:	
601F	4921593	1	Harness (ANSI) (E450A,E450AJ,M450A,M450AJ) (Prior to SN 0300063775)	1-A
601F	4922608	1	Harness (ANSI) (E450A,E450AJ,M450A,M450AJ) (SN 0300063775 through 0300189901)	1-A
601F	4921569	1	Harness (ANSI) (E400A,E400AJP,E400AJPnarrow,E400Anarrow,M400A,M400AJP,M400AJPnarrow,M400Anarrow) (Prior to SN 0300063775)	1-A

SECTION 7 - ELECTRICAL

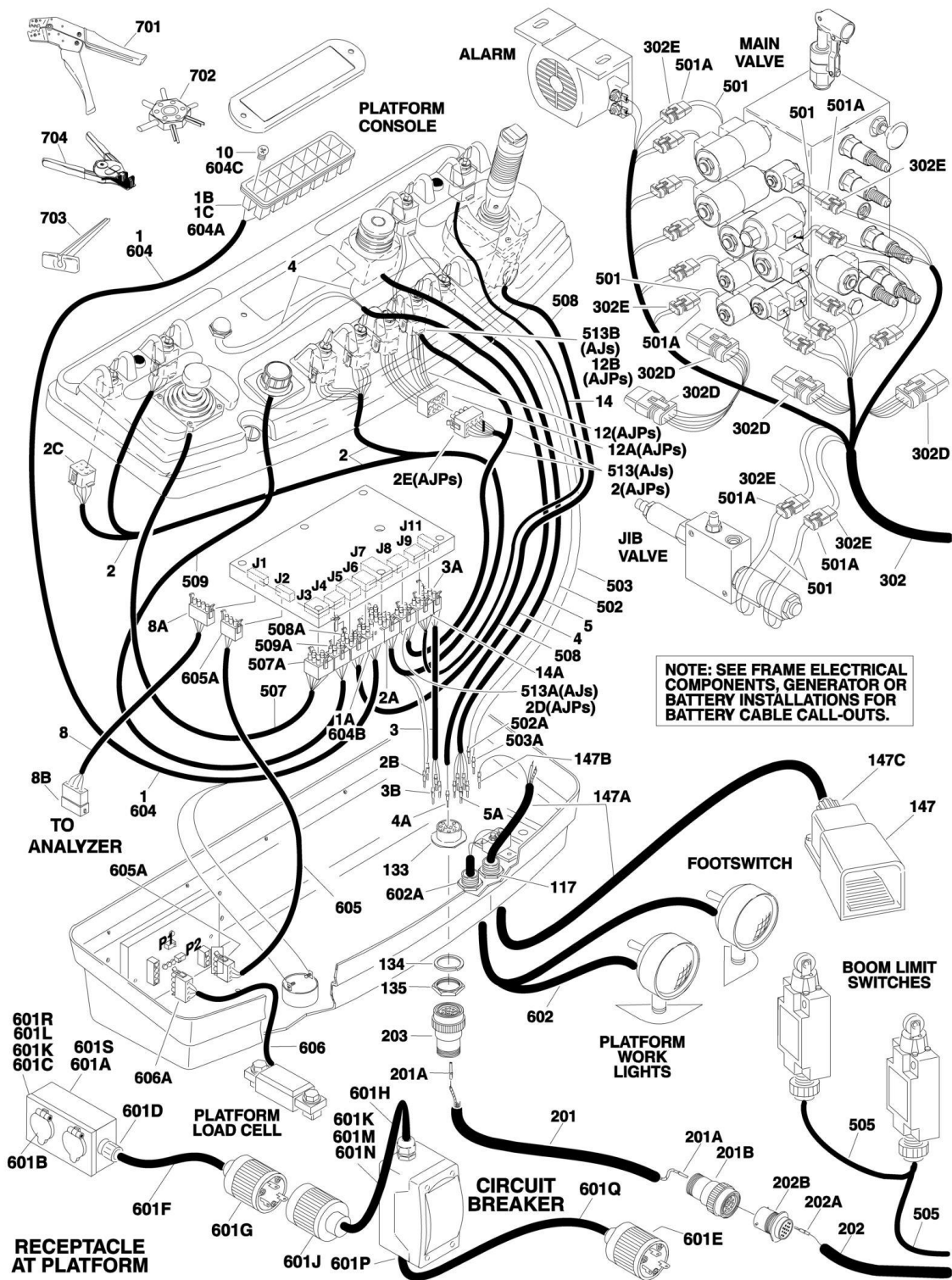
ITEM	PART NUMBER	QTY	DESCRIPTION	REV
601F	4922608	1	Harness (ANSI) (E400A,E400AJP,E400AJPnarrow,E400Anarrow,M400A,M400AJP,M400AJPnarrow,M400Anarrow) (SN 0300063775 through 0300189901)	4-A
601F	4921595	1	Harness (Export) (E450A,E450AJ,M450A,M450AJ) (Prior to SN 0300063775)	2-A
601F	4922610	1	Harness (ANSI Export) (E450A,E450AJ,M450A,M450AJ) (SN 0300063775 through 0300189901)	1-A
601F	4921571	1	Harness (ANSI Export) (E400A,E400AJP,E400AJPnarrow,E400Anarrow,M400A,M400AJP,M400AJPnarrow,M400Anarrow) (Prior to SN 0300062642)	2-A
601F	4922610	1	Harness (ANSI Export) (E400A,E400AJP,E400AJPnarrow,E400Anarrow,M400A,M400AJP,M400AJPnarrow,M400Anarrow) (SN 0300062642 through 0300189901)	1-A
601F		Ref	Electrical Cable Options:	
601F	1060494	AR	Electrical Cable (ANSI) (12/3) (E450A,E450AJ,M450A,M450AJ)	
601F	1060494	AR	Electrical Cable (ANSI) (12/3) (E400A,E400AJP,E400AJPnarrow,E400Anarrow,M400A,M400AJP,M400AJPnarrow,M400Anarrow)	
601F	1060461	AR	Electrical Cable (ANSI Export) (12/3) (E450A,E450AJ,M450A,M450AJ)	
601F	1060461	AR	Electrical Cable (ANSI Export) (12/3) (E400A,E400AJP,E400AJPnarrow,E400Anarrow,M400A,M400AJP,M400AJPnarrow,M400Anarrow)	
601G		Ref	Plug, Male Options:	
601G	4460205	1	ANSI Spec	
601G	4460709	1	ANSI Export Spec	
601H		Ref	Harness (Tower Boom) Options:	
601H	4921592	1	Harness (ANSI) (E450A,E450AJ,M450A,M450AJ) (Prior to SN 0300063775)	1-A
601H	4922607	1	Harness (ANSI) (E450A,E450AJ,M450A,M450AJ) (SN 0300063775 through 0300189901)	1-A
601H	4921568	1	Harness (ANSI) (E400A,E400AJP,E400AJPnarrow,E400Anarrow,M400A,M400AJP,M400AJPnarrow,M400Anarrow) (Prior to SN 0300063775)	1-A
601H	4922611	1	Harness (ANSI) (E400A,E400AJP,E400AJPnarrow,E400Anarrow,M400A,M400AJP,M400AJPnarrow,M400Anarrow) (SN 0300063775 through 0300189901)	1-A
601H	4921594	1	Harness (ANSI Export) (E450A,E450AJ,M450A,M450AJ) (Prior to SN 0300063775)	1-A
601H	4922609	1	Harness (ANSI Export) (E450A,E450AJ,M450A,M450AJ) (SN 0300063775 through 0300189901)	2-A
601H	4921570	1	Harness (ANSI Export) (E400A,E400AJP,E400AJPnarrow,E400Anarrow,M400A,M400AJP,M400AJPnarrow,M400Anarrow) (Prior to SN 0300062642)	2-A
601H	4922612	1	Harness (ANSI Export) (E400A,E400AJP,E400AJPnarrow,E400Anarrow,M400A,M400AJP,M400AJPnarrow,M400Anarrow) (SN 0300062642 through 0300189901)	1-A
601H		Ref	Electrical Cable Options:	
601H	1060494	AR	Electrical Cable (ANSI) (12/3) (E450A,E450AJ,M450A,M450AJ)	

SECTION 7 - ELECTRICAL

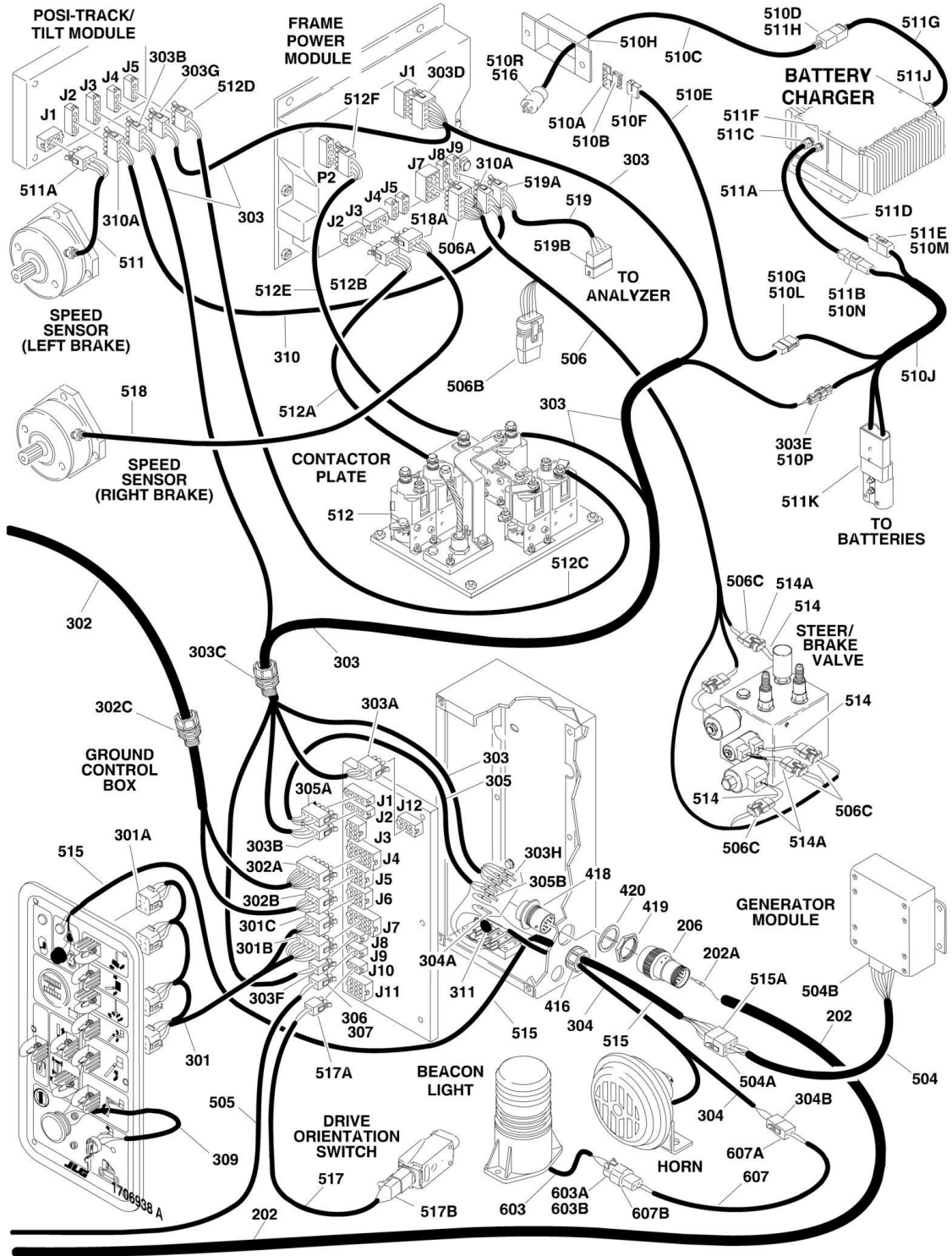
ITEM	PART NUMBER	QTY	DESCRIPTION	REV
601H	1060494	AR	Electrical Cable (ANSI) (12/3) (E400A,E400AJP,E400AJPnarrow,E400Anarrow,M400A, M400AJP,M400AJPnarrow,M400Anarrow)	
601H	1060461	AR	Electrical Cable (ANSI Export) (12/3) (E450A,E450AJ,M450A,M450AJ)	
601H	1060461	AR	Electrical Cable (ANSI Export) (12/3) (E400A,E400AJP,E400AJPnarrow,E400Anarrow,M400A, M400AJP,M400AJPnarrow,M400Anarrow)	
601J		Ref	Connector, Female	
601J	4460134	1	ANSI Spec	
601J	4460710	1	ANSI Export Spec	
601 Kto 601	Not Required	0	Not Required	
601Q	See Note	AR	Cable (Note: Part of Item 601H)	
601 Rto 601	Not Required	0	Not Required	
602	2920095	2	Platform Worklights Harness (Includes Light and Wire Only)	
602A	4460428	1	Connector, Strain Relief	
603	See Note	1	Strobe Light Harness (Note: Not Available - Purchase Complete Strobe Light)	
603A	4460320	1	Plug, Male, 2 Position	
603A	4460268	2	Socket, Female	
604 to 606	Not Required	0	Not Required	
		Ref	TOOLS	
701	7002821	1	Crimper (For Wire to Pin/Socket Connections)	
702	7002823	1	Extractor (For Removal of Pin/Socket from Connectors)	
703	4460467	1	Extractor, Pin (Blue 16-18 Gauge) (For Removal of Pin/Socket from Connectors)	
703	4460510	1	Extractor, Pin (Yellow 12-14 Gauge) (For Removal of Pin/Socket from Connectors)	
704	7002828	1	Stripper, Wire	
705	2901443	1	Analyzer, Machine (Not Shown)	

SECTION 7 - ELECTRICAL

FIGURE 7-3. HARNESS COMPONENTS INSTALLATION (WITH DELTA-Q CHARGER)



SECTION 7 - ELECTRICAL



SECTION 7 - ELECTRICAL

FIGURE 7-3. HARNESS COMPONENTS INSTALLATION (WITH DELTA-Q CHARGER)

ITEM	PART NUMBER	QTY	DESCRIPTION	REV
		Ref	PLATFORM BOX ELECTRICAL DIAGRAM	
	4933060	Ref	Standard Spec (E400A,E400Anarrow,E450A,E450AJ,M400A,M400Anarrow,M450A,M450AJ)	7-L
	4933181	Ref	U/L Rated Spec (E400A,E400Anarrow,E450A,E450AJ)	5-G
	4933105	Ref	Standard Spec (E400AJP,E400AJPnarrow,M400AJP,M400AJPnarrow)	5-G
	4933182	Ref	U/L Rated Spec (E400AJP,E400AJPnarrow)	5-G
1	1001109860	1	Harness, Indicator Lamp	B
1A	4460265	1	Connector - 9 Position	
1A	4460227	AR	Pin, Male	
1B	4120035	AR	Socket, Lamp	
1C	4460634	AR	Socket (Single Wire)	
1C	4460635	AR	Socket (Two Wire)	
2		Ref	Harness, Function Switch	
2	4922060	1	Harness, Function Switch (E400A,E400Anarrow,E450A,E450AJ,M400A,M400Anarrow,M450A,M450AJ)	2-C
2	4922303	1	Harness, Function Switch (E400AJP,E400AJPnarrow,M400AJP,M400AJPnarrow)	5-D
2A	4460434	1	Connector - 15 Position	
2A	4460226	12	Pin, Male	
2B	4460464	2	Pin, Male	
2C	4460418	4	Connector, Female	
2C	4460419	12	Terminal	
2D	4460225	1	Connector - 6 Position (E400AJP,E400AJPnarrow,M400AJP,M400AJPnarrow)	
2D	4460227	5	Socket, Female	
2E	4460343	1	Connector - 12 Position (E400AJP,E400AJPnarrow,M400AJP,M400AJPnarrow)	
2E	4460227	10	Socket, Female	
3	4922071	1	Harness, Can Bus	2-B
3A	4460321	1	Connector - 4 Position	
3A	4460227	2	Pin, Male	
3A	4460267	1	Pin, Male	
3B	4460464	3	Pin, Male	
4		Ref	Harness, Box Horn Options:	
4	4922118	1	Standard Spec	2-B
4	4922555	1	U/L Rated Spec	1-A
4A	4460464	1	Pin, Male	
5		Ref	Harness, Miscellaneous	
5	4922157	1	Standard Spec	4-D
5	4922556	1	U/L Rated Spec	B
5A	4460464	AR	Pin, Male	
8	4922160	1	Harness, Analyzer	3-C
8A	4460321	1	Connector - 4 Position	
8A	4460226	4	Socket, Female	
8B	4460761	1	Connector, Female - 4 Position	
8B	4460227	4	Pin, Male	
10	2920129	AR	Bulb, Light	
12	4922307	1	Jib Harness (E400AJP,E400AJPnarrow,M400AJP,M400AJPnarrow)	3-C

SECTION 7 - ELECTRICAL

ITEM	PART NUMBER	QTY	DESCRIPTION	REV
12A	4460367	1	Connector, Female - 12 Position	
12A	4460226	10	Socket, Female	
12B	4460260	6	Connector, Female	
12B	4460259	6	Terminal	
14	1001116368	1	Harness, Drive Orientation Override Switch	A
14A	4460225	1	Connector - 6 Position	
14A	4460227	2	Socket, Female	
		Ref	PLATFORM BOX ASSEMBLY COMPONENTS	
117	4460428	1	Connector, Strain Relief	
133	4460752	1	Connector, 14 Position	
134	4460497	1	Nut, Conduit	
135	4460496	1	Lockwasher, Conduit	
147	0272971	1	Footswitch Assembly	B
147A	1060330	7 ft/2.2m	Cable, Electrical - 16/3	
147B	4460464	AR	Pin, Male	
147C	4460071	2	Connector, Strain Relief	
		Ref	BOOM CABLES INSTALLATION	
	0257735	Ref	Boom Cables Installation (E450A,M450A)	8-G
	0259367	Ref	Boom Cables Installation (E450AJ,M450AJ)	4-D
	0270817	Ref	Boom Cables Installation (E400A,E400Anarrow,M400A,M400Anarrow)	4-B
	0259970	Ref	Boom Cables Installation (E400AJP,E400AJPnarrow,M400AJP,M400AJPnarrow)	5-C
201		Ref	Main Boom Harness Assembly Options:	
201	4922178	1	Main Boom Harness Assembly (E450A,M450A)	3
201	4922552	1	Main Boom Harness Assembly (E450AJ,M450AJ)	1
201	4922496	1	Main Boom Harness Assembly (E400A,E400Anarrow,M400A,M400Anarrow)	2
201	1060677	26.5 ft/8.1m	Cable, Electrical (E450A,M450A)	
201	1060677	28 ft/8.53m	Cable, Electrical (E450AJ,M450AJ)	
201	1060677	25.25 ft/7.7m	Cable, Electrical (E400A,E400Anarrow,M400A,M400Anarrow)	
201	4922496	1	Cable, Electrical (E400AJP,E400AJPnarrow,M400AJP,M400AJPnarrow)	2
201	1060677	25.25 ft/7.7m	Cable, Electrical (E400AJP,E400AJPnarrow,M400AJP,M400AJPnarrow)	
201A	4460465	28	Socket, Female	
201B	4460754	1	Connector - 14 Position	
202		Ref	Tower Boom Harness Assembly Options:	
202	4922179	1	Tower Boom Harness Assembly (E450A,E450AJ,M450A,M450AJ)	3
202	4922363	1	Tower Boom Harness Assembly (E400AJP,E400AJPnarrow,M400AJP,M400AJPnarrow)	3
202	4922363	1	Tower Boom Harness Assembly (E400A,E400Anarrow,M400A,M400Anarrow)	3
202	1060677	Ref	Cable, Electrical Options: - 10/4-18/16	
202	1060677	35.5 ft/11m	Cable, Electrical (E450A,E450AJ,M450A,M450AJ)	
202	1060677	32 ft/9.8m	Cable, Electrical (E400A,E400AJP,E400AJPnarrow,E400Anarrow,M400A,M400AJP,M400AJPnarrow,M400Anarrow)	
202A	4460464	28	Pin, Male	

SECTION 7 - ELECTRICAL

ITEM	PART NUMBER	QTY	DESCRIPTION	REV
202B	4460752	1	Connector - 14 Position	
203	4460754	1	Connector - 14 Position	
206	4460753	1	Connector - 14 Position	
		Ref	GROUND CONTROL BOX DIAGRAM	
	4933388	Ref	Ground Control Box	2-C
301		Ref	Function Switch Harness Assembly Options:	
301	4923625	1	Function Switch Harness Assembly	1-C
301A	4460418	AR	Connector - 6 Position	
301A	4460419	AR	Terminal, Female	
301B	4460434	1	Connector - 15 Position	
301B	4460226	15	Socket, Female	
301C	4460265	1	Connector- 9 Position	
301C	4460227	3	Pin, Male	
302		Ref	Harness Assembly - Valve	
302	4922367	1	Harness Assembly	2-C
302A	4460434	1	Connector - 15 Position	
302A	4460227	14	Pin, Male	
302B	4460265	1	Connector - 9 Position	
302B	4460226	4	Socket, Female	
302C	4460425	1	Connector, Strain Relief	
302D	4460836	2	Connector, 12 Position	
302D	4460837	2	Housing, Terminal - 12 Position	
302D	4460465	22	Pin, Terminal	
302E	4460742	17	Connector - 2 Position	
302E	4460743	34	Terminal, Female	
302E	4460458	34	Seal	
303	4922104	1	Harness Assembly - Turntable/Frame (Includes Item 304 Also)	7-G
303A	4460225	1	Connector - 6 Position	
303A	4460268	6	Socket, Female	
303B	4460321	2	Connector - 4 Position	
303B	4460227	2	Pin, Male	
303B	4460267	8	Pin, Male	
303C	4460425	1	Connector, Strain Relief	
303D	4460343	1	Connector, 12 Position	
303D	4460268	12	Socket, Female	
303E	4460320	1	Connector, 2 Position	
303E	4460268	2	Socket, Female	
303F	4460320	1	Connector, 2 Position	
303F	4460267	2	Pin, Male	
303G	4460326	1	Connector, 3 Position	
303G	4460267	3	Pin, Male	
303H	4460465	6	Socket, Female	
304	4922073	1	Harness Assembly - Horn/Beacon	5-E
304	3990001	1	Diode (Not Shown)	
304A	4460465	1	Socket, Female	
304B	4460424	1	Connector, 2 Position	
304B	4460268	2	Socket, Female	
305	4922117	1	Harness Assembly - Ground Control Can	3-B
305A	4460321	1	Connector - 4 Position	
305A	4460227	2	Pin, Male	
305A	4460267	1	Pin, Male	

SECTION 7 - ELECTRICAL

ITEM	PART NUMBER	QTY	DESCRIPTION	REV
305B	4460465	1	Socket, Female	
306	4460320	1	Connector, 2 Position	
307	4460268	2	Socket, Female	
309	4922267	1	Harness Assembly - Power Supply	3-C
310	4922263	1	Harness Assembly - Posi-Track Module Can	2-A
310A	4460321	2	Connector - 4 Position	
310A	4460227	4	Pin, Male	
310A	4460267	2	Pin, Male	
311	3990106	1	Limiter, Inrush	
		Ref	GROUND CONTROL BOX ASSY COMPONENTS	
416	4460425	1	Connector, Strain Relief	
418	4460495	1	Connector, Male - 14 Position	
419	4460497	1	Nut, Conduit	
420	4460496	1	Lockwasher	
		Ref	STANDARD HARNESS COMPONENTS	
501	See Note	17	Solenoid Harness (Note: Not Available - Purchase Complete Solenoid)	
501A	4460867	17	Connector, Female - 2 Position	
501A	4460979	34	Terminal, Male	
501A	4460458	34	Seal	
502	4922222	1	Generator Enable Harness (Yellow/Red) (M400A,M400AJP,M400AJPnarrow,M400Anarrow,M450A,M450AJ)	2-B
502A	4460464	1	Pin, Male (M400A,M400AJPnarrow,M400Anarrow,M450A,M450AJ)	
503	4922223	1	Generator Enable Harness (White/Yellow) (M400A,M400AJP,M400AJPnarrow,M400Anarrow,M450A,M450AJ)	1-A
503A	4460464	1	Pin, Male (M400A,M400AJPnarrow,M400Anarrow,M450A,M450AJ)	
504	70000328	1	Generator Harness Options: (M400A,M400AJP,M400AJPnarrow,M400Anarrow,M450A,M450AJ)	
504A	4460224	1	Connector, Female - 6 Position (M400A,M400AJP,M400AJPnarrow,M400Anarrow,M450A,M450AJ)	
504A	4460809	1	Plug, Seal (M400A,M400AJP,M400AJPnarrow,M400Anarrow,M450A,M450AJ)	
504A	4460268	5	Socket, Female (M400A,M400AJP,M400AJPnarrow,M400Anarrow,M450A,M450AJ)	
504B	7023337	1	Receptacle - 35 Position (M400A,M400AJP,M400AJPnarrow,M400Anarrow,M450A,M450AJ)	
504B	7023338	35	Pin, Male (M400A,M400AJP,M400AJPnarrow,M400Anarrow,M450A,M450AJ)	
505		Ref	Boom Limit Switches Harness	
505	4922614	1	Cable, Electrical (Lower) (Includes Limit Switch)	
505	4922613	1	Cable, Electrical (Upper) (Includes Limit Switch)	
506	4922328	1	Harness Assembly - Valve	
506A	4460434	1	Connector - 15 Position	
506A	4460226	7	Socket, Female	
506B	4460749	1	Cap, Shell	

SECTION 7 - ELECTRICAL

ITEM	PART NUMBER	QTY	DESCRIPTION	REV
506B	4460750	1	Bar, Buss - 6 Position	
506B	4460744	1	Connector, 6 Position	
506B	4460745	1	Lock, Secondary	
506B	4460746	5	Socket, Female	
506B	4460458	6	Seal	
506B	4460748	1	Plug, Cavity	
506B	4460751	1	Clip, Mounting	
506C	4460742	5	Connector - 2 Position	
506C	4460743	10	Terminal, Female	
506C	4460458	10	Seal	
507	See Note	1	Controller Harness Assembly (Lift and Swing) (Note: Not Available - Purchase Complete Controller)	
507A	4460265	1	Connector - 9 Position	
507A	4460226	8	Socket, Female	
508	See Note	1	Controller Harness/Circuit Board Assembly (Drive and Steer) (Note: Not Available - Purchase Complete Controller)	
508A	4460265	1	Connector - 9 Position	
508A	4460226	7	Socket, Female	
509	See Note	1	Controller Harness Assembly (Speed) (Note: Not Available - Purchase Complete Controller)	
509A	4460225	1	Connector - 6 Position	
509A	4460226	4	Socket, Female	
510		Ref	Battery Charger Installation Components	
510	1001123054	Ref	ANSI, ANSI Export and CSA Specs	B
510	1001107780	Ref	ANSI Export Specs	B
510A	0610131	1	LED Assembly (Not Supplied with Charger)	
510B	4460321	1	Connector - 4 Position	
510B	4460227	4	Male Pin	
510C	1060689	1	AC Cord	
510D	1060689	1	End, Plug (Note: Not available for purchase)	
510E	1060778	1	LED Remote Harness	
510F	4460321	1	Connector - 4 Position	
510F	4460226	4	Socket, Female	
510G	4460761	1	Connector, Female - 4 Position	
510G	4460226	4	Socket, Female	
510H	4460428	1	Connector, Strain Relief	
510J	1001113045	1	Harness, Connecting (MAC to Delta-Q)	B
510K	4460444	1	Connector, Anderson	
510L	4460761	1	Connector - 4 Position	
510L	4460227	4	Pin, Male	
510M	4460931	1	Connector - 8 Position	
510M	4460464	6	Pin, Male	
510M	4460466	2	Plug, Seal	
510N	1001096188	1	Connector - 4 Position	
510N	4460509	2	Socket, Female	
510N	4460466	2	Plug, Seal	
510P	4460424	1	Connector - 2 Position	
510P	4460227	2	Pin, Male	
510R		Ref	Plug, AC Options:	
510R	4460138	1	ANSI, ANSI Export and CSA Specs	
510R	See Note	1	ANSI Export Specs (Note: Not Available - Purchase Locally)	
511		Ref	Battery Charger Components	

SECTION 7 - ELECTRICAL

ITEM	PART NUMBER	QTY	DESCRIPTION	REV
511A	See Note	1	Harness, Battery Charger Power (Note: Not Available - Purchase Complete Charger)	
511B	1001116811	1	Connector - 4 Position	
511B	4460508	4	Pin, Male	
511C	See Note	1	Connector, Strain Relief (Note: Not Available - Purchase Locally)	
511D	See Note	1	Harness, Battery Charger Signal (Note: Not available for purchase)	
511E	4460930	1	Connector - 8 Position	
511E	4460464	7	Socket, Female	
511F	See Note	1	Connector, Strain Relief (Note: Not available for purchase)	
511G	See Note	1	Harness, Battery Charger AC Plug (Note: Not available for purchase)	
511H	See Note	1	Connector, Plug (Note: Not available for purchase)	
511J	See Note	1	Connector, Strain Relief (Note: Not available for purchase)	
512		Ref	Contactor Plate Assembly Options:	
512	1600294	1	Standard Spec	
512	1600300	1	UL/EE Spec	
512A		Ref	Contactor Harness Options:	
512A	7022003	1	Standard Spec	
	7022008		UL/EE Spec	
512B	4460225	1	Connector - 6 Position	
512B	4460226	6	Socket, Female	
512C		Ref	Posi-Track Harness	
512C	7022004	1	Standard Spec	
	Not Required	0	UL/EE Spec	
512D	4460326	1	Connector - 3 Position	
512D	4460227	3	Pin, Male	
512E	7022005	1	Shunt Harness	
512F	4460321	1	Connector - 4 Position	
512F	4460227	4	Pin, Male	
513	4922294	1	Jib Harness (E450AJ,M450AJ)	1-B
513A	4460225	1	Connector - 6 Position (E450AJ,M450AJ)	
513A	4460227	3	Pin, Male (E450AJ,M450AJ)	
513B	4460418	1	Connector, Female (E450AJ,M450AJ)	
513B	4460419	3	Terminal (E450AJ,M450AJ)	
514	See Note	5	Solenoid Harnesses - Steer/Brake Valve (Note: Not Available - Purchase Complete Solenoid)	
514A	4460867	5	Connector, Female - 2 Position	
514A	4460979	10	Terminal, Male	
514A	4460458	10	Seal	
515	4922319	1	Harness, Generator to Ground Control Box	1-A
515A	4460225	1	Connector - 6 Position	
515A	4460807	1	Seal, Terminal	
515A	4460808	1	Seal, Terminal	
515A	4460809	1	Pin, Terminal	
515A	4460267	5	Pin, Terminal	
516	Not Required	0	Not Required	
517	1001116522	1	Harness, Drive Orientation Limit Switch	B
517A	4460320	1	Connector - 2 Position	
517A	4460227	2	Pin, Male	
517B	4460884	1	Connector - 4 Position	
517B	4460465	2	Socket, Female	

SECTION 7 - ELECTRICAL

ITEM	PART NUMBER	QTY	DESCRIPTION	REV
517B	4460466	2	Seal	
518	3990105	2	Speed Sensor Harness (P/N 3990105 Includes Sensor)	
518A	4460225	1	Connector - 6 Position	
518A	4460226	4	Socket, Female	
519	4922160	1	Harness, Analyzer	3-C
519A	4460321	1	Connector - 4 Position	
519A	4460226	4	Socket, Female	
519B	4460761	1	Connector, Female - 4 Position	
519B	4460227	4	Pin, Male	
		Ref	OPTIONAL HARNESS COMPONENTS	
601		Ref	AC to Platform Receptacle Components Options:	
601	0259123	Ref	110V Receptacle (ANSI) (E450A,E450AJ,M450A,M450AJ)	5
601	0270013	Ref	110V Receptacle (ANSI and ANSI Export) (E400A,E400AJP,E400AJPnarrow,E400Anarrow,M400A,M400AJP,M400AJPnarrow,M400Anarrow)	5
601	0259125	Ref	220V Receptacle (ANSI) (E450A,E450AJ,M450A,M450AJ)	4
601	0270012	Ref	220V Receptacle (ANSI) (E400A,E400AJP,E400AJPnarrow,E400Anarrow,M400A,M400AJP,M400AJPnarrow,M400Anarrow)	4
601	0271464	Ref	220V Receptacle (ANSI and ANSI Export) (E450A,E450AJ,M450A,M450AJ)	2
601	0259127	Ref	220V Receptacle (ANSI Export) (E400A,E400AJP,E400AJPnarrow,E400Anarrow,M400A,M400AJP,M400AJPnarrow,M400Anarrow)	2
601A	0860038	1	Box, Switch	
601B		Ref	Receptacle Options:	
601B	4460346	1	110V GFI (ANSI)	
601B	4460125	1	220V GFI (ANSI)	
601B	See Note	1	220V GFI (ANSI Export) (Note: Not Available - Purchase Locally)	
601C		Ref	Shield, Cover Options:	
601C	4060700	1	110V GFI (ANSI) (Side Hinged Cover)	
601C	1001110873	1	110V GFI (ANSI) (Top Hinged Cover)	
601C	4060092	1	220V GFI (ANSI)	
601C	See Note	1	220V GFI (ANSI Export) (Note: Not Available - Purchase Locally)	
601D		Ref	Connector, Strain Relief Options:	
601D	4460071	1	110V GFI (ANSI)	
601D	4460071	1	220V GFI (ANSI)	
601D	See Note	1	220V GFI (ANSI Export) (Note: Not Available - Purchase Locally)	
601E		Ref	Plug, Male Options:	
601E	4460205	1	110V GFI (ANSI)	
601E	4460233	1	220V GFI (ANSI)	
601E	See Note	1	220V GFI (ANSI Export) (Note: Not Available - Purchase Locally)	
601F		Ref	Harness (Main Boom) Options:	
601F	4922608	1	Harness (ANSI) (E450A,E450AJ,M450A,M450AJ)	1-A
601F	4922608	1	Harness (ANSI) (E400A,E400AJP,E400AJPnarrow,E400Anarrow,M400A,M400AJP,M400AJPnarrow,M400Anarrow)	4-A
601F	4922610	1	Harness (ANSI Export) (E450A,E450AJ,M450A,M450AJ)	1-A
601F	4922610	1	Harness (ANSI Export) (E400A,E400AJP,E400AJPnarrow,E400Anarrow,M400A,M400AJP,M400AJPnarrow,M400Anarrow)	1-A

SECTION 7 - ELECTRICAL

ITEM	PART NUMBER	QTY	DESCRIPTION	REV
601F		Ref	Electrical Cable Options:	
601F	1060494	AR	Electrical Cable (ANSI) (12/3) (E450A,E450AJ,M450A,M450AJ)	
601F	1060494	AR	Electrical Cable (ANSI) (12/3) (E400A,E400AJP,E400AJPnarrow,E400Anarrow,M400A, M400AJP,M400AJPnarrow,M400Anarrow)	
601F	1060461	AR	Electrical Cable (ANSI Export) (12/3) (E450A,E450AJ,M450A,M450AJ)	
601F	1060461	AR	Electrical Cable (ANSI Export) (12/3) (E400A,E400AJP,E400AJPnarrow,E400Anarrow,M400A, M400AJP,M400AJPnarrow,M400Anarrow)	
601G		Ref	Plug, Male Options:	
601G	4460205	1	ANSI Spec	
601G	4460709	1	ANSI Export Spec	
601H		Ref	Harness (Tower Boom) Options:	
601H	4921592	1	Harness (ANSI) (E450A,E450AJ,M450A,M450AJ) (Prior to SN 0300063775)	1-A
601H	4922607	1	Harness (ANSI) (E450A,E450AJ,M450A,M450AJ) (SN 0300063775 through 0300189901)	1-A
601H	4921568	1	Harness (ANSI) (E400A,E400AJP,E400AJPnarrow,E400Anarrow,M400A,M400AJP, M400AJPnarrow,M400Anarrow) (Prior to SN 0300063775)	1-A
601H	4922611	1	Harness (ANSI) (E400A,E400AJP,E400AJPnarrow,E400Anarrow,M400A,M400AJP, M400AJPnarrow,M400Anarrow) (SN 0300063775 through 0300189901)	1-A
601H	4921594	1	Harness (ANSI Export) (E450A,E450AJ,M450A,M450AJ) (Prior to SN 0300063775)	2-A
601H	4922609	1	Harness (ANSI Export) (E450A,E450AJ,M450A,M450AJ) (SN 0300063775 through 0300189901)	2-A
601H	4921570	1	Harness (ANSI Export) (E400A,E400AJP,E400AJPnarrow,E400Anarrow,M400A,M400AJP, M400AJPnarrow,M400Anarrow) (Prior to SN 0300062642)	2-A
601H	4922612	1	Harness (ANSI Export) (E400A,E400AJP,E400AJPnarrow,E400Anarrow,M400A,M400AJP, M400AJPnarrow,M400Anarrow) (SN 0300062642 through 0300189901)	1-A
601H		Ref	Electrical Cable Options:	
601H	1060494	AR	Electrical Cable (ANSI) (12/3) (E450A,E450AJ,M450A,M450AJ)	
601H	1060494	AR	Electrical Cable (ANSI) (12/3) (E400A,E400AJP,E400AJPnarrow,E400Anarrow,M400A, M400AJP,M400AJPnarrow,M400Anarrow)	
601H	1060461	AR	Electrical Cable (ANSI Export) (12/3) (E450A,E450AJ,M450A,M450AJ)	
601H	1060461	AR	Electrical Cable (ANSI Export) (12/3) (E400A,E400AJP,E400AJPnarrow,E400Anarrow,M400A, M400AJP,M400AJPnarrow,M400Anarrow)	
601J		Ref	Connector, Female	
601J	4460134	1	ANSI Spec	
601J	4460710	1	ANSI Export Spec	
601 Kto 601	Not Required	0	Not Required	
601Q	See Note	AR	Cable (Note: Part of Item 601H)	
601 Rto 601	Not Required	0	Not Required	
602	2920095	2	Platform Worklights Harness (Includes Light and Wire Only)	

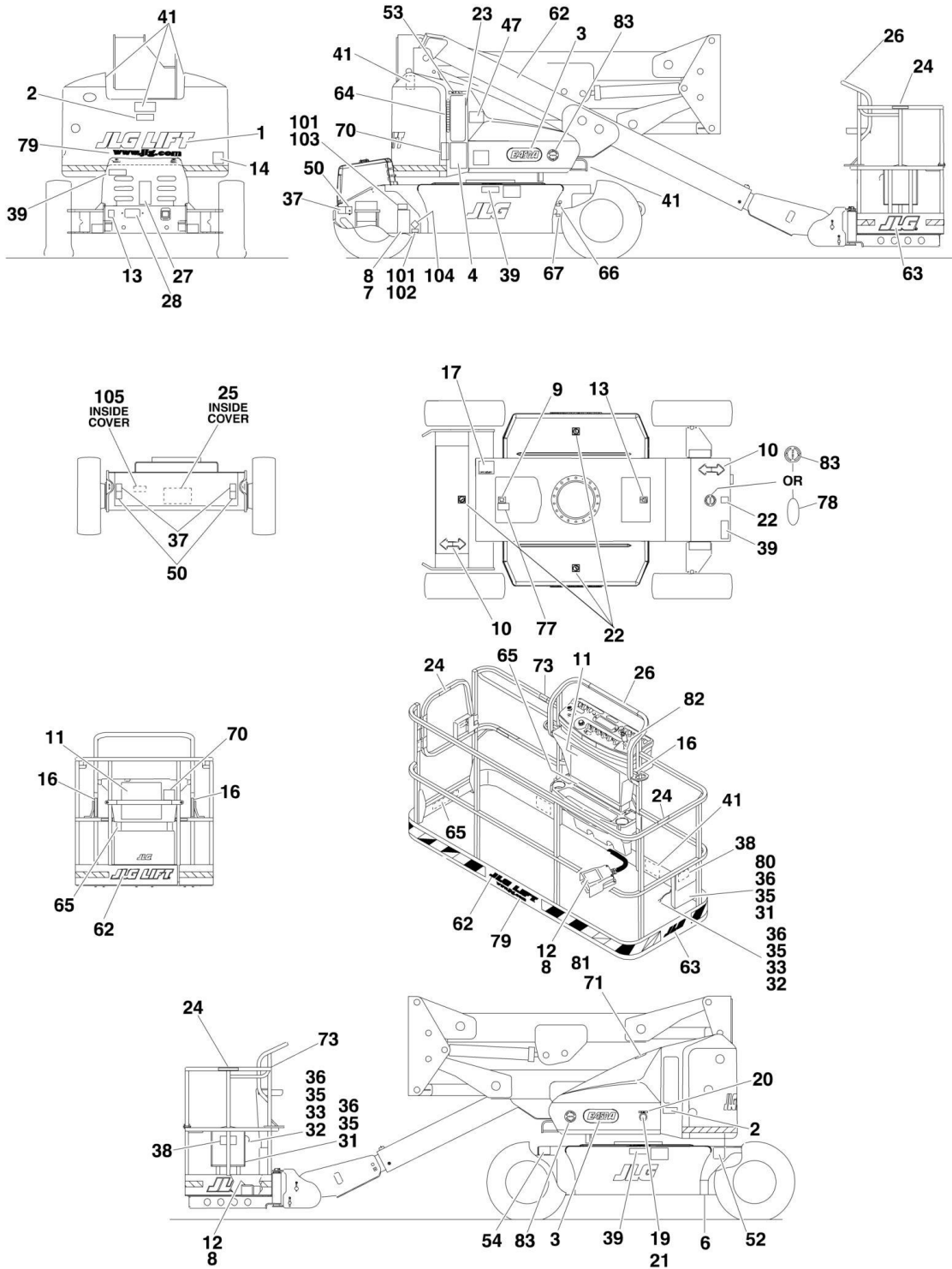
SECTION 7 - ELECTRICAL

ITEM	PART NUMBER	QTY	DESCRIPTION	REV
602A	4460428	1	Connector, Strain Relief	
603	See Note	1	Strobe Light Harness (Note: Not Available - Purchase Complete Strobe Light)	
603A	4460320	1	Plug, Male - 2 Position (Prior to SN 0300169430)	
603A	4460268	2	Socket, Female	
603B	4460891	1	Plug, Male - 2 Position (SN 0300169430 through 0300189901)	
603B	4460465	2	Socket, Female	
604 to 606	Not Required	0	Not Required	
607	1001149818	1	Strobe Light Harness (SN 0300169430 through 0300189901)	A
607A	4460320	1	Connector, Female - 2 Position	
607A	4460267	2	Pin, Male	
607B	4460897	1	Connector, Female - 2 Position	
607B	4460464	2	Pin, Male	
		Ref	TOOLS	
701	7002821	1	Crimper (For Wire to Pin/Socket Connections)	
702	7002823	1	Extractor (For Removal of Pin/Socket from Connectors)	
703	4460467	1	Extractor, Pin (Blue 16-18 Gauge) (For Removal of Pin/Socket from Connectors)	
703	4460510	1	Extractor, Pin (Yellow 12-14 Gauge) (For Removal of Pin/Socket from Connectors)	
704	7002828	1	Stripper, Wire	
705	2901443	1	Analyzer, Machine (Not Shown)	

SECTION 8 - DECALS

SECTION 8 - DECALS

FIGURE 8-1. DECAL INSTALLATION - ANSI SPEC



SECTION 8 - DECALS

FIGURE 8-1. DECAL INSTALLATION - ANSI SPEC

ITEM	PART NUMBER	QTY	DESCRIPTION	REV
		Ref	STANDARD DECAL INSTALLATIONS	
	0259301	Ref	Standard Decal Installations (E400A,E400AJP,E400AJPnarrow,E400Anarrow,E450A,E450AJ)	B
	0258973	Ref	Standard Decal Installations (M400A,M400AJP,M400AJPnarrow,M400Anarrow,M450A,M450AJ)	B
	0270273	Ref	Standard Decal Installations (Lift Decals) (E400A,E400Anarrow,E450A,E450AJ,M400A,M400Anarrow,M450A,M450AJ)	3
	0270274	Ref	Standard Decal Installations (Lift Decals) (E400AJP,E400AJPnarrow,M400AJP,M400AJPnarrow)	3
1	1702860	AR	Decal - JLG Lift	
2	1703805	2	Decal - Electrocution	
3		Ref	Decal - Model Designation Options:	
3	1704787	2	Decal - Model Designation (E450A)	
3	1704789	2	Decal - Model Designation (E450AJ)	
3	1704788	2	Decal - Model Designation (M450A)	
3	1704790	2	Decal - Model Designation (M450AJ)	
3	1704958	2	Decal - Model Designation (E400A)	
3	1704900	2	Decal - Model Designation (E400Anarrow)	
3	1704959	2	Decal - Model Designation (M400A)	
3	1704901	2	Decal - Model Designation (M400Anarrow)	
3	1704791	2	Decal - Model Designation (E400AJP)	
3	1704792	2	Decal - Model Designation (E400AJPnarrow)	
3	1704793	2	Decal - Model Designation (M400AJP)	
3	1704794	2	Decal - Model Designation (M400AJPnarrow)	
4	1703798	1	Decal - Crushing	
6		Ref	Decal - Patent Options:	
6	1700584	1	Decal - Patent (Prior to SN 0300161264)	
6	1001131269	1	Decal - Patent (SN 0300161264 through 0300189901)	
7	See Note	1	Nameplate - Serial Number (Note: Not Available for Purchase)	
8	3820001	AR	Rivet	
9	1701504	1	Decal - Hydraulic Oil	
10	1701642	2	Decal - Arrow	
11	1703797	1	Decal - Caution/Danger	
12	3252347	1	Nameplate - Footswitch	
13	1701644	2	Decal - Charger	
14	3251813	1	Decal - USA	
16	1704277	AR	Decal - Attach Lanyard	
17	1702153	1	Decal - Inspection Only (Prior to SN 0300138403)	
19	0961127	1	Bushing, Snap	
20		Ref	Nameplate Options:	
20	3251243	1	120V/60HZ	
20	3252507	1	220V/50-60HZ	
21	0100010	AR	Adhesive	
22	1701691	4	Decal - No Step	
23		Ref	Decal - Manual Descent Options:	
		Ref	Note: Refer to p/n stamped on hose side of valve.	
23	1704262	1	4641170 Valve	
23	1705085	1	4641195 Valve	

SECTION 8 - DECALS

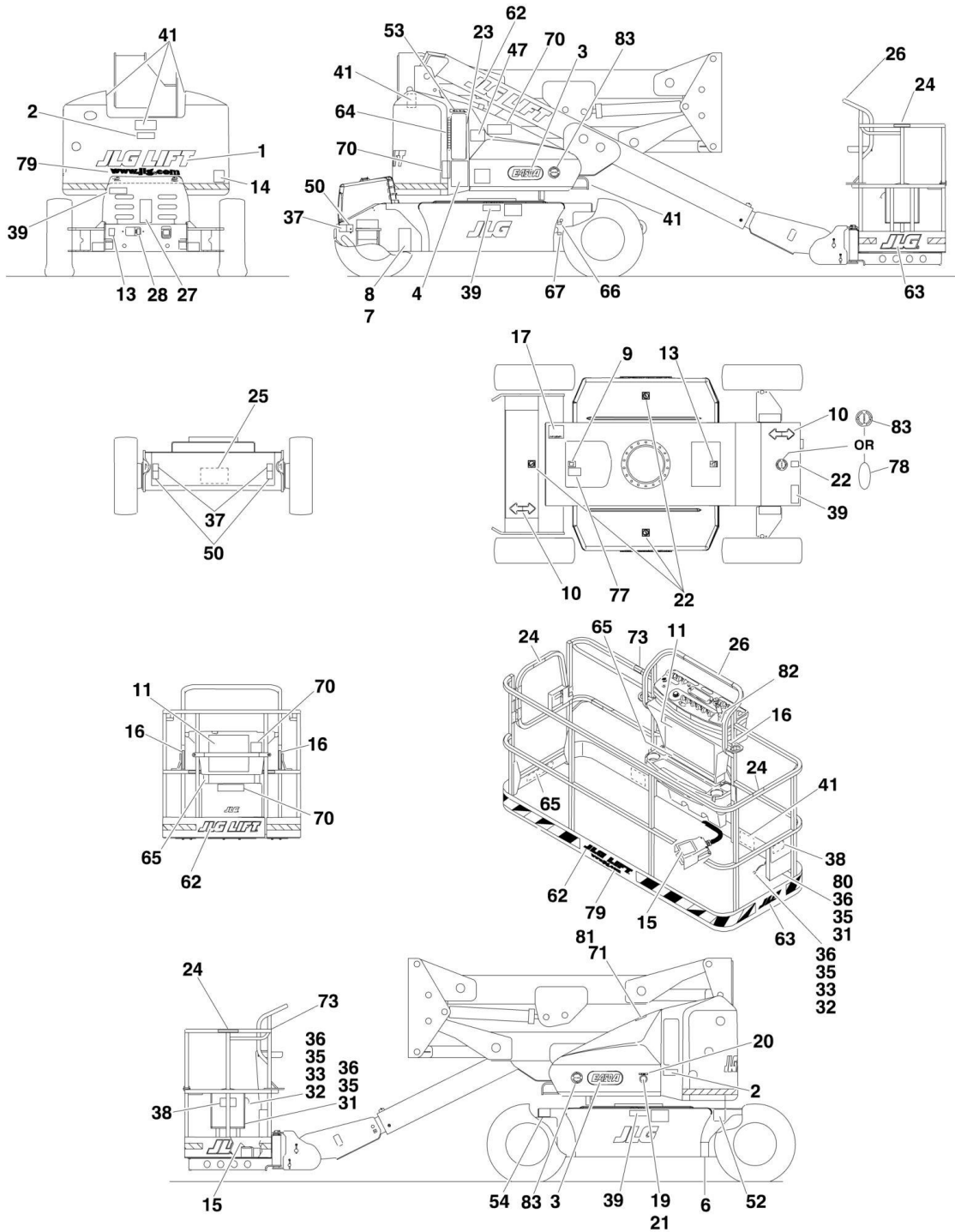
ITEM	PART NUMBER	QTY	DESCRIPTION	REV
23	1001104864	1	1001097507 Valve	
24	1702868	2	Decal - No Hands	
25	1704254	1	Decal - Cable Routing	
26	1704253	1	Decal - Key Platform	
27	1704446	1	Decal - Charger	
28	1704431	1	Decal - Battery Charger LED Indicator	1
31	0860520	1	Box, Manual Storage	
32	1060279	1	Lanyard (Prior to SN 0300143940)	
33	0641408	1	Bolt 1/4in-20NC x 1in (Prior to SN 0300143940)	
35	4711400	AR	Flatwasher	
36	3311405	AR	Locknut 1/4in-20NC	
37	1701500	4	Decal - Lift	
38	1701509	1	Decal - Manual	
39	1703813	1	Decal - Danger	
41	1703804	6	Decal - Crushing Hazard	
47	1702265	1	Decal	
50	1702300	4	Decal - Tie Down	
52	See Note	1	Decal - Bar Code (Note: Not available for purchase)	
53		Ref	Decal - 500 LBS. Max Capacity Options:	
53	1702688	1	Decal - 500 LBS. Max Capacity (Prior to SN 0300100540)	
53	1707013	1	Decal - 500 LBS. Max Capacity (SN 0300100540 through 0300142588)	
53	1001121814	1	Decal - 500 LBS. Max Capacity (SN 0300142589 through 0300189901)	
54		Ref	Decal - Tire Load Options:	
54	1703488	4	Decal - Tire Load (E450A,M450A)	
54	1704445	4	Decal - Tire Load (E450AJ,M450AJ)	
54	1703247	4	Decal - Tire Load (E400A,M400A)	
54	1703488	4	Decal - Tire Load (E400Anarrow,M400Anarrow)	
54	1704727	4	Decal - Tire Load (E400AJP,M400AJP)	
54	1704752	4	Decal - Tire Load (E400AJPnarrow,M400AJPnarrow)	
62	1702774	AR	Decal - JLG Lift	
62		Ref	Front Entry Platform	
62		Ref	Side Entry Platform	
63		Ref	Decal Options:	
63	1702773	2	JLG (with Front Entry Platform)	
63	1702773	1	JLG (with Side Entry Platform)	
63	1704200	2	Jib Plus (with Front Entry Platform)	
63	1704200	1	Jib Plus (with Side Entry Platform)	
64		Ref	Decal - Key, Main Terminal Box Options:	
64	1704252	1	Decal - Key, Main Terminal Box (Prior to SN 0300100540)	
64	1706950	1	Decal - Key, Main Terminal Box (SN 030010540 through 0300189901)	
65		Ref	Decal - 500 LBS. Max Capacity Options:	
65	1701645	2	Decal - 500 LBS. Max Capacity (Prior to SN 0300142589)	
65	1001121801	2	Decal - 500 LBS. Max Capacity (SN 0300142589 through 0300189901)	
66	1701502	1	Decal - Hydraulic Oil Level High	
67	1701503	1	Decal - Hydraulic Oil Level Low	
70	1704286	2	Decal - Generator Danger (M400A,M400AJP,M400AJPnarrow,M400Anarrow,M450A,M450AJ)	

SECTION 8 - DECALS

ITEM	PART NUMBER	QTY	DESCRIPTION	REV
71	1701505	1	Decal - Fuel (M400A,M400AJP,M400AJPnarrow,M400Anarrow,M450A,M450AJ)	
73	1702962	1	Decal - Fuel Warning (M400A,M400AJP,M400AJPnarrow,M400Anarrow,M450A,M450AJ)	
77	1704412	1	Decal - Oil Type	
78	1704830	1	Decal - QuikCharge GenSet (Prior to SN 0300143328)	
79	1704885	2	Decal - Website	
80	0641406	4	Bolt 1/4in-20NC x 3/4in	
81	1001108923	1	Decal - EPA/CARB Fuel Specification	
82	1705351	1	Decal - Drive/Steer Instruction (SN 0300141884 through 0300189901)	
83	1001121510	3	Decal - Hybrid (SN 0300143328 through 0300189901)	
	0270433	Ref	UL/EE RATED MACHINES DECALS INSTALLATIONS	3
101	3820001	8	Rivet	
102	3252331	1	Nameplate - Battery Information	
103		Ref	Nameplate Options: - UL Certificate	
103	3251921	1	Nameplate (Prior to SN 0300062857)	
103	3252780	1	Nameplate (SN 0300062857 through 0300189901)	
104	1702251	2	Nameplate - EE	
105	1704720	1	Decal - Replacement Fure	

SECTION 8 - DECALS

FIGURE 8-2. DECAL INSTALLATION - COUNTRY SPECS



SECTION 8 - DECALS

FIGURE 8-2. DECAL INSTALLATION - COUNTRY SPECS

ITEM	PART NUMBER	QTY	DESCRIPTION	REV
		Ref	COUNTRY SPEC DECAL INSTALLATIONS	
	0270273	Ref	Country Spec Decal Installations (Model Lift Decals) (E400A,E400Anarrow,E450A,E450AJ,M400A,M400Anarrow,M450A,M450AJ)	3
	0270274	Ref	Country Spec Decal Installations (Model Lift Decals) (E400AJP,E400AJPnarrow,M400AJP,M400AJPnarrow)	3
		Ref	Country Spec Decal Installations (E400A,E400AJP,E400AJPnarrow,E400Anarrow,E450A,E450AJ)	
	0259495	Ref	Canadian French/English Dual Language	17
	0259540	Ref	Chinese/English Dual Language	14
	0259536	Ref	Japanese Language	B
	0259538	Ref	Korean Language	14
	0259497	Ref	Spanish/English Dual Language	17
	0259499	Ref	Spanish/Portuguese Dual Language	16
		Ref	Country Spec Decal Installations (M400A,M400AJP,M400AJPnarrow,M400Anarrow,M450A,M450AJ)	
	0259494	Ref	Canadian French/English Dual Language	21
	0259539	Ref	Chinese/English Dual Language	17
	0259535	Ref	Japanese Language	17
	0259537	Ref	Korean Language	B
	0259496	Ref	Spanish/English Dual Language	21
	0259498	Ref	Spanish/Portuguese Dual Language	19
1	1702860	AR	Decal - JLG Lift	
2		Ref	Decal - Electrocuttion Options:	
2	1703936	2	Canadian French/English Dual Language	
2	1703937	2	Chinese/English Dual Language	
2	1703938	2	Japanese Language	
2	1703939	2	Korean Language	
2	1703935	2	Spanish/English Dual Language	
2	1703940	2	Spanish/Portuguese Dual Language	
3		Ref	Decal - Model Designation Options:	
3	1704787	2	Decal - Model Designation (E450A)	
3	1704789	2	Decal - Model Designation (E450AJ)	
3	1704788	2	Decal - Model Designation (M450A)	
3	1704790	2	Decal - Model Designation (M450AJ)	
3	1704958	2	Decal - Model Designation (E400A)	
3	1704900	2	Decal - Model Designation (E400Anarrow)	
3	1704959	2	Decal - Model Designation (M400A)	
3	1704901	2	Decal - Model Designation (M400Anarrow)	
3	1704791	2	Decal - Model Designation (E400AJP)	
3	1704792	2	Decal - Model Designation (E400AJPnarrow)	
3	1704793	2	Decal - Model Designation (M400AJP)	
3	1704794	2	Decal - Model Designation (M400AJPnarrow)	
4		Ref	Decal - Danger/Caution Options:	
4	1703930	1	Canadian French/English Dual Language	
4	1703931	1	Chinese/English Dual Language	
4	1703932	1	Japanese Language	
4	1703933	1	Korean Language	
4	1703929	1	Spanish/English Dual Language	

SECTION 8 - DECALS

ITEM	PART NUMBER	QTY	DESCRIPTION	REV
4	1703934	1	Spanish/Portuguese Dual Language	
6	1700584	1	Decal - Patent (Prior to SN 0300161264)	
7	See Note	1	Nameplate - Serial Number (Note: Not available for purchase)	
8	3820001	AR	Rivet	
9	1701504	1	Decal - Hydraulic Oil	
10	1701642	2	Decal - Arrow	
11		Ref	Decal - Caution/Danger Options:	
11	1703924	1	Canadian French/English Dual Language	
11	1703925	1	Chinese/English Dual Language	
11	1703926	1	Japanese Language	
11	1703927	1	Korean Language	
11	1703923	1	Spanish/English Dual Language	
11	1703928	1	Spanish/Portuguese Dual Language	
13	1701644	2	Decal - Charger	
14		Ref	Decal - USA Options:	
14	3251813	1	Canadian French/English Dual Language	
14	Not Required	0	Chinese/English Dual Language	
14	Not Required	0	Japanese Language	
14	Not Required	0	Korean Language	
14	3251813	1	Spanish/English Dual Language	
14	3251813	1	Spanish/Portuguese Dual Language	
15		Ref	Decal - Footswitch Options:	
15	1703984	1	Canadian French/English Dual Language	
15	1703982	1	Chinese/English Dual Language	
15	1703980	1	Japanese Language	
15	1703981	1	Korean Language	
15	1703983	1	Spanish/English Dual Language	
15	1703985	1	Spanish/Portuguese Dual Language	
16	1704277	AR	Decal - Attach Lanyard	
17		Ref	Decal - Inspection Options:	
17	1704006	1	Canadian French/English Dual Language (Prior to SN 0300161264)	
17	Not Required	0	Chinese/English Dual Language	
17	Not Required	0	Japanese Language	
17	Not Required	0	Korean Language	
17	1704007	1	Spanish/English Dual Language (Prior to SN 0300161264)	
17	1704008	1	Spanish/Portuguese Dual Language	
19	0961127	1	Bushing, Snap	
20		Ref	Nameplate Options:	
20	3251243	1	120V/60HZ	
20	3252507	1	220V/50-60HZ	
21	0100010	AR	Adhesive	
22	1701691	4	Decal - No Step	
23		Ref	Decal - Manual Descent Options:	
		Ref	Note: Refer to p/n stamped on hose side of valve.	
23	1704262	1	4641170 Valve	
23	1705085	1	4641195 Valve	
23	1001104864	1	1001097507 Valve	
24		Ref	Decal - No Hands Options:	
24	1704000	2	Canadian French/English Dual Language	
24	Not Required	0	Chinese/English Dual Language	
24	Not Required	0	Japanese Language	

SECTION 8 - DECALS

ITEM	PART NUMBER	QTY	DESCRIPTION	REV
24	Not Required	0	Korean Language	
24	1704001	2	Spanish/English Dual Language	
24	1704002	2	Spanish/Portuguese Dual Language	
25	1704254	1	Decal - Cable Routing	
26		Ref	Decal - Key Platform Options:	
26	1704253	1	Canadian French/English Dual Language	
26	Not Required	0	Chinese/English Dual Language	
26		Ref	Japanese Language Options:	
26	1704253	1	Japanese Language (E400A,E400AJP,E400AJPnarrow,E400Anarrow,E450A,E450AJ)	
26	Not Required	0	Japanese Language (M400A,M400AJP,M400AJPnarrow,M400Anarrow,M450A,M450AJ)	
26	Not Required	0	Korean Language	
26	1704253	1	Spanish/English Dual Language	
26	1704253	1	Spanish/Portuguese Dual Language	
27		Ref	Decal - Charger Options:	
27	1704452	1	Canadian French/English Dual Language	
27	1704419	1	Chinese/English Dual Language	
27	1704417	1	Japanese Language	
27	1704418	1	Korean Language	
27	1704454	1	Spanish/English Dual Language	
27	1704453	1	Spanish/Portuguese Dual Language	
28	1704431	1	Decal - Battery Charger LED Indicator	
31	0860520	1	Box, Manual Storage	
32	1060279	1	Lanyard	
33	0641408	1	Bolt 1/4in-20NC x 1in	
35	4751400	6	Flatwasher 1/4in	
36	3311405	5	Locknut 1/4in-20NC	
37	1701500	4	Decal - Lift	
38	1701509	1	Decal - Manual	
39		Ref	Decal - Explosion Warning Options:	
39	1704340	3	Canadian French/English Dual Language	
39	1704344	3	Chinese/English Dual Language	
39	1704342	3	Japanese Language	
39	1704343	3	Korean Language	
39	1704339	3	Spanish/English Dual Language	
39	1704341	3	Spanish/Portuguese Dual Language	
41		Ref	Decal - Crushing Hazard Options:	
41	1703948	6	Canadian French/English Dual Language	
41	1703950	6	Japanese Language	
41	1703951	6	Korean Language	
41	1703947	6	Spanish/English Dual Language	
41	1703952	6	Spanish/Portuguese Dual Language	
47		Ref	Decal Options:	
47	1702265	1	Canadian French/English Dual Language	
47	1703988	1	Chinese/English Dual Language	
47	1702271	1	Japanese Language	
47	1703987	1	Korean Language	
47	1702265	1	Spanish/English Dual Language	
47	1703991	1	Spanish/Portuguese Dual Language	

SECTION 8 - DECALS

ITEM	PART NUMBER	QTY	DESCRIPTION	REV
50	1702300	4	Decal - Tie Down	
52	See Note	1	Decal - Bar Code (Note: Not Available for Purchase)	
53		Ref	Decal - 500 LBS. Max Capacity Options:	
53	1702688	1	Canadian French/English Dual Language (Use p/n 1704112) (Prior to SN 0300100540)	
53	1707047	1	Canadian French/English Dual Language (SN 0300100540 through 0300142588)	
53	1001121816	1	Canadian French/English Dual Language (SN 0300142589 through 0300189901)	
53	1704112	1	Chinese/English Dual Language (Prior to SN 0300100540)	
53	1707044	1	Chinese/English Dual Language (SN 0300100540 through 0300142588)	
53	1001121823	1	Chinese/English Dual Language (SN 0300142589 through 0300189901)	
53	1707054	1	Japanese Language (Prior to SN 0300142589)	
53	1001121821	1	Japanese Language (SN 0300142589 through 0300189901)	
53	1704112	1	Korean Language (Prior to SN 0300100540)	
53	1707042	1	Korean Language (SN 0300100540 through 0300142588)	
53	1001121921	1	Korean Language (SN 0300142589 through 0300189901)	
53	1702688	1	Spanish/English Dual Language (Use p/n 1704112) (Prior to SN 0300100540)	
53	1707049	1	Spanish/English Dual Language (SN 0300100540 through 0300142588)	
53	1001121818	1	Spanish/English Dual Language (SN 0300142589 through 0300189901)	
53	1702688	1	Spanish/Portuguese Dual Language (Use p/n 1704112) (Prior to SN 0300100540)	
53	1702688	1	Spanish/Portuguese Dual Language (Use p/n 1707133) (SN 0300100540 through 0300142588)	
53	1702688	1	Spanish/Portuguese Dual Language (Use p/n 1001121923) (SN 0300142589 through 0300189901)	
54		Ref	Decal - Tire Load Options:	
54	1703488	4	Decal - Tire Load (E450A,M450A)	
54	1704445	4	Decal - Tire Load (E450AJ,M450AJ)	
54	1703247	4	Decal - Tire Load (E400A,M400A)	
54	1703488	4	Decal - Tire Load (E400Anarrow,M400Anarrow)	
54	1704727	4	Decal - Tire Load (E400AJP,M400AJP)	
54	1704752	4	Decal - Tire Load (E400AJPnarrow,M400AJPnarrow)	
62	1702774	AR	Decal - JLG Lift	
62		Ref	Front Entry Platform	
62		Ref	Side Entry Platform	
63		Ref	Decal Options:	
63	1702773	2	JLG (with Front Entry Platform)	
63	1702773	1	JLG (with Side Entry Platform)	
63	1704200	2	Jib Plus (with Front Entry Platform)	
63	1704200	1	Jib Plus (with Side Entry Platform)	
64		Ref	Decal - Key, Main Terminal Box Options:	
64	1704252	1	Canadian French/English Dual Language (Prior to SN 0300100540)	
64	17046950	1	Canadian French/English Dual Language (SN 0300100540 through 0300189901)	
64	Not Required	0	Chinese/English Dual Language	
64		Ref	Decal - Key, Main Terminal Box Options:	
64	Not Required	0	Japanese Language	

SECTION 8 - DECALS

ITEM	PART NUMBER	QTY	DESCRIPTION	REV
64	Not Required	0	Korean Language	
64	1704252	1	Spanish/English Dual Language (Prior to SN 0300100540)	
64	17046950	1	Spanish/English Dual Language (SN 0300100540 through 0300189901)	
64	1704252	1	Spanish/Portuguese Dual Language (Prior to SN 0300100540)	
64	1706950	1	Spanish/Portuguese Dual Language (SN 0300100540 through 0300189901)	
65		Ref	Decal - 500 LBS. Max Capacity Options:	
65	1703996	2	Canadian French/English Dual Language (Prior to SN 0300100540)	
65	1707055	2	Canadian French/English Dual Language (SN 0300100540 through 0300142588)	
65	1001121803	2	Canadian French/English Dual Language (SN 0300142589 through 0300189901)	
65	1703996	1	Chinese/English Dual Language (Prior to SN 0300100540)	
65	1707060	1	Chinese/English Dual Language (SN 0300100540 through 0300142588)	
65	1001121810	1	Chinese/English Dual Language (SN 0300142589 through 0300189901)	
65	1703996	2	Japanese Language (Prior to SN 0300100540)	
65	1707059	2	Japanese Language (SN 0300100540 through 0300142588)	
65	1001121808	2	Japanese Language (SN 0300142589 through 0300189901)	
65	1703996	2	Korean Language (Prior to SN 0300100540)	
65	1707058	2	Korean Language (SN 0300100540 through 0300142588)	
65	1001121918	2	Korean Language (SN 0300142589 through 0300189901)	
65	1703996	2	Spanish/English Dual Language (Prior to SN 0300100540)	
65	1707056	2	Spanish/English Dual Language (SN 0300100540 through 0300142588)	
65	1001121805	2	Spanish/English Dual Language (SN 0300142589 through 0300189901)	
65	1703996	2	Spanish/Portuguese Dual Language (Prior to SN 0300100540)	
65	1707134	2	Spanish/Portuguese Dual Language (SN 0300100540 through 0300142588)	
65	1001121920	2	Spanish/Portuguese Dual Language (SN 0300142589 through 0300189901)	
66	1701502	1	Decal - Hydraulic Oil Level High	
67	1701503	1	Decal - Hydraulic Oil Level Low	
70		Ref	Decal - Generator Danger Options (M400A,M400AJP,M400AJPnarrow,M400Anarrow,M450A,M450AJ)	
70	1704286	2	Decal - Generator Danger - English Language (M400A,M400AJP,M400AJPnarrow,M400Anarrow,M450A,M450AJ)	
70	1704368	2	Decal - Generator Danger - Canadian French/English Dual Language (M400A,M400AJP,M400AJPnarrow,M400Anarrow,M450A,M450AJ)	
70	1001116297	2	Decal - Generator Danger - Chinese/English Dual Language (Use p/n 1704372) (M400A,M400AJP,M400AJPnarrow,M400Anarrow,M450A,M450AJ)	
70	1001093687	2	Decal - Generator Danger - Chinese/English Dual Language (Use p/n 1704372) (M400A,M400AJP,M400AJPnarrow,M400Anarrow,M450A,M450AJ)	

SECTION 8 - DECALS

ITEM	PART NUMBER	QTY	DESCRIPTION	REV
70	1001116297	2	Decal - Generator Danger - Japanese Language (Use p/n 1704369) (M400A,M400AJP,M400AJPnarrow,M400Anarrow,M450A,M450AJ)	
70	1001093687	2	Decal - Generator Danger - Japanese Language (Use p/n 1704369) (M400A,M400AJP,M400AJPnarrow,M400Anarrow,M450A,M450AJ)	
70	1001116297	2	Decal - Generator Danger - Korean Language (Use p/n 1704370) (M400A,M400AJP,M400AJPnarrow,M400Anarrow,M450A,M450AJ)	
70	1001093687	2	Decal - Generator Danger - Korean Language (Use p/n 1704370) (M400A,M400AJP,M400AJPnarrow,M400Anarrow,M450A,M450AJ)	
70	1704371	2	Decal - Generator Danger - Spanish/English Dual Language (M400A,M400AJP,M400AJPnarrow,M400Anarrow,M450A,M450AJ)	
70	1704373	2	Decal - Generator Danger - Spanish/Portuguese Dual Language (M400A,M400AJP,M400AJPnarrow,M400Anarrow,M450A,M450AJ)	
71	1701505	1	Decal - Fuel (M400A,M400AJP,M400AJPnarrow,M400Anarrow,M450A,M450AJ)	
73	1702962	1	Decal - Fuel Warning (M400A,M400AJP,M400AJPnarrow,M400Anarrow,M450A,M450AJ)	
77	1704412	1	Decal - Oil Type	
78	1704830	1	Decal - Quikcharge Genset (M400A,M400AJP,M400AJPnarrow,M400Anarrow,M450A,M450AJ) (Prior to SN 0300143328)	
79	1704885	2	Decal - Website	
80	0641406	4	Bolt 1/4in-20NC x 3/4in	
81	1001108923	1	Decal - EPA/CARB Fuel Specification (Canadian French/English Dual Language Only)	
82		Ref	Decal - Drive/Steer Instruction Options: (SN 0300141884 through 0300189901)	
82	1705429	1	Canadian French/English Dual Language	
82	1705430	1	Chinese/English Dual Language	
82	1705426	1	Japanese Language	
82	1705427	1	Korean Language	
82	1705910	1	Spanish/English Dual Language	
82	1001113680	1	Spanish/Portuguese Dual Language	
83	1001121510	3	Decal - Hybrid Options (M400A,M400AJP,M400AJPnarrow,M400Anarrow,M450A,M450AJ) (SN 0300143328 through 0300189901)	

SECTION 9 - RECOMMENDED SERVICE PARTS STOCK

SECTION 9 - RECOMMENDED SERVICE PARTS STOCK

SECTION 9 - RECOMMENDED SERVICE PARTS STOCK

FIGURE 9-1. RECOMMENDED SERVICE PARTS STOCK (STANDARD PARTS)

ITEM	PART NUMBER	QTY	DESCRIPTION	REV
	Note	Ref	Note: The following list will service one machine (built to current production per date on the front cover) with emergency repair parts which can be installed in the field. Parts from the list should be replaced when inventory is depleted to keep service parts stock supplied. For further information, contact your JLG dealer or the JLG Industries Parts Department.	
		Ref	STANDARD PARTS	
	7021320	1	Cap, Breather	
	7021618	1	Coil	
	7021609	1	Coil	
	7021616	4	Filter Cartridge	
	7011593	2	Fuse, DC	
	7021610	1	Coil	
	4360328	1	Switch, Toggle	
	4360330	1	Switch, Toggle	
	4360475	1	Switch, Mushroom	
	4360476	1	Contact, Switch	
	4360469	1	Switch, Key	
	2860030	1	Key, Replacement	
	4360070	1	Breaker, Circuit	
	2940074	1	Latch	
	4360387	1	Switch, Push Button	
	4360448	1	Breaker, Circuit	
	1001118419	1	Controller (Lift and Swing)	
	1001118418	1	Controller (Drive and Steer)	
	3990001	2	Diode	

SECTION 9 - RECOMMENDED SERVICE PARTS STOCK

FIGURE 9-2. RECOMMENDED SERVICE PARTS STOCK (VARIABLE PARTS)

ITEM	PART NUMBER	QTY	DESCRIPTION	REV
	Note	Ref	Note: The following list will service one machine (built to current production per date on the front cover) with emergency repair parts which can be installed in the field. Parts from the list should be replaced when inventory is depleted to keep service parts stock supplied. For further information, contact your JLG dealer or the JLG Industries Parts Department.	
		Ref	VARIABLE PARTS	
	7020642	1	Breaker, Circuit (ANSI Spec 105/132V-60Hz and Japanese Spec 100V - 60Hz Chargers)	
	7020653	1	Breaker, Circuit (ANSI Export Spec 110/220V-50Hz Charger)	
	7018525	1	Breaker, Circuit (ANSI Export Spec 250V-50Hz Charger)	
	7018506	1	Relay (Black) (ANSI Spec 105/132V-60Hz and Japanese Spec 100V - 60Hz Chargers)	
	7018564	1	Relay (Black) (ANSI Export Spec 110/220V-50Hz Charger)	
	7018563	1	Relay (Black) (ANSI Export Spec 250V-50Hz Charger)	
	7020654	1	Relay (Clear) (ANSI Export Spec 110/220V-50Hz Charger)	
	1600293	1	Module (Posi-Trac)	
	1600292	1	Module (Frame Power)	
	2400062	2	Fuse - 300Amp (UL/EE Rated Machines Only)	
	70000318	4	Filter, Fuel (M400A,M400AJP,M400AJPnarrow,M400Anarrow,M450A,M450AJ)	
	70000319	1 Dozen	Filter, Oil (M400A,M400AJP,M400AJPnarrow,M400Anarrow,M450A,M450AJ)	
	70000323	1	Relay, Bosch (M400A,M400AJP,M400AJPnarrow,M400Anarrow,M450A,M450AJ)	
	70000329	2	Fuse 15 Amp (M400A,M400AJP,M400AJPnarrow,M400Anarrow,M450A,M450AJ)	
	70000330	2	Fuse 20 Amp (M400A,M400AJP,M400AJPnarrow,M400Anarrow,M450A,M450AJ)	
	70000322	1	Relay, 12Volt 60Amp (M400A,M400AJP,M400AJPnarrow,M400Anarrow,M450A,M450AJ)	
	70000313	4	Element, Air Cleaner (M400A,M400AJP,M400AJPnarrow,M400Anarrow,M450A,M450AJ)	
	100116522	1	Switch, Limit	
	70000326	1	Module (Engine Control) (M400A,M400AJP,M400AJPnarrow,M400Anarrow,M450A,M450AJ)	
	1001109497	1	Module (Ground Control)	
	4360274	1	Switch, Push Button (M400A,M400AJP,M400AJPnarrow,M400Anarrow,M450A,M450AJ)	
	7019698	2	Power Track - 1 Link (E400A,E400Anarrow,E450A,M400A,M400Anarrow,M450A)	
	70001996	2	Power Track - 2ft Section (E400AJP,E400AJPnarrow,E450AJ,M400AJP,M400AJPnarrow,M450AJ)	
	4360548	1	Switch, Limit	
	1001109498	1	Module (Platform Control)	
	1600387	1	Module, Control (LSS System)	
	4360336	1	Switch, Toggle (M400A,M400AJP,M400AJPnarrow,M400Anarrow,M450A,M450AJ)	
	2400068	1	Fuse, 10Amp (UL/EE Spec)	

SECTION 10 - SPECIAL OPTIONS

SECTION 10 - SPECIAL OPTIONS

FIGURE 10-1. SPECIAL OPTIONS

ITEM	PART NUMBER	QTY	DESCRIPTION	REV
	Note	Ref	Note: This list is to accommodate machines ordered with special equipment. Options may not be applicable to all models. For more specific parts information contact JLG Parts Department.	
		Ref	MISCELLANEOUS SPECIAL OPTIONS	
		Ref	Airline Installations:	
	0259877	Ref	Airline Installations - 1/2in (E450A,M450A)	
	0271801	Ref	Airline Installations - 1/2in (E400A,E400Anarrow,M400A,M400Anarrow)	
	0275650	Ref	Airline Installations - 1/2in (E450A,M450A)	
	See Note	Ref	Airline Installations - 1/2in (E400AJP,E400AJPnarrow,M400AJP,M400AJPnarrow)	
	0270723	Ref	Beacon Installation Mounted Under Platform	
	0256789	Ref	Camera Mounting Installation	
		Ref	ClearSky Telematics Add-on Kit Options:	
	1001230504	Ref	ClearSky Telematics Add-on Kit - 3 Wire (ANSI Specs)	
	1001234102	Ref	ClearSky Telematics Add-on Kit - 3 Wire (ANSI Export Specs)	
	1001236405	Ref	ClearSky Telematics Add-on Kit - Canbus (ANSI Specs)	
	1001237110	Ref	ClearSky Telematics Add-on Kit - Canbus (ANSI Export Specs)	
	0258703	Ref	Console Cover	
		Ref	Cylinder Bellows Installations:	
	0259397	Ref	Cylinder Bellows Installations (E400A,E400Anarrow,E450A,M400A,M400Anarrow,M450A)	
	0271251	Ref	Cylinder Bellows Installations (E400AJP,E400AJPnarrow,E450AJ,M400AJP,M400AJPnarrow,M450AJ)	
		Ref	Bellows - Platform Level and Master Cylinders Options:	
	0460110	2	Bellows - Platform Level and Master Cylinders (E400A,E400Anarrow,E450A,M400A,M400Anarrow,M450A)	
	0460194	2	Bellows - Platform Level and Master Cylinders (E400AJP,E400AJPnarrow,E450AJ,M400AJP,M400AJPnarrow,M450AJ)	
	0460115	1	Bellows - Main Lift Cylinder	
	0460113	1	Bellows - Mid Lift Cylinder	
	0460114	1	Bellows - Tower Lift Cylinder	
	0460196	1	Bellows - Jib Cylinder (E400AJP,E400AJPnarrow,E450AJ,M400AJP,M400AJPnarrow,M450AJ)	
	1320037	6	Clamp	
	1001237443	Ref	Cylinder Service Kit (Mid Lift) (E400A,E400Anarrow,E450A,M400A,M400Anarrow,M450A)	
		Ref	Decal Installations Options:	
	1702788	1	Decal - Biodegradable Hydraulic Fluid (All except German Spec)	
	1703479	1	Decal - Biodegradable Hydraulic Fluid (German Spec Only)	
	3252221	1	Decal - CSA (CSA Spec)	
	0257195	Ref	Decal Installation - Government Warranty	
	1702868	2	Decal - No Hands (English) (ANSI Spec) (Used with Platform Padding or Mesh to Top Rail on Side Entry Platforms)	
	1704000	2	Decal - No Hands (English and French) (CSA Spec) (Used with Platform Padding or Mesh to Top Rail on Side Entry Platforms)	

SECTION 10 - SPECIAL OPTIONS

ITEM	PART NUMBER	QTY	DESCRIPTION	REV
	1705968	2	Decal - No Hands (English/Simplified Chinese) (ANSI Export Spec) (Used with Platform Padding or Mesh to Top Rail on Side Entry Platforms)	
	1001116846	2	Decal - No Hands (English and Traditional Chinese) (ANSI Export Spec) (Used with Platform Padding or Mesh to Top Rail on Side Entry Platforms)	
	1703175	1	Decal - Lanyard Attach (GM K-1 Spec)	
	0256487	Ref	Decal - Prop 65 Warning Installation (Diesel Machines) (California Spec)	
	0256488	Ref	Decal - Prop 65 Warning Installation (Gas Machines) (California Spec)	
	0259550	Ref	Decal - Warning Stripes Installation	
	1283014	1	Decal - Warning Stripes Installation	
	1001108727	Ref	Decal Kit - Platform	
	1001119566	Ref	Decal Kit - Platform Console	
	1001198647	Ref	Decal Kit - Standard Machine	
		Ref	Decal Kit Options:	
	2910866	1	Decal Kit - Platform Box (Prior to SN 0300139889)	
	1001119566	1	Decal Kit - Platform Box (SN 0300139889 through 0300189901)	
		Ref	Electrical Connector Kits	
	1001148902	Ref	Amp Connector Kit	
	1001148903	Ref	Deutsch DT Connector Kit	
	1001148904	Ref	Deutsch HD Connector Kit	
	1001148905	Ref	Packard Connector Kit	
	1001148906	Ref	Various Connector Kit	
		Ref	Filter Kits: (M400A,M400AJP,M400AJPnarrow,M400Anarrow,M450A,M450AJ)	
		Ref	Kubota Engines (M400A,M400AJP,M400AJPnarrow,M400Anarrow,M450A,M450AJ)	
	1001111013	1	Combined Filter Kit (M400A,M400AJP,M400AJPnarrow,M400Anarrow,M450A,M450AJ) (SN 0300088539 through 0300189901)	
	1001110140	1	Engine Oil and Fuel Filter Kit (M400A,M400AJP,M400AJPnarrow,M400Anarrow,M450A,M450AJ) (SN 0300088539 through 0300189901)	
	1001109716	1	Hydraulic and Air Filter Kit (M400A,M400AJP,M400AJPnarrow,M400Anarrow,M450A,M450AJ) (SN 0300088539 through 0300189901)	
		Ref	Yanmar Engines (M400A,M400AJP,M400AJPnarrow,M400Anarrow,M450A,M450AJ)	
	1001111012	1	Combined Filter Kit (Use p/n 1001111012) (M400A,M400AJP,M400AJPnarrow,M400Anarrow,M450A,M450AJ) (Prior to SN 0300088539)	
	1001110142	1	Engine Oil and Fuel Filter Kit (M400A,M400AJP,M400AJPnarrow,M400Anarrow,M450A,M450AJ) (Prior to SN 0300088539)	
	1001109715	1	Hydraulic and Air Filter Kit (M400A,M400AJP,M400AJPnarrow,M400Anarrow,M450A,M450AJ) (Prior to SN 0300088539)	
	1001152523	Ref	Fire Extinguisher installation (Platform Mounted)	
	4060959	Ref	Footswitch Shield (Note: Move Decal to Shield)	
	0259398	Ref	Headlight and Taillights Installation	
	2920150	2	Headlight	

SECTION 10 - SPECIAL OPTIONS

ITEM	PART NUMBER	QTY	DESCRIPTION	REV
	7016356	2	Lamp, Seal Beam (1 Per Headlight)	
	2920118	2	Taillight	
	7016623	2	Bulb - Brake (1 Per Taillight)	
	7016624	1	Bulb - Tail (1 Per Taillight)	
		Ref	Hose Kit Options:	
	1001239570	Ref	Hose Kit - Platform Valve	
	1001198659	Ref	Hose Kit - Power Track (Upper) (E400A,E400Anarrow,M400A,M400Anarrow)	
	1001198657	Ref	Hose Kit - Power Track (Upper) (E400AJP,M400AJP)	
	1001198658	Ref	Hose Kit - Power Track (Upper) (E400AJPnarrow,M400AJPnarrow)	
		Ref	Hose Kit - Power Track (E450A,E450AJ,M450A,M450AJ)	
	1001198660	Ref	Hose Kit - Power Track (Upper) (E450AJ,M450AJ)	
	0271687	Ref	Inverter Installation (E400A,E400AJP,E400AJPnarrow,E400Anarrow,E450A,E450AJ)	
	1001148971	Ref	Lanyard Kit (Platform Bolt-on)	
	1001222307	Ref	LSS Override Kit	
	2902423	Ref	Mechron Service Kit (For the addition of separate fuse for engine generator controller)	
	2915225	Ref	Platform Conversion Kit (Converts Front to Side Entry) (E450A,M450A)	
		Ref	Platform Entry Kits	
	1001142504	Ref	Drop Bar (Replacing Swing Gate with Drop Bar)	
	1001142505	Ref	Swing Gate (Replacing Drop Bar with Swing Gate)	
		Ref	Platform Installation - (Lift Gate) (Japanese Spec)	
	0270408	Ref	30in x 60in (E400A,E400AJP,E400AJPnarrow,E400Anarrow,M400A,M400AJP,M400AJPnarrow,M400Anarrow)	
	3510695	Ref	30in x 60in (E450A,E450AJ,M450A,M450AJ)	
		Ref	Platform Mesh to Mid Rail Installations (Side Entry Platforms) (ANSI, ANSI Export and AUS specs)	
	1001140318	Ref	30in X 4ft (76cm x 1.22m)	
	1001140315	Ref	30in X 5ft (76cm x 1.52m)	
	1001145985	Ref	30in X 6ft (76cm x 1.82m)	
		Ref	Platform Mesh to Top Rail Installations (Side Entry Platforms) (ANSI, CSA & UL Specs)	
	0273146	Ref	30in X 5ft (76cm x 1.52m)	
	0273147	Ref	30in X 4ft (76cm x 1.22m)	
	1001212202	Ref	Rotary Actuator Protection Add-on Kit	
	1001149561	Ref	SkyGuard Installation Kit (Factory Installed)	
	1001149563	Ref	Platform Sensor Kit	
	1001149564	Ref	Optional (Blue) Beacon Light Kit	
		Ref	SkyGuard Kits (Dealer Add-on Kit):	
	1001206996	Ref	SkyGuard Kit (Dealer Add-on Kit) (Blue Beacon Light)	
	1001210033	Ref	SkyGuard Kit (Dealer Add-on Kit) (Red Beacon Light)	
	1001205501	Ref	Blue Light Kit (Dealer Add-on Kit)	
	1001210032	Ref	Red Light Kit (Dealer Add-on Kit)	
	1001149563	Ref	Platform Sensor Kit	
		Ref	Strobe Light Installations (Amber)	
	1001152965	Ref	Platform Mounted	
	1001154231	Ref	Platform/Ground Mounted	
	0272315	Ref	Tire Sealant (IN240/55-17.5)	
	0272341	Ref	Tire Sealant Decal Installation	

SECTION 10 - SPECIAL OPTIONS

ITEM	PART NUMBER	QTY	DESCRIPTION	REV
	1705363	1	Decal - Tire Sealant (Located on Hood)	
		Ref	Tools for Service	
	7002828	1	Wire Stripper	
	7002821	1	Wire Crimper (To install wire ends to wires)	
	7002823	1	Pin/Socket Extractor - Universal (To Remove Pins/Sockets from Connectors)	
	4460467	1	Extractor - 16-18 Gauge (For Removal of Pins/Sockets for Deutsch Connectors)	
	4460510	1	Extractor - 12-14 Gauge (For Removal of Pins/Sockets for Deutsch Connectors)	
	7002822	1	Screwdriver, Potentiometer (To Adjust Drive Controllers)	
	7016654	1	Screwdriver, Magnetic	
	7004275	1	Seal Installation Tool - 1in	
	7004276	1	Seal Installation Tool - 1-1/2in	
	7002826	1	Seal Installation Tool - 2in	
	2901443	1	Analyzer, Machine	
	2915230	1	Battery Charger Reprogram Controller Kit	
	1001137005	1	USB to RS232 Drive Installation (Service Kit)	
	1001160527	Ref	Turntable Bearing Kit	
	1001241269	Ref	Wear Pad Kit (E400AJP,E400AJPnarrow,M400AJP,M400AJPnarrow)	

PART NUMBER INDEX

SECTION 10 - SPECIAL OPTIONS

0060044.....107, 115, 119	0259102.....153	0270723.....298	0561359.....128
0060046.....115, 119	0259123.....267, 278	0270724.....93	0561360.....128
0060052.....100, 119	0259125.....267, 278	0270725.....93, 99	0561361.....128
0060065.....115, 119	0259127.....267, 278	0270732.....154	0561384.....128
0100009.....100, 151, 154	0259301.....283	0270817....127, 261, 273	0561385.....128
0100010.....283, 288	0259302.....20	0271251.....298	0561386.....128
0100011....13, 17, 20, 48, 51, 56, 62, 69, 81, 87, 88, 97, 100, 101, 103, 108, 111, 116, 123, 127, 137, 138, 147, 169, 173, 179, 184, 191, 194, 197, 199, 204, 207, 209, 211, 215, 221, 225, 229, 235	0259305.....88, 256	0271301....135, 139, 153	0561424.....128, 129
0100019...17, 43, 69, 128	0259338....135, 139, 153	0271464.....267, 278	0610128.....151
0100020.....81, 173, 244, 248, 252	0259366.....93, 107	0271493.....129	0610129.....83
0100035..57, 88, 89, 151, 169, 173, 184, 194, 204, 211, 235	0259367....127, 261, 273	0271494.....129	0610131.....37, 266, 276
0100038....169, 173, 179, 184, 191, 194, 197, 199, 204, 207, 209, 211, 215, 221, 225, 229, 235	0259397.....298	0271641.....47, 49	0610139.....83
0100040.....133, 137	0259398.....299	0271647.....93, 116	0610166.....83
0100048.....36, 123	0259399.....31, 61	0271649.....115, 116	0630399.....100
0100051.....36	0259439....100, 108, 116	0271687.....300	0630401.....104, 112
0100063.....169	0259440.....107, 108	0271801.....298	0630407.....123
0100081.....104, 112	0259441.....115, 116	0271937.....143	0630440.....56
0140011.....151	0259481.....48, 51	0272082.....134	0630462.....147
0140028.....61	0259494.....287	0272104.....134	0630464.....151
0140031.....62	0259495.....287	0272105.....134	0630467.....128
0182010.....35	0259496.....287	0272106.....134	0630468.....87
0200048.....147	0259497.....287	0272111.....154	0630487.....99
0253687.....87	0259498.....287	0272314.....17	0630491.....88
0253704.....129	0259499.....287	0272315.....300	0630518.....83
0253709.....87	0259535.....287	0272335.....18	0630534.....169
0253717.....267	0259536.....287	0272341.....300	0630568.....151
0254875.....129	0259537.....287	0272529.....88	0641404.....36, 37, 99
0256487.....299	0259538.....287	0272704.....123	0641405.....37, 99, 123
0256488.....299	0259539.....287	0272971....139, 261, 273	0641406....37, 43, 48, 51, 56, 81, 123, 134, 138, 285, 292
0256789.....298	0259540.....287	0272976....101, 108, 116	0641407....100, 108, 116, 123
0257195.....298	0259550.....299	0273089.....151	0641408....36, 37, 62, 81, 134, 138, 284, 289
0257728.....165	0259679.....18	0273104.....124	0641410.....128
0257735....127, 261, 273	0259692.....36	0273146.....300	0641413.....62, 81
0257816.....31	0259693.....36	0273147.....300	0641414....135, 139, 147
0257817.....13	0259763.....35	0273272.....18	0641416.....123, 149
0257824...47, 81, 84, 153	0259825.....36	0273273.....18	0641418.....138
0257858.....47, 48	0259826.....36	0273381.....145	0641424.....235, 237
0258034.....31, 61	0259877.....298	0273382.....145	0641426.....62
0258035.....55	0259939.....93, 116	0273468.....18	0641504.....35
0258037.....19	0259951.....31, 61	0273573..47, 81, 84, 153	0641505.....47, 51
0258653.....69	0259970....127, 261, 273	0273683.....17	0641506.35, 96, 143, 145
0258688.....18	0270010.....13	0273684.....18	0641507.....48, 51
0258689.....35	0270012.....267, 278	0273686.....18	0641508.....43, 61, 143
0258691.....93	0270013.....267, 278	0274323.....147	0641510.....77, 87
0258703.....298	0270028.....18	0274617..51, 81, 84, 153	0641512.47, 51, 221, 225, 229, 231, 233, 235, 237
0258953.....87	0270037.....18	0275650.....298	0641514.....35, 127, 165
0258973.....283	0270100.....55	0275698.....141	0641516....107, 115, 123, 128, 143, 145
0258974.....55	0270101.....55	0340047.....44	0641518.....47
0258995.....17	0270103.....17, 43	0340048.....31	0641524.....44
0258996.....18	0270273.....283, 287	0362966.....47, 51	0641542.....20
0258997.....18	0270274.....283, 287	0400055.....35	0641560.....128
0259064.....62, 256	0270338.....143	0400194.....36, 39	0641604.....221, 225
0259069.....17, 43	0270344...47, 81, 84, 153	0400195.....36, 39	0641605.....83, 103, 111
	0270376.....31	0400196.....36, 39	0641606.13, 99, 103, 111
	0270377.....17, 43	0400197.....36, 39	0641607....100, 103, 108, 116
	0270400.....107, 108	0400201.....47, 51	0641608....31, 61, 69, 97, 100, 103, 111
	0270402.....115, 116	0440162.....13	0641609.....17
	0270407.....133	0440203.....69, 77	0641610.....97, 100, 101, 107, 108, 116, 133, 134, 137, 138
	0270408.....300	0440339.....69, 77	
	0270409.....133	0460110.....298	
	0270415.....18	0460113.....298	
	0270416.....17	0460114.....298	
	0270417.....18	0460115.....298	
	0270418.....18	0460194.....298	
	0270433.....285	0460196.....298	
	0270509.....55	0480100.....165	
	0270510.....55	0561076.....96	
	0270540.....55	0561317.....127	

SECTION 10 - SPECIAL OPTIONS

0641616	81, 107, 115	0861531	134, 138, 151	1001103617	149	1001137005	301
0641618	47, 51, 107, 115	0861532	134, 138, 151	1001103732	69	1001138431	138
0641806	97	0861537	151	1001104850	69, 75	1001138432	138
0641808	36	0901921	87	1001104864	284, 288	1001138433	138
0641809	108, 116	0901923	87	1001106757	104, 111	1001138494	138
0641810	97, 107, 115, 116	0902406	83	1001107677	152	1001138514	138
0641812	77, 97	0902520	69	1001107779	37	1001140278	96, 217
0641813	36	0902543	56	1001107780	37, 276	1001140279	107, 116, 181
0641818	99, 103, 111	0902575	151	1001108604	123	1001140280	107, 115, 171
0641822	123	0902588	151	1001108727	299	1001140315	300
0641826	17	0902645	56	1001108923	285, 292	1001140318	300
0642024	123	0902681	56	1001109497	296	1001140429	138
0681608 ...	100, 101, 108, 116, 123	0902894	123	1001109498	151, 296	1001140597 ..	95, 96, 213
0681810	13	0902919	123	1001109715	299	1001140598	100, 177
0681814	69	0902920	123	1001109716	299	1001141760	222
0681816	69	0903099	48	1001109860	260, 272	1001142504	300
0681822	141	0920113	17	1001110140	299	1001142505	300
0682010	17	0940036	55	1001110142	299	1001144018	138
0682012	17	0940048	97	1001110226	153	1001144019	138
0682026	69	0940091	143, 145	1001110435	152	1001144020	138
0682028	69	0940092 ...	141, 143, 145	1001110772	19	1001144025	137
0720804	151	0940093	143, 145	1001110774	19	1001144026	137
0721004	56	0940094 ...	141, 143, 145	1001110775	19	1001144027	137
0721005	44, 84, 147	0940167	147	1001110773	267, 278	1001144629	137
0721006	56	0940198	141	1001111012	299	1001145796	138
0721008	88	0961127	283, 288	1001111013	299	1001145800	138
0741408	69	0961608	173, 211	1001113045	276	1001145801	138
0741506	31	0961726	97, 104, 184, 194, 204	1001113483	123	1001145985	300
0741606	88, 112	0961749	87	1001113680	292	1001146082	138
0741608	112	0961845	138	1001114782	35	1001148902	299
0750808	83	0961893	169	1001116130	70	1001148903	299
0800584	99	0961900	179	1001116193	69	1001148904	299
0800852	93	0961947 ...	107, 115, 119, 169, 171	1001116195	70	1001148905	299
0801154	99	0961948	103, 111	1001116232	70	1001148906	299
0801169	93, 99	0961950	97, 100, 104, 111, 184, 187, 189, 191, 194, 197, 199, 201, 204, 207, 209	1001116297	291, 292	1001148907	299
0801192	103	0961951 ...	14, 100, 107, 115, 169, 171, 179, 181, 215, 217	1001116368	261, 273	1001148916	300
0801197	93, 103	0962140	14	1001116522 70, 266, 277, 296		1001148971	300
0801198	103	0962185	179, 215	1001116811	277	1001149561	300
0801224	111	0962257	119	1001116846	299	1001149563	300
0801225	93, 111	0962270	141	1001117172	139	1001149564	300
0801226	111	0962292	107, 115	1001117320	139	1001149818	89, 280
0801227	93	0962356 ...	173, 177, 211, 213	1001118418	152, 161, 294	1001149955	88, 256
0801260	103	0962450	123	1001118419	152, 157, 294	1001149994	89
0801261	99	1001092890	36	1001119228	104, 112	1001150161	35
0801262	93	1001093687	291, 292	1001119566	299	1001150181	35
0801263	99	1001096188	276	1001121510	285, 292	1001150406	88
0801264	93	1001097505	62	1001121801	284	1001150513	35
0801267	99	1001097506	31, 33	1001121803	291	1001150514	35
0840031	36	1001097507	61, 65	1001121805	291	1001151368	103, 225
0840032	36	1001097775	62	1001121808	291	1001151386	225
0840055	124	1001097777	61, 62	1001121810	291	1001151393	84
0860038	267, 278	1001099833	103	1001121814	284	1001151395	13
0860520	284, 289	1001099834	111	1001121816	290	1001151413	225
0861152	83	1001103105	37	1001121818	290	1001151414	99, 225
0861176	134, 151	1001103558	149	1001121821	290	1001151428	14
0861177	83	1001103559	149	1001121823	290	1001151496	225
0861215	151	1001103560	149	1001121829	291	1001151497	99, 225
0861314	134, 151	1001103614	149	1001121918	291	1001152230	225, 229, 231, 233
0861351	83	1001103616	149	1001121920	291	1001152523	299
0861375	44			1001121921	290	1001152965	300
0861400	83			1001123054	37, 276	1001153017	69, 77
0861449	134, 151			1001125248	51	1001153021	13
0861452	134, 151			1001131269	283	1001153023	13
0861529 ...	134, 138, 151			1001132175	152	1001153366	69
0861530 ...	134, 139, 151			1001136889	139	1001154231	300
						1001158612	88, 256

SECTION 10 - SPECIAL OPTIONS

1001159361.....51, 52	1060778..... 265, 276	1600300 43, 45, 266, 277	1683923.....95, 96, 215
1001159362....51, 81, 84, 153	1060780..... 261	1600350..... 123	1683924.... 107, 116, 179
1001160527.....301	1060781..... 261	1600387..... 123, 296	1683925..... 179, 215
1001198647.....299	1060809..... 36	1600466..... 37	1683932..... 95, 96, 211
1001198657.....300	1060810..... 44	1670678..... 100, 103	1683933..... 100, 173
1001198658.....300	1060811..... 36	1670697..... 128	1683934..... 173, 211
1001198659.....300	1060835..... 43, 44	1670698..... 100	1683939..... 94, 183
1001198660.....300	1060836..... 43	1670829..... 152	1683940..... 183
1001205501.....300	1060837..... 43	1670832..... 129	1683941..... 183
1001206996.....300	1060838..... 43	1670833..... 129	1683942..... 94, 95, 193
1001210032.....300	1060839..... 43	1670879..... 56	1683943..... 193
1001210033.....300	1060840..... 43	1670880..... 55	1683944..... 193
1001212202.....300	1060841..... 44	1670887..... 20	1683945..... 95, 203
1001222307.....300	1060842..... 44	1670951..... 56	1683946..... 203
1001228015..... 111, 237	1060843..... 44	1670959..... 111	1683947..... 203
1001228016..... 95, 209	1060844..... 44	1670963..... 56	1683980..... 235
1001228018..... 95, 207	1060845..... 44	1671037..... 152	1683995..... 173
1001228035..... 94, 191	1060847..... 44	1681344..... 194	1684002..... 211
1001228036..94, 95, 197, 199	1060903..... 147	1682154..... 173, 211	1684007..... 173, 211
1001228037..... 94, 187	1060919..... 141	1682878..... 173	1684022..... 183
1001228038..... 95, 201	10837580..... 66	1682879..... 211	1684023..... 183
1001228039..... 94, 189	1120094..... 183	1682886..... 211	1684024..... 94, 183
1001228061..... 103, 233	1120108..... 193, 203	1682888..... 221	1684025..... 193
1001228062..... 99, 231	1120110... 173, 211, 225, 235	1682948..... 221	1684026..... 193
1001228063..... 99, 229	1120305..... 183, 193	1683016..... 183	1684027..... 95, 193
1001230504.....298	1120375..... 193	1683021..... 193	1684029..... 221, 225
1001234102.....298	1120407..... 183	1683051..... 169	1684030..... 99, 221
1001236405.....298	1120487..... 81	1683052..... 179	1684031..... 203
1001237110.....298	1120487..... 81	1683285..... 100, 173	1684032..... 203
1001237443.94, 197, 298	1120552..... 20	1683286..... 173	1684033..... 95, 203
1001239570.....300	1180302..... 99	1683325..... 95, 211	1684055..... 183
1001241269.....301	1180352..... 103	1683505..... 203	1684056..... 193
1060092.....36	1180353..... 111	1683514..... 203	1684057..... 94, 193
1060279.....284, 289	1220038..... 100	1683515..... 183	1684058..... 94, 183
1060330..... 139, 261, 273	1220039..... 100	1683516..... 193	1684059..... 203
1060341..... 129, 264	1220040..... 100	1683584..... 225, 235	1684060..... 203
1060379..... 165	1271538..... 123	1683591..... 13, 219	1684061..... 95, 203
1060461.....268, 269, 279	1283014..... 299	1683704..... 99, 221	1684447..... 95, 193
1060494.... 147, 268, 269, 279	1283055..... 256	1683705..... 221	1684451..... 94, 183
1060584..... 84	1300019..... 20	1683706..... 221, 225	1684452..... 94, 95, 193
1060677.....261, 262, 273	1320012..... 48, 51	1683708..... 95, 203	1684453..... 94, 183
1060689.....276	1320017..... 247	1683709..... 203	1684454..... 95, 193
1060717.....43	1320022..... 48, 51, 81	1683710..... 183	1684492..... 94, 183
1060718.....43	1320033..... 48, 243, 251	1683711..... 94, 183	1684493..... 94, 193
1060719.....43	1320037..... 298	1683712..... 183, 194	1700584..... 283, 288
1060720.....43	1320040..... 128	1683713..... 94, 193	1701500..... 284, 289
1060721.....43	1320041..... 81, 87	1683756..... 215	1701502..... 284, 291
1060722.....43	1320043..... 87, 128	1683759..... 179	1701503..... 284, 291
1060723.....44	1320095..... 128	1683760..... 107, 179	1701504..... 283, 288
1060724.....44	1320135..... 48, 51	1683761..... 179	1701505..... 285, 292
1060725.....44	1320136..... 37, 123	1683772..... 215	1701509..... 284, 289
1060726.....44	1320172..... 36, 44	1683779.... 107, 115, 169	1701642..... 283, 288
1060727.....44	1320195..... 127	1683780..... 169	1701644..... 283, 288
1060728.....44	1320199..... 128	1683783..... 169	1701645..... 284
1060730.....48, 51	1320224..... 123	1683798..... 103, 221	1701691..... 283, 288
1060731.....48, 51	1320259..... 107, 115	1683800..... 221	1702124.... 244, 248, 252
1060751.....265	1320260..... 127	1683802..... 221, 225	1702153..... 283
1060754.....47, 51	1380136..... 61	1683813..... 95, 203	1702251..... 285
1060755.....47, 51	1380138..... 55	1683815..... 203	1702265..... 284, 289
1060759.....265	1380164..... 51	1683817..... 203	1702271..... 289
1060760.....35	1580012..... 134, 139	1683825..... 94, 193	1702300..... 284, 290
1060761.....36	1580013..... 135, 139	1683826..... 94, 183	1702565..... 152
1060776.....265	1600273..... 152, 161	1683827..... 183	1702566..... 152
1060777.....265	1600274..... 152, 157	1683829..... 193	1702567..... 152
	1600292..... 43, 296	1683863..... 235	1702688..... 284, 290
	1600293..... 43, 296	1683911..... 111, 235	1702701..... 20
	1600294.43, 45, 266, 277	1683912..... 235	1702740..... 20

SECTION 10 - SPECIAL OPTIONS

1702773	284, 290	1704286	284, 291	1760160.....	99	203, 207, 209, 243,	
1702774	284, 290	1704339	289	1810134.....	83	247, 251	
1702788	298	1704340	289	1810136.....	83	2220886	31
1702860	283, 287	1704341	289	1810138.....	83	2220899	243, 247, 251
1702868	284, 298	1704342	289	1870072.....	257	2220909	244, 248, 252
1702938	147	1704343	289	1870126.....	257	2220923	244, 248, 252
1702962	285, 292	1704344	289	1870227.....	257	2220934	244, 248, 252
1703175	299	1704368	291	2000320.....	51, 52	2220998	243, 247, 251
1703247	284, 290	1704371	292	2080040.....	133, 137	2220999	243, 247, 251
1703479	298	1704373	292	2120042.....	47, 51	2221033	243, 247, 251
1703488	284, 290	1704412	285, 292	2160001.....	77	2221039	252
1703683	165	1704417	289	2160002.....	69	2221046	81
1703797	283	1704418	289	2160003.....	77, 78	2221047	81
1703798	283	1704419	289	2180344.....	69	2221054	244, 247, 251
1703804	284	1704422	152	2180536.....	81	2221147	244
1703805	283	1704431	284, 289	2200222.....	173	2400044	44
1703813	284	1704445	284, 290	2220001.....	69	2400062	44, 296
1703923	288	1704446	284	2220124.....	69	2400067	152
1703924	288	1704452	289	2220237	244, 248, 252	2400068	152, 296
1703925	288	1704453	289	2220239.....	244	2410014	141
1703926	288	1704454	289	2220315.....	81	2420106	83
1703927	288	17046950	290, 291	2220371	243, 247, 251	2420202	123
1703928	288	1704712	44	2220374.....	248, 252	2540019	44
1703929	287	1704720	285	2220386....	244, 247, 251	2540020	44
1703930	287	1704727	284, 290	2220414....	244, 248, 252	2540021	44
1703931	287	1704752	284, 290	2220415....	243, 247, 251	2540037	44
1703932	287	1704787	283, 287	2220428....	243, 247, 251	2560122	61
1703933	287	1704788	283, 287	2220429....	243, 247, 251	2560123	61
1703934	288	1704789	283, 287	2220446.....	197	2560126	56
1703935	287	1704790	283, 287	2220459.....	81	2560136	152
1703936	287	1704791	283, 287	2220466....	243, 245, 247,	2600216	133
1703937	287	1704792	283, 287	251	2600219	133	
1703938	287	1704793	283, 287	2220472....	243, 247, 251	2600281	137
1703939	287	1704794	283, 287	2220473....	197, 243, 247,	2600287	133
1703940	287	1704830	285, 292	251	2700093	56	
1703947	289	1704885	285, 292	2220501	244, 247, 251	2720058	47, 51, 81
1703948	289	1704900	283, 287	2220502	243, 244, 245,	2720271	81
1703950	289	1704901	283, 287	247, 251	2720455	48	
1703951	289	1704958	283, 287	2220504	244, 247, 251	2720559	51
1703952	289	1704959	283, 287	2220507	243, 247, 251	2750900	248, 252
1703980	288	1705014	141	2220516....	221, 225, 229,	2750910	243, 247, 251
1703981	288	1705085	283, 288	231, 233, 235, 237	2750996	244, 247	
1703982	288	1705170	154	2220517	221, 225, 229,	2751009	197, 247
1703983	288	1705351	285	231, 233, 235, 237	2751095	69	
1703984	288	1705363	301	2220582.....	247, 251	2751126	244
1703985	288	1705364	20	2220593....	243, 247, 251	2751127	243
1703987	289	1705426	292	2220596....	221, 225, 229,	2751414	248
1703988	289	1705427	292	231, 233, 235, 237	2751498	243, 247, 251	
1703991	289	1705429	292	2220600....	244, 248, 252	2751508	244, 247
1703996	291	1705430	292	2220605....	244, 247, 251	2751890	252
1704000	288, 298	1705910	292	2220609....	244, 248, 252	2752430	247, 251
1704001	289	1705968	299	2220628....	221, 225, 229,	2752435	244
1704002	289	1706385	141	231, 233, 235, 237	2752437	243, 247, 251	
1704006	288	1706938	83	2220654.....	248	2752440	244
1704007	288	1706950	284, 291	2220677	244, 247, 251	2752446	243, 247, 251
1704008	288	1707013	284	2220684.....	244	2752459	243, 247, 251
1704112	290	1707042	290	2220711	244, 247, 251	2752466	247, 251
1704192	152	1707044	290	2220727.....	244	2752475	244
1704200	284, 290	1707047	290	2220805.....	52	2752476	243, 247, 251
1704239	153	1707049	290	2220819.....	244	2752487	243, 247, 251
1704240	152	1707054	290	2220873....	243, 247, 251	2752488	243, 247, 251
1704252	284, 290, 291	1707055	291	2220883....	174, 187, 191,	2752571	251
1704253	284, 289	1707056	291	197, 199, 221, 225,	2752572	244	
1704254	284, 289	1707058	291	229, 231, 233, 235, 237	2752573	244	
1704260	152	1707059	291	2220885....	169, 184, 189,	2752580	243
1704262	283, 288	1707060	291	191, 194, 199, 201,	2752581	244	
1704277	283, 288	1707134	291		2752585	244, 247	

SECTION 10 - SPECIAL OPTIONS

2752595.....243, 247, 251	199, 201, 203, 207,	3300281 ... 183, 191, 194,	3422181.....100
2752600.....243, 247, 251	209, 222, 226, 235, 239	197, 199	3422185.....99
2752611....244, 247, 248,	2900792 ... 169, 171, 173,	3300308 173, 211	3422480.....96
251, 252	177, 179, 181	3300315 203	3422481.....96
2752619.....251	2901147 174, 211	3300365 83	3422582.....96
2752620.....243	2901443 269, 280, 301	3300371 55	3422661.....165
2752675.....243, 247, 251	2901482 87	3300396 84	3422669..... 107, 116
2752795.....243, 247	2901486 88	3300426 13, 14, 17	3422692.....13
2752983.....244	2901776 179	3310601 43, 152	3422709.....100
2753050.....243, 247	2901777 88	3310805 69	3422791..... 107, 115
2753301..... 197, 247	2901778 87	3311001 44, 88, 133, 137	3422792..... 108, 116
2753302.....247	2901804 ... 204, 207, 209	3311005 .56, 84, 88, 129,	3422793.....107
2753303.....248	2901805 ... 184, 194, 199	133, 153	3422794..... 107, 115
2753304.....247	2901806 ... 184, 191, 197	3311011 84	3422804..... 103, 111
2753305.....248	2901807 222	3311401 .55, 57, 87, 100,	3422806.....96
2753326.....243	2901810 169	103, 111, 127, 147	3422814.....116
2753329.....252	2901898 179, 215	3311405 ... 31, 36, 37, 43,	3422844.....96
2753330.....252	2901902 174, 211	48, 51, 56, 61, 62, 81,	3422845.....96
2753331.....252	2901903 235, 237	100, 108, 116, 123,	3422901.....99
2753332.....243, 252	2902046 45	128, 134, 135, 139,	3430840.....87
2753333.....251	2902047 45	149, 235, 237, 284, 289	3450810.....13
2753334.....243, 251	2902048 44	3311501 44, 87, 107, 115,	3460457.....51
2753335.....243, 251	2902209 169	143, 145, 147	3480115.....193
2753336.....252	2902419 194	3311505 ... 31, 43, 47, 51,	3480217..... 173, 211
2753337.....243, 251	2902423 300	61, 97, 104, 112, 128,	3480239....221, 225, 235
2753474.....244, 251	2910866 299	143, 165	3480240..... 193, 203
2753475.....244, 251	2915225 300	3311508 123	3480241.....183
2753519.....243	2915230 301	3311601 87, 151	3480242..... 183, 193
2753520.....244	2920095 ... 135, 139, 269,	3311602 99	3480247.....179
2753535.....244	279	3311605 ... 31, 47, 51, 97,	3480249.....169
2760105.....152	2920118 300	100, 101, 103, 107,	3480259..... 179, 215
2780236..... 17, 23	2920129 261, 272	108, 111, 115, 116,	3480261..... 173, 211
2780241..... 13, 14	2920146 88	133, 134, 137, 139, 141	3510689.....133
2780242..... 13, 14	2920150 299	3311805 97, 108, 116,	3510690.....133
2780250..... 13, 14	2920151 84, 124	123	3510693.....133
2780251..... 13, 14	2920161 88	3312005 123	3510694.....133
2780282..... 17, 27	2940071 87	3312008 13	3510695.....300
2790900.....244	2940074 ... 133, 137, 294	3312602 89	3510714.....133
2792334.....254	2940095 56	3322202 13	3510725.....133
2792337.....254	2940115 55	3322205 ... 221, 225, 235	3510735.....133
2792395.....254	3000003 35	3323003 13	3510810.....133
2792413.....254	3010119 13	3340663 99	3510830.....137
2792458.....254	3010121 13	3340679 ... 221, 225, 229,	3510831.....137
2792505.....254	3020008 17	231	3510832.....137
2792506.....243, 254	3020022 96, 107, 116	3340682 99	3510844.....137
2792507.....247, 254	3020027 69	3340756 103	3510884.....141
2792509.....251, 254	3020029 69	3340820 99	3520026.....55, 84
2792510.....243, 254	3020037 17	3340837 103	3520028..... 84, 152
2820035..... 88, 135, 139	3160233 69, 73	3340859 104, 112	3520030.....152
2820036..... 88	3160239 17	3340860 107, 115	3520034.....100
2820105.....56	3200404 47, 51	3340878 111	3520054..... 84, 152
2820106.....56	3251243 283, 288	3340882 235, 237	3520072.... 133, 137, 138,
2820107.....48	3251813 283, 288	3340884 111	141
2820110.....57	3251921 285	3340886 111	3520082.....57, 111
2820111.....48, 51	3252221 298	3340939 104, 112	3520173.....154
2820112.....48, 51	3252331 285	3340940 104, 112	3520182.....149
2820116.....48, 51	3252347 134, 283	3380434 134, 139	3520198..... 137, 138
2820117.....47, 51	3252507 283, 288	3380510 48	3536089..... 135, 139
2820121.....57	3252632 83	3380511 48	3536491.....94
2820165.....48	3252669 83	3380602 51	3536999.....127
2820218.....51	3252780 285	3420156 87, 151	3537045.....93
2860030..... 84, 294	3252812 83	3422175 96	3537903.....88
2900371.....194	3271805 141	3422176 96	3539685.....133
2900708.....62	3290606 138	3422177 96	3570572.....55
2900768.....17	3300151 128, 138	3422178 96	3570573.....55
2900770.... 120, 184, 187,	3300188 83	3422179 96	3570581.....49
189, 191, 194, 197,	3300279 194, 203	3422180 96, 100	3570958..... 103, 111

SECTION 10 - SPECIAL OPTIONS

3571094..... 55	3990001 263, 274, 294	4420068.... 141, 143, 145,	4460458 ... 263, 264, 265,
3571157 81	3990105 17, 266, 278	147	266, 274, 275, 276, 277
3571160 31	3990106 264, 275	4460007..... 83	4460464 ... 135, 139, 260,
3571222 153	4010618 138	4460042..... 124	261, 262, 264, 272,
3571401 48	4060092 267, 278	4460049..... 147	273, 275, 276, 277, 280
3571406 107, 115	4060700 267, 278	4460071.... 134, 139, 261,	4460465 ... 124, 262, 263,
3571412 49	4060802 84	267, 273, 278	264, 266, 273, 274,
3571462 127	4060803 48, 87, 133	4460125..... 267, 278	275, 277, 280
3571834 36, 37	4060804 56, 104, 112	4460134..... 269, 279	4460466 ... 124, 266, 276,
3572413 133, 137	4060805 87, 127	4460138..... 266, 276	278
3572551 107, 115	4060807 44	4460205.... 267, 268, 278,	4460467 269, 280, 301
3575705 147	4060808 128	279	4460488 153
3575952 52	4060865 88, 89	4460224..... 264, 275	4460495 83, 262, 264,
3575961 51	4060906 84	4460225.... 124, 260, 261,	275
3600289 31	4060959 299	263, 265, 266, 272,	4460496 83, 153, 261,
3740063 256	4061054 123	273, 274, 276, 277, 278	264, 273, 275
3740087 256	4070863 111	4460226.... 124, 157, 158,	4460497 83, 153, 261,
3760115 99, 103, 111	4070864 111	161, 260, 261, 263,	264, 273, 275
3760308 55, 151	4070897 103	265, 266, 267, 272,	4460508 277
3760318 221, 235	4070898 103	273, 274, 275, 276,	4460509 276
3760367 169	4070982 103	277, 278	4460510 269, 280, 301
3760368 179, 215	4070987 84	4460227 124, 260, 261,	4460634 260, 272
3780181 96, 100	4070997 111	263, 264, 265, 266,	4460635 260, 272
3780184 96	4070998 111	267, 272, 273, 274,	4460685 62
3790012 152, 153	4100025 48, 52	275, 276, 277, 278	4460709 268, 279
3790113 ... 222, 226, 235,	4100026 81, 244, 248,	4460233..... 267, 278	4460710 269, 279
239	252	4460234..... 88, 147, 153	4460742 ... 263, 265, 274,
3820001 283, 285, 288	4100065 128	4460248..... 84	276
3820020 137	4100067 128	4460259..... 84, 261, 273	4460743 ... 263, 265, 274,
3841143 96, 100, 107,	4120027 256	4460260..... 84, 261, 273	276
116	4120035 260, 272	4460264..... 83	4460744 263, 265, 276
3841203 96, 107, 116	4130350 14	4460265.... 124, 157, 161,	4460745 263, 265, 276
3841367 13	4130351 14	260, 263, 265, 272,	4460746 263, 265, 276
3841517 13	4220162 88	274, 276	4460748 265, 276
3900054 141	4220165 133	4460267 .48, 84, 88, 260,	4460749 263, 265, 275
3900085 89	4220179 47	263, 264, 266, 272,	4460750 263, 265, 276
3900104 129	4240032 88, 152, 153	274, 275, 277, 280	4460751 263, 265, 276
3900109 13	4240033 .. 37, 48, 81, 123	4460268.... 263, 264, 269,	4460752 ... 153, 261, 262,
3900128 89	4240084 43	274, 275, 280	273, 274
3900142 203	4240099 ... 128, 135, 139,	4460313..... 124	4460753 127, 262, 274
3900170 ... 173, 184, 191,	147	4460320..... 88, 124, 263,	4460754 ... 127, 262, 273,
194, 197, 199, 203, 211	4240175 69	264, 266, 269, 274,	274
3900174 55	4300106 61	275, 277, 280	4460761 ... 124, 260, 265,
3900246 129	4300135 43	4460321.... 260, 263, 264,	267, 272, 276, 278
3900283 123	4300140 128	265, 266, 267, 272,	4460807 266, 277
3910636 43	4341072 52	274, 275, 276, 277, 278	4460808 266, 277
3910804 84	4360031 134, 139	4460326.... 263, 266, 274,	4460809 ... 264, 266, 275,
3910808 152	4360057 147	277	277
3911008 133, 137	4360070 84, 294	4460343.... 260, 263, 272,	4460836 124, 263, 274
3911014 88	4360274 84, 296	274	4460837 263, 274
3930824 69	4360321 129	4460346..... 267, 278	4460867 ... 264, 266, 275,
3931016 179, 215	4360328 83, 152, 153,	4460367..... 261, 273	277
3931028 129	294	4460418.... 260, 262, 266,	4460884 266, 277
3931430 36, 43	4360330 84, 152, 294	272, 274, 277	4460891 280
3931516 169, 179, 215	4360336 ... 153, 154, 256,	4460419.... 260, 263, 266,	4460897 280
3931816 115	296	272, 274, 277	4460930 277
3931832 69	4360387 ... 147, 152, 294	4460424.... 124, 264, 274,	4460931 276
3951402 ... 194, 203, 221,	4360448 152, 256, 294	276	4460933 124
225, 235	4360462 152	4460425..... 83, 147, 263,	4460968 129
3960389 48, 51, 57	4360469 84, 294	264, 274, 275	4460979 ... 264, 266, 275,
3960417 48, 51, 57	4360475 84, 152, 294	4460428.... 129, 135, 139,	277
3960418 48, 51	4360476 83, 153, 294	153, 261, 266, 269,	4520206 19
3960433 55	4360522 154	273, 276, 280	4520208 19
3960438 83	4360548 129, 296	4460434.... 260, 263, 265,	4520209 19
3960447 55	4400416 31	272, 274, 275	4520231 19
3960453 87	4400417 81	4460444..... 44, 276	4520232 19
3980035 47, 51	4420062 165		4520247 19

SECTION 10 - SPECIAL OPTIONS

4520269.....19	4740362... 100, 108, 116, 134, 139	4846937 145	4933105.....256, 260, 272
4520279.....18	4740394..... 194	4860181 20	4933128.....256, 257, 262
4520282.....18	4740397 83	4860191 20	4933181.....256, 260, 272
4564417.....69	4740413 100	4891500 77	4933182.....256, 260, 272
4565992.....184	4750600..... 43, 153	4891600 48, 52, 101, 108, 117, 123	4933289..... 124, 256
4565994.....194	4750800..... 57, 70, 153	4891800 13, 123	4933317.....256
4566023.....173, 211	4751000... 44, 56, 88, 89, 133, 137	4892000 17, 69, 123	4933388.....256, 257, 262, 274
4566027.....221, 225	4751400 56, 87, 100, 123, 127, 134, 139, 147, 149, 235, 237, 289	4920385 48, 52	70000088..... 75
4566187.....244	4751500... 31, 43, 48, 52, 87, 97, 107, 115, 123, 127, 143, 145, 147, 165	4921568 268, 279	70000089..... 75
4566188.....244	4751600... 31, 47, 52, 81, 83, 87, 97, 100, 134, 139	4921569 267	70000290..... 52
4566243.....128	4751800 .36, 87, 141, 147	4921570 268, 279	70000291..... 52
4566356.....97	4760600 44	4921571 268	70000292..... 52
456642797	4761000 133, 137	4921592 268, 279	70000293..... 52
4566432.....184	4761400... 31, 43, 61, 99, 103, 111	4921593 267	70000294..... 52
4566435.....194	4761500 143	4921594 268, 279	70000295..... 52
4566623.....244	4761600...31, 83, 99, 221	4921595 268	70000296..... 52
4567177.....203	4761800 99, 103, 111	4922057 263	70000297..... 52
4567679.....35	4811700 138	4922058 262	70000298..... 52
4567704.....221, 225	4844303 93	4922060 260, 272	70000299..... 52
4567845.....48	4844304 93	4922071 260, 272	70000300..... 52
4567908.....203	4844427 93	4922073 263, 274	70000301..... 52
4567946.....248, 252	4844467 96	4922074 260	70000302..... 52
4567963.....235	4844541 93	4922103 44	70000303..... 52
4568114.....43	4844579 99	4922104 263, 274	70000304..... 52
4568136.....173, 211	4844603 55	4922117 264, 274	70000305..... 52
4640392.....20	4844917 143	4922118 260, 272	70000306..... 52
4640509... 169, 171, 173, 177	4845327 133	4922157 260, 272	70000307..... 52
4640634... 184, 187, 189, 191, 194, 197, 199, 201	4845346 143	4922160... 260, 267, 272, 278	70000308..... 52
4640709... 222, 226, 235, 239	4845426 133	4922178 ... 127, 261, 273	70000309..... 52
4640771... 222, 226, 235, 239	4845582 165	4922179 ... 127, 262, 273	70000310..... 53
4640807... 221, 222, 225, 229, 231, 233, 235, 237, 239	4845642 47	4922222 ... 153, 264, 275	70000311..... 52
4640816..... 184, 194	4845846 35	4922223 ... 153, 264, 275	70000312..... 52
4640861... 244, 248, 252	4845925 107	4922263 264, 275	70000313..... 52, 296
4640932... 174, 177, 179, 181	4845926 107, 115	4922267 264, 275	70000314..... 52
4640936... 203, 207, 209	4845927 107, 115	4922294 ... 153, 266, 277	70000315..... 52
4641029..... 61, 62	4845951 133	4922303 260, 272	70000316..... 52
4641070..... 61, 65	4846026 93	4922307 261, 272	70000317..... 52
4641086..... 179, 181	4846033 103	4922319 48, 84, 266, 277	70000318..... 52, 296
4641102..... 62	4846050 100, 116	4922328 31, 265, 275	70000319..... 52, 296
4641119..... 62	4846073 116	4922363 ... 127, 262, 273	70000320..... 53
4641149..... 31, 33	4846091 97	4922364 127, 261	70000321..... 53
4641167..... 20	4846106 35	4922366 262	70000322..... 53, 296
4641195..... 61, 65	4846107 35	4922367 263, 274	70000323..... 49, 53, 296
4641386... 184, 187, 189, 191, 194, 197, 199, 201	4846180 111	4922495 127, 262	70000324..... 53
4641394..... 61, 62	4846209 93	4922496 ... 127, 261, 273	70000325..... 53
4711400... 31, 36, 37, 43, 48, 52, 61, 62, 81, 123, 135, 138, 139, 284	4846223 55	4922552 127, 273	70000326..... 53, 81, 296
4711500... 20, 35, 44, 47, 52, 61, 104, 112, 151	4846276 133	4922555 260, 272	70000327..... 53
4711600... 17, 31, 69, 100, 101, 103, 108, 111, 116, 117, 123, 133, 137	4846278 107, 115	4922556 260, 272	70000328..... 53, 81, 264, 275
4711800..... 36	4846307 93	4922607 268, 279	70000329..... 53, 296
4740120..... 83, 153	4846322 100, 108	4922608 ... 267, 268, 278	70000330..... 53, 296
4740156..... 13	4846370 147	4922609 268, 279	70000340..... 120
4740171..... 69	4846452 137	4922610 268, 278	70000341..... 120
4740207... 184, 194, 197, 199	4846502 116	4922611 268, 279	70000381..... 67
	4846608... 101, 108, 117, 123	4922612 268, 279	70000382..... 53
	4846698 88	4922613 ... 129, 265, 275	70000739..... 177, 213
	4846759 149	4922614 ... 129, 265, 275	70000740..... 177, 213
	4846936 145	4922615 129	70000865..... 77
		4922916 123	70000868..... 77
		4922917 124	70000901..... 49
		4922926 124	70000967..... 52
		4923061 135, 139	70001121..... 52
		4923625 262, 274	70001144..... 53
		4933059 256, 262	70001366..... 27
		4933060 ... 256, 260, 272	70001367..... 27
		4933102 256	70001368..... 27, 28

SECTION 10 - SPECIAL OPTIONS

70001369.....	27	70003723.....	23	70006598.....	201	7006152.....	103, 111
70001370.....	27	70003724.....	23	70006599.....	201	7007640.....	27
70001371.....	27	70003725.....	24	70006600.....	201	7007900.....	17
70001372.....	27	70003819.....	181, 217	70006601.....	187	7007913.....	17
70001373.....	27	70003833.....	171	70006602.....	189	7007933.....	17
70001374.....	27	70003836.....	171	70006603.....	189	7007977.....	17
70001375.....	27	70003843.....	217	70006604.....	189	7010542.....	33
70001376.....	27	70003844.....	217	70006605.....	189	7010543.....	33, 66
70001377.....	27	70003845.....	181, 217	70006606.....	189	7011112... 174, 177, 179,	181
70001378.....	27	70003846.....	181	70006607.....	189	7011323.....	120
70001379.....	27	70003847.....	181	70006608.....	189	7011376... 184, 187, 189,	191, 194, 197, 199, 201
70001380.....	28	70003863.....	171	70006609.....	189	7011577.....	39
70001677.....	77	70003864.....	171	70006971..229, 231, 233,	237	7011590.....	265
70001697.....	120	70004019.....	67	70006972.....	233	7011593.....	39, 294
70001758.....	49	70004130.....	213	70006973.....	233	7011594.....	39
70001876.....	65, 66	70004131.....	177	70006974.....	237	7011596.....	40
70001961.....	31	70004141.....	177, 213	70006975.....	237	7011621.....	39, 266
70001996..	103, 111, 296	70004142.....	177, 213	70006976.....	229, 231	7011716.....	17
70001998.....	103, 111	70004143.....	177, 213	70010724.....	69	7011757.....	17
70002206.....	75	70004144.....	213	7001630.....	219	7012518.....	33, 65, 67
70002207.....	75	70004145.....	213	70022564... 187, 189, 201		7012540.....	67
70002216.....	181, 217	70004146.....	177	70023094.....	177, 213	7012596.....	78
70002217.....	181, 217	70004147.....	177	70023369.....	189	7012597.....	77
70002220.....	171	70004159.....	77	70023915..207, 209, 229,	231	7012654.....	77
70002223.....	171	70004265.....	53	70024262.....	177	7012655.....	77
70002244.....	53	70004637.....	189	70027244.....	189	7012903.....	65
70002373.....	201	70004785.....	53	7002821....269, 280, 301		7012914.....	66
70002408.....	17	70005143.....	201	7002822.....	301	7012941.....	33
70002412.....	187	7000625	134, 139	7002823....269, 280, 301		7012947.....	66
70002724.....	161	70006396.....	209	7002826.....	301	7012949.....	67
70002725.....	161	70006397.....	209	7002828....269, 280, 301		7012953.....	62, 65
70002726.....	161	70006398.....	209	7003928.....	157	7012959.....	62
70002728.....	161	70006399.....	209	7003933.....	161	7012961.....	67
70002730.....	157	70006400.....	207, 209	7003935.....	161	7012967.....	33
70002731.....	157	70006401.....	207, 209	7003940.....	161	7012972.....	33
70002732.....	157	70006402.....	209	7003941.....	161	7012975.....	67
70002733.....	157	70006411.....	207	7003946.....	161	7012981.....	62
70002734.....	157	70006412.....	207	7003952.....	157	7012995.....	65
70002735.....	157	70006413.....	207, 237	7003953.....	157	7012998.... 33, 62, 65, 66	
70002736.....	161	70006414.....	207	7003956.....	157	7016177.....	35
70002737.....	162	70006415.....	207	7003972.....	162	7016314.....	81
70002806.....	65	70006531.....	191	7003973.....	162	7016319.....	88
70002807.....	62	70006532..	191, 197, 199	7003974.....	157, 161	7016356.... 135, 139, 300	
70002808.....	62	70006533..	191, 197, 199	7003976.....	157	7016372.....	88
7000281	27	70006535.....	191	7003977.....	157	7016623.....	300
70002902.....	139	70006539.....	197, 199	7003980.....	162	7016624.....	300
70002903.....	139	70006542.....	197, 199	7003982.....	162	7016652.....	134
70002904.....	139	70006543.....	197, 199	7003983.....	162	7016654.....	301
70002905.....	139	70006561..	231, 233, 237	7003986.....	161	7016676.....	77
70002906.....	157	70006563.....	229, 231	7003989.....	162	7016682.....	77
70003171.....	31	70006564..	229, 231, 233,	7003992.....	157, 161	7017007.....	28
70003341.....	219	237		7003993.....	157, 161	7017009.....	27
70003483.....	139	70006565..	229, 231, 233,	7003994.....	161	7017022.....	27
70003557.....	52	237		7004035.....	75	7017120.....	119
70003618.....	53	70006566.....	229	7004036.....	75	7017121.....	119
70003711.....	23	70006567.....	231	7004043.....	75	7017122.....	120
70003712.....	23	70006587.....	187	7004044.....	75	7017123.....	120
70003713.....	23	70006588.....	187	7004045.....	75	7017126.....	119
70003714.....	23	70006589.....	187	7004047.....	75	7017127.....	120
70003715.....	23	70006590.....	187	7004049.....	75	7017130.....	119
70003716.....	23	70006591.....	187	7004275.....	301	7017131.....	119
70003717.....	23	70006592.....	187	7004276.....	301	7017132.....	120
70003718.....	23	70006593.....	187	70050801.....	187	7017134.....	120
70003719.....	23	70006594.....	201	7006139.....	103, 111	7017135.....	119
70003720.....	23	70006595.....	201	7006151.....	103, 111	7017153.....	119
70003721.....	23	70006596.....	201				
70003722.....	23	70006597.....	201				

SECTION 10 - SPECIAL OPTIONS

7017165.....	120	7019164.....	162	7020653.....	39, 296	7022903.....	40
7017167.....	119	7019165.....	162	7020654.....	40, 296	7022905.....	39
7017168.....	119	7019167.....	162	7020663.....	40	7022906.....	39
7017169.....	119	7019168.....	161	7020685.....	39	7022908.....	39
7017172.....	120	7019170.....	157	7020690.....	39	7022909.....	39, 265
7017173.....	119	7019174.....	157	7020691.....	39	7022925.....	39
7017178.....	120	7019191.....	161	7020693.....	39, 265	7023216.....	14
7017179.....	120	7019194.....	162	7020696.....	39	7023217.....	14
7017192.....	120	7019195.....	157	7020697.....	39	7023274.....	49
7017196.....	119	7019196.....	162	7020698.....	40	7023318.....	75
7017246.....	219	7019197.....	157	7020699.....	40	7023337.....	264, 275
7017247.....	219	7019698.....	99, 296	7021318.....	31	7023338.....	264, 275
7017248.....	219	7019699.....	99	7021319.....	31	7023349.....	49
7017249.....	219	7020035.....	14	7021320.....	31, 294	7023350.....	49
7017250.....	219	7020036.....	14	7021323.....	23	7023484.....	77
7017251.....	219	7020037.....	14	7021324.....	23	7023485.....	49
7017252.....	219	7020038.....	14	7021325.....	23	7023486.....	81, 264
7017402.....	33, 62, 65	7020039.....	14	7021326.....	23	7023489.....	49
7017410.....	65	7020040.....	14	7021327.....	23	7023803.....	23
7017418.....	66	7020041.....	14	7021328.....	23	7024047.....	24
7017421.....	66	7020054.....	14	7021329.....	24	7024049.....	23
7017423.....	66	7020055.....	14	7021333.....	24	7024051.....	23
7017433.....	33, 65	7020099.....	151	7021335.....	23	7024053.....	23
7017450.....	33	7020100.....	151	7021336.....	23	7024054.....	24
7017452.....	62, 65	7020126.....	73	7021337.....	23	7024379.....	75
7017466.....	62	7020127.....	73	7021338.....	24	7024380.....	75
7017479.....	65	7020128.....	73	7021339.....	23	7024381.....	75
7017488.....	33	7020129.....	73	7021340.....	23	7024389.....	75
7017496.....	67	7020130.....	73	7021341.....	23	7024390.....	75
7018122.....	49	7020131.....	73	7021342.....	23	7024453.....	75
7018123.....	49	7020137.....	14	7021344.....	23	7024738.....	27
7018124.....	49	7020138.....	17	7021361.....	31	7024741.....	27
7018125.....	49	7020140.....	14	7021367.....	31	7024832.....	33
7018126.....	49	7020150.....	17	7021369.....	31	7024844.....	171, 181
7018127.....	49	7020155.....	81, 264	7021377.....	31	7024891.....	62
7018142.....	49	7020156.....	81	7021603.....	65	7024931.....	23
7018506.....	39, 296	7020157.....	49	7021604.....	65	7024981.....	24
7018525.....	39, 296	7020158.....	49	7021606.....	66	7024983.....	23
7018537.....	40	7020159.....	49	7021607.....	66	7024985.....	23
7018563.....	39, 296	7020160.....	49	7021609.....	33, 62, 65, 294	7024986.....	24
7018564.....	39, 296	7020161.....	49	7021610.....	65, 294	7026042.....	77
7018571.....	39	7020162.....	49	7021611.....	33, 65	7026043.....	77
7018577.....	40	7020163.....	49	7021616.....	33, 294	7026068.....	171
7019103.....	161	7020164.....	49	7021618.....	33, 65, 294	7026082.....	181, 217
7019110.....	161	7020165.....	49	7021619.....	33	7026084.....	181, 217
7019111.....	157, 161	7020166.....	49	7021624.....	67	7026088.....	171
7019112.....	161	7020167.....	49	7021653.....	62, 66	7026090.....	171
7019115.....	161	7020175.....	84, 152	7021659.....	33	7026091.....	171
7019122.....	157	7020176.....	84, 152	7022000.....	45	7026092.....	171
7019123.....	157	7020197.....	49	7022001.....	45	7026669.....	49
7019137.....	157	7020198.....	49	7022002.....	45	7026670.....	49
7019141.....	157	7020199.....	49	7022003.....	45, 266, 277	7027350.....	77
7019142.....	157	7020200.....	49	7022004.....	45, 266, 277	7027351.....	77
7019143.....	157	7020201.....	49	7022005.....	45, 266, 277	7027352.....	77
7019144.....	157	7020202.....	49	7022007.....	45	7027353.....	77
7019145.....	157	7020203.....	49	7022008.....	45, 266, 277	7027354.....	77
7019147.....	157	7020204.....	49	7022009.....	45	7027356.....	77
7019149.....	157	7020206.....	49	7022010.....	45	7027358.....	77
7019150.....	157	7020215.....	49	7022011.....	45	7027359.....	77
7019151.....	161	7020217.....	49	7022012.....	45	7027360.....	77
7019154.....	161	7020603.....	40	7022391.....	33	7027361.....	77
7019157.....	161	7020642.....	39, 296	7022394.....	65	7027363.....	77
7019158.....	161	7020644.....	39, 265	7022808.....	157	7027900.....	119
7019159.....	161	7020648.....	39	7022812.....	161	7027901.....	119
7019160.....	161	7020649.....	39	7022813.....	157	90206369.....	77
7019161.....	161	7020650.....	39	7022815.....	157		
7019162.....	161	7020651.....	39	7022900.....	39		



3121128



An Oshkosh Corporation Company

Corporate Office
JLG Industries, Inc.
1 JLG Drive
McConnellsburg, PA 17233-9533 USA
☎ (717) 485-5161 (Corporate)
☎ (877) 554-5438 (Customer Support)
☎ (717) 485-6417

Visit our website for JLG Worldwide Locations.
www.jlg.com