



# Illustrated Parts Manual

***Models***  
***400S***  
***460SJ***

**PVC**  
**2001**  
**2007**

**P/N**  
**31215017**

**July 15, 2023 - Rev D**

***ANSI***

**CE**



***AS/NZS***



An Oshkosh Corporation Company



## **REVISION LOG**

November 1, 2019 - A - Original Issue of Manual (Edited to B/M 1001245658 Revision C)

February 7, 2020 - B - Revised Manual (Edited to B/M 1001245658 Revision G)

January 1, 2021 - C - Revised Manual (Edited to B/M 1001245658 Revision J)

July 15, 2022 - D - Revised Manual (Edited to B/M 1001245658 Revision J)

# GENERAL INFORMATION



## 1) MACHINE IDENTIFICATION

Machines are identified by model and in some cases a combination of models, serial number (SN) or regional standard (i.e ANSI, CE, CSA). Components may also be identified by SN or manufacturer. Common components that may be identified by these characteristics are engines and hydraulic components.

## 2) PARTS MANUAL ORGANIZATION

Product information in this manual is organized under section titles. Frame, Cylinder, Hydraulic and Electrical are a few examples. Each section is organized by figure and page number. The information within the Figure is then organized by item number, part number, description and corresponding illustration (s).

## 3) TABLE OF CONTENTS (NOT SHOWN)

A table of contents is found toward the beginning of the manual. Figure number, description and page number are provided for quick reference to the page containing the related information.

## 4) RECOMMENDED SPARE PARTS (NOT SHOWN)

The Recommended Spare Parts List, located near the end of the manual, reference most frequently used maintenance parts.

## 5) PART NUMBER INDEX (NOT SHOWN)

A numerical index listing all part numbers and the corresponding page number(s) appears at the back of the manual.

# GENERAL INFORMATION

## 6) NON-SERVICED PARTS

In some instances, it is necessary to display non-serviced parts, assemblies or installations. In the case of assemblies and installations there will be a Ref in the Qty. column. In case of parts that are not available for service within assemblies or components, there will be a NSS (Not Sold Separately) or NLA (No Longer Available) listed in the Qty. column of the manual.

## 7) PARTS LIST ITEM NUMBERS

Numbers shown in the item# column correspond to numbers used in the associated illustration (s). Item numbers which are missing from the sequence in the parts list are not used on that page.

## 8) INDENTED PARTS DESCRIPTION

An indented part description is included in the item under which it is indented.

## 9) ABBREVIATION AND SYMBOLS

AC.....	Alternating Current	L.....	Liter
ADE.....	Advanced Design Electronics	LB(LBS).....	Pounds
AG.....	Agricultural	LCD.....	Liquid Crystal Display
ANSI.....	American National Standards Institute	LED.....	Light Emitting Diodes
AR.....	As Required	LH.....	Left Hand
ASSY.....	Assembly	LRC.....	Low Rated Countries
AUS.....	Australia	LSS.....	Load Sensing System
AUX.....	Auxiliary	M(m).....	Metric/Meter
AWG.....	American Wire Gauge	MM(mm).....	Milimeter
B/M.....	Bill of Material	mA.....	Miliamps
CAC.....	Charge Air Cooler	NLA.....	No Longer Available
CE.....	European Conformity	NPT.....	National Pipe Threads
CCW.....	Counter Clockwise	NSS.....	Not Sold Separately
CM.....	Centimeter	OD.....	Outside Diameter
CW.....	Clockwise	ORB.....	O-Ring Boss
CSA.....	Canadian Standards Association	ORFS.....	O-Ring Face Seal
CYL.....	Cylinder	OZ (oz).....	Ounces
DIA.....	Diameter	PG.....	Page
DC.....	Direct Current	PN.....	Part Number
DEF.....	Diesel Exhaust Fluid	QT(qt.).....	Quarts
EMS.....	Emergency Stop	QTY.....	Quantity
ENG.....	Engine	REF.....	Reference
FT(ft).....	Feet	REV.....	Revision Level
GA(Ga).....	Gauge	RH.....	Right Hand
HRC.....	High Rated Countries	SAE.....	Society of Automotive Engineers
HVAC.....	Heating, Ventilating, and Air Conditioning	SN.....	Serial Number
HYD.....	Hydraulic	SPEC(S).....	Specifications
Hz.....	Hertz	T/T.....	Turntable
ID.....	Inside Diameter	UGM.....	Universal Ground Module
IN.....	inches	V.....	Volts
ISO.....	International Organization for Standards	W.....	Watts
JIC.....	Joint Industry Council	#.....	Number
KG.....	Kilogram		

## 10) ILLUSTRATION REFERENCE LETTERS

When necessary, illustrations may contain reference letters that are intended to track information (i. e. hoses, harnesses) from one point to another or to track visual enlargement of components to show details that may be located in another area on the illustration.

*Note: Due to continuous product improvements, JLG Industries, Inc. reserves the right to make specification changes without prior notification. Contact JLG Industries, Inc. for updated information.*



# TABLE OF CONTENTS

SECTION 1 - FRAME.....	15
FIGURE 1-1. AXLE INSTALLATION .....	16
FIGURE 1-2. STEER INSTALLATION WITHOUT TOW PACKAGE .....	18
FIGURE 1-3. STEER INSTALLATION WITH TOW PACKAGE.....	20
FIGURE 1-4. WHEEL DRIVE INSTALLATION (2WD).....	22
FIGURE 1-5. WHEEL DRIVE INSTALLATION (4WD).....	24
FIGURE 1-6. DRIVE HUB AND BRAKE ASSEMBLY - REAR .....	26
FIGURE 1-7. DRIVE HUB ASSEMBLY - FRONT.....	30
FIGURE 1-8. HUB - SPINDLE ASSEMBLY (2WD) .....	32
FIGURE 1-9. DRIVE MOTOR ASSEMBLY (2WD) .....	34
FIGURE 1-10. DRIVE MOTOR ASSEMBLY (4WD) .....	36
FIGURE 1-11. TRACTION VALVE ASSEMBLY (2WD).....	38
FIGURE 1-12. TRACTION VALVE ASSEMBLY (4WD).....	40
FIGURE 1-13. TIRE AND WHEEL INSTALLATION - 12 X 16.5 FOAM FILLED (AVAILABLE ON ALL SPECS).....	42
FIGURE 1-14. TIRE AND WHEEL INSTALLATION - 12 X 16.5 FF NON-MARKING (AVAILABLE ON ALL SPECS) .....	44
FIGURE 1-15. TIRE AND WHEEL INSTALLATION - 14 X 17.5 FOAM FILLED (AVAILABLE ON ALL SPECS).....	46
FIGURE 1-16. FRAME SHIELD INSTALLATION - WITHOUT TOW BAR.....	48
FIGURE 1-17. FRAME SHIELD INSTALLATION - WITH TOW BAR .....	50
FIGURE 1-18. TOW BAR INSTALLATION.....	52
FIGURE 1-19. TOW BAR ASSEMBLY .....	54
FIGURE 1-20. LP TANK BRACKETS INSTALLATION .....	56
SECTION 2 - TURNTABLE.....	59
FIGURE 2-1. CONTROL VALVES INSTALLATION (400S) .....	60
FIGURE 2-2. CONTROL VALVES INSTALLATION (460SJ).....	62
FIGURE 2-3. MAIN VALVE ASSEMBLY (400S).....	64
FIGURE 2-4. MAIN VALVE ASSEMBLY (460SJ).....	68
FIGURE 2-5. AXLE VALVE ASSEMBLY .....	72
FIGURE 2-6. SWING DRIVE INSTALLATION .....	74
FIGURE 2-7. SWING HUB/MOTOR ASSEMBLY.....	76
FIGURE 2-8. TURNTABLE BEARING INSTALLATION .....	80
FIGURE 2-9. BEARING LUBE INSTALLATION .....	82
FIGURE 2-10. TURNTABLE LOCK INSTALLATION.....	84
FIGURE 2-11. ROTARY COUPLING INSTALLATION .....	86
FIGURE 2-12. TANKS INSTALLATION - DIESEL MACHINES.....	88
FIGURE 2-13. TANKS INSTALLATION - GAS MACHINES .....	90
FIGURE 2-14. HYDRAULIC TANK ASSEMBLY.....	92
FIGURE 2-15. AUXILIARY PUMP AND BATTERY INSTALLATION.....	94
FIGURE 2-16. AUXILIARY PUMP AND BATTERY WITH DISCONNECT SWITCH INSTALLATION.....	96
FIGURE 2-17. AUXILIARY PUMP ASSEMBLY.....	98
FIGURE 2-18. ELECTRICAL INSTALLATION (400S).....	100
FIGURE 2-19. ELECTRICAL INSTALLATION (460SJ) .....	102
FIGURE 2-20. ELECTRICAL INSTALLATION - WITH DEUTZ (STAGE V) (460SJ).....	104
FIGURE 2-21. ELECTRICAL PANEL ASSEMBLY .....	106
FIGURE 2-22. WHITE NOISE ALARM INSTALLATION.....	108

# TABLE OF CONTENTS

FIGURE 2-23. GROUND CONTROL ASSEMBLY (400S) .....	110
FIGURE 2-24. GROUND CONTROL ASSEMBLY (460SJ) .....	112
FIGURE 2-25. GROUND CONTROL ASSEMBLY - DEUTZ (STAGE V) (CE SPECS) (460SJ) .....	114
FIGURE 2-26. GROUND CONTROL DECAL AND KEYSWITCH INSTALLATION (ALL SPECS EXCEPT AUSTRALIAN AND CE SPECS) (400S) .....	116
FIGURE 2-27. GROUND CONTROL DECAL AND KEYSWITCH INSTALLATION (ANSI EXPORT SPECS) (PVC 2001) (400S) .....	118
FIGURE 2-28. GROUND CONTROL DECAL AND KEYSWITCH INSTALLATION (ALL SPECS EXCEPT CE SPEC) (460SJ) ..	120
FIGURE 2-29. GROUND CONTROL DECAL AND KEYSWITCH INSTALLATION (CE (LRC) SPEC) (460SJ) .....	122
FIGURE 2-30. GROUND CONTROL DECAL AND KEYSWITCH INSTALLATION (STAGE V) (CE SPECS) (460SJ) .....	124
FIGURE 2-31. GROUND CONTROL MOUNTING (400S) .....	126
FIGURE 2-32. GROUND CONTROL MOUNTING (460SJ) .....	128
FIGURE 2-33. GROUND CONTROL MOUNTING - DEUTZ (STAGE V) (CE SPECS) (460SJ) .....	130
FIGURE 2-34. LIGHT PANEL INSTALLATION (400S) .....	132
FIGURE 2-35. LIGHT PANEL INSTALLATION (460SJ) .....	134
FIGURE 2-36. BEACON LIGHT INSTALLATION - AMBER .....	136
FIGURE 2-37. BEACON LIGHT INSTALLATION - BLUE .....	138
FIGURE 2-38. BEACON LIGHT INSTALLATION - RED .....	140
FIGURE 2-39. HOOD INSTALLATION - ABS (DEUTZ & GM ENGINES) .....	142
FIGURE 2-40. HOOD INSTALLATION - ABS (KUBOTA ENGINES) .....	146
FIGURE 2-41. HOOD INSTALLATION - ABS (KUBOTA ENGINES) (CE SPECS) .....	150
FIGURE 2-42. ABS HOOD ASSEMBLY - ENGINE SIDE .....	154
FIGURE 2-43. ABS HOOD ASSEMBLY - ENGINE SIDE (CE SPEC) .....	156
FIGURE 2-44. ABS HOOD ASSEMBLY - TANK SIDE .....	158
FIGURE 2-45. ABS HOOD ASSEMBLY - TANK SIDE (CE SPEC) .....	160
FIGURE 2-46. HOOD INSTALLATION - STEEL .....	162
FIGURE 2-47. STEEL HOOD ASSEMBLY - ENGINE SIDE .....	166
FIGURE 2-48. STEEL HOOD ASSEMBLY - TANK SIDE .....	168
FIGURE 2-49. SOUND REDUCTION INSTALLATION - KUBOTA ENGINE MACHINES WITH STEEL HOODS .....	170
FIGURE 2-50. TURNTABLE COVERS INSTALLATION .....	172
<b>SECTION 3 - ENGINE .....</b>	<b>175</b>
FIGURE 3-1. ENGINE INSTALLATION - DEUTZ D2011 ENGINE (WITHOUT ARCTIC PACKAGE) (ANSI EXPORT, AUSTRALIAN, CE (LRC) AND CHINA SPECS) .....	176
FIGURE 3-2. ENGINE AND PUMP SUB-ASSEMBLY - DEUTZ D2011 (WITHOUT ARCTIC PACKAGE) (AUSTRALIAN AND CHINA SPECS) .....	182
FIGURE 3-3. ENGINE ASSEMBLY - DEUTZ D2011 ENGINE (WITHOUT ARCTIC PACKAGE) (AUSTRALIAN AND CHINA SPECS) .....	184
FIGURE 3-4. ENGINE INSTALLATION - DEUTZ D2011 ENGINE (WITH ARCTIC PACKAGE) (ANSI EXPORT, AUSTRALIAN, CE (LRC) AND CHINA SPECS) .....	188
FIGURE 3-5. ENGINE AND PUMP SUB-ASSEMBLY - DEUTZ D2011 (WITH ARCTIC PACKAGE) (ANSI EXPORT AND CHINA SPECS) .....	194
FIGURE 3-6. ENGINE ASSEMBLY - DEUTZ D2011 ENGINE (WITH ARCTIC PACKAGE) (ANSI EXPORT AND CHINA SPECS) .....	196
FIGURE 3-7. ENGINE COMPONENTS - DEUTZ D2011 .....	200
FIGURE 3-8. ENGINE INSTALLATION - DEUTZ D2011 ENGINE (STAGE V) (WITHOUT ARCTIC PACKAGE) (CE SPECS) ..	204
FIGURE 3-9. ENGINE AND PUMP SUB-ASSEMBLY - DEUTZ D2011 (STAGE V) (WITHOUT ARCTIC PACKAGE) (CE SPECS) .....	208
FIGURE 3-10. ENGINE ASSEMBLY - DEUTZ D2011 ENGINE (STAGE V) (WITHOUT ARCTIC PACKAGE) (CE SPECS) .....	210



# TABLE OF CONTENTS

FIGURE 3-11. ENGINE COMPONENTS - DEUTZ D2011 (STAGE V) .....	214
FIGURE 3-12. ENGINE INSTALLATION - DEUTZ D2.9L4 ENGINE (WITHOUT ARCTIC PACKAGE) (ANSI, ANSI EXPORT, CSA AND JAPANESE SPECS) .....	218
FIGURE 3-13. ENGINE AND PUMP SUB-ASSEMBLY - DEUTZ D2.9L4 (WITHOUT ARCTIC PACKAGE) (ANSI, ANSI EXPORT AND CSA SPECS) .....	224
FIGURE 3-14. ENGINE ASSEMBLY - DEUTZ D2.9L4 ENGINE (WITHOUT ARCTIC PACKAGE) (ANSI, ANSI EXPORT AND CSA SPECS) (PVC 2001) .....	226
FIGURE 3-15. ENGINE ASSEMBLY - DEUTZ D2.9L4 ENGINE (WITHOUT ARCTIC PACKAGE) (ANSI, ANSI EXPORT AND CSA SPECS) (PVC 2007) .....	232
FIGURE 3-16. ENGINE INSTALLATION - DEUTZ D2.9L4 ENGINE (WITH ARCTIC PACKAGE) (ANSI, ANSI EXPORT AND CSA SPECS) .....	238
FIGURE 3-17. ENGINE AND PUMP SUB-ASSEMBLY - DEUTZ D2.9L4 (WITH ARCTIC PACKAGE) (ANSI, ANSI EXPORT AND CSA SPECS).....	244
FIGURE 3-18. ENGINE ASSEMBLY - DEUTZ D2.9L4 ENGINE (WITH ARCTIC PACKAGE) (ANSI, ANSI EXPORT AND CSA SPECS) (PVC 2001).....	246
FIGURE 3-19. ENGINE ASSEMBLY - DEUTZ D2.9L4 ENGINE (WITH ARCTIC PACKAGE) (ANSI, ANSI EXPORT AND CSA SPECS) (PVC 2007).....	252
FIGURE 3-20. ENGINE COMPONENTS - DEUTZ D2.9L4 ENGINE (ANSI, ANSI EXPORT AND CSA SPECS).....	258
FIGURE 3-21. ENGINE INSTALLATION - DEUTZ D2.9L4 ENGINE (STAGE V) (CE SPECS) .....	262
FIGURE 3-22. ENGINE AND PUMP SUB-ASSEMBLY - DEUTZ D2.9L4 ENGINE (STAGE V) (CE SPECS) .....	268
FIGURE 3-23. ENGINE ASSEMBLY – DEUTZ D2.9L4 ENGINE (STAGE V) (CE SPECS).....	270
FIGURE 3-24. ENGINE COMPONENTS - DEUTZ D2.9L4 ENGINE (STAGE V) (CE SPECS) .....	276
FIGURE 3-25. BREATHER HEATER INSTALLATION - DEUTZ D2.9L4 ENGINE WITH ARCTIC PACKAGE .....	280
FIGURE 3-26. BRACKET ASSEMBLY - FUEL PUMP AND FILTER (DEUTZ D2.9L4 ENGINE).....	282
FIGURE 3-27. BRACKET ASSEMBLY - FUEL PUMP AND FILTER (DEUTZ D2.9L4 ENGINE) (STAGE V) .....	284
FIGURE 3-28. PUMP COUPLING KIT (DEUTZ ENGINES) .....	286
FIGURE 3-29. ENGINE INSTALLATION - KUBOTA ENGINE (WITHOUT ARCTIC PACKAGE).....	288
FIGURE 3-30. ENGINE AND PUMP SUB-ASSEMBLY - KUBOTA ENGINE (WITHOUT ARCTIC PACKAGE) .....	294
FIGURE 3-31. ENGINE ASSEMBLY - KUBOTA ENGINE (WITHOUT ARCTIC PACKAGE).....	296
FIGURE 3-32. ENGINE INSTALLATION - KUBOTA ENGINE (WITH ARCTIC PACKAGE) .....	302
FIGURE 3-33. ENGINE AND PUMP SUB-ASSEMBLY - KUBOTA ENGINE (WITH ARCTIC PACKAGE) .....	308
FIGURE 3-34. ENGINE ASSEMBLY - KUBOTA ENGINE (WITH ARCTIC PACKAGE) .....	310
FIGURE 3-35. ENGINE COMPONENTS - KUBOTA.....	316
FIGURE 3-36. PUMP COUPLING KIT - KUBOTA ENGINE .....	320
FIGURE 3-37. PISTON PUMP ASSEMBLY .....	322
FIGURE 3-38. SPARK ARRESTOR INSTALLATION - DEUTZ D2011 ENGINE .....	326
FIGURE 3-39. ENGINE BAFFLE INSTALLATION - ABS HOODS (DEUTZ & GM ENGINES) .....	328
FIGURE 3-40. ENGINE BAFFLE INSTALLATION - ABS HOODS (KUBOTA ENGINES) .....	330
FIGURE 3-41. ENGINE BAFFLE INSTALLATION - STEEL HOODS .....	332
FIGURE 3-42. ENGINE TRAY JACK (USA BUILT MACHINES).....	334
FIGURE 3-43. ENGINE TRAY JACK (ROMANIAN BUILT MACHINES) .....	336
FIGURE 3-44. GENERATOR INSTALLATION - 2500W/60HZ (DEUTZ D2011 ENGINE) .....	338
FIGURE 3-45. GENERATOR INSTALLATION - 2500W/60HZ (DEUTZ D2.9L4 ENGINE) .....	342
FIGURE 3-46. GENERATOR INSTALLATION - 2500W/60HZ (KUBOTA ENGINE).....	346
FIGURE 3-47. GENERATOR INSTALLATION - 4000W/50HZ (DEUTZ D2011 ENGINES).....	350
FIGURE 3-48. GENERATOR INSTALLATION - 4000W/60HZ (DEUTZ D2011 ENGINE) .....	354
FIGURE 3-49. GENERATOR INSTALLATION - 4000W/60HZ (DEUTZ D2.9L4 ENGINE) .....	358
FIGURE 3-50. GENERATOR INSTALLATION - 4000W/50HZ (DEUTZ STAGE V ENGINE) .....	362

# TABLE OF CONTENTS

FIGURE 3-51. GENERATOR INSTALLATION - 7500W/50HZ (DEUTZ D2011 ENGINE) (PVC 2001) .....	366
FIGURE 3-52. GENERATOR INSTALLATION - 7500W/50HZ (DEUTZ D2011 ENGINE) (PVC 2007) .....	370
FIGURE 3-53. GENERATOR INSTALLATION - 7500W/60HZ (DEUTZ D2011 ENGINE).....	374
FIGURE 3-54. GENERATOR INSTALLATION - 7500W/60HZ (DEUTZ D2.9L4 ENGINE).....	378
FIGURE 3-55. GENERATOR INSTALLATION - 7500W/60HZ (KUBOTA ENGINE) .....	382
FIGURE 3-56. GENERATOR INSTALLATION - 7500W/50HZ (DEUTZ STAGE V ENGINE).....	386
SECTION 4 - BOOM.....	389
FIGURE 4-1. BOOM AND CYLINDERS INSTALLATION (400S) .....	390
FIGURE 4-2. BOOM AND CYLINDERS INSTALLATION (USA BUILT MACHINES) (460SJ) .....	392
FIGURE 4-3. BOOM AND CYLINDERS INSTALLATION (ROMANIAN BUILT MACHINES) (460SJ) .....	394
FIGURE 4-4. MAIN BOOM ASSEMBLY (400S).....	396
FIGURE 4-5. MAIN BOOM ASSEMBLY (USA BUILT MACHINES) (460SJ) .....	398
FIGURE 4-6. MAIN BOOM ASSEMBLY (ROMANIAN BUILT MACHINES) (460SJ) .....	400
FIGURE 4-7. JIB BOOM ASSEMBLY (USA BUILT MACHINES) (460SJ) .....	402
FIGURE 4-8. JIB BOOM ASSEMBLY (ROMANIAN BUILT MACHINES) (460SJ) .....	404
FIGURE 4-9. ROTATOR ASSEMBLY (400S) .....	406
FIGURE 4-10. ROTATOR ASSEMBLY (460SJ) .....	408
FIGURE 4-11. POWER TRACK INSTALLATION.....	410
FIGURE 4-12. POWER TRACK INSTALLATION.....	412
FIGURE 4-13. CAPACITY SWITCH INSTALLATION .....	414
FIGURE 4-14. TRANSPORT SWITCHES INSTALLATION .....	416
FIGURE 4-15. PLATFORM SUPPORT INSTALLATION - WITH 1 CELL LSS .....	418
SECTION 5 - PLATFORM .....	421
FIGURE 5-1. PLATFORM ASSEMBLY - 30IN X 5FT (76.2CM X 1.52M) WITH SWING GATE (USA BUILT MACHINES).....	422
FIGURE 5-2. PLATFORM ASSEMBLY - 36IN X 6FT (91.5CM X 1.83M) WITH SWING GATE (USA BUILT MACHINES).....	424
FIGURE 5-3. PLATFORM ASSEMBLY - 36IN X 8FT (91.5CM X 2.44M) WITH SWING GATE (USA BUILT MACHINES).....	426
FIGURE 5-4. PLATFORM ASSEMBLY - 30IN X 5FT (76.2CM X 1.52M) WITH DROP BAR (USA BUILT MACHINES).....	428
FIGURE 5-5. PLATFORM ASSEMBLY - 36IN X 6FT (91.5CM X 1.83M) WITH DROP BAR (USA BUILT MACHINES).....	430
FIGURE 5-6. PLATFORM ASSEMBLY - 36IN X 8FT (91.5CM X 2.44M) WITH DROP BAR (USA BUILT MACHINES).....	432
FIGURE 5-7. PLATFORM ASSEMBLY - 36IN X 6FT (91.5CM X 1.83M) WITH FALL ARREST (ANSI, ANSI EXPORT AND CHINA SPECS) (USA BUILT MACHINES) .....	434
FIGURE 5-8. PLATFORM ASSEMBLY - 30IN X 5FT (76CM X 1.52M) WITH SWING GATE (ROMANIAN BUILT MACHINES).....	436
FIGURE 5-9. PLATFORM ASSEMBLY - 36IN X 6FT (92CM X 1.83M) WITH SWING GATE (ROMANIAN BUILT MACHINES).....	438
FIGURE 5-10. PLATFORM ASSEMBLY - 36IN X 8FT (91.5CM X 2.44M) WITH SWING GATE (ROMANIAN BUILT MACHINES) .....	440
FIGURE 5-11. PLATFORM ASSEMBLY - 36IN X 8FT (91.5CM X 2.44M) WITH DROP BAR (ROMANIAN BUILT MACHINES).....	442
FIGURE 5-12. PLATFORM ASSEMBLY - 30IN X 5FT (76CM X 1.52M) WITH DROP BAR (ROMANIAN BUILT MACHINES).....	444
FIGURE 5-13. PLATFORM ASSEMBLY - 36IN X 6FT (91.5CM X 1.83M) WITH DROP BAR (ROMANIAN BUILT MACHINES).....	446
FIGURE 5-14. PLATFORM ASSEMBLY - 36IN X 6FT (91.5CM X 1.83M) TRI-ENTRY WITH GATE .....	448
FIGURE 5-15. PLATFORM ASSEMBLY - 36IN X 6FT (91.5CM X 1.83M) TRI-ENTRY WITH DROPBAR .....	450
FIGURE 5-16. PLATFORM ASSEMBLY - 36IN X 8FT (91.5CM X 2.44M) WITH TRI-ENTRY (1 GATE/2 DROP BARS).....	452
FIGURE 5-17. PLATFORM ASSEMBLY - 36IN X 8FT (91.5CM X 2.44M) WITH TRI-ENTRY (3 DROP BARS).....	454
FIGURE 5-18. PLATFORM ASSEMBLY - 30IN X 3FT (76CM X .91M) - DROP BAR ENTRY .....	456
FIGURE 5-19. PLATFORM CONSOLE BOX INSTALLATION.....	458
FIGURE 5-20. PLATFORM CONSOLE BOX ASSEMBLY.....	460

# TABLE OF CONTENTS

FIGURE 5-21. CONTROLLER ASSEMBLY (DRIVE AND STEER).....	464
FIGURE 5-22. CONTROLLER ASSEMBLY (LIFT AND SWING).....	466
FIGURE 5-23. FOOTSWITCH ASSEMBLY.....	470
FIGURE 5-24. LIGHT PANEL INSTALLATION - 400S (400S).....	472
FIGURE 5-25. LIGHT PANEL INSTALLATION - 460SJ (460SJ).....	474
FIGURE 5-26. TRAY INSTALLATION.....	476
FIGURE 5-27. SOFT TOUCH INSTALLATION - 6FT (1.83M) FALL ARREST PLATFORM (OPTIONAL).....	478
FIGURE 5-28. SOFT TOUCH INSTALLATION - 8FT (2.4M) PLATFORM (OPTIONAL).....	480
FIGURE 5-29. SKYGUARD BAR INSTALLATION.....	482
FIGURE 5-30. SKYEYE INSTALLATION.....	484
FIGURE 5-31. SKYLINE INSTALLATION.....	486
FIGURE 5-32. SKYGLAZIER INSTALLATION.....	488
FIGURE 5-33. SKYWELDER INSTALLATION (50HZ).....	490
FIGURE 5-34. SKYWELDER INSTALLATION (60HZ).....	492
FIGURE 5-35. SKYWELDER PREP PACKAGE (60HZ).....	494
FIGURE 5-36. WELDER ASSEMBLY.....	496
FIGURE 5-37. PIPE RACK INSTALLATION (ANSI AND CSA SPECS).....	498
FIGURE 5-38. PIPE RACK INSTALLATION (AUSTRALIAN SPEC).....	500
FIGURE 5-39. FALL ARREST (BOLT-ON) INSTALLATION - 5FTX3FT PLATFORM (ALL SPECS EXCEPT AUSTRALIAN & CE SPECS) (OPTIONAL).....	502
FIGURE 5-40. FALL ARREST (BOLT-ON) INSTALLATION - 6FTX3FT PLATFORM (ALL SPECS EXCEPT AUSTRALIAN & CE SPECS) (OPTIONAL).....	504
FIGURE 5-41. FALL ARREST (BOLT-ON) INSTALLATION - 6FTX3FT TRI-ENTRY PLATFORM (ALL SPECS EXCEPT AUSTRALIAN & CE SPECS) (OPTIONAL).....	506
FIGURE 5-42. FALL ARREST (BOLT-ON) INSTALLATION - 8FTX3FT PLATFORM (ALL SPECS EXCEPT AUSTRALIAN & CE SPECS) (OPTIONAL).....	508
SECTION 6 - CYLINDER.....	511
FIGURE 6-1. AXLE LOCKOUT CYLINDER ASSEMBLY.....	512
FIGURE 6-2. LEVEL (PLATFORM SLAVE) CYLINDER ASSEMBLY.....	514
FIGURE 6-3. LIFT CYLINDER ASSEMBLY - MAIN BOOM.....	516
FIGURE 6-4. LIFT CYLINDER ASSEMBLY - JIB.....	518
FIGURE 6-5. MASTER CYLINDER ASSEMBLY.....	520
FIGURE 6-6. STEER CYLINDER ASSEMBLY.....	522
FIGURE 6-7. TELESCOPE CYLINDER ASSEMBLY.....	524
SECTION 7 - HYDRAULIC.....	527
FIGURE 7-1. 2WD HYDRAULIC SYSTEM INSTALLATION (400S).....	528
FIGURE 7-2. 4WD HYDRAULIC SYSTEM INSTALLATION (ALL MACHINES) (400S).....	536
FIGURE 7-3. 2WD HYDRAULIC SYSTEM INSTALLATION (460SJ).....	544
FIGURE 7-4. 4WD HYDRAULIC SYSTEM INSTALLATION (ALL MACHINES) (460SJ).....	552
SECTION 8 - ELECTRICAL.....	561
FIGURE 8-1. AC BOX AT PLATFORM INSTALLATION - 110V (ANSI, ANSI EXPORT, CSA, CHINA AND JAPANESE SPECS).....	562
FIGURE 8-2. AC BOX AT PLATFORM INSTALLATION - 110V IEC YELLOW (CE SPECS WITH 4000W/50HZ GENERATOR).....	564
FIGURE 8-3. AC BOX AT PLATFORM - 110V IEC YELLOW (CE SPEC WITHOUT GENERATOR).....	566

# TABLE OF CONTENTS

FIGURE 8-4. AC BOX AT PLATFORM INSTALLATION - 220V IEC BLUE (CE SPECS WITH 4000W/50HZ GENERATOR).....	568
FIGURE 8-5. AC BOX AT PLATFORM - 220V IEC BLUE (CE SPEC WITHOUT GENERATOR).....	570
FIGURE 8-6. AC BOX AT PLATFORM - 220V CEE7 2IN X 4IN POST GROUND (CE SPEC WITHOUT GENERATOR).....	572
FIGURE 8-7. AC BOX AT PLATFORM - 220V CEE7 2IN X 4IN SIDE GROUND (CE SPEC WITHOUT GENERATOR) .....	574
FIGURE 8-8. AC BOX AT PLATFORM INSTALLATION - 220V CEE7 2IN X 4IN POST GROUND (CE SPECS WITH 4000W/50HZ GENERATOR) .....	576
FIGURE 8-9. AC BOX AT PLATFORM INSTALLATION - 220V CEE7 2IN X 4IN SIDE GROUND (CE SPECS WITH 4000W/50HZ GENERATOR) .....	578
FIGURE 8-10. AC BOX AT PLATFORM INSTALLATION - 220V AFSINT107 (CE SPECS WITH 4000W/50HZ GENERATOR) .....	580
FIGURE 8-11. AC BOX AT PLATFORM - 220V AFSINT107 (CE SPEC WITHOUT GENERATOR) .....	582
FIGURE 8-12. AC BOX AT PLATFORM INSTALLATION - 220V CUSTOMER SUPPLIED COMPONENTS (ANSI EXPORT, CE AND CHINA SPECS) .....	584
FIGURE 8-13. AC BOX AT PLATFORM INSTALLATION - 240V (WITH 4000W GENERATOR) (ALL SPECS EXCEPT AUSTRALIAN & CE SPECS) .....	586
FIGURE 8-14. AC BOX AT PLATFORM INSTALLATION - 240V (WITH 7500W SKYPOWER GENERATOR) (ALL SPECS EXCEPT AUSTRALIAN & CE SPECS).....	588
FIGURE 8-15. AC CABLE INSTALLATION - WITH THREE BREAKERS (CE SPECS) .....	590
FIGURE 8-16. BATTERY DISCONNECT SWITCH .....	592
FIGURE 8-17. BEACON HARNESS (BLUE/RED BEACON LIGHT) .....	594
FIGURE 8-18. BOOM HARNESS (400S).....	596
FIGURE 8-19. BOOM HARNESS (460SJ).....	598
FIGURE 8-20. BOOM CAPACITY PROXIMITY SWITCH HARNESS (400S).....	600
FIGURE 8-21. BOOM TELE IN PROXIMITY SWITCH HARNESS .....	602
FIGURE 8-22. BREAKER BOX INSTALLATION - 110/220V 16AMP BREAKER (CE SPEC) .....	604
FIGURE 8-23. BREAKER BOX KIT - 110/220V 16AMP BREAKER (CE SPEC) .....	606
FIGURE 8-24. BREAKER BOX KIT - 30MA/16 AMP .....	608
FIGURE 8-25. BREAKER BOX KIT WITH THREE BREAKERS.....	610
FIGURE 8-26. CABLES AND CLAMPS INSTALLATION (4000W GENERATOR 60HZ) (ANSI AND ANSI EXPORT SPECS) (400S) .....	612
FIGURE 8-27. CABLES AND CLAMPS INSTALLATION (4000W GENERATOR 50HZ) (ANSI, ANSI EXPORT, CE AND CHINA SPECS) (PVC 2001) (400S) .....	614
FIGURE 8-28. CABLES AND CLAMPS INSTALLATION (4000W GENERATOR 50HZ) (ANSI, ANSI EXPORT AND CHINA SPECS) (PVC 2007) (400S) .....	616
FIGURE 8-29. CABLES AND CLAMPS INSTALLATION (4000W GENERATOR 60HZ) (ANSI AND ANSI EXPORT SPECS) (PVC 2001) (460SJ) .....	618
FIGURE 8-30. CABLES AND CLAMPS INSTALLATION (4000W GENERATOR 60HZ) (ANSI AND ANSI EXPORT SPECS) (PVC 2007) (460SJ) .....	620
FIGURE 8-31. CABLES AND CLAMPS INSTALLATION (4000W GENERATOR 50HZ) (ANSI EXPORT, AUSTRALIAN, CE AND CHINA SPECS) (PVC 2001) (460SJ).....	622
FIGURE 8-32. CABLES AND CLAMPS INSTALLATION (4000W GENERATOR 50HZ) (ANSI EXPORT, AUSTRALIAN, CE AND CHINA SPECS) (PVC 2007) (460SJ).....	624
FIGURE 8-33. CABLES AND CLAMPS INSTALLATION (7500W GENERATOR) (ANSI, ANSI EXPORT, CE AND CHINA SPECS) (400S) .....	626
FIGURE 8-34. CABLES AND CLAMPS INSTALLATION (7500W GENERATOR) (ANSI, ANSI EXPORT, AUSTRALIAN, CE AND CHINA SPECS) (460SJ) .....	628
FIGURE 8-35. ENGINE HARNESS - DEUTZ D2011 .....	630
FIGURE 8-36. ENGINE HARNESS - DEUTZ D2.9L4 (PVC 2001) .....	632
FIGURE 8-37. ENGINE HARNESS - DEUTZ D2.9L4 (PVC 2007) .....	636
FIGURE 8-38. ENGINE HARNESS - DEUTZ (STAGE V).....	640
FIGURE 8-39. ENGINE HARNESS - KUBOTA.....	644

# TABLE OF CONTENTS

FIGURE 8-40. FUEL HARNESS - DEUTZ D2.9L4 ENGINE .....	646
FIGURE 8-41. FUEL HARNESS - DEUTZ (STAGE V) ENGINE .....	648
FIGURE 8-42. FUEL HARNESS - KUBOTA ENGINE .....	650
FIGURE 8-43. GENERATOR HARNESS - 2500W.....	652
FIGURE 8-44. GENERATOR HARNESS - 4000W.....	654
FIGURE 8-45. GROUND CONTROL BOX HARNESS .....	656
FIGURE 8-46. INTERFACE HARNESS - WITH 1 CELL LSS (PVC 2001).....	658
FIGURE 8-47. INTERFACE HARNESS - WITH 1 CELL LSS (PVC 2007).....	660
FIGURE 8-48. PLATFORM CONSOLE BOX HARNESS .....	662
FIGURE 8-49. RECEPTACLE BOX KIT - 110V IEC YELLOW (CE SPEC).....	664
FIGURE 8-50. RECEPTACLE BOX KIT - 220V IEC BLUE (CE SPEC) .....	666
FIGURE 8-51. RECEPTACLE BOX KIT - 220V CEE7 POST GROUND 2IN X 4IN (CE SPEC) .....	668
FIGURE 8-52. RECEPTACLE BOX KIT - 220V CEE7 SIDE GROUND 2IN X 4IN (CE SPEC) .....	670
FIGURE 8-53. RECEPTACLE BOX KIT - 220V AFSINT 107 (CE SPEC).....	672
FIGURE 8-54. TURNTABLE HARNESS .....	674
FIGURE 8-55. VALVE HARNESS - MAIN VALVE.....	678
FIGURE 8-56. SKYLINE HARNESS.....	680
FIGURE 8-57. SKYEYE INTERMEDIATE HARNESS.....	682
FIGURE 8-58. SKYEYE RECEIVER HARNESS (PVC 2001) .....	684
FIGURE 8-59. SKYEYE RECEIVER HARNESS (PVC 2007) .....	686
FIGURE 8-60. SKYEYE EMITTER HARNESS (PVC 2001) .....	688
FIGURE 8-61. SKYEYE EMITTER HARNESS (PVC 2007) .....	690
SECTION 9 - DECAL .....	693
FIGURE 9-1. DECAL INSTALLATION - ANSI, ANSI EXPORT AND CSA SPECS - ENGLISH (400S).....	694
FIGURE 9-2. DECAL INSTALLATION - ANSI, ANSI EXPORT AND CSA SPECS - ENGLISH (460SJ).....	696
FIGURE 9-3. DECAL INSTALLATION - AUSTRALIAN SPEC (460SJ).....	698
FIGURE 9-4. DECAL INSTALLATION - CE SPEC (PVC 2001) (400S) .....	700
FIGURE 9-5. DECAL INSTALLATION - CE SPEC (460SJ) .....	702
FIGURE 9-6. INSTALLATION - BRAZIL SPEC (DUAL LANGUAGE - PORTUGUESE/SPANISH) (400S).....	704
FIGURE 9-7. DECAL INSTALLATION - BRAZIL SPEC (DUAL LANGUAGE - PORTUGUESE/SPANISH) (460SJ).....	706
FIGURE 9-8. DECAL INSTALLATION - CHINESE SPEC (DUAL LANGUAGE - ENGLISH/CHINESE) (400S).....	708
FIGURE 9-9. DECAL INSTALLATION - CHINESE SPEC (DUAL LANGUAGE - ENGLISH/CHINESE) (460SJ).....	710
FIGURE 9-10. DECAL INSTALLATION - CSA SPEC (DUAL LANGUAGE - ENGLISH/FRENCH) (400S) .....	712
FIGURE 9-11. DECAL INSTALLATION - CSA SPEC (DUAL LANGUAGE - ENGLISH/FRENCH) (460SJ) .....	714
FIGURE 9-12. DECAL INSTALLATION - JAPANESE SPEC (DUAL LANGUAGE - ENGLISH/JAPANESE) (400S) .....	716
FIGURE 9-13. DECAL INSTALLATION - JAPANESE SPEC (DUAL LANGUAGE - ENGLISH/JAPANESE) (460SJ) .....	718
FIGURE 9-14. DECAL INSTALLATION - KOREAN SPEC (DUAL LANGUAGE - ENGLISH/KOREAN) (400S) .....	720
FIGURE 9-15. DECAL INSTALLATION - KOREAN SPEC (DUAL LANGUAGE - ENGLISH/KOREAN) (460SJ) .....	722
FIGURE 9-16. DECAL INSTALLATION - LATIN AMERICAN SPEC (DUAL LANGUAGE - ENGLISH/SPANISH) (400S).....	724
FIGURE 9-17. DECAL INSTALLATION - LATIN AMERICAN SPEC (DUAL LANGUAGE - ENGLISH/SPANISH) (460SJ).....	726
FIGURE 9-18. DECAL INSTALLATION - OPTIONS .....	728
FIGURE 9-19. SKYWELDER DECAL INSTALLATION - 50HZ (ANSI EXPORT SPECS).....	732
FIGURE 9-20. SKYWELDER DECAL INSTALLATION - 60HZ (ANSI EXPORT SPECS) (PVC 2001) .....	734
FIGURE 9-21. SKYWELDER DECAL INSTALLATION - 60HZ (ANSI EXPORT SPECS) (PVC 2007) .....	736

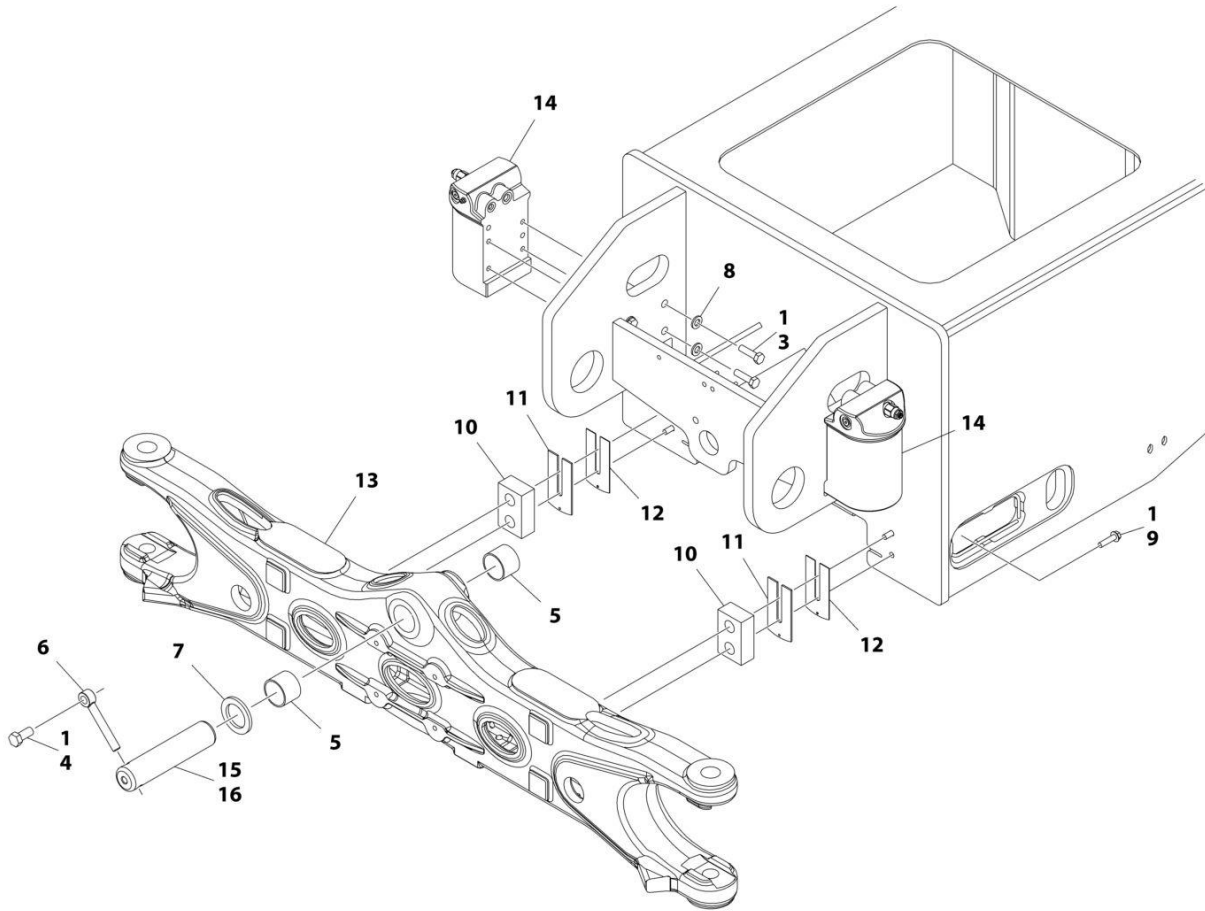
# TABLE OF CONTENTS

SECTION 10 - RECOMMENDED SERVICE PARTS STOCK .....	739
FIGURE 10-1. RECOMMENDED SERVICE PARTS STOCK.....	740
SECTION 11 - SPECIAL OPTIONS .....	743
FIGURE 11-1. SPECIAL OPTIONS .....	744
PART NUMBER INDEX.....	747

**SECTION 1 - FRAME**

# SECTION 1 - FRAME

## FIGURE 1-1. AXLE INSTALLATION



ART\_1001164094



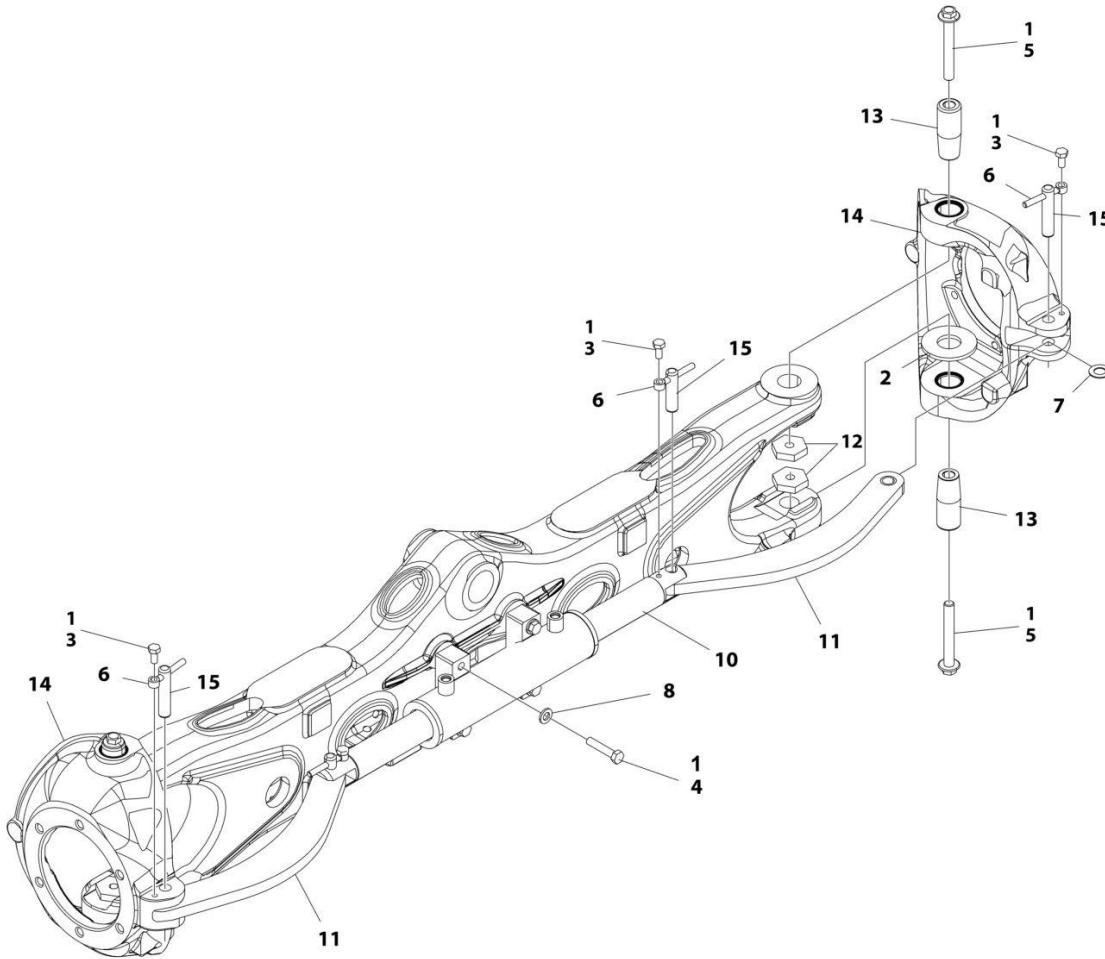
## SECTION 1 - FRAME

### FIGURE 1-1. AXLE INSTALLATION

ITEM	PART NUMBER	QTY	DESCRIPTION	REV
	1001164094	Ref	AXLE INSTALLATION	C
1	0100011	AR	Compound, Locking	
3	0701217	8	Bolt M12 x 45	
4	0761615	1	Bolt M16 x 35	
5	0961950	2	Bearing	
6	3841258	1	Keeper, Pin	
7	4740158	1	Washer	
8	5241200	8	Washer M12	
9	5251016	4	Bolt M10 x 40	
10	1001166563	2	Pad, Wear	
11	1001150324	2	Shim, 3	
12	1001150326	2	Shim, 1.2	
13	1001162995	1	Axle	
14	1001163580	2	Axle Lockout Cylinder Assembly (See Separate Breakdown in CYLINDER SECTION)	
15	1001164552	1	Pin	
16	3020039	AR	Lube	

# SECTION 1 - FRAME

## FIGURE 1-2. STEER INSTALLATION WITHOUT TOW PACKAGE



ART\_1001164092

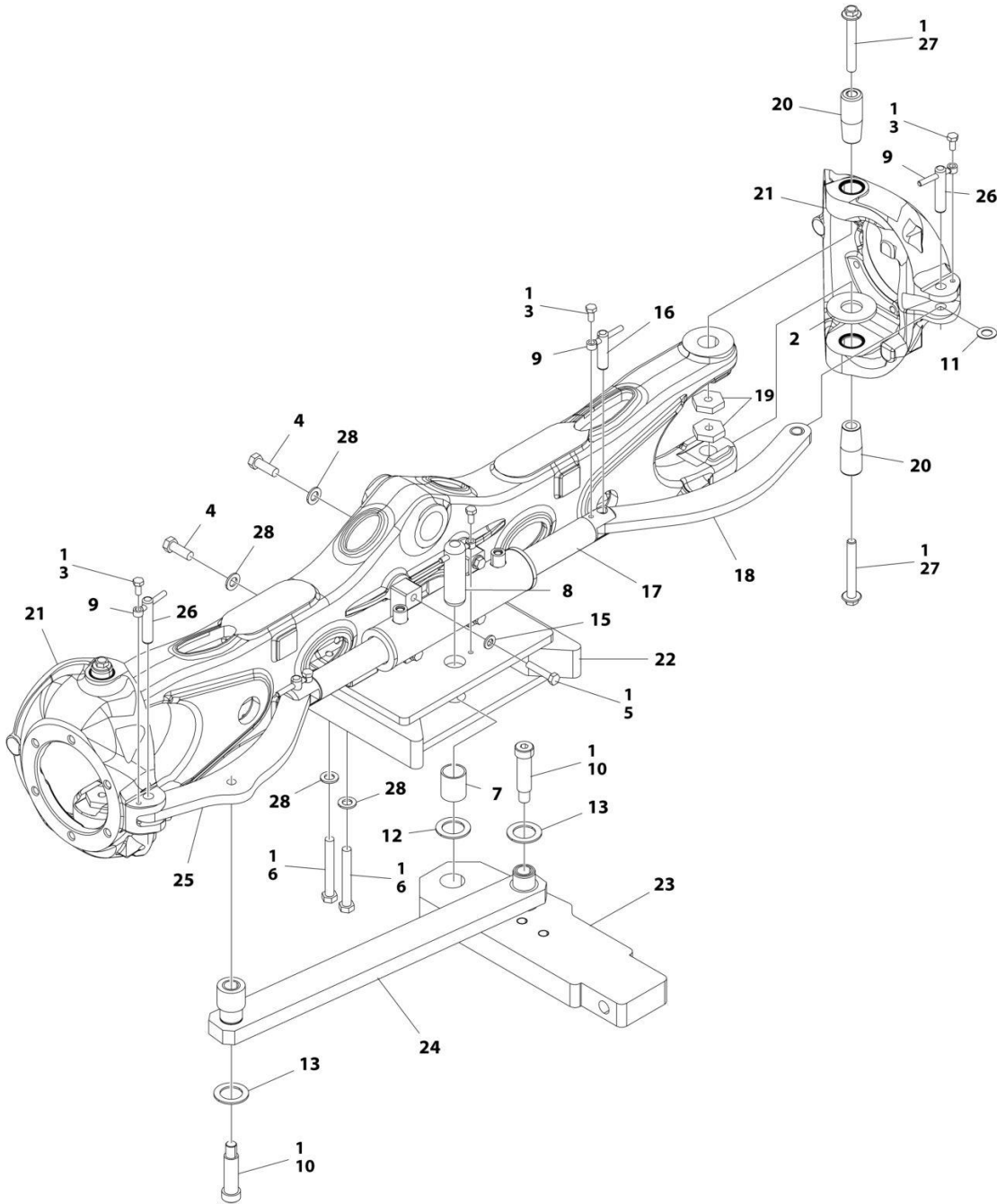
## SECTION 1 - FRAME

**FIGURE 1-2. STEER INSTALLATION WITHOUT TOW PACKAGE**

ITEM	PART NUMBER	QTY	DESCRIPTION	REV
	1001164092	Ref	STEER INSTALLATION WITHOUT TOW PACKAGE	F
1	0100011	AR	Compound, Locking	
2	1001233139	2	Bearing, Thrust	
3	0761011	4	Bolt M10 x 22	
4	0711220	4	Bolt M12 x 60 Grade 10.9	
5	1001190368	4	Bolt M16 x 120	
6	3841143	4	Keeper, Pin	
7	4740086	4	Washer	
8	5241200	4	Washer M12	
10	1001163178	1	Steer Cylinder Assembly (See Separate Breakdown in CYLINDER SECTION)	
11	1001163179	2	Link	
11	1001164209	4	Bearing (2 Per Link)	
12	1001176848	4	Nut M16	
13	1001163405	4	Kingpin	
14	1001163715	2	Spindle	
14	0961948	4	Bearing (2 Per Spindle)	
14	1001163716	8	Seal (4 Per Spindle)	
15	3423304	4	Pin	

# SECTION 1 - FRAME

## FIGURE 1-3. STEER INSTALLATION WITH TOW PACKAGE



ART\_1001164095

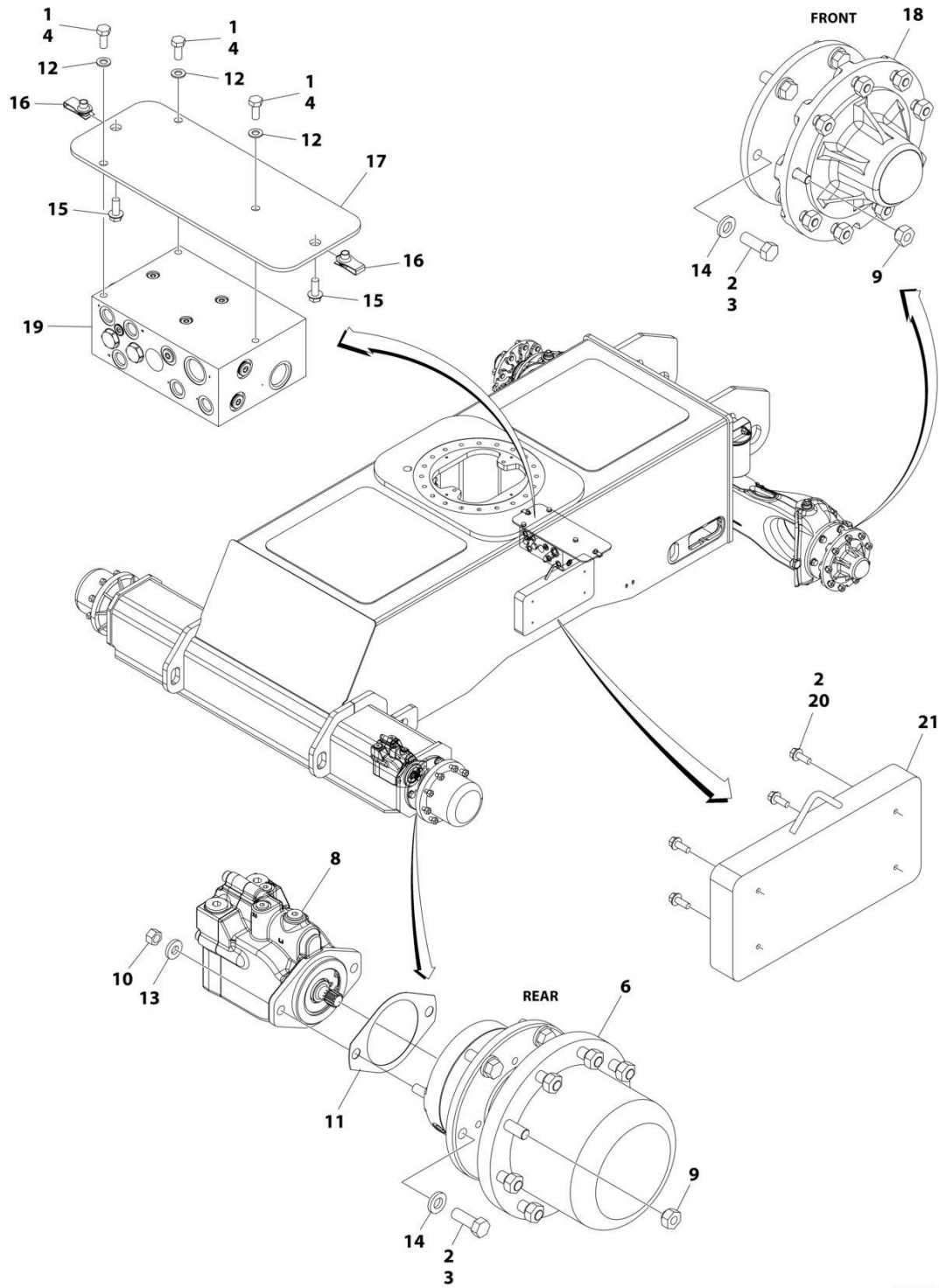
## SECTION 1 - FRAME

**FIGURE 1-3. STEER INSTALLATION WITH TOW PACKAGE**

ITEM	PART NUMBER	QTY	DESCRIPTION	REV
	1001164095	Ref	STEER INSTALLATION WITH TOW PACKAGE	D
1	0100011	AR	Compound, Locking	
2	0440271	2	Bearing, Thrust	
3	0761011	5	Bolt M10 x 22	
4	0701617	2	Bolt M16 x 45	
5	0711220	4	Bolt M12 x 60 Grade 10.9	
6	0711629	4	Bolt M16 x 120	
7	0962348	1	Bearing	
8	3422848	1	Pin	
9	3841143	5	Keeper, Pin	
10	3900295	2	Bolt 1 X 3	
11	4740086	4	Washer	
12	4740155	1	Washer	
13	4740491	2	Washer	
15	5241200	4	Washer M12	
16	1001139586	2	Pin	
17	1001163178	1	Steer Cylinder Assembly (See Separate Breakdown in CYLINDER SECTION)	
18	1001163179	1	Link	
18	1001164209	2	Bearing	
19	1001176848	4	Nut M16	
20	1001163405	4	Kingpin	
21	1001163715	2	Spindle	
21	0961948	4	Bearing (2 per Spindle)	
21	1001163716	8	Seal (4 per Spindle)	
22	1001163717	1	Bracket, Tow	
23	1001163722	1	Plate	
24	1001163724	1	Link	
24	0962292	4	Bearing	
25	1001163726	1	Link	
25	1001164209	2	Bearing	
26	3423304	2	Pin	
27	1001190368	4	Bolt M16 x 120	
28	5241600	6	Washer M16	

# SECTION 1 - FRAME

## FIGURE 1-4. WHEEL DRIVE INSTALLATION (2WD)



ART\_1001214162

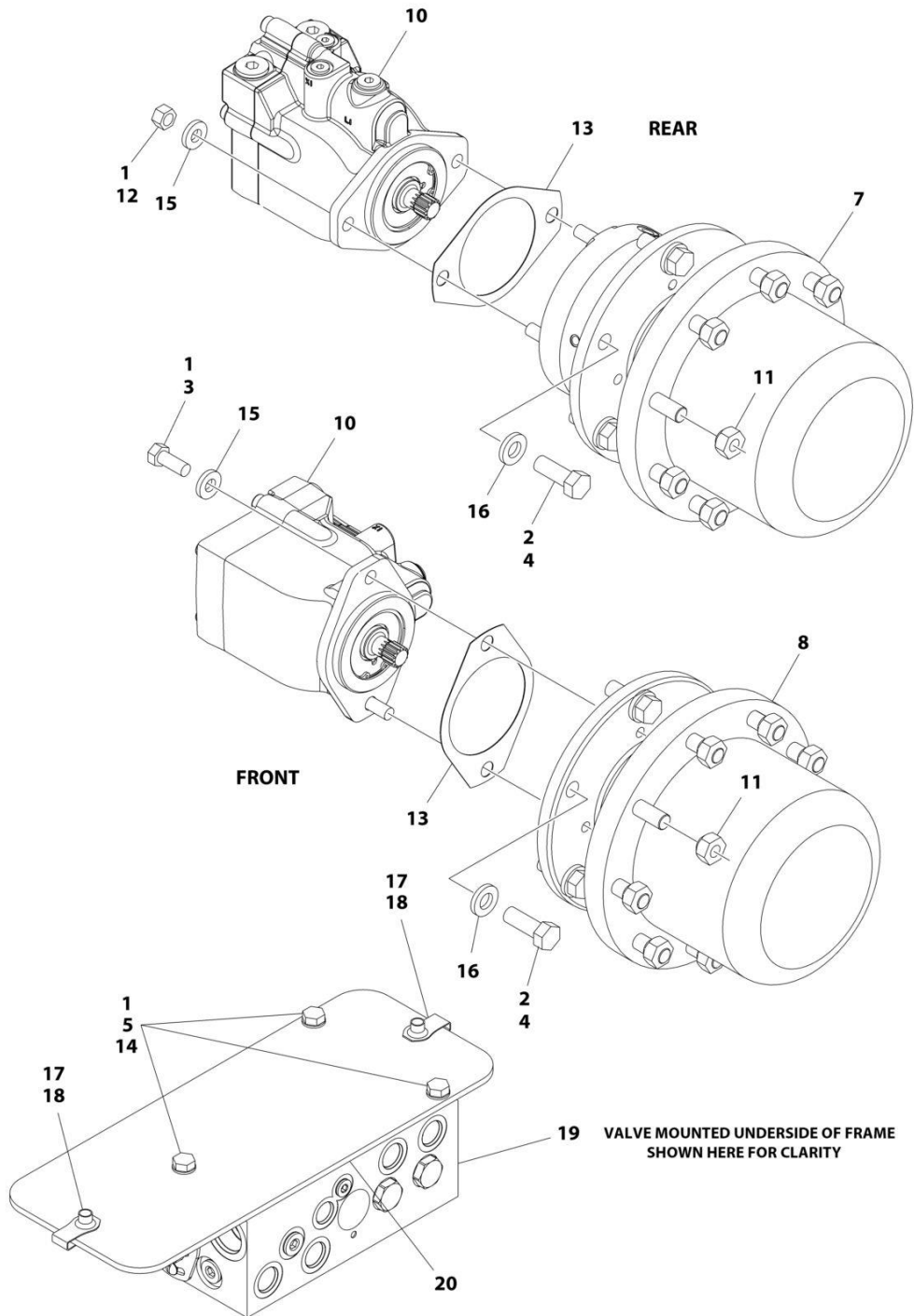
## SECTION 1 - FRAME

**FIGURE 1-4. WHEEL DRIVE INSTALLATION (2WD)**

ITEM	PART NUMBER	QTY	DESCRIPTION	REV
	1001214162	Ref	WHEEL DRIVE INSTALLATION (2WD)	E
1	0100011	AR	Compound, Locking	
2	0100019	AR	Compound, Locking	
3	0682014	24	Bolt, 5/8 x 1-3/4 (Grade 8)	
4	0761012	3	Bolt, M10 x 25	
6	2780267	2	Drive Hub Assembly - Rear (See Separate Breakdown in this Section)	
8	3160351	2	Drive Motor Assembly (See Separate Breakdown in this Section)	
9	3300106	36	Lugnut	
10	3311801	4	Nut, 1/2	
11	3960526	2	Gasket, Brake	
12	4812000	3	Washer, M10	
13	4891800	4	Washer, 1/2	
14	4892000	24	Washer, 5/8	
15	5251012	2	Bolt, M10 x 25	
16	1001118972	2	Nut, M10 x 1.5	
17	1001163959	1	Plate, Mounting	
18	1001214174	2	Hub Spindle Assembly - Front (See Separate Breakdown in this Section)	
19	1001214317	1	Traction Valve Assembly - 2WD (See Separate Breakdown in this Section)	
20	0811608	8	Bolt 3/8 x 1	
21	1001215509	2	Weight	

# SECTION 1 - FRAME

## FIGURE 1-5. WHEEL DRIVE INSTALLATION (4WD)



ART\_1001169060



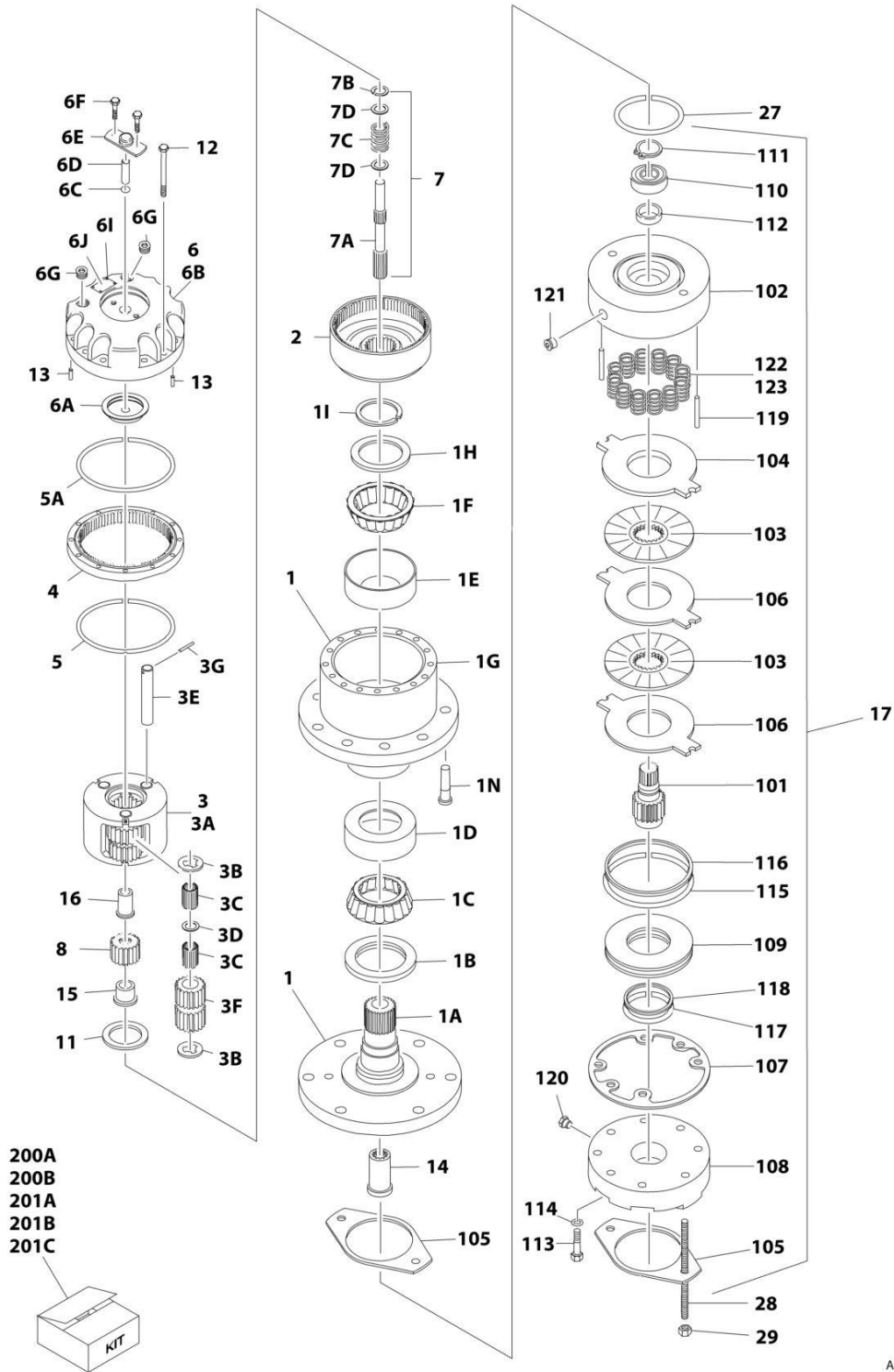
## SECTION 1 - FRAME

**FIGURE 1-5. WHEEL DRIVE INSTALLATION (4WD)**

ITEM	PART NUMBER	QTY	DESCRIPTION	REV
	1001169060	Ref	WHEEL DRIVE INSTALLATION (4WD)	E
1	0100011	AR	Compound, Locking	
2	0100019	AR	Compound, Locking	
3	0681810	4	Bolt 1/2 x 1-1/4 (Grade 8)	
4	0682014	24	Bolt 5/8 x 1-3/4 (Grade 8)	
5	0761012	3	Bolt M10 x 25	
7	2780267	2	Drive Hub Assembly - Rear (See Separate Breakdown in this Section)	
8	2780268	2	Drive Hub Assembly - Front (See Separate Breakdown in this Section)	
10	3160348	4	Drive Motor Assembly (See Separate Breakdown in this Section)	
11	3300106	36	Lugnut	
12	3311801	4	Nut 1/2	
13	3960526	4	Gasket, Brake	
14	4812000	3	Washer M10	
15	4891800	8	Washer 1/2	
16	4892000	24	Washer 5/8	
17	5251012	2	Bolt M10 x 25	
18	1001118972	2	Nut M10	
19	1001162537	1	Traction Valve Assembly (See Separate Breakdown in this Section)	
20	1001163959	1	Plate, Mounting	

# SECTION 1 - FRAME

## FIGURE 1-6. DRIVE HUB AND BRAKE ASSEMBLY - REAR



ART\_2780267

# SECTION 1 - FRAME

## FIGURE 1-6. DRIVE HUB AND BRAKE ASSEMBLY - REAR

ITEM	PART NUMBER	QTY	DESCRIPTION	REV
	2780267	Ref	DRIVE HUB AND BRAKE ASSEMBLY - REAR	I
1	See Note	1	Spindle/Housing Assembly (Note: Purchase Individual Components)	
1A	7017059	1	Spindle	
1B	7001998	1	Seal	
1C	7010429	1	Cone, Bearing (Includes Item 1D)	
1D	7010429	1	Cup, Bearing (Includes Item 1C)	
1E	7000257	1	Cup, Bearing	
1F	7000258	1	Cone, Bearing	
1G	7007601	1	Housing/Ring Gear	
1H	7000232	1	Washer, Thrust	
1I	7000229	1	Ring, Retaining	
1N	7007640	9	Stud, Wheel	
2	7000246	1	Gear, Internal	
3	7024712	1	Carrier Assembly	
3A	See Note	1	Carrier (Note: Use Item 3)	
3B	See Note	6	Ring, Retaining (Note: Use Item 3)	
3C	See Note	AR	Bearing, Needle (Note: Use Item 3)	
3D	See Note	3	Washer, Thrust (Note: Use Item 3)	
3E	See Note	3	Shaft, Planet (Note: Use Item 3)	
3F	See Note	3	Gear, Planet (Note: Use Item 3)	
3G	See Note	3	Roll Pin (Note: Use Item 3)	
4	7000248	1	Ring Gear	
5	7000230	1	O-Ring	
5A	7017070	1	O-Ring	
6	70001349	1	Cover Assembly Kit	
6A	See Note	1	Spacer, Thrust (Note: Use Item 6)	
6B	See Note	1	Plate, Cover (Note: Use Item 6)	
6C	See Note	1	O-Ring (Note: Use Item 6)	
6D	See Note	1	Rod, Disconnect (Note: Use Item 6)	
6E	See Note	1	Cap, Disengage (Note: Use Item 6)	
6F	See Note	2	Bolt (Note: Use Item 6)	
6G	See Note	1	Plug, Pipe (Note: Use Item 6)	
6I	See Note	4	Rivet (Note: Not Available for Purchase)	
6J	See Note	1	Plate, ID (Note: Not Available for Purchase)	
7		Ref	Input Shaft Assembly	
7A	7024714	1	Shaft	
7B	7000261	1	Ring, Retaining	
7C	7000262	1	Spring	
7D	7000263	2	Spacer, Thrust	
8	7024713	1	Gear, Sun	
11	7000253	1	Washer, Thrust	
12	7017067	12	Bolt	
13	7017080	4	Pin, Dowel	
14	7000206	1	Coupling	
15	7024715	1	Spacer, Input	
16	7024716	1	Spacer, Input	
17	7024182	1	Brake Assembly (See Items 101-123 for Breakdown)	
27	7024705	1	O-Ring	
28	7024717	2	Rod, Threaded	

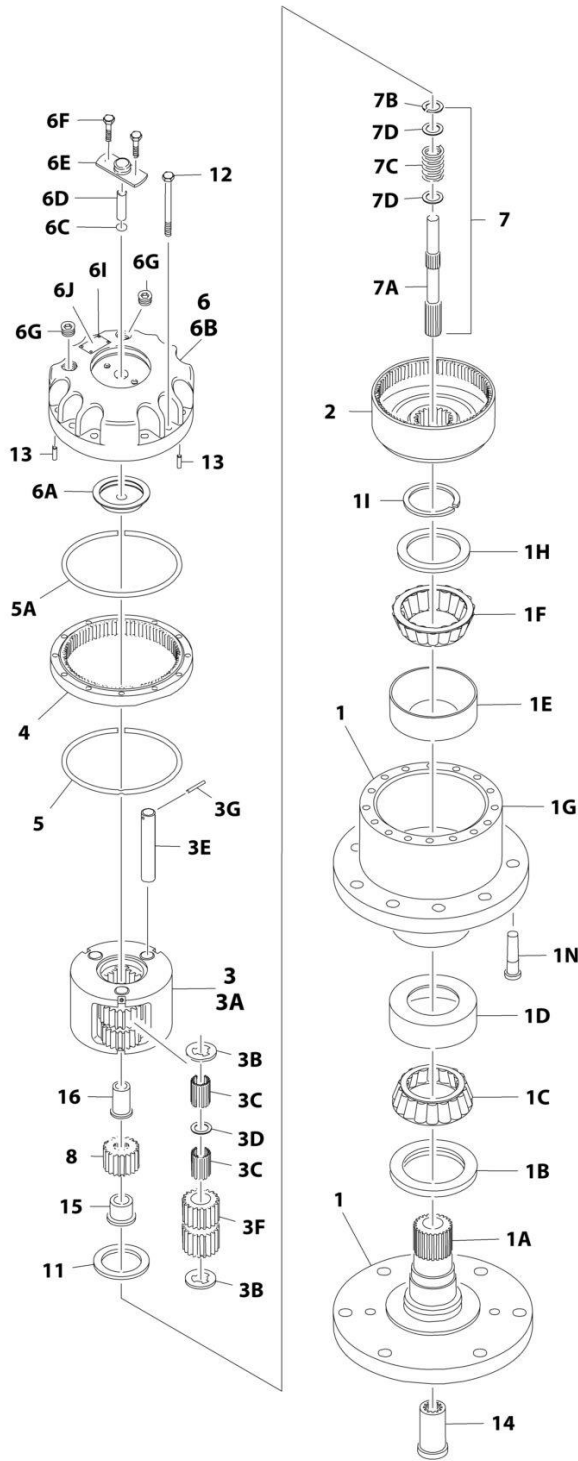
## SECTION 1 - FRAME

ITEM	PART NUMBER	QTY	DESCRIPTION	REV
29	7024718	2	Nut 1/2in-13NC	
	7024182	Ref	BRAKE ASSEMBLY	
101	7024189	1	Shaft	
102	See Note	1	Housing (Note: Use Item 17)	
103	See Note	2	Plate, Friction (Note: Use Item 201B)	
104	See Note	1	Plate, Pressure (Note: Use Item 201B)	
105	7000731	2	Gasket	
106	See Note	2	Plate, Outer (Note: Use Item 201B)	
107	See Note	1	Gasket (Note: Use Item 200A, 201B or 201C)	
108	7024191	1	Cylinder	
109	7024192	1	Piston	
110	See Note	1	Bearing, Ball (Note: Use Item 201C)	
111	See Note	1	Ring, Retaining (Note: Use Item 201C)	
112	See Note	1	Seal, Shaft (Note: Use Item 201C)	
113	See Note	6	Capscrew (Note: Use Item 17)	
114	See Note	6	Lockwasher (Note: Use Item 17)	
115	See Note	1	O-Ring (Note: Use Item 200B)	
116	See Note	1	Ring, Back-up (Note: Use Item 200B)	
117	See Note	1	O-Ring (Note: Use Item 200B)	
118	See Note	1	Ring, Back-up (Note: Use Item 200B)	
119	7024190	2	Pin, Dowel	
120	See Note	1	Plug (Note: Use Item 17)	
121	See Note	2	Plug (Note: Use Item 17)	
122	See Note	12	Spring Kit (Natural) (Note: Use Item 201A)	
123	See Note	2	Spring Kit (Blue) (Note: Use Item 201A)	
		Ref	Kit Options	
200		Ref	Seal Kit Options:	
200A	See Note	1	Hub Seal Kit (Note: Purchase Individual Components)	
200B	7024194	1	Brake Seal Kit (Includes Items 105, 107 & 115-118)	
201		Ref	Repair Kit Options:	
201A	7024196	1	Brake Spring Kit (Includes 12 Natural Colored and 2 Blue Colored Springs Items 122 & 123)	
201B	7024193	1	Brake Friction Disc Kit (Includes Items 103, 104, 106 & 107)	
201C	7024197	1	Brake Bearing Kit (Includes Items 107 & 110-112)	



# SECTION 1 - FRAME

## FIGURE 1-7. DRIVE HUB ASSEMBLY - FRONT



ART\_2780268

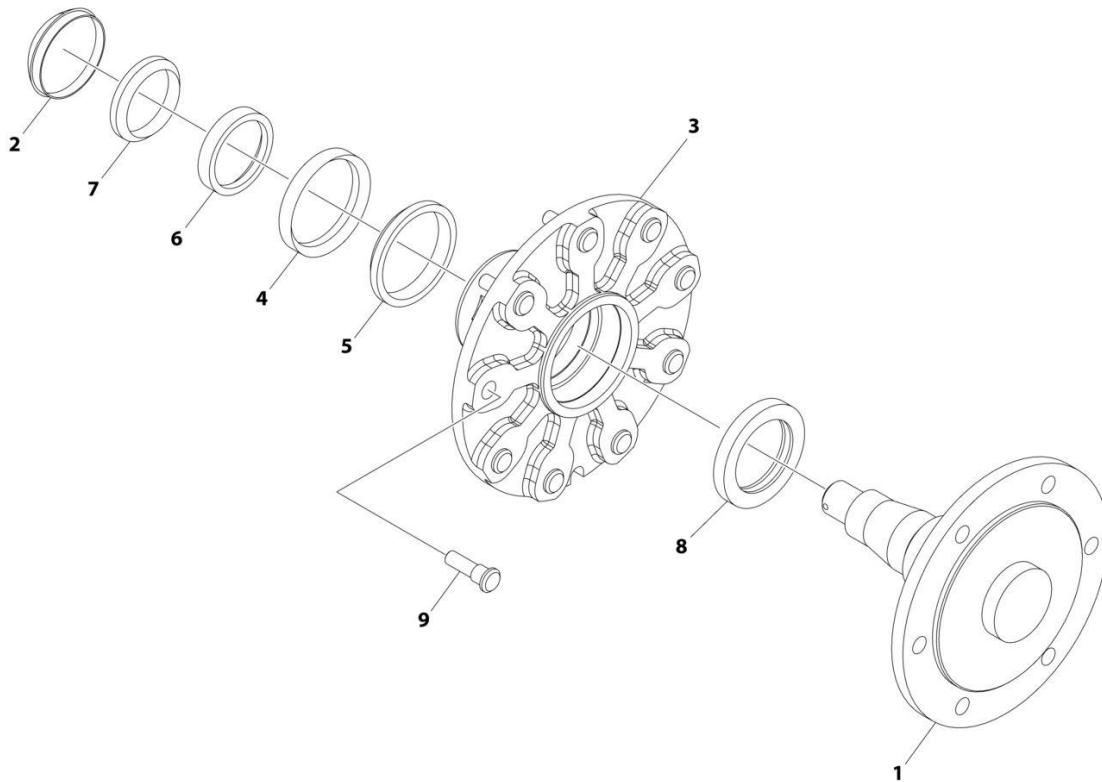
# SECTION 1 - FRAME

## FIGURE 1-7. DRIVE HUB ASSEMBLY - FRONT

ITEM	PART NUMBER	QTY	DESCRIPTION	REV
	2780268	Ref	DRIVE HUB ASSEMBLY - FRONT	F
1	See Note	1	Spindle/Housing Assembly (Note: Purchase Individual Components)	
1A	7017059	1	Spindle	
1B	7001998	1	Seal	
1C	7010429	1	Cone, Bearing (Includes Item 1D)	
1D	7010429	1	Cup, Bearing (Includes Item 1C)	
1E	7000257	1	Cup, Bearing	
1F	7000258	1	Cone, Bearing	
1G	7007601	1	Housing/Ring Gear	
1H	7000232	1	Washer, Thrust	
1I	7000229	1	Ring, Retaining	
1N	7007640	9	Stud, Wheel	
2	7000246	1	Gear, Internal	
3	7024712	1	Carrier Assembly	
3A	See Note	1	Carrier (Note: Use Item 3)	
3B	See Note	6	Ring, Retaining (Note: Use Item 3)	
3C	See Note	AR	Bearing, Needle (Note: Use Item 3)	
3D	See Note	3	Washer, Thrust (Note: Use Item 3)	
3E	See Note	3	Shaft, Planet (Note: Use Item 3)	
3F	See Note	3	Gear, Planet (Note: Use Item 3)	
3G	See Note	3	Roll Pin (Note: Use Item 3)	
4	7000248	1	Ring Gear	
5	7000230	1	O-Ring	
5A	7017070	1	O-Ring	
6	70001349	1	Cover Assembly Kit	
6A	See Note	1	Spacer, Thrust (Note: Use Item 6)	
6B	See Note	1	Plate, Cover (Note: Use Item 6)	
6C	See Note	1	O-Ring (Note: Use Item 6)	
6D	See Note	1	Rod, Disconnect (Note: Use Item 6)	
6E	See Note	1	Cap, Disengage (Note: Use Item 6)	
6F	See Note	2	Bolt (Note: Use Item 6)	
6G	See Note	1	Plug, Pipe (Note: Use Item 6)	
6I	See Note	4	Rivet (Note: Not Available for Purchase)	
6J	See Note	1	Plate, ID (Note: Not Available for Purchase)	
7		Ref	Input Shaft Assembly	
7A	7024714	1	Shaft	
7B	7000261	1	Ring, Retaining	
7C	7000262	1	Spring	
7D	7000263	2	Spacer, Thrust	
8	7024713	1	Gear, Sun	
11	7000253	1	Washer, Thrust	
12	7017067	12	Bolt	
13	7017080	4	Pin, Dowel	
14	7000206	1	Coupling	
15	7024715	1	Spacer, Input	
16	7024716	1	Spacer, Input	

# SECTION 1 - FRAME

## FIGURE 1-8. HUB - SPINDLE ASSEMBLY (2WD)



ART\_1001214174



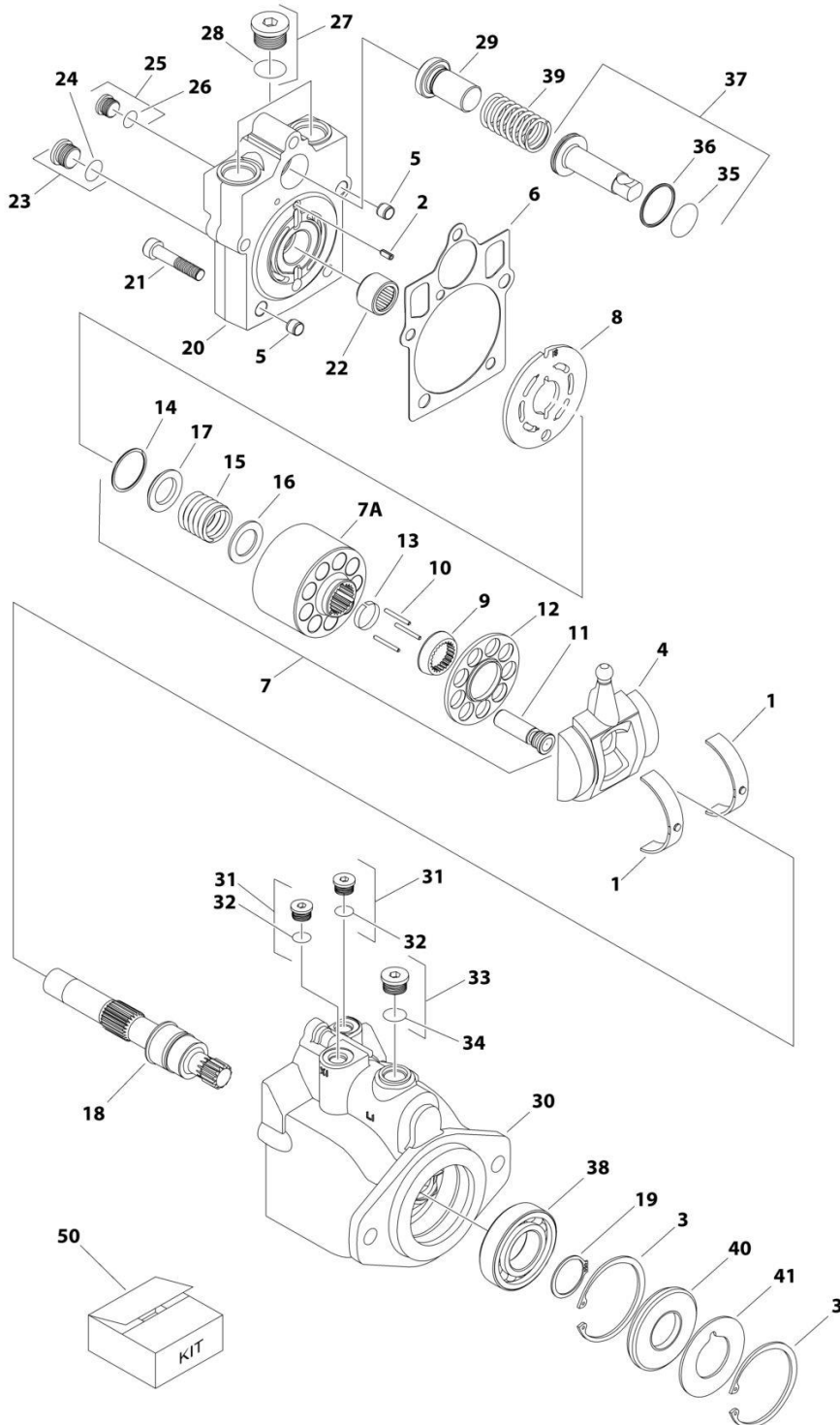
**SECTION 1 - FRAME**

**FIGURE 1-8. HUB - SPINDLE ASSEMBLY (2WD)**

<b>ITEM</b>	<b>PART NUMBER</b>	<b>QTY</b>	<b>DESCRIPTION</b>	<b>REV</b>
	1001214174	Ref	HUB - SPINDLE ASSEMBLY (2WD)	C
1	See Note	NSS	Spindle, Adapter (Note: Not Available for Purchase)	
2	7020033	1	Cap, Dust	
3	7020035	1	Hub, Casting	
4	7020036	1	Cup, Bearing	
5	7020037	1	Cone, Bearing	
6	7020038	1	Cup, Bearing	
7	7020039	1	Cone, Bearing	
8	7020040	1	Seal	
9	7020041	9	Stud	

# SECTION 1 - FRAME

## FIGURE 1-9. DRIVE MOTOR ASSEMBLY (2WD)



ART\_3160351

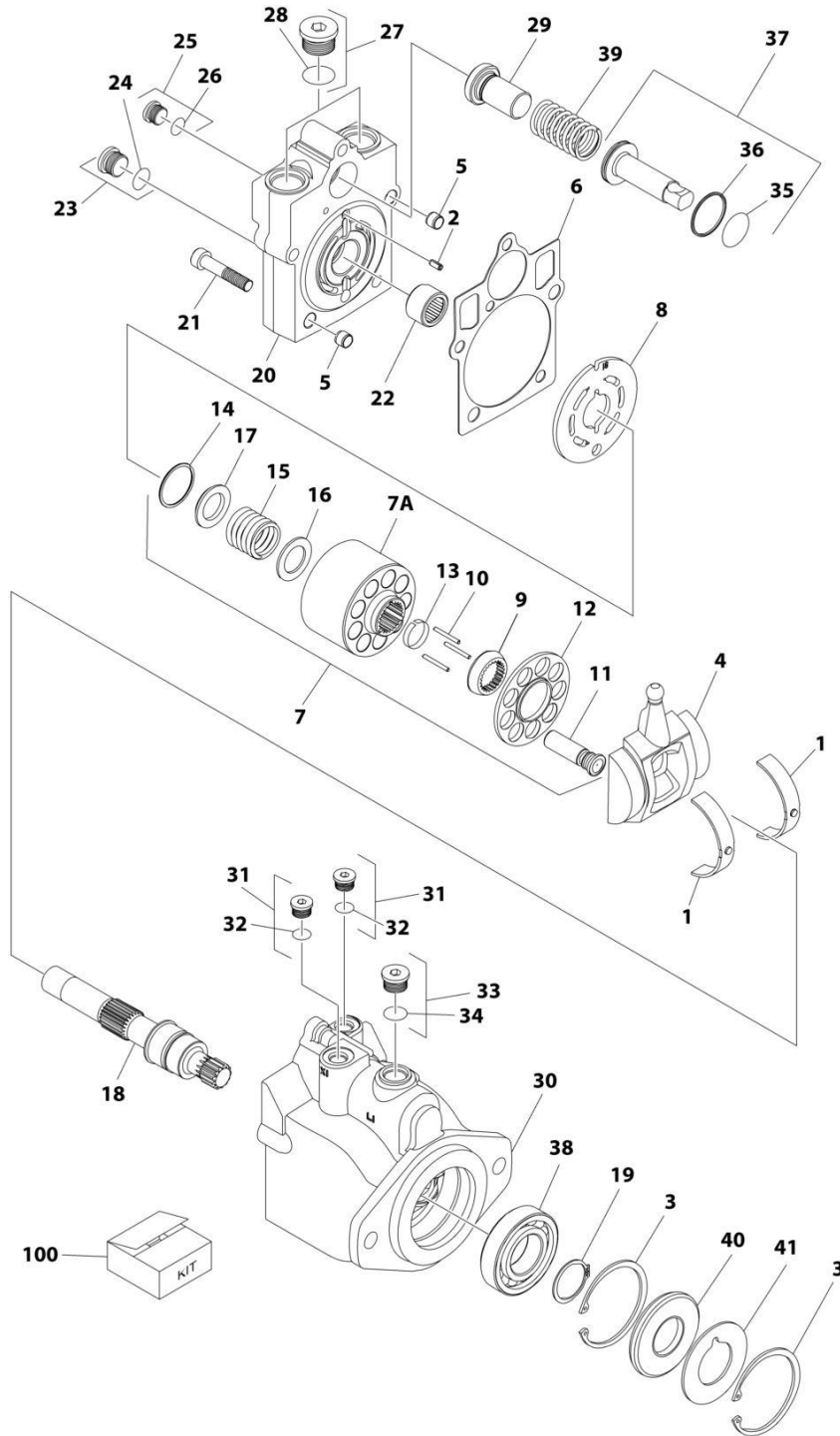
## SECTION 1 - FRAME

### FIGURE 1-9. DRIVE MOTOR ASSEMBLY (2WD)

ITEM	PART NUMBER	QTY	DESCRIPTION	REV
	3160351	Ref	DRIVE MOTOR ASSEMBLY (2WD)	D
1	7022302	2	Bearing, Journal	
2	7007446	1	Pin	
3	7007438	2	Ring, Retaining	
4	7022305	1	Swashplate	
5	See Note	2	Pin (Note: Not Available for Purchase)	
6	7022328	1	Gasket	
7	7023907	1	Cylinder Block Kit (Includes Items 7A & 9-17)	
7A	7023907	1	Block, Cylinder	
8	7023908	1	Plate, Valve	
9	7021277	1	Guide, Slipper Retainer	
10	7021275	3	Pin, Slipper Hold Down	
11	7023907	9	Piston Assembly	
12	7021276	1	Retainer, Hold Down Pin	
13	7023907	1	Retainer, Slipper	
14	7022311	1	Ring, Retaining	
15	7022312	1	Spring	
16	7024868	1	Washer	
17	7022314	1	Retainer, Spring	
18	7023910	1	Shaft	
19	7007439	1	Ring, Retaining	
20	70000797	1	Cap, End - Axial	
21	7022368	5	Screw	
22	7021249	1	Bearing, Needle	
23	2220886	1	Plug (Includes Item 24)	
24	7022328	1	O-Ring	
25	2220883	1	Plug (Includes Item 26)	
26	7022328	1	O-Ring	
27	7027419	2	Plug (Includes Item 28)	
28	7022328	2	O-Ring	
29	7024853	1	Seat, Spring	
30	See Note	NSS	Housing (Note: Not Available for Purchase – Purchase complete motor)	
31	2220883	2	Plug (Includes Item 32)	
32	7022328	2	O-Ring	
33	2220886	1	Plug (Includes Item 34)	
34	7022328	1	O-Ring	
35	7022328	1	O-Ring	
36	7022328	1	Ring, Seal	
37	7024854	1	Piston, Servo (Includes Items 35 & 36)	
38	7007437	1	Bearing	
39	7022326	1	Spring	
40	7022328	1	Seal, Lip	
41	7022371	1	Washer, Support	
50	7022328	1	Seal Kit (Includes Items 6, 24, 26, 28, 32, 34, 35, 36 & 40)	

# SECTION 1 - FRAME

## FIGURE 1-10. DRIVE MOTOR ASSEMBLY (4WD)



ART\_3160348

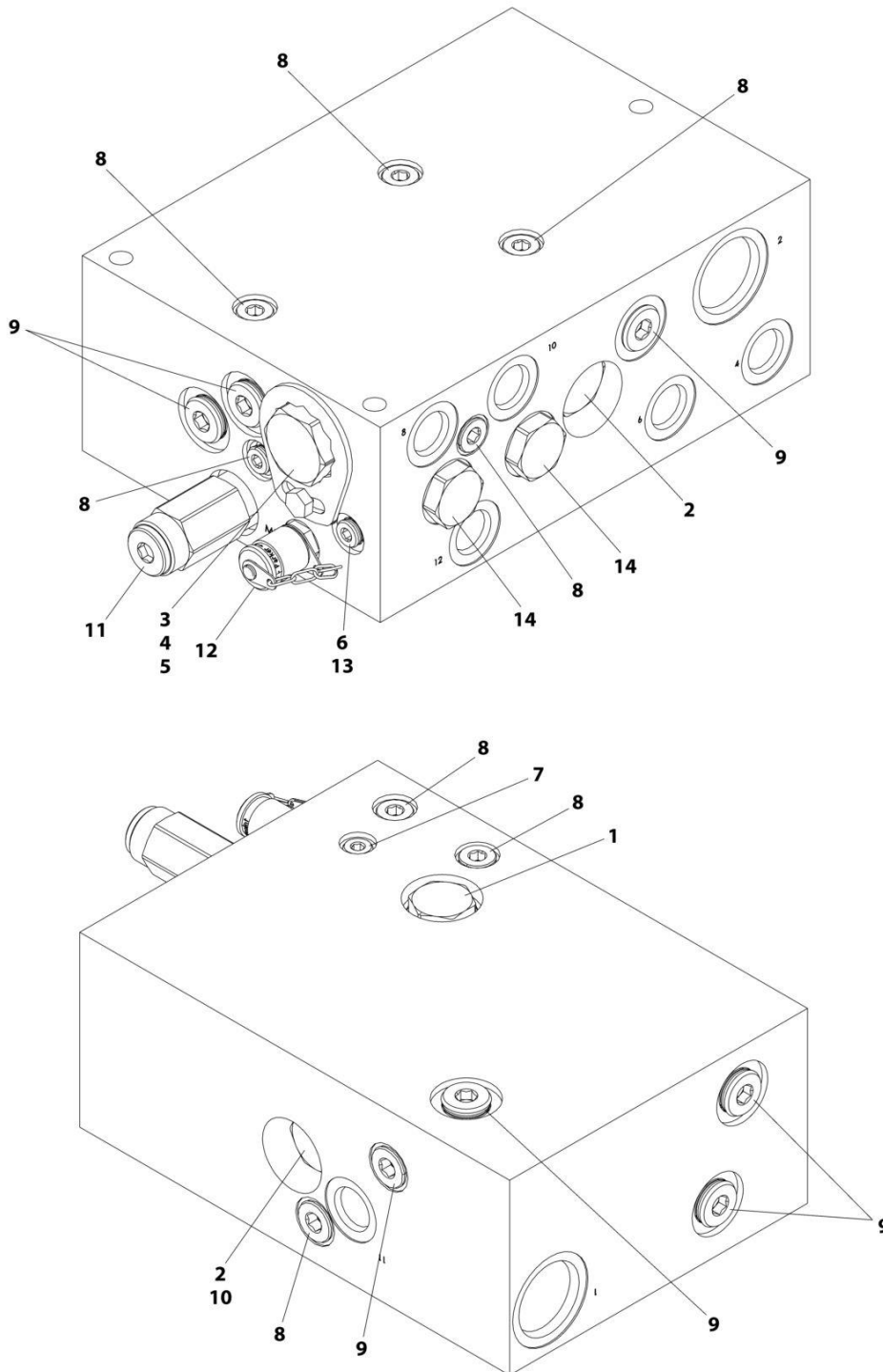
# SECTION 1 - FRAME

## FIGURE 1-10. DRIVE MOTOR ASSEMBLY (4WD)

ITEM	PART NUMBER	QTY	DESCRIPTION	REV
	3160348	Ref	DRIVE MOTOR ASSEMBLY	D
1	7022302	2	Bearing, Journal	
2	7007446	1	Pin	
3	7007438	2	Ring, Retaining	
4	7022305	1	Swash Plate	
5	See Note	2	Pin (Note: Not Available for Purchase)	
6	See Note	NSS	Gasket (Note: Use Item 100)	
7	7023907	1	Cylinder Block Kit (Includes Items 7A & 9-17)	
7A	See Note	NSS	Block, Cylinder (Note: Use Item 7)	
8	7023908	1	Plate, Valve	
9	7021277	1	Guide, Slipper Retainer	
10	7021275	3	Pin, Slipper Hold Down	
11	See Note	NSS	Piston Assembly (Note: Use Item 7)	
12	7022310	1	Retainer, Slipper	
13	7021276	1	Retainer, Hold Down Pin	
14	7022311	1	Ring, Retaining	
15	7022312	1	Spring	
16	7024868	1	Washer	
17	7022314	1	Retainer, Spring	
18	7023910	1	Shaft	
19	7007439	1	Ring, Retaining	
20	70000797	1	Cap, End - Axial	
21	7022368	5	Screw	
22	7021249	1	Bearing, Needle	
23	2220886	1	Plug (Includes Item 24)	
24	See Note	1	O-Ring (Note: Use Item 23 or 100)	
25	2220883	1	Plug (Includes Item 26)	
26	See Note	NSS	O-Ring (Note: Use Item 25 or 100)	
27	2220888	2	Plug (Includes Item 28)	
28	See Note	NSS	O-Ring (Note: Use Item 27 or 100)	
29	7022372	1	Seat, Spring	
30	See Note	NSS	Housing (Note: Not Available - Purchase Complete Assembly)	
31	2220883	2	Plug (Includes Item 32)	
32	See Note	NSS	O-Ring (Note: Use Item 31 or 100)	
33	2220886	1	Plug (Includes Item 34)	
34	See Note	NSS	O-Ring (Note: Use Item 33 or 100)	
35	See Note	NSS	O-Ring (Note: Use Item 100)	
36	See Note	NSS	Ring, Seal (Note: Use Item 100)	
37	7024854	1	Piston, Servo (Includes Items 35 & 36)	
38	7007437	1	Bearing	
39	7022326	1	Spring	
40	See Note	1	Seal, Lip (Note: Use Item 100)	
41	7022371	1	Washer, Support	
		Ref	KIT OPTIONS:	
100	7022328	1	Seal Kit (Includes Items 6, 24, 26, 28, 32, 34, 35, 36 & 40)	

# SECTION 1 - FRAME

## FIGURE 1-11. TRACTION VALVE ASSEMBLY (2WD)



ART\_1001214317

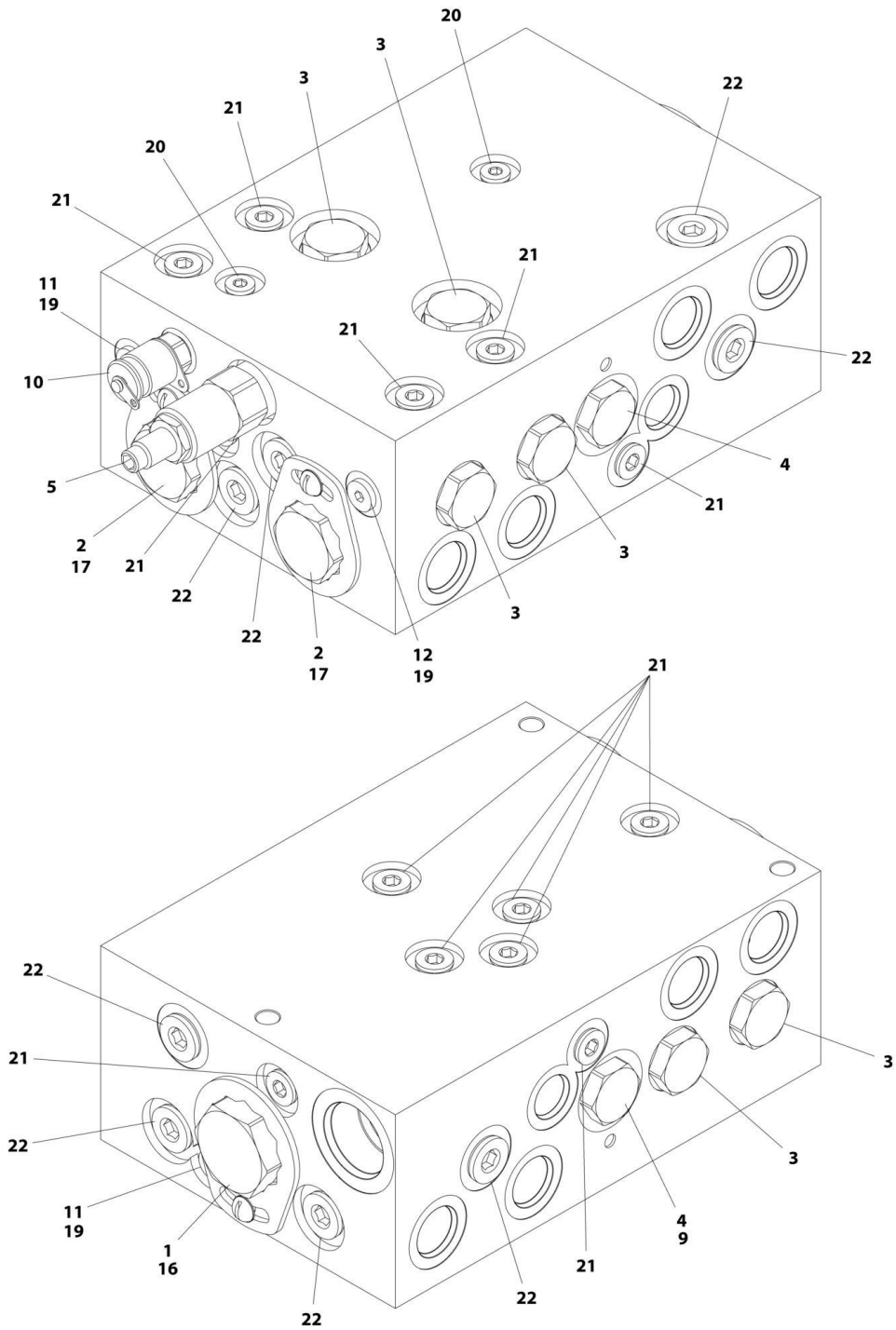
# SECTION 1 - FRAME

## FIGURE 1-11. TRACTION VALVE ASSEMBLY (2WD)

ITEM	PART NUMBER	QTY	DESCRIPTION	REV
	1001214317	Ref	TRACTION VALVE ASSEMBLY (2WD)	D
1	7022397	1	Cartridge, Check Valve	
1	7022399	1	Seal Kit - 7022397 Valve	
2	70002390	2	Cartridge, Check Valve	
2	7022399	2	Seal Kit - 70002390 Valve	
3	70004885	1	Cartridge, Flow Divider Valve	
3	70004577	1	Seal Kit - 70004885 Valve	
4	70000781	1	Lockdown Kit	
5	70005827	1	Screw	
6	7024810	1	Orifice	
7	70005833	1	Plug #4	
8	70005830	8	Plug #6	
9	70005834	7	Plug	
10	7024881	1	Piston, Pilot	
11	70005831	1	Cartridge, Relief Valve	
11	7017496	1	Seal Kit - 70005831 Valve	
12	70005832	1	Fitting, Diagnostic	
13	2220883	1	Plug #4	
14	70026444	2	Cartridge, Check Valve	
14	7022399	2	Seal Kit - 70026444 Valve	

# SECTION 1 - FRAME

## FIGURE 1-12. TRACTION VALVE ASSEMBLY (4WD)



ART\_1001162537



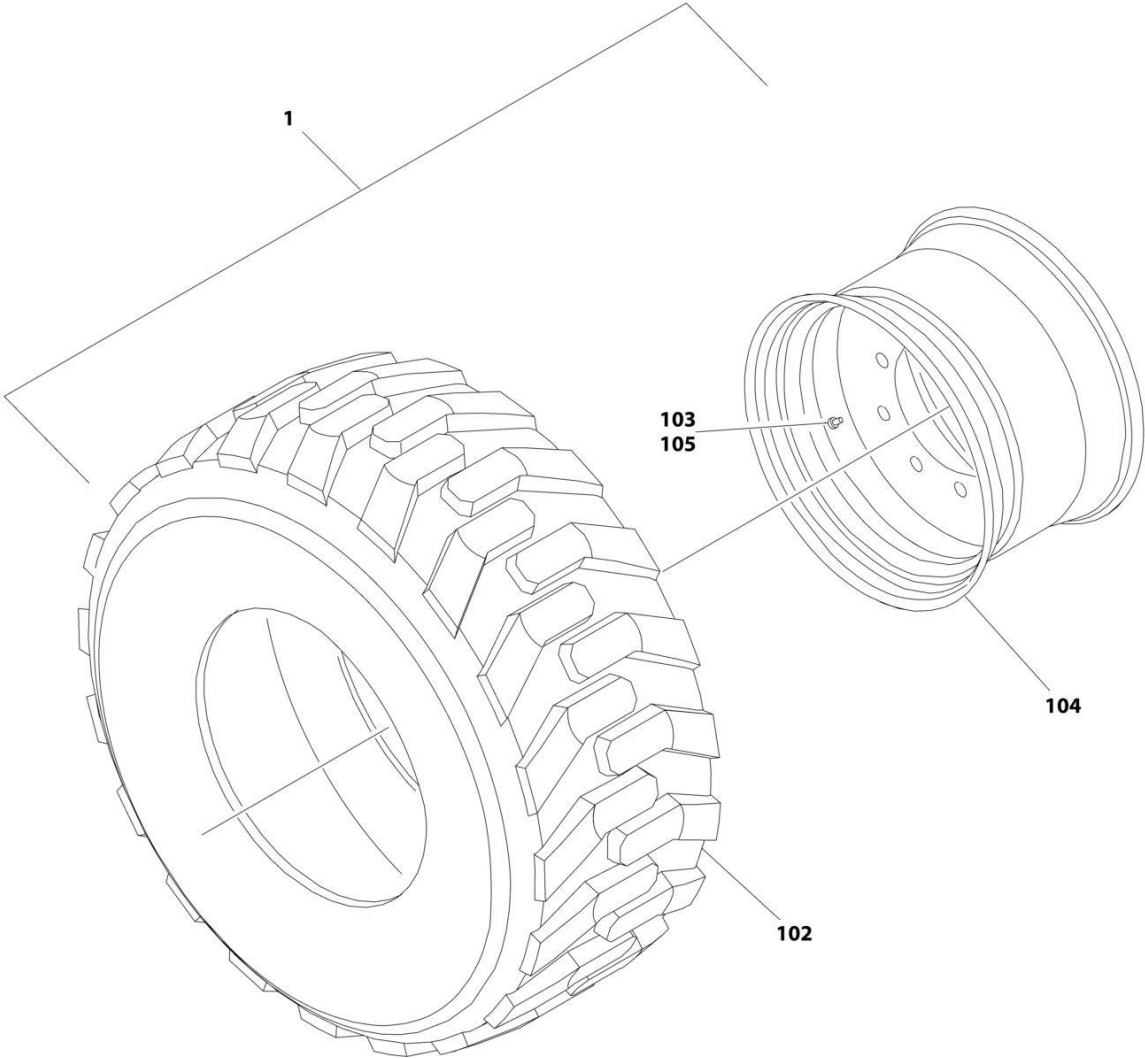
## SECTION 1 - FRAME

**FIGURE 1-12. TRACTION VALVE ASSEMBLY (4WD)**

ITEM	PART NUMBER	QTY	DESCRIPTION	REV
	1001162537	Ref	TRACTION VALVE ASSEMBLY (4WD)	E
1	70004017	1	Cartridge, Flow Divider Valve	
1	7021625	1	Seal Kit - 70004017 Valve	
2	70004885	2	Cartridge, Flow Divider Valve	
2	70004577	2	Seal Kit - 70004885 Valve	
3	7022397	6	Cartridge, Check Valve	
3	7022399	6	Seal Kit - 7022397 Valve	
4	7021639	2	Cartridge, Check Valve	
4	2900756	2	Seal Kit - 7021639 Valve	
5	70004886	1	Cartridge, Relief Valve	
5	7017496	1	Seal Kit - 70004886 Valve	
9	7024881	1	Piston, Pilot	
10	2221086	1	Fitting, Test Port	
11	70004884	2	Orifice	
12	70002209	1	Orifice	
16	70000781	1	Lockdown Kit	
17	70002962	2	Lockdown Kit	
19	2220883	3	Plug, #4	
20	See Note	NSS	Plug (Note: Not Available for Purchase)	
21	91164079	13	Plug	
22	91164057	8	Plug	

**SECTION 1 - FRAME**

**FIGURE 1-13. TIRE AND WHEEL INSTALLATION - 12 X 16.5 FOAM FILLED (AVAILABLE ON ALL SPECS)**



ART\_0270092

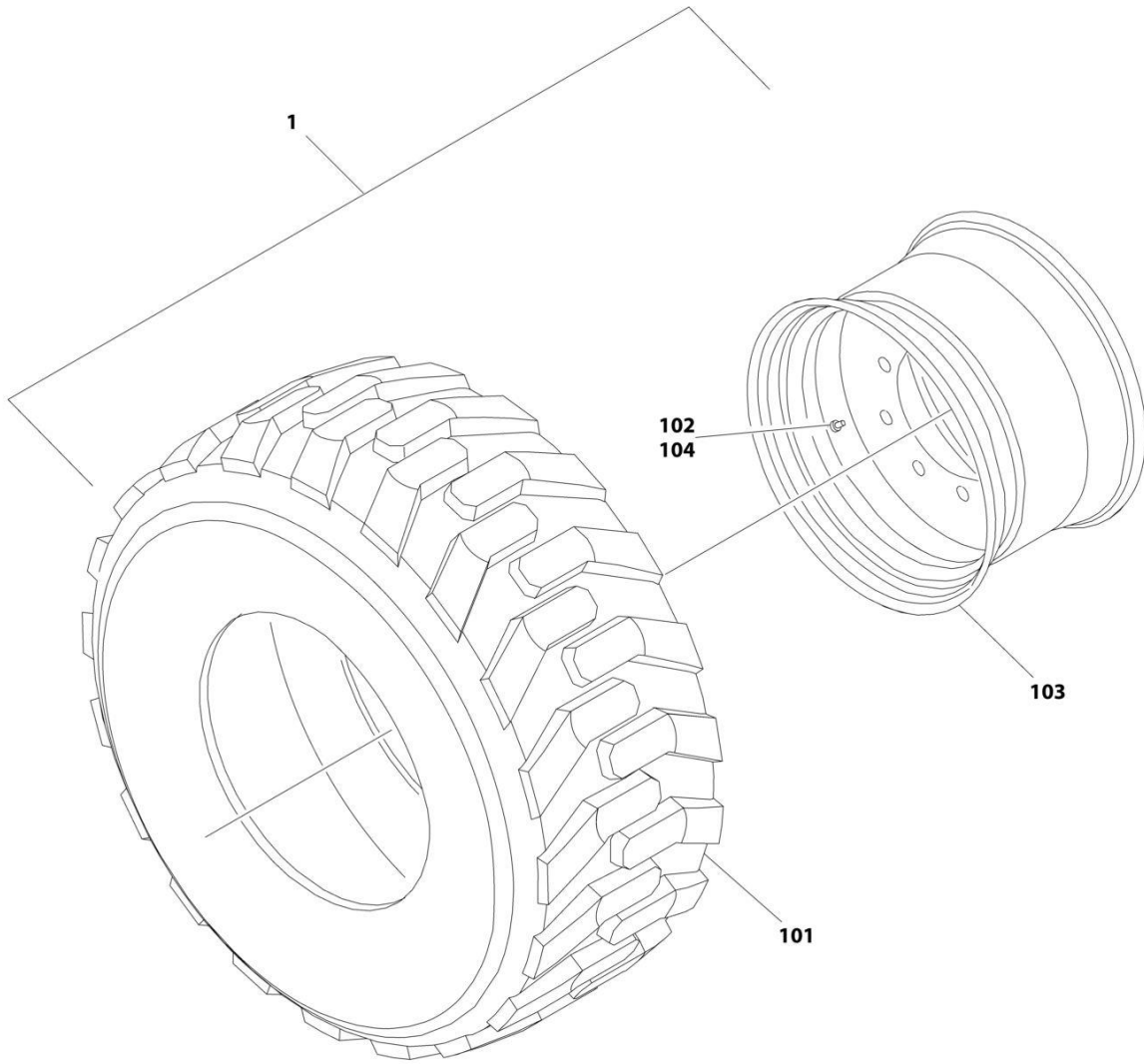
## SECTION 1 - FRAME

**FIGURE 1-13. TIRE AND WHEEL INSTALLATION - 12 X 16.5 FOAM FILLED (AVAILABLE ON ALL SPECS)**

ITEM	PART NUMBER	QTY	DESCRIPTION	REV
	0270092	Ref	TIRE AND WHEEL INSTALLATION - 12 X 16.5 FOAM FILLED  Note: Assemblies may require ballast/foam filling to manufacturer's specifications prior to installing on a machine. Refer to Operation and Safety or Service and Maintenance Manuals. Purchase individual tire and/or rim only if able to foam fill tire and wheel assembly, otherwise, purchase complete assembly.	C
		Ref		
1	1001148865	2	Tire and Wheel Assembly - 12 x 16.5 (RH Side)	H
1	1001148866	2	Tire and Wheel Assembly - 12 x 16.5 (LH Side)	H
102	4520216	4	Tire - 12 x 16.5	
103	4641122	4	Valve	
104	1001147274	4	Rim, Wheel	
105	1001149953	4	Cap, Valve Stem	

# SECTION 1 - FRAME

FIGURE 1-14. TIRE AND WHEEL INSTALLATION - 12 X 16.5 FF NON-MARKING (AVAILABLE ON ALL SPECS)



ART\_0270653

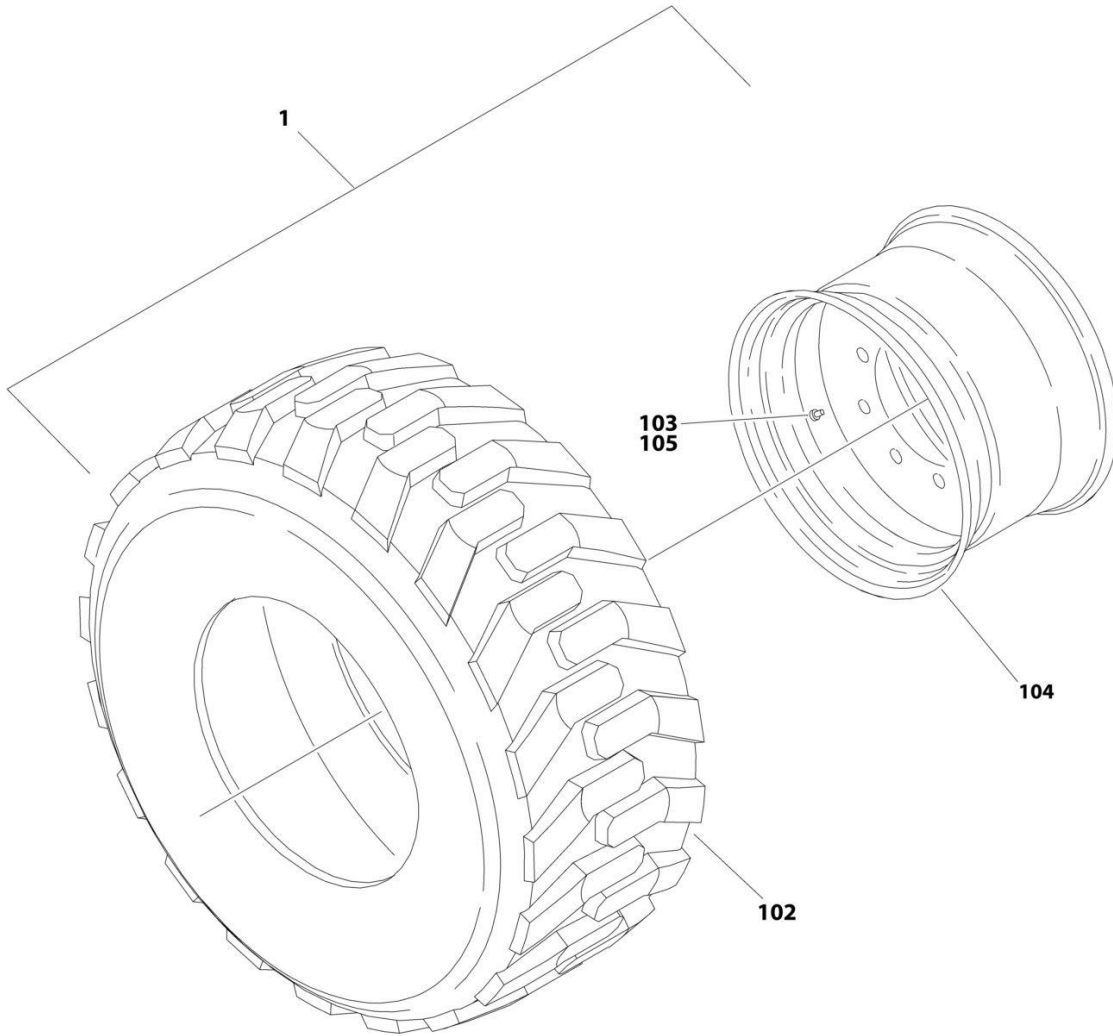
## SECTION 1 - FRAME

**FIGURE 1-14. TIRE AND WHEEL INSTALLATION - 12 X 16.5 FF NON-MARKING (AVAILABLE ON ALL SPECS)**

ITEM	PART NUMBER	QTY	DESCRIPTION	REV
	0270653	Ref Ref	TIRE AND WHEEL INSTALLATION - 12 X 16.5 FOAM FILLED  Note: Assemblies may require ballast/foam filling to manufacturer's specifications prior to installing on a machine. Refer to Operation and Safety or Service and Maintenance Manuals. Purchase individual tire and/or rim only if able to foam fill tire and wheel assembly, otherwise, purchase complete assembly.	B
1	1001148869	1	Tire and Wheel Assembly - Right Side	H
1	1001148870	1	Tire and Wheel Assembly - Left Side	H
101	4520240	1	Tire 12 x 16.5 Non-Marking	
102	4641122	1	Valve	
103	1001147274	1	Rim, Wheel	
104	1001149953	1	Cap, Valve Stem	

# SECTION 1 - FRAME

FIGURE 1-15. TIRE AND WHEEL INSTALLATION - 14 X 17.5 FOAM FILLED (AVAILABLE ON ALL SPECS)



ART\_0271998

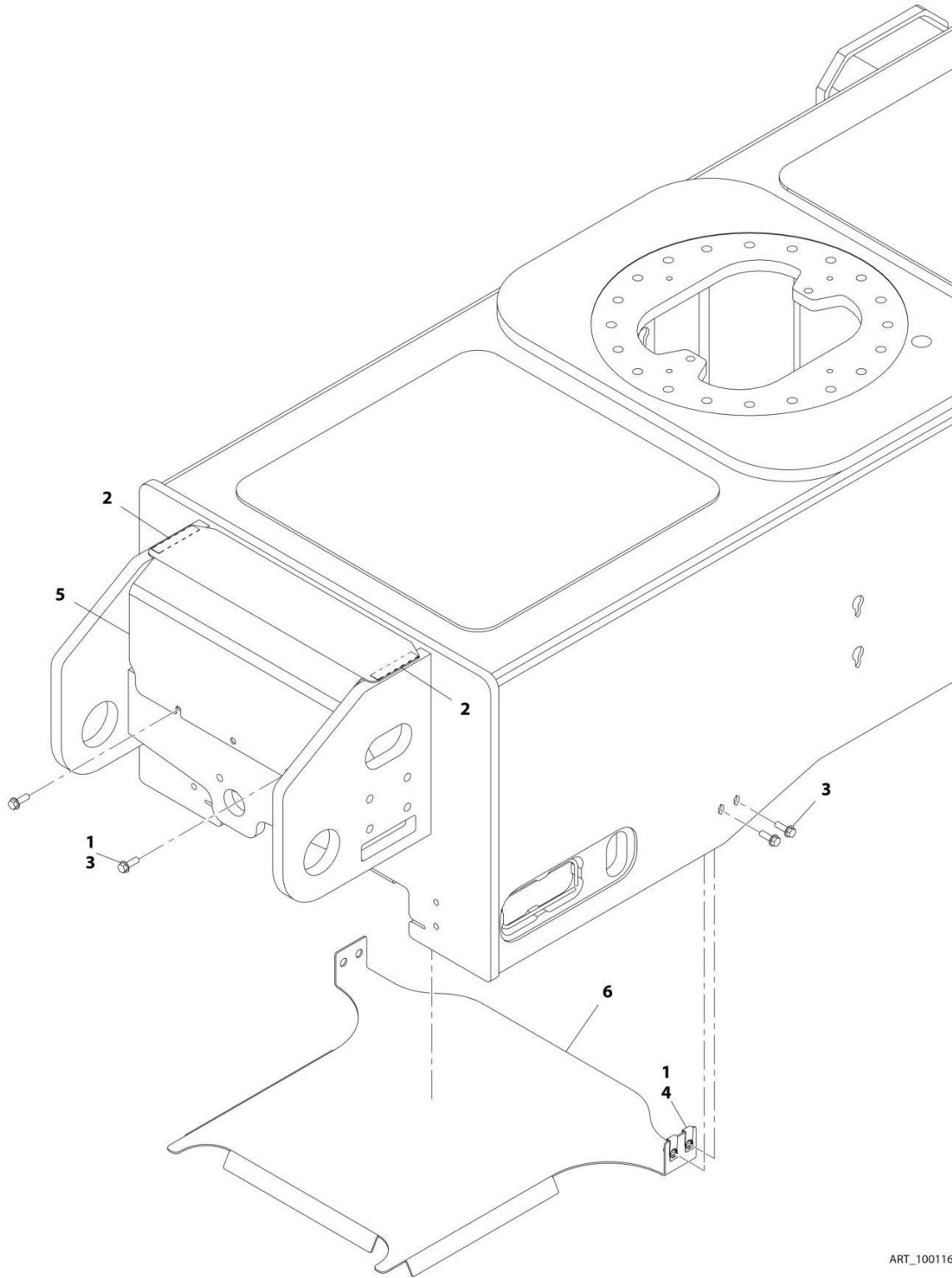
## SECTION 1 - FRAME

**FIGURE 1-15. TIRE AND WHEEL INSTALLATION - 14 X 17.5 FOAM FILLED (AVAILABLE ON ALL SPECS)**

ITEM	PART NUMBER	QTY	DESCRIPTION	REV
	0271998	Ref	TIRE AND WHEEL INSTALLATION - 14 X 17.5 FOAM FILLED  Note: Assemblies may require ballast/foam filling to manufacturer's specifications prior to installing on a machine. Refer to Operation and Safety or Service and Maintenance Manuals. Purchase individual tire and/or rim only if able to foam fill tire and wheel assembly, otherwise, purchase complete assembly.	B
		Ref		
1	1001148875	Ref	Tire and Wheel Assembly - 14 x 17.5 (RH Side)	F
1	1001148876	Ref	Tire and Wheel Assembly - 14 x 17.5 (LH Side)	F
102	4520259	4	Tire - 14 x 17.5	
103	4641122	4	Valve	
104	1001146397	4	Rim, Wheel	
105	1001149953	4	Cap, Valve Stem	

# SECTION 1 - FRAME

## FIGURE 1-16. FRAME SHIELD INSTALLATION - WITHOUT TOW BAR



ART\_1001169973



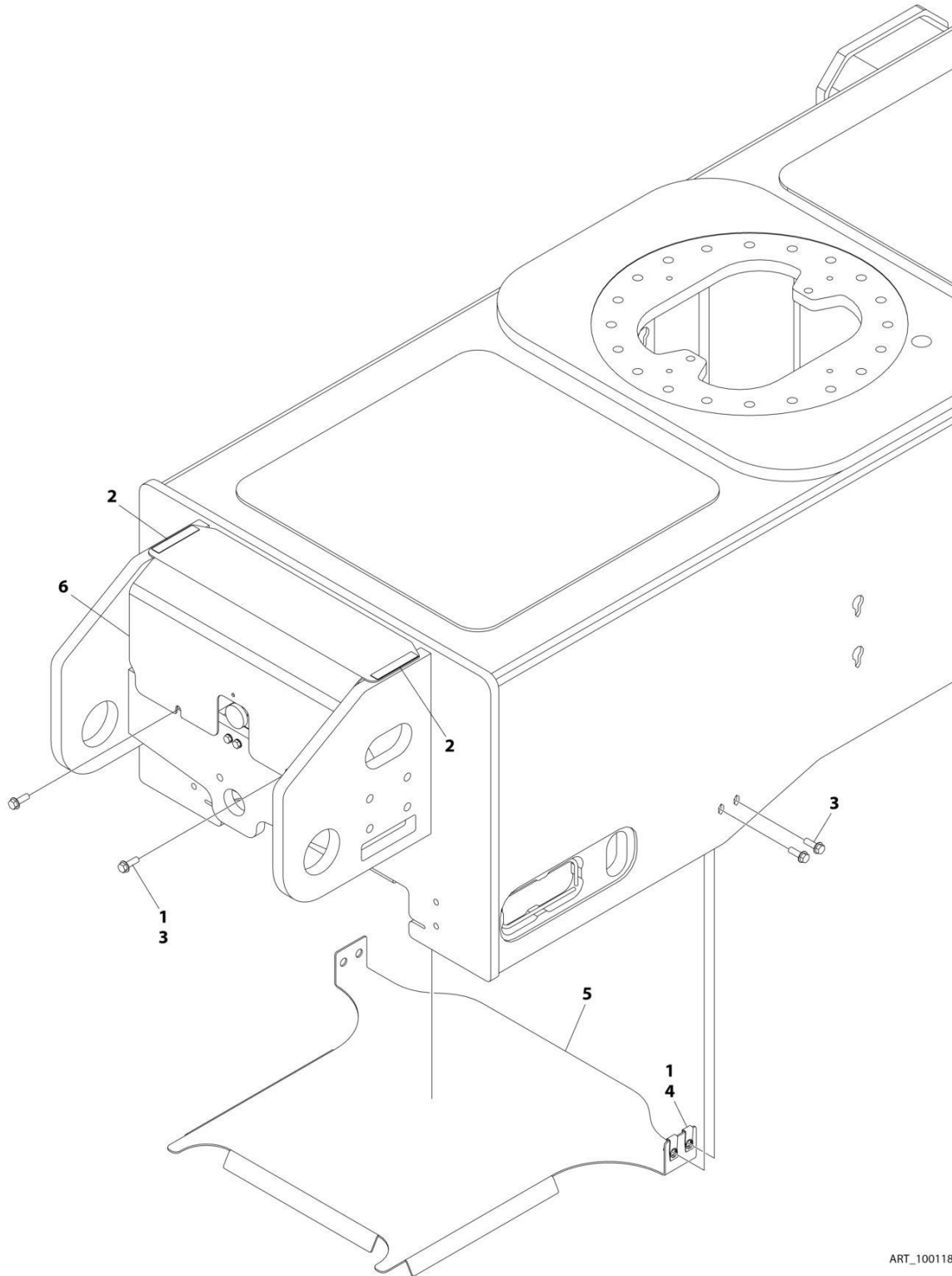
## SECTION 1 - FRAME

**FIGURE 1-16. FRAME SHIELD INSTALLATION - WITHOUT TOW BAR**

ITEM	PART NUMBER	QTY	DESCRIPTION	REV
	1001169973	Ref	FRAME SHIELD INSTALLATION - WITHOUT TOW BAR	E
1	0100011	AR	Compound, Locking	
2	4280296	8 in / 20.3cm	Strip, Wear	
3	5251014	6	Bolt M10 x 30	
4	1001118972	4	Nut M10 x 1.5	
5	1001169086	1	Plate, Cover	
6	1001169955	1	Plate, Valve Cover	

# SECTION 1 - FRAME

## FIGURE 1-17. FRAME SHIELD INSTALLATION - WITH TOW BAR



ART\_1001182245

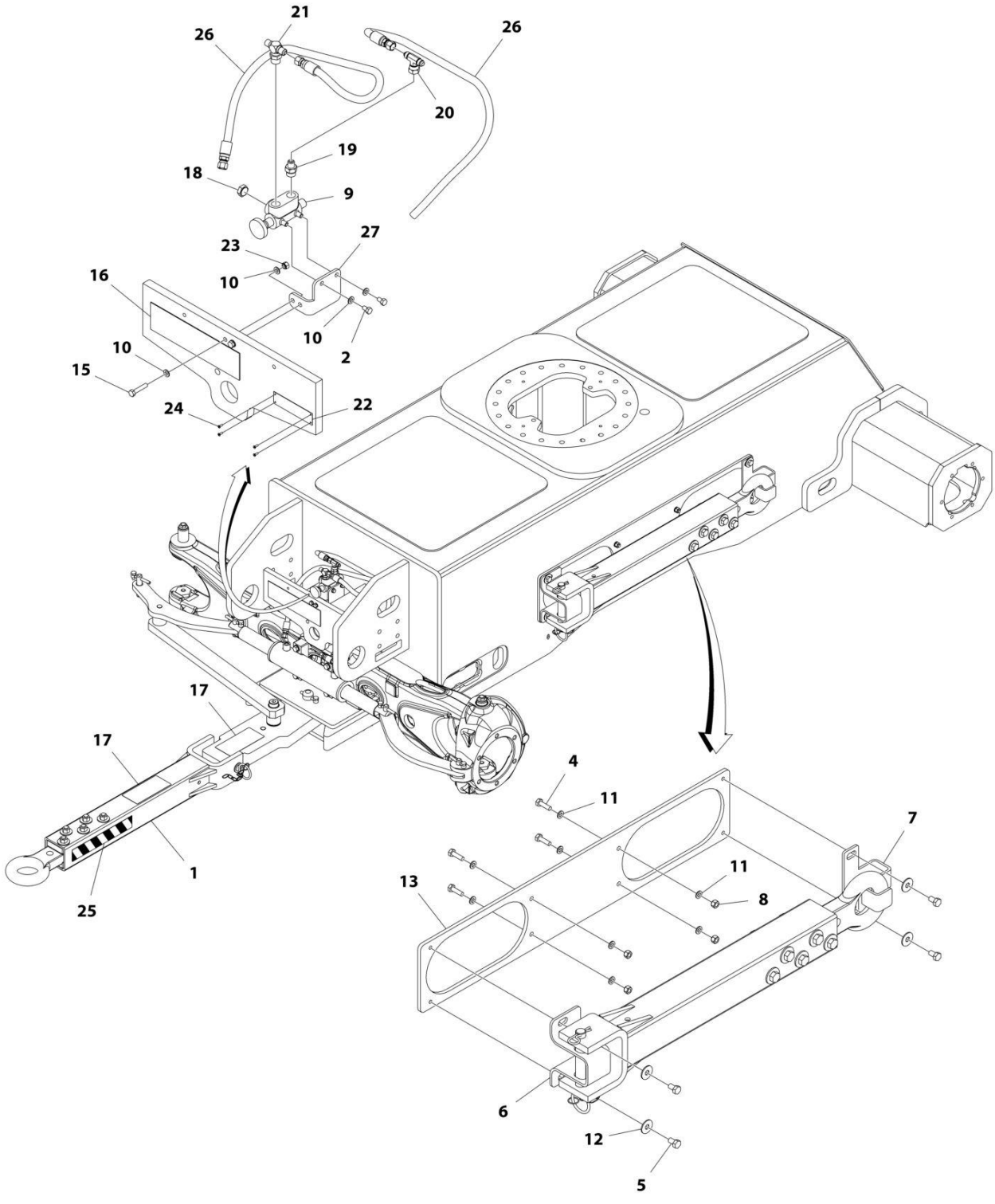
## SECTION 1 - FRAME

### FIGURE 1-17. FRAME SHIELD INSTALLATION - WITH TOW BAR

ITEM	PART NUMBER	QTY	DESCRIPTION	REV
	1001182245	Ref	FRAME SHIELD INSTALLATION - WITH TOW BAR	C
1	0100011	AR	Compound, Locking	
2	4280296	8 in / 20.3cm	Strip, Wear	
3	5251014	6	Bolt M10 x 30	
4	1001118972	4	Nut M10 x 1.5	
5	1001169955	1	Plate, Valve Cover	
6	1001182250	1	Plate, Cover	

# SECTION 1 - FRAME

## FIGURE 1-18. TOW BAR INSTALLATION



ART\_1001170736

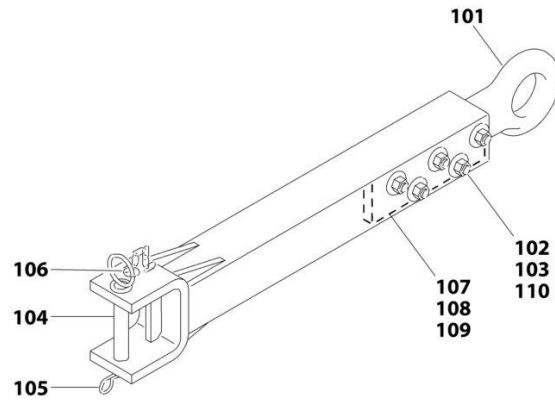
# SECTION 1 - FRAME

## FIGURE 1-18. TOW BAR INSTALLATION

ITEM	PART NUMBER	QTY	DESCRIPTION	REV
	1001170736	Ref	TOW BAR INSTALLATION	D
1	0363019	1	Tow Bar Assembly (See Separate Breakdown in this Section)	
2	0641504	2	Bolt 5/16 x 1/2	
4	0641612	4	Bolt 3/8 x 1-1/2	
5	0761210	4	Bolt M12 x 20	
6	0902733	1	Bracket, Storage (Front)	
7	0902734	1	Bracket, Storage (Rear)	
8	3311605	4	Nut 3/8	
9	4640261	1	Steer/Tow Select Valve	
10	4811900	6	Washer M8	
11	4891600	8	Washer 3/8	
12	4812102	4	Washer M12	
13	1001166478	1	Plate, Tow Bar Mount	
15	0760816	2	Bolt M8 x 40	
16	1702968	1	Decal - Towing Instructions	
17	1704578	3	Decal - Crushing	
18	2220238	1	Plug ORB	
19	2220372	1	Fitting, Straight JIC/ORB	
20	2220579	1	Fitting, Tee JIC/FSJIC/JIC	
21	2221052	1	Fitting, Tee JIC/ORB/JIC	
22	3250872	1	Nameplate, Steer/Tow Select Valve	
23	3290805	2	Nut M8 x 1.25	
24	3820001	4	Rivet	
25	4420051	48 in /1.21m	Tape, Safety	
26	1001181913	2	Hose	
27	1001182155	1	Bracket, Valve Mounting	

# SECTION 1 - FRAME

## FIGURE 1-19. TOW BAR ASSEMBLY



ART\_0363019

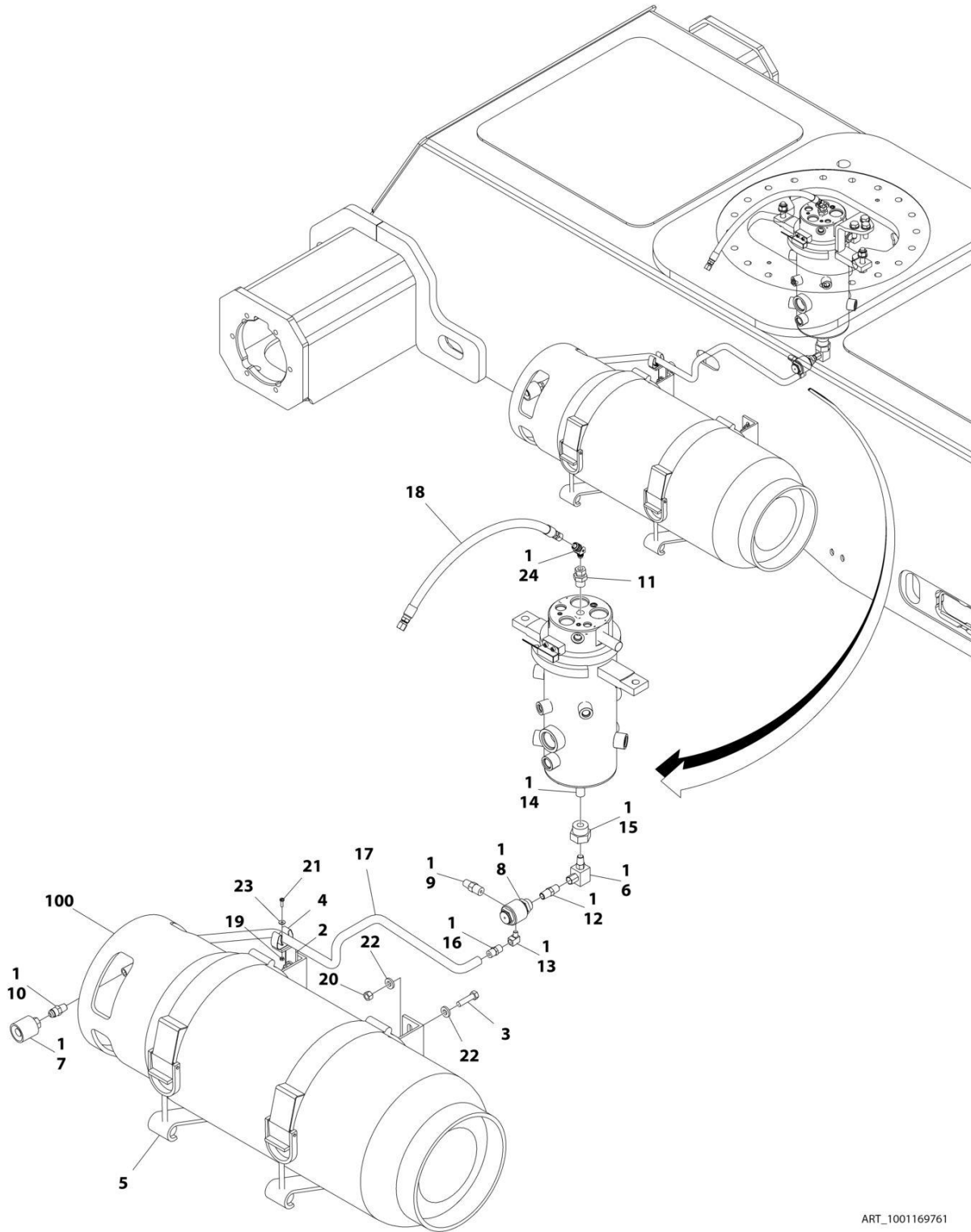
# SECTION 1 - FRAME

## FIGURE 1-19. TOW BAR ASSEMBLY

ITEM	PART NUMBER	QTY	DESCRIPTION	REV
	0363019	Ref	TOW BAR ASSEMBLY	B
101	0360406	1	Pintle, Draw Eye	
102	0682040	5	Bolt 5/8 x 5	
103	3312005	5	Nut 5/8	
104	3420352	1	Pin, Towing	
105	3420372	1	Hairpin	
106	3760170	1	Ring, Split	
107	4070450	2	Shim (.07)	
108	4070560	2	Shim (.88)	
109	4070561	2	Shim (.12)	
110	4752000	10	Washer 5/8	

# SECTION 1 - FRAME

## FIGURE 1-20. LP TANK BRACKETS INSTALLATION



ART\_1001169761



## SECTION 1 - FRAME

**FIGURE 1-20. LP TANK BRACKETS INSTALLATION**

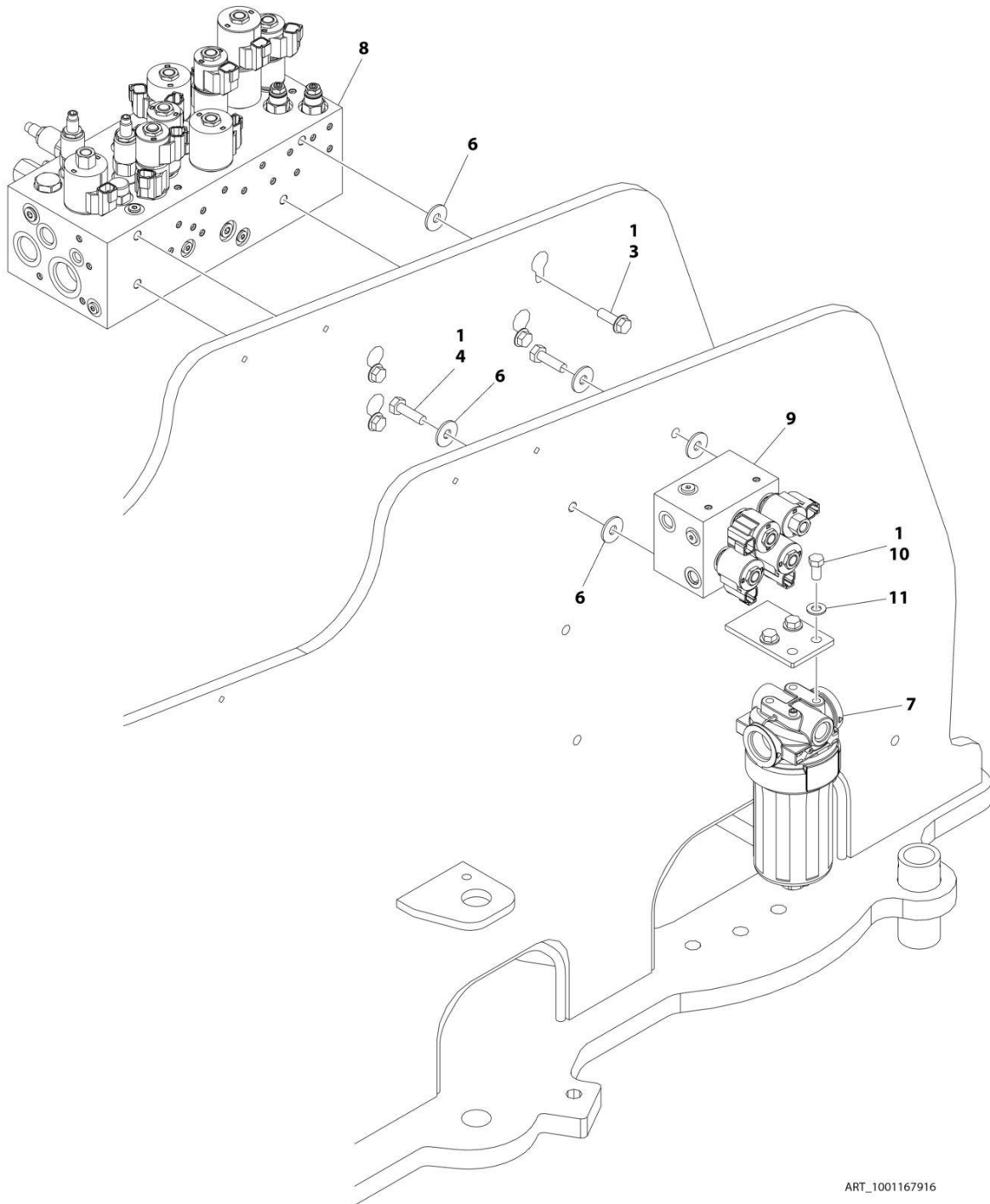
ITEM	PART NUMBER	QTY	DESCRIPTION	REV
	1001169761	Ref	LP TANK BRACKETS INSTALLATION	E
1	0100020	AR	Sealant, Pipe	
2	0181949	1	Angle, Support	
4	1320218	1	Clamp	
5	1320220	1	Clamp	
6	2180125	1	Fitting, Swivel 90	
7	2180387	1	Fitting, Straight	
8	2180388	1	Fitting, Bulkhead	
9	2180389	1	Valve, Relief	
10	2180418	1	Fitting, Straight	
11	2220005	1	Fitting, Straight	
12	2220261	1	Fitting, Nipple	
13	2220648	1	Fitting, 90 FNPTF/NPTF	
14	2221018	1	Nipple, Pipe	
15	2221019	1	Fitting, Reducer	
16	2221024	1	Fitting, Nipple	
17	2720144	1	Hose	
18	2720392	1	Hose	
19	3290401	1	Nut M4 x 0.7	
21	3900332	1	Screw M4 x 14	
23	1001091102	1	Washer	
24	1001239802	1	Fitting, 45	
25	3311601	4	Nut 3/8	
26	4891600	8	Washer 3/8	
27	0641612	4	Bolt 3/8 x 1-1/2	
100	4400275	1	Tank, LP 43.5 Lbs (Aluminum)	



**SECTION 2 - TURNTABLE**

# SECTION 2 - TURNTABLE

## FIGURE 2-1. CONTROL VALVES INSTALLATION (400S)



ART\_1001167916

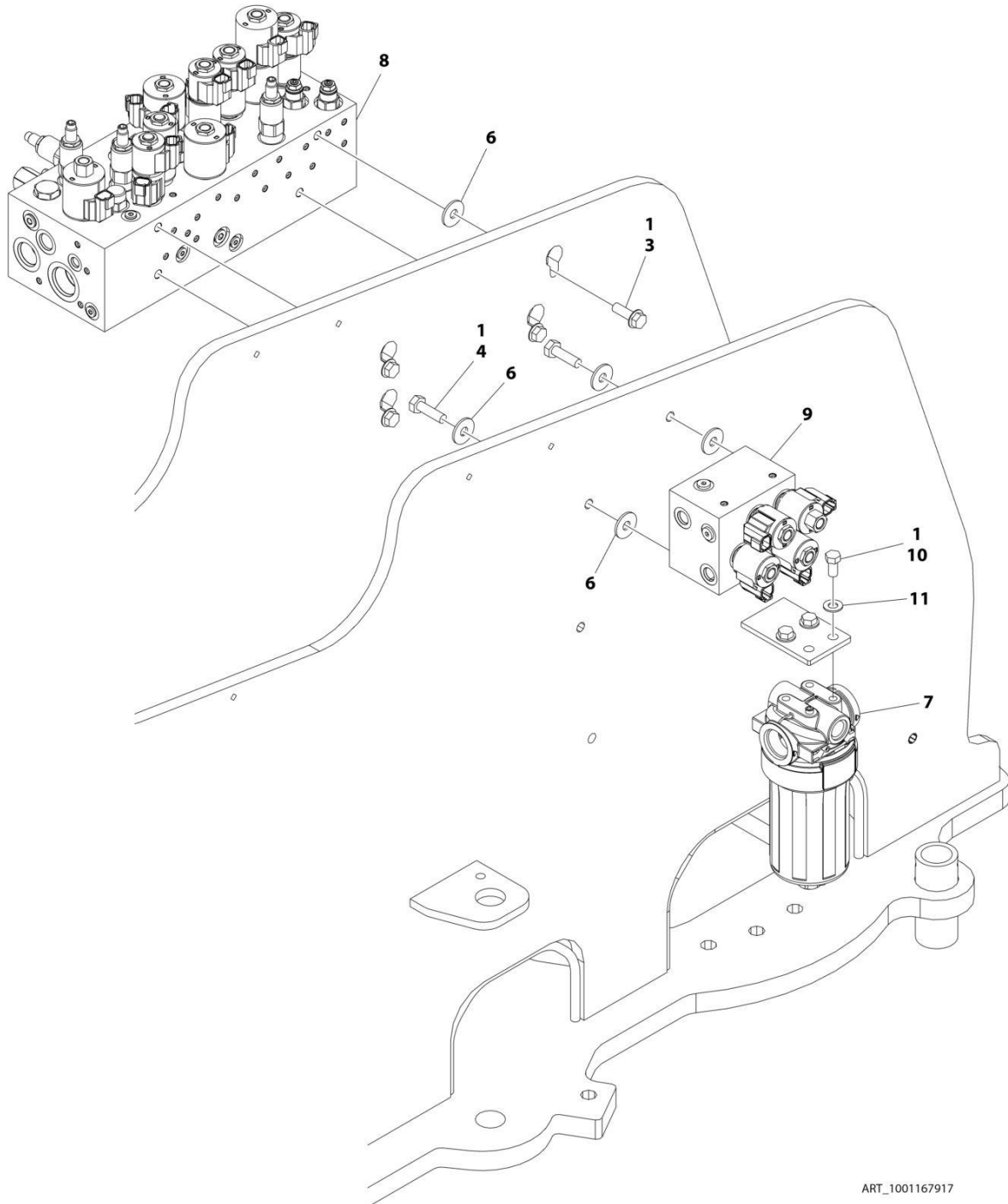
**SECTION 2 - TURNTABLE**

**FIGURE 2-1. CONTROL VALVES INSTALLATION (400S)**

<b>ITEM</b>	<b>PART NUMBER</b>	<b>QTY</b>	<b>DESCRIPTION</b>	<b>REV</b>
	1001167916	Ref	CONTROL VALVES INSTALLATION	F
1	0100011	AR	Compound, Locking	
3	5251014	4	Bolt M10 x 30	
4	0761015	2	Bolt M10 x 35	
6	4812002	8	Washer M10	
7	1001208874	1	Filter, Charge Pump	
7	70010383	1	Element, Filter (Includes O-Ring)	
8	1001162531	1	Main Valve Assembly (See Separate Breakdown in this Section)	
9	1001162538	1	Axle Valve Assembly (See Separate Breakdown in this Section)	
10	0761010	3	Bolt M10 x 20	
11	4812000	3	Washer M10	

# SECTION 2 - TURNTABLE

## FIGURE 2-2. CONTROL VALVES INSTALLATION (460SJ)



ART\_1001167917

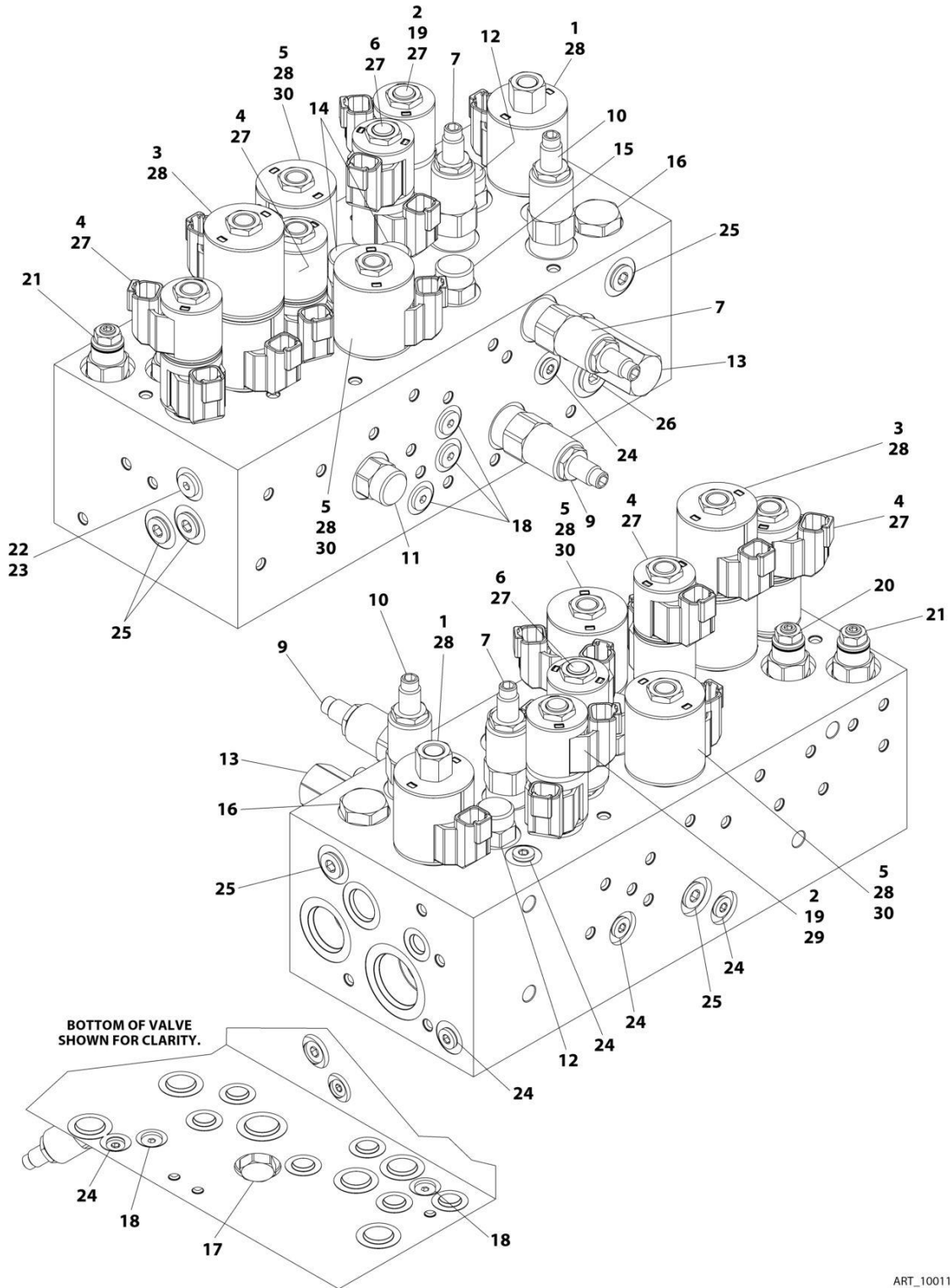
**SECTION 2 - TURNTABLE**

**FIGURE 2-2. CONTROL VALVES INSTALLATION (460SJ)**

ITEM	PART NUMBER	QTY	DESCRIPTION	REV
	1001167917	Ref	CONTROL VALVES INSTALLATION	F
1	0100011	AR	Compound, Locking	
3	5251014	4	Bolt M10 x 30	
4	0761015	2	Bolt M10 x 35	
6	4812002	8	Washer M10	
7	1001208874	1	Filter, Charge Pump	
7	70010383	1	Element, Filter (Includes O-Ring)	
8	1001162532	1	Main Valve Assembly (See Separate Breakdown in this Section)	
9	1001162538	1	Axle Valve Assembly (See Separate Breakdown in this Section)	
10	0761010	3	Bolt M10 x 20	
11	4812000	3	Washer M10	

# SECTION 2 - TURNTABLE

## FIGURE 2-3. MAIN VALVE ASSEMBLY (400S)



ART\_1001162531



**SECTION 2 - TURNTABLE**

**FIGURE 2-3. MAIN VALVE ASSEMBLY (400S)**

ITEM	PART NUMBER	QTY	DESCRIPTION	REV
	1001162531	Ref	MAIN VALVE ASSEMBLY	F
1	70005069	1	Cartridge, Solenoid Less Coil (Main Dump)	
1	7022399	1	Seal Kit - 70005069 Valve	
1	70003977	1	Nut, Coil	
2	70005217	1	Cartridge, Solenoid Less Coil (Steer)	
2	70005071	1	Seal Kit - 70005217 Valve	
2	7022390	1	Nut, Coil	
3	70005072	1	Cartridge, Solenoid Less Coil (Tele)	
3	70005073	1	Seal Kit - 70005072 Valve	
3	7022390	1	Nut, Coil	
3	70003024	1	Spacer, Coil	
4	70005074	2	Cartridge, Solenoid Valve Less Coil (Platform Level and Rotate)	
4	70005075	2	Seal Kit - 70005074 Valve	
4	7022390	2	Nut, Coil	
4	70003023	2	Spacer, Coil	
5	70005076	2	Cartridge, Solenoid Less Coil (Lift Up and Flow Control)	
5	7022399	2	Seal Kit - 70005076 Valve	
5	7022390	2	Nut, Coil	
6	70005077	1	Cartridge, Solenoid Valve Less Coil (Swing)	
6	70005071	1	Seal Kit - 70005077 Valve	
6	7022390	1	Nut, Coil	
6	70003023	1	Spacer, Coil	
7	70005078	2	Cartridge, Relief Valve	
7	7023936	2	Seal Kit - 70005078 Valve	
9	70005079	1	Cartridge, Relief Valve	
9	7023936	1	Seal Kit - 70005079 Valve	
10	70005080	1	Cartridge, Relief Valve	
10	7022399	1	Seal Kit - 70005080 Valve	
11	70005081	1	Cartridge, Valve	
11	70005082	1	Seal Kit - 70005081 Valve	
12	70005218	1	Cartridge, Valve	
12	70005082	1	Seal Kit - 70005218 Valve	
13	70005084	1	Cartridge, Valve	
13	70005085	1	Seal Kit - 70005084 Valve	
14	70005086	2	Cartridge, Valve	
14	70005087	2	Seal Kit - 70005086 Valve	
15	70005088	1	Cartridge, Valve	
15	7023900	1	Seal Kit - 70005088 Valve	
16	70003408	1	Cartridge, Valve	
16	7022399	1	Seal Kit - 70005100 Valve	
17	70005089	1	Cartridge, Check Valve	
17	7023936	1	Seal Kit - 70005089 Valve	
18	70005090	5	Cartridge, Check Valve	
18	70005092	5	Seal Kit - 70005090 Valve	
19	70002974	1	Disc, Check Valve	
20	70005108	1	Cartridge, Valve	
20	2900770	1	Seal Kit - 70005108 Valve	
21	70005109	1	Cartridge, Valve	
21	2900770	1	Seal Kit - 70005109 Valve	
22	70005091	1	Orifice	

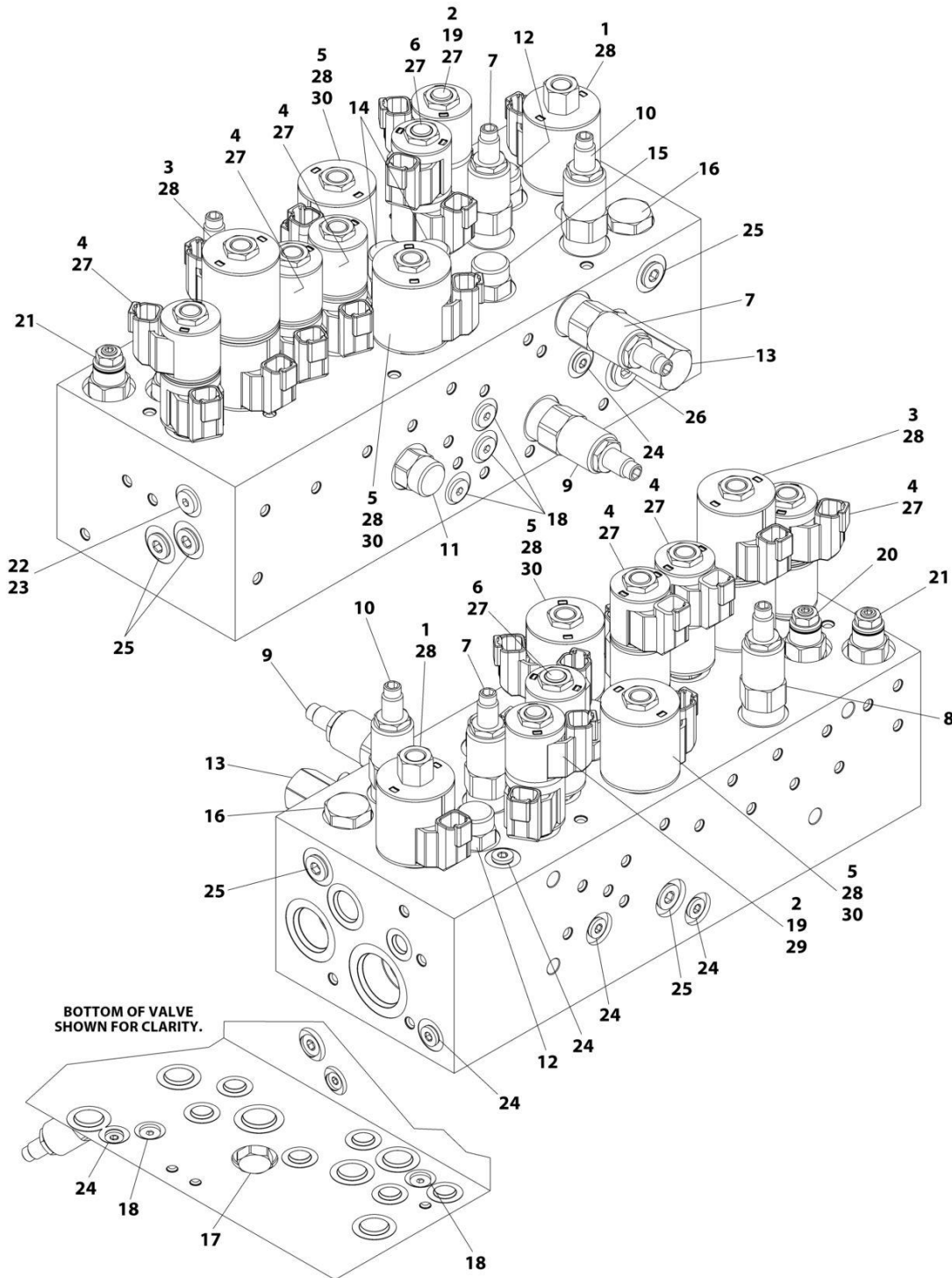
## SECTION 2 - TURNTABLE

ITEM	PART NUMBER	QTY	DESCRIPTION	REV
23	2220883	1	Plug, O-Ring #4	
24	91164059	6	Plug	
25	91164079	6	Plug	
26	91164057	1	Plug	
27	70002386	6	Coil	
28	70003788	5	Coil	
29	70005219	2	Coil	
30	70005724	2	Lockdown Kit	



# SECTION 2 - TURNTABLE

## FIGURE 2-4. MAIN VALVE ASSEMBLY (460SJ)



ART\_1001162532

## SECTION 2 - TURNTABLE

### FIGURE 2-4. MAIN VALVE ASSEMBLY (460SJ)

ITEM	PART NUMBER	QTY	DESCRIPTION	REV
	1001162532	Ref	MAIN VALVE ASSEMBLY	F
1	70005069	1	Cartridge, Solenoid Less Coil (Main Dump)	
1	7022399	1	Seal Kit - 70005069 Valve	
1	70003977	1	Nut, Coil	
2	70005217	1	Cartridge, Solenoid Less Coil (Steer)	
2	70005071	1	Seal Kit - 70005217 Valve	
2	7022390	1	Nut, Coil	
3	70005072	1	Cartridge, Solenoid Less Coil (Tele)	
3	70005073	1	Seal Kit - 70005072 Valve	
3	7022390	1	Nut, Coil	
3	70003024	1	Spacer, Coil	
4	70005074	3	Cartridge, Solenoid Valve Less Coil (Platform Level, Platform Rotate and Jib Lift)	
4	70005075	3	Seal Kit - 70005074 Valve	
4	7022390	3	Nut, Coil	
4	70003023	3	Spacer, Coil	
5	70005076	2	Cartridge, Solenoid Less Coil (Lift Up and Flow Control)	
5	7022399	2	Seal Kit - 70005076 Valve	
5	7022390	2	Nut, Coil	
6	70005077	1	Cartridge, Solenoid Valve Less Coil (Swing)	
6	70005071	1	Seal Kit - 70005077 Valve	
6	7022390	1	Nut, Coil	
6	70003023	1	Spacer, Coil	
7	70005078	2	Cartridge, Relief Valve	
7	7023936	2	Seal Kit - 70005078 Valve	
8	70005093	1	Cartridge, Valve	
8	7023936	1	Seal Kit - 70005093 Valve	
9	70005079	1	Cartridge, Relief Valve	
9	7023936	1	Seal Kit - 70005079 Valve	
10	70005080	1	Cartridge, Relief Valve	
10	7022399	1	Seal Kit - 70005080 Valve	
11	70005081	1	Cartridge, Valve	
11	70005082	1	Seal Kit - 70005081 Valve	
12	70005218	1	Cartridge, Valve	
12	70005082	1	Seal Kit - 70005218 Valve	
13	70005084	1	Cartridge, Valve	
13	70005085	1	Seal Kit - 70005084 Valve	
14	70005086	2	Cartridge, Valve	
14	70005087	2	Seal Kit - 70005086 Valve	
15	70005088	1	Cartridge, Valve	
15	7023900	1	Seal Kit - 70005088 Valve	
16	70003408	1	Cartridge, Valve	
16	7022399	1	Seal Kit - 70005100 Valve	
17	70005089	1	Cartridge, Check Valve	
17	7023936	1	Seal Kit - 70005089 Valve	
18	70005090	5	Cartridge, Check Valve	
18	70005092	5	Seal Kit - 70005090 Valve	
19	70002974	1	Disc, Check Valve	
20	70005108	1	Cartridge, Valve	
20	2900770	1	Seal Kit - 70005108 Valve	

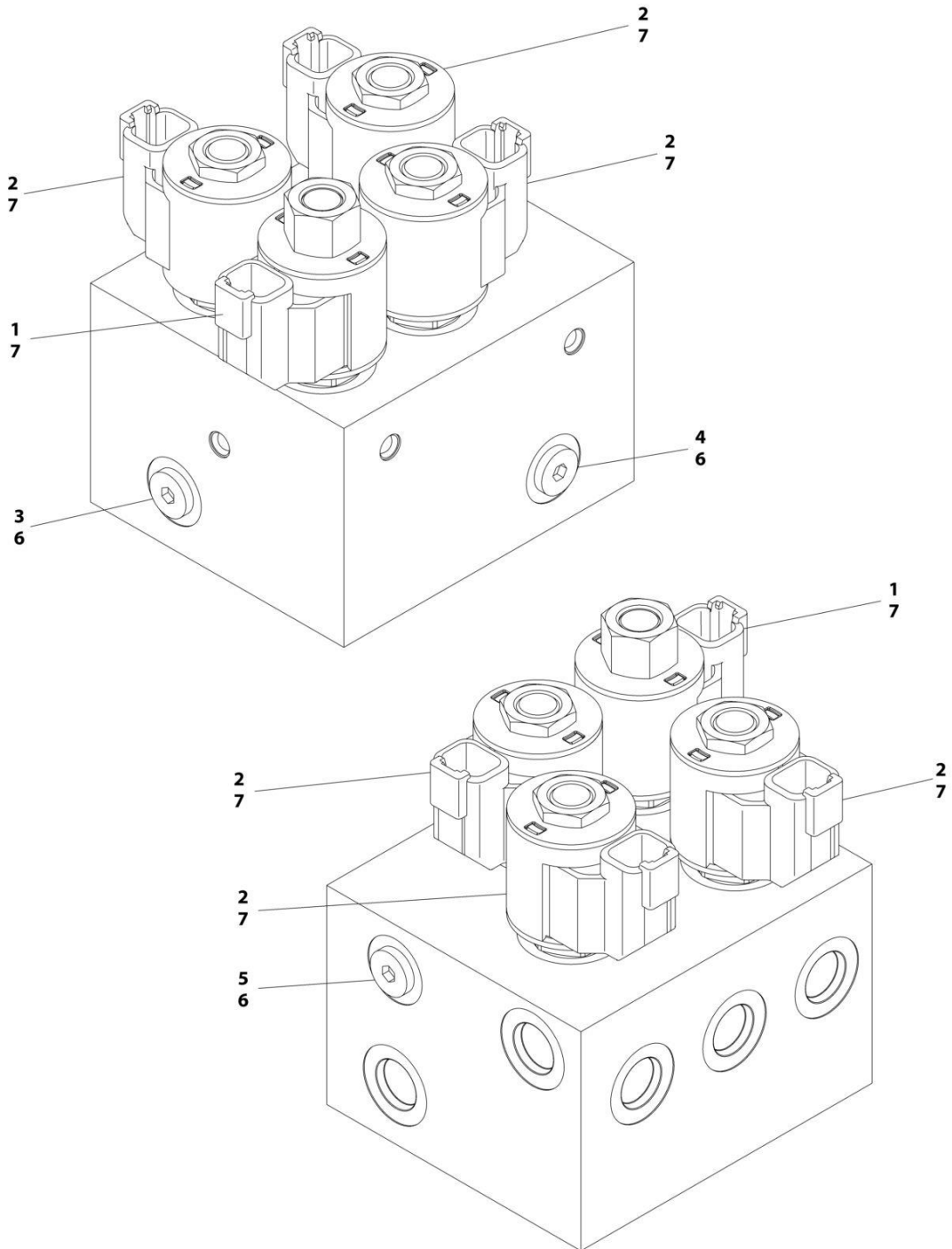
## SECTION 2 - TURNTABLE

ITEM	PART NUMBER	QTY	DESCRIPTION	REV
21	70005109	1	Cartridge, Valve	
21	2900770	1	Seal Kit - 70005109 Valve	
22	70005091	1	Orifice	
23	2220883	1	Plug, O-Ring #4	
24	91164059	6	Plug	
25	91164079	6	Plug	
26	91164057	1	Plug	
27	70002386	8	Coil	
28	70003788	5	Coil	
29	70005219	2	Coil	
30	70005724	2	Lockdown Kit	



# SECTION 2 - TURNTABLE

## FIGURE 2-5. AXLE VALVE ASSEMBLY



ART\_1001162538



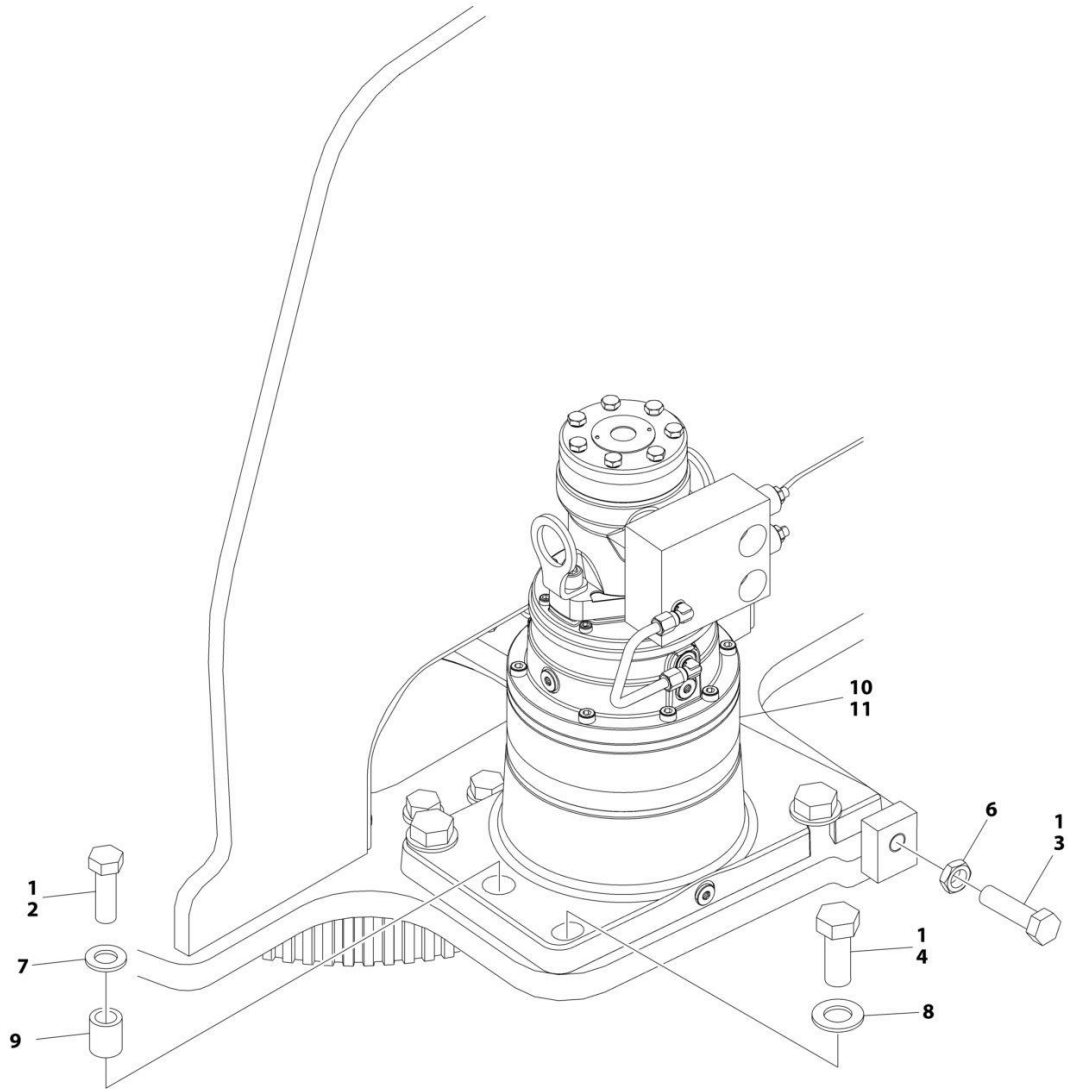
**SECTION 2 - TURNTABLE**

**FIGURE 2-5. AXLE VALVE ASSEMBLY**

ITEM	PART NUMBER	QTY	DESCRIPTION	REV
	1001162538	Ref	AXLE VALVE ASSEMBLY	D
1	7017410	1	Cartridge, Solenoid Valve Less Coil (Secondary Axle Release)	
1	7012967	1	Seal Kit - 7017410 Valve	
2	7012941	3	Cartridge, Solenoid Valve Less Coil (Brake Release, Primary Axle Release and 2 Speed)	
2	7010543	3	Seal Kit - 7012941 Valve	
3	70004883	1	Orifice	
4	70004884	1	Orifice	
5	70002063	1	Orifice	
6	2220883	3	Plug, O-Ring #4	
7	70002386	4	Coil	

# SECTION 2 - TURNTABLE

## FIGURE 2-6. SWING DRIVE INSTALLATION



ART\_1001228492

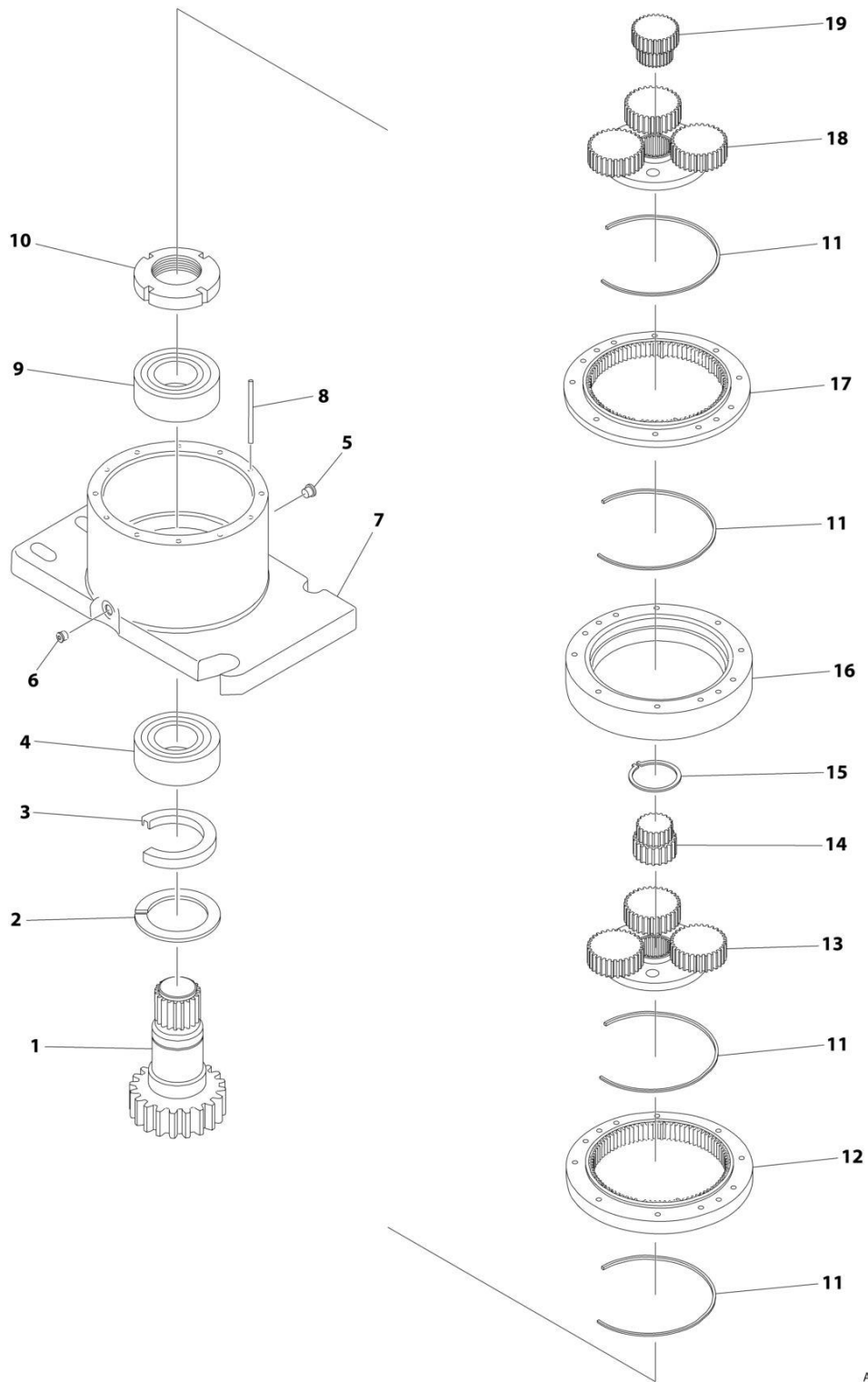
**SECTION 2 - TURNTABLE**

**FIGURE 2-6. SWING DRIVE INSTALLATION**

ITEM	PART NUMBER	QTY	DESCRIPTION	REV
	1001228492	Ref	SWING DRIVE INSTALLATION	C
1	0100019	AR	Compound, Locking	
2	0701618	1	Bolt M16 x 50	
3	0761620	1	Bolt M16 x 60	
4	0772018	4	Bolt M20 x 50 Grade 10.9	
6	3291602	1	Nut M16	
7	5241600	1	Washer M16	
8	5242000	4	Washer M20	
9	1001134543	1	Sleeve, Spacer	
10	4071009	1	Shim	
11	1001228487	1	Swing Hub/Motor Assembly (See Separate Breakdown in this Section)	

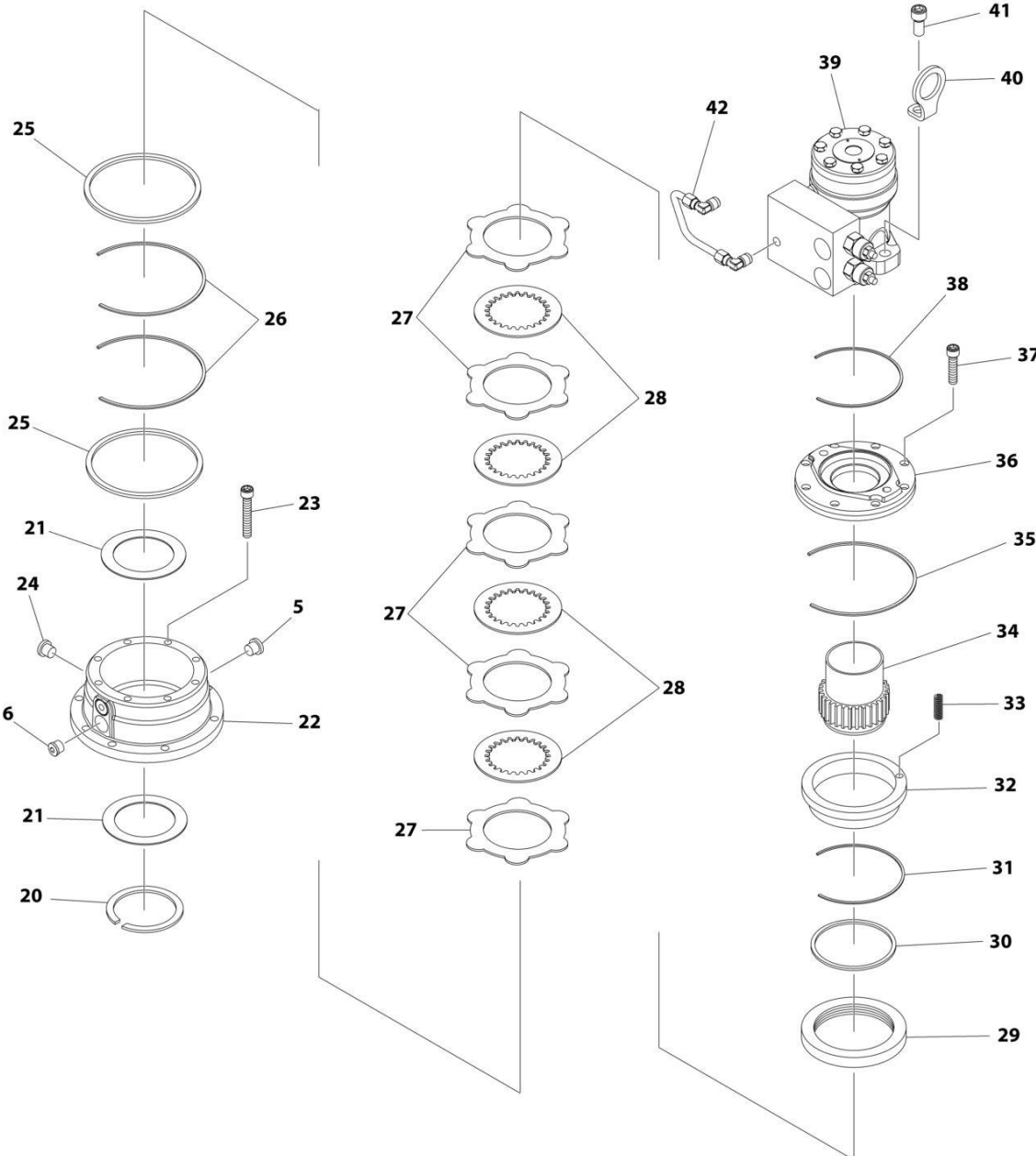
# SECTION 2 - TURNTABLE

## FIGURE 2-7. SWING HUB/MOTOR ASSEMBLY



ART\_1001228487\_10F2

**SECTION 2 - TURNTABLE**



ART\_1001228487\_2OF2

## SECTION 2 - TURNTABLE

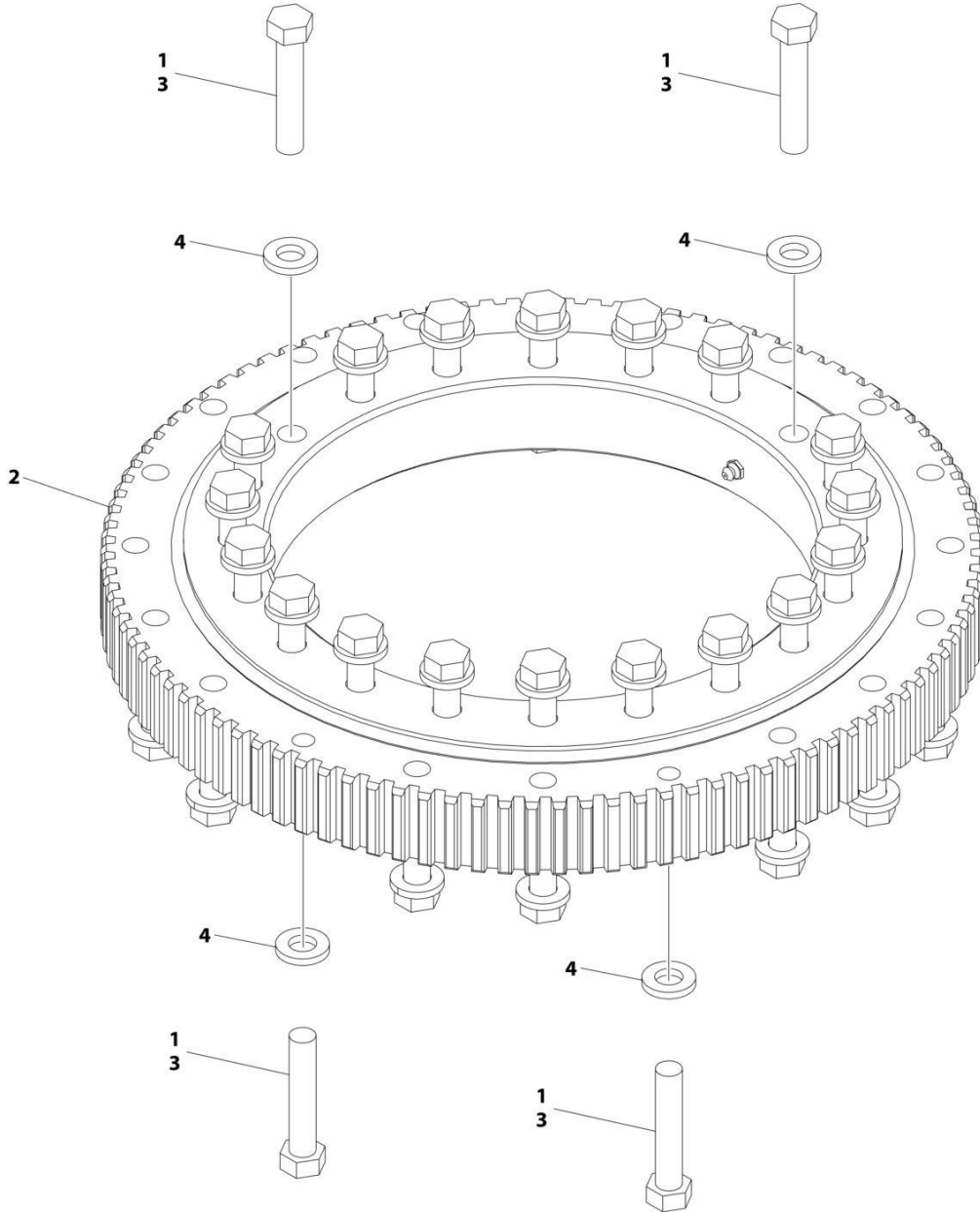
FIGURE 2-7. SWING HUB/MOTOR ASSEMBLY

ITEM	PART NUMBER	QTY	DESCRIPTION	REV
	1001228487	Ref	SWING HUB/MOTOR ASSEMBLY	C
1	70007022	1	Output Shaft	
2	70007023	1	Ring	
3		Ref	Oil Seal	
4	70007024	1	Tapered Roller Bearing	
5	70004469	2	Magnetic Plug with O-Ring	
6	70002057	4	Plug with O-Ring	
7	NSS	1	Output Support	
8	70007025	2	Spring Pin	
9	70007026	1	Tapered Roller Bearing	
10	70007027	1	Ring Nut	
11		Ref	O-Ring	
12	70006990	1	Planetary Ring	
13	70007028	1	Complete Reduction	
14	70007029	1	Pinion	
15	70007030	1	Seeger	
16	70006994	1	Spacer	
17	70004481	1	Planetary Ring	
18	70004482	1	Complete Reduction	
19	70007031	1	Pinion	
20	70006997	1	Ring	
21	70006998	2	Washer	
22	NSS	1	Brake Housing	
23	70007032	8	Screw	
24	70006999	1	Level Oil Plug	
25		Ref	Parbak	
26		Ref	O-Ring	
27		Ref	Iron Disc	
28		Ref	Sintered Disc	
29	70005317	1	Brake Spacer	
30		Ref	Parbak	
31		Ref	O-Ring	
32	70005318	1	Brake Piston	
33		Ref	Brake Spring	
34	70007001	1	Input Shaft	
35		Ref	O-Ring	
36	70007002	1	Cover	
37	70007003	8	Screw	
38		Ref	O-Ring	
39		Ref	Motor with Valve	
40	NSS	2	Vertical Lift Support	
41	70004494	2	Screw	
42	70007004	1	Brake/Valve Adapter	
43	70007046	1	Seal Kit	
44	70007006	1	Kit, Brake Repair	



# SECTION 2 - TURNTABLE

## FIGURE 2-8. TURNTABLE BEARING INSTALLATION



ART\_1001168992



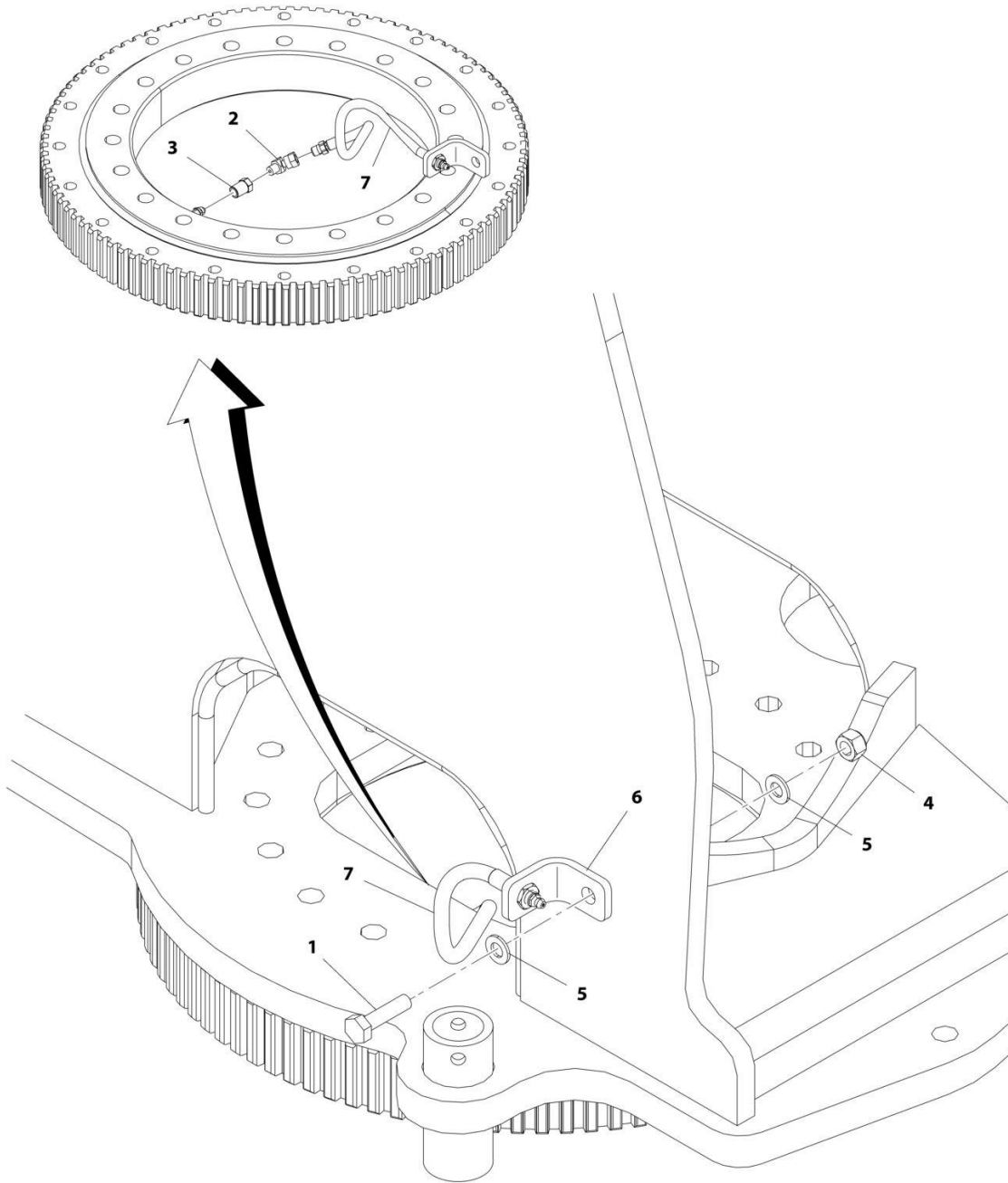
**SECTION 2 - TURNTABLE**

**FIGURE 2-8. TURNTABLE BEARING INSTALLATION**

<b>ITEM</b>	<b>PART NUMBER</b>	<b>QTY</b>	<b>DESCRIPTION</b>	<b>REV</b>
	1001168992	Ref	TURNTABLE BEARING INSTALLATION	A
1	0100019	AR	Compound, Locking	
2	0440240	1	Bearing, Turntable	
3	0682026	40	Bolt 5/8 x 3-1/4 Grade 8	
4	4892000	40	Washer 5/8	

# SECTION 2 - TURNTABLE

## FIGURE 2-9. BEARING LUBE INSTALLATION



ART\_1001169191

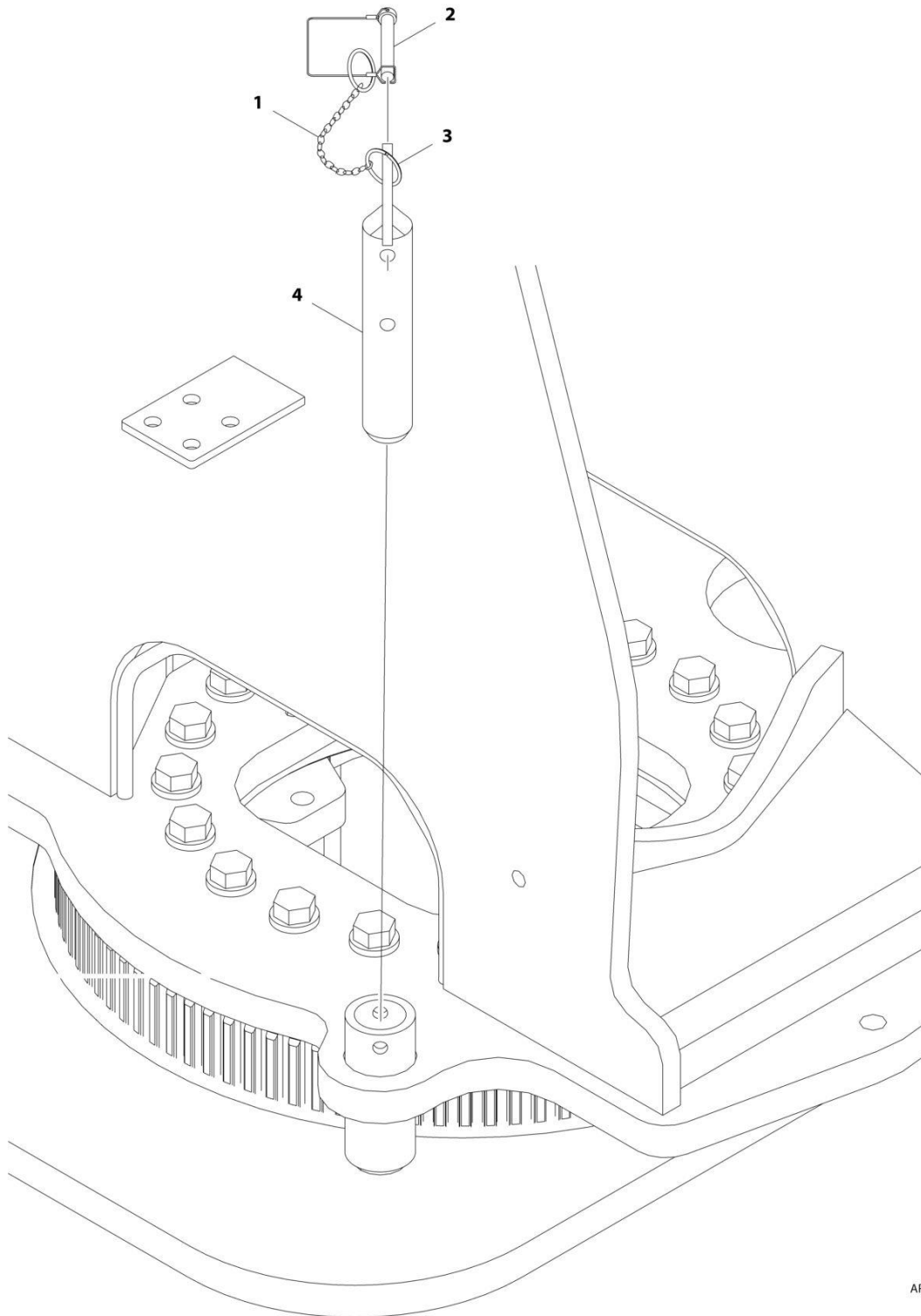
**SECTION 2 - TURNTABLE**

**FIGURE 2-9. BEARING LUBE INSTALLATION**

<b>ITEM</b>	<b>PART NUMBER</b>	<b>QTY</b>	<b>DESCRIPTION</b>	<b>REV</b>
	1001169191	Ref	BEARING LUBE INSTALLATION	A
1	0761016	1	Bolt M10 x 40	
2	2220124	1	Fitting, 45 1/8NPT	
3	2220273	1	Fitting, Straight FNPTF/NPTF	
4	3291005	1	Nut M10	
5	4812000	2	Washer M10	
6	1001169192	1	Mount, Bulkhead	
7	1001169193	1	Hose	

## SECTION 2 - TURNTABLE

FIGURE 2-10. TURNTABLE LOCK INSTALLATION



ART\_1001169496

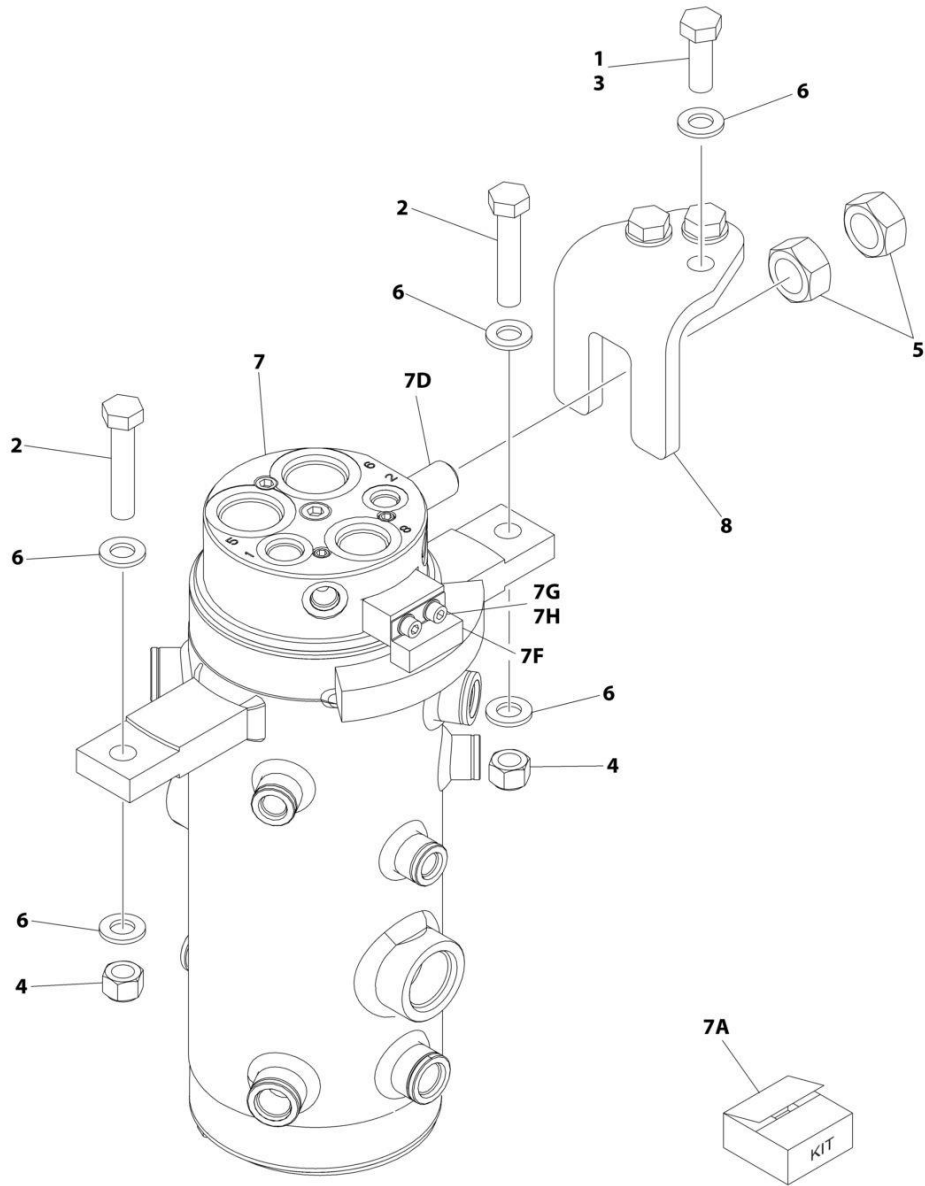
**SECTION 2 - TURNTABLE**

**FIGURE 2-10. TURNTABLE LOCK INSTALLATION**

<b>ITEM</b>	<b>PART NUMBER</b>	<b>QTY</b>	<b>DESCRIPTION</b>	<b>REV</b>
	1001169496	Ref	TURNTABLE LOCK INSTALLATION	B
1	1260017	1	Chain	
2	3421565	1	Pin, Snap	
3	3760170	2	Ring, Split	
4	1001169582	1	Pin	

# SECTION 2 - TURNTABLE

## FIGURE 2-11. ROTARY COUPLING INSTALLATION



ART\_1001168855

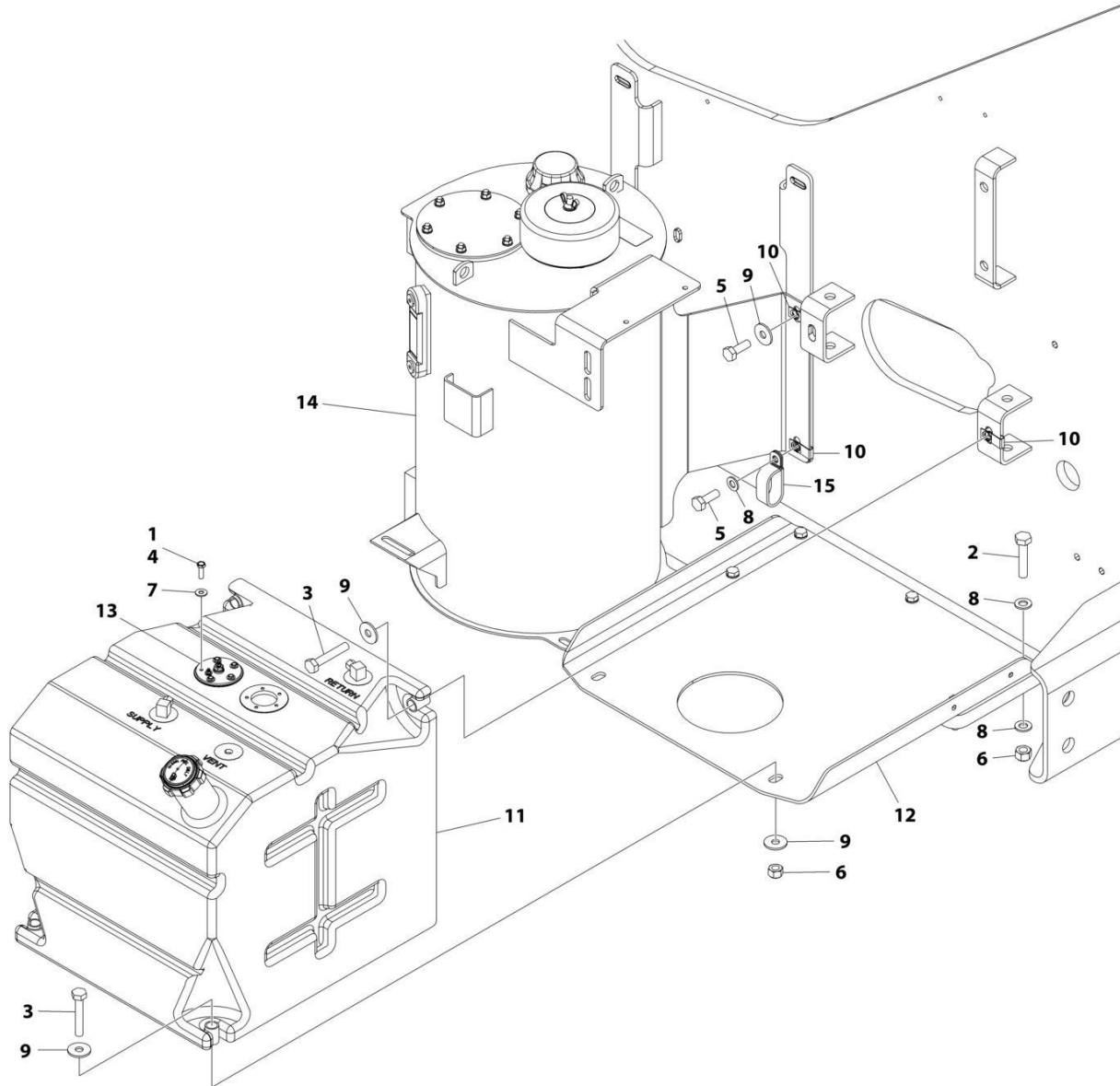
**SECTION 2 - TURNTABLE**

**FIGURE 2-11. ROTARY COUPLING INSTALLATION**

ITEM	PART NUMBER	QTY	DESCRIPTION	REV
	1001168855	Ref	ROTARY COUPLING INSTALLATION	C
1	0100011	AR	Compound, Locking	
2	0701220	2	Bolt M12 x 60	
3	0761215	3	Bolt M12 x 35	
4	3291201	2	Nut M12	
5	3292001	2	Nut M20	
6	4812100	7	Washer M12	
7	1001188334	1	Rotary Coupling Assembly	
7A	70005716	1	Seal Kit - 1001188334 Coupling	
7B	70005710	1	Spacer (Not Shown)	
7C	70005711	1	Spacer (Not Shown)	
7D	70005712	1	Threaded Spigot	
7E	70005713	1	Circlip (Not Shown)	
7F	4360517	1	Switch, Proximity	
7G	70005714	1	Bolt	
7H	70005715	1	Washer	
8	1001169185	1	Mount	
9	2220238	1	Fitting, Plug ORB (Not Shown)	

# SECTION 2 - TURNTABLE

## FIGURE 2-12. TANKS INSTALLATION - DIESEL MACHINES



ART\_1001207349



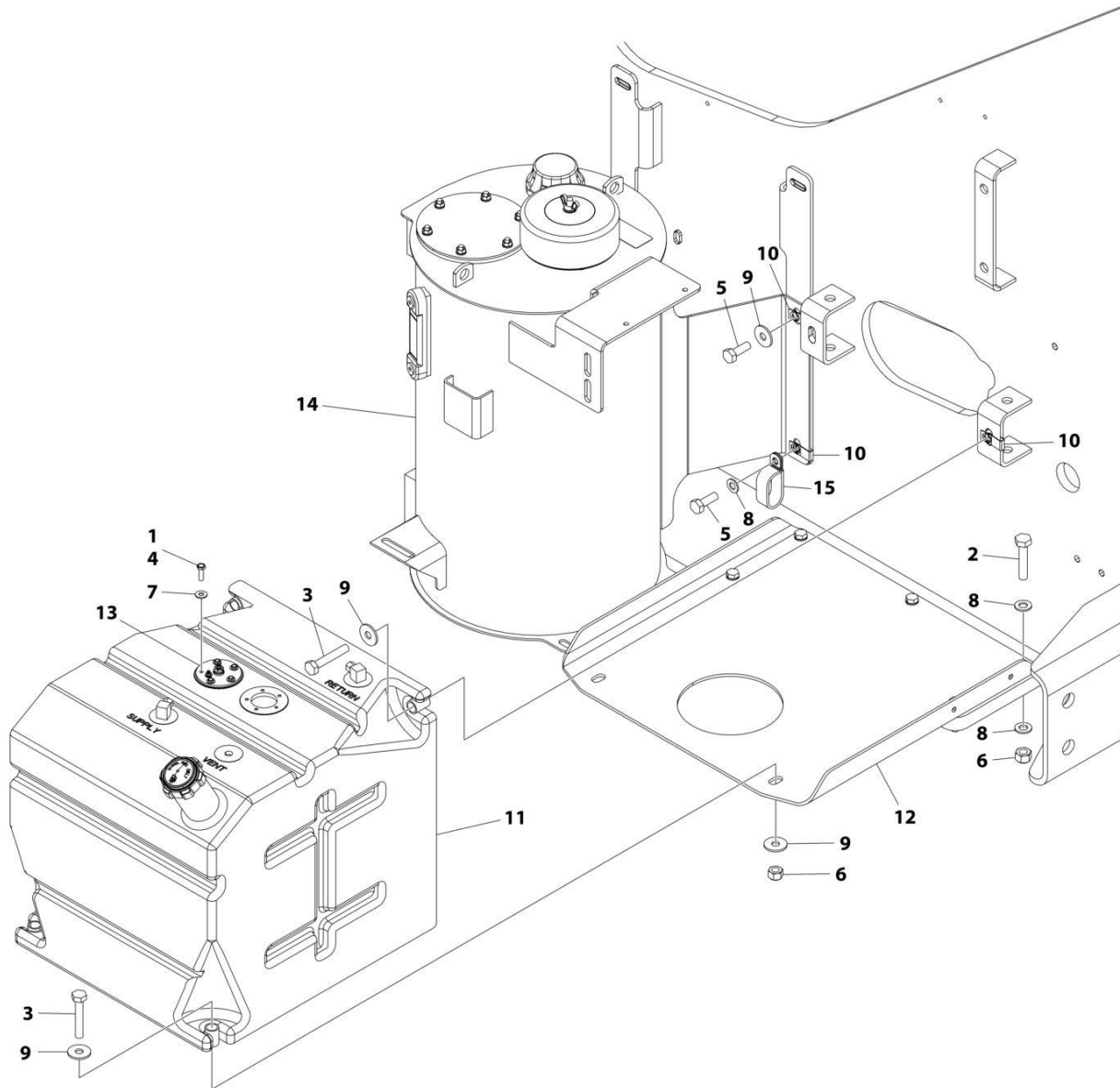
**SECTION 2 - TURNTABLE**

**FIGURE 2-12. TANKS INSTALLATION - DIESEL MACHINES**

ITEM	PART NUMBER	QTY	DESCRIPTION	REV
	1001207349	Ref	TANKS INSTALLATION - DIESEL MACHINES	D
1	0100035	AR	Compound, Locking	
2	0701018	5	Bolt M10 x 50	
3	0701020	4	Bolt M10 x 60	
4	0731005	5	Screw #10 x .625	
5	0761014	4	Bolt M10 x 30	
6	3291005	7	Nut M10	
7	4751000	5	Washer #10	
8	4812000	12	Washer M10	
9	4812002	8	Washer M10	
10	1001118972	6	Nut M10	
11	1001163418	1	Tank, Fuel	
11	1001193336	1	Cap, Fill with Chain and Stop Spring	
11	70004794	1	Tube, Pick-up	
12	1001166710	1	Plate	
13	1001231195	1	Sensor, Fuel Level	
14	1001206917	1	Tank, Hydraulic (See Separate Breakdown in this Section)	
15	1321716	2	Clamp	

# SECTION 2 - TURNTABLE

## FIGURE 2-13. TANKS INSTALLATION - GAS MACHINES



ART\_1001207350

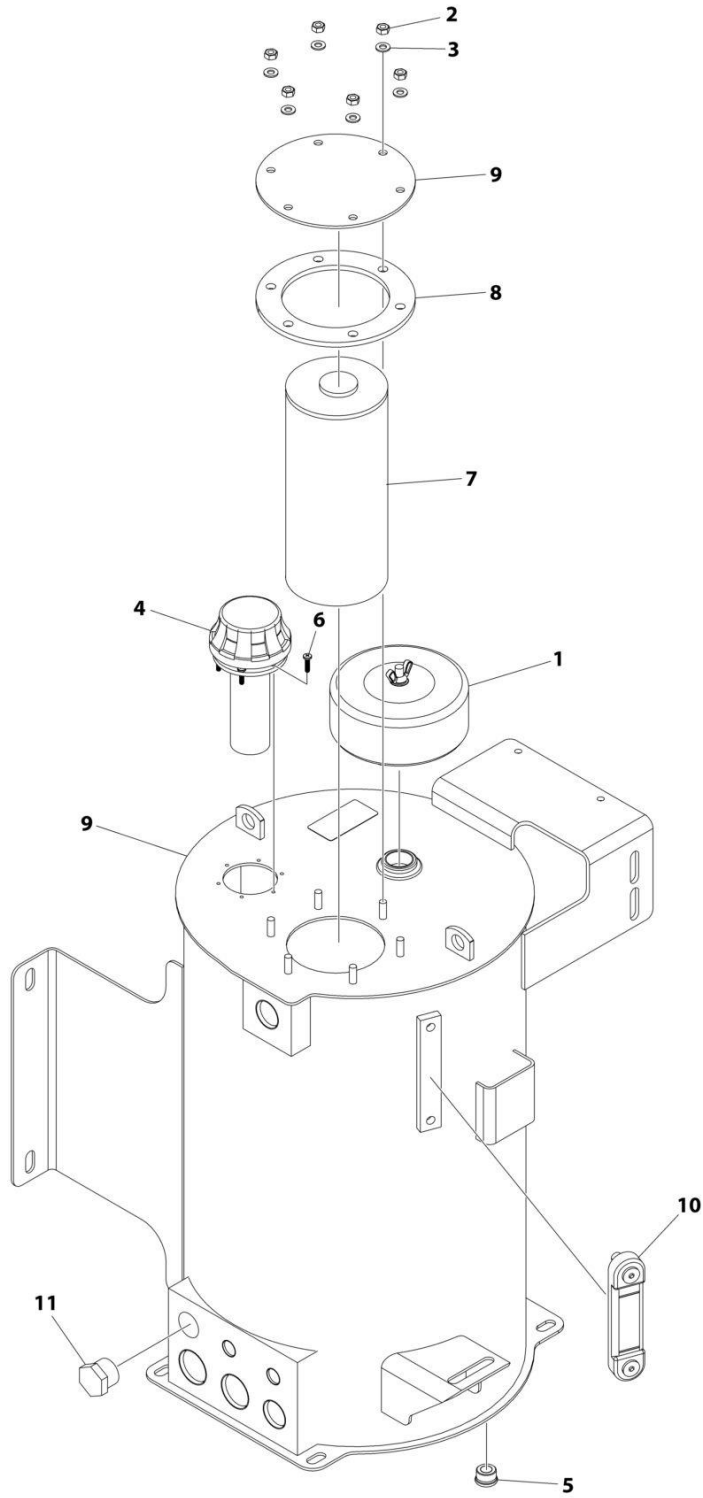
## SECTION 2 - TURNTABLE

**FIGURE 2-13. TANKS INSTALLATION - GAS MACHINES**

ITEM	PART NUMBER	QTY	DESCRIPTION	REV
	1001207350	Ref	TANKS INSTALLATION - GAS MACHINES	E
1	0100035	AR	Compound, Locking	
2	0701018	5	Bolt M10 x 50	
3	0701020	4	Bolt M10 x 60	
4	0731005	5	Screw #10 x 5/8	
5	0761014	4	Bolt M10 x 30	
6	3291005	7	Nut M10	
7	4751000	5	Washer #10	
8	4812000	12	Washer M10	
9	4812002	8	Washer M10	
10	1001118972	6	Nut M10	
11	1001163671	1	Tank, Fuel	
11	1001211336	1	Cap, Fill with Lanyard and Stop	
11	70004794	2	Tube, Pick up	
12	1001166710	1	Plate	
13	1001231195	1	Sensor, Fuel Level	
14	1001206917	1	Tank, Hydraulic (See Separate Breakdown in this Section)	
15	1321716	2	Clamp	

# SECTION 2 - TURNTABLE

## FIGURE 2-14. HYDRAULIC TANK ASSEMBLY



ART\_1001206917

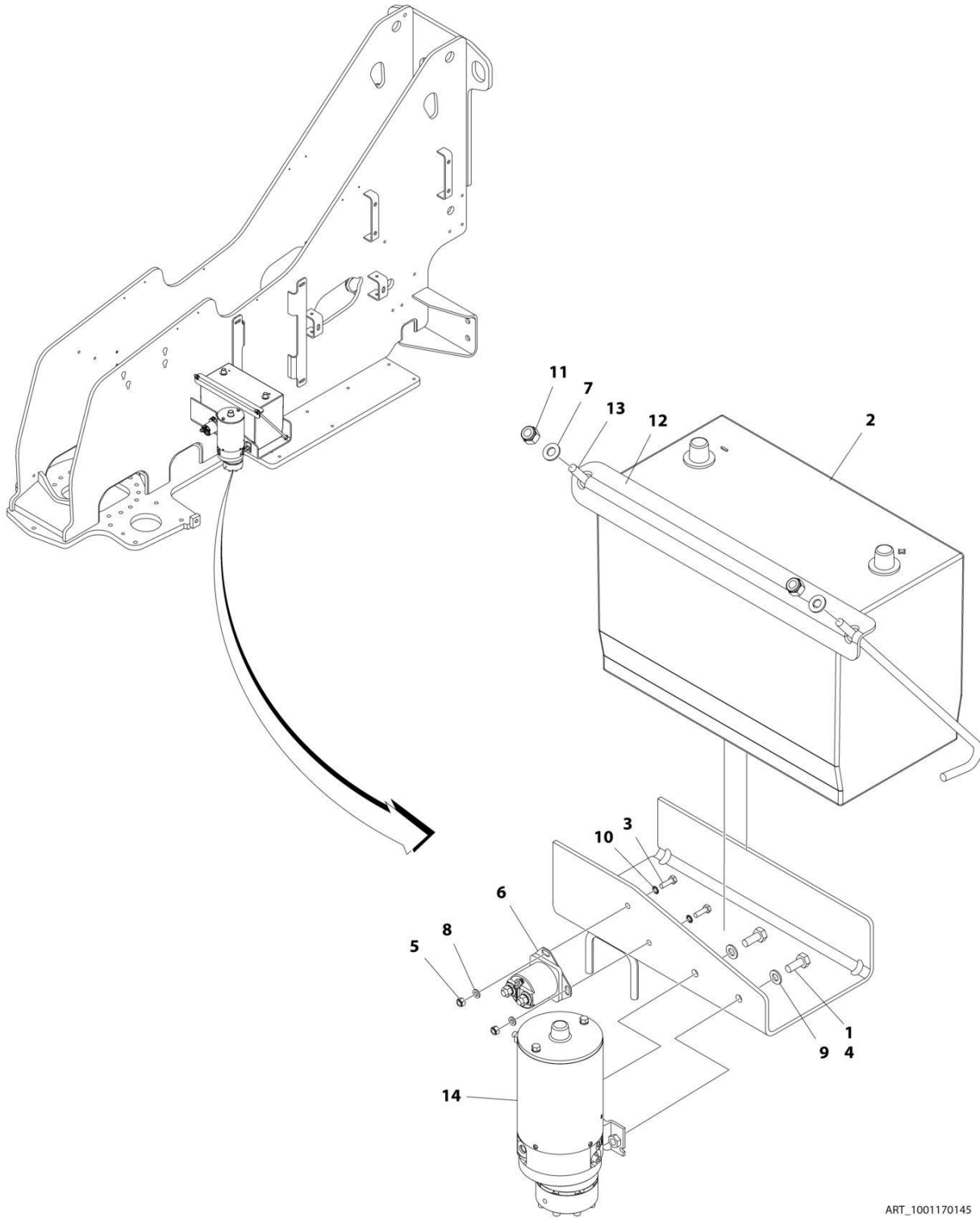
**SECTION 2 - TURNTABLE**

**FIGURE 2-14. HYDRAULIC TANK ASSEMBLY**

ITEM	PART NUMBER	QTY	DESCRIPTION	REV
	1001206917	Ref	HYDRAULIC TANK ASSEMBLY	A
1	See Note	NSS	Breather Assembly (Note: Use p/n 70003614)	
2	3311501	6	Nut 5/16	
3	4751400	6	Washer 1/4	
4	70002838	1	Cap, Fill	
5	70002112	1	Plug	
6	See Note	NSS	Screw #10 x 3/4 (Note: Not Available for purchase)	
7	See Note	NSS	Element, Filter (Note: Use p/n 70003614)	
8	1001199177	1	Gasket	
9	See Note	NSS	Reservoir (Note: Not Available for purchase)	
10	7024441	1	Gauge, Level	
11	2220887	1	Plug	

# SECTION 2 - TURNTABLE

## FIGURE 2-15. AUXILIARY PUMP AND BATTERY INSTALLATION



ART\_1001170145

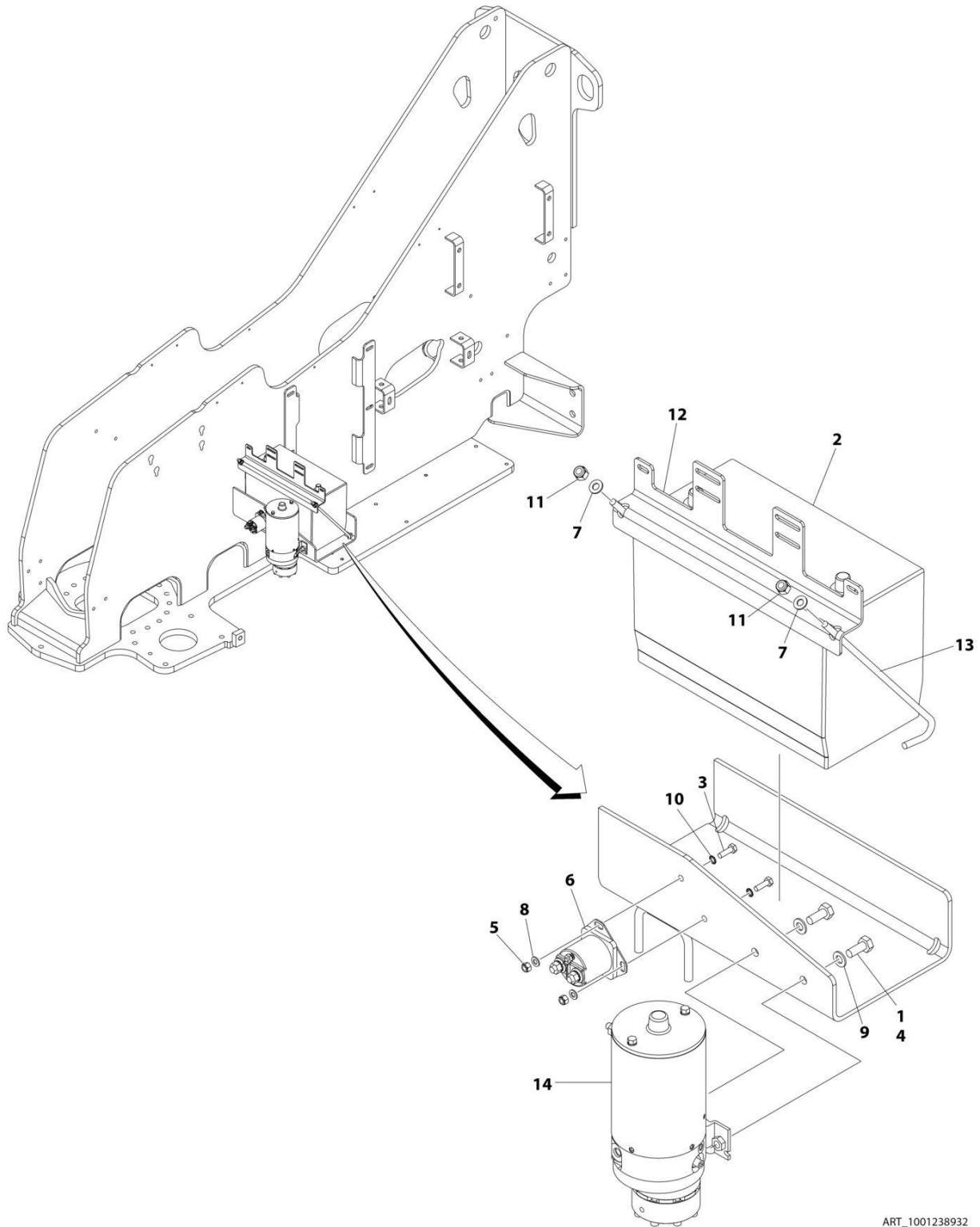
**SECTION 2 - TURNTABLE**

**FIGURE 2-15. AUXILIARY PUMP AND BATTERY INSTALLATION**

ITEM	PART NUMBER	QTY	DESCRIPTION	REV
	1001170145	Ref	AUXILIARY PUMP AND BATTERY INSTALLATION	C
1	0100011	AR	Compound, Locking	
2	0400075	1	Battery	
3	0760610	2	Bolt M6 x 20	
4	0761012	2	Bolt M10 x 25	
5	3290605	2	Nut M6	
6	3740067	1	Relay	
6	3300220	2	Nut 3/8	
6	3321001	1	Nut #10	
6	4761000	1	Washer #10	
6	1001111424	2	Washer 3/8	
7	4711500	2	Washer 5/16	
8	4811700	2	Washer M6	
9	4812000	2	Washer M10	
10	4871700	2	Washer M6	
11	88521205	2	Nut 5/16	
12	91401281	1	Bracket	
13	1001093382	2	J-Bolt	
14	1001185821	1	Auxiliary Pump Assembly (See Separate Breakdown in this Section)	

## SECTION 2 - TURNTABLE

FIGURE 2-16. AUXILIARY PUMP AND BATTERY WITH DISCONNECT SWITCH INSTALLATION



ART\_1001238932



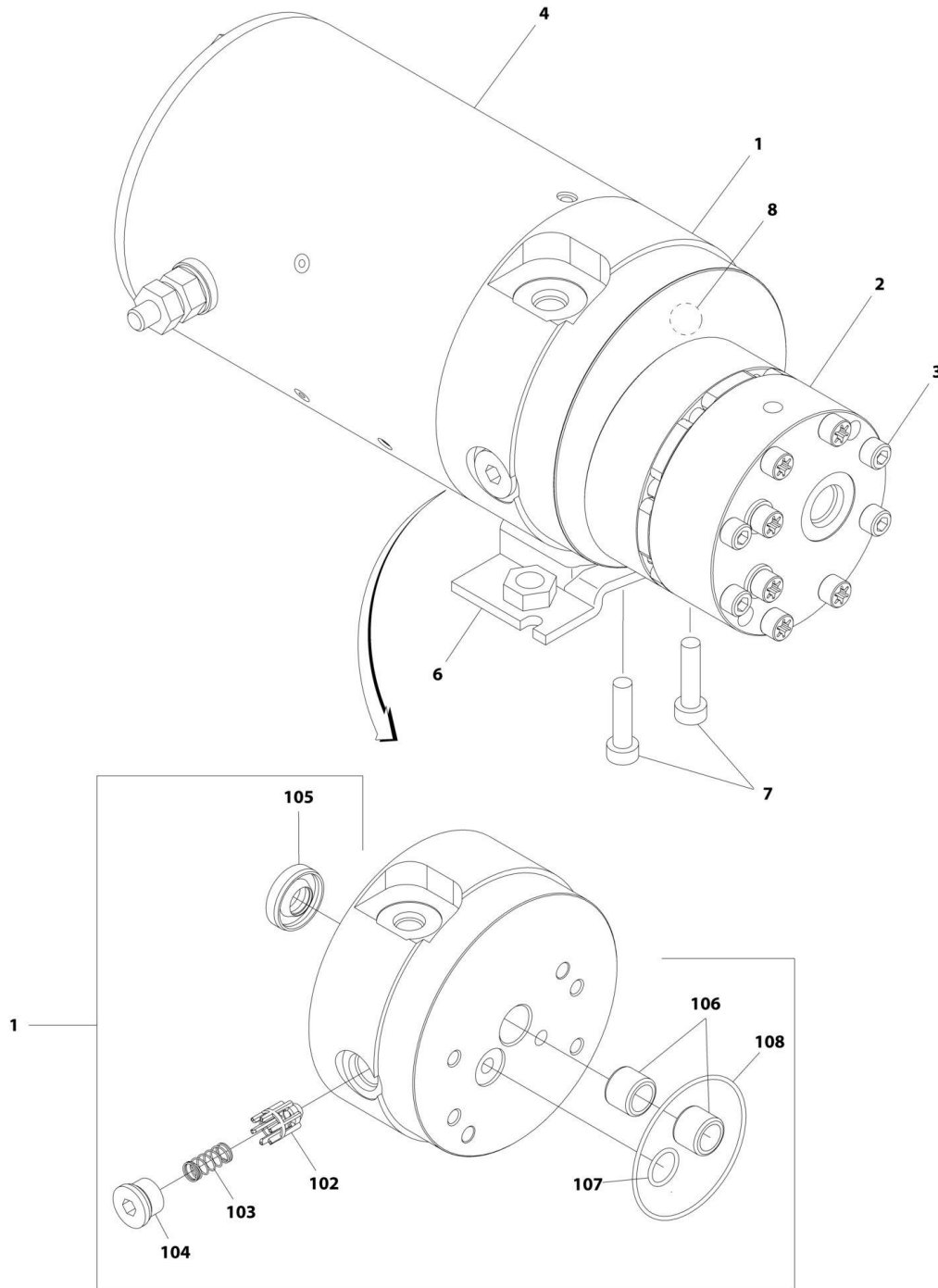
## SECTION 2 - TURNTABLE

**FIGURE 2-16. AUXILIARY PUMP AND BATTERY WITH DISCONNECT SWITCH INSTALLATION**

ITEM	PART NUMBER	QTY	DESCRIPTION	REV
	1001238932	Ref	AUXILIARY PUMP AND BATTERY INSTALLATION WITH DISCONNECT	A
1	0100011	AR	Compound, Locking	
2	0400075	1	Battery	
3	0760610	2	Bolt M6 x 20	
4	0761012	2	Bolt M10 x 25	
5	3290605	2	Nut M6	
6	3740067	1	Relay	
6	3300220	2	Nut 3/8	
6	3321001	1	Nut #10	
6	4761000	1	Washer #10	
6	1001111424	2	Washer 3/8	
7	4711500	2	Washer 5/16	
8	4811700	2	Washer M6	
9	4812000	2	Washer M10	
10	4871700	2	Washer M6	
11	88521205	2	Nut 5/16	
12	1001236303	1	Bracket	
13	1001093382	2	J-Bolt	
14	1001185821	1	Auxiliary Pump Assembly (See Separate Breakdown in this Section)	

# SECTION 2 - TURNTABLE

## FIGURE 2-17. AUXILIARY PUMP ASSEMBLY



ART\_1001185821

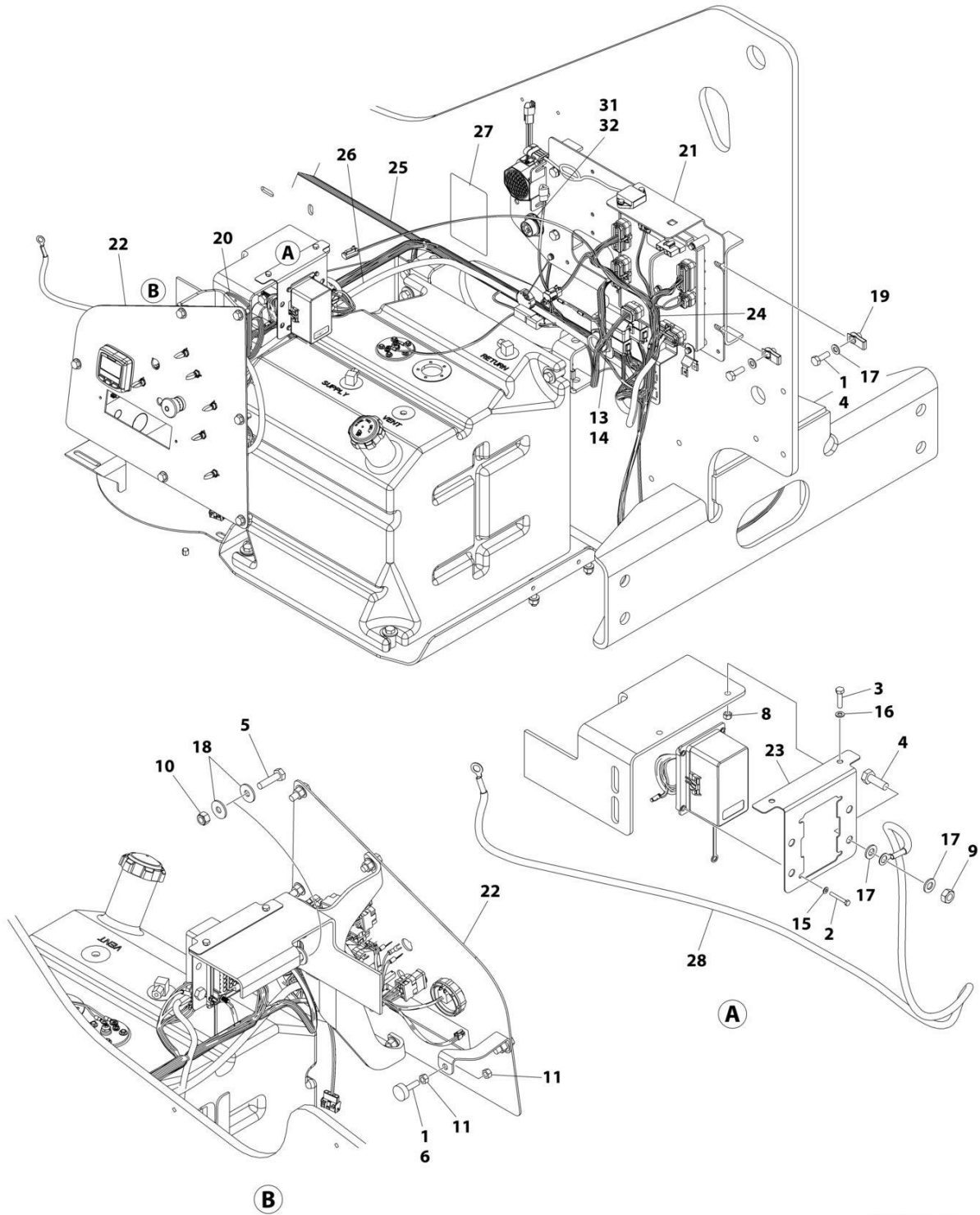
**SECTION 2 - TURNTABLE**

**FIGURE 2-17. AUXILIARY PUMP ASSEMBLY**

ITEM	PART NUMBER	QTY	DESCRIPTION	REV
	1001185821	Ref	AUXILIARY PUMP ASSEMBLY	B
1	70005065	1	Base Assembly (See Items 102-108 for Breakdown)	
2	70005066	1	Pump Assembly (Note: No Seal Kit or Internal Components are Available - Purchase Complete Pump Assembly)	
3	70005067	4	Capscrew 1/4 x 2-3/4	
4	70004013	1	Motor Assembly (Note: No Internal Components are Available - Purchase Complete Motor Assembly)	
6	70004014	1	Bracket	
7	70004000	2	Capscrew 3/8 x 1	
8	70005068	1	Relief Valve Assembly	
	70005065	Ref	BASE ASSEMBLY	
102	See Note	NSS	Poppet, Check (Note: Use p/n 70005065)	
103	See Note	NSS	Spring (Note: Use p/n 70005065)	
104	See Note	NSS	Plug (Note: Use p/n 70005065)	
105	7026330	1	Seal, Shaft	
106	70005139	2	Bearing	
107	70003612	1	O-Ring	
108	70004267	1	O-Ring	

# SECTION 2 - TURNTABLE

## FIGURE 2-18. ELECTRICAL INSTALLATION (400S)



ART\_1001236965\_E

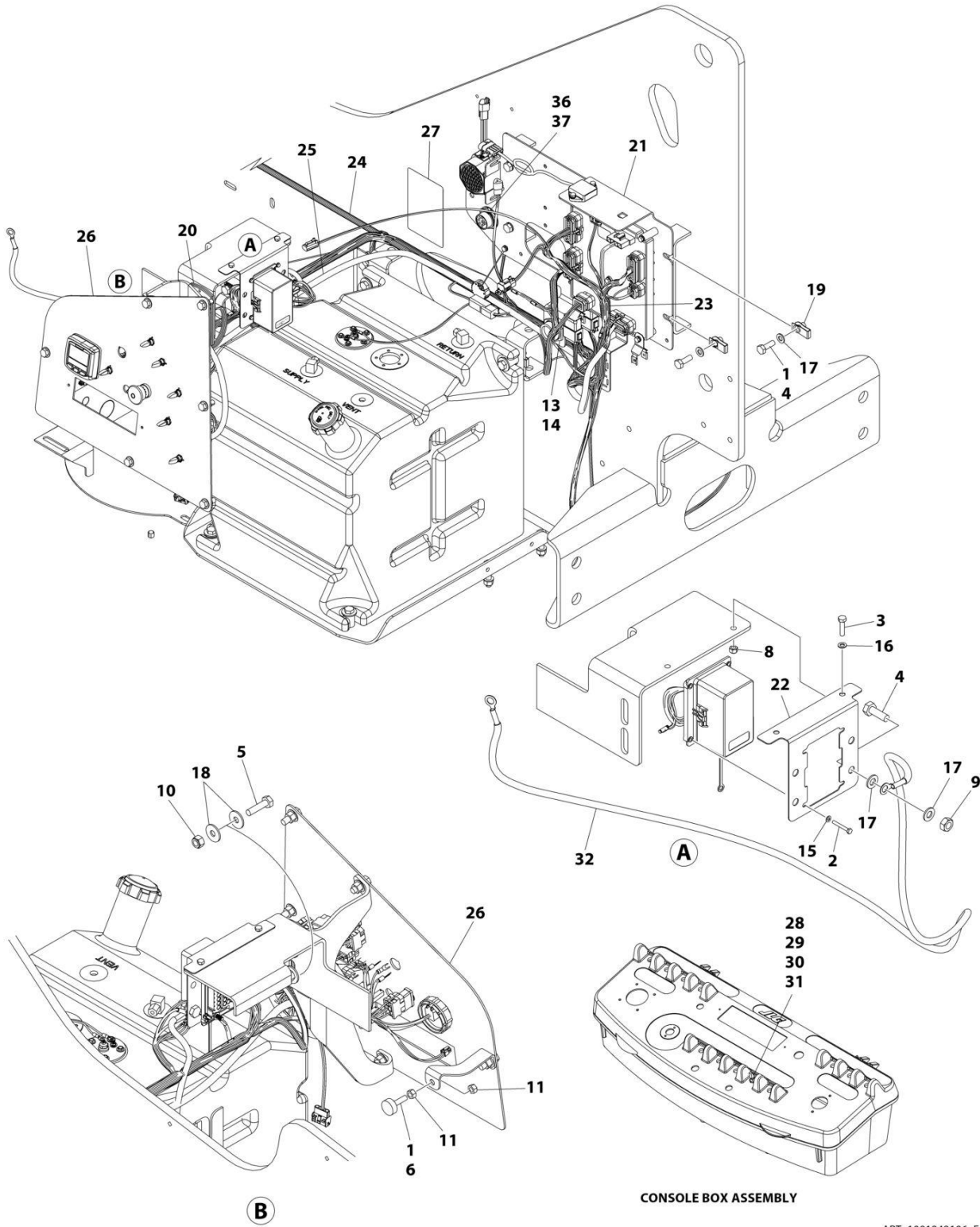
## SECTION 2 - TURNTABLE

**FIGURE 2-18. ELECTRICAL INSTALLATION (400S)**

ITEM	PART NUMBER	QTY	DESCRIPTION	REV
	1001236965	Ref	ELECTRICAL INSTALLATION	E
1	0100011	AR	Compound, Locking	
2	0731005	4	Bolt #10 x .625	
3	0760612	2	Bolt M6 x 25	
4	0761014	5	Bolt M10 x 30	
5	0761016	2	Bolt M10 x 40	
6	0940049	1	Stopper, Hood	
8	3290605	2	Nut M6	
9	3291001	1	Nut M10	
10	3291005	2	Nut M10	
11	3311501	2	Nut 5/16	
12	4240099	AR	Tie-Strap (Not Shown)	
13	4460470	1	Nut, Terminal	
14	4460471	1	Washer, Terminal	
15	4711000	4	Washer #10	
16	4811700	4	Washer M6	
17	4812000	6	Washer M10	
18	4812002	4	Washer M10	
19	1001118972	4	Nut M10	
20	1001150324	AR	Shim 3	
21	1001172757	1	Electrical Panel Assembly (See Separate Breakdown in this Section)	
22	1001239294	1	Ground Control Assembly (See Separate Breakdown in this Section)	
23	1001237822	1	Plate	
24	1001237849	1	Turntable Harness (See Separate Breakdown in ELECTRICAL SECTION)	
25	1001238160	1	Valve Harness (See Separate Breakdown in ELECTRICAL SECTION)	
26	1001238161	1	Ground Control Box Harness (See Separate Breakdown in ELECTRICAL SECTION)	
27	1001239512	1	Decal - Fuse Box	
28	1001250681	1	Battery Cable (Negative)	
29	4460466	8	Seal, Terminal (Not Shown)	
30	4460931	1	Connector - 8 Position (Not Shown)	
31	4460496	1	Washer, Lock	
32	4460497	1	Nut	

# SECTION 2 - TURNTABLE

## FIGURE 2-19. ELECTRICAL INSTALLATION (460SJ)



ART\_1001242106\_E

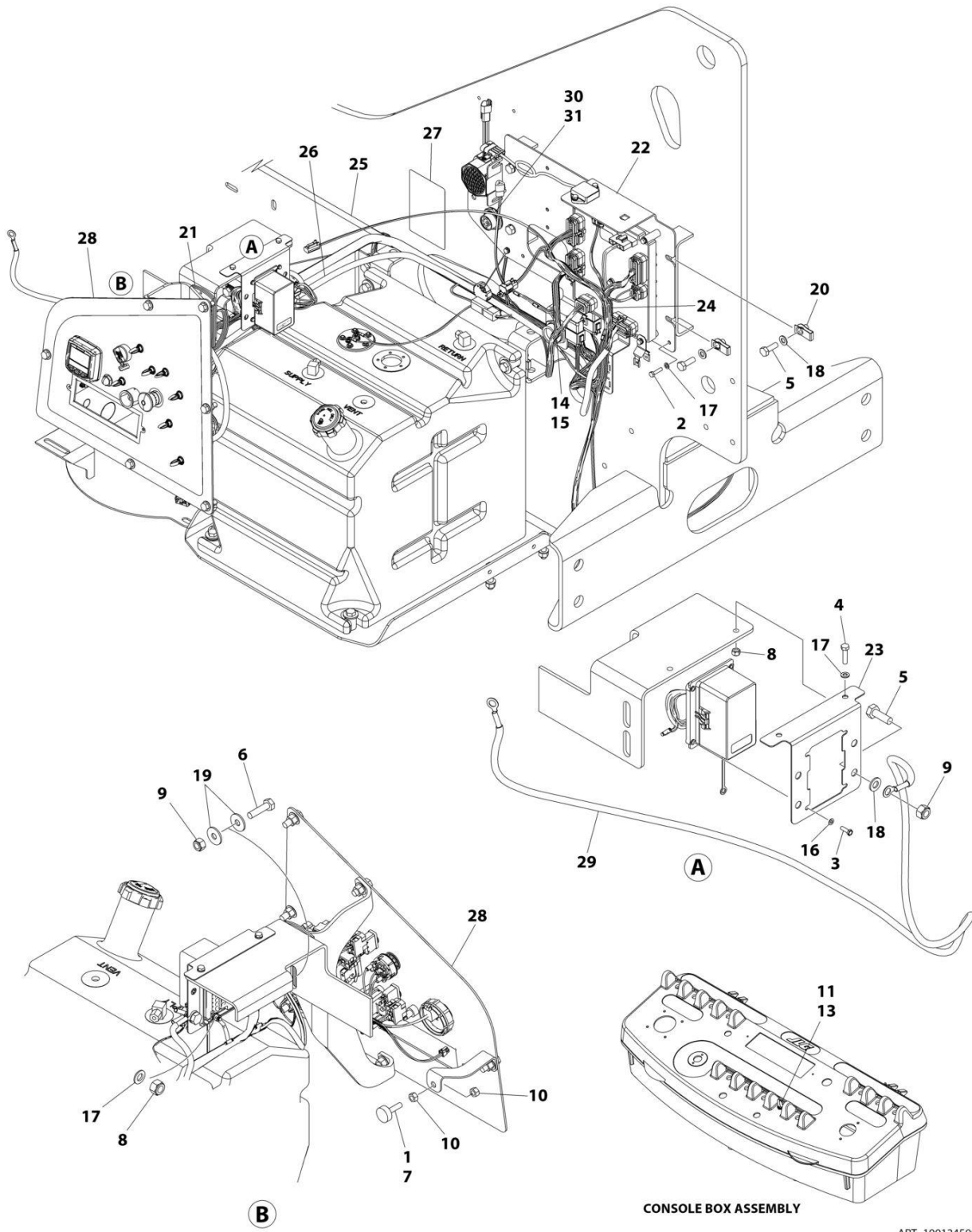
## SECTION 2 - TURNTABLE

**FIGURE 2-19. ELECTRICAL INSTALLATION (460SJ)**

ITEM	PART NUMBER	QTY	DESCRIPTION	REV
	1001242106	Ref	ELECTRICAL INSTALLATION	E
1	0100011	AR	Compound, Locking	
2	0731005	4	Bolt #10 x .625	
3	0760612	2	Bolt M6 x 25	
4	0761014	5	Bolt M10 x 30	
5	0761016	2	Bolt M10 x 40	
6	0940049	1	Stopper, Hood	
8	3290605	2	Nut M6	
9	3291001	1	Nut M10	
10	3291005	2	Nut M10	
11	3311501	2	Nut 5/16	
12	4240099	AR	Tie-Strap (Not Shown)	
13	4460470	1	Nut, Terminal	
14	4460471	1	Washer, Terminal	
15	4711000	4	Washer #10	
16	4811700	4	Washer M6	
17	4812000	6	Washer M10	
18	4812002	4	Washer M10	
19	1001118972	4	Nut M10	
20	1001150324	AR	Shim 3	
21	1001172757	1	Electrical Panel Assembly (See Separate Breakdown in this Section)	
22	1001237822	1	Plate	
23	1001237849	1	Turntable Harness (See Separate Breakdown in ELECTRICAL SECTION)	
24	1001238160	1	Valve Harness (See Separate Breakdown in ELECTRICAL SECTION)	
25	1001238161	1	Ground Control Box Harness (See Separate Breakdown in ELECTRICAL SECTION)	
26	1001239293	1	Ground Control Assembly (See Separate Breakdown in this Section)	
27	1001239512	1	Decal - Fuse Box	
28	3790012	1	O-Ring	
29	4360328	1	Switch, Toggle	
30	4740397	1	Spacer	
31	1001155044	1	Nut 15/32	
32	1001250681	1	Battery Cable (Negative)	
33	4460466	16	Seal, Terminal (Not Shown)	
34	4460930	1	Connector - 8 Position (Not Shown)	
35	4460931	1	Connector - 8 Position (Not Shown)	
36	4460496	1	Washer, Lock	
37	4460497	1	Nut	

# SECTION 2 - TURNTABLE

## FIGURE 2-20. ELECTRICAL INSTALLATION - WITH DEUTZ (STAGE V) (460SJ)



ART\_1001245993



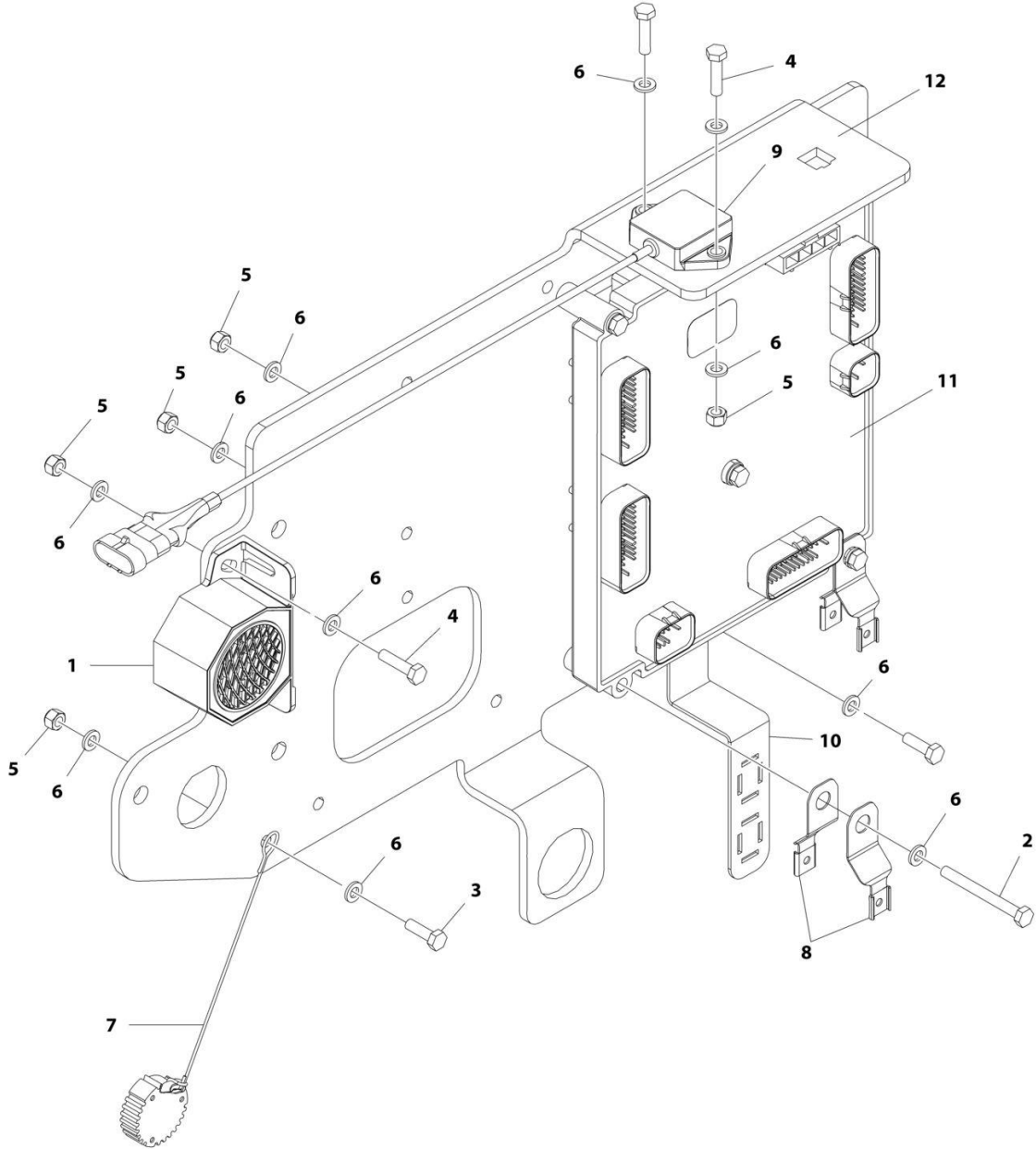
## SECTION 2 - TURNTABLE

**FIGURE 2-20. ELECTRICAL INSTALLATION - WITH DEUTZ (STAGE V) (460SJ)**

ITEM	PART NUMBER	QTY	DESCRIPTION	REV
	1001245993	Ref	ELECTRICAL INSTALLATION - DEUTZ (STAGE V)	B
1	0100011	AR	Compound, Locking	
2	0700612	1	Screw M6 x 25	
3	0731005	4	Screw #10 x 5/8	
4	0760610	2	Bolt M6 x 20	
5	0761014	5	Bolt M10 x 30	
6	0761016	2	Bolt M10 x 40	
7	0940049	1	Stopper, Hood	
8	3290605	4	Nut M6	
9	3291005	3	Nut M10	
10	3311501	2	Nut 5/16	
11	3790012	1	O-Ring	
12	4240099	AR	Tie-Strap (Not Shown)	
13	4360328	1	Switch, Toggle	
14	4460470	1	Nut, Terminal	
15	4460471	1	Washer, Terminal	
16	4711000	4	Washer #10	
17	4711700	7	Washer M6	
18	4812000	5	Washer M10	
19	4812002	4	Washer M10	
20	1001118972	4	Nut M10	
21	1001150324	AR	Shim 3	
22	1001172757	1	Electrical Panel Assembly (See Separate Breakdown in this Section)	
23	1001237822	1	Plate	
24	1001237849	1	Turntable Harness (See Separate Breakdown in ELECTRICAL SECTION)	
25	1001238160	1	Valve Harness (See Separate Breakdown in ELECTRICAL SECTION)	
26	1001238161	1	Ground Control Box Harness (See Separate Breakdown in ELECTRICAL SECTION)	
27	1001239512	1	Decal - Fuse Box	
28	1001245380	1	Electrical Assembly, Ground Control Panel (See Separate Breakdown in this Section)	
29	1001250681	1	Battery Cable (Negative)	
30	4460496	1	Washer	
31	4460497	1	Nut	

# SECTION 2 - TURNTABLE

## FIGURE 2-21. ELECTRICAL PANEL ASSEMBLY



ART\_1001172757

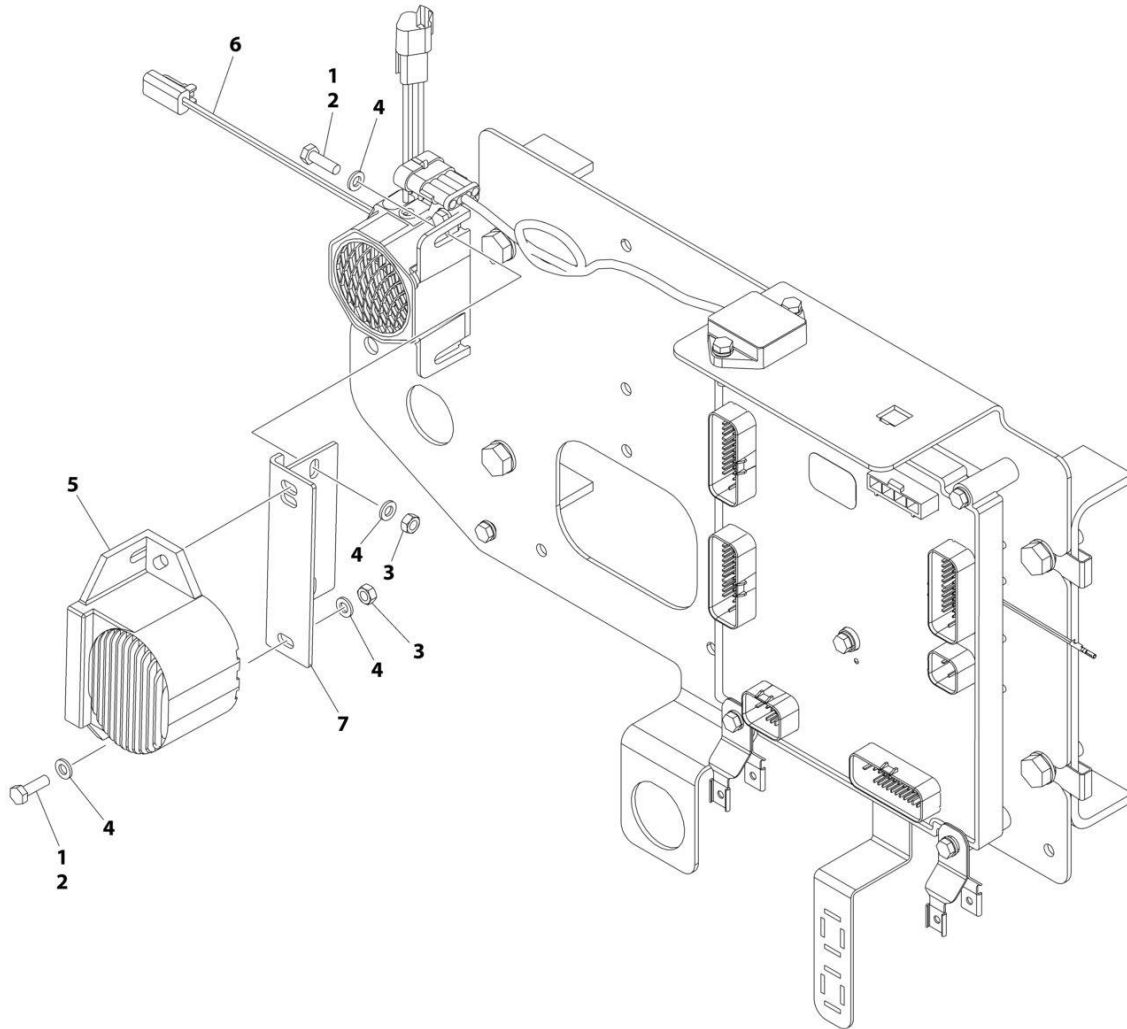
**SECTION 2 - TURNTABLE**

**FIGURE 2-21. ELECTRICAL PANEL ASSEMBLY**

ITEM	PART NUMBER	QTY	DESCRIPTION	REV
	1001172757	Ref	ELECTRICAL PANEL ASSEMBLY	E
1	0140043	1	Alarm	
1	4460536	1	Plug, Male - 3 Position	
1	4460943	3	Terminal	
2	0700620	5	Bolt M6 x 60	
3	0760610	2	Bolt M6 x 20	
4	0760612	4	Bolt M6 x 25	
5	3290605	11	Nut M6	
6	4811700	22	Washer M6	
7	1001106736	1	Cap, Dust	
8	1001120328	4	Clip, Mounting	
9	1001219601	1	Sensor	
10	1001159162	1	Bracket	
11	1001170094	1	Module, Ground Control (Note: Re-calibration Required when Replaced.)	
12	1001215373	1	Plate	

# SECTION 2 - TURNTABLE

## FIGURE 2-22. WHITE NOISE ALARM INSTALLATION



ART\_1001209618

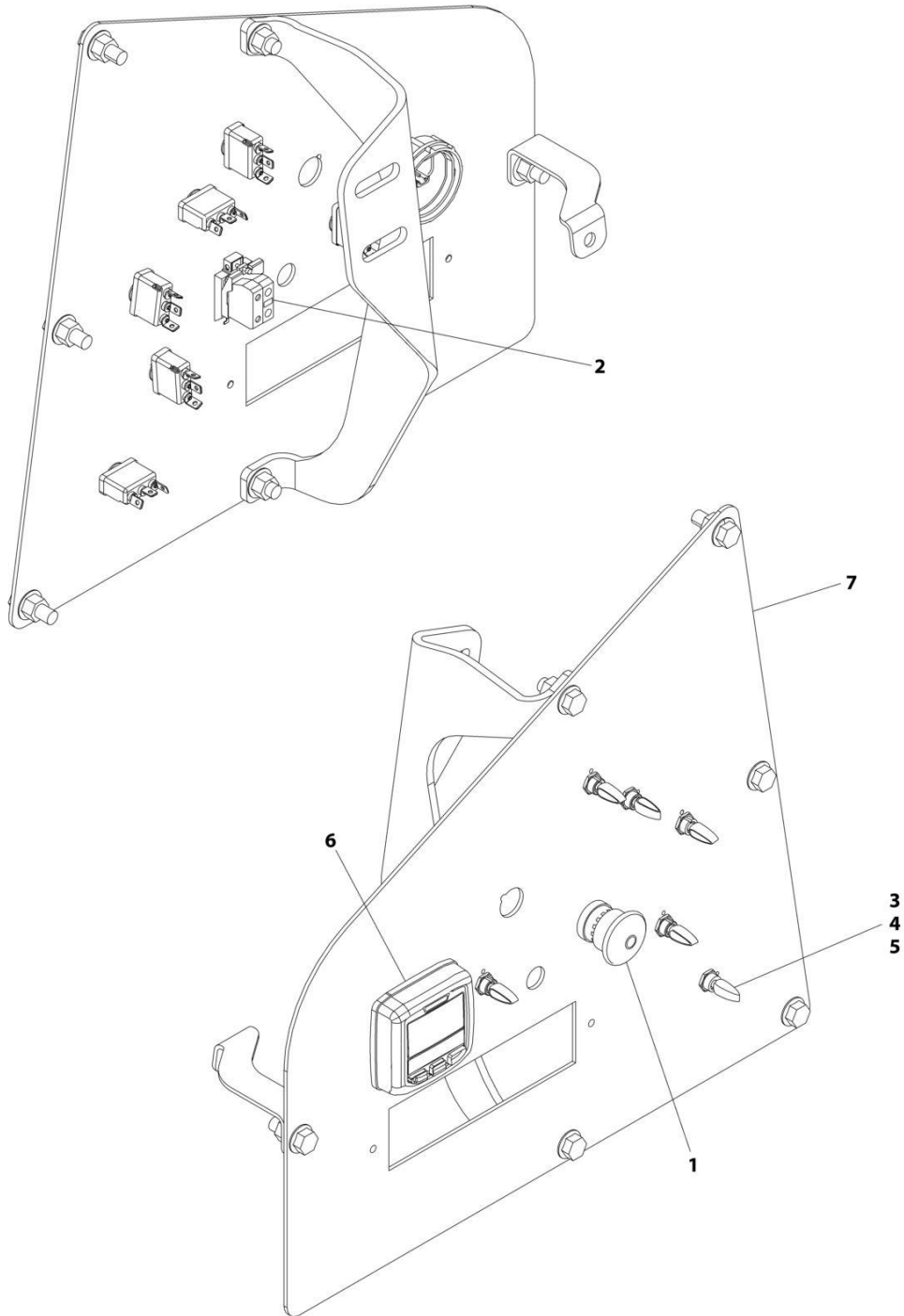
**SECTION 2 - TURNTABLE**

**FIGURE 2-22. WHITE NOISE ALARM INSTALLATION**

<b>ITEM</b>	<b>PART NUMBER</b>	<b>QTY</b>	<b>DESCRIPTION</b>	<b>REV</b>
	1001209618	Ref	WHITE NOISE ALARM INSTALLATION	C
1	0100011	AR	Compound, Locking	
2	0760610	4	Bolt M6 x 20	
3	3290601	4	Nut M6	
4	4811700	8	Washer M6	
5	1001182806	1	Alarm	
6	1001190663	1	Harness, Jumper	
6	4460891	1	Connector - 2 Position	
6	4460465	2	Socket, Female	
6	4460871	2	Socket, Female	
7	1001231886	1	Plate	

# SECTION 2 - TURNTABLE

## FIGURE 2-23. GROUND CONTROL ASSEMBLY (400S)



ART\_1001239294

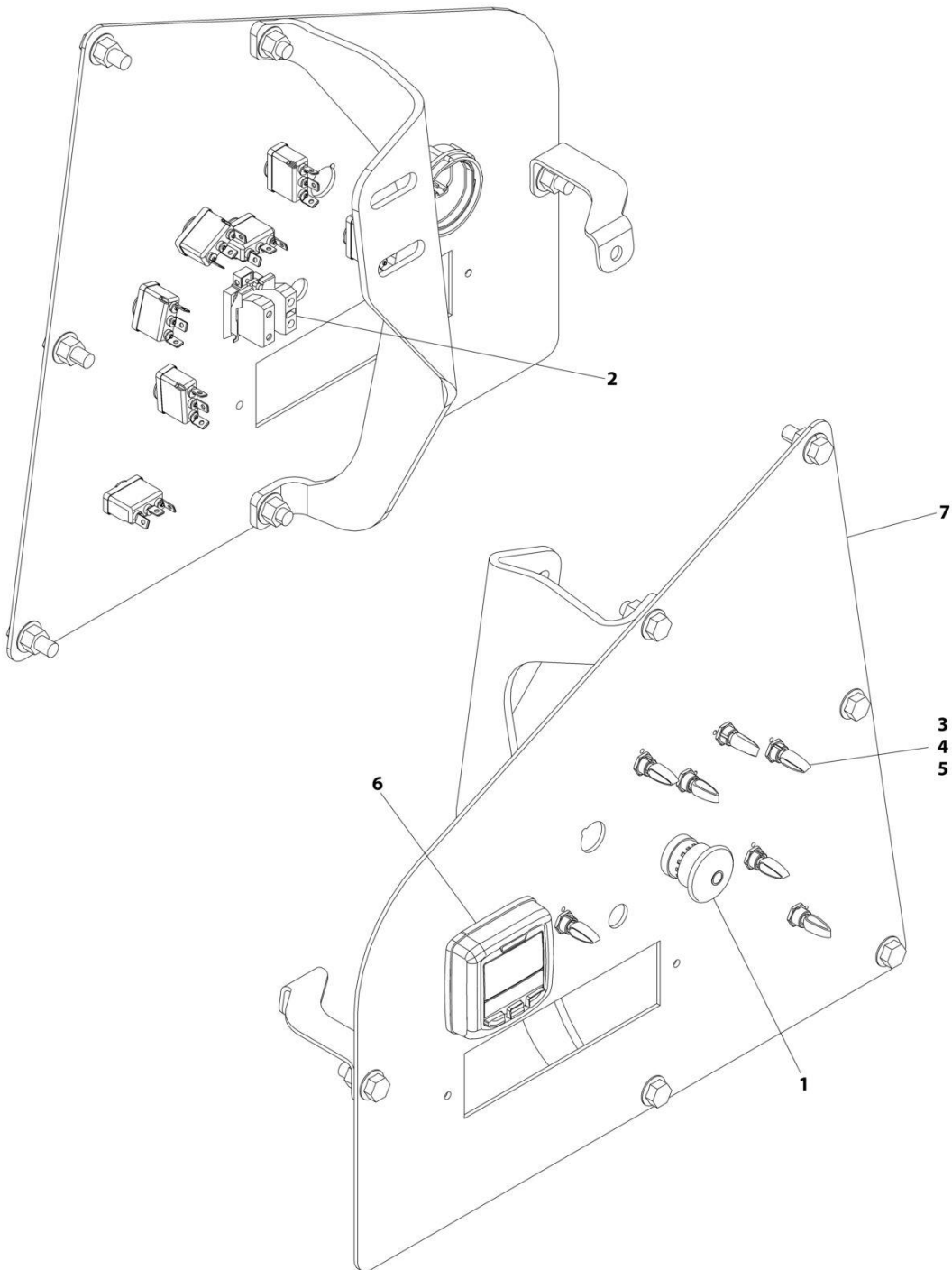
**SECTION 2 - TURNTABLE**

**FIGURE 2-23. GROUND CONTROL ASSEMBLY (400S)**

<b>ITEM</b>	<b>PART NUMBER</b>	<b>QTY</b>	<b>DESCRIPTION</b>	<b>REV</b>
	1001239294	Ref	GROUND CONTROL ASSEMBLY	A
1	4360475	1	Switch, Emergency Stop	
1	7020175	1	Cap	
1	7020176	1	Block, Contact	
2	4360476	1	Block, Contact	
3	1001155043	6	Washer	
4	1001155044	6	Nut 15/32	
5	1001155045	6	Switch, Toggle	
6	1001171482	1	Gauge	
7	1001238887	1	Mount, Ground Control Panel (See Separate Breakdown in this Section)	

# SECTION 2 - TURNTABLE

## FIGURE 2-24. GROUND CONTROL ASSEMBLY (460SJ)



ART\_1001239293



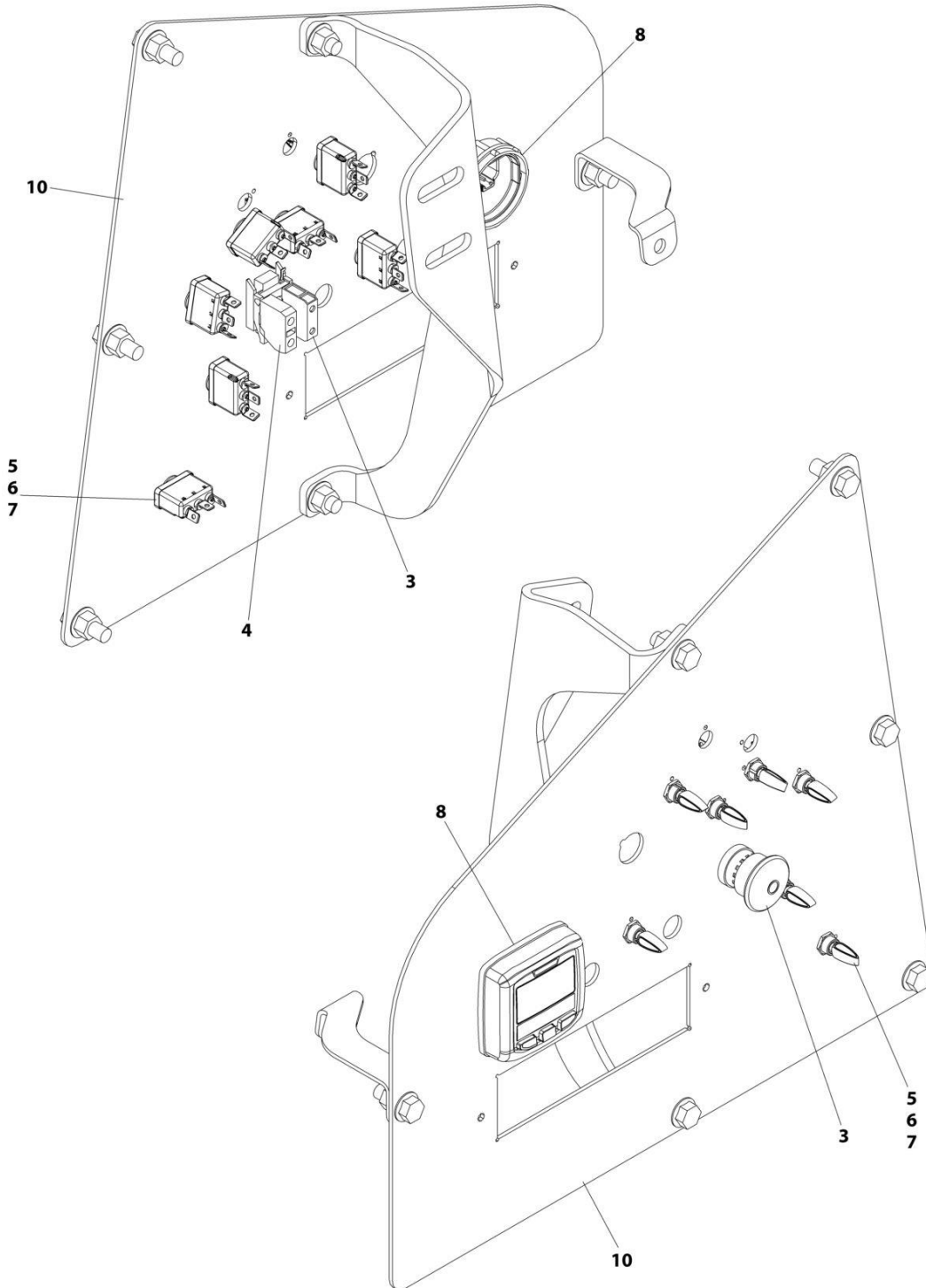
**SECTION 2 - TURNTABLE**

**FIGURE 2-24. GROUND CONTROL ASSEMBLY (460SJ)**

<b>ITEM</b>	<b>PART NUMBER</b>	<b>QTY</b>	<b>DESCRIPTION</b>	<b>REV</b>
	1001239293	Ref	GROUND CONTROL ASSEMBLY	A
1	4360475	1	Switch, Emergency Stop	
1	7020175	1	Cap	
1	7020176	1	Block, Contact	
2	4360476	1	Block, Contact	
3	1001155043	7	Washer	
4	1001155044	7	Nut 15/32	
5	1001155045	7	Switch, Toggle	
6	1001171482	1	Gauge	
7	1001235531	1	Mount, Ground Control Panel (See Separate Breakdown in this Section)	

# SECTION 2 - TURNTABLE

## FIGURE 2-25. GROUND CONTROL ASSEMBLY - DEUTZ (STAGE V) (CE SPECS) (460SJ)



ART\_1001245380

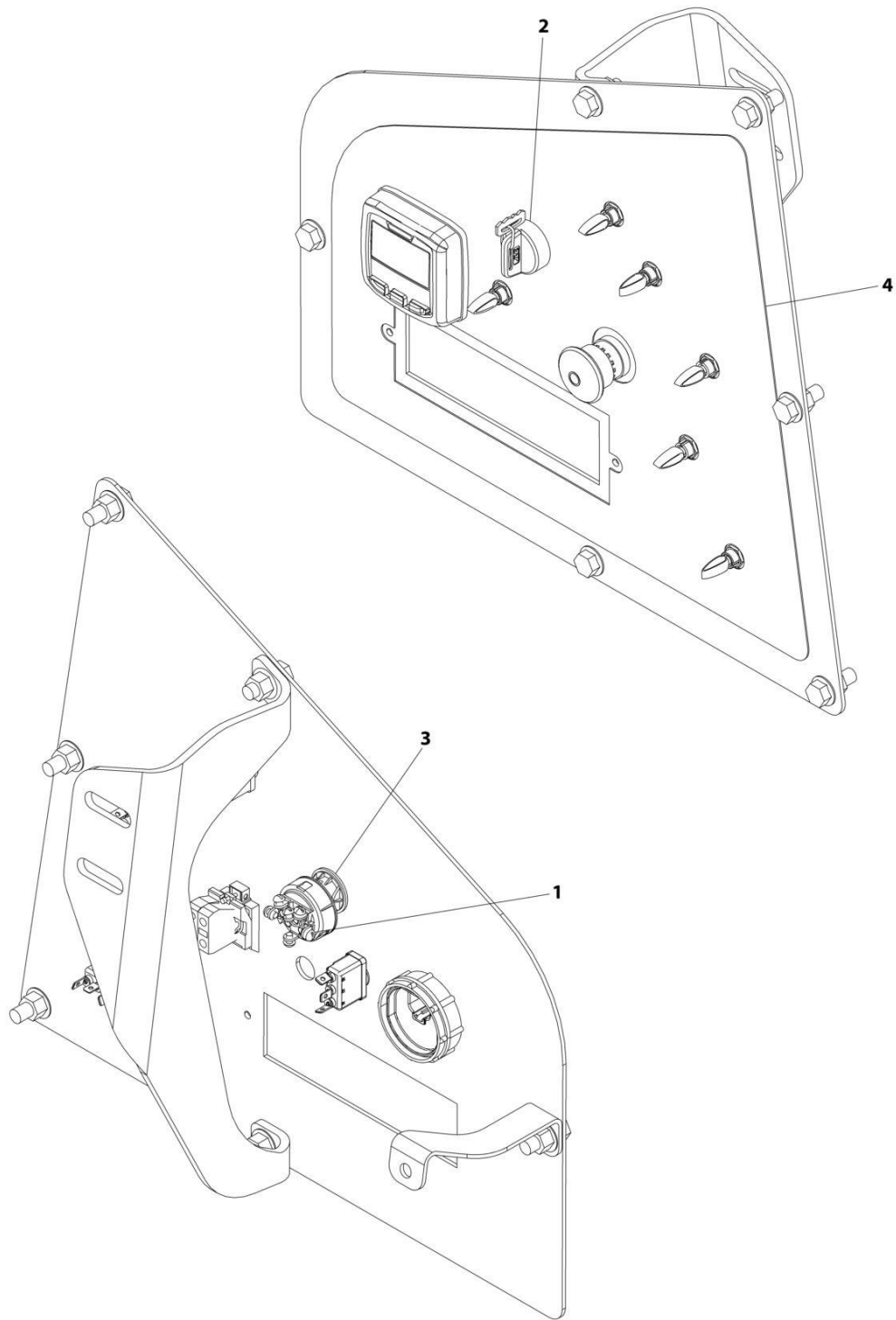
**SECTION 2 - TURNTABLE**

**FIGURE 2-25. GROUND CONTROL ASSEMBLY - DEUTZ (STAGE V) (CE SPECS) (460SJ)**

<b>ITEM</b>	<b>PART NUMBER</b>	<b>QTY</b>	<b>DESCRIPTION</b>	<b>REV</b>
	1001245380	Ref	GROUND CONTROL ASSEMBLY	B
3	4360475	1	Switch, Emergency Stop	
3	7020175	1	Cap	
3	7020176	1	Block, Contact	
4	4360476	1	Block, Contact	
5	1001155043	7	Washer	
6	1001155044	7	Nut 15/32	
7	1001155045	7	Switch, Toggle	
8	1001171482	1	Gauge	
10	1001245379	1	Ground Control Mounting (See Separate Breakdown in this Section)	

## SECTION 2 - TURNTABLE

FIGURE 2-26. GROUND CONTROL DECAL AND KEYSWITCH INSTALLATION (ALL SPECS EXCEPT AUSTRALIAN AND CE SPECS) (400S)



ART\_1001222139

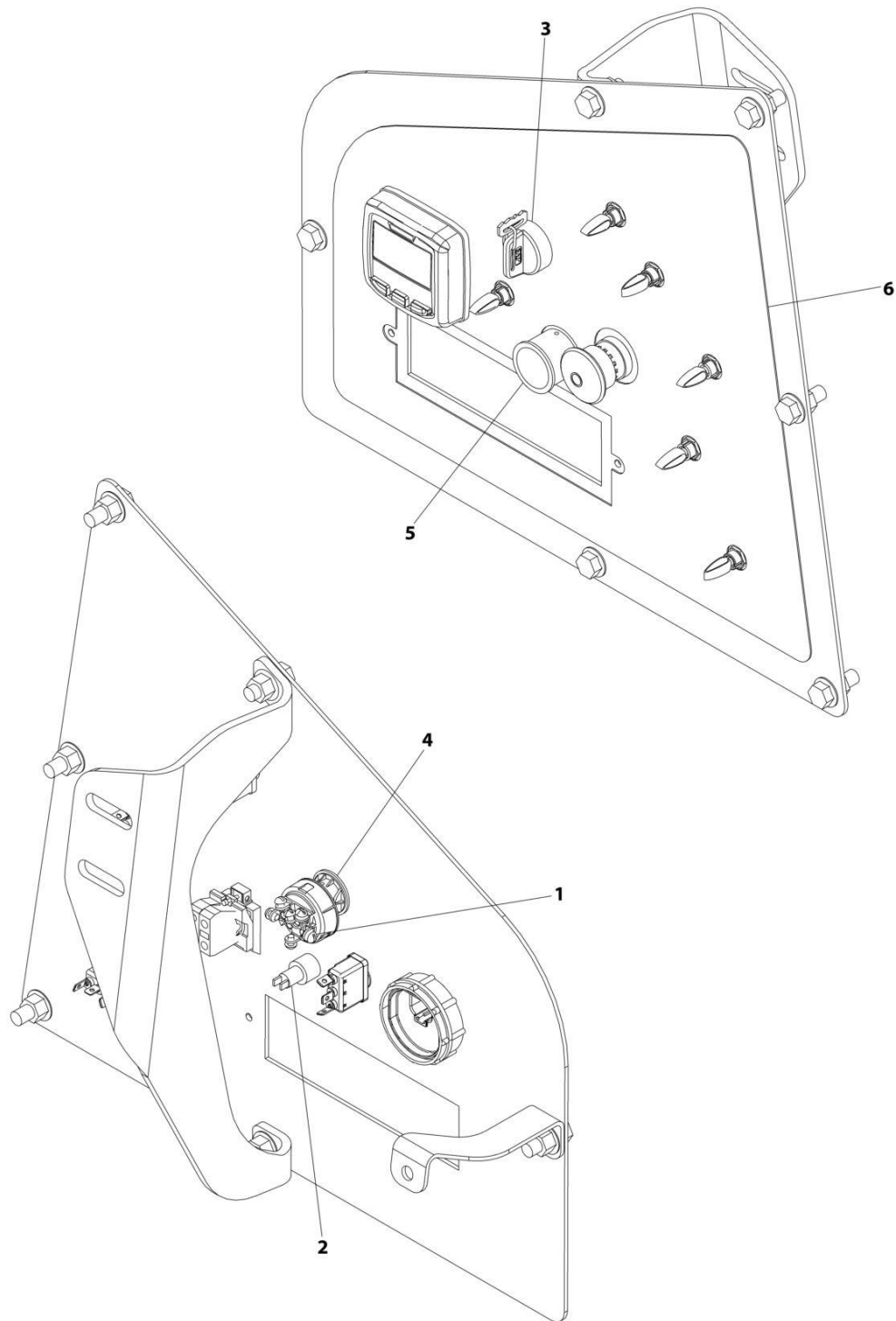
**SECTION 2 - TURNTABLE**

**FIGURE 2-26. GROUND CONTROL DECAL AND KEYSWITCH INSTALLATION (ALL SPECS EXCEPT AUSTRALIAN AND CE SPECS) (400S)**

<b>ITEM</b>	<b>PART NUMBER</b>	<b>QTY</b>	<b>DESCRIPTION</b>	<b>REV</b>
	1001222139	Ref	GROUND CONTROL DECAL AND KEYSWITCH INSTALLATION	B
1	3910804	6	Screw #8 x 1/4	
2	4360469	1	Switch, Key	
2	2860030	1	Key, Replacement	
3	1001151393	1	Shim .063	
4	1001221402	1	Decal - Ground Control	

## SECTION 2 - TURNTABLE

FIGURE 2-27. GROUND CONTROL DECAL AND KEYSWITCH INSTALLATION (ANSI EXPORT SPECS)  
(PVC 2001) (400S)



ART\_1001222141

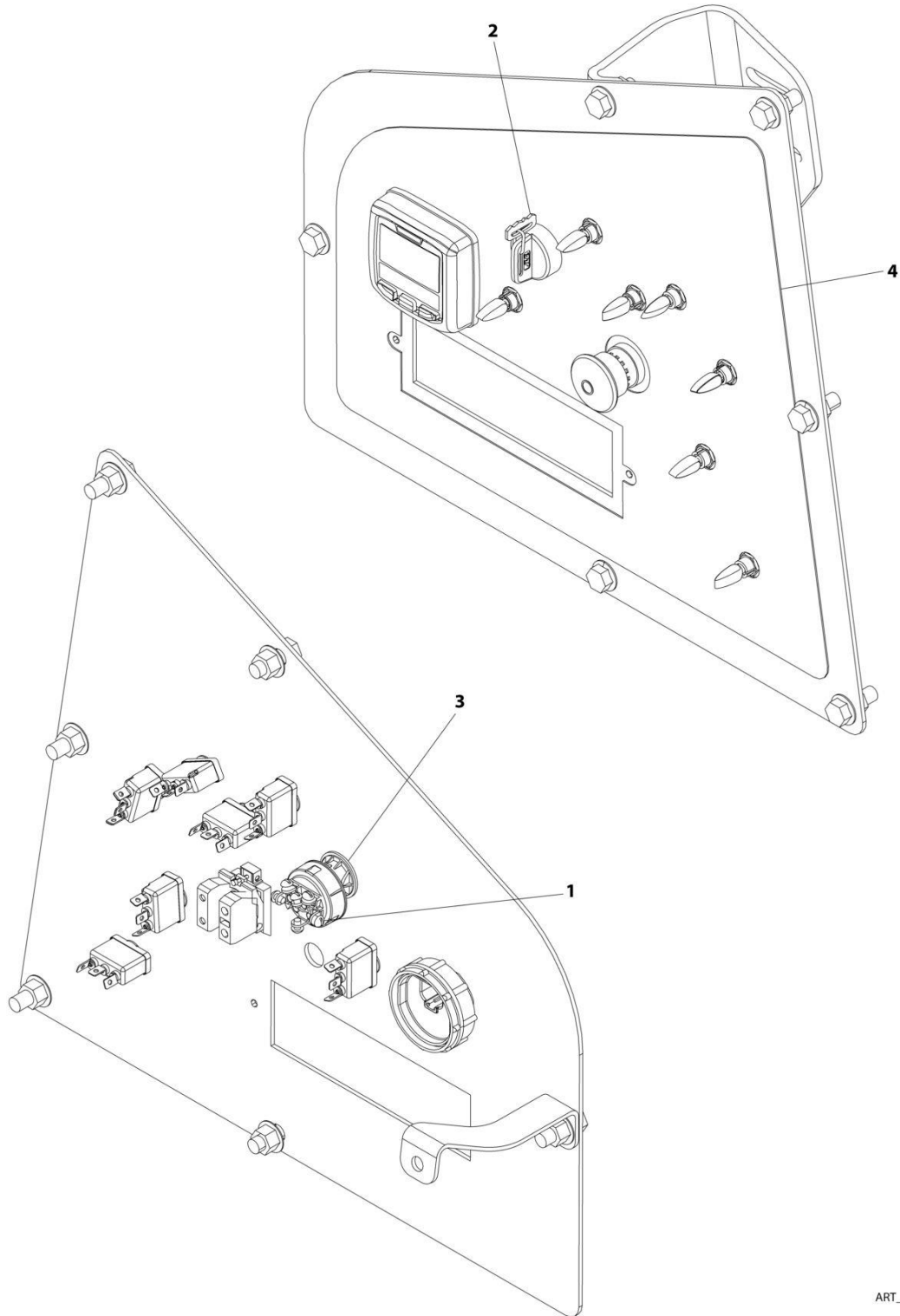
**SECTION 2 - TURNTABLE**

**FIGURE 2-27. GROUND CONTROL DECAL AND KEYSWITCH INSTALLATION (ANSI EXPORT SPECS)  
(PVC 2001) (400S)**

<b>ITEM</b>	<b>PART NUMBER</b>	<b>QTY</b>	<b>DESCRIPTION</b>	<b>REV</b>
	1001222141	Ref	GROUND CONTROL DECAL AND KEYSWITCH INSTALLATION	B
1	3910804	6	Screw #8 x 1/4	
2	4360387	1	Switch, Push Button	
3	4360469	1	Switch, Key	
3	2860030	1	Key, Replacement	
4	1001151393	1	Shim .063	
5	1001176469	1	Shroud, Switch	
6	1001221404	1	Decal - Ground Control	

## SECTION 2 - TURNTABLE

FIGURE 2-28. GROUND CONTROL DECAL AND KEYSWITCH INSTALLATION (ALL SPECS EXCEPT CE SPEC) (460SJ)



ART\_1001222140



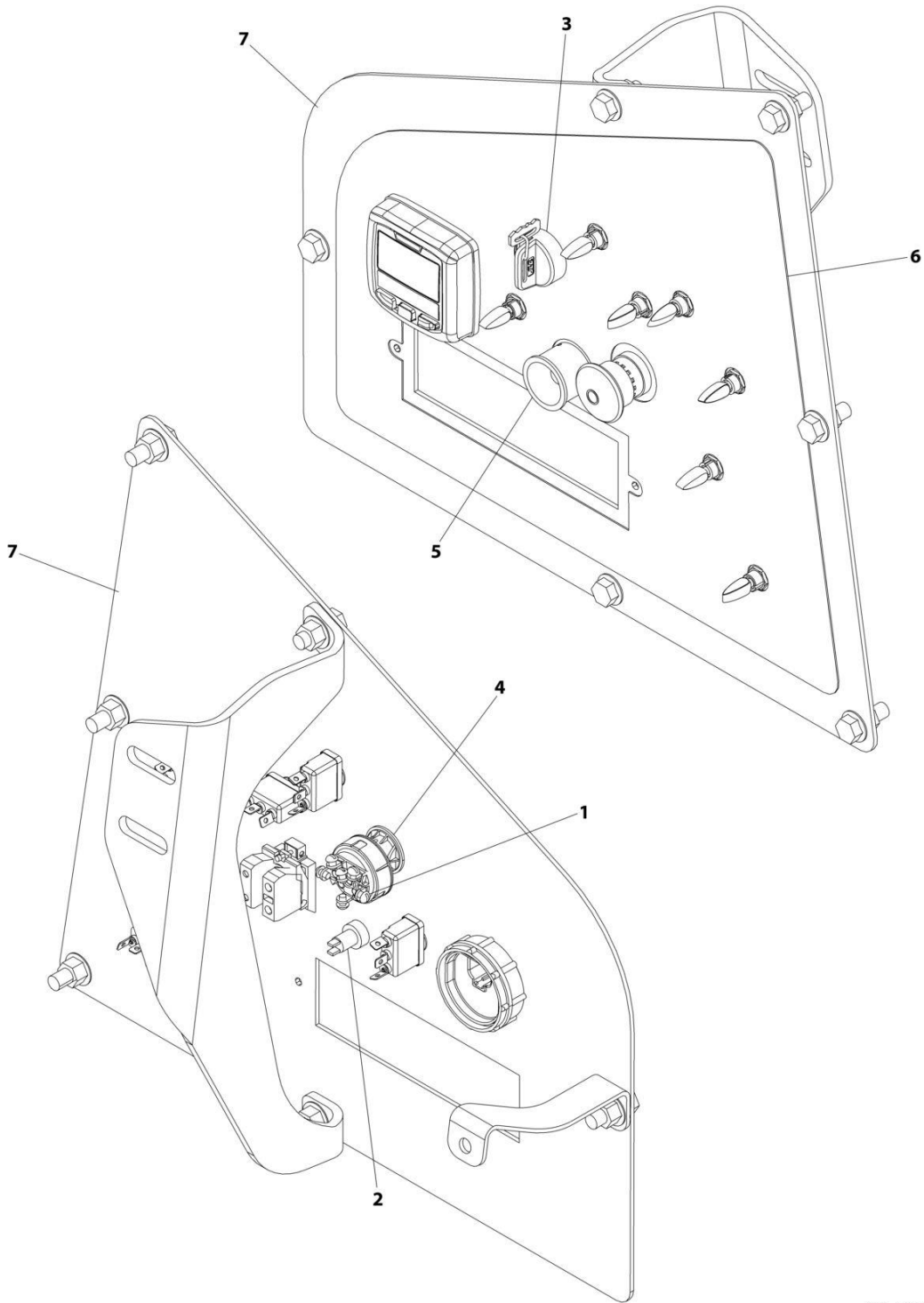
**SECTION 2 - TURNTABLE**

**FIGURE 2-28. GROUND CONTROL DECAL AND KEYSWITCH INSTALLATION (ALL SPECS EXCEPT CE SPEC) (460SJ)**

<b>ITEM</b>	<b>PART NUMBER</b>	<b>QTY</b>	<b>DESCRIPTION</b>	<b>REV</b>
	1001222140	Ref	GROUND CONTROL DECAL AND KEYSWITCH INSTALLATION	B
1	3910804	6	Screw #8 x 1/4	
2	4360469	1	Switch, Key	
2	2860030	1	Key, Replacement	
3	1001151393	1	Shim .063	
4	1001221403	1	Decal - Ground Control	

## SECTION 2 - TURNTABLE

FIGURE 2-29. GROUND CONTROL DECAL AND KEYSWITCH INSTALLATION (CE (LRC) SPEC)  
(460SJ)



ART\_1001222142

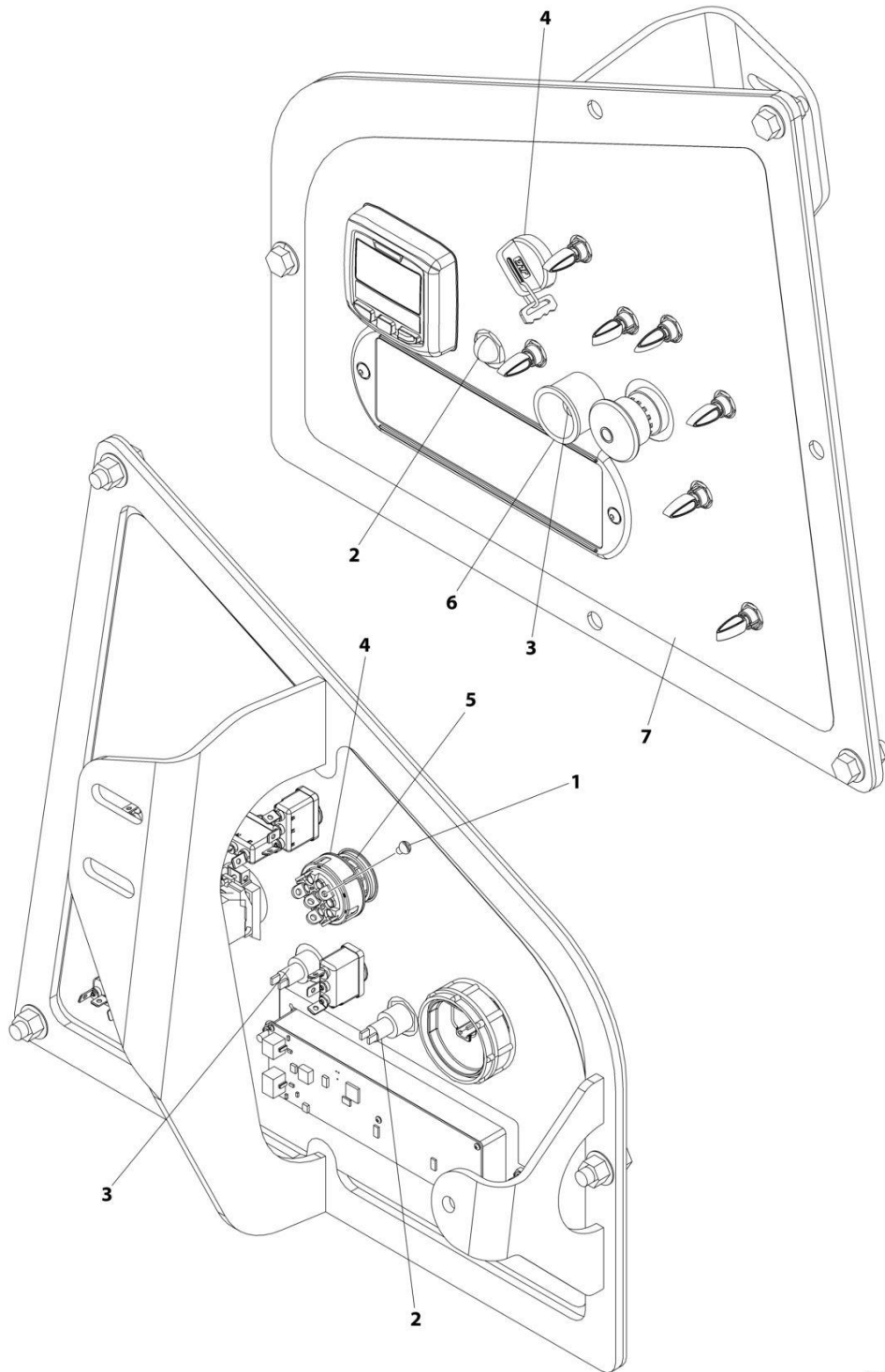
**SECTION 2 - TURNTABLE**

**FIGURE 2-29. GROUND CONTROL DECAL AND KEYSWITCH INSTALLATION (CE (LRC) SPEC)  
(460SJ)**

ITEM	PART NUMBER	QTY	DESCRIPTION	REV
	1001222142	Ref	GROUND CONTROL DECAL AND KEYSWITCH INSTALLATION	C
1	3910804	6	Screw #8 x 1/4	
2	4360387	1	Switch, Push Button	
3	4360469	1	Switch, Key	
3	2860030	1 set	Key, Replacement	
4	1001151393	1	Shim .063	
5	1001176469	1	Shroud, Switch	
6	1001221405	1	Decal - Ground Control	
7	1001239293	1	Mount	

## SECTION 2 - TURNTABLE

FIGURE 2-30. GROUND CONTROL DECAL AND KEYSWITCH INSTALLATION (STAGE V) (CE SPECS)  
(460SJ)



ART\_1001245831

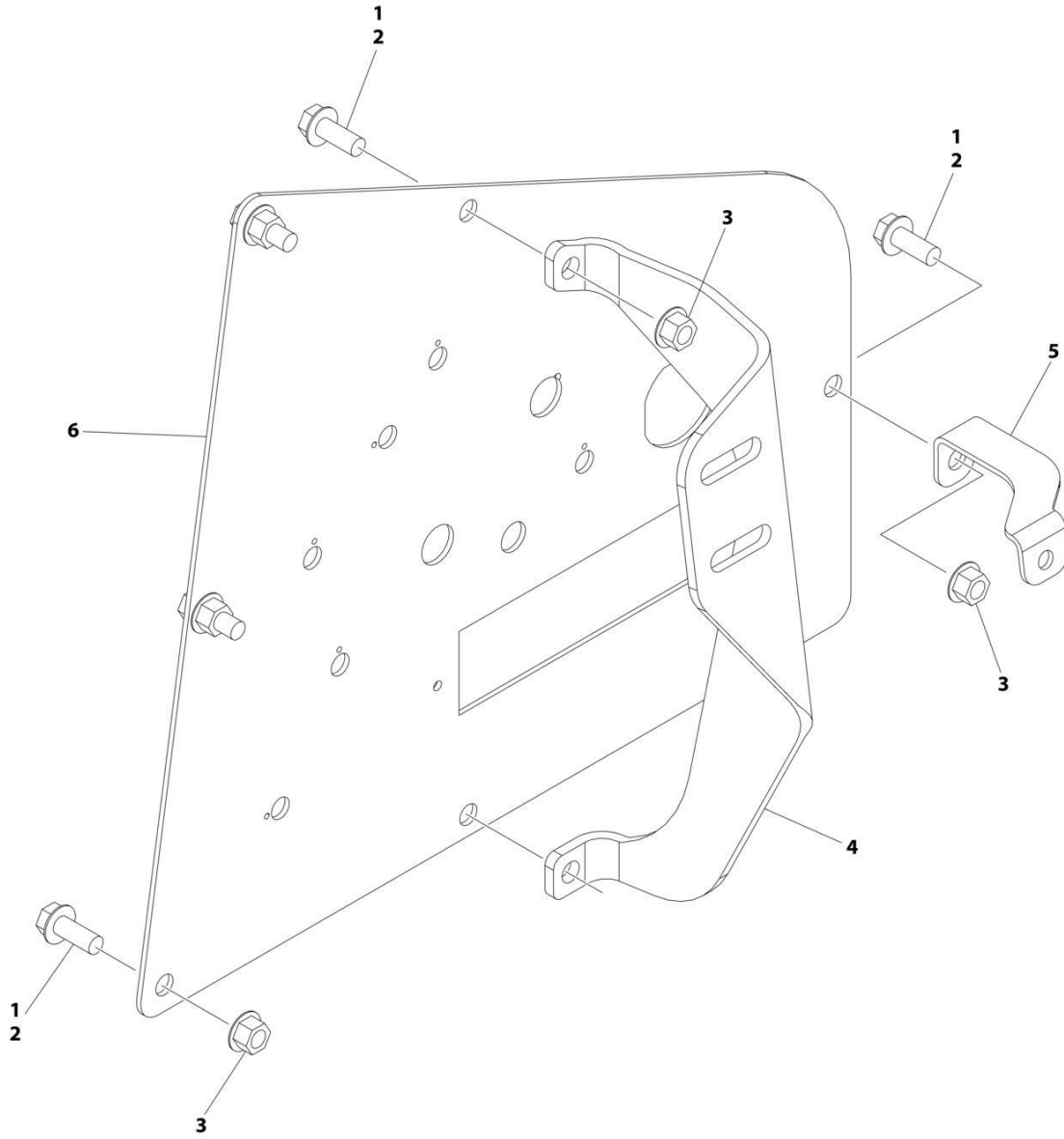
**SECTION 2 - TURNTABLE**

**FIGURE 2-30. GROUND CONTROL DECAL AND KEYSWITCH INSTALLATION (STAGE V) (CE SPECS)  
(460SJ)**

<b>ITEM</b>	<b>PART NUMBER</b>	<b>QTY</b>	<b>DESCRIPTION</b>	<b>REV</b>
	1001245831	Ref	GROUND CONTROL DECAL AND KEYSWITCH INSTALLATION	B
1	3910804	6	Screw #8 x 1/4	
2	4360274	1	Switch, Push Button	
3	4360387	1	Switch, Push Button	
4	4360469	1	Switch, Key	
4	2860030	1	Key, Replacement	
5	1001151393	1	Shim .063	
6	1001176469	1	Shroud, Switch	
7	1001245827	1	Decal, Ground Control	

# SECTION 2 - TURNTABLE

## FIGURE 2-31. GROUND CONTROL MOUNTING (400S)



ART\_1001238887

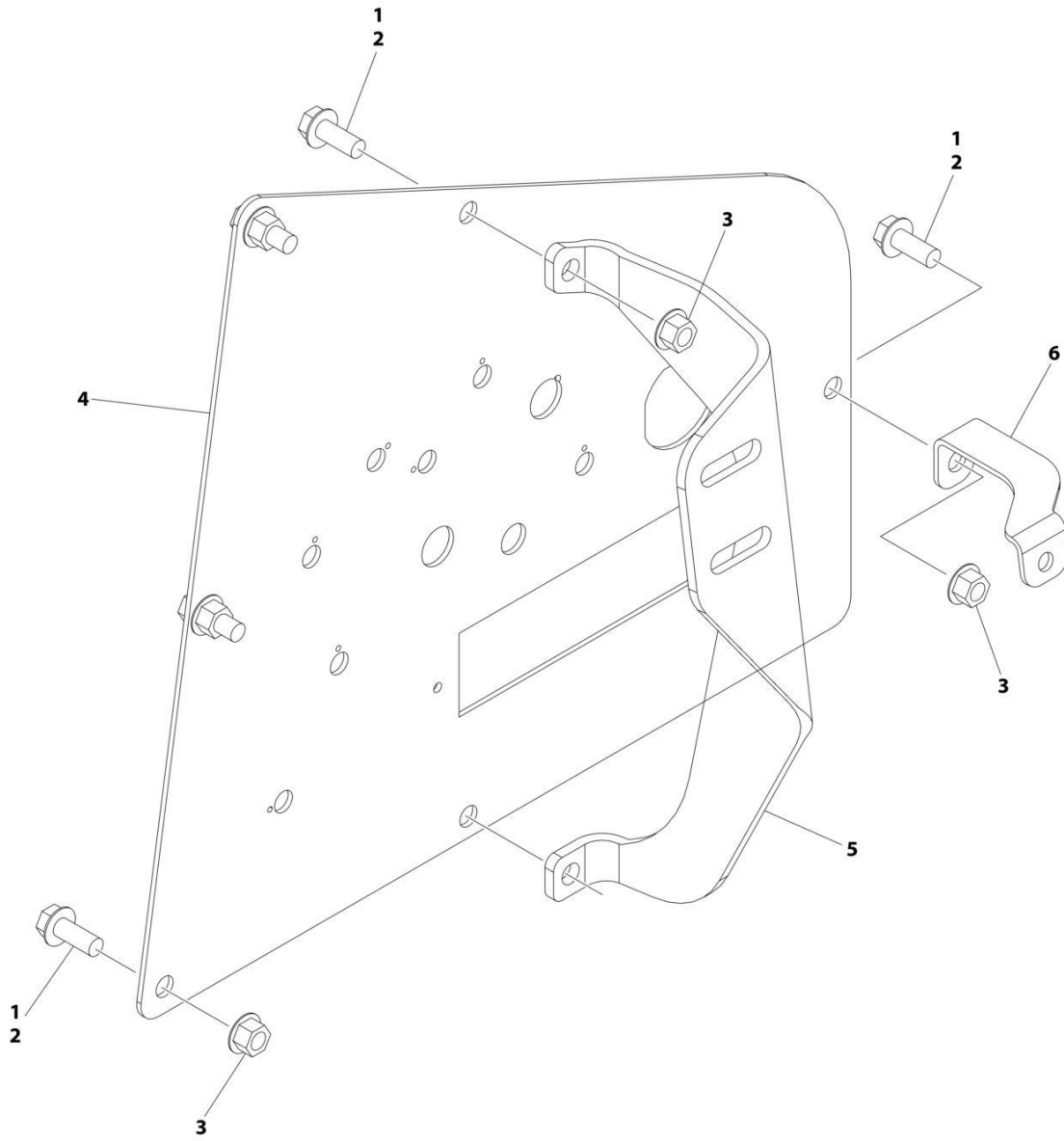
**SECTION 2 - TURNTABLE**

**FIGURE 2-31. GROUND CONTROL MOUNTING (400S)**

<b>ITEM</b>	<b>PART NUMBER</b>	<b>QTY</b>	<b>DESCRIPTION</b>	<b>REV</b>
	1001238887	Ref	GROUND CONTROL PANEL MOUNTING	A
1	0100011	AR	Compound, Locking	
2	5251012	6	Bolt M10 x 25	
3	5261000	6	Nut M10	
4	1001235528	1	Support	
5	1001235529	1	Bracket	
6	1001238886	1	Plate, Ground Control	

# SECTION 2 - TURNTABLE

## FIGURE 2-32. GROUND CONTROL MOUNTING (460SJ)



ART\_1001235531



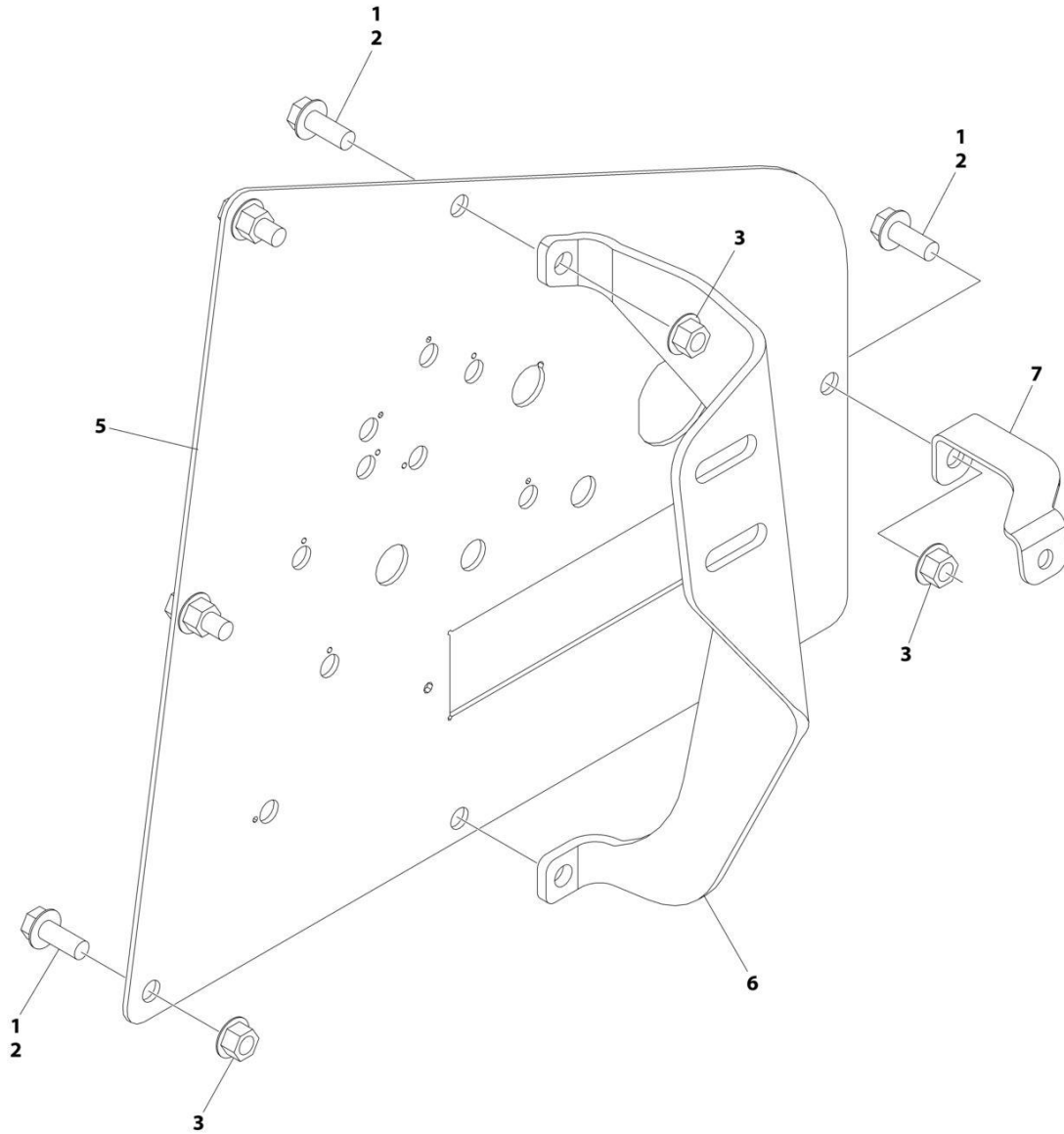
**SECTION 2 - TURNTABLE**

**FIGURE 2-32. GROUND CONTROL MOUNTING (460SJ)**

<b>ITEM</b>	<b>PART NUMBER</b>	<b>QTY</b>	<b>DESCRIPTION</b>	<b>REV</b>
	1001235531	Ref	GROUND CONTORL MOUNTING	B
1	0100011	AR	Compound, Locking	
2	5251012	6	Bolt M10 x 25	
3	5261000	6	Nut M10	
4	1001235527	1	Plate, Ground Control	
5	1001235528	1	Support	
6	1001235529	1	Bracket	

# SECTION 2 - TURNTABLE

FIGURE 2-33. GROUND CONTROL MOUNTING - DEUTZ (STAGE V) (CE SPECS) (460SJ)



ART\_1001245379

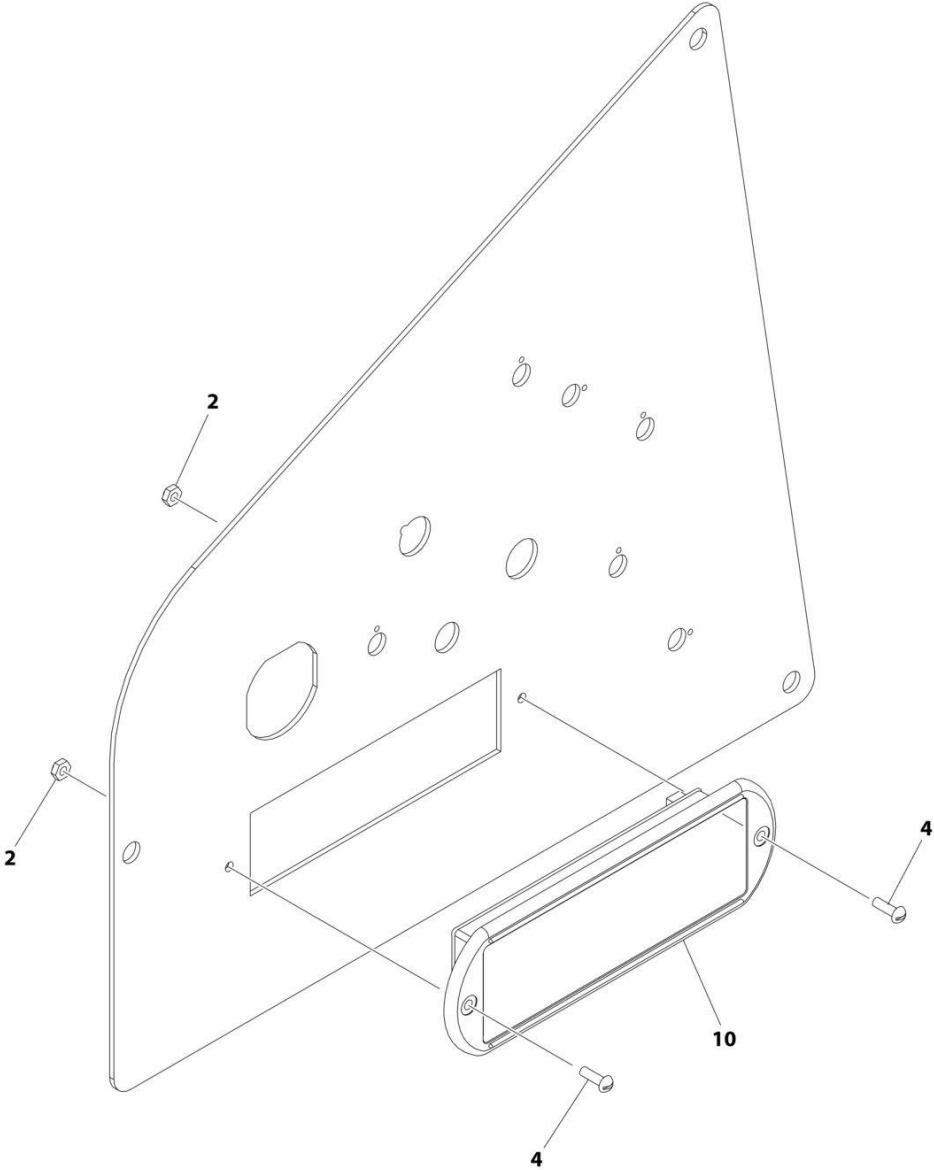
**SECTION 2 - TURNTABLE**

**FIGURE 2-33. GROUND CONTROL MOUNTING - DEUTZ (STAGE V) (CE SPECS) (460SJ)**

<b>ITEM</b>	<b>PART NUMBER</b>	<b>QTY</b>	<b>DESCRIPTION</b>	<b>REV</b>
	1001245379	Ref	GROUND CONTORL MOUNTING	B
1	0100035	AR	Compound, Locking	
2	5251012	6	Bolt M10 x 25	
3	5261000	6	Nut M10	
5	1001245317	1	Plate, Ground Control	
6	1001235528	1	Support	
7	1001235529	1	Bracket	

**SECTION 2 - TURNTABLE**

**FIGURE 2-34. LIGHT PANEL INSTALLATION (400S)**



ART\_1001242672\_1OF2

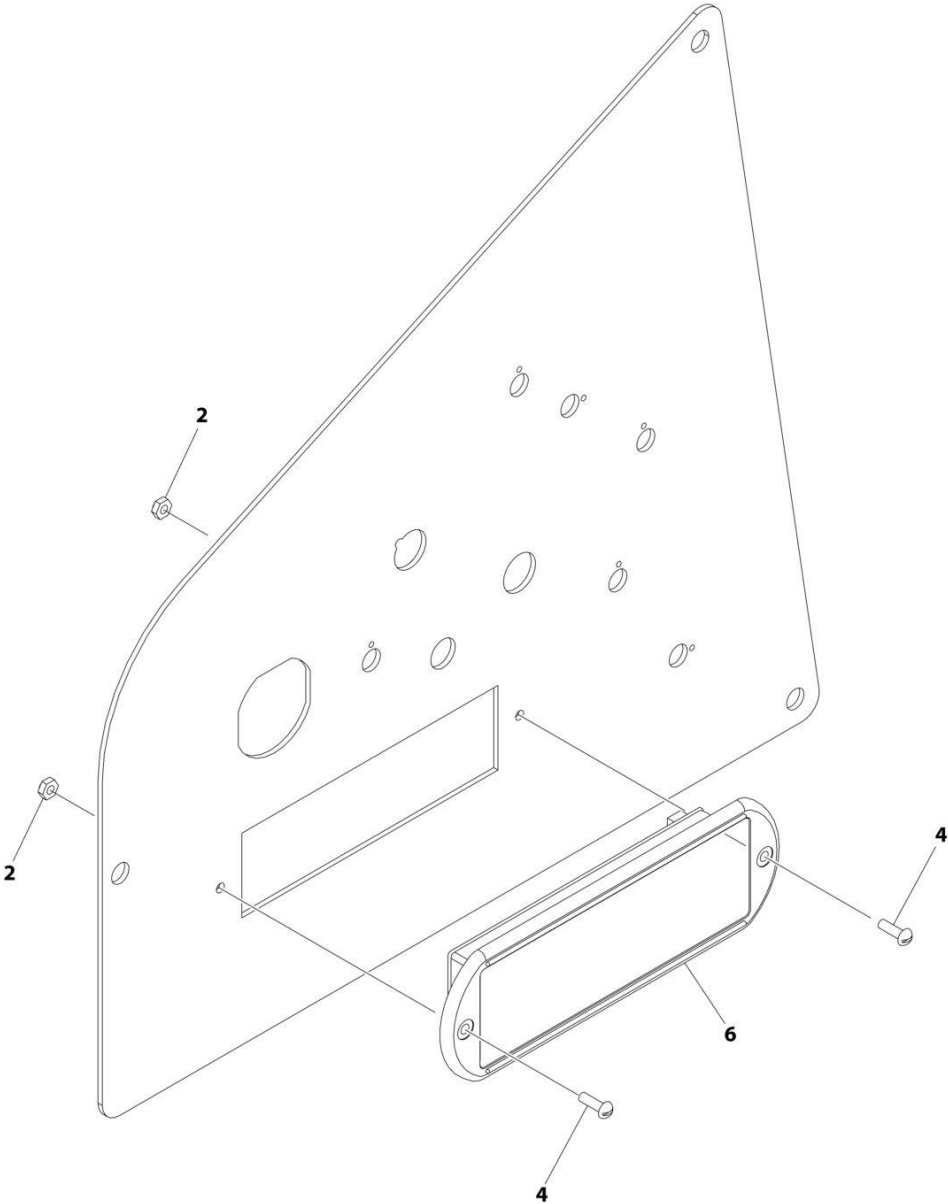
**SECTION 2 - TURNTABLE**

**FIGURE 2-34. LIGHT PANEL INSTALLATION (400S)**

<b>ITEM</b>	<b>PART NUMBER</b>	<b>QTY</b>	<b>DESCRIPTION</b>	<b>REV</b>
	1001242672	Ref	LIGHT PANEL INSTALLATION	A
2	3300408	2	Nut, Lock	
4	3911010	2	Screw #10 x 5/8	
10	1001237546	1	Light Panel Electrical Assembly	
10	1001236091	1	Overlay	
10	1001187807	1	Light Panel PCB	

**SECTION 2 - TURNTABLE**

**FIGURE 2-35. LIGHT PANEL INSTALLATION (460SJ)**



ART\_1001242680\_10F2

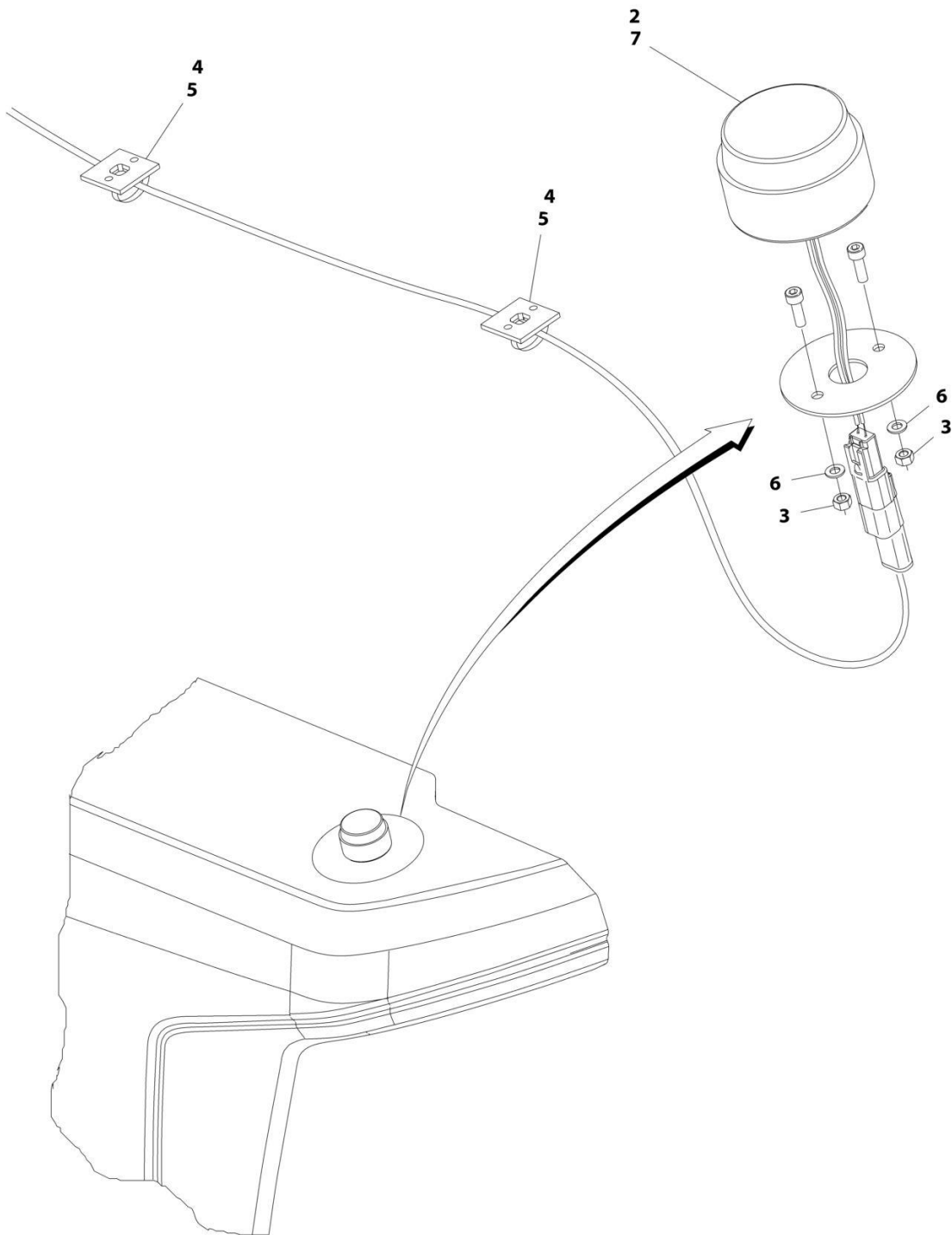
**SECTION 2 - TURNTABLE**

**FIGURE 2-35. LIGHT PANEL INSTALLATION (460SJ)**

<b>ITEM</b>	<b>PART NUMBER</b>	<b>QTY</b>	<b>DESCRIPTION</b>	<b>REV</b>
	1001242680	Ref	LIGHT PANEL INSTALLATION	A
2	3300408	2	Nut, Lock	
4	3911010	2	Screw #10 x 5/8	
6	1001237546	1	Light Panel Electrical Assembly	
6	1001236091	1	Overlay	
6	1001187807	1	Light Panel PCB	

# SECTION 2 - TURNTABLE

## FIGURE 2-36. BEACON LIGHT INSTALLATION - AMBER



ART\_1001172816



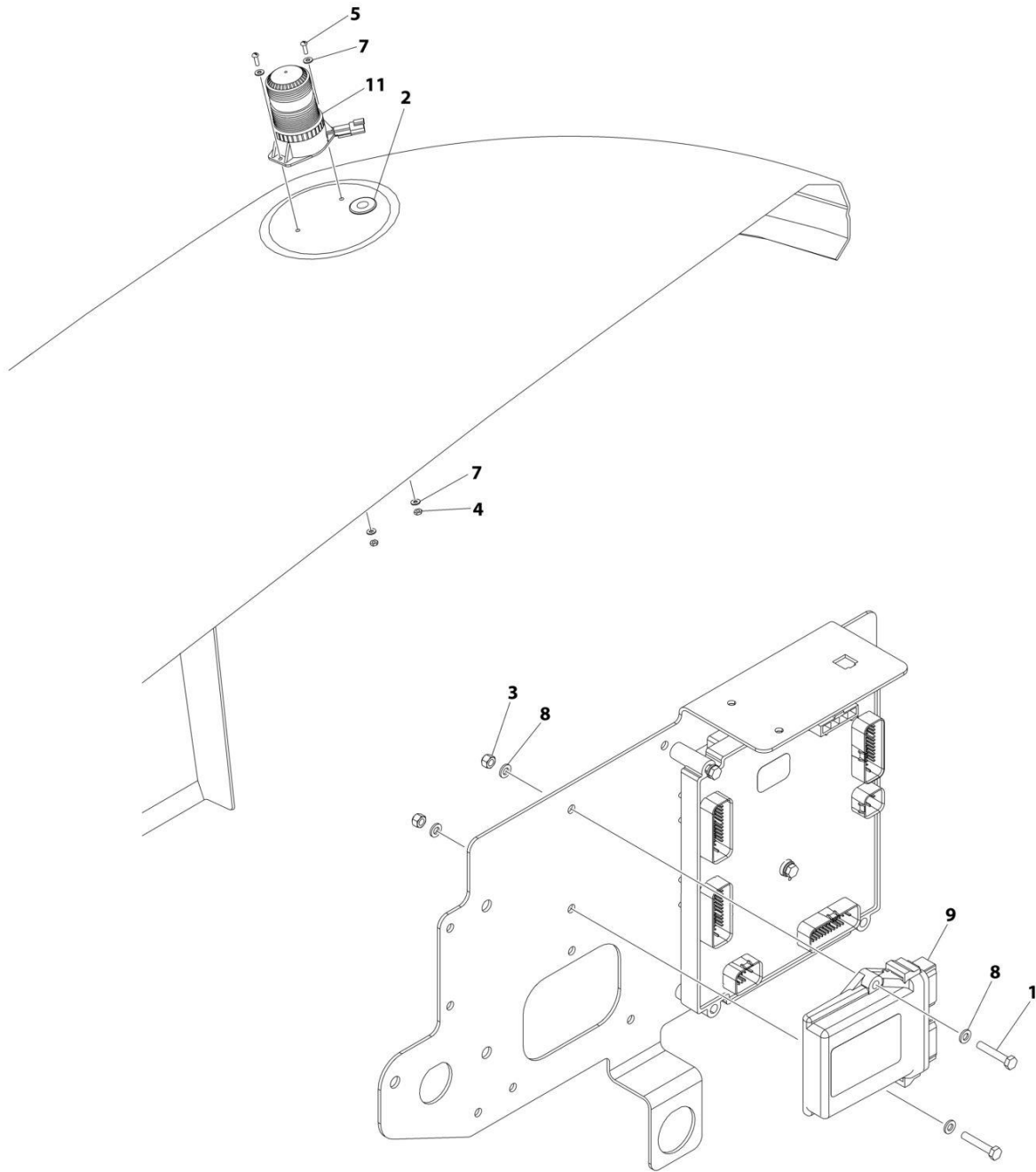
**SECTION 2 - TURNTABLE**

**FIGURE 2-36. BEACON LIGHT INSTALLATION - AMBER**

<b>ITEM</b>	<b>PART NUMBER</b>	<b>QTY</b>	<b>DESCRIPTION</b>	<b>REV</b>
	1001172816	Ref	BEACON LIGHT INSTALLATION - AMBER	C
2	1001181405	1	Light, Strobe (Amber)	
2	4460897	1	Receptacle, Female - 2 Position	
2	4460464	2	Pin, Male	
3	3290505	2	Nut M5	
4	4240032	AR	Tie-Strap	
5	4460234	2	Mount, Tie-Strap	
6	4811600	2	Washer M5	
7	0100048	1	Grease, Terminal	

## SECTION 2 - TURNTABLE

FIGURE 2-37. BEACON LIGHT INSTALLATION - BLUE



ART\_1001242851

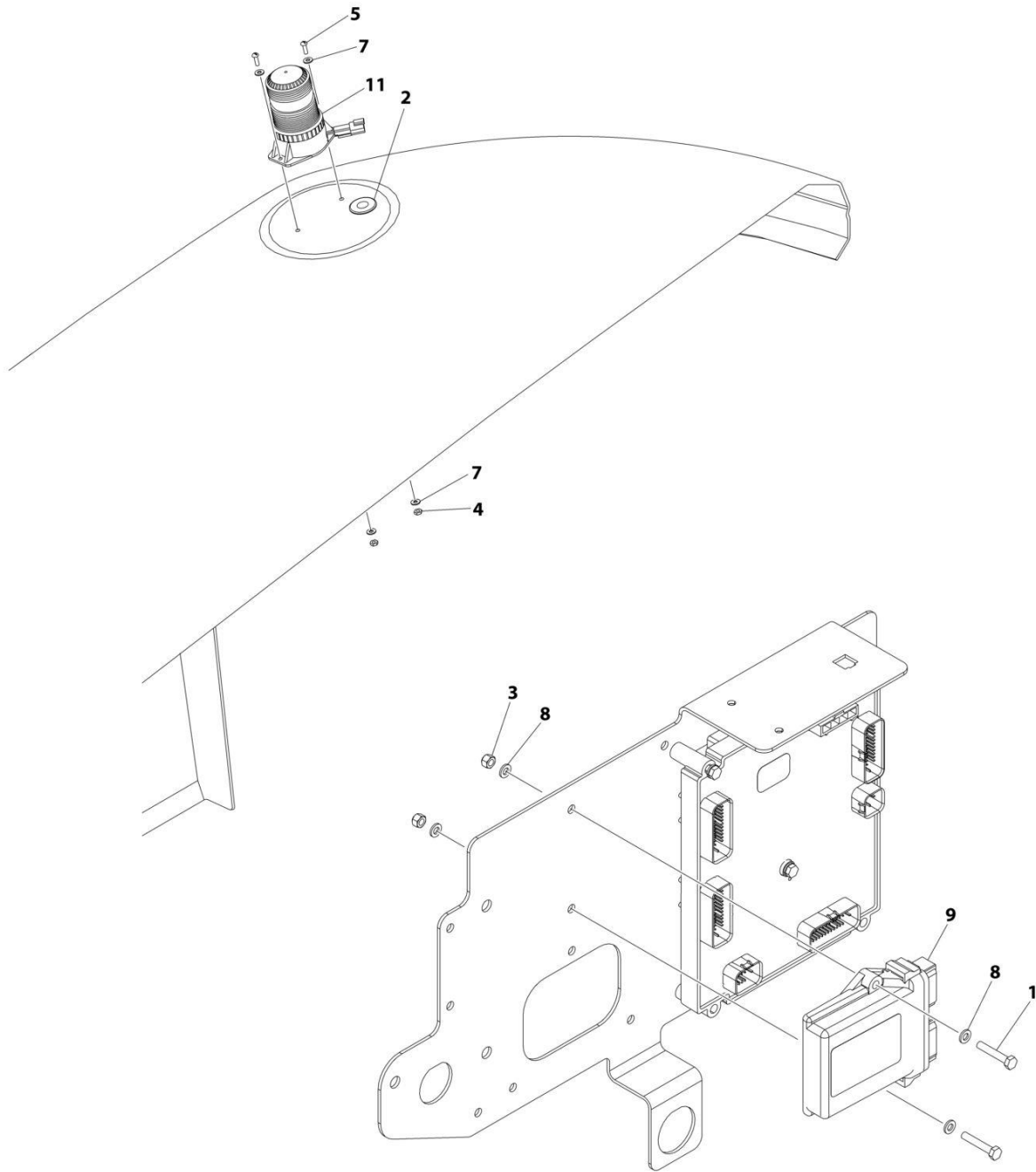
**SECTION 2 - TURNTABLE**

**FIGURE 2-37. BEACON LIGHT INSTALLATION - BLUE**

ITEM	PART NUMBER	QTY	DESCRIPTION	REV
	1001242851	Ref	BEACON LIGHT INSTALLATION - BLUE	A
1	0760615	2	Bolt M6 x 35	
2	2540020	1	Grommet, Insulation	
3	3290605	2	Nut M6	
4	3311005	2	Nut #10	
5	3911010	2	Screw #10 x 5/8	
6	4240099	AR	Tie-Strap (Not Shown)	
7	4711000	4	Washer #10	
8	4811700	4	Washer M6	
9	1001142683	1	Control Module (Note: Re-calibration Required when Replaced)	
10	1001142736	1	Beacon Harness (Not Shown - See Separate Breakdown in ELECTRICAL SECTION)	
11	1001200910	1	Light, Beacon	
11	4460897	1	Receptacle, Female - 2 Position	
11	4460943	2	Pin, Male	

# SECTION 2 - TURNTABLE

## FIGURE 2-38. BEACON LIGHT INSTALLATION - RED



ART\_1001242852

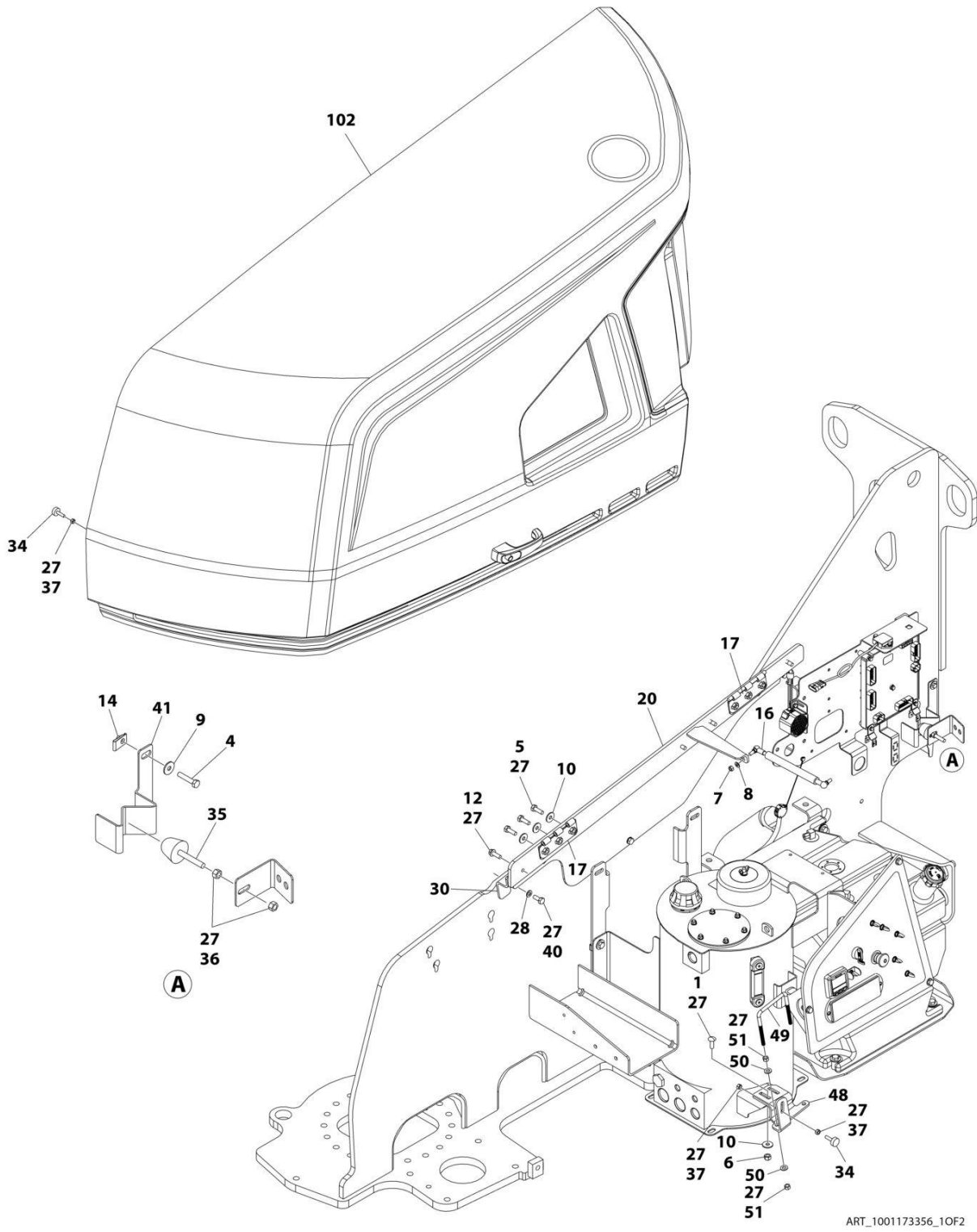
**SECTION 2 - TURNTABLE**

**FIGURE 2-38. BEACON LIGHT INSTALLATION - RED**

ITEM	PART NUMBER	QTY	DESCRIPTION	REV
	1001242852	Ref	BEACON LIGHT INSTALLATION - RED	A
1	0760615	2	Bolt M6 x 35	
2	2540020	1	Grommet, Insulation	
3	3290605	2	Nut M6	
4	3311005	2	Nut #10	
5	3911010	2	Screw #10 x 5/8	
6	4240099	AR	Tie-Strap (Not Shown)	
7	4711000	4	Washer #10	
8	4811700	4	Washer M6	
9	1001142683	1	Control Module (Note: Re-calibration Required when Replaced)	
10	1001142736	1	Beacon Harness (Not Shown - See Separate Breakdown in ELECTRICAL SECTION)	
11	1001207004	1	Light, Red Beacon	
11	4460897	1	Receptacle, Female - 2 Position	
11	4460943	2	Pin, Male	

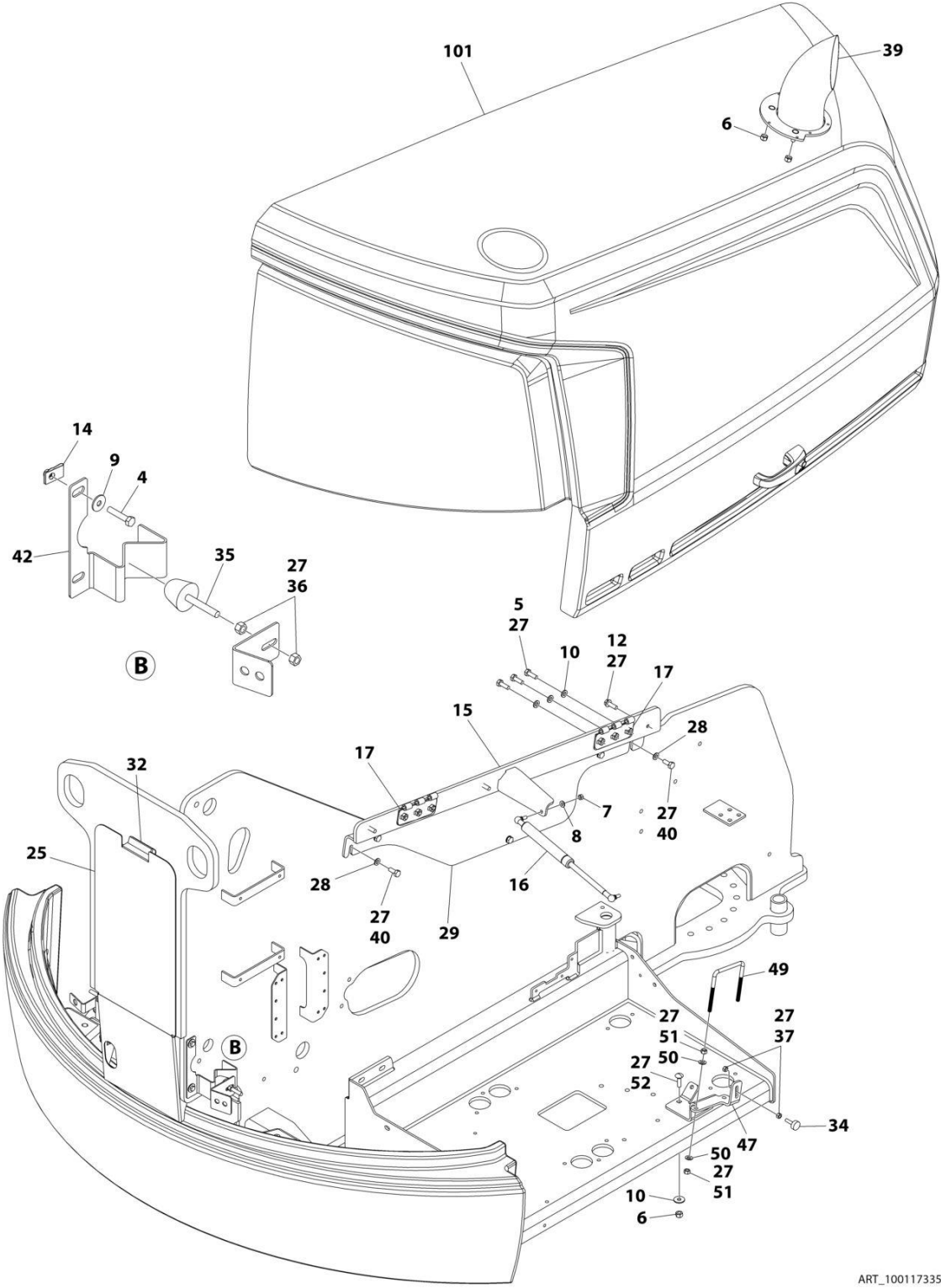
# SECTION 2 - TURNTABLE

## FIGURE 2-39. HOOD INSTALLATION - ABS (DEUTZ & GM ENGINES)



ART\_1001173356\_10F2

SECTION 2 - TURNTABLE



ART\_1001173356\_2OF2

## SECTION 2 - TURNTABLE

**FIGURE 2-39. HOOD INSTALLATION - ABS (DEUTZ & GM ENGINES)**

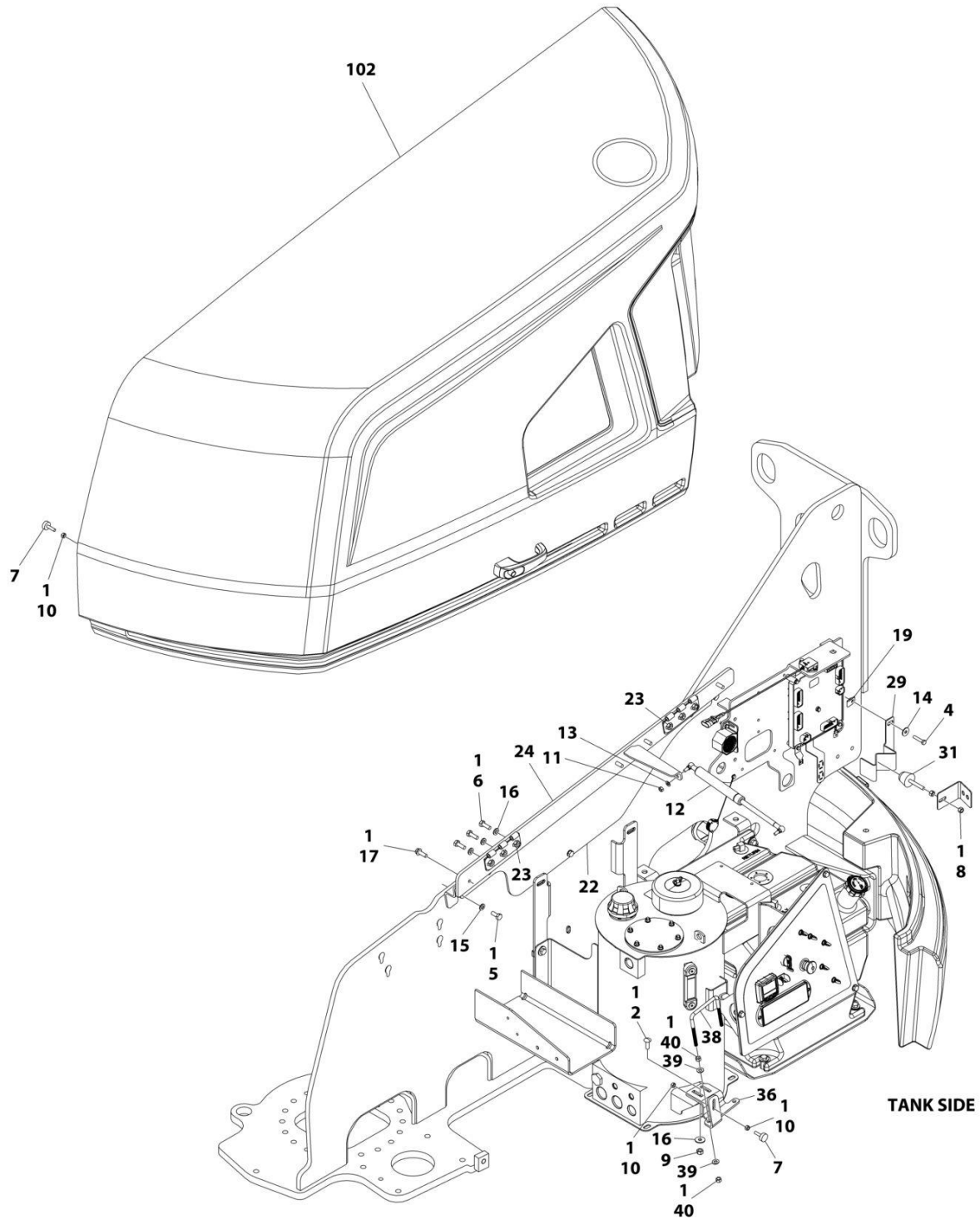
ITEM	PART NUMBER	QTY	DESCRIPTION	REV
	1001173356	Ref	HOOD INSTALLATION	K
1	0630613	2	Bolt M10 x 30	
4	0760816	4	Bolt M8 x 40	
5	0761014	12	Bolt M10 x 30	
6	3291005	7	Nut M10	
7	3311505	2	Nut 5/16	
8	4711500	2	Washer 5/16	
9	4811902	AR	Washer M8	
10	4812002	16	Washer M10	
12	5251014	8	Bolt M10 x 30	
14	1001149160	4	Nut, Tinnerman M8	
15	1001167159	1	Mount, Adjustment	
16	4160182	2	Spring, Gas	
17	1001169046	4	Nut	
20	1001170850	1	Mount, Adjustment	
25	1001173354	1	Cover	
27	0100011	AR	Compound, Locking	
28	4812000	10	Washer M10	
29	1001165060	1	Plate	
30	1001168173	1	Mount, Hinge	
32	90200755	AR	Tape, Gasket	
34	0940049	4	Stopper	
35	1001206314	2	Bumper	
36	3271601	4	Nut 3/8	
37	3311501	8	Nut 5/16	
39	1001174098	1	Outlet, Exhaust	
40	0761012	10	Bolt M10 x 25	
41	1001199207	1	Bracket, Bumper	
42	1001199901	1	Bracket, Bumper	
47	1001250287	1	Bracket, Engine	
48	1001250289	1	Bracket, Tank	
49	1001243414	2	Bolt, U-Bolt	
50	4711600	AR	Washer 3/8	
51	3311601	AR	Nut 3/8	
52	1001228406	2	Bolt M10 x 35	
100	1001202298	1	Hood Kit (Not Shown - Includes Items 101 & 102)	
101	1001170551	1	Hood Assembly - Engine Side (See Separate Breakdown in this Section)	
102	1001170552	1	Hood Assembly - Tank Side (See Separate Breakdown in this Section)	





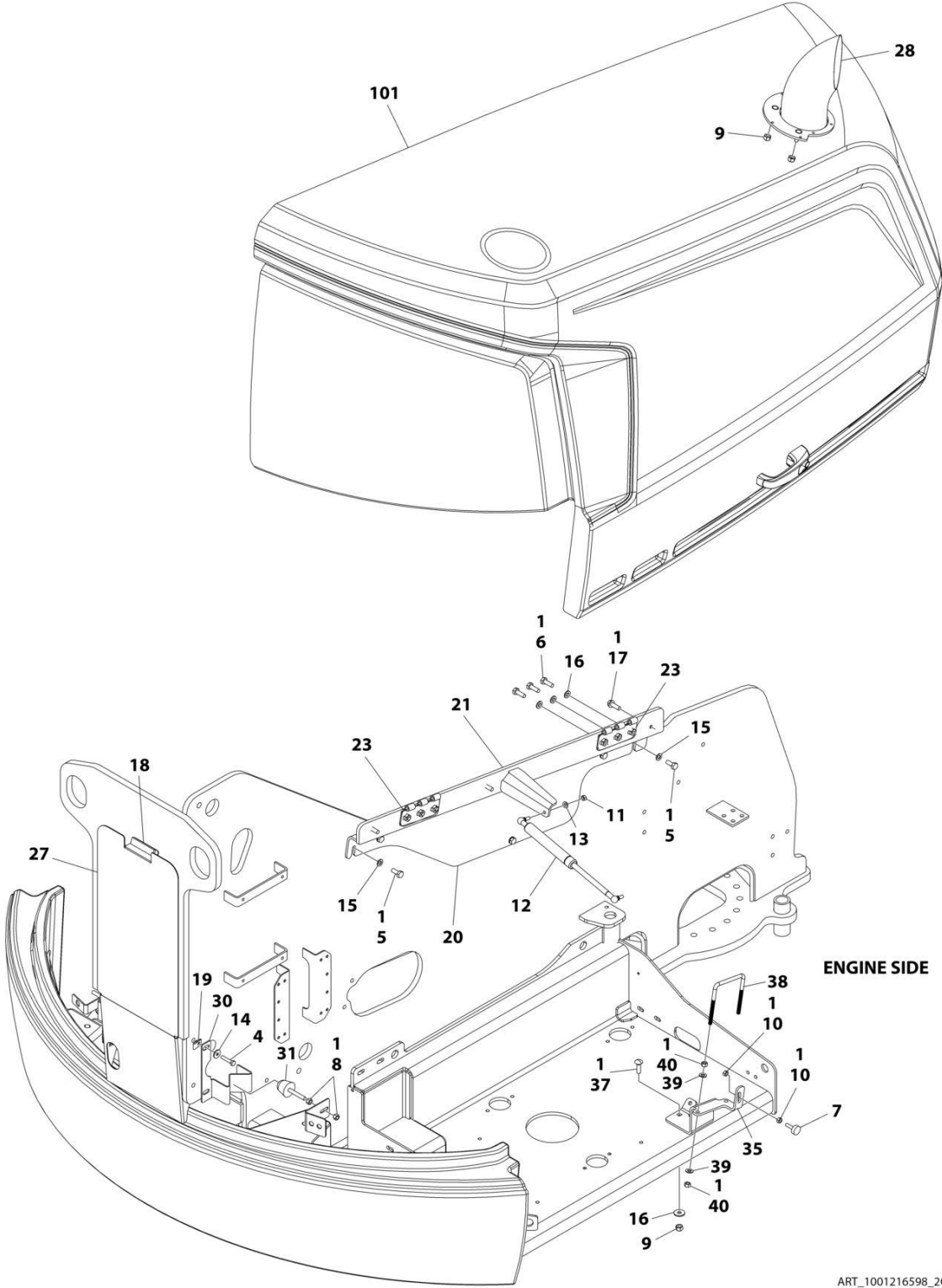
# SECTION 2 - TURNTABLE

## FIGURE 2-40. HOOD INSTALLATION - ABS (KUBOTA ENGINES)



ART\_1001216598\_10F2

**SECTION 2 - TURNTABLE**



ART\_1001216598\_2OF2

## SECTION 2 - TURNTABLE

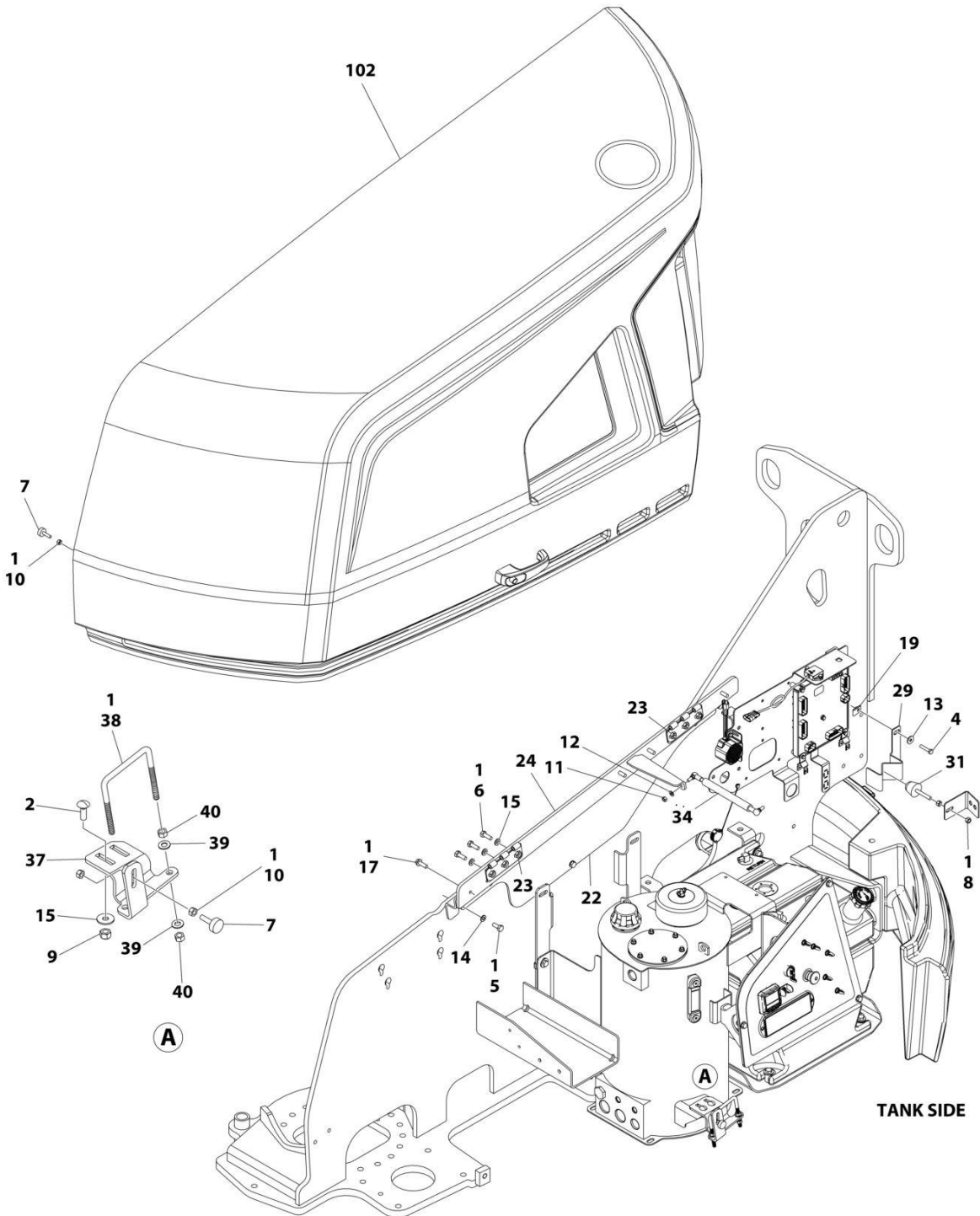
**FIGURE 2-40. HOOD INSTALLATION - ABS (KUBOTA ENGINES)**

ITEM	PART NUMBER	QTY	DESCRIPTION	REV
	1001216598	Ref	KUBOTA HOOD INSTALLATION	B
1	0100011	AR	Compound, Locking	
2	0630613	2	Bolt M10 x 30	
4	0760816	4	Bolt M8 x 40	
5	0761012	10	Bolt M10 x 25	
6	0761014	12	Bolt M10 x 30	
7	0940049	4	Stopper	
8	3271601	4	Nut 3/8	
9	3291005	7	Nut M10	
10	3311501	8	Nut 5/16	
11	3311505	2	Nut 5/16	
12	4160182	2	Spring, Gas	
13	4711500	2	Washer 5/16	
14	4811902	AR	Washer M8	
15	4812000	10	Washer M10	
16	4812002	16	Washer M10	
17	5251014	8	Bolt M10 x 30	
18	90200755	AR	Tape, Gasket	
19	1001149160	4	Nut, Tinnerman M8	
20	1001165060	1	Plate	
21	1001167159	1	Mount, Adjustment	
22	1001168173	1	Mount, Hinge	
23	1001169046	4	Nut	
24	1001170850	1	Mount, Adjustment	
27	1001173354	1	Cover	
28	1001174098	1	Outlet, Exhaust	
29	1001199207	1	Bracket, Bumper	
30	1001199901	1	Bracket, Bumper	
31	1001206314	2	Bumper	
35	1001250288	1	Bracket, Engine	
36	1001250289	1	Bracket, Tank	
37	1001228406	2	Bolt, Carriage	
38	1001243414	2	Bolt, U-bolt	
39	4711600	AR	Washer 3/8	
40	3311601	AR	Nut 3/8	
100	1001202298	1	Hood Kit (Not Shown - Includes Items 101 & 102)	
101	1001170551	1	Hood Assembly - Engine Side (See Separate Breakdown in this Section)	
102	1001170552	1	Hood Assembly - Tank Side (See Separate Breakdown in this Section)	



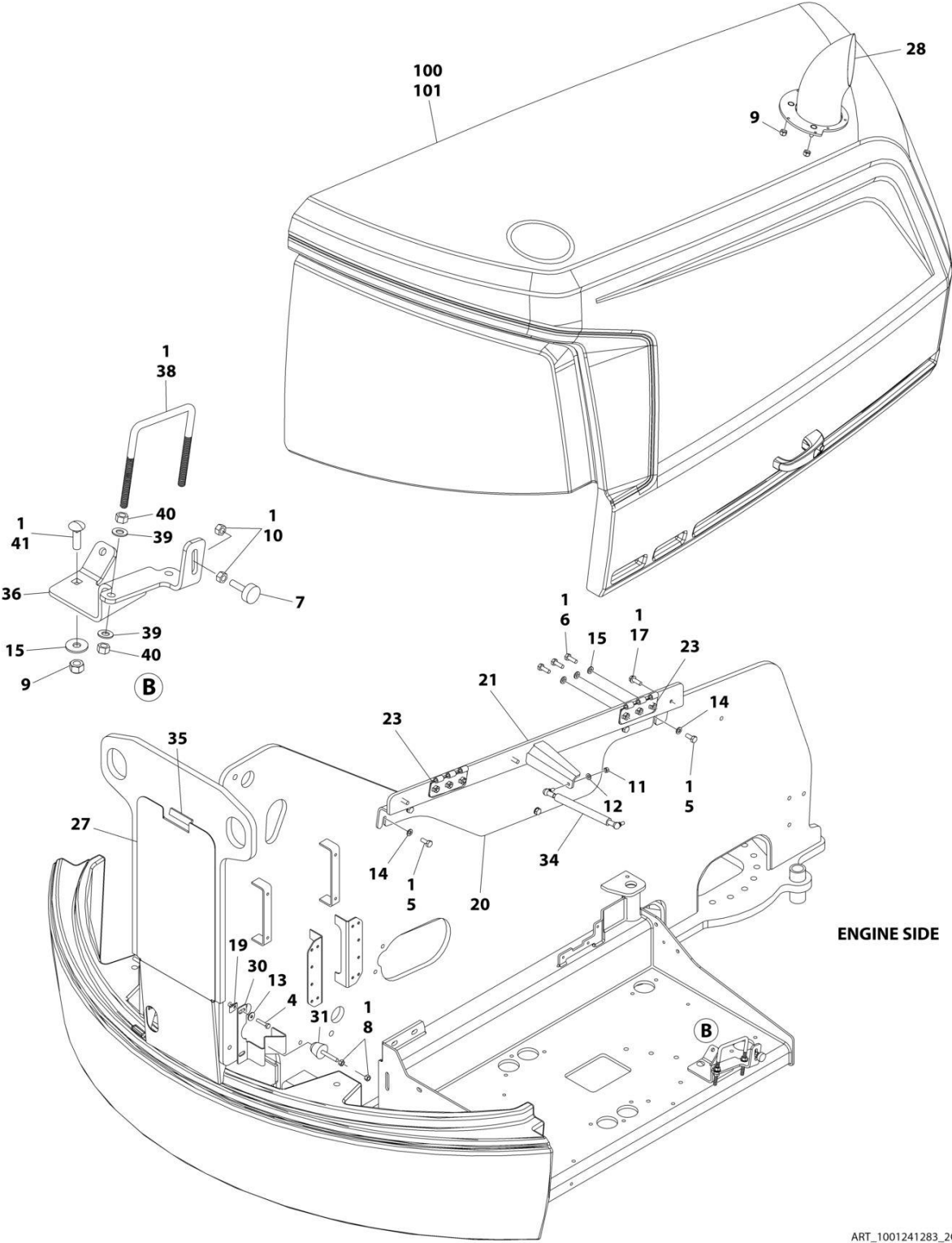
# SECTION 2 - TURNTABLE

## FIGURE 2-41. HOOD INSTALLATION - ABS (KUBOTA ENGINES) (CE SPECS)



ART\_1001241283\_1OF2

# SECTION 2 - TURNTABLE



ART\_1001241283\_2OF2

## SECTION 2 - TURNTABLE

FIGURE 2-41. HOOD INSTALLATION - ABS (KUBOTA ENGINES) (CE SPECS)

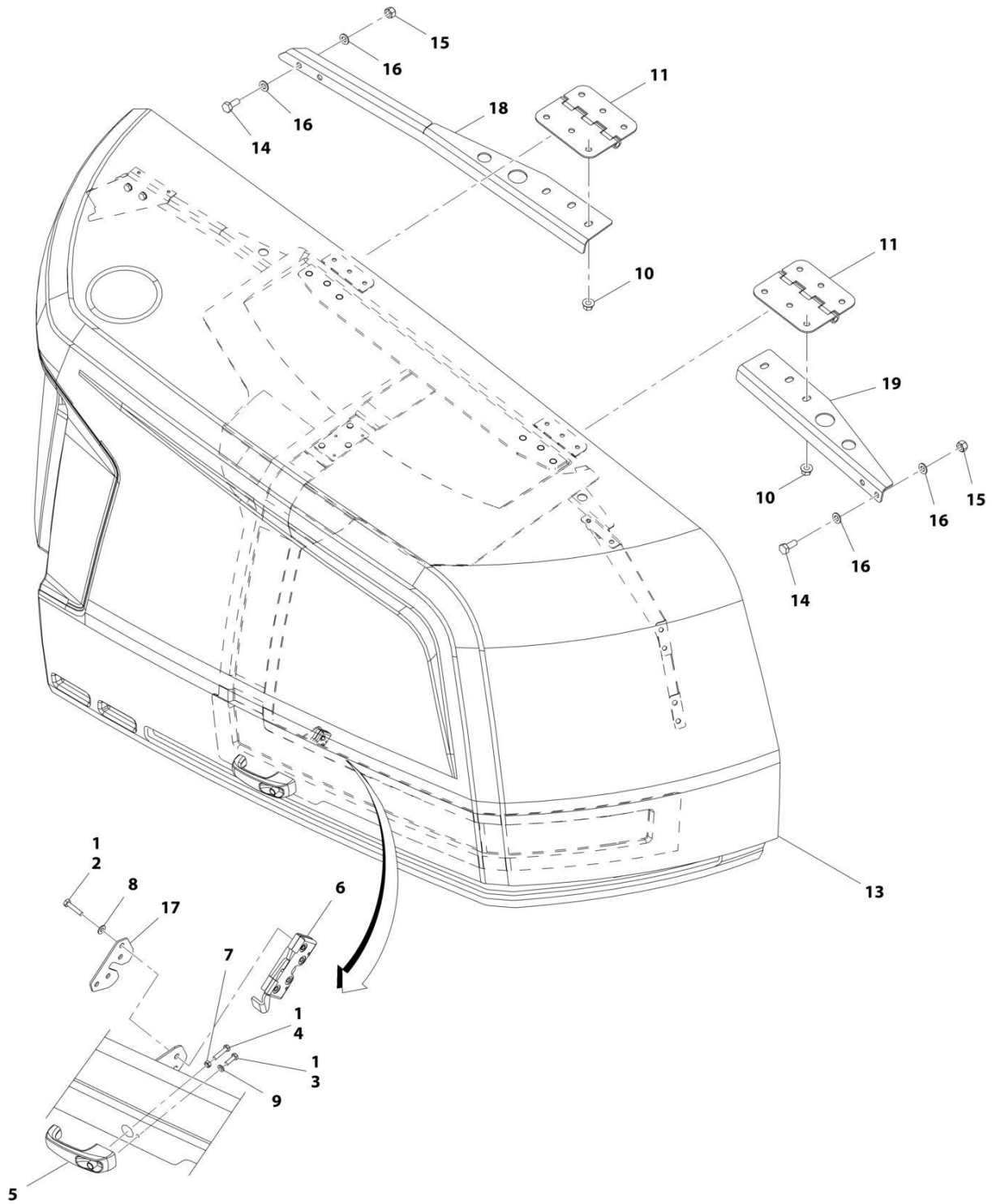
ITEM	PART NUMBER	QTY	DESCRIPTION	REV
	1001241283	Ref	KUBOTA HOOD INSTALLATION	B
1	0100011	AR	Compound, Locking	
2	0630613	2	Bolt M10 x 30	
4	0760816	4	Bolt M8 x 40	
5	0761012	10	Bolt M10 x 25	
6	0761014	12	Bolt M10 x 30	
7	0940049	4	Stopper	
8	3271601	4	Nut 3/8	
9	3291005	7	Nut M10 x 1.5	
10	3311501	8	Nut 5/16	
11	3311505	2	Nut 5/16	
12	4711500	2	Washer 5/16	
13	4811902	4	Washer M8	
14	4812000	10	Washer M10	
15	4812002	16	Washer M10	
17	5251014	8	Bolt, M10 x 30	
19	1001149160	4	Nut, Tinnerman M8	
20	1001165060	1	Plate	
21	1001167159	1	Mount, Adjustment	
22	1001168173	1	Mount, Hinge	
23	1001169046	4	Nut	
24	1001170850	1	Mount, Adjustment	
27	1001173354	1	Cover	
28	1001174098	1	Outlet, Exhaust	
29	1001199207	1	Bracket, Bumper	
30	1001199901	1	Bracket, Bumper	
31	1001206314	2	Bumper	
34	4160182	2	Spring, Gas	
35	90200755	AR	Tape, Gasket	
36	1001250287	1	Bracket	
37	1001250289	1	Bracket	
38	1001243414	2	Bolt 3/8 x 4 x 4 5/8	
39	4711600	8	Washer 3/8	
40	3311601	8	Nut 3/8	
41	1001228406	2	Bolt M10 x 35	
100	1001241288	1	Hood Kit (Includes Items 101 & 102)	
101	1001241291	1	Hood Assembly - Engine Side (See Separate Breakdown in this Section)	
102	1001241292	1	Hood Assembly - Tank Side (See Separate Breakdown in this Section)	





# SECTION 2 - TURNTABLE

## FIGURE 2-42. ABS HOOD ASSEMBLY - ENGINE SIDE



ART\_1001170551

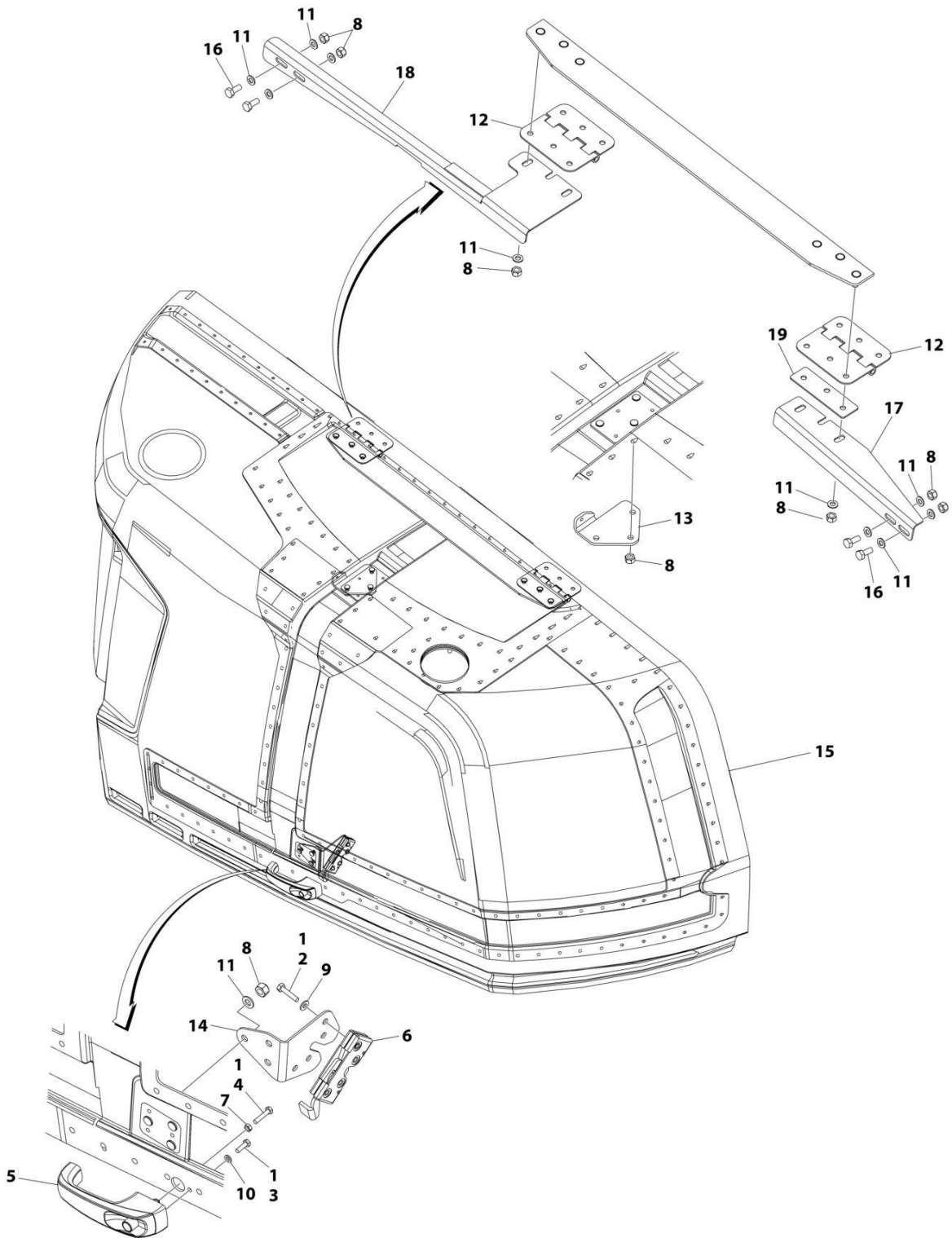
## SECTION 2 - TURNTABLE

**FIGURE 2-42. ABS HOOD ASSEMBLY - ENGINE SIDE**

ITEM	PART NUMBER	QTY	DESCRIPTION	REV
	1001170551	Ref	HOOD ASSEMBLY - ENGINE SIDE	F
1	0100011	AR	Compound, Locking	
2	0641410	4	Bolt 1/4 x 1-1/4	
3	0760610	2	Bolt M6 x 20	
4	0760614	1	Bolt M6 x 30	
5	2560187	1	Handle, Push Button	
6	2940173	1	Latch, Rotary	
7	3290601	1	Nut M6	
8	4711400	4	Washer 1/4	
9	4811700	2	Washer M6	
10	5261018	6	Nut M10 Grade 10.9	
11	1001139384	2	Hinge	
13	See Note	NSS	Hood - Engine Side (Note: Purchase pn 1001170551)	
14	0761012	4	Bolt M10 x 25	
15	3291005	4	Nut M10	
16	4812000	8	Washer M10	
17	1001200458	1	Plate	
18	1001201636	1	Hood Support	
19	1001201635	1	Hood Support	

# SECTION 2 - TURNTABLE

## FIGURE 2-43. ABS HOOD ASSEMBLY - ENGINE SIDE (CE SPEC)



ART\_1001241291

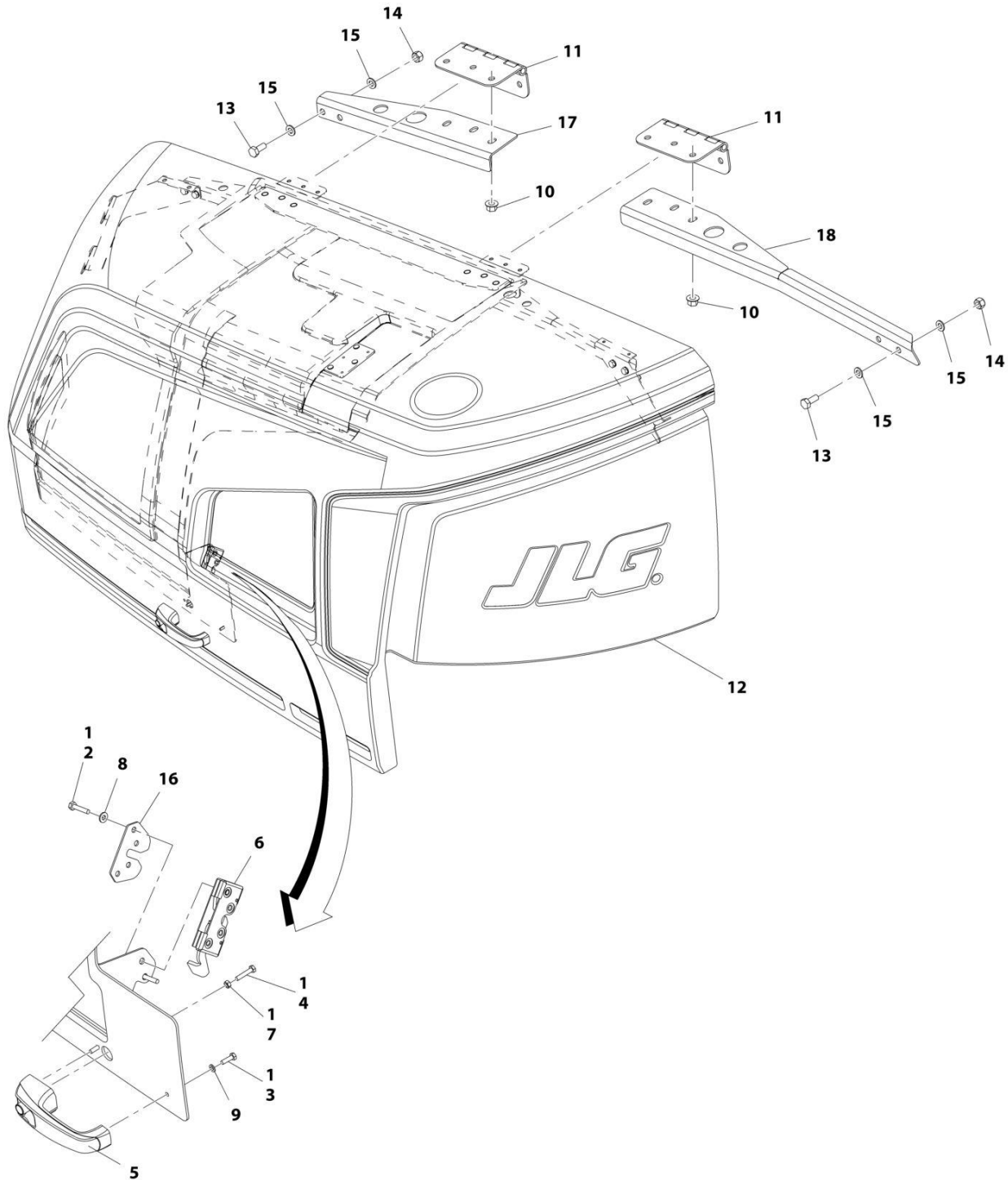
## SECTION 2 - TURNTABLE

**FIGURE 2-43. ABS HOOD ASSEMBLY - ENGINE SIDE (CE SPEC)**

ITEM	PART NUMBER	QTY	DESCRIPTION	REV
	1001241291	Ref	HOOD ASSEMBLY - ENGINE SIDE	C
1	0100011	AR	Compound, Locking	
2	0641410	4	Bolt 1/4 x 1-1/4	
3	0760610	2	Bolt M6 x 20	
4	0760614	1	Bolt M6 x 30	
5	2560187	1	Handle, Push Button	
6	2940173	1	Latch, Rotary	
7	3290601	1	Nut M6	
8	3291005	16	Nut M10	
9	4711400	4	Washer 1/4	
10	4811700	2	Washer M6	
11	4812000	17	Washer M10	
12	1001139384	2	Hinge - 6 holes	
12	1001259230	2	Hinge - 3 holes and 3 slotted holes	
13	1001178228	1	Bracket, Engine	
14	1001202830	1	Hood Support	
15	See Note	NSS	Hood (Note: Use p/n 1001241291)	
16	0761012	4	Bolt M10 x 25	
17	1001253892	1	Support	
18	1001253896	1	Support	
19	1001253903	1	Plate	

# SECTION 2 - TURNTABLE

## FIGURE 2-44. ABS HOOD ASSEMBLY - TANK SIDE



ART\_1001170552

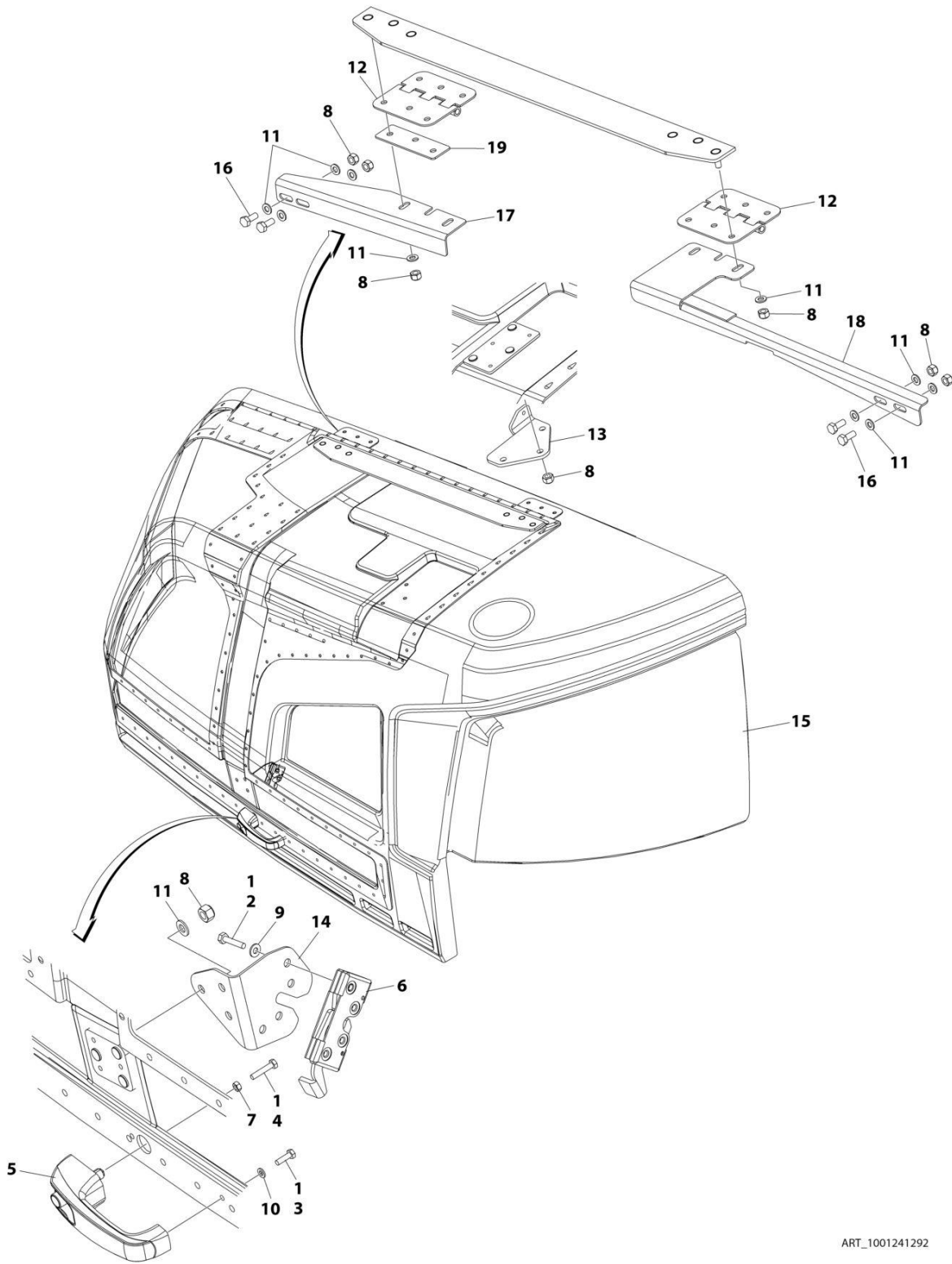
**SECTION 2 - TURNTABLE**

**FIGURE 2-44. ABS HOOD ASSEMBLY - TANK SIDE**

ITEM	PART NUMBER	QTY	DESCRIPTION	REV
	1001170552	Ref	HOOD ASSEMBLY - TANK SIDE	F
1	0100011	AR	Compound, Locking	
2	0641410	4	Bolt 1/4 x 1-1/4	
3	0760610	2	Bolt M6 x 20	
4	0760614	1	Bolt M6 x 30	
5	2560187	1	Handle, Push Button	
6	2940173	1	Latch, Rotary	
7	3290601	1	Nut M6	
8	4711400	4	Washer 1/4	
9	4811700	2	Washer M6	
10	5261018	6	Nut M10 Grade 10.9	
11	1001139384	2	Hinge	
12	See Note	NSS	Hood (Note: Use PN 1001170552)	
13	0761012	4	Bolt M10 x 25	
14	3291005	4	Nut M10	
15	4812000	8	Washer M10	
16	1001200458	AR	Plate	
17	1001201633	1	Hood Support	
18	1001201634	1	Hood Support	

# SECTION 2 - TURNTABLE

## FIGURE 2-45. ABS HOOD ASSEMBLY - TANK SIDE (CE SPEC)



ART\_1001241292



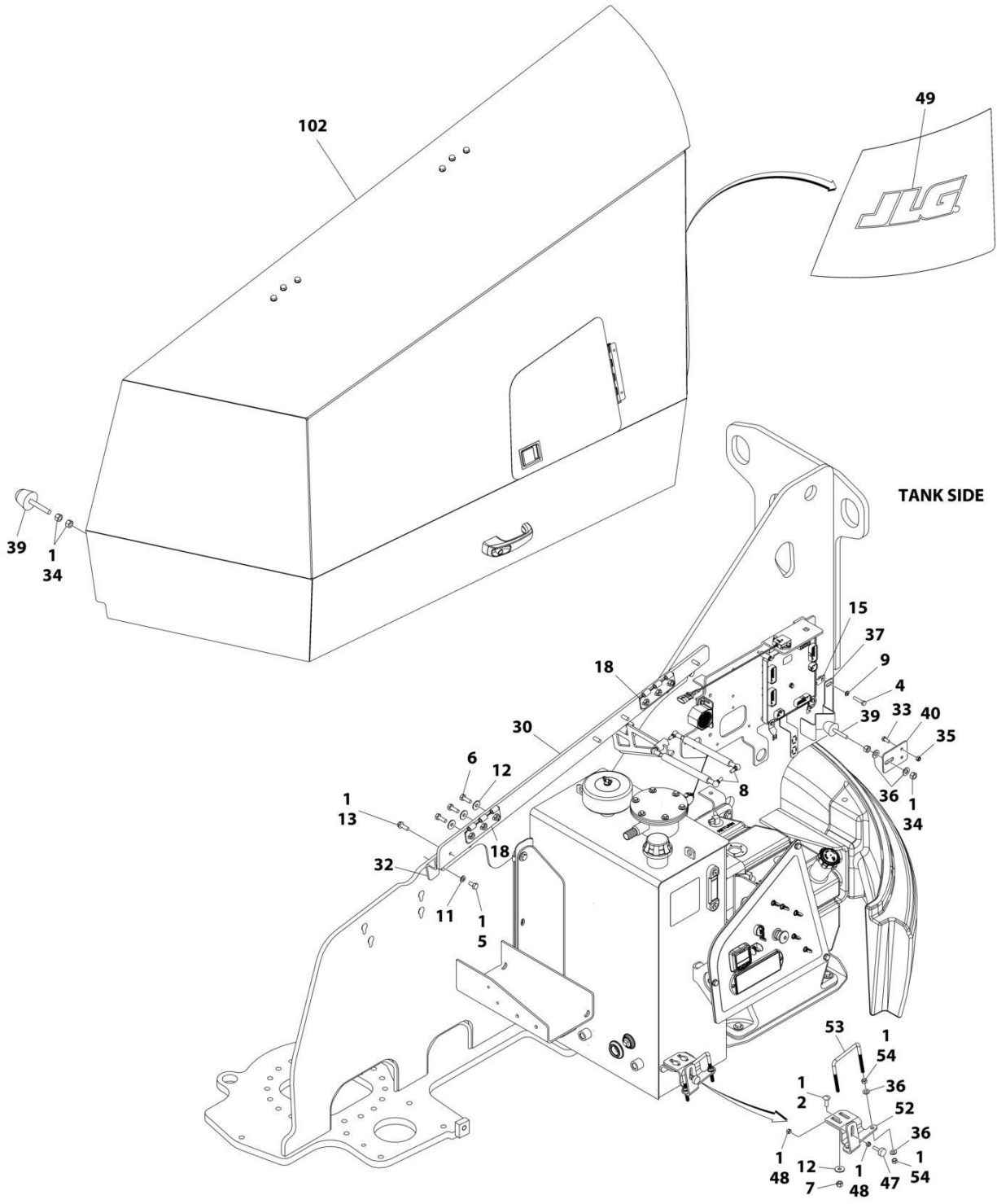
**SECTION 2 - TURNTABLE**

**FIGURE 2-45. ABS HOOD ASSEMBLY - TANK SIDE (CE SPEC)**

ITEM	PART NUMBER	QTY	DESCRIPTION	REV
	1001241292	Ref	HOOD ASSEMBLY - TANK SIDE	C
1	0100011	AR	Compound, Locking	
2	0641410	4	Bolt 1/4 x 1-1/4	
3	0760610	2	Bolt M6 x 20	
4	0760614	1	Bolt M6 x 30	
5	2560187	1	Handle, Push Button	
6	2940173	1	Latch, Rotary	
7	3290601	1	Nut M6	
8	3291005	16	Nut M10	
9	4711400	4	Washer 1/4	
10	4811700	2	Washer M6	
11	4812000	17	Washer M10	
12	1001139384	2	Hinge - 6 holes	
12	1001259230	2	Hinge - 3 holes and 3 slotted holes	
13	1001170475	1	Bracket, Engine	
14	1001202831	1	Hood Support	
15	See Note	NSS	Hood (Note: Use PN 1001241292)	
16	0761012	4	Bolt M10 x 25	
17	1001253893	1	Support	
18	1001253897	1	Support	
19	1001253903	1	Plate	

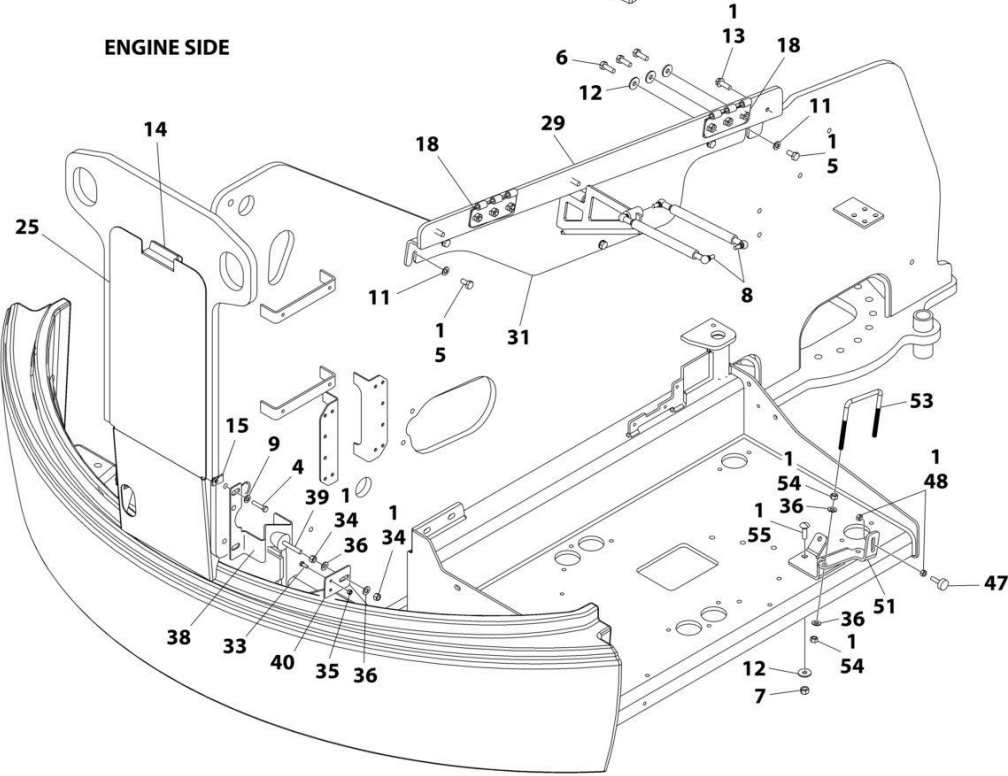
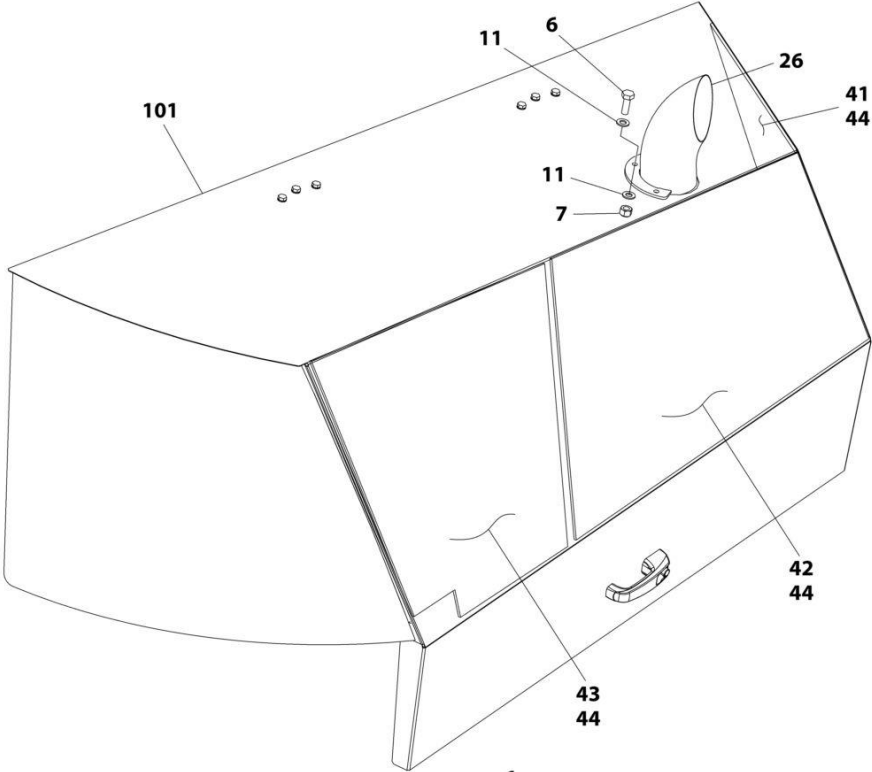
# SECTION 2 - TURNTABLE

## FIGURE 2-46. HOOD INSTALLATION - STEEL



ART\_1001206402\_1OF2

# SECTION 2 - TURNTABLE



ART\_1001206402\_20F2

## SECTION 2 - TURNTABLE

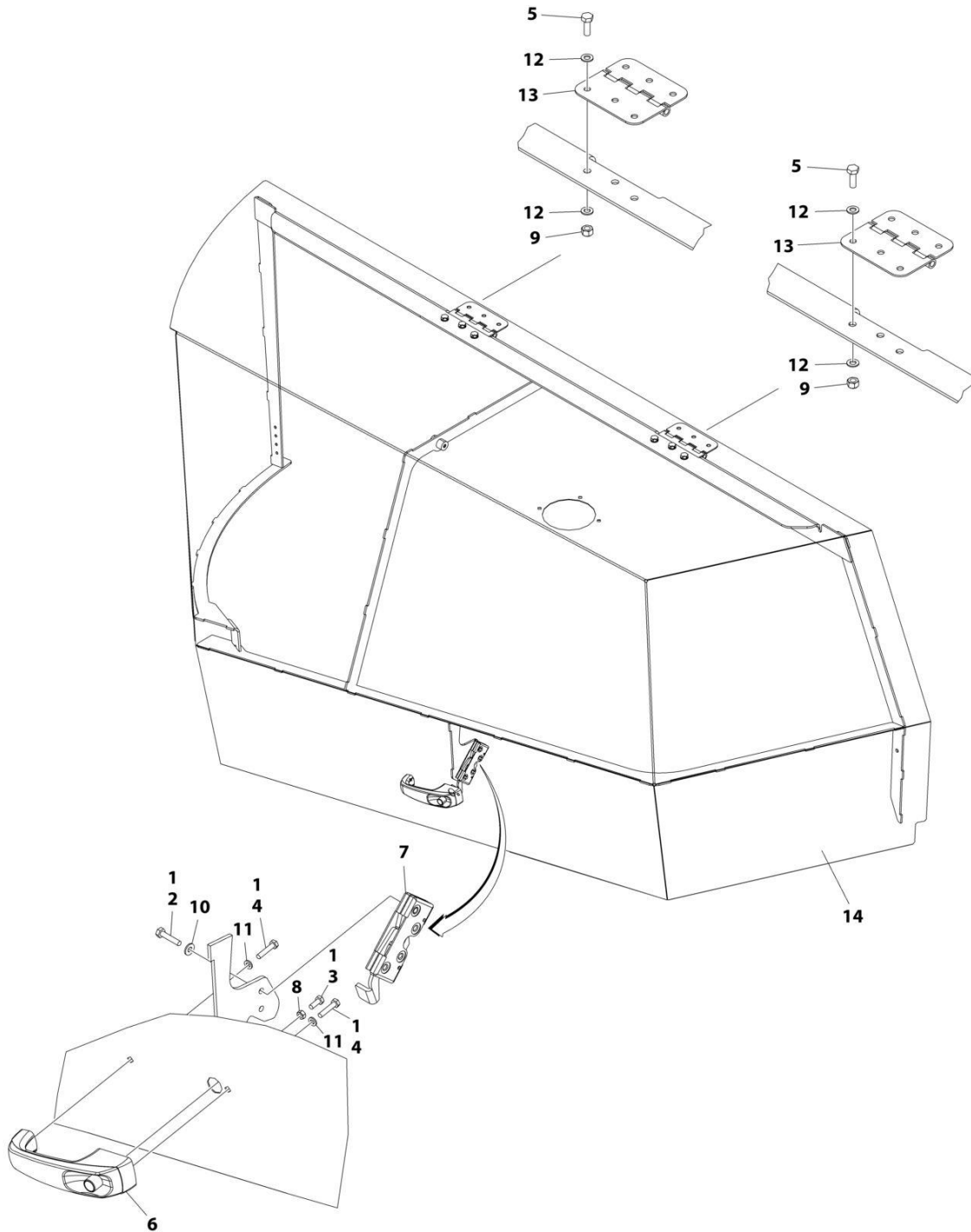
FIGURE 2-46. HOOD INSTALLATION - STEEL

ITEM	PART NUMBER	QTY	DESCRIPTION	REV
	1001206402	Ref	STEEL HOOD INSTALLATION	H
1	0100011	AR	Compound, Locking	
2	0630613	2	Bolt M10 x 30	
4	0760816	4	Bolt M8 x 40	
5	0761012	10	Bolt M10 x 25	
6	0761014	15	Bolt M10 x 30	
7	3291005	7	Nut M10	
8	1001167918	4	Spring, Gas	
9	4811900	4	Washer M8	
11	4812000	16	Washer M10	
12	4812002	16	Washer M10	
13	5251012	8	Bolt M10 x 25	
14	90200755	85 mm	Tape, Gasket	
15	1001149160	4	Nut, Tinnerman M8	
18	1001169046	4	Nut	
25	1001173354	1	Cover	
26	1001174098	1	Outlet, Exhaust	
29	1001211633	1	Plate	
30	1001211636	1	Plate	
31	1001212819	1	Mount, Hinge	
32	1001212822	1	Mount, Hinge	
33	0760608	4	Bolt M6 x 16	
34	3271601	8	Nut 3/8	
35	3290605	4	Nut M6	
36	4711600	4	Washer 3/8	
37	1001199207	1	Bracket, Bumper	
38	1001199901	1	Bracket, Bumper	
39	1001206314	4	Bumper	
40	1001219134	2	Plate, Bumper Mount	
41	1001222043	1	Insulate, Heat Shield	
42	1001222044	1	Insulate, Heat Shield	
43	1001223387	1	Insulate, Heat Shield	
44	1001117140	AR	Tape	
47	0940049	2	Stopper	
48	3311501	4	Nut	
49	1001159323	1	Decal - JLG	
50	1001113047	AR	Adhesive (Not Shown)	
51	1001250287	1	Bracket, Engine	
52	1001250289	1	Bracket, Tank	
53	1001243414	2	Bolt, U-Bolt	
54	3311601	8	Nut 3/8	
55	1001228406	2	Bolt, Carriage	
100	1001206403	1	Hood Kit (Not Shown - Includes Items 101 & 102)	
101	1001206404	1	Steel Hood Assembly - Engine Side (See Separate Breakdown in this Section)	
102	1001206418	1	Steel Hood Assembly - Tank Side (See Separate Breakdown in this Section)	



# SECTION 2 - TURNTABLE

## FIGURE 2-47. STEEL HOOD ASSEMBLY - ENGINE SIDE



ART\_1001206404

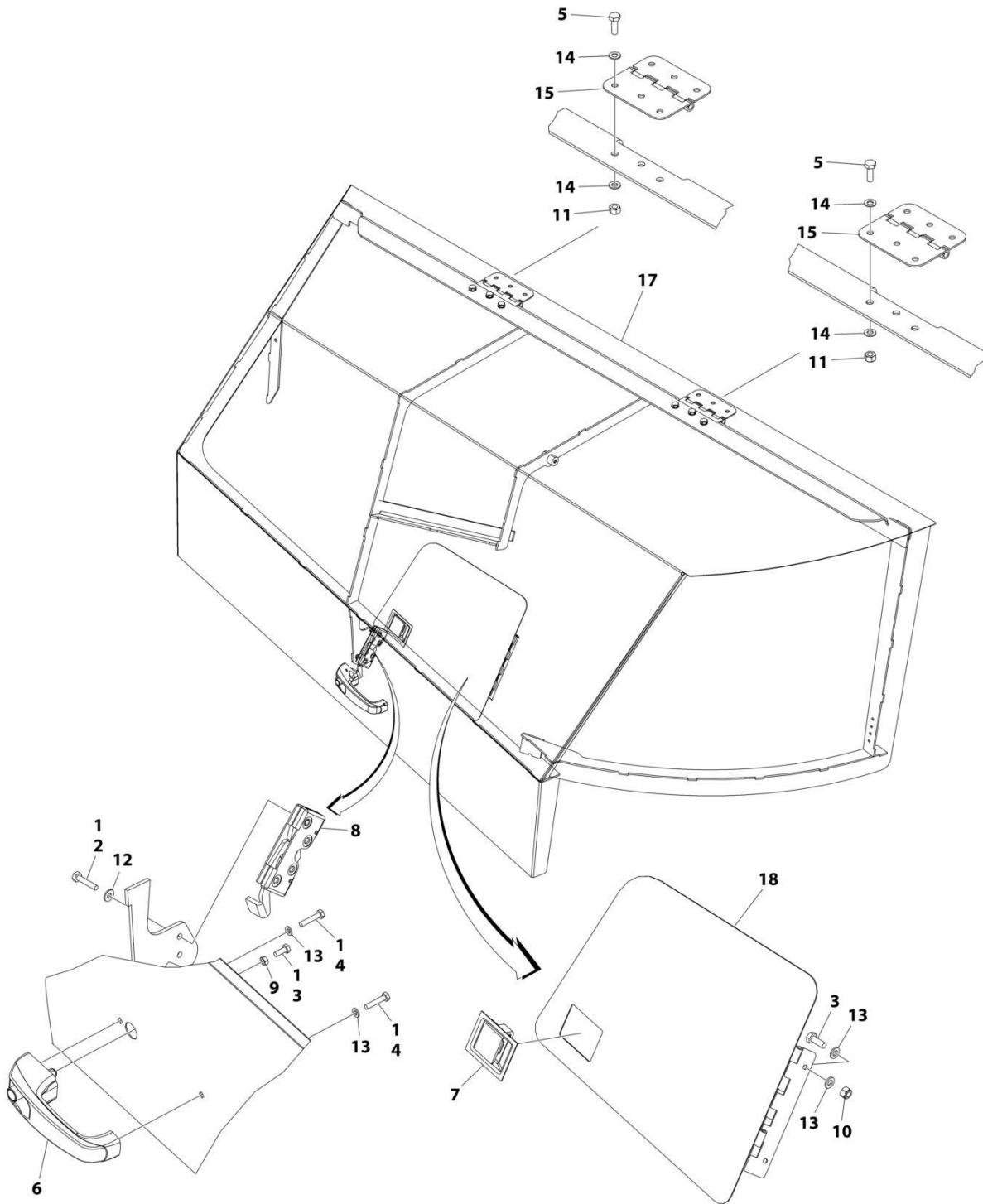
**SECTION 2 - TURNTABLE**

**FIGURE 2-47. STEEL HOOD ASSEMBLY - ENGINE SIDE**

<b>ITEM</b>	<b>PART NUMBER</b>	<b>QTY</b>	<b>DESCRIPTION</b>	<b>REV</b>
	1001206404	Ref	STEEL HOOD ASSEMBLY - ENGINE SIDE	E
1	0100011	AR	Compound, Locking	
2	0641410	4	Bolt 1/4 x 1-1/4	
3	0760608	1	Bolt M6 x 16	
4	0760614	2	Bolt M6 x 30	
5	0761014	6	Bolt M10 x 30	
6	2560187	1	Handle, Push Button	
7	2940173	1	Latch, Rotary	
8	3290601	1	Nut M6	
9	3291005	6	Nut M10	
10	4711400	4	Washer 1/4	
11	4811700	2	Washer M6	
12	4812000	12	Washer M10	
13	1001139384	2	Hinge	
14	1001206405	1	Hood, Engine Side	

# SECTION 2 - TURNTABLE

## FIGURE 2-48. STEEL HOOD ASSEMBLY - TANK SIDE



ART\_1001206418



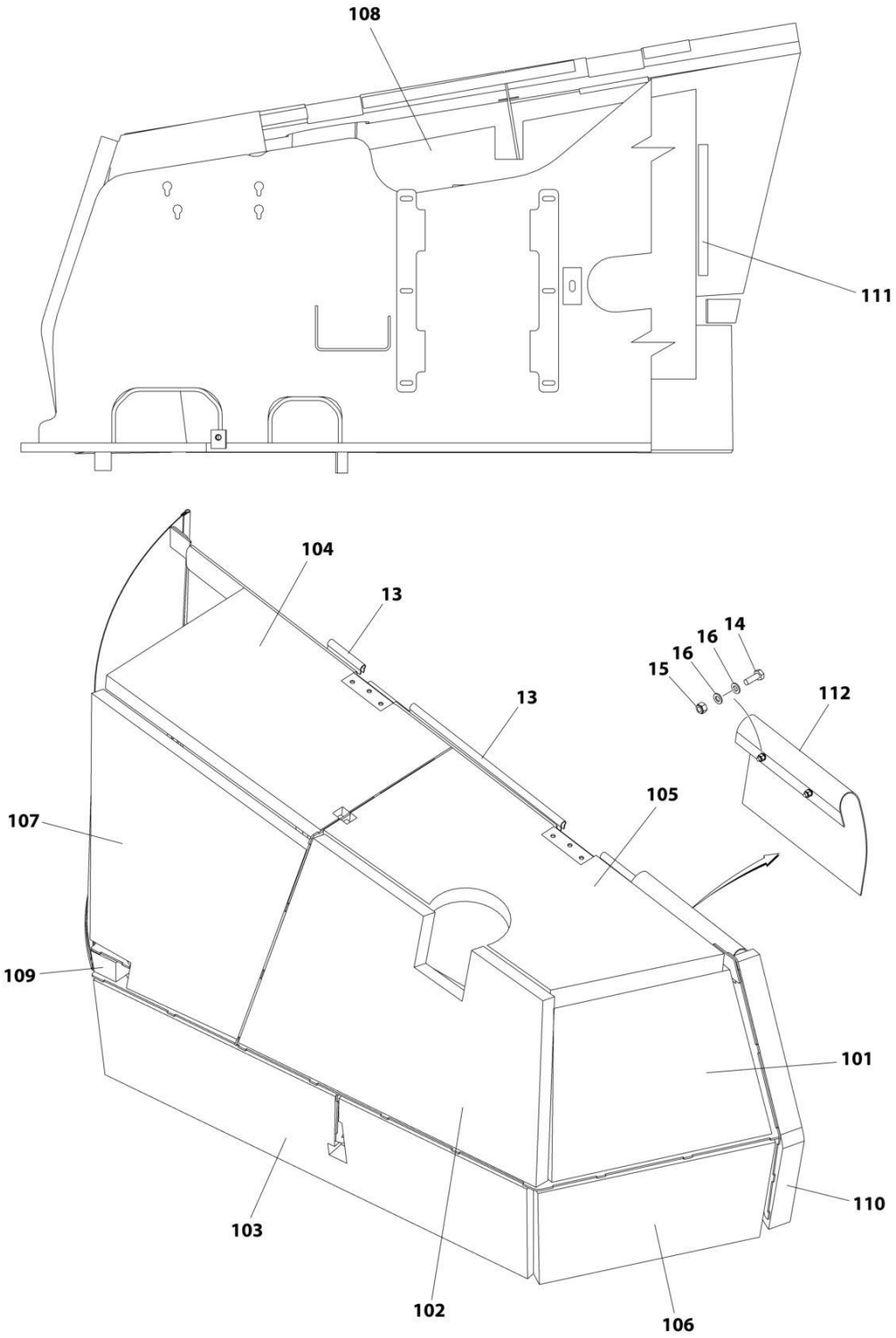
**SECTION 2 - TURNTABLE**

**FIGURE 2-48. STEEL HOOD ASSEMBLY - TANK SIDE**

ITEM	PART NUMBER	QTY	DESCRIPTION	REV
	1001206418	Ref	STEEL HOOD ASSEMBLY - TANK SIDE	F
1	0100011	AR	Compound, Locking	
2	0641410	4	Bolt 1/4 x 1-1/4	
3	0760608	3	Bolt M6 x 16	
4	0760614	2	Bolt M6 x 30	
5	0761014	6	Bolt M10 x 30	
6	2560187	1	Handle, Push Button	
7	2940045	1	Latch, Paddle	
8	2940173	1	Latch, Rotary	
9	3290601	1	Nut M6	
10	3290605	2	Nut M6	
11	3291005	6	Nut M10	
12	4711400	4	Washer 1/4	
13	4811700	6	Washer M6	
14	4812000	12	Washer M10	
15	1001139384	2	Hinge	
17	See Note	NSS	Hood - Tank Side (Note: Use PN 1001206418)	
18	1001207726	1	Door, Ground Control Panel	

# SECTION 2 - TURNTABLE

## FIGURE 2-49. SOUND REDUCTION INSTALLATION - KUBOTA ENGINE MACHINES WITH STEEL HOODS



ART\_1001233048

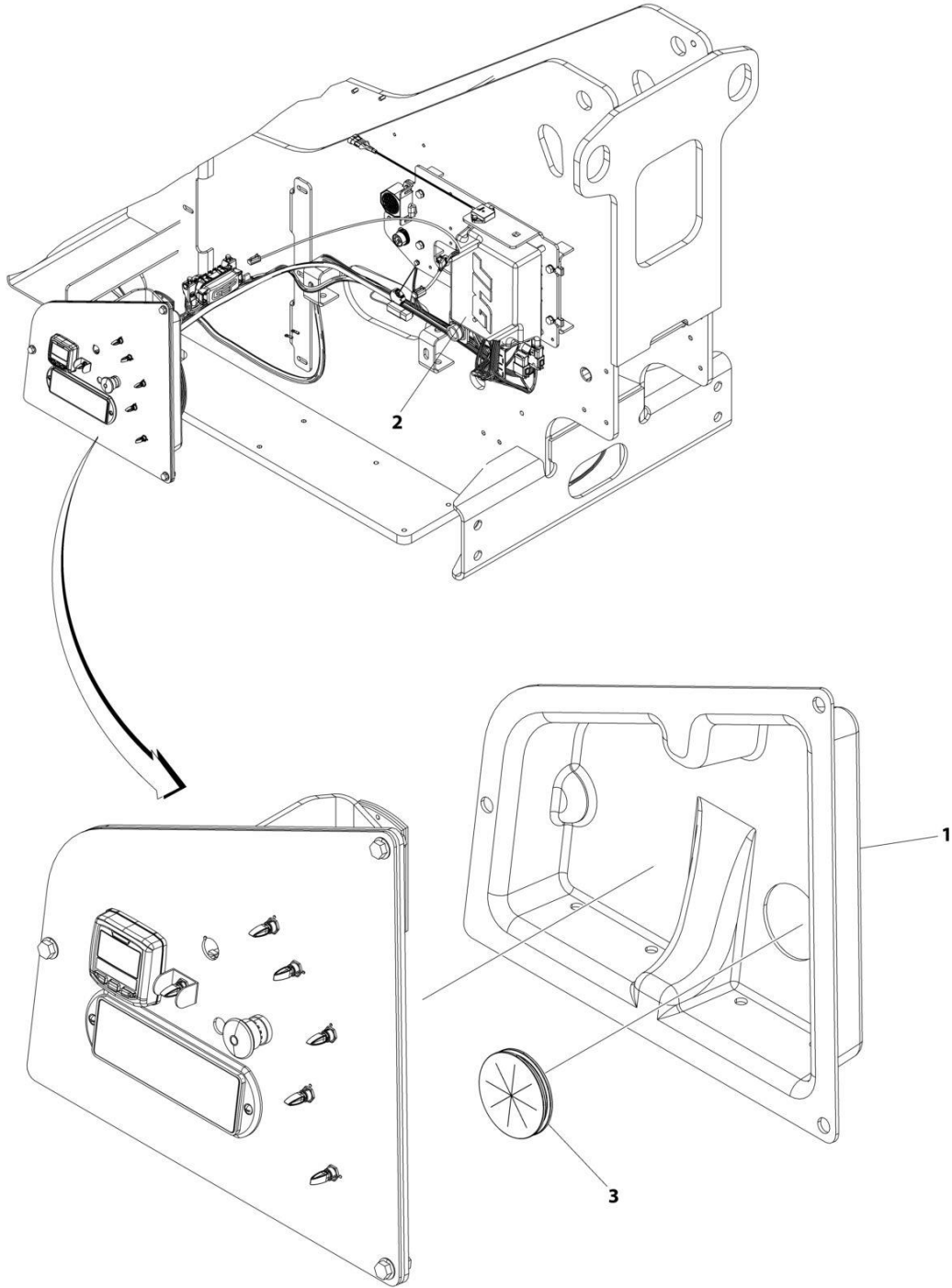
**SECTION 2 - TURNTABLE**

**FIGURE 2-49. SOUND REDUCTION INSTALLATION - KUBOTA ENGINE MACHINES WITH STEEL HOODS**

ITEM	PART NUMBER	QTY	DESCRIPTION	REV
	1001233048	Ref	SOUND REDUCTION INSTALLATION	C
13	3960389	11 ft/ 3.4m	Flex-Trim	
14	0761014	2	Bolt M10 x 30	
15	3291005	2	Nut M10	
16	4812000	4	Washer M10	
100	1001237549	Ref	Sound Insulation Kit (Includes Item 101-112)	
101	1001232907	1	Shield, Sound	
102	1001232908	1	Shield, Sound	
103	1001232913	1	Shield, Sound	
104	1001232915	1	Shield, Sound	
105	1001232916	1	Shield, Sound	
106	1001232917	1	Shield, Sound	
107	1001233075	1	Shield, Sound	
108	1001233076	1	Shield, Sound	
109	1001233077	1	Shield, Sound	
110	1001233412	1	Shield, Sound	
111	1001233413	2	Shield, Sound	
112	1001233436	1	Baffle Rubber	

# SECTION 2 - TURNTABLE

## FIGURE 2-50. TURNTABLE COVERS INSTALLATION



ART\_1001219130

**SECTION 2 - TURNTABLE**

**FIGURE 2-50. TURNTABLE COVERS INSTALLATION**

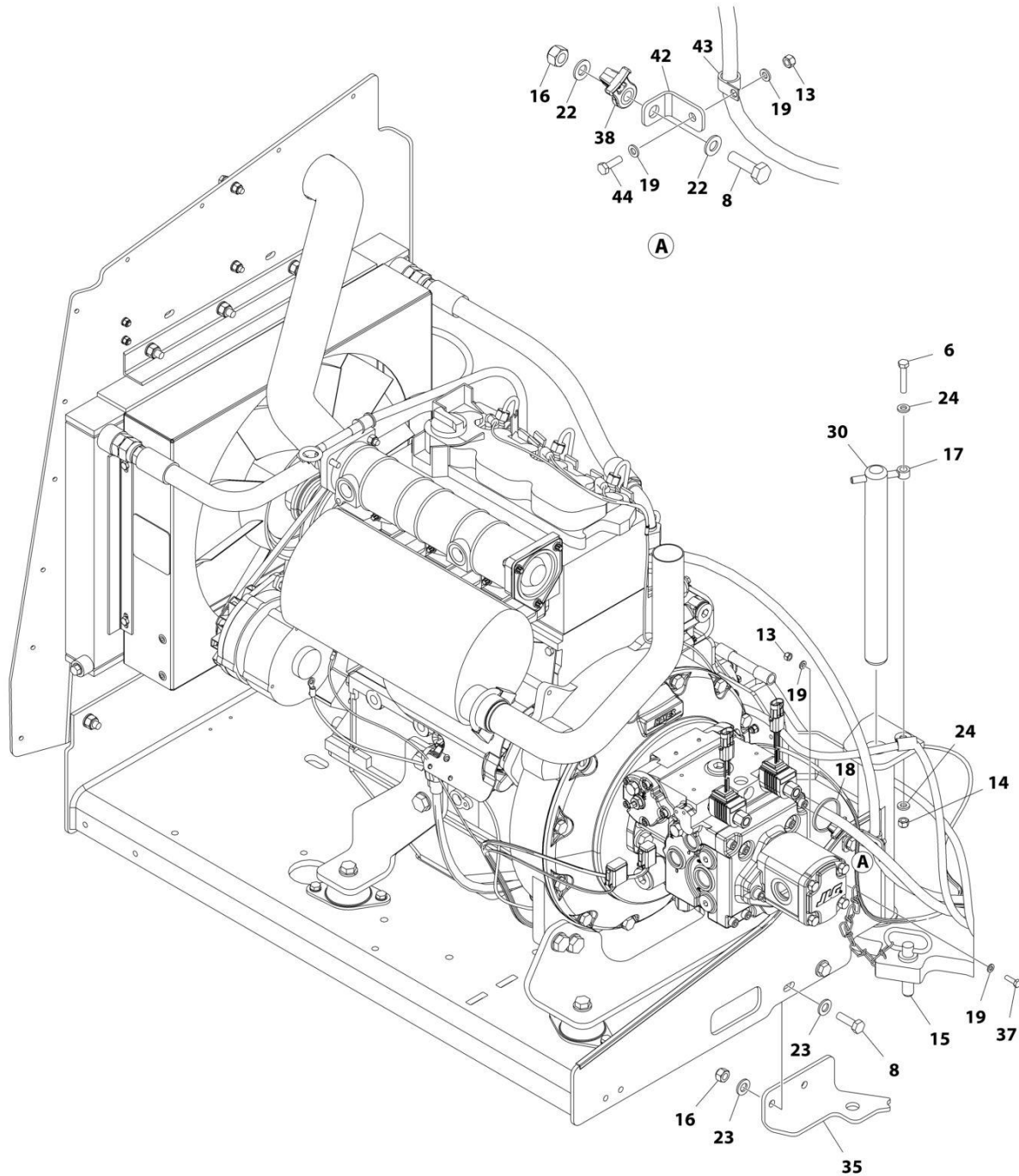
<b>ITEM</b>	<b>PART NUMBER</b>	<b>QTY</b>	<b>DESCRIPTION</b>	<b>REV</b>
	1001219130	Ref	TURNTABLE COVERS INSTALLATION	C
1	1001246087	1	Cover, Control Panel	
2	1001218538	1	Cover, Controller	
3	1001218676	1	Grommet	



**SECTION 3 - ENGINE**

# SECTION 3 - ENGINE

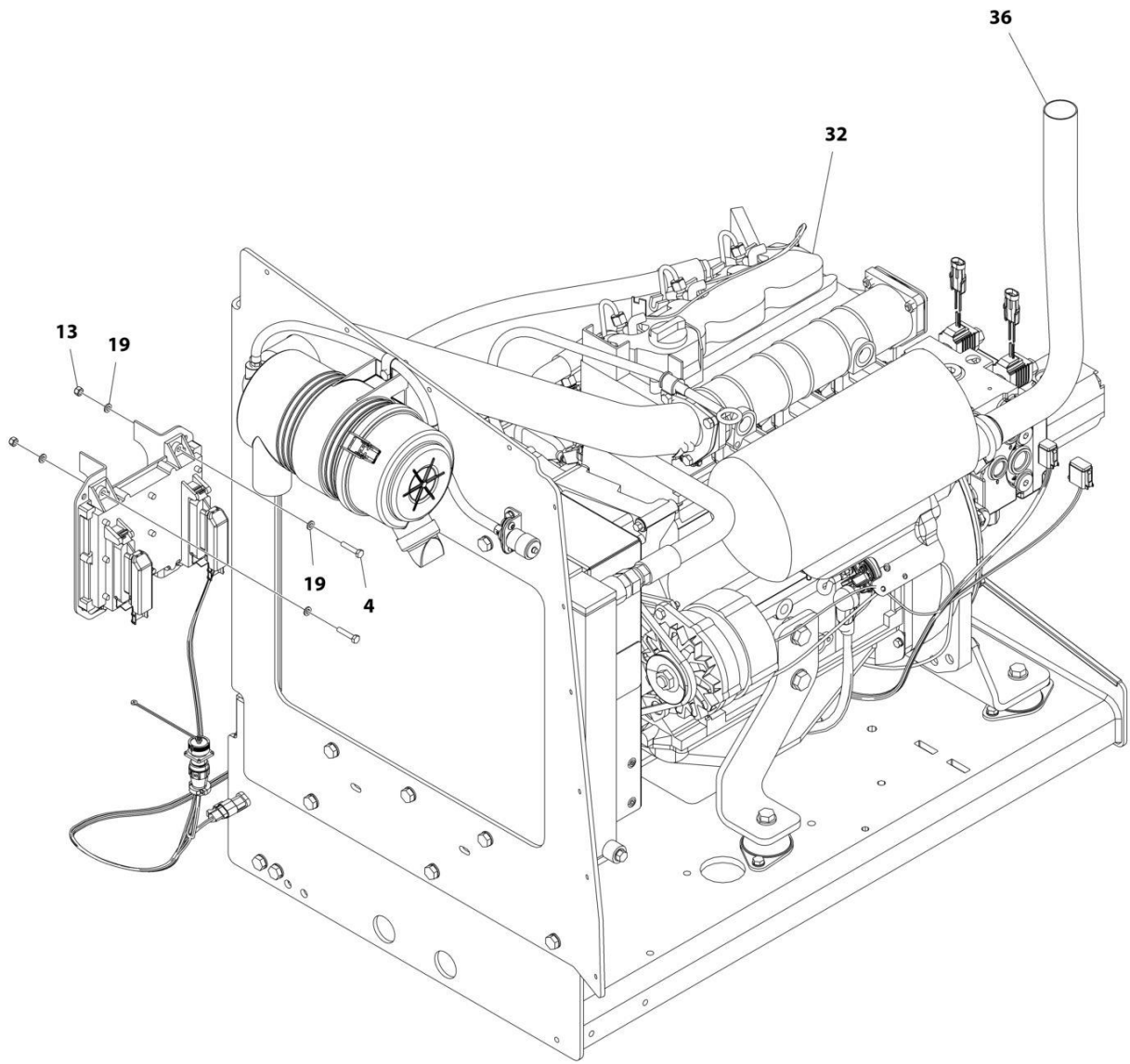
FIGURE 3-1. ENGINE INSTALLATION - DEUTZ D2011 ENGINE (WITHOUT ARCTIC PACKAGE) (ANSI EXPORT, AUSTRALIAN, CE (LRC) AND CHINA SPECS)



ART\_1001166022\_10F3

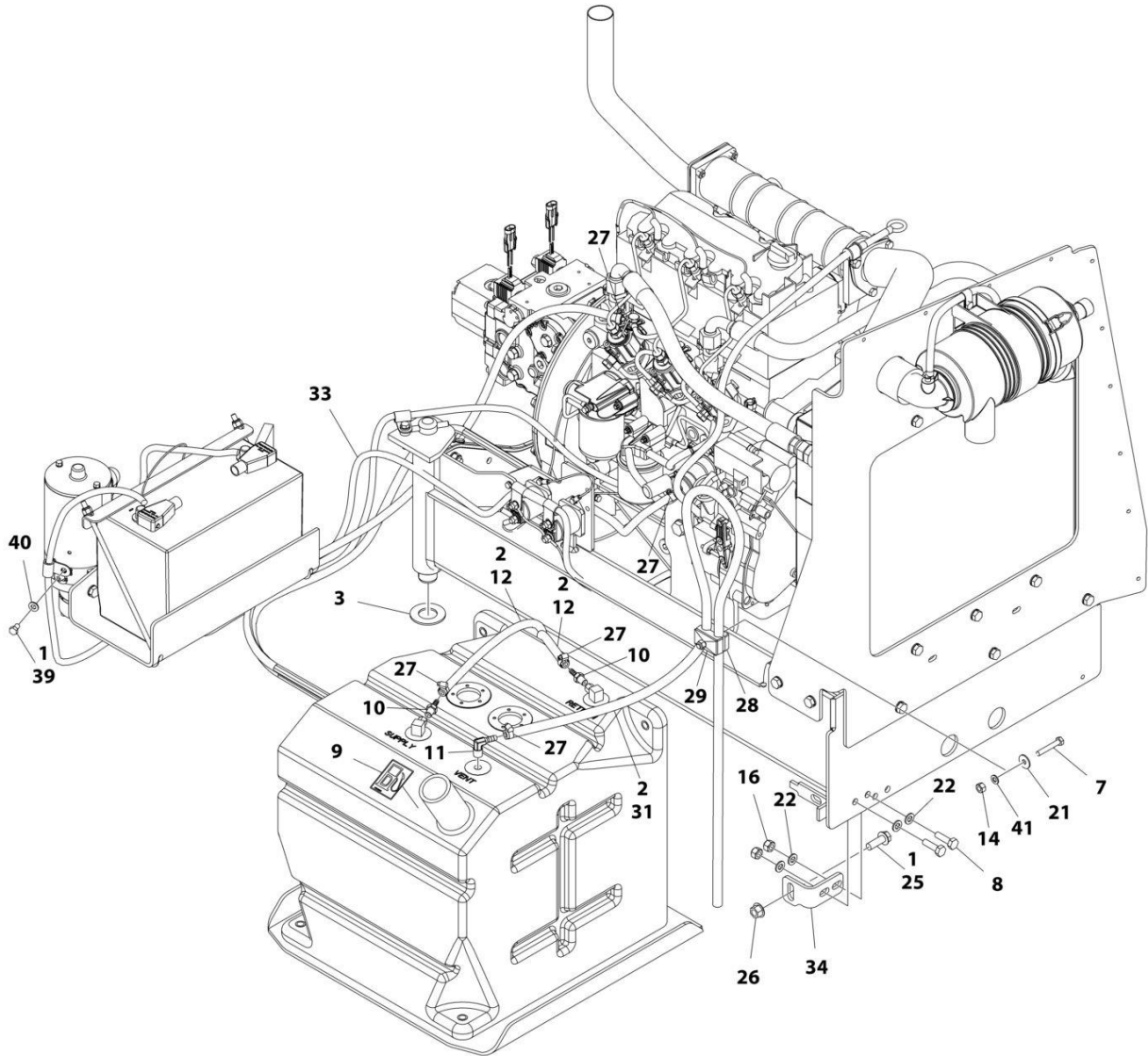


# SECTION 3 - ENGINE



ART\_1001166022\_2OF3

# SECTION 3 - ENGINE



ART\_1001166022\_30F3

## SECTION 3 - ENGINE

**FIGURE 3-1. ENGINE INSTALLATION - DEUTZ D2011 ENGINE (WITHOUT ARCTIC PACKAGE) (ANSI EXPORT, AUSTRALIAN, CE (LRC) AND CHINA SPECS)**

ITEM	PART NUMBER	QTY	DESCRIPTION	REV
	1001166022	Ref	ENGINE INSTALLATION - DEUTZ D2011 ENGINE (WITHOUT ARCTIC PACKAGE)	I
1	0100011	AR	Compound, Locking	
2	0100020	AR	Sealant, Pipe	
3	0440162	1	Bearing	
4	0700614	4	Bolt M6 x 30	
6	0700817	1	Bolt M8 x 45	
7	0700821	1	Bolt M8 x 65	
8	0761015	5	Bolt M10 x 35	
9	1701505	1	Decal - Diesel Fuel	
10	2180348	2	Fitting, Barbed	
11	2220313	1	Fitting, Barbed 90	
12	2720058	17 ft / 5.18m	Hose	
13	3290605	5	Nut M6	
14	3290805	2	Nut M8	
15	3422532	1	Pin	
16	3291005	5	Nut M10	
17	3841143	1	Pin	
18	4240099	AR	Tie-Strap	
19	4811700	12	Washer M6	
21	4811902	1	Washer M8	
22	4812000	6	Washer M10	
23	4812100	4	Washer M12	
24	5240800	2	Washer M8 Hardened	
25	5251215	1	Bolt M12 x 35	
26	5261200	1	Nut, Flange M12 Class10	
27	8405009	5	Clamp	
28	1320187	1	Clamp	
29	1320190	1	Clamp	
30	1001135196	1	Pin	
31	2750532	6 ft/ 1.83m	Hose	
32	1001166021	1	Engine and Pump Sub-Assembly - Deutz D2011 (Without Arctic Package) (See Separate Breakdown in this Section)	
33	1001167038	1	Battery Cable Kit	G
33	70009004	1	Cable, Battery (Black) (Battery Negative, Auxiliary Power Pump, Turntable Ground to Engine Ground)	
33	70009005	1	Cable, Battery (Red) (Battery Positive, Auxiliary Power Relay, Starter Relay to Starter)	
33	70009002	1	Cable, Battery (Red) (Auxiliary Power Relay to Auxiliary Power Pump)	
34	1001167512	1	Bracket, Engine	
35	1001169823	1	Plate, Engine Lock	
36	1001172195	1	Pipe, Exhaust	
37	0760610	1	Bolt M6 x 20	
38	1001156107	1	Holder, Cable	
39	0641504	1	Bolt 5/16 x 1/2	
40	4711500	1	Washer 5/16	
41	4811900	AR	Washer M8	

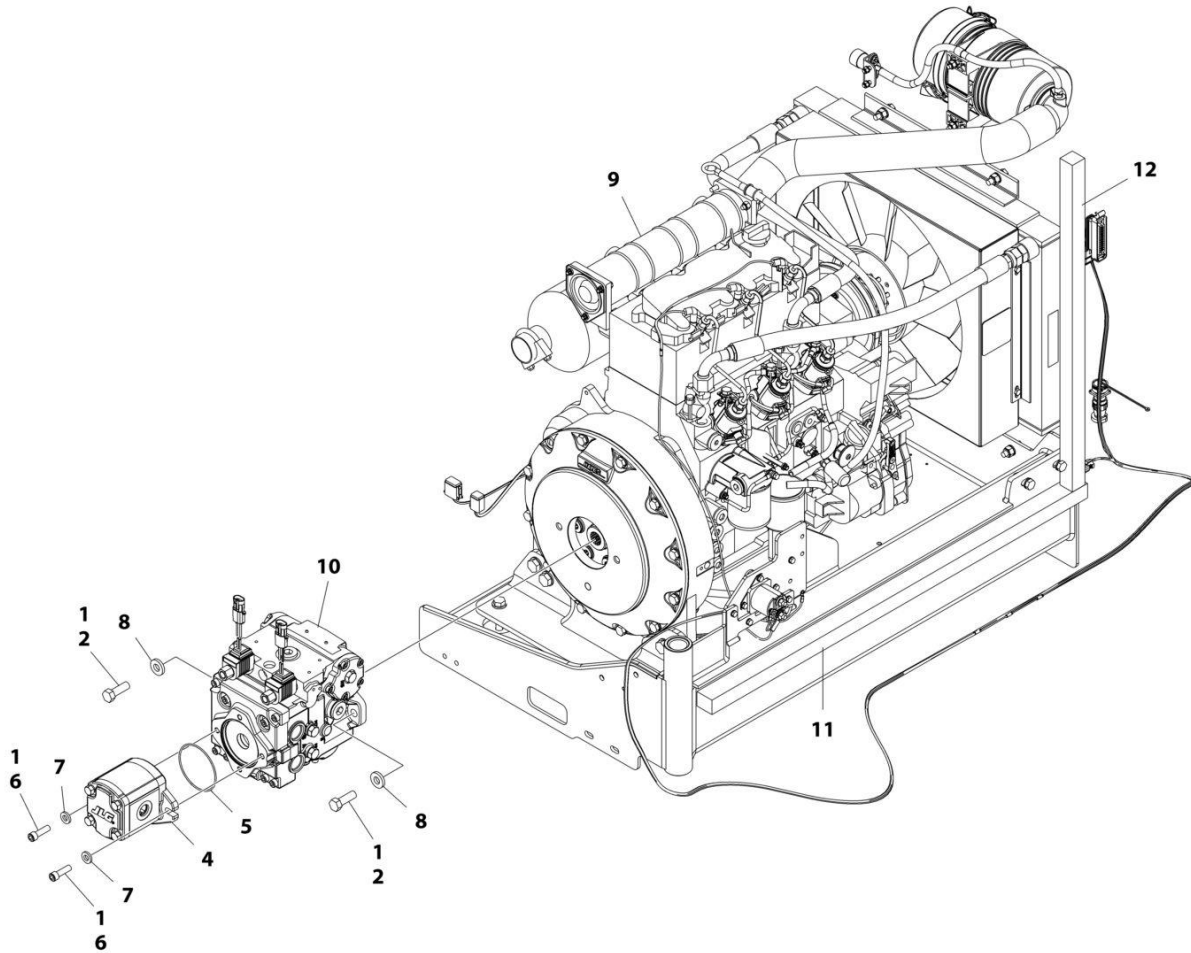
### SECTION 3 - ENGINE

ITEM	PART NUMBER	QTY	DESCRIPTION	REV
42	1001148641	1	Bracket, Clamp Mounting	
43	1320224	1	Clamp, Cable	
44	0700610	1	Bolt M6 x 20	



# SECTION 3 - ENGINE

FIGURE 3-2. ENGINE AND PUMP SUB-ASSEMBLY - DEUTZ D2011 (WITHOUT ARCTIC PACKAGE)  
(AUSTRALIAN AND CHINA SPECS)



ART\_1001166021

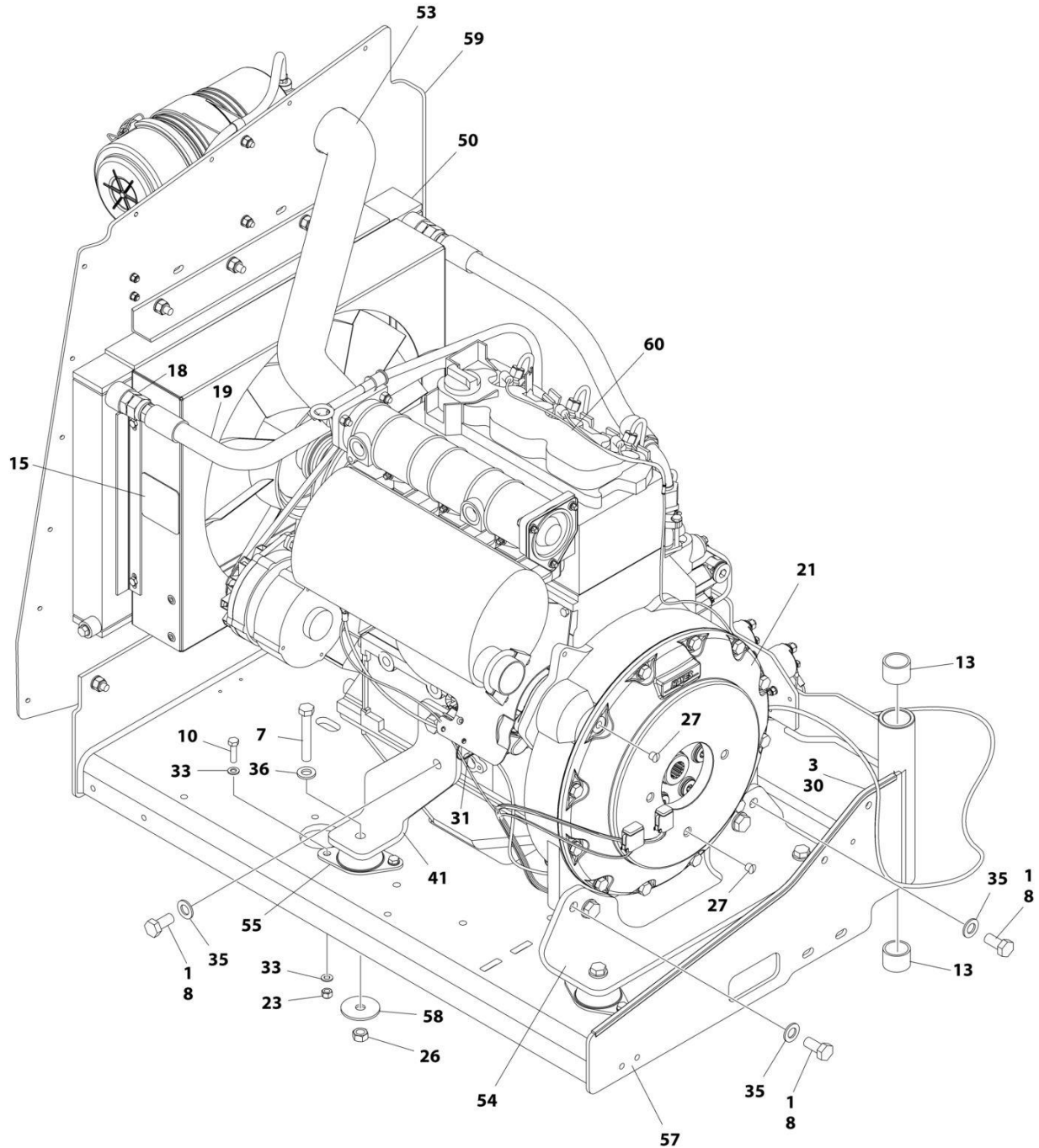
## SECTION 3 - ENGINE

**FIGURE 3-2. ENGINE AND PUMP SUB-ASSEMBLY - DEUTZ D2011 (WITHOUT ARCTIC PACKAGE)  
(AUSTRALIAN AND CHINA SPECS)**

ITEM	PART NUMBER	QTY	DESCRIPTION	REV
	1001166021	Ref	ENGINE AND PUMP SUB-ASSEMBLY - DEUTZ D2011 (WITHOUT ARCTIC PACKAGE)	F
1	0100011	AR	Compound, Locking	
2	0641812	2	Bolt 1/2 x 1-1/2	
4	1001214207	1	Gear Pump Assembly	
4	70006356	1	Seal Kit - 1001214207 Pump	
5	3790152	1	O-Ring	
6	3931618	2	Capscrew 3/8 x 1-1/8	
7	4891600	2	Washer, 3/8 Hardened	
8	4891800	2	Washer, 1/2 Hardened	
9	1001166020	1	Engine Assembly - Deutz D2011 Engine (Without Arctic Package) (See Separate Breakdown in this Section)	
10	1001167036	1	Piston Pump Assembly (See Separate Breakdown in this Section)	
11	1001171953	1	Seal	
12	1001171954	1	Seal	

# SECTION 3 - ENGINE

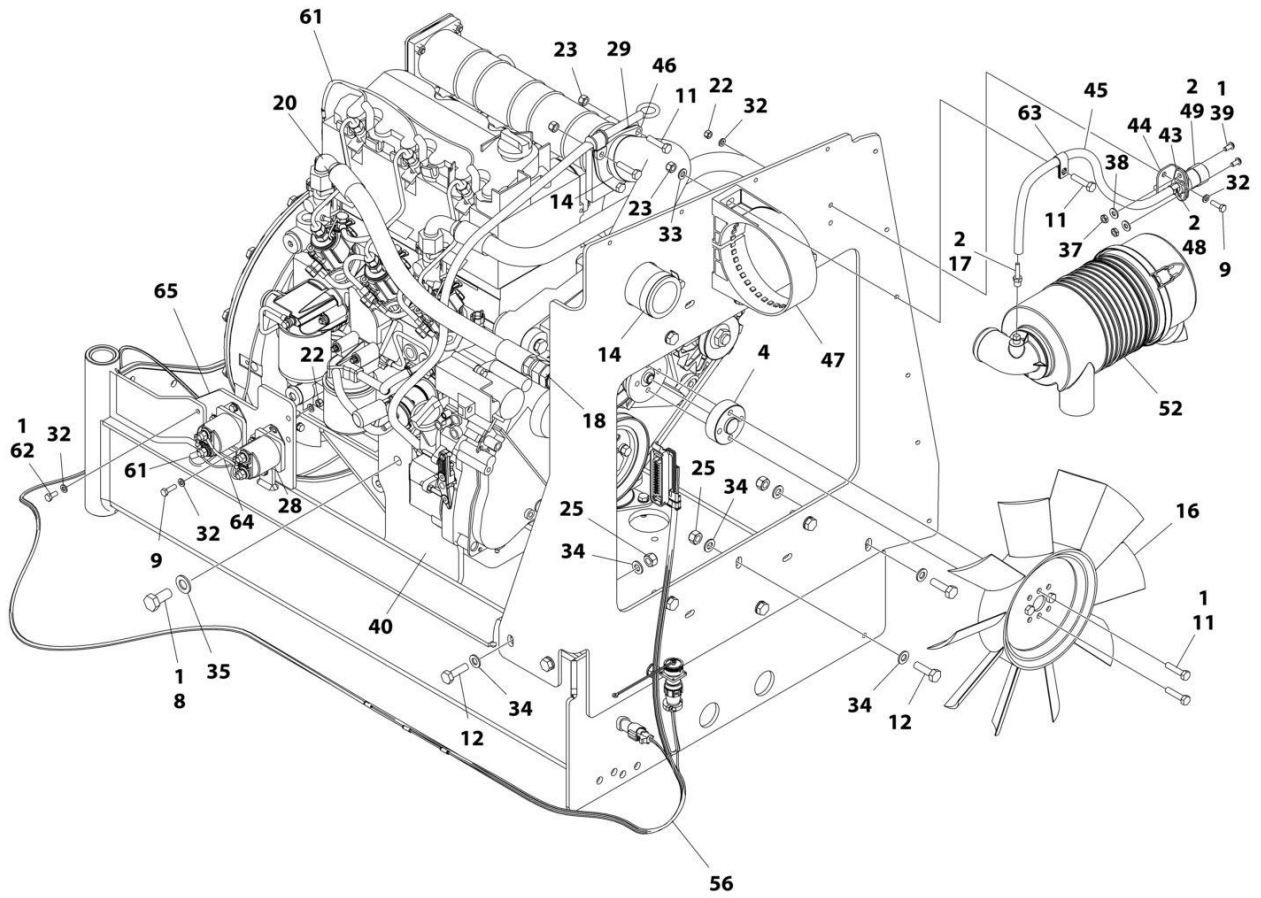
FIGURE 3-3. ENGINE ASSEMBLY - DEUTZ D2011 ENGINE (WITHOUT ARCTIC PACKAGE)  
(AUSTRALIAN AND CHINA SPECS)



ART\_1001166020\_10F2



# SECTION 3 - ENGINE



ART\_1001166020\_20F2

## SECTION 3 - ENGINE

**FIGURE 3-3. ENGINE ASSEMBLY - DEUTZ D2011 ENGINE (WITHOUT ARCTIC PACKAGE)  
(AUSTRALIAN AND CHINA SPECS)**

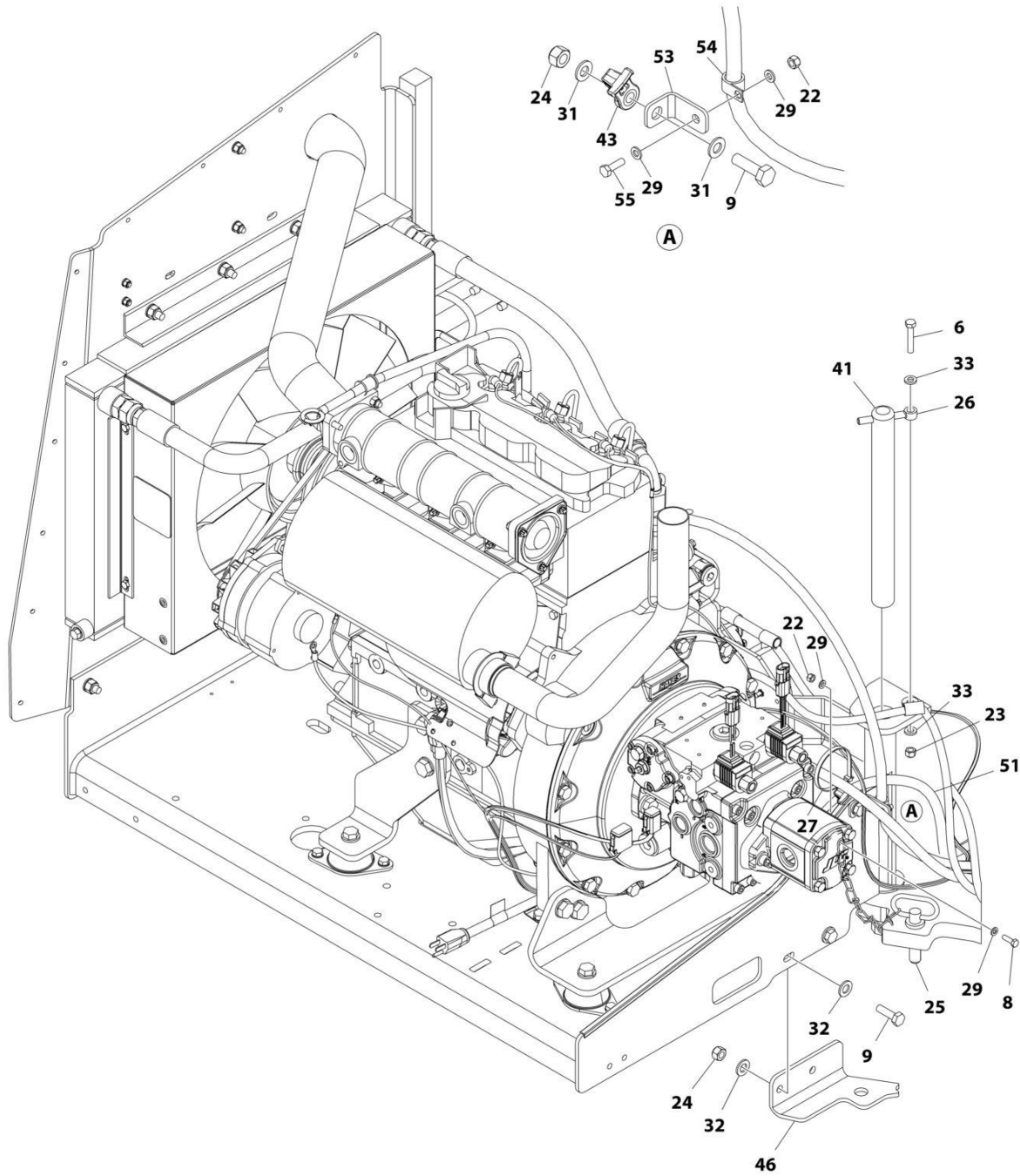
ITEM	PART NUMBER	QTY	DESCRIPTION	REV
	1001166020	Ref	ENGINE ASSEMBLY - DEUTZ D2011 ENGINE (WITHOUT ARCTIC PACKAGE)	O
1	0100011	AR	Compound, Locking	
2	0100020	AR	Sealant, Pipe	
3	0100081	AR	Adhesive	
4	0080231	1	Spacer, Fan	
7	0711224	4	Bolt M12 x 80 Grade 10.9	
8	0771414	8	Bolt M14 x 30 Grade 10.9	
9	0760610	6	Bolt M6 x 20	
10	0760814	8	Bolt M8 x 30	
11	0760815	9	Bolt M8 x 35	
12	0761015	11	Bolt M10 x 35	
13	0961951	2	Bushing	
14	1320016	2	Clamp	
15	1703162	2	Decal - Caution Fan	
16	2060025	1	Fan	
17	2220315	1	Fitting, Barbed	
18	2220451	2	Fitting, Straight JIC/ORB	
19	2720398	1	Hose	
20	2720447	1	Hose	
21	2902065	1	Pump Coupling Kit (See Separate Breakdown in this Section)	
22	3290605	6	Nut M6 x 1	
23	3290805	13	Nut M8 x 1-1/4	
25	3291005	11	Nut M10 x 1-1/2	
26	3331215	4	Nut M12 x 1-3/4	
27	3520054	2	Plug	
28	3740067	2	Relay Assembly	
28	3300220	2	Nut	
28	3321001	1	Nut #10	
28	3740140	1	Relay	
28	4761000	1	Washer #10	
28	1001111424	2	Washer	
29	3960407	1	Gasket	
30	4060805	2.25 ft/ 0.69m	Trim-Flex	
31	4240099	AR	Tie-Strap	
32	4811700	15	Washer M6	
33	4811900	20	Washer M8	
34	4812000	22	Washer M10	
35	4812200	8	Washer M14	
36	5241200	4	Washer M12	
37	8305401	2	Nut, Jam	
38	8307109	2	Washer, .250	
39	8310548	2	Screw 1/4 x 1/2	
40	1001132195	1	Bracket, Engine Mount	
41	1001132196	1	Bracket, Engine Mount	
43	1001138173	1	Support, Service Indicator	
44	1001138175	1	Bracket, Service Indicator	

## SECTION 3 - ENGINE

ITEM	PART NUMBER	QTY	DESCRIPTION	REV
45	1001138248	2 ft/ 0.61m	Tube	
46	1001139819	1	Adapter, Air Intake	
47	1001141694	1	Clamp, Air Cleaner	
48	1001141995	1	Fitting, Barbed	
49	1001143390	1	Indicator	
50	1001150998	1	Radiator	
52	1001165388	1	Air Cleaner Assembly	
52	70003783	1	Element, Air Cleaner	
53	1001165389	1	Hose	
54	1001166717	1	Bracket, Engine Mount	
55	1001166718	4	Isolator, Engine Mount	
56	1001167111	1	Harness Engine - Deutz D2011 (See Separate Breakdown in ELECTRICAL SECTION)	
57	1001167520	1	Tray, Engine	
58	1001168018	4	Washer, Snubbing	
59	1001168059	1	Plate, Radiator Mounting	
60	1001170693	1	Engine, Deutz D2011 (See Separate Breakdown in this Section)	
61	4923451	1	Harness, Glow Plugs	
62	0760614	3	Bolt M6 x 30	
63	8406109	1	Clip	
64	1001178859	1	Cable, Alternator	
65	1001214975	1	Bracket	

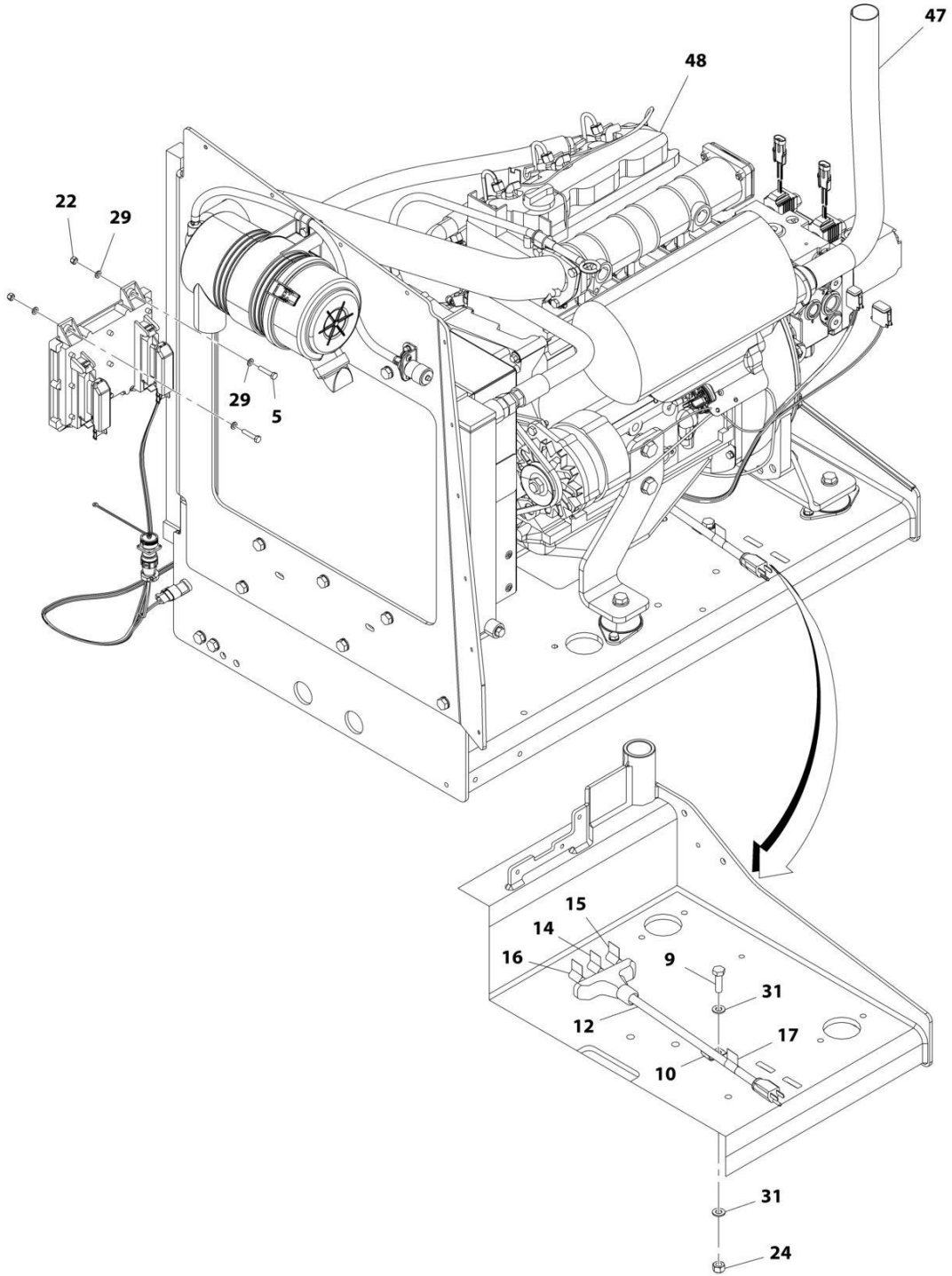
# SECTION 3 - ENGINE

FIGURE 3-4. ENGINE INSTALLATION - DEUTZ D2011 ENGINE (WITH ARCTIC PACKAGE) (ANSI EXPORT, AUSTRALIAN, CE (LRC) AND CHINA SPECS)



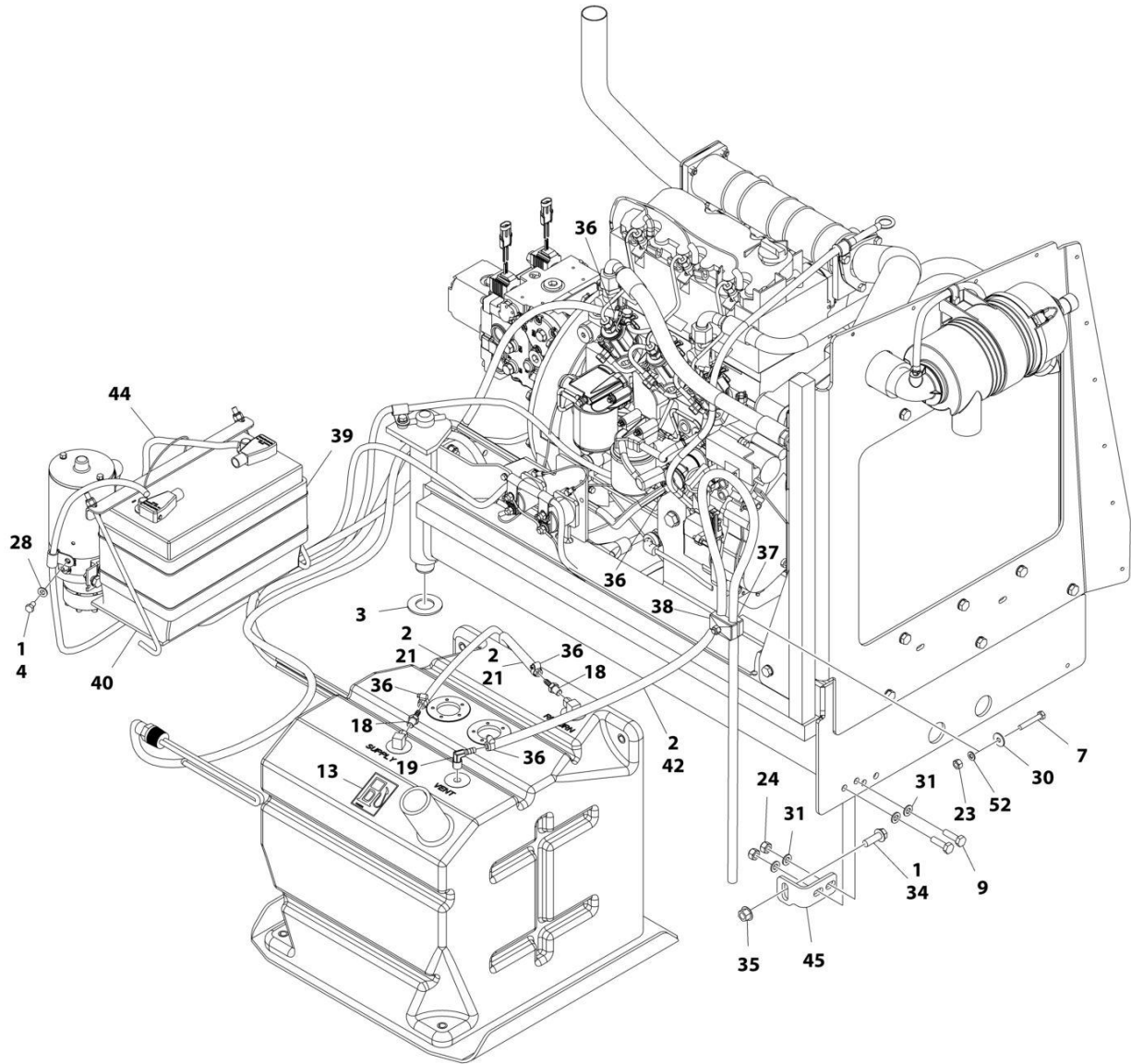
ART\_1001166023\_10F3

# SECTION 3 - ENGINE



ART\_1001166023\_2OF3

# SECTION 3 - ENGINE



ART\_1001166023\_30F3

## SECTION 3 - ENGINE

**FIGURE 3-4. ENGINE INSTALLATION - DEUTZ D2011 ENGINE (WITH ARCTIC PACKAGE) (ANSI EXPORT, AUSTRALIAN, CE (LRC) AND CHINA SPECS)**

ITEM	PART NUMBER	QTY	DESCRIPTION	REV
	1001166023	Ref	ENGINE INSTALLATION - DEUTZ D2011 ENGINE (WITH ARCTIC PACKAGE)	G
1	0100011	AR	Compound, Locking	
2	0100020	AR	Sealant, Pipe	
3	0440162	1	Bearing	
4	0641504	1	Bolt 5/16 x 1/2	
5	0700614	4	Bolt M6 x 30	
6	0700817	1	Bolt M8 x 45	
7	0700821	1	Bolt M8 x 65	
8	0760610	1	Bolt M6 x 20	
9	0761015	6	Bolt M10 x 35	
10	1320223	1	Clip	
12	1060626	1	Plug, 3 Way	
13	1701505	1	Decal - Diesel Fuel	
14	1702941	1	Decal - Battery Heater	
15	1702942	1	Decal - Engine Block Heater	
16	1702943	1	Decal - Hydraulic Tank Heater	
17	1702944	1	Decal - Heater Cord	
18	2180348	2	Fitting, Barbed	
19	2220313	1	Fitting, Barbed 90	
20	1001188972	1	Heater, Hydraulic Tank	
21	2720058	17 ft / 5.18m	Hose	
22	3290605	6	Nut, Lock M6 x 1	
23	3290805	2	Nut, Lock M8	
24	3291005	6	Nut M10	
25	3422532	1	Pin	
26	3841143	1	Keeper, Pin	
27	4240099	AR	Tie-Strap	
28	4711500	1	Washer, 5/16	
29	4811700	12	Washer, M6	
30	4811902	1	Washer, M8	
31	4812000	8	Washer, M10	
32	4812100	4	Washer, M12	
33	5240800	2	Washer, M8 Hardened	
34	5251215	1	Bolt M12 x 35	
35	5261200	1	Nut, Flange M12 Class10	
36	8405009	5	Clamp	
37	1320187	1	Clamp	
38	1320190	1	Clamp	
39	2580024	1	Heater, Battery	
40	1001119278	1	Insulate	
41	1001135196	1	Pin	
42	2750532	6 ft/ 1.83m	Hose	
43	1001156107	1	Holder, Cable	
44	1001167038	1	Battery Cable Kit	G
44	70009004	1	Cable, Battery (Black) (Battery Negative, Auxiliary Power Pump, Turntable Ground to Engine Ground)	

## SECTION 3 - ENGINE

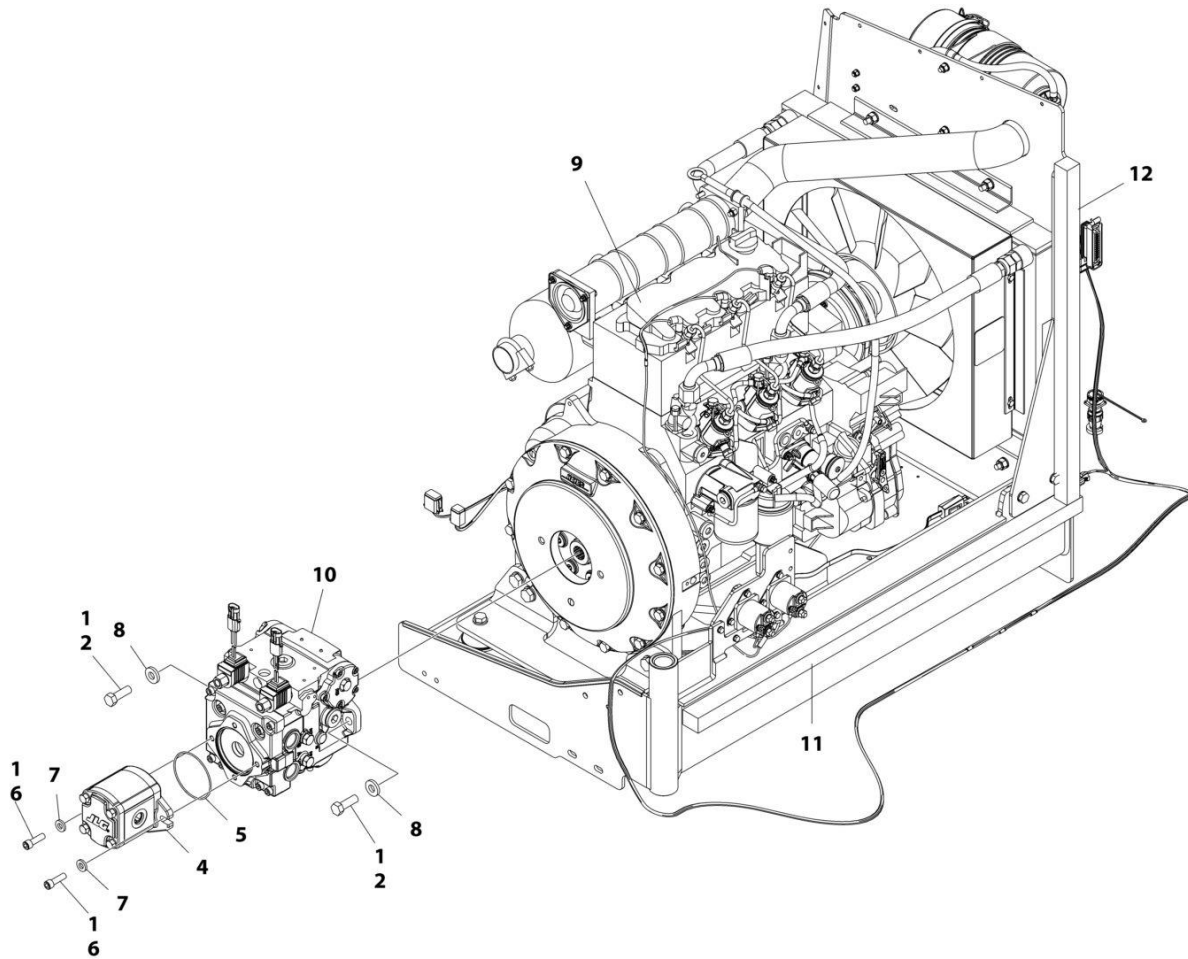
ITEM	PART NUMBER	QTY	DESCRIPTION	REV
44	70009005	1	Cable, Battery (Red) (Battery Positive, Auxiliary Power Relay, Starter Relay to Starter)	
44	70009002	1	Cable, Battery (Red) (Auxiliary Power Relay to Auxiliary Power Pump)	
45	1001167512	1	Bracket, Engine	
46	1001169823	1	Plate, Engine Lock	
47	1001172195	1	Pipe, Exhaust	
48	1001174784	1	Engine and Pump Sub-Assembly - Deutz D2011 (With Arctic Package) (See Separate Breakdown in this Section)	
51	1001150918	1	Cable, Extension Cord	
52	4811900	1	Washer M8	
53	1001148641	1	Bracket, Clamp Mounting	
54	1320224	1	Clamp, Cable	
55	0700610	1	Bolt M6 x 20	





# SECTION 3 - ENGINE

FIGURE 3-5. ENGINE AND PUMP SUB-ASSEMBLY - DEUTZ D2011 (WITH ARCTIC PACKAGE) (ANSI EXPORT AND CHINA SPECS)



ART\_1001174784

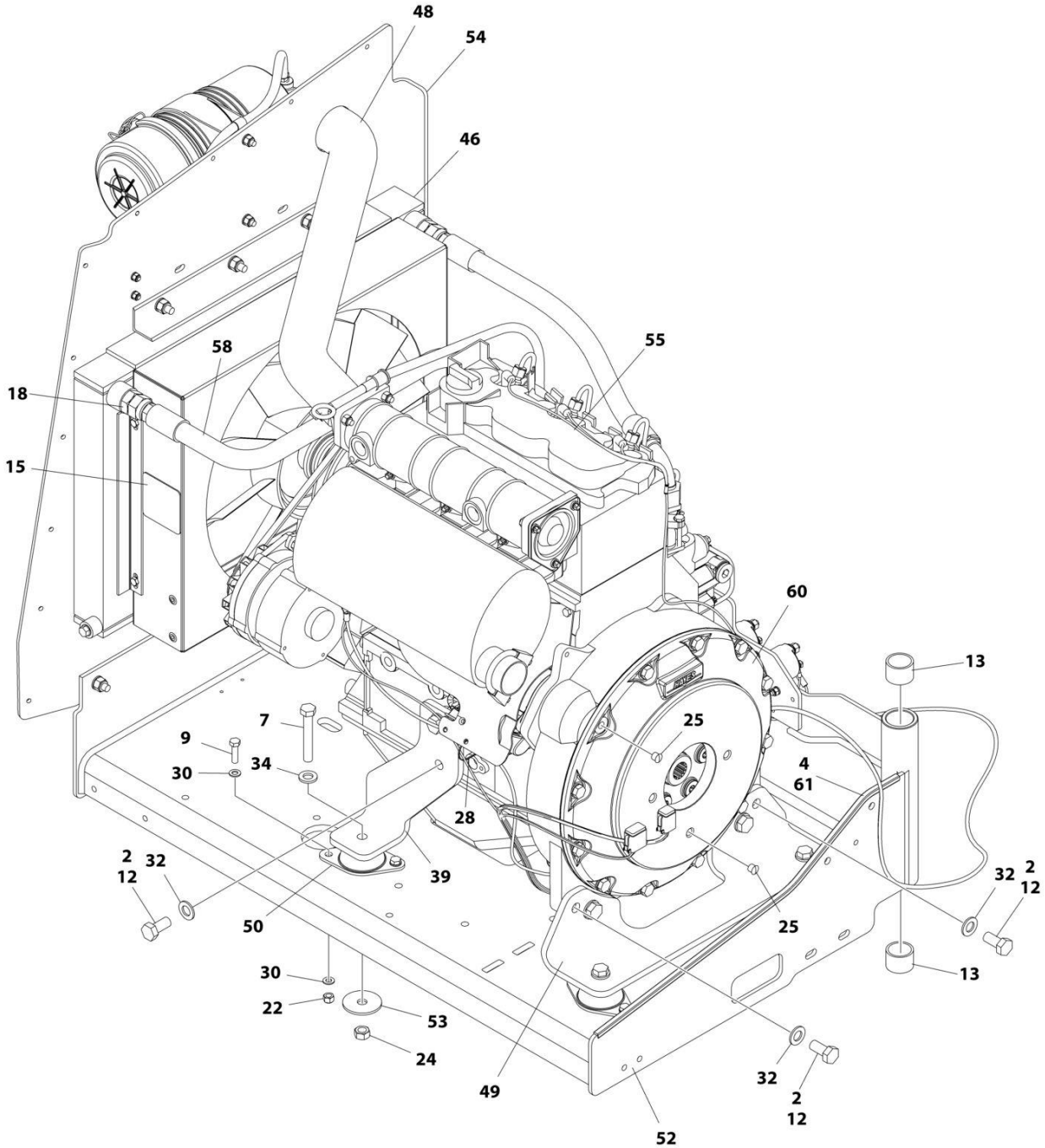
## SECTION 3 - ENGINE

**FIGURE 3-5. ENGINE AND PUMP SUB-ASSEMBLY - DEUTZ D2011 (WITH ARCTIC PACKAGE) (ANSI EXPORT AND CHINA SPECS)**

ITEM	PART NUMBER	QTY	DESCRIPTION	REV
	1001174784	Ref	ENGINE AND PUMP SUB-ASSEMBLY - DEUTZ D2011 (WITH ARCTIC PACKAGE)	F
1	0100011	AR	Compound, Locking	
2	0641812	2	Bolt 1/2 x 1-1/2	
4	1001214207	1	Gear Pump Assembly	
4	70006356	1	Seal Kit - 1001214207 Pump	
5	3790152	1	O-Ring	
6	3931618	2	Capscrew 3/8 x 1 1/8	
7	4891600	2	Washer 3/8 Hardened	
8	4891800	2	Washer 1/2 Hardened	
9	1001174783	1	Engine Assembly - Deutz D2011 Engine (With Arctic Package) (See Separate Breakdown in this Section)	
10	1001167036	1	Piston Pump Assembly (See Separate Breakdown in this Section)	
11	1001171953	1	Seal	
12	1001171954	1	Seal	

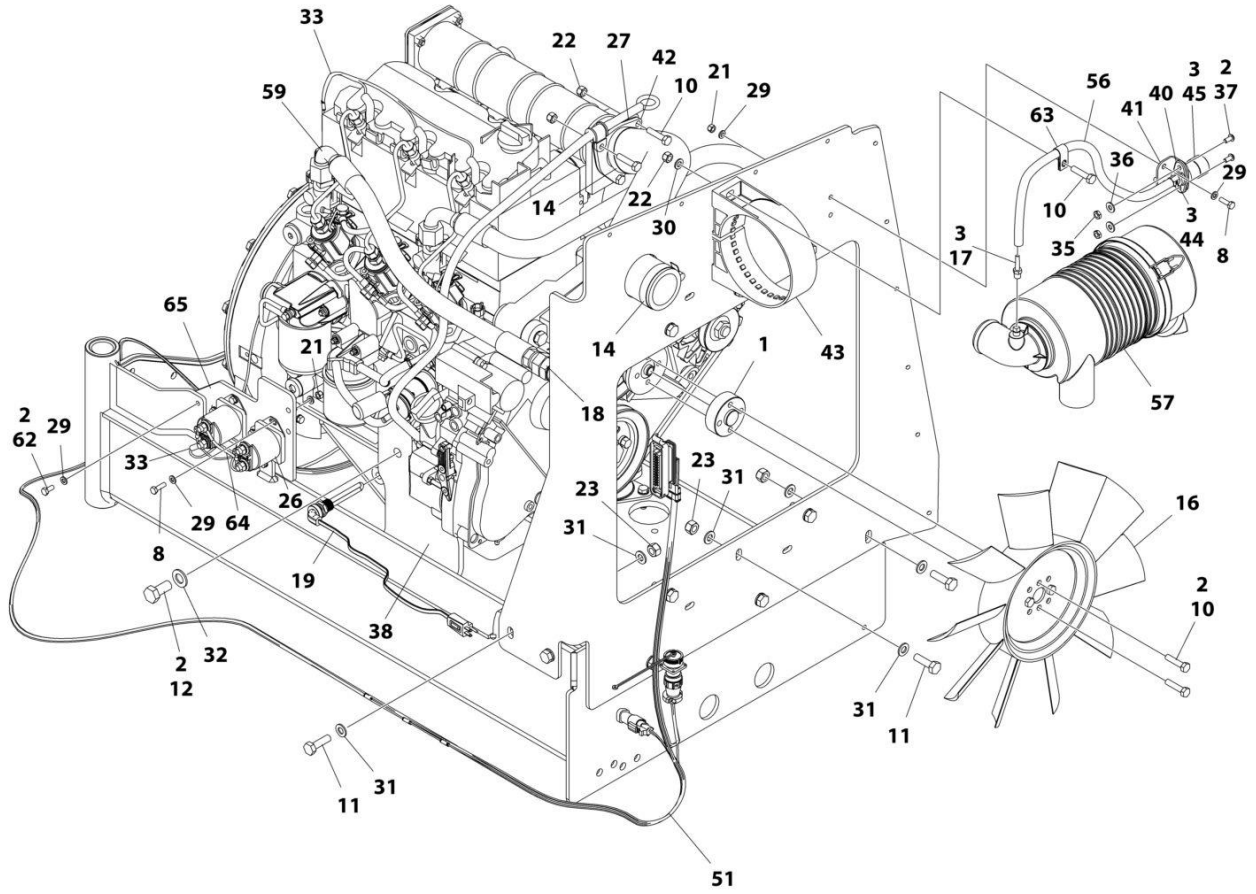
# SECTION 3 - ENGINE

FIGURE 3-6. ENGINE ASSEMBLY - DEUTZ D2011 ENGINE (WITH ARCTIC PACKAGE) (ANSI EXPORT AND CHINA SPECS)



ART\_1001174783\_10F2

# SECTION 3 - ENGINE



ART\_1001174783\_2OF2

## SECTION 3 - ENGINE

**FIGURE 3-6. ENGINE ASSEMBLY - DEUTZ D2011 ENGINE (WITH ARCTIC PACKAGE) (ANSI EXPORT AND CHINA SPECS)**

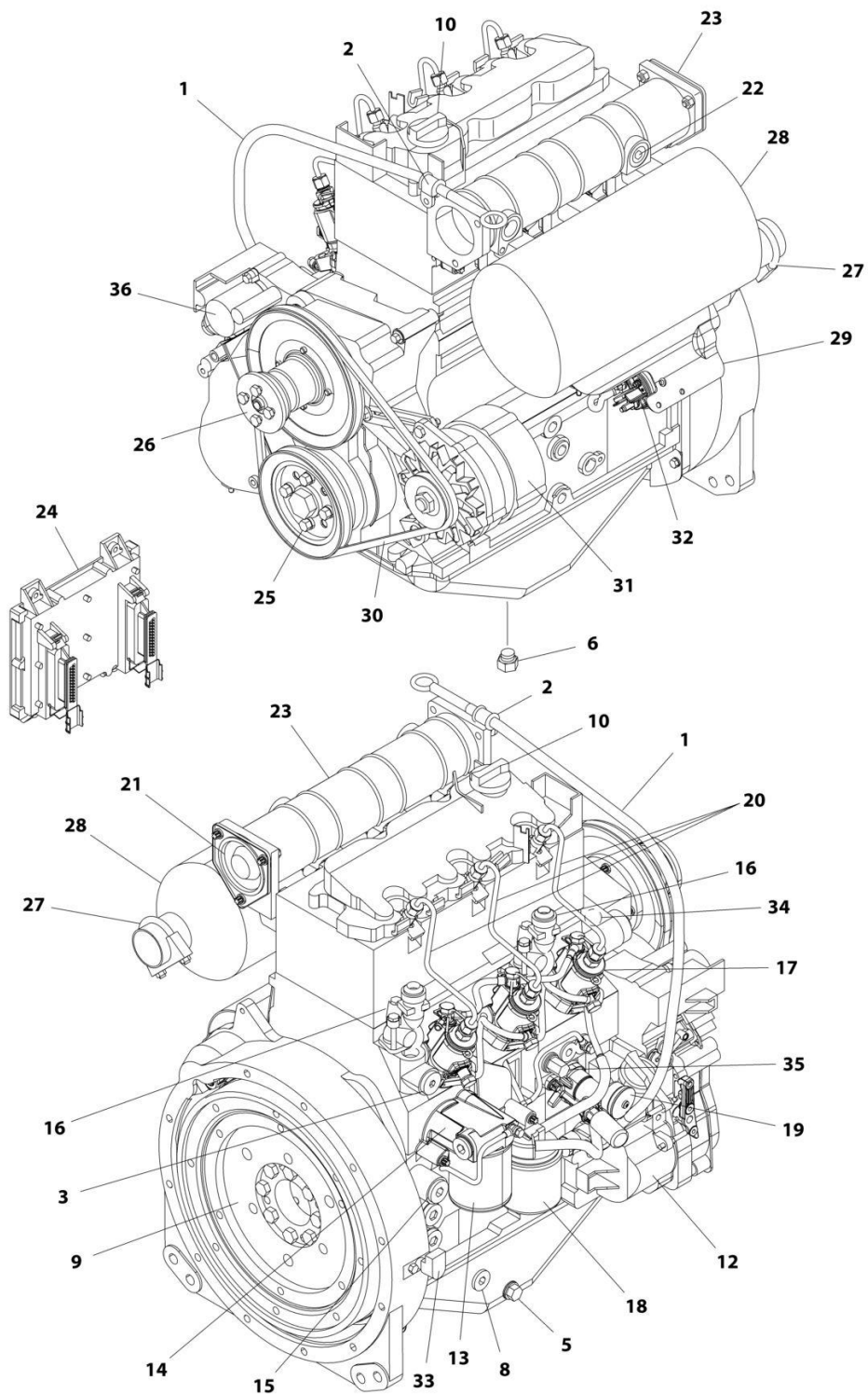
ITEM	PART NUMBER	QTY	DESCRIPTION	REV
	1001174783	Ref	ENGINE ASSEMBLY - DEUTZ D2011 ENGINE (WITH ARCTIC PACKAGE)	N
1	0080231	1	Spacer, Fan	
2	0100011	AR	Compound, Locking	
3	0100020	AR	Sealant, Pipe	
4	0100081	AR	Adhesive	
7	0711224	4	Bolt M12 x 80 Grade 10.9	
8	0760610	6	Bolt M6 x 20	
9	0760814	8	Bolt M8 x 30	
10	0760815	9	Bolt M8 x 35	
11	0761015	11	Bolt M10 x 35	
12	0771414	8	Bolt M14 x 30 Grade 10.9	
13	0961951	2	Bushing	
14	1320016	2	Clamp	
15	1703162	2	Decal - Caution Fan	
16	2060025	1	Fan	
17	2220315	1	Fitting, Barbed	
18	2220451	2	Fitting, Straight JIC/ORB	
19	2580062	1	Heater, Engine Block	
21	3290605	6	Nut M6	
22	3290805	13	Nut M8	
23	3291005	11	Nut M10	
24	3331215	4	Nut M12	
25	3520054	2	Plug	
26	3740067	2	Relay Assembly	
26	3300220	2	Nut	
26	3321001	1	Nut #10	
26	3740140	1	Relay	
26	4761000	1	Washer #10	
26	1001111424	2	Washer	
27	3960407	1	Gasket	
28	4240099	AR	Tie-Strap (Not Shown)	
29	4811700	15	Washer M6	
30	4811900	20	Washer M8	
31	4812000	22	Washer M10	
32	4812200	8	Washer M14	
33	4923451	1	Harness, Glow Plugs	
34	5241200	4	Washer M12	
35	8305401	2	Nut, Jam	
36	8307109	2	Washer	
37	8310548	2	Screw 1/4 x 1/2	
38	1001132195	1	Bracket, Engine Mount	
39	1001132196	1	Bracket, Engine Mount	
40	1001138173	1	Support, Service Indicator	
41	1001138175	1	Bracket, Service Indicator	
42	1001139819	1	Adapter, Air Intake	
43	1001141694	1	Clamp, Air Cleaner	
44	1001141995	1	Fitting, Barbed	
45	1001143390	1	Indicator	

## SECTION 3 - ENGINE

ITEM	PART NUMBER	QTY	DESCRIPTION	REV
46	1001150998	1	Radiator	
48	1001165389	1	Hose	
49	1001166717	1	Bracket, Engine Mount	
50	1001166718	4	Isolator, Engine Mount	
51	1001167111	1	Harness Engine - Deutz D2011 (See Separate Breakdown in ELECTRICAL SECTION)	
52	1001167520	1	Tray, Engine	
53	1001168018	4	Washer, Snubbing	
54	1001168059	1	Plate, Radiator Mounting	
55	1001170693	1	Engine, Deutz D2011 (See Separate Breakdown in this Section)	
56	1001138248	2 ft/ 0.61m	Tube	
57	1001165388	1	Air Cleaner Assembly	
57	70003783	1	Element, Air Cleaner	
58	2720398	1	Hose	
59	2720447	1	Hose	
60	2902065	1	Pump Coupling Kit (See Separate Breakdown in this Section)	
61	4060805	2.25 ft/ 0.69m	Flex-Trim	
62	0760614	3	Bolt M6 x 30	
63	8406109	1	Clip	
64	1001178859	1	Cable, Alternator	
65	1001214975	1	Bracket	

# SECTION 3 - ENGINE

## FIGURE 3-7. ENGINE COMPONENTS - DEUTZ D2011



ART\_1001170693



## SECTION 3 - ENGINE

**FIGURE 3-7. ENGINE COMPONENTS - DEUTZ D2011**

ITEM	PART NUMBER	QTY	DESCRIPTION	REV
	1001170693	Ref	ENGINE COMPONENTS - DEUTZ D2011	C
1	70001002	1	Tube, Dipstick	
1	7020403	1	Seal, Tube	
1	7020026	1	Dipstick	
2	70001654	1	Clamp	
2	70001655	1	Bolt	
3	70003475	1	Thermostat	
3	7020460	1	Spring	
4		Ref	Seal and Gasket Options (Not Shown):	
4	70002718	1	Seal, Rear Main	
4	7020430	1	Gasket, Valve Cover	
4	70003479	1	Gasket, Head - 1 Notch	
4	70003480	1	Gasket, Head - 2 Notch	
4	70003481	1	Gasket, Head - 3 Notch	
5	70025088	1	Plug	
6	70025667	1	Plug	
7	70025123	22	Bolt, Torx (Oil Pan Bolts) (Not Shown)	
8	7020492	1	Seal	
8	70025084	1	Plug	
9	70001870	1	Flywheel	
9	7024579	1	Ring Gear (Part of Flywheel)	
9	70025139	8	Bolt	
10	7020465	1	Cap, Oil Fill	
11	70000800	1	Timing Belt/Idler Kit (Includes Timing Belt, Tensioner and Tensioner Bolt) (Not Shown)	
12	70001850	1	Pump, Lubricating	
12	7020468	1	Seal, Pump to Engine Block (Not Shown)	
13	7016331	1	Filter, Oil	
14	70003472	1	Bracket, Oil Filter (Includes Plug with Seal, Temperature Sensor, Control Valve and Compression Spring)	
14	7027236	1	Sensor, Temperature	
14	70025082	1	Seal, Plug	
14	70025091	1	Plug	
14	70003473	1	Gasket, Bracket to Engine Block (Not Shown)	
15	70001181	1	Valve	
15	70025091	1	Plug	
15	70025082	1	Seal, Plug	
16	70004268	2	Connector, Radiator Neck	
16	70004269	2	Seal, Radiator Neck to Engine Block	
17	70000912	3	Pump, Fuel Injector - A Spec	
17	70000913	3	Pump, Fuel Injector - B Spec	
17	70000914	3	Pump, Fuel Injector - C Spec	
17	70000915	3	Pump, Fuel Injector - D Spec	
17	70003464	3	O-Ring, Pump to Engine Block	
18	7020023	1	Filter, Fuel	
18	70003463	1	Filter, Fuel - RME Resistant	
18	70001423	1	Bracket, Fuel Filter	
19	70000916	1	Pump Fuel Supply	
19	70000917	1	O-Seal Between Fuel Pump and Engine Block	
19	70000918	1	Sealing Ring Between Hand Pump and Supply Pump	

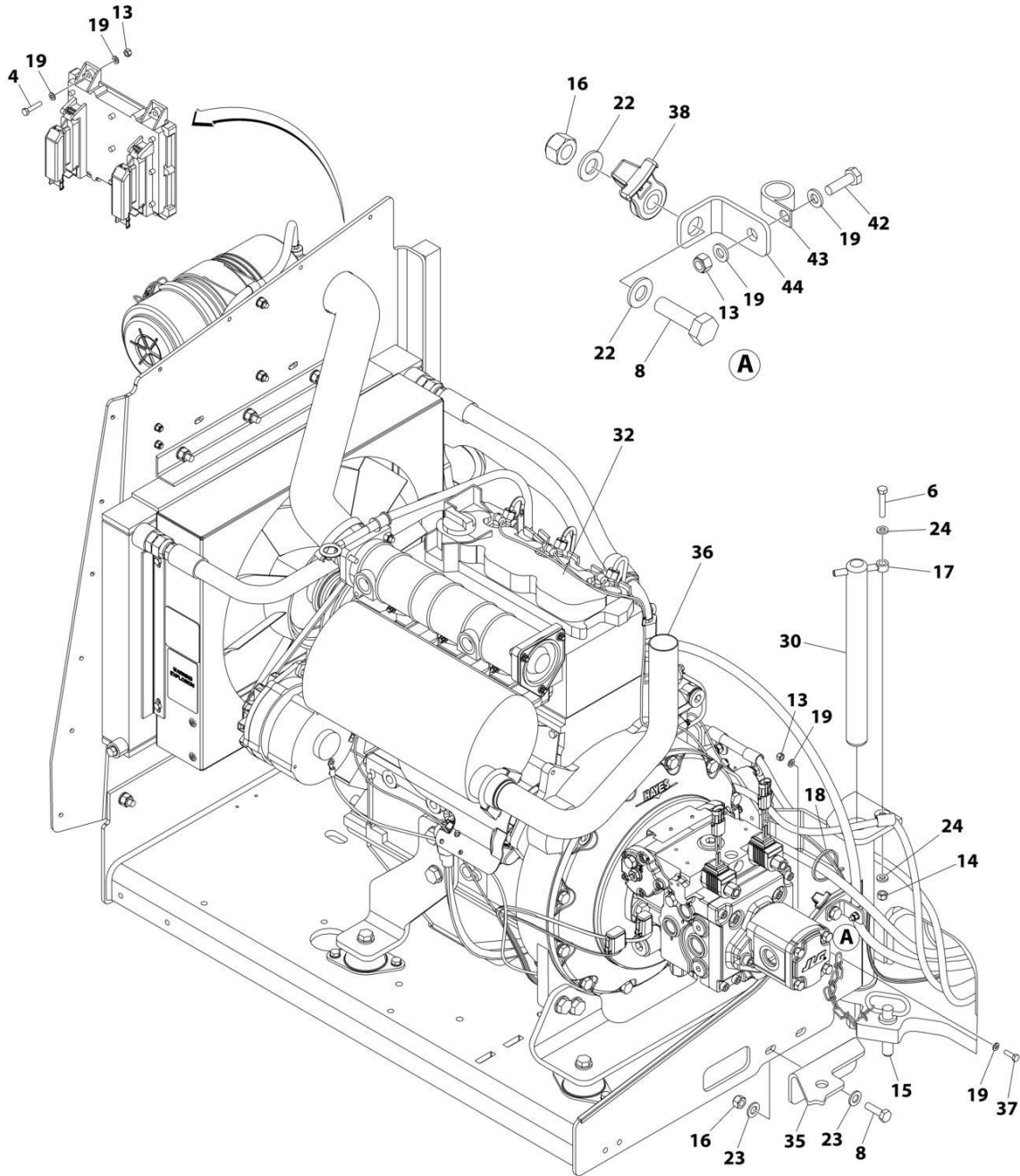
## SECTION 3 - ENGINE

ITEM	PART NUMBER	QTY	DESCRIPTION	REV
19	70000919	1	Pump, Hand	
19	70001435	1	Repair Kit	
19	70025694	2	Bolt, Torx	
20	70000931	3	Pipe, High Pressure	
21	70003469	1	Flange, Intake	
21	70003468	1	Seal	
22	70025084	1	Plug	
22	7020492	1	Seal, Plug	
23	7027903	1	Manifold, Air Intake	
23	70001871	3	Gasket Between Manifold and Engine Block	
24	See Note	1	Module, Engine Control (Note: Not Currently Available)	
24	7027796	1	Cable, Electrical Between Module and Engine Harness (Not Shown)	
24	70001872	1	Harness, Engine (Connects to p/n 70004060) (Not Shown)	
24	70004060	1	Plug, Connector Located on Cable Near Module (Not Shown)	
24	70004059	1	Plug, Analyzer (Not Shown)	
25	70025123	4	Bolt, Torx	
26	70000787	1	Support, Fan (Includes Support, Internal Shaft, Bearings and Circlip)	
27	70001844	1	Clamp	
28	See Note	1	Muffler (Note: See Separate Breakdown in this Section)	
28	7020471	3	Gasket, Exhaust Between Muffler and Engine Block	
28	70004270	6	Stud, Muffler	
29	70001498	1	Shield, Starter	
29	70025693	3	Bolt	
30	70004102	1	V-Belt	
31	70004056	1	Alternator (Includes Voltage Regulator and Gaskets, Fan and Fan Mounting Hardware)	
31	70001868	1	Regulator, Voltage	
31	70001866	1	Gasket Set, Voltage Regulator	
31	70025131	1	Fan	
31	70025086	1	Nut, Fan	
31	70000851	1	Bracket, Alternator Mounting	
31	70002234	1	Bracket, Alternator Adjustment	
31	70004103	1	Harness, Alternator (Not Shown)	
32	7020479	1	Starter	
32	70025121	2	Bolt, Starter Mounting	
32	70004058	1	Relay	
32	70004062	1	Harness, Starter (Not Shown)	
33	7024565	1	Sensor, Speed	
33	70003931	1	Bolt	
33	70003932	1	Spacer, Sleeve	
34	7027791	1	Sensor, Temperature	
35	7027790	1	Sensor, Oil Pressure	
36	7027792	1	Actuator	
37	70000345	3	Plug, Glow (Not Shown)	



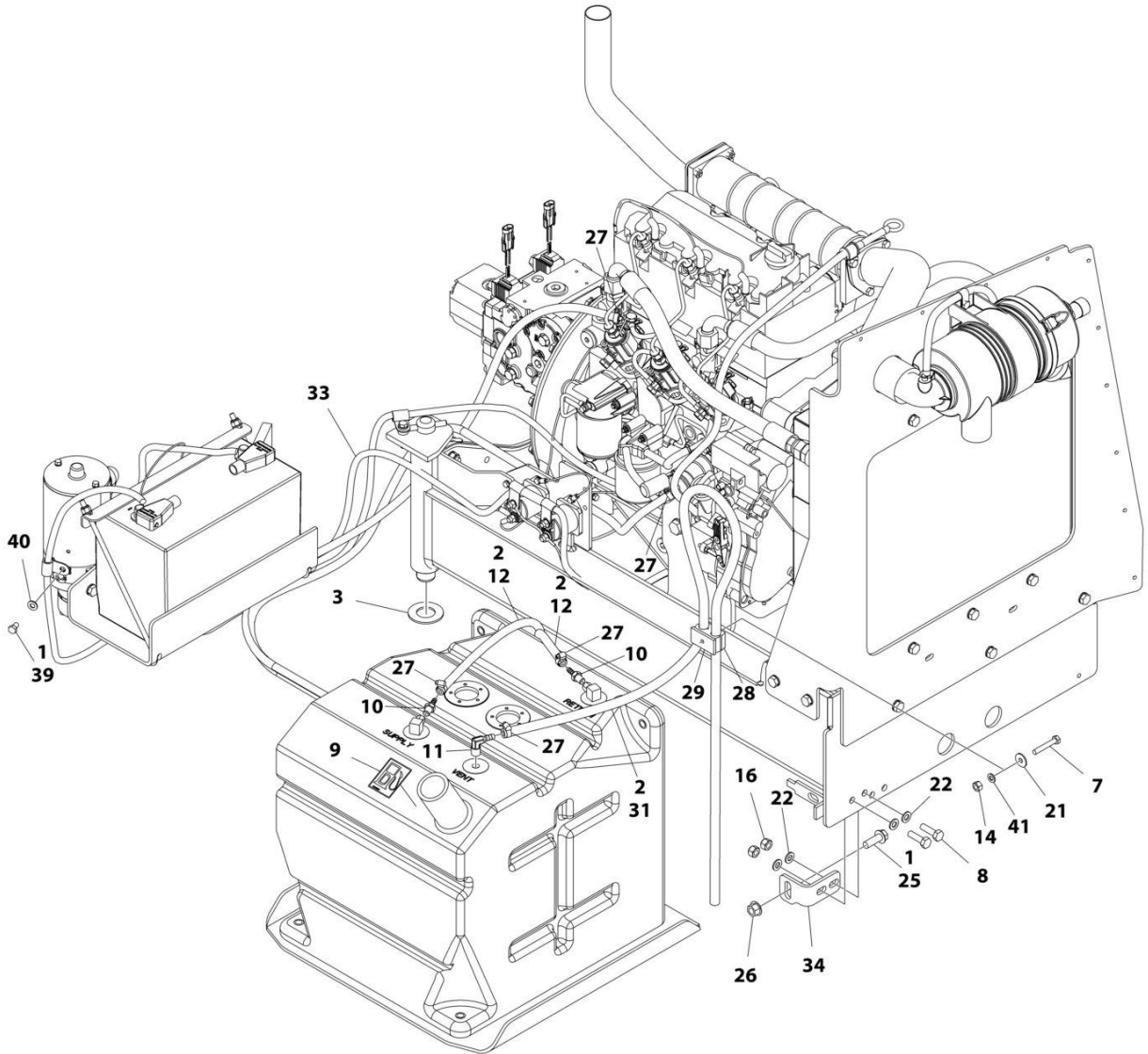
# SECTION 3 - ENGINE

## FIGURE 3-8. ENGINE INSTALLATION - DEUTZ D2011 ENGINE (STAGE V) (WITHOUT ARCTIC PACKAGE) (CE SPECS)



ART\_1001235460\_C\_10F2

# SECTION 3 - ENGINE



ART\_1001235460\_C\_20F2

## SECTION 3 - ENGINE

**FIGURE 3-8. ENGINE INSTALLATION - DEUTZ D2011 ENGINE (STAGE V) (WITHOUT ARCTIC PACKAGE) (CE SPECS)**

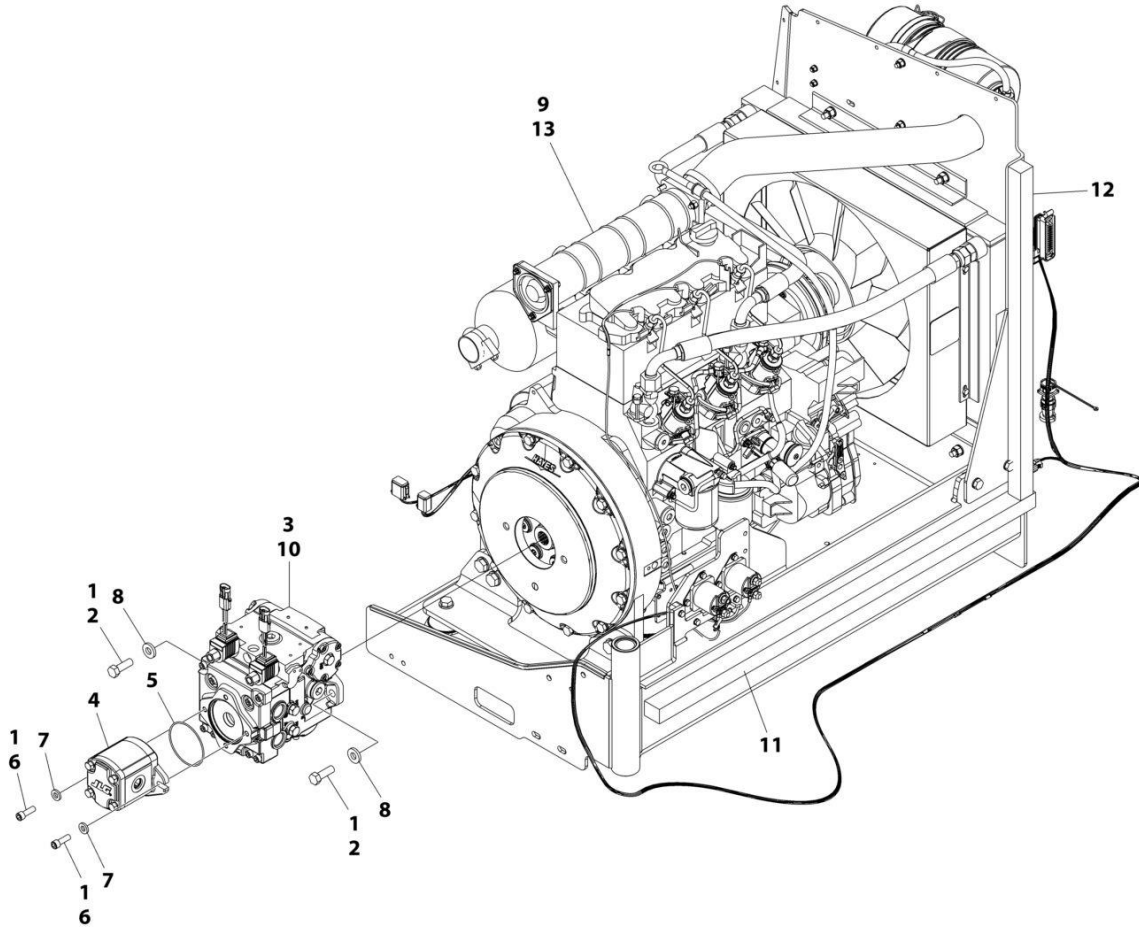
ITEM	PART NUMBER	QTY	DESCRIPTION	REV
	1001235460	Ref	ENGINE INSTALLATION - DEUTZ D2011 ENGINE (STAGE V) (WITHOUT ARCTIC PACKAGE)	C
1	0100011	AR	Compound, Locking	
2	0100020	AR	Sealant, Pipe	
3	0440162	1	Bearing	
4	0700614	4	Bolt M6 x 30	
6	0700817	1	Bolt M8 x 45	
7	0700821	1	Bolt M8 x 65	
8	0761015	5	Bolt M10 x 35	
9	1701505	1	Decal - Diesel Fuel	
10	2180348	2	Fitting, Barbed	
11	2220313	1	Fitting, Barbed 90	
12	2720058	17 ft / 5.18m	Hose	
13	3290605	5	Nut M6	
14	3290805	2	Nut M8	
15	3422532	1	Pin	
16	3291005	5	Nut M10	
17	3841143	1	Pin	
18	4240099	AR	Tie-Strap	
19	4811700	10	Washer M6	
21	4811902	1	Washer M8	
22	4812000	6	Washer M10	
23	4812100	4	Washer M12	
24	5240800	2	Washer M8	
25	5251215	1	Bolt M12 x 35	
26	5261200	1	Nut, M12 Class10	
27	8405009	5	Clamp	
28	1320187	1	Clamp	
29	1320190	1	Clamp	
30	1001135196	1	Pin	
31	2750532	6 ft/ 1.83m	Hose	
32	1001235461	1	Engine and Pump Sub-Assembly - Deutz D2011 (Without Arctic Package) (See Separate Breakdown in this Section)	
33	1001167038	1	Battery Cable Kit	G
33	70009004	1	Cable, Battery (Black) (Battery Negative, Auxiliary Power Pump, Turntable Ground to Engine Ground)	
33	70009005	1	Cable, Battery (Red) (Battery Positive, Auxiliary Power Relay, Starter Relay to Starter)	
33	70009002	1	Cable, Battery (Red) (Auxiliary Power Relay to Auxiliary Power Pump)	
34	1001167512	1	Bracket, Engine	
35	1001169823	1	Plate, Engine Lock	
36	1001172195	1	Pipe, Exhaust	
37	0760610	1	Bolt M6 x 20	
38	1001156107	1	Holder, Cable	
39	0641504	1	Bolt 5/16 x 1/2	
40	4711500	1	Washer 5/16	
41	4811900	1	Washer M8	

## SECTION 3 - ENGINE

ITEM	PART NUMBER	QTY	DESCRIPTION	REV
42	0700610	1	Bolt M6 x 20	
43	1320224	1	Clamp, Cable	
44	1001148641	1	Bracket, Clamp Mounting	

# SECTION 3 - ENGINE

## FIGURE 3-9. ENGINE AND PUMP SUB-ASSEMBLY - DEUTZ D2011 (STAGE V) (WITHOUT ARCTIC PACKAGE) (CE SPECS)



ART\_1001235461



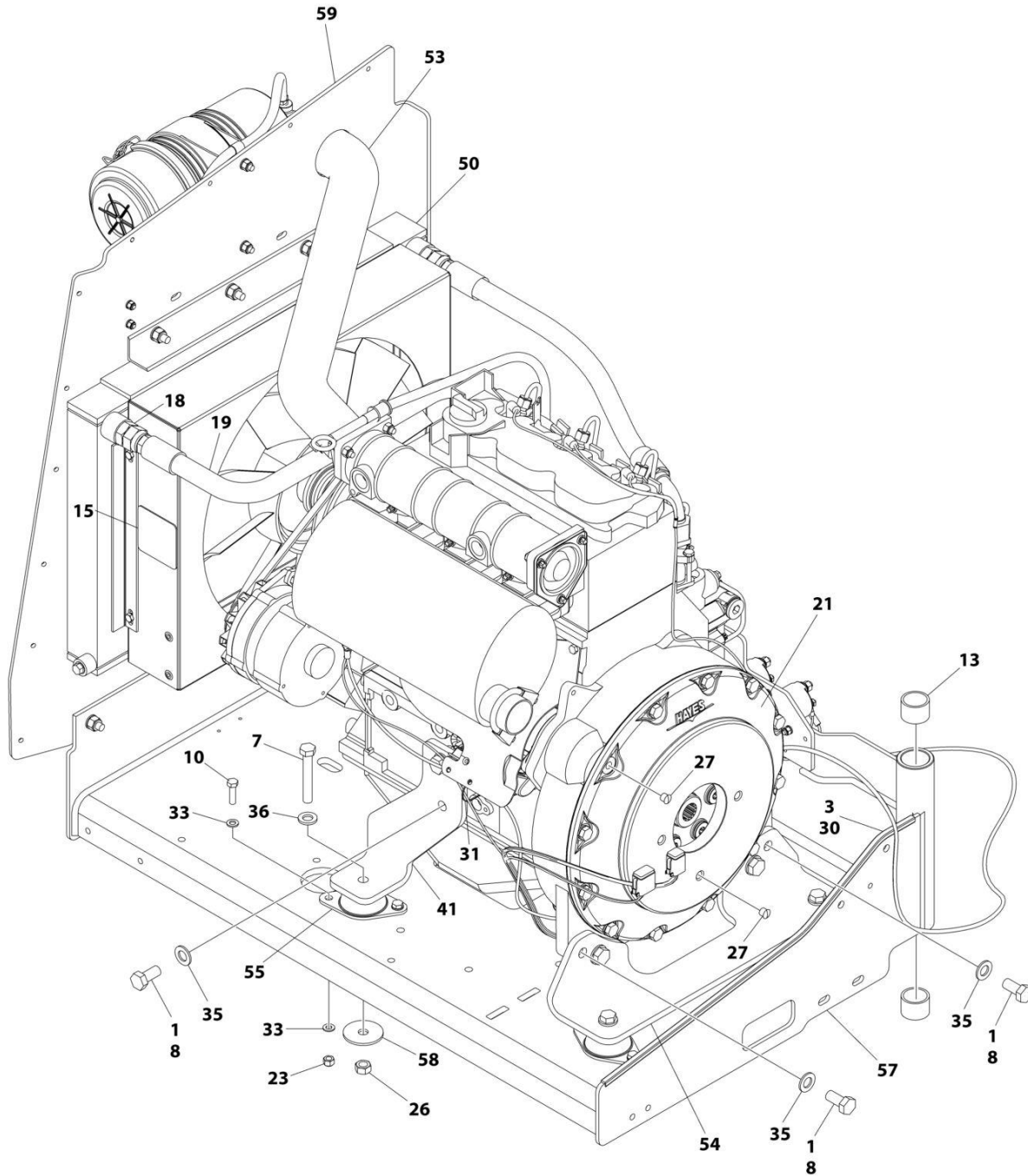
## SECTION 3 - ENGINE

**FIGURE 3-9. ENGINE AND PUMP SUB-ASSEMBLY - DEUTZ D2011 (STAGE V) (WITHOUT ARCTIC PACKAGE) (CE SPECS)**

ITEM	PART NUMBER	QTY	DESCRIPTION	REV
	1001235461	Ref	ENGINE AND PUMP SUB-ASSEMBLY - DEUTZ D2011 (STAGE V) (WITHOUT ARCTIC PACKAGE)	B
1	0100011	AR	Compound, Locking	
2	0641812	2	Bolt 1/2 x 1-1/2	
3	3020037	AR	Lube	
4	1001214207	1	Gear Pump Assembly	
4	70006356	1	Seal Kit - 1001214207 Pump	
5	3790152	1	O-Ring	
6	3931618	2	Capscrew 3/8 x 1-1/8	
7	4891600	2	Washer 3/8	
8	4891800	2	Washer 1/2	
9	1001235462	1	Engine Assembly - Deutz D2011 Engine (Stage V) (Without Arctic Package) (See Separate Breakdown in this Section)	
10	1001167036	1	Piston Pump Assembly (See Separate Breakdown in this Section)	
11	1001171953	1	Seal	
12	1001171954	1	Seal	
13	1001235455	1	Engine, Deutz D2011 (Stage V) (See Separate Breakdown in this Section)	

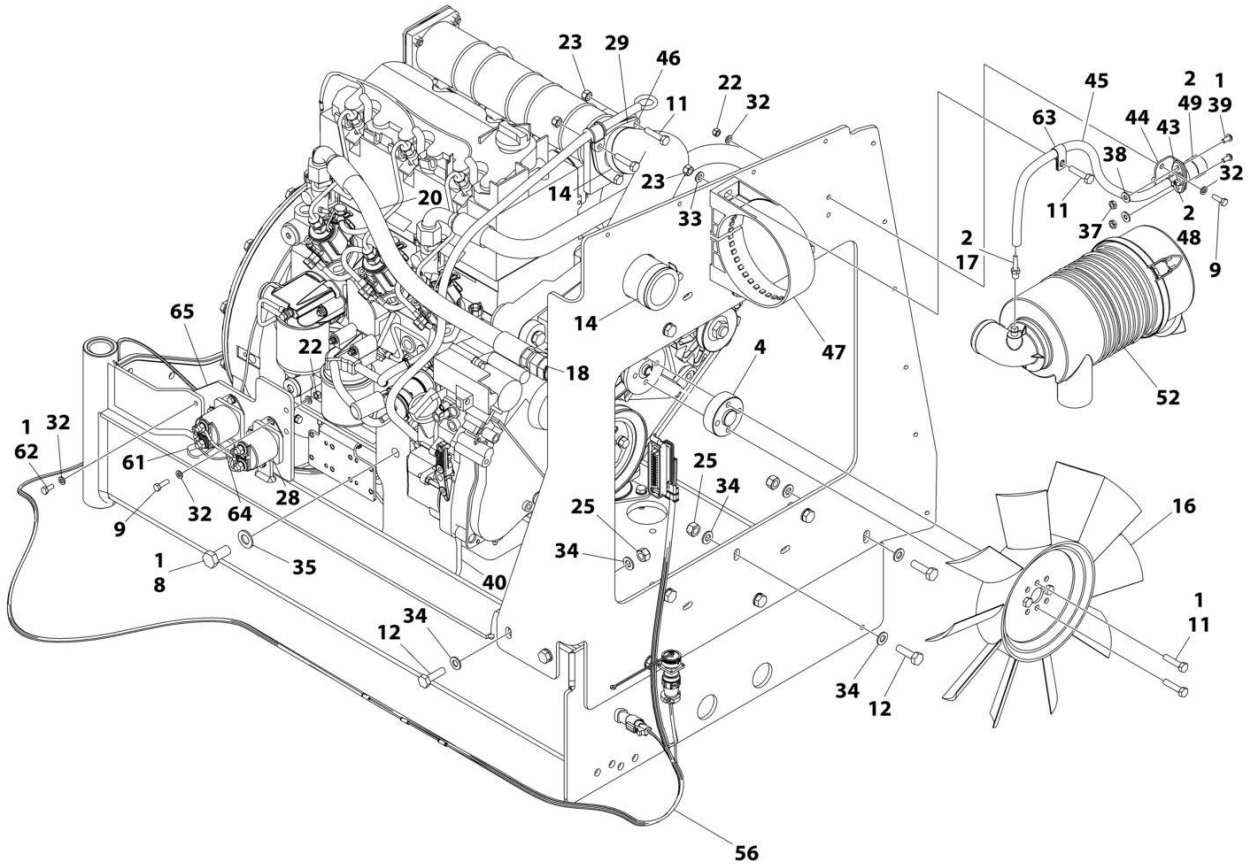
# SECTION 3 - ENGINE

FIGURE 3-10. ENGINE ASSEMBLY - DEUTZ D2011 ENGINE (STAGE V) (WITHOUT ARCTIC PACKAGE) (CE SPECS)



ART\_1001235462\_F\_10F2

# SECTION 3 - ENGINE



ART\_1001235462\_F\_2OF2

## SECTION 3 - ENGINE

**FIGURE 3-10. ENGINE ASSEMBLY - DEUTZ D2011 ENGINE (STAGE V) (WITHOUT ARCTIC PACKAGE) (CE SPECS)**

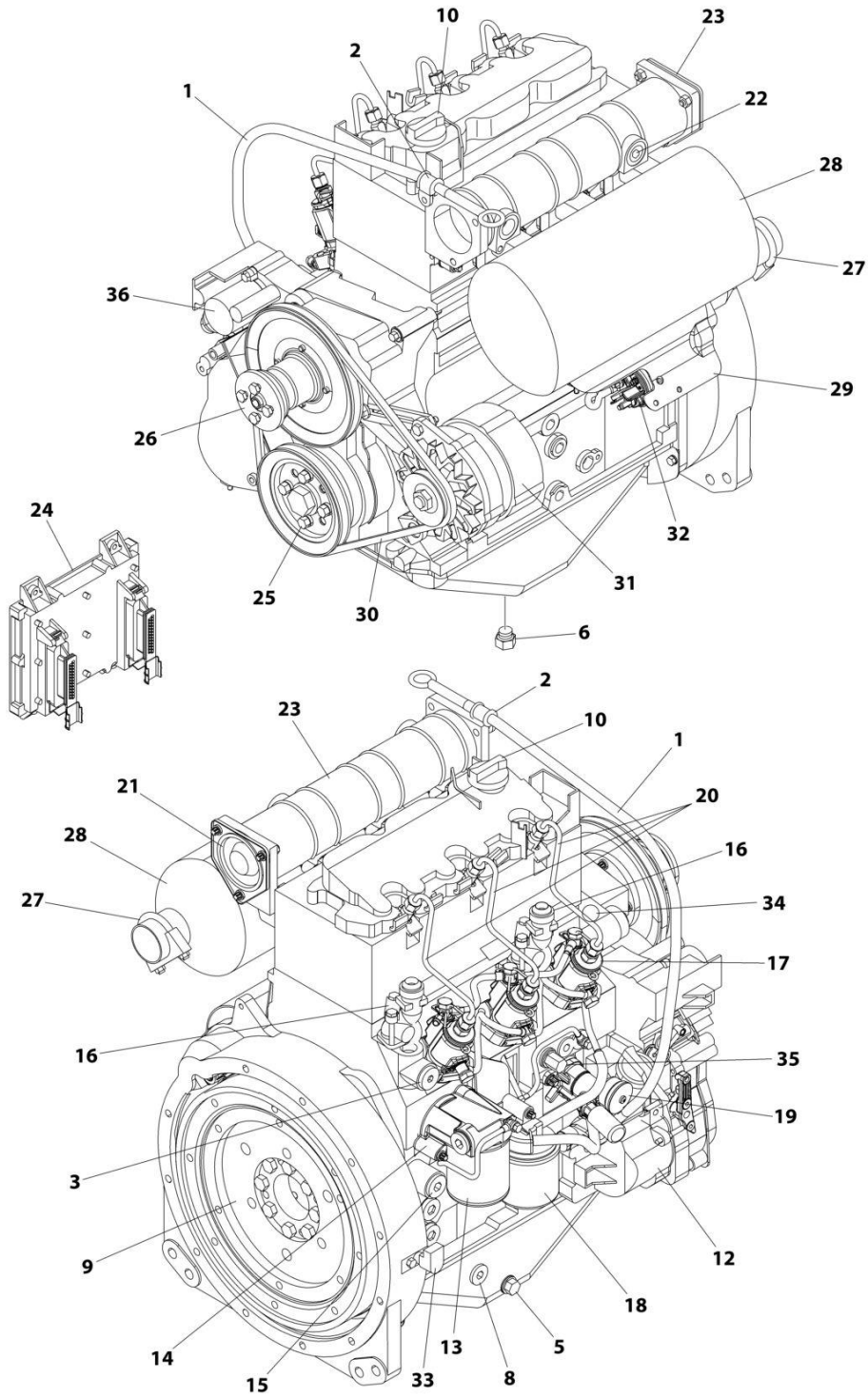
ITEM	PART NUMBER	QTY	DESCRIPTION	REV
	1001235462	Ref	ENGINE ASSEMBLY - DEUTZ D2011 (STAGE V) ENGINE (WITHOUT ARCTIC PACKAGE)	F
1	0100011	AR	Compound, Locking	
2	0100020	AR	Sealant, Pipe	
3	0100081	AR	Adhesive	
4	0080231	1	Spacer, Fan	
7	0711224	4	Bolt M12 x 80	
8	0771414	8	Bolt M14 x 30	
9	0760610	6	Bolt M6 x 20	
10	0760814	8	Bolt M8 x 30	
11	0760815	9	Bolt M8 x 35	
12	0761015	11	Bolt M10 x 35	
13	0961951	2	Bushing	
14	1320016	2	Clamp	
15	1703162	2	Decal - Caution Fan	
16	2060025	1	Fan	
17	2220315	1	Fitting, Barbed	
18	2220451	2	Fitting, Straight JIC/ORB	
19	2720398	1	Hose	
20	2720447	1	Hose	
21	2902065	1	Pump Coupling Kit (See Separate Breakdown in this Section)	
22	3290605	6	Nut M6	
23	3290805	13	Nut M8	
25	3291005	11	Nut M10	
26	3331215	4	Nut M12	
27	3520054	2	Plug	
28	3740067	2	Relay Assembly	
28	3300220	2	Nut	
28	3321001	1	Nut #10	
28	3740140	1	Relay	
28	4761000	1	Washer #10	
28	1001111424	2	Washer	
29	3960407	1	Gasket	
30	4060805	2.25 ft / 0.69m	Trim-Flex	
31	4240099	AR	Tie-Strap	
32	4811700	15	Washer M6	
33	4811900	20	Washer M8	
34	4812000	22	Washer M10	
35	4812200	8	Washer M14	
36	5241200	4	Washer M12	
37	8305401	2	Nut 1/4	
38	8307109	2	Washer 1/4	
39	8310548	2	Screw 1/4 NC x 1/2	
40	1001132195	1	Bracket, Engine Mount	
41	1001132196	1	Bracket, Engine Mount	
43	1001138173	1	Support, Service Indicator	
44	1001138175	1	Bracket, Service Indicator	

## SECTION 3 - ENGINE

ITEM	PART NUMBER	QTY	DESCRIPTION	REV
45	1001138248	2 ft /0.61m	Tube	
46	1001139819	1	Adapter, Air Intake	
47	1001141694	1	Clamp, Air Cleaner	
48	1001141995	1	Fitting, Barbed	
49	1001143390	1	Indicator	
50	1001150998	1	Radiator	
52	1001165388	1	Air Cleaner Assembly	
52	70003783	1	Element, Air Cleaner	
53	1001165389	1	Hose	
54	1001166717	1	Bracket, Engine Mount	
55	1001166718	4	Isolator, Engine Mount	
56	1001167111	1	Harness Engine - Deutz D2011 (See Separate Breakdown in ELECTRICAL SECTION)	
57	1001167520	1	Tray, Engine	
58	1001168018	4	Washer, Snubbing	
59	1001168059	1	Plate, Radiator Mounting	
61	4923451	1	Harness, Glow Plugs	
62	0760614	3	Bolt M6 x 30	
63	8406109	1	Clip	
64	1001178859	1	Cable, Alternator	
65	1001214975	1	Bracket	

# SECTION 3 - ENGINE

## FIGURE 3-11. ENGINE COMPONENTS - DEUTZ D2011 (STAGE V)



ART\_1001235455

## SECTION 3 - ENGINE

**FIGURE 3-11. ENGINE COMPONENTS - DEUTZ D2011 (STAGE V)**

ITEM	PART NUMBER	QTY	DESCRIPTION	REV
	1001235455	Ref	ENGINE COMPONENTS - DEUTZ D2011 (STAGE V) ENGINE	B
1	70001002	1	Tube, Dipstick	
1	7020403	1	Seal, Tube	
1	7020026	1	Dipstick	
2	70001654	1	Clamp	
2	70001655	1	Bolt	
3	70003475	1	Thermostat	
3	7020460	1	Spring	
4		Ref	Seal and Gasket Options (Not Shown):	
4	70002718	1	Seal, Rear Main	
4	7020430	1	Gasket, Valve Cover	
4	70003479	1	Gasket, Head - 1 Notch	
4	70003480	1	Gasket, Head - 2 Notch	
4	70003481	1	Gasket, Head - 3 Notch	
5	70025088	1	Plug	
6	70025667	1	Plug	
7	70025123	22	Bolt, Torx (Oil Pan Bolts) (Not Shown)	
8	7020492	1	Seal	
8	70025084	1	Plug	
9	70001870	1	Flywheel	
9	7024579	1	Ring Gear (Part of Flywheel)	
9	70025139	8	Bolt	
10	7020465	1	Cap, Oil Fill	
11	70000800	1	Timing Belt/Idler Kit (Includes Timing Belt, Tensioner and Tensioner Bolt) (Not Shown)	
12	70001850	1	Pump, Lubricating	
12	7020468	1	Seal, Pump to Engine Block (Not Shown)	
13	7016331	1	Filter, Oil	
14	70003472	1	Bracket, Oil Filter (Includes Plug with Seal, Temperature Sensor, Control Valve and Compression Spring)	
14	7027236	1	Sender, Temperature	
14	70025082	1	Seal, Plug	
14	70025091	1	Plug	
14	70003473	1	Gasket, Bracket to Engine Block (Not Shown)	
15	70001181	1	Valve	
15	70025091	1	Plug	
15	70025082	1	Seal, Plug	
16	70004268	2	Connector, Radiator Neck	
16	70004269	2	Seal, Radiator Neck to Engine Block	
17	70000912	3	Pump, Fuel Injector - A Spec	
17	70000913	3	Pump, Fuel Injector - B Spec	
17	70000914	3	Pump, Fuel Injector - C Spec	
17	70000915	3	Pump, Fuel Injector - D Spec	
17	70003464	3	O-Ring, Pump to Engine Block	
18	7020023	1	Filter, Fuel	
18	70003463	1	Filter, Fuel - RME Resistant	
18	70001423	1	Bracket, Fuel Filter	
19	70000916	1	Pump Fuel Supply	
19	70000917	1	O-Seal Between Fuel Pump and Engine Block	
19	70000918	1	Sealing Ring Between Hand Pump and Supply Pump	

## SECTION 3 - ENGINE

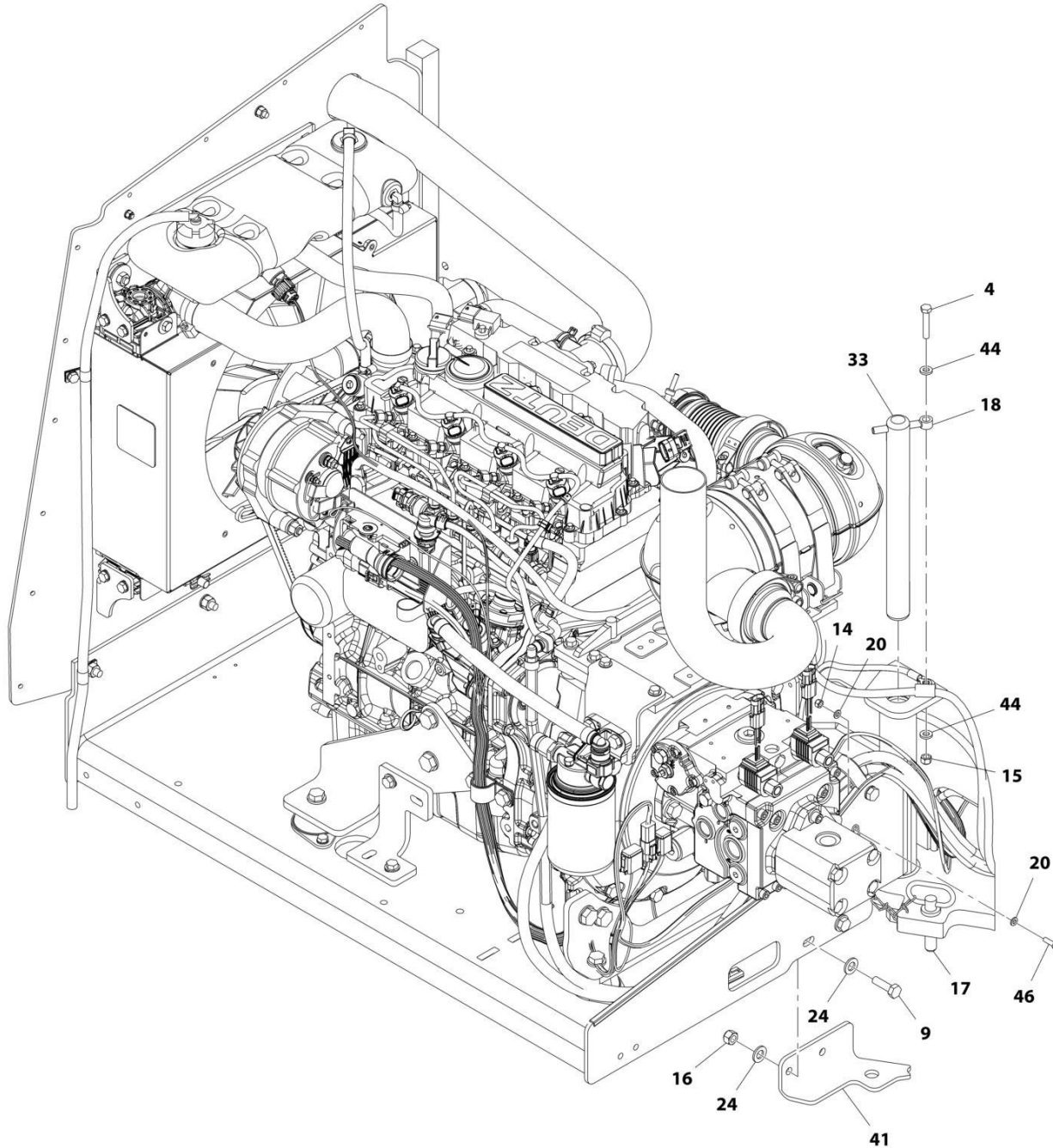
ITEM	PART NUMBER	QTY	DESCRIPTION	REV
19	70000919	1	Pump, Hand	
19	70001435	1	Repair Kit	
19	70025694	2	Bolt, Torx	
20	70000931	3	Pipe, High Pressure	
21	70003469	1	Flange, Intake	
21	70003468	1	Seal	
22	70025084	1	Plug	
22	7020492	1	Seal, Plug	
23	7027903	1	Manifold, Air Intake	
23	70001871	3	Gasket Between Manifold and Engine Block	
24	7027795	1	Module, Engine Control	
24	7027796	1	Cable, Electrical Between Module and Engine Harness (Not Shown)	
24	70001872	1	Harness, Engine (Connects to p/n 70004060) (Not Shown)	
24	70004060	1	Plug, Connector Located on Cable Near Module (Not Shown)	
24	70004059	1	Plug, Analyzer (Not Shown)	
25	70025123	4	Bolt, Torx	
26	70000787	1	Support, Fan (Includes Support, Internal Shaft, Bearings and Circlip)	
27	70001844	1	Clamp	
28	See Note	1	Muffler (Note: See ENGINE ASSEMBLY)	
28	7020471	3	Gasket, Exhaust Between Muffler and Engine Block	
28	70004270	6	Stud, Muffler	
29	70001498	1	Shield, Starter	
29	70025693	3	Bolt	
30	70004102	1	V-Belt	
31	70004056	1	Alternator (Includes Voltage Regulator and Gaskets, Fan and Fan Mounting Hardware)	
31	70001868	1	Regulator, Voltage	
31	70001866	1	Gasket Set, Voltage Regulator	
31	70025131	1	Fan	
31	70025086	1	Nut, Fan	
31	70000851	1	Bracket, Alternator Mounting	
31	70002234	1	Bracket, Alternator Adjustment	
31	70004103	1	Harness, Alternator (Not Shown)	
32	7020479	1	Starter	
32	70025121	2	Bolt, Starter Mounting	
32	70004058	1	Relay	
32	70004062	1	Harness, Starter (Not Shown)	
33	7024565	1	Sensor, Speed	
33	70003931	1	Bolt	
33	70003932	1	Spacer, Sleeve	
34	7027791	1	Sender, Temperature	
35	7027790	1	Sensor, Oil Pressure	
36	7027792	1	Actuator	
37	70000345	3	Plug, Glow (Not Shown)	





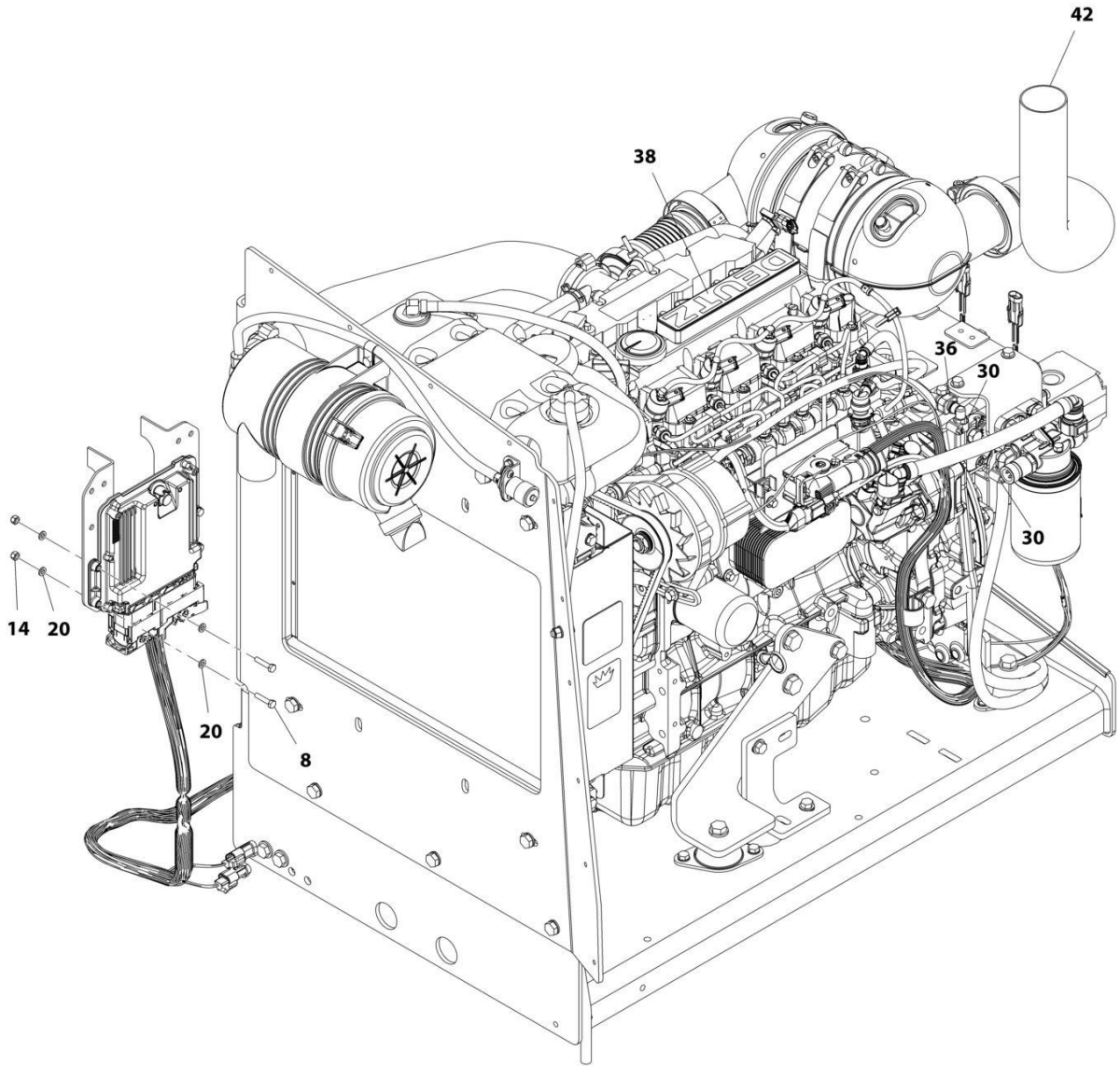
# SECTION 3 - ENGINE

**FIGURE 3-12. ENGINE INSTALLATION - DEUTZ D2.9L4 ENGINE (WITHOUT ARCTIC PACKAGE)  
(ANSI, ANSI EXPORT, CSA AND JAPANESE SPECS)**



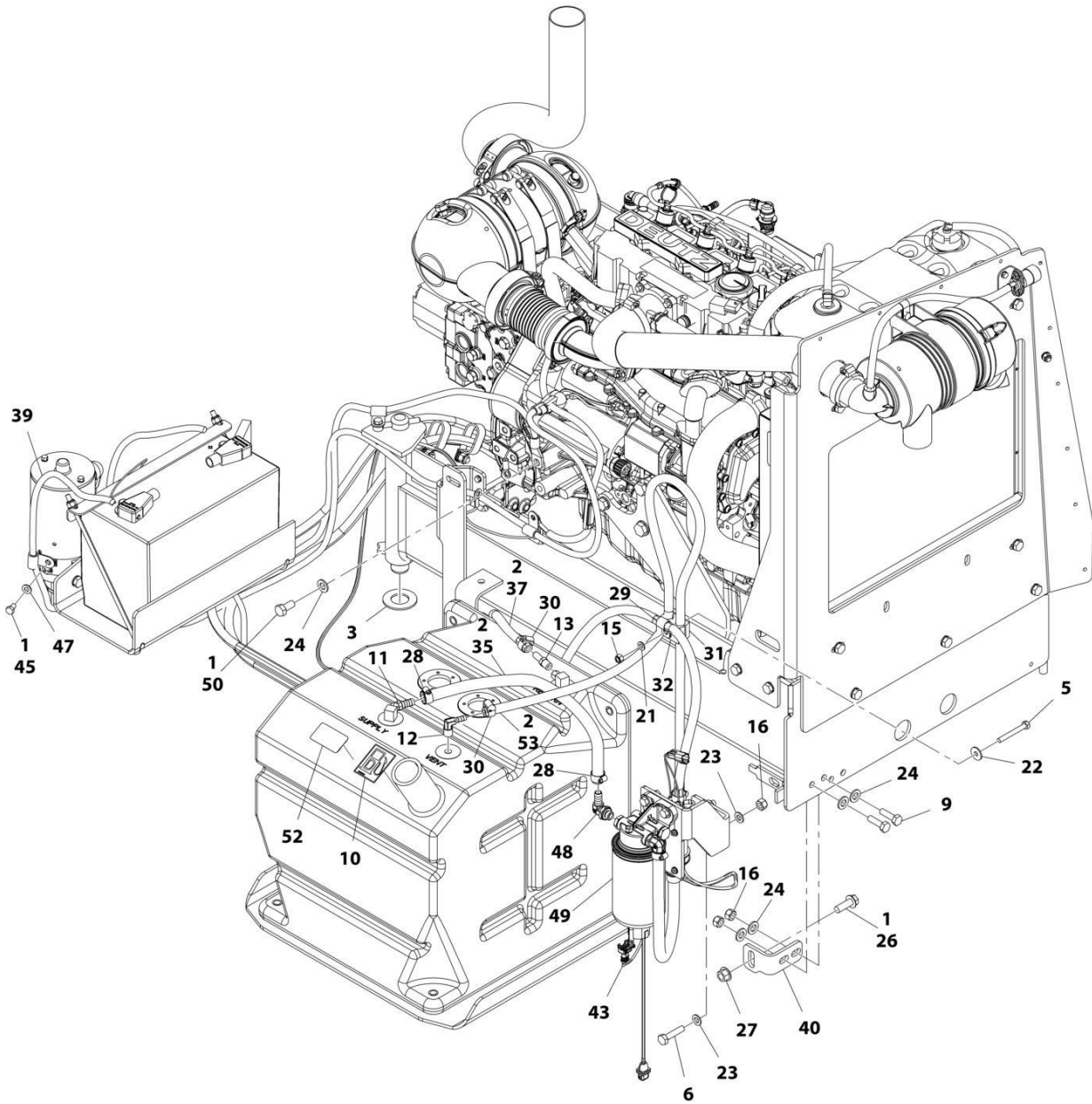
ART\_1001166002\_1OF3

# SECTION 3 - ENGINE



ART\_1001166002\_2OF3

# SECTION 3 - ENGINE



ART\_1001166002\_3OF3

## SECTION 3 - ENGINE

**FIGURE 3-12. ENGINE INSTALLATION - DEUTZ D2.9L4 ENGINE (WITHOUT ARCTIC PACKAGE)  
(ANSI, ANSI EXPORT, CSA AND JAPANESE SPECS)**

ITEM	PART NUMBER	QTY	DESCRIPTION	REV
	1001166002	Ref	ENGINE INSTALLATION - DEUTZ D2.9L4 ENGINE (WITHOUT ARCTIC PACKAGE)	I
1	0100011	AR	Compound, Locking	
2	0100020	AR	Sealant, Pipe	
3	0440162	1	Bearing	
4	0700817	1	Bolt M8 x 45	
5	0700821	1	Bolt M8 x 65	
6	0701017	2	Bolt M10 x 45	
8	0760613	4	Bolt M6 x 28	
9	0761015	4	Bolt M10 x 35	
10	1701505	2	Decal - Diesel Fuel	
11	2180832	1	Fitting, Barbed	
12	2220313	1	Fitting, Barbed 90	
13	2220767	1	Fitting, Barbed	
14	3290605	5	Nut, Lock M6 x 1	
15	3290805	2	Bolt, M8 x 1.25	
16	3291005	6	Nut, Lock M10 x 1.5	
17	3422532	1	Pin	
18	3841143	1	Keeper, Pin	
19	4240099	AR	Tie-Strap	
20	4811700	10	Washer, M6	
21	4811900	1	Washer, M8	
22	4811902	1	Washer, M8	
23	4812000	4	Washer, M10	
24	4812100	9	Washer, M12	
26	5251215	1	Bolt M12 x 35	
27	5261200	1	Nut, Flange M12	
28	8405006	3	Clamp	
29	8406101	1	Clip	
30	8410013	4	Clamp	
31	8750014	1	Clamp	
32	8750031	1	Clamp	
33	1001135196	1	Pin	
35	1001154405	27.56 in /70cm	Hose	
36	1001155823	1	Coupling, Quick Disconnect 90	
37	1001165035	21 ft /6.42m	Hose	
38	1001166001	1	Engine and Pump Sub-Assembly - Deutz D2.9L4 (Without Arctic Package) (See Separate Breakdown in this Section)	
39	1001166970	1	Battery and Auxiliary Power Pump Cable Kit	E
39	70009006	1	Cable, Battery (Black) (Battery to Ground)	
39	70009002	1	Cable, Battery (Red) (Auxiliary Power Relay to Auxiliary Power Pump)	
39	70009007	1	Cable, Battery (Red) (Battery to Auxiliary Power Relay)	
40	1001167512	1	Bracket, Engine Tray	
41	1001169823	1	Plate, Engine Lock	
42	1001172594	1	Pipe, Exhaust	
43	1001173342	1	Harness, Fuel Pump (See Separate Breakdown in ELECTRICAL SECTION)	

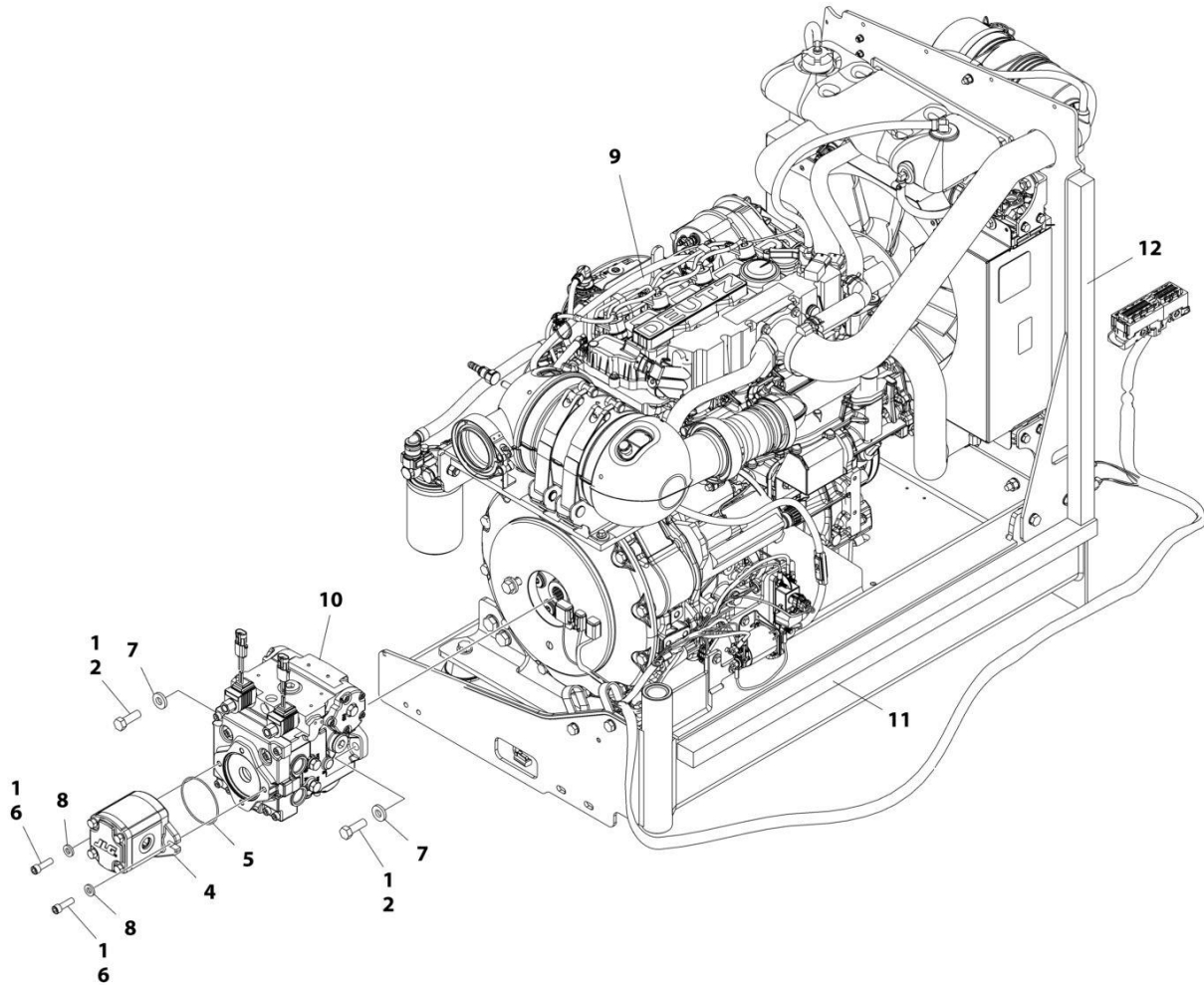
## SECTION 3 - ENGINE

ITEM	PART NUMBER	QTY	DESCRIPTION	REV
44	5240800	2	Washer, M8 Hardened	
45	0641504	1	Bolt 5/16 x 1/2	
46	0760610	1	Bolt M6 x 20	
47	4711500	1	Washer, 5/16	
48	1001142501	1	Fitting, Barbed 90	
49	1001162335	1	Bracket Assembly - Fuel Pump/Filter (See Separate Breakdown in this Section)	
50	0771212	1	Bolt M12 x 25	
52	1001125387	1	Decal - Ultra Low Sulfur Fuel	
53	2750532	5.54 ft /1.69m	Hose	



# SECTION 3 - ENGINE

FIGURE 3-13. ENGINE AND PUMP SUB-ASSEMBLY - DEUTZ D2.9L4 (WITHOUT ARCTIC PACKAGE)  
(ANSI, ANSI EXPORT AND CSA SPECS)



ART\_1001166001



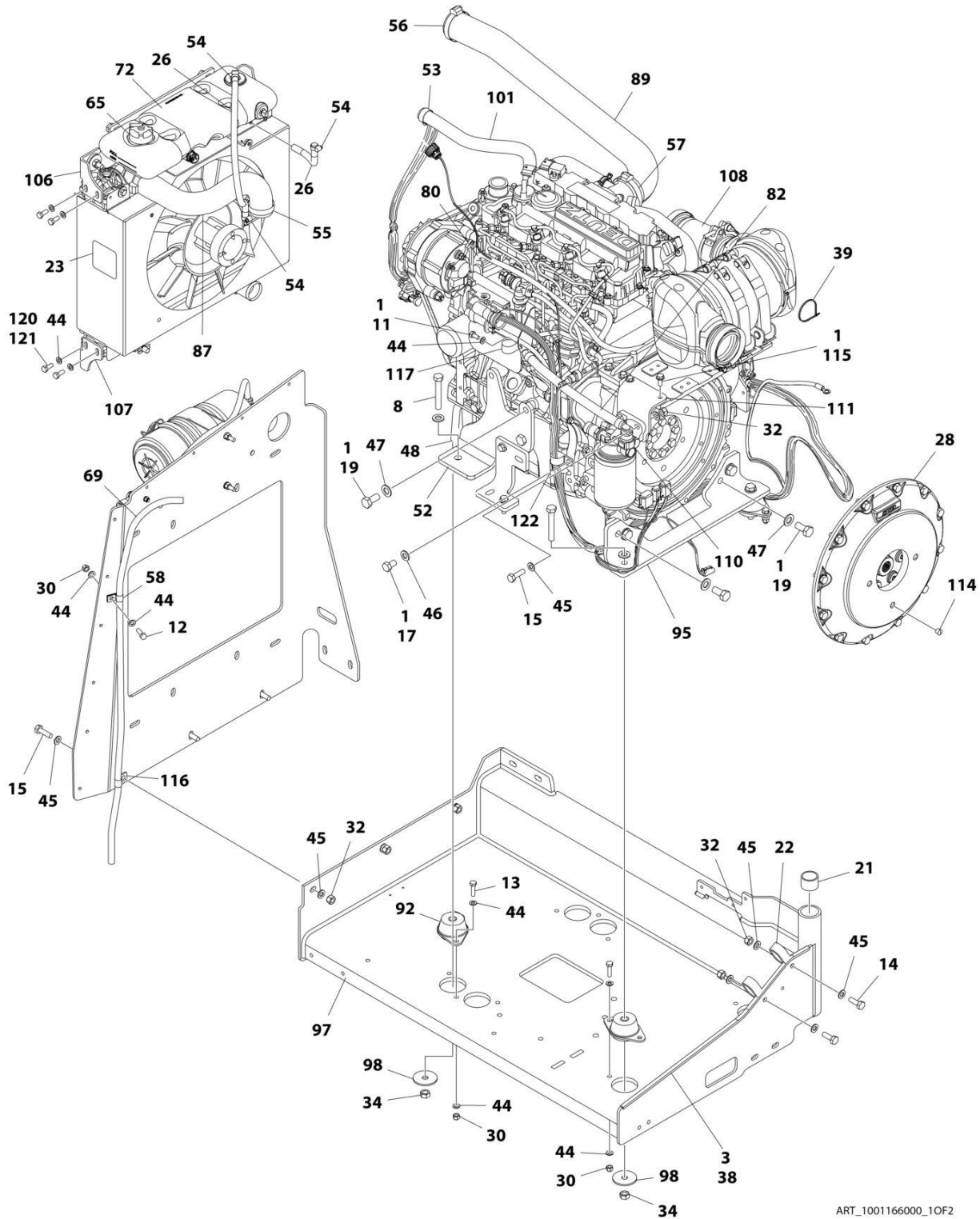
## SECTION 3 - ENGINE

**FIGURE 3-13. ENGINE AND PUMP SUB-ASSEMBLY - DEUTZ D2.9L4 (WITHOUT ARCTIC PACKAGE)  
(ANSI, ANSI EXPORT AND CSA SPECS)**

ITEM	PART NUMBER	QTY	DESCRIPTION	REV
	1001166001	Ref	ENGINE AND PUMP SUB-ASSEMBLY - DEUTZ D2.9L4 (WITHOUT ARCTIC PACKAGE)	H
1	0100011	AR	Compound, Locking	
2	0641812	2	Bolt, 1/2 x 1-1/2	
4	1001214207	1	Gear Pump Assembly	
4	70006356	1	Seal Kit - 1001214207 Pump	
5	3790152	1	O-Ring	
6	3931618	2	Capscrew, 3/8 x 1-1/8	
7	4891800	2	Washer 1/2 Hardened	
8	4891600	2	Washer, 3/8 Hardened	
9	1001166000	1	Engine Assembly - Deutz D2.9L4 Engine (Without Arctic Package) (See Separate Breakdown in this Section)	
10	1001167036	1	Piston Pump Assembly (See Separate Breakdown in this Section)	
11	1001171953	1	Seal	
12	1001171954	1	Seal	

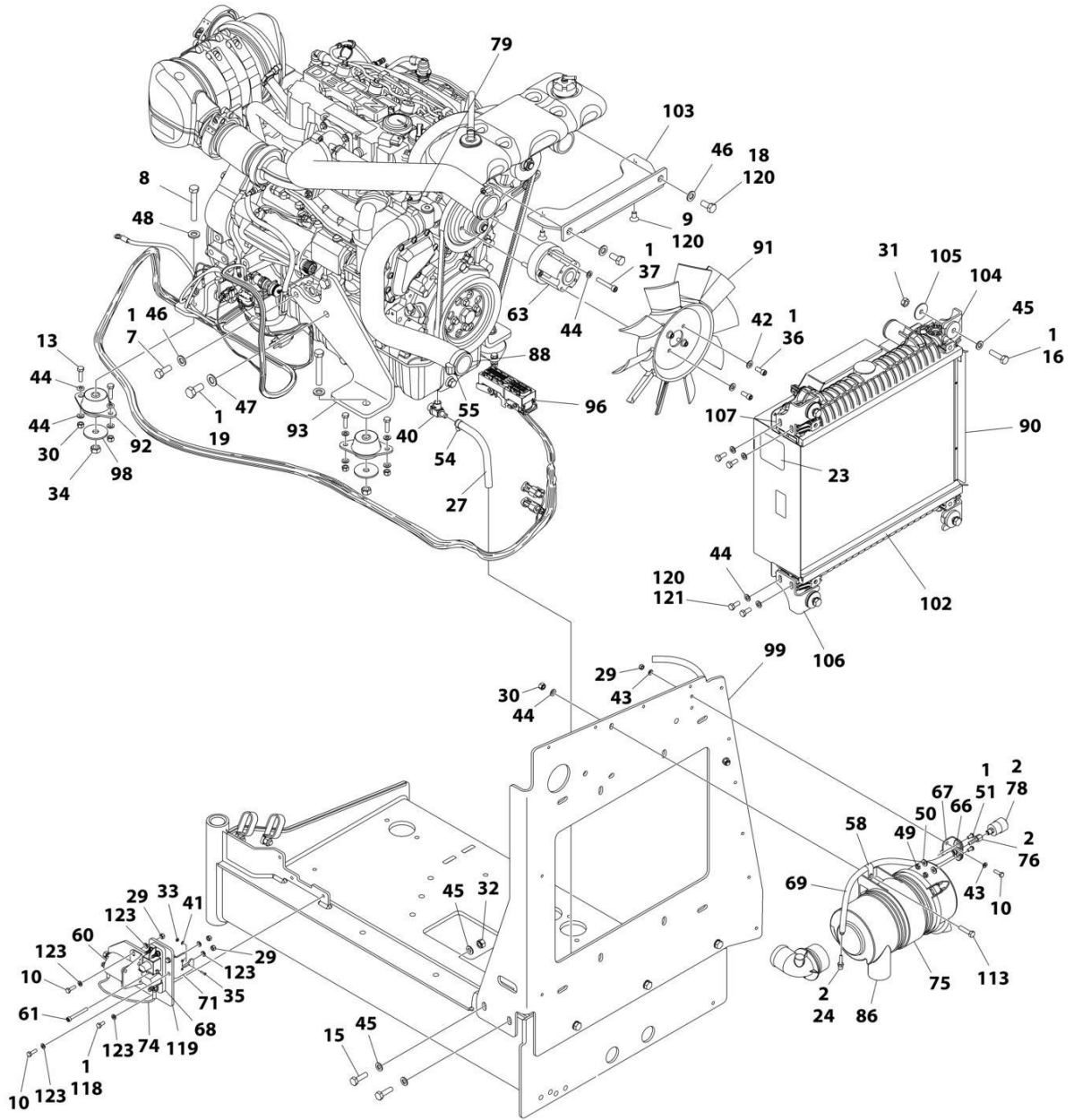
# SECTION 3 - ENGINE

FIGURE 3-14. ENGINE ASSEMBLY - DEUTZ D2.9L4 ENGINE (WITHOUT ARCTIC PACKAGE) (ANSI, ANSI EXPORT AND CSA SPECS) (PVC 2001)



ART\_1001166000\_10F2

# SECTION 3 - ENGINE



ART\_1001166000\_20F2

## SECTION 3 - ENGINE

**FIGURE 3-14. ENGINE ASSEMBLY - DEUTZ D2.9L4 ENGINE (WITHOUT ARCTIC PACKAGE) (ANSI, ANSI EXPORT AND CSA SPECS) (PVC 2001)**

ITEM	PART NUMBER	QTY	DESCRIPTION	REV
	1001166000	Ref	ENGINE ASSEMBLY - DEUTZ D2.9L4 ENGINE (WITHOUT ARCTIC PACKAGE)	T
1	0100011	AR	Compound, Locking	
2	0100020	AR	Sealant, Pipe	
3	0100081	AR	Adhesive	
7	0711214	1	Bolt M12 x 30	
8	0711224	4	Bolt M12 x 80 Grade 10.9	
9	0741606	2	Screw 3/8 x 3/4	
10	0760610	6	Bolt M6 x 20	
11	0760808	1	Bolt M8 x 16	
12	0760812	1	Bolt M8 x 25	
13	0760814	8	Bolt M8 x 30	
14	0761014	2	Bolt M10 x 30	
15	0761015	7	Bolt M10 x 35	
16	0761016	4	Bolt M10 x 40	
17	0761210	1	Bolt M12 x 20	
18	0761212	2	Bolt M12 x 25	
19	0771414	9	Bolt M14 x 30 Grade 10.9	
21	0961951	2	Bushing	
22	1321716	2	Clamp	
23	1703162	2	Decal - Caution Fan	
24	2220315	1	Fitting, Straight Barbed	
26	2720015	2 ft/ 0.61m	Hose	
27	2720340	8 in/ 20.3cm	Hose	
28	2902065	1	Pump Coupling Kit (See Separate Breakdown in this Section)	
29	3290605	7	Nut M6	
30	3290805	11	Nut M8	
31	3291001	4	Nut M10	
32	3291005	9	Nut M10	
33	3310401	3	Nut #4	
34	3331215	4	Nut M12	
35	3910408	3	Screw #4- x 1/2	
36	3931512	4	Capscrew, 5/16 x 3/4	
37	4031914	4	Bolt M8 x 50	
38	4060805	2.25 ft/ 0.69m	Flex-Trim	
39	4240099	AR	Tie-Strap	
40	4640751	1	Valve, Oil Drain	
41	4710400	3	Washer #4	
42	4711500	4	Washer 5/16	
43	4811700	4	Washer M6	
44	4811900	35	Washer M8	
45	4812000	22	Washer M10	
46	4812100	4	Washer M12	
47	4812200	9	Washer M14	
48	5241200	4	Washer M12 Hardened	
49	8305401	2	Nut, Jam	
50	8307109	2	Washer	

## SECTION 3 - ENGINE

ITEM	PART NUMBER	QTY	DESCRIPTION	REV
51	8310548	2	Screw, 1/4 x 1/2	
53	8405007	2	Clamp	
54	8405009	5	Clamp	
55	8405104	4	Clamp	
56	8405202	1	Clamp	
57	8405204	1	Clamp	
58	8406109	2	Clip	
60	1001117308	1	Relay, 200Amp	
60	3300220	2	Nut	
60	3321001	2	Nut #10	
60	4761000	2	Washer #10	
60	1001111424	2	Washer	
61	1001118878	1	Bolt M6 x 55	
63	1001144116	1	Spacer, Fan	
65	1001136834	1	Cap, Tank	
66	1001138173	1	Support, Service Indicator	
67	1001138175	1	Bracket, Service Indicator	
68	1001138228	1	Relay, Power Module	
68	70023592	1	Fuse 20Amp	
68	70023593	1	Fuse 30Amp	
69	1001138248	5.25 ft/ 1.6m	Tube	
71	1001139240	1	Bracket	
72	1001230635	1	Tank, Surge	
74	1001141304	1	Harness, Glow Plug	
75	1001141694	1	Clamp, Air Cleaner	
76	1001141995	1	Fitting, Barbed	
78	1001143390	1	Indicator	
79	1001143797	1	Fitting, Barbed	
80	1001178788	1	Cable, Alternator	
82	1001152489	1	Fitting, Barbed 90	
86	1001165388	1	Air Cleaner Assembly	
86	70003783	1	Element, Air Cleaner	
87	1001165405	1	Hose, Upper Radiator	
88	1001165406	1	Hose, Lower Radiator	
89	1001165721	1	Hose, Air Intake	
90	1001165722	1	Radiator	
91	1001165849	1	Fan	
92	1001166718	4	Mount, Motor	
93	1001166921	1	Plate, Engine Mount	
94	1001166922	1	Plate, Engine Mount	
95	1001166924	1	Plate, Engine Mount	
96	1001167108	1	Harness Engine - Deutz D2.9L4 (See Separate Breakdown in ELECTRICAL SECTION)	
97	1001167520	1	Tray, Engine	
98	1001168018	4	Washer, Special	
99	1001168026	1	Plate, Radiator Mounting	
101	1001168099	1	Hose	
102	1001168166	2	Seal	
103	1001168950	1	Bracket	
104	1001169054	4	Isolator	
105	1001169138	4	Washer, Snubbing	

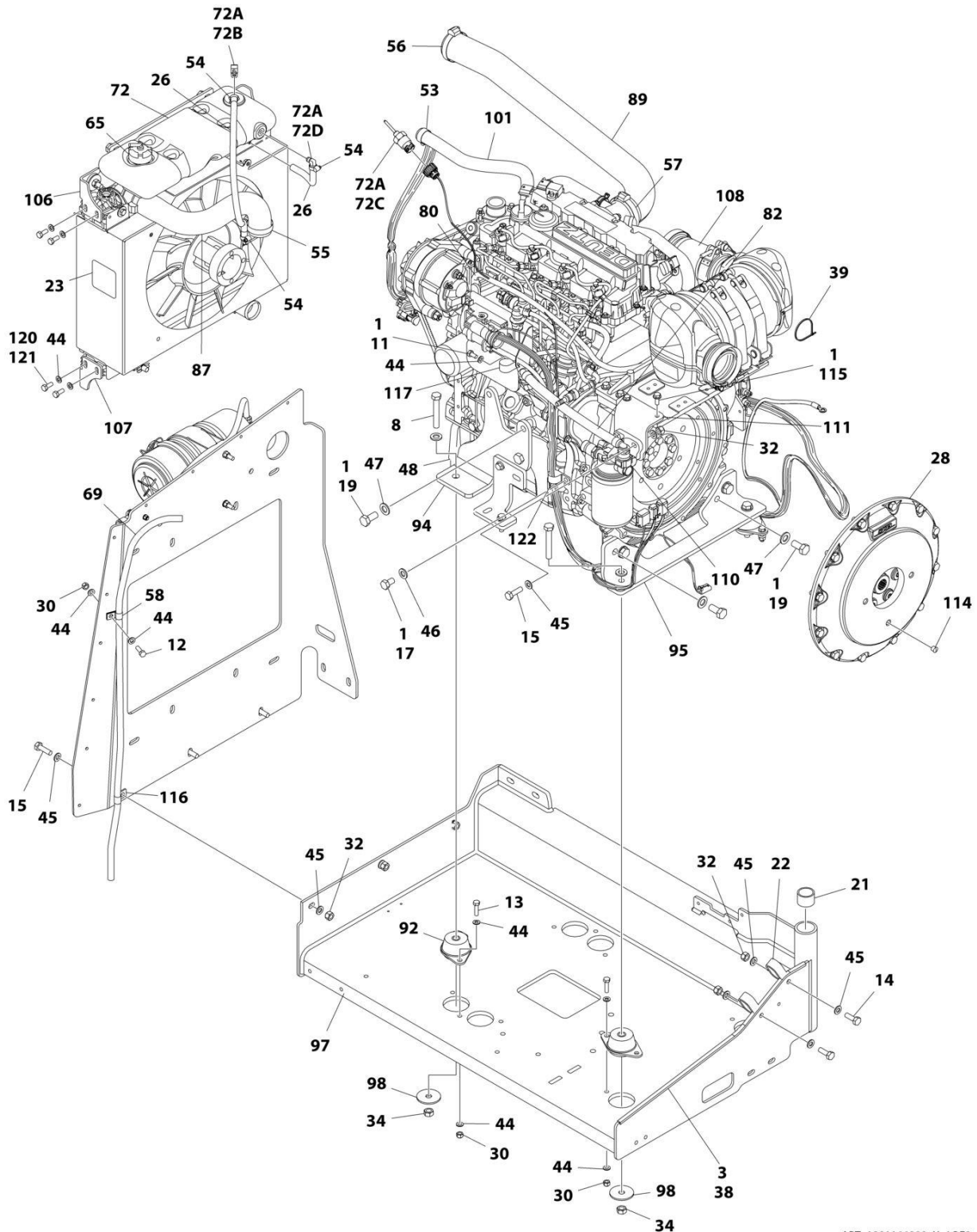
## SECTION 3 - ENGINE

ITEM	PART NUMBER	QTY	DESCRIPTION	REV
106	1001169967	2	Bracket	
107	1001170035	2	Bracket	
108	1001249965	1	Engine, Deutz D2.9L4	
110	1001177359	1	Hose	
111	1001178876	1	Mount, Fuel Filter	
113	0760815	2	Bolt M8 x 35	
114	3520054	1	Plug	
115	5250810	2	Bolt M8 x 20	
116	8406110	1	Clip	
117	8406201	1	Clip	
118	0760607	3	Bolt M6 x 14	
119	1001179903	1	Bracket	
120	1001180620	AR	Adhesive	
121	0760810	8	Bolt M8 x 20	
122	1001191620	1	Clamp	
123	4811702	12	Washer M6	



# SECTION 3 - ENGINE

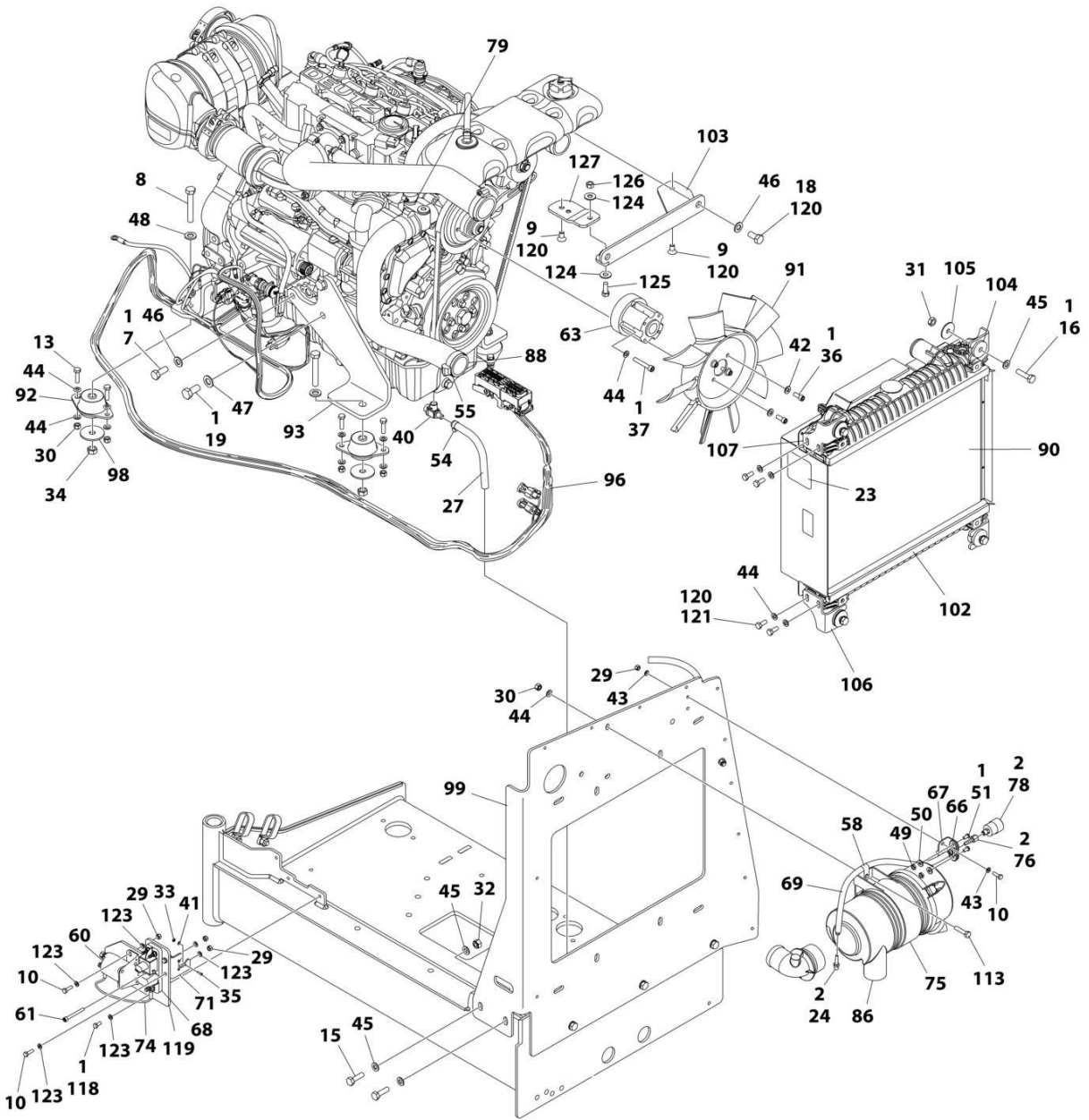
FIGURE 3-15. ENGINE ASSEMBLY - DEUTZ D2.9L4 ENGINE (WITHOUT ARCTIC PACKAGE) (ANSI, ANSI EXPORT AND CSA SPECS) (PVC 2007)



ART\_1001166000\_X\_10F2



# SECTION 3 - ENGINE



ART\_1001166000\_X\_2OF2

## SECTION 3 - ENGINE

**FIGURE 3-15. ENGINE ASSEMBLY - DEUTZ D2.9L4 ENGINE (WITHOUT ARCTIC PACKAGE) (ANSI, ANSI EXPORT AND CSA SPECS) (PVC 2007)**

ITEM	PART NUMBER	QTY	DESCRIPTION	REV
	1001166000	Ref	ENGINE ASSEMBLY - DEUTZ D2.9L4 ENGINE (WITHOUT ARCTIC PACKAGE)	Y
1	0100011	AR	Compound, Locking	
2	0100020	AR	Sealant, Pipe	
3	0100081	AR	Adhesive	
7	0711214	1	Bolt M12 x 30	
8	0711224	AR	Bolt M12 x 80 Grade 10.9	
9	0741606	2	Screw 3/8 x 3/4	
10	0760610	6	Bolt M6 x 20	
11	0760808	1	Bolt M8 x 16	
12	0760812	1	Bolt M8 x 25	
13	0760814	AR	Bolt M8 x 30	
14	0761014	2	Bolt M10 x 30	
15	0761015	7	Bolt M10 x 35	
16	0761016	4	Bolt M10 x 40	
17	0761210	1	Bolt M12 x 20	
18	0761212	2	Bolt M12 x 25	
19	0771414	AR	Bolt M14 x 30 Grade 10.9	
21	0961951	2	Bushing	
22	1321716	2	Clamp	
23	1703162	2	Decal - Caution Fan	
24	2220315	1	Fitting, Straight Barbed	
26	2720015	2 ft/ 0.61m	Hose	
27	2720340	8 in/ 20.3cm	Hose	
28	2902065	1	Pump Coupling Kit (See Separate Breakdown in this Section)	
29	3290605	7	Nut M6	
30	3290805	AR	Nut M8	
31	3291001	4	Nut M10	
32	3291005	9	Nut M10	
33	3310401	3	Nut #4	
34	3331215	AR	Nut M12	
35	3910408	3	Screw #4- x 1/2	
36	3931512	4	Capscrew, 5/16 x 3/4	
37	4031914	4	Bolt M8 x 50	
38	4060805	2.25 ft/ 0.69m	Flex-Trim	
39	4240099	AR	Tie-Strap	
40	4640751	1	Valve, Oil Drain	
41	4710400	3	Washer #4	
42	4711500	4	Washer 5/16	
43	4811700	4	Washer M6	
44	4811900	AR	Washer M8	
45	4812000	22	Washer M10	
46	4812100	4	Washer M12	
47	4812200	AR	Washer M14	
48	5241200	4	Washer M12 Hardened	
49	8305401	2	Nut, Jam	
50	8307109	2	Washer	

## SECTION 3 - ENGINE

ITEM	PART NUMBER	QTY	DESCRIPTION	REV
51	8310548	2	Screw, 1/4 x 1/2	
53	8405007	2	Clamp	
54	8405009	5	Clamp	
55	8405104	4	Clamp	
56	8405202	1	Clamp	
57	8405204	1	Clamp	
58	8406109	2	Clip	
60	1001117308	1	Relay, 200Amp	
60	3300220	2	Nut	
60	3321001	2	Nut #10	
60	4761000	2	Washer #10	
60	1001111424	2	Washer	
61	1001118878	1	Bolt M6 x 55	
63	1001144116	1	Spacer, Fan	
65	1001136834	1	Cap, Tank	
66	1001138173	1	Support, Service Indicator	
67	1001138175	1	Bracket, Service Indicator	
68	1001138228	1	Relay, Power Module	
68	70023592	1	Fuse 20Amp	
68	70023593	1	Fuse 30Amp	
69	1001138248	5.25 ft/ 1.6m	Tube	
71	1001139240	1	Bracket	
72	1001230635	1	Tank, Surge (Includes Items 72A-72D)	
72A	0100020	AR	Sealant, Pipe	
72B	1001134488	1	Fitting, Barbed	
72C	1001138827	1	Sensor, Coolant Level	
72D	1001140564	1	Fitting, Barbed 90	
74	1001141304	1	Harness, Glow Plug	
75	1001141694	1	Clamp, Air Cleaner	
76	1001141995	1	Fitting, Barbed	
78	1001143390	1	Indicator	
79	1001143797	1	Fitting, Barbed	
80	1001178788	1	Cable, Alternator	
82	1001152489	1	Fitting, Barbed 90	
86	1001165388	1	Air Cleaner Assembly	
86	70003783	1	Element, Air Cleaner	
87	1001165405	1	Hose, Upper Radiator	
88	1001165406	1	Hose, Lower Radiator	
89	1001165721	1	Hose, Air Intake	
90	1001165722	1	Radiator	
91	1001165849	1	Fan	
92	1001166718	AR	Mount, Motor	
93	1001166921	1	Plate, Engine Mount	
94	1001166922	Ref	Plate, Engine Mount	
95	1001166924	1	Plate, Engine Mount	
96	1001167108	1	Harness Engine - Deutz D2.9L4 (See Separate Breakdown in ELECTRICAL SECTION)	
97	1001167520	1	Tray, Engine	
98	1001168018	4	Washer, Special	
99	1001168026	1	Plate, Radiator Mounting	
101	1001168099	1	Hose	

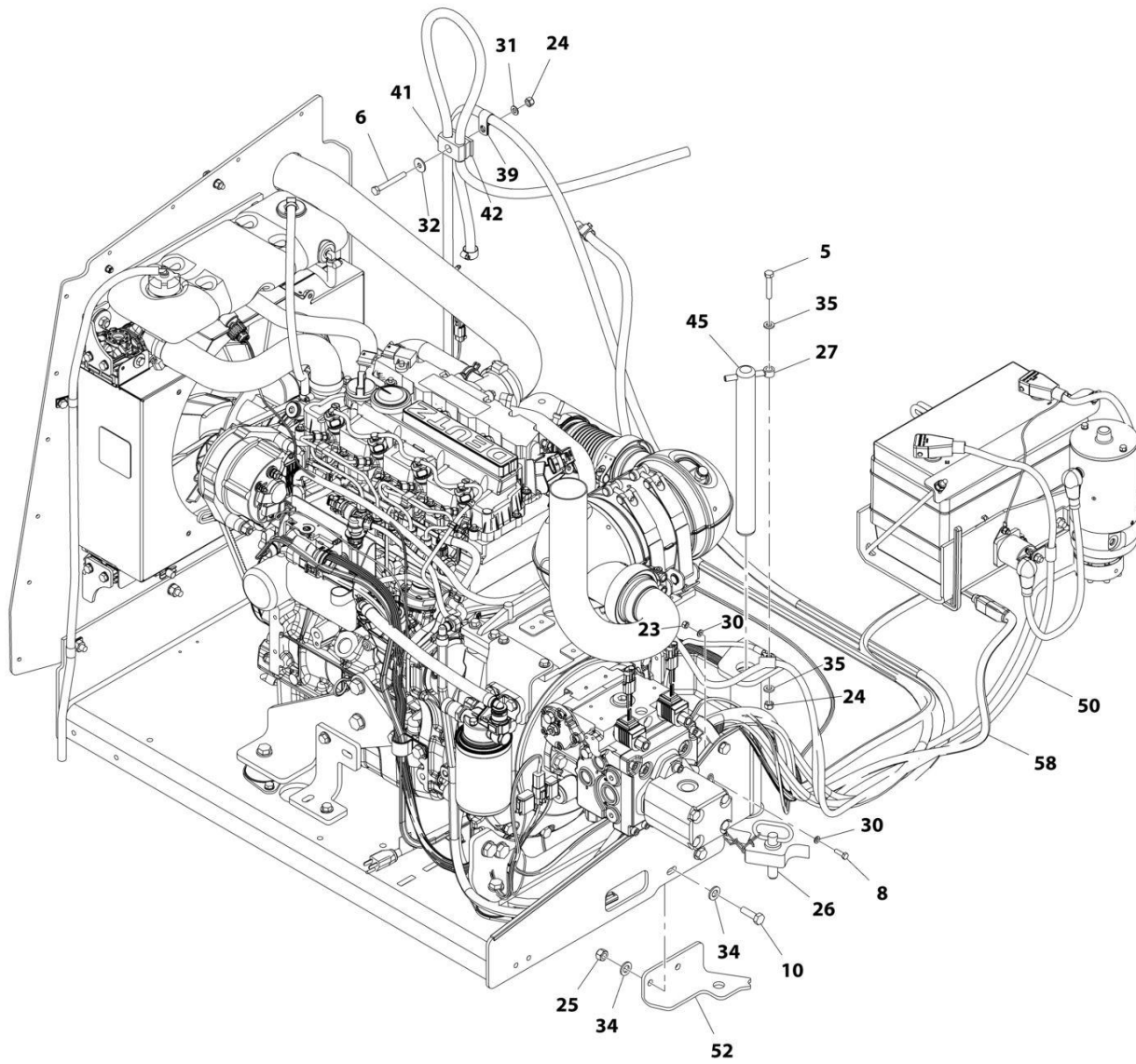
## SECTION 3 - ENGINE

ITEM	PART NUMBER	QTY	DESCRIPTION	REV
102	1001168166	2	Seal	
103	1001260420	1	Bracket	
104	1001169054	4	Isolator	
105	1001169138	4	Washer, Snubbing	
106	1001169967	2	Bracket	
107	1001170035	2	Bracket	
108	1001249965	1	Engine, Deutz D2.9L4 (See Separate Breakdown in this Section)	
110	1001177359	1	Hose	
111	1001178876	1	Mount, Fuel Filter	
113	0760815	2	Bolt M8 x 35	
114	3520054	1	Plug	
115	5250810	2	Bolt M8 x 20	
116	8406110	1	Clip	
117	8406201	1	Clip	
118	0760607	3	Bolt M6 x 14	
119	1001179903	1	Bracket	
120	1001180620	AR	Adhesive	
121	0760810	8	Bolt M8 x 20	
122	1001191620	1	Clamp	
123	4811702	12	Washer M6	
124	4751600	2	Washer 3/8	
125	0681608	1	Bolt 3/8 x 1	
126	3311605	1	Nut 3/8	
127	1001260412	1	Bracket	
128	1001162335	1	Bracket Assembly - Fuel Pump/Filter (Not Shown - See Separate Breakdown in this Section)	



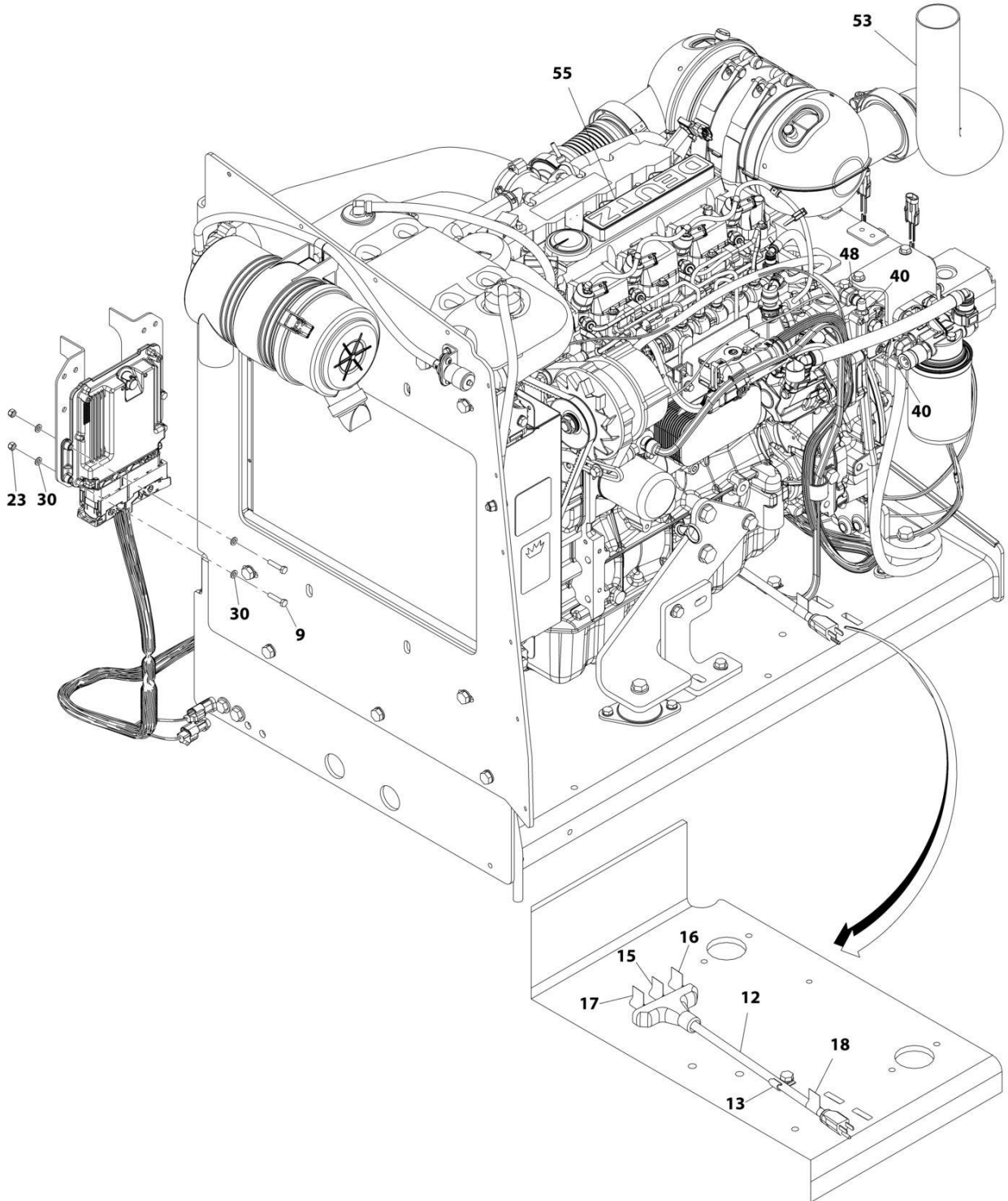
# SECTION 3 - ENGINE

FIGURE 3-16. ENGINE INSTALLATION - DEUTZ D2.9L4 ENGINE (WITH ARCTIC PACKAGE) (ANSI, ANSI EXPORT AND CSA SPECS)



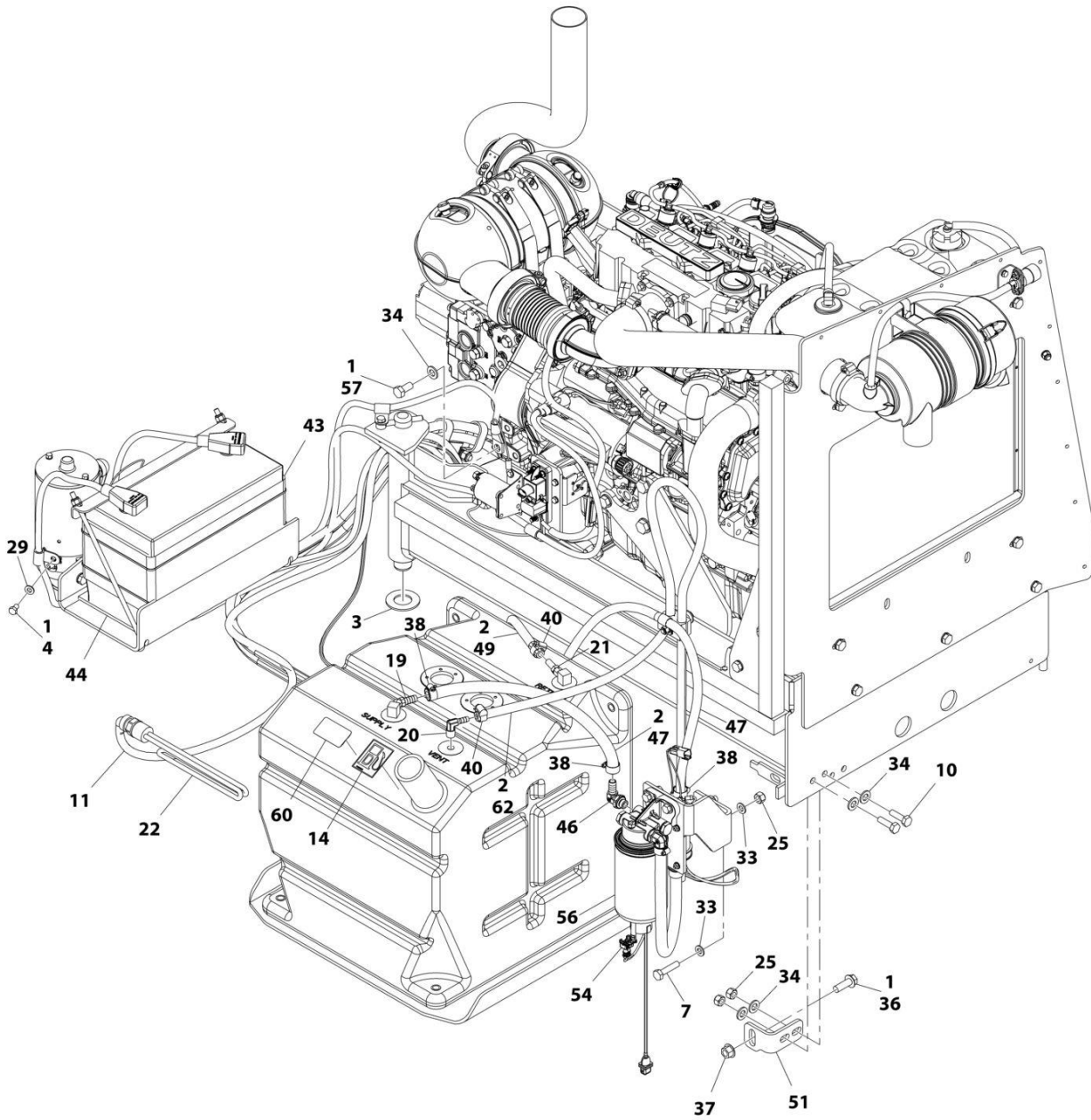
ART\_1001166003\_10F3

# SECTION 3 - ENGINE



ART\_1001166003\_20F3

# SECTION 3 - ENGINE



ART\_1001166003\_3OF3



## SECTION 3 - ENGINE

**FIGURE 3-16. ENGINE INSTALLATION - DEUTZ D2.9L4 ENGINE (WITH ARCTIC PACKAGE) (ANSI, ANSI EXPORT AND CSA SPECS)**

ITEM	PART NUMBER	QTY	DESCRIPTION	REV
	1001166003	Ref	ENGINE INSTALLATION - DEUTZ D2.9L4 ENGINE (WITH ARCTIC PACKAGE)	J
1	0100011	AR	Compound, Locking	
2	0100020	AR	Sealant, Pipe	
3	0440162	1	Bearing	
4	0641504	1	Bolt 5/16 x 1/2	
5	0700817	1	Bolt M8 x 45	
6	0700821	1	Bolt M8 x 65	
7	0701017	2	Bolt M10 x 45	
8	0760610	1	Bolt M6 x 20	
9	0760613	4	Bolt M6 x 28	
10	0761015	5	Bolt M10 x 35	
12	1060626	1	Plug, 3 Way	
13	1320223	1	Clamp	
14	1701505	2	Decal - Diesel Fuel	
15	1702941	1	Decal - Battery Heater	
16	1702942	1	Decal - Engine Block Heater	
17	1702943	1	Decal - Hydraulic Tank Heater	
18	1702944	1	Decal - Heater Cord	
19	2180832	1	Fitting, Barbed	
20	2220313	1	Fitting, Barbed 90	
21	2220767	1	Fitting, Barbed	
22	1001188972	1	Heater, Hydraulic Tank	
23	3290605	5	Nut, Lock M6 x 1	
24	3290805	2	Nut, Lock M8 x 1.25	
25	3291005	7	Nut, Lock M10 x 1.5	
26	3422532	1	Pin	
27	3841143	1	Keeper, Pin	
28	4240099	AR	Tie-Strap	
29	4711500	1	Washer, 5/16	
30	4811700	10	Washer, M6	
31	4811900	1	Washer, M8	
32	4811902	1	Washer, M8	
33	4812000	6	Washer, M10	
34	4812100	9	Washer, M12	
35	5240800	2	Washer, M8 Hardened	
36	5251215	1	Bolt M12 x 35	
37	5261200	1	Nut, Flange M12 Class10	
38	8405006	3	Clamp	
39	8406101	1	Clip	
40	8410013	4	Clamp	
41	1320187	1	Clamp	
42	1320190	1	Clamp	
43	2580024	1	Heater, Battery	
44	1001119278	1	Insulate	
45	1001135196	1	Pin	
46	1001142501	1	Fitting, Barbed 90	
47	1001154405	28 in/.7m	Hose	
48	1001155823	1	Coupling, Quick Disconnect 90	

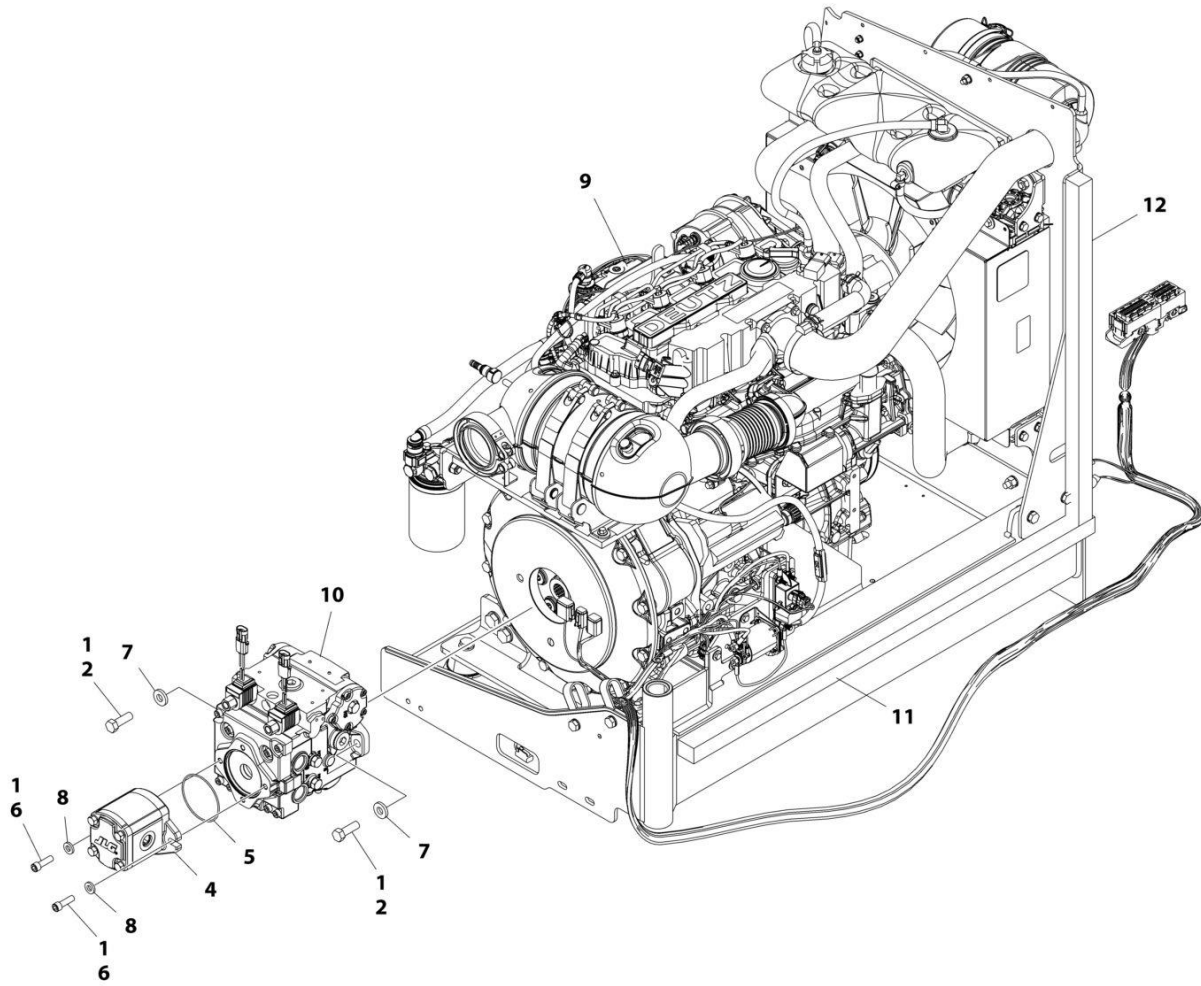
## SECTION 3 - ENGINE

ITEM	PART NUMBER	QTY	DESCRIPTION	REV
49	1001165035	21 ft /6.42m	Hose	
50	1001166970	1	Battery and Auxiliary Power Pump Cable Kit	E
50	70009006	1	Cable, Battery (Black) (Battery to Ground)	
50	70009002	1	Cable, Battery (Red) (Auxiliary Power Relay to Auxiliary Power Pump)	
50	70009007	1	Cable, Battery (Red) (Battery to Auxiliary Power Relay)	
51	1001167512	1	Bracket, Engine Tray	
52	1001169823	1	Plate, Engine Lock	
53	1001172594	1	Pipe, Exhaust	
54	1001173342	1	Harness, Fuel Pump (See Separate Breakdown in ELECTRICAL SECTION)	
55	1001174778	1	Engine and Pump Sub-Assembly - Deutz D2.9L4 (With Arctic Package) (See Separate Breakdown in this Section)	
56	1001162335	1	Bracket Assembly - Fuel Pump/Filter (See Separate Breakdown in this Section)	
57	0771212	1	Bolt M12 x 25	
58	1001150918	1	Cable, Extension Cord	
60	1001125387	1	Decal - Ultra Low Sulfur Fuel	
62	2750532	5.54 ft /1.69m	Hose	
63	1001233763	1	Breather Heater Installation (Not Shown - See Separate Breakdown in this Section)	



# SECTION 3 - ENGINE

FIGURE 3-17. ENGINE AND PUMP SUB-ASSEMBLY - DEUTZ D2.9L4 (WITH ARCTIC PACKAGE)  
(ANSI, ANSI EXPORT AND CSA SPECS)



ART\_1001174778

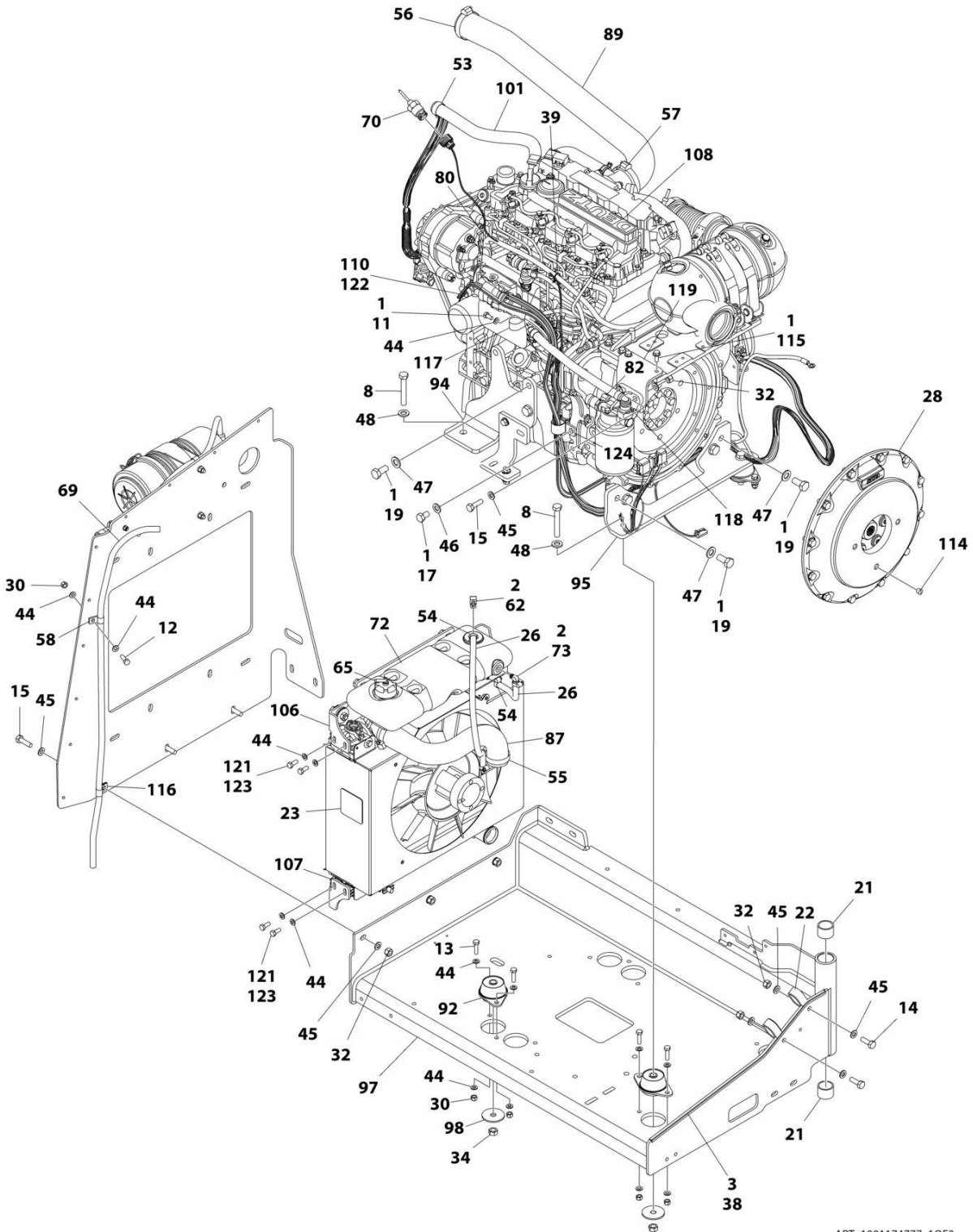
## SECTION 3 - ENGINE

**FIGURE 3-17. ENGINE AND PUMP SUB-ASSEMBLY - DEUTZ D2.9L4 (WITH ARCTIC PACKAGE)  
(ANSI, ANSI EXPORT AND CSA SPECS)**

ITEM	PART NUMBER	QTY	DESCRIPTION	REV
	1001174778	Ref	ENGINE AND PUMP SUB-ASSEMBLY - DEUTZ D2.9L4 (WITH ARCTIC PACKAGE)	G
1	0100011	AR	Compound, Locking	
2	0641812	2	Bolt, 1/2 x 1-1/2	
4	1001214207	1	Gear Pump Assembly	
4	70006356	1	Seal Kit - 1001214207 Pump	
5	3790152	1	O-Ring	
6	3931618	2	Capscrew, 3/8 x 1 1/8	
7	4891800	2	Washer, 1/2 Hardened	
8	4891600	2	Washer, 3/8 ID Hardened	
9	1001174777	1	Engine Assembly - Deutz D2.9L4 Engine (With Arctic Package) (See Separate Breakdown in this Section)	
10	1001167036	1	Piston Pump Assembly (See Separate Breakdown in this Section)	
11	1001171953	1	Seal	
12	1001171954	1	Seal	

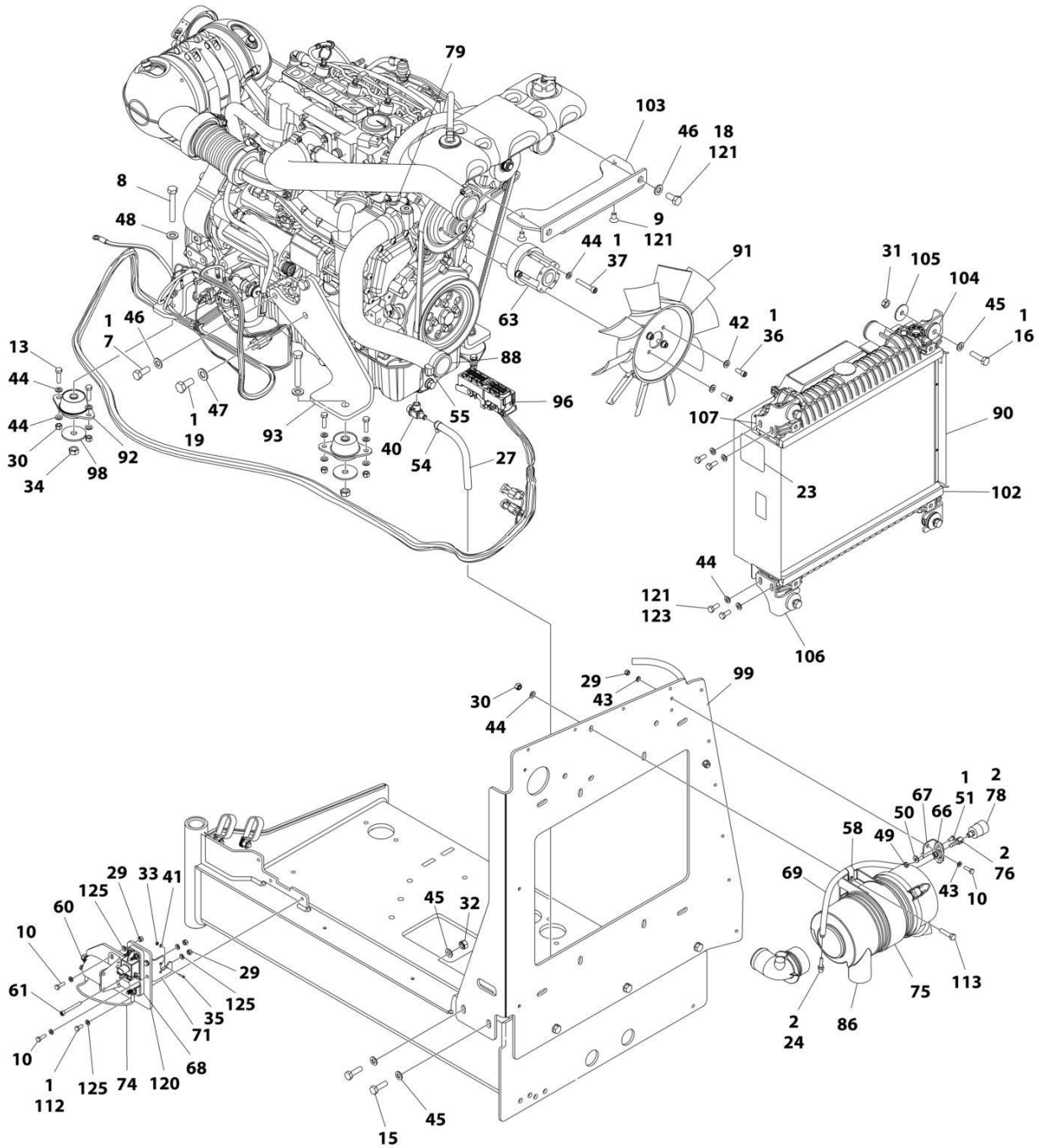
# SECTION 3 - ENGINE

FIGURE 3-18. ENGINE ASSEMBLY - DEUTZ D2.9L4 ENGINE (WITH ARCTIC PACKAGE) (ANSI, ANSI EXPORT AND CSA SPECS) (PVC 2001)



ART\_1001174777\_10F2

# SECTION 3 - ENGINE



ART\_1001174777\_2OF2

## SECTION 3 - ENGINE

**FIGURE 3-18. ENGINE ASSEMBLY - DEUTZ D2.9L4 ENGINE (WITH ARCTIC PACKAGE) (ANSI, ANSI EXPORT AND CSA SPECS) (PVC 2001)**

ITEM	PART NUMBER	QTY	DESCRIPTION	REV
	1001174777	Ref	ENGINE ASSEMBLY - DEUTZ D2.9L4 ENGINE (WITH ARCTIC PACKAGE)	S
1	0100011	AR	Compound, Locking	
2	0100020	AR	Sealant, Pipe	
3	0100081	AR	Adhesive	
7	0711214	1	Bolt M12 x 30	
8	0711224	4	Bolt M12 x 80	
9	0741606	2	Screw 3/8 x 3/4	
10	0760610	6	Bolt M6 x 20	
11	0760808	1	Bolt M8 x 16	
12	0760812	1	Bolt M8 x 25	
13	0760814	8	Bolt M8 x 30	
14	0761014	2	Bolt M10 x 30	
15	0761015	7	Bolt M10 x 35	
16	0761016	4	Bolt M10 x 40	
17	0761210	1	Bolt M12 x 20	
18	0761212	2	Bolt M12 x 25	
19	0771414	9	Bolt M14 x 30 Grade 10.9	
21	0961951	2	Bushing	
22	1321716	2	Clamp	
23	1703162	2	Decal - Caution Fan	
24	2220315	1	Fitting, Barbed	
26	2720015	2 ft/0.61m	Hose	
27	2720340	8 in /0.2m	Hose	
28	2902065	1	Pump Coupling Kit (See Separate Breakdown in this Section)	
29	3290605	7	Nut M6	
30	3290805	11	Nut M8	
31	3291001	4	Nut M10	
32	3291005	9	Nut M10	
33	3310401	3	Nut #4	
34	3331215	4	Nut M12 x 1.75	
35	3910408	3	Screw #4- x 1/2	
36	3931512	4	Capscrew 5/16 x 3/4	
37	4031914	4	Bolt M8 x 50	
38	4060805	2.25 ft/ 0.69m	Flex-Trim	
39	4240099	AR	Tie-Strap	
40	4640751	1	Valve, Oil Drain	
41	4710400	3	Washer #4	
42	4711500	4	Washer 5/16	
43	4811700	4	Washer M6	
44	4811900	35	Washer M8	
45	4812000	22	Washer M10	
46	4812100	4	Washer M12	
47	4812200	9	Washer M14	
48	5241200	4	Washer M12	
49	8305401	2	Nut Jam	
50	8307109	2	Washer, .250	
51	8310548	2	Screw 1/4 x 1/2	



## SECTION 3 - ENGINE

ITEM	PART NUMBER	QTY	DESCRIPTION	REV
53	8405007	2	Clamp	
54	8405009	5	Clamp	
55	8405104	4	Clamp	
56	8405202	1	Clamp	
57	8405204	1	Clamp	
58	8406109	2	Clip	
60	1001117308	1	Relay, 200Amp	
60	3300220	2	Nut	
60	3321001	2	Nut #10	
60	4761000	2	Washer #10	
60	1001111424	2	Washer	
61	1001118878	1	Bolt M6 x 55	
62	1001134488	1	Fitting, Barbed 90	
63	1001144116	1	Spacer, Fan	
65	1001136834	1	Cap, Tank	
66	1001138173	1	Support, Service Indicator	
67	1001138175	1	Bracket, Service Indicator	
68	1001138228	1	Relay, Power Module	
68	70023592	1	Fuse 20Amp	
68	70023593	1	Fuse 30Amp	
69	1001138248	5.25 ft/ 1.6m	Tube	
70	1001138827	1	Sensor, Coolant Level	
71	1001139240	1	Bracket	
72	1001140535	1	Tank, Surge	
72	1001230635	1	Tank, Surge (Includes Items 62, 70 & 73)	
73	1001140564	1	Fitting, Barbed 90	
74	1001141304	1	Harness, Glow Plug	
75	1001141694	1	Clamp, Air Cleaner	
76	1001141995	1	Fitting, Barbed	
78	1001143390	1	Indicator	
79	1001143797	1	Fitting, Barbed	
80	1001178788	1	Cable, Alternator	
82	1001152489	1	Fitting, Barbed 90	
86	1001165388	1	Air Cleaner Assembly	
86	70003783	1	Element, Air Cleaner	
87	1001165405	1	Hose, Upper Radiator	
88	1001165406	1	Hose, Lower Radiator	
89	1001165721	1	Hose, Air Intake	
90	1001165722	1	Radiator	
91	1001165849	1	Fan	
92	1001166718	4	Mount, Motor	
93	1001166921	1	Plate, Engine Mount	
94	1001166922	1	Plate, Engine Mount	
95	1001166924	1	Plate, Engine Mount	
96	1001167108	1	Harness Engine - Deutz D2.9L4 (See Separate Breakdown in ELECTRICAL SECTION)	
97	1001167520	1	Tray, Engine	
98	1001168018	4	Washer, Special	
99	1001168026	1	Plate, Radiator Mounting	
101	1001168099	1	Hose	
102	1001168166	2	Seal	

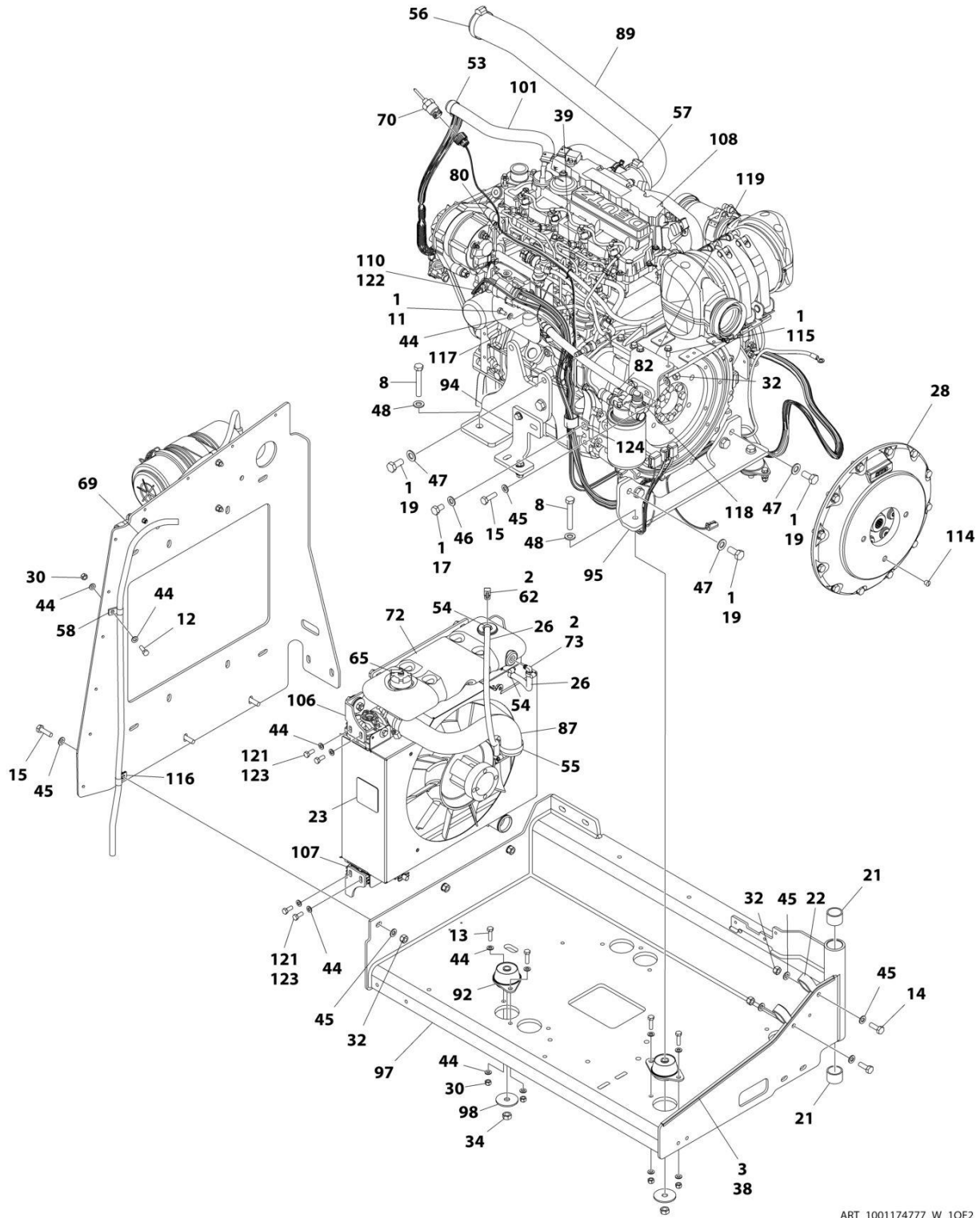
## SECTION 3 - ENGINE

ITEM	PART NUMBER	QTY	DESCRIPTION	REV
103	1001168950	1	Bracket	
104	1001169054	4	Isolator	
105	1001169138	4	Washer, Snubbing	
106	1001169967	2	Bracket	
107	1001170035	2	Bracket	
108	1001249965	1	Engine, Deutz D2.9L4	
110	1001140312	1	Heater, Engine Block	
112	0760607	3	Bolt M6 x 14	
113	0760815	2	Bolt M8 x 35	
114	3520054	1	Plug	
115	5250810	2	Bolt M8 x 20	
116	8406110	1	Clip	
117	8406201	1	Clip	
118	1001177359	1	Hose	
119	1001178876	1	Mount, Fuel Filter	
120	1001179903	1	Bracket	
121	1001180620	AR	Adhesive	
122	1001181895	AR	Adhesive	
123	0760810	8	Bolt M8 x 20	
124	1001191620	1	Clamp	
125	4811702	12	Washer M6	



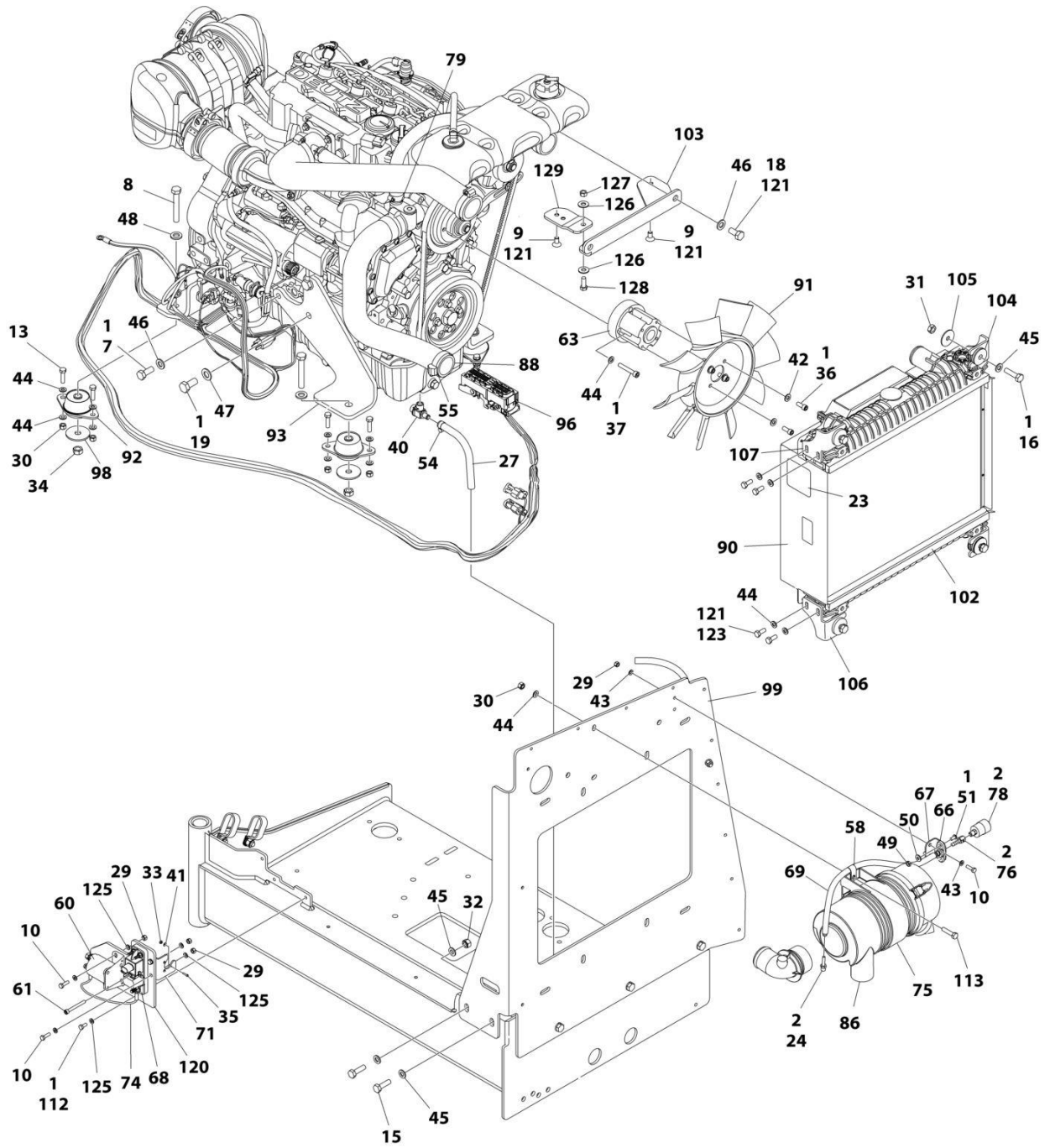
# SECTION 3 - ENGINE

FIGURE 3-19. ENGINE ASSEMBLY - DEUTZ D2.9L4 ENGINE (WITH ARCTIC PACKAGE) (ANSI, ANSI EXPORT AND CSA SPECS) (PVC 2007)



ART\_1001174777\_W\_10F2

# SECTION 3 - ENGINE



ART\_1001174777\_W\_20F2

## SECTION 3 - ENGINE

**FIGURE 3-19. ENGINE ASSEMBLY - DEUTZ D2.9L4 ENGINE (WITH ARCTIC PACKAGE) (ANSI, ANSI EXPORT AND CSA SPECS) (PVC 2007)**

ITEM	PART NUMBER	QTY	DESCRIPTION	REV
	1001174777	Ref	ENGINE ASSEMBLY - DEUTZ D2.9L4 ENGINE (WITH ARCTIC PACKAGE)	X
1	0100011	AR	Compound, Locking	
2	0100020	AR	Sealant, Pipe	
3	0100081	AR	Adhesive	
7	0711214	1	Bolt M12 x 30	
8	0711224	AR	Bolt M12 x 80	
9	0741606	2	Screw 3/8 x 3/4	
10	0760610	6	Bolt M6 x 20	
11	0760808	1	Bolt M8 x 16	
12	0760812	1	Bolt M8 x 25	
13	0760814	8	Bolt M8 x 30	
14	0761014	2	Bolt M10 x 30	
15	0761015	7	Bolt M10 x 35	
16	0761016	4	Bolt M10 x 40	
17	0761210	1	Bolt M12 x 20	
18	0761212	2	Bolt M12 x 25	
19	0771414	AR	Bolt M14 x 30 Grade 10.9	
21	0961951	2	Bushing	
22	1321716	2	Clamp	
23	1703162	2	Decal - Caution Fan	
24	2220315	1	Fitting, Barbed	
26	2720015	2 ft/0.61m	Hose	
27	2720340	8 in /0.2m	Hose	
28	2902065	1	Pump Coupling Kit (See Separate Breakdown in this Section)	
29	3290605	7	Nut M6	
30	3290805	AR	Nut M8	
31	3291001	4	Nut M10	
32	3291005	9	Nut M10	
33	3310401	3	Nut #4	
34	3331215	AR	Nut M12 x 1.75	
35	3910408	3	Screw #4- x 1/2	
36	3931512	4	Capscrew 5/16 x 3/4	
37	4031914	4	Bolt M8 x 50	
38	4060805	2.25 ft/ 0.69m	Flex-Trim	
39	4240099	AR	Tie-Strap	
40	4640751	1	Valve, Oil Drain	
41	4710400	3	Washer #4	
42	4711500	4	Washer 5/16	
43	4811700	4	Washer M6	
44	4811900	AR	Washer M8	
45	4812000	22	Washer M10	
46	4812100	4	Washer M12	
47	4812200	9	Washer M14	
48	5241200	AR	Washer M12	
49	8305401	2	Nut Jam	
50	8307109	2	Washer, .250	
51	8310548	2	Screw 1/4 x 1/2	

## SECTION 3 - ENGINE

ITEM	PART NUMBER	QTY	DESCRIPTION	REV
53	8405007	2	Clamp	
54	8405009	5	Clamp	
55	8405104	4	Clamp	
56	8405202	1	Clamp	
57	8405204	1	Clamp	
58	8406109	2	Clip	
60	1001117308	1	Relay, 200Amp	
60	3300220	2	Nut	
60	3321001	2	Nut #10	
60	4761000	2	Washer #10	
60	1001111424	2	Washer	
61	1001118878	1	Bolt M6 x 55	
62	1001134488	1	Fitting, Barbed 90	
63	1001144116	1	Spacer, Fan	
65	1001136834	1	Cap, Tank	
66	1001138173	1	Support, Service Indicator	
67	1001138175	1	Bracket, Service Indicator	
68	1001138228	1	Relay, Power Module	
68	70023592	1	Fuse 20Amp	
68	70023593	1	Fuse 30Amp	
69	1001138248	5.25 ft/ 1.6m	Tube	
70	1001138827	1	Sensor, Coolant Level	
71	1001139240	1	Bracket	
72	1001230635	1	Tank, Surge (Includes Items 62, 70 & 73)	
73	1001140564	1	Fitting, Barbed 90	
74	1001141304	1	Harness, Glow Plug	
75	1001141694	1	Clamp, Air Cleaner	
76	1001141995	1	Fitting, Barbed	
78	1001143390	1	Indicator	
79	1001143797	1	Fitting, Barbed	
80	1001178788	1	Cable, Alternator	
82	1001152489	1	Fitting, Barbed 90	
86	1001165388	1	Air Cleaner Assembly	
86	70003783	1	Element, Air Cleaner	
87	1001165405	1	Hose, Upper Radiator	
88	1001165406	1	Hose, Lower Radiator	
89	1001165721	1	Hose, Air Intake	
90	1001165722	1	Radiator	
91	1001165849	1	Fan	
92	1001166718	AR	Mount, Motor	
93	1001166921	1	Plate, Engine Mount	
94	1001166922	Ref	Plate, Engine Mount	
95	1001166924	1	Plate, Engine Mount	
96	1001167108	1	Harness Engine - Deutz D2.9L4 (See Separate Breakdown in ELECTRICAL SECTION)	
97	1001167520	1	Tray, Engine	
98	1001168018	AR	Washer, Special	
99	1001168026	1	Plate, Radiator Mounting	
101	1001168099	1	Hose	
102	1001168166	2	Seal	
103	1001260420	1	Bracket	

## SECTION 3 - ENGINE

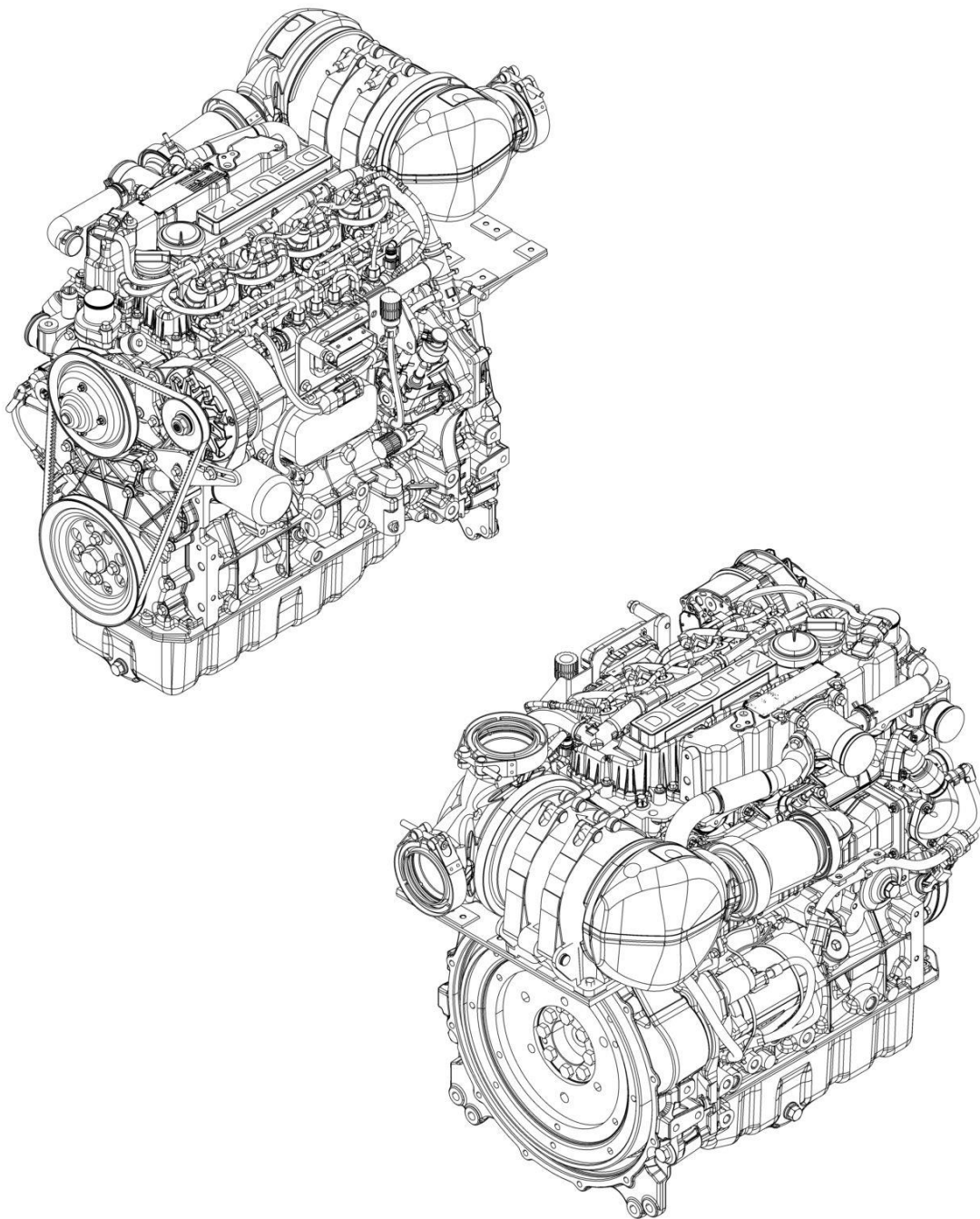
ITEM	PART NUMBER	QTY	DESCRIPTION	REV
104	1001169054	4	Isolator	
105	1001169138	4	Washer, Snubbing	
106	1001169967	2	Bracket	
107	1001170035	2	Bracket	
108	1001249965	1	Engine, Deutz D2.9L4 (See Separate Breakdown in this Section)	
110	1001140312	1	Heater, Engine Block	
112	0760607	3	Bolt M6 x 14	
113	0760815	2	Bolt M8 x 35	
114	3520054	1	Plug	
115	5250810	2	Bolt M8 x 20	
116	8406110	1	Clip	
117	8406201	1	Clip	
118	1001177359	1	Hose	
119	1001178876	1	Mount, Fuel Filter	
120	1001179903	1	Bracket	
121	1001180620	AR	Adhesive	
122	1001181895	AR	Adhesive	
123	0760810	8	Bolt M8 x 20	
124	1001191620	1	Clamp	
125	4811702	12	Washer M6	
126	4751600	2	Washer 3/8	
127	3311605	1	Nut 3/8	
128	0681608	1	Bolt 3/8 x 1	
129	1001260412	1	Bracket	
130	1001162335	1	Bracket Assembly - Fuel Pump/Filter (Not Shown) (See Separate Breakdown in this Section)	





## SECTION 3 - ENGINE

FIGURE 3-20. ENGINE COMPONENTS - DEUTZ D2.9L4 ENGINE (ANSI, ANSI EXPORT AND CSA SPECS)



ART\_1001249965

## SECTION 3 - ENGINE

**FIGURE 3-20. ENGINE COMPONENTS - DEUTZ D2.9L4 ENGINE (ANSI, ANSI EXPORT AND CSA SPECS)**

ITEM	PART NUMBER	QTY	DESCRIPTION	REV
	1001249965	Ref	DEUTZ D2.9L4 - EMR4 (49HP) ENGINE COMPONENTS	B
	See Note	Ref	Note: Contact JLG Customer Service for Availability of Additional Components.	
		Ref	Air Intake System	
	70005182	1	Charge Air Elbow	
	70005183	1	Breather Line	
		Ref	Cooling System Components	
	70030360	1	Pump, Coolant	
	70007603	1	Thermostat	
		Ref	Electrical Components	
	70025210	1	Module, Engine Control (ECM/ECU)	
	70024513	1	Harness, Fuel Filter Sensor	
	70024504	1	Sensor, Fuel Pressure	
	70006652	1	Generator	
	70024915	1	Starter	
	70025231	1	Harness, Glow Plug	
	70028540	1	Sensor, Temperature	
	70026210	1	Sensor, Speed	
	70024507	1	Sensor, Pressure (Air Intake)	
	70031145	4	Plug, Glow	
		Ref	Exhaust Components	
	70031136	1	Pipe, Exhaust	
	70004282	1	Exhaust Manifold	
		Ref	Fuel System Components	
	70030381	1	Pump, High Pressure	
	700004508	1	Valve, Volume Control	
	70004281	1	Injector, Fuel	
	70006144	1	Pump, Fuel Supply (Includes Qty 2 Mounting Clamps)	
	1001225430	1	Filter, Fuel (Pre-Filter) Assembly	
	70024961	1	Filter, Fuel	
	70025239	1	Seal	
	70024513	1	Cable, Sensor	
	70029451	1	Filter, Fuel	
		Ref	Gasket & Seal Components	
	70024905	1	Seal, Dipstick	
	70005942	2	Seal, Oil Plug	
	70024906	1	Gasket, Head	
	70005171	1	Gasket, Valve Cover	
	70002718	1	Seal, Rear Main	
	70025135	1	O-Ring, Oil Lube Pump	
	70005173	1	Gasket, Oil Lube Pump	
	70024925	1	Seal, Oil Cooler	
	70005177	1	Gasket, Charge Air Housing	
	70025200	1	O-Ring, Coolant Pump	
	70007325	1	Seal, Coolant Pump	
	70005184	1	O-Ring, Thermostat	
	70005931	1	Seal, Thermostat	
	70025164	1	Gasket, Exhaust Manifold to Head	
	70007354	1	Gasket, Short Exhaust Pipe to JLG supplied Exhaust	

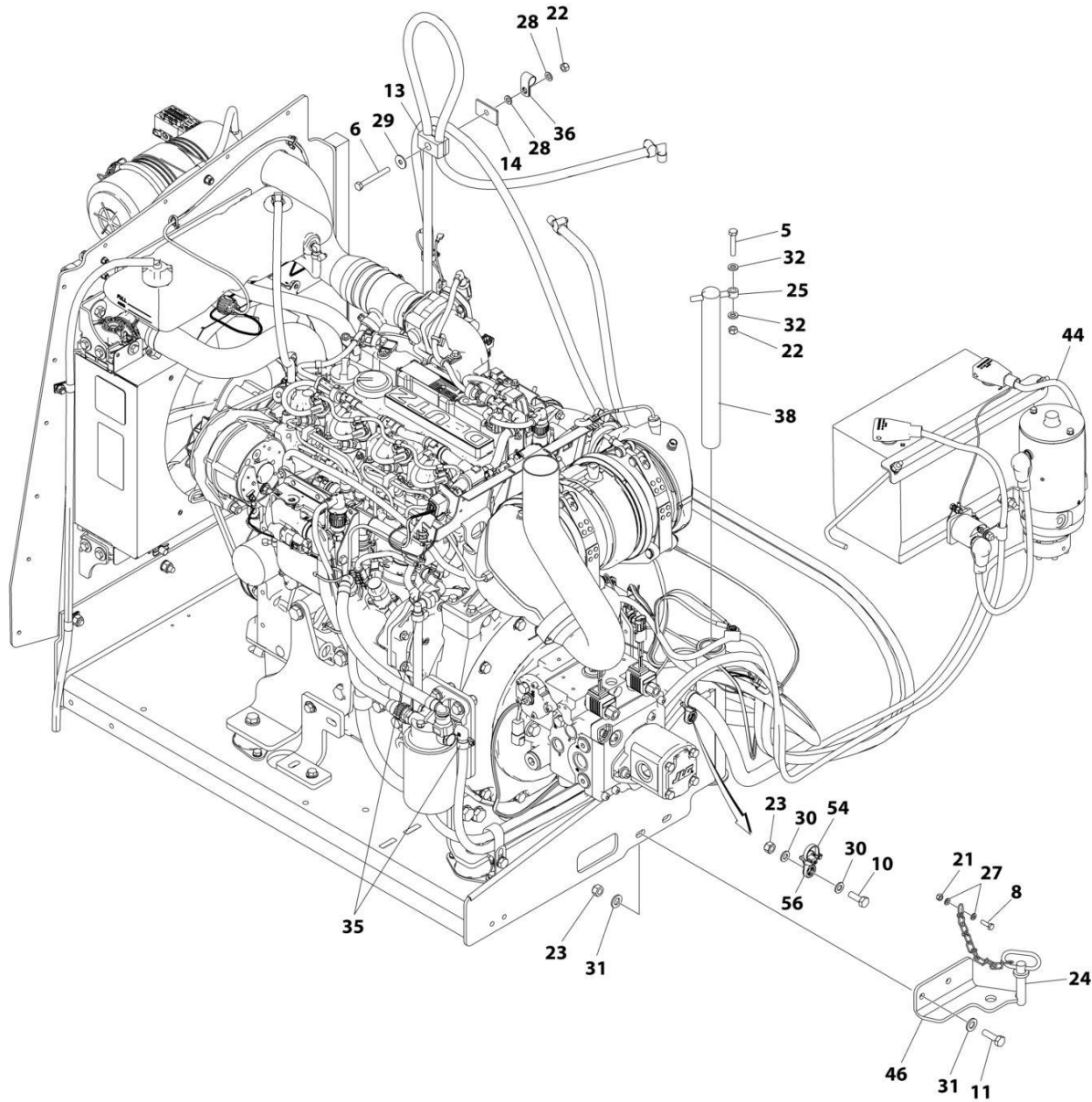
## SECTION 3 - ENGINE

ITEM	PART NUMBER	QTY	DESCRIPTION	REV
	70007326	1	Gasket EGR Valve	
	70031095	1	Gasket, Exhaust Return Pipe (to Air Intake Housing)	
		Ref	Other Components	
	70001870	1	Flywheel	
	7024579	1	Gear, Ring	
		Ref	Oil Lube System	
	7020465	1	Cap, Oil Fill	
	70024904	1	Dipstick	
	70005941	2	Plug, Oil (Includes Seal)	
	70005172	1	Pump, Oil Lube (Includes O-Ring & Gasket)	
	70024494	1	Oil Cooler	
	7016331	1	Filter, Oil	



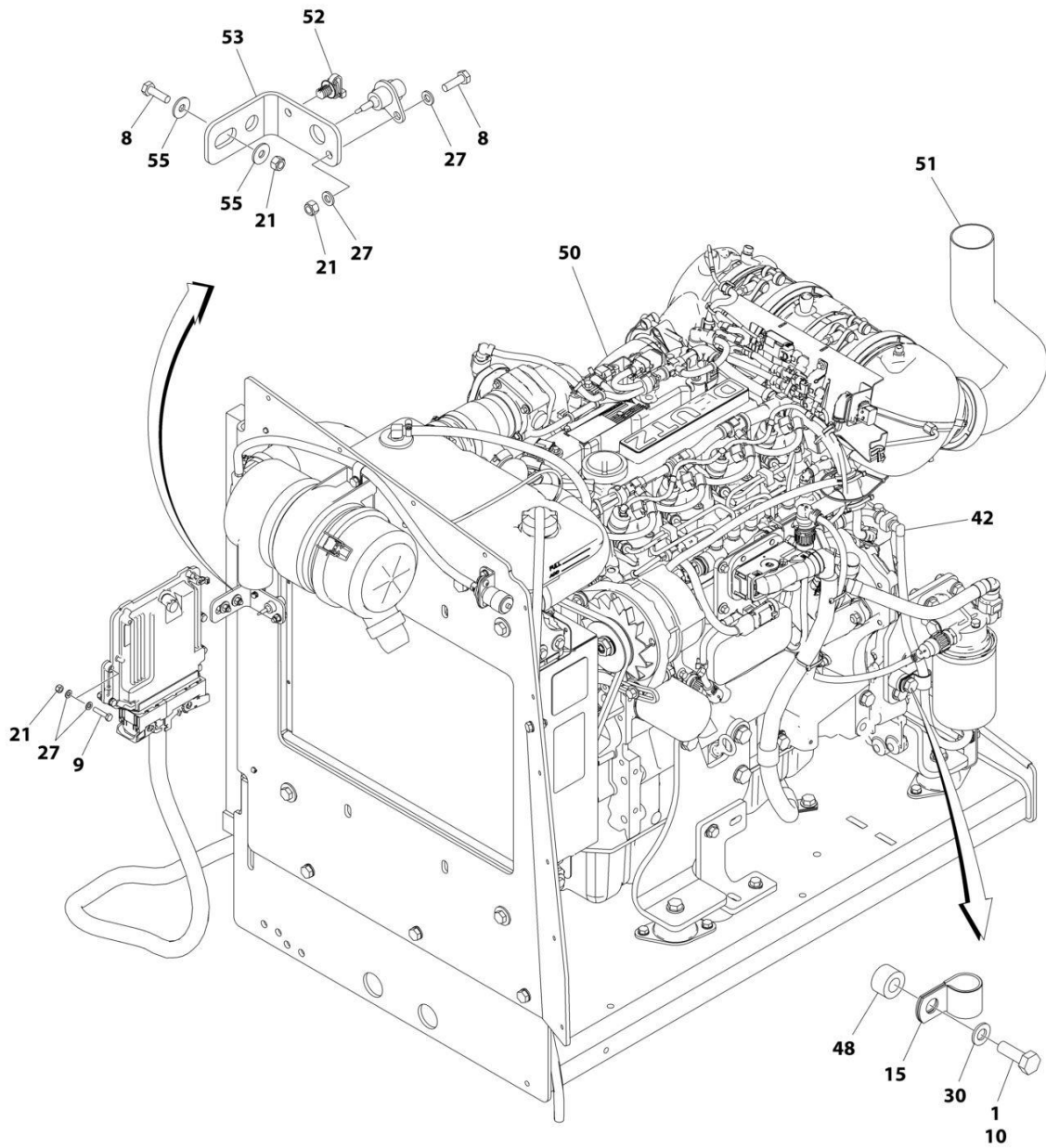
# SECTION 3 - ENGINE

## FIGURE 3-21. ENGINE INSTALLATION - DEUTZ D2.9L4 ENGINE (STAGE V) (CE SPECS)



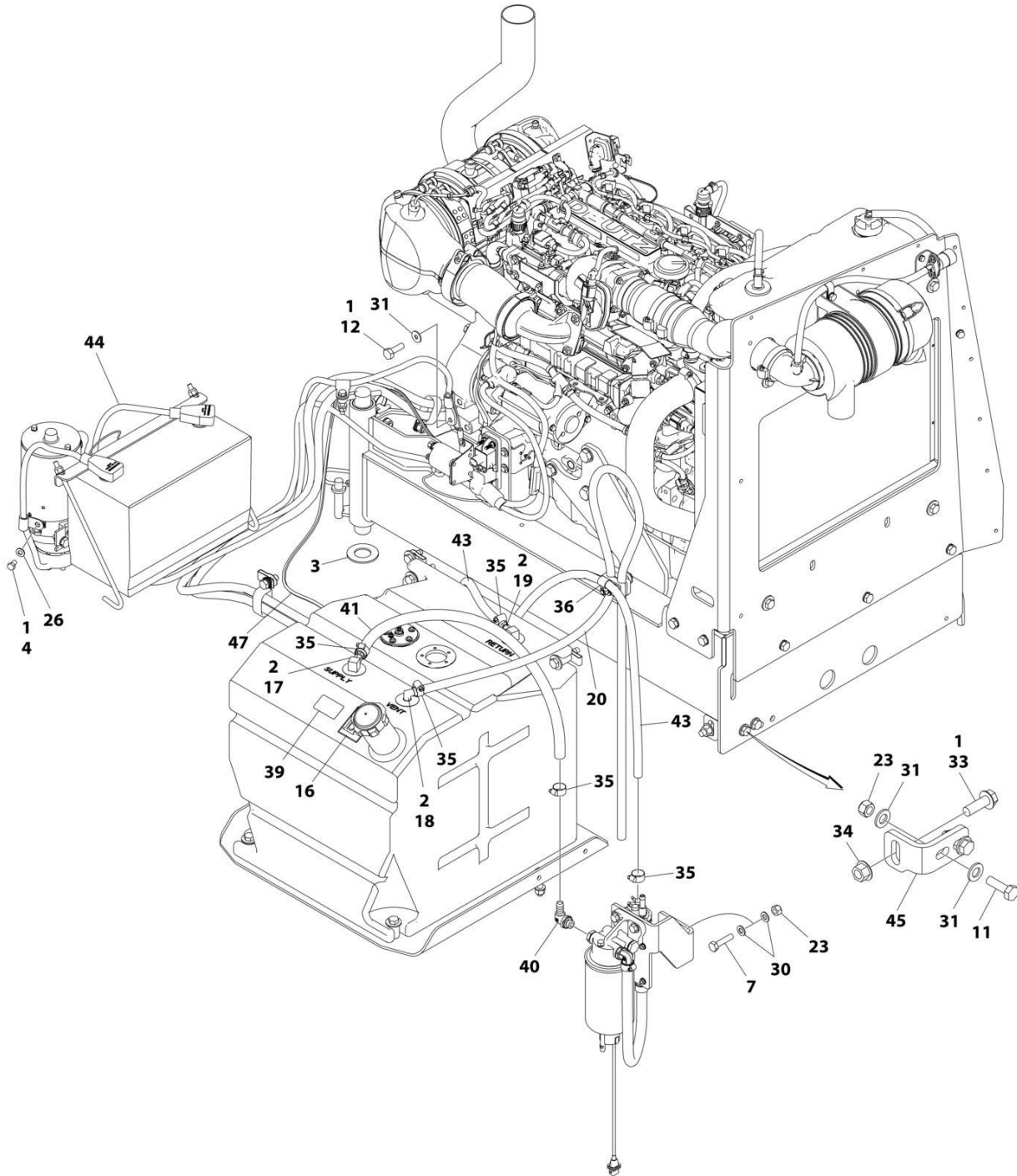
ART\_1001244283\_10F3

# SECTION 3 - ENGINE



ART\_1001244283\_2OF3

# SECTION 3 - ENGINE



ART\_1001244283\_3OF3



## SECTION 3 - ENGINE

**FIGURE 3-21. ENGINE INSTALLATION - DEUTZ D2.9L4 ENGINE (STAGE V) (CE SPECS)**

ITEM	PART NUMBER	QTY	DESCRIPTION	REV
	1001244283	Ref	ENGINE INSTALLATION - DEUTZ STAGE V ENGINE	G
1	0100011	AR	Compound, Locking	
2	0100020	1	Sealant, Pipe	
3	0440162	1	Bearing	
4	0641504	1	Bolt 5/16 x 1/2	
5	0700817	1	Bolt M8 x 45	
6	0700822	1	Bolt M8 x 70	
7	0701017	2	Bolt M10 x 45	
8	0760610	4	Bolt M6 x 20	
9	0760613	4	Bolt M6 x 28	
10	0761014	4	Bolt M10 x 30	
11	0761015	2	Bolt M10 x 35	
12	0771212	1	Bolt M12 x 25	
13	1320187	1	Clamp	
14	1320190	1	Clamp	
15	1320061	1	Clamp	
16	1701505	1	Decal - Diesel Fuel	
17	2180832	1	Fitting, Barbed	
18	2220313	1	Fitting, Barbed 90 3/8 NPTF / 3/8	
19	2220767	AR	Fitting, Barbed 90	
19	8430007	AR	Fitting, Barbed	
20	2750532	5.5 ft /1.69m	Hose	
21	3290605	8	Nut M6	
22	3290805	2	Nut M8	
23	3291005	7	Nut M10	
24	3422532	1	Pin	
25	3841143	1	Keeper, Pin	
26	4711500	1	Washer, 5/16	
27	4811700	12	Washer, M6	
28	4811900	2	Washer, M8	
29	4811902	1	Washer, M8	
30	4812000	7	Washer, M10	
31	4812100	9	Washer, M12	
32	5240800	2	Washer, M8 Hardened	
33	5251215	1	Bolt M12 x 35	
34	5261200	1	Nut, Flange M12 Class10	
35	8405006	7	Clamp	
36	8406101	1	Clip	
38	1001135196	1	Pin	
39	1001139654	1	Decal, Ultra Low Sulfur Fuel	
40	1001142501	1	Fitting, Barbed 90	
41	1001154405	2.29 ft /0.70m	Hose	
42	1001155823	1	Coupling, Quick Disconnect 90	
43	1001165035	21.06 ft /6.42m	Hose	
44	1001166970	1	Battery and Auxiliary Power Pump Cable Kit	
45	1001167512	1	Bracket, Engine Tray	
46	1001169823	1	Plate, Engine Lock	

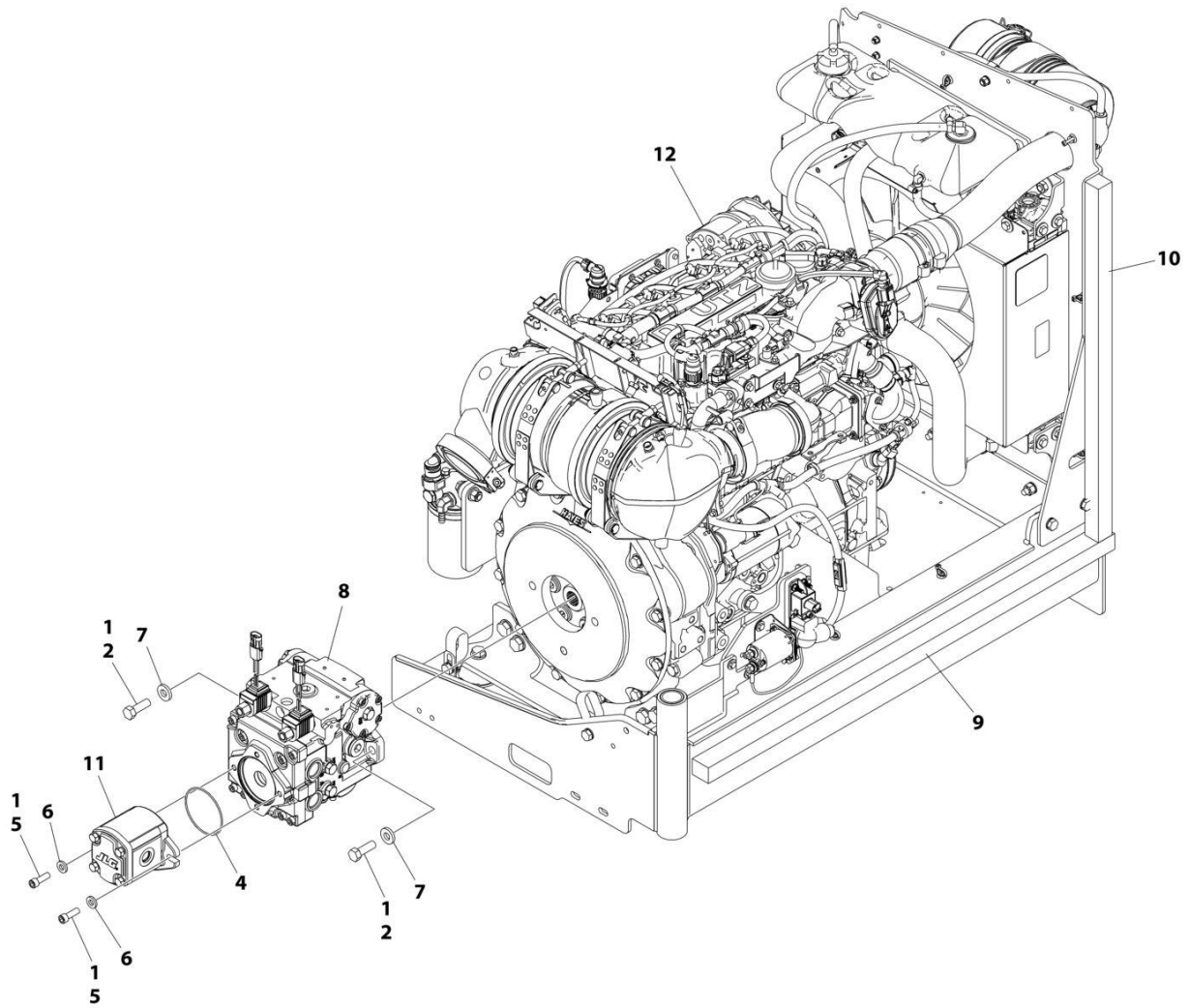
## SECTION 3 - ENGINE

ITEM	PART NUMBER	QTY	DESCRIPTION	REV
47	1001173342	1	Harness, Fuel Pump (See Separate Breakdown in ELECTRICAL SECTION)	
48	1001220266	1	Bar, Spacer M12 x 12	
50	1001244285	1	Engine Assy, Deutz Stage V W/Pumps (See Separate Breakdown in this Section)	
51	1001245305	1	Pipe, Exhaust	
52	1001146588	2	Strap	
53	1001256879	1	Bracket	
54	1062255	AR	Tie-Strap (Not Shown)	
55	4811702	4	Washer M6	
56	1001156107	1	Holder	



# SECTION 3 - ENGINE

## FIGURE 3-22. ENGINE AND PUMP SUB-ASSEMBLY - DEUTZ D2.9L4 ENGINE (STAGE V) (CE SPECS)



ART\_1001244285

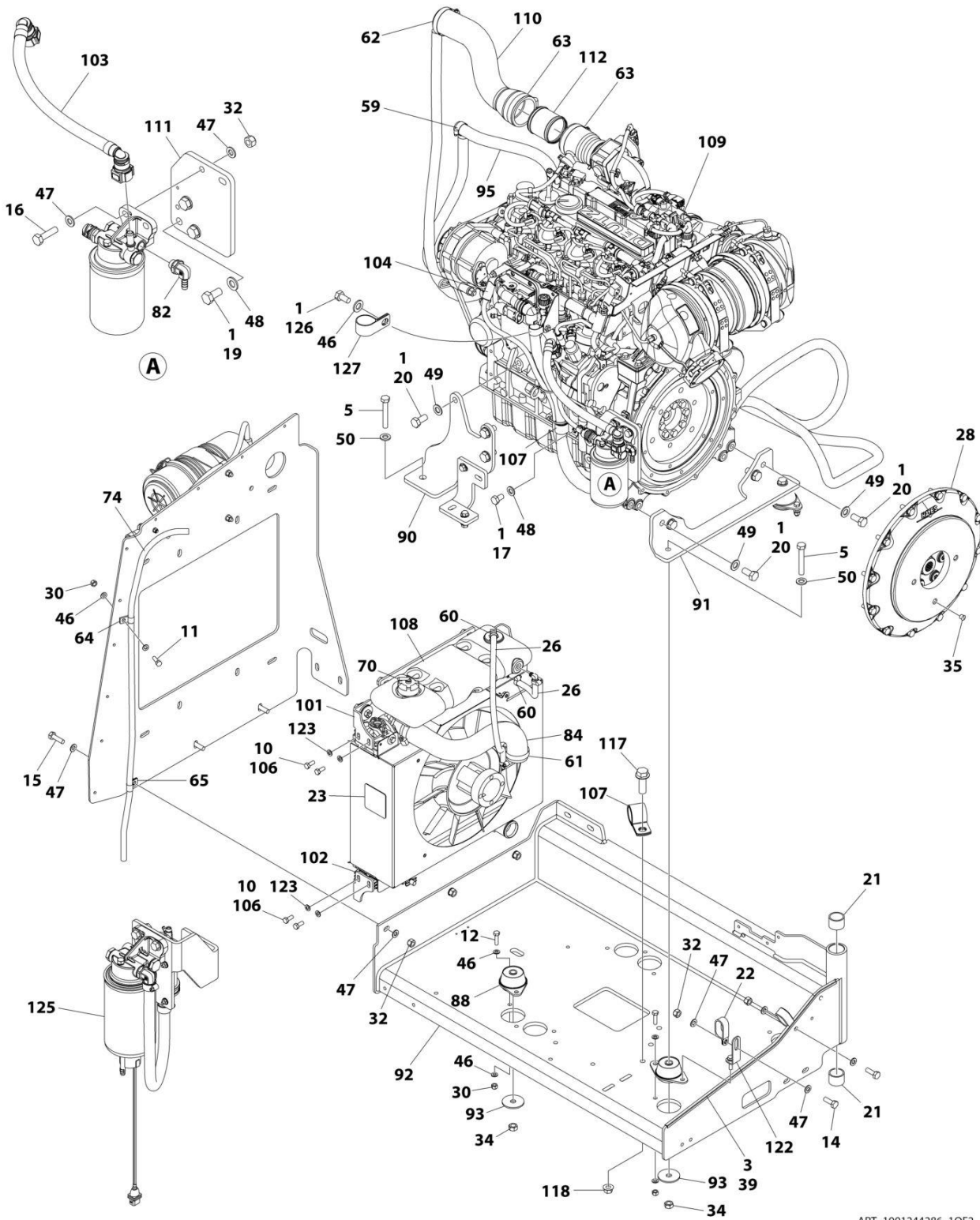
## SECTION 3 - ENGINE

**FIGURE 3-22. ENGINE AND PUMP SUB-ASSEMBLY - DEUTZ D2.9L4 ENGINE (STAGE V) (CE SPECS)**

ITEM	PART NUMBER	QTY	DESCRIPTION	REV
	1001244285	Ref	ENGINE AND PUMP SUB-ASSEMBLY - DEUTZ (STAGE V) ENGINE	E
1	0100011	AR	Compound, Locking	
2	0641812	2	Bolt 1/2 x 1-1/2	
4	3790152	1	O-Ring	
5	3931618	2	Capscrew, 3/8 x 1-1/8	
6	4891600	2	Washer, 3/8 Hardened	
7	4891800	2	Washer 1/2 Hardened	
8	1001167036	1	Piston Pump Assembly (See Separate Breakdown in this Section)	
9	1001171953	1	Seal	
10	1001171954	1	Seal	
11	1001214207	1	Gear Pump Assembly	
11	70006356	1	Seal Kit - 1001214207 Pump	
12	1001244286	1	Engine Assembly, Deutz (Stage V) Engine (See Separate Breakdown in this Section)	

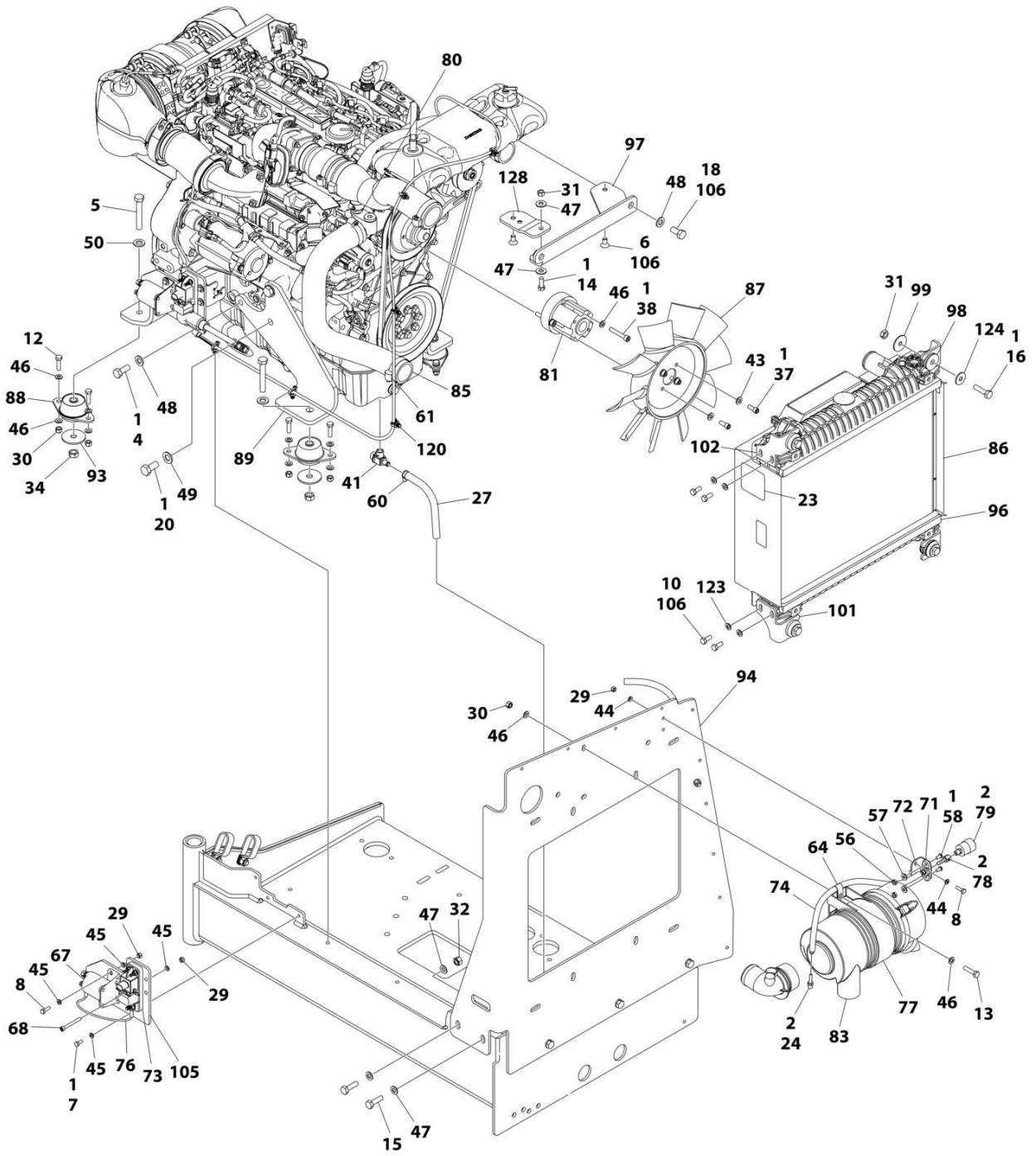
# SECTION 3 - ENGINE

## FIGURE 3-23. ENGINE ASSEMBLY – DEUTZ D2.9L4 ENGINE (STAGE V) (CE SPECS)



ART\_1001244286\_10F2

# SECTION 3 - ENGINE



ART\_1001244286\_2OF2

## SECTION 3 - ENGINE

**FIGURE 3-23. ENGINE ASSEMBLY – DEUTZ D2.9L4 ENGINE (STAGE V) (CE SPECS)**

ITEM	PART NUMBER	QTY	DESCRIPTION	REV
	1001244286	Ref	ENGINE ASSEMBLY, DEUTZ (STAGE V) ENGINE	K
1	0100011	AR	Compound, Locking	
2	0100020	AR	Sealant, Pipe	
3	0100081	AR	Adhesive	
4	0711214	1	Bolt M12 x 30	
5	0711224	AR	Bolt M12 x 80	
6	0741606	2	Screw 3/8 x 3/4	
7	0760607	3	Bolt M6 x 14	
8	0760610	4	Bolt M6 x 20	
10	0760810	8	Bolt M8 x 20	
11	0760812	1	Bolt M8 x 25	
12	0760814	AR	Bolt M8 x 30	
13	0760815	2	Bolt M8 x 35	
14	0761014	3	Bolt M10 x 30	
15	0761015	5	Bolt M8 x 35	
16	0761016	6	Bolt M10 x 40	
17	0761210	1	Bolt M12 x 20	
18	0761212	2	Bolt M12 x 25	
19	0771212	3	Bolt M12 x 25	
20	0771414	9	Bolt M14 x 30	
21	0961951	2	Bushing	
22	1321716	2	Clamp	
23	1703162	2	Decal - Caution Fan	
24	2220315	1	Fitting, Barbed	
26	2720015	1.94 ft /0.59m	Hose	
27	2720340	0.66 ft/ 0.20m	Hose	
28	2902065	1	Pump Coupling Kit (See Separate Breakdown in this Section)	
29	3290605	5	Nut M6	
30	3290805	AR	Nut M8	
31	3291001	5	Nut M10	
32	3291005	9	Nut M10	
34	3331215	4	Nut M12 x 1.75	
35	3520054	1	Plug	
37	3931512	4	Capscrew, 5/16 x 3/4	
38	4031914	4	Bolt M8 x 50	
39	4060805	2.03 ft /0.62m	Flex-Trim	
40	4240099	AR	Tie-Strap (Not Shown)	
41	4640751	1	Valve, Oil Drain	
43	4711500	4	Washer 5/16	
44	4811700	4	Washer M6	
45	4811702	8	Washer M6	
46	4811900	AR	Washer M8	
47	4812000	20	Washer M10	
48	4812100	7	Washer M12	
49	4812200	AR	Washer M14	
50	5241200	AR	Washer M12	
56	8305401	2	Nut Jam	



## SECTION 3 - ENGINE

ITEM	PART NUMBER	QTY	DESCRIPTION	REV
57	8307109	2	Washer 1/4	
58	8310548	2	Screw 1/4 x 1/2	
59	8405007	2	Clamp	
60	8405009	5	Clamp	
61	8405104	4	Clamp	
62	8405202	1	Clamp	
63	8405204	2	Clamp	
64	8406109	2	Clip	
65	8406110	1	Clip	
67	1001117308	1	Relay, 200Amp	
68	1001118878	1	Bolt M6 x 55	
70	1001136834	1	Cap, Tank	
71	1001138173	1	Support, Service Indicator	
72	1001138175	1	Bracket, Service Indicator	
73	1001138228	1	Relay, Power Module	
74	1001138248	5.09 ft /1.55m	Tube	
76	1001141304	1	Harness, Glow Plug	
77	1001141694	1	Clamp, Air Cleaner	
78	1001141995	1	Fitting, Barbed	
79	1001143390	1	Indicator	
80	1001143797	1	Fitting, Barbed	
81	1001144116	1	Spacer, Fan	
82	1001152489	1	Fitting, Barbed 90	
83	1001165388	1	Air Cleaner Assembly	
83	70003783	1	Element, Air Cleaner	
84	1001165405	1	Hose, Upper Radiator	
85	1001165406	1	Hose, Lower Radiator	
86	1001165722	1	Radiator	
87	1001165849	1	Fan	
88	1001166718	AR	Mount, Motor	
89	1001166921	1	Plate, Engine Mount	
90	1001166922	1	Plate, Engine Mount (Prior to PVC2107)	
91	1001166924	1	Plate, Engine Mount	
92	1001167520	1	Tray, Engine	
93	1001168018	AR	Washer, Special	
94	1001168026	1	Plate, Radiator Mounting	
95	1001168099	1	Hose	
96	1001168166	2	Seal	
97	1001260420	1	Bracket (note: may require P/N 1001260412)	
98	1001169054	4	Isolator	
99	1001169138	4	Washer, Snubbing	
101	1001169967	2	Bracket	
102	1001170035	2	Bracket	
103	1001177359	1	Hose	
104	1001178788	1	Cable, Alternator	
105	1001179903	1	Bracket	
106	1001180620	AR	Adhesive	
107	1001191620	2	Clamp	
108	1001230635	1	Tank, Surge (Includes Items 62, 70, & 73)	
109	1001232545	1	Engine, Deutz 2.9L4 (Stage V) (See Separate Breakdown in this Section)	

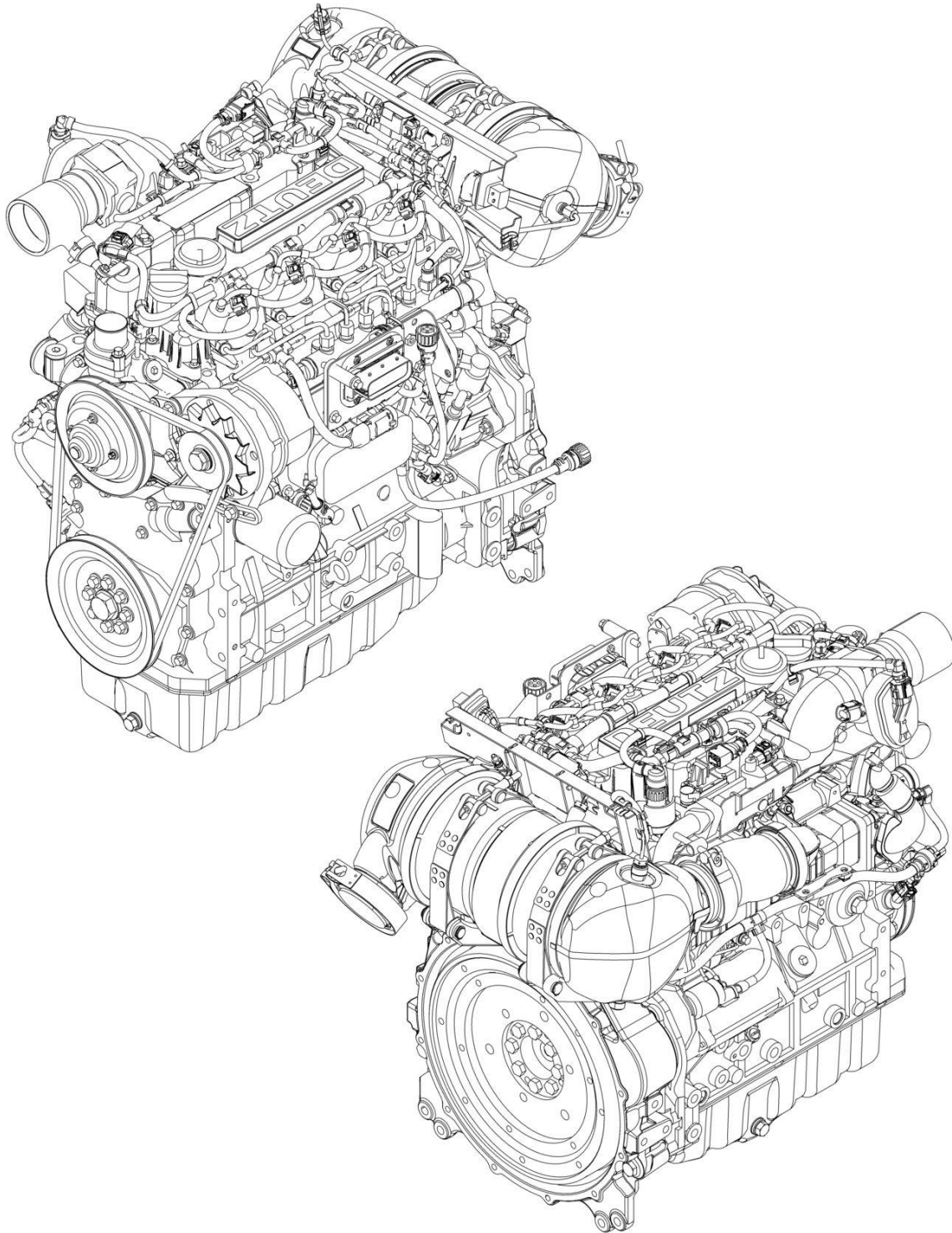
## SECTION 3 - ENGINE

ITEM	PART NUMBER	QTY	DESCRIPTION	REV
110	1001236780	1	Hose, Air Intake	
111	1001258804	1	Mount, Fuel Filter	
112	1001238911	1	Pipe, Air Intake	
113	1001245839	1	Harness, Engine (Not Shown - See Separate Breakdown in ELECTRICAL Section)	
117	5251215	1	Bolt M12 x 35	
118	5261200	1	Nut, Flange M12 Class10	
120	1001146588	AR	Tie-Strap (Not Shown)	
122	1001223122	1	Support	
123	4811902	8	Washer M8	
124	4812002	4	Washer M10	
125	1001235949	1	Bracket (See Separate Breakdown in this Section)	
126	0760808	1	Bolt M8 x 16	
127	8406201	1	Clip	
128	1001260412	1	Bracket	



## SECTION 3 - ENGINE

FIGURE 3-24. ENGINE COMPONENTS - DEUTZ D2.9L4 ENGINE (STAGE V) (CE SPECS)



ART\_1001232545

## SECTION 3 - ENGINE

**FIGURE 3-24. ENGINE COMPONENTS - DEUTZ D2.9L4 ENGINE (STAGE V) (CE SPECS)**

ITEM	PART NUMBER	QTY	DESCRIPTION	REV
	1001232545	Ref	DEUTZ ENGINE COMPONENTS	H
		Ref	Note: For complete list of parts, contact JLG Parts Department	
		Ref	Air Intake System Components	
		Ref	Charge Air Pipe	
	70025168	1	Intake Pipe	
		Ref	Mixing Tube	
		Ref	Throttle Valve	
		Ref	Cooling System Components	
	70029797	1	Pump, Coolant (Includes Gasket & Seals)	
	70007603	1	Thermostat	
	70005184	1	O-Ring	
	70005931	1	Gasket	
	70025142	1	Cover	
		Ref	Electrical System Components	
	70029512	1	Module, ECU/ECM	
	70007784	1	Alternator	
	70031143	1	Module, Alternator Control	
	70029015	1	Fan, Alternator	
	70029402	1	Nut, Alternator Fan	
	70029403	1	Nut, Alternator Power Stud	
	70029404	1	Washer, Alternator Power Stud Spring	
	70031144	1	Starter (Includes Solenoid)	
	70025099	1	Bolt, Starter Mounting	
	70026210	1	Sender, Tacho-Generator (Speed) (On Rear of Block) (Includes Seal)	
	70024916	1	Sender, Tacho-Generator (Speed) (On Cover) (Includes Seal)	
	70024918	1	Sender, Temperature (Includes Seal) (On Air Intake Manifold)	
		Ref	Sensor, Pressure (Includes Seal) (On Air Intake Manifold)	
	70024504	1	Sensor, Pressure (Includes Seal) (On Fuel Filter & Side of Block)	
	70005504	1	Sensor, Pressure (Includes Seal) (On Exhaust Manifold)	
	70027405	1	Sensor, Temperature (Includes Seal) (On Exhaust Manifold)	
	70000345	4	Plug, Glow	
		Ref	Exhaust System Components	
		Ref	Valve, EGR	
	70025130	8	Bolt, Exhaust Manifold	
	70025164	1	Gasket, Exhaust Manifold	
		Ref	Outlet, Muffler	
		Ref	Muffler	
		Ref	Bracket, Muffler Mounting	
	70004504	1	Compensator, Exhaust	
		Ref	Fuel System Components	
		Ref	Pump, High Pressure	
	70004281	1	Injector (Includes Sealing washer, Clamp & O-Ring)	
	70006144	1	Pump, Fuel Supply (Includes Clamps)	
	70024961	1	Filter, Fuel (Pre-Filter Assembly) (Includes Head, Spin on filter, Sensor Cable & Seal)	
	70025153	1	Filter, Fuel Spin On	
	70024513	1	Sensor Cable (Includes Seal)	
	70025160	1	Filter, Fuel (Assembly) (Includes Head & Spin on Filter)	
	70025161	1	Filter, Fuel Spin On	

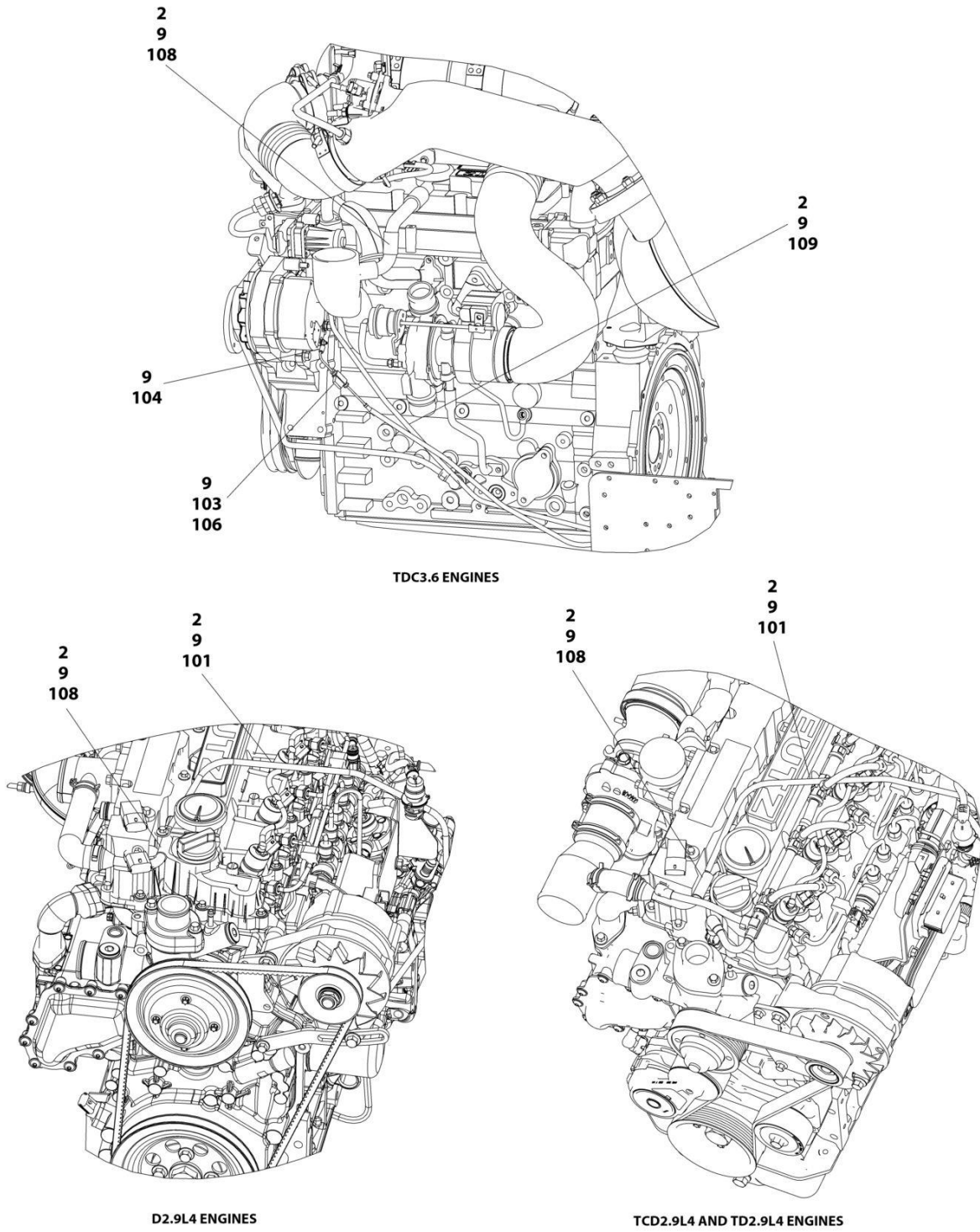
## SECTION 3 - ENGINE

ITEM	PART NUMBER	QTY	DESCRIPTION	REV
	70004508	1	Vol. Control Valve (Includes O-Ring & Gasket)	
		Ref	Lubricating System Components	
	7020465	2	Cap, Oil Fill	
	70005941	2	Plug, Oil Drain	
	70005942	2	Seal, Oil Drain Plug	
	70005172	1	Pump, Oil (Includes Seal & Gasket)	
	7016331	1	Filter, Oil	
	70024494	1	Cooler, Oil	
	70024925	1	Gasket, Oil Cooler	
	70024904	1	Dipstick (Includes Seal)	
		Ref	Mechanical Components	
	70001870	1	Flywheel (includes Gear)	
	70024913	1	V-Belt	
		Ref	Gasket Set - Complete	



# SECTION 3 - ENGINE

## FIGURE 3-25. BREATHER HEATER INSTALLATION - DEUTZ D2.9L4 ENGINE WITH ARCTIC PACKAGE



ART\_1001233763



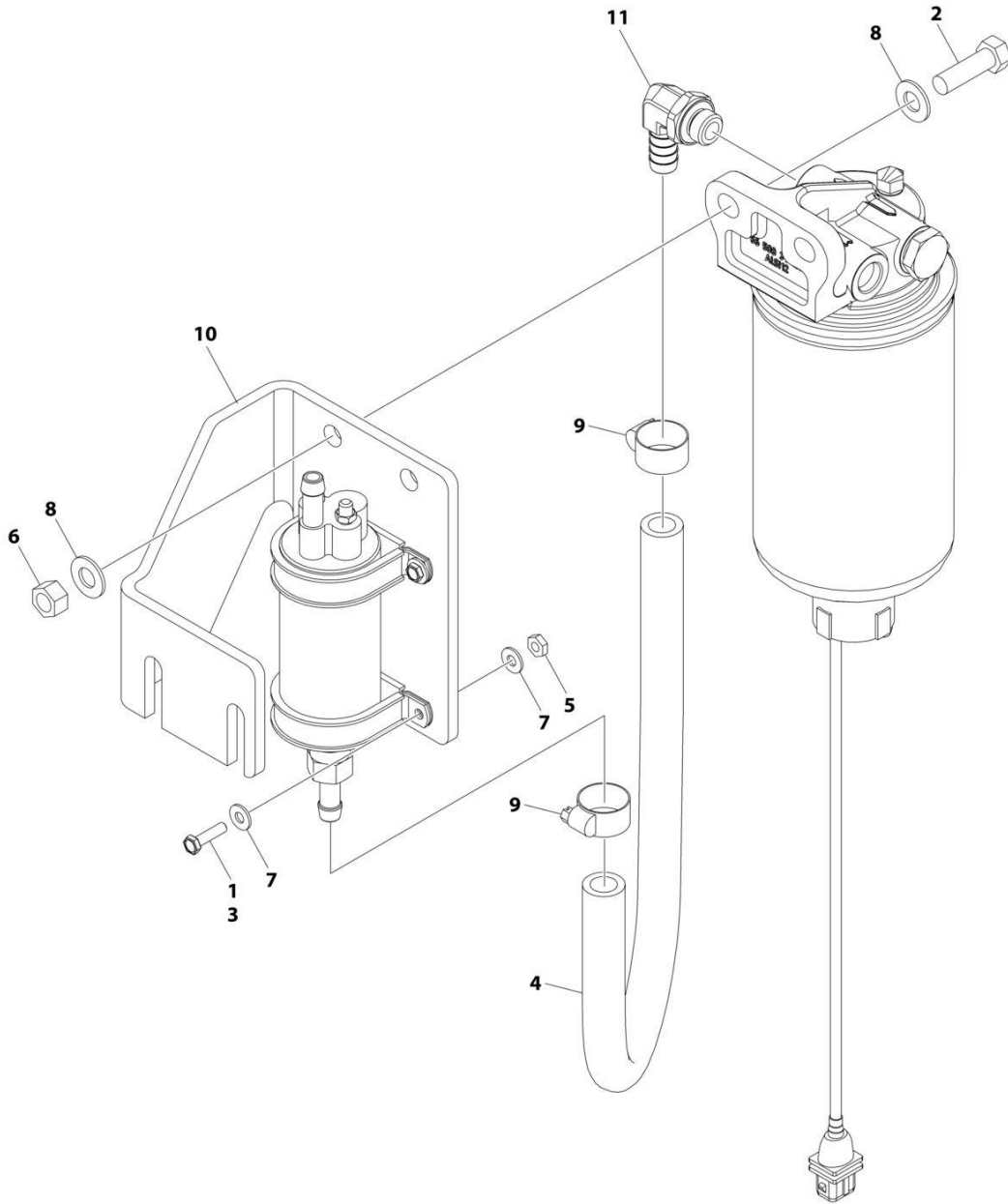
## SECTION 3 - ENGINE

**FIGURE 3-25. BREATHER HEATER INSTALLATION - DEUTZ D2.9L4 ENGINE WITH ARCTIC PACKAGE**

ITEM	PART NUMBER	QTY	DESCRIPTION	REV
	1001233763	Ref	BREATHER HEATER INSTALLATION - DEUTZ ENGINES	D
2	4240099	AR	Tie-Strap	
9	1001243895	1	Breather Heater Harness	C
101	2820035	AR	Insulation	
103	2400060	1	Fuseholder with Cover	
104	4460043	1	Terminal, Ring	
105	4460722	1	Terminal, Ring (Not Shown)	
106	1001196634	1	Fuse - 2 Amp	
108	1001232842	1	Breather Heater Kit	

# SECTION 3 - ENGINE

## FIGURE 3-26. BRACKET ASSEMBLY - FUEL PUMP AND FILTER (DEUTZ D2.9L4 ENGINE)



ART\_1001162335

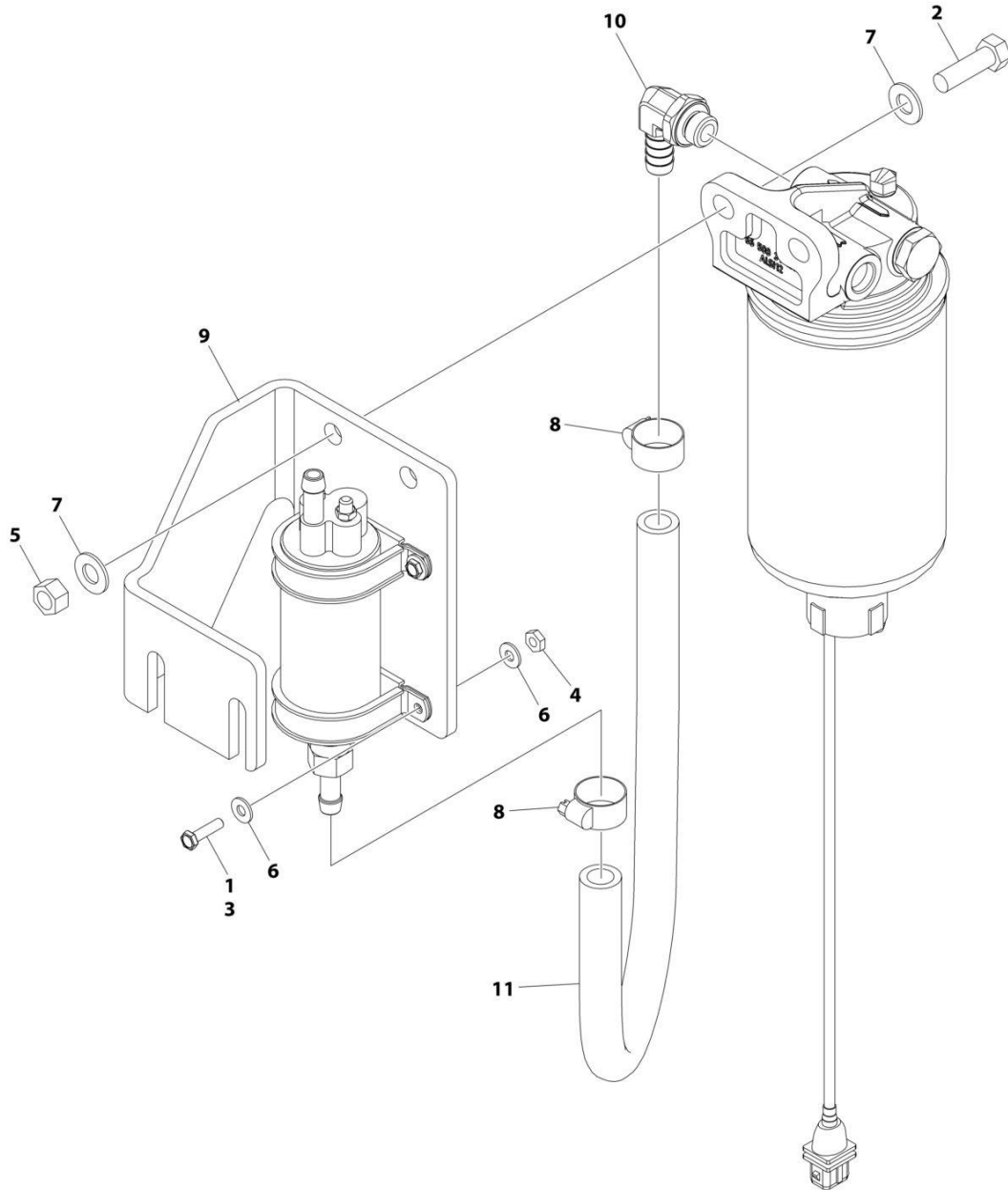
## SECTION 3 - ENGINE

**FIGURE 3-26. BRACKET ASSEMBLY - FUEL PUMP AND FILTER (DEUTZ D2.9L4 ENGINE)**

ITEM	PART NUMBER	QTY	DESCRIPTION	REV
	1001162335	Ref	BRACKET ASSEMBLY - FUEL PUMP AND FILTER (DEUTZ D2.9L4 ENGINE)	E
1	0100011	AR	Compound, Locking	
2	0641610	2	Bolt 3/8 x 1-1/4	
3	0721006	4	Bolt #10 x 3/4	
4	1001154405	AR	Hose	
5	3311001	4	Nut #10	
6	3311605	2	Nut 3/8	
7	4711000	8	Washer #10	
8	4711600	4	Washer 3/8	
9	8405006	2	Clamp	
10	1001141870	1	Plate, Fuel Pump Mount	
11	1001142501	1	Fitting, Elbow Barbed	

# SECTION 3 - ENGINE

## FIGURE 3-27. BRACKET ASSEMBLY - FUEL PUMP AND FILTER (DEUTZ D2.9L4 ENGINE) (STAGE V)



ART\_1001235949

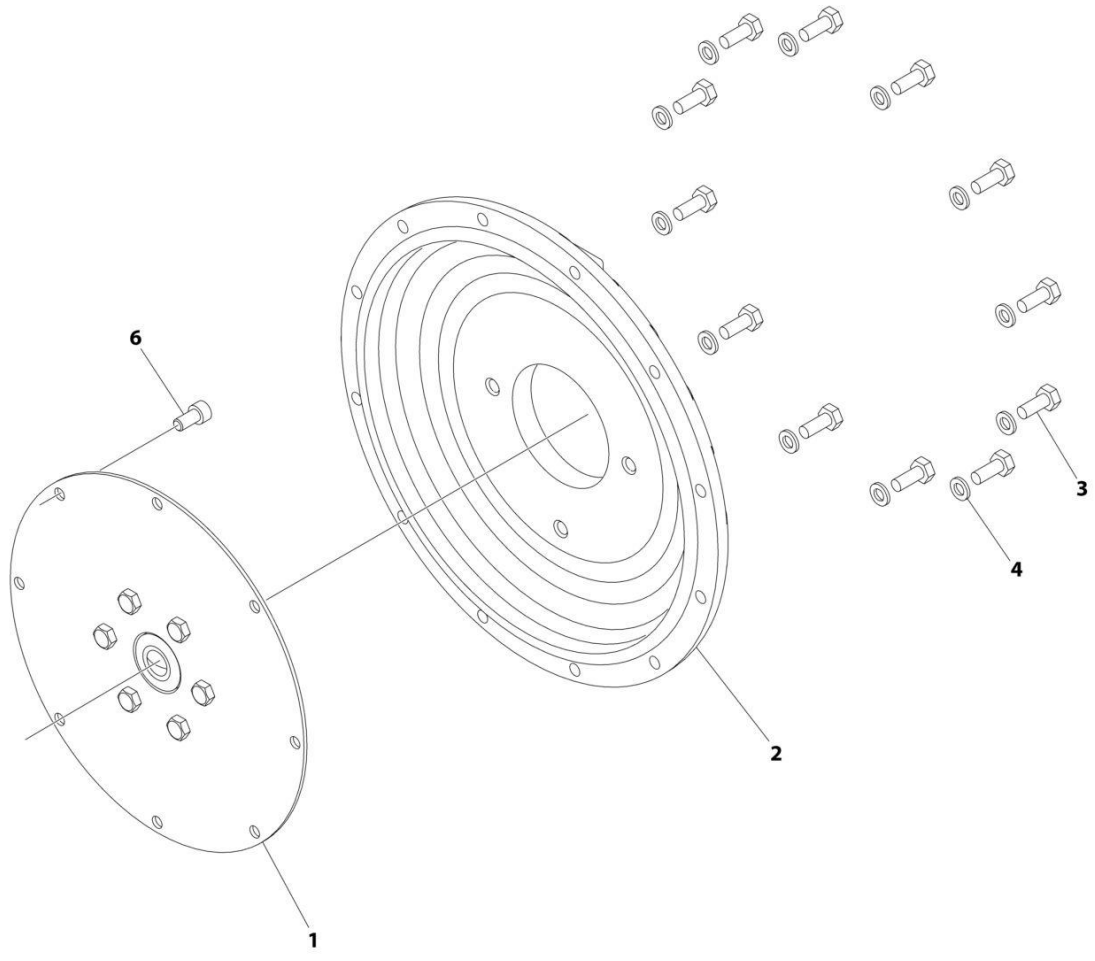
## SECTION 3 - ENGINE

**FIGURE 3-27. BRACKET ASSEMBLY - FUEL PUMP AND FILTER (DEUTZ D2.9L4 ENGINE) (STAGE V)**

ITEM	PART NUMBER	QTY	DESCRIPTION	REV
	1001235949	Ref	BRACKET ASSEMBLY - FUEL PUMP AND FILTER (DEUTZ D2.9L4 (STAGE V) ENGINE)	A
1	0100035	AR	Compound, Locking	
2	0641610	2	Bolt 3/8 x 1-1/4	
3	0721006	4	Bolt #10 x 3/4	
4	3311001	4	Nut #10	
5	3311605	2	Nut 3/8	
6	4711000	8	Washer #10	
7	4711600	4	Washer 3/8	
8	8405006	2	Clamp	
9	1001141870	1	Plate, Fuel Pump Mount	
10	1001142501	1	Fitting, Elbow Barbed	
11	1001154405	1.5 ft /0.4m	Hose	

# SECTION 3 - ENGINE

## FIGURE 3-28. PUMP COUPLING KIT (DEUTZ ENGINES)



ART\_2902065

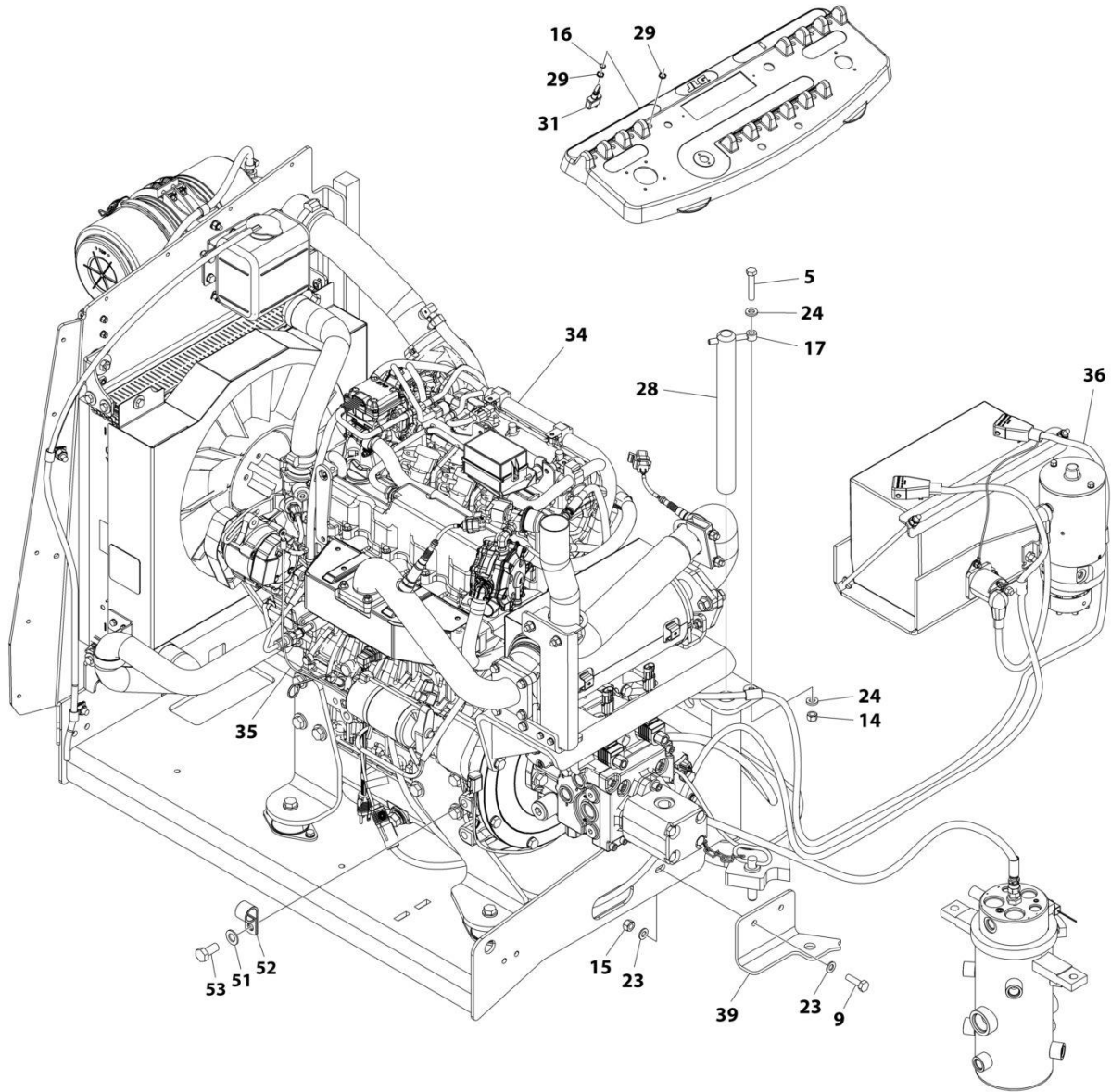
## SECTION 3 - ENGINE

**FIGURE 3-28. PUMP COUPLING KIT (DEUTZ ENGINES)**

ITEM	PART NUMBER	QTY	DESCRIPTION	REV
	2902065	Ref	PUMP COUPLING KIT	L
1	70000793	1	Coupling, Hayes	
2	See Note	NSS	Plate, Pump Adapter (Note: Use p/n 2902065)	
3	See Note	NSS	Bolt M10 x 30 Grade 10.9 (Note: Use p/n 2902065)	
4	See Note	NSS	Washer M10 (Note: Use p/n 2902065)	
6	See Note	NSS	Bolt M10 x 20 Grade 10.9 (Note: Use p/n 2902065)	

# SECTION 3 - ENGINE

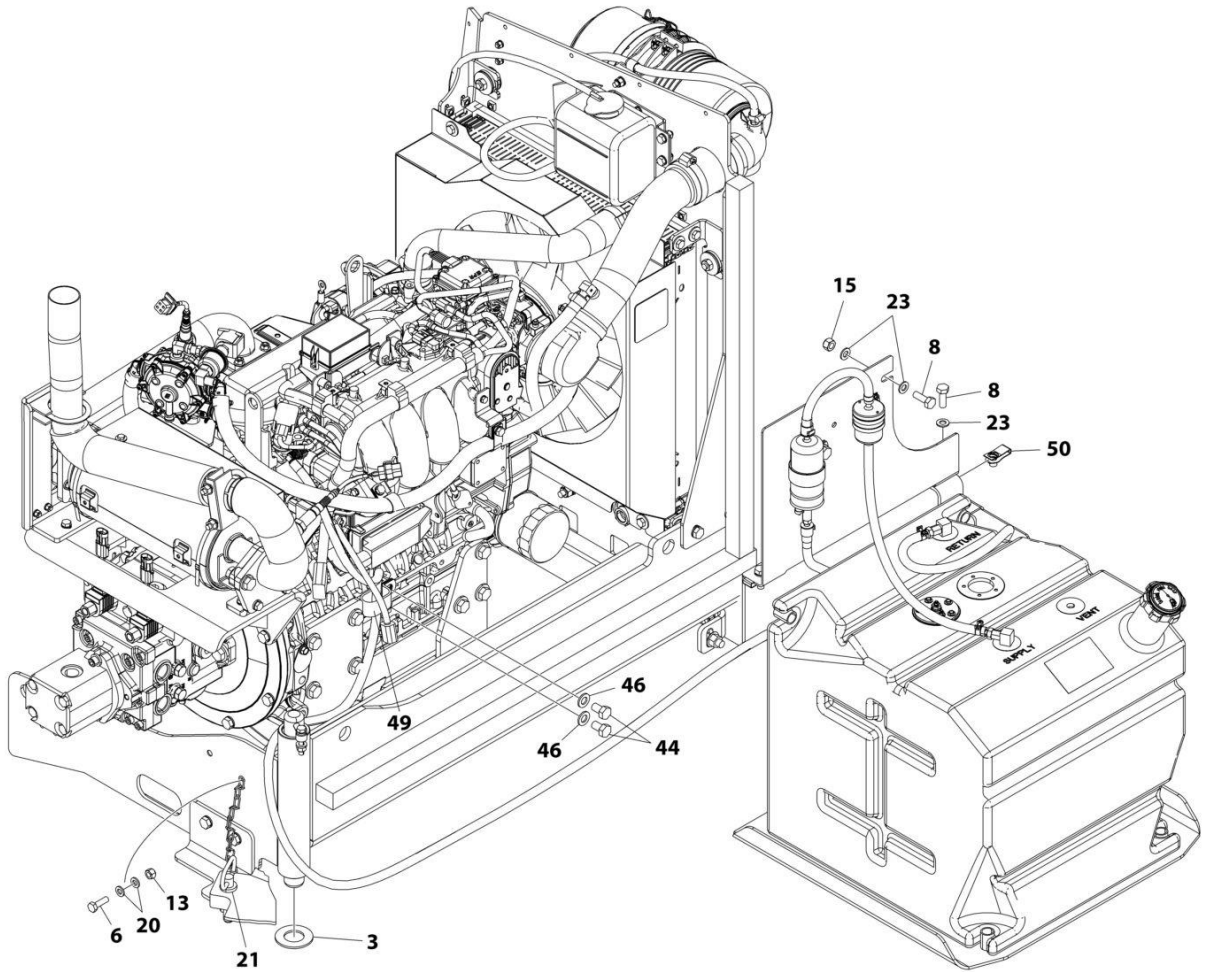
## FIGURE 3-29. ENGINE INSTALLATION - KUBOTA ENGINE (WITHOUT ARCTIC PACKAGE)



ART\_1001236250\_10F3

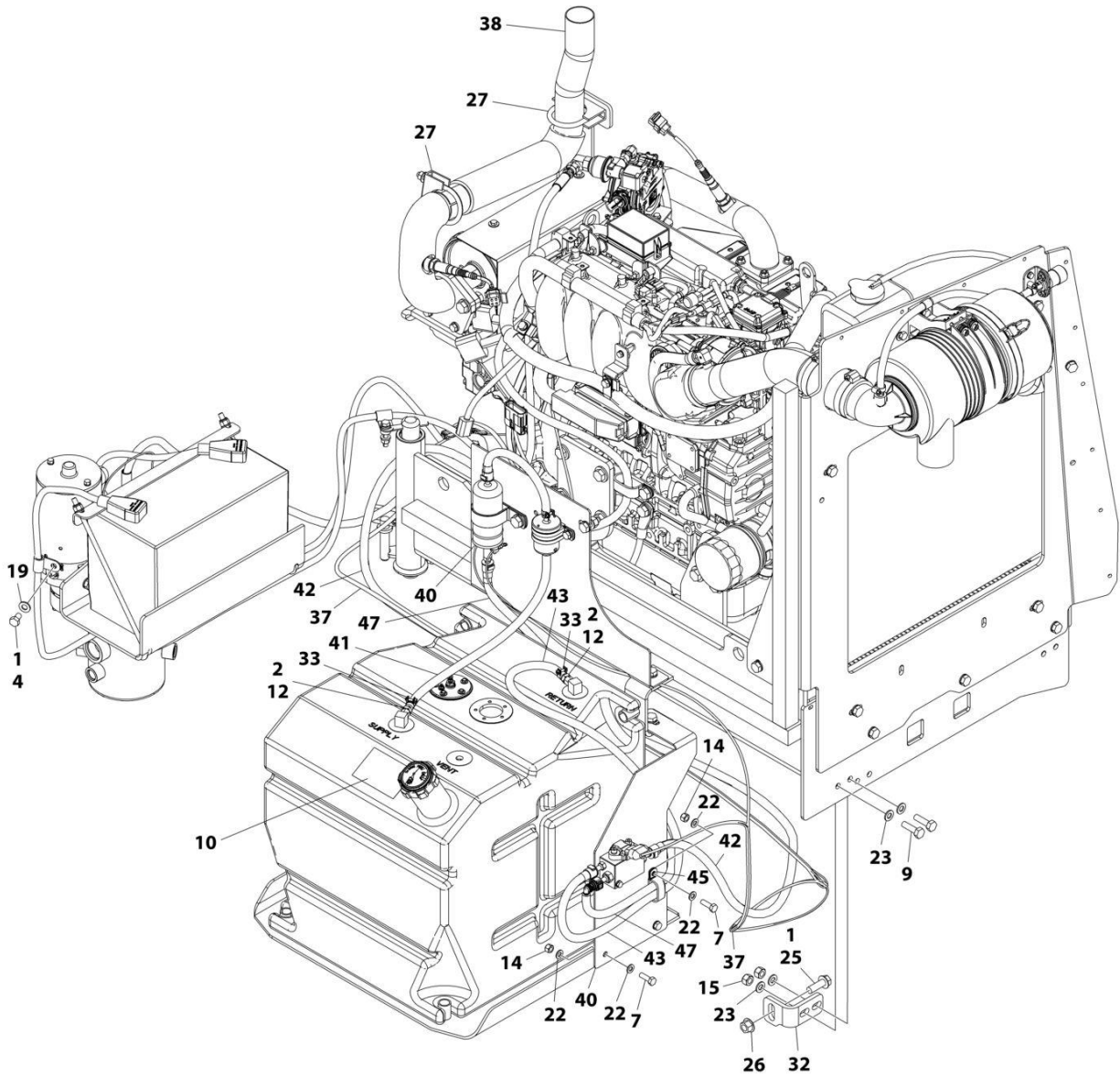


# SECTION 3 - ENGINE



ART\_1001236250\_20F3

# SECTION 3 - ENGINE



ART\_1001236250\_30F3

## SECTION 3 - ENGINE

**FIGURE 3-29. ENGINE INSTALLATION - KUBOTA ENGINE (WITHOUT ARCTIC PACKAGE)**

ITEM	PART NUMBER	QTY	DESCRIPTION	REV
	1001236250	Ref	ENGINE INSTALLATION - KUBOTA ENGINE (WITHOUT ARCTIC PACKAGE)	A
1	0100011	AR	Compound, Locking	
2	0100020	AR	Sealant, Pipe	
3	0440162	1	Bearing	
4	0641504	1	Bolt 5/16 x 1/2	
5	0700817	1	Bolt M8 x 45	
6	0760610	1	Bolt M6 x 20	
7	0760812	3	Bolt M8 x 25	
8	0761014	4	Bolt M10 x 30	
9	0761015	4	Bolt M10 x 35	
10	1701542	2	Decal - Gas	
11	1701543	1	Decal - LPG (Not Shown)	
12	2180348	2	Fitting, Barbed	
13	3290605	1	Nut M6	
14	3290805	4	Nut M8	
15	3291005	5	Nut M10	
16	3790012	1	O-Ring	
17	3841143	1	Keeper, Pin	
18	4240099	AR	Tie-Strap (Not Shown)	
19	4711500	1	Washer 5/16	
20	4811700	2	Washer M6	
21	3422532	1	Pin	
22	4811900	6	Washer M8	
23	4812000	13	Washer M10	
24	5240800	2	Washer M8	
25	5251215	1	Bolt M12 x 35	
26	5261200	1	Nut M12 (Grade 10.9)	
27	1001217785	2	Clamp, Muffler	
28	1001135196	1	Pin	
29	1001155044	2	Nut 15/32	
31	1001161710	1	Switch, Toggle	
32	1001167512	1	Bracket, Engine Tray Stow	
33	1001174486	2	Clamp	
34	1001236254	1	Engine and Pump Sub-Assembly - Kubota Engine (Without Arctic Package) (See Separate Breakdown in this Section)	
35	1001212257	1	Cable, Kubota Alternator	
36	1001213062	1	Cable, Battery Cable Kit	
37	1001213599	1	Harness Engine - Kubota Engine (See Separate Breakdown in ELECTRICAL SECTION)	
38	1001214502	1	Pipe, Tail Pipe	
39	1001215259	1	Plate, Engine Lock	
40	1001215801	1	Mount, Fuel System	
41	1001156819	20 in/ 53cm	Hose	
42	1001216396	1	Hose	
43	1001216397	1	Hose	
44	1001217494	2	Bolt M12 x 20	
45	1321283	1	Clamp	
46	4812100	2	Washer M12	

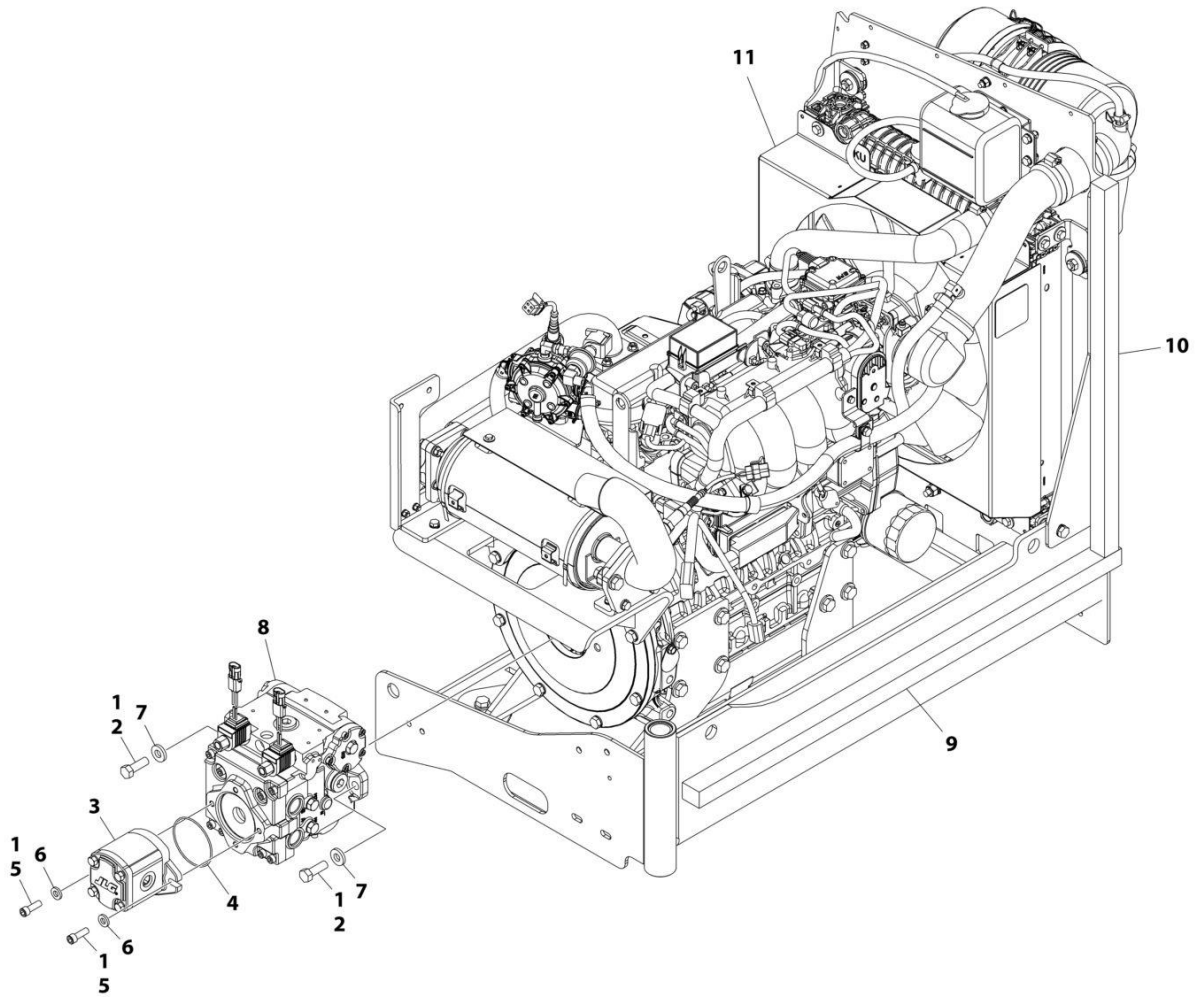
## SECTION 3 - ENGINE

ITEM	PART NUMBER	QTY	DESCRIPTION	REV
47	1001216399	1	Hose	
49	1001195039	1	Clamp	
50	1001118972	3	Nut M10	
51	4812200	1	Washer M14	
52	24431386	1	Support Clamp 15/16	
53	1001217345	1	Bolt M14 x 30	
54	1001229798	1	Harness - Kubota Dual Fuel Power (Not Shown - See Separate Breakdown in ELECTRICAL SECTION)	
55	4460466	8	Terminal, Sealing Plug (Not Shown)	
56	4460930	1	Plug, Male - 8 Position (Deutsch) (Not Shown)	



# SECTION 3 - ENGINE

## FIGURE 3-30. ENGINE AND PUMP SUB-ASSEMBLY - KUBOTA ENGINE (WITHOUT ARCTIC PACKAGE)



ART\_1001236254

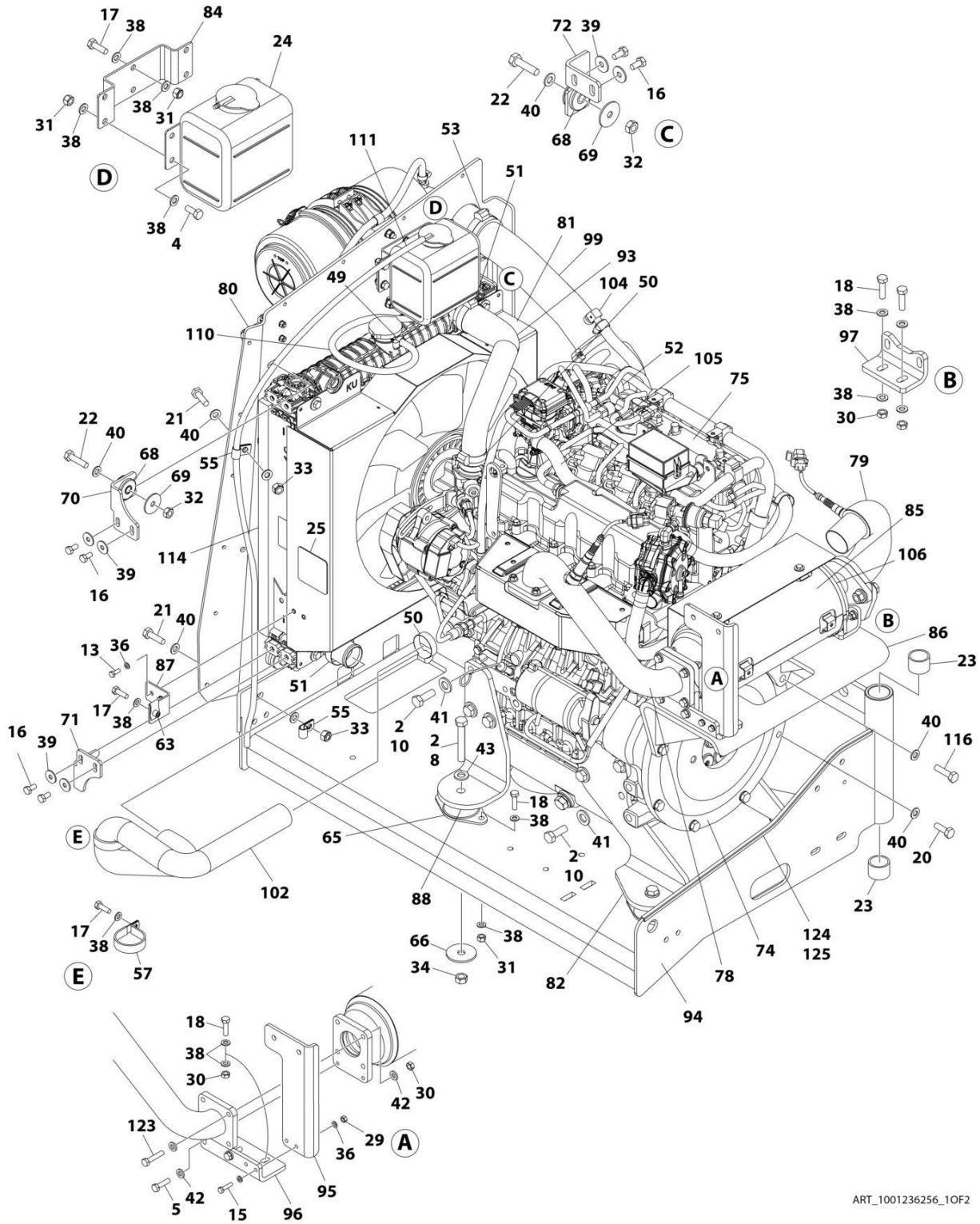
## SECTION 3 - ENGINE

**FIGURE 3-30. ENGINE AND PUMP SUB-ASSEMBLY - KUBOTA ENGINE (WITHOUT ARCTIC PACKAGE)**

ITEM	PART NUMBER	QTY	DESCRIPTION	REV
	1001236254	Ref	ENGINE AND PUMP SUB-ASSEMBLY - KUBOTA ENGINE (WITHOUT ARCTIC PACKAGE)	A
1	0100011	AR	Compound, Locking	
2	0641812	2	Bolt 1/2 x 1-1/2	
3	1001214207	1	Pump, Gear	
3	70006356	1	Seal Kit - 1001214207 Pump	
4	3790152	1	O-Ring	
5	3931618	2	Bolt 3/8 x 1-1/8	
6	4891600	2	Washer 3/8	
7	4891800	2	Washer 1/2	
8	1001167036	1	Piston Pump Assembly (See Separate Breakdown in this Section)	
9	1001171953	1	Seal, Gasket	
10	1001171954	1	Seal, Gasket	
11	1001236256	1	Engine Assembly - Kubota Engine (Without Arctic Package) (See Separate Breakdown in this Section)	

# SECTION 3 - ENGINE

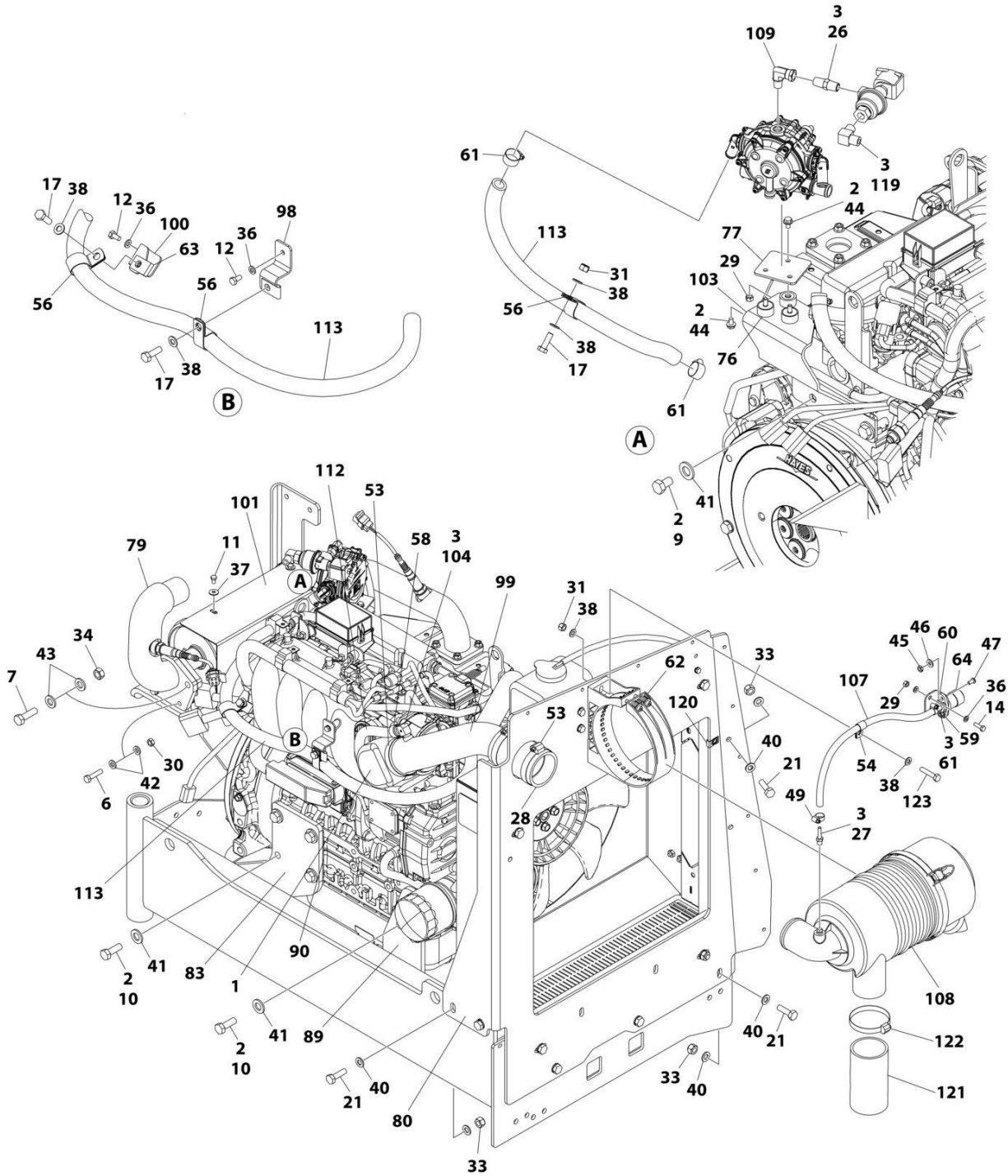
## FIGURE 3-31. ENGINE ASSEMBLY - KUBOTA ENGINE (WITHOUT ARCTIC PACKAGE)



ART\_1001236256\_10F2



# SECTION 3 - ENGINE



ART\_1001236256\_20F2

## SECTION 3 - ENGINE

FIGURE 3-31. ENGINE ASSEMBLY - KUBOTA ENGINE (WITHOUT ARCTIC PACKAGE)

ITEM	PART NUMBER	QTY	DESCRIPTION	REV
	1001236256	Ref	ENGINE ASSEMBLY - KUBOTA ENGINE (WITHOUT ARCTIC PACKAGE)	E
1	0080201	1	Adapter, 90	
2	0100011	AR	Compound, Locking	
3	0100020	AR	Sealant, Pipe	
4	0700810	4	Bolt M8 x 20	
5	0700814	2	Bolt M8 x 30	
6	0700815	2	Bolt M8 x 35	
7	0701216	2	Bolt M12 x 40	
8	0701224	4	Bolt M12 x 80	
9	1001217494	2	Bolt M12 x 20	
10	1001217343	14	Bolt M12 x 35	
11	0760605	4	Bolt M6 x 10	
12	0760606	2	Bolt M6 x 12	
13	0760608	2	Bolt M6 x 16	
14	0760610	2	Bolt M6 x 20	
15	0760612	2	Bolt M6 x 25	
16	0760808	8	Bolt M8 x 16	
17	0760812	6	Bolt M8 x 25	
18	0760814	12	Bolt M8 x 30	
19	0760815	1	Bolt M8 x 35	
20	0761014	4	Bolt M10 x 30	
21	0761015	6	Bolt M10 x 35	
22	0761016	4	Bolt M10 x 40	
23	0961951	2	Bushing	
24	1580011	1	Container, Coolant Overflow	
25	1703162	2	Decal - Caution Fan	
26	2220261	1	Fitting, Nipple NPTF/NPTF	
27	2220315	1	Fitting, Barbed	
28	2720644	1	Hose	
29	3290607	5	Nut M6	
30	3290801	10	Nut M8	
31	3290805	17	Nut M8	
32	3291001	4	Nut M10	
33	3291005	6	Nut M10	
34	3291201	6	Nut M12	
35	4240099	AR	Tie-Strap (Not Shown)	
36	4811700	12	Washer M6	
37	4811702	4	Washer M6	
38	4811900	45	Washer M8	
39	4811902	8	Washer M8	
40	4812000	24	Washer M10	
41	5241400	16	Washer M14	
42	5240800	14	Washer M8	
43	5241200	8	Washer M12	
44	5250605	3	Bolt M6 x 10	
45	8305401	2	Nut 1/4	
46	8307109	2	Washer 1/4	
47	8310548	2	Screw 1/4 NC x 1/2	
48	1001173535	2	Clamp	

## SECTION 3 - ENGINE

ITEM	PART NUMBER	QTY	DESCRIPTION	REV
49	8405009	4	Clamp	
50	8405102	2	Clamp	
51	8405104	2	Clamp	
52	8405202	1	Clamp	
53	8405203	3	Clamp	
54	8406109	1	Clip	
55	8406110	2	Clip	
56	8406201	3	Clip	
57	8410001	1	Clamp	
58	8410009	6	Clamp	
59	1001138173	1	Support, Service Indicator	
60	1001138175	1	Bracket, Service Indicator	
61	1001141995	1	Fitting, Barbed	
62	1001147812	1	Clamp, Air Cleaner	
63	1001149160	3	Nut M8	
64	1001149639	1	Indicator, Air Intake	
65	1001166718	4	Isolator, Engine Mount	
66	1001168018	4	Washer, Snubbing	
67	1001168166	2	Seal	
68	1001169054	4	Isolator, Radiator	
69	1001169138	4	Washer, Snubbing	
70	1001169967	2	Bracket	
71	1001170035	1	Bracket	
72	1001176330	1	Bracket	
73	1001180620	AR	Adhesive	
74	1001209844	1	Pump Coupling Kit (See Separate Breakdown in this Section)	
75	1001236393	1	Engine, Kubota (See Separate Breakdown in this Section)	
76	1001211794	3	Mount	
77	1001211797	1	Mount	
78	1001212989	1	Pipe, Exhaust (Inlet)	
79	1001212993	1	Pipe Exhaust (Outlet)	
80	1001213305	1	Plate, Mounting	
81	1001236257	1	Radiator	
82	1001213425	1	Plate, Engine Mount (Left Rear)	
83	1001213426	1	Plate, Engine Mount (Right Rear)	
84	1001213482	1	Bracket	
85	1001213824	1	Insulation	
86	1001214138	1	Bracket	
87	1001214205	1	Support	
88	1001214233	1	Plate (Front Left)	
89	1001214234	1	Plate (Front Right)	
90	1001214276	1	Shim	
91	1001214277	1	Shim	
92	1001214278	2	Shim	
93	1001214307	1	Hose	
94	1001214508	1	Support	
95	1001214553	1	Support	
96	1001214555	1	Bracket	
97	1001214556	1	Bracket	
98	1001214558	1	Bracket	
99	1001214598	1	Tube	

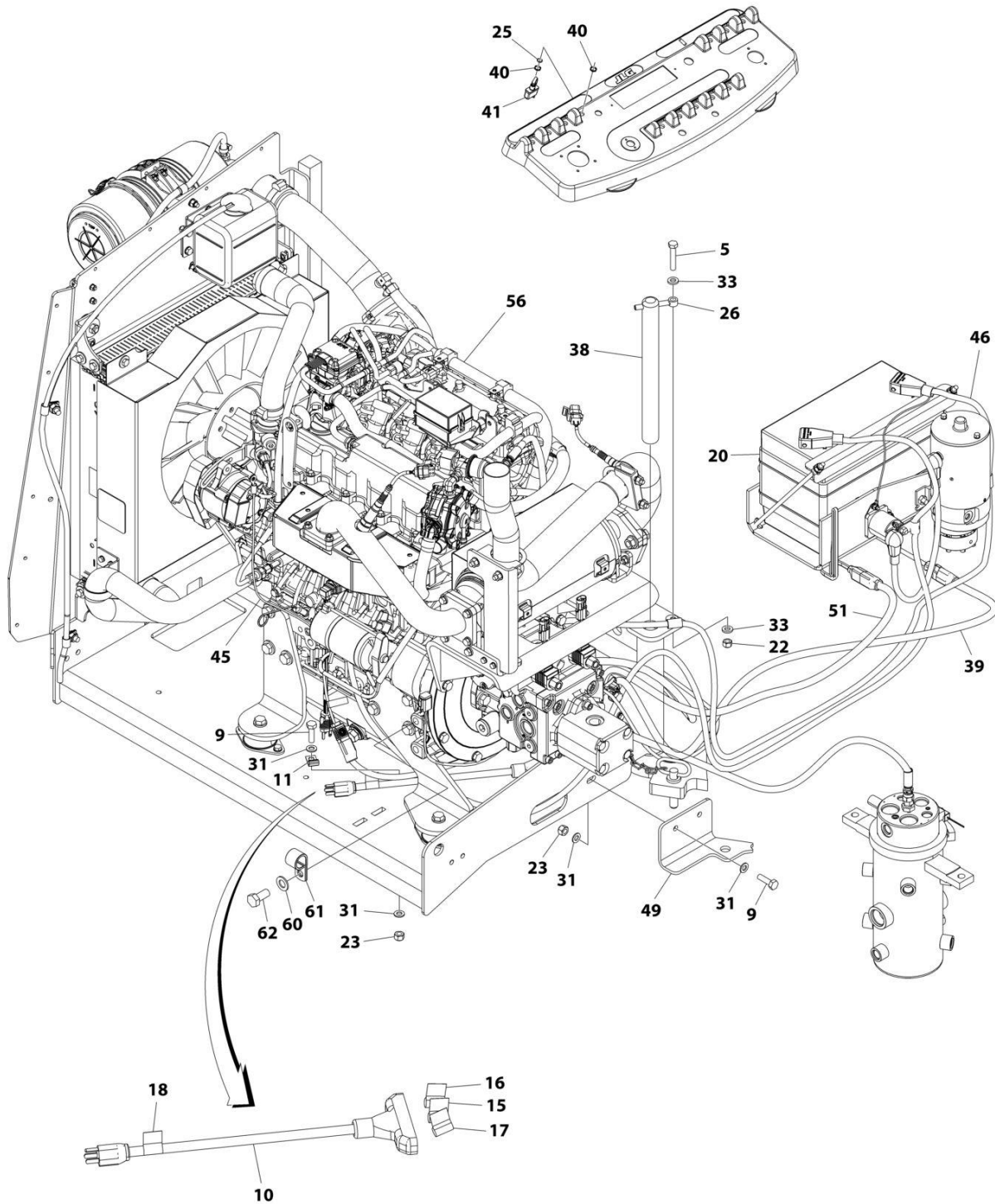
## SECTION 3 - ENGINE

ITEM	PART NUMBER	QTY	DESCRIPTION	REV
100	1001214599	1	Bracket	
101	1001214664	1	Cover	
102	1001214694	1	Hose	
103	1001214841	1	Bracket	
104	1001215125	1	Fitting, 90	
105	1001215869	1	Hose	
106	1001137336	2	Strap	
107	1001138248	2 ft/ 0.61m	Tube	
108	1001147813	1	Air Cleaner Assembly Including Filter Element	
108	70004020	1	Element, Air Filter	
109	1001247359	1	Fitting, 90	
110	2720058	1.75 ft/ 0.53m	Hose	
111	2720271	4 ft/ 1.22m	Hose	
112	2720615	1.25 ft/ 0.38m	Hose	
113	82033995	5.5 ft/ 1.68m	Hose	
114	1001216825	2	Seal	
115	0700816	4	Bolt M8 x 40	
116	0701016	4	Bolt M10 x 40	
119	2180504	1	Fitting, Barbed	
120	1001118274	1	Nut, Special M8	
121	1001001939	1	Tube, Flex	
122	8410011	1	Clamp	
123	0760816	1	Bolt M8 x 40	
124	4060805	1.94 ft/ 0.59m	Flex-Trim	
125	0100081	AR	Adhesive	



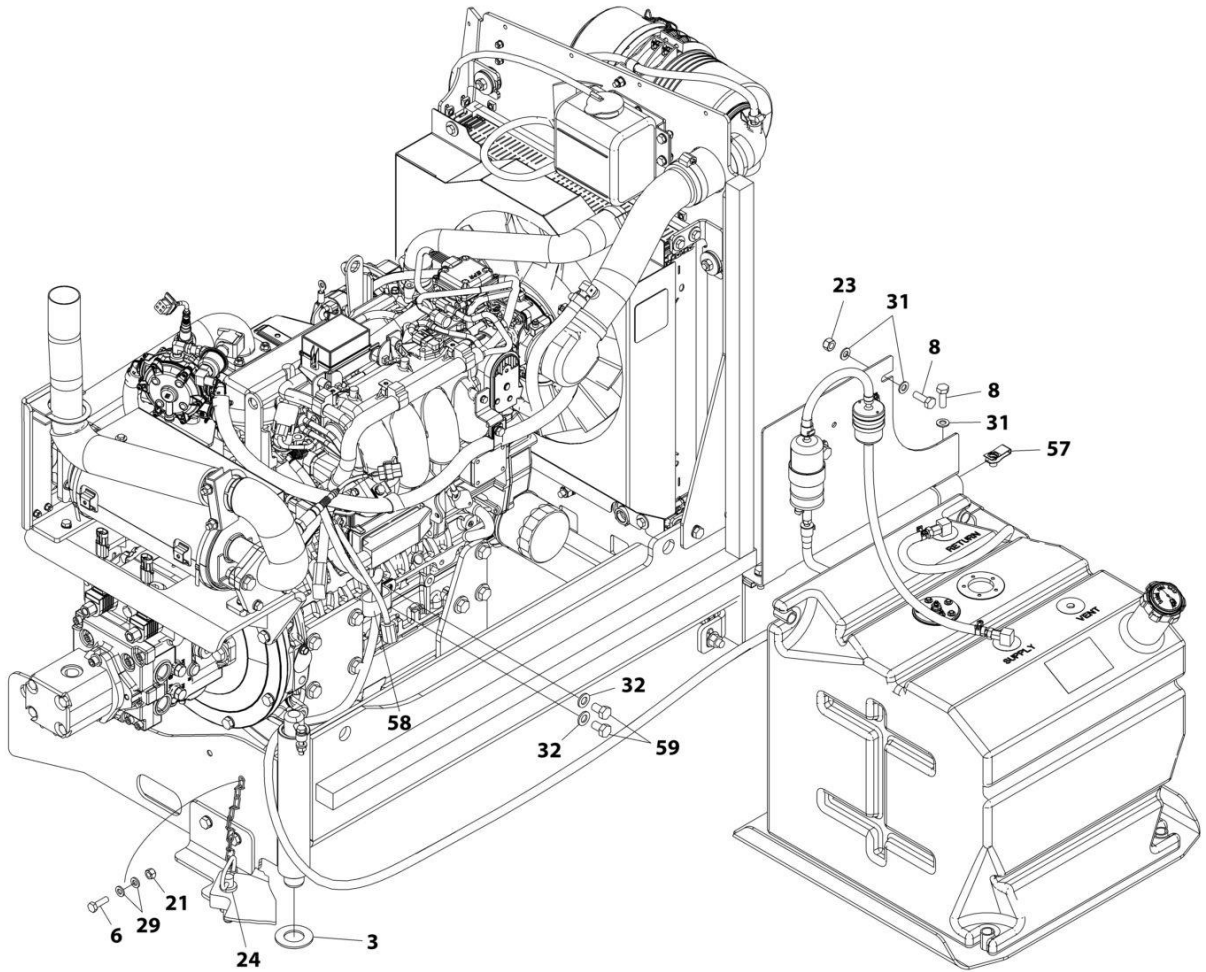
# SECTION 3 - ENGINE

## FIGURE 3-32. ENGINE INSTALLATION - KUBOTA ENGINE (WITH ARCTIC PACKAGE)



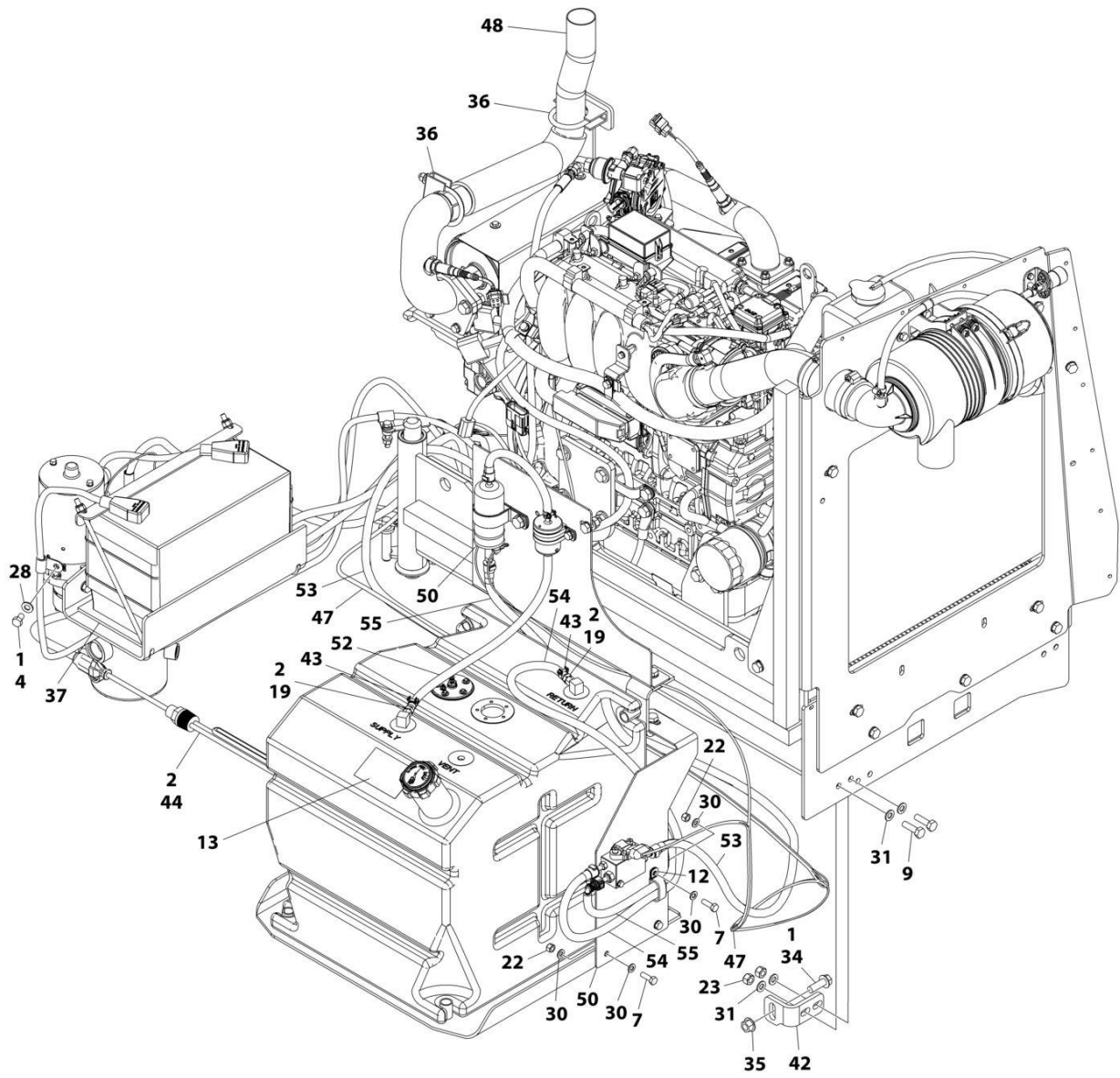
ART\_1001236252\_10F3

# SECTION 3 - ENGINE



ART\_1001236252\_20F3

# SECTION 3 - ENGINE



ART\_1001236252\_30F3



## SECTION 3 - ENGINE

**FIGURE 3-32. ENGINE INSTALLATION - KUBOTA ENGINE (WITH ARCTIC PACKAGE)**

ITEM	PART NUMBER	QTY	DESCRIPTION	REV
	1001236252	Ref	ENGINE INSTALLATION - KUBOTA ENGINE (WITH ARCTIC PACKAGE)	B
1	0100011	AR	Compound, Locking	
2	0100020	AR	Sealant, Pipe	
3	0440162	1	Bearing	
4	0641504	1	Bolt 5/16 x 1/2	
5	0700817	1	Bolt M8 x 45	
6	0760610	1	Bolt M6 x 20	
7	0760812	3	Bolt M8 x 25	
8	0761014	4	Bolt M10 x 30	
9	0761015	5	Bolt M10 x 35	
10	1060626	1	Plug, 3 Way	
11	1320223	1	Clamp	
12	1321283	1	Clamp	
13	1701542	2	Decal - Gas	
14	1701543	1	Decal - LPG (Not Shown)	
15	1702941	1	Decal - Battery Heater	
16	1702942	1	Decal - Engine Block Heater	
17	1702943	1	Decal - Hydraulic Tank Heater	
18	1702944	1	Decal - Heater Cord	
19	2180348	2	Fitting, Barbed	
20	2580024	1	Heater, Battery	
21	3290605	1	Nut M6	
22	3290805	4	Nut M8	
23	3291005	6	Nut M10	
24	3422532	1	Pin	
25	3790012	1	O-Ring	
26	3841143	1	Keeper, Pin	
27	4240099	AR	Tie-Strap (Not Shown)	
28	4711500	1	Washer 5/16	
29	4811700	2	Washer M6	
30	4811900	6	Washer M8	
31	4812000	15	Washer M10	
32	4812100	2	Washer M12	
33	5240800	2	Washer M8	
34	5251215	1	Bolt M12 x 35	
35	5261200	1	Nut M12 Class10	
36	1001217785	2	Clamp, Muffler	
37	1001119278	1	Insulate	
38	1001135196	1	Pin	
39	1001150918	1	Cable, Extension Cord	
40	1001155044	2	Nut 15/32	
41	1001161710	1	Switch, Toggle	
42	1001167512	1	Bracket, Engine Tray Stow	
43	1001174486	2	Clamp	
44	1001188972	1	Heater, Hydraulic Tank	
45	1001212257	1	Cable, Kubota Alternator	
46	1001213062	1	Cable, Battery Cable Kit Kubota	
47	1001213599	1	Harness Engine - Kubota Engine (See Separate Breakdown in ELECTRICAL SECTION)	

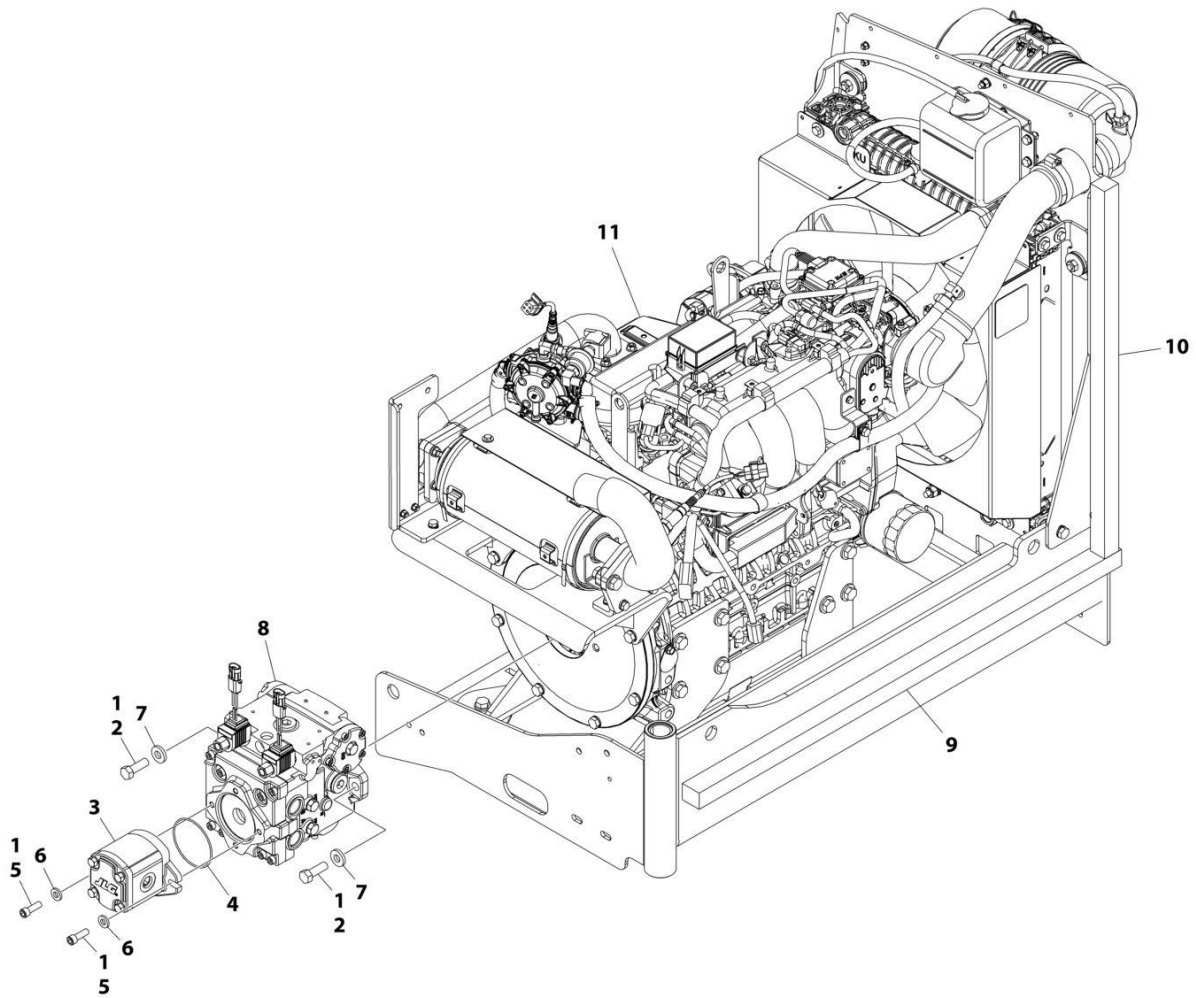
## SECTION 3 - ENGINE

ITEM	PART NUMBER	QTY	DESCRIPTION	REV
48	1001214502	1	Pipe, Tail Pipe	
49	1001215259	1	Plate, Engine Lock	
50	1001215801	1	Mount, Fuel System (Kubota)	
51	1001216080	2	Cable, Extension Cord	
52	1001156819	20.9 in/ 53cm	Hose	
53	1001216396	1	Hose	
54	1001216397	1	Hose	
55	1001216399	1	Hose	
56	1001236258	1	Engine and Pump Sub-Assembly - Kubota Engine (With Arctic Package) (See Separate Breakdown in this Section)	
57	1001118972	3	Nut M10	
58	1001195039	1	Clamp	
59	1001217494	2	Capscrew M12	
60	4812200	1	Washer M14	
61	24431386	1	Support, Clamp	
62	1001217345	1	Bolt M14 x 30	
63	1001229798	1	Harness - Kubota B6 D/F Power (Not Shown - See Separate Breakdown in ELECTRICAL SECTION)	
64	4460466	8	Terminal, Sealing Plug (Not Shown)	
65	4460930	1	Plug, Male - 8 Position (Deutsch) (Not Shown)	



# SECTION 3 - ENGINE

FIGURE 3-33. ENGINE AND PUMP SUB-ASSEMBLY - KUBOTA ENGINE (WITH ARCTIC PACKAGE)



ART\_1001236258

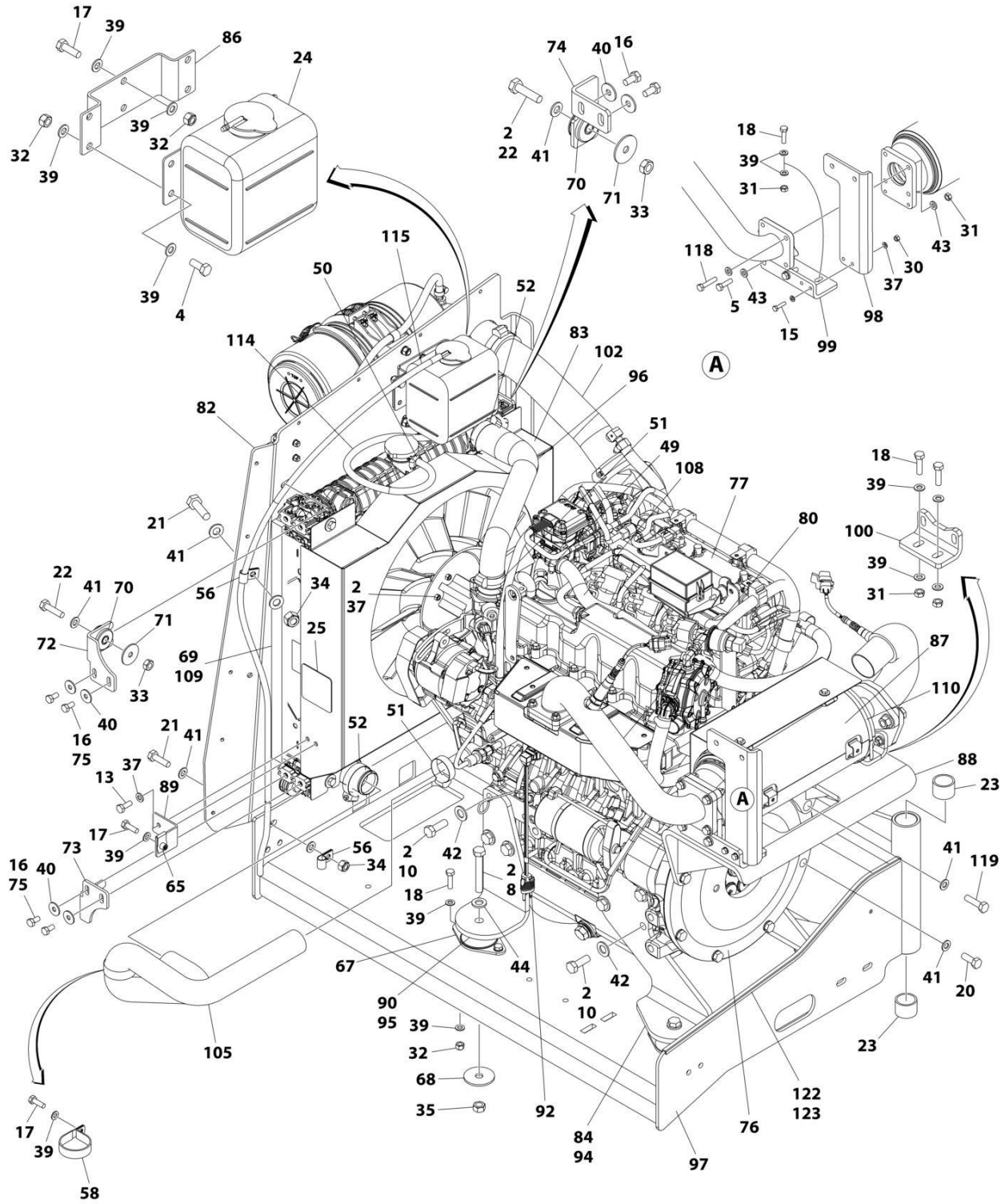
## SECTION 3 - ENGINE

**FIGURE 3-33. ENGINE AND PUMP SUB-ASSEMBLY - KUBOTA ENGINE (WITH ARCTIC PACKAGE)**

ITEM	PART NUMBER	QTY	DESCRIPTION	REV
	1001236258	Ref	ENGINE AND PUMP SUB-ASSEMBLY - KUBOTA ENGINE (WITH ARCTIC PACKAGE)	A
1	0100011	AR	Compound, Locking	
2	0641812	2	Bolt 1/2 x 1-1/2	
3	1001214207	1	Gear Pump Assembly	
3	70006356	1	Seal Kit - 1001214207 Pump	
4	3790152	1	O-Ring	
5	3931618	2	Capscrew 3/8 x 1-1/8	
6	4891600	2	Washer 3/8	
7	4891800	2	Washer 1/2	
8	1001167036	1	Piston Pump Assembly (See Separate Breakdown in this Section)	
9	1001171953	1	Seal	
10	1001171954	1	Seal	
11	1001236259	1	Engine Assembly - Kubota Engine (With Arctic Package) (See Separate Breakdown in this Section)	

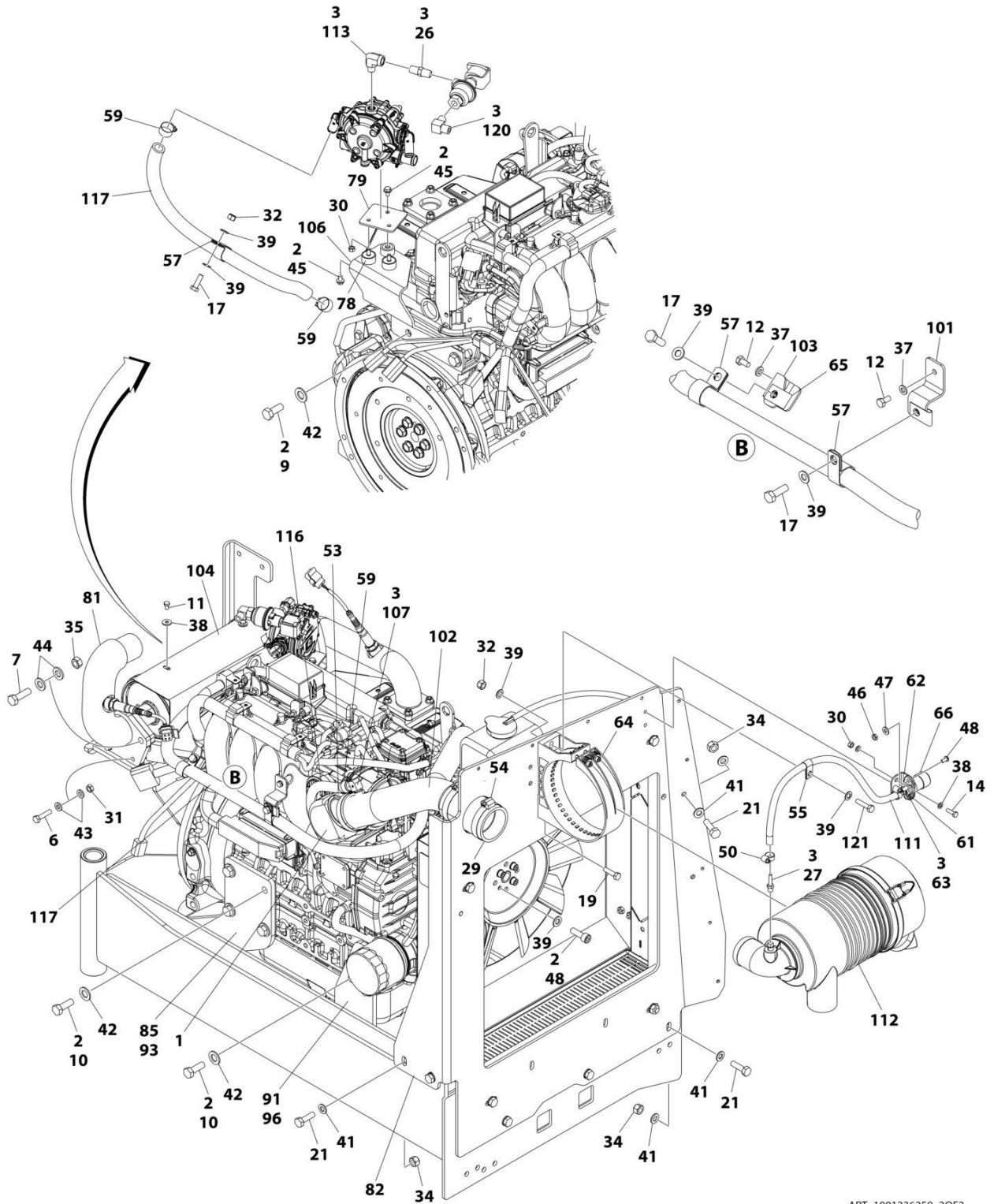
# SECTION 3 - ENGINE

## FIGURE 3-34. ENGINE ASSEMBLY - KUBOTA ENGINE (WITH ARCTIC PACKAGE)



ART\_1001236259\_10F2

# SECTION 3 - ENGINE



ART\_1001236259\_2OF2

## SECTION 3 - ENGINE

FIGURE 3-34. ENGINE ASSEMBLY - KUBOTA ENGINE (WITH ARCTIC PACKAGE)

ITEM	PART NUMBER	QTY	DESCRIPTION	REV
	1001236259	Ref	ENGINE ASSEMBLY - KUBOTA ENGINE (WITH ARCTIC PACKAGE)	E
1	0080201	1	Adapter, 90	
2	0100011	AR	Compound, Locking	
3	0100020	AR	Sealant, Pipe	
4	0700810	4	Bolt M8 x 20	
5	0700814	2	Bolt M8 x 30	
6	0700815	2	Bolt M8 x 35	
7	0701216	2	Bolt M12 x 40	
8	0701224	4	Bolt M12 x 80	
9	1001217494	2	Bolt M12 x 20	
10	1001217343	14	Bolt M12 x 35	
11	0760605	4	Bolt M6 x 10	
12	0760606	2	Bolt M6 x 12	
13	0760608	2	Bolt M6 x 16	
14	0760610	2	Bolt M6 x 20	
15	0760612	2	Bolt M6 x 25	
16	0760808	8	Bolt M8 x 16	
17	0760812	6	Bolt M8 x 25	
18	0760814	12	Bolt M8 x 30	
19	0760815	1	Bolt M8 x 35	
20	0761014	4	Bolt M10 x 30	
21	0761015	6	Bolt M10 x 35	
22	0761016	4	Bolt M10 x 40	
23	0961951	2	Bushing	
24	1580011	1	Container, Coolant Overflow	
25	1703162	2	Decal - Caution Fan	
26	2220261	1	Fitting, Nipple NPTF/NPTF	
27	2220315	1	Fitting, Barbed	
29	2720644	1	Hose	
30	3290607	5	Nut M6	
31	3290801	10	Nut M8	
32	3290805	17	Nut M8	
33	3291001	4	Nut M10	
34	3291005	6	Nut M10	
35	3291201	6	Nut M12	
36	4240099	AR	Tie-Strap (Not Shown)	
37	4811700	16	Washer M6	
38	4811702	4	Washer M6	
39	4811900	45	Washer M8	
40	4811902	8	Washer M8	
41	4812000	24	Washer M10	
42	5241400	16	Washer M14	
43	5240800	14	Washer M8	
44	5241200	8	Washer M12	
45	5250605	3	Bolt M6 x 10	
46	8305401	2	Nut 1/4	
47	8307109	2	Washer 1/4	
48	8310548	2	Screw 1/4 x 1/2	
49	1001173535	2	Clamp	



## SECTION 3 - ENGINE

ITEM	PART NUMBER	QTY	DESCRIPTION	REV
50	8405009	4	Clamp	
51	8405102	2	Clamp	
52	8405104	2	Clamp	
53	8405202	1	Clamp	
54	8405203	3	Clamp	
55	8406109	1	Clip	
56	8406110	2	Clip	
57	8406201	3	Clip	
58	8410001	1	Clamp	
59	8410009	6	Clamp	
61	1001138173	1	Support, Service Indicator	
62	1001138175	1	Bracket, Service Indicator	
63	1001141995	1	Fitting, Barbed	
64	1001147812	1	Clamp, Air Cleaner	
65	1001149160	3	Nut M8	
66	1001149639	1	Indicator, Air Intake	
67	1001166718	4	Isolator, Engine Mount	
68	1001168018	4	Washer, Snubbing	
69	1001168166	2	Seal	
70	1001169054	4	Isolator, Radiator	
71	1001169138	4	Washer, Snubbing	
72	1001169967	2	Bracket	
73	1001170035	1	Bracket	
74	1001176330	1	Bracket	
75	1001180620	AR	Adhesive	
76	1001209844	1	Pump Coupling Kit (See Separate Breakdown in this Section)	
77	1001236393	1	Engine, Kubota (See Separate Breakdown in this Section)	
78	1001211794	3	Mount	
79	1001211797	1	Mount	
80	1001212989	1	Pipe, Exhaust (Inlet)	
81	1001212993	1	Pipe, Exhaust (Outlet)	
82	1001213305	1	Plate, Mounting	
83	1001236257	1	Radiator	
84	1001213425	1	Plate, Engine Mount (Left Rear)	
85	1001213426	1	Plate, Engine Mount (Right Rear)	
86	1001213482	1	Bracket	
87	1001213824	1	Insulation	
88	1001214138	1	Bracket	
89	1001214205	1	Support	
90	1001214233	1	Plate (Front Left)	
91	1001214234	1	Plate (Front Right)	
92	1001214269	1	Heater, Block	
93	1001214276	1	Shim	
94	1001214277	1	Shim	
95	1001214278	2	Shim	
96	1001214307	1	Hose	
97	1001214508	1	Support	
98	1001214553	1	Support	
99	1001214555	1	Bracket	
100	1001214556	1	Bracket	
101	1001214558	1	Bracket	

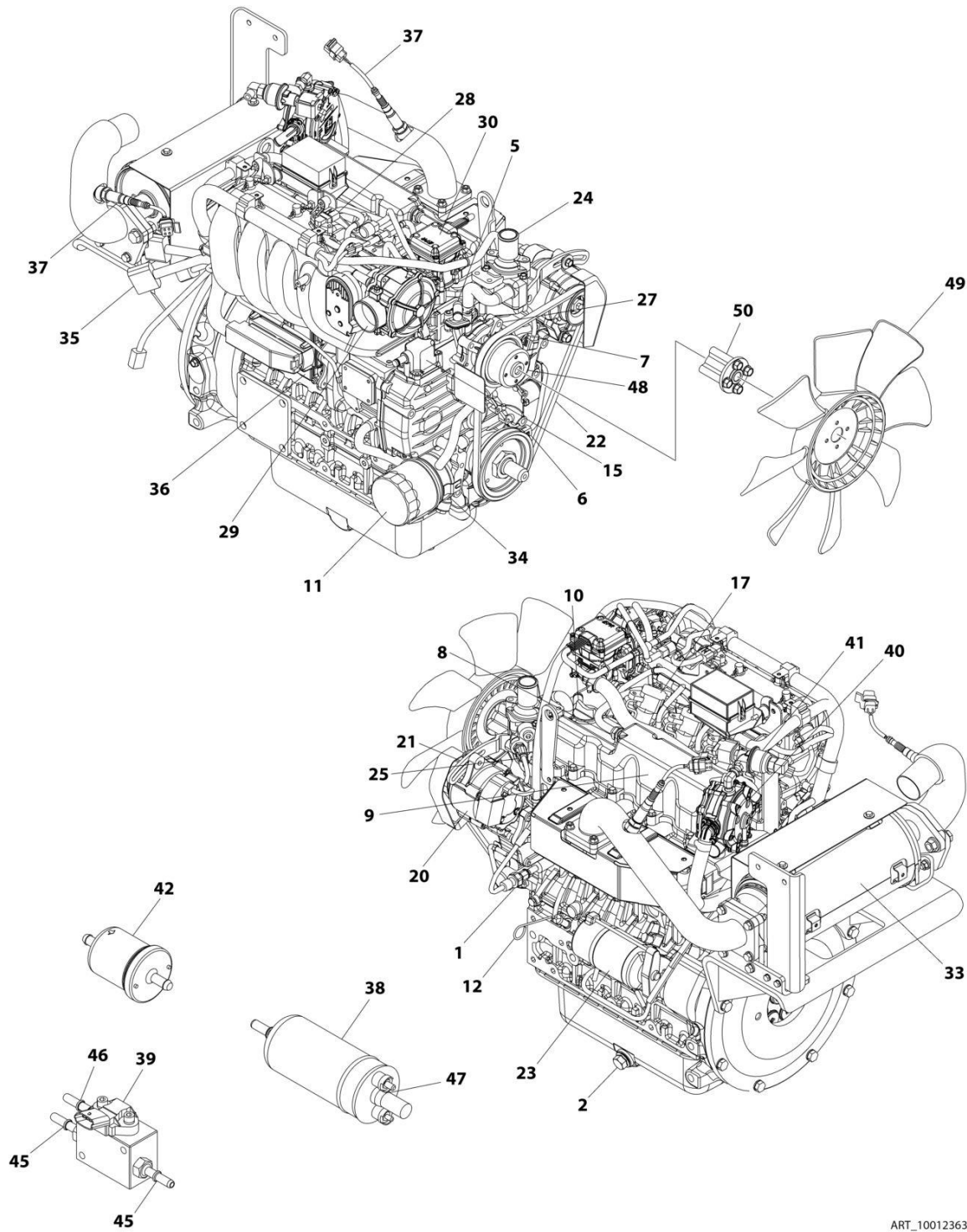
## SECTION 3 - ENGINE

ITEM	PART NUMBER	QTY	DESCRIPTION	REV
102	1001214598	1	Tube	
103	1001214599	1	Bracket	
104	1001214664	1	Cover	
105	1001214694	1	Hose	
106	1001214841	1	Bracket	
107	1001215125	1	Fitting, 90	
108	1001215869	1	Hose	
109	1001216825	2	Seal	
110	1001137336	2	Strap	
111	1001138248	2 ft/ 0.6m	Tube	
112	1001147813	1	Air Cleaner Assembly Including Filter Element	
112	70004020	1	Element, Filter (Not Shown)	
113	1001247359	1	Fitting, Street Elbow	
114	2720058	1.8 ft/ 0.5m	Hose	
115	2720271	4 ft/ 1.2m	Hose	
116	2720615	1.2 ft/ 0.4m	Hose	
117	82033995	5.5 ft/ 1.7m	Hose	
118	0700816	4	Bolt M8 x 40	
119	0701016	4	Bolt M10 x 40	
120	2180504	1	Fitting, Barbed	
121	0760816	1	Bolt M8 x 40	
122	4060805	1.94 ft/ 59m	Flex-Trim	
123	0100081	AR	Adhesive	



# SECTION 3 - ENGINE

## FIGURE 3-35. ENGINE COMPONENTS - KUBOTA



ART\_1001236393

## SECTION 3 - ENGINE

**FIGURE 3-35. ENGINE COMPONENTS - KUBOTA**

ITEM	PART NUMBER	QTY	DESCRIPTION	REV
	1001236393	Ref	ENGINE COMPONENTS - KUBOTA	D
1	70005745	1	Switch, Oil	
1	70006013	1	Adapter	
2	7023154	1	Plug, Drain	
2	7017904	1	Gasket, Oil Pan Drain	
3	70006014	1	Gasket, Cylinder Head (Not Shown)	
4	70006015	1	Sensor (Knock) (Not Shown - Located on Left Side of Engine)	
5	70006016	1	Flange Assembly (Water Return)	
5	70002316	1	Pipe	
5	70006017	1	Gasket	
6	70005737	1	Sensor Stick Assembly	
7	70006018	1	Sensor	
8	70006019	1	Valve (PCV)	
8	70006020	1	Seal	
9	7017932	3	Element, Breather	
9	70006021	1	Gasket	
10	70002318	1	Oil Filler Cap	
10	70006022	1	O-Ring	
11	70006023	1	Filter, Oil	
12	70006024	1	Dipstick	
13	70006025	1	Pump Assembly, Oil (Not Shown - Located Under Front Cover)	
13	70006026	1	Gasket	
13	70006027	1	Key	
14	70006028	1	Flywheel (Not Shown - Located Behind Coupling Plate)	
14	70006029	1	Ring Gear (Part of Flywheel)	
15	70006030	1	Flange Assembly (Breather)	
15	70002316	1	Pipe	
15	70006031	1	Gasket	
16	70006035	1	Pipe Assembly (Not Shown)	
16	70005727	1	Gasket	
17	70006034	4	Coil	
17	70006033	4	Spark Plug	
18	70006032	1	Gasket (Not Shown)	
19	70005751	4	Injector (Not Shown)	
20	70006036	1	Alternator (Includes Voltage Regulator and Gaskets, Fan and Fan Mounting Hardware)	
21	70006037	1	Bracket	
22	70006038	1	Belt	
23	70006039	1	Starter	
24	70006041	1	Thermostat	
24	70002326	1	Gasket	
25	70005726	1	Sensor	
25	70006042	1	O-Ring	
26	70006040	1	Gasket (Not Shown - Located Between Engine Head and Water Flange)	
27	70006043	1	Water Pump Assembly	
27	70004829	1	Pipe	
27	70006044	1	Gasket	
28	70005746	1	Sensor (TMAP)	
28	70005747	1	O-Ring	

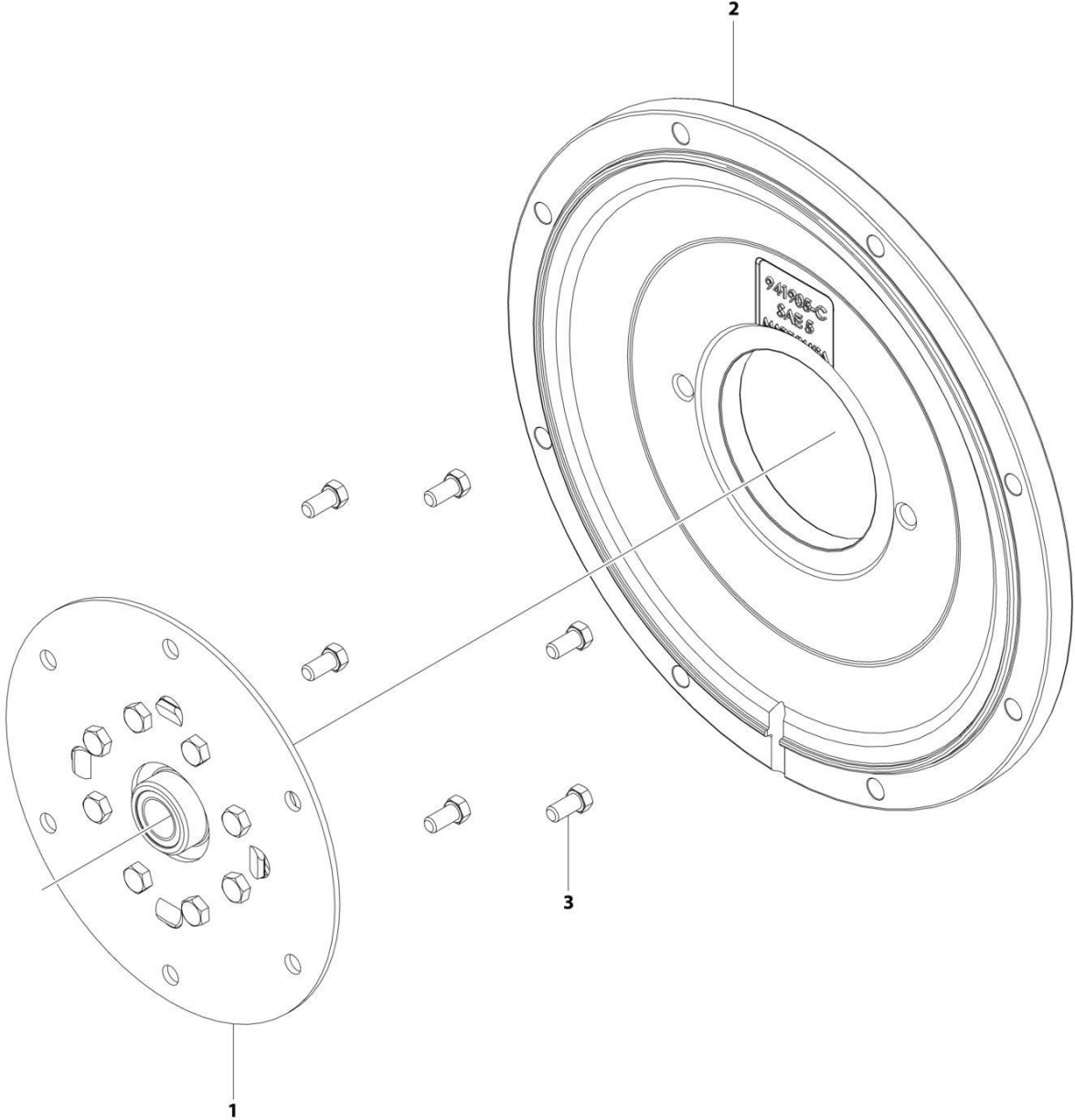
## SECTION 3 - ENGINE

ITEM	PART NUMBER	QTY	DESCRIPTION	REV
29	70006049	1	Mixer Assembly	
29	70006050	1	Seal, Rubber	
29	70006045	1	Throttle Body	
29	70006046	1	Gasket	
29	70006047	1	Adapter	
29	70006048	1	O-Ring	
30	70006051	1	Regulator Assembly	
30	70006052	1	Seal, Rubber	
30	70006053	1	Seal, Rubber	
30	70006054	1	Seal, Rubber	
31	70006055	1	Gasket (Not Shown - Located Between Intake Manifold and Engine Head)	
32	70006056	1	Gasket (Not Shown - Located Between Exhaust Manifold and Engine Head)	
33	70006057	1	Muffler	
33	70006065	1	Gasket	
33	70006066	1	Gasket	
33	70006072	1	Gasket	
34	70006058	1	Oil Cooler Assembly	
34	70006059	1	Seal	
34	7017959	2	Clamp	
35	70006060	1	Engine Harness	
36	70006061	1	Module, Engine Control	
37	70006062	2	Sensor (O2)	
38	70006063	1	Pump, Fuel	
39	70006064	1	Manifold (FPM)	
40	70006067	1	Regulator Assembly	
40	70006068	1	Connector	
40	70006069	3	Clip	
40	70006070	2	Connector	
41	70006071	1	Valve, Lockoff	
41	70006078	1	Valve, Lockoff Kit	
42	7017992	1	Filter, Fuel	
43	70006079	1	Gasket Kit (Upper) (Not Shown)	
44	70006080	1	Gasket Kit (Lower) (Not Shown)	
45	70006074	2	Joint (Includes O-Ring)	
46	70006075	1	Joint (Includes O-Ring)	
47	70006076	1	Joint (Includes O-Ring)	
47	70006077	1	Gasket	
48	70006379	1	Pulley	
49	70006639	1	Fan	
50	70006640	1	Collar, Fan	



**SECTION 3 - ENGINE**

**FIGURE 3-36. PUMP COUPLING KIT - KUBOTA ENGINE**



ART\_1001209844



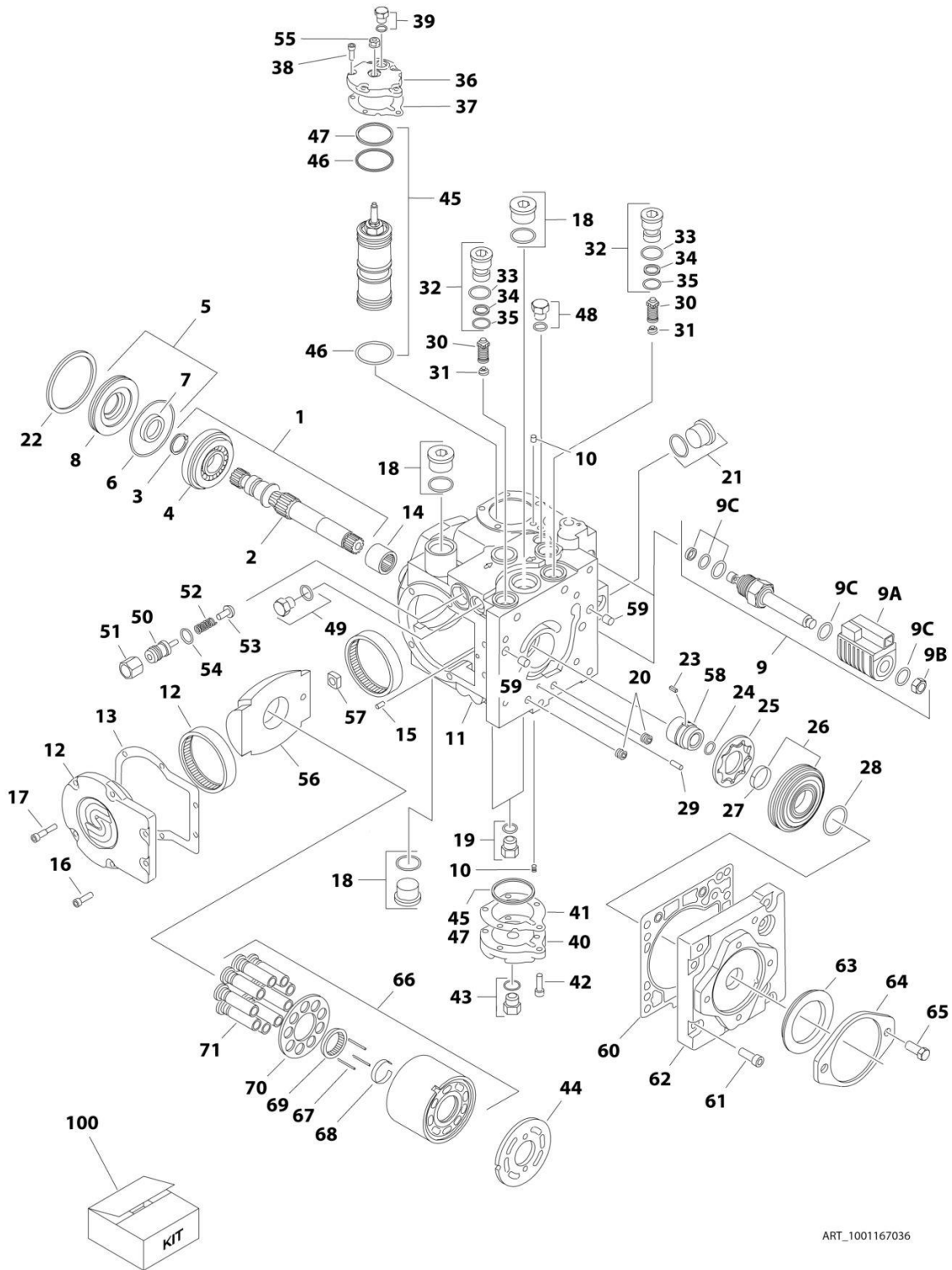
## SECTION 3 - ENGINE

### FIGURE 3-36. PUMP COUPLING KIT - KUBOTA ENGINE

ITEM	PART NUMBER	QTY	DESCRIPTION	REV
	1001209844	Ref	PUMP COUPLING KIT - KUBOTA ENGINE	C
1	70006010	1	Coupling Assembly, Hayes	
2	70006011	1	Plate, Pump Adapter	
3	70006012	1	Bolt Kit	

# SECTION 3 - ENGINE

## FIGURE 3-37. PISTON PUMP ASSEMBLY



ART\_1001167036

## SECTION 3 - ENGINE

### FIGURE 3-37. PISTON PUMP ASSEMBLY

ITEM	PART NUMBER	QTY	DESCRIPTION	REV
	1001167036	Ref	PISTON PUMP ASSEMBLY	B
1	7021240	1	Shaft Assembly (Includes Items 2-4)	
2	7021237	1	Shaft	
3	7021238	1	Ring, Retaining	
4	7021239	1	Bearing, Roller	
5	70004896	1	Shaft Seal Kit (Includes Items 6-8)	
6	7021241	1	O-Ring	
7	7021242	1	Seal, Lip	
8	7021243	1	Carrier, Seal Shaft	
9	7024855	2	Solenoid Assembly	
9A	70004897	2	Coil (1 Per Assembly)	
9B	7024857	2	Nut (1 Per Assembly)	
9C	7024858	2	Seal Kit - 7024855 Cartridge (1 Per Assembly)	
10	70004889	2	Orifice	
11	See Note	NSS	Housing Assembly (Note: Not Available for Purchase)	
12	7021248	1	Side Cover Assembly (Includes Item 13)	
13	70004891	1	Gasket	
14	7021249	1	Bearing, Needle	
15	See Note	NSS	Pin (Note: Not Available for Purchase)	
16	70004890	2	Screw	
17	70004892	4	Screw	
18	7007419	2	Plug Assembly (Includes O-Ring)	
19	7007420	2	Plug Assembly (Includes O-Ring)	
20	See Note	NSS	Plug (Note: Not Available for Purchase)	
21	7007419	1	Plug Assembly (Includes O-Ring)	
22	7021257	1	Ring, Retaining	
23	70004893	1	Key	
24	7022341	1	Ring, Retaining	
25	7021258	1	Gerotor	
26	70004894	1	Gerotor Cover Assembly (Includes Item 27)	
27	7021259	1	Bearing, Journal	
28	7021262	1	O-Ring	
29	See Note	NSS	Pin (Note: Not Available for Purchase)	
30	7021263	2	Bypass Valve Assembly	
31	7024800	2	Spring	
32	7021265	2	Bypass Valve Assembly (Includes Items 32-34)	
33	7007415	2	O-Ring	
34	7021293	2	Ring, Back-up	
35	7022300	2	O-Ring	
36	70004895	1	Cover, Servo	
37	7021253	1	Gasket	
38	70004892	5	Screw	
39	7007420	1	Plug Assembly (Includes O-Ring)	
40	7021268	1	Cover, Servo	
41	7021253	1	Gasket	
42	70004892	5	Screw	
43	7007420	1	Plug Assembly (Includes O-Ring)	
44	7021281	1	Plate, Valve	
45	70004898	1	Servo Piston Kit (Includes Items 46 & 47)	
46	7007495	2	O-Ring	

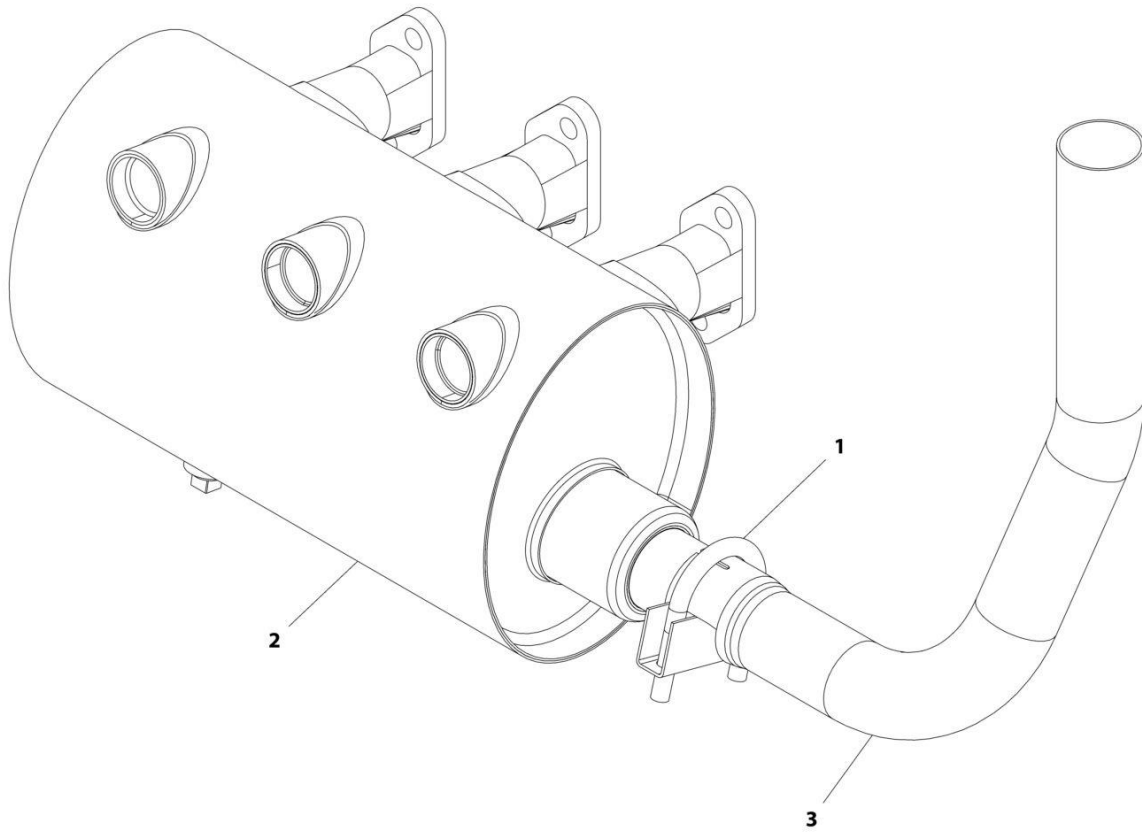
## SECTION 3 - ENGINE

ITEM	PART NUMBER	QTY	DESCRIPTION	REV
47	7007493	2	O-Ring	
48	7007420	1	Plug Assembly (Includes O-Ring)	
49	70004900	1	Plug Assembly (Includes O-Ring)	
50	7022346	1	Adjuster	
51	7021290	1	Nut	
52	7022347	1	Spring	
53	70004901	1	Poppet	
54	7007415	1	O-Ring	
55	70004902	1	Nut, Seal	
56	70004903	1	Swash Plate	
57	70004904	1	Bearing Assembly	
58	70004905	1	Coupling	
59	7001481	2	Pin	
60	70002257	1	Gasket	
61	70004906	8	Screw	
62	70004907	1	Cover, Charge Pump	
63	70004908	1	Seal	
64	7021299	1	Plate, Cover	
65	7007289	2	Screw	
66	70004909	1	Cylinder Block Assembly (Includes Items 67-71)	
67	70004910	3	Pin, Slipper Hold Down	
68	7021276	1	Retainer, Hold Down Pin	
69	7021277	1	Guide, Slipper Retainer	
70	7021278	1	Retainer, Slipper	
71	70004911	1	Piston Assembly	
100	70004899	1	Seal Kit (Includes Items 5-8, 33-35, 37, 41, 46, 47 & 54)	



## SECTION 3 - ENGINE

FIGURE 3-38. SPARK ARRESTOR INSTALLATION - DEUTZ D2011 ENGINE



ART\_1001175071

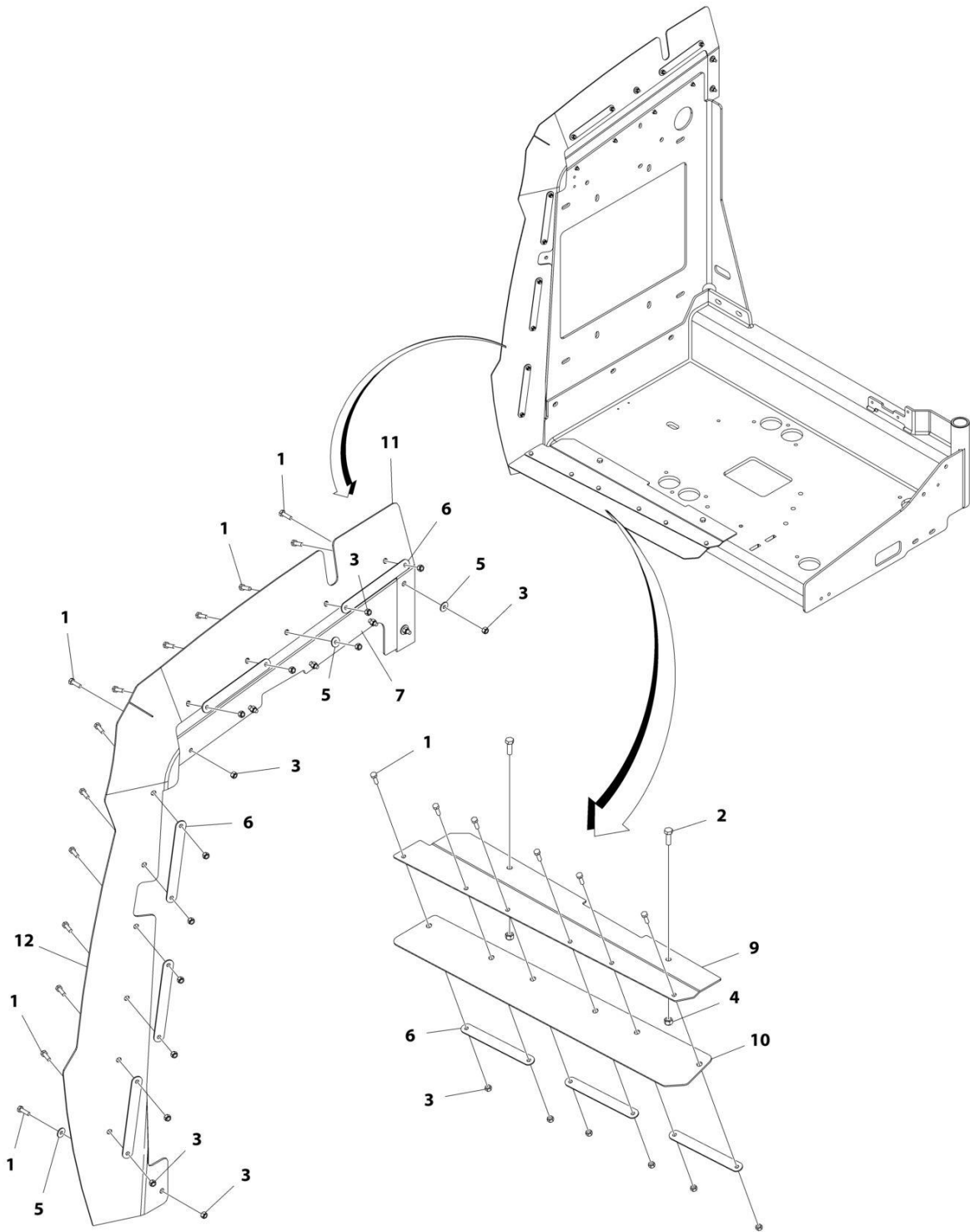
## SECTION 3 - ENGINE

**FIGURE 3-38. SPARK ARRESTOR INSTALLATION - DEUTZ D2011 ENGINE**

ITEM	PART NUMBER	QTY	DESCRIPTION	REV
	1001175071	Ref	SPARK ARRESTOR INSTALLATION	A
1	1320176	1	Clamp	
2	1001170224	1	Muffler, Spark Arresting	
3	1001175068	1	Pipe, Exhaust	

# SECTION 3 - ENGINE

## FIGURE 3-39. ENGINE Baffle INSTALLATION - ABS HOODS (DEUTZ & GM ENGINES)



ART\_1001170662



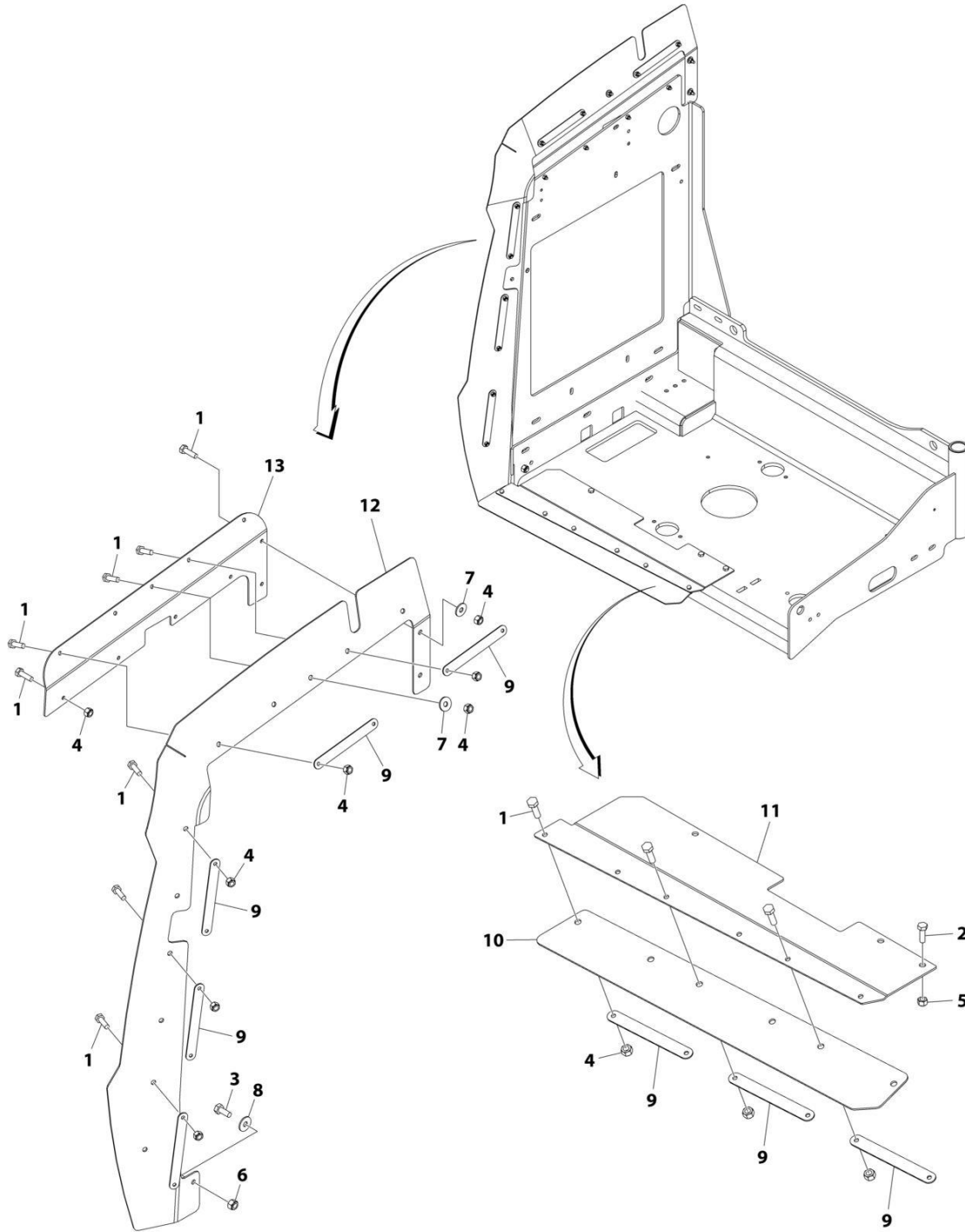
## SECTION 3 - ENGINE

**FIGURE 3-39. ENGINE BAFFLE INSTALLATION - ABS HOODS (DEUTZ & GM ENGINES)**

ITEM	PART NUMBER	QTY	DESCRIPTION	REV
	1001170662	Ref	ENGINE BAFFLE INSTALLATION	F
1	0760610	24	Bolt M6 x 20	
2	0760812	2	Bolt M8 x 25	
3	3290605	24	Nut M6 x 1	
4	3290805	2	Nut M8 x 1.25	
5	4811702	4	Washer M6	
6	1001167164	8	Plate, Support	
7	1001170650	1	Bracket	
9	1001170663	1	Bracket	
10	1001170664	1	Seal	
11	1001211877	1	Seal	
12	1001211878	1	Seal	

# SECTION 3 - ENGINE

## FIGURE 3-40. ENGINE Baffle INSTALLATION - ABS HOODS (KUBOTA ENGINES)



ART\_1001216547

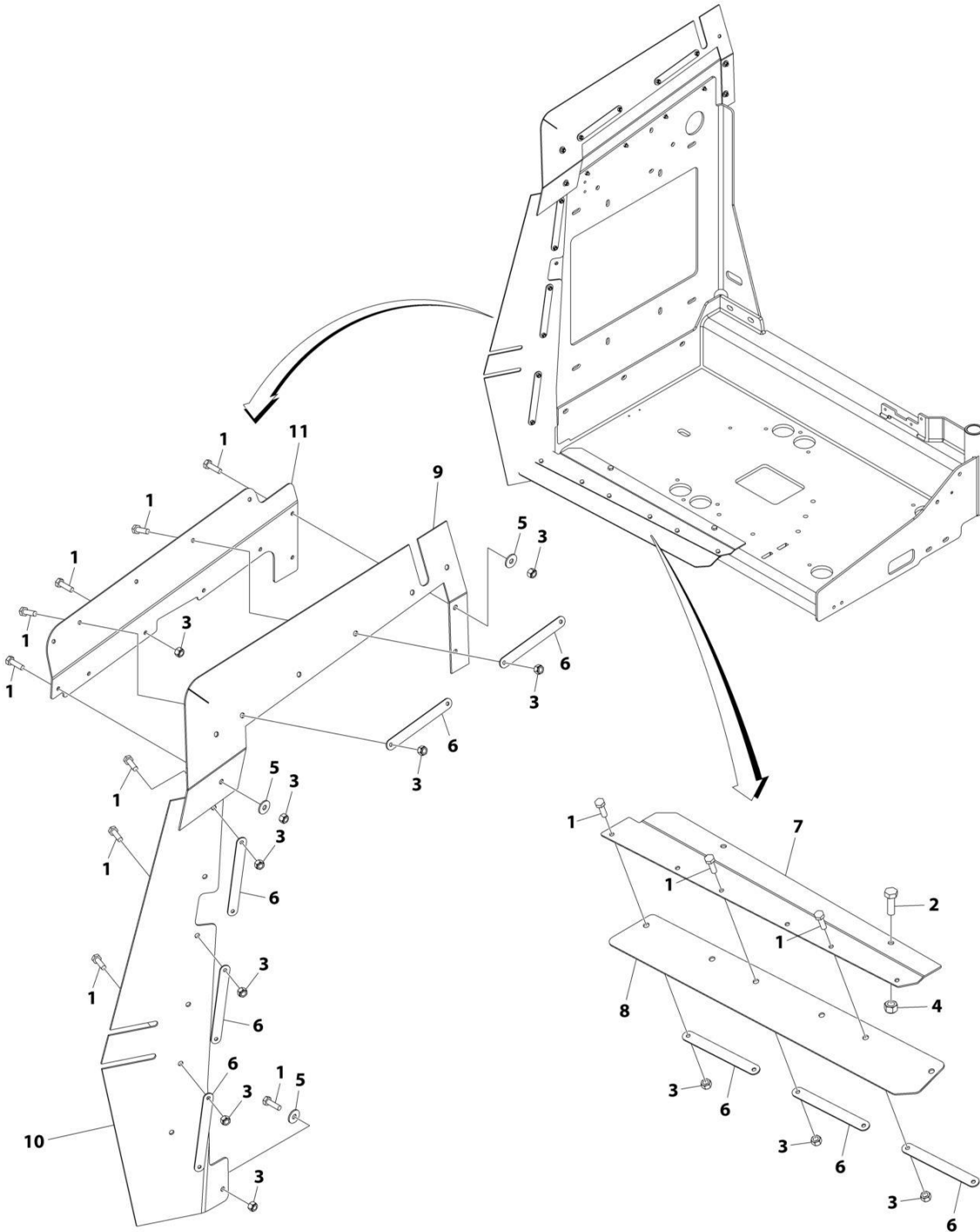
## SECTION 3 - ENGINE

**FIGURE 3-40. ENGINE BAFFLE INSTALLATION - ABS HOODS (KUBOTA ENGINES)**

ITEM	PART NUMBER	QTY	DESCRIPTION	REV
	1001216547	Ref	KUBOTA ENGINE BAFFLE INSTALLATION	B
1	0760610	24	Bolt M6 x 20	
2	0760812	3	Bolt M8 x 25	
3	0761012	1	Bolt M10 x 25	
4	3290605	23	Nut M6 x 1	
5	3290805	3	Nut M8 x 1.25	
6	3291005	1	Nut M10	
7	4811702	3	Washer M6	
8	4812002	1	Washer M10	
9	1001167164	8	Plate, Support	
10	1001170664	1	Seal	
11	1001216512	1	Bracket	
12	1001216548	1	Seal	
13	1001216549	1	Bracket	

# SECTION 3 - ENGINE

## FIGURE 3-41. ENGINE Baffle INSTALLATION - STEEL HOODS



ART\_1001223454

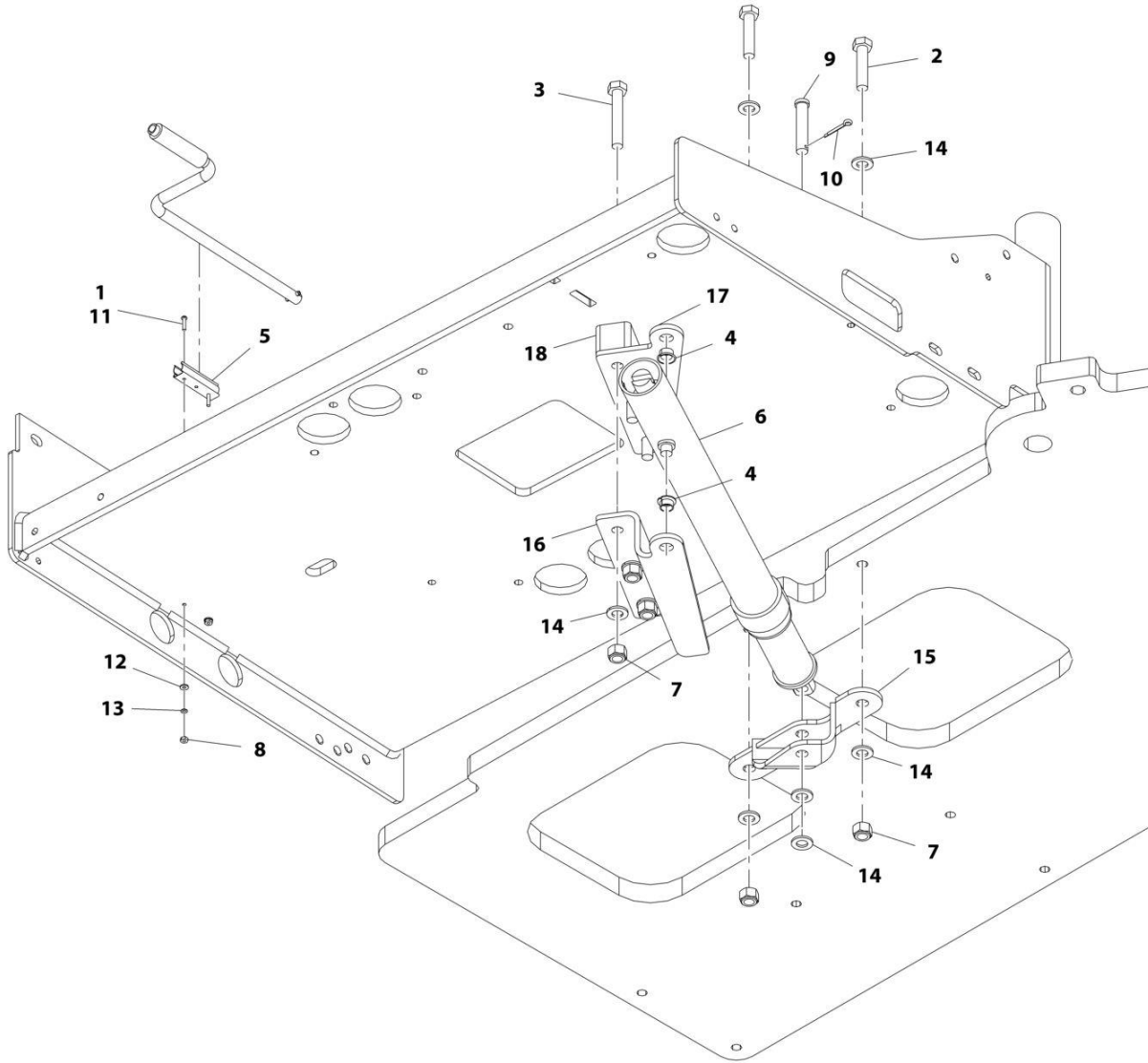
## SECTION 3 - ENGINE

### FIGURE 3-41. ENGINE BAFFLE INSTALLATION - STEEL HOODS

ITEM	PART NUMBER	QTY	DESCRIPTION	REV
	1001223454	Ref	STEEL HOOD ENGINE BAFFLE INSTALLATION	A
1	0760610	25	Bolt M6 x 20	
2	0760812	2	Bolt M8 x 25	
3	3290605	25	Nut M6 x 1	
4	3290805	2	Nut M8 x 1.25	
5	4811702	5	Washer M6	
6	1001167164	8	Plate, Support	
7	1001170663	1	Bracket	
8	1001170664	1	Seal	
9	1001223309	1	Seal	
10	1001223310	1	Seal	
11	1001223328	1	Bracket	

# SECTION 3 - ENGINE

## FIGURE 3-42. ENGINE TRAY JACK (USA BUILT MACHINES)



ART\_1001164202

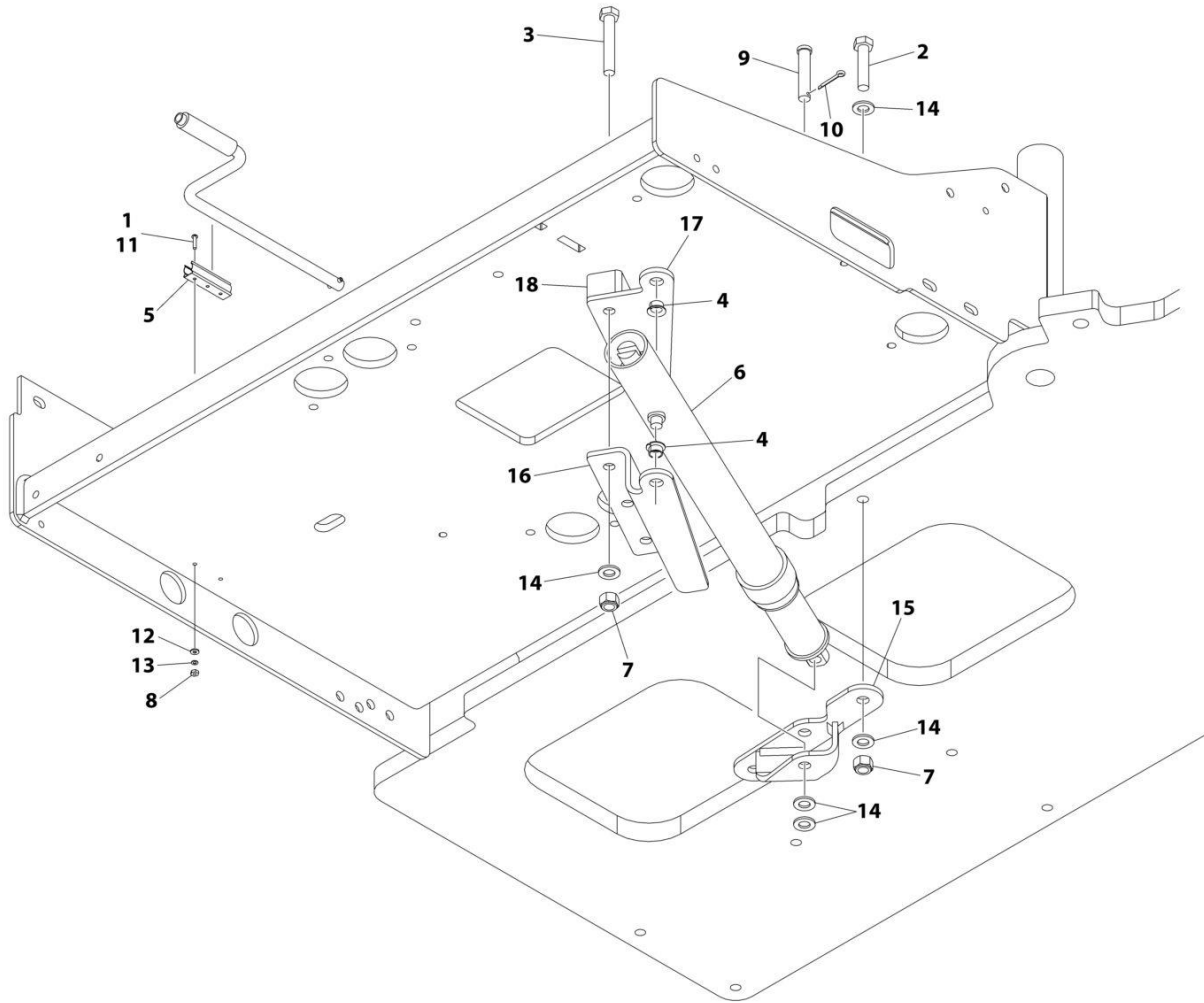
## SECTION 3 - ENGINE

**FIGURE 3-42. ENGINE TRAY JACK (USA BUILT MACHINES)**

ITEM	PART NUMBER	QTY	DESCRIPTION	REV
	1001164202	Ref	ENGINE TRAY JACK	E
1	0100011	AR	Compound, Locking	
2	0701219	2	Bolt M12 x 55	
3	0701223	AR	Bolt M12 x 75	
3	0701224	AR	Bolt M12 x 80	
4	0962051	2	Bearing	
5	1380147	1	Clip	
6	2840016	1	Screw Jack Assembly	
6	7024598	1	Handle	
6	7016322	1	Wiper	
7	3291205	5	Nut M12 x 1.75	
8	3310601	2	Nut #6	
9	3430820	1	Pin, Clevis	
10	3450404	1	Pin, Cotter	
11	3910610	2	Screw 6 x 5/8	
12	4750600	2	Washer #6	
13	4770600	2	Washer Star #6	
14	4812100	9	Washer M12	
15	1001166894	1	Support, Engine Tray Jack	
16	1001175073	1	Support, Engine Tray Jack	
17	1001175074	1	Support, Engine Tray Jack	
18	1001175075	1	Shim	

# SECTION 3 - ENGINE

## FIGURE 3-43. ENGINE TRAY JACK (ROMANIAN BUILT MACHINES)



ART\_1001243870



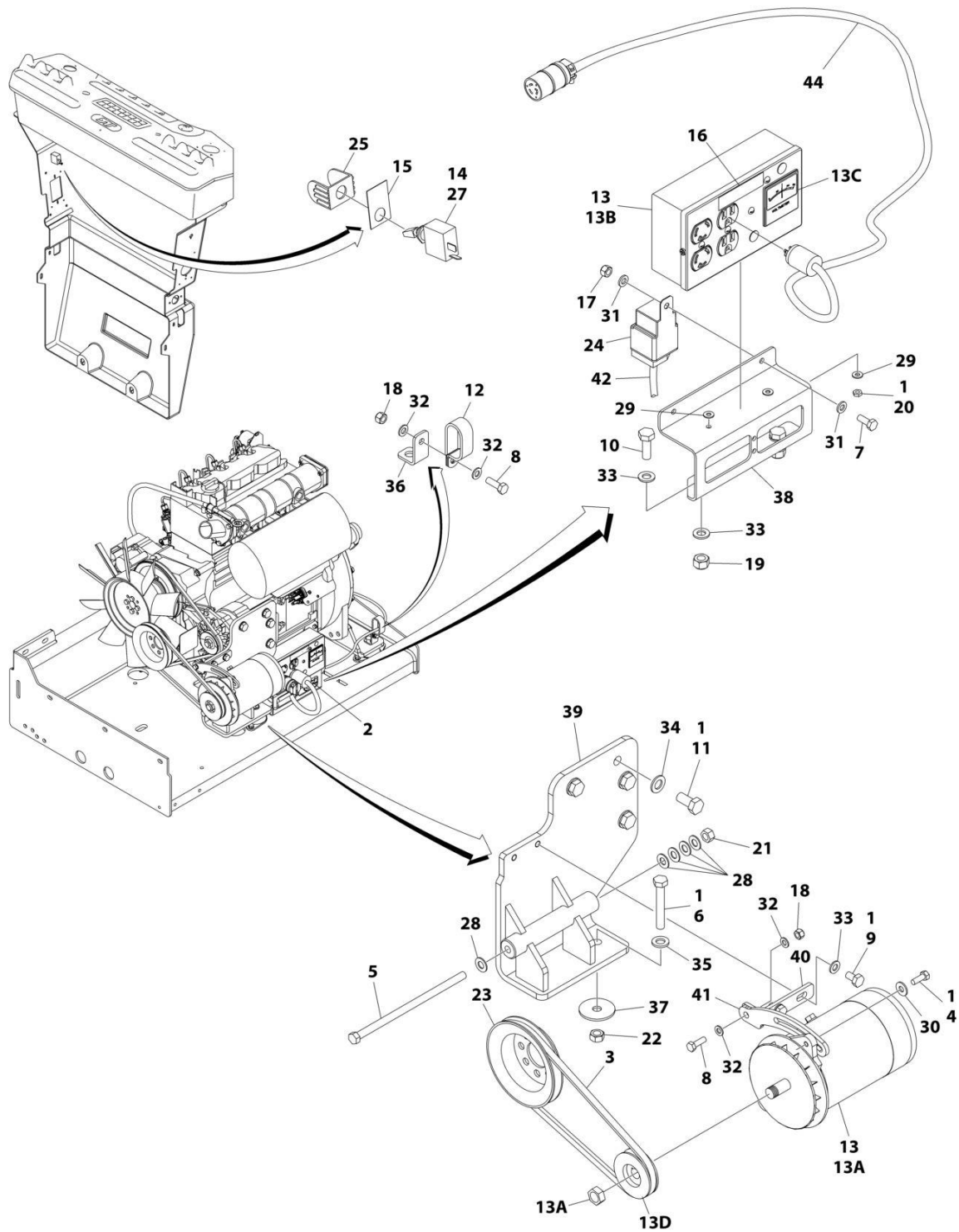
## SECTION 3 - ENGINE

**FIGURE 3-43. ENGINE TRAY JACK (ROMANIAN BUILT MACHINES)**

ITEM	PART NUMBER	QTY	DESCRIPTION	REV
	1001243870	Ref	ENGINE TRAY JACK	B
1	0100011	AR	Compound, Locking	
2	0701219	2	Bolt M12 x 55	
3	0701223	3	Bolt	
4	0962051	2	Bearing	
5	1380147	1	Clip	
6	2840016	1	Screw Jack Assembly	
6	7024598	1	Handle	
6	7016322	1	Wiper	
7	3291205	5	Nut M12 x 1.75	
8	3310601	2	Nut #6	
9	3430820	1	Pin, Clevis	
10	3450404	1	Pin, Cotter	
11	3910610	2	Screw 6 x 5/8	
12	4750600	2	Washer #6	
13	4770600	2	Washer #6	
14	4812100	9	Washer M12	
15	1001166894	1	Support, Engine Tray Jack	
16	1001175073	1	Support, Engine Tray Jack	
17	1001175074	1	Support, Engine Tray Jack	
18	1001243869	1	Shim	

# SECTION 3 - ENGINE

## FIGURE 3-44. GENERATOR INSTALLATION - 2500W/60HZ (DEUTZ D2011 ENGINE)



ART\_1001180798

## SECTION 3 - ENGINE

**FIGURE 3-44. GENERATOR INSTALLATION - 2500W/60HZ (DEUTZ D2011 ENGINE)**

ITEM	PART NUMBER	QTY	DESCRIPTION	REV
	1001180798	Ref	GENERATOR INSTALLATION - 2500W/60HZ (DEUTZ D2011 ENGINE)	B
1	0100011	AR	Compound, Locking	
2	0100048	AR	Grease, Dielectric	
3	0480122	1	Belt	
4	0641507	1	Bolt 5/16 x 7/8	
5	0641772	1	Bolt 7/16 x 9	
6	0711224	1	Bolt M12 x 80 Grade 10.9	
7	0760608	1	Bolt M6 x 16	
8	0760812	2	Bolt M8 x 25	
9	0761009	2	Bolt M10 x 18	
10	0761014	2	Bolt M10 x 30	
11	0771414	4	Bolt M14 x 30 Grade 10.9	
12	1321716	1	Clamp	
13	2460055	1	Generator and Control Box Assembly	
13A	7012558	1	Generator	
	See Note	Ref	Note: Replacement Generators come standard with p/n 3580134 pulley. This pulley may not be correct for all applications. Refer to pulley options below.	
13A	7026199	1	Armature with Slip Rings	
13A	7012513	3	Cap, Brush Holder	
13A	7020108	4	Brush	
13A	7020109	4	Holder, Brush	
13A	7012514	1	Fan	
13A	7020110	1	Bell, Front	
13A	7020111	1	Bell, Rear	
13A	7020190	1	Bearing	
13B	7019680	1	Box, Control	
13B	4460190	1	Receptacle, Standard	
13B	4460027	1	Receptacle, Twistlock	
13B	4360542	1	Breaker, Circuit	
13B	3520028	1	Plug, Hole	
13B	4460961	1	Connector - 4 Position	
13B	4460705	4	Pin, Male	
13B	4460321	1	Connector - 4 Position (Note: Mate to p/n 4460961 Purchase Separately)	
13B	4460268	3	Socket, Female (Note: Mate to p/n 4460705 Purchase Separately)	
13C	2420203	1	Voltmeter	
13D	3580276	1	Pulley	
13D	7027887	1	Key, Woodruff	
14	2820031	AR	Heat Shrink	
15	See Note	1	Nameplate (Note: Not Available for Purchase)	
16	3251243	1	Nameplate 120V-60Hz	
17	3290605	1	Nut M6	
18	3290805	2	Nut M8	
19	3291005	2	Nut M10	
20	3311001	2	Nut #10	
21	3311705	1	Nut 7/16	
22	3331211	1	Nut M12	
23	3580158	1	Pulley	

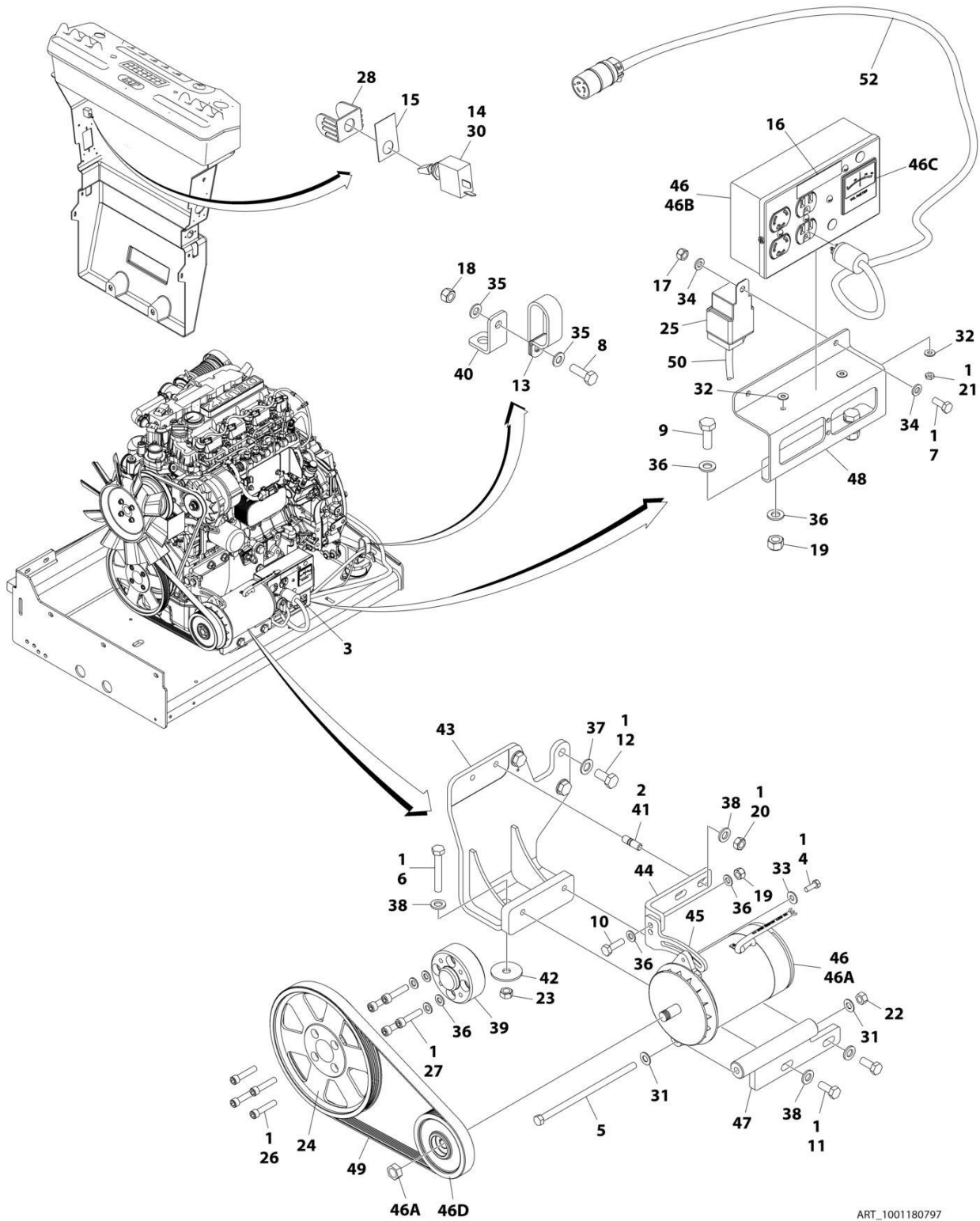
## SECTION 3 - ENGINE

ITEM	PART NUMBER	QTY	DESCRIPTION	REV
24	3740080	1	Relay	
25	4060802	1	Guard, Switch	
26	4240099	AR	Tie-Strap (Not Shown)	
27	4360336	1	Switch, Toggle	
28	4711700	5	Washer 7/16	
29	4751000	4	Washer #10	
30	4751500	1	Washer 5/16	
31	4811700	2	Washer M6	
32	4811900	4	Washer M8	
33	4812000	6	Washer M10	
34	4812200	4	Washer M14	
35	5241200	1	Washer M12 Hardened	
36	1001148641	1	Bracket	
37	1001168018	1	Washer, Snubbing	
38	1001183477	1	Support	
39	1001184637	1	Mount, Engine	
40	1001184644	1	Support	
41	1001184645	1	Bracket	
42	1001187522	1	Harness, Generator (See Separate Breakdown in ELECTRICAL SECTION)	
43	1001188731	1	Wiring Diagram (Not Shown)	
43	4922641	1	Harness, On/Off Switch (Not Shown - Located at Platform)	
44	1001182296	1	Harness, Inverter	
44	1060494	10 ft/3.5m	Cable, Electrical - 12/3	
44	4460134	1	Receptacle, Female	
44	4460138	1	Plug, Male	



# SECTION 3 - ENGINE

## FIGURE 3-45. GENERATOR INSTALLATION - 2500W/60HZ (DEUTZ D2.9L4 ENGINE)



ART\_1001180797

## SECTION 3 - ENGINE

**FIGURE 3-45. GENERATOR INSTALLATION - 2500W/60HZ (DEUTZ D2.9L4 ENGINE)**

ITEM	PART NUMBER	QTY	DESCRIPTION	REV
	1001180797	Ref	GENERATOR INSTALLATION - 2500W/60HZ (DEUTZ D2.9L4 ENGINE)	F
1	0100011	AR	Compound, Locking	
2	0100019	AR	Compound, Locking	
3	0100048	AR	Grease, Dielectric	
4	0641507	1	Bolt 5/16 x 7/8	
5	0641772	1	Bolt 7/16 x 9	
6	0711224	AR	Bolt M12 x 80 Grade 10.9	
7	0760608	1	Bolt M6 x 16	
8	0760812	1	Bolt M8 x 25	
9	0761014	2	Bolt M10 x 30	
10	0761015	1	Bolt M10 x 35	
11	0761214	2	Bolt M12 x 30	
12	0771414	3	Bolt M14 x 30 Grade 10.9	
13	1321716	1	Clamp	
14	2820031	AR	Heat Shrink	
15	See Note	1	Nameplate (Note: Not Available for Purchase)	
16	3251243	1	Nameplate 120V-60Hz	
17	3290605	1	Nut M6	
18	3290805	1	Nut M8	
19	3291005	3	Nut M10	
20	3291201	2	Nut M12	
21	3311001	2	Nut #10	
22	3311705	1	Nut 7/16	
23	3331211	AR	Nut M12	
24	3580320	1	Pulley	
25	3740080	1	Relay	
26	3931628	4	Capscrew 3/8 x 1-3/4	
27	4032014	4	Bolt M10 x 50	
28	4060802	1	Guard, Switch	
29	4240099	AR	Tie-Strap (Not Shown)	
30	4360336	1	Switch, Toggle	
31	4711700	2	Washer 7/16	
32	4751000	4	Washer #10	
33	4751500	1	Washer 5/16	
34	4811700	2	Washer M6	
35	4811900	2	Washer M8	
36	4812000	AR	Washer M10	
37	4812200	AR	Washer M14	
38	5241200	AR	Washer M12 Hardened	
39	1001135679	1	Adapter	
40	1001148641	1	Bracket	
41	1001155041	2	Stud	
42	1001168018	AR	Washer, Snubbing	
43	1001168207	Ref	Support	
44	1001179836	1	Mount, Upper Generator	
45	1001179837	1	Arm Adjustment	
46	1001180001	1	Generator	
46A	7026199	1	Armature with Slip Rings	
46A	7012513	3	Cap, Brush Holder	

## SECTION 3 - ENGINE

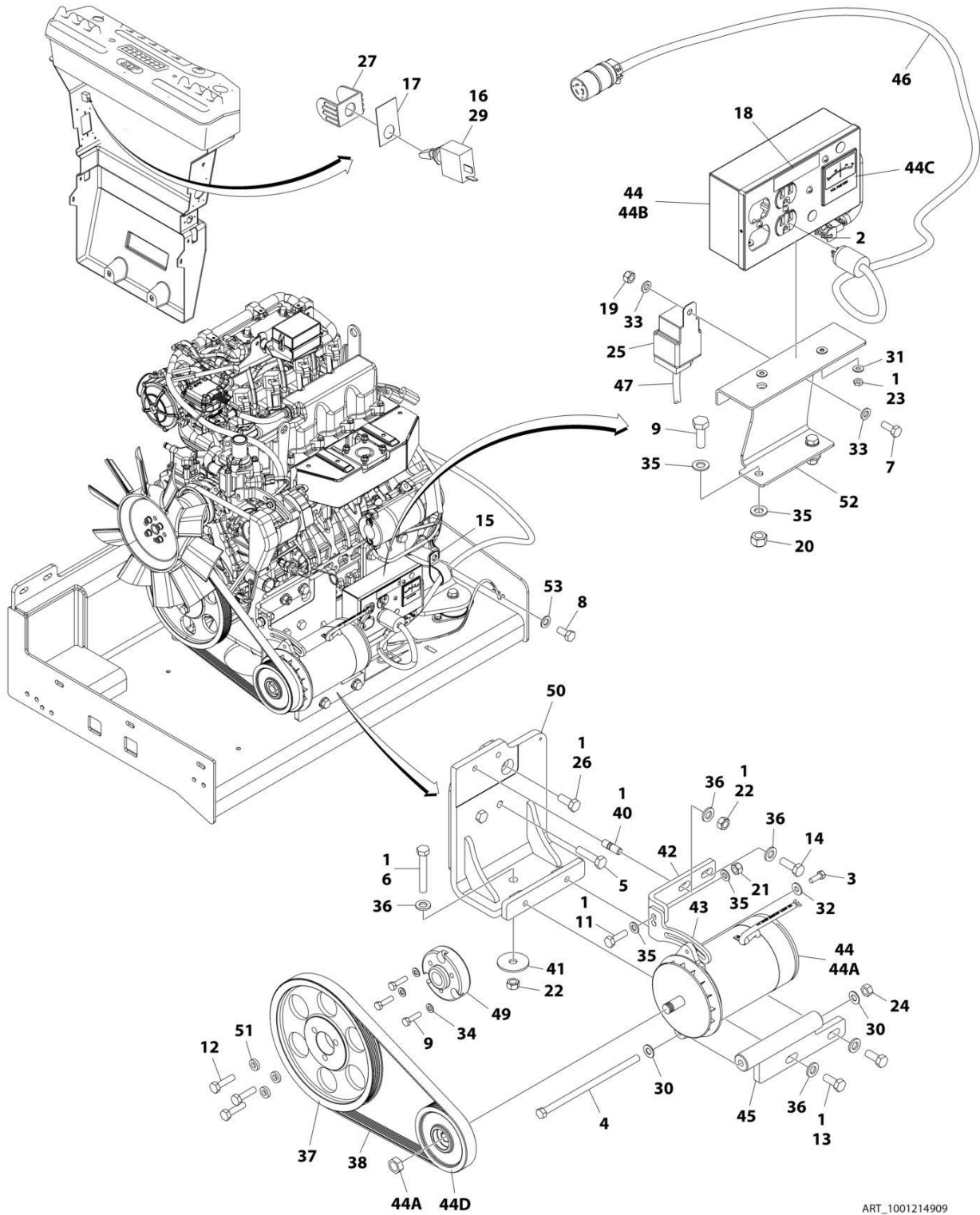
ITEM	PART NUMBER	QTY	DESCRIPTION	REV
46A	7020108	4	Brush	
46A	7020109	4	Holder, Brush	
46A	7012514	1	Fan	
46A	7020110	1	Bell, Front	
46A	7020111	1	Bell, Rear	
46A	7020190	1	Bearing	
46B	7019680	1	Box, Control	
46B	4460190	1	Receptacle, Standard	
46B	4460027	1	Receptacle, Twistlock	
46B	4360542	1	Breaker, Circuit	
46B	3520028	1	Plug, Hole	
46B	4460961	1	Connector - 4 Position	
46B	4460705	4	Pin, Male	
46B	4460321	1	Connector - 4 Position (Note: Mate to p/n 4460961 Purchase Separately)	
46B	4460268	3	Socket, Female (Note: Mate to p/n 4460705 Purchase Separately)	
46C	2420203	1	Voltmeter	
46D	1001179893	1	Pulley	
46D	7027887	1	Key, Woodruff	
47	1001181243	1	Mount, Lower Generator	
48	1001183477	1	Support	
49	1001148138	1	Belt	
50	1001187522	1	Harness, Generator (See Separate Breakdown in ELECTRICAL SECTION)	
51	1001188731	1	Wiring Diagram (Not Shown)	
51	4922641	1	Harness, On/Off Switch (Not Shown - Located at Platform)	
52	1001182296	1	Harness, Inverter	
52	1060494	10 ft/3.5m	Cable, Electrical - 12/3	
52	4460134	1	Receptacle, Female	
52	4460138	1	Plug, Male	





# SECTION 3 - ENGINE

## FIGURE 3-46. GENERATOR INSTALLATION - 2500W/60HZ (KUBOTA ENGINE)



ART\_1001214909

## SECTION 3 - ENGINE

**FIGURE 3-46. GENERATOR INSTALLATION - 2500W/60HZ (KUBOTA ENGINE)**

ITEM	PART NUMBER	QTY	DESCRIPTION	REV
	1001214909	Ref	GENERATOR INSTALLATION - 2500W/60Hz (KUBOTA ENGINE)	E
1	0100011	AR	Compound, Locking	
2	0100048	AR	Grease, Dielectric	
3	0641507	1	Bolt 5/16 x 7/8	
4	0641772	1	Bolt 7/16 x 9	
5	1001217344	2	Bolt M12 x 50	
6	0711224	AR	Bolt M12 x 80 Grade 10.9	
6	0701224	AR	Bolt M12 x 80	
7	0760608	1	Bolt M6 x 16	
8	1001217345	1	Bolt M14 x 30	
9	0760814	5	Bolt M8 x 30	
11	0761015	1	Bolt M10 x 35	
12	0761016	3	Bolt M10 x 40	
13	0761214	2	Bolt M12 x 30	
14	0761215	1	Bolt M12 x 35	
15	84521061	1	Clamp	
16	2820031	AR	Heat Shrink	
17	See Note	1	Nameplate (Note: Not Available for Purchase)	
18	3251243	1	Nameplate 120V-60Hz	
19	3290605	1	Nut M6	
20	3290805	2	Nut M8	
21	3291005	1	Nut M10	
22	3291201	2	Nut M12	
23	3311001	2	Nut #10	
24	3311705	1	Nut 7/16	
25	3740080	1	Relay	
26	1001217342	1	Bolt M12 x 30	
27	4060802	1	Guard, Switch	
28	4240099	AR	Tie-Strap (Not Shown)	
29	4360336	1	Switch, Toggle	
30	4711700	2	Washer 7/16	
31	4751000	4	Washer #10	
32	4751500	1	Washer 5/16	
33	4811700	2	Washer M6	
34	4811900	5	Washer M8	
35	4812000	4	Washer M10	
36	5241200	1	Washer M12 Hardened	
37	1001147233	1	Pulley	
38	1001148138	1	Belt	
40	1001155041	1	Stud	
41	1001168018	1	Washer, Snubbing	
42	1001179836	1	Mount, Upper Generator	
43	1001179837	1	Arm Adjustment	
44	1001180001	1	Generator	
44A	7026199	1	Armature with Slip Rings	
44A	7012513	3	Cap, Brush Holder	
44A	7020108	4	Brush	
44A	7020109	4	Holder, Brush	
44A	7012514	1	Fan	
44A	7020110	1	Bell, Front	

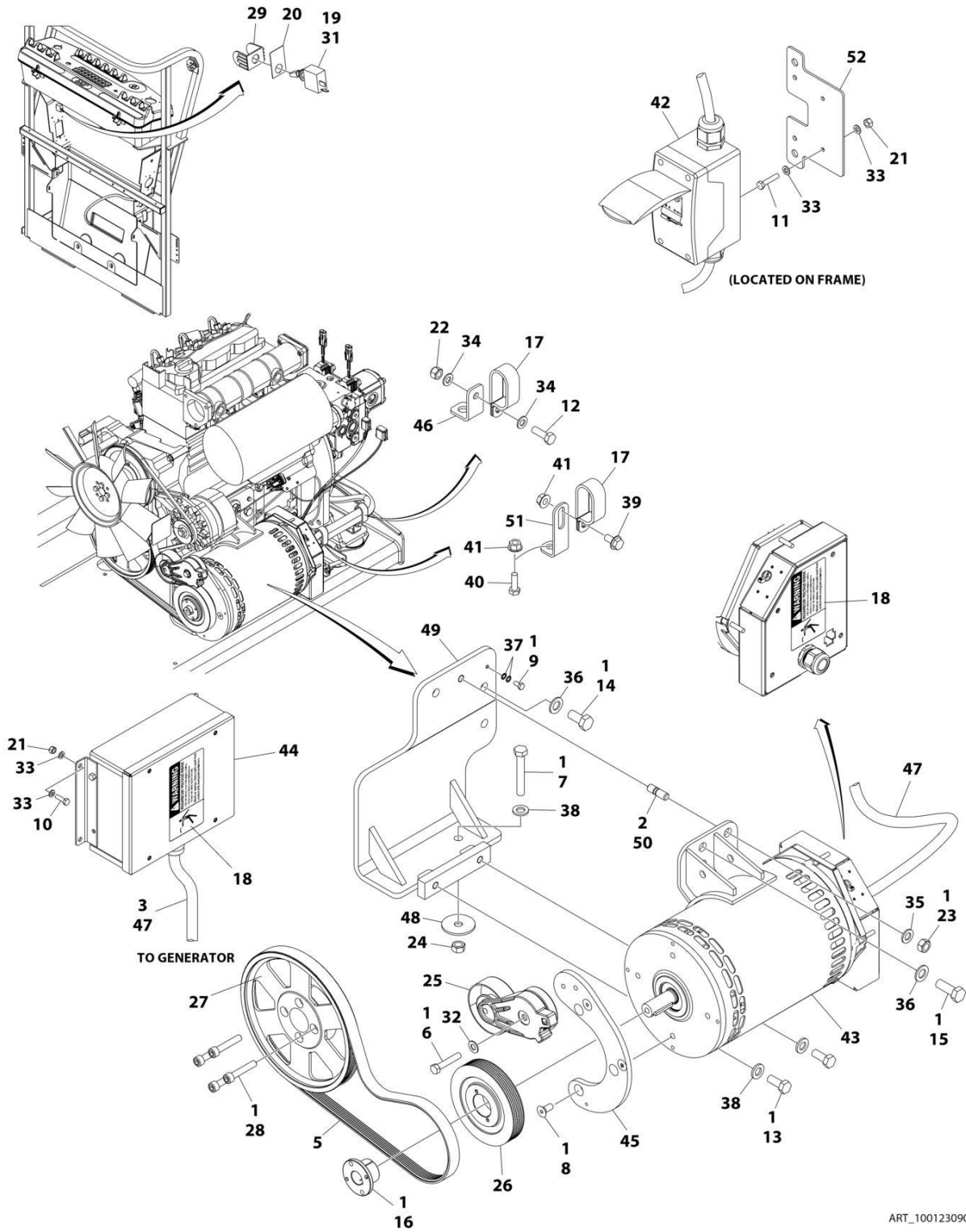
## SECTION 3 - ENGINE

ITEM	PART NUMBER	QTY	DESCRIPTION	REV
44A	7020111	1	Bell, Rear	
44A	7020190	1	Bearing	
44B	7019680	1	Box, Control	
44B	4460190	1	Receptacle, Standard	
44B	4460027	1	Receptacle, Twistlock	
44B	4360542	1	Breaker, Circuit	
44B	3520028	1	Plug, Hole	
44B	4460961	1	Connector - 4 Position	
44B	4460705	4	Pin, Male	
44B	4460321	1	Connector - 4 Position (Note: Mate to p/n 4460961 Purchase Separately)	
44B	4460268	3	Socket, Female (Note: Mate to p/n 4460705 Purchase Separately)	
44C	2420203	1	Voltmeter	
44D	1001179893	1	Pulley	
44D	7027887	1	Key, Woodruff	
45	1001181243	1	Mount, Lower Generator	
46	1001182296	1	Harness, Inverter	
46	1060494	10 ft/ 3.5m	Cable, Electrical - 12/3	
46	4460134	1	Receptacle, Female	
46	4460138	1	Plug, Male	
47	1001187522	1	Harness, Generator (See Separate Breakdown in ELECTRICAL SECTION)	
48	1001188731	1	Wiring Diagram (Not Shown)	
48	4922641	1	Harness, On/Off Switch (Not Shown - Located at Platform)	
49	1001213029	1	Adapter, Pulley	
50	1001214546	1	Support	
51	1001216805	1	Spacer	
52	1001216840	1	Support	
53	4812200	1	Washer M14	



# SECTION 3 - ENGINE

FIGURE 3-47. GENERATOR INSTALLATION - 4000W/50HZ (DEUTZ D2011 ENGINES)



ART\_1001230908

## SECTION 3 - ENGINE

**FIGURE 3-47. GENERATOR INSTALLATION - 4000W/50HZ (DEUTZ D2011 ENGINES)**

ITEM	PART NUMBER	QTY	DESCRIPTION	REV
	1001230908	Ref	4000W/50Hz GENERATOR INSTALLATION - DEUTZ D2011 ENGINES	A
1	0100011	AR	Compound, Locking	
2	0100019	AR	Compound, Locking	
3	0100048	AR	Grease, Dielectric	
4	0100079	AR	Sealant (Not Shown)	
5	0480126	1	Belt	
6	0641616	1	Bolt 3/8 x 2	
7	0711224	1	Bolt M12 x 80 Grade 10.9	
8	0741607	3	Screw 3/8 x 7/8	
9	0760606	1	Bolt M6 x 12	
10	0760610	4	Bolt M6 x 20	
11	0760614	2	Bolt M6 x 30	
12	0760812	1	Bolt M8 x 25	
13	0761214	2	Bolt M12 x 30	
14	0771414	2	Bolt M14 x 30 Grade 10.9	
15	0771416	1	Bolt M14 x 40	
16	0962520	1	Bushing	
17	1321716	2	Clamp	
18	1705489	2	Decal - Hazardous Voltage	
19	2820031	0.3 ft/ 0.1m	Heat Shrink	
20	3251102	1	Nameplate, Generator	
21	3290605	6	Nut M6	
22	3290805	1	Nut M8	
23	3291201	1	Nut M12	
24	3331211	1	Nut M12	
25	3580317	1	Pulley	
26	3580319	1	Pulley	
27	3580320	1	Pulley	
28	4032015	4	Bolt M10 x 55	
29	4060802	1	Guard, Switch	
30	4240099	AR	Tie-Strap (Not Shown)	
31	4360336	1	Switch, Toggle	
32	4711600	1	Washer 3/8	
33	4811700	12	Washer M6	
34	4811900	2	Washer M8	
35	4812100	1	Washer M12	
36	4812200	3	Washer M14	
37	4871700	2	Washer M6	
38	5241200	3	Washer M12 Hardened	
39	5250808	1	Bolt M8 x 16	
40	5250810	1	Bolt M8 x 20	
41	5260800	2	Flange Nut M8	
42	1001096070	1	Breaker Box Kit (50Hz) (See Separate Breakdown in ELECTRICAL Section)	
43	1001138565	1	Generator Assembly	
43	70003709	1	Ring, Retaining (External)	
43	70003708	1	Ring, Retaining (Internal)	
43	70001966	1	Bearing	

## SECTION 3 - ENGINE

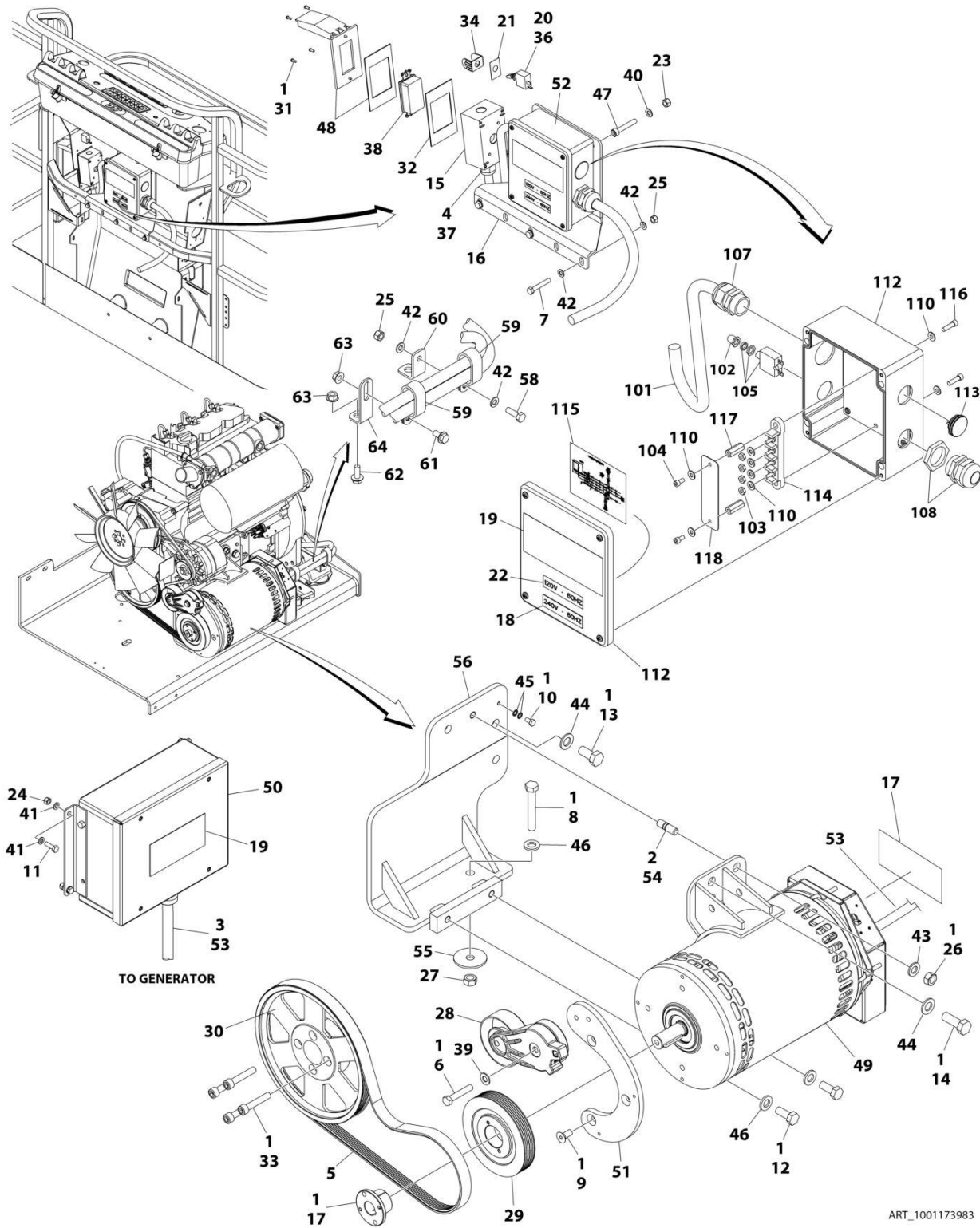
ITEM	PART NUMBER	QTY	DESCRIPTION	REV
43	70004092	1	Endbell (Shaft End)	
43	70004171	1	Key	
43	70004676	1	Rotor	
43	70004677	1	Stator	
43	70004678	1	Endbell (Rear)	
43	70004679	1	Cover, Endbell (Rear)	
43	70004680	1	Enclosure, Wiring	
43	70004681	1	Cover, Enclosure	
43	70004682	1	Switch, Reset (Located on Enclosure Cover)	
43	70004683	1	Connector, Strain Relief (Located on Enclosure Cover)	
44	1001138566	1	Box, Control	
45	1001139357	1	Mount, Tensioner	
46	1001148641	1	Bracket	
47	1001152532	1	Harness, Generator (See Separate Breakdown in ELECTRICAL Section)	
48	1001168018	1	Washer, Snubbing	
49	1001173925	1	Mount	
50	1001196382	1	Stud	
51	1001223122	1	Support, P-Clamp	
52	1001230784	1	Bracket	
		Ref	ELECTRICAL DIAGRAM COMPONENTS	
101	4922641	1	Generator Switch Harness (Not Shown)	





# SECTION 3 - ENGINE

## FIGURE 3-48. GENERATOR INSTALLATION - 4000W/60HZ (DEUTZ D2011 ENGINE)



ART\_1001173983

## SECTION 3 - ENGINE

**FIGURE 3-48. GENERATOR INSTALLATION - 4000W/60HZ (DEUTZ D2011 ENGINE)**

ITEM	PART NUMBER	QTY	DESCRIPTION	REV
	1001173983	Ref	GENERATOR INSTALLATION - 4000W/60HZ (DEUTZ D2011 ENGINE)	F
1	0100011	AR	Compound, Locking	
2	0100019	AR	Compound, Locking	
3	0100048	AR	Grease, Dielectric	
4	0100079	AR	Sealant	
5	0480128	1	Belt	
6	0641616	1	Bolt 3/8 x 2	
7	0700818	3	Bolt M8 x 50	
8	0711224	1	Bolt M12 x 80 Grade 10.9	
9	0741607	3	Screw 3/8 x 7/8	
10	0760606	1	Bolt M6 x 12	
11	0760610	4	Bolt M6 x 20	
12	0761214	2	Bolt M12 x 30	
13	0771414	2	Bolt M14 x 30 Grade 10.9	
14	0771416	1	Bolt M14 x 40	
15	0860038	1	Box, Switch	
16	0902888	1	Bracket	
17	0962520	1	Bushing	
18	1705374	1	Decal - 240V-60Hz	
19	1705387	3	Decal - Hazardous Voltage	
20	2820031	AR	Heat Shrink	
21	See Note	1	Nameplate (Note: Not Available for Purchase)	
22	3251243	1	Nameplate 120V-60Hz	
23	3290505	4	Nut M5	
24	3290605	4	Nut M6	
25	3290805	4	Nut M8	
26	3291201	2	Nut M12	
27	3331211	1	Nut M12	
28	3580317	1	Pulley	
29	3580318	1	Pulley	
30	3580320	1	Pulley	
31	3910606	4	Screw #6 x 3/8	
32	3960422	1	Gasket	
33	4032015	4	Bolt M10 x 55	
34	4060802	1	Guard, Switch	
35	4240099	AR	Tie-Strap (Not Shown)	
36	4360336	1	Switch, Toggle	
37	4460071	1	Connector, Strain Relief	
38	4460346	1	Receptacle	
39	4711600	1	Washer 3/8	
40	4811600	4	Washer M5	
41	4811700	8	Washer M6	
42	4811900	8	Washer M8	
43	4812100	1	Washer M12	
44	4812200	3	Washer M14	
45	4871700	2	Washer M6	
46	5241200	3	Washer M12 Hardened	
47	1001104029	4	Screw M5 x 30	
48	1001110873	1	Shield, Cover	

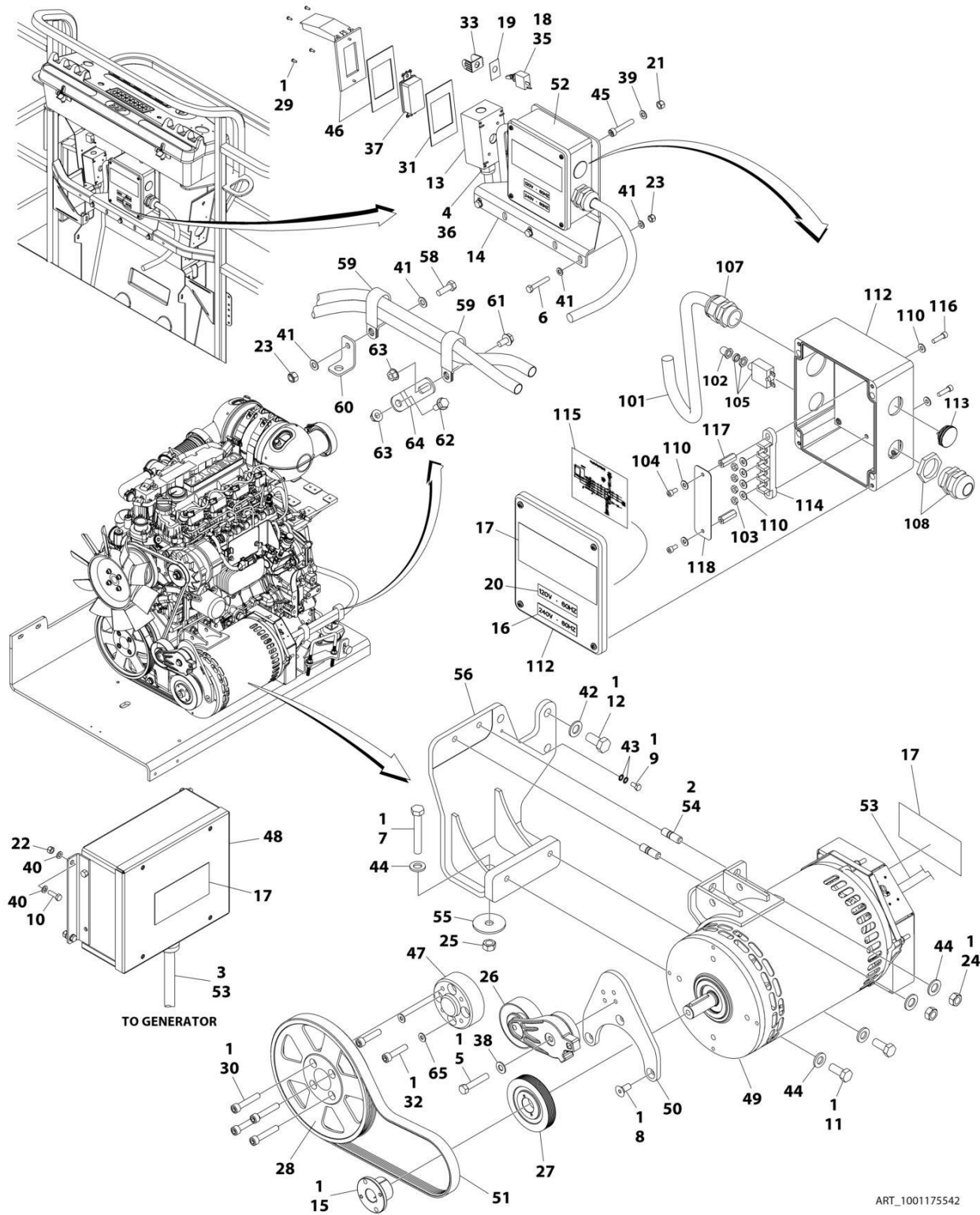
## SECTION 3 - ENGINE

ITEM	PART NUMBER	QTY	DESCRIPTION	REV
49	1001129858	1	Generator	
49	70003709	1	Ring, Retaining (External)	
49	70003708	1	Ring, Retaining (Internal)	
49	70001966	1	Bearing	
49	70004092	1	Endbell (Shaft End)	
49	70004171	1	Key	
49	70004676	1	Rotor	
49	70004684	1	Stator	
49	70004678	1	Endbell (Rear)	
49	70004679	1	Cover, Endbell (Rear)	
49	70004680	1	Enclosure, Wiring	
49	70004685	1	Cover, Enclosure	
49	70004682	1	Switch, Reset (Located on Enclosure Cover)	
49	70004098	1	Connector, Strain Relief (Located on Enclosure Cover)	
50	1001138566	1	Box, Control	
50	70006552	1	Capacitor	
50	70006553	1	Relay	
51	1001139357	1	Mount, Tensioner	
52	1001152457	1	Generator Junction Box Assembly (See Items 101-118 for Breakdown)	
53	1001152532	1	Harness, Generator (See Separate Breakdown in ELECTRICAL SECTION)	
54	1001196382	1	Stud	
55	1001168018	1	Washer, Snubbing	
56	1001173925	1	Mount	
57	1001175631	1	Wiring Diagram (Not Shown)	
57	4922641	1	Harness, On/Off Switch (Not Shown - Located at Platform)	
58	0760812	1	Bolt M8 x 25	
59	1321716	2	Clamp	
60	1001148641	1	Bracket	
61	5250808	1	Bolt M8 x 16	
62	5250810	1	Bolt M8 x 20	
63	5260800	2	Nut M8	
64	1001223122	1	Support	
	1001152457	Ref	GENERATOR JUNCTION BOX COMPONENTS	
101	1001179154	2.5 ft/ 0.8m	Cable, Electrical - 12/3	
102	3300396	1	Cover, Breaker	
103	3311001	4	Nut #10	
104	3900300	2	Screw	
105	4360070	1	Breaker, Circuit - 15Amp	
107	4460425	1	Connector, Strain Relief (LH Side)	
108	4460426	1	Connector, Strain Relief (RH Side)	
110	4711000	8	Washer #10	
112	1001152456	1	Box, Junction	
113	1001152525	1	Plug	
114	1001152530	1	Terminal, Block	
115	1001153260	1	Decal - Wiring Diagram	
116	3900267	2	Screw	
117	1001158008	2	Stand-Off	
118	1001158363	1	Cover, Terminal Block	



# SECTION 3 - ENGINE

## FIGURE 3-49. GENERATOR INSTALLATION - 4000W/60HZ (DEUTZ D2.9L4 ENGINE)



ART\_1001175542

## SECTION 3 - ENGINE

**FIGURE 3-49. GENERATOR INSTALLATION - 4000W/60HZ (DEUTZ D2.9L4 ENGINE)**

ITEM	PART NUMBER	QTY	DESCRIPTION	REV
	1001175542	Ref	GENERATOR INSTALLATION - 4000W/60HZ (DEUTZ D2.9L4 ENGINE)	J
1	0100011	AR	Compound, Locking	
2	0100019	AR	Compound, Locking	
3	0100048	AR	Grease, Dielectric	
4	0100079	AR	Sealant	
5	0641616	1	Bolt 3/8 x 2	
6	0700818	3	Bolt M8 x 50	
7	0711224	AR	Bolt M12 x 80 Grade 10.9	
8	0741607	3	Screw 3/8 x 7/8	
9	0760606	1	Bolt M6 x 12	
10	0760610	4	Bolt M6 x 20	
11	0761212	2	Bolt M12 x 25	
12	0771414	AR	Bolt M14 x 30 Grade 10.9	
13	0860038	1	Box, Switch	
14	0902888	1	Bracket	
15	0962520	1	Bushing	
16	1705374	1	Decal - 240V-60Hz	
17	1705387	3	Decal - Hazardous Voltage	
18	2820031	AR	Heat Shrink	
19	See Note	1	Nameplate (Note: Not Available for Purchase)	
20	3251243	1	Nameplate 120V-60Hz	
21	3290505	4	Nut M5	
22	3290605	4	Nut M6	
23	3290805	4	Nut M8	
24	3291201	2	Nut M12	
25	3331211	AR	Nut M12	
26	3580317	1	Pulley	
27	3580318	1	Pulley	
28	3580320	1	Pulley	
29	3910606	4	Screw #6 x 3/8	
30	3931628	4	Capscrew 3/8 x 1-3/4	
31	3960422	1	Gasket	
32	4032014	4	Capscrew M10 x 50	
33	4060802	1	Guard, Switch	
34	4240099	AR	Tie-Strap (Not Shown)	
35	4360336	1	Switch, Toggle	
36	4460071	1	Connector, Strain Relief	
37	4460346	1	Receptacle	
38	4711600	1	Washer 3/8	
39	4811600	4	Washer M5	
40	4811700	8	Washer M6	
41	4811900	8	Washer M8	
42	4812200	AR	Washer M14	
43	4871700	2	Washer M6	
44	5241200	AR	Washer M12 Hardened	
45	1001104029	4	Screw M5 x 30	
46	1001110873	1	Shield, Cover	
47	1001135679	1	Adapter	
48	1001138566	1	Box, Control	

## SECTION 3 - ENGINE

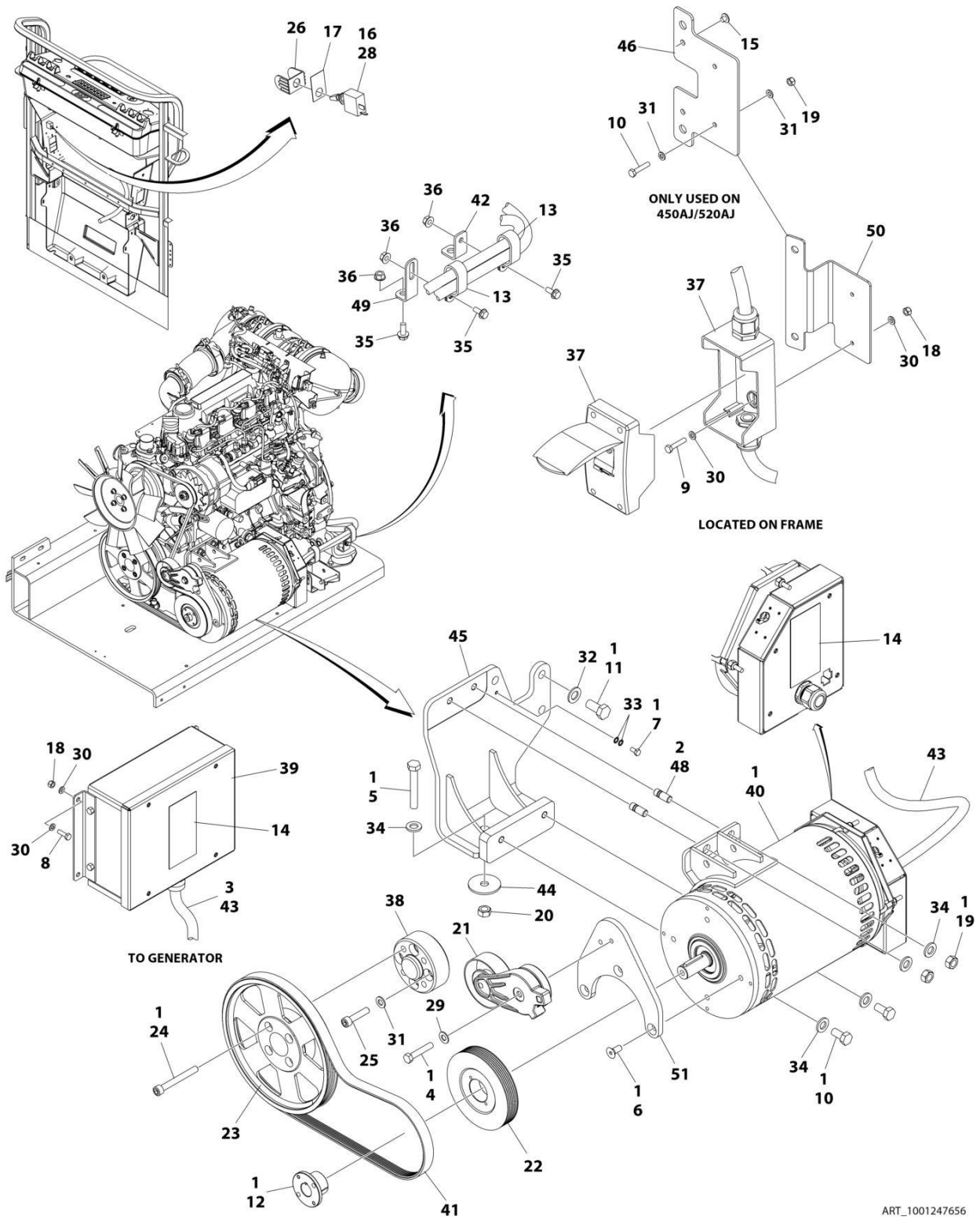
ITEM	PART NUMBER	QTY	DESCRIPTION	REV
49	1001140346	1	Generator Assembly	
49	70003709	1	Ring, Retaining (External)	
49	70003708	1	Ring, Retaining (Internal)	
49	70001966	1	Bearing	
49	70004092	1	Endbell (Shaft End)	
49	70004099	1	Key	
49	70004676	1	Rotor	
49	70004687	1	Stator	
49	70004678	1	Endbell (Rear)	
49	70004679	1	Cover, Endbell (Rear)	
49	70004680	1	Enclosure, Wiring	
49	70004685	1	Cover, Enclosure	
49	70004682	1	Switch, Reset (Located on Enclosure Cover)	
49	70004098	1	Connector, Strain Relief (Located on Enclosure Cover)	
50	1001142643	1	Support	
51	1001142646	1	Belt	
52	1001152457	1	Generator Junction Box Assembly (See Items 101-118 for Breakdown)	
53	1001152532	1	Harness, Generator (See Separate Breakdown in ELECTRICAL SECTION)	
54	1001196382	2	Stud	
55	1001168018	AR	Washer, Snubbing	
56	1001168207	Ref	Support	
57	1001175631	1	Wiring Diagram (Not Shown)	
57	4922641	1	Harness, On/Off Switch (Not Shown - Located at Platform)	
58	0760812	1	Bolt M8 x 25	
59	1321716	2	Clamp	
60	1001148641	1	Bracket	
61	5250808	1	Bolt M8 x 16	
62	5250810	1	Bolt M8 x 20	
63	5260800	2	Nut M8	
64	1001223122	1	Support	
65	4812000	4	Washer M10	
	1001152457	Ref	GENERATOR JUNCTION BOX COMPONENTS	
101	1001179154	2.5 ft/ 0.8m	Cable, Electrical - 12/3	
102	3300396	1	Cover, Breaker	
103	3311001	4	Nut #10	
104	3900300	2	Screw	
105	4360070	1	Breaker, Circuit - 15Amp	
107	4460425	1	Connector, Strain Relief (LH Side)	
108	4460426	1	Connector, Strain Relief (RH Side)	
110	4711000	8	Washer #10	
112	1001152456	1	Box, Junction	
113	1001152525	1	Plug	
114	1001152530	1	Terminal, Block	
115	1001153260	1	Decal - Wiring Diagram	
116	3900267	2	Screw	
117	1001158008	2	Stand-Off	
118	1001158363	1	Cover, Terminal Block	





# SECTION 3 - ENGINE

## FIGURE 3-50. GENERATOR INSTALLATION - 4000W/50HZ (DEUTZ STAGE V ENGINE)



ART\_1001247656

## SECTION 3 - ENGINE

**FIGURE 3-50. GENERATOR INSTALLATION - 4000W/50HZ (DEUTZ STAGE V ENGINE)**

ITEM	PART NUMBER	QTY	DESCRIPTION	REV
	1001247656	Ref	GENERATOR INSTALLATION - 4000W/50HZ (DEUTZ (STAGE V) ENGINE)	D
1	0100011	AR	Compound, Locking	
2	0100019	AR	Compound, Locking	
3	0100048	AR	Grease, Dielectric	
4	0641616	1	Bolt 3/8 x 2	
5	0711224	1	Bolt M12 x 80	
6	0741607	3	Screw 3/8 x 7/8	
7	0760606	1	Bolt M6 x 12	
8	0760610	4	Bolt M6 x 20	
9	0760614	2	Screw M6 x 30	
10	0761212	2	Bolt M12 x 25	
11	0771414	3	Bolt M14 x 30	
12	0962520	1	Bushing	
13	1321716	2	Clamp	
14	1705489	2	Decal - Hazardous Voltage	
15	2080040	2	Fastener, Huck	
16	2820031	0.33 ft /0.10m	Heat Shrink	
17	3251102	1	Nameplate, Generator	
18	3290605	6	Nut M6	
19	3291201	2	Nut M12	
20	3331211	1	Nut M12	
21	3580317	1	Pulley	
22	3580319	1	Pulley	
23	1001260432	1	Pulley	
24	1001261085	4	Capscrew M10 x 85	
25	1001261045	4	Capscrew M10 x 45	
26	4060802	1	Guard, Switch	
27	4240099	AR	Tie-Strap (Not Shown)	
28	4360336	1	Switch, Toggle	
29	4711600	1	Washer 3/8	
30	4811700	12	Washer M6	
31	4812000	4	Washer M14	
32	4812200	3	Washer M14	
33	4871700	2	Washer M6	
34	5241200	5	Washer M12 Hardened	
35	5250810	3	Bolt M8 x 20	
36	5260800	3	Nut M8	
37	1001096070	1	Breaker Box Kit (50Hz) (See Separate Breakdown in ELECTRICAL Section)	
38	1001135679	1	Adapter	
39	1001138566	1	Box, Control	
40	1001140347	1	Generator, 4000W/ 50HZ - Deutz Engine	
40	70003709	1	Ring, Retaining (External)	
40	70003708	1	Ring, Retaining (Internal)	
40	70001966	1	Bearing	
40	70004092	1	Endbell (Shaft End)	
40	70004099	1	Key	
40	70004676	1	Rotor	

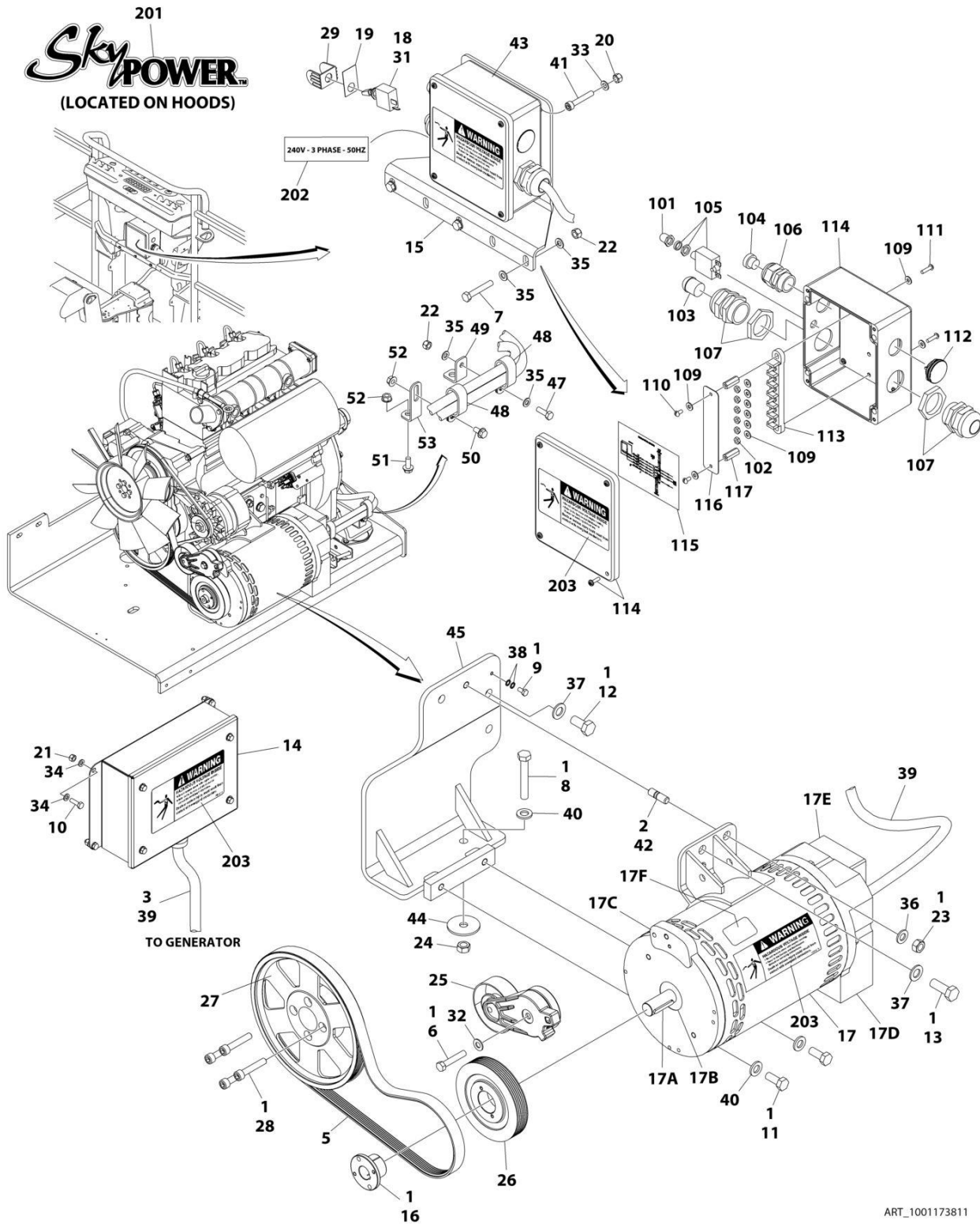
## SECTION 3 - ENGINE

ITEM	PART NUMBER	QTY	DESCRIPTION	REV
40	70004686	1	Stator	
40	70004678	1	Endbell (Rear)	
40	70004679	1	Cover, Endbell (Rear)	
40	70004680	1	Enclosure, Wiring	
40	70004681	1	Cover, Enclosure	
40	70004682	1	Switch, Reset (Located on Enclosure Cover)	
40	70004683	1	Connector, Strain Relief (Located on Enclosure Cover)	
41	1001148059	1	Belt, Generator	
42	1001148641	1	Bracket	
43	1001152532	1	Harness, Generator (See Separate Breakdown in ELECTRICAL Section)	
44	1001168018	1	Washer, Snubbing	
45	1001168207	1	Support (Prior to PVC 2107)	
46	1001174158	1	Mount	
47	1001174675	1	Wiring Diagram (Not Shown)	
48	1001196382	2	Stud	
49	1001223122	1	Support	
50	1001230784	1	Bracket	
51	1001248190	1	Support	
		Ref	ELECTRICAL DIAGRAM COMPONENTS	
101	4922641	1	Generator Switch Harness (Not Shown)	



# SECTION 3 - ENGINE

## FIGURE 3-51. GENERATOR INSTALLATION - 7500W/50HZ (DEUTZ D2011 ENGINE) (PVC 2001)



ART\_1001173811

## SECTION 3 - ENGINE

**FIGURE 3-51. GENERATOR INSTALLATION - 7500W/50HZ (DEUTZ D2011 ENGINE) (PVC 2001)**

ITEM	PART NUMBER	QTY	DESCRIPTION	REV
	1001173811	Ref	GENERATOR INSTALLATION - 7500W/50HZ (DEUTZ D2011 ENGINE)	F
1	0100011	AR	Compound, Locking	
2	0100019	AR	Compound, Locking	
3	0100048	AR	Grease, Dielectric	
4	0100079	AR	Sealant (Not Shown)	
5	0480126	1	Belt	
6	0641616	1	Bolt 3/8 x 2	
7	0700818	3	Bolt M8 x 50	
8	0711224	1	Bolt M12 x 80 Grade 10.9	
9	0760606	1	Bolt M6 x 12	
10	0760610	4	Bolt M6 x 20	
11	0761214	2	Bolt M12 x 30	
12	0771414	2	Bolt M14 x 30 Grade 10.9	
13	0771416	1	Bolt M14 x 40	
14	0861572	1	Control Box Assembly	
14	7024488	1	Card, Circuit - Generator Power	
14	See Note	NSS	Fuse (Note: Not Available - Purchase Locally)	
14	7024489	1	Card, Circuit - Control	
14	70000619	1	Harness, Control Box (Internal)	
15	0902888	1	Bracket	
16	0962520	1	Bushing	
17	2460048	1	Generator Assembly	
17	70001100	1	Rotor (Includes p/n 70001384 & 70000863) (Not Shown)	
17	70001384	1	Bearing, Ball Radial (Not Shown)	
17	70000863	1	Fan (Not Shown)	
17	70002088	1	Stator (Not Shown)	
17	70002297	1	Stud	
17	70003631	1	Brushholder Assembly (Not Shown)	
17A	70004171	1	Key	
17B	70001966	1	Bearing, Ball Radial (Located in Belt Tensioner Endbell)	
17B	70003708	1	Ring, Internal Retaining (Located in Belt Tensioner Endbell)	
17B	70003709	1	Ring, External Retaining (Located in Belt Tensioner Endbell)	
17C	70001953	1	Endbell, Belt Tensioner	
17D	70004169	1	Endbell, Brush Block	
17E	70004169	1	Shroud	
17E	See Note	NSS	Insulator, Endbell (Note: Not Available for Purchase)	
17E	7027799	1	Block, Connector 6 Position (Not Shown)	
17E	70002460	1	Nut, Brass (Attaches p/n 7027799 to Cover) (Not Shown)	
17E	7024485	1	Breaker, Circuit 30Amp (Not Shown)	
17E	70001696	1	Boot, Breaker (Not Shown)	
17E	7026626	1	Connector, 6 Position (Includes Seal) (Not Shown - Plugs into Item 39)	
17E	7026597	1	Connector, with Leads (Not Shown)	
17E	7026188	1	Clamp, Cable Options (Not Shown)	
17E	70004169	1	Plate, End Panel	
17E	70001974	1	Decal - Terminal Connections	
17F	70001973	1	Decal - Warning Moving Parts	
18	2820031	AR	Heat Shrink	
19	3252764	1	Nameplate	

## SECTION 3 - ENGINE

ITEM	PART NUMBER	QTY	DESCRIPTION	REV
20	3290505	4	Nut M5	
21	3290605	4	Nut M6	
22	3290805	4	Nut M8	
23	3291201	1	Nut M12	
24	3331211	1	Nut M12	
25	3580317	1	Pulley	
26	3580319	1	Pulley	
27	3580320	1	Pulley	
28	4032015	4	Bolt M10 x 55	
29	4060802	1	Guard, Switch	
30	4240099	AR	Tie-Strap (Not Shown)	
31	4360336	1	Switch, Toggle	
32	4711600	1	Washer 3/8	
33	4811600	4	Washer M5	
34	4811700	8	Washer M6	
35	4811900	8	Washer M8	
36	4812100	1	Washer M12	
37	4812200	3	Washer M14	
38	4871700	2	Washer M6	
39	4922925	1	Harness, Generator	
39	4460225	1	Plug, Male 6 Position (Plugs into Generator)	
39	See Note	NSS	Socket, Female (Use with 4460225)	
39	See Note	NSS	Seal, Plug (Use with 4460225)	
39	See Note	NSS	Seal, Interface (Use with 4460225)	
40	5241200	3	Washer M12 Hardened	
41	1001104029	4	Screw M5 x 30	
42	1001196382	1	Stud	
43	1001157525	1	Junction Box Assembly (See Items 101-117 for Breakdown)	
44	1001168018	1	Washer, Snubbing	
45	1001173925	1	Mount	
46	1001174675	1	Wiring Diagram (Not Shown)	
46	4922641	1	Harness, On/Off Switch (Not Shown - Located at Platform)	
47	0760812	1	Bolt M8 x 25	
48	1321716	2	Clamp	
49	1001148641	1	Bracket	
50	5250808	1	Bolt M8 x 16	
51	5250810	1	Bolt M8 x 20	
52	5260800	2	Nut M8	
53	1001223122	1	Support	
	1001157525	Ref	JUNCTION BOX ASSEMBLY	B
101	3300396	1	Cover, Fuse	
102	3311001	6	Nut #10	
103	3520189	1	Plug	
104	3520192	1	Plug	
105	4360070	1	Circuit Breaker - 15Amp	
106	4460425	1	Connector, Strain Relief	
107	4460426	2	Connector, Strain Relief	
109	4711000	10	Flatwasher #10	
110	10702077	2	Screw #10 x 3/8	
111	10702082	2	Screw #10 x 3/4	
112	1001152525	1	Plug	

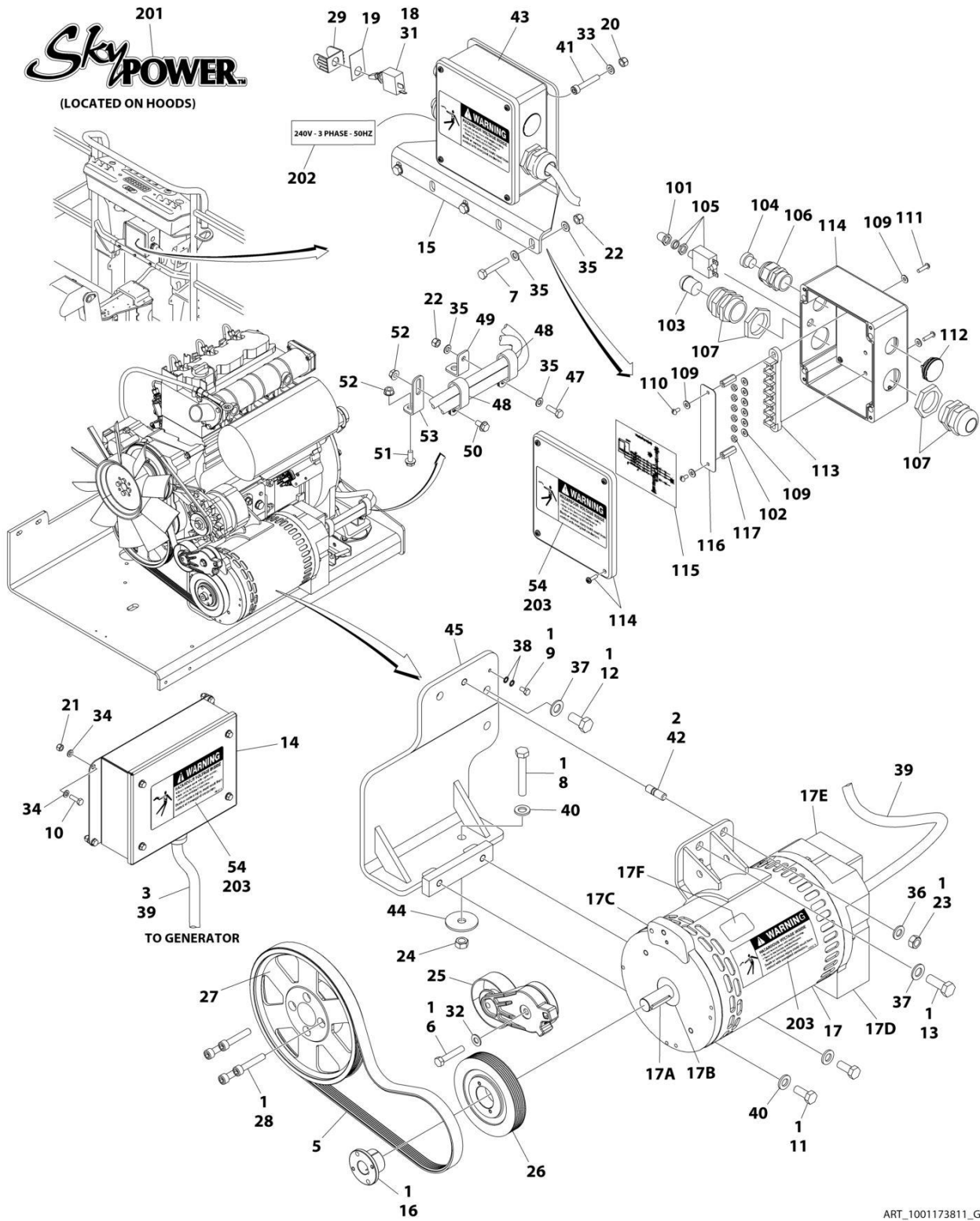


## SECTION 3 - ENGINE

ITEM	PART NUMBER	QTY	DESCRIPTION	REV
113	1001157520	1	Block, Terminal	
114	1001157521	1	Box, Junction	
115	1001157528	1	Decal - Wiring Schematic	
116	1001158007	1	Cover, PVC	
117	1001158008	2	Stand-Off	
	0272589	Ref	DECAL INSTALLATION	A
201	1705460	2	Decal - SkyPower	
202	1705461	1	Decal - 240V - 3 Phase - 50Hz	
203	1705489	3	Decal - Hazardous Voltage	

# SECTION 3 - ENGINE

FIGURE 3-52. GENERATOR INSTALLATION - 7500W/50HZ (DEUTZ D2011 ENGINE) (PVC 2007)



ART\_1001173811\_G

## SECTION 3 - ENGINE

**FIGURE 3-52. GENERATOR INSTALLATION - 7500W/50HZ (DEUTZ D2011 ENGINE) (PVC 2007)**

ITEM	PART NUMBER	QTY	DESCRIPTION	REV
	1001173811	Ref	GENERATOR INSTALLATION - 7500W/50HZ (DEUTZ D2011 ENGINE)	G
1	0100011	AR	Compound, Locking	
2	0100019	AR	Compound, Locking	
3	0100048	AR	Grease, Dielectric	
4	0100079	AR	Sealant (Not Shown)	
5	0480126	1	Belt	
6	0641616	1	Bolt 3/8 x 2	
7	0700818	3	Bolt M8 x 50	
8	0711224	1	Bolt M12 x 80 Grade 10.9	
9	0760606	1	Bolt M6 x 12	
10	0760610	4	Bolt M6 x 20	
11	0761214	2	Bolt M12 x 30	
12	0771414	2	Bolt M14 x 30 Grade 10.9	
13	0771416	1	Bolt M14 x 40	
14	0861572	1	Control Box Assembly	
14	7024488	1	Card, Circuit - Generator Power	
14	See Note	NSS	Fuse (Note: Not Available - Purchase Locally)	
14	7024489	1	Card, Circuit - Control	
14	70000619	1	Harness, Control Box (Internal)	
15	0902888	1	Bracket	
16	0962520	1	Bushing	
17	2460048	1	Generator Assembly	
17	70001100	1	Rotor (Includes p/n 70001384 & 70000863) (Not Shown)	
17	70001384	1	Bearing, Ball Radial (Not Shown)	
17	70000863	1	Fan (Not Shown)	
17	70002088	1	Stator (Not Shown)	
17	70002297	1	Stud	
17	70003631	1	Brushholder Assembly (Not Shown)	
17A	70004171	1	Key	
17B	70001966	1	Bearing, Ball Radial (Located in Belt Tensioner Endbell)	
17B	70003708	1	Ring, Internal Retaining (Located in Belt Tensioner Endbell)	
17B	70003709	1	Ring, External Retaining (Located in Belt Tensioner Endbell)	
17C	70001953	1	Endbell, Belt Tensioner	
17D	70004169	1	Endbell, Brush Block	
17E	70004169	1	Shroud	
17E	See Note	NSS	Insulator, Endbell (Note: Not Available for Purchase)	
17E	7027799	1	Block, Connector 6 Position (Not Shown)	
17E	70002460	1	Nut, Brass (Attaches p/n 7027799 to Cover) (Not Shown)	
17E	7024485	1	Breaker, Circuit 30Amp (Not Shown)	
17E	70001696	1	Boot, Breaker (Not Shown)	
17E	7026626	1	Connector, 6 Position (Includes Seal) (Not Shown - Plugs into Item 39)	
17E	7026597	1	Connector, with Leads (Not Shown)	
17E	7026188	1	Clamp, Cable Options (Not Shown)	
17E	70004169	1	Plate, End Panel	
17E	70001974	1	Decal - Terminal Connections	
17F	70001973	1	Decal - Warning Moving Parts	
18	2820031	AR	Heat Shrink	
19	3252764	1	Nameplate	

## SECTION 3 - ENGINE

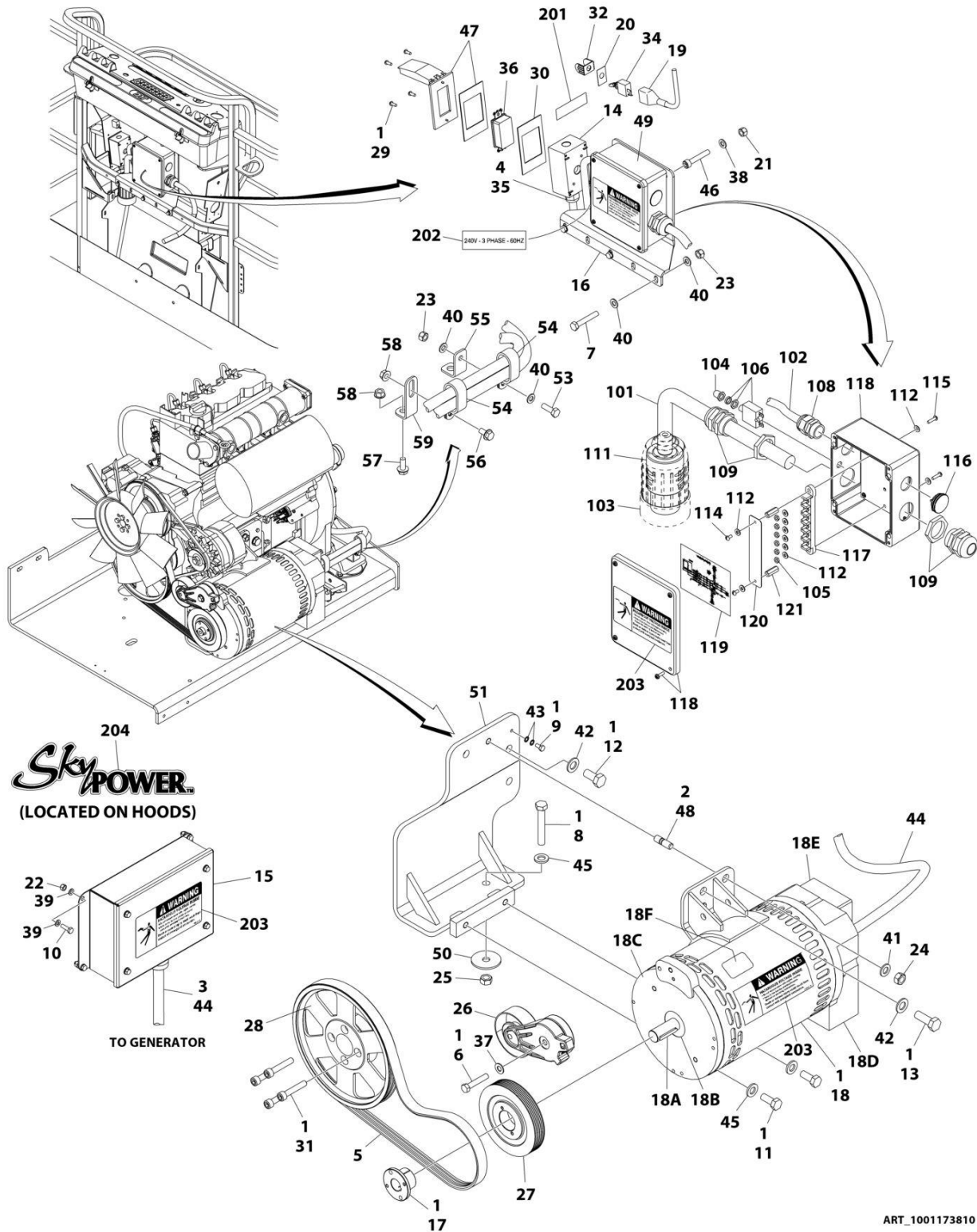
ITEM	PART NUMBER	QTY	DESCRIPTION	REV
20	3290505	4	Nut M5	
21	3290605	4	Nut M6	
22	3290805	4	Nut M8	
23	3291201	1	Nut M12	
24	3331211	1	Nut M12	
25	3580317	1	Pulley	
26	3580319	1	Pulley	
27	3580320	1	Pulley	
28	4032015	4	Bolt M10 x 55	
29	4060802	1	Guard, Switch	
30	4240099	AR	Tie-Strap (Not Shown)	
31	4360336	1	Switch, Toggle	
32	4711600	1	Washer 3/8	
33	4811600	4	Washer M5	
34	4811700	8	Washer M6	
35	4811900	8	Washer M8	
36	4812100	1	Washer M12	
37	4812200	3	Washer M14	
38	4871700	2	Washer M6	
39	4922925	1	Harness, Generator	
39	4460225	1	Plug, Male 6 Position (Plugs into Generator)	
39	See Note	NSS	Socket, Female (Use with 4460225)	
39	See Note	NSS	Seal, Plug (Use with 4460225)	
39	See Note	NSS	Seal, Interface (Use with 4460225)	
40	5241200	3	Washer M12 Hardened	
41	1001104029	4	Screw M5 x 30	
42	1001196382	1	Stud	
43	1001157525	1	Junction Box Assembly (See Items 101-117 for Breakdown)	
44	1001168018	1	Washer, Snubbing	
45	1001173925	1	Mount	
46	1001174675	1	Wiring Diagram (Not Shown)	
46	4922641	1	Harness, On/Off Switch (Not Shown - Located at Platform)	
47	0760812	1	Bolt M8 x 25	
48	1321716	2	Clamp	
49	1001148641	1	Bracket	
50	5250808	1	Bolt M8 x 16	
51	5250810	1	Bolt M8 x 20	
52	5260800	2	Nut M8	
53	1001223122	1	Support	
54	1705489	2	Decal - Hazardous Voltage	
	1001157525	Ref	JUNCTION BOX ASSEMBLY	B
101	3300396	1	Cover, Fuse	
102	3311001	6	Nut #10	
103	3520189	1	Plug	
104	3520192	1	Plug	
105	4360070	1	Circuit Breaker - 15Amp	
106	4460425	1	Connector, Strain Relief	
107	4460426	2	Connector, Strain Relief	
109	4711000	10	Flatwasher #10	
110	10702077	2	Screw #10 x 3/8	
111	10702082	2	Screw #10 x 3/4	

## SECTION 3 - ENGINE

ITEM	PART NUMBER	QTY	DESCRIPTION	REV
112	1001152525	1	Plug	
113	1001157520	1	Block, Terminal	
114	1001157521	1	Box, Junction	
115	1001157528	1	Decal - Wiring Schematic	
116	1001158007	1	Cover, PVC	
117	1001158008	2	Stand-Off	
	0272589	Ref	DECAL INSTALLATION	A
201	1705460	2	Decal - SkyPower	
202	1705461	1	Decal - 240V - 3 Phase - 50Hz	
203	1705489	3	Decal - Hazardous Voltage	

# SECTION 3 - ENGINE

## FIGURE 3-53. GENERATOR INSTALLATION - 7500W/60HZ (DEUTZ D2011 ENGINE)



## SECTION 3 - ENGINE

**FIGURE 3-53. GENERATOR INSTALLATION - 7500W/60HZ (DEUTZ D2011 ENGINE)**

ITEM	PART NUMBER	QTY	DESCRIPTION	REV
	1001173810	Ref	GENERATOR INSTALLATION - 7500W/60Hz (DEUTZ D2011 ENGINE)	F
1	0100011	AR	Compound, Locking	
2	0100019	AR	Compound, Locking	
3	0100048	AR	Grease, Dielectric	
4	0100079	AR	Sealant	
5	0480128	1	Belt	
6	0641616	1	Bolt 3/8 x 2	
7	0700818	3	Bolt M8 x 50	
8	0711224	1	Bolt M12 x 80 Grade 10.9	
9	0760606	1	Bolt M6 x 12	
10	0760610	4	Bolt M6 x 20	
11	0761214	2	Bolt M12 x 30	
12	0771414	2	Bolt M14 x 30 Grade 10.9	
13	0771416	1	Bolt M14 x 40	
14	0860038	1	Box, Switch	
15	0861538	1	Control Box Assembly	
15	7024488	1	Card, Circuit - Generator Power	
15	See Note	NSS	Fuse (Note: Not Available - Purchase Locally)	
15	7024489	1	Card, Circuit - Control	
15	70000619	1	Harness, Control Box (Internal)	
16	0902888	1	Bracket	
17	0962520	1	Bushing	
18	2460048	1	Generator Assembly	
18	70001100	1	Rotor (Includes p/n 70001384 & 70000863) (Not Shown)	
18	70001384	1	Bearing, Ball Radial (Not Shown)	
18	70000863	1	Fan (Not Shown)	
18	70002088	1	Stator (Not Shown)	
18	70002297	1	Stud	
18	70003631	1	Brushholder Assembly (Not Shown)	
18A	70004171	1	Key	
18B	70001966	1	Bearing, Ball Radial (Located in Belt Tensioner Endbell)	
18B	70003708	1	Ring, Internal Retaining (Located in Belt Tensioner Endbell)	
18B	70003709	1	Ring, External Retaining (Located in Belt Tensioner Endbell)	
18C	70001953	1	Endbell, Belt Tensioner	
18D	70004169	1	Endbell, Brush Block	
18E	70004169	1	Shroud	
18E	See Note	NSS	Insulator, Endbell (Note: Not Available for Purchase)	
18E	7027799	1	Block, Connector 6 Position (Not Shown)	
18E	70002460	1	Nut, Brass (Attaches p/n 7027799 to Cover) (Not Shown)	
18E	7024485	1	Breaker, Circuit 30Amp (Not Shown)	
18E	70001696	1	Boot, Breaker (Not Shown)	
18E	7026626	1	Connector, 6 Position (Includes Seal) (Not Shown - Plugs into Item 39)	
18E	7026597	1	Connector, with Leads (Not Shown)	
18E	7026188	1	Clamp, Cable Options (Not Shown)	
18E	70004169	1	Plate, End Panel	
18E	70001974	1	Decal - Terminal Connections	
18F	70001973	1	Decal - Warning Moving Parts	
19	2820031	AR	Heat Shrink	

## SECTION 3 - ENGINE

ITEM	PART NUMBER	QTY	DESCRIPTION	REV
20	3252764	1	Nameplate	
21	3290505	4	Nut M5	
22	3290605	4	Nut M6	
23	3290805	4	Nut M8	
24	3291201	1	Nut M12	
25	3331211	1	Nut M12	
26	3580317	1	Pulley	
27	3580318	1	Pulley	
28	3580320	1	Pulley	
29	3910606	4	Screw #6 x 3/8	
30	3960422	1	Gasket	
31	4032015	4	Bolt M10 x 55	
32	4060802	1	Guard, Switch	
33	4240099	AR	Tie-Strap (Not Shown)	
34	4360336	1	Switch, Toggle	
35	4460071	1	Connector, Strain Relief	
36	4460346	1	Receptacle	
37	4711600	1	Washer 3/8	
38	4811600	4	Washer M5	
39	4811700	8	Washer M6	
40	4811900	8	Washer M8	
41	4812100	1	Washer M12	
42	4812200	3	Washer M14	
43	4871700	2	Washer M6	
44	4922925	1	Harness, Generator	
44	4460225	1	Plug, Male 6 Position (Plugs into Generator)	
44	See Note	NSS	Socket, Female (Use with 4460225)	
44	See Note	NSS	Seal, Plug (Use with 4460225)	
44	See Note	NSS	Seal, Interface (Use with 4460225)	
45	5241200	3	Washer M12 Hardened	
46	1001104029	4	Screw M5 x 30	
47	1001110873	1	Shield, Cover	
48	1001196382	1	Stud	
49	1001157592	1	Junction Box Assembly Options (See Items 101-121 for Breakdown)	
50	1001168018	1	Washer, Snubbing	
51	1001173925	1	Mount	
52	1001174675	1	Wiring Diagram (Not Shown)	
52	4922641	1	Harness, On/Off Switch (Not Shown - Located at Platform)	
53	0760812	1	Bolt M8 x 25	
54	1321716	2	Clamp	
55	1001148641	1	Bracket	
56	5250808	1	Bolt M8 x 16	
57	5250810	1	Bolt M8 x 20	
58	5260800	2	Nut M8	
59	1001223122	1	Support	
	1001157592	Ref	JUNCTION BOX ASSEMBLY	C
101	1060343	1.5 ft /0.5m	Cable, Electrical 10/4	
102	1001179154	2.5 ft /0.8m	Cable, Electrical 12/3	
103	1671092	1	Cover	

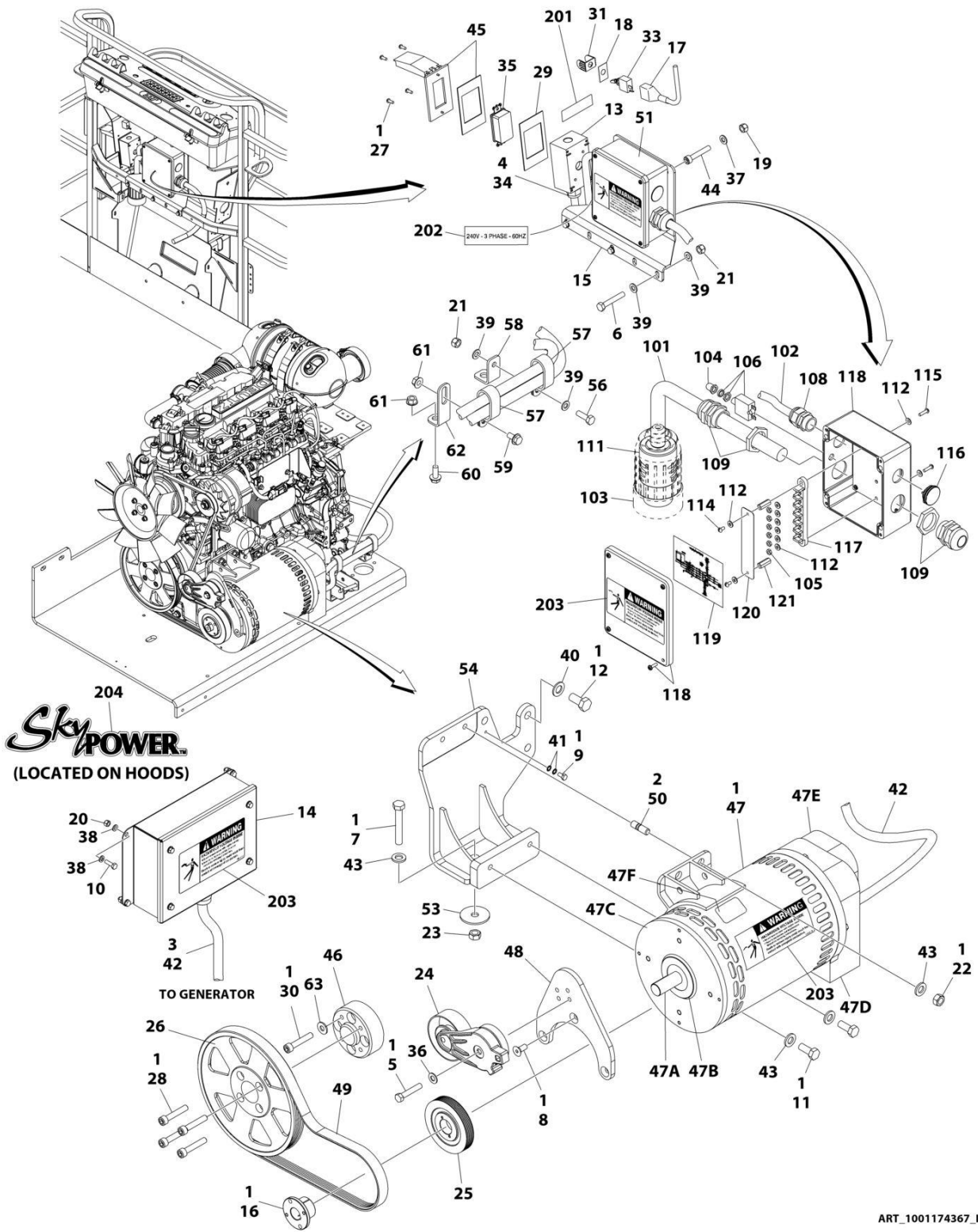


## SECTION 3 - ENGINE

ITEM	PART NUMBER	QTY	DESCRIPTION	REV
104	3300396	1	Cover, Fuse	
105	3311001	6	Nut #10	
106	4360070	1	Circuit Breaker - 15Amp	
108	4460425	1	Connector, Strain Relief	
109	4460426	2	Connector, Strain Relief	
111	4460963	1	Connector	
112	4711000	10	Flatwasher #10	
114	10702077	2	Screw #10 x 3/8	
115	10702082	2	Screw #10 x 3/4	
116	1001152525	1	Plug	
117	1001157520	1	Block, Terminal	
118	1001157521	1	Box, Junction	
119	1001157528	1	Decal - Wiring Schematic	
120	1001158007	1	Cover, PVC	
121	1001158008	2	Stand-Off	
	0272435	Ref	DECAL INSTALLATION	D
	0273380	Ref	DECAL INSTALLATION	B
201	3251243	1	Decal - 120V - 60Hz	
202	1705375	1	Decal - 240V - 3 Phase - 60Hz	
203	1705387	3	Decal - Hazardous Voltage	
204	1705460	2	Decal - SkyPower	

# SECTION 3 - ENGINE

## FIGURE 3-54. GENERATOR INSTALLATION - 7500W/60HZ (DEUTZ D2.9L4 ENGINE)



ART\_1001174367\_I

## SECTION 3 - ENGINE

**FIGURE 3-54. GENERATOR INSTALLATION - 7500W/60HZ (DEUTZ D2.9L4 ENGINE)**

ITEM	PART NUMBER	QTY	DESCRIPTION	REV
	1001174367	Ref	GENERATOR INSTALLATION - 7500W/60Hz (DEUTZ D2.9L4 ENGINE)	J
1	0100011	AR	Compound, Locking	
2	0100019	AR	Compound, Locking	
3	0100048	AR	Grease, Dielectric	
4	0100079	AR	Sealant	
5	0641616	1	Bolt 3/8 x 2	
6	0700818	3	Bolt M8 x 50	
7	0711224	Ref	Bolt M12 x 80 Grade 10.9	
8	0741607	3	Screw 3/8 x 7/8	
9	0760606	1	Bolt M6 x 12	
10	0760610	4	Bolt M6 x 20	
11	0761212	2	Bolt M12 x 25	
12	0771414	Ref	Bolt M14 x 30 Grade 10.9	
13	0860038	1	Box, Switch	
14	0861538	1	Control Box Assembly	
14	7024488	1	Card, Circuit - Generator Power	
14	See Note	NSS	Fuse (Note: Not Available - Purchase Locally)	
14	7024489	1	Card, Circuit - Control	
14	70000619	1	Harness, Control Box (Internal)	
15	0902888	1	Bracket	
16	0962520	1	Bushing	
17	2820031	AR	Heat Shrink	
18	3252764	1	Nameplate	
19	3290505	4	Nut M5	
20	3290605	4	Nut M6	
21	3290805	4	Nut M8	
22	3291201	2	Nut M12	
23	3331211	Ref	Nut M12	
24	3580317	1	Pulley	
25	3580318	1	Pulley	
26	3580320	1	Pulley	
27	3910606	4	Screw #6 x 3/8	
28	3931628	4	Capscrew 3/8 x 1-3/4	
29	3960422	1	Gasket	
30	4032014	4	Bolt M10 x 50	
31	4060802	1	Guard, Switch	
32	4240099	AR	Tie-Strap (Not Shown)	
33	4360336	1	Switch, Toggle	
34	4460071	1	Connector, Strain Relief	
35	4460346	1	Receptacle	
36	4711600	1	Washer 3/8	
37	4811600	4	Washer M5	
38	4811700	8	Washer M6	
39	4811900	8	Washer M8	
40	4812200	Ref	Washer M14	
41	4871700	2	Washer M6	
42	4922925	1	Harness, Generator	
42	4460225	1	Plug, Male 6 Position (Plugs into Generator)	
42	See Note	NSS	Socket, Female (Use with 4460225)	

## SECTION 3 - ENGINE

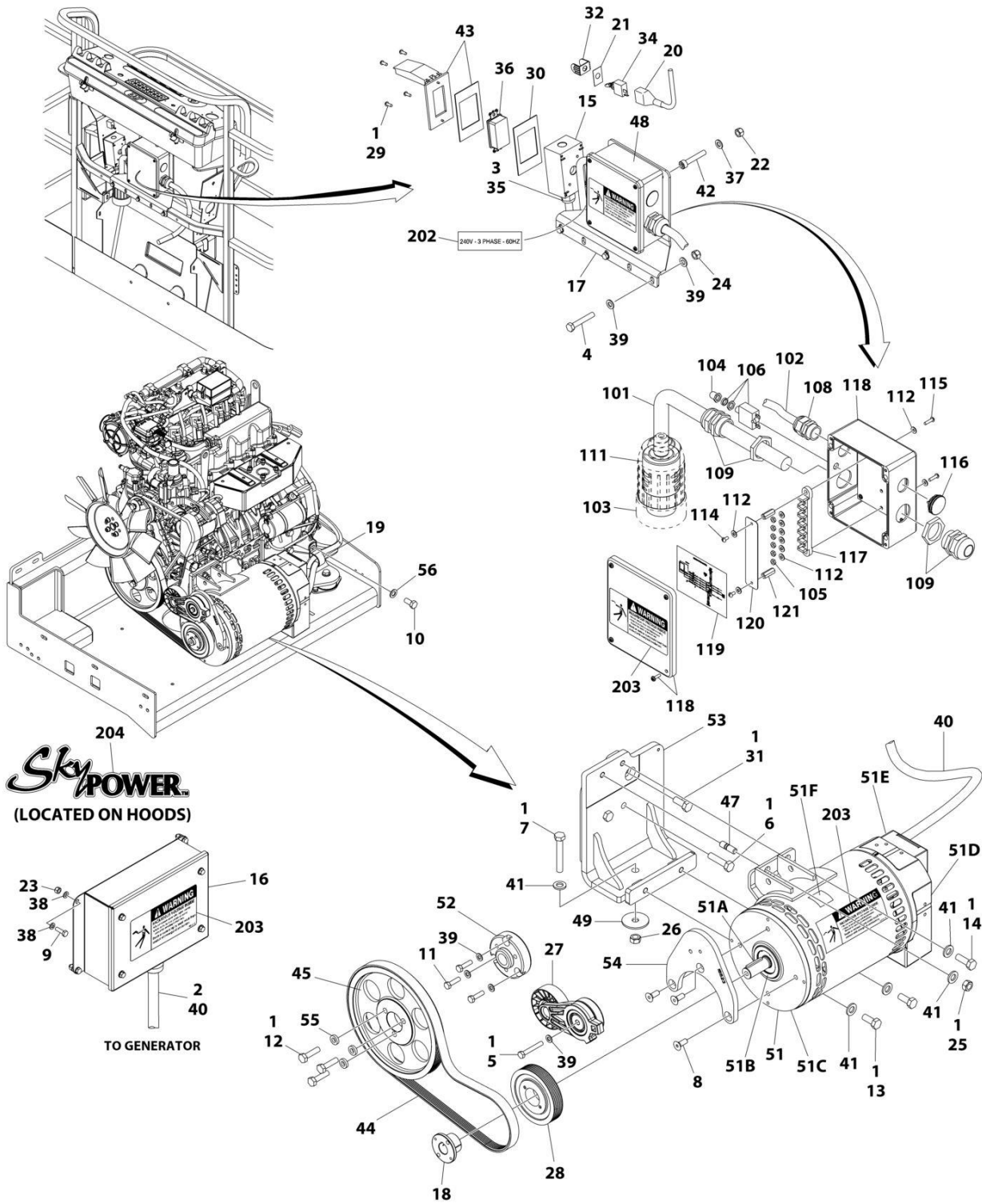
ITEM	PART NUMBER	QTY	DESCRIPTION	REV
42	See Note	NSS	Seal, Plug (Use with 4460225)	
42	See Note	NSS	Seal, Interface (Use with 4460225)	
43	5241200	5	Washer M12 Hardened	
44	1001104029	4	Screw M5 x 30	
45	1001110873	1	Shield, Cover	
46	1001135679	1	Adapter	
47	1001212223	1	Generator Assembly	
47	70001100	1	Rotor (Includes p/n 70001384 & 70000863) (Not Shown)	
47	70001384	1	Bearing, Ball Radial (Not Shown)	
47	70000863	1	Fan (Not Shown)	
47	70006093	1	Stator (Not Shown)	
47	70002297	1	Stud	
47	70003631	1	Brushholder Assembly (Not Shown)	
47A	70004099	1	Key	
47B	70001966	1	Bearing, Ball Radial (Located in Belt Tensioner Endbell)	
47B	70003708	1	Ring, Internal Retaining (Located in Belt Tensioner Endbell)	
47B	70003709	1	Ring, External Retaining (Located in Belt Tensioner Endbell)	
47C	70004092	1	Endbell, Belt Tensioner	
47D	70004094	1	Endbell, Brush Block	
47E	70006094	1	Shroud	
47E	70002291	1	Insulator, Endbell	
47E	7027799	1	Block, Connector 6 Position (Not Shown)	
47E	70002460	1	Nut, Brass (Attaches p/n 7027799 to Cover) (Not Shown)	
47E	70006095	1	Breaker, Circuit 30Amp (Not Shown)	
47E	70006096	1	Guard, Breaker (Not Shown)	
47E	7026626	1	Connector, 6 Position (Includes Seal) (Not Shown - Plugs into Item 36)	
47E	7026597	1	Connector, with Leads (Not Shown)	
47E	70004098	1	Clamp, Cable (Not Shown)	
47E	70006097	1	Plate, End Panel	
47E	70001974	1	Decal - Terminal Connections	
47F	70001973	1	Decal - Warning Moving Parts	
48	1001142643	1	Support	
49	1001142646	1	Belt	
50	1001196382	2	Stud	
51	1001157592	1	Junction Box Assembly Options (See Items 101-121 for Breakdown)	
53	1001168018	Ref	Washer, Snubbing	
54	1001168207	Ref	Support	
55	1001174675	1	Wiring Diagram (Not Shown)	
55	4922641	1	Harness, On/Off Switch (Not Shown - Located at Platform)	
56	0760812	1	Bolt M8 x 25	
57	1321716	2	Clamp	
58	1001148641	1	Bracket	
59	5250808	1	Bolt M8 x 16	
60	5250810	1	Bolt M8 x 20	
61	5260800	2	Nut M8	
62	1001223122	1	Support	
63	4812000	4	Washer M10	
	1001157592	Ref	JUNCTION BOX ASSEMBLY	C
101	1060343	1.5 ft/ 0.5m	Cable, Electrical 10/4	

## SECTION 3 - ENGINE

ITEM	PART NUMBER	QTY	DESCRIPTION	REV
102	1001179154	2.5 ft/ 0.8m	Cable, Electrical 12/3	
103	1671092	1	Cover	
104	3300396	1	Cover, Fuse	
105	3311001	6	Nut #10	
106	4360070	1	Circuit Breaker - 15Amp	
108	4460425	1	Connector, Strain Relief	
109	4460426	2	Connector, Strain Relief	
111	4460963	1	Connector	
112	4711000	10	Flatwasher #10	
114	10702077	2	Screw #10 x 3/8	
115	10702082	2	Screw #10 x 3/4	
116	1001152525	1	Plug	
117	1001157520	1	Block, Terminal	
118	1001157521	1	Box, Junction	
119	1001157528	1	Decal - Wiring Schematic	
120	1001158007	1	Cover, PVC	
121	1001158008	2	Stand-Off	
	0272435	Ref	DECAL INSTALLATION	D
	0273380	Ref	DECAL INSTALLATION	B
201	3251243	1	Decal - 120V - 60Hz	
202	1705375	1	Decal - 240V - 3 Phase - 60Hz	
203	1705387	3	Decal - Hazardous Voltage	
204	1705460	2	Decal - SkyPower	

# SECTION 3 - ENGINE

## FIGURE 3-55. GENERATOR INSTALLATION - 7500W/60HZ (KUBOTA ENGINE)



ART\_1001214910

## SECTION 3 - ENGINE

**FIGURE 3-55. GENERATOR INSTALLATION - 7500W/60HZ (KUBOTA ENGINE)**

ITEM	PART NUMBER	QTY	DESCRIPTION	REV
	1001214910	Ref	GENERATOR INSTALLATION - 7500W/60HZ (KUBOTA ENGINE)	C
1	0100011	AR	Compound, Locking	
2	0100048	AR	Grease, Dielectric	
3	0100079	AR	Sealant	
4	0700818	3	Bolt M8 x 50	
5	0700819	1	Bolt M8 x 55	
6	1001217344	2	Bolt M12 x 50	
7	0711224	AR	Bolt M12 x 80 Grade 10.9	
7	0701224	AR	Bolt M12 x 80	
8	0741608	3	Screw 3/8 x 1	
9	0760610	4	Bolt M6 x 20	
10	1001217345	1	Bolt M14 x 30	
11	0760814	3	Bolt M8 x 30	
12	0701016	3	Bolt M10 x 40	
13	0761214	2	Bolt M12 x 30	
14	0761215	1	Bolt M12 x 35	
15	0860038	1	Box, Switch	
16	0861538	1	Control Box Assembly	
16	7024488	1	Card, Circuit - Generator Power	
16	See Note	NSS	Fuse (Note: Not Available - Purchase Locally)	
16	7024489	1	Card, Circuit - Control	
16	70000619	1	Harness, Control Box (Internal)	
17	0902888	1	Bracket	
18	0962520	1	Bushing	
19	84521062	1	Clamp	
20	2820031	AR	Heat Shrink	
21	3252764	1	Nameplate	
22	3290505	4	Nut M5	
23	3290605	4	Nut M6	
24	3290805	3	Nut M8	
25	3291201	AR	Nut M12	
26	3331211	AR	Nut M12	
27	3580317	1	Pulley	
28	3580318	1	Pulley	
29	3910606	4	Screw #6 x 3/8	
30	3960422	1	Gasket	
31	1001217342	1	Bolt M12 x 30	
32	4060802	1	Guard, Switch	
33	4240099	AR	Tie-Strap (Not Shown)	
34	4360336	1	Switch, Toggle	
35	4460071	1	Connector, Strain Relief	
36	4460346	1	Receptacle	
37	4811600	4	Washer M5	
38	4811700	8	Washer M6	
39	4811900	10	Washer M8	
40	4922925	1	Harness, Generator	
40	4460225	1	Plug, Male - 6 Position (Plugs into Generator)	
40	See Note	NSS	Socket, Female (Use with 4460225)	
40	See Note	NSS	Seal, Plug (Use with 4460225)	
40	See Note	NSS	Seal, Interface (Use with 4460225)	

## SECTION 3 - ENGINE

ITEM	PART NUMBER	QTY	DESCRIPTION	REV
41	5241200	5	Washer M12 Hardened	
42	1001104029	4	Screw M5 x 30	
43	1001110873	1	Shield, Cover	
44	0480129	1	Belt	
45	1001147233	1	Pulley	
47	1001155041	1	Stud	
48	1001157592	1	Junction Box Assembly (See Items 101-121 for Breakdown)	
49	1001168018	1	Washer, Snubbing	
50	1001174675	1	Wiring Diagram (Not Shown)	
50	4922641	1	Harness, On/Off Switch (Not Shown - Located at Platform)	
51	1001212223	1	Generator Assembly	
51	70001100	1	Rotor (Includes p/n 70001384 & 70000863) (Not Shown)	
51	70001384	1	Bearing, Ball Radial (Not Shown)	
51	70000863	1	Fan (Not Shown)	
51	70006093	1	Stator (Not Shown)	
51	70002297	1	Stud	
51	70003631	1	Brushholder Assembly (Not Shown)	
51A	70004099	1	Key	
51B	70001966	1	Bearing, Ball Radial (Located in Belt Tensioner Endbell)	
51B	70003708	1	Ring, Internal Retaining (Located in Belt Tensioner Endbell)	
51B	70003709	1	Ring, External Retaining (Located in Belt Tensioner Endbell)	
51C	70004092	1	Endbell, Belt Tensioner	
51D	70004094	1	Endbell, Brush Block	
51E	70006094	1	Shroud	
51E	70002291	1	Insulator, Endbell	
51E	7027799	1	Block, Connector 6 Position (Not Shown)	
51E	70002460	1	Nut, Brass (Attaches p/n 7027799 to Cover) (Not Shown)	
51E	70006095	1	Breaker, Circuit 30Amp (Not Shown)	
51E	70006096	1	Guard, Breaker (Not Shown)	
51E	7026626	1	Connector, 6 Position (Includes Seal) (Not Shown - Plugs into Item 36)	
51E	70004098	1	Clamp, Cable (Not Shown)	
51E	70006097	1	Plate, End Panel	
51E	70001974	1	Decal - Terminal Connections	
51F	70001973	1	Decal - Warning Moving Parts	
52	1001213029	1	Adapter, Pulley	
53	1001214546	1	Support	
54	1001215523	1	Support	
55	1001216805	3	Spacer	
56	4812200	1	Washer M14	
	1001157592	Ref	JUNCTION BOX ASSEMBLY	C
101	1060343	1.5 ft/ 0.5m	Cable, Electrical 10/4	
102	1001179154	2.5 ft/ 0.8m	Cable, Electrical 12/3	
103	1671092	1	Cover	
104	3300396	1	Cover, Fuse	
105	3311001	6	Nut #10	
106	4360070	1	Circuit Breaker - 15Amp	
108	4460425	1	Connector, Strain Relief	
109	4460426	2	Connector, Strain Relief	
111	4460963	1	Connector	

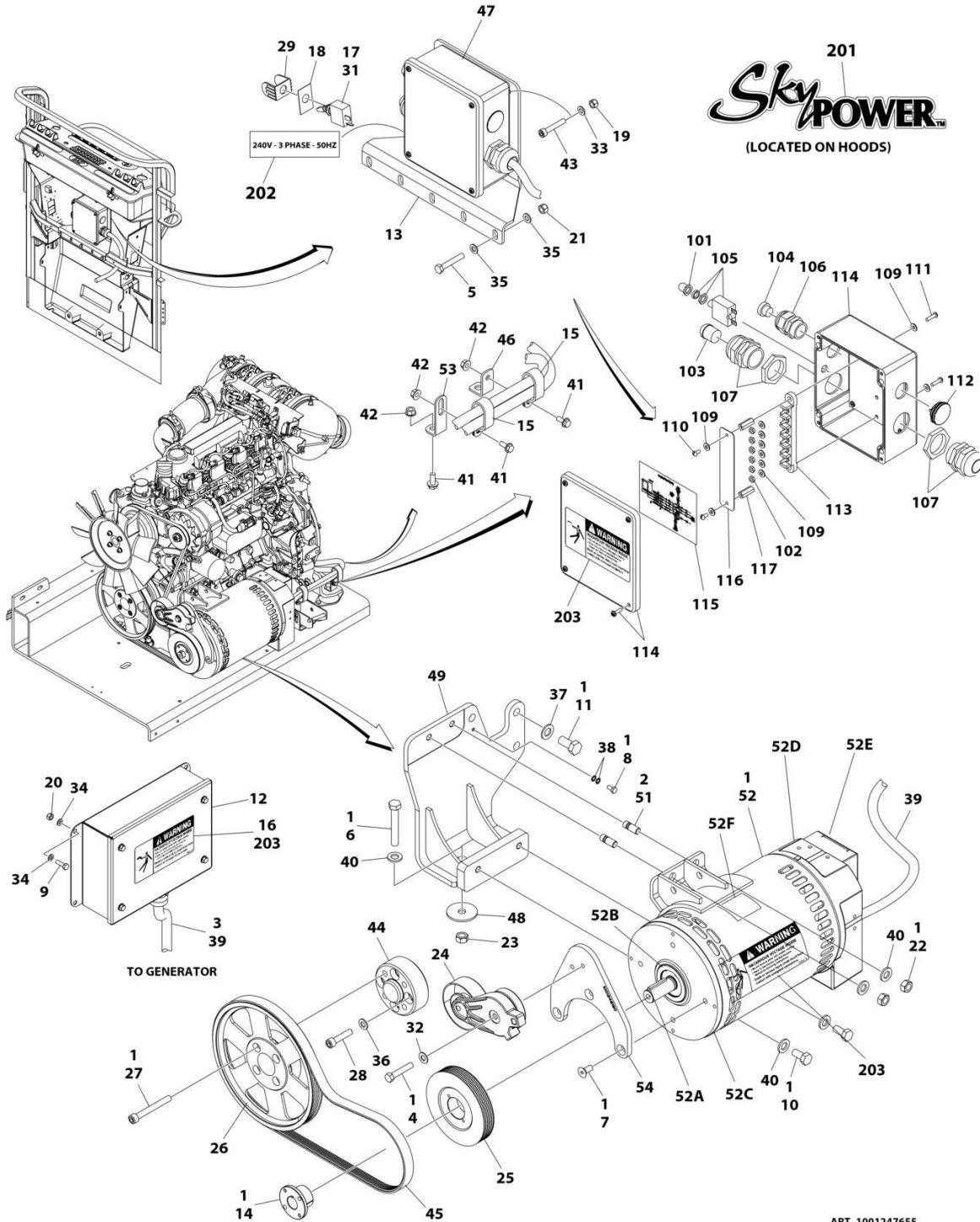


## SECTION 3 - ENGINE

ITEM	PART NUMBER	QTY	DESCRIPTION	REV
112	4711000	10	Washer #10	
114	10702077	2	Screw #10 x 3/8	
115	10702082	2	Screw #10 x 3/4	
116	1001152525	1	Plug	
117	1001157520	1	Block, Terminal	
118	1001157521	1	Box, Junction	
119	1001157528	1	Decal - Wiring Schematic	
120	1001158007	1	Cover, PVC	
121	1001158008	2	Stand-Off	
	0272435	Ref	DECAL INSTALLATION	D
	0273380	Ref	DECAL INSTALLATION	B
201	3251243	1	Decal - 120V - 60Hz	
202	1705375	1	Decal - 240V-3 Phase-60Hz	
203	1705387	3	Decal - Hazardous Voltage	
204	1705460	2	Decal - SkyPower	

# SECTION 3 - ENGINE

## FIGURE 3-56. GENERATOR INSTALLATION - 7500W/50HZ (DEUTZ STAGE V ENGINE)



## SECTION 3 - ENGINE

**FIGURE 3-56. GENERATOR INSTALLATION - 7500W/50HZ (DEUTZ STAGE V ENGINE)**

ITEM	PART NUMBER	QTY	DESCRIPTION	REV
	1001247655	Ref	GENERATOR INSTALLATION - 7500W/50HZ (DEUTZ D2.9L4 (STAGE V) ENGINE)	D
1	0100011	AR	Compound, Locking	
2	0100019	AR	Compound, Locking	
3	0100048	AR	Grease, Dielectric	
4	0641616	1	Bolt 3/8 x 2	
5	0700818	3	Bolt M8 x 50	
6	0711224	1	Bolt M12 x 80	
7	0741607	3	Screw 3/8 x 7/8	
8	0760606	1	Bolt M6 x 12	
9	0760610	4	Bolt M6 x 20	
10	0761212	2	Bolt M12 x 25	
11	0771414	3	Bolt M14 x 30	
12	0861572	1	Control Box Assembly	
13	0902888	1	Bracket	
14	0962520	1	Bushing	
15	1321716	2	Clamp	
16	1705489	1	Decal - Hazardous Voltage	
17	2820031	0.33 ft /0.10m	Heat Shrink	
18	3252764	1	Nameplate	
19	3290505	4	Nut M5	
20	3290605	4	Nut M6	
21	3290805	3	Nut M8	
22	3291201	2	Nut M12	
23	3331211	1	Nut M12	
24	3580317	1	Pulley	
25	3580319	1	Pulley	
26	1001260432	1	Pulley	
27	1001261085	4	Capscrew M10 x 85	
28	1001261045	4	Capscrew M10 x 45	
29	4060802	1	Guard, Switch	
30	4240099	AR	Tie-Strap (Not Shown)	
31	4360336	1	Switch, Toggle	
32	4711600	1	Washer 3/8	
33	4811600	4	Washer M5	
34	4811700	8	Washer M6	
35	4811900	6	Washer M8	
36	4812000	4	Washer M10	
37	4812200	3	Washer M14	
38	4871700	2	Washer M6	
39	4922925	1	Harness, Generator	
40	5241200	5	Washer M12 Hardened	
41	5250810	3	Bolt M8 x 20	
42	5260800	3	Nut M8	
43	1001104029	4	Screw M5 x 30	
44	1001258800	1	Adapter	
45	1001148059	1	Belt, Generator	
46	1001148641	1	Bracket	
47	1001157525	1	Junction Box Assembly (See Items 101-117 for Breakdown)	

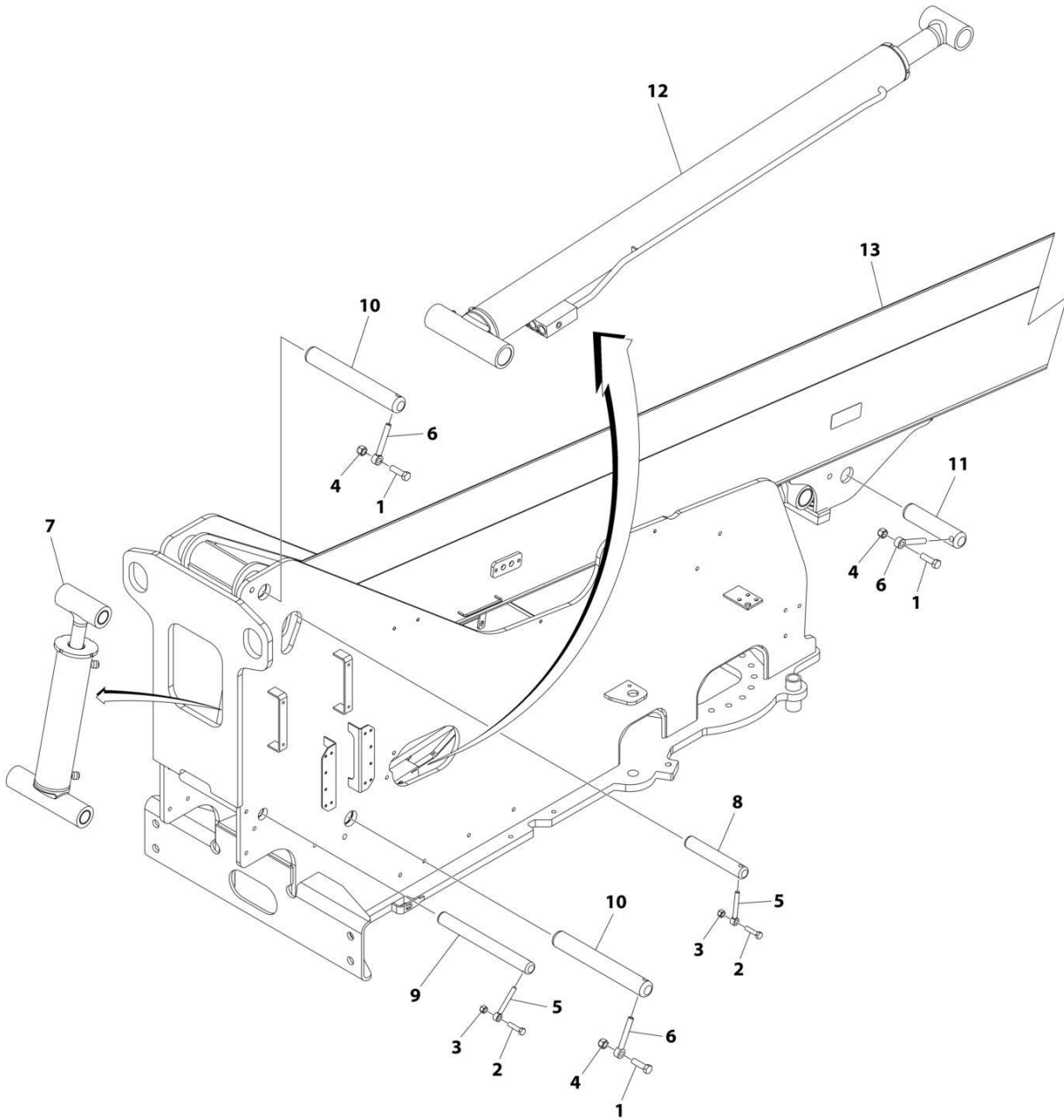
## SECTION 3 - ENGINE

ITEM	PART NUMBER	QTY	DESCRIPTION	REV
48	1001168018	1	Washer, Snubbing	
49	1001168207	1	Support	
50	1001174675	1	Wiring Diagram (Not Shown)	
51	1001196382	2	Stud	
52	1001212223	1	Generator Assembly	
52	70001100	1	Rotor (Includes p/n 70001384 & 70000863) (Not Shown)	
52	70001384	1	Bearing, Ball Radial (Not Shown)	
52	70000863	1	Fan (Not Shown)	
52	70006093	1	Stator (Not Shown)	
52	70003631	1	Brushholder Assembly (Not Shown)	
52A	70004099	1	Key	
52B	70001966	1	Bearing, Ball Radial (Located in Belt Tensioner Endbell)	
52B	70003708	1	Ring, Internal Retaining (Located in Belt Tensioner Endbell)	
52B	70003709	1	Ring, External Retaining (Located in Belt Tensioner Endbell)	
52C	70004092	1	Endbell, Belt Tensioner	
52D	70004094	1	Endbell, Brush Block	
52E	70006094	1	Shroud	
52E	70002291	1	Insulator, Endbell	
52E	7027799	1	Block, Connector 6 Position (Not Shown)	
52E	70002460	1	Nut, Brass (Attaches p/n 7027799 to Cover) (Not Shown)	
52E	70006095	1	Breaker, Circuit 30Amp	
52E	70006096	1	Boot, Breaker	
52E	7026626	1	Connector, 6 Position (Includes Seal) (Not Shown)	
52E	70006097	1	Plate, End Panel	
52E	70004098	1	Clamp, Cable	
52E	70001974	1	Decal - Terminal Connections	
52F	70001973	1	Decal - Warning Moving Parts	
53	1001223122	1	Support	
54	1001248190	1	Support	
	1001157525	Ref	JUNCTION BOX ASSEMBLY	B
101	3300396	1	Cover, Fuse	
102	3311001	6	Nut #10	
103	3520189	1	Plug	
104	3520192	1	Plug	
105	4360070	1	Circuit Breaker - 15Amp	
106	4460425	1	Connector, Strain Relief	
107	4460426	2	Connector, Strain Relief	
109	4711000	10	Washer #10	
110	10702077	2	Screw #10 x 3/8	
111	10702082	2	Screw #10 x 3/4	
112	1001152525	1	Plug	
113	1001157520	1	Block, Terminal	
114	1001157521	1	Box, Junction	
115	1001157528	1	Decal - Wiring Schematic	
116	1001158007	1	Cover, PVC	
117	1001158008	2	Stand-Off	
	0272589	Ref	DECAL INSTALLATION	A
201	1705460	1	Decal - SkyPower	
202	1705461	1	Decal - 240V - 3 Phase - 50Hz	
203	1705489	1	Decal - Hazardous Voltage	

**SECTION 4 - BOOM**

# SECTION 4 - BOOM

## FIGURE 4-1. BOOM AND CYLINDERS INSTALLATION (400S)



ART\_1001244873

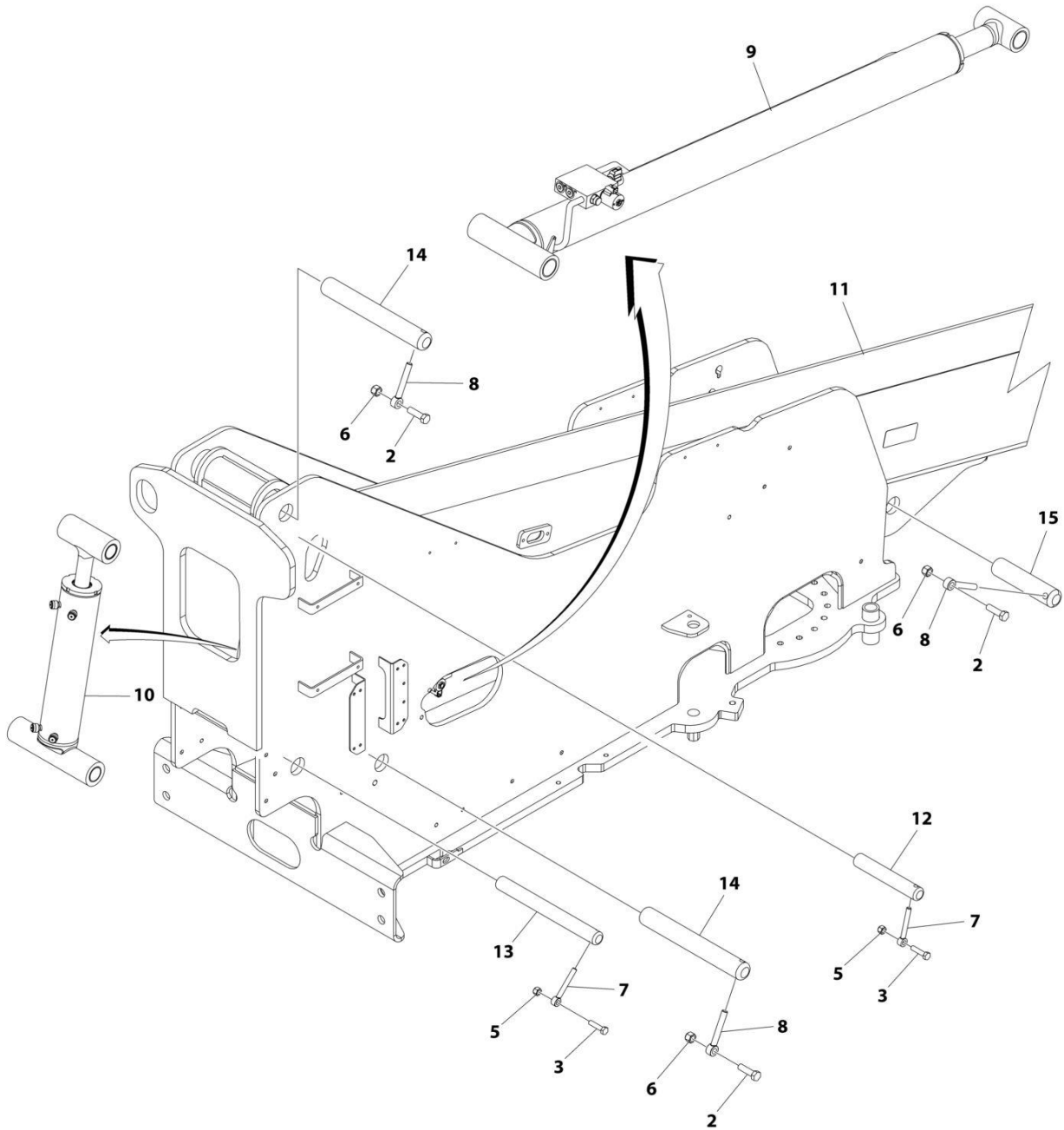
## SECTION 4 - BOOM

**FIGURE 4-1. BOOM AND CYLINDERS INSTALLATION (400S)**

ITEM	PART NUMBER	QTY	DESCRIPTION	REV
	1001244873	Ref	BOOM AND CYLINDERS INSTALLATION	A
1	0701619	3	Bolt, M16 x 55	
2	0761218	2	Bolt, M12 x 50	
3	3291205	2	Nut, Lock M12 x 1.75	
4	3291605	3	Nut, Lock M16 x 2	
5	3841203	2	Keeper, Pin	
6	3841258	3	Keeper, Pin	
7	1001163385	1	Master Cylinder Assembly (See Separate Breakdown in CYLINDER SECTION)	
8	1001168843	1	Pin	
9	1001168844	1	Pin	
10	1001168845	2	Pin	
11	1001168854	1	Pin	
12	1001228092	1	Lift Cylinder Assembly (See Separate Breakdown in CYLINDER SECTION)	
13	1001244874	1	Main Boom Assembly (See Separate Breakdown in this Section)	

# SECTION 4 - BOOM

## FIGURE 4-2. BOOM AND CYLINDERS INSTALLATION (USA BUILT MACHINES) (460SJ)



ART\_1001169669



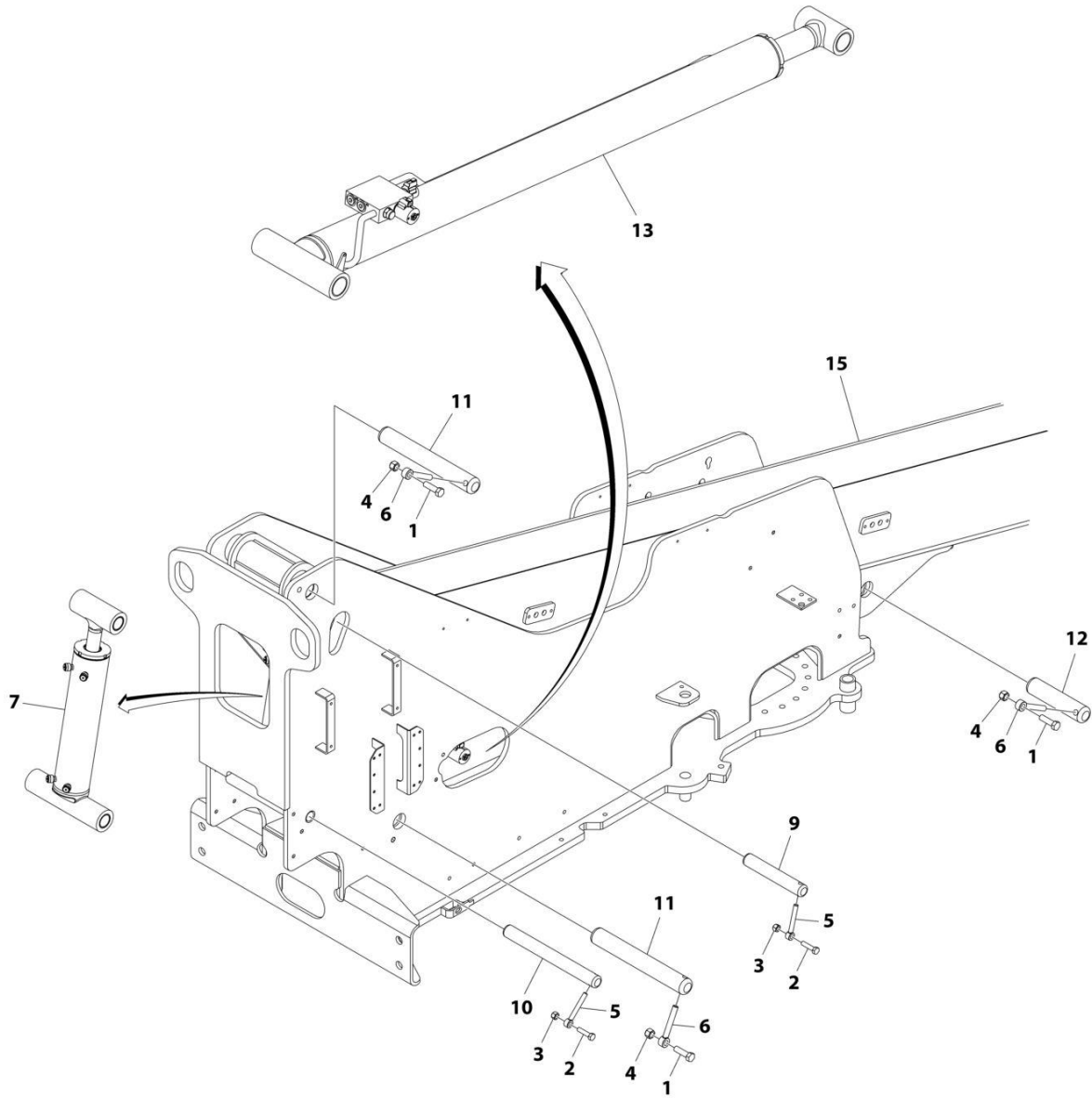
## SECTION 4 - BOOM

**FIGURE 4-2. BOOM AND CYLINDERS INSTALLATION (USA BUILT MACHINES) (460SJ)**

ITEM	PART NUMBER	QTY	DESCRIPTION	REV
	1001169669	Ref	BOOM AND CYLINDERS INSTALLATION	H
2	0701619	3	Bolt M16 x 55	
3	0761218	2	Bolt M12 x 50	
5	3291205	2	Nut M12 x 1.75	
6	3291605	3	Nut M16 x 2	
7	3841203	2	Keeper, Pin	
8	3841258	3	Keeper, Pin	
9	1001228092	1	Lift Cylinder Assembly (See Separate Breakdown in CYLINDER SECTION)	
10	1001163385	1	Master Cylinder Assembly (See Separate Breakdown in CYLINDER SECTION)	
11	1001163482	1	Main Boom Assembly (See Separate Breakdown in this Section)	
12	1001168843	1	Pin	
13	1001168844	1	Pin	
14	1001168845	2	Pin	
15	1001168854	1	Pin	

# SECTION 4 - BOOM

## FIGURE 4-3. BOOM AND CYLINDERS INSTALLATION (ROMANIAN BUILT MACHINES) (460SJ)



ART\_1001221481

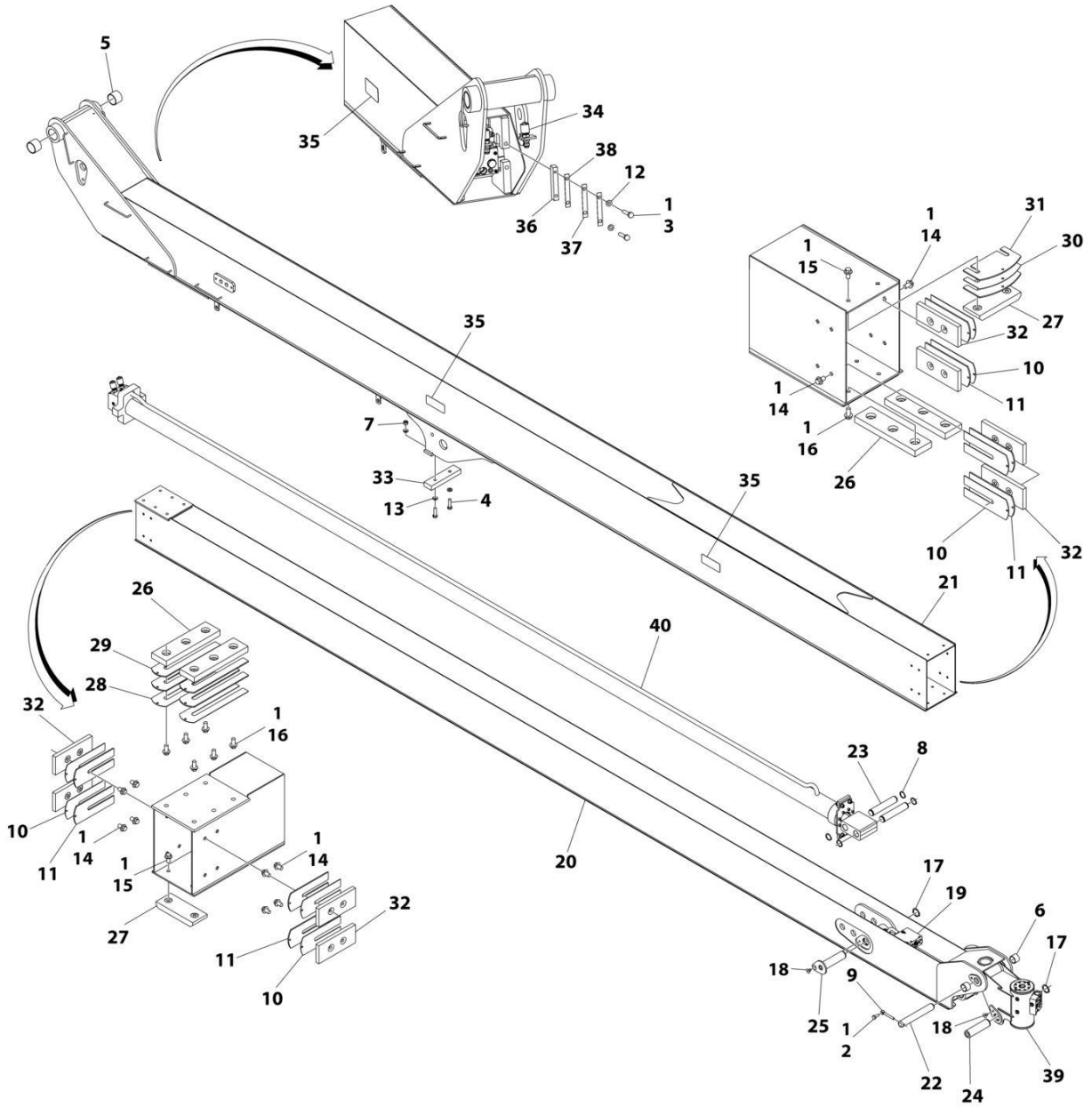
## SECTION 4 - BOOM

**FIGURE 4-3. BOOM AND CYLINDERS INSTALLATION (ROMANIAN BUILT MACHINES) (460SJ)**

ITEM	PART NUMBER	QTY	DESCRIPTION	REV
	1001221481	Ref	BOOM AND CYLINDERS INSTALLATION	D
1	0701619	3	Bolt, M16 x 55	
2	0761218	2	Bolt, M12 x 50	
3	3291205	2	Nut, Lock M12 x 1.75	
4	3291605	3	Nut, Lock M16 x 2	
5	3841203	2	Keeper, Pin	
6	3841258	3	Keeper, Pin	
7	1001163385	1	Master Cylinder Assembly (See Separate Breakdown in CYLINDER SECTION)	
9	1001168843	1	Pin	
10	1001168844	1	Pin	
11	1001168845	2	Pin	
12	1001168854	1	Pin	
13	1001228092	1	Lift Cylinder Assembly (See Separate Breakdown in CYLINDER SECTION)	
15	1001221482	1	Main Boom Assembly (See Separate Breakdown in this Section)	

# SECTION 4 - BOOM

## FIGURE 4-4. MAIN BOOM ASSEMBLY (400S)



ART\_1001244874

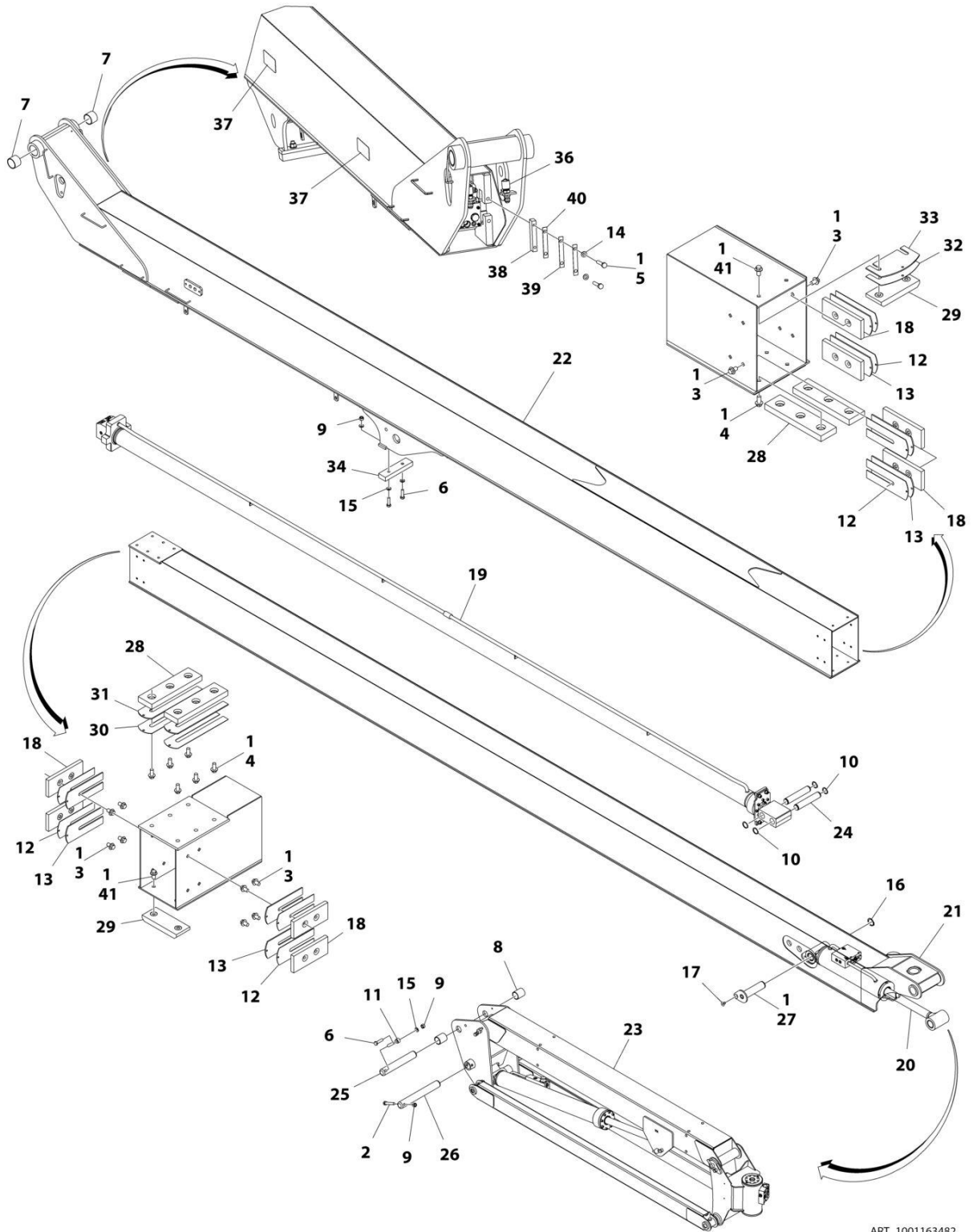
## SECTION 4 - BOOM

**FIGURE 4-4. MAIN BOOM ASSEMBLY (400S)**

ITEM	PART NUMBER	QTY	DESCRIPTION	REV
	1001244874	Ref	MAIN BOOM ASSEMBLY	B
1	0100011	AR	Compound, Locking	
2	0761012	1	Bolt M10 x 25	
3	0761019	4	Bolt M10 x 55	
4	0761217	2	Bolt M12 x 45	
5	0961950	2	Bearing	
6	0961951	2	Bushing	
7	3291205	2	Nut M12	
8	3760133	4	Ring	
9	3841143	1	Keeper, Pin	
10	4070897	AR	Shim 18 Ga	
11	4070898	AR	Shim 11 Ga	
12	4812000	4	Washer M10	
13	4812100	4	Washer M12	
14	5251008	16	Bolt M10 x 16	
15	5251009	4	Bolt M10 x 18	
16	5251011	12	Bolt M10 x 22	
17	1001099560	2	Ring, Retaining	
18	1001137032	2	Screw M10 x 16	
19	1001163386	1	Level (Platform Slave) Cylinder Assembly (See Separate Breakdown in CYLINDER SECTION)	
20	1001163459	1	Fly, Boom	
21	1001163470	1	Base, Boom	
22	1001168841	1	Pin	
23	1001168842	2	Pin	
24	1001168848	1	Pin	
25	1001168849	1	Pin	
26	1001169284	4	Pad	
27	1001169285	2	Pad	
28	1001169286	AR	Shim	
29	1001169287	AR	Shim	
30	1001169288	AR	Shim	
31	1001169289	AR	Shim	
32	1001169380	8	Pad	
33	1001171067	1	Pad	
34	1001171112	2	Hose	
35	1001171324	6	Cover	
36	1001171667	2	Bar	
37	1001171966	AR	Shim 20Ga	
38	1001171967	AR	Shim 16Ga	
39	1001221927	1	Platform Rotator Assembly (See Separate Breakdown in this Section)	
40	1001251075	1	Telescope Cylinder Assembly (See Separate Breakdown in CYLINDER SECTION)	

# SECTION 4 - BOOM

## FIGURE 4-5. MAIN BOOM ASSEMBLY (USA BUILT MACHINES) (460SJ)



ART\_1001163482

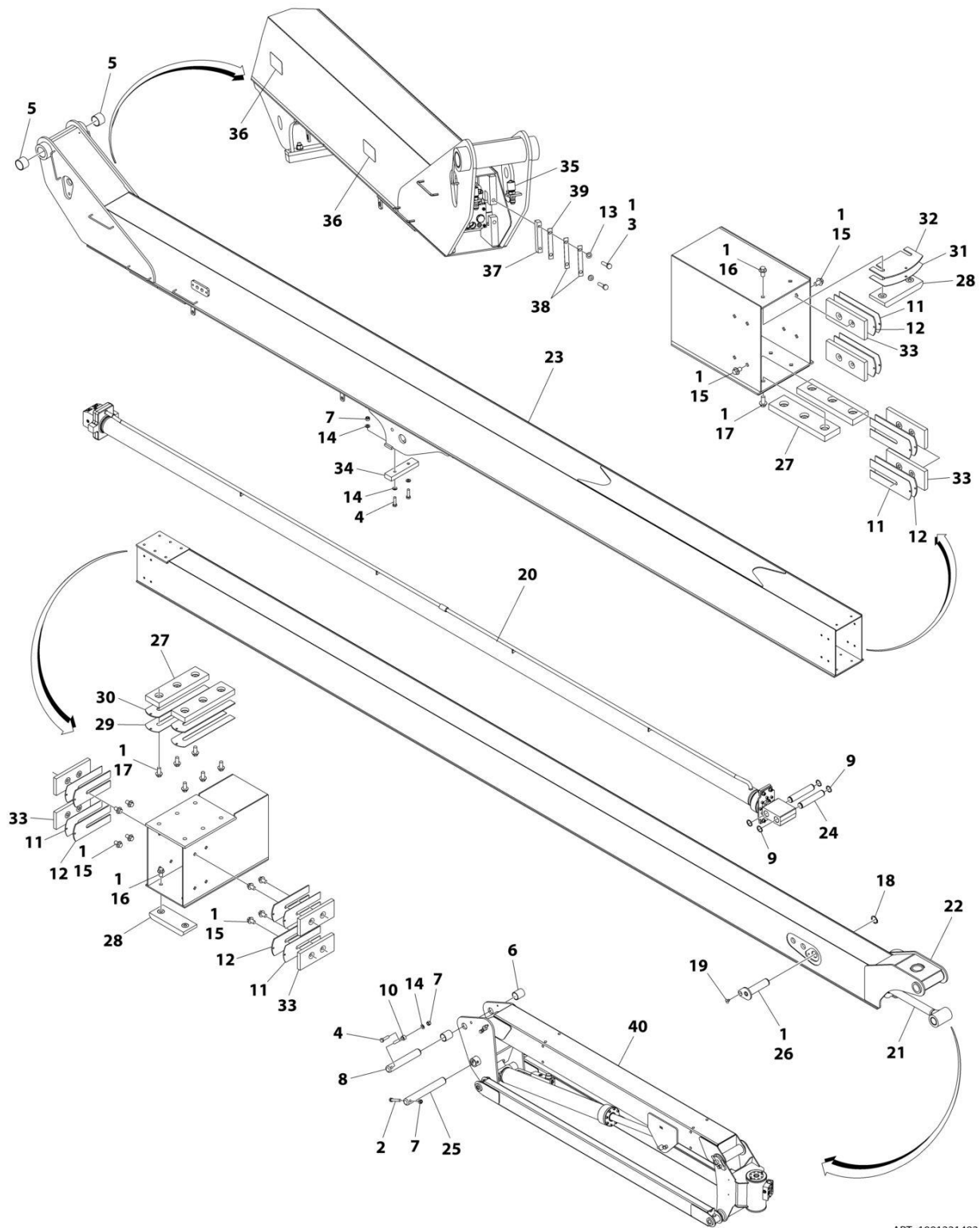
## SECTION 4 - BOOM

**FIGURE 4-5. MAIN BOOM ASSEMBLY (USA BUILT MACHINES) (460SJ)**

ITEM	PART NUMBER	QTY	DESCRIPTION	REV
	1001163482	Ref	MAIN BOOM ASSEMBLY	J
1	0100011	AR	Compound, Locking	
2	0701222	1	Bolt M12 x 70	
3	5251008	16	Bolt M10 x 16	
4	5251011	12	Bolt M10 x 22	
5	0761019	4	Bolt M10 x 55	
6	0761217	3	Bolt M12 x 45	
7	0961950	2	Bearing	
8	0962348	2	Bearing	
9	3291205	4	Nut M12 x 1.75	
10	3760133	4	Ring, Retaining	
11	3841203	1	Keeper, Pin	
12	4070897	AR	Shim, 18Ga	
13	4070898	AR	Shim, 11Ga	
14	4812000	4	Washer, M10	
15	4812100	5	Washer, M12	
16	1001099560	1	Ring, Retaining	
17	1001137032	1	Screw M10 x 16	
18	1001169380	8	Pad	
19	1001251075	1	Telescope Cylinder Assembly (See Separate Breakdown in CYLINDER SECTION)	
20	1001163386	1	Level (Platform Slave) Cylinder Assembly (See Separate Breakdown in CYLINDER SECTION)	
21	1001163483	1	Fly, Boom	
22	1001163492	1	Base, Boom	
23	1001247048	1	Jib Boom Assembly (See Separate Breakdown in this Section)	
24	1001168842	2	Pin	
25	3422793	1	Pin	
26	1001168847	1	Pin	
27	1001168849	1	Pin	
28	1001169284	4	Pad	
29	1001169285	2	Pad	
30	1001169286	AR	Shim	
31	1001169287	AR	Shim	
32	1001169288	AR	Shim	
33	1001169289	AR	Shim	
34	1001171067	1	Pad	
36	1001171112	2	Hose	
37	1001171324	2	Cover	
38	1001171667	2	Bar	
39	1001171966	AR	Shim, 20Ga	
40	1001171967	AR	Shim, 16Ga	
41	5251009	4	Bolt M10 x 18	

# SECTION 4 - BOOM

## FIGURE 4-6. MAIN BOOM ASSEMBLY (ROMANIAN BUILT MACHINES) (460SJ)



ART\_1001221482



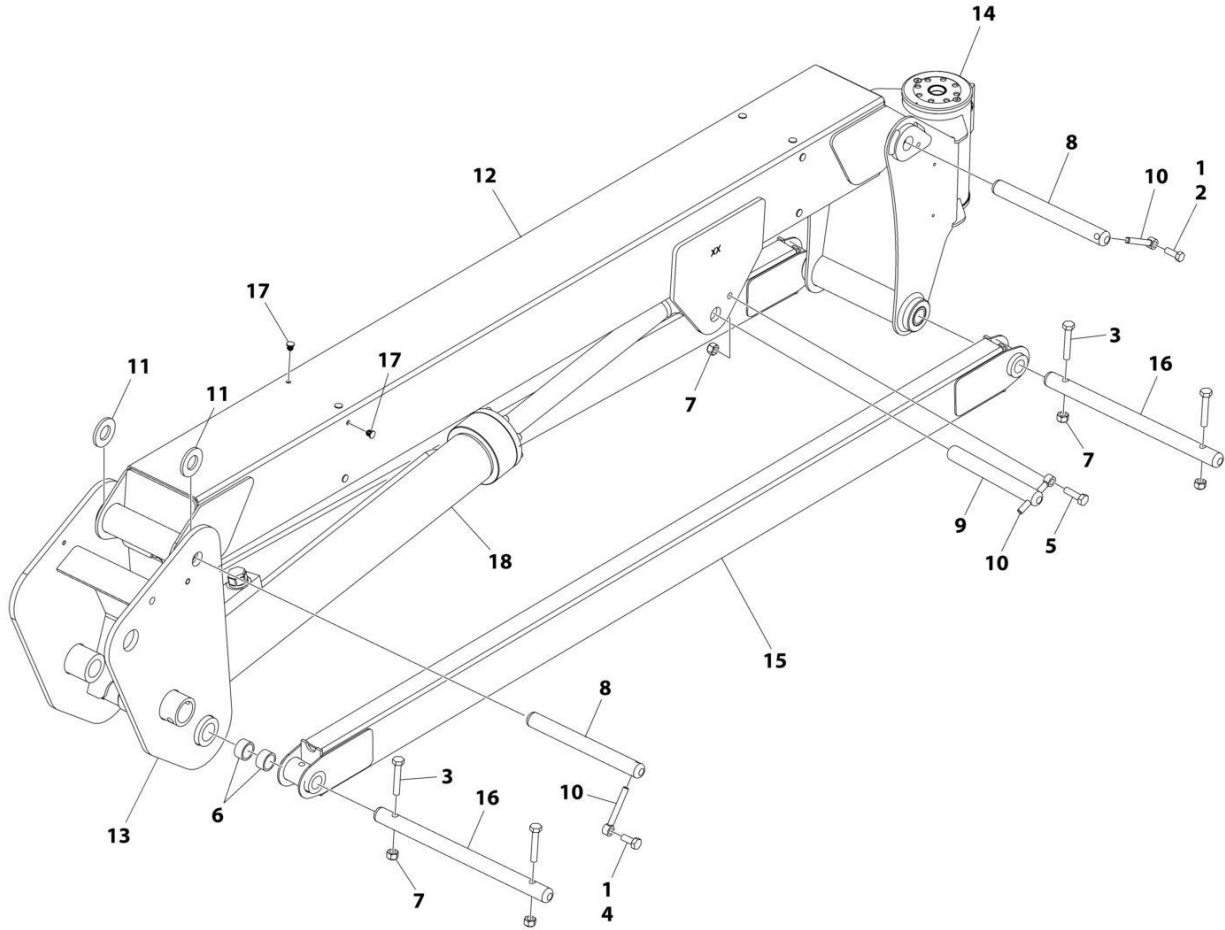
## SECTION 4 - BOOM

**FIGURE 4-6. MAIN BOOM ASSEMBLY (ROMANIAN BUILT MACHINES) (460SJ)**

ITEM	PART NUMBER	QTY	DESCRIPTION	REV
	1001221482	Ref	MAIN BOOM ASSEMBLY	F
1	0100011	AR	Compound, Locking	
2	0701222	1	Bolt, M12 x 70	
3	0761019	4	Bolt, M10 x 55	
4	0761217	3	Bolt, M12 x 45	
5	0961950	2	Bearing	
6	0962348	2	Bearing	
7	3291205	4	Nut, Lock M12 x 1.75	
8	3422793	1	Pin	
9	3760133	4	Ring, Retaining	
10	3841203	1	Keeper, Pin	
11	4070897	AR	Shim, 18Ga	
12	4070898	AR	Shim, 11Ga	
13	4812000	4	Washer, M10	
14	4812100	5	Washer, M12	
15	5251008	16	Bolt, M10 x 16	
16	5251009	4	Bolt, M10 x 18	
17	5251011	12	Bolt, M10 x 22	
18	1001099560	1	Ring, Retaining	
19	1001137032	1	Screw M10 x 16	
20	1001251075	1	Telescope Cylinder Assembly (See Separate Breakdown in CYLINDER SECTION)	
21	1001163386	1	Level (Platform Slave) Cylinder Assembly (See Separate Breakdown in CYLINDER SECTION)	
22	1001163483	1	Fly, Boom	
23	1001163492	1	Base, Boom	
24	1001168842	2	Pin	
25	1001168847	1	Pin	
26	1001168849	1	Pin	
27	1001169284	4	Pad	
28	1001169285	2	Pad	
29	1001169286	AR	Shim	
30	1001169287	AR	Shim	
31	1001169288	AR	Shim	
32	1001169289	AR	Shim	
33	1001169380	8	Pad	
34	1001171067	1	Pad	
35	1001171112	2	Hose	
36	1001171324	AR	Cover	
37	1001171667	2	Bar	
38	1001171966	AR	Shim, 20Ga	
39	1001171967	AR	Shim, 16Ga	
40	1001247623	1	Jib Boom Assembly (See Separate Breakdown in this Section)	

# SECTION 4 - BOOM

## FIGURE 4-7. JIB BOOM ASSEMBLY (USA BUILT MACHINES) (460SJ)



ART\_1001247048

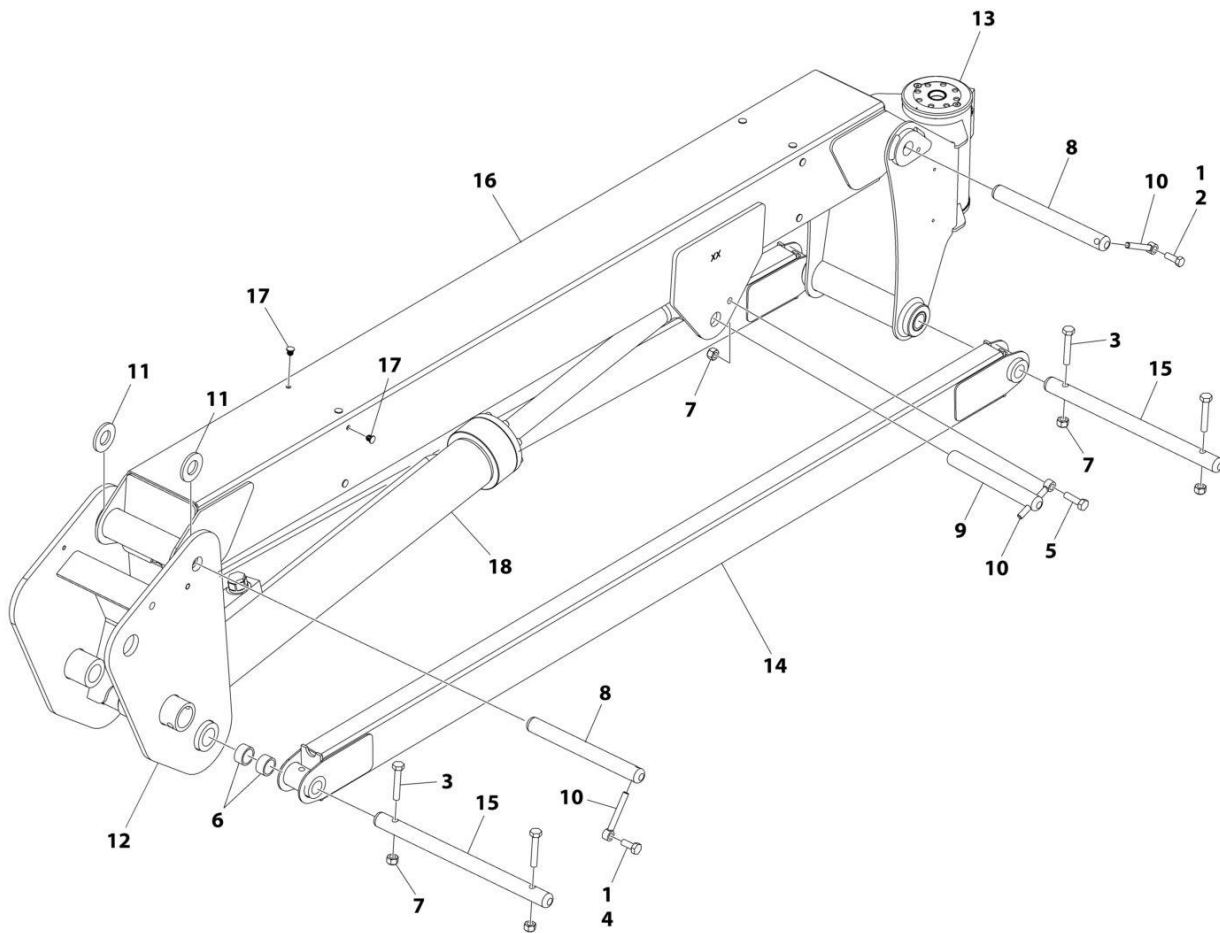
## SECTION 4 - BOOM

**FIGURE 4-7. JIB BOOM ASSEMBLY (USA BUILT MACHINES) (460SJ)**

ITEM	PART NUMBER	QTY	DESCRIPTION	REV
	1001247048	Ref	JIB BOOM ASSEMBLY	B
1	0100011	AR	Compound, Locking	
2	0641608	1	Bolt 3/8 x 1	
3	0701020	4	Bolt M10 x 60	
4	0761012	1	Bolt M10 x 25	
5	0761015	1	Bolt M10 x 35	
6	0961947	4	Bearing	
7	3291005	5	Nut M10	
8	3422860	2	Pin	
9	3422867	1	Pin	
10	3841143	3	Keeper, Pin	
11	4740439	2	Washer, Thrust	
12	4844816	1	Tube (Upper)	
12	0962335	4	Bushing	
13	1001165567	1	Pivot	
14	1001181051	1	Rotator Assembly (See Separate Breakdown in this Section)	
15	4844817	2	Tube, Lower	
16	3422861	2	Pin	
17	1001223899	8	Fastener	
18	1001248012	1	Lift Cylinder Assembly - Jib (See Separate Breakdown in CYLINDER SECTION)	

# SECTION 4 - BOOM

## FIGURE 4-8. JIB BOOM ASSEMBLY (ROMANIAN BUILT MACHINES) (460SJ)



ART\_1001247623

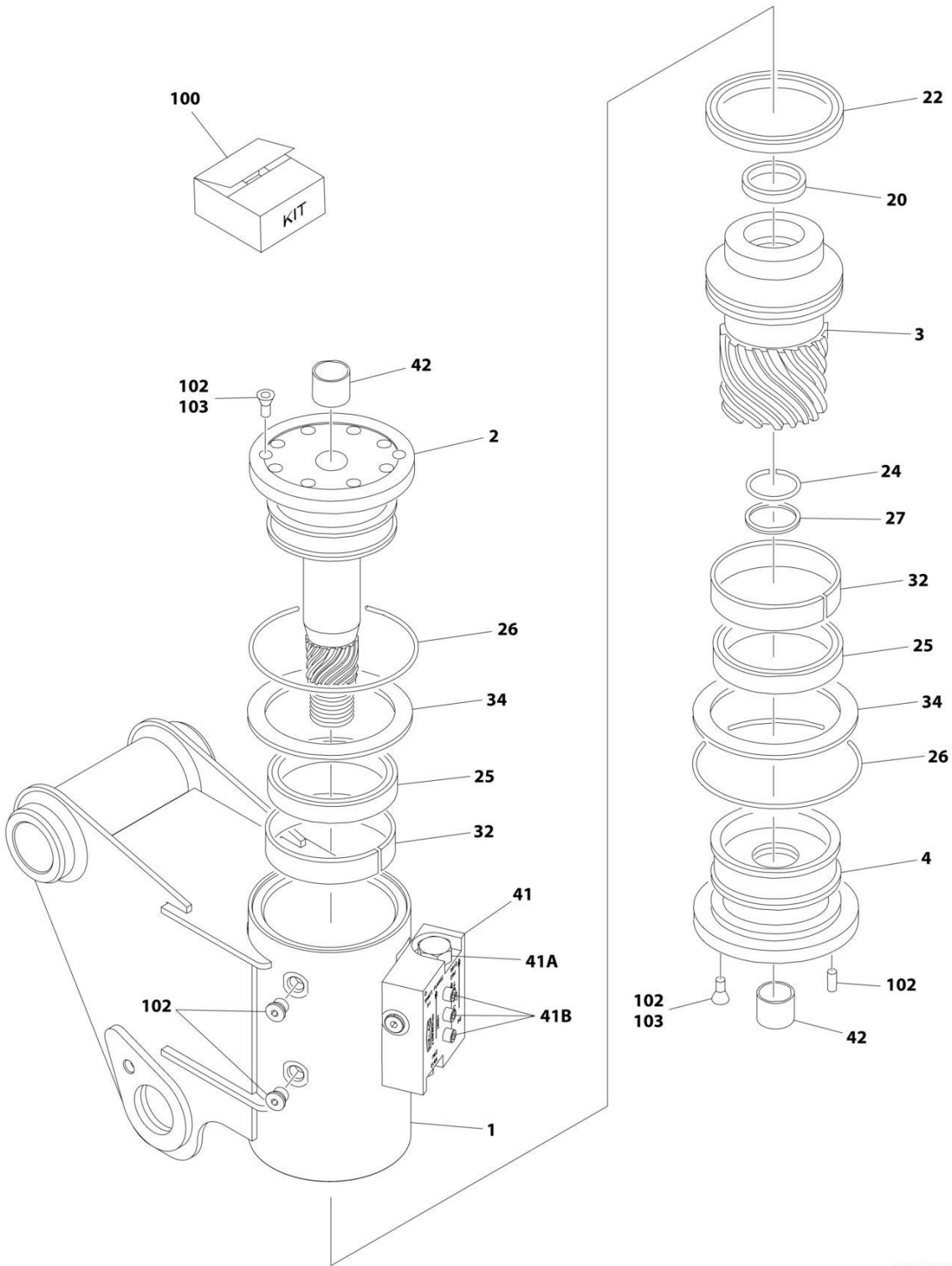
## SECTION 4 - BOOM

**FIGURE 4-8. JIB BOOM ASSEMBLY (ROMANIAN BUILT MACHINES) (460SJ)**

ITEM	PART NUMBER	QTY	DESCRIPTION	REV
	1001247623	Ref	JIB BOOM ASSEMBLY	B
1	0100011	AR	Compound, Locking	
2	0641608	1	Bolt 3/8 x 1	
3	0701020	4	Bolt M10 x 60	
4	0761012	1	Bolt M10 x 25	
5	0761015	1	Bolt M10 x 35	
6	0961947	4	Bearing	
7	3291005	5	Nut M10	
8	3422860	2	Pin	
9	3422867	1	Pin	
10	3841143	3	Keeper, Pin	
11	4740439	2	Washer, Thrust	
12	1001165567	1	Pivot	
13	1001181051	1	Rotator Assembly (See Separate Breakdown in this Section)	
14	1001221486	2	Tube, Lower	
15	3422861	2	Pin	
16	1001221484	1	Tube (Upper)	
16	0962335	4	Bushing	
17	1001223899	8	Fastener	
18	1001248012	1	Lift Cylinder Assembly - Jib (See Separate Breakdown in CYLINDER SECTION)	

# SECTION 4 - BOOM

## FIGURE 4-9. ROTATOR ASSEMBLY (400S)



ART\_1001221927

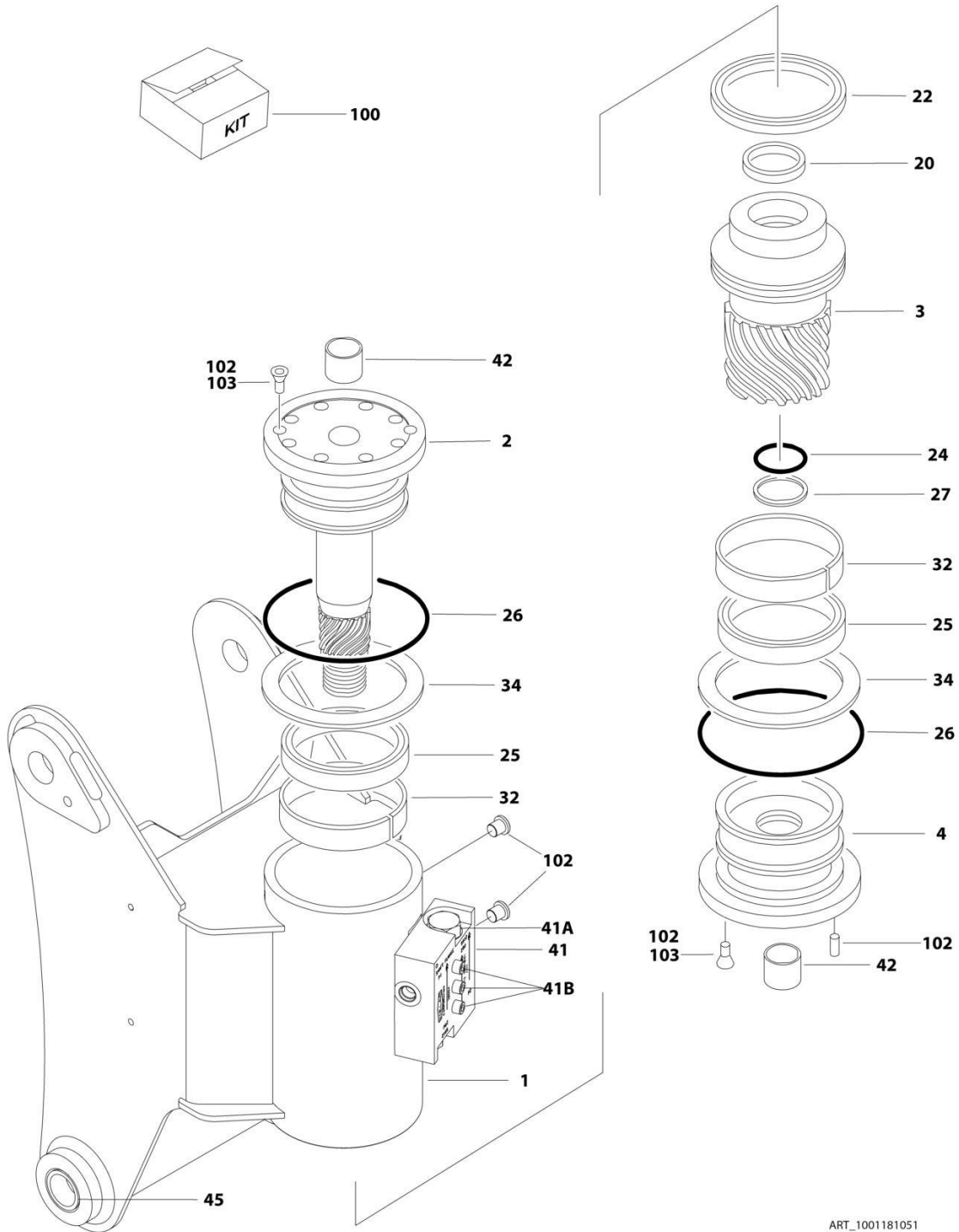
## SECTION 4 - BOOM

### FIGURE 4-9. ROTATOR ASSEMBLY (400S)

ITEM	PART NUMBER	QTY	DESCRIPTION	REV
	1001221927	Ref	ROTATOR ASSEMBLY	A
1	See Note	NSS	Housing/Ring Gear Assembly (Note: Not Available - Purchase Complete Rotator Assembly)	
2	7017162	1	Shaft Weldment	
3	7017163	1	Piston/Sleeve Assembly	
4	7017164	1	Cap, End	
20	See Note	NSS	T-Seal (Note: Use Item 100)	
22	See Note	NSS	T-Seal (Note: Use Item 100)	
24	See Note	NSS	O-Ring (Note: Use Item 100)	
25	See Note	NSS	Seal (Note: Use Item 100)	
26	See Note	NSS	O-Ring (Note: Use Item 100)	
27	See Note	NSS	Ring, Back-up (Note: Use Item 100)	
32	See Note	NSS	Ring, Wear (Note: Use Item 101)	
34	See Note	NSS	Washer, Thrust (Note: Use Item 101)	
40	70006580	1	Tube, Stop (Not Shown)	
41	7017172	AR	Valve Assembly	
41A	7017192	2	Cartridge, Valve	
41A	See Note	NSS	Seal Kit - 7017192 Valve (Note: Not Available for Purchase)	
41B	See Note	3	Bolt 1/4 x 1-1/2 (Grade 8) (Note: Not Available - Purchase Locally)	
42	7017195	2	Bushing	
100	70000342	1	Seal Kit (Includes Items 20, 22, 24, 25, 27)	
101	7017159	1	Bearing Kit (Includes Items 32 & 34)	
102	7017142	1	Hardware Kit	
103	70001697	4	Screw, Countersunk 1/4 x 3/8 Grade 8	

# SECTION 4 - BOOM

## FIGURE 4-10. ROTATOR ASSEMBLY (460SJ)



ART\_1001181051



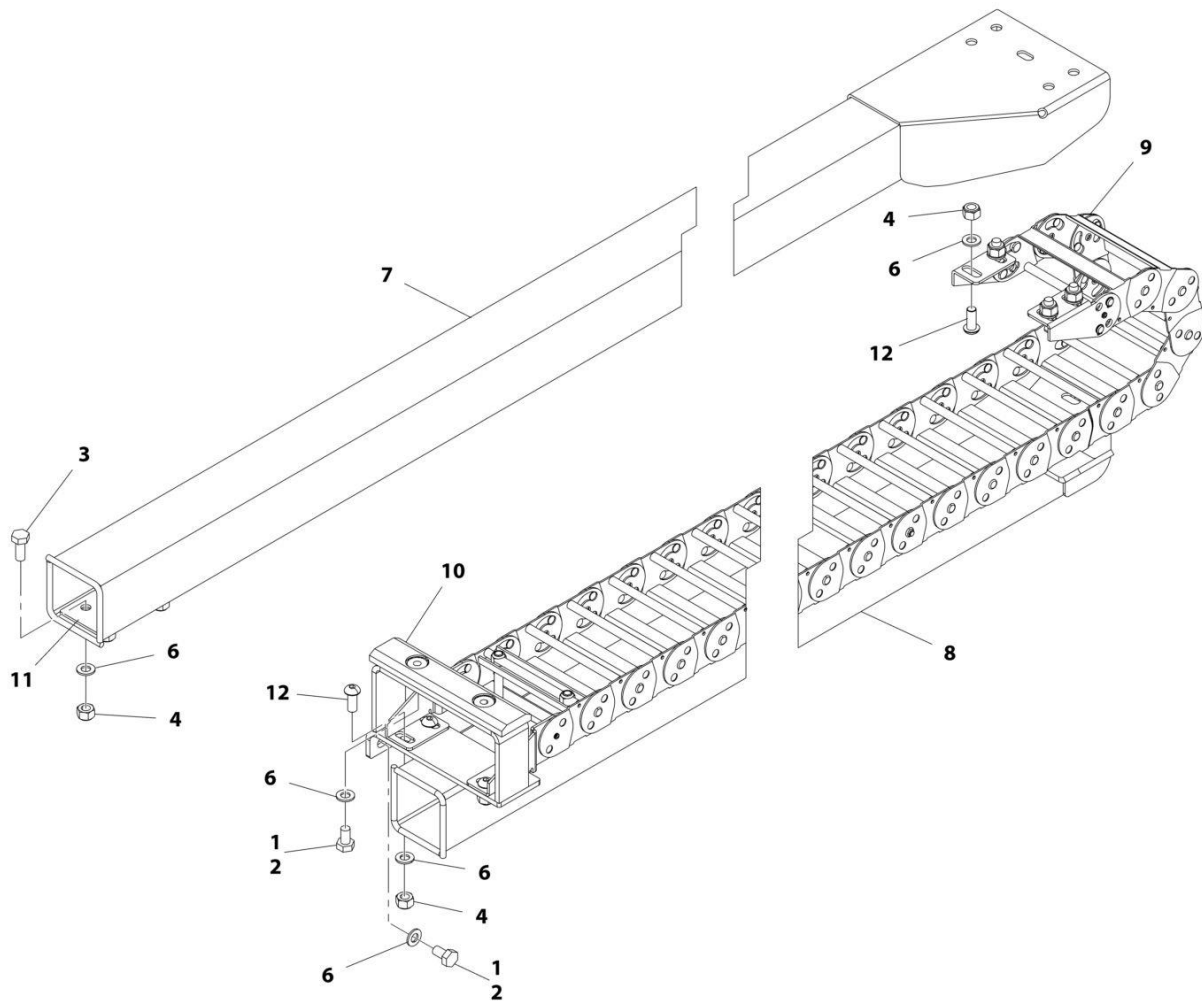
## SECTION 4 - BOOM

**FIGURE 4-10. ROTATOR ASSEMBLY (460SJ)**

ITEM	PART NUMBER	QTY	DESCRIPTION	REV
	1001181051	Ref	ROTATOR ASSEMBLY	A
1	See Note	NSS	Housing/Ring Gear Assembly (Note: Not Available - Purchase Complete Rotator Assembly)	
2	7017162	1	Shaft Weldment	
3	7017163	1	Piston/Sleeve Assembly	
4	7017164	1	Cap, End	
20	See Note	NSS	T-Seal (Note: Use Item 100)	
22	See Note	NSS	T-Seal (Note: Use Item 100)	
24	See Note	NSS	O-Ring (Note: Use Item 100)	
25	See Note	NSS	Seal (Note: Use Item 100)	
26	See Note	NSS	O-Ring (Note: Use Item 100)	
27	See Note	NSS	Ring, Back-up (Note: Use Item 100)	
32	See Note	NSS	Ring, Wear (Note: Use Item 101)	
34	See Note	NSS	Washer, Thrust (Note: Use Item 101)	
41	7017172	AR	Valve Assembly	
41A	7017192	2	Cartridge, Valve	
41A	See Note	NSS	Seal Kit - 7017192 Valve (Note: Not Available for Purchase)	
41B	See Note	3	Bolt 1/4-20NC x 1-1/2 Grade 8 (Note: Not Available - Purchase Locally)	
42	7017195	2	Bushing	
45	7017150	2	Bushing	
100	70000342	1	Seal Kit (Includes Items 20, 22, 24, 25, 27 & 33)	
101	7017159	1	Bearing Kit (Includes Items 32 & 34)	
102	7017142	1	Hardware Kit	
103	70001697	4	Screw, Countersunk 1/4 x 3/8 Grade 8	

# SECTION 4 - BOOM

## FIGURE 4-11. POWER TRACK INSTALLATION



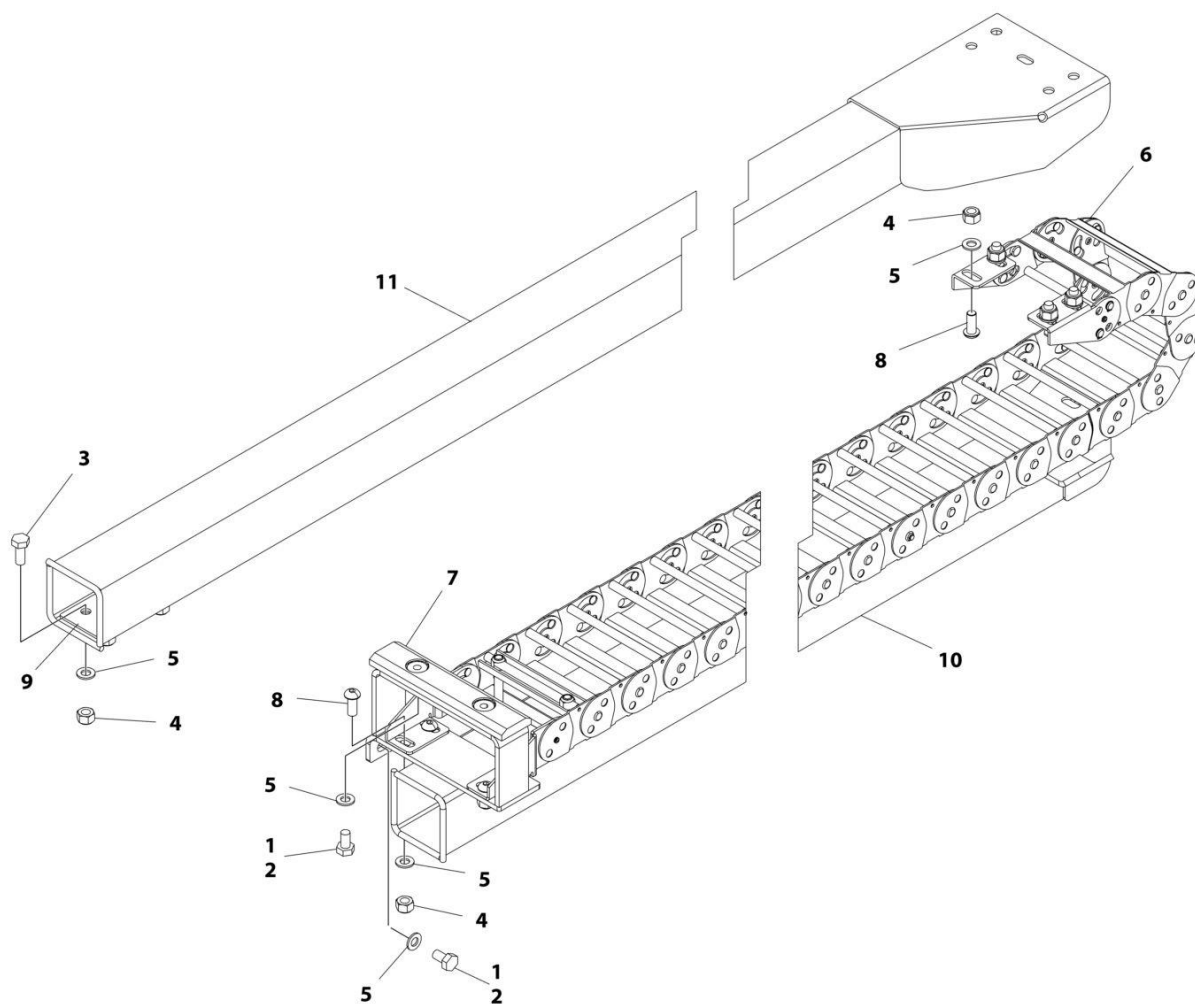
ART\_1001165538

FIGURE 4-11. POWER TRACK INSTALLATION

ITEM	PART NUMBER	QTY	DESCRIPTION	REV
	1001165538	Ref	POWER TRACK INSTALLATION	E
1	0100011	AR	Compound, Locking	
2	0761009	10	Bolt M10 x 18	
3	0761012	4	Bolt M10 x 25	
4	3291005	12	Nut M10	
6	4812000	22	Washer M10	
7	1001165531	1	Tube, Push	
8	1001165534	1	Tube, Carrier	
9	1001224888	1	Power Track	
9	70006255	1	Repair Section without Clamp - 10 Links	
9	70006270	1	Feet, Mounting (Includes 1 each Left and Right Mounting Feet)	
10	1001169611	1	Pad, Wear	
11	1001176899	1	Plate, Support	
12	1001173763	8	Screw M10 x 25	

# SECTION 4 - BOOM

## FIGURE 4-12. POWER TRACK INSTALLATION



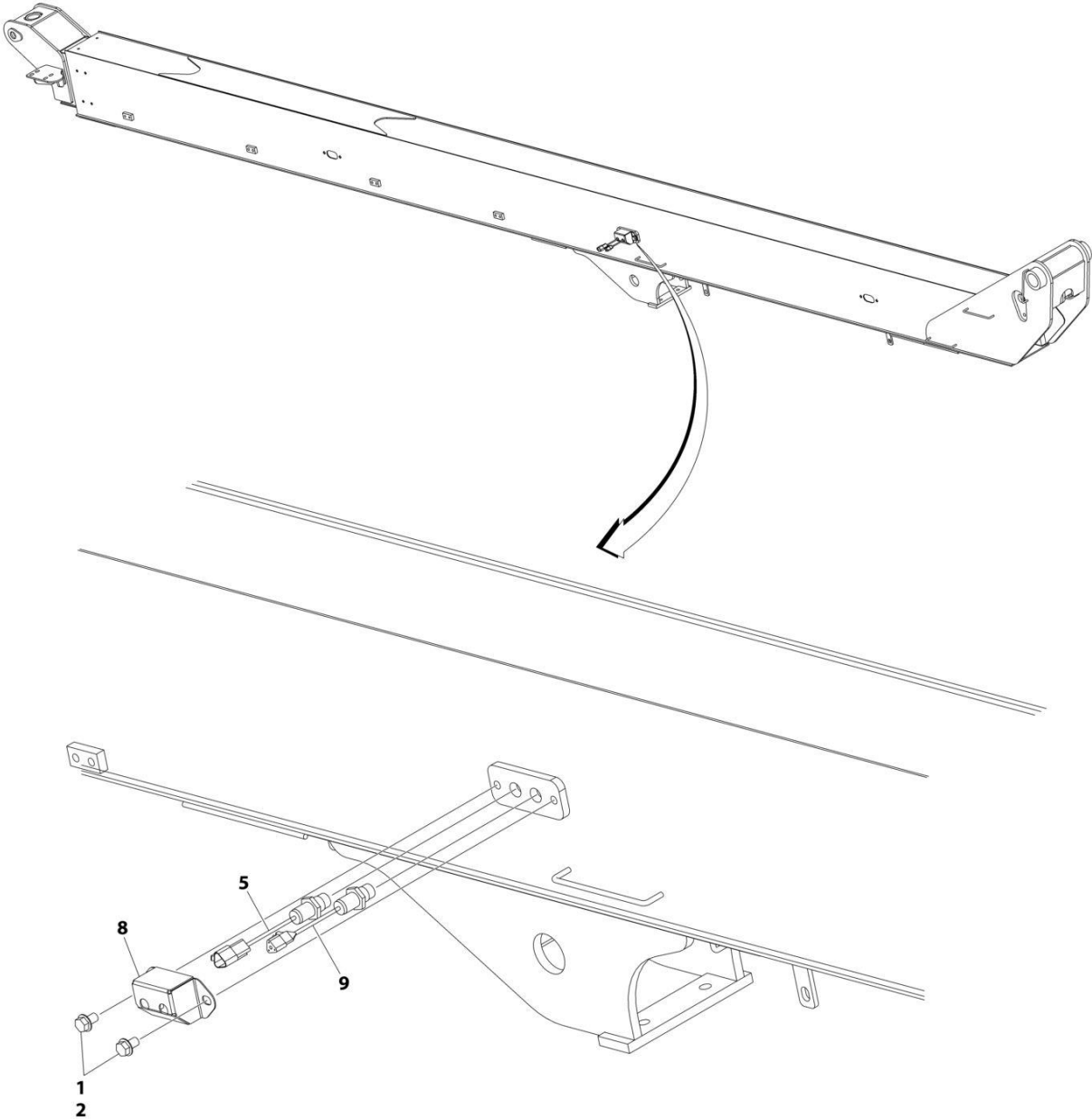
ART\_1001220920

FIGURE 4-12. POWER TRACK INSTALLATION

ITEM	PART NUMBER	QTY	DESCRIPTION	REV
	1001220920	Ref	POWER TRACK INSTALLATION	B
1	0100011	AR	Compound, Locking	
2	0761009	10	Bolt M10 x 18	
3	0761012	4	Bolt M10 x 25	
4	3291005	12	Nut M10	
5	4812000	22	Washer M10	
6	1001224888	1	Power Track	
6	70002011	1	Repair Section without Clamp - 10 Links	
6	70005106	1	Repair Section with Clamp - 10 Links	
6	70005107	1	Feet, Mounting (Includes 1 each Left and Right Mounting Feet)	
7	1001169611	1	Pad, Wear	
8	1001173763	8	Screw M10 x 25	
9	1001176899	1	Plate, Support	
10	1001220921	1	Tube, Carrier	
11	1001220924	1	Tube, Push	

**SECTION 4 - BOOM**

**FIGURE 4-13. CAPACITY SWITCH INSTALLATION**



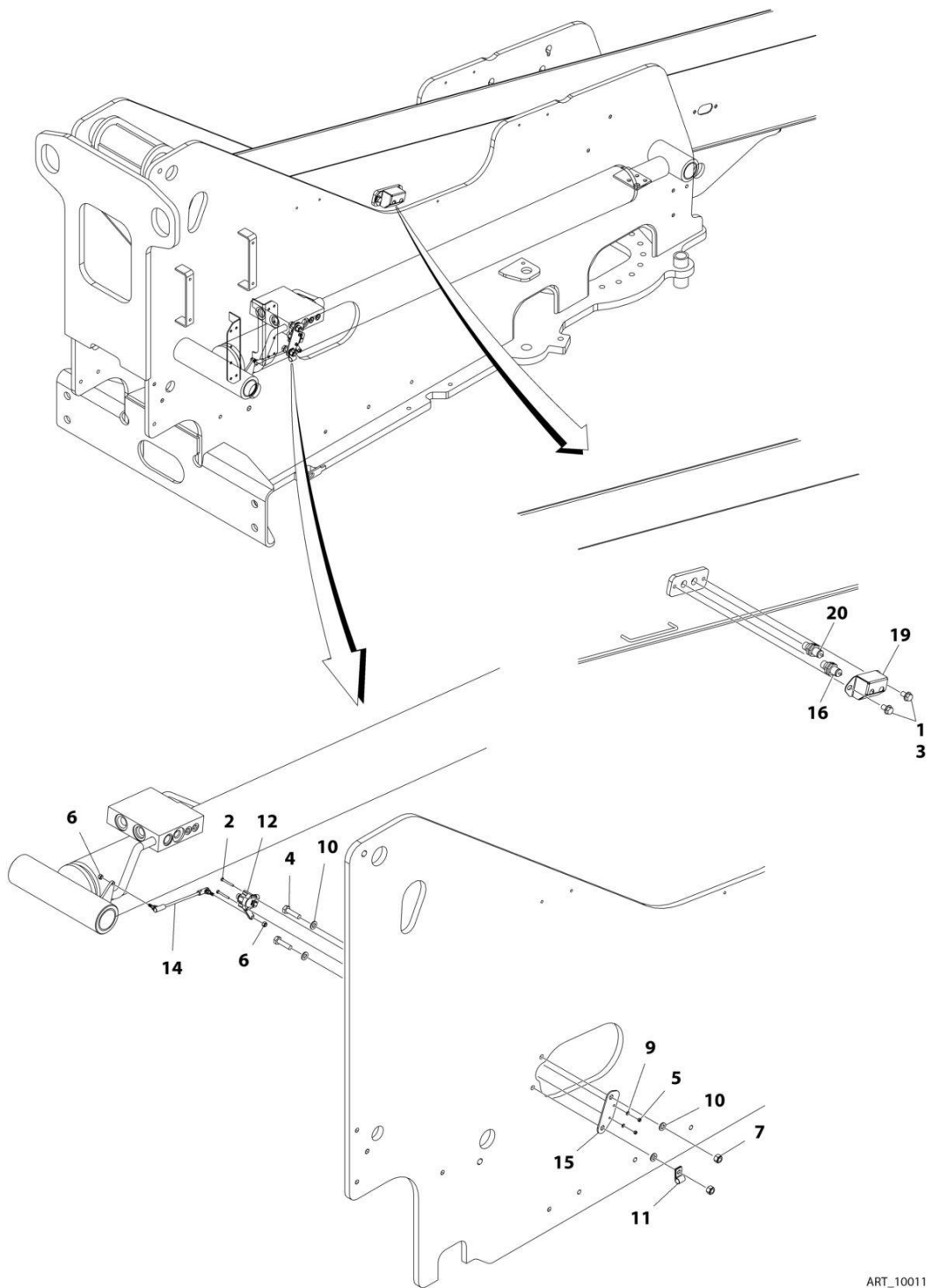
ART\_1001173233

FIGURE 4-13. CAPACITY SWITCH INSTALLATION

ITEM	PART NUMBER	QTY	DESCRIPTION	REV
	1001173233	Ref	CAPACITY SWITCH INSTALLATION	D
1	0100011	AR	Compound, Locking	
2	5251008	2	Bolt, M10 x 16	
5	1001170847	1	Sensor, Proximity	
5	4460536	1	Connector - 3 Position	
5	4460464	3	Pin, Male	
8	1001204715	1	Bracket, Cover	
9	1001182570	1	Sensor, Proximity	
9	4460539	1	Connector 3 Position	
9	4460465	3	Socket, Female	

# SECTION 4 - BOOM

## FIGURE 4-14. TRANSPORT SWITCHES INSTALLATION



ART\_1001170642



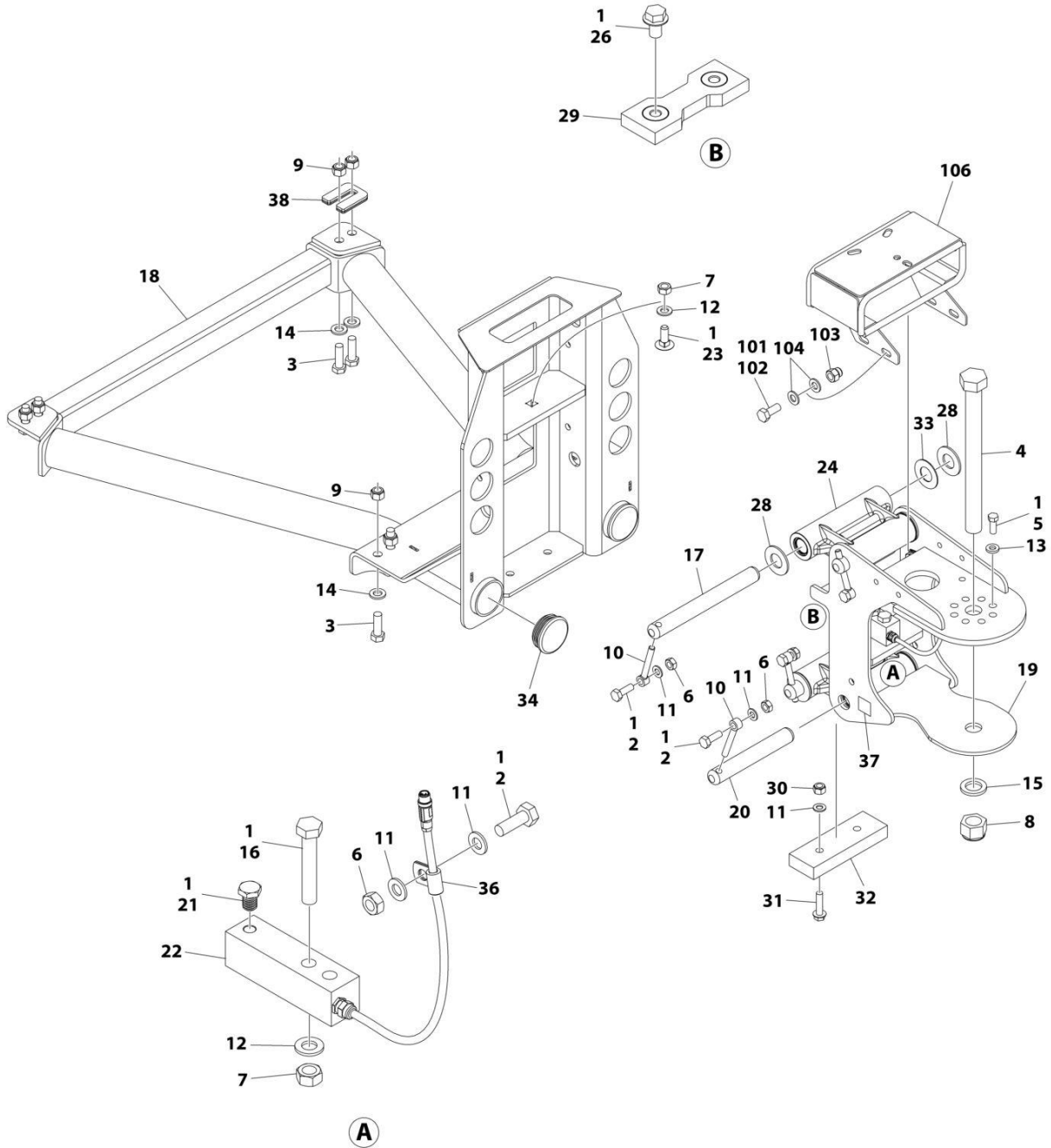
## SECTION 4 - BOOM

**FIGURE 4-14. TRANSPORT SWITCHES INSTALLATION**

ITEM	PART NUMBER	QTY	DESCRIPTION	REV
	1001170642	Ref	TRANSPORT SWITCHES INSTALLATION	I
1	0100011	AR	Compound, Locking	
2	0760415	2	Bolt M4 x 35	
3	5251008	2	Bolt M10 x 16	
4	0761016	2	Bolt M10 x 40	
5	3290405	2	Nut M4 x 0.7	
6	3290605	2	Nut M6 x 1	
7	3291005	2	Nut M10 x 1.5	
9	4811400	2	Washer M4	
10	4812000	4	Washer M10	
11	8406110	1	Clip	
12	1001118971	1	Angle, Sensor	
14	1001170564	1	Link, Sensor	
15	1001170565	1	Bracket	
16	1001170847	1	Sensor, Proximity	
16	4460536	1	Connector - 3 Position	
16	4460464	3	Pin, Male	
19	1001204715	1	Bracket, Switch Cover	
20	1001182570	1	Sensor, Proximity	
20	4460539	1	Connector - 3 Position	
20	4460465	3	Socket, Female	
21	1001288195	1	Boom Angle Sensr Jumper Harness	

# SECTION 4 - BOOM

## FIGURE 4-15. PLATFORM SUPPORT INSTALLATION - WITH 1 CELL LSS



ART\_1001167596\_N

## SECTION 4 - BOOM

**FIGURE 4-15. PLATFORM SUPPORT INSTALLATION - WITH 1 CELL LSS**

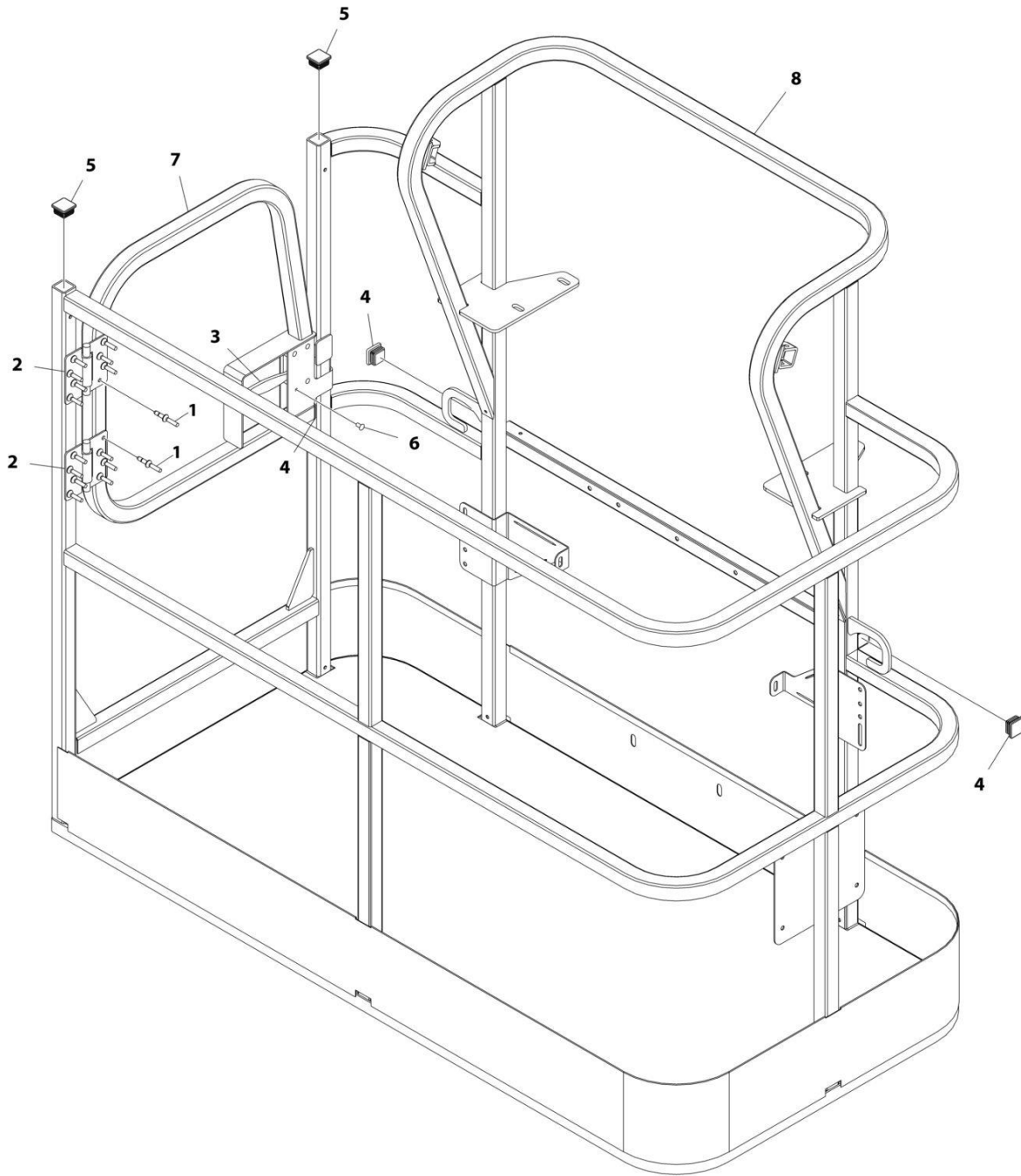
ITEM	PART NUMBER	QTY	DESCRIPTION	REV
	1001167596	Ref	PLATFORM SUPPORT INSTALLATION	N
1	0100011	AR	Compound, Locking	
2	0761014	5	Bolt M10 x 30	
3	0761216	8	Bolt M12 x 40	
4	1001255133	1	Bolt 1 x 11 GRD8	
5	0681608	8	Bolt 3/8 x 1 GRD8	
6	3291001	5	Nut M10	
7	3291201	3	Nut M12	
8	1001174040	1	Nut 1	
9	3291205	8	Nut M12	
10	3841143	4	Keeper, Pin	
11	4812000	8	Washer M10	
12	4812100	3	Washer M12	
13	4891600	8	Washer 3/8	
14	5241200	8	Washer M12	
15	4892600001	1	Washer 1	
16	1001098828	2	Bolt M12 x 70 CL10.9	
17	1001167565	2	Pin	
18	1001200494	1	Support, Platform	
19	1001167567	1	Support, Rotator	
20	1001168402	2	Pin	
21	1001188622	1	Screw	
22	1001247468	1	Loadcell	
23	1001188844	1	Bolt M12 x 35	
24	1001201351	2	Link	
24	1001187382	4	Bearing	
24	1001187383	4	Seal	
26	5251008	2	Bolt M10 x 16 CL10.9	
28	1001189002	8	Bearing	
29	1001190985	1	Pad, Wear	
30	3291005	2	Nut M10	
31	5251016	2	Bolt M10 x 40 CL10.9	
32	1001200491	1	Pad, Wear	
33	1001189001	4	Bearing	
34	1001204725	2	Plug	
36	91203039	1	Clamp	
37	1001216630	2	Decal - Tie Down/No Lift	
38	1001238421	Ref	Kit, Platform Leveling (Not Shown)	
	1001202687	Ref	VALVE MOUNT INSTALLATION	B
101	0100011	AR	Compound, Locking	
102	0760810	4	Bolt M8 x 20	
103	3290806	4	Nut M8	
104	4811900	8	Washer M8	
106	1001208994	1	Mount, Valve	



**SECTION 5 - PLATFORM**

# SECTION 5 - PLATFORM

FIGURE 5-1. PLATFORM ASSEMBLY - 30IN X 5FT (76.2CM X 1.52M) WITH SWING GATE (USA BUILT MACHINES)



ART\_1001186386

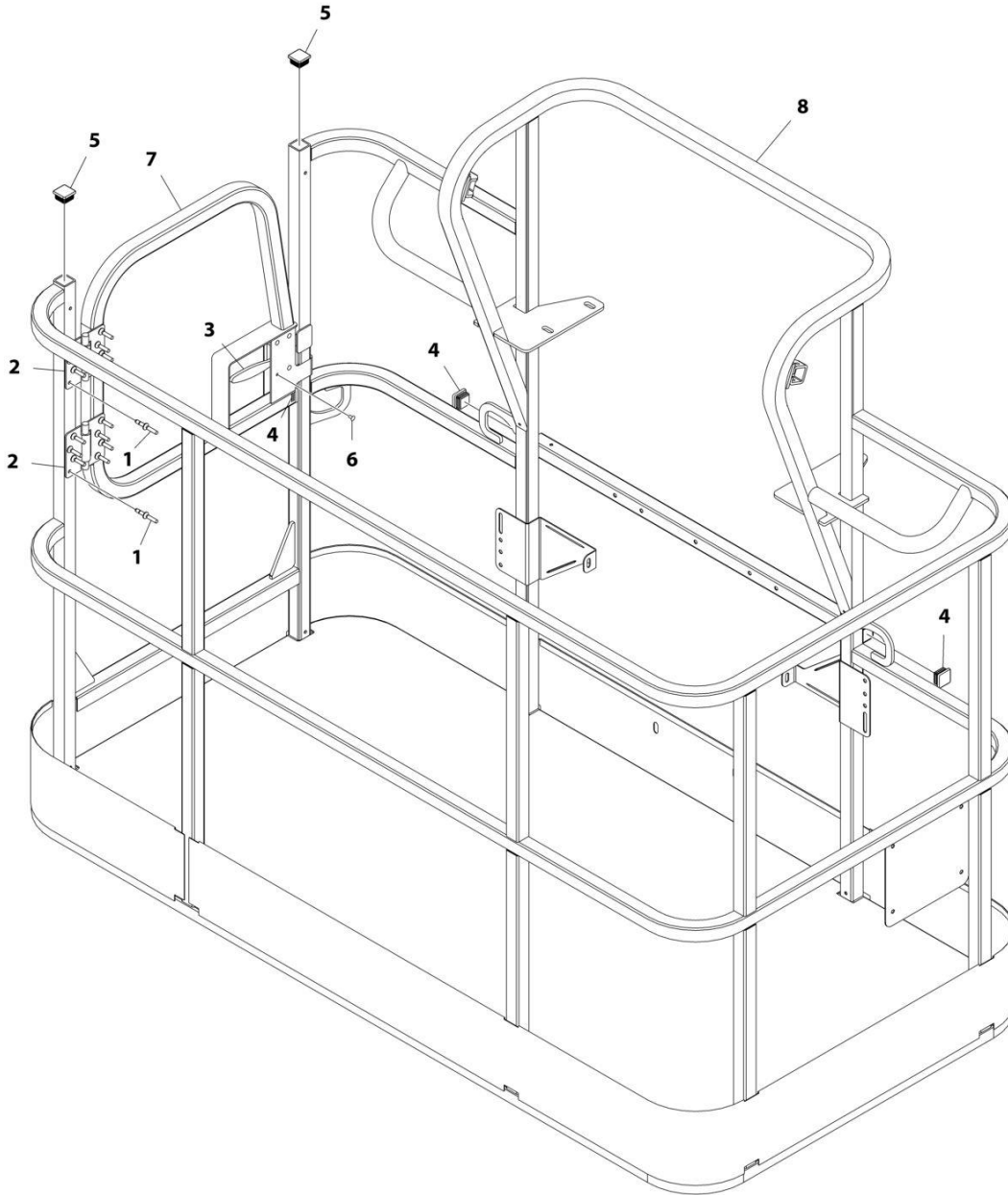
## SECTION 5 - PLATFORM

**FIGURE 5-1. PLATFORM ASSEMBLY - 30IN X 5FT (76.2CM X 1.52M) WITH SWING GATE (USA BUILT MACHINES)**

ITEM	PART NUMBER	QTY	DESCRIPTION	REV
	1001186386	Ref	PLATFORM ASSEMBLY	C
		Ref	Note: Platform and Mesh must be ordered separately for Platforms with Mesh. See SPECIAL OPTIONS SECTION for Mesh Installations.	
		Ref	Note: Replacement Decals Must be Ordered Separately - See DECALS SECTION.	
1	2080040	16	Fastener, Huck	
2	2600281	2	Hinge, Self-Closing	
3	2940074	1	Latch	
4	3520072	3	Plug	
5	3520198	2	Plug	
6	3820020	4	Rivet	
7	1001144629	1	Gate	
8	See Note	NSS	Platform (Note: Not Available - Purchase Platform Assembly)	

# SECTION 5 - PLATFORM

FIGURE 5-2. PLATFORM ASSEMBLY - 36IN X 6FT (91.5CM X 1.83M) WITH SWING GATE (USA BUILT MACHINES)



ART\_1001186384



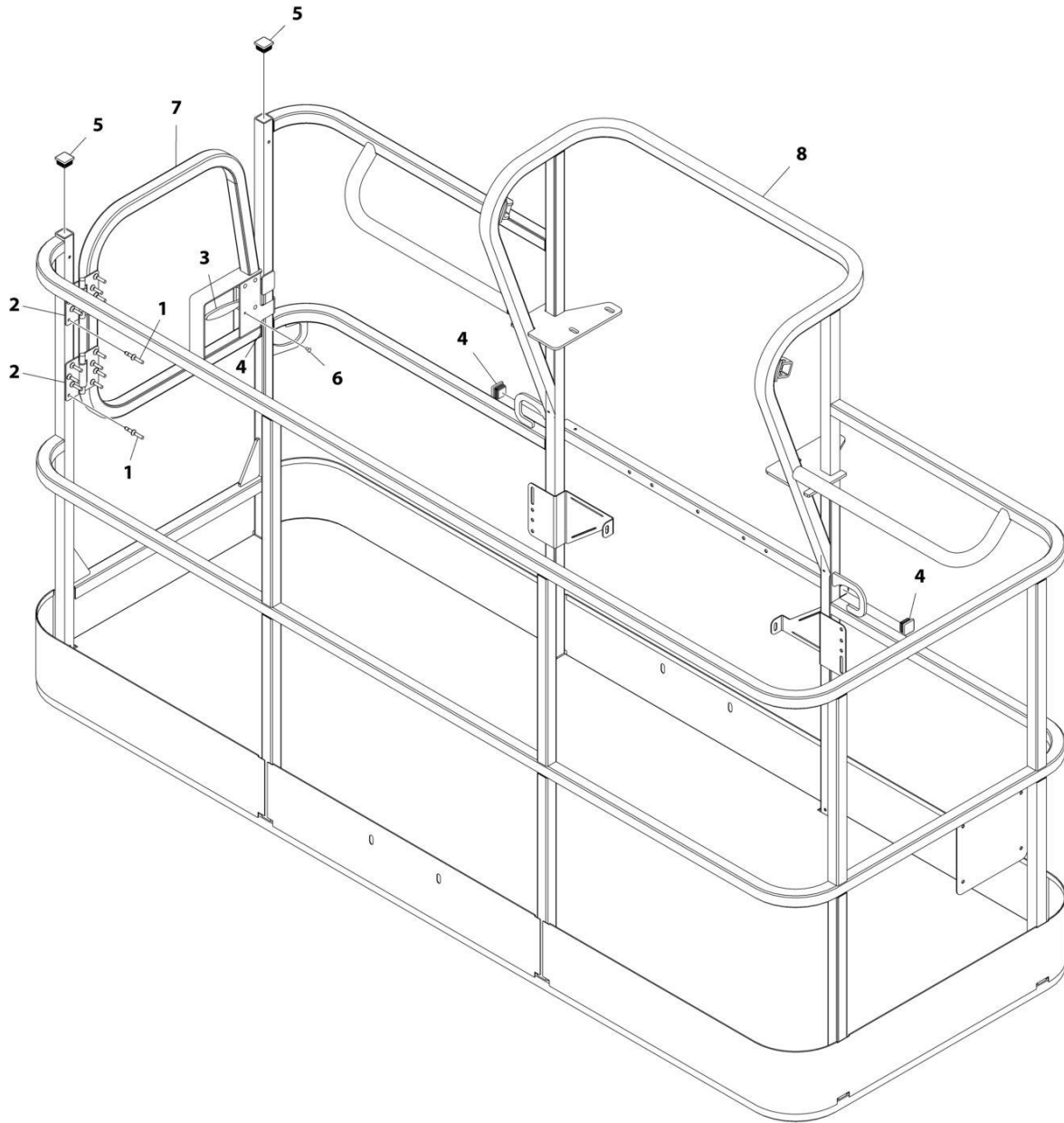
## SECTION 5 - PLATFORM

**FIGURE 5-2. PLATFORM ASSEMBLY - 36IN X 6FT (91.5CM X 1.83M) WITH SWING GATE (USA BUILT MACHINES)**

ITEM	PART NUMBER	QTY	DESCRIPTION	REV
	1001186384	Ref	PLATFORM ASSEMBLY - 36IN X 6FT (91.5CM X 1.83M) WITH SWING GATE	C
	See Note	Ref	Note: Platform and Mesh must be ordered separately for Platforms with Mesh. See SPECIAL OPTIONS SECTION for Mesh Installations.	
	See Note	Ref	Note: Replacement Decals Must be Ordered Separately - See DECALS SECTION.	
1	2080040	16	Fastener, Huck	
2	2600281	2	Hinge	
3	2940074	1	Latch	
4	3520072	3	Plug	
5	3520198	2	Plug	
6	3820020	4	Rivet	
7	1001144629	1	Gate	
8	See Note	NSS	Platform (Note: Not Available - Purchase Platform Assembly)	

# SECTION 5 - PLATFORM

FIGURE 5-3. PLATFORM ASSEMBLY - 36IN X 8FT (91.5CM X 2.44M) WITH SWING GATE (USA BUILT MACHINES)



ART\_1001186383

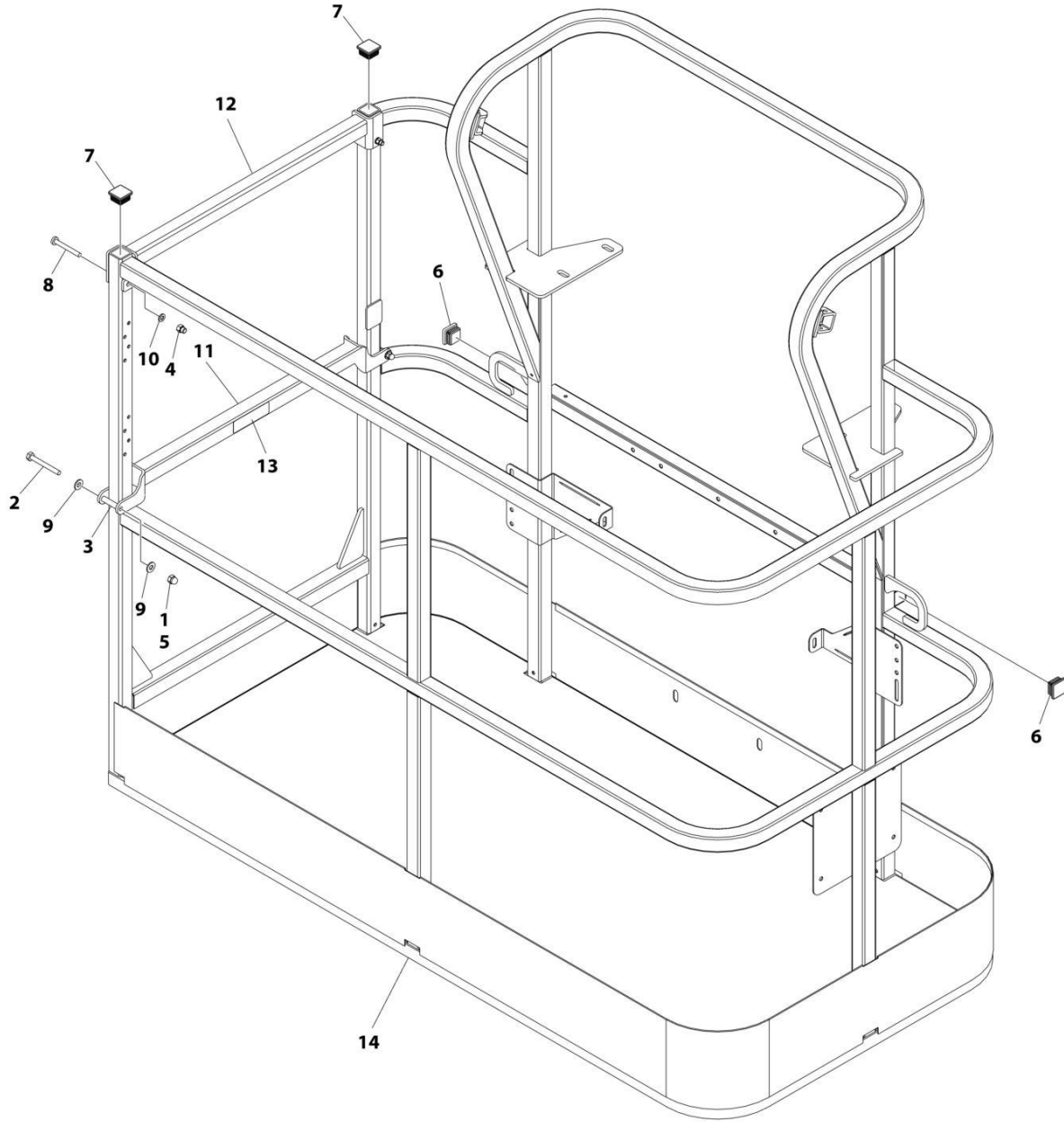
## SECTION 5 - PLATFORM

**FIGURE 5-3. PLATFORM ASSEMBLY - 36IN X 8FT (91.5CM X 2.44M) WITH SWING GATE (USA BUILT MACHINES)**

ITEM	PART NUMBER	QTY	DESCRIPTION	REV
	1001186383	Ref	PLATFORM ASSEMBLY - 36IN X 8FT (91.5CM X 2.44M) WITH SWING GATE	D
		Ref	Note: Platform and Mesh must be ordered separately for Platforms with Mesh. See SPECIAL OPTIONS SECTION for Mesh Installations.	
		Ref	Note: Replacement Decals Must be Ordered Separately - See DECALS SECTION.	
1	2080040	16	Fastener, Huck	
2	2600281	2	Hinge	
3	2940074	1	Latch	
4	3520072	3	Plug	
5	3520198	2	Plug	
6	3820020	4	Rivet	
7	1001144629	1	Gate	
8	See Note	NSS	Platform (Note: Not Available - Purchase Platform Assembly)	

# SECTION 5 - PLATFORM

FIGURE 5-4. PLATFORM ASSEMBLY - 30IN X 5FT (76.2CM X 1.52M) WITH DROP BAR (USA BUILT MACHINES)



ART\_1001186377

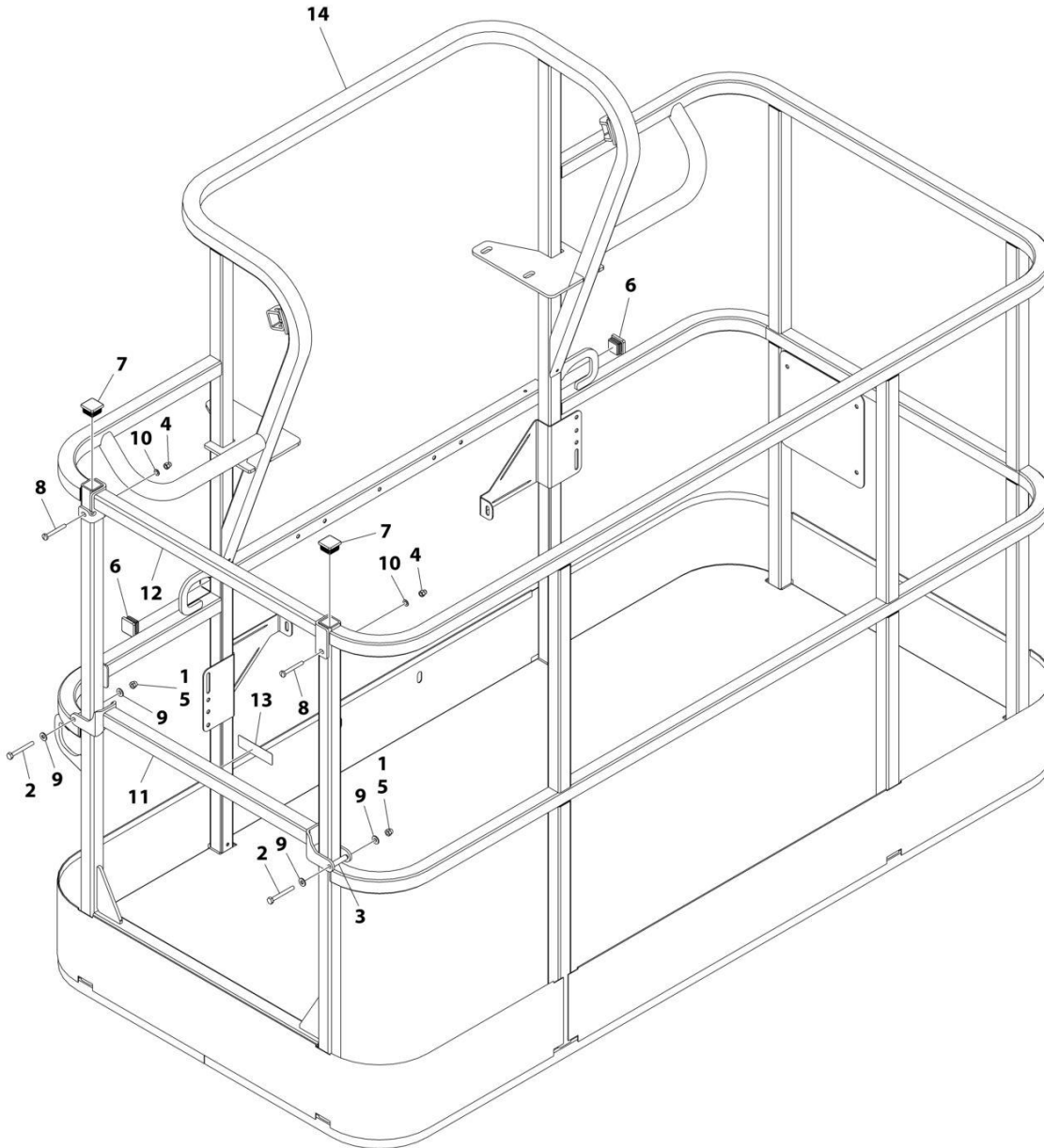
## SECTION 5 - PLATFORM

**FIGURE 5-4. PLATFORM ASSEMBLY - 30IN X 5FT (76.2CM X 1.52M) WITH DROP BAR (USA BUILT MACHINES)**

ITEM	PART NUMBER	QTY	DESCRIPTION	REV
	1001186377	Ref	PLATFORM ASSEMBLY	C
		Ref	Note: Platform and Mesh must be ordered separately for Platforms with Mesh. See SPECIAL OPTIONS SECTION for Mesh Installations.	
		Ref	Note: Replacement Decals Must be Ordered Separately - See DECALS SECTION.	
1	0100011	AR	Compound, Locking	
2	0641420	2	Bolt 1/4 x 2-1/2	
3	0961845	2	Bushing	
4	3290606	2	Nut M6	
5	3300151	2	Nut 1/4	
6	3520072	2	Plug	
7	3520198	2	Plug	
8	4010618	2	Screw M6 x 50	
9	4711400	4	Washer 1/4	
10	4811700	2	Washer M6	
11	1001138494	1	Bar, Drop	
12	1001138514	1	Rail (Top)	
13	1001140429	1	Decal - Drop Bar	
14	See Note	NSS	Platform (Note: Not Available - Purchase Platform Assembly)	

# SECTION 5 - PLATFORM

FIGURE 5-5. PLATFORM ASSEMBLY - 36IN X 6FT (91.5CM X 1.83M) WITH DROP BAR (USA BUILT MACHINES)



ART\_1001186379

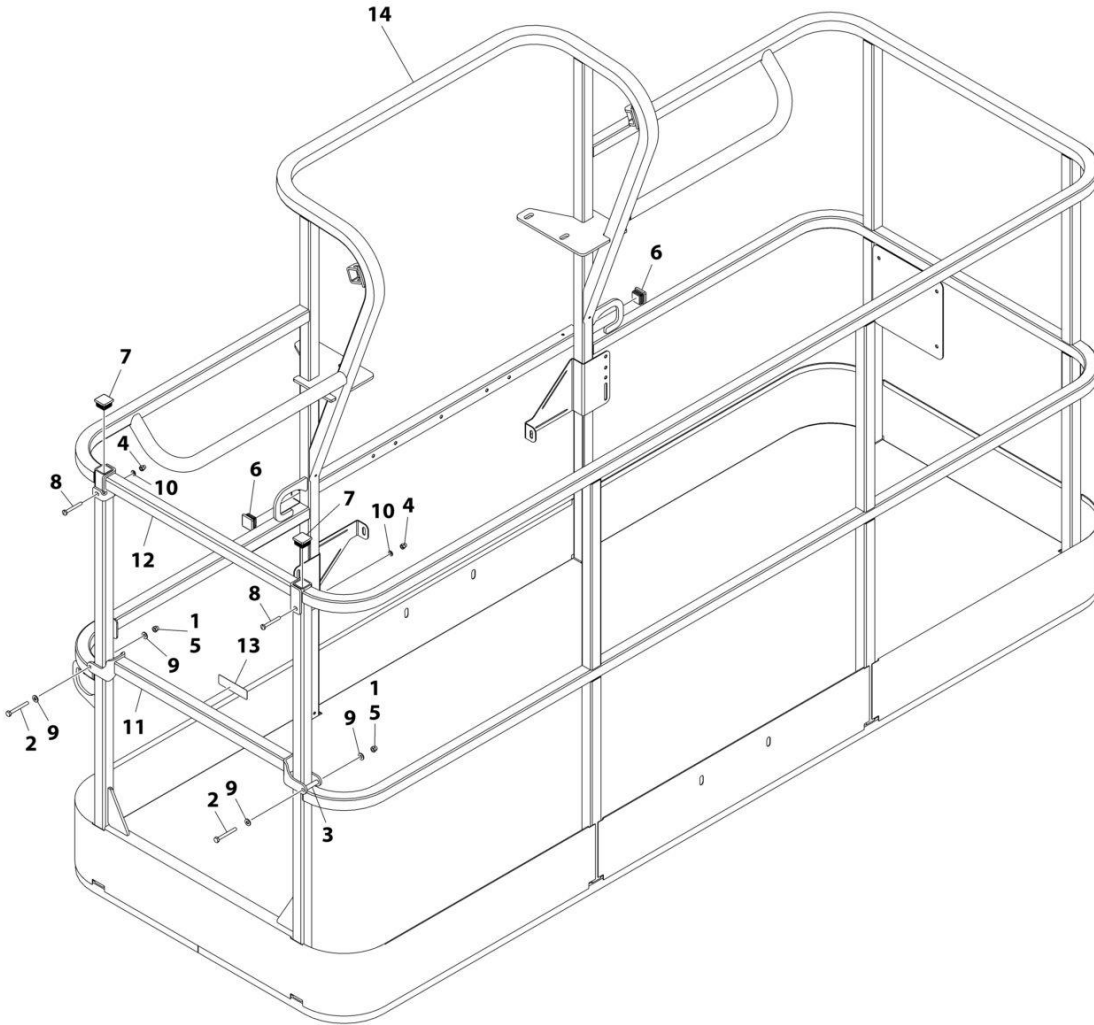
## SECTION 5 - PLATFORM

**FIGURE 5-5. PLATFORM ASSEMBLY - 36IN X 6FT (91.5CM X 1.83M) WITH DROP BAR (USA BUILT MACHINES)**

ITEM	PART NUMBER	QTY	DESCRIPTION	REV
	1001186379	Ref	PLATFORM ASSEMBLY - 36IN X 6FT (91.5CM X 1.83M) WITH DROP BAR	B
		Ref	Note: Platform and Mesh must be ordered separately for Platforms with Mesh. See SPECIAL OPTIONS SECTION for Mesh Installations.	
		Ref	Note: Replacement Decals Must be Ordered Separately - See DECALS SECTION.	
1	0100011	AR	Compound, Locking	
2	0641418	2	Bolt 1/4 x 2-1/4	
3	0961845	2	Bushing	
4	3290606	2	Nut M6	
5	3300151	2	Nut 1/4	
6	3520072	2	Plug	
7	3520198	2	Plug	
8	4010618	2	Screw M6 x 50	
9	4711400	4	Washer 1/4	
10	4811700	2	Washer M6	
11	1001138494	1	Bar, Drop	
12	1001138514	1	Rail (Top)	
13	1001140429	1	Decal - Drop Bar	
14	See Note	NSS	Platform (Note: Not Available - Purchase Platform Assembly)	

# SECTION 5 - PLATFORM

FIGURE 5-6. PLATFORM ASSEMBLY - 36IN X 8FT (91.5CM X 2.44M) WITH DROP BAR (USA BUILT MACHINES)



ART\_1001186382



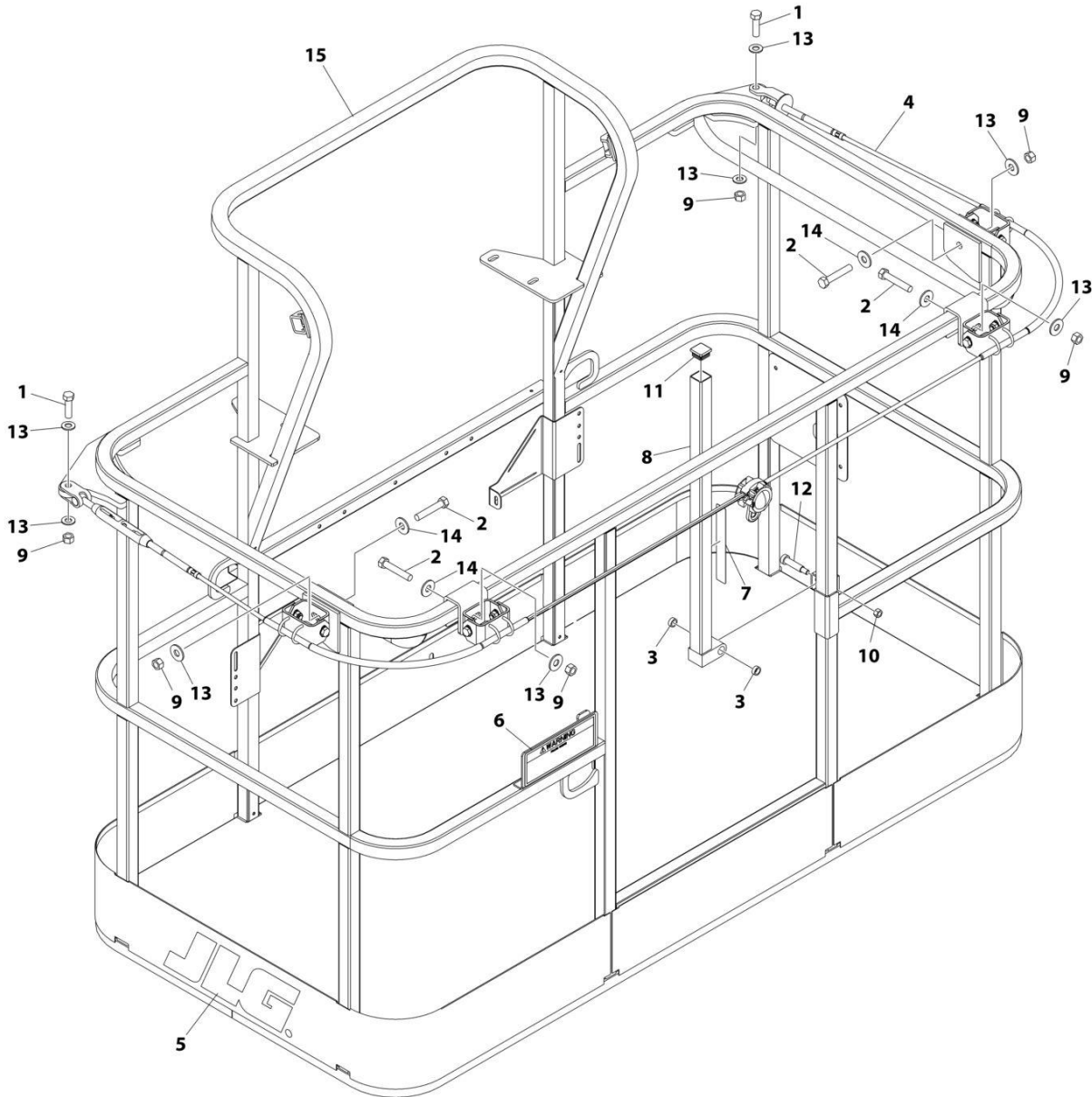
## SECTION 5 - PLATFORM

**FIGURE 5-6. PLATFORM ASSEMBLY - 36IN X 8FT (91.5CM X 2.44M) WITH DROP BAR (USA BUILT MACHINES)**

ITEM	PART NUMBER	QTY	DESCRIPTION	REV
	1001186382	Ref	PLATFORM ASSEMBLY - 36IN X 8FT (91.5CM X 2.44M) WITH DROP BAR	C
		Ref	Note: Platform and Mesh must be ordered separately for Platforms with Mesh. See SPECIAL OPTIONS SECTION for Mesh Installations.	
		Ref	Note: Replacement Decals Must be Ordered Separately - See DECALS SECTION.	
1	0100011	AR	Compound, Locking	
2	0641418	2	Bolt 1/4 x 2-1/4	
3	0961845	2	Bushing	
4	3290606	2	Nut M6	
5	3300151	2	Nut 1/4	
6	3520072	2	Plug	
7	3520198	2	Plug	
8	4010618	2	Screw M6 x 50	
9	4711400	4	Washer 1/4	
10	4811700	2	Washer M6	
11	1001138494	1	Bar, Drop	
12	1001138514	1	Rail (Top)	
13	1001140429	1	Decal - Drop Bar	
14	See Note	NSS	Platform (Note: Not Available - Purchase Platform Assembly)	

# SECTION 5 - PLATFORM

FIGURE 5-7. PLATFORM ASSEMBLY - 36IN X 6FT (91.5CM X 1.83M) WITH FALL ARREST (ANSI, ANSI EXPORT AND CHINA SPECS) (USA BUILT MACHINES)



ART\_1001186333

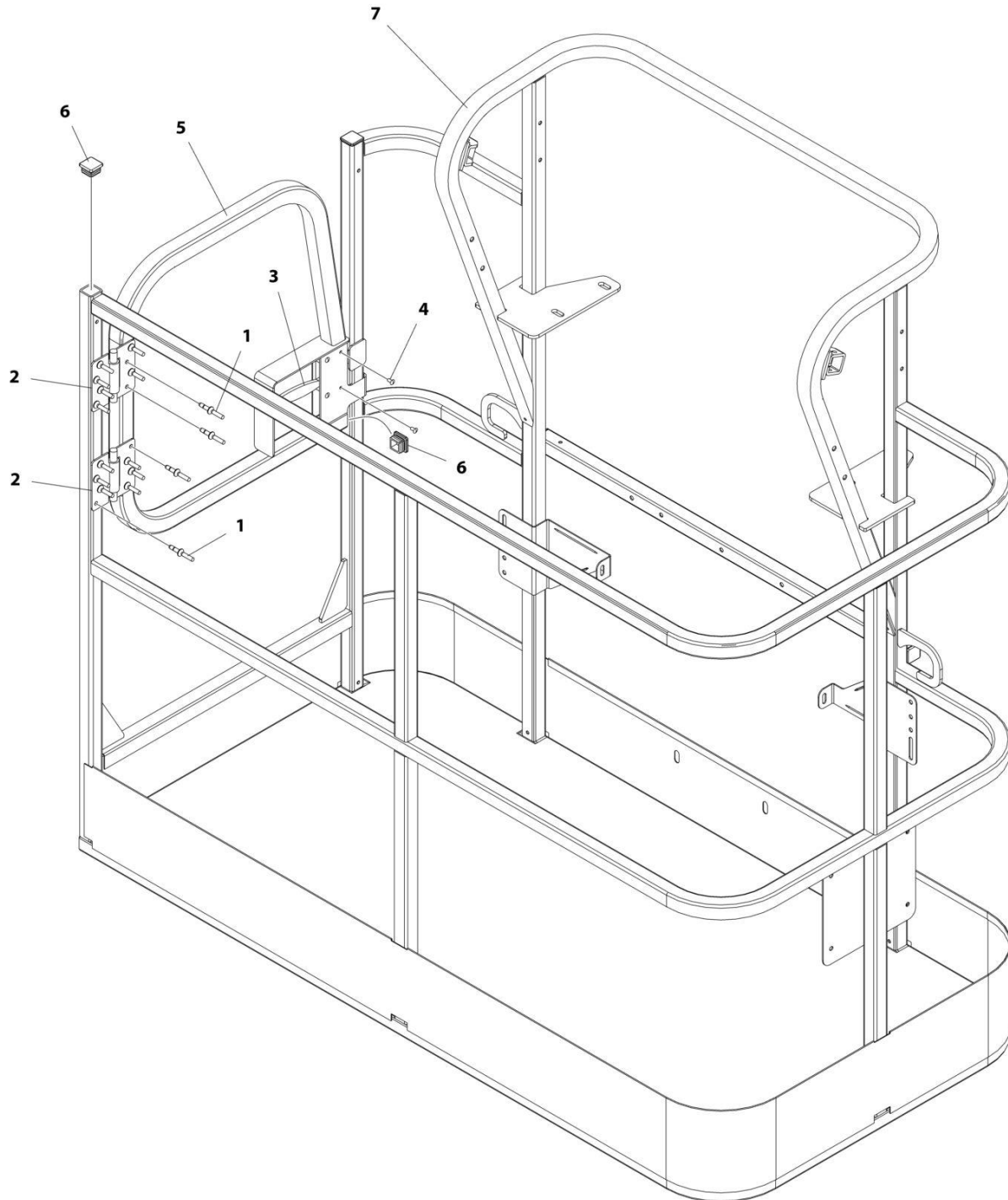
## SECTION 5 - PLATFORM

**FIGURE 5-7. PLATFORM ASSEMBLY - 36IN X 6FT (91.5CM X 1.83M) WITH FALL ARREST (ANSI, ANSI EXPORT AND CHINA SPECS) (USA BUILT MACHINES)**

ITEM	PART NUMBER	QTY	DESCRIPTION	REV
	1001186333	Ref	PLATFORM ASSEMBLY	C
		Ref	Note: Replacement Decals Must be Ordered Separately - See DECALS SECTION.	
1	0681814	2	Bolt 1/2 x 1-3/4 Grade 8	
2	0681822	4	Bolt 1/2 x 2-3/4 Grade 8	
3	0962270	2	Bearing	
4	1001203655	1	Cable	
5	1702773	1	Decal - JLG	
6	1705014	1	Decal - Safety	
7	1706385	1	Decal - Drop Bar	
8	2410014	1	Bar, Drop	
9	3271805	6	Nut 1/2 Grade 8	
10	3311605	1	Nut 3/8	
11	3520072	1	Plug	
12	3900054	1	Bolt 1/2 x 1-3/4	
13	4711800	8	Washer 1/2	
14	4751800	4	Washer 1/2	
15	See Note	NSS	Platform (Note: Not Available - Purchase Platform Assembly)	

# SECTION 5 - PLATFORM

FIGURE 5-8. PLATFORM ASSEMBLY - 30IN X 5FT (76CM X 1.52M) WITH SWING GATE (ROMANIAN BUILT MACHINES)



ART\_1001188315

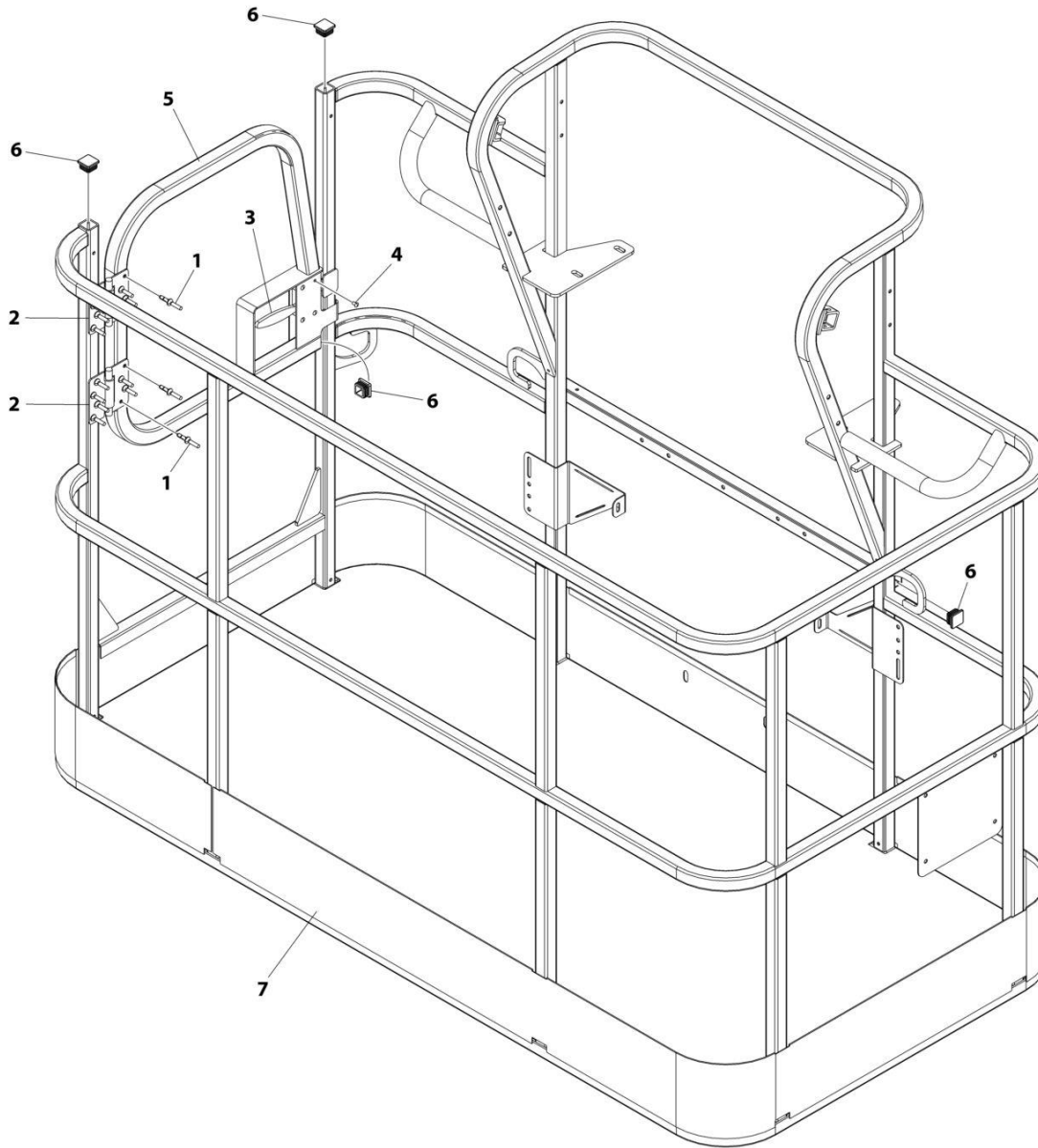
## SECTION 5 - PLATFORM

**FIGURE 5-8. PLATFORM ASSEMBLY - 30IN X 5FT (76CM X 1.52M) WITH SWING GATE (ROMANIAN BUILT MACHINES)**

ITEM	PART NUMBER	QTY	DESCRIPTION	REV
	1001188315	Ref	PLATFORM ASSEMBLY	E
	See Note	Ref	Note: Platform and Mesh must be ordered separately for Platforms with Mesh. See SPECIAL OPTIONS SECTION for Mesh Installations.	
	See Note	Ref	Note: Replacement Decals Must be Ordered Separately - See DECALS SECTION.	
1	2080040	16	Fastener, Huck	
2	2600281	2	Hinge	
3	2940074	1	Latch	
4	3820020	4	Rivet	
5	1001144629	1	Gate	
6	1001145781	5	Plug	
7	See Note	NSS	Platform (Note: Not Available - Purchase Platform Assembly)	

# SECTION 5 - PLATFORM

FIGURE 5-9. PLATFORM ASSEMBLY - 36IN X 6FT (92CM X 1.83M) WITH SWING GATE (ROMANIAN BUILT MACHINES)



ART\_1001188305

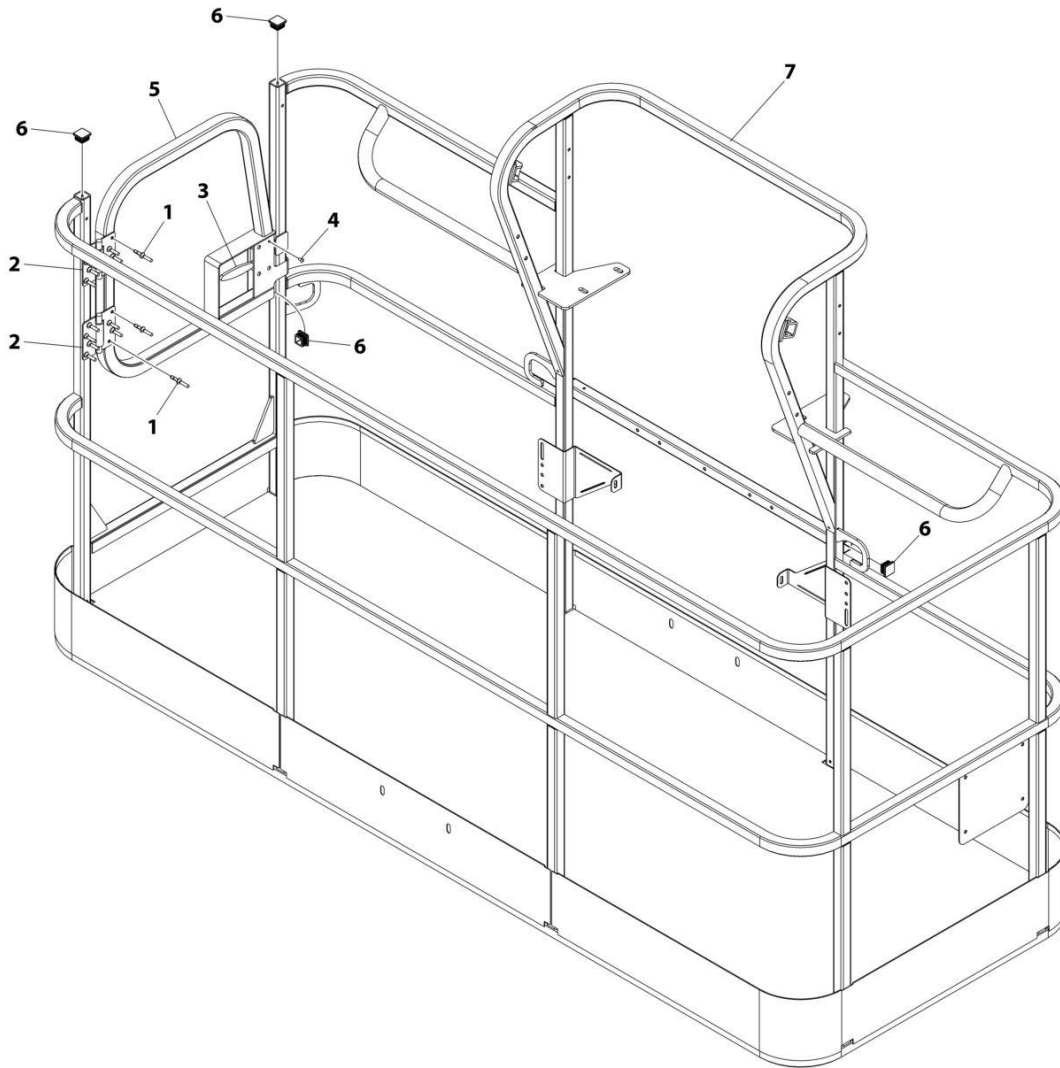
## SECTION 5 - PLATFORM

**FIGURE 5-9. PLATFORM ASSEMBLY - 36IN X 6FT (92CM X 1.83M) WITH SWING GATE (ROMANIAN BUILT MACHINES)**

ITEM	PART NUMBER	QTY	DESCRIPTION	REV
	1001188305	Ref	PLATFORM ASSEMBLY - 36IN X 6FT (91.5CM X 1.83M) WITH SWING GATE	D
	See Note	Ref	Note: Platform and Mesh must be ordered separately for Platforms with Mesh. See SPECIAL OPTIONS SECTION for Mesh Installations.	
	See Note	Ref	Note: Replacement Decals Must be Ordered Separately - See DECALS SECTION.	
1	2080040	16	Fastener, Huck	
2	2600281	2	Hinge	
3	2940074	1	Latch	
4	3820020	4	Rivet	
5	1001144629	1	Gate	
6	1001145781	5	Plug	
7	See Note	NSS	Platform (Note: Not Available - Purchase Platform Assembly)	

# SECTION 5 - PLATFORM

FIGURE 5-10. PLATFORM ASSEMBLY - 36IN X 8FT (91.5CM X 2.44M) WITH SWING GATE (ROMANIAN BUILT MACHINES)



ART\_1001188308



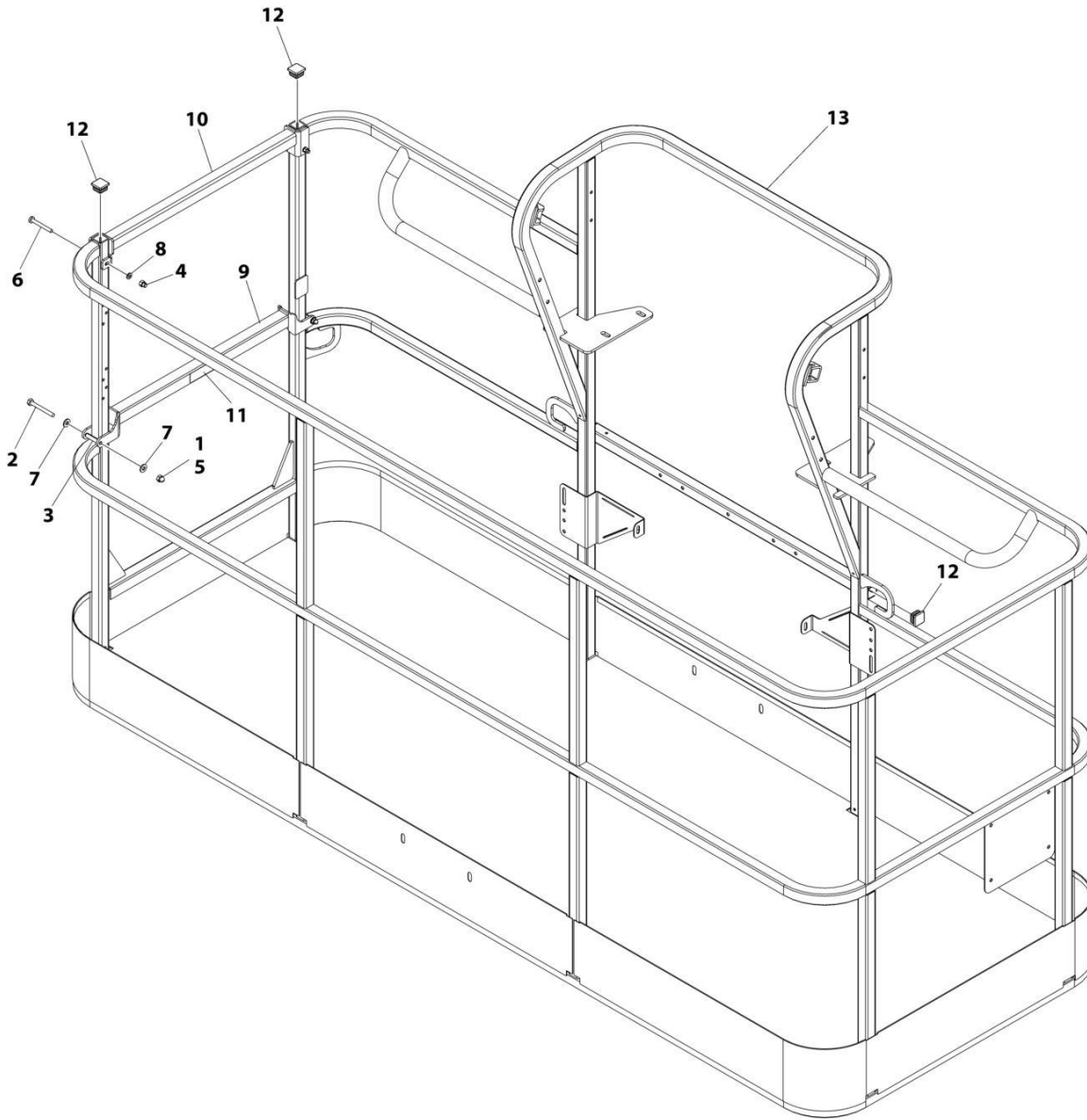
## SECTION 5 - PLATFORM

**FIGURE 5-10. PLATFORM ASSEMBLY - 36IN X 8FT (91.5CM X 2.44M) WITH SWING GATE  
(ROMANIAN BUILT MACHINES)**

ITEM	PART NUMBER	QTY	DESCRIPTION	REV
	1001188308	Ref	PLATFORM ASSEMBLY - 36IN X 8FT (91.5CM X 2.44M) WITH SWING GATE	F
	See Note	Ref	Note: Platform and Mesh must be ordered separately for Platforms with Mesh. See SPECIAL OPTIONS SECTION for Mesh Installations.	
	See Note	Ref	Note: Replacement Decals Must be Ordered Separately - See DECALS SECTION.	
1	2080040	16	Fastener, Huck	
2	2600281	2	Hinge	
3	2940074	1	Latch	
4	3820020	4	Rivet	
5	1001144629	1	Gate	
6	1001145781	5	Plug	
7	See Note	NSS	Platform (Note: Not Available - Purchase Platform Assembly)	

# SECTION 5 - PLATFORM

FIGURE 5-11. PLATFORM ASSEMBLY - 36IN X 8FT (91.5CM X 2.44M) WITH DROP BAR (ROMANIAN BUILT MACHINES)



ART\_1001188309

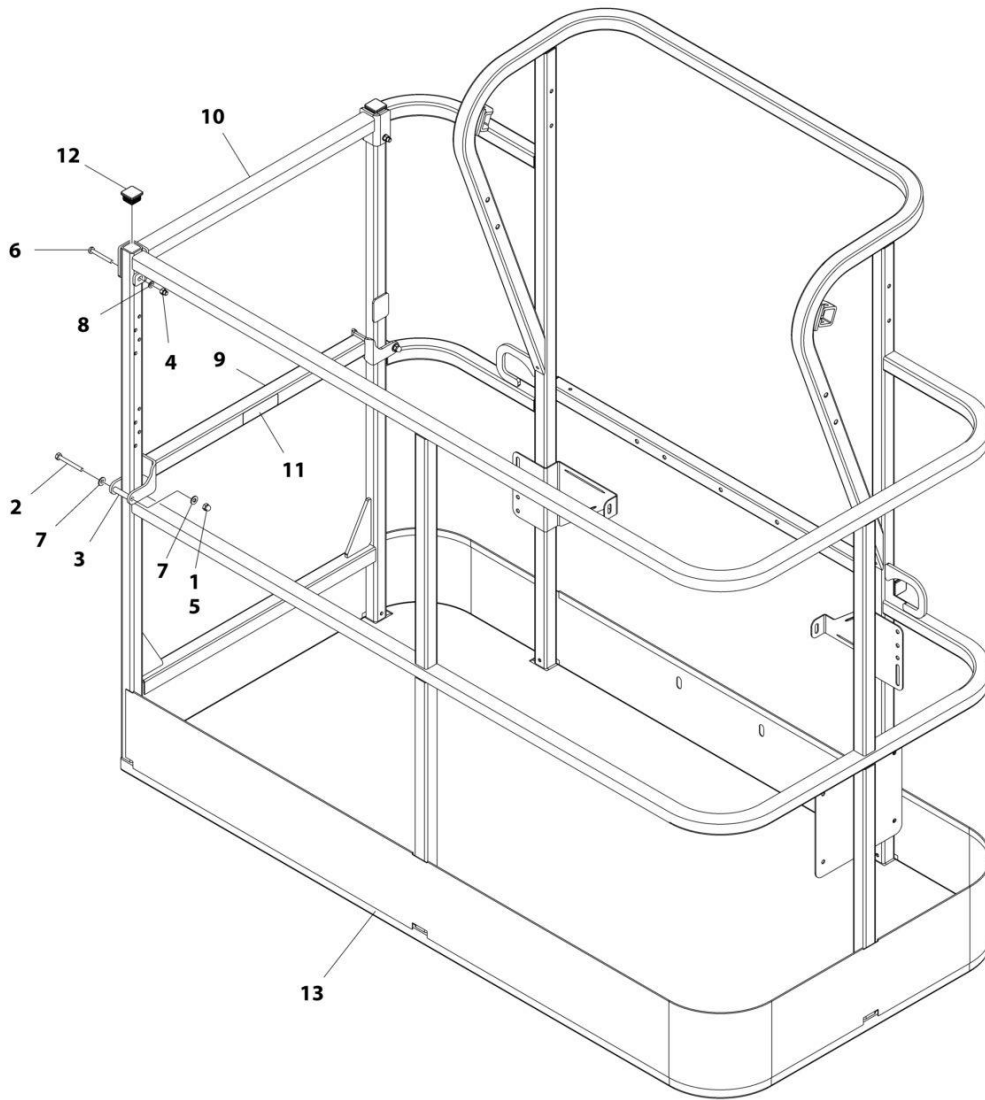
## SECTION 5 - PLATFORM

**FIGURE 5-11. PLATFORM ASSEMBLY - 36IN X 8FT (91.5CM X 2.44M) WITH DROP BAR (ROMANIAN BUILT MACHINES)**

ITEM	PART NUMBER	QTY	DESCRIPTION	REV
	1001188309	Ref	PLATFORM ASSEMBLY - 36IN X 8FT (91.5CM X 2.44M) WITH DROP BAR	B
	See Note	Ref	Note: Platform and Mesh must be ordered separately for Platforms with Mesh. See SPECIAL OPTIONS SECTION for Mesh Installations.	
	See Note	Ref	Note: Replacement Decals Must be Ordered Separately - See DECALS SECTION.	
1	0100011	AR	Compound, Locking	
2	0641418	2	Bolt 1/4 x 2-1/4	
3	0961845	2	Bushing	
4	3290606	2	Nut M6	
5	3300151	2	Nut 1/4	
6	4010618	2	Screw M6 x 50	
7	4711400	4	Washer 1/4	
8	4811700	2	Washer M6	
9	1001138494	1	Bar, Drop	
10	1001138514	1	Rail (Top)	
11	1001140429	1	Decal - Drop Bar	
12	1001145781	4	Plug	
13	See Note	NSS	Platform (Note: Not Available - Purchase Platform Assembly)	

# SECTION 5 - PLATFORM

FIGURE 5-12. PLATFORM ASSEMBLY - 30IN X 5FT (76CM X 1.52M) WITH DROP BAR (ROMANIAN BUILT MACHINES)



ART\_1001188314

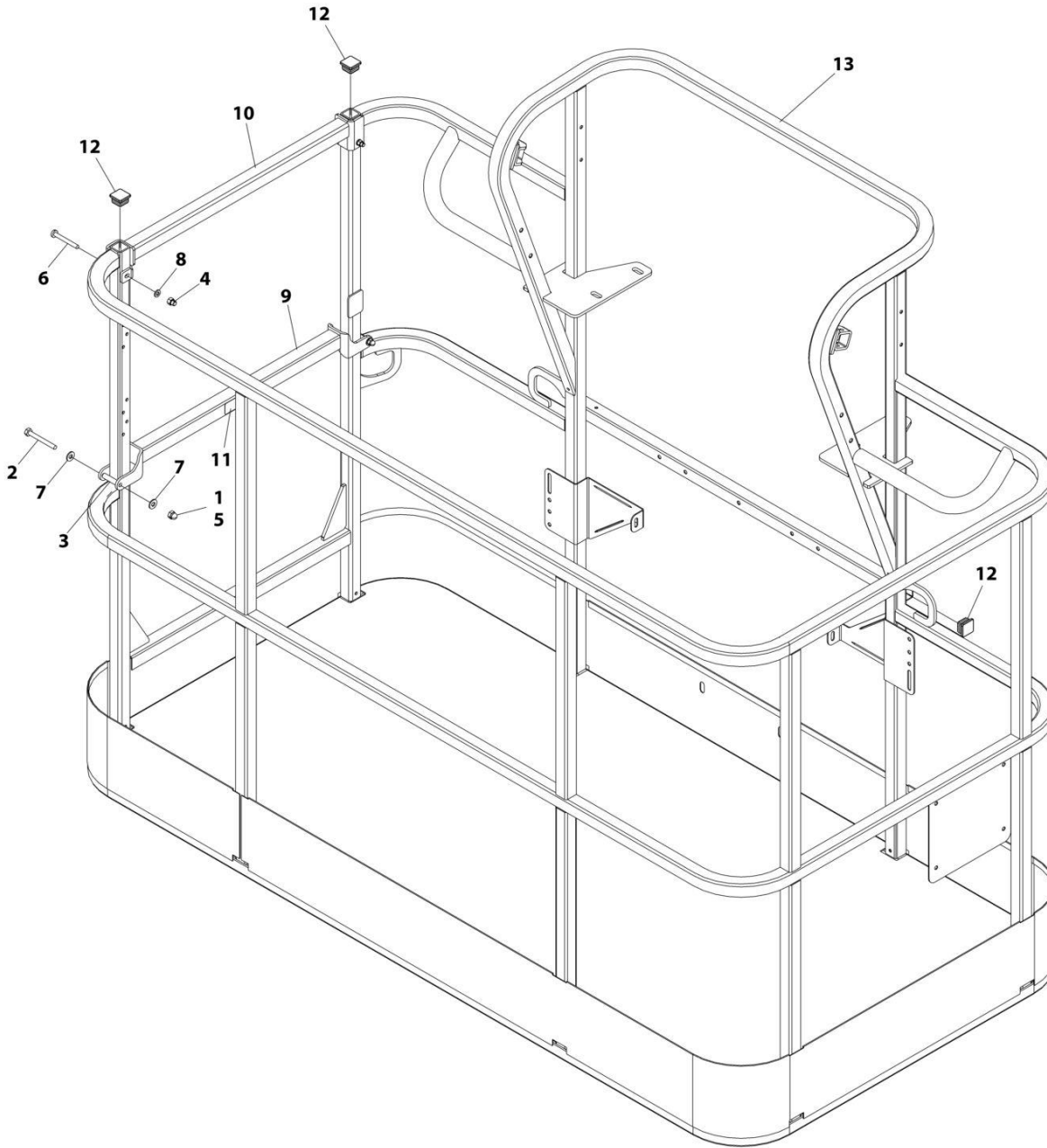
## SECTION 5 - PLATFORM

**FIGURE 5-12. PLATFORM ASSEMBLY - 30IN X 5FT (76CM X 1.52M) WITH DROP BAR (ROMANIAN BUILT MACHINES)**

ITEM	PART NUMBER	QTY	DESCRIPTION	REV
	1001188314	Ref	PLATFORM ASSEMBLY	C
	See Note	Ref	Note: Platform and Mesh must be ordered separately for Platforms with Mesh. See SPECIAL OPTIONS SECTION for Mesh Installations.	
	See Note	Ref	Note: Replacement Decals Must be Ordered Separately - See DECALS SECTION.	
1	0100011	AR	Compound, Locking	
2	0641418	2	Bolt 1/4 x 2-1/4	
3	0961845	2	Bushing	
4	3290606	2	Nut M6	
5	3300151	2	Nut 1/4	
6	4010618	2	Screw M6 x 50	
7	4711400	4	Washer 1/4	
8	4811700	2	Washer M6	
9	1001138494	1	Bar, Drop	
10	1001138514	1	Rail (Top)	
11	1001140429	1	Decal - Drop Bar	
12	1001145781	4	Plug	
13	See Note	NSS	Platform (Note: Not Available - Purchase Platform Assembly)	

# SECTION 5 - PLATFORM

FIGURE 5-13. PLATFORM ASSEMBLY - 36IN X 6FT (91.5CM X 1.83M) WITH DROP BAR (ROMANIAN BUILT MACHINES)



ART\_1001188306

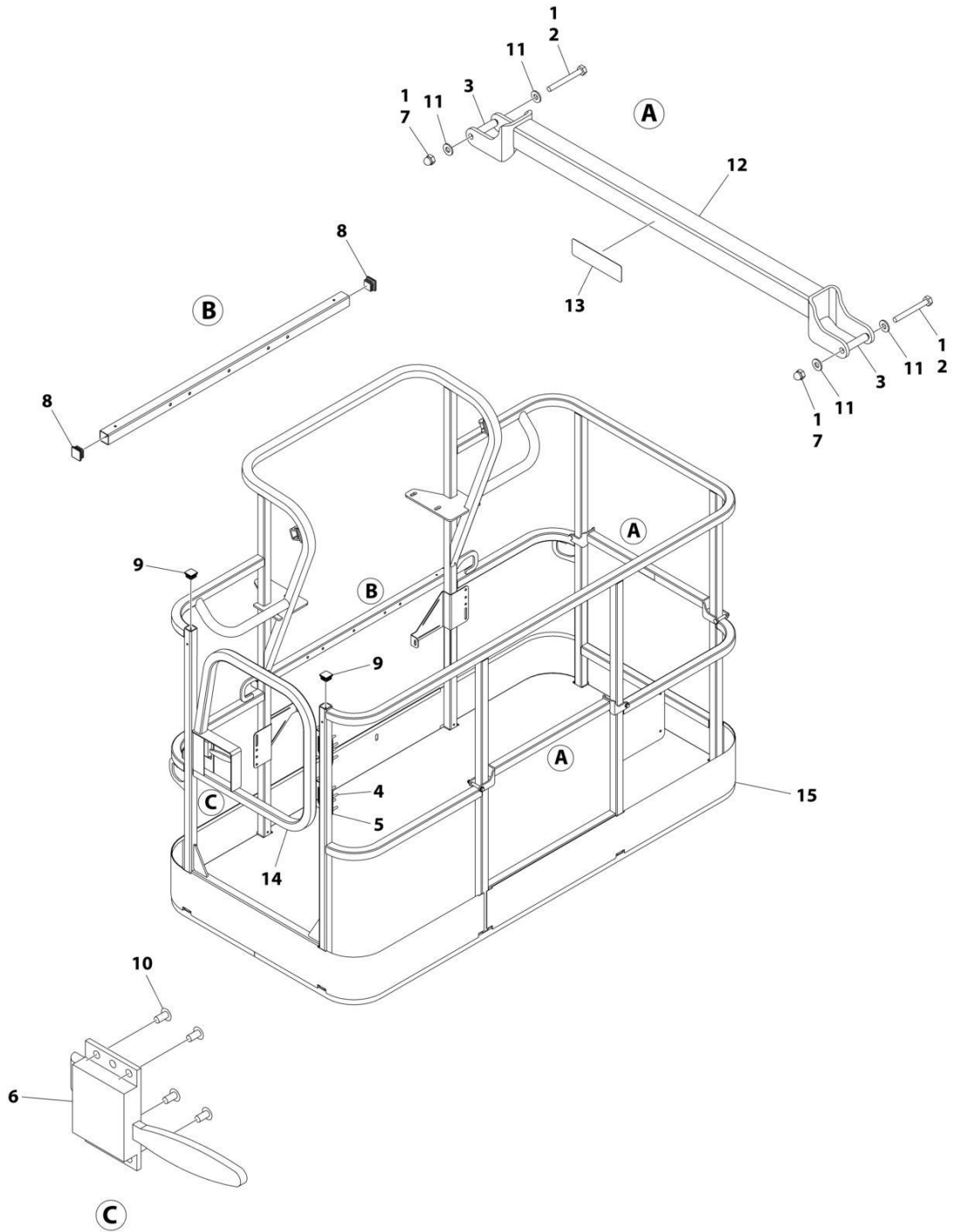
## SECTION 5 - PLATFORM

**FIGURE 5-13. PLATFORM ASSEMBLY - 36IN X 6FT (91.5CM X 1.83M) WITH DROP BAR (ROMANIAN BUILT MACHINES)**

ITEM	PART NUMBER	QTY	DESCRIPTION	REV
	1001188306	Ref	PLATFORM ASSEMBLY - 36IN X 6FT (91.5CM X 1.83M) WITH DROP BAR	C
	See Note	Ref	Note: Platform and Mesh must be ordered separately for Platforms with Mesh. See SPECIAL OPTIONS SECTION for Mesh Installations.	
	See Note	Ref	Note: Replacement Decals Must be Ordered Separately - See DECALS SECTION.	
1	0100011	AR	Compound, Locking	
2	0641418	2	Bolt 1/4 x 2-1/4	
3	0961845	2	Bushing	
4	3290606	2	Nut M6	
5	3300151	2	Nut 1/4	
6	4010618	2	Screw M6 x 50	
7	4711400	4	Washer 1/4	
8	4811700	2	Washer M6	
9	1001138494	1	Bar, Drop	
10	1001138514	1	Rail (Top)	
11	1001140429	1	Decal - Drop Bar	
12	1001145781	4	Plug	
13	See Note	NSS	Platform (Note: Not Available - Purchase Platform Assembly)	

# SECTION 5 - PLATFORM

FIGURE 5-14. PLATFORM ASSEMBLY - 36IN X 6FT (91.5CM X 1.83M) TRI-ENTRY WITH GATE



ART\_1001228376



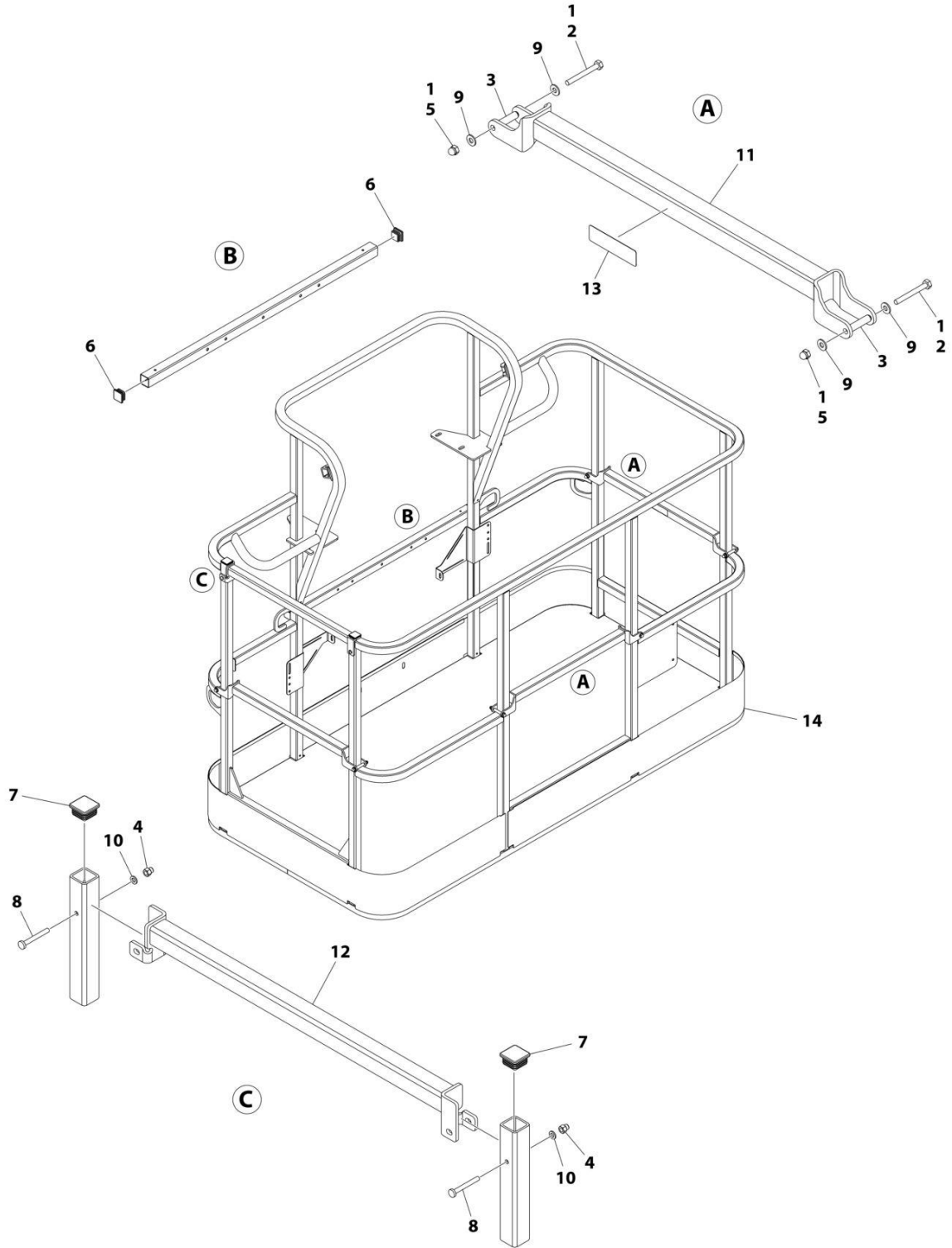
## SECTION 5 - PLATFORM

**FIGURE 5-14. PLATFORM ASSEMBLY - 36IN X 6FT (91.5CM X 1.83M) TRI-ENTRY WITH GATE**

ITEM	PART NUMBER	QTY	DESCRIPTION	REV
	1001228376	Ref	PLATFORM ASSEMBLY - 36IN x 6FT (91.5CM x 1.83M)	B
		Ref	Note: Platform and Mesh must be ordered separately for Platforms with Mesh. See SPECIAL OPTIONS SECTION for Mesh Installations.	
		Ref	Note: Replacement Decals Must be Ordered Separately - See DECAL SECTION.	
1	0100011	AR	Compound, Locking	
2	0641418	4	Bolt 1/4 x 2-1/4	
3	0961845	4	Bushing	
4	2080040	16	Fastener	
5	2600281	2	Hinge	
6	2940074	1	Latch	
7	3300151	4	Nut 1/4	
8	3520072	3	Plug	
9	3520198	2	Plug	
10	3820020	4	Rivet	
11	4711400	8	Washer 1/4	
12	1001138494	2	Bar, Drop	
13	1001140429	2	Decal - Drop Bar	
14	1001144629	1	Gate	
15	See Note	NSS	Platform (Note: Not Available - Purchase Platform Assembly)	

# SECTION 5 - PLATFORM

FIGURE 5-15. PLATFORM ASSEMBLY - 36IN X 6FT (91.5CM X 1.83M) TRI-ENTRY WITH DROPBAR



ART\_1001228377

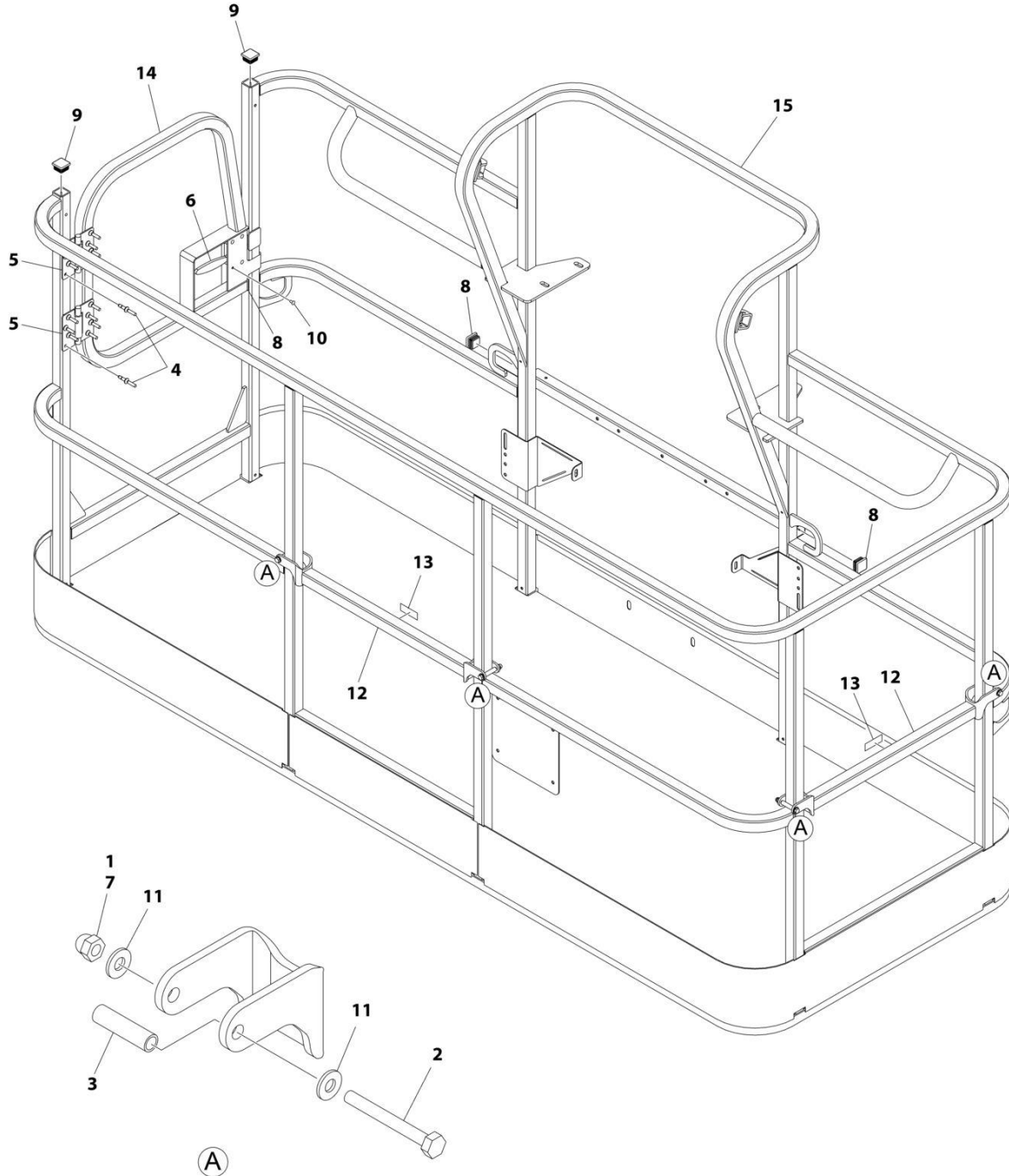
## SECTION 5 - PLATFORM

**FIGURE 5-15. PLATFORM ASSEMBLY - 36IN X 6FT (91.5CM X 1.83M) TRI-ENTRY WITH DROPBAR**

ITEM	PART NUMBER	QTY	DESCRIPTION	REV
	1001228377	Ref	PLATFORM ASSEMBLY - 36IN x 6FT (91.5CM x 1.83M)	B
		Ref	Note: Platform and Mesh must be ordered separately for Platforms with Mesh. See SPECIAL OPTIONS SECTION for Mesh Installations.	
		Ref	Note: Replacement Decals Must be Ordered Separately - See DECAL SECTION.	
1	0100011	1	Compound, Locking	
2	0641418	6	Bolt 1/4 x 2-1/4	
3	0961845	6	Bushing	
4	3290606	2	Nut M6	
5	3300151	6	Nut 1/4	
6	3520072	2	Plug	
7	3520198	2	Plug	
8	4010618	2	Screw M6 x 50	
9	4711400	12	Washer 1/4	
10	4811700	2	Washer M6	
11	1001138494	3	Bar, Drop	
12	1001138514	1	Rail (Top)	
13	1001140429	3	Decal - Drop Bar	
14	See Note	NSS	Platform, Weldment (Note: Not Available - Purchase Platform Assembly)	

# SECTION 5 - PLATFORM

FIGURE 5-16. PLATFORM ASSEMBLY - 36IN X 8FT (91.5CM X 2.44M) WITH TRI-ENTRY (1 GATE/2 DROP BARS)



ART\_1001228243

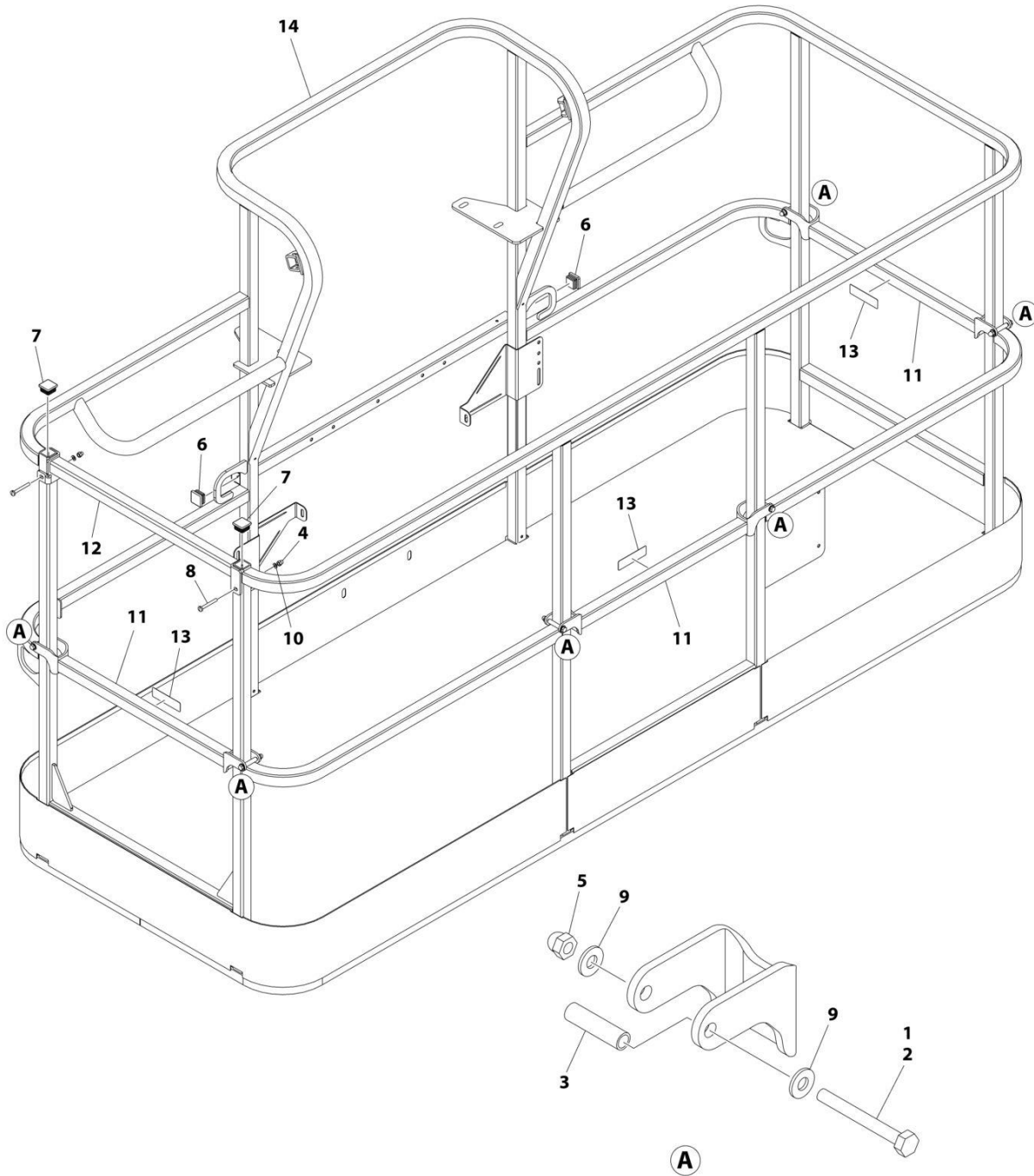
## SECTION 5 - PLATFORM

**FIGURE 5-16. PLATFORM ASSEMBLY - 36IN X 8FT (91.5CM X 2.44M) WITH TRI-ENTRY (1 GATE/2 DROP BARS)**

ITEM	PART NUMBER	QTY	DESCRIPTION	REV
	1001228243	Ref	PLATFORM ASSEMBLY - 36IN X 8FT (91.5CM X 2.44M) WITH TRI-ENTRY	A
		Ref	Note: Platform and Mesh must be ordered separately for Platforms with Mesh. See SPECIAL OPTIONS SECTION for Mesh Installations.	
1	0100011	AR	Compound, Locking	
2	0641418	4	Bolt 1/4 x 2-1/4	
3	0961845	4	Bushing	
4	2080040	16	Fastener, Huck	
5	2600281	2	Hinge, Self-Closing	
6	2940074	1	Latch	
7	3300151	4	Nut 1/4	
8	3520072	3	Cap, Plug	
9	3520198	2	Cap, Plug	
10	3820020	4	Rivet	
11	4711400	8	Washer 1/4	
12	1001138494	2	Bar, Drop	
13	1001140429	2	Decal - Drop Bar	
14	1001144629	1	Gate, Weldment	
15	See Note	1	Platform (Note: Not Available - Purchase Platform Assembly)	

# SECTION 5 - PLATFORM

FIGURE 5-17. PLATFORM ASSEMBLY - 36IN X 8FT (91.5CM X 2.44M) WITH TRI-ENTRY (3 DROP BARS)



ART\_1001228375

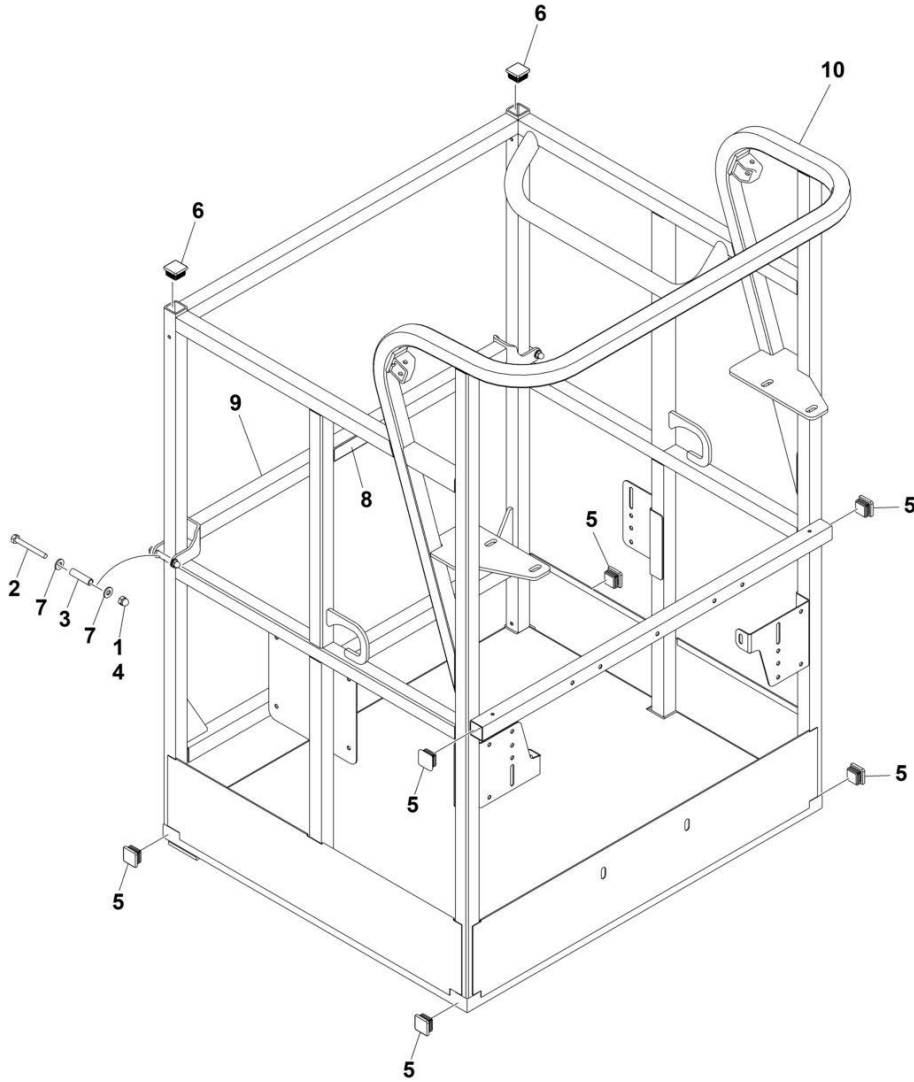
## SECTION 5 - PLATFORM

**FIGURE 5-17. PLATFORM ASSEMBLY - 36IN X 8FT (91.5CM X 2.44M) WITH TRI-ENTRY (3 DROP BARS)**

ITEM	PART NUMBER	QTY	DESCRIPTION	REV
	1001228375	Ref	PLATFORM ASSEMBLY - 36IN X 8FT (91.5CM X 2.44M) WITH TRI-ENTRY	A
		Ref	Note: Platform and Mesh must be ordered separately for Platforms with Mesh. See SPECIAL OPTIONS SECTION for Mesh Installations.	
		Ref	Note: Replacement Decals Must be Ordered Separately - See DECAL SECTION.	
1	0100011	AR	Compound, Locking	
2	0641418	6	Bolt 1/4 x 2-1/4	
3	0961845	6	Bushing	
4	3290606	2	Nut M6 x 1	
5	3300151	6	Nut 1/4	
6	3520072	2	Cap, Plug	
7	3520198	2	Cap, Plug	
8	4010618	2	Screw M6 x 50	
9	4711400	12	Washer 1/4	
10	4811700	2	Washer M6	
11	1001138494	3	Bar, Drop	
12	1001138514	1	Rail (Top)	
13	1001140429	3	Decal - Drop Bar	
14	See Note	1	Platform (Note: Not Available - Purchase Platform Assembly)	

# SECTION 5 - PLATFORM

FIGURE 5-18. PLATFORM ASSEMBLY - 30IN X 3FT (76CM X .91M) - DROP BAR ENTRY



ART\_1001228215



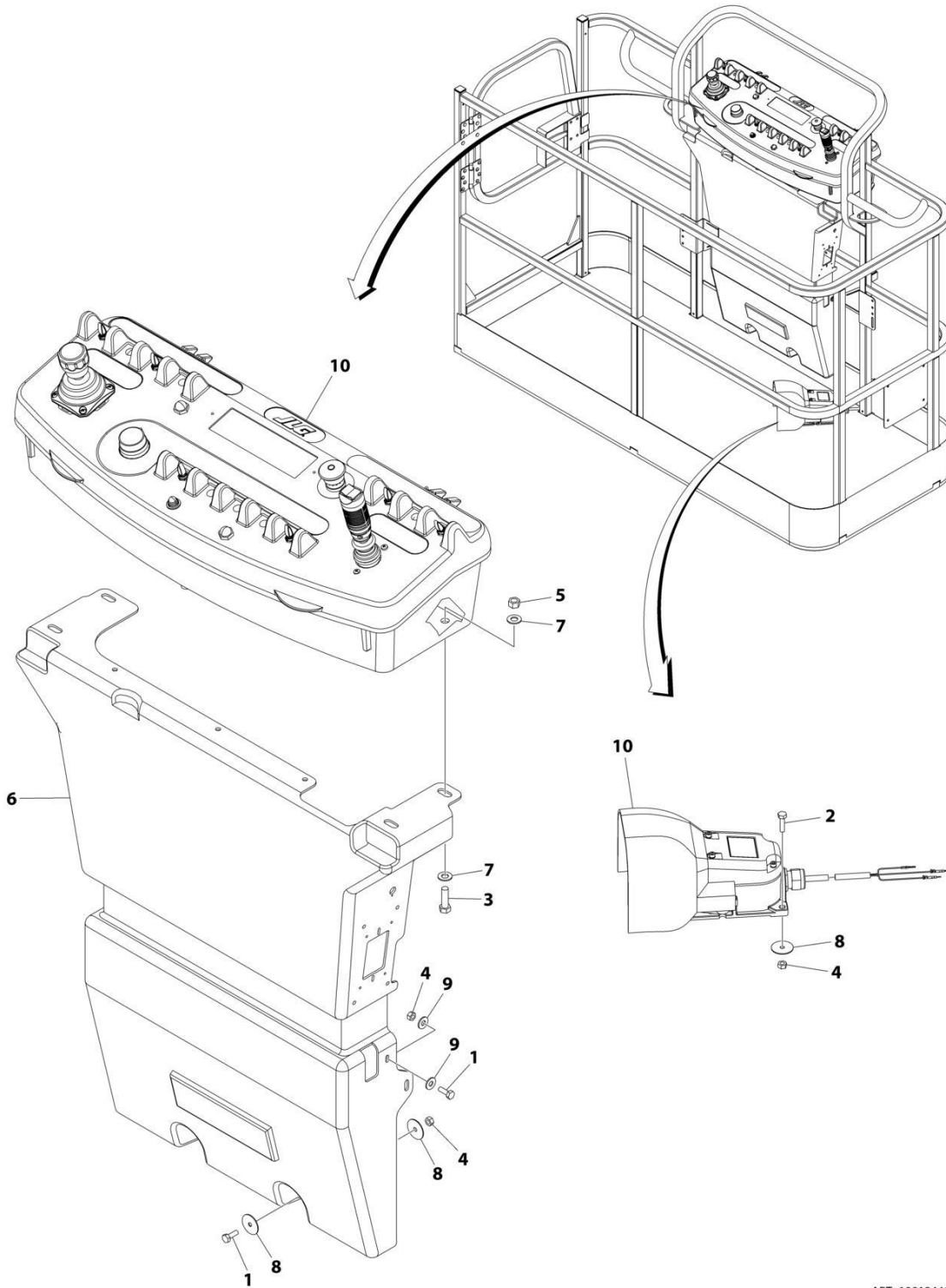
## SECTION 5 - PLATFORM

**FIGURE 5-18. PLATFORM ASSEMBLY - 30IN X 3FT (76CM X .91M) - DROP BAR ENTRY**

ITEM	PART NUMBER	QTY	DESCRIPTION	REV
	1001228215	Ref	PLATFORM ASSEMBLY	A
	See Note	Ref	Note: Platform and Mesh must be ordered separately for Platforms with Mesh. See SPECIAL OPTIONS SECTION for Mesh Installations.	
	See Note	Ref	Note: Replacement Decals Must be Ordered Separately - See DECAL SECTION.	
1	0100011	AR	Compound, Locking	
2	0641418	2	Bolt 1/4 x 2-1/4	
3	0961845	2	Bushing	
4	3300151	2	Nut 1/4	
5	3520072	6	Cap, Plug	
6	3520198	2	Cap, Plug	
7	4711400	4	Washer 1/4	
8	1001140429	1	Decal - Drop Bar	
9	1001226872	1	Bar, Drop	
10	See Note	NSS	Platform (Note: Not Available - Purchase Platform Assembly)	

# SECTION 5 - PLATFORM

## FIGURE 5-19. PLATFORM CONSOLE BOX INSTALLATION



ART\_1001244975

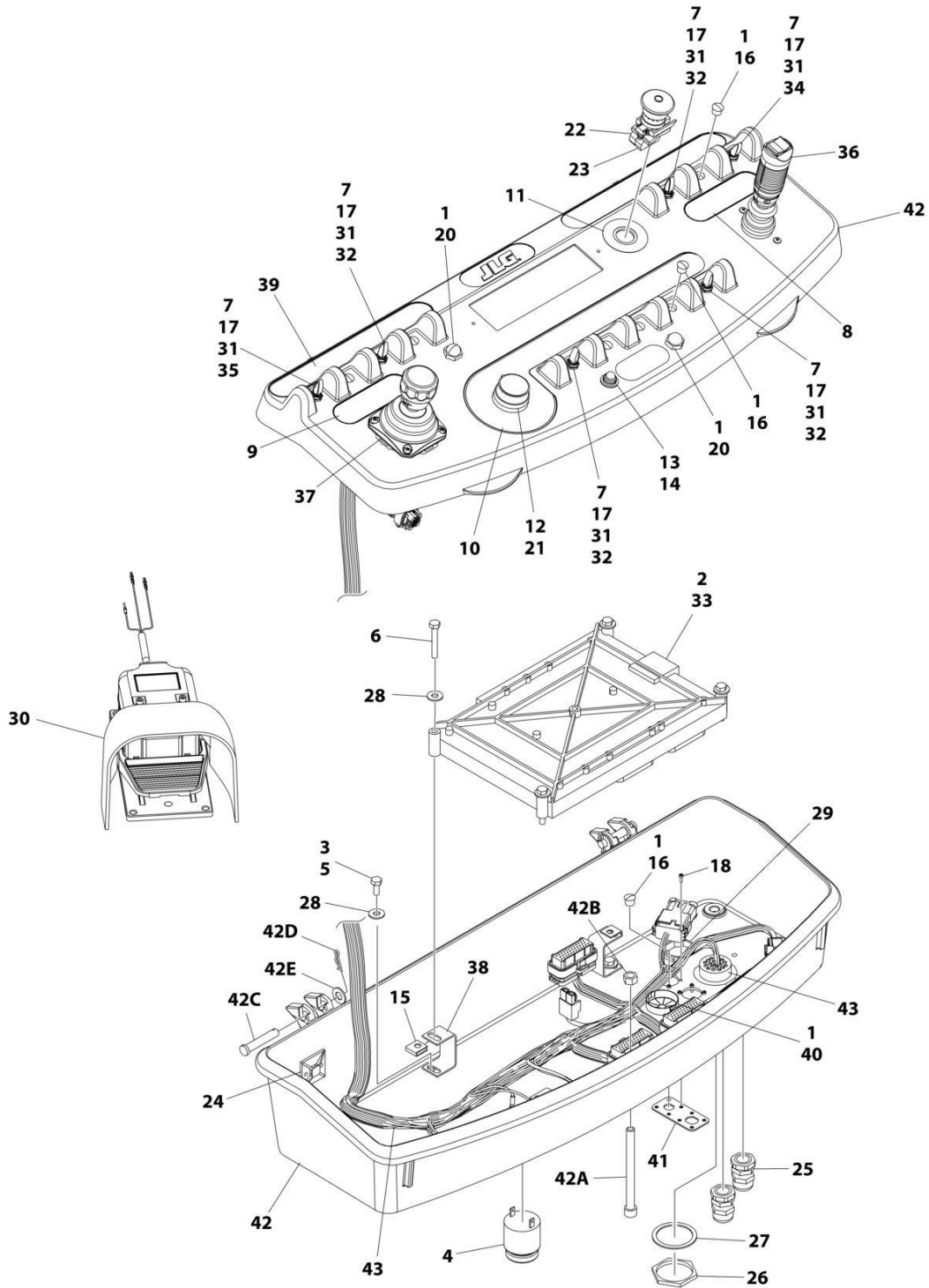
## SECTION 5 - PLATFORM

### FIGURE 5-19. PLATFORM CONSOLE BOX INSTALLATION

ITEM	PART NUMBER	QTY	DESCRIPTION	REV
	1001244975	Ref	PLATFORM CONSOLE BOX INSTALLATION	A
1	0641406	4	Bolt, 1/4 x 3/4	
2	0641408	3	Bolt, 1/4 x 1	
3	0641610	4	Bolt, 3/8 x 1-1/4	
4	3311405	7	Nut, Lock 1/4	
5	3311605	4	Nut, Lock 3/8	
6	3380434	1	Panel, Decal Mount	
7	4751600	8	Washer, 3/8	
8	4740362	7	Washer, 1/4	
9	4751400	4	Washer, 1/4	
10	1001244976	1	Platform Console Box Assembly (See Separate Breakdown in this Section)	

# SECTION 5 - PLATFORM

## FIGURE 5-20. PLATFORM CONSOLE BOX ASSEMBLY



ART\_1001244976

## SECTION 5 - PLATFORM

**FIGURE 5-20. PLATFORM CONSOLE BOX ASSEMBLY**

ITEM	PART NUMBER	QTY	DESCRIPTION	REV
	1001244976	Ref	PLATFORM CONSOLE BOX ASSEMBLY	A
1	0100009	AR	Sealant	
2	0100048	AR	Adhesive	
3	0100035	AR	Compound, Locking	
4	0140011	1	Alarm	
5	0641405	4	Bolt 1/4 x 5/8	
6	0641414	4	Bolt 1/4 x 1-3/4	
7	4740397	6	Spacer	
8	1702565	1	Decal - Drive and Steer	
9	1702566	1	Decal - Lift and Swing	
10	1702567	1	Decal - Function Speed	
11	1704260	1	Decal - EMS	
12	2560136	1	Handle, Knob	
13	2920028	1	Light, Indicator	
14	2920029	1	Bulb, Light	
15	3300353	4	Nut, Tinnerman	
16	3520054	7	Plug	
17	3790012	6	O-Ring	
18	3900349	8	Screw M2.5	
19	4240099	AR	Tie-Strap (Not Shown)	
20	4360387	2	Switch, Pushbutton	
21	4360407	1	Switch, Potentiometer	
22	4360475	1	Switch, Emergency	
22	7020175	1	Cap, Red	
22	7020176	1	Contact Block	
23	4360476	1	Block, Contact	
24	4460234	6	Terminal	
25	4460428	2	Connector, Strain Relief	
26	4460470	1	Nut, Terminal	
27	4460471	1	Washer	
28	4751400	8	Washer 1/4	
29	1001110434	1	Plug	
30	1001117174	1	Footswitch Assembly (See Separate Breakdown in this Section)	
31	1001155044	6	Nut 15/32	
32	1001155045	4	Switch, Toggle	
33	1001157196	1	Controller, Module (Note: Re-calibration Required when Replaced)	
34	1001159256	1	Switch, Toggle	
35	1001161709	1	Switch, Toggle	
36	1001166538	NLA	Controller Assembly (Drive and Steer) (Use p/n 1001212415) (See Separate Breakdown in this Section)	
37	1001166539	1	Controller Assembly (Lift and Swing) (See Separate Breakdown in this Section)	
38	1001172760	4	Bracket	
39	1001184626	1	Decal - Horn	
40	1001185281	1	Plug	
41	1001213882	1	Connector Mount	
42	1001215228	1	Platform Console Box	
42A	0630568	1	Capscrew 3/8 x 4-1/2	
42B	3311601	1	Nut 3/8	
42C	3430616	2	Pin	

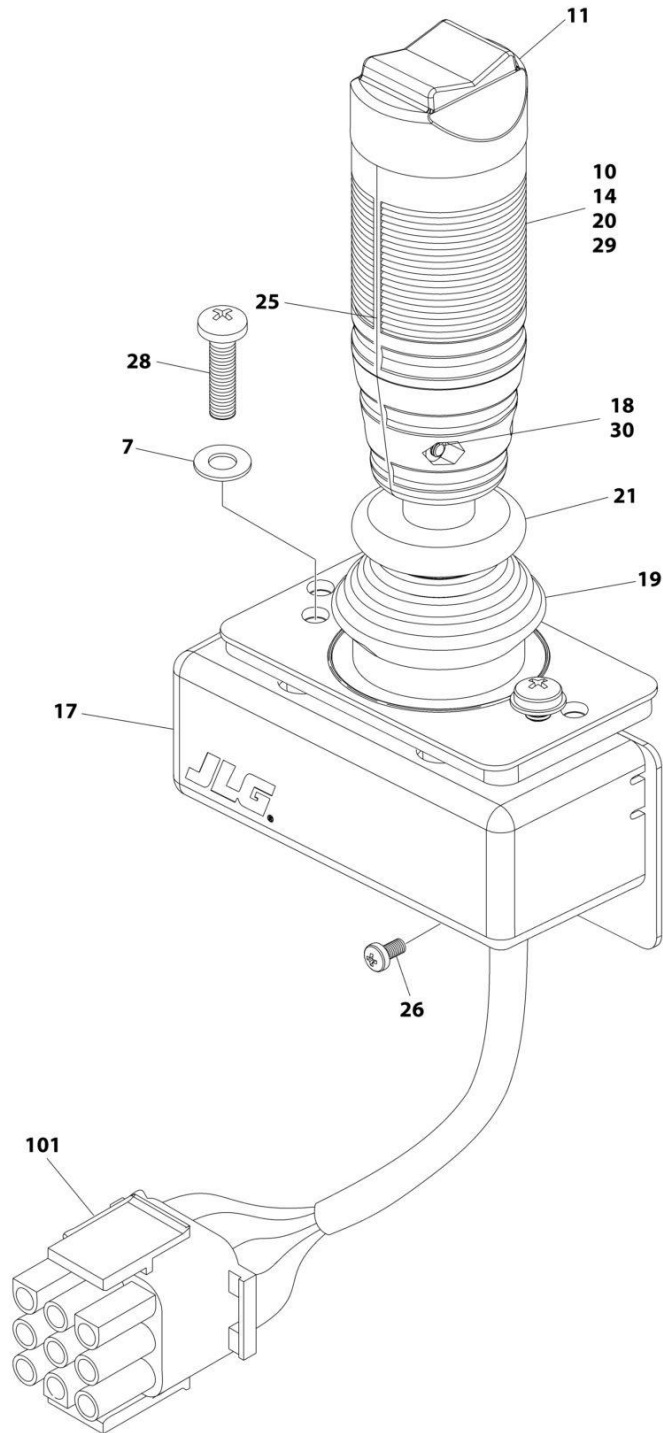
## SECTION 5 - PLATFORM

ITEM	PART NUMBER	QTY	DESCRIPTION	REV
42D	3470003	2	Hairpin	
42E	4711600	2	Washer 3/8	
43	1001238254	1	Harness, Platform Console Box (See Separate Breakdown in ELECTRICAL SECTION)	



# SECTION 5 - PLATFORM

## FIGURE 5-21. CONTROLLER ASSEMBLY (DRIVE AND STEER)



ART\_1001166538



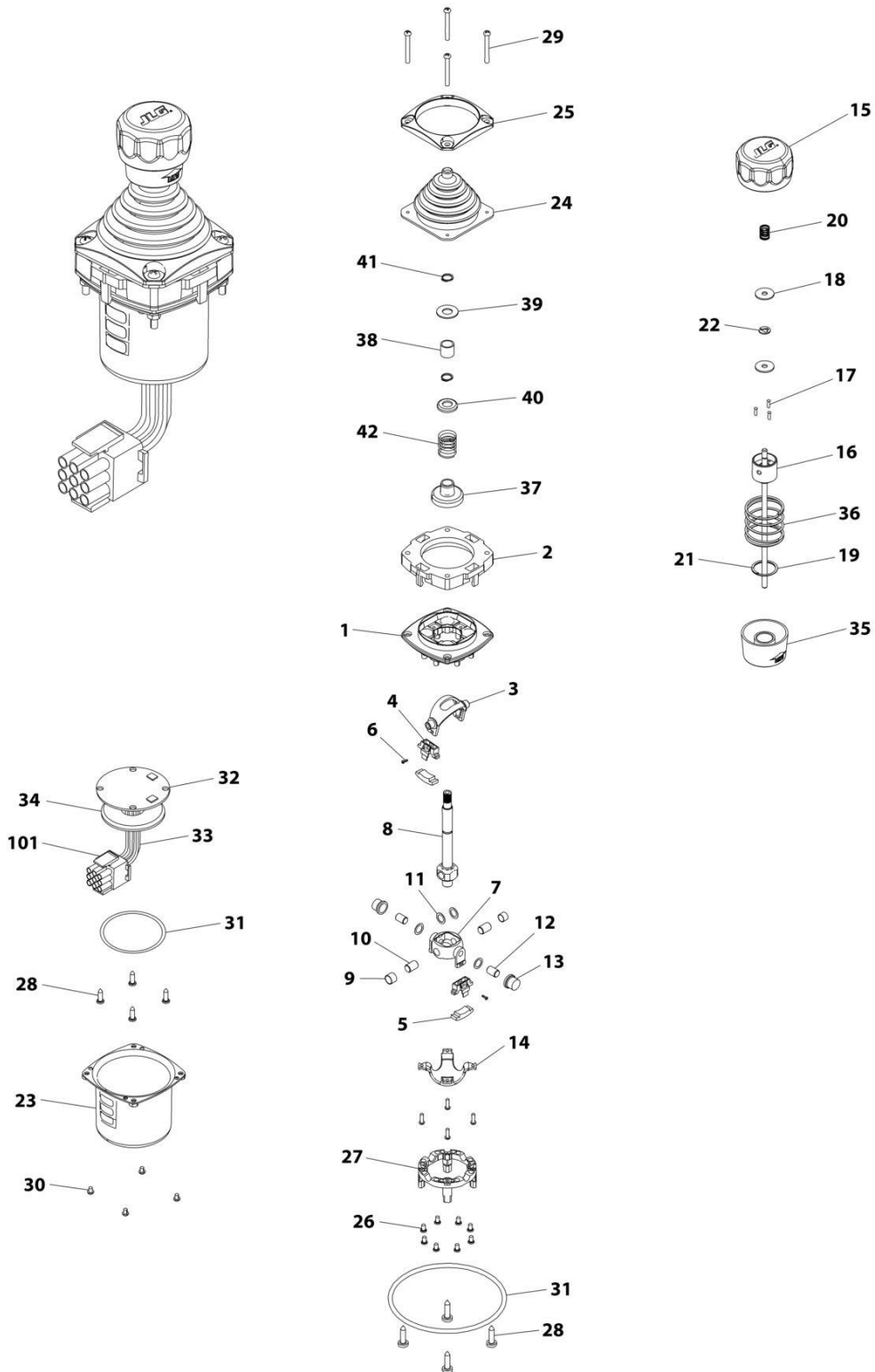
## SECTION 5 - PLATFORM

**FIGURE 5-21. CONTROLLER ASSEMBLY (DRIVE AND STEER)**

ITEM	PART NUMBER	QTY	DESCRIPTION	REV
	1001166538	Ref	CONTROLLER ASSEMBLY - DRIVE AND STEER	G
		Ref	Note: For Replacement, Use p/n 1001212415.	
7	70004738	2	Washer	
10	70004739	1	Roller	
11	70004740	1	Boot, Switch	
14	70004741	2	Half, Handle	
17	70004742	1	Enclosure	
18	70004743	4	Nut	
19	70004744	NLA	Boot, Controller (Use p/n 70005230 Boot/Base Assembly)	
20	70004745	NLA	Tube, Locking (Use p/n 70005230 Boot/Base Assembly)	
21	70004746	NLA	Disc, Locking (Use p/n 70005230 Boot/Base Assembly)	
25	70004747	2	Seal, Rope	
26	70004748	1	Screw M3 x 6	
28	70004749	2	Screw M5 x 20	
29	70004750	1	Pin, Dowel	
30	70004751	4	Screw M3 x 16	
101	4460265	1	Connector - 9 Position	
101	4460226	7	Socket, Female	

# SECTION 5 - PLATFORM

## FIGURE 5-22. CONTROLLER ASSEMBLY (LIFT AND SWING)



ART\_1001166539

## SECTION 5 - PLATFORM

**FIGURE 5-22. CONTROLLER ASSEMBLY (LIFT AND SWING)**

ITEM	PART NUMBER	QTY	DESCRIPTION	REV
	1001166539	Ref	CONTROLLER ASSEMBLY	E
		Ref	Note: Original Equipment Controller May Have Been Replaced with Service Replacement Controller. Visually Identify Controller Before Ordering Parts.	
		Ref	Note: For Replacement, Use p/n 1001129555	
1	See Note	NSS	Main Cast Body (Note: Not Available - Purchase Complete Assembly)	
2	70004752	1	Adapter	
3	See Note	NSS	Pivot Arm, Plastic (Note: Not Available - Purchase Complete Assembly)	
4	See Note	NSS	Holder, Magnet (Note: Not Available - Purchase Complete Assembly)	
5	See Note	NSS	Arc, Magnet (Note: Not Available - Purchase Complete Assembly)	
6	See Note	NSS	Screw (Note: Not Available for Purchase)	
7	See Note	NSS	Pivot Arm, Cast (Note: Not Available - Purchase Complete Assembly)	
8	See Note	NSS	Shaft, Main (Note: Not Available - Purchase Complete Assembly)	
9	See Note	NSS	Bearing (Note: Not Available - Purchase Complete Assembly)	
10	See Note	NSS	Pin (Note: Not Available - Purchase Complete Assembly)	
11	See Note	NSS	Shim (Note: Not Available - Purchase Complete Assembly)	
12	See Note	NSS	Pin (Note: Not Available - Purchase Complete Assembly)	
13	See Note	NSS	Bearing (Note: Not Available - Purchase Complete Assembly)	
14	See Note	NSS	Dome, Centering (Note: Not Available - Purchase Complete Assembly)	
15	70004753	1	Cap	
16	70004754	1	Insert, Cap	
17	70004755	3	Pin	
18	70004756	2	Washer	
19	70004757	1	Pin, Centering	
20	70004758	1	Spring	
21	70004759	1	Ring, Retaining	
22	70004760	1	E-Ring	
23	70004761	1	Can, Enclosure	
24	70004762	1	Boot	
25	70004763	1	Bezel	
26	See Note	NSS	Screw (Note: Not Available for Purchase)	
27	See Note	NSS	Base Mounting (Note: Not Available - Purchase Complete Assembly)	
28	See Note	NSS	Screw (Note: Not Available for Purchase)	
29	70004764	4	Screw	
30	70004765	4	Screw	
31	70004766	1	O-Ring	
32	See Note	NSS	Plate (Note: Not Available - Purchase Complete Assembly)	
33	See Note	NSS	Harness (Note: Not Available - Purchase Complete Assembly)	
34	70004767	1	Grommet, Rubber	
35	70004768	1	Housing	
36	70004769	1	Spring	
37	70004770	1	Stopper	
38	70004771	1	Spacer	
39	70004772	1	Washer	
40	70004773	1	Disc	

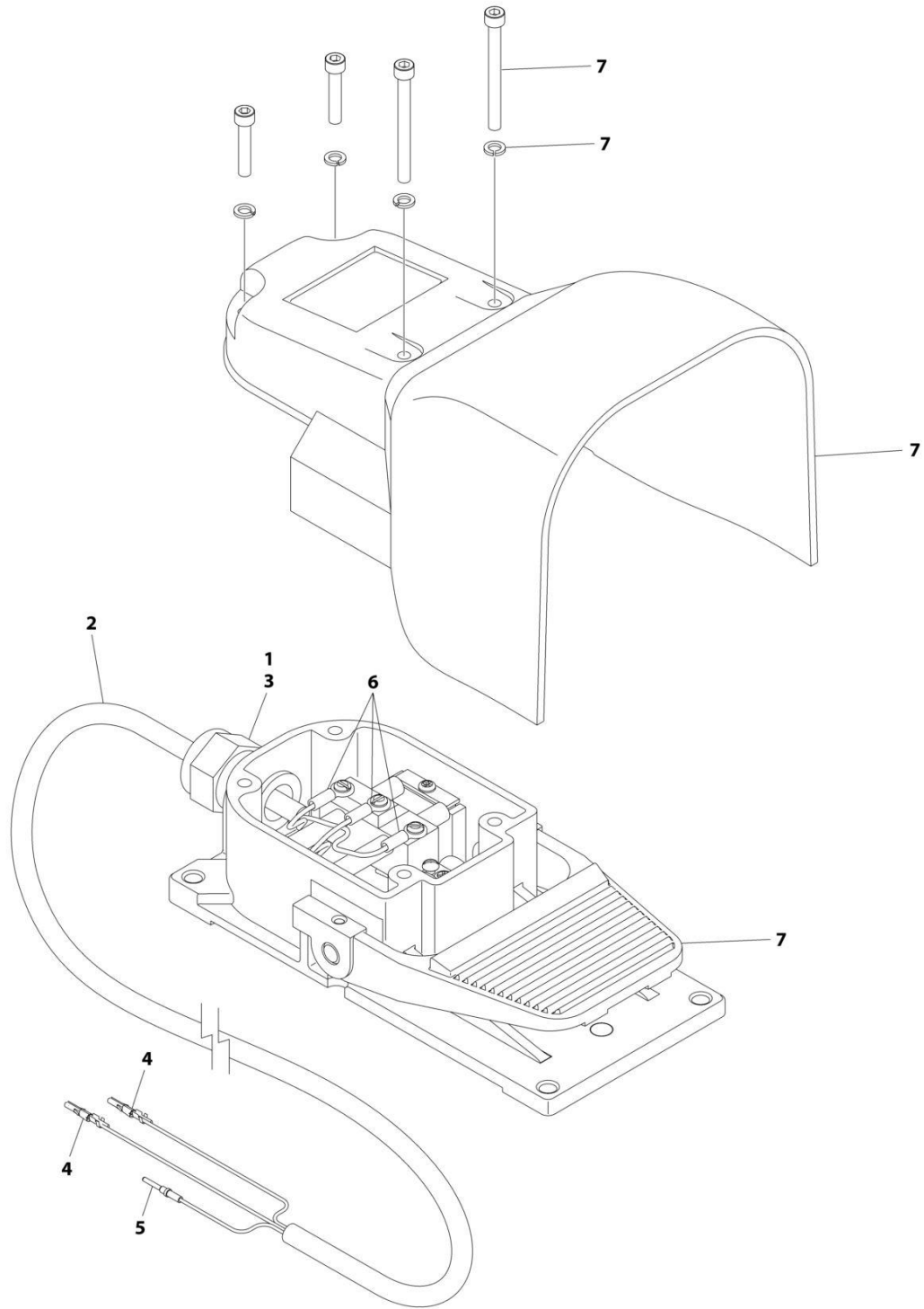
## SECTION 5 - PLATFORM

ITEM	PART NUMBER	QTY	DESCRIPTION	REV
41	70004774	2	Ring, Retaining	
42	70004775	1	Spring	
101	4460265	1	Connector - 9 Position	
101	4460226	6	Socket, Female	



# SECTION 5 - PLATFORM

## FIGURE 5-23. FOOTSWITCH ASSEMBLY



ART\_100117174

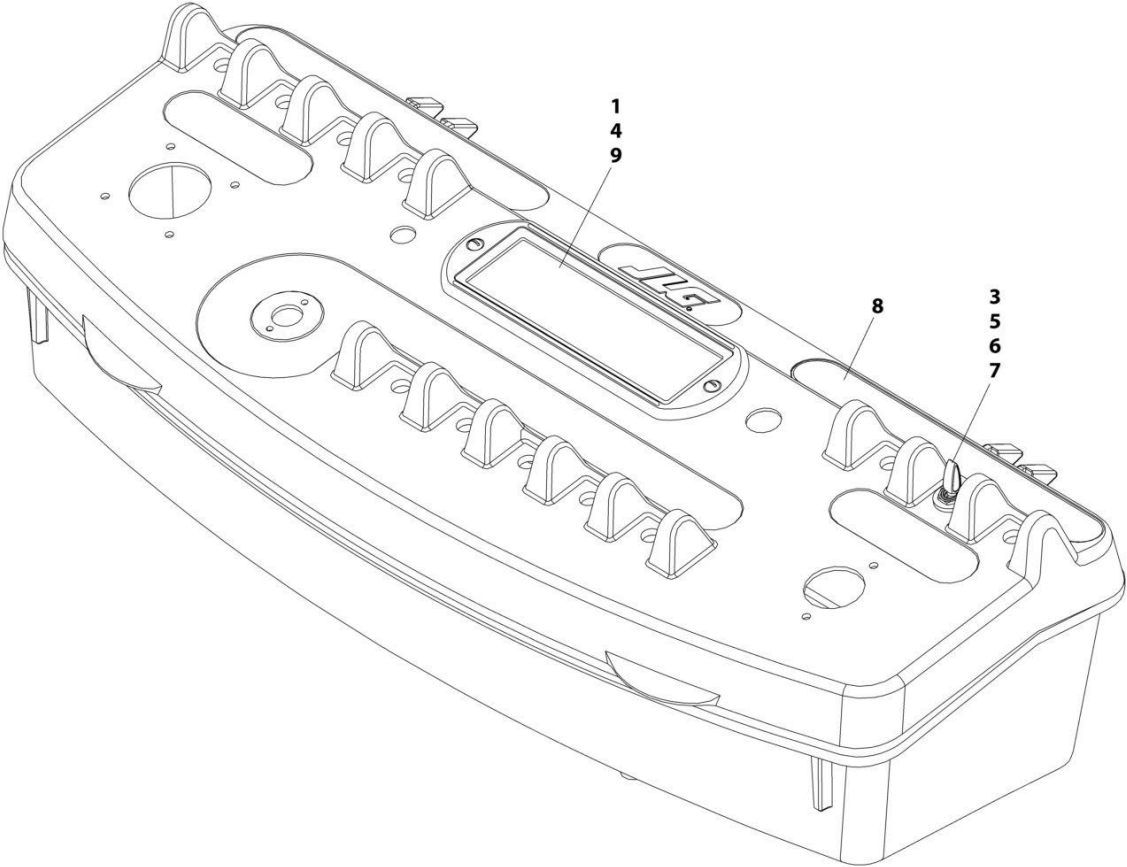
## SECTION 5 - PLATFORM

**FIGURE 5-23. FOOTSWITCH ASSEMBLY**

ITEM	PART NUMBER	QTY	DESCRIPTION	REV
	1001117174	Ref	FOOTSWITCH ASSEMBLY	C
1	0100020	AR	Sealant	
2	1060918	7.5 ft/ 2.3m	Cable, Electrical - 18/3	
3	4460071	1	Connector, Strain Relief	
4	4460226	2	Socket, Female	
5	4460464	1	Pin, Male	
6	1001098122	3	Terminal	
7	1001117172	1	Footswitch	
7	70002902	1	Switch, 20Amp	
7	70002903	1	Gasket	
7	70002905	1	Cover	
7	70002904	1	Kit, Replacement Bolt	

**SECTION 5 - PLATFORM**

**FIGURE 5-24. LIGHT PANEL INSTALLATION - 400S (400S)**



ART\_1001242672\_20F2



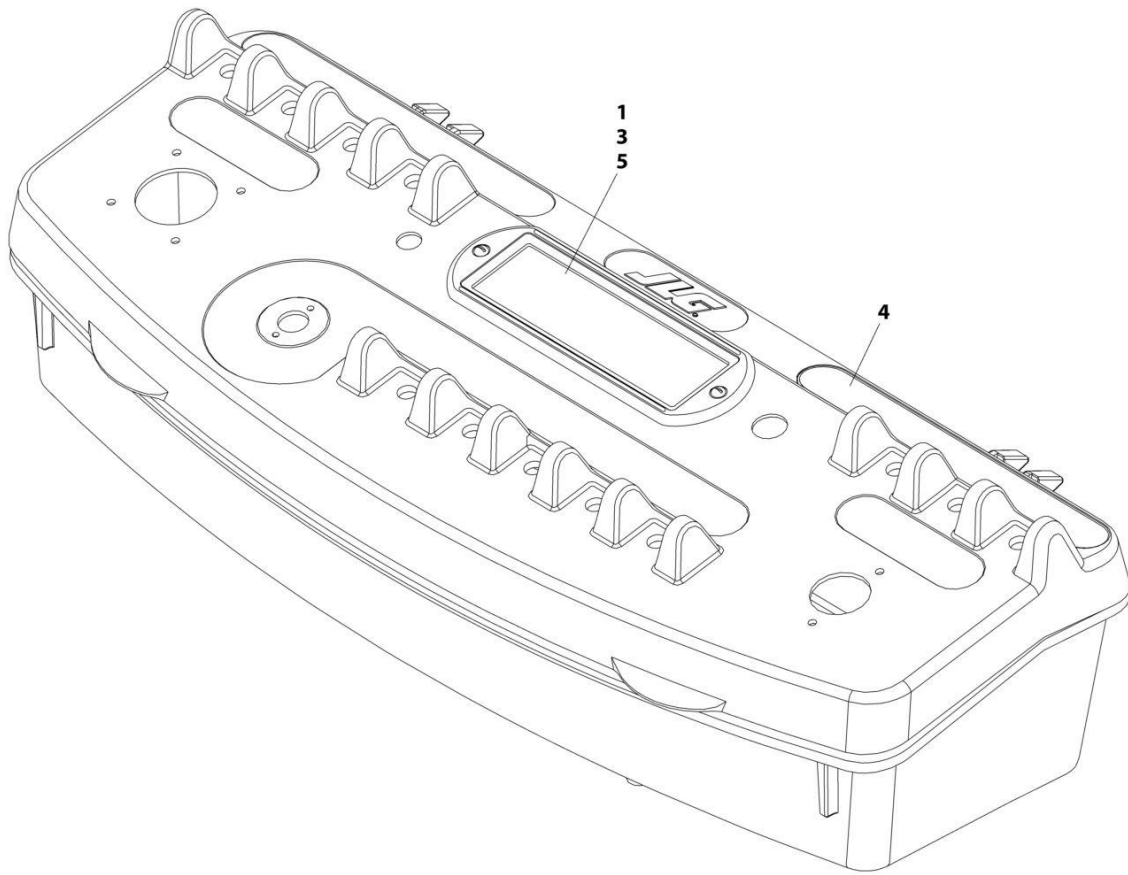
## SECTION 5 - PLATFORM

### FIGURE 5-24. LIGHT PANEL INSTALLATION - 400S (400S)

ITEM	PART NUMBER	QTY	DESCRIPTION	REV
	1001242672	Ref	LIGHT PANEL INSTALLATION	A
1	0100035	AR	Compound, Locking	
3	3790012	1	O-Ring	
4	3911010	2	Screw #10 x 5/8	
5	4740397	1	Spacer	
6	1001155044	1	Nut, Special 15/32-32	
7	1001161710	1	Switch, Toggle	
8	1001195947	1	Decal - Stop and Auxiliary Power	
9	1001237544	1	Light Panel Electrical Assembly	
9	1001236087	1	Overlay	
9	1001187807	1	Light Panel PCB	

# SECTION 5 - PLATFORM

## FIGURE 5-25. LIGHT PANEL INSTALLATION - 460SJ (460SJ)



ART\_1001242680\_2OF2

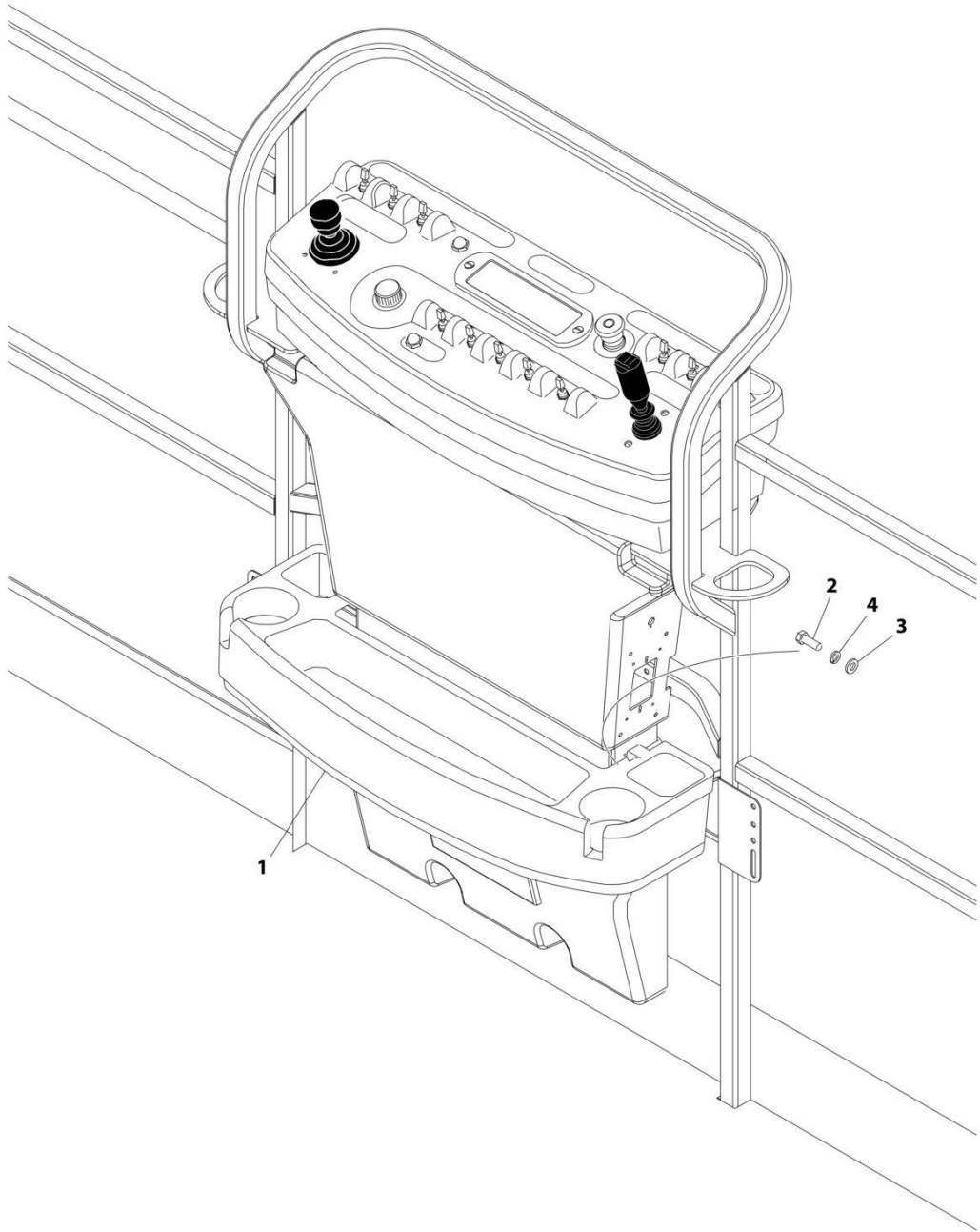
## SECTION 5 - PLATFORM

**FIGURE 5-25. LIGHT PANEL INSTALLATION - 460SJ (460SJ)**

ITEM	PART NUMBER	QTY	DESCRIPTION	REV
	1001242680	Ref	LIGHT PANEL INSTALLATION	A
1	0100035	AR	Compound, Locking	
3	3911010	2	Screw #10 x 5/8	
4	1001184618	1	Decal - Stop and Auxiliary Power	
5	1001237544	1	Light Panel Electrical Assembly	
5	1001236087	1	Overlay	
5	1001187807	1	Light Panel PCB	

**SECTION 5 - PLATFORM**

**FIGURE 5-26. TRAY INSTALLATION**



ART\_1580012

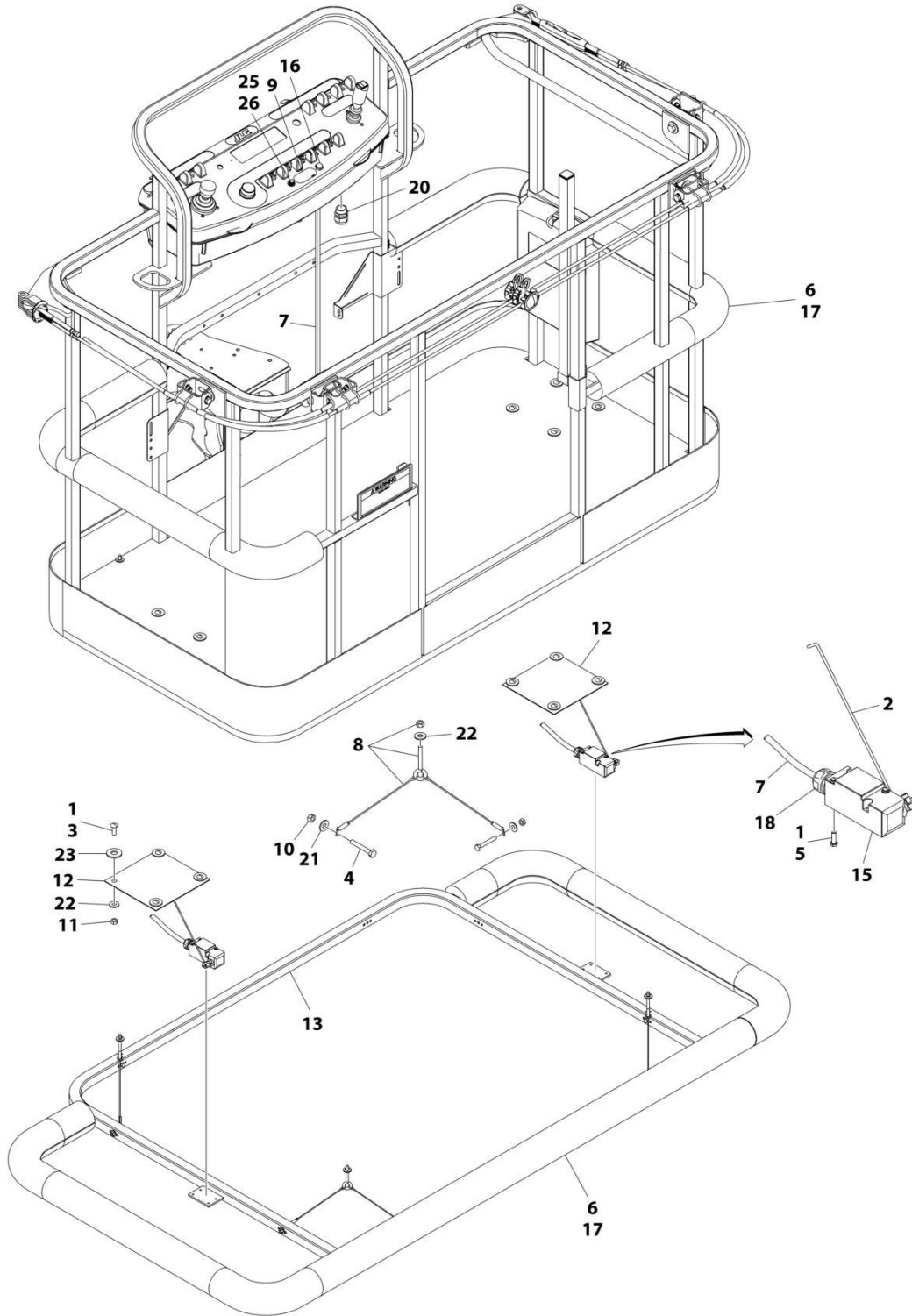
## SECTION 5 - PLATFORM

### FIGURE 5-26. TRAY INSTALLATION

ITEM	PART NUMBER	QTY	DESCRIPTION	REV
	1580012	Ref	TRAY ASSEMBLY	C
1	See Note	NSS	Tray, Storage (Center) (Note: Purchase p/n 1580012)	
2	0641406	2	Bolt 1/4 x 3/4	
3	4751400	2	Washer 1/4	
4	4761400	2	Washer 1/4	

# SECTION 5 - PLATFORM

FIGURE 5-27. SOFT TOUCH INSTALLATION - 6FT (1.83M) FALL ARREST PLATFORM (OPTIONAL)



ART\_1001108256

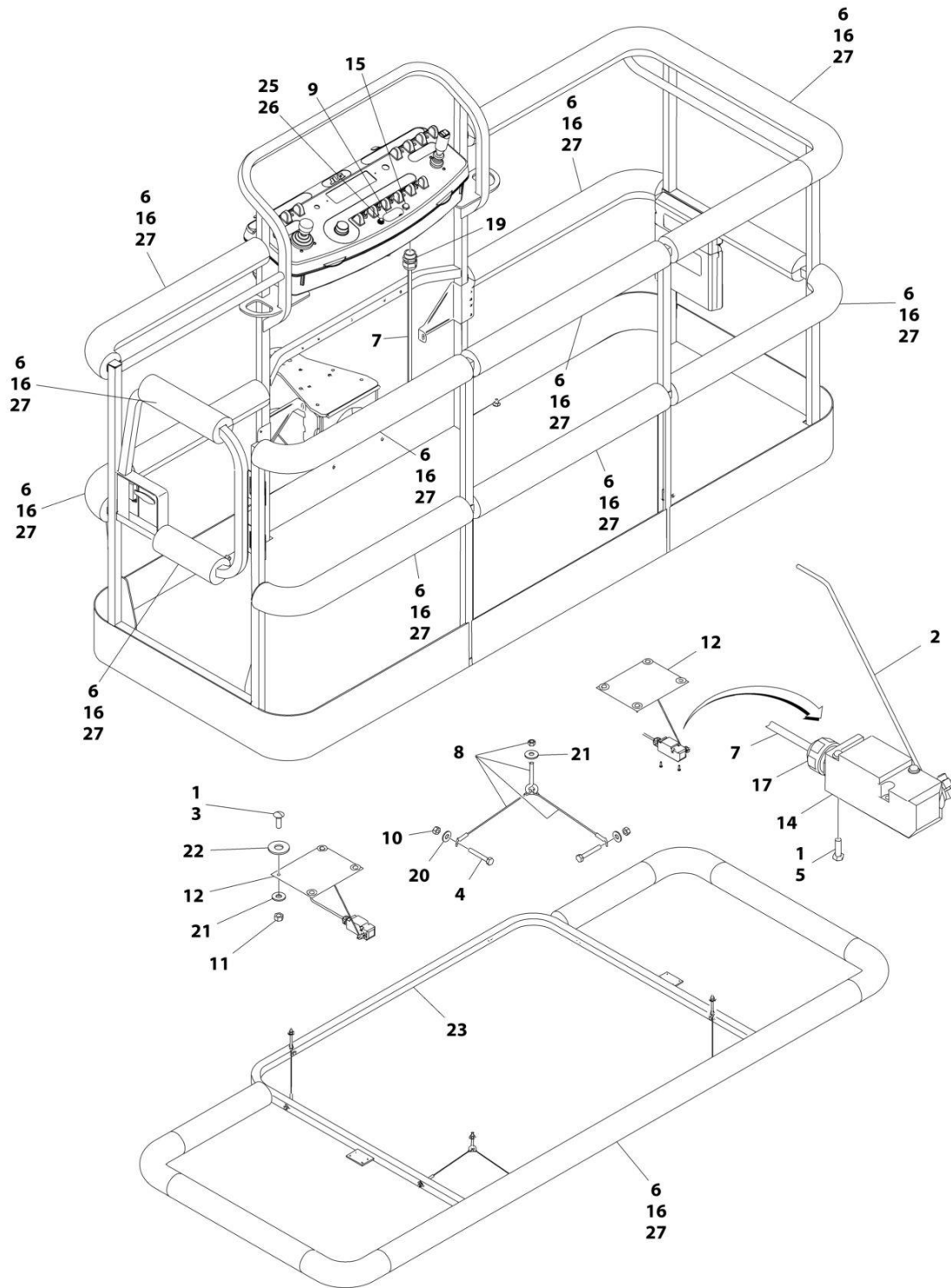
## SECTION 5 - PLATFORM

**FIGURE 5-27. SOFT TOUCH INSTALLATION - 6FT (1.83M) FALL ARREST PLATFORM (OPTIONAL)**

ITEM	PART NUMBER	QTY	DESCRIPTION	REV
	1001108256	Ref	SOFT TOUCH INSTALLATION	C
1	0100011	AR	Compound, Locking	
2	0200048	2	Arm, Switch	
3	0630462	8	Bolt	
4	0641414	8	Bolt 1/4 x 1-3/4	
5	0731005	4	Bolt #10 x 5/8	
6	0940177	1	Bumper Kit (Includes Corners and Enough Straight Material for One Platform)	
6	0940092	8	Bumper (Corner)	
6	0940094	AR	Bumper (12ft Length)	
7	1060341	23 ft/7m	Cable, Soft Touch - 16/2	
8	1060903	4	Wire Rope and Eyebolt Assembly	
9	1702938	1	Decal - Soft Touch Override	
10	3311401	8	Nut 1/4	
11	3311501	8	Nut 5/16	
12	3575359	2	Plate, Switch Strike	
13	3641569	1	Rail, Soft Touch	
14	4240099	7	Tie-Strap (Not Shown)	
15	4360057	2	Switch, Limit	
16	4360387	1	Switch, Push Button	
17	4420068	AR	Tape, Adhesive	
17	1001197017	AR	Tie-Strap	
18	4460049	2	Connector, Strain Relief	
19	4460234	7	Tie-Strap (Not Shown)	
20	4460425	1	Connector, Strain Relief	
21	4751400	8	Washer 1/4	
22	4751500	9	Washer 5/16	
23	4751800	8	Washer 1/2	
25	2920028	1	Light, Indicator	
26	2920029	1	Bulb, Light	

# SECTION 5 - PLATFORM

## FIGURE 5-28. SOFT TOUCH INSTALLATION - 8FT (2.4M) PLATFORM (OPTIONAL)



ART\_0272427



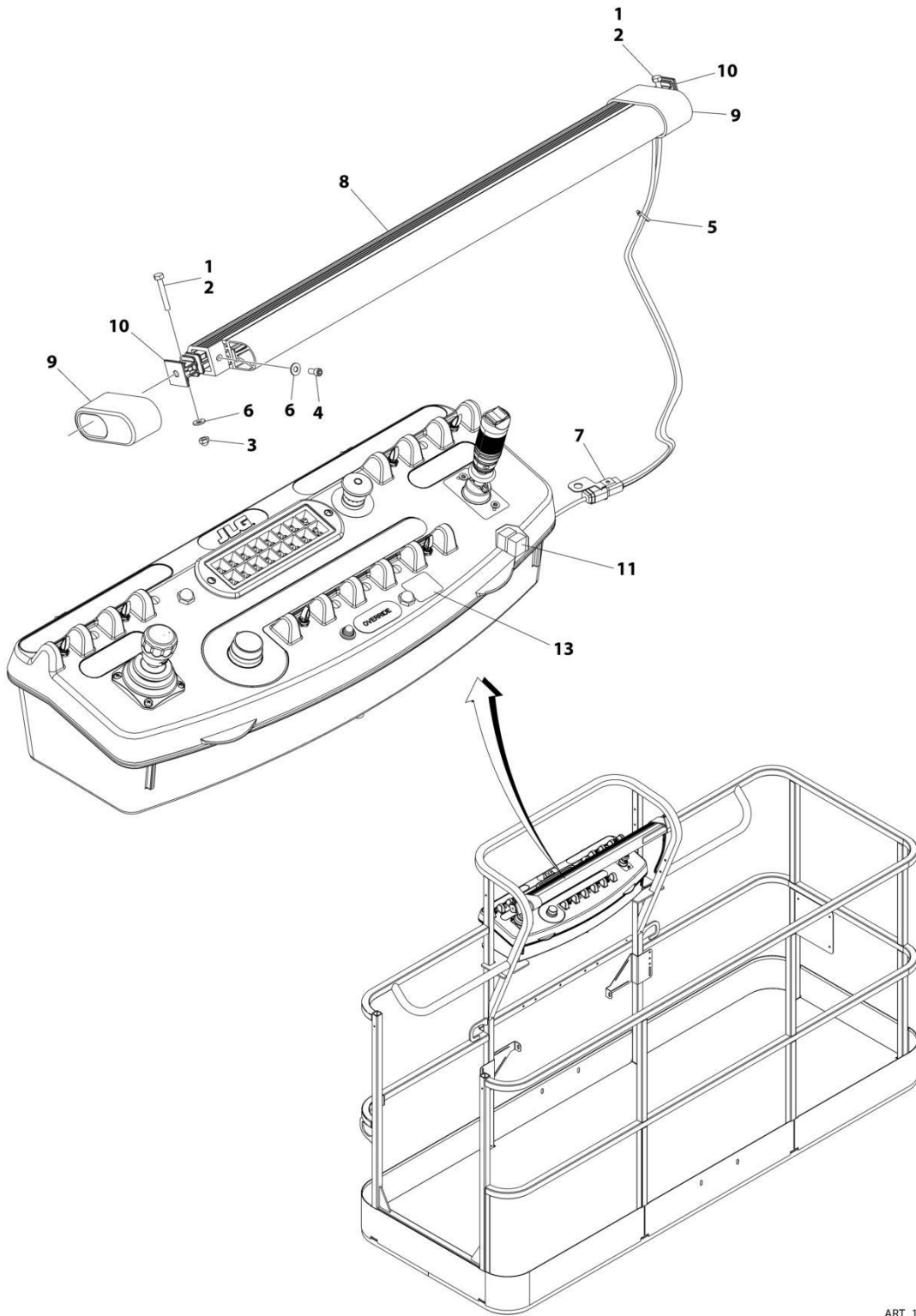
## SECTION 5 - PLATFORM

**FIGURE 5-28. SOFT TOUCH INSTALLATION - 8FT (2.4M) PLATFORM (OPTIONAL)**

ITEM	PART NUMBER	QTY	DESCRIPTION	REV
	0272427	Ref	SOFT TOUCH SYSTEM INSTALLATION	G
1	0100011	AR	Compound, Locking	
2	0200048	2	Arm, Switch	
3	0630462	8	Bolt	
4	0641414	8	Bolt 1/4 x 1-3/4	
5	0721005	4	Bolt #10 x 5/8	
6	0940103	1	Bumper Kit (Includes Corners and Enough Straight Material for One Platform)	
6	0940092	12	Bumper (Corner)	
6	0940094	AR	Bumper (12ft Length)	
7	1060341	23 ft/7m	Cable, Electrical - 16/2	
8	1060903	4	Wire Rope and Eyebolt Assembly	
9	1702938	1	Decal - Soft Touch Override	
10	3311401	8	Nut 1/4	
11	3311501	8	Nut 5/16	
12	3574091	2	Plate, Switch Strike	
13	4240099	7	Tie-Strap (Not Shown)	
14	4360057	2	Switch, Limit	
15	4360387	1	Switch, Push Button	
16	4420068	AR	Tape, Adhesive	
16	1001197017	AR	Tie-Strap	
17	4460049	2	Connector, Strain Relief	
18	4460234	7	Tie-Strap (Not Shown)	
19	4460425	1	Connector, Strain Relief	
20	4751400	8	Washer 1/4	
21	4751500	12	Washer 5/16	
22	4751800	8	Washer 1/2	
23	4846673	1	Rail, Soft Touch	
24	4933218	1	Soft Touch Wiring Diagram (Not Shown - Reference Only)	
25	2920028	1	Light, Indicator	
26	2920029	1	Bulb, Light	

# SECTION 5 - PLATFORM

## FIGURE 5-29. SKYGUARD BAR INSTALLATION



ART\_1001238495

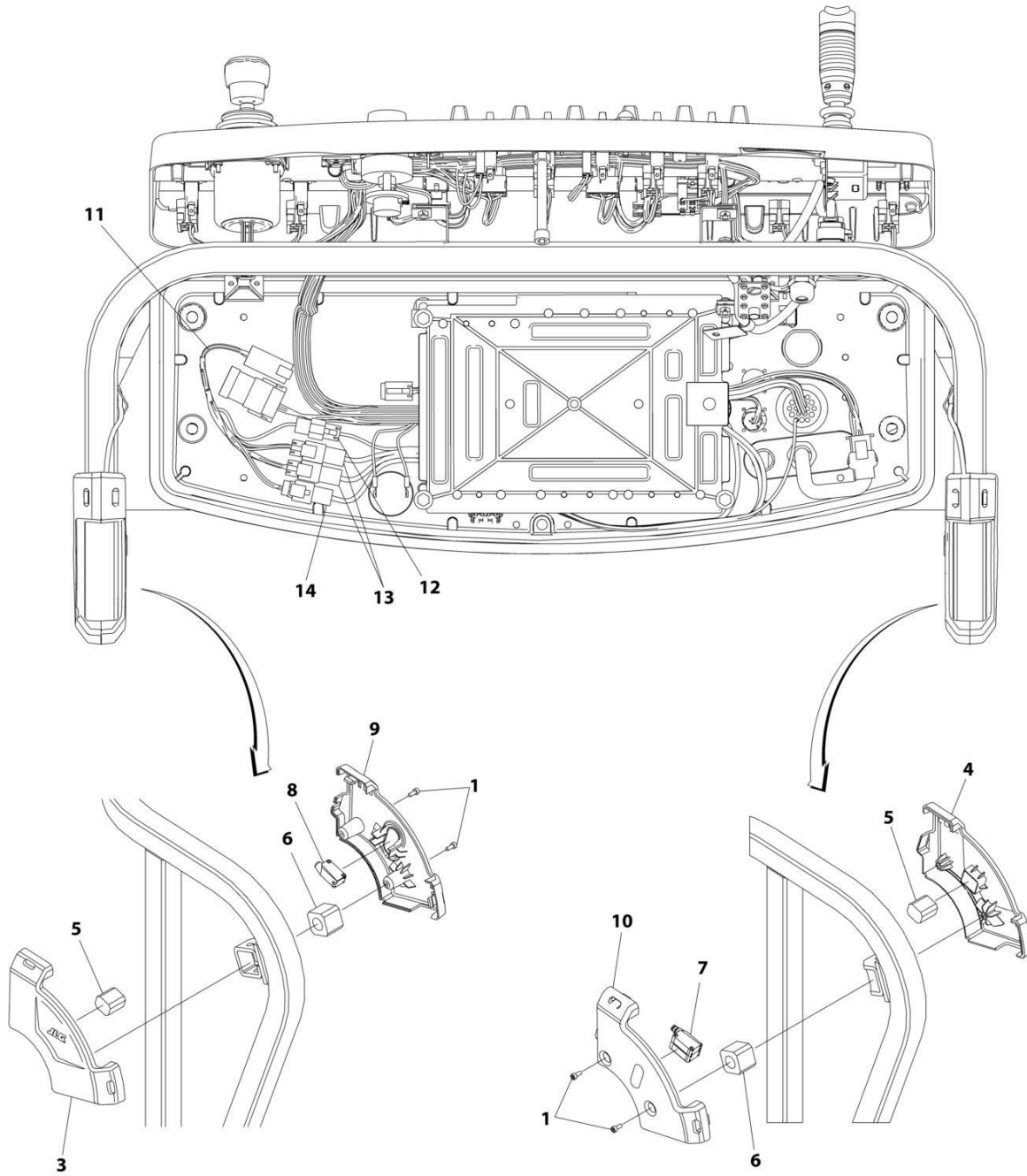
## SECTION 5 - PLATFORM

**FIGURE 5-29. SKYGUARD BAR INSTALLATION**

ITEM	PART NUMBER	QTY	DESCRIPTION	REV
	1001238495	Ref	SKYGUARD BAR INSTALLATION	A
1	0100011	AR	Compound, Locking	
2	0641414	2	Bolt 1/4 x 1-3/4	
3	3300430	2	Nut 1/4	
4	3931408	2	Capscrew 1/4 x 1/2	
5	4240033	8	Tie-Strap	
6	4711400	6	Washer 1/4	
7	1001120328	1	Mount	
8	1001137673	1	SkyGuard Switch Assembly	
9	1001186517	2	Cover, Platform Sensor	
10	1001209664	2	Support, Block	
11	1001186431	2	Relay	
12	1001225580	1	Interface Harness Assembly (Not Shown - Located Inside Console Box) (See Separate Breakdown in ELECTRICAL Section)	
13	1001144433	1	Decal - No Weight SkyGuard	

# SECTION 5 - PLATFORM

## FIGURE 5-30. SKYEYE INSTALLATION



ART\_1001229341

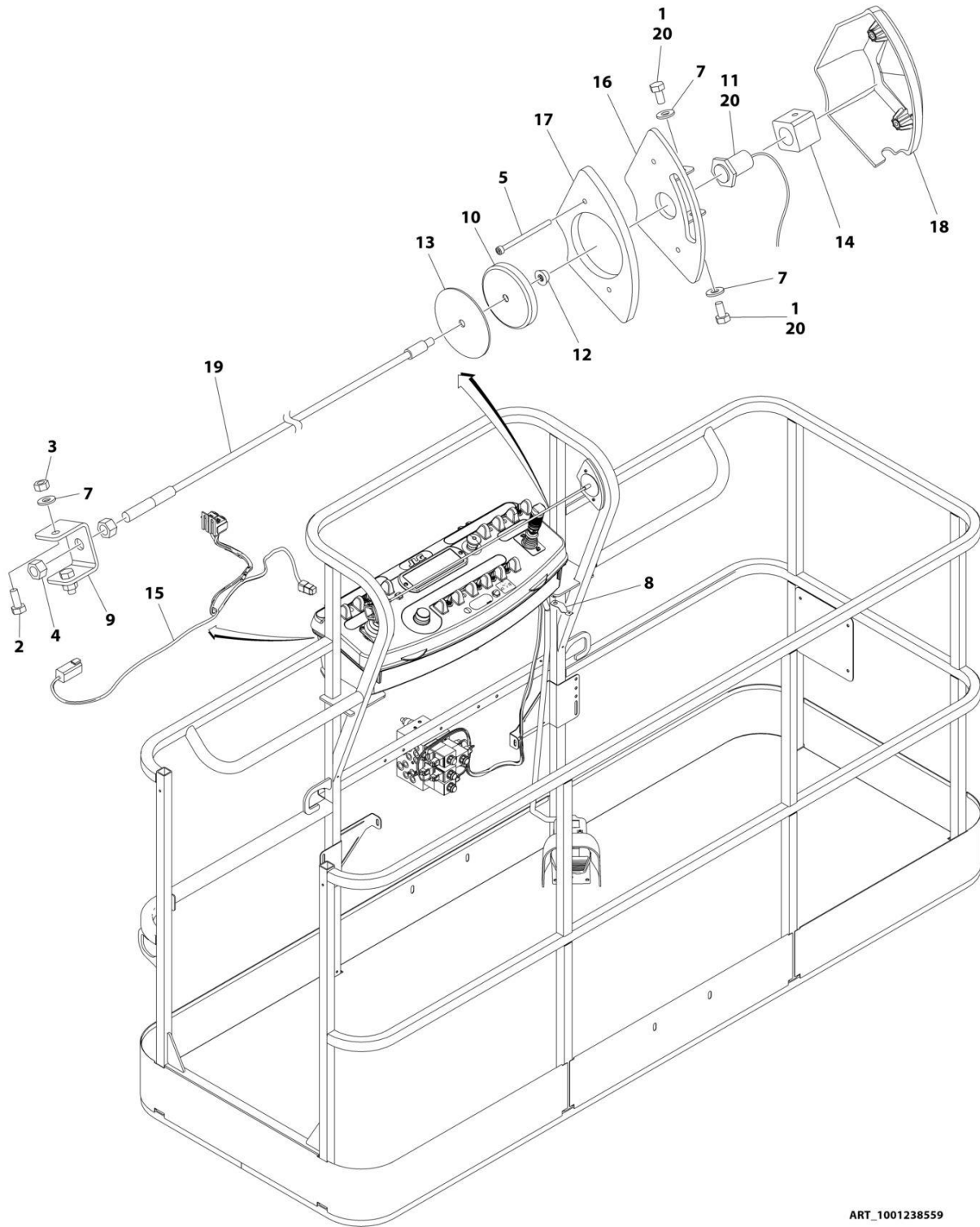
## SECTION 5 - PLATFORM

### FIGURE 5-30. SKYEYE INSTALLATION

ITEM	PART NUMBER	QTY	DESCRIPTION	REV
	1001229341	Ref	SKYEYE INSTALLATION	B
1	4031505	4	Bolt M4 x 10	
2	4240033	AR	Tie-Strap (Not Shown)	
3	1001227633	1	Housing, LH Outer	
4	1001227634	1	Housing, RH Outer	
5	1001227985	2	Shim	
6	1001227987	2	Shim	
7	1001228224	2	Sensor, Receiver	
8	1001228225	1	Sensor, Emitter	
9	1001232164	1	Housing, LH Inner	
10	1001232165	1	Housing, RH Inner	
11	1001237865	1	Harness, Skyeeye Intermediate (See Separate Breakdown in ELECTRICAL Section)	
12	1001238319	NLA	Harness, Skyeeye Drain Jumper	
12	1001187674	1	Plug, Male - 2 Position	
12	4460942	1	Terminal	
12	4460466	1	Plug, Terminal	
12	4460508	1	Pin, Male	
13	1001237863	2	Harness, Skyeeye Receiver (See Separate Breakdown in ELECTRICAL Section)	
14	1001237864	1	Harness, Skyeeye Emitter (See Separate Breakdown in ELECTRICAL Section)	

# SECTION 5 - PLATFORM

## FIGURE 5-31. SKYLINE INSTALLATION



ART\_1001238559

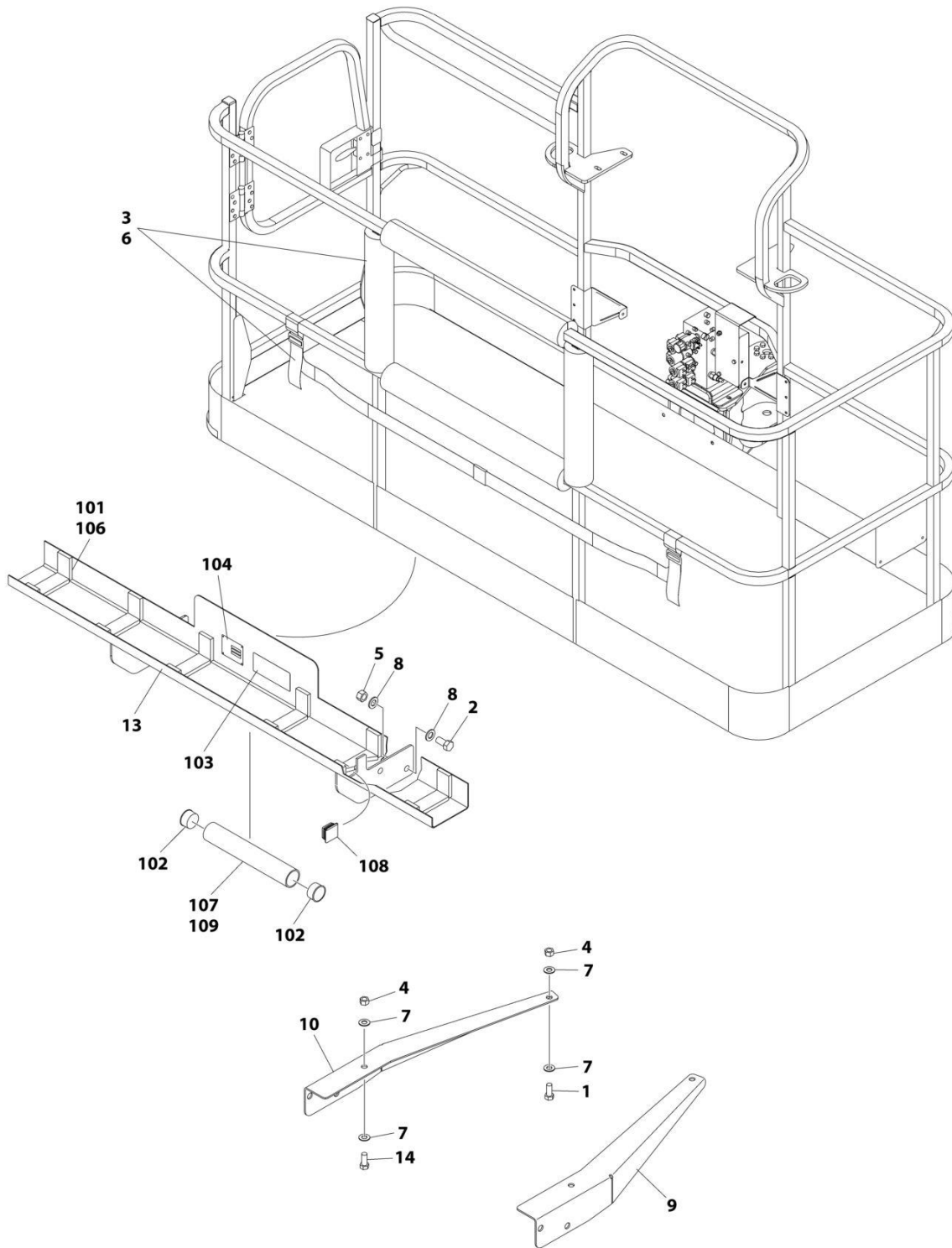
## SECTION 5 - PLATFORM

### FIGURE 5-31. SKYLINE INSTALLATION

ITEM	PART NUMBER	QTY	DESCRIPTION	REV
	1001238559	Ref	SKYLINE INSTALLATION	B
1	0641404	2	Bolt 1/4 x 1/2	
2	0641405	2	Bolt 1/4 x 5/8	
3	3311405	2	Nut 1/4	
4	3311601	2	Nut 3/8	
5	4031516	2	Capscrew M4 x 60	
6	4240033	AR	Tie-Strap (Not Shown)	
7	4711400	4	Washer 1/4	
8	1001120328	1	Mount	
9	1001232642	1	Bracket	
10	1001232650	1	Magnet	
11	1001232667	1	Sensor, Proximity	
12	1001235011	1	Nut	
13	1001235013	1	Washer	
14	1001236552	1	Block	
15	1001238418	1	Harness, Skyline (See Separate Breakdown in ELECTRICAL Section)	
16	1001238472	1	Mount	
17	1001238477	1	Housing, LH	
18	1001241965	1	Housing, RH	
19	1001238824	1	Rope	
20	0100011	AR	Compound, Locking	

# SECTION 5 - PLATFORM

## FIGURE 5-32. SKYGLAZIER INSTALLATION



ART\_1001172578\_C



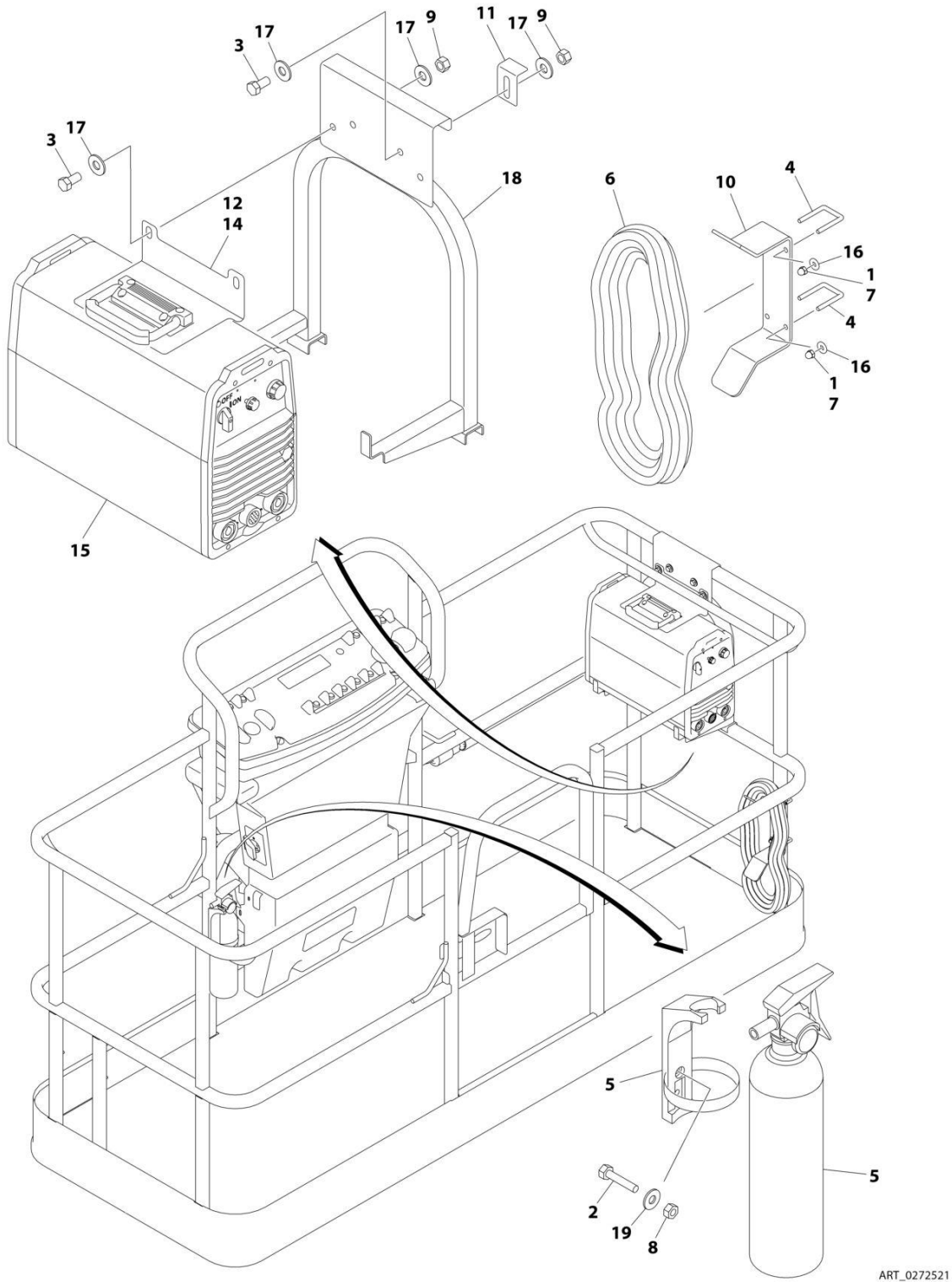
## SECTION 5 - PLATFORM

**FIGURE 5-32. SKYGLAZIER INSTALLATION**

ITEM	PART NUMBER	QTY	DESCRIPTION	REV
	1001172578	Ref	SKYGLAZIER INSTALLATION	C
1	0642012	2	Bolt 5/8 x 1-1/2	
2	0642212	4	Bolt 3/4 x 1-1/2	
3	2902212	1	Bumpers and Strap Kit	
3	0940102	1	Bumper Only	
3	4240149	1	Strap Only	
4	3312005	1	Nut 5/8	
5	3312205	4	Nut 3/4	
6	4420014	AR	Tape	
7	4712000	6	Washer 5/8	
8	4712200	8	Washer 3/4	
9	1001099366	1	Support	
10	1001099367	1	Support	
13	1001172577	1	Tray Assembly (See Items 101-109 for Breakdown)	
14	8310129	2	Bolt 3/4 x 2-1/2	
	1001172577	Ref	TRAY ASSEMBLY	C
101	0100081	AR	Adhesive	
102	1120555	2	Cap, Tube	
103	1701509	1	Decal - Manual	
104	See Note	NSS	Nameplate - Serial Number (Note: Not Available for Purchase)	
106	3340956	1	Pad Kit	
107	3460334	1	Tube	
108	3520071	2	Plug	
109	4420066	AR	Tape, Double Sided	

# SECTION 5 - PLATFORM

## FIGURE 5-33. SKYWELDER INSTALLATION (50HZ)



ART\_0272521

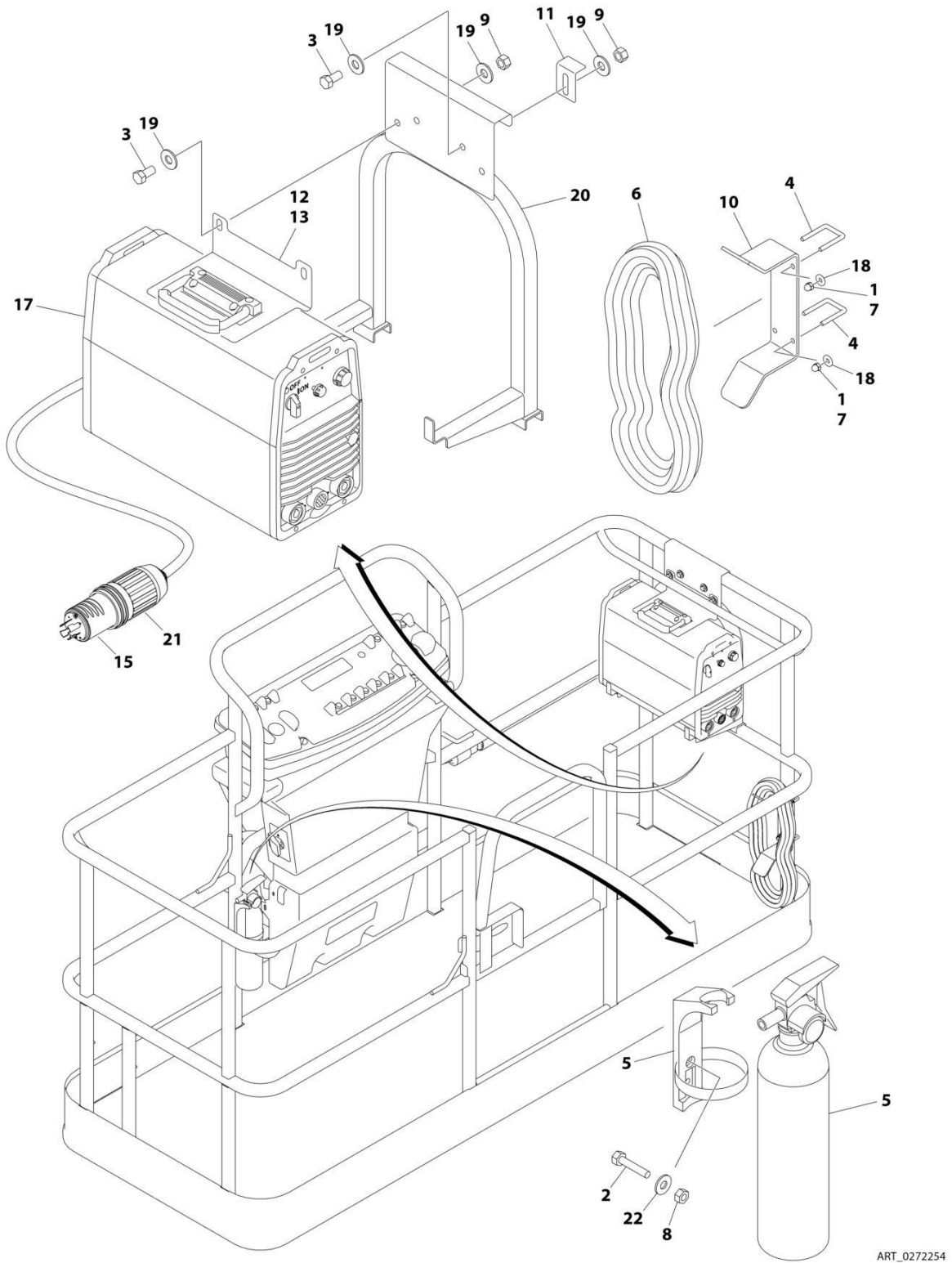
## SECTION 5 - PLATFORM

**FIGURE 5-33. SKYWELDER INSTALLATION (50HZ)**

ITEM	PART NUMBER	QTY	DESCRIPTION	REV
	0272521	Ref	SKYWELDER INSTALLATION	F
1	0100011	AR	Compound, Locking	
2	0630518	2	Screw #10 x 3/4	
3	0641606	4	Bolt 3/8 x 3/4	
4	1320302	2	U-Clamp	
5	2030010	1	Extinguisher, Fire	
6	2902217	1	Weld Leads Kit	
7	3300151	4	Nut 1/4	
8	3311005	2	Nut #10	
9	3311605	4	Nut 3/8	
10	3573400	1	Bracket	
11	3577121	2	Angle	
12	3573642	1	Plate	
13	4240099	AR	Tie-Strap (Not Shown)	
14	4420037	AR	Tape	
15	4530028	1	Welder Assembly (See Separate Breakdown in this Section)	
16	4751400	4	Washer 1/4	
17	4751600	8	Washer 3/8	
18	4846627	1	Support	
19	4751000	2	Washer #10	

# SECTION 5 - PLATFORM

## FIGURE 5-34. SKYWELDER INSTALLATION (60HZ)



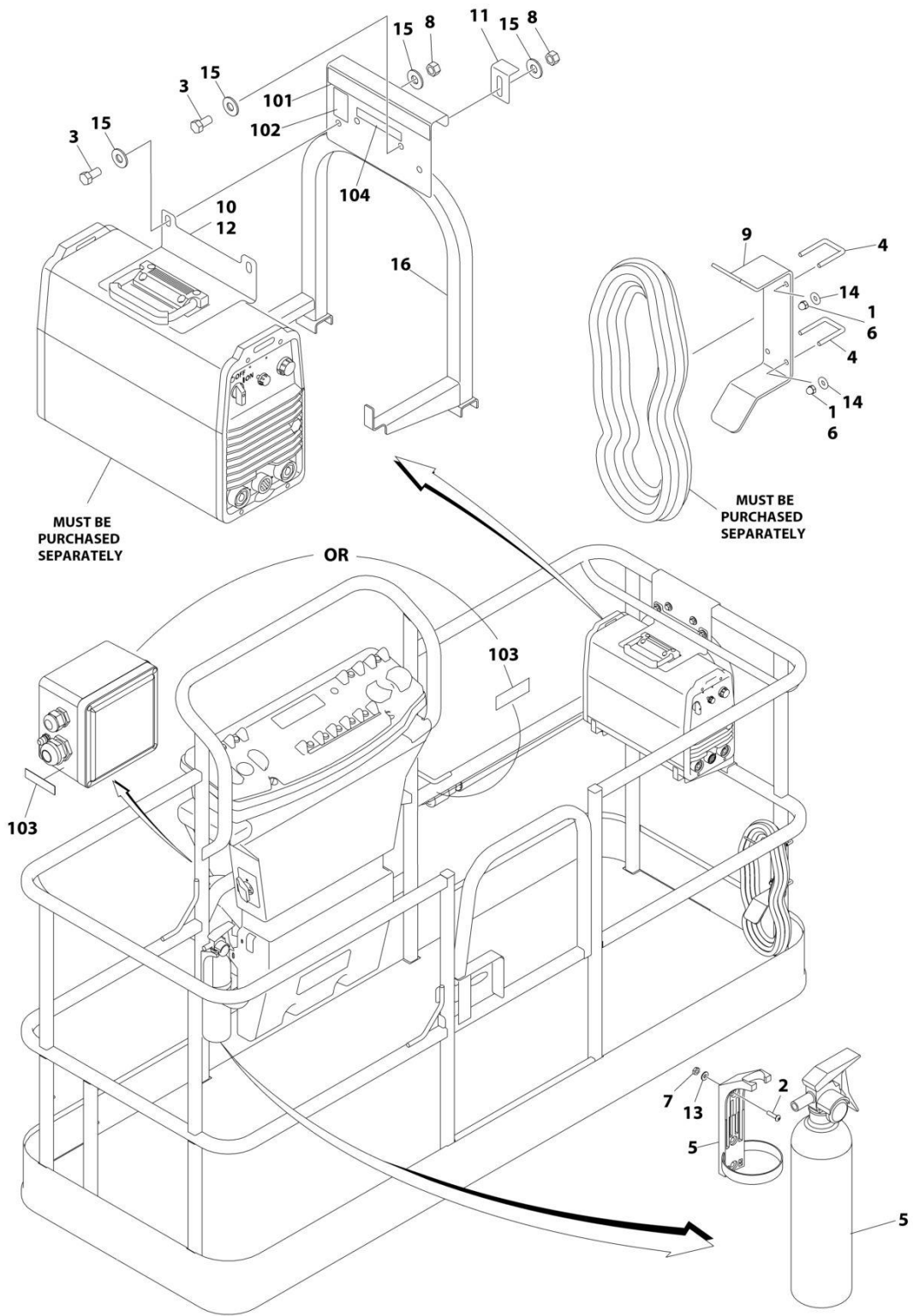
## SECTION 5 - PLATFORM

**FIGURE 5-34. SKYWELDER INSTALLATION (60HZ)**

ITEM	PART NUMBER	QTY	DESCRIPTION	REV
	0272254	Ref	SKYWELDER INSTALLATION	1
1	0100011	AR	Compound, Locking	
2	0630518	2	Screw #10 x 3/4	
3	0641606	4	Bolt 3/8 x 3/4	
4	1320302	2	U-Clamp	
5	2030010	1	Extinguisher, Fire	
6	2902217	1	Weld Leads Kit	
7	3300151	4	Nut 1/4	
8	3311005	2	Nut #10	
9	3311605	4	Nut 3/8	
10	3573400	1	Bracket	
11	3577121	2	Angle	
12	3573642	1	Plate	
13	4420037	AR	Tape	
14	4240099	AR	Tie-Strap (Not Shown)	
15	4460962	1	Plug, Male Twistlock	
17	4530028	1	Welder Assembly (See Separate Breakdown in this Section)	
18	4751400	4	Washer 1/4	
19	4751600	8	Washer 3/8	
20	4846627	1	Support	
21	1671093	1	Cover, Plug	
22	4751000	2	Washer #10	

# SECTION 5 - PLATFORM

## FIGURE 5-35. SKYWELDER PREP PACKAGE (60HZ)



ART\_1001128527\_B

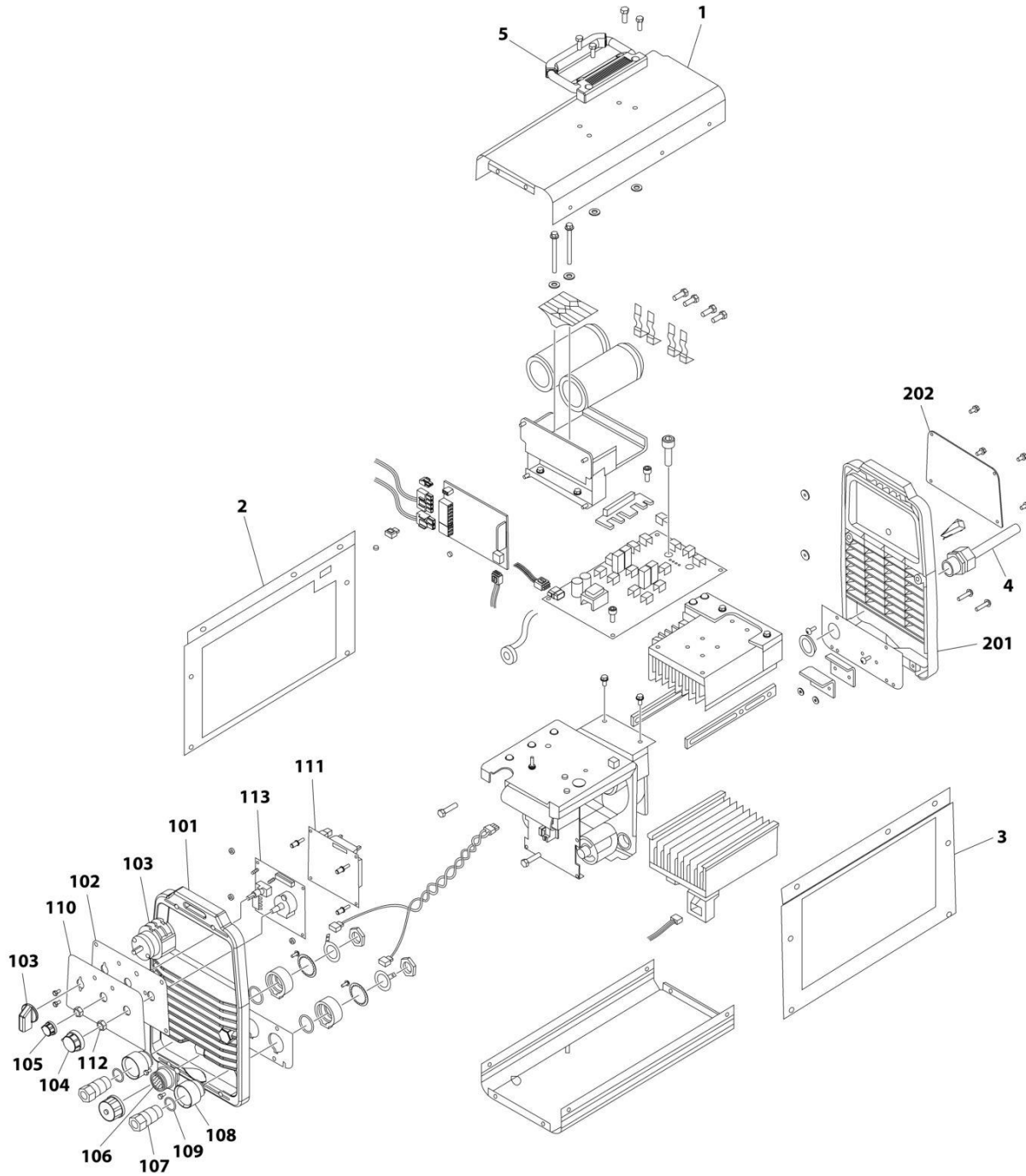
## SECTION 5 - PLATFORM

**FIGURE 5-35. SKYWELDER PREP PACKAGE (60HZ)**

ITEM	PART NUMBER	QTY	DESCRIPTION	REV
	1001128527	Ref	SKYWELDER PREP PACKAGE	B
1	0100011	AR	Compound, Locking	
2	0630518	2	Screw #10 x 3/4	
3	0641606	4	Bolt 3/8 x 3/4	
4	1320302	2	U-Clamp	
5	2030010	1	Extinguisher, Fire	
6	3300151	4	Nut 1/4	
7	3311005	2	Nut #10	
8	3311605	4	Nut 3/8	
9	3573400	1	Bracket	
10	3573642	1	Plate	
11	3577121	2	Angle	
12	4420037	AR	Tape	
13	4751000	2	Washer #10	
14	4751400	4	Washer 1/4	
15	4751600	8	Washer 3/8	
16	4846627	1	Support	
	1001128556	Ref	SKYWELDER DECAL INSTALLATION	C
101	1702868	1	Decal - No Hands	
102	1705305	1	Decal - Weld Lead	
103	1705375	1	Decal - 240V - 3 Phase - 60Hz	
104	1001228988	1	Decal - Weight	

# SECTION 5 - PLATFORM

## FIGURE 5-36. WELDER ASSEMBLY



ART\_4530028



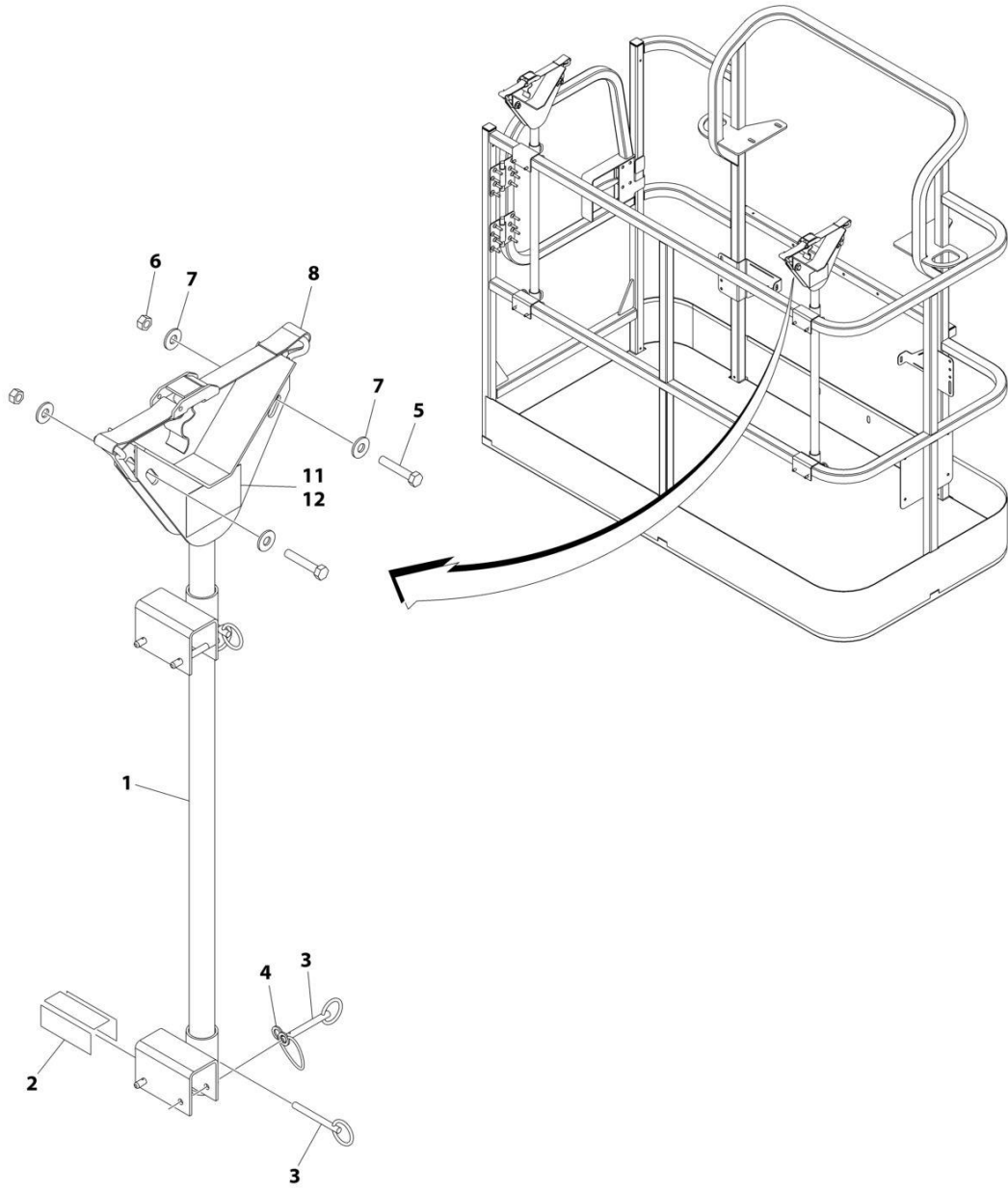
## SECTION 5 - PLATFORM

### FIGURE 5-36. WELDER ASSEMBLY

ITEM	PART NUMBER	QTY	DESCRIPTION	REV
	4530028	Ref	WELDER ASSEMBLY	B
		Ref	Note: For Other Components, contact your Miller Welder Dealer.	
1	7027773	1	Cover, Top	
1	7027774	1	Decal - Static Precautionary Warning	
2	See Note	NSS	Panel, LH Side (Note: Part of Item 1. Purchase Item 1)	
3	See Note	NSS	Panel, RH Side (Note: Part of Item 1. Purchase Item 1)	
4	7024467	1	Cable, Power	
4	7027775	1	Decal - Electrical Shock Warning (Not Shown)	
5	7027776	1	Handle, Carrying	
101	7024462	1	Panel, Front	
102	7024463	1	Panel, Console	
103	7024469	1	Switch with Lead	
104	7024470	1	Knob	
105	7024471	1	Knob	
106	7024472	1	Receptacle with Leads and Plugs	
107	7024473	2	Receptacle, Twistlock Female	
108	7024474	2	Insulator	
109	7024475	2	O-Ring	
110	7027777	1	Nameplate	
111	7027779	1	Circuit Card Assembly (Process Control)	
112	7024478	2	Nut	
113	7027778	1	Circuit Card Assembly (Operator Interface)	
201	7024462	1	Panel, Rear	
202	7027780	1	Panel, Cover	

# SECTION 5 - PLATFORM

## FIGURE 5-37. PIPE RACK INSTALLATION (ANSI AND CSA SPECS)



ART\_0257728\_E

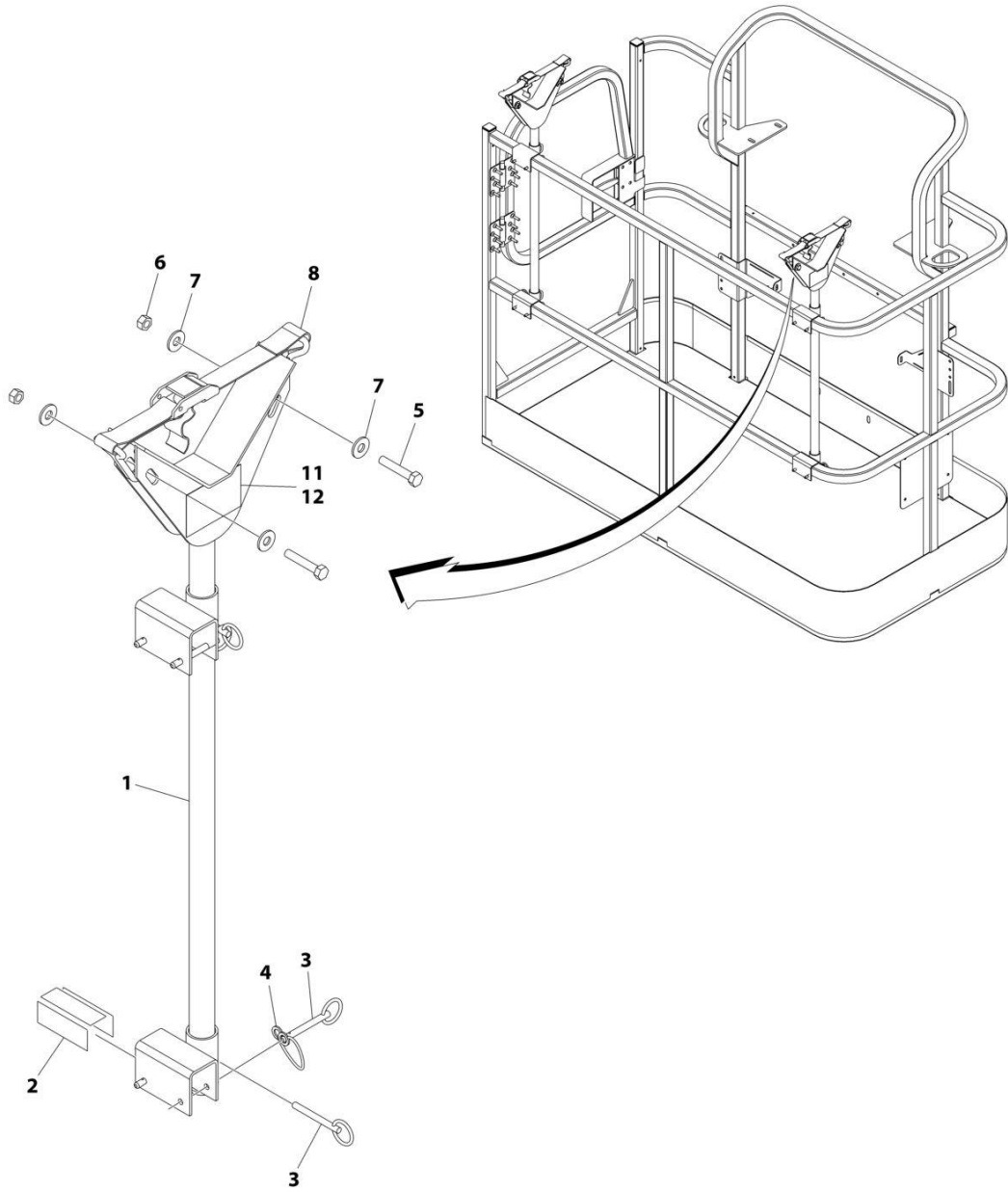
## SECTION 5 - PLATFORM

**FIGURE 5-37. PIPE RACK INSTALLATION (ANSI AND CSA SPECS)**

ITEM	PART NUMBER	QTY	DESCRIPTION	REV
	0257728	Ref	PIPE RACK INSTALLATION	E
1	4845582	2	Rack, Pipe	
2	4420062	AR	Tape	
3	3422661	10	Pin	
4	1060379	4	Lanyard	
5	0641514	4	Bolt 5/16 x 1-3/4	
6	3311505	4	Nut 5/16	
7	4751500	8	Washer 5/16	
8	0480100	2	Tie-Down	
11	1001252946	2	Decal - Capacity (500-600LBS/2227-272KG Zones)	
12	1001252947	2	Decal - Capacity (660-1000LBS/299-454KG Zones)	

# SECTION 5 - PLATFORM

## FIGURE 5-38. PIPE RACK INSTALLATION (AUSTRALIAN SPEC)



ART\_0274661\_C

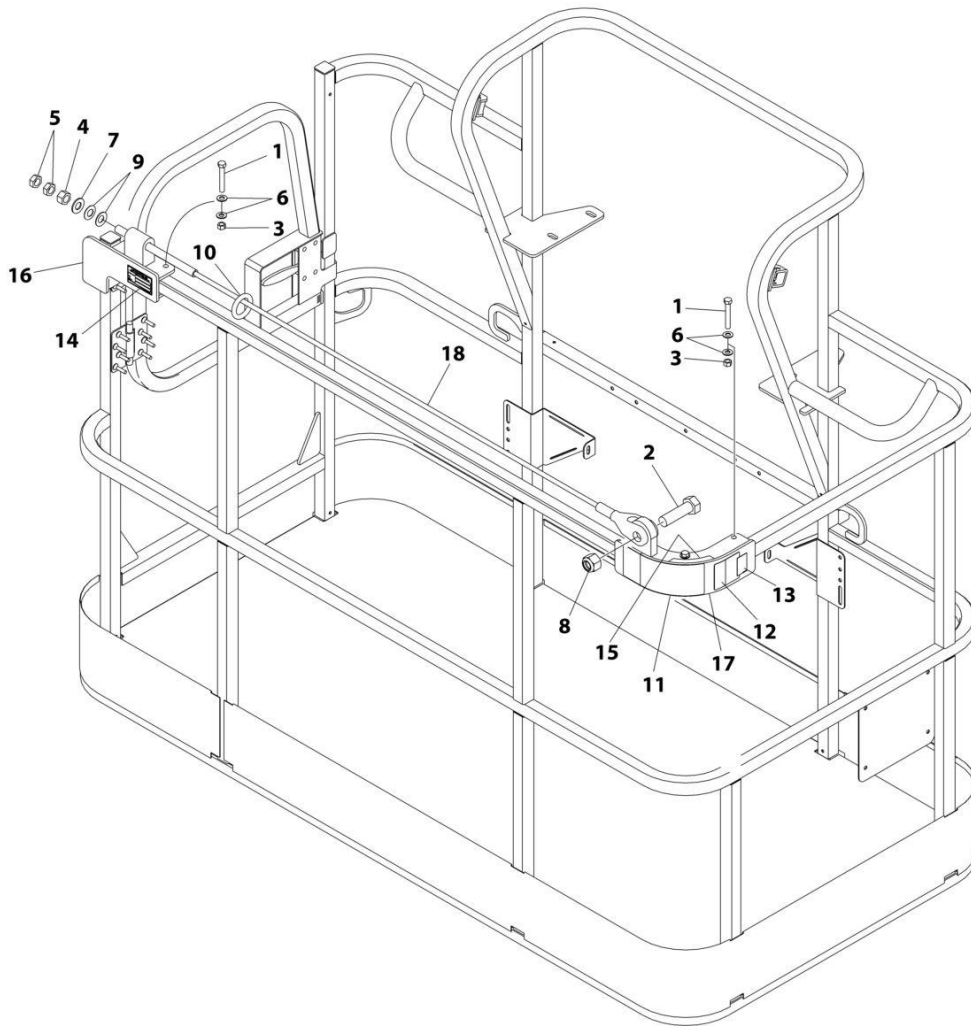
## SECTION 5 - PLATFORM

**FIGURE 5-38. PIPE RACK INSTALLATION (AUSTRALIAN SPEC)**

ITEM	PART NUMBER	QTY	DESCRIPTION	REV
	0274661	Ref	PIPE RACK INSTALLATION	C
1	4845582	2	Rack, Pipe	
2	4420062	AR	Tape	
3	3422661	10	Pin	
4	1060379	4	Lanyard	
5	0641514	4	Bolt 5/16 x 1-3/4	
6	3311505	4	Nut 5/16	
7	4751500	8	Washer 5/16	
8	0480100	2	Tie-Down	
11	1001252946	2	Decal - Capacity (1) (500-600LBSS/227-272KG Zones) (1200SJP,1250AJP,1350SJP,1500SJ,400S,450A,450AJ,460SJ,520AJ,800S,860SJ)	
12	1001252947	2	Decal - Capacity (2) (660-1000LBSS/299-454KG Zones)	

# SECTION 5 - PLATFORM

FIGURE 5-39. FALL ARREST (BOLT-ON) INSTALLATION - 5FTX3FT PLATFORM (ALL SPECS EXCEPT AUSTRALIAN & CE SPECS) (OPTIONAL)



ART\_1001257275

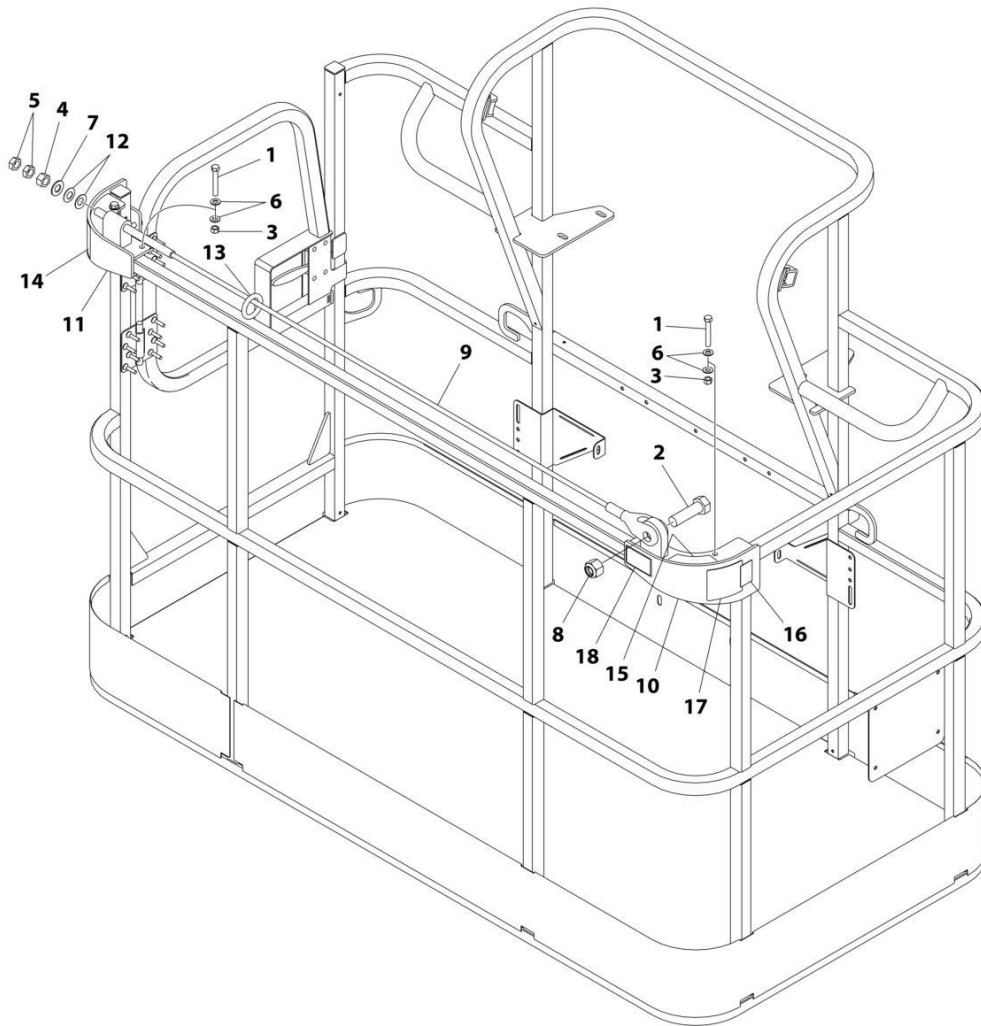
## SECTION 5 - PLATFORM

**FIGURE 5-39. FALL ARREST (BOLT-ON) INSTALLATION - 5FTX3FT PLATFORM (ALL SPECS EXCEPT AUSTRALIAN & CE SPECS) (OPTIONAL)**

ITEM	PART NUMBER	QTY	DESCRIPTION	REV
	1001257275	Ref	FALL ARREST INSTALLATION (BOLT - ON) 6FT/1.82M PLATFORM	A
1	0681620	6	Bolt 3/8 x 2-1/2	
2	0682424	1	Bolt 7/8 x 3	
3	3271605	6	Nut 3/8	
4	3272001	1	Nut 5/8	
5	3312002	2	Nut 5/8	
6	4711600	12	Washer 3/8	
7	4712000	1	Washer 5/8	
8	88521214	1	Nut 7/8	
9	1001236891	2	Washer	
10	1001236895	1	Ring	
11	1001238263	1	Decal - Warning Falling Hazard	
12	1001248140	1	Decal - Bolt Fall Arrest Re-Cert	
13	1001248141	1	Decal - Incription	
14	See Note	NSS	Nameplate - Manufacturers Serial Number (Note: Not Available for Purchase)	
15	1001252629	1	Decal - Weight	
16	1001257271	1	Bracket (RH)	
17	1001257274	1	Bracket (LH)	
18	1001258005	1	Rope	

# SECTION 5 - PLATFORM

FIGURE 5-40. FALL ARREST (BOLT-ON) INSTALLATION - 6FTX3FT PLATFORM (ALL SPECS EXCEPT AUSTRALIAN & CE SPECS) (OPTIONAL)



ART\_1001236747



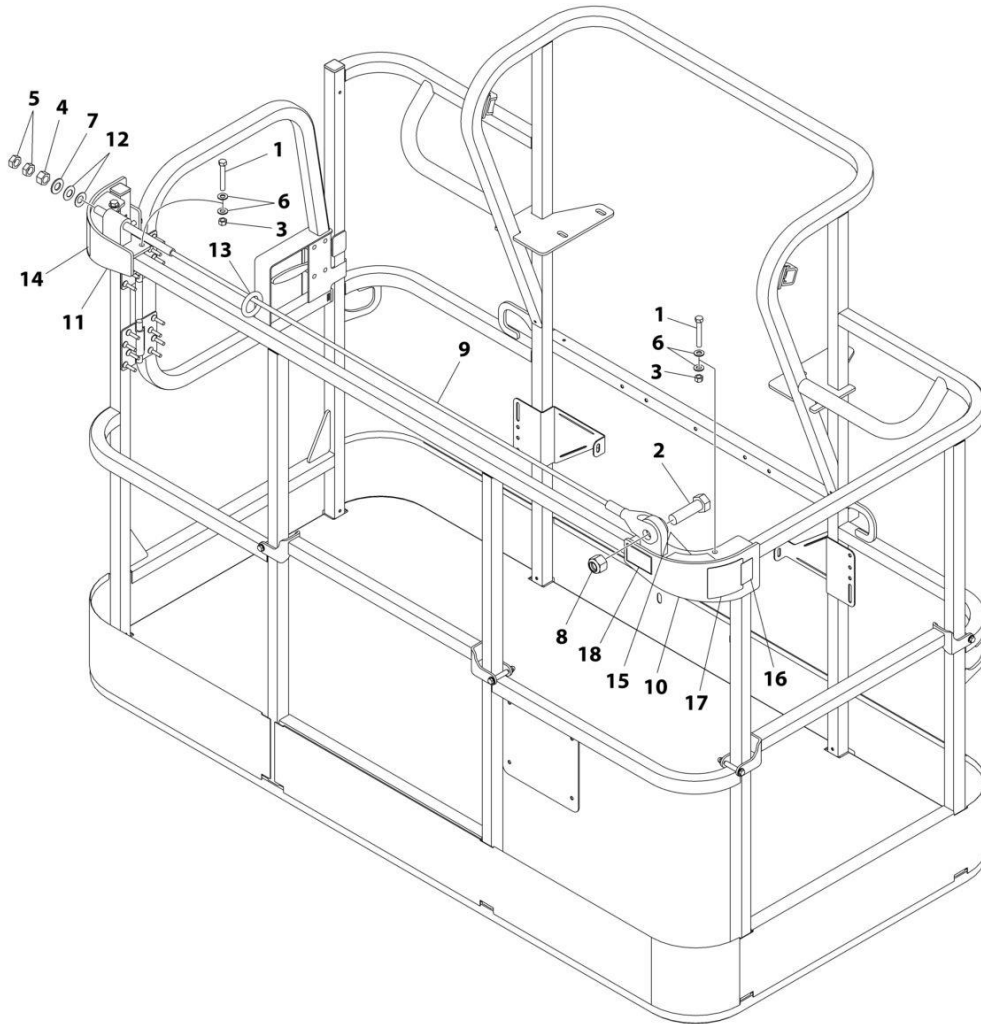
## SECTION 5 - PLATFORM

**FIGURE 5-40. FALL ARREST (BOLT-ON) INSTALLATION - 6FTX3FT PLATFORM (ALL SPECS EXCEPT AUSTRALIAN & CE SPECS) (OPTIONAL)**

ITEM	PART NUMBER	QTY	DESCRIPTION	REV
	1001236747	Ref	FALL ARREST INSTALLATION (BOLT - ON) 6FT/1.82M PLATFORM	C
1	0681620	6	Bolt 3/8 x 2-1/2	
2	0682424	1	Bolt 7/8 x 3	
3	3271605	6	Nut 3/8	
4	3272001	1	Nut 5/8	
5	3312002	2	Nut 5/8	
6	4711600	12	Washer 3/8	
7	4712000	1	Washer 5/8	
8	88521214	1	Nut 7/8	
9	1001231950	1	Rope	
10	1001232010	1	Bracket (RH)	
11	1001232011	1	Bracket (LH)	
12	1001236891	2	Washer	
13	1001236895	1	Ring	
14	1001238263	1	Decal - Warning Falling Hazard	
15	1001252629	1	Decal - Weight	
16	1001248140	1	Decal - Bolt Fall Arrest Re-Cert	
17	1001248141	1	Decal - Inscription	

# SECTION 5 - PLATFORM

FIGURE 5-41. FALL ARREST (BOLT-ON) INSTALLATION - 6FTX3FT TRI-ENTRY PLATFORM (ALL SPECS EXCEPT AUSTRALIAN & CE SPECS) (OPTIONAL)



ART\_1001238463

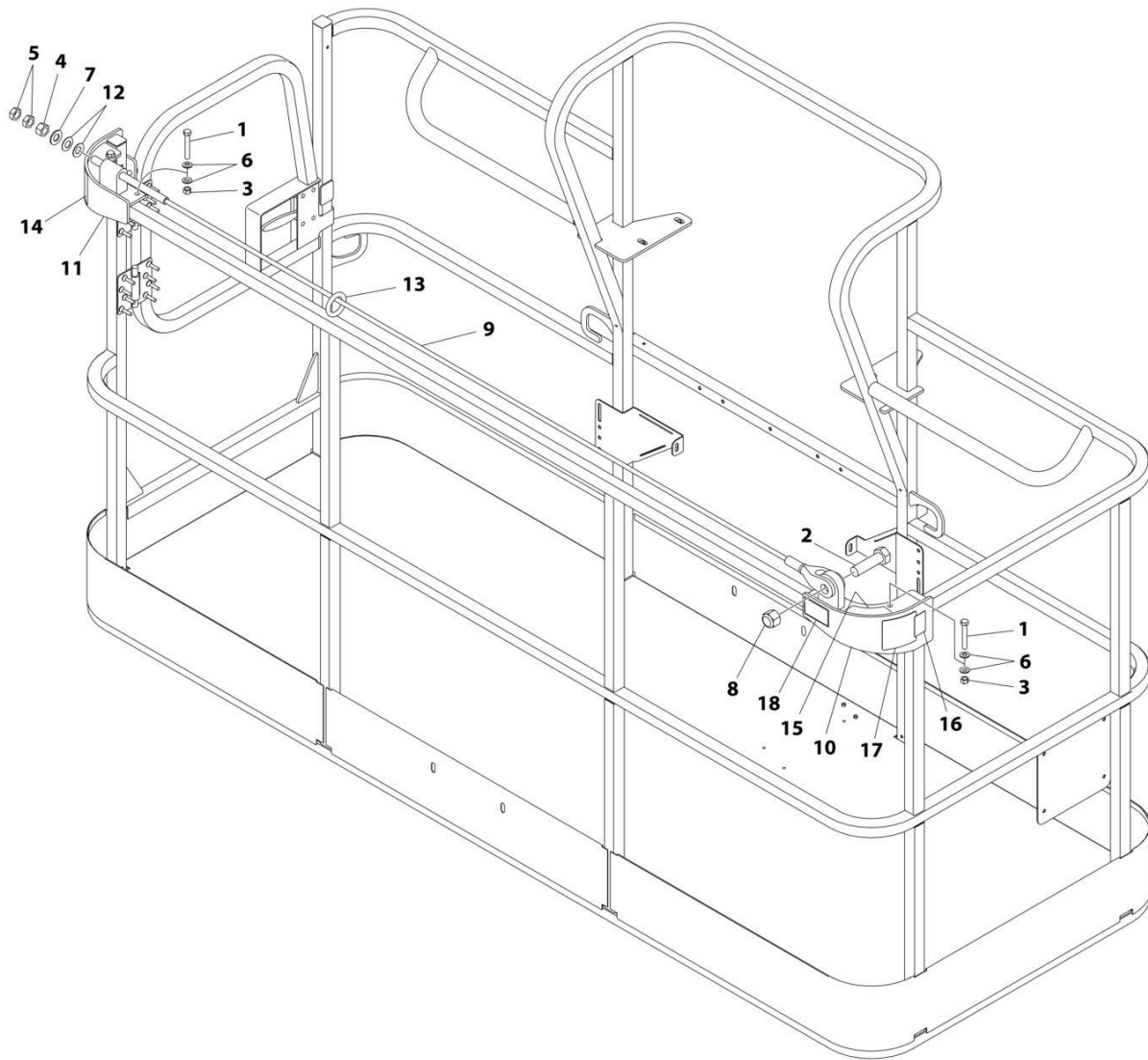
## SECTION 5 - PLATFORM

**FIGURE 5-41. FALL ARREST (BOLT-ON) INSTALLATION - 6FTX3FT TRI-ENTRY PLATFORM (ALL SPECS EXCEPT AUSTRALIAN & CE SPECS) (OPTIONAL)**

ITEM	PART NUMBER	QTY	DESCRIPTION	REV
	1001238463	Ref	FALL ARREST INSTALLATION (BOLT - ON) 6FT/1.82M PLATFORM	C
1	0681620	6	Bolt 3/8 x 2-1/2	
2	0682424	1	Bolt 7/8 x 3	
3	3271605	6	Nut 3/8	
4	3272001	1	Nut 5/8	
5	3312002	2	Nut 5/8	
6	4711600	12	Washer 3/8	
7	4712000	1	Washer 5/8	
8	88521214	1	Nut 7/8	
9	1001231950	1	Rope	
10	1001232010	1	Bracket (RH)	
11	1001232011	1	Bracket (LH)	
12	1001236891	2	Washer	
13	1001236895	1	Ring	
14	1001238263	1	Decal - Warning Falling Hazard	
15	1001252629	1	Decal - Weight	
16	1001248140	1	Decal - Bolt Fall Arrest Re-Cert	
17	1001248141	1	Decal - Inscription	

# SECTION 5 - PLATFORM

FIGURE 5-42. FALL ARREST (BOLT-ON) INSTALLATION - 8FTX3FT PLATFORM (ALL SPECS EXCEPT AUSTRALIAN & CE SPECS) (OPTIONAL)



ART\_1001236746

## SECTION 5 - PLATFORM

**FIGURE 5-42. FALL ARREST (BOLT-ON) INSTALLATION - 8FTX3FT PLATFORM (ALL SPECS EXCEPT AUSTRALIAN & CE SPECS) (OPTIONAL)**

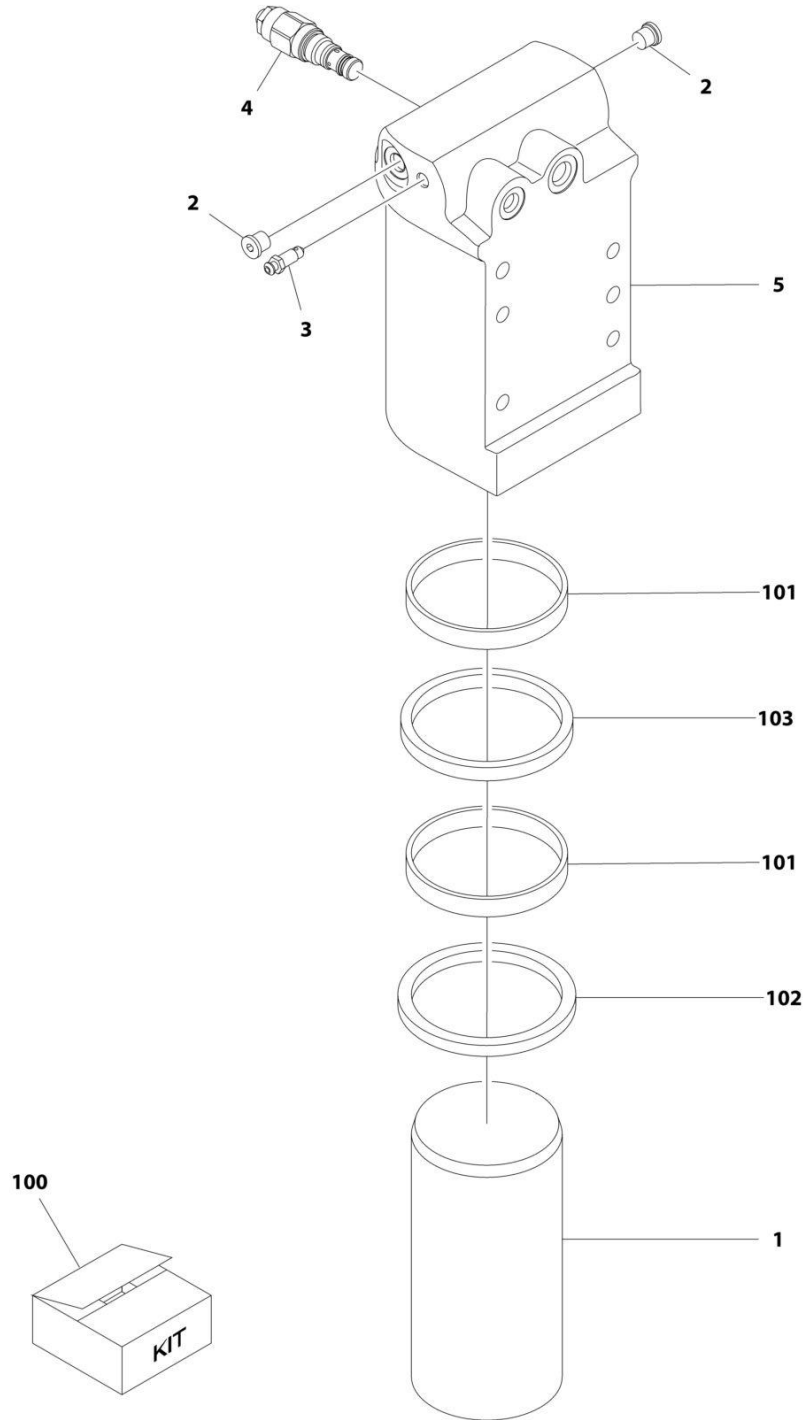
ITEM	PART NUMBER	QTY	DESCRIPTION	REV
	1001236746	Ref	FALL ARREST INSTALLATION (BOLT - ON) 8FT/2.4M PLATFORM	C
1	0681620	6	Bolt 3/8 x 2-1/2	
2	0682424	1	Bolt 7/8 x 3	
3	3271605	6	Nut 3/8	
4	3272001	1	Nut 5/8	
5	3312002	2	Nut 5/8	
6	4711600	12	Washer 3/8	
7	4712000	1	Washer 5/8	
8	88521214	1	Nut 7/8	
9	1001231949	1	Rope	
10	1001232010	1	Bracket (RH)	
11	1001232011	1	Bracket (LH)	
12	1001236891	2	Washer	
13	1001236895	1	Ring	
14	1001238263	1	Decal - Warning Falling Hazard	
15	1001252629	1	Decal - Weight 23LBS/10.4KG	
16	1001248140	1	Decal - Bolt Fall Arrest Re-Cert	
17	1001248141	1	Decal - Inscription	



**SECTION 6 - CYLINDER**

# SECTION 6 - CYLINDER

## FIGURE 6-1. AXLE LOCKOUT CYLINDER ASSEMBLY



ART\_1001163580



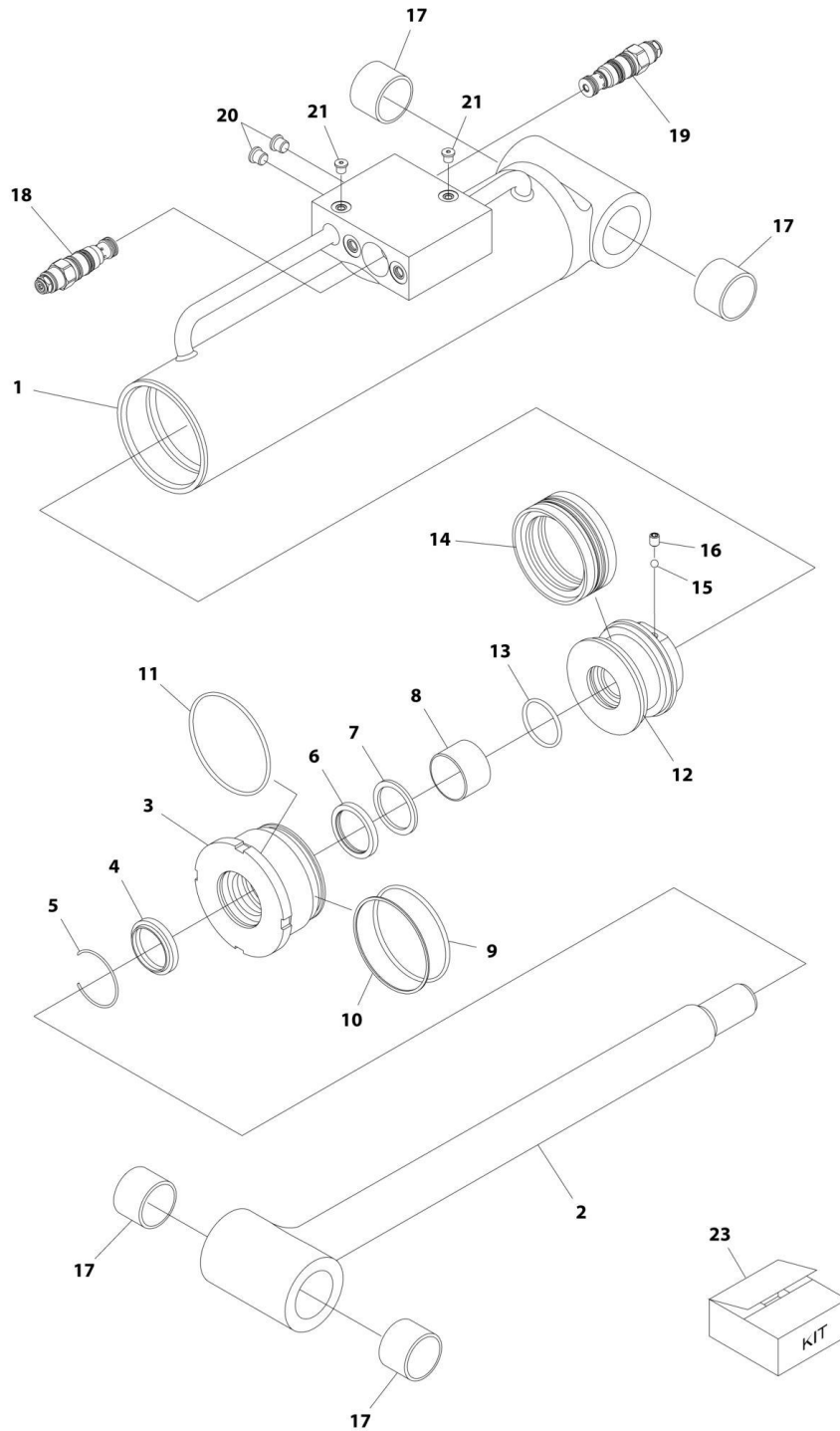
## SECTION 6 - CYLINDER

**FIGURE 6-1. AXLE LOCKOUT CYLINDER ASSEMBLY**

ITEM	PART NUMBER	QTY	DESCRIPTION	REV
	1001163580	Ref	AXLE LOCKOUT CYLINDER ASSEMBLY	I
		Ref	Note: Original Cylinder May Have Been Replaced with Service Replacement. Identify PN Stamped on Cylinder Before Ordering Parts.	
1	1684290	1	Rod	
2	2220883	2	Plug #4	
3	4640858	1	Valve, Bleeder	
4	1001117372	1	Cartridge, Valve	
4	70002842	1	Seal Kit - 1001117372 Valve	
5	1001164817	1	Barrel	
100	2902266	NLA	Seal Kit - 1001163590 Cylinder (Includes Items 101-103)	
101	See Note	NSS	Ring, Wear (Note: Use Item 100)	
102	See Note	NSS	Seal (Note: Use Item 100)	
103	See Note	NSS	Wiper (Note: Use Item 100)	

# SECTION 6 - CYLINDER

## FIGURE 6-2. LEVEL (PLATFORM SLAVE) CYLINDER ASSEMBLY



ART\_1001163386

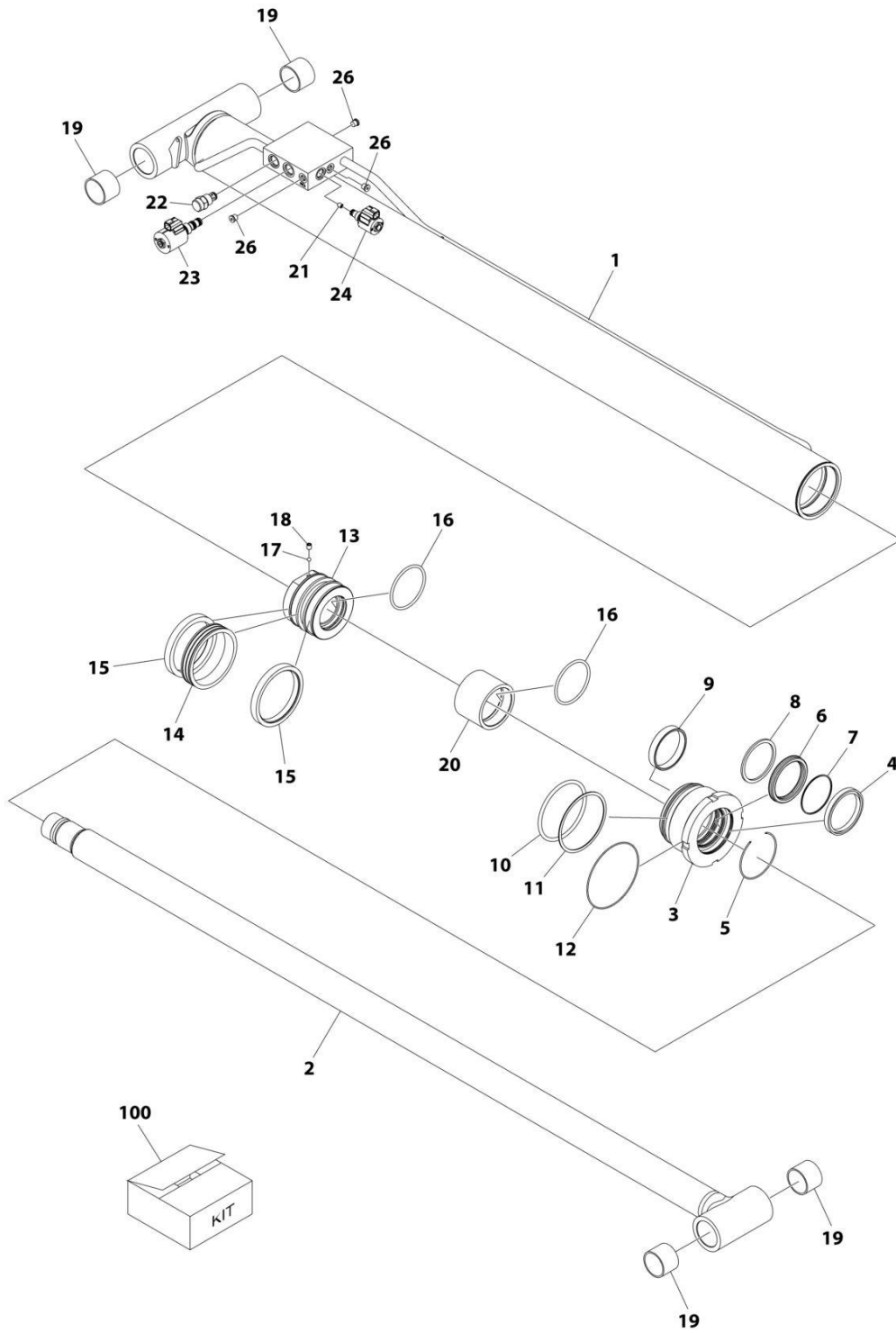
## SECTION 6 - CYLINDER

**FIGURE 6-2. LEVEL (PLATFORM SLAVE) CYLINDER ASSEMBLY**

ITEM	PART NUMBER	QTY	DESCRIPTION	REV
	1001163386	Ref	LEVEL (PLATFORM SLAVE) CYLINDER ASSEMBLY	G
		Ref	Note: Original Cylinder May Have Been Replaced with Service Replacement. Identify PN Stamped on Cylinder Before Ordering Parts.	
1	70005147	1	Barrel	
2	70005148	1	Rod	
3	70005142	1	Head	
4	See Note	NSS	Wiper (Note: Use Item 23)	
5	70002373	1	Ring, Retaining	
6	See Note	NSS	Seal, Rod (Note: Use Item 23)	
7	See Note	NSS	Ring, Back-up (Note: Use Item 23)	
8	70005143	1	Bearing, Dry	
9	See Note	NSS	O-Ring (Note: Use Item 23)	
10	See Note	NSS	Ring, Back-up (Note: Use Item 23)	
11	See Note	NSS	O-Ring (Note: Use Item 23)	
12	70005144	1	Piston	
13	See Note	NSS	O-Ring (Note: Use Item 23)	
14	See Note	NSS	Seal, Piston (Note: Use Item 23)	
15	70022564	1	Ball	
16	70023369	1	Setscrew	
17	70005145	4	Bearing	
18	1001168209	1	Cartridge, Valve	
18	2900770	1	Seal Kit - 1001168209 Valve	
19	1001168210	1	Cartridge, Valve	
19	2900770	1	Seal Kit - 1001168210 Valve	
20	70023370	1	Plug 7/16	
21	2220881	1	Plug, O-Ring 5/16	
23	70005149	1	Seal Kit - 1001163386 Cylinder (Includes Items 4, 6, 7, 9, 10, 11, 13 & 14)	

# SECTION 6 - CYLINDER

## FIGURE 6-3. LIFT CYLINDER ASSEMBLY - MAIN BOOM



ART\_1001228092

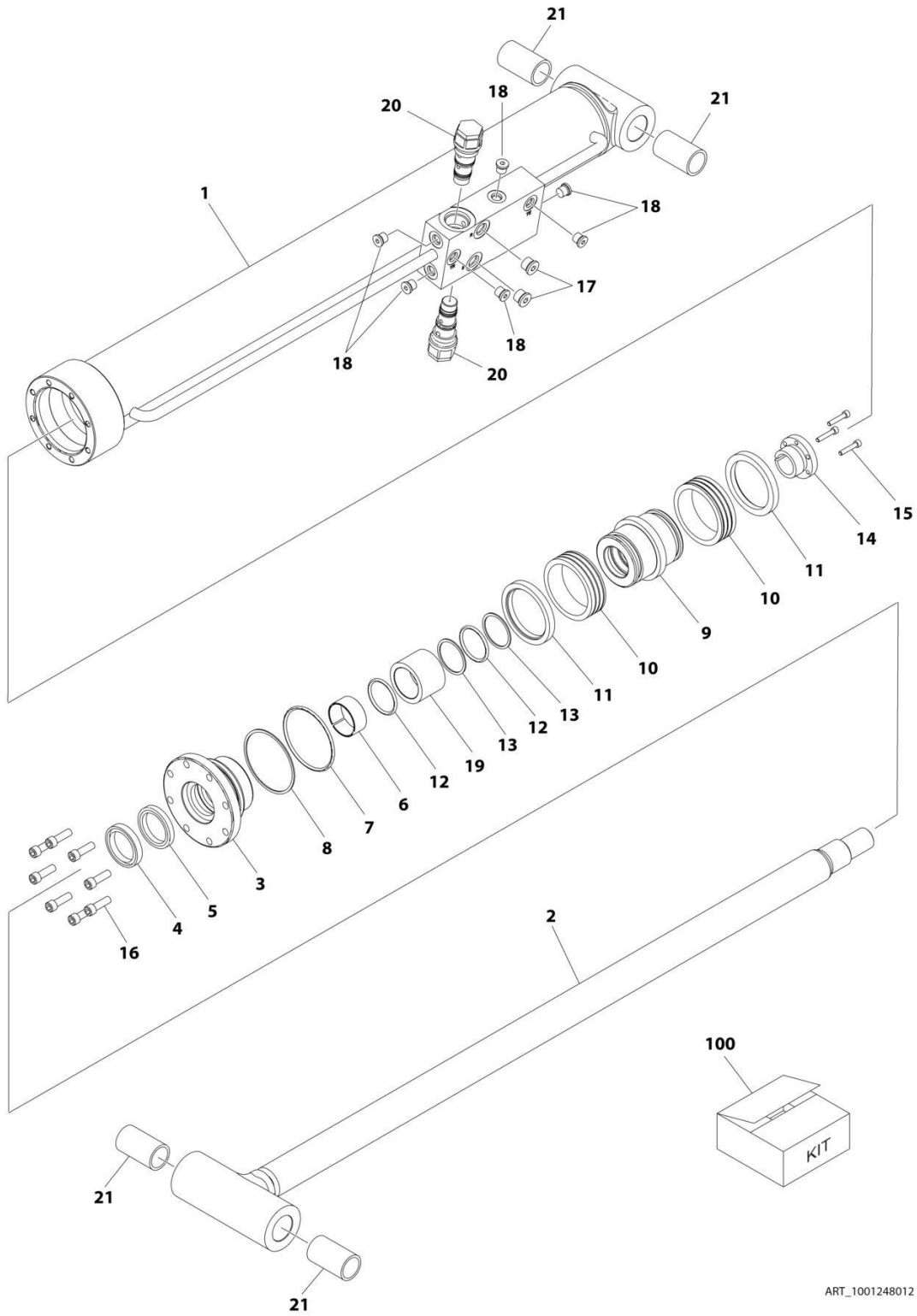
## SECTION 6 - CYLINDER

### FIGURE 6-3. LIFT CYLINDER ASSEMBLY - MAIN BOOM

ITEM	PART NUMBER	QTY	DESCRIPTION	REV
	1001228092	Ref	LIFT CYLINDER ASSEMBLY - MAIN BOOM	C
		Ref	Note: Original Cylinder May Have Been Replaced with Service Replacement. Identify PN Stamped on Cylinder Before Ordering Parts.	
1	See Note	NSS	Barrel (Use p/n 1001228092)	
2	70006702	1	Rod	
3	70006703	1	Head	
4	See Note	NSS	Wiper (Note: Use Item 100)	
5	70050795	1	Ring, Retainer	
6	See Note	NSS	Seal, Rod (Note: Use Item 100)	
7	See Note	NSS	O-Ring (Note: Use Item 100)	
8	See Note	NSS	Ring (Note: Use Item 100)	
9	70006636	1	Ring, Wear	
10	See Note	NSS	O-Ring (Note: Use Item 100)	
11	See Note	NSS	Ring, Back-up (Note: Use Item 100)	
12	See Note	NSS	O-Ring (Note: Use Item 100)	
13	70006704	1	Piston	
14	See Note	NSS	Seal (Note: Use Item 100)	
15	See Note	NSS	Ring, Wear (Note: Use Item 100)	
16	See Note	NSS	Seal (Note: Use Item 100)	
17	70022564	1	Ball	
18	70023369	1	Setscrew M8 x 10	
19	0961950	4	Bearing	
20	70006705	1	Spacer	
21	70004231	1	Orifice	
22	4641390	1	Cartridge, Check Valve	
22	7017496	1	Seal Kit - 4641390 Valve	
23	1001206625	1	Cartridge, Valve (Includes Coil)	
23	70006104	1	Cartridge, Less Coil	
23	70006105	1	Seal Kit - 70006104 & 1001206625 Cartridges	
23	70003788	1	Coil	
23	7022390	1	Nut, Coil	
24	1001164709	1	Cartridge, Valve (Includes Coil)	
24	7017467	1	Cartridge, Less Coil	
24	7012998	1	Seal Kit - 7017467 & 1001164709 Cartridges	
24	70002386	1	Coil	
26	2220883	3	Plug #4	
100	70006706	1	Seal Kit - 1001228092 Cylinder (Includes Item 4, 6-8, 10-12 & 14-16)	

# SECTION 6 - CYLINDER

## FIGURE 6-4. LIFT CYLINDER ASSEMBLY - JIB



ART\_1001248012

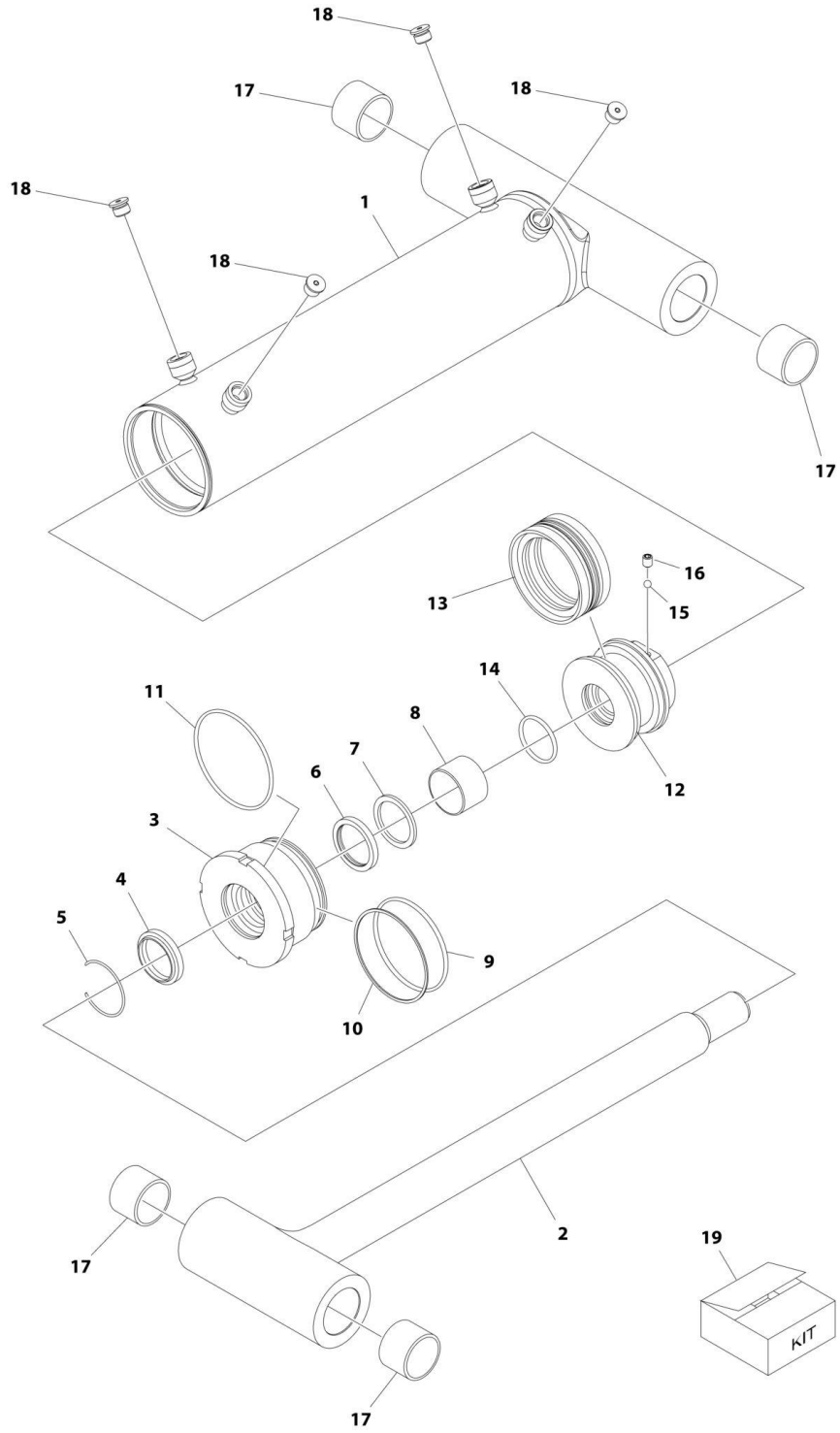
## SECTION 6 - CYLINDER

**FIGURE 6-4. LIFT CYLINDER ASSEMBLY - JIB**

ITEM	PART NUMBER	QTY	DESCRIPTION	REV
	1001248012	Ref	LIFT CYLINDER ASSEMBLY - JIB	C
		Ref	Note: Original Cylinder May Have Been Replaced with Service Replacement. Identify PN Stamped on Cylinder Before Ordering Parts.	
1	See Note	NSS	Barrel (Note: Not Available for Purchase)	
2	70006734	1	Rod	
3	70006649	1	Head	
4	See Note	NSS	Wiper (Note: Use Item 100)	
5	See Note	NSS	Seal, Rod (Note: Use Item 100)	
6	See Note	NSS	Ring, Wear (Note: Use Item 100)	
7	See Note	NSS	O-Ring (Note: Use Item 100)	
8	See Note	NSS	Ring, Back-up (Note: Use Item 100)	
9	70006650	1	Piston	
10	See Note	NSS	Seal (Note: Use Item 100)	
11	See Note	NSS	Ring, Lock (Note: Use Item 100)	
12	See Note	NSS	O-Ring (Note: Use Item 100)	
13	See Note	NSS	Ring, Back-up (Note: Use Item 100)	
14	0961893	1	Bushing, Tapered	
15	0630534	3	Capscrew, Socket Head #10 x 1	
16	70006735	8	Capscrew 5/16	
17	2220885	2	Plug, O-Ring	
18	2220883	6	Plug, O-Ring	
19	70006736	1	Spacer	
20	4640509	2	Cartridge, Valve	
20	2900792	2	Seal Kit - 4640509 Valve	
21	0962336	4	Bushing	
100	1001138795	1	Seal Kit (Includes Items 4-8 & 10-13)	

# SECTION 6 - CYLINDER

## FIGURE 6-5. MASTER CYLINDER ASSEMBLY



ART\_1001163385



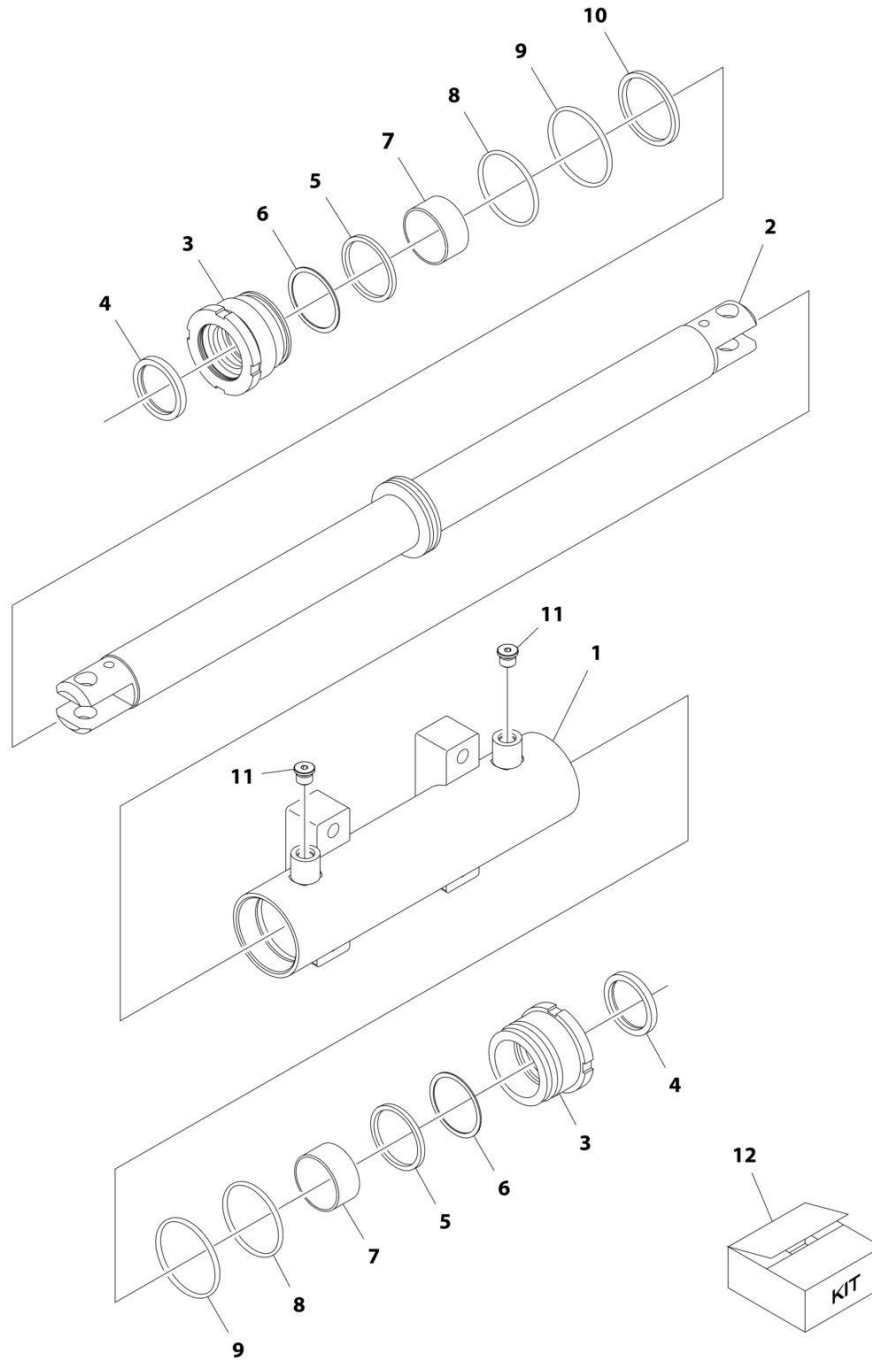
## SECTION 6 - CYLINDER

### FIGURE 6-5. MASTER CYLINDER ASSEMBLY

ITEM	PART NUMBER	QTY	DESCRIPTION	REV
	1001163385	Ref	MASTER CYLINDER ASSEMBLY	F
		Ref	Note: Original Cylinder May Have Been Replaced with Service Replacement. Identify PN Stamped on Cylinder Before Ordering Parts.	
1	70005140	1	Barrel	
2	70005141	1	Rod	
3	70005142	1	Head, Cylinder	
4	See Note	NSS	Wiper (Note: Use Item 19)	
5	70002373	1	Ring, Retaining	
6	See Note	NSS	Seal, Rod (Note: Use Item 19)	
7	See Note	NSS	Ring, Back-up (Note: Use Item 19)	
8	70005143	1	Bearing, Dry	
9	See Note	NSS	O-Ring (Note: Use Item 19)	
10	See Note	NSS	Ring, Back-up (Note: Use Item 19)	
11	See Note	NSS	O-Ring (Note: Use Item 19)	
12	70005144	1	Piston	
13	See Note	NSS	Seal, Piston	
14	See Note	NSS	O-Ring (Note: Use Item 19)	
15	70022564	1	Ball	
16	70023369	1	Setscrew M8 x 31.75	
17	70005145	4	Bearing	
18	700023371	4	Plug 9/16	
19	70005146	1	Seal Kit - 1001163385 Cylinder (Includes Items 4, 6, 7, 9, 10, 11, 13 & 14)	

# SECTION 6 - CYLINDER

## FIGURE 6-6. STEER CYLINDER ASSEMBLY



ART\_1001163178

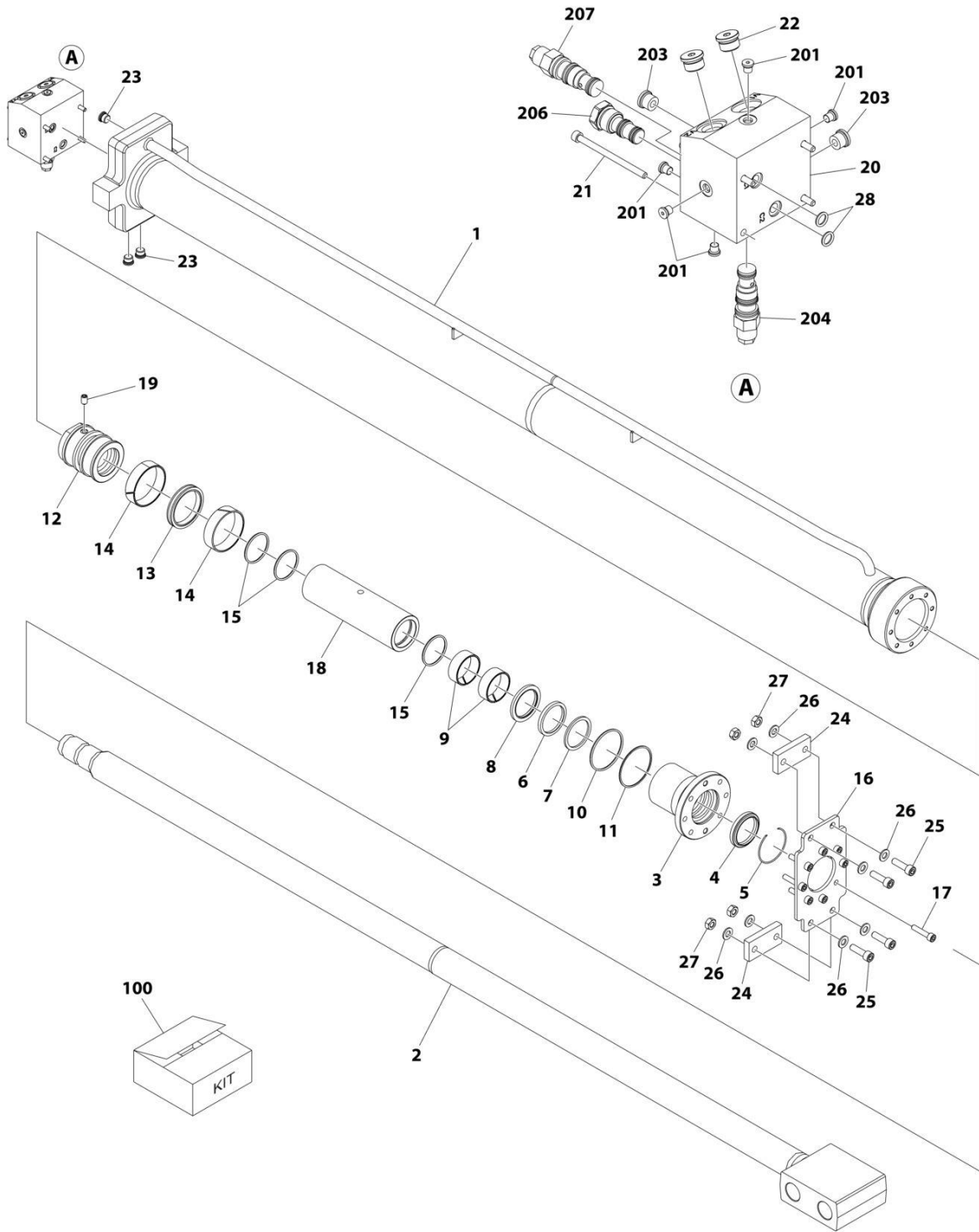
## SECTION 6 - CYLINDER

**FIGURE 6-6. STEER CYLINDER ASSEMBLY**

ITEM	PART NUMBER	QTY	DESCRIPTION	REV
	1001163178	Ref	STEER CYLINDER ASSEMBLY	E
		Ref	Note: Original Cylinder May Have Been Replaced with Service Replacement. Identify PN Stamped on Cylinder Before Ordering Parts.	
1	70005150	1	Barrel	
2	70005151	1	Rod	
3	70005152	2	Head	
4	See Note	NSS	Wiper (Note: Use Item 12)	
5	See Note	NSS	Seal, Rod (Note: Use Item 12)	
6	See Note	NSS	Ring, Back-up (Note: Use Item 12)	
7	70005153	2	Bearing, Dry	
8	See Note	NSS	O-Ring (Note: Use Item 12)	
9	See Note	NSS	O-Ring (Note: Use Item 12)	
10	See Note	NSS	Seal, Piston (Note: Use Item 12)	
11	See Note	2	Plug 9/16 (Note: Not Available for Purchase)	
12	70005154	1	Seal Kit - 1001163178 Cylinder (Includes Items 4-6 & 8-10)	

# SECTION 6 - CYLINDER

## FIGURE 6-7. TELESCOPE CYLINDER ASSEMBLY



ART\_1001251075

## SECTION 6 - CYLINDER

### FIGURE 6-7. TELESCOPE CYLINDER ASSEMBLY

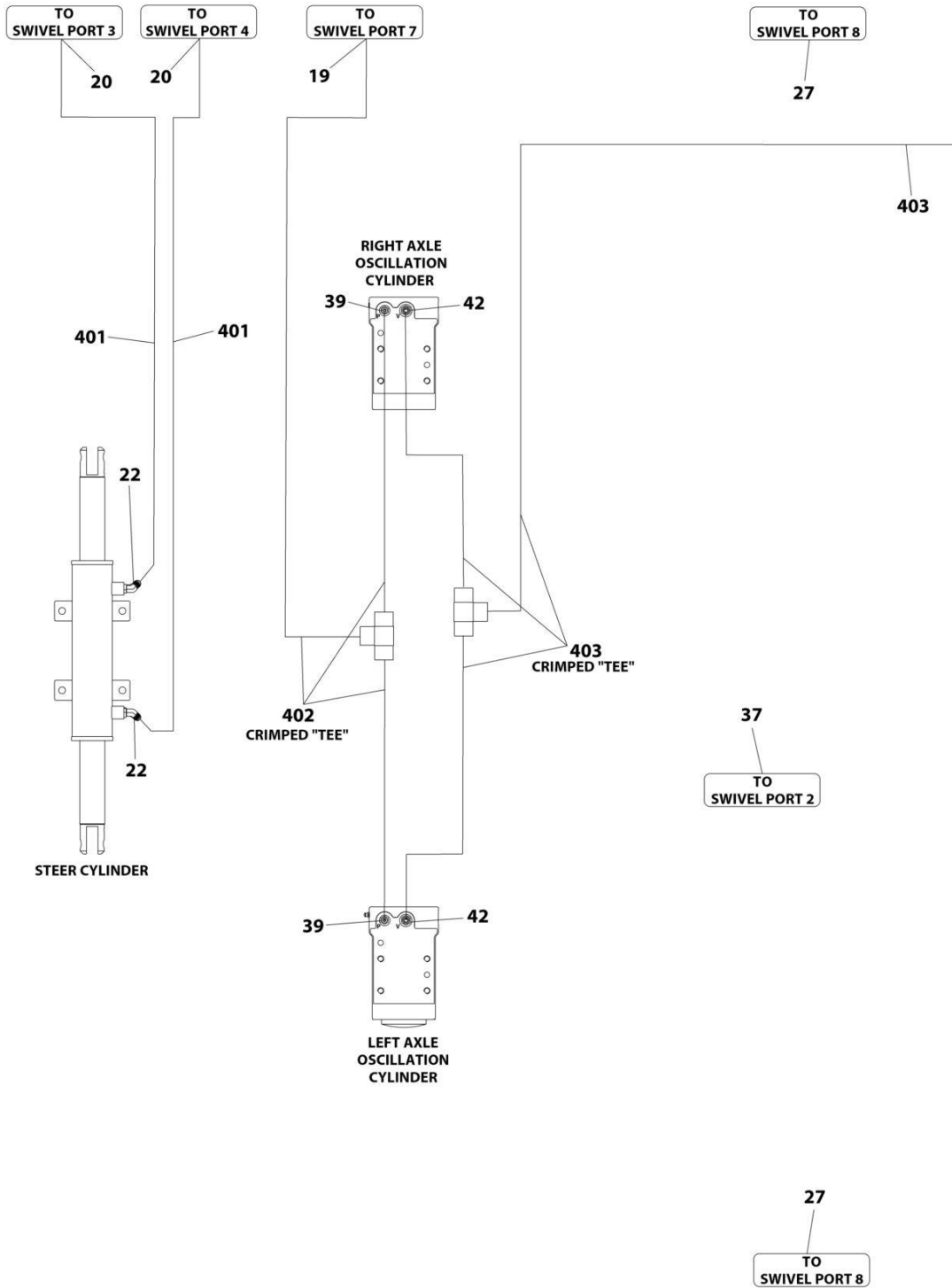
ITEM	PART NUMBER	QTY	DESCRIPTION	REV
	1001251075	Ref	TELESCOPE CYLINDER ASSEMBLY	B
		Ref	Note: Original Cylinder May Have Been Replaced with Service Replacement. Identify PN Stamped on Cylinder Before Ordering Parts.	
1	See Note	NSS	Barrel (Note: Purchase Complete Assembly)	
2	70007062	1	Rod	
3	70007063	1	Head	
4	See Note	NSS	Wiper (Note: Use Item 100)	
5	70002412	1	Ring, Retaining	
6	See Note	NSS	Seal (Note: Use Item 100)	
7	See Note	NSS	Ring, Back-up (Note: Use Item 100)	
8	See Note	NSS	Ring, Wear (Note: Use Item 100)	
9	See Note	NSS	Ring, Wear (Note: Use Item 100)	
10	See Note	NSS	O-Ring (Note: Use Item 100)	
11	See Note	NSS	Ring, Back-up (Note: Use Item 100)	
12	70007064	1	Piston	
13	See Note	NSS	Seal (Note: Use Item 100)	
14	See Note	NSS	Ring, Wear (Note: Use Item 100)	
15	See Note	NSS	O-Ring (Note: Use Item 100)	
16	70007065	1	Plate	
17	70007066	8	Capscrew	
18	70007067	1	Spacer	
19	70006817	1	Set Screw	
20	1001166997	1	Valve Block Assembly (See Items 201-207 for Breakdown)	
21	70007068	4	Capscrew	
22	2220886	2	Plug, O-Ring	
23	2220885	3	Plug	
24	70007069	2	Pad, Wear	
25	70007070	4	Bolt	
26	70006344	8	Washer	
27	70007071	4	Nut	
28	See Note	NSS	O-Ring (Note: Use Item 100)	
100	70007072	1	Seal Kit - 1001251075 Cylinder (Includes Items 4, 6-11, 13-15 & 28)	
	1001166997	Ref	VALVE BLOCK ASSEMBLY	
201	2220881	5	Plug	
203	2220885	2	Plug	
204	4640452	1	Cartridge, Counterbalance Valve	
204	2900770	1	Seal Kit - 4640452 Valve	
206	1001165363	1	Cartridge, Shuttle Valve	
206	7012518	1	Seal Kit - 1001165363 Valve	
207	1001168209	1	Cartridge, Counterbalance Valve	
207	2900770	1	Seal Kit - 1001168209 Valve	



**SECTION 7 - HYDRAULIC**

# SECTION 7 - HYDRAULIC

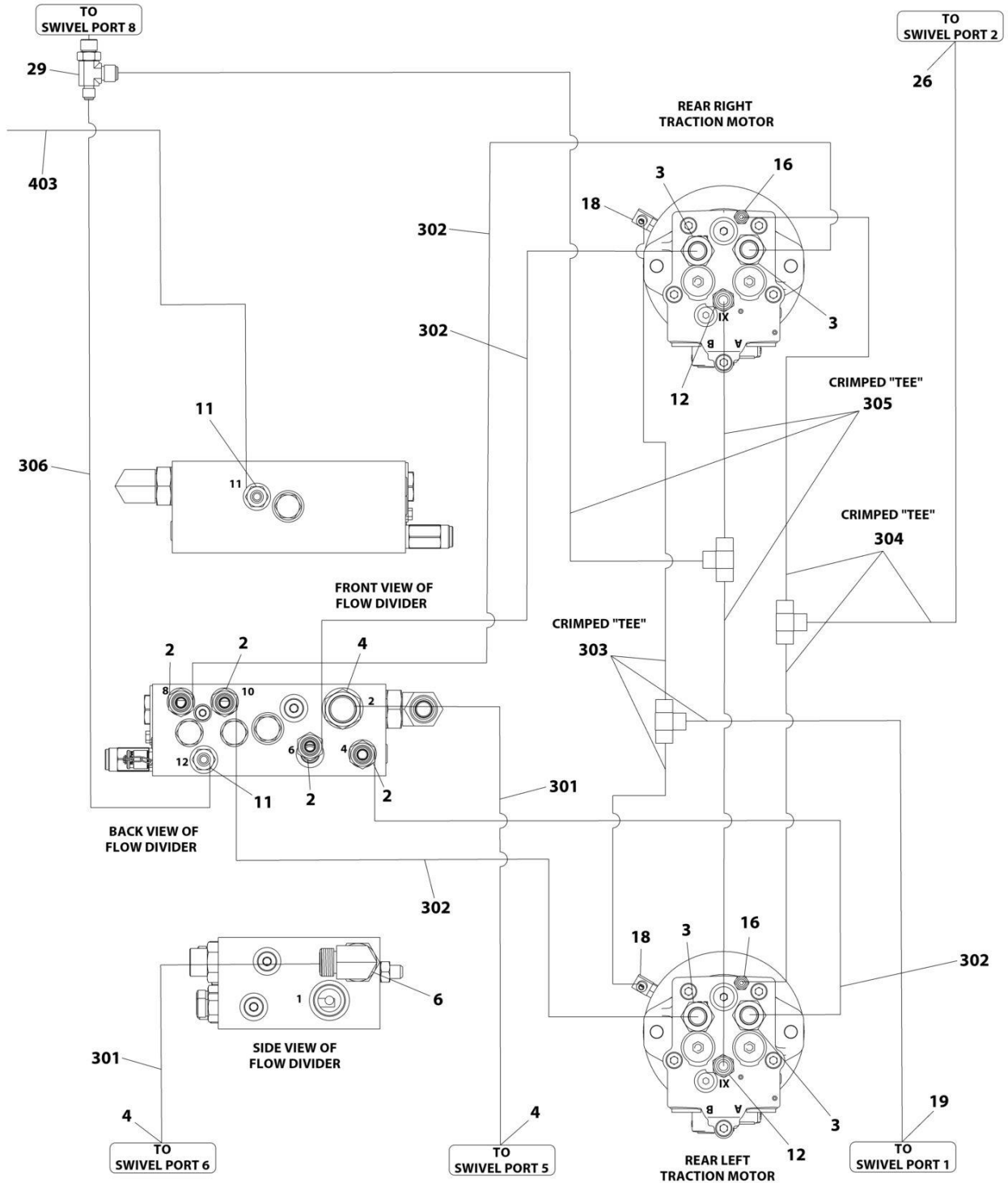
## FIGURE 7-1. 2WD HYDRAULIC SYSTEM INSTALLATION (400S)



ART\_1001216801\_10F6

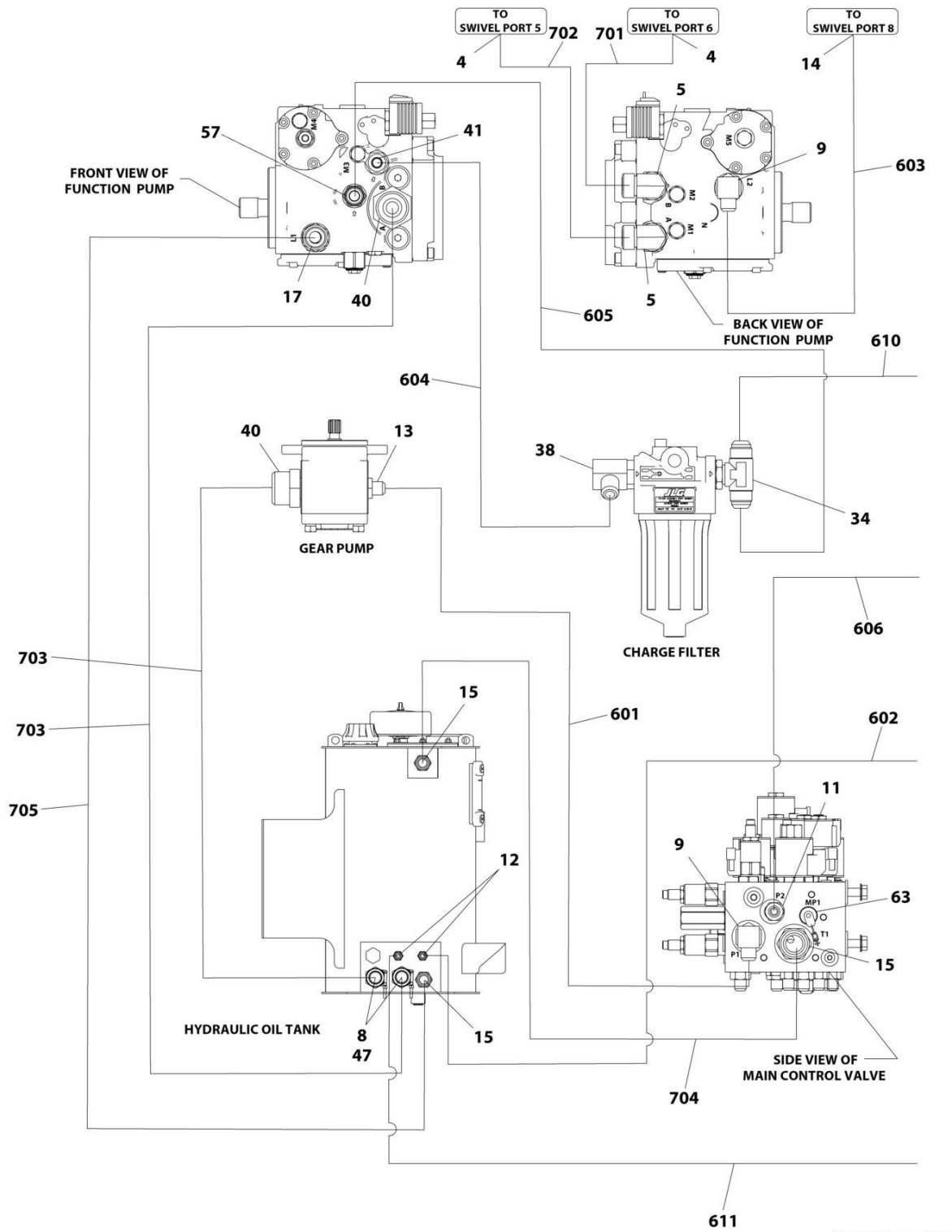


# SECTION 7 - HYDRAULIC



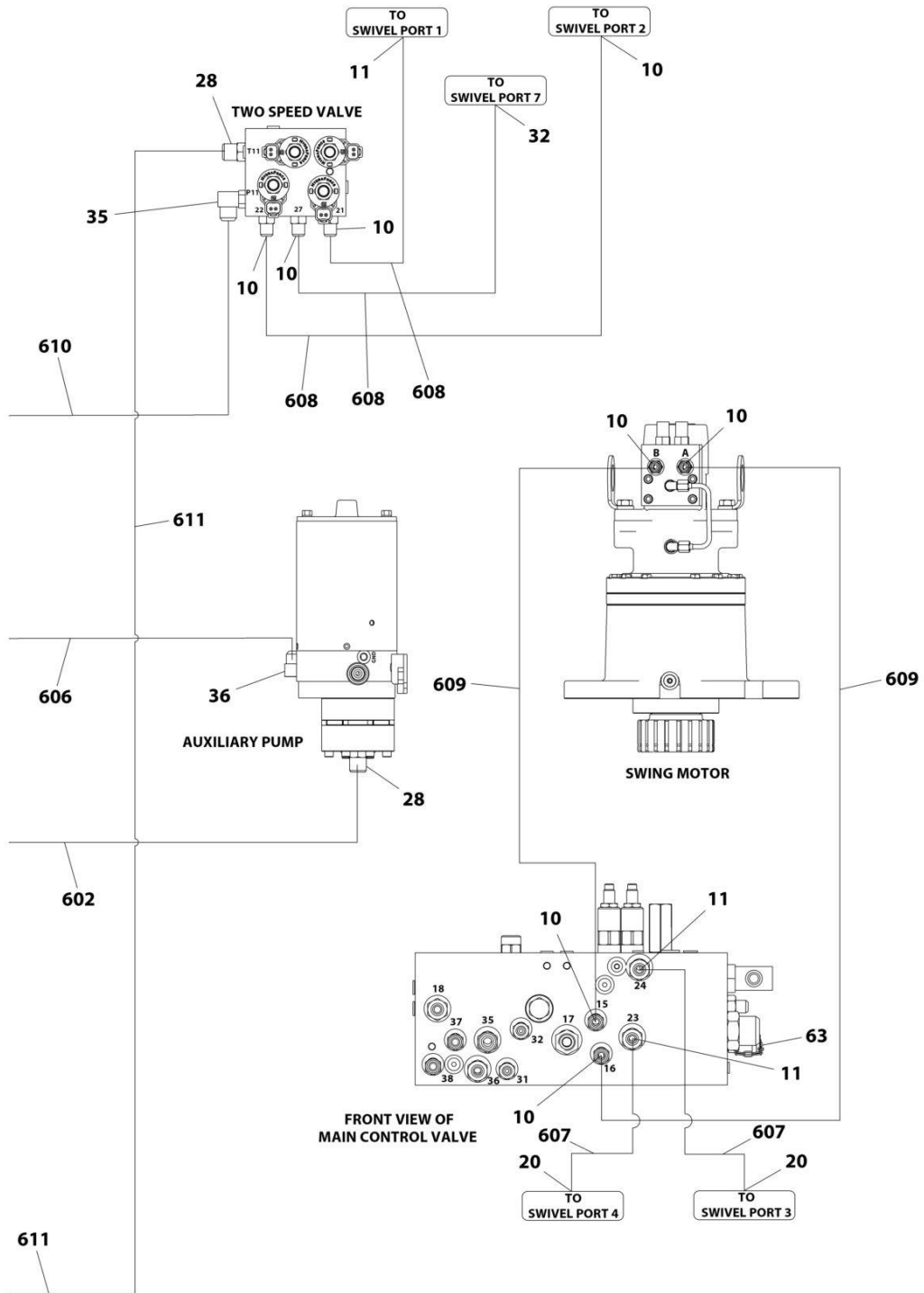
ART\_1001216801\_20F6

# SECTION 7 - HYDRAULIC



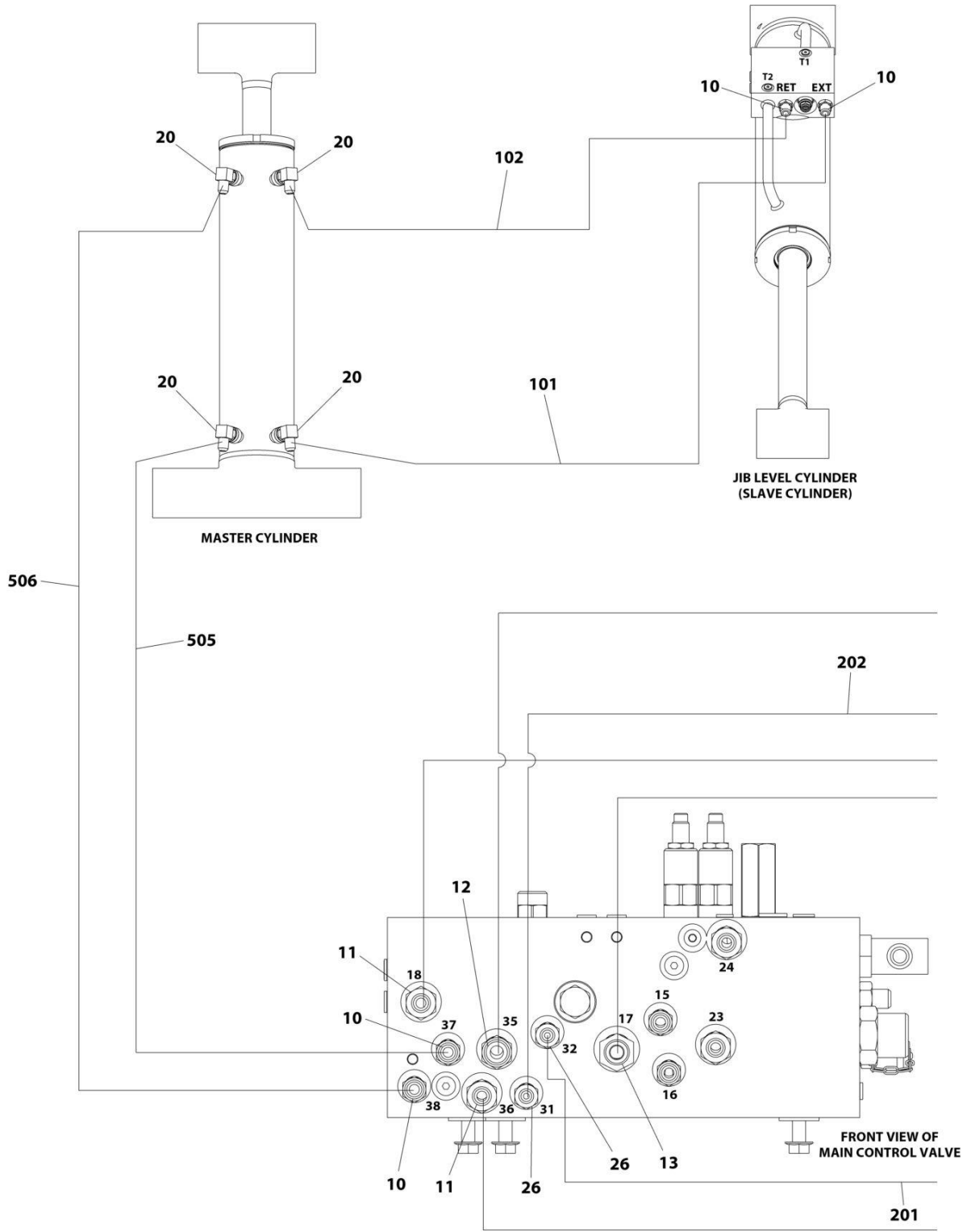
ART\_1001216801\_30F6

# SECTION 7 - HYDRAULIC



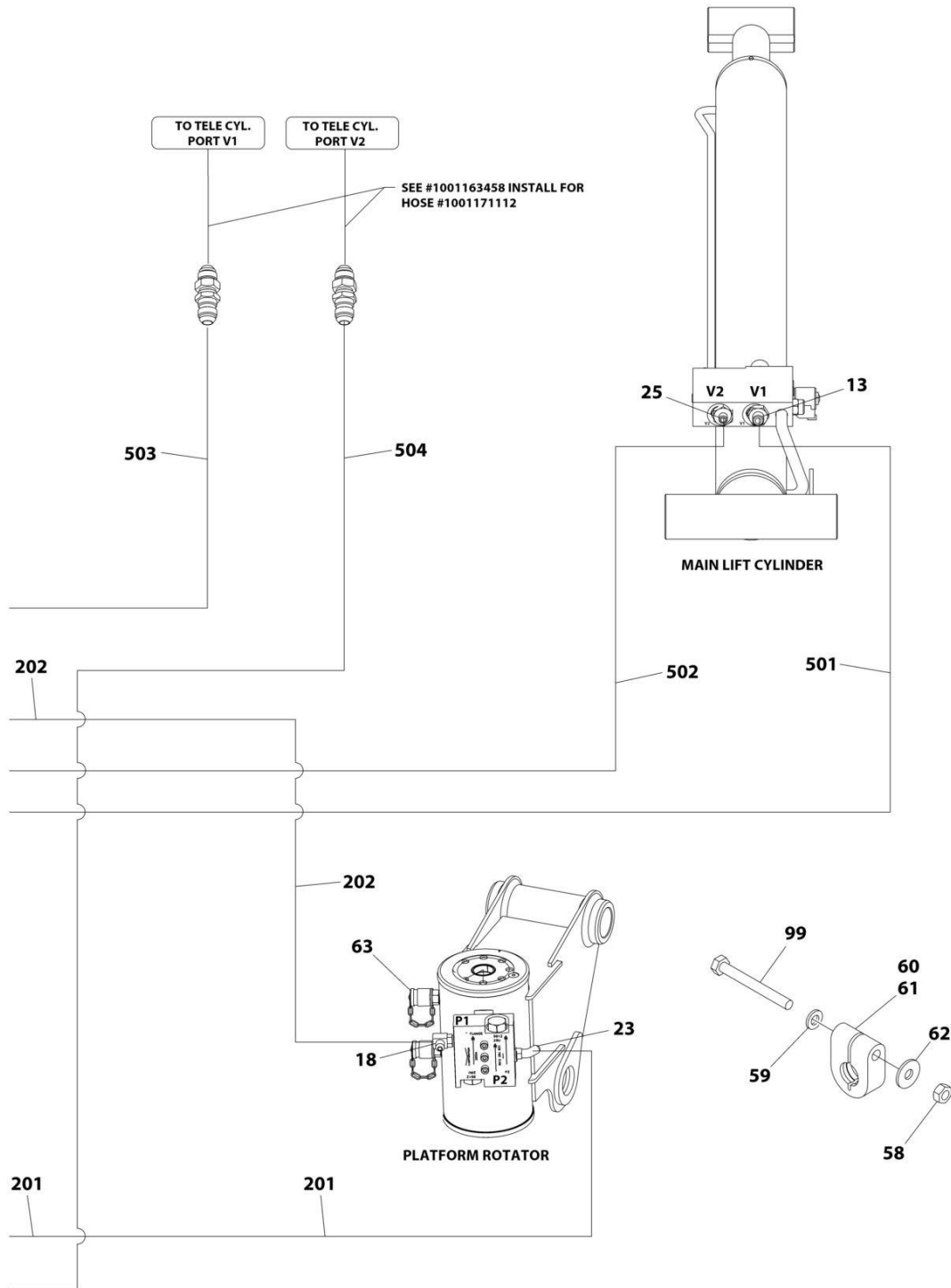
ART\_1001216801\_4OF6

# SECTION 7 - HYDRAULIC



ART\_1001216801\_50F6

# SECTION 7 - HYDRAULIC



ART\_1001216801\_6OF6

# SECTION 7 - HYDRAULIC

## FIGURE 7-1. 2WD HYDRAULIC SYSTEM INSTALLATION (400S)

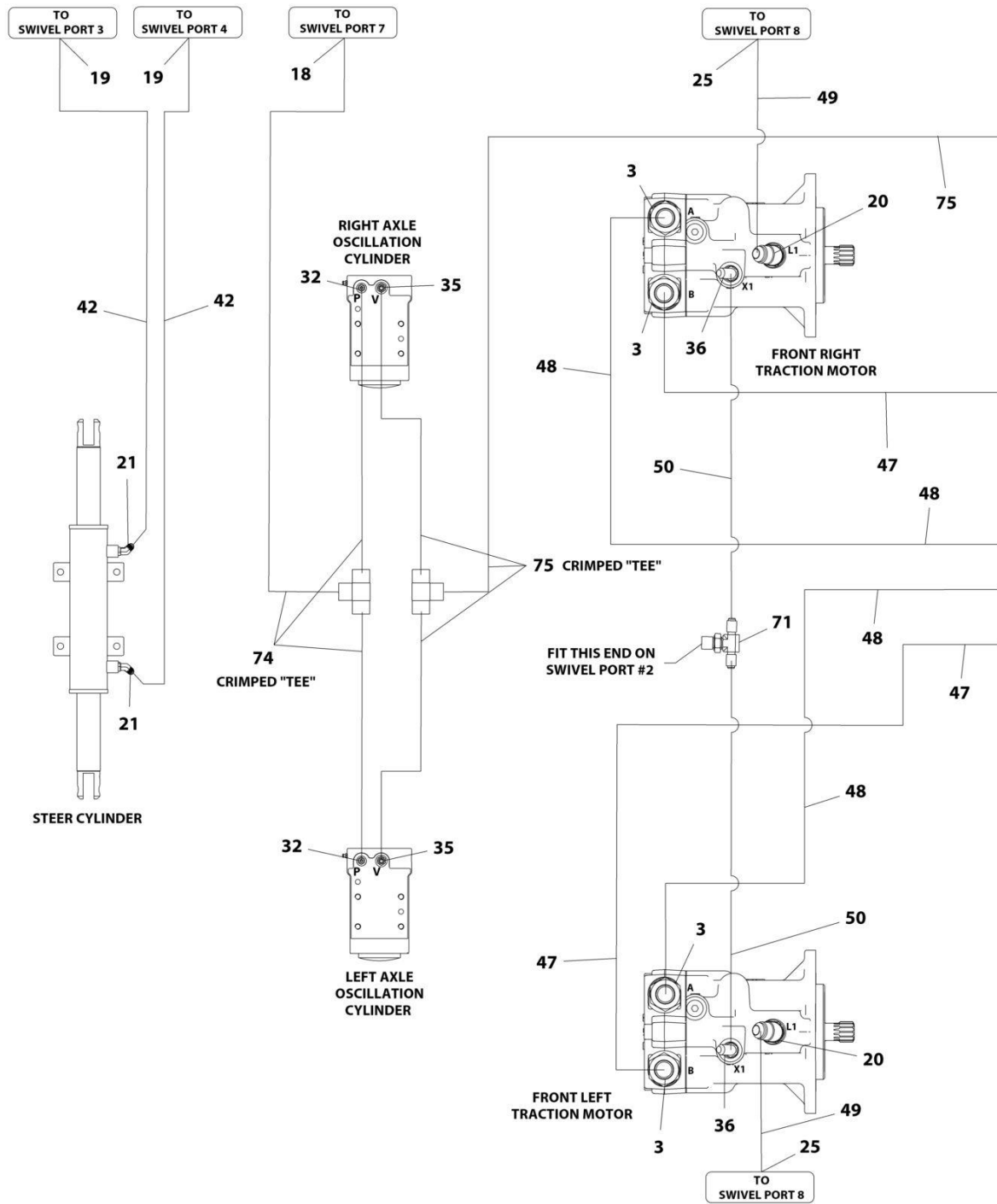
ITEM	PART NUMBER	QTY	DESCRIPTION	REV
	1001216801	Ref	2WD HYDRAULIC SYSTEM INSTALLATION	E
2	2110810	4	Fitting, Straight ORFS/ORB	
3	2110812	4	Fitting, Straight ORFS/ORB	
4	2111216	5	Fitting, Straight ORFS/ORB	
5	2131212	2	Fitting, 90 ORFS/ORB	
6	2131216	1	Fitting, 90 ORFS/ORB	
8	1001202910	2	Fitting, Straight MORB	
9	2220366	2	Fitting, 90 JIC/ORB	
10	2220371	12	Fitting, Straight JIC/ORB	
11	2220372	8	Fitting, Straight JIC/ORB	
12	2220373	5	Fitting, Straight JIC/ORB	
13	2220374	3	Fitting, Straight JIC/ORB	
14	2220375	1	Fitting, Straight JIC/ORB	
15	2220377	3	Fitting, Straight JIC/ORB	
16	2220415	2	Fitting, Straight JIC/ORB	
17	2220451	1	Fitting, Straight JIC/ORB	
18	2220466	3	Fitting, 90 JIC/ORB	
19	2220468	2	Fitting, Straight JIC/ORB	
20	2220473	8	Fitting, 90 JIC/ORB	
22	2220501	2	Fitting, 45 JIC/ORB	
23	2220502	1	Fitting, 45 JIC/ORB	
25	2220497	1	Fitting, Straight JIC/ORB	
26	2220582	3	Fitting, Straight JIC/ORB	
27	2220238	2	Plug ORB	
28	2220600	2	Fitting, Straight JIC/ORB	
29	1001197272	1	Fitting, Tee JIC/ORB/JIC	
32	2220628	1	Fitting, 90 JIC/ORB	
34	2220695	1	Fitting, Tee JIC/ORB/JIC	
35	2220726	1	Fitting, 90 JIC/ORB	
36	2220775	1	Fitting, 90 JIC/ORB	
37	2220237	1	Plug ORB	
38	2220906	1	Fitting, 90 JIC/ORB	
39	2220923	2	Fitting, Straight JIC/ORB	
40	2220946	2	Fitting, Straight JIC/ORB	
41	2220947	1	Fitting, Straight JIC/ORB	
42	2220998	2	Fitting, Straight JIC/ORB	
44	4240018	13	Tie-Strap (Not Shown)	
47	80633030	2	Clamp	
49	1001098928	1	Clamp (Not Shown)	
57	88662037	1	Fitting, Straight JIC/ORB	
58	3290601	2	Nut M6 x 1	
59	4811700	2	Washer M6	
60	1001191275	1	Clamp	
61	1001191276	1	Clamp	
62	4811702	2	Washer M6	
63	2221086	3	Fitting, Diagnostic Test Port	
99	0700619	2	Bolt M6 x 55	
101	1001173909	1	Hose	
102	1001173937	1	Hose	
201	1001172694	1	Hose	

## SECTION 7 - HYDRAULIC

ITEM	PART NUMBER	QTY	DESCRIPTION	REV
202	1001172696	1	Hose	
301	1001172695	2	Hose	
302	1001172697	4	Hose	
303	1001184561	1	Hose	
304	1001184562	1	Hose	
305	1001184563	1	Hose	
306	1001197284	1	Hose	
401	1001172692	2	Hose	
402	1001184542	1	Hose	
403	1001184543	1	Hose	
501	1001173901	1	Hose	
502	1001173902	1	Hose	
503	1001173903	1	Hose	
504	1001173904	1	Hose	
505	1001173907	1	Hose	
506	1001173908	1	Hose	
601	2752500	1	Hose	
602	1001172716	1	Hose	
603	1001172717	1	Hose	
604	1001172718	1	Hose	
605	1001172719	1	Hose	
606	1001172721	1	Hose	
607	1001172722	2	Hose	
608	1001172723	3	Hose	
609	1001173900	1	Hose	
610	1001181075	1	Hose	
611	1001193654	1	Hose	
701	1001173898	1	Hose	
702	1001181074	1	Hose	
703	1001207332	1	Hose	
704	1001207333	1	Hose	
705	1001216655	1	Hose	

# SECTION 7 - HYDRAULIC

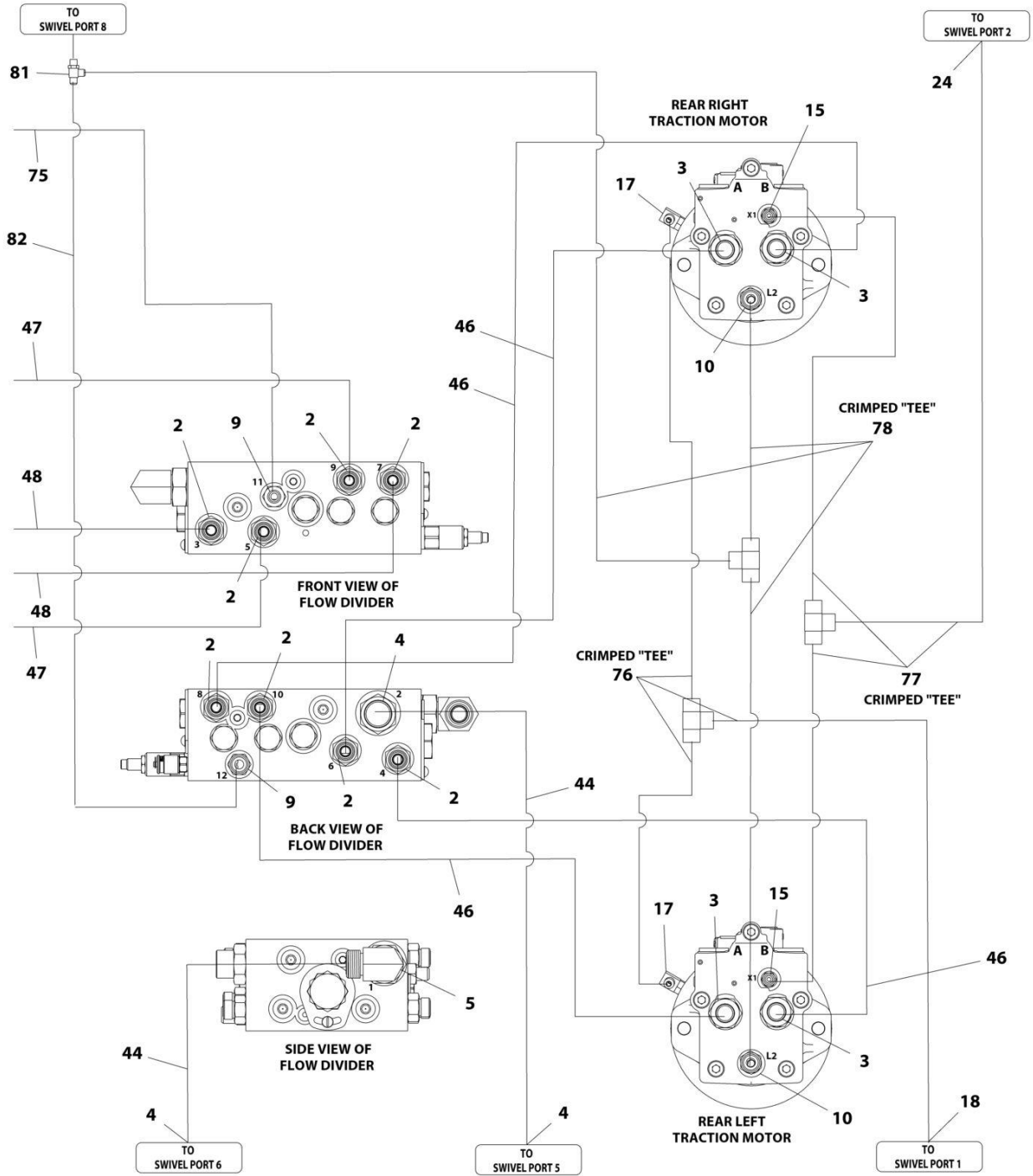
## FIGURE 7-2. 4WD HYDRAULIC SYSTEM INSTALLATION (ALL MACHINES) (400S)



ART\_1001207340\_10F6

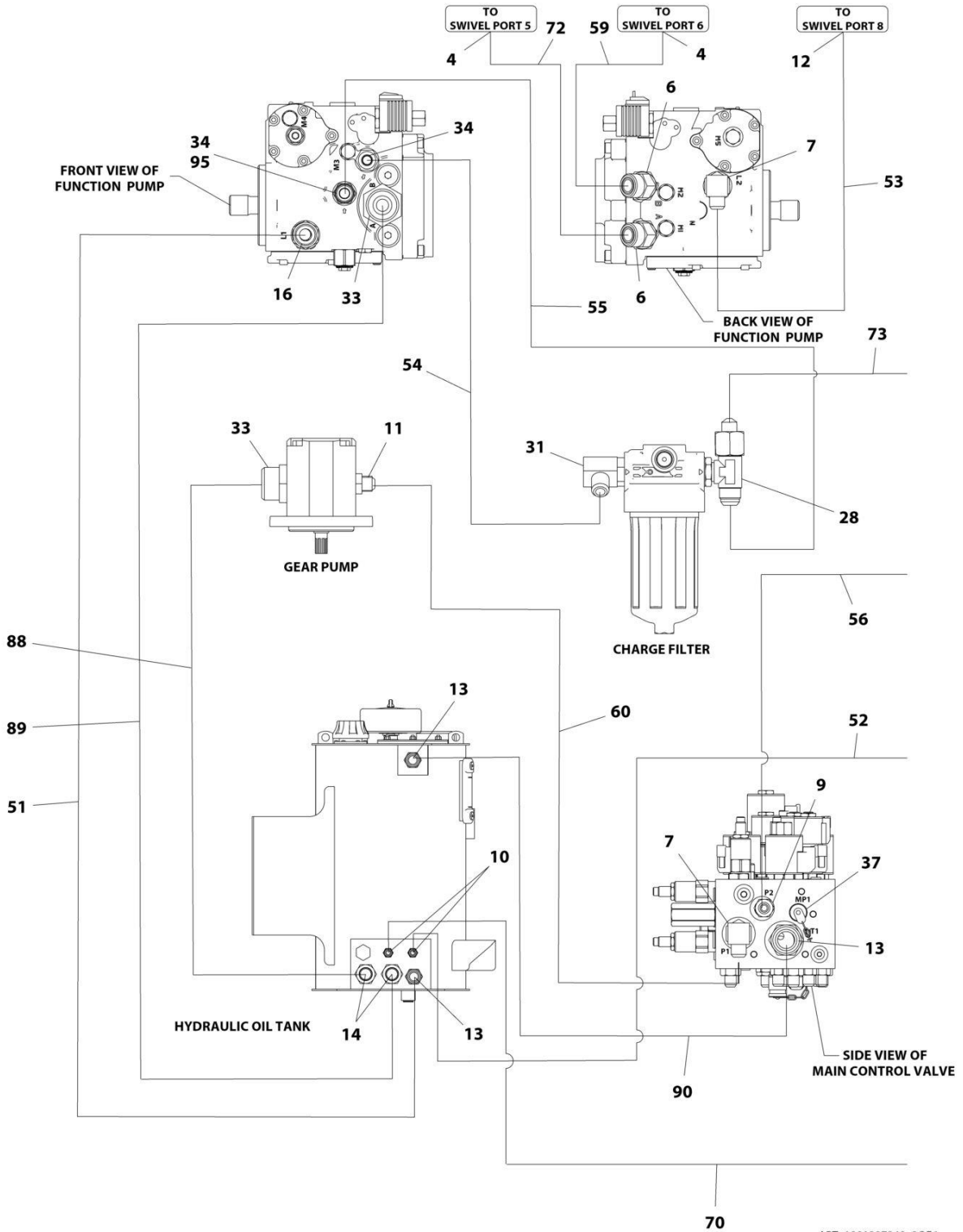


# SECTION 7 - HYDRAULIC



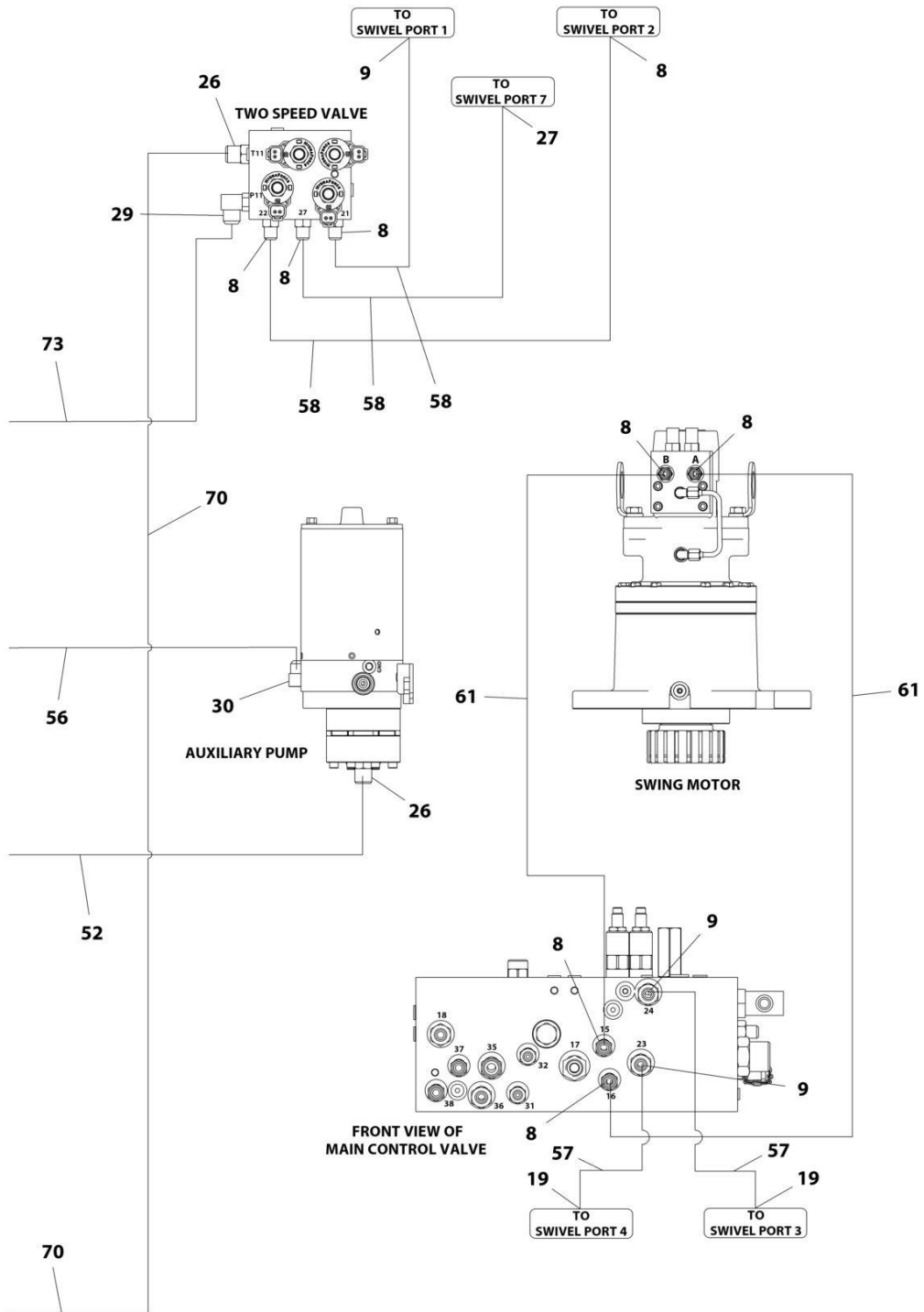
ART\_1001207340\_20F6

# SECTION 7 - HYDRAULIC



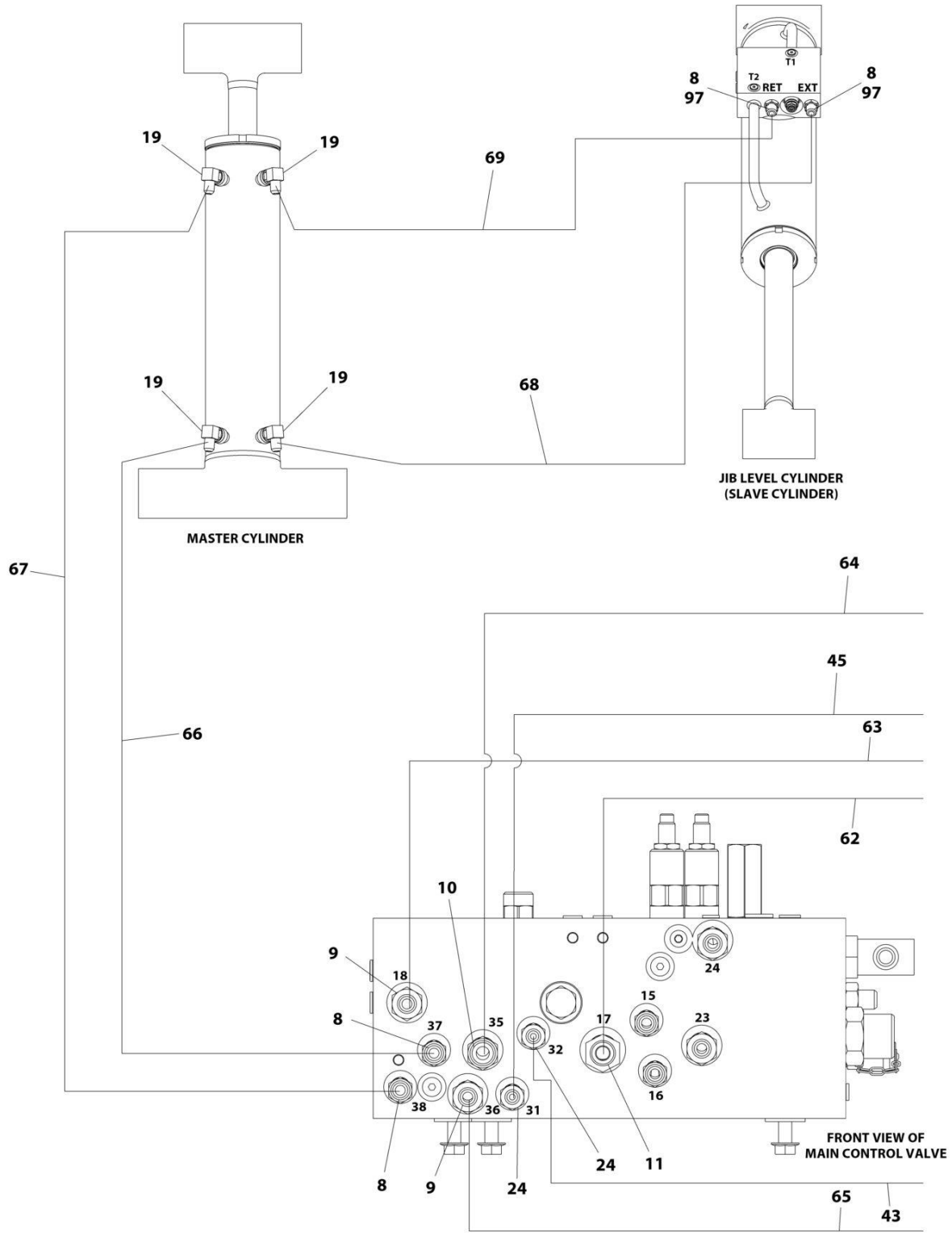
ART\_1001207340\_30F6

# SECTION 7 - HYDRAULIC



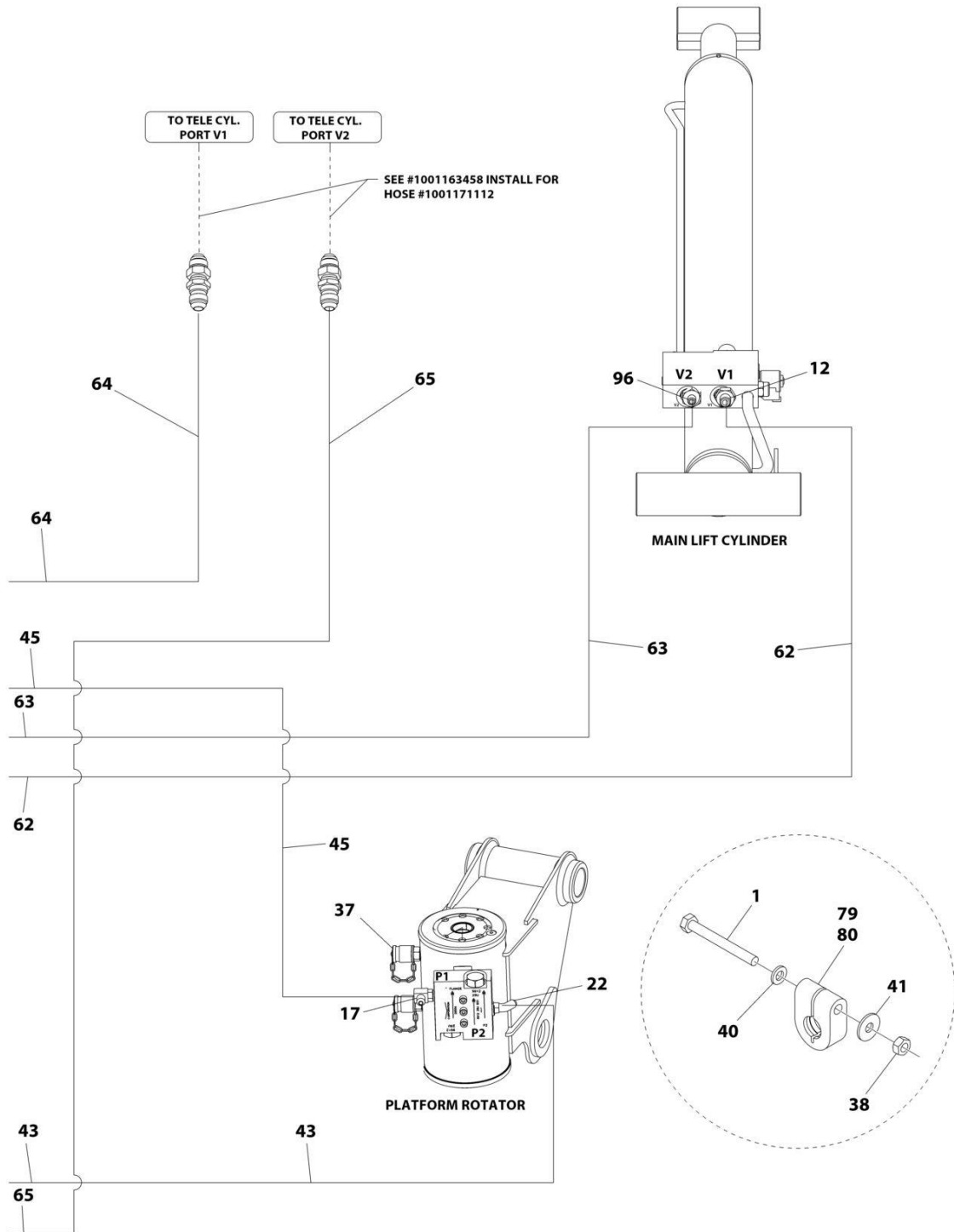
ART\_1001207340\_40F6

# SECTION 7 - HYDRAULIC



ART\_1001207340\_50F6

# SECTION 7 - HYDRAULIC



ART\_1001207340\_6OF6

# SECTION 7 - HYDRAULIC

FIGURE 7-2. 4WD HYDRAULIC SYSTEM INSTALLATION (ALL MACHINES) (400S)

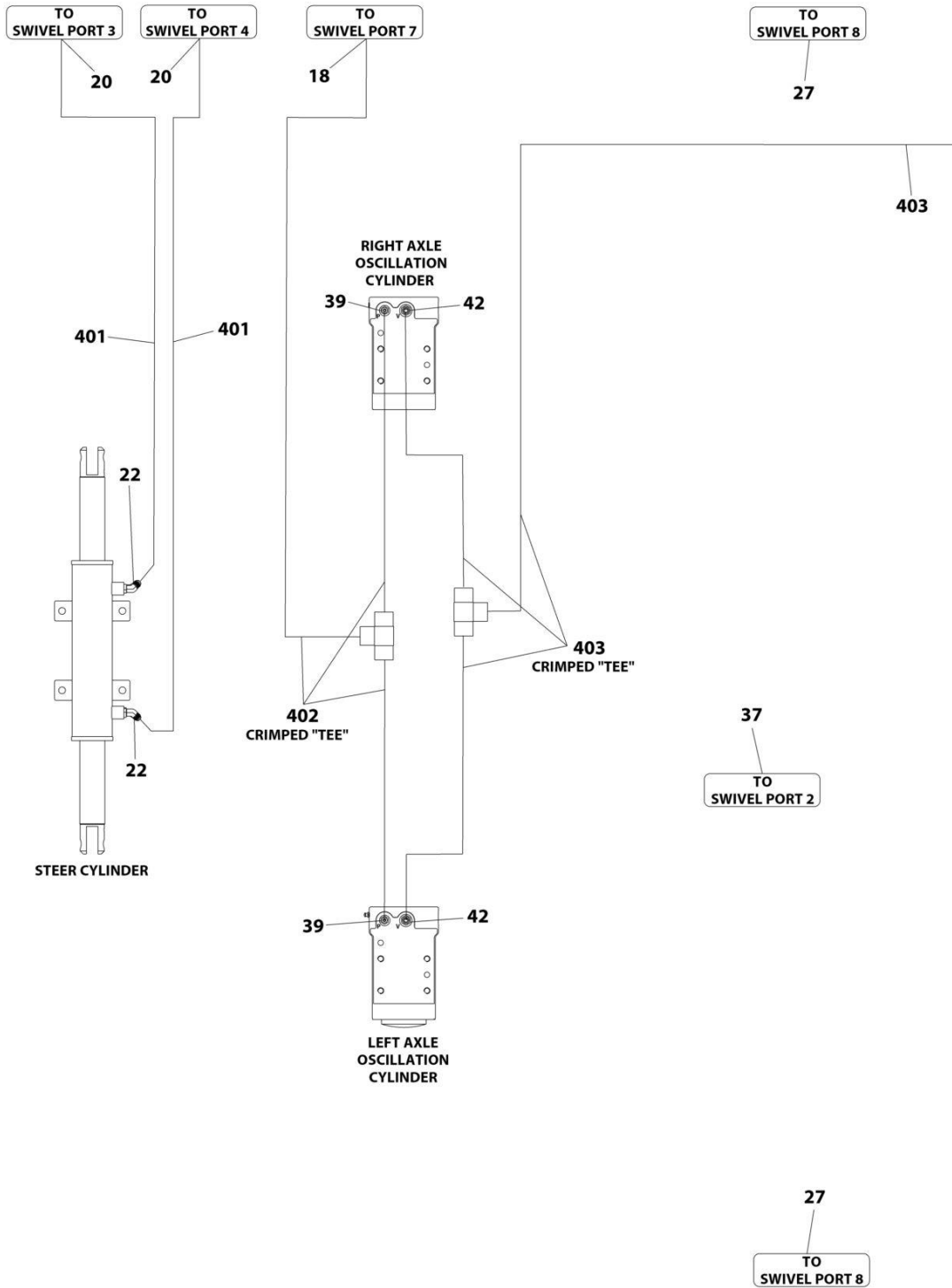
ITEM	PART NUMBER	QTY	DESCRIPTION	REV
	1001207340	Ref	4WD HYDRAULIC SYSTEM INSTALLATION	F
1	0700619	2	Bolt, M6 x 55	
2	2110810	8	Fitting, Straight ORFS/ORB	
3	2110812	8	Fitting, Straight ORFS/ORB	
4	2111216	5	Fitting, Straight ORFS/ORB	
5	2131216	1	Fitting, 90 ORFS/ORB	
6	2131212	2	Fitting, 90 ORFS/ORB	
7	2220366	2	Fitting, 90 JIC/ORB	
8	2220371	10	Fitting, Straight JIC/ORB	
9	2220372	8	Fitting, Straight JIC/ORB	
10	2220373	5	Fitting, Straight JIC/ORB	
11	2220374	AR	Fitting, Straight JIC/ORB	
12	2220375	AR	Fitting, Straight JIC/ORB	
13	2220377	3	Fitting, Straight JIC/ORB	
14	1001202910	2	Fitting, Straight MORB	
15	2220415	2	Fitting, Straight JIC/ORB	
16	2220451	1	Fitting, Straight JIC/ORB	
17	2220466	3	Fitting, 90 JIC/ORB	
18	2220468	2	Fitting, Straight JIC/ORB	
19	2220473	8	Fitting, 90 JIC/ORB	
20	2220500	2	Fitting, 45 JIC/ORB	
21	2220501	2	Fitting, 45 JIC/ORB	
22	2220502	1	Fitting, 45 JIC/ORB	
24	2220582	3	Fitting, Straight JIC/ORB	
25	2220596	2	Fitting, 90 JIC/ORB	
26	2220600	2	Fitting, Straight JIC/ORB	
27	2220628	1	Fitting, 90 JIC/ORB	
28	2220695	1	Fitting, Tee JIC/ORB/JIC	
29	2220726	1	Fitting, 90 JIC/ORB	
30	2220775	1	Fitting, 90 JIC/ORB	
31	2220906	1	Fitting, 90 JIC/ORB	
32	2220923	2	Fitting, Straight JIC/ORB	
33	2220946	2	Fitting, Straight JIC/ORB	
34	2220947	AR	Fitting, Straight JIC/ORB	
35	2220998	2	Fitting, Straight JIC/ORB	
36	2221040	2	Fitting, 45 JIC/ORB	
37	2221086	3	Fitting, Diagnostic Test Port	
38	3290601	2	Nut, M6 x 1	
39	4240018	20	Tie-Strap (Not Shown)	
40	4811700	2	Washer, M6	
41	4811702	2	Washer, M6	
42	1001172692	2	Hose	
43	1001172694	1	Hose	
44	1001172695	2	Hose	
45	1001172696	1	Hose	
46	1001172697	4	Hose	
47	1001172698	2	Hose	
48	1001172699	2	Hose	
49	1001172703	2	Hose	
50	1001172707	2	Hose	

## SECTION 7 - HYDRAULIC

ITEM	PART NUMBER	QTY	DESCRIPTION	REV
51	1001216655	1	Hose	
52	1001172716	1	Hose	
53	1001172717	1	Hose	
54	1001172718	1	Hose	
55	1001172719	1	Hose	
56	1001172721	1	Hose	
57	1001172722	2	Hose	
58	1001172723	3	Hose	
59	1001173898	1	Hose	
60	2752500	1	Hose	
61	1001173900	2	Hose	
62	1001173901	1	Hose	
63	1001173902	1	Hose	
64	1001173903	1	Hose	
65	1001173904	1	Hose	
66	1001173907	1	Hose	
67	1001173908	1	Hose	
68	1001173909	1	Hose	
69	1001173937	1	Hose	
70	1001193654	1	Hose	
71	1001175024	1	Fitting, Tee JIC/JIC/ORB	
72	1001181074	1	Hose	
73	1001181075	1	Hose	
74	1001184542	1	Hose	
75	1001184543	1	Hose	
76	1001184561	1	Hose	
77	1001184562	1	Hose	
78	1001184563	1	Hose	
79	1001191275	1	Clamp	
80	1001191276	1	Clamp	
81	1001197272	1	Fitting, Tee JIC/ORB/JIC	
82	1001197284	1	Hose	
88	1001207332	1	Hose	
89	1001207332	1	Hose	
90	1001207333	1	Hose	
94	80633030	2	Clamp, Hose (Not Shown)	
95	88662037	AR	Fitting, Straight JIC/ORB	
96	2220497	AR	Fitting, Straight JIC/ORB	
97	2220603	AR	Fitting, Straight JIC/ORB	

# SECTION 7 - HYDRAULIC

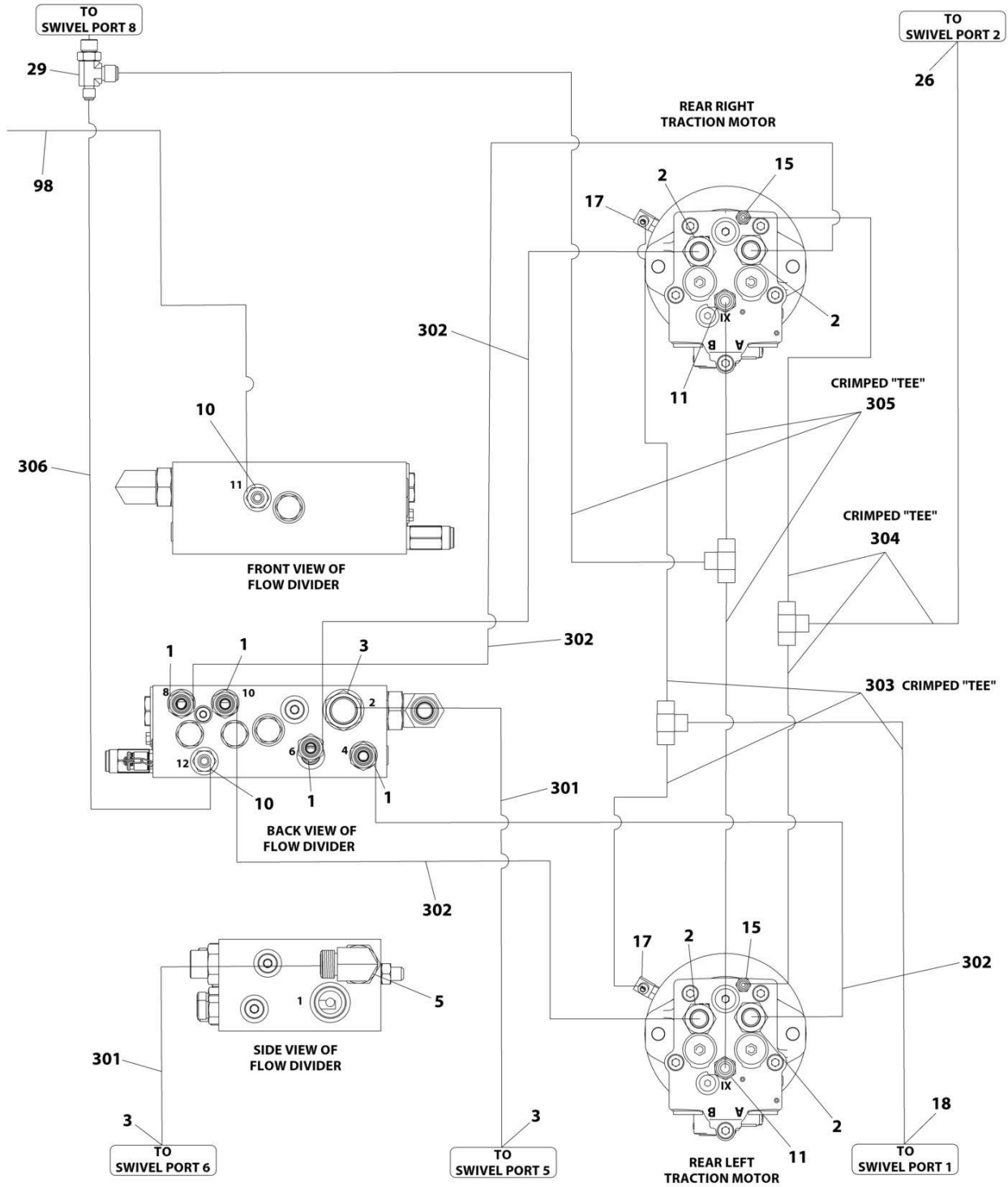
## FIGURE 7-3. 2WD HYDRAULIC SYSTEM INSTALLATION (460SJ)



ART\_1001216800\_1OF6

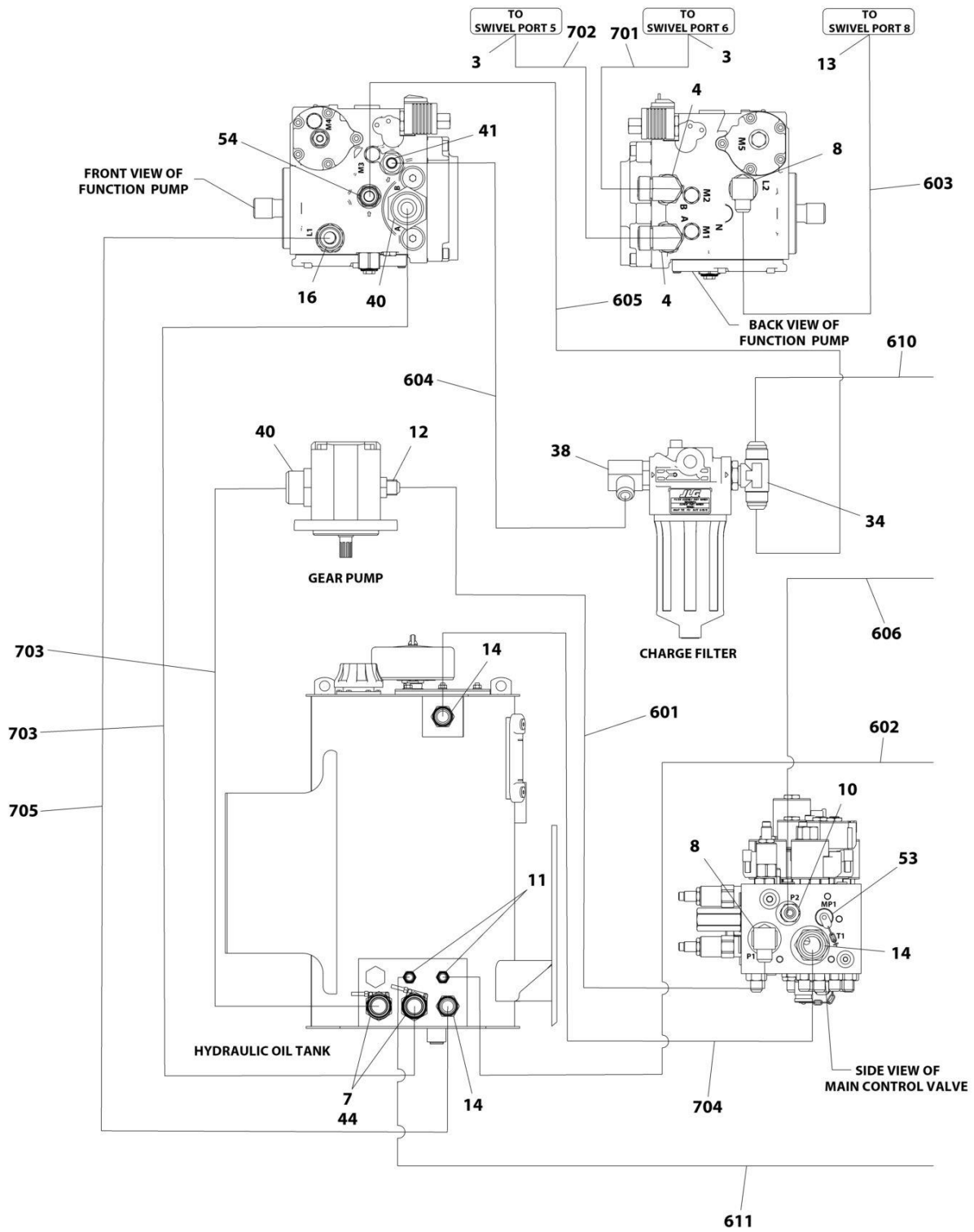


# SECTION 7 - HYDRAULIC



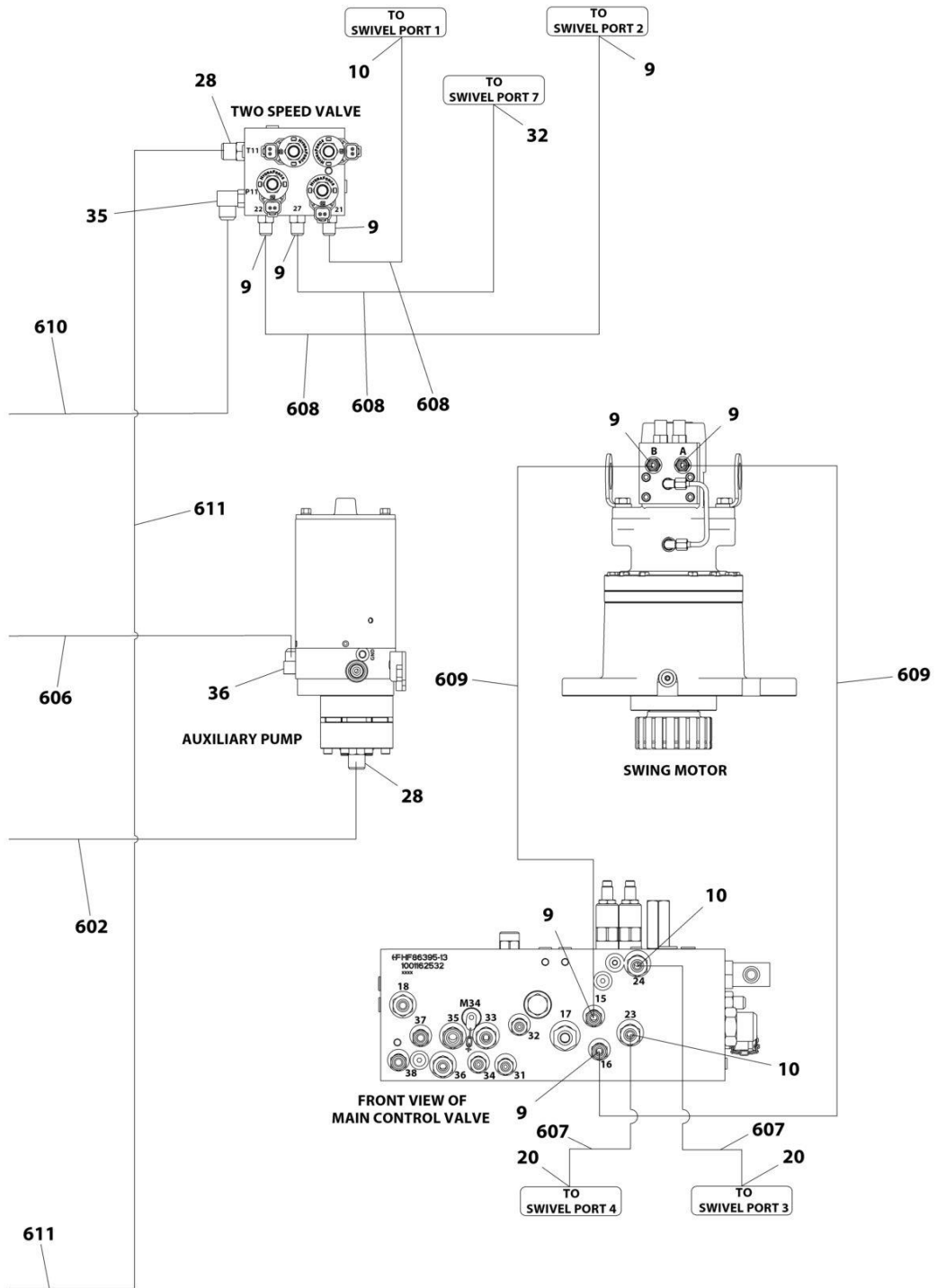
ART\_1001216800\_20F6

# SECTION 7 - HYDRAULIC



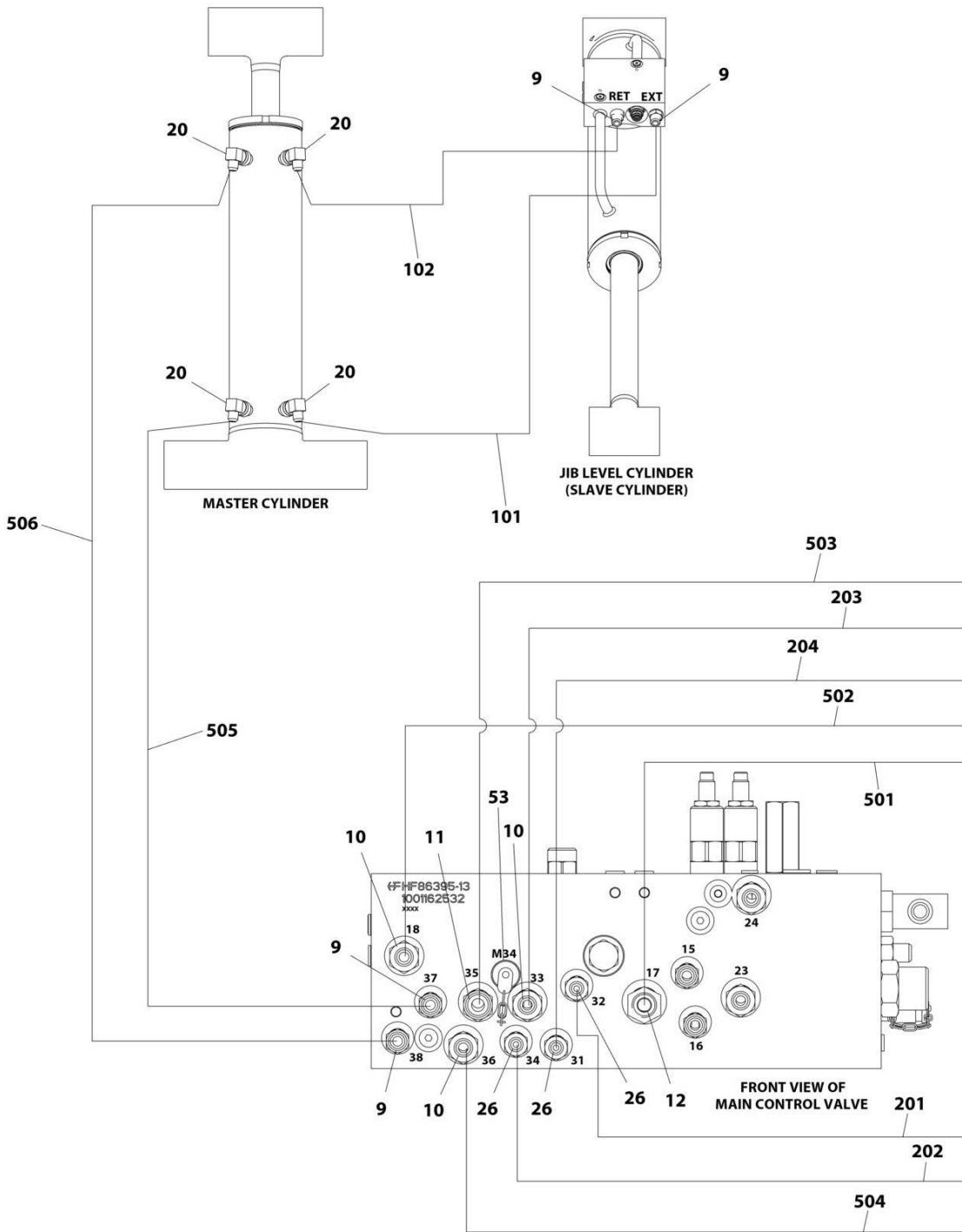
ART\_1001216800\_30F6

# SECTION 7 - HYDRAULIC



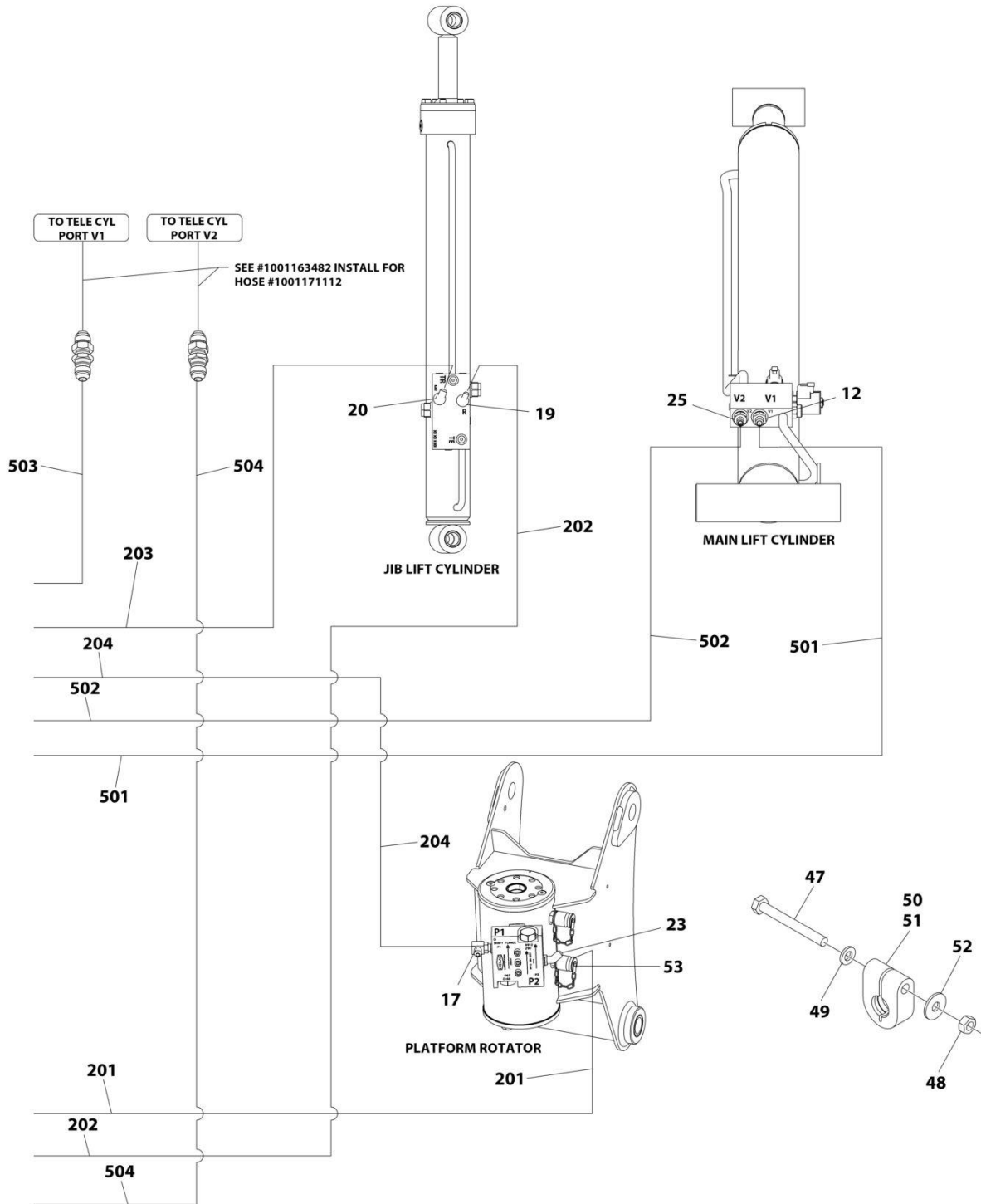
ART\_1001216800\_40F6

# SECTION 7 - HYDRAULIC



ART\_1001216800\_50F6

# SECTION 7 - HYDRAULIC



ART\_1001216800\_6OF6

# SECTION 7 - HYDRAULIC

## FIGURE 7-3. 2WD HYDRAULIC SYSTEM INSTALLATION (460SJ)

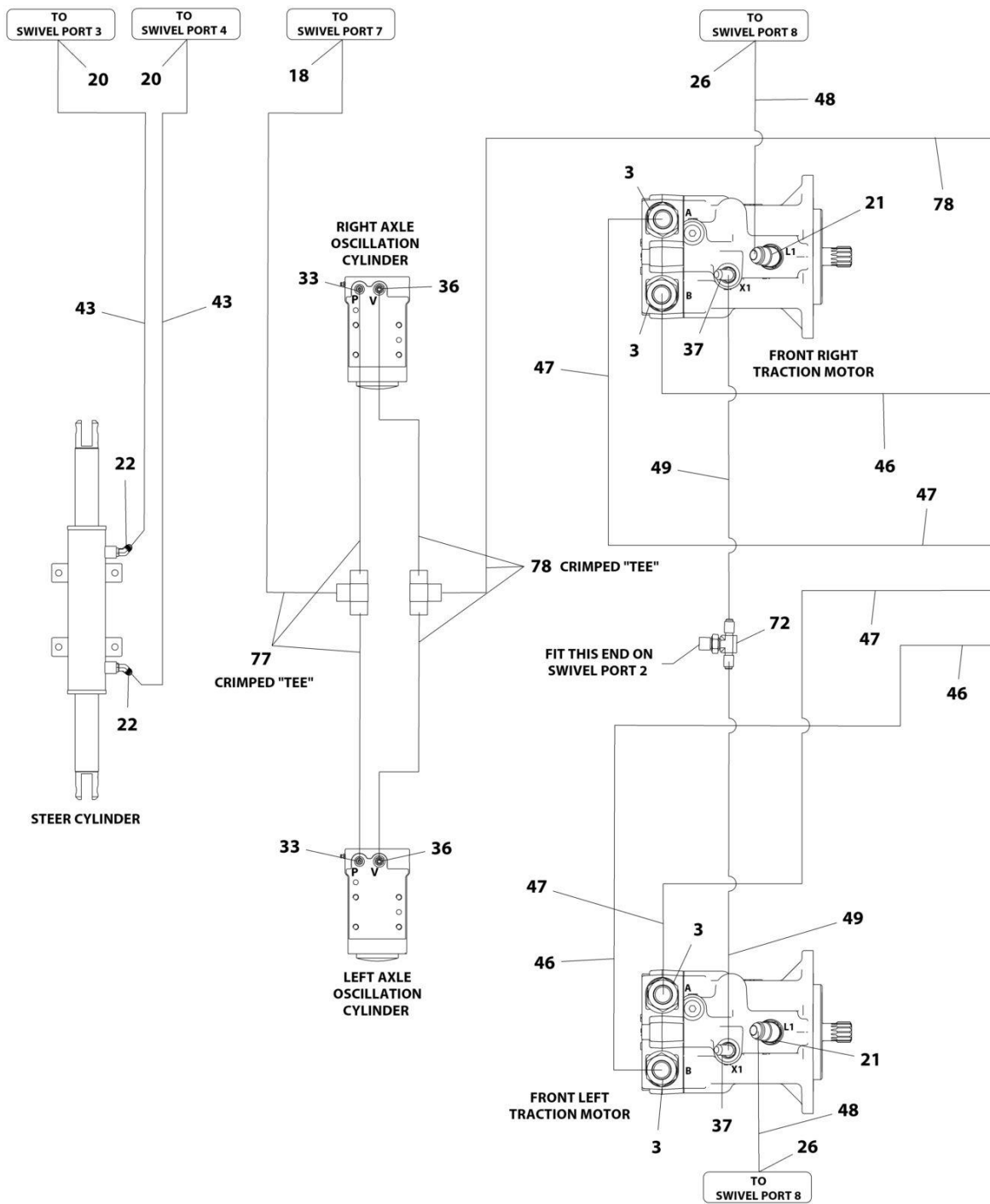
ITEM	PART NUMBER	QTY	DESCRIPTION	REV
	1001216800	Ref	2WD HYDRAULIC SYSTEM INSTALLATION	E
1	2110810	4	Fitting, Straight ORFS/ORB	
2	2110812	4	Fitting, Straight ORFS/ORB	
3	2111216	5	Fitting, Straight ORFS/ORB	
4	2131212	2	Fitting, 90 ORFS/ORB	
5	2131216	1	Fitting, 90 ORFS/ORB	
7	1001202910	2	Fitting, Straight MORB	
8	2220366	2	Fitting, 90 JIC/ORB	
9	2220371	12	Fitting, Straight JIC/ORB	
10	2220372	9	Fitting, Straight JIC/ORB	
11	2220373	5	Fitting, Straight JIC/ORB	
12	2220374	3	Fitting, Straight JIC/ORB	
13	2220375	1	Fitting, Straight JIC/ORB	
14	2220377	3	Fitting, Straight JIC/ORB	
15	2220415	2	Fitting, Straight JIC/ORB	
16	2220451	1	Fitting, Straight JIC/ORB	
17	2220466	3	Fitting, 90 JIC/ORB	
18	2220468	2	Fitting, Straight JIC/ORB	
19	2220472	1	Fitting, 90 JIC/ORB	
20	2220473	9	Fitting, 90 JIC/ORB	
22	2220501	2	Fitting, 45 JIC/ORB	
23	2220502	1	Fitting, 45 JIC/ORB	
25	2220497	1	Fitting, Straight JIC/ORB	
26	2220582	4	Fitting, Straight JIC/ORB	
27	2220238	2	Plug	
28	2220600	2	Fitting, Straight JIC/ORB	
29	1001197272	1	Fitting, Tee JIC/ORB/JIC	
32	2220628	1	Fitting, 90 JIC/ORB	
34	2220695	1	Fitting, Tee JIC/ORB/JIC	
35	2220726	1	Fitting, 90 JIC/ORB	
36	2220775	1	Fitting, 90 JIC/ORB	
37	2220237	1	Plug #6	
38	2220906	1	Fitting, 90 JIC/ORB	
39	2220923	2	Fitting, Straight JIC/ORB	
40	2220946	2	Fitting, Straight JIC/ORB	
41	2220947	1	Fitting, Straight JIC/ORB	
42	2220998	2	Fitting, Straight JIC/ORB	
43	4240018	15	Tie-Strap (Not Shown)	
44	80633030	2	Clamp	
46	1001098928	1	Clamp (Not Shown)	
47	0700619	2	Bolt M6 x 55	
48	3290601	2	Nut M6	
49	4811700	2	Washer M6	
50	1001191275	1	Clamp	
51	1001191276	1	Clamp	
52	4811702	1	Washer M6	
53	2221086	4	Fitting, Diagnostic Test Port	
54	88662037	1	Fitting, Straight JIC/ORB	
101	1001173909	1	Hose	
102	1001173937	1	Hose	

## SECTION 7 - HYDRAULIC

ITEM	PART NUMBER	QTY	DESCRIPTION	REV
201	1001173905	1	Hose	
202	1001173906	1	Hose	
203	1001181076	1	Hose	
204	1001181077	1	Hose	
301	1001172695	2	Hose	
302	1001172697	4	Hose	
303	1001184561	1	Hose	
304	1001184562	1	Hose	
305	1001184563	1	Hose	
306	1001197284	1	Hose	
401	1001172692	2	Hose	
402	1001184542	1	Hose	
403	1001184543	1	Hose	
501	1001173901	1	Hose	
502	1001173902	1	Hose	
503	1001173903	1	Hose	
504	1001173904	1	Hose	
505	1001173907	1	Hose	
506	1001173908	1	Hose	
601	2752500	1	Hose	
602	1001172716	1	Hose	
603	1001172717	1	Hose	
604	1001172718	1	Hose	
605	1001172719	1	Hose	
606	1001172721	1	Hose	
607	1001172722	2	Hose	
608	1001172723	3	Hose	
609	1001173900	2	Hose	
610	1001181075	1	Hose	
611	1001193654	1	Hose	
701	1001173898	1	Hose	
702	1001181074	1	Hose	
703	1001207332	1	Hose	
704	1001207333	1	Hose	
705	1001216655	1	Hose	

# SECTION 7 - HYDRAULIC

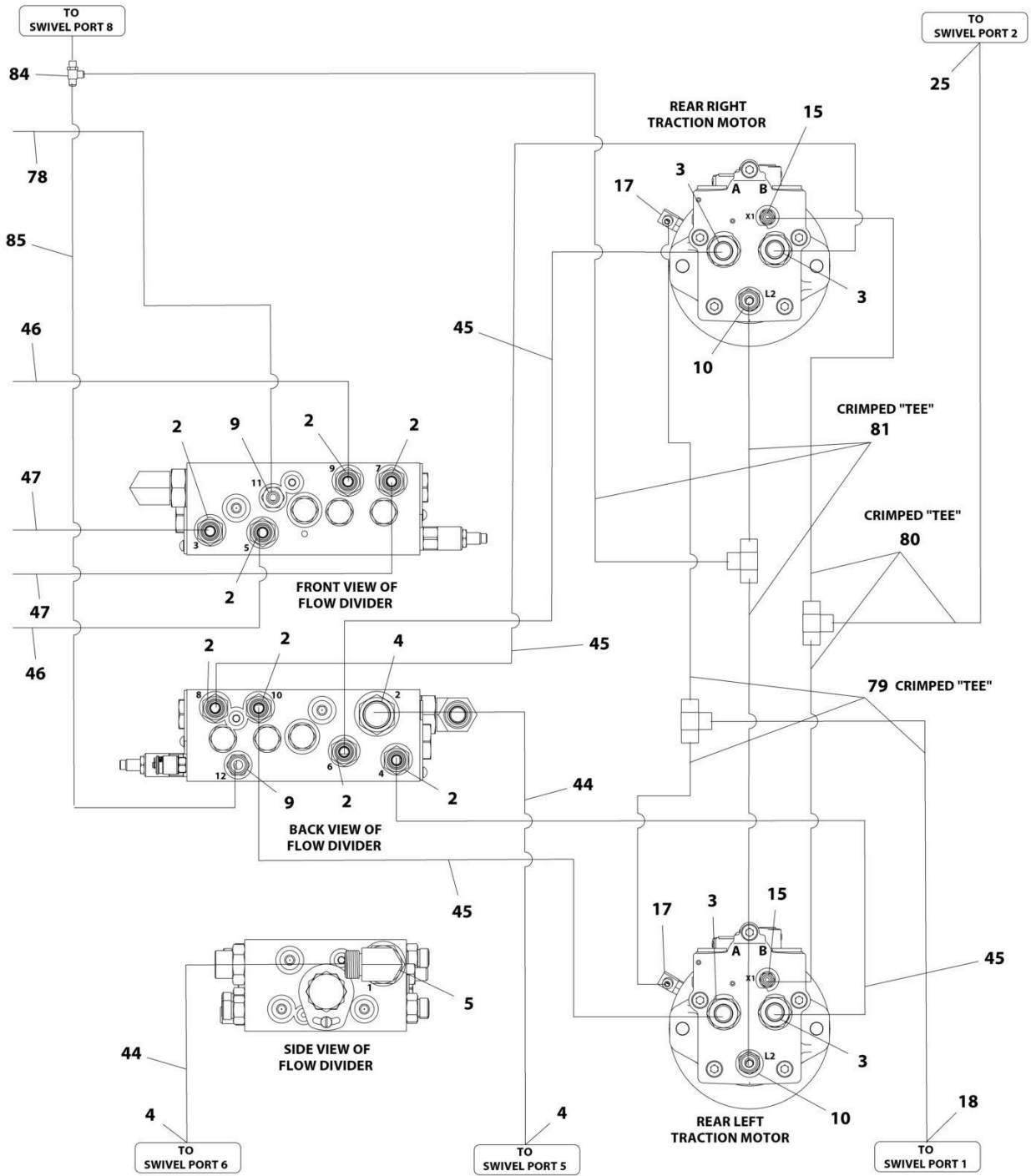
## FIGURE 7-4. 4WD HYDRAULIC SYSTEM INSTALLATION (ALL MACHINES) (460SJ)



ART\_1001207341\_10F6

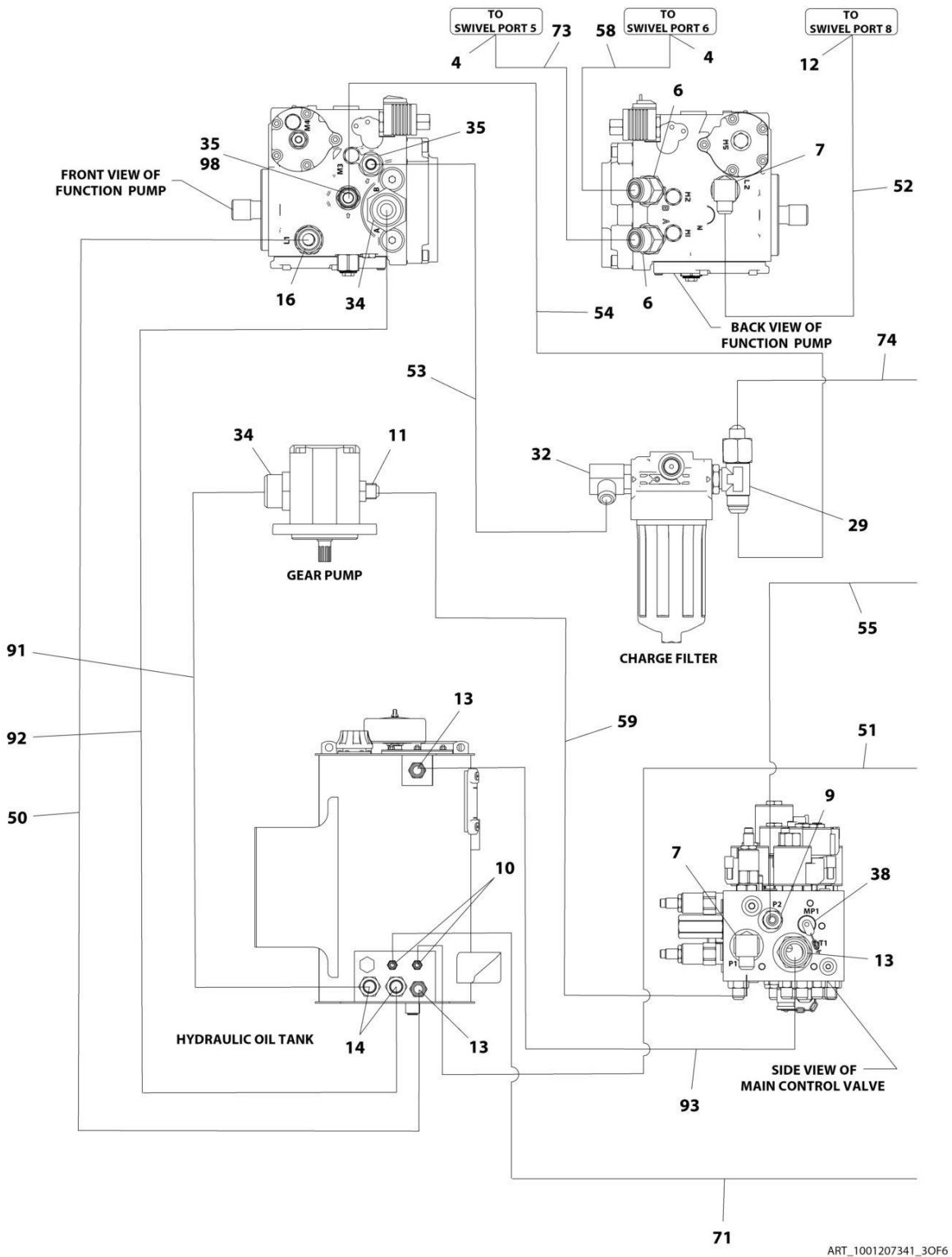


# SECTION 7 - HYDRAULIC



ART\_1001207341\_20F6

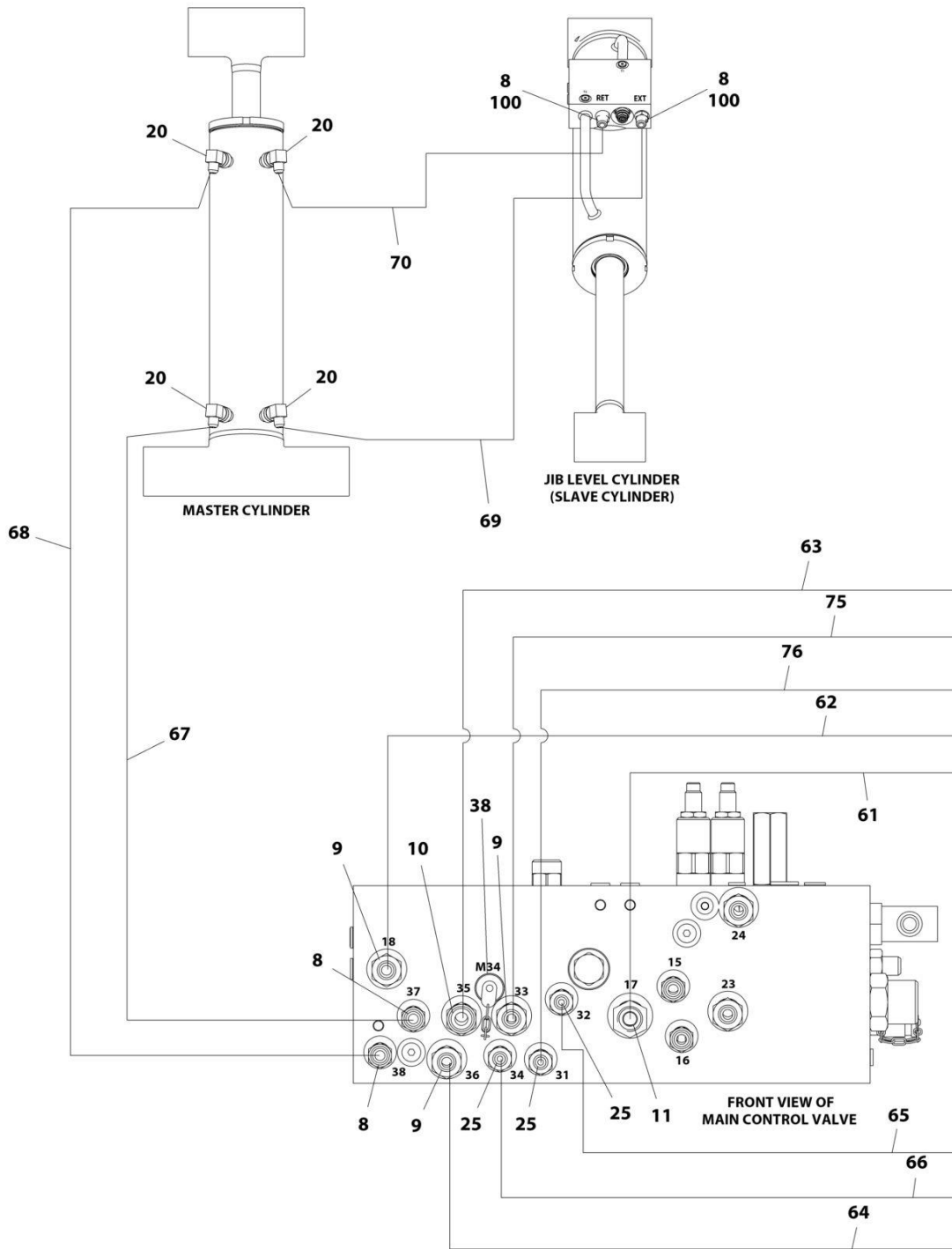
# SECTION 7 - HYDRAULIC



ART\_1001207341\_30F6

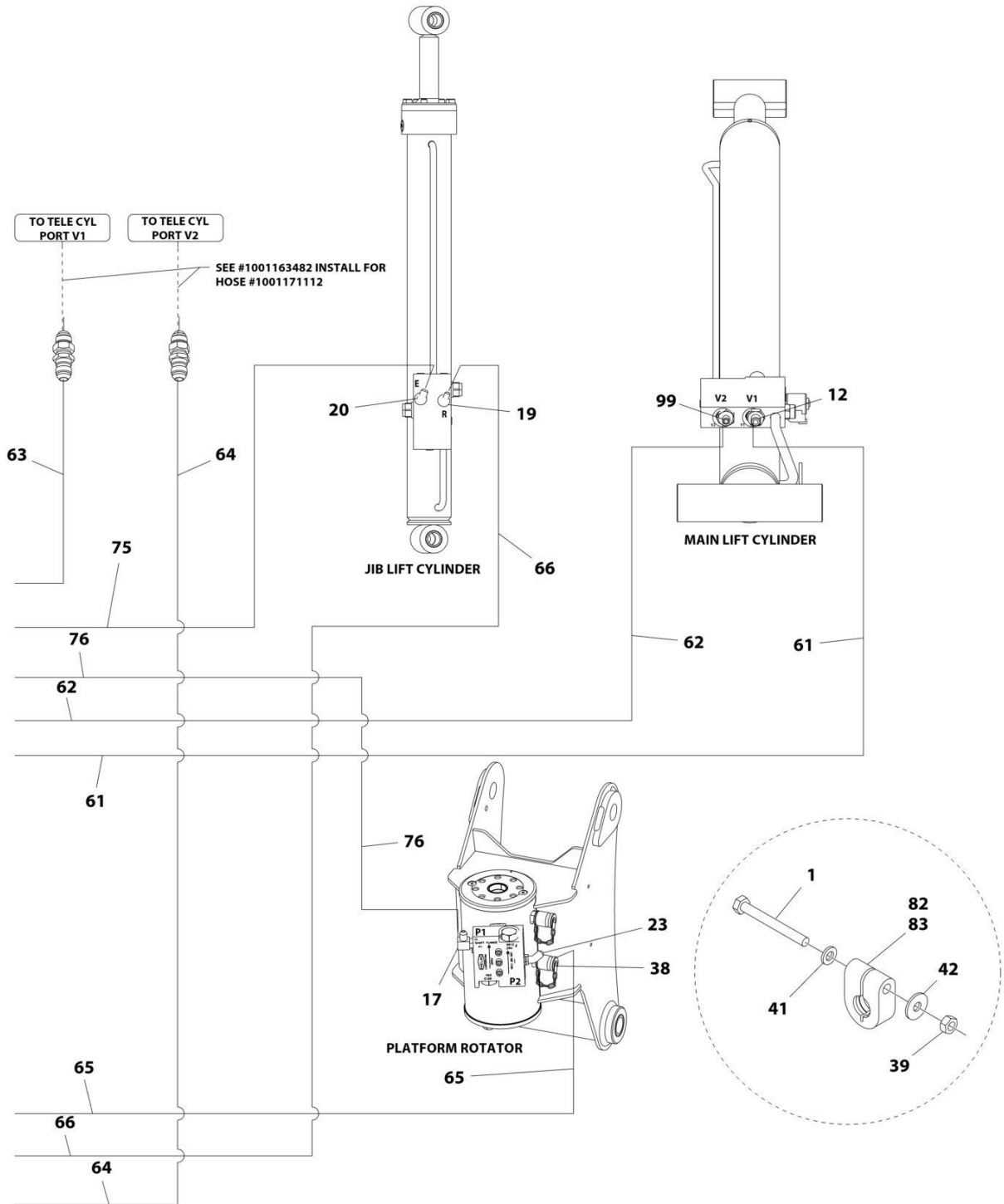


# SECTION 7 - HYDRAULIC



ART\_1001207341\_SOF6

# SECTION 7 - HYDRAULIC



ART\_1001207341\_6OF6

## SECTION 7 - HYDRAULIC

FIGURE 7-4. 4WD HYDRAULIC SYSTEM INSTALLATION (ALL MACHINES) (460SJ)

ITEM	PART NUMBER	QTY	DESCRIPTION	REV
	1001207341	Ref	4WD HYDRAULIC SYSTEM INSTALLATION	F
1	0760619	2	Bolt, M6 x 55	
2	2110810	8	Fitting, Straight ORFS/ORB	
3	2110812	8	Fitting, Straight ORFS/ORB	
4	2111216	5	Fitting, Straight ORFS/ORB	
5	2131216	1	Fitting, 90 ORFS/ORB	
6	2131212	2	Fitting, 90 ORFS/ORB	
7	2220366	2	Fitting, 90 JIC/ORB	
8	2220371	10	Fitting, Straight JIC/ORB	
9	2220372	9	Fitting, Straight JIC/ORB	
10	2220373	5	Fitting, Straight JIC/ORB	
11	2220374	AR	Fitting, Straight JIC/ORB	
12	2220375	AR	Fitting, Straight JIC/ORB	
13	2220377	3	Fitting, Straight JIC/ORB	
14	1001202910	2	Fitting, Straight MORB	
15	2220415	2	Fitting, Straight JIC/ORB	
16	2220451	1	Fitting, Straight JIC/ORB	
17	2220466	3	Fitting, 90 JIC/ORB	
18	2220468	2	Fitting, Straight JIC/ORB	
19	2220472	1	Fitting, 90 JIC/ORB	
20	2220473	9	Fitting, 90 JIC/ORB	
21	2220500	2	Fitting, 45 JIC/ORB	
22	2220501	2	Fitting, 45 JIC/ORB	
23	2220502	1	Fitting, 45 JIC/ORB	
25	2220582	4	Fitting, Straight JIC/ORB	
26	2220596	2	Fitting, 90 JIC/ORB	
27	2220600	2	Fitting, Straight JIC/ORB	
28	2220628	1	Fitting, 90 JIC/ORB	
29	2220695	1	Fitting, Tee JIC/ORB/JIC	
30	2220726	1	Fitting, 90 JIC/ORB	
31	2220775	1	Fitting, 90 JIC/ORB	
32	2220906	1	Fitting, 90 JIC/ORB	
33	2220923	2	Fitting, Straight JIC/ORB	
34	2220946	2	Fitting, Straight JIC/ORB	
35	2220947	AR	Fitting, Straight JIC/ORB	
36	2220998	2	Fitting, Straight JIC/ORB	
37	2221040	2	Fitting, 45 JIC/ORB	
38	2221086	4	Fitting, Diagnostic Test Port	
39	3290601	2	Nut, M6 x 1	
40	4240018	22	Tie-Strap (Not Shown)	
41	4811700	2	Washer, M6	
42	4811702	2	Washer, M6	
43	1001172692	2	Hose	
44	1001172695	1	Hose	
45	1001172697	4	Hose	
46	1001172698	2	Hose	
47	1001172699	2	Hose	
48	1001172703	2	Hose	
49	1001172707	2	Hose	
50	1001216655	1	Hose	

## SECTION 7 - HYDRAULIC

ITEM	PART NUMBER	QTY	DESCRIPTION	REV
51	1001172716	1	Hose	
52	1001172717	1	Hose	
53	1001172718	1	Hose	
54	1001172719	1	Hose	
55	1001172721	1	Hose	
56	1001172722	2	Hose	
57	1001172723	3	Hose	
58	1001173898	1	Hose	
59	2752500	1	Hose	
60	1001173900	2	Hose	
61	1001173901	1	Hose	
62	1001173902	1	Hose	
63	1001173903	1	Hose	
64	1001173904	1	Hose	
65	1001173905	1	Hose	
66	1001173906	1	Hose	
67	1001173907	1	Hose	
68	1001173908	1	Hose	
69	1001173909	1	Hose	
70	1001173937	1	Hose	
71	1001193654	1	Hose	
72	1001175024	1	Fitting, Tee JIC/JIC/ORB	
73	1001181074	1	Hose	
74	1001181075	1	Hose	
75	1001181076	1	Hose	
76	1001181077	1	Hose	
77	1001184542	1	Hose	
78	1001184543	1	Hose	
79	1001184561	1	Hose	
80	1001184562	1	Hose	
81	1001184563	1	Hose	
82	1001191275	1	Clamp	
83	1001191276	1	Clamp	
84	1001197272	1	Fitting, Tee JIC/ORB/JIC	
85	1001197284	1	Hose	
91	1001207332	1	Hose	
92	1001207332	1	Hose	
93	1001207333	1	Hose	
97	80633030	2	Clamp (Not Shown)	
98	88662037	1	Fitting, Straight JIC/ORB	
99	2220497	1	Fitting, Straight JIC/ORB	
100	2220603	AR	Fitting, Straight JIC/ORB	

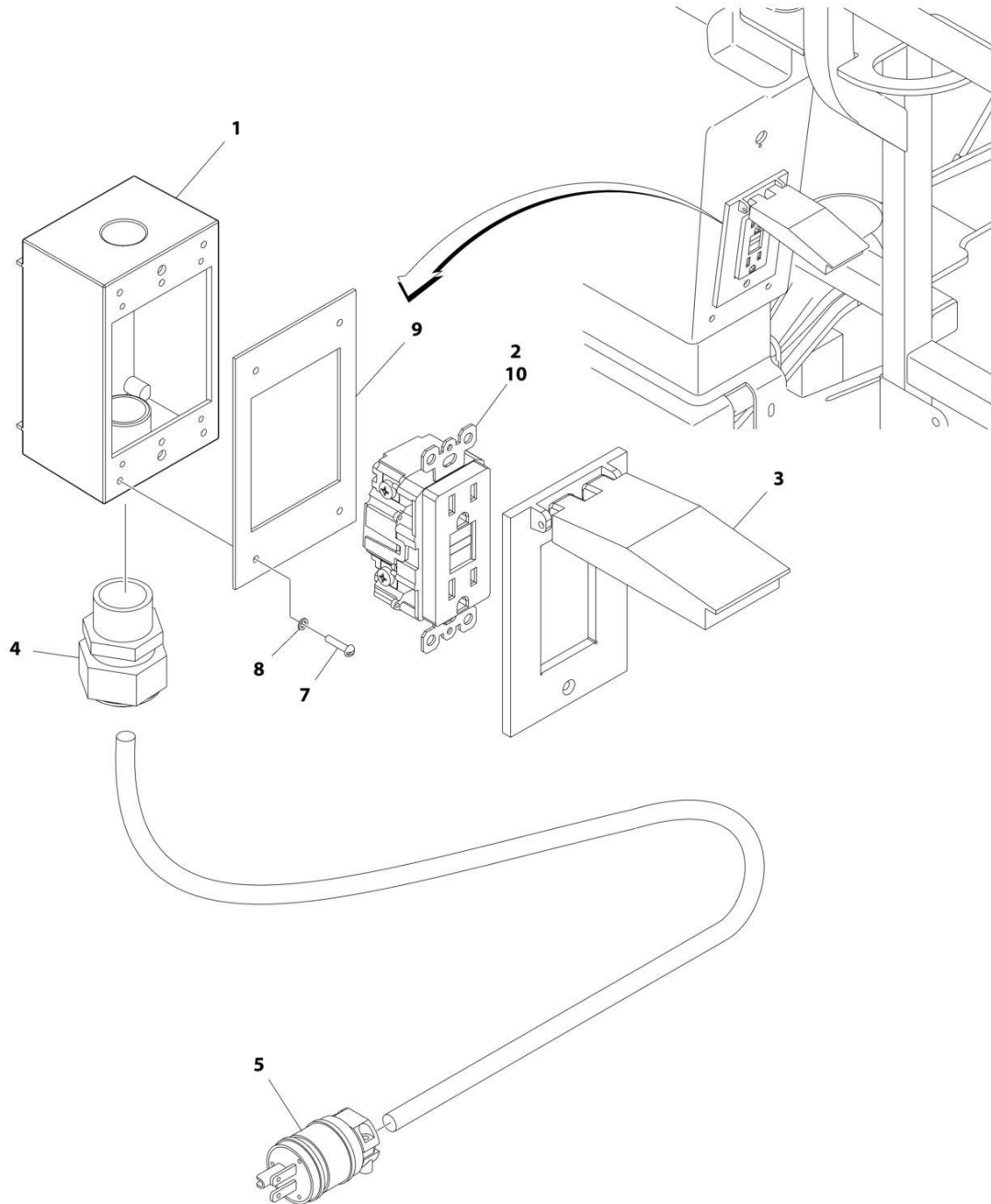




**SECTION 8 - ELECTRICAL**

# SECTION 8 - ELECTRICAL

FIGURE 8-1. AC BOX AT PLATFORM INSTALLATION - 110V (ANSI, ANSI EXPORT, CSA, CHINA AND JAPANESE SPECS)



ART\_0270022

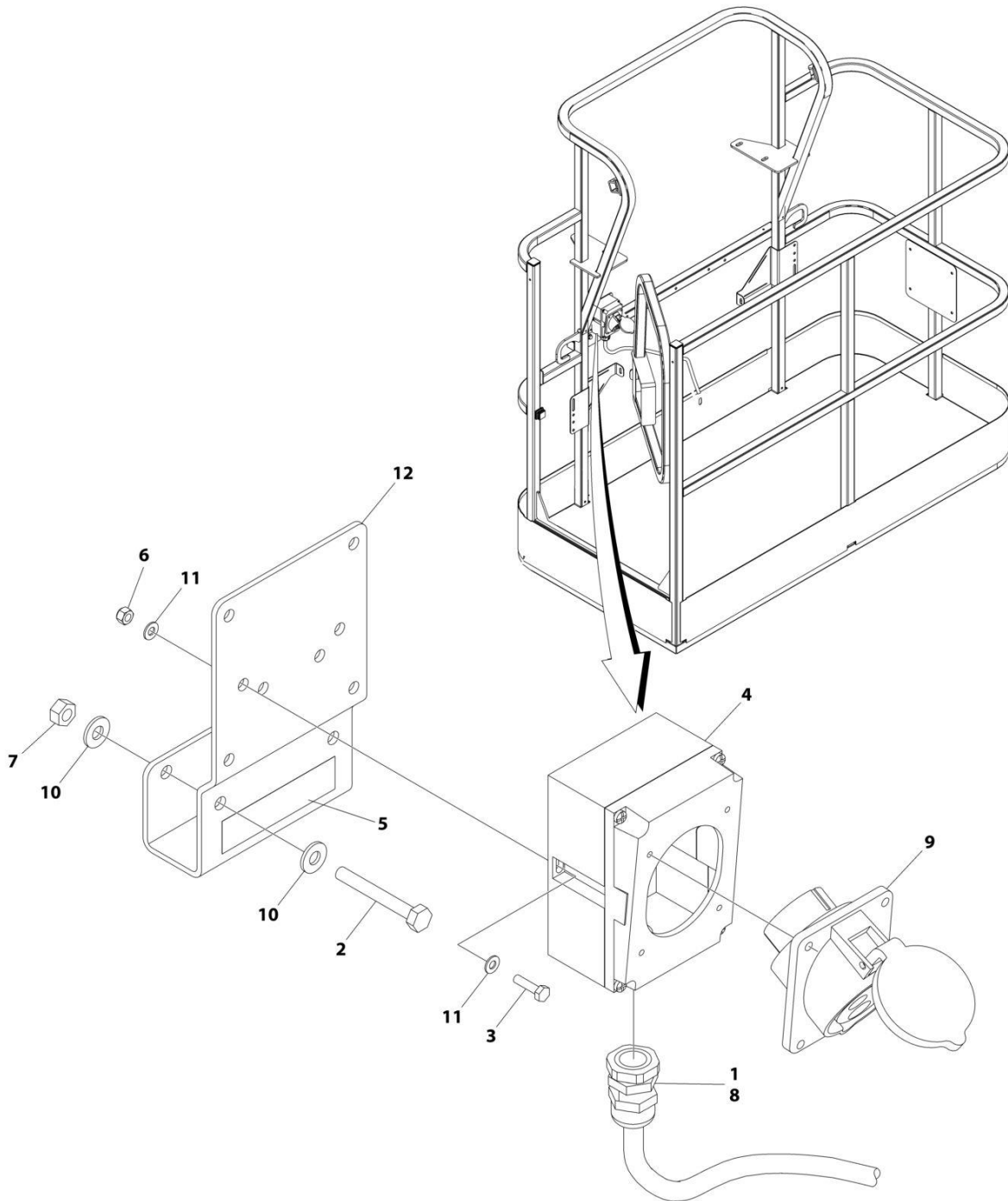
## SECTION 8 - ELECTRICAL

**FIGURE 8-1. AC BOX AT PLATFORM INSTALLATION - 110V (ANSI, ANSI EXPORT, CSA, CHINA AND JAPANESE SPECS)**

ITEM	PART NUMBER	QTY	DESCRIPTION	REV
	0270022	Ref	AC BOX AT PLATFORM INSTALLATION - 110V	4-B
1	0860038	1	Box, Switch	
2	4460346	1	Receptacle	
3	1001110873	1	Shield, Cover	
4	4460071	1	Connector, Strain Relief	
5	4460205	1	Plug, Male	
7	3910610	4	Screw #6 x 5/8	
8	4760600	4	Washer #6	
9	3960422	1	Gasket	
10	4460315	1	Terminal, Spade	

# SECTION 8 - ELECTRICAL

FIGURE 8-2. AC BOX AT PLATFORM INSTALLATION - 110V IEC YELLOW (CE SPECS WITH 4000W/50HZ GENERATOR)



ART\_1001194203

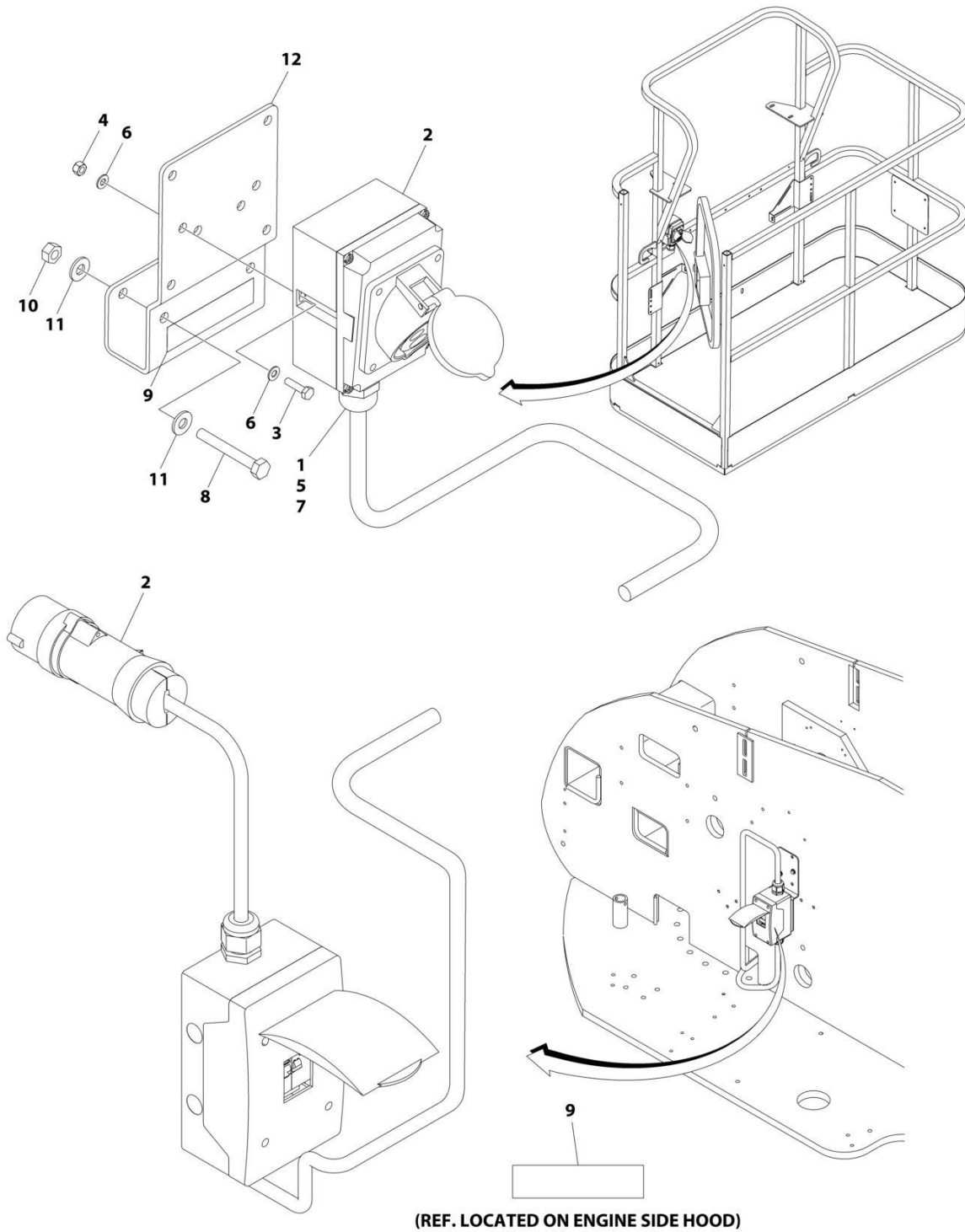
## SECTION 8 - ELECTRICAL

**FIGURE 8-2. AC BOX AT PLATFORM INSTALLATION - 110V IEC YELLOW (CE SPECS WITH 4000W/50HZ GENERATOR)**

ITEM	PART NUMBER	QTY	DESCRIPTION	REV
	1001194203	Ref	AC BOX AT PLATFORM INSTALLATION	B
1	0100020	AR	Sealant, Pipe	
2	0641416	2	Bolt 1/4 x 2	
3	0700408	2	Bolt M4 x 16	
4	0861781	1	Box, Switch	
5	1705325	1	Decal - 110V	
6	3290405	2	Nut M4	
7	3311405	2	Nut 1/4	
8	4460968	1	Connector, Strain Relief	
9	4461198	1	Receptacle	
10	4711400	4	Washer 1/4	
11	4811400	4	Washer M4	
12	1001193018	1	Bracket, AC Receptacle	

# SECTION 8 - ELECTRICAL

FIGURE 8-3. AC BOX AT PLATFORM - 110V IEC YELLOW (CE SPEC WITHOUT GENERATOR)



ART\_1001091969

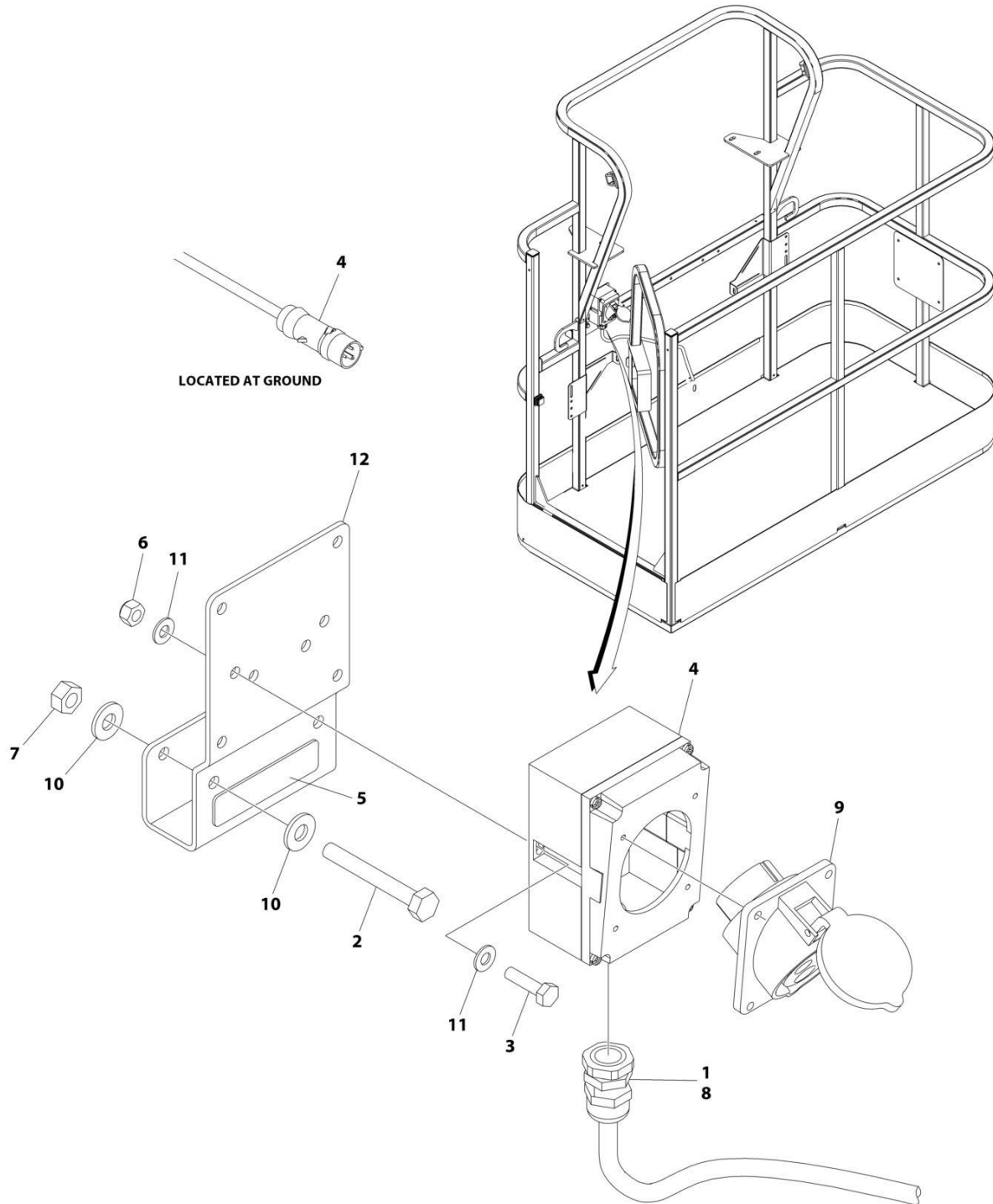
## SECTION 8 - ELECTRICAL

**FIGURE 8-3. AC BOX AT PLATFORM - 110V IEC YELLOW (CE SPEC WITHOUT GENERATOR)**

ITEM	PART NUMBER	QTY	DESCRIPTION	REV
	1001091969	Ref	AC BOX AT PLATFORM INSTALLATION - 110V IEC YELLOW	D
1	0100020	AR	Sealant, Pipe	
2	0275216	1	Receptacle Box Kit (See Separate Breakdown in this Section)	
3	0700408	2	Bolt M4 x 16	
4	3290405	2	Nut M4	
5	1001101196	1	Adapter	
6	4811400	4	Washer M4	
7	1001101191	1	Connector, Strain Relief	
8	0641416	2	Bolt 1/4 x 2	
9	1705325	2	Decal - 110V	
10	3311405	2	Nut 1/4	
11	4711400	4	Washer 1/4	
12	1001193018	1	Bracket	

# SECTION 8 - ELECTRICAL

FIGURE 8-4. AC BOX AT PLATFORM INSTALLATION - 220V IEC BLUE (CE SPECS WITH 4000W/50HZ GENERATOR)



ART\_1001194204



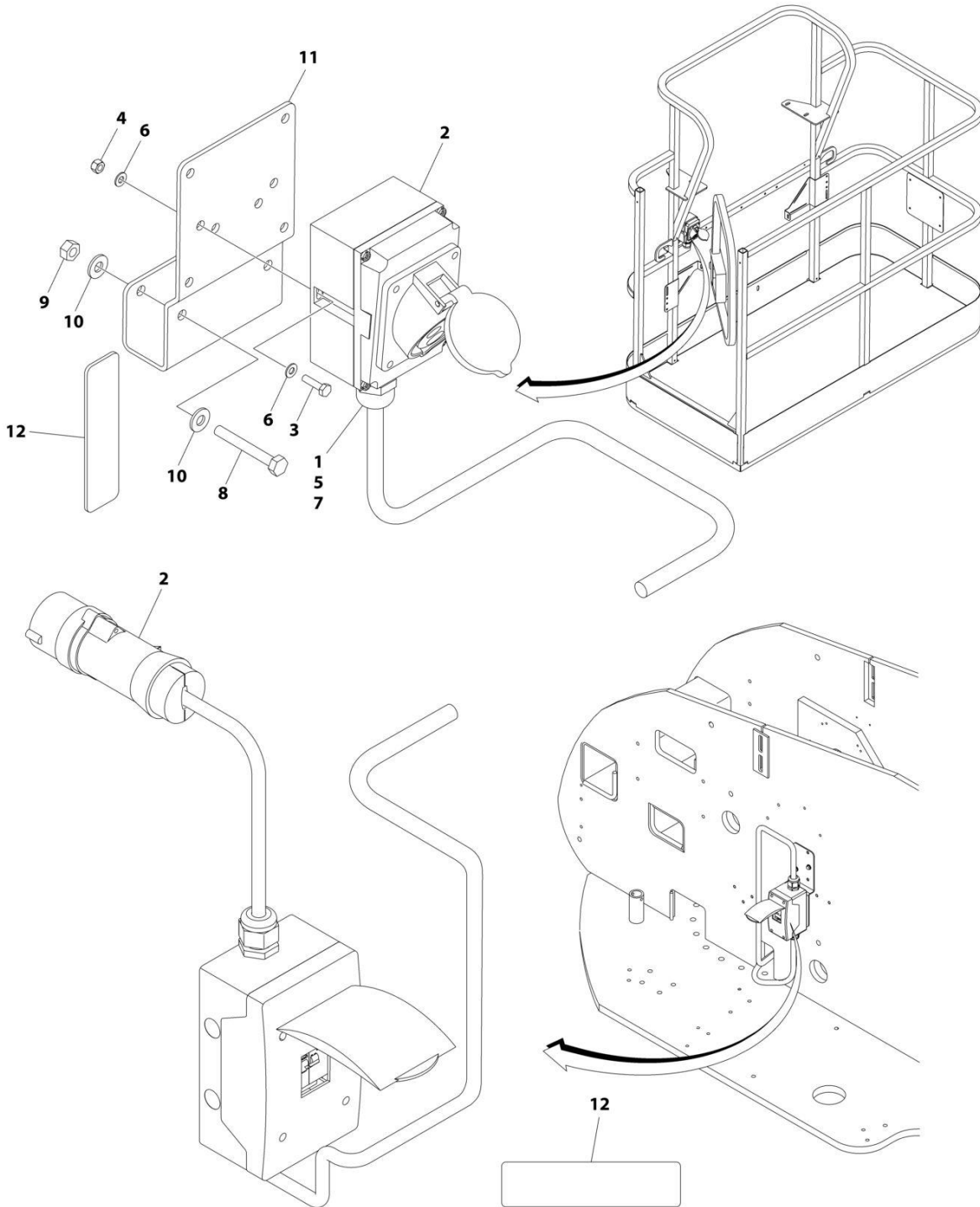
## SECTION 8 - ELECTRICAL

**FIGURE 8-4. AC BOX AT PLATFORM INSTALLATION - 220V IEC BLUE (CE SPECS WITH 4000W/50HZ GENERATOR)**

ITEM	PART NUMBER	QTY	DESCRIPTION	REV
	1001194204	Ref	AC BOX AT PLATFORM INSTALLATION	B
1	0100020	AR	Sealant, Pipe	
2	0641416	2	Bolt 1/4 x 2	
3	0700408	2	Bolt M4 x 16	
4	0861781	1	Box, Switch	
5	3251242	1	Decal - 240V/50Hz	
6	3290405	2	Nut M4	
7	3311405	2	Nut 1/4	
8	4460968	1	Connector, Strain Relief	
9	4461201	1	Receptacle	
10	4711400	4	Washer 1/4	
11	4811400	4	Washer M4	
12	1001193018	1	Bracket, AC Receptacle	

# SECTION 8 - ELECTRICAL

FIGURE 8-5. AC BOX AT PLATFORM - 220V IEC BLUE (CE SPEC WITHOUT GENERATOR)



(REF. LOCATED ON ENGINE SIDE HOOD)

ART\_1001091970

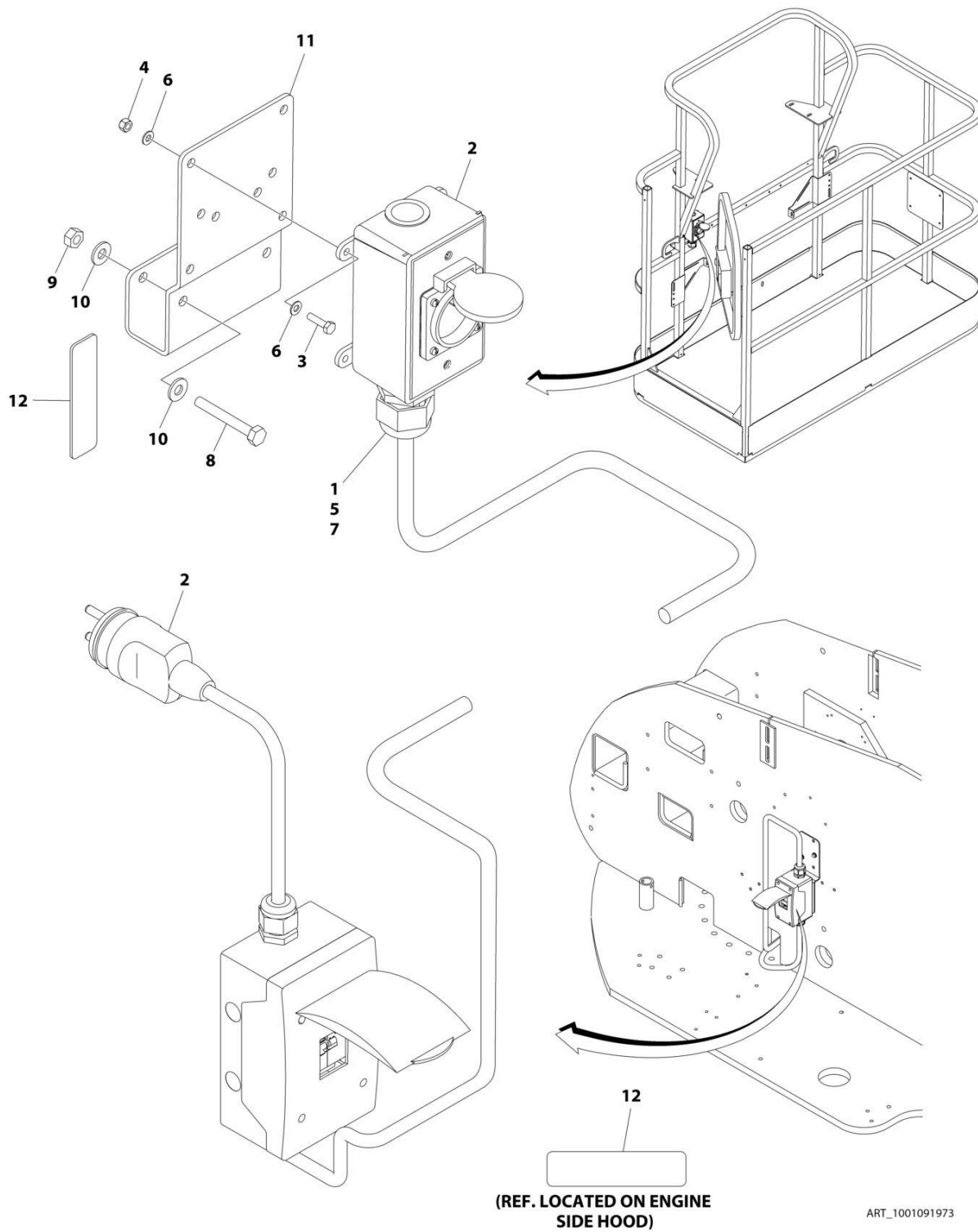
## SECTION 8 - ELECTRICAL

**FIGURE 8-5. AC BOX AT PLATFORM - 220V IEC BLUE (CE SPEC WITHOUT GENERATOR)**

ITEM	PART NUMBER	QTY	DESCRIPTION	REV
	1001091970	Ref	AC BOX AT PLATFORM INSTALLATION - 220V IEC BLUE	D
1	0100020	AR	Sealant, Pipe	
2	0275217	1	Receptacle Box Kit (See Separate Breakdown in this Section)	
3	0700408	2	Bolt M4 x 16	
4	3290405	2	Nut M4	
5	1001101196	1	Adapter	
6	4811400	4	Washer M4	
7	1001101191	1	Connector, Strain Relief	
8	0641416	2	Bolt 1/4 x 2	
9	3311405	2	Nut 1/4	
10	4711400	4	Washer 1/4	
11	1001193018	1	Bracket	
12	3251242	2	Decal - 240V/50Hz	

# SECTION 8 - ELECTRICAL

FIGURE 8-6. AC BOX AT PLATFORM - 220V CEE7 2IN X 4IN POST GROUND (CE SPEC WITHOUT GENERATOR)



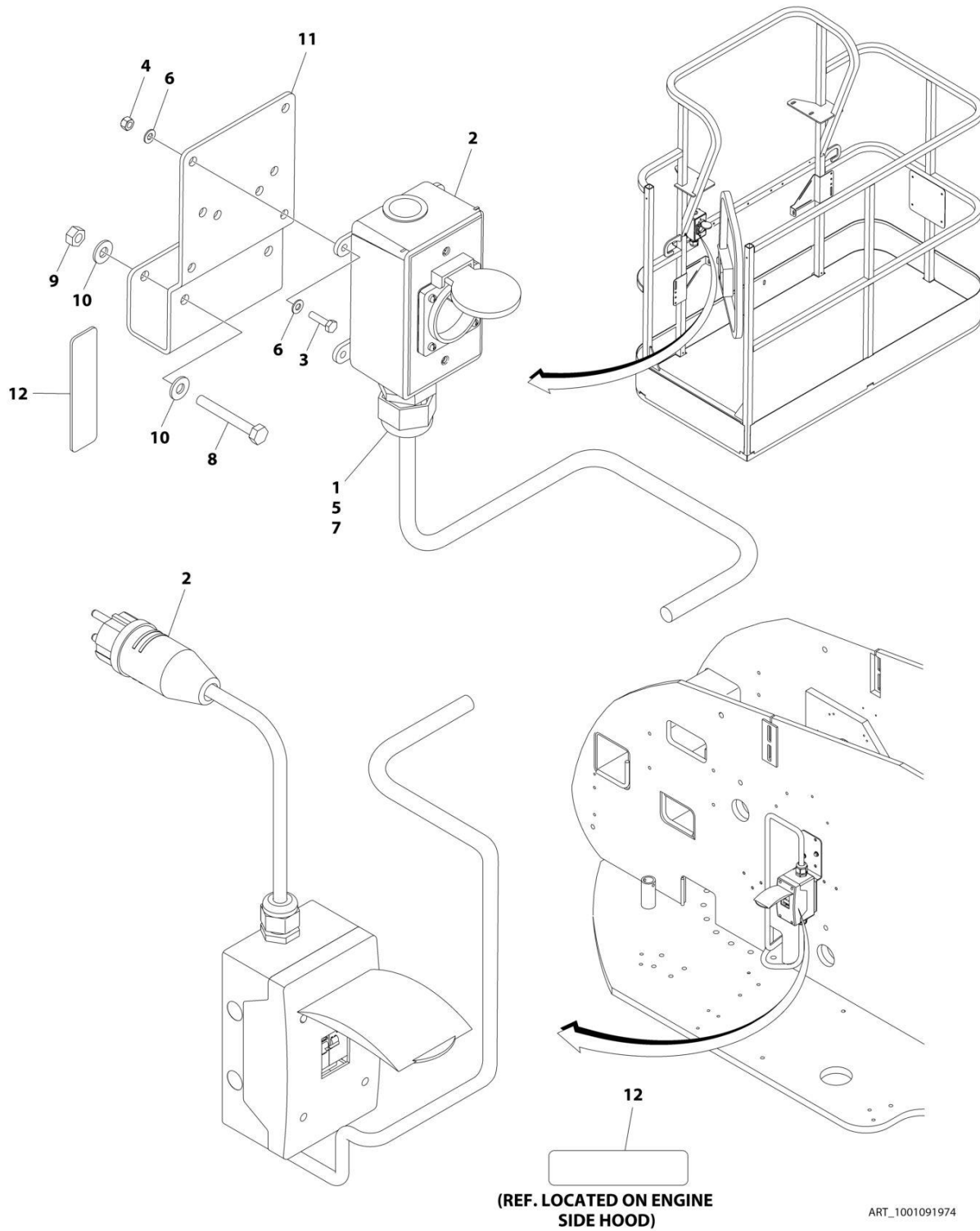
## SECTION 8 - ELECTRICAL

**FIGURE 8-6. AC BOX AT PLATFORM - 220V CEE7 2IN X 4IN POST GROUND (CE SPEC WITHOUT GENERATOR)**

ITEM	PART NUMBER	QTY	DESCRIPTION	REV
	1001091973	Ref	AC BOX AT PLATFORM INSTALLATION - 220V CEE7 2X4 BOX POST GROUND	F
1	0100020	AR	Sealant, Pipe	
2	0275452	1	Receptacle Box Kit (See Separate Breakdown in this Section)	
3	0700408	4	Bolt M4 x 16	
4	3290405	4	Nut M4	
5	1001101197	1	Adapter	
6	4811400	8	Washer M4	
7	1001101191	1	Connector, Strain Relief	
8	0641416	2	Bolt 1/4 x 2	
9	3311405	2	Nut 1/4	
10	4711400	4	Washer 1/4	
11	1001193018	1	Bracket	
12	3251242	2	Decal - 240V/50Hz	
13	4460806	2	Terminal, Fork (Not Shown)	
14	1001205958	1	Terminal (Not Shown)	

# SECTION 8 - ELECTRICAL

## FIGURE 8-7. AC BOX AT PLATFORM - 220V CEE7 2IN X 4IN SIDE GROUND (CE SPEC WITHOUT GENERATOR)



## SECTION 8 - ELECTRICAL

**FIGURE 8-7. AC BOX AT PLATFORM - 220V CEE7 2IN X 4IN SIDE GROUND (CE SPEC WITHOUT GENERATOR)**

ITEM	PART NUMBER	QTY	DESCRIPTION	REV
	1001091974	Ref	AC BOX AT PLATFORM INSTALLATION - 220V CEE7 2X4 BOX SIDE GROUND	F
1	0100020	AR	Sealant, Pipe	
2	0275453	1	Receptacle Box Kit (See Separate Breakdown in this Section)	
3	0700408	4	Bolt M4 x 16	
4	3290405	4	Nut M4	
5	1001101197	1	Adapter	
6	4811400	8	Washer M4	
7	1001101191	1	Connector, Strain Relief	
8	0641416	2	Bolt 1/4 x 2	
9	3311405	2	Nut 1/4	
10	4711400	4	Washer 1/4	
11	1001193018	1	Bracket	
12	3251242	2	Decal - 240V/50Hz	
13	4460806	2	Terminal, Fork (Not Shown)	
14	1001205958	1	Terminal (Not Shown)	





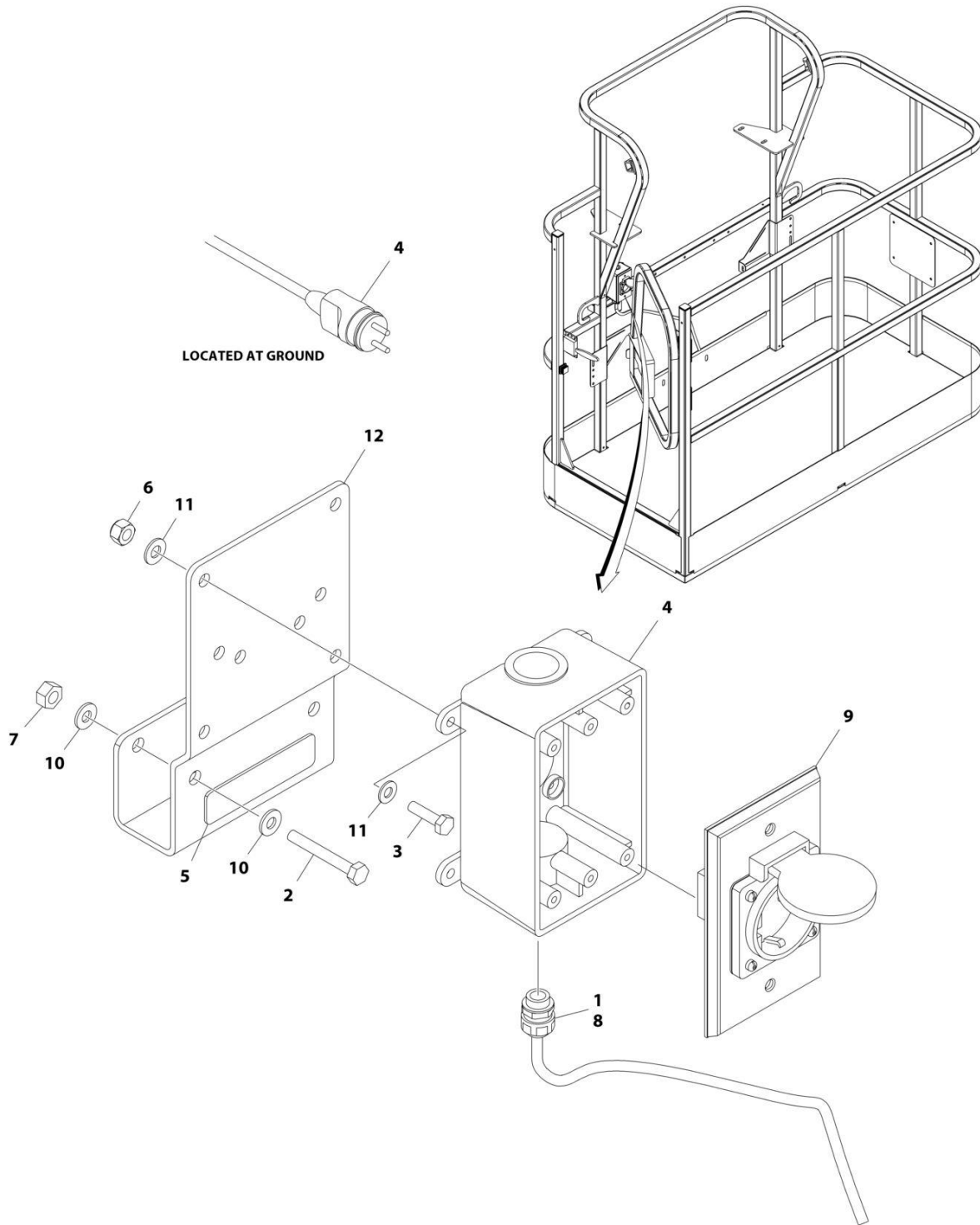
## SECTION 8 - ELECTRICAL

**FIGURE 8-8. AC BOX AT PLATFORM INSTALLATION - 220V CEE7 2IN X 4IN POST GROUND (CE SPECS WITH 4000W/50HZ GENERATOR)**

ITEM	PART NUMBER	QTY	DESCRIPTION	REV
	1001194197	Ref	AC BOX AT PLATFORM INSTALLATION	B
1	0100020	AR	Sealant, Pipe	
2	0641416	2	Bolt 1/4 x 2	
3	0700408	4	Bolt M4 x 16	
4	0861731	1	Box, Switch	
5	3251242	1	Decal - 240V/50Hz	
6	3290405	4	Nut M4	
7	3311405	2	Nut 1/4	
8	4460662	1	Connector, Strain Relief	
9	4461244	1	Receptacle	
10	4711400	4	Washer 1/4	
11	4811400	8	Washer M4	
12	1001193018	1	Bracket, AC Receptacle	
13	4460806	2	Terminal, Fork (Not Shown)	
14	1001205958	1	Terminal (Not Shown)	

# SECTION 8 - ELECTRICAL

FIGURE 8-9. AC BOX AT PLATFORM INSTALLATION - 220V CEE7 2IN X 4IN SIDE GROUND (CE SPECS WITH 4000W/50HZ GENERATOR)



ART\_1001194198

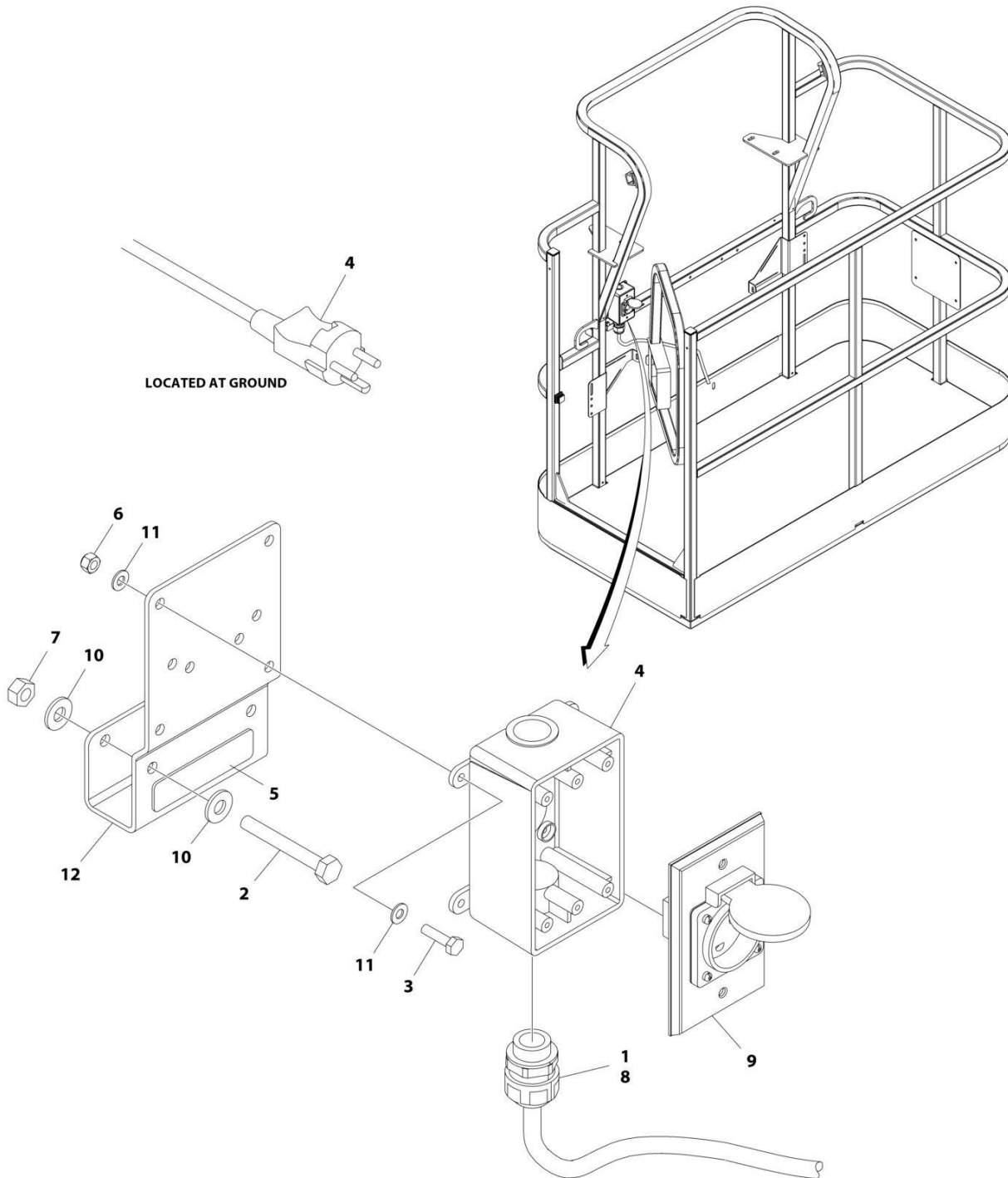
## SECTION 8 - ELECTRICAL

**FIGURE 8-9. AC BOX AT PLATFORM INSTALLATION - 220V CEE7 2IN X 4IN SIDE GROUND (CE SPECS WITH 4000W/50HZ GENERATOR)**

ITEM	PART NUMBER	QTY	DESCRIPTION	REV
	1001194198	Ref	AC BOX AT PLATFORM INSTALLATION	B
1	0100020	AR	Sealant, Pipe	
2	0641416	2	Bolt 1/4 x 2	
3	0700408	4	Bolt M4 x 16	
4	0861731	1	Box, Switch	
5	3251242	1	Decal - 240V/50Hz	
6	3290405	4	Nut M4	
7	3311405	2	Nut 1/4	
8	4460662	1	Connector, Strain Relief	
9	4461245	1	Receptacle	
10	4711400	4	Washer 1/4	
11	4811400	8	Washer M4	
12	1001193018	1	Bracket, AC Receptacle	
13	4460806	2	Terminal, Fork (Not Shown)	
14	1001205958	1	Terminal (Not Shown)	

# SECTION 8 - ELECTRICAL

FIGURE 8-10. AC BOX AT PLATFORM INSTALLATION - 220V AFSINT107 (CE SPECS WITH 4000W/50HZ GENERATOR)



ART\_1001194200

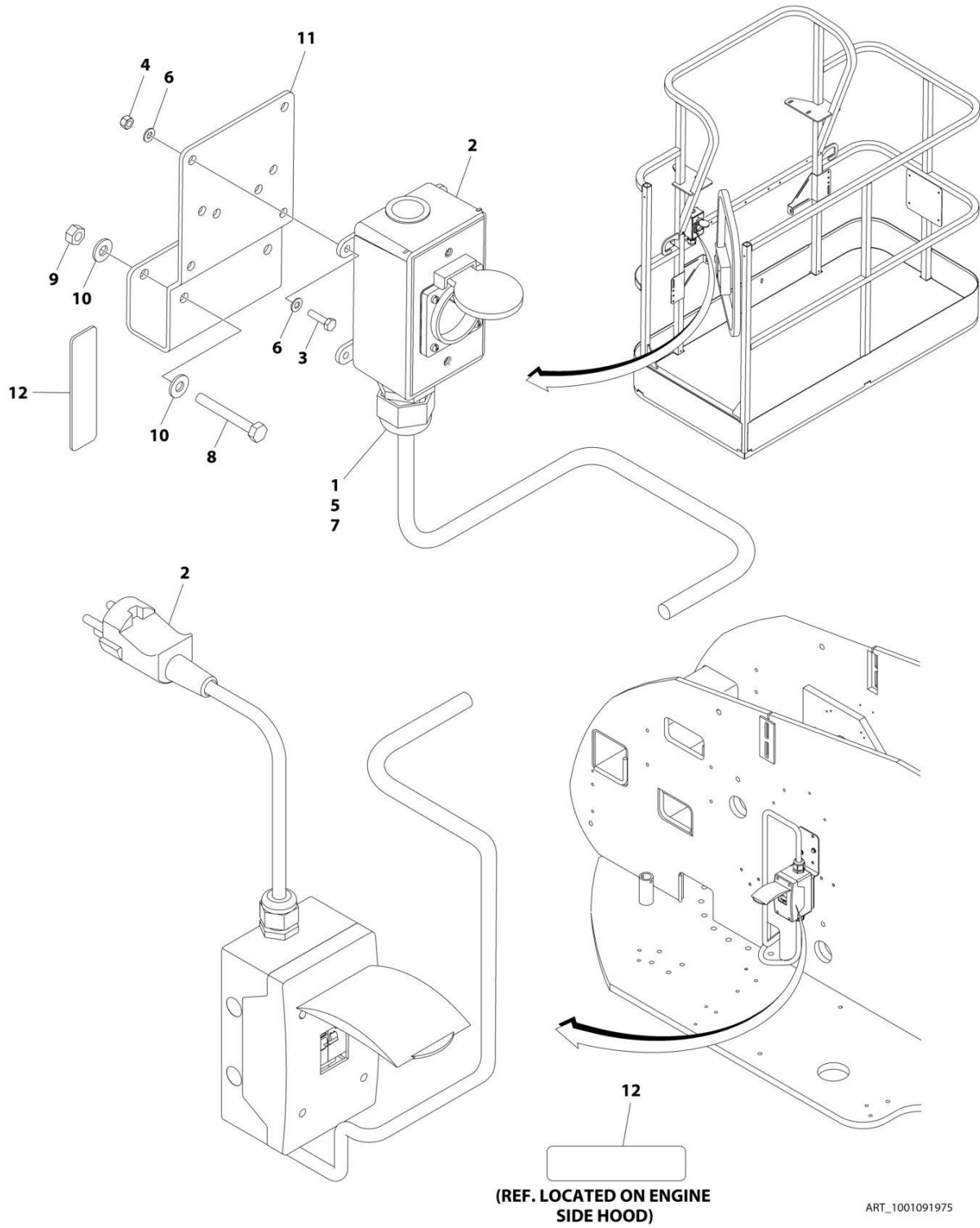
## SECTION 8 - ELECTRICAL

**FIGURE 8-10. AC BOX AT PLATFORM INSTALLATION - 220V AFSINT107 (CE SPECS WITH 4000W/50HZ GENERATOR)**

ITEM	PART NUMBER	QTY	DESCRIPTION	REV
	1001194200	Ref	AC BOX AT PLATFORM INSTALLATION	B
1	0100020	AR	Sealant, Pipe	
2	0641416	2	Bolt 1/4 x 2	
3	0700408	4	Bolt M4 x 16	
4	0861731	1	Box, Switch	
5	3251242	1	Decal - 240V/50Hz	
6	3290405	4	Nut M4	
7	3311405	2	Nut 1/4	
8	4460662	1	Connector, Strain Relief	
9	4461246	1	Receptacle	
10	4711400	4	Washer 1/4	
11	4811400	8	Washer M4	
12	1001193018	1	Bracket, AC Receptacle	
13	1001205958	1	Terminal (Not Shown)	

# SECTION 8 - ELECTRICAL

FIGURE 8-11. AC BOX AT PLATFORM - 220V AFSINT107 (CE SPEC WITHOUT GENERATOR)



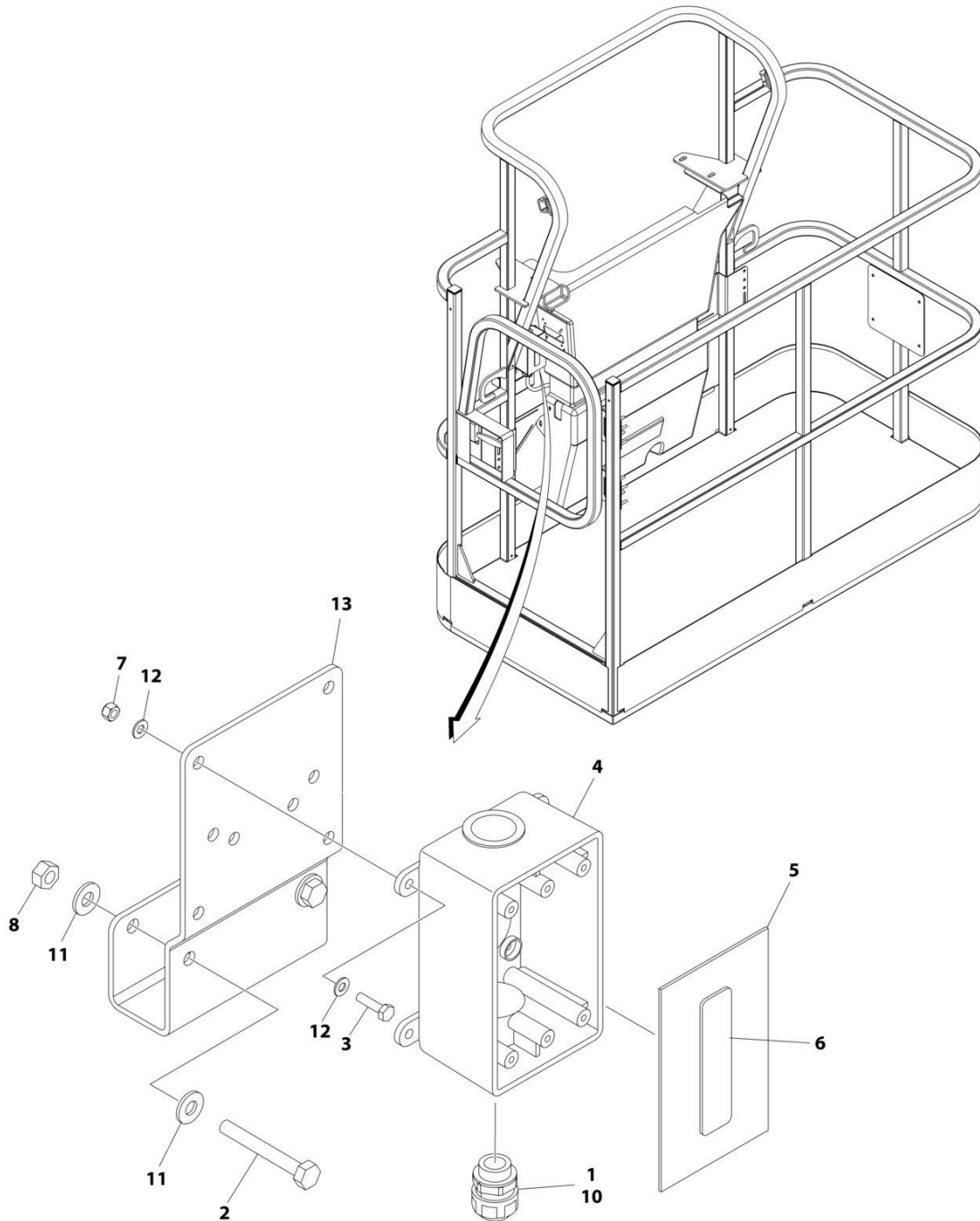
## SECTION 8 - ELECTRICAL

**FIGURE 8-11. AC BOX AT PLATFORM - 220V AFSINT107 (CE SPEC WITHOUT GENERATOR)**

ITEM	PART NUMBER	QTY	DESCRIPTION	REV
	1001091975	Ref	AC BOX AT PLATFORM INSTALLATION - 220V AFSINT 107 2X4 BOX KEYED GROUND	F
1	0100020	AR	Sealant, Pipe	
2	0275454	1	Receptacle Box Kit (See Separate Breakdown in this Section)	
3	0700408	4	Bolt M4 x 16	
4	3290405	4	Nut M4	
5	1001101197	1	Adapter	
6	4811400	8	Washer M4	
7	1001101191	1	Connector, Strain Relief	
8	0641416	2	Bolt 1/4 x 2	
9	3311405	2	Nut 1/4	
10	4711400	4	Washer 1/4	
11	1001193018	1	Bracket	
12	3251242	2	Decal - 240V/50Hz	
13	1001205958	3	Terminal (Not Shown)	

# SECTION 8 - ELECTRICAL

FIGURE 8-12. AC BOX AT PLATFORM INSTALLATION - 220V CUSTOMER SUPPLIED COMPONENTS  
(ANSI EXPORT, CE AND CHINA SPECS)



ART\_1001194365



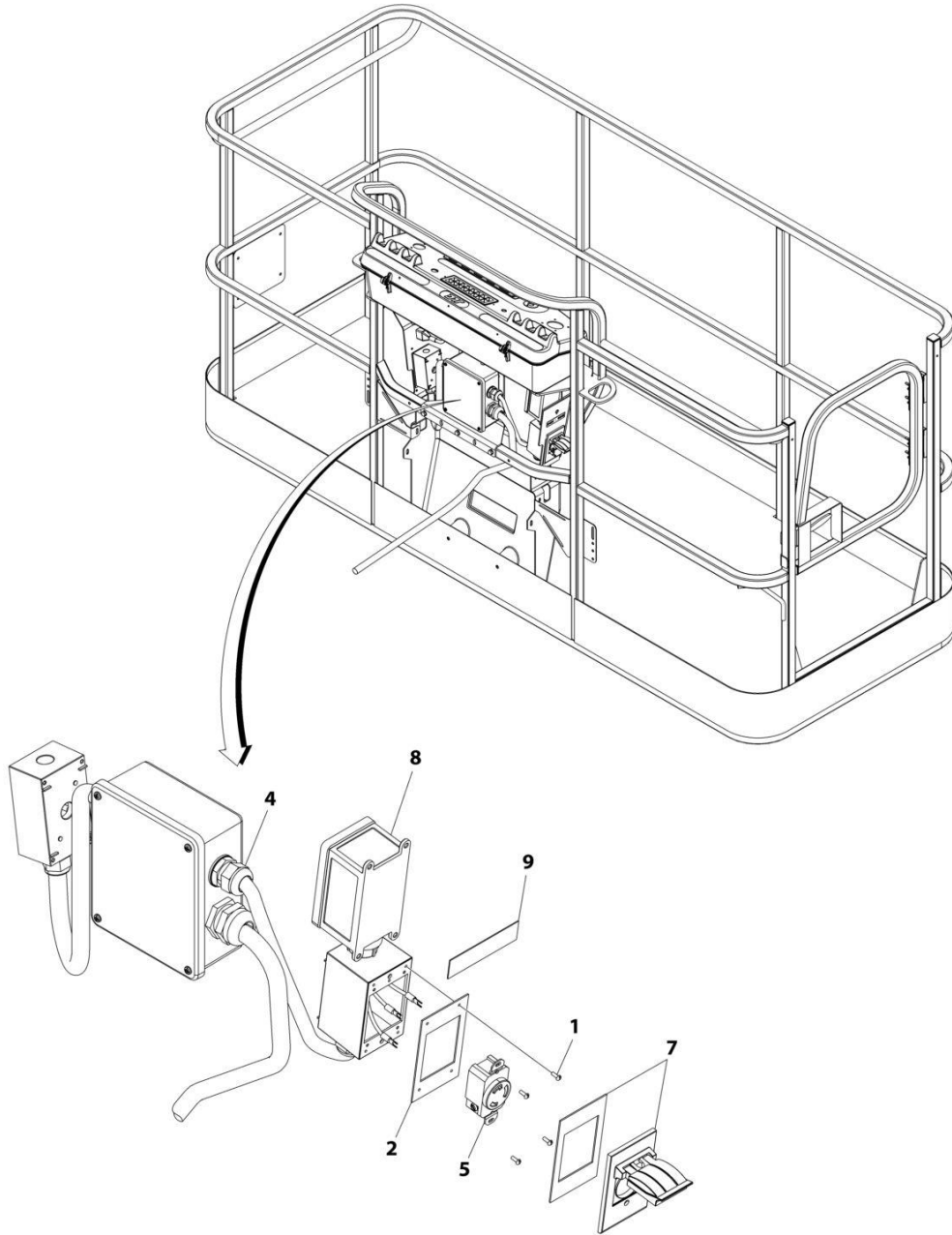
## SECTION 8 - ELECTRICAL

**FIGURE 8-12. AC BOX AT PLATFORM INSTALLATION - 220V CUSTOMER SUPPLIED COMPONENTS  
(ANSI EXPORT, CE AND CHINA SPECS)**

ITEM	PART NUMBER	QTY	DESCRIPTION	REV
	1001194365	Ref	AC BOX AT PLATFORM INSTALLATION - BOX WITH COVER (2X4 BOX)	A
1	0100020	AR	Sealant	
2	0641416	2	Bolt 1/4 x 2	
3	0700408	4	Bolt M4 x 16	
4	0861731	1	Box, Switch	
5	1670603	1	Cover	
6	3251242	1	Decal - 240V/50Hz	
7	3290405	4	Nut M4	
8	3311405	2	Nut 1/4	
9	4460384	3	Terminal (Not Shown)	
10	4460662	1	Connector, Strain Relief	
11	4711400	4	Washer 1/4	
12	4811400	8	Washer M4	
13	1001193018	1	Bracket, AC Receptacle	

# SECTION 8 - ELECTRICAL

FIGURE 8-13. AC BOX AT PLATFORM INSTALLATION - 240V (WITH 4000W GENERATOR) (ALL SPECS EXCEPT AUSTRALIAN & CE SPECS)



ART\_1001171131

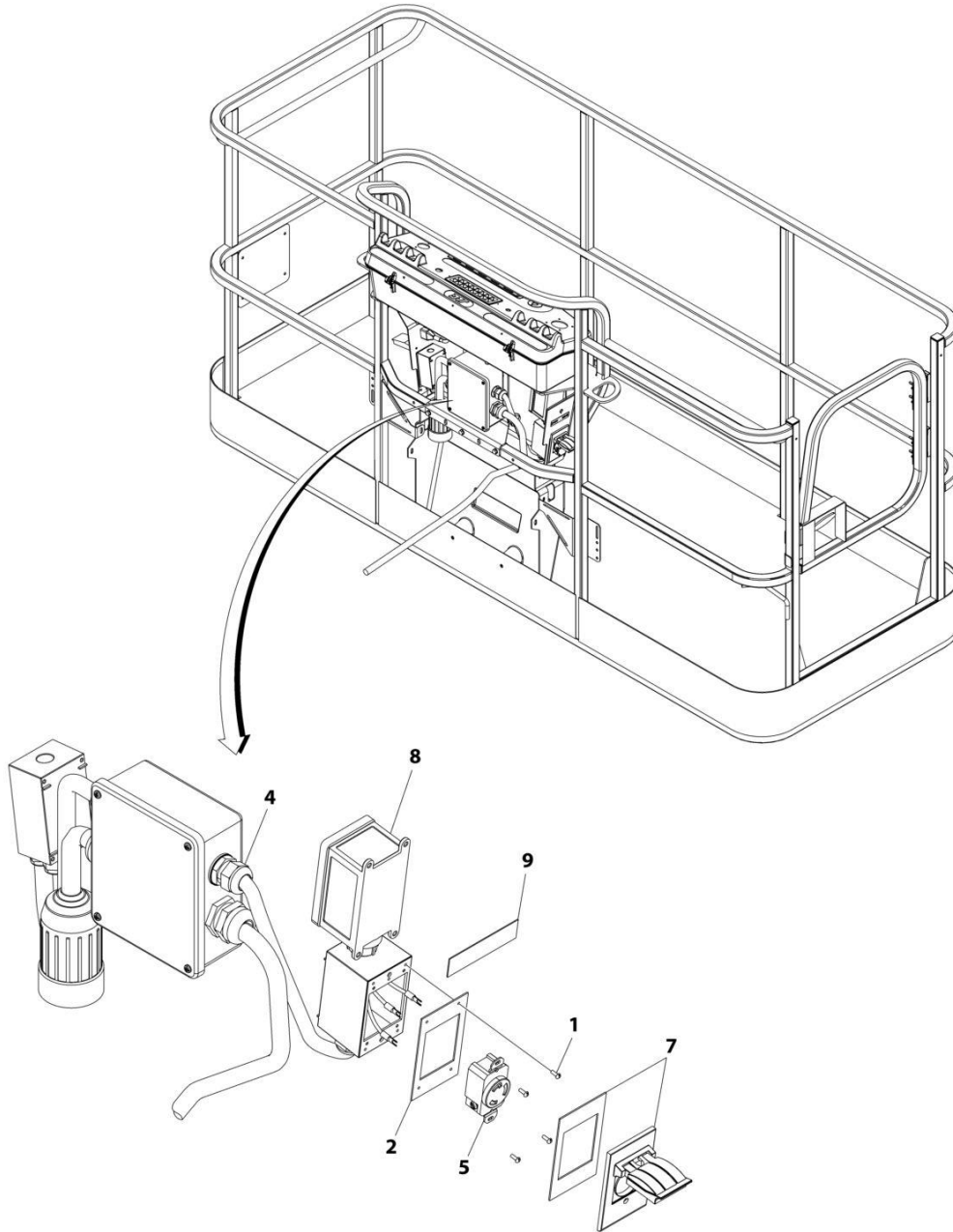
## SECTION 8 - ELECTRICAL

**FIGURE 8-13. AC BOX AT PLATFORM INSTALLATION - 240V (WITH 4000W GENERATOR) (ALL SPECS EXCEPT AUSTRALIAN & CE SPECS)**

ITEM	PART NUMBER	QTY	DESCRIPTION	REV
	1001171131	Ref	AC BOX AT PLATFORM INSTALLATION - 240V RECEPTACLE	B
1	3910606	4	Screw 6 x 3/8	
2	3960422	1	Gasket	
3	4240018	AR	Tie-Strap (Not Shown)	
4	4460425	1	Connector, Strain Relief	
5	1001176862	1	Receptacle	
7	1001110872	1	Cover, Receptacle	
8	1001159120	1	Receptacle/Breaker Box Assembly	
8	1001148675	1	Box, Receptacle	
8	1001159118	1	Breaker GFCI 30Amp 240VAC	
8	4460612	1	Connector, Strain Relief	
8	1001159119	1	Connector (Between Boxes)	
9	1705374	1	Decal - 240V/60Hz	

## SECTION 8 - ELECTRICAL

FIGURE 8-14. AC BOX AT PLATFORM INSTALLATION - 240V (WITH 7500W SKYPOWER GENERATOR) (ALL SPECS EXCEPT AUSTRALIAN & CE SPECS)



ART\_1001159121

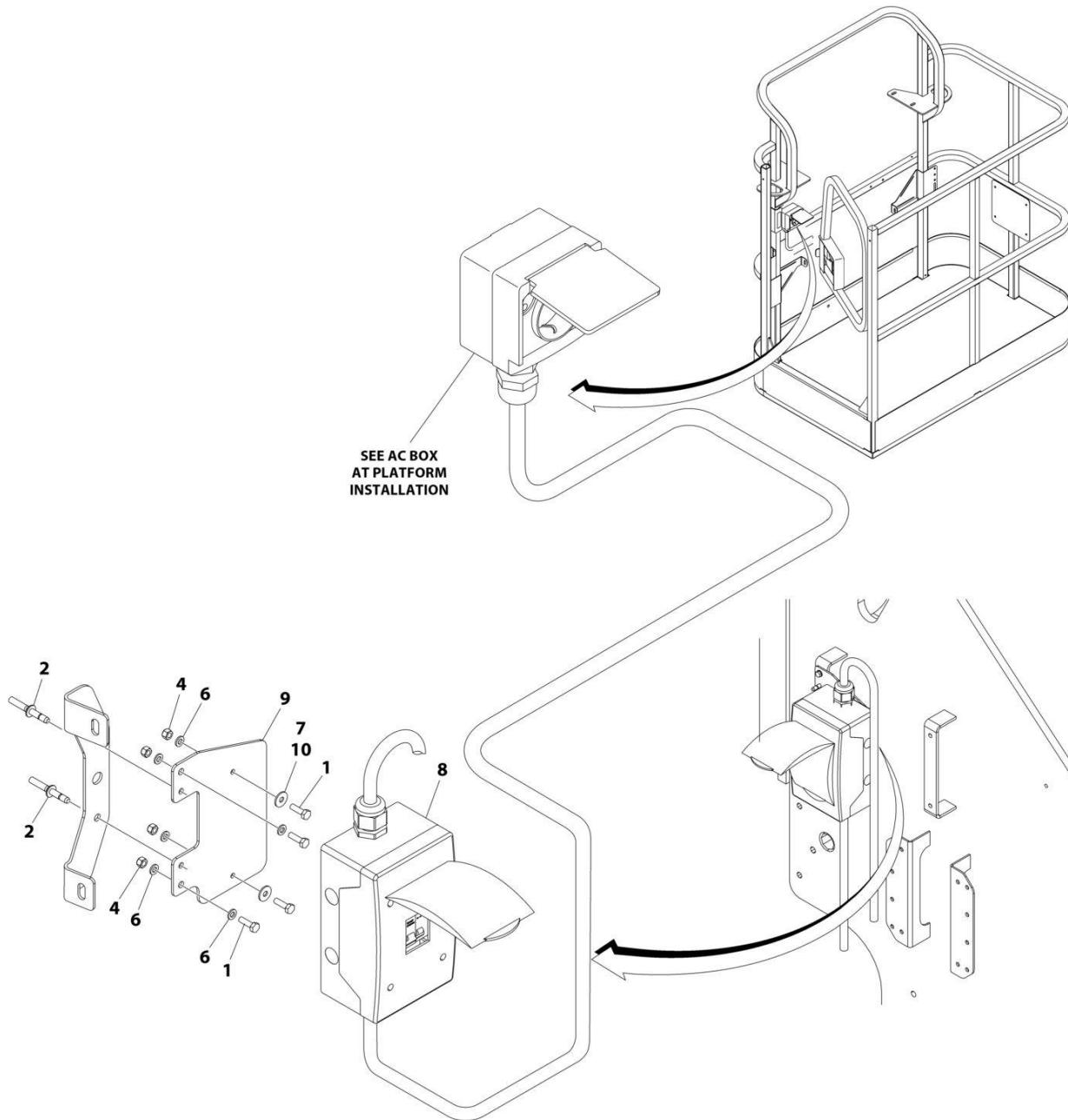
## SECTION 8 - ELECTRICAL

**FIGURE 8-14. AC BOX AT PLATFORM INSTALLATION - 240V (WITH 7500W SKYPOWER GENERATOR) (ALL SPECS EXCEPT AUSTRALIAN & CE SPECS)**

ITEM	PART NUMBER	QTY	DESCRIPTION	REV
	1001159121	Ref	AC BOX AT PLATFORM INSTALLATION - 240V RECEPTACLE	B
1	3910606	4	Screw 6 x 3/8	
2	3960422	1	Gasket	
3	4240018	AR	Tie-Strap (Not Shown)	
4	4460425	1	Connector, Strain Relief	
5	4460958	1	Receptacle	
7	1001110872	1	Cover, Receptacle	
8	1001159120	1	Receptacle/Breaker Box Assembly	
8	1001148675	1	Box, Receptacle	
8	1001159118	1	Breaker Box Assembly	
8	4460612	1	Connector, Strain Relief	
8	1001159119	1	Connector (Between Boxes)	
9	1705374	1	Decal - 240V/60Hz	

# SECTION 8 - ELECTRICAL

## FIGURE 8-15. AC CABLE INSTALLATION - WITH THREE BREAKERS (CE SPECS)



ART\_1001209677

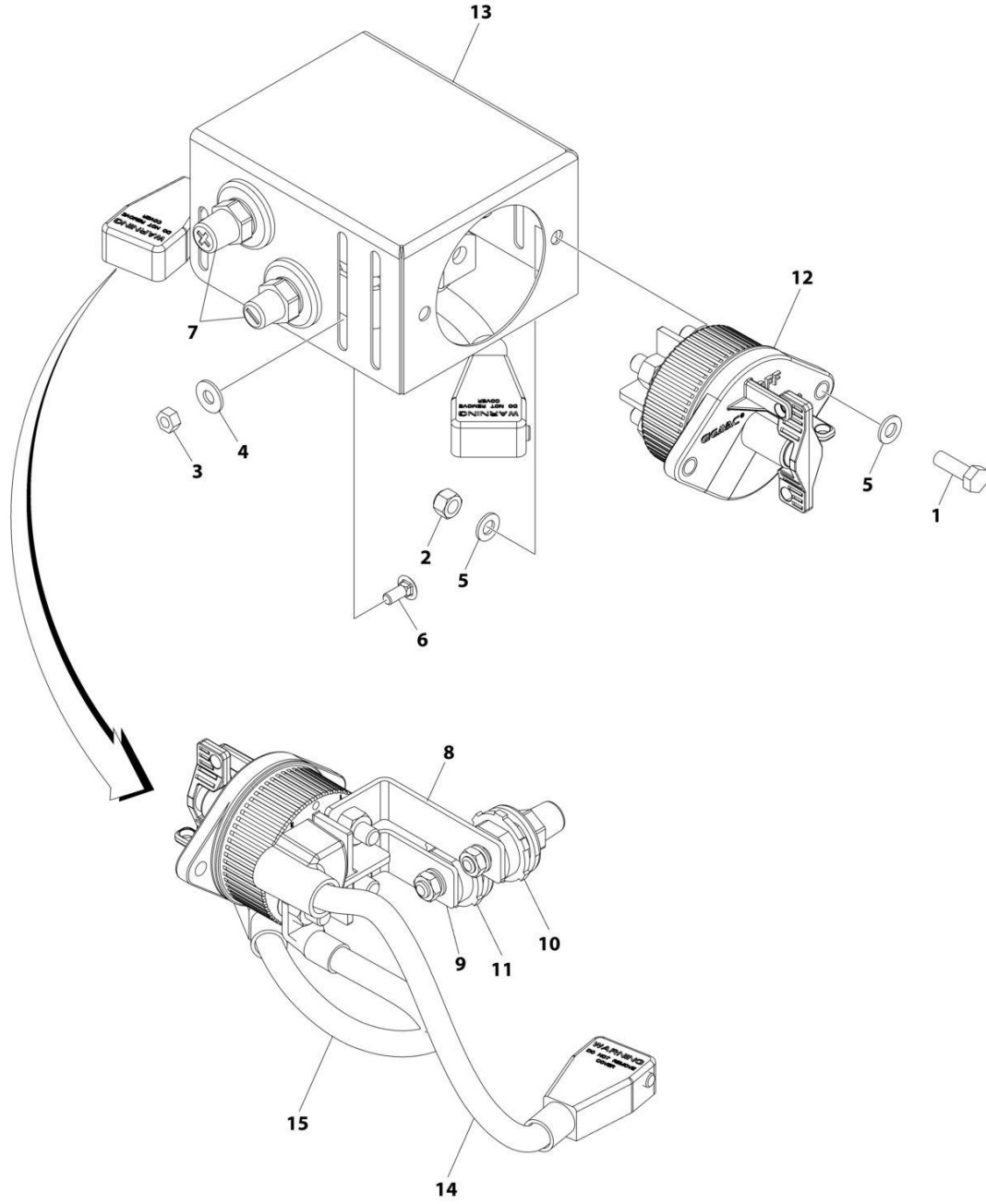
## SECTION 8 - ELECTRICAL

**FIGURE 8-15. AC CABLE INSTALLATION - WITH THREE BREAKERS (CE SPECS)**

ITEM	PART NUMBER	QTY	DESCRIPTION	REV
	1001209677	Ref	AC CABLE INSTALLATION - WITH THREE BREAKERS	B
1	0760610	AR	Bolt M6 x 20	
1	4010405	AR	Bolt M4 x 10	
2	2080040	AR	Fastener, Huck	
4	3290605	AR	Nut M6	
6	4811700	4	Washer M6	
7	1001091102	AR	Washer M4	
8	1001152485	1	Breaker Box Kit (See Separate Breakdown in this Section)	
9	1001209832	1	Bracket	
10	4811702	AR	Washer M6	

# SECTION 8 - ELECTRICAL

## FIGURE 8-16. BATTERY DISCONNECT SWITCH



ART\_1001236304



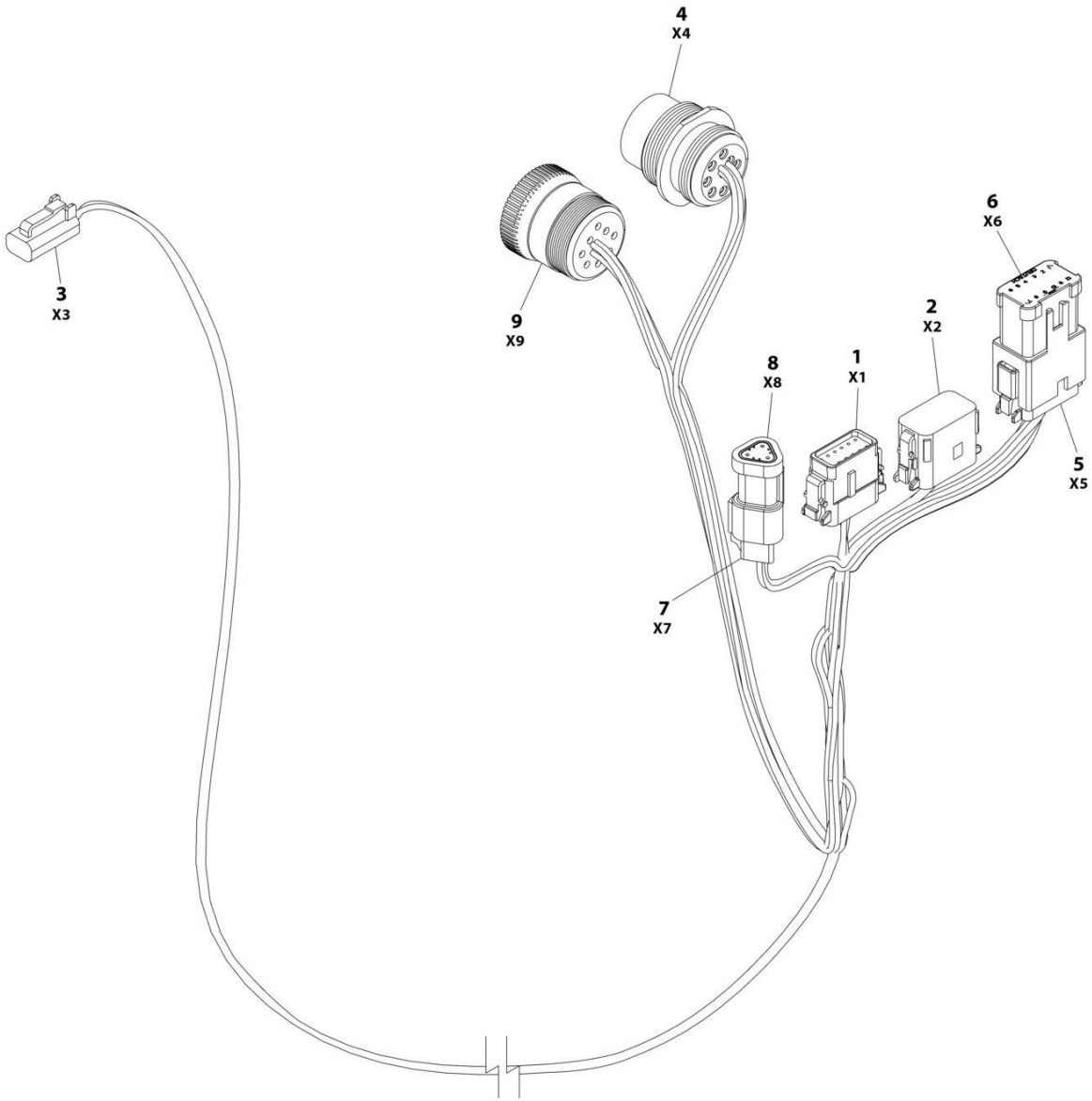
## SECTION 8 - ELECTRICAL

**FIGURE 8-16. BATTERY DISCONNECT SWITCH**

ITEM	PART NUMBER	QTY	DESCRIPTION	REV
	1001236304	Ref	BATTERY DISCONNECT SWITCH INSTALLATION	A
1	0760812	2	Bolt M8 x 25	
2	3290805	2	Nut M8	
3	3311405	3	Nut 1/4	
4	4751400	3	Washer 1/4	
5	4811900	4	Washer M8	
6	88411013	3	Bolt 1/4 x 3/4	
7	1001206476	1	Connectors, Post	
8	1001209432	1	Bussbar	
9	1001209474	1	Bussbar	
10	1001214570	1	Connector (Red)	
11	1001214571	1	Connector (Black)	
12	1001225346	1	Switch, Battery	
13	1001226531	1	Mount	
14	1001236504	1	Cable, Battery (+)	
15	1001236505	1	Cable, Battery (-)	

# SECTION 8 - ELECTRICAL

## FIGURE 8-17. BEACON HARNESS (BLUE/RED BEACON LIGHT)



ART\_1001142736

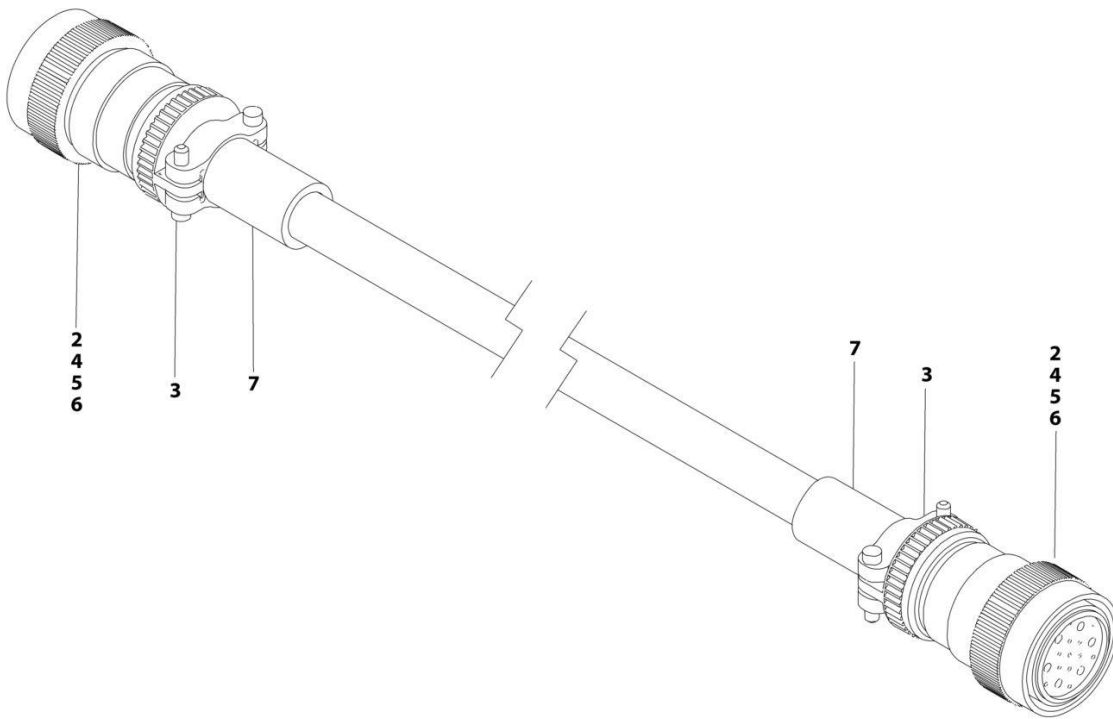
## SECTION 8 - ELECTRICAL

**FIGURE 8-17. BEACON HARNESS (BLUE/RED BEACON LIGHT)**

ITEM	PART NUMBER	QTY	DESCRIPTION	REV
	1001142736	Ref	STROBE LIGHT HARNESS	F
1	1001116808	1	Plug, Male - 12 Position	
1	4460928	3	Socket, Female	
1	4460518	9	Plug, Terminal	
2	1001116774	1	Plug, Male - 12 Position	
2	4460928	3	Socket, Female	
2	4460518	9	Plug, Terminal	
3	4460891	1	Plug, Male - 2 Position	
3	4460465	2	Socket, Female	
4	1001112612	1	Connector - 9 Position	
4	4460464	6	Pin, Male	
4	4460466	3	Plug, Terminal	
5	4460933	1	Plug, Male - 12 Position	
5	4460465	12	Socket, Female	
6	1001119020	1	Bussbar - 12 Position	
7	4461095	1	Plug, Male - 3 Position	
7	4460465	3	Socket, Female	
8	4461070	1	Bussbar - 3 Position	
9	1001112796	1	Connector - 9 Position	
9	4460465	6	Socket, Female	
9	4460466	3	Plug, Terminal	

# SECTION 8 - ELECTRICAL

## FIGURE 8-18. BOOM HARNESS (400S)



ART\_1001176952

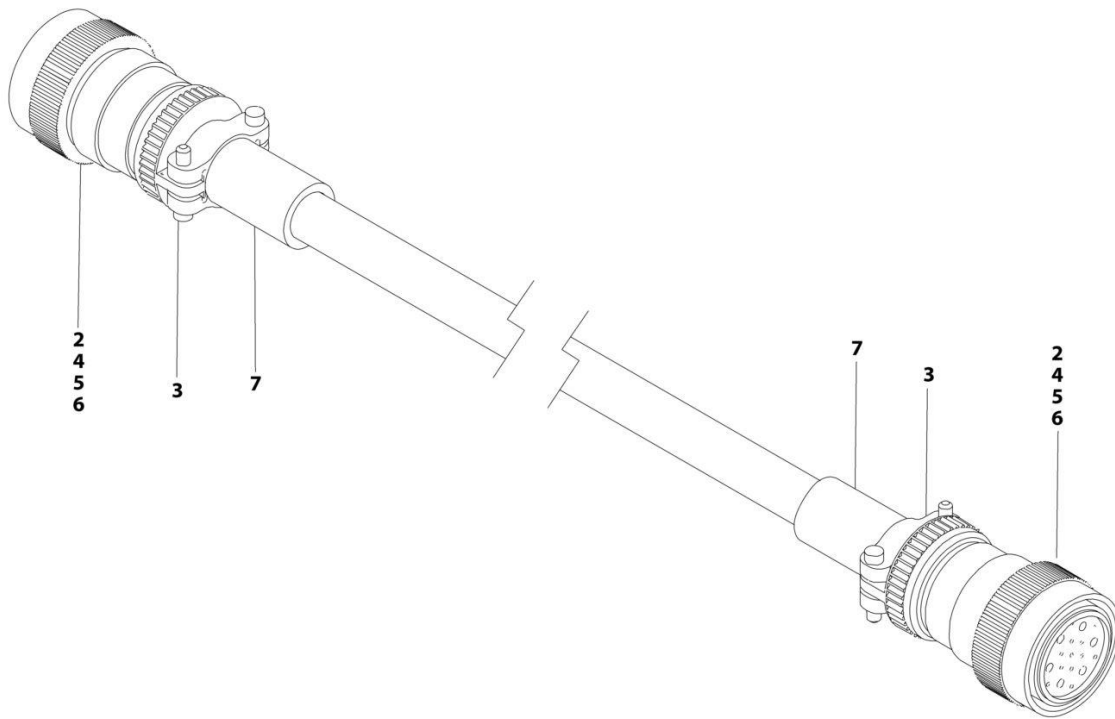
## SECTION 8 - ELECTRICAL

### FIGURE 8-18. BOOM HARNESS (400S)

ITEM	PART NUMBER	QTY	DESCRIPTION	REV
	1001176952	Ref	BOOM HARNESS	C
2	4460865	2	Connector - 19 Position	
3	4460473	2	Clamp	
4	4460465	20	Socket, Female	
5	4460509	8	Socket, Female	
6	4460466	10	Plug, Socket	
7	1001226400	AR	Heat Shrink	

# SECTION 8 - ELECTRICAL

## FIGURE 8-19. BOOM HARNESS (460SJ)



ART\_1001176953

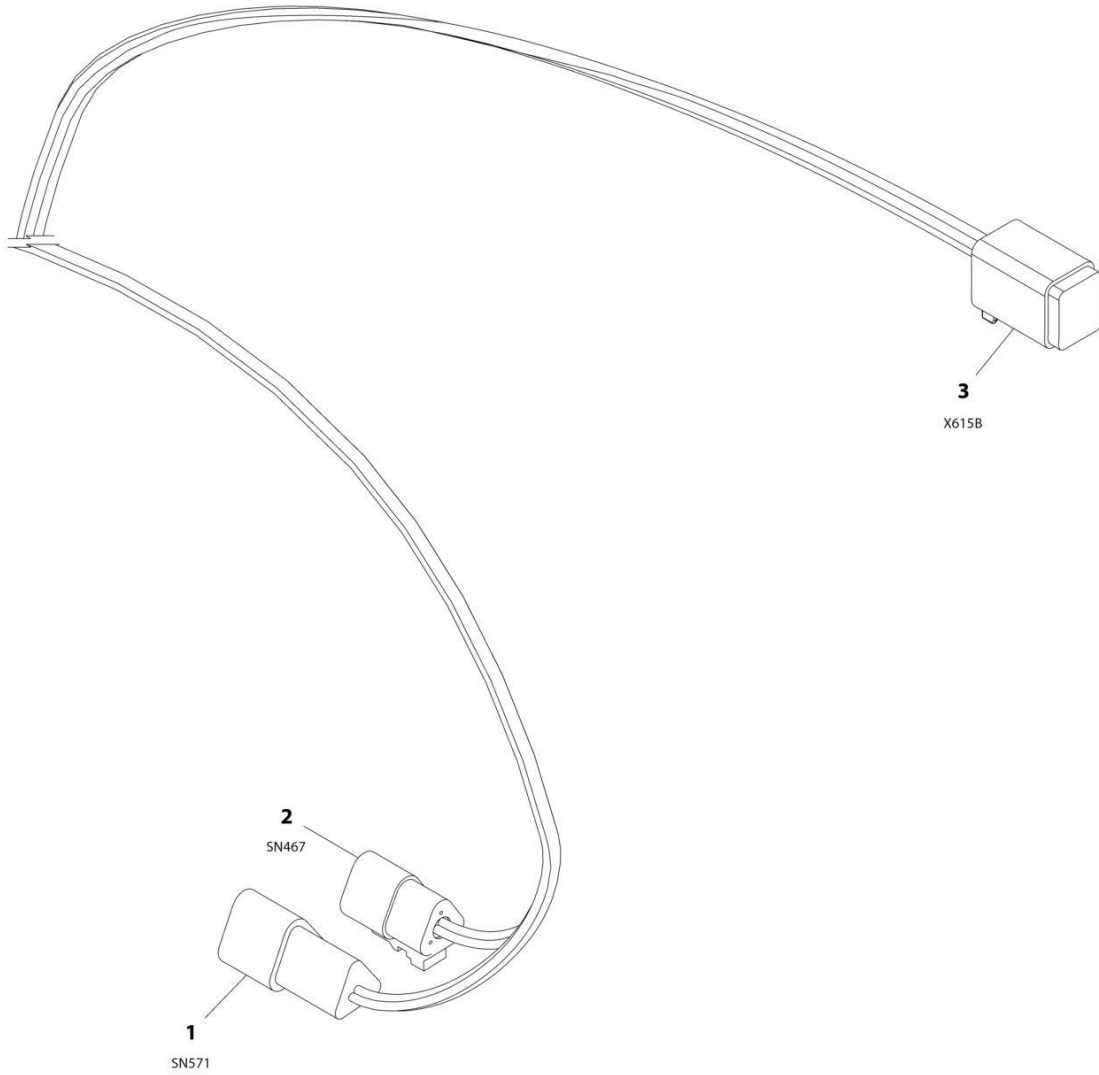
## SECTION 8 - ELECTRICAL

### FIGURE 8-19. BOOM HARNESS (460SJ)

ITEM	PART NUMBER	QTY	DESCRIPTION	REV
	1001176953	Ref	BOOM HARNESS	C
2	4460865	2	Connector - 19 Position	
3	4460473	2	Clamp	
4	4460465	20	Socket, Female	
5	4460509	8	Socket, Female	
6	4460466	10	Plug, Socket	
7	1001226400	AR	Heat Shrink	

# SECTION 8 - ELECTRICAL

## FIGURE 8-20. BOOM CAPACITY PROXIMITY SWITCH HARNESS (400S)



ART\_1001173807



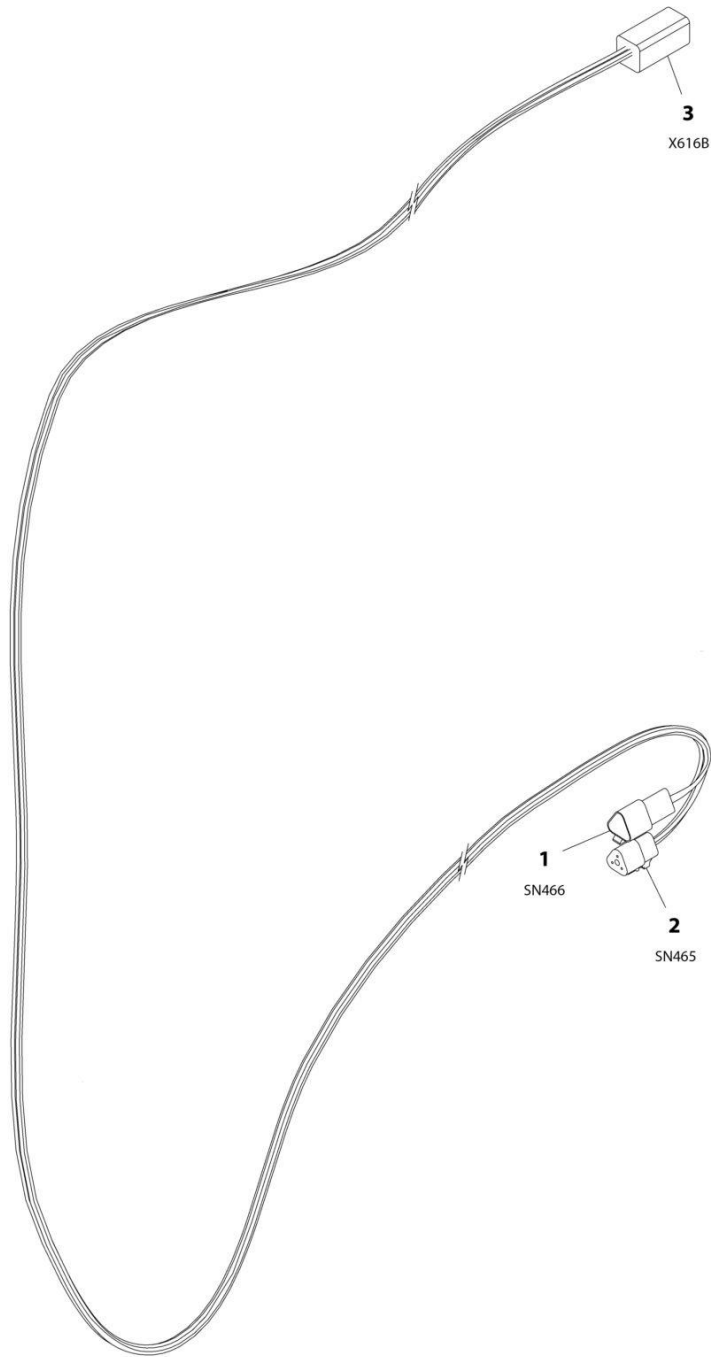
## SECTION 8 - ELECTRICAL

**FIGURE 8-20. BOOM CAPACITY PROXIMITY SWITCH HARNESS (400S)**

ITEM	PART NUMBER	QTY	DESCRIPTION	REV
	1001173807	Ref	BOOM CAPACITY PROXIMITY SWITCH HARNESS	C
1	4460536	1	Receptacle, Female - 3 Position	
1	4460464	3	Pin, Male	
2	4460539	1	Plug, Male - 3 Position	
2	4460465	1	Socket, Female	
3	4460930	1	Plug, Male - 8 Position	
3	4460465	6	Socket, Female	
3	4460466	2	Plug, Terminal	

# SECTION 8 - ELECTRICAL

## FIGURE 8-21. BOOM TELE IN PROXIMITY SWITCH HARNESS



ART\_1001173808

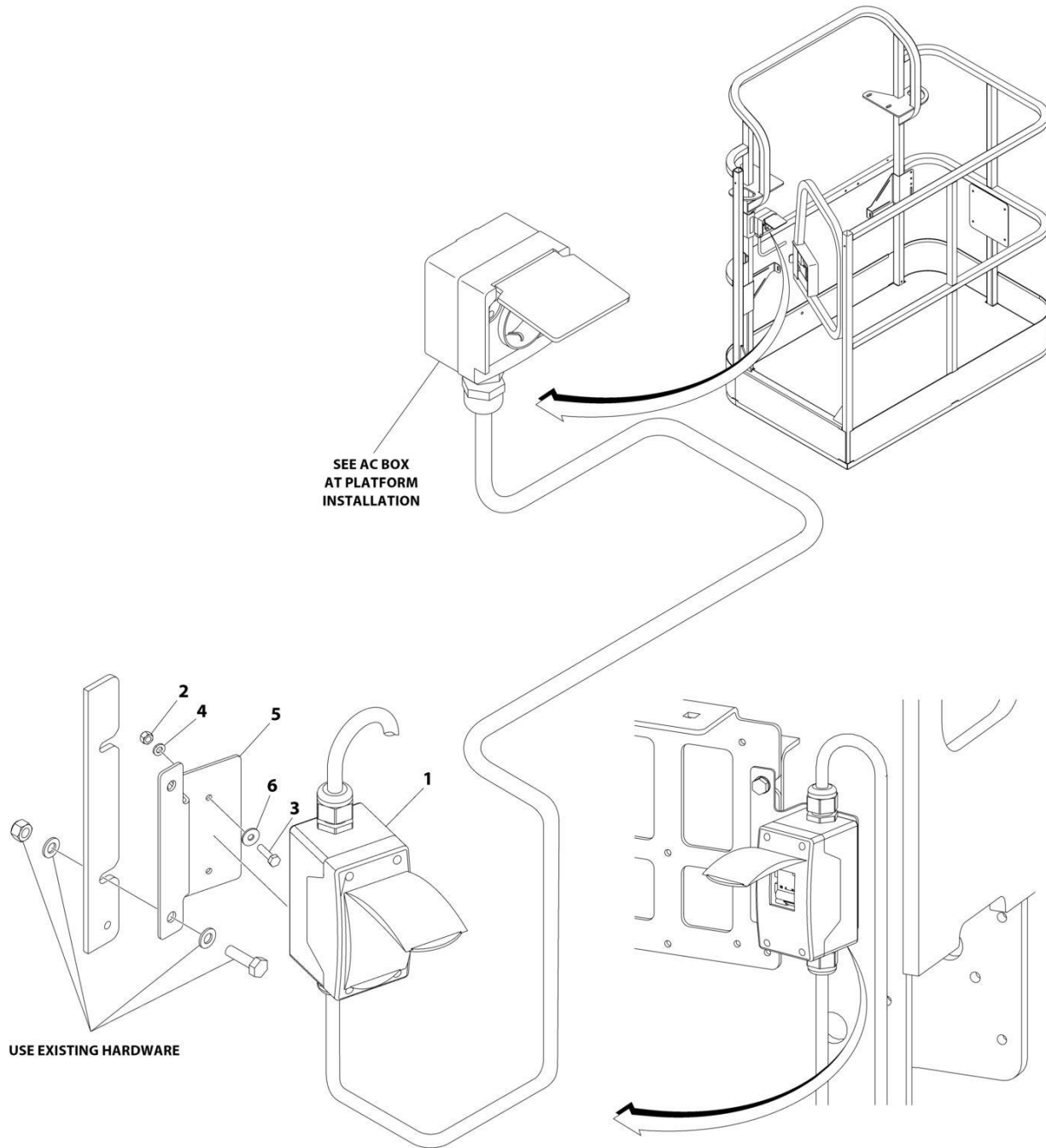
## SECTION 8 - ELECTRICAL

**FIGURE 8-21. BOOM TELE IN PROXIMITY SWITCH HARNESS**

ITEM	PART NUMBER	QTY	DESCRIPTION	REV
	1001173808	Ref	BOOM TELE IN PROXIMITY SWITCH HARNESS	C
1	4460536	1	Receptacle, Female - 3 Position	
1	4460464	3	Pin, Male	
2	4460539	1	Plug, Male - 3 Position	
2	4460465	1	Socket, Female	
3	4460899	1	Receptacle, Female - 6 Position	
3	4460464	1	Pin, Male	

# SECTION 8 - ELECTRICAL

## FIGURE 8-22. BREAKER BOX INSTALLATION - 110/220V 16AMP BREAKER (CE SPEC)



ART\_1001230907

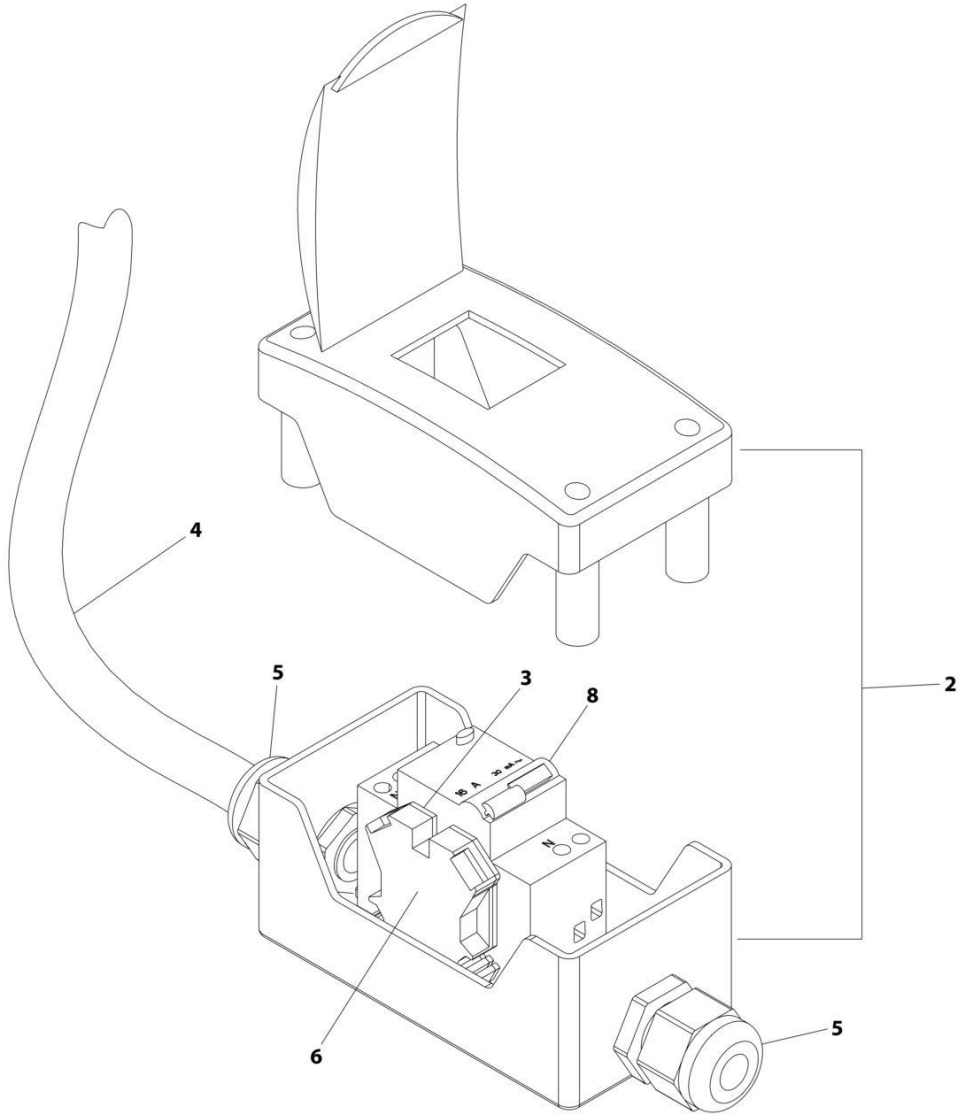
## SECTION 8 - ELECTRICAL

**FIGURE 8-22. BREAKER BOX INSTALLATION - 110/220V 16AMP BREAKER (CE SPEC)**

ITEM	PART NUMBER	QTY	DESCRIPTION	REV
	1001230907	Ref	BREAKER BOX INSTALLATION - 110/220V 16AMP BREAKER	C
1	2902549	1	Breaker Box Kit (See Separate Breakdown in this Section)	
2	3290405	2	Nut M4	
2	3290605	2	Nut M6	
3	4010405	2	Screw M4 x 10	
3	0760614	2	Screw M6 x 30	
4	1001091102	2	Washer M4	
4	4811700	2	Washer M6	
5	1001230784	1	Bracket	
6	4811702	2	Washer M6	

**SECTION 8 - ELECTRICAL**

**FIGURE 8-23. BREAKER BOX KIT - 110/220V 16AMP BREAKER (CE SPEC)**



ART\_2902549

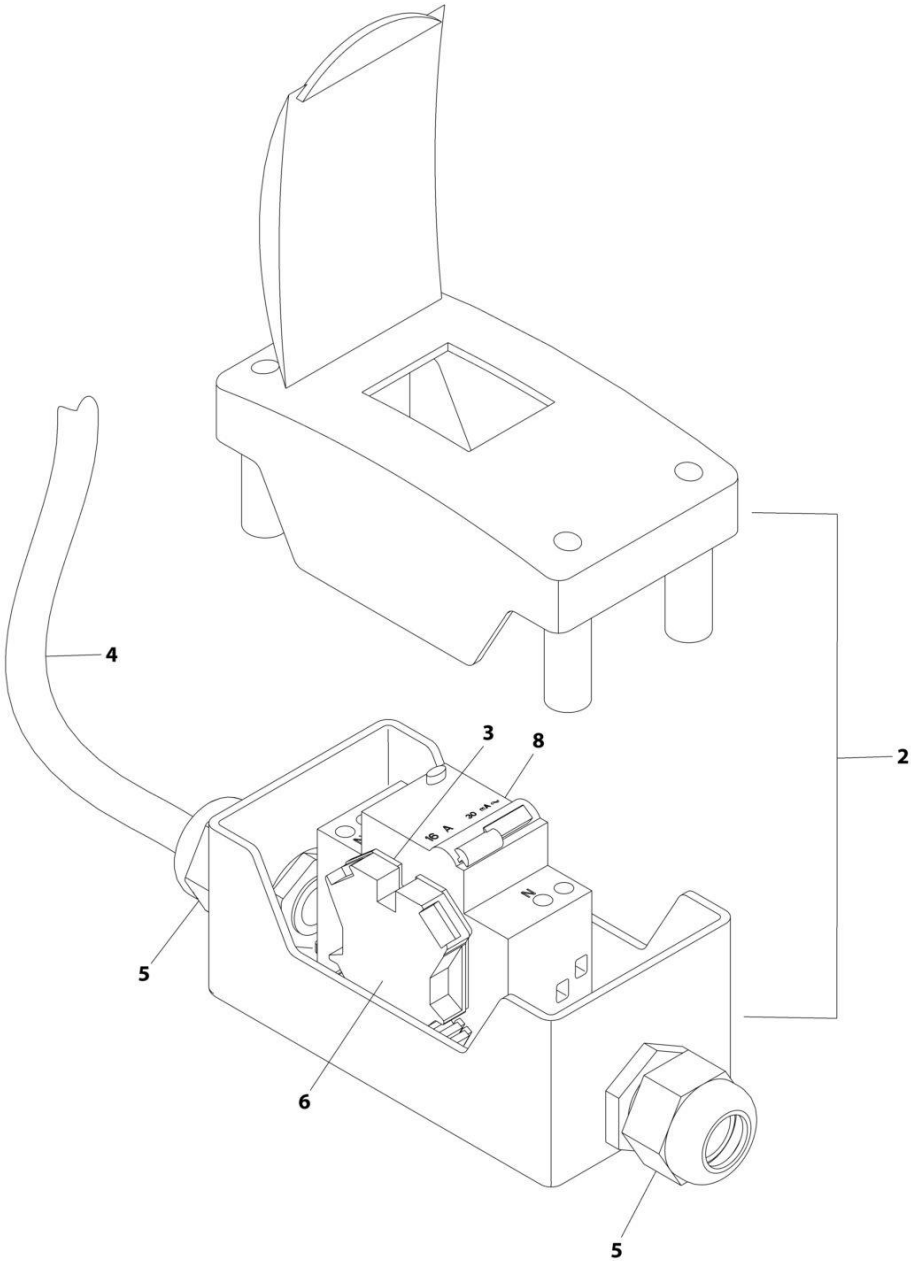
## SECTION 8 - ELECTRICAL

**FIGURE 8-23. BREAKER BOX KIT - 110/220V 16AMP BREAKER (CE SPEC)**

ITEM	PART NUMBER	QTY	DESCRIPTION	REV
	2902549	Ref	BREAKER BOX KIT - 110/220V 16AMP BREAKER	F
2	0861880	1	Box	
3	4460956	1	Barrier, Terminal	
4	1060908	6 ft/1.8m	Cable, 12/3	
5	1001097150	2	Connector, Strain Relief	
6	4460957	1	Block, Terminal	
8	1001181045	1	Breaker, Combination 16Amp/30mAmp	

**SECTION 8 - ELECTRICAL**

**FIGURE 8-24. BREAKER BOX KIT - 30MA/16 AMP**



ART\_1001096070



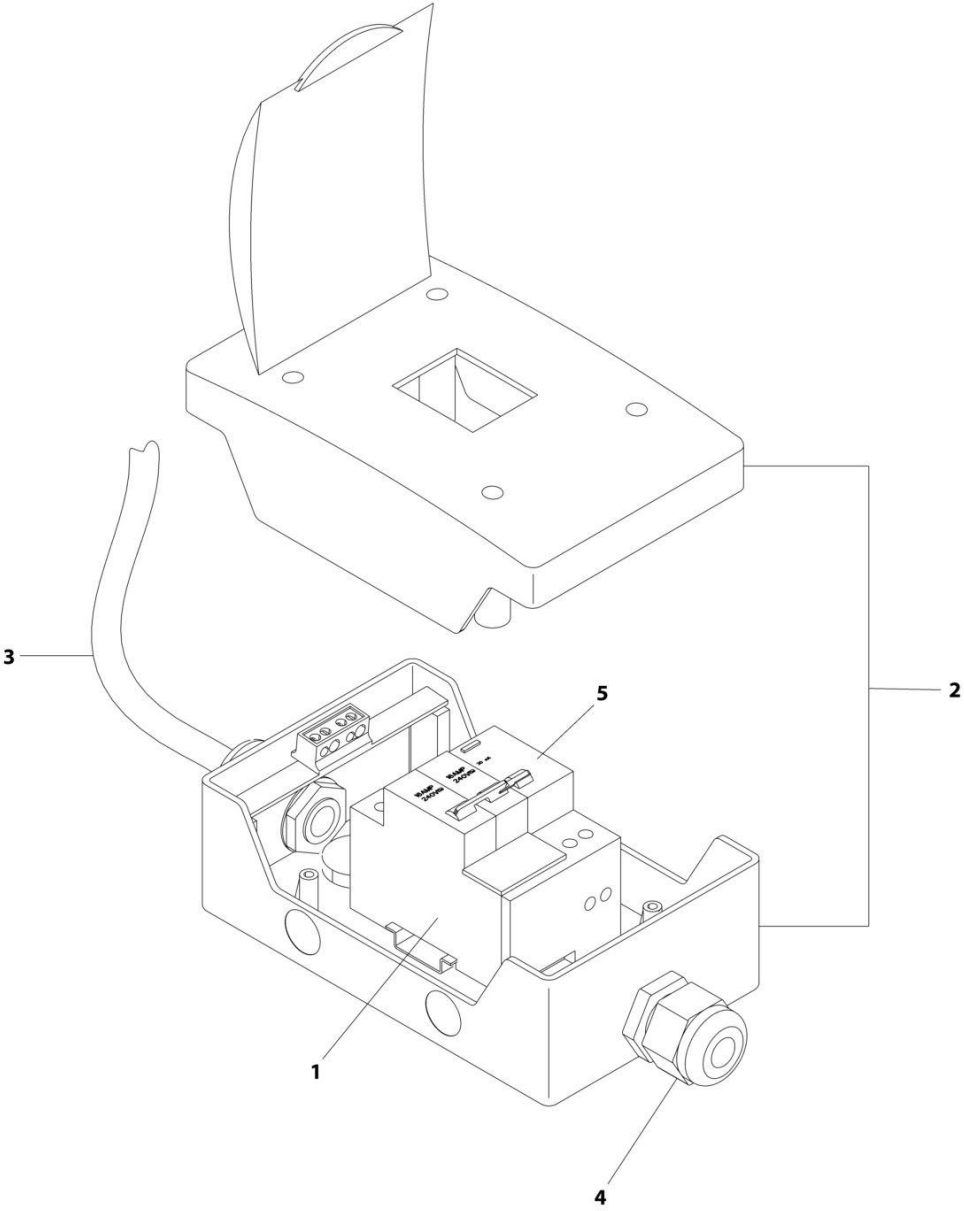
## SECTION 8 - ELECTRICAL

### FIGURE 8-24. BREAKER BOX KIT - 30MA/16 AMP

ITEM	PART NUMBER	QTY	DESCRIPTION	REV
	1001096070	Ref	BREAKER BOX KIT	E
2	0861880	1	Box	
3	4460956	1	Barrier, Terminal Block End	
4	1060908	12 ft/ 3.6m	Cable, 12/3	
5	1001097150	2	Connector, Strain Relief	
6	4460957	1	Block, Terminal	
8	1001181045	1	Breaker, 16Amp	

**SECTION 8 - ELECTRICAL**

**FIGURE 8-25. BREAKER BOX KIT WITH THREE BREAKERS**



ART\_1001152485

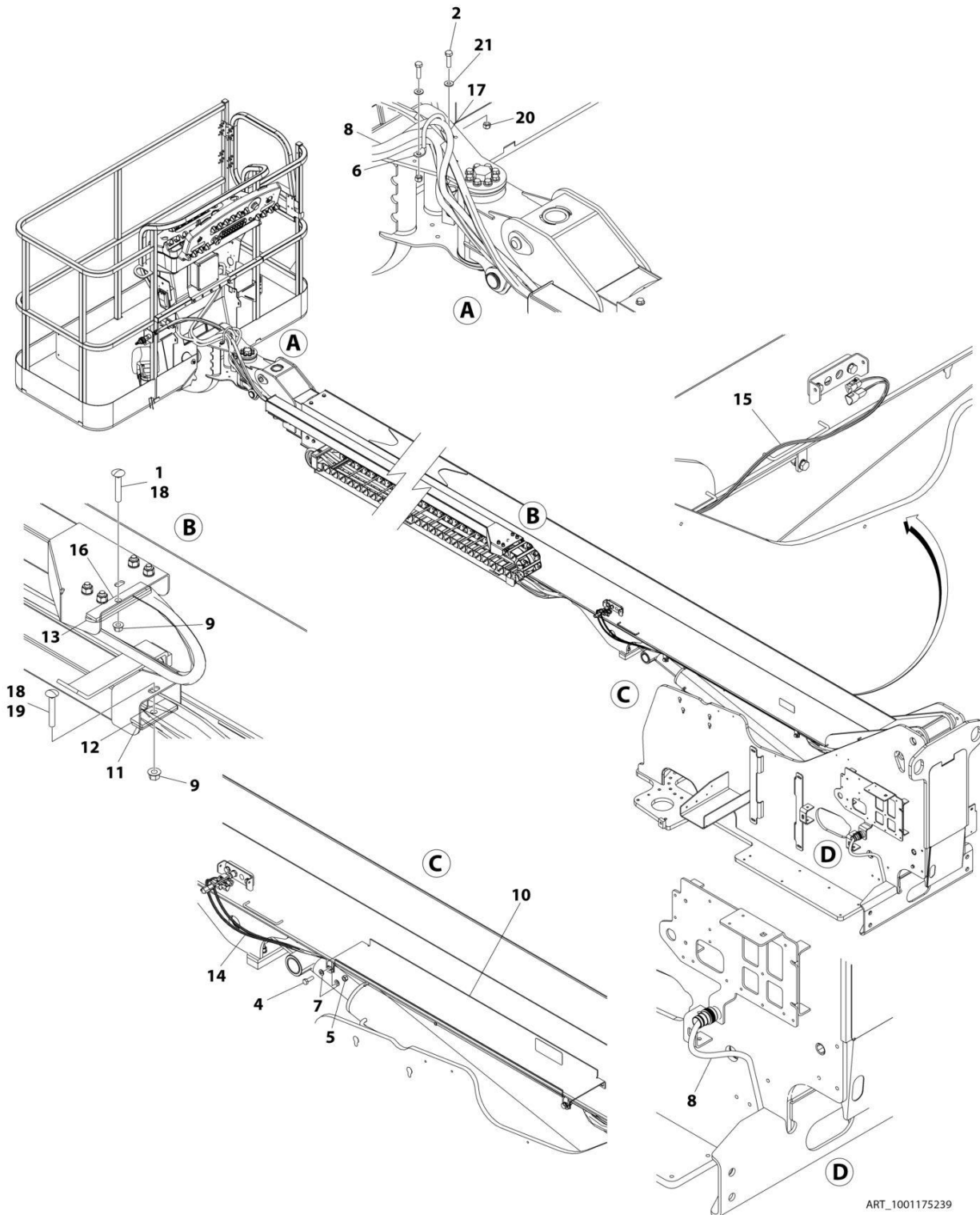
## SECTION 8 - ELECTRICAL

### FIGURE 8-25. BREAKER BOX KIT WITH THREE BREAKERS

ITEM	PART NUMBER	QTY	DESCRIPTION	REV
	1001152485	Ref	BREAKER BOX KIT WITH THREE BREAKERS	F
1	1001189172	1	Breaker 16 Amp Double	
2	1001152483	1	Box	
3	1060908	6 ft/1.8m	Cable, 12/3	
4	1001097150	2	Connector, Strain Relief	
5	1001189171	1	Breaker, 30mA	

# SECTION 8 - ELECTRICAL

FIGURE 8-26. CABLES AND CLAMPS INSTALLATION (4000W GENERATOR 60HZ) (ANSI AND ANSI EXPORT SPECS) (400S)



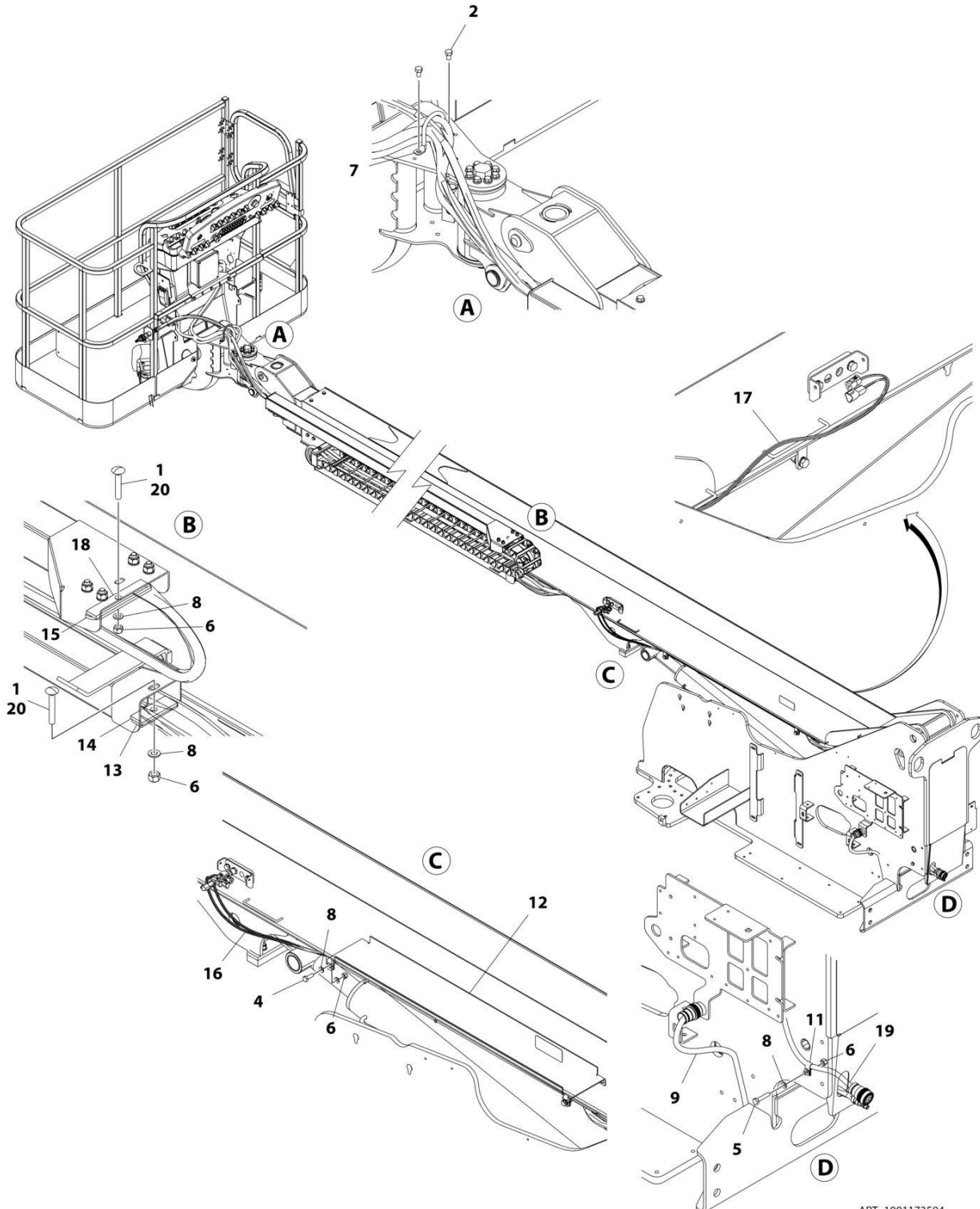
## SECTION 8 - ELECTRICAL

**FIGURE 8-26. CABLES AND CLAMPS INSTALLATION (4000W GENERATOR 60HZ) (ANSI AND ANSI EXPORT SPECS) (400S)**

ITEM	PART NUMBER	QTY	DESCRIPTION	REV
	1001175239	Ref	CABLES AND CLAMPS INSTALLATION	D
1	0630563	1	Bolt, Carriage M10 x 60	
2	0760814	2	Bolt, M8 x 30	
4	0761014	4	Bolt M10 x 30	
5	3291005	4	Nut M10	
6	3841340	1	Hose Loop	
7	4812000	8	Washer M10	
8	1001176952	1	Harness, Main Boom Cable (See Separate Breakdown in this Section)	
9	5261018	2	Nut M10	
10	1001172128	1	Bracket, Hose Cover	
11	1001173456	1	Clamp	
12	1001173665	1	Clamp	
13	1001173761	1	Bracket	
14	1001173807	1	Harness, Capacity Switch (See Separate Breakdown in this Section)	
15	1001173808	1	Harness, Telescope In Proximity Sensors (See Separate Breakdown in this Section)	
16	1001173927	1	Clamp	
17	1001175170	1	Cable, Electrical 12/3	
18	0100081	AR	Adhesive	
19	1001181329	1	Bolt, Carriage M10 x 70	
20	3290805	3	Nut M8	
21	4811900	4	Washer M8	

# SECTION 8 - ELECTRICAL

FIGURE 8-27. CABLES AND CLAMPS INSTALLATION (4000W GENERATOR 50HZ) (ANSI, ANSI EXPORT, CE AND CHINA SPECS) (PVC 2001) (400S)



ART\_1001173594

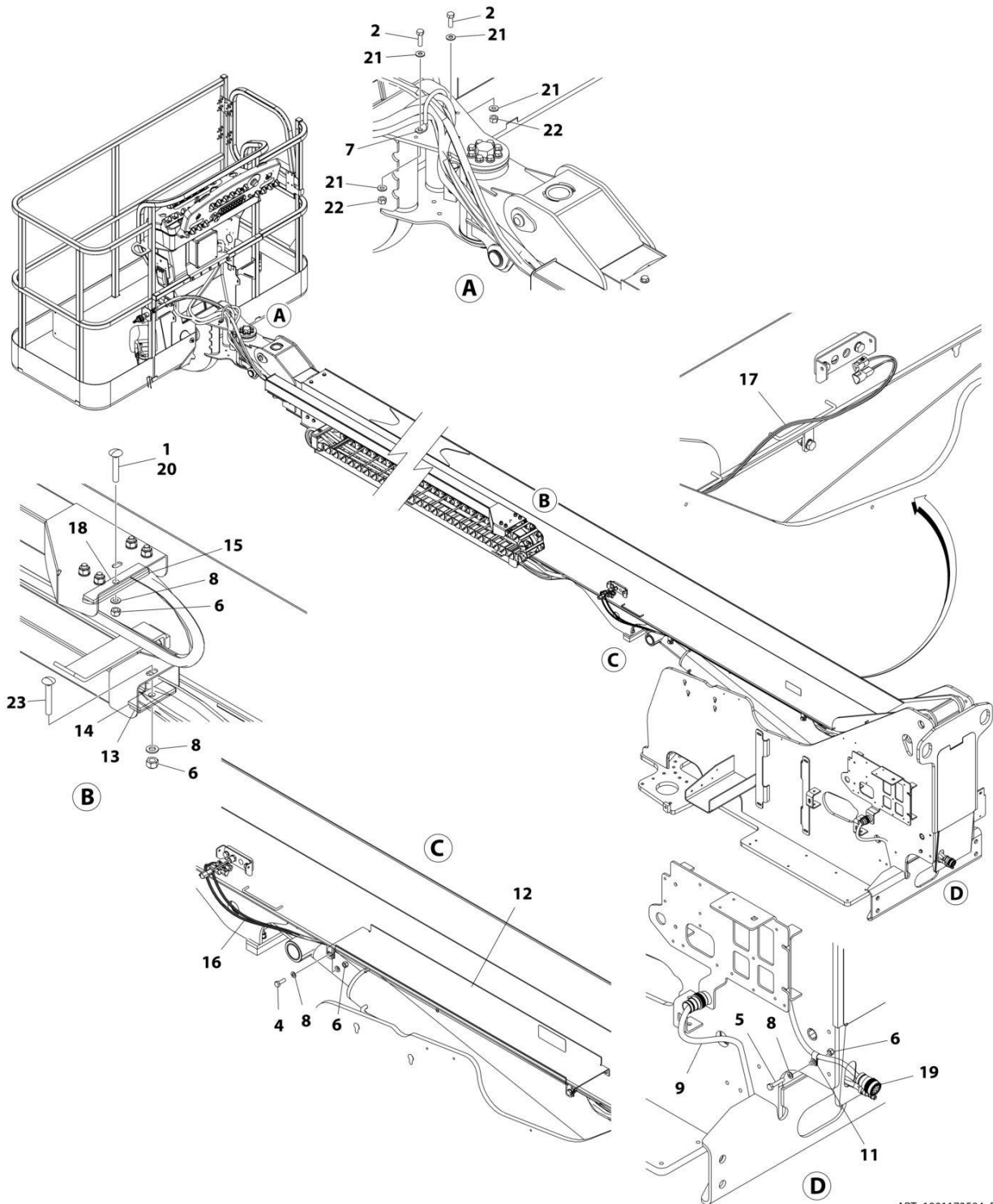
## SECTION 8 - ELECTRICAL

**FIGURE 8-27. CABLES AND CLAMPS INSTALLATION (4000W GENERATOR 50HZ) (ANSI, ANSI EXPORT, CE AND CHINA SPECS) (PVC 2001) (400S)**

ITEM	PART NUMBER	QTY	DESCRIPTION	REV
	1001173594	Ref	CABLES AND CLAMPS INSTALLATION	D
1	0630563	1	Bolt, Carriage M10 x 60	
2	0641504	2	Bolt, 5/16 x 1/2	
4	0761014	4	Bolt, M10 x 30	
5	0761018	1	Bolt, M10 x 50	
6	3291005	7	Nut, Lock M10 x 1.5	
7	3841340	1	Hose Loop	
8	4812000	12	Washer, M10	
9	1001176952	1	Harness, Main Boom Cable (See Separate Breakdown in this Section)	
11	8406110	1	Clip	
12	1001172128	1	Bracket, Hose Cover	
13	1001173456	1	Clamp	
14	1001173665	1	Clamp	
15	1001173761	1	Bracket	
16	1001173807	1	Harness, Capacity Switch (See Separate Breakdown in this Section)	
17	1001173808	1	Harness, Telescope In Proximity Sensors (See Separate Breakdown in this Section)	
18	1001173927	1	Clamp	
19	1001203434	1	Cable, Electrical 12/3	
20	0100081	AR	Adhesive	

# SECTION 8 - ELECTRICAL

FIGURE 8-28. CABLES AND CLAMPS INSTALLATION (4000W GENERATOR 50HZ) (ANSI, ANSI EXPORT AND CHINA SPECS) (PVC 2007) (400S)



ART\_1001173594\_E



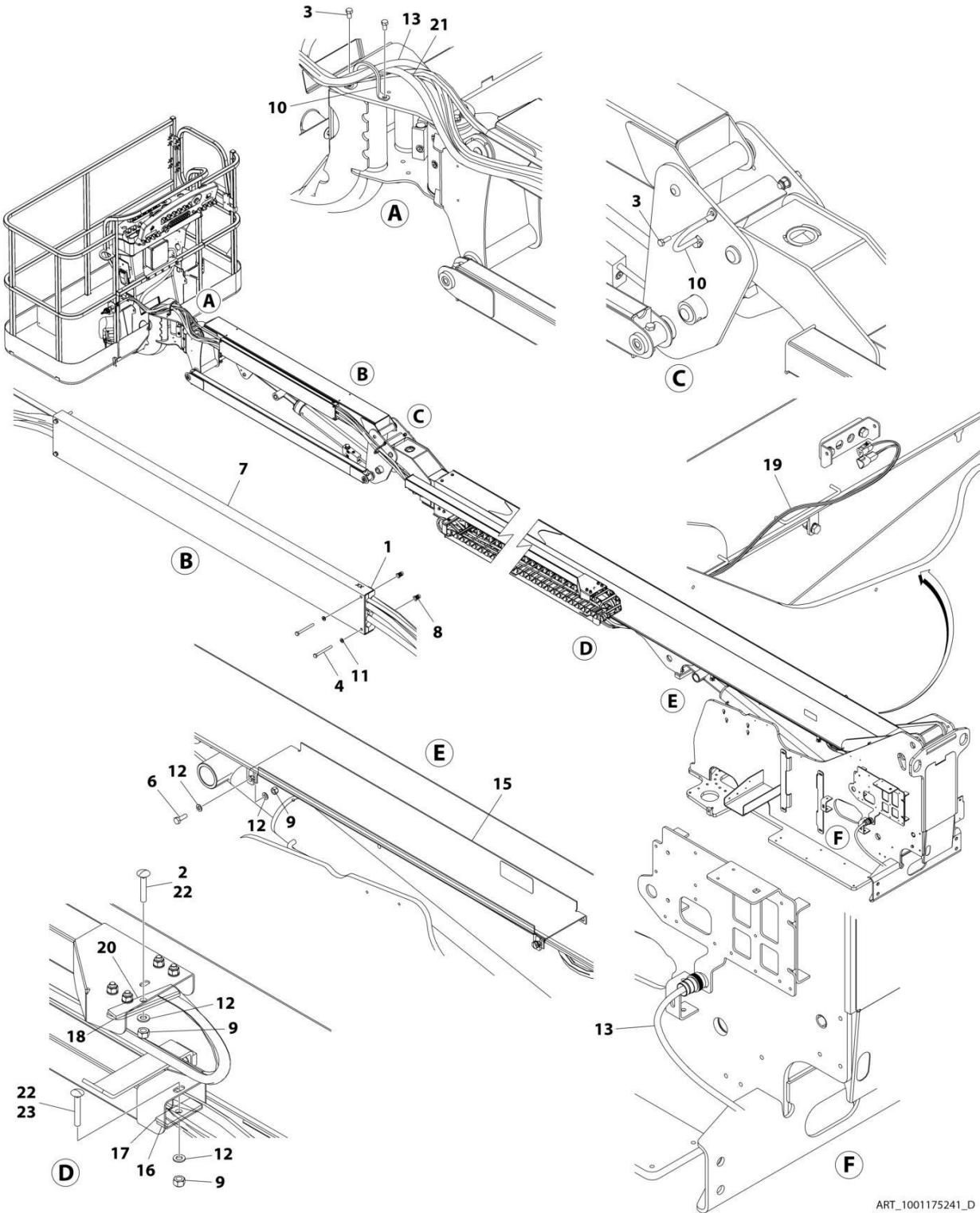
## SECTION 8 - ELECTRICAL

**FIGURE 8-28. CABLES AND CLAMPS INSTALLATION (4000W GENERATOR 50HZ) (ANSI, ANSI EXPORT AND CHINA SPECS) (PVC 2007) (400S)**

ITEM	PART NUMBER	QTY	DESCRIPTION	REV
	1001173594	Ref	CABLES AND CLAMPS INSTALLATION	E
1	0630563	1	Bolt Carriage M10 x 60	
2	0760814	1	Bolt M8 x 30	
4	0761014	4	Bolt M10 x 30	
5	0761018	1	Bolt M10 x 50	
6	3291005	7	Nut Lock M10 x 1.5	
7	3841340	1	Hose Loop	
8	4812000	12	Washer, M10	
9	1001176952	1	Harness, Main Boom Cable (See Separate Breakdown in this Section)	
11	8406110	1	Clip	
12	1001172128	1	Bracket, Hose Cover	
13	1001173456	1	Clamp	
14	1001173665	1	Clamp	
15	1001173761	1	Bracket	
16	1001173807	1	Harness, Capacity Switch (See Separate Breakdown in this Section)	
17	1001173808	1	Harness, Telescope In Proximity Sensors (See Separate Breakdown in this Section)	
18	1001173927	1	Clamp	
19	1001203434	1	Cable, Electrical 12/3	
20	0100081	AR	Adhesive	
21	4811900	4	Washer M8	
22	3290805	2	Nut M8	
23	1001181329	1	Bolt M10 x 70	

# SECTION 8 - ELECTRICAL

FIGURE 8-29. CABLES AND CLAMPS INSTALLATION (4000W GENERATOR 60HZ) (ANSI AND ANSI EXPORT SPECS) (PVC 2001) (460SJ)



ART\_1001175241\_D

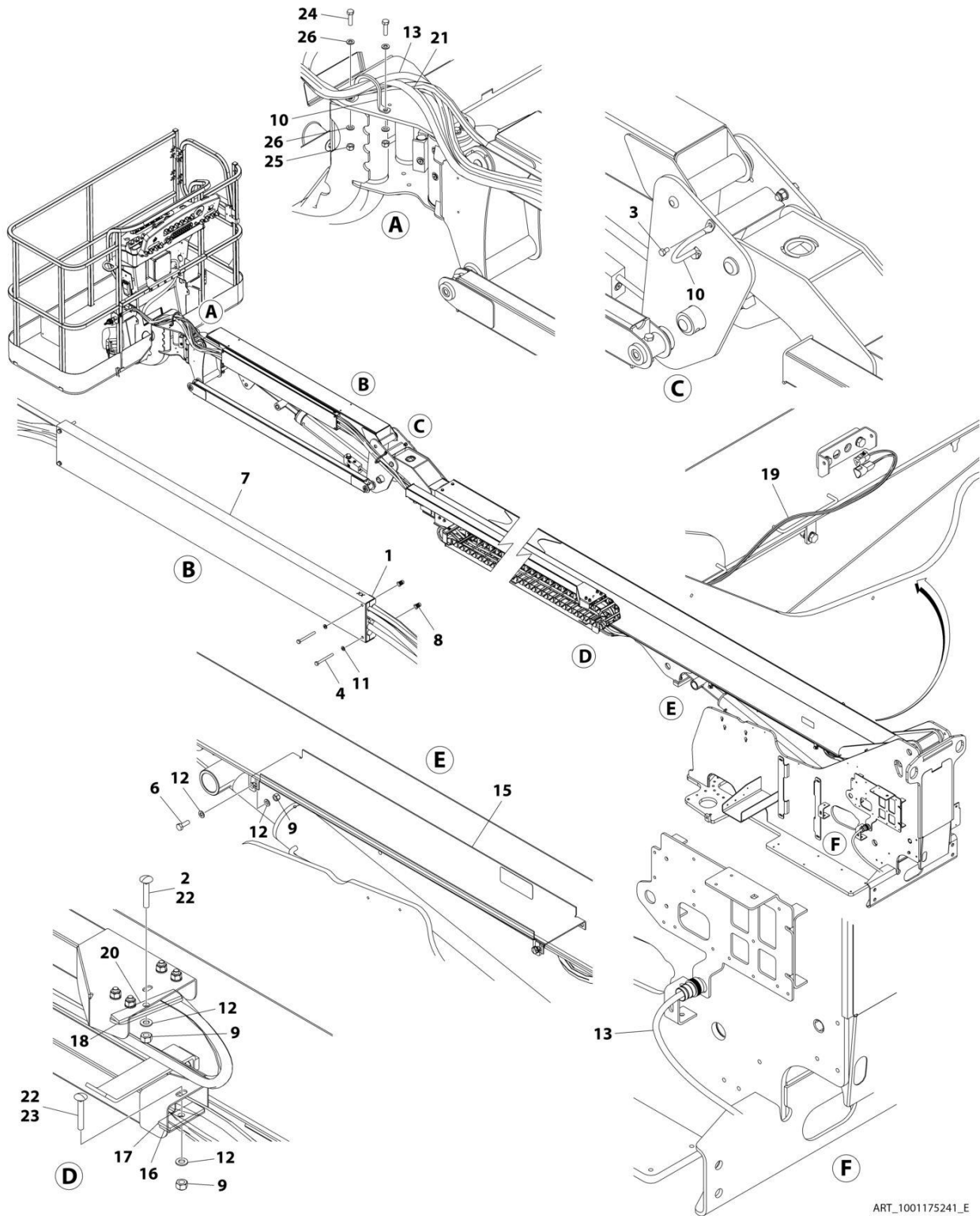
## SECTION 8 - ELECTRICAL

**FIGURE 8-29. CABLES AND CLAMPS INSTALLATION (4000W GENERATOR 60HZ) (ANSI AND ANSI EXPORT SPECS) (PVC 2001) (460SJ)**

ITEM	PART NUMBER	QTY	DESCRIPTION	REV
	1001175241	Ref	CABLES AND CLAMPS INSTALLATION	D
1	0561237	2	Block, Clamp	
2	0630563	1	Bolt, Carriage M10 x 60	
3	0641604	4	Bolt 3/8 x 1/2	
4	0700620	4	Bolt M6 x 60	
6	0761014	4	Bolt M10 x 30	
7	1670769	1	Cover	
8	1001176636	4	Nut M6	
9	3291005	6	Nut M10	
10	3841340	2	Hose Loop	
11	4811700	4	Washer M6	
12	4812000	10	Washer M10	
13	1001176953	1	Harness, Main Boom Cable (See Separate Breakdown in this Section)	
15	1001172128	1	Bracket, Hose Cover	
16	1001173456	1	Clamp	
17	1001173665	1	Clamp	
18	1001173761	1	Bracket	
19	1001173808	1	Harness, Telescope in Proximity Sensors (See Separate Breakdown in this Section)	
20	1001173927	1	Clamp	
21	1001175171	1	Cable, Electrical 12/3	
22	0100081	AR	Adhesive	
23	1001181329	1	Bolt, Carriage M10 x 70	

# SECTION 8 - ELECTRICAL

FIGURE 8-30. CABLES AND CLAMPS INSTALLATION (4000W GENERATOR 60HZ) (ANSI AND ANSI EXPORT SPECS) (PVC 2007) (460SJ)



ART\_1001175241\_E

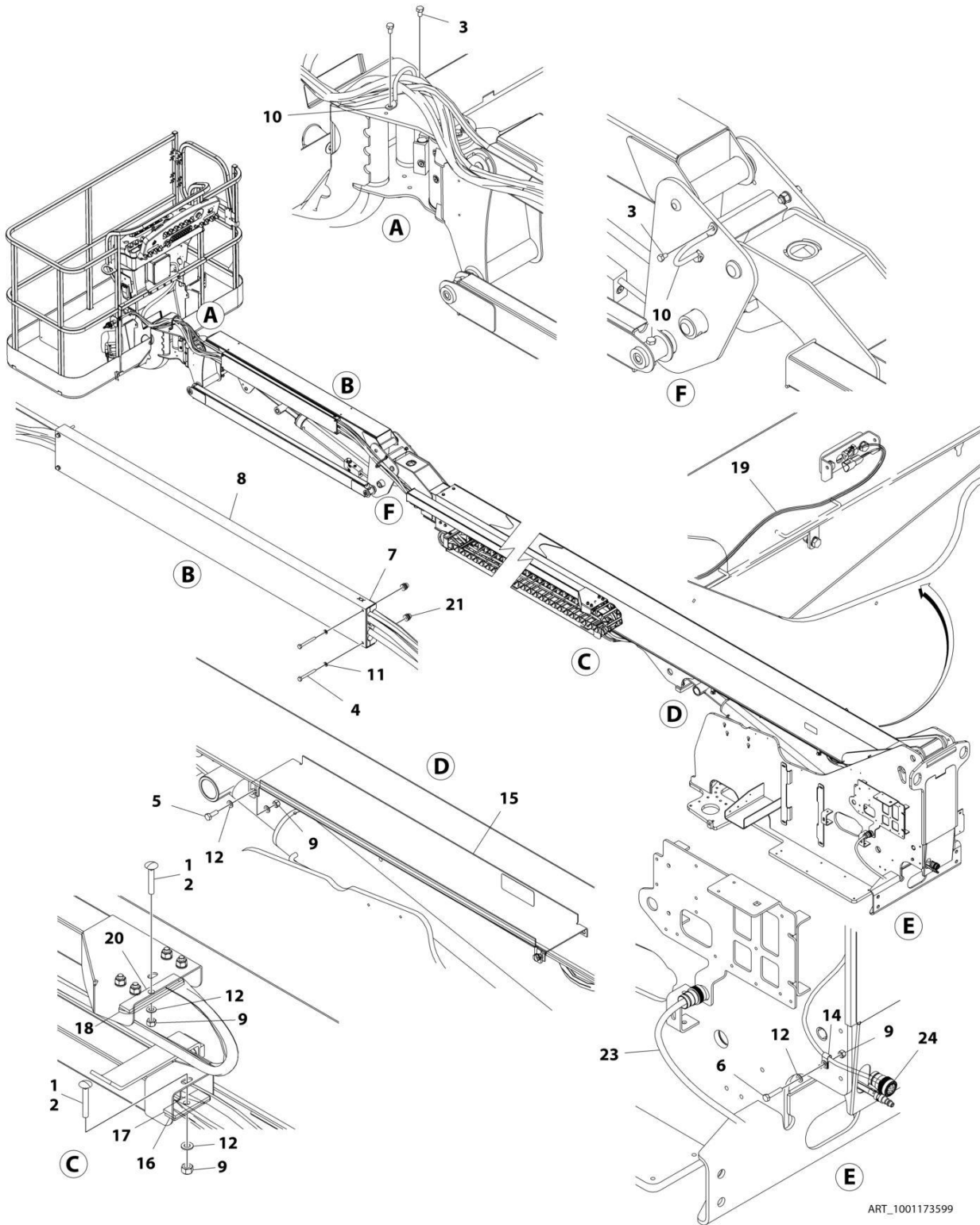
## SECTION 8 - ELECTRICAL

**FIGURE 8-30. CABLES AND CLAMPS INSTALLATION (4000W GENERATOR 60HZ) (ANSI AND ANSI EXPORT SPECS) (PVC 2007) (460SJ)**

ITEM	PART NUMBER	QTY	DESCRIPTION	REV
	1001175241	Ref	CABLES AND CLAMPS INSTALLATION	E
1	0561237	2	Block, Clamp	
2	0630563	1	Bolt, Carriage M10 x 60	
3	0641504	1	Bolt 5/16 x 1/2	
4	0700620	4	Bolt M6 x 60	
6	0761014	4	Bolt M10 x 30	
7	1670769	1	Cover	
8	1001176636	4	Nut M6	
8	1001260680	4	Rivnut M6	
9	3291005	6	Nut M10	
10	3841340	2	Hose Loop	
11	4811700	4	Washer M6	
12	4812000	10	Washer M10	
13	1001176953	1	Harness, Main Boom Cable (See Separate Breakdown in this Section)	
15	1001172128	1	Bracket, Hose Cover	
16	1001173456	1	Clamp	
17	1001173665	1	Clamp	
18	1001173761	1	Bracket	
19	1001173808	1	Harness, Telescope in Proximity Sensors (See Separate Breakdown in this Section)	
20	1001173927	1	Clamp	
21	1001175171	1	Cable, Electrical 12/3	
22	0100081	AR	Adhesive	
23	1001181329	1	Bolt, Carriage M10 x 70	
24	0760814	2	Bolt M8 x 30	
25	3290805	2	Nut M8	
23	4811900	4	Washer M8	

# SECTION 8 - ELECTRICAL

FIGURE 8-31. CABLES AND CLAMPS INSTALLATION (4000W GENERATOR 50HZ) (ANSI EXPORT, AUSTRALIAN, CE AND CHINA SPECS) (PVC 2001) (460SJ)



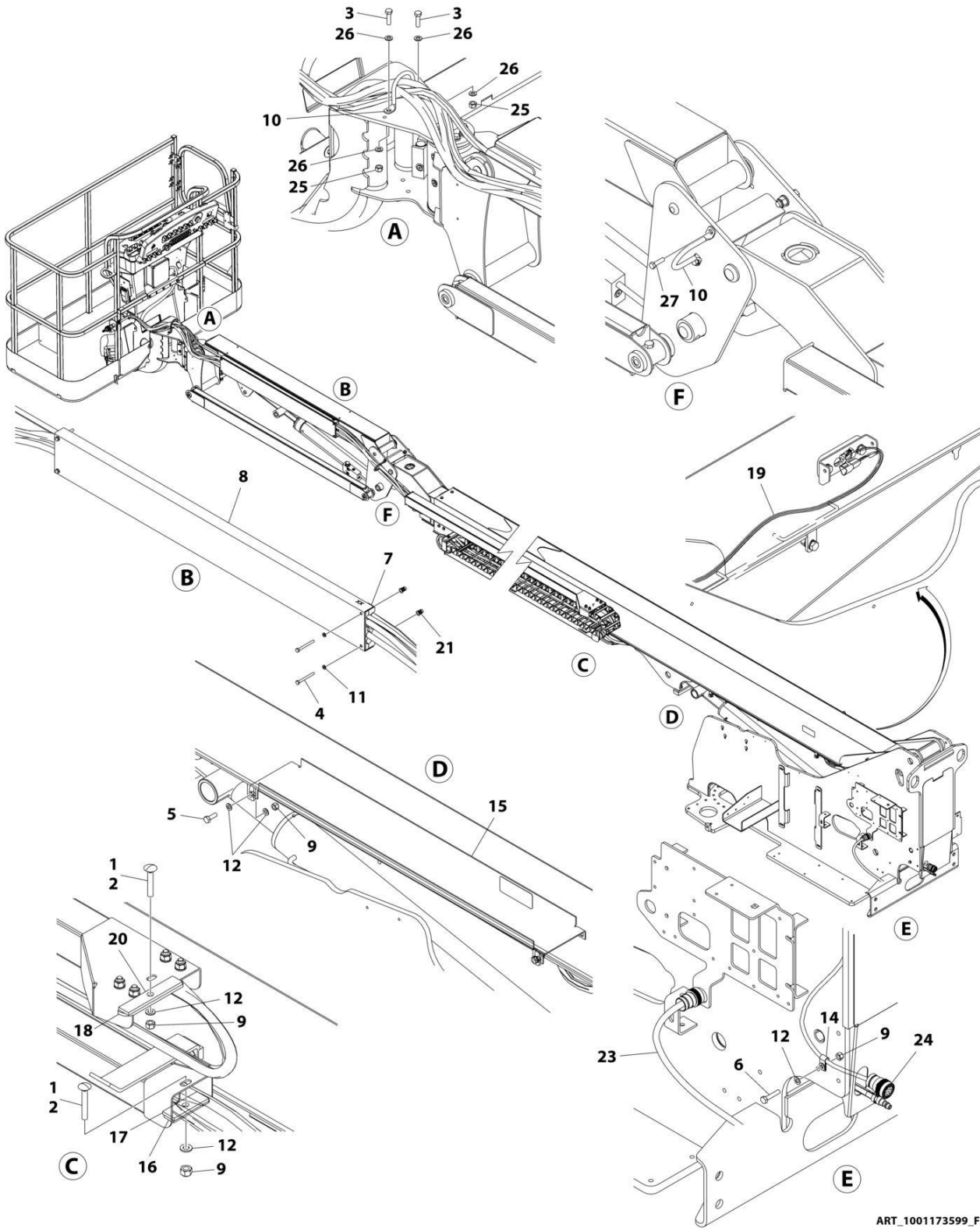
## SECTION 8 - ELECTRICAL

**FIGURE 8-31. CABLES AND CLAMPS INSTALLATION (4000W GENERATOR 50HZ) (ANSI EXPORT, AUSTRALIAN, CE AND CHINA SPECS) (PVC 2001) (460SJ)**

ITEM	PART NUMBER	QTY	DESCRIPTION	REV
	1001173599	Ref	CABLES AND CLAMPS INSTALLATION	D
1	0100081	1	Adhesive	
2	0630563	2	Bolt, Carriage M10 x 60	
3	0641504	4	Bolt, 5/16 x 1/2	
4	0641418	4	Bolt, 1/4 x 2-1/4	
5	0761014	4	Bolt, M10 x 30	
6	0761018	1	Bolt, M10 x 50	
7	1001203459	2	Block, Clamp	
8	1670769	1	Cover	
9	3291005	7	Nut, Lock M10 x 1.5	
10	3841340	2	Hose Loop	
11	4811700	4	Washer, M6	
12	4812000	12	Washer, M10	
14	8406110	1	Clip	
15	1001172128	1	Bracket, Hose Cover	
16	1001173456	1	Clamp	
17	1001173665	1	Clamp	
18	1001173761	1	Bracket	
19	1001173808	1	Harness, Telescope In Proximity Sensors (See Separate Breakdown in this Section)	
20	1001173927	1	Clamp	
21	2080044	4	Nut, Rivet 1/4	
23	1001176953	1	Harness, Main Boom Cable (See Separate Breakdown in this Section)	
24	1001203435	1	Cable, Electrical 12/3	

# SECTION 8 - ELECTRICAL

FIGURE 8-32. CABLES AND CLAMPS INSTALLATION (4000W GENERATOR 50HZ) (ANSI EXPORT, AUSTRALIAN, CE AND CHINA SPECS) (PVC 2007) (460SJ)



ART\_1001173599\_F



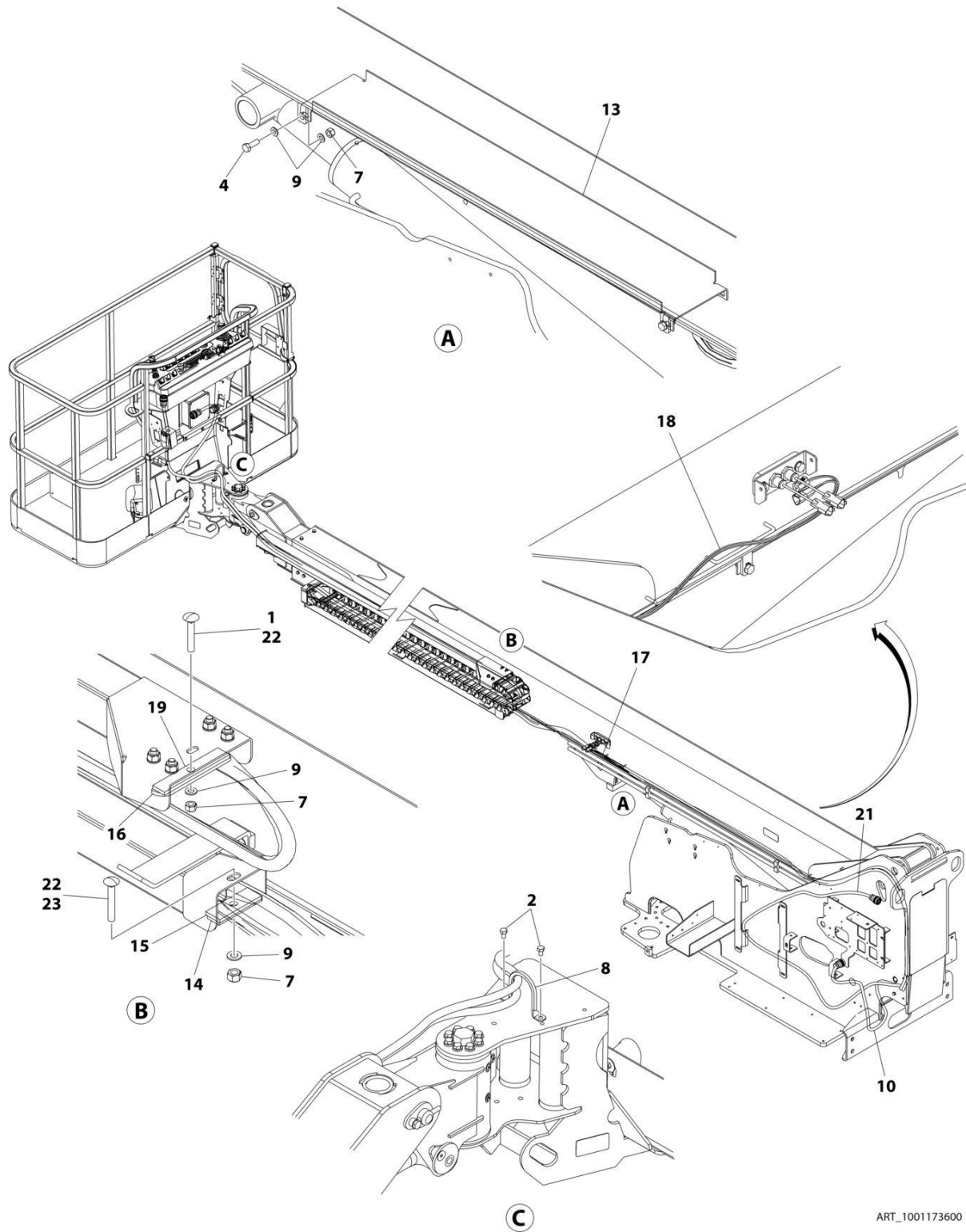
## SECTION 8 - ELECTRICAL

**FIGURE 8-32. CABLES AND CLAMPS INSTALLATION (4000W GENERATOR 50HZ) (ANSI EXPORT, AUSTRALIAN, CE AND CHINA SPECS) (PVC 2007) (460SJ)**

ITEM	PART NUMBER	QTY	DESCRIPTION	REV
	1001173599	Ref	CABLES AND CLAMPS INSTALLATION	F
1	0100081	1	Adhesive	
2	0630563	2	Bolt, Carriage M10 x 60	
3	0760814	2	Bolt M8 x 30	
4	0641418	4	Bolt 1/4 x 2-1/4	
4	0700620	4	Bolt M6 x 60	
5	0761014	4	Bolt, M10 x 30	
6	0761018	1	Bolt, M10 x 50	
7	1001203459	2	Block, Clamp	
8	1670769	1	Cover	
9	3291005	7	Nut, Lock M10 x 1.5	
10	3841340	2	Hose Loop	
11	4811700	4	Washer, M6	
12	4812000	12	Washer, M10	
14	8406110	1	Clip	
15	1001172128	1	Bracket, Hose Cover	
16	1001173456	1	Clamp	
17	1001173665	1	Clamp	
18	1001173761	1	Bracket	
19	1001173808	1	Harness, Telescope In Proximity Sensors (See Separate Breakdown in this Section)	
20	1001173927	1	Clamp	
21	1001176636	4	Nut M6	
21	1001260680	4	Rivnut M6	
23	1001176953	1	Harness, Main Boom Cable (See Separate Breakdown in this Section)	
24	1001203435	1	Cable, Electrical 12/3	
25	3290805	2	Nut, Lock M8	
26	4811900	4	Washer M8	
27	0641504	2	Bolt 5/16 x 1/2	

# SECTION 8 - ELECTRICAL

FIGURE 8-33. CABLES AND CLAMPS INSTALLATION (7500W GENERATOR) (ANSI, ANSI EXPORT, CE AND CHINA SPECS) (400S)



ART\_1001173600

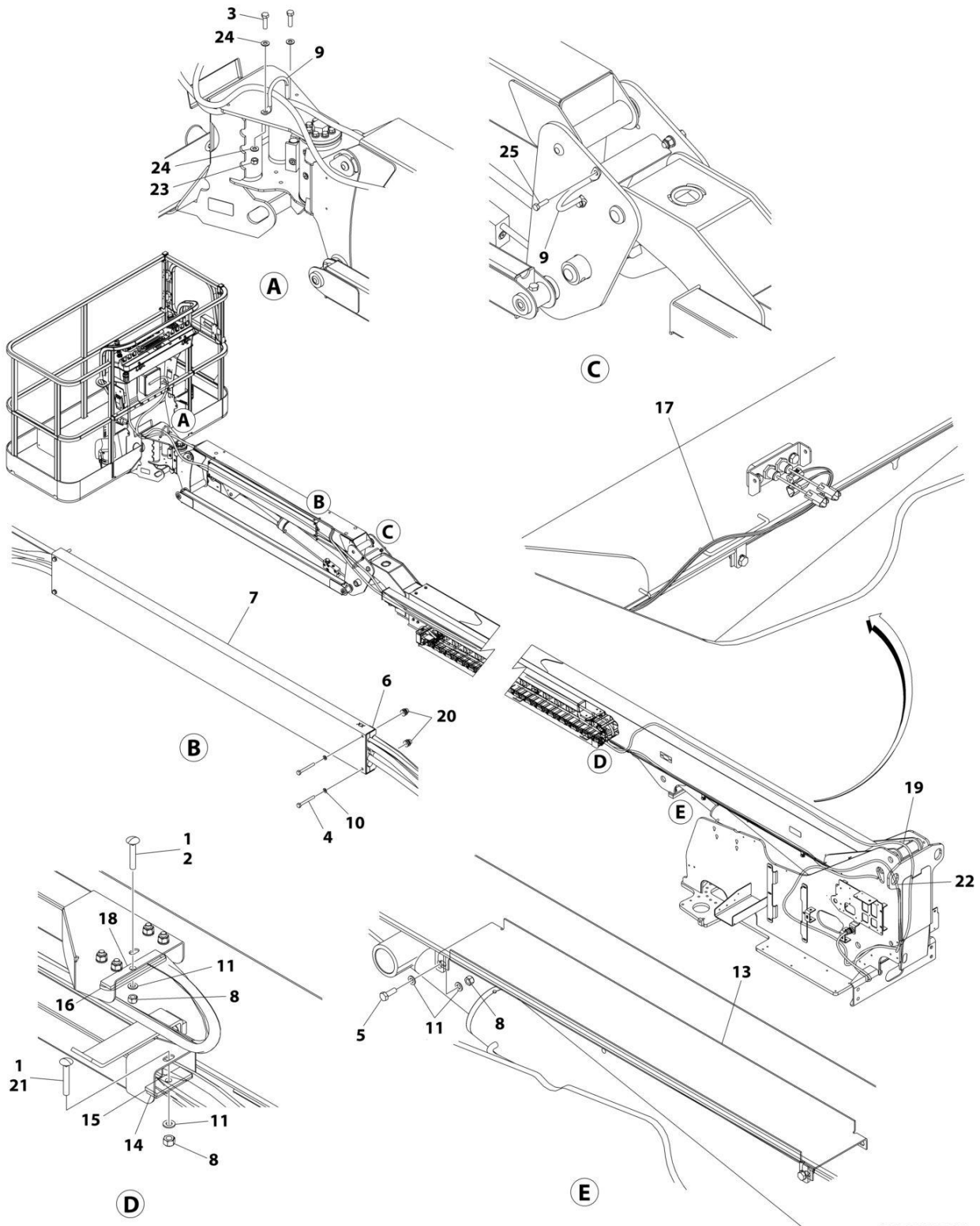
## SECTION 8 - ELECTRICAL

**FIGURE 8-33. CABLES AND CLAMPS INSTALLATION (7500W GENERATOR) (ANSI, ANSI EXPORT, CE AND CHINA SPECS) (400S)**

ITEM	PART NUMBER	QTY	DESCRIPTION	REV
	1001173600	Ref	CABLES AND CLAMPS INSTALLATION	E
1	0630563	1	Bolt, Carriage M10 x 60	
2	0641504	2	Bolt, 5/16 x 1/2	
4	0761014	4	Bolt, M10 x 30	
7	3291005	6	Nut, Lock M10 x 1.5	
8	3841340	1	Hose Loop	
9	4812000	10	Washer, M10	
10	1001176952	1	Harness, Main Boom Cable (See Separate Breakdown in this Section)	
13	1001172128	1	Bracket, Hose Cover	
14	1001173456	1	Clamp	
15	1001173665	1	Clamp	
16	1001173761	1	Bracket	
17	1001173807	1	Harness, Capacity Switch (See Separate Breakdown in this Section)	
18	1001173808	1	Harness, Telescope In Proximity Sensors (See Separate Breakdown in this Section)	
19	1001173927	1	Clamp	
21	4922802	1	Cable, Electrical 8/5	
22	0100081	1	Adhesive	
23	1001181319	1	Bolt, Carriage M10 x 70	

# SECTION 8 - ELECTRICAL

FIGURE 8-34. CABLES AND CLAMPS INSTALLATION (7500W GENERATOR) (ANSI, ANSI EXPORT, AUSTRALIAN, CE AND CHINA SPECS) (460SJ)



ART\_1001173605

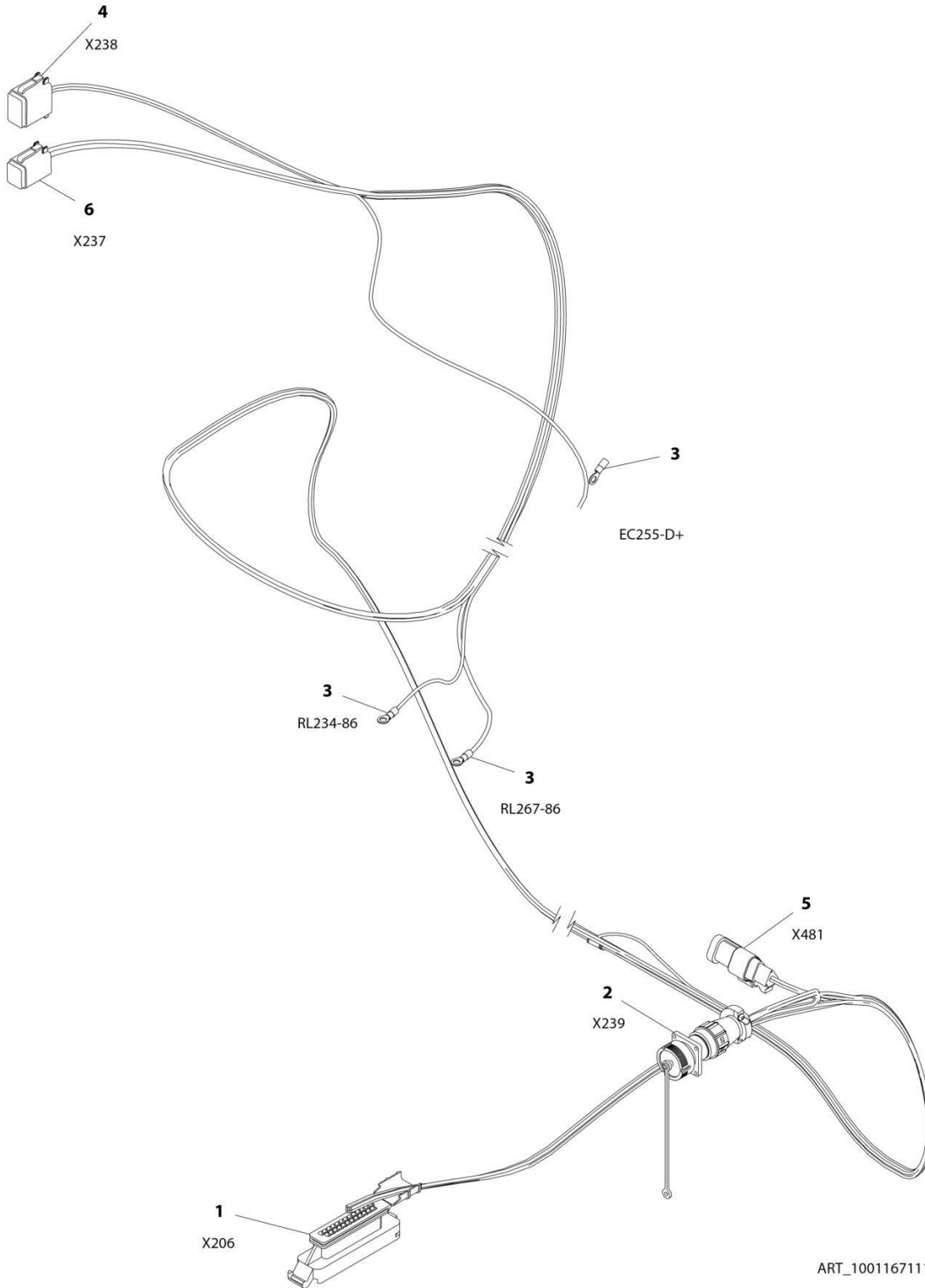
## SECTION 8 - ELECTRICAL

**FIGURE 8-34. CABLES AND CLAMPS INSTALLATION (7500W GENERATOR) (ANSI, ANSI EXPORT, AUSTRALIAN, CE AND CHINA SPECS) (460SJ)**

ITEM	PART NUMBER	QTY	DESCRIPTION	REV
	1001173605	Ref	CABLES AND CLAMPS INSTALLATION	G
1	0100081	1	Adhesive	
2	0630563	1	Bolt, Carriage M10 x 60	
3	0760814	2	Bolt M8 x 30	
4	0700620	4	Bolt M6 x 60	
5	0761014	4	Bolt M10 x 30	
6	1001203459	2	Block, Clamp	
7	1670769	1	Cover	
8	3291005	6	Nut M10	
9	3841340	2	Hose Loop	
10	4811700	4	Washer M6	
11	4812000	10	Washer M10	
13	1001172128	1	Bracket, Hose Cover	
14	1001173456	1	Clamp	
15	1001173665	1	Clamp	
16	1001173761	1	Bracket	
17	1001173808	1	Harness, Telescope In Proximity Sensors (See Separate Breakdown in this Section)	
18	1001173927	1	Clamp	
19	4922803	1	Cable, Electrical 8/5	
20	1001176636	4	Nut, Rivet M6	
20	1001260680	4	Rivnut M6	
21	1001181329	1	Bolt, Carriage M10 x 70	
22	1001176953	1	Harness, Main Boom (See Separate Breakdown in this Section)	
23	3290805	2	Nut, Lock M8	
24	4811900	4	Washer M8	
25	0641504	2	Bolt 5/16 x 1/2	

# SECTION 8 - ELECTRICAL

## FIGURE 8-35. ENGINE HARNESS - DEUTZ D2011



ART\_1001167111

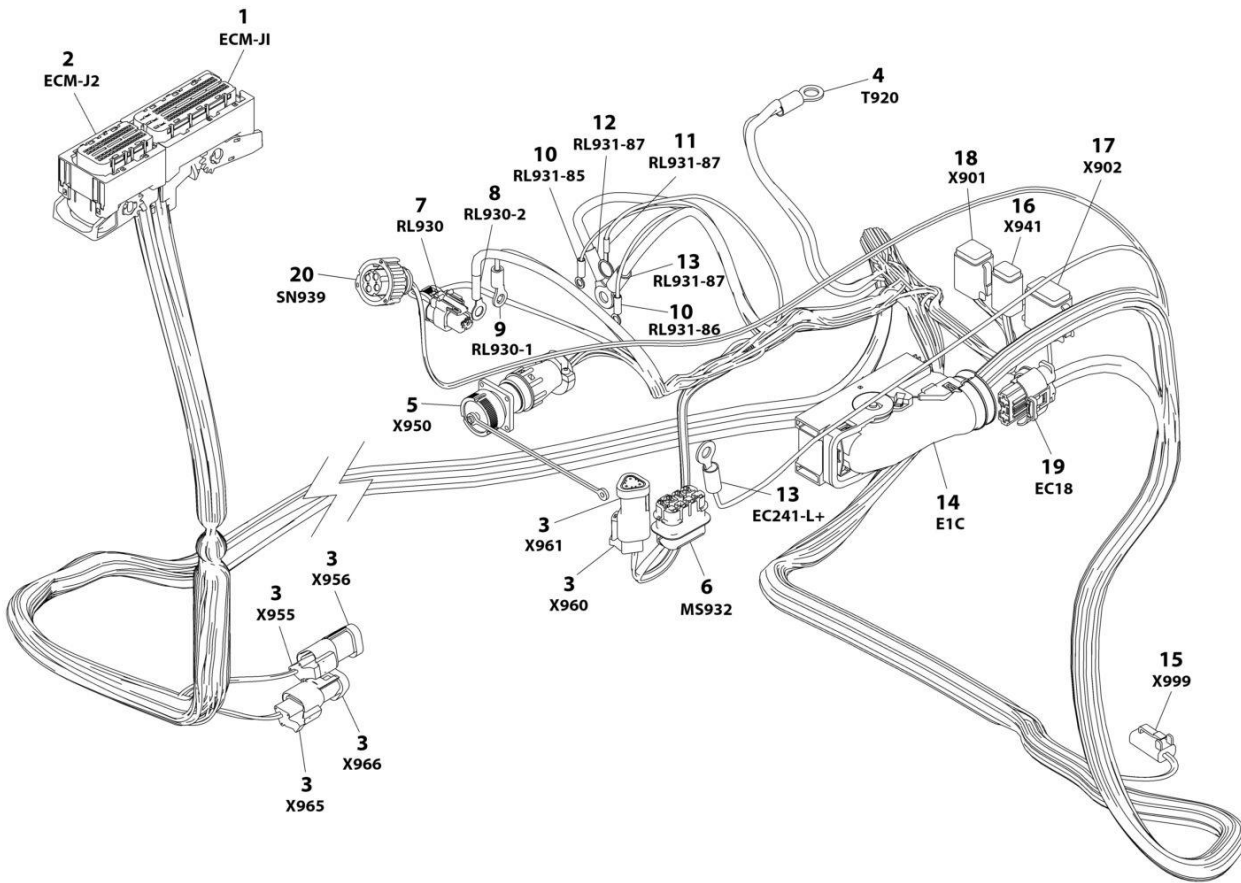
## SECTION 8 - ELECTRICAL

**FIGURE 8-35. ENGINE HARNESS - DEUTZ D2011**

ITEM	PART NUMBER	QTY	DESCRIPTION	REV
	1001167111	Ref	ENGINE HARNESS - DEUTZ D2011	B
1	4461052	1	Connector - 25 Position	
1	4461005	7	Terminal	
1	4461008	18	Plug, Terminal	
2	2902443	1	Receptacle Kit	
2	4461071	8	Socket, Female	
2	4461072	1	Receptacle with Flange - 8 Position	
2	4461073	1	Cap, Dust	
2	4461074	1	Shell, Black	
3	4460313	3	Terminal, Ring	
4	4460930	1	Plug, Male - 8 Position	
4	4460465	2	Socket, Female	
4	4460466	6	Seal, Terminal	
5	4461095	1	Plug, Male - 3 Position	
5	4460465	3	Socket, Female	
6	4460894	1	Plug, Male - 6 Position	
6	4460465	6	Socket, Female	

# SECTION 8 - ELECTRICAL

## FIGURE 8-36. ENGINE HARNESS - DEUTZ D2.9L4 (PVC 2001)



ART\_1001167108\_J



## SECTION 8 - ELECTRICAL

**FIGURE 8-36. ENGINE HARNESS - DEUTZ D2.9L4 (PVC 2001)**

ITEM	PART NUMBER	QTY	DESCRIPTION	REV
	1001167108	Ref	ENGINE HARNESS - DEUTZ D2.9L4	J
1	1001133956	1	Connector, 94 Position	
1	1001182361	6	Terminal	
1	1001126351	2	Terminal	
1	1001230934	17	Terminal	
1	1001230935	63	Plug, Terminal	
1	1001252527	4	Terminal	
1	1001230936	2	Plug, Terminal	
1	1001182365	6	Seal	
2	1001133957	1	Connector - 60 Position	
2	1001230936	11	Plug, Terminal	
2	1001126351	13	Terminal	
2	1001230935	19	Plug, Terminal	
2	1001230934	11	Terminal	
2	1001252527	6	Terminal	
3	4461095	3	Plug, Male - 3 Position	
3	4460944	6	Socket, Female	
3	4460466	3	Plug, Terminal	
3	4461070	3	Connector, Female with Resistor 3 Position	
4	8220115	1	Terminal, Ring	
5	2902443	1	Receptacle Kit	
5	4461071	8	Socket, Female	
5	4461072	1	Receptacle with Flange - 8 Position	
5	4461073	1	Cap, Dust	
5	4461074	1	Shell, Black	
6	80484084	1	Connector - 8 Position	
6	4460746	3	Terminal	
6	1001234800	1	Terminal	
6	4460748	4	Plug, Terminal	
6	4460458	4	Seal	
6	8229242	1	Fuse - 5Amp	
6	80983191	1	Fuse - 10Amp	
6	1001147264	1	Cap	
7	1001116952	1	Plug, Male - 2 Position	
7	4460465	2	Socket, Female	
8	1001117106	1	Terminal, Ring	
9	4460043	1	Terminal, Ring	
10	4460247	2	Terminal, Ring	
11	4460703	1	Terminal, Ring	
12	8220164	1	Terminal, Ring	
13	1001117107	2	Terminal, Ring	
14	1001126362	1	Connector - 62 Position	
14	1001126363	25	Terminal	
14	1001126391	21	Seal, Terminal	
14	1001126392	10	Terminal	
14	4461008	4	Seal, Terminal	
14	1001126365	2	Terminal	
14	1001223459	16	Seal, Terminal	
14	1001126364	19	Seal, Terminal	
14	4461054	2	Seal, Terminal	

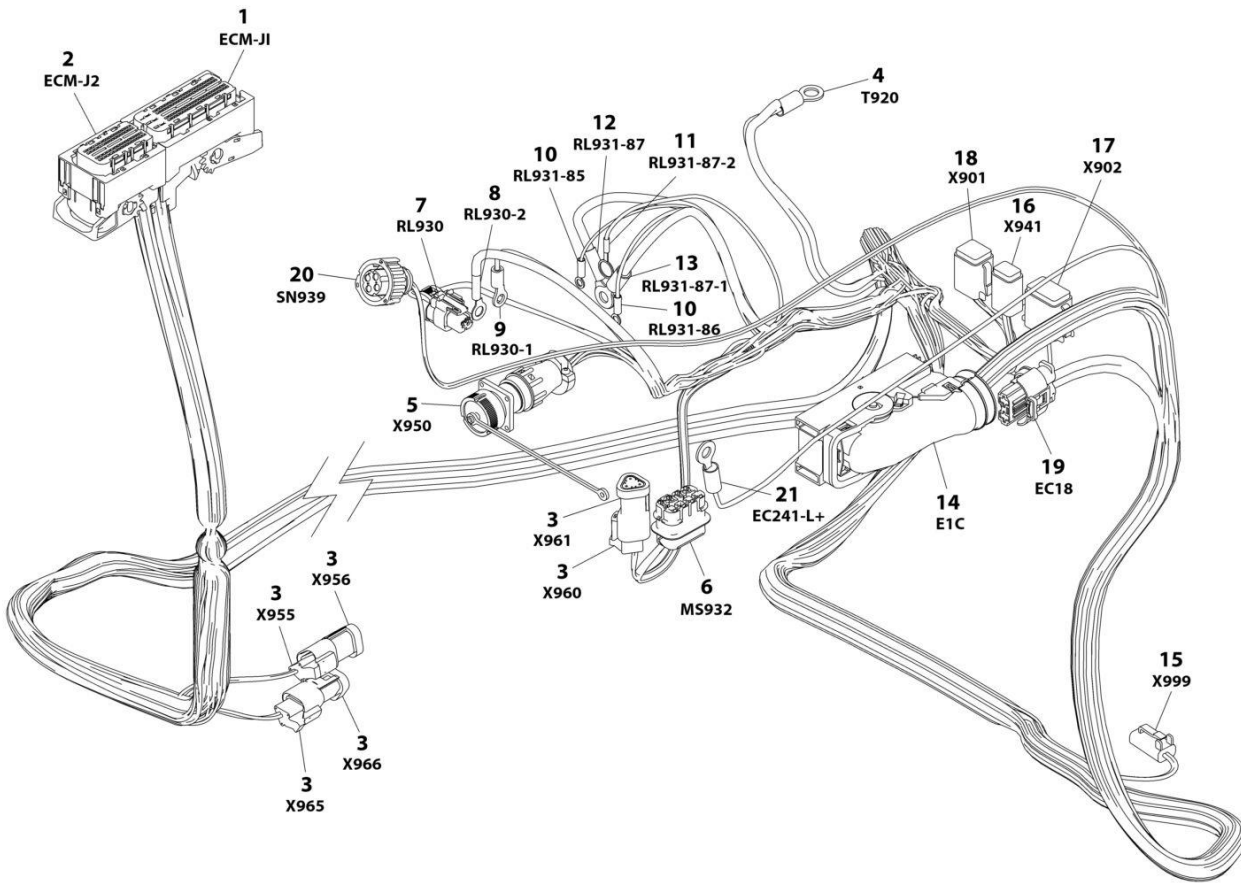
## SECTION 8 - ELECTRICAL

ITEM	PART NUMBER	QTY	DESCRIPTION	REV
15	4460891	1	Plug, Male - 2 Position	
15	4460465	2	Socket, Female	
16	1001220379	1	Plug, Male - 4 Position	
16	4460465	2	Socket, Female	
16	4460942	2	Socket, Female	
17	4460930	1	Plug, Male - 8 Position	
17	4460465	1	Socket, Female	
17	4460466	7	Seal, Terminal	
18	4460894	1	Plug, Male - 6 Position	
18	4460465	3	Socket, Female	
18	4460944	2	Socket, Female	
18	4460466	1	Plug, Terminal	
19	1001142938	1	Connector - 2 Position	
19	1001142940	2	Terminal	
19	1001142941	2	Seal, Terminal	
20	1001133714	1	Plug, Male - 4 Position	
20	1001133715	3	Terminal	
20	1001135651	1	Plug, Terminal	
20	1001135650	3	Seal	



# SECTION 8 - ELECTRICAL

## FIGURE 8-37. ENGINE HARNESS - DEUTZ D2.9L4 (PVC 2007)



ART\_1001167108\_L

## SECTION 8 - ELECTRICAL

**FIGURE 8-37. ENGINE HARNESS - DEUTZ D2.9L4 (PVC 2007)**

ITEM	PART NUMBER	QTY	DESCRIPTION	REV
	1001167108	Ref	ENGINE HARNESS - DEUTZ D2.9L4	L
1	1001133956	1	Connector, 94 Position	
1	1001182361	6	Terminal	
1	1001126351	2	Terminal	
1	1001230934	17	Terminal	
1	1001230935	63	Plug, Terminal	
1	1001256507	4	Terminal	
1	1001230936	2	Plug, Terminal	
1	1001182365	6	Seal	
2	1001133957	1	Connector - 60 Position	
2	1001230936	11	Plug, Terminal	
2	1001126351	13	Terminal	
2	1001230935	19	Plug, Terminal	
2	1001230934	11	Terminal	
2	1001252527	4	Terminal	
2	1001256507	2	Terminal	
3	4461095	3	Plug, Male - 3 Position	
3	4460944	6	Socket, Female	
3	4460466	3	Plug, Terminal	
3	4461070	3	Connector, Female with Resistor 3 Position	
4	8220115	1	Terminal, Ring	
5	2902443	1	Receptacle Kit	
5	4461071	8	Socket, Female	
5	4461072	1	Receptacle with Flange - 8 Position	
5	4461073	1	Cap, Dust	
5	4461074	1	Shell, Black	
6	80484084	1	Connector - 8 Position	
6	4460746	3	Terminal	
6	1001234800	1	Terminal	
6	4460748	4	Plug, Terminal	
6	4460458	4	Seal	
6	8229242	1	Fuse - 5Amp	
6	80983191	1	Fuse - 10Amp	
6	1001147264	1	Cap	
7	1001116952	1	Plug, Male - 2 Position	
7	4460465	2	Socket, Female	
8	1001117106	1	Terminal, Ring	
9	4460043	1	Terminal, Ring	
10	4460247	2	Terminal, Ring	
11	4460703	1	Terminal, Ring	
12	8220164	1	Terminal, Ring	
13	1001117107	1	Terminal, Ring	
14	1001126362	1	Connector - 62 Position	
14	1001126363	25	Terminal	
14	1001126391	21	Seal, Terminal	
14	1001126392	10	Terminal	
14	4461008	4	Seal, Terminal	
14	1001126365	2	Terminal	
14	1001223459	10	Seal, Terminal	
14	1001126364	23	Seal, Terminal	

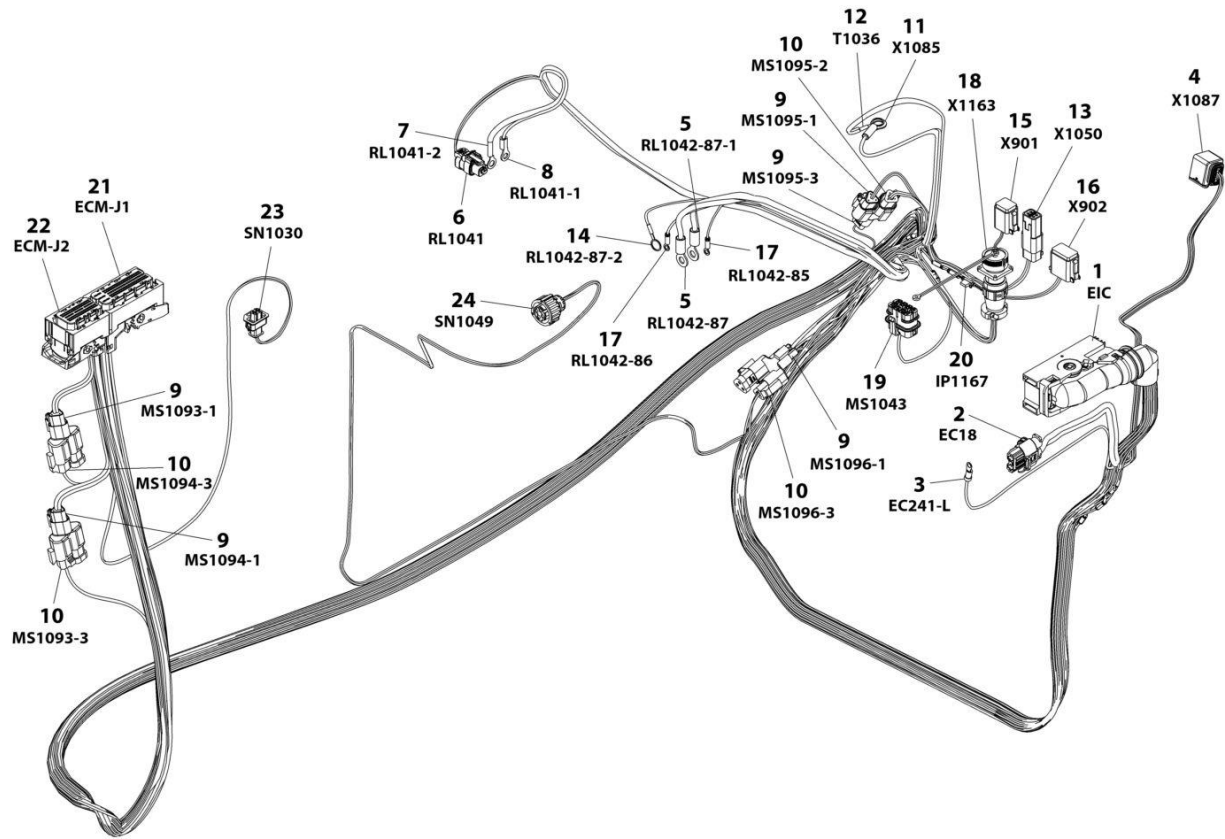
## SECTION 8 - ELECTRICAL

ITEM	PART NUMBER	QTY	DESCRIPTION	REV
14	1001256506	2	Seal, Terminal	
14	4461054	2	Seal, Terminal	
15	4460891	1	Plug, Male - 2 Position	
15	4460465	2	Socket, Female	
16	1001220379	1	Plug, Male - 4 Position	
16	4460465	2	Socket, Female	
16	4460942	2	Socket, Female	
17	4460930	1	Plug, Male - 8 Position	
17	4460465	1	Socket, Female	
17	4460466	7	Seal, Terminal	
18	4460894	1	Plug, Male - 6 Position	
18	4460465	3	Socket, Female	
18	4460944	2	Socket, Female	
18	4460466	1	Plug, Terminal	
19	1001142938	1	Connector - 2 Position	
19	1001142940	2	Terminal	
19	1001142941	2	Seal, Terminal	
20	1001133714	1	Plug, Male - 4 Position	
20	1001133715	3	Terminal	
20	1001135651	1	Plug, Terminal	
20	1001135650	3	Seal	
21	4460042	1	Terminal, Ring	



# SECTION 8 - ELECTRICAL

## FIGURE 8-38. ENGINE HARNESS - DEUTZ (STAGE V)



ART\_1001245839



## SECTION 8 - ELECTRICAL

### FIGURE 8-38. ENGINE HARNESS - DEUTZ (STAGE V)

ITEM	PART NUMBER	QTY	DESCRIPTION	REV
	1001245839	Ref	ENGINE HARNESS - DEUTZ (STAGE V)	F
1	1001126362	1	Connector - 62 Position	
1	1001126363	37	Terminal	
1	1001126391	7	Seal, Terminal	
1	1001126392	12	Terminal	
1	4461008	4	Seal, Terminal	
1	1001167632	2	Terminal	
1	1001126364	36	Seal, Terminal	
1	1001223459	12	Seal, Terminal	
1	4461054	2	Seal, Terminal	
2	1001142938	1	Connector - 2 Position	
2	1001142940	2	Terminal	
2	1001142941	2	Seal, Terminal	
3	4460042	1	Terminal, Ring	
4	1001239202	1	Connector - 8 Position	
4	1001126363	7	Terminal	
4	1001126391	1	Seal, Terminal	
4	1001126364	7	Seal, Terminal	
5	1001117107	2	Terminal, Ring	
6	1001116952	1	Plug, Male - 2 Position	
6	4460465	2	Socket, Female	
7	1001117106	1	Terminal, Ring	
8	4460043	1	Terminal, Ring	
9	1001116812	5	Connector, 3 Position	
9	4460944	10	Socket, Female	
9	4460466	5	Plug, Terminal	
10	4460539	4	Plug, Male - 3 Position	
10	4460944	8	Socket, Female	
10	4460466	4	Plug, Terminal	
11	8220164	1	Terminal, Ring	
12	4460019	1	Terminal, Ring	
13	4460884	1	Plug, Male - 4 Position	
13	4460465	2	Socket, Female	
13	4460942	2	Socket, Female	
14	4460703	1	Terminal, Ring	
15	4460894	1	Plug, Male - 6 Position	
15	4460465	2	Socket, Female	
15	4460944	2	Socket, Female	
15	4460465	2	Socket, Female	
16	4460930	1	Plug, Male - 8 Position	
16	4460465	1	Socket, Female	
16	4460466	7	Plug, Terminal	
17	4460247	2	Terminal, Ring	
18	2902443	1	Receptacle Kit	
18	4461071	8	Socket, Female	
18	4461072	1	Receptacle with Flange - 8 Position	
18	4461073	1	Cap, Dust	
18	4461074	1	Shell, Black	
19	80484084	1	Connector - 8 Position	
19	4460746	3	Terminal	

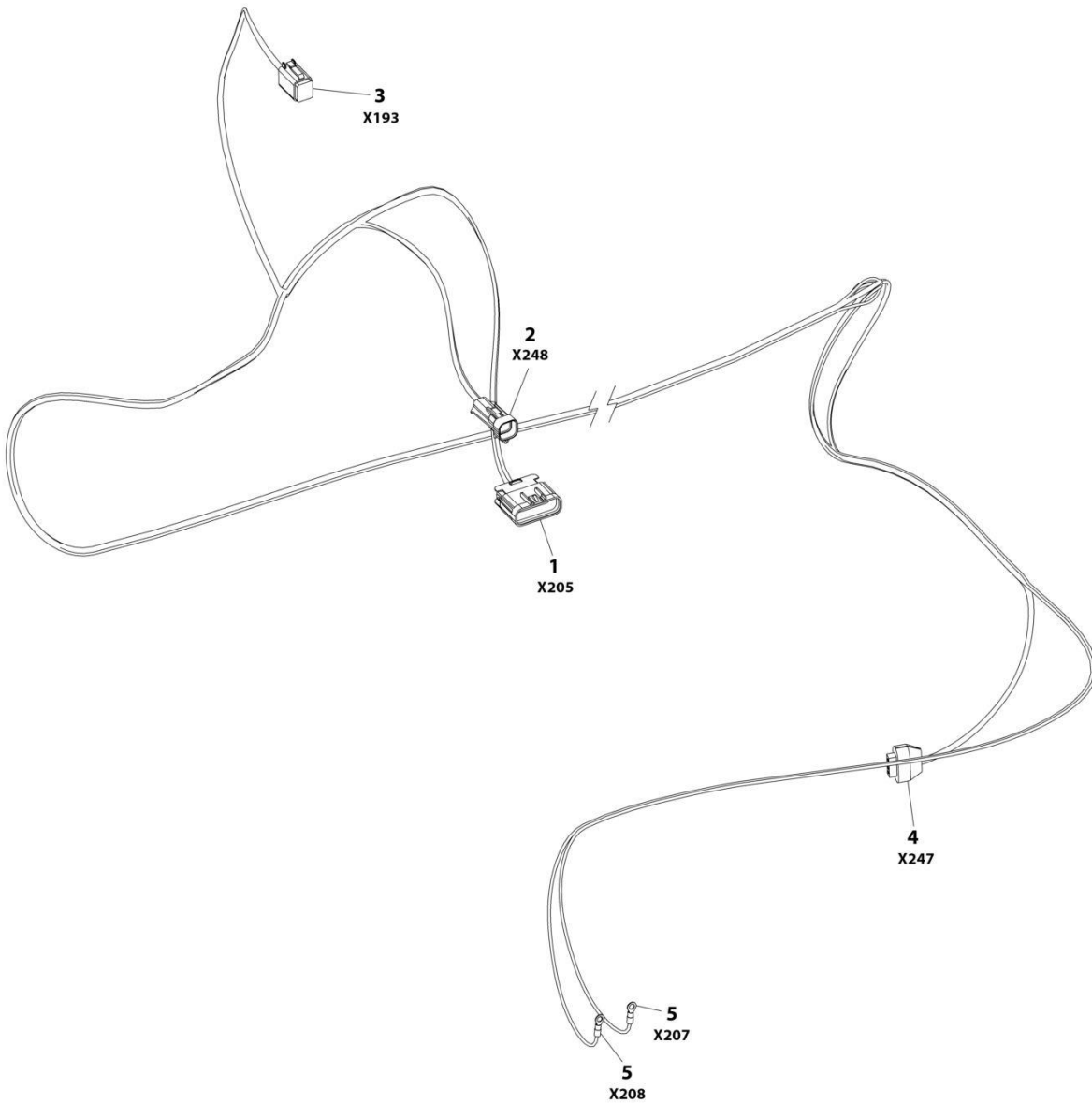
## SECTION 8 - ELECTRICAL

ITEM	PART NUMBER	QTY	DESCRIPTION	REV
19	1001234800	1	Terminal	
19	4460748	4	Plug, Terminal	
19	4460458	4	Seal	
20	1001170764	1	Holder, Fuse	
20	1001197719	1	Fuse 0.5 Watt	
21	1001133956	1	Connector, 94 Position	
21	1001182361	8	Terminal	
21	1001126351	3	Terminal	
21	1001230934	25	Terminal	
21	1001230935	55	Plug, Terminal	
21	1001252527	4	Terminal	
21	1001230936	1	Plug, Terminal	
21	1001182365	8	Seal	
22	1001133957	1	Connector - 60 Position	
22	1001230936	11	Plug, Terminal	
22	1001126351	13	Terminal	
22	1001230935	10	Plug, Terminal	
22	1001230934	26	Terminal	
23	1001126487	1	Connector - 2 Position	
23	1001167635	2	Terminal	
23	1001126485	2	Seal	
24	1001133714	1	Plug, Male - 4 Position	
24	1001133715	3	Terminal	
24	1001135651	1	Plug, Terminal	
24	1001135650	2	Seal	



# SECTION 8 - ELECTRICAL

## FIGURE 8-39. ENGINE HARNESS - KUBOTA



ART\_1001213599

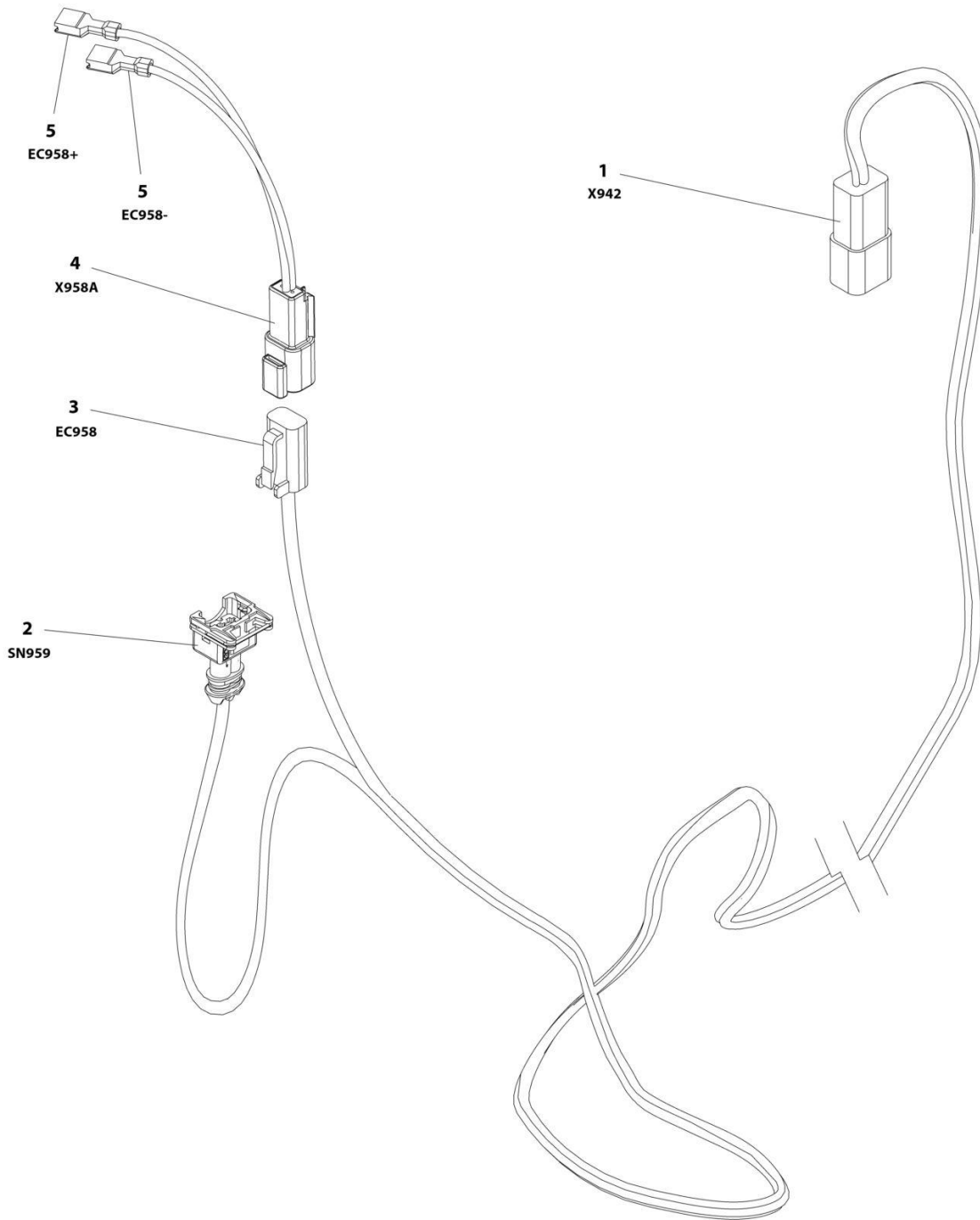
## SECTION 8 - ELECTRICAL

**FIGURE 8-39. ENGINE HARNESS - KUBOTA**

ITEM	PART NUMBER	QTY	DESCRIPTION	REV
	1001213599	Ref	ENGINE HARNESS - KUBOTA	C
1	4461109	1	Plug, Male - 16 Position	
1	4461111	7	Terminal	
1	4461113	9	Plug	
2	4461124	1	Connector - 4 Position	
2	4460693	4	Terminal	
3	4460894	1	Plug, Male - 6 Position	
3	4460465	5	Socket, Female	
3	4460466	1	Plug, Terminal	
4	4461121	1	Plug, Male - 4 Position	
4	4461122	4	Terminal	
4	4461123	4	Seal	
5	4460042	2	Terminal, Ring	

# SECTION 8 - ELECTRICAL

## FIGURE 8-40. FUEL HARNESS - DEUTZ D2.9L4 ENGINE



ART\_1001173342

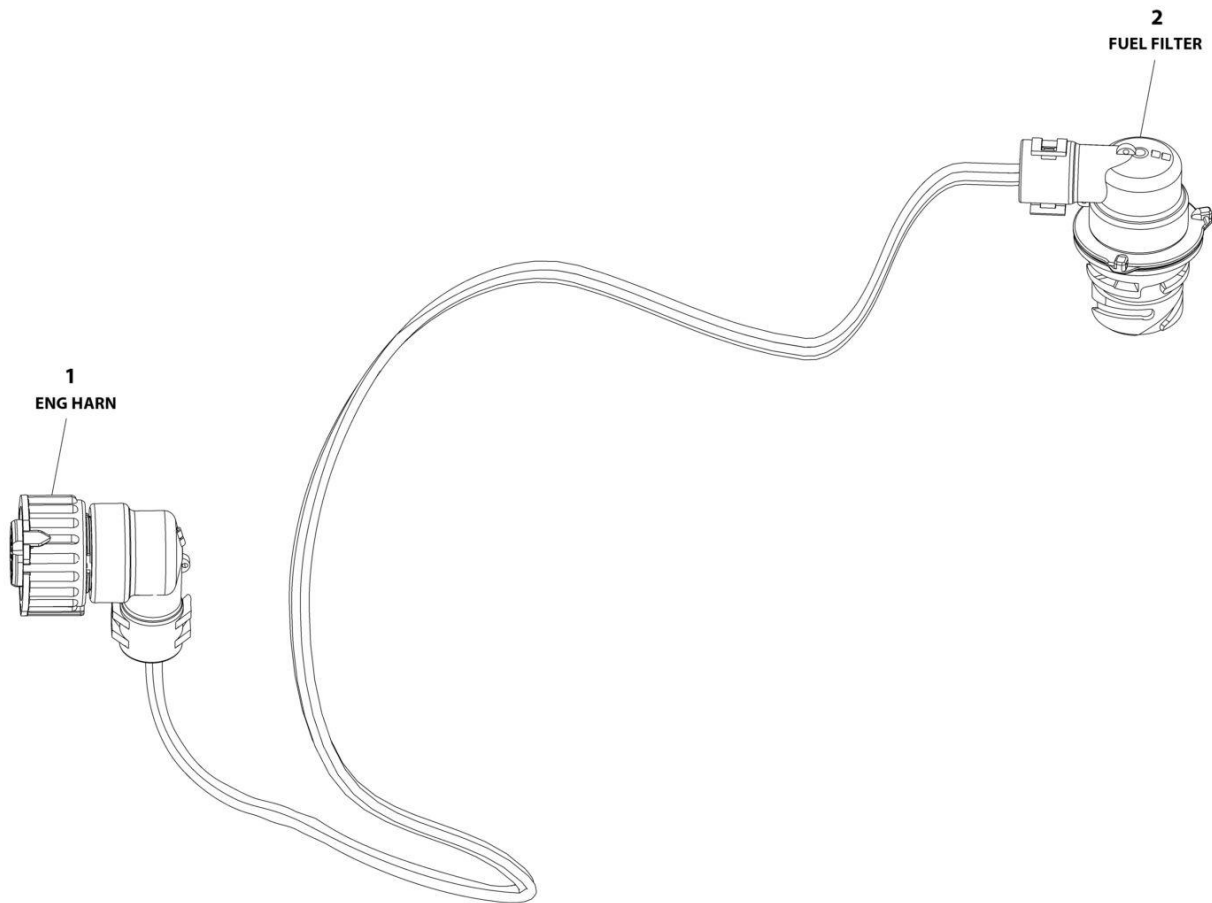
## SECTION 8 - ELECTRICAL

### FIGURE 8-40. FUEL HARNESS - DEUTZ D2.9L4 ENGINE

ITEM	PART NUMBER	QTY	DESCRIPTION	REV
	1001173342	Ref	FUEL HARNESS - DEUTZ D2.9L4 ENGINE	C
1	4460932	1	Receptacle, Female - 4 Position	
1	4460464	2	Pin, Male	
1	4460941	2	Pin, Male	
2	1001116983	1	Plug, Male - 2 Position	
2	1001116710	2	Socket, Female	
3	4460891	1	Plug, Male - 2 Position	
3	4460942	2	Socket, Female	
4	4460897	1	Receptacle, Female - 2 Position	
4	4460941	2	Pin, Male	
5	8220051	2	Coupler, Female	

# SECTION 8 - ELECTRICAL

## FIGURE 8-41. FUEL HARNESS - DEUTZ (STAGE V) ENGINE



ART\_1001245913



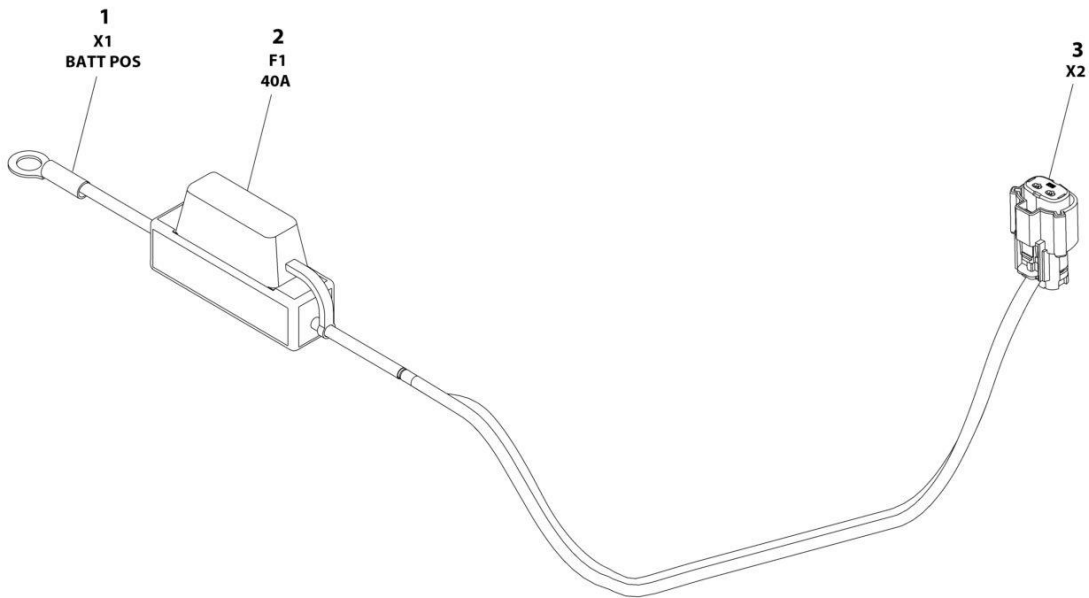
## SECTION 8 - ELECTRICAL

### FIGURE 8-41. FUEL HARNESS - DEUTZ (STAGE V) ENGINE

ITEM	PART NUMBER	QTY	DESCRIPTION	REV
	1001245913	Ref	FUEL HARNESS - DEUTZ (STAGE V) ENGINE	D
1	1001148842	1	Connector - 4 Position	
1	1001148841	4	Pin, Male	
1	1001135650	4	Seal	
2	1001133714	1	Plug, Male - 4 Position	
2	1001133715	4	Socket, Female	
2	1001135650	4	Seal	

# SECTION 8 - ELECTRICAL

## FIGURE 8-42. FUEL HARNESS - KUBOTA ENGINE



ART\_1001229798

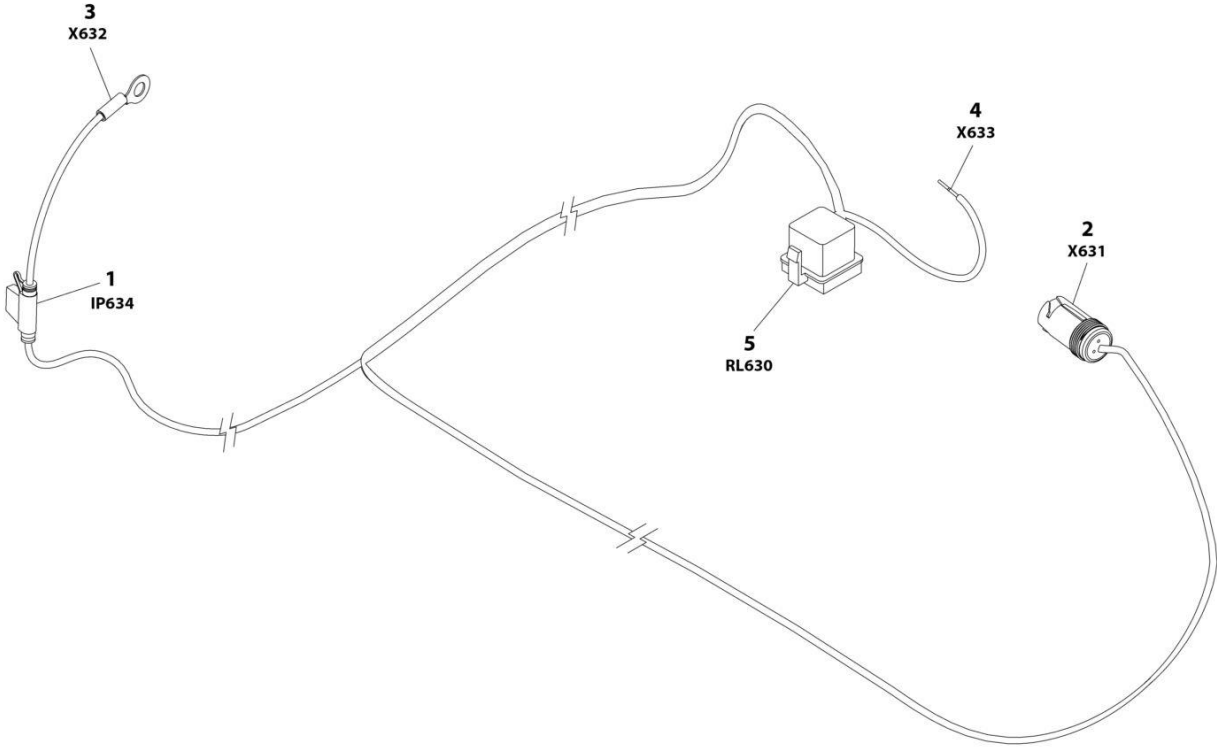
## SECTION 8 - ELECTRICAL

### FIGURE 8-42. FUEL HARNESS - KUBOTA ENGINE

ITEM	PART NUMBER	QTY	DESCRIPTION	REV
	1001229798	Ref	FUEL HARNESS - KUBOTA ENGINE	A
1	4460977	1	Terminal, Ring	
2	2400082	1	Fuse 40Amp	
3	1001229795	1	Connector - 2 Position	
3	1001229796	1	Socket, Female	

**SECTION 8 - ELECTRICAL**

**FIGURE 8-43. GENERATOR HARNESS - 2500W**



ART\_1001187522

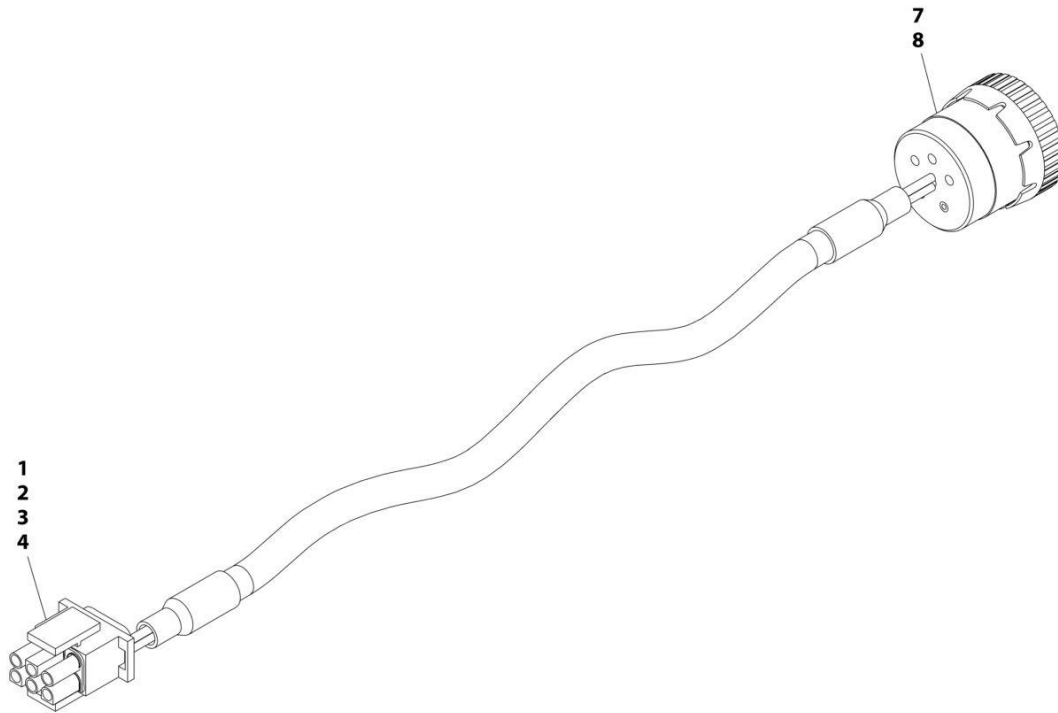
## SECTION 8 - ELECTRICAL

### FIGURE 8-43. GENERATOR HARNESS - 2500W

ITEM	PART NUMBER	QTY	DESCRIPTION	REV
	1001187522	Ref	GENERATOR HARNESS - 2500W	B
1	2400066	1	Fuseholder - 30Amp (Includes Cover)	
1	8229245	1	Fuse 30Amp	
2	1001154726	1	Receptacle, Female - 3 Position	
2	4460464	2	Pin, Male	
2	4460466	1	Plug, Terminal	
3	8220045	1	Terminal, Ring	
4	4460906	1	Socket, Female	
5	1001117057	1	Connector, Relay	
5	1001116734	2	Terminal	
5	1001116732	2	Terminal	
5	3740080	1	Relay	

# SECTION 8 - ELECTRICAL

## FIGURE 8-44. GENERATOR HARNESS - 4000W



ART\_1001152532

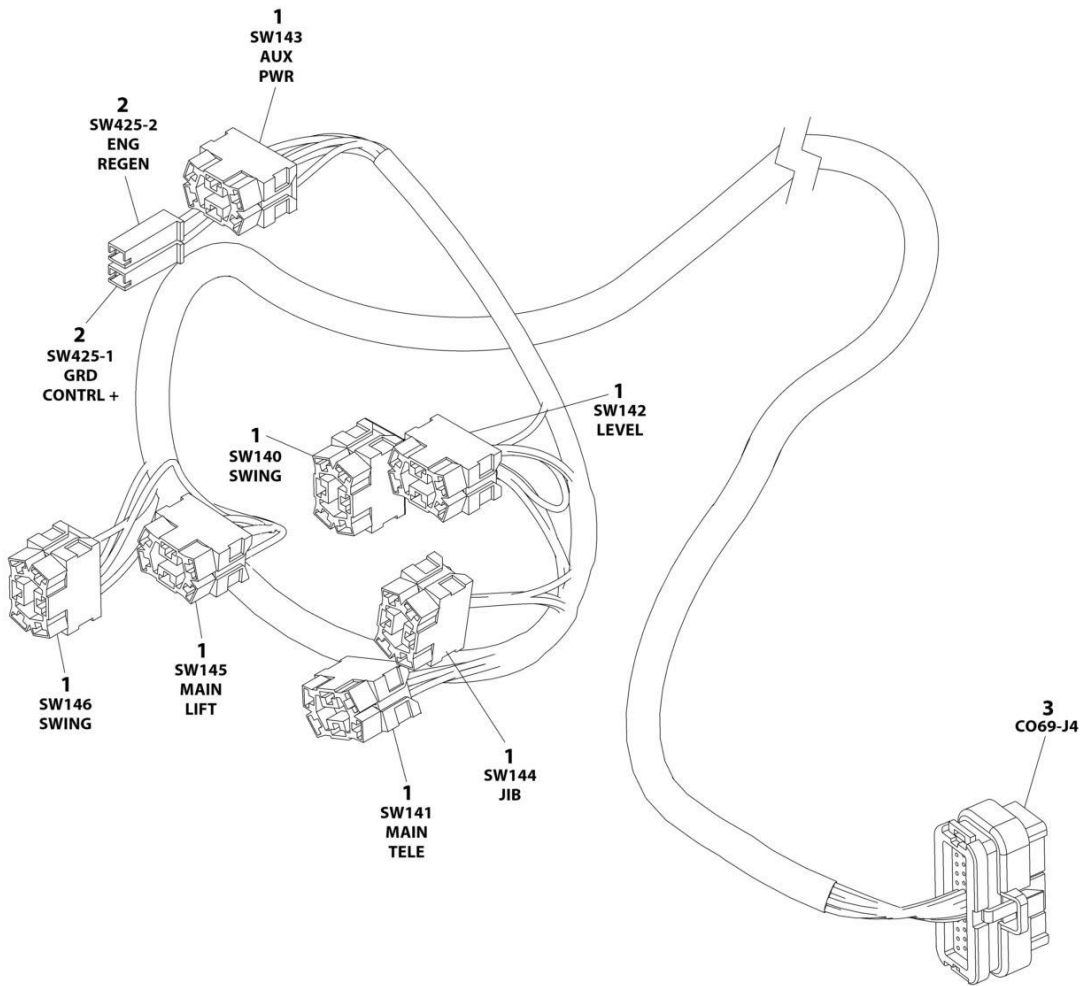
## SECTION 8 - ELECTRICAL

### FIGURE 8-44. GENERATOR HARNESS - 4000W

ITEM	PART NUMBER	QTY	DESCRIPTION	REV
	1001152532	Ref	GENERATOR HARNESS	A
1	4460225	1	Connector - 6 Position	
2	4460268	2	Socket, Female	
3	4460807	1	Seal	
4	4460808	1	Seal	
7	4460465	2	Socket, Female	
8	77363233	1	Connector - 6 Position	

# SECTION 8 - ELECTRICAL

## FIGURE 8-45. GROUND CONTROL BOX HARNESS



ART\_1001238161



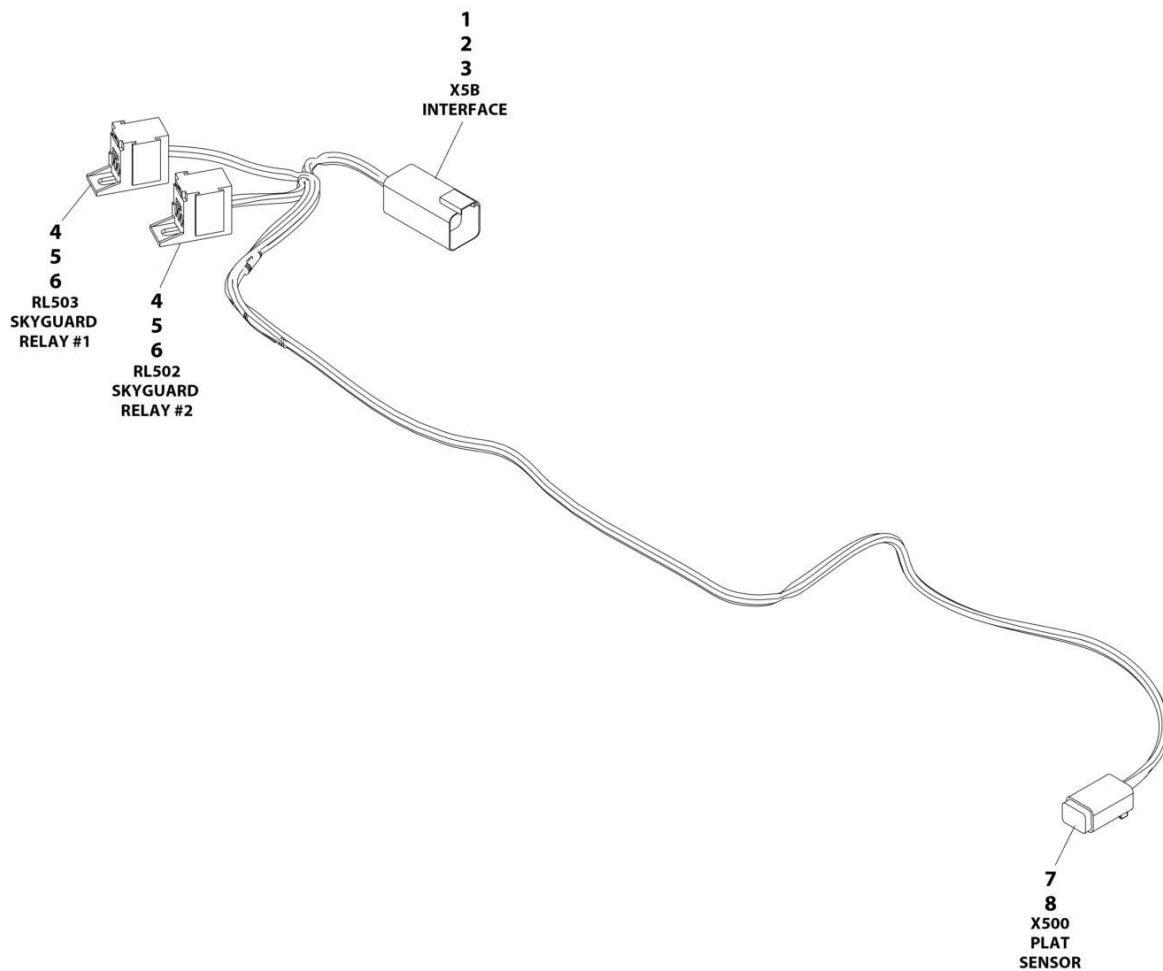
## SECTION 8 - ELECTRICAL

### FIGURE 8-45. GROUND CONTROL BOX HARNESS

ITEM	PART NUMBER	QTY	DESCRIPTION	REV
	1001238161	Ref	GROUND CONTROL BOX HARNESS	C
1	4460418	7	Connector - 6 Position	
1	4460419	27	Terminal	
2	4460260	2	Housing, Terminal	
2	4460259	2	Terminal	
3	4460876	1	Connector - 35 Position	
3	4460871	16	Socket, Female	
3	4460905	19	Plug, Terminal	

# SECTION 8 - ELECTRICAL

## FIGURE 8-46. INTERFACE HARNESS - WITH 1 CELL LSS (PVC 2001)



ART\_1001225580

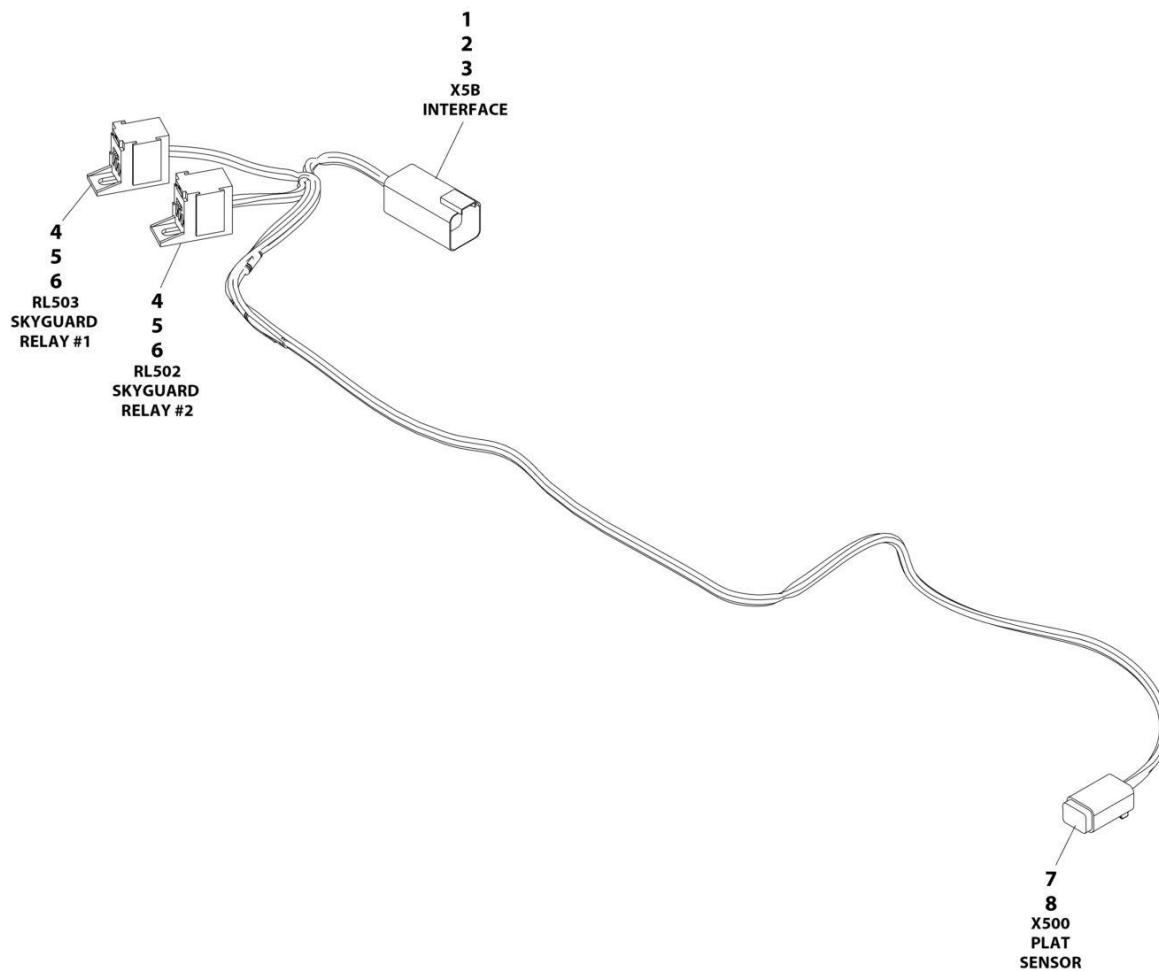
## SECTION 8 - ELECTRICAL

**FIGURE 8-46. INTERFACE HARNESS - WITH 1 CELL LSS (PVC 2001)**

ITEM	PART NUMBER	QTY	DESCRIPTION	REV
	1001225580	Ref	INTERFACE HARNESS - WITH 1 CELL LSS	D
1	4460899	1	Connector	
2	4460464	4	Terminal	
3	4460466	2	Plug	
4	1001186432	2	Connector	
5	1001116720	4	Terminal	
6	1001118388	4	Terminal	
7	4460884	1	Connector	
8	4460465	4	Terminal	

# SECTION 8 - ELECTRICAL

## FIGURE 8-47. INTERFACE HARNESS - WITH 1 CELL LSS (PVC 2007)



ART\_1001225580\_E

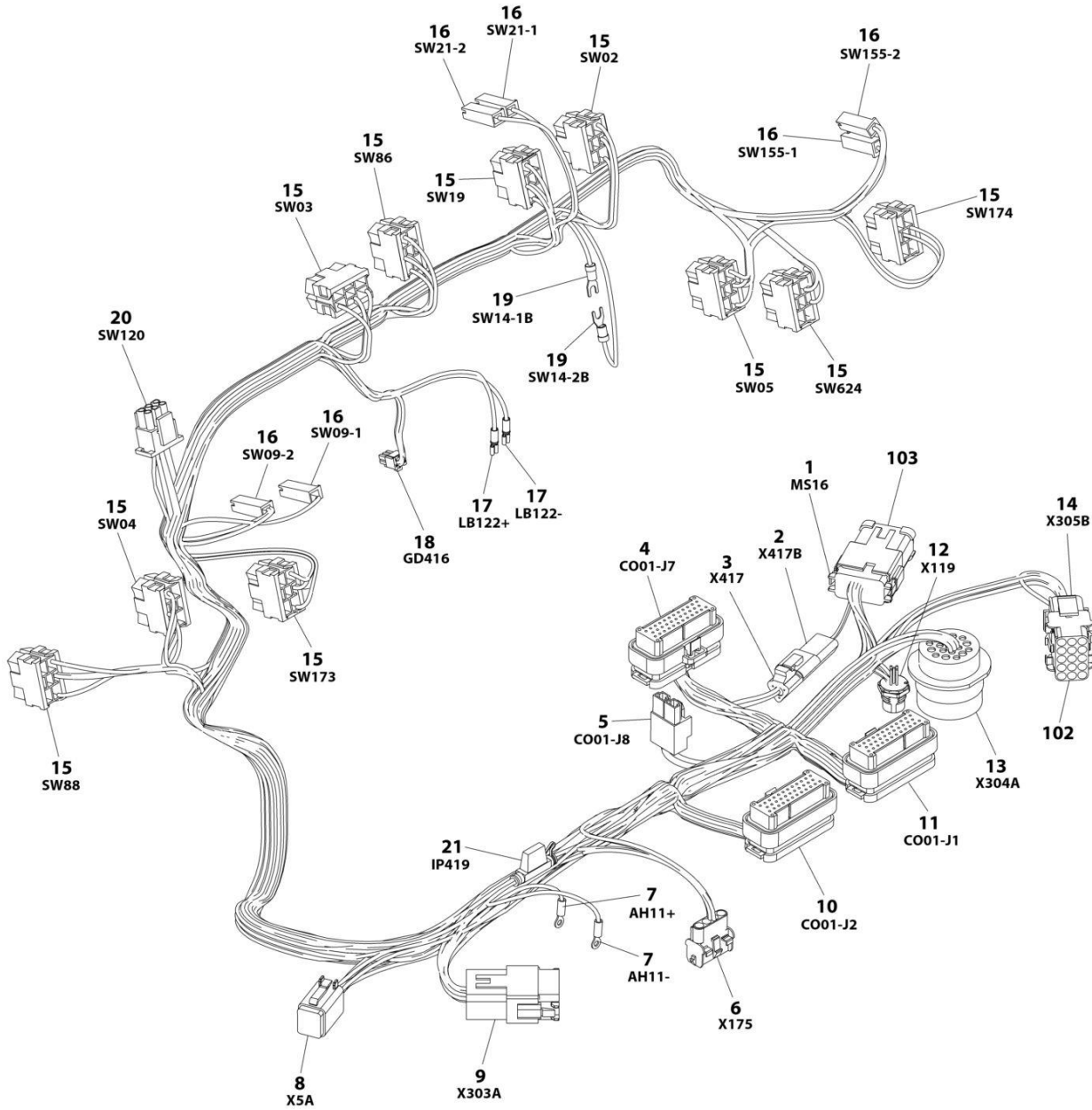
## SECTION 8 - ELECTRICAL

**FIGURE 8-47. INTERFACE HARNESS - WITH 1 CELL LSS (PVC 2007)**

ITEM	PART NUMBER	QTY	DESCRIPTION	REV
	1001225580	Ref	PLATFORM INTERFACE HARNESS - WITH 1 CELL LSS	E
1	4460899	1	Connector	
2	4460464	4	Terminal	
3	4460466	2	Plug	
4	1001186432	2	Connector	
5	1001253375	4	Terminal	
6	1001104519	4	Terminal	
7	4460884	1	Connector	
8	4460465	4	Terminal	

# SECTION 8 - ELECTRICAL

## FIGURE 8-48. PLATFORM CONSOLE BOX HARNESS



ART\_1001238254

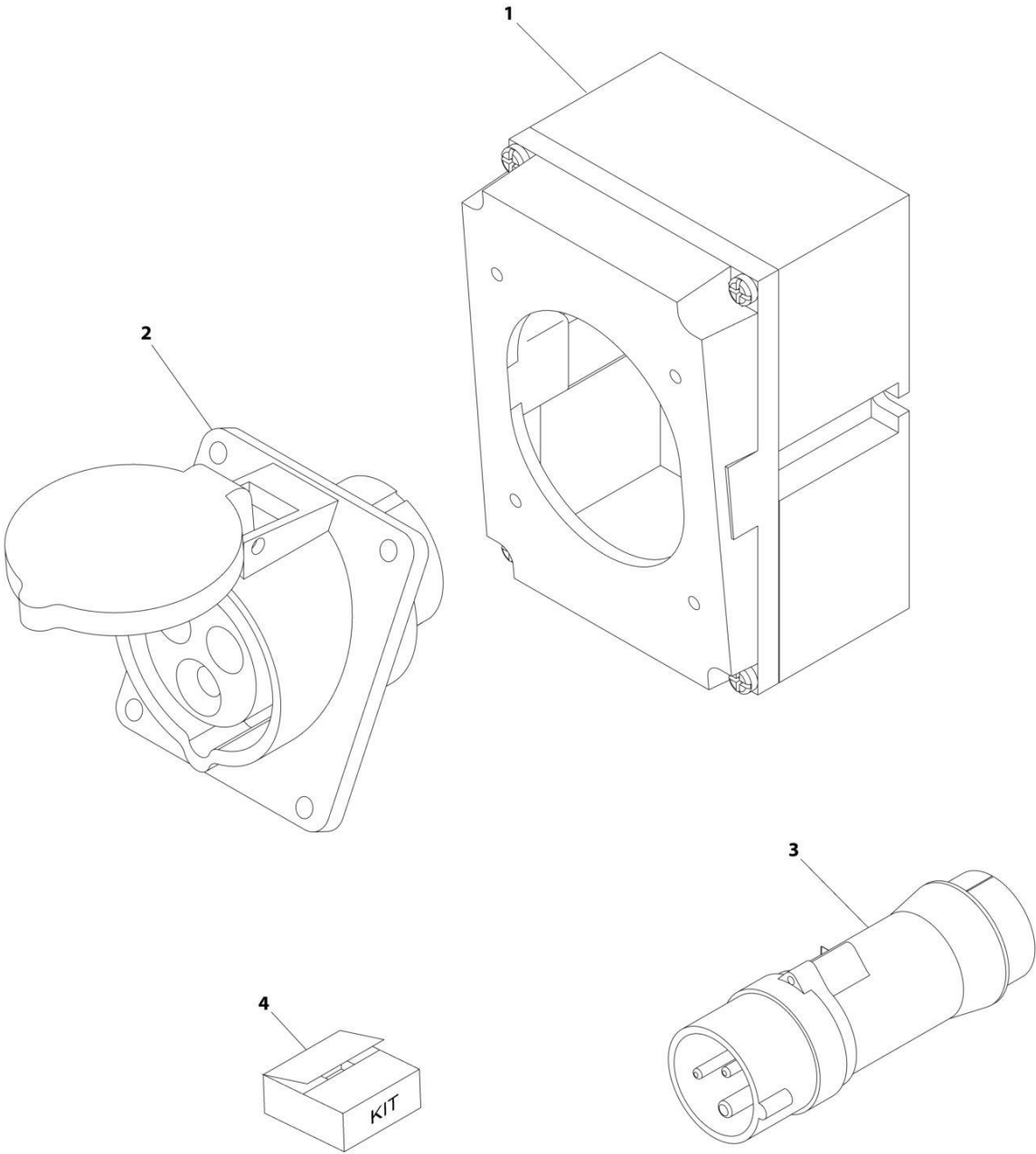
## SECTION 8 - ELECTRICAL

### FIGURE 8-48. PLATFORM CONSOLE BOX HARNESS

ITEM	PART NUMBER	QTY	DESCRIPTION	REV
	1001238254	Ref	PLATFORM CONSOLE BOX HARNESS	I
1	4460933	1	Plug, Male - 12 Position	
1	4460465	10	Socket, Female	
1	4460466	2	Plug, Terminal	
2	4460536	1	Receptacle, Female - 3 Position	
2	4460464	2	Pin, Male	
2	4460466	1	Plug, Terminal	
3	4460539	1	Plug, Male - 3 Position	
3	4460465	2	Socket, Female	
3	4460466	1	Plug, Terminal	
4	4460873	1	Connector - 35 Position	
4	4460871	21	Socket, Female	
4	4460905	14	Plug, Terminal	
5	4460879	1	Plug, Male - 2 Position	
5	4460887	2	Terminal	
6	4460761	1	Receptacle, Female - 4 Position	
6	4460267	4	Pin, Male	
7	1001098122	2	Terminal, Ring	
8	4460894	1	Plug, Male - 6 Position	
8	4460465	6	Socket, Female	
9	4460970	1	Receptacle, Female - 12 Position	
9	1001116693	11	Pin, Male	
9	4460466	1	Plug, Terminal	
10	4460875	1	Connector - 35 Position	
10	4460871	12	Socket, Female	
10	4460905	23	Plug, Terminal	
11	4460874	1	Connector - 35 Position	
11	4460871	27	Socket, Female	
11	4460905	8	Plug, Terminal	
12	1001213447	1	Connector - 4 Position	
12	See Note	NSS	Terminal (Note: Purchase p/n 1001213447)	
13	4460866	1	Connector - 19 Position	
13	4460464	5	Pin, Male	
13	4460466	11	Plug, Terminal	
13	4460508	1	Pin, Male	
14	4460434	1	Connector - 15 Position	
14	4460267	8	Pin. Male	
15	4460418	10	Connector - 6 Position	
15	4460419	45	Terminal	
16	4460260	6	Housing, Terminal	
16	4460259	8	Terminal	
17	1001271497	2	Terminal	
18	1001237667	1	Plug, Male - 6 Position	
18	1001237668	4	Terminal	
19	4460183	2	Terminal, Fork	
20	4460225	1	Plug, Male - 6 Position	
20	4460227	6	Pin, Male (Note: Used on Pump Potentiometer Connection Only)	
21	2400060	1	Fuse Holder	
102	4460708	1	Connector, Bussbar - 15 Position	
103	1001125677	1	Connector, Bussbar - 12 Position	

**SECTION 8 - ELECTRICAL**

**FIGURE 8-49. RECEPTACLE BOX KIT - 110V IEC YELLOW (CE SPEC)**



ART\_0275216



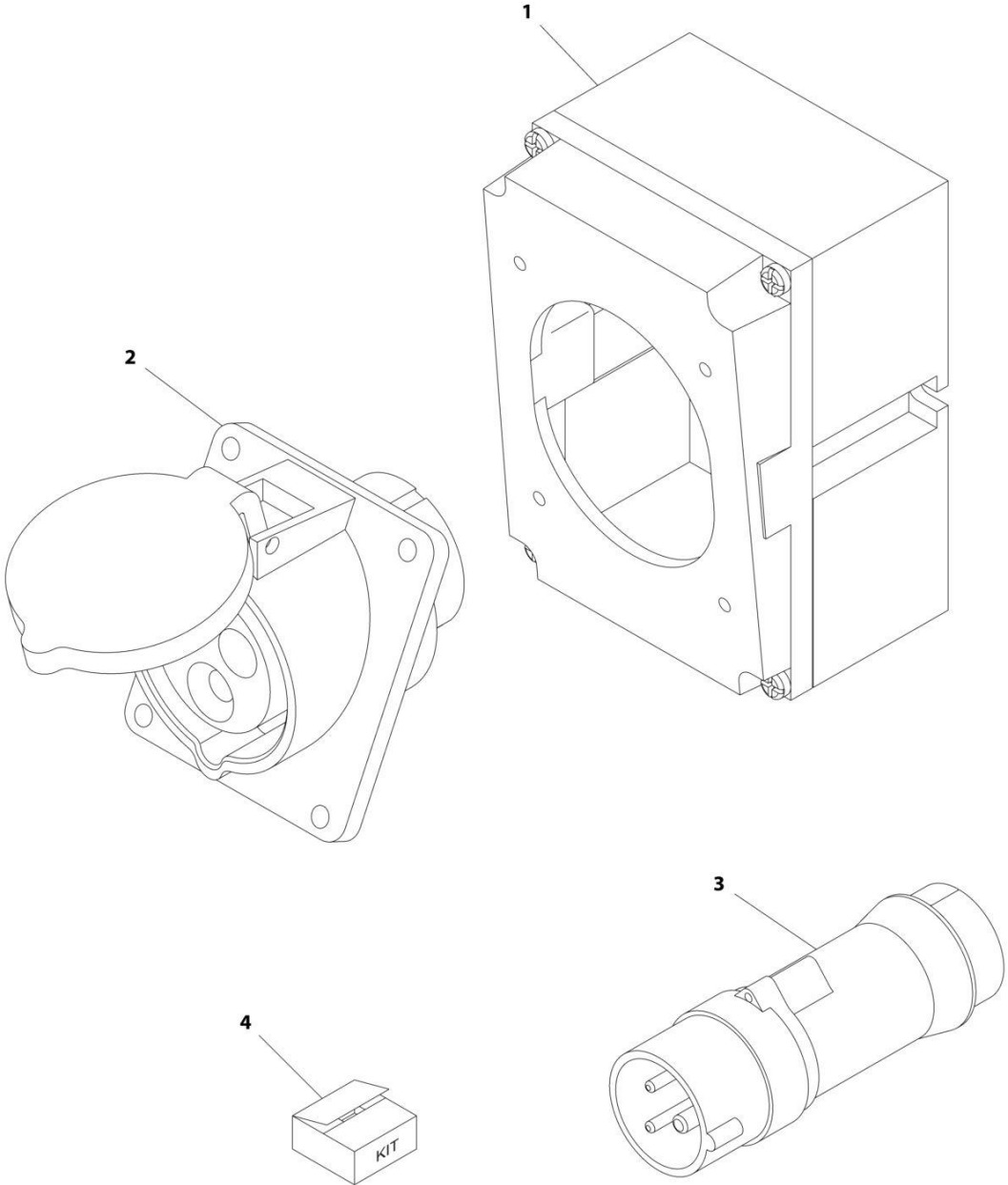
## SECTION 8 - ELECTRICAL

**FIGURE 8-49. RECEPTACLE BOX KIT - 110V IEC YELLOW (CE SPEC)**

ITEM	PART NUMBER	QTY	DESCRIPTION	REV
	0275216	Ref	RECEPTACLE BOX KIT - 110V IEC YELLOW	B
1	0861781	1	Box, Switch	
2	4461198	1	Receptacle	
3	4461196	1	Plug, Male	
4	1001100341	1	Plug and Socket Kit (Includes Items 1-3 and Female Plug p/n 4461197)	

**SECTION 8 - ELECTRICAL**

**FIGURE 8-50. RECEPTACLE BOX KIT - 220V IEC BLUE (CE SPEC)**



ART\_0275217

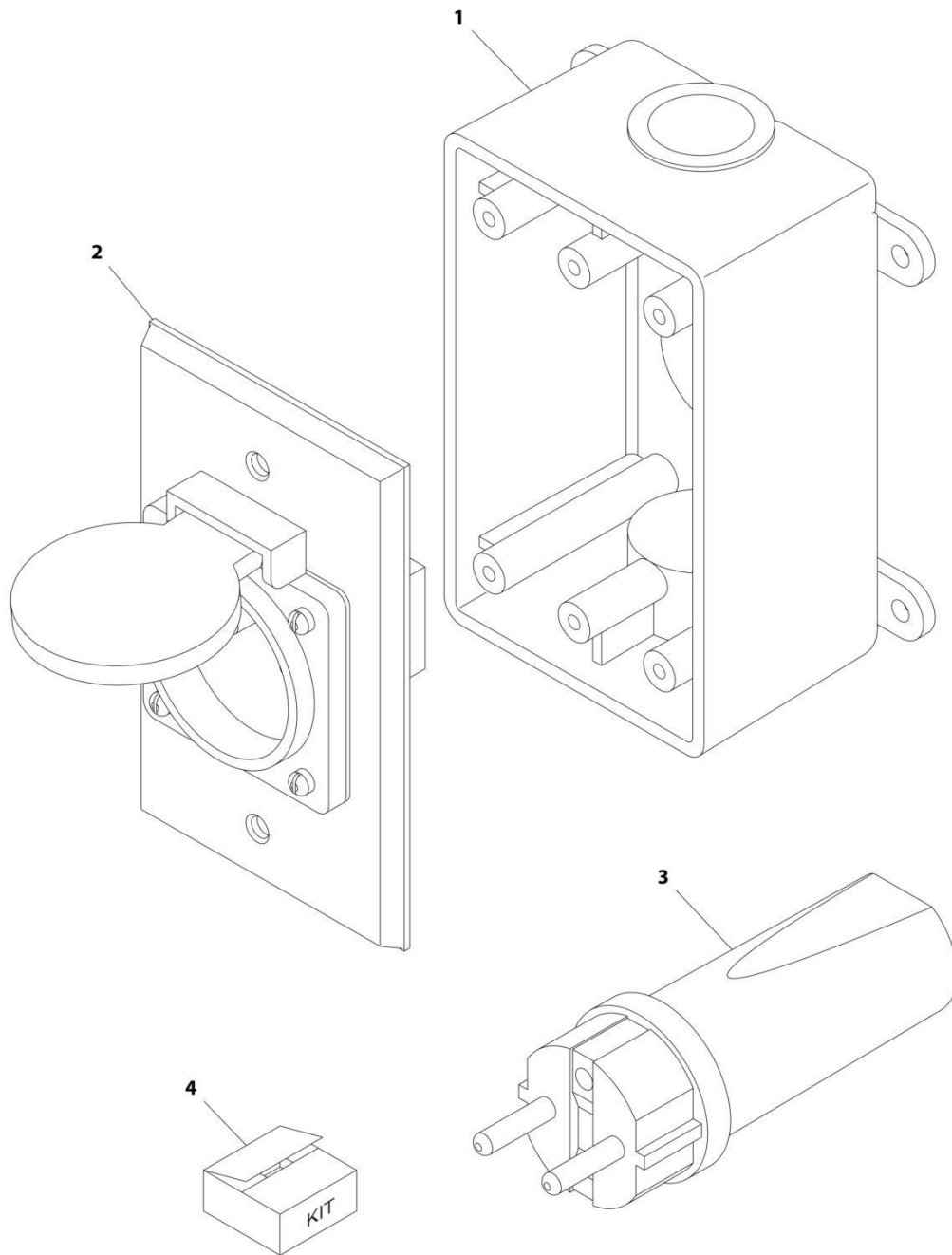
## SECTION 8 - ELECTRICAL

**FIGURE 8-50. RECEPTACLE BOX KIT - 220V IEC BLUE (CE SPEC)**

ITEM	PART NUMBER	QTY	DESCRIPTION	REV
	0275217	Ref	RECEPTACLE BOX KIT - 220V IEC BLUE	B
1	0861781	1	Box, Switch	
2	4461201	1	Receptacle	
3	4461199	1	Plug, Male	
4	1001100342	1	Plug and Socket Kit (Includes Items 1-3 and Female Plug p/n 4461200)	

# SECTION 8 - ELECTRICAL

FIGURE 8-51. RECEPTACLE BOX KIT - 220V CEE7 POST GROUND 2IN X 4IN (CE SPEC)



ART\_0275452

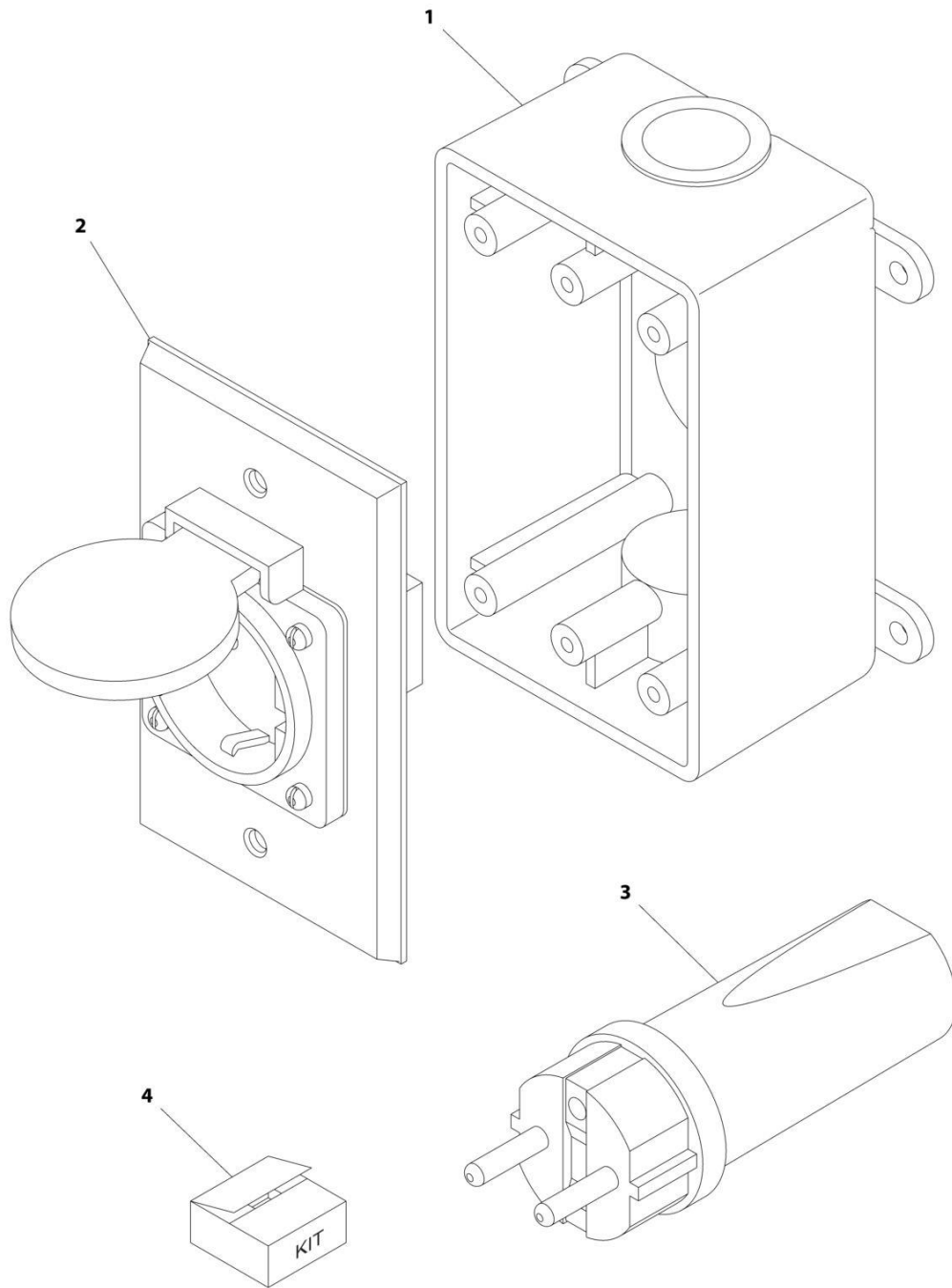
## SECTION 8 - ELECTRICAL

**FIGURE 8-51. RECEPTACLE BOX KIT - 220V CEE7 POST GROUND 2IN X 4IN (CE SPEC)**

ITEM	PART NUMBER	QTY	DESCRIPTION	REV
	0275452	Ref	RECEPTACLE BOX KIT - 220V CEE7 POST GROUND	C
1	0861731	1	Box, Switch	
2	4461244	1	Receptacle	
3	4461205	1	Plug, Male	
4	1001100345	1	Plug and Socket Kit (Includes Items 1-3 and Female Plug p/n 4461206)	

# SECTION 8 - ELECTRICAL

FIGURE 8-52. RECEPTACLE BOX KIT - 220V CEE7 SIDE GROUND 2IN X 4IN (CE SPEC)



ART\_0275453

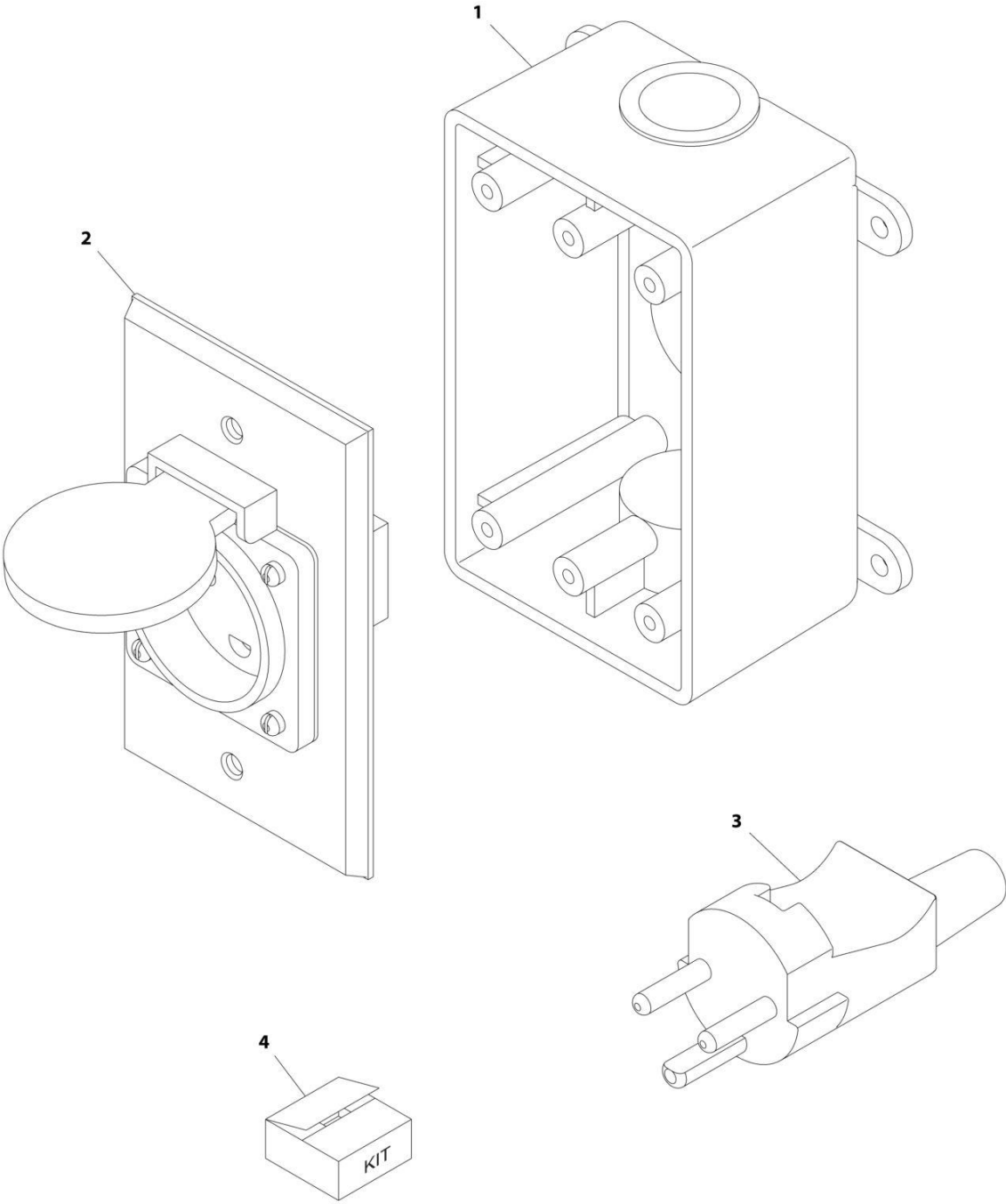
## SECTION 8 - ELECTRICAL

**FIGURE 8-52. RECEPTACLE BOX KIT - 220V CEE7 SIDE GROUND 2IN X 4IN (CE SPEC)**

ITEM	PART NUMBER	QTY	DESCRIPTION	REV
	0275453	Ref	RECEPTACLE BOX KIT - 220V CEE7 SIDE GROUND	B
1	0861731	1	Box, Switch	
2	4461245	1	Receptacle	
3	4461205	1	Plug, Male	
4	1001100347	1	Plug and Socket Kit (Includes Items 1-3 and Female Plug p/n 4461206)	

**SECTION 8 - ELECTRICAL**

**FIGURE 8-53. RECEPTACLE BOX KIT - 220V AFSINT 107 (CE SPEC)**



ART\_0275454



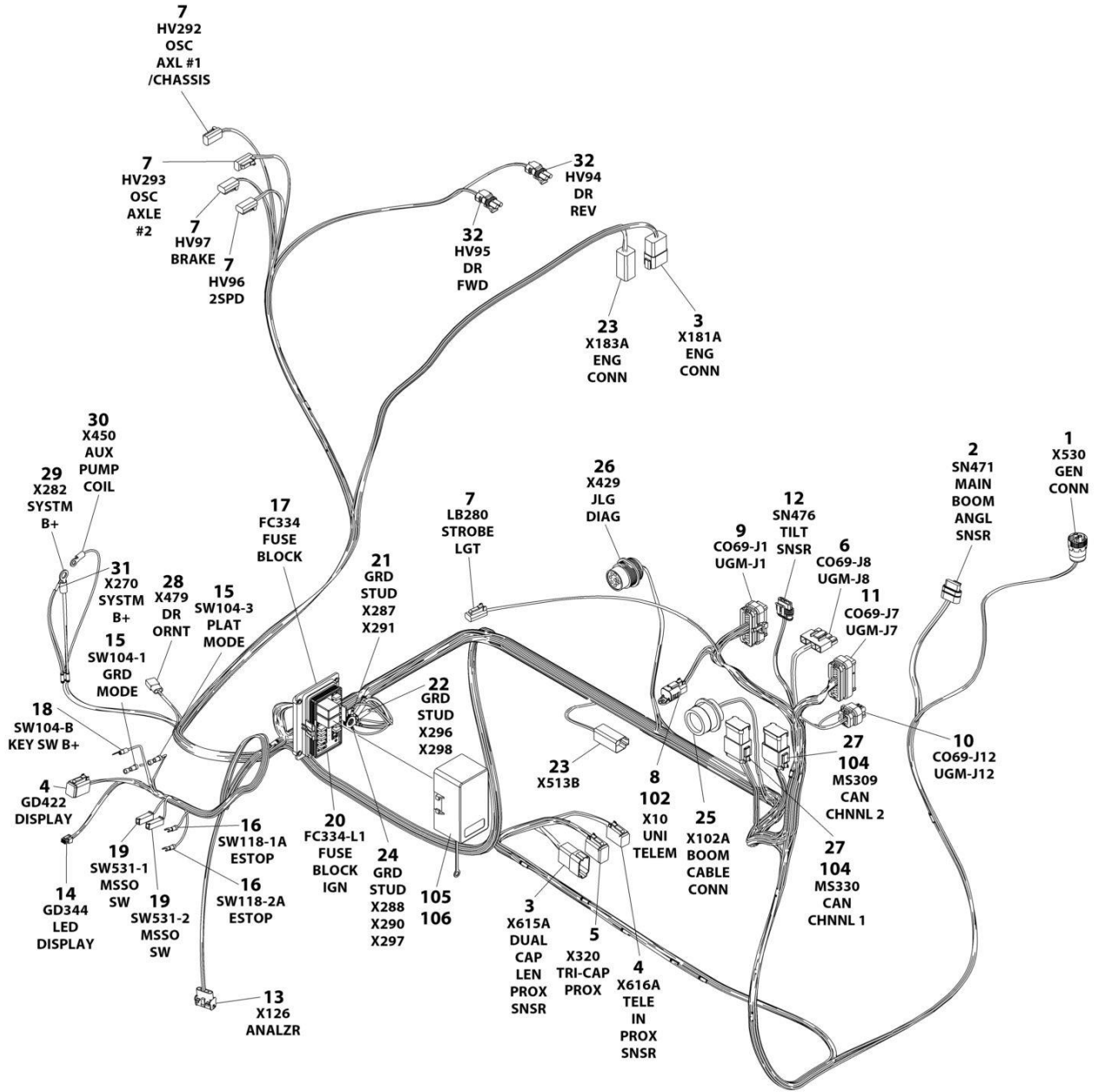
## SECTION 8 - ELECTRICAL

**FIGURE 8-53. RECEPTACLE BOX KIT - 220V AFSINT 107 (CE SPEC)**

ITEM	PART NUMBER	QTY	DESCRIPTION	REV
	0275454	Ref	RECEPTACLE BOX KIT - 220V AFSINT 107	B
1	0861731	1	Box, Switch	
2	4461246	1	Receptacle	
3	4461249	1	Plug, Male	
4	1001100346	1	Plug and Socket Kit (Includes Items 1-3 and Female Plug p/n 4461250)	

# SECTION 8 - ELECTRICAL

## FIGURE 8-54. TURNTABLE HARNESS



ART\_1001237849

## SECTION 8 - ELECTRICAL

### FIGURE 8-54. TURNTABLE HARNESS

ITEM	PART NUMBER	QTY	DESCRIPTION	REV
	1001237849	Ref	TURNTABLE HARNESS	G
1	4460967	1	Connector - 3 Position	
1	4460465	3	Socket, Female	
2	1001230931	1	Plug, Male - 6 Position	
2	1001116748	6	Terminal, Female	
3	4460931	2	Receptacle, Female - 8 Position	
3	4460464	11	Pin, Male	
3	4460466	5	Plug, Terminal	
4	4460894	2	Plug, Male - 6 Position	
4	4460465	10	Socket, Female	
4	4460466	2	Plug, Terminal	
5	4460930	1	Plug, Male - 8 Position	
5	4460465	6	Socket, Female	
5	4460466	2	Plug, Terminal	
6	4460878	1	Plug, Male - 4 Position	
6	4460887	AR	Terminal	
7	4460891	5	Plug, Male - 2 Position	
7	4460465	10	Socket, Female	
8	4460884	1	Plug, Male - 4 Position	
8	4460465	4	Socket, Female	
9	4460874	1	Connector - 35 Position	
9	4460871	22	Socket, Female	
9	4460905	13	Plug, Terminal	
10	1001113961	1	Plug, Male - 8 Position	
10	4460871	5	Socket, Female	
10	4460905	3	Plug, Terminal	
11	4460873	1	Connector - 35 Position	
11	4460871	35	Socket, Female	
11	4460905	10	Plug, Terminal	
12	1001103012	1	Plug, Male - 4 Position	
12	1001107854	2	Socket, Female	
12	1001196589	2	Terminal	
12	1001116763	AR	Seal, Red	
12	1001104498	4	Seal, Yellow	
13	1001119032	1	Receptacle, Female - 4 Position	
13	1001118378	4	Pin, Male	
14	1001237667	1	Plug, Male - 6 Position	
14	1001237668	5	Terminal	
15	4460042	2	Terminal, Fork	
16	4460183	2	Terminal, Fork	
17	1001196602	1	Fuse Box Assembly	
17	8220098	AR	Terminal	
17	1001116725	6	Terminal	
17	8220097	18	Terminal	
17	4460748	10	Plug, Terminal	
17	4460458	AR	Seal	
17	80963067	6	Seal (for 1001116725 Terminal)	
17	1001196636	2	Connector with Diode	
17	8229244	3	Fuse 15Amp	
17	8229242	6	Fuse 5Amp	

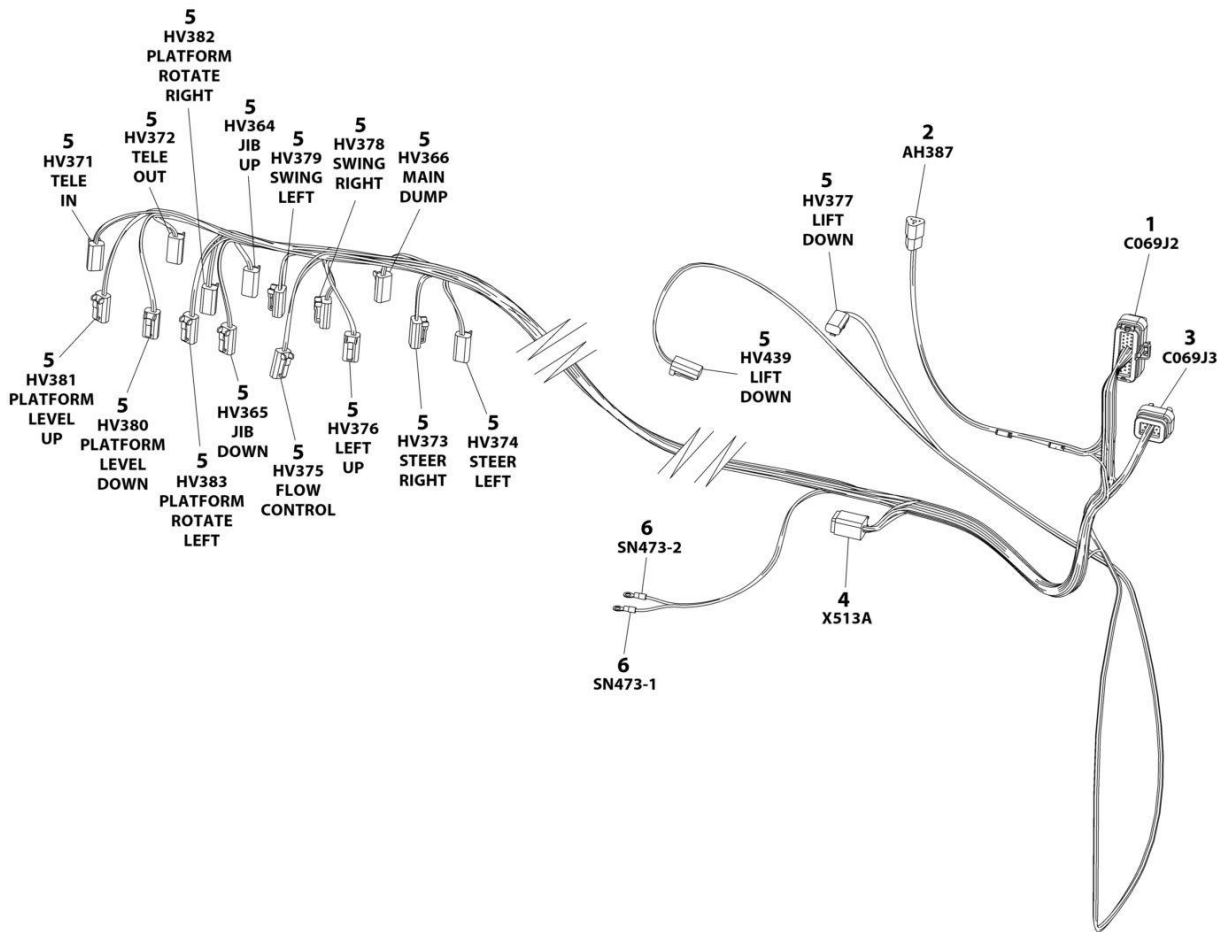
## SECTION 8 - ELECTRICAL

ITEM	PART NUMBER	QTY	DESCRIPTION	REV
17	1001196634	2	Fuse - 2 Amp	
17	1001095704	2	Relay 35Amp	
18	4460313	1	Terminal, Fork	
19	4460260	2	Housing, Terminal	
19	4460259	2	Terminal	
20	1001117106	1	Terminal, Ring	
21	1001187078	2	Terminal, Ring	
22	1001117110	2	Terminal, Ring	
23	4460899	2	Connector - 6 Position	
23	4460464	7	Pin, Male	
23	4460466	5	Plug, Terminal	
24	1001187077	3	Terminal, Ring	
25	4460866	1	Connector - 19 Position	
25	4460464	6	Pin, Male	
25	4460508	2	Pin, Male	
25	4460466	11	Plug, Terminal	
26	1001112612	1	Connector - 9 Position	
26	4460464	5	Pin, Male	
26	4460466	4	Plug, Terminal	
27	4460933	2	Plug, Male - 12 Position	
27	4460465	16	Socket, Female	
27	4460466	8	Plug, Terminal	
27	1001119020	2	Bussbar - 12 Position	
28	4460424	1	Plug, Male - 2 Position	
28	4460226	2	Socket, Female	
29	8220045	1	Terminal, Ring	
30	4460702	1	Terminal, Ring	
31	4460703	1	Terminal, Ring	
32	4460742	2	Plug, Male - 2 Position	
32	4460743	1	Socket, Female	
32	4460458	4	Seal	
102	1001192401	1	Cap, Dust	
104	1001125677	2	Bussbar - 12 Position	
105	1001196604	1	Cover, Fuse Box	
106	1001190921	1	Seal, Cover	



# SECTION 8 - ELECTRICAL

## FIGURE 8-55. VALVE HARNESS - MAIN VALVE



ART\_1001238160

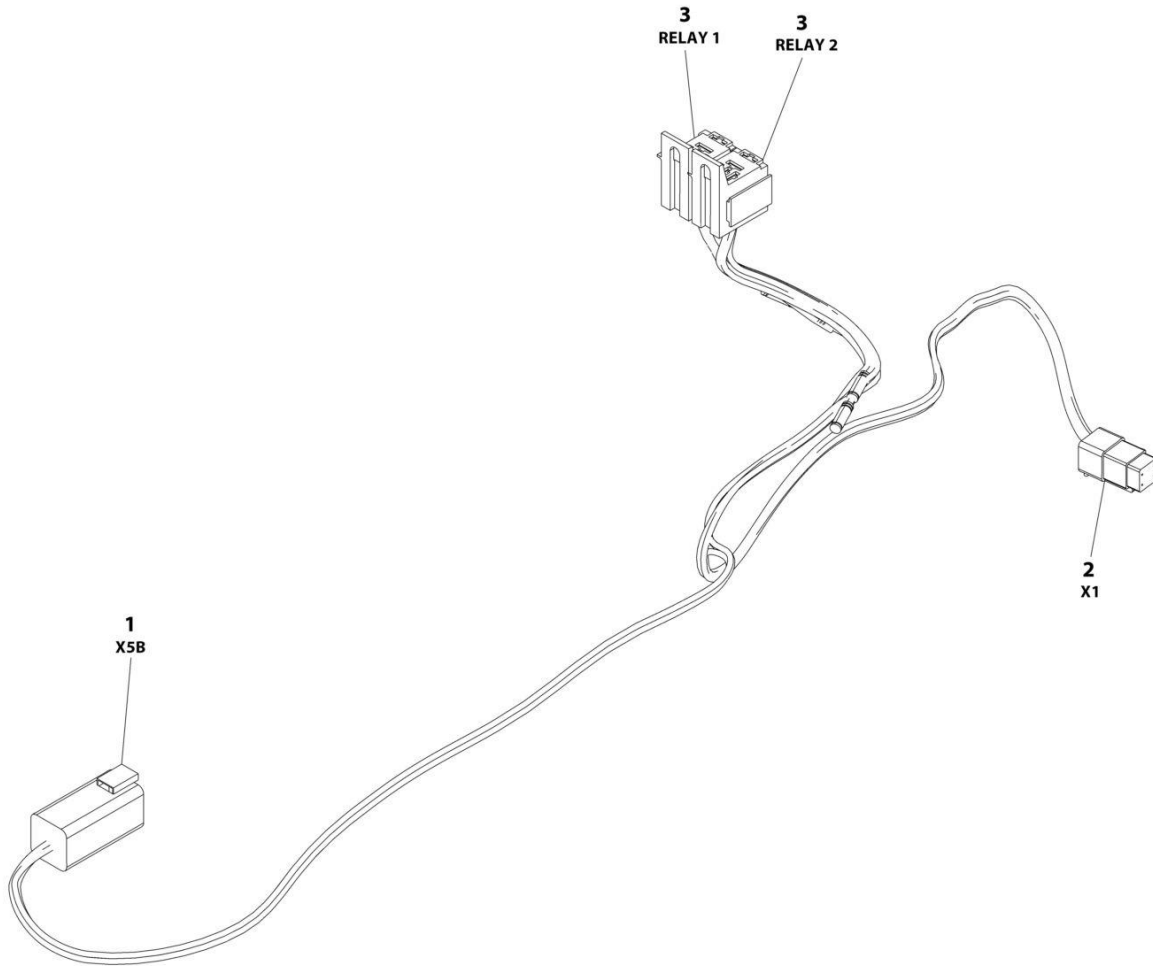
## SECTION 8 - ELECTRICAL

**FIGURE 8-55. VALVE HARNESS - MAIN VALVE**

ITEM	PART NUMBER	QTY	DESCRIPTION	REV
	1001238160	Ref	VALVE HARNESS - MAIN VALVE	C
1	4460875	1	Connector - 35 Position	
1	4460871	27	Socket, Female	
1	4460905	8	Plug, Terminal	
2	4460539	1	Plug, Male - 3 Position	
2	4460465	3	Socket, Female	
3	4460872	1	Connector - 14 Position	
3	4460871	8	Socket, Female	
3	4460905	6	Plug, Terminal	
4	4460894	1	Plug, Male - 6 Position	
4	4460465	5	Socket, Female	
4	4460466	1	Plug, Terminal	
5	4460891	17	Plug, Male - 2 Position	
5	4460465	34	Socket, Female	
6	4460313	2	Terminal, Ring	

# SECTION 8 - ELECTRICAL

## FIGURE 8-56. SKYLINE HARNESS



ART\_1001238418



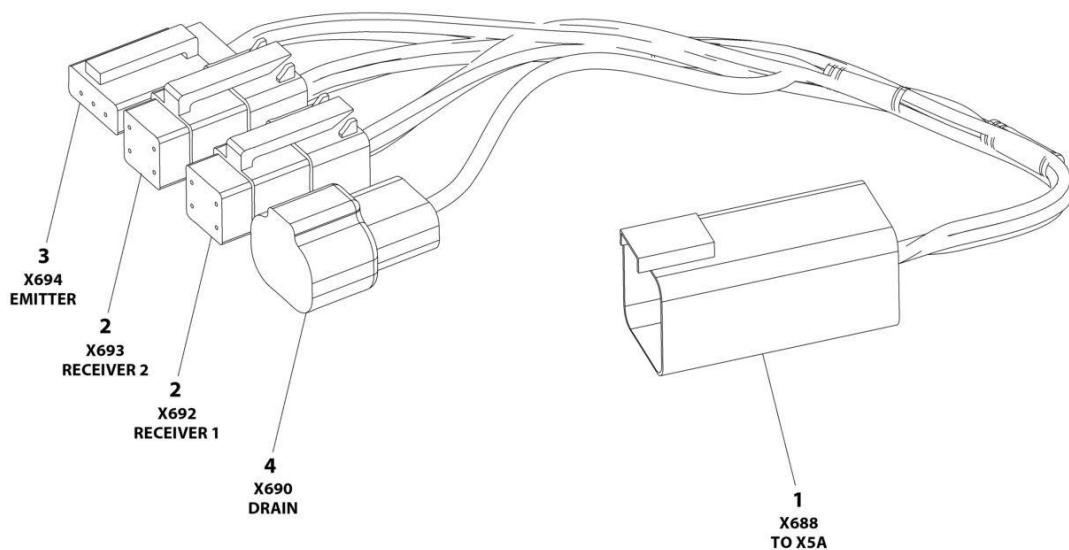
## SECTION 8 - ELECTRICAL

### FIGURE 8-56. SKYLINE HARNESS

ITEM	PART NUMBER	QTY	DESCRIPTION	REV
	1001238418	Ref	SKYLINE HARNESS	B
1	4460899	1	Connector - 6 Position	
1	4460464	4	Pin, Male	
1	4460466	2	Plug, Terminal	
2	4461077	1	Connector - 4 Position	
2	1001126009	4	Socket, Female	
3	1001186432	2	Plug, Relay	
3	1001118388	5	Terminal	
3	1001118384	3	Terminal	
3	3740086	2	Relay	

# SECTION 8 - ELECTRICAL

## FIGURE 8-57. SKYEYE INTERMEDIATE HARNESS



ART\_1001237865

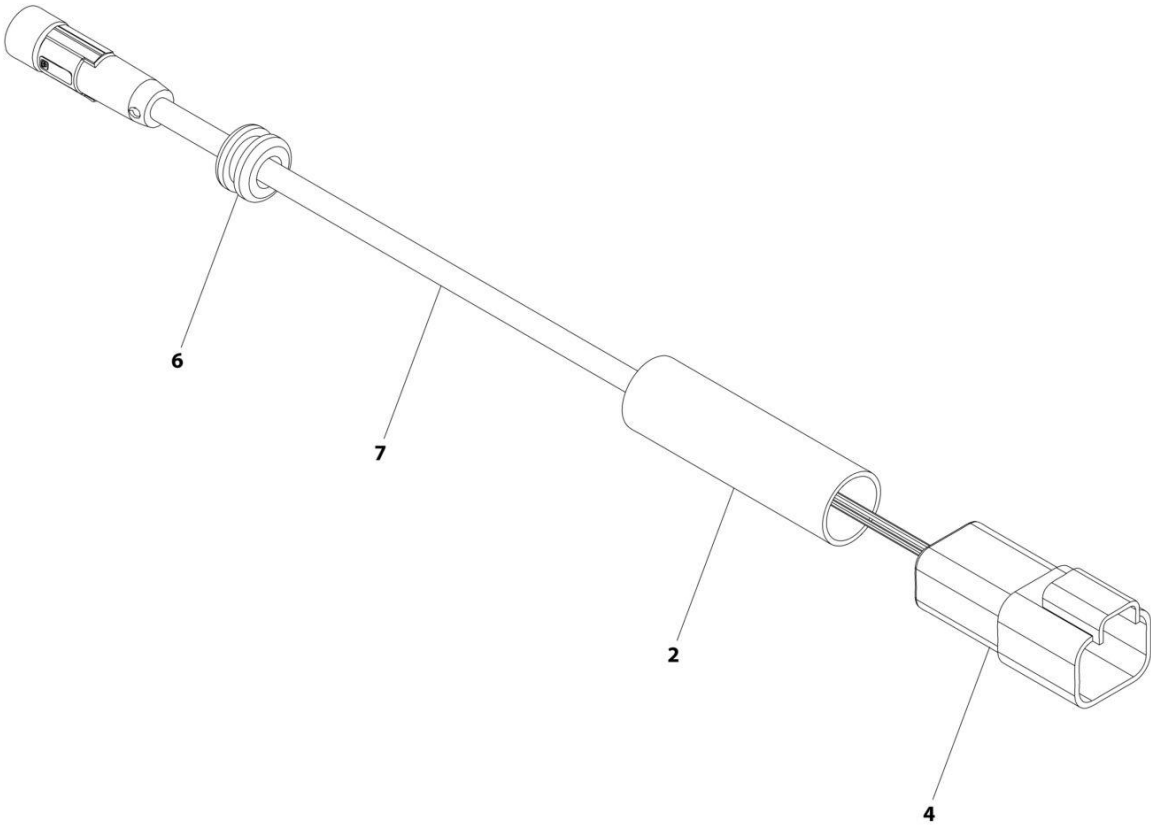
## SECTION 8 - ELECTRICAL

### FIGURE 8-57. SKYEYE INTERMEDIATE HARNESS

ITEM	PART NUMBER	QTY	DESCRIPTION	REV
	1001237865	Ref	SKYEYE INTERMEDIATE HARNESS	A
1	4460899	1	Connector - 6 Position	
1	4460943	4	Pin, Male	
1	4460466	2	Plug, Terminal	
2	4461077	2	Connector - 4 Position	
2	1001119619	8	Socket, Female	
3	4460911	1	Connector - 3 Position	
3	1001119619	3	Socket, Female	
4	1001187681	1	Connector - 2 Position	
4	4460941	1	Pin, Male	
4	4460466	1	Plug, Terminal	

**SECTION 8 - ELECTRICAL**

**FIGURE 8-58. SKYEYE RECEIVER HARNESS (PVC 2001)**



ART\_1001237863

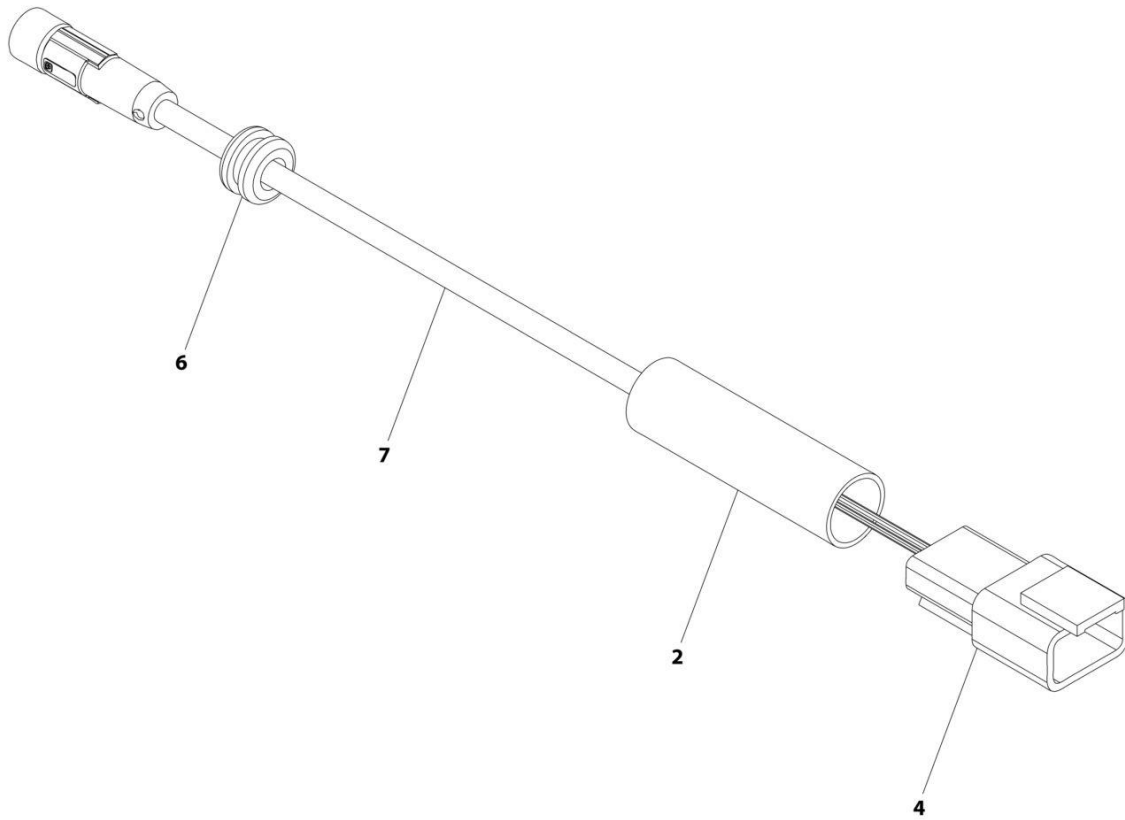
## SECTION 8 - ELECTRICAL

**FIGURE 8-58. SKYEYE RECEIVER HARNESS (PVC 2001)**

ITEM	PART NUMBER	QTY	DESCRIPTION	REV
	1001237863	Ref	SKYEYE RECEIVER HARNESS	A
2	2820247	AR	Tubing, Heat Shrink	
4	1001097051	1	Connector - 4 Position	
4	1001119620	4	Pin, Male	
6	1001227996	1	Grommet	
7	1001237862	1	Cable, M8 Female Cordset	

# SECTION 8 - ELECTRICAL

FIGURE 8-59. SKYEYE RECEIVER HARNESS (PVC 2007)



ART\_1001237863\_B

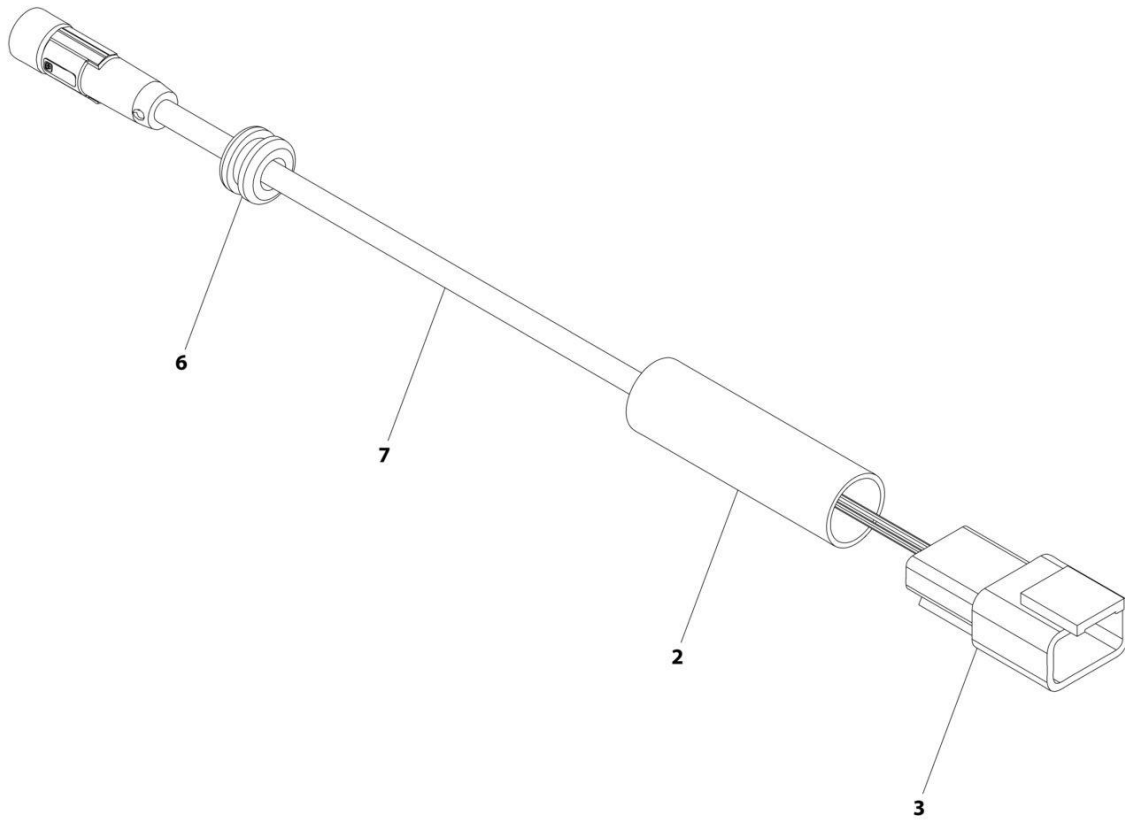
## SECTION 8 - ELECTRICAL

**FIGURE 8-59. SKYEYE RECEIVER HARNESS (PVC 2007)**

ITEM	PART NUMBER	QTY	DESCRIPTION	REV
	1001237863	Ref	SKYEYE RECEIVER HARNESS	B
2	2820247	AR	Tubing, Heat Shrink	
4	1001097051	1	Connector - 4 Position	
4	1001119620	4	Pin, Male	
6	1001227996	1	Grommet	
7	1001258495	1	Cable, M8 Female Cordset	

# SECTION 8 - ELECTRICAL

## FIGURE 8-60. SKYEYE EMITTER HARNESS (PVC 2001)



ART\_1001237864



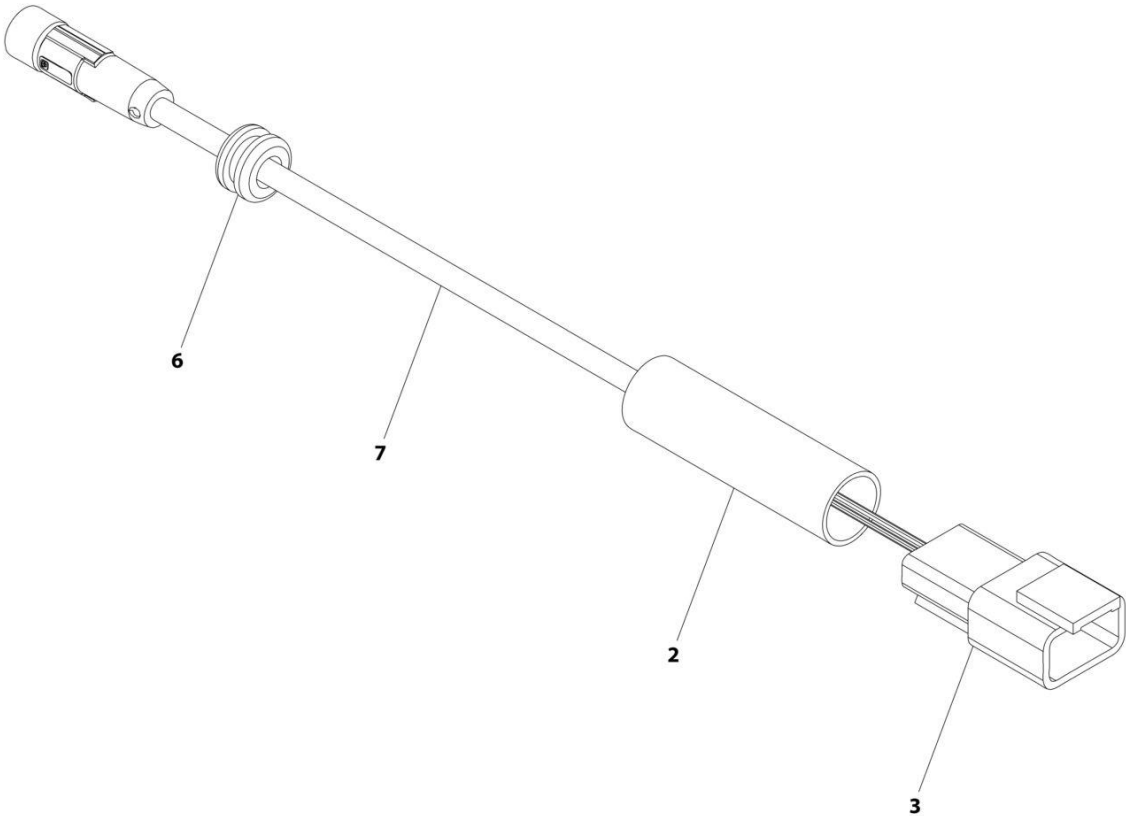
## SECTION 8 - ELECTRICAL

### FIGURE 8-60. SKYEYE EMITTER HARNESS (PVC 2001)

ITEM	PART NUMBER	QTY	DESCRIPTION	REV
	1001237864	Ref	SKYEYE EMITTER HARNESS	A
2	2820247	AR	Tubing, Heat Shrink	
3	4460910	1	Connector - 3 Position	
3	1001119620	3	Pin, Male	
6	1001227996	1	Grommet	
7	1001237862	1	Cable, M8 Female Cordset	

**SECTION 8 - ELECTRICAL**

**FIGURE 8-61. SKYEYE EMITTER HARNESS (PVC 2007)**



ART\_1001237864\_B

## SECTION 8 - ELECTRICAL

### FIGURE 8-61. SKYEYE EMITTER HARNESS (PVC 2007)

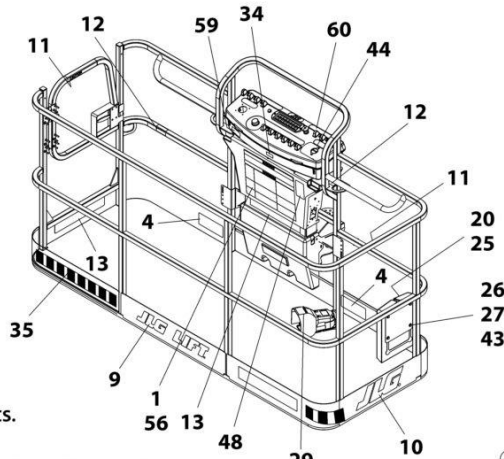
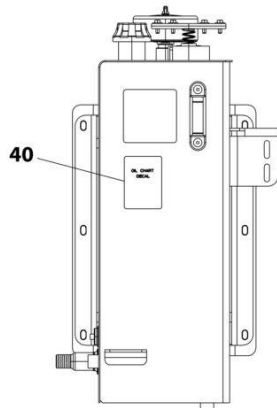
ITEM	PART NUMBER	QTY	DESCRIPTION	REV
	1001237864	Ref	SKYEYE EMITTER HARNESS	B
2	2820247	AR	Tubing, Heat Shrink	
3	4460910	1	Connector - 3 Position	
3	1001119620	3	Pin, Male	
6	1001227996	1	Grommet	
7	1001258495	1	Cable, M8 Female Cordset	



**SECTION 9 - DECAL**

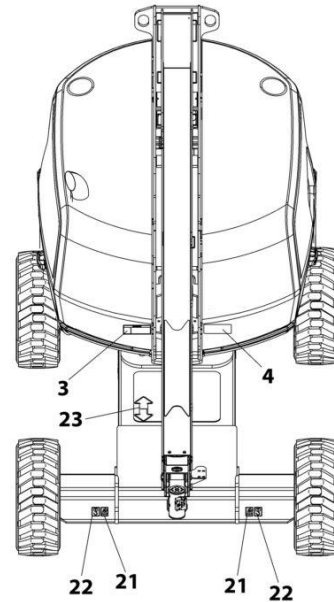
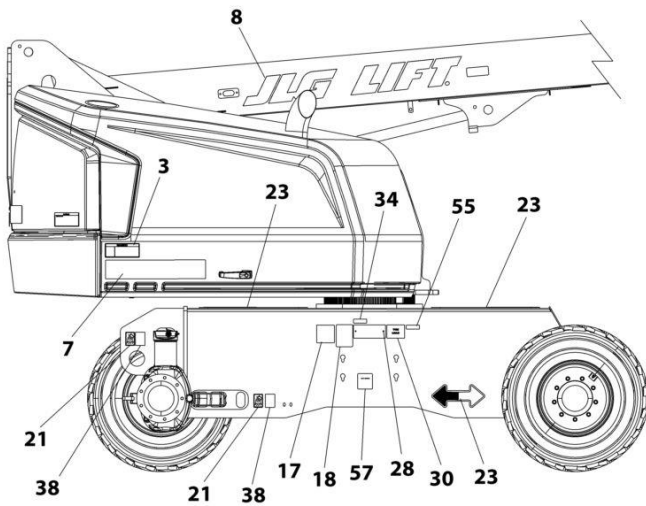
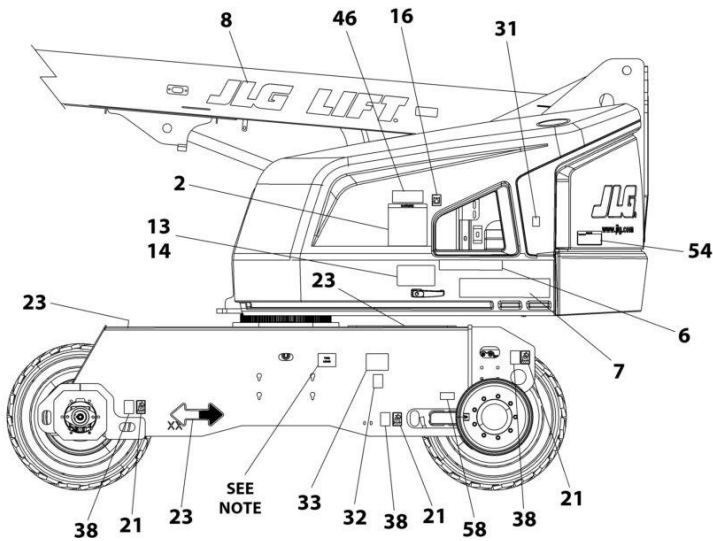
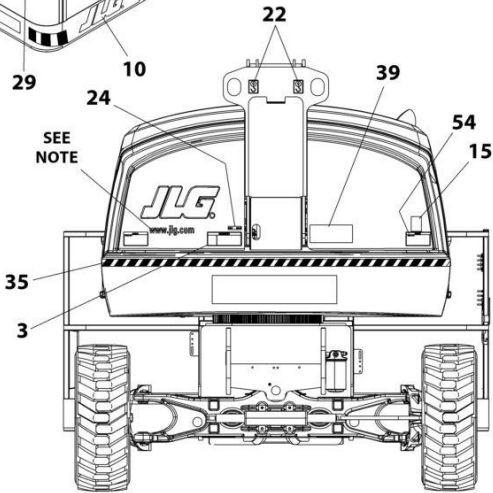
# SECTION 9 - DECAL

FIGURE 9-1. DECAL INSTALLATION - ANSI, ANSI EXPORT AND CSA SPECS - ENGLISH (400S)



NOTE: ITEMS SHOWN MAY NOT BE REQUIRED FOR ALL SPECS. REFER TO PART LIST FOR USAGE.

NOTE: ADDITIONAL DECALS ARE CALLED OUT ON DECALS INSTALLATION - OPTIONS.



ART\_1001242538

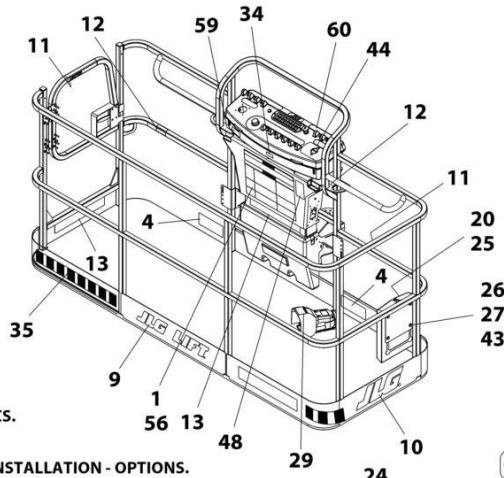
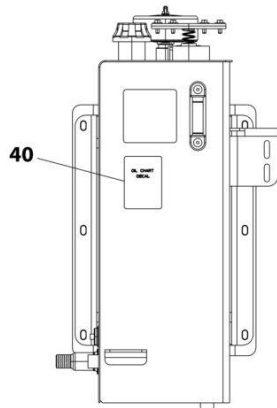
**SECTION 9 - DECAL**

**FIGURE 9-1. DECAL INSTALLATION - ANSI, ANSI EXPORT AND CSA SPECS - ENGLISH (400S)**

ITEM	PART NUMBER	QTY	DESCRIPTION	REV
	1001250764	Ref	DECAL INSTALLATION - REFERENCE CHART	J
	1001242538	Ref	DECAL INSTALLATION - ENGLISH	E
1	1703797	1	Decal - Danger/Warning (Platform)	
2	1703798	1	Decal - Danger/Warning (Ground Control)	
3	1703805	4	Decal - Danger/Electrocution	
4	1703804	4	Decal - Warning Crushing	
11	1702868	2	Decal - No Hands	
13	1001254665	1	Decal - Capacity (Platform)	
14	1001254666	1	Decal - Capacity (Ground Control)	
16	1701504	1	Decal - Hydraulic Oil	
17	See Note	NSS	Decal - Bar Code (Note: Not Available for Purchase)	
18	1001131269	1	Decal - Patent	
20	1701509	1	Decal - Manual	
21	1702300	8	Decal - Tie Down	
22	1701500	4	Decal - Lift	
23	1701529	4	Decal - Arrow	
24	3251243	1	Nameplate - 120V-60Hz	
25	0860520	1	Box, Manual Storage	
26	4751400	4	Washer, 1/4	
27	3311405	4	Nut, Lock 1/4	
28	3820001	2	Rivet	
29	3252347	1	Decal - Footswitch	
38	1701499	6	Decal - No Lift	
40	1704412	1	Decal - Hydraulic Oil Chart	
43	0641406	4	Bolt, 1/4 x 3/4	
44	1705351	1	Decal - Drive/Steer Instructions	
54	1703953	2	Decal - Warning Crushing	
57	1001223055	1	Decal - Yearly Inspection	
58	1001223453	1	Decal - ICES	

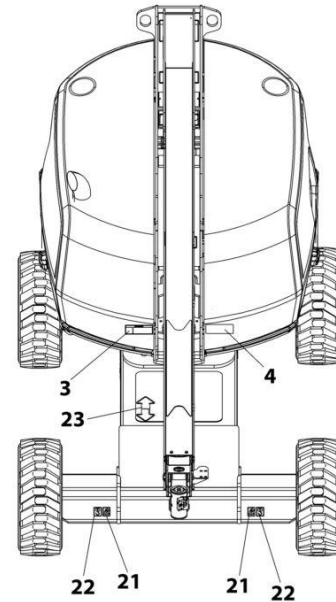
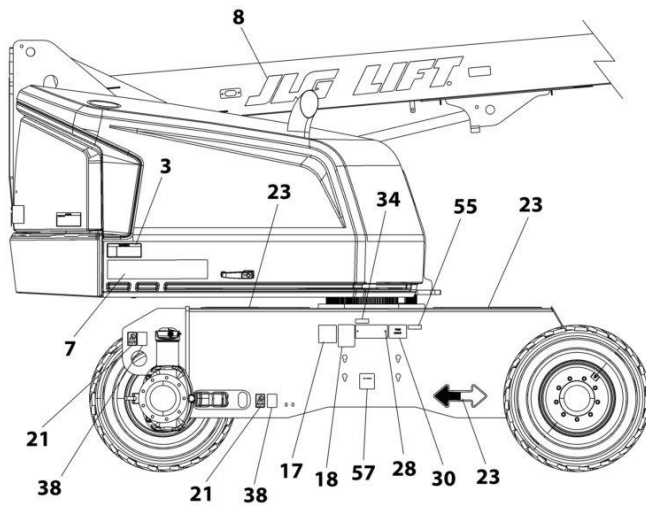
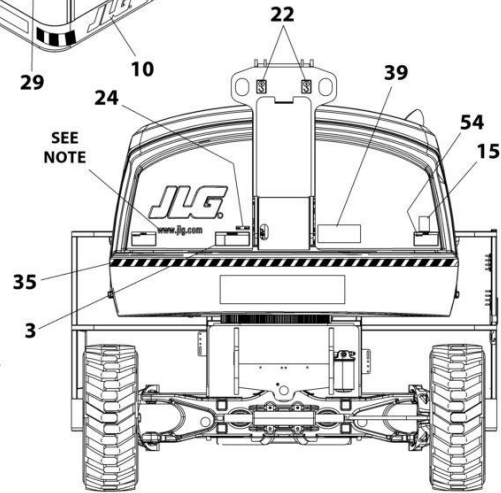
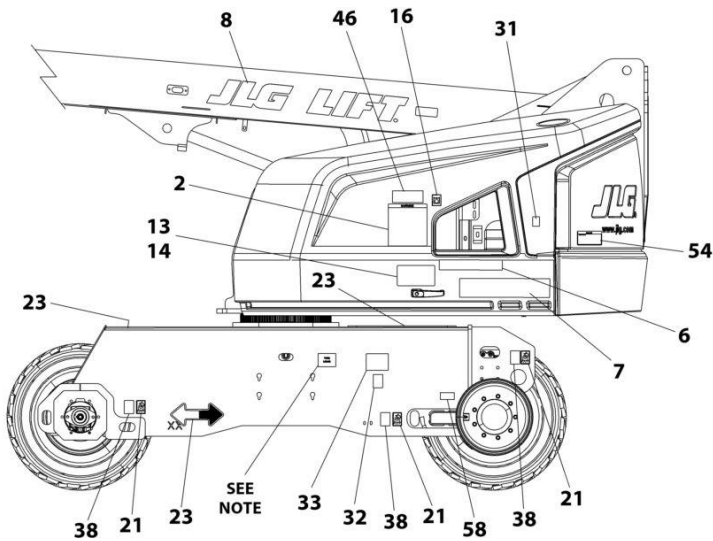
# SECTION 9 - DECAL

FIGURE 9-2. DECAL INSTALLATION - ANSI, ANSI EXPORT AND CSA SPECS - ENGLISH (460SJ)



NOTE: ITEMS SHOWN MAY NOT BE REQUIRED FOR ALL SPECS. REFER TO PART LIST FOR USAGE.

NOTE: ADDITIONAL DECALS ARE CALLED OUT ON DECALS INSTALLATION - OPTIONS.



ART\_1001242559



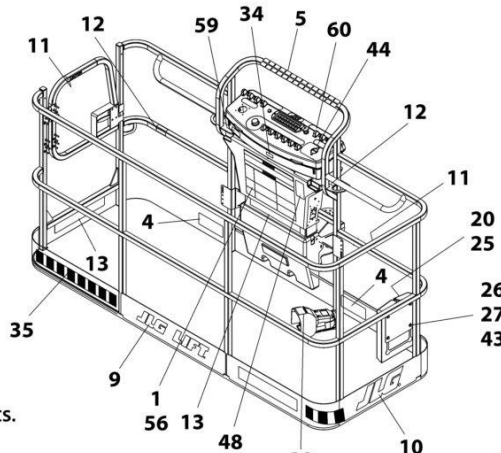
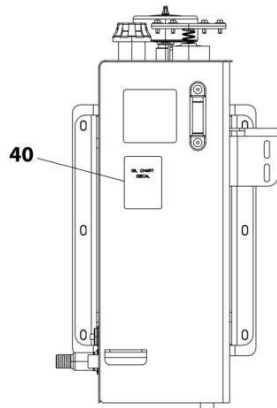
**SECTION 9 - DECAL**

**FIGURE 9-2. DECAL INSTALLATION - ANSI, ANSI EXPORT AND CSA SPECS - ENGLISH (460SJ)**

ITEM	PART NUMBER	QTY	DESCRIPTION	REV
	1001250764	Ref	DECAL INSTALLATION - REFERENCE CHART	J
	1001242559	Ref	DECAL INSTALLATION - ENGLISH	E
1	1703797	1	Decal - Danger/Warning (Platform)	
2	1703798	1	Decal - Danger/Warning (Ground Control)	
3	1703805	3	Decal - Danger/Electrocution	
4	1703804	3	Decal - Warning Crushing	
11	1702868	2	Decal - No Hands	
13	1001254750	2	Decal - Warning Dual Capacity (ANSI)	
16	1701504	1	Decal - Hydraulic Oil	
17	See Note	NSS	Decal - Bar Code (Note: Not Available for Purchase)	
18	1001131269	1	Decal - Patent	
20	1701509	1	Decal - Manual	
21	1702300	8	Decal - Tie Down	
22	1701500	4	Decal - Lift	
23	1701529	4	Decal - Arrow	
24	3251243	1	Nameplate - 120V-60Hz	
25	0860520	1	Box, Manual Storage	
26	4751400	4	Washer, 1/4	
27	3311405	4	Nut, Lock 1/4	
28	3820001	2	Rivet	
29	3252347	1	Decal - Footswitch	
38	1701499	6	Decal - No Lift	
40	1704412	1	Decal - Hydraulic Oil Chart	
43	0641406	4	Bolt, 1/4 x 3/4	
44	1705351	1	Decal - Drive/Steer Instructions	
54	1703953	2	Decal - Warning Crushing	
57	1001223055	1	Decal - Yearly Inspection	
58	1001223453	1	Decal - ICES	

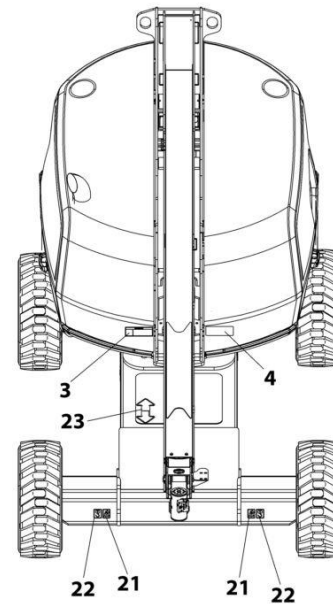
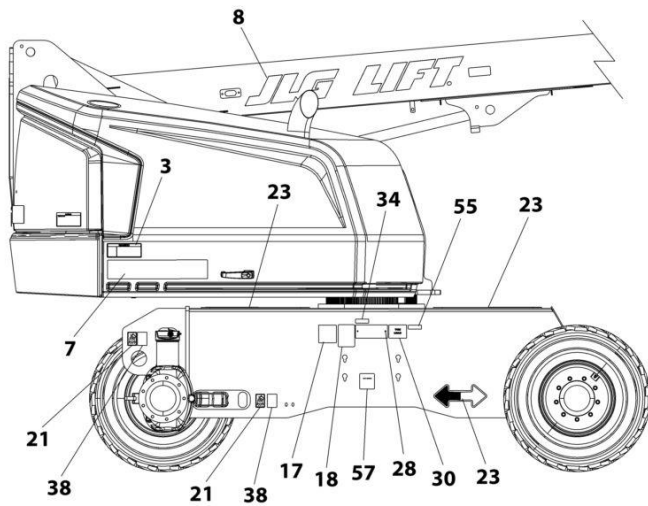
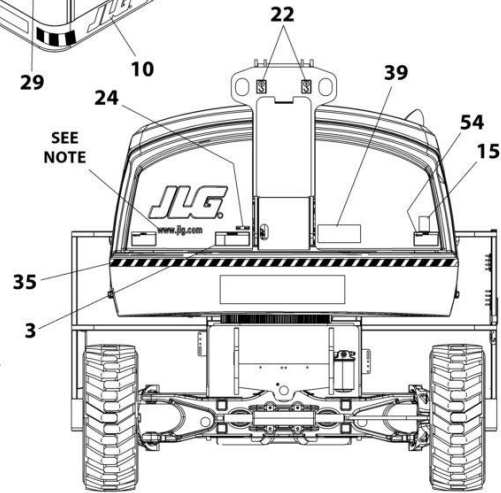
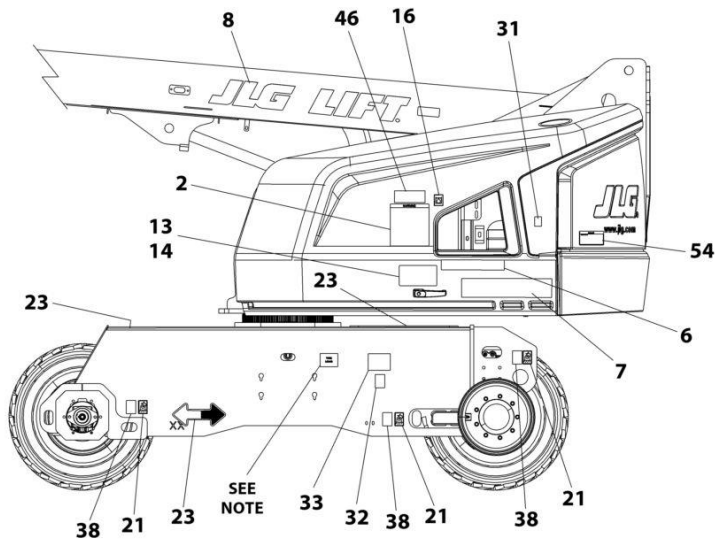
# SECTION 9 - DECAL

## FIGURE 9-3. DECAL INSTALLATION - AUSTRALIAN SPEC (460SJ)



NOTE: ITEMS SHOWN MAY NOT BE REQUIRED FOR ALL SPECS.  
REFER TO PART LIST FOR USAGE.

NOTE: ADDITIONAL DECALS ARE CALLED OUT ON DECALS INSTALLATION - OPTIONS.



ART\_1001171382

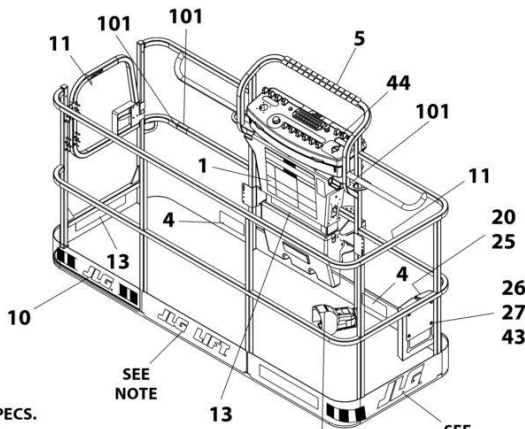
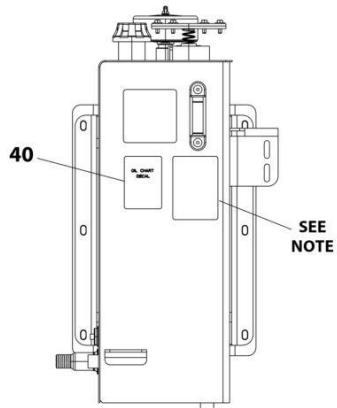
**SECTION 9 - DECAL**

**FIGURE 9-3. DECAL INSTALLATION - AUSTRALIAN SPEC (460SJ)**

ITEM	PART NUMBER	QTY	DESCRIPTION	REV
	1001250764	Ref	DECAL INSTALLATION - REFERENCE CHART	J
	1001171382	Ref	DECAL INSTALLATION - AUSTRALIAN SPEC	H
1	1705921	1	Decal - Tipping/Electrocution (Platform)	
2	1705822	1	Decal - Electrocution/Safety Manual	
3	1705961	3	Decal - Electrocution	
13	1001171339	3	Decal - Capacity (Platform)	
15	1001204510	1	Decal - Sound Power Level	
16	1701504	1	Decal - Hydraulic Oil	
17	See Note	NSS	Decal - Bar Code (Note: Not Available for Purchase)	
20	1701509	1	Decal - Manual	
21	1702300	8	Decal - Tie Down	
22	1701500	4	Decal - Lift	
23	1701529	4	Decal - Arrow	
25	0860520	1	Box, Manual Storage	
26	4751400	4	Washer, 1/4	
27	3311405	4	Nut, Lock 1/4	
28	3820001	2	Rivet	
29	1705828	1	Decal - Footswitch	
38	1701499	6	Decal - No Lift	
40	1704412	1	Decal - Hydraulic Oil Chart	
43	0641406	4	Bolt, 1/4 x 3/4	
46	1001112551	1	Decal - Emergency Controls	
54	1701518	5	Decal - Warning Crushing	

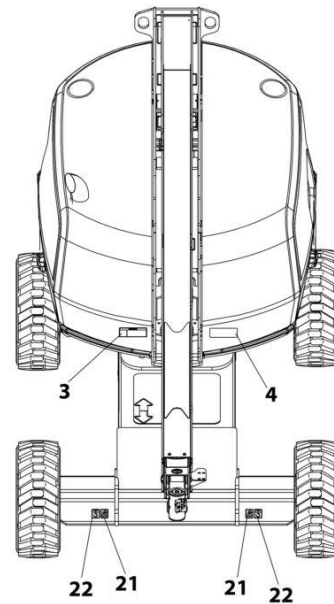
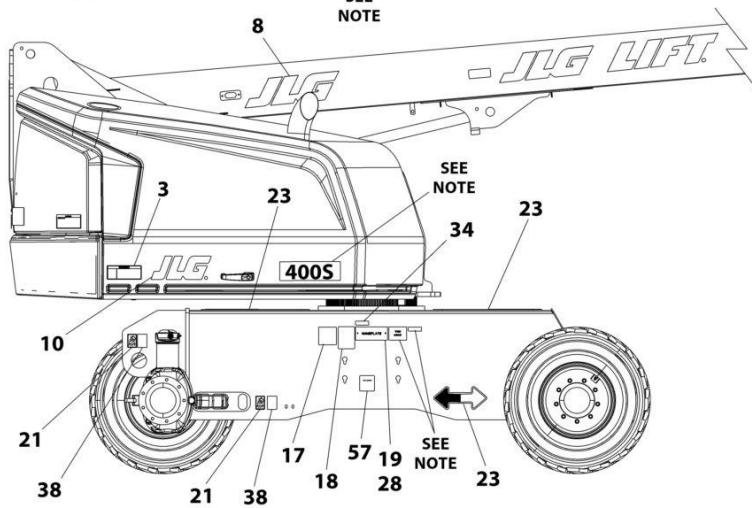
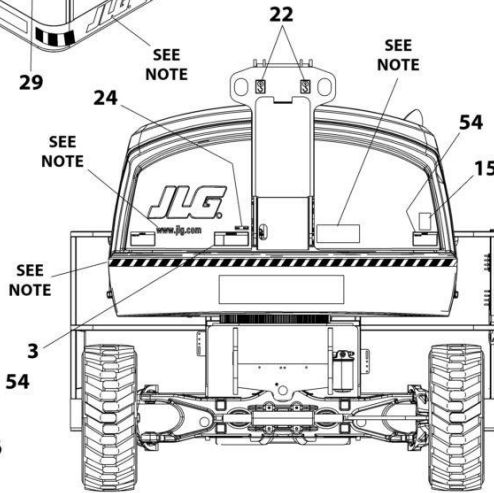
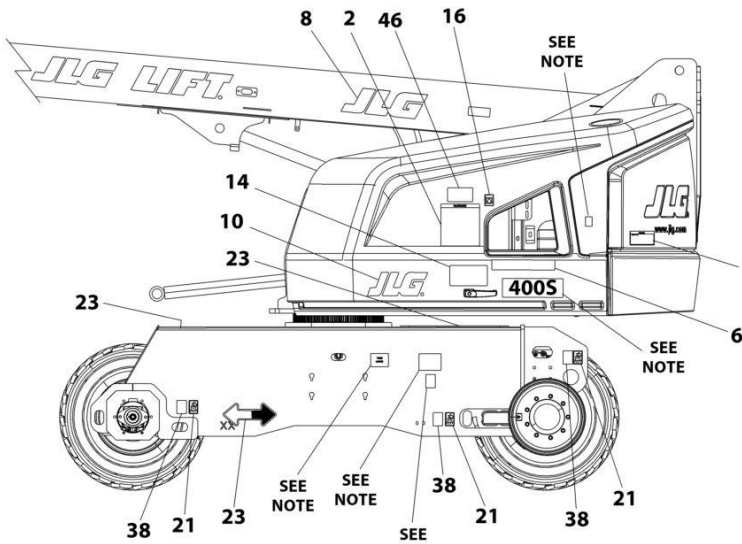
# SECTION 9 - DECAL

## FIGURE 9-4. DECAL INSTALLATION - CE SPEC (PVC 2001) (400S)



NOTE: ITEMS SHOWN MAY NOT BE REQUIRED FOR ALL SPECS.  
REFER TO PART LIST FOR USAGE.

NOTE: ADDITIONAL DECALS ARE CALLED OUT ON DECALS INSTALLATION - OPTIONS.



ART\_1001171369

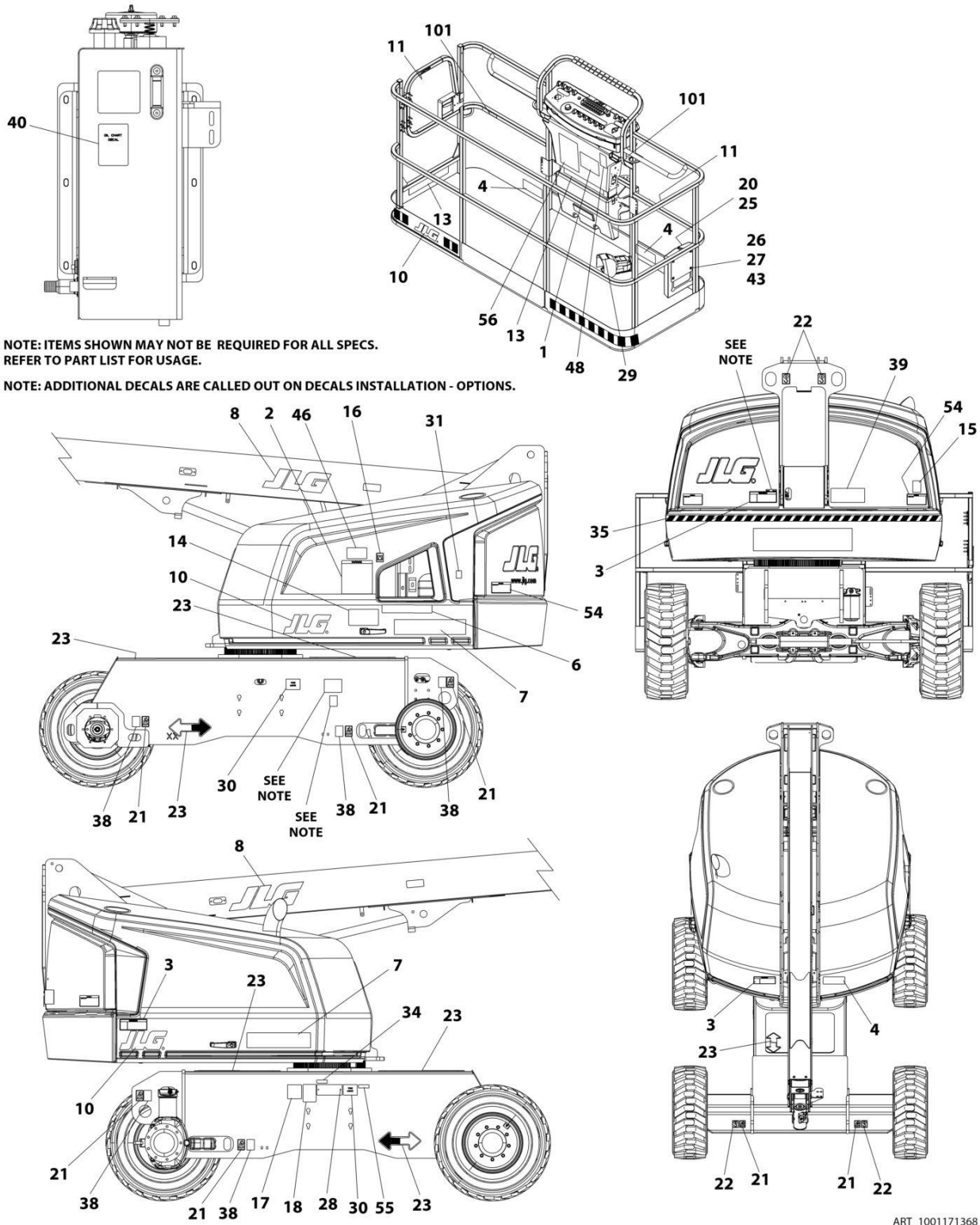
## SECTION 9 - DECAL

**FIGURE 9-4. DECAL INSTALLATION - CE SPEC (PVC 2001) (400S)**

ITEM	PART NUMBER	QTY	DESCRIPTION	REV
	1001217488	Ref	DECAL INSTALLATION - REFERENCE CHART (TURNTABLE)	B
	1001171369	Ref	DECAL INSTALLATION - CE SPEC	J
1	1705921	1	Decal - Tipping/Electrocution (Platform)	
2	1705822	1	Decal - Electrocution/Safety Manual	
3	1705961	3	Decal - Electrocution	
4	1701518	3	Decal - Warning Crushing	
8	1001159323	1	Decal - JLG 8 in Black	
10	1702773	1	Decal - JLG 5 in	
13	1001185237	AR	Decal - Capacity (Platform)	
14	1001185237	1	Decal - Capacity (Ground Control)	
15	1001204510	1	Decal - Sound Power Level	
16	1701504	1	Decal - Hydraulic Oil	
17	See Note	NSS	Decal - Bar Code (Note: Not Available for Purchase)	
20	1701509	1	Decal - Manual	
21	1702300	8	Decal - Tie Down	
22	1701500	4	Decal - Lift	
23	1701529	4	Decal - Arrow	
25	0860520	1	Box, Manual Storage	
26	4751400	4	Washer, 1/4	
27	3311405	4	Nut, Lock 1/4	
28	3820001	2	Rivet	
29	1705828	1	Decal - Footswitch	
38	1701499	6	Decal - No Lift	
40	1704412	1	Decal - Hydraulic Oil Chart	
43	0641406	4	Bolt, 1/4 x 3/4	
46	1001197408	2	Decal - MSSO	
54	1701518	2	Decal - Warning Crushing	
100	1001232026	1	Decal - Platform Lanyard Kit (Not Shown)	
101	1704277	1	Decal - Attach Lanyard Here	

# SECTION 9 - DECAL

## FIGURE 9-5. DECAL INSTALLATION - CE SPEC (460SJ)



NOTE: ITEMS SHOWN MAY NOT BE REQUIRED FOR ALL SPECS. REFER TO PART LIST FOR USAGE.

NOTE: ADDITIONAL DECALS ARE CALLED OUT ON DECALS INSTALLATION - OPTIONS.

ART\_1001171368

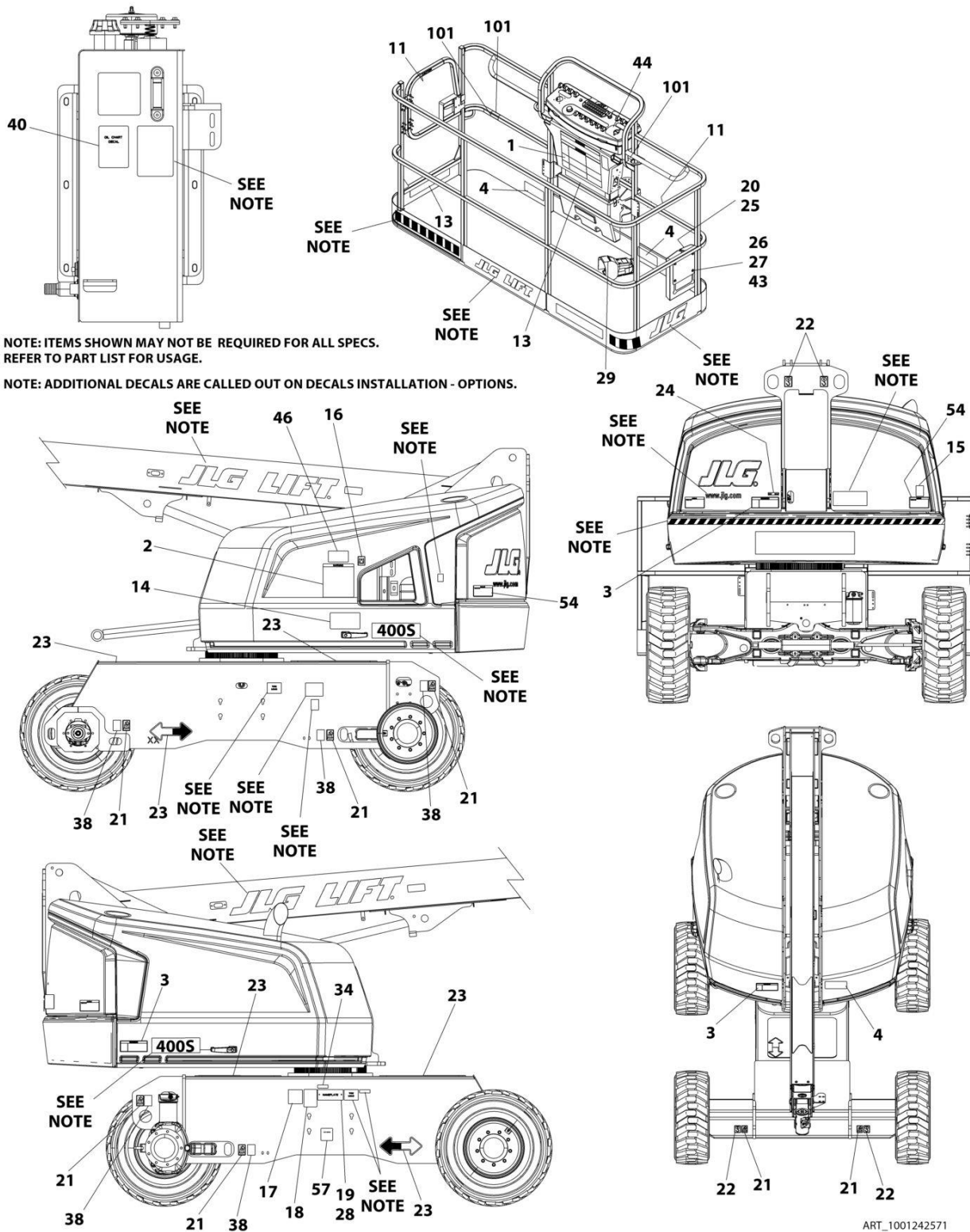
**SECTION 9 - DECAL**

**FIGURE 9-5. DECAL INSTALLATION - CE SPEC (460SJ)**

ITEM	PART NUMBER	QTY	DESCRIPTION	REV
	1001217488	Ref	DECAL INSTALLATION - REFERENCE CHART (TURNTABLE)	F
	1001171368	Ref	DECAL INSTALLATION - CE & UK CA SPEC	L
1	1705921	1	Decal - Tipping/Electrocution (Platform)	
2	1705822	1	Decal - Electrocution/Safety Manual	
3	1705961	3	Decal - Electrocution	
8	1001159323	1	Decal - JLG 8 in Black	
10	1702773	1	Decal - JLG 5	
13	1001171339	2	Decal - Capacity (Platform)	
16	1701504	1	Decal - Hydraulic Oil	
17	See Note	NSS	Decal - Bar Code (Note: Not Available for Purchase)	
20	1701509	1	Decal - Manual	
21	1702300	8	Decal - Tie Down	
22	1701500	4	Decal - Lift	
23	1701529	4	Decal - Arrow	
25	0860520	1	Box, Manual Storage	
26	4751400	4	Washer, 1/4	
27	3311405	4	Nut, Lock 1/4	
28	3820001	2	Rivet	
29	1705828	1	Decal - Footswitch	
38	1701499	6	Decal - No Lift	
40	1704412	1	Decal - Hydraulic Oil Chart	
43	0641406	4	Bolt, 1/4 x 3/4	
46	1001189882	1	Decal - MSSO	
54	1701518	5	Decal - Warning Crushing	
100	1001232066	1	Decal - Platform Lanyard Kit (Not Shown)	
101	1704277	3	Decal - Attach Lanyard Here	

# SECTION 9 - DECAL

FIGURE 9-6. INSTALLATION - BRAZIL SPEC (DUAL LANGUAGE - PORTUGUESE/SPANISH) (400S)



ART\_1001242571



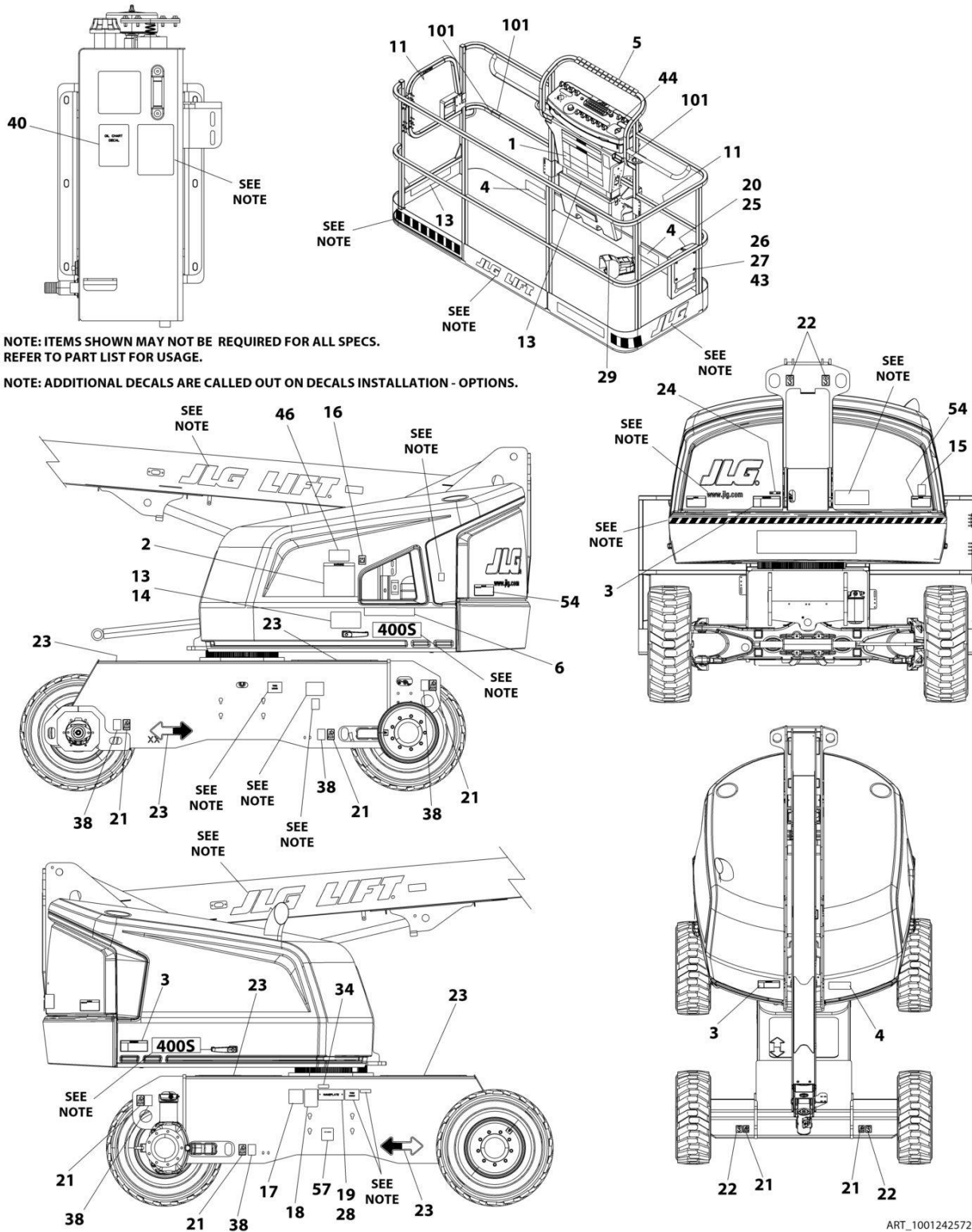
**SECTION 9 - DECAL**

**FIGURE 9-6. INSTALLATION - BRAZIL SPEC (DUAL LANGUAGE - PORTUGUESE/SPANISH) (400S)**

ITEM	PART NUMBER	QTY	DESCRIPTION	REV
	1001171545	Ref	DECAL INSTALLATION - REFERENCE CHART	O
	1001242571	Ref	DECAL INSTALLATION - BRAZIL SPEC (DUAL LANGUAGE - PORTUGUESE/SPANISH) (400S)	D
1	1703928	1	Decal - Danger/Warning (Platform)	
2	1703934	1	Decal - Danger/Warning (Ground Control)	
3	1703940	3	Decal - Danger/Electrocution	
4	1703952	3	Decal - Warning Crushing	
11	1704002	2	Decal - No Hands	
13	1001254673	1	Decal - Warning Dual Capacity	
14	1001254674	1	Decal - Warning Dual Capacity	
16	1701504	1	Decal - Hydraulic Oil	
17	See Note	NSS	Decal - Bar Code (Note: Not Available for Purchase)	
19	See Note	NSS	Nameplate - Serial Number (Note: Not Available for Purchase)	
20	1701509	1	Decal - Manual	
21	1702300	8	Decal - Tie Down	
22	1701500	4	Decal - Lift	
23	1701529	4	Decal - Arrow	
24	3251243	1	Nameplate - 120V-60Hz	
25	0860520	1	Box, Manual Storage	
26	4751400	4	Washer, 1/4	
27	3311405	4	Nut, Lock 1/4	
28	3820001	2	Rivet	
29	1703985	1	Decal - Footswitch	
38	1701499	6	Decal - No Lift	
40	1704412	1	Decal - Hydraulic Oil Chart	
43	0641406	4	Bolt, 1/4 x 3/4	
44	1705905	1	Decal - Drive/Steer Instruction	
54	1705903	2	Decal - Warning Crushing	
57	1001224052	1	Decal - Yearly Inspection (Not Shown)	
100	1001232026	1	Decal - Platform Lanyard Kit (Not Shown)	
101	1704277	3	Decal - Attach Lanyard Here	

# SECTION 9 - DECAL

## FIGURE 9-7. DECAL INSTALLATION - BRAZIL SPEC (DUAL LANGUAGE - PORTUGUESE/SPANISH) (460SJ)



ART\_1001242572

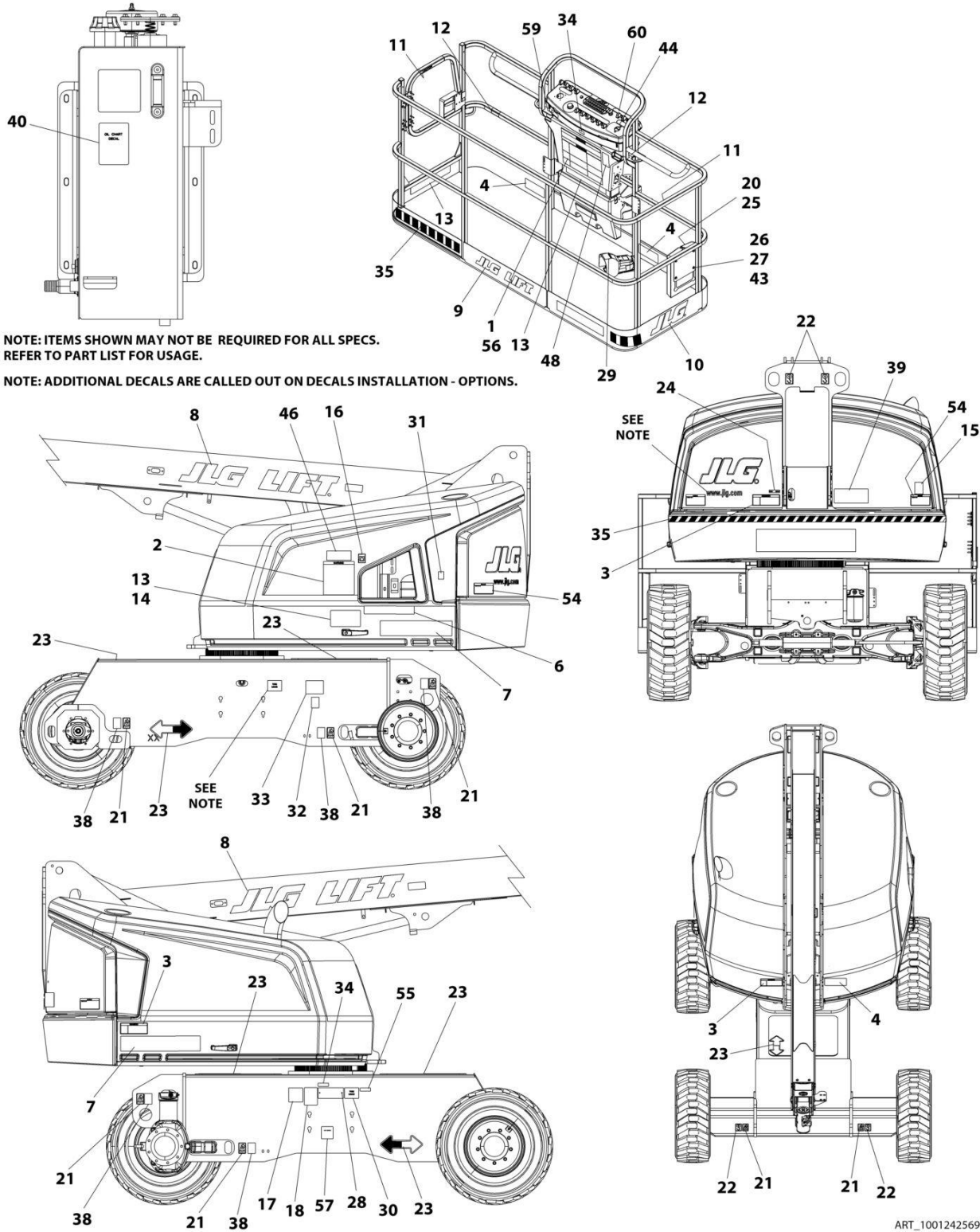
## SECTION 9 - DECAL

**FIGURE 9-7. DECAL INSTALLATION - BRAZIL SPEC (DUAL LANGUAGE - PORTUGUESE/SPANISH)  
(460SJ)**

ITEM	PART NUMBER	QTY	DESCRIPTION	REV
	1001171545	Ref	DECAL INSTALLATION - REFERENCE CHART	O
	1001242572	Ref	DECAL INSTALLATION - BRAZIL SPEC (DUAL LANGUAGE - PORTUGUESE/SPANISH)	D
1	1703928	1	Decal - Danger/Warning (Platform)	
2	1703934	1	Decal - Danger/Warning (Ground Control)	
3	1703940	3	Decal - Danger/Electrocution	
4	1703952	3	Decal - Warning Crushing	
11	1704002	2	Decal - No Hands	
13	1001254754	2	Decal - Capacity	
16	1701504	1	Decal - Hydraulic Oil	
17	See Note	NSS	Decal - Bar Code (Note: Not Available for Purchase)	
19	See Note	NSS	Nameplate - Serial Number (Note: Not Available for Purchase)	
20	1701509	1	Decal - Manual	
21	1702300	8	Decal - Tie Down	
22	1701500	4	Decal - Lift	
23	1701529	4	Decal - Arrow	
24	3251243	1	Nameplate - 120V-60Hz	
25	0860520	1	Box, Manual Storage	
26	4751400	4	Washer, 1/4	
27	3311405	4	Nut, Lock 1/4	
28	3820001	2	Rivet	
29	1703985	1	Decal - Footswitch	
38	1701499	6	Decal - No Lift	
40	1704412	1	Decal - Hydraulic Oil Chart	
43	0641406	4	Bolt, 1/4 x 3/4	
44	1705905	1	Decal - Drive/Steer Instruction	
54	1705903	2	Decal - Warning Crushing	
57	1001224052	1	Decal - Yearly Inspection (Not Shown)	
100	1001232026	1	Decal - Platform Lanyard Kit (Not Shown)	
101	1704277	3	Decal - Attach Lanyard Here	

# SECTION 9 - DECAL

## FIGURE 9-8. DECAL INSTALLATION - CHINESE SPEC (DUAL LANGUAGE - ENGLISH/CHINESE) (400S)



ART\_1001242569

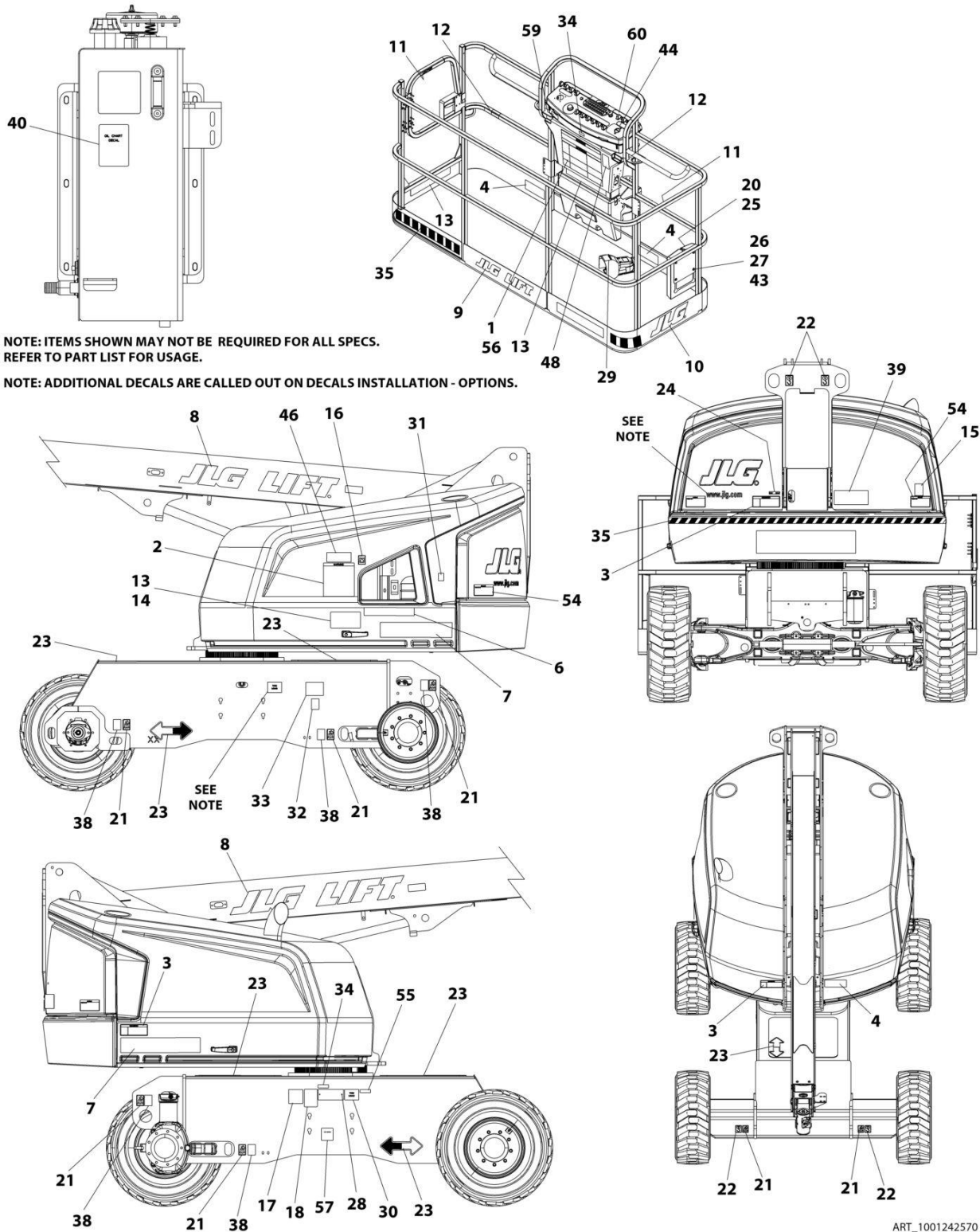
**SECTION 9 - DECAL**

**FIGURE 9-8. DECAL INSTALLATION - CHINESE SPEC (DUAL LANGUAGE - ENGLISH/CHINESE)  
(400S)**

ITEM	PART NUMBER	QTY	DESCRIPTION	REV
	1001250764	Ref	DECAL INSTALLATION - REFERENCE CHART	J
	1001242569	Ref	DECAL INSTALLATION - CHINESE SPEC (DUAL LANGUAGE - ENGLISH/CHINESE)	D
1	1703925	1	Decal - Danger/Warning (Platform)	
2	1703931	1	Decal - Danger/Warning (Ground Control)	
3	1703937	3	Decal - Danger/Electrocution	
4	1703949	3	Decal - Warning Crushing	
13	1001254671	1	Decal - Warning Dual Capacity	
14	1001254672	1	Decal - Warning Dual Capacity	
16	1701504	1	Decal - Hydraulic Oil	
17	See Note	NSS	Decal - Bar Code (Note: Not Available for Purchase)	
20	1701509	1	Decal - Manual	
21	1702300	8	Decal - Tie Down	
22	1701500	4	Decal - Lift	
23	1701529	4	Decal - Arrow	
25	0860520	1	Box, Manual Storage	
26	4751400	4	Washer, 1/4	
27	3311405	4	Nut, Lock 1/4	
28	3820001	2	Rivet	
29	1703982	1	Decal - Footswitch	
38	1701499	6	Decal - No Lift	
40	1704412	1	Decal - Hydraulic Oil Chart	
43	0641406	4	Bolt, 1/4 x 3/4	
44	1705430	1	Decal - Drive/Steer Instruction	
54	1703943	2	Decal - Warning Crushing	
57	1001224050	1	Decal - Yearly Inspection (Not Shown)	

# SECTION 9 - DECAL

FIGURE 9-9. DECAL INSTALLATION - CHINESE SPEC (DUAL LANGUAGE - ENGLISH/CHINESE) (460SJ)



ART\_1001242570

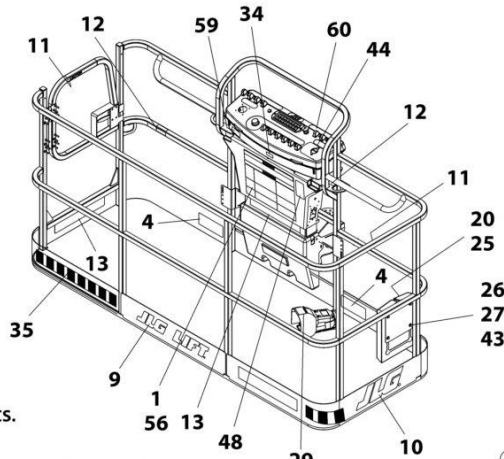
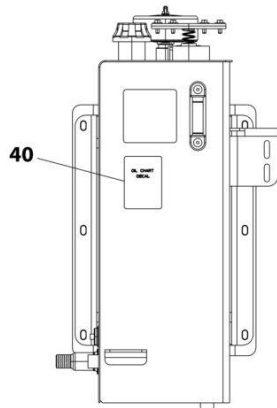
**SECTION 9 - DECAL**

**FIGURE 9-9. DECAL INSTALLATION - CHINESE SPEC (DUAL LANGUAGE - ENGLISH/CHINESE)  
(460SJ)**

ITEM	PART NUMBER	QTY	DESCRIPTION	REV
	1001250764	Ref	DECAL INSTALLATION - REFERENCE CHART	J
	1001242570	Ref	DECAL INSTALLATION - CHINESE SPEC (DUAL LANGUAGE - ENGLISH/CHINESE)	D
1	1703925	1	Decal - Danger/Warning (Platform)	
2	1703931	1	Decal - Danger/Warning (Ground Control)	
3	1703937	3	Decal - Danger/Electrocution	
4	1703949	3	Decal - Warning Crushing	
13	1001254753	2	Decal - Warning Dual Capacity	
16	1701504	1	Decal - Hydraulic Oil	
17	See Note	NSS	Decal - Bar Code (Note: Not Available for Purchase)	
20	1701509	1	Decal - Manual	
21	1702300	8	Decal - Tie Down	
22	1701500	4	Decal - Lift	
23	1701529	4	Decal - Arrow	
25	0860520	1	Box, Manual Storage	
26	4751400	4	Washer, 1/4	
27	3311405	4	Nut, Lock 1/4	
28	3820001	2	Rivet	
29	1703982	1	Decal - Footswitch	
38	1701499	6	Decal - No Lift	
40	1704412	1	Decal - Hydraulic Oil Chart	
43	0641406	4	Bolt, 1/4 x 3/4	
44	1705430	1	Decal - Drive/Steer Instruction	
54	1703943	2	Decal - Warning Crushing	
57	1001224050	1	Decal - Yearly Inspection (Not Shown)	

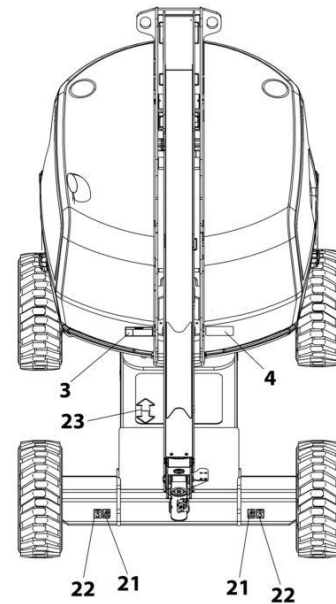
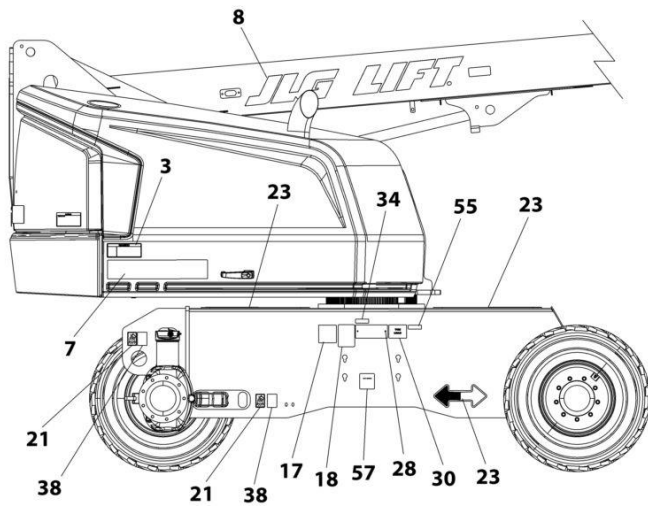
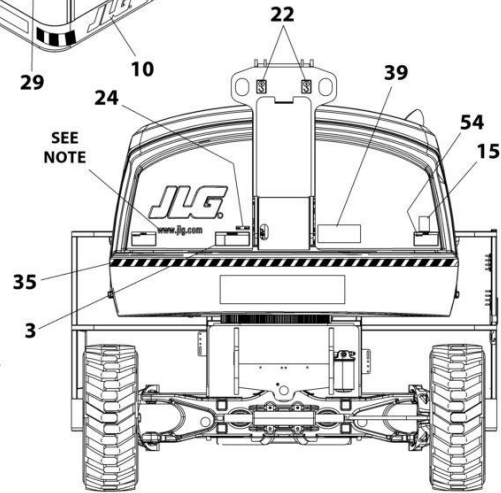
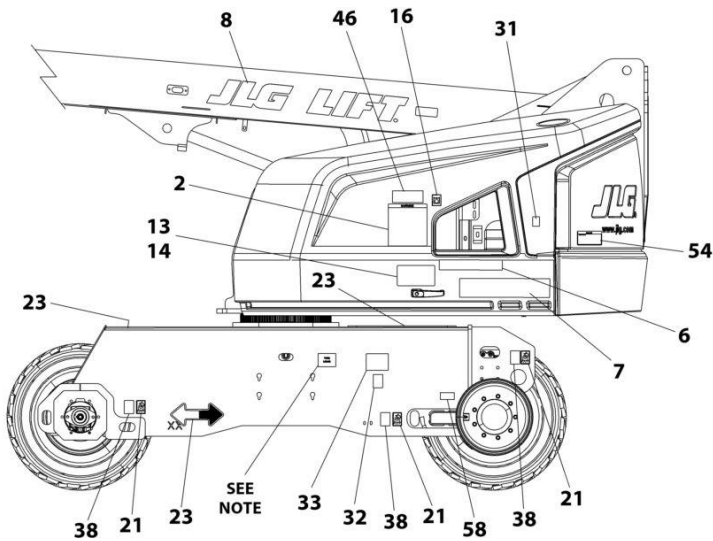
# SECTION 9 - DECAL

FIGURE 9-10. DECAL INSTALLATION - CSA SPEC (DUAL LANGUAGE - ENGLISH/FRENCH) (400S)



NOTE: ITEMS SHOWN MAY NOT BE REQUIRED FOR ALL SPECS. REFER TO PART LIST FOR USAGE.

NOTE: ADDITIONAL DECALS ARE CALLED OUT ON DECALS INSTALLATION - OPTIONS.



ART\_1001242567



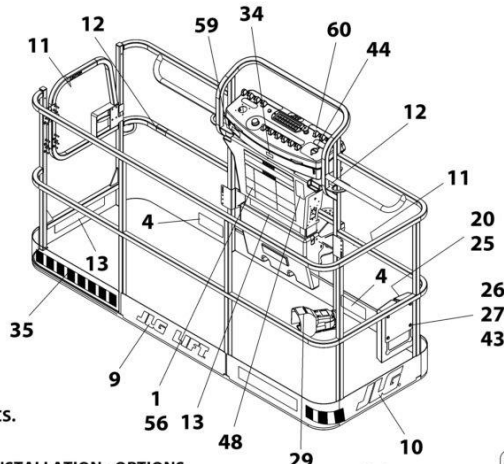
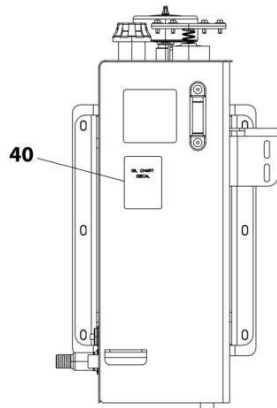
## SECTION 9 - DECAL

**FIGURE 9-10. DECAL INSTALLATION - CSA SPEC (DUAL LANGUAGE - ENGLISH/FRENCH) (400S)**

ITEM	PART NUMBER	QTY	DESCRIPTION	REV
	1001250764	Ref	DECAL INSTALLATION - REFERENCE CHART	J
	1001242567	Ref	DECAL INSTALLATION - CSA SPEC (DUAL LANGUAGE - ENGLISH/FRENCH)	E
1	1703924	1	Decal - Danger/Warning (Platform)	
2	1703930	1	Decal - Danger/Warning (Ground Control)	
3	1703936	3	Decal - Danger/Electrocution	
4	1703948	3	Decal - Warning Crushing	
11	1704000	2	Decal - No Hands	
13	1001254667	1	Decal - Warning Dual Capacity	
14	1001254668	1	Decal - Warning Dual Capacity	
16	1701504	1	Decal - Hydraulic Oil	
17	See Note	NSS	Decal - Bar Code (Note: Not Available for Purchase)	
18	1001131269	1	Decal - Patent	
20	1701509	1	Decal - Manual	
21	1702300	8	Decal - Tie Down	
22	1701500	4	Decal - Lift	
23	1701529	4	Decal - Arrow	
24	3251243	1	Nameplate - 120V-60Hz	
25	0860520	1	Box, Manual Storage	
26	4751400	4	Washer, 1/4	
27	3311405	4	Nut, Lock 1/4	
28	3820001	2	Rivet	
29	1703984	1	Decal - Footswitch	
38	1701499	6	Decal - No Lift	
40	1704412	1	Decal - Hydraulic Oil Chart	
43	0641406	4	Bolt, 1/4 x 3/4	
44	1705429	1	Decal - Drive/Steer Instruction	
54	1703942	2	Decal - Warning Crushing	
57	1001223971	1	Decal - Yearly Inspection (Not Shown)	
58	1001223453	1	Decal - ICES	

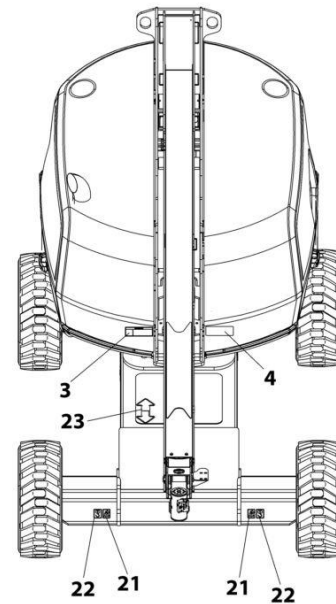
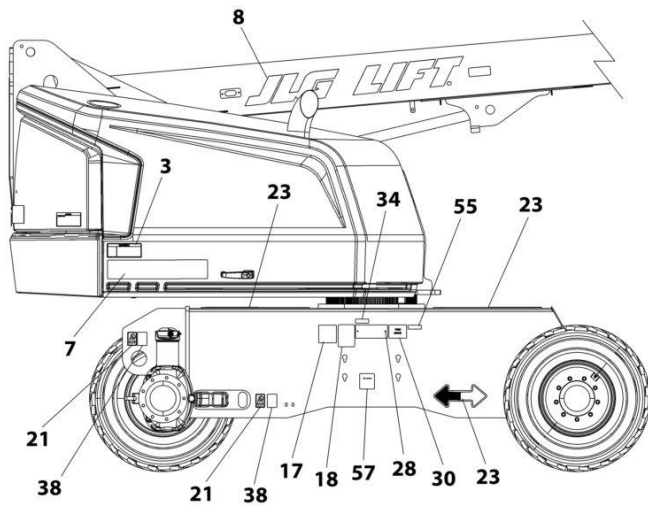
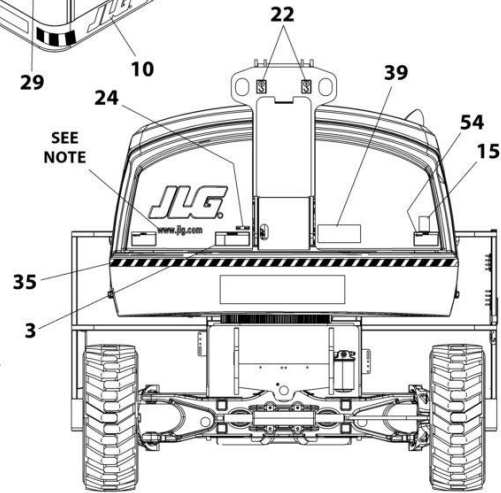
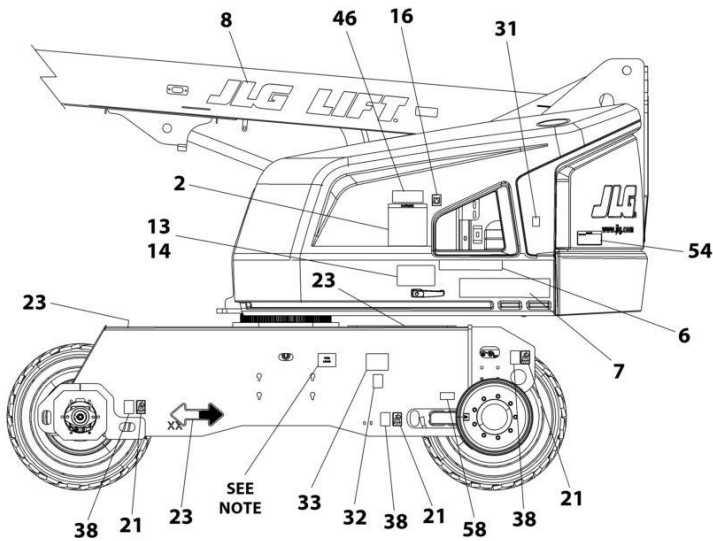
# SECTION 9 - DECAL

FIGURE 9-11. DECAL INSTALLATION - CSA SPEC (DUAL LANGUAGE - ENGLISH/FRENCH) (460SJ)



NOTE: ITEMS SHOWN MAY NOT BE REQUIRED FOR ALL SPECS. REFER TO PART LIST FOR USAGE.

NOTE: ADDITIONAL DECALS ARE CALLED OUT ON DECALS INSTALLATION - OPTIONS.



ART\_1001242568

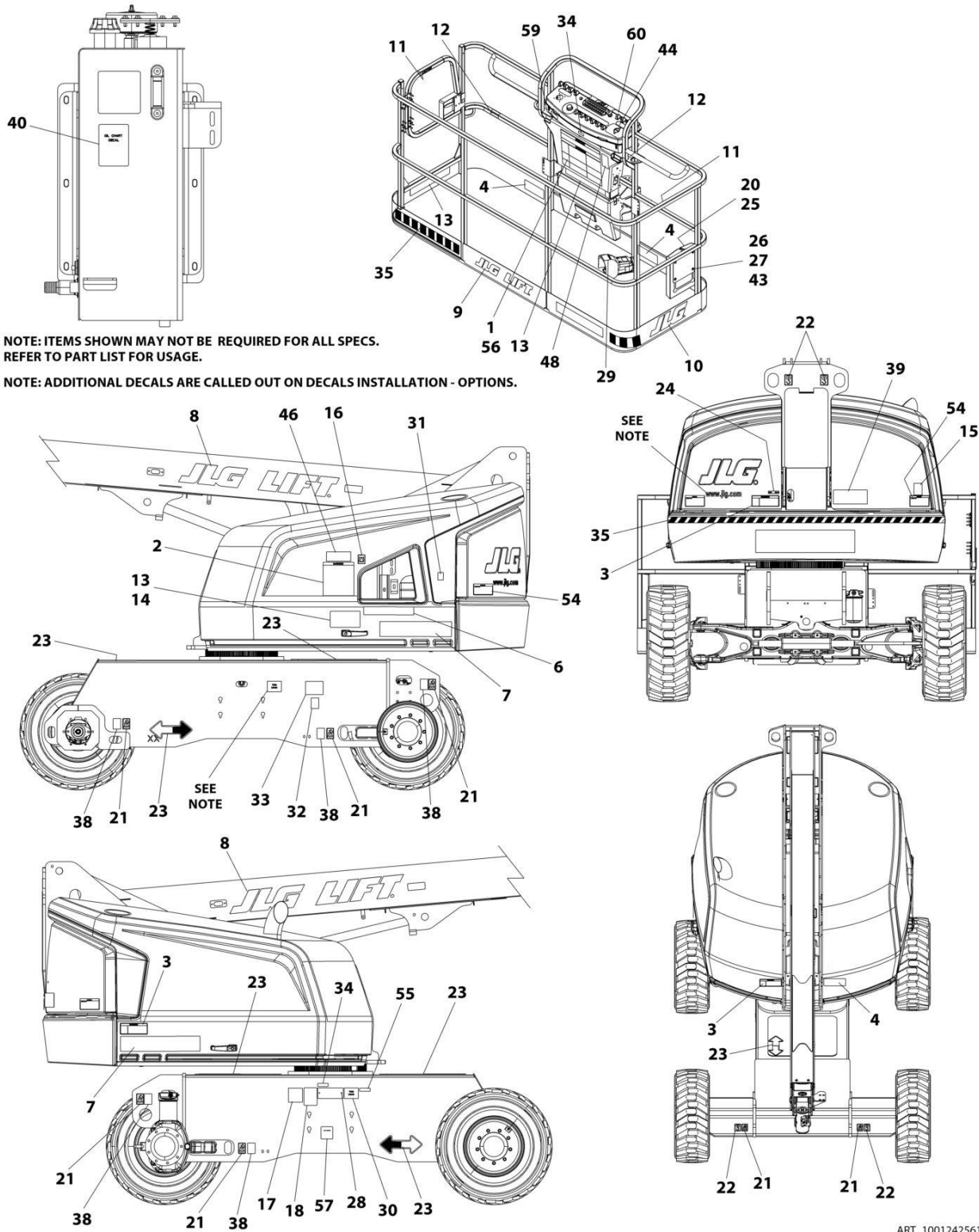
**SECTION 9 - DECAL**

**FIGURE 9-11. DECAL INSTALLATION - CSA SPEC (DUAL LANGUAGE - ENGLISH/FRENCH) (460SJ)**

ITEM	PART NUMBER	QTY	DESCRIPTION	REV
	1001250764	Ref	DECAL INSTALLATION - REFERENCE CHART	J
	1001242568	Ref	DECAL INSTALLATION - CSA SPEC (DUAL LANGUAGE - ENGLISH/FRENCH)	E
1	1703924	1	Decal - Danger/Warning (Platform)	
2	1703930	1	Decal - Danger/Warning (Ground Control)	
3	1703936	3	Decal - Danger/Electrocution	
4	1703948	3	Decal - Warning Crushing	
11	1704000	2	Decal - No Hands	
13	1001254751	2	Decal - Warning Dual Capacity	
16	1701504	1	Decal - Hydraulic Oil	
17	See Note	NSS	Decal - Bar Code (Note: Not Available for Purchase)	
18	1001131269	1	Decal - Patent	
20	1701509	1	Decal - Manual	
21	1702300	8	Decal - Tie Down	
22	1701500	4	Decal - Lift	
23	1701529	4	Decal - Arrow	
24	3251243	1	Nameplate - 120V-60Hz	
25	0860520	1	Box, Manual Storage	
26	4751400	4	Washer, 1/4	
27	3311405	4	Nut, Lock 1/4	
28	3820001	2	Rivet	
29	1703984	1	Decal - Footswitch	
38	1701499	6	Decal - No Lift	
40	1704412	1	Decal - Hydraulic Oil Chart	
43	0641406	4	Bolt, 1/4 x 3/4	
44	1705429	1	Decal - Drive/Steer Instruction	
54	1703942	2	Decal - Warning Crushing	
57	1001223971	1	Decal - Yearly Inspection (Not Shown)	
58	1001223453	1	Decal - ICES	

# SECTION 9 - DECAL

## FIGURE 9-12. DECAL INSTALLATION - JAPANESE SPEC (DUAL LANGUAGE - ENGLISH/JAPANESE) (400S)



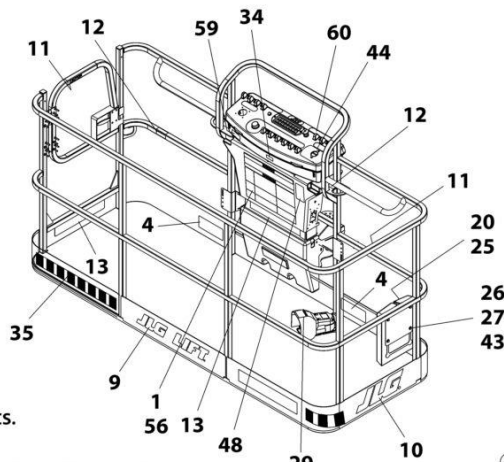
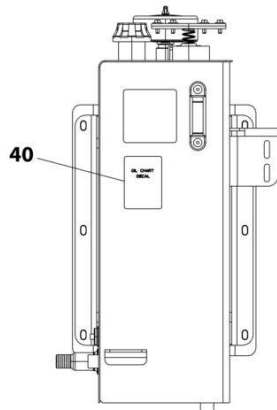
## SECTION 9 - DECAL

**FIGURE 9-12. DECAL INSTALLATION - JAPANESE SPEC (DUAL LANGUAGE - ENGLISH/JAPANESE)  
(400S)**

ITEM	PART NUMBER	QTY	DESCRIPTION	REV
	1001250764	Ref	DECAL INSTALLATION - REFERENCE CHART	J
	1001242561	Ref	DECAL INSTALLATION - JAPANESE SPEC (DUAL LANGUAGE - ENGLISH/JAPANESE)	D
1	1703926	1	Decal - Danger/Warning (Platform)	
2	1703932	1	Decal - Danger/Warning (Ground Control)	
3	1703938	3	Decal - Danger/Electrocution	
4	1703950	3	Decal - Warning Crushing	
13	1001254677	1	Decal - Warning Dual Capacity	
14	1001254678	1	Decal - Warning Dual Capacity	
16	1701504	1	Decal - Hydraulic Oil	
17	See Note	NSS	Decal - Bar Code (Note: Not Available for Purchase)	
20	1701509	1	Decal - Manual	
21	1702300	8	Decal - Tie Down	
22	1701500	4	Decal - Lift	
23	1701529	4	Decal - Arrow	
25	0860520	1	Box, Manual Storage	
26	4751400	4	Washer, 1/4	
27	3311405	4	Nut, Lock 1/4	
28	3820001	2	Rivet	
29	1703980	1	Decal - Footswitch	
38	1701499	6	Decal - No Lift	
40	1704412	1	Decal - Hydraulic Oil Chart	
43	0641406	4	Bolt, 1/4 x 3/4	
44	1705426	1	Decal - Drive/Steer Instruction	
54	1703944	2	Decal - Warning Crushing	
57	1001224053	1	Decal - Yearly Inspection (Not Shown)	

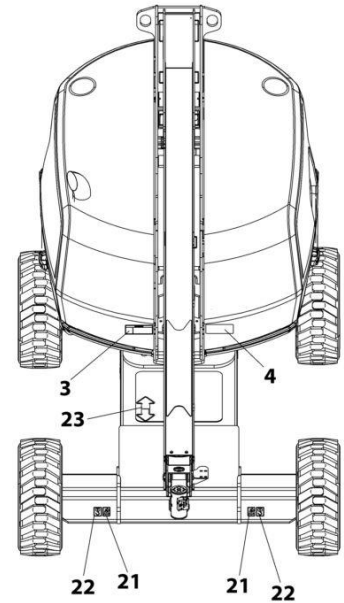
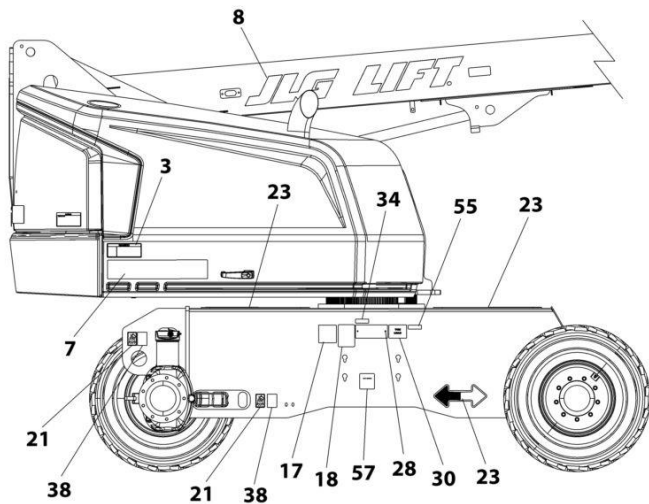
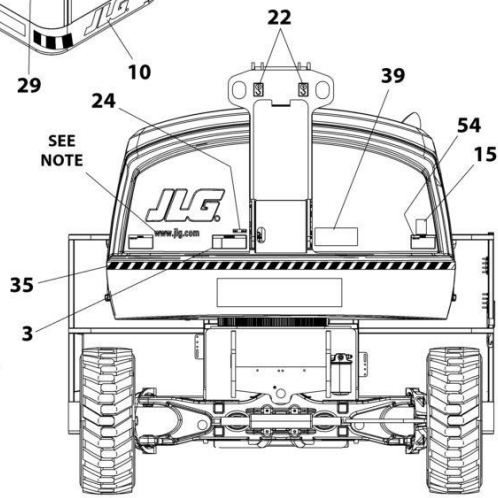
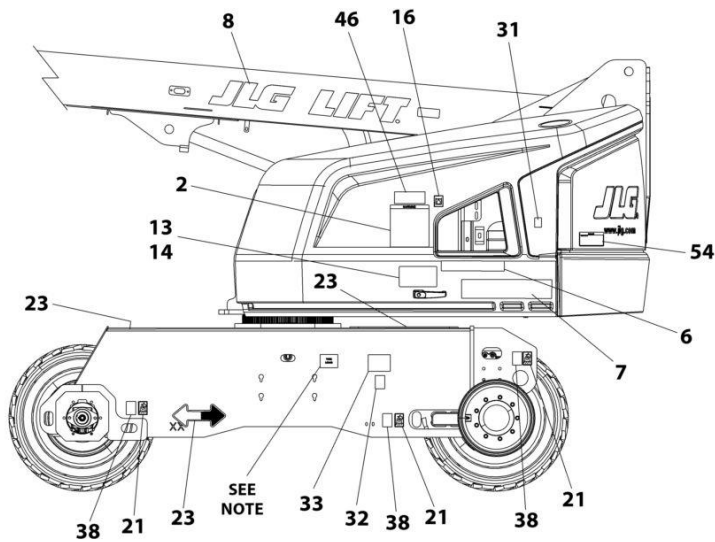
# SECTION 9 - DECAL

FIGURE 9-13. DECAL INSTALLATION - JAPANESE SPEC (DUAL LANGUAGE - ENGLISH/JAPANESE) (460SJ)



NOTE: ITEMS SHOWN MAY NOT BE REQUIRED FOR ALL SPECS.  
REFER TO PART LIST FOR USAGE.

NOTE: ADDITIONAL DECALS ARE CALLED OUT ON DECALS INSTALLATION - OPTIONS.



ART\_1001242562

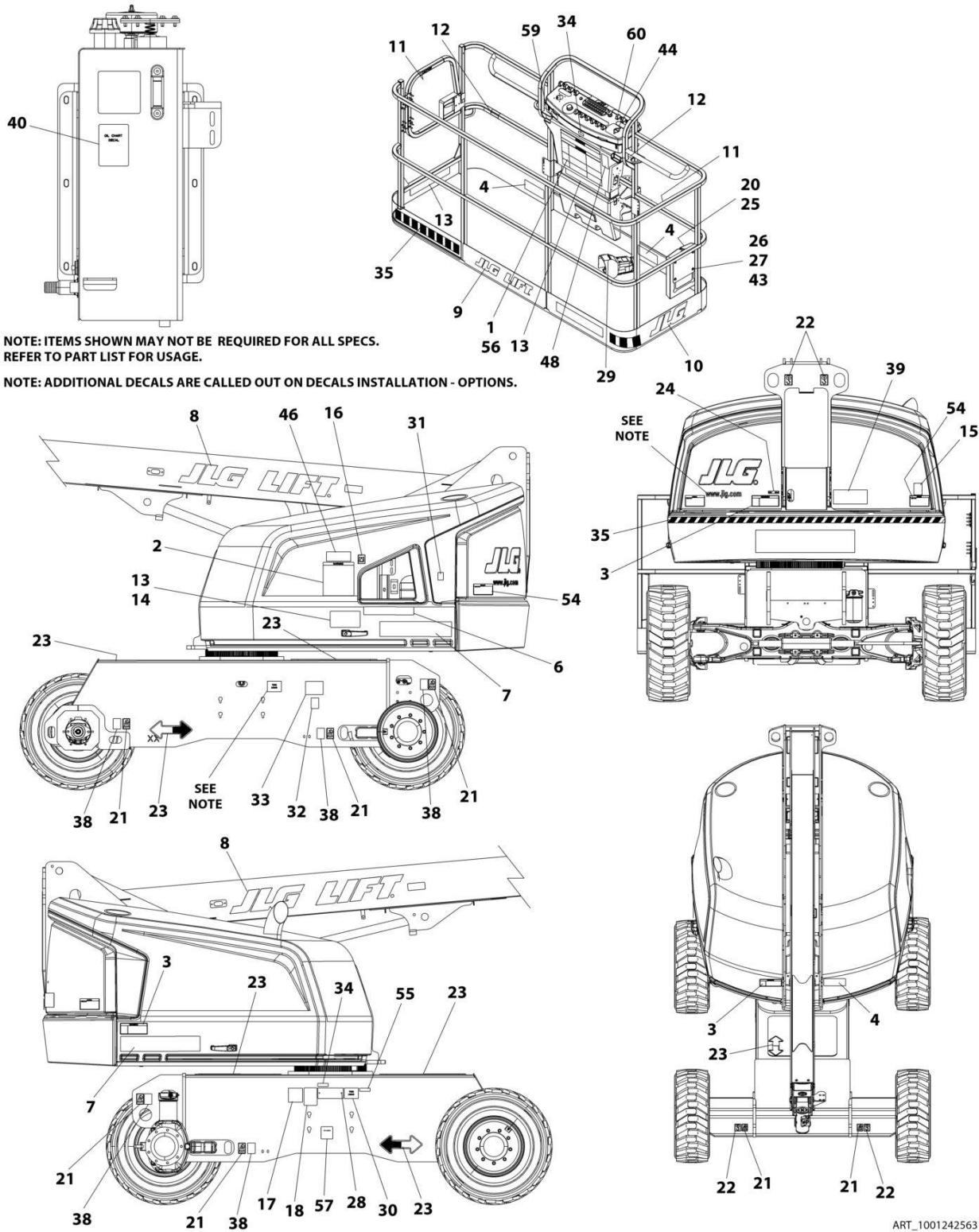
## SECTION 9 - DECAL

**FIGURE 9-13. DECAL INSTALLATION - JAPANESE SPEC (DUAL LANGUAGE - ENGLISH/JAPANESE)  
(460SJ)**

ITEM	PART NUMBER	QTY	DESCRIPTION	REV
	1001250764	Ref	DECAL INSTALLATION - REFERENCE CHART	J
	1001242562	Ref	DECAL INSTALLATION - JAPANESE SPEC (DUAL LANGUAGE - ENGLISH/JAPANESE)	D
1	1703926	1	Decal - Danger/Warning (Platform)	
2	1703932	1	Decal - Danger/Warning (Ground Control)	
3	1703938	3	Decal - Danger/Electrocution	
4	1703950	3	Decal - Warning Crushing	
13	1001254756	2	Decal - Warning Dual Capacity	
16	1701504	1	Decal - Hydraulic Oil	
17	See Note	NSS	Decal - Bar Code (Note: Not Available for Purchase)	
20	1701509	1	Decal - Manual	
21	1702300	8	Decal - Tie Down	
22	1701500	4	Decal - Lift	
23	1701529	4	Decal - Arrow	
25	0860520	1	Box, Manual Storage	
26	4751400	4	Washer, 1/4	
27	3311405	4	Nut, Lock 1/4	
28	3820001	2	Rivet	
29	1703980	1	Decal - Footswitch	
38	1701499	6	Decal - No Lift	
40	1704412	1	Decal - Hydraulic Oil Chart	
43	0641406	4	Bolt, 1/4 x 3/4	
44	1705426	1	Decal - Drive/Steer Instruction	
54	1703944	2	Decal - Warning Crushing	
57	1001224053	1	Decal - Yearly Inspection (Not Shown)	

# SECTION 9 - DECAL

**FIGURE 9-14. DECAL INSTALLATION - KOREAN SPEC (DUAL LANGUAGE - ENGLISH/KOREAN) (400S)**



ART\_1001242563



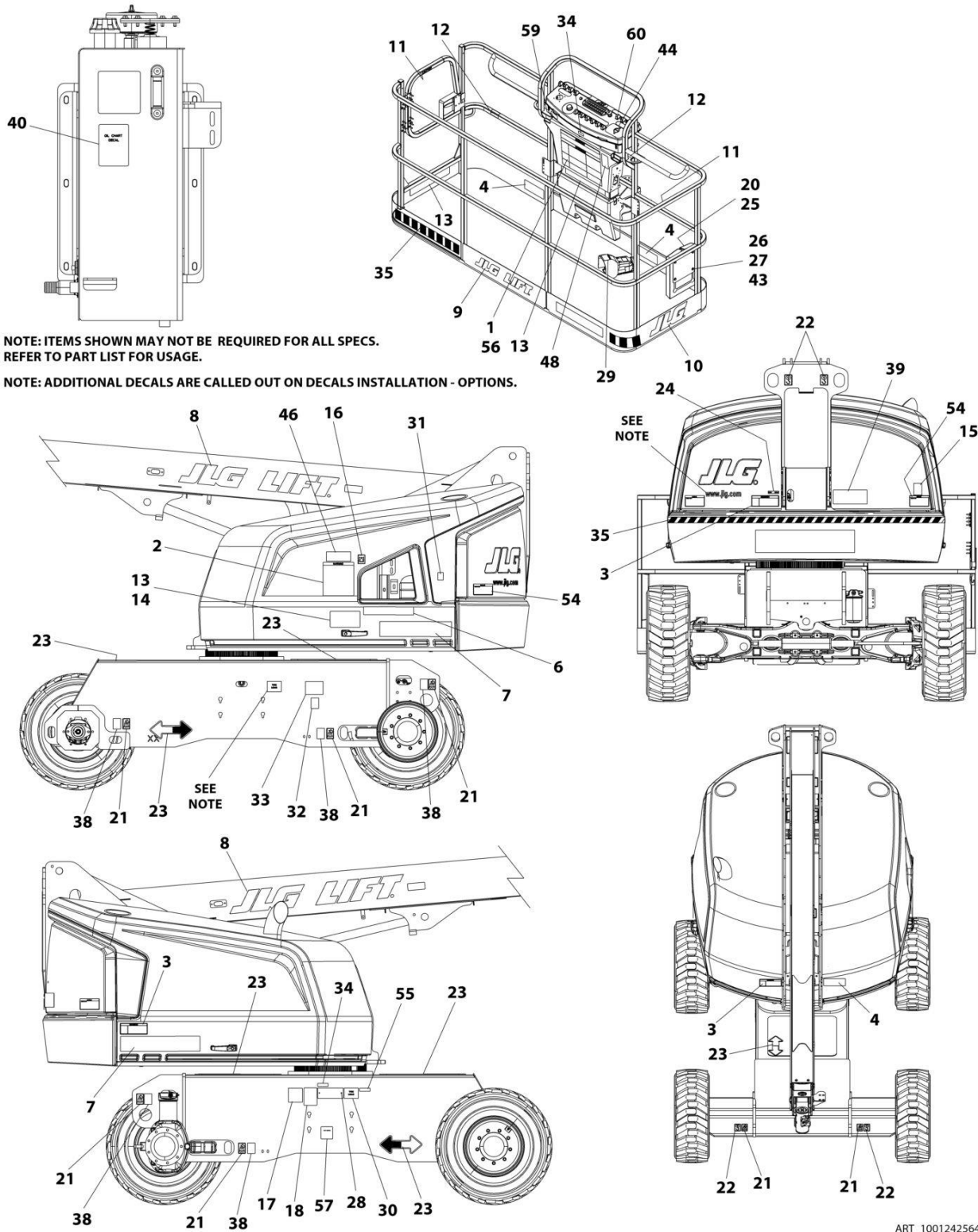
**SECTION 9 - DECAL**

**FIGURE 9-14. DECAL INSTALLATION - KOREAN SPEC (DUAL LANGUAGE - ENGLISH/KOREAN)  
(400S)**

ITEM	PART NUMBER	QTY	DESCRIPTION	REV
	1001250764	Ref	DECAL INSTALLATION - REFERENCE CHART	J
	1001242563	Ref	DECAL INSTALLATION - KOREAN SPEC (DUAL LANGUAGE - ENGLISH/KOREAN)	D
1	1703927	1	Decal - Danger/Warning (Platform)	
2	1703933	1	Decal - Danger/Warning (Ground Control)	
3	1703939	3	Decal - Danger/Electrocution	
4	1703951	3	Decal - Warning Crushing	
13	1001254669	1	Decal - Warning Dual Capacity	
14	1001254670	1	Decal - Warning Dual Capacity	
16	1701504	1	Decal - Hydraulic Oil	
17	See Note	NSS	Decal - Bar Code (Note: Not Available for Purchase)	
20	1701509	1	Decal - Manual	
21	1702300	8	Decal - Tie Down	
22	1701500	4	Decal - Lift	
23	1701529	4	Decal - Arrow	
25	0860520	1	Box, Manual Storage	
26	4751400	4	Washer, 1/4	
27	3311405	4	Nut, Lock 1/4	
28	3820001	2	Rivet	
29	1703981	1	Decal - Footswitch	
38	1701499	6	Decal - No Lift	
40	1704412	1	Decal - Hydraulic Oil Chart	
43	0641406	4	Bolt, 1/4 x 3/4	
44	1705427	1	Decal - Drive/Steer Instruction	
54	1703945	2	Decal - Warning Crushing	
57	1001224048	1	Decal - Yearly Inspection (Not Shown)	

# SECTION 9 - DECAL

## FIGURE 9-15. DECAL INSTALLATION - KOREAN SPEC (DUAL LANGUAGE - ENGLISH/KOREAN) (460SJ)



ART\_1001242564

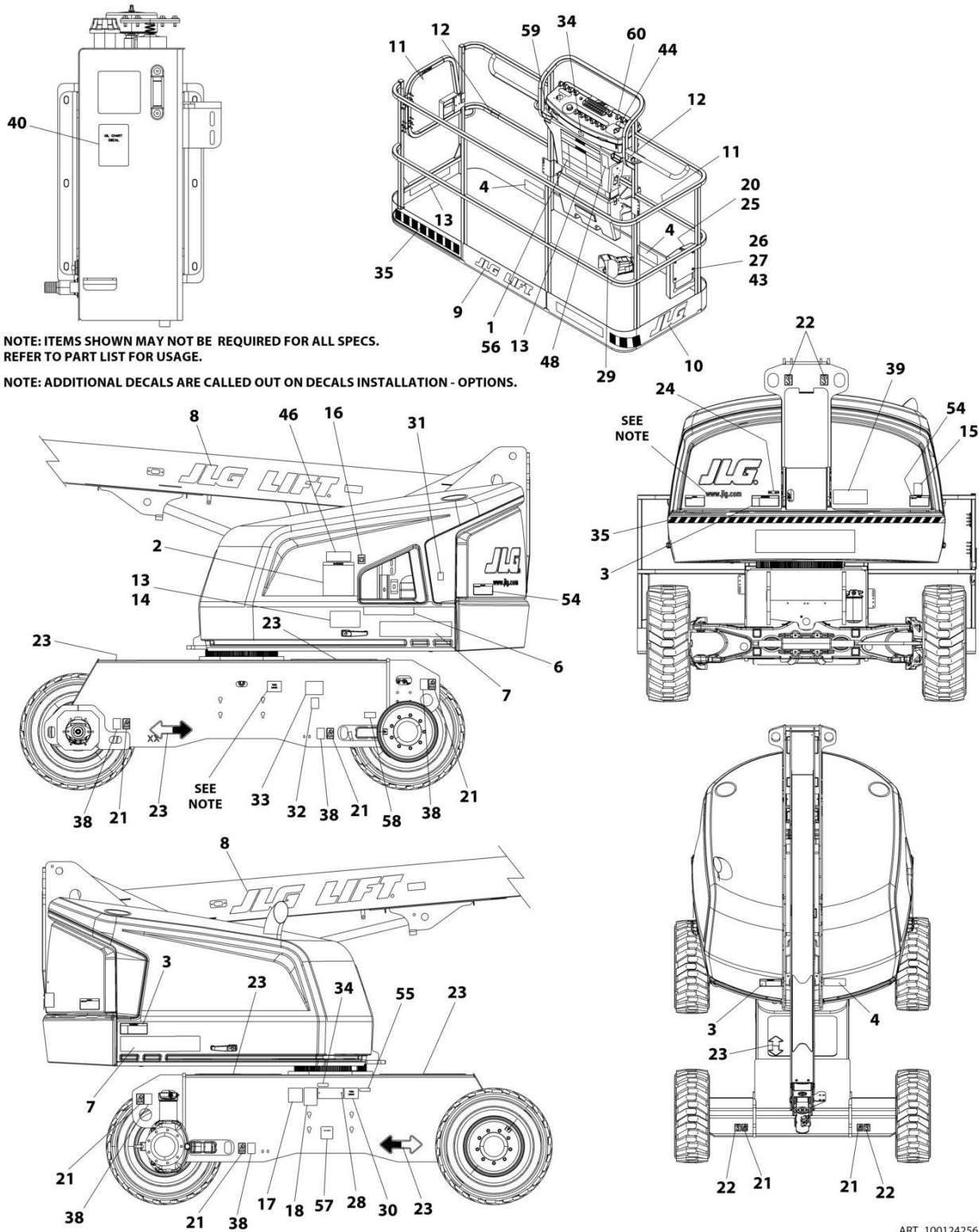
**SECTION 9 - DECAL**

**FIGURE 9-15. DECAL INSTALLATION - KOREAN SPEC (DUAL LANGUAGE - ENGLISH/KOREAN)  
(460SJ)**

ITEM	PART NUMBER	QTY	DESCRIPTION	REV
	1001250764	Ref	DECAL INSTALLATION - REFERENCE CHART	K
	1001242564	Ref	DECAL INSTALLATION - KOREAN SPEC (DUAL LANGUAGE - ENGLISH/KOREAN)	D
1	1703927	1	Decal - Danger/Warning (Platform)	
2	1703933	1	Decal - Danger/Warning (Ground Control)	
3	1703939	3	Decal - Danger/Electrocution	
4	1703951	3	Decal - Warning Crushing	
13	1001254752	2	Decal - Warning Dual Capacity	
16	1701504	1	Decal - Hydraulic Oil	
17	See Note	NSS	Decal - Bar Code (Note: Not Available for Purchase)	
20	1701509	1	Decal - Manual	
21	1702300	8	Decal - Tie Down	
22	1701500	4	Decal - Lift	
23	1701529	4	Decal - Arrow	
25	0860520	1	Box, Manual Storage	
26	4751400	4	Washer, 1/4	
27	3311405	4	Nut, Lock 1/4	
28	3820001	2	Rivet	
29	1703981	1	Decal - Footswitch	
38	1701499	6	Decal - No Lift	
40	1704412	1	Decal - Hydraulic Oil Chart	
43	0641406	4	Bolt, 1/4 x 3/4	
44	1705427	1	Decal - Drive/Steer Instruction	
54	1703945	2	Decal - Warning Crushing	
57	1001224048	1	Decal - Yearly Inspection (Not Shown)	

# SECTION 9 - DECAL

## FIGURE 9-16. DECAL INSTALLATION - LATIN AMERICAN SPEC (DUAL LANGUAGE - ENGLISH/SPANISH) (400S)



ART\_1001242565

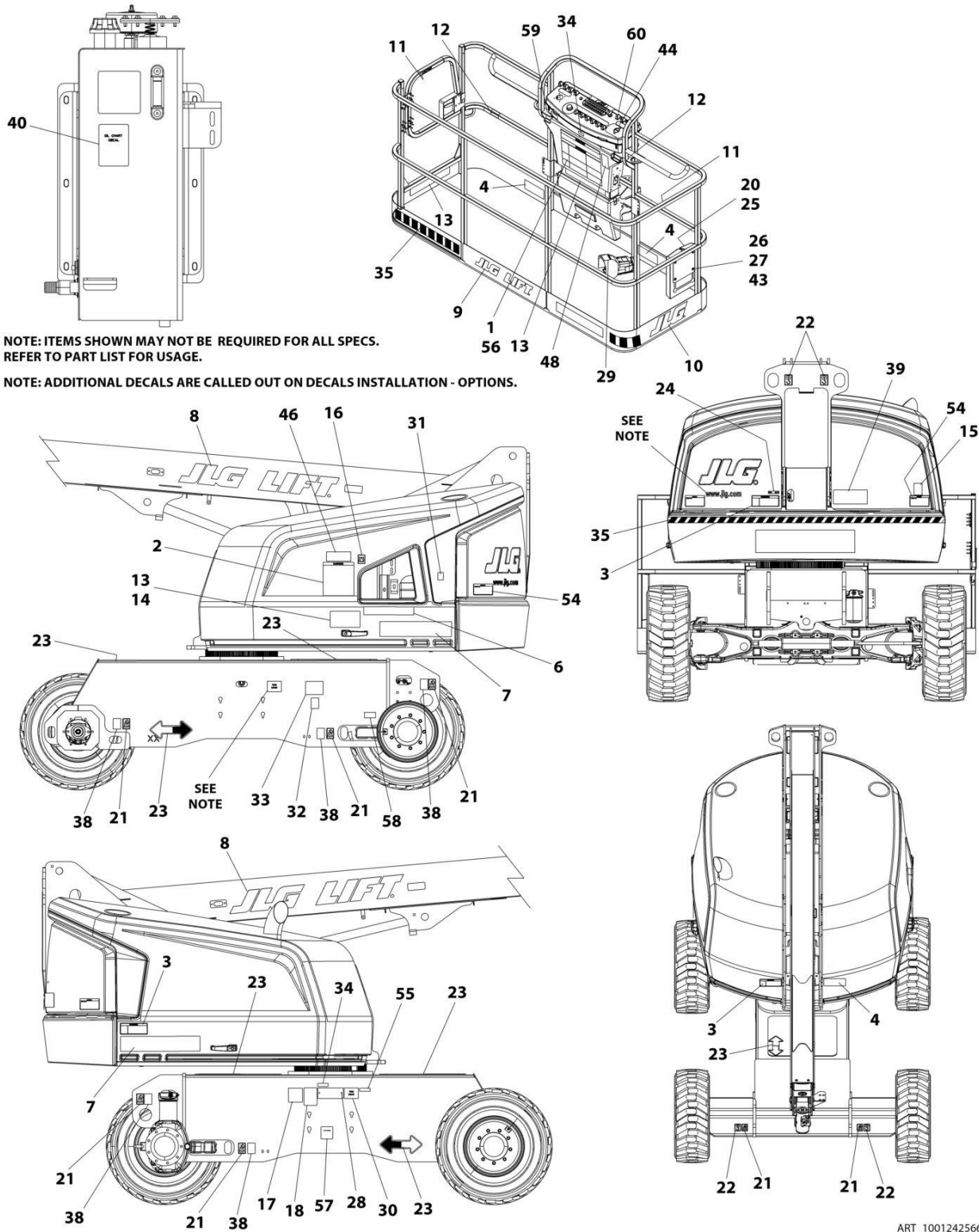
**SECTION 9 - DECAL**

**FIGURE 9-16. DECAL INSTALLATION - LATIN AMERICAN SPEC (DUAL LANGUAGE - ENGLISH/SPANISH) (400S)**

ITEM	PART NUMBER	QTY	DESCRIPTION	REV
	1001250764	Ref	DECAL INSTALLATION - REFERENCE CHART	J
	1001242565	Ref	DECAL INSTALLATION - LATIN AMERICAN SPEC (DUAL LANGUAGE - ENGLISH/SPANISH)	D
1	1703923	1	Decal - Danger/Warning (Platform)	
2	1703929	1	Decal - Danger/Warning (Ground Control)	
3	1703935	3	Decal - Danger/Electrocution	
4	1703947	3	Decal - Warning Crushing	
11	1704001	2	Decal - No Hands	
13	1001254675	2	Decal - Warning Dual Capacity	
14	1001254676	1	Decal - Warning Dual Capacity	
16	1701504	1	Decal - Hydraulic Oil	
17	See Note	NSS	Decal - Bar Code (Note: Not Available for Purchase)	
20	1701509	1	Decal - Manual	
21	1702300	8	Decal - Tie Down	
22	1701500	4	Decal - Lift	
23	1701529	4	Decal - Arrow	
24	3251243	1	Nameplate - 120V-60Hz	
25	0860520	1	Box, Manual Storage	
26	4751400	4	Washer, 1/4	
27	3311405	4	Nut, Lock 1/4	
28	3820001	2	Rivet	
29	1703983	1	Decal - Footswitch	
38	1701499	6	Decal - No Lift	
40	1704412	1	Decal - Hydraulic Oil Chart	
43	0641406	4	Bolt, 1/4 x 3/4	
44	1705910	1	Decal - Drive/Steer Instruction	
54	1703941	2	Decal - Warning Crushing	
57	1001224049	1	Decal - Yearly Inspection (Not Shown)	
58	1001223453	1	Decal - ICES	

# SECTION 9 - DECAL

## FIGURE 9-17. DECAL INSTALLATION - LATIN AMERICAN SPEC (DUAL LANGUAGE - ENGLISH/SPANISH) (460SJ)



ART\_1001242566

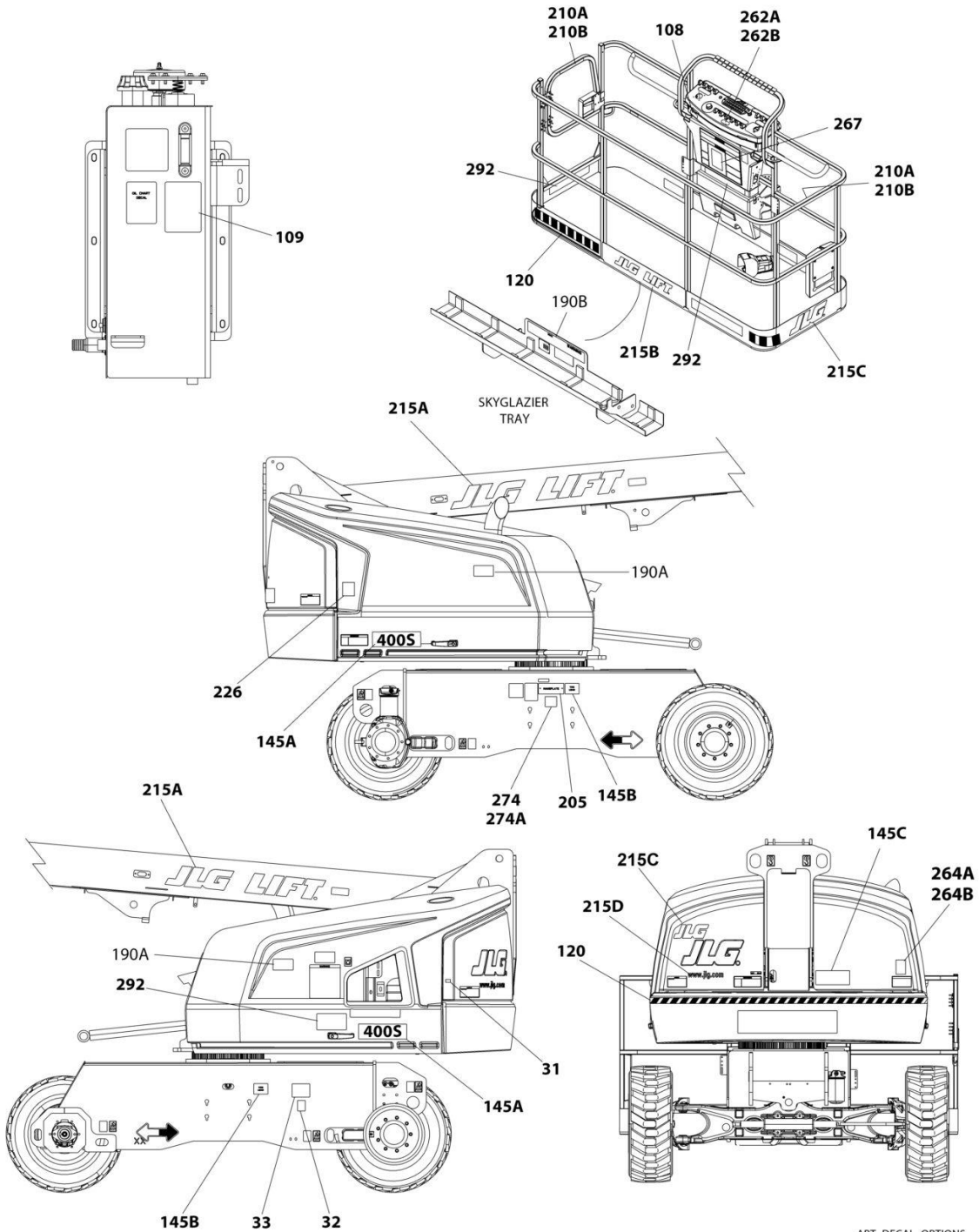
**SECTION 9 - DECAL**

**FIGURE 9-17. DECAL INSTALLATION - LATIN AMERICAN SPEC (DUAL LANGUAGE - ENGLISH/SPANISH) (460SJ)**

ITEM	PART NUMBER	QTY	DESCRIPTION	REV
	1001250764	Ref	DECAL INSTALLATION - REFERENCE CHART	J
	1001242566	Ref	DECAL INSTALLATION - LATIN AMERICAN SPEC (DUAL LANGUAGE - ENGLISH/SPANISH)	D
1	1703923	1	Decal - Danger/Warning (Platform)	
2	1703929	1	Decal - Danger/Warning (Ground Control)	
3	1703935	3	Decal - Danger/Electrocution	
4	1703947	3	Decal - Warning Crushing	
11	1704001	2	Decal - No Hands	
13	1001254755	2	Decal - Warning Dual Capacity	
16	1701504	1	Decal - Hydraulic Oil	
17	See Note	NSS	Decal - Bar Code (Note: Not Available for Purchase)	
20	1701509	1	Decal - Manual	
21	1702300	8	Decal - Tie Down	
22	1701500	4	Decal - Lift	
23	1701529	4	Decal - Arrow	
24	3251243	1	Nameplate - 120V-60Hz	
25	0860520	1	Box, Manual Storage	
26	4751400	4	Washer, 1/4	
27	3311405	4	Nut, Lock 1/4	
28	3820001	2	Rivet	
29	1703983	1	Decal - Footswitch	
38	1701499	6	Decal - No Lift	
40	1704412	1	Decal - Hydraulic Oil Chart	
43	0641406	4	Bolt, 1/4 x 3/4	
44	1705910	1	Decal - Drive/Steer Instruction	
54	1703941	2	Decal - Warning Crushing	
57	1001224049	1	Decal - Yearly Inspection (Not Shown)	
58	1001223453	1	Decal - ICES	

# SECTION 9 - DECAL

## FIGURE 9-18. DECAL INSTALLATION - OPTIONS





## SECTION 9 - DECAL

**FIGURE 9-18. DECAL INSTALLATION - OPTIONS**

ITEM	PART NUMBER	QTY	DESCRIPTION	REV
	1001171545	Ref	DECAL INSTALLATION - REFERENCE CHART	M
	1001245658	Ref	DECAL INSTALLATION - OPTIONS	A
31	1701505	1	Decal - Diesel Fuel	
31	1701542	1	Decal - Gas	
32	1701543	1	Decal - LPG	
33	1700818	1	Decal - LP Gas Liquid Withdrawal System (ANSI and CSA Spec)	
33	1704271	1	Decal - LP Gas Liquid Withdrawal System (CSA Spec)	
33	1702720	1	Decal - LP Gas Liquid Withdrawal System (ANSI Export and China Specs)	
33	1001119661	1	Decal - LP Gas Liquid Withdrawal System (ANSI, ANSI Export and China Specs)	
108	1001231801	1	Decal - Proposition 65 (Diesel Machines) (USA Built Machines)	
109	1702788	1	Decal - Biodegradeable Hydraulic Fluid (All Specs except German Spec)	
109	1703479	1	Decal - Biodegradeable Hydraulic Fluid (German Spec)	
109	1704174	1	Decal - SYN Biodegradeable Hydraulic Fluid (All Specs except German Spec)	
109	1704175	1	Decal - SYN Biodegradeable Hydraulic Fluid (German Spec)	
120	1001178415	Ref	Warning Strip Installation (Not Shown)	A
120	4420051	14.5 ft /4.42m	Tape, Safety	
145	1001174349	Ref	Decal - Model Designation (Not Shown) (400S)	B
145	1001174350	Ref	Decal - Model Designation (Not Shown) (460SJ)	B
145A	1704472	2	Decal - Model (400S)	
145A	1704473	2	Decal - Model (460SJ)	
145B	1001195745	2	Decal - Max Tire Load (400S)	
145B	1001195746	2	Decal - Max Tire Load (460SJ)	
145C	1001177451	1	Decal - Lift Diagram	
190	1001172570	Ref	Decal - SkyGlazier Installation (ANSI AND CSA Specs) (English Decals)	C
190	1001172571	Ref	Decal - SkyGlazier Installation (ANSI Export Specs) (Spanish Decals)	B
190	1001172572	Ref	Decal - SkyGlazier Installation (ANSI Export Specs) (Portuguese Decals)	B
190	1001172620	Ref	Decal - SkyGlazier Installation (Australian Specs) (Australian Decals)	C
190A	1705358	2	Decal - SkyGlazier	
190B	1001199035	2	Decal - SkyGlazier Capacity (ANSI and CSA Specs) (English)	
190B	1001172564	2	Decal - SkyGlazier Capacity (ANSI Export Specs) (Spanish)	
190B	1001172565	2	Decal - SkyGlazier Capacity (ANSI Export Specs) (Portuguese)	
190B	1001199036	2	Decal - SkyGlazier Capacity (Australian Specs) (Australian)	
205	See Note	NSS	Nameplate - Serial Number (Note: Not Available for Purchase)	
210A	1702868	2	Decal - No Hands	
210B	1704000	2	Decal - No Hands	
215	1001178433	Ref	Decal Installation - JLG Logo (Not Shown) (All Specs except Australian and CE Specs)	A
215A	1702861	2	Decal - JLG	
215B	1702774	1	Decal - JLG	
215C	1702773	1	Decal - JLG	
215D	1704885	1	Decal - Website	
215	1001243700	Ref	Decal Installation - JLG Logo (Not Shown) (Australian Specs)	
215A	1702861	2	Decal - JLG	

## SECTION 9 - DECAL

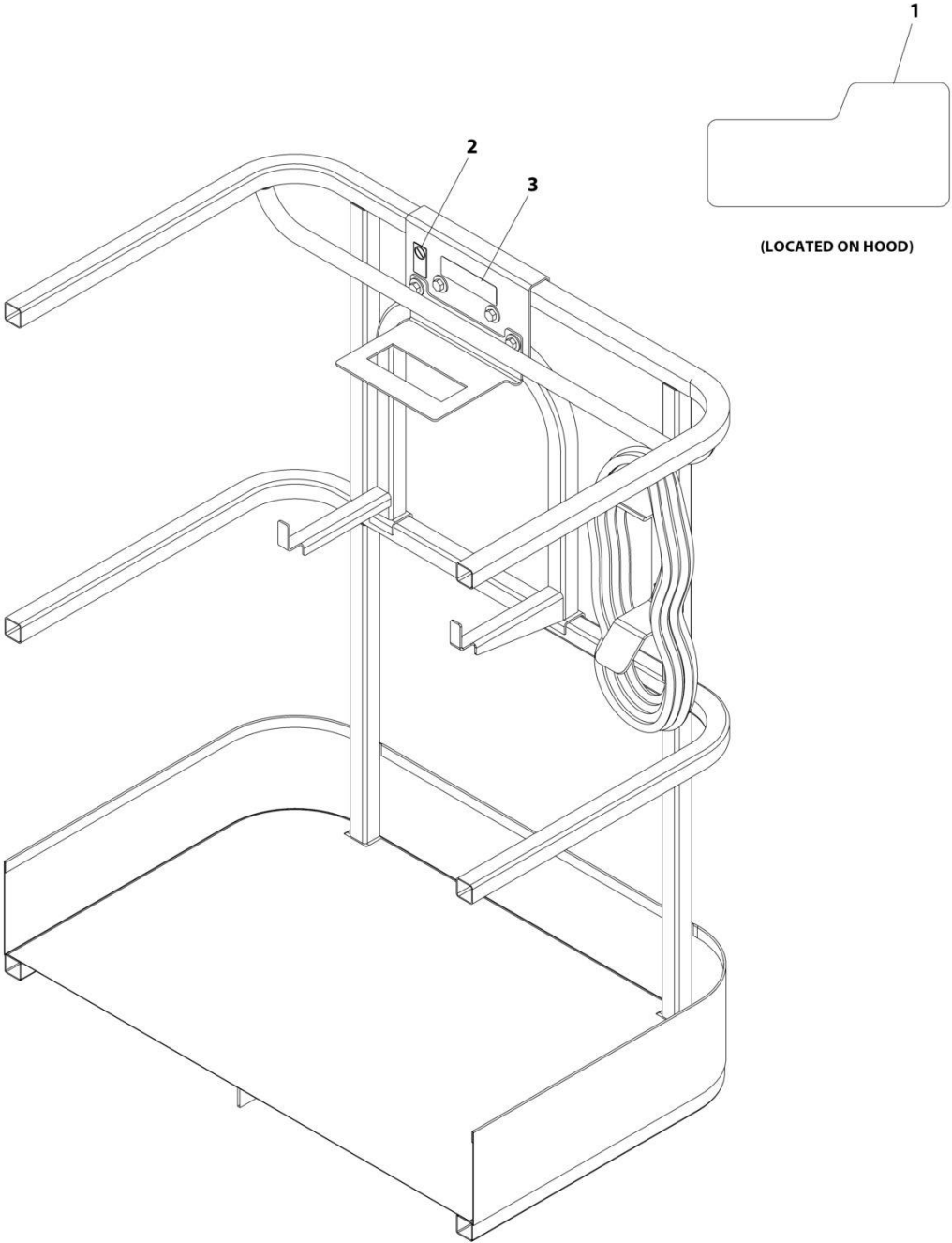
ITEM	PART NUMBER	QTY	DESCRIPTION	REV
215B	1702774	1	Decal - JLG	
215C	1702773	2	Decal - JLG	
215D	1704885	1	Decal - Website	
215	1001243699	Ref	Decal Installation - JLG Logo (Not Shown) (CE Specs)	
215C	1702773	1	Decal - JLG	
226		Ref	Decal - Warning Explosion/Fire (Diesel Machines Only)	
226	1704972	1	Decal - Warning Explosion/Fire (ANSI and CSA Spec)	
226	1706064	1	Decal - Warning Explosion/Fire (CSA Spec - Dual Language English/French)	
226	1706098	1	Decal - Warning Explosion/Fire Australian and CE Specs)	
226	1706059	1	Decal - Warning Explosion/Fire (Brazil Spec - Dual Language English/Portuguese)	
226	1706060	1	Decal - Warning Explosion/Fire (Chinese Spec - Dual Language English/Chinese)	
226	1706061	1	Decal - Warning Explosion/Fire (Korean Spec - Dual Language English/Korean)	
226	1706062	1	Decal - Warning Explosion/Fire (Japanese Spec - Dual Language English/Japanese)	
226	1706063	1	Decal - Warning Explosion/Fire (Latin American - Dual Language English/Spanish)	
253	1001143852	1	Decal - Emission Compliance (Machines with Diesel Engines) (ANSI Export, Australian, CE and China Specs) (Not Shown)	
262A	1001141300	Ref	Decal - SkyGuard Override	
262B	1001141302	Ref	Decal - SkyGuard/Soft Touch Override	
264A	1001204510	Ref	Decal - Sound Power Level (Deutz D2011 Engines) (CE Specs)	
264B	1001130492	Ref	Decal - Sound Power Level (Deutz D2011 (Stage V) Engines) (CE Specs)	
267	1001200128	Ref	Decal - Quick Start Guide (CE Spec) (French Decal) (For LOXAM Rentals Only)	
267	1001200129	Ref	Decal - Quick Start Guide (CE Spec) (Dutch Decal) (For LOXAM Rentals Only)	
267	1001200130	Ref	Decal - Quick Start Guide (CE Spec) (German Decal) (For LOXAM Rentals Only)	
267	1001200131	Ref	Decal - Quick Start Guide (CE Spec) (Danish Decal) (For LOXAM Rentals Only)	
267	1001200132	Ref	Decal - Quick Start Guide (CE Spec) (Swedish Decal) (For LOXAM Rentals Only)	
267	1001200133	Ref	Decal - Quick Start Guide (CE Spec) (Spanish Decal) (For LOXAM Rentals Only)	
267	1001200134	Ref	Decal - Quick Start Guide (CE Spec) (Norwegian Decal) (For LOXAM Rentals Only)	
267	1001181145	Ref	Decal - Quick Start Guide (CE Spec) (English Decal) (For LOXAM Rentals Only)	
274	1001214029	1	Decal - EAC Installation (CIS and Russia Specs)	
274A	1001173703	1	Decal - EAC	
292	1001171335	1	Decal - Dual Capacity (ANSI Spec)	
292	1001171337	1	Decal - Max Capacity (ANSI Spec)	
292	1001171359	1	Decal - Dual Capacity (Brazil Spec - Dual Language Portuguese/Spanish)	
292	1001171361	1	Decal - Max Capacity (Brazil Spec - Dual Language Portuguese/Spanish)	
292	1001171355	1	Decal - Dual Capacity (Chinese Spec - Dual Language English/Chinese)	
292	1001171357	1	Decal - Max Capacity (Chinese Spec - Dual Language English/Chinese)	

**SECTION 9 - DECAL**

<b>ITEM</b>	<b>PART NUMBER</b>	<b>QTY</b>	<b>DESCRIPTION</b>	<b>REV</b>
292	1001171351	1	Decal - Dual Capacity (CSA Spec - Dual Language English/French)	
292	1001171353	1	Decal - Max Capacity (CSA Spec - Dual Language English/French)	
292	1001171345	1	Decal - Dual Capacity (Korean Spec - Dual Language English/Korean)	
292	1001171347	1	Decal - Max Capacity (Korean Spec - Dual Language English/Korean)	
292	1001171349	1	Decal - Dual Capacity (Latin American - Dual Language English/Spanish)	
292	1001171337	1	Decal - Max Capacity (Latin American - Dual Language English/Spanish)	
292	1001171341	1	Decal - Dual Capacity (Japanese Spec - Dual Language English/Japanese)	
292	1001171343	1	Decal - Max Capacity (Japanese Spec - Dual Language English/Japanese)	

**SECTION 9 - DECAL**

**FIGURE 9-19. SKYWELDER DECAL INSTALLATION - 50HZ (ANSI EXPORT SPECS)**



ART\_0272588

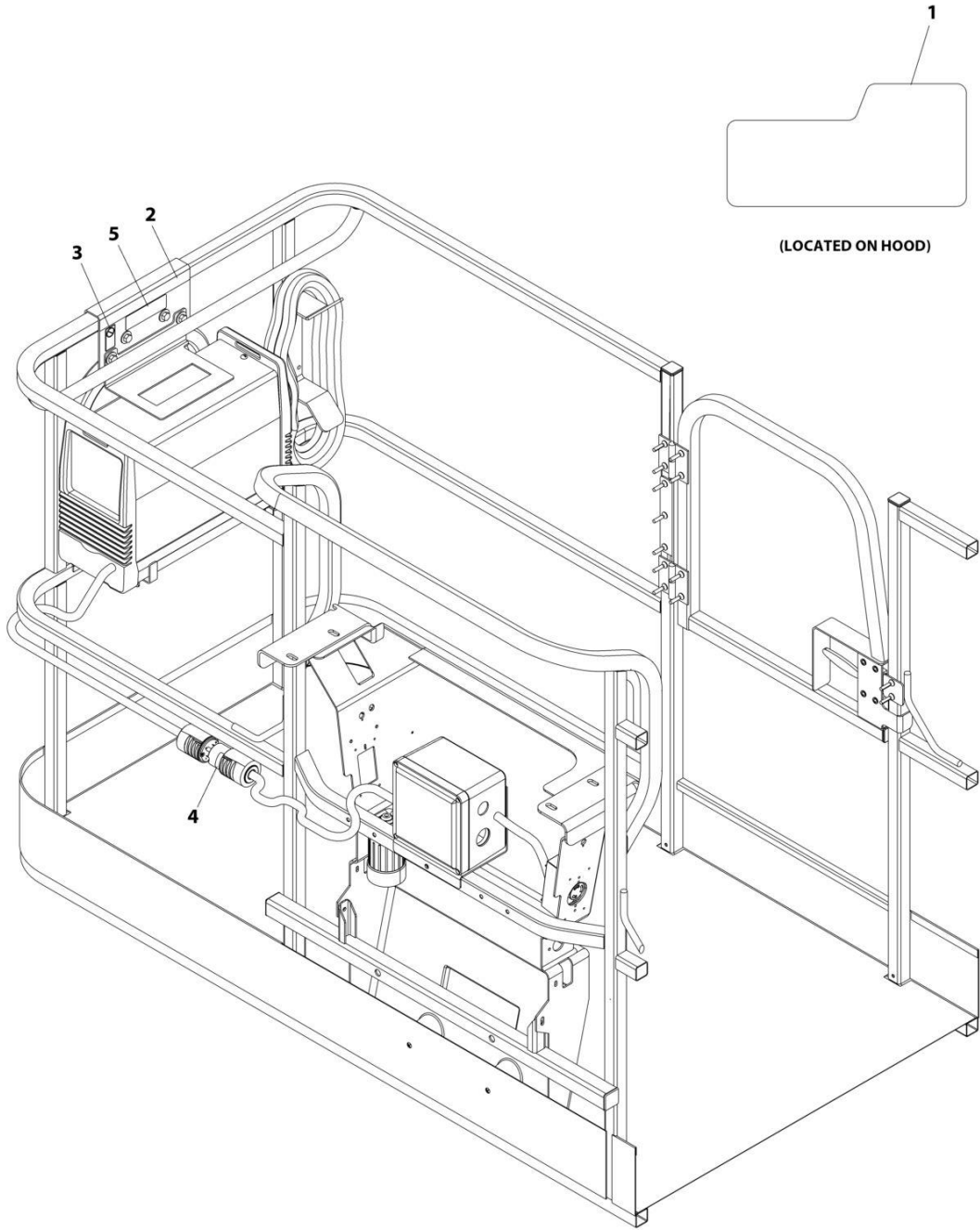
**SECTION 9 - DECAL**

**FIGURE 9-19. SKYWELDER DECAL INSTALLATION - 50HZ (ANSI EXPORT SPECS)**

<b>ITEM</b>	<b>PART NUMBER</b>	<b>QTY</b>	<b>DESCRIPTION</b>	<b>REV</b>
	0272588	Ref	SKYWELDER DECAL INSTALLATION - 50Hz	B
1	1705355	2	Decal - SkyWelder	
2	1705305	1	Decal - Weld Lead	
3	1001228988	1	Decal - Weight	

# SECTION 9 - DECAL

FIGURE 9-20. SKYWELDER DECAL INSTALLATION - 60HZ (ANSI EXPORT SPECS) (PVC 2001)



ART\_0272448

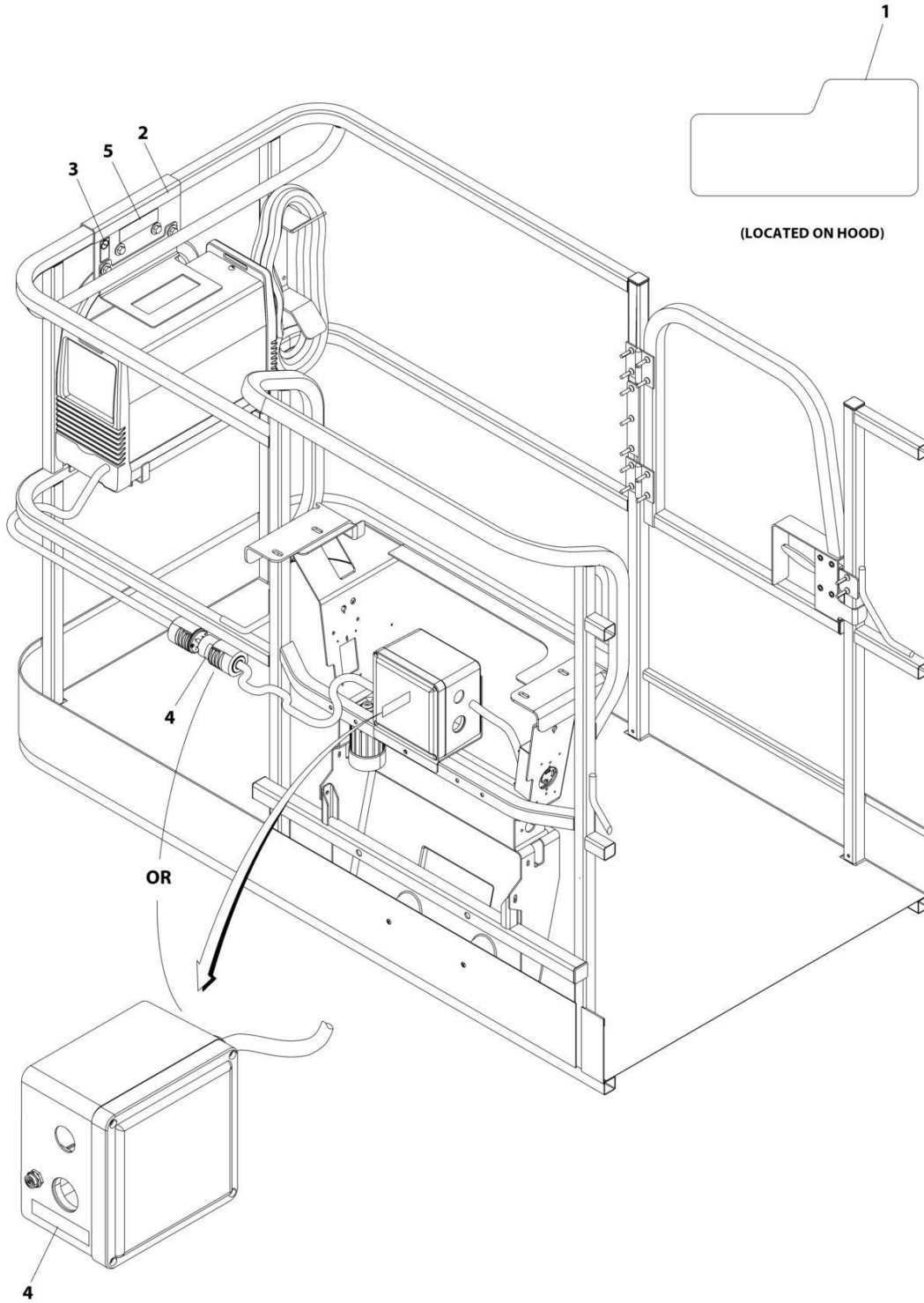
**SECTION 9 - DECAL**

**FIGURE 9-20. SKYWELDER DECAL INSTALLATION - 60HZ (ANSI EXPORT SPECS) (PVC 2001)**

<b>ITEM</b>	<b>PART NUMBER</b>	<b>QTY</b>	<b>DESCRIPTION</b>	<b>REV</b>
	0272448	Ref	SKYWELDER DECAL INSTALLATION - 60Hz	B
1	1705355	2	Decal - SkyWelder	
2	1702868	1	Decal - No Hands	
3	1705305	1	Decal - Weld Lead	
4	1705375	1	Decal - 240V - 3 Phase - 60Hz	
5	1001228988	1	Decal - Weight	

# SECTION 9 - DECAL

FIGURE 9-21. SKYWELDER DECAL INSTALLATION - 60HZ (ANSI EXPORT SPECS) (PVC 2007)



ART\_0272448\_C



**SECTION 9 - DECAL**

**FIGURE 9-21. SKYWELDER DECAL INSTALLATION - 60HZ (ANSI EXPORT SPECS) (PVC 2007)**

ITEM	PART NUMBER	QTY	DESCRIPTION	REV
	0272448	Ref	SKYWELDER DECAL INSTALLATION - 60Hz	C
1	1705355	2	Decal - SkyWelder	
2	1702868	1	Decal - No Hands	
3	1705305	1	Decal - Weld Lead	
4	1705375	1	Decal - 240V - 3 Phase - 60Hz	
5	1001228988	1	Decal - Weight	



## **SECTION 10 - RECOMMENDED SERVICE PARTS STOCK**

## **SECTION 10 - RECOMMENDED SERVICE PARTS STOCK**

# SECTION 10 - RECOMMENDED SERVICE PARTS STOCK

FIGURE 10-1. RECOMMENDED SERVICE PARTS STOCK

ITEM	PART NUMBER	QTY	DESCRIPTION	REV
		Ref	Note: The following list will service one machine (built to current production per date on the front cover) with emergency repair parts which can be installed in the field. Parts from the list should be replaced when inventory is depleted to keep service parts stock supplied. For further information, contact your JLG dealer or the JLG Industries Parts Department.	
		Ref	STANDARD PARTS	
	70010383	1	Element, Filter Charge Pump (Includes O-Ring)	
	70002386	1	Coil	
	70003788	1	Coil	
	70005219	1	Coil	
	70003614	1	Filter Kit (Includes Hydraulic Element, Breather Element and Gasket)	
	3740067	1	Relay	
	4360328	1	Switch, Toggle	
	4360475	1	Switch, Emergency Stop	
	4360476	1	Switch, Contact Block	
	1001155045	1	Switch, Toggle	
	4360469	1	Keypad	
	2860030	1	Key, Replacement	
	4360387	1	Switch, Push Button	
	4360407	1	Switch, Potentiometer	
	8229244	2	Fuse - 15Amp	
	8229242	2	Fuse - 5Amp (Deutz 2.9L4 Engines)	
	1001196634	2	Fuse - 2Amp	
	1001095704	1	Relay 35Amp	
		Ref	VARIABLE PARTS	
	1001170094	1	Module, Ground Control	
	1001142683	1	Module, Beacon Light Control (Blue & Red Beacon Lights)	
	70003783	12	Element, Air Cleaner (Deutz 2.9L4 and Deutz D2011 Engines)	
	7016331	12	Filter, Oil (Deutz Engines)	
	7020023	12	Filter, Fuel (Deutz D2011 and Deutz D2011 (Stage V) Engines)	
	70003463	12	Filter, Fuel - RME Resistant (Deutz D2011 and Deutz D2011 (Stage V) Engines)	
	70023592	2	Fuse - 20Amp (Deutz 2.9L4 Engines)	
	70023593	2	Fuse - 30Amp (Deutz 2.9L4 Engines)	
	1001117308	1	Relay (Deutz 2.9L4 Engines)	
	70025153	12	Filter, Fuel (Deutz 2.9L4 Engines)	
	70025161	12	Filter, Fuel (Deutz 2.9L4 Engines)	
	70025210	1	Module, ECU (Deutz 2.9L4 Engines)	
	1001161710	1	Switch, Toggle (Kubota Engines)	
	70004020	12	Element, Air Cleaner (Kubota Engines)	
	70006023	12	Filter, Oil (Kubota Engines)	
	70006061	1	Module, ECU (Kubota Engines)	
	7017992	12	Filter, Fuel (Kubota Engines)	
	3740080	1	Relay (Machines with 2500W Generator)	
	4360336	1	Switch, Toggle (Generator Option)	
	1001247468	1	Load Cell (LSS)	
	70006255	1	Repair Section (Power Track) (400S)	
	70002011	1	Repair Section (Power Track) (USA Built Machines) (460SJ)	

## SECTION 10 - RECOMMENDED SERVICE PARTS STOCK

ITEM	PART NUMBER	QTY	DESCRIPTION	REV
	70005106	1	Repair Section (Power Track) (USA Built Machines) (460SJ)	
	70006255	1	Repair Section (Power Track) (Romanian Built Machines) (460SJ)	
	1001170847	1	Sensor, Proximity	
	1001182570	1	Sensor, Proximity	
	2940074	1	Latch (Machines with Gate)	
	1001117174	1	Footswitch	
	1001157196	1	Module, Platform Control	
	1001159256	1	Switch, Toggle	
	1001161709	1	Switch, Toggle	
	1001212415	1	Controller Assembly (Drive and Steer)	
	1001129555	1	Controller Assembly (Lift and Swing)	
	1001211363	1	Switch, Toggle	
	1001228224	1	Sensor, Receiver (SkyEye)	
	1001228225	1	Sensor, Emitter (SkyEye)	
	1001137673	1	Switch Bar Assembly (SkyGuard)	
	1001232667	1	Sensor, Proximity (SkyLine)	
	4360057	1	Switch, Limit (Soft Touch Option)	
	1001225346	1	Switch (Battery Disconnect Option)	
	1001181045	1	Breaker, 30mA/16 Amp (CE Specs)	
	1001189172	1	Breaker 16Amp Double (CE Specs)	
	1001189171	1	Breaker 30mAmp (CE Specs)	
	80983191	2	Fuse - 10Amp (Deutz 2.9L4 Engines)	
	2400082	1	Fuse - 40 Amp (Kubota Engines)	
	8229245	2	Fuse 30Amp (Machines with 2500W Generator)	
	1001186431	1	Relay, Micro 35Amp (SkyGuard)	
	3740086	1	Relay (SkyLine)	
	3990013	2	Diode (SkyLine)	



**SECTION 11 - SPECIAL OPTIONS**

## SECTION 11 - SPECIAL OPTIONS

FIGURE 11-1. SPECIAL OPTIONS

ITEM	PART NUMBER	QTY	DESCRIPTION	REV
		Ref	Note: This list is to accommodate machines ordered with special equipment. Options may not be applicable to all models. For more specific parts information contact JLG Parts Department.	
		Ref	MISCELLANEOUS SPECIAL OPTIONS	
	1001174347	Ref	Airline Installation (400S)	
	1001174348	Ref	Airline Installation (460SJ)	
	1001204996	Ref	Arctic Package with SkyPower Installation Kit (400S)	
	1001204997	Ref	Arctic Package without SkyPower Installation Kit (400S)	
	1001205008	Ref	Arctic Package with SkyPower Installation Kit (460SJ)	
	1001205009	Ref	Arctic Package without SkyPower Installation Kit (460SJ)	
	2915102	Ref	Bearing Kit	
	1001171499	Ref	Boom and Chassis Bellows Installation (400S)	
	1001171500	Ref	Boom and Chassis Bellows Installation (460SJ)	
	1001206437	Ref	Boom Wear Pad Kit	
	1001172630	Ref	Boom Wiper Installation	
	1001172045	Ref	Cable Carrier Tray Installation (Australian Specs) (460SJ)	
	1001243183	Ref	ClearSky (Telematics) Added-on-Kit (Dealer Installed) (ANSI, ANSI Export, CSA and CE Specs)	
	1001243184	Ref	ClearSky (Telematics) Added-on-Kit (Dealer Installed) (CE Specs)	
	1001242639	Ref	ClearSky (Telematics) Access Control Installation (Dealer Installed) (ANSI, ANSI Export, CSA and CE Specs)	
	1001227453	Ref	ClearSky 4G Installation (ANSI, ANSI Export, Australian, CE, CE (LRC) and CSA Specs)	
	1001246457	Ref	ClearSky 4G Installation (China Specs)	
	1001228955	Ref	ClearSky 3G Installation (ANSI Export and CE (LRC) Specs)	
	1001246456	Ref	ClearSky 3G Installation (Australian Specs)	
	1001229107	Ref	ClearSky (Telematics) Installation (ANSI and CSA Specs)	
	1001233237	Ref	ClearSky Installation (ANSI Export, CE and CE (LRC) Specs)	
	1001183207	Ref	Cold Weather Package - Deutz D2011 Engines	
	1001183206	Ref	Cold Weather Package - Deutz D2.9L4 Engines	
	1001216914	Ref	Cold Weather Package - Kubota Engines	
	1001177840	Ref	Container/Transport Wheels Installation - 12 x 16.5 Tires	
	1001177841	Ref	Container/Transport Wheels Installation - 14 x 17.5 Tires	
	0272031	Ref	Container/Transport Wheels Installation - 33/16LI x 16.1 Foam Filled Sand Tires	
	1001177524	Ref	Cribbing Switch Installation (ANSI and CSA Specs)	
	1001178435	Ref	Decal - ClearSky	
	1001241339	Ref	Decal Kit - Platform (400S)	
	1001241340	Ref	Decal Kit - Platform Console Box	
	1001241341	Ref	Decal Kit - Platform (460SJ)	
	1702868	Ref	Decal - No Hands (English Language) (Used with Mesh to Top Rail Platform)	
	1704000	Ref	Decal - No Hands (English and French Dual Language) (Used with Mesh to Top Rail Platform)	
	1001148902	Ref	Electrical Connector Kit - Amp/Tyco Electrical Connectors	
	1001148903	Ref	Electrical Connector Kit - Deutsch DT Electrical Connectors	
	1001148904	Ref	Electrical Connector Kit - Deutsch HD Electrical Connectors	
	1001148905	Ref	Electrical Connector Kit - Packard Electrical Connectors	
	1001148906	Ref	Electrical Connector Kit - Various Electrical Connectors	



## SECTION 11 - SPECIAL OPTIONS

ITEM	PART NUMBER	QTY	DESCRIPTION	REV
	1001214833	Ref	Engine Block Heater - Kubota Engines	
	1001253945	Ref	SkySense (EDS) Level 1 Booms Installation (Factory Installed) (PVC 2001)	
	1001253946	Ref	SkySense (EDS) Level 2 Booms Installation (Factory Installed) (PVC 2001)	
	1001250465	Ref	SkySense (EDS) Level 1 Booms Installation (Factory Installed) (PVC 2007)	
	1001250466	Ref	SkySense (EDS) Level 2 Booms Installation (Factory Installed) (PVC 2007)	
	1001246867	Ref	SkySense (EDS) Level 1 (2 Bar) Installation Kit (Dealer Installed)	
	1001246860	Ref	SkySense (EDS) Level 2 (3 Bar) Installation Kit (Dealer Installed)	
	1001172751	Ref	Fan Cover Installation - Deutz D2.9L4 Engines/Deutz D2.9L4 Engines (Stage V)	
	1001204481	Ref	Filter Kit - Combined (Hydraulic Oil/Air & Engine Air/Fuel Oil) (Deutz D2011)	
	1001204482	Ref	Filter Kit - Combined (Hydraulic Oil/Air & Engine Air/Fuel Oil) (Deutz)	
	1001117294	Ref	Footswitch Shield Installation	
	1001206439	Ref	Hose Kit - Power Track (Upper) (400S)	
	1001206440	Ref	Hose Kit - Power Track (Upper) (460SJ)	
	1001241396	Ref	Hostile Environment Kit (400S)	
	1001241402	Ref	Hostile Environment Kit (460SJ)	
	1001236496	Ref	Hydraulic Load Kit (Deutz D2011 Stage V and Deutz 2.9L4 Engines) (ANSI AND CSA Specs)	
	1001174926	Ref	Lights Installation - Chassis Illumination	
	1001174925	Ref	Lights Installation - Headlights and Taillights	
	1001120466	Ref	Lights Installation - Platform Worklights	
	1001202749	Ref	Lockable Fuel Cap Cover - Black	
	1001191395	Ref	Lockable Fuel Cap Cover - Green (ANSI and ANSI Export Specs)	
	1001191394	Ref	Lockable Fuel Cap Cover - Red (ANSI and ANSI Export Specs)	
	1001183407	Ref	Low Temperature Cutout Installation (Russian Specs)	
	1001173664	Ref	Oil Cooler Installation - Deutz D2011 Engines	
	1001164493	Ref	Oil Cooler Installation - Deutz D2.9L4 Engines/Deutz D2.9L4 Engines (Stage V)	
	1001216552	Ref	Oil Cooler Installation - Kubota Engines	
	1580013	Ref	Platform Corner Storage Tray	
	1001110974	Ref	Platform Cover Installation - Clear	
	1001195304	Ref	Platform Cover Installation - Steel	
	1001219794	Ref	Platform Hose and Cable Protection (400S)	
	1001258715	Ref	Platform Hose and Cable Protection (460SJ)	
	1001138773	Ref	Platform Mesh to Midrail Installation - 36 x 96 Platforms	
	0273149	Ref	Platform Mesh to Toprail Installation - 36 x 72 Platforms	
	0273145	Ref	Platform Mesh to Toprail Installation - 36 x 96 Platforms	
	0272733	Ref	Platform Rail Extension Installation - 36 x 72 Platforms	
	0272725	Ref	Platform Rail Extension Installation - 36 x 96 Platforms	
	1001247073	Ref	SkyEye Retrofit Kit	
	1001203510	Ref	SkyGuard Kit, Without Beacon	
	1001203512	Ref	SkyGuard Kit, With Beacon	
	1001232643	Ref	SkyLine Kit	
	1001178951	Ref	Strobe Light Installation - Platform Mounted (Amber)	
	1001177570	Ref	Strobe Light Installation - Platform/Ground Mounted (Amber)	
	1001231235	Ref	Sky Welder Locking Bracket	
	2901443	Ref	Tools - Analyzer Kit	

## SECTION 11 - SPECIAL OPTIONS

ITEM	PART NUMBER	QTY	DESCRIPTION	REV
	1001137005	Ref	Tools - Cable Kit, Software	
	7002821	Ref	Tools - Crimper, Wire	
	7002823	Ref	Tools - Pin Extractor - Universal (For Electrical Connectors with Pins and Sockets)	
	4460510	Ref	Tools - Pin Extractor - 12-14 Gauge (For Removal of Pin/Sockets from Deutsch Connectors)	
	4460467	Ref	Tools - Pin Extractor - 16-18 Gauge (For Removal of Pin/Sockets from Deutsch Connectors)	
	7016654	Ref	Tools - Screwdriver, Magnetic	
	7002822	Ref	Tools - Screwdriver, Potentiometer	
	7004275	Ref	Tools - Seal Tool 1 (For Cylinders)	
	7004276	Ref	Tools - Seal Tool 1-1/2 (For Cylinders)	
	7002828	Ref	Tools - Stripper, Wire	
	1001236496	Ref	Wet Stacking Prevention Kit	
	1001209059	Ref	Work Surface Installation	

**PART NUMBER INDEX**

## SECTION 11 - SPECIAL OPTIONS

0080201.....298, 312	0272588 ..... 733	0641616 ... 351, 355, 359,	0731005 89, 91, 101, 103,
0080231 ..... 186, 198, 212	0272589 .... 369, 373, 388	363, 367, 371, 375,	105, 479
0100009.....461	0272725 ..... 745	379, 387	0741606....228, 234, 248,
0100011.... 17, 19, 21, 23,	0272733 ..... 745	0641772 .... 339, 343, 347	254, 272
25, 49, 51, 61, 63, 87,	0273145 ..... 745	0641812 ... 183, 195, 209,	0741607.... 351, 355, 359,
95, 97, 101, 103, 105,	0273149 ..... 745	225, 245, 269, 295, 309	363, 379, 387
109, 127, 129, 144,	0273380 .... 377, 381, 385	0642012 ..... 489	0741608.....383
148, 152, 155, 157,	0274661 ..... 501	0642212 ..... 489	0760415.....417
159, 161, 164, 167,	0275216 ..... 567, 665	0681608 .... 236, 256, 419	0760605.....298, 312
169, 179, 183, 186,	0275217 ..... 571, 667	0681620 ... 503, 505, 507,	0760606....298, 312, 351,
191, 195, 198, 206,	0275452 ..... 573, 669	509	355, 359, 363, 367,
209, 212, 221, 225,	0275453 ..... 575, 671	0681810 ..... 25	371, 375, 379, 387
228, 234, 241, 245,	0275454 ..... 583, 673	0681814 ..... 435	0760607....230, 236, 250,
248, 254, 265, 269,	0360406 ..... 55	0681822 ..... 435	256, 272
272, 283, 291, 295,	0363019 ..... 53, 55	0682014 ..... 23, 25	0760608.... 164, 167, 169,
298, 305, 309, 312,	0400075 ..... 95, 97	0682026 ..... 81	298, 312, 339, 343, 347
335, 337, 339, 343,	0440162 ... 179, 191, 206,	0682040 ..... 55	0760610 95, 97, 105, 107,
347, 351, 355, 359,	221, 241, 265, 291, 305	0682424 ... 503, 505, 507,	109, 155, 157, 159,
363, 367, 371, 375,	0440240 ..... 81	509	161, 179, 186, 191,
379, 383, 387, 397,	0440271 ..... 21	0700408 ... 565, 567, 569,	198, 206, 212, 222,
399, 401, 403, 405,	0480100 ..... 499, 501	571, 573, 575, 577,	228, 234, 241, 248,
411, 413, 415, 417,	0480122 ..... 339	579, 581, 583, 585	254, 265, 272, 292,
419, 429, 431, 433,	0480126 .... 351, 367, 371	0700610 .... 180, 192, 207	298, 305, 312, 329,
443, 445, 447, 449,	0480128 ..... 355, 375	0700612 ..... 105	331, 333, 351, 355,
451, 453, 455, 457,	0480129 ..... 384	0700614 .... 179, 191, 206	359, 363, 367, 371,
479, 481, 483, 487,	0561237 ..... 619, 621	0700619 .... 534, 542, 550	375, 379, 383, 387, 591
491, 493, 495	0630462 ..... 479, 481	0700620 ... 107, 619, 621,	0760612.... 101, 103, 107,
0100019....23, 25, 75, 81,	0630518 .... 491, 493, 495	625, 629	298, 312
343, 351, 355, 359,	0630534 ..... 519	0700810 ..... 298, 312	0760613....221, 241, 265
363, 367, 371, 375,	0630563 ... 613, 615, 617,	0700814 ..... 298, 312	0760614.... 155, 157, 159,
379, 387	619, 621, 623, 625,	0700815 ..... 298, 312	161, 167, 169, 187,
0100020.....57, 179, 186,	627, 629	0700816 ..... 300, 314	199, 213, 351, 363, 605
191, 198, 206, 212,	0630568 ..... 461	0700817 ... 179, 191, 206,	0760615..... 139, 141
221, 228, 234, 235,	0630613 ... 144, 148, 152,	221, 241, 265, 291, 305	0760619.....558
241, 248, 254, 265,	164	0700818 ... 355, 359, 367,	0760808....228, 234, 248,
272, 291, 298, 305,	0641404 ..... 487	371, 375, 379, 383, 387	254, 274, 298, 312
312, 471, 565, 567,	0641405 ..... 461, 487	0700819 ..... 383	0760810....230, 236, 250,
569, 571, 573, 575,	0641406 ... 459, 477, 695,	0700821 ... 179, 191, 206,	256, 272, 419
577, 579, 581, 583, 585	697, 699, 701, 703,	221, 241	0760812....228, 234, 248,
0100035 89, 91, 131, 285,	705, 707, 709, 711,	0700822 ..... 265	254, 272, 291, 298,
461, 473, 475	713, 715, 717, 719,	0701016 .... 300, 314, 383	305, 312, 329, 331,
0100048....137, 339, 343,	721, 723, 725, 727	0701017 .... 221, 241, 265	333, 339, 343, 351,
347, 351, 355, 359,	0641408 ..... 459	0701018 ..... 89, 91	356, 360, 368, 372,
363, 367, 371, 375,	0641410 ... 155, 157, 159,	0701020 89, 91, 403, 405	376, 380, 593
379, 383, 387, 461	161, 167, 169	0701216 ..... 298, 312	0760814.... 186, 198, 212,
0100079....351, 355, 359,	0641414 ... 461, 479, 481,	0701217 ..... 17	228, 234, 248, 254,
367, 371, 375, 379, 383	483	0701219 ..... 335, 337	272, 298, 312, 347,
0100081.... 186, 198, 212,	0641416 ... 565, 567, 569,	0701220 ..... 87	383, 613, 617, 621,
228, 234, 248, 254,	571, 573, 575, 577,	0701222 ..... 399, 401	625, 629
272, 300, 314, 489,	579, 581, 583, 585	0701223 ..... 335, 337	0760815.... 186, 198, 212,
613, 615, 617, 619,	0641418 ... 431, 433, 443,	0701224 ... 298, 312, 335,	230, 236, 250, 256,
621, 623, 625, 627, 629	445, 447, 449, 451,	347, 383	272, 298, 312
0140011 ..... 461	453, 455, 457, 623, 625	0701617 ..... 21	0760816.....53, 144, 148,
0140043 ..... 107	0641420 ..... 429	0701618 ..... 75	152, 164, 300, 314
0181949.....57	0641504 .... 53, 179, 191,	0701619 .... 391, 393, 395	0761009.... 339, 411, 413
0200048.....479, 481	206, 222, 241, 265,	0711214 ... 228, 234, 248,	0761010.....61, 63
0257728.....499	291, 305, 615, 621,	254, 272	0761011..... 19, 21
0270022.....563	623, 625, 627, 629	0711220 ..... 19, 21	0761012....23, 25, 95, 97,
0270092.....43	0641507 ... 339, 343, 347	0711224 ... 186, 198, 212,	144, 148, 152, 155,
0270653.....45	0641514 ..... 499, 501	228, 234, 248, 254,	157, 159, 161, 164,
0271998.....47	0641604 ..... 619	272, 339, 343, 347,	331, 397, 403, 405,
0272031.....744	0641606 .... 491, 493, 495	351, 355, 359, 363,	411, 413
0272254.....493	0641608 ..... 403, 405	367, 371, 375, 379,	0761014 89, 91, 101, 103,
0272427 .....481	0641610 .... 283, 285, 459	383, 387	105, 144, 148, 152,
0272435....377, 381, 385	0641612 ..... 53, 57	0711629 ..... 21	164, 167, 169, 171,
0272448.....735, 737		0721005 ..... 481	228, 234, 248, 254,
0272521 .....491		0721006 ..... 283, 285	265, 272, 291, 298,

## SECTION 11 - SPECIAL OPTIONS

305, 312, 339, 343, 419, 613, 615, 617, 619, 621, 623, 625, 627, 629	0961845 ... 429, 431, 433, 443, 445, 447, 449, 451, 453, 455, 457	1001111424..95, 97, 186, 198, 212, 229, 235, 249, 255	1001126364 ..... 633, 637, 641
076101561, 63, 179, 186, 191, 198, 206, 212, 221, 228, 234, 241, 248, 254, 265, 272, 291, 298, 305, 312, 343, 347, 403, 405	0961893 ..... 519	1001112551 ..... 699	1001126365 ..... 633, 637
0761016 ..... 83, 101, 103, 105, 228, 234, 248, 254, 272, 298, 312, 347, 417	0961947 ..... 403, 405	1001112612 ..... 595, 676	1001126391 ..... 633, 637, 641
0761018 ... 615, 617, 623, 625	0961948 ..... 19, 21	1001112796 ..... 595	1001126392 ..... 633, 637, 641
0761019 .... 397, 399, 401	0961950 ..... 17, 397, 399, 401, 517	1001113047 ..... 164	1001126485 ..... 642
0761210 ..... 53, 228, 234, 248, 254, 272	0961951 ... 186, 198, 212, 228, 234, 248, 254, 272, 298, 312, 397	1001113961 ..... 675	1001126487 ..... 642
0761212 ... 228, 234, 248, 254, 272, 359, 363, 379, 387	0962051 ..... 335, 337	1001116693 ..... 663	1001128527 ..... 495
0761214 ... 343, 347, 351, 355, 367, 371, 375, 383	0962270 ..... 435	1001116710 ..... 647	1001128556 ..... 495
0761215 ..... 87, 347, 383	0962292 ..... 21	1001116720 ..... 659	1001129555 ..... 741
0761216 ..... 419	0962335 ..... 403, 405	1001116725 ..... 675	1001129858 ..... 356
0761217 .... 397, 399, 401	0962336 ..... 519	1001116732 ..... 653	1001130492 ..... 730
0761218 .... 391, 393, 395	0962348 ..... 21, 399, 401	1001116734 ..... 653	1001131269 ..... 695, 697, 713, 715
0761615 ..... 17	0962520 ... 351, 355, 359, 363, 367, 371, 375, 379, 383, 387	1001116748 ..... 675	1001132195 ..... 186, 198, 212
0761620 ..... 75	1001001939 ..... 300	1001116763 ..... 675	1001132196 ..... 186, 198, 212
0771212 ... 222, 242, 265, 272	1001091102.57, 591, 605	1001116774 ..... 595	1001133714 ..... 634, 638, 642, 649
0771414 ... 186, 198, 212, 228, 234, 248, 254, 272, 339, 343, 351, 355, 359, 363, 367, 371, 375, 379, 387	1001091969 ..... 567	1001116808 ..... 595	1001133715 ..... 634, 638, 642, 649
0771416 ... 351, 355, 367, 371, 375	1001091970 ..... 571	1001116812 ..... 641	1001133956 ..... 633, 637, 642
0772018 ..... 75	1001091973 ..... 573	1001116952 ..... 633, 637, 641	1001134488 ..... 235, 249, 255
0811608 ..... 23	1001091974 ..... 575	1001116983 ..... 647	1001134543 ..... 75
0860038 ... 355, 359, 375, 379, 383, 563	1001091975 ..... 583	1001117057 ..... 653	1001135196 ..... 179, 191, 206, 221, 241, 265, 291, 305
0860520 ... 695, 697, 699, 701, 703, 705, 707, 709, 711, 713, 715, 717, 719, 721, 723, 725, 727	1001093382 ..... 95, 97	1001117106 ..... 633, 637, 641, 676	1001135650 ..... 634, 638, 642, 649
0861538 .... 375, 379, 383	1001095704 ..... 676, 740	1001117107 ..... 633, 637, 641	1001135651 ..... 634, 638, 642
0861572 .... 367, 371, 387	1001096070 ..... 351, 363, 609	1001117110 ..... 676	1001135679 ..... 343, 359, 363, 380
0861731 ... 577, 579, 581, 585, 669, 671, 673	1001097051 ..... 685, 687	1001117140 ..... 164	1001136834 ..... 229, 235, 249, 255, 273
0861781 ... 565, 569, 665, 667	1001097150 ..... 607, 609, 611	1001117172 ..... 471	1001137005 ..... 746
0861880 ..... 607, 609	1001098122 ..... 471, 663	1001117174 ..... 461, 471, 741	1001137032 ..... 397, 399, 401
0902733 ..... 53	1001098828 ..... 419	1001117294 ..... 745	1001137336 ..... 300, 314
0902734 ..... 53	1001098928 ..... 534, 550	1001117308 ..... 229, 235, 249, 255, 273, 740	1001137673 ..... 483, 741
0902888 ... 355, 359, 367, 371, 375, 379, 383, 387	1001099366 ..... 489	1001117372 ..... 513	1001138173 ..... 186, 198, 212, 229, 235, 249, 255, 273, 299, 313
0940049 ... 101, 103, 105, 144, 148, 152, 164	1001099367 ..... 489	1001118274 ..... 300	1001138175 ..... 186, 198, 212, 229, 235, 249, 255, 273, 299, 313
0940092 ..... 479, 481	1001099560 ..... 397, 399, 401	1001118378 ..... 675	1001138228 ..... 229, 235, 249, 255, 273
0940094 ..... 479, 481	1001100341 ..... 665	1001118384 ..... 681	1001138248 ..... 187, 199, 213, 229, 235, 249, 255, 273, 300, 314
0940102 ..... 489	1001100342 ..... 667	1001118388 ..... 659, 681	1001138494 ..... 429, 431, 433, 443, 445, 447, 449, 451, 453, 455
0940103 ..... 481	1001100345 ..... 669	1001118878 ..... 229, 235, 249, 255, 273	1001138514 ..... 429, 431, 433, 443, 445, 447, 451, 455
0940177 ..... 479	1001100346 ..... 673	1001118971 ..... 417	1001138565 ..... 351
	1001100347 ..... 671	1001118972 ..... 23, 25, 49, 51, 89, 91, 101, 103, 105, 292, 306	1001138566 ..... 352, 356, 359, 363
	1001101191 ..... 567, 571, 573, 575, 583	1001119020 ..... 595, 676	
	1001101196 ..... 567, 571	1001119032 ..... 675	
	1001101197 ..... 573, 575, 583	1001119278 ..... 191, 241, 305	
	1001103012 ..... 675	1001119619 ..... 683	
	1001104029 ..... 355, 359, 368, 372, 376, 380, 384, 387	1001119620 ..... 685, 687, 689, 691	
	1001104498 ..... 675	1001119661 ..... 729	
	1001104519 ..... 661	1001120328 ..... 107, 483, 487	
	1001106736 ..... 107	1001120466 ..... 745	
	1001107854 ..... 675	1001125387 ..... 222, 242	
	1001108256 ..... 479	1001125677 ..... 663, 676	
	1001110434 ..... 461	1001126009 ..... 681	
	1001110872 ..... 587, 589	1001126351 ..... 633, 637, 642	
	1001110873 ..... 355, 359, 376, 380, 384, 563	1001126362 ..... 633, 637, 641	
	1001110974 ..... 745	1001126363 ..... 633, 637, 641	

## SECTION 11 - SPECIAL OPTIONS

1001138773.....745	1001147813..... 300, 314	1001157521 ..... 369, 373, 377, 381, 385, 388	1001165363.....525
1001138795.....519	1001148059..... 364, 387	1001157525 ..... 368, 372, 387, 388	1001165388..... 187, 199, 213, 229, 235, 249, 255, 273
1001138827.....235, 249, 255	1001148138..... 344, 347	1001157528 ..... 369, 373, 377, 381, 385, 388	1001165389..... 187, 199, 213
1001139240.....229, 235, 249, 255	1001148641..... 180, 192, 207, 340, 343, 352, 356, 360, 364, 368, 372, 376, 380, 387	1001157592 ..... 376, 380, 384	1001165405.....229, 235, 249, 255, 273
1001139357.....352, 356	1001148675..... 587, 589	1001158007 ..... 369, 373, 377, 381, 385, 388	1001165406.....229, 235, 249, 255, 273
1001139384.....155, 157, 159, 161, 167, 169	1001148841..... 649	1001158008 ..... 356, 360, 369, 373, 377, 381, 385, 388	1001165531.....411
1001139586.....21	1001148842..... 649	1001158363 ..... 356, 360	1001165534.....411
1001139654.....265	1001148865..... 43	1001159118 ..... 587, 589	1001165538.....411
1001139819.....187, 198, 213	1001148866..... 43	1001159119 ..... 587, 589	1001165567.....403, 405
1001140312.....250, 256	1001148869..... 45	1001159120 ..... 587, 589	1001165721.....229, 235, 249, 255
1001140346.....360	1001148870..... 45	1001159121 ..... 589	1001165722.....229, 235, 249, 255, 273
1001140347.....363	1001148875..... 47	1001159162 ..... 107	1001165849.....229, 235, 249, 255, 273
1001140429.....429, 431, 433, 443, 445, 447, 449, 451, 453, 455, 457	1001148876..... 47	1001159256 ..... 461, 741	1001166000.....225, 228, 234
1001140535.....249	1001148902..... 744	1001159323 ..... 164, 701, 703	1001166001.....221, 225
1001140564.....235, 249, 255	1001148903..... 744	1001161709 ..... 461, 741	1001166002.....221
1001141300.....730	1001148904..... 744	1001161710 ..... 291, 305, 473, 740	1001166003.....241
1001141302.....730	1001148905..... 744	1001162335 ..... 222, 236, 242, 256, 283	1001166020..... 183, 186
1001141304.....229, 235, 249, 255, 273	1001148906..... 744	1001162531 ..... 61, 65	1001166021..... 179, 183
1001141694.....187, 198, 213, 229, 235, 249, 255, 273	1001149160..... 144, 148, 152, 164, 299, 313	1001162532 ..... 63, 69	1001166022..... 179
1001141870.....283, 285	1001149639..... 299, 313	1001162533 ..... 25, 41	1001166023..... 191
1001141995.....187, 198, 213, 229, 235, 249, 255, 273, 299, 313	1001149953..... 43, 45, 47	1001162537 ..... 61, 63, 73	1001166478.....53
1001142501.....222, 241, 265, 283, 285	1001150324..... 17, 101, 103, 105	1001162538 ..... 17	1001166538.....461, 465
1001142643.....360, 380	1001150326..... 17	1001162995 ..... 19, 21, 523	1001166539.....461, 467
1001142646.....360, 380	1001150918..... 192, 242, 305	1001163178 ..... 19, 21	1001166563..... 17
1001142683.....139, 141, 740	1001150998..... 187, 199, 213	1001163179 ..... 19, 21	1001166710..... 89, 91
1001142736.....139, 141, 595	1001151393..... 117, 119, 121, 123, 125	1001163385 ..... 391, 393, 395, 521	1001166717..... 187, 199, 213
1001142938.....634, 638, 641	1001152456..... 356, 360	1001163386 ..... 397, 399, 401, 515	1001166718..... 187, 199, 213, 229, 235, 249, 255, 273, 299, 313
1001142940.....634, 638, 641	1001152457..... 356, 360	1001163405 ..... 19, 21	1001166894.....335, 337
1001142941.....634, 638, 641	1001152483..... 611	1001163418 ..... 89	1001166921.....229, 235, 249, 255, 273
1001143390.....187, 198, 213, 229, 235, 249, 255, 273	1001152485..... 591, 611	1001163459 ..... 397	1001166922.....229, 235, 249, 255, 273
1001143797.....229, 235, 249, 255, 273	1001152489..... 229, 235, 249, 255, 273	1001163470 ..... 397	1001166924.....229, 235, 249, 255, 273
1001143852.....730	1001152525..... 356, 360, 368, 373, 377, 381, 385, 388	1001163482 ..... 393, 399	1001166970.....221, 242, 265
1001144116.....229, 235, 249, 255, 273	1001152530..... 356, 360	1001163483 ..... 399, 401	1001166997.....525
1001144433.....483	1001152532..... 352, 356, 360, 364, 655	1001163488 ..... 399, 401	1001167036..... 183, 195, 209, 225, 245, 269, 295, 309, 323
1001144629.....423, 425, 427, 437, 439, 441, 449, 453	1001153260..... 356, 360	1001163492 ..... 17, 513	1001167038..... 179, 191, 206
1001145781.....437, 439, 441, 443, 445, 447	1001154405..... 221, 241, 265, 283, 285	1001163671 ..... 91	1001167108.....229, 235, 249, 255, 633, 637
1001146397.....47	1001154726..... 653	1001163715 ..... 19, 21	1001167111..... 187, 199, 213, 631
1001146588.....266, 274	1001155041..... 343, 347, 384	1001163716 ..... 19, 21	1001167159..... 144, 148, 152
1001147233.....347, 384	1001155043..... 111, 113, 115	1001163717 ..... 21	1001167164.....329, 331, 333
1001147264.....633, 637	1001155044..... 103, 111, 113, 115, 291, 305, 461, 473	1001163722 ..... 21	1001167512..... 179, 192, 206, 221, 242, 265, 291, 305
1001147274.....43, 45	1001155045..... 111, 113, 115, 461, 740	1001163724 ..... 21	
1001147812.....299, 313	1001155823..... 221, 241, 265	1001163726 ..... 21	
	1001156107..... 179, 191, 206, 266	1001163959 ..... 23, 25	
	1001156819..... 291, 306	1001164092 ..... 19	
	1001157196..... 461, 741	1001164094 ..... 17	
	1001157520..... 369, 373, 377, 381, 385, 388	1001164095 ..... 21	
		1001164202 ..... 335	
		1001164209 ..... 19, 21	
		1001164493 ..... 745	
		1001164552 ..... 17	
		1001164709 ..... 517	
		1001164817 ..... 513	
		1001165035 ..... 221, 242, 265	
		1001165060 ..... 144, 148, 152	

## SECTION 11 - SPECIAL OPTIONS

1001167520 ..... 187, 199, 213, 229, 235, 249, 255, 273	1001169286..... 397, 399, 401	1001171361.....730	1001172760 ..... 461
1001167565 ..... 419	1001169287..... 397, 399, 401	1001171368.....703	1001172816 ..... 137
1001167567 ..... 419	1001169288..... 397, 399, 401	1001171369.....701	1001173233 ..... 415
1001167596 ..... 419	1001169289..... 397, 399, 401	1001171382.....699	1001173342 ..... 221, 242, 266, 647
1001167632 ..... 641	1001169380..... 397, 399, 401	1001171482..... 111, 113, 115	1001173354 ..... 144, 148, 152, 164
1001167635 ..... 642	1001169496..... 85	1001171499.....744	1001173356 ..... 144
1001167916 ..... 61	1001169582..... 85	1001171500.....744	1001173456 ..... 613, 615, 617, 619, 621, 623, 625, 627, 629
1001167917 ..... 63	1001169611..... 411, 413	1001171545.....705, 707, 729	1001173535 ..... 298, 312
1001167918 ..... 164	1001169669..... 393	1001171667.....397, 399, 401	1001173594 ..... 615, 617
1001168018 ..... 187, 199, 213, 229, 235, 249, 255, 273, 299, 313, 340, 343, 347, 352, 356, 360, 364, 368, 372, 376, 380, 384, 388	1001169761..... 57	1001171953.....183, 195, 209, 225, 245, 269, 295, 309	1001173599 ..... 623, 625
1001168026 ..... 229, 235, 249, 255, 273	1001169823..... 179, 192, 206, 221, 242, 265	1001171954..... 183, 195, 209, 225, 245, 269, 295, 309	1001173600 ..... 627
1001168059 ..... 187, 199, 213	1001169955..... 49, 51	1001171966.....397, 399, 401	1001173605 ..... 629
1001168099 ..... 229, 235, 249, 255, 273	1001169967..... 230, 236, 250, 256, 273, 299, 313	1001171967.....397, 399, 401	1001173664 ..... 745
1001168166 ..... 229, 236, 249, 255, 273, 299, 313	1001169973..... 49	1001172045.....744	1001173665 ..... 613, 615, 617, 619, 621, 623, 625, 627, 629
1001168173 ..... 144, 148, 152	1001170035..... 230, 236, 250, 256, 273, 299, 313	1001172045.....744	1001173703 ..... 730
1001168207 ..... 343, 360, 364, 380, 388	1001170094..... 107, 740	1001172128.....613, 615, 617, 619, 621, 623, 625, 627, 629	1001173761 ..... 613, 615, 617, 619, 621, 623, 625, 627, 629
1001168209 ..... 515, 525	1001170145..... 95	1001172195..... 179, 192, 206	1001173763 ..... 411, 413
1001168210 ..... 515	1001170224..... 327	1001172564.....729	1001173807 ..... 601, 613, 615, 617, 627
1001168402 ..... 419	1001170475..... 161	1001172565.....729	1001173808 ..... 603, 613, 615, 617, 619, 621, 623, 625, 627, 629
1001168841 ..... 397	1001170551..... 144, 148, 155	1001172570.....729	1001173810 ..... 375
1001168842 ..... 397, 399, 401	1001170552..... 144, 148, 159	1001172571.....729	1001173811 ..... 367, 371
1001168843 ..... 391, 393, 395	1001170564..... 417	1001172572.....729	1001173898 ..... 535, 543, 551, 559
1001168844 ..... 391, 393, 395	1001170565..... 417	1001172577.....489	1001173900 ..... 535, 543, 551, 559
1001168845 ..... 391, 393, 395	1001170642..... 417	1001172578.....489	1001173901 ..... 535, 543, 551, 559
1001168847 ..... 399, 401	1001170650..... 329	1001172594.....221, 242	1001173902 ..... 535, 543, 551, 559
1001168848 ..... 397	1001170662..... 329	1001172620.....729	1001173903 ..... 535, 543, 551, 559
1001168849 ..... 397, 399, 401	1001170663..... 329, 333	1001172630.....744	1001173904 ..... 535, 543, 551, 559
1001168854 ..... 391, 393, 395	1001170664..... 329, 331, 333	1001172692.....535, 542, 551, 558	1001173905 ..... 551, 559
1001168855 ..... 87	1001170693..... 187, 199, 201	1001172694..... 534, 542	1001173906 ..... 551, 559
1001168950 ..... 229, 250	1001170736..... 53	1001172695.....535, 542, 551, 558	1001173907 ..... 535, 543, 551, 559
1001168992 ..... 81	1001170764..... 642	1001172696.....535, 542	1001173908 ..... 535, 543, 551, 559
1001169046 ..... 144, 148, 152, 164	1001170847..... 415, 417, 741	1001172697.....535, 542, 551, 558	1001173909 ..... 534, 543, 550, 559
1001169054 ..... 229, 236, 250, 256, 273, 299, 313	1001170850..... 144, 148, 152	1001172698.....542, 558	1001173925 ..... 352, 356, 368, 372, 376
1001169060 ..... 25	1001171067..... 397, 399, 401	1001172699.....542, 558	1001173927 ..... 613, 615, 617, 619, 621, 623, 625, 627, 629
1001169086 ..... 49	1001171112..... 397, 399, 401	1001172703.....542, 558	1001173937 ..... 534, 543, 550, 559
1001169138 ..... 229, 236, 250, 256, 273, 299, 313	1001171131.....587	1001172707.....542, 558	1001173983 ..... 355
1001169185 ..... 87	1001171132..... 397, 399, 401	1001172716.....535, 543, 551, 559	1001174040 ..... 419
1001169191 ..... 83	1001171324..... 397, 399, 401	1001172717.....535, 543, 551, 559	1001174098 ..... 144, 148, 152, 164
1001169192 ..... 83	1001171335..... 730	1001172718.....535, 543, 551, 559	1001174158 ..... 364
1001169193 ..... 83	1001171337..... 730, 731	1001172719.....535, 543, 551, 559	1001174347 ..... 744
1001169284 ..... 397, 399, 401	1001171339..... 699, 703	1001172721.....535, 543, 551, 559	1001174348 ..... 744
1001169285 ..... 397, 399, 401	1001171341..... 731	1001172722.....535, 543, 551, 559	1001174349 ..... 729
	1001171343..... 731	1001172723.....535, 543, 551, 559	
	1001171345..... 731	1001172751.....745	
	1001171347..... 731	1001172757 ..... 101, 103, 105, 107	
	1001171349..... 731		
	1001171351..... 731		
	1001171353..... 731		
	1001171355..... 730		
	1001171357..... 730		
	1001171359..... 730		

## SECTION 11 - SPECIAL OPTIONS

1001174350.....729	1001181045 ..... 607, 609, 741	1001187522 ..... 340, 344, 348, 653	1001197284..... 535, 543, 551, 559
1001174367.....379	1001181051 ..... 403, 405, 409	1001187674 ..... 485	1001197408.....701
1001174486.....291, 305	1001181074 ..... 535, 543, 551, 559	1001187681 ..... 683	1001197719.....642
1001174675.....364, 368, 372, 376, 380, 384, 388	1001181075 ..... 535, 543, 551, 559	1001187807 ..... 133, 135, 473, 475	1001199035.....729
1001174777.....245, 248, 254	1001181076 ..... 551, 559	1001188305 ..... 439	1001199036.....729
1001174778.....242, 245	1001181077 ..... 551, 559	1001188306 ..... 447	1001199177.....93
1001174783.....195, 198	1001181145 ..... 730	1001188308 ..... 441	1001199207..... 144, 148, 152, 164
1001174784.....192, 195	1001181243 ..... 344, 348	1001188309 ..... 443	1001199901..... 144, 148, 152, 164
1001174925.....745	1001181319 ..... 627	1001188314 ..... 445	1001200128.....730
1001174926.....745	1001181329 ..... 613, 617, 619, 621, 629	1001188315 ..... 437	1001200129.....730
1001175024.....543, 559	1001181405 ..... 137	1001188334 ..... 87	1001200130.....730
1001175068.....327	1001181895 ..... 250, 256	1001188622 ..... 419	1001200131.....730
1001175071.....327	1001181913 ..... 53	1001188731 ..... 340, 344, 348	1001200132.....730
1001175073.....335, 337	1001182155 ..... 53	1001188844 ..... 419	1001200133.....730
1001175074.....335, 337	1001182245 ..... 51	1001188972 ..... 191, 241, 305	1001200134.....730
1001175075.....335	1001182250 ..... 51	1001189001 ..... 419	1001200458..... 155, 159
1001175170.....613	1001182296 ..... 340, 344, 348	1001189002 ..... 419	1001200491.....419
1001175171.....619, 621	1001182361 ..... 633, 637, 642	1001189171 ..... 611, 741	1001200494.....419
1001175239.....613	1001182365 ..... 633, 637, 642	1001189172 ..... 611, 741	1001200910.....139
1001175241.....619, 621	1001182570 ..... 415, 417, 741	1001189882 ..... 703	1001201351.....419
1001175542.....359	1001182806 ..... 109	1001190368 ..... 19, 21	1001201633.....159
1001175631.....356, 360	1001183206 ..... 744	1001190663 ..... 109	1001201634.....159
1001176330.....299, 313	1001183207 ..... 744	1001190921 ..... 676	1001201635.....155
1001176469.....119, 123, 125	1001183407 ..... 745	1001190985 ..... 419	1001201636.....155
1001176636.....619, 621, 625, 629	1001183477 ..... 340, 344	1001191275 ..... 534, 543, 550, 559	1001202298..... 144, 148
1001176848.....19, 21	1001184542 ..... 535, 543, 551, 559	1001191276 ..... 534, 543, 550, 559	1001202687.....419
1001176862.....587	1001184543 ..... 535, 543, 551, 559	1001191394 ..... 745	1001202749.....745
1001176899.....411, 413	1001184561 ..... 535, 543, 551, 559	1001191395 ..... 745	1001202830.....157
1001176952.....597, 613, 615, 617, 627	1001184562 ..... 535, 543, 551, 559	1001191620 ..... 230, 236, 250, 256, 273	1001202831.....161
1001176953.....599, 619, 621, 623, 625, 629	1001184563 ..... 535, 543, 551, 559	1001192401 ..... 676	1001202910..... 534, 542, 550, 558
1001177359.....230, 236, 250, 256, 273	1001184618 ..... 475	1001193018 ..... 565, 567, 569, 571, 573, 575, 577, 579, 581, 583, 585	1001203434.....615, 617
1001177451.....729	1001184626 ..... 461	1001193336 ..... 89	1001203435.....623, 625
1001177524.....744	1001184637 ..... 340	1001193654 ..... 535, 543, 551, 559	1001203459.....623, 625, 629
1001177570.....745	1001184644 ..... 340	1001194197 ..... 577	1001203510.....745
1001177840.....744	1001184645 ..... 340	1001194198 ..... 579	1001203512.....745
1001177841.....744	1001185237 ..... 701	1001194200 ..... 581	1001203655.....435
1001178228.....157	1001185281 ..... 461	1001194203 ..... 565	1001204481.....745
1001178415.....729	1001185821 ..... 95, 97, 99	1001194204 ..... 569	1001204482.....745
1001178433.....729	1001186333 ..... 435	1001194365 ..... 585	1001204510.....699, 701, 730
1001178435.....744	1001186377 ..... 429	1001195039 ..... 292, 306	1001204715.....415, 417
1001178788.....229, 235, 249, 255, 273	1001186379 ..... 431	1001195304 ..... 745	1001204725.....419
1001178859.....187, 199, 213	1001186382 ..... 433	1001195745 ..... 729	1001204996.....744
1001178876.....230, 236, 250, 256	1001186383 ..... 427	1001195746 ..... 729	1001204997.....744
1001178951.....745	1001186384 ..... 425	1001195947 ..... 473	1001205008.....744
1001179154.....356, 360, 376, 381, 384	1001186386 ..... 423	1001196382 ..... 352, 356, 360, 364, 368, 372, 376, 380, 388	1001205009.....744
1001179836.....343, 347	1001186431 ..... 483, 741	1001196589 ..... 675	1001205958.....573, 575, 577, 579, 581, 583
1001179837.....343, 347	1001186432 ..... 659, 661, 681	1001196602 ..... 675	1001206314..... 144, 148, 152, 164
1001179893.....344, 348	1001186517 ..... 483	1001196604 ..... 676	1001206402.....164
1001179903.....230, 236, 250, 256, 273	1001187077 ..... 676	1001196634 ..... 281, 676, 740	1001206403.....164
1001180001.....343, 347	1001187078 ..... 676	1001196636 ..... 675	1001206404..... 164, 167
1001180620.....230, 236, 250, 256, 273, 299, 313	1001187382 ..... 419	1001197017 ..... 479, 481	1001206405.....167
1001180797.....343	1001187383 ..... 419	1001197272 ..... 534, 543, 550, 559	1001206418..... 164, 169
1001180798.....339			1001206437.....744
			1001206439.....745
			1001206440.....745
			1001206476.....593
			1001206625.....517
			1001206917..... 89, 91, 93
			1001207004.....141



## SECTION 11 - SPECIAL OPTIONS

1001207332 ..... 535, 543, 551, 559	1001214555.....299, 313	1001221482.....395, 401	1001230635 ..... 229, 235, 249, 255, 273
1001207333 ..... 535, 543, 551, 559	1001214556.....299, 313	1001221484.....405	1001230784 ..... 352, 364, 605
1001207340 ..... 542	1001214558.....299, 313	1001221486.....405	1001230907 ..... 605
1001207341 ..... 558	1001214570.....593	1001221927.....397, 407	1001230908 ..... 351
1001207349 ..... 89	1001214571.....593	1001222043.....164	1001230931 ..... 675
1001207350 ..... 91	1001214598.....299, 314	1001222044.....164	1001230934 ..... 633, 637, 642
1001207726 ..... 169	1001214599.....300, 314	1001222139.....117	1001230935 ..... 633, 637, 642
1001208874 ..... 61, 63	1001214664.....300, 314	1001222140.....121	1001230936 ..... 633, 637, 642
1001208994 ..... 419	1001214694.....300, 314	1001222141.....119	1001231195 ..... 89, 91
1001209059 ..... 746	1001214833.....745	1001222142.....123	1001231235 ..... 745
1001209432 ..... 593	1001214841.....300, 314	1001223055.....695, 697	1001231801 ..... 729
1001209474 ..... 593	1001214909.....347	1001223122.....274, 352, 356, 360, 364, 368, 372, 376, 380, 388	1001231886 ..... 109
1001209618 ..... 109	1001214910.....383	1001223309.....333	1001231949 ..... 509
1001209664 ..... 483	1001214975.....187, 199, 213	1001223310.....333	1001231950 ..... 505, 507
1001209677 ..... 591	1001215125.....300, 314	1001223328.....333	1001232010 ..... 505, 507, 509
1001209832 ..... 591	1001215228.....461	1001223387.....164	1001232011 ..... 505, 507, 509
1001209844 ..... 299, 313, 321	1001215259.....291, 306	1001223453.....695, 697, 713, 715, 725, 727	1001232026 ..... 701, 705, 707
1001211336 ..... 91	1001215373.....107	1001223454.....333	1001232066 ..... 703
1001211363 ..... 741	1001215509.....23	1001223459.....633, 637, 641	1001232164 ..... 485
1001211633 ..... 164	1001215523.....384	1001223899.....403, 405	1001232165 ..... 485
1001211636 ..... 164	1001215801.....291, 306	1001223971.....713, 715	1001232545 ..... 273, 277
1001211794 ..... 299, 313	1001215869.....300, 314	1001224048.....721, 723	1001232642 ..... 487
1001211797 ..... 299, 313	1001216080.....306	1001224049.....725, 727	1001232643 ..... 745
1001211877 ..... 329	1001216396.....291, 306	1001224050.....709, 711	1001232650 ..... 487
1001211878 ..... 329	1001216397.....291, 306	1001224052.....705, 707	1001232667 ..... 487, 741
1001212223 ..... 380, 384, 388	1001216399.....292, 306	1001224053.....717, 719	1001232842 ..... 281
1001212257 ..... 291, 305	1001216512.....331	1001224888.....411, 413	1001232907 ..... 171
1001212415 ..... 741	1001216547.....331	1001225346.....593, 741	1001232908 ..... 171
1001212819 ..... 164	1001216548.....331	1001225430.....259	1001232913 ..... 171
1001212822 ..... 164	1001216549.....331	1001225580.....483, 659, 661	1001232915 ..... 171
1001212989 ..... 299, 313	1001216552.....745	1001226400.....597, 599	1001232916 ..... 171
1001212993 ..... 299, 313	1001216598.....148	1001226531.....593	1001232917 ..... 171
1001213029 ..... 348, 384	1001216630.....419	1001226872.....457	1001233048 ..... 171
1001213062 ..... 291, 305	1001216655.....535, 543, 551, 558	1001227453.....744	1001233075 ..... 171
1001213305 ..... 299, 313	1001216800.....550	1001227633.....485	1001233077 ..... 171
1001213425 ..... 299, 313	1001216801.....534	1001227634.....485	1001233139 ..... 19
1001213426 ..... 299, 313	1001216805.....348, 384	1001227985.....485	1001233237 ..... 744
1001213447 ..... 663	1001216825.....300, 314	1001227987.....485	1001233412 ..... 171
1001213482 ..... 299, 313	1001216840.....348	1001227996.....685, 687, 689, 691	1001233413 ..... 171
1001213599 ..... 291, 305, 645	1001216914.....744	1001228092.....391, 393, 395, 517	1001233436 ..... 171
1001213824 ..... 299, 313	1001217342.....347, 383	1001228215.....457	1001233763 ..... 242, 281
1001213882 ..... 461	1001217343.....298, 312	1001228224.....485, 741	1001234800 ..... 633, 637, 642
1001214029 ..... 730	1001217344.....347, 383	1001228225.....485, 741	1001235011 ..... 487
1001214138 ..... 299, 313	1001217345.....292, 306, 347, 383	1001228243.....453	1001235013 ..... 487
1001214162 ..... 23	1001217488.....701, 703	1001228375.....455	1001235455 ..... 209, 215
1001214174 ..... 23, 33	1001217494.....291, 298, 306, 312	1001228376.....449	1001235460 ..... 206
1001214205 ..... 299, 313	1001217785.....291, 305	1001228377.....451	1001235461 ..... 206, 209
1001214207 ..... 183, 195, 209, 225, 245, 269, 295, 309	1001218538.....173	1001228406.....144, 148, 152, 164	1001235462 ..... 209, 212
1001214233 ..... 299, 313	1001218676.....173	1001228487.....75, 78	1001235527 ..... 129
1001214234 ..... 299, 313	1001219130.....173	1001228492.....75	1001235528 ..... 127, 129, 131
1001214269 ..... 313	1001219134.....164	1001228955.....744	1001235529 ..... 127, 129, 131
1001214276 ..... 299, 313	1001219601.....107	1001228988.....495, 733, 735, 737	1001235531 ..... 113, 129
1001214277 ..... 299, 313	1001219794.....745	1001229107.....744	1001235949 ..... 274, 285
1001214278 ..... 299, 313	1001220266.....266	1001229341.....485	1001236087 ..... 473, 475
1001214307 ..... 299, 313	1001220379.....634, 638	1001229795.....651	1001236091 ..... 133, 135
1001214317 ..... 23, 39	1001220920.....413	1001229796.....651	
1001214502 ..... 291, 306	1001220921.....413	1001229798.....292, 306, 651	
1001214508 ..... 299, 313	1001220924.....413		
1001214546 ..... 348, 384	1001221402.....117		
1001214553 ..... 299, 313	1001221403.....121		
	1001221404.....119		
	1001221405.....123		
	1001221481.....395		

## SECTION 11 - SPECIAL OPTIONS

1001236250.....291	1001241291 ..... 152, 157	1001248012 ..... 403, 405, 519	1001258495.....687, 691
1001236252.....305	1001241292 ..... 152, 161	1001248140 ..... 503, 505, 507, 509	1001258715.....745
1001236254.....291, 295	1001241339 ..... 744	1001248141 ..... 503, 505, 507, 509	1001258800.....387
1001236256.....295, 298	1001241340 ..... 744	1001248190 ..... 364, 388	1001258804.....274
1001236257.....299, 313	1001241396 ..... 745	1001249965 ..... 230, 236, 250, 256, 259	1001259230.....157, 161
1001236258.....306, 309	1001241402 ..... 745	1001250287 ..... 144, 152, 164	1001260412.....236, 256, 274
1001236259.....309, 312	1001241965 ..... 487	1001250288 ..... 148	1001260420.....236, 255, 273
1001236303.....97	1001242106 ..... 103	1001250289 ..... 144, 148, 152, 164	1001260432.....363, 387
1001236304.....593	1001242538 ..... 695	1001250465 ..... 745	1001260680.....621, 625, 629
1001236393.....299, 313, 317	1001242559 ..... 697	1001250466 ..... 745	1001261045.....363, 387
1001236496.....745, 746	1001242561 ..... 717	1001250681 ..... 101, 103, 105	1001261085.....363, 387
1001236504.....593	1001242562 ..... 719	1001250764 ..... 695, 697, 699, 709, 711, 713, 715, 717, 719, 721, 723, 725, 727	1001271497.....663
1001236505.....593	1001242563 ..... 721	1001251075 ..... 397, 399, 401, 525	1001288195.....417
1001236552.....487	1001242564 ..... 723	1001252527 ..... 633, 637, 642	1060341.....479, 481
1001236746.....509	1001242565 ..... 725	1001252629 ..... 503, 505, 507, 509	1060343.....376, 380, 384
1001236747.....505	1001242566 ..... 727	1001252946 ..... 499, 501	1060379.....499, 501
1001236780.....274	1001242567 ..... 713	1001252947 ..... 499, 501	1060494.....340, 344, 348
1001236891 .....503, 505, 507, 509	1001242568 ..... 715	1001253375 ..... 661	1060626.....191, 241, 305
1001236895.....503, 505, 507, 509	1001242569 ..... 709	1001253892 ..... 157	1060903.....479, 481
1001236965.....101	1001242570 ..... 711	1001253893 ..... 161	1060908.....607, 609, 611
1001237544.....473, 475	1001242571 ..... 705	1001253896 ..... 157	1060918.....471
1001237546.....133, 135	1001242572 ..... 707	1001253897 ..... 161	1062255.....266
1001237549.....171	1001242639 ..... 744	1001253903 ..... 157, 161	10702077..368, 372, 377, 381, 385, 388
1001237667.....663, 675	1001242672 ..... 133, 473	1001253945 ..... 745	1120555.....489
1001237668.....663, 675	1001242680 ..... 135, 475	1001254665 ..... 695	1260017.....85
1001237822.....101, 103, 105	1001242851 ..... 139	1001254666 ..... 695	1320016.....186, 198, 212
1001237849.....101, 103, 105, 675	1001242852 ..... 141	1001254667 ..... 713	1320061.....265
1001237862.....685, 689	1001243183 ..... 744	1001254668 ..... 713	1320176.....327
1001237863.....485, 685, 687	1001243184 ..... 744	1001254669 ..... 721	1320187....179, 191, 206, 241, 265
1001237864.....485, 689, 691	1001243414 ..... 144, 148, 152, 164	1001254670 ..... 721	1320190....179, 191, 206, 241, 265
1001237865.....485, 683	1001243699 ..... 730	1001254671 ..... 709	1320218.....57
1001238160.....101, 103, 105, 679	1001243700 ..... 729	1001254672 ..... 709	1320220.....57
1001238161.....101, 103, 105, 657	1001243869 ..... 337	1001254673 ..... 705	1320223....191, 241, 305
1001238254.....462, 663	1001243870 ..... 337	1001254674 ..... 705	1320224....180, 192, 207
1001238263.....503, 505, 507, 509	1001243895 ..... 281	1001254675 ..... 725	1320302....491, 493, 495
1001238319.....485	1001244283 ..... 265	1001254676 ..... 725	1321283.....291, 305
1001238418.....487, 681	1001244285 ..... 266, 269	1001254677 ..... 717	132171689, 91, 228, 234, 248, 254, 272, 339, 343, 351, 356, 360, 363, 368, 372, 376, 380, 387
1001238421.....419	1001244286 ..... 269, 272	1001254678 ..... 717	1380147.....335, 337
1001238463.....507	1001244873 ..... 391	1001254750 ..... 697	1580011.....298, 312
1001238472.....487	1001244874 ..... 391, 397	1001254751 ..... 715	1580012.....477
1001238477.....487	1001244975 ..... 459	1001254752 ..... 723	1580013.....745
1001238495.....483	1001244976 ..... 459, 461	1001254753 ..... 711	1670603.....585
1001238559.....487	1001245305 ..... 266	1001254754 ..... 707	1670769....619, 621, 623, 625, 629
1001238824.....487	1001245317 ..... 131	1001254755 ..... 727	1671092....376, 381, 384
1001238886.....127	1001245379 ..... 115, 131	1001254756 ..... 719	1671093.....493
1001238887.....111, 127	1001245380 ..... 105, 115	1001255133 ..... 419	1684290.....513
1001238911.....274	1001245658 ..... 729	1001256506 ..... 638	1700818.....729
1001238932.....97	1001245827 ..... 125	1001256507 ..... 637	1701499....695, 697, 699, 701, 703, 705, 707, 709, 711, 713, 715, 717, 719, 721, 723, 725, 727
1001239202.....641	1001245831 ..... 125	1001256879 ..... 266	1701500....695, 697, 699, 701, 703, 705, 707,
1001239293.....103, 113, 123	1001245839 ..... 274, 641	1001257271 ..... 503	
1001239294.....101, 111	1001245913 ..... 649	1001257274 ..... 503	
1001239512.....101, 103, 105	1001245993 ..... 105	1001257275 ..... 503	
1001239802.....57	1001246087 ..... 173	1001258005 ..... 503	
1001241283.....152	1001246456 ..... 744		
1001241288.....152	1001246457 ..... 744		
	1001246860 ..... 745		
	1001246867 ..... 745		
	1001247048 ..... 399, 403		
	1001247073 ..... 745		
	1001247359 ..... 300, 314		
	1001247468 ..... 419, 740		
	1001247623 ..... 401, 405		
	1001247655 ..... 387		
	1001247656 ..... 363		

## SECTION 11 - SPECIAL OPTIONS

709, 711, 713, 715, 717, 719, 721, 723, 725, 727	1703937 ..... 709, 711	1705905..... 705, 707	2220466 ... 534, 542, 550, 558
1701504 ... 695, 697, 699, 701, 703, 705, 707, 709, 711, 713, 715, 717, 719, 721, 723, 725, 727	1703938 ..... 717, 719	1705910..... 725, 727	2220468 ... 534, 542, 550, 558
1701505 ... 179, 191, 206, 221, 241, 265, 729	1703939 ..... 721, 723	1705921..... 699, 701, 703	2220472 ..... 550, 558
1701509 ... 489, 695, 697, 699, 701, 703, 705, 707, 709, 711, 713, 715, 717, 719, 721, 723, 725, 727	1703940 ..... 705, 707	1705961..... 699, 701, 703	2220473 ... 534, 542, 550, 558
1701518 .... 699, 701, 703	1703941 ..... 725, 727	1706059..... 730	2220497 ... 534, 543, 550, 559
1701529 ... 695, 697, 699, 701, 703, 705, 707, 709, 711, 713, 715, 717, 719, 721, 723, 725, 727	1703942 ..... 713, 715	1706060..... 730	2220500 ..... 542, 558
1701542 .... 291, 305, 729	1703943 ..... 709, 711	1706061 ..... 730	2220501 ... 534, 542, 550, 558
1701543 .... 291, 305, 729	1703944 ..... 717, 719	1706062..... 730	2220502 ... 534, 542, 550, 558
1702300 ... 695, 697, 699, 701, 703, 705, 707, 709, 711, 713, 715, 717, 719, 721, 723, 725, 727	1703945 ..... 721, 723	1706063..... 730	22205079 ..... 53
1702565 ..... 461	1703947 ..... 725, 727	1706064..... 730	2220582 ... 534, 542, 550, 558
1702566 ..... 461	1703948 ..... 713, 715	1706098..... 730	2220596 ..... 542, 558
1702567 ..... 461	1703949 ..... 709, 711	1706385..... 435	2220600 ... 534, 542, 550, 558
1702720 ..... 729	1703950 ..... 717, 719	2030010..... 491, 493, 495	2220603 ..... 543, 559
1702773 ... 435, 701, 703, 729, 730	1703951 ..... 721, 723	2060025..... 186, 198, 212	2220628 ... 534, 542, 550, 558
1702774 ..... 729, 730	1703952 ..... 705, 707	2080040..... 363, 423, 425, 427, 437, 439, 441, 449, 453, 591	2220648 ..... 57
1702788 ..... 729	1703953 ..... 695, 697	2080044..... 623	2220695 ... 534, 542, 550, 558
1702861 ..... 729	1703980 ..... 717, 719	2110810..... 534, 542, 550, 558	2220726 ... 534, 542, 550, 558
1702868 ... 495, 695, 697, 729, 735, 737, 744	1703981 ..... 721, 723	2110812..... 534, 542, 550, 558	2220767 .... 221, 241, 265
1702938 ..... 479, 481	1703982 ..... 709, 711	21121216.... 534, 542, 550, 558	2220775 ... 534, 542, 550, 558
1702941 .... 191, 241, 305	1703983 ..... 725, 727	2131212.... 534, 542, 550, 558	2220881 ..... 515, 525
1702942 .... 191, 241, 305	1703984 ..... 713, 715	2131216.... 534, 542, 550, 558	2220883 ... 35, 37, 39, 41, 66, 70, 73, 513, 517, 519
1702943 .... 191, 241, 305	1703985 ..... 705, 707	2180125..... 57	2220885 ..... 519, 525
1702944 .... 191, 241, 305	1704000 ... 713, 715, 729, 744	2180348.... 179, 191, 206, 291, 305	2220886 ..... 35, 37, 525
1702968 ..... 53	1704001 ..... 725, 727	2180387..... 57	2220887 ..... 93
1703162 ... 186, 198, 212, 228, 234, 248, 254, 272, 298, 312	1704002 ..... 705, 707	2180388..... 57	2220888 ..... 37
1703479 ..... 729	1704007 ..... 729	2180389..... 57	2220906 ... 534, 542, 550, 558
1703797 ..... 695, 697	1704174 ..... 729	2180418..... 57	2220923 ... 534, 542, 550, 558
1703798 ..... 695, 697	1704175 ..... 729	2180504..... 300, 314	2220946 ... 534, 542, 550, 558
1703804 ..... 695, 697	1704260 ..... 461	2180832..... 221, 241, 265	2220947 ... 534, 542, 550, 558
1703805 ..... 695, 697	1704271 ..... 729	2220005..... 57	2220998 ... 534, 542, 550, 558
1703923 ..... 725, 727	1704277 ... 701, 703, 705, 707	2220124..... 83	2221018 ..... 57
1703924 ..... 713, 715	1704412 ... 695, 697, 699, 701, 703, 705, 707, 709, 711, 713, 715, 717, 719, 721, 723, 725, 727	2220237..... 534, 550	2221019 ..... 57
1703925 ..... 709, 711	1704472 ..... 729	2220238. 53, 87, 534, 550	2221024 ..... 57
1703926 ..... 717, 719	1704473 ..... 729	2220261 ..... 57, 298, 312	2221040 ..... 542, 558
1703927 ..... 721, 723	1704578 ..... 53	2220273..... 83	2221052 ..... 53
1703928 ..... 705, 707	1704885 ..... 729, 730	2220313.... 179, 191, 206, 221, 241, 265	2221086 .... 41, 534, 542, 550, 558
1703929 ..... 725, 727	1704972 ..... 730	2220315.... 186, 198, 212, 228, 234, 248, 254, 272, 298, 312	2400060 ..... 281, 663
1703930 ..... 713, 715	1705014 ..... 435	2220366.... 534, 542, 550, 558	2400066 ..... 653
1703931 ..... 709, 711	1705305 ... 495, 733, 735, 737	2220371.... 534, 542, 550, 558	2400082 ..... 651, 741
1703932 ..... 717, 719	1705325 ..... 565, 567	2220372..... 53, 534, 542, 550, 558	2410014 ..... 435
1703933 ..... 721, 723	1705351 ..... 695, 697	2220373.... 534, 542, 550, 558	2420203 .... 339, 344, 348
1703934 ..... 705, 707	1705355 .... 733, 735, 737	2220374.... 534, 542, 550, 558	24431386 ..... 292, 306
1703935 ..... 725, 727	1705358 ..... 729	2220375.... 534, 542, 550, 558	2460048 .... 367, 371, 375
1703936 ..... 713, 715	1705374 ... 355, 359, 587, 589	2220415.... 534, 542, 550, 558	2460055 ..... 339
	1705375 ... 377, 381, 385, 495, 735, 737	2220451.... 186, 198, 212, 534, 542, 550, 558	2540020 ..... 139, 141
	1705387 ... 355, 359, 377, 381, 385		2560136 ..... 461
	1705426 ..... 717, 719		
	1705427 ..... 721, 723		
	1705429 ..... 713, 715		
	1705430 ..... 709, 711		
	1705460 ... 369, 373, 377, 381, 385, 388		
	1705461 .... 369, 373, 388		
	1705489 ... 351, 363, 369, 372, 373, 387, 388		
	1705822 .... 699, 701, 703		
	1705828 .... 699, 701, 703		
	1705903 ..... 705, 707		

## SECTION 11 - SPECIAL OPTIONS

2560187 .... 155, 157, 159, 161, 167, 169	3251243 ... 339, 343, 347, 355, 359, 377, 381, 385, 695, 697, 705, 707, 713, 715, 725, 727	619, 621, 623, 625, 627, 629	3420352..... 55
2580024..... 191, 241, 305	3252347 ..... 695, 697	3291201 ..... 87, 298, 312, 343, 347, 351, 355, 359, 363, 368, 372, 376, 379, 383, 387, 419	3420372..... 55
2580062..... 198	3252764 ... 367, 371, 376, 379, 383, 387	3291205 ... 335, 337, 391, 393, 395, 397, 399, 401, 419	3421565..... 85
2600281 .... 423, 425, 427, 437, 439, 441, 449, 453	3271601 ... 144, 148, 152, 164	3291602 ..... 75	3422532.... 179, 191, 206, 221, 241, 265, 291, 305
2720015.... 228, 234, 248, 254, 272	3271605 ... 503, 505, 507, 509	3291605 .... 391, 393, 395	3422661..... 499, 501
2720058.... 179, 191, 206, 300, 314	3271805 ..... 435	3292001 ..... 87	3422793..... 399, 401
2720144..... 57	3272001 ... 503, 505, 507, 509	3300106 ..... 23, 25	3422848..... 21
2720271 ..... 300, 314	3290401 ..... 57	3300151 ... 429, 431, 433, 443, 445, 447, 449, 451, 453, 455, 457, 491, 493, 495	3422860..... 403, 405
2720340.... 228, 234, 248, 254, 272	3290405 ... 417, 565, 567, 569, 571, 573, 575, 577, 579, 581, 583, 585, 605	3300220 95, 97, 186, 198, 212, 229, 235, 249, 255	3422861..... 403, 405
2720392..... 57	3290505 ... 137, 355, 359, 368, 372, 376, 379, 383, 387	3300353 ..... 461	3422867..... 403, 405
2720398.... 186, 199, 212	3290601 ... 109, 155, 157, 159, 161, 167, 169, 534, 542, 550, 558	3300396 ... 356, 360, 368, 372, 377, 381, 384, 388	3423304..... 19, 21
2720447 .... 186, 199, 212	3290605 95, 97, 101, 103, 105, 107, 139, 141, 164, 169, 179, 186, 191, 198, 206, 212, 221, 228, 234, 241, 248, 254, 265, 272, 291, 305, 329, 331, 333, 339, 343, 347, 351, 355, 359, 363, 368, 372, 376, 379, 383, 387, 417, 591, 605	3300408 ..... 133, 135	3430616..... 461
2720615..... 300, 314	3290607 ..... 298, 312	3300430 ..... 483	3430820..... 335, 337
2720644..... 298, 312	3290801 ..... 298, 312	3310401 ... 228, 234, 248, 254	3450404..... 335, 337
2750532.... 179, 191, 206, 222, 242, 265	3290805 ..... 53, 179, 186, 191, 198, 206, 212, 221, 228, 234, 241, 248, 254, 265, 272, 291, 305, 329, 331, 333, 339, 343, 347, 351, 355, 359, 363, 368, 372, 376, 379, 383, 387, 417, 591, 605	3310601 ..... 335, 337	3460334..... 489
2752500.... 535, 543, 551, 559	3290606 ... 429, 431, 433, 443, 445, 447, 451, 455	3311001 ... 283, 285, 339, 343, 347, 356, 360, 368, 372, 377, 381, 384, 388	3470003..... 462
2780267 ..... 23, 25, 27	3290607 ..... 298, 312	3311005 ... 139, 141, 491, 493, 495	3520028.... 339, 344, 348
2780268..... 25, 31	3290801 ..... 298, 312	3311401 ..... 479, 481	3520054.... 186, 198, 212, 230, 236, 250, 256, 272, 461
2820031 .... 339, 343, 347, 351, 355, 359, 363, 367, 371, 375, 379, 383, 387	3290805 ..... 53, 179, 186, 191, 198, 206, 212, 221, 228, 234, 241, 248, 254, 265, 272, 291, 305, 329, 331, 333, 339, 343, 347, 351, 355, 359, 363, 368, 372, 376, 379, 383, 387, 417, 591, 605	3311405 ... 459, 487, 565, 567, 569, 571, 573, 575, 577, 579, 581, 583, 585, 593, 695, 697, 699, 701, 703, 705, 707, 709, 711, 713, 715, 717, 719, 721, 723, 725, 727	3520071..... 489
2820035..... 281	3290806 ..... 419	3311501 ..... 93, 101, 103, 105, 144, 148, 152, 164, 479, 481	3520072.... 423, 425, 427, 429, 431, 433, 435, 449, 451, 453, 455, 457
2820247 .... 685, 687, 689, 691	3291001 ... 101, 103, 228, 234, 248, 254, 272, 298, 312, 419	3311505 ... 144, 148, 152, 499, 501	3520189.... 368, 372, 388
2840016..... 335, 337	3291005 . 83, 89, 91, 101, 103, 105, 144, 148, 152, 155, 157, 159, 161, 164, 167, 169, 171, 179, 186, 191, 198, 206, 212, 221, 228, 234, 241, 248, 254, 265, 272, 291, 298, 305, 312, 331, 339, 343, 347, 403, 405, 411, 413, 417, 419, 613, 615, 617,	3311601 ..... 57, 144, 148, 152, 164, 461, 487	3520192.... 368, 372, 388
2860030.... 117, 119, 121, 123, 125, 740	3290806 ..... 419	3311605 .... 53, 236, 256, 283, 285, 435, 459, 491, 493, 495	3520198.... 423, 425, 427, 429, 431, 433, 449, 451, 453, 455, 457
2900756..... 41	3291001 ... 101, 103, 228, 234, 248, 254, 272, 298, 312, 419	3311705 .... 339, 343, 347	3573400.... 491, 493, 495
2900770... 65, 69, 70, 515, 525	3291005 . 83, 89, 91, 101, 103, 105, 144, 148, 152, 155, 157, 159, 161, 164, 167, 169, 171, 179, 186, 191, 198, 206, 212, 221, 228, 234, 241, 248, 254, 265, 272, 291, 298, 305, 312, 331, 339, 343, 347, 403, 405, 411, 413, 417, 419, 613, 615, 617,	3311801 ..... 23, 25	3573642.... 491, 493, 495
2900792..... 519	3291005 . 83, 89, 91, 101, 103, 105, 144, 148, 152, 155, 157, 159, 161, 164, 167, 169, 171, 179, 186, 191, 198, 206, 212, 221, 228, 234, 241, 248, 254, 265, 272, 291, 298, 305, 312, 331, 339, 343, 347, 403, 405, 411, 413, 417, 419, 613, 615, 617,	3312002 ... 503, 505, 507, 509	3574091..... 481
2901443..... 745	3291005 . 83, 89, 91, 101, 103, 105, 144, 148, 152, 155, 157, 159, 161, 164, 167, 169, 171, 179, 186, 191, 198, 206, 212, 221, 228, 234, 241, 248, 254, 265, 272, 291, 298, 305, 312, 331, 339, 343, 347, 403, 405, 411, 413, 417, 419, 613, 615, 617,	3312005 ..... 55, 489	3575359..... 479
2902065.... 186, 199, 212, 228, 234, 248, 254, 272, 287	3291005 . 83, 89, 91, 101, 103, 105, 144, 148, 152, 155, 157, 159, 161, 164, 167, 169, 171, 179, 186, 191, 198, 206, 212, 221, 228, 234, 241, 248, 254, 265, 272, 291, 298, 305, 312, 331, 339, 343, 347, 403, 405, 411, 413, 417, 419, 613, 615, 617,	3312205 ..... 489	3577121.... 491, 493, 495
2902212..... 489	3291005 . 83, 89, 91, 101, 103, 105, 144, 148, 152, 155, 157, 159, 161, 164, 167, 169, 171, 179, 186, 191, 198, 206, 212, 221, 228, 234, 241, 248, 254, 265, 272, 291, 298, 305, 312, 331, 339, 343, 347, 403, 405, 411, 413, 417, 419, 613, 615, 617,	3321001 95, 97, 186, 198, 212, 229, 235, 249, 255	3580158..... 339
2902217 ..... 491, 493	3291005 . 83, 89, 91, 101, 103, 105, 144, 148, 152, 155, 157, 159, 161, 164, 167, 169, 171, 179, 186, 191, 198, 206, 212, 221, 228, 234, 241, 248, 254, 265, 272, 291, 298, 305, 312, 331, 339, 343, 347, 403, 405, 411, 413, 417, 419, 613, 615, 617,	3331211 ... 339, 343, 351, 355, 359, 363, 368, 372, 376, 379, 383, 387	3580276..... 339
2902266..... 513	3291005 . 83, 89, 91, 101, 103, 105, 144, 148, 152, 155, 157, 159, 161, 164, 167, 169, 171, 179, 186, 191, 198, 206, 212, 221, 228, 234, 241, 248, 254, 265, 272, 291, 298, 305, 312, 331, 339, 343, 347, 403, 405, 411, 413, 417, 419, 613, 615, 617,	3331215 ... 186, 198, 212, 228, 234, 248, 254, 272	3580317.... 351, 355, 359, 363, 368, 372, 376, 379, 383, 387
2902443.... 631, 633, 637, 641	3291005 . 83, 89, 91, 101, 103, 105, 144, 148, 152, 155, 157, 159, 161, 164, 167, 169, 171, 179, 186, 191, 198, 206, 212, 221, 228, 234, 241, 248, 254, 265, 272, 291, 298, 305, 312, 331, 339, 343, 347, 403, 405, 411, 413, 417, 419, 613, 615, 617,	3340956 ..... 489	3580318.... 355, 359, 376, 379, 383
2902549..... 605, 607	3291005 . 83, 89, 91, 101, 103, 105, 144, 148, 152, 155, 157, 159, 161, 164, 167, 169, 171, 179, 186, 191, 198, 206, 212, 221, 228, 234, 241, 248, 254, 265, 272, 291, 298, 305, 312, 331, 339, 343, 347, 403, 405, 411, 413, 417, 419, 613, 615, 617,	3380434 ..... 459	3580319.... 351, 363, 368, 372, 387
2915102..... 744	3291005 . 83, 89, 91, 101, 103, 105, 144, 148, 152, 155, 157, 159, 161, 164, 167, 169, 171, 179, 186, 191, 198, 206, 212, 221, 228, 234, 241, 248, 254, 265, 272, 291, 298, 305, 312, 331, 339, 343, 347, 403, 405, 411, 413, 417, 419, 613, 615, 617,		3580320.... 343, 351, 355, 359, 368, 372, 376, 379
2920028.... 461, 479, 481	3291005 . 83, 89, 91, 101, 103, 105, 144, 148, 152, 155, 157, 159, 161, 164, 167, 169, 171, 179, 186, 191, 198, 206, 212, 221, 228, 234, 241, 248, 254, 265, 272, 291, 298, 305, 312, 331, 339, 343, 347, 403, 405, 411, 413, 417, 419, 613, 615, 617,		3641569..... 479
2920029.... 461, 479, 481	3291005 . 83, 89, 91, 101, 103, 105, 144, 148, 152, 155, 157, 159, 161, 164, 167, 169, 171, 179, 186, 191, 198, 206, 212, 221, 228, 234, 241, 248, 254, 265, 272, 291, 298, 305, 312, 331, 339, 343, 347, 403, 405, 411, 413, 417, 419, 613, 615, 617,		3740067 95, 97, 186, 198, 212, 740
2940045..... 169	3291005 . 83, 89, 91, 101, 103, 105, 144, 148, 152, 155, 157, 159, 161, 164, 167, 169, 171, 179, 186, 191, 198, 206, 212, 221, 228, 234, 241, 248, 254, 265, 272, 291, 298, 305, 312, 331, 339, 343, 347, 403, 405, 411, 413, 417, 419, 613, 615, 617,		3740080.... 340, 343, 347, 653, 740
2940074.... 423, 425, 427, 437, 439, 441, 449, 453, 741	3291005 . 83, 89, 91, 101, 103, 105, 144, 148, 152, 155, 157, 159, 161, 164, 167, 169, 171, 179, 186, 191, 198, 206, 212, 221, 228, 234, 241, 248, 254, 265, 272, 291, 298, 305, 312, 331, 339, 343, 347, 403, 405, 411, 413, 417, 419, 613, 615, 617,		3740086..... 681, 741
2940173.... 155, 157, 159, 161, 167, 169	3291005 . 83, 89, 91, 101, 103, 105, 144, 148, 152, 155, 157, 159, 161, 164, 167, 169, 171, 179, 186, 191, 198, 206, 212, 221, 228, 234, 241, 248, 254, 265, 272, 291, 298, 305, 312, 331, 339, 343, 347, 403, 405, 411, 413, 417, 419, 613, 615, 617,		3740140.... 186, 198, 212
3020037 ..... 209	3291005 . 83, 89, 91, 101, 103, 105, 144, 148, 152, 155, 157, 159, 161, 164, 167, 169, 171, 179, 186, 191, 198, 206, 212, 221, 228, 234, 241, 248, 254, 265, 272, 291, 298, 305, 312, 331, 339, 343, 347, 403, 405, 411, 413, 417, 419, 613, 615, 617,		3760133.... 397, 399, 401
3020039 ..... 17	3291005 . 83, 89, 91, 101, 103, 105, 144, 148, 152, 155, 157, 159, 161, 164, 167, 169, 171, 179, 186, 191, 198, 206, 212, 221, 228, 234, 241, 248, 254, 265, 272, 291, 298, 305, 312, 331, 339, 343, 347, 403, 405, 411, 413, 417, 419, 613, 615, 617,		3760170..... 55, 85
3160348..... 25, 37	3291005 . 83, 89, 91, 101, 103, 105, 144, 148, 152, 155, 157, 159, 161, 164, 167, 169, 171, 179, 186, 191, 198, 206, 212, 221, 228, 234, 241, 248, 254, 265, 272, 291, 298, 305, 312, 331, 339, 343, 347, 403, 405, 411, 413, 417, 419, 613, 615, 617,		3790012.... 103, 105, 291, 305, 461, 473
3160351..... 23, 35	3291005 . 83, 89, 91, 101, 103, 105, 144, 148, 152, 155, 157, 159, 161, 164, 167, 169, 171, 179, 186, 191, 198, 206, 212, 221, 228, 234, 241, 248, 254, 265, 272, 291, 298, 305, 312, 331, 339, 343, 347, 403, 405, 411, 413, 417, 419, 613, 615, 617,		3790152.... 183, 195, 209, 225, 245, 269, 295, 309
3250872..... 53	3291005 . 83, 89, 91, 101, 103, 105, 144, 148, 152, 155, 157, 159, 161, 164, 167, 169, 171, 179, 186, 191, 198, 206, 212, 221, 228, 234, 241, 248, 254, 265, 272, 291, 298, 305, 312, 331, 339, 343, 347, 403, 405, 411, 413, 417, 419, 613, 615, 617,		3820001..... 53, 695, 697, 699, 701, 703, 705, 707, 709, 711, 713, 715, 717, 719, 721, 723, 725, 727
3251102..... 351, 363	3291005 . 83, 89, 91, 101, 103, 105, 144, 148, 152, 155, 157, 159, 161, 164, 167, 169, 171, 179, 186, 191, 198, 206, 212, 221, 228, 234, 241, 248, 254, 265, 272, 291, 298, 305, 312, 331, 339, 343, 347, 403, 405, 411, 413, 417, 419, 613, 615, 617,		3820020.... 423, 425, 427, 437, 439, 441, 449, 453
3251242.... 569, 571, 573, 575, 577, 579, 581, 583, 585	3291005 . 83, 89, 91, 101, 103, 105, 144, 148, 152, 155, 157, 159, 161, 164, 167, 169, 171, 179, 186, 191, 198, 206, 212, 221, 228, 234, 241, 248, 254, 265, 272, 291, 298, 305, 312, 331, 339, 343, 347, 403, 405, 411, 413, 417, 419, 613, 615, 617,		

## SECTION 11 - SPECIAL OPTIONS

3841143 19, 21, 179, 191, 206, 221, 241, 265, 291, 305, 397, 403, 405, 419	4240099 ... 101, 103, 105, 139, 141, 179, 186, 191, 198, 206, 212, 221, 228, 234, 241, 248, 254, 272, 281, 291, 298, 305, 312, 340, 343, 347, 351, 355, 359, 363, 368, 372, 376, 379, 383, 387, 461, 479, 481, 491, 493	4460268....339, 344, 348, 655	4460748 ... 633, 637, 642, 675
3841203 ... 391, 393, 395, 399, 401	4240149 ..... 489	4460313.....631, 676, 679	4460761 ..... 663
3841258 ..... 17, 391, 393, 395	4280296 ..... 49, 51	4460315.....563	4460806 ... 573, 575, 577, 579
3841340 ... 613, 615, 617, 619, 621, 623, 625, 627, 629	4360057 .... 479, 481, 741	4460321.....339, 344, 348	4460807 ..... 655
3900054 ..... 435	4360070 ... 356, 360, 368, 372, 377, 381, 384, 388	4460346....355, 359, 376, 379, 383, 563	4460808 ..... 655
3900267 ..... 356, 360	4360274 ..... 125	4460384.....585	4460865 ..... 597, 599
3900295 ..... 21	4360328 ... 103, 105, 740	4460418.....657, 663	4460866 ..... 663, 676
3900300 ..... 356, 360	4360336 ... 340, 343, 347, 351, 355, 359, 363, 368, 372, 376, 379, 383, 387, 740	4460419.....657, 663	4460871 ... 109, 657, 663, 675, 679
3900332 ..... 57	4360407 ..... 461, 740	4460424.....676	4460872 ..... 679
3900349 ..... 461	4360469 ... 117, 119, 121, 123, 125, 740	4460425....356, 360, 368, 372, 377, 381, 384, 388, 479, 481, 587, 589	4460873 ..... 663, 675
3910408 ... 228, 234, 248, 254	4360475 ... 111, 113, 115, 461, 740	4460426....356, 360, 368, 372, 377, 381, 384, 388	4460874 ..... 663, 675
3910606 ... 355, 359, 376, 379, 383, 587, 589	4360476 ... 111, 113, 115, 461, 740	4460428.....461	4460875 ..... 663, 679
3910610 .... 335, 337, 563	4360517 ..... 87	4460434.....663	4460876 ..... 657
3910804 ... 117, 119, 121, 123, 125	4360542 .... 339, 344, 348	4460458....633, 637, 642, 675, 676	4460878 ..... 675
3911010 ... 133, 135, 139, 141, 473, 475	4400275 ..... 57	4460464.... 137, 415, 417, 471, 595, 601, 603, 647, 653, 659, 661, 663, 675, 676, 681	4460887 ..... 663, 675
3931408 ..... 483	4420014 ..... 489	4460465.... 109, 415, 417, 595, 597, 599, 601, 603, 631, 633, 634, 637, 638, 641, 645, 655, 659, 661, 663, 675, 676, 679	4460891 ... 109, 595, 634, 638, 647, 675, 679
3931512 ... 228, 234, 248, 254, 272	4420037 .... 491, 493, 495	4460466....101, 103, 292, 306, 485, 595, 597, 599, 601, 631, 633, 634, 637, 638, 641, 645, 653, 659, 661, 663, 675, 676, 679, 681, 683	4460894 ... 631, 634, 638, 641, 645, 663, 675, 679
3931618 ... 183, 195, 209, 225, 245, 269, 295, 309	4420051 ..... 53, 729	4460470.... 101, 103, 105, 461	4460897 ... 137, 139, 141, 647
3931628 .... 343, 359, 379	4420062 ..... 499, 501	4460471.... 101, 103, 105, 461	4460899 ... 603, 659, 661, 676, 681, 683
3960389 ..... 171	4420066 ..... 489	4460473.....597, 599	4460905 ... 657, 663, 675, 679
3960407 .... 186, 198, 212	4420068 ..... 479, 481	4460496..... 101, 103, 105	4460906 ..... 653
3960422 ... 355, 359, 376, 379, 383, 563, 587, 589	4460019 ..... 641	4460497..... 101, 103, 105	4460910 ..... 689, 691
3960526 ..... 23, 25	4460027 ... 339, 344, 348	4460508....485, 663, 676	4460911 ..... 683
3990013 ..... 741	4460042 ... 638, 641, 645, 675	4460509.....597, 599	4460928 ..... 595
4010405 ..... 591, 605	4460043 ... 281, 633, 637, 641	4460510.....746	4460930 ... 103, 292, 306, 601, 631, 634, 638, 641, 675
4010618 ... 429, 431, 433, 443, 445, 447, 451, 455	4460049 ..... 479, 481	4460518.....595	4460931 .... 101, 103, 675
4031505 ..... 485	4460071 ... 355, 359, 376, 379, 383, 471, 563	4460536.... 107, 415, 417, 601, 603, 663	4460932 ..... 647
4031516 ..... 487	4460134 ... 340, 344, 348	4460539....415, 417, 601, 603, 641, 663, 679	4460933 .... 595, 663, 676
4031914 ... 228, 234, 248, 254, 272	4460138 .... 340, 344, 348	4460612.....587, 589	4460941 ..... 647, 683
4032014 .... 343, 359, 379	4460183 ..... 663, 675	4460662....577, 579, 581, 585	4460942 ... 485, 634, 638, 641, 647
4032015 ... 351, 355, 368, 372, 376	4460190 .... 339, 344, 348	4460693.....645	4460943 ... 107, 139, 141, 683
4060802 ... 340, 343, 347, 351, 355, 359, 363, 368, 372, 376, 379, 383, 387	4460205 ..... 563	4460702.....676	4460944 ... 633, 634, 637, 638, 641
4060805 ... 186, 199, 212, 228, 234, 248, 254, 272, 300, 314	4460225 ... 368, 372, 376, 379, 383, 655, 663	4460703....633, 637, 641, 676	4460956 ..... 607, 609
4070450 ..... 55	4460226 ... 465, 468, 471, 676	4460705....339, 344, 348	4460957 ..... 607, 609
4070560 ..... 55	4460227 ..... 663	4460708.....663	4460958 ..... 589
4070561 ..... 55	4460234 ... 137, 461, 479, 481	4460722.....281	4460961 .... 339, 344, 348
4070897 .... 397, 399, 401	4460247 .... 633, 637, 641	4460742.....676	4460962 ..... 493
4070898 .... 397, 399, 401	4460259 .... 657, 663, 676	4460743.....676	4460963 .... 377, 381, 384
4071009 ..... 75	4460260 .... 657, 663, 676	4460746....633, 637, 641	4460967 ..... 675
4160182 .... 144, 148, 152	4460265 ..... 465, 468		4460968 ..... 565, 569
4240018 ... 534, 542, 550, 558, 587, 589	4460267 ..... 663		4460970 ..... 663
4240032 ..... 137			4460977 ..... 651
4240033 .... 483, 485, 487			4461005 ..... 631

## SECTION 11 - SPECIAL OPTIONS

4461072....631, 633, 637, 641	4740086 ..... 19, 21	4811902 ... 144, 148, 152, 179, 191, 206, 221, 241, 265, 274, 298, 312	351, 355, 359, 363, 368, 372, 376, 380, 384, 387, 419
4461073....631, 633, 637, 641	4740155 ..... 21	4812000 ... 23, 25, 61, 63, 83, 89, 91, 95, 97, 101, 103, 105, 144, 148, 152, 155, 157, 159, 161, 164, 167, 169, 171, 179, 186, 191, 198, 206, 212, 221, 228, 234, 241, 248, 254, 265, 272, 291, 298, 305, 312, 340, 343, 347, 360, 363, 380, 387, 397, 399, 401, 411, 413, 417, 419, 613, 615, 617, 619, 621, 623, 625, 627, 629	5241400.....298, 312
4461074....631, 633, 637, 641	4740362 ..... 459	4812002 ... 61, 63, 89, 91, 101, 103, 105, 144, 148, 152, 164, 274, 331	5241600.....21, 75
4461077 .....681, 683	4740397 .... 103, 461, 473	4812100 ..... 87, 179, 191, 206, 221, 228, 234, 241, 248, 254, 265, 272, 291, 305, 335, 337, 351, 355, 368, 372, 376, 397, 399, 401, 419	5242000.....75
4461095....595, 631, 633, 637	4740439 ..... 403, 405	4812102 ..... 53	5250605.....298, 312
4461109.....645	4740491 ..... 21	4812200 ... 186, 198, 212, 228, 234, 248, 254, 272, 292, 306, 340, 343, 348, 351, 355, 359, 363, 368, 372, 376, 379, 384, 387	5250808....351, 356, 360, 368, 372, 376, 380
4461111.....645	4750600 ..... 335, 337	4844816 ..... 403	5250810....230, 236, 250, 256, 351, 356, 360, 363, 368, 372, 376, 380, 387
4461113.....645	475100089, 91, 340, 343, 347, 491, 493, 495	4844817 ..... 403	5251008....397, 399, 401, 415, 417, 419
4461121.....645	4751400 ..... 93, 459, 461, 477, 479, 481, 491, 493, 495, 593, 695, 697, 699, 701, 703, 705, 707, 709, 711, 713, 715, 717, 719, 721, 723, 725, 727	4845582 ..... 499, 501	5251009.....397, 399, 401
4461122.....645	4751500 ... 340, 343, 347, 479, 481, 499, 501	4846627 .... 491, 493, 495	5251011....397, 399, 401
4461123.....645	4751600 ... 236, 256, 459, 491, 493, 495	4846673 ..... 481	5251012 23, 25, 127, 129, 131, 164
4461124.....645	4751800 .... 435, 479, 481	4871700 95, 97, 351, 355, 359, 363, 368, 372, 376, 379, 387	5251014....49, 51, 61, 63, 144, 148, 152
4461196.....665	4752000 ..... 55	4891600 53, 57, 183, 195, 209, 225, 245, 269, 295, 309, 419	5251016.....17, 419
4461198.....565, 665	4760600 ..... 563	4891800 23, 25, 183, 195, 209, 225, 245, 269, 295, 309	5251018....179, 191, 206, 221, 241, 265, 274, 291, 305
4461199.....667	4761000 95, 97, 186, 198, 212, 229, 235, 249, 255	4892000 ..... 23, 25, 81	5260800....351, 356, 360, 363, 368, 372, 376, 380, 387
4461201.....569, 667	4761400 ..... 477	4892600 001 ..... 419	5261000....127, 129, 131
4461205.....669, 671	4770600 ..... 335, 337	4922641 ... 340, 344, 348, 352, 356, 360, 364, 368, 372, 376, 380, 384	5261018....155, 159, 613
4461244.....577, 669	4811400 ... 417, 565, 567, 569, 571, 573, 575, 577, 579, 581, 583, 585	4922802 ..... 627	5261200....179, 191, 206, 221, 241, 265, 274, 291, 305
4461245.....579, 671	4811600 ... 137, 355, 359, 368, 372, 376, 379, 383, 387	4922803 ..... 629	5260800....351, 356, 360, 363, 368, 372, 376, 380, 387
4461246.....581, 673	4811700 95, 97, 101, 103, 107, 109, 139, 141, 155, 157, 159, 161, 167, 169, 179, 186, 191, 198, 206, 212, 221, 228, 234, 241, 248, 254, 265, 272, 291, 298, 305, 312, 340, 343, 347, 351, 355, 359, 363, 368, 372, 376, 379, 383, 387, 429, 431, 433, 443, 445, 447, 451, 455, 534, 542, 550, 558, 591, 605, 619, 621, 623, 625, 629	4922925 ... 368, 372, 376, 379, 383, 387	5261000....127, 129, 131
4461249.....673	4811700 95, 97, 101, 103, 107, 109, 139, 141, 155, 157, 159, 161, 167, 169, 179, 186, 191, 198, 206, 212, 221, 228, 234, 241, 248, 254, 265, 272, 291, 298, 305, 312, 340, 343, 347, 351, 355, 359, 363, 368, 372, 376, 379, 383, 387, 429, 431, 433, 443, 445, 447, 451, 455, 534, 542, 550, 558, 591, 605, 619, 621, 623, 625, 629	4933218 ..... 481	5261018....155, 159, 613
4520216.....43	4770600 ..... 335, 337	5240800 ... 179, 191, 206, 222, 241, 265, 291, 298, 305, 312	5261018....179, 191, 206, 221, 241, 265, 274, 291, 305
4520240.....45	4811400 ... 417, 565, 567, 569, 571, 573, 575, 577, 579, 581, 583, 585	5241200 . 17, 19, 21, 186, 198, 212, 228, 234, 248, 254, 272, 298, 312, 340, 343, 347, 351, 355, 359, 368, 372, 376, 379, 383, 387, 419, 593, 613, 617, 621, 625, 629	5260800....351, 356, 360, 363, 368, 372, 376, 380, 387
4520259.....47	4811600 ... 137, 355, 359, 368, 372, 376, 379, 383, 387	5241400.....298, 312	5261000....127, 129, 131
4530028....491, 493, 497	4811700 95, 97, 101, 103, 107, 109, 139, 141, 155, 157, 159, 161, 167, 169, 179, 186, 191, 198, 206, 212, 221, 228, 234, 241, 248, 254, 265, 272, 291, 298, 305, 312, 340, 343, 347, 351, 355, 359, 363, 368, 372, 376, 379, 383, 387, 429, 431, 433, 443, 445, 447, 451, 455, 534, 542, 550, 558, 591, 605, 619, 621, 623, 625, 629	5241600.....21, 75	5261018....155, 159, 613
4640261.....53	4811700 95, 97, 101, 103, 107, 109, 139, 141, 155, 157, 159, 161, 167, 169, 179, 186, 191, 198, 206, 212, 221, 228, 234, 241, 248, 254, 265, 272, 291, 298, 305, 312, 340, 343, 347, 351, 355, 359, 363, 368, 372, 376, 379, 383, 387, 429, 431, 433, 443, 445, 447, 451, 455, 534, 542, 550, 558, 591, 605, 619, 621, 623, 625, 629	5242000.....75	5261018....155, 159, 613
4640452.....525	4811700 95, 97, 101, 103, 107, 109, 139, 141, 155, 157, 159, 161, 167, 169, 179, 186, 191, 198, 206, 212, 221, 228, 234, 241, 248, 254, 265, 272, 291, 298, 305, 312, 340, 343, 347, 351, 355, 359, 363, 368, 372, 376, 379, 383, 387, 429, 431, 433, 443, 445, 447, 451, 455, 534, 542, 550, 558, 591, 605, 619, 621, 623, 625, 629	5242000.....75	5261018....155, 159, 613
4640509.....519	4811700 95, 97, 101, 103, 107, 109, 139, 141, 155, 157, 159, 161, 167, 169, 179, 186, 191, 198, 206, 212, 221, 228, 234, 241, 248, 254, 265, 272, 291, 298, 305, 312, 340, 343, 347, 351, 355, 359, 363, 368, 372, 376, 379, 383, 387, 429, 431, 433, 443, 445, 447, 451, 455, 534, 542, 550, 558, 591, 605, 619, 621, 623, 625, 629	5242000.....75	5261018....155, 159, 613
4640751....228, 234, 248, 254, 272	4811700 95, 97, 101, 103, 107, 109, 139, 141, 155, 157, 159, 161, 167, 169, 179, 186, 191, 198, 206, 212, 221, 228, 234, 241, 248, 254, 265, 272, 291, 298, 305, 312, 340, 343, 347, 351, 355, 359, 363, 368, 372, 376, 379, 383, 387, 429, 431, 433, 443, 445, 447, 451, 455, 534, 542, 550, 558, 591, 605, 619, 621, 623, 625, 629	5242000.....75	5261018....155, 159, 613
4640858.....513	4811700 95, 97, 101, 103, 107, 109, 139, 141, 155, 157, 159, 161, 167, 169, 179, 186, 191, 198, 206, 212, 221, 228, 234, 241, 248, 254, 265, 272, 291, 298, 305, 312, 340, 343, 347, 351, 355, 359, 363, 368, 372, 376, 379, 383, 387, 429, 431, 433, 443, 445, 447, 451, 455, 534, 542, 550, 558, 591, 605, 619, 621, 623, 625, 629	5242000.....75	5261018....155, 159, 613
4641122.....43, 45, 47	4811700 95, 97, 101, 103, 107, 109, 139, 141, 155, 157, 159, 161, 167, 169, 179, 186, 191, 198, 206, 212, 221, 228, 234, 241, 248, 254, 265, 272, 291, 298, 305, 312, 340, 343, 347, 351, 355, 359, 363, 368, 372, 376, 379, 383, 387, 429, 431, 433, 443, 445, 447, 451, 455, 534, 542, 550, 558, 591, 605, 619, 621, 623, 625, 629	5242000.....75	5261018....155, 159, 613
4641390.....517	4811700 95, 97, 101, 103, 107, 109, 139, 141, 155, 157, 159, 161, 167, 169, 179, 186, 191, 198, 206, 212, 221, 228, 234, 241, 248, 254, 265, 272, 291, 298, 305, 312, 340, 343, 347, 351, 355, 359, 363, 368, 372, 376, 379, 383, 387, 429, 431, 433, 443, 445, 447, 451, 455, 534, 542, 550, 558, 591, 605, 619, 621, 623, 625, 629	5242000.....75	5261018....155, 159, 613
4710400....228, 234, 248, 254	4811700 95, 97, 101, 103, 107, 109, 139, 141, 155, 157, 159, 161, 167, 169, 179, 186, 191, 198, 206, 212, 221, 228, 234, 241, 248, 254, 265, 272, 291, 298, 305, 312, 340, 343, 347, 351, 355, 359, 363, 368, 372, 376, 379, 383, 387, 429, 431, 433, 443, 445, 447, 451, 455, 534, 542, 550, 558, 591, 605, 619, 621, 623, 625, 629	5242000.....75	5261018....155, 159, 613
4711000....101, 103, 105, 139, 141, 283, 285, 356, 360, 368, 372, 377, 381, 385, 388	4811700 95, 97, 101, 103, 107, 109, 139, 141, 155, 157, 159, 161, 167, 169, 179, 186, 191, 198, 206, 212, 221, 228, 234, 241, 248, 254, 265, 272, 291, 298, 305, 312, 340, 343, 347, 351, 355, 359, 363, 368, 372, 376, 379, 383, 387, 429, 431, 433, 443, 445, 447, 451, 455, 534, 542, 550, 558, 591, 605, 619, 621, 623, 625, 629	5242000.....75	5261018....155, 159, 613
4711400....155, 157, 159, 161, 167, 169, 429, 431, 433, 443, 445, 447, 449, 451, 453, 455, 457, 483, 487, 565, 567, 569, 571, 573, 575, 577, 579, 581, 583, 585	4811700 95, 97, 101, 103, 107, 109, 139, 141, 155, 157, 159, 161, 167, 169, 179, 186, 191, 198, 206, 212, 221, 228, 234, 241, 248, 254, 265, 272, 291, 298, 305, 312, 340, 343, 347, 351, 355, 359, 363, 368, 372, 376, 379, 383, 387, 429, 431, 433, 443, 445, 447, 451, 455, 534, 542, 550, 558, 591, 605, 619, 621, 623, 625, 629	5242000.....75	5261018....155, 159, 613
4711500 95, 97, 144, 148, 152, 179, 191, 206, 222, 228, 234, 241, 248, 254, 265, 272, 291, 305	4811700 95, 97, 101, 103, 107, 109, 139, 141, 155, 157, 159, 161, 167, 169, 179, 186, 191, 198, 206, 212, 221, 228, 234, 241, 248, 254, 265, 272, 291, 298, 305, 312, 340, 343, 347, 351, 355, 359, 363, 368, 372, 376, 379, 383, 387, 429, 431, 433, 443, 445, 447, 451, 455, 534, 542, 550, 558, 591, 605, 619, 621, 623, 625, 629	5242000.....75	5261018....155, 159, 613
4711600....144, 148, 152, 164, 283, 285, 351, 355, 359, 363, 368, 372, 376, 379, 387, 462, 503, 505, 507, 509	4811700 95, 97, 101, 103, 107, 109, 139, 141, 155, 157, 159, 161, 167, 169, 179, 186, 191, 198, 206, 212, 221, 228, 234, 241, 248, 254, 265, 272, 291, 298, 305, 312, 340, 343, 347, 351, 355, 359, 363, 368, 372, 376, 379, 383, 387, 429, 431, 433, 443, 445, 447, 451, 455, 534, 542, 550, 558, 591, 605, 619, 621, 623, 625, 629	5242000.....75	5261018....155, 159, 613
4711700....105, 340, 343, 347	4811700 95, 97, 101, 103, 107, 109, 139, 141, 155, 157, 159, 161, 167, 169, 179, 186, 191, 198, 206, 212, 221, 228, 234, 241, 248, 254, 265, 272, 291, 298, 305, 312, 340, 343, 347, 351, 355, 359, 363, 368, 372, 376, 379, 383, 387, 429, 431, 433, 443, 445, 447, 451, 455, 534, 542, 550, 558, 591, 605, 619, 621, 623, 625, 629	5242000.....75	5261018....155, 159, 613
4711800.....435	4811700 95, 97, 101, 103, 107, 109, 139, 141, 155, 157, 159, 161, 167, 169, 179, 186, 191, 198, 206, 212, 221, 228, 234, 241, 248, 254, 265, 272, 291, 298, 305, 312, 340, 343, 347, 351, 355, 359, 363, 368, 372, 376, 379, 383, 387, 429, 431, 433, 443, 445, 447, 451, 455, 534, 542, 550, 558, 591, 605, 619, 621, 623, 625, 629	5242000.....75	5261018....155, 159, 613
4712000....489, 503, 505, 507, 509	4811700 95, 97, 101, 103, 107, 109, 139, 141, 155, 157, 159, 161, 167, 169, 179, 186, 191, 198, 206, 212, 221, 228, 234, 241, 248, 254, 265, 272, 291, 298, 305, 312, 340, 343, 347, 351, 355, 359, 363, 368, 372, 376, 379, 383, 387, 429, 431, 433, 443, 445, 447, 451, 455, 534, 542, 550, 558, 591, 605, 619, 621, 623, 625, 629	5242000.....75	5261018....155, 159, 613
4712200.....489	4811700 95, 97, 101, 103, 107, 109, 139, 141, 155, 157, 159, 161, 167, 169, 179, 186, 191, 198, 206, 212, 221, 228, 234, 241, 248, 254, 265, 272, 291, 298, 305, 312, 340, 343, 347, 351, 355, 359, 363, 368, 372, 376, 379, 383, 387, 429, 431, 433, 443, 445, 447, 451, 455, 534, 542, 550, 558, 591, 605, 619, 621, 623, 625, 629	5242000.....75	5261018....155, 159, 613

## SECTION 11 - SPECIAL OPTIONS

70001696 .. 367, 371, 375	70003469 ..... 202, 216	70004679.. 352, 356, 360, 364	70004900 ..... 324
70001697 ..... 407, 409	70003472 ..... 201, 215	70004680.. 352, 356, 360, 364	70004901 ..... 324
70001844 ..... 202, 216	70003473 ..... 201, 215	70004681 ..... 352, 364	70004902 ..... 324
70001850 ..... 201, 215	70003475 ..... 201, 215	70004682.. 352, 356, 360, 364	70004903 ..... 324
70001866 ..... 202, 216	70003479 ..... 201, 215	70004683 ..... 352, 364	70004904 ..... 324
70001868 ..... 202, 216	70003480 ..... 201, 215	70004684 ..... 356	70004905 ..... 324
70001870 . 201, 215, 260, 278	70003481 ..... 201, 215	70004685 ..... 356, 360	70004906 ..... 324
70001871 ..... 202, 216	70003612 ..... 99	70004686 ..... 364	70004907 ..... 324
70001872 ..... 202, 216	70003614 ..... 740	70004687 ..... 360	70004908 ..... 324
70001953 .. 367, 371, 375	70003631 . 367, 371, 375, 380, 384, 388	70004738 ..... 465	70004909 ..... 324
70001966 . 351, 356, 360, 363, 367, 371, 375, 380, 384, 388	70003708 . 351, 356, 360, 363, 367, 371, 375, 380, 384, 388	70004739 ..... 465	70004910 ..... 324
70001973 . 367, 371, 375, 380, 384, 388	70003709 . 351, 356, 360, 363, 367, 371, 375, 380, 384, 388	70004740 ..... 465	70004911 ..... 324
70001974 . 367, 371, 375, 380, 384, 388	70003783 . 187, 199, 213, 229, 235, 249, 255, 273, 740	70004741 ..... 465	70005065 ..... 99
70002011 ..... 413, 740	70003788 .... 66, 70, 517, 740	70004742 ..... 465	70005066 ..... 99
70002057 ..... 78	70003931 ..... 202, 216	70004743 ..... 465	70005067 ..... 99
7000206 ..... 27, 31	70003932 ..... 202, 216	70004744 ..... 465	70005068 ..... 99
70002063 ..... 73	70003977 ..... 65, 69	70004745 ..... 465	70005069 ..... 65, 69
70002088 .. 367, 371, 375	70004000 ..... 99	70004746 ..... 465	70005071 ..... 65, 69
70002112 ..... 93	70004013 ..... 99	70004747 ..... 465	70005072 ..... 65, 69
70002209 ..... 41	70004014 ..... 99	70004748 ..... 465	70005073 ..... 65, 69
70002234 ..... 202, 216	70004017 ..... 41	70004749 ..... 465	70005074 ..... 65, 69
70002257 ..... 324	70004020 .. 300, 314, 740	70004750 ..... 465	70005075 ..... 65, 69
7000229 ..... 27, 31	70004056 ..... 202, 216	70004751 ..... 465	70005076 ..... 65, 69
70002291 .. 380, 384, 388	70004058 ..... 202, 216	70004752 ..... 467	70005077 ..... 65, 69
70002297 . 367, 371, 375, 380, 384	70004059 ..... 202, 216	70004753 ..... 467	70005078 ..... 65, 69
7000230 ..... 27, 31	70004060 ..... 202, 216	70004754 ..... 467	70005079 ..... 65, 69
70002316 ..... 317	70004062 ..... 202, 216	70004755 ..... 467	70005080 ..... 65, 69
70002318 ..... 317	70004092 . 352, 356, 360, 363, 380, 384, 388	70004756 ..... 467	70005081 ..... 65, 69
7000232 ..... 27, 31	70004094 .. 380, 384, 388	70004757 ..... 467	70005082 ..... 65, 69
70002326 ..... 317	70004098 . 356, 360, 380, 384, 388	70004758 ..... 467	70005084 ..... 65, 69
700023371 ..... 521	70004099 . 360, 363, 380, 384, 388	70004759 ..... 467	70005085 ..... 65, 69
70002373 ..... 515, 521	70004102 ..... 202, 216	70004760 ..... 467	70005086 ..... 65, 69
7000238666, 70, 73, 517, 740	70004103 ..... 202, 216	70004761 ..... 467	70005087 ..... 65, 69
70002390 ..... 39	70004169 .. 367, 371, 375	70004762 ..... 467	70005088 ..... 65, 69
70002412 ..... 525	70004171 . 352, 356, 367, 371, 375	70004763 ..... 467	70005089 ..... 65, 69
7000246 ..... 27, 31	70004231 ..... 517	70004764 ..... 467	70005090 ..... 65, 69
70002460 . 367, 371, 375, 380, 384, 388	70004267 ..... 99	70004765 ..... 467	70005091 ..... 65, 70
7000248 ..... 27, 31	70004268 ..... 201, 215	70004766 ..... 467	70005092 ..... 65, 69
7000253 ..... 27, 31	70004269 ..... 201, 215	70004767 ..... 467	70005093 ..... 69
7000257 ..... 27, 31	70004270 ..... 202, 216	70004768 ..... 467	70005106 ..... 413, 741
7000258 ..... 27, 31	70004281 ..... 259, 277	70004769 ..... 467	70005107 ..... 413
7000261 ..... 27, 31	70004282 ..... 259	70004770 ..... 467	70005108 ..... 65, 69
7000262 ..... 27, 31	70004469 ..... 78	70004771 ..... 467	70005109 ..... 65, 70
7000263 ..... 27, 31	70004481 ..... 78	70004772 ..... 467	70005139 ..... 99
70002718 .. 201, 215, 259	70004482 ..... 78	70004773 ..... 467	70005140 ..... 521
70002838 ..... 93	70004484 ..... 78	70004774 ..... 468	70005141 ..... 521
70002842 ..... 513	70004494 ..... 78	70004775 ..... 468	70005142 ..... 515, 521
70002902 ..... 471	70004504 ..... 277	70004794 ..... 89, 91	70005143 ..... 515, 521
70002903 ..... 471	70004508 ..... 278	70004829 ..... 317	70005144 ..... 515, 521
70002904 ..... 471	70004577 ..... 39, 41	70004883 ..... 73	70005145 ..... 515, 521
70002905 ..... 471	70004676 . 352, 356, 360, 363	70004884 ..... 41, 73	70005146 ..... 521
70002962 ..... 41	70004677 ..... 352	70004885 ..... 39, 41	70005147 ..... 515
70002974 ..... 65, 69	70004678 . 352, 356, 360, 364	70004886 ..... 41	70005148 ..... 515
70003023 ..... 65, 69		70004889 ..... 323	70005149 ..... 515
70003024 ..... 65, 69		70004890 ..... 323	70005150 ..... 523
70003408 ..... 65, 69		70004891 ..... 323	70005151 ..... 523
70003463 .. 201, 215, 740		70004892 ..... 323	70005152 ..... 523
70003464 ..... 201, 215		70004893 ..... 323	70005153 ..... 523
70003468 ..... 202, 216		70004894 ..... 323	70005154 ..... 523
		70004895 ..... 323	70005171 ..... 259
		70004896 ..... 323	70005172 ..... 260, 278
		70004897 ..... 323	70005173 ..... 259
		70004898 ..... 323	70005177 ..... 259
		70004899 ..... 324	70005182 ..... 259
			70005183 ..... 259
			70005184 ..... 259, 277
			70005217 ..... 65, 69

## SECTION 11 - SPECIAL OPTIONS

70005218.....65, 69	70006048.....318	70006998.....78	70025084..201, 202, 215, 216
70005219.....66, 70, 740	70006049.....318	70006999.....78	70025086.....202, 216
70005317.....78	70006050.....318	70007001.....78	70025088.....201, 215
70005318.....78	70006051.....318	70007002.....78	70025091.....201, 215
70005504.....277	70006052.....318	70007003.....78	70025099.....277
70005710.....87	70006053.....318	70007004.....78	70025121.....202, 216
70005711.....87	70006054.....318	70007006.....78	70025123..201, 202, 215, 216
70005712.....87	70006055.....318	70007022.....78	70025130.....277
70005713.....87	70006056.....318	70007023.....78	70025131.....202, 216
70005714.....87	70006057.....318	70007024.....78	70025135.....259
70005715.....87	70006058.....318	70007025.....78	70025139.....201, 215
70005716.....87	70006059.....318	70007026.....78	70025142.....277
70005724.....66, 70	70006060.....318	70007027.....78	70025153.....277, 740
70005726.....317	70006061.....318, 740	70007028.....78	70025160.....277
70005727.....317	70006062.....318	70007029.....78	70025161.....277, 740
70005737.....317	70006063.....318	70007030.....78	70025164.....259, 277
70005745.....317	70006064.....318	70007031.....78	70025168.....277
70005746.....317	70006065.....318	70007032.....78	70025200.....259
70005747.....317	70006066.....318	70007046.....78	70025210.....259, 740
70005751.....317	70006067.....318	70007062.....525	70025231.....259
70005827.....39	70006068.....318	70007063.....525	70025239.....259
70005830.....39	70006069.....318	70007064.....525	70025667.....201, 215
70005831.....39	70006070.....318	70007065.....525	70025693.....202, 216
70005832.....39	70006071.....318	70007066.....525	70025694.....202, 216
70005833.....39	70006072.....318	70007067.....525	70026210.....259, 277
70005834.....39	70006074.....318	70007068.....525	70026444.....39
70005931.....259, 277	70006075.....318	70007069.....525	70027405.....277
70005941.....260, 278	70006076.....318	70007070.....525	7002821.....746
70005942.....259, 278	70006077.....318	70007071.....525	7002822.....746
70006010.....321	70006078.....318	70007072.....525	7002823.....746
70006011.....321	70006079.....318	7000731.....28	7002828.....746
70006012.....321	70006080.....318	70007325.....259	70028540.....259
70006013.....317	70006093..380, 384, 388	70007326.....260	70029015.....277
70006014.....317	70006094..380, 384, 388	70007354.....259	70029402.....277
70006015.....317	70006095..380, 384, 388	70007603.....259, 277	70029403.....277
70006016.....317	70006096..380, 384, 388	70007784.....277	70029404.....277
70006017.....317	70006097..380, 384, 388	70009002..179, 192, 206, 221, 242	70029451.....259
70006018.....317	70006104.....517	70009004..179, 191, 206	70029512.....277
70006019.....317	70006105.....517	70009005..179, 192, 206	70029797.....277
70006020.....317	70006144.....259, 277	70009006.....221, 242	70030360.....259
70006021.....317	70006255..411, 740, 741	70009007.....221, 242	70030381.....259
70006022.....317	70006270.....411	70010383.....61, 63, 740	70031095.....260
70006023.....317, 740	70006344.....525	7001481.....324	70031136.....259
70006024.....317	70006356..183, 195, 209, 225, 245, 269, 295, 309	7001998.....27, 31	70031143.....277
70006025.....317	70006379.....318	70022564..515, 517, 521	70031144.....277
70006026.....317	70006552.....356	70023369..515, 517, 521	70031145.....259
70006027.....317	70006553.....356	70023370.....515	7004275.....746
70006028.....317	70006553.....356	70023592..229, 235, 249, 255, 740	7004276.....746
70006029.....317	70006580.....407	70023593..229, 235, 249, 255, 740	70050795.....517
70006030.....317	70006636.....517	70024494.....260, 278	7007289.....324
70006031.....317	70006639.....318	70024504.....259, 277	7007415.....323, 324
70006032.....317	70006640.....318	70024507.....259	7007419.....323
70006033.....317	70006649.....519	70024513.....259, 277	7007420.....323, 324
70006034.....317	70006650.....519	70024904.....260, 278	7007437.....35, 37
70006035.....317	70006652.....259	70024905.....259	7007438.....35, 37
70006036.....317	70006702.....517	70024906.....259	7007439.....35, 37
70006037.....317	70006703.....517	70024913.....278	7007446.....35, 37
70006038.....317	70006704.....517	70024915.....259	7007493.....324
70006039.....317	70006705.....517	70024916.....277	7007495.....323
70006040.....317	70006706.....517	70024918.....277	7007601.....27, 31
70006041.....317	70006734.....519	70024925.....259, 278	7007640.....27, 31
70006042.....317	70006735.....519	70024961.....259, 277	7010429.....27, 31
70006043.....317	70006736.....519	70025082.....201, 215	7010543.....73
70006044.....317	70006817.....525		7012513.....339, 343, 347
70006045.....318	70006990.....78		7012514.....339, 344, 347
70006046.....318	70006994.....78		
70006047.....318	70006997.....78		



## SECTION 11 - SPECIAL OPTIONS

7012518 .....	525	7021242 .....	323	7024474 .....	497	8220098 .....	675
7012558 .....	339	7021243 .....	323	7024475 .....	497	8220115 .....	633, 637
7012941 .....	73	7021248 .....	323	7024478 .....	497	8220164 ....	633, 637, 641
7012967 .....	73	7021249 .....	35, 37, 323	7024485 .....	367, 371, 375	8229242 ...	633, 637, 675, 740
7012998 .....	517	7021253 .....	323	7024488 .....	367, 371, 375, 379, 383	8229244 .....	675, 740
7016322 .....	335, 337	7021257 .....	323	7024489 .....	367, 371, 375, 379, 383	8229245 .....	653, 741
7016331 ...	201, 215, 260, 278, 740	7021258 .....	323	7024565 .....	202, 216	8305401 ...	186, 198, 212, 228, 234, 248, 254, 272, 298, 312
7016654 .....	746	7021259 .....	323	7024579 .....	201, 215, 260	8307109 ...	186, 198, 212, 228, 234, 248, 254, 273, 298, 312
7017059 .....	27, 31	7021262 .....	323	7024598 .....	335, 337	8310129 .....	489
7017067 .....	27, 31	7021263 .....	323	7024705 .....	27	8310548 ...	186, 198, 212, 229, 235, 248, 254, 273, 298, 312
7017070 .....	27, 31	7021265 .....	323	7024712 .....	27, 31	8405006 ...	221, 241, 265, 283, 285
7017080 .....	27, 31	7021268 .....	323	7024713 .....	27, 31	8405007 ...	229, 235, 249, 255, 273
7017142 .....	407, 409	7021275 .....	35, 37	7024714 .....	27, 31	8405009 ...	179, 191, 206, 229, 235, 249, 255, 273, 299, 313
7017150 .....	409	7021276 .....	35, 37, 324	7024715 .....	27, 31	8405102 .....	299, 313
7017159 .....	407, 409	7021277 .....	35, 37, 324	7024716 .....	27, 31	8405104 ...	229, 235, 249, 255, 273, 299, 313
7017162 .....	407, 409	7021278 .....	324	7024717 .....	27	8405104 ...	229, 235, 249, 255, 273, 299, 313
7017163 .....	407, 409	7021281 .....	323	7024718 .....	28	8405202 ...	229, 235, 249, 255, 273, 299, 313
7017164 .....	407, 409	7021290 .....	324	7024800 .....	323	8405203 .....	299, 313
7017172 .....	407, 409	7021293 .....	323	7024810 .....	39	8405204 ...	229, 235, 249, 255, 273
7017192 .....	407, 409	7021299 .....	324	7024853 .....	35	8406101 ....	221, 241, 265
7017195 .....	407, 409	7021625 .....	41	7024854 .....	35, 37	8406109 ...	187, 199, 213, 229, 235, 249, 255, 273, 299, 313
7017410 .....	73	7021639 .....	41	7024855 .....	323	8406110 ...	230, 236, 250, 256, 274, 299, 313
7017467 .....	517	7022300 .....	323	7024857 .....	323	8410001 .....	299, 313
7017496 .....	39, 41, 517	7022302 .....	35, 37	7024858 .....	323	8410009 .....	299, 313
7017904 .....	317	7022305 .....	35, 37	7024868 .....	35, 37	8410011 .....	300
7017932 .....	317	7022310 .....	37	7024881 .....	39, 41	8410013 .....	593
7017959 .....	318	7022311 .....	35, 37	7026188 .....	367, 371, 375	88521205 .....	95, 97
7017992 .....	318, 740	7022312 .....	35, 37	7026199 .....	339, 343, 347	88521214 .	503, 505, 507, 509
7019680 ....	339, 344, 348	7022314 .....	35, 37	7026330 .....	99	88662037 .	534, 543, 550, 559
7020023 ....	201, 215, 740	7022326 .....	35, 37	7026597 ....	367, 371, 375, 380	90200755 .	144, 148, 152, 164
7020026 .....	201, 215	7022328 .....	35, 37	7026626 ....	367, 371, 375, 380, 384, 388	91164057 .....	41, 66, 70
7020033 .....	33	7022341 .....	323	7027236 .....	201, 215	91164059 .....	66, 70
7020035 .....	33	7022346 .....	324	7027419 .....	35	91164079 .....	41, 66, 70
7020036 .....	33	7022347 .....	324	7027773 .....	497	91203039 .....	419
7020037 .....	33	7022368 .....	35, 37	7027774 .....	497	91401281 .....	95
7020038 .....	33	7022371 .....	35, 37	7027775 .....	497		
7020039 .....	33	7022372 .....	37	7027776 .....	497		
7020040 .....	33	7022390 .....	65, 69, 517	7027777 .....	497		
7020041 .....	33	7022397 .....	39, 41	7027778 .....	497		
7020108 ....	339, 344, 347	7022399 ....	39, 41, 65, 69	7027779 .....	497		
7020109 ....	339, 344, 347	7023154 .....	317	7027780 .....	497		
7020110 ....	339, 344, 347	7023900 .....	65, 69	7027790 .....	202, 216		
7020111 ....	339, 344, 348	7023907 .....	35, 37	7027791 .....	202, 216		
7020175 ...	111, 113, 115, 461	7023908 .....	35, 37	7027792 .....	202, 216		
7020176 ...	111, 113, 115, 461	7023910 .....	35, 37	7027795 .....	216		
7020190 ....	339, 344, 348	7023936 .....	65, 69	7027796 .....	202, 216		
7020403 .....	201, 215	7024182 .....	27, 28	7027799 .....	367, 371, 375, 380, 384, 388		
7020430 .....	201, 215	7024189 .....	28	7027903 .....	202, 216		
7020460 .....	201, 215	7024190 .....	28	77363233 .....	655		
7020465 ...	201, 215, 260, 278	7024191 .....	28	80484084 ...	633, 637, 641		
7020468 .....	201, 215	7024192 .....	28	80633030 ...	534, 543, 550, 559		
7020471 .....	202, 216	7024193 .....	28	80963067 .....	675		
7020479 .....	202, 216	7024194 .....	28	80983191 ...	633, 637, 741		
7020492 ...	201, 202, 215, 216	7024196 .....	28	82033995 .....	300, 314		
7021237 .....	323	7024197 .....	28	8220045 .....	653, 676		
7021238 .....	323	7024199 .....	28	8220051 .....	647		
7021239 .....	323	7024441 .....	93	8220097 .....	675		
7021240 .....	323	7024462 .....	497				
7021241 .....	323	7024463 .....	497				
		7024467 .....	497				
		7024469 .....	497				
		7024470 .....	497				
		7024471 .....	497				
		7024472 .....	497				
		7024473 .....	497				



**Corporate Office  
JLG Industries, Inc.  
1 JLG Drive  
McConnellsburg, PA 17233-9533 USA  
☎ (717) 485-5161 (Corporate)  
☎ (877) 554-5438 (Customer Support)  
📠 (717) 485-6417**

**Visit our website for JLG Worldwide Locations.  
[www.jlg.com](http://www.jlg.com)**



**OSHKOSH™**