



---

# Illustrated Parts Manual

***Model***  
***400S***  
***460SJ***

**PVC**  
**2101**

**P/N**  
**31215967**

**July 15, 2023 - Rev C**

***ANSI***

**CE**



***AS/NZS***



An Oshkosh Corporation Company



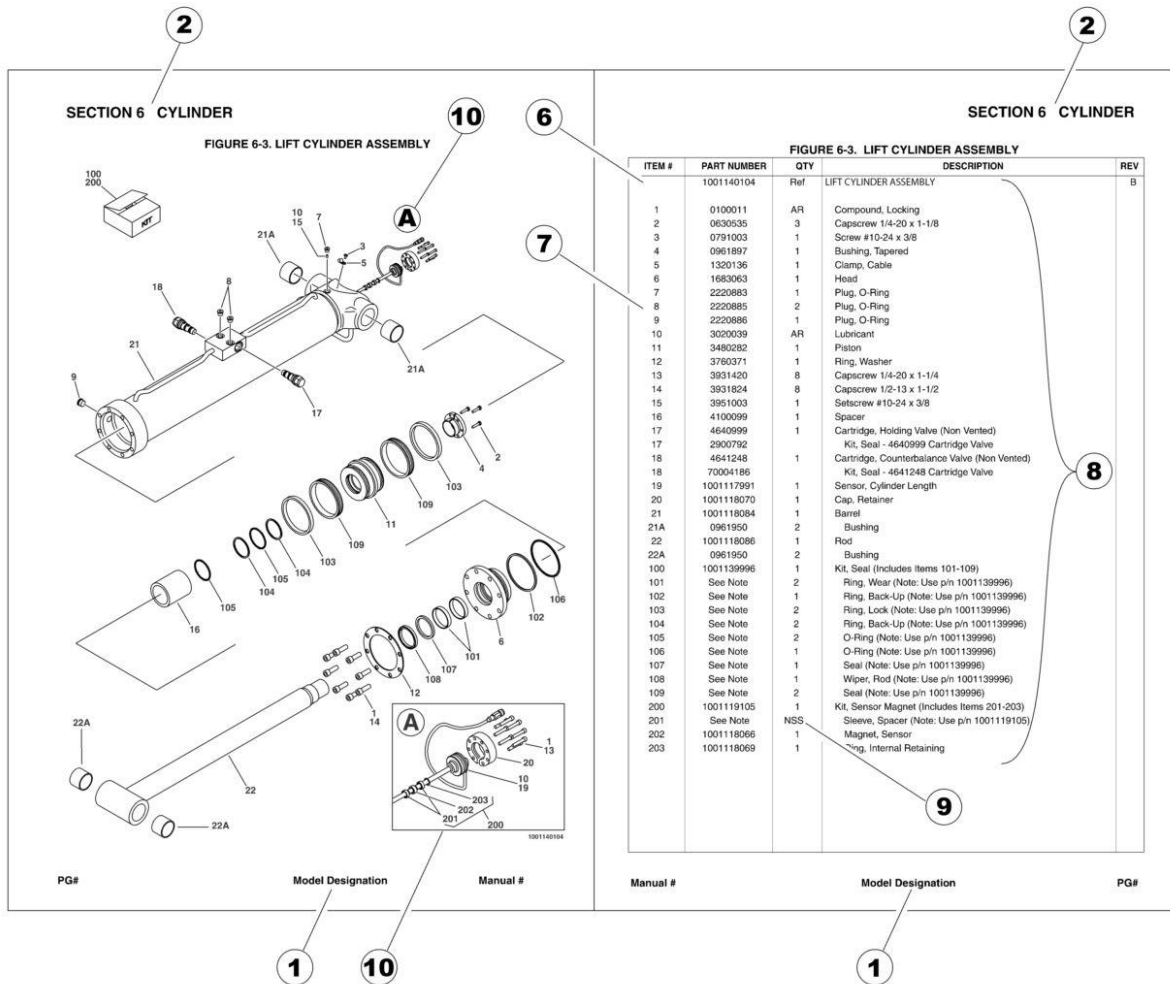
## **REVISION LOG**

December 30, 2020 - A - Original Issue of Manual (Edited to B/M 1001245658 Revision M)

May 31, 2021 - B - Revised Manual (Edited to B/M 1001245658 Revision Q)

July 15, 2023 - C - Revised Manual (Edited to B/M 1001245658 Revision Q)

# GENERAL INFORMATION



## 1) MACHINE IDENTIFICATION

Machines are identified by model and in some cases a combination of models, serial number (SN) or regional standard (i.e ANSI, CE, CSA). Components may also be identified by SN or manufacturer. Common components that may be identified by these characteristics are engines and hydraulic components.

## 2) PARTS MANUAL ORGANIZATION

Product information in this manual is organized under section titles. Frame, Cylinder, Hydraulic and Electrical are a few examples. Each section is organized by figure and page number. The information within the Figure is then organized by item number, part number, description and corresponding illustration (s).

## 3) TABLE OF CONTENTS (NOT SHOWN)

A table of contents is found toward the beginning of the manual. Figure number, description and page number are provided for quick reference to the page containing the related information.

## 4) RECOMMENDED SPARE PARTS (NOT SHOWN)

The Recommended Spare Parts List, located near the end of the manual, reference most frequently used maintenance parts.

## 5) PART NUMBER INDEX (NOT SHOWN)

A numerical index listing all part numbers and the corresponding page number(s) appears at the back of the manual.

## GENERAL INFORMATION

### 6) NON-SERVICED PARTS

In some instances, it is necessary to display non-serviced parts, assemblies or installations. In the case of assemblies and installations there will be a Ref in the Qty. column. In case of parts that are not available for service within assemblies or components, there will be a NSS (Not Sold Separately) or NLA (No Longer Available) listed in the Qty. column of the manual.

### 7) PARTS LIST ITEM NUMBERS

Numbers shown in the item# column correspond to numbers used in the associated illustration (s). Item numbers which are missing from the sequence in the parts list are not used on that page.

### 8) INDENTED PARTS DESCRIPTION

An indented part description is included in the item under which it is indented.

### 9) ABBREVIATION AND SYMBOLS

AC.....	Alternating Current	L.....	Liter
ADE.....	Advanced Design Electronics	LB(LBS).....	Pounds
AG.....	Agricultural	LCD.....	Liquid Crystal Display
ANSI.....	American National Standards Institute	LED.....	Light Emitting Diodes
AR.....	As Required	LH.....	Left Hand
ASSY.....	Assembly	LRC.....	Low Rated Countries
AUS.....	Australia	LSS.....	Load Sensing System
AUX.....	Auxiliary	M(m).....	Metric/Meter
AWG.....	American Wire Gauge	MM(mm).....	Milimeter
B/M.....	Bill of Material	mA.....	Miliamps
CAC.....	Charge Air Cooler	NLA.....	No Longer Available
CE.....	European Conformity	NPT.....	National Pipe Threads
CCW.....	Counter Clockwise	NSS.....	Not Sold Separately
CM.....	Centimeter	OD.....	Outside Diameter
CW.....	Clockwise	ORB.....	O-Ring Boss
CSA.....	Canadian Standards Association	ORFS.....	O-Ring Face Seal
CYL.....	Cylinder	OZ (oz).....	Ounces
DIA.....	Diameter	PG.....	Page
DC.....	Direct Current	PN.....	Part Number
DEF.....	Diesel Exhaust Fluid	QT(qt.).....	Quarts
EMS.....	Emergency Stop	QTY.....	Quantity
ENG.....	Engine	REF.....	Reference
FT(ft).....	Feet	REV.....	Revision Level
GA(Ga).....	Gauge	RH.....	Right Hand
HRC.....	High Rated Countries	SAE.....	Society of Automotive Engineers
HVAC.....	Heating, Ventilating, and Air Conditioning	SN.....	Serial Number
HYD.....	Hydraulic	SPEC(S).....	Specifications
Hz.....	Hertz	T/T.....	Turntable
ID.....	Inside Diameter	UGM.....	Universal Ground Module
IN.....	inches	V.....	Volts
ISO.....	International Organization for Standards	W.....	Watts
JIC.....	Joint Industry Council	#.....	Number
KG.....	Kilogram		

### 10) ILLUSTRATION REFERENCE LETTERS

When necessary, illustrations may contain reference letters that are intended to track information (i. e. hoses, harnesses) from one point to another or to track visual enlargement of components to show details that may be located in another area on the illustration.

*Note: Due to continuous product improvements, JLG Industries, Inc. reserves the right to make specification changes without prior notification. Contact JLG Industries, Inc. for updated information.*



# TABLE OF CONTENTS

SECTION 1 - FRAME.....	15
FIGURE 1-1. AXLE INSTALLATION .....	16
FIGURE 1-2. FRAME SHIELD INSTALLATION - WITHOUT TOW BAR.....	18
FIGURE 1-3. FRAME SHIELD INSTALLATION - WITH TOW BAR .....	20
FIGURE 1-4. LP TANK BRACKETS INSTALLATION .....	22
FIGURE 1-5. STEER INSTALLATION WITHOUT TOW PACKAGE .....	24
FIGURE 1-6. STEER INSTALLATION WITH TOW PACKAGE.....	26
FIGURE 1-7. TIRE AND WHEEL INSTALLATION - 12 X 16.5 FOAM FILLED (AVAILABLE ON ALL SPECS).....	28
FIGURE 1-8. TIRE AND WHEEL INSTALLATION - 12 X 16.5 FF NON-MARKING (AVAILABLE ON ALL SPECS).....	30
FIGURE 1-9. TIRE AND WHEEL INSTALLATION - 14 X 17.5 FOAM FILLED (AVAILABLE ON ALL SPECS).....	32
FIGURE 1-10. TIRE AND WHEEL INSTALLATION - 33/16LL X 16.1 FOAM FILLED TURF (ANSI AND ANSI EXPORT SPECS) .....	34
FIGURE 1-11. TOW BAR INSTALLATION.....	36
FIGURE 1-12. TOW BAR ASSEMBLY .....	38
FIGURE 1-13. WHEEL DRIVE INSTALLATION (2WD).....	40
FIGURE 1-14. WHEEL DRIVE INSTALLATION (4WD).....	42
FIGURE 1-15. DRIVE HUB AND BRAKE ASSEMBLY - REAR .....	44
FIGURE 1-16. DRIVE HUB ASSEMBLY - FRONT.....	48
FIGURE 1-17. HUB - SPINDLE ASSEMBLY (2WD) .....	50
FIGURE 1-18. DRIVE MOTOR ASSEMBLY (2WD) .....	52
FIGURE 1-19. DRIVE MOTOR ASSEMBLY (4WD) .....	54
FIGURE 1-20. TRACTION VALVE ASSEMBLY (2WD).....	56
FIGURE 1-21. TRACTION VALVE ASSEMBLY (4WD).....	58
SECTION 2 - TURNTABLE.....	61
FIGURE 2-1. AUXILIARY PUMP AND BATTERY WITH DISCONNECT SWITCH INSTALLATION.....	62
FIGURE 2-2. AUXILIARY PUMP AND BATTERY INSTALLATION.....	64
FIGURE 2-3. AUXILIARY PUMP ASSEMBLY.....	66
FIGURE 2-4. BEACON LIGHT INSTALLATION - AMBER.....	68
FIGURE 2-5. BEACON LIGHT INSTALLATION - BLUE .....	70
FIGURE 2-6. BEACON LIGHT INSTALLATION - RED .....	72
FIGURE 2-7. BEARING LUBE INSTALLATION .....	74
FIGURE 2-8. CONTROL VALVES INSTALLATION (400S) .....	76
FIGURE 2-9. CONTROL VALVES INSTALLATION (460SJ).....	78
FIGURE 2-10. MAIN VALVE ASSEMBLY (400S).....	80
FIGURE 2-11. MAIN VALVE ASSEMBLY (460SJ).....	84
FIGURE 2-12. AXLE VALVE ASSEMBLY .....	88
FIGURE 2-13. ELECTRICAL INSTALLATION (400S).....	90
FIGURE 2-14. ELECTRICAL INSTALLATION (460SJ).....	92
FIGURE 2-15. ELECTRICAL INSTALLATION - WITH DEUTZ (STAGE V) (460SJ).....	94
FIGURE 2-16. ELECTRICAL PANEL ASSEMBLY.....	96
FIGURE 2-17. GROUND CONTROL ASSEMBLY (400S).....	98
FIGURE 2-18. GROUND CONTROL ASSEMBLY (460SJ).....	100
FIGURE 2-19. GROUND CONTROL ASSEMBLY - DEUTZ (STAGE V) (CE SPECS) (460SJ) .....	102
FIGURE 2-20. GROUND CONTROL MOUNTING (400S) .....	104

# TABLE OF CONTENTS

FIGURE 2-21. GROUND CONTROL MOUNTING (460SJ) .....	106
FIGURE 2-22. GROUND CONTROL MOUNTING - DEUTZ (STAGE V) (CE SPECS) (460SJ).....	108
FIGURE 2-23. GROUND CONTROL DECAL AND KEYSWITCH INSTALLATION (ALL SPECS EXCEPT AUSTRALIAN AND CE SPECS) (400S) .....	110
FIGURE 2-24. GROUND CONTROL DECAL AND KEYSWITCH INSTALLATION (ALL SPECS EXCEPT CE SPEC) (460SJ) ..	112
FIGURE 2-25. GROUND CONTROL DECAL AND KEYSWITCH INSTALLATION (CE (LRC) SPEC) (460SJ).....	114
FIGURE 2-26. GROUND CONTROL DECAL AND KEYSWITCH INSTALLATION (STAGE V) (CE SPECS) (460SJ) .....	116
FIGURE 2-27. HOOD INSTALLATION - ABS (DEUTZ & GM ENGINES).....	118
FIGURE 2-28. HOOD INSTALLATION - ABS (KUBOTA ENGINES) .....	122
FIGURE 2-29. HOOD INSTALLATION - ABS (KUBOTA ENGINES) (ROMANIAN BUILT MACHINES) .....	126
FIGURE 2-30. ABS HOOD ASSEMBLY - ENGINE SIDE .....	130
FIGURE 2-31. ABS HOOD ASSEMBLY - ENGINE SIDE (CE SPEC) .....	132
FIGURE 2-32. ABS HOOD ASSEMBLY - TANK SIDE .....	134
FIGURE 2-33. ABS HOOD ASSEMBLY - TANK SIDE (CE SPEC) .....	136
FIGURE 2-34. HOOD INSTALLATION - STEEL.....	138
FIGURE 2-35. STEEL HOOD ASSEMBLY - ENGINE SIDE .....	142
FIGURE 2-36. STEEL HOOD ASSEMBLY - TANK SIDE .....	144
FIGURE 2-37. LIGHT PANEL INSTALLATION.....	146
FIGURE 2-38. ROTARY COUPLING INSTALLATION.....	148
FIGURE 2-39. SOUND REDUCTION INSTALLATION - KUBOTA ENGINE MACHINES WITH STEEL HOODS .....	150
FIGURE 2-40. SWING DRIVE INSTALLATION .....	152
FIGURE 2-41. SWING HUB/MOTOR ASSEMBLY .....	154
FIGURE 2-42. TANKS INSTALLATION - DIESEL MACHINES .....	158
FIGURE 2-43. TANKS INSTALLATION - GAS MACHINES.....	160
FIGURE 2-44. HYDRAULIC TANK ASSEMBLY .....	162
FIGURE 2-45. TURNTABLE BEARING INSTALLATION.....	164
FIGURE 2-46. TURNTABLE COVERS INSTALLATION.....	166
FIGURE 2-47. TURNTABLE LOCK INSTALLATION .....	168
FIGURE 2-48. WHITE NOISE ALARM INSTALLATION .....	170
SECTION 3 - ENGINE .....	173
FIGURE 3-1. ENGINE INSTALLATION - DEUTZ D2011 ENGINE (WITHOUT ARCTIC PACKAGE) (ANSI EXPORT(LRC), AUSTRALIAN, CE(LRC) AND CHINA SPECS) .....	174
FIGURE 3-2. ENGINE AND PUMP SUB-ASSEMBLY - DEUTZ D2011 (WITHOUT ARCTIC PACKAGE) (AUSTRALIAN AND CHINA SPECS).....	180
FIGURE 3-3. ENGINE ASSEMBLY - DEUTZ D2011 ENGINE (WITHOUT ARCTIC PACKAGE) (AUSTRALIAN AND CHINA SPECS).....	182
FIGURE 3-4. ENGINE INSTALLATION - DEUTZ D2011 ENGINE (WITH ARCTIC PACKAGE) (ANSI EXPORT(LRC), AUSTRALIAN, CE(LRC) AND CHINA SPECS) .....	186
FIGURE 3-5. ENGINE AND PUMP SUB-ASSEMBLY - DEUTZ D2011 (WITH ARCTIC PACKAGE) (ANSI EXPORT AND CHINA SPECS).....	192
FIGURE 3-6. ENGINE ASSEMBLY - DEUTZ D2011 ENGINE (WITH ARCTIC PACKAGE) (ANSI EXPORT AND CHINA SPECS) .....	194
FIGURE 3-7. ENGINE COMPONENTS - DEUTZ D2011.....	198
FIGURE 3-8. ENGINE INSTALLATION - DEUTZ D2.9L4 ENGINE (WITHOUT ARCTIC PACKAGE) (ANSI, ANSI EXPORT(HRC), CSA AND JAPANESE SPECS) .....	202
FIGURE 3-9. ENGINE AND PUMP SUB-ASSEMBLY - DEUTZ D2.9L4 (WITHOUT ARCTIC PACKAGE) (ANSI, ANSI EXPORT AND CSA SPECS).....	208



# TABLE OF CONTENTS

FIGURE 3-10. ENGINE ASSEMBLY - DEUTZ D2.9L4 ENGINE (WITHOUT ARCTIC PACKAGE) (ANSI, ANSI EXPORT AND CSA SPECS).....	210
FIGURE 3-11. ENGINE INSTALLATION - DEUTZ D2.9L4 ENGINE (WITH ARCTIC PACKAGE) (ANSI AND CSA SPECS).....	216
FIGURE 3-12. ENGINE AND PUMP SUB-ASSEMBLY - DEUTZ D2.9L4 (WITH ARCTIC PACKAGE) (ANSI, ANSI EXPORT AND CSA SPECS).....	222
FIGURE 3-13. ENGINE ASSEMBLY - DEUTZ D2.9L4 ENGINE (WITH ARCTIC PACKAGE) (ANSI, ANSI EXPORT AND CSA SPECS) .....	224
FIGURE 3-14. ENGINE COMPONENTS - DEUTZ D2.9L4 ENGINE (ANSI, ANSI EXPORT AND CSA SPECS).....	230
FIGURE 3-15. ENGINE INSTALLATION - DEUTZ D2.9L4 ENGINE (STAGE V) (CE SPECS) .....	234
FIGURE 3-16. ENGINE AND PUMP SUB-ASSEMBLY - DEUTZ D2.9L4 ENGINE (STAGE V) (CE SPECS) .....	240
FIGURE 3-17. ENGINE ASSEMBLY – DEUTZ D2.9L4 ENGINE (STAGE V) (CE SPECS).....	242
FIGURE 3-18. ENGINE COMPONENTS - DEUTZ D2.9L4 ENGINE (STAGE V) (CE SPECS) .....	248
FIGURE 3-19. BREATHER HEATER INSTALLATION - DEUTZ D2.9L4 ENGINE WITH ARCTIC PACKAGE.....	252
FIGURE 3-20. BRACKET ASSEMBLY - FUEL PUMP AND FILTER (DEUTZ D2.9L4 ENGINE).....	254
FIGURE 3-21. BRACKET ASSEMBLY - FUEL PUMP AND FILTER (DEUTZ D2.9L4 ENGINE) (STAGE V) .....	256
FIGURE 3-22. PUMP COUPLING KIT (DEUTZ ENGINES) .....	258
FIGURE 3-23. ENGINE INSTALLATION - KUBOTA ENGINE (WITHOUT ARCTIC PACKAGE).....	260
FIGURE 3-24. ENGINE AND PUMP SUB-ASSEMBLY - KUBOTA ENGINE (WITHOUT ARCTIC PACKAGE) .....	266
FIGURE 3-25. ENGINE ASSEMBLY - KUBOTA ENGINE (WITHOUT ARCTIC PACKAGE).....	268
FIGURE 3-26. ENGINE INSTALLATION - KUBOTA ENGINE (WITH ARCTIC PACKAGE) .....	274
FIGURE 3-27. ENGINE AND PUMP SUB-ASSEMBLY - KUBOTA ENGINE (WITH ARCTIC PACKAGE) .....	280
FIGURE 3-28. ENGINE ASSEMBLY - KUBOTA ENGINE (WITH ARCTIC PACKAGE) .....	282
FIGURE 3-29. ENGINE COMPONENTS - KUBOTA.....	288
FIGURE 3-30. PUMP COUPLING KIT - KUBOTA ENGINE.....	292
FIGURE 3-31. PISTON PUMP ASSEMBLY .....	294
FIGURE 3-32. SPARK ARRESTOR INSTALLATION - DEUTZ D2011 ENGINE .....	298
FIGURE 3-33. ENGINE BAFFLE INSTALLATION - ABS HOODS (DEUTZ & GM ENGINES) .....	300
FIGURE 3-34. ENGINE BAFFLE INSTALLATION - ABS HOODS (KUBOTA ENGINES).....	302
FIGURE 3-35. ENGINE BAFFLE INSTALLATION - STEEL HOODS.....	304
FIGURE 3-36. ENGINE TRAY JACK (USA BUILT MACHINES).....	306
FIGURE 3-37. ENGINE TRAY JACK (ROMANIAN BUILT MACHINES) .....	308
FIGURE 3-38. GENERATOR INSTALLATION - 2500W/60HZ (DEUTZ D2011 ENGINE) .....	310
FIGURE 3-39. GENERATOR INSTALLATION - 2500W/60HZ (DEUTZ D2.9L4 ENGINE) .....	314
FIGURE 3-40. GENERATOR INSTALLATION - 2500W/60HZ (KUBOTA ENGINE).....	318
FIGURE 3-41. GENERATOR INSTALLATION - 4000W/50HZ (DEUTZ D2011 ENGINES).....	322
FIGURE 3-42. GENERATOR INSTALLATION - 4000W/60HZ (DEUTZ D2011 ENGINE) .....	326
FIGURE 3-43. GENERATOR INSTALLATION - 4000W/60HZ (DEUTZ D2.9L4 ENGINE) .....	330
FIGURE 3-44. GENERATOR INSTALLATION - 4000W/50HZ (DEUTZ STAGE V ENGINE) .....	334
FIGURE 3-45. GENERATOR INSTALLATION - 7500W/50HZ (DEUTZ D2011 ENGINE) .....	338
FIGURE 3-46. GENERATOR INSTALLATION - 7500W/60HZ (DEUTZ D2011 ENGINE) .....	342
FIGURE 3-47. GENERATOR INSTALLATION - 7500W/60HZ (DEUTZ D2.9L4 ENGINE) .....	346
FIGURE 3-48. GENERATOR INSTALLATION - 7500W/60HZ (KUBOTA ENGINE).....	350
SECTION 4 - BOOM .....	355
FIGURE 4-1. BOOM AND CYLINDERS INSTALLATION (400S).....	356
FIGURE 4-2. BOOM AND CYLINDERS INSTALLATION (USA BUILT MACHINES) (460SJ) .....	358
FIGURE 4-3. BOOM AND CYLINDERS INSTALLATION (ROMANIAN BUILT MACHINES) (460SJ).....	360

# TABLE OF CONTENTS

FIGURE 4-4. MAIN BOOM ASSEMBLY (400S).....	362
FIGURE 4-5. MAIN BOOM ASSEMBLY (USA BUILT MACHINES) (460SJ) .....	364
FIGURE 4-6. MAIN BOOM ASSEMBLY (ROMANIAN BUILT MACHINES) (460SJ) .....	366
FIGURE 4-7. JIB BOOM ASSEMBLY (USA BUILT MACHINES) (460SJ) .....	368
FIGURE 4-8. JIB BOOM ASSEMBLY (ROMANIAN BUILT MACHINES) (460SJ) .....	370
FIGURE 4-9. ROTATOR ASSEMBLY (400S) .....	372
FIGURE 4-10. ROTATOR ASSEMBLY (460SJ) .....	374
FIGURE 4-11. POWER TRACK INSTALLATION (USA BUILT MACHINES).....	376
FIGURE 4-12. POWER TRACK INSTALLATION (ROMANIAN BUILT MACHINES) .....	378
FIGURE 4-13. CAPACITY SWITCH INSTALLATION .....	380
FIGURE 4-14. TRANSPORT SWITCHES INSTALLATION .....	382
FIGURE 4-15. PLATFORM SUPPORT INSTALLATION - WITH 1 CELL LSS .....	384
<b>SECTION 5 - PLATFORM.....</b>	<b>387</b>
FIGURE 5-1. PLATFORM ASSEMBLY - 30IN X 5FT (76.2CM X 1.52M) WITH SWING GATE (USA BUILT MACHINES).....	388
FIGURE 5-2. PLATFORM ASSEMBLY - 36IN X 6FT (91.5CM X 1.83M) WITH SWING GATE (USA BUILT MACHINES).....	390
FIGURE 5-3. PLATFORM ASSEMBLY - 36IN X 8FT (91.5CM X 2.44M) WITH SWING GATE (USA BUILT MACHINES).....	392
FIGURE 5-4. PLATFORM ASSEMBLY - 30IN X 5FT (76.2CM X 1.52M) WITH DROP BAR (USA BUILT MACHINES).....	394
FIGURE 5-5. PLATFORM ASSEMBLY - 36IN X 6FT (91.5CM X 1.83M) WITH DROP BAR (USA BUILT MACHINES).....	396
FIGURE 5-6. PLATFORM ASSEMBLY - 36IN X 8FT (91.5CM X 2.44M) WITH DROP BAR (USA BUILT MACHINES).....	398
FIGURE 5-7. PLATFORM ASSEMBLY - 36IN X 6FT (91.5CM X 1.83M) WITH FALL ARREST (ALL SPECS EXCEPT CE AND AUSTRALIAN SPECS) (USA BUILT MACHINES).....	400
FIGURE 5-8. PLATFORM ASSEMBLY - 30IN X 5FT (76CM X 1.52M) WITH SWING GATE (ROMANIAN BUILT MACHINES).....	402
FIGURE 5-9. PLATFORM ASSEMBLY - 36IN X 6FT (92CM X 1.83M) WITH SWING GATE (ROMANIAN BUILT MACHINES).....	404
FIGURE 5-10. PLATFORM ASSEMBLY - 36IN X 8FT (91.5CM X 2.44M) WITH SWING GATE (ROMANIAN BUILT MACHINES) .....	406
FIGURE 5-11. PLATFORM ASSEMBLY - 36IN X 8FT (91.5CM X 2.44M) WITH DROP BAR (ROMANIAN BUILT MACHINES).....	408
FIGURE 5-12. PLATFORM ASSEMBLY - 30IN X 5FT (76CM X 1.52M) WITH DROP BAR (ROMANIAN BUILT MACHINES).....	410
FIGURE 5-13. PLATFORM ASSEMBLY - 36IN X 6FT (91.5CM X 1.83M) WITH DROP BAR (ROMANIAN BUILT MACHINES).....	412
FIGURE 5-14. PLATFORM ASSEMBLY - 36IN X 6FT (91.5CM X 1.83M) TRI-ENTRY WITH GATE .....	414
FIGURE 5-15. PLATFORM ASSEMBLY - 36IN X 6FT (91.5CM X 1.83M) TRI-ENTRY WITH DROPBAR .....	416
FIGURE 5-16. PLATFORM ASSEMBLY - 36IN X 8FT (91.5CM X 2.44M) WITH TRI-ENTRY (1 GATE/2 DROP BARS).....	418
FIGURE 5-17. PLATFORM ASSEMBLY - 36IN X 8FT (91.5CM X 2.44M) WITH TRI-ENTRY (3 DROP BARS).....	420
FIGURE 5-18. PLATFORM ASSEMBLY - 30IN X 3FT (76CM X .91M) - DROP BAR ENTRY .....	422
FIGURE 5-19. PLATFORM CONSOLE BOX INSTALLATION.....	424
FIGURE 5-20. PLATFORM CONSOLE BOX ASSEMBLY .....	426
FIGURE 5-21. CONTROLLER ASSEMBLY (DRIVE AND STEER) .....	430
FIGURE 5-22. CONTROLLER ASSEMBLY (LIFT AND SWING) .....	432
FIGURE 5-23. FOOTSWITCH ASSEMBLY .....	436
FIGURE 5-24. LIGHT PANEL INSTALLATION.....	438
FIGURE 5-25. FALL ARREST (BOLT-ON) INSTALLATION - 5FTX3FT PLATFORM (ALL SPECS EXCEPT CE SPECS) (OPTIONAL).....	440
FIGURE 5-26. FALL ARREST (BOLT-ON) INSTALLATION - 6FTX3FT PLATFORM (ALL SPECS EXCEPT CE SPECS) (OPTIONAL).....	442
FIGURE 5-27. FALL ARREST (BOLT-ON) INSTALLATION - 6FTX3FT TRI-ENTRY PLATFORM (ALL SPECS EXCEPT CE SPECS) (OPTIONAL) .....	444
FIGURE 5-28. FALL ARREST (BOLT-ON) INSTALLATION - 8FTX3FT PLATFORM (ALL SPECS EXCEPT CE SPECS) (OPTIONAL).....	446

# TABLE OF CONTENTS

FIGURE 5-29. PIPE RACK INSTALLATION (ALL SPECS EXCEPT AUSTRALIAN SPEC) .....	448
FIGURE 5-30. PIPE RACK INSTALLATION (AUSTRALIAN SPEC) .....	450
FIGURE 5-31. SOFT TOUCH INSTALLATION - 6FT (1.83M) FALL ARREST PLATFORM (OPTIONAL).....	452
FIGURE 5-32. SOFT TOUCH INSTALLATION - 8FT (2.4M) PLATFORM (OPTIONAL).....	454
FIGURE 5-33. SKYGUARD BAR INSTALLATION .....	456
FIGURE 5-34. SKYEYE INSTALLATION .....	458
FIGURE 5-35. SKYLINE INSTALLATION .....	460
FIGURE 5-36. SKYGLAZIER INSTALLATION .....	462
FIGURE 5-37. SKYSENSE MID TUBE SENSOR ASSEMBLY .....	464
FIGURE 5-38. SKYSENSE OVERHEAD SENSOR ASSEMBLY .....	466
FIGURE 5-39. SKYWELDER INSTALLATION (50HZ) .....	468
FIGURE 5-40. SKYWELDER INSTALLATION (60HZ) .....	470
FIGURE 5-41. SKYWELDER PREP PACKAGE (60HZ) .....	472
FIGURE 5-42. TRAY INSTALLATION .....	474
FIGURE 5-43. USB CHARGER INSTALLATION .....	476
FIGURE 5-44. WELDER ASSEMBLY .....	478
SECTION 6 - CYLINDER .....	481
FIGURE 6-1. AXLE LOCKOUT CYLINDER ASSEMBLY .....	482
FIGURE 6-2. LEVEL (PLATFORM SLAVE) CYLINDER ASSEMBLY .....	484
FIGURE 6-3. LIFT CYLINDER ASSEMBLY - MAIN BOOM .....	486
FIGURE 6-4. LIFT CYLINDER ASSEMBLY - JIB .....	488
FIGURE 6-5. MASTER CYLINDER ASSEMBLY .....	490
FIGURE 6-6. STEER CYLINDER ASSEMBLY .....	492
FIGURE 6-7. TELESCOPE CYLINDER ASSEMBLY .....	494
SECTION 7 - HYDRAULIC .....	497
FIGURE 7-1. 2WD HYDRAULIC SYSTEM INSTALLATION (400S).....	498
FIGURE 7-2. 4WD HYDRAULIC SYSTEM INSTALLATION (ALL MACHINES) (400S) .....	506
FIGURE 7-3. 2WD HYDRAULIC SYSTEM INSTALLATION (460SJ).....	514
FIGURE 7-4. 4WD HYDRAULIC SYSTEM INSTALLATION (ALL MACHINES) (460SJ) .....	522
SECTION 8 - ELECTRICAL .....	531
FIGURE 8-1. AC BOX AT PLATFORM INSTALLATION - 110V (ANSI, ANSI EXPORT(HRC), CSA AND JAPANESE SPECS) .....	532
FIGURE 8-2. AC BOX AT PLATFORM INSTALLATION - 110V IEC YELLOW (CE SPECS WITH 4000W/50HZ GENERATOR) .....	534
FIGURE 8-3. AC BOX AT PLATFORM - 110V IEC YELLOW (CE SPEC WITHOUT GENERATOR).....	536
FIGURE 8-4. AC BOX AT PLATFORM INSTALLATION - 220V IEC BLUE (CE SPECS WITH 4000W/50HZ GENERATOR) ....	538
FIGURE 8-5. AC BOX AT PLATFORM - 220V IEC BLUE (CE SPEC WITHOUT GENERATOR) .....	540
FIGURE 8-6. AC BOX AT PLATFORM - 220V CEE7 2IN X 4IN POST GROUND (CE SPEC WITHOUT GENERATOR) .....	542
FIGURE 8-7. AC BOX AT PLATFORM - 220V CEE7 2IN X 4IN SIDE GROUND (CE SPEC WITHOUT GENERATOR).....	544
FIGURE 8-8. AC BOX AT PLATFORM INSTALLATION - 220V CEE7 2IN X 4IN POST GROUND (CE SPECS WITH 4000W/50HZ GENERATOR).....	546
FIGURE 8-9. AC BOX AT PLATFORM INSTALLATION - 220V CEE7 2IN X 4IN SIDE GROUND (CE SPECS WITH 4000W/50HZ GENERATOR).....	548
FIGURE 8-10. AC BOX AT PLATFORM INSTALLATION - 220V AFSINT107 (CE SPECS WITH 4000W/50HZ GENERATOR) .....	550
FIGURE 8-11. AC BOX AT PLATFORM - 220V AFSINT107 (CE SPEC WITHOUT GENERATOR) .....	552

# TABLE OF CONTENTS

FIGURE 8-12. AC BOX AT PLATFORM INSTALLATION - 220V CUSTOMER SUPPLIED COMPONENTS (ALL SPECS EXCEPT CSA SPECS) .....	554
FIGURE 8-13. AC BOX AT PLATFORM INSTALLATION - 240V (WITH 4000W GENERATOR) (ANSI, ANSI EXPORT(HRC), CSA AND JAPANESE SPECS) .....	556
FIGURE 8-14. AC BOX AT PLATFORM INSTALLATION - 240V (WITH 7500W SKYPOWER GENERATOR) (ANSI, ANSI EXPORT(HRC), CSA AND JAPANESE SPECS).....	558
FIGURE 8-15. AC CABLE INSTALLATION - WITH THREE BREAKERS (CE SPECS) .....	560
FIGURE 8-16. BATTERY DISCONNECT SWITCH .....	562
FIGURE 8-17. BEACON HARNESS (BLUE/RED BEACON LIGHT) .....	564
FIGURE 8-18. BOOM HARNESS (400S).....	566
FIGURE 8-19. BOOM HARNESS (460SJ).....	568
FIGURE 8-20. BOOM CAPACITY PROXIMITY SWITCH HARNESS (400S) .....	570
FIGURE 8-21. BOOM TELE IN PROXIMITY SWITCH HARNESS .....	572
FIGURE 8-22. BREAKER BOX INSTALLATION - 110/220V 16AMP BREAKER (CE SPEC) .....	574
FIGURE 8-23. BREAKER BOX KIT - 110/220V 16AMP BREAKER (CE SPEC) .....	576
FIGURE 8-24. BREAKER BOX KIT - 30MA/16 AMP .....	578
FIGURE 8-25. BREAKER BOX KIT WITH THREE BREAKERS.....	580
FIGURE 8-26. CABLES AND CLAMPS INSTALLATION (4000W GENERATOR 60HZ) (ANSI, ANSI EXPORT, CSA AND JAPANESE SPECS) (400S) .....	582
FIGURE 8-27. CABLES AND CLAMPS INSTALLATION (4000W GENERATOR 50HZ) (ANSI, ANSI EXPORT, CSA, CHINA AND JAPANESE SPECS) (400S) .....	584
FIGURE 8-28. CABLES AND CLAMPS INSTALLATION (4000W GENERATOR 60HZ) (ANSI, ANSI EXPORT, CSA AND JAPANESE SPECS) (460SJ).....	586
FIGURE 8-29. CABLES AND CLAMPS INSTALLATION (4000W GENERATOR 50HZ) (ALL SPECS) (460SJ) .....	588
FIGURE 8-30. CABLES AND CLAMPS INSTALLATION (7500W GENERATOR) (ANSI, ANSI EXPORT, CSA, CHINA AND JAPANESE SPECS) (400S) .....	590
FIGURE 8-31. CABLES AND CLAMPS INSTALLATION (7500W GENERATOR) (ALL SPECS EXCEPT CE SPECS) (460SJ).....	592
FIGURE 8-32. ENGINE HARNESS - DEUTZ D2011 .....	594
FIGURE 8-33. ENGINE HARNESS - DEUTZ D2.9L4 .....	596
FIGURE 8-34. ENGINE HARNESS - DEUTZ (STAGE V).....	600
FIGURE 8-35. ENGINE HARNESS - KUBOTA.....	604
FIGURE 8-36. FUEL HARNESS - DEUTZ D2.9L4 ENGINE .....	606
FIGURE 8-37. FUEL HARNESS - KUBOTA ENGINE.....	608
FIGURE 8-38. GENERATOR HARNESS - 2500W .....	610
FIGURE 8-39. GENERATOR HARNESS - 4000W .....	612
FIGURE 8-40. GROUND CONTROL BOX HARNESS .....	614
FIGURE 8-41. INTERFACE HARNESS - WITH 1 CELL LSS .....	616
FIGURE 8-42. PLATFORM CONSOLE BOX HARNESS .....	618
FIGURE 8-43. RECEPTACLE BOX KIT - 110V IEC YELLOW (CE SPEC) .....	620
FIGURE 8-44. RECEPTACLE BOX KIT - 220V IEC BLUE (CE SPEC).....	622
FIGURE 8-45. RECEPTACLE BOX KIT - 220V CEE7 POST GROUND 2IN X 4IN (CE SPEC).....	624
FIGURE 8-46. RECEPTACLE BOX KIT - 220V CEE7 SIDE GROUND 2IN X 4IN (CE SPEC) .....	626
FIGURE 8-47. RECEPTACLE BOX KIT - 220V AFSINT 107 (CE SPEC) .....	628
FIGURE 8-48. TURNTABLE HARNESS .....	630
FIGURE 8-49. VALVE HARNESS - MAIN VALVE .....	634
FIGURE 8-50. SKYLINE HARNESS .....	636
FIGURE 8-51. SKYEYE INTERMEDIATE HARNESS .....	638
FIGURE 8-52. SKYEYE RECEIVER HARNESS.....	640

# TABLE OF CONTENTS

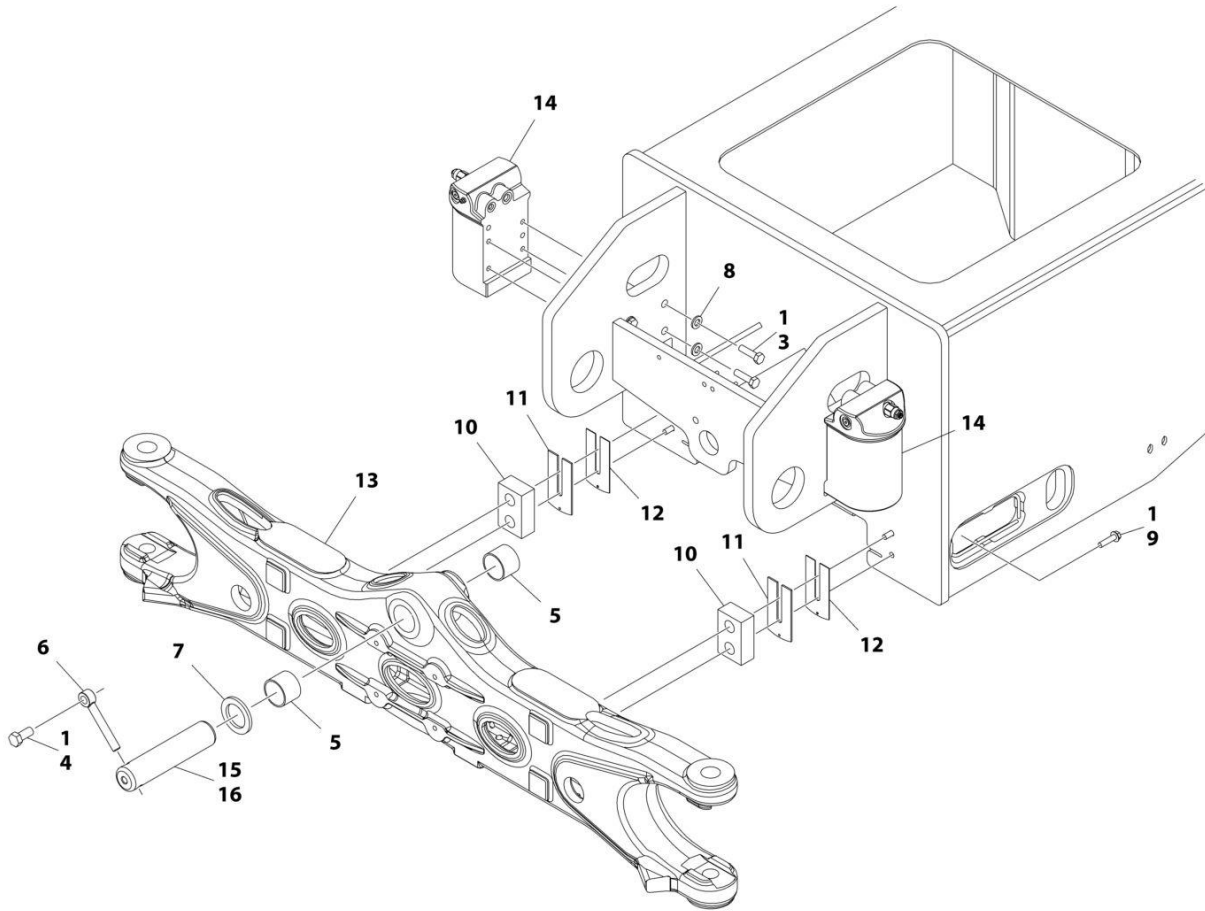
FIGURE 8-53. SKYEYE EMITTER HARNESS.....	642
SECTION 9 - DECAL .....	645
FIGURE 9-1. DECAL INSTALLATION - ANSI, ANSI EXPORT AND CSA SPECS - ENGLISH (400S).....	646
FIGURE 9-2. DECAL INSTALLATION - ANSI, ANSI EXPORT AND CSA SPECS - ENGLISH (460SJ).....	648
FIGURE 9-3. DECAL INSTALLATION - AUSTRALIAN SPEC (460SJ).....	650
FIGURE 9-4. DECAL INSTALLATION - CE SPEC (460SJ) .....	652
FIGURE 9-5. INSTALLATION - BRAZIL SPEC (DUAL LANGUAGE - PORTUGUESE/SPANISH) (400S).....	654
FIGURE 9-6. DECAL INSTALLATION - BRAZIL SPEC (DUAL LANGUAGE - PORTUGUESE/SPANISH) (460SJ) .....	656
FIGURE 9-7. DECAL INSTALLATION - CHINESE SPEC (DUAL LANGUAGE - ENGLISH/CHINESE) (400S).....	658
FIGURE 9-8. DECAL INSTALLATION - CHINESE SPEC (DUAL LANGUAGE - ENGLISH/CHINESE) (460SJ).....	660
FIGURE 9-9. DECAL INSTALLATION - CSA SPEC (DUAL LANGUAGE - ENGLISH/FRENCH) (400S) .....	662
FIGURE 9-10. DECAL INSTALLATION - CSA SPEC (DUAL LANGUAGE - ENGLISH/FRENCH) (460SJ) .....	664
FIGURE 9-11. DECAL INSTALLATION - JAPANESE SPEC (DUAL LANGUAGE - ENGLISH/JAPANESE) (400S) .....	666
FIGURE 9-12. DECAL INSTALLATION - JAPANESE SPEC (DUAL LANGUAGE - ENGLISH/JAPANESE) (460SJ) .....	668
FIGURE 9-13. DECAL INSTALLATION - KOREAN SPEC (DUAL LANGUAGE - ENGLISH/KOREAN) (400S) .....	670
FIGURE 9-14. DECAL INSTALLATION - KOREAN SPEC (DUAL LANGUAGE - ENGLISH/KOREAN) (460SJ) .....	672
FIGURE 9-15. DECAL INSTALLATION - LATIN AMERICAN SPEC (DUAL LANGUAGE - ENGLISH/SPANISH) (400S).....	674
FIGURE 9-16. DECAL INSTALLATION - LATIN AMERICAN SPEC (DUAL LANGUAGE - ENGLISH/SPANISH) (460SJ) .....	676
FIGURE 9-17. DECAL INSTALLATION - OPTIONS .....	678
FIGURE 9-18. SKYWELDER DECAL INSTALLATION - 50HZ .....	682
FIGURE 9-19. SKYWELDER DECAL INSTALLATION - 60HZ .....	684
SECTION 10 - RECOMMENDED SERVICE PARTS STOCK .....	687
FIGURE 10-1. RECOMMENDED SERVICE PARTS STOCK .....	688
SECTION 11 - SPECIAL OPTIONS.....	691
FIGURE 11-1. SPECIAL OPTIONS.....	692
PART NUMBER INDEX .....	695



**SECTION 1 - FRAME**

# SECTION 1 - FRAME

## FIGURE 1-1. AXLE INSTALLATION



ART\_1001164094



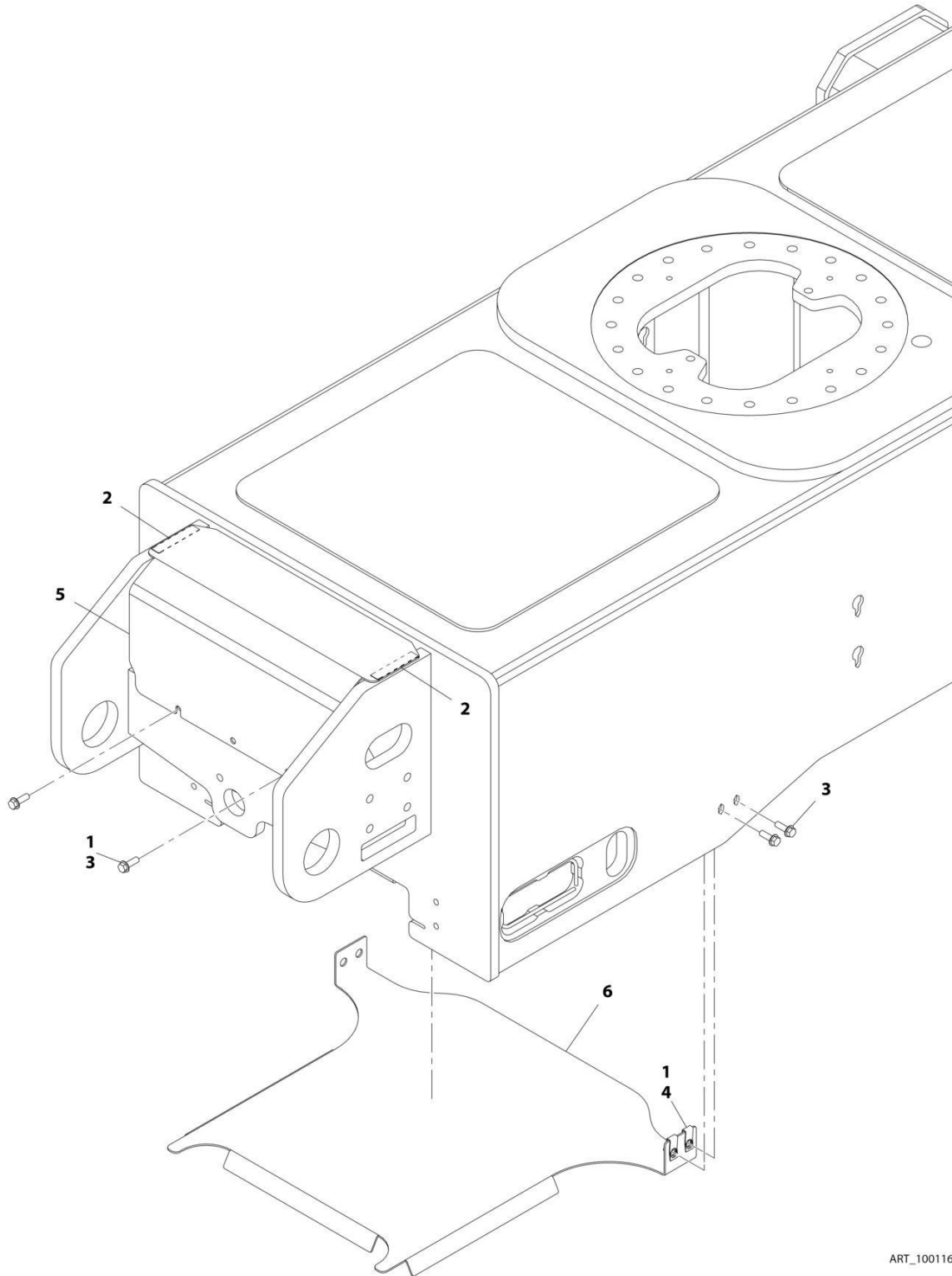
## SECTION 1 - FRAME

### FIGURE 1-1. AXLE INSTALLATION

ITEM	PART NUMBER	QTY	DESCRIPTION	REV
	1001164094	Ref	AXLE INSTALLATION	C
1	0100011	AR	Compound, Locking	
3	0701217	8	Bolt M12 x 45	
4	0761615	1	Bolt M16 x 35	
5	0961950	2	Bearing	
6	3841258	1	Keeper, Pin	
7	4740158	1	Washer	
8	5241200	8	Washer M12	
9	5251016	4	Bolt M10 x 40	
10	1001166563	2	Pad, Wear	
11	1001150324	2	Shim, 3	
12	1001150326	2	Shim, 1.2	
13	1001162995	1	Axle	
14	1001163580	2	Axle Lockout Cylinder Assembly (See Separate Breakdown in CYLINDER SECTION)	
15	1001164552	1	Pin	
16	3020039	AR	Lube	

# SECTION 1 - FRAME

## FIGURE 1-2. FRAME SHIELD INSTALLATION - WITHOUT TOW BAR



ART\_1001169973

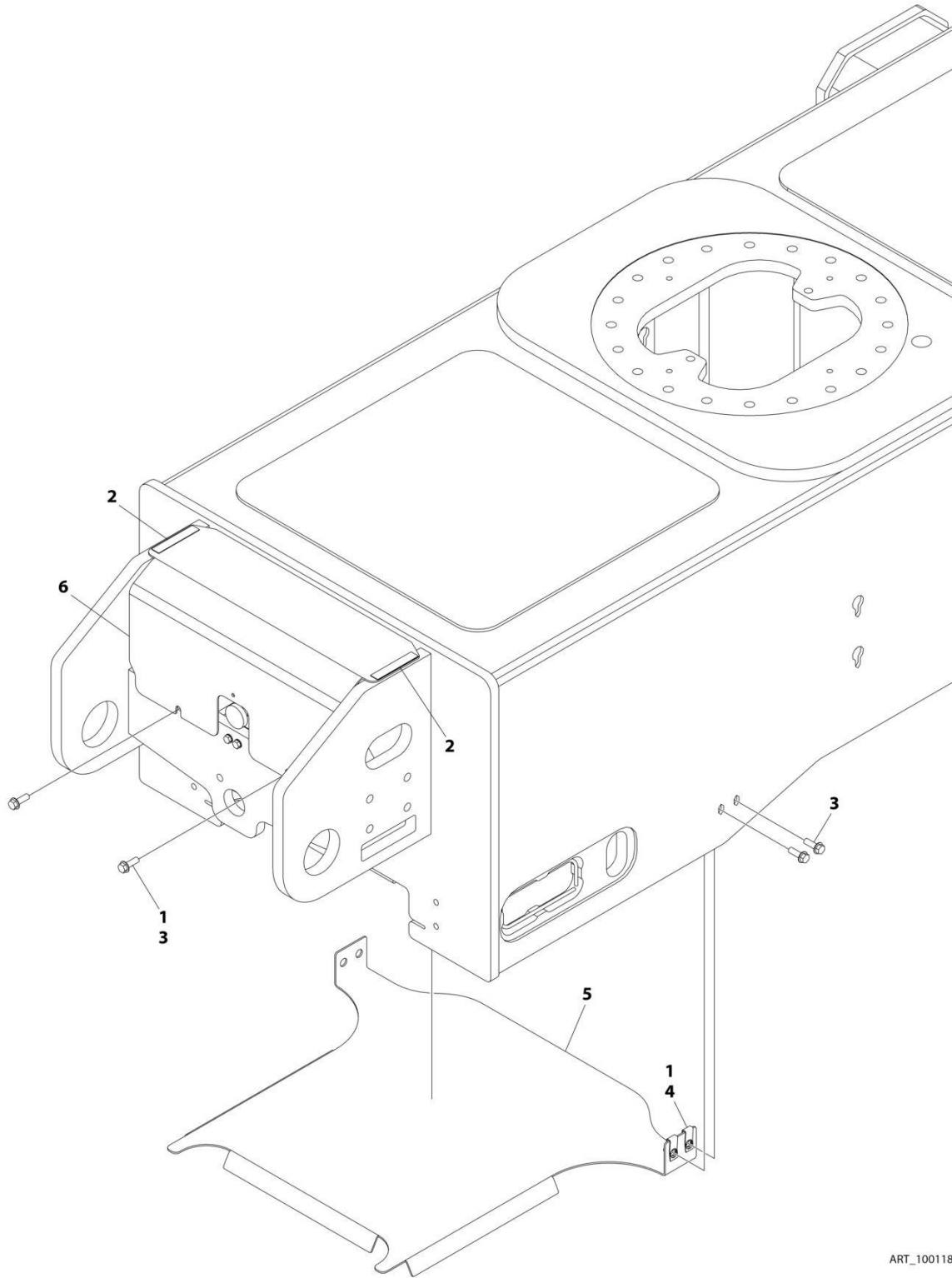
## SECTION 1 - FRAME

**FIGURE 1-2. FRAME SHIELD INSTALLATION - WITHOUT TOW BAR**

ITEM	PART NUMBER	QTY	DESCRIPTION	REV
	1001169973	Ref	FRAME SHIELD INSTALLATION - WITHOUT TOW BAR	E
1	0100011	AR	Compound, Locking	
2	4280296	8 in / 20.3cm	Strip, Wear	
3	5251014	6	Bolt M10 x 30	
4	1001118972	4	Nut M10 x 1.5	
5	1001169086	1	Plate, Cover	
6	1001169955	1	Plate, Valve Cover	

# SECTION 1 - FRAME

## FIGURE 1-3. FRAME SHIELD INSTALLATION - WITH TOW BAR



ART\_1001182245

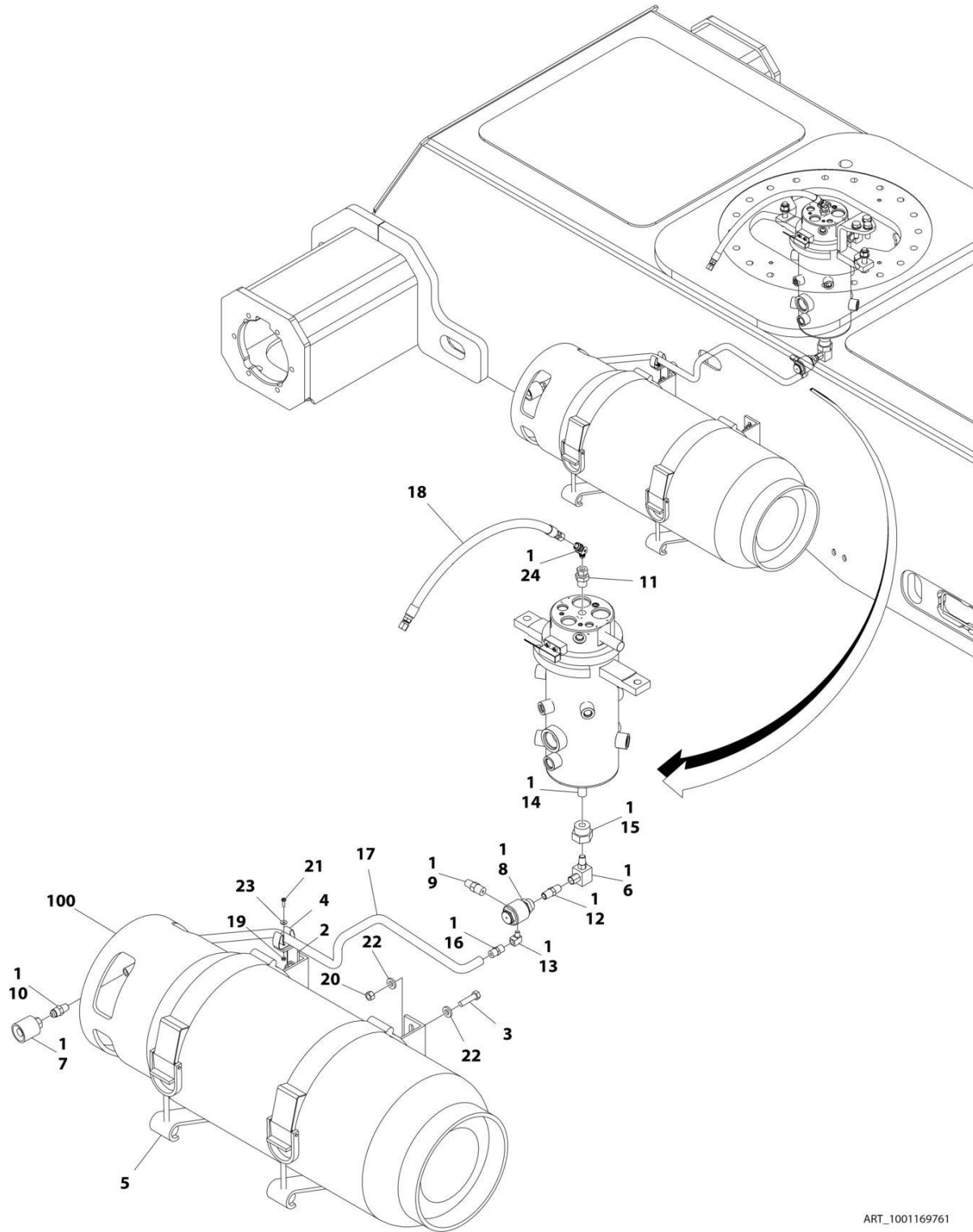
## SECTION 1 - FRAME

### FIGURE 1-3. FRAME SHIELD INSTALLATION - WITH TOW BAR

ITEM	PART NUMBER	QTY	DESCRIPTION	REV
	1001182245	Ref	FRAME SHIELD INSTALLATION - WITH TOW BAR	C
1	0100011	AR	Compound, Locking	
2	4280296	8 in / 20.3cm	Strip, Wear	
3	5251014	6	Bolt M10 x 30	
4	1001118972	4	Nut M10 x 1.5	
5	1001169955	1	Plate, Valve Cover	
6	1001182250	1	Plate, Cover	

# SECTION 1 - FRAME

## FIGURE 1-4. LP TANK BRACKETS INSTALLATION



ART\_1001169761

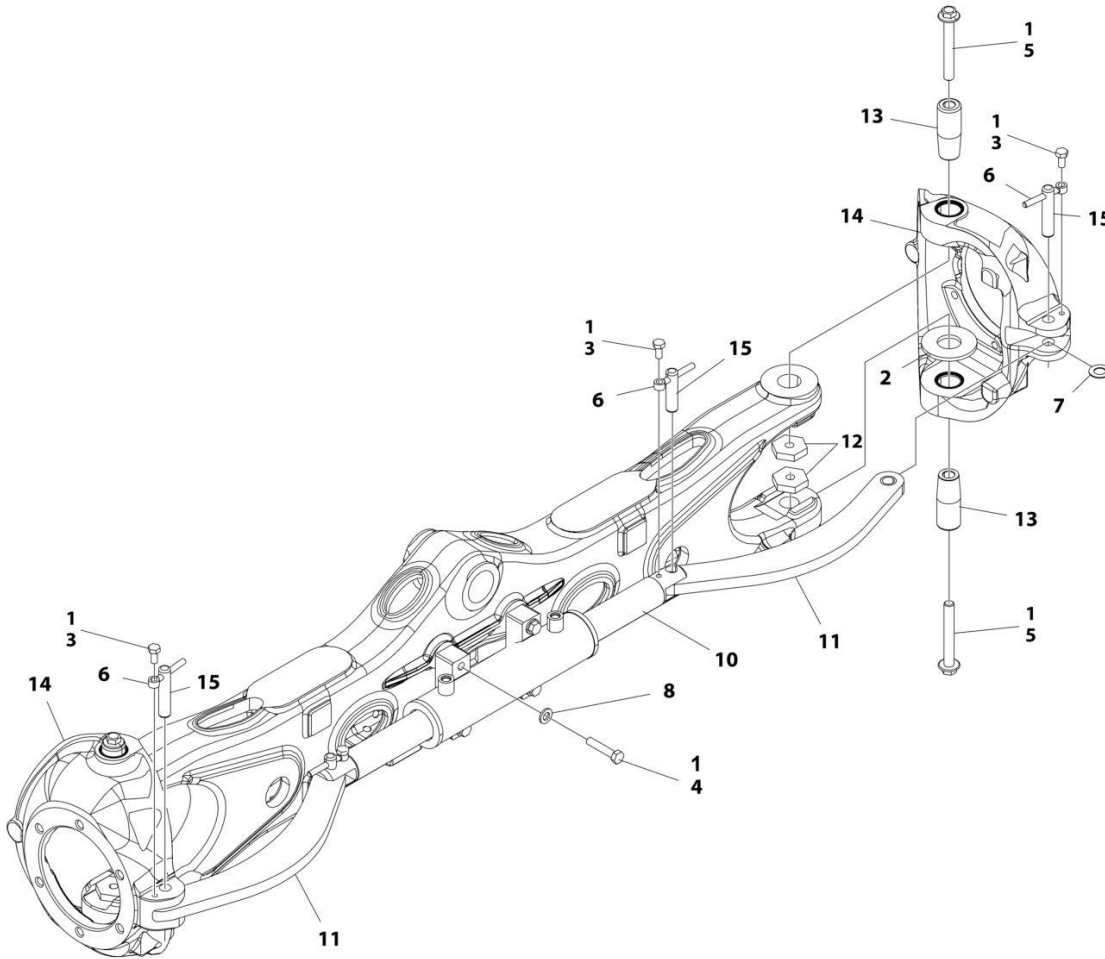
## SECTION 1 - FRAME

**FIGURE 1-4. LP TANK BRACKETS INSTALLATION**

ITEM	PART NUMBER	QTY	DESCRIPTION	REV
	1001169761	Ref	LP TANK BRACKETS INSTALLATION	E
1	0100020	AR	Sealant, Pipe	
2	0181949	1	Angle, Support	
4	1320218	1	Clamp	
5	1320220	1	Clamp	
6	2180125	1	Fitting, Swivel 90	
7	2180387	1	Fitting, Straight	
8	2180388	1	Fitting, Bulkhead	
9	2180389	1	Valve, Relief	
10	2180418	1	Fitting, Straight	
11	2220005	1	Fitting, Straight	
12	2220261	1	Fitting, Nipple	
13	2220648	1	Fitting, 90 FNPTF/NPTF	
14	2221018	1	Nipple, Pipe	
15	2221019	1	Fitting, Reducer	
16	2221024	1	Fitting, Nipple	
17	2720144	1	Hose	
18	2720392	1	Hose	
19	3290401	1	Nut M4 x 0.7	
21	3900332	1	Screw M4 x 14	
23	1001091102	1	Washer	
24	1001239802	1	Fitting, 45	
25	3311601	4	Nut 3/8	
26	4891600	8	Washer 3/8	
27	0641612	4	Bolt 3/8 x 1-1/2	
100	4400275	1	Tank, LP 43.5 Lbs (Aluminum)	

# SECTION 1 - FRAME

## FIGURE 1-5. STEER INSTALLATION WITHOUT TOW PACKAGE



ART\_1001164092



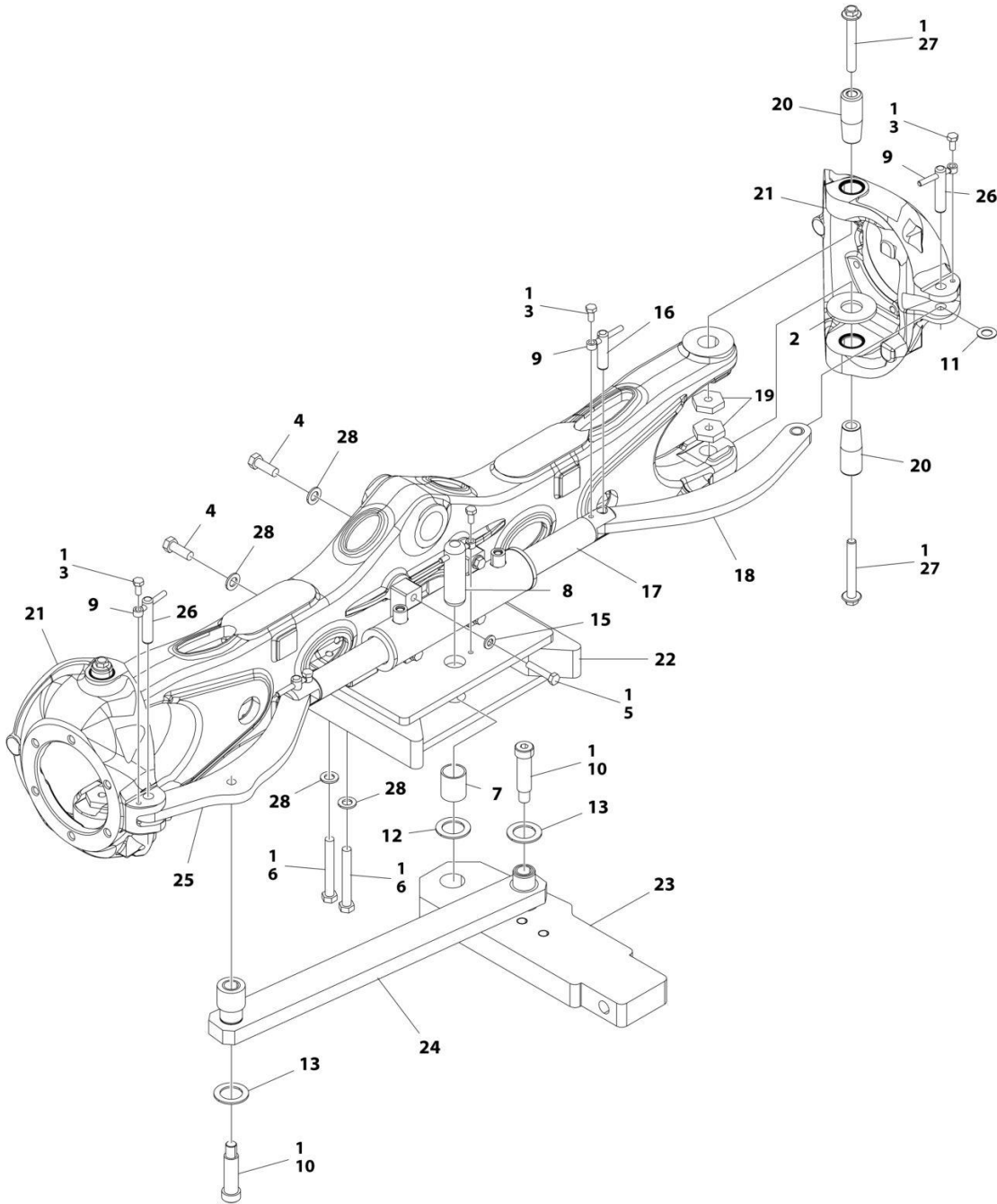
## SECTION 1 - FRAME

**FIGURE 1-5. STEER INSTALLATION WITHOUT TOW PACKAGE**

ITEM	PART NUMBER	QTY	DESCRIPTION	REV
	1001164092	Ref	STEER INSTALLATION WITHOUT TOW PACKAGE	F
1	0100011	AR	Compound, Locking	
2	1001233139	2	Bearing, Thrust	
3	0761011	4	Bolt M10 x 22	
4	0711220	4	Bolt M12 x 60 Grade 10.9	
5	1001190368	4	Bolt M16 x 120	
6	3841143	4	Keeper, Pin	
7	4740086	4	Washer	
8	5241200	4	Washer M12	
10	1001163178	1	Steer Cylinder Assembly (See Separate Breakdown in CYLINDER SECTION)	
11	1001163179	2	Link	
11	1001164209	4	Bearing (2 Per Link)	
12	1001176848	4	Nut M16	
13	1001163405	4	Kingpin	
14	1001163715	2	Spindle	
14	0961948	4	Bearing (2 Per Spindle)	
14	1001163716	8	Seal (4 Per Spindle)	
15	3423304	4	Pin	

# SECTION 1 - FRAME

## FIGURE 1-6. STEER INSTALLATION WITH TOW PACKAGE



ART\_1001164095

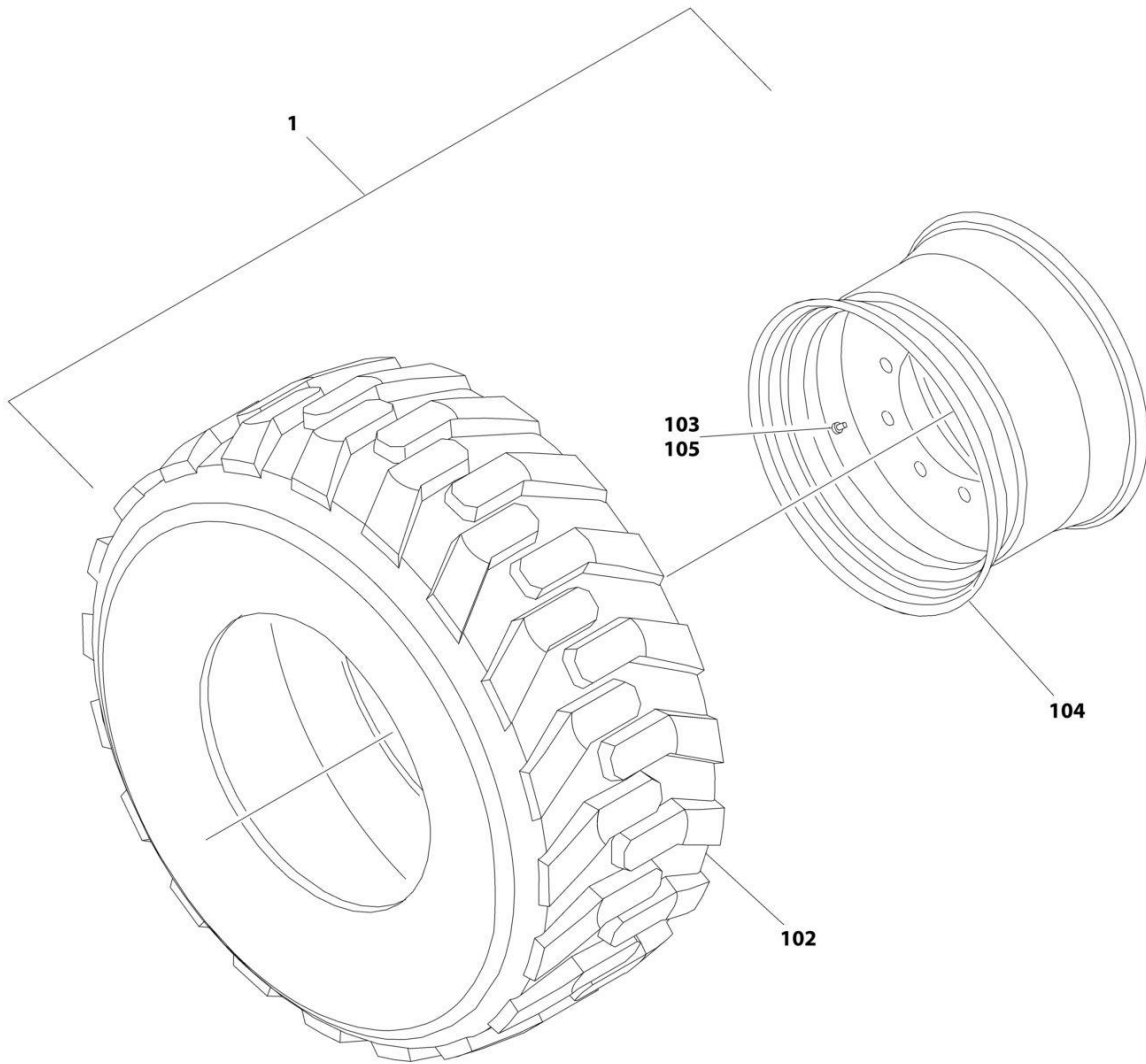
# SECTION 1 - FRAME

## FIGURE 1-6. STEER INSTALLATION WITH TOW PACKAGE

ITEM	PART NUMBER	QTY	DESCRIPTION	REV
	1001164095	Ref	STEER INSTALLATION WITH TOW PACKAGE	D
1	0100011	AR	Compound, Locking	
2	0440271	2	Bearing, Thrust	
3	0761011	5	Bolt M10 x 22	
4	0701617	2	Bolt M16 x 45	
5	0711220	4	Bolt M12 x 60 Grade 10.9	
6	0711629	4	Bolt M16 x 120	
7	0962348	1	Bearing	
8	3422848	1	Pin	
9	3841143	5	Keeper, Pin	
10	3900295	2	Bolt 1 X 3	
11	4740086	4	Washer	
12	4740155	1	Washer	
13	4740491	2	Washer	
15	5241200	4	Washer M12	
16	1001139586	2	Pin	
17	1001163178	1	Steer Cylinder Assembly (See Separate Breakdown in CYLINDER SECTION)	
18	1001163179	1	Link	
18	1001164209	2	Bearing	
19	1001176848	4	Nut M16	
20	1001163405	4	Kingpin	
21	1001163715	2	Spindle	
21	0961948	4	Bearing (2 per Spindle)	
21	1001163716	8	Seal (4 per Spindle)	
22	1001163717	1	Bracket, Tow	
23	1001163722	1	Plate	
24	1001163724	1	Link	
24	0962292	4	Bearing	
25	1001163726	1	Link	
25	1001164209	2	Bearing	
26	3423304	2	Pin	
27	1001190368	4	Bolt M16 x 120	
28	5241600	6	Washer M16	

# SECTION 1 - FRAME

FIGURE 1-7. TIRE AND WHEEL INSTALLATION - 12 X 16.5 FOAM FILLED (AVAILABLE ON ALL SPECS)



ART\_0270092

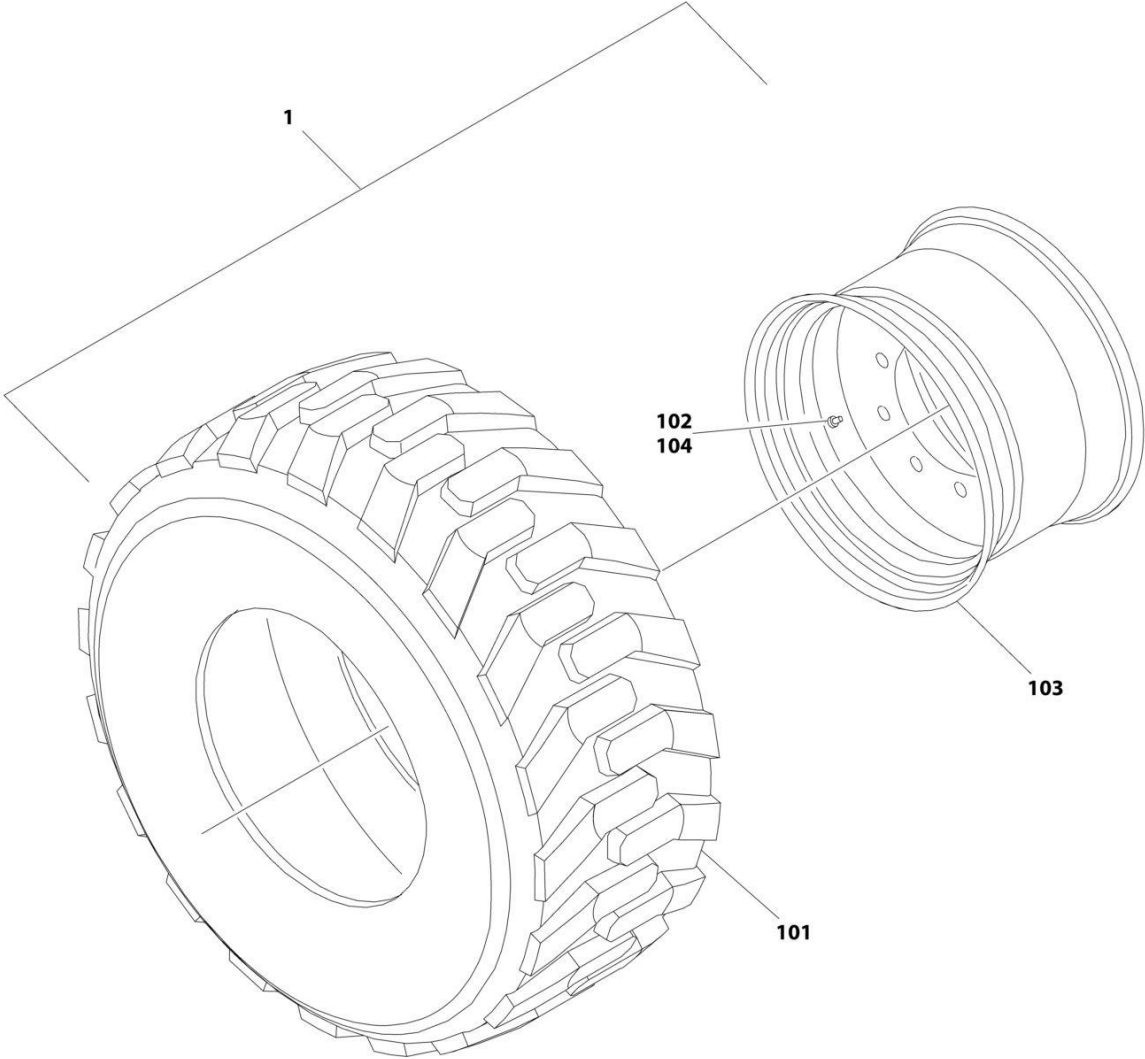
## SECTION 1 - FRAME

**FIGURE 1-7. TIRE AND WHEEL INSTALLATION - 12 X 16.5 FOAM FILLED (AVAILABLE ON ALL SPECS)**

ITEM	PART NUMBER	QTY	DESCRIPTION	REV
	0270092	Ref Ref	TIRE AND WHEEL INSTALLATION - 12 X 16.5 FOAM FILLED  Note: Assemblies may require ballast/foam filling to manufacturer's specifications prior to installing on a machine. Refer to Operation and Safety or Service and Maintenance Manuals. Purchase individual tire and/or rim only if able to foam fill tire and wheel assembly, otherwise, purchase complete assembly.	C
1	1001148865	2	Tire and Wheel Assembly - 12 x 16.5 (RH Side)	H
1	1001148866	2	Tire and Wheel Assembly - 12 x 16.5 (LH Side)	H
102	4520216	4	Tire - 12 x 16.5	
103	4641122	4	Valve	
104	1001147274	4	Rim, Wheel	
105	1001149953	4	Cap, Valve Stem	

**SECTION 1 - FRAME**

**FIGURE 1-8. TIRE AND WHEEL INSTALLATION - 12 X 16.5 FF NON-MARKING (AVAILABLE ON ALL SPECS)**



ART\_0270653

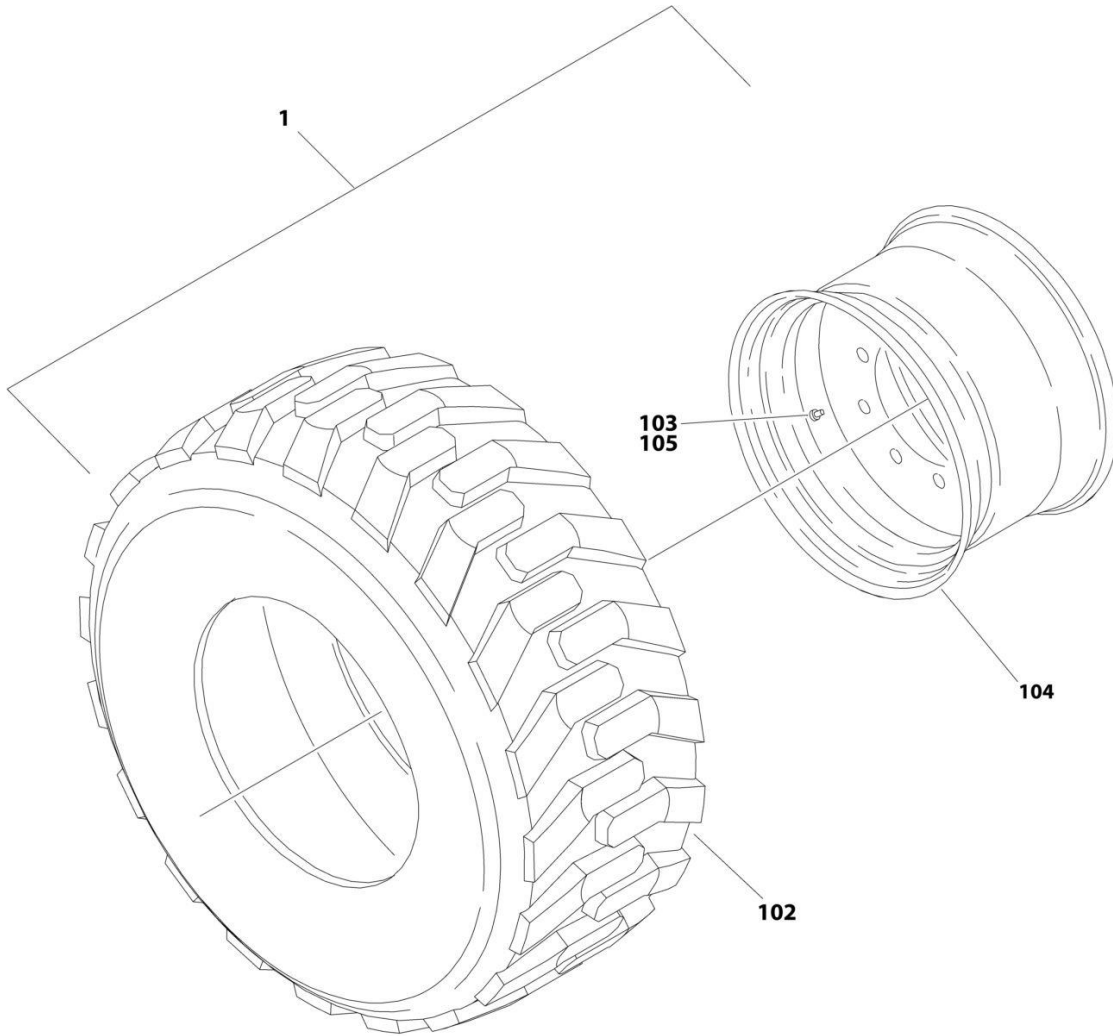
## SECTION 1 - FRAME

**FIGURE 1-8. TIRE AND WHEEL INSTALLATION - 12 X 16.5 FF NON-MARKING (AVAILABLE ON ALL SPECS)**

ITEM	PART NUMBER	QTY	DESCRIPTION	REV
	0270653	Ref Ref	TIRE AND WHEEL INSTALLATION - 12 X 16.5 FOAM FILLED  Note: Assemblies may require ballast/foam filling to manufacturer's specifications prior to installing on a machine. Refer to Operation and Safety or Service and Maintenance Manuals. Purchase individual tire and/or rim only if able to foam fill tire and wheel assembly, otherwise, purchase complete assembly.	B
1	1001148869	1	Tire and Wheel Assembly - Right Side	H
1	1001148870	1	Tire and Wheel Assembly - Left Side	H
101	4520240	1	Tire 12 x 16.5 Non-Marking	
102	4641122	1	Valve	
103	1001147274	1	Rim, Wheel	
104	1001149953	1	Cap, Valve Stem	

# SECTION 1 - FRAME

FIGURE 1-9. TIRE AND WHEEL INSTALLATION - 14 X 17.5 FOAM FILLED (AVAILABLE ON ALL SPECS)



ART\_0271998



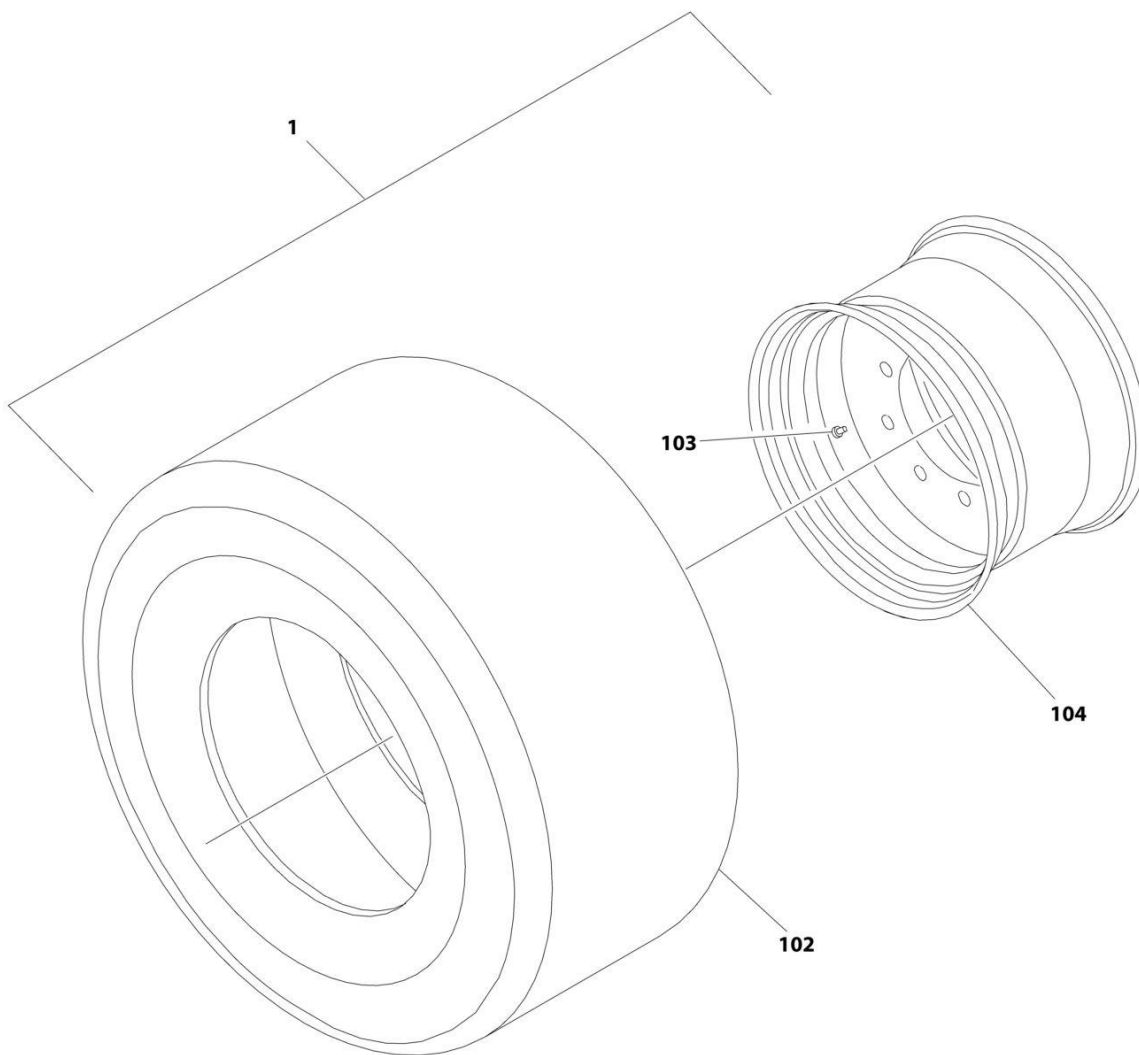
## SECTION 1 - FRAME

**FIGURE 1-9. TIRE AND WHEEL INSTALLATION - 14 X 17.5 FOAM FILLED (AVAILABLE ON ALL SPECS)**

ITEM	PART NUMBER	QTY	DESCRIPTION	REV
	0271998	Ref	TIRE AND WHEEL INSTALLATION - 14 X 17.5 FOAM FILLED  Note: Assemblies may require ballast/foam filling to manufacturer's specifications prior to installing on a machine. Refer to Operation and Safety or Service and Maintenance Manuals. Purchase individual tire and/or rim only if able to foam fill tire and wheel assembly, otherwise, purchase complete assembly.	B
		Ref		
1	1001148875	Ref	Tire and Wheel Assembly - 14 x 17.5 (RH Side)	F
1	1001148876	Ref	Tire and Wheel Assembly - 14 x 17.5 (LH Side)	F
102	4520259	4	Tire - 14 x 17.5	
103	4641122	4	Valve	
104	1001146397	4	Rim, Wheel	
105	1001149953	4	Cap, Valve Stem	

# SECTION 1 - FRAME

FIGURE 1-10. TIRE AND WHEEL INSTALLATION - 33/16LL X 16.1 FOAM FILLED TURF (ANSI AND ANSI EXPORT SPECS)



ART\_1001269298

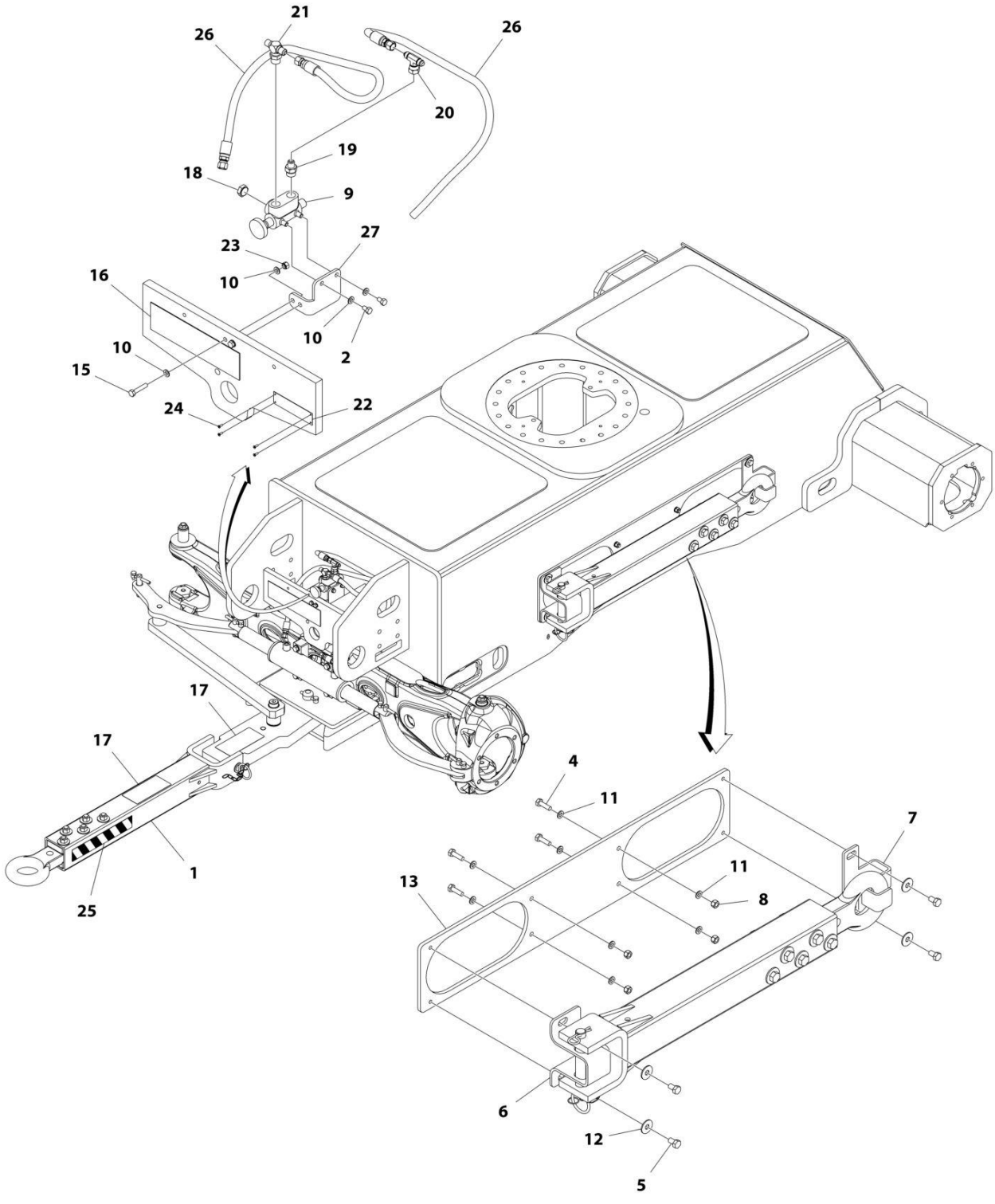
**SECTION 1 - FRAME**

**FIGURE 1-10. TIRE AND WHEEL INSTALLATION - 33/16LL X 16.1 FOAM FILLED TURF (ANSI AND ANSI EXPORT SPECS)**

ITEM	PART NUMBER	QTY	DESCRIPTION	REV
	1001269298	Ref	TIRE AND WHEEL INSTALLATION - 33/16LL X 16.1 FOAM FILLED TURF	A
		Ref	Note: Assemblies may require ballast/foam filling to manufacturer's specifications prior to installing on a machine. Refer to Operation and Safety or Service and Maintenance Manuals. Purchase individual tire and/or rim only if able to foam fill tire and wheel assembly, otherwise, purchase complete assembly.	
1	1001269297	2	Tire and Wheel Assembly 33/16LL X 16.1	A
102	1300018	4	Tire - 33/16LL X 16.1	
103	4641122	4	Valve	
104	4860214	4	Rim, Wheel	

# SECTION 1 - FRAME

## FIGURE 1-11. TOW BAR INSTALLATION



ART\_1001170736

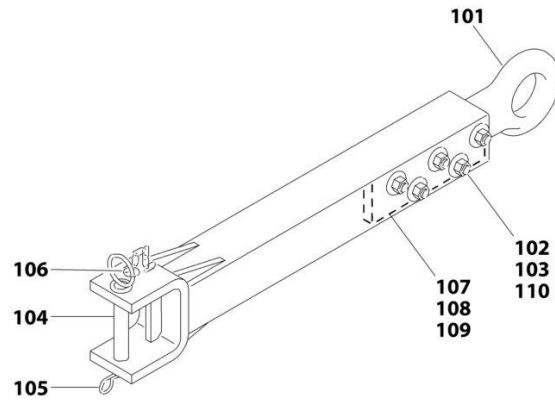
# SECTION 1 - FRAME

## FIGURE 1-11. TOW BAR INSTALLATION

ITEM	PART NUMBER	QTY	DESCRIPTION	REV
	1001170736	Ref	TOW BAR INSTALLATION	D
1	0363019	1	Tow Bar Assembly (See Separate Breakdown in this Section)	
2	0641504	2	Bolt 5/16 x 1/2	
4	0641612	4	Bolt 3/8 x 1-1/2	
5	0761210	4	Bolt M12 x 20	
6	0902733	1	Bracket, Storage (Front)	
7	0902734	1	Bracket, Storage (Rear)	
8	3311605	4	Nut 3/8	
9	4640261	1	Steer/Tow Select Valve	
10	4811900	6	Washer M8	
11	4891600	8	Washer 3/8	
12	4812102	4	Washer M12	
13	1001166478	1	Plate, Tow Bar Mount	
15	0760816	2	Bolt M8 x 40	
16	1702968	1	Decal - Towing Instructions	
17	1704578	3	Decal - Crushing	
18	2220238	1	Plug ORB	
19	2220372	1	Fitting, Straight JIC/ORB	
20	2220579	1	Fitting, Tee JIC/FSJIC/JIC	
21	2221052	1	Fitting, Tee JIC/ORB/JIC	
22	3250872	1	Nameplate, Steer/Tow Select Valve	
23	3290805	2	Nut M8 x 1.25	
24	3820001	4	Rivet	
25	4420051	48 in /1.21m	Tape, Safety	
26	1001181913	2	Hose	
27	1001182155	1	Bracket, Valve Mounting	

# SECTION 1 - FRAME

## FIGURE 1-12. TOW BAR ASSEMBLY



ART\_0363019

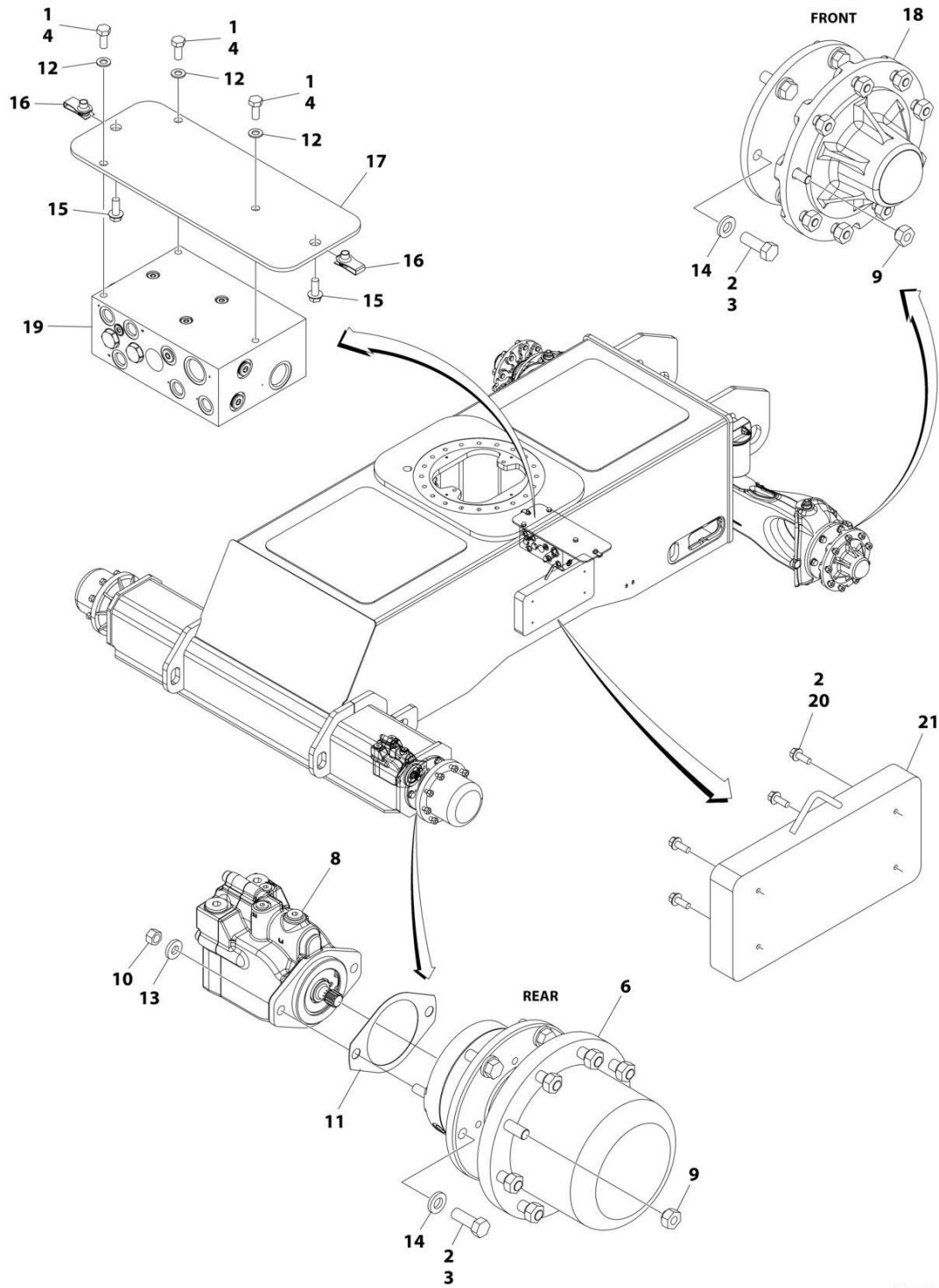
# SECTION 1 - FRAME

## FIGURE 1-12. TOW BAR ASSEMBLY

ITEM	PART NUMBER	QTY	DESCRIPTION	REV
	0363019	Ref	TOW BAR ASSEMBLY	B
101	0360406	1	Pintle, Draw Eye	
102	0682040	5	Bolt 5/8 x 5	
103	3312005	5	Nut 5/8	
104	3420352	1	Pin, Towing	
105	3420372	1	Hairpin	
106	3760170	1	Ring, Split	
107	4070450	2	Shim (.07)	
108	4070560	2	Shim (.88)	
109	4070561	2	Shim (.12)	
110	4752000	10	Washer 5/8	

# SECTION 1 - FRAME

## FIGURE 1-13. WHEEL DRIVE INSTALLATION (2WD)



ART\_1001214162



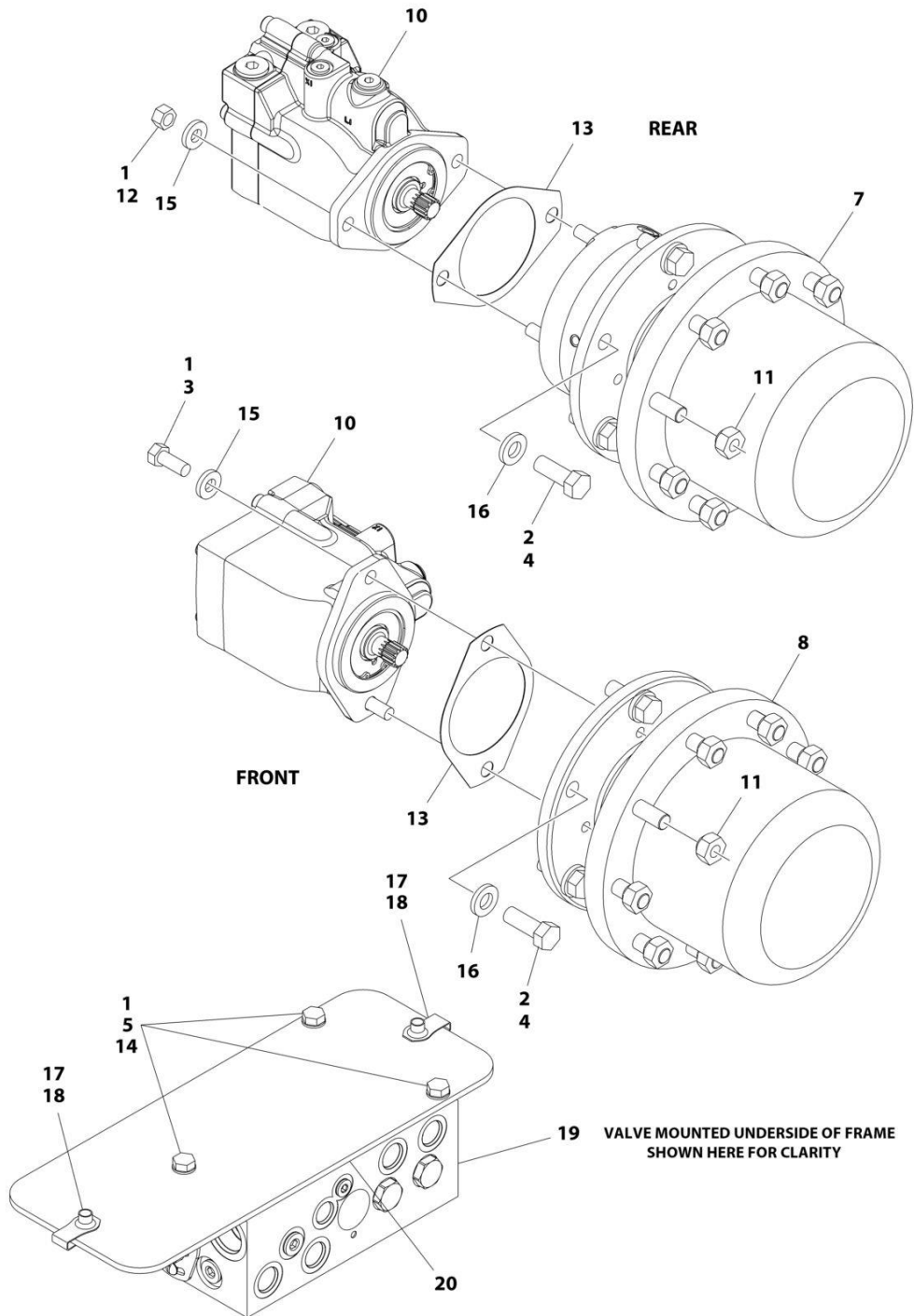
## SECTION 1 - FRAME

**FIGURE 1-13. WHEEL DRIVE INSTALLATION (2WD)**

ITEM	PART NUMBER	QTY	DESCRIPTION	REV
	1001214162	Ref	WHEEL DRIVE INSTALLATION (2WD)	E
1	0100011	AR	Compound, Locking	
2	0100019	AR	Compound, Locking	
3	0682014	24	Bolt, 5/8 x 1-3/4 (Grade 8)	
4	0761012	3	Bolt, M10 x 25	
6	2780267	2	Drive Hub Assembly - Rear (See Separate Breakdown in this Section)	
8	3160351	2	Drive Motor Assembly (See Separate Breakdown in this Section)	
9	3300106	36	Lugnut	
10	3311801	4	Nut, 1/2	
11	3960526	2	Gasket, Brake	
12	4812000	3	Washer, M10	
13	4891800	4	Washer, 1/2	
14	4892000	24	Washer, 5/8	
15	5251012	2	Bolt, M10 x 25	
16	1001118972	2	Nut, M10 x 1.5	
17	1001163959	1	Plate, Mounting	
18	1001214174	2	Hub Spindle Assembly - Front (See Separate Breakdown in this Section)	
19	1001214317	1	Traction Valve Assembly - 2WD (See Separate Breakdown in this Section)	
20	0811608	8	Bolt 3/8 x 1	
21	1001215509	2	Weight	

# SECTION 1 - FRAME

## FIGURE 1-14. WHEEL DRIVE INSTALLATION (4WD)



ART\_1001169060

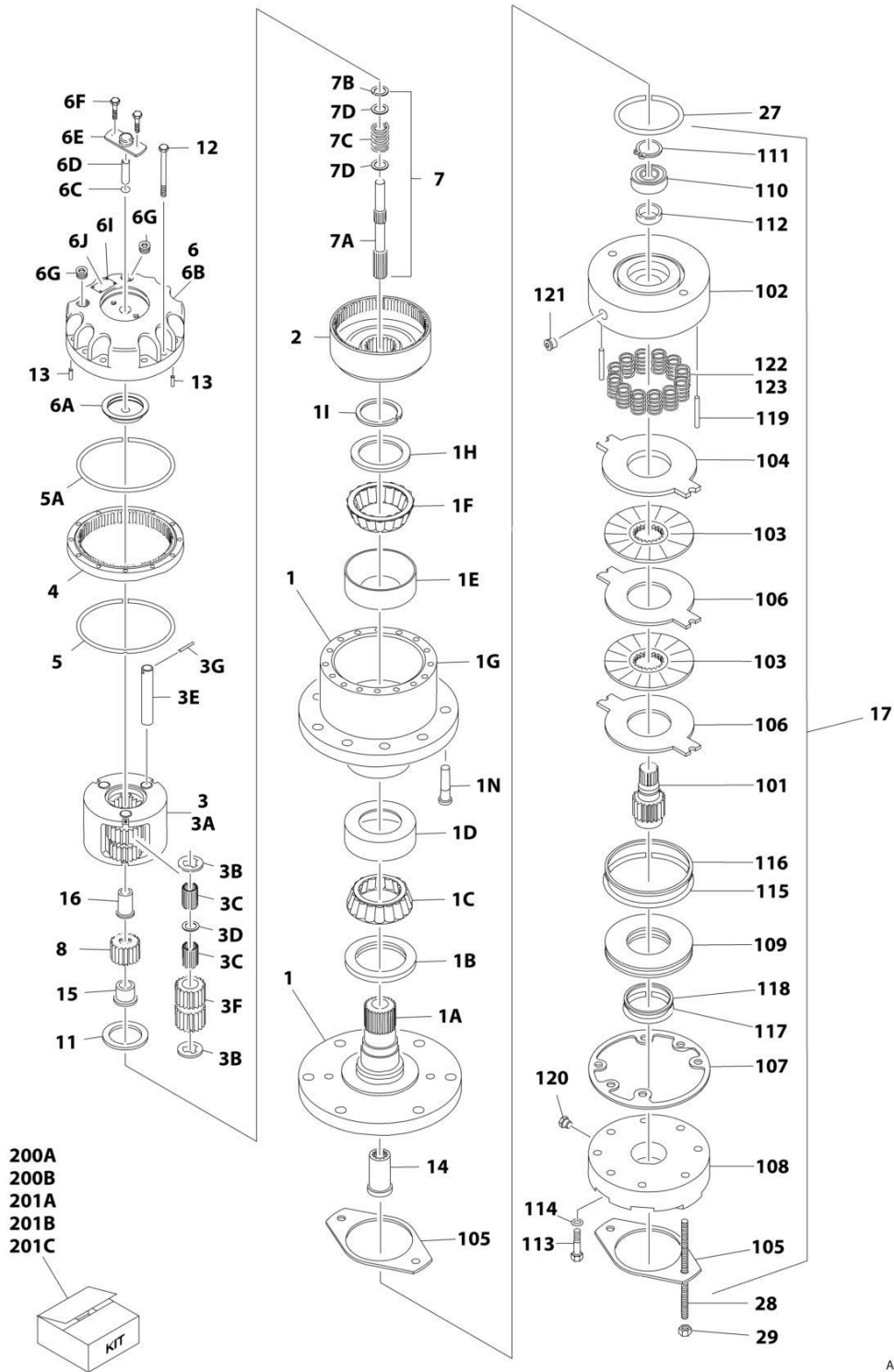
## SECTION 1 - FRAME

**FIGURE 1-14. WHEEL DRIVE INSTALLATION (4WD)**

ITEM	PART NUMBER	QTY	DESCRIPTION	REV
	1001169060	Ref	WHEEL DRIVE INSTALLATION (4WD)	E
1	0100011	AR	Compound, Locking	
2	0100019	AR	Compound, Locking	
3	0681810	4	Bolt 1/2 x 1-1/4 (Grade 8)	
4	0682014	24	Bolt 5/8 x 1-3/4 (Grade 8)	
5	0761012	3	Bolt M10 x 25	
7	2780267	2	Drive Hub Assembly - Rear (See Separate Breakdown in this Section)	
8	2780268	2	Drive Hub Assembly - Front (See Separate Breakdown in this Section)	
10	3160348	4	Drive Motor Assembly (See Separate Breakdown in this Section)	
11	3300106	36	Lugnut	
12	3311801	4	Nut 1/2	
13	3960526	4	Gasket, Brake	
14	4812000	3	Washer M10	
15	4891800	8	Washer 1/2	
16	4892000	24	Washer 5/8	
17	5251012	2	Bolt M10 x 25	
18	1001118972	2	Nut M10	
19	1001162537	1	Traction Valve Assembly (See Separate Breakdown in this Section)	
20	1001163959	1	Plate, Mounting	

# SECTION 1 - FRAME

## FIGURE 1-15. DRIVE HUB AND BRAKE ASSEMBLY - REAR



ART\_2780267

## SECTION 1 - FRAME

### FIGURE 1-15. DRIVE HUB AND BRAKE ASSEMBLY - REAR

ITEM	PART NUMBER	QTY	DESCRIPTION	REV
	2780267	Ref	DRIVE HUB AND BRAKE ASSEMBLY - REAR	I
1	See Note	1	Spindle/Housing Assembly (Note: Purchase Individual Components)	
1A	7017059	1	Spindle	
1B	7001998	1	Seal	
1C	7010429	1	Cone, Bearing (Includes Item 1D)	
1D	7010429	1	Cup, Bearing (Includes Item 1C)	
1E	7000257	1	Cup, Bearing	
1F	7000258	1	Cone, Bearing	
1G	7007601	1	Housing/Ring Gear	
1H	7000232	1	Washer, Thrust	
1I	7000229	1	Ring, Retaining	
1N	7007640	9	Stud, Wheel	
2	7000246	1	Gear, Internal	
3	7024712	1	Carrier Assembly	
3A	See Note	1	Carrier (Note: Use Item 3)	
3B	See Note	6	Ring, Retaining (Note: Use Item 3)	
3C	See Note	AR	Bearing, Needle (Note: Use Item 3)	
3D	See Note	3	Washer, Thrust (Note: Use Item 3)	
3E	See Note	3	Shaft, Planet (Note: Use Item 3)	
3F	See Note	3	Gear, Planet (Note: Use Item 3)	
3G	See Note	3	Roll Pin (Note: Use Item 3)	
4	7000248	1	Ring Gear	
5	7000230	1	O-Ring	
5A	7017070	1	O-Ring	
6	70001349	1	Cover Assembly Kit	
6A	See Note	1	Spacer, Thrust (Note: Use Item 6)	
6B	See Note	1	Plate, Cover (Note: Use Item 6)	
6C	See Note	1	O-Ring (Note: Use Item 6)	
6D	See Note	1	Rod, Disconnect (Note: Use Item 6)	
6E	See Note	1	Cap, Disengage (Note: Use Item 6)	
6F	See Note	2	Bolt (Note: Use Item 6)	
6G	See Note	1	Plug, Pipe (Note: Use Item 6)	
6I	See Note	4	Rivet (Note: Not Available for Purchase)	
6J	See Note	1	Plate, ID (Note: Not Available for Purchase)	
7		Ref	Input Shaft Assembly	
7A	7024714	1	Shaft	
7B	7000261	1	Ring, Retaining	
7C	7000262	1	Spring	
7D	7000263	2	Spacer, Thrust	
8	7024713	1	Gear, Sun	
11	7000253	1	Washer, Thrust	
12	7017067	12	Bolt	
13	7017080	4	Pin, Dowel	
14	7000206	1	Coupling	
15	7024715	1	Spacer, Input	
16	7024716	1	Spacer, Input	
17	7024182	1	Brake Assembly (See Items 101-123 for Breakdown)	
27	7024705	1	O-Ring	
28	7024717	2	Rod, Threaded	

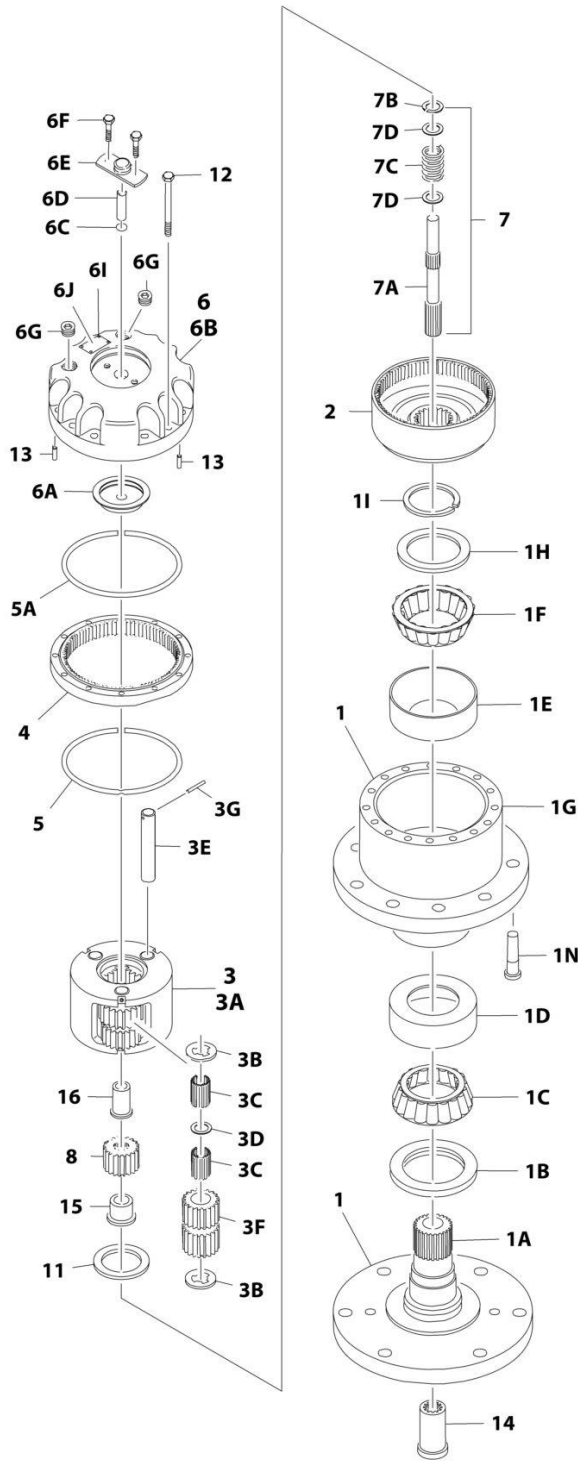
## SECTION 1 - FRAME

ITEM	PART NUMBER	QTY	DESCRIPTION	REV
29	7024718	2	Nut 1/2in-13NC	
	7024182	Ref	BRAKE ASSEMBLY	
101	7024189	1	Shaft	
102	See Note	1	Housing (Note: Use Item 17)	
103	See Note	2	Plate, Friction (Note: Use Item 201B)	
104	See Note	1	Plate, Pressure (Note: Use Item 201B)	
105	7000731	2	Gasket	
106	See Note	2	Plate, Outer (Note: Use Item 201B)	
107	See Note	1	Gasket (Note: Use Item 200A, 201B or 201C)	
108	7024191	1	Cylinder	
109	7024192	1	Piston	
110	See Note	1	Bearing, Ball (Note: Use Item 201C)	
111	See Note	1	Ring, Retaining (Note: Use Item 201C)	
112	See Note	1	Seal, Shaft (Note: Use Item 201C)	
113	See Note	6	Capscrew (Note: Use Item 17)	
114	See Note	6	Lockwasher (Note: Use Item 17)	
115	See Note	1	O-Ring (Note: Use Item 200B)	
116	See Note	1	Ring, Back-up (Note: Use Item 200B)	
117	See Note	1	O-Ring (Note: Use Item 200B)	
118	See Note	1	Ring, Back-up (Note: Use Item 200B)	
119	7024190	2	Pin, Dowel	
120	See Note	1	Plug (Note: Use Item 17)	
121	See Note	2	Plug (Note: Use Item 17)	
122	See Note	12	Spring Kit (Natural) (Note: Use Item 201A)	
123	See Note	2	Spring Kit (Blue) (Note: Use Item 201A)	
		Ref	Kit Options	
200		Ref	Seal Kit Options:	
200A	See Note	1	Hub Seal Kit (Note: Purchase Individual Components)	
200B	7024194	1	Brake Seal Kit (Includes Items 105, 107 & 115-118)	
201		Ref	Repair Kit Options:	
201A	7024196	1	Brake Spring Kit (Includes 12 Natural Colored and 2 Blue Colored Springs Items 122 & 123)	
201B	7024193	1	Brake Friction Disc Kit (Includes Items 103, 104, 106 & 107)	
201C	7024197	1	Brake Bearing Kit (Includes Items 107 & 110-112)	



# SECTION 1 - FRAME

## FIGURE 1-16. DRIVE HUB ASSEMBLY - FRONT



ART\_2780268



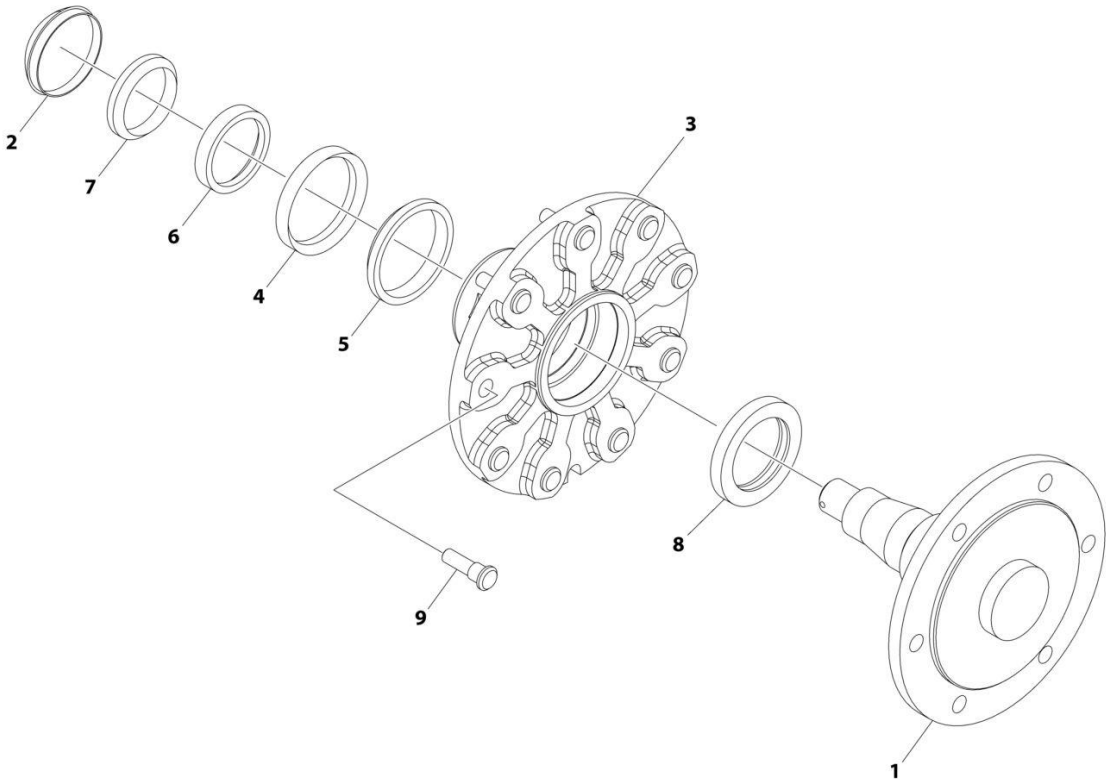
# SECTION 1 - FRAME

## FIGURE 1-16. DRIVE HUB ASSEMBLY - FRONT

ITEM	PART NUMBER	QTY	DESCRIPTION	REV
	2780268	Ref	DRIVE HUB ASSEMBLY - FRONT	F
1	See Note	1	Spindle/Housing Assembly (Note: Purchase Individual Components)	
1A	7017059	1	Spindle	
1B	7001998	1	Seal	
1C	7010429	1	Cone, Bearing (Includes Item 1D)	
1D	7010429	1	Cup, Bearing (Includes Item 1C)	
1E	7000257	1	Cup, Bearing	
1F	7000258	1	Cone, Bearing	
1G	7007601	1	Housing/Ring Gear	
1H	7000232	1	Washer, Thrust	
1I	7000229	1	Ring, Retaining	
1N	7007640	9	Stud, Wheel	
2	7000246	1	Gear, Internal	
3	7024712	1	Carrier Assembly	
3A	See Note	1	Carrier (Note: Use Item 3)	
3B	See Note	6	Ring, Retaining (Note: Use Item 3)	
3C	See Note	AR	Bearing, Needle (Note: Use Item 3)	
3D	See Note	3	Washer, Thrust (Note: Use Item 3)	
3E	See Note	3	Shaft, Planet (Note: Use Item 3)	
3F	See Note	3	Gear, Planet (Note: Use Item 3)	
3G	See Note	3	Roll Pin (Note: Use Item 3)	
4	7000248	1	Ring Gear	
5	7000230	1	O-Ring	
5A	7017070	1	O-Ring	
6	70001349	1	Cover Assembly Kit	
6A	See Note	1	Spacer, Thrust (Note: Use Item 6)	
6B	See Note	1	Plate, Cover (Note: Use Item 6)	
6C	See Note	1	O-Ring (Note: Use Item 6)	
6D	See Note	1	Rod, Disconnect (Note: Use Item 6)	
6E	See Note	1	Cap, Disengage (Note: Use Item 6)	
6F	See Note	2	Bolt (Note: Use Item 6)	
6G	See Note	1	Plug, Pipe (Note: Use Item 6)	
6I	See Note	4	Rivet (Note: Not Available for Purchase)	
6J	See Note	1	Plate, ID (Note: Not Available for Purchase)	
7		Ref	Input Shaft Assembly	
7A	7024714	1	Shaft	
7B	7000261	1	Ring, Retaining	
7C	7000262	1	Spring	
7D	7000263	2	Spacer, Thrust	
8	7024713	1	Gear, Sun	
11	7000253	1	Washer, Thrust	
12	7017067	12	Bolt	
13	7017080	4	Pin, Dowel	
14	7000206	1	Coupling	
15	7024715	1	Spacer, Input	
16	7024716	1	Spacer, Input	

**SECTION 1 - FRAME**

**FIGURE 1-17. HUB - SPINDLE ASSEMBLY (2WD)**



ART\_1001214174

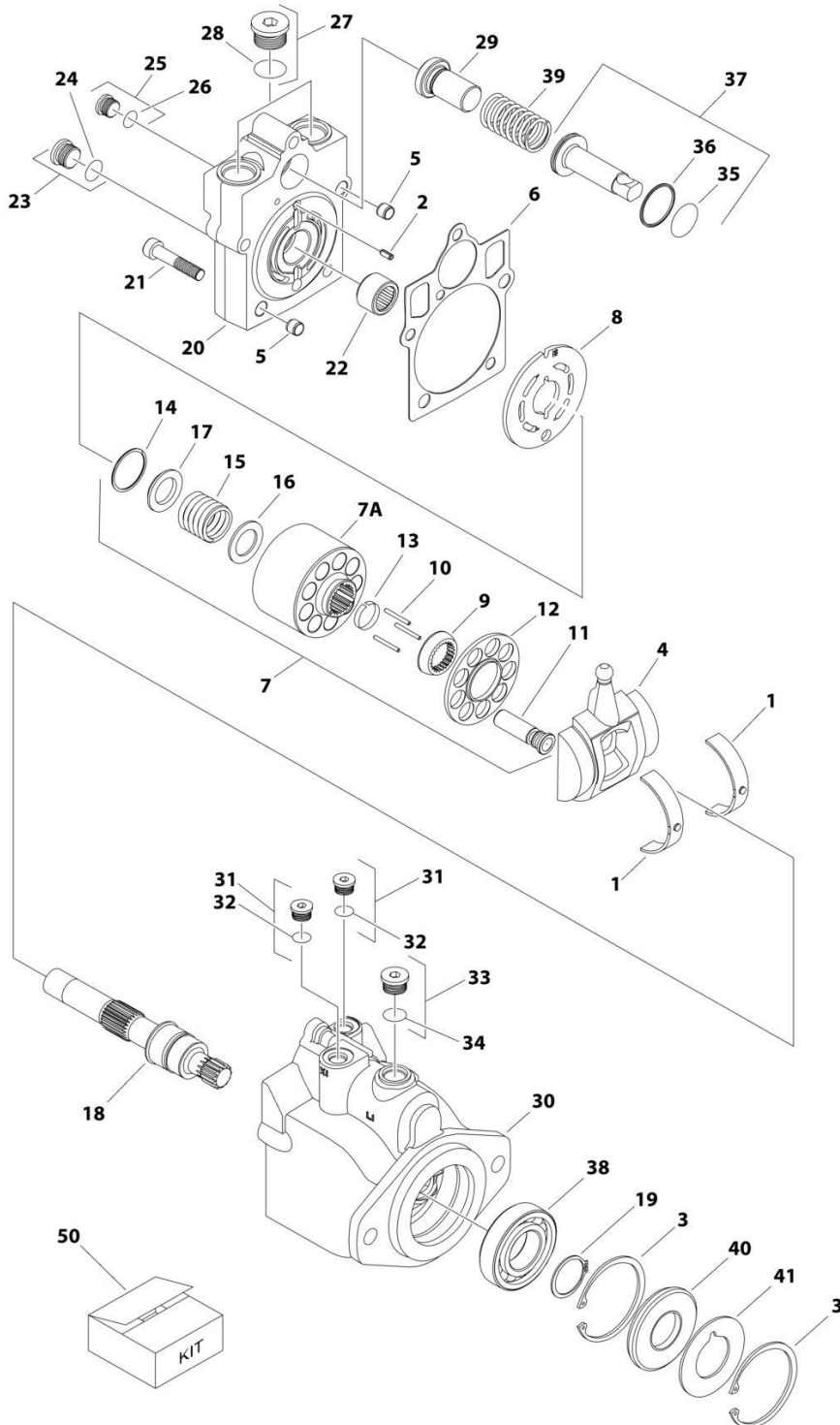
**SECTION 1 - FRAME**

**FIGURE 1-17. HUB - SPINDLE ASSEMBLY (2WD)**

ITEM	PART NUMBER	QTY	DESCRIPTION	REV
	1001214174	Ref	HUB - SPINDLE ASSEMBLY (2WD)	C
1	See Note	NSS	Spindle, Adapter (Note: Not Available for Purchase)	
2	7020033	1	Cap, Dust	
3	7020035	1	Hub, Casting	
4	7020036	1	Cup, Bearing	
5	7020037	1	Cone, Bearing	
6	7020038	1	Cup, Bearing	
7	7020039	1	Cone, Bearing	
8	7020040	1	Seal	
9	7020041	9	Stud	

# SECTION 1 - FRAME

## FIGURE 1-18. DRIVE MOTOR ASSEMBLY (2WD)



ART\_3160351

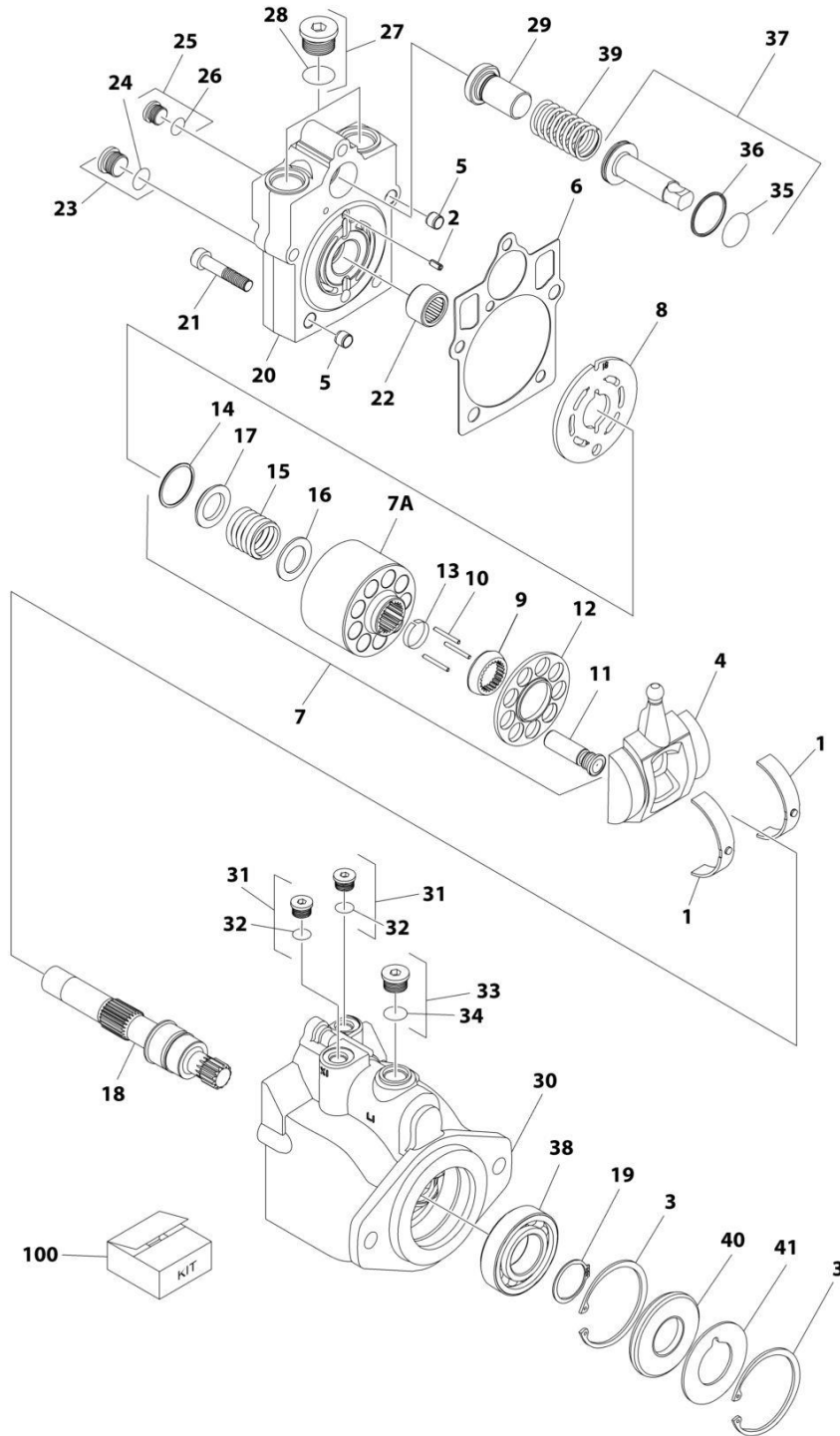
## SECTION 1 - FRAME

**FIGURE 1-18. DRIVE MOTOR ASSEMBLY (2WD)**

ITEM	PART NUMBER	QTY	DESCRIPTION	REV
	3160351	Ref	DRIVE MOTOR ASSEMBLY (2WD)	D
1	7022302	2	Bearing, Journal	
2	7007446	1	Pin	
3	7007438	2	Ring, Retaining	
4	7022305	1	Swashplate	
5	See Note	2	Pin (Note: Not Available for Purchase)	
6	7022328	1	Gasket	
7	7023907	1	Cylinder Block Kit (Includes Items 7A & 9-17)	
7A	7023907	1	Block, Cylinder	
8	7023908	1	Plate, Valve	
9	7021277	1	Guide, Slipper Retainer	
10	7021275	3	Pin, Slipper Hold Down	
11	7023907	9	Piston Assembly	
12	7021276	1	Retainer, Hold Down Pin	
13	7023907	1	Retainer, Slipper	
14	7022311	1	Ring, Retaining	
15	7022312	1	Spring	
16	7024868	1	Washer	
17	7022314	1	Retainer, Spring	
18	7023910	1	Shaft	
19	7007439	1	Ring, Retaining	
20	70000797	1	Cap, End - Axial	
21	7022368	5	Screw	
22	7021249	1	Bearing, Needle	
23	2220886	1	Plug (Includes Item 24)	
24	7022328	1	O-Ring	
25	2220883	1	Plug (Includes Item 26)	
26	7022328	1	O-Ring	
27	7027419	2	Plug (Includes Item 28)	
28	7022328	2	O-Ring	
29	7024853	1	Seat, Spring	
30	See Note	NSS	Housing (Note: Not Available for Purchase – Purchase complete motor)	
31	2220883	2	Plug (Includes Item 32)	
32	7022328	2	O-Ring	
33	2220886	1	Plug (Includes Item 34)	
34	7022328	1	O-Ring	
35	7022328	1	O-Ring	
36	7022328	1	Ring, Seal	
37	7024854	1	Piston, Servo (Includes Items 35 & 36)	
38	7007437	1	Bearing	
39	7022326	1	Spring	
40	7022328	1	Seal, Lip	
41	7022371	1	Washer, Support	
50	7022328	1	Seal Kit (Includes Items 6, 24, 26, 28, 32, 34, 35, 36 & 40)	

# SECTION 1 - FRAME

## FIGURE 1-19. DRIVE MOTOR ASSEMBLY (4WD)



ART\_3160348

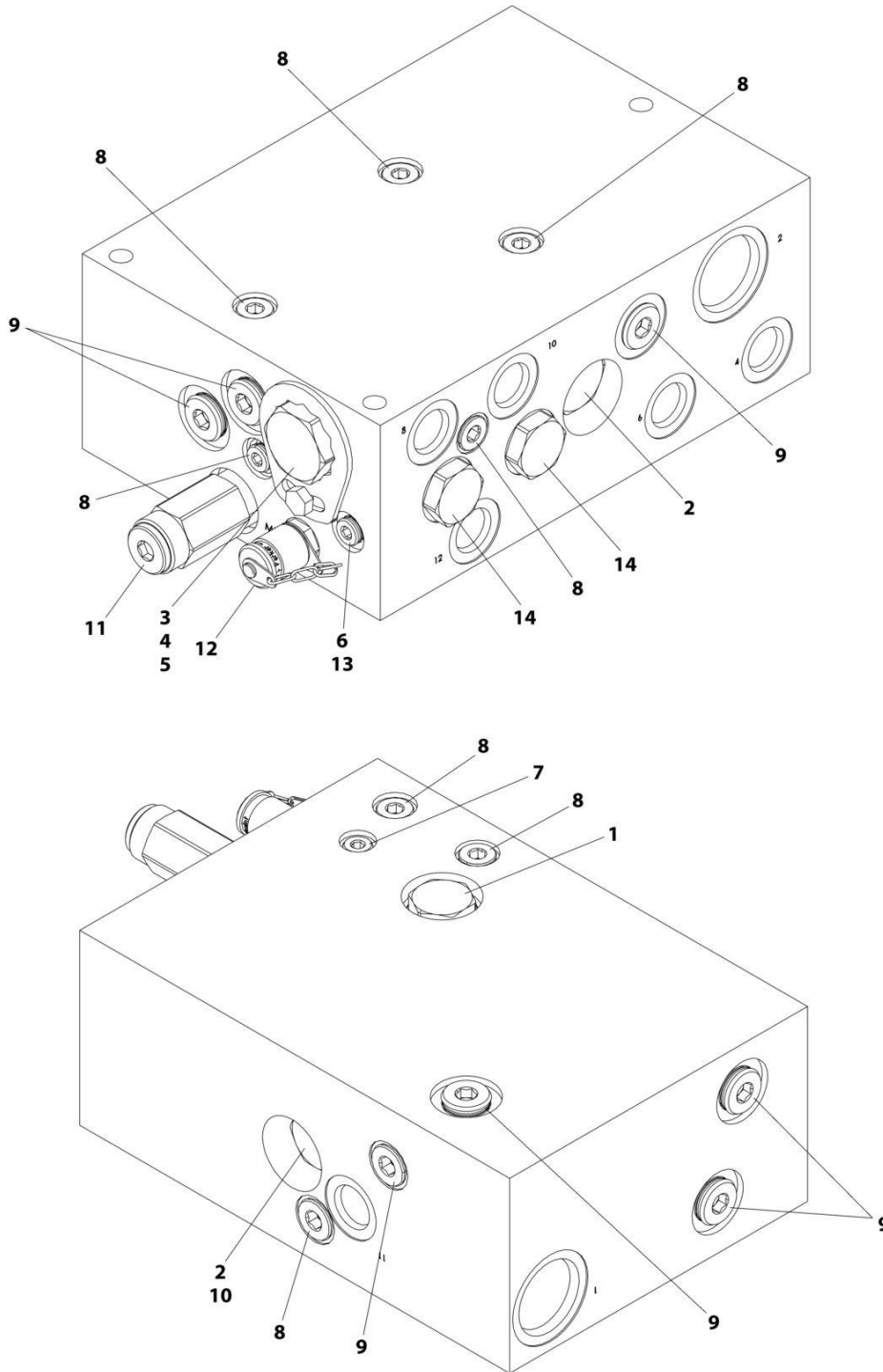
# SECTION 1 - FRAME

## FIGURE 1-19. DRIVE MOTOR ASSEMBLY (4WD)

ITEM	PART NUMBER	QTY	DESCRIPTION	REV
	3160348	Ref	DRIVE MOTOR ASSEMBLY	D
1	7022302	2	Bearing, Journal	
2	7007446	1	Pin	
3	7007438	2	Ring, Retaining	
4	7022305	1	Swash Plate	
5	See Note	2	Pin (Note: Not Available for Purchase)	
6	See Note	NSS	Gasket (Note: Use Item 100)	
7	7023907	1	Cylinder Block Kit (Includes Items 7A & 9-17)	
7A	See Note	NSS	Block, Cylinder (Note: Use Item 7)	
8	7023908	1	Plate, Valve	
9	7021277	1	Guide, Slipper Retainer	
10	7021275	3	Pin, Slipper Hold Down	
11	See Note	NSS	Piston Assembly (Note: Use Item 7)	
12	7022310	1	Retainer, Slipper	
13	7021276	1	Retainer, Hold Down Pin	
14	7022311	1	Ring, Retaining	
15	7022312	1	Spring	
16	7024868	1	Washer	
17	7022314	1	Retainer, Spring	
18	7023910	1	Shaft	
19	7007439	1	Ring, Retaining	
20	70000797	1	Cap, End - Axial	
21	7022368	5	Screw	
22	7021249	1	Bearing, Needle	
23	2220886	1	Plug (Includes Item 24)	
24	See Note	1	O-Ring (Note: Use Item 23 or 100)	
25	2220883	1	Plug (Includes Item 26)	
26	See Note	NSS	O-Ring (Note: Use Item 25 or 100)	
27	2220888	2	Plug (Includes Item 28)	
28	See Note	NSS	O-Ring (Note: Use Item 27 or 100)	
29	7022372	1	Seat, Spring	
30	See Note	NSS	Housing (Note: Not Available - Purchase Complete Assembly)	
31	2220883	2	Plug (Includes Item 32)	
32	See Note	NSS	O-Ring (Note: Use Item 31 or 100)	
33	2220886	1	Plug (Includes Item 34)	
34	See Note	NSS	O-Ring (Note: Use Item 33 or 100)	
35	See Note	NSS	O-Ring (Note: Use Item 100)	
36	See Note	NSS	Ring, Seal (Note: Use Item 100)	
37	7024854	1	Piston, Servo (Includes Items 35 & 36)	
38	7007437	1	Bearing	
39	7022326	1	Spring	
40	See Note	1	Seal, Lip (Note: Use Item 100)	
41	7022371	1	Washer, Support	
		Ref	KIT OPTIONS:	
100	7022328	1	Seal Kit (Includes Items 6, 24, 26, 28, 32, 34, 35, 36 & 40)	

# SECTION 1 - FRAME

## FIGURE 1-20. TRACTION VALVE ASSEMBLY (2WD)



ART\_1001214317



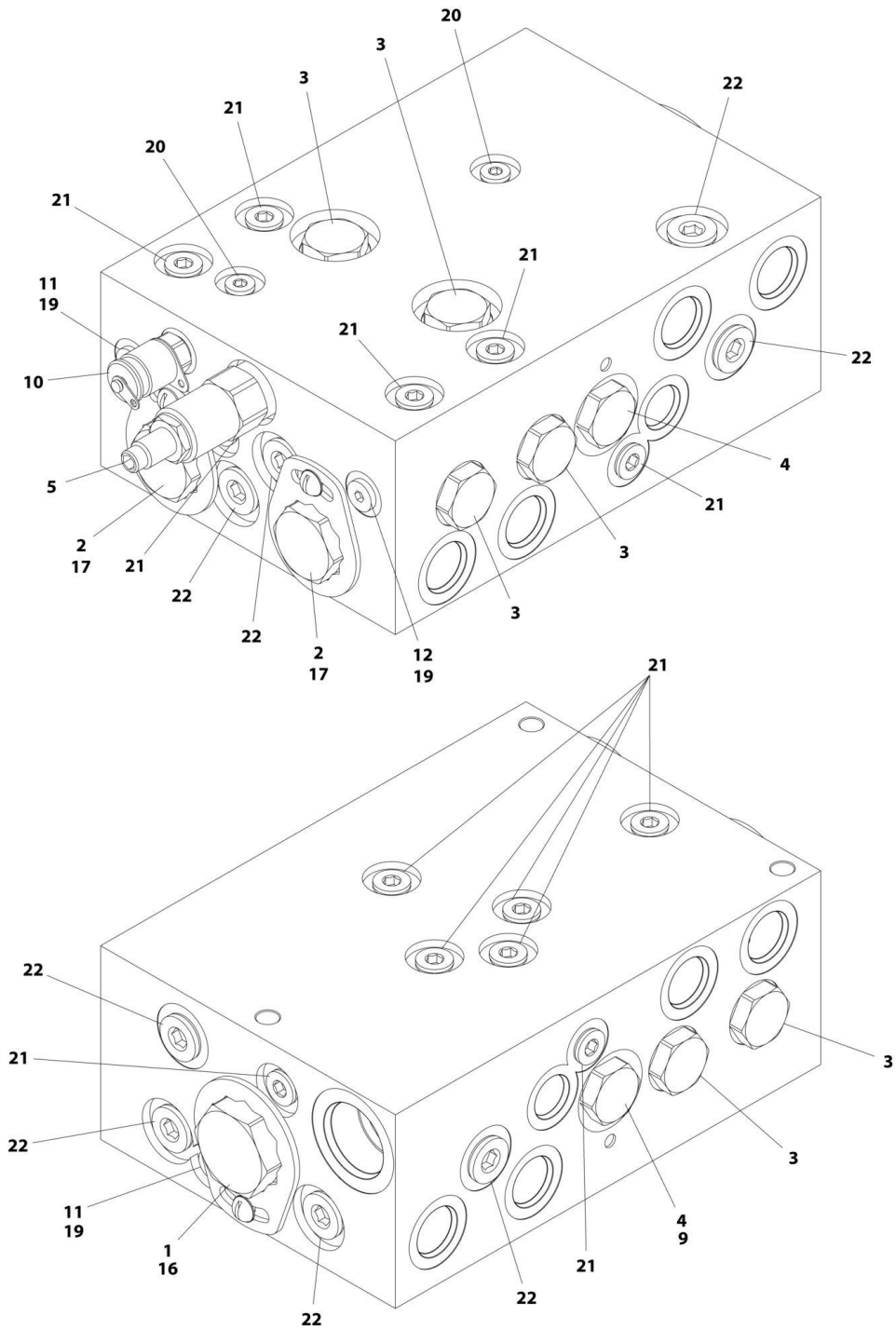
## SECTION 1 - FRAME

**FIGURE 1-20. TRACTION VALVE ASSEMBLY (2WD)**

ITEM	PART NUMBER	QTY	DESCRIPTION	REV
	1001214317	Ref	TRACTION VALVE ASSEMBLY (2WD)	D
1	7022397	1	Cartridge, Check Valve	
1	7022399	1	Seal Kit - 7022397 Valve	
2	70002390	2	Cartridge, Check Valve	
2	7022399	2	Seal Kit - 70002390 Valve	
3	70004885	1	Cartridge, Flow Divider Valve	
3	70004577	1	Seal Kit - 70004885 Valve	
4	70000781	1	Lockdown Kit	
5	70005827	1	Screw	
6	7024810	1	Orifice	
7	70005833	1	Plug #4	
8	70005830	8	Plug #6	
9	70005834	7	Plug	
10	7024881	1	Piston, Pilot	
11	70005831	1	Cartridge, Relief Valve	
11	7017496	1	Seal Kit - 70005831 Valve	
12	70005832	1	Fitting, Diagnostic	
13	2220883	1	Plug #4	
14	70026444	2	Cartridge, Check Valve	
14	7022399	2	Seal Kit - 70026444 Valve	

# SECTION 1 - FRAME

## FIGURE 1-21. TRACTION VALVE ASSEMBLY (4WD)



ART\_1001162537

## SECTION 1 - FRAME

**FIGURE 1-21. TRACTION VALVE ASSEMBLY (4WD)**

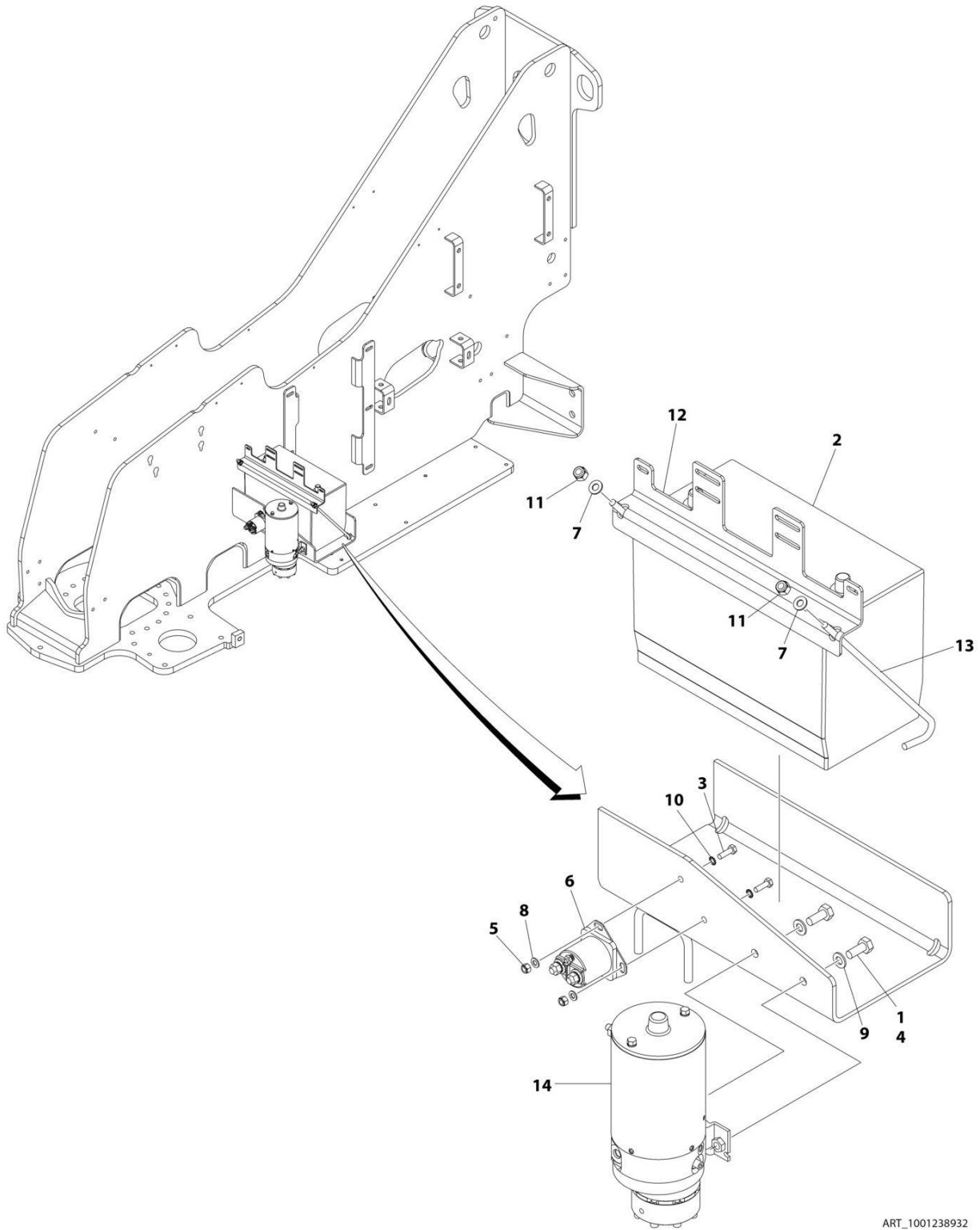
ITEM	PART NUMBER	QTY	DESCRIPTION	REV
	1001162537	Ref	TRACTION VALVE ASSEMBLY (4WD)	E
1	70004017	1	Cartridge, Flow Divider Valve	
1	7021625	1	Seal Kit - 70004017 Valve	
2	70004885	2	Cartridge, Flow Divider Valve	
2	70004577	2	Seal Kit - 70004885 Valve	
3	7022397	6	Cartridge, Check Valve	
3	7022399	6	Seal Kit - 7022397 Valve	
4	7021639	2	Cartridge, Check Valve	
4	2900756	2	Seal Kit - 7021639 Valve	
5	70004886	1	Cartridge, Relief Valve	
5	7017496	1	Seal Kit - 70004886 Valve	
9	7024881	1	Piston, Pilot	
10	2221086	1	Fitting, Test Port	
11	70004884	2	Orifice	
12	70002209	1	Orifice	
16	70000781	1	Lockdown Kit	
17	70002962	2	Lockdown Kit	
19	2220883	3	Plug, #4	
20	See Note	NSS	Plug (Note: Not Available for Purchase)	
21	91164079	13	Plug	
22	91164057	8	Plug	



**SECTION 2 - TURNTABLE**

# SECTION 2 - TURNTABLE

## FIGURE 2-1. AUXILIARY PUMP AND BATTERY WITH DISCONNECT SWITCH INSTALLATION



ART\_1001238932

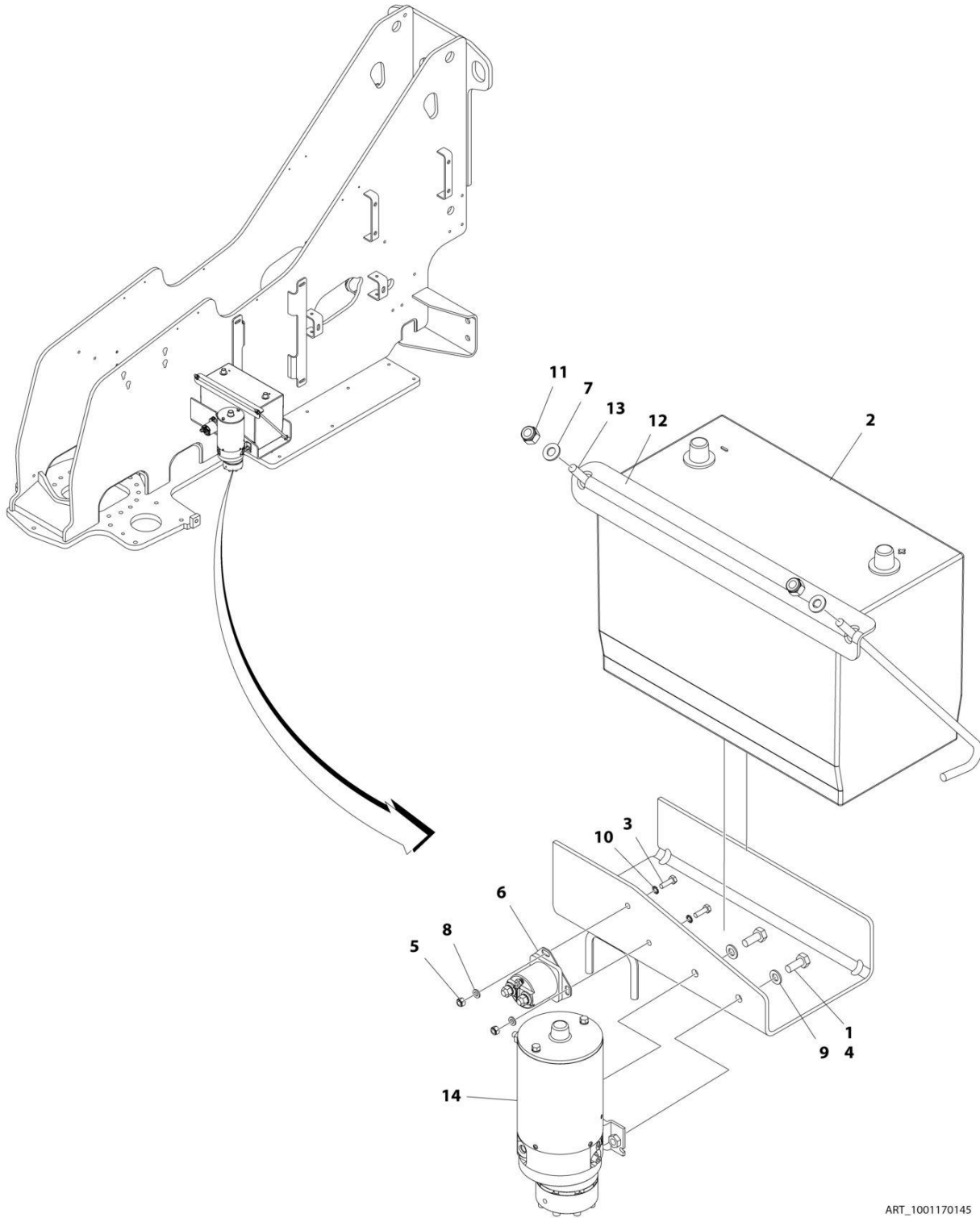
## SECTION 2 - TURNTABLE

**FIGURE 2-1. AUXILIARY PUMP AND BATTERY WITH DISCONNECT SWITCH INSTALLATION**

ITEM	PART NUMBER	QTY	DESCRIPTION	REV
	1001238932	Ref	AUXILIARY PUMP AND BATTERY INSTALLATION WITH DISCONNECT	A
1	0100011	AR	Compound, Locking	
2	0400075	1	Battery	
3	0760610	2	Bolt M6 x 20	
4	0761012	2	Bolt M10 x 25	
5	3290605	2	Nut M6	
6	3740067	1	Relay	
6	3300220	2	Nut 3/8	
6	3321001	1	Nut #10	
6	4761000	1	Washer #10	
6	1001111424	2	Washer 3/8	
7	4711500	2	Washer 5/16	
8	4811700	2	Washer M6	
9	4812000	2	Washer M10	
10	4871700	2	Washer M6	
11	88521205	2	Nut 5/16	
12	1001236303	1	Bracket	
13	1001093382	2	J-Bolt	
14	1001185821	1	Auxiliary Pump Assembly (See Separate Breakdown in this Section)	

# SECTION 2 - TURNTABLE

## FIGURE 2-2. AUXILIARY PUMP AND BATTERY INSTALLATION



ART\_1001170145



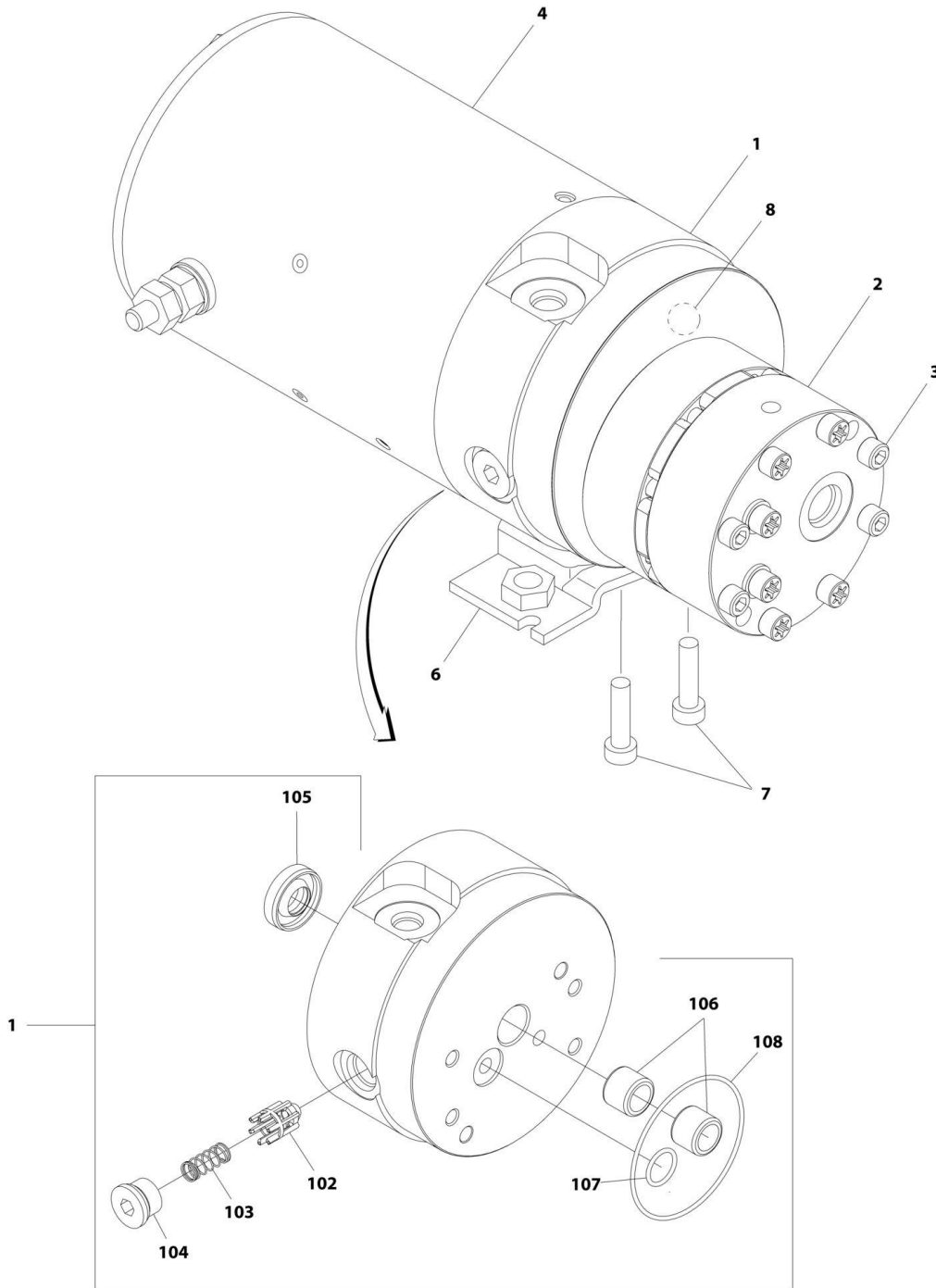
**SECTION 2 - TURNTABLE**

**FIGURE 2-2. AUXILIARY PUMP AND BATTERY INSTALLATION**

ITEM	PART NUMBER	QTY	DESCRIPTION	REV
	1001170145	Ref	AUXILIARY PUMP AND BATTERY INSTALLATION	C
1	0100011	AR	Compound, Locking	
2	0400075	1	Battery	
3	0760610	2	Bolt M6 x 20	
4	0761012	2	Bolt M10 x 25	
5	3290605	2	Nut M6	
6	3740067	1	Relay	
6	3300220	2	Nut 3/8	
6	3321001	1	Nut #10	
6	4761000	1	Washer #10	
6	1001111424	2	Washer 3/8	
7	4711500	2	Washer 5/16	
8	4811700	2	Washer M6	
9	4812000	2	Washer M10	
10	4871700	2	Washer M6	
11	88521205	2	Nut 5/16	
12	91401281	1	Bracket	
13	1001093382	2	J-Bolt	
14	1001185821	1	Auxiliary Pump Assembly (See Separate Breakdown in this Section)	

# SECTION 2 - TURNTABLE

## FIGURE 2-3. AUXILIARY PUMP ASSEMBLY



ART\_1001185821

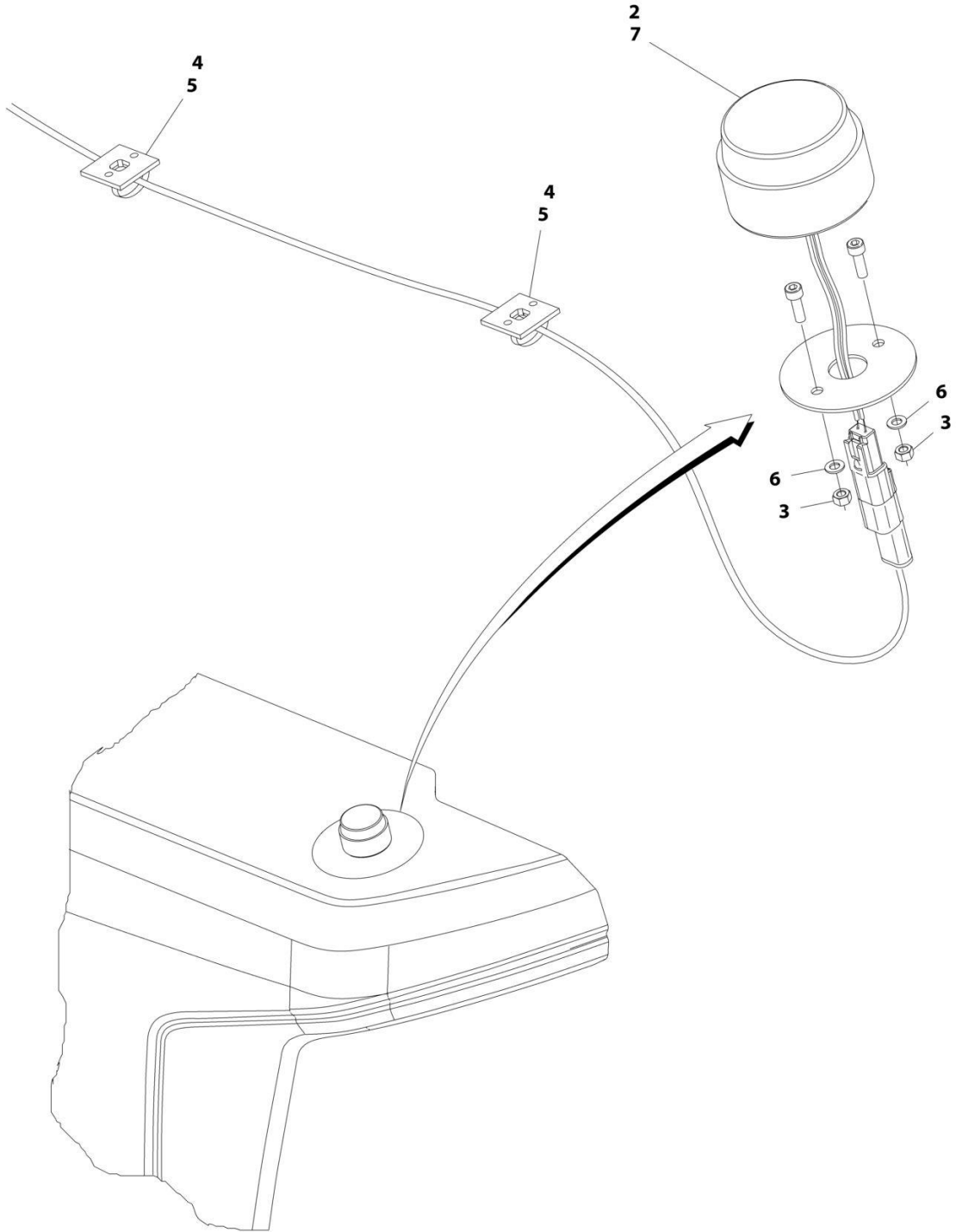
**SECTION 2 - TURNTABLE**

**FIGURE 2-3. AUXILIARY PUMP ASSEMBLY**

ITEM	PART NUMBER	QTY	DESCRIPTION	REV
	1001185821	Ref	AUXILIARY PUMP ASSEMBLY	B
1	70005065	1	Base Assembly (See Items 102-108 for Breakdown)	
2	70005066	1	Pump Assembly (Note: No Seal Kit or Internal Components are Available - Purchase Complete Pump Assembly)	
3	70005067	4	Capscrew 1/4 x 2-3/4	
4	70004013	1	Motor Assembly (Note: No Internal Components are Available - Purchase Complete Motor Assembly)	
6	70004014	1	Bracket	
7	70004000	2	Capscrew 3/8 x 1	
8	70005068	1	Relief Valve Assembly	
	70005065	Ref	BASE ASSEMBLY	
102	See Note	NSS	Poppet, Check (Note: Use p/n 70005065)	
103	See Note	NSS	Spring (Note: Use p/n 70005065)	
104	See Note	NSS	Plug (Note: Use p/n 70005065)	
105	7026330	1	Seal, Shaft	
106	70005139	2	Bearing	
107	70003612	1	O-Ring	
108	70004267	1	O-Ring	

# SECTION 2 - TURNTABLE

## FIGURE 2-4. BEACON LIGHT INSTALLATION - AMBER



ART\_1001172816

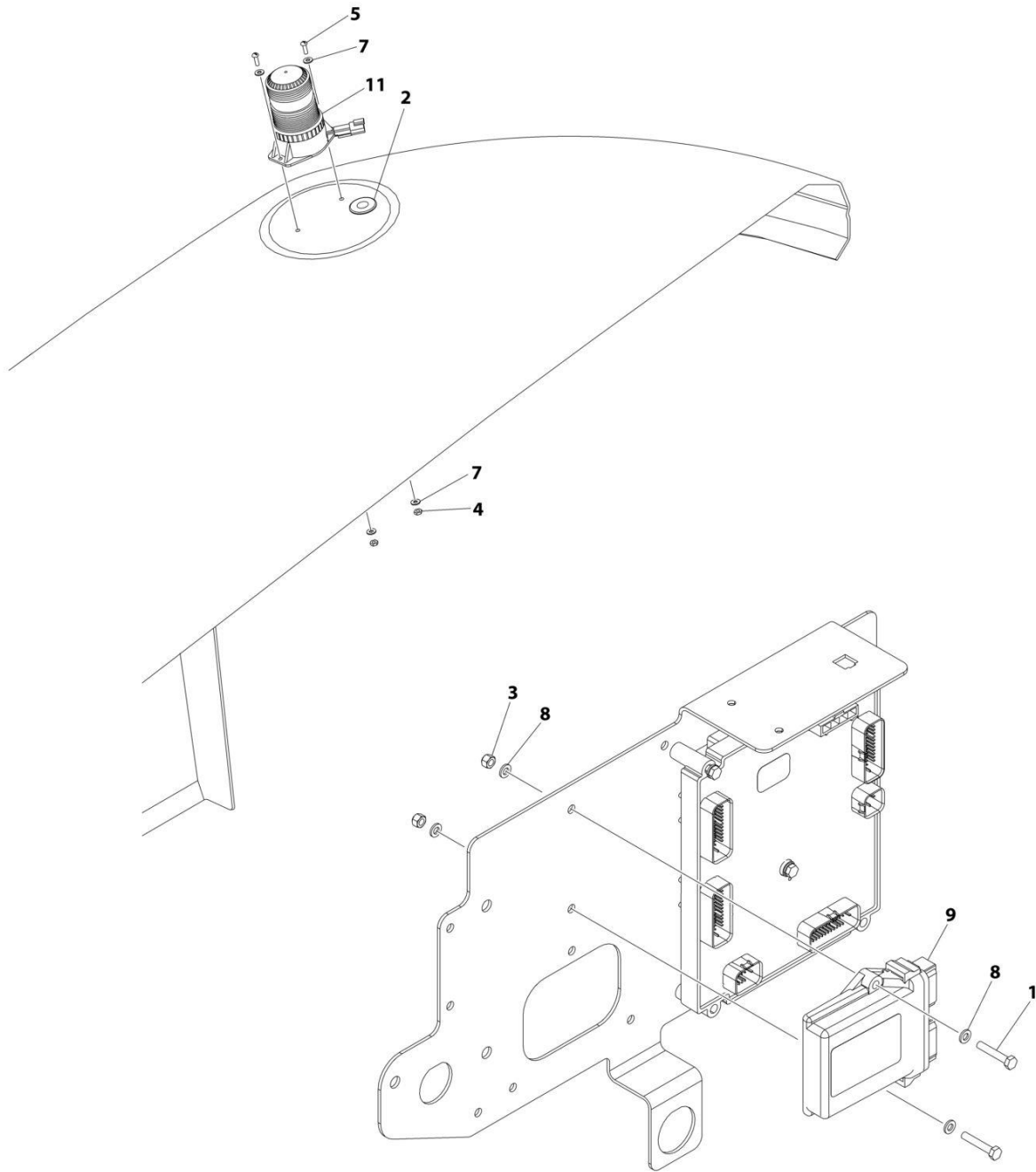
**SECTION 2 - TURNTABLE**

**FIGURE 2-4. BEACON LIGHT INSTALLATION - AMBER**

<b>ITEM</b>	<b>PART NUMBER</b>	<b>QTY</b>	<b>DESCRIPTION</b>	<b>REV</b>
	1001172816	Ref	BEACON LIGHT INSTALLATION - AMBER	C
2	1001181405	1	Light, Strobe (Amber)	
2	4460897	1	Receptacle, Female - 2 Position	
2	4460464	2	Pin, Male	
3	3290505	2	Nut M5	
4	4240032	AR	Tie-Strap	
5	4460234	2	Mount, Tie-Strap	
6	4811600	2	Washer M5	
7	0100048	1	Grease, Terminal	

# SECTION 2 - TURNTABLE

## FIGURE 2-5. BEACON LIGHT INSTALLATION - BLUE



ART\_1001242851

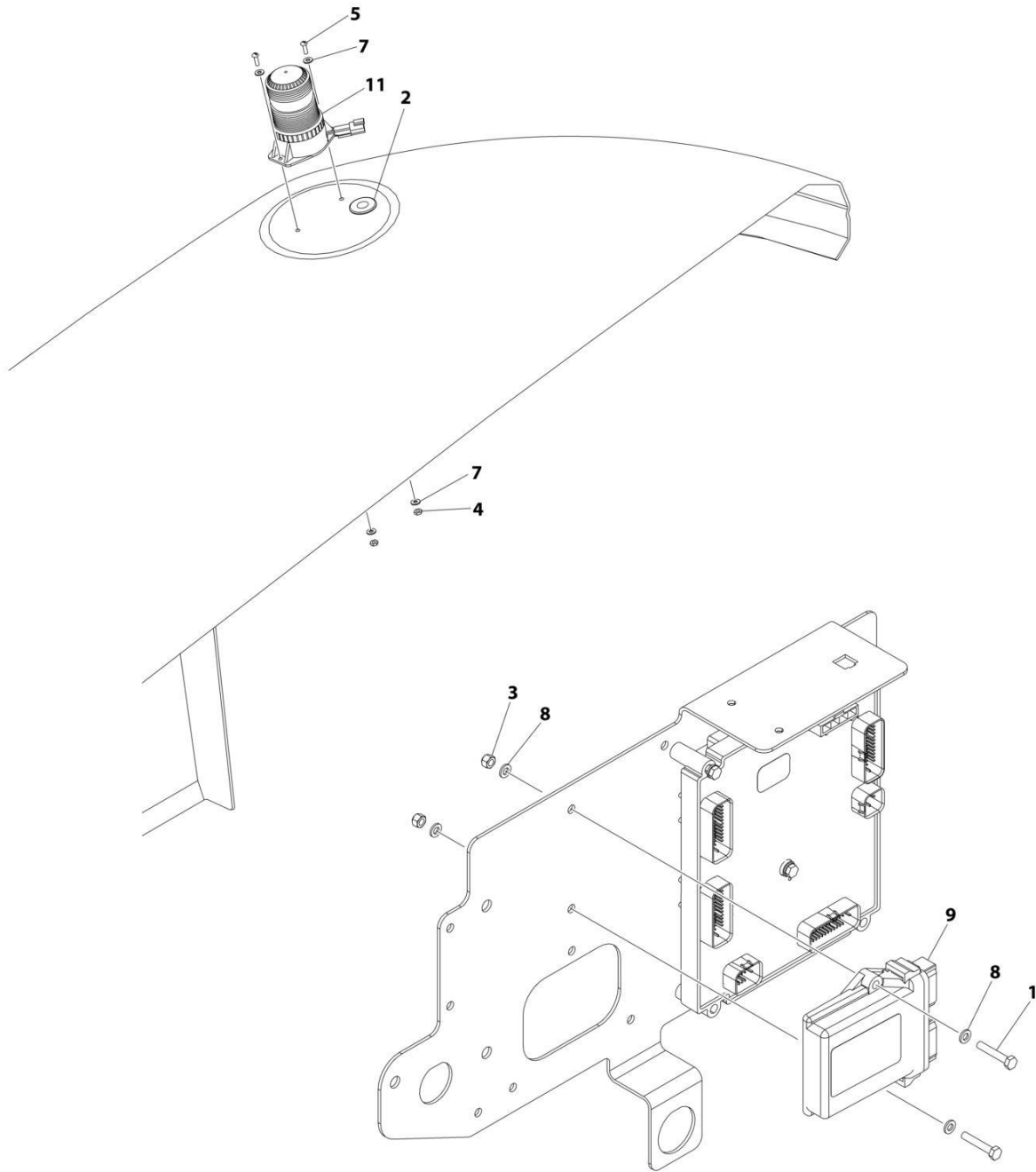
**SECTION 2 - TURNTABLE**

**FIGURE 2-5. BEACON LIGHT INSTALLATION - BLUE**

ITEM	PART NUMBER	QTY	DESCRIPTION	REV
	1001242851	Ref	BEACON LIGHT INSTALLATION - BLUE	A
1	0760615	2	Bolt M6 x 35	
2	2540020	1	Grommet, Insulation	
3	3290605	2	Nut M6	
4	3311005	2	Nut #10	
5	3911010	2	Screw #10 x 5/8	
6	4240099	AR	Tie-Strap (Not Shown)	
7	4711000	4	Washer #10	
8	4811700	4	Washer M6	
9	1001142683	1	Control Module (Note: Re-calibration Required when Replaced)	
10	1001142736	1	Beacon Harness (Not Shown - See Separate Breakdown in ELECTRICAL SECTION)	
11	1001200910	1	Light, Beacon	
11	4460897	1	Receptacle, Female - 2 Position	
11	4460943	2	Pin, Male	

# SECTION 2 - TURNTABLE

## FIGURE 2-6. BEACON LIGHT INSTALLATION - RED



ART\_1001242852



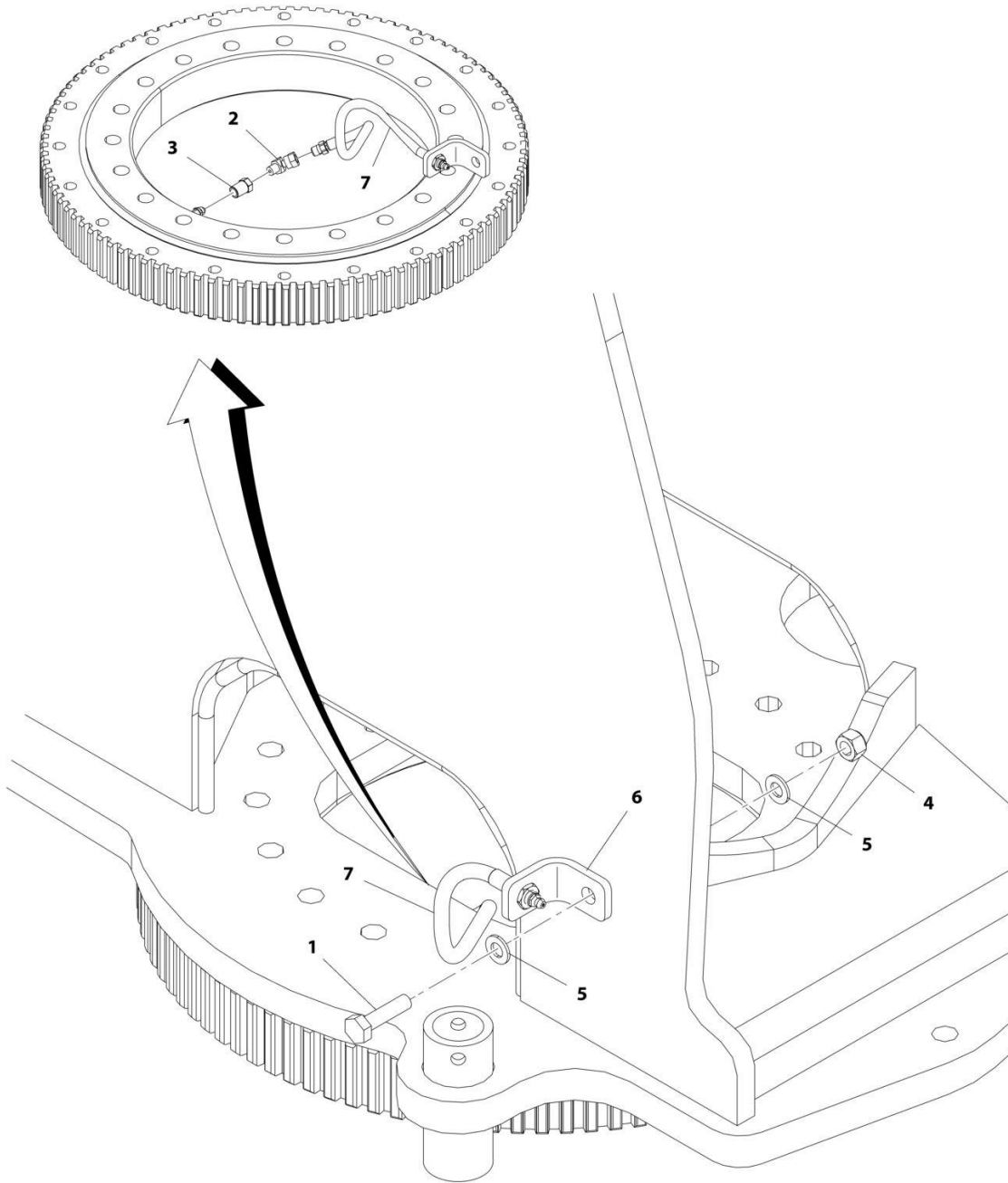
**SECTION 2 - TURNTABLE**

**FIGURE 2-6. BEACON LIGHT INSTALLATION - RED**

ITEM	PART NUMBER	QTY	DESCRIPTION	REV
	1001242852	Ref	BEACON LIGHT INSTALLATION - RED	A
1	0760615	2	Bolt M6 x 35	
2	2540020	1	Grommet, Insulation	
3	3290605	2	Nut M6	
4	3311005	2	Nut #10	
5	3911010	2	Screw #10 x 5/8	
6	4240099	AR	Tie-Strap (Not Shown)	
7	4711000	4	Washer #10	
8	4811700	4	Washer M6	
9	1001142683	1	Control Module (Note: Re-calibration Required when Replaced)	
10	1001142736	1	Beacon Harness (Not Shown - See Separate Breakdown in ELECTRICAL SECTION)	
11	1001207004	1	Light, Red Beacon	
11	4460897	1	Receptacle, Female - 2 Position	
11	4460943	2	Pin, Male	

# SECTION 2 - TURNTABLE

## FIGURE 2-7. BEARING LUBE INSTALLATION



ART\_1001169191

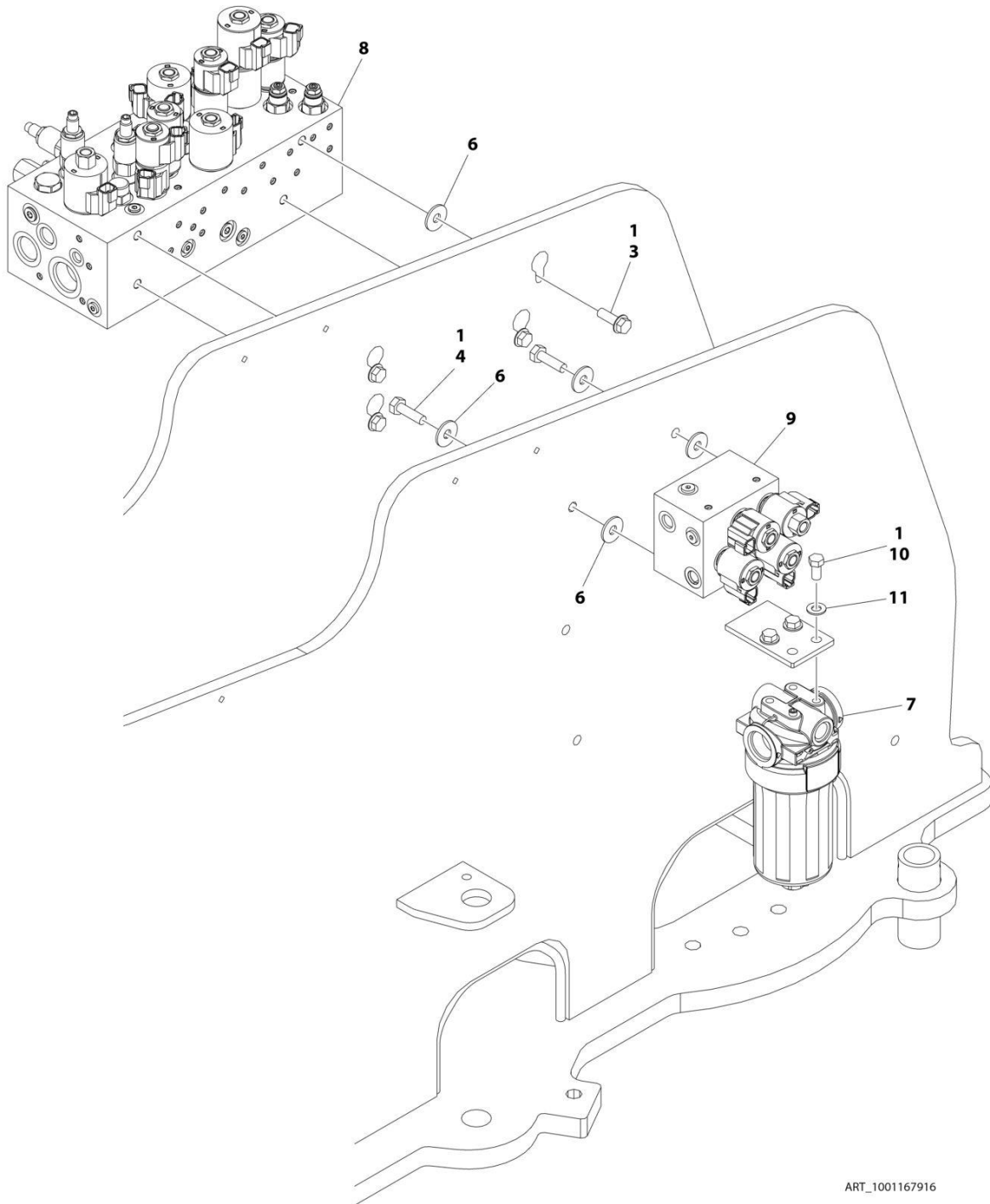
**SECTION 2 - TURNTABLE**

**FIGURE 2-7. BEARING LUBE INSTALLATION**

<b>ITEM</b>	<b>PART NUMBER</b>	<b>QTY</b>	<b>DESCRIPTION</b>	<b>REV</b>
	1001169191	Ref	BEARING LUBE INSTALLATION	A
1	0761016	1	Bolt M10 x 40	
2	2220124	1	Fitting, 45 1/8NPT	
3	2220273	1	Fitting, Straight FNPTF/NPTF	
4	3291005	1	Nut M10	
5	4812000	2	Washer M10	
6	1001169192	1	Mount, Bulkhead	
7	1001169193	1	Hose	

# SECTION 2 - TURNTABLE

## FIGURE 2-8. CONTROL VALVES INSTALLATION (400S)



ART\_1001167916

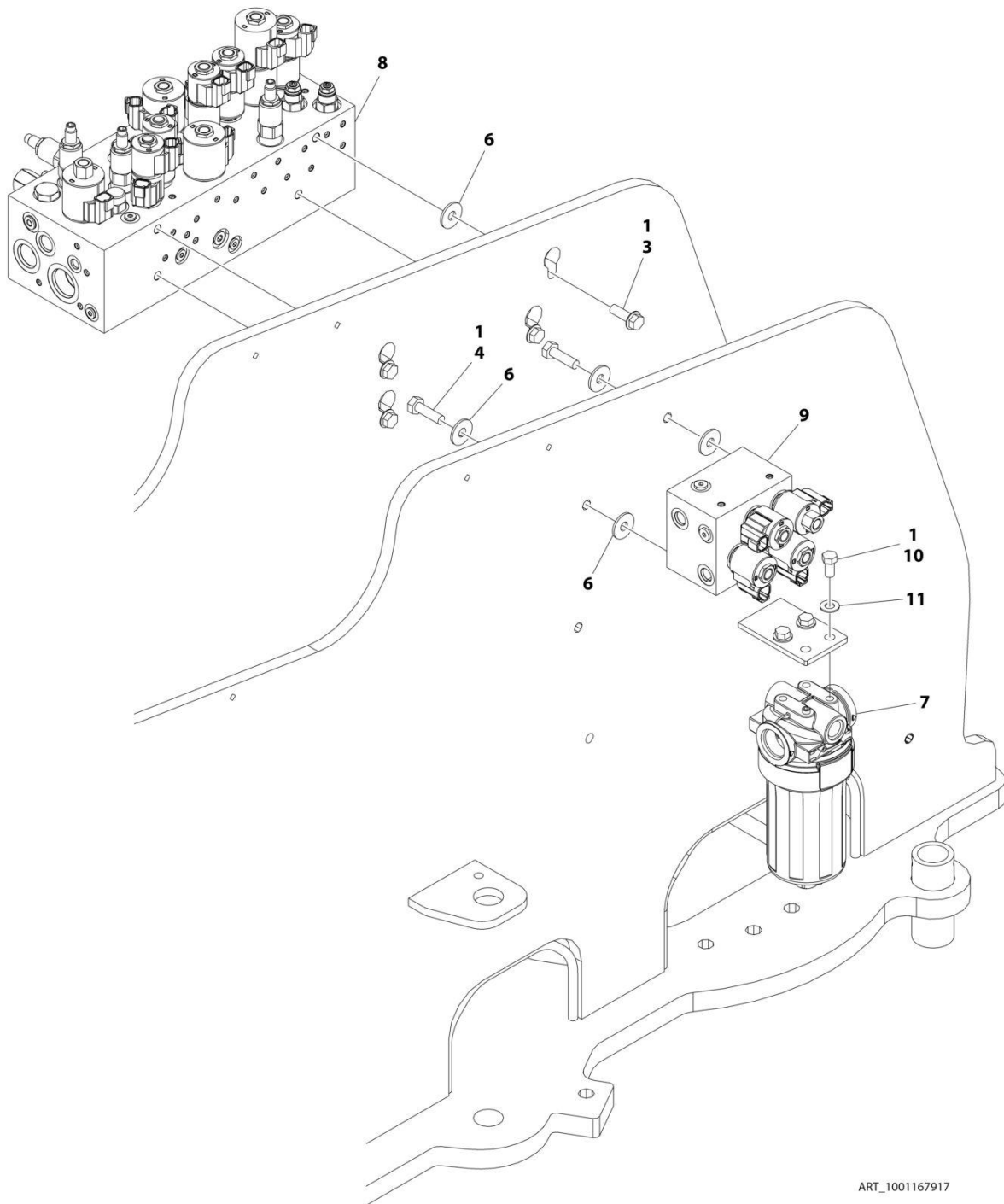
**SECTION 2 - TURNTABLE**

**FIGURE 2-8. CONTROL VALVES INSTALLATION (400S)**

<b>ITEM</b>	<b>PART NUMBER</b>	<b>QTY</b>	<b>DESCRIPTION</b>	<b>REV</b>
	1001167916	Ref	CONTROL VALVES INSTALLATION	F
1	0100011	AR	Compound, Locking	
3	5251014	4	Bolt M10 x 30	
4	0761015	2	Bolt M10 x 35	
6	4812002	8	Washer M10	
7	1001208874	1	Filter, Charge Pump	
7	70010383	1	Element, Filter (Includes O-Ring)	
8	1001162531	1	Main Valve Assembly (See Separate Breakdown in this Section)	
9	1001162538	1	Axle Valve Assembly (See Separate Breakdown in this Section)	
10	0761010	3	Bolt M10 x 20	
11	4812000	3	Washer M10	

# SECTION 2 - TURNTABLE

## FIGURE 2-9. CONTROL VALVES INSTALLATION (460SJ)



ART\_1001167917

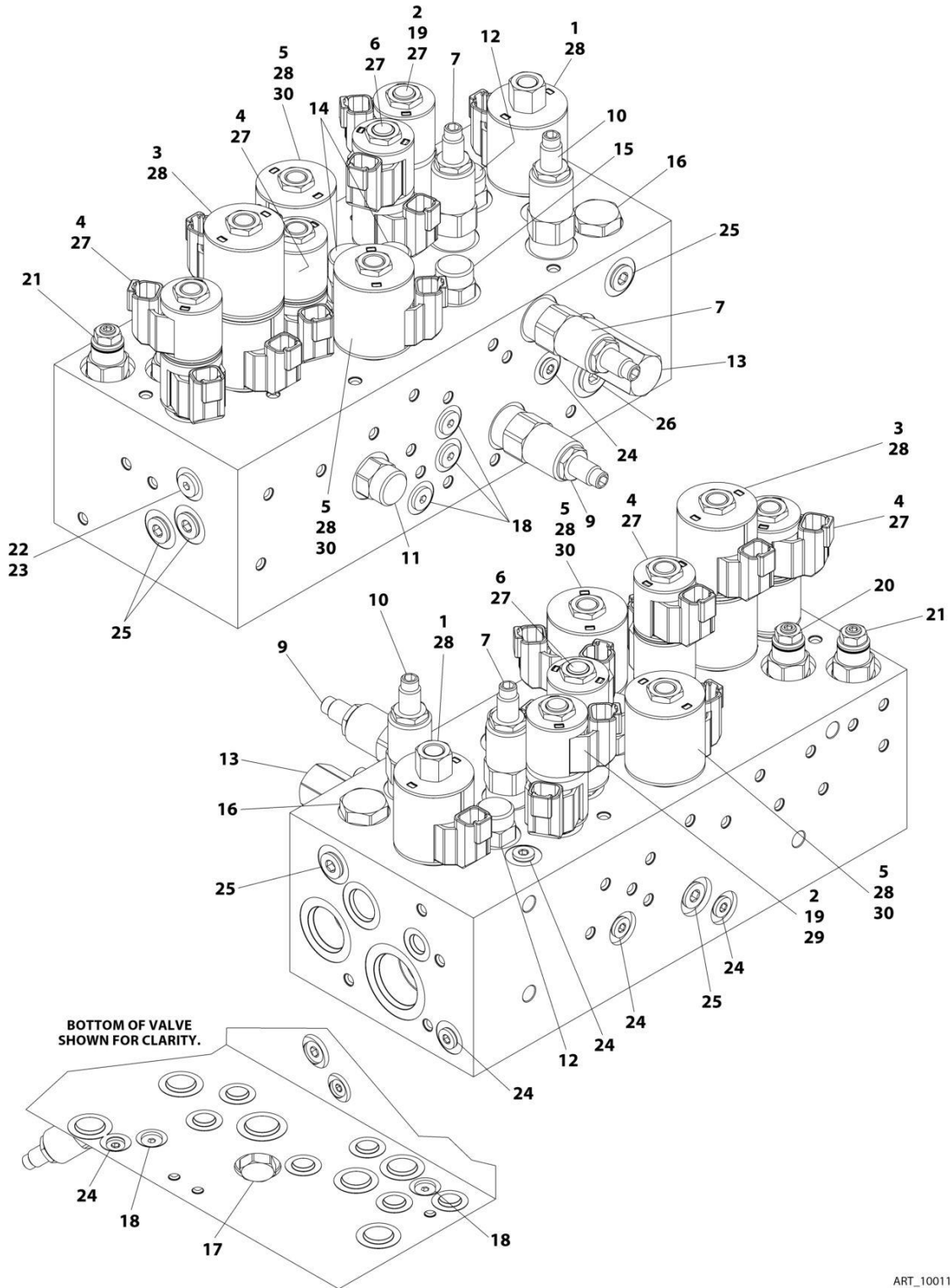
**SECTION 2 - TURNTABLE**

**FIGURE 2-9. CONTROL VALVES INSTALLATION (460SJ)**

<b>ITEM</b>	<b>PART NUMBER</b>	<b>QTY</b>	<b>DESCRIPTION</b>	<b>REV</b>
	1001167917	Ref	CONTROL VALVES INSTALLATION	F
1	0100011	AR	Compound, Locking	
3	5251014	4	Bolt M10 x 30	
4	0761015	2	Bolt M10 x 35	
6	4812002	8	Washer M10	
7	1001208874	1	Filter, Charge Pump	
7	70010383	1	Element, Filter (Includes O-Ring)	
8	1001162532	1	Main Valve Assembly (See Separate Breakdown in this Section)	
9	1001162538	1	Axle Valve Assembly (See Separate Breakdown in this Section)	
10	0761010	3	Bolt M10 x 20	
11	4812000	3	Washer M10	

# SECTION 2 - TURNTABLE

## FIGURE 2-10. MAIN VALVE ASSEMBLY (400S)



ART\_1001162531



## SECTION 2 - TURNTABLE

### FIGURE 2-10. MAIN VALVE ASSEMBLY (400S)

ITEM	PART NUMBER	QTY	DESCRIPTION	REV
	1001162531	Ref	MAIN VALVE ASSEMBLY	F
1	70005069	1	Cartridge, Solenoid Less Coil (Main Dump)	
1	7022399	1	Seal Kit - 70005069 Valve	
1	70003977	1	Nut, Coil	
2	70005217	1	Cartridge, Solenoid Less Coil (Steer)	
2	70005071	1	Seal Kit - 70005217 Valve	
2	7022390	1	Nut, Coil	
3	70005072	1	Cartridge, Solenoid Less Coil (Tele)	
3	70005073	1	Seal Kit - 70005072 Valve	
3	7022390	1	Nut, Coil	
3	70003024	1	Spacer, Coil	
4	70005074	2	Cartridge, Solenoid Valve Less Coil (Platform Level and Rotate)	
4	70005075	2	Seal Kit - 70005074 Valve	
4	7022390	2	Nut, Coil	
4	70003023	2	Spacer, Coil	
5	70005076	2	Cartridge, Solenoid Less Coil (Lift Up and Flow Control)	
5	7022399	2	Seal Kit - 70005076 Valve	
5	7022390	2	Nut, Coil	
6	70005077	1	Cartridge, Solenoid Valve Less Coil (Swing)	
6	70005071	1	Seal Kit - 70005077 Valve	
6	7022390	1	Nut, Coil	
6	70003023	1	Spacer, Coil	
7	70005078	2	Cartridge, Relief Valve	
7	7023936	2	Seal Kit - 70005078 Valve	
9	70005079	1	Cartridge, Relief Valve	
9	7023936	1	Seal Kit - 70005079 Valve	
10	70005080	1	Cartridge, Relief Valve	
10	7022399	1	Seal Kit - 70005080 Valve	
11	70005081	1	Cartridge, Valve	
11	70005082	1	Seal Kit - 70005081 Valve	
12	70005218	1	Cartridge, Valve	
12	70005082	1	Seal Kit - 70005218 Valve	
13	70005084	1	Cartridge, Valve	
13	70005085	1	Seal Kit - 70005084 Valve	
14	70005086	2	Cartridge, Valve	
14	70005087	2	Seal Kit - 70005086 Valve	
15	70005088	1	Cartridge, Valve	
15	7023900	1	Seal Kit - 70005088 Valve	
16	70003408	1	Cartridge, Valve	
16	7022399	1	Seal Kit - 70005100 Valve	
17	70005089	1	Cartridge, Check Valve	
17	7023936	1	Seal Kit - 70005089 Valve	
18	70005090	5	Cartridge, Check Valve	
18	70005092	5	Seal Kit - 70005090 Valve	
19	70002974	1	Disc, Check Valve	
20	70005108	1	Cartridge, Valve	
20	2900770	1	Seal Kit - 70005108 Valve	
21	70005109	1	Cartridge, Valve	
21	2900770	1	Seal Kit - 70005109 Valve	
22	70005091	1	Orifice	

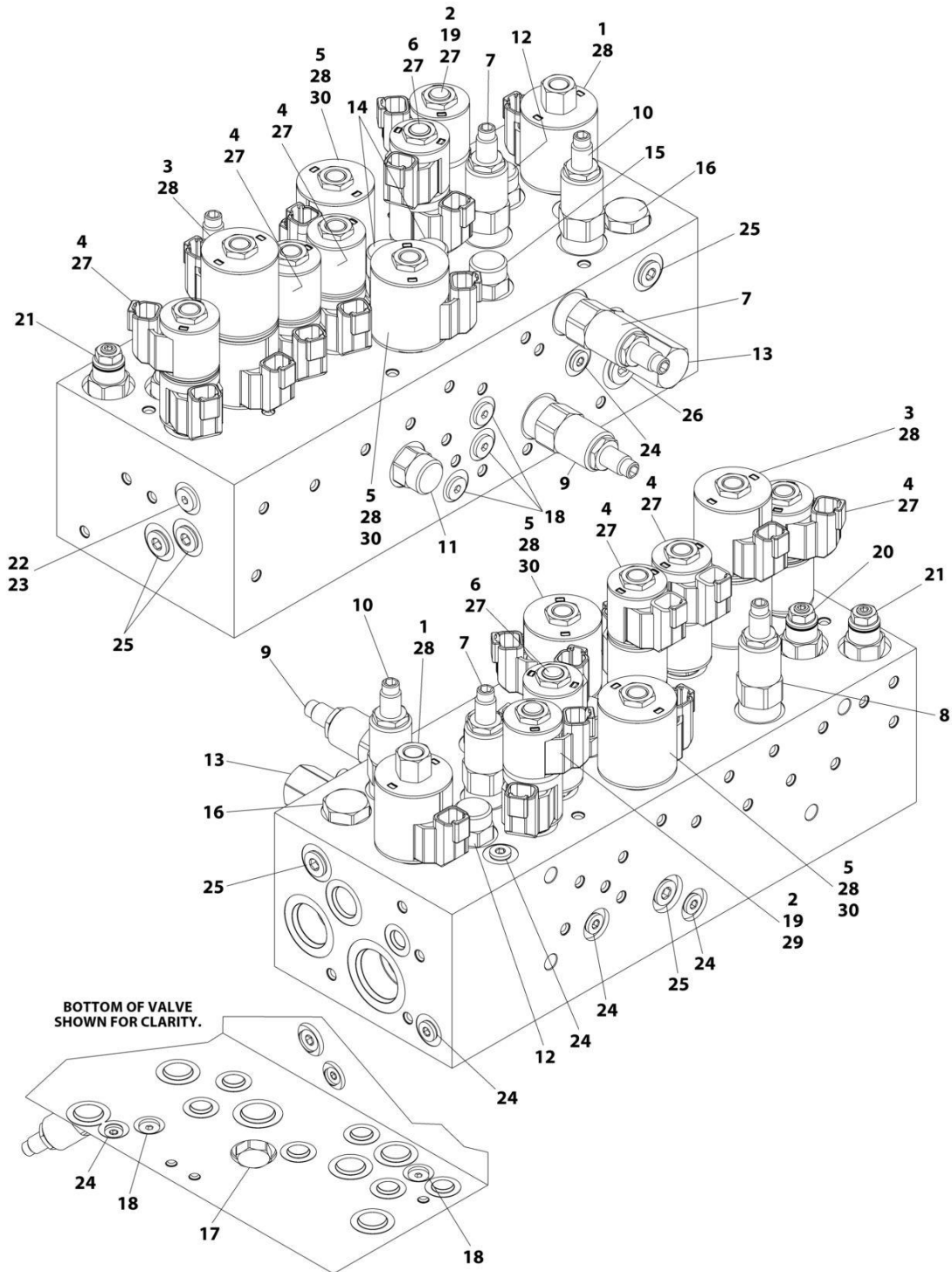
## SECTION 2 - TURNTABLE

ITEM	PART NUMBER	QTY	DESCRIPTION	REV
23	2220883	1	Plug, O-Ring #4	
24	91164059	6	Plug	
25	91164079	6	Plug	
26	91164057	1	Plug	
27	70002386	6	Coil	
28	70003788	5	Coil	
29	70005219	2	Coil	
30	70005724	2	Lockdown Kit	



# SECTION 2 - TURNTABLE

## FIGURE 2-11. MAIN VALVE ASSEMBLY (460SJ)



ART\_1001162532

## SECTION 2 - TURNTABLE

### FIGURE 2-11. MAIN VALVE ASSEMBLY (460SJ)

ITEM	PART NUMBER	QTY	DESCRIPTION	REV
	1001162532	Ref	MAIN VALVE ASSEMBLY	F
1	70005069	1	Cartridge, Solenoid Less Coil (Main Dump)	
1	7022399	1	Seal Kit - 70005069 Valve	
1	70003977	1	Nut, Coil	
2	70005217	1	Cartridge, Solenoid Less Coil (Steer)	
2	70005071	1	Seal Kit - 70005217 Valve	
2	7022390	1	Nut, Coil	
3	70005072	1	Cartridge, Solenoid Less Coil (Tele)	
3	70005073	1	Seal Kit - 70005072 Valve	
3	7022390	1	Nut, Coil	
3	70003024	1	Spacer, Coil	
4	70005074	3	Cartridge, Solenoid Valve Less Coil (Platform Level, Platform Rotate and Jib Lift)	
4	70005075	3	Seal Kit - 70005074 Valve	
4	7022390	3	Nut, Coil	
4	70003023	3	Spacer, Coil	
5	70005076	2	Cartridge, Solenoid Less Coil (Lift Up and Flow Control)	
5	7022399	2	Seal Kit - 70005076 Valve	
5	7022390	2	Nut, Coil	
6	70005077	1	Cartridge, Solenoid Valve Less Coil (Swing)	
6	70005071	1	Seal Kit - 70005077 Valve	
6	7022390	1	Nut, Coil	
6	70003023	1	Spacer, Coil	
7	70005078	2	Cartridge, Relief Valve	
7	7023936	2	Seal Kit - 70005078 Valve	
8	70005093	1	Cartridge, Valve	
8	7023936	1	Seal Kit - 70005093 Valve	
9	70005079	1	Cartridge, Relief Valve	
9	7023936	1	Seal Kit - 70005079 Valve	
10	70005080	1	Cartridge, Relief Valve	
10	7022399	1	Seal Kit - 70005080 Valve	
11	70005081	1	Cartridge, Valve	
11	70005082	1	Seal Kit - 70005081 Valve	
12	70005218	1	Cartridge, Valve	
12	70005082	1	Seal Kit - 70005218 Valve	
13	70005084	1	Cartridge, Valve	
13	70005085	1	Seal Kit - 70005084 Valve	
14	70005086	2	Cartridge, Valve	
14	70005087	2	Seal Kit - 70005086 Valve	
15	70005088	1	Cartridge, Valve	
15	7023900	1	Seal Kit - 70005088 Valve	
16	70003408	1	Cartridge, Valve	
16	7022399	1	Seal Kit - 70005100 Valve	
17	70005089	1	Cartridge, Check Valve	
17	7023936	1	Seal Kit - 70005089 Valve	
18	70005090	5	Cartridge, Check Valve	
18	70005092	5	Seal Kit - 70005090 Valve	
19	70002974	1	Disc, Check Valve	
20	70005108	1	Cartridge, Valve	
20	2900770	1	Seal Kit - 70005108 Valve	

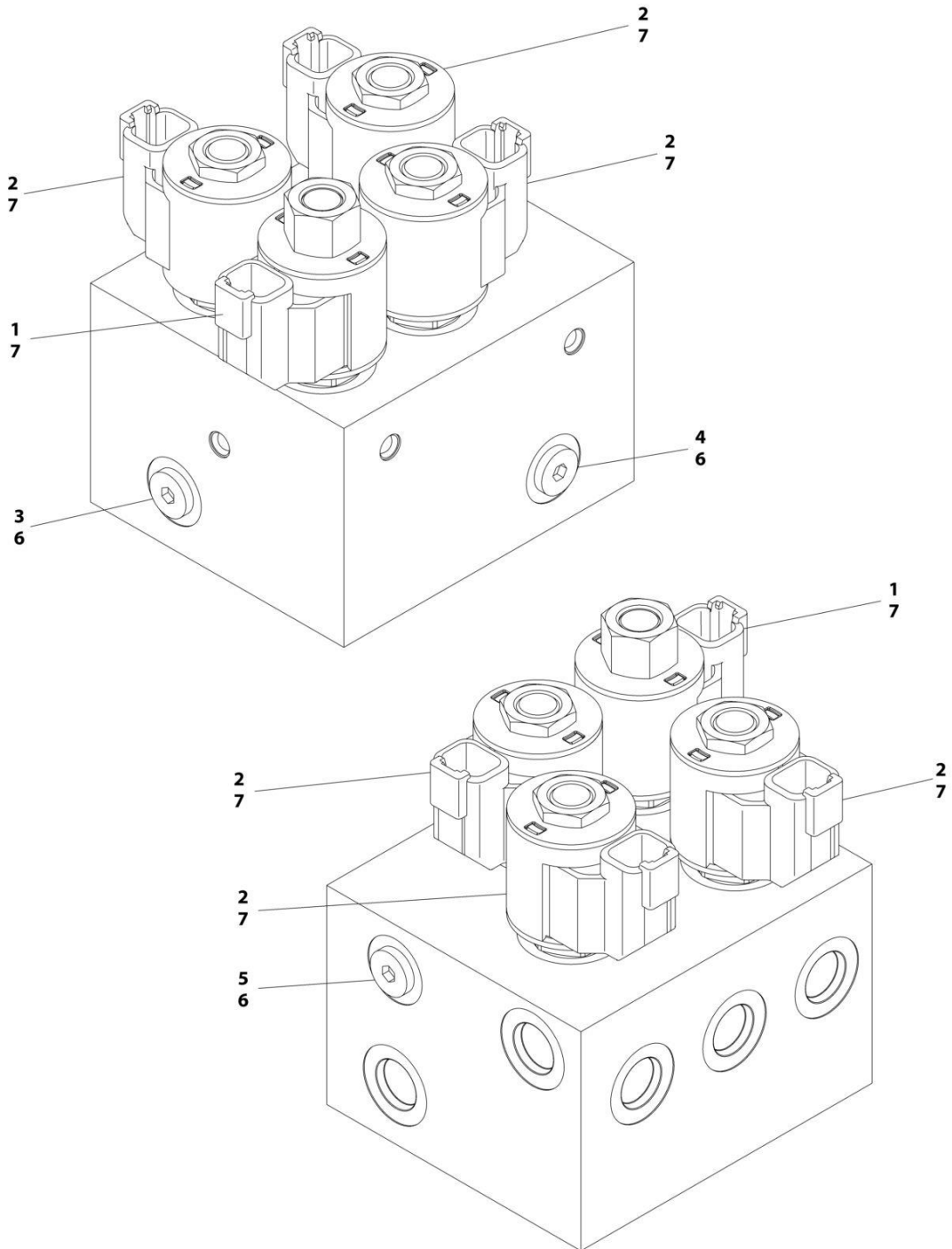
## SECTION 2 - TURNTABLE

ITEM	PART NUMBER	QTY	DESCRIPTION	REV
21	70005109	1	Cartridge, Valve	
21	2900770	1	Seal Kit - 70005109 Valve	
22	70005091	1	Orifice	
23	2220883	1	Plug, O-Ring #4	
24	91164059	6	Plug	
25	91164079	6	Plug	
26	91164057	1	Plug	
27	70002386	8	Coil	
28	70003788	5	Coil	
29	70005219	2	Coil	
30	70005724	2	Lockdown Kit	



# SECTION 2 - TURNTABLE

## FIGURE 2-12. AXLE VALVE ASSEMBLY



ART\_1001162538



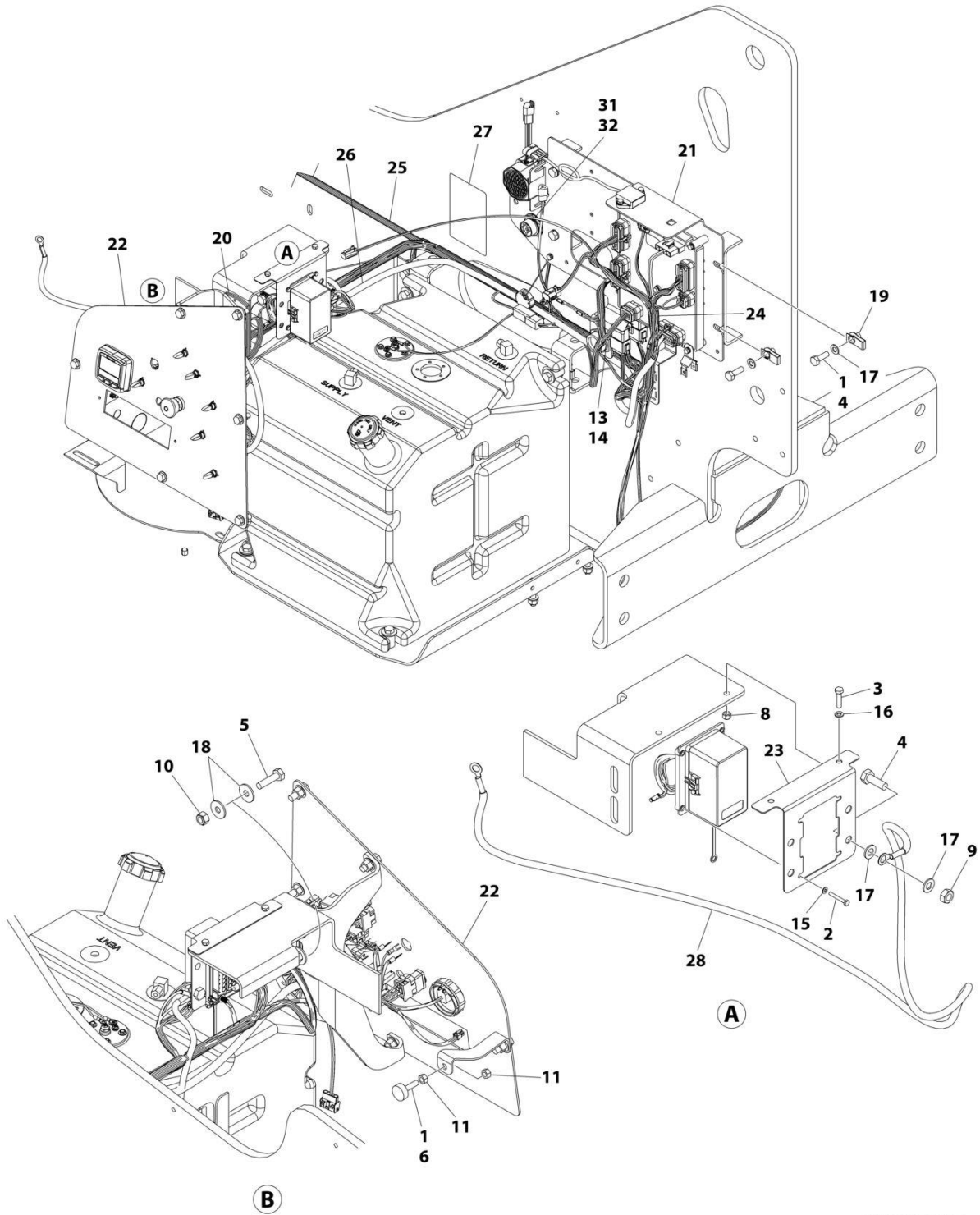
**SECTION 2 - TURNTABLE**

**FIGURE 2-12. AXLE VALVE ASSEMBLY**

ITEM	PART NUMBER	QTY	DESCRIPTION	REV
	1001162538	Ref	AXLE VALVE ASSEMBLY	D
1	7017410	1	Cartridge, Solenoid Valve Less Coil (Secondary Axle Release)	
1	7012967	1	Seal Kit - 7017410 Valve	
2	7012941	3	Cartridge, Solenoid Valve Less Coil (Brake Release, Primary Axle Release and 2 Speed)	
2	7010543	3	Seal Kit - 7012941 Valve	
3	70004883	1	Orifice	
4	70004884	1	Orifice	
5	70002063	1	Orifice	
6	2220883	3	Plug, O-Ring #4	
7	70002386	4	Coil	

# SECTION 2 - TURNTABLE

## FIGURE 2-13. ELECTRICAL INSTALLATION (400S)



ART\_1001236965\_E

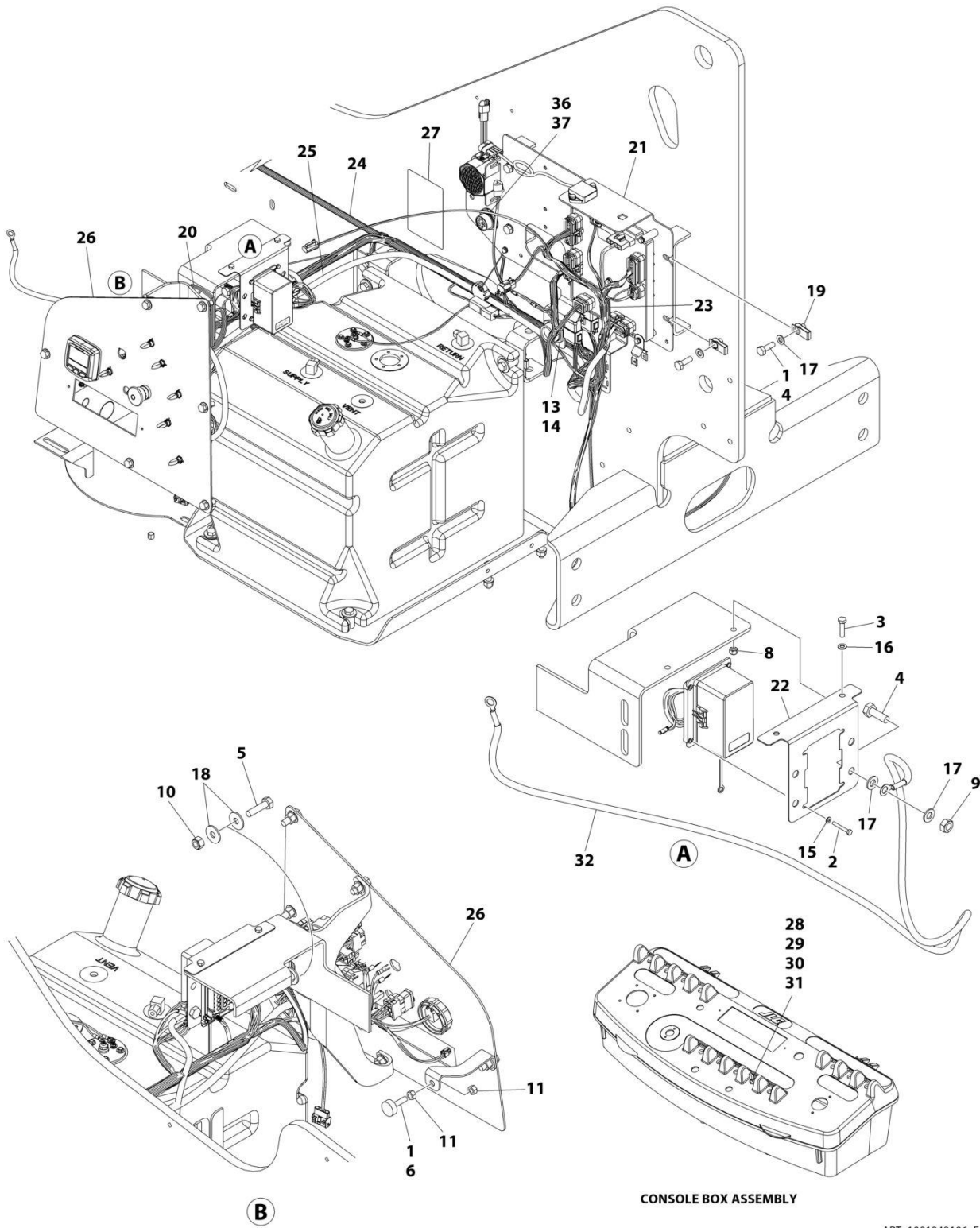
## SECTION 2 - TURNTABLE

**FIGURE 2-13. ELECTRICAL INSTALLATION (400S)**

ITEM	PART NUMBER	QTY	DESCRIPTION	REV
	1001236965	Ref	ELECTRICAL INSTALLATION	E
1	0100011	AR	Compound, Locking	
2	0731005	4	Bolt #10 x .625	
3	0760612	2	Bolt M6 x 25	
4	0761014	5	Bolt M10 x 30	
5	0761016	2	Bolt M10 x 40	
6	0940049	1	Stopper, Hood	
8	3290605	2	Nut M6	
9	3291001	1	Nut M10	
10	3291005	2	Nut M10	
11	3311501	2	Nut 5/16	
12	4240099	AR	Tie-Strap (Not Shown)	
13	4460470	1	Nut, Terminal	
14	4460471	1	Washer, Terminal	
15	4711000	4	Washer #10	
16	4811700	4	Washer M6	
17	4812000	6	Washer M10	
18	4812002	4	Washer M10	
19	1001118972	4	Nut M10	
20	1001150324	AR	Shim 3	
21	1001172757	1	Electrical Panel Assembly (See Separate Breakdown in this Section)	
22	1001239294	1	Ground Control Assembly (See Separate Breakdown in this Section)	
23	1001237822	1	Plate	
24	1001237849	1	Turntable Harness (See Separate Breakdown in ELECTRICAL SECTION)	
25	1001238160	1	Valve Harness (See Separate Breakdown in ELECTRICAL SECTION)	
26	1001238161	1	Ground Control Box Harness (See Separate Breakdown in ELECTRICAL SECTION)	
27	1001239512	1	Decal - Fuse Box	
28	1001250681	1	Battery Cable (Negative)	
29	4460466	8	Seal, Terminal (Not Shown)	
30	4460931	1	Connector - 8 Position (Not Shown)	
31	4460496	1	Washer, Lock	
32	4460497	1	Nut	

# SECTION 2 - TURNTABLE

## FIGURE 2-14. ELECTRICAL INSTALLATION (460SJ)



ART\_1001242106\_E

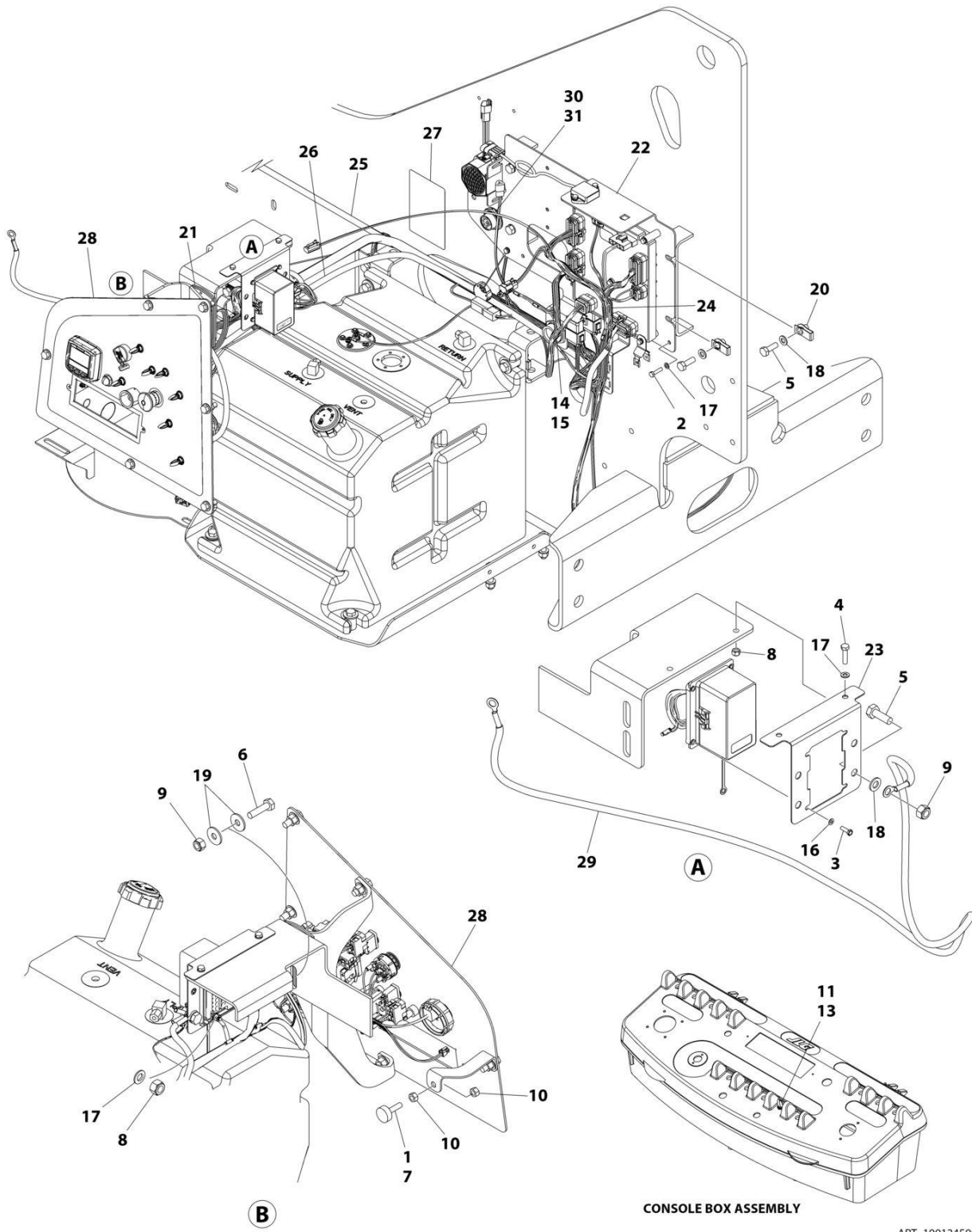
## SECTION 2 - TURNTABLE

**FIGURE 2-14. ELECTRICAL INSTALLATION (460SJ)**

ITEM	PART NUMBER	QTY	DESCRIPTION	REV
	1001242106	Ref	ELECTRICAL INSTALLATION	E
1	0100011	AR	Compound, Locking	
2	0731005	4	Bolt #10 x .625	
3	0760612	2	Bolt M6 x 25	
4	0761014	5	Bolt M10 x 30	
5	0761016	2	Bolt M10 x 40	
6	0940049	1	Stopper, Hood	
8	3290605	2	Nut M6	
9	3291001	1	Nut M10	
10	3291005	2	Nut M10	
11	3311501	2	Nut 5/16	
12	4240099	AR	Tie-Strap (Not Shown)	
13	4460470	1	Nut, Terminal	
14	4460471	1	Washer, Terminal	
15	4711000	4	Washer #10	
16	4811700	4	Washer M6	
17	4812000	6	Washer M10	
18	4812002	4	Washer M10	
19	1001118972	4	Nut M10	
20	1001150324	AR	Shim 3	
21	1001172757	1	Electrical Panel Assembly (See Separate Breakdown in this Section)	
22	1001237822	1	Plate	
23	1001237849	1	Turntable Harness (See Separate Breakdown in ELECTRICAL SECTION)	
24	1001238160	1	Valve Harness (See Separate Breakdown in ELECTRICAL SECTION)	
25	1001238161	1	Ground Control Box Harness (See Separate Breakdown in ELECTRICAL SECTION)	
26	1001239293	1	Ground Control Assembly (See Separate Breakdown in this Section)	
27	1001239512	1	Decal - Fuse Box	
28	3790012	1	O-Ring	
29	4360328	1	Switch, Toggle	
30	4740397	1	Spacer	
31	1001155044	1	Nut 15/32	
32	1001250681	1	Battery Cable (Negative)	
33	4460466	16	Seal, Terminal (Not Shown)	
34	4460930	1	Connector - 8 Position (Not Shown)	
35	4460931	1	Connector - 8 Position (Not Shown)	
36	4460496	1	Washer, Lock	
37	4460497	1	Nut	

# SECTION 2 - TURNTABLE

## FIGURE 2-15. ELECTRICAL INSTALLATION - WITH DEUTZ (STAGE V) (460SJ)



ART\_1001245993

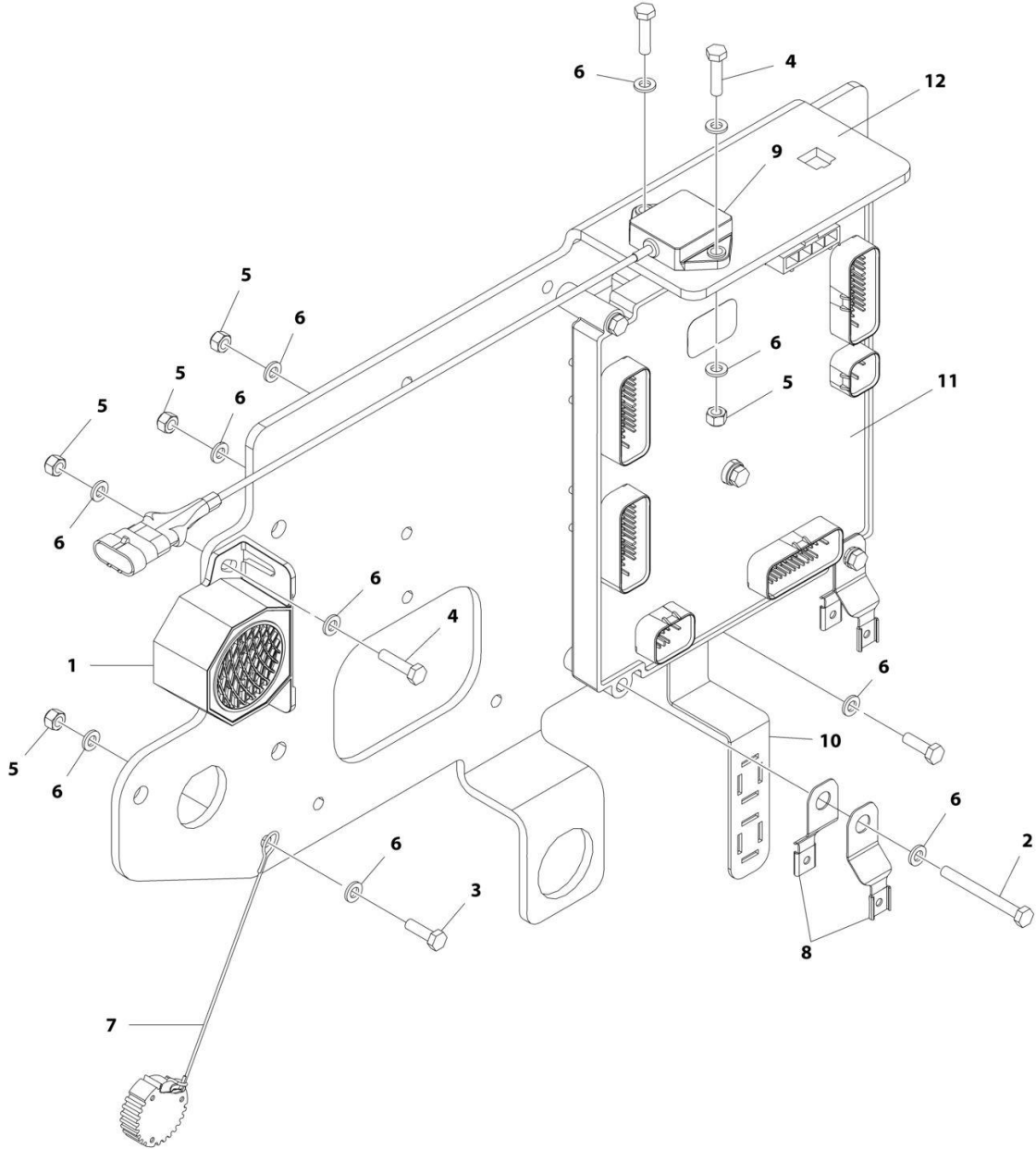
## SECTION 2 - TURNTABLE

**FIGURE 2-15. ELECTRICAL INSTALLATION - WITH DEUTZ (STAGE V) (460SJ)**

ITEM	PART NUMBER	QTY	DESCRIPTION	REV
	1001245993	Ref	ELECTRICAL INSTALLATION - DEUTZ (STAGE V)	B
1	0100011	AR	Compound, Locking	
2	0700612	1	Screw M6 x 25	
3	0731005	4	Screw #10 x 5/8	
4	0760610	2	Bolt M6 x 20	
5	0761014	5	Bolt M10 x 30	
6	0761016	2	Bolt M10 x 40	
7	0940049	1	Stopper, Hood	
8	3290605	4	Nut M6	
9	3291005	3	Nut M10	
10	3311501	2	Nut 5/16	
11	3790012	1	O-Ring	
12	4240099	AR	Tie-Strap (Not Shown)	
13	4360328	1	Switch, Toggle	
14	4460470	1	Nut, Terminal	
15	4460471	1	Washer, Terminal	
16	4711000	4	Washer #10	
17	4711700	7	Washer M6	
18	4812000	5	Washer M10	
19	4812002	4	Washer M10	
20	1001118972	4	Nut M10	
21	1001150324	AR	Shim 3	
22	1001172757	1	Electrical Panel Assembly (See Separate Breakdown in this Section)	
23	1001237822	1	Plate	
24	1001237849	1	Turntable Harness (See Separate Breakdown in ELECTRICAL SECTION)	
25	1001238160	1	Valve Harness (See Separate Breakdown in ELECTRICAL SECTION)	
26	1001238161	1	Ground Control Box Harness (See Separate Breakdown in ELECTRICAL SECTION)	
27	1001239512	1	Decal - Fuse Box	
28	1001245380	1	Electrical Assembly, Ground Control Panel (See Separate Breakdown in this Section)	
29	1001250681	1	Battery Cable (Negative)	
30	4460496	1	Washer	
31	4460497	1	Nut	

# SECTION 2 - TURNTABLE

## FIGURE 2-16. ELECTRICAL PANEL ASSEMBLY



ART\_1001172757



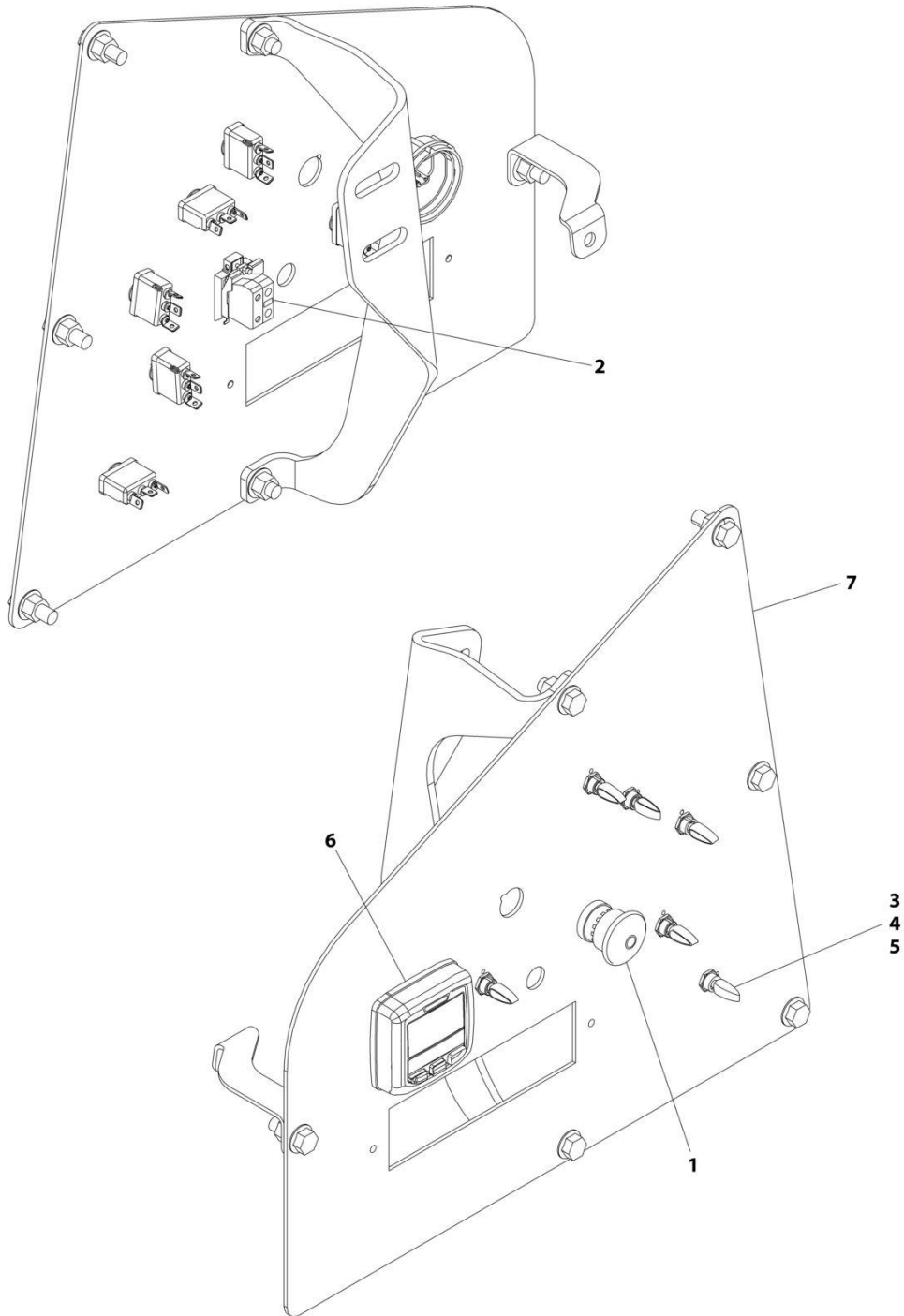
**SECTION 2 - TURNTABLE**

**FIGURE 2-16. ELECTRICAL PANEL ASSEMBLY**

ITEM	PART NUMBER	QTY	DESCRIPTION	REV
	1001172757	Ref	ELECTRICAL PANEL ASSEMBLY	E
1	0140043	1	Alarm	
1	4460536	1	Plug, Male - 3 Position	
1	4460943	3	Terminal	
2	0700620	5	Bolt M6 x 60	
3	0760610	2	Bolt M6 x 20	
4	0760612	4	Bolt M6 x 25	
5	3290605	11	Nut M6	
6	4811700	22	Washer M6	
7	1001106736	1	Cap, Dust	
8	1001120328	4	Clip, Mounting	
9	1001219601	1	Sensor	
10	1001159162	1	Bracket	
11	1001170094	1	Module, Ground Control (Note: Re-calibration Required when Replaced.)	
12	1001215373	1	Plate	

# SECTION 2 - TURNTABLE

## FIGURE 2-17. GROUND CONTROL ASSEMBLY (400S)



ART\_1001239294

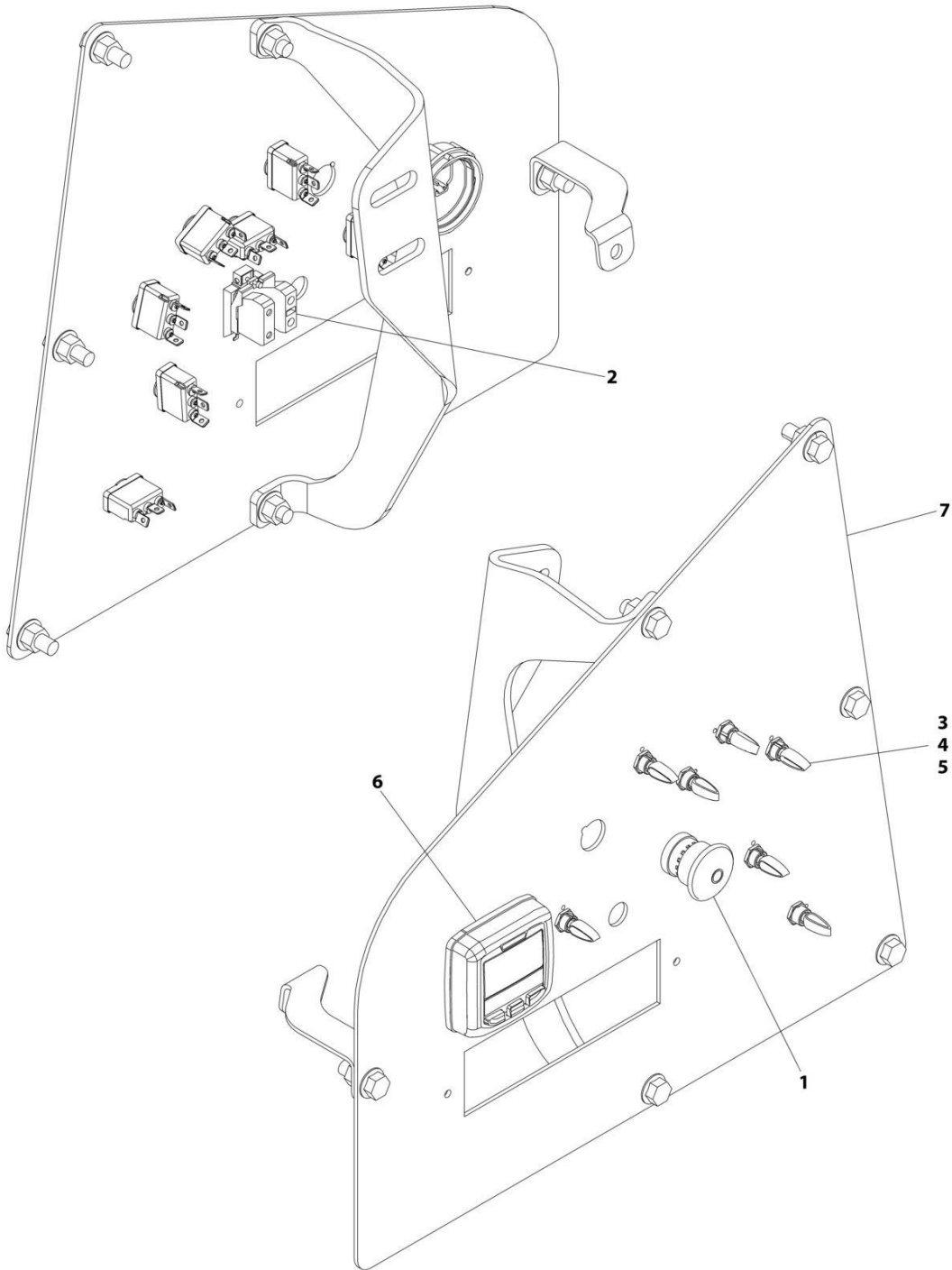
**SECTION 2 - TURNTABLE**

**FIGURE 2-17. GROUND CONTROL ASSEMBLY (400S)**

<b>ITEM</b>	<b>PART NUMBER</b>	<b>QTY</b>	<b>DESCRIPTION</b>	<b>REV</b>
	1001239294	Ref	GROUND CONTROL ASSEMBLY	A
1	4360475	1	Switch, Emergency Stop	
1	7020175	1	Cap	
1	7020176	1	Block, Contact	
2	4360476	1	Block, Contact	
3	1001155043	6	Washer	
4	1001155044	6	Nut 15/32	
5	1001155045	6	Switch, Toggle	
6	1001171482	1	Gauge	
7	1001238887	1	Mount, Ground Control Panel (See Separate Breakdown in this Section)	

# SECTION 2 - TURNTABLE

## FIGURE 2-18. GROUND CONTROL ASSEMBLY (460SJ)



ART\_1001239293

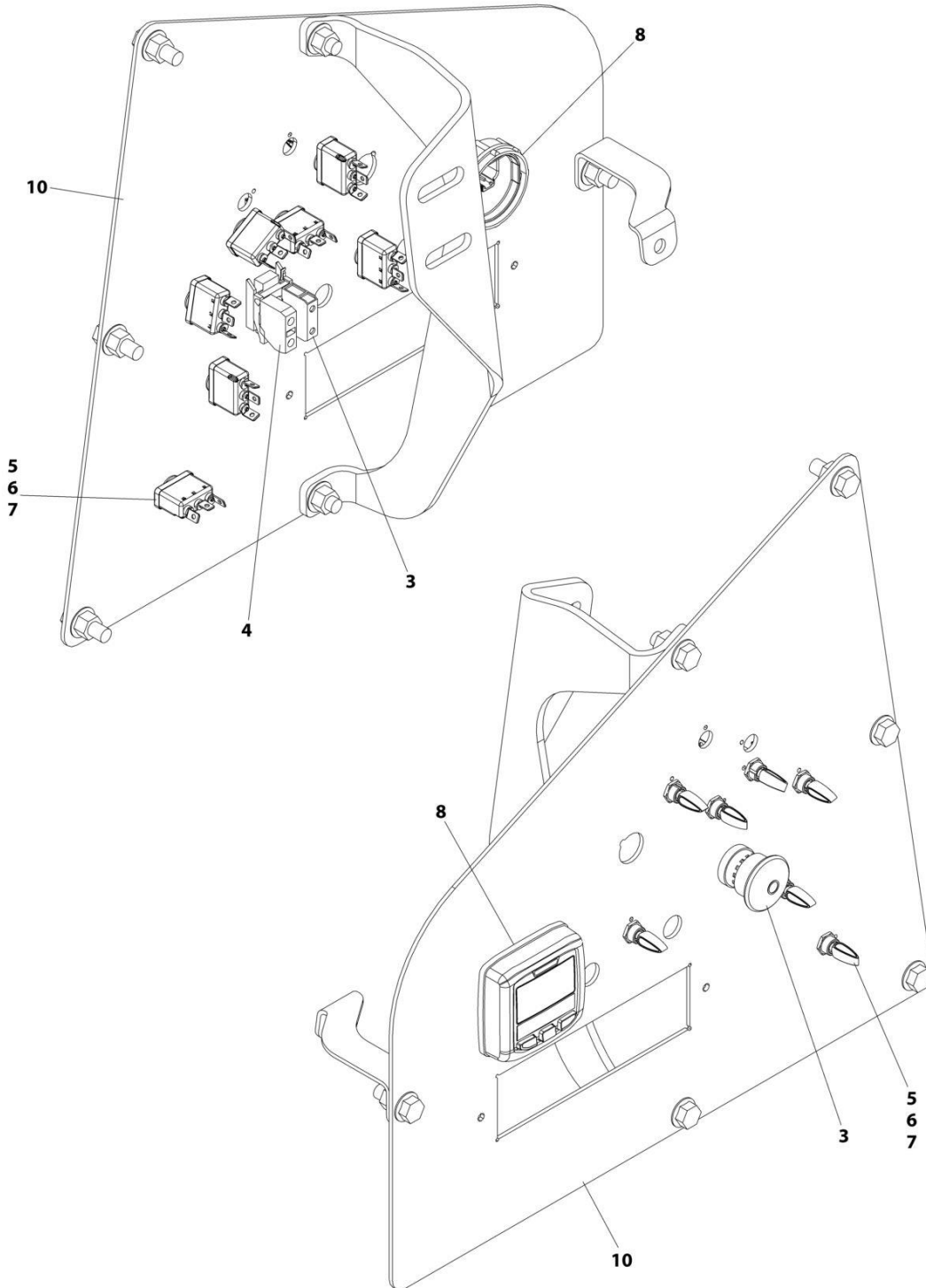
**SECTION 2 - TURNTABLE**

**FIGURE 2-18. GROUND CONTROL ASSEMBLY (460SJ)**

<b>ITEM</b>	<b>PART NUMBER</b>	<b>QTY</b>	<b>DESCRIPTION</b>	<b>REV</b>
	1001239293	Ref	GROUND CONTROL ASSEMBLY	A
1	4360475	1	Switch, Emergency Stop	
1	7020175	1	Cap	
1	7020176	1	Block, Contact	
2	4360476	1	Block, Contact	
3	1001155043	7	Washer	
4	1001155044	7	Nut 15/32	
5	1001155045	7	Switch, Toggle	
6	1001171482	1	Gauge	
7	1001235531	1	Mount, Ground Control Panel (See Separate Breakdown in this Section)	

## SECTION 2 - TURNTABLE

FIGURE 2-19. GROUND CONTROL ASSEMBLY - DEUTZ (STAGE V) (CE SPECS) (460SJ)



ART\_1001245380

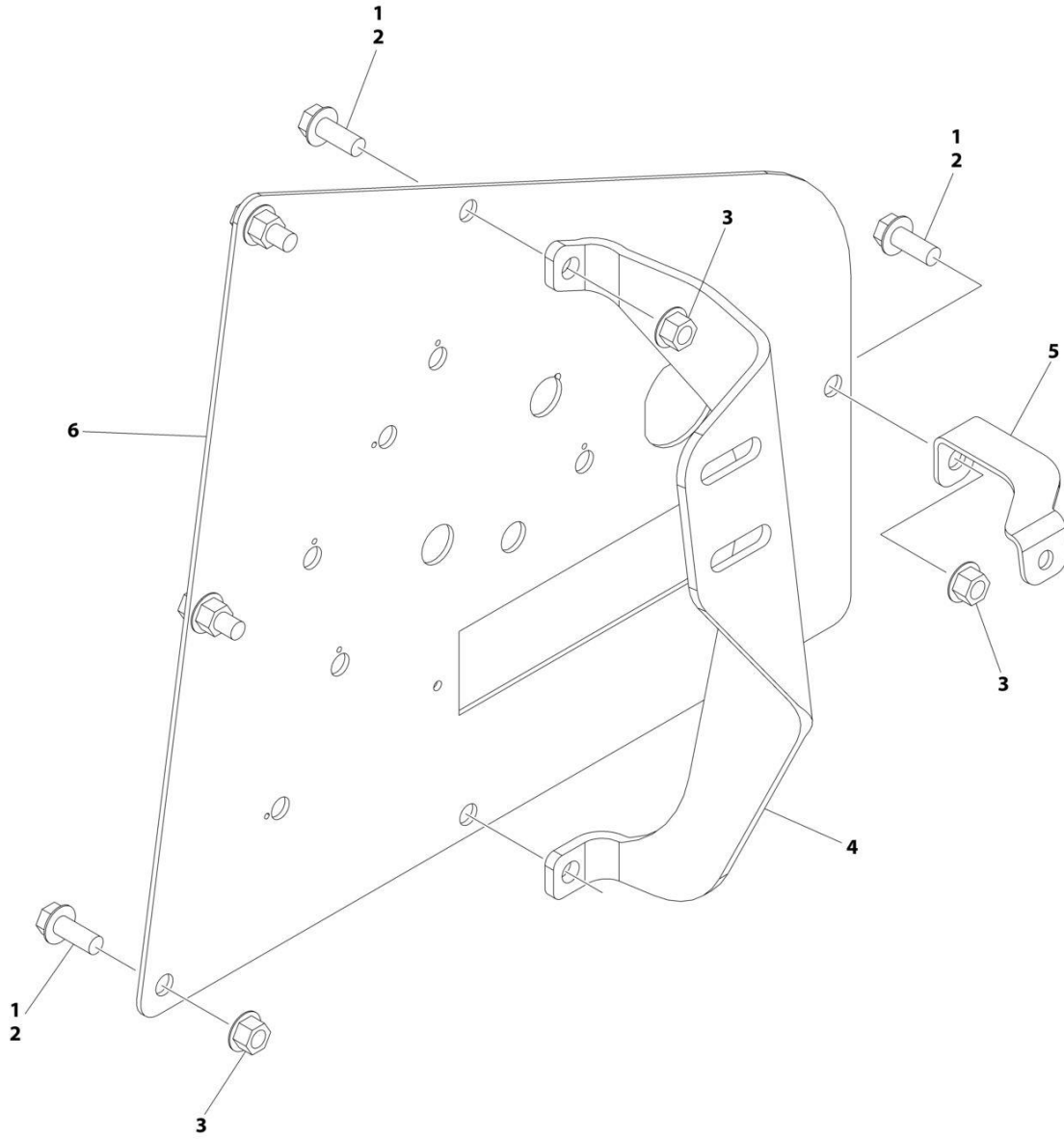
**SECTION 2 - TURNTABLE**

**FIGURE 2-19. GROUND CONTROL ASSEMBLY - DEUTZ (STAGE V) (CE SPECS) (460SJ)**

<b>ITEM</b>	<b>PART NUMBER</b>	<b>QTY</b>	<b>DESCRIPTION</b>	<b>REV</b>
	1001245380	Ref	GROUND CONTROL ASSEMBLY	B
3	4360475	1	Switch, Emergency Stop	
3	7020175	1	Cap	
3	7020176	1	Block, Contact	
4	4360476	1	Block, Contact	
5	1001155043	7	Washer	
6	1001155044	7	Nut 15/32	
7	1001155045	7	Switch, Toggle	
8	1001171482	1	Gauge	
10	1001245379	1	Ground Control Mounting (See Separate Breakdown in this Section)	

# SECTION 2 - TURNTABLE

## FIGURE 2-20. GROUND CONTROL MOUNTING (400S)



ART\_1001238887



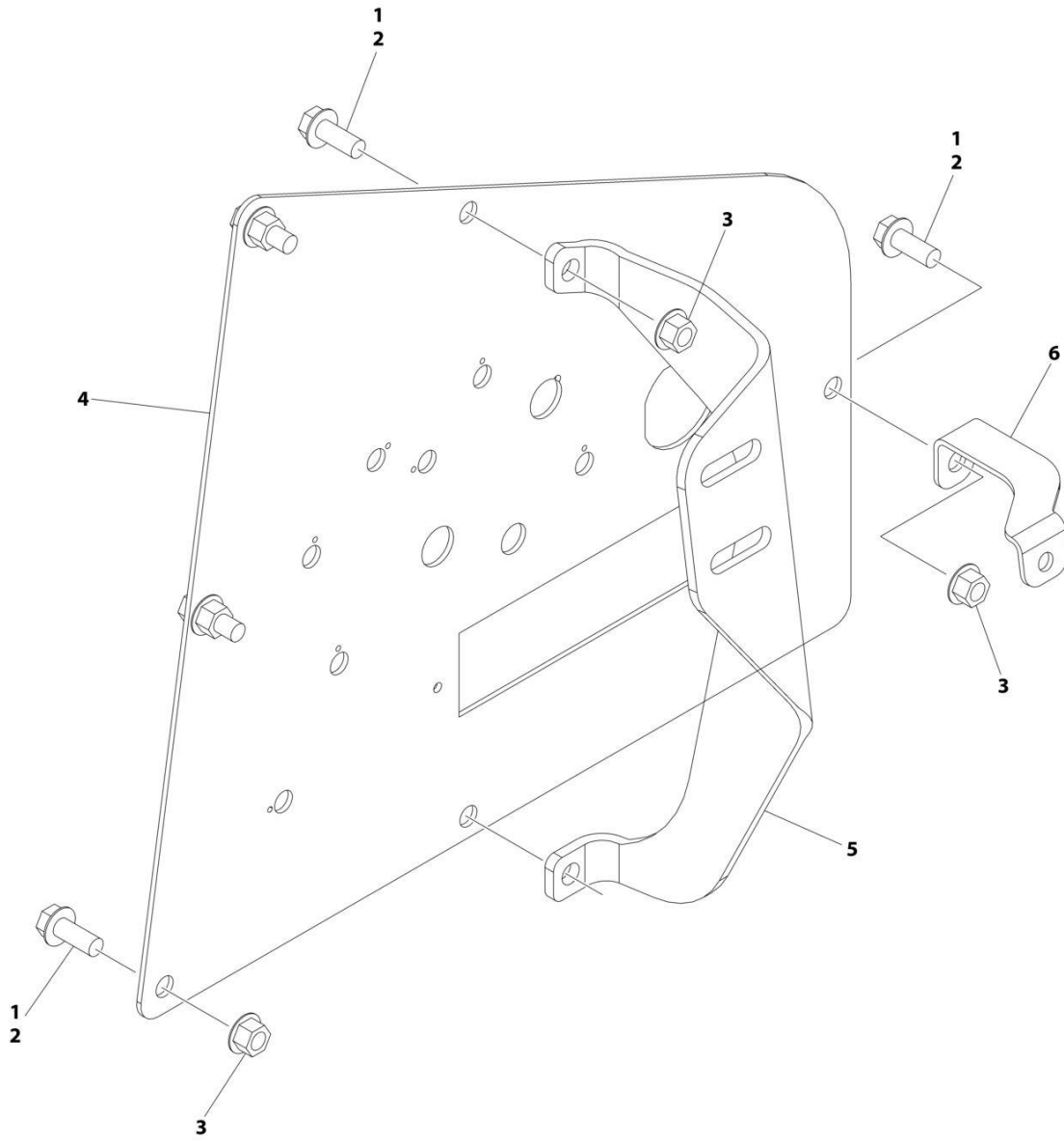
**SECTION 2 - TURNTABLE**

**FIGURE 2-20. GROUND CONTROL MOUNTING (400S)**

<b>ITEM</b>	<b>PART NUMBER</b>	<b>QTY</b>	<b>DESCRIPTION</b>	<b>REV</b>
	1001238887	Ref	GROUND CONTROL PANEL MOUNTING	A
1	0100011	AR	Compound, Locking	
2	5251012	6	Bolt M10 x 25	
3	5261000	6	Nut M10	
4	1001235528	1	Support	
5	1001235529	1	Bracket	
6	1001238886	1	Plate, Ground Control	

# SECTION 2 - TURNTABLE

## FIGURE 2-21. GROUND CONTROL MOUNTING (460SJ)



ART\_1001235531

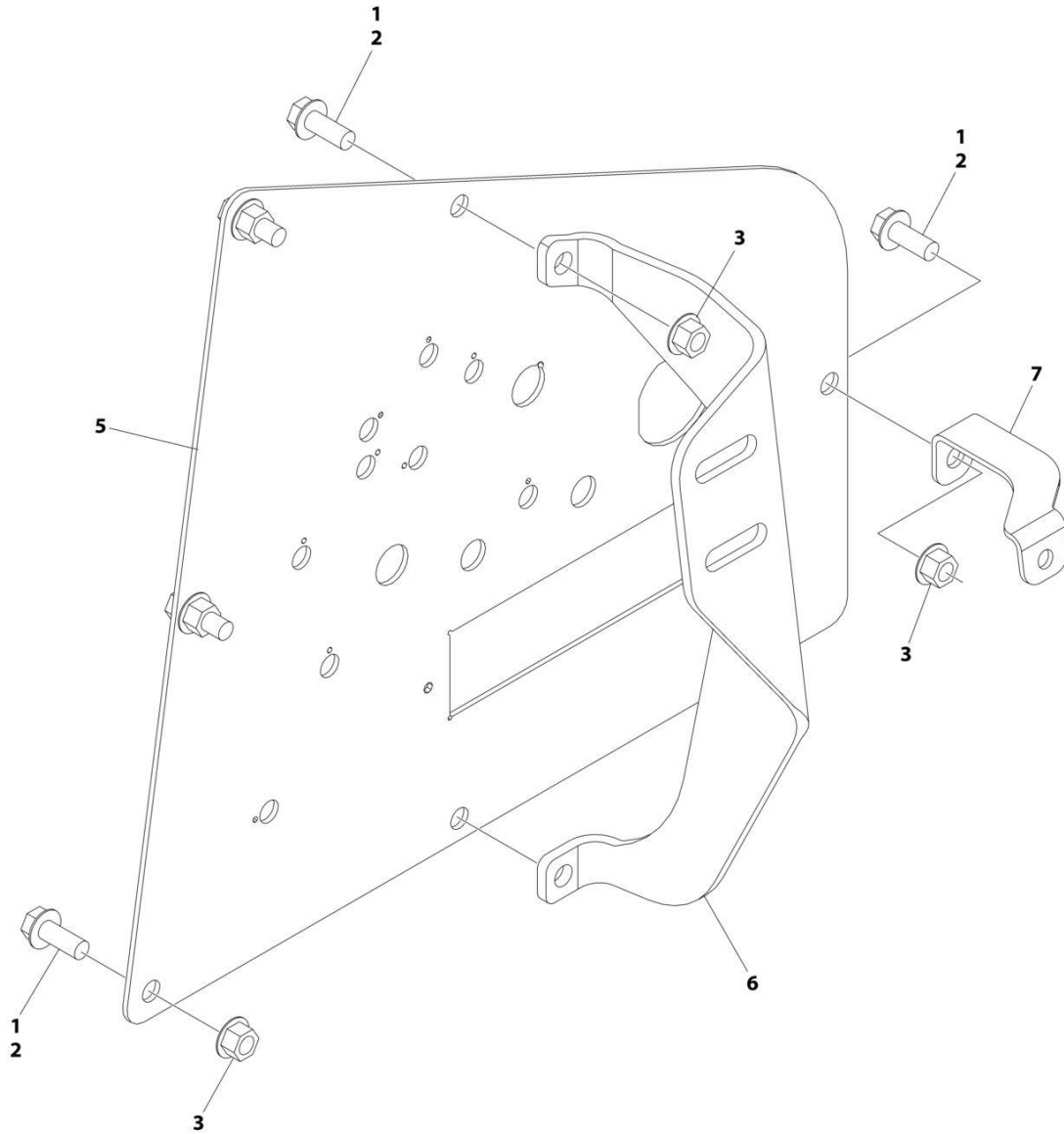
**SECTION 2 - TURNTABLE**

**FIGURE 2-21. GROUND CONTROL MOUNTING (460SJ)**

<b>ITEM</b>	<b>PART NUMBER</b>	<b>QTY</b>	<b>DESCRIPTION</b>	<b>REV</b>
	1001235531	Ref	GROUND CONTORL MOUNTING	B
1	0100011	AR	Compound, Locking	
2	5251012	6	Bolt M10 x 25	
3	5261000	6	Nut M10	
4	1001235527	1	Plate, Ground Control	
5	1001235528	1	Support	
6	1001235529	1	Bracket	

## SECTION 2 - TURNTABLE

FIGURE 2-22. GROUND CONTROL MOUNTING - DEUTZ (STAGE V) (CE SPECS) (460SJ)



ART\_1001245379

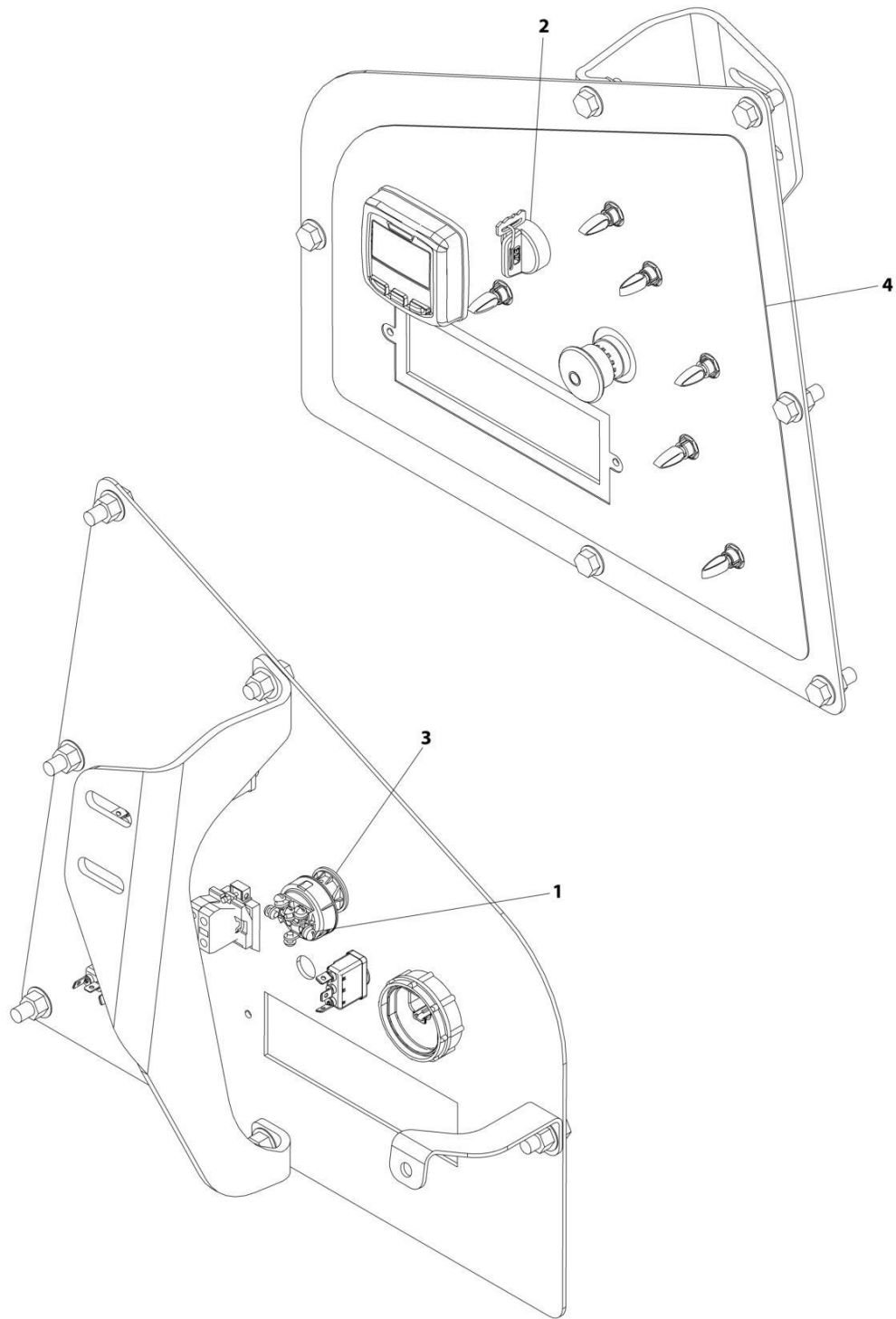
**SECTION 2 - TURNTABLE**

**FIGURE 2-22. GROUND CONTROL MOUNTING - DEUTZ (STAGE V) (CE SPECS) (460SJ)**

<b>ITEM</b>	<b>PART NUMBER</b>	<b>QTY</b>	<b>DESCRIPTION</b>	<b>REV</b>
	1001245379	Ref	GROUND CONTORL MOUNTING	B
1	0100035	AR	Compound, Locking	
2	5251012	6	Bolt M10 x 25	
3	5261000	6	Nut M10	
5	1001245317	1	Plate, Ground Control	
6	1001235528	1	Support	
7	1001235529	1	Bracket	

## SECTION 2 - TURNTABLE

FIGURE 2-23. GROUND CONTROL DECAL AND KEYSWITCH INSTALLATION (ALL SPECS EXCEPT AUSTRALIAN AND CE SPECS) (400S)



ART\_1001222139

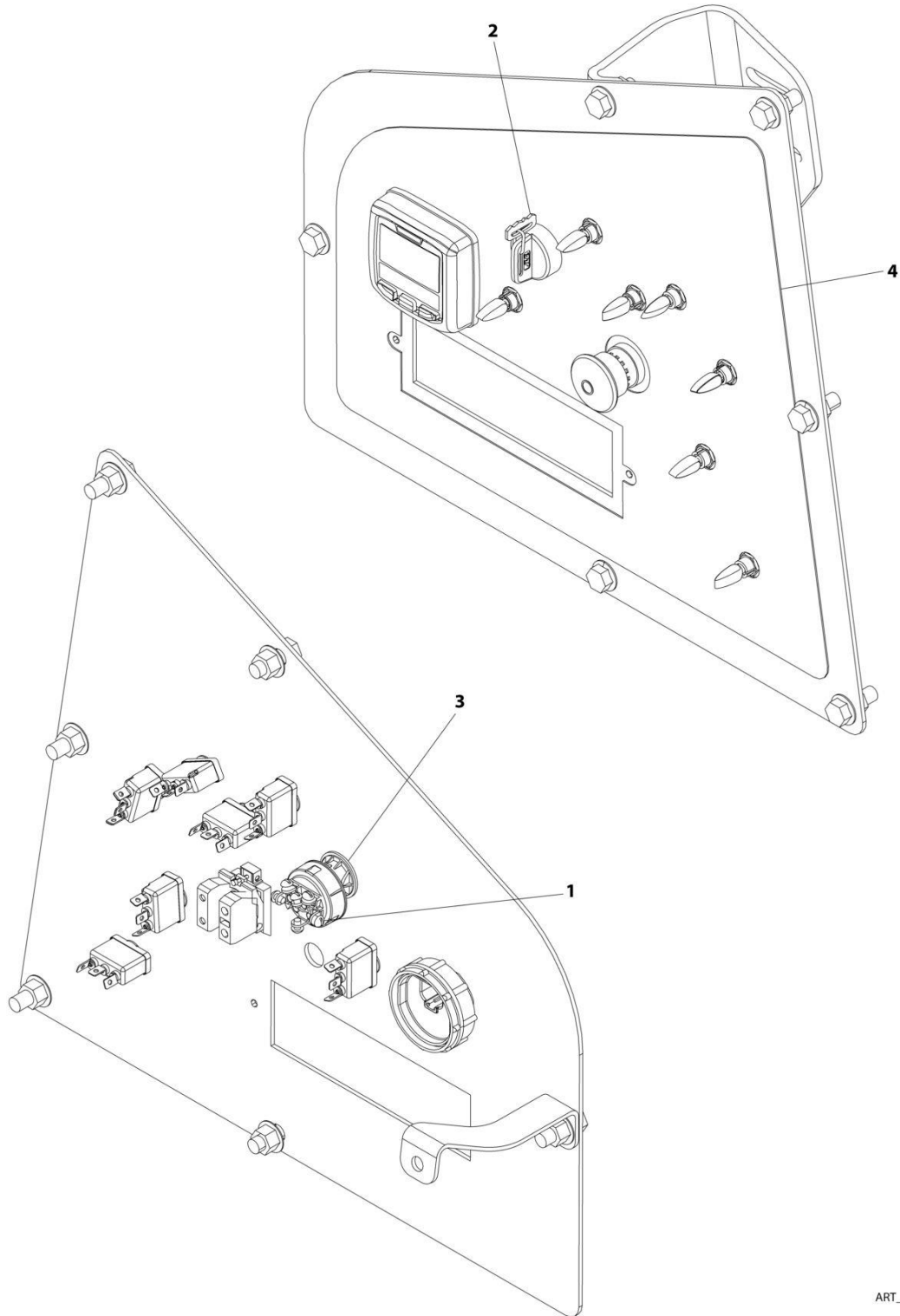
**SECTION 2 - TURNTABLE**

**FIGURE 2-23. GROUND CONTROL DECAL AND KEYSWITCH INSTALLATION (ALL SPECS EXCEPT AUSTRALIAN AND CE SPECS) (400S)**

<b>ITEM</b>	<b>PART NUMBER</b>	<b>QTY</b>	<b>DESCRIPTION</b>	<b>REV</b>
	1001222139	Ref	GROUND CONTROL DECAL AND KEYSWITCH INSTALLATION	B
1	3910804	6	Screw #8 x 1/4	
2	4360469	1	Switch, Key	
2	2860030	1	Key, Replacement	
3	1001151393	1	Shim .063	
4	1001221402	1	Decal - Ground Control	

## SECTION 2 - TURNTABLE

FIGURE 2-24. GROUND CONTROL DECAL AND KEYSWITCH INSTALLATION (ALL SPECS EXCEPT CE SPEC) (460SJ)



ART\_1001222140



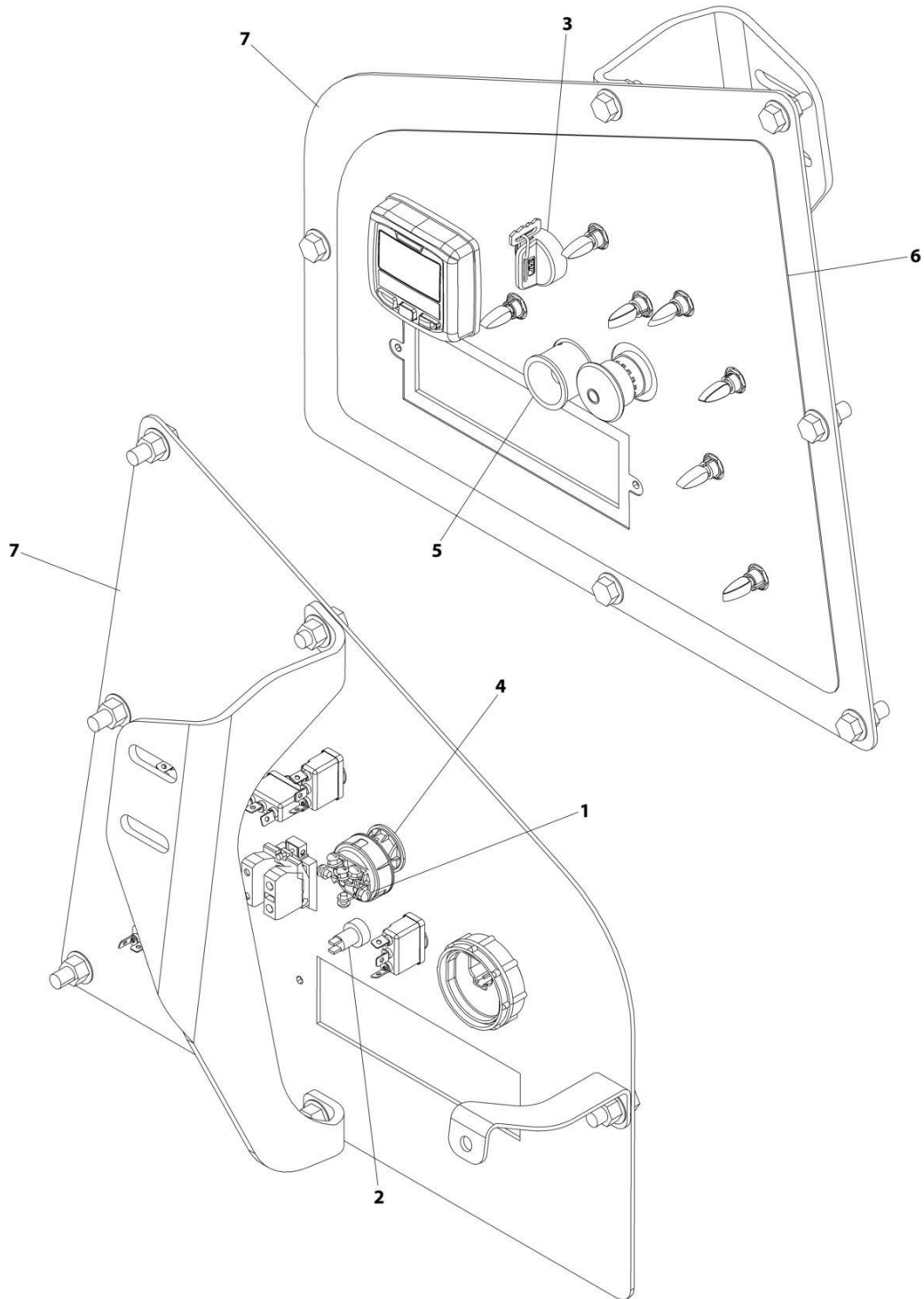
**SECTION 2 - TURNTABLE**

**FIGURE 2-24. GROUND CONTROL DECAL AND KEYSWITCH INSTALLATION (ALL SPECS EXCEPT CE SPEC) (460SJ)**

<b>ITEM</b>	<b>PART NUMBER</b>	<b>QTY</b>	<b>DESCRIPTION</b>	<b>REV</b>
	1001222140	Ref	GROUND CONTROL DECAL AND KEYSWITCH INSTALLATION	B
1	3910804	6	Screw #8 x 1/4	
2	4360469	1	Switch, Key	
2	2860030	1	Key, Replacement	
3	1001151393	1	Shim .063	
4	1001221403	1	Decal - Ground Control	

## SECTION 2 - TURNTABLE

FIGURE 2-25. GROUND CONTROL DECAL AND KEYSWITCH INSTALLATION (CE (LRC) SPEC)  
(460SJ)



ART\_1001222142

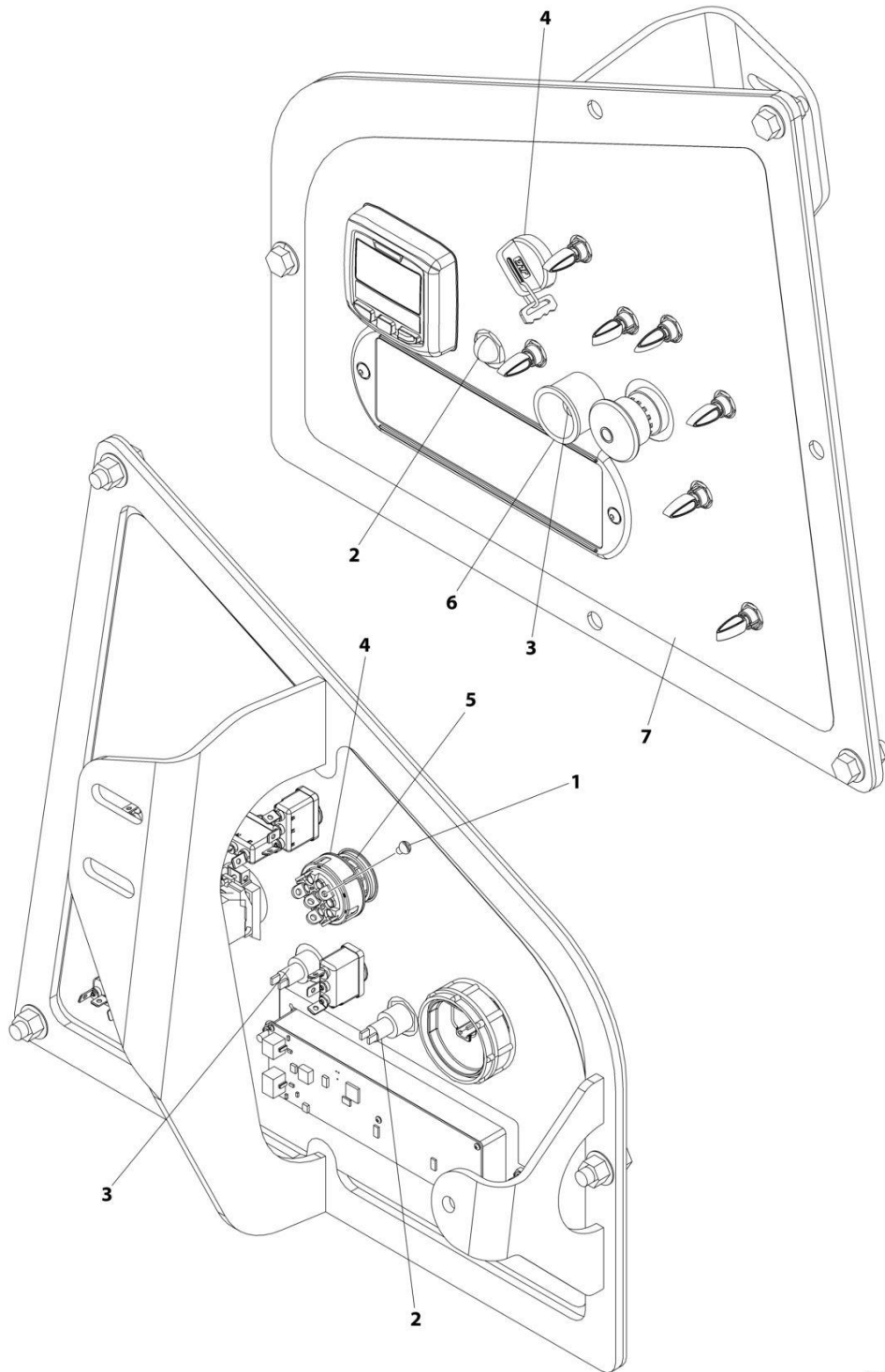
**SECTION 2 - TURNTABLE**

**FIGURE 2-25. GROUND CONTROL DECAL AND KEYSWITCH INSTALLATION (CE (LRC) SPEC)  
(460SJ)**

ITEM	PART NUMBER	QTY	DESCRIPTION	REV
	1001222142	Ref	GROUND CONTROL DECAL AND KEYSWITCH INSTALLATION	C
1	3910804	6	Screw #8 x 1/4	
2	4360387	1	Switch, Push Button	
3	4360469	1	Switch, Key	
3	2860030	1 set	Key, Replacement	
4	1001151393	1	Shim .063	
5	1001176469	1	Shroud, Switch	
6	1001221405	1	Decal - Ground Control	
7	1001239293	1	Mount	

## SECTION 2 - TURNTABLE

FIGURE 2-26. GROUND CONTROL DECAL AND KEYSWITCH INSTALLATION (STAGE V) (CE SPECS)  
(460SJ)



ART\_1001245831

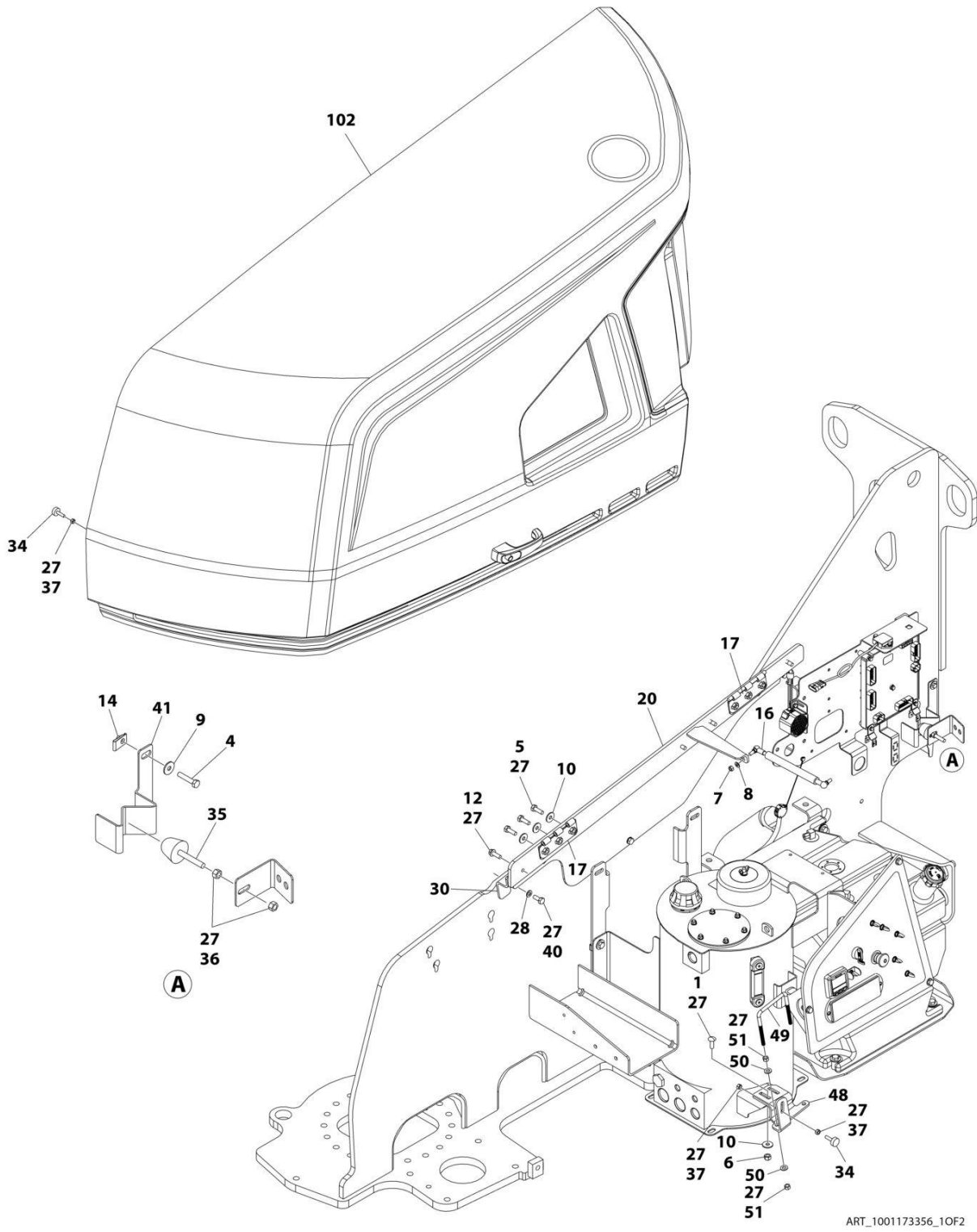
**SECTION 2 - TURNTABLE**

**FIGURE 2-26. GROUND CONTROL DECAL AND KEYSWITCH INSTALLATION (STAGE V) (CE SPECS)  
(460SJ)**

<b>ITEM</b>	<b>PART NUMBER</b>	<b>QTY</b>	<b>DESCRIPTION</b>	<b>REV</b>
	1001245831	Ref	GROUND CONTROL DECAL AND KEYSWITCH INSTALLATION	B
1	3910804	6	Screw #8 x 1/4	
2	4360274	1	Switch, Push Button	
3	4360387	1	Switch, Push Button	
4	4360469	1	Switch, Key	
4	2860030	1	Key, Replacement	
5	1001151393	1	Shim .063	
6	1001176469	1	Shroud, Switch	
7	1001245827	1	Decal, Ground Control	

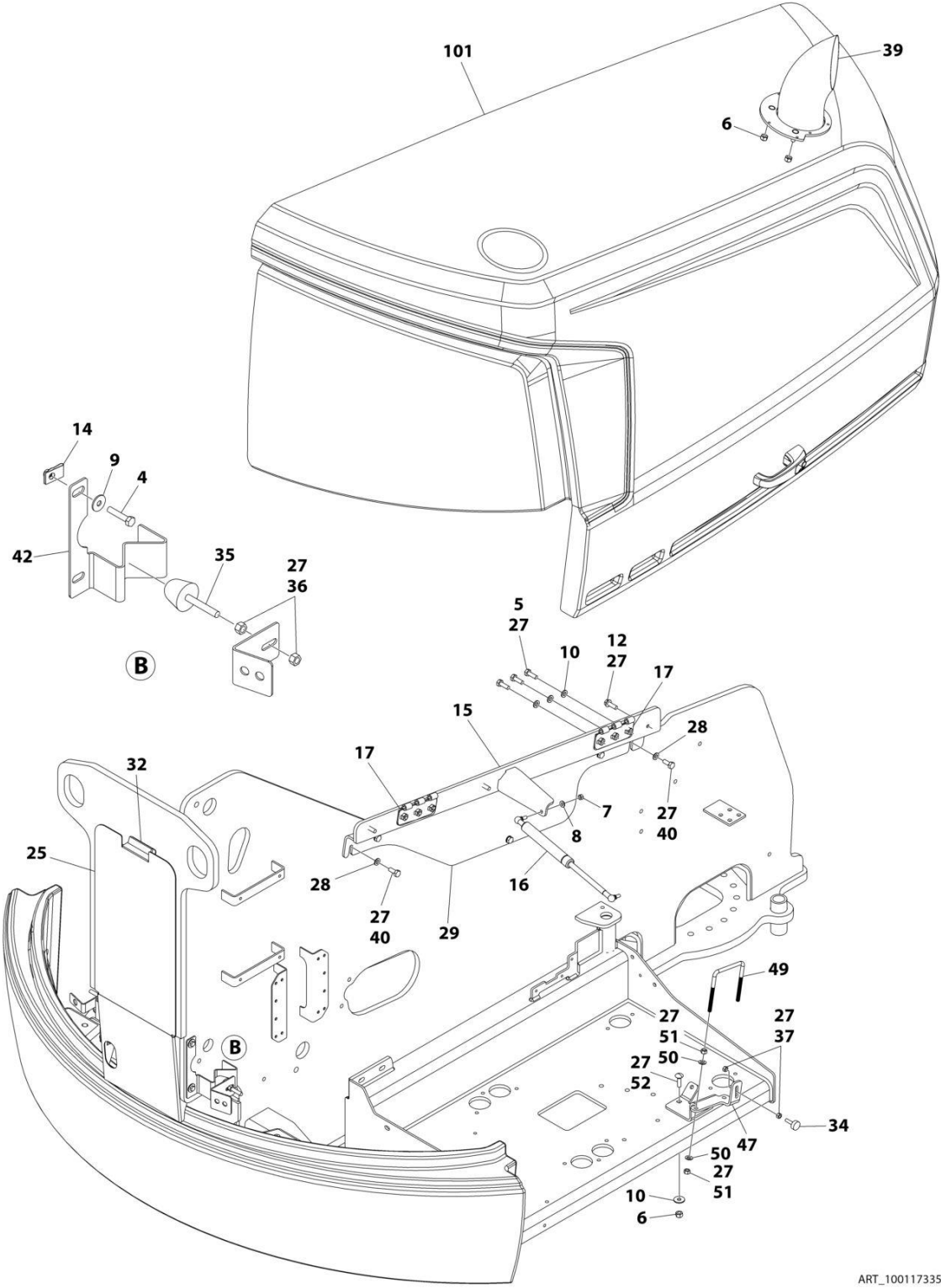
# SECTION 2 - TURNTABLE

## FIGURE 2-27. HOOD INSTALLATION - ABS (DEUTZ & GM ENGINES)



ART\_1001173356\_10F2

SECTION 2 - TURNTABLE



ART\_1001173356\_2OF2

## SECTION 2 - TURNTABLE

FIGURE 2-27. HOOD INSTALLATION - ABS (DEUTZ & GM ENGINES)

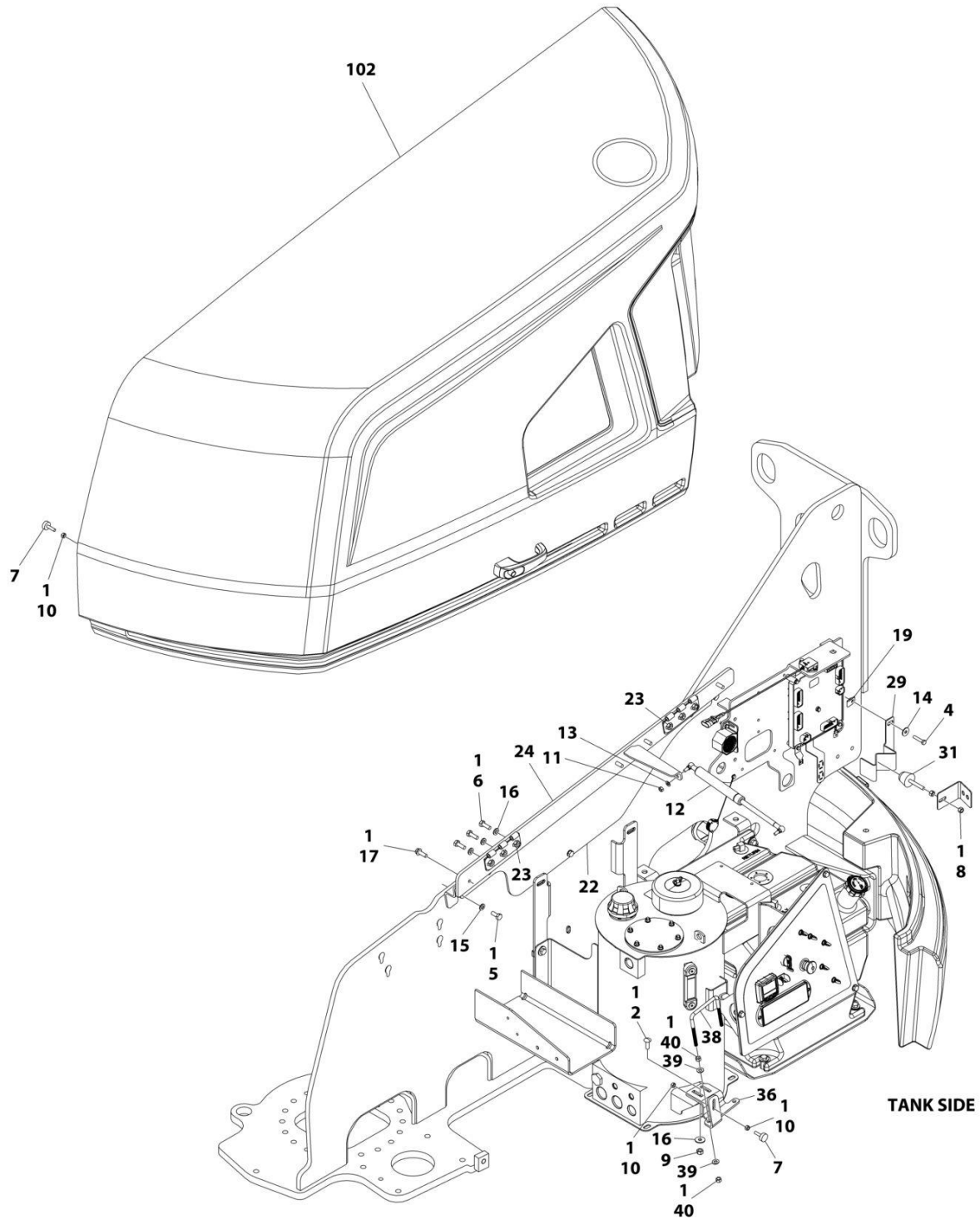
ITEM	PART NUMBER	QTY	DESCRIPTION	REV
	1001173356	Ref	HOOD INSTALLATION	K
1	0630613	2	Bolt M10 x 30	
4	0760816	4	Bolt M8 x 40	
5	0761014	12	Bolt M10 x 30	
6	3291005	7	Nut M10	
7	3311505	2	Nut 5/16	
8	4711500	2	Washer 5/16	
9	4811902	AR	Washer M8	
10	4812002	16	Washer M10	
12	5251014	8	Bolt M10 x 30	
14	1001149160	4	Nut, Tinnerman M8	
15	1001167159	1	Mount, Adjustment	
16	4160182	2	Spring, Gas	
17	1001169046	4	Nut	
20	1001170850	1	Mount, Adjustment	
25	1001173354	1	Cover	
27	0100011	AR	Compound, Locking	
28	4812000	10	Washer M10	
29	1001165060	1	Plate	
30	1001168173	1	Mount, Hinge	
32	90200755	AR	Tape, Gasket	
34	0940049	4	Stopper	
35	1001206314	2	Bumper	
36	3271601	4	Nut 3/8	
37	3311501	8	Nut 5/16	
39	1001174098	1	Outlet, Exhaust	
40	0761012	10	Bolt M10 x 25	
41	1001199207	1	Bracket, Bumper	
42	1001199901	1	Bracket, Bumper	
47	1001250287	1	Bracket, Engine	
48	1001250289	1	Bracket, Tank	
49	1001243414	2	Bolt, U-Bolt	
50	4711600	AR	Washer 3/8	
51	3311601	AR	Nut 3/8	
52	1001228406	2	Bolt M10 x 35	
100	1001202298	1	Hood Kit (Not Shown - Includes Items 101 & 102)	
101	1001170551	1	Hood Assembly - Engine Side (See Separate Breakdown in this Section)	
102	1001170552	1	Hood Assembly - Tank Side (See Separate Breakdown in this Section)	





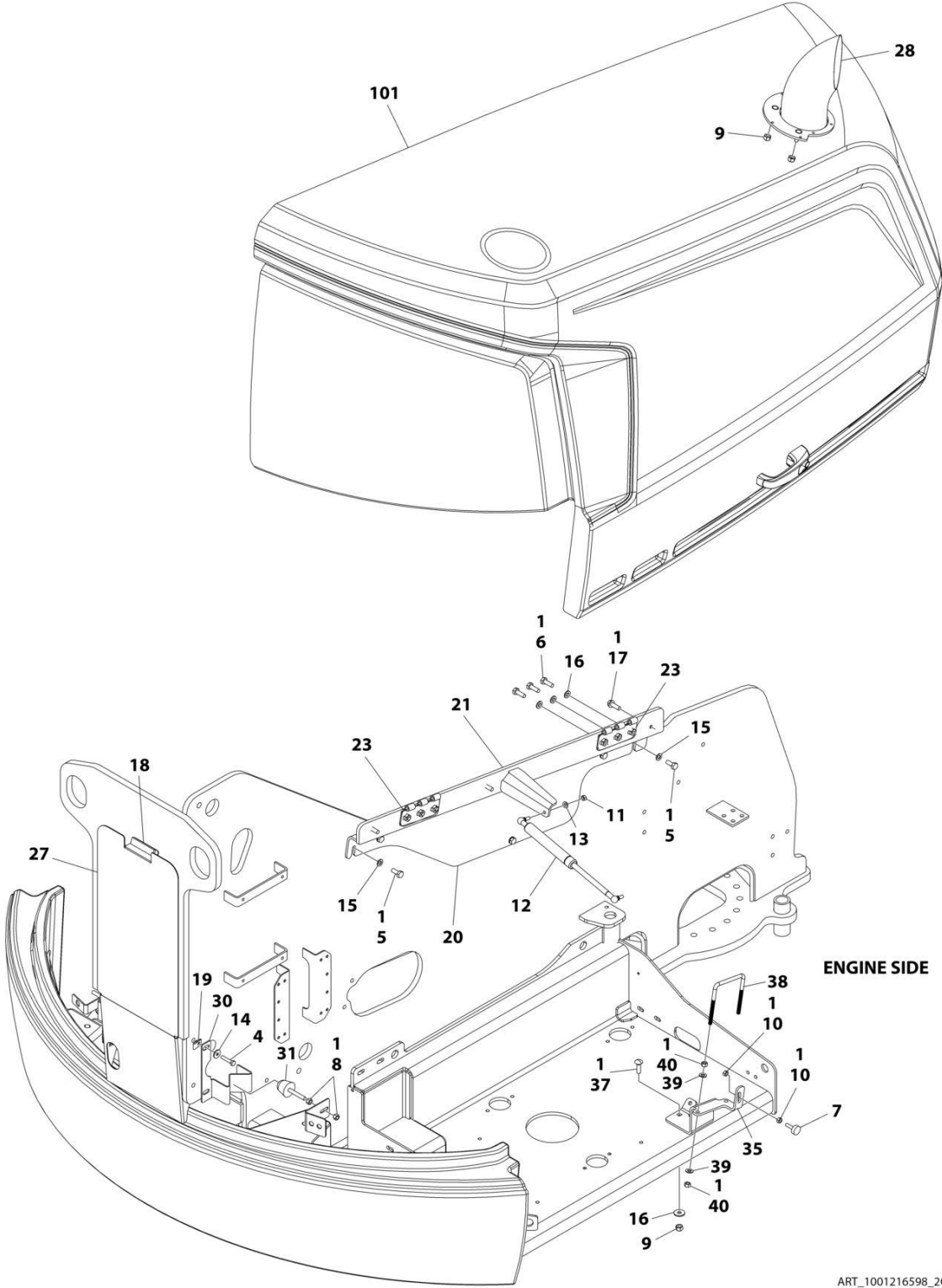
# SECTION 2 - TURNTABLE

## FIGURE 2-28. HOOD INSTALLATION - ABS (KUBOTA ENGINES)



ART\_1001216598\_10F2

**SECTION 2 - TURNTABLE**



ART\_1001216598\_2OF2

## SECTION 2 - TURNTABLE

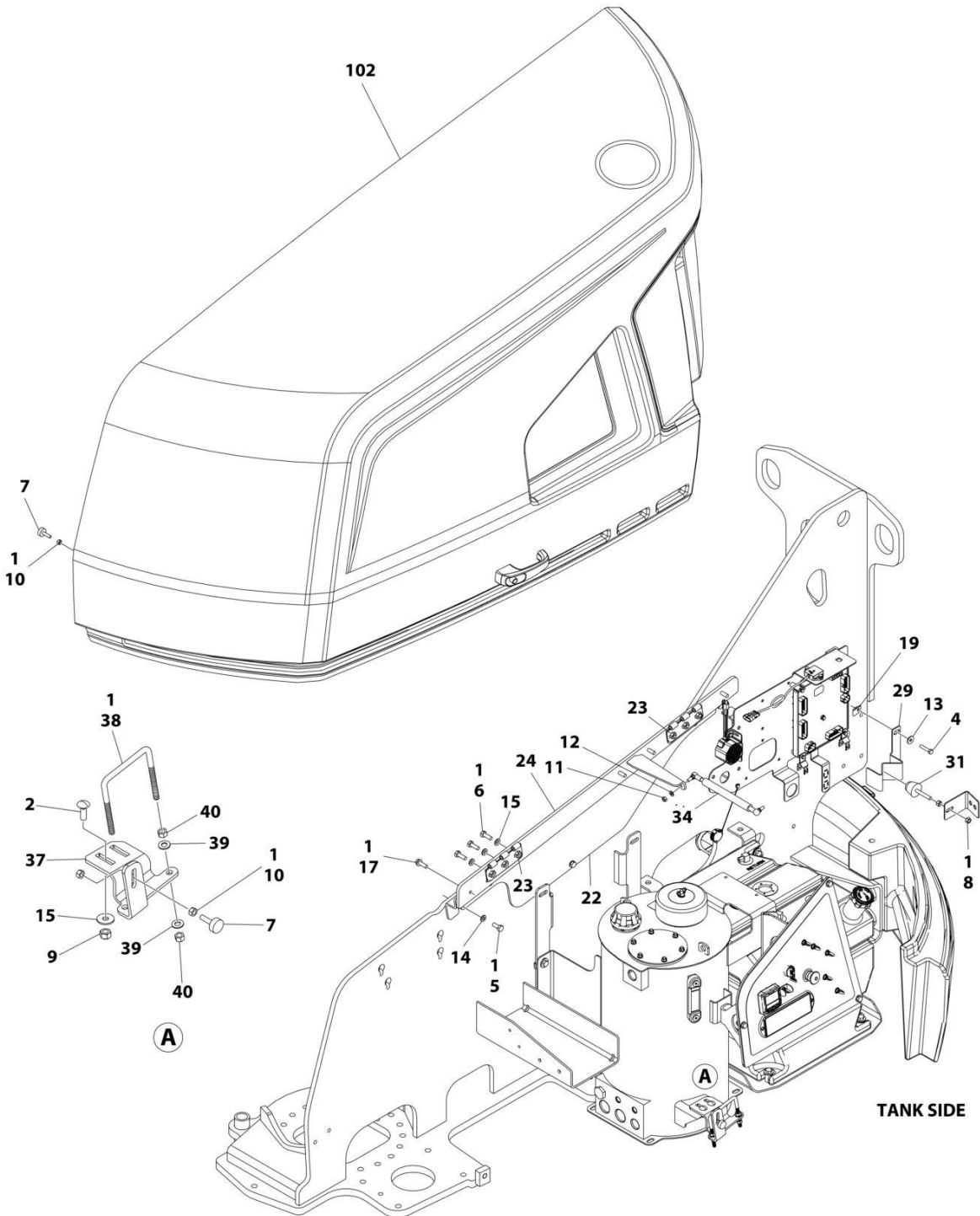
**FIGURE 2-28. HOOD INSTALLATION - ABS (KUBOTA ENGINES)**

ITEM	PART NUMBER	QTY	DESCRIPTION	REV
	1001216598	Ref	KUBOTA HOOD INSTALLATION	B
1	0100011	AR	Compound, Locking	
2	0630613	2	Bolt M10 x 30	
4	0760816	4	Bolt M8 x 40	
5	0761012	10	Bolt M10 x 25	
6	0761014	12	Bolt M10 x 30	
7	0940049	4	Stopper	
8	3271601	4	Nut 3/8	
9	3291005	7	Nut M10	
10	3311501	8	Nut 5/16	
11	3311505	2	Nut 5/16	
12	4160182	2	Spring, Gas	
13	4711500	2	Washer 5/16	
14	4811902	AR	Washer M8	
15	4812000	10	Washer M10	
16	4812002	16	Washer M10	
17	5251014	8	Bolt M10 x 30	
18	90200755	AR	Tape, Gasket	
19	1001149160	4	Nut, Tinnerman M8	
20	1001165060	1	Plate	
21	1001167159	1	Mount, Adjustment	
22	1001168173	1	Mount, Hinge	
23	1001169046	4	Nut	
24	1001170850	1	Mount, Adjustment	
27	1001173354	1	Cover	
28	1001174098	1	Outlet, Exhaust	
29	1001199207	1	Bracket, Bumper	
30	1001199901	1	Bracket, Bumper	
31	1001206314	2	Bumper	
35	1001250288	1	Bracket, Engine	
36	1001250289	1	Bracket, Tank	
37	1001228406	2	Bolt, Carriage	
38	1001243414	2	Bolt, U-bolt	
39	4711600	AR	Washer 3/8	
40	3311601	AR	Nut 3/8	
100	1001202298	1	Hood Kit (Not Shown - Includes Items 101 & 102)	
101	1001170551	1	Hood Assembly - Engine Side (See Separate Breakdown in this Section)	
102	1001170552	1	Hood Assembly - Tank Side (See Separate Breakdown in this Section)	



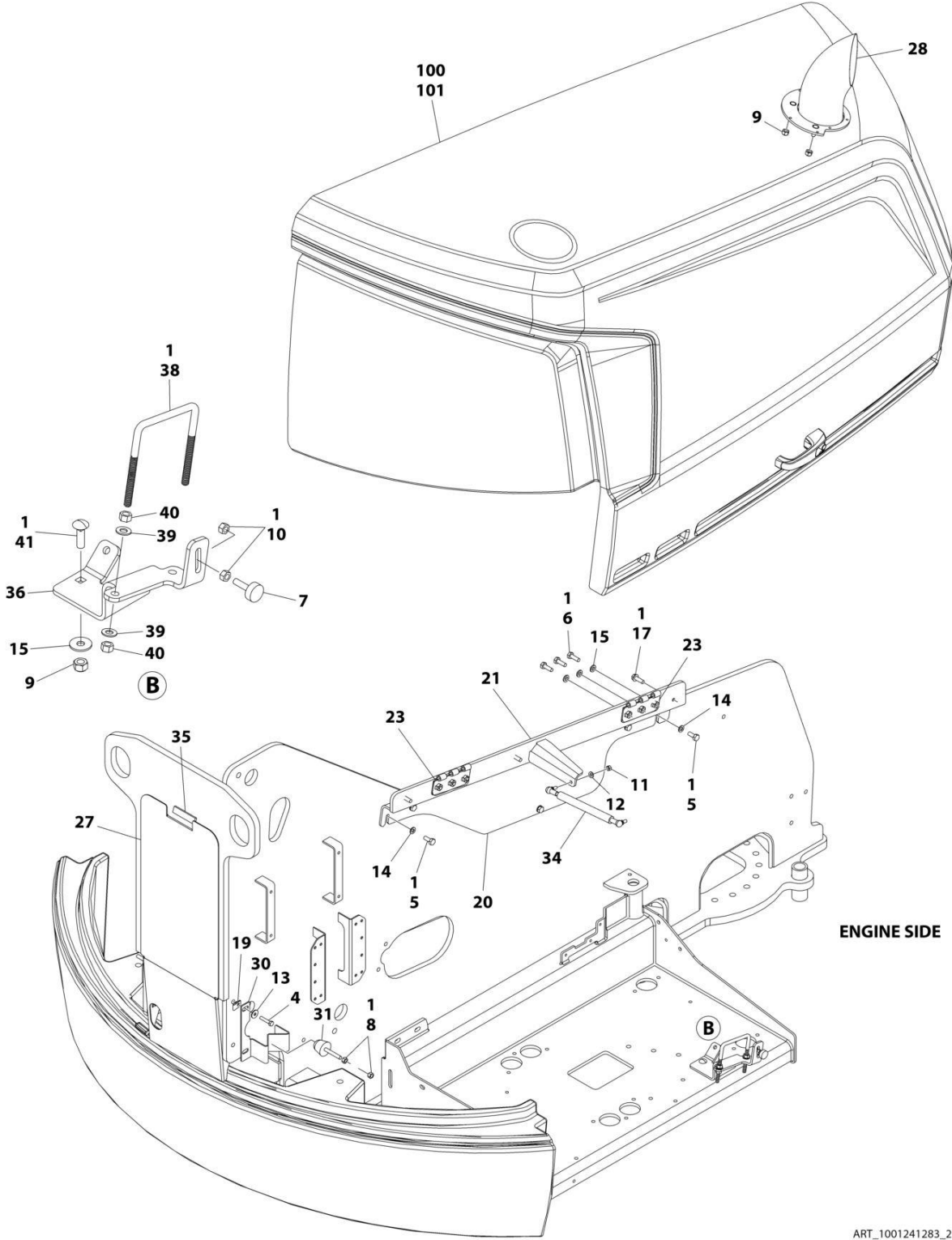
# SECTION 2 - TURNTABLE

FIGURE 2-29. HOOD INSTALLATION - ABS (KUBOTA ENGINES) (ROMANIAN BUILT MACHINES)



ART\_1001241283\_1OF2

**SECTION 2 - TURNTABLE**



ART\_1001241283\_2OF2

## SECTION 2 - TURNTABLE

**FIGURE 2-29. HOOD INSTALLATION - ABS (KUBOTA ENGINES) (ROMANIAN BUILT MACHINES)**

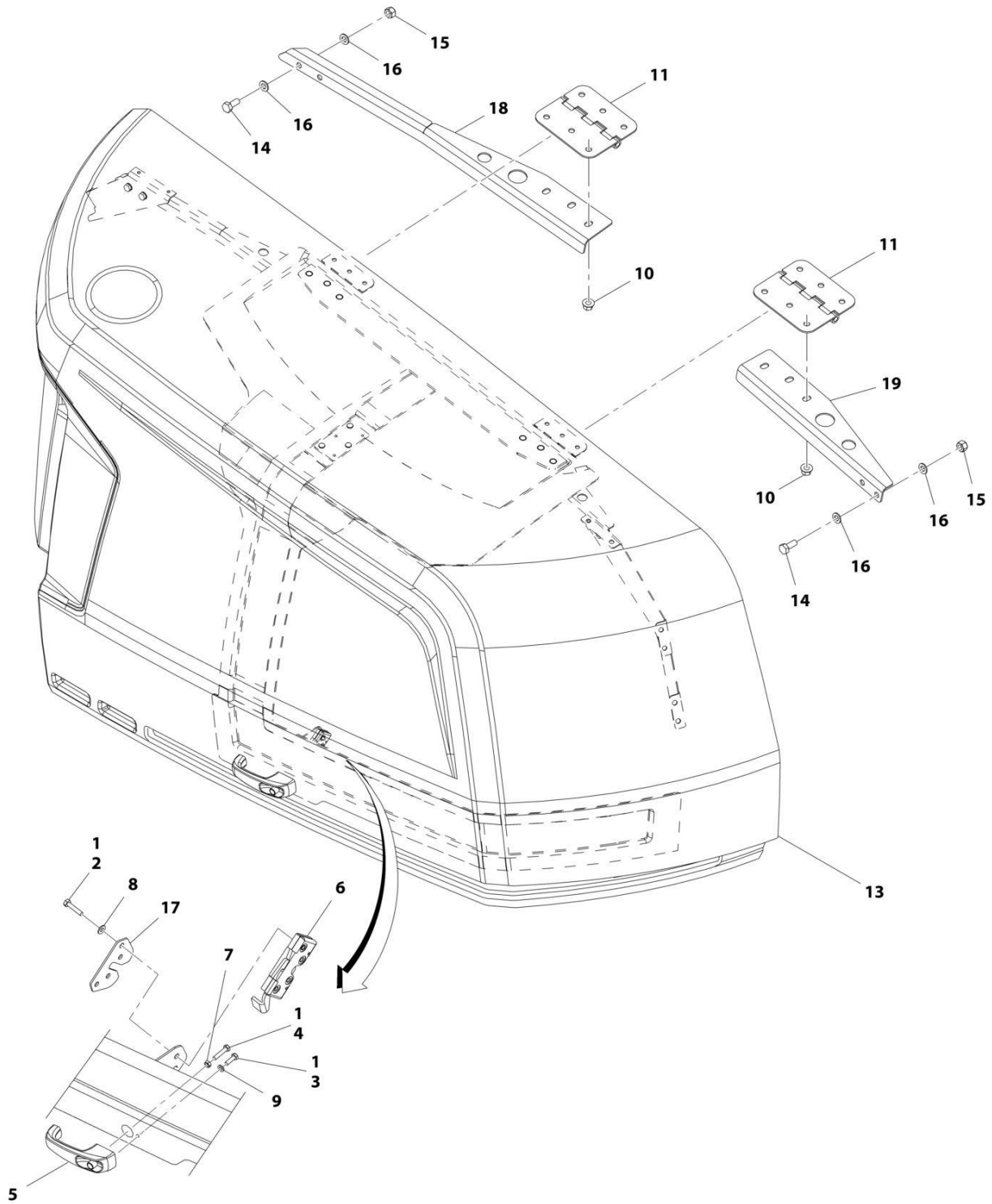
ITEM	PART NUMBER	QTY	DESCRIPTION	REV
	1001241283	Ref	KUBOTA HOOD INSTALLATION	B
1	0100011	AR	Compound, Locking	
2	0630613	2	Bolt M10 x 30	
4	0760816	4	Bolt M8 x 40	
5	0761012	10	Bolt M10 x 25	
6	0761014	12	Bolt M10 x 30	
7	0940049	4	Stopper	
8	3271601	4	Nut 3/8	
9	3291005	7	Nut M10 x 1.5	
10	3311501	8	Nut 5/16	
11	3311505	2	Nut 5/16	
12	4711500	2	Washer 5/16	
13	4811902	4	Washer M8	
14	4812000	10	Washer M10	
15	4812002	16	Washer M10	
17	5251014	8	Bolt, M10 x 30	
19	1001149160	4	Nut, Tinnerman M8	
20	1001165060	1	Plate	
21	1001167159	1	Mount, Adjustment	
22	1001168173	1	Mount, Hinge	
23	1001169046	4	Nut	
24	1001170850	1	Mount, Adjustment	
27	1001173354	1	Cover	
28	1001174098	1	Outlet, Exhaust	
29	1001199207	1	Bracket, Bumper	
30	1001199901	1	Bracket, Bumper	
31	1001206314	2	Bumper	
34	4160182	2	Spring, Gas	
35	90200755	AR	Tape, Gasket	
36	1001250287	1	Bracket	
37	1001250289	1	Bracket	
38	1001243414	2	Bolt 3/8 x 4 x 4 5/8	
39	4711600	8	Washer 3/8	
40	3311601	8	Nut 3/8	
41	1001228406	2	Bolt M10 x 35	
100	1001241288	1	Hood Kit (Includes Items 101 & 102)	
101	1001241291	1	Hood Assembly - Engine Side (See Separate Breakdown in this Section)	
102	1001241292	1	Hood Assembly - Tank Side (See Separate Breakdown in this Section)	





# SECTION 2 - TURNTABLE

## FIGURE 2-30. ABS HOOD ASSEMBLY - ENGINE SIDE



ART\_1001170551

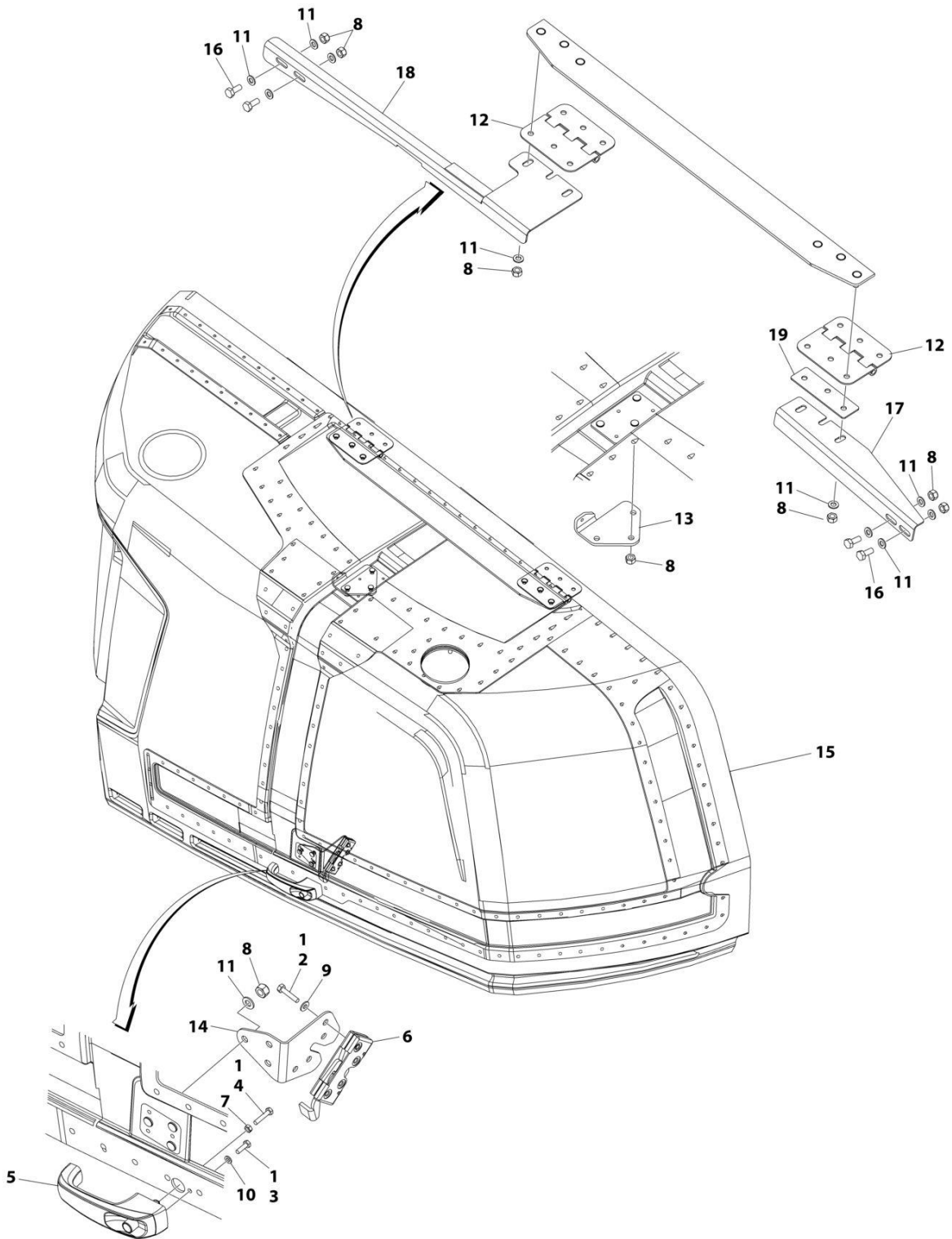
**SECTION 2 - TURNTABLE**

**FIGURE 2-30. ABS HOOD ASSEMBLY - ENGINE SIDE**

ITEM	PART NUMBER	QTY	DESCRIPTION	REV
	1001170551	Ref	HOOD ASSEMBLY - ENGINE SIDE	F
1	0100011	AR	Compound, Locking	
2	0641410	4	Bolt 1/4 x 1-1/4	
3	0760610	2	Bolt M6 x 20	
4	0760614	1	Bolt M6 x 30	
5	2560187	1	Handle, Push Button	
6	2940173	1	Latch, Rotary	
7	3290601	1	Nut M6	
8	4711400	4	Washer 1/4	
9	4811700	2	Washer M6	
10	5261018	6	Nut M10 Grade 10.9	
11	1001139384	2	Hinge	
13	See Note	NSS	Hood - Engine Side (Note: Purchase pn 1001170551)	
14	0761012	4	Bolt M10 x 25	
15	3291005	4	Nut M10	
16	4812000	8	Washer M10	
17	1001200458	1	Plate	
18	1001201636	1	Hood Support	
19	1001201635	1	Hood Support	

# SECTION 2 - TURNTABLE

## FIGURE 2-31. ABS HOOD ASSEMBLY - ENGINE SIDE (CE SPEC)



ART\_1001241291

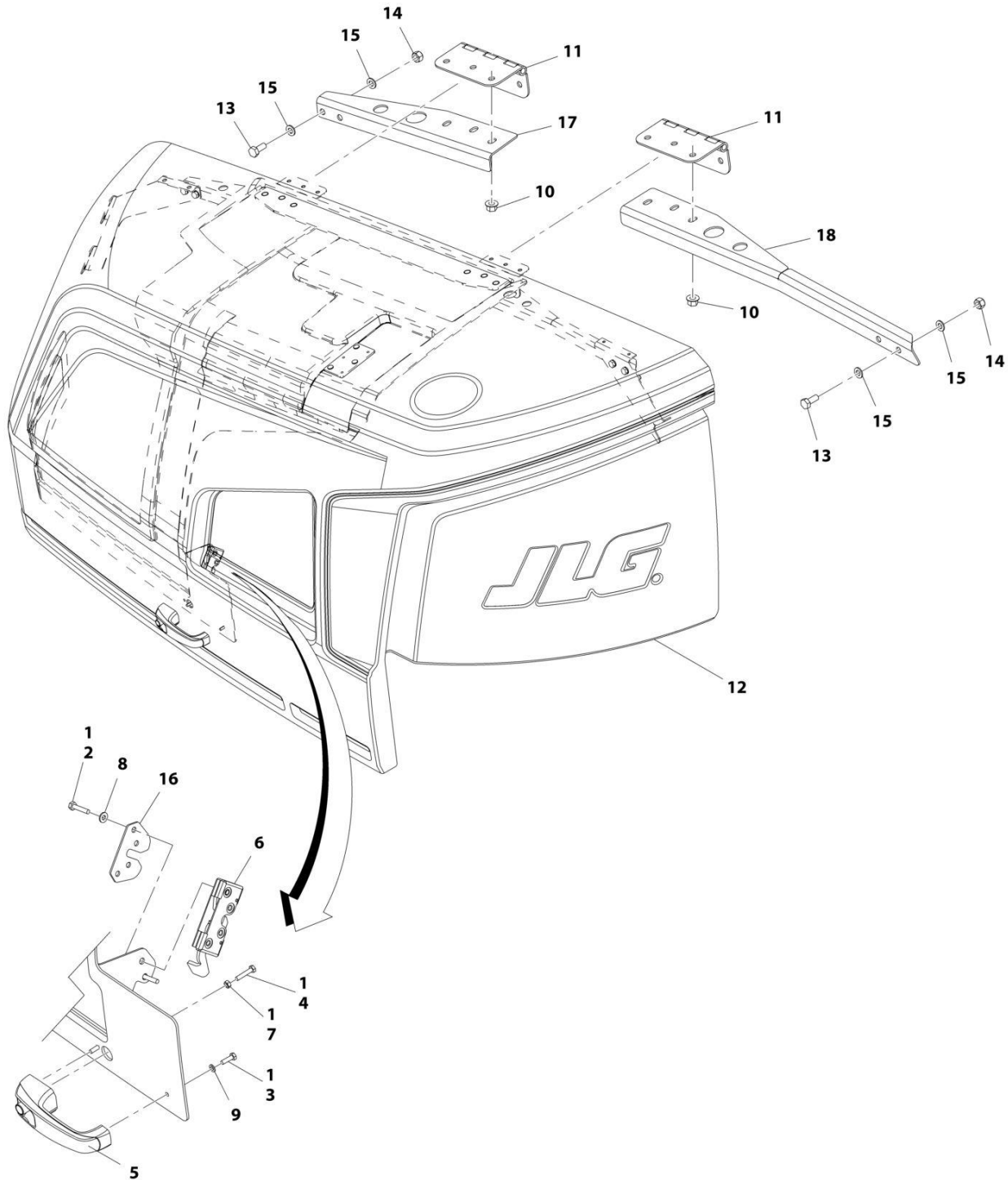
## SECTION 2 - TURNTABLE

**FIGURE 2-31. ABS HOOD ASSEMBLY - ENGINE SIDE (CE SPEC)**

ITEM	PART NUMBER	QTY	DESCRIPTION	REV
	1001241291	Ref	HOOD ASSEMBLY - ENGINE SIDE	C
1	0100011	AR	Compound, Locking	
2	0641410	4	Bolt 1/4 x 1-1/4	
3	0760610	2	Bolt M6 x 20	
4	0760614	1	Bolt M6 x 30	
5	2560187	1	Handle, Push Button	
6	2940173	1	Latch, Rotary	
7	3290601	1	Nut M6	
8	3291005	16	Nut M10	
9	4711400	4	Washer 1/4	
10	4811700	2	Washer M6	
11	4812000	17	Washer M10	
12	1001139384	2	Hinge - 6 holes	
12	1001259230	2	Hinge - 3 holes and 3 slotted holes	
13	1001178228	1	Bracket, Engine	
14	1001202830	1	Hood Support	
15	See Note	NSS	Hood (Note: Use p/n 1001241291)	
16	0761012	4	Bolt M10 x 25	
17	1001253892	1	Support	
18	1001253896	1	Support	
19	1001253903	1	Plate	

# SECTION 2 - TURNTABLE

## FIGURE 2-32. ABS HOOD ASSEMBLY - TANK SIDE



ART\_1001170552

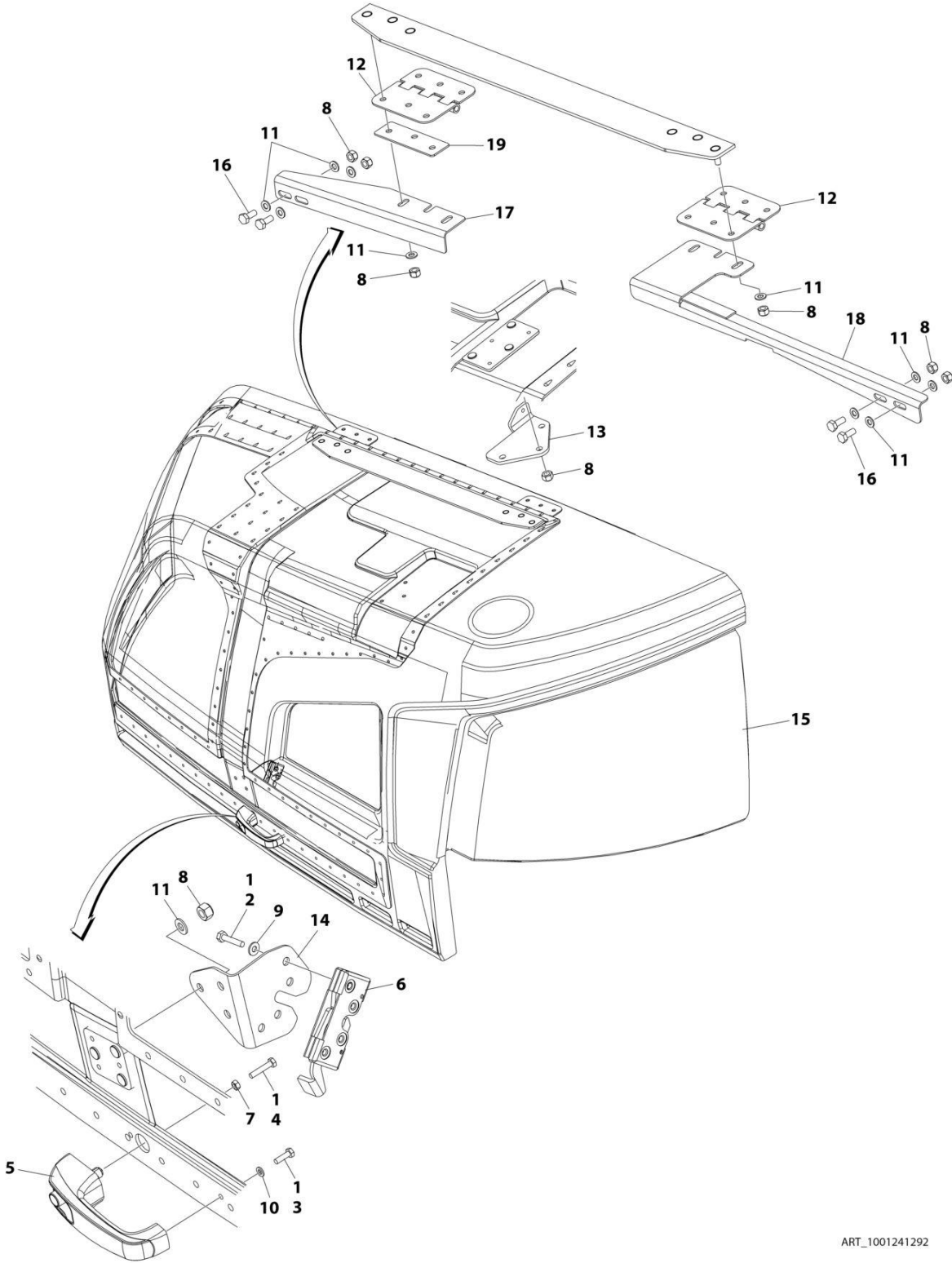
**SECTION 2 - TURNTABLE**

**FIGURE 2-32. ABS HOOD ASSEMBLY - TANK SIDE**

ITEM	PART NUMBER	QTY	DESCRIPTION	REV
	1001170552	Ref	HOOD ASSEMBLY - TANK SIDE	F
1	0100011	AR	Compound, Locking	
2	0641410	4	Bolt 1/4 x 1-1/4	
3	0760610	2	Bolt M6 x 20	
4	0760614	1	Bolt M6 x 30	
5	2560187	1	Handle, Push Button	
6	2940173	1	Latch, Rotary	
7	3290601	1	Nut M6	
8	4711400	4	Washer 1/4	
9	4811700	2	Washer M6	
10	5261018	6	Nut M10 Grade 10.9	
11	1001139384	2	Hinge	
12	See Note	NSS	Hood (Note: Use PN 1001170552)	
13	0761012	4	Bolt M10 x 25	
14	3291005	4	Nut M10	
15	4812000	8	Washer M10	
16	1001200458	AR	Plate	
17	1001201633	1	Hood Support	
18	1001201634	1	Hood Support	

# SECTION 2 - TURNTABLE

## FIGURE 2-33. ABS HOOD ASSEMBLY - TANK SIDE (CE SPEC)



ART\_1001241292



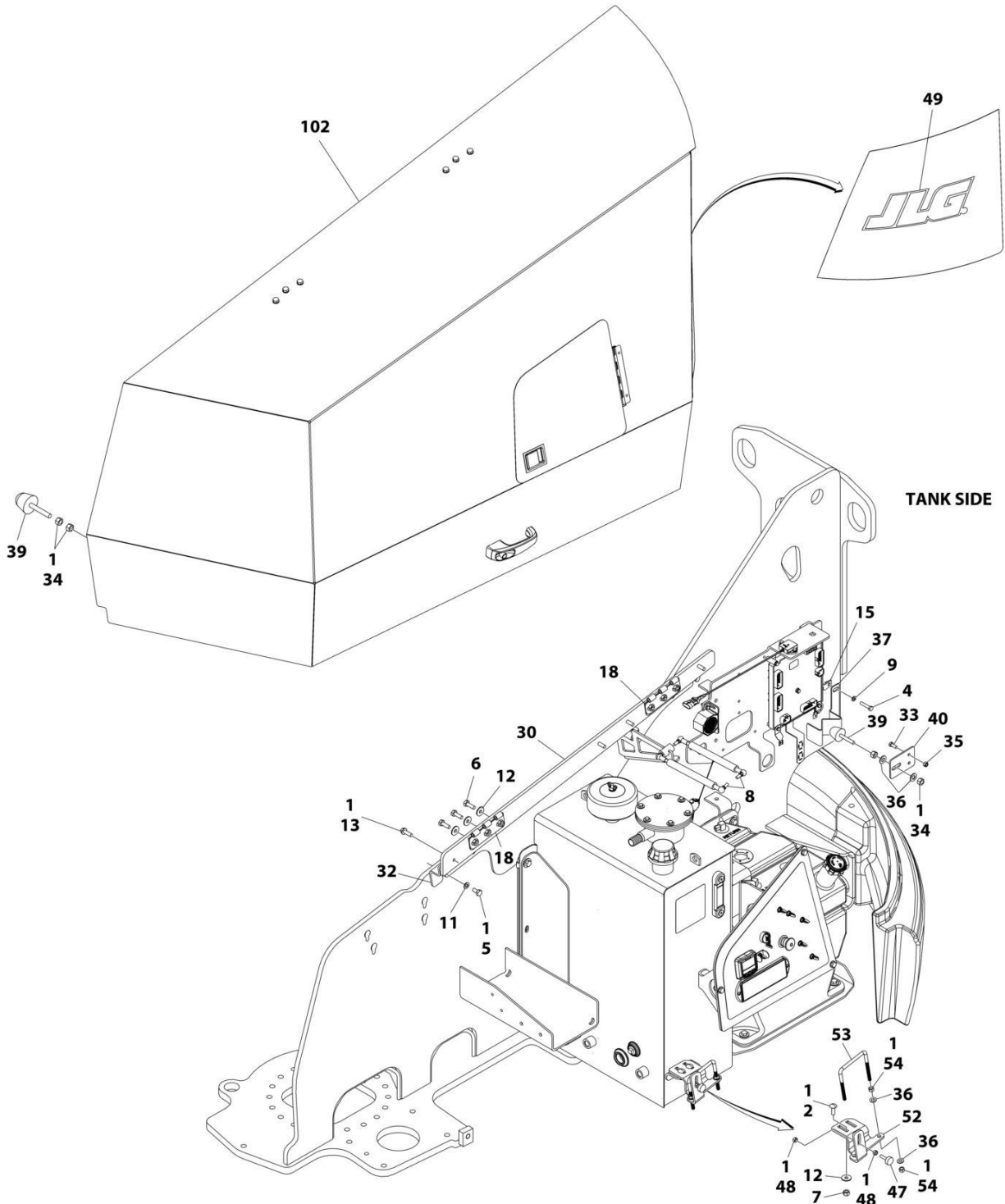
**SECTION 2 - TURNTABLE**

**FIGURE 2-33. ABS HOOD ASSEMBLY - TANK SIDE (CE SPEC)**

ITEM	PART NUMBER	QTY	DESCRIPTION	REV
	1001241292	Ref	HOOD ASSEMBLY - TANK SIDE	C
1	0100011	AR	Compound, Locking	
2	0641410	4	Bolt 1/4 x 1-1/4	
3	0760610	2	Bolt M6 x 20	
4	0760614	1	Bolt M6 x 30	
5	2560187	1	Handle, Push Button	
6	2940173	1	Latch, Rotary	
7	3290601	1	Nut M6	
8	3291005	16	Nut M10	
9	4711400	4	Washer 1/4	
10	4811700	2	Washer M6	
11	4812000	17	Washer M10	
12	1001139384	2	Hinge - 6 holes	
12	1001259230	2	Hinge - 3 holes and 3 slotted holes	
13	1001170475	1	Bracket, Engine	
14	1001202831	1	Hood Support	
15	See Note	NSS	Hood (Note: Use PN 1001241292)	
16	0761012	4	Bolt M10 x 25	
17	1001253893	1	Support	
18	1001253897	1	Support	
19	1001253903	1	Plate	

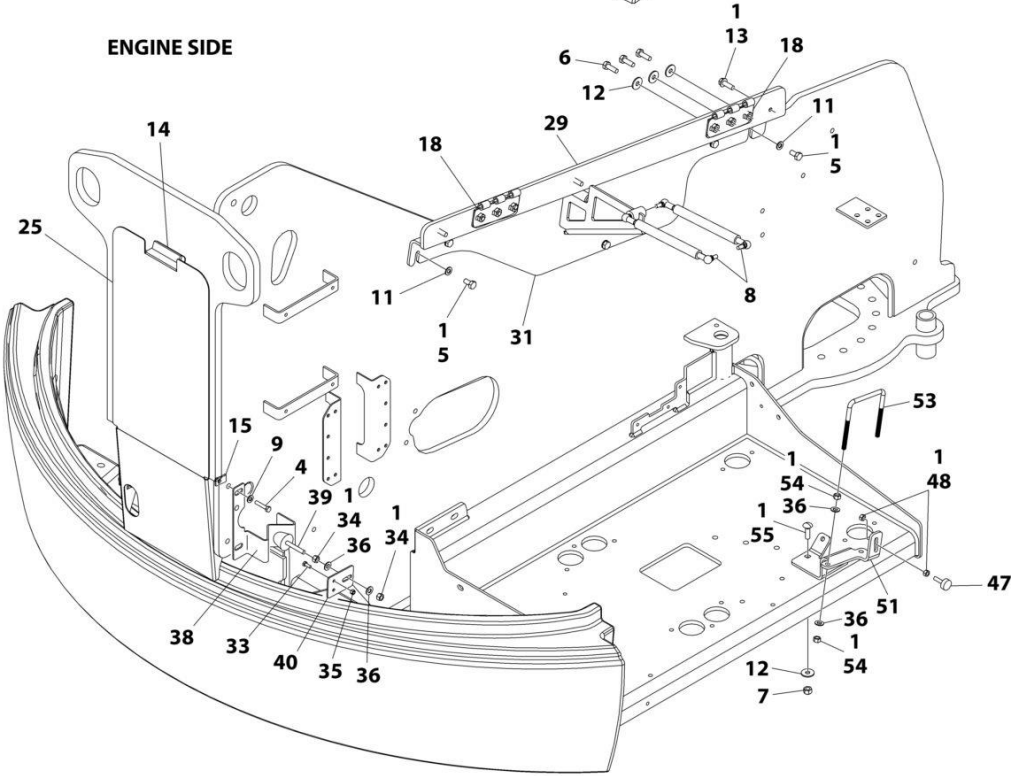
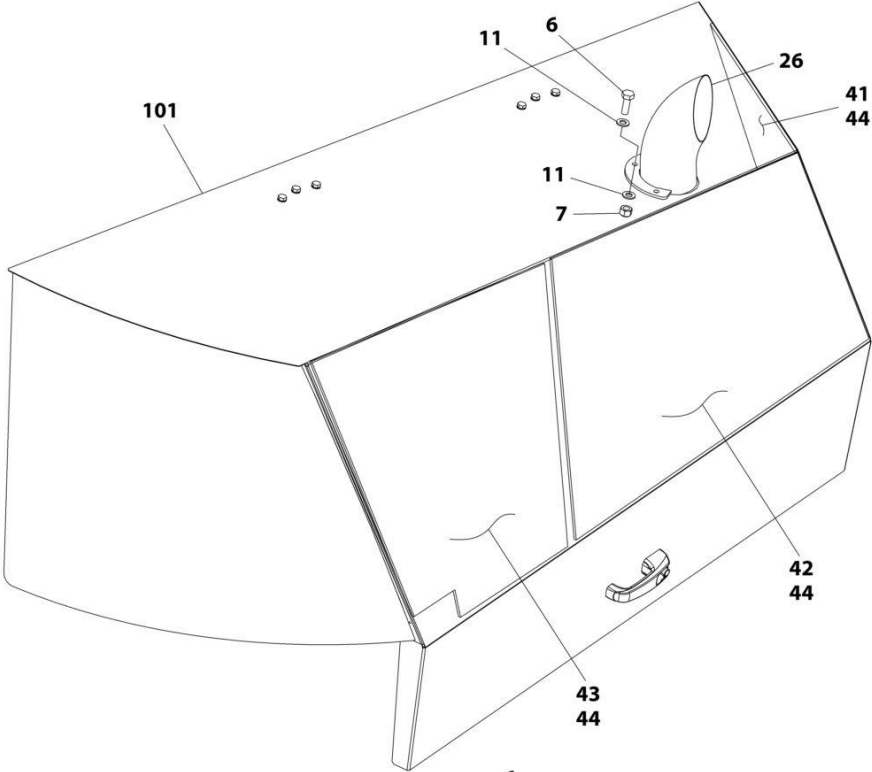
# SECTION 2 - TURNTABLE

## FIGURE 2-34. HOOD INSTALLATION - STEEL



ART\_1001206402\_1OF2

# SECTION 2 - TURNTABLE



ART\_1001206402\_20F2

## SECTION 2 - TURNTABLE

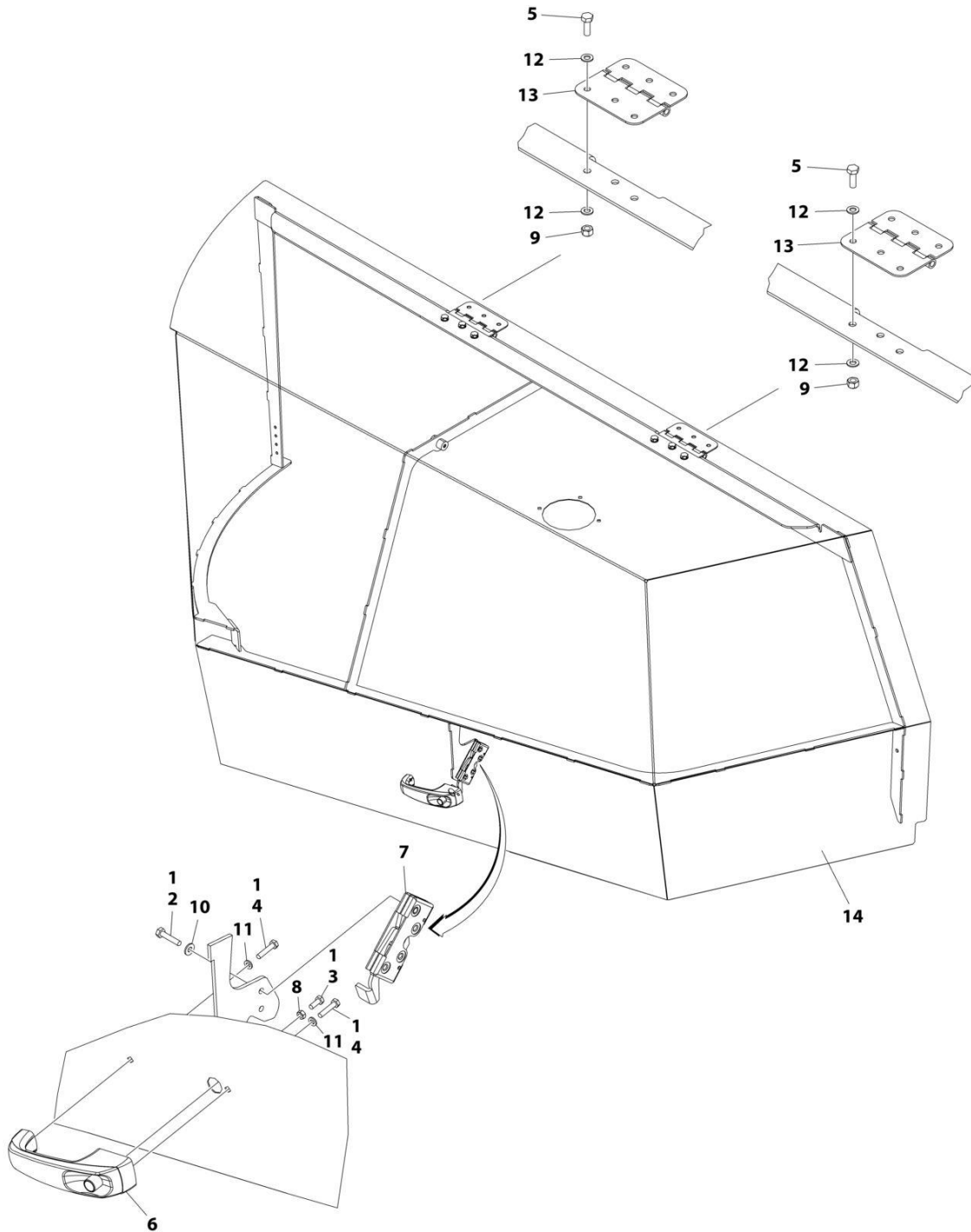
FIGURE 2-34. HOOD INSTALLATION - STEEL

ITEM	PART NUMBER	QTY	DESCRIPTION	REV
	1001206402	Ref	STEEL HOOD INSTALLATION	H
1	0100011	AR	Compound, Locking	
2	0630613	2	Bolt M10 x 30	
4	0760816	4	Bolt M8 x 40	
5	0761012	10	Bolt M10 x 25	
6	0761014	15	Bolt M10 x 30	
7	3291005	7	Nut M10	
8	1001167918	4	Spring, Gas	
9	4811900	4	Washer M8	
11	4812000	16	Washer M10	
12	4812002	16	Washer M10	
13	5251012	8	Bolt M10 x 25	
14	90200755	85 mm	Tape, Gasket	
15	1001149160	4	Nut, Tinnerman M8	
18	1001169046	4	Nut	
25	1001173354	1	Cover	
26	1001174098	1	Outlet, Exhaust	
29	1001211633	1	Plate	
30	1001211636	1	Plate	
31	1001212819	1	Mount, Hinge	
32	1001212822	1	Mount, Hinge	
33	0760608	4	Bolt M6 x 16	
34	3271601	8	Nut 3/8	
35	3290605	4	Nut M6	
36	4711600	4	Washer 3/8	
37	1001199207	1	Bracket, Bumper	
38	1001199901	1	Bracket, Bumper	
39	1001206314	4	Bumper	
40	1001219134	2	Plate, Bumper Mount	
41	1001222043	1	Insulate, Heat Shield	
42	1001222044	1	Insulate, Heat Shield	
43	1001223387	1	Insulate, Heat Shield	
44	1001117140	AR	Tape	
47	0940049	2	Stopper	
48	3311501	4	Nut	
49	1001159323	1	Decal - JLG	
50	1001113047	AR	Adhesive (Not Shown)	
51	1001250287	1	Bracket, Engine	
52	1001250289	1	Bracket, Tank	
53	1001243414	2	Bolt, U-Bolt	
54	3311601	8	Nut 3/8	
55	1001228406	2	Bolt, Carriage	
100	1001206403	1	Hood Kit (Not Shown - Includes Items 101 & 102)	
101	1001206404	1	Steel Hood Assembly - Engine Side (See Separate Breakdown in this Section)	
102	1001206418	1	Steel Hood Assembly - Tank Side (See Separate Breakdown in this Section)	



# SECTION 2 - TURNTABLE

## FIGURE 2-35. STEEL HOOD ASSEMBLY - ENGINE SIDE



ART\_1001206404

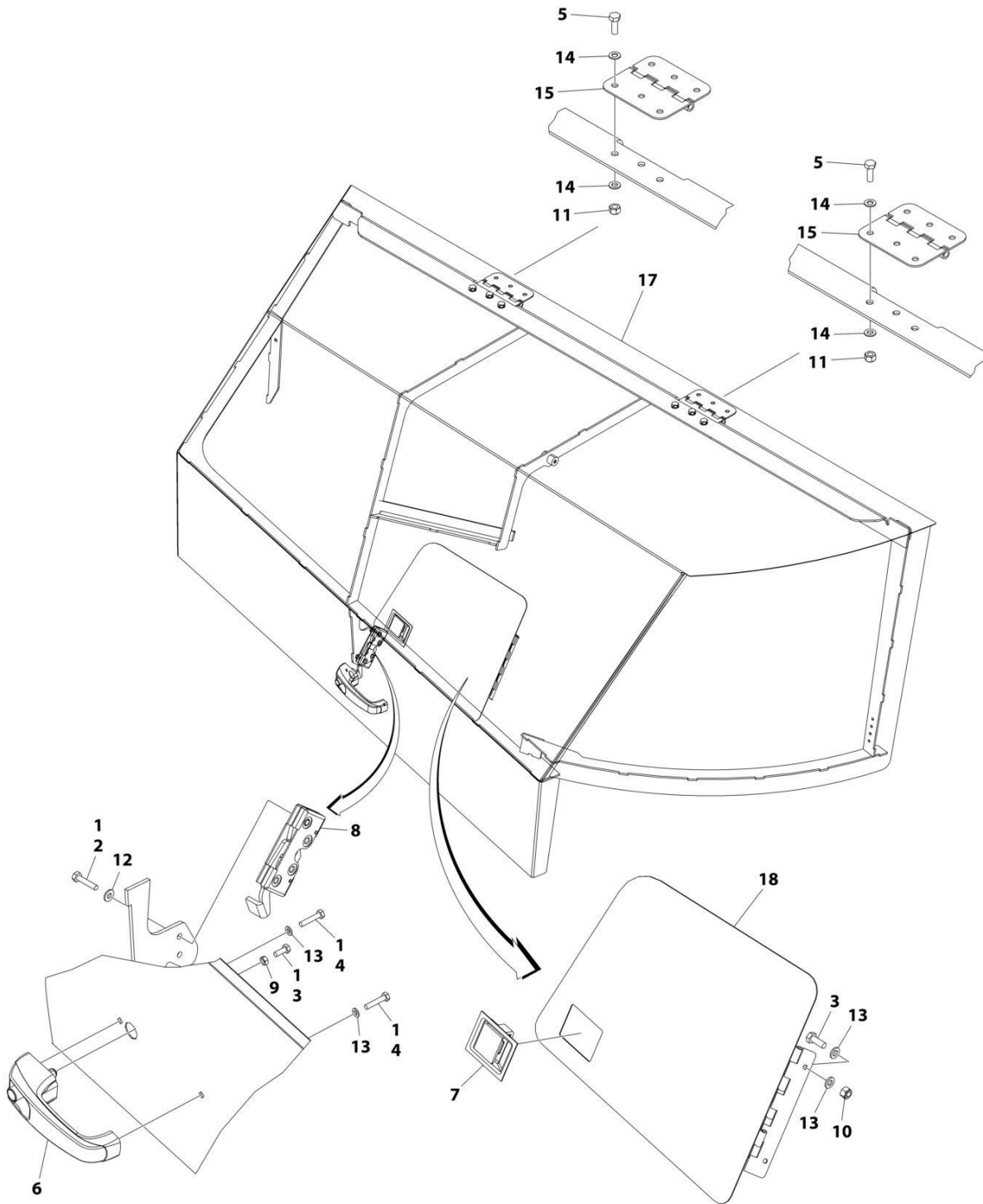
**SECTION 2 - TURNTABLE**

**FIGURE 2-35. STEEL HOOD ASSEMBLY - ENGINE SIDE**

ITEM	PART NUMBER	QTY	DESCRIPTION	REV
	1001206404	Ref	STEEL HOOD ASSEMBLY - ENGINE SIDE	E
1	0100011	AR	Compound, Locking	
2	0641410	4	Bolt 1/4 x 1-1/4	
3	0760608	1	Bolt M6 x 16	
4	0760614	2	Bolt M6 x 30	
5	0761014	6	Bolt M10 x 30	
6	2560187	1	Handle, Push Button	
7	2940173	1	Latch, Rotary	
8	3290601	1	Nut M6	
9	3291005	6	Nut M10	
10	4711400	4	Washer 1/4	
11	4811700	2	Washer M6	
12	4812000	12	Washer M10	
13	1001139384	2	Hinge	
14	1001206405	1	Hood, Engine Side	

# SECTION 2 - TURNTABLE

## FIGURE 2-36. STEEL HOOD ASSEMBLY - TANK SIDE



ART\_1001206418



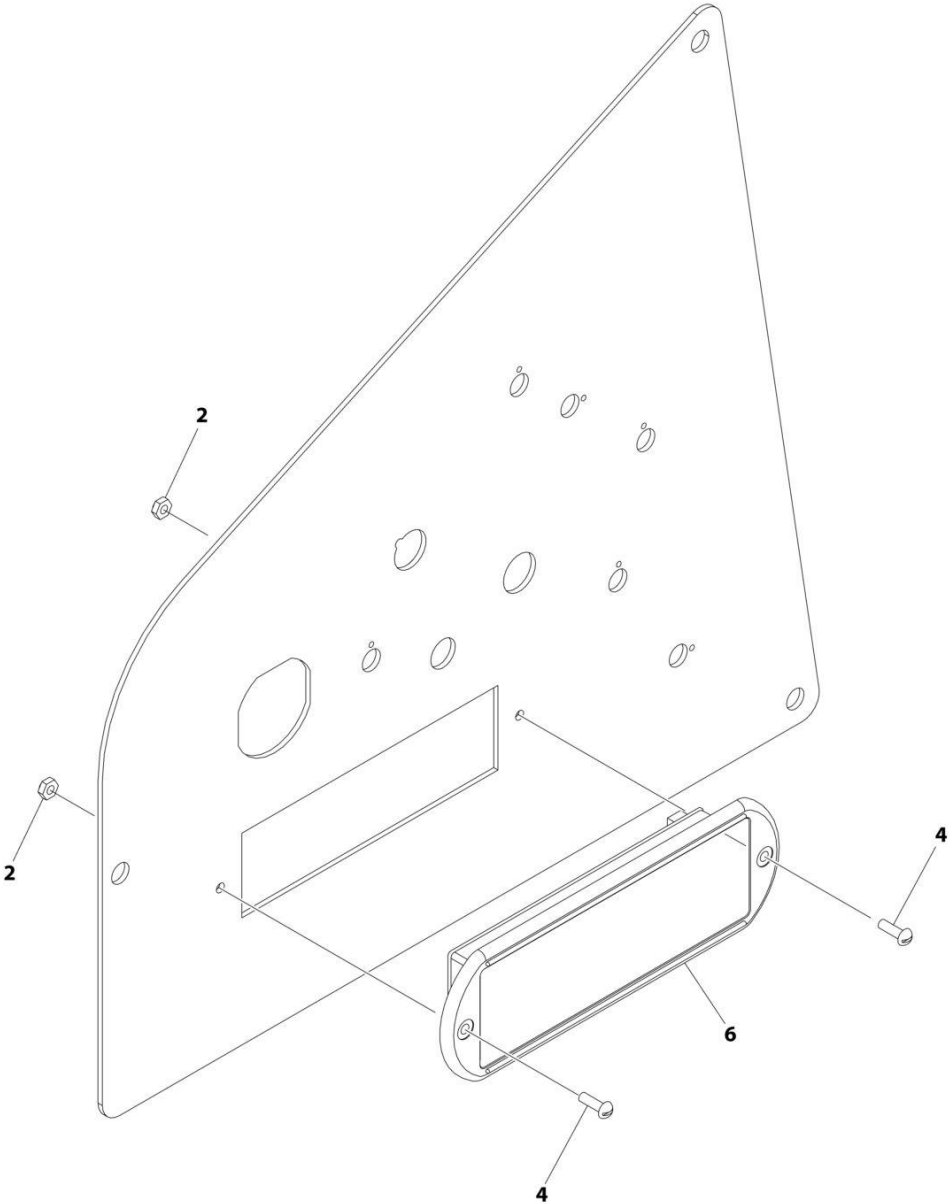
**SECTION 2 - TURNTABLE**

**FIGURE 2-36. STEEL HOOD ASSEMBLY - TANK SIDE**

ITEM	PART NUMBER	QTY	DESCRIPTION	REV
	1001206418	Ref	STEEL HOOD ASSEMBLY - TANK SIDE	F
1	0100011	AR	Compound, Locking	
2	0641410	4	Bolt 1/4 x 1-1/4	
3	0760608	3	Bolt M6 x 16	
4	0760614	2	Bolt M6 x 30	
5	0761014	6	Bolt M10 x 30	
6	2560187	1	Handle, Push Button	
7	2940045	1	Latch, Paddle	
8	2940173	1	Latch, Rotary	
9	3290601	1	Nut M6	
10	3290605	2	Nut M6	
11	3291005	6	Nut M10	
12	4711400	4	Washer 1/4	
13	4811700	6	Washer M6	
14	4812000	12	Washer M10	
15	1001139384	2	Hinge	
17	See Note	NSS	Hood - Tank Side (Note: Use PN 1001206418)	
18	1001207726	1	Door, Ground Control Panel	

**SECTION 2 - TURNTABLE**

**FIGURE 2-37. LIGHT PANEL INSTALLATION**



ART\_1001242680\_1OF2

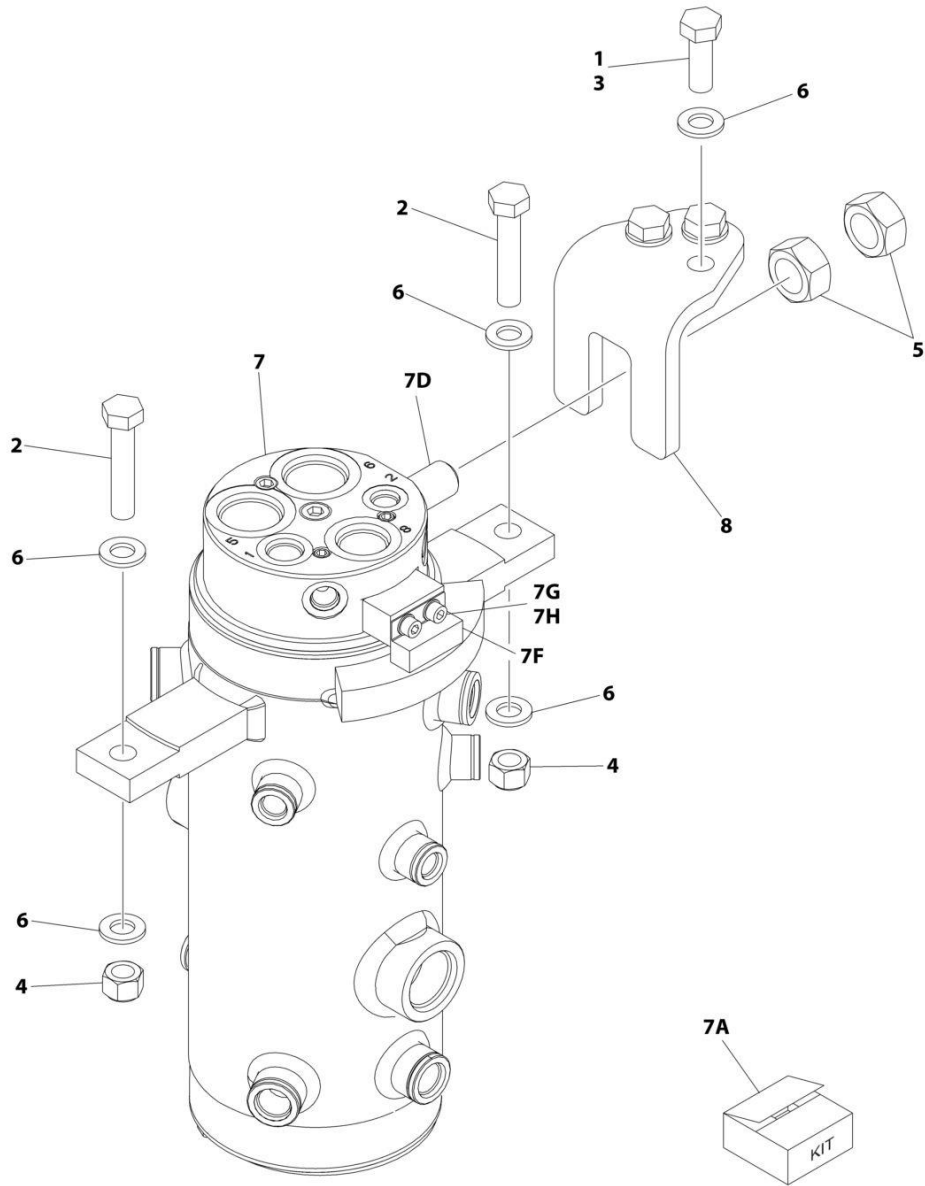
**SECTION 2 - TURNTABLE**

**FIGURE 2-37. LIGHT PANEL INSTALLATION**

<b>ITEM</b>	<b>PART NUMBER</b>	<b>QTY</b>	<b>DESCRIPTION</b>	<b>REV</b>
	1001242680	Ref	LIGHT PANEL INSTALLATION	A
2	3300408	2	Nut, Lock	
4	3911010	2	Screw #10 x 5/8	
6	1001237546	1	Light Panel Electrical Assembly	
6	1001236091	1	Overlay	
6	1001187807	1	Light Panel PCB	

# SECTION 2 - TURNTABLE

## FIGURE 2-38. ROTARY COUPLING INSTALLATION



ART\_1001168855

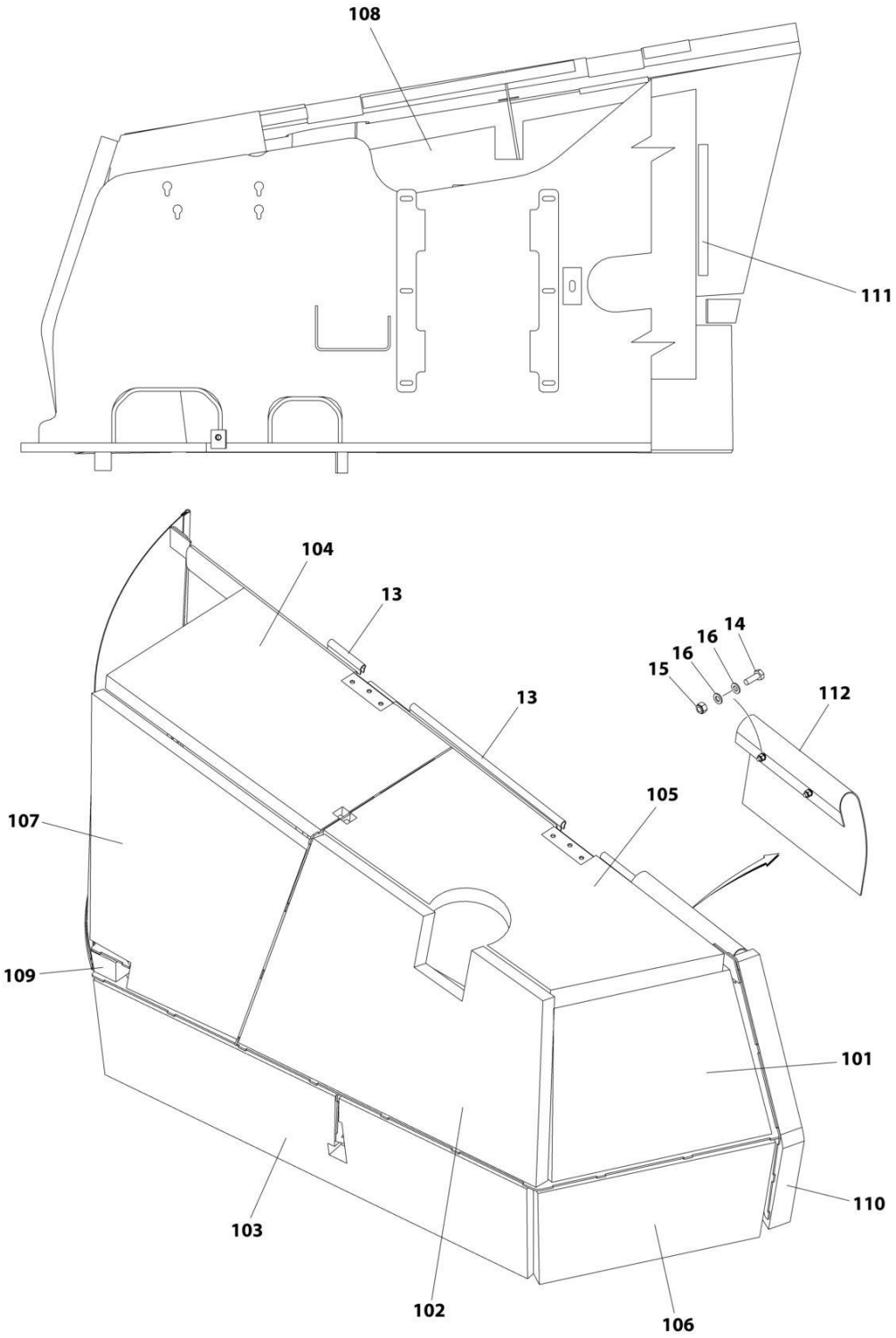
**SECTION 2 - TURNTABLE**

**FIGURE 2-38. ROTARY COUPLING INSTALLATION**

ITEM	PART NUMBER	QTY	DESCRIPTION	REV
	1001168855	Ref	ROTARY COUPLING INSTALLATION	C
1	0100011	AR	Compound, Locking	
2	0701220	2	Bolt M12 x 60	
3	0761215	3	Bolt M12 x 35	
4	3291201	2	Nut M12	
5	3292001	2	Nut M20	
6	4812100	7	Washer M12	
7	1001188334	1	Rotary Coupling Assembly	
7A	70005716	1	Seal Kit - 1001188334 Coupling	
7B	70005710	1	Spacer (Not Shown)	
7C	70005711	1	Spacer (Not Shown)	
7D	70005712	1	Threaded Spigot	
7E	70005713	1	Circlip (Not Shown)	
7F	4360517	1	Switch, Proximity	
7G	70005714	1	Bolt	
7H	70005715	1	Washer	
8	1001169185	1	Mount	
9	2220238	1	Fitting, Plug ORB (Not Shown)	

# SECTION 2 - TURNTABLE

## FIGURE 2-39. SOUND REDUCTION INSTALLATION - KUBOTA ENGINE MACHINES WITH STEEL HOODS



ART\_1001233048

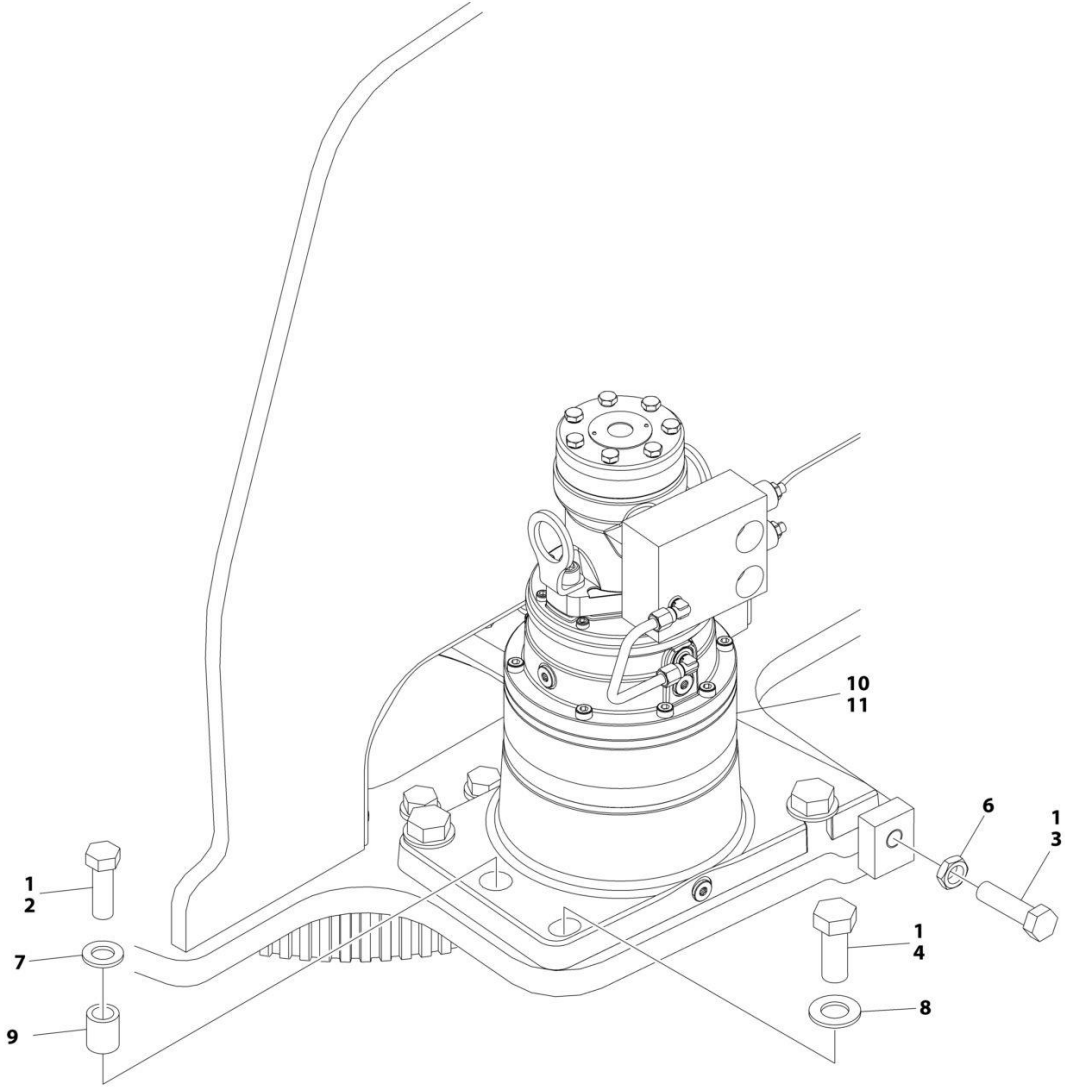
**SECTION 2 - TURNTABLE**

**FIGURE 2-39. SOUND REDUCTION INSTALLATION - KUBOTA ENGINE MACHINES WITH STEEL HOODS**

ITEM	PART NUMBER	QTY	DESCRIPTION	REV
	1001233048	Ref	SOUND REDUCTION INSTALLATION	C
13	3960389	11 ft/ 3.4m	Flex-Trim	
14	0761014	2	Bolt M10 x 30	
15	3291005	2	Nut M10	
16	4812000	4	Washer M10	
100	1001237549	Ref	Sound Insulation Kit (Includes Item 101-112)	
101	1001232907	1	Shield, Sound	
102	1001232908	1	Shield, Sound	
103	1001232913	1	Shield, Sound	
104	1001232915	1	Shield, Sound	
105	1001232916	1	Shield, Sound	
106	1001232917	1	Shield, Sound	
107	1001233075	1	Shield, Sound	
108	1001233076	1	Shield, Sound	
109	1001233077	1	Shield, Sound	
110	1001233412	1	Shield, Sound	
111	1001233413	2	Shield, Sound	
112	1001233436	1	Baffle Rubber	

**SECTION 2 - TURNTABLE**

**FIGURE 2-40. SWING DRIVE INSTALLATION**



ART\_1001228492



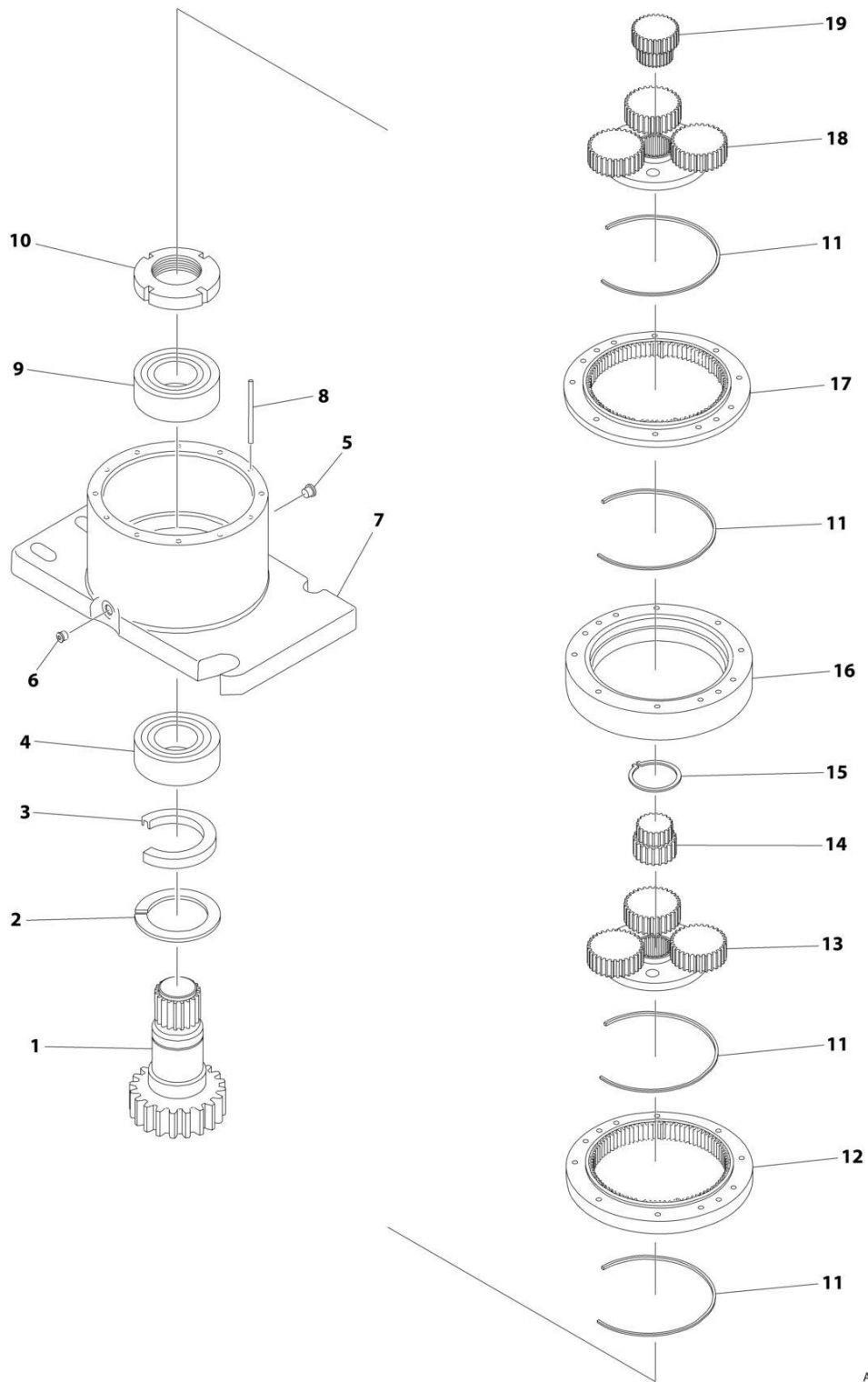
**SECTION 2 - TURNTABLE**

**FIGURE 2-40. SWING DRIVE INSTALLATION**

ITEM	PART NUMBER	QTY	DESCRIPTION	REV
	1001228492	Ref	SWING DRIVE INSTALLATION	C
1	0100019	AR	Compound, Locking	
2	0701618	1	Bolt M16 x 50	
3	0761620	1	Bolt M16 x 60	
4	0772018	4	Bolt M20 x 50 Grade 10.9	
6	3291602	1	Nut M16	
7	5241600	1	Washer M16	
8	5242000	4	Washer M20	
9	1001134543	1	Sleeve, Spacer	
10	4071009	1	Shim	
11	1001228487	1	Swing Hub/Motor Assembly (See Separate Breakdown in this Section)	

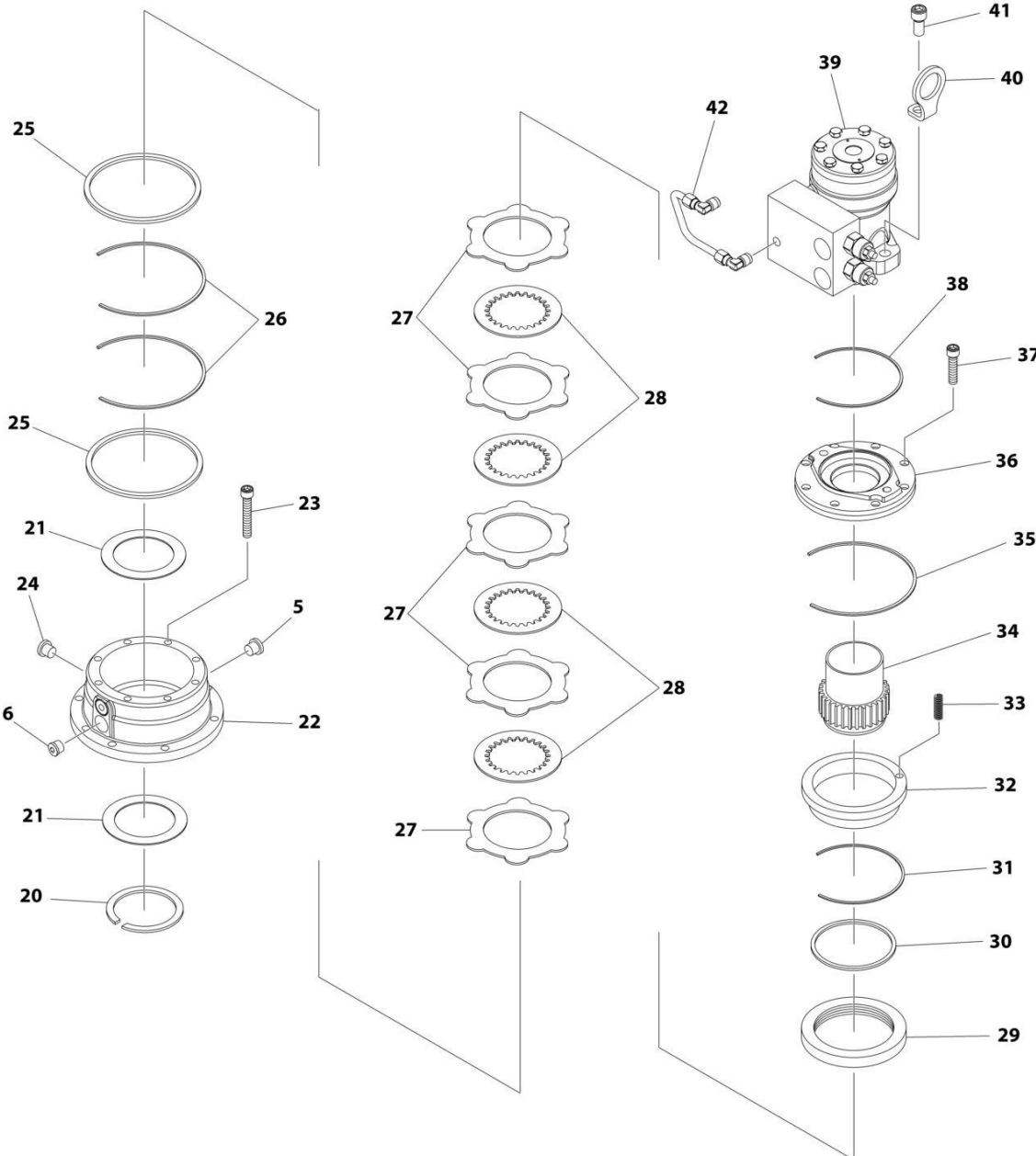
# SECTION 2 - TURNTABLE

## FIGURE 2-41. SWING HUB/MOTOR ASSEMBLY



ART\_1001228487\_10F2

**SECTION 2 - TURNTABLE**



ART\_1001228487\_2OF2

## SECTION 2 - TURNTABLE

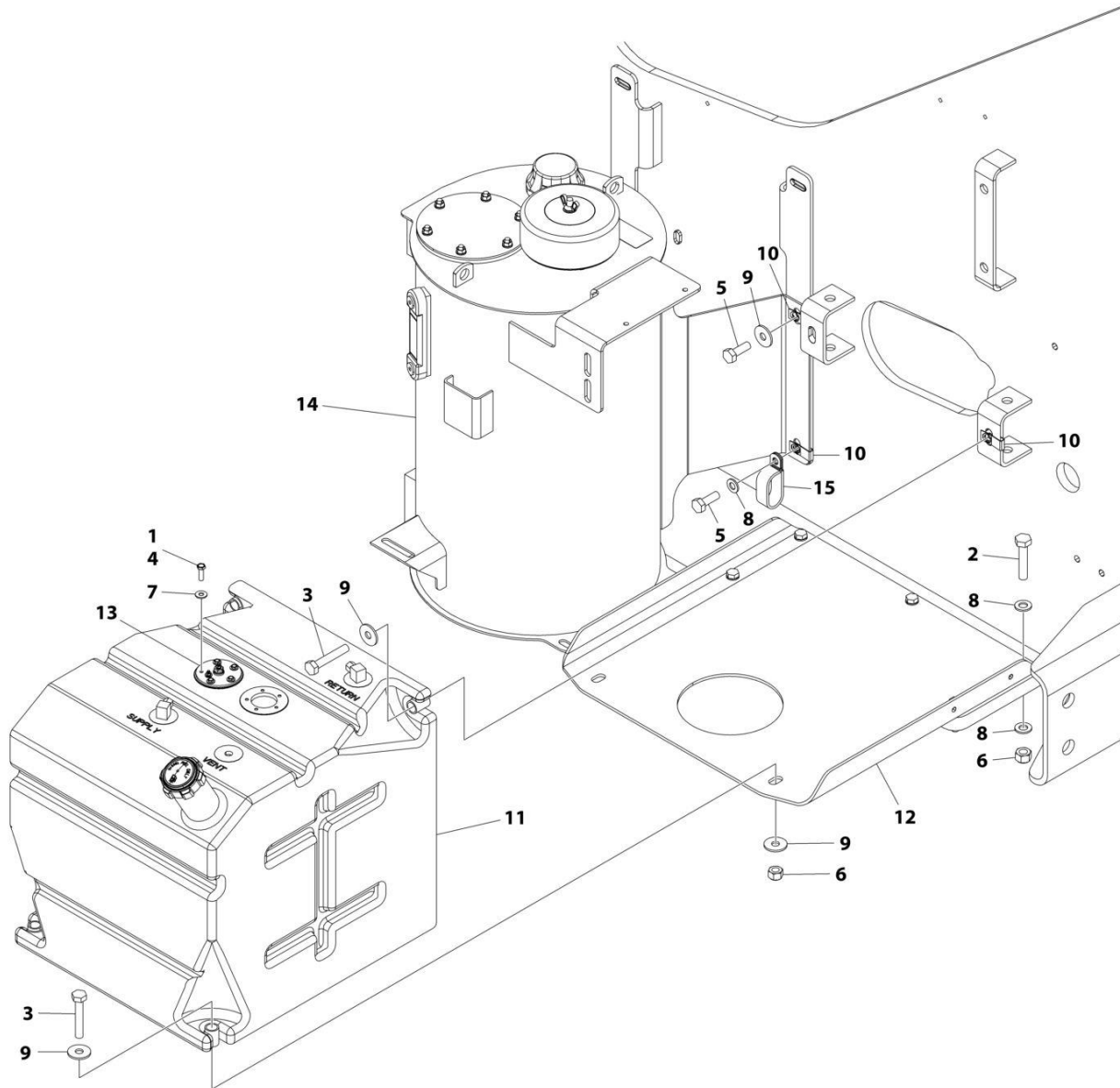
FIGURE 2-41. SWING HUB/MOTOR ASSEMBLY

ITEM	PART NUMBER	QTY	DESCRIPTION	REV
	1001228487	Ref	SWING HUB/MOTOR ASSEMBLY	C
1	70007022	1	Output Shaft	
2	70007023	1	Ring	
3		Ref	Oil Seal	
4	70007024	1	Tapered Roller Bearing	
5	70004469	2	Magnetic Plug with O-Ring	
6	70002057	4	Plug with O-Ring	
7	NSS	1	Output Support	
8	70007025	2	Spring Pin	
9	70007026	1	Tapered Roller Bearing	
10	70007027	1	Ring Nut	
11		Ref	O-Ring	
12	70006990	1	Planetary Ring	
13	70007028	1	Complete Reduction	
14	70007029	1	Pinion	
15	70007030	1	Seeger	
16	70006994	1	Spacer	
17	70004481	1	Planetary Ring	
18	70004482	1	Complete Reduction	
19	70007031	1	Pinion	
20	70006997	1	Ring	
21	70006998	2	Washer	
22	NSS	1	Brake Housing	
23	70007032	8	Screw	
24	70006999	1	Level Oil Plug	
25		Ref	Parbak	
26		Ref	O-Ring	
27		Ref	Iron Disc	
28		Ref	Sintered Disc	
29	70005317	1	Brake Spacer	
30		Ref	Parbak	
31		Ref	O-Ring	
32	70005318	1	Brake Piston	
33		Ref	Brake Spring	
34	70007001	1	Input Shaft	
35		Ref	O-Ring	
36	70007002	1	Cover	
37	70007003	8	Screw	
38		Ref	O-Ring	
39		Ref	Motor with Valve	
40	NSS	2	Vertical Lift Support	
41	70004494	2	Screw	
42	70007004	1	Brake/Valve Adapter	
43	70007046	1	Seal Kit	
44	70007006	1	Kit, Brake Repair	



# SECTION 2 - TURNTABLE

## FIGURE 2-42. TANKS INSTALLATION - DIESEL MACHINES



ART\_1001207349

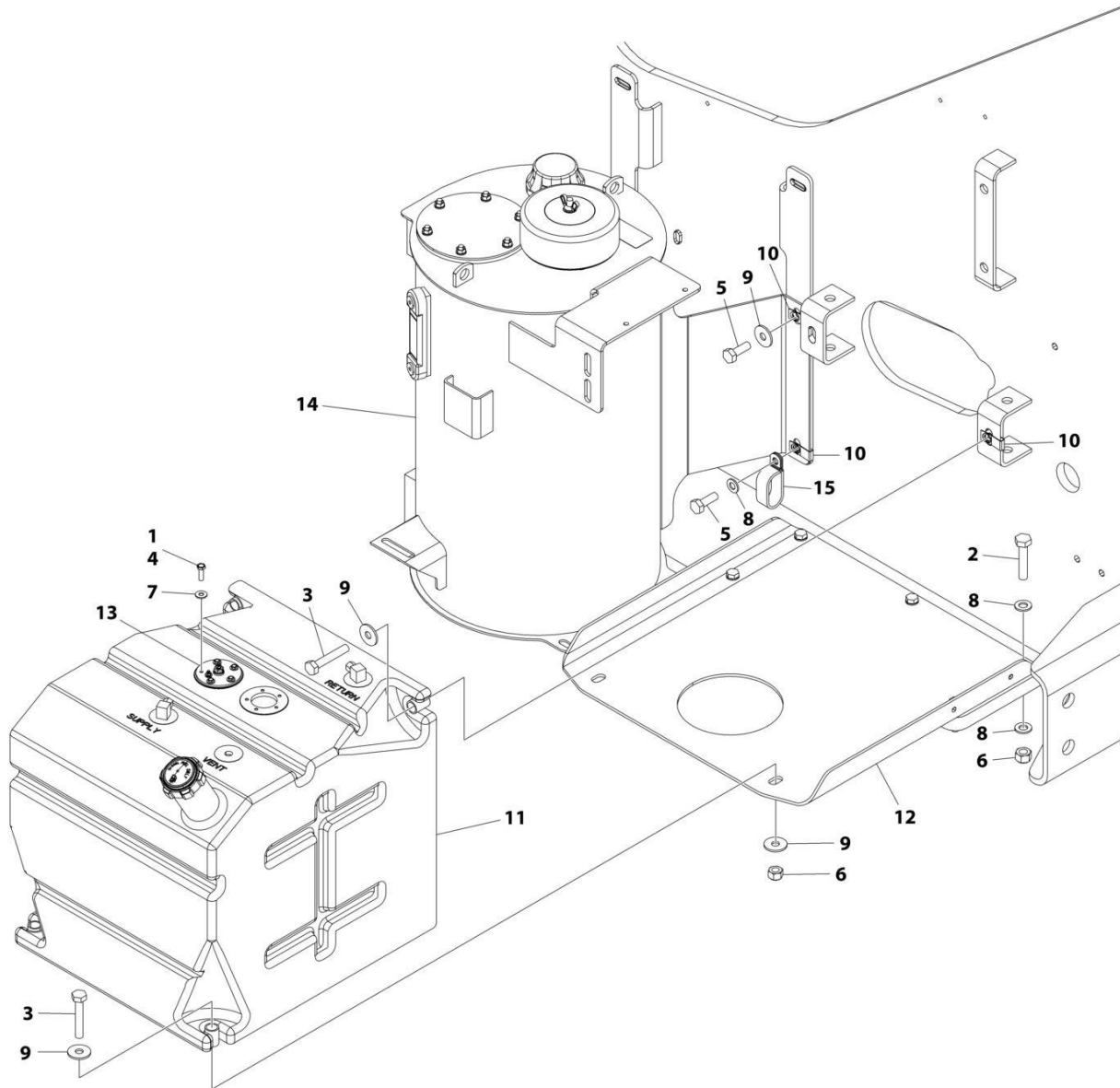
## SECTION 2 - TURNTABLE

**FIGURE 2-42. TANKS INSTALLATION - DIESEL MACHINES**

ITEM	PART NUMBER	QTY	DESCRIPTION	REV
	1001207349	Ref	TANKS INSTALLATION - DIESEL MACHINES	D
1	0100035	AR	Compound, Locking	
2	0701018	5	Bolt M10 x 50	
3	0701020	4	Bolt M10 x 60	
4	0731005	5	Screw #10 x .625	
5	0761014	4	Bolt M10 x 30	
6	3291005	7	Nut M10	
7	4751000	5	Washer #10	
8	4812000	12	Washer M10	
9	4812002	8	Washer M10	
10	1001118972	6	Nut M10	
11	1001163418	1	Tank, Fuel	
11	1001193336	1	Cap, Fill with Chain and Stop Spring	
11	70004794	1	Tube, Pick-up	
12	1001166710	1	Plate	
13	1001231195	1	Sensor, Fuel Level	
14	1001206917	1	Tank, Hydraulic (See Separate Breakdown in this Section)	
15	1321716	2	Clamp	

# SECTION 2 - TURNTABLE

## FIGURE 2-43. TANKS INSTALLATION - GAS MACHINES



ART\_1001207350



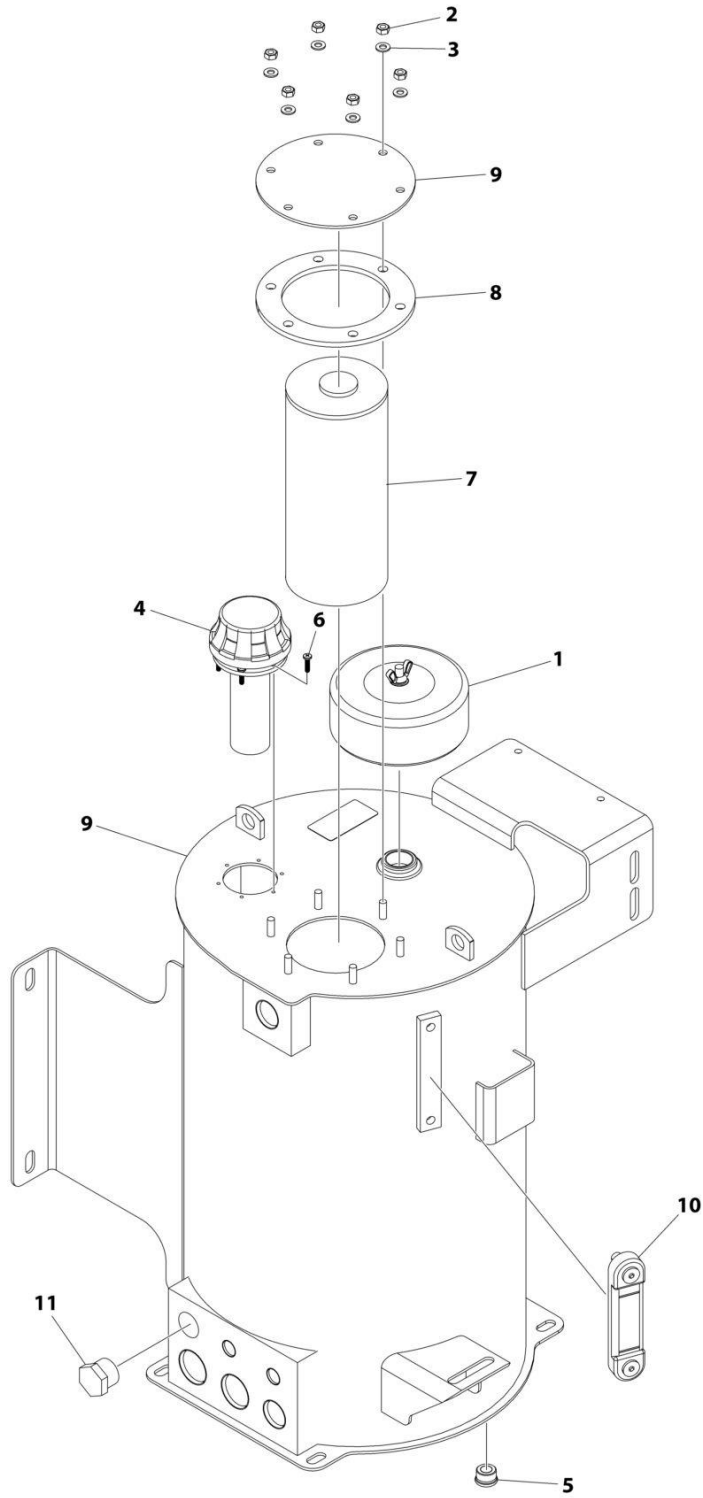
**SECTION 2 - TURNTABLE**

**FIGURE 2-43. TANKS INSTALLATION - GAS MACHINES**

ITEM	PART NUMBER	QTY	DESCRIPTION	REV
	1001207350	Ref	TANKS INSTALLATION - GAS MACHINES	E
1	0100035	AR	Compound, Locking	
2	0701018	5	Bolt M10 x 50	
3	0701020	4	Bolt M10 x 60	
4	0731005	5	Screw #10 x 5/8	
5	0761014	4	Bolt M10 x 30	
6	3291005	7	Nut M10	
7	4751000	5	Washer #10	
8	4812000	12	Washer M10	
9	4812002	8	Washer M10	
10	1001118972	6	Nut M10	
11	1001163671	1	Tank, Fuel	
11	1001211336	1	Cap, Fill with Lanyard and Stop	
11	70004794	2	Tube, Pick up	
12	1001166710	1	Plate	
13	1001231195	1	Sensor, Fuel Level	
14	1001206917	1	Tank, Hydraulic (See Separate Breakdown in this Section)	
15	1321716	2	Clamp	

# SECTION 2 - TURNTABLE

## FIGURE 2-44. HYDRAULIC TANK ASSEMBLY



ART\_1001206917

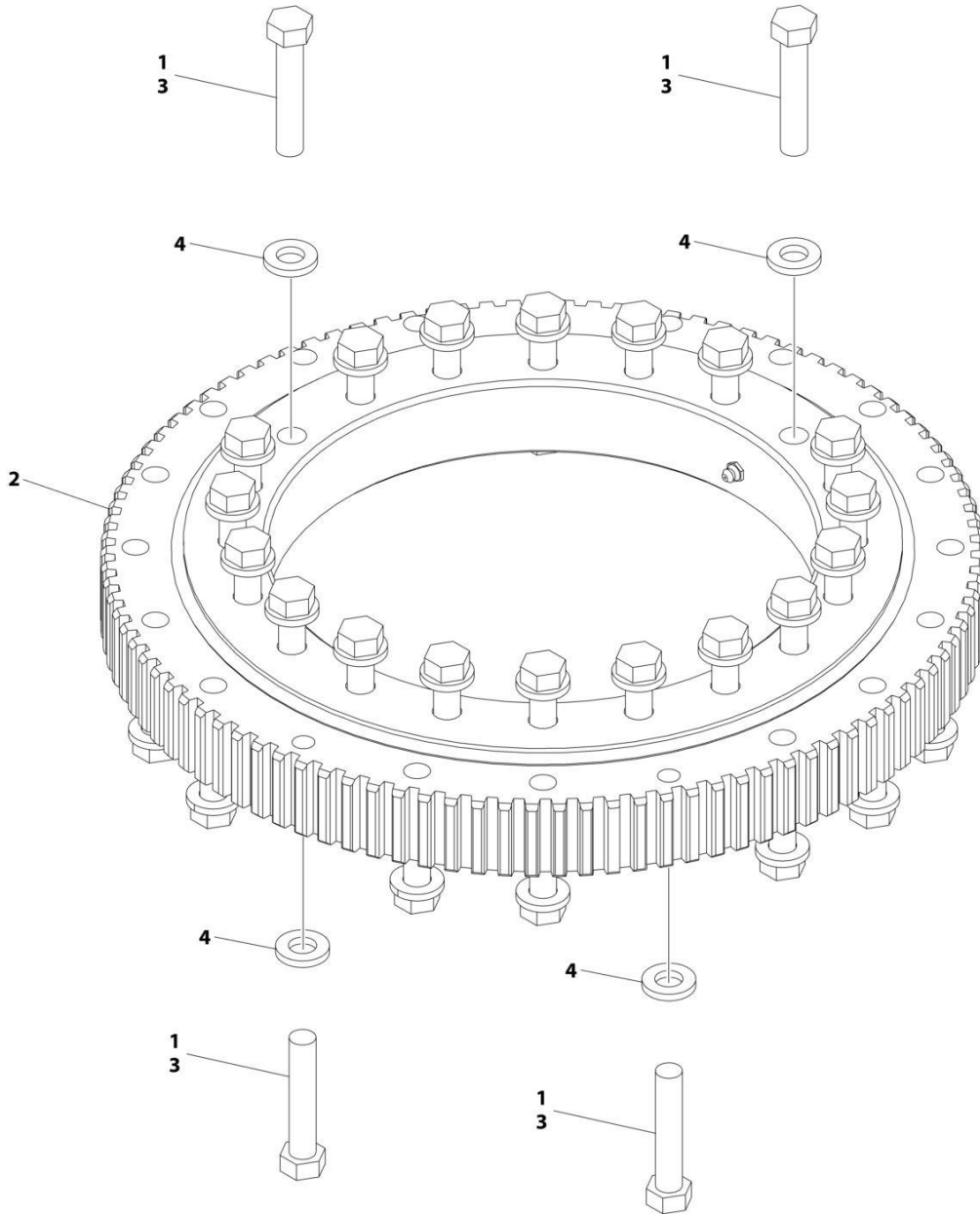
**SECTION 2 - TURNTABLE**

**FIGURE 2-44. HYDRAULIC TANK ASSEMBLY**

<b>ITEM</b>	<b>PART NUMBER</b>	<b>QTY</b>	<b>DESCRIPTION</b>	<b>REV</b>
	1001206917	Ref	HYDRAULIC TANK ASSEMBLY	A
1	See Note	NSS	Breather Assembly (Note: Use p/n 70003614)	
2	3311501	6	Nut 5/16	
3	4751400	6	Washer 1/4	
4	70002838	1	Cap, Fill	
5	70002112	1	Plug	
6	See Note	NSS	Screw #10 x 3/4 (Note: Not Available for purchase)	
7	See Note	NSS	Element, Filter (Note: Use p/n 70003614)	
8	1001199177	1	Gasket	
9	See Note	NSS	Reservoir (Note: Not Available for purchase)	
10	7024441	1	Gauge, Level	
11	2220887	1	Plug	

# SECTION 2 - TURNTABLE

## FIGURE 2-45. TURNTABLE BEARING INSTALLATION



ART\_1001168992

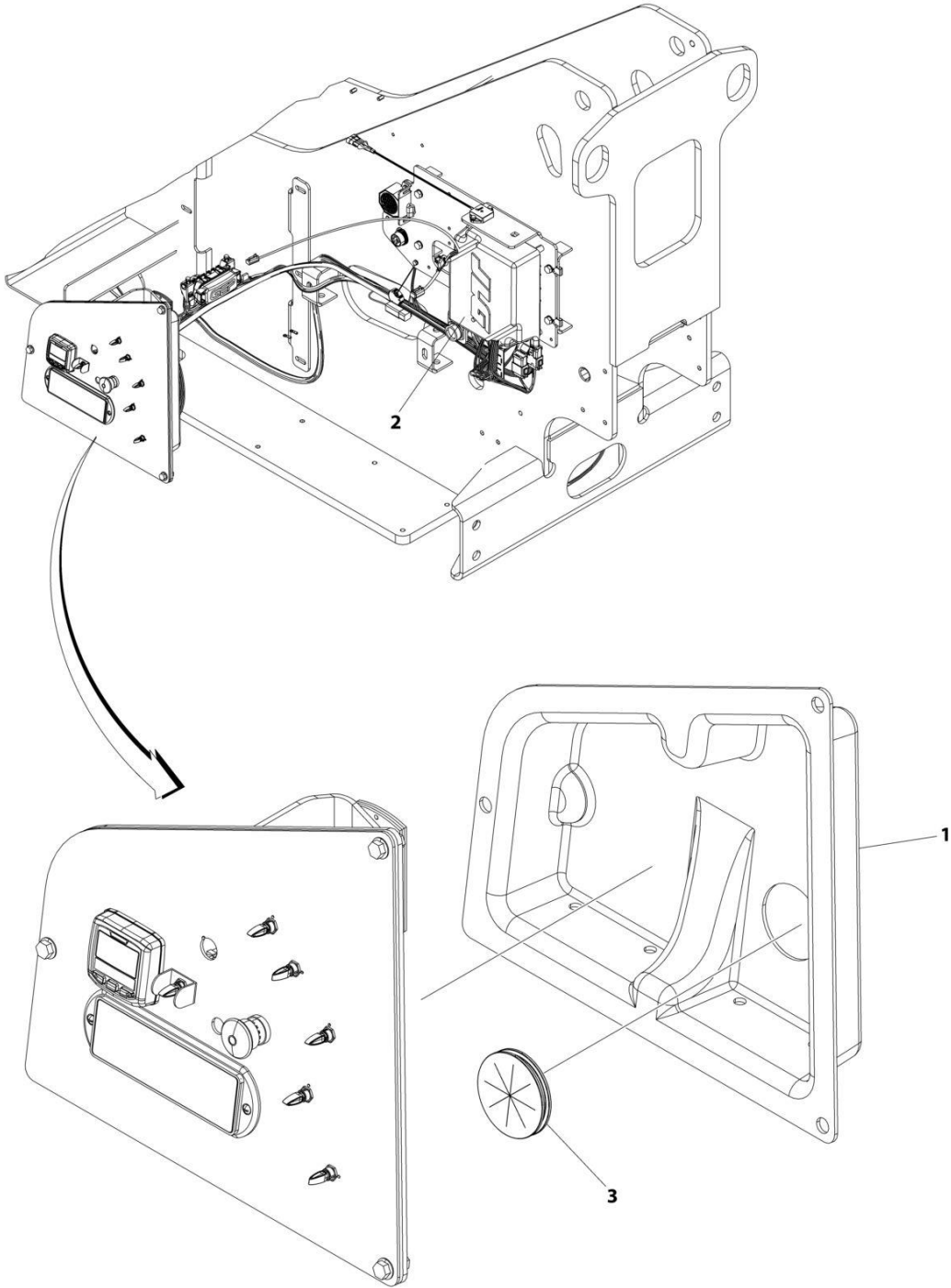
**SECTION 2 - TURNTABLE**

**FIGURE 2-45. TURNTABLE BEARING INSTALLATION**

<b>ITEM</b>	<b>PART NUMBER</b>	<b>QTY</b>	<b>DESCRIPTION</b>	<b>REV</b>
	1001168992	Ref	TURNTABLE BEARING INSTALLATION	A
1	0100019	AR	Compound, Locking	
2	0440240	1	Bearing, Turntable	
3	0682026	40	Bolt 5/8 x 3-1/4 Grade 8	
4	4892000	40	Washer 5/8	

# SECTION 2 - TURNTABLE

## FIGURE 2-46. TURNTABLE COVERS INSTALLATION



ART\_1001219130

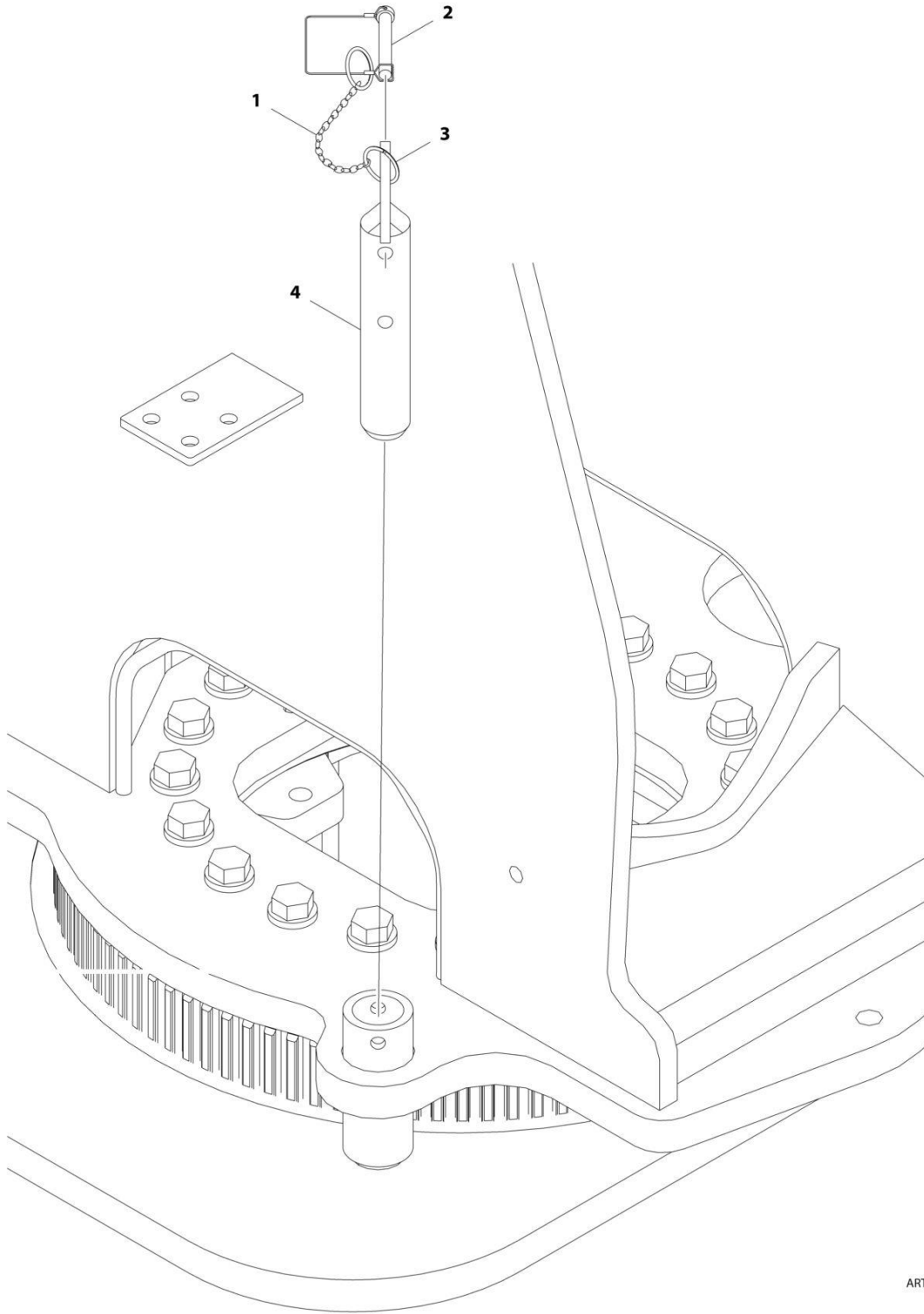
**SECTION 2 - TURNTABLE**

**FIGURE 2-46. TURNTABLE COVERS INSTALLATION**

<b>ITEM</b>	<b>PART NUMBER</b>	<b>QTY</b>	<b>DESCRIPTION</b>	<b>REV</b>
	1001219130	Ref	TURNTABLE COVERS INSTALLATION	C
1	1001246087	1	Cover, Control Panel	
2	1001218538	1	Cover, Controller	
3	1001218676	1	Grommet	

# SECTION 2 - TURNTABLE

## FIGURE 2-47. TURNTABLE LOCK INSTALLATION



ART\_1001169496



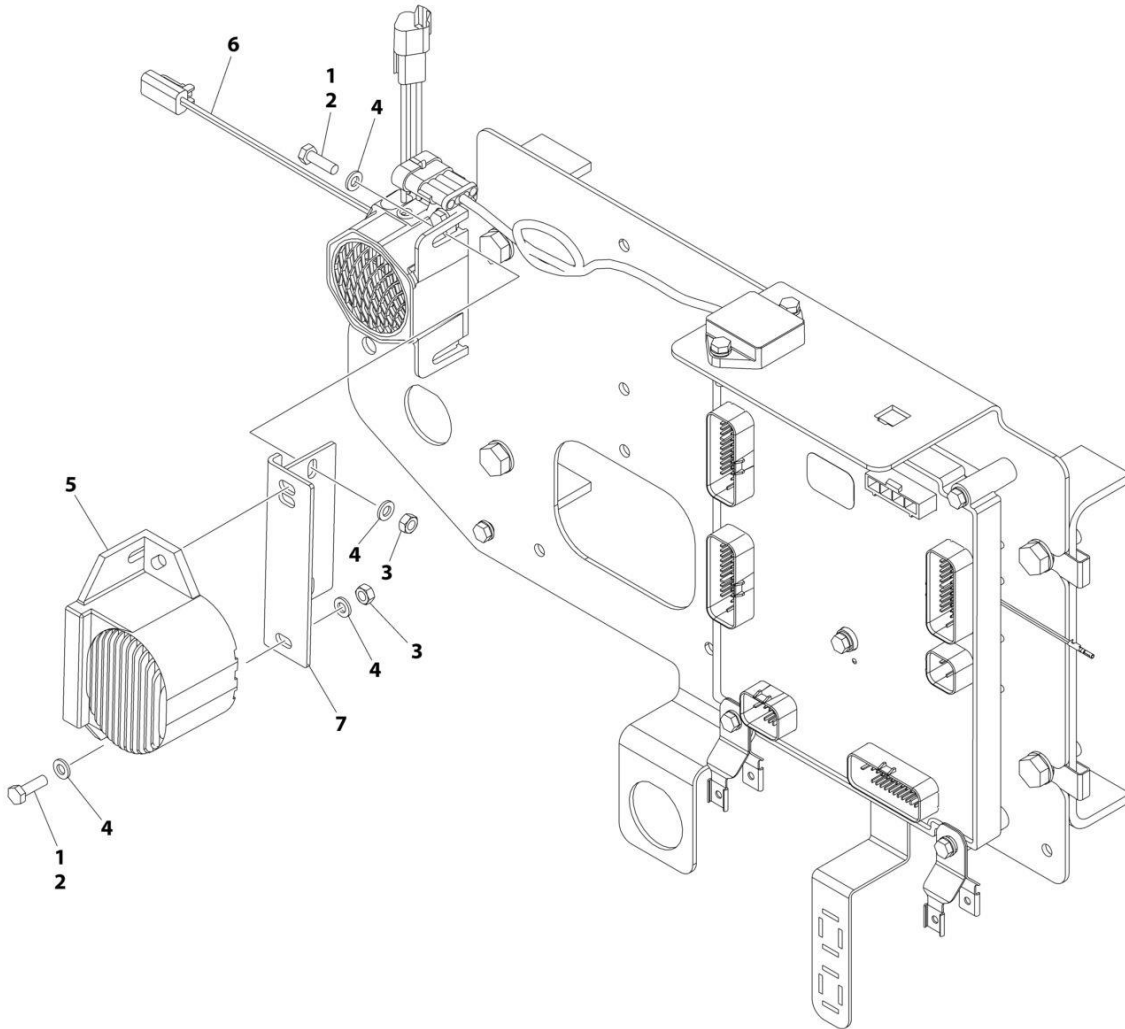
**SECTION 2 - TURNTABLE**

**FIGURE 2-47. TURNTABLE LOCK INSTALLATION**

<b>ITEM</b>	<b>PART NUMBER</b>	<b>QTY</b>	<b>DESCRIPTION</b>	<b>REV</b>
	1001169496	Ref	TURNTABLE LOCK INSTALLATION	B
1	1260017	1	Chain	
2	3421565	1	Pin, Snap	
3	3760170	2	Ring, Split	
4	1001169582	1	Pin	

# SECTION 2 - TURNTABLE

## FIGURE 2-48. WHITE NOISE ALARM INSTALLATION



ART\_1001209618

**SECTION 2 - TURNTABLE**

**FIGURE 2-48. WHITE NOISE ALARM INSTALLATION**

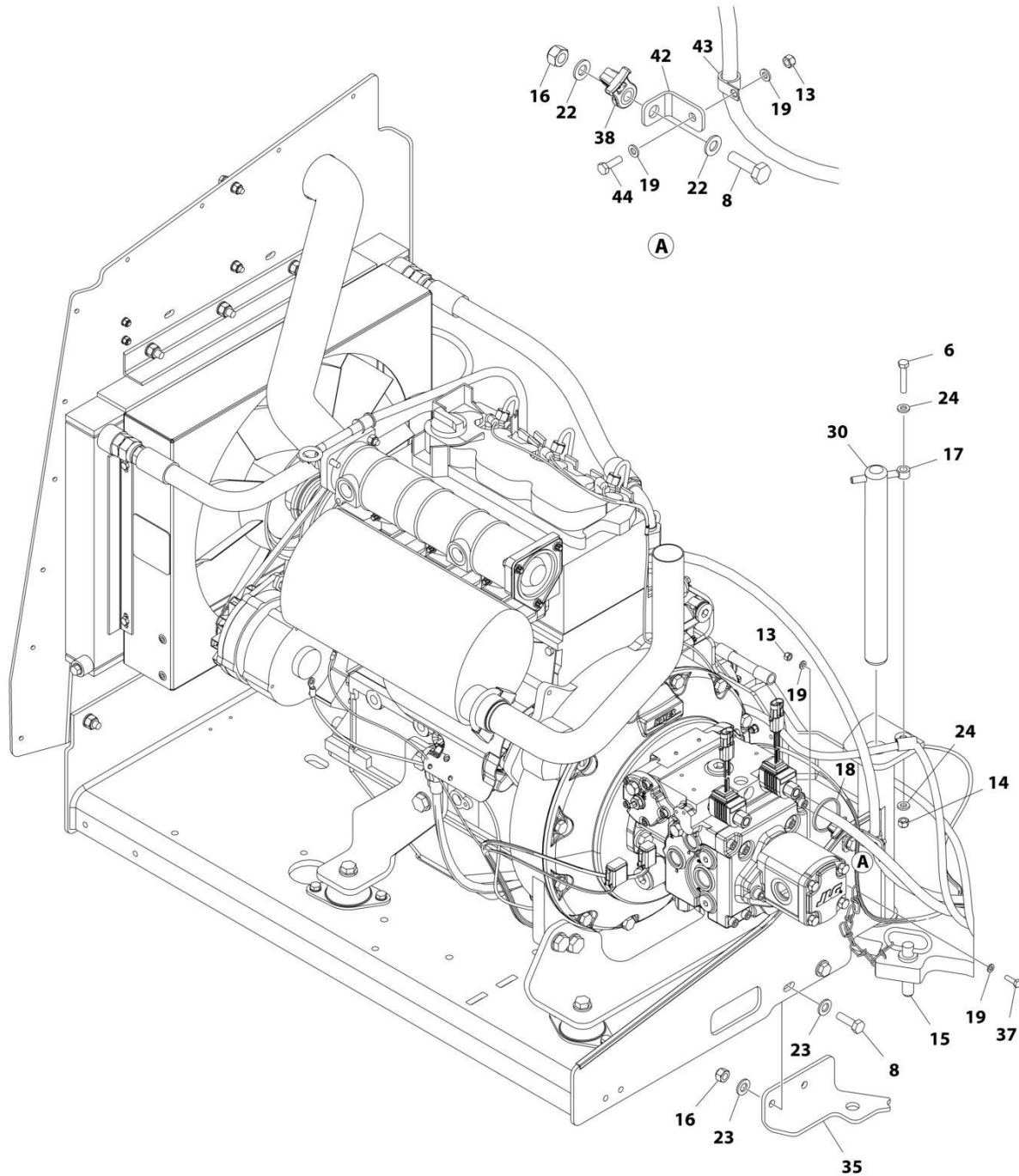
<b>ITEM</b>	<b>PART NUMBER</b>	<b>QTY</b>	<b>DESCRIPTION</b>	<b>REV</b>
	1001209618	Ref	WHITE NOISE ALARM INSTALLATION	C
1	0100011	AR	Compound, Locking	
2	0760610	4	Bolt M6 x 20	
3	3290601	4	Nut M6	
4	4811700	8	Washer M6	
5	1001182806	1	Alarm	
6	1001190663	1	Harness, Jumper	
6	4460891	1	Connector - 2 Position	
6	4460465	2	Socket, Female	
6	4460871	2	Socket, Female	
7	1001231886	1	Plate	



**SECTION 3 - ENGINE**

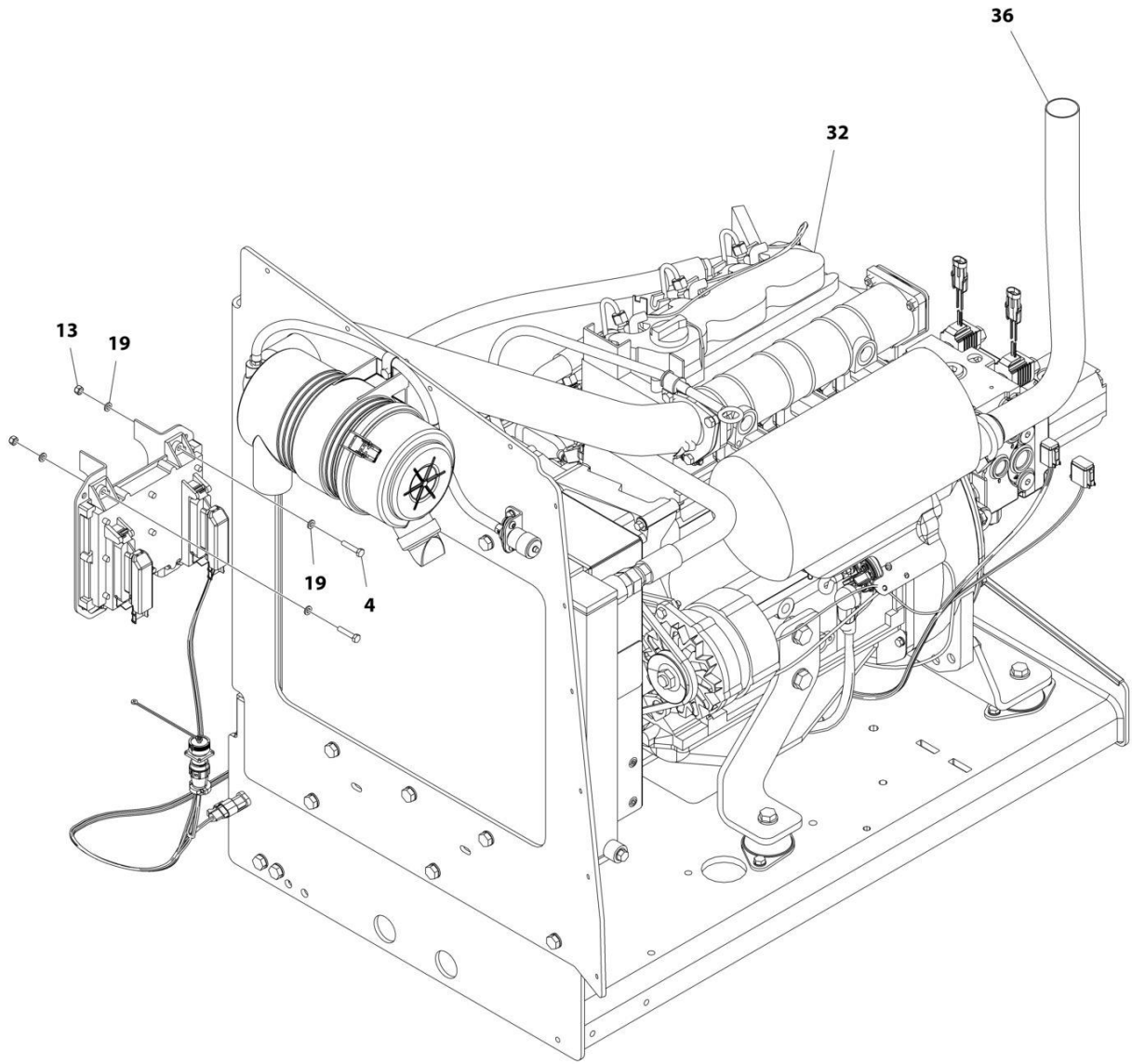
# SECTION 3 - ENGINE

FIGURE 3-1. ENGINE INSTALLATION - DEUTZ D2011 ENGINE (WITHOUT ARCTIC PACKAGE) (ANSI EXPORT(LRC), AUSTRALIAN, CE(LRC) AND CHINA SPECS)



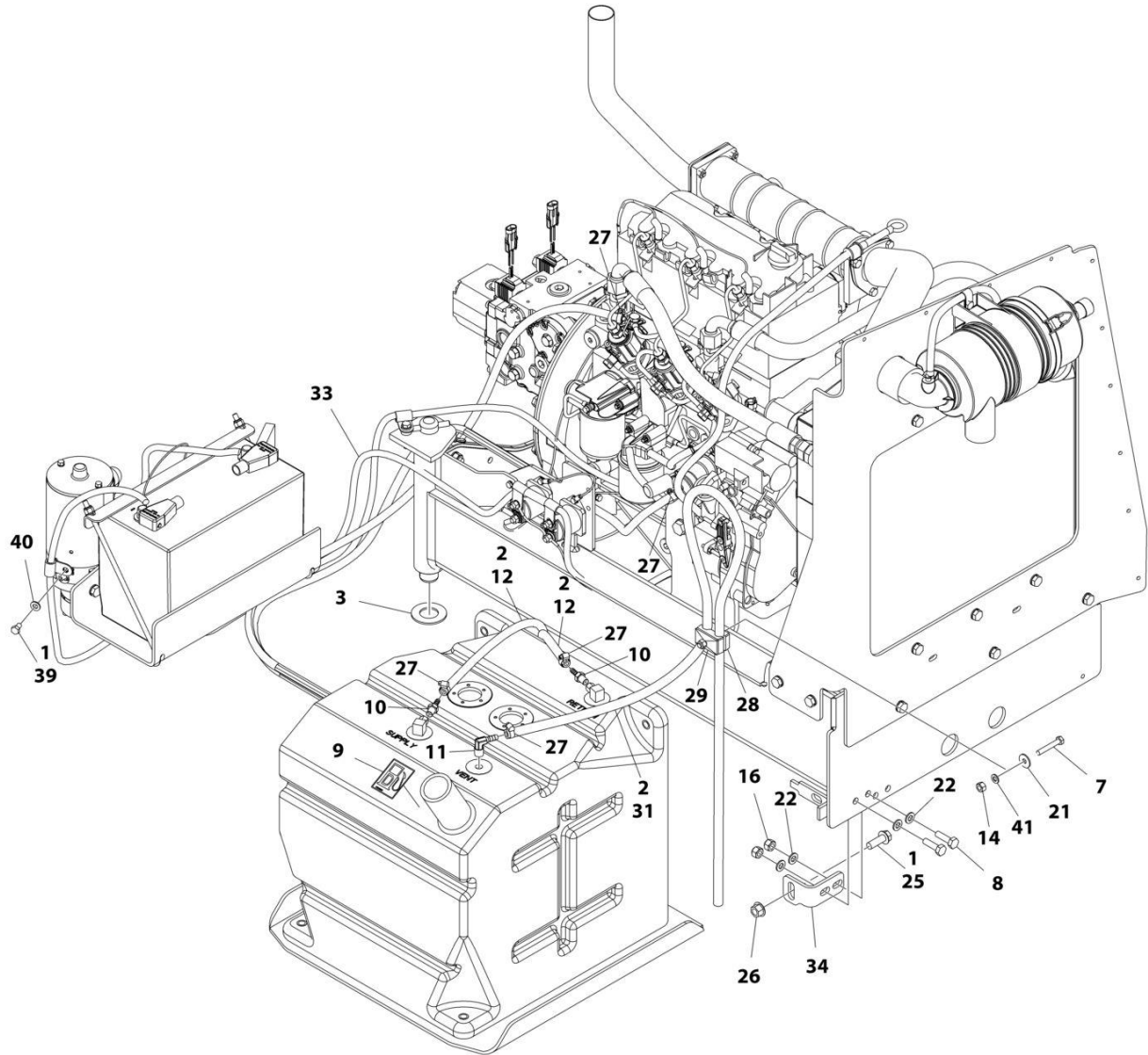
ART\_1001166022\_10F3

# SECTION 3 - ENGINE



ART\_1001166022\_2OF3

# SECTION 3 - ENGINE



ART\_1001166022\_30F3



## SECTION 3 - ENGINE

**FIGURE 3-1. ENGINE INSTALLATION - DEUTZ D2011 ENGINE (WITHOUT ARCTIC PACKAGE) (ANSI EXPORT(LRC), AUSTRALIAN, CE(LRC) AND CHINA SPECS)**

ITEM	PART NUMBER	QTY	DESCRIPTION	REV
	1001166022	Ref	ENGINE INSTALLATION - DEUTZ D2011 ENGINE (WITHOUT ARCTIC PACKAGE)	I
1	0100011	AR	Compound, Locking	
2	0100020	AR	Sealant, Pipe	
3	0440162	1	Bearing	
4	0700614	4	Bolt M6 x 30	
6	0700817	1	Bolt M8 x 45	
7	0700821	1	Bolt M8 x 65	
8	0761015	5	Bolt M10 x 35	
9	1701505	1	Decal - Diesel Fuel	
10	2180348	2	Fitting, Barbed	
11	2220313	1	Fitting, Barbed 90	
12	2720058	17 ft / 5.18m	Hose	
13	3290605	5	Nut M6	
14	3290805	2	Nut M8	
15	3422532	1	Pin	
16	3291005	5	Nut M10	
17	3841143	1	Pin	
18	4240099	AR	Tie-Strap	
19	4811700	12	Washer M6	
21	4811902	1	Washer M8	
22	4812000	6	Washer M10	
23	4812100	4	Washer M12	
24	5240800	2	Washer M8 Hardened	
25	5251215	1	Bolt M12 x 35	
26	5261200	1	Nut, Flange M12 Class10	
27	8405009	5	Clamp	
28	1320187	1	Clamp	
29	1320190	1	Clamp	
30	1001135196	1	Pin	
31	2750532	6 ft/ 1.83m	Hose	
32	1001166021	1	Engine and Pump Sub-Assembly - Deutz D2011 (Without Arctic Package) (See Separate Breakdown in this Section)	
33	1001167038	1	Battery Cable Kit	G
33	70009004	1	Cable, Battery (Black) (Battery Negative, Auxiliary Power Pump, Turntable Ground to Engine Ground)	
33	70009005	1	Cable, Battery (Red) (Battery Positive, Auxiliary Power Relay, Starter Relay to Starter)	
33	70009002	1	Cable, Battery (Red) (Auxiliary Power Relay to Auxiliary Power Pump)	
34	1001167512	1	Bracket, Engine	
35	1001169823	1	Plate, Engine Lock	
36	1001172195	1	Pipe, Exhaust	
37	0760610	1	Bolt M6 x 20	
38	1001156107	1	Holder, Cable	
39	0641504	1	Bolt 5/16 x 1/2	
40	4711500	1	Washer 5/16	
41	4811900	AR	Washer M8	

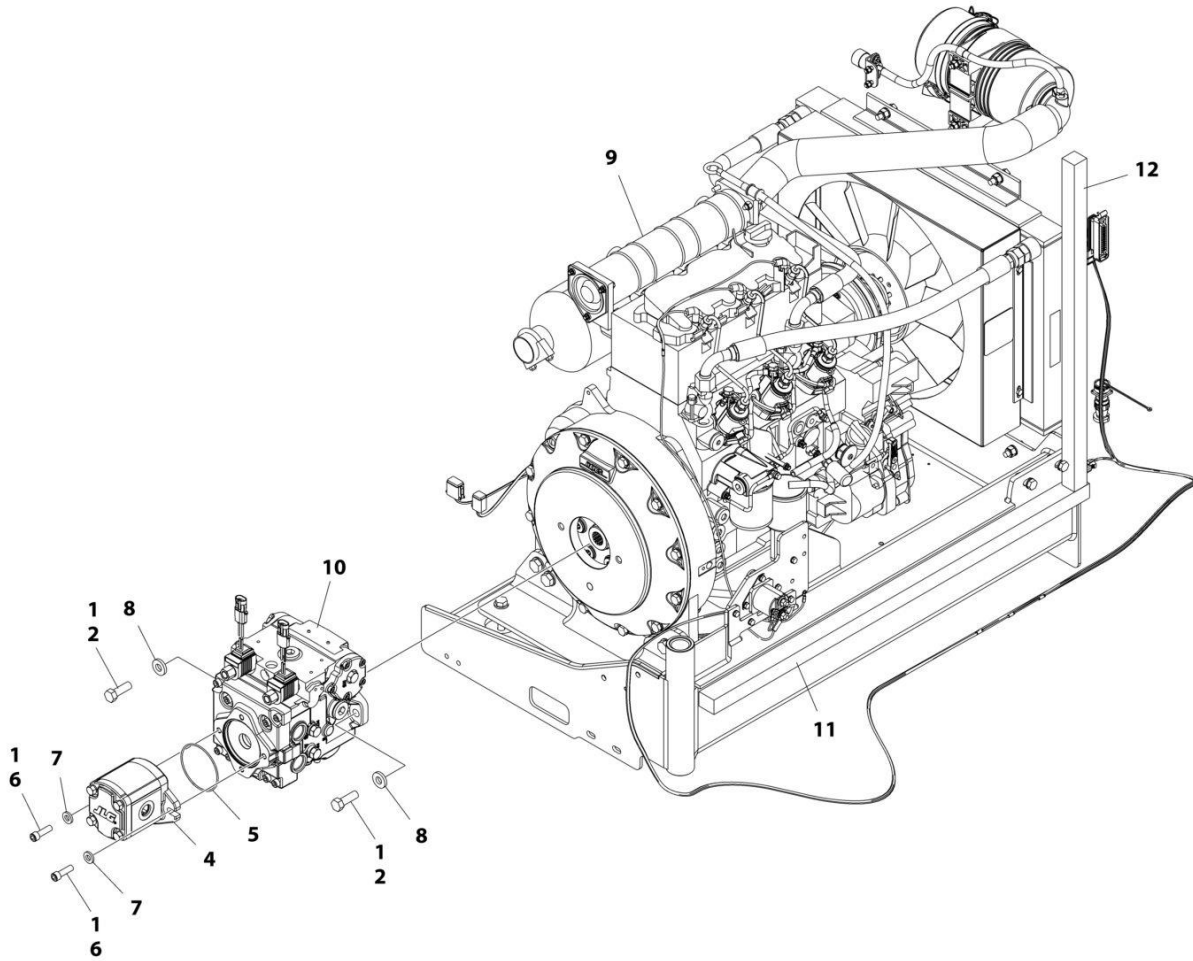
## SECTION 3 - ENGINE

ITEM	PART NUMBER	QTY	DESCRIPTION	REV
42	1001148641	1	Bracket, Clamp Mounting	
43	1320224	1	Clamp, Cable	
44	0700610	1	Bolt M6 x 20	



# SECTION 3 - ENGINE

FIGURE 3-2. ENGINE AND PUMP SUB-ASSEMBLY - DEUTZ D2011 (WITHOUT ARCTIC PACKAGE)  
(AUSTRALIAN AND CHINA SPECS)



ART\_1001166021\_G

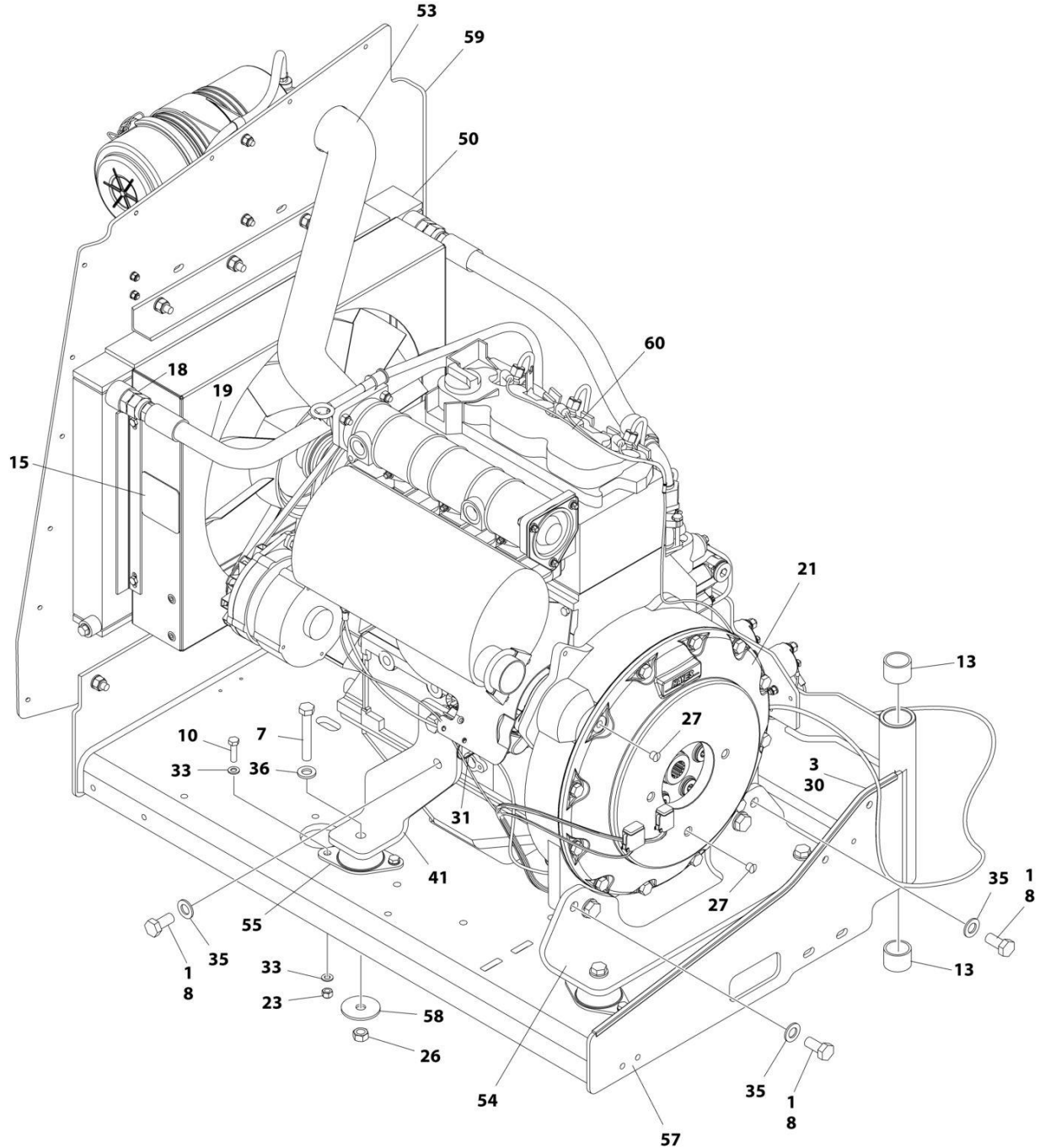
## SECTION 3 - ENGINE

**FIGURE 3-2. ENGINE AND PUMP SUB-ASSEMBLY - DEUTZ D2011 (WITHOUT ARCTIC PACKAGE)  
(AUSTRALIAN AND CHINA SPECS)**

ITEM	PART NUMBER	QTY	DESCRIPTION	REV
	1001166021	Ref	ENGINE AND PUMP SUB-ASSEMBLY - DEUTZ D2011 (WITHOUT ARCTIC PACKAGE)	G
1	0100011	AR	Compound, Locking	
2	0641812	2	Bolt 1/2 x 1-1/2	
4	1001214207	1	Gear Pump Assembly	
4	70006356	1	Seal Kit	
5	3790152	1	O-Ring	
6	3931618	2	Capscrew 3/8 x 1-1/8	
7	4891600	2	Washer 3/8 Hardened	
8	4891800	2	Washer 1/2 Hardened	
9	1001166020	1	Engine Assembly - Deutz D2011 Engine (Without Arctic Package) (See Separate Breakdown in this Section)	
10	1001167036	1	Piston Pump Assembly (See Separate Breakdown in this Section)	
11	1001171953	1	Seal	
12	1001171954	1	Seal	

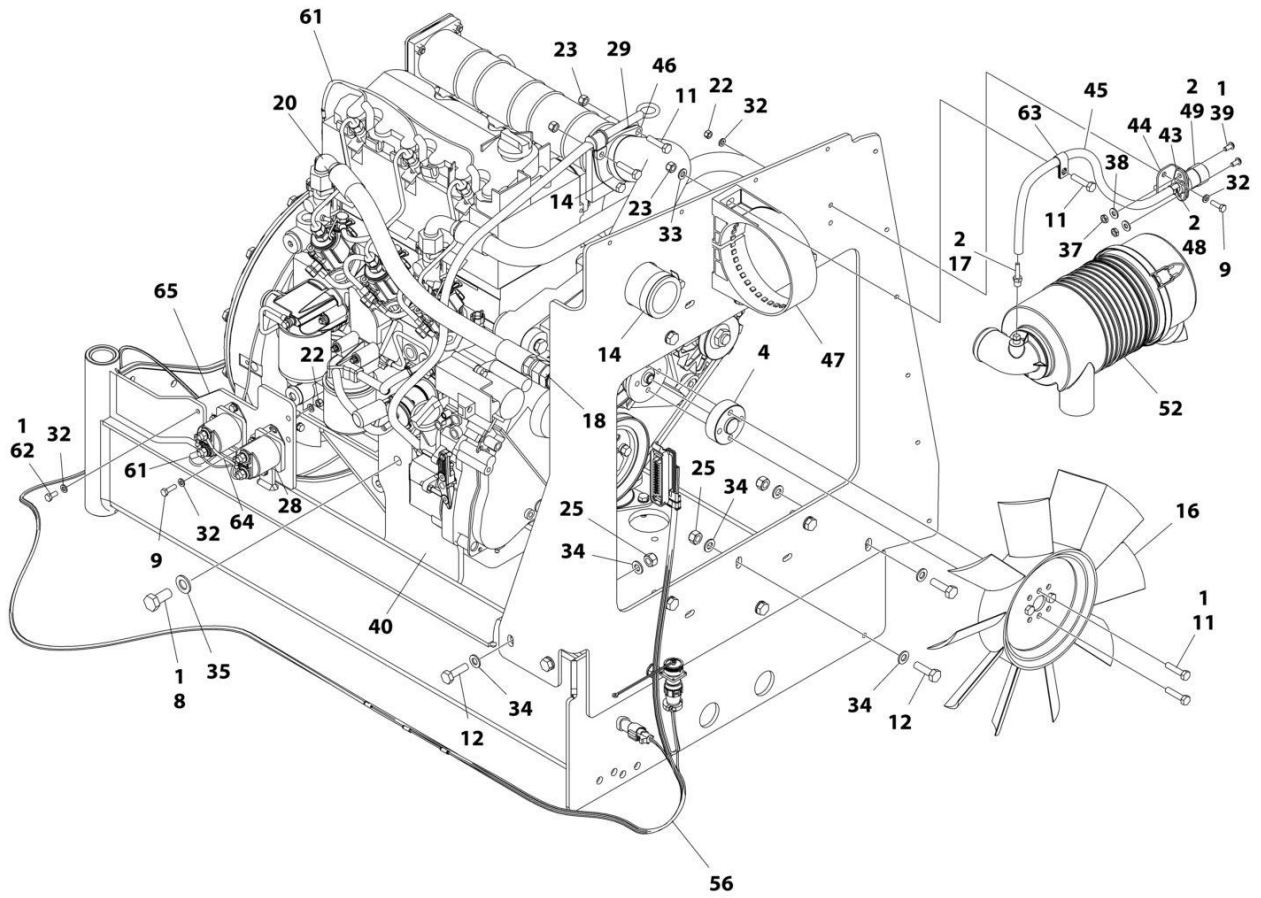
# SECTION 3 - ENGINE

FIGURE 3-3. ENGINE ASSEMBLY - DEUTZ D2011 ENGINE (WITHOUT ARCTIC PACKAGE)  
(AUSTRALIAN AND CHINA SPECS)



ART\_1001166020\_10F2

# SECTION 3 - ENGINE



ART\_1001166020\_20F2

## SECTION 3 - ENGINE

**FIGURE 3-3. ENGINE ASSEMBLY - DEUTZ D2011 ENGINE (WITHOUT ARCTIC PACKAGE)  
(AUSTRALIAN AND CHINA SPECS)**

ITEM	PART NUMBER	QTY	DESCRIPTION	REV
	1001166020	Ref	ENGINE ASSEMBLY - DEUTZ D2011 ENGINE (WITHOUT ARCTIC PACKAGE)	O
1	0100011	AR	Compound, Locking	
2	0100020	AR	Sealant, Pipe	
3	0100081	AR	Adhesive	
4	0080231	1	Spacer, Fan	
7	0711224	4	Bolt M12 x 80 Grade 10.9	
8	0771414	8	Bolt M14 x 30 Grade 10.9	
9	0760610	6	Bolt M6 x 20	
10	0760814	8	Bolt M8 x 30	
11	0760815	9	Bolt M8 x 35	
12	0761015	11	Bolt M10 x 35	
13	0961951	2	Bushing	
14	1320016	2	Clamp	
15	1703162	2	Decal - Caution Fan	
16	2060025	1	Fan	
17	2220315	1	Fitting, Barbed	
18	2220451	2	Fitting, Straight JIC/ORB	
19	2720398	1	Hose	
20	2720447	1	Hose	
21	2902065	1	Pump Coupling Kit (See Separate Breakdown in this Section)	
22	3290605	6	Nut M6 x 1	
23	3290805	13	Nut M8 x 1-1/4	
25	3291005	11	Nut M10 x 1-1/2	
26	3331215	4	Nut M12 x 1-3/4	
27	3520054	2	Plug	
28	3740067	2	Relay Assembly	
28	3300220	2	Nut	
28	3321001	1	Nut #10	
28	3740140	1	Relay	
28	4761000	1	Washer #10	
28	1001111424	2	Washer	
29	3960407	1	Gasket	
30	4060805	2.25 ft/ 0.69m	Trim-Flex	
31	4240099	AR	Tie-Strap	
32	4811700	15	Washer M6	
33	4811900	20	Washer M8	
34	4812000	22	Washer M10	
35	4812200	8	Washer M14	
36	5241200	4	Washer M12	
37	8305401	2	Nut, Jam	
38	8307109	2	Washer, .250	
39	8310548	2	Screw 1/4 x 1/2	
40	1001132195	1	Bracket, Engine Mount	
41	1001132196	1	Bracket, Engine Mount	
43	1001138173	1	Support, Service Indicator	
44	1001138175	1	Bracket, Service Indicator	

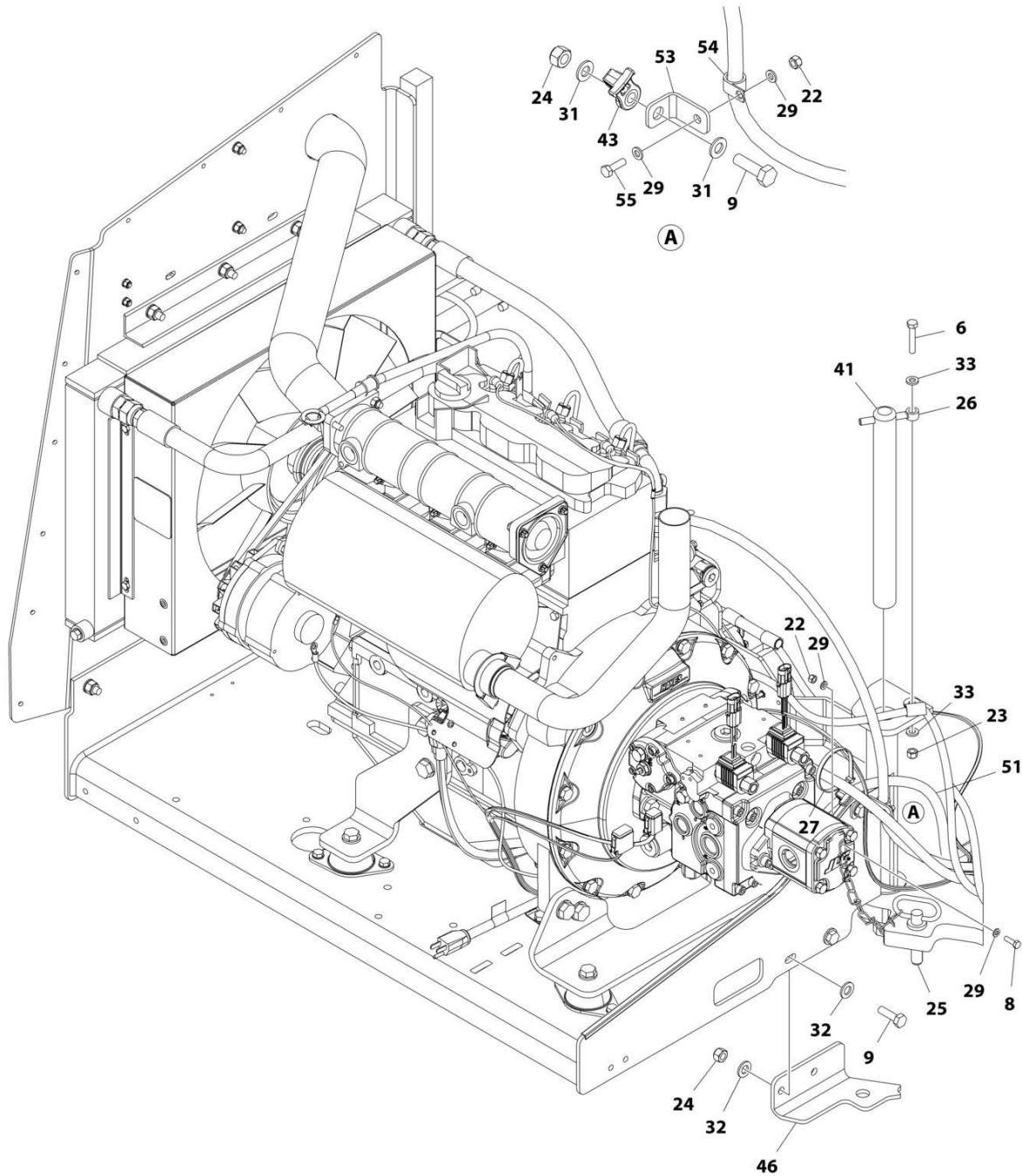


## SECTION 3 - ENGINE

ITEM	PART NUMBER	QTY	DESCRIPTION	REV
45	1001138248	2 ft/ 0.61m	Tube	
46	1001139819	1	Adapter, Air Intake	
47	1001141694	1	Clamp, Air Cleaner	
48	1001141995	1	Fitting, Barbed	
49	1001143390	1	Indicator	
50	1001150998	1	Radiator	
52	1001165388	1	Air Cleaner Assembly	
52	70003783	1	Element, Air Cleaner	
53	1001165389	1	Hose	
54	1001166717	1	Bracket, Engine Mount	
55	1001166718	4	Isolator, Engine Mount	
56	1001167111	1	Harness Engine - Deutz D2011 (See Separate Breakdown in ELECTRICAL SECTION)	
57	1001167520	1	Tray, Engine	
58	1001168018	4	Washer, Snubbing	
59	1001168059	1	Plate, Radiator Mounting	
60	1001170693	1	Engine, Deutz D2011 (See Separate Breakdown in this Section)	
61	4923451	1	Harness, Glow Plugs	
62	0760614	3	Bolt M6 x 30	
63	8406109	1	Clip	
64	1001178859	1	Cable, Alternator	
65	1001214975	1	Bracket	

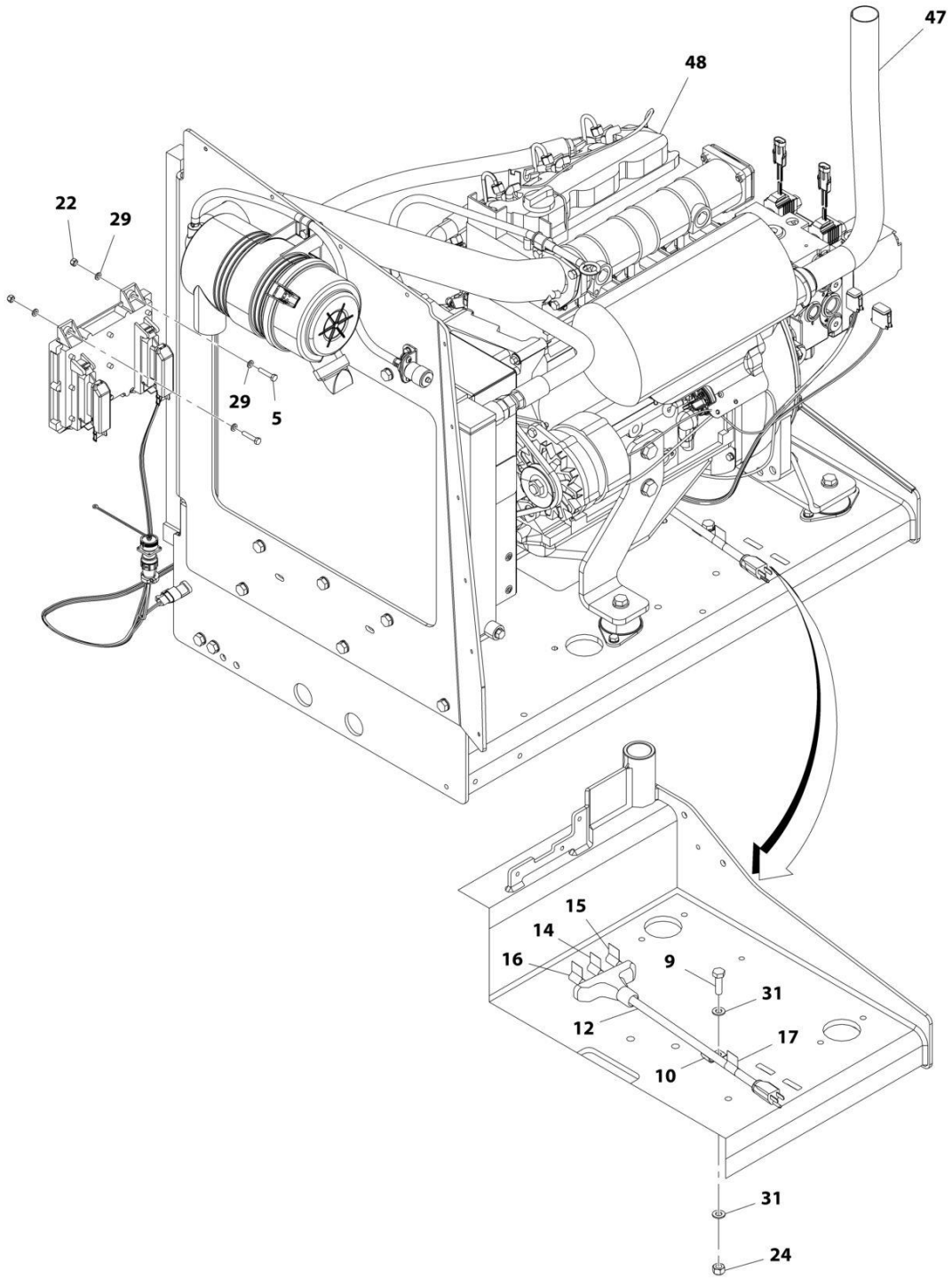
# SECTION 3 - ENGINE

FIGURE 3-4. ENGINE INSTALLATION - DEUTZ D2011 ENGINE (WITH ARCTIC PACKAGE) (ANSI EXPORT(LRC), AUSTRALIAN, CE(LRC) AND CHINA SPECS)



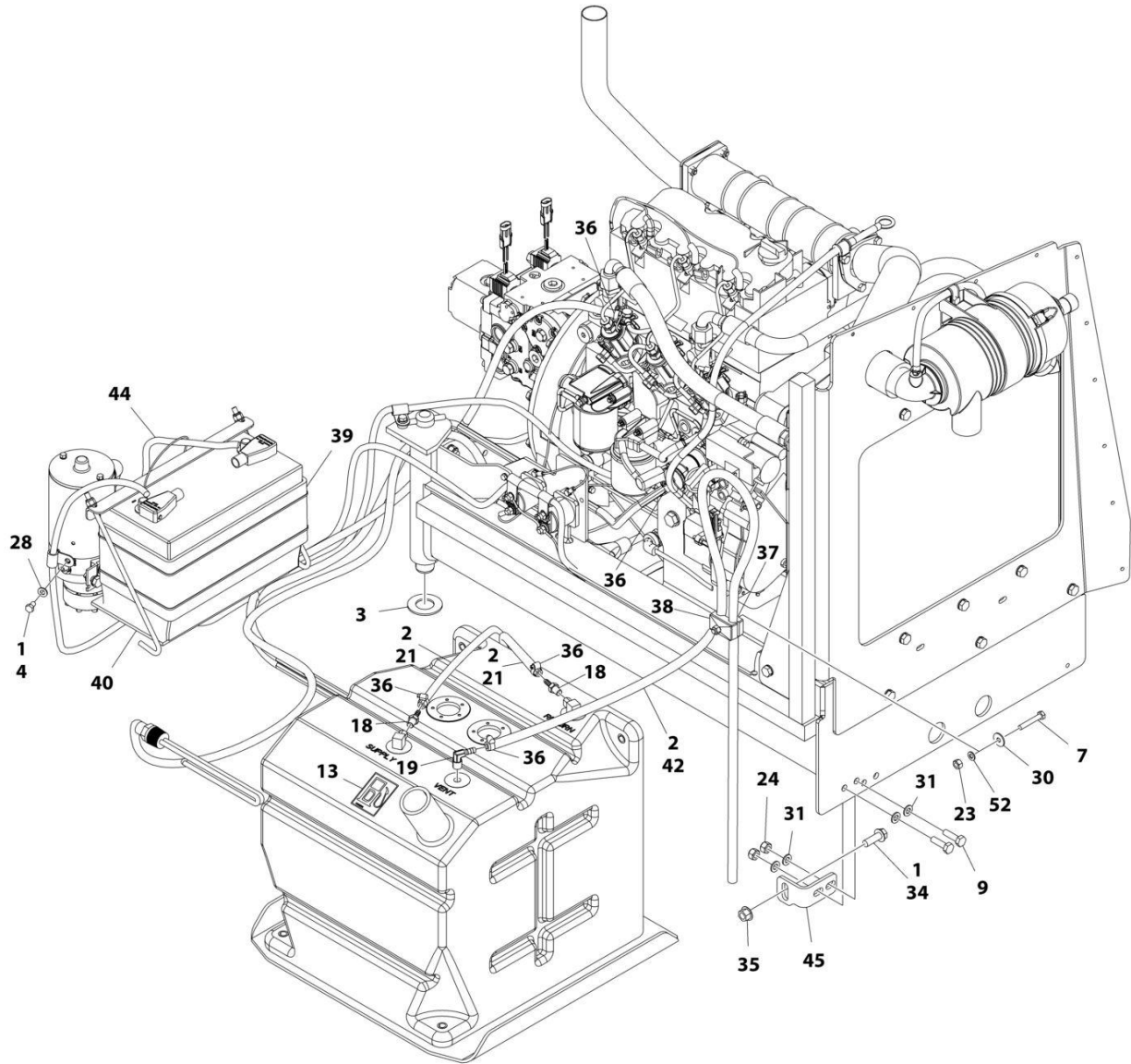
ART\_1001166023\_10F3

# SECTION 3 - ENGINE



ART\_1001166023\_2OF3

# SECTION 3 - ENGINE



ART\_1001166023\_30F3

## SECTION 3 - ENGINE

**FIGURE 3-4. ENGINE INSTALLATION - DEUTZ D2011 ENGINE (WITH ARCTIC PACKAGE) (ANSI EXPORT(LRC), AUSTRALIAN, CE(LRC) AND CHINA SPECS)**

ITEM	PART NUMBER	QTY	DESCRIPTION	REV
	1001166023	Ref	ENGINE INSTALLATION - DEUTZ D2011 ENGINE (WITH ARCTIC PACKAGE)	G
1	0100011	AR	Compound, Locking	
2	0100020	AR	Sealant, Pipe	
3	0440162	1	Bearing	
4	0641504	1	Bolt 5/16 x 1/2	
5	0700614	4	Bolt M6 x 30	
6	0700817	1	Bolt M8 x 45	
7	0700821	1	Bolt M8 x 65	
8	0760610	1	Bolt M6 x 20	
9	0761015	6	Bolt M10 x 35	
10	1320223	1	Clip	
12	1060626	1	Plug, 3 Way	
13	1701505	1	Decal - Diesel Fuel	
14	1702941	1	Decal - Battery Heater	
15	1702942	1	Decal - Engine Block Heater	
16	1702943	1	Decal - Hydraulic Tank Heater	
17	1702944	1	Decal - Heater Cord	
18	2180348	2	Fitting, Barbed	
19	2220313	1	Fitting, Barbed 90	
20	1001188972	1	Heater, Hydraulic Tank	
21	2720058	17 ft / 5.18m	Hose	
22	3290605	6	Nut, Lock M6 x 1	
23	3290805	2	Nut, Lock M8	
24	3291005	6	Nut M10	
25	3422532	1	Pin	
26	3841143	1	Keeper, Pin	
27	4240099	AR	Tie-Strap	
28	4711500	1	Washer, 5/16	
29	4811700	12	Washer, M6	
30	4811902	1	Washer, M8	
31	4812000	8	Washer, M10	
32	4812100	4	Washer, M12	
33	5240800	2	Washer, M8 Hardened	
34	5251215	1	Bolt M12 x 35	
35	5261200	1	Nut, Flange M12 Class10	
36	8405009	5	Clamp	
37	1320187	1	Clamp	
38	1320190	1	Clamp	
39	2580024	1	Heater, Battery	
40	1001119278	1	Insulate	
41	1001135196	1	Pin	
42	2750532	6 ft/ 1.83m	Hose	
43	1001156107	1	Holder, Cable	
44	1001167038	1	Battery Cable Kit	G
44	70009004	1	Cable, Battery (Black) (Battery Negative, Auxiliary Power Pump, Turntable Ground to Engine Ground)	

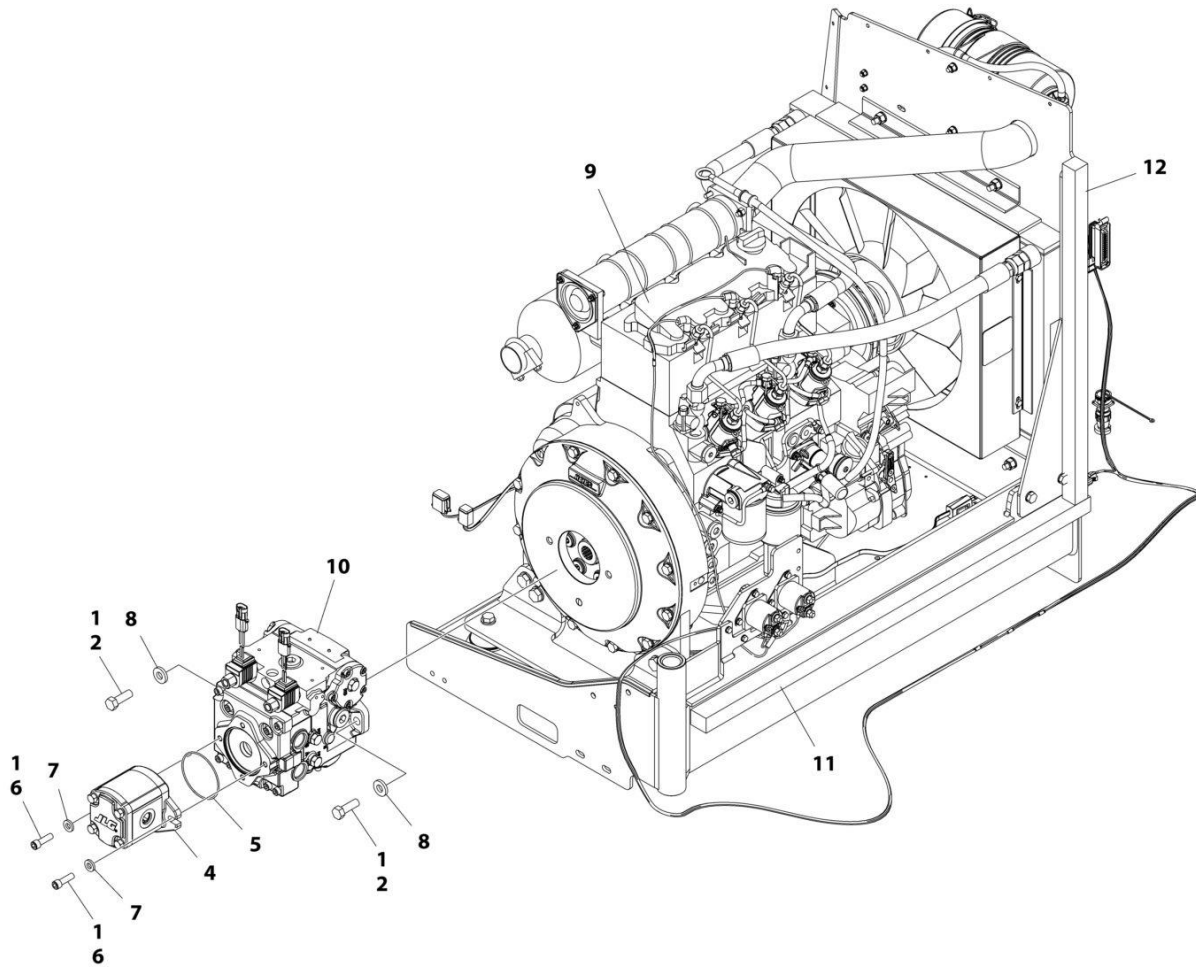
## SECTION 3 - ENGINE

ITEM	PART NUMBER	QTY	DESCRIPTION	REV
44	70009005	1	Cable, Battery (Red) (Battery Positive, Auxiliary Power Relay, Starter Relay to Starter)	
44	70009002	1	Cable, Battery (Red) (Auxiliary Power Relay to Auxiliary Power Pump)	
45	1001167512	1	Bracket, Engine	
46	1001169823	1	Plate, Engine Lock	
47	1001172195	1	Pipe, Exhaust	
48	1001174784	1	Engine and Pump Sub-Assembly - Deutz D2011 (With Arctic Package) (See Separate Breakdown in this Section)	
51	1001150918	1	Cable, Extension Cord	
52	4811900	1	Washer M8	
53	1001148641	1	Bracket, Clamp Mounting	
54	1320224	1	Clamp, Cable	
55	0700610	1	Bolt M6 x 20	



# SECTION 3 - ENGINE

FIGURE 3-5. ENGINE AND PUMP SUB-ASSEMBLY - DEUTZ D2011 (WITH ARCTIC PACKAGE) (ANSI EXPORT AND CHINA SPECS)



ART\_1001174784\_G



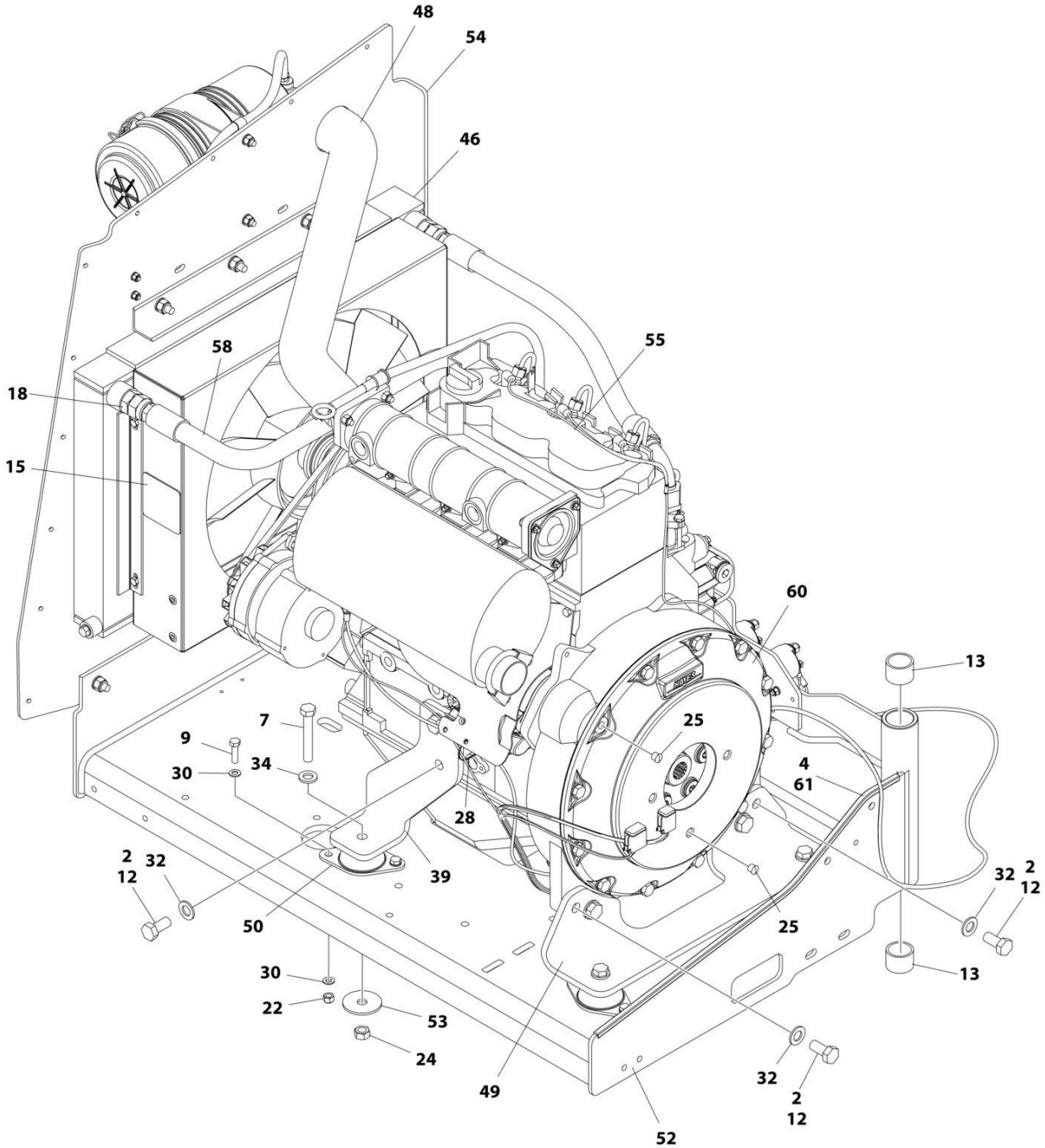
## SECTION 3 - ENGINE

**FIGURE 3-5. ENGINE AND PUMP SUB-ASSEMBLY - DEUTZ D2011 (WITH ARCTIC PACKAGE) (ANSI EXPORT AND CHINA SPECS)**

ITEM	PART NUMBER	QTY	DESCRIPTION	REV
	1001174784	Ref	ENGINE AND PUMP SUB-ASSEMBLY - DEUTZ D2011 (WITH ARCTIC PACKAGE)	G
1	0100011	AR	Compound, Locking	
2	0641812	2	Bolt 1/2 x 1-1/2	
4	1001214207	1	Gear Pump Assembly	
4	70006356	1	Seal Kit - 1001214207 Pump	
5	3790152	1	O-Ring	
6	3931618	2	Capscrew 3/8 x 1 1/8	
7	4891600	2	Washer 3/8 Hardened	
8	4891800	2	Washer 1/2 Hardened	
9	1001174783	1	Engine Assembly - Deutz D2011 Engine (With Arctic Package) (See Separate Breakdown in this Section)	
10	1001167036	1	Piston Pump Assembly (See Separate Breakdown in this Section)	
11	1001171953	1	Seal	
12	1001171954	1	Seal	

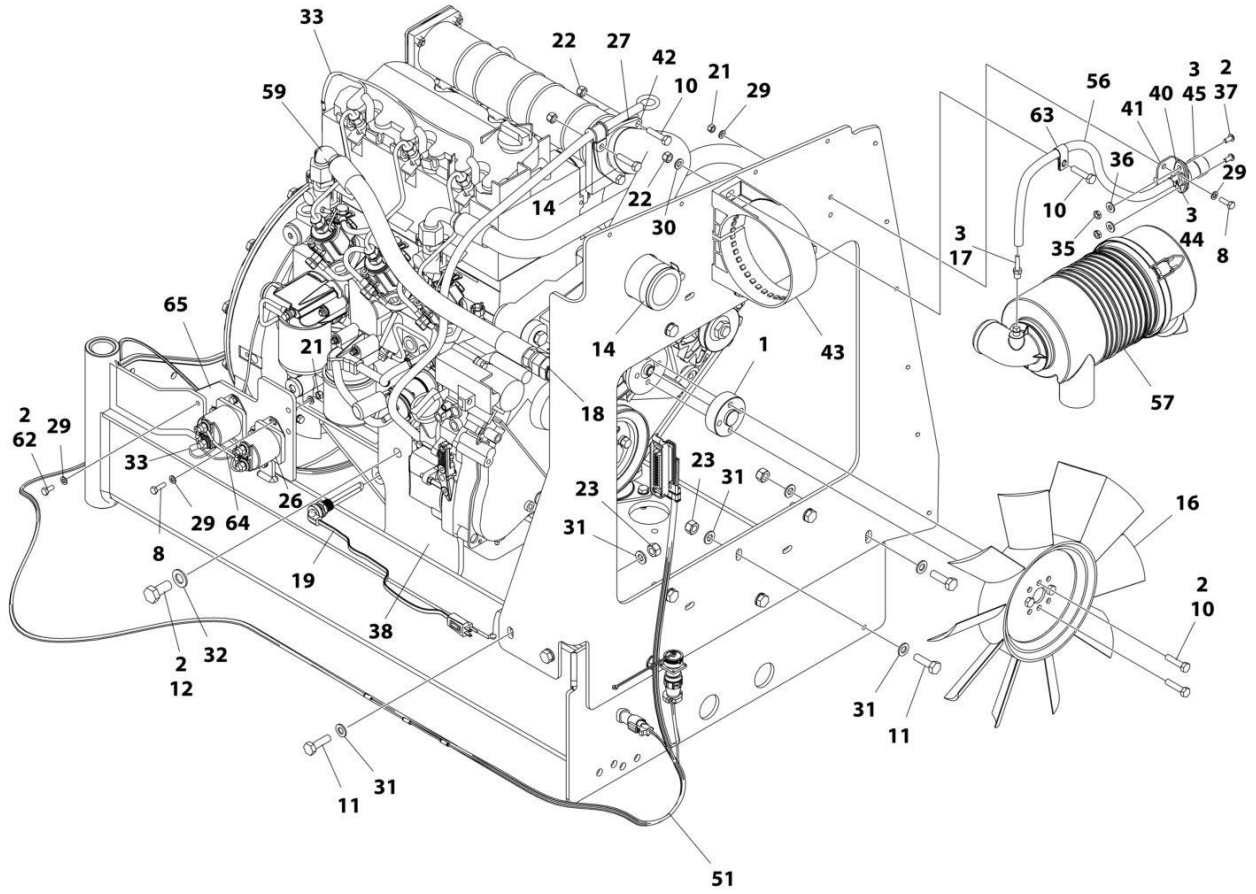
# SECTION 3 - ENGINE

FIGURE 3-6. ENGINE ASSEMBLY - DEUTZ D2011 ENGINE (WITH ARCTIC PACKAGE) (ANSI EXPORT AND CHINA SPECS)



ART\_1001174783\_10F2

# SECTION 3 - ENGINE



ART\_1001174783\_2OF2

## SECTION 3 - ENGINE

**FIGURE 3-6. ENGINE ASSEMBLY - DEUTZ D2011 ENGINE (WITH ARCTIC PACKAGE) (ANSI EXPORT AND CHINA SPECS)**

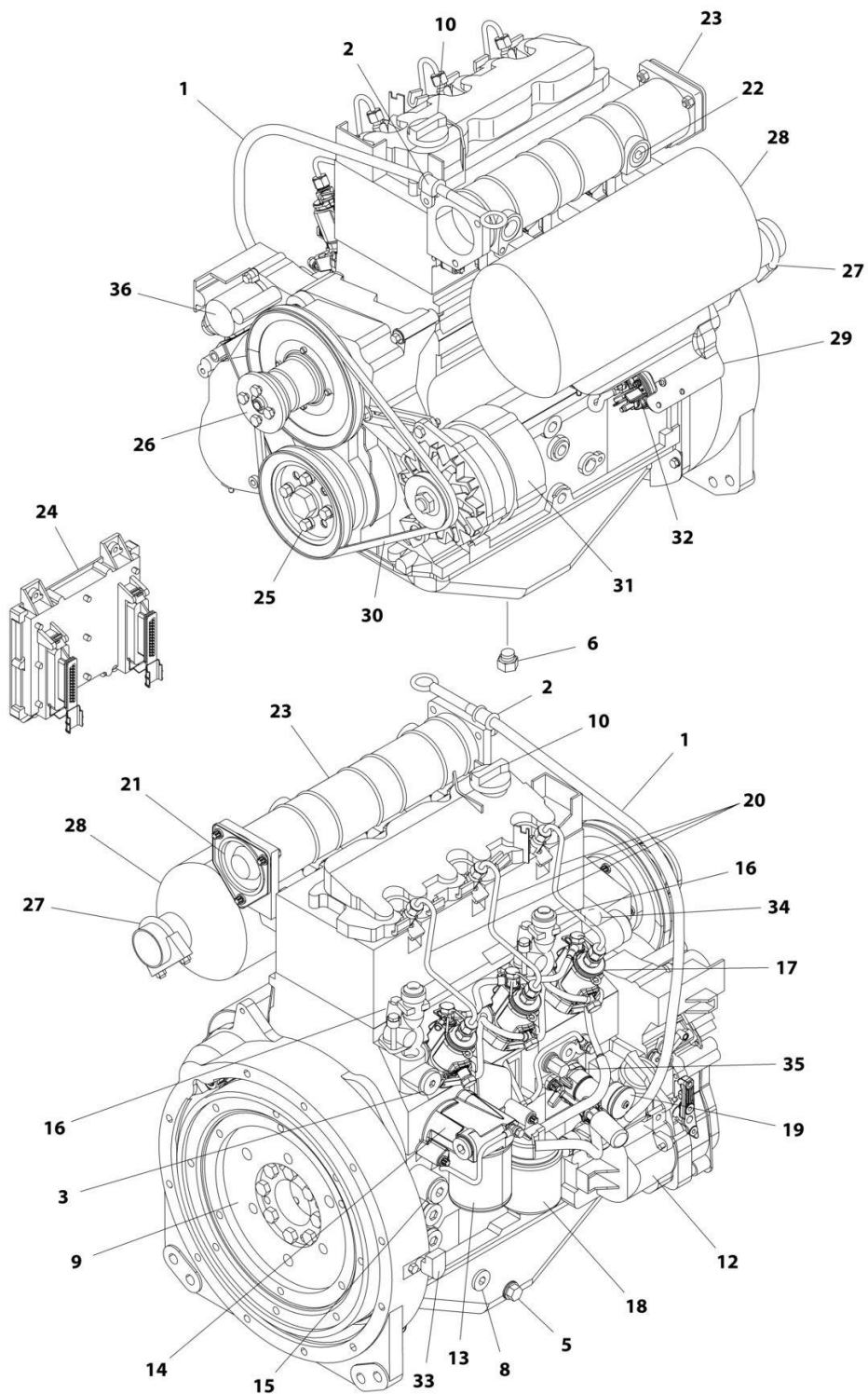
ITEM	PART NUMBER	QTY	DESCRIPTION	REV
	1001174783	Ref	ENGINE ASSEMBLY - DEUTZ D2011 ENGINE (WITH ARCTIC PACKAGE)	N
1	0080231	1	Spacer, Fan	
2	0100011	AR	Compound, Locking	
3	0100020	AR	Sealant, Pipe	
4	0100081	AR	Adhesive	
7	0711224	4	Bolt M12 x 80 Grade 10.9	
8	0760610	6	Bolt M6 x 20	
9	0760814	8	Bolt M8 x 30	
10	0760815	9	Bolt M8 x 35	
11	0761015	11	Bolt M10 x 35	
12	0771414	8	Bolt M14 x 30 Grade 10.9	
13	0961951	2	Bushing	
14	1320016	2	Clamp	
15	1703162	2	Decal - Caution Fan	
16	2060025	1	Fan	
17	2220315	1	Fitting, Barbed	
18	2220451	2	Fitting, Straight JIC/ORB	
19	2580062	1	Heater, Engine Block	
21	3290605	6	Nut M6	
22	3290805	13	Nut M8	
23	3291005	11	Nut M10	
24	3331215	4	Nut M12	
25	3520054	2	Plug	
26	3740067	2	Relay Assembly	
26	3300220	2	Nut	
26	3321001	1	Nut #10	
26	3740140	1	Relay	
26	4761000	1	Washer #10	
26	1001111424	2	Washer	
27	3960407	1	Gasket	
28	4240099	AR	Tie-Strap (Not Shown)	
29	4811700	15	Washer M6	
30	4811900	20	Washer M8	
31	4812000	22	Washer M10	
32	4812200	8	Washer M14	
33	4923451	1	Harness, Glow Plugs	
34	5241200	4	Washer M12	
35	8305401	2	Nut, Jam	
36	8307109	2	Washer	
37	8310548	2	Screw 1/4 x 1/2	
38	1001132195	1	Bracket, Engine Mount	
39	1001132196	1	Bracket, Engine Mount	
40	1001138173	1	Support, Service Indicator	
41	1001138175	1	Bracket, Service Indicator	
42	1001139819	1	Adapter, Air Intake	
43	1001141694	1	Clamp, Air Cleaner	
44	1001141995	1	Fitting, Barbed	
45	1001143390	1	Indicator	

## SECTION 3 - ENGINE

ITEM	PART NUMBER	QTY	DESCRIPTION	REV
46	1001150998	1	Radiator	
48	1001165389	1	Hose	
49	1001166717	1	Bracket, Engine Mount	
50	1001166718	4	Isolator, Engine Mount	
51	1001167111	1	Harness Engine - Deutz D2011 (See Separate Breakdown in ELECTRICAL SECTION)	
52	1001167520	1	Tray, Engine	
53	1001168018	4	Washer, Snubbing	
54	1001168059	1	Plate, Radiator Mounting	
55	1001170693	1	Engine, Deutz D2011 (See Separate Breakdown in this Section)	
56	1001138248	2 ft/ 0.61m	Tube	
57	1001165388	1	Air Cleaner Assembly	
57	70003783	1	Element, Air Cleaner	
58	2720398	1	Hose	
59	2720447	1	Hose	
60	2902065	1	Pump Coupling Kit (See Separate Breakdown in this Section)	
61	4060805	2.25 ft/ 0.69m	Flex-Trim	
62	0760614	3	Bolt M6 x 30	
63	8406109	1	Clip	
64	1001178859	1	Cable, Alternator	
65	1001214975	1	Bracket	

# SECTION 3 - ENGINE

## FIGURE 3-7. ENGINE COMPONENTS - DEUTZ D2011



ART\_1001170693

## SECTION 3 - ENGINE

**FIGURE 3-7. ENGINE COMPONENTS - DEUTZ D2011**

ITEM	PART NUMBER	QTY	DESCRIPTION	REV
	1001170693	Ref	ENGINE COMPONENTS - DEUTZ D2011	C
1	70001002	1	Tube, Dipstick	
1	7020403	1	Seal, Tube	
1	7020026	1	Dipstick	
2	70001654	1	Clamp	
2	70001655	1	Bolt	
3	70003475	1	Thermostat	
3	7020460	1	Spring	
4		Ref	Seal and Gasket Options (Not Shown):	
4	70002718	1	Seal, Rear Main	
4	7020430	1	Gasket, Valve Cover	
4	70003479	1	Gasket, Head - 1 Notch	
4	70003480	1	Gasket, Head - 2 Notch	
4	70003481	1	Gasket, Head - 3 Notch	
5	70025088	1	Plug	
6	70025667	1	Plug	
7	70025123	22	Bolt, Torx (Oil Pan Bolts) (Not Shown)	
8	7020492	1	Seal	
8	70025084	1	Plug	
9	70001870	1	Flywheel	
9	7024579	1	Ring Gear (Part of Flywheel)	
9	70025139	8	Bolt	
10	7020465	1	Cap, Oil Fill	
11	70000800	1	Timing Belt/Idler Kit (Includes Timing Belt, Tensioner and Tensioner Bolt) (Not Shown)	
12	70001850	1	Pump, Lubricating	
12	7020468	1	Seal, Pump to Engine Block (Not Shown)	
13	7016331	1	Filter, Oil	
14	70003472	1	Bracket, Oil Filter (Includes Plug with Seal, Temperature Sensor, Control Valve and Compression Spring)	
14	7027236	1	Sensor, Temperature	
14	70025082	1	Seal, Plug	
14	70025091	1	Plug	
14	70003473	1	Gasket, Bracket to Engine Block (Not Shown)	
15	70001181	1	Valve	
15	70025091	1	Plug	
15	70025082	1	Seal, Plug	
16	70004268	2	Connector, Radiator Neck	
16	70004269	2	Seal, Radiator Neck to Engine Block	
17	70000912	3	Pump, Fuel Injector - A Spec	
17	70000913	3	Pump, Fuel Injector - B Spec	
17	70000914	3	Pump, Fuel Injector - C Spec	
17	70000915	3	Pump, Fuel Injector - D Spec	
17	70003464	3	O-Ring, Pump to Engine Block	
18	7020023	1	Filter, Fuel	
18	70003463	1	Filter, Fuel - RME Resistant	
18	70001423	1	Bracket, Fuel Filter	
19	70000916	1	Pump Fuel Supply	
19	70000917	1	O-Seal Between Fuel Pump and Engine Block	
19	70000918	1	Sealing Ring Between Hand Pump and Supply Pump	

## SECTION 3 - ENGINE

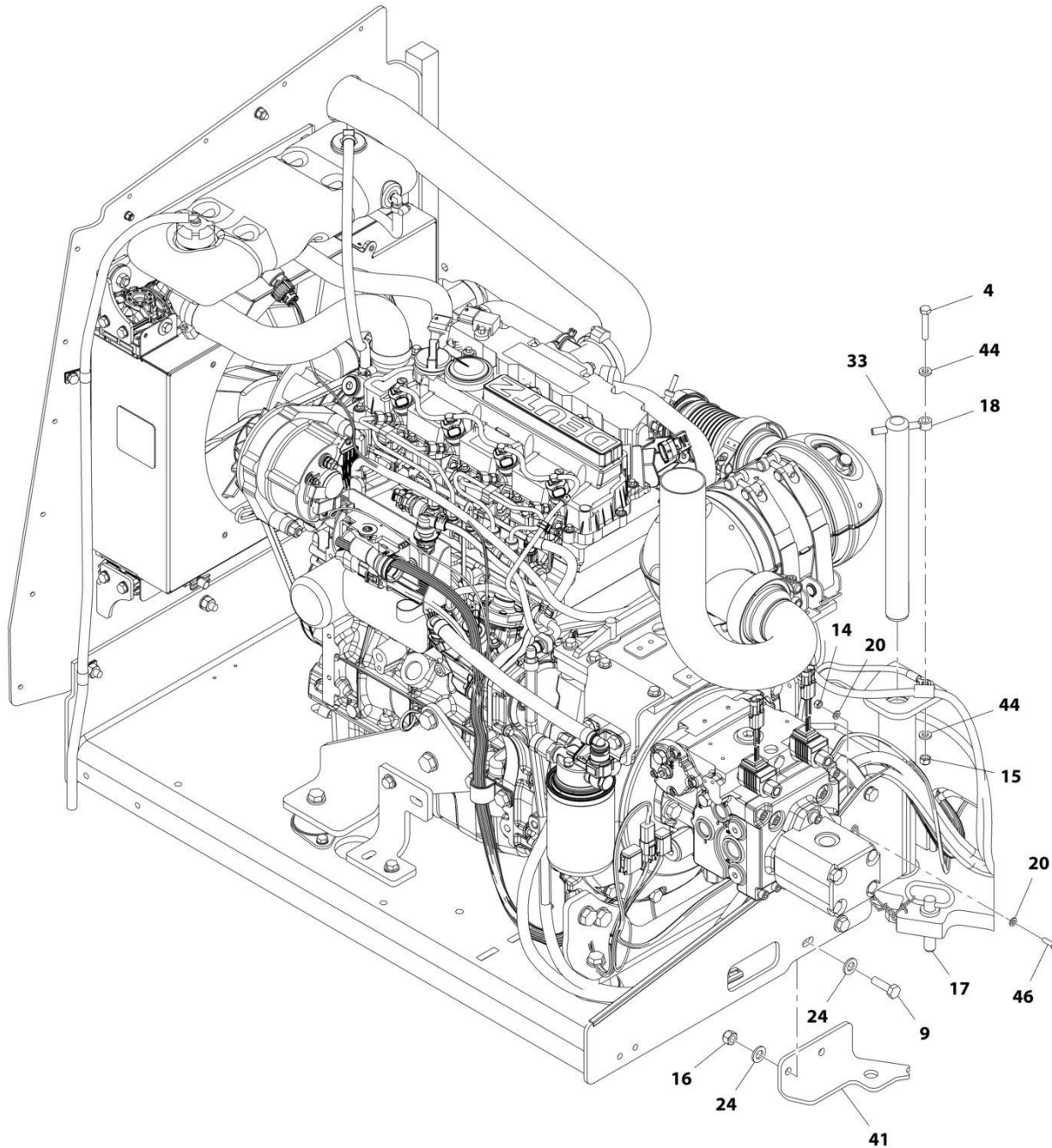
ITEM	PART NUMBER	QTY	DESCRIPTION	REV
19	70000919	1	Pump, Hand	
19	70001435	1	Repair Kit	
19	70025694	2	Bolt, Torx	
20	70000931	3	Pipe, High Pressure	
21	70003469	1	Flange, Intake	
21	70003468	1	Seal	
22	70025084	1	Plug	
22	7020492	1	Seal, Plug	
23	7027903	1	Manifold, Air Intake	
23	70001871	3	Gasket Between Manifold and Engine Block	
24	See Note	1	Module, Engine Control (Note: Not Currently Available)	
24	7027796	1	Cable, Electrical Between Module and Engine Harness (Not Shown)	
24	70001872	1	Harness, Engine (Connects to p/n 70004060) (Not Shown)	
24	70004060	1	Plug, Connector Located on Cable Near Module (Not Shown)	
24	70004059	1	Plug, Analyzer (Not Shown)	
25	70025123	4	Bolt, Torx	
26	70000787	1	Support, Fan (Includes Support, Internal Shaft, Bearings and Circlip)	
27	70001844	1	Clamp	
28	See Note	1	Muffler (Note: See Separate Breakdown in this Section)	
28	7020471	3	Gasket, Exhaust Between Muffler and Engine Block	
28	70004270	6	Stud, Muffler	
29	70001498	1	Shield, Starter	
29	70025693	3	Bolt	
30	70004102	1	V-Belt	
31	70004056	1	Alternator (Includes Voltage Regulator and Gaskets, Fan and Fan Mounting Hardware)	
31	70001868	1	Regulator, Voltage	
31	70001866	1	Gasket Set, Voltage Regulator	
31	70025131	1	Fan	
31	70025086	1	Nut, Fan	
31	70000851	1	Bracket, Alternator Mounting	
31	70002234	1	Bracket, Alternator Adjustment	
31	70004103	1	Harness, Alternator (Not Shown)	
32	7020479	1	Starter	
32	70025121	2	Bolt, Starter Mounting	
32	70004058	1	Relay	
32	70004062	1	Harness, Starter (Not Shown)	
33	7024565	1	Sensor, Speed	
33	70003931	1	Bolt	
33	70003932	1	Spacer, Sleeve	
34	7027791	1	Sensor, Temperature	
35	7027790	1	Sensor, Oil Pressure	
36	7027792	1	Actuator	
37	70000345	3	Plug, Glow (Not Shown)	





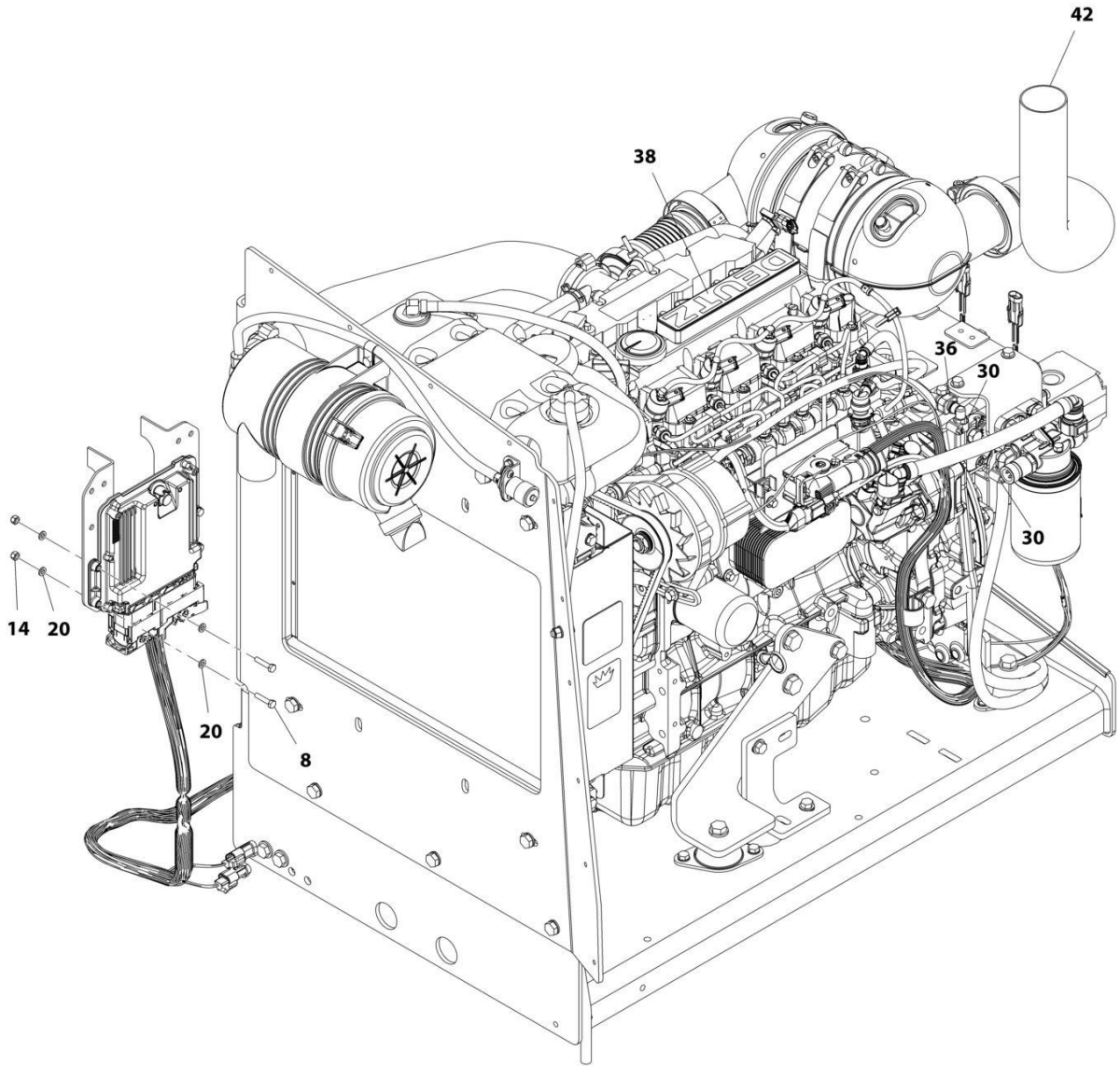
# SECTION 3 - ENGINE

FIGURE 3-8. ENGINE INSTALLATION - DEUTZ D2.9L4 ENGINE (WITHOUT ARCTIC PACKAGE) (ANSI, ANSI EXPORT(HRC), CSA AND JAPANESE SPECS)



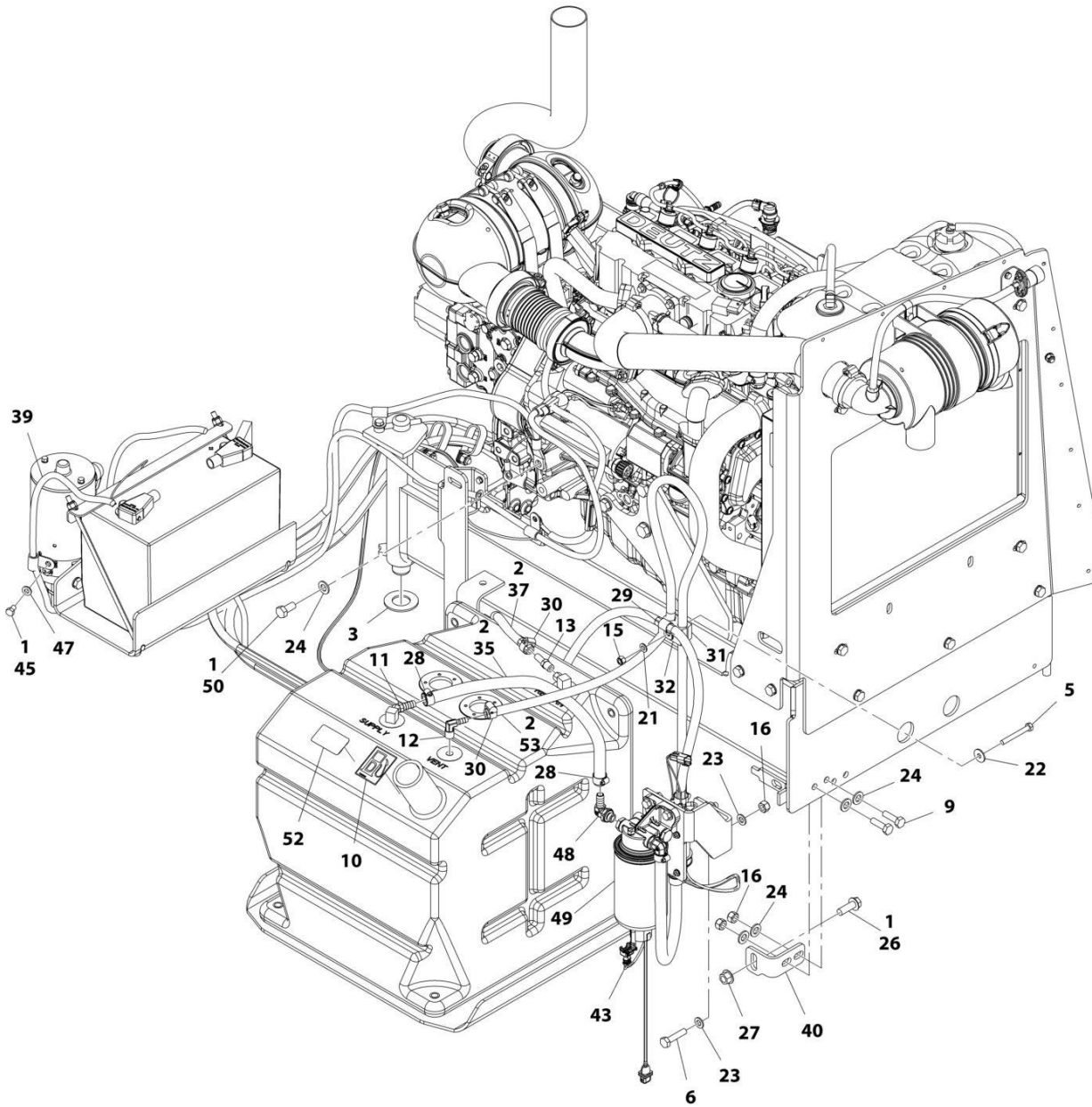
ART\_1001166002\_1OF3

# SECTION 3 - ENGINE



ART\_1001166002\_2OF3

# SECTION 3 - ENGINE



ART\_1001166002\_3OF3

## SECTION 3 - ENGINE

**FIGURE 3-8. ENGINE INSTALLATION - DEUTZ D2.9L4 ENGINE (WITHOUT ARCTIC PACKAGE) (ANSI, ANSI EXPORT(HRC), CSA AND JAPANESE SPECS)**

ITEM	PART NUMBER	QTY	DESCRIPTION	REV
	1001166002	Ref	ENGINE INSTALLATION - DEUTZ D2.9L4 ENGINE (WITHOUT ARCTIC PACKAGE)	I
1	0100011	AR	Compound, Locking	
2	0100020	AR	Sealant, Pipe	
3	0440162	1	Bearing	
4	0700817	1	Bolt M8 x 45	
5	0700821	1	Bolt M8 x 65	
6	0701017	2	Bolt M10 x 45	
8	0760613	4	Bolt M6 x 28	
9	0761015	4	Bolt M10 x 35	
10	1701505	2	Decal - Diesel Fuel	
11	2180832	1	Fitting, Barbed	
12	2220313	1	Fitting, Barbed 90	
13	2220767	1	Fitting, Barbed	
14	3290605	5	Nut, Lock M6 x 1	
15	3290805	2	Bolt, M8 x 1.25	
16	3291005	6	Nut, Lock M10 x 1.5	
17	3422532	1	Pin	
18	3841143	1	Keeper, Pin	
19	4240099	AR	Tie-Strap	
20	4811700	10	Washer, M6	
21	4811900	1	Washer, M8	
22	4811902	1	Washer, M8	
23	4812000	4	Washer, M10	
24	4812100	9	Washer, M12	
26	5251215	1	Bolt M12 x 35	
27	5261200	1	Nut, Flange M12	
28	8405006	3	Clamp	
29	8406101	1	Clip	
30	8410013	4	Clamp	
31	8750014	1	Clamp	
32	8750031	1	Clamp	
33	1001135196	1	Pin	
35	1001154405	27.56 in /70cm	Hose	
36	1001155823	1	Coupling, Quick Disconnect 90	
37	1001165035	21 ft /6.42m	Hose	
38	1001166001	1	Engine and Pump Sub-Assembly - Deutz D2.9L4 (Without Arctic Package) (See Separate Breakdown in this Section)	
39	1001166970	1	Battery and Auxiliary Power Pump Cable Kit	E
39	70009006	1	Cable, Battery (Black) (Battery to Ground)	
39	70009002	1	Cable, Battery (Red) (Auxiliary Power Relay to Auxiliary Power Pump)	
39	70009007	1	Cable, Battery (Red) (Battery to Auxiliary Power Relay)	
40	1001167512	1	Bracket, Engine Tray	
41	1001169823	1	Plate, Engine Lock	
42	1001172594	1	Pipe, Exhaust	
43	1001173342	1	Harness, Fuel Pump (See Separate Breakdown in ELECTRICAL SECTION)	

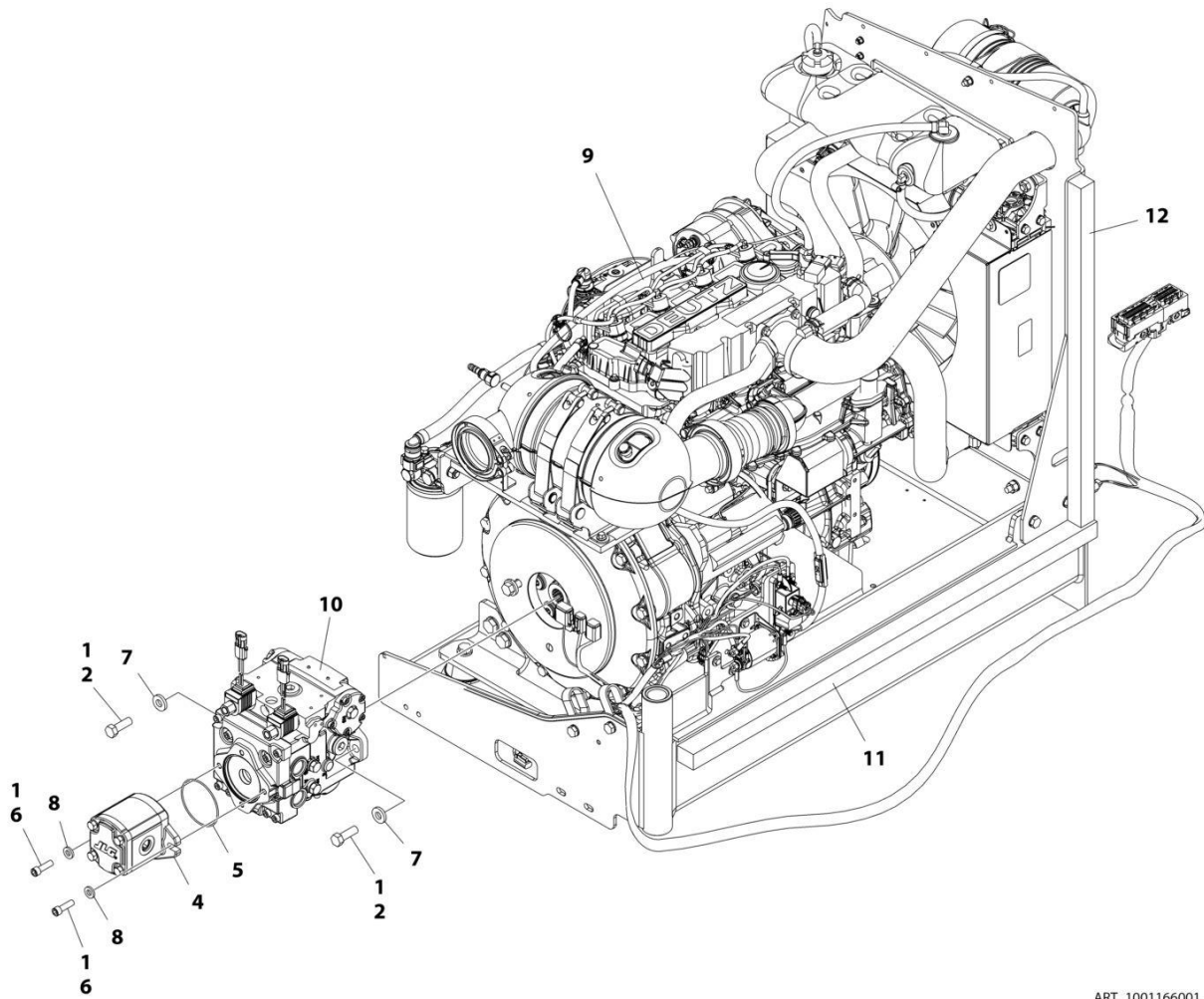
## SECTION 3 - ENGINE

ITEM	PART NUMBER	QTY	DESCRIPTION	REV
44	5240800	2	Washer, M8 Hardened	
45	0641504	1	Bolt 5/16 x 1/2	
46	0760610	1	Bolt M6 x 20	
47	4711500	1	Washer, 5/16	
48	1001142501	1	Fitting, Barbed 90	
49	1001162335	1	Bracket Assembly - Fuel Pump/Filter (See Separate Breakdown in this Section)	
50	0771212	1	Bolt M12 x 25	
52	1001125387	1	Decal - Ultra Low Sulfur Fuel	
53	2750532	5.54 ft /1.69m	Hose	



# SECTION 3 - ENGINE

FIGURE 3-9. ENGINE AND PUMP SUB-ASSEMBLY - DEUTZ D2.9L4 (WITHOUT ARCTIC PACKAGE)  
(ANSI, ANSI EXPORT AND CSA SPECS)



ART\_1001166001\_J



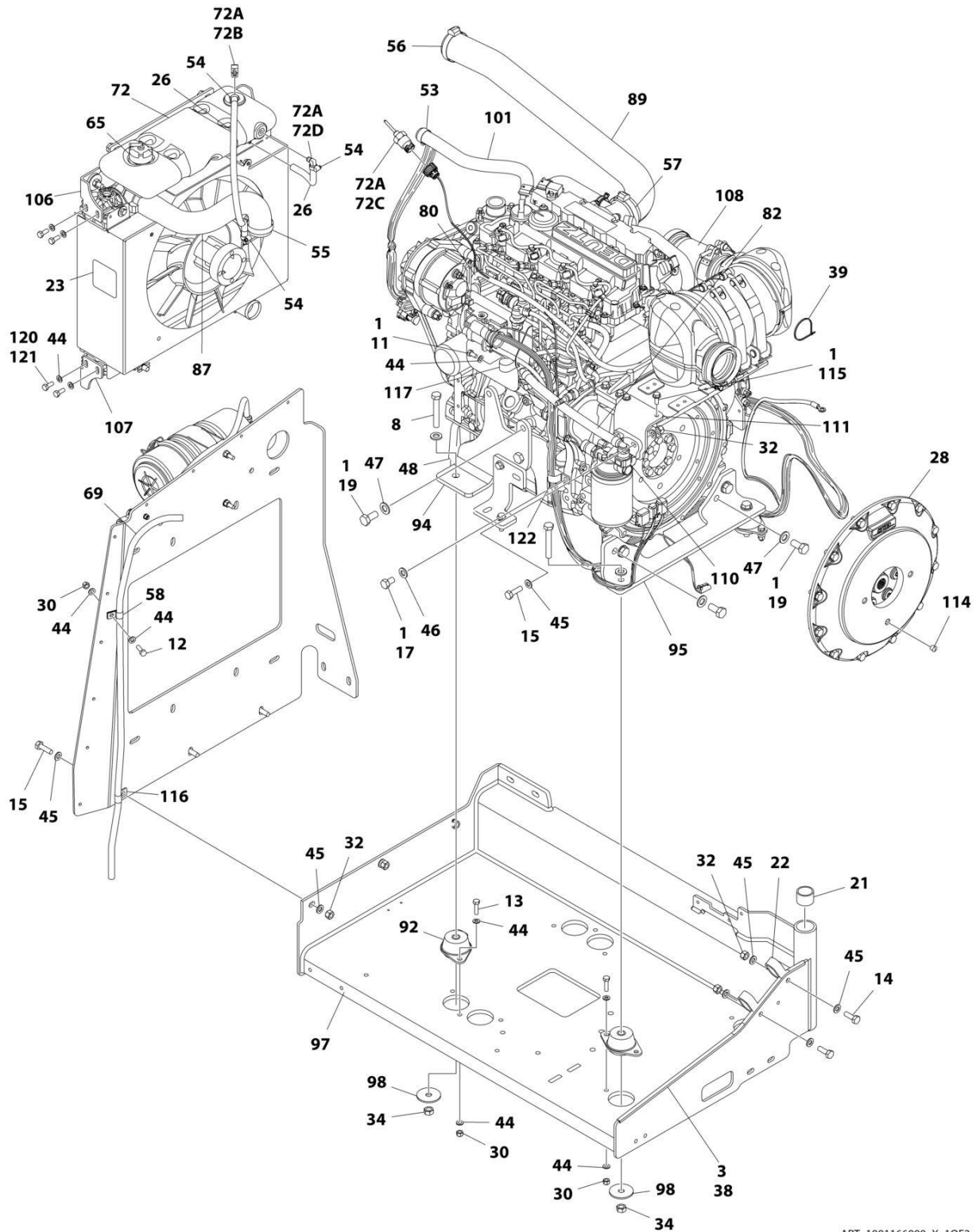
## SECTION 3 - ENGINE

**FIGURE 3-9. ENGINE AND PUMP SUB-ASSEMBLY - DEUTZ D2.9L4 (WITHOUT ARCTIC PACKAGE)  
(ANSI, ANSI EXPORT AND CSA SPECS)**

ITEM	PART NUMBER	QTY	DESCRIPTION	REV
	1001166001	Ref	ENGINE AND PUMP SUB-ASSEMBLY - DEUTZ D2.9L4 (WITHOUT ARCTIC PACKAGE)	J
1	0100011	AR	Compound, Locking	
2	0641812	2	Bolt 1/2 x 1-1/2	
4	1001214207	1	Gear Pump Assembly	
4	70006356	1	Seal Kit - 1001214207 Pump	
5	3790152	1	O-Ring	
6	3931618	2	Capscrew 3/8 x 1-1/8	
7	4891800	2	Washer 1/2 Hardened	
8	4891600	2	Washer 3/8 Hardened	
9	1001166000	1	Engine Assembly - Deutz D2.9L4 Engine (Without Arctic Package) (See Separate Breakdown in this Section)	
10	1001167036	1	Piston Pump Assembly (See Separate Breakdown in this Section)	
11	1001171953	1	Seal	
12	1001171954	1	Seal	

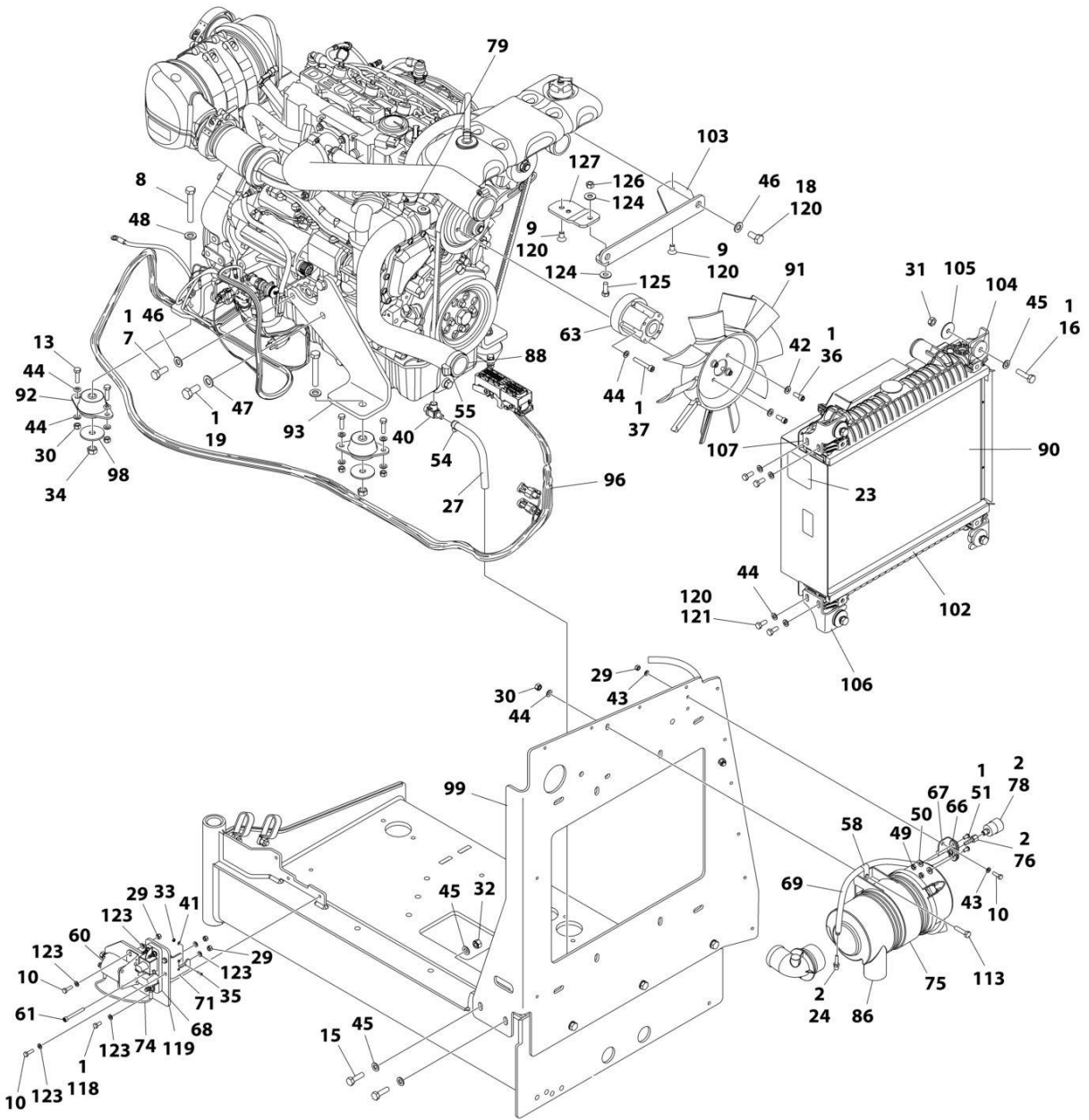
# SECTION 3 - ENGINE

FIGURE 3-10. ENGINE ASSEMBLY - DEUTZ D2.9L4 ENGINE (WITHOUT ARCTIC PACKAGE) (ANSI, ANSI EXPORT AND CSA SPECS)



ART\_1001166000\_X\_10F2

# SECTION 3 - ENGINE



ART\_1001166000\_X\_20F2

## SECTION 3 - ENGINE

**FIGURE 3-10. ENGINE ASSEMBLY - DEUTZ D2.9L4 ENGINE (WITHOUT ARCTIC PACKAGE) (ANSI, ANSI EXPORT AND CSA SPECS)**

ITEM	PART NUMBER	QTY	DESCRIPTION	REV
	1001166000	Ref	ENGINE ASSEMBLY - DEUTZ D2.9L4 ENGINE (WITHOUT ARCTIC PACKAGE)	Y
1	0100011	AR	Compound, Locking	
2	0100020	AR	Sealant, Pipe	
3	0100081	AR	Adhesive	
7	0711214	1	Bolt M12 x 30	
8	0711224	AR	Bolt M12 x 80 Grade 10.9	
9	0741606	2	Screw 3/8 x 3/4	
10	0760610	6	Bolt M6 x 20	
11	0760808	1	Bolt M8 x 16	
12	0760812	1	Bolt M8 x 25	
13	0760814	AR	Bolt M8 x 30	
14	0761014	2	Bolt M10 x 30	
15	0761015	7	Bolt M10 x 35	
16	0761016	4	Bolt M10 x 40	
17	0761210	1	Bolt M12 x 20	
18	0761212	2	Bolt M12 x 25	
19	0771414	AR	Bolt M14 x 30 Grade 10.9	
21	0961951	2	Bushing	
22	1321716	2	Clamp	
23	1703162	2	Decal - Caution Fan	
24	2220315	1	Fitting, Straight Barbed	
26	2720015	2 ft/ 0.61m	Hose	
27	2720340	8 in/ 20.3cm	Hose	
28	2902065	1	Pump Coupling Kit (See Separate Breakdown in this Section)	
29	3290605	7	Nut M6	
30	3290805	AR	Nut M8	
31	3291001	4	Nut M10	
32	3291005	9	Nut M10	
33	3310401	3	Nut #4	
34	3331215	AR	Nut M12	
35	3910408	3	Screw #4- x 1/2	
36	3931512	4	Capscrew, 5/16 x 3/4	
37	4031914	4	Bolt M8 x 50	
38	4060805	2.25 ft/ 0.69m	Flex-Trim	
39	4240099	AR	Tie-Strap	
40	4640751	1	Valve, Oil Drain	
41	4710400	3	Washer #4	
42	4711500	4	Washer 5/16	
43	4811700	4	Washer M6	
44	4811900	AR	Washer M8	
45	4812000	22	Washer M10	
46	4812100	4	Washer M12	
47	4812200	AR	Washer M14	
48	5241200	4	Washer M12 Hardened	
49	8305401	2	Nut, Jam	
50	8307109	2	Washer	

## SECTION 3 - ENGINE

ITEM	PART NUMBER	QTY	DESCRIPTION	REV
51	8310548	2	Screw, 1/4 x 1/2	
53	8405007	2	Clamp	
54	8405009	5	Clamp	
55	8405104	4	Clamp	
56	8405202	1	Clamp	
57	8405204	1	Clamp	
58	8406109	2	Clip	
60	1001117308	1	Relay, 200Amp	
60	3300220	2	Nut	
60	3321001	2	Nut #10	
60	4761000	2	Washer #10	
60	1001111424	2	Washer	
61	1001118878	1	Bolt M6 x 55	
63	1001144116	1	Spacer, Fan	
65	1001136834	1	Cap, Tank	
66	1001138173	1	Support, Service Indicator	
67	1001138175	1	Bracket, Service Indicator	
68	1001138228	1	Relay, Power Module	
68	70023592	1	Fuse 20Amp	
68	70023593	1	Fuse 30Amp	
69	1001138248	5.25 ft/ 1.6m	Tube	
71	1001139240	1	Bracket	
72	1001230635	1	Tank, Surge (Includes Items 72A-72D)	
72A	0100020	AR	Sealant, Pipe	
72B	1001134488	1	Fitting, Barbed	
72C	1001138827	1	Sensor, Coolant Level	
72D	1001140564	1	Fitting, Barbed 90	
74	1001141304	1	Harness, Glow Plug	
75	1001141694	1	Clamp, Air Cleaner	
76	1001141995	1	Fitting, Barbed	
78	1001143390	1	Indicator	
79	1001143797	1	Fitting, Barbed	
80	1001178788	1	Cable, Alternator	
82	1001152489	1	Fitting, Barbed 90	
86	1001165388	1	Air Cleaner Assembly	
86	70003783	1	Element, Air Cleaner	
87	1001165405	1	Hose, Upper Radiator	
88	1001165406	1	Hose, Lower Radiator	
89	1001165721	1	Hose, Air Intake	
90	1001165722	1	Radiator	
91	1001165849	1	Fan	
92	1001166718	AR	Mount, Motor	
93	1001166921	1	Plate, Engine Mount	
94	1001166922	Ref	Plate, Engine Mount	
95	1001166924	1	Plate, Engine Mount	
96	1001167108	1	Harness Engine - Deutz D2.9L4 (See Separate Breakdown in ELECTRICAL SECTION)	
97	1001167520	1	Tray, Engine	
98	1001168018	4	Washer, Special	
99	1001168026	1	Plate, Radiator Mounting	
101	1001168099	1	Hose	

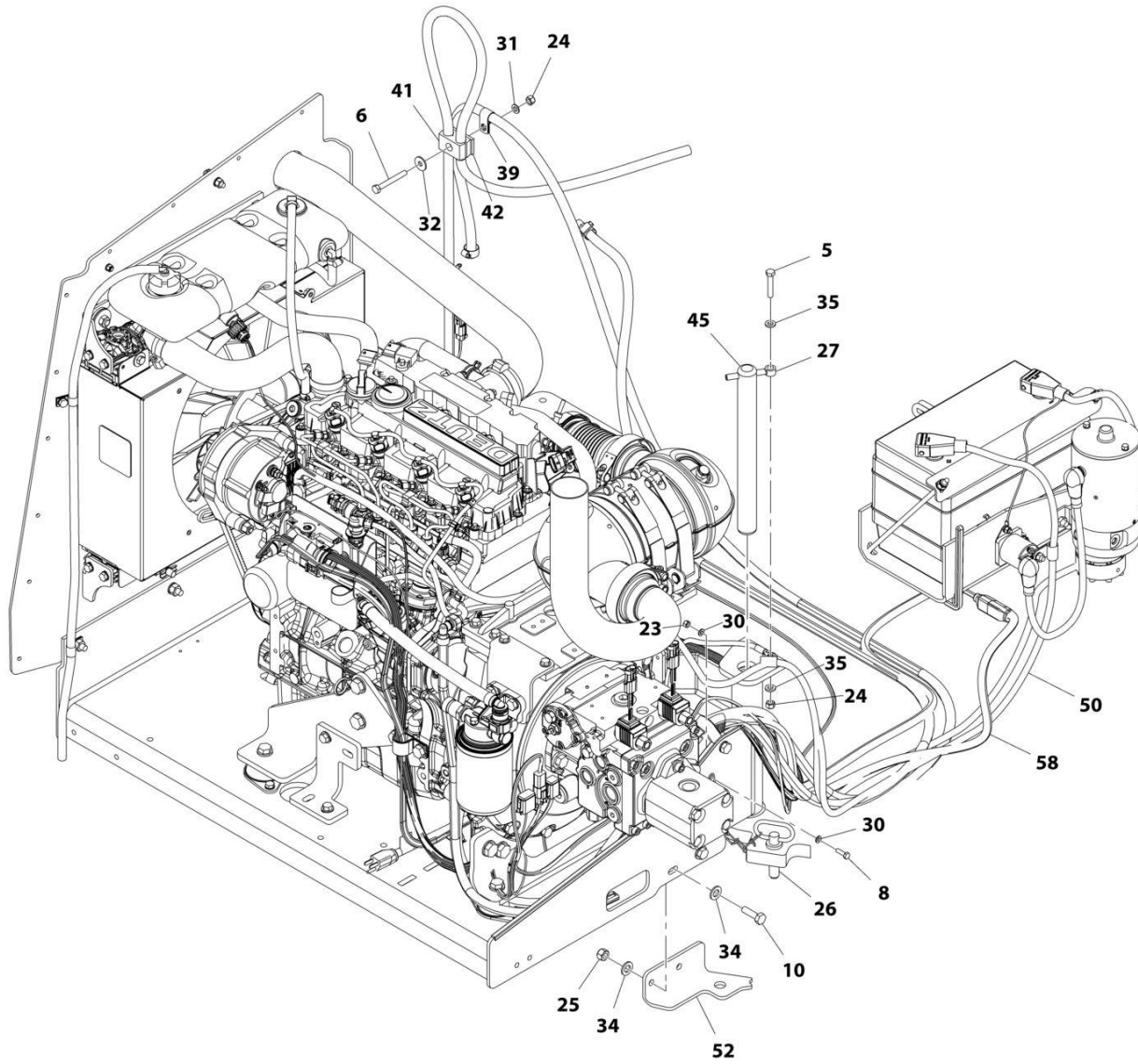
## SECTION 3 - ENGINE

ITEM	PART NUMBER	QTY	DESCRIPTION	REV
102	1001168166	2	Seal	
103	1001260420	1	Bracket	
104	1001169054	4	Isolator	
105	1001169138	4	Washer, Snubbing	
106	1001169967	2	Bracket	
107	1001170035	2	Bracket	
108	1001249965	1	Engine, Deutz D2.9L4 (See Separate Breakdown in this Section)	
110	1001177359	1	Hose	
111	1001178876	1	Mount, Fuel Filter	
113	0760815	2	Bolt M8 x 35	
114	3520054	1	Plug	
115	5250810	2	Bolt M8 x 20	
116	8406110	1	Clip	
117	8406201	1	Clip	
118	0760607	3	Bolt M6 x 14	
119	1001179903	1	Bracket	
120	1001180620	AR	Adhesive	
121	0760810	8	Bolt M8 x 20	
122	1001191620	1	Clamp	
123	4811702	12	Washer M6	
124	4751600	2	Washer 3/8	
125	0681608	1	Bolt 3/8 x 1	
126	3311605	1	Nut 3/8	
127	1001260412	1	Bracket	
128	1001162335	1	Bracket Assembly - Fuel Pump/Filter (Not Shown - See Separate Breakdown in this Section)	



# SECTION 3 - ENGINE

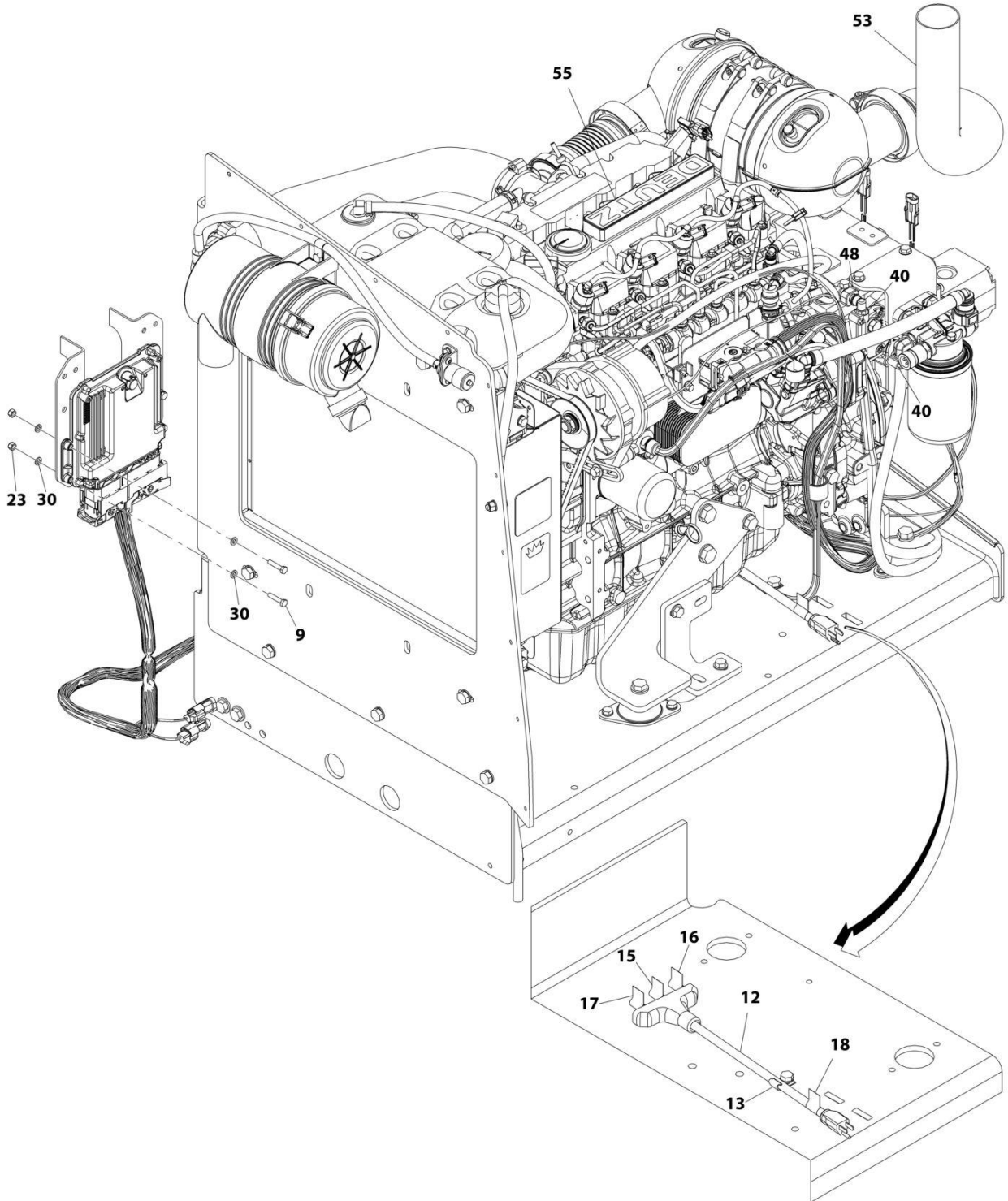
FIGURE 3-11. ENGINE INSTALLATION - DEUTZ D2.9L4 ENGINE (WITH ARCTIC PACKAGE) (ANSI AND CSA SPECS)



ART\_1001166003\_10F3

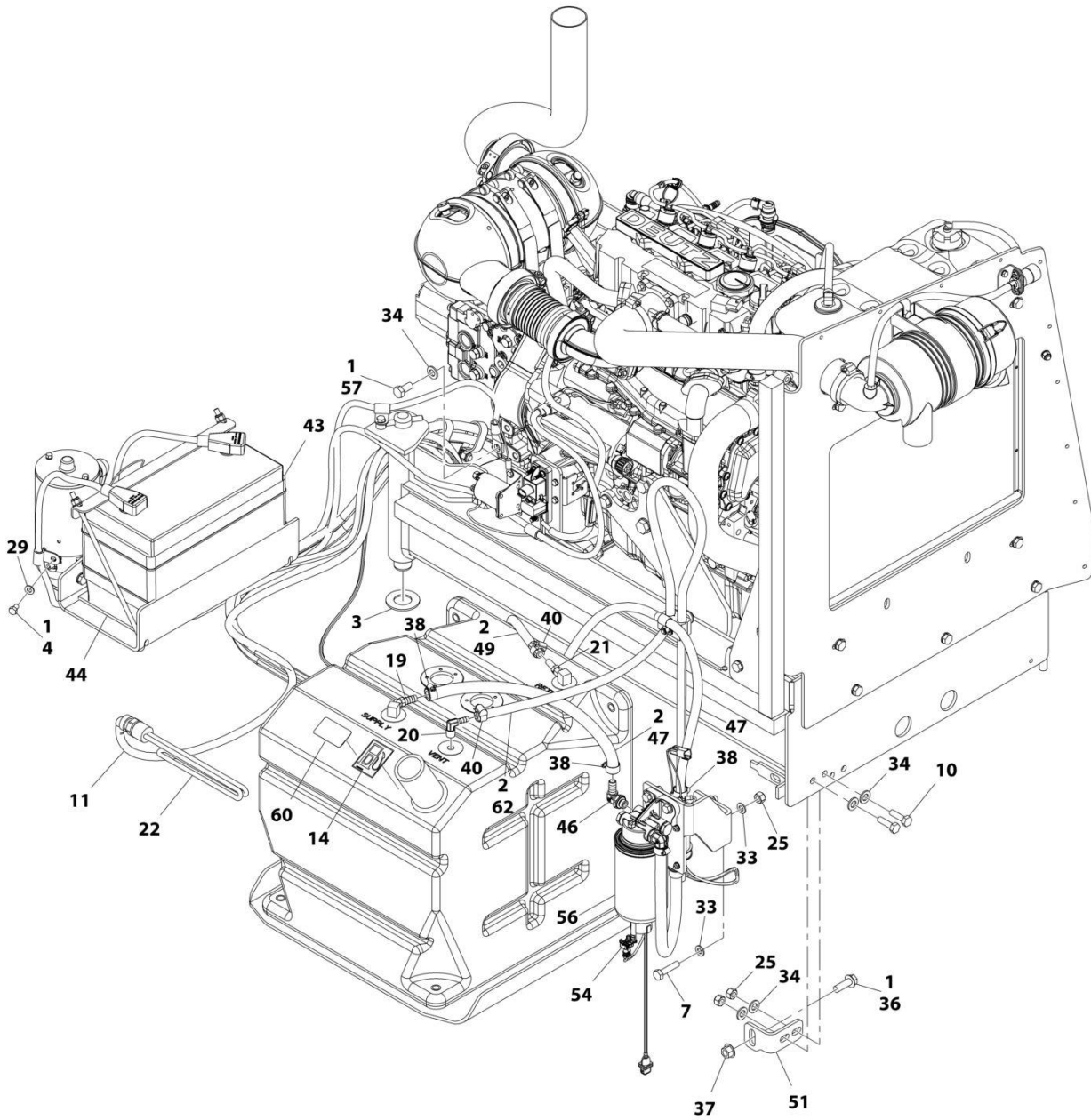


# SECTION 3 - ENGINE



ART\_1001166003\_20F3

# SECTION 3 - ENGINE



ART\_1001166003\_3OF3

## SECTION 3 - ENGINE

**FIGURE 3-11. ENGINE INSTALLATION - DEUTZ D2.9L4 ENGINE (WITH ARCTIC PACKAGE) (ANSI AND CSA SPECS)**

ITEM	PART NUMBER	QTY	DESCRIPTION	REV
	1001166003	Ref	ENGINE INSTALLATION - DEUTZ D2.9L4 ENGINE (WITH ARCTIC PACKAGE)	J
1	0100011	AR	Compound, Locking	
2	0100020	AR	Sealant, Pipe	
3	0440162	1	Bearing	
4	0641504	1	Bolt 5/16 x 1/2	
5	0700817	1	Bolt M8 x 45	
6	0700821	1	Bolt M8 x 65	
7	0701017	2	Bolt M10 x 45	
8	0760610	1	Bolt M6 x 20	
9	0760613	4	Bolt M6 x 28	
10	0761015	5	Bolt M10 x 35	
12	1060626	1	Plug, 3 Way	
13	1320223	1	Clamp	
14	1701505	2	Decal - Diesel Fuel	
15	1702941	1	Decal - Battery Heater	
16	1702942	1	Decal - Engine Block Heater	
17	1702943	1	Decal - Hydraulic Tank Heater	
18	1702944	1	Decal - Heater Cord	
19	2180832	1	Fitting, Barbed	
20	2220313	1	Fitting, Barbed 90	
21	2220767	1	Fitting, Barbed	
22	1001188972	1	Heater, Hydraulic Tank	
23	3290605	5	Nut, Lock M6 x 1	
24	3290805	2	Nut, Lock M8 x 1.25	
25	3291005	7	Nut, Lock M10 x 1.5	
26	3422532	1	Pin	
27	3841143	1	Keeper, Pin	
28	4240099	AR	Tie-Strap	
29	4711500	1	Washer, 5/16	
30	4811700	10	Washer, M6	
31	4811900	1	Washer, M8	
32	4811902	1	Washer, M8	
33	4812000	6	Washer, M10	
34	4812100	9	Washer, M12	
35	5240800	2	Washer, M8 Hardened	
36	5251215	1	Bolt M12 x 35	
37	5261200	1	Nut, Flange M12 Class10	
38	8405006	3	Clamp	
39	8406101	1	Clip	
40	8410013	4	Clamp	
41	1320187	1	Clamp	
42	1320190	1	Clamp	
43	2580024	1	Heater, Battery	
44	1001119278	1	Insulate	
45	1001135196	1	Pin	
46	1001142501	1	Fitting, Barbed 90	
47	1001154405	28 in/.7m	Hose	
48	1001155823	1	Coupling, Quick Disconnect 90	

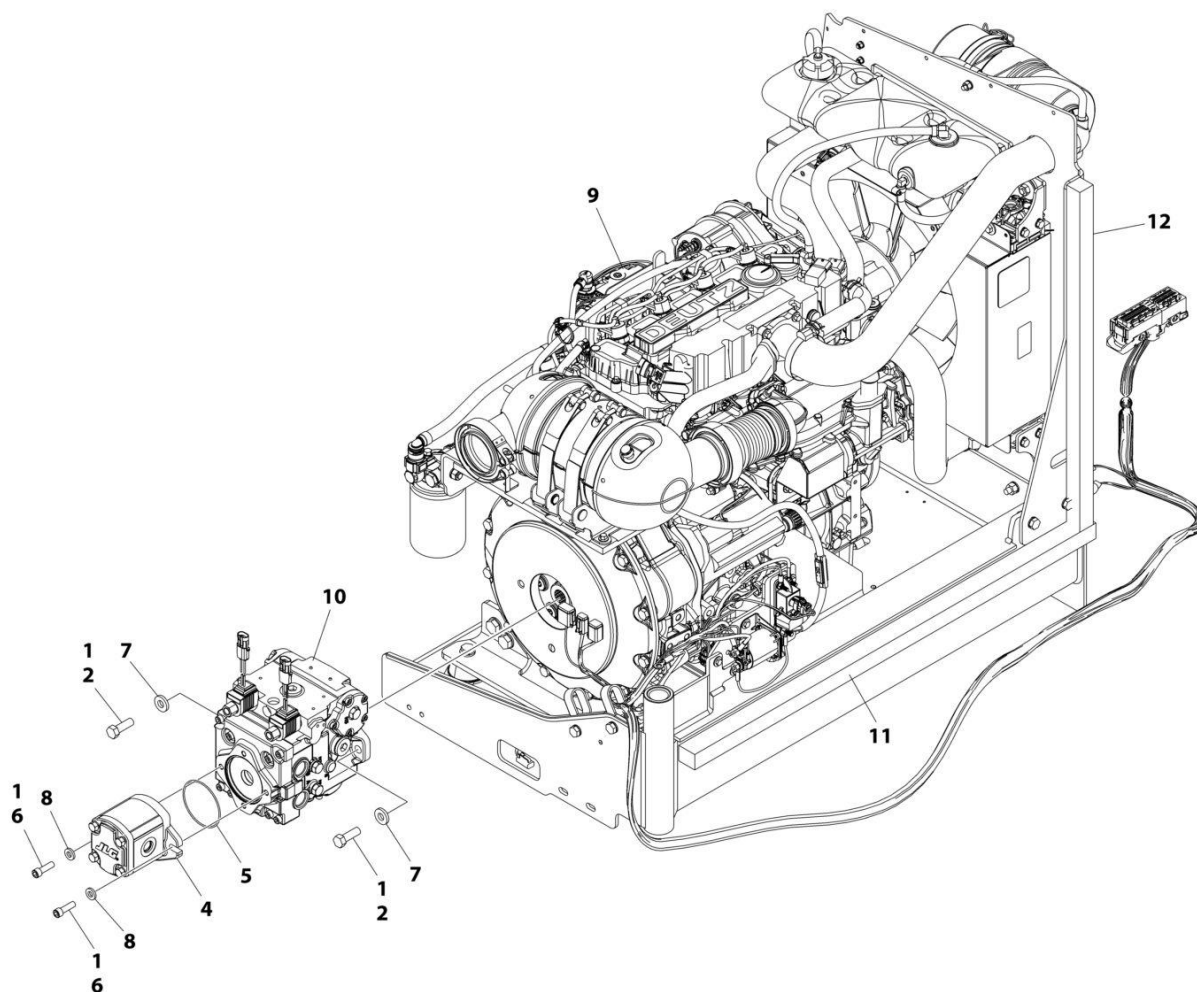
## SECTION 3 - ENGINE

ITEM	PART NUMBER	QTY	DESCRIPTION	REV
49	1001165035	21 ft /6.42m	Hose	
50	1001166970	1	Battery and Auxiliary Power Pump Cable Kit	E
50	70009006	1	Cable, Battery (Black) (Battery to Ground)	
50	70009002	1	Cable, Battery (Red) (Auxiliary Power Relay to Auxiliary Power Pump)	
50	70009007	1	Cable, Battery (Red) (Battery to Auxiliary Power Relay)	
51	1001167512	1	Bracket, Engine Tray	
52	1001169823	1	Plate, Engine Lock	
53	1001172594	1	Pipe, Exhaust	
54	1001173342	1	Harness, Fuel Pump (See Separate Breakdown in ELECTRICAL SECTION)	
55	1001174778	1	Engine and Pump Sub-Assembly - Deutz D2.9L4 (With Arctic Package) (See Separate Breakdown in this Section)	
56	1001162335	1	Bracket Assembly - Fuel Pump/Filter (See Separate Breakdown in this Section)	
57	0771212	1	Bolt M12 x 25	
58	1001150918	1	Cable, Extension Cord	
60	1001125387	1	Decal - Ultra Low Sulfur Fuel	
62	2750532	5.54 ft /1.69m	Hose	
63	1001233763	1	Breather Heater Installation (Not Shown - See Separate Breakdown in this Section)	



## SECTION 3 - ENGINE

FIGURE 3-12. ENGINE AND PUMP SUB-ASSEMBLY - DEUTZ D2.9L4 (WITH ARCTIC PACKAGE)  
(ANSI, ANSI EXPORT AND CSA SPECS)



ART\_1001174778\_I

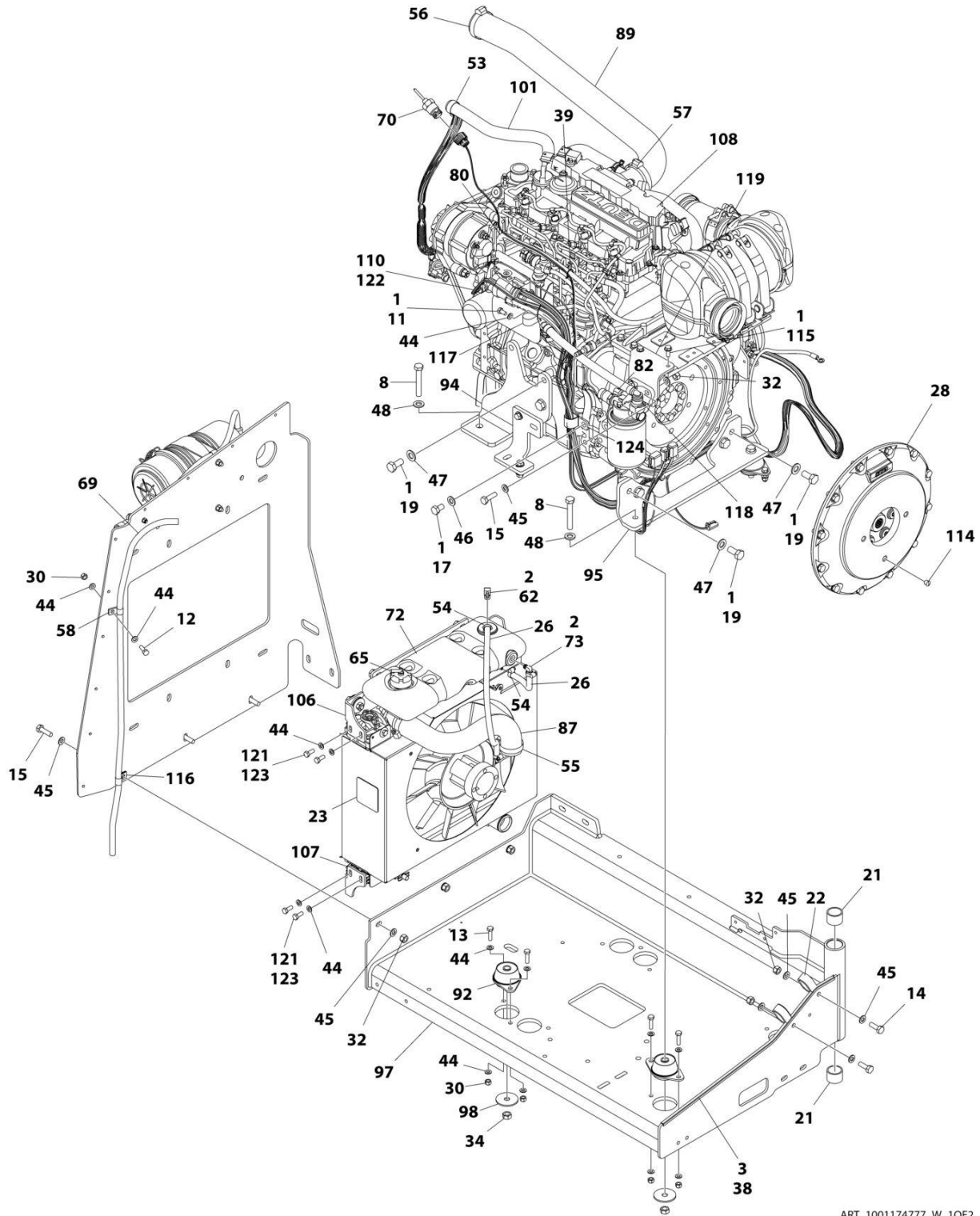
## SECTION 3 - ENGINE

**FIGURE 3-12. ENGINE AND PUMP SUB-ASSEMBLY - DEUTZ D2.9L4 (WITH ARCTIC PACKAGE)  
(ANSI, ANSI EXPORT AND CSA SPECS)**

ITEM	PART NUMBER	QTY	DESCRIPTION	REV
	1001174778	Ref	ENGINE AND PUMP SUB-ASSEMBLY - DEUTZ D2.9L4 (WITH ARCTIC PACKAGE)	I
1	0100011	AR	Compound, Locking	
2	0641812	2	Bolt 1/2 x 1-1/2	
4	1001214207	1	Gear Pump Assembly	
4	70006356	1	Seal Kit - 1001214207 Pump	
5	3790152	1	O-Ring	
6	3931618	2	Capscrew 3/8 x 1 1/8	
7	4891800	2	Washer 1/2 Hardened	
8	4891600	2	Washer 3/8 Hardened	
9	1001174777	1	Engine Assembly - Deutz D2.9L4 Engine (With Arctic Package) (See Separate Breakdown in this Section)	
10	1001167036	1	Piston Pump Assembly (See Separate Breakdown in this Section)	
11	1001171953	1	Seal	
12	1001171954	1	Seal	

# SECTION 3 - ENGINE

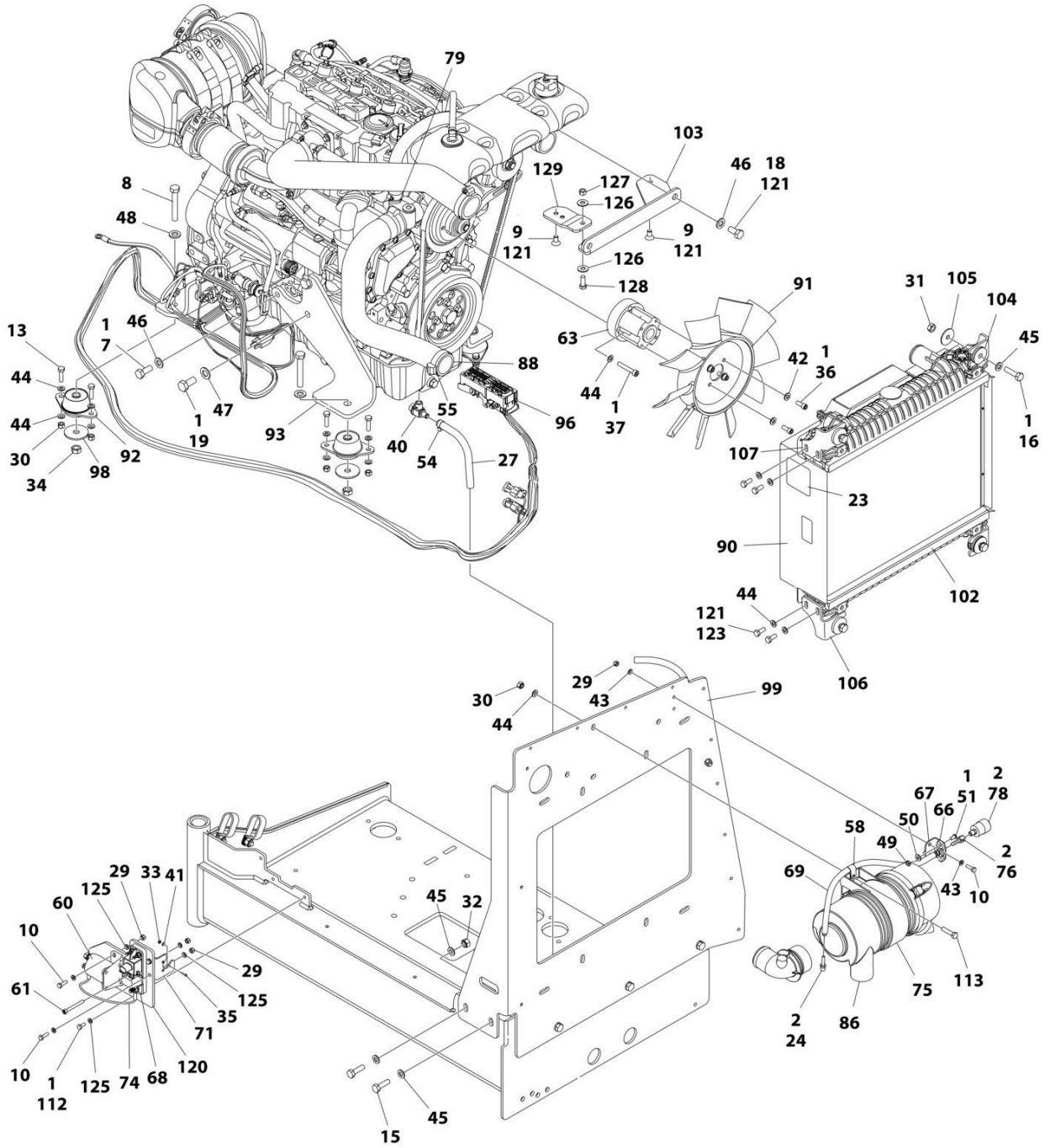
FIGURE 3-13. ENGINE ASSEMBLY - DEUTZ D2.9L4 ENGINE (WITH ARCTIC PACKAGE) (ANSI, ANSI EXPORT AND CSA SPECS)



ART\_1001174777\_W\_10F2



# SECTION 3 - ENGINE



ART\_1001174777\_W\_20F2

## SECTION 3 - ENGINE

**FIGURE 3-13. ENGINE ASSEMBLY - DEUTZ D2.9L4 ENGINE (WITH ARCTIC PACKAGE) (ANSI, ANSI EXPORT AND CSA SPECS)**

ITEM	PART NUMBER	QTY	DESCRIPTION	REV
	1001174777	Ref	ENGINE ASSEMBLY - DEUTZ D2.9L4 ENGINE (WITH ARCTIC PACKAGE)	X
1	0100011	AR	Compound, Locking	
2	0100020	AR	Sealant, Pipe	
3	0100081	AR	Adhesive	
7	0711214	1	Bolt M12 x 30	
8	0711224	AR	Bolt M12 x 80	
9	0741606	2	Screw 3/8 x 3/4	
10	0760610	6	Bolt M6 x 20	
11	0760808	1	Bolt M8 x 16	
12	0760812	1	Bolt M8 x 25	
13	0760814	8	Bolt M8 x 30	
14	0761014	2	Bolt M10 x 30	
15	0761015	7	Bolt M10 x 35	
16	0761016	4	Bolt M10 x 40	
17	0761210	1	Bolt M12 x 20	
18	0761212	2	Bolt M12 x 25	
19	0771414	AR	Bolt M14 x 30 Grade 10.9	
21	0961951	2	Bushing	
22	1321716	2	Clamp	
23	1703162	2	Decal - Caution Fan	
24	2220315	1	Fitting, Barbed	
26	2720015	2 ft/0.61m	Hose	
27	2720340	8 in /0.2m	Hose	
28	2902065	1	Pump Coupling Kit (See Separate Breakdown in this Section)	
29	3290605	7	Nut M6	
30	3290805	AR	Nut M8	
31	3291001	4	Nut M10	
32	3291005	9	Nut M10	
33	3310401	3	Nut #4	
34	3331215	AR	Nut M12 x 1.75	
35	3910408	3	Screw #4- x 1/2	
36	3931512	4	Capscrew 5/16 x 3/4	
37	4031914	4	Bolt M8 x 50	
38	4060805	2.25 ft/ 0.69m	Flex-Trim	
39	4240099	AR	Tie-Strap	
40	4640751	1	Valve, Oil Drain	
41	4710400	3	Washer #4	
42	4711500	4	Washer 5/16	
43	4811700	4	Washer M6	
44	4811900	AR	Washer M8	
45	4812000	22	Washer M10	
46	4812100	4	Washer M12	
47	4812200	9	Washer M14	
48	5241200	AR	Washer M12	
49	8305401	2	Nut Jam	
50	8307109	2	Washer, .250	
51	8310548	2	Screw 1/4 x 1/2	

## SECTION 3 - ENGINE

ITEM	PART NUMBER	QTY	DESCRIPTION	REV
53	8405007	2	Clamp	
54	8405009	5	Clamp	
55	8405104	4	Clamp	
56	8405202	1	Clamp	
57	8405204	1	Clamp	
58	8406109	2	Clip	
60	1001117308	1	Relay, 200Amp	
60	3300220	2	Nut	
60	3321001	2	Nut #10	
60	4761000	2	Washer #10	
60	1001111424	2	Washer	
61	1001118878	1	Bolt M6 x 55	
62	1001134488	1	Fitting, Barbed 90	
63	1001144116	1	Spacer, Fan	
65	1001136834	1	Cap, Tank	
66	1001138173	1	Support, Service Indicator	
67	1001138175	1	Bracket, Service Indicator	
68	1001138228	1	Relay, Power Module	
68	70023592	1	Fuse 20Amp	
68	70023593	1	Fuse 30Amp	
69	1001138248	5.25 ft/ 1.6m	Tube	
70	1001138827	1	Sensor, Coolant Level	
71	1001139240	1	Bracket	
72	1001230635	1	Tank, Surge (Includes Items 62, 70 & 73)	
73	1001140564	1	Fitting, Barbed 90	
74	1001141304	1	Harness, Glow Plug	
75	1001141694	1	Clamp, Air Cleaner	
76	1001141995	1	Fitting, Barbed	
78	1001143390	1	Indicator	
79	1001143797	1	Fitting, Barbed	
80	1001178788	1	Cable, Alternator	
82	1001152489	1	Fitting, Barbed 90	
86	1001165388	1	Air Cleaner Assembly	
86	70003783	1	Element, Air Cleaner	
87	1001165405	1	Hose, Upper Radiator	
88	1001165406	1	Hose, Lower Radiator	
89	1001165721	1	Hose, Air Intake	
90	1001165722	1	Radiator	
91	1001165849	1	Fan	
92	1001166718	AR	Mount, Motor	
93	1001166921	1	Plate, Engine Mount	
94	1001166922	Ref	Plate, Engine Mount	
95	1001166924	1	Plate, Engine Mount	
96	1001167108	1	Harness Engine - Deutz D2.9L4 (See Separate Breakdown in ELECTRICAL SECTION)	
97	1001167520	1	Tray, Engine	
98	1001168018	AR	Washer, Special	
99	1001168026	1	Plate, Radiator Mounting	
101	1001168099	1	Hose	
102	1001168166	2	Seal	
103	1001260420	1	Bracket	

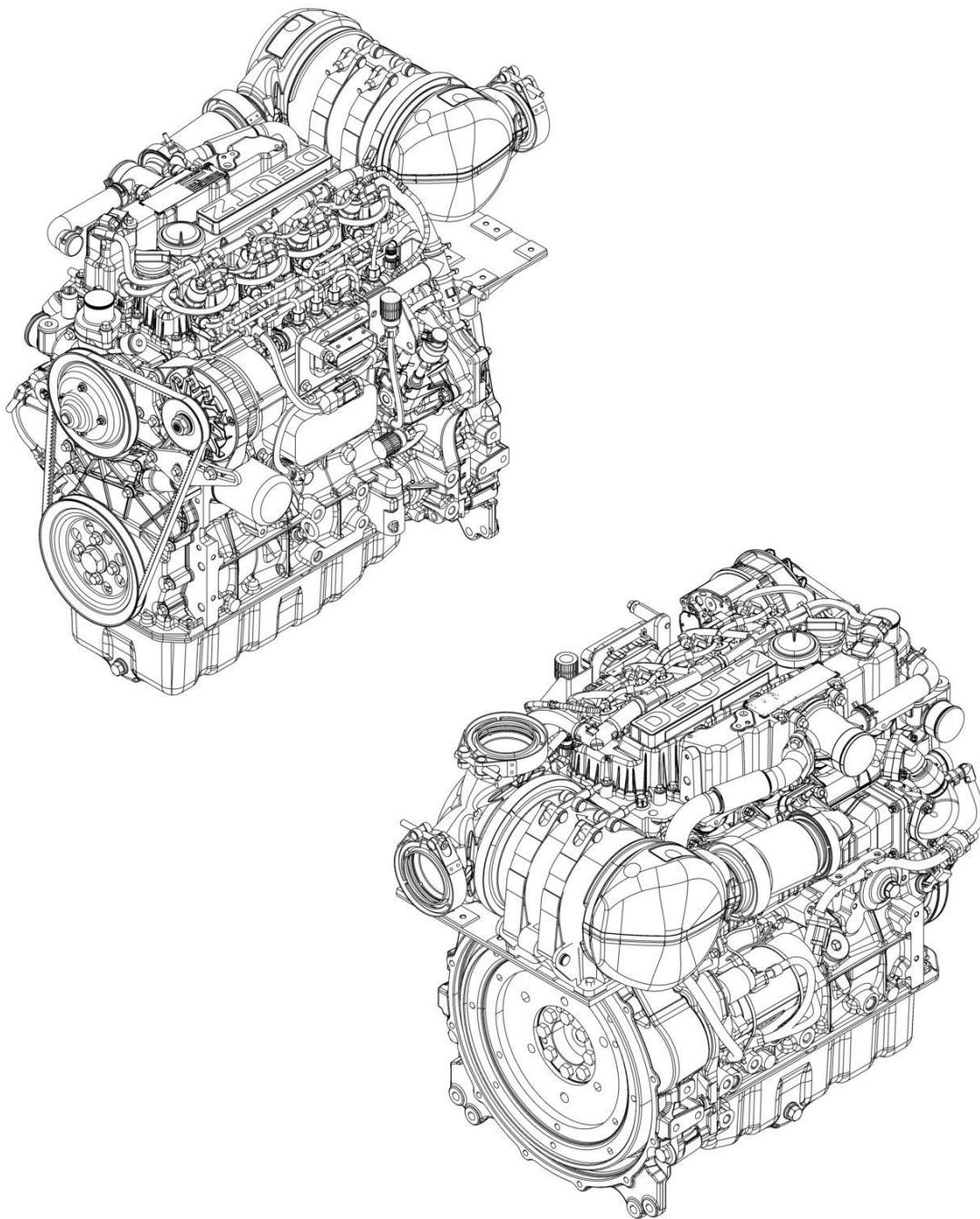
## SECTION 3 - ENGINE

ITEM	PART NUMBER	QTY	DESCRIPTION	REV
104	1001169054	4	Isolator	
105	1001169138	4	Washer, Snubbing	
106	1001169967	2	Bracket	
107	1001170035	2	Bracket	
108	1001249965	1	Engine, Deutz D2.9L4 (See Separate Breakdown in this Section)	
110	1001140312	1	Heater, Engine Block	
112	0760607	3	Bolt M6 x 14	
113	0760815	2	Bolt M8 x 35	
114	3520054	1	Plug	
115	5250810	2	Bolt M8 x 20	
116	8406110	1	Clip	
117	8406201	1	Clip	
118	1001177359	1	Hose	
119	1001178876	1	Mount, Fuel Filter	
120	1001179903	1	Bracket	
121	1001180620	AR	Adhesive	
122	1001181895	AR	Adhesive	
123	0760810	8	Bolt M8 x 20	
124	1001191620	1	Clamp	
125	4811702	12	Washer M6	
126	4751600	2	Washer 3/8	
127	3311605	1	Nut 3/8	
128	0681608	1	Bolt 3/8 x 1	
129	1001260412	1	Bracket	
130	1001162335	1	Bracket Assembly - Fuel Pump/Filter (Not Shown) (See Separate Breakdown in this Section)	



## SECTION 3 - ENGINE

FIGURE 3-14. ENGINE COMPONENTS - DEUTZ D2.9L4 ENGINE (ANSI, ANSI EXPORT AND CSA SPECS)



ART\_1001249965

## SECTION 3 - ENGINE

**FIGURE 3-14. ENGINE COMPONENTS - DEUTZ D2.9L4 ENGINE (ANSI, ANSI EXPORT AND CSA SPECS)**

ITEM	PART NUMBER	QTY	DESCRIPTION	REV
	1001249965	Ref	DEUTZ D2.9L4 - EMR4 (49HP) ENGINE COMPONENTS	B
	See Note	Ref	Note: Contact JLG Customer Service for Availability of Additional Components.	
		Ref	Air Intake System	
	70005182	1	Charge Air Elbow	
	70005183	1	Breather Line	
		Ref	Cooling System Components	
	70030360	1	Pump, Coolant	
	70007603	1	Thermostat	
		Ref	Electrical Components	
	70025210	1	Module, Engine Control (ECM/ECU)	
	70024513	1	Harness, Fuel Filter Sensor	
	70024504	1	Sensor, Fuel Pressure	
	70006652	1	Generator	
	70024915	1	Starter	
	70025231	1	Harness, Glow Plug	
	70028540	1	Sensor, Temperature	
	70026210	1	Sensor, Speed	
	70024507	1	Sensor, Pressure (Air Intake)	
	70031145	4	Plug, Glow	
		Ref	Exhaust Components	
	70031136	1	Pipe, Exhaust	
	70004282	1	Exhaust Manifold	
		Ref	Fuel System Components	
	70030381	1	Pump, High Pressure	
	700004508	1	Valve, Volume Control	
	70004281	1	Injector, Fuel	
	70006144	1	Pump, Fuel Supply (Includes Qty 2 Mounting Clamps)	
	1001225430	1	Filter, Fuel (Pre-Filter) Assembly	
	70024961	1	Filter, Fuel	
	70025239	1	Seal	
	70024513	1	Cable, Sensor	
	70029451	1	Filter, Fuel	
		Ref	Gasket & Seal Components	
	70024905	1	Seal, Dipstick	
	70005942	2	Seal, Oil Plug	
	70024906	1	Gasket, Head	
	70005171	1	Gasket, Valve Cover	
	70002718	1	Seal, Rear Main	
	70025135	1	O-Ring, Oil Lube Pump	
	70005173	1	Gasket, Oil Lube Pump	
	70024925	1	Seal, Oil Cooler	
	70005177	1	Gasket, Charge Air Housing	
	70025200	1	O-Ring, Coolant Pump	
	70007325	1	Seal, Coolant Pump	
	70005184	1	O-Ring, Thermostat	
	70005931	1	Seal, Thermostat	
	70025164	1	Gasket, Exhaust Manifold to Head	
	70007354	1	Gasket, Short Exhaust Pipe to JLG supplied Exhaust	

## SECTION 3 - ENGINE

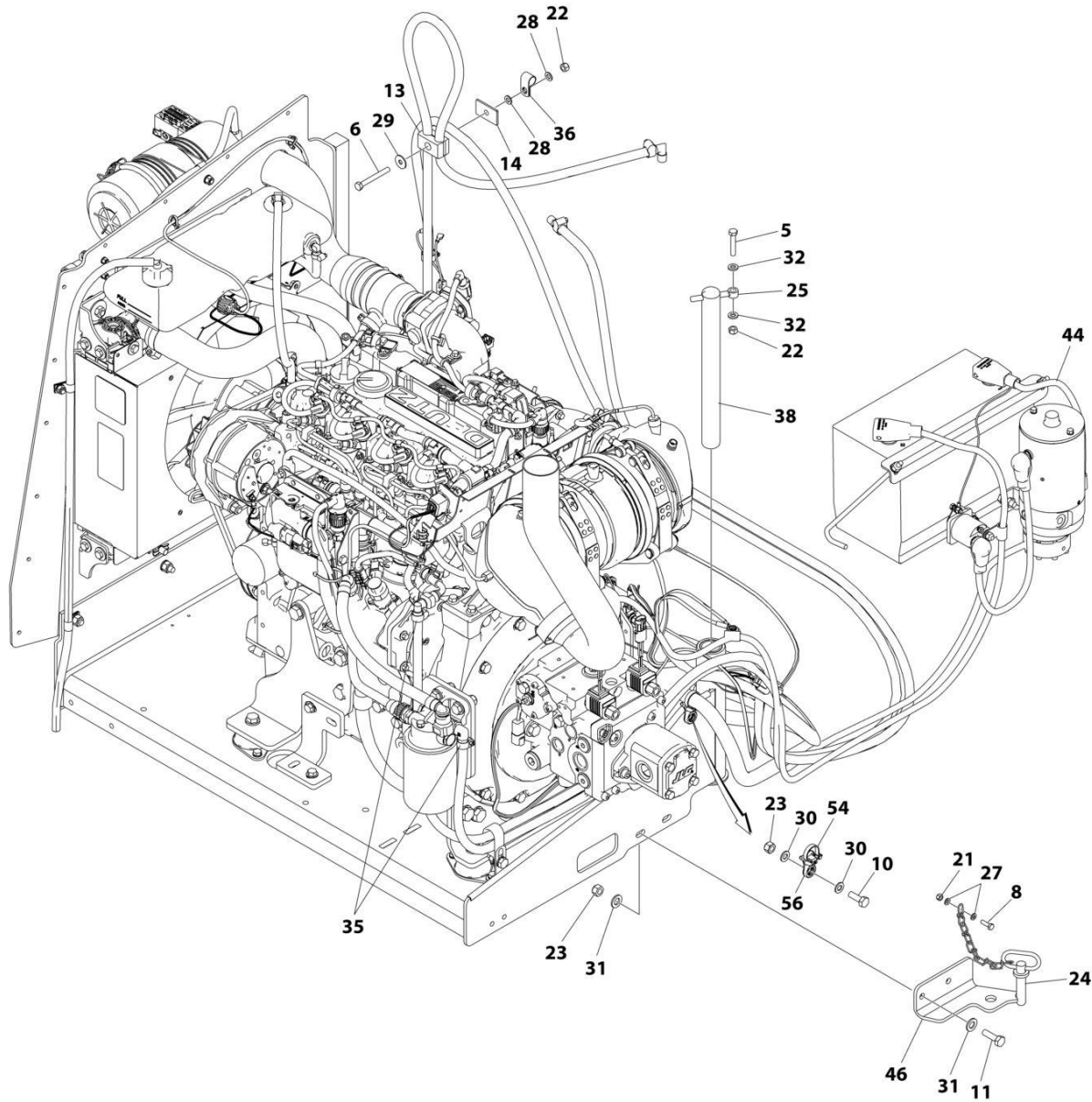
ITEM	PART NUMBER	QTY	DESCRIPTION	REV
	70007326	1	Gasket EGR Valve	
	70031095	1	Gasket, Exhaust Return Pipe (to Air Intake Housing)	
		Ref	Other Components	
	70001870	1	Flywheel	
	7024579	1	Gear, Ring	
		Ref	Oil Lube System	
	7020465	1	Cap, Oil Fill	
	70024904	1	Dipstick	
	70005941	2	Plug, Oil (Includes Seal)	
	70005172	1	Pump, Oil Lube (Includes O-Ring & Gasket)	
	70024494	1	Oil Cooler	
	7016331	1	Filter, Oil	





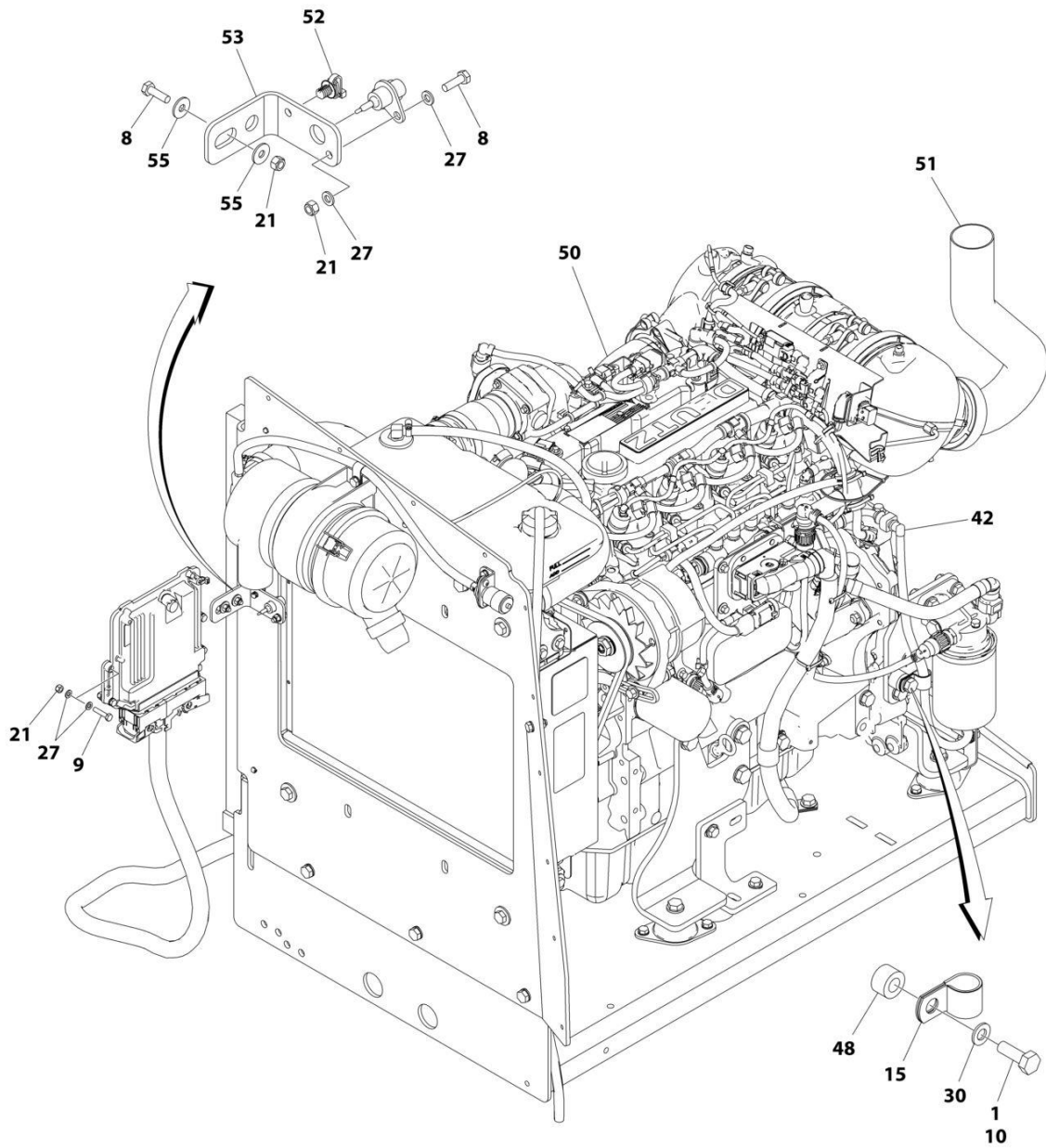
# SECTION 3 - ENGINE

## FIGURE 3-15. ENGINE INSTALLATION - DEUTZ D2.9L4 ENGINE (STAGE V) (CE SPECS)



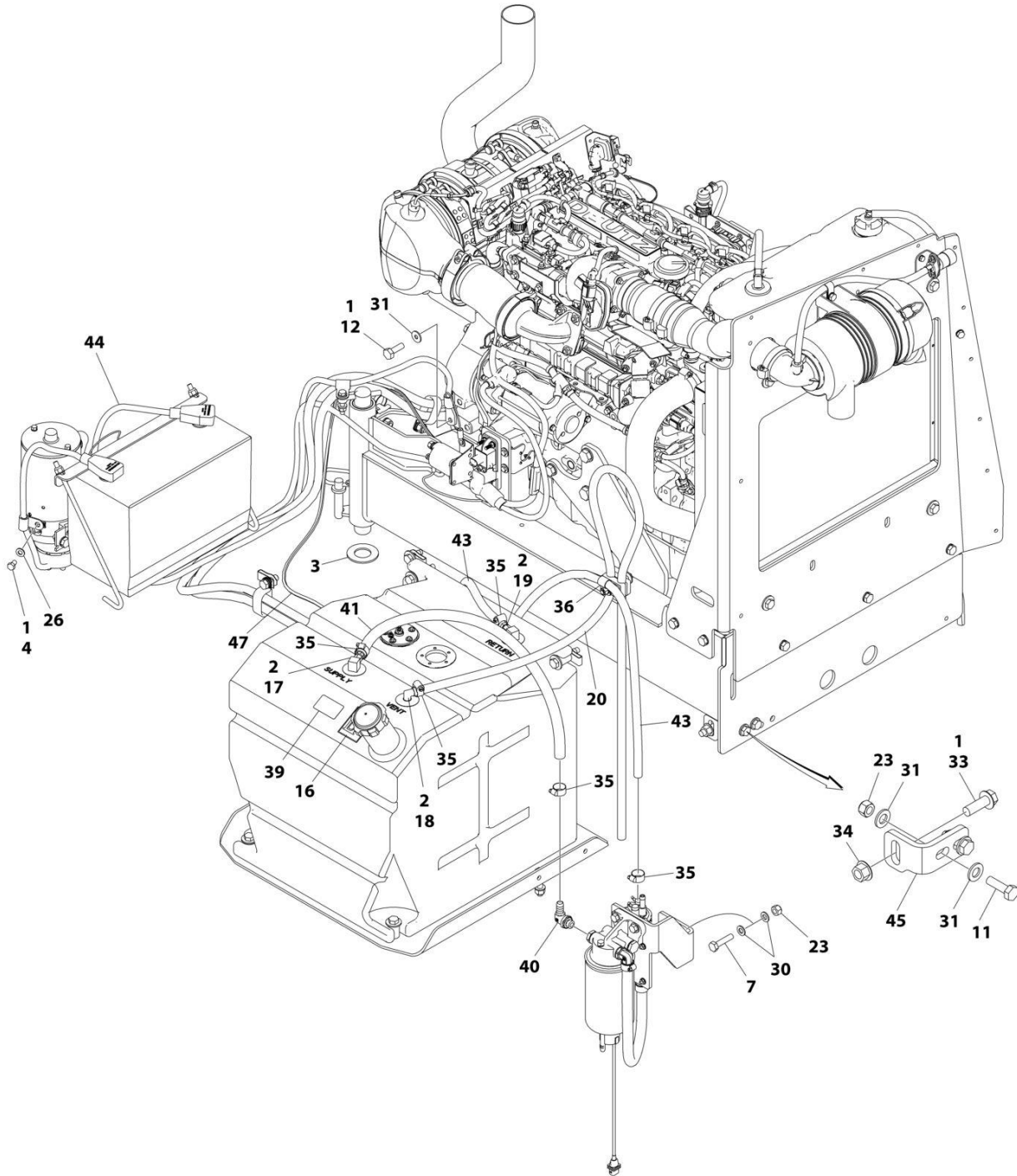
ART\_1001244283\_10F3

# SECTION 3 - ENGINE



ART\_1001244283\_2OF3

# SECTION 3 - ENGINE



ART\_1001244283\_3OF3

## SECTION 3 - ENGINE

**FIGURE 3-15. ENGINE INSTALLATION - DEUTZ D2.9L4 ENGINE (STAGE V) (CE SPECS)**

ITEM	PART NUMBER	QTY	DESCRIPTION	REV
	1001244283	Ref	ENGINE INSTALLATION - DEUTZ STAGE V ENGINE	G
1	0100011	AR	Compound, Locking	
2	0100020	1	Sealant, Pipe	
3	0440162	1	Bearing	
4	0641504	1	Bolt 5/16 x 1/2	
5	0700817	1	Bolt M8 x 45	
6	0700822	1	Bolt M8 x 70	
7	0701017	2	Bolt M10 x 45	
8	0760610	4	Bolt M6 x 20	
9	0760613	4	Bolt M6 x 28	
10	0761014	4	Bolt M10 x 30	
11	0761015	2	Bolt M10 x 35	
12	0771212	1	Bolt M12 x 25	
13	1320187	1	Clamp	
14	1320190	1	Clamp	
15	1320061	1	Clamp	
16	1701505	1	Decal - Diesel Fuel	
17	2180832	1	Fitting, Barbed	
18	2220313	1	Fitting, Barbed 90 3/8 NPTF / 3/8	
19	2220767	AR	Fitting, Barbed 90	
19	8430007	AR	Fitting, Barbed	
20	2750532	5.5 ft /1.69m	Hose	
21	3290605	8	Nut M6	
22	3290805	2	Nut M8	
23	3291005	7	Nut M10	
24	3422532	1	Pin	
25	3841143	1	Keeper, Pin	
26	4711500	1	Washer, 5/16	
27	4811700	12	Washer, M6	
28	4811900	2	Washer, M8	
29	4811902	1	Washer, M8	
30	4812000	7	Washer, M10	
31	4812100	9	Washer, M12	
32	5240800	2	Washer, M8 Hardened	
33	5251215	1	Bolt M12 x 35	
34	5261200	1	Nut, Flange M12 Class10	
35	8405006	7	Clamp	
36	8406101	1	Clip	
38	1001135196	1	Pin	
39	1001139654	1	Decal, Ultra Low Sulfur Fuel	
40	1001142501	1	Fitting, Barbed 90	
41	1001154405	2.29 ft /0.70m	Hose	
42	1001155823	1	Coupling, Quick Disconnect 90	
43	1001165035	21.06 ft /6.42m	Hose	
44	1001166970	1	Battery and Auxiliary Power Pump Cable Kit	
45	1001167512	1	Bracket, Engine Tray	
46	1001169823	1	Plate, Engine Lock	

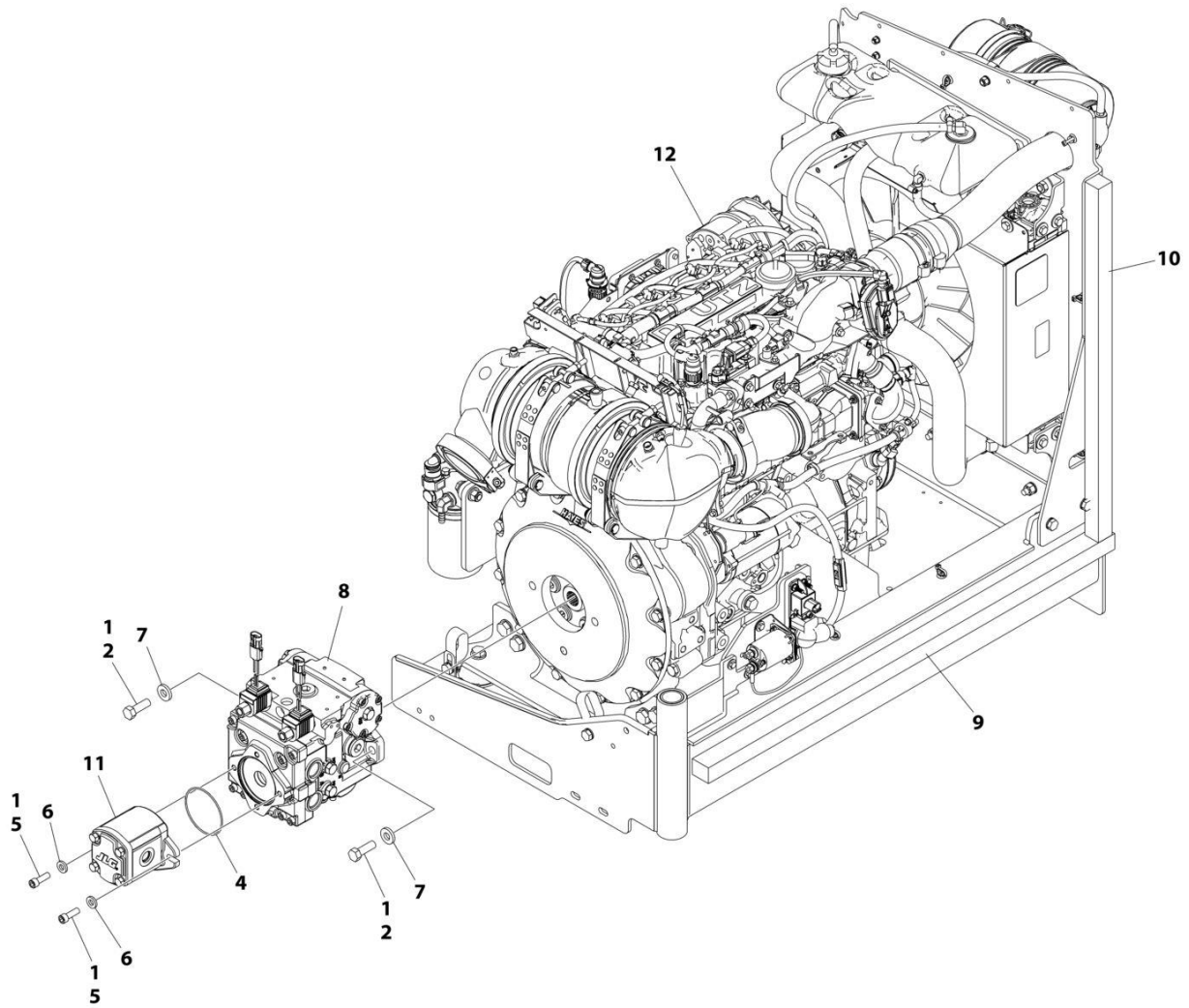
## SECTION 3 - ENGINE

ITEM	PART NUMBER	QTY	DESCRIPTION	REV
47	1001173342	1	Harness, Fuel Pump (See Separate Breakdown in ELECTRICAL SECTION)	
48	1001220266	1	Bar, Spacer M12 x 12	
50	1001244285	1	Engine Assy, Deutz Stage V W/Pumps (See Separate Breakdown in this Section)	
51	1001245305	1	Pipe, Exhaust	
52	1001146588	2	Strap	
53	1001256879	1	Bracket	
54	1062255	AR	Tie-Strap (Not Shown)	
55	4811702	4	Washer M6	
56	1001156107	1	Holder	



# SECTION 3 - ENGINE

FIGURE 3-16. ENGINE AND PUMP SUB-ASSEMBLY - DEUTZ D2.9L4 ENGINE (STAGE V) (CE SPECS)



ART\_1001244285



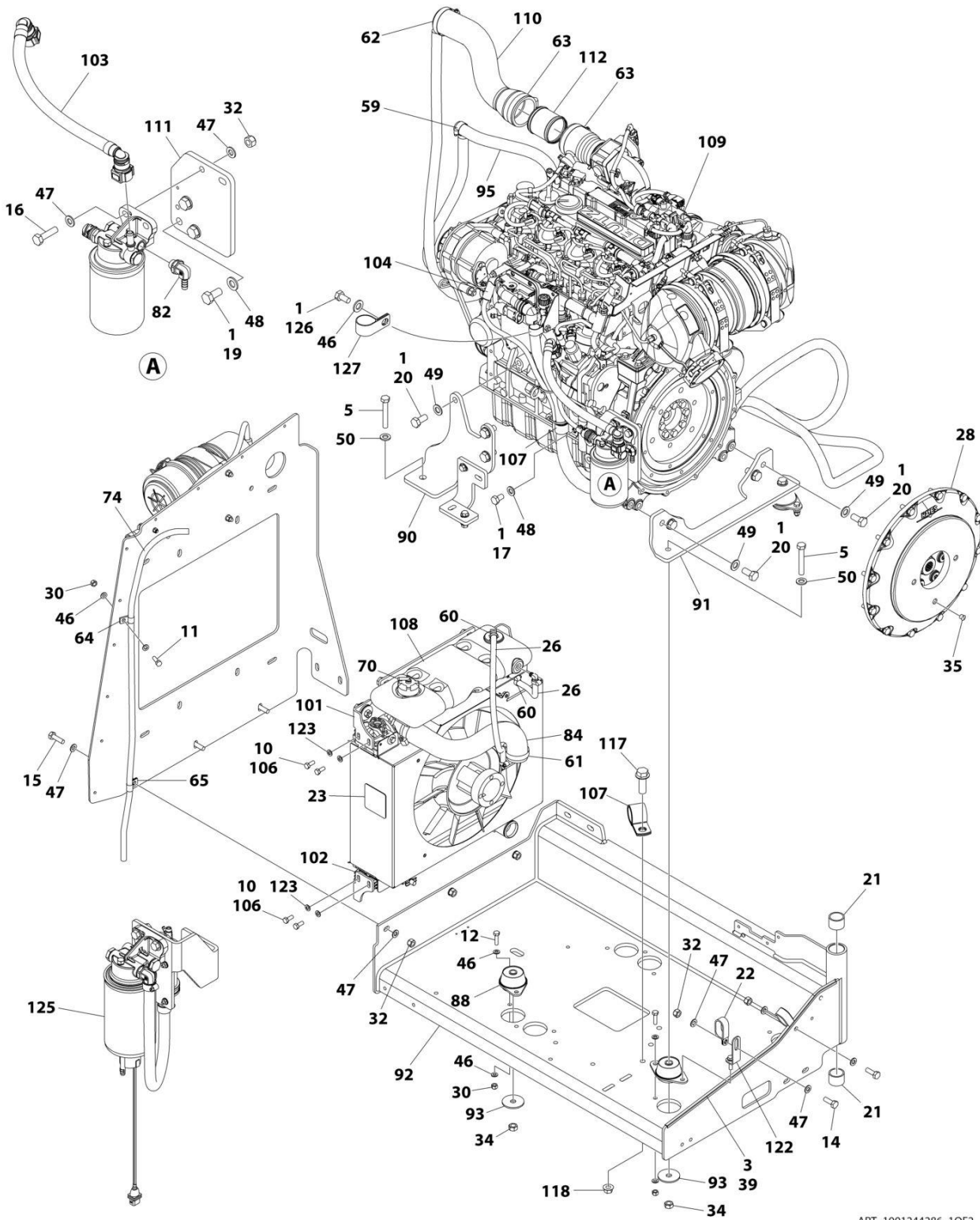
## SECTION 3 - ENGINE

**FIGURE 3-16. ENGINE AND PUMP SUB-ASSEMBLY - DEUTZ D2.9L4 ENGINE (STAGE V) (CE SPECS)**

ITEM	PART NUMBER	QTY	DESCRIPTION	REV
	1001244285	Ref	ENGINE AND PUMP SUB-ASSEMBLY - DEUTZ (STAGE V) ENGINE	E
1	0100011	AR	Compound, Locking	
2	0641812	2	Bolt 1/2 x 1-1/2	
4	3790152	1	O-Ring	
5	3931618	2	Capscrew, 3/8 x 1-1/8	
6	4891600	2	Washer, 3/8 Hardened	
7	4891800	2	Washer 1/2 Hardened	
8	1001167036	1	Piston Pump Assembly (See Separate Breakdown in this Section)	
9	1001171953	1	Seal	
10	1001171954	1	Seal	
11	1001214207	1	Gear Pump Assembly	
11	70006356	1	Seal Kit - 1001214207 Pump	
12	1001244286	1	Engine Assembly, Deutz (Stage V) Engine (See Separate Breakdown in this Section)	

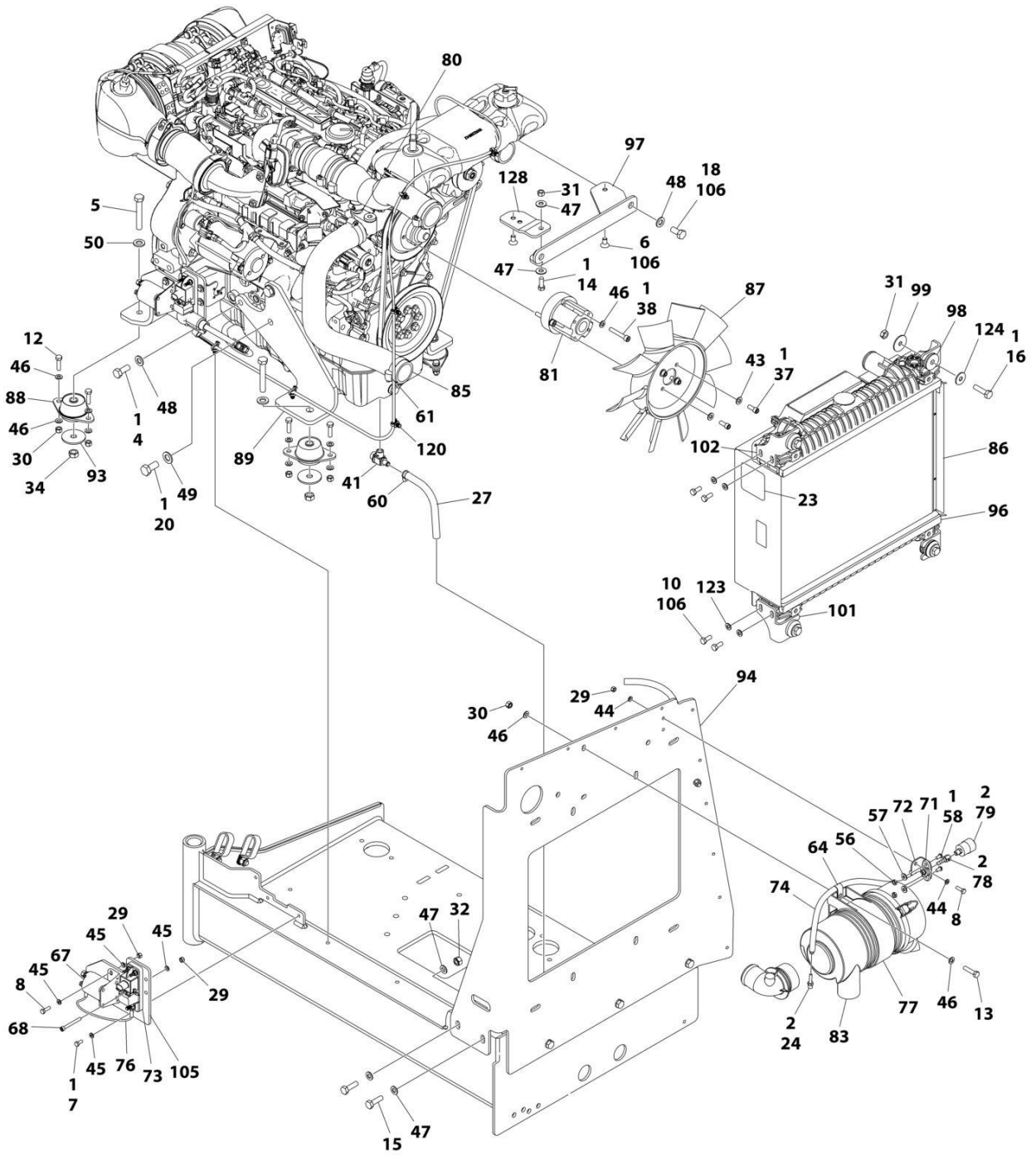
# SECTION 3 - ENGINE

## FIGURE 3-17. ENGINE ASSEMBLY – DEUTZ D2.9L4 ENGINE (STAGE V) (CE SPECS)



ART\_1001244286\_10F2

# SECTION 3 - ENGINE



ART\_1001244286\_2OF2

## SECTION 3 - ENGINE

FIGURE 3-17. ENGINE ASSEMBLY – DEUTZ D2.9L4 ENGINE (STAGE V) (CE SPECS)

ITEM	PART NUMBER	QTY	DESCRIPTION	REV
	1001244286	Ref	ENGINE ASSEMBLY, DEUTZ (STAGE V) ENGINE	K
1	0100011	AR	Compound, Locking	
2	0100020	AR	Sealant, Pipe	
3	0100081	AR	Adhesive	
4	0711214	1	Bolt M12 x 30	
5	0711224	AR	Bolt M12 x 80	
6	0741606	2	Screw 3/8 x 3/4	
7	0760607	3	Bolt M6 x 14	
8	0760610	4	Bolt M6 x 20	
10	0760810	8	Bolt M8 x 20	
11	0760812	1	Bolt M8 x 25	
12	0760814	AR	Bolt M8 x 30	
13	0760815	2	Bolt M8 x 35	
14	0761014	3	Bolt M10 x 30	
15	0761015	5	Bolt M8 x 35	
16	0761016	6	Bolt M10 x 40	
17	0761210	1	Bolt M12 x 20	
18	0761212	2	Bolt M12 x 25	
19	0771212	3	Bolt M12 x 25	
20	0771414	9	Bolt M14 x 30	
21	0961951	2	Bushing	
22	1321716	2	Clamp	
23	1703162	2	Decal - Caution Fan	
24	2220315	1	Fitting, Barbed	
26	2720015	1.94 ft /0.59m	Hose	
27	2720340	0.66 ft/ 0.20m	Hose	
28	2902065	1	Pump Coupling Kit (See Separate Breakdown in this Section)	
29	3290605	5	Nut M6	
30	3290805	AR	Nut M8	
31	3291001	5	Nut M10	
32	3291005	9	Nut M10	
34	3331215	4	Nut M12 x 1.75	
35	3520054	1	Plug	
37	3931512	4	Capscrew, 5/16 x 3/4	
38	4031914	4	Bolt M8 x 50	
39	4060805	2.03 ft /0.62m	Flex-Trim	
40	4240099	AR	Tie-Strap (Not Shown)	
41	4640751	1	Valve, Oil Drain	
43	4711500	4	Washer 5/16	
44	4811700	4	Washer M6	
45	4811702	8	Washer M6	
46	4811900	AR	Washer M8	
47	4812000	20	Washer M10	
48	4812100	7	Washer M12	
49	4812200	AR	Washer M14	
50	5241200	AR	Washer M12	
56	8305401	2	Nut Jam	

## SECTION 3 - ENGINE

ITEM	PART NUMBER	QTY	DESCRIPTION	REV
57	8307109	2	Washer 1/4	
58	8310548	2	Screw 1/4 x 1/2	
59	8405007	2	Clamp	
60	8405009	5	Clamp	
61	8405104	4	Clamp	
62	8405202	1	Clamp	
63	8405204	2	Clamp	
64	8406109	2	Clip	
65	8406110	1	Clip	
67	1001117308	1	Relay, 200Amp	
68	1001118878	1	Bolt M6 x 55	
70	1001136834	1	Cap, Tank	
71	1001138173	1	Support, Service Indicator	
72	1001138175	1	Bracket, Service Indicator	
73	1001138228	1	Relay, Power Module	
74	1001138248	5.09 ft /1.55m	Tube	
76	1001141304	1	Harness, Glow Plug	
77	1001141694	1	Clamp, Air Cleaner	
78	1001141995	1	Fitting, Barbed	
79	1001143390	1	Indicator	
80	1001143797	1	Fitting, Barbed	
81	1001144116	1	Spacer, Fan	
82	1001152489	1	Fitting, Barbed 90	
83	1001165388	1	Air Cleaner Assembly	
83	70003783	1	Element, Air Cleaner	
84	1001165405	1	Hose, Upper Radiator	
85	1001165406	1	Hose, Lower Radiator	
86	1001165722	1	Radiator	
87	1001165849	1	Fan	
88	1001166718	AR	Mount, Motor	
89	1001166921	1	Plate, Engine Mount	
90	1001166922	1	Plate, Engine Mount (Prior to PVC2107)	
91	1001166924	1	Plate, Engine Mount	
92	1001167520	1	Tray, Engine	
93	1001168018	AR	Washer, Special	
94	1001168026	1	Plate, Radiator Mounting	
95	1001168099	1	Hose	
96	1001168166	2	Seal	
97	1001260420	1	Bracket (note: may require P/N 1001260412)	
98	1001169054	4	Isolator	
99	1001169138	4	Washer, Snubbing	
101	1001169967	2	Bracket	
102	1001170035	2	Bracket	
103	1001177359	1	Hose	
104	1001178788	1	Cable, Alternator	
105	1001179903	1	Bracket	
106	1001180620	AR	Adhesive	
107	1001191620	2	Clamp	
108	1001230635	1	Tank, Surge (Includes Items 62, 70, & 73)	
109	1001232545	1	Engine, Deutz 2.9L4 (Stage V) (See Separate Breakdown in this Section)	

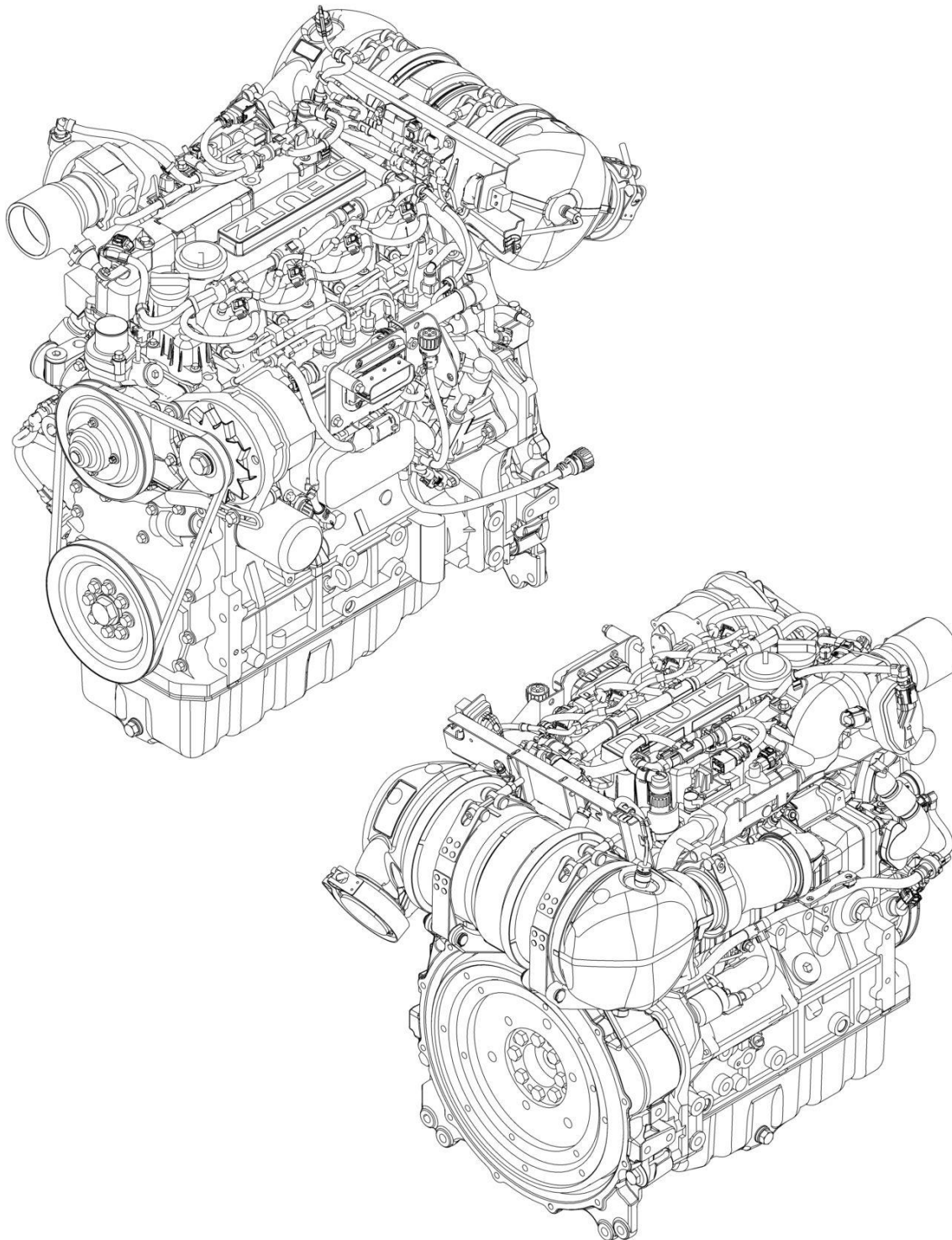
## SECTION 3 - ENGINE

ITEM	PART NUMBER	QTY	DESCRIPTION	REV
110	1001236780	1	Hose, Air Intake	
111	1001258804	1	Mount, Fuel Filter	
112	1001238911	1	Pipe, Air Intake	
113	1001245839	1	Harness, Engine (Not Shown - See Separate Breakdown in ELECTRICAL Section)	
117	5251215	1	Bolt M12 x 35	
118	5261200	1	Nut, Flange M12 Class10	
120	1001146588	AR	Tie-Strap (Not Shown)	
122	1001223122	1	Support	
123	4811902	8	Washer M8	
124	4812002	4	Washer M10	
125	1001235949	1	Bracket (See Separate Breakdown in this Section)	
126	0760808	1	Bolt M8 x 16	
127	8406201	1	Clip	
128	1001260412	1	Bracket	



## SECTION 3 - ENGINE

FIGURE 3-18. ENGINE COMPONENTS - DEUTZ D2.9L4 ENGINE (STAGE V) (CE SPECS)



ART\_1001232545



## SECTION 3 - ENGINE

**FIGURE 3-18. ENGINE COMPONENTS - DEUTZ D2.9L4 ENGINE (STAGE V) (CE SPECS)**

ITEM	PART NUMBER	QTY	DESCRIPTION	REV
	1001232545	Ref	DEUTZ ENGINE COMPONENTS	H
		Ref	Note: For complete list of parts, contact JLG Parts Department	
		Ref	Air Intake System Components	
		Ref	Charge Air Pipe	
	70025168	1	Intake Pipe	
		Ref	Mixing Tube	
		Ref	Throttle Valve	
		Ref	Cooling System Components	
	70029797	1	Pump, Coolant (Includes Gasket & Seals)	
	70007603	1	Thermostat	
	70005184	1	O-Ring	
	70005931	1	Gasket	
	70025142	1	Cover	
		Ref	Electrical System Components	
	70029512	1	Module, ECU/ECM	
	70007784	1	Alternator	
	70031143	1	Module, Alternator Control	
	70029015	1	Fan, Alternator	
	70029402	1	Nut, Alternator Fan	
	70029403	1	Nut, Alternator Power Stud	
	70029404	1	Washer, Alternator Power Stud Spring	
	70031144	1	Starter (Includes Solenoid)	
	70025099	1	Bolt, Starter Mounting	
	70026210	1	Sender, Tacho-Generator (Speed) (On Rear of Block) (Includes Seal)	
	70024916	1	Sender, Tacho-Generator (Speed) (On Cover) (Includes Seal)	
	70024918	1	Sender, Temperature (Includes Seal) (On Air Intake Manifold)	
		Ref	Sensor, Pressure (Includes Seal) (On Air Intake Manifold)	
	70024504	1	Sensor, Pressure (Includes Seal) (On Fuel Filter & Side of Block)	
	70005504	1	Sensor, Pressure (Includes Seal) (On Exhaust Manifold)	
	70027405	1	Sensor, Temperature (Includes Seal) (On Exhaust Manifold)	
	70000345	4	Plug, Glow	
		Ref	Exhaust System Components	
		Ref	Valve, EGR	
	70025130	8	Bolt, Exhaust Manifold	
	70025164	1	Gasket, Exhaust Manifold	
		Ref	Outlet, Muffler	
		Ref	Muffler	
		Ref	Bracket, Muffler Mounting	
	70004504	1	Compensator, Exhaust	
		Ref	Fuel System Components	
		Ref	Pump, High Pressure	
	70004281	1	Injector (Includes Sealing washer, Clamp & O-Ring)	
	70006144	1	Pump, Fuel Supply (Includes Clamps)	
	70024961	1	Filter, Fuel (Pre-Filter Assembly) (Includes Head, Spin on filter, Sensor Cable & Seal)	
	70025153	1	Filter, Fuel Spin On	
	70024513	1	Sensor Cable (Includes Seal)	
	70025160	1	Filter, Fuel (Assembly) (Includes Head & Spin on Filter)	
	70025161	1	Filter, Fuel Spin On	

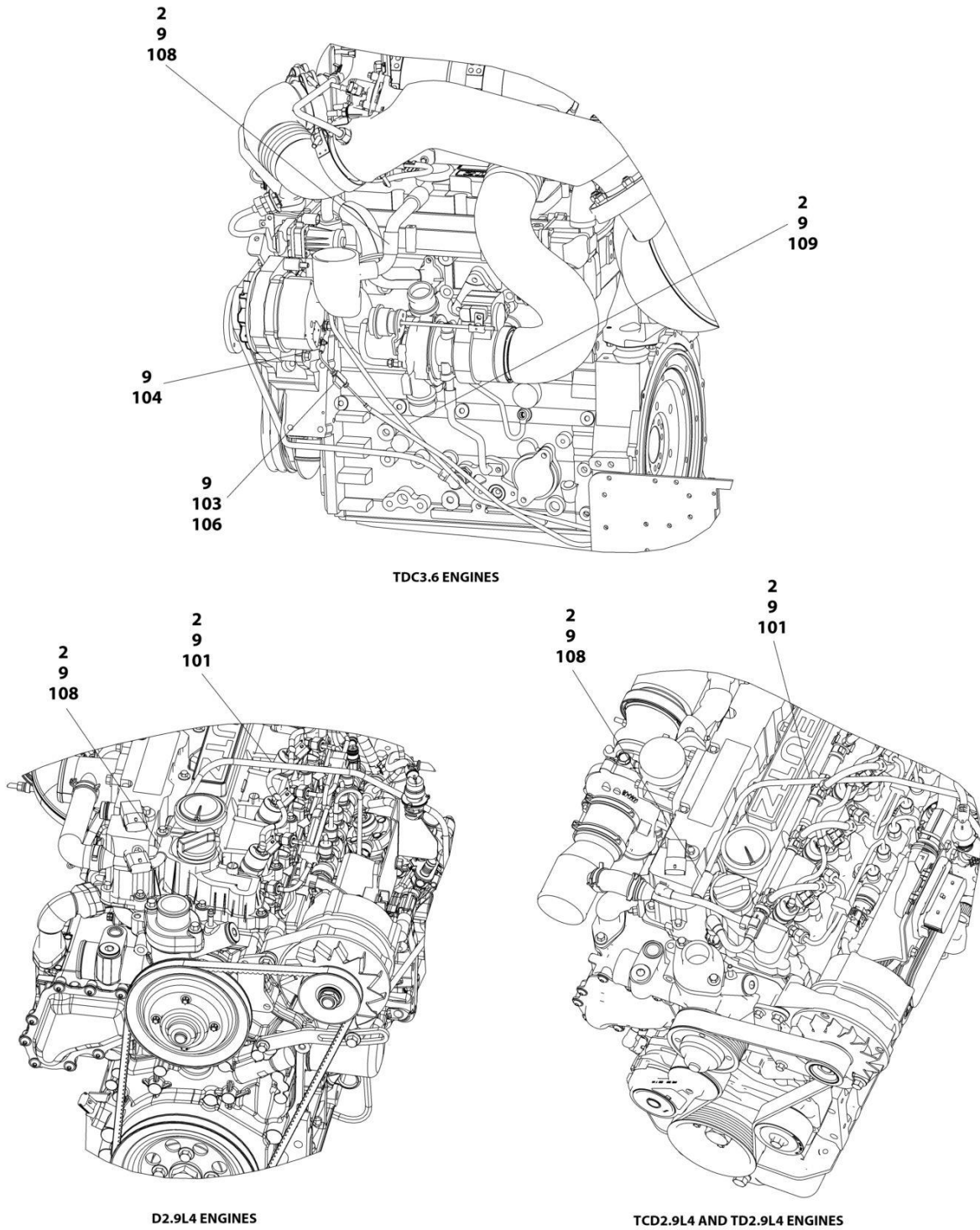
## SECTION 3 - ENGINE

ITEM	PART NUMBER	QTY	DESCRIPTION	REV
	70004508	1	Vol. Control Valve (Includes O-Ring & Gasket)	
		Ref	Lubricating System Components	
	7020465	2	Cap, Oil Fill	
	70005941	2	Plug, Oil Drain	
	70005942	2	Seal, Oil Drain Plug	
	70005172	1	Pump, Oil (Includes Seal & Gasket)	
	7016331	1	Filter, Oil	
	70024494	1	Cooler, Oil	
	70024925	1	Gasket, Oil Cooler	
	70024904	1	Dipstick (Includes Seal)	
		Ref	Mechanical Components	
	70001870	1	Flywheel (includes Gear)	
	70024913	1	V-Belt	
		Ref	Gasket Set - Complete	



# SECTION 3 - ENGINE

## FIGURE 3-19. BREATHER HEATER INSTALLATION - DEUTZ D2.9L4 ENGINE WITH ARCTIC PACKAGE



ART\_1001233763

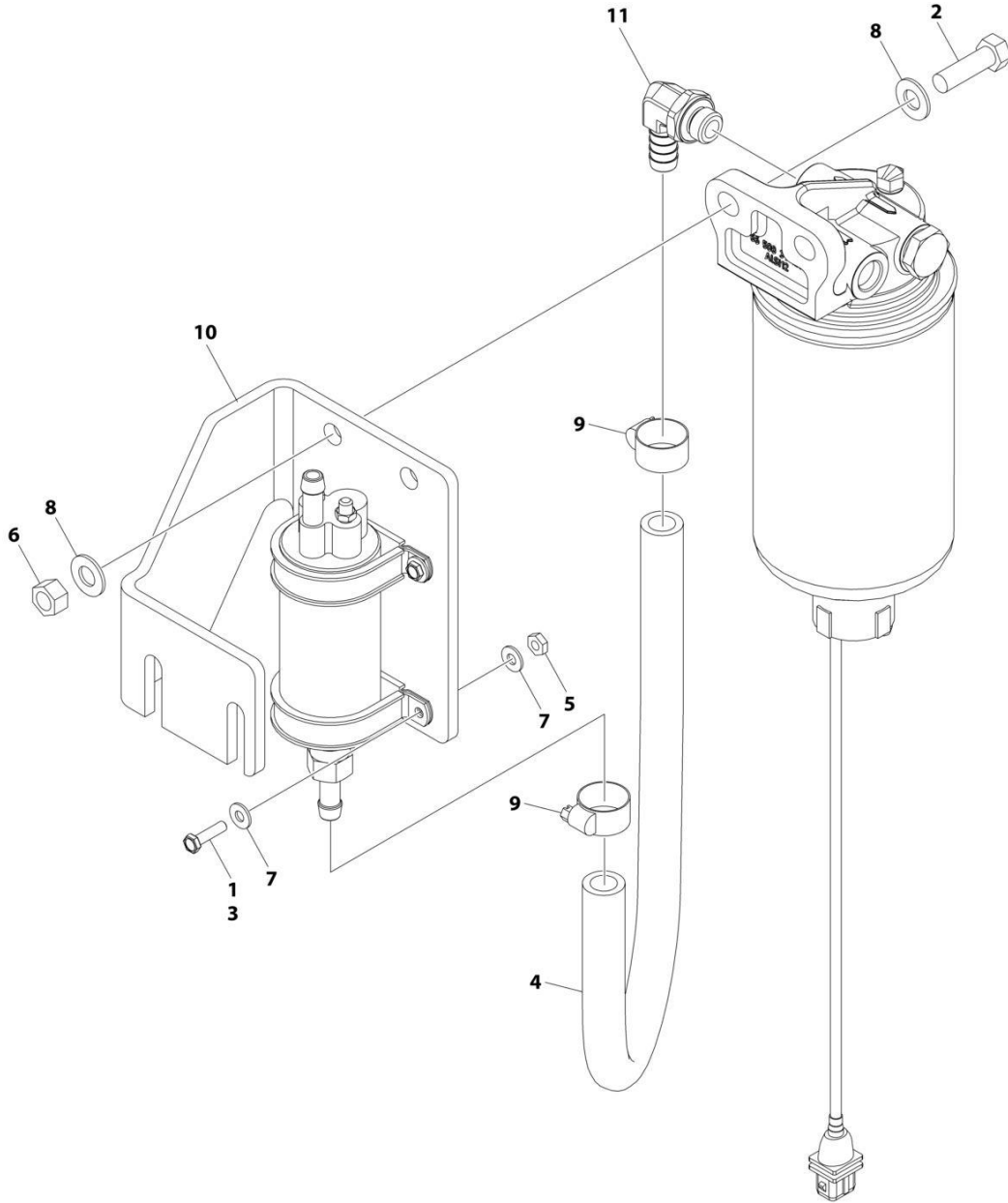
## SECTION 3 - ENGINE

**FIGURE 3-19. BREATHER HEATER INSTALLATION - DEUTZ D2.9L4 ENGINE WITH ARCTIC PACKAGE**

ITEM	PART NUMBER	QTY	DESCRIPTION	REV
	1001233763	Ref	BREATHER HEATER INSTALLATION - DEUTZ ENGINES	D
2	4240099	AR	Tie-Strap	
9	1001243895	1	Breather Heater Harness	C
101	2820035	AR	Insulation	
103	2400060	1	Fuseholder with Cover	
104	4460043	1	Terminal, Ring	
105	4460722	1	Terminal, Ring (Not Shown)	
106	1001196634	1	Fuse - 2 Amp	
108	1001232842	1	Breather Heater Kit	

# SECTION 3 - ENGINE

## FIGURE 3-20. BRACKET ASSEMBLY - FUEL PUMP AND FILTER (DEUTZ D2.9L4 ENGINE)



ART\_1001162335

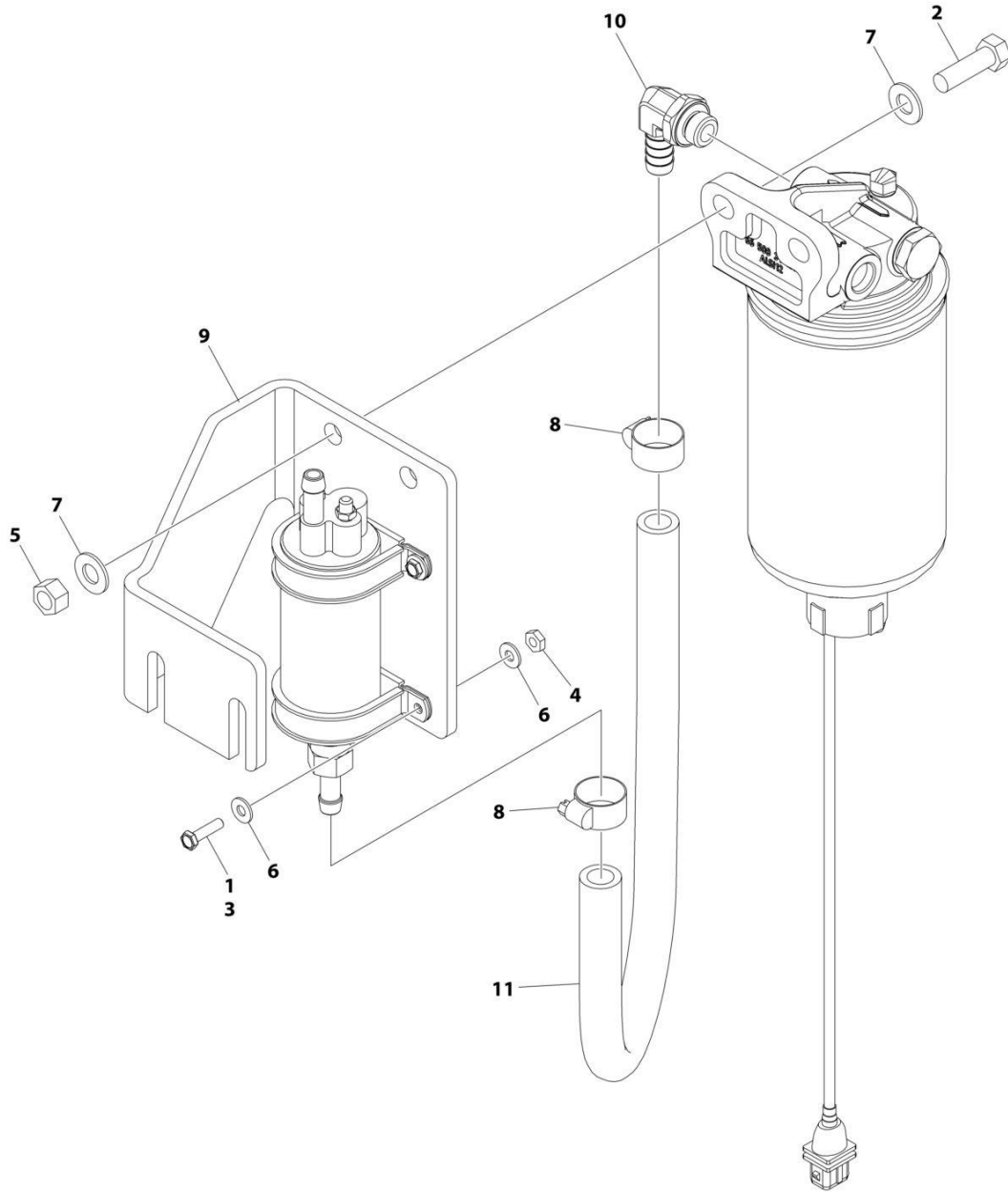
## SECTION 3 - ENGINE

**FIGURE 3-20. BRACKET ASSEMBLY - FUEL PUMP AND FILTER (DEUTZ D2.9L4 ENGINE)**

ITEM	PART NUMBER	QTY	DESCRIPTION	REV
	1001162335	Ref	BRACKET ASSEMBLY - FUEL PUMP AND FILTER (DEUTZ D2.9L4 ENGINE)	E
1	0100011	AR	Compound, Locking	
2	0641610	2	Bolt 3/8 x 1-1/4	
3	0721006	4	Bolt #10 x 3/4	
4	1001154405	AR	Hose	
5	3311001	4	Nut #10	
6	3311605	2	Nut 3/8	
7	4711000	8	Washer #10	
8	4711600	4	Washer 3/8	
9	8405006	2	Clamp	
10	1001141870	1	Plate, Fuel Pump Mount	
11	1001142501	1	Fitting, Elbow Barbed	

# SECTION 3 - ENGINE

FIGURE 3-21. BRACKET ASSEMBLY - FUEL PUMP AND FILTER (DEUTZ D2.9L4 ENGINE) (STAGE V)



ART\_1001235949



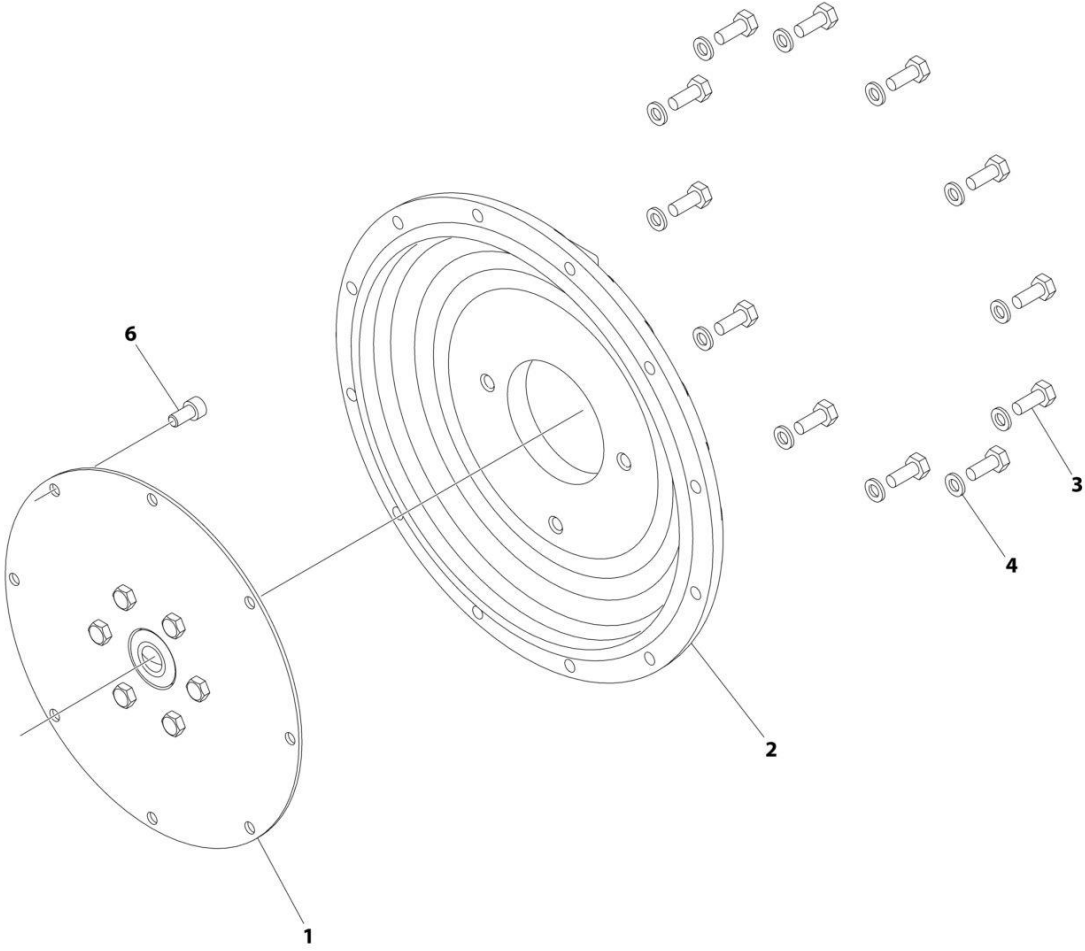
## SECTION 3 - ENGINE

**FIGURE 3-21. BRACKET ASSEMBLY - FUEL PUMP AND FILTER (DEUTZ D2.9L4 ENGINE) (STAGE V)**

ITEM	PART NUMBER	QTY	DESCRIPTION	REV
	1001235949	Ref	BRACKET ASSEMBLY - FUEL PUMP AND FILTER (DEUTZ D2.9L4 (STAGE V) ENGINE)	A
1	0100035	AR	Compound, Locking	
2	0641610	2	Bolt 3/8 x 1-1/4	
3	0721006	4	Bolt #10 x 3/4	
4	3311001	4	Nut #10	
5	3311605	2	Nut 3/8	
6	4711000	8	Washer #10	
7	4711600	4	Washer 3/8	
8	8405006	2	Clamp	
9	1001141870	1	Plate, Fuel Pump Mount	
10	1001142501	1	Fitting, Elbow Barbed	
11	1001154405	1.5 ft /0.4m	Hose	

**SECTION 3 - ENGINE**

**FIGURE 3-22. PUMP COUPLING KIT (DEUTZ ENGINES)**



ART\_2902065

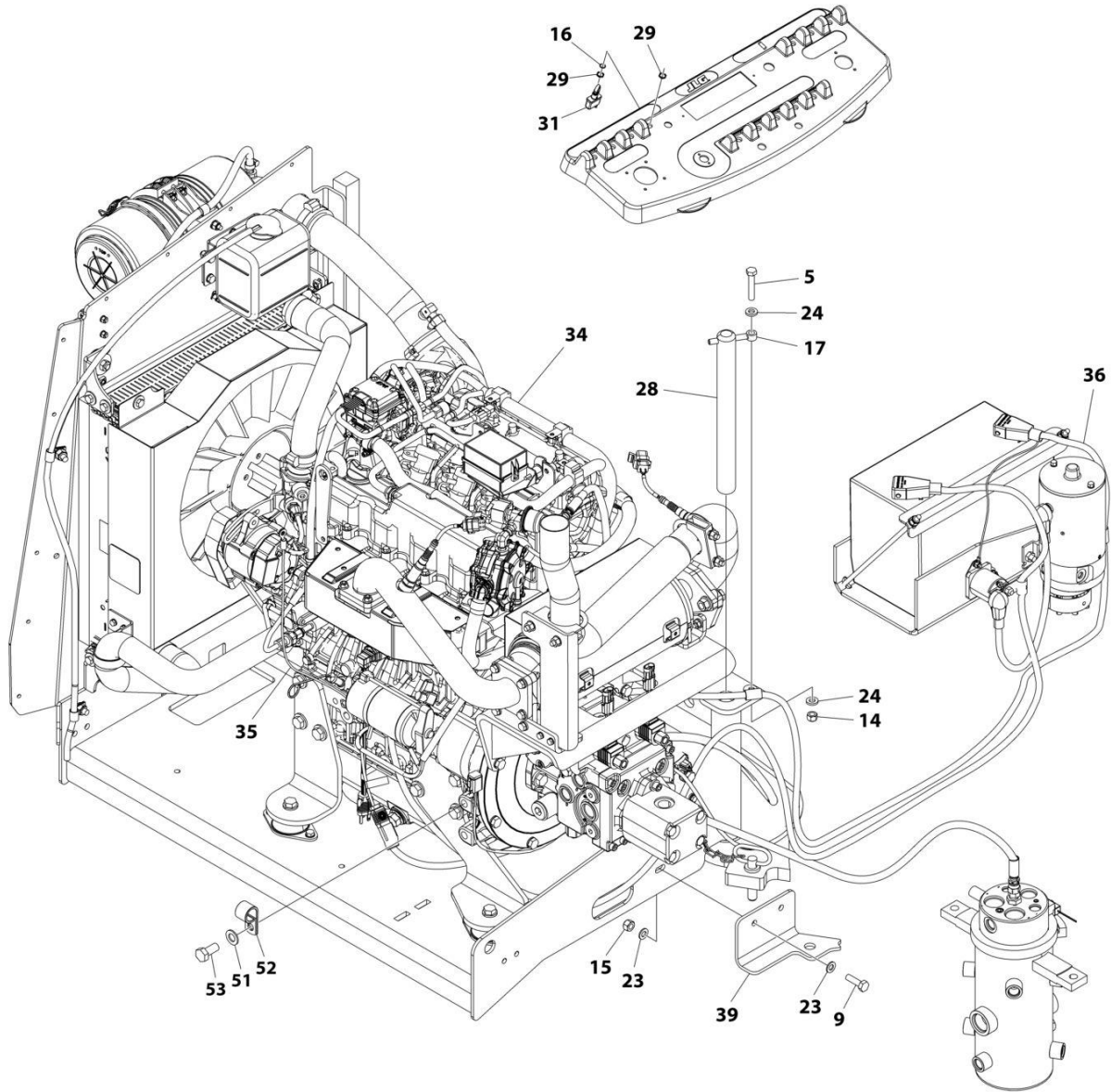
## SECTION 3 - ENGINE

**FIGURE 3-22. PUMP COUPLING KIT (DEUTZ ENGINES)**

ITEM	PART NUMBER	QTY	DESCRIPTION	REV
	2902065	Ref	PUMP COUPLING KIT	L
1	70000793	1	Coupling, Hayes	
2	See Note	NSS	Plate, Pump Adapter (Note: Use p/n 2902065)	
3	See Note	NSS	Bolt M10 x 30 Grade 10.9 (Note: Use p/n 2902065)	
4	See Note	NSS	Washer M10 (Note: Use p/n 2902065)	
6	See Note	NSS	Bolt M10 x 20 Grade 10.9 (Note: Use p/n 2902065)	

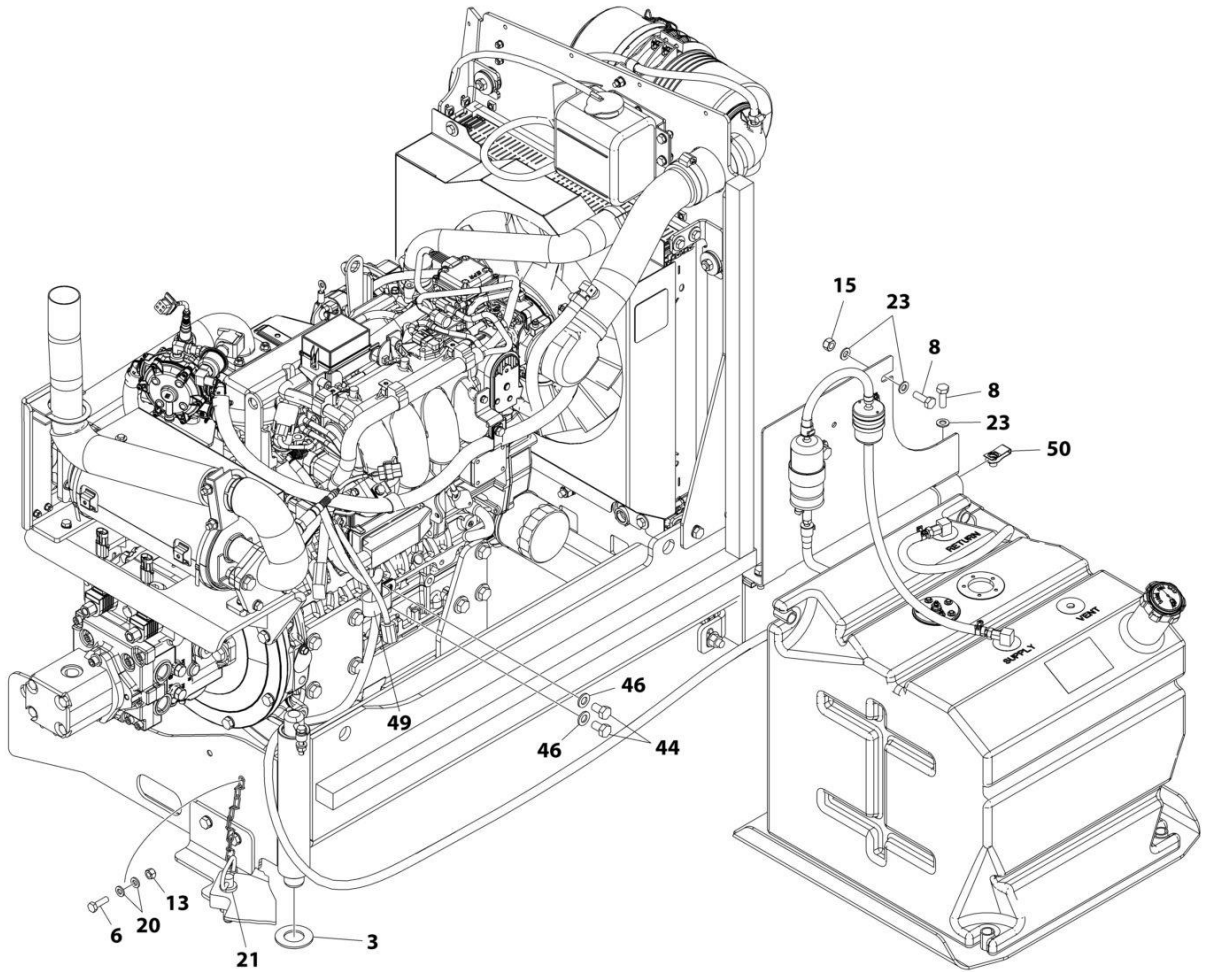
# SECTION 3 - ENGINE

## FIGURE 3-23. ENGINE INSTALLATION - KUBOTA ENGINE (WITHOUT ARCTIC PACKAGE)



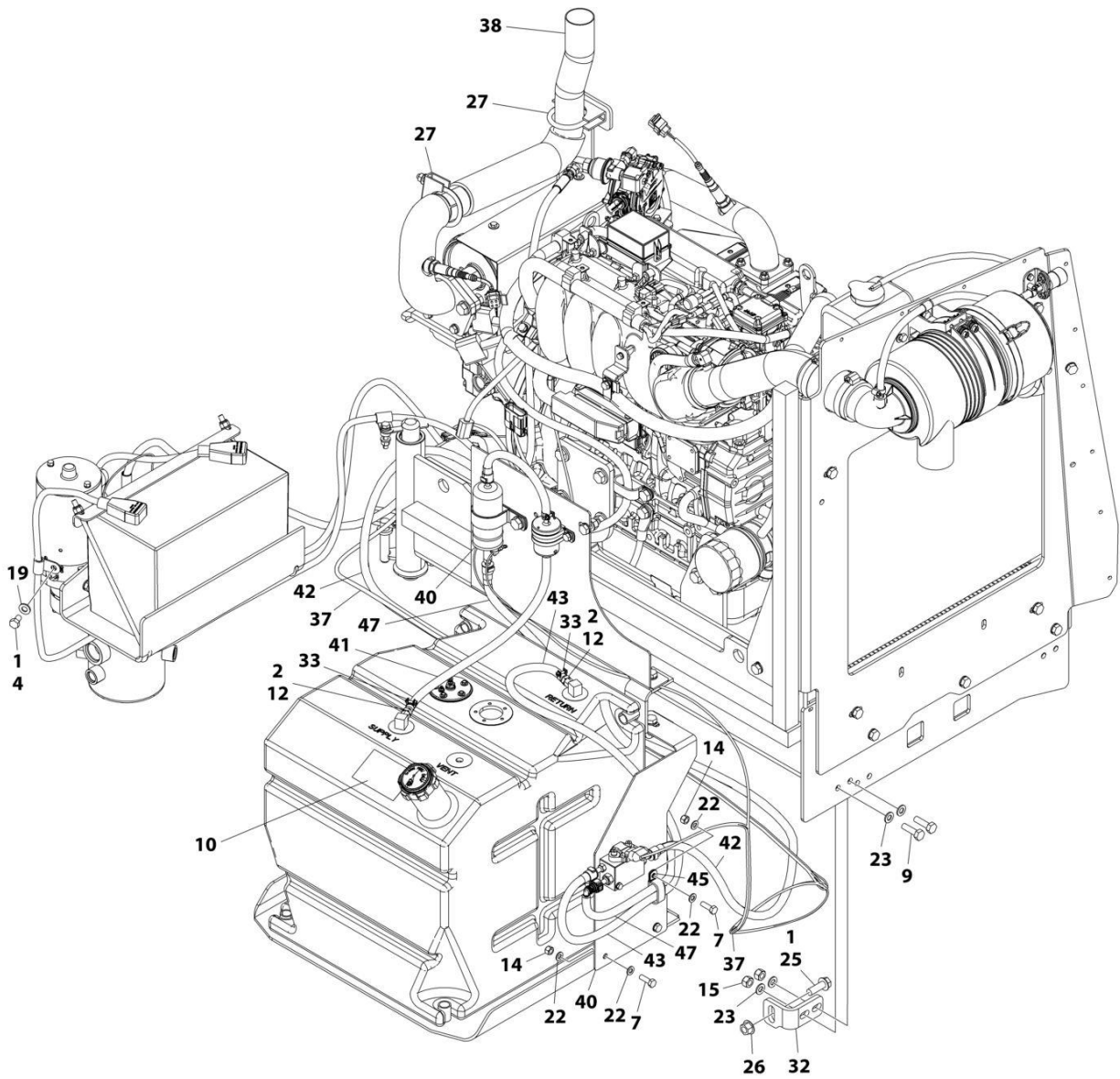
ART\_1001236250\_10F3

# SECTION 3 - ENGINE



ART\_1001236250\_20F3

# SECTION 3 - ENGINE



ART\_1001236250\_30F3

## SECTION 3 - ENGINE

**FIGURE 3-23. ENGINE INSTALLATION - KUBOTA ENGINE (WITHOUT ARCTIC PACKAGE)**

ITEM	PART NUMBER	QTY	DESCRIPTION	REV
	1001236250	Ref	ENGINE INSTALLATION - KUBOTA ENGINE (WITHOUT ARCTIC PACKAGE)	A
1	0100011	AR	Compound, Locking	
2	0100020	AR	Sealant, Pipe	
3	0440162	1	Bearing	
4	0641504	1	Bolt 5/16 x 1/2	
5	0700817	1	Bolt M8 x 45	
6	0760610	1	Bolt M6 x 20	
7	0760812	3	Bolt M8 x 25	
8	0761014	4	Bolt M10 x 30	
9	0761015	4	Bolt M10 x 35	
10	1701542	2	Decal - Gas	
11	1701543	1	Decal - LPG (Not Shown)	
12	2180348	2	Fitting, Barbed	
13	3290605	1	Nut M6	
14	3290805	4	Nut M8	
15	3291005	5	Nut M10	
16	3790012	1	O-Ring	
17	3841143	1	Keeper, Pin	
18	4240099	AR	Tie-Strap (Not Shown)	
19	4711500	1	Washer 5/16	
20	4811700	2	Washer M6	
21	3422532	1	Pin	
22	4811900	6	Washer M8	
23	4812000	13	Washer M10	
24	5240800	2	Washer M8	
25	5251215	1	Bolt M12 x 35	
26	5261200	1	Nut M12 (Grade 10.9)	
27	1001217785	2	Clamp, Muffler	
28	1001135196	1	Pin	
29	1001155044	2	Nut 15/32	
31	1001161710	1	Switch, Toggle	
32	1001167512	1	Bracket, Engine Tray Stow	
33	1001174486	2	Clamp	
34	1001236254	1	Engine and Pump Sub-Assembly - Kubota Engine (Without Arctic Package) (See Separate Breakdown in this Section)	
35	1001212257	1	Cable, Kubota Alternator	
36	1001213062	1	Cable, Battery Cable Kit	
37	1001213599	1	Harness Engine - Kubota Engine (See Separate Breakdown in ELECTRICAL SECTION)	
38	1001214502	1	Pipe, Tail Pipe	
39	1001215259	1	Plate, Engine Lock	
40	1001215801	1	Mount, Fuel System	
41	1001156819	20 in/ 53cm	Hose	
42	1001216396	1	Hose	
43	1001216397	1	Hose	
44	1001217494	2	Bolt M12 x 20	
45	1321283	1	Clamp	
46	4812100	2	Washer M12	

## SECTION 3 - ENGINE

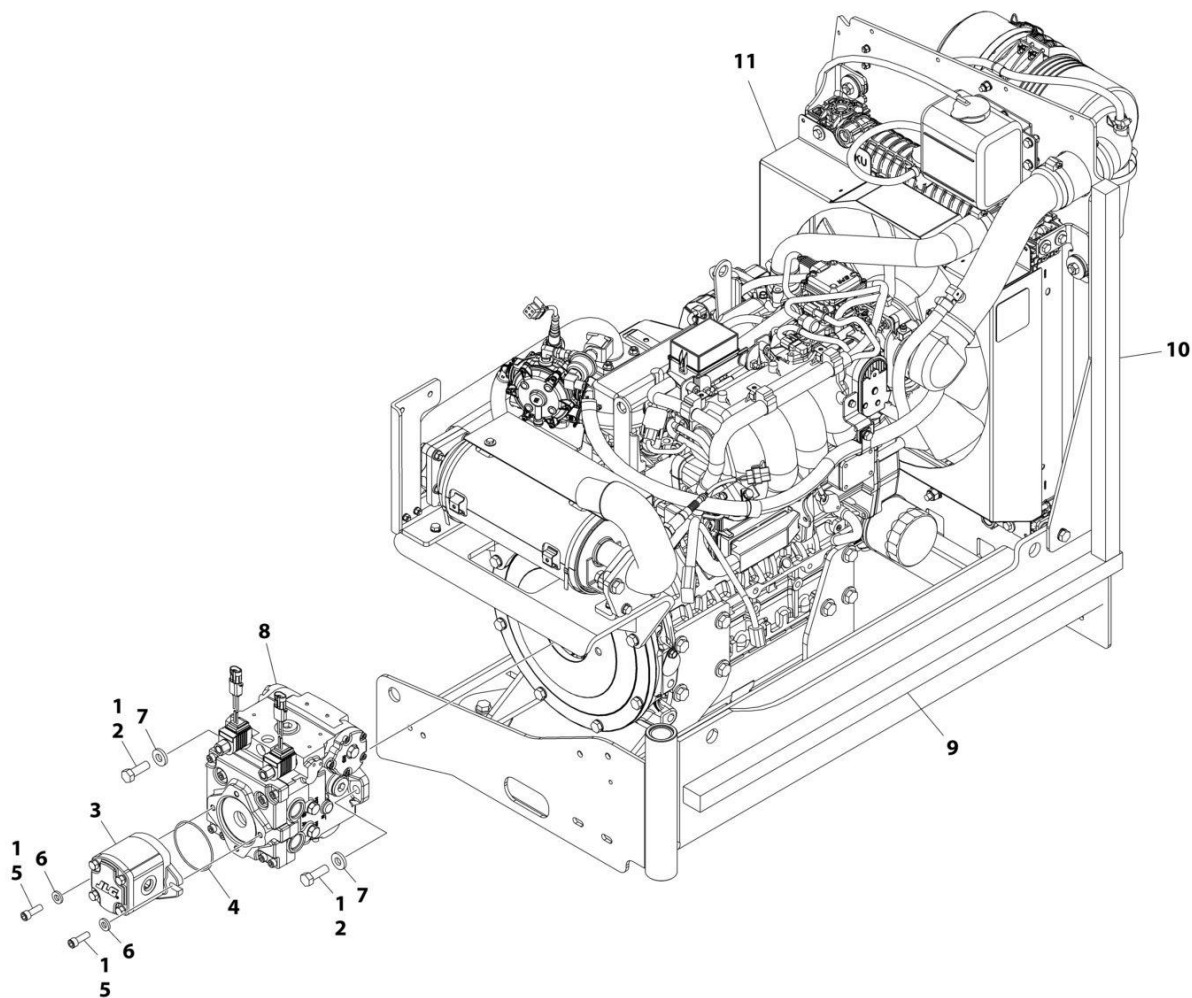
ITEM	PART NUMBER	QTY	DESCRIPTION	REV
47	1001216399	1	Hose	
49	1001195039	1	Clamp	
50	1001118972	3	Nut M10	
51	4812200	1	Washer M14	
52	24431386	1	Support Clamp 15/16	
53	1001217345	1	Bolt M14 x 30	
54	1001229798	1	Harness - Kubota Dual Fuel Power (Not Shown - See Separate Breakdown in ELECTRICAL SECTION)	
55	4460466	8	Terminal, Sealing Plug (Not Shown)	
56	4460930	1	Plug, Male - 8 Position (Deutsch) (Not Shown)	





# SECTION 3 - ENGINE

## FIGURE 3-24. ENGINE AND PUMP SUB-ASSEMBLY - KUBOTA ENGINE (WITHOUT ARCTIC PACKAGE)



ART\_1001236254

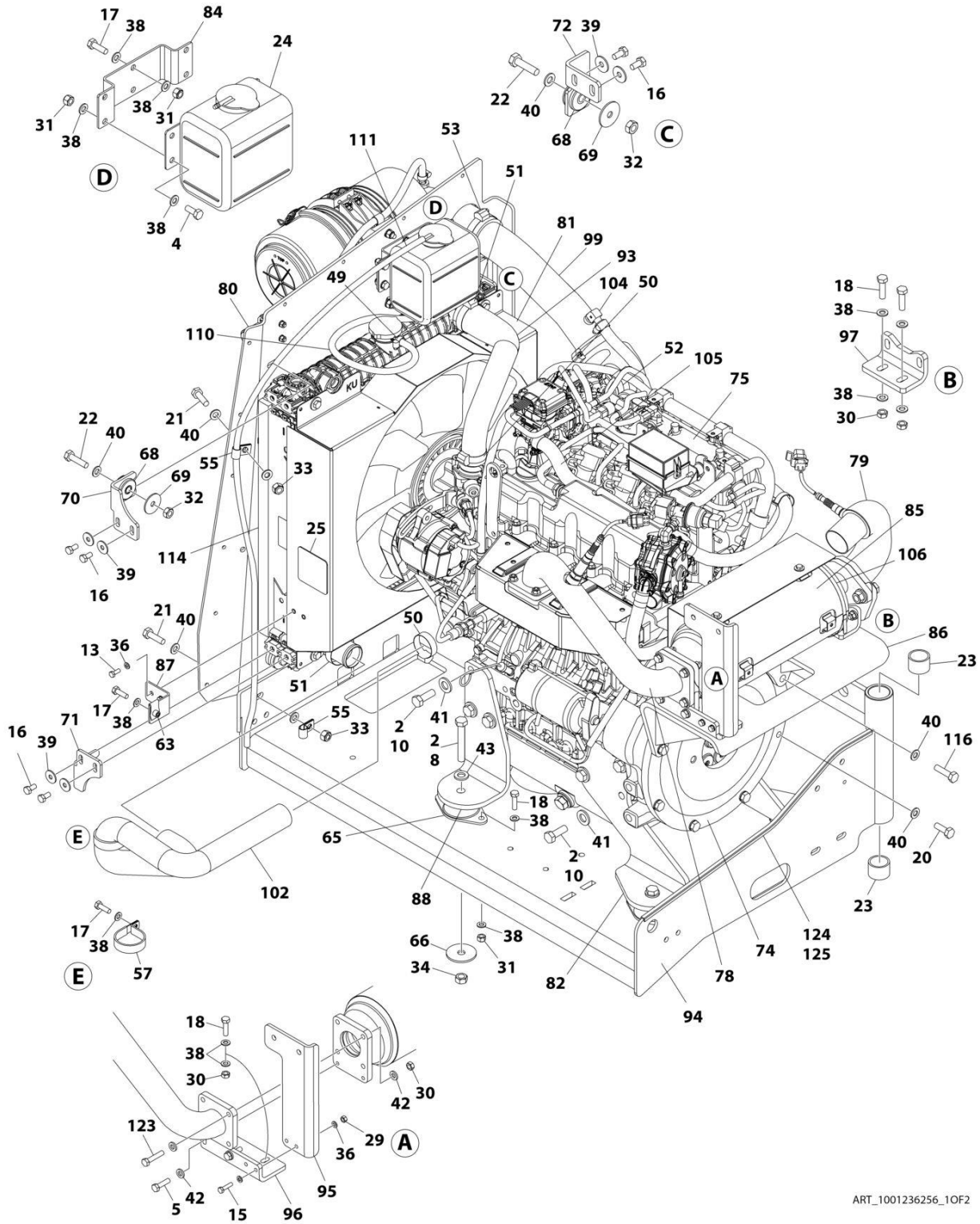
## SECTION 3 - ENGINE

**FIGURE 3-24. ENGINE AND PUMP SUB-ASSEMBLY - KUBOTA ENGINE (WITHOUT ARCTIC PACKAGE)**

ITEM	PART NUMBER	QTY	DESCRIPTION	REV
	1001236254	Ref	ENGINE AND PUMP SUB-ASSEMBLY - KUBOTA ENGINE (WITHOUT ARCTIC PACKAGE)	A
1	0100011	AR	Compound, Locking	
2	0641812	2	Bolt 1/2 x 1-1/2	
3	1001214207	1	Pump, Gear	
3	70006356	1	Seal Kit - 1001214207 Pump	
4	3790152	1	O-Ring	
5	3931618	2	Bolt 3/8 x 1-1/8	
6	4891600	2	Washer 3/8	
7	4891800	2	Washer 1/2	
8	1001167036	1	Piston Pump Assembly (See Separate Breakdown in this Section)	
9	1001171953	1	Seal, Gasket	
10	1001171954	1	Seal, Gasket	
11	1001236256	1	Engine Assembly - Kubota Engine (Without Arctic Package) (See Separate Breakdown in this Section)	

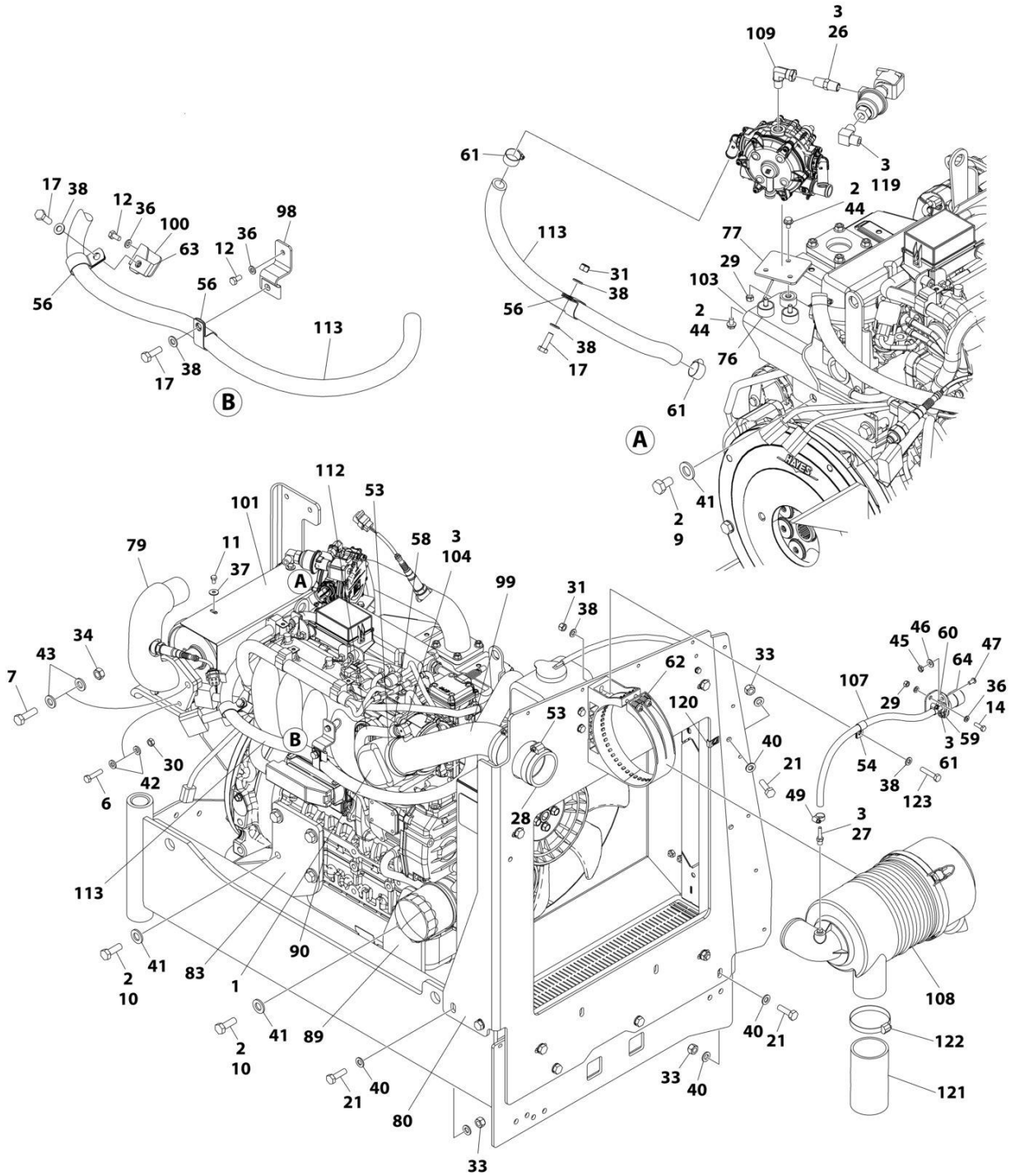
# SECTION 3 - ENGINE

## FIGURE 3-25. ENGINE ASSEMBLY - KUBOTA ENGINE (WITHOUT ARCTIC PACKAGE)



ART\_1001236256\_10F2

# SECTION 3 - ENGINE



ART\_1001236256\_20F2

## SECTION 3 - ENGINE

FIGURE 3-25. ENGINE ASSEMBLY - KUBOTA ENGINE (WITHOUT ARCTIC PACKAGE)

ITEM	PART NUMBER	QTY	DESCRIPTION	REV
	1001236256	Ref	ENGINE ASSEMBLY - KUBOTA ENGINE (WITHOUT ARCTIC PACKAGE)	E
1	0080201	1	Adapter, 90	
2	0100011	AR	Compound, Locking	
3	0100020	AR	Sealant, Pipe	
4	0700810	4	Bolt M8 x 20	
5	0700814	2	Bolt M8 x 30	
6	0700815	2	Bolt M8 x 35	
7	0701216	2	Bolt M12 x 40	
8	0701224	4	Bolt M12 x 80	
9	1001217494	2	Bolt M12 x 20	
10	1001217343	14	Bolt M12 x 35	
11	0760605	4	Bolt M6 x 10	
12	0760606	2	Bolt M6 x 12	
13	0760608	2	Bolt M6 x 16	
14	0760610	2	Bolt M6 x 20	
15	0760612	2	Bolt M6 x 25	
16	0760808	8	Bolt M8 x 16	
17	0760812	6	Bolt M8 x 25	
18	0760814	12	Bolt M8 x 30	
19	0760815	1	Bolt M8 x 35	
20	0761014	4	Bolt M10 x 30	
21	0761015	6	Bolt M10 x 35	
22	0761016	4	Bolt M10 x 40	
23	0961951	2	Bushing	
24	1580011	1	Container, Coolant Overflow	
25	1703162	2	Decal - Caution Fan	
26	2220261	1	Fitting, Nipple NPTF/NPTF	
27	2220315	1	Fitting, Barbed	
28	2720644	1	Hose	
29	3290607	5	Nut M6	
30	3290801	10	Nut M8	
31	3290805	17	Nut M8	
32	3291001	4	Nut M10	
33	3291005	6	Nut M10	
34	3291201	6	Nut M12	
35	4240099	AR	Tie-Strap (Not Shown)	
36	4811700	12	Washer M6	
37	4811702	4	Washer M6	
38	4811900	45	Washer M8	
39	4811902	8	Washer M8	
40	4812000	24	Washer M10	
41	5241400	16	Washer M14	
42	5240800	14	Washer M8	
43	5241200	8	Washer M12	
44	5250605	3	Bolt M6 x 10	
45	8305401	2	Nut 1/4	
46	8307109	2	Washer 1/4	
47	8310548	2	Screw 1/4 NC x 1/2	
48	1001173535	2	Clamp	

## SECTION 3 - ENGINE

ITEM	PART NUMBER	QTY	DESCRIPTION	REV
49	8405009	4	Clamp	
50	8405102	2	Clamp	
51	8405104	2	Clamp	
52	8405202	1	Clamp	
53	8405203	3	Clamp	
54	8406109	1	Clip	
55	8406110	2	Clip	
56	8406201	3	Clip	
57	8410001	1	Clamp	
58	8410009	6	Clamp	
59	1001138173	1	Support, Service Indicator	
60	1001138175	1	Bracket, Service Indicator	
61	1001141995	1	Fitting, Barbed	
62	1001147812	1	Clamp, Air Cleaner	
63	1001149160	3	Nut M8	
64	1001149639	1	Indicator, Air Intake	
65	1001166718	4	Isolator, Engine Mount	
66	1001168018	4	Washer, Snubbing	
67	1001168166	2	Seal	
68	1001169054	4	Isolator, Radiator	
69	1001169138	4	Washer, Snubbing	
70	1001169967	2	Bracket	
71	1001170035	1	Bracket	
72	1001176330	1	Bracket	
73	1001180620	AR	Adhesive	
74	1001209844	1	Pump Coupling Kit (See Separate Breakdown in this Section)	
75	1001236393	1	Engine, Kubota (See Separate Breakdown in this Section)	
76	1001211794	3	Mount	
77	1001211797	1	Mount	
78	1001212989	1	Pipe, Exhaust (Inlet)	
79	1001212993	1	Pipe Exhaust (Outlet)	
80	1001213305	1	Plate, Mounting	
81	1001236257	1	Radiator	
82	1001213425	1	Plate, Engine Mount (Left Rear)	
83	1001213426	1	Plate, Engine Mount (Right Rear)	
84	1001213482	1	Bracket	
85	1001213824	1	Insulation	
86	1001214138	1	Bracket	
87	1001214205	1	Support	
88	1001214233	1	Plate (Front Left)	
89	1001214234	1	Plate (Front Right)	
90	1001214276	1	Shim	
91	1001214277	1	Shim	
92	1001214278	2	Shim	
93	1001214307	1	Hose	
94	1001214508	1	Support	
95	1001214553	1	Support	
96	1001214555	1	Bracket	
97	1001214556	1	Bracket	
98	1001214558	1	Bracket	
99	1001214598	1	Tube	

## SECTION 3 - ENGINE

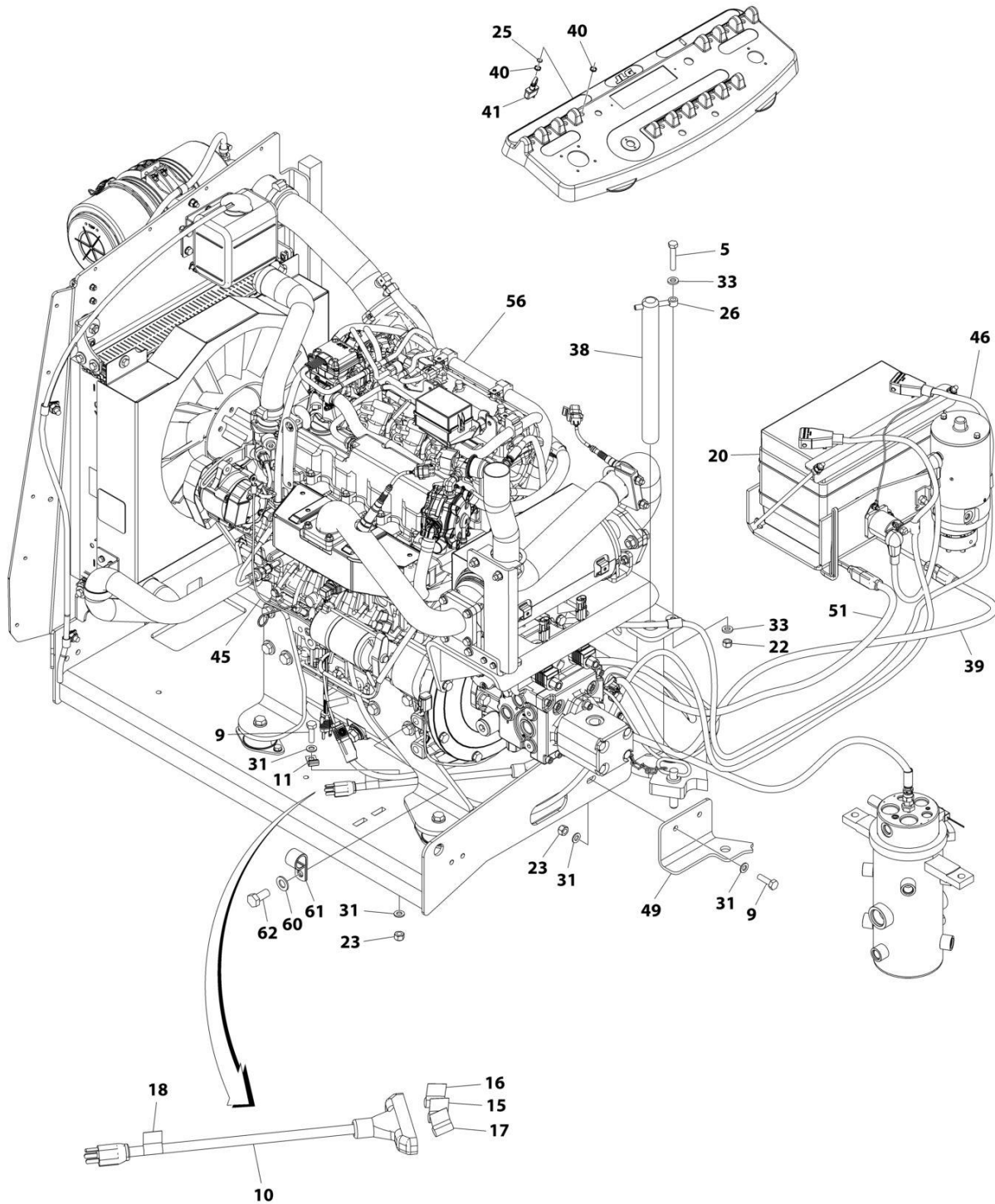
ITEM	PART NUMBER	QTY	DESCRIPTION	REV
100	1001214599	1	Bracket	
101	1001214664	1	Cover	
102	1001214694	1	Hose	
103	1001214841	1	Bracket	
104	1001215125	1	Fitting, 90	
105	1001215869	1	Hose	
106	1001137336	2	Strap	
107	1001138248	2 ft/ 0.61m	Tube	
108	1001147813	1	Air Cleaner Assembly Including Filter Element	
108	70004020	1	Element, Air Filter	
109	1001247359	1	Fitting, 90	
110	2720058	1.75 ft/ 0.53m	Hose	
111	2720271	4 ft/ 1.22m	Hose	
112	2720615	1.25 ft/ 0.38m	Hose	
113	82033995	5.5 ft/ 1.68m	Hose	
114	1001216825	2	Seal	
115	0700816	4	Bolt M8 x 40	
116	0701016	4	Bolt M10 x 40	
119	2180504	1	Fitting, Barbed	
120	1001118274	1	Nut, Special M8	
121	1001001939	1	Tube, Flex	
122	8410011	1	Clamp	
123	0760816	1	Bolt M8 x 40	
124	4060805	1.94 ft/ 0.59m	Flex-Trim	
125	0100081	AR	Adhesive	





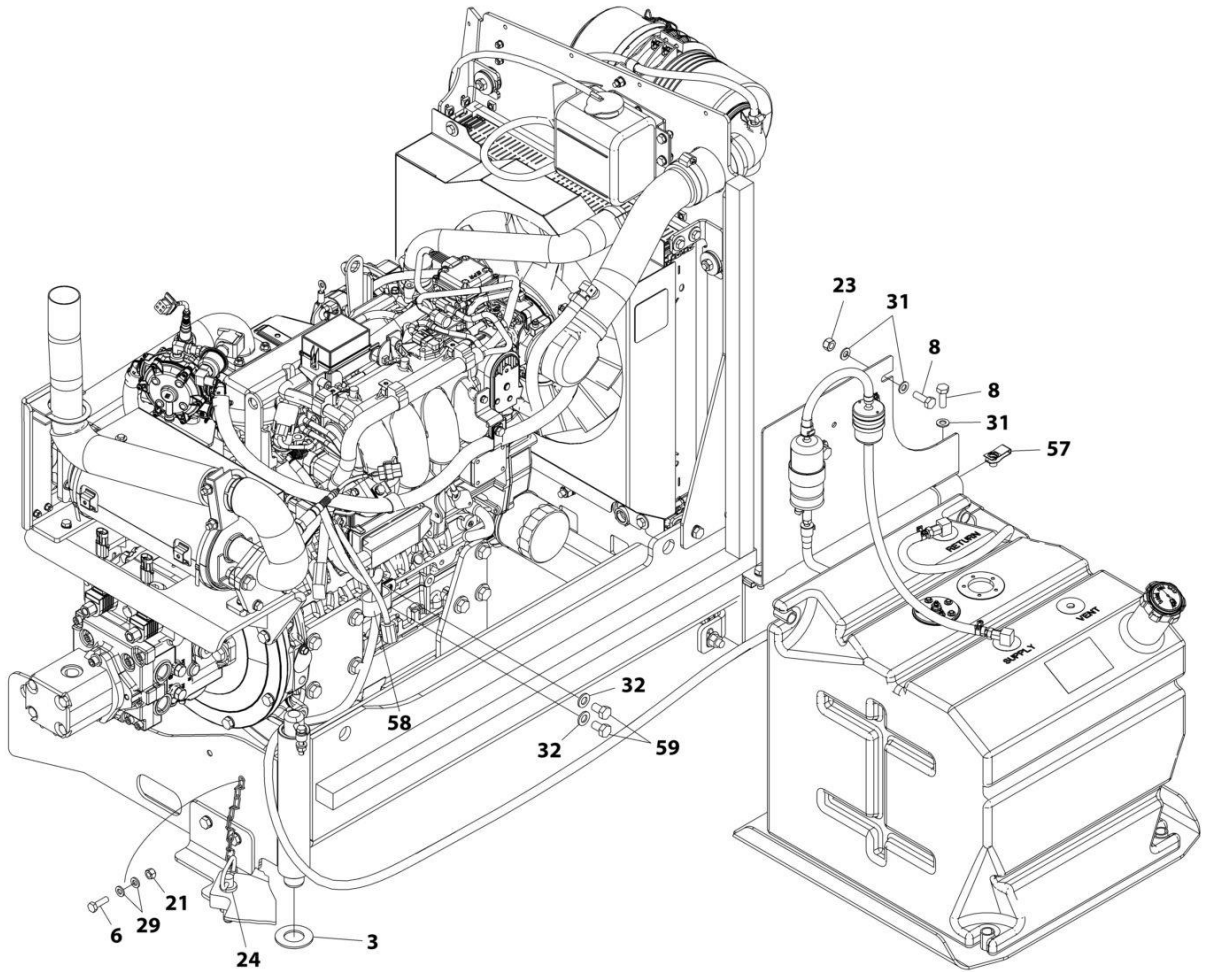
# SECTION 3 - ENGINE

## FIGURE 3-26. ENGINE INSTALLATION - KUBOTA ENGINE (WITH ARCTIC PACKAGE)



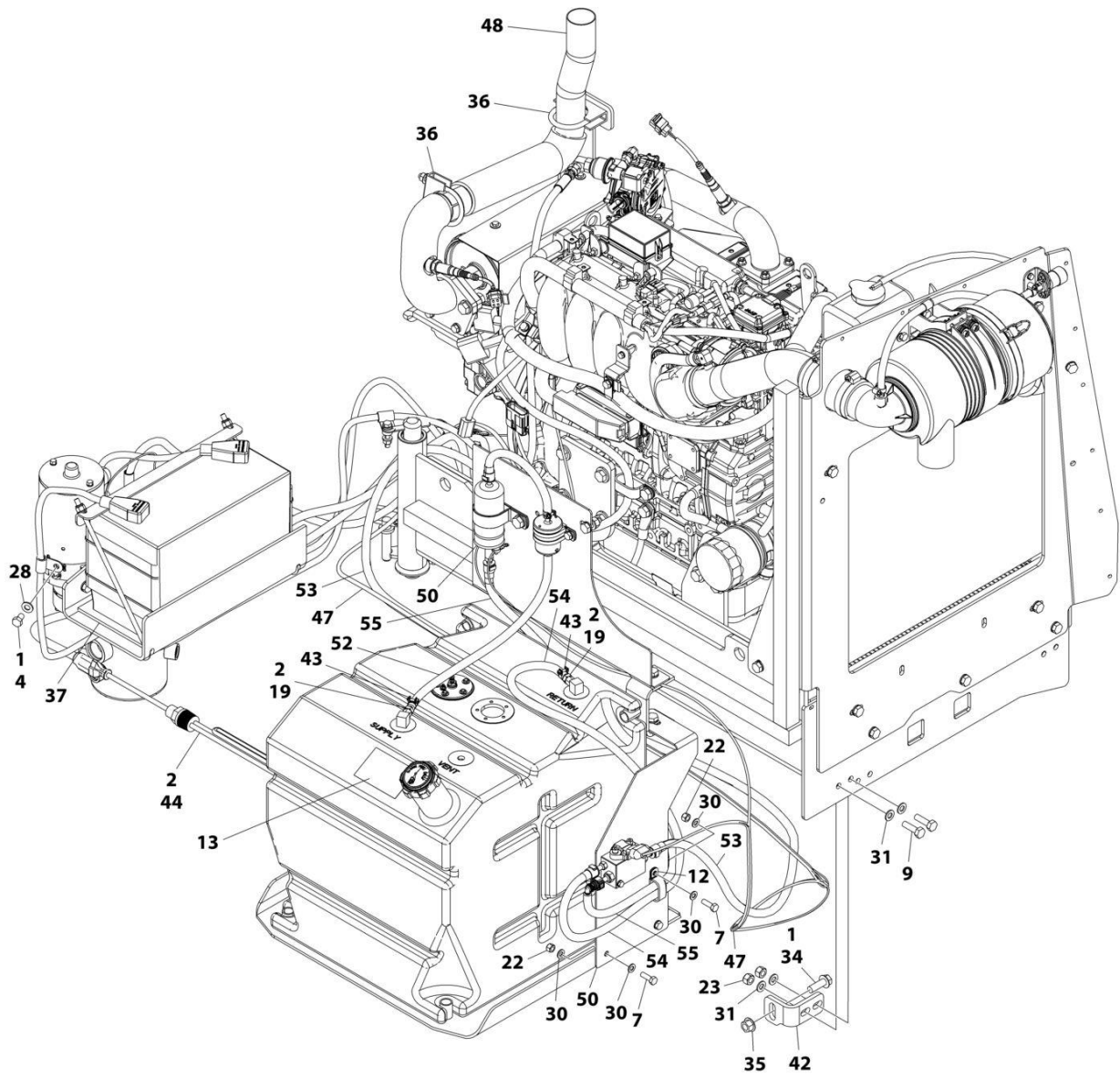
ART\_1001236252\_10F3

# SECTION 3 - ENGINE



ART\_1001236252\_20F3

# SECTION 3 - ENGINE



ART\_1001236252\_30F3

## SECTION 3 - ENGINE

**FIGURE 3-26. ENGINE INSTALLATION - KUBOTA ENGINE (WITH ARCTIC PACKAGE)**

ITEM	PART NUMBER	QTY	DESCRIPTION	REV
	1001236252	Ref	ENGINE INSTALLATION - KUBOTA ENGINE (WITH ARCTIC PACKAGE)	B
1	0100011	AR	Compound, Locking	
2	0100020	AR	Sealant, Pipe	
3	0440162	1	Bearing	
4	0641504	1	Bolt 5/16 x 1/2	
5	0700817	1	Bolt M8 x 45	
6	0760610	1	Bolt M6 x 20	
7	0760812	3	Bolt M8 x 25	
8	0761014	4	Bolt M10 x 30	
9	0761015	5	Bolt M10 x 35	
10	1060626	1	Plug, 3 Way	
11	1320223	1	Clamp	
12	1321283	1	Clamp	
13	1701542	2	Decal - Gas	
14	1701543	1	Decal - LPG (Not Shown)	
15	1702941	1	Decal - Battery Heater	
16	1702942	1	Decal - Engine Block Heater	
17	1702943	1	Decal - Hydraulic Tank Heater	
18	1702944	1	Decal - Heater Cord	
19	2180348	2	Fitting, Barbed	
20	2580024	1	Heater, Battery	
21	3290605	1	Nut M6	
22	3290805	4	Nut M8	
23	3291005	6	Nut M10	
24	3422532	1	Pin	
25	3790012	1	O-Ring	
26	3841143	1	Keeper, Pin	
27	4240099	AR	Tie-Strap (Not Shown)	
28	4711500	1	Washer 5/16	
29	4811700	2	Washer M6	
30	4811900	6	Washer M8	
31	4812000	15	Washer M10	
32	4812100	2	Washer M12	
33	5240800	2	Washer M8	
34	5251215	1	Bolt M12 x 35	
35	5261200	1	Nut M12 Class10	
36	1001217785	2	Clamp, Muffler	
37	1001119278	1	Insulate	
38	1001135196	1	Pin	
39	1001150918	1	Cable, Extension Cord	
40	1001155044	2	Nut 15/32	
41	1001161710	1	Switch, Toggle	
42	1001167512	1	Bracket, Engine Tray Stow	
43	1001174486	2	Clamp	
44	1001188972	1	Heater, Hydraulic Tank	
45	1001212257	1	Cable, Kubota Alternator	
46	1001213062	1	Cable, Battery Cable Kit Kubota	
47	1001213599	1	Harness Engine - Kubota Engine (See Separate Breakdown in ELECTRICAL SECTION)	

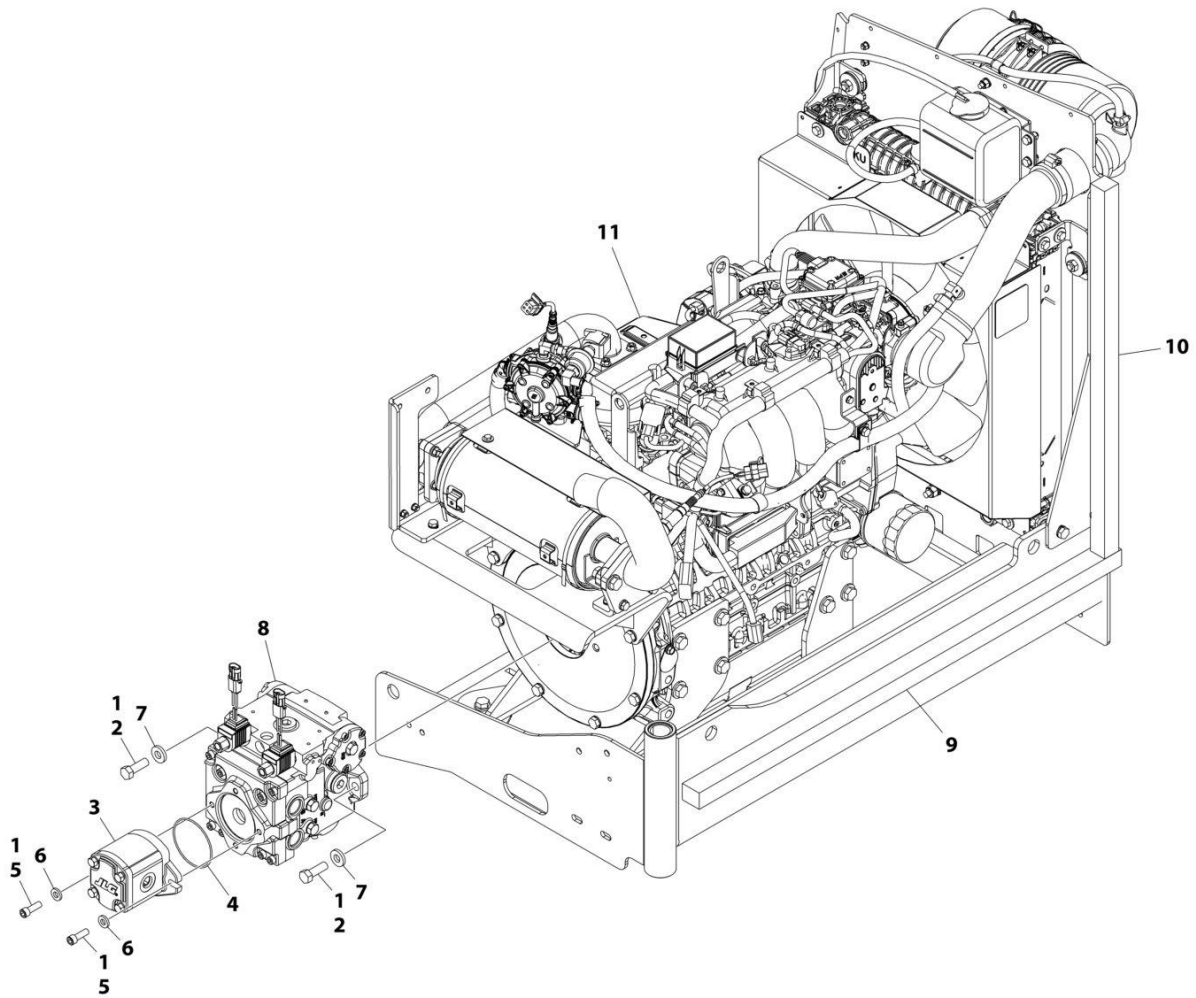
## SECTION 3 - ENGINE

ITEM	PART NUMBER	QTY	DESCRIPTION	REV
48	1001214502	1	Pipe, Tail Pipe	
49	1001215259	1	Plate, Engine Lock	
50	1001215801	1	Mount, Fuel System (Kubota)	
51	1001216080	2	Cable, Extension Cord	
52	1001156819	20.9 in/ 53cm	Hose	
53	1001216396	1	Hose	
54	1001216397	1	Hose	
55	1001216399	1	Hose	
56	1001236258	1	Engine and Pump Sub-Assembly - Kubota Engine (With Arctic Package) (See Separate Breakdown in this Section)	
57	1001118972	3	Nut M10	
58	1001195039	1	Clamp	
59	1001217494	2	Capscrew M12	
60	4812200	1	Washer M14	
61	24431386	1	Support, Clamp	
62	1001217345	1	Bolt M14 x 30	
63	1001229798	1	Harness - Kubota B6 D/F Power (Not Shown - See Separate Breakdown in ELECTRICAL SECTION)	
64	4460466	8	Terminal, Sealing Plug (Not Shown)	
65	4460930	1	Plug, Male - 8 Position (Deutsch) (Not Shown)	



# SECTION 3 - ENGINE

FIGURE 3-27. ENGINE AND PUMP SUB-ASSEMBLY - KUBOTA ENGINE (WITH ARCTIC PACKAGE)



ART\_1001236258



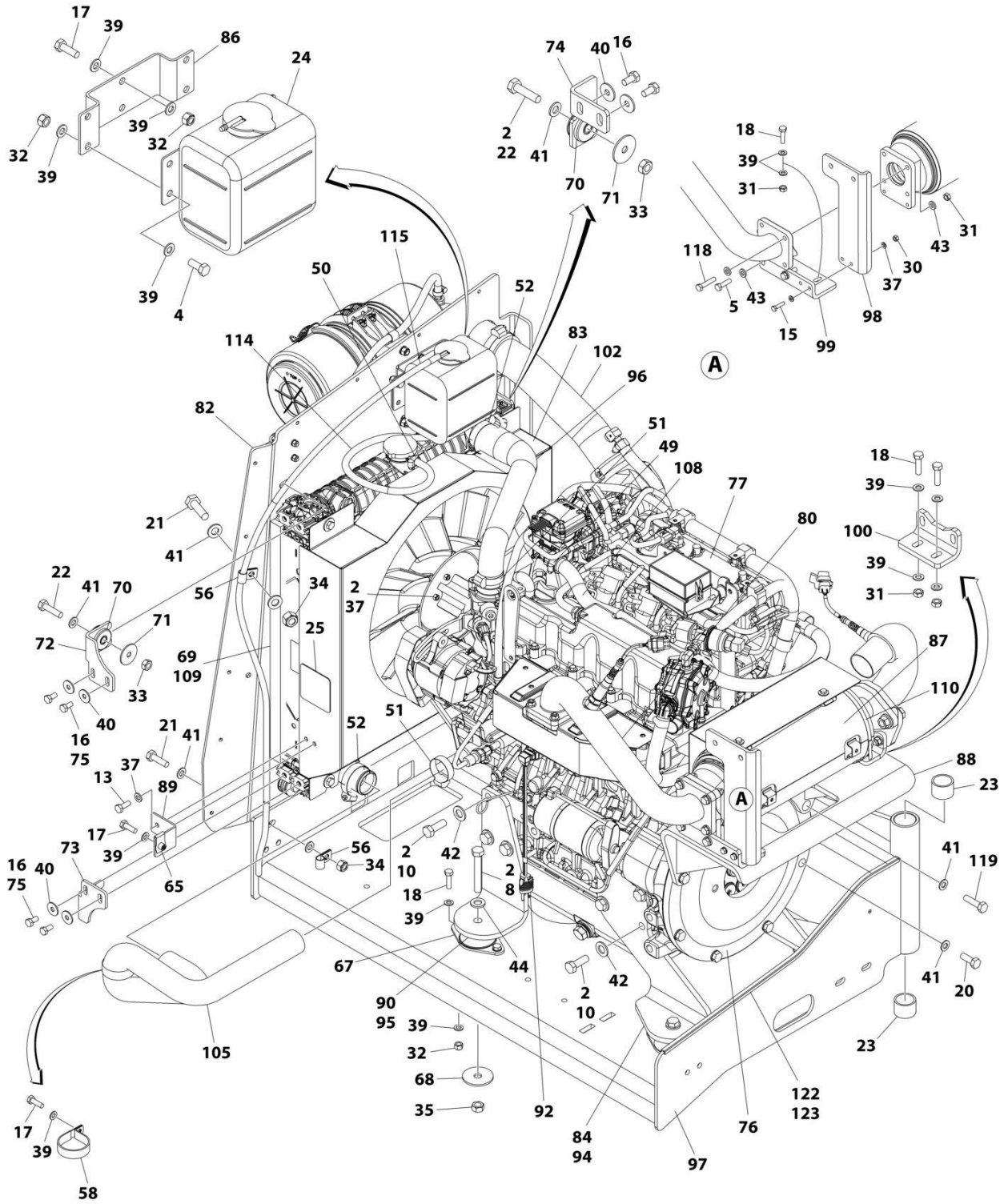
## SECTION 3 - ENGINE

**FIGURE 3-27. ENGINE AND PUMP SUB-ASSEMBLY - KUBOTA ENGINE (WITH ARCTIC PACKAGE)**

ITEM	PART NUMBER	QTY	DESCRIPTION	REV
	1001236258	Ref	ENGINE AND PUMP SUB-ASSEMBLY - KUBOTA ENGINE (WITH ARCTIC PACKAGE)	A
1	0100011	AR	Compound, Locking	
2	0641812	2	Bolt 1/2 x 1-1/2	
3	1001214207	1	Gear Pump Assembly	
3	70006356	1	Seal Kit - 1001214207 Pump	
4	3790152	1	O-Ring	
5	3931618	2	Capscrew 3/8 x 1-1/8	
6	4891600	2	Washer 3/8	
7	4891800	2	Washer 1/2	
8	1001167036	1	Piston Pump Assembly (See Separate Breakdown in this Section)	
9	1001171953	1	Seal	
10	1001171954	1	Seal	
11	1001236259	1	Engine Assembly - Kubota Engine (With Arctic Package) (See Separate Breakdown in this Section)	

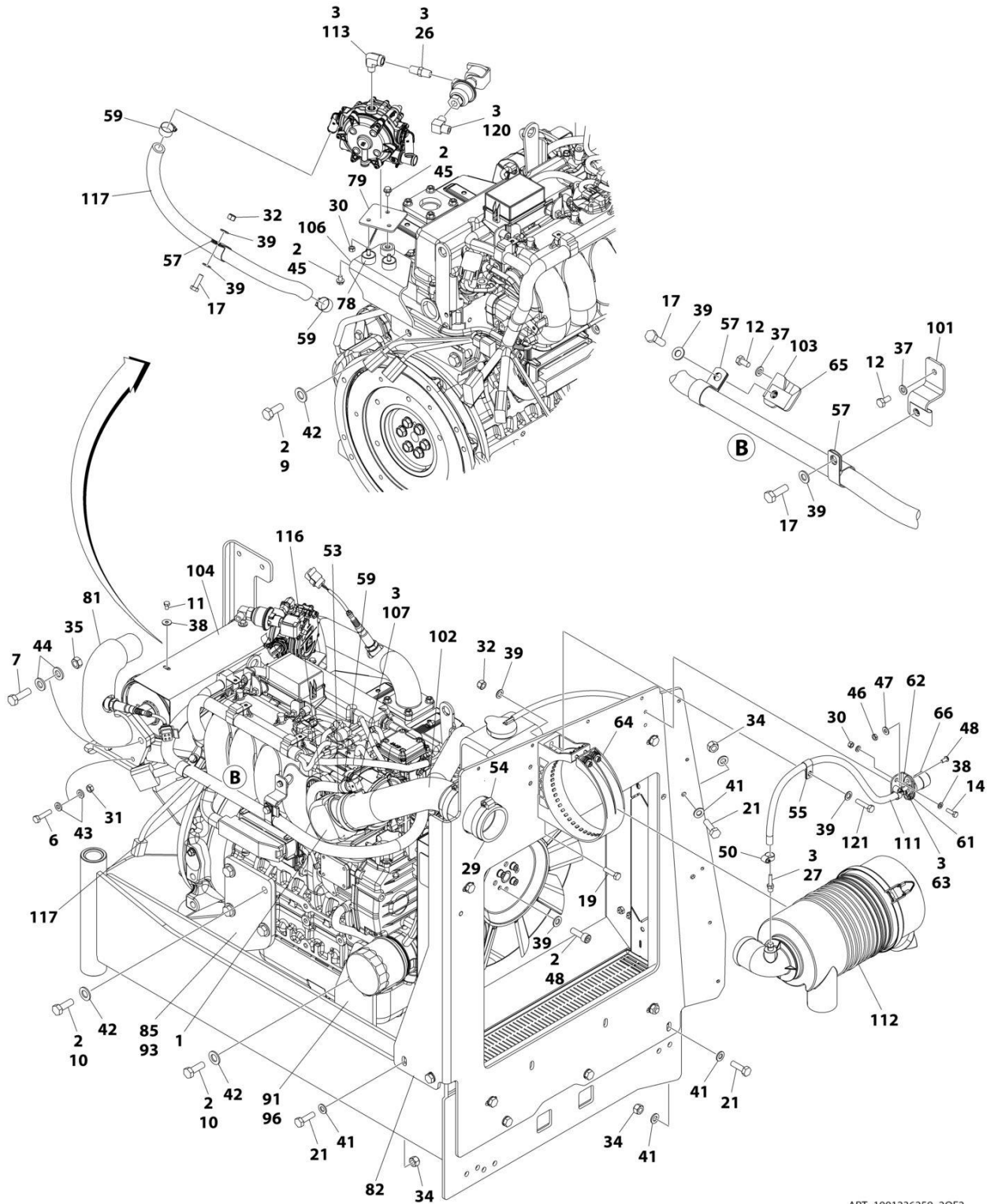
# SECTION 3 - ENGINE

## FIGURE 3-28. ENGINE ASSEMBLY - KUBOTA ENGINE (WITH ARCTIC PACKAGE)



ART\_1001236259\_10F2

# SECTION 3 - ENGINE



ART\_1001236259\_2OF2

## SECTION 3 - ENGINE

FIGURE 3-28. ENGINE ASSEMBLY - KUBOTA ENGINE (WITH ARCTIC PACKAGE)

ITEM	PART NUMBER	QTY	DESCRIPTION	REV
	1001236259	Ref	ENGINE ASSEMBLY - KUBOTA ENGINE (WITH ARCTIC PACKAGE)	E
1	0080201	1	Adapter, 90	
2	0100011	AR	Compound, Locking	
3	0100020	AR	Sealant, Pipe	
4	0700810	4	Bolt M8 x 20	
5	0700814	2	Bolt M8 x 30	
6	0700815	2	Bolt M8 x 35	
7	0701216	2	Bolt M12 x 40	
8	0701224	4	Bolt M12 x 80	
9	1001217494	2	Bolt M12 x 20	
10	1001217343	14	Bolt M12 x 35	
11	0760605	4	Bolt M6 x 10	
12	0760606	2	Bolt M6 x 12	
13	0760608	2	Bolt M6 x 16	
14	0760610	2	Bolt M6 x 20	
15	0760612	2	Bolt M6 x 25	
16	0760808	8	Bolt M8 x 16	
17	0760812	6	Bolt M8 x 25	
18	0760814	12	Bolt M8 x 30	
19	0760815	1	Bolt M8 x 35	
20	0761014	4	Bolt M10 x 30	
21	0761015	6	Bolt M10 x 35	
22	0761016	4	Bolt M10 x 40	
23	0961951	2	Bushing	
24	1580011	1	Container, Coolant Overflow	
25	1703162	2	Decal - Caution Fan	
26	2220261	1	Fitting, Nipple NPTF/NPTF	
27	2220315	1	Fitting, Barbed	
29	2720644	1	Hose	
30	3290607	5	Nut M6	
31	3290801	10	Nut M8	
32	3290805	17	Nut M8	
33	3291001	4	Nut M10	
34	3291005	6	Nut M10	
35	3291201	6	Nut M12	
36	4240099	AR	Tie-Strap (Not Shown)	
37	4811700	16	Washer M6	
38	4811702	4	Washer M6	
39	4811900	45	Washer M8	
40	4811902	8	Washer M8	
41	4812000	24	Washer M10	
42	5241400	16	Washer M14	
43	5240800	14	Washer M8	
44	5241200	8	Washer M12	
45	5250605	3	Bolt M6 x 10	
46	8305401	2	Nut 1/4	
47	8307109	2	Washer 1/4	
48	8310548	2	Screw 1/4 x 1/2	
49	1001173535	2	Clamp	

## SECTION 3 - ENGINE

ITEM	PART NUMBER	QTY	DESCRIPTION	REV
50	8405009	4	Clamp	
51	8405102	2	Clamp	
52	8405104	2	Clamp	
53	8405202	1	Clamp	
54	8405203	3	Clamp	
55	8406109	1	Clip	
56	8406110	2	Clip	
57	8406201	3	Clip	
58	8410001	1	Clamp	
59	8410009	6	Clamp	
61	1001138173	1	Support, Service Indicator	
62	1001138175	1	Bracket, Service Indicator	
63	1001141995	1	Fitting, Barbed	
64	1001147812	1	Clamp, Air Cleaner	
65	1001149160	3	Nut M8	
66	1001149639	1	Indicator, Air Intake	
67	1001166718	4	Isolator, Engine Mount	
68	1001168018	4	Washer, Snubbing	
69	1001168166	2	Seal	
70	1001169054	4	Isolator, Radiator	
71	1001169138	4	Washer, Snubbing	
72	1001169967	2	Bracket	
73	1001170035	1	Bracket	
74	1001176330	1	Bracket	
75	1001180620	AR	Adhesive	
76	1001209844	1	Pump Coupling Kit (See Separate Breakdown in this Section)	
77	1001236393	1	Engine, Kubota (See Separate Breakdown in this Section)	
78	1001211794	3	Mount	
79	1001211797	1	Mount	
80	1001212989	1	Pipe, Exhaust (Inlet)	
81	1001212993	1	Pipe, Exhaust (Outlet)	
82	1001213305	1	Plate, Mounting	
83	1001236257	1	Radiator	
84	1001213425	1	Plate, Engine Mount (Left Rear)	
85	1001213426	1	Plate, Engine Mount (Right Rear)	
86	1001213482	1	Bracket	
87	1001213824	1	Insulation	
88	1001214138	1	Bracket	
89	1001214205	1	Support	
90	1001214233	1	Plate (Front Left)	
91	1001214234	1	Plate (Front Right)	
92	1001214269	1	Heater, Block	
93	1001214276	1	Shim	
94	1001214277	1	Shim	
95	1001214278	2	Shim	
96	1001214307	1	Hose	
97	1001214508	1	Support	
98	1001214553	1	Support	
99	1001214555	1	Bracket	
100	1001214556	1	Bracket	
101	1001214558	1	Bracket	

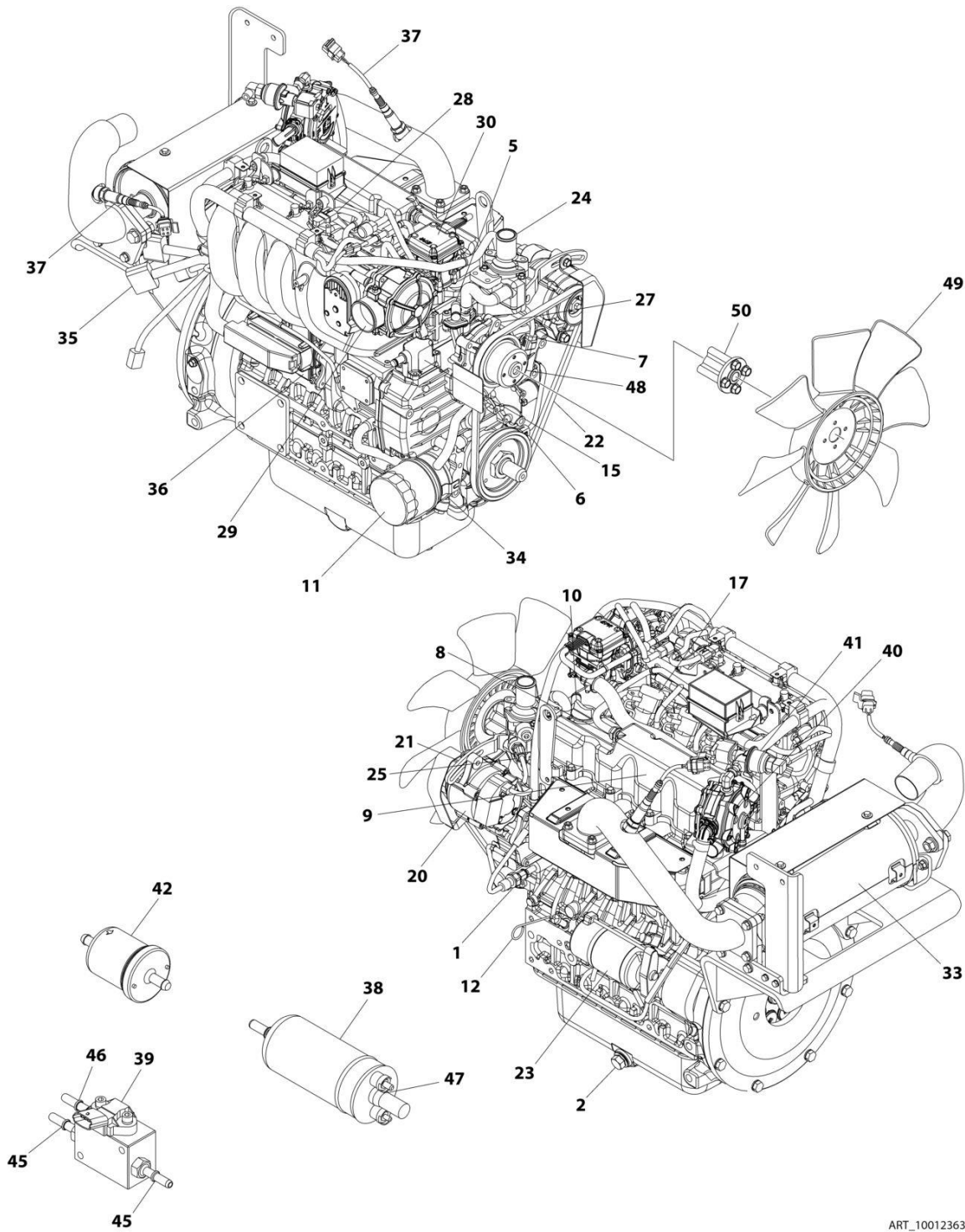
## SECTION 3 - ENGINE

ITEM	PART NUMBER	QTY	DESCRIPTION	REV
102	1001214598	1	Tube	
103	1001214599	1	Bracket	
104	1001214664	1	Cover	
105	1001214694	1	Hose	
106	1001214841	1	Bracket	
107	1001215125	1	Fitting, 90	
108	1001215869	1	Hose	
109	1001216825	2	Seal	
110	1001137336	2	Strap	
111	1001138248	2 ft/ 0.6m	Tube	
112	1001147813	1	Air Cleaner Assembly Including Filter Element	
112	70004020	1	Element, Filter (Not Shown)	
113	1001247359	1	Fitting, Street Elbow	
114	2720058	1.8 ft/ 0.5m	Hose	
115	2720271	4 ft/ 1.2m	Hose	
116	2720615	1.2 ft/ 0.4m	Hose	
117	82033995	5.5 ft/ 1.7m	Hose	
118	0700816	4	Bolt M8 x 40	
119	0701016	4	Bolt M10 x 40	
120	2180504	1	Fitting, Barbed	
121	0760816	1	Bolt M8 x 40	
122	4060805	1.94 ft/ 59m	Flex-Trim	
123	0100081	AR	Adhesive	



# SECTION 3 - ENGINE

## FIGURE 3-29. ENGINE COMPONENTS - KUBOTA



ART\_1001236393



## SECTION 3 - ENGINE

**FIGURE 3-29. ENGINE COMPONENTS - KUBOTA**

ITEM	PART NUMBER	QTY	DESCRIPTION	REV
	1001236393	Ref	ENGINE COMPONENTS - KUBOTA	D
1	70005745	1	Switch, Oil	
1	70006013	1	Adapter	
2	7023154	1	Plug, Drain	
2	7017904	1	Gasket, Oil Pan Drain	
3	70006014	1	Gasket, Cylinder Head (Not Shown)	
4	70006015	1	Sensor (Knock) (Not Shown - Located on Left Side of Engine)	
5	70006016	1	Flange Assembly (Water Return)	
5	70002316	1	Pipe	
5	70006017	1	Gasket	
6	70005737	1	Sensor Stick Assembly	
7	70006018	1	Sensor	
8	70006019	1	Valve (PCV)	
8	70006020	1	Seal	
9	7017932	3	Element, Breather	
9	70006021	1	Gasket	
10	70002318	1	Oil Filler Cap	
10	70006022	1	O-Ring	
11	70006023	1	Filter, Oil	
12	70006024	1	Dipstick	
13	70006025	1	Pump Assembly, Oil (Not Shown - Located Under Front Cover)	
13	70006026	1	Gasket	
13	70006027	1	Key	
14	70006028	1	Flywheel (Not Shown - Located Behind Coupling Plate)	
14	70006029	1	Ring Gear (Part of Flywheel)	
15	70006030	1	Flange Assembly (Breather)	
15	70002316	1	Pipe	
15	70006031	1	Gasket	
16	70006035	1	Pipe Assembly (Not Shown)	
16	70005727	1	Gasket	
17	70006034	4	Coil	
17	70006033	4	Spark Plug	
18	70006032	1	Gasket (Not Shown)	
19	70005751	4	Injector (Not Shown)	
20	70006036	1	Alternator (Includes Voltage Regulator and Gaskets, Fan and Fan Mounting Hardware)	
21	70006037	1	Bracket	
22	70006038	1	Belt	
23	70006039	1	Starter	
24	70006041	1	Thermostat	
24	70002326	1	Gasket	
25	70005726	1	Sensor	
25	70006042	1	O-Ring	
26	70006040	1	Gasket (Not Shown - Located Between Engine Head and Water Flange)	
27	70006043	1	Water Pump Assembly	
27	70004829	1	Pipe	
27	70006044	1	Gasket	
28	70005746	1	Sensor (TMAP)	
28	70005747	1	O-Ring	

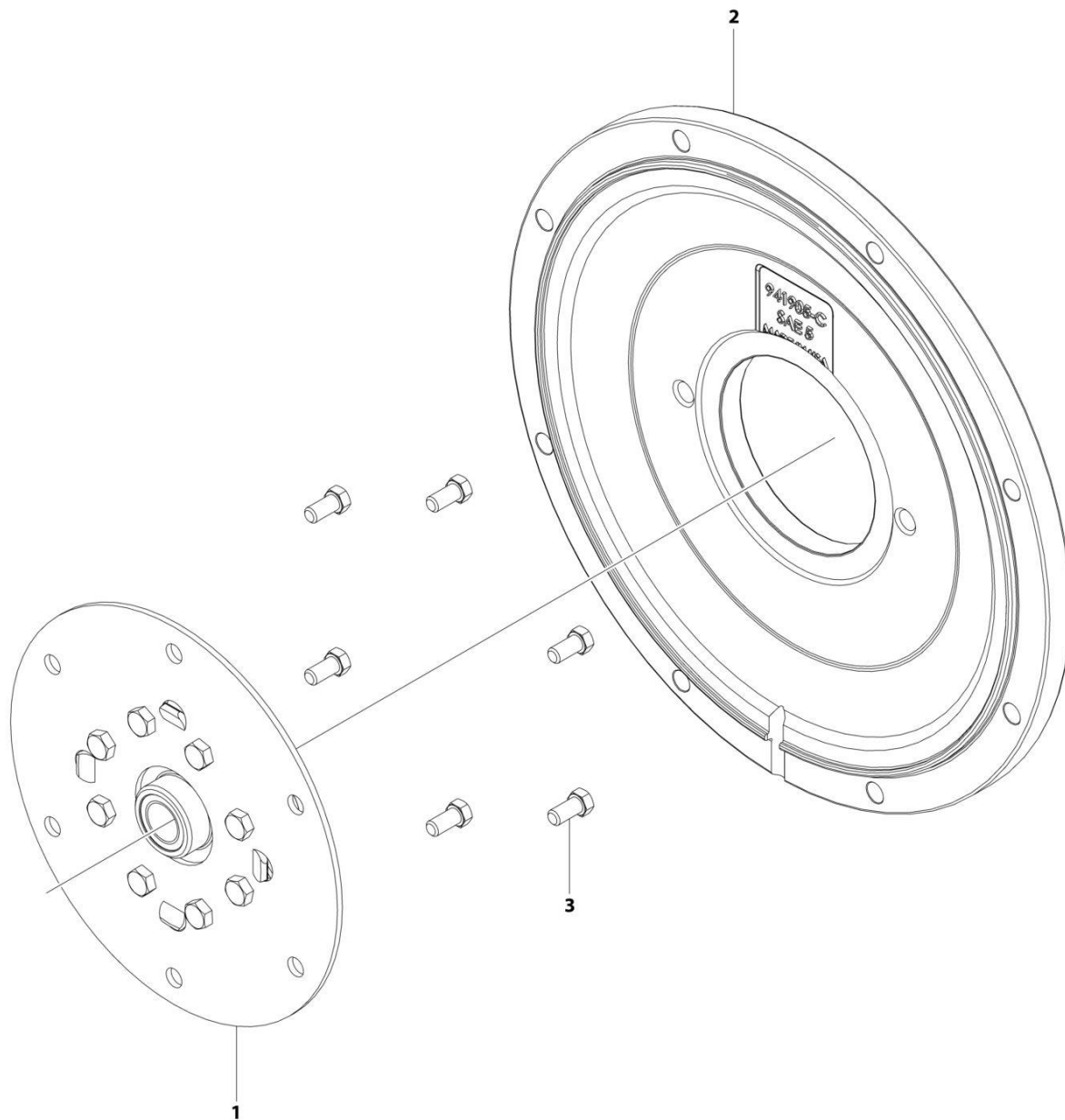
## SECTION 3 - ENGINE

ITEM	PART NUMBER	QTY	DESCRIPTION	REV
29	70006049	1	Mixer Assembly	
29	70006050	1	Seal, Rubber	
29	70006045	1	Throttle Body	
29	70006046	1	Gasket	
29	70006047	1	Adapter	
29	70006048	1	O-Ring	
30	70006051	1	Regulator Assembly	
30	70006052	1	Seal, Rubber	
30	70006053	1	Seal, Rubber	
30	70006054	1	Seal, Rubber	
31	70006055	1	Gasket (Not Shown - Located Between Intake Manifold and Engine Head)	
32	70006056	1	Gasket (Not Shown - Located Between Exhaust Manifold and Engine Head)	
33	70006057	1	Muffler	
33	70006065	1	Gasket	
33	70006066	1	Gasket	
33	70006072	1	Gasket	
34	70006058	1	Oil Cooler Assembly	
34	70006059	1	Seal	
34	7017959	2	Clamp	
35	70006060	1	Engine Harness	
36	70006061	1	Module, Engine Control	
37	70006062	2	Sensor (O2)	
38	70006063	1	Pump, Fuel	
39	70006064	1	Manifold (FPM)	
40	70006067	1	Regulator Assembly	
40	70006068	1	Connector	
40	70006069	3	Clip	
40	70006070	2	Connector	
41	70006071	1	Valve, Lockoff	
41	70006078	1	Valve, Lockoff Kit	
42	7017992	1	Filter, Fuel	
43	70006079	1	Gasket Kit (Upper) (Not Shown)	
44	70006080	1	Gasket Kit (Lower) (Not Shown)	
45	70006074	2	Joint (Includes O-Ring)	
46	70006075	1	Joint (Includes O-Ring)	
47	70006076	1	Joint (Includes O-Ring)	
47	70006077	1	Gasket	
48	70006379	1	Pulley	
49	70006639	1	Fan	
50	70006640	1	Collar, Fan	



# SECTION 3 - ENGINE

## FIGURE 3-30. PUMP COUPLING KIT - KUBOTA ENGINE



ART\_1001209844

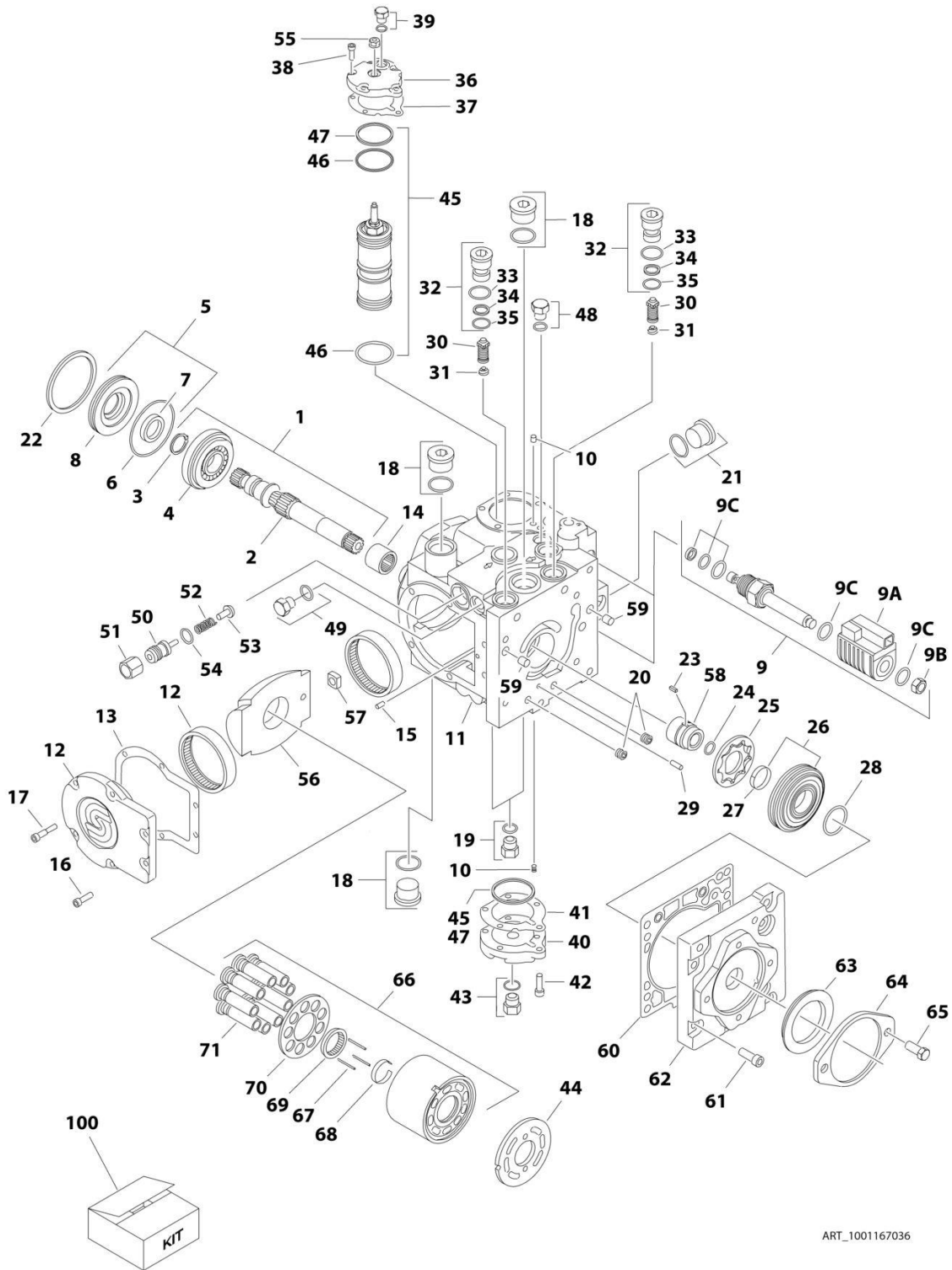
## SECTION 3 - ENGINE

### FIGURE 3-30. PUMP COUPLING KIT - KUBOTA ENGINE

ITEM	PART NUMBER	QTY	DESCRIPTION	REV
	1001209844	Ref	PUMP COUPLING KIT - KUBOTA ENGINE	C
1	70006010	1	Coupling Assembly, Hayes	
2	70006011	1	Plate, Pump Adapter	
3	70006012	1	Bolt Kit	

# SECTION 3 - ENGINE

## FIGURE 3-31. PISTON PUMP ASSEMBLY



ART\_1001167036

## SECTION 3 - ENGINE

### FIGURE 3-31. PISTON PUMP ASSEMBLY

ITEM	PART NUMBER	QTY	DESCRIPTION	REV
	1001167036	Ref	PISTON PUMP ASSEMBLY	B
1	7021240	1	Shaft Assembly (Includes Items 2-4)	
2	7021237	1	Shaft	
3	7021238	1	Ring, Retaining	
4	7021239	1	Bearing, Roller	
5	70004896	1	Shaft Seal Kit (Includes Items 6-8)	
6	7021241	1	O-Ring	
7	7021242	1	Seal, Lip	
8	7021243	1	Carrier, Seal Shaft	
9	7024855	2	Solenoid Assembly	
9A	70004897	2	Coil (1 Per Assembly)	
9B	7024857	2	Nut (1 Per Assembly)	
9C	7024858	2	Seal Kit - 7024855 Cartridge (1 Per Assembly)	
10	70004889	2	Orifice	
11	See Note	NSS	Housing Assembly (Note: Not Available for Purchase)	
12	7021248	1	Side Cover Assembly (Includes Item 13)	
13	70004891	1	Gasket	
14	7021249	1	Bearing, Needle	
15	See Note	NSS	Pin (Note: Not Available for Purchase)	
16	70004890	2	Screw	
17	70004892	4	Screw	
18	7007419	2	Plug Assembly (Includes O-Ring)	
19	7007420	2	Plug Assembly (Includes O-Ring)	
20	See Note	NSS	Plug (Note: Not Available for Purchase)	
21	7007419	1	Plug Assembly (Includes O-Ring)	
22	7021257	1	Ring, Retaining	
23	70004893	1	Key	
24	7022341	1	Ring, Retaining	
25	7021258	1	Gerotor	
26	70004894	1	Gerotor Cover Assembly (Includes Item 27)	
27	7021259	1	Bearing, Journal	
28	7021262	1	O-Ring	
29	See Note	NSS	Pin (Note: Not Available for Purchase)	
30	7021263	2	Bypass Valve Assembly	
31	7024800	2	Spring	
32	7021265	2	Bypass Valve Assembly (Includes Items 32-34)	
33	7007415	2	O-Ring	
34	7021293	2	Ring, Back-up	
35	7022300	2	O-Ring	
36	70004895	1	Cover, Servo	
37	7021253	1	Gasket	
38	70004892	5	Screw	
39	7007420	1	Plug Assembly (Includes O-Ring)	
40	7021268	1	Cover, Servo	
41	7021253	1	Gasket	
42	70004892	5	Screw	
43	7007420	1	Plug Assembly (Includes O-Ring)	
44	7021281	1	Plate, Valve	
45	70004898	1	Servo Piston Kit (Includes Items 46 & 47)	
46	7007495	2	O-Ring	

## SECTION 3 - ENGINE

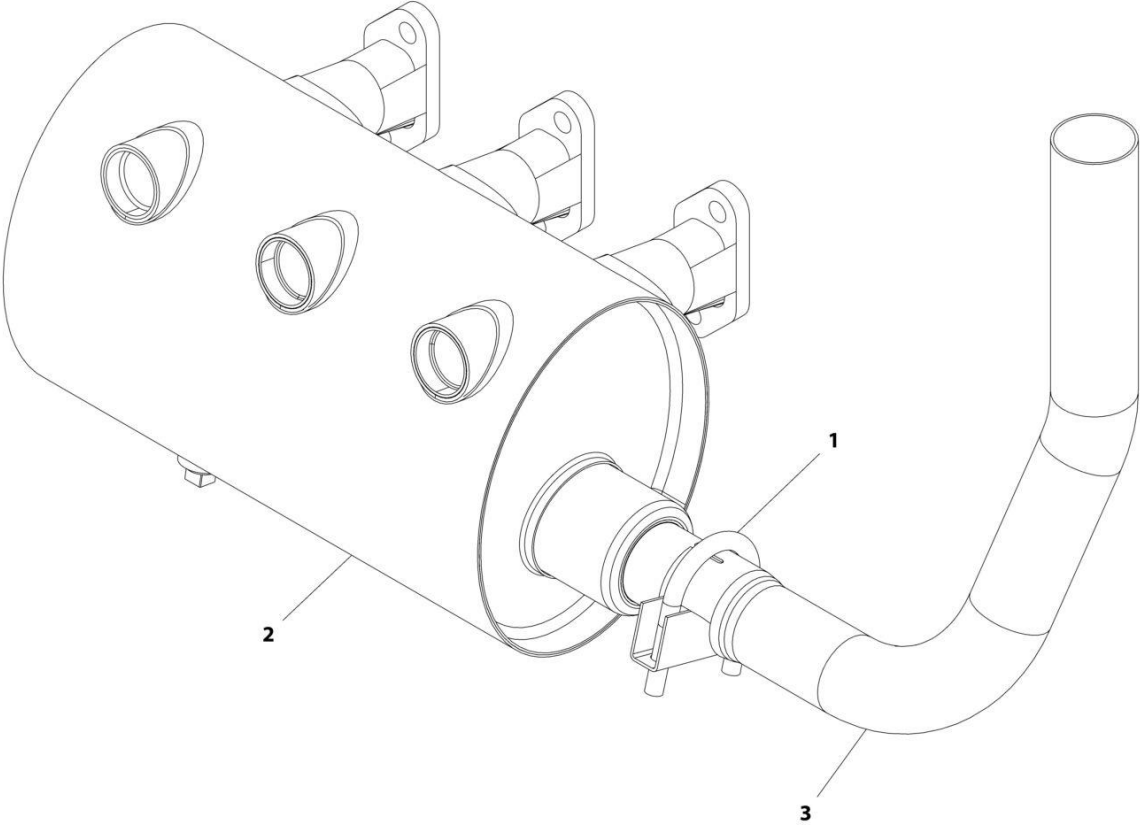
ITEM	PART NUMBER	QTY	DESCRIPTION	REV
47	7007493	2	O-Ring	
48	7007420	1	Plug Assembly (Includes O-Ring)	
49	70004900	1	Plug Assembly (Includes O-Ring)	
50	7022346	1	Adjuster	
51	7021290	1	Nut	
52	7022347	1	Spring	
53	70004901	1	Poppet	
54	7007415	1	O-Ring	
55	70004902	1	Nut, Seal	
56	70004903	1	Swash Plate	
57	70004904	1	Bearing Assembly	
58	70004905	1	Coupling	
59	7001481	2	Pin	
60	70002257	1	Gasket	
61	70004906	8	Screw	
62	70004907	1	Cover, Charge Pump	
63	70004908	1	Seal	
64	7021299	1	Plate, Cover	
65	7007289	2	Screw	
66	70004909	1	Cylinder Block Assembly (Includes Items 67-71)	
67	70004910	3	Pin, Slipper Hold Down	
68	7021276	1	Retainer, Hold Down Pin	
69	7021277	1	Guide, Slipper Retainer	
70	7021278	1	Retainer, Slipper	
71	70004911	1	Piston Assembly	
100	70004899	1	Seal Kit (Includes Items 5-8, 33-35, 37, 41, 46, 47 & 54)	





**SECTION 3 - ENGINE**

**FIGURE 3-32. SPARK ARRESTOR INSTALLATION - DEUTZ D2011 ENGINE**



ART\_1001175071

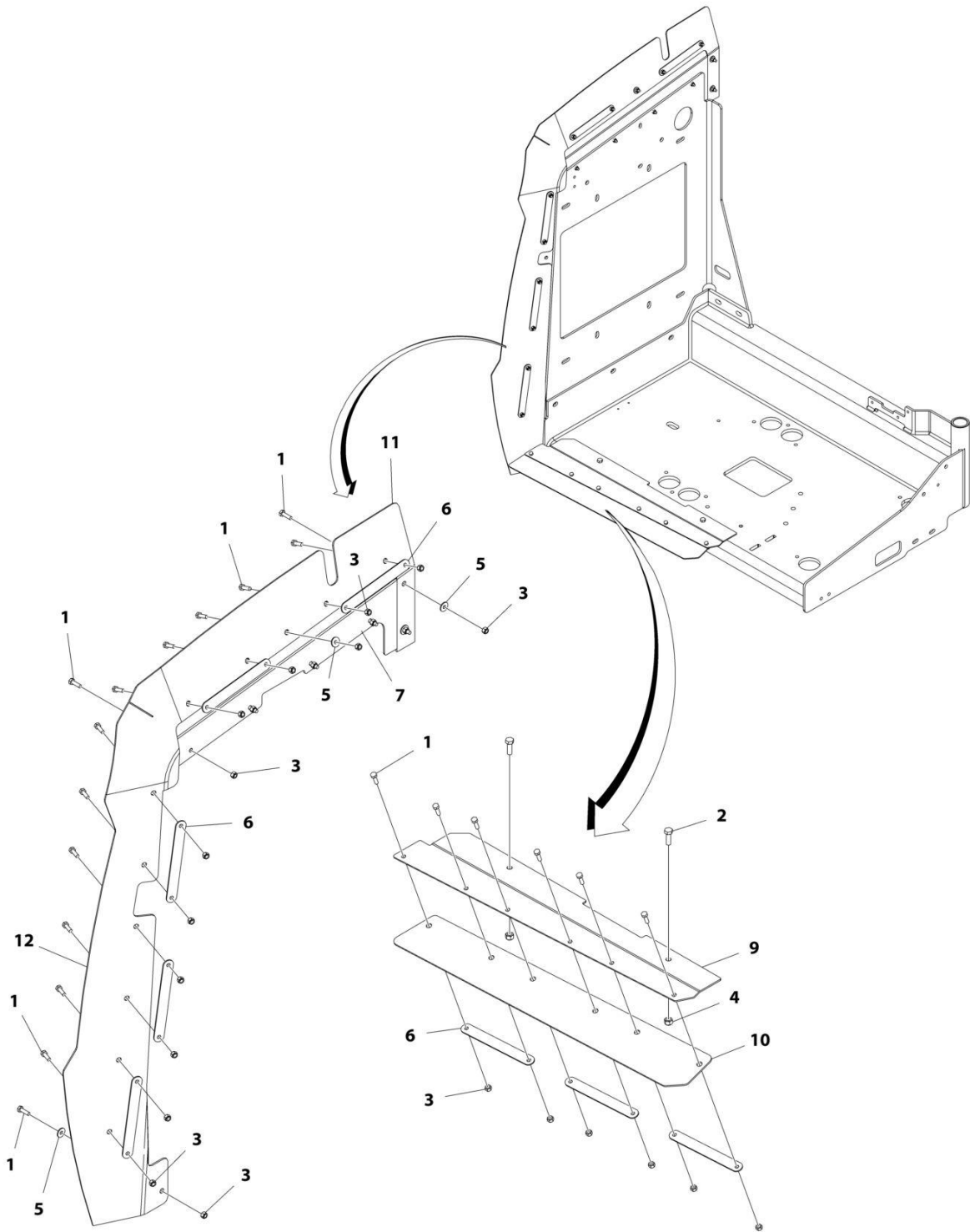
## SECTION 3 - ENGINE

### FIGURE 3-32. SPARK ARRESTOR INSTALLATION - DEUTZ D2011 ENGINE

ITEM	PART NUMBER	QTY	DESCRIPTION	REV
	1001175071	Ref	SPARK ARRESTOR INSTALLATION	A
1	1320176	1	Clamp	
2	1001170224	1	Muffler, Spark Arresting	
3	1001175068	1	Pipe, Exhaust	

# SECTION 3 - ENGINE

## FIGURE 3-33. ENGINE Baffle INSTALLATION - ABS HOODS (DEUTZ & GM ENGINES)



ART\_1001170662

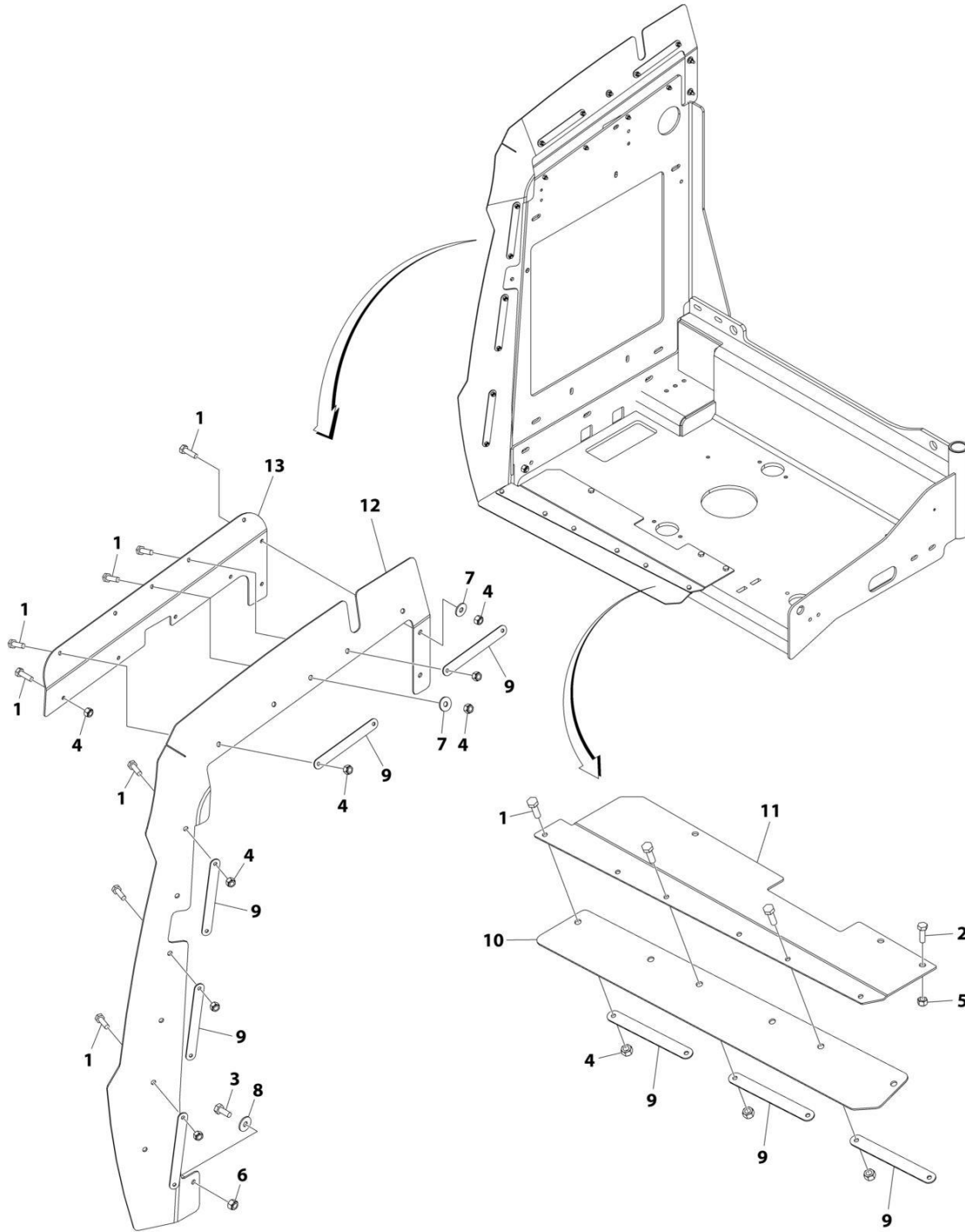
## SECTION 3 - ENGINE

**FIGURE 3-33. ENGINE BAFFLE INSTALLATION - ABS HOODS (DEUTZ & GM ENGINES)**

ITEM	PART NUMBER	QTY	DESCRIPTION	REV
	1001170662	Ref	ENGINE BAFFLE INSTALLATION	F
1	0760610	24	Bolt M6 x 20	
2	0760812	2	Bolt M8 x 25	
3	3290605	24	Nut M6 x 1	
4	3290805	2	Nut M8 x 1.25	
5	4811702	4	Washer M6	
6	1001167164	8	Plate, Support	
7	1001170650	1	Bracket	
9	1001170663	1	Bracket	
10	1001170664	1	Seal	
11	1001211877	1	Seal	
12	1001211878	1	Seal	

# SECTION 3 - ENGINE

## FIGURE 3-34. ENGINE Baffle INSTALLATION - ABS HOODS (KUBOTA ENGINES)



ART\_1001216547

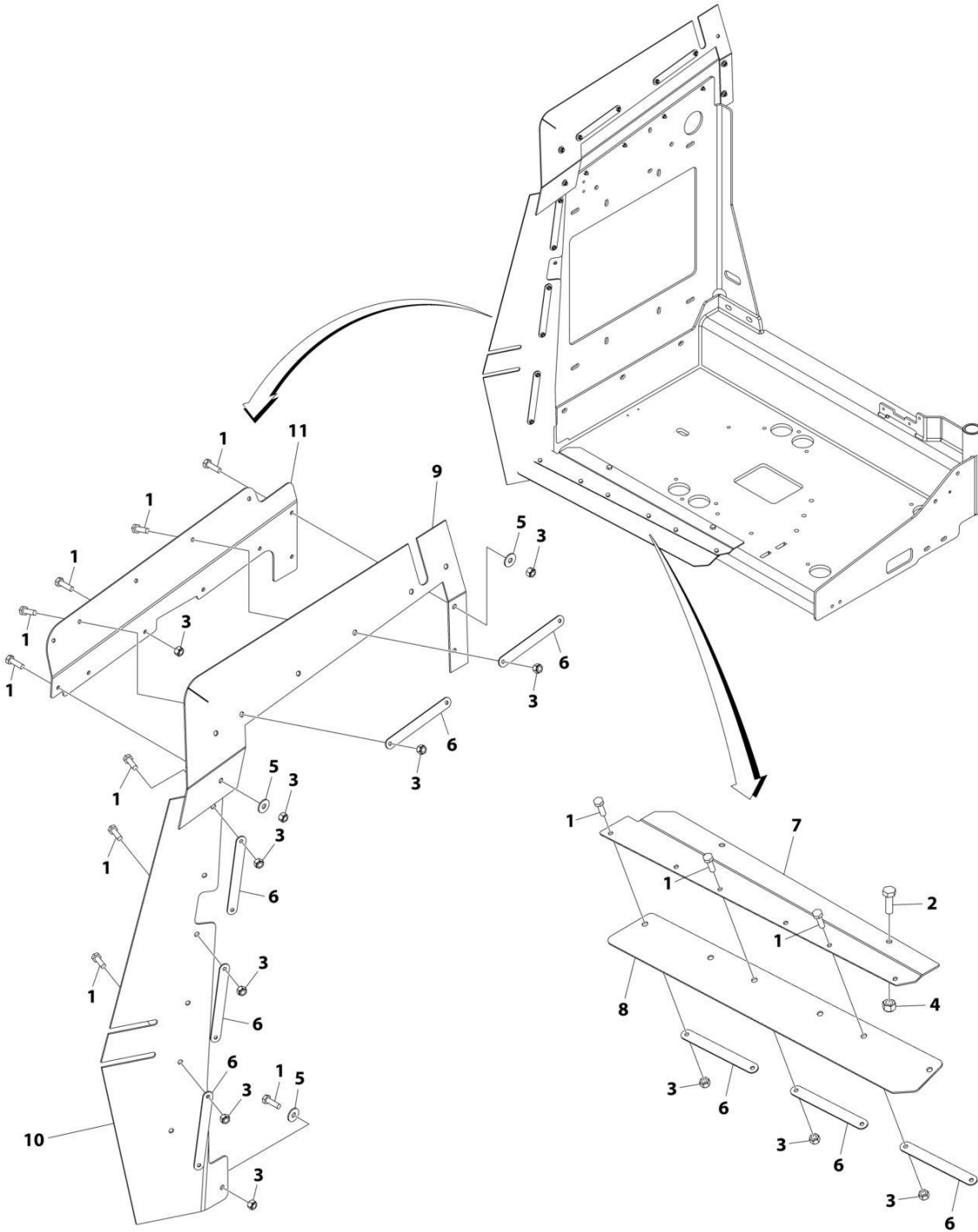
## SECTION 3 - ENGINE

**FIGURE 3-34. ENGINE BAFFLE INSTALLATION - ABS HOODS (KUBOTA ENGINES)**

ITEM	PART NUMBER	QTY	DESCRIPTION	REV
	1001216547	Ref	KUBOTA ENGINE BAFFLE INSTALLATION	B
1	0760610	24	Bolt M6 x 20	
2	0760812	3	Bolt M8 x 25	
3	0761012	1	Bolt M10 x 25	
4	3290605	23	Nut M6 x 1	
5	3290805	3	Nut M8 x 1.25	
6	3291005	1	Nut M10	
7	4811702	3	Washer M6	
8	4812002	1	Washer M10	
9	1001167164	8	Plate, Support	
10	1001170664	1	Seal	
11	1001216512	1	Bracket	
12	1001216548	1	Seal	
13	1001216549	1	Bracket	

# SECTION 3 - ENGINE

## FIGURE 3-35. ENGINE Baffle INSTALLATION - STEEL HOODS



ART\_1001223454



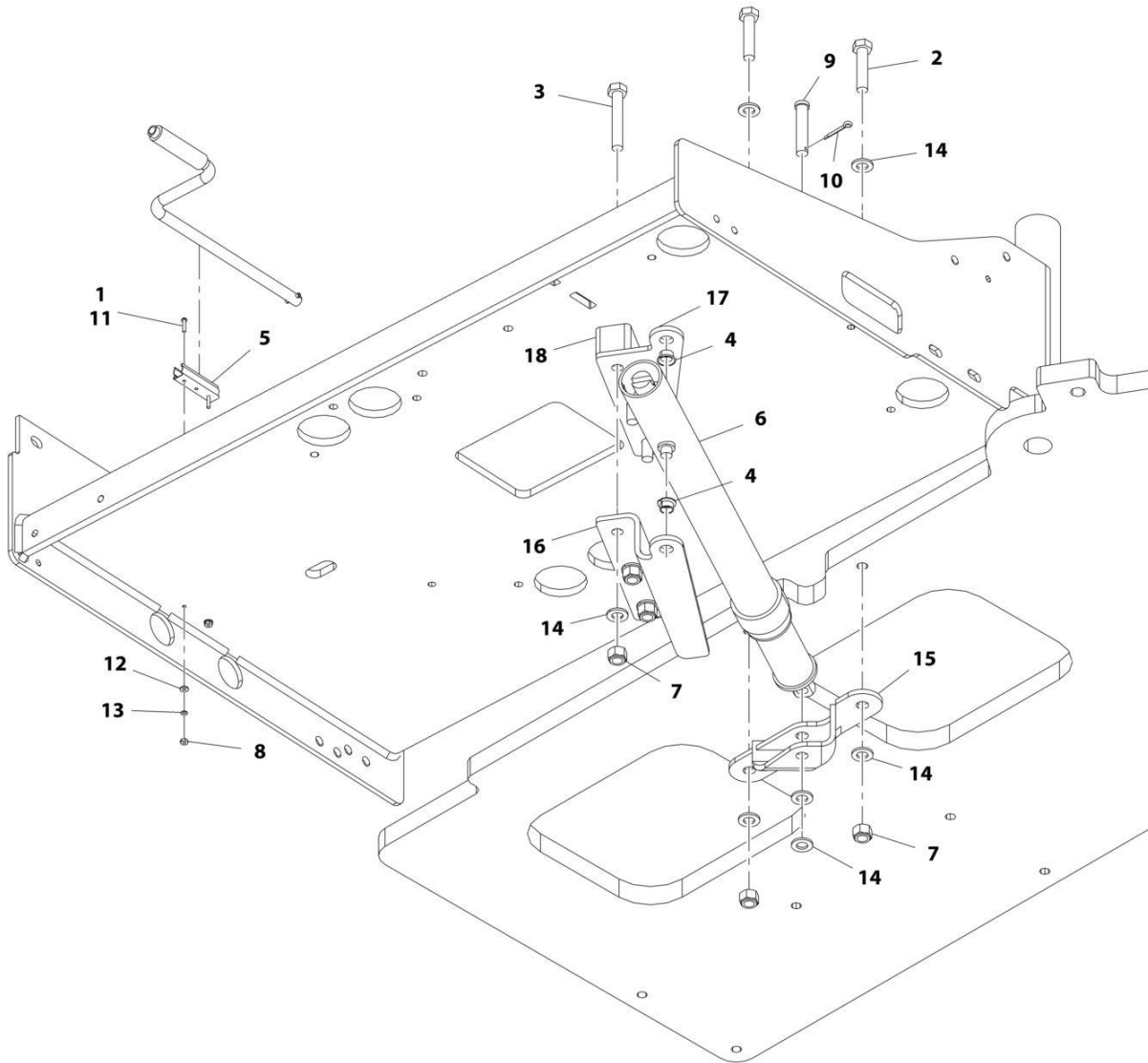
## SECTION 3 - ENGINE

### FIGURE 3-35. ENGINE BAFFLE INSTALLATION - STEEL HOODS

ITEM	PART NUMBER	QTY	DESCRIPTION	REV
	1001223454	Ref	STEEL HOOD ENGINE BAFFLE INSTALLATION	A
1	0760610	25	Bolt M6 x 20	
2	0760812	2	Bolt M8 x 25	
3	3290605	25	Nut M6 x 1	
4	3290805	2	Nut M8 x 1.25	
5	4811702	5	Washer M6	
6	1001167164	8	Plate, Support	
7	1001170663	1	Bracket	
8	1001170664	1	Seal	
9	1001223309	1	Seal	
10	1001223310	1	Seal	
11	1001223328	1	Bracket	

# SECTION 3 - ENGINE

## FIGURE 3-36. ENGINE TRAY JACK (USA BUILT MACHINES)



ART\_1001164202

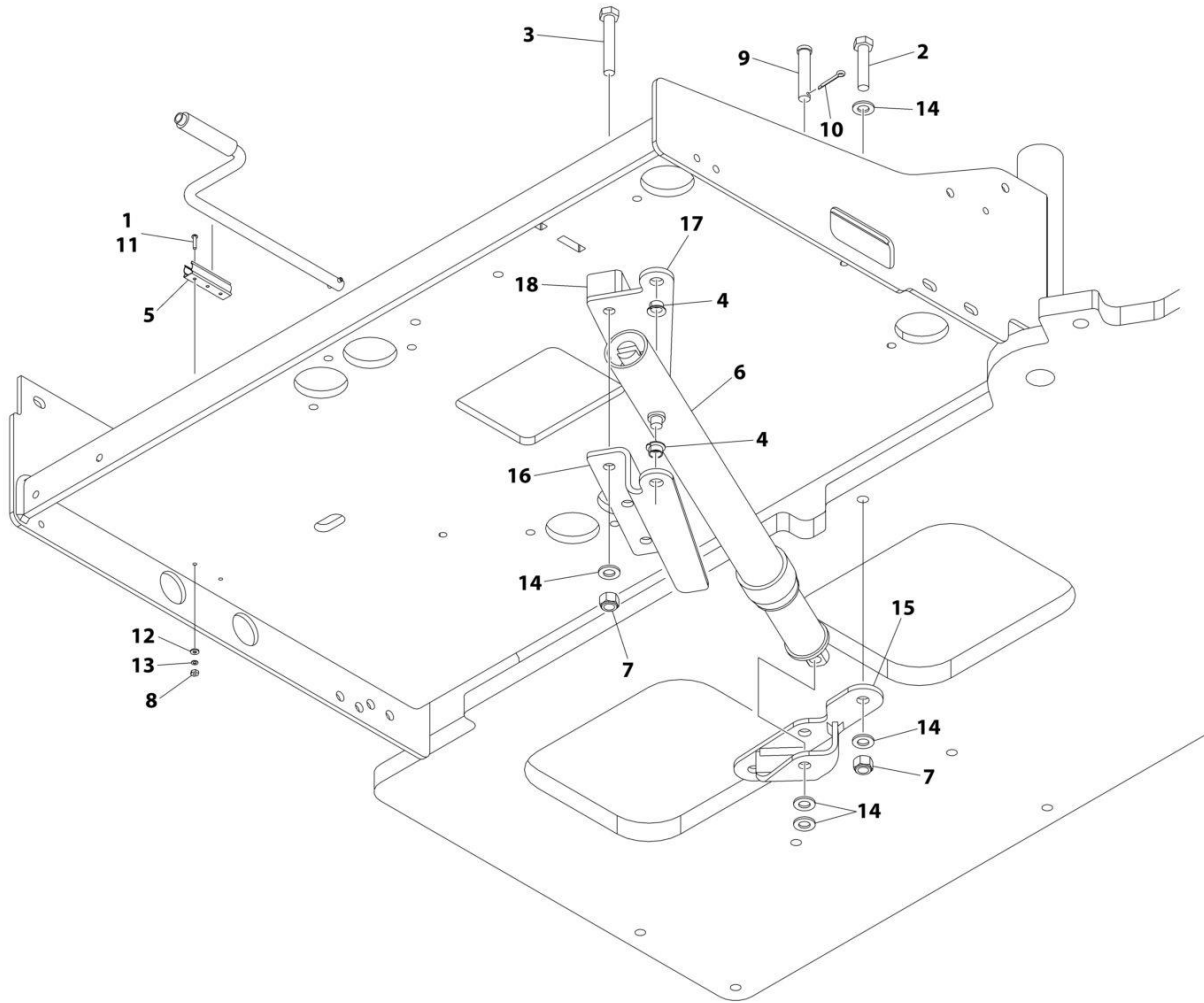
## SECTION 3 - ENGINE

**FIGURE 3-36. ENGINE TRAY JACK (USA BUILT MACHINES)**

ITEM	PART NUMBER	QTY	DESCRIPTION	REV
	1001164202	Ref	ENGINE TRAY JACK	E
1	0100011	AR	Compound, Locking	
2	0701219	2	Bolt M12 x 55	
3	0701223	AR	Bolt M12 x 75	
3	0701224	AR	Bolt M12 x 80	
4	0962051	2	Bearing	
5	1380147	1	Clip	
6	2840016	1	Screw Jack Assembly	
6	7024598	1	Handle	
6	7016322	1	Wiper	
7	3291205	5	Nut M12 x 1.75	
8	3310601	2	Nut #6	
9	3430820	1	Pin, Clevis	
10	3450404	1	Pin, Cotter	
11	3910610	2	Screw 6 x 5/8	
12	4750600	2	Washer #6	
13	4770600	2	Washer Star #6	
14	4812100	9	Washer M12	
15	1001166894	1	Support, Engine Tray Jack	
16	1001175073	1	Support, Engine Tray Jack	
17	1001175074	1	Support, Engine Tray Jack	
18	1001175075	1	Shim	

# SECTION 3 - ENGINE

## FIGURE 3-37. ENGINE TRAY JACK (ROMANIAN BUILT MACHINES)



ART\_1001243870

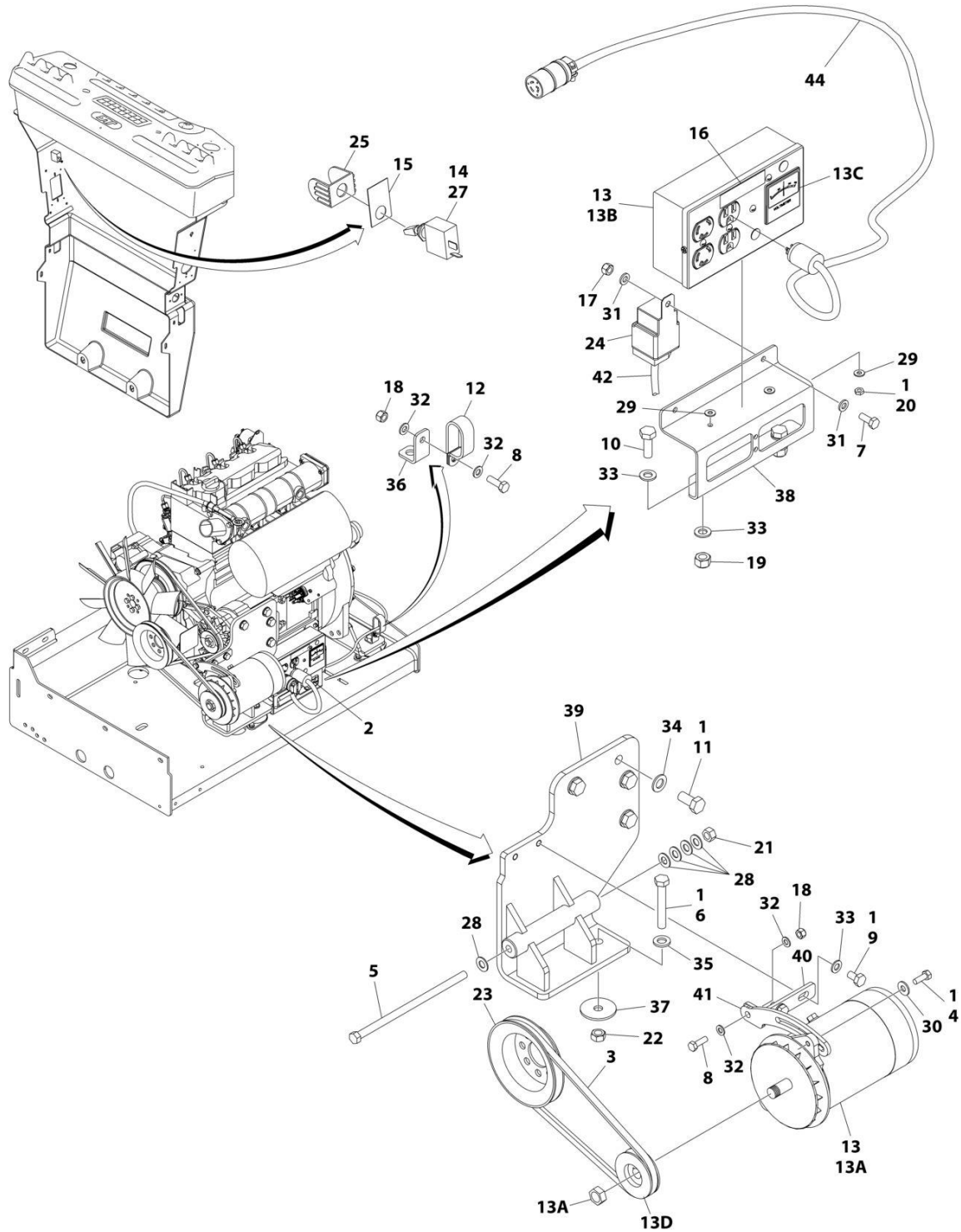
## SECTION 3 - ENGINE

**FIGURE 3-37. ENGINE TRAY JACK (ROMANIAN BUILT MACHINES)**

ITEM	PART NUMBER	QTY	DESCRIPTION	REV
	1001243870	Ref	ENGINE TRAY JACK	B
1	0100011	AR	Compound, Locking	
2	0701219	2	Bolt M12 x 55	
3	0701223	3	Bolt	
4	0962051	2	Bearing	
5	1380147	1	Clip	
6	2840016	1	Screw Jack Assembly	
6	7024598	1	Handle	
6	7016322	1	Wiper	
7	3291205	5	Nut M12 x 1.75	
8	3310601	2	Nut #6	
9	3430820	1	Pin, Clevis	
10	3450404	1	Pin, Cotter	
11	3910610	2	Screw 6 x 5/8	
12	4750600	2	Washer #6	
13	4770600	2	Washer #6	
14	4812100	9	Washer M12	
15	1001166894	1	Support, Engine Tray Jack	
16	1001175073	1	Support, Engine Tray Jack	
17	1001175074	1	Support, Engine Tray Jack	
18	1001243869	1	Shim	

# SECTION 3 - ENGINE

## FIGURE 3-38. GENERATOR INSTALLATION - 2500W/60HZ (DEUTZ D2011 ENGINE)



ART\_1001180798

## SECTION 3 - ENGINE

**FIGURE 3-38. GENERATOR INSTALLATION - 2500W/60HZ (DEUTZ D2011 ENGINE)**

ITEM	PART NUMBER	QTY	DESCRIPTION	REV
	1001180798	Ref	GENERATOR INSTALLATION - 2500W/60HZ (DEUTZ D2011 ENGINE)	B
1	0100011	AR	Compound, Locking	
2	0100048	AR	Grease, Dielectric	
3	0480122	1	Belt	
4	0641507	1	Bolt 5/16 x 7/8	
5	0641772	1	Bolt 7/16 x 9	
6	0711224	1	Bolt M12 x 80 Grade 10.9	
7	0760608	1	Bolt M6 x 16	
8	0760812	2	Bolt M8 x 25	
9	0761009	2	Bolt M10 x 18	
10	0761014	2	Bolt M10 x 30	
11	0771414	4	Bolt M14 x 30 Grade 10.9	
12	1321716	1	Clamp	
13	2460055	1	Generator and Control Box Assembly	
13A	7012558	1	Generator	
	See Note	Ref	Note: Replacement Generators come standard with p/n 3580134 pulley. This pulley may not be correct for all applications. Refer to pulley options below.	
13A	7026199	1	Armature with Slip Rings	
13A	7012513	3	Cap, Brush Holder	
13A	7020108	4	Brush	
13A	7020109	4	Holder, Brush	
13A	7012514	1	Fan	
13A	7020110	1	Bell, Front	
13A	7020111	1	Bell, Rear	
13A	7020190	1	Bearing	
13B	7019680	1	Box, Control	
13B	4460190	1	Receptacle, Standard	
13B	4460027	1	Receptacle, Twistlock	
13B	4360542	1	Breaker, Circuit	
13B	3520028	1	Plug, Hole	
13B	4460961	1	Connector - 4 Position	
13B	4460705	4	Pin, Male	
13B	4460321	1	Connector - 4 Position (Note: Mate to p/n 4460961 Purchase Separately)	
13B	4460268	3	Socket, Female (Note: Mate to p/n 4460705 Purchase Separately)	
13C	2420203	1	Voltmeter	
13D	3580276	1	Pulley	
13D	7027887	1	Key, Woodruff	
14	2820031	AR	Heat Shrink	
15	See Note	1	Nameplate (Note: Not Available for Purchase)	
16	3251243	1	Nameplate 120V-60Hz	
17	3290605	1	Nut M6	
18	3290805	2	Nut M8	
19	3291005	2	Nut M10	
20	3311001	2	Nut #10	
21	3311705	1	Nut 7/16	
22	3331211	1	Nut M12	
23	3580158	1	Pulley	

## SECTION 3 - ENGINE

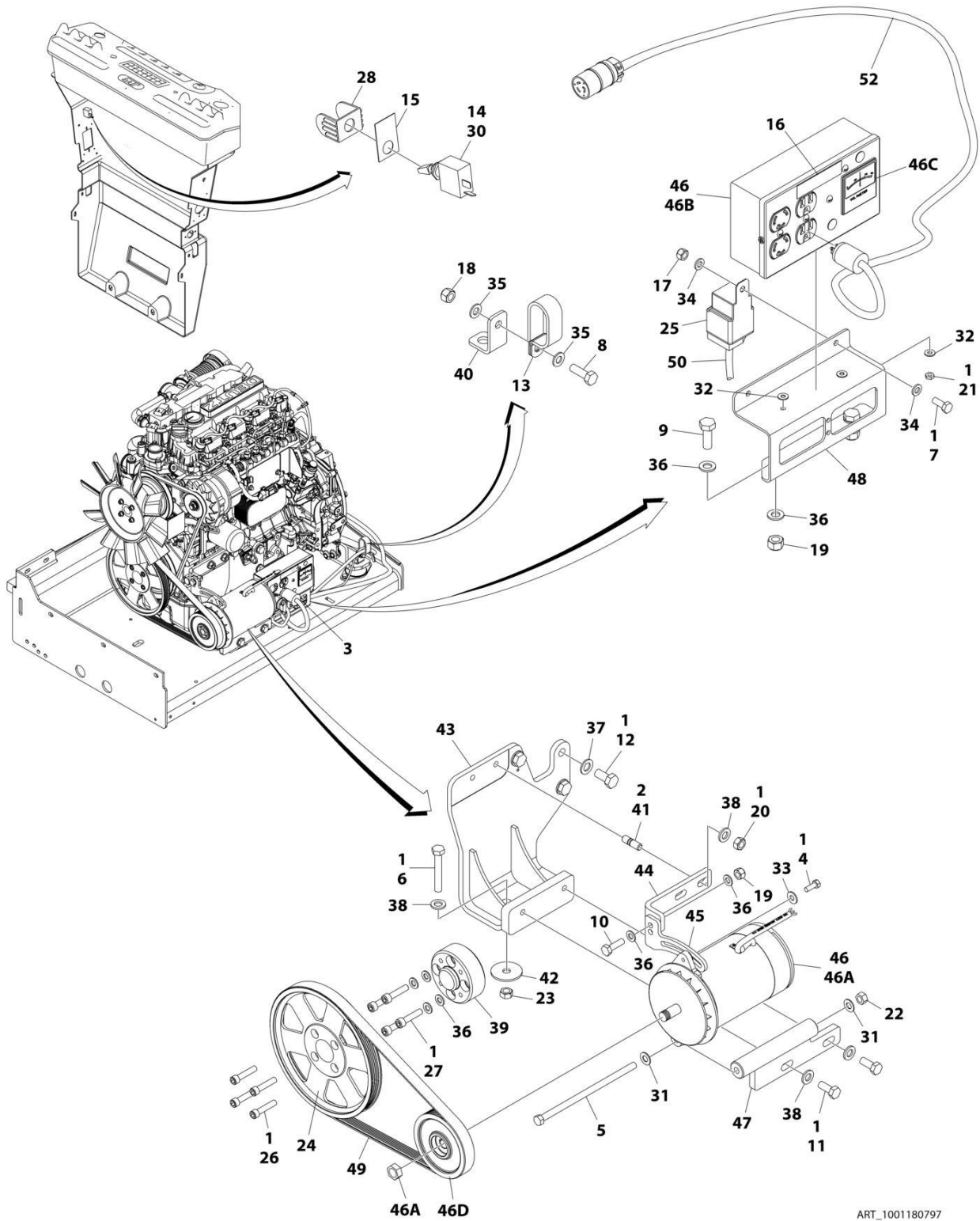
ITEM	PART NUMBER	QTY	DESCRIPTION	REV
24	3740080	1	Relay	
25	4060802	1	Guard, Switch	
26	4240099	AR	Tie-Strap (Not Shown)	
27	4360336	1	Switch, Toggle	
28	4711700	5	Washer 7/16	
29	4751000	4	Washer #10	
30	4751500	1	Washer 5/16	
31	4811700	2	Washer M6	
32	4811900	4	Washer M8	
33	4812000	6	Washer M10	
34	4812200	4	Washer M14	
35	5241200	1	Washer M12 Hardened	
36	1001148641	1	Bracket	
37	1001168018	1	Washer, Snubbing	
38	1001183477	1	Support	
39	1001184637	1	Mount, Engine	
40	1001184644	1	Support	
41	1001184645	1	Bracket	
42	1001187522	1	Harness, Generator (See Separate Breakdown in ELECTRICAL SECTION)	
43	1001188731	1	Wiring Diagram (Not Shown)	
43	4922641	1	Harness, On/Off Switch (Not Shown - Located at Platform)	
44	1001182296	1	Harness, Inverter	
44	1060494	10 ft/3.5m	Cable, Electrical - 12/3	
44	4460134	1	Receptacle, Female	
44	4460138	1	Plug, Male	





# SECTION 3 - ENGINE

## FIGURE 3-39. GENERATOR INSTALLATION - 2500W/60HZ (DEUTZ D2.9L4 ENGINE)



ART\_1001180797

## SECTION 3 - ENGINE

**FIGURE 3-39. GENERATOR INSTALLATION - 2500W/60HZ (DEUTZ D2.9L4 ENGINE)**

ITEM	PART NUMBER	QTY	DESCRIPTION	REV
	1001180797	Ref	GENERATOR INSTALLATION - 2500W/60HZ (DEUTZ D2.9L4 ENGINE)	F
1	0100011	AR	Compound, Locking	
2	0100019	AR	Compound, Locking	
3	0100048	AR	Grease, Dielectric	
4	0641507	1	Bolt 5/16 x 7/8	
5	0641772	1	Bolt 7/16 x 9	
6	0711224	AR	Bolt M12 x 80 Grade 10.9	
7	0760608	1	Bolt M6 x 16	
8	0760812	1	Bolt M8 x 25	
9	0761014	2	Bolt M10 x 30	
10	0761015	1	Bolt M10 x 35	
11	0761214	2	Bolt M12 x 30	
12	0771414	3	Bolt M14 x 30 Grade 10.9	
13	1321716	1	Clamp	
14	2820031	AR	Heat Shrink	
15	See Note	1	Nameplate (Note: Not Available for Purchase)	
16	3251243	1	Nameplate 120V-60Hz	
17	3290605	1	Nut M6	
18	3290805	1	Nut M8	
19	3291005	3	Nut M10	
20	3291201	2	Nut M12	
21	3311001	2	Nut #10	
22	3311705	1	Nut 7/16	
23	3331211	AR	Nut M12	
24	3580320	1	Pulley	
25	3740080	1	Relay	
26	3931628	4	Capscrew 3/8 x 1-3/4	
27	4032014	4	Bolt M10 x 50	
28	4060802	1	Guard, Switch	
29	4240099	AR	Tie-Strap (Not Shown)	
30	4360336	1	Switch, Toggle	
31	4711700	2	Washer 7/16	
32	4751000	4	Washer #10	
33	4751500	1	Washer 5/16	
34	4811700	2	Washer M6	
35	4811900	2	Washer M8	
36	4812000	AR	Washer M10	
37	4812200	AR	Washer M14	
38	5241200	AR	Washer M12 Hardened	
39	1001135679	1	Adapter	
40	1001148641	1	Bracket	
41	1001155041	2	Stud	
42	1001168018	AR	Washer, Snubbing	
43	1001168207	Ref	Support	
44	1001179836	1	Mount, Upper Generator	
45	1001179837	1	Arm Adjustment	
46	1001180001	1	Generator	
46A	7026199	1	Armature with Slip Rings	
46A	7012513	3	Cap, Brush Holder	

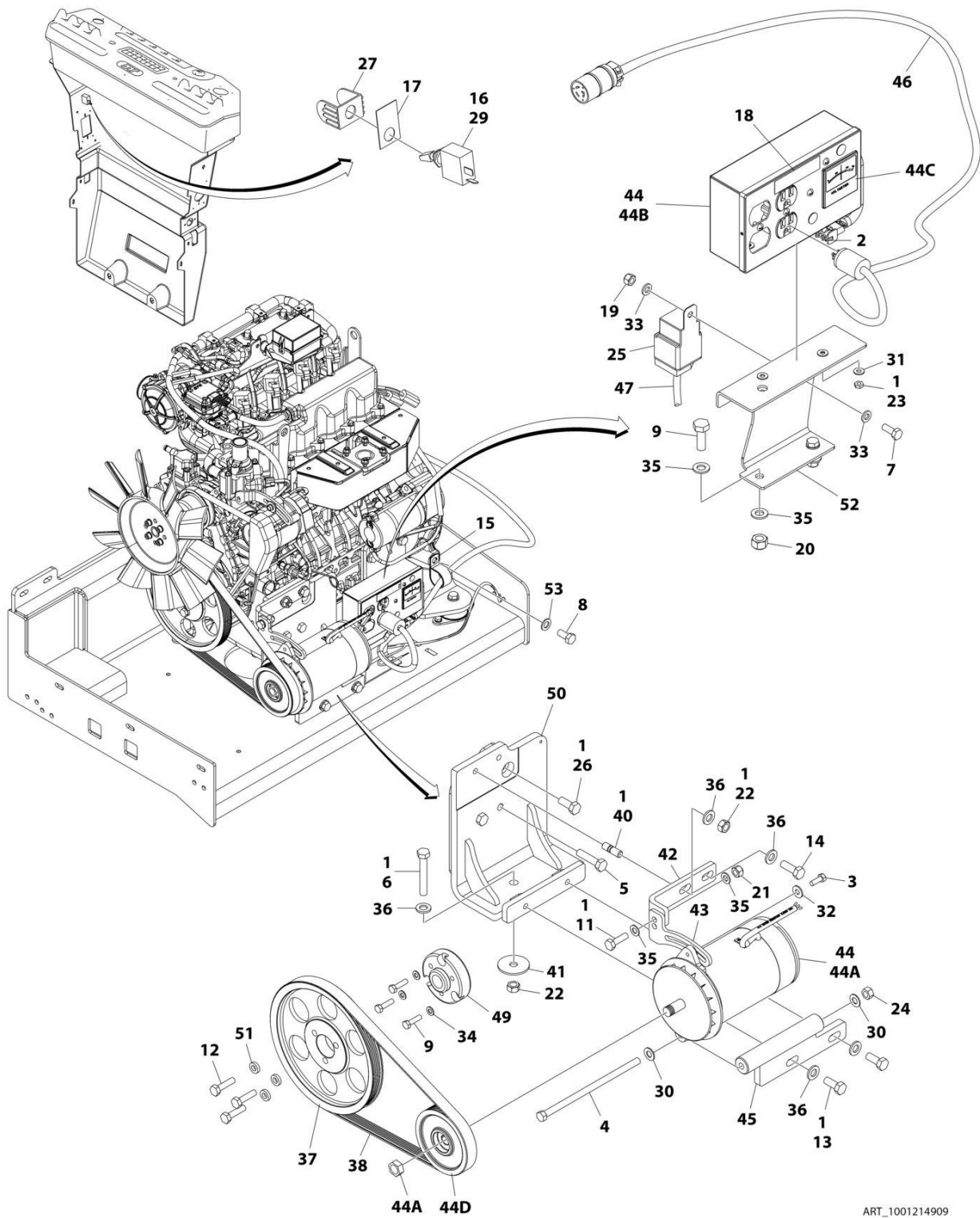
## SECTION 3 - ENGINE

ITEM	PART NUMBER	QTY	DESCRIPTION	REV
46A	7020108	4	Brush	
46A	7020109	4	Holder, Brush	
46A	7012514	1	Fan	
46A	7020110	1	Bell, Front	
46A	7020111	1	Bell, Rear	
46A	7020190	1	Bearing	
46B	7019680	1	Box, Control	
46B	4460190	1	Receptacle, Standard	
46B	4460027	1	Receptacle, Twistlock	
46B	4360542	1	Breaker, Circuit	
46B	3520028	1	Plug, Hole	
46B	4460961	1	Connector - 4 Position	
46B	4460705	4	Pin, Male	
46B	4460321	1	Connector - 4 Position (Note: Mate to p/n 4460961 Purchase Separately)	
46B	4460268	3	Socket, Female (Note: Mate to p/n 4460705 Purchase Separately)	
46C	2420203	1	Voltmeter	
46D	1001179893	1	Pulley	
46D	7027887	1	Key, Woodruff	
47	1001181243	1	Mount, Lower Generator	
48	1001183477	1	Support	
49	1001148138	1	Belt	
50	1001187522	1	Harness, Generator (See Separate Breakdown in ELECTRICAL SECTION)	
51	1001188731	1	Wiring Diagram (Not Shown)	
51	4922641	1	Harness, On/Off Switch (Not Shown - Located at Platform)	
52	1001182296	1	Harness, Inverter	
52	1060494	10 ft/3.5m	Cable, Electrical - 12/3	
52	4460134	1	Receptacle, Female	
52	4460138	1	Plug, Male	



# SECTION 3 - ENGINE

## FIGURE 3-40. GENERATOR INSTALLATION - 2500W/60HZ (KUBOTA ENGINE)



ART\_1001214909

## SECTION 3 - ENGINE

**FIGURE 3-40. GENERATOR INSTALLATION - 2500W/60HZ (KUBOTA ENGINE)**

ITEM	PART NUMBER	QTY	DESCRIPTION	REV
	1001214909	Ref	GENERATOR INSTALLATION - 2500W/60Hz (KUBOTA ENGINE)	E
1	0100011	AR	Compound, Locking	
2	0100048	AR	Grease, Dielectric	
3	0641507	1	Bolt 5/16 x 7/8	
4	0641772	1	Bolt 7/16 x 9	
5	1001217344	2	Bolt M12 x 50	
6	0711224	AR	Bolt M12 x 80 Grade 10.9	
6	0701224	AR	Bolt M12 x 80	
7	0760608	1	Bolt M6 x 16	
8	1001217345	1	Bolt M14 x 30	
9	0760814	5	Bolt M8 x 30	
11	0761015	1	Bolt M10 x 35	
12	0761016	3	Bolt M10 x 40	
13	0761214	2	Bolt M12 x 30	
14	0761215	1	Bolt M12 x 35	
15	84521061	1	Clamp	
16	2820031	AR	Heat Shrink	
17	See Note	1	Nameplate (Note: Not Available for Purchase)	
18	3251243	1	Nameplate 120V-60Hz	
19	3290605	1	Nut M6	
20	3290805	2	Nut M8	
21	3291005	1	Nut M10	
22	3291201	2	Nut M12	
23	3311001	2	Nut #10	
24	3311705	1	Nut 7/16	
25	3740080	1	Relay	
26	1001217342	1	Bolt M12 x 30	
27	4060802	1	Guard, Switch	
28	4240099	AR	Tie-Strap (Not Shown)	
29	4360336	1	Switch, Toggle	
30	4711700	2	Washer 7/16	
31	4751000	4	Washer #10	
32	4751500	1	Washer 5/16	
33	4811700	2	Washer M6	
34	4811900	5	Washer M8	
35	4812000	4	Washer M10	
36	5241200	1	Washer M12 Hardened	
37	1001147233	1	Pulley	
38	1001148138	1	Belt	
40	1001155041	1	Stud	
41	1001168018	1	Washer, Snubbing	
42	1001179836	1	Mount, Upper Generator	
43	1001179837	1	Arm Adjustment	
44	1001180001	1	Generator	
44A	7026199	1	Armature with Slip Rings	
44A	7012513	3	Cap, Brush Holder	
44A	7020108	4	Brush	
44A	7020109	4	Holder, Brush	
44A	7012514	1	Fan	
44A	7020110	1	Bell, Front	

## SECTION 3 - ENGINE

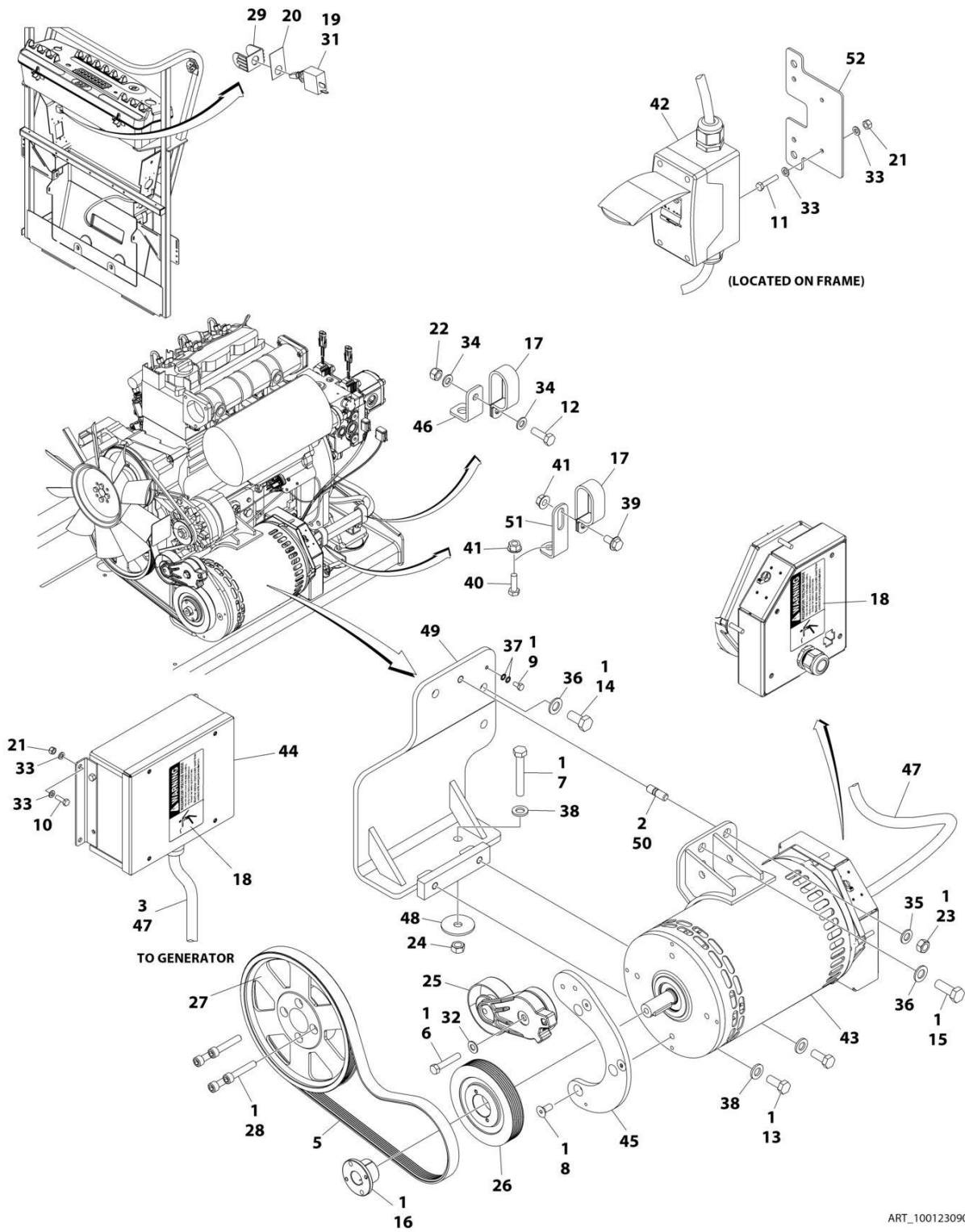
ITEM	PART NUMBER	QTY	DESCRIPTION	REV
44A	7020111	1	Bell, Rear	
44A	7020190	1	Bearing	
44B	7019680	1	Box, Control	
44B	4460190	1	Receptacle, Standard	
44B	4460027	1	Receptacle, Twistlock	
44B	4360542	1	Breaker, Circuit	
44B	3520028	1	Plug, Hole	
44B	4460961	1	Connector - 4 Position	
44B	4460705	4	Pin, Male	
44B	4460321	1	Connector - 4 Position (Note: Mate to p/n 4460961 Purchase Separately)	
44B	4460268	3	Socket, Female (Note: Mate to p/n 4460705 Purchase Separately)	
44C	2420203	1	Voltmeter	
44D	1001179893	1	Pulley	
44D	7027887	1	Key, Woodruff	
45	1001181243	1	Mount, Lower Generator	
46	1001182296	1	Harness, Inverter	
46	1060494	10 ft/ 3.5m	Cable, Electrical - 12/3	
46	4460134	1	Receptacle, Female	
46	4460138	1	Plug, Male	
47	1001187522	1	Harness, Generator (See Separate Breakdown in ELECTRICAL SECTION)	
48	1001188731	1	Wiring Diagram (Not Shown)	
48	4922641	1	Harness, On/Off Switch (Not Shown - Located at Platform)	
49	1001213029	1	Adapter, Pulley	
50	1001214546	1	Support	
51	1001216805	1	Spacer	
52	1001216840	1	Support	
53	4812200	1	Washer M14	





# SECTION 3 - ENGINE

## FIGURE 3-41. GENERATOR INSTALLATION - 4000W/50HZ (DEUTZ D2011 ENGINES)



ART\_1001230908

## SECTION 3 - ENGINE

**FIGURE 3-41. GENERATOR INSTALLATION - 4000W/50HZ (DEUTZ D2011 ENGINES)**

ITEM	PART NUMBER	QTY	DESCRIPTION	REV
	1001230908	Ref	4000W/50Hz GENERATOR INSTALLATION - DEUTZ D2011 ENGINES	A
1	0100011	AR	Compound, Locking	
2	0100019	AR	Compound, Locking	
3	0100048	AR	Grease, Dielectric	
4	0100079	AR	Sealant (Not Shown)	
5	0480126	1	Belt	
6	0641616	1	Bolt 3/8 x 2	
7	0711224	1	Bolt M12 x 80 Grade 10.9	
8	0741607	3	Screw 3/8 x 7/8	
9	0760606	1	Bolt M6 x 12	
10	0760610	4	Bolt M6 x 20	
11	0760614	2	Bolt M6 x 30	
12	0760812	1	Bolt M8 x 25	
13	0761214	2	Bolt M12 x 30	
14	0771414	2	Bolt M14 x 30 Grade 10.9	
15	0771416	1	Bolt M14 x 40	
16	0962520	1	Bushing	
17	1321716	2	Clamp	
18	1705489	2	Decal - Hazardous Voltage	
19	2820031	0.3 ft/ 0.1m	Heat Shrink	
20	3251102	1	Nameplate, Generator	
21	3290605	6	Nut M6	
22	3290805	1	Nut M8	
23	3291201	1	Nut M12	
24	3331211	1	Nut M12	
25	3580317	1	Pulley	
26	3580319	1	Pulley	
27	3580320	1	Pulley	
28	4032015	4	Bolt M10 x 55	
29	4060802	1	Guard, Switch	
30	4240099	AR	Tie-Strap (Not Shown)	
31	4360336	1	Switch, Toggle	
32	4711600	1	Washer 3/8	
33	4811700	12	Washer M6	
34	4811900	2	Washer M8	
35	4812100	1	Washer M12	
36	4812200	3	Washer M14	
37	4871700	2	Washer M6	
38	5241200	3	Washer M12 Hardened	
39	5250808	1	Bolt M8 x 16	
40	5250810	1	Bolt M8 x 20	
41	5260800	2	Flange Nut M8	
42	1001096070	1	Breaker Box Kit (50Hz) (See Separate Breakdown in ELECTRICAL Section)	
43	1001138565	1	Generator Assembly	
43	70003709	1	Ring, Retaining (External)	
43	70003708	1	Ring, Retaining (Internal)	
43	70001966	1	Bearing	

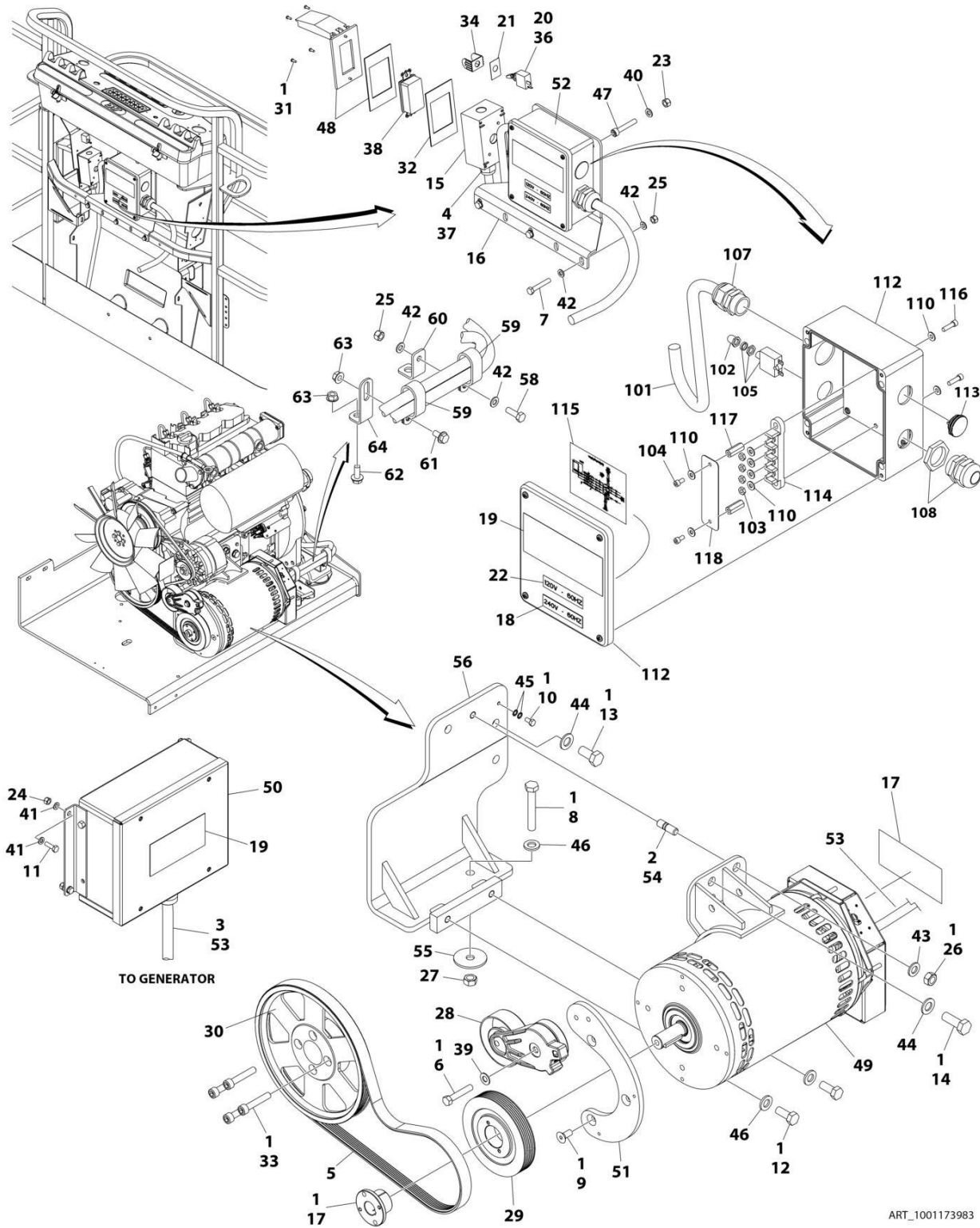
## SECTION 3 - ENGINE

ITEM	PART NUMBER	QTY	DESCRIPTION	REV
43	70004092	1	Endbell (Shaft End)	
43	70004171	1	Key	
43	70004676	1	Rotor	
43	70004677	1	Stator	
43	70004678	1	Endbell (Rear)	
43	70004679	1	Cover, Endbell (Rear)	
43	70004680	1	Enclosure, Wiring	
43	70004681	1	Cover, Enclosure	
43	70004682	1	Switch, Reset (Located on Enclosure Cover)	
43	70004683	1	Connector, Strain Relief (Located on Enclosure Cover)	
44	1001138566	1	Box, Control	
45	1001139357	1	Mount, Tensioner	
46	1001148641	1	Bracket	
47	1001152532	1	Harness, Generator (See Separate Breakdown in ELECTRICAL Section)	
48	1001168018	1	Washer, Snubbing	
49	1001173925	1	Mount	
50	1001196382	1	Stud	
51	1001223122	1	Support, P-Clamp	
52	1001230784	1	Bracket	
		Ref	ELECTRICAL DIAGRAM COMPONENTS	
101	4922641	1	Generator Switch Harness (Not Shown)	



# SECTION 3 - ENGINE

## FIGURE 3-42. GENERATOR INSTALLATION - 4000W/60HZ (DEUTZ D2011 ENGINE)



ART\_1001173983

## SECTION 3 - ENGINE

**FIGURE 3-42. GENERATOR INSTALLATION - 4000W/60HZ (DEUTZ D2011 ENGINE)**

ITEM	PART NUMBER	QTY	DESCRIPTION	REV
	1001173983	Ref	GENERATOR INSTALLATION - 4000W/60HZ (DEUTZ D2011 ENGINE)	F
1	0100011	AR	Compound, Locking	
2	0100019	AR	Compound, Locking	
3	0100048	AR	Grease, Dielectric	
4	0100079	AR	Sealant	
5	0480128	1	Belt	
6	0641616	1	Bolt 3/8 x 2	
7	0700818	3	Bolt M8 x 50	
8	0711224	1	Bolt M12 x 80 Grade 10.9	
9	0741607	3	Screw 3/8 x 7/8	
10	0760606	1	Bolt M6 x 12	
11	0760610	4	Bolt M6 x 20	
12	0761214	2	Bolt M12 x 30	
13	0771414	2	Bolt M14 x 30 Grade 10.9	
14	0771416	1	Bolt M14 x 40	
15	0860038	1	Box, Switch	
16	0902888	1	Bracket	
17	0962520	1	Bushing	
18	1705374	1	Decal - 240V-60Hz	
19	1705387	3	Decal - Hazardous Voltage	
20	2820031	AR	Heat Shrink	
21	See Note	1	Nameplate (Note: Not Available for Purchase)	
22	3251243	1	Nameplate 120V-60Hz	
23	3290505	4	Nut M5	
24	3290605	4	Nut M6	
25	3290805	4	Nut M8	
26	3291201	2	Nut M12	
27	3331211	1	Nut M12	
28	3580317	1	Pulley	
29	3580318	1	Pulley	
30	3580320	1	Pulley	
31	3910606	4	Screw #6 x 3/8	
32	3960422	1	Gasket	
33	4032015	4	Bolt M10 x 55	
34	4060802	1	Guard, Switch	
35	4240099	AR	Tie-Strap (Not Shown)	
36	4360336	1	Switch, Toggle	
37	4460071	1	Connector, Strain Relief	
38	4460346	1	Receptacle	
39	4711600	1	Washer 3/8	
40	4811600	4	Washer M5	
41	4811700	8	Washer M6	
42	4811900	8	Washer M8	
43	4812100	1	Washer M12	
44	4812200	3	Washer M14	
45	4871700	2	Washer M6	
46	5241200	3	Washer M12 Hardened	
47	1001104029	4	Screw M5 x 30	
48	1001110873	1	Shield, Cover	

## SECTION 3 - ENGINE

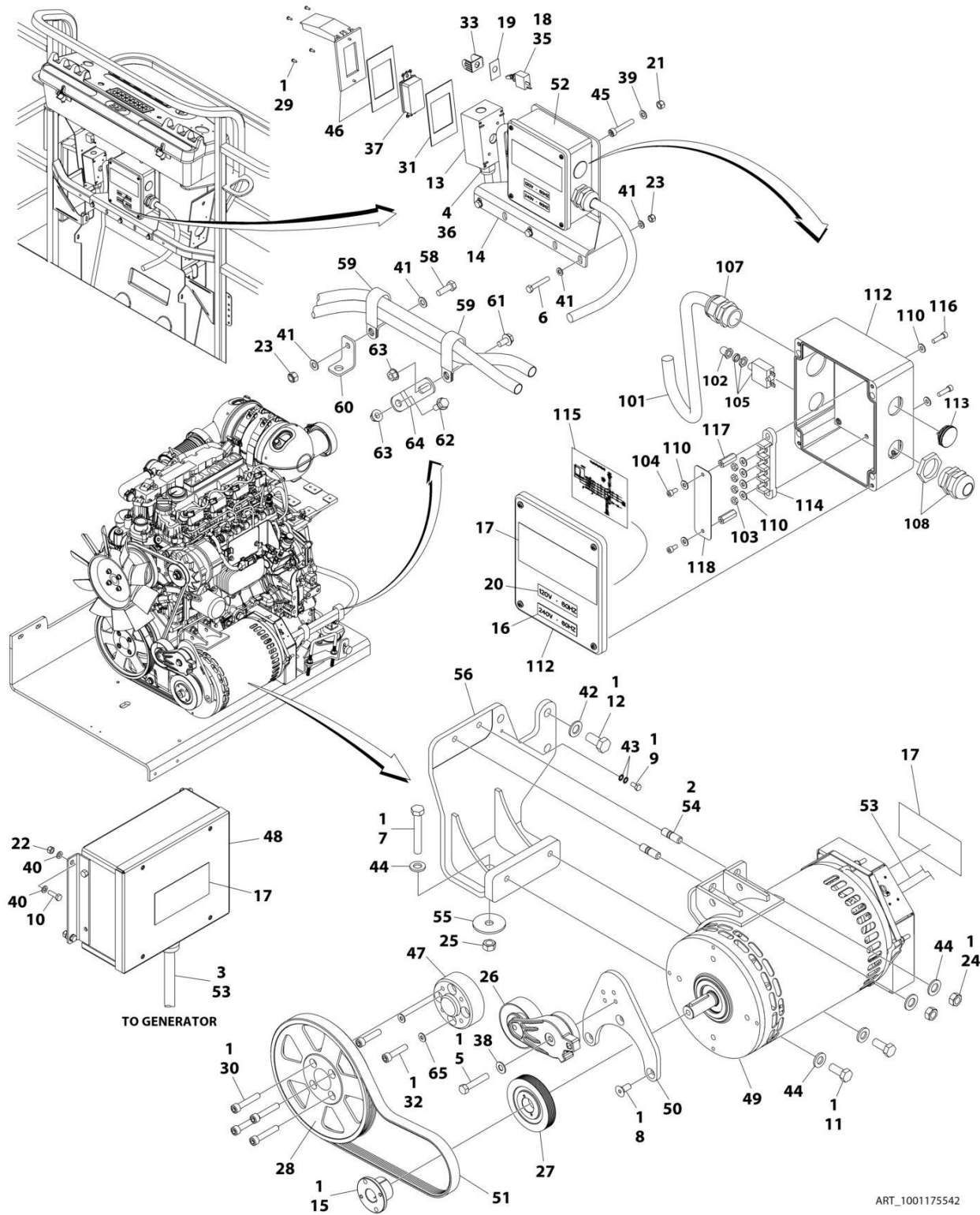
ITEM	PART NUMBER	QTY	DESCRIPTION	REV
49	1001129858	1	Generator	
49	70003709	1	Ring, Retaining (External)	
49	70003708	1	Ring, Retaining (Internal)	
49	70001966	1	Bearing	
49	70004092	1	Endbell (Shaft End)	
49	70004171	1	Key	
49	70004676	1	Rotor	
49	70004684	1	Stator	
49	70004678	1	Endbell (Rear)	
49	70004679	1	Cover, Endbell (Rear)	
49	70004680	1	Enclosure, Wiring	
49	70004685	1	Cover, Enclosure	
49	70004682	1	Switch, Reset (Located on Enclosure Cover)	
49	70004098	1	Connector, Strain Relief (Located on Enclosure Cover)	
50	1001138566	1	Box, Control	
50	70006552	1	Capacitor	
50	70006553	1	Relay	
51	1001139357	1	Mount, Tensioner	
52	1001152457	1	Generator Junction Box Assembly (See Items 101-118 for Breakdown)	
53	1001152532	1	Harness, Generator (See Separate Breakdown in ELECTRICAL SECTION)	
54	1001196382	1	Stud	
55	1001168018	1	Washer, Snubbing	
56	1001173925	1	Mount	
57	1001175631	1	Wiring Diagram (Not Shown)	
57	4922641	1	Harness, On/Off Switch (Not Shown - Located at Platform)	
58	0760812	1	Bolt M8 x 25	
59	1321716	2	Clamp	
60	1001148641	1	Bracket	
61	5250808	1	Bolt M8 x 16	
62	5250810	1	Bolt M8 x 20	
63	5260800	2	Nut M8	
64	1001223122	1	Support	
	1001152457	Ref	GENERATOR JUNCTION BOX COMPONENTS	
101	1001179154	2.5 ft/ 0.8m	Cable, Electrical - 12/3	
102	3300396	1	Cover, Breaker	
103	3311001	4	Nut #10	
104	3900300	2	Screw	
105	4360070	1	Breaker, Circuit - 15Amp	
107	4460425	1	Connector, Strain Relief (LH Side)	
108	4460426	1	Connector, Strain Relief (RH Side)	
110	4711000	8	Washer #10	
112	1001152456	1	Box, Junction	
113	1001152525	1	Plug	
114	1001152530	1	Terminal, Block	
115	1001153260	1	Decal - Wiring Diagram	
116	3900267	2	Screw	
117	1001158008	2	Stand-Off	
118	1001158363	1	Cover, Terminal Block	





# SECTION 3 - ENGINE

## FIGURE 3-43. GENERATOR INSTALLATION - 4000W/60HZ (DEUTZ D2.9L4 ENGINE)



ART\_1001175542

## SECTION 3 - ENGINE

**FIGURE 3-43. GENERATOR INSTALLATION - 4000W/60HZ (DEUTZ D2.9L4 ENGINE)**

ITEM	PART NUMBER	QTY	DESCRIPTION	REV
	1001175542	Ref	GENERATOR INSTALLATION - 4000W/60HZ (DEUTZ D2.9L4 ENGINE)	J
1	0100011	AR	Compound, Locking	
2	0100019	AR	Compound, Locking	
3	0100048	AR	Grease, Dielectric	
4	0100079	AR	Sealant	
5	0641616	1	Bolt 3/8 x 2	
6	0700818	3	Bolt M8 x 50	
7	0711224	AR	Bolt M12 x 80 Grade 10.9	
8	0741607	3	Screw 3/8 x 7/8	
9	0760606	1	Bolt M6 x 12	
10	0760610	4	Bolt M6 x 20	
11	0761212	2	Bolt M12 x 25	
12	0771414	AR	Bolt M14 x 30 Grade 10.9	
13	0860038	1	Box, Switch	
14	0902888	1	Bracket	
15	0962520	1	Bushing	
16	1705374	1	Decal - 240V-60Hz	
17	1705387	3	Decal - Hazardous Voltage	
18	2820031	AR	Heat Shrink	
19	See Note	1	Nameplate (Note: Not Available for Purchase)	
20	3251243	1	Nameplate 120V-60Hz	
21	3290505	4	Nut M5	
22	3290605	4	Nut M6	
23	3290805	4	Nut M8	
24	3291201	2	Nut M12	
25	3331211	AR	Nut M12	
26	3580317	1	Pulley	
27	3580318	1	Pulley	
28	3580320	1	Pulley	
29	3910606	4	Screw #6 x 3/8	
30	3931628	4	Capscrew 3/8 x 1-3/4	
31	3960422	1	Gasket	
32	4032014	4	Capscrew M10 x 50	
33	4060802	1	Guard, Switch	
34	4240099	AR	Tie-Strap (Not Shown)	
35	4360336	1	Switch, Toggle	
36	4460071	1	Connector, Strain Relief	
37	4460346	1	Receptacle	
38	4711600	1	Washer 3/8	
39	4811600	4	Washer M5	
40	4811700	8	Washer M6	
41	4811900	8	Washer M8	
42	4812200	AR	Washer M14	
43	4871700	2	Washer M6	
44	5241200	AR	Washer M12 Hardened	
45	1001104029	4	Screw M5 x 30	
46	1001110873	1	Shield, Cover	
47	1001135679	1	Adapter	
48	1001138566	1	Box, Control	

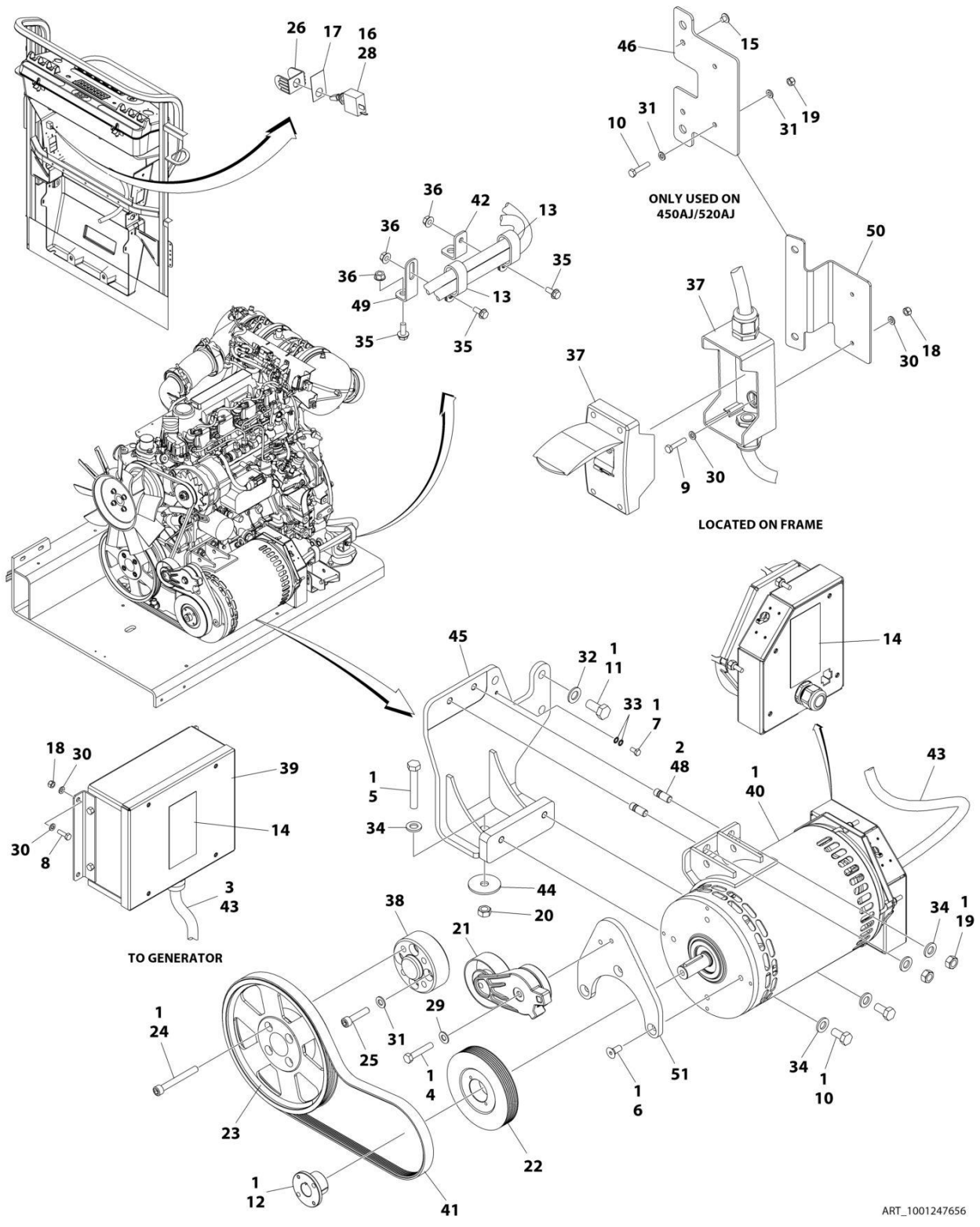
## SECTION 3 - ENGINE

ITEM	PART NUMBER	QTY	DESCRIPTION	REV
49	1001140346	1	Generator Assembly	
49	70003709	1	Ring, Retaining (External)	
49	70003708	1	Ring, Retaining (Internal)	
49	70001966	1	Bearing	
49	70004092	1	Endbell (Shaft End)	
49	70004099	1	Key	
49	70004676	1	Rotor	
49	70004687	1	Stator	
49	70004678	1	Endbell (Rear)	
49	70004679	1	Cover, Endbell (Rear)	
49	70004680	1	Enclosure, Wiring	
49	70004685	1	Cover, Enclosure	
49	70004682	1	Switch, Reset (Located on Enclosure Cover)	
49	70004098	1	Connector, Strain Relief (Located on Enclosure Cover)	
50	1001142643	1	Support	
51	1001142646	1	Belt	
52	1001152457	1	Generator Junction Box Assembly (See Items 101-118 for Breakdown)	
53	1001152532	1	Harness, Generator (See Separate Breakdown in ELECTRICAL SECTION)	
54	1001196382	2	Stud	
55	1001168018	AR	Washer, Snubbing	
56	1001168207	Ref	Support	
57	1001175631	1	Wiring Diagram (Not Shown)	
57	4922641	1	Harness, On/Off Switch (Not Shown - Located at Platform)	
58	0760812	1	Bolt M8 x 25	
59	1321716	2	Clamp	
60	1001148641	1	Bracket	
61	5250808	1	Bolt M8 x 16	
62	5250810	1	Bolt M8 x 20	
63	5260800	2	Nut M8	
64	1001223122	1	Support	
65	4812000	4	Washer M10	
	1001152457	Ref	GENERATOR JUNCTION BOX COMPONENTS	
101	1001179154	2.5 ft/ 0.8m	Cable, Electrical - 12/3	
102	3300396	1	Cover, Breaker	
103	3311001	4	Nut #10	
104	3900300	2	Screw	
105	4360070	1	Breaker, Circuit - 15Amp	
107	4460425	1	Connector, Strain Relief (LH Side)	
108	4460426	1	Connector, Strain Relief (RH Side)	
110	4711000	8	Washer #10	
112	1001152456	1	Box, Junction	
113	1001152525	1	Plug	
114	1001152530	1	Terminal, Block	
115	1001153260	1	Decal - Wiring Diagram	
116	3900267	2	Screw	
117	1001158008	2	Stand-Off	
118	1001158363	1	Cover, Terminal Block	



# SECTION 3 - ENGINE

FIGURE 3-44. GENERATOR INSTALLATION - 4000W/50HZ (DEUTZ STAGE V ENGINE)



ART\_1001247656

## SECTION 3 - ENGINE

**FIGURE 3-44. GENERATOR INSTALLATION - 4000W/50HZ (DEUTZ STAGE V ENGINE)**

ITEM	PART NUMBER	QTY	DESCRIPTION	REV
	1001247656	Ref	GENERATOR INSTALLATION - 4000W/50HZ (DEUTZ (STAGE V) ENGINE)	D
1	0100011	AR	Compound, Locking	
2	0100019	AR	Compound, Locking	
3	0100048	AR	Grease, Dielectric	
4	0641616	1	Bolt 3/8 x 2	
5	0711224	1	Bolt M12 x 80	
6	0741607	3	Screw 3/8 x 7/8	
7	0760606	1	Bolt M6 x 12	
8	0760610	4	Bolt M6 x 20	
9	0760614	2	Screw M6 x 30	
10	0761212	2	Bolt M12 x 25	
11	0771414	3	Bolt M14 x 30	
12	0962520	1	Bushing	
13	1321716	2	Clamp	
14	1705489	2	Decal - Hazardous Voltage	
15	2080040	2	Fastener, Huck	
16	2820031	0.33 ft /0.10m	Heat Shrink	
17	3251102	1	Nameplate, Generator	
18	3290605	6	Nut M6	
19	3291201	2	Nut M12	
20	3331211	1	Nut M12	
21	3580317	1	Pulley	
22	3580319	1	Pulley	
23	1001260432	1	Pulley	
24	1001261085	4	Capscrew M10 x 85	
25	1001261045	4	Capscrew M10 x 45	
26	4060802	1	Guard, Switch	
27	4240099	AR	Tie-Strap (Not Shown)	
28	4360336	1	Switch, Toggle	
29	4711600	1	Washer 3/8	
30	4811700	12	Washer M6	
31	4812000	4	Washer M14	
32	4812200	3	Washer M14	
33	4871700	2	Washer M6	
34	5241200	5	Washer M12 Hardened	
35	5250810	3	Bolt M8 x 20	
36	5260800	3	Nut M8	
37	1001096070	1	Breaker Box Kit (50Hz) (See Separate Breakdown in ELECTRICAL Section)	
38	1001135679	1	Adapter	
39	1001138566	1	Box, Control	
40	1001140347	1	Generator, 4000W/ 50HZ - Deutz Engine	
40	70003709	1	Ring, Retaining (External)	
40	70003708	1	Ring, Retaining (Internal)	
40	70001966	1	Bearing	
40	70004092	1	Endbell (Shaft End)	
40	70004099	1	Key	
40	70004676	1	Rotor	

## SECTION 3 - ENGINE

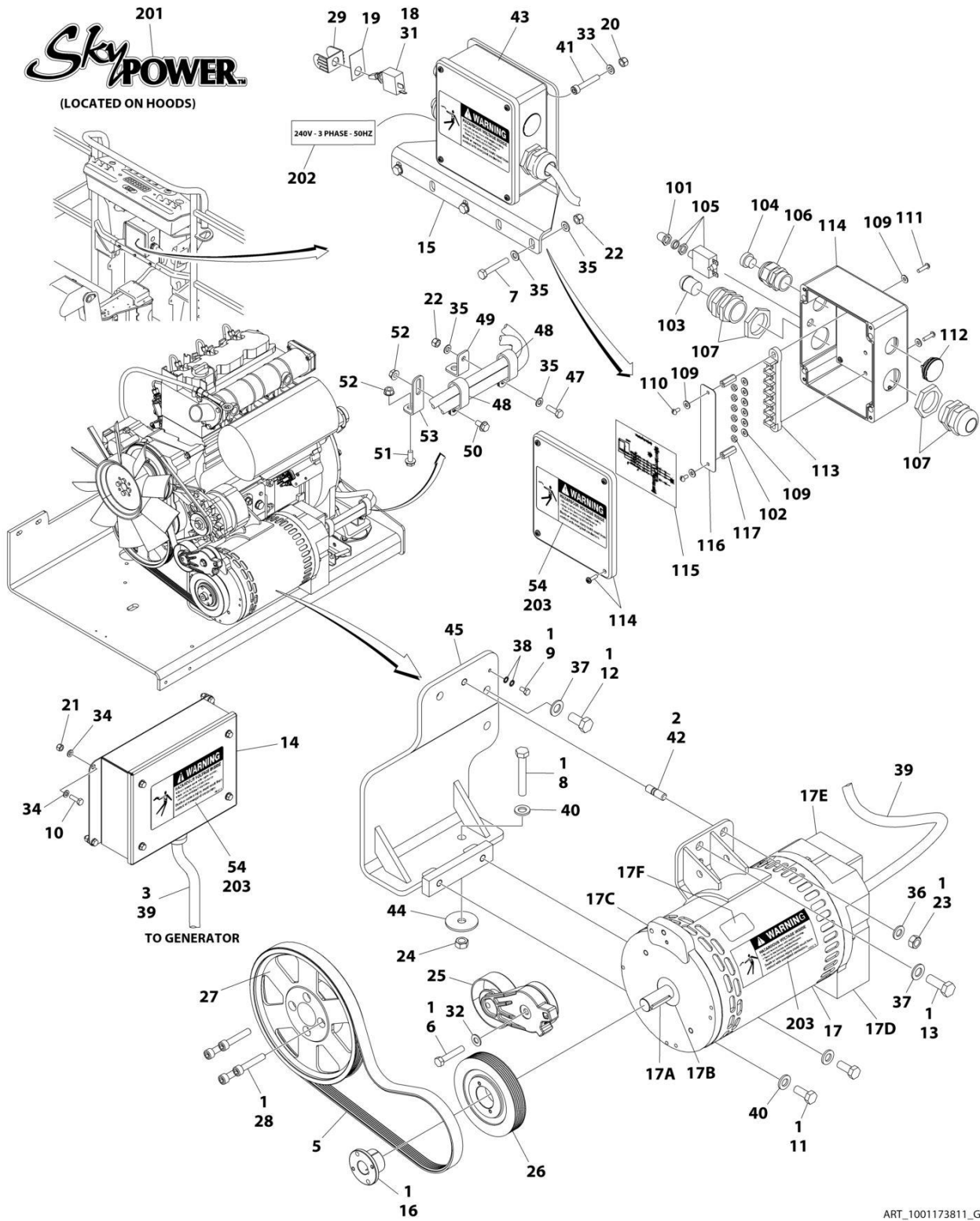
ITEM	PART NUMBER	QTY	DESCRIPTION	REV
40	70004686	1	Stator	
40	70004678	1	Endbell (Rear)	
40	70004679	1	Cover, Endbell (Rear)	
40	70004680	1	Enclosure, Wiring	
40	70004681	1	Cover, Enclosure	
40	70004682	1	Switch, Reset (Located on Enclosure Cover)	
40	70004683	1	Connector, Strain Relief (Located on Enclosure Cover)	
41	1001148059	1	Belt, Generator	
42	1001148641	1	Bracket	
43	1001152532	1	Harness, Generator (See Separate Breakdown in ELECTRICAL Section)	
44	1001168018	1	Washer, Snubbing	
45	1001168207	1	Support (Prior to PVC 2107)	
46	1001174158	1	Mount	
47	1001174675	1	Wiring Diagram (Not Shown)	
48	1001196382	2	Stud	
49	1001223122	1	Support	
50	1001230784	1	Bracket	
51	1001248190	1	Support	
		Ref	ELECTRICAL DIAGRAM COMPONENTS	
101	4922641	1	Generator Switch Harness (Not Shown)	





# SECTION 3 - ENGINE

## FIGURE 3-45. GENERATOR INSTALLATION - 7500W/50HZ (DEUTZ D2011 ENGINE)



ART\_1001173811\_G

## SECTION 3 - ENGINE

**FIGURE 3-45. GENERATOR INSTALLATION - 7500W/50HZ (DEUTZ D2011 ENGINE)**

ITEM	PART NUMBER	QTY	DESCRIPTION	REV
	1001173811	Ref	GENERATOR INSTALLATION - 7500W/50HZ (DEUTZ D2011 ENGINE)	G
1	0100011	AR	Compound, Locking	
2	0100019	AR	Compound, Locking	
3	0100048	AR	Grease, Dielectric	
4	0100079	AR	Sealant (Not Shown)	
5	0480126	1	Belt	
6	0641616	1	Bolt 3/8 x 2	
7	0700818	3	Bolt M8 x 50	
8	0711224	1	Bolt M12 x 80 Grade 10.9	
9	0760606	1	Bolt M6 x 12	
10	0760610	4	Bolt M6 x 20	
11	0761214	2	Bolt M12 x 30	
12	0771414	2	Bolt M14 x 30 Grade 10.9	
13	0771416	1	Bolt M14 x 40	
14	0861572	1	Control Box Assembly	
14	7024488	1	Card, Circuit - Generator Power	
14	See Note	NSS	Fuse (Note: Not Available - Purchase Locally)	
14	7024489	1	Card, Circuit - Control	
14	70000619	1	Harness, Control Box (Internal)	
15	0902888	1	Bracket	
16	0962520	1	Bushing	
17	2460048	1	Generator Assembly	
17	70001100	1	Rotor (Includes p/n 70001384 & 70000863) (Not Shown)	
17	70001384	1	Bearing, Ball Radial (Not Shown)	
17	70000863	1	Fan (Not Shown)	
17	70002088	1	Stator (Not Shown)	
17	70002297	1	Stud	
17	70003631	1	Brushholder Assembly (Not Shown)	
17A	70004171	1	Key	
17B	70001966	1	Bearing, Ball Radial (Located in Belt Tensioner Endbell)	
17B	70003708	1	Ring, Internal Retaining (Located in Belt Tensioner Endbell)	
17B	70003709	1	Ring, External Retaining (Located in Belt Tensioner Endbell)	
17C	70001953	1	Endbell, Belt Tensioner	
17D	70004169	1	Endbell, Brush Block	
17E	70004169	1	Shroud	
17E	See Note	NSS	Insulator, Endbell (Note: Not Available for Purchase)	
17E	7027799	1	Block, Connector 6 Position (Not Shown)	
17E	70002460	1	Nut, Brass (Attaches p/n 7027799 to Cover) (Not Shown)	
17E	7024485	1	Breaker, Circuit 30Amp (Not Shown)	
17E	70001696	1	Boot, Breaker (Not Shown)	
17E	7026626	1	Connector, 6 Position (Includes Seal) (Not Shown - Plugs into Item 39)	
17E	7026597	1	Connector, with Leads (Not Shown)	
17E	7026188	1	Clamp, Cable Options (Not Shown)	
17E	70004169	1	Plate, End Panel	
17E	70001974	1	Decal - Terminal Connections	
17F	70001973	1	Decal - Warning Moving Parts	
18	2820031	AR	Heat Shrink	
19	3252764	1	Nameplate	

## SECTION 3 - ENGINE

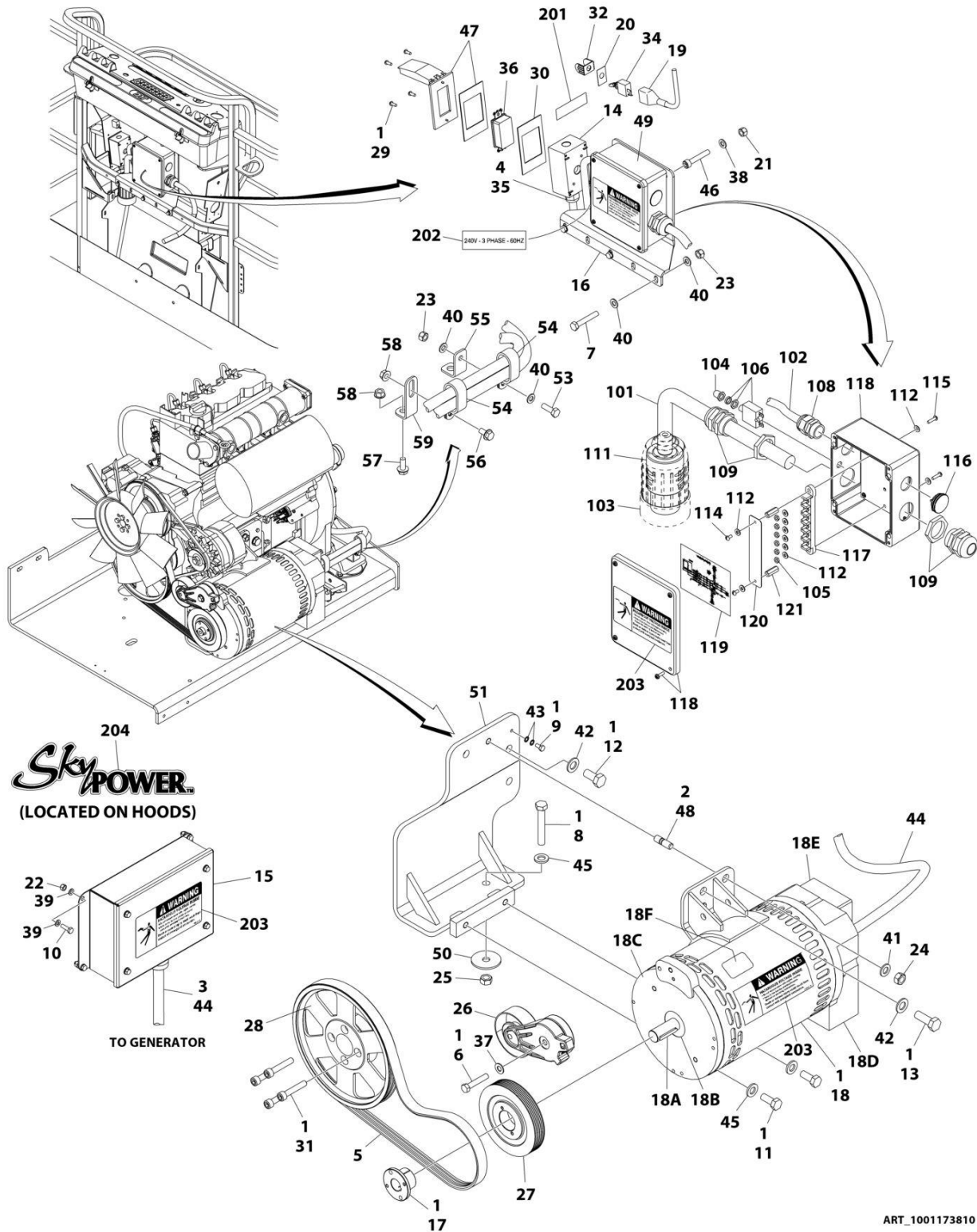
ITEM	PART NUMBER	QTY	DESCRIPTION	REV
20	3290505	4	Nut M5	
21	3290605	4	Nut M6	
22	3290805	4	Nut M8	
23	3291201	1	Nut M12	
24	3331211	1	Nut M12	
25	3580317	1	Pulley	
26	3580319	1	Pulley	
27	3580320	1	Pulley	
28	4032015	4	Bolt M10 x 55	
29	4060802	1	Guard, Switch	
30	4240099	AR	Tie-Strap (Not Shown)	
31	4360336	1	Switch, Toggle	
32	4711600	1	Washer 3/8	
33	4811600	4	Washer M5	
34	4811700	8	Washer M6	
35	4811900	8	Washer M8	
36	4812100	1	Washer M12	
37	4812200	3	Washer M14	
38	4871700	2	Washer M6	
39	4922925	1	Harness, Generator	
39	4460225	1	Plug, Male 6 Position (Plugs into Generator)	
39	See Note	NSS	Socket, Female (Use with 4460225)	
39	See Note	NSS	Seal, Plug (Use with 4460225)	
39	See Note	NSS	Seal, Interface (Use with 4460225)	
40	5241200	3	Washer M12 Hardened	
41	1001104029	4	Screw M5 x 30	
42	1001196382	1	Stud	
43	1001157525	1	Junction Box Assembly (See Items 101-117 for Breakdown)	
44	1001168018	1	Washer, Snubbing	
45	1001173925	1	Mount	
46	1001174675	1	Wiring Diagram (Not Shown)	
46	4922641	1	Harness, On/Off Switch (Not Shown - Located at Platform)	
47	0760812	1	Bolt M8 x 25	
48	1321716	2	Clamp	
49	1001148641	1	Bracket	
50	5250808	1	Bolt M8 x 16	
51	5250810	1	Bolt M8 x 20	
52	5260800	2	Nut M8	
53	1001223122	1	Support	
54	1705489	2	Decal - Hazardous Voltage	
	1001157525	Ref	JUNCTION BOX ASSEMBLY	B
101	3300396	1	Cover, Fuse	
102	3311001	6	Nut #10	
103	3520189	1	Plug	
104	3520192	1	Plug	
105	4360070	1	Circuit Breaker - 15Amp	
106	4460425	1	Connector, Strain Relief	
107	4460426	2	Connector, Strain Relief	
109	4711000	10	Flatwasher #10	
110	10702077	2	Screw #10 x 3/8	
111	10702082	2	Screw #10 x 3/4	

## SECTION 3 - ENGINE

ITEM	PART NUMBER	QTY	DESCRIPTION	REV
112	1001152525	1	Plug	
113	1001157520	1	Block, Terminal	
114	1001157521	1	Box, Junction	
115	1001157528	1	Decal - Wiring Schematic	
116	1001158007	1	Cover, PVC	
117	1001158008	2	Stand-Off	
	0272589	Ref	DECAL INSTALLATION	A
201	1705460	2	Decal - SkyPower	
202	1705461	1	Decal - 240V - 3 Phase - 50Hz	
203	1705489	3	Decal - Hazardous Voltage	

# SECTION 3 - ENGINE

## FIGURE 3-46. GENERATOR INSTALLATION - 7500W/60HZ (DEUTZ D2011 ENGINE)



## SECTION 3 - ENGINE

**FIGURE 3-46. GENERATOR INSTALLATION - 7500W/60HZ (DEUTZ D2011 ENGINE)**

ITEM	PART NUMBER	QTY	DESCRIPTION	REV
	1001173810	Ref	GENERATOR INSTALLATION - 7500W/60Hz (DEUTZ D2011 ENGINE)	F
1	0100011	AR	Compound, Locking	
2	0100019	AR	Compound, Locking	
3	0100048	AR	Grease, Dielectric	
4	0100079	AR	Sealant	
5	0480128	1	Belt	
6	0641616	1	Bolt 3/8 x 2	
7	0700818	3	Bolt M8 x 50	
8	0711224	1	Bolt M12 x 80 Grade 10.9	
9	0760606	1	Bolt M6 x 12	
10	0760610	4	Bolt M6 x 20	
11	0761214	2	Bolt M12 x 30	
12	0771414	2	Bolt M14 x 30 Grade 10.9	
13	0771416	1	Bolt M14 x 40	
14	0860038	1	Box, Switch	
15	0861538	1	Control Box Assembly	
15	7024488	1	Card, Circuit - Generator Power	
15	See Note	NSS	Fuse (Note: Not Available - Purchase Locally)	
15	7024489	1	Card, Circuit - Control	
15	70000619	1	Harness, Control Box (Internal)	
16	0902888	1	Bracket	
17	0962520	1	Bushing	
18	2460048	1	Generator Assembly	
18	70001100	1	Rotor (Includes p/n 70001384 & 70000863) (Not Shown)	
18	70001384	1	Bearing, Ball Radial (Not Shown)	
18	70000863	1	Fan (Not Shown)	
18	70002088	1	Stator (Not Shown)	
18	70002297	1	Stud	
18	70003631	1	Brushholder Assembly (Not Shown)	
18A	70004171	1	Key	
18B	70001966	1	Bearing, Ball Radial (Located in Belt Tensioner Endbell)	
18B	70003708	1	Ring, Internal Retaining (Located in Belt Tensioner Endbell)	
18B	70003709	1	Ring, External Retaining (Located in Belt Tensioner Endbell)	
18C	70001953	1	Endbell, Belt Tensioner	
18D	70004169	1	Endbell, Brush Block	
18E	70004169	1	Shroud	
18E	See Note	NSS	Insulator, Endbell (Note: Not Available for Purchase)	
18E	7027799	1	Block, Connector 6 Position (Not Shown)	
18E	70002460	1	Nut, Brass (Attaches p/n 7027799 to Cover) (Not Shown)	
18E	7024485	1	Breaker, Circuit 30Amp (Not Shown)	
18E	70001696	1	Boot, Breaker (Not Shown)	
18E	7026626	1	Connector, 6 Position (Includes Seal) (Not Shown - Plugs into Item 39)	
18E	7026597	1	Connector, with Leads (Not Shown)	
18E	7026188	1	Clamp, Cable Options (Not Shown)	
18E	70004169	1	Plate, End Panel	
18E	70001974	1	Decal - Terminal Connections	
18F	70001973	1	Decal - Warning Moving Parts	
19	2820031	AR	Heat Shrink	

## SECTION 3 - ENGINE

ITEM	PART NUMBER	QTY	DESCRIPTION	REV
20	3252764	1	Nameplate	
21	3290505	4	Nut M5	
22	3290605	4	Nut M6	
23	3290805	4	Nut M8	
24	3291201	1	Nut M12	
25	3331211	1	Nut M12	
26	3580317	1	Pulley	
27	3580318	1	Pulley	
28	3580320	1	Pulley	
29	3910606	4	Screw #6 x 3/8	
30	3960422	1	Gasket	
31	4032015	4	Bolt M10 x 55	
32	4060802	1	Guard, Switch	
33	4240099	AR	Tie-Strap (Not Shown)	
34	4360336	1	Switch, Toggle	
35	4460071	1	Connector, Strain Relief	
36	4460346	1	Receptacle	
37	4711600	1	Washer 3/8	
38	4811600	4	Washer M5	
39	4811700	8	Washer M6	
40	4811900	8	Washer M8	
41	4812100	1	Washer M12	
42	4812200	3	Washer M14	
43	4871700	2	Washer M6	
44	4922925	1	Harness, Generator	
44	4460225	1	Plug, Male 6 Position (Plugs into Generator)	
44	See Note	NSS	Socket, Female (Use with 4460225)	
44	See Note	NSS	Seal, Plug (Use with 4460225)	
44	See Note	NSS	Seal, Interface (Use with 4460225)	
45	5241200	3	Washer M12 Hardened	
46	1001104029	4	Screw M5 x 30	
47	1001110873	1	Shield, Cover	
48	1001196382	1	Stud	
49	1001157592	1	Junction Box Assembly Options (See Items 101-121 for Breakdown)	
50	1001168018	1	Washer, Snubbing	
51	1001173925	1	Mount	
52	1001174675	1	Wiring Diagram (Not Shown)	
52	4922641	1	Harness, On/Off Switch (Not Shown - Located at Platform)	
53	0760812	1	Bolt M8 x 25	
54	1321716	2	Clamp	
55	1001148641	1	Bracket	
56	5250808	1	Bolt M8 x 16	
57	5250810	1	Bolt M8 x 20	
58	5260800	2	Nut M8	
59	1001223122	1	Support	
	1001157592	Ref	JUNCTION BOX ASSEMBLY	C
101	1060343	1.5 ft /0.5m	Cable, Electrical 10/4	
102	1001179154	2.5 ft /0.8m	Cable, Electrical 12/3	
103	1671092	1	Cover	

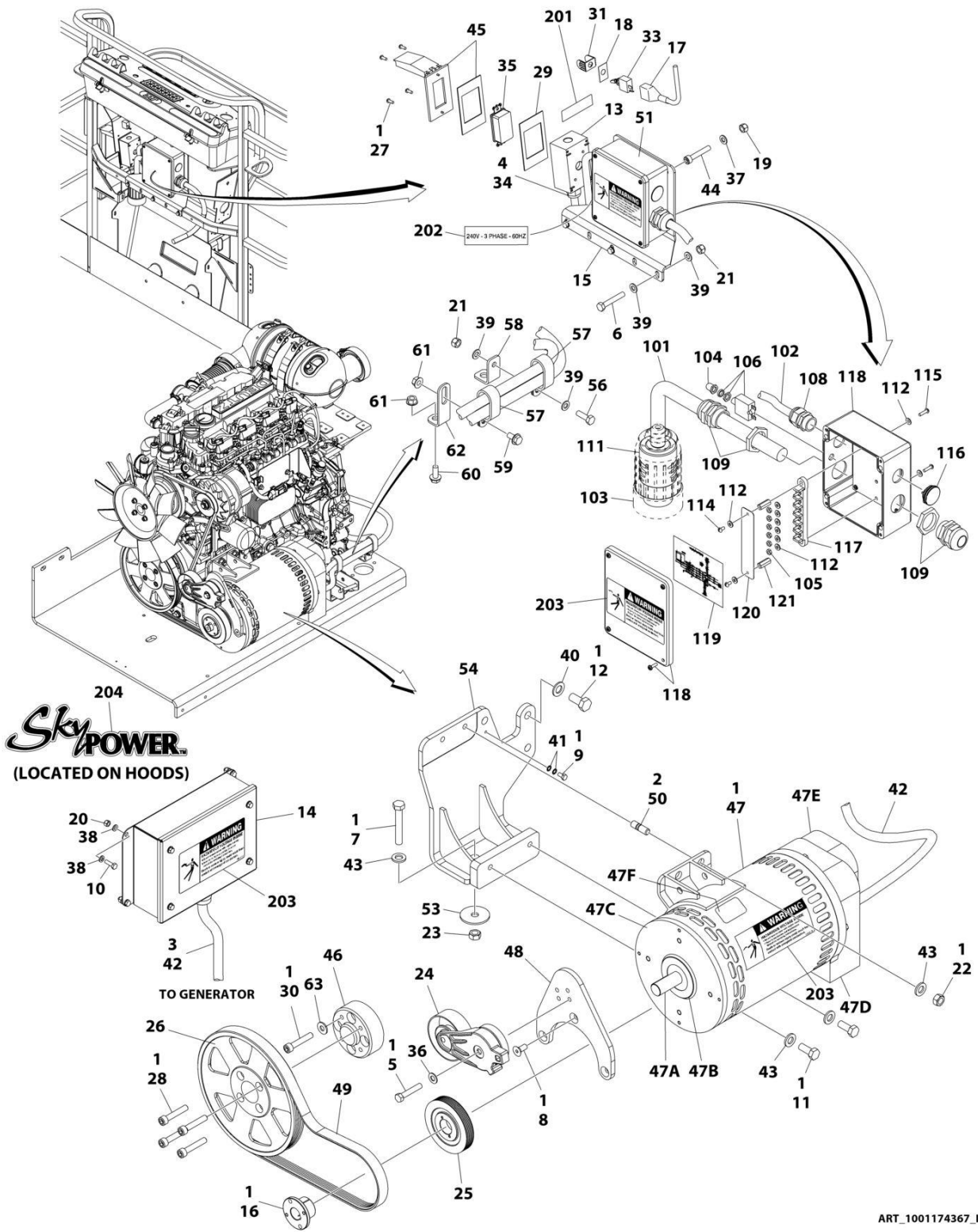


## SECTION 3 - ENGINE

ITEM	PART NUMBER	QTY	DESCRIPTION	REV
104	3300396	1	Cover, Fuse	
105	3311001	6	Nut #10	
106	4360070	1	Circuit Breaker - 15Amp	
108	4460425	1	Connector, Strain Relief	
109	4460426	2	Connector, Strain Relief	
111	4460963	1	Connector	
112	4711000	10	Flatwasher #10	
114	10702077	2	Screw #10 x 3/8	
115	10702082	2	Screw #10 x 3/4	
116	1001152525	1	Plug	
117	1001157520	1	Block, Terminal	
118	1001157521	1	Box, Junction	
119	1001157528	1	Decal - Wiring Schematic	
120	1001158007	1	Cover, PVC	
121	1001158008	2	Stand-Off	
	0272435	Ref	DECAL INSTALLATION	D
	0273380	Ref	DECAL INSTALLATION	B
201	3251243	1	Decal - 120V - 60Hz	
202	1705375	1	Decal - 240V - 3 Phase - 60Hz	
203	1705387	3	Decal - Hazardous Voltage	
204	1705460	2	Decal - SkyPower	

# SECTION 3 - ENGINE

## FIGURE 3-47. GENERATOR INSTALLATION - 7500W/60HZ (DEUTZ D2.9L4 ENGINE)



## SECTION 3 - ENGINE

**FIGURE 3-47. GENERATOR INSTALLATION - 7500W/60HZ (DEUTZ D2.9L4 ENGINE)**

ITEM	PART NUMBER	QTY	DESCRIPTION	REV
	1001174367	Ref	GENERATOR INSTALLATION - 7500W/60Hz (DEUTZ D2.9L4 ENGINE)	J
1	0100011	AR	Compound, Locking	
2	0100019	AR	Compound, Locking	
3	0100048	AR	Grease, Dielectric	
4	0100079	AR	Sealant	
5	0641616	1	Bolt 3/8 x 2	
6	0700818	3	Bolt M8 x 50	
7	0711224	Ref	Bolt M12 x 80 Grade 10.9	
8	0741607	3	Screw 3/8 x 7/8	
9	0760606	1	Bolt M6 x 12	
10	0760610	4	Bolt M6 x 20	
11	0761212	2	Bolt M12 x 25	
12	0771414	Ref	Bolt M14 x 30 Grade 10.9	
13	0860038	1	Box, Switch	
14	0861538	1	Control Box Assembly	
14	7024488	1	Card, Circuit - Generator Power	
14	See Note	NSS	Fuse (Note: Not Available - Purchase Locally)	
14	7024489	1	Card, Circuit - Control	
14	70000619	1	Harness, Control Box (Internal)	
15	0902888	1	Bracket	
16	0962520	1	Bushing	
17	2820031	AR	Heat Shrink	
18	3252764	1	Nameplate	
19	3290505	4	Nut M5	
20	3290605	4	Nut M6	
21	3290805	4	Nut M8	
22	3291201	2	Nut M12	
23	3331211	Ref	Nut M12	
24	3580317	1	Pulley	
25	3580318	1	Pulley	
26	3580320	1	Pulley	
27	3910606	4	Screw #6 x 3/8	
28	3931628	4	Capscrew 3/8 x 1-3/4	
29	3960422	1	Gasket	
30	4032014	4	Bolt M10 x 50	
31	4060802	1	Guard, Switch	
32	4240099	AR	Tie-Strap (Not Shown)	
33	4360336	1	Switch, Toggle	
34	4460071	1	Connector, Strain Relief	
35	4460346	1	Receptacle	
36	4711600	1	Washer 3/8	
37	4811600	4	Washer M5	
38	4811700	8	Washer M6	
39	4811900	8	Washer M8	
40	4812200	Ref	Washer M14	
41	4871700	2	Washer M6	
42	4922925	1	Harness, Generator	
42	4460225	1	Plug, Male 6 Position (Plugs into Generator)	
42	See Note	NSS	Socket, Female (Use with 4460225)	

## SECTION 3 - ENGINE

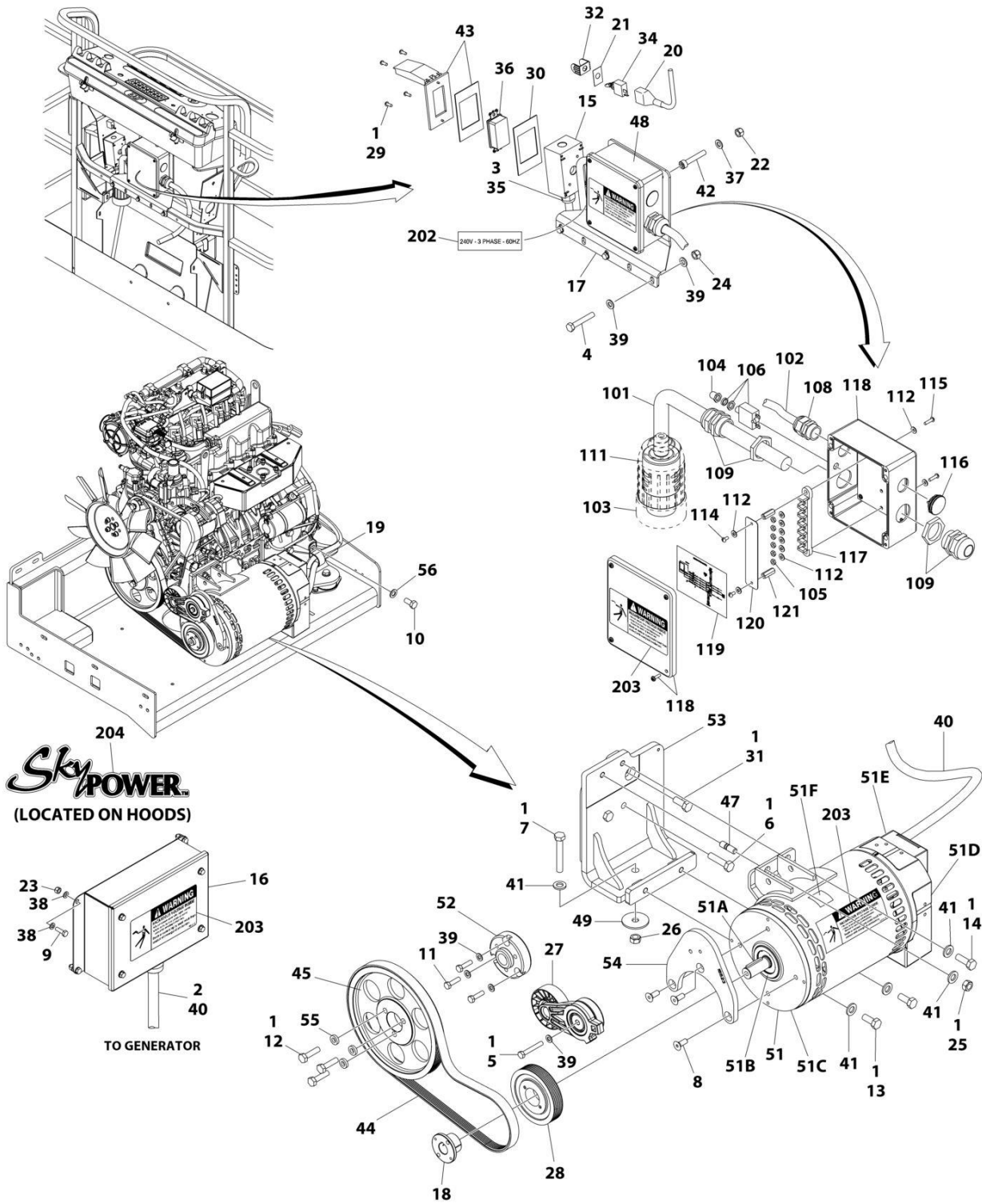
ITEM	PART NUMBER	QTY	DESCRIPTION	REV
42	See Note	NSS	Seal, Plug (Use with 4460225)	
42	See Note	NSS	Seal, Interface (Use with 4460225)	
43	5241200	5	Washer M12 Hardened	
44	1001104029	4	Screw M5 x 30	
45	1001110873	1	Shield, Cover	
46	1001135679	1	Adapter	
47	1001212223	1	Generator Assembly	
47	70001100	1	Rotor (Includes p/n 70001384 & 70000863) (Not Shown)	
47	70001384	1	Bearing, Ball Radial (Not Shown)	
47	70000863	1	Fan (Not Shown)	
47	70006093	1	Stator (Not Shown)	
47	70002297	1	Stud	
47	70003631	1	Brushholder Assembly (Not Shown)	
47A	70004099	1	Key	
47B	70001966	1	Bearing, Ball Radial (Located in Belt Tensioner Endbell)	
47B	70003708	1	Ring, Internal Retaining (Located in Belt Tensioner Endbell)	
47B	70003709	1	Ring, External Retaining (Located in Belt Tensioner Endbell)	
47C	70004092	1	Endbell, Belt Tensioner	
47D	70004094	1	Endbell, Brush Block	
47E	70006094	1	Shroud	
47E	70002291	1	Insulator, Endbell	
47E	7027799	1	Block, Connector 6 Position (Not Shown)	
47E	70002460	1	Nut, Brass (Attaches p/n 7027799 to Cover) (Not Shown)	
47E	70006095	1	Breaker, Circuit 30Amp (Not Shown)	
47E	70006096	1	Guard, Breaker (Not Shown)	
47E	7026626	1	Connector, 6 Position (Includes Seal) (Not Shown - Plugs into Item 36)	
47E	7026597	1	Connector, with Leads (Not Shown)	
47E	70004098	1	Clamp, Cable (Not Shown)	
47E	70006097	1	Plate, End Panel	
47E	70001974	1	Decal - Terminal Connections	
47F	70001973	1	Decal - Warning Moving Parts	
48	1001142643	1	Support	
49	1001142646	1	Belt	
50	1001196382	2	Stud	
51	1001157592	1	Junction Box Assembly Options (See Items 101-121 for Breakdown)	
53	1001168018	Ref	Washer, Snubbing	
54	1001168207	Ref	Support	
55	1001174675	1	Wiring Diagram (Not Shown)	
55	4922641	1	Harness, On/Off Switch (Not Shown - Located at Platform)	
56	0760812	1	Bolt M8 x 25	
57	1321716	2	Clamp	
58	1001148641	1	Bracket	
59	5250808	1	Bolt M8 x 16	
60	5250810	1	Bolt M8 x 20	
61	5260800	2	Nut M8	
62	1001223122	1	Support	
63	4812000	4	Washer M10	
	1001157592	Ref	JUNCTION BOX ASSEMBLY	C
101	1060343	1.5 ft/ 0.5m	Cable, Electrical 10/4	

## SECTION 3 - ENGINE

ITEM	PART NUMBER	QTY	DESCRIPTION	REV
102	1001179154	2.5 ft/ 0.8m	Cable, Electrical 12/3	
103	1671092	1	Cover	
104	3300396	1	Cover, Fuse	
105	3311001	6	Nut #10	
106	4360070	1	Circuit Breaker - 15Amp	
108	4460425	1	Connector, Strain Relief	
109	4460426	2	Connector, Strain Relief	
111	4460963	1	Connector	
112	4711000	10	Flatwasher #10	
114	10702077	2	Screw #10 x 3/8	
115	10702082	2	Screw #10 x 3/4	
116	1001152525	1	Plug	
117	1001157520	1	Block, Terminal	
118	1001157521	1	Box, Junction	
119	1001157528	1	Decal - Wiring Schematic	
120	1001158007	1	Cover, PVC	
121	1001158008	2	Stand-Off	
	0272435	Ref	DECAL INSTALLATION	D
	0273380	Ref	DECAL INSTALLATION	B
201	3251243	1	Decal - 120V - 60Hz	
202	1705375	1	Decal - 240V - 3 Phase - 60Hz	
203	1705387	3	Decal - Hazardous Voltage	
204	1705460	2	Decal - SkyPower	

# SECTION 3 - ENGINE

## FIGURE 3-48. GENERATOR INSTALLATION - 7500W/60HZ (KUBOTA ENGINE)



ART\_1001214910

## SECTION 3 - ENGINE

**FIGURE 3-48. GENERATOR INSTALLATION - 7500W/60HZ (KUBOTA ENGINE)**

ITEM	PART NUMBER	QTY	DESCRIPTION	REV
	1001214910	Ref	GENERATOR INSTALLATION - 7500W/60HZ (KUBOTA ENGINE)	C
1	0100011	AR	Compound, Locking	
2	0100048	AR	Grease, Dielectric	
3	0100079	AR	Sealant	
4	0700818	3	Bolt M8 x 50	
5	0700819	1	Bolt M8 x 55	
6	1001217344	2	Bolt M12 x 50	
7	0711224	AR	Bolt M12 x 80 Grade 10.9	
7	0701224	AR	Bolt M12 x 80	
8	0741608	3	Screw 3/8 x 1	
9	0760610	4	Bolt M6 x 20	
10	1001217345	1	Bolt M14 x 30	
11	0760814	3	Bolt M8 x 30	
12	0701016	3	Bolt M10 x 40	
13	0761214	2	Bolt M12 x 30	
14	0761215	1	Bolt M12 x 35	
15	0860038	1	Box, Switch	
16	0861538	1	Control Box Assembly	
16	7024488	1	Card, Circuit - Generator Power	
16	See Note	NSS	Fuse (Note: Not Available - Purchase Locally)	
16	7024489	1	Card, Circuit - Control	
16	70000619	1	Harness, Control Box (Internal)	
17	0902888	1	Bracket	
18	0962520	1	Bushing	
19	84521062	1	Clamp	
20	2820031	AR	Heat Shrink	
21	3252764	1	Nameplate	
22	3290505	4	Nut M5	
23	3290605	4	Nut M6	
24	3290805	3	Nut M8	
25	3291201	AR	Nut M12	
26	3331211	AR	Nut M12	
27	3580317	1	Pulley	
28	3580318	1	Pulley	
29	3910606	4	Screw #6 x 3/8	
30	3960422	1	Gasket	
31	1001217342	1	Bolt M12 x 30	
32	4060802	1	Guard, Switch	
33	4240099	AR	Tie-Strap (Not Shown)	
34	4360336	1	Switch, Toggle	
35	4460071	1	Connector, Strain Relief	
36	4460346	1	Receptacle	
37	4811600	4	Washer M5	
38	4811700	8	Washer M6	
39	4811900	10	Washer M8	
40	4922925	1	Harness, Generator	
40	4460225	1	Plug, Male - 6 Position (Plugs into Generator)	
40	See Note	NSS	Socket, Female (Use with 4460225)	
40	See Note	NSS	Seal, Plug (Use with 4460225)	
40	See Note	NSS	Seal, Interface (Use with 4460225)	

## SECTION 3 - ENGINE

ITEM	PART NUMBER	QTY	DESCRIPTION	REV
41	5241200	5	Washer M12 Hardened	
42	1001104029	4	Screw M5 x 30	
43	1001110873	1	Shield, Cover	
44	0480129	1	Belt	
45	1001147233	1	Pulley	
47	1001155041	1	Stud	
48	1001157592	1	Junction Box Assembly (See Items 101-121 for Breakdown)	
49	1001168018	1	Washer, Snubbing	
50	1001174675	1	Wiring Diagram (Not Shown)	
50	4922641	1	Harness, On/Off Switch (Not Shown - Located at Platform)	
51	1001212223	1	Generator Assembly	
51	70001100	1	Rotor (Includes p/n 70001384 & 70000863) (Not Shown)	
51	70001384	1	Bearing, Ball Radial (Not Shown)	
51	70000863	1	Fan (Not Shown)	
51	70006093	1	Stator (Not Shown)	
51	70002297	1	Stud	
51	70003631	1	Brushholder Assembly (Not Shown)	
51A	70004099	1	Key	
51B	70001966	1	Bearing, Ball Radial (Located in Belt Tensioner Endbell)	
51B	70003708	1	Ring, Internal Retaining (Located in Belt Tensioner Endbell)	
51B	70003709	1	Ring, External Retaining (Located in Belt Tensioner Endbell)	
51C	70004092	1	Endbell, Belt Tensioner	
51D	70004094	1	Endbell, Brush Block	
51E	70006094	1	Shroud	
51E	70002291	1	Insulator, Endbell	
51E	7027799	1	Block, Connector 6 Position (Not Shown)	
51E	70002460	1	Nut, Brass (Attaches p/n 7027799 to Cover) (Not Shown)	
51E	70006095	1	Breaker, Circuit 30Amp (Not Shown)	
51E	70006096	1	Guard, Breaker (Not Shown)	
51E	7026626	1	Connector, 6 Position (Includes Seal) (Not Shown - Plugs into Item 36)	
51E	70004098	1	Clamp, Cable (Not Shown)	
51E	70006097	1	Plate, End Panel	
51E	70001974	1	Decal - Terminal Connections	
51F	70001973	1	Decal - Warning Moving Parts	
52	1001213029	1	Adapter, Pulley	
53	1001214546	1	Support	
54	1001215523	1	Support	
55	1001216805	3	Spacer	
56	4812200	1	Washer M14	
	1001157592	Ref	JUNCTION BOX ASSEMBLY	C
101	1060343	1.5 ft/ 0.5m	Cable, Electrical 10/4	
102	1001179154	2.5 ft/ 0.8m	Cable, Electrical 12/3	
103	1671092	1	Cover	
104	3300396	1	Cover, Fuse	
105	3311001	6	Nut #10	
106	4360070	1	Circuit Breaker - 15Amp	
108	4460425	1	Connector, Strain Relief	
109	4460426	2	Connector, Strain Relief	
111	4460963	1	Connector	



## SECTION 3 - ENGINE

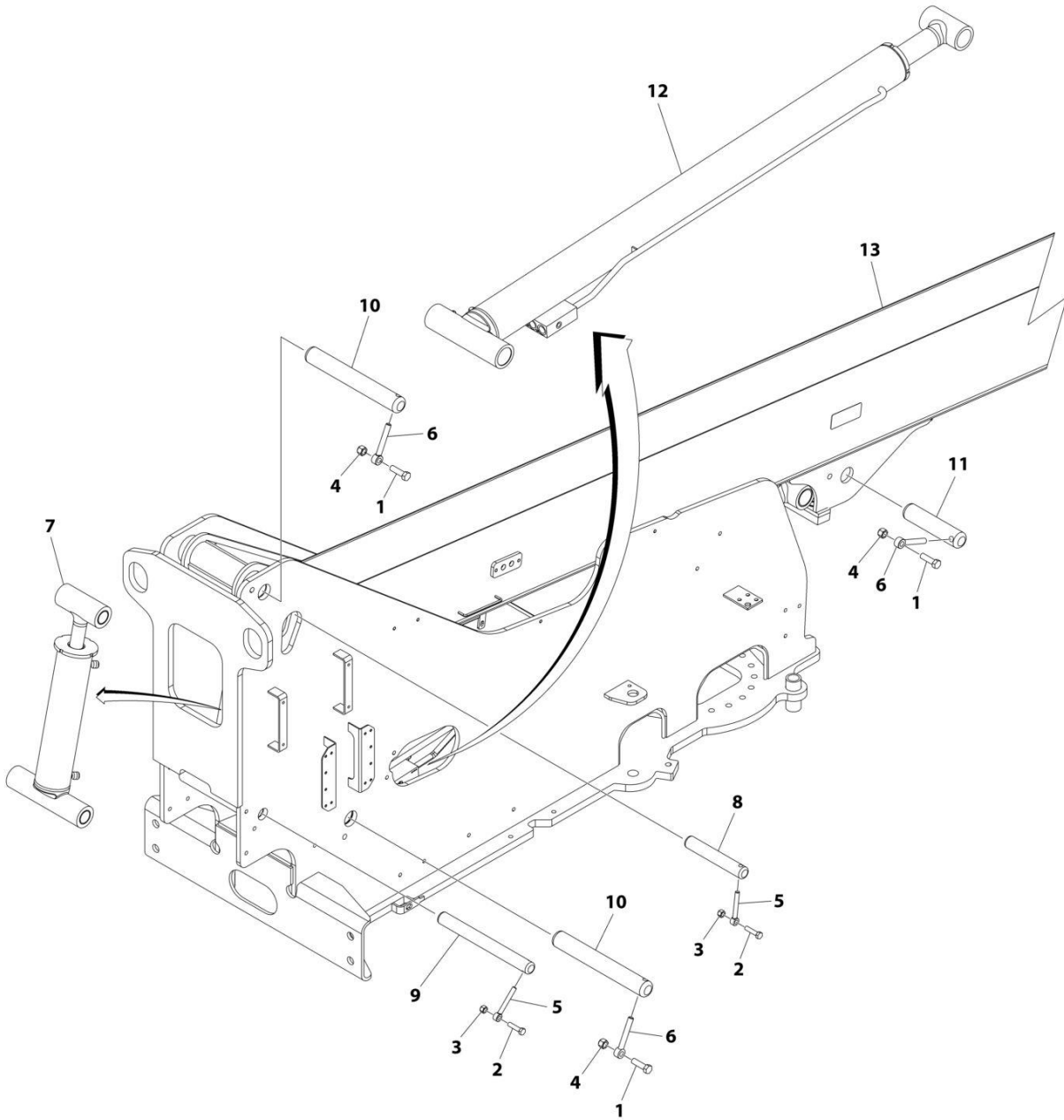
ITEM	PART NUMBER	QTY	DESCRIPTION	REV
112	4711000	10	Washer #10	
114	10702077	2	Screw #10 x 3/8	
115	10702082	2	Screw #10 x 3/4	
116	1001152525	1	Plug	
117	1001157520	1	Block, Terminal	
118	1001157521	1	Box, Junction	
119	1001157528	1	Decal - Wiring Schematic	
120	1001158007	1	Cover, PVC	
121	1001158008	2	Stand-Off	
	0272435	Ref	DECAL INSTALLATION	D
	0273380	Ref	DECAL INSTALLATION	B
201	3251243	1	Decal - 120V - 60Hz	
202	1705375	1	Decal - 240V-3 Phase-60Hz	
203	1705387	3	Decal - Hazardous Voltage	
204	1705460	2	Decal - SkyPower	



**SECTION 4 - BOOM**

# SECTION 4 - BOOM

## FIGURE 4-1. BOOM AND CYLINDERS INSTALLATION (400S)



ART\_1001244873

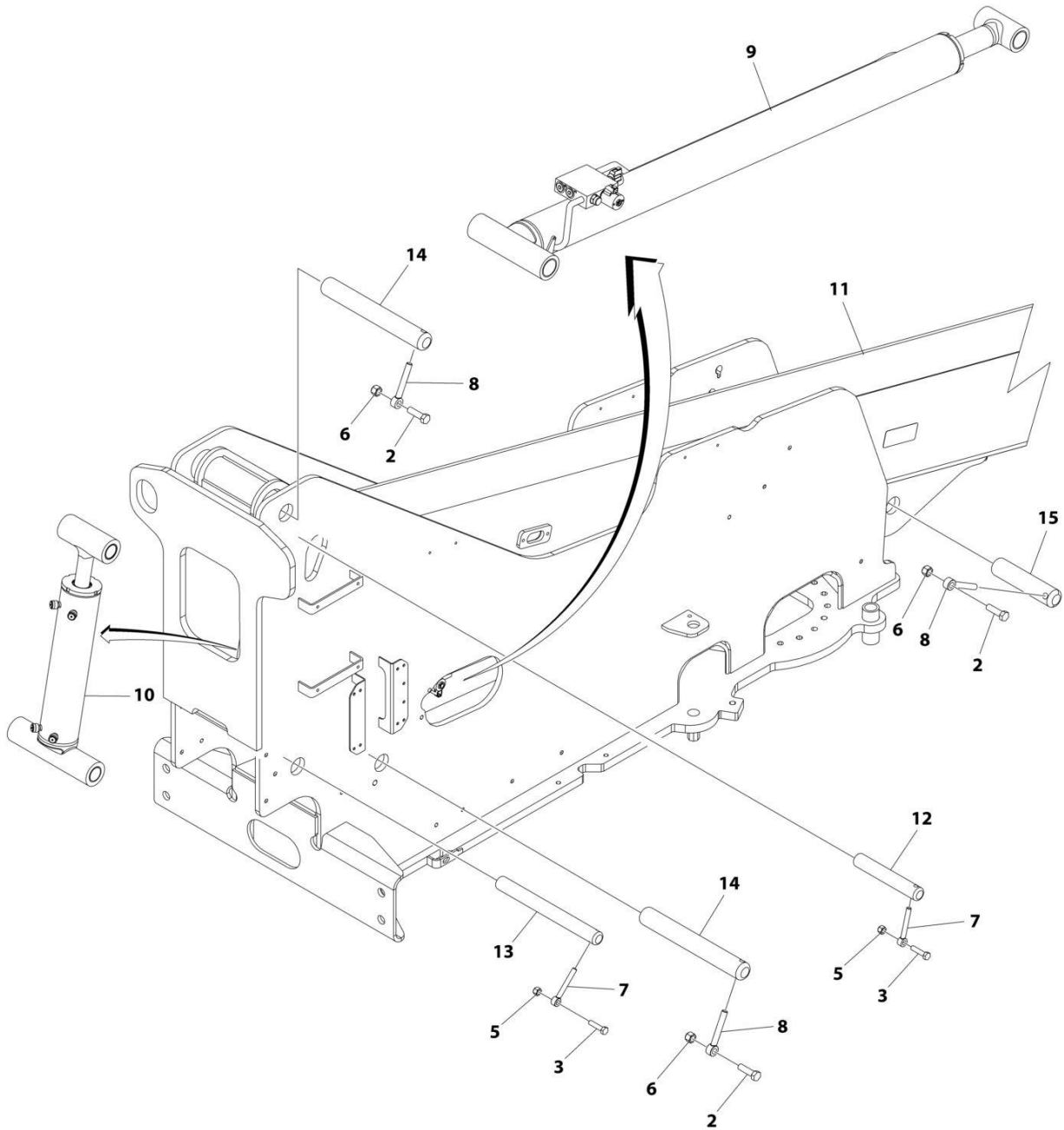
## SECTION 4 - BOOM

**FIGURE 4-1. BOOM AND CYLINDERS INSTALLATION (400S)**

ITEM	PART NUMBER	QTY	DESCRIPTION	REV
	1001244873	Ref	BOOM AND CYLINDERS INSTALLATION	A
1	0701619	3	Bolt, M16 x 55	
2	0761218	2	Bolt, M12 x 50	
3	3291205	2	Nut, Lock M12 x 1.75	
4	3291605	3	Nut, Lock M16 x 2	
5	3841203	2	Keeper, Pin	
6	3841258	3	Keeper, Pin	
7	1001163385	1	Master Cylinder Assembly (See Separate Breakdown in CYLINDER SECTION)	
8	1001168843	1	Pin	
9	1001168844	1	Pin	
10	1001168845	2	Pin	
11	1001168854	1	Pin	
12	1001228092	1	Lift Cylinder Assembly (See Separate Breakdown in CYLINDER SECTION)	
13	1001244874	1	Main Boom Assembly (See Separate Breakdown in this Section)	

# SECTION 4 - BOOM

## FIGURE 4-2. BOOM AND CYLINDERS INSTALLATION (USA BUILT MACHINES) (460SJ)



ART\_1001169669

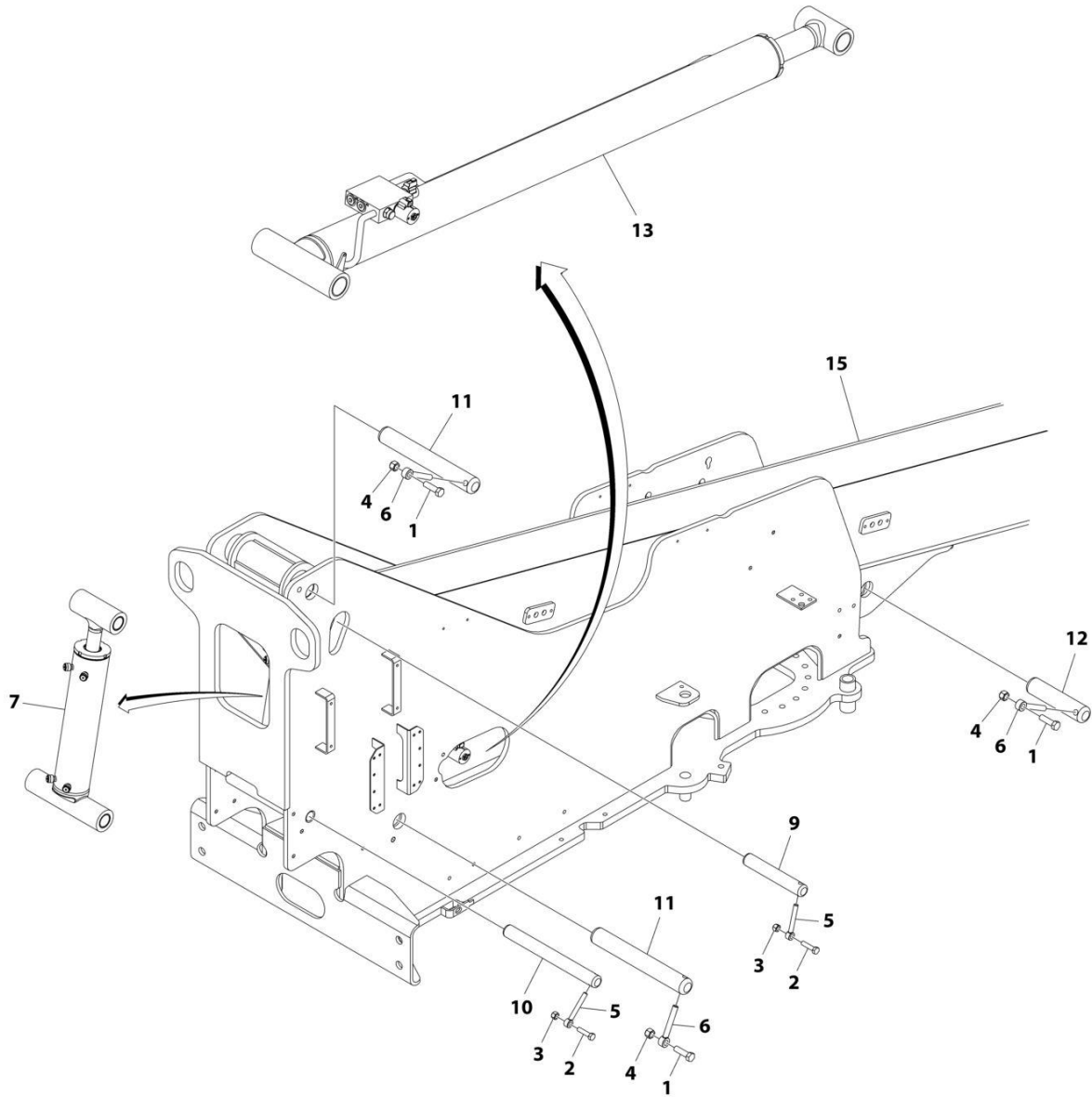
## SECTION 4 - BOOM

**FIGURE 4-2. BOOM AND CYLINDERS INSTALLATION (USA BUILT MACHINES) (460SJ)**

ITEM	PART NUMBER	QTY	DESCRIPTION	REV
	1001169669	Ref	BOOM AND CYLINDERS INSTALLATION	H
2	0701619	3	Bolt M16 x 55	
3	0761218	2	Bolt M12 x 50	
5	3291205	2	Nut M12 x 1.75	
6	3291605	3	Nut M16 x 2	
7	3841203	2	Keeper, Pin	
8	3841258	3	Keeper, Pin	
9	1001228092	1	Lift Cylinder Assembly (See Separate Breakdown in CYLINDER SECTION)	
10	1001163385	1	Master Cylinder Assembly (See Separate Breakdown in CYLINDER SECTION)	
11	1001163482	1	Main Boom Assembly (See Separate Breakdown in this Section)	
12	1001168843	1	Pin	
13	1001168844	1	Pin	
14	1001168845	2	Pin	
15	1001168854	1	Pin	

# SECTION 4 - BOOM

FIGURE 4-3. BOOM AND CYLINDERS INSTALLATION (ROMANIAN BUILT MACHINES) (460SJ)



ART\_1001221481



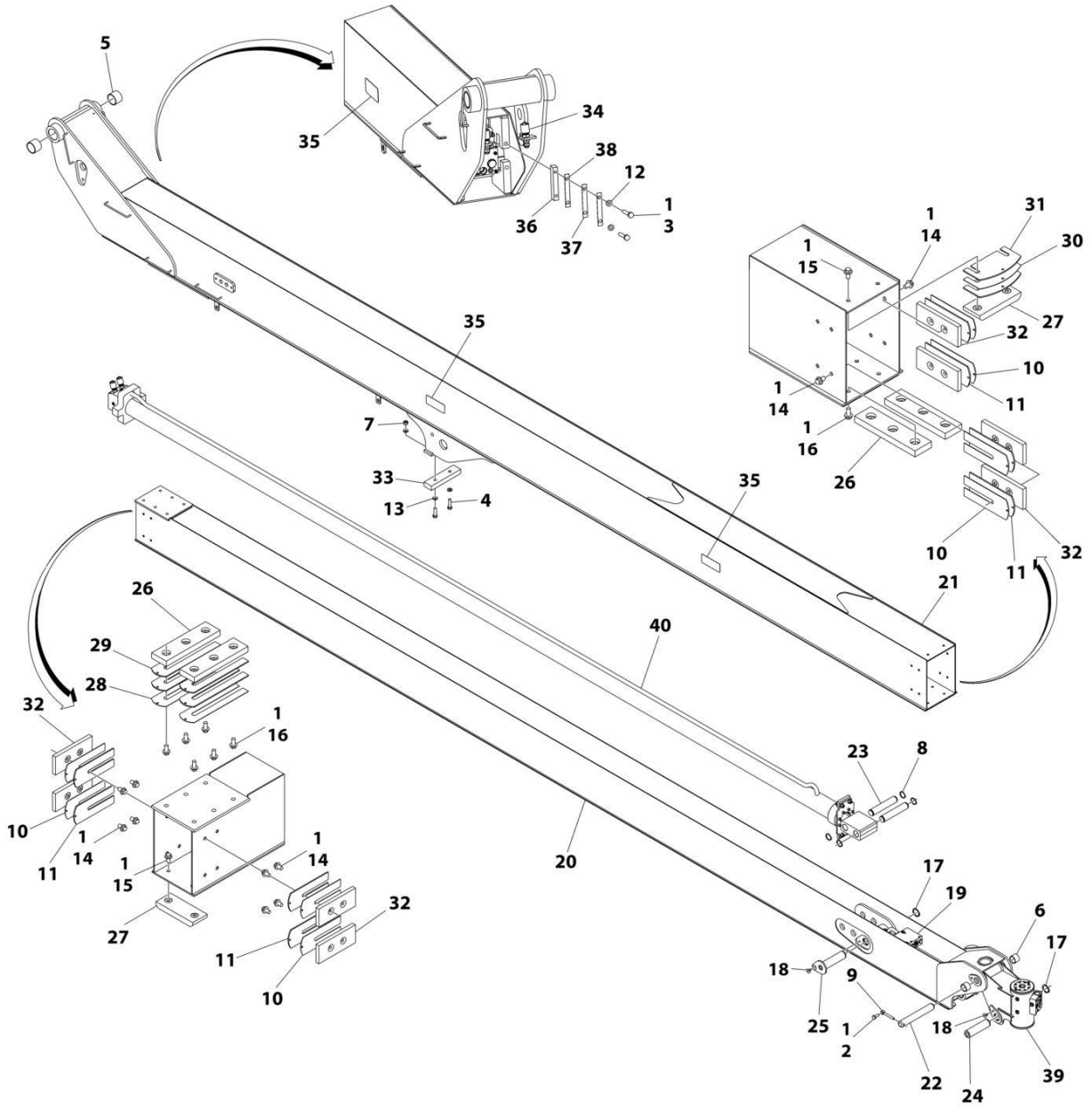
## SECTION 4 - BOOM

**FIGURE 4-3. BOOM AND CYLINDERS INSTALLATION (ROMANIAN BUILT MACHINES) (460SJ)**

ITEM	PART NUMBER	QTY	DESCRIPTION	REV
	1001221481	Ref	BOOM AND CYLINDERS INSTALLATION	D
1	0701619	3	Bolt, M16 x 55	
2	0761218	2	Bolt, M12 x 50	
3	3291205	2	Nut, Lock M12 x 1.75	
4	3291605	3	Nut, Lock M16 x 2	
5	3841203	2	Keeper, Pin	
6	3841258	3	Keeper, Pin	
7	1001163385	1	Master Cylinder Assembly (See Separate Breakdown in CYLINDER SECTION)	
9	1001168843	1	Pin	
10	1001168844	1	Pin	
11	1001168845	2	Pin	
12	1001168854	1	Pin	
13	1001228092	1	Lift Cylinder Assembly (See Separate Breakdown in CYLINDER SECTION)	
15	1001221482	1	Main Boom Assembly (See Separate Breakdown in this Section)	

# SECTION 4 - BOOM

## FIGURE 4-4. MAIN BOOM ASSEMBLY (400S)



ART\_1001244874

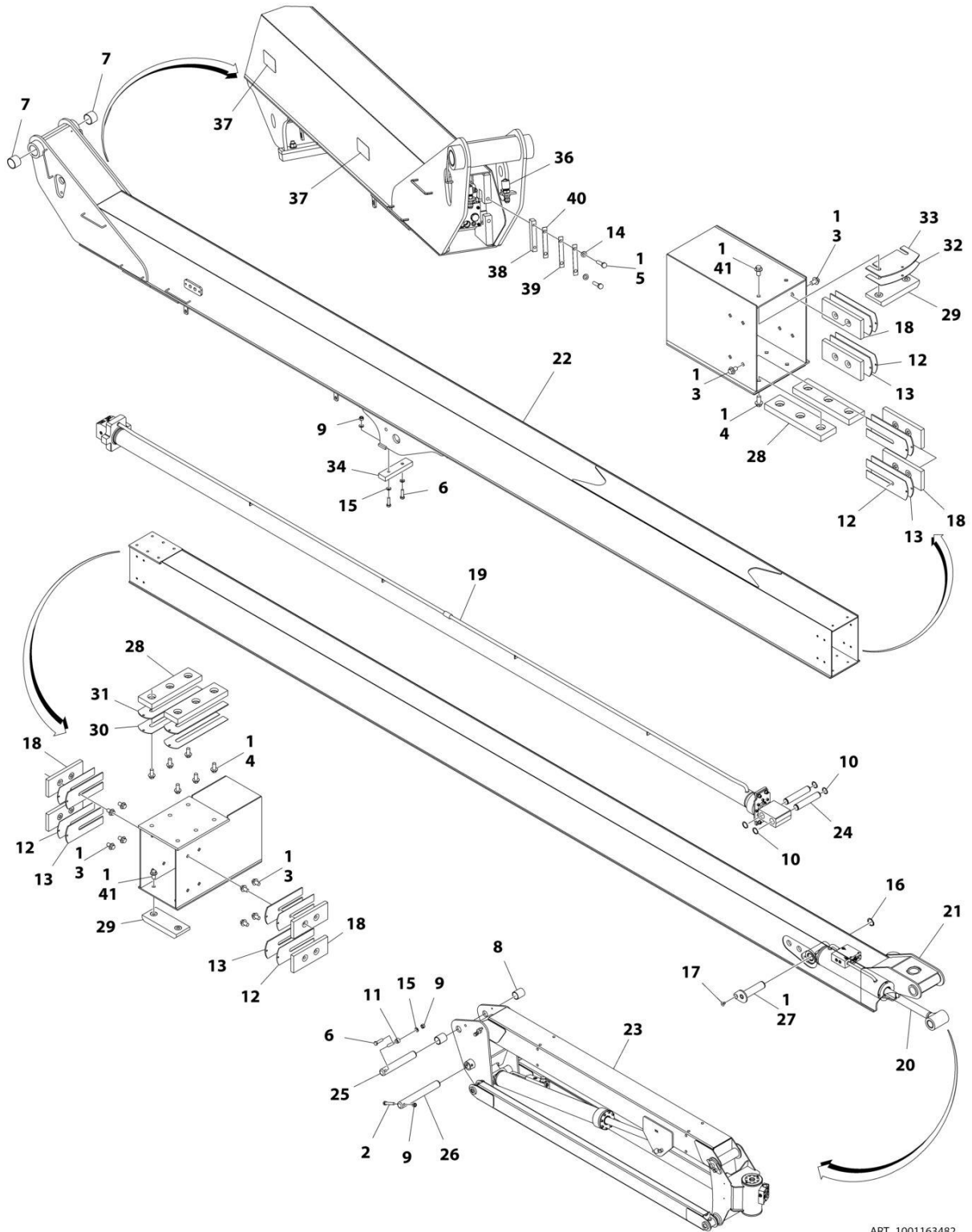
## SECTION 4 - BOOM

**FIGURE 4-4. MAIN BOOM ASSEMBLY (400S)**

ITEM	PART NUMBER	QTY	DESCRIPTION	REV
	1001244874	Ref	MAIN BOOM ASSEMBLY	B
1	0100011	AR	Compound, Locking	
2	0761012	1	Bolt M10 x 25	
3	0761019	4	Bolt M10 x 55	
4	0761217	2	Bolt M12 x 45	
5	0961950	2	Bearing	
6	0961951	2	Bushing	
7	3291205	2	Nut M12	
8	3760133	4	Ring	
9	3841143	1	Keeper, Pin	
10	4070897	AR	Shim 18 Ga	
11	4070898	AR	Shim 11 Ga	
12	4812000	4	Washer M10	
13	4812100	4	Washer M12	
14	5251008	16	Bolt M10 x 16	
15	5251009	4	Bolt M10 x 18	
16	5251011	12	Bolt M10 x 22	
17	1001099560	2	Ring, Retaining	
18	1001137032	2	Screw M10 x 16	
19	1001163386	1	Level (Platform Slave) Cylinder Assembly (See Separate Breakdown in CYLINDER SECTION)	
20	1001163459	1	Fly, Boom	
21	1001163470	1	Base, Boom	
22	1001168841	1	Pin	
23	1001168842	2	Pin	
24	1001168848	1	Pin	
25	1001168849	1	Pin	
26	1001169284	4	Pad	
27	1001169285	2	Pad	
28	1001169286	AR	Shim	
29	1001169287	AR	Shim	
30	1001169288	AR	Shim	
31	1001169289	AR	Shim	
32	1001169380	8	Pad	
33	1001171067	1	Pad	
34	1001171112	2	Hose	
35	1001171324	6	Cover	
36	1001171667	2	Bar	
37	1001171966	AR	Shim 20Ga	
38	1001171967	AR	Shim 16Ga	
39	1001221927	1	Platform Rotator Assembly (See Separate Breakdown in this Section)	
40	1001251075	1	Telescope Cylinder Assembly (See Separate Breakdown in CYLINDER SECTION)	

# SECTION 4 - BOOM

FIGURE 4-5. MAIN BOOM ASSEMBLY (USA BUILT MACHINES) (460SJ)



ART\_1001163482

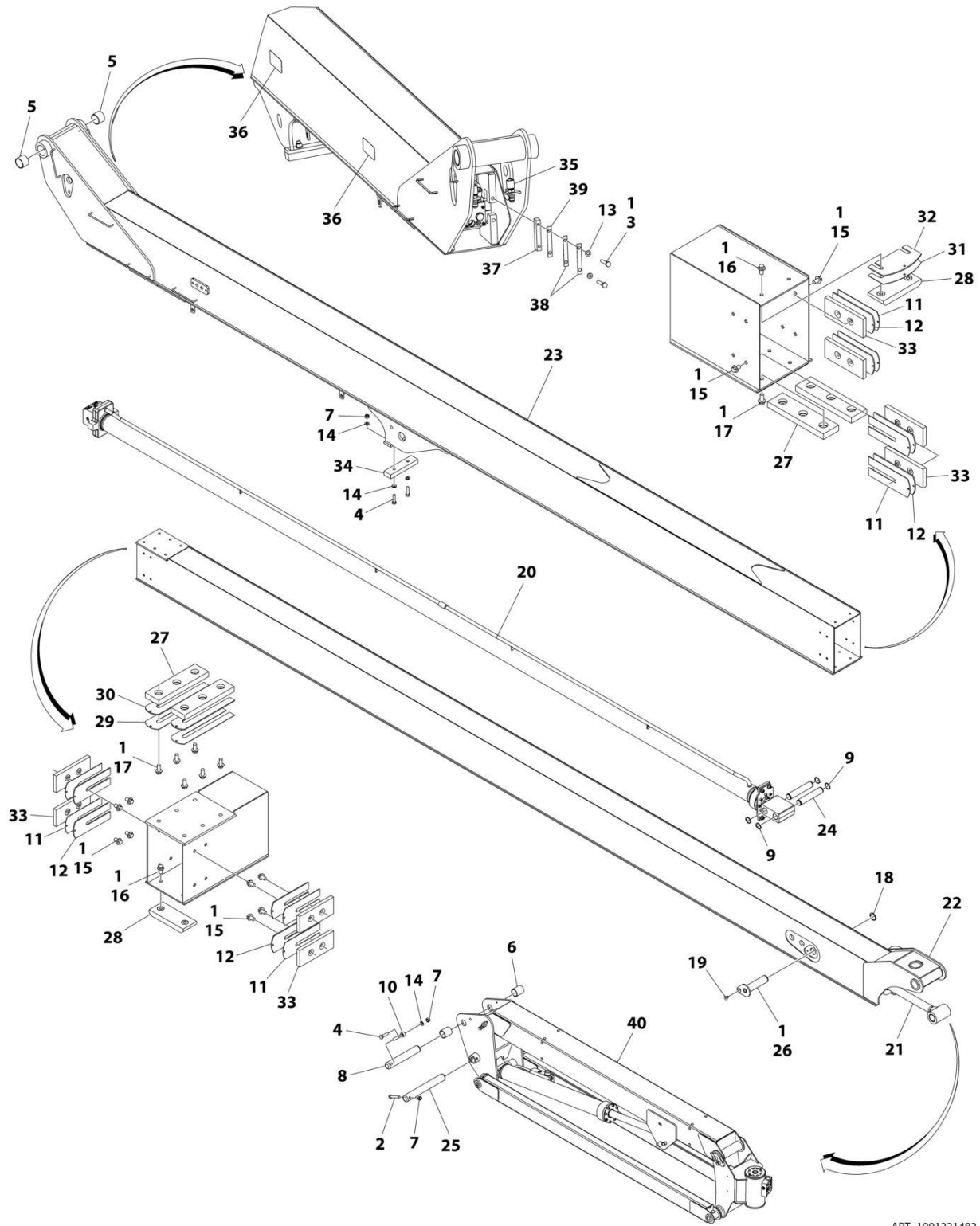
## SECTION 4 - BOOM

**FIGURE 4-5. MAIN BOOM ASSEMBLY (USA BUILT MACHINES) (460SJ)**

ITEM	PART NUMBER	QTY	DESCRIPTION	REV
	1001163482	Ref	MAIN BOOM ASSEMBLY	J
1	0100011	AR	Compound, Locking	
2	0701222	1	Bolt M12 x 70	
3	5251008	16	Bolt M10 x 16	
4	5251011	12	Bolt M10 x 22	
5	0761019	4	Bolt M10 x 55	
6	0761217	3	Bolt M12 x 45	
7	0961950	2	Bearing	
8	0962348	2	Bearing	
9	3291205	4	Nut M12 x 1.75	
10	3760133	4	Ring, Retaining	
11	3841203	1	Keeper, Pin	
12	4070897	AR	Shim, 18Ga	
13	4070898	AR	Shim, 11Ga	
14	4812000	4	Washer, M10	
15	4812100	5	Washer, M12	
16	1001099560	1	Ring, Retaining	
17	1001137032	1	Screw M10 x 16	
18	1001169380	8	Pad	
19	1001251075	1	Telescope Cylinder Assembly (See Separate Breakdown in CYLINDER SECTION)	
20	1001163386	1	Level (Platform Slave) Cylinder Assembly (See Separate Breakdown in CYLINDER SECTION)	
21	1001163483	1	Fly, Boom	
22	1001163492	1	Base, Boom	
23	1001247048	1	Jib Boom Assembly (See Separate Breakdown in this Section)	
24	1001168842	2	Pin	
25	3422793	1	Pin	
26	1001168847	1	Pin	
27	1001168849	1	Pin	
28	1001169284	4	Pad	
29	1001169285	2	Pad	
30	1001169286	AR	Shim	
31	1001169287	AR	Shim	
32	1001169288	AR	Shim	
33	1001169289	AR	Shim	
34	1001171067	1	Pad	
36	1001171112	2	Hose	
37	1001171324	2	Cover	
38	1001171667	2	Bar	
39	1001171966	AR	Shim, 20Ga	
40	1001171967	AR	Shim, 16Ga	
41	5251009	4	Bolt M10 x 18	

# SECTION 4 - BOOM

## FIGURE 4-6. MAIN BOOM ASSEMBLY (ROMANIAN BUILT MACHINES) (460SJ)



ART\_1001221482

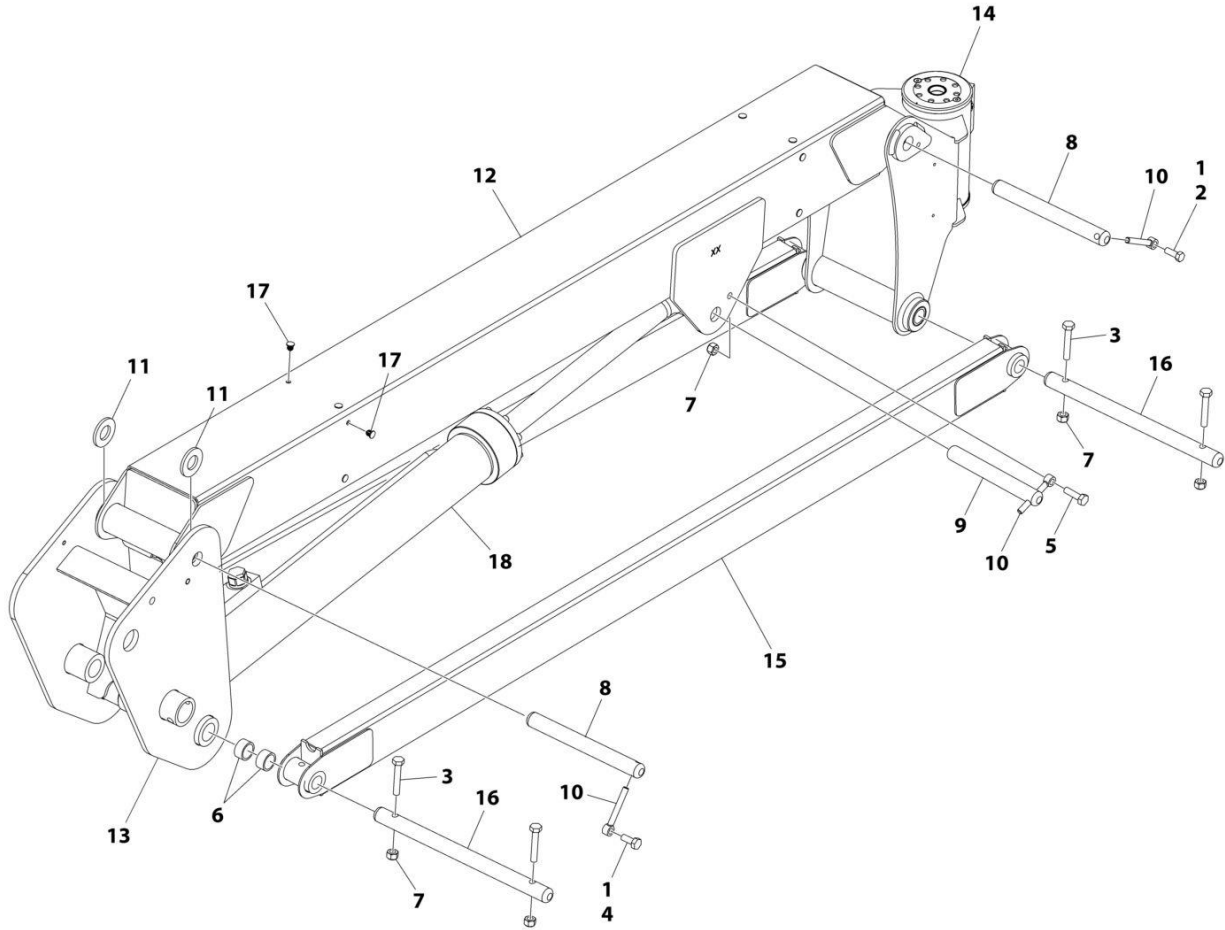
## SECTION 4 - BOOM

**FIGURE 4-6. MAIN BOOM ASSEMBLY (ROMANIAN BUILT MACHINES) (460SJ)**

ITEM	PART NUMBER	QTY	DESCRIPTION	REV
	1001221482	Ref	MAIN BOOM ASSEMBLY	F
1	0100011	AR	Compound, Locking	
2	0701222	1	Bolt, M12 x 70	
3	0761019	4	Bolt, M10 x 55	
4	0761217	3	Bolt, M12 x 45	
5	0961950	2	Bearing	
6	0962348	2	Bearing	
7	3291205	4	Nut, Lock M12 x 1.75	
8	3422793	1	Pin	
9	3760133	4	Ring, Retaining	
10	3841203	1	Keeper, Pin	
11	4070897	AR	Shim, 18Ga	
12	4070898	AR	Shim, 11Ga	
13	4812000	4	Washer, M10	
14	4812100	5	Washer, M12	
15	5251008	16	Bolt, M10 x 16	
16	5251009	4	Bolt, M10 x 18	
17	5251011	12	Bolt, M10 x 22	
18	1001099560	1	Ring, Retaining	
19	1001137032	1	Screw M10 x 16	
20	1001251075	1	Telescope Cylinder Assembly (See Separate Breakdown in CYLINDER SECTION)	
21	1001163386	1	Level (Platform Slave) Cylinder Assembly (See Separate Breakdown in CYLINDER SECTION)	
22	1001163483	1	Fly, Boom	
23	1001163492	1	Base, Boom	
24	1001168842	2	Pin	
25	1001168847	1	Pin	
26	1001168849	1	Pin	
27	1001169284	4	Pad	
28	1001169285	2	Pad	
29	1001169286	AR	Shim	
30	1001169287	AR	Shim	
31	1001169288	AR	Shim	
32	1001169289	AR	Shim	
33	1001169380	8	Pad	
34	1001171067	1	Pad	
35	1001171112	2	Hose	
36	1001171324	AR	Cover	
37	1001171667	2	Bar	
38	1001171966	AR	Shim, 20Ga	
39	1001171967	AR	Shim, 16Ga	
40	1001247623	1	Jib Boom Assembly (See Separate Breakdown in this Section)	

# SECTION 4 - BOOM

## FIGURE 4-7. JIB BOOM ASSEMBLY (USA BUILT MACHINES) (460SJ)



ART\_1001247048



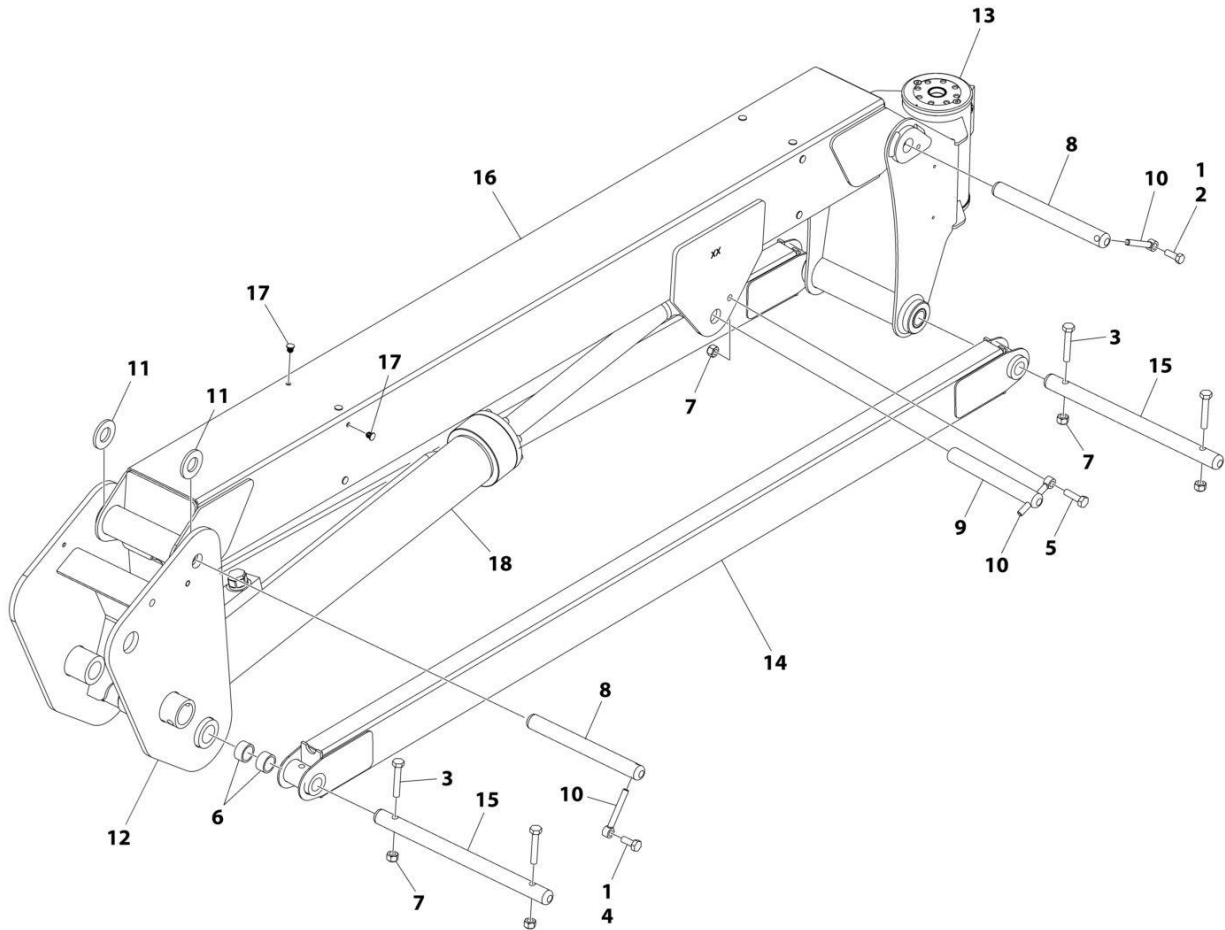
## SECTION 4 - BOOM

**FIGURE 4-7. JIB BOOM ASSEMBLY (USA BUILT MACHINES) (460SJ)**

ITEM	PART NUMBER	QTY	DESCRIPTION	REV
	1001247048	Ref	JIB BOOM ASSEMBLY	B
1	0100011	AR	Compound, Locking	
2	0641608	1	Bolt 3/8 x 1	
3	0701020	4	Bolt M10 x 60	
4	0761012	1	Bolt M10 x 25	
5	0761015	1	Bolt M10 x 35	
6	0961947	4	Bearing	
7	3291005	5	Nut M10	
8	3422860	2	Pin	
9	3422867	1	Pin	
10	3841143	3	Keeper, Pin	
11	4740439	2	Washer, Thrust	
12	4844816	1	Tube (Upper)	
12	0962335	4	Bushing	
13	1001165567	1	Pivot	
14	1001181051	1	Rotator Assembly (See Separate Breakdown in this Section)	
15	4844817	2	Tube, Lower	
16	3422861	2	Pin	
17	1001223899	8	Fastener	
18	1001248012	1	Lift Cylinder Assembly - Jib (See Separate Breakdown in CYLINDER SECTION)	

# SECTION 4 - BOOM

## FIGURE 4-8. JIB BOOM ASSEMBLY (ROMANIAN BUILT MACHINES) (460SJ)



ART\_1001247623

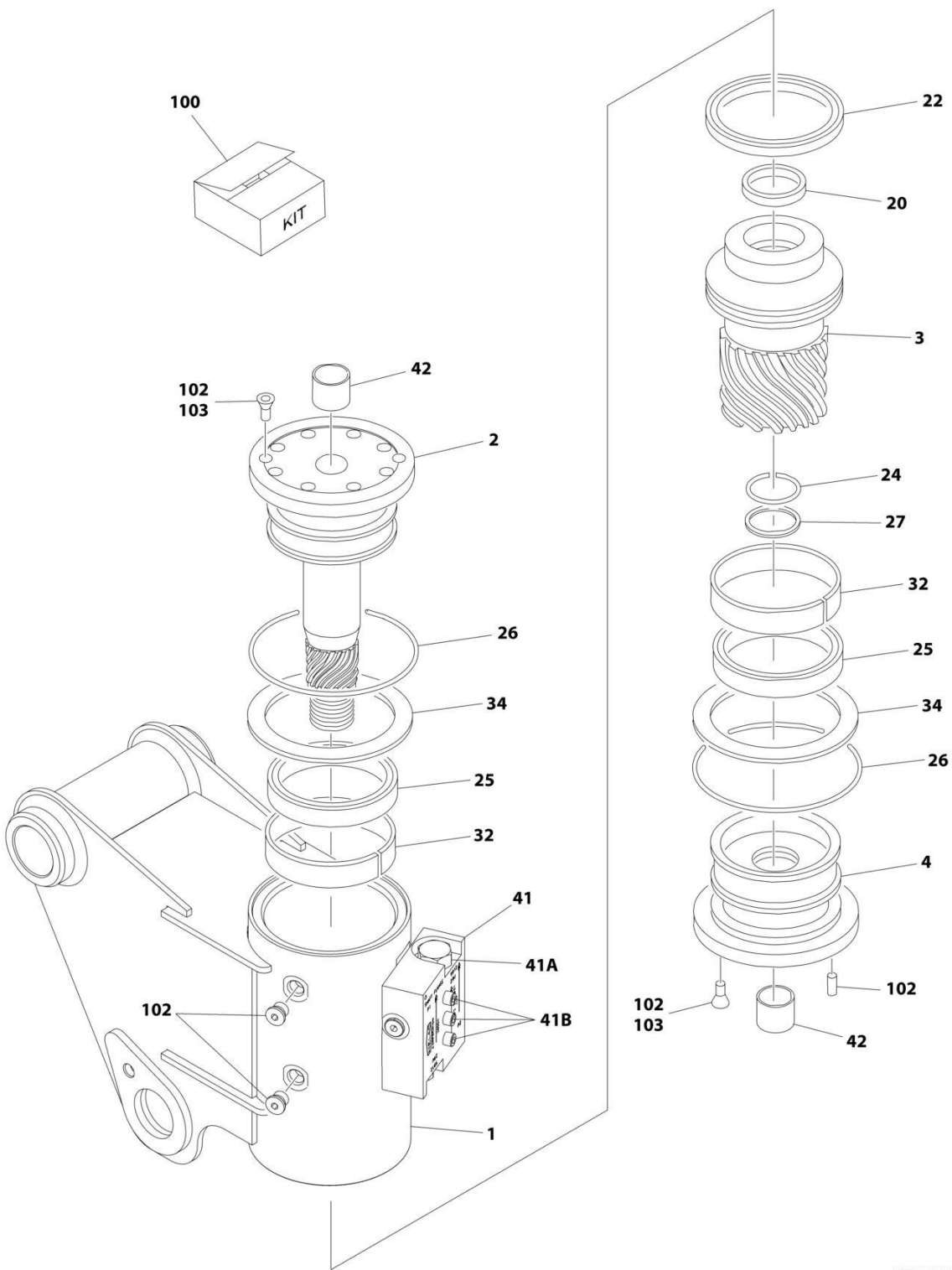
## SECTION 4 - BOOM

**FIGURE 4-8. JIB BOOM ASSEMBLY (ROMANIAN BUILT MACHINES) (460SJ)**

ITEM	PART NUMBER	QTY	DESCRIPTION	REV
	1001247623	Ref	JIB BOOM ASSEMBLY	B
1	0100011	AR	Compound, Locking	
2	0641608	1	Bolt 3/8 x 1	
3	0701020	4	Bolt M10 x 60	
4	0761012	1	Bolt M10 x 25	
5	0761015	1	Bolt M10 x 35	
6	0961947	4	Bearing	
7	3291005	5	Nut M10	
8	3422860	2	Pin	
9	3422867	1	Pin	
10	3841143	3	Keeper, Pin	
11	4740439	2	Washer, Thrust	
12	1001165567	1	Pivot	
13	1001181051	1	Rotator Assembly (See Separate Breakdown in this Section)	
14	1001221486	2	Tube, Lower	
15	3422861	2	Pin	
16	1001221484	1	Tube (Upper)	
16	0962335	4	Bushing	
17	1001223899	8	Fastener	
18	1001248012	1	Lift Cylinder Assembly - Jib (See Separate Breakdown in CYLINDER SECTION)	

# SECTION 4 - BOOM

## FIGURE 4-9. ROTATOR ASSEMBLY (400S)



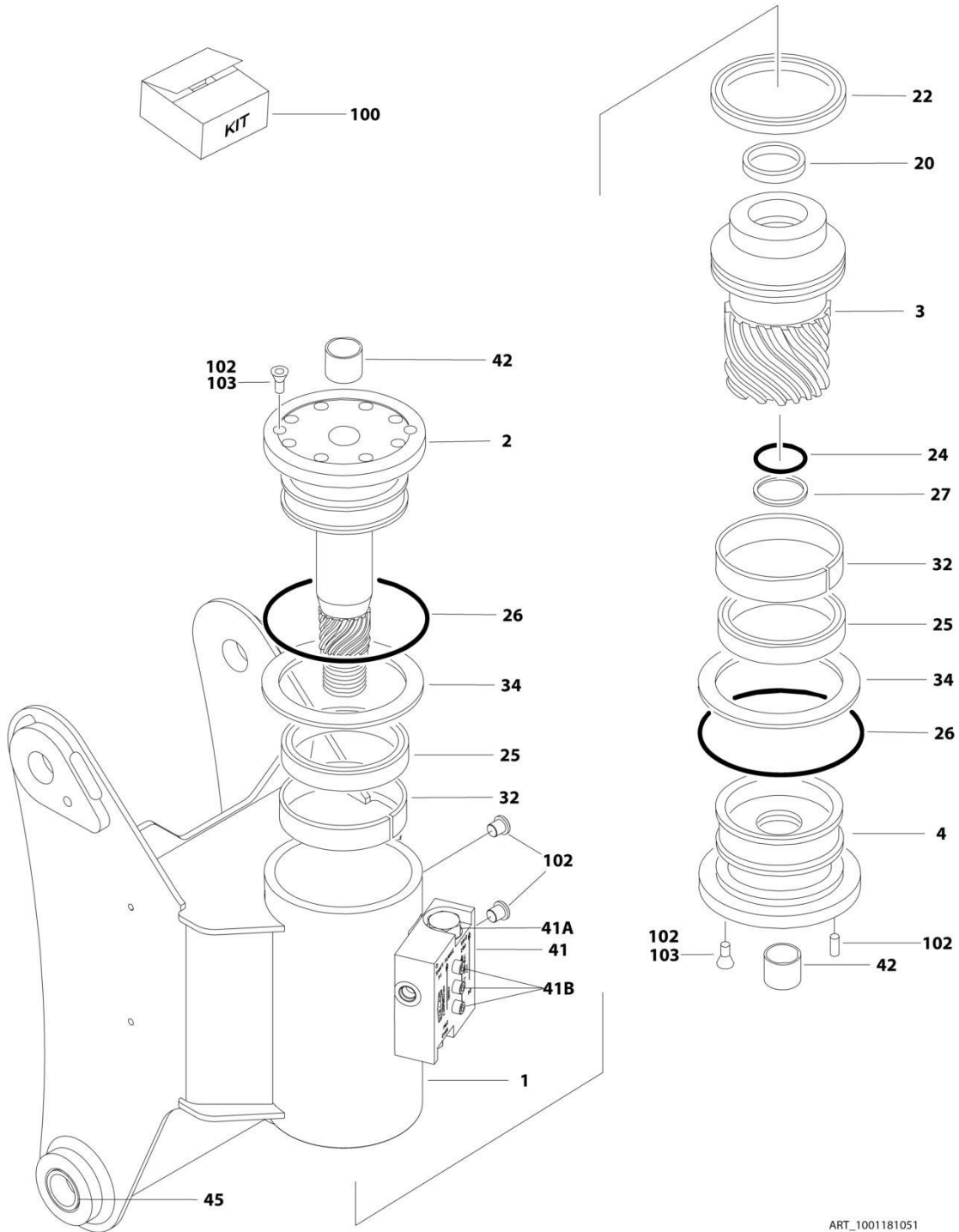
ART\_1001221927

FIGURE 4-9. ROTATOR ASSEMBLY (400S)

ITEM	PART NUMBER	QTY	DESCRIPTION	REV
	1001221927	Ref	ROTATOR ASSEMBLY	A
1	See Note	NSS	Housing/Ring Gear Assembly (Note: Not Available - Purchase Complete Rotator Assembly)	
2	7017162	1	Shaft Weldment	
3	7017163	1	Piston/Sleeve Assembly	
4	7017164	1	Cap, End	
20	See Note	NSS	T-Seal (Note: Use Item 100)	
22	See Note	NSS	T-Seal (Note: Use Item 100)	
24	See Note	NSS	O-Ring (Note: Use Item 100)	
25	See Note	NSS	Seal (Note: Use Item 100)	
26	See Note	NSS	O-Ring (Note: Use Item 100)	
27	See Note	NSS	Ring, Back-up (Note: Use Item 100)	
32	See Note	NSS	Ring, Wear (Note: Use Item 101)	
34	See Note	NSS	Washer, Thrust (Note: Use Item 101)	
40	70006580	1	Tube, Stop (Not Shown)	
41	7017172	AR	Valve Assembly	
41A	7017192	2	Cartridge, Valve	
41A	See Note	NSS	Seal Kit - 7017192 Valve (Note: Not Available for Purchase)	
41B	See Note	3	Bolt 1/4 x 1-1/2 (Grade 8) (Note: Not Available - Purchase Locally)	
42	7017195	2	Bushing	
100	70000342	1	Seal Kit (Includes Items 20, 22, 24, 25, 27)	
101	7017159	1	Bearing Kit (Includes Items 32 & 34)	
102	7017142	1	Hardware Kit	
103	70001697	4	Screw, Countersunk 1/4 x 3/8 Grade 8	

# SECTION 4 - BOOM

## FIGURE 4-10. ROTATOR ASSEMBLY (460SJ)



ART\_1001181051

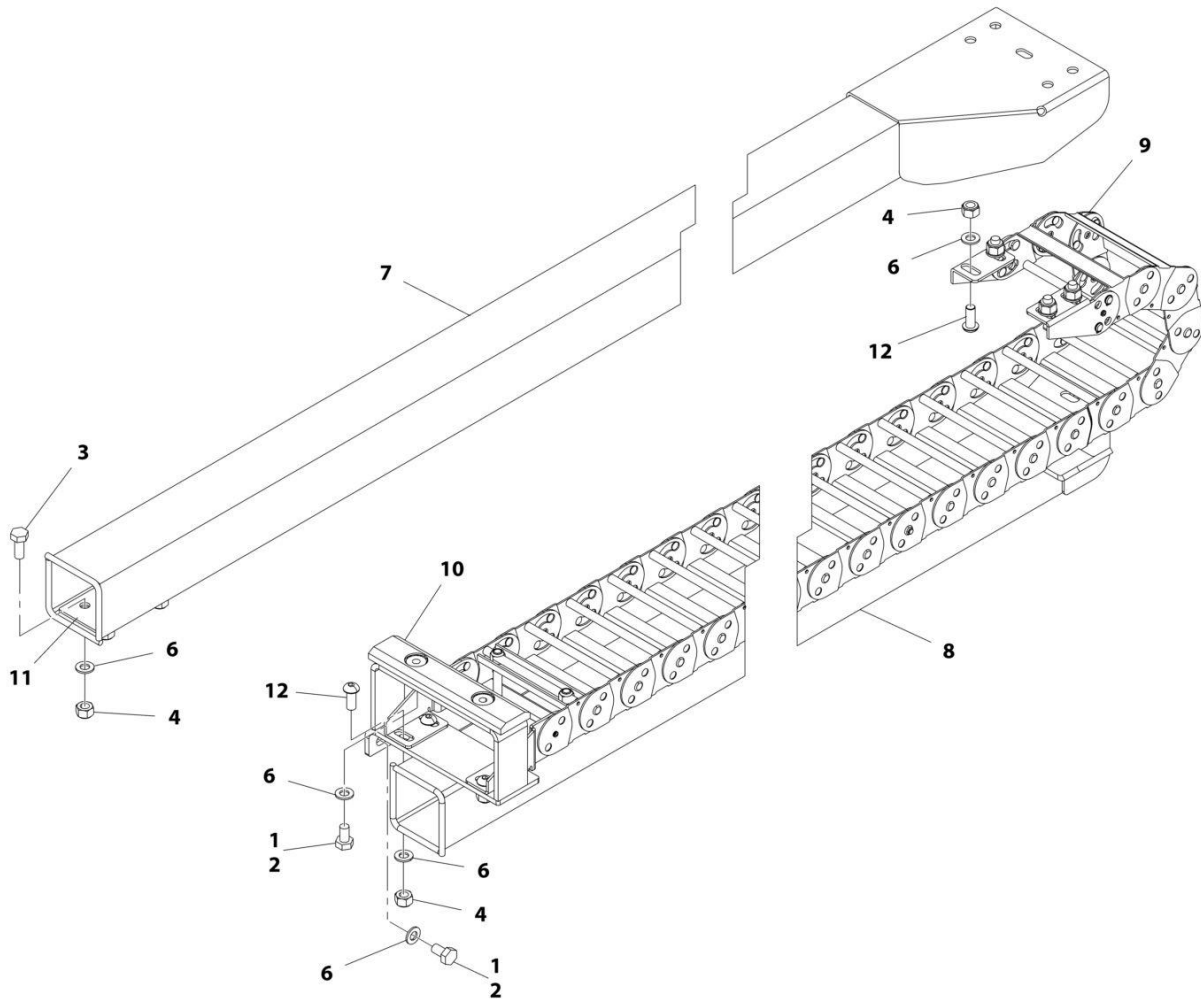
## SECTION 4 - BOOM

### FIGURE 4-10. ROTATOR ASSEMBLY (460SJ)

ITEM	PART NUMBER	QTY	DESCRIPTION	REV
	1001181051	Ref	ROTATOR ASSEMBLY	A
1	See Note	NSS	Housing/Ring Gear Assembly (Note: Not Available - Purchase Complete Rotator Assembly)	
2	7017162	1	Shaft Weldment	
3	7017163	1	Piston/Sleeve Assembly	
4	7017164	1	Cap, End	
20	See Note	NSS	T-Seal (Note: Use Item 100)	
22	See Note	NSS	T-Seal (Note: Use Item 100)	
24	See Note	NSS	O-Ring (Note: Use Item 100)	
25	See Note	NSS	Seal (Note: Use Item 100)	
26	See Note	NSS	O-Ring (Note: Use Item 100)	
27	See Note	NSS	Ring, Back-up (Note: Use Item 100)	
32	See Note	NSS	Ring, Wear (Note: Use Item 101)	
34	See Note	NSS	Washer, Thrust (Note: Use Item 101)	
41	7017172	AR	Valve Assembly	
41A	7017192	2	Cartridge, Valve	
41A	See Note	NSS	Seal Kit - 7017192 Valve (Note: Not Available for Purchase)	
41B	See Note	3	Bolt 1/4-20NC x 1-1/2 Grade 8 (Note: Not Available - Purchase Locally)	
42	7017195	2	Bushing	
45	7017150	2	Bushing	
100	70000342	1	Seal Kit (Includes Items 20, 22, 24, 25, 27 & 33)	
101	7017159	1	Bearing Kit (Includes Items 32 & 34)	
102	7017142	1	Hardware Kit	
103	70001697	4	Screw, Countersunk 1/4 x 3/8 Grade 8	

# SECTION 4 - BOOM

## FIGURE 4-11. POWER TRACK INSTALLATION (USA BUILT MACHINES)



ART\_1001165538



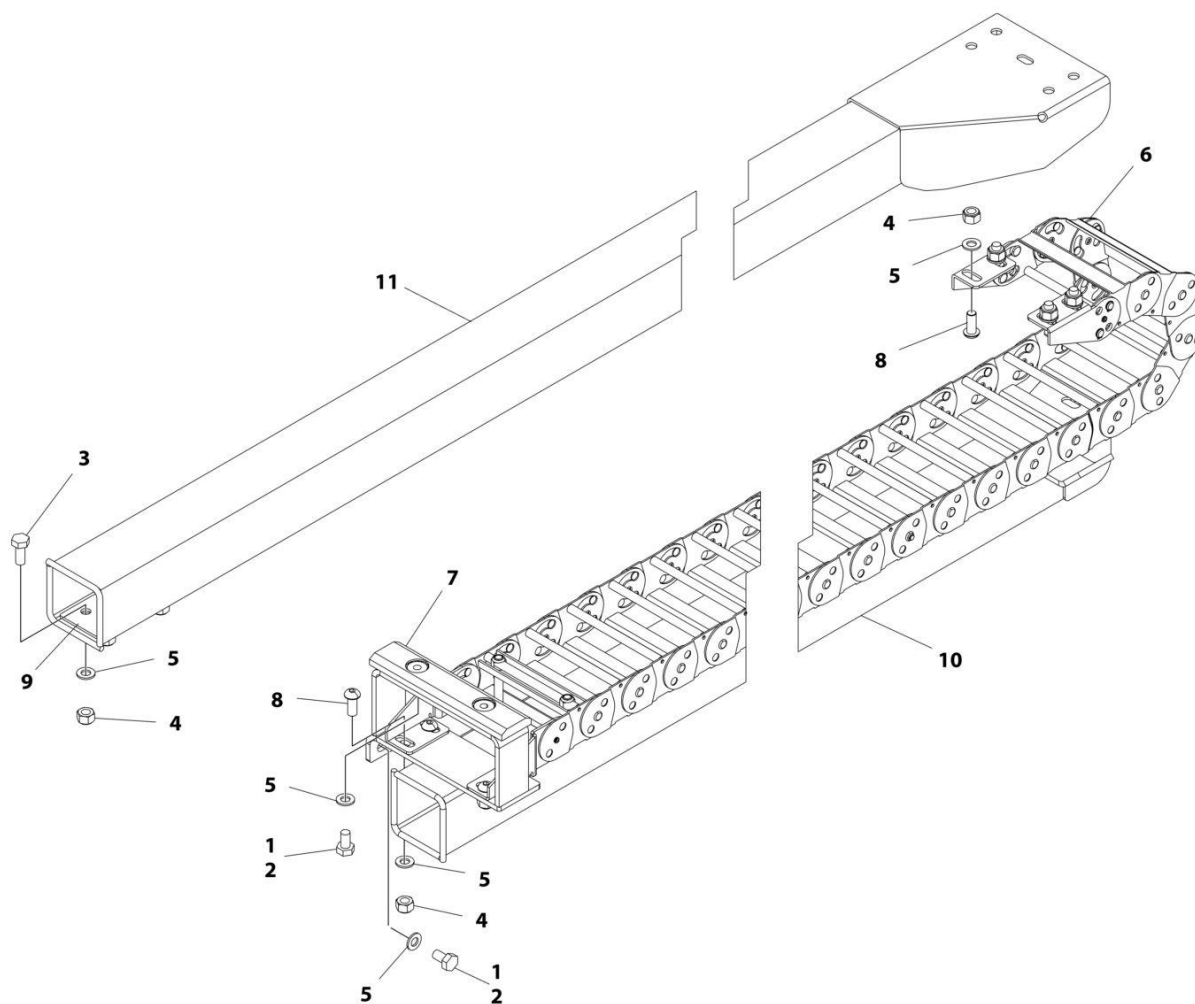
## SECTION 4 - BOOM

**FIGURE 4-11. POWER TRACK INSTALLATION (USA BUILT MACHINES)**

ITEM	PART NUMBER	QTY	DESCRIPTION	REV
	1001165538	Ref	POWER TRACK INSTALLATION	E
1	0100011	AR	Compound, Locking	
2	0761009	10	Bolt M10 x 18	
3	0761012	4	Bolt M10 x 25	
4	3291005	12	Nut M10	
6	4812000	22	Washer M10	
7	1001165531	1	Tube, Push	
8	1001165534	1	Tube, Carrier	
9	1001224888	1	Power Track	
9	70006255	1	Repair Section without Clamp - 10 Links	
9	70006270	1	Feet, Mounting (Includes 1 each Left and Right Mounting Feet)	
10	1001169611	1	Pad, Wear	
11	1001176899	1	Plate, Support	
12	1001173763	8	Screw M10 x 25	

# SECTION 4 - BOOM

## FIGURE 4-12. POWER TRACK INSTALLATION (ROMANIAN BUILT MACHINES)



ART\_1001220920

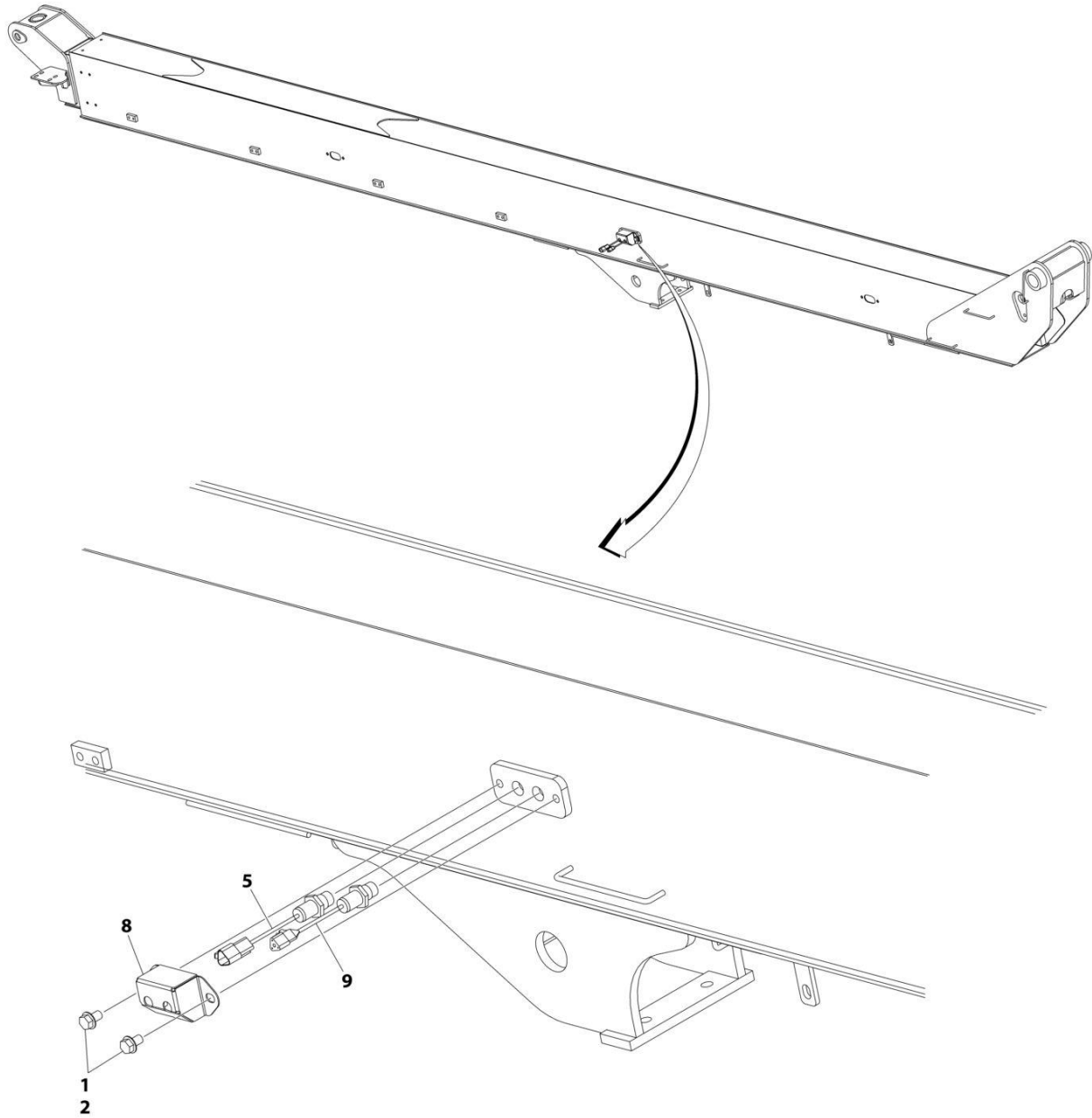
## SECTION 4 - BOOM

**FIGURE 4-12. POWER TRACK INSTALLATION (ROMANIAN BUILT MACHINES)**

ITEM	PART NUMBER	QTY	DESCRIPTION	REV
	1001220920	Ref	POWER TRACK INSTALLATION	B
1	0100011	AR	Compound, Locking	
2	0761009	10	Bolt M10 x 18	
3	0761012	4	Bolt M10 x 25	
4	3291005	12	Nut M10	
5	4812000	22	Washer M10	
6	1001224888	1	Power Track	
6	70002011	1	Repair Section without Clamp - 10 Links	
6	70005106	1	Repair Section with Clamp - 10 Links	
6	70005107	1	Feet, Mounting (Includes 1 each Left and Right Mounting Feet)	
7	1001169611	1	Pad, Wear	
8	1001173763	8	Screw M10 x 25	
9	1001176899	1	Plate, Support	
10	1001220921	1	Tube, Carrier	
11	1001220924	1	Tube, Push	

# SECTION 4 - BOOM

## FIGURE 4-13. CAPACITY SWITCH INSTALLATION



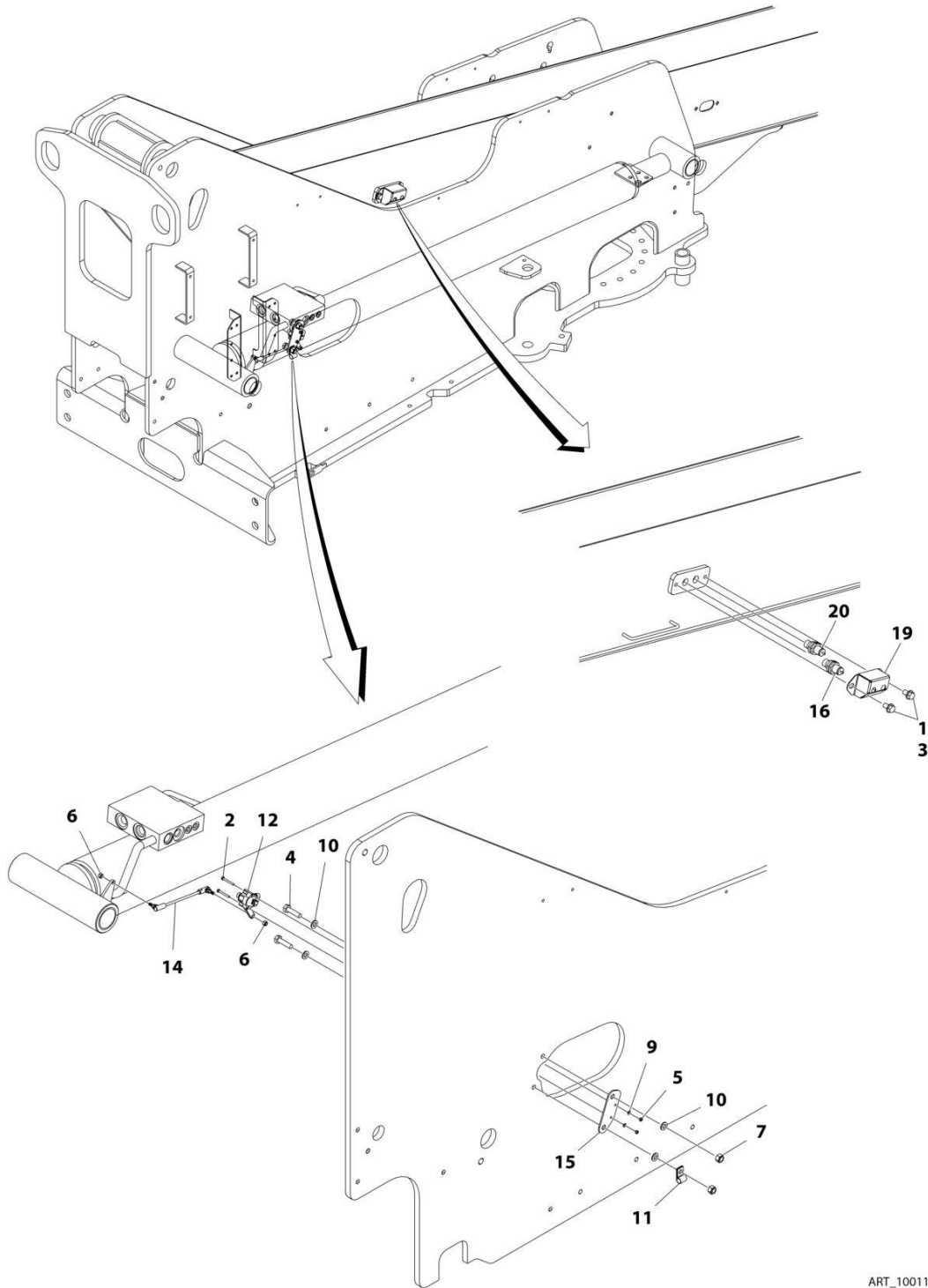
ART\_1001173233

FIGURE 4-13. CAPACITY SWITCH INSTALLATION

ITEM	PART NUMBER	QTY	DESCRIPTION	REV
	1001173233	Ref	CAPACITY SWITCH INSTALLATION	D
1	0100011	AR	Compound, Locking	
2	5251008	2	Bolt, M10 x 16	
5	1001170847	1	Sensor, Proximity	
5	4460536	1	Connector - 3 Position	
5	4460464	3	Pin, Male	
8	1001204715	1	Bracket, Cover	
9	1001182570	1	Sensor, Proximity	
9	4460539	1	Connector 3 Position	
9	4460465	3	Socket, Female	

# SECTION 4 - BOOM

## FIGURE 4-14. TRANSPORT SWITCHES INSTALLATION



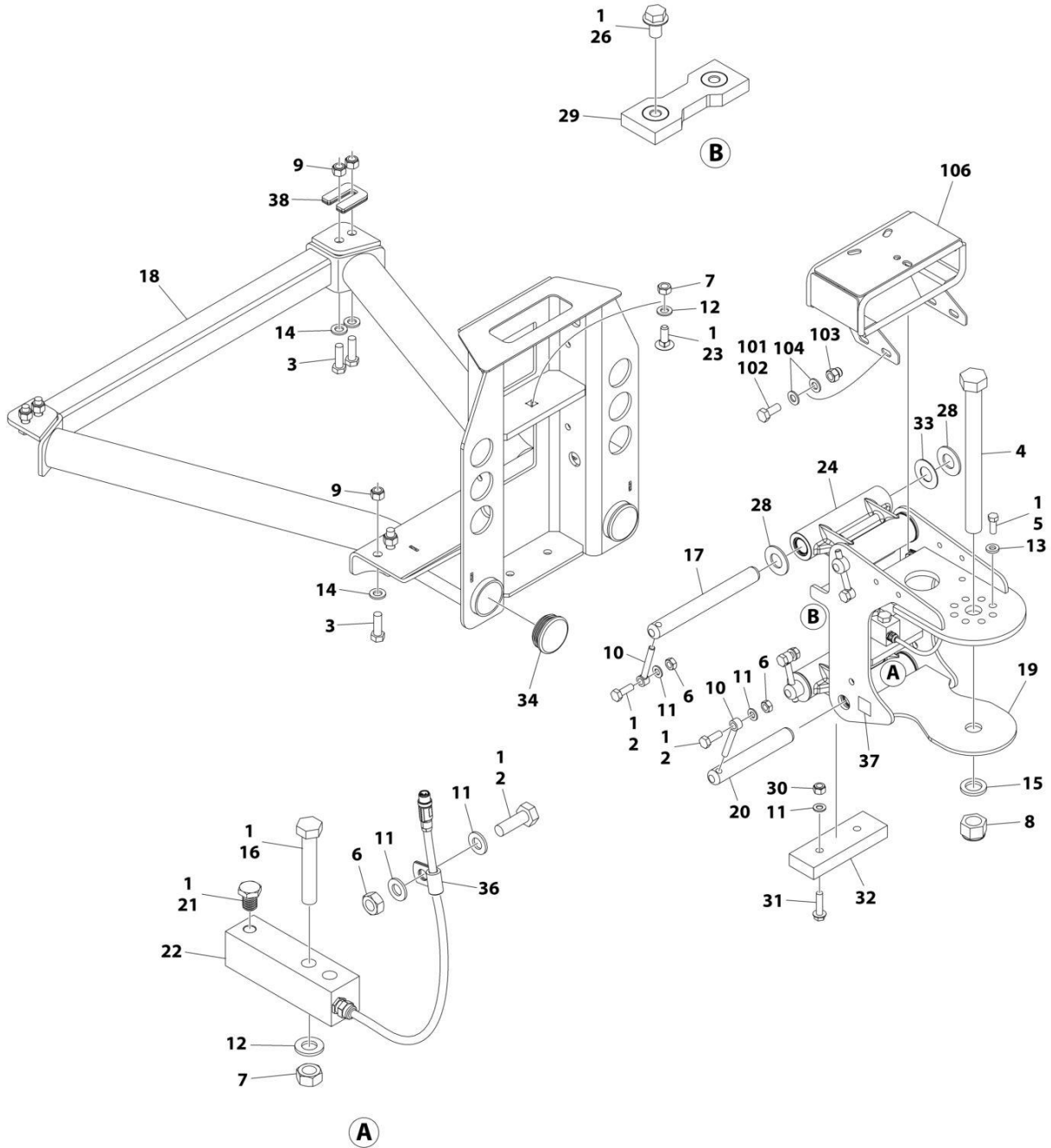
ART\_1001170642

FIGURE 4-14. TRANSPORT SWITCHES INSTALLATION

ITEM	PART NUMBER	QTY	DESCRIPTION	REV
	1001170642	Ref	TRANSPORT SWITCHES INSTALLATION	I
1	0100011	AR	Compound, Locking	
2	0760415	2	Bolt M4 x 35	
3	5251008	2	Bolt M10 x 16	
4	0761016	2	Bolt M10 x 40	
5	3290405	2	Nut M4 x 0.7	
6	3290605	2	Nut M6 x 1	
7	3291005	2	Nut M10 x 1.5	
9	4811400	2	Washer M4	
10	4812000	4	Washer M10	
11	8406110	1	Clip	
12	1001118971	1	Angle, Sensor	
14	1001170564	1	Link, Sensor	
15	1001170565	1	Bracket	
16	1001170847	1	Sensor, Proximity	
16	4460536	1	Connector - 3 Position	
16	4460464	3	Pin, Male	
19	1001204715	1	Bracket, Switch Cover	
20	1001182570	1	Sensor, Proximity	
20	4460539	1	Connector - 3 Position	
20	4460465	3	Socket, Female	
21	1001288195	1	Boom Angle Sensr Jumper Harness	

# SECTION 4 - BOOM

## FIGURE 4-15. PLATFORM SUPPORT INSTALLATION - WITH 1 CELL LSS



ART\_1001167596\_N



## SECTION 4 - BOOM

**FIGURE 4-15. PLATFORM SUPPORT INSTALLATION - WITH 1 CELL LSS**

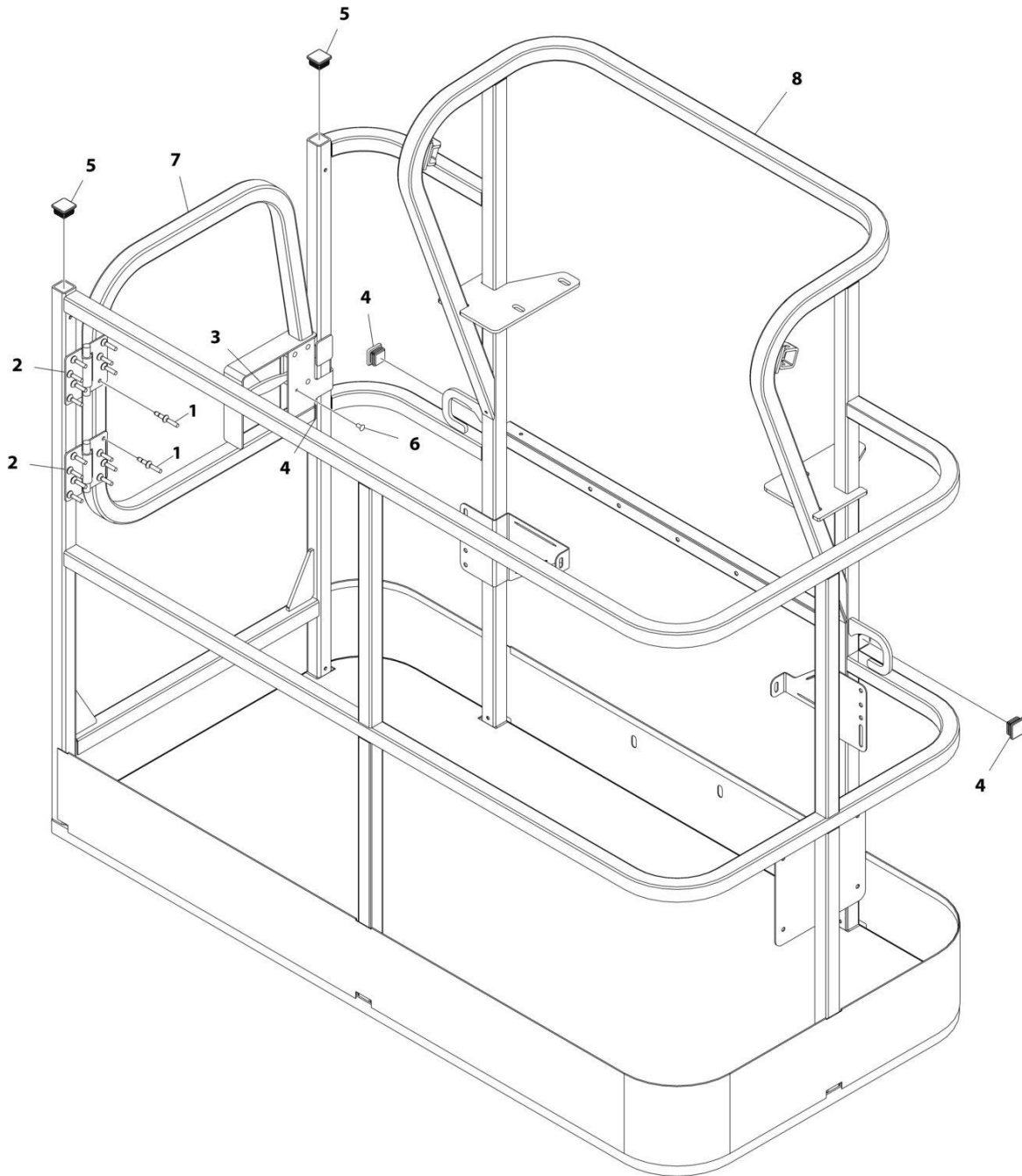
ITEM	PART NUMBER	QTY	DESCRIPTION	REV
	1001167596	Ref	PLATFORM SUPPORT INSTALLATION	N
1	0100011	AR	Compound, Locking	
2	0761014	5	Bolt M10 x 30	
3	0761216	8	Bolt M12 x 40	
4	1001255133	1	Bolt 1 x 11 GRD8	
5	0681608	8	Bolt 3/8 x 1 GRD8	
6	3291001	5	Nut M10	
7	3291201	3	Nut M12	
8	1001174040	1	Nut 1	
9	3291205	8	Nut M12	
10	3841143	4	Keeper, Pin	
11	4812000	8	Washer M10	
12	4812100	3	Washer M12	
13	4891600	8	Washer 3/8	
14	5241200	8	Washer M12	
15	4892600001	1	Washer 1	
16	1001098828	2	Bolt M12 x 70 CL10.9	
17	1001167565	2	Pin	
18	1001200494	1	Support, Platform	
19	1001167567	1	Support, Rotator	
20	1001168402	2	Pin	
21	1001188622	1	Screw	
22	1001247468	1	Loadcell	
23	1001188844	1	Bolt M12 x 35	
24	1001201351	2	Link	
24	1001187382	4	Bearing	
24	1001187383	4	Seal	
26	5251008	2	Bolt M10 x 16 CL10.9	
28	1001189002	8	Bearing	
29	1001190985	1	Pad, Wear	
30	3291005	2	Nut M10	
31	5251016	2	Bolt M10 x 40 CL10.9	
32	1001200491	1	Pad, Wear	
33	1001189001	4	Bearing	
34	1001204725	2	Plug	
36	91203039	1	Clamp	
37	1001216630	2	Decal - Tie Down/No Lift	
38	1001238421	Ref	Kit, Platform Leveling (Not Shown)	
	1001202687	Ref	VALVE MOUNT INSTALLATION	B
101	0100011	AR	Compound, Locking	
102	0760810	4	Bolt M8 x 20	
103	3290806	4	Nut M8	
104	4811900	8	Washer M8	
106	1001208994	1	Mount, Valve	



**SECTION 5 - PLATFORM**

# SECTION 5 - PLATFORM

FIGURE 5-1. PLATFORM ASSEMBLY - 30IN X 5FT (76.2CM X 1.52M) WITH SWING GATE (USA BUILT MACHINES)



ART\_1001186386

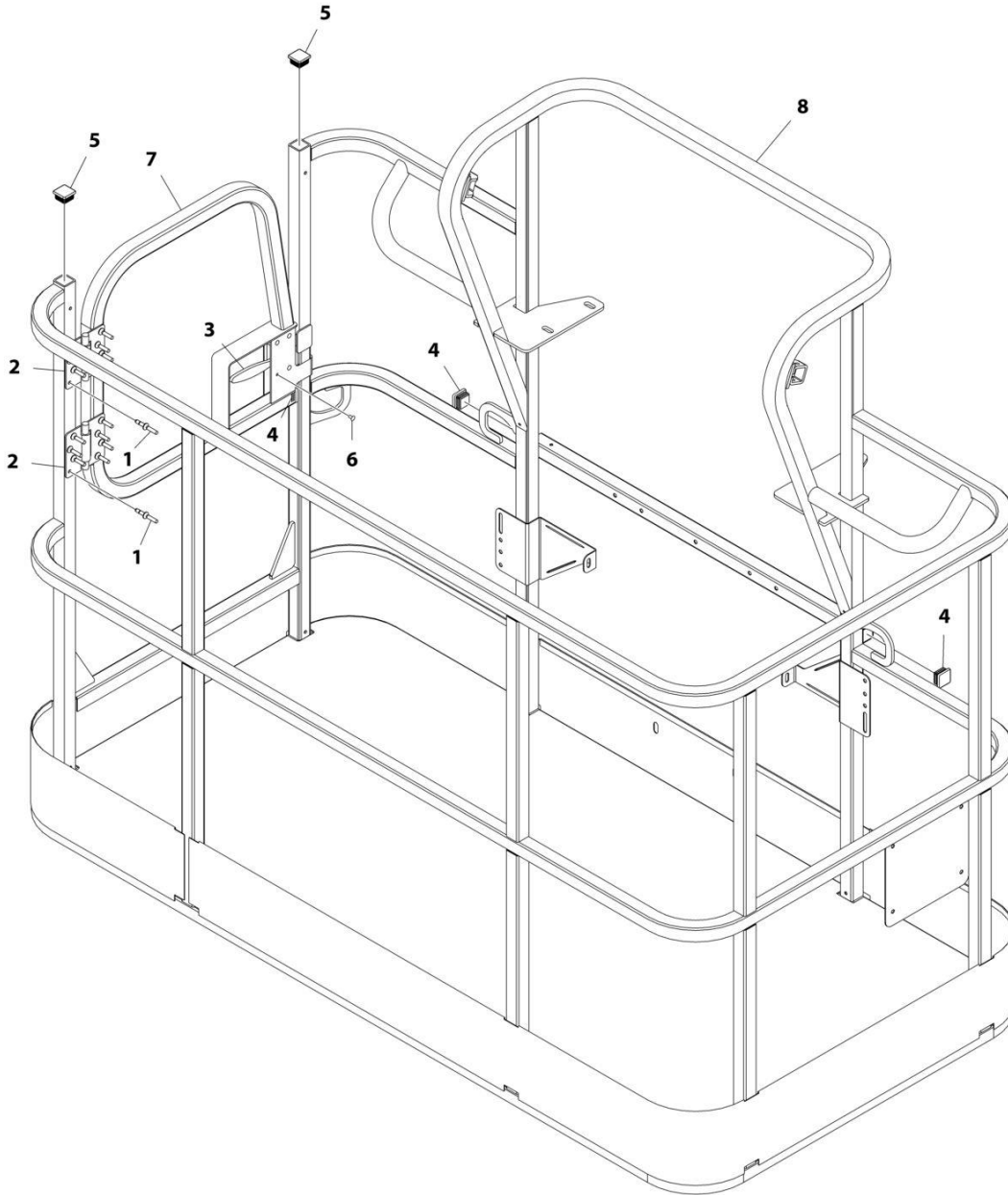
## SECTION 5 - PLATFORM

**FIGURE 5-1. PLATFORM ASSEMBLY - 30IN X 5FT (76.2CM X 1.52M) WITH SWING GATE (USA BUILT MACHINES)**

ITEM	PART NUMBER	QTY	DESCRIPTION	REV
	1001186386	Ref	PLATFORM ASSEMBLY	C
		Ref	Note: Platform and Mesh must be ordered separately for Platforms with Mesh. See SPECIAL OPTIONS SECTION for Mesh Installations.	
		Ref	Note: Replacement Decals Must be Ordered Separately - See DECALS SECTION.	
1	2080040	16	Fastener, Huck	
2	2600281	2	Hinge, Self-Closing	
3	2940074	1	Latch	
4	3520072	3	Plug	
5	3520198	2	Plug	
6	3820020	4	Rivet	
7	1001144629	1	Gate	
8	See Note	NSS	Platform (Note: Not Available - Purchase Platform Assembly)	

# SECTION 5 - PLATFORM

FIGURE 5-2. PLATFORM ASSEMBLY - 36IN X 6FT (91.5CM X 1.83M) WITH SWING GATE (USA BUILT MACHINES)



ART\_1001186384

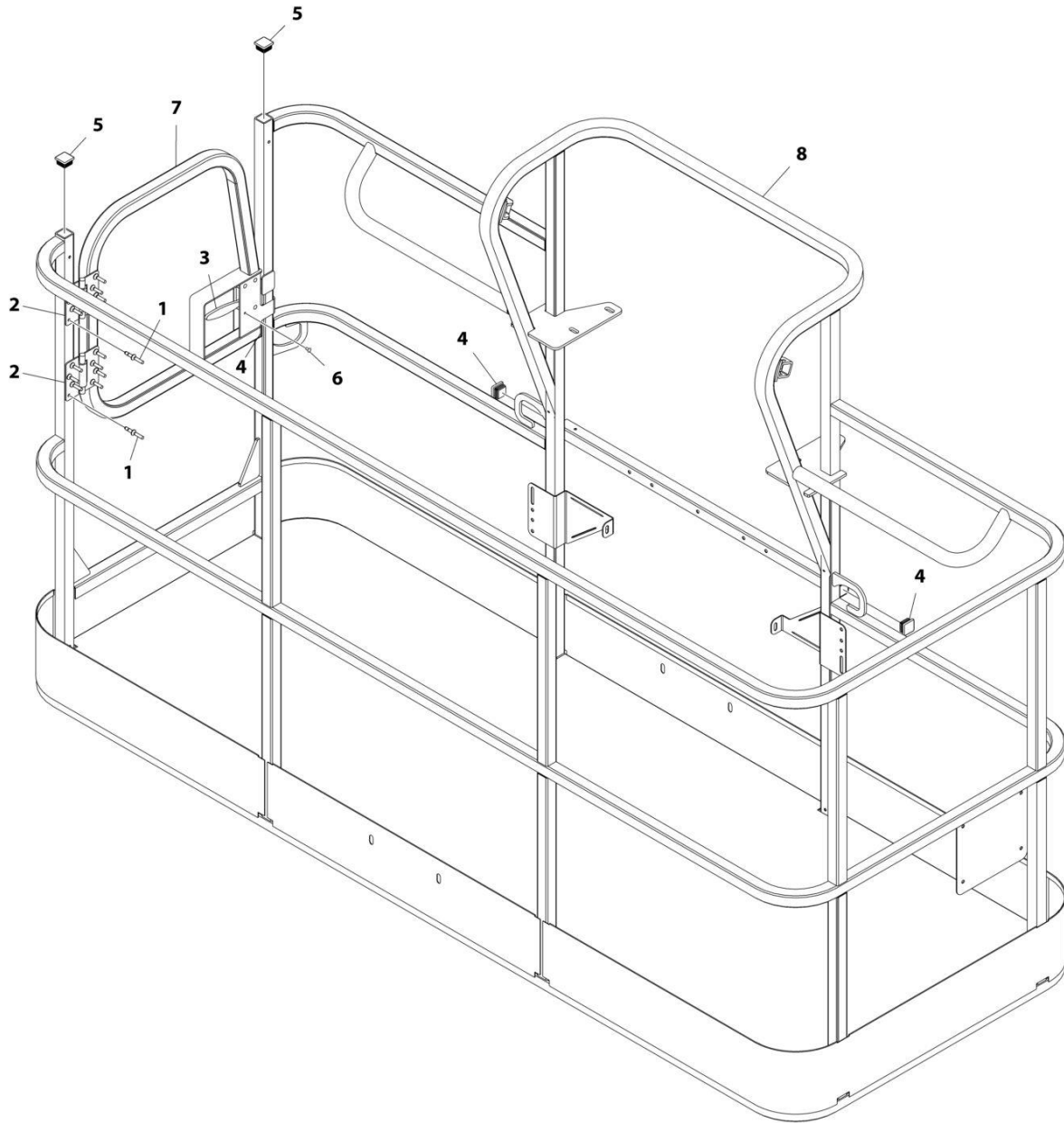
## SECTION 5 - PLATFORM

**FIGURE 5-2. PLATFORM ASSEMBLY - 36IN X 6FT (91.5CM X 1.83M) WITH SWING GATE (USA BUILT MACHINES)**

ITEM	PART NUMBER	QTY	DESCRIPTION	REV
	1001186384	Ref	PLATFORM ASSEMBLY - 36IN X 6FT (91.5CM X 1.83M) WITH SWING GATE	C
	See Note	Ref	Note: Platform and Mesh must be ordered separately for Platforms with Mesh. See SPECIAL OPTIONS SECTION for Mesh Installations.	
	See Note	Ref	Note: Replacement Decals Must be Ordered Separately - See DECALS SECTION.	
1	2080040	16	Fastener, Huck	
2	2600281	2	Hinge	
3	2940074	1	Latch	
4	3520072	3	Plug	
5	3520198	2	Plug	
6	3820020	4	Rivet	
7	1001144629	1	Gate	
8	See Note	NSS	Platform (Note: Not Available - Purchase Platform Assembly)	

# SECTION 5 - PLATFORM

FIGURE 5-3. PLATFORM ASSEMBLY - 36IN X 8FT (91.5CM X 2.44M) WITH SWING GATE (USA BUILT MACHINES)



ART\_1001186383



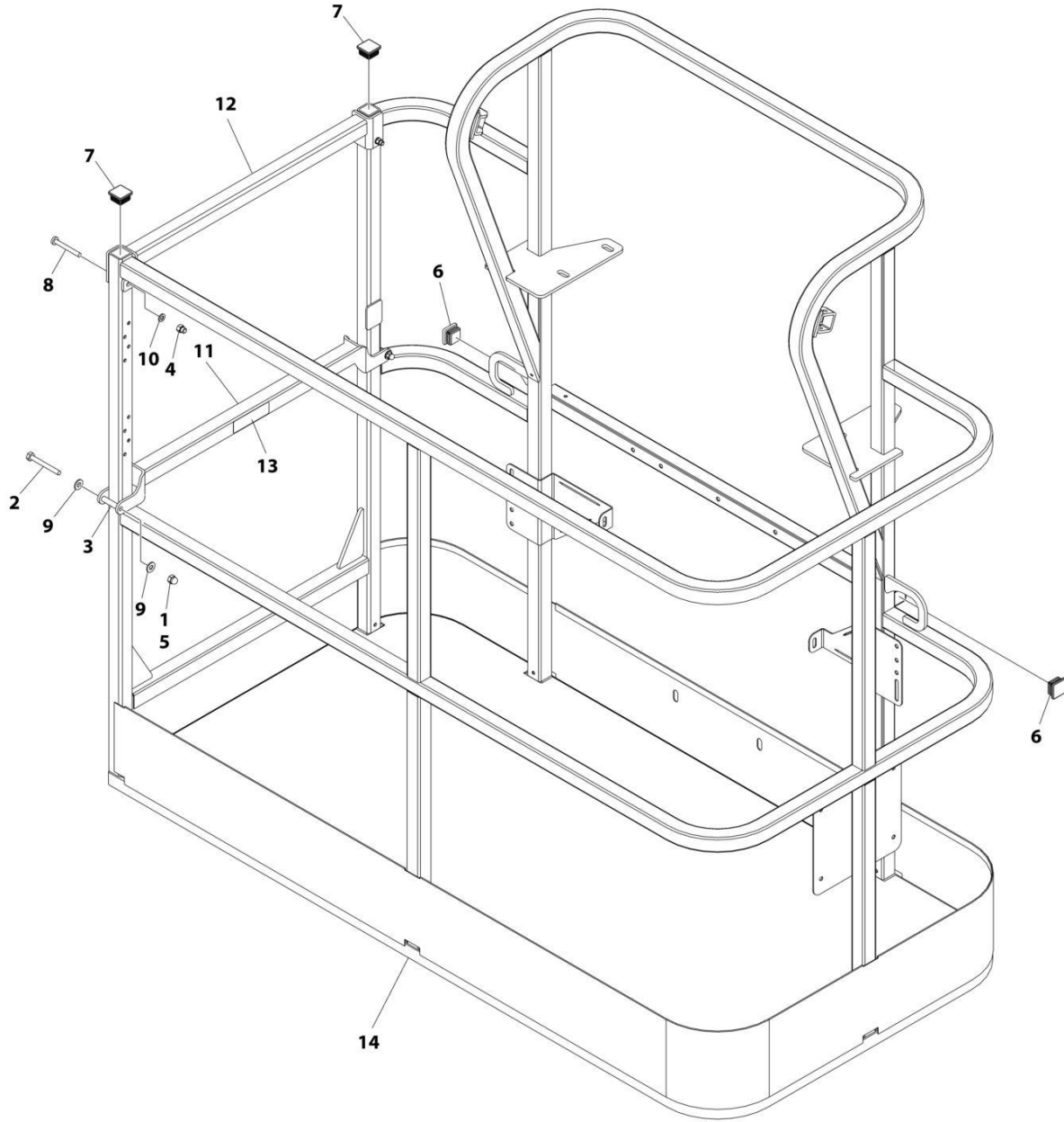
## SECTION 5 - PLATFORM

**FIGURE 5-3. PLATFORM ASSEMBLY - 36IN X 8FT (91.5CM X 2.44M) WITH SWING GATE (USA BUILT MACHINES)**

ITEM	PART NUMBER	QTY	DESCRIPTION	REV
	1001186383	Ref	PLATFORM ASSEMBLY - 36IN X 8FT (91.5CM X 2.44M) WITH SWING GATE	D
		Ref	Note: Platform and Mesh must be ordered separately for Platforms with Mesh. See SPECIAL OPTIONS SECTION for Mesh Installations.	
		Ref	Note: Replacement Decals Must be Ordered Separately - See DECALS SECTION.	
1	2080040	16	Fastener, Huck	
2	2600281	2	Hinge	
3	2940074	1	Latch	
4	3520072	3	Plug	
5	3520198	2	Plug	
6	3820020	4	Rivet	
7	1001144629	1	Gate	
8	See Note	NSS	Platform (Note: Not Available - Purchase Platform Assembly)	

# SECTION 5 - PLATFORM

FIGURE 5-4. PLATFORM ASSEMBLY - 30IN X 5FT (76.2CM X 1.52M) WITH DROP BAR (USA BUILT MACHINES)



ART\_1001186377

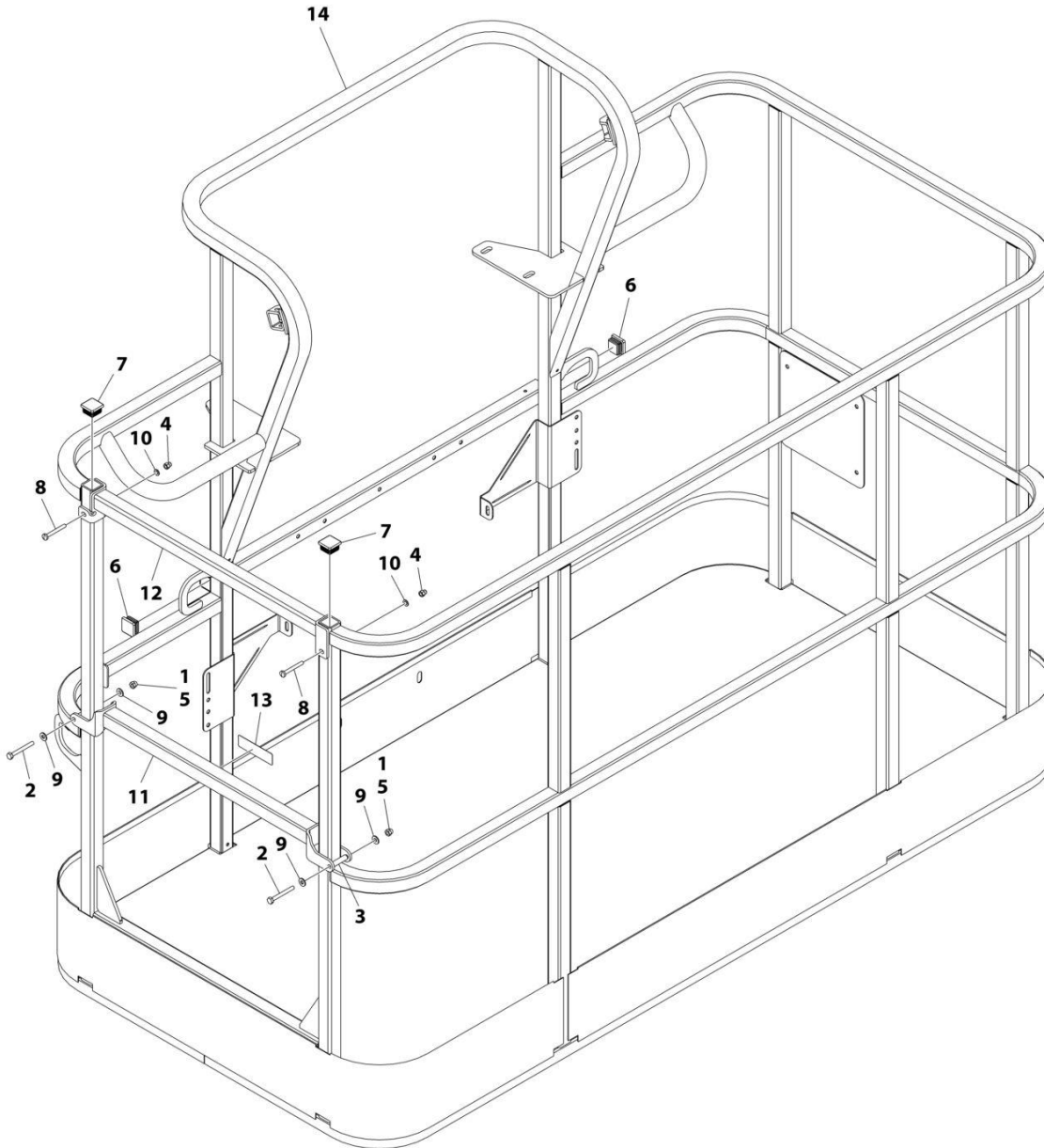
## SECTION 5 - PLATFORM

**FIGURE 5-4. PLATFORM ASSEMBLY - 30IN X 5FT (76.2CM X 1.52M) WITH DROP BAR (USA BUILT MACHINES)**

ITEM	PART NUMBER	QTY	DESCRIPTION	REV
	1001186377	Ref	PLATFORM ASSEMBLY	C
		Ref	Note: Platform and Mesh must be ordered separately for Platforms with Mesh. See SPECIAL OPTIONS SECTION for Mesh Installations.	
		Ref	Note: Replacement Decals Must be Ordered Separately - See DECALS SECTION.	
1	0100011	AR	Compound, Locking	
2	0641420	2	Bolt 1/4 x 2-1/2	
3	0961845	2	Bushing	
4	3290606	2	Nut M6	
5	3300151	2	Nut 1/4	
6	3520072	2	Plug	
7	3520198	2	Plug	
8	4010618	2	Screw M6 x 50	
9	4711400	4	Washer 1/4	
10	4811700	2	Washer M6	
11	1001138494	1	Bar, Drop	
12	1001138514	1	Rail (Top)	
13	1001140429	1	Decal - Drop Bar	
14	See Note	NSS	Platform (Note: Not Available - Purchase Platform Assembly)	

# SECTION 5 - PLATFORM

FIGURE 5-5. PLATFORM ASSEMBLY - 36IN X 6FT (91.5CM X 1.83M) WITH DROP BAR (USA BUILT MACHINES)



ART\_1001186379

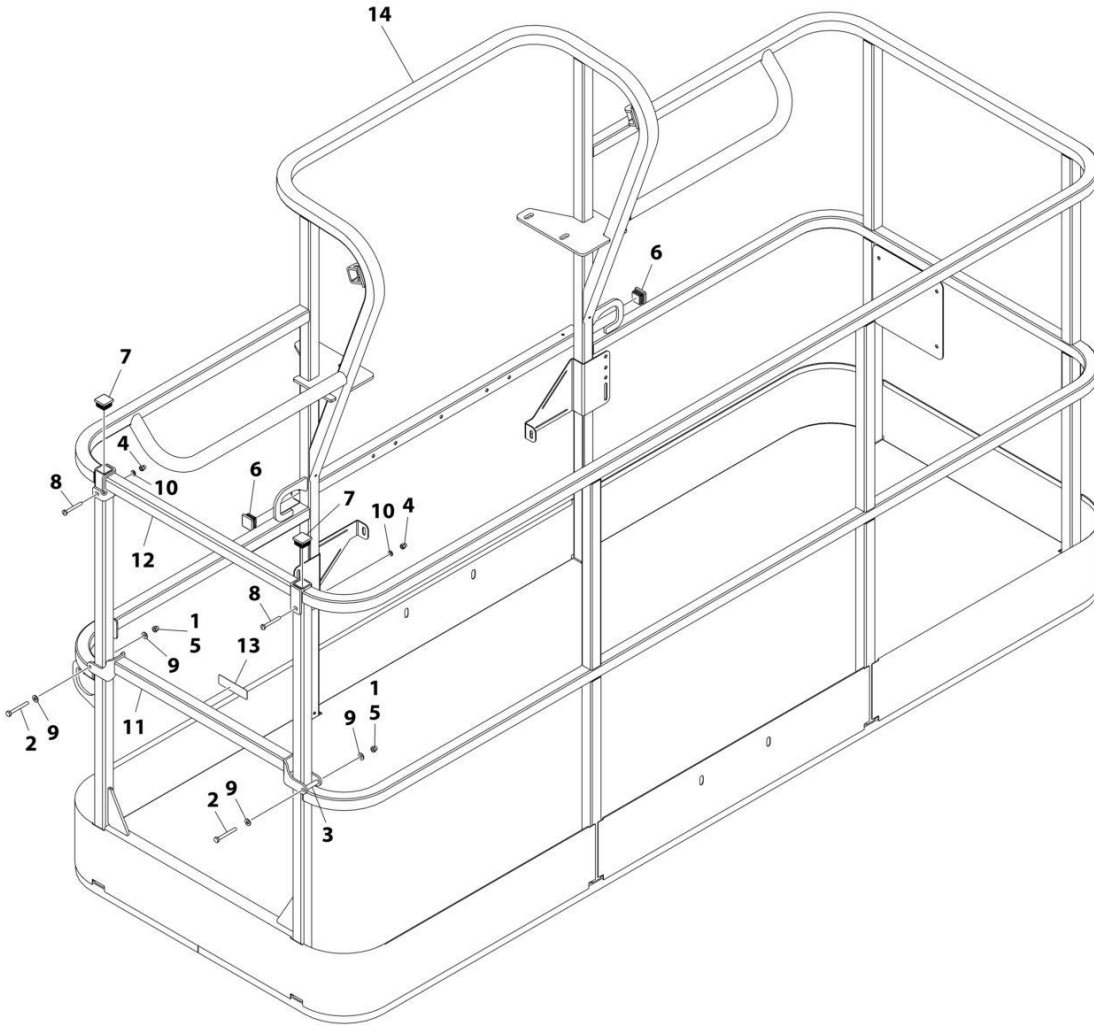
## SECTION 5 - PLATFORM

**FIGURE 5-5. PLATFORM ASSEMBLY - 36IN X 6FT (91.5CM X 1.83M) WITH DROP BAR (USA BUILT MACHINES)**

ITEM	PART NUMBER	QTY	DESCRIPTION	REV
	1001186379	Ref	PLATFORM ASSEMBLY - 36IN X 6FT (91.5CM X 1.83M) WITH DROP BAR	B
		Ref	Note: Platform and Mesh must be ordered separately for Platforms with Mesh. See SPECIAL OPTIONS SECTION for Mesh Installations.	
		Ref	Note: Replacement Decals Must be Ordered Separately - See DECALS SECTION.	
1	0100011	AR	Compound, Locking	
2	0641418	2	Bolt 1/4 x 2-1/4	
3	0961845	2	Bushing	
4	3290606	2	Nut M6	
5	3300151	2	Nut 1/4	
6	3520072	2	Plug	
7	3520198	2	Plug	
8	4010618	2	Screw M6 x 50	
9	4711400	4	Washer 1/4	
10	4811700	2	Washer M6	
11	1001138494	1	Bar, Drop	
12	1001138514	1	Rail (Top)	
13	1001140429	1	Decal - Drop Bar	
14	See Note	NSS	Platform (Note: Not Available - Purchase Platform Assembly)	

# SECTION 5 - PLATFORM

FIGURE 5-6. PLATFORM ASSEMBLY - 36IN X 8FT (91.5CM X 2.44M) WITH DROP BAR (USA BUILT MACHINES)



ART\_1001186382

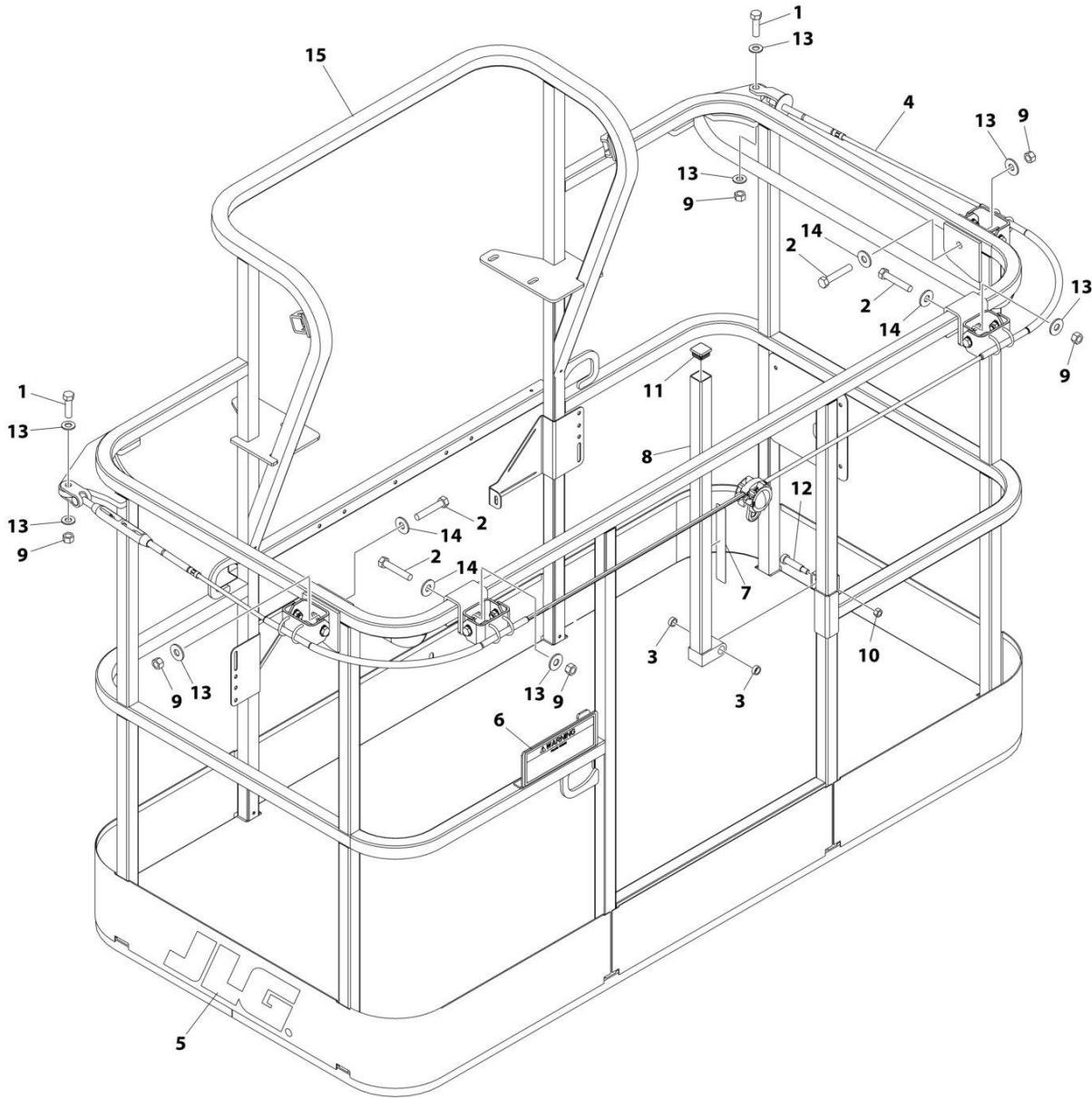
## SECTION 5 - PLATFORM

**FIGURE 5-6. PLATFORM ASSEMBLY - 36IN X 8FT (91.5CM X 2.44M) WITH DROP BAR (USA BUILT MACHINES)**

ITEM	PART NUMBER	QTY	DESCRIPTION	REV
	1001186382	Ref	PLATFORM ASSEMBLY - 36IN X 8FT (91.5CM X 2.44M) WITH DROP BAR	C
		Ref	Note: Platform and Mesh must be ordered separately for Platforms with Mesh. See SPECIAL OPTIONS SECTION for Mesh Installations.	
		Ref	Note: Replacement Decals Must be Ordered Separately - See DECALS SECTION.	
1	0100011	AR	Compound, Locking	
2	0641418	2	Bolt 1/4 x 2-1/4	
3	0961845	2	Bushing	
4	3290606	2	Nut M6	
5	3300151	2	Nut 1/4	
6	3520072	2	Plug	
7	3520198	2	Plug	
8	4010618	2	Screw M6 x 50	
9	4711400	4	Washer 1/4	
10	4811700	2	Washer M6	
11	1001138494	1	Bar, Drop	
12	1001138514	1	Rail (Top)	
13	1001140429	1	Decal - Drop Bar	
14	See Note	NSS	Platform (Note: Not Available - Purchase Platform Assembly)	

# SECTION 5 - PLATFORM

FIGURE 5-7. PLATFORM ASSEMBLY - 36IN X 6FT (91.5CM X 1.83M) WITH FALL ARREST (ALL SPECS EXCEPT CE AND AUSTRALIAN SPECS) (USA BUILT MACHINES)



ART\_1001186333



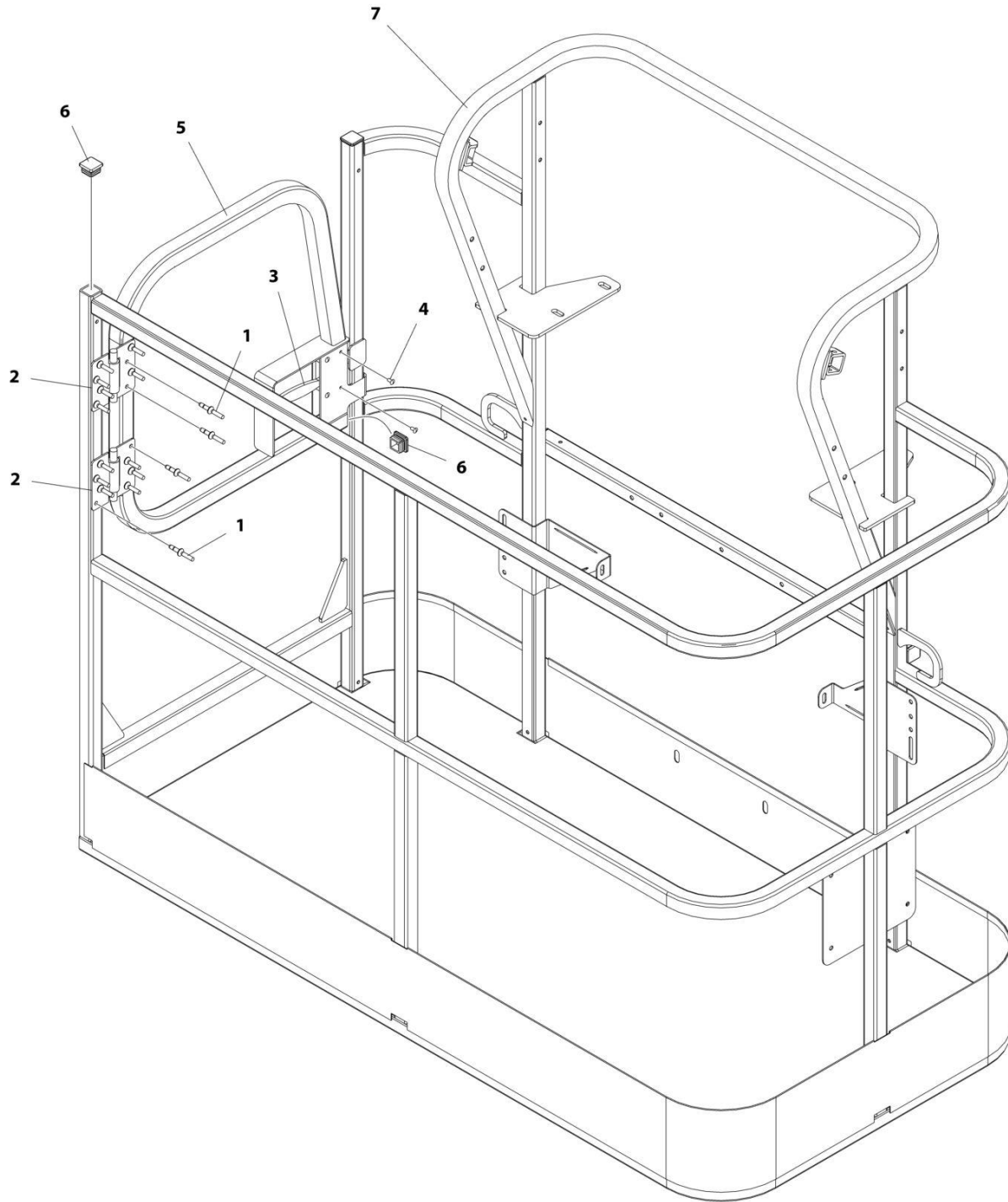
## SECTION 5 - PLATFORM

**FIGURE 5-7. PLATFORM ASSEMBLY - 36IN X 6FT (91.5CM X 1.83M) WITH FALL ARREST (ALL SPECS EXCEPT CE AND AUSTRALIAN SPECS) (USA BUILT MACHINES)**

ITEM	PART NUMBER	QTY	DESCRIPTION	REV
	1001186333	Ref	PLATFORM ASSEMBLY	C
		Ref	Note: Replacement Decals Must be Ordered Separately - See DECALS SECTION.	
1	0681814	2	Bolt 1/2 x 1-3/4 Grade 8	
2	0681822	4	Bolt 1/2 x 2-3/4 Grade 8	
3	0962270	2	Bearing	
4	1001203655	1	Cable	
5	1702773	1	Decal - JLG	
6	1705014	1	Decal - Safety	
7	1706385	1	Decal - Drop Bar	
8	2410014	1	Bar, Drop	
9	3271805	6	Nut 1/2 Grade 8	
10	3311605	1	Nut 3/8	
11	3520072	1	Plug	
12	3900054	1	Bolt 1/2 x 1-3/4	
13	4711800	8	Washer 1/2	
14	4751800	4	Washer 1/2	
15	See Note	NSS	Platform (Note: Not Available - Purchase Platform Assembly)	

# SECTION 5 - PLATFORM

FIGURE 5-8. PLATFORM ASSEMBLY - 30IN X 5FT (76CM X 1.52M) WITH SWING GATE (ROMANIAN BUILT MACHINES)



ART\_1001188315

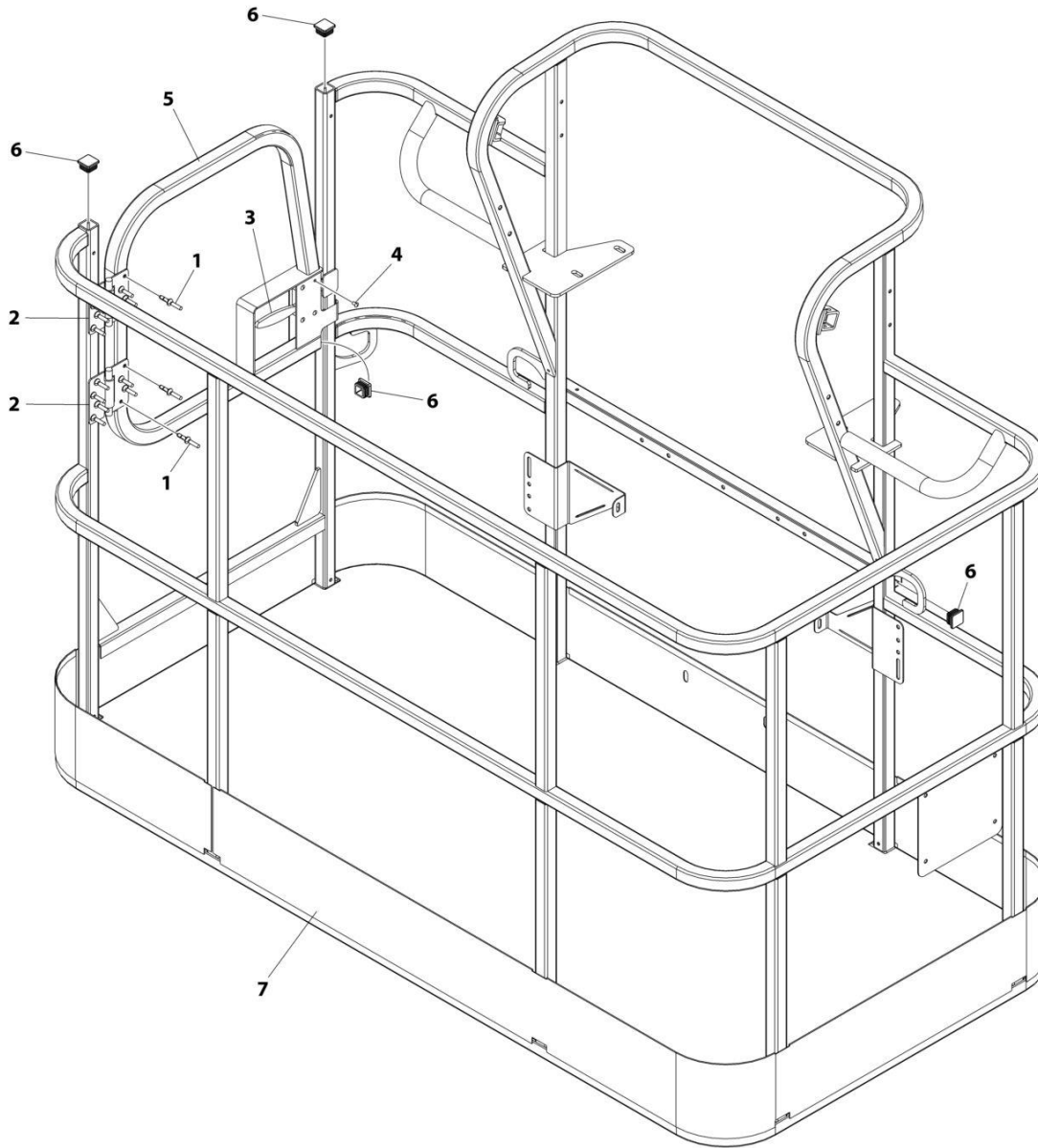
## SECTION 5 - PLATFORM

**FIGURE 5-8. PLATFORM ASSEMBLY - 30IN X 5FT (76CM X 1.52M) WITH SWING GATE (ROMANIAN BUILT MACHINES)**

ITEM	PART NUMBER	QTY	DESCRIPTION	REV
	1001188315	Ref	PLATFORM ASSEMBLY	E
	See Note	Ref	Note: Platform and Mesh must be ordered separately for Platforms with Mesh. See SPECIAL OPTIONS SECTION for Mesh Installations.	
	See Note	Ref	Note: Replacement Decals Must be Ordered Separately - See DECALS SECTION.	
1	2080040	16	Fastener, Huck	
2	2600281	2	Hinge	
3	2940074	1	Latch	
4	3820020	4	Rivet	
5	1001144629	1	Gate	
6	1001145781	5	Plug	
7	See Note	NSS	Platform (Note: Not Available - Purchase Platform Assembly)	

# SECTION 5 - PLATFORM

FIGURE 5-9. PLATFORM ASSEMBLY - 36IN X 6FT (92CM X 1.83M) WITH SWING GATE (ROMANIAN BUILT MACHINES)



ART\_1001188305

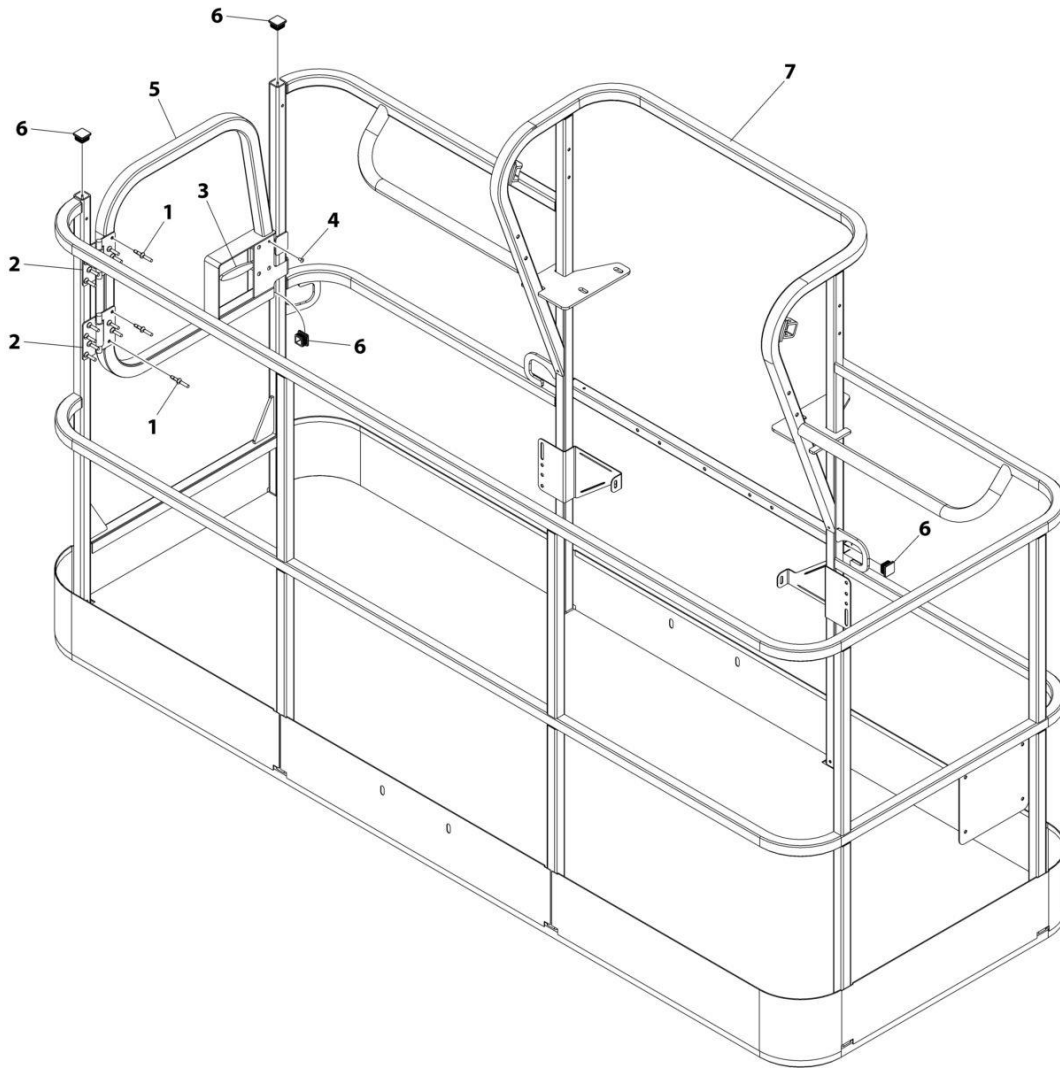
## SECTION 5 - PLATFORM

**FIGURE 5-9. PLATFORM ASSEMBLY - 36IN X 6FT (92CM X 1.83M) WITH SWING GATE (ROMANIAN BUILT MACHINES)**

ITEM	PART NUMBER	QTY	DESCRIPTION	REV
	1001188305	Ref	PLATFORM ASSEMBLY - 36IN X 6FT (91.5CM X 1.83M) WITH SWING GATE	D
	See Note	Ref	Note: Platform and Mesh must be ordered separately for Platforms with Mesh. See SPECIAL OPTIONS SECTION for Mesh Installations.	
	See Note	Ref	Note: Replacement Decals Must be Ordered Separately - See DECALS SECTION.	
1	2080040	16	Fastener, Huck	
2	2600281	2	Hinge	
3	2940074	1	Latch	
4	3820020	4	Rivet	
5	1001144629	1	Gate	
6	1001145781	5	Plug	
7	See Note	NSS	Platform (Note: Not Available - Purchase Platform Assembly)	

# SECTION 5 - PLATFORM

FIGURE 5-10. PLATFORM ASSEMBLY - 36IN X 8FT (91.5CM X 2.44M) WITH SWING GATE (ROMANIAN BUILT MACHINES)



ART\_1001188308

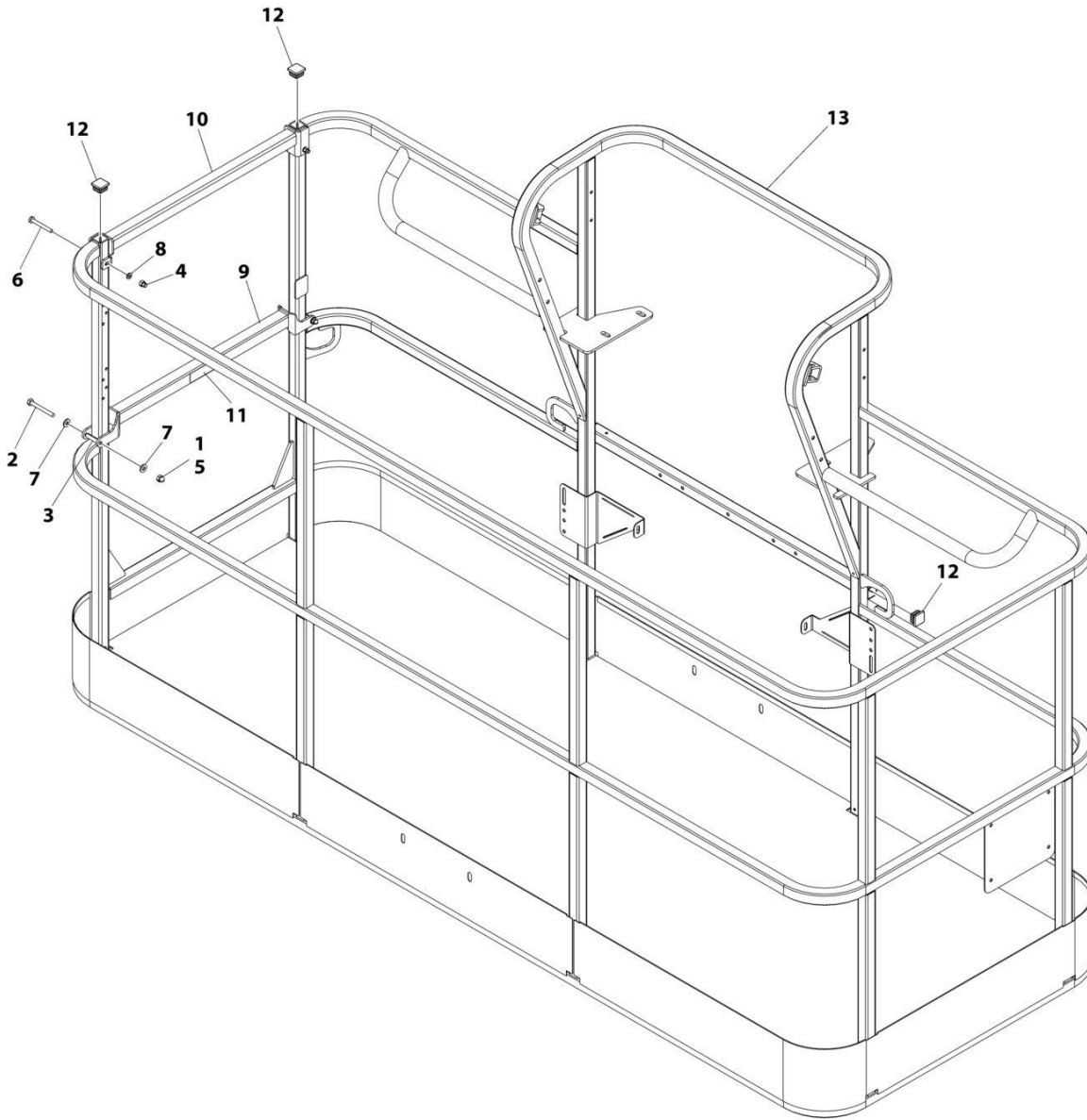
## SECTION 5 - PLATFORM

**FIGURE 5-10. PLATFORM ASSEMBLY - 36IN X 8FT (91.5CM X 2.44M) WITH SWING GATE  
(ROMANIAN BUILT MACHINES)**

ITEM	PART NUMBER	QTY	DESCRIPTION	REV
	1001188308	Ref	PLATFORM ASSEMBLY - 36IN X 8FT (91.5CM X 2.44M) WITH SWING GATE	F
	See Note	Ref	Note: Platform and Mesh must be ordered separately for Platforms with Mesh. See SPECIAL OPTIONS SECTION for Mesh Installations.	
	See Note	Ref	Note: Replacement Decals Must be Ordered Separately - See DECALS SECTION.	
1	2080040	16	Fastener, Huck	
2	2600281	2	Hinge	
3	2940074	1	Latch	
4	3820020	4	Rivet	
5	1001144629	1	Gate	
6	1001145781	5	Plug	
7	See Note	NSS	Platform (Note: Not Available - Purchase Platform Assembly)	

# SECTION 5 - PLATFORM

FIGURE 5-11. PLATFORM ASSEMBLY - 36IN X 8FT (91.5CM X 2.44M) WITH DROP BAR (ROMANIAN BUILT MACHINES)



ART\_1001188309



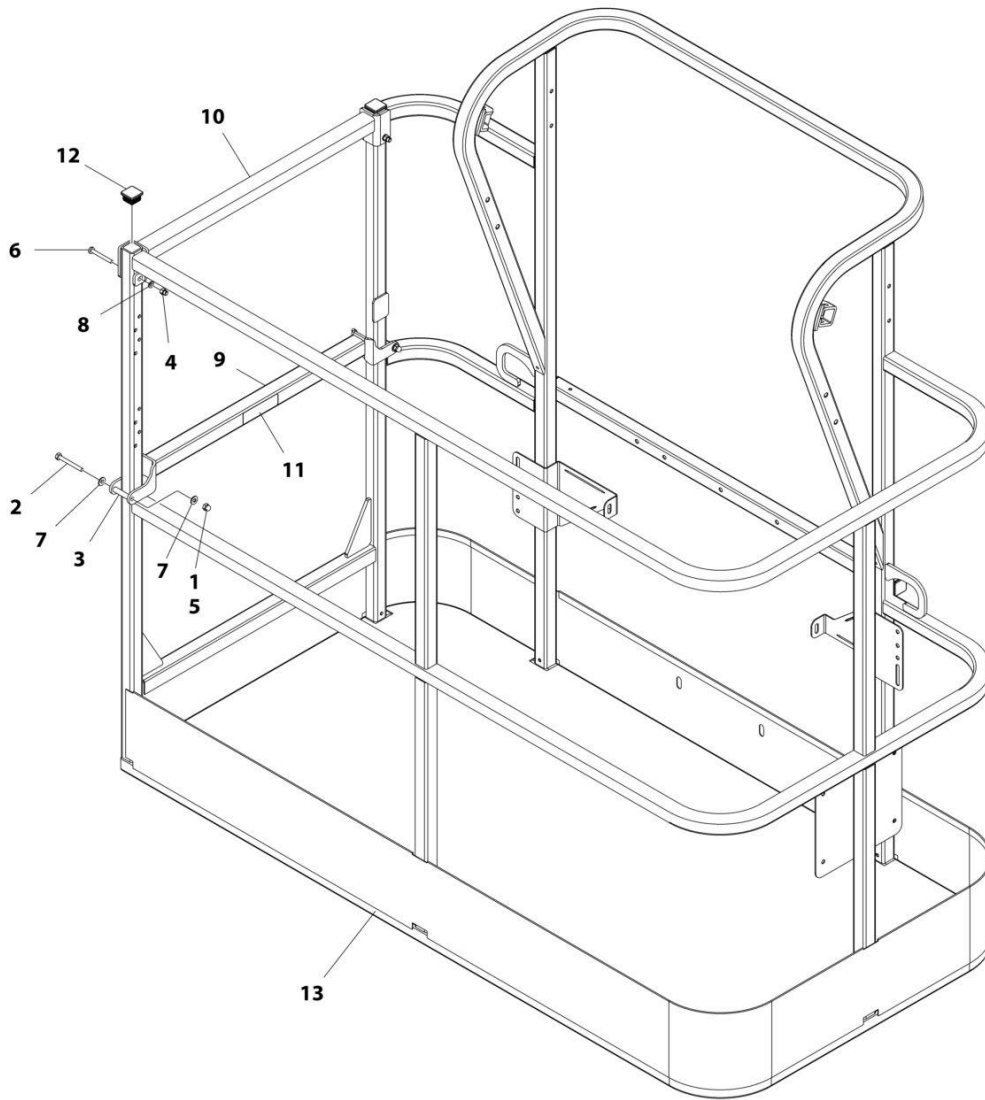
## SECTION 5 - PLATFORM

**FIGURE 5-11. PLATFORM ASSEMBLY - 36IN X 8FT (91.5CM X 2.44M) WITH DROP BAR (ROMANIAN BUILT MACHINES)**

ITEM	PART NUMBER	QTY	DESCRIPTION	REV
	1001188309	Ref	PLATFORM ASSEMBLY - 36IN X 8FT (91.5CM X 2.44M) WITH DROP BAR	B
	See Note	Ref	Note: Platform and Mesh must be ordered separately for Platforms with Mesh. See SPECIAL OPTIONS SECTION for Mesh Installations.	
	See Note	Ref	Note: Replacement Decals Must be Ordered Separately - See DECALS SECTION.	
1	0100011	AR	Compound, Locking	
2	0641418	2	Bolt 1/4 x 2-1/4	
3	0961845	2	Bushing	
4	3290606	2	Nut M6	
5	3300151	2	Nut 1/4	
6	4010618	2	Screw M6 x 50	
7	4711400	4	Washer 1/4	
8	4811700	2	Washer M6	
9	1001138494	1	Bar, Drop	
10	1001138514	1	Rail (Top)	
11	1001140429	1	Decal - Drop Bar	
12	1001145781	4	Plug	
13	See Note	NSS	Platform (Note: Not Available - Purchase Platform Assembly)	

# SECTION 5 - PLATFORM

FIGURE 5-12. PLATFORM ASSEMBLY - 30IN X 5FT (76CM X 1.52M) WITH DROP BAR (ROMANIAN BUILT MACHINES)



ART\_1001188314

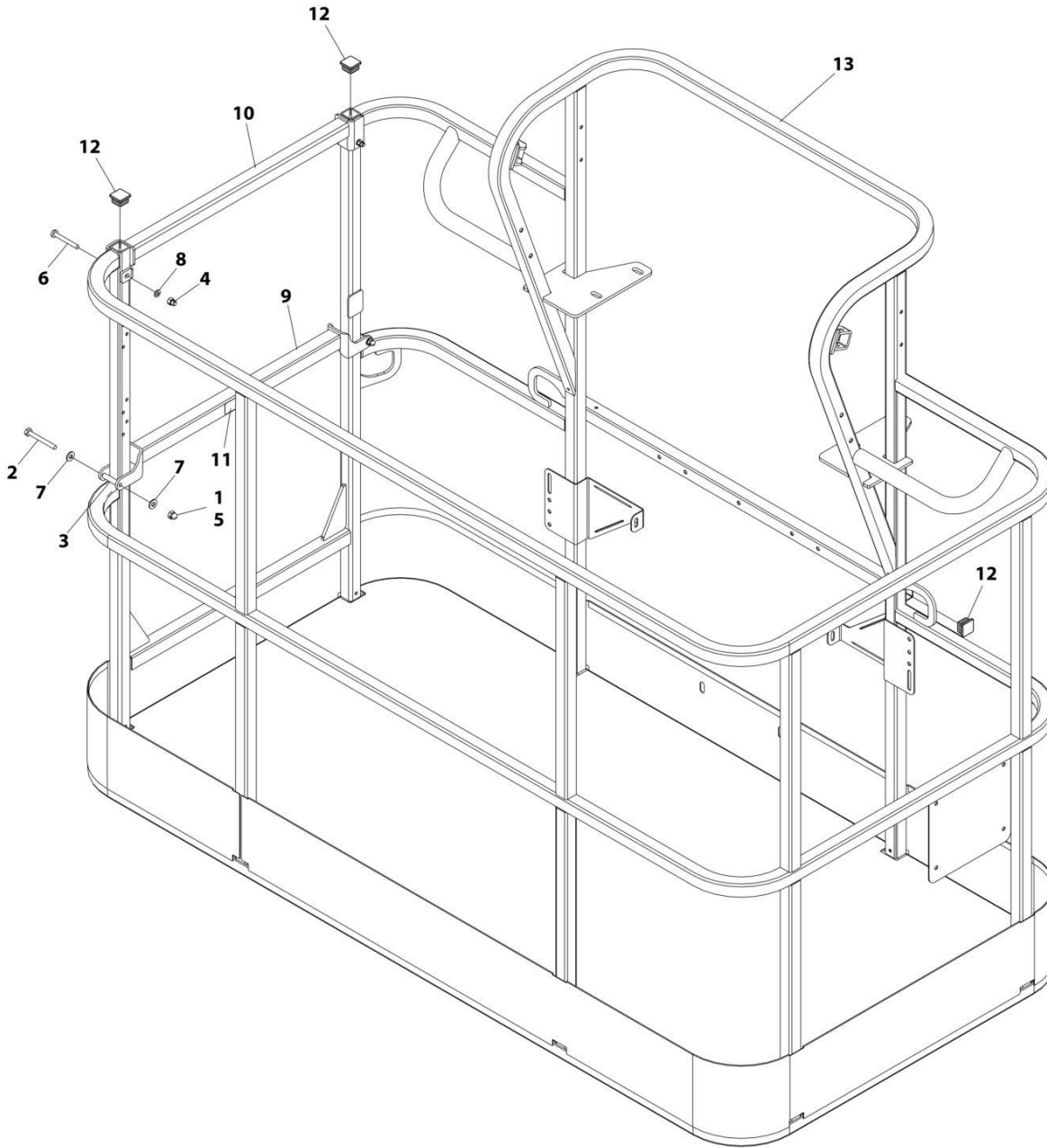
## SECTION 5 - PLATFORM

**FIGURE 5-12. PLATFORM ASSEMBLY - 30IN X 5FT (76CM X 1.52M) WITH DROP BAR (ROMANIAN BUILT MACHINES)**

ITEM	PART NUMBER	QTY	DESCRIPTION	REV
	1001188314	Ref	PLATFORM ASSEMBLY	C
	See Note	Ref	Note: Platform and Mesh must be ordered separately for Platforms with Mesh. See SPECIAL OPTIONS SECTION for Mesh Installations.	
	See Note	Ref	Note: Replacement Decals Must be Ordered Separately - See DECALS SECTION.	
1	0100011	AR	Compound, Locking	
2	0641418	2	Bolt 1/4 x 2-1/4	
3	0961845	2	Bushing	
4	3290606	2	Nut M6	
5	3300151	2	Nut 1/4	
6	4010618	2	Screw M6 x 50	
7	4711400	4	Washer 1/4	
8	4811700	2	Washer M6	
9	1001138494	1	Bar, Drop	
10	1001138514	1	Rail (Top)	
11	1001140429	1	Decal - Drop Bar	
12	1001145781	4	Plug	
13	See Note	NSS	Platform (Note: Not Available - Purchase Platform Assembly)	

# SECTION 5 - PLATFORM

FIGURE 5-13. PLATFORM ASSEMBLY - 36IN X 6FT (91.5CM X 1.83M) WITH DROP BAR (ROMANIAN BUILT MACHINES)



ART\_1001188306

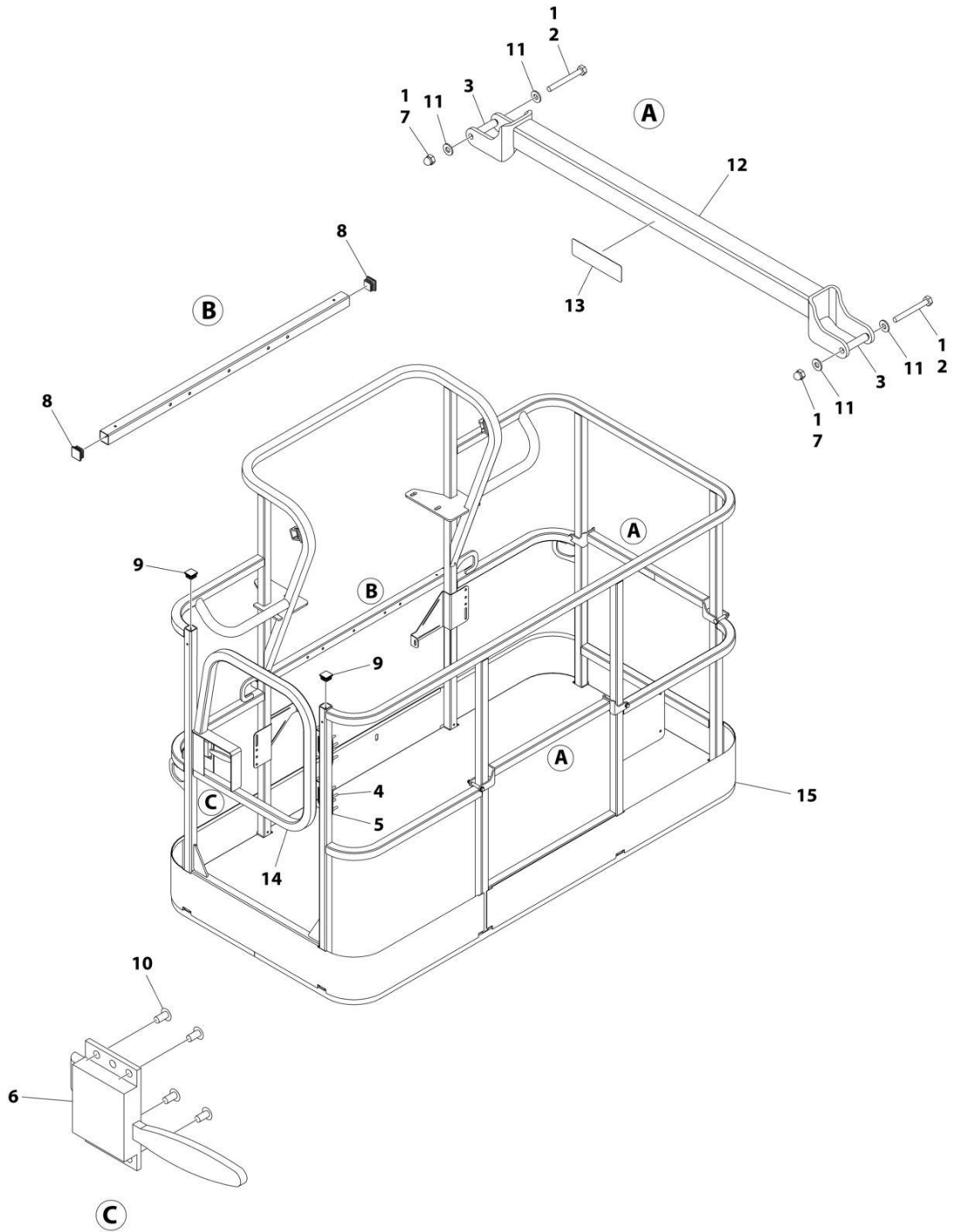
## SECTION 5 - PLATFORM

**FIGURE 5-13. PLATFORM ASSEMBLY - 36IN X 6FT (91.5CM X 1.83M) WITH DROP BAR (ROMANIAN BUILT MACHINES)**

ITEM	PART NUMBER	QTY	DESCRIPTION	REV
	1001188306	Ref	PLATFORM ASSEMBLY - 36IN X 6FT (91.5CM X 1.83M) WITH DROP BAR	C
	See Note	Ref	Note: Platform and Mesh must be ordered separately for Platforms with Mesh. See SPECIAL OPTIONS SECTION for Mesh Installations.	
	See Note	Ref	Note: Replacement Decals Must be Ordered Separately - See DECALS SECTION.	
1	0100011	AR	Compound, Locking	
2	0641418	2	Bolt 1/4 x 2-1/4	
3	0961845	2	Bushing	
4	3290606	2	Nut M6	
5	3300151	2	Nut 1/4	
6	4010618	2	Screw M6 x 50	
7	4711400	4	Washer 1/4	
8	4811700	2	Washer M6	
9	1001138494	1	Bar, Drop	
10	1001138514	1	Rail (Top)	
11	1001140429	1	Decal - Drop Bar	
12	1001145781	4	Plug	
13	See Note	NSS	Platform (Note: Not Available - Purchase Platform Assembly)	

# SECTION 5 - PLATFORM

FIGURE 5-14. PLATFORM ASSEMBLY - 36IN X 6FT (91.5CM X 1.83M) TRI-ENTRY WITH GATE



ART\_1001228376

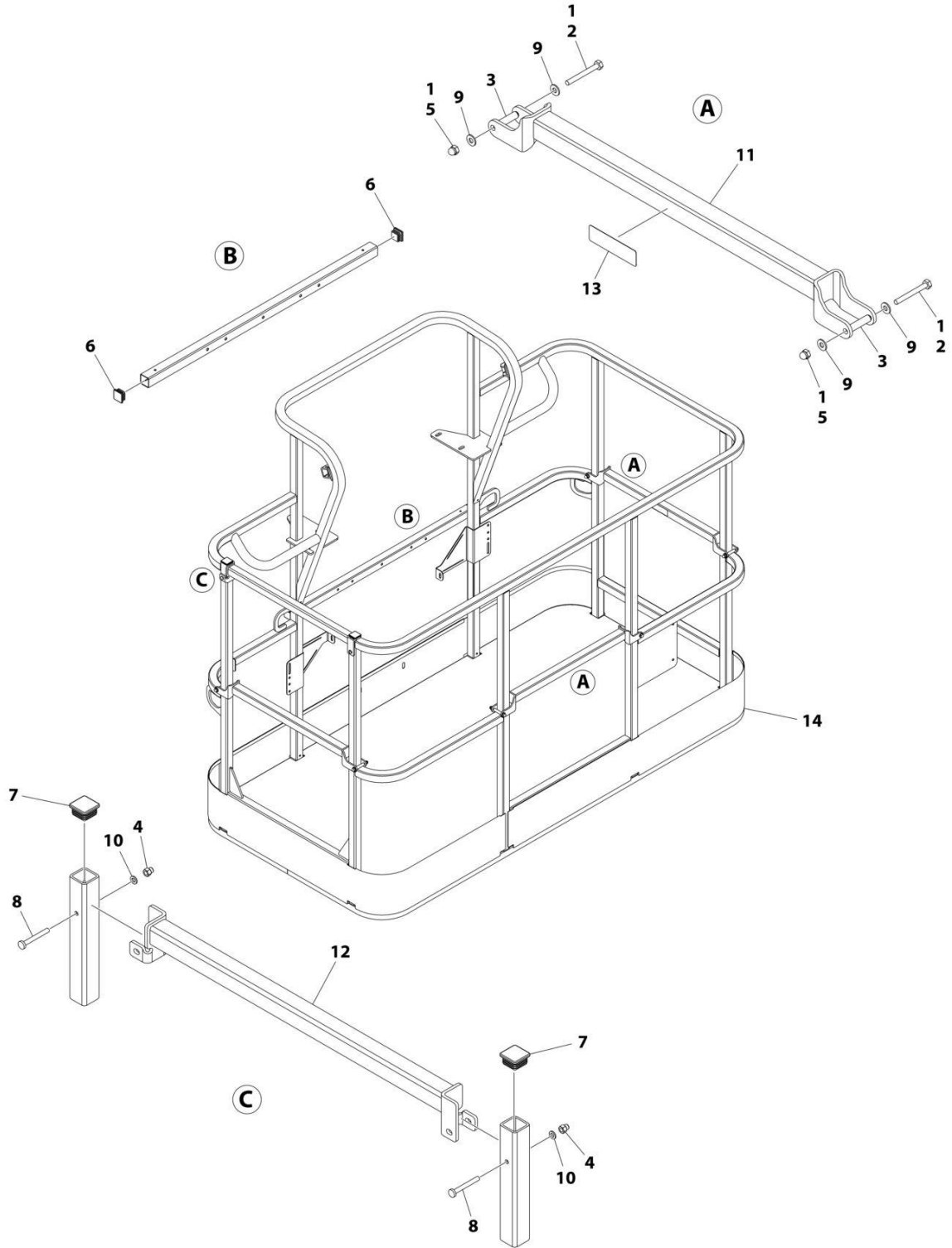
## SECTION 5 - PLATFORM

**FIGURE 5-14. PLATFORM ASSEMBLY - 36IN X 6FT (91.5CM X 1.83M) TRI-ENTRY WITH GATE**

ITEM	PART NUMBER	QTY	DESCRIPTION	REV
	1001228376	Ref	PLATFORM ASSEMBLY - 36IN x 6FT (91.5CM x 1.83M)	B
		Ref	Note: Platform and Mesh must be ordered separately for Platforms with Mesh. See SPECIAL OPTIONS SECTION for Mesh Installations.	
		Ref	Note: Replacement Decals Must be Ordered Separately - See DECAL SECTION.	
1	0100011	AR	Compound, Locking	
2	0641418	4	Bolt 1/4 x 2-1/4	
3	0961845	4	Bushing	
4	2080040	16	Fastener	
5	2600281	2	Hinge	
6	2940074	1	Latch	
7	3300151	4	Nut 1/4	
8	3520072	3	Plug	
9	3520198	2	Plug	
10	3820020	4	Rivet	
11	4711400	8	Washer 1/4	
12	1001138494	2	Bar, Drop	
13	1001140429	2	Decal - Drop Bar	
14	1001144629	1	Gate	
15	See Note	NSS	Platform (Note: Not Available - Purchase Platform Assembly)	

# SECTION 5 - PLATFORM

FIGURE 5-15. PLATFORM ASSEMBLY - 36IN X 6FT (91.5CM X 1.83M) TRI-ENTRY WITH DROPBAR



ART\_1001228377



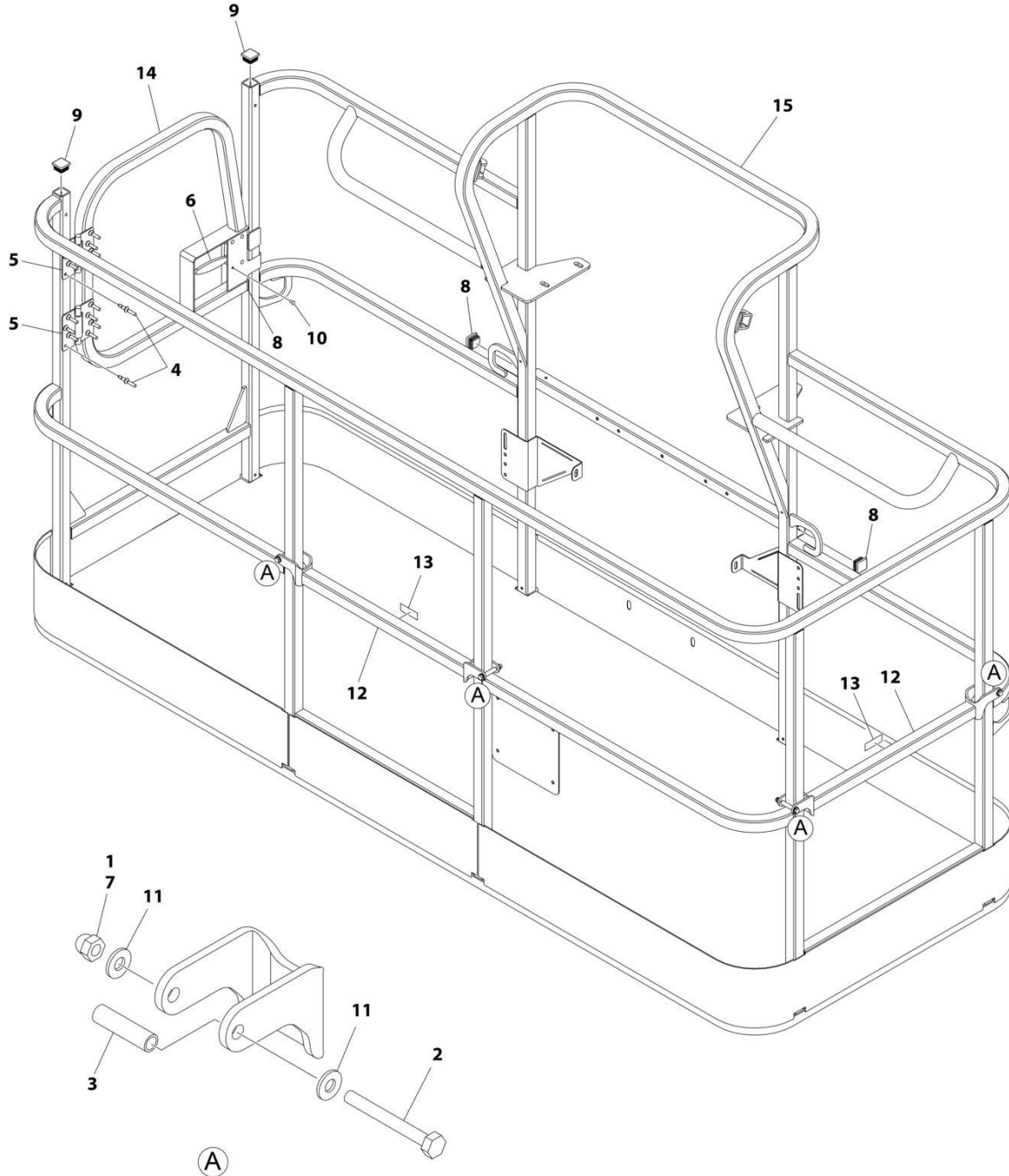
## SECTION 5 - PLATFORM

**FIGURE 5-15. PLATFORM ASSEMBLY - 36IN X 6FT (91.5CM X 1.83M) TRI-ENTRY WITH DROPBAR**

ITEM	PART NUMBER	QTY	DESCRIPTION	REV
	1001228377	Ref	PLATFORM ASSEMBLY - 36IN x 6FT (91.5CM x 1.83M)	B
		Ref	Note: Platform and Mesh must be ordered separately for Platforms with Mesh. See SPECIAL OPTIONS SECTION for Mesh Installations.	
		Ref	Note: Replacement Decals Must be Ordered Separately - See DECAL SECTION.	
1	0100011	1	Compound, Locking	
2	0641418	6	Bolt 1/4 x 2-1/4	
3	0961845	6	Bushing	
4	3290606	2	Nut M6	
5	3300151	6	Nut 1/4	
6	3520072	2	Plug	
7	3520198	2	Plug	
8	4010618	2	Screw M6 x 50	
9	4711400	12	Washer 1/4	
10	4811700	2	Washer M6	
11	1001138494	3	Bar, Drop	
12	1001138514	1	Rail (Top)	
13	1001140429	3	Decal - Drop Bar	
14	See Note	NSS	Platform, Weldment (Note: Not Available - Purchase Platform Assembly)	

# SECTION 5 - PLATFORM

FIGURE 5-16. PLATFORM ASSEMBLY - 36IN X 8FT (91.5CM X 2.44M) WITH TRI-ENTRY (1 GATE/2 DROP BARS)



ART\_1001228243

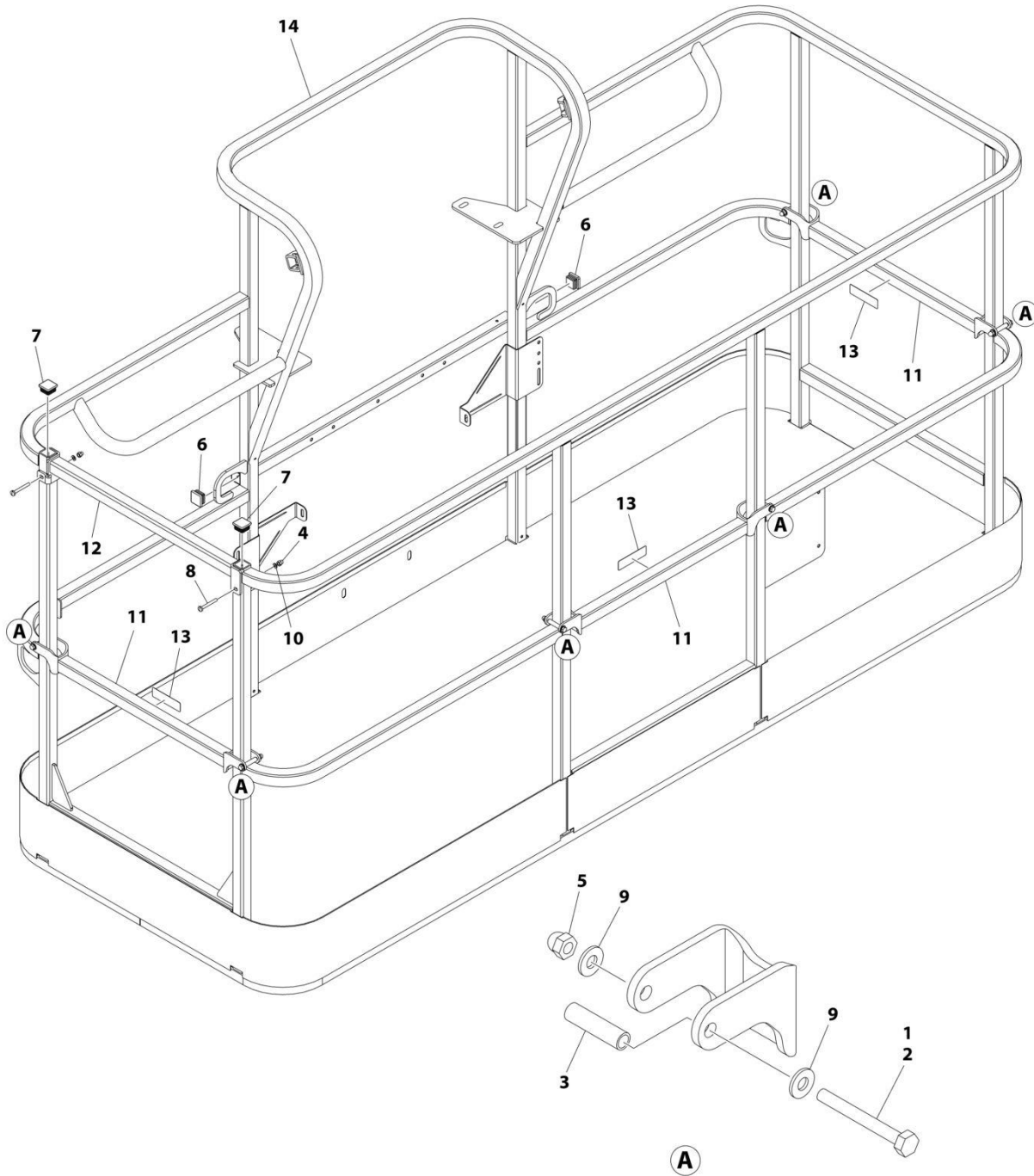
## SECTION 5 - PLATFORM

**FIGURE 5-16. PLATFORM ASSEMBLY - 36IN X 8FT (91.5CM X 2.44M) WITH TRI-ENTRY (1 GATE/2 DROP BARS)**

ITEM	PART NUMBER	QTY	DESCRIPTION	REV
	1001228243	Ref	PLATFORM ASSEMBLY - 36IN X 8FT (91.5CM X 2.44M) WITH TRI-ENTRY	A
		Ref	Note: Platform and Mesh must be ordered separately for Platforms with Mesh. See SPECIAL OPTIONS SECTION for Mesh Installations.	
1	0100011	AR	Compound, Locking	
2	0641418	4	Bolt 1/4 x 2-1/4	
3	0961845	4	Bushing	
4	2080040	16	Fastener, Huck	
5	2600281	2	Hinge, Self-Closing	
6	2940074	1	Latch	
7	3300151	4	Nut 1/4	
8	3520072	3	Cap, Plug	
9	3520198	2	Cap, Plug	
10	3820020	4	Rivet	
11	4711400	8	Washer 1/4	
12	1001138494	2	Bar, Drop	
13	1001140429	2	Decal - Drop Bar	
14	1001144629	1	Gate, Weldment	
15	See Note	1	Platform (Note: Not Available - Purchase Platform Assembly)	

# SECTION 5 - PLATFORM

FIGURE 5-17. PLATFORM ASSEMBLY - 36IN X 8FT (91.5CM X 2.44M) WITH TRI-ENTRY (3 DROP BARS)



ART\_1001228375

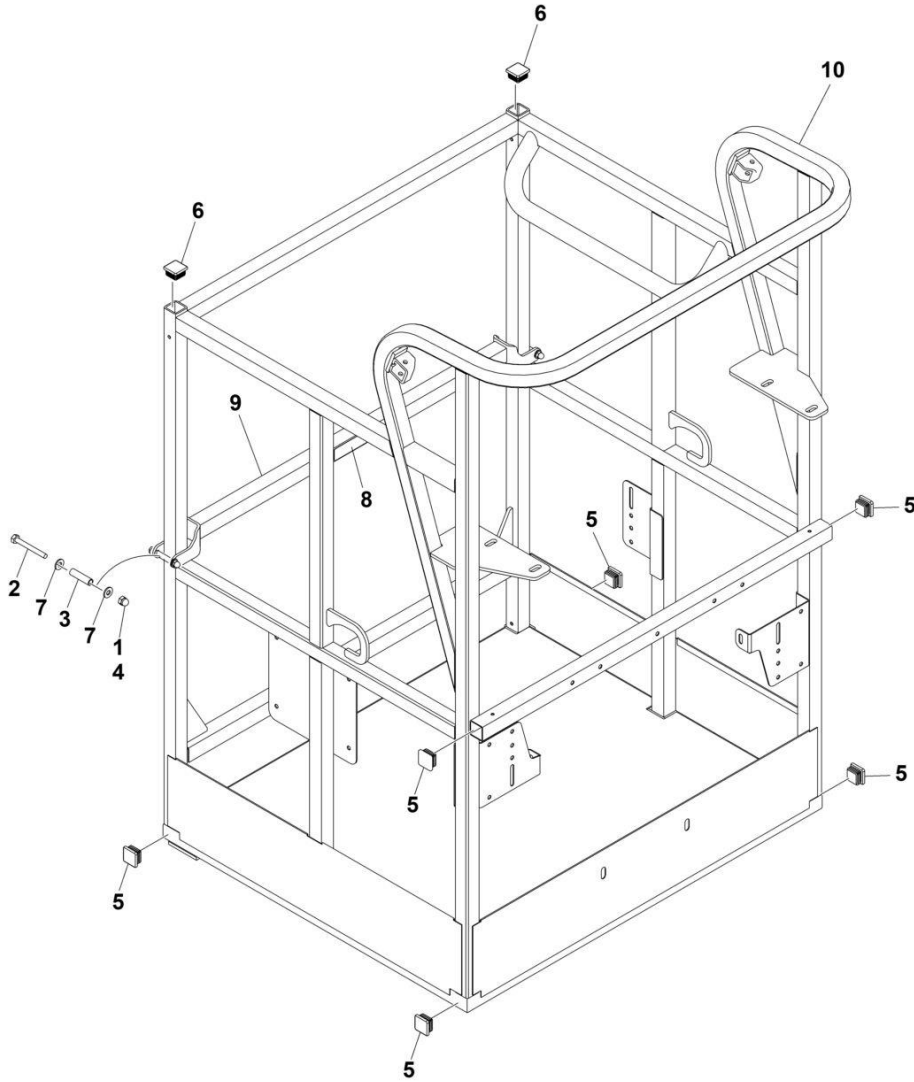
## SECTION 5 - PLATFORM

**FIGURE 5-17. PLATFORM ASSEMBLY - 36IN X 8FT (91.5CM X 2.44M) WITH TRI-ENTRY (3 DROP BARS)**

ITEM	PART NUMBER	QTY	DESCRIPTION	REV
	1001228375	Ref	PLATFORM ASSEMBLY - 36IN X 8FT (91.5CM X 2.44M) WITH TRI-ENTRY	A
		Ref	Note: Platform and Mesh must be ordered separately for Platforms with Mesh. See SPECIAL OPTIONS SECTION for Mesh Installations.	
		Ref	Note: Replacement Decals Must be Ordered Separately - See DECAL SECTION.	
1	0100011	AR	Compound, Locking	
2	0641418	6	Bolt 1/4 x 2-1/4	
3	0961845	6	Bushing	
4	3290606	2	Nut M6 x 1	
5	3300151	6	Nut 1/4	
6	3520072	2	Cap, Plug	
7	3520198	2	Cap, Plug	
8	4010618	2	Screw M6 x 50	
9	4711400	12	Washer 1/4	
10	4811700	2	Washer M6	
11	1001138494	3	Bar, Drop	
12	1001138514	1	Rail (Top)	
13	1001140429	3	Decal - Drop Bar	
14	See Note	1	Platform (Note: Not Available - Purchase Platform Assembly)	

# SECTION 5 - PLATFORM

FIGURE 5-18. PLATFORM ASSEMBLY - 30IN X 3FT (76CM X .91M) - DROP BAR ENTRY



ART\_1001228215

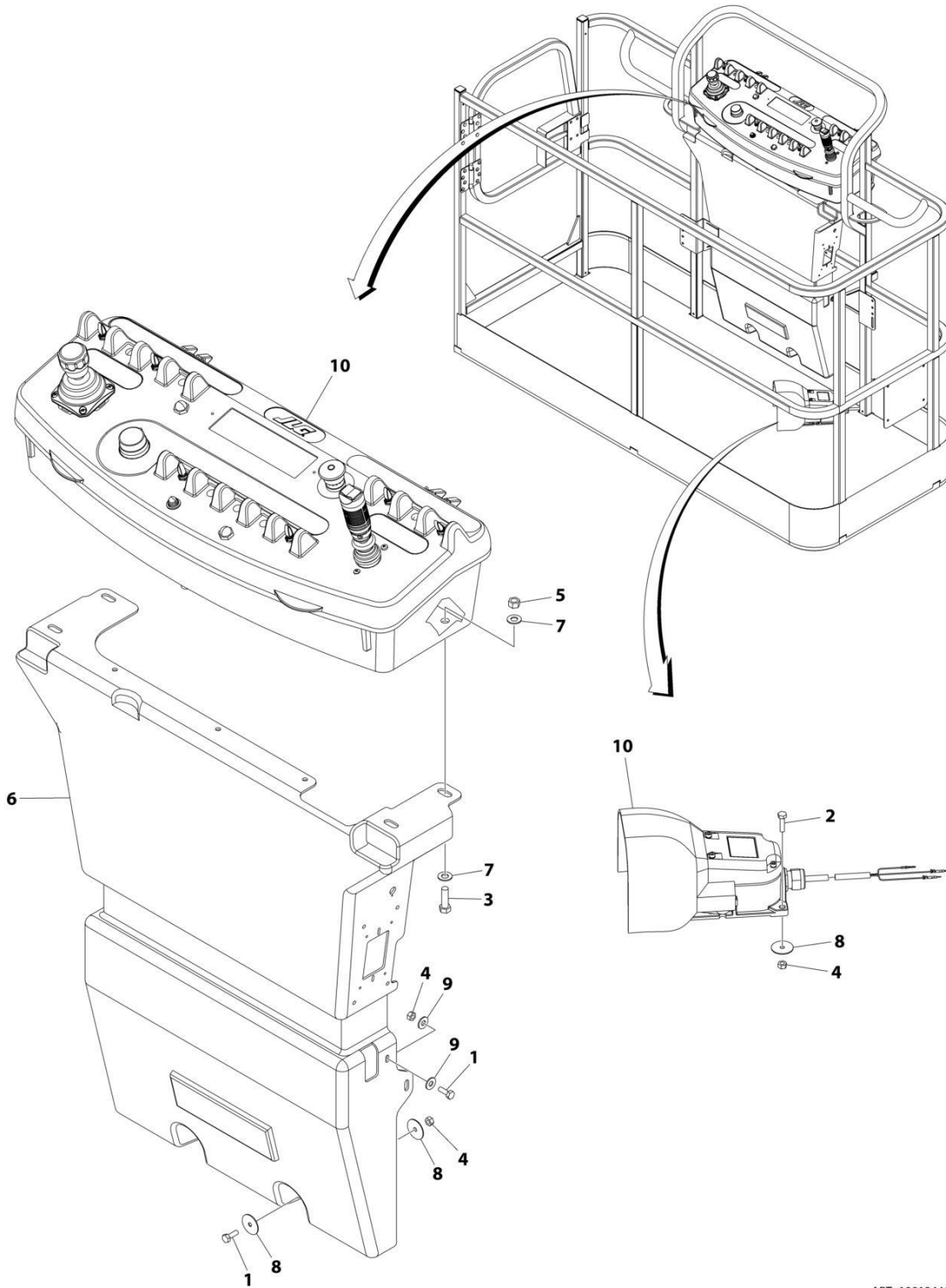
## SECTION 5 - PLATFORM

**FIGURE 5-18. PLATFORM ASSEMBLY - 30IN X 3FT (76CM X .91M) - DROP BAR ENTRY**

ITEM	PART NUMBER	QTY	DESCRIPTION	REV
	1001228215	Ref	PLATFORM ASSEMBLY	A
	See Note	Ref	Note: Platform and Mesh must be ordered separately for Platforms with Mesh. See SPECIAL OPTIONS SECTION for Mesh Installations.	
	See Note	Ref	Note: Replacement Decals Must be Ordered Separately - See DECAL SECTION.	
1	0100011	AR	Compound, Locking	
2	0641418	2	Bolt 1/4 x 2-1/4	
3	0961845	2	Bushing	
4	3300151	2	Nut 1/4	
5	3520072	6	Cap, Plug	
6	3520198	2	Cap, Plug	
7	4711400	4	Washer 1/4	
8	1001140429	1	Decal - Drop Bar	
9	1001226872	1	Bar, Drop	
10	See Note	NSS	Platform (Note: Not Available - Purchase Platform Assembly)	

# SECTION 5 - PLATFORM

## FIGURE 5-19. PLATFORM CONSOLE BOX INSTALLATION



ART\_1001244975



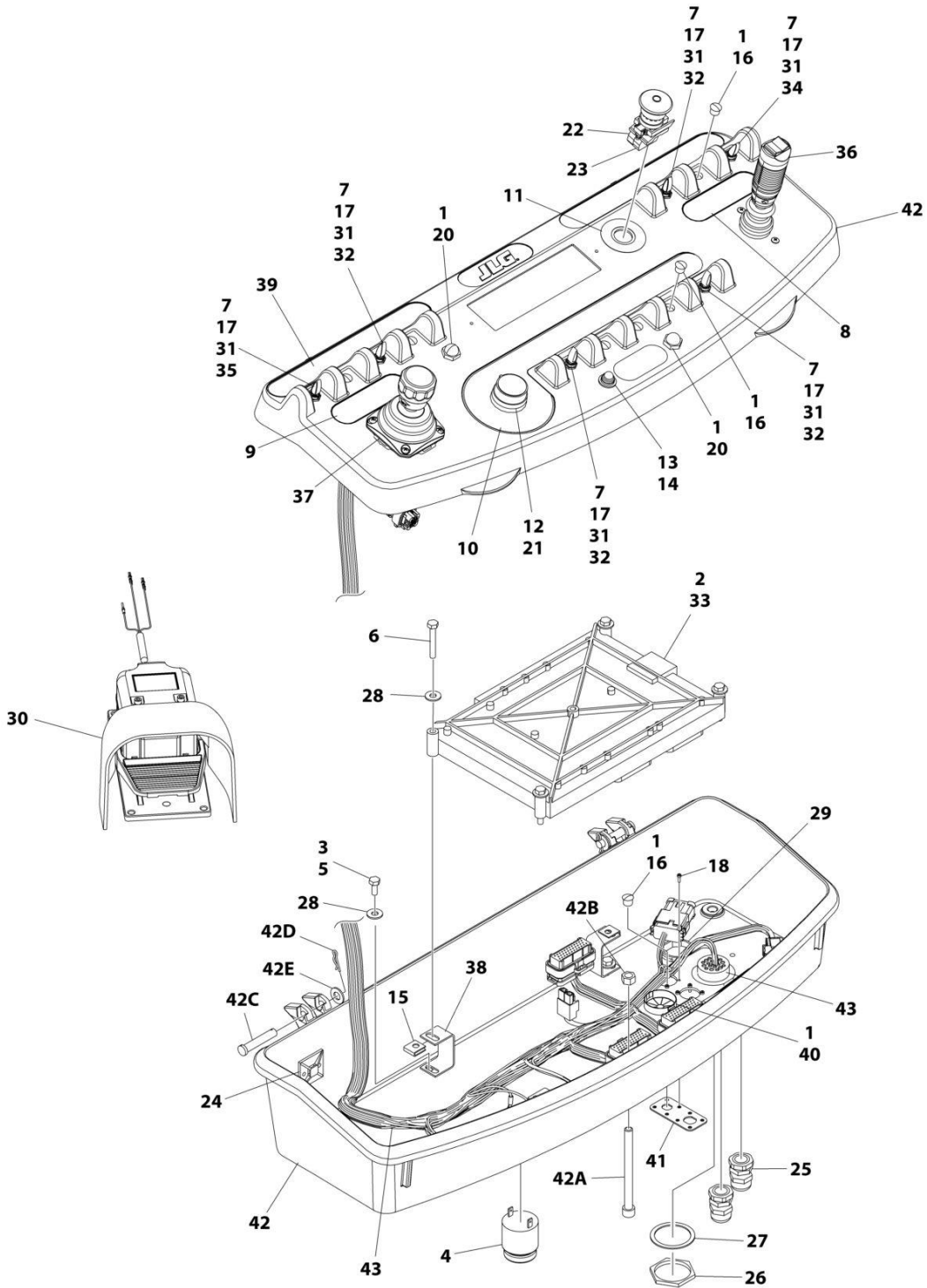
## SECTION 5 - PLATFORM

### FIGURE 5-19. PLATFORM CONSOLE BOX INSTALLATION

ITEM	PART NUMBER	QTY	DESCRIPTION	REV
	1001244975	Ref	PLATFORM CONSOLE BOX INSTALLATION	A
1	0641406	4	Bolt, 1/4 x 3/4	
2	0641408	3	Bolt, 1/4 x 1	
3	0641610	4	Bolt, 3/8 x 1-1/4	
4	3311405	7	Nut, Lock 1/4	
5	3311605	4	Nut, Lock 3/8	
6	3380434	1	Panel, Decal Mount	
7	4751600	8	Washer, 3/8	
8	4740362	7	Washer, 1/4	
9	4751400	4	Washer, 1/4	
10	1001244976	1	Platform Console Box Assembly (See Separate Breakdown in this Section)	

# SECTION 5 - PLATFORM

## FIGURE 5-20. PLATFORM CONSOLE BOX ASSEMBLY



ART\_1001244976

## SECTION 5 - PLATFORM

### FIGURE 5-20. PLATFORM CONSOLE BOX ASSEMBLY

ITEM	PART NUMBER	QTY	DESCRIPTION	REV
	1001244976	Ref	PLATFORM CONSOLE BOX ASSEMBLY	A
1	0100009	AR	Sealant	
2	0100048	AR	Adhesive	
3	0100035	AR	Compound, Locking	
4	0140011	1	Alarm	
5	0641405	4	Bolt 1/4 x 5/8	
6	0641414	4	Bolt 1/4 x 1-3/4	
7	4740397	6	Spacer	
8	1702565	1	Decal - Drive and Steer	
9	1702566	1	Decal - Lift and Swing	
10	1702567	1	Decal - Function Speed	
11	1704260	1	Decal - EMS	
12	2560136	1	Handle, Knob	
13	2920028	1	Light, Indicator	
14	2920029	1	Bulb, Light	
15	3300353	4	Nut, Tinnerman	
16	3520054	7	Plug	
17	3790012	6	O-Ring	
18	3900349	8	Screw M2.5	
19	4240099	AR	Tie-Strap (Not Shown)	
20	4360387	2	Switch, Pushbutton	
21	4360407	1	Switch, Potentiometer	
22	4360475	1	Switch, Emergency	
22	7020175	1	Cap, Red	
22	7020176	1	Contact Block	
23	4360476	1	Block, Contact	
24	4460234	6	Terminal	
25	4460428	2	Connector, Strain Relief	
26	4460470	1	Nut, Terminal	
27	4460471	1	Washer	
28	4751400	8	Washer 1/4	
29	1001110434	1	Plug	
30	1001117174	1	Footswitch Assembly (See Separate Breakdown in this Section)	
31	1001155044	6	Nut 15/32	
32	1001155045	4	Switch, Toggle	
33	1001157196	1	Controller, Module (Note: Re-calibration Required when Replaced)	
34	1001159256	1	Switch, Toggle	
35	1001161709	1	Switch, Toggle	
36	1001166538	NLA	Controller Assembly (Drive and Steer) (Use p/n 1001212415) (See Separate Breakdown in this Section)	
37	1001166539	1	Controller Assembly (Lift and Swing) (See Separate Breakdown in this Section)	
38	1001172760	4	Bracket	
39	1001184626	1	Decal - Horn	
40	1001185281	1	Plug	
41	1001213882	1	Connector Mount	
42	1001215228	1	Platform Console Box	
42A	0630568	1	Capscrew 3/8 x 4-1/2	
42B	3311601	1	Nut 3/8	
42C	3430616	2	Pin	

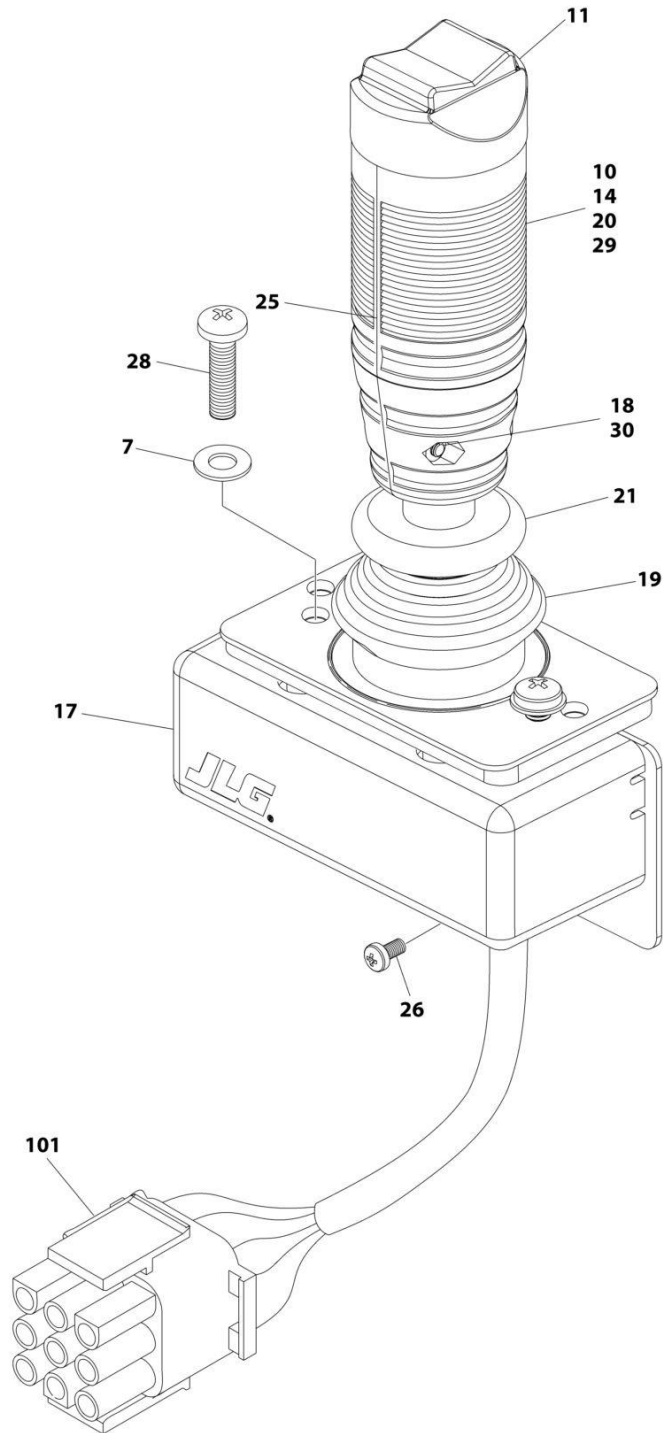
## SECTION 5 - PLATFORM

ITEM	PART NUMBER	QTY	DESCRIPTION	REV
42D	3470003	2	Hairpin	
42E	4711600	2	Washer 3/8	
43	1001238254	1	Harness, Platform Console Box (See Separate Breakdown in ELECTRICAL SECTION)	



# SECTION 5 - PLATFORM

## FIGURE 5-21. CONTROLLER ASSEMBLY (DRIVE AND STEER)



ART\_1001166538

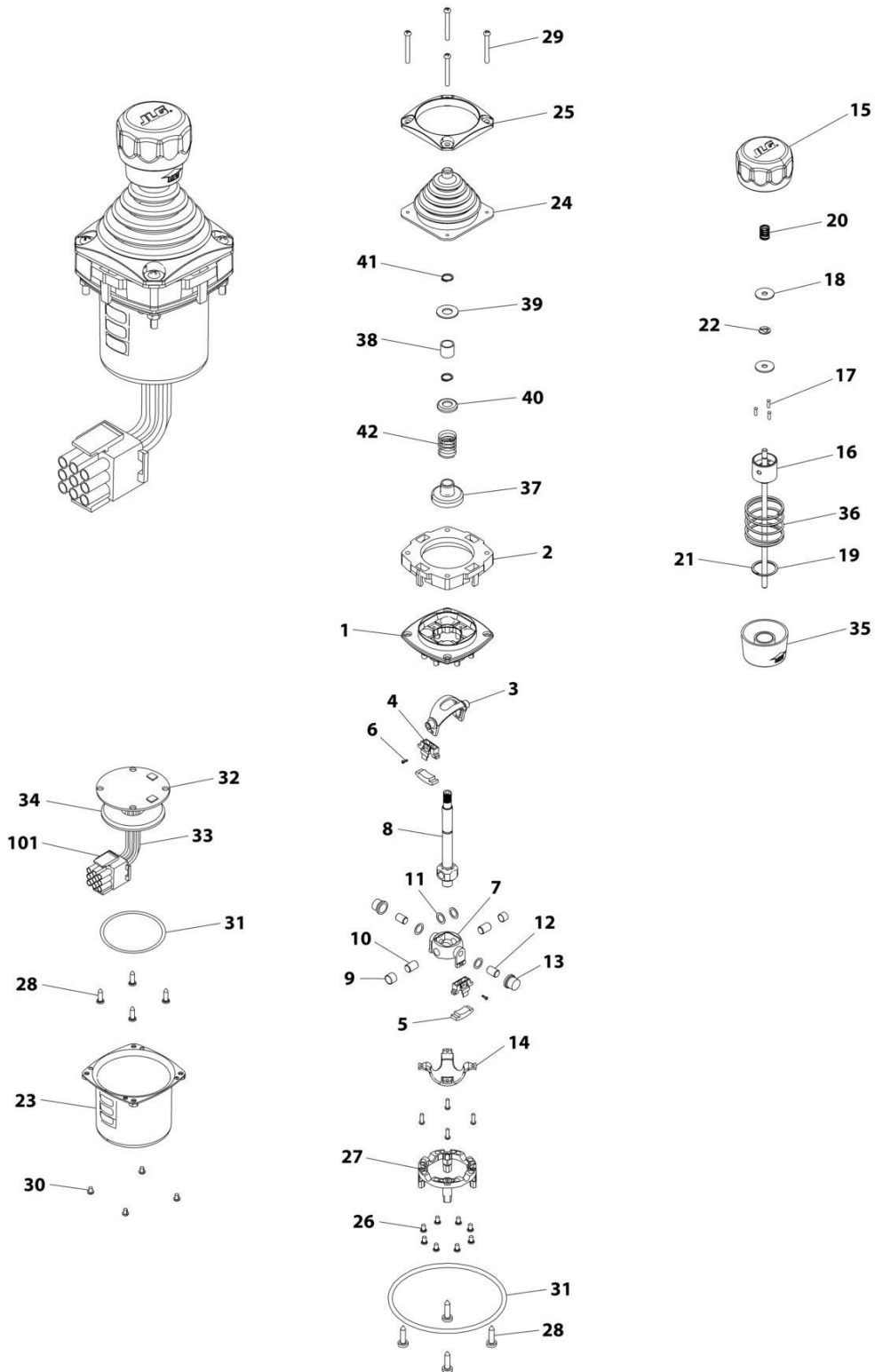
## SECTION 5 - PLATFORM

**FIGURE 5-21. CONTROLLER ASSEMBLY (DRIVE AND STEER)**

ITEM	PART NUMBER	QTY	DESCRIPTION	REV
	1001166538	Ref	CONTROLLER ASSEMBLY - DRIVE AND STEER	G
		Ref	Note: For Replacement, Use p/n 1001212415.	
7	70004738	2	Washer	
10	70004739	1	Roller	
11	70004740	1	Boot, Switch	
14	70004741	2	Half, Handle	
17	70004742	1	Enclosure	
18	70004743	4	Nut	
19	70004744	NLA	Boot, Controller (Use p/n 70005230 Boot/Base Assembly)	
20	70004745	NLA	Tube, Locking (Use p/n 70005230 Boot/Base Assembly)	
21	70004746	NLA	Disc, Locking (Use p/n 70005230 Boot/Base Assembly)	
25	70004747	2	Seal, Rope	
26	70004748	1	Screw M3 x 6	
28	70004749	2	Screw M5 x 20	
29	70004750	1	Pin, Dowel	
30	70004751	4	Screw M3 x 16	
101	4460265	1	Connector - 9 Position	
101	4460226	7	Socket, Female	

# SECTION 5 - PLATFORM

## FIGURE 5-22. CONTROLLER ASSEMBLY (LIFT AND SWING)



ART\_1001166539



## SECTION 5 - PLATFORM

**FIGURE 5-22. CONTROLLER ASSEMBLY (LIFT AND SWING)**

ITEM	PART NUMBER	QTY	DESCRIPTION	REV
	1001166539	Ref	CONTROLLER ASSEMBLY	E
		Ref	Note: Original Equipment Controller May Have Been Replaced with Service Replacement Controller. Visually Identify Controller Before Ordering Parts.	
		Ref	Note: For Replacement, Use p/n 1001129555	
1	See Note	NSS	Main Cast Body (Note: Not Available - Purchase Complete Assembly)	
2	70004752	1	Adapter	
3	See Note	NSS	Pivot Arm, Plastic (Note: Not Available - Purchase Complete Assembly)	
4	See Note	NSS	Holder, Magnet (Note: Not Available - Purchase Complete Assembly)	
5	See Note	NSS	Arc, Magnet (Note: Not Available - Purchase Complete Assembly)	
6	See Note	NSS	Screw (Note: Not Available for Purchase)	
7	See Note	NSS	Pivot Arm, Cast (Note: Not Available - Purchase Complete Assembly)	
8	See Note	NSS	Shaft, Main (Note: Not Available - Purchase Complete Assembly)	
9	See Note	NSS	Bearing (Note: Not Available - Purchase Complete Assembly)	
10	See Note	NSS	Pin (Note: Not Available - Purchase Complete Assembly)	
11	See Note	NSS	Shim (Note: Not Available - Purchase Complete Assembly)	
12	See Note	NSS	Pin (Note: Not Available - Purchase Complete Assembly)	
13	See Note	NSS	Bearing (Note: Not Available - Purchase Complete Assembly)	
14	See Note	NSS	Dome, Centering (Note: Not Available - Purchase Complete Assembly)	
15	70004753	1	Cap	
16	70004754	1	Insert, Cap	
17	70004755	3	Pin	
18	70004756	2	Washer	
19	70004757	1	Pin, Centering	
20	70004758	1	Spring	
21	70004759	1	Ring, Retaining	
22	70004760	1	E-Ring	
23	70004761	1	Can, Enclosure	
24	70004762	1	Boot	
25	70004763	1	Bezel	
26	See Note	NSS	Screw (Note: Not Available for Purchase)	
27	See Note	NSS	Base Mounting (Note: Not Available - Purchase Complete Assembly)	
28	See Note	NSS	Screw (Note: Not Available for Purchase)	
29	70004764	4	Screw	
30	70004765	4	Screw	
31	70004766	1	O-Ring	
32	See Note	NSS	Plate (Note: Not Available - Purchase Complete Assembly)	
33	See Note	NSS	Harness (Note: Not Available - Purchase Complete Assembly)	
34	70004767	1	Grommet, Rubber	
35	70004768	1	Housing	
36	70004769	1	Spring	
37	70004770	1	Stopper	
38	70004771	1	Spacer	
39	70004772	1	Washer	
40	70004773	1	Disc	

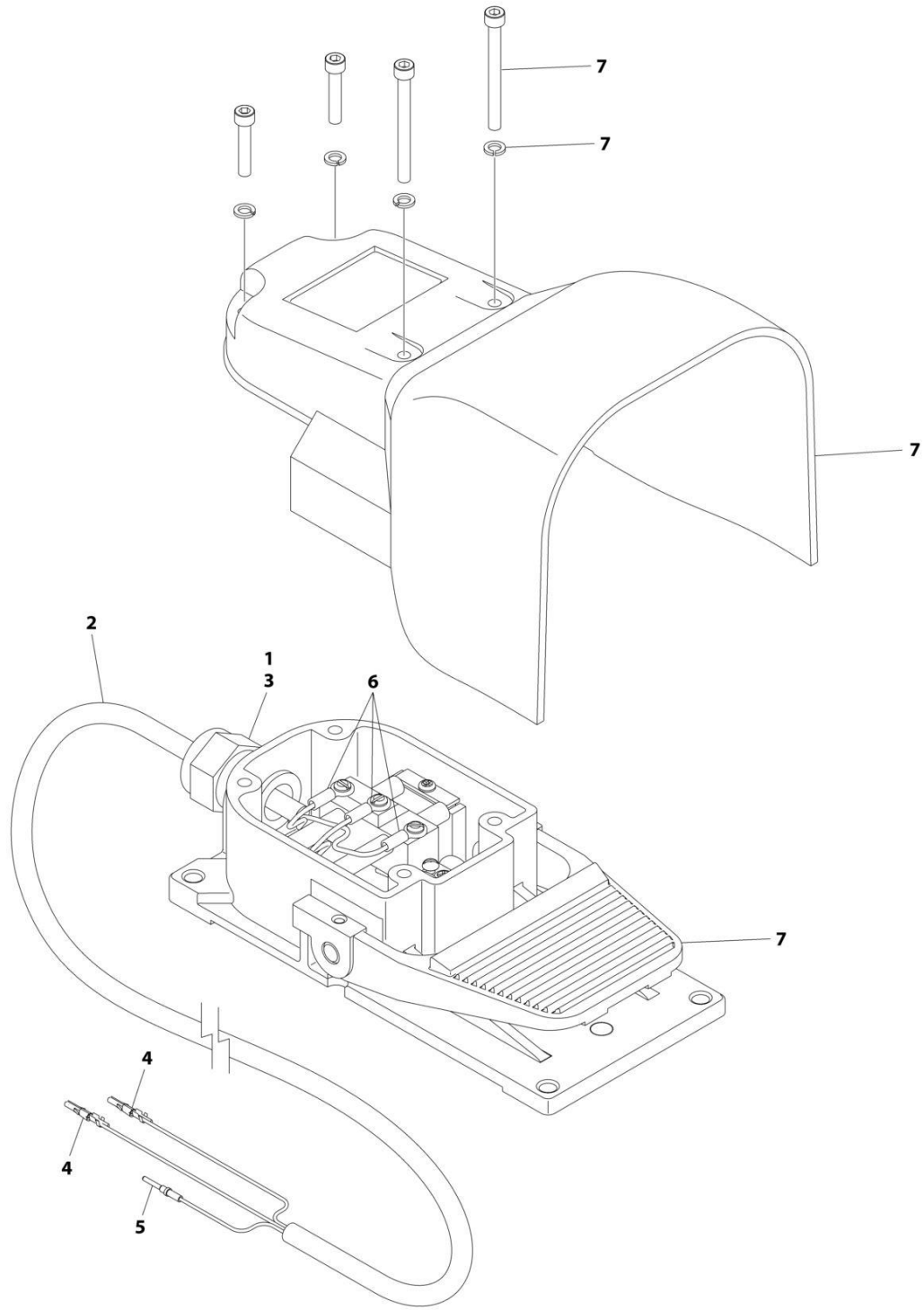
## SECTION 5 - PLATFORM

ITEM	PART NUMBER	QTY	DESCRIPTION	REV
41	70004774	2	Ring, Retaining	
42	70004775	1	Spring	
101	4460265	1	Connector - 9 Position	
101	4460226	6	Socket, Female	



# SECTION 5 - PLATFORM

## FIGURE 5-23. FOOTSWITCH ASSEMBLY



ART\_100117174

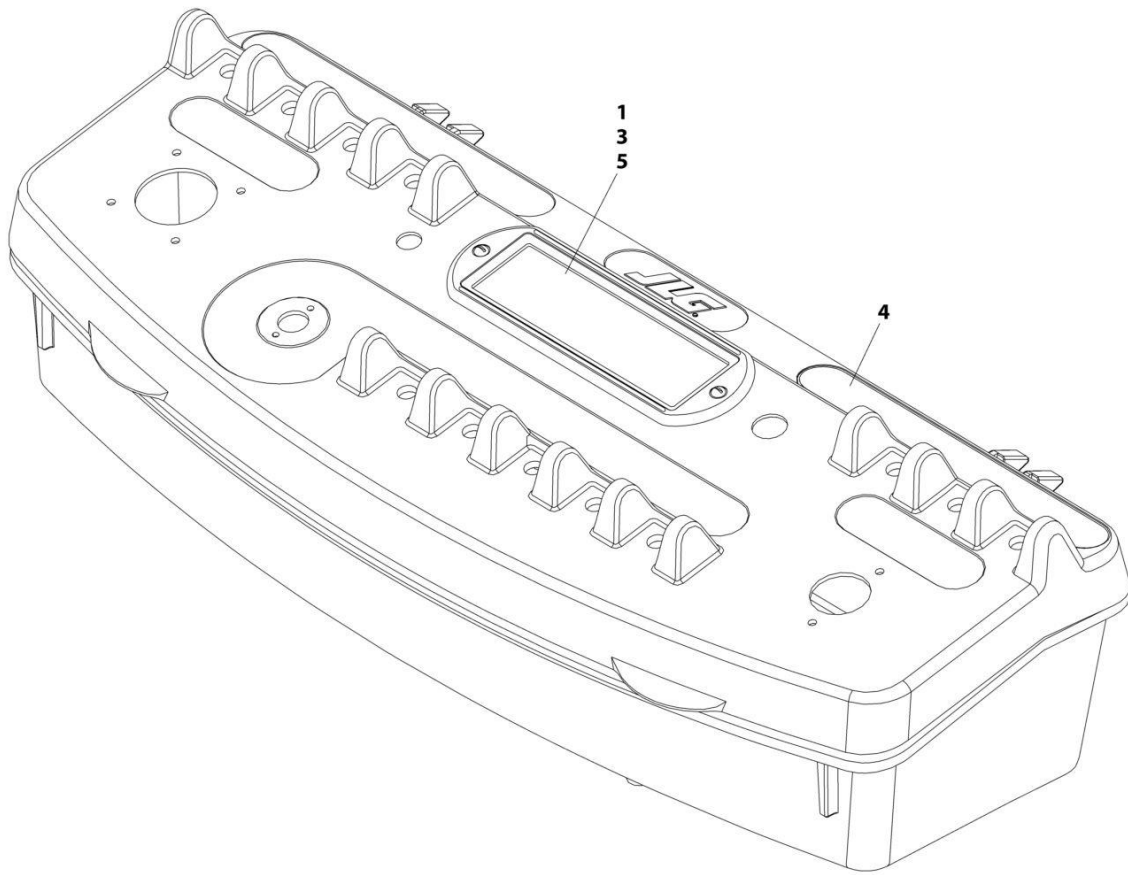
## SECTION 5 - PLATFORM

**FIGURE 5-23. FOOTSWITCH ASSEMBLY**

ITEM	PART NUMBER	QTY	DESCRIPTION	REV
	1001117174	Ref	FOOTSWITCH ASSEMBLY	C
1	0100020	AR	Sealant	
2	1060918	7.5 ft/ 2.3m	Cable, Electrical - 18/3	
3	4460071	1	Connector, Strain Relief	
4	4460226	2	Socket, Female	
5	4460464	1	Pin, Male	
6	1001098122	3	Terminal	
7	1001117172	1	Footswitch	
7	70002902	1	Switch, 20Amp	
7	70002903	1	Gasket	
7	70002905	1	Cover	
7	70002904	1	Kit, Replacement Bolt	

# SECTION 5 - PLATFORM

## FIGURE 5-24. LIGHT PANEL INSTALLATION



ART\_1001242680\_2OF2

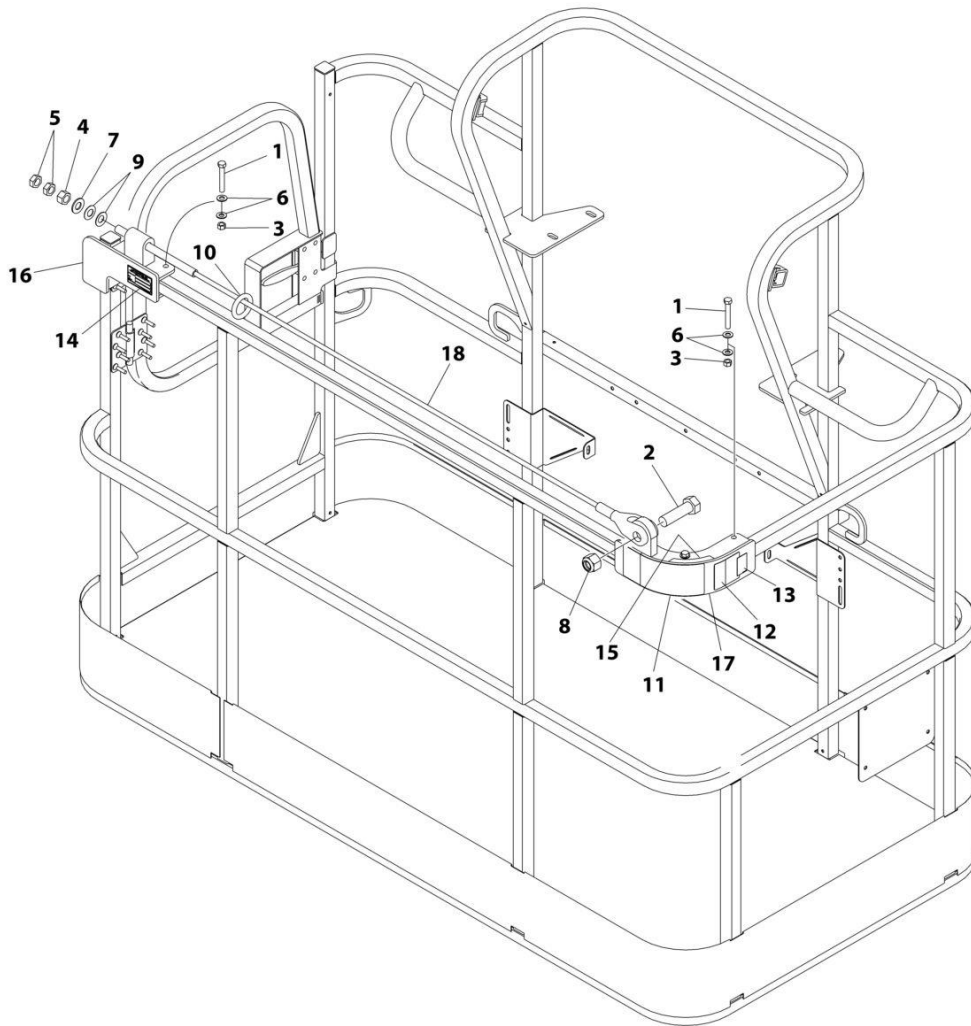
## SECTION 5 - PLATFORM

### FIGURE 5-24. LIGHT PANEL INSTALLATION

ITEM	PART NUMBER	QTY	DESCRIPTION	REV
	1001242680	Ref	LIGHT PANEL INSTALLATION	A
1	0100035	AR	Compound, Locking	
3	3911010	2	Screw #10 x 5/8	
4	1001184618	1	Decal - Stop and Auxiliary Power	
5	1001237544	1	Light Panel Electrical Assembly	
5	1001236087	1	Overlay	
5	1001187807	1	Light Panel PCB	

# SECTION 5 - PLATFORM

FIGURE 5-25. FALL ARREST (BOLT-ON) INSTALLATION - 5FTX3FT PLATFORM (ALL SPECS EXCEPT CE SPECS) (OPTIONAL)



ART\_1001257275



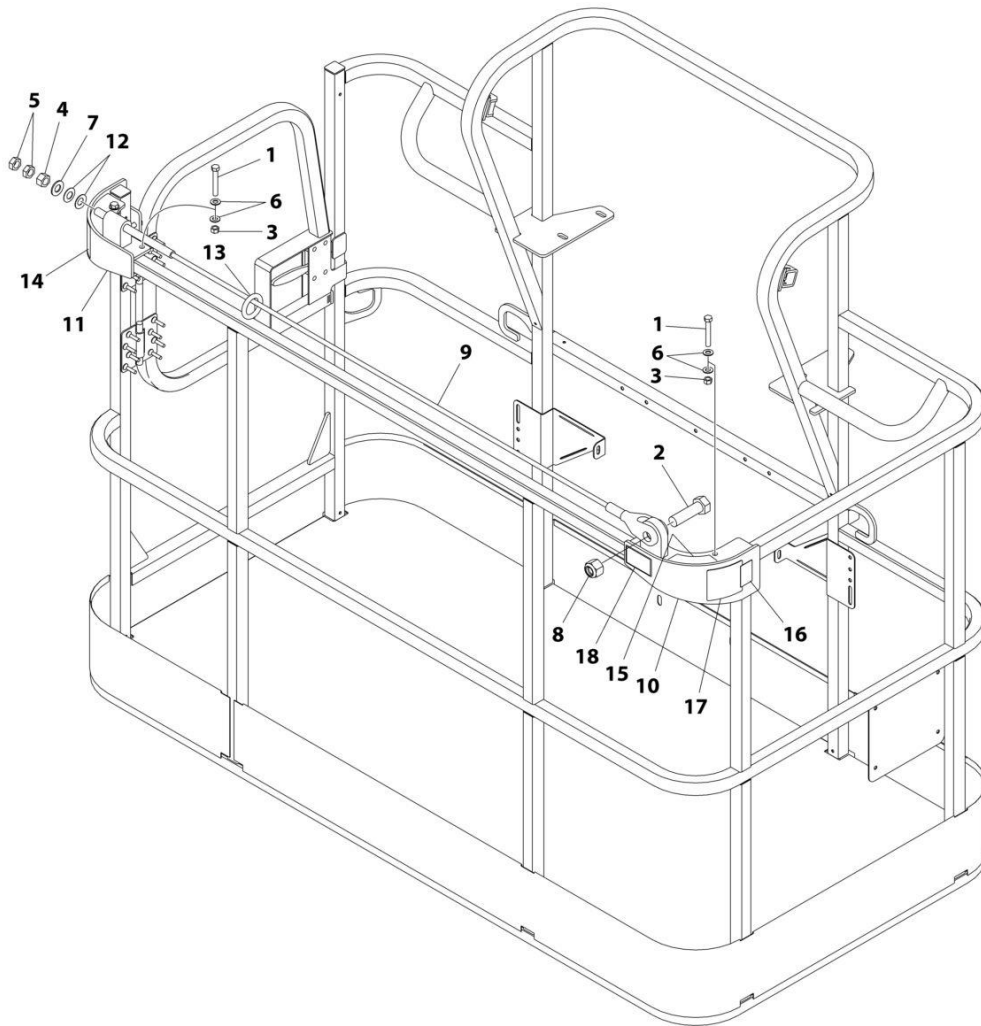
## SECTION 5 - PLATFORM

**FIGURE 5-25. FALL ARREST (BOLT-ON) INSTALLATION - 5FTX3FT PLATFORM (ALL SPECS EXCEPT CE SPECS) (OPTIONAL)**

ITEM	PART NUMBER	QTY	DESCRIPTION	REV
	1001257275	Ref	FALL ARREST INSTALLATION (BOLT - ON) 6FT/1.82M PLATFORM	A
1	0681620	6	Bolt 3/8 x 2-1/2	
2	0682424	1	Bolt 7/8 x 3	
3	3271605	6	Nut 3/8	
4	3272001	1	Nut 5/8	
5	3312002	2	Nut 5/8	
6	4711600	12	Washer 3/8	
7	4712000	1	Washer 5/8	
8	88521214	1	Nut 7/8	
9	1001236891	2	Washer	
10	1001236895	1	Ring	
11	1001238263	1	Decal - Warning Falling Hazard	
12	1001248140	1	Decal - Bolt Fall Arrest Re-Cert	
13	1001248141	1	Decal - Incription	
14	See Note	NSS	Nameplate - Manufacturers Serial Number (Note: Not Available for Purchase)	
15	1001252629	1	Decal - Weight	
16	1001257271	1	Bracket (RH)	
17	1001257274	1	Bracket (LH)	
18	1001258005	1	Rope	

# SECTION 5 - PLATFORM

FIGURE 5-26. FALL ARREST (BOLT-ON) INSTALLATION - 6FTX3FT PLATFORM (ALL SPECS EXCEPT CE SPECS) (OPTIONAL)



ART\_1001236747

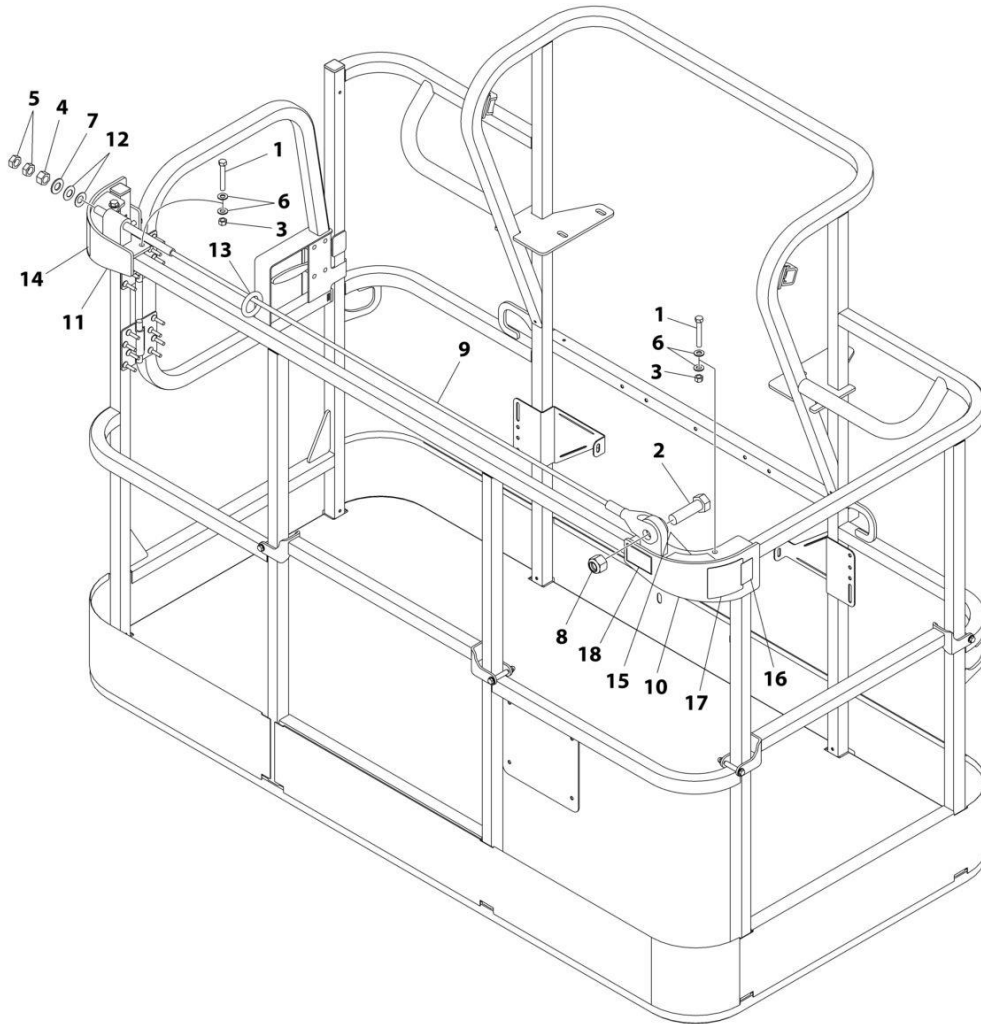
## SECTION 5 - PLATFORM

**FIGURE 5-26. FALL ARREST (BOLT-ON) INSTALLATION - 6FTX3FT PLATFORM (ALL SPECS EXCEPT CE SPECS) (OPTIONAL)**

ITEM	PART NUMBER	QTY	DESCRIPTION	REV
	1001236747	Ref	FALL ARREST INSTALLATION (BOLT - ON) 6FT/1.82M PLATFORM	C
1	0681620	6	Bolt 3/8 x 2-1/2	
2	0682424	1	Bolt 7/8 x 3	
3	3271605	6	Nut 3/8	
4	3272001	1	Nut 5/8	
5	3312002	2	Nut 5/8	
6	4711600	12	Washer 3/8	
7	4712000	1	Washer 5/8	
8	88521214	1	Nut 7/8	
9	1001231950	1	Rope	
10	1001232010	1	Bracket (RH)	
11	1001232011	1	Bracket (LH)	
12	1001236891	2	Washer	
13	1001236895	1	Ring	
14	1001238263	1	Decal - Warning Falling Hazard	
15	1001252629	1	Decal - Weight	
16	1001248140	1	Decal - Bolt Fall Arrest Re-Cert	
17	1001248141	1	Decal - Inscription	

# SECTION 5 - PLATFORM

FIGURE 5-27. FALL ARREST (BOLT-ON) INSTALLATION - 6FTX3FT TRI-ENTRY PLATFORM (ALL SPECS EXCEPT CE SPECS) (OPTIONAL)



ART\_1001238463

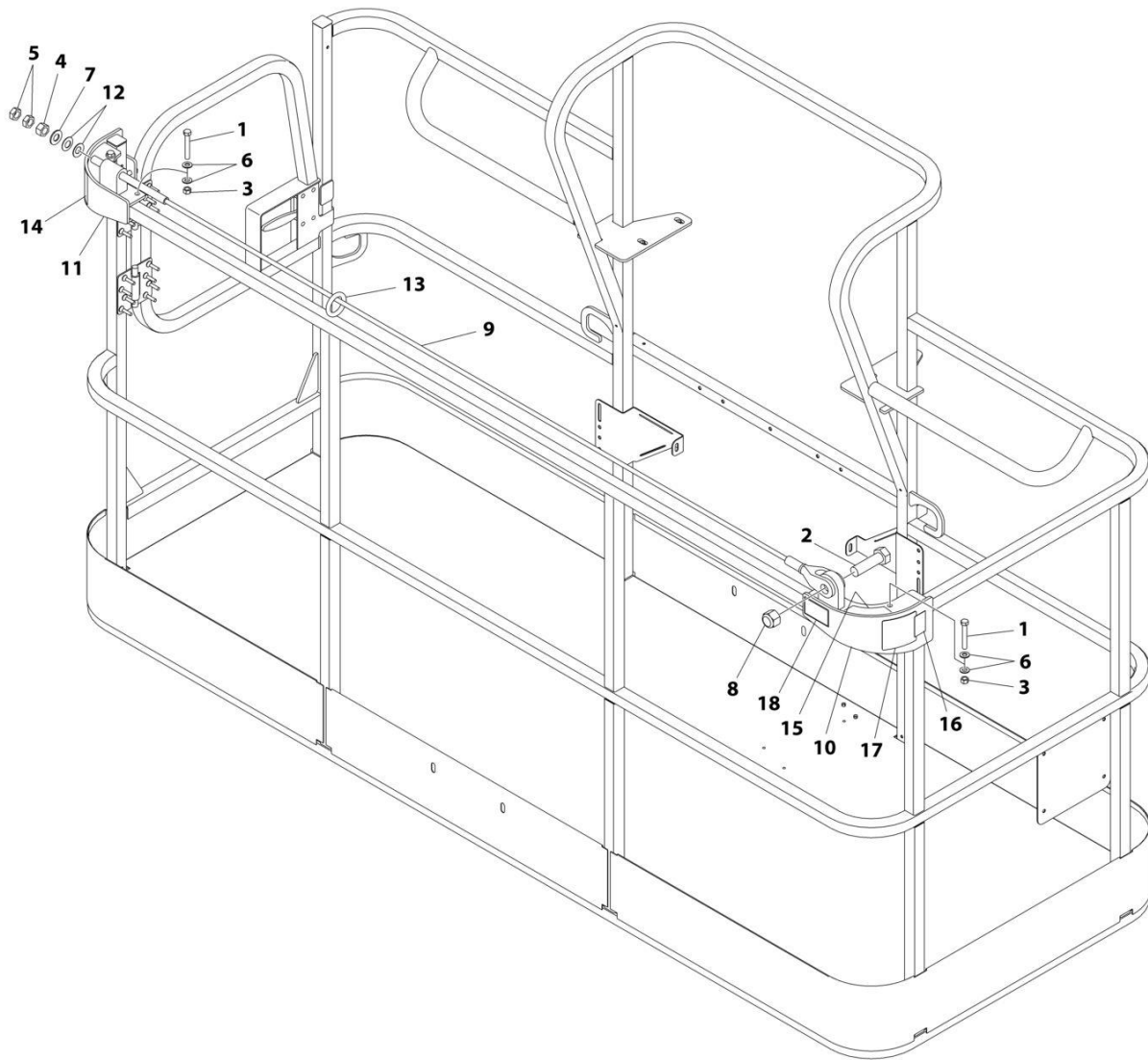
## SECTION 5 - PLATFORM

**FIGURE 5-27. FALL ARREST (BOLT-ON) INSTALLATION - 6FTX3FT TRI-ENTRY PLATFORM (ALL SPECS EXCEPT CE SPECS) (OPTIONAL)**

ITEM	PART NUMBER	QTY	DESCRIPTION	REV
	1001238463	Ref	FALL ARREST INSTALLATION (BOLT - ON) 6FT/1.82M PLATFORM	C
1	0681620	6	Bolt 3/8 x 2-1/2	
2	0682424	1	Bolt 7/8 x 3	
3	3271605	6	Nut 3/8	
4	3272001	1	Nut 5/8	
5	3312002	2	Nut 5/8	
6	4711600	12	Washer 3/8	
7	4712000	1	Washer 5/8	
8	88521214	1	Nut 7/8	
9	1001231950	1	Rope	
10	1001232010	1	Bracket (RH)	
11	1001232011	1	Bracket (LH)	
12	1001236891	2	Washer	
13	1001236895	1	Ring	
14	1001238263	1	Decal - Warning Falling Hazard	
15	1001252629	1	Decal - Weight	
16	1001248140	1	Decal - Bolt Fall Arrest Re-Cert	
17	1001248141	1	Decal - Inscription	

# SECTION 5 - PLATFORM

FIGURE 5-28. FALL ARREST (BOLT-ON) INSTALLATION - 8FTX3FT PLATFORM (ALL SPECS EXCEPT CE SPECS) (OPTIONAL)



ART\_1001236746

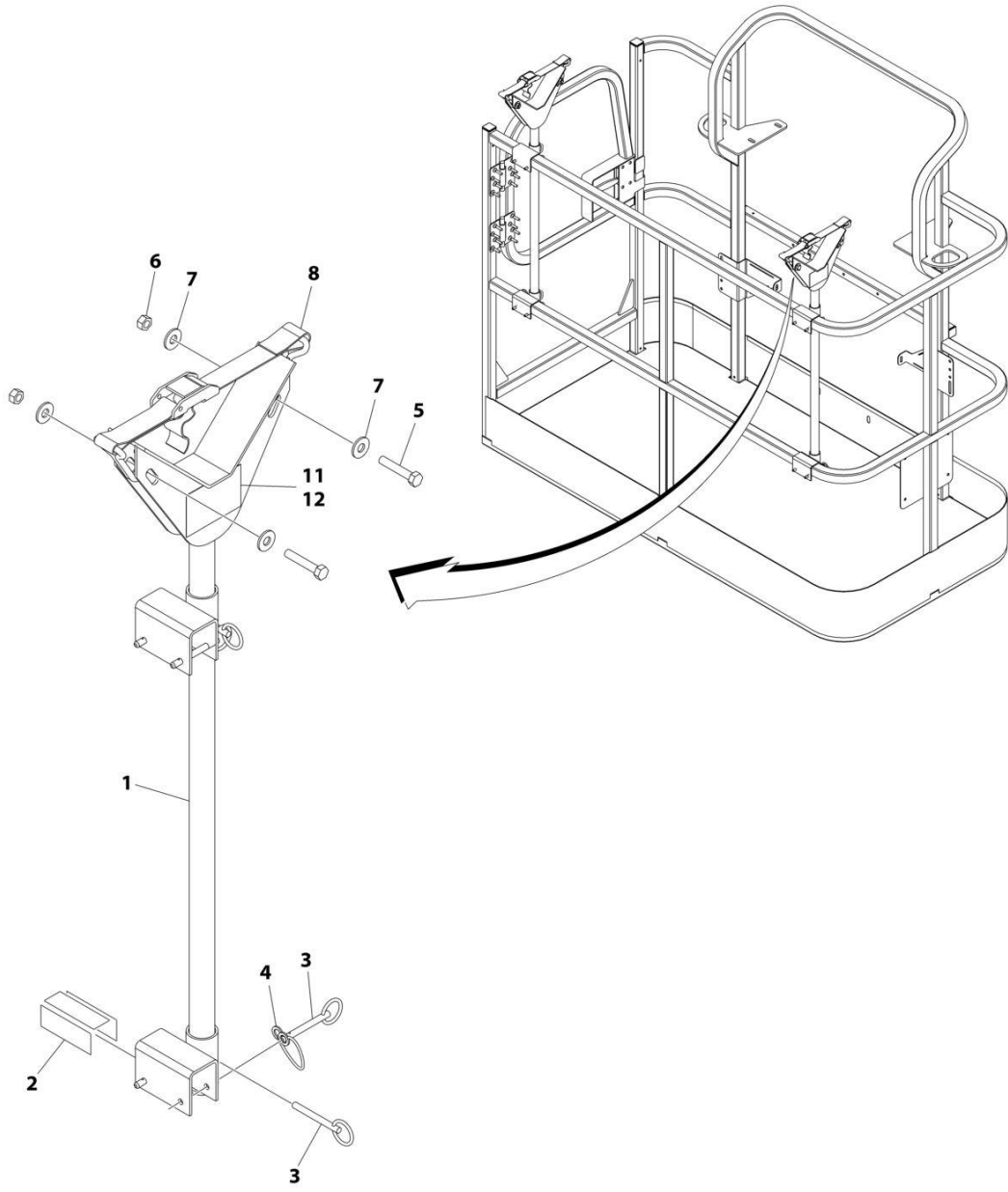
## SECTION 5 - PLATFORM

**FIGURE 5-28. FALL ARREST (BOLT-ON) INSTALLATION - 8FTX3FT PLATFORM (ALL SPECS EXCEPT CE SPECS) (OPTIONAL)**

ITEM	PART NUMBER	QTY	DESCRIPTION	REV
	1001236746	Ref	FALL ARREST INSTALLATION (BOLT - ON) 8FT/2.4M PLATFORM	C
1	0681620	6	Bolt 3/8 x 2-1/2	
2	0682424	1	Bolt 7/8 x 3	
3	3271605	6	Nut 3/8	
4	3272001	1	Nut 5/8	
5	3312002	2	Nut 5/8	
6	4711600	12	Washer 3/8	
7	4712000	1	Washer 5/8	
8	88521214	1	Nut 7/8	
9	1001231949	1	Rope	
10	1001232010	1	Bracket (RH)	
11	1001232011	1	Bracket (LH)	
12	1001236891	2	Washer	
13	1001236895	1	Ring	
14	1001238263	1	Decal - Warning Falling Hazard	
15	1001252629	1	Decal - Weight 23LBS/10.4KG	
16	1001248140	1	Decal - Bolt Fall Arrest Re-Cert	
17	1001248141	1	Decal - Inscription	

# SECTION 5 - PLATFORM

FIGURE 5-29. PIPE RACK INSTALLATION (ALL SPECS EXCEPT AUSTRALIAN SPEC)



ART\_0257728\_E



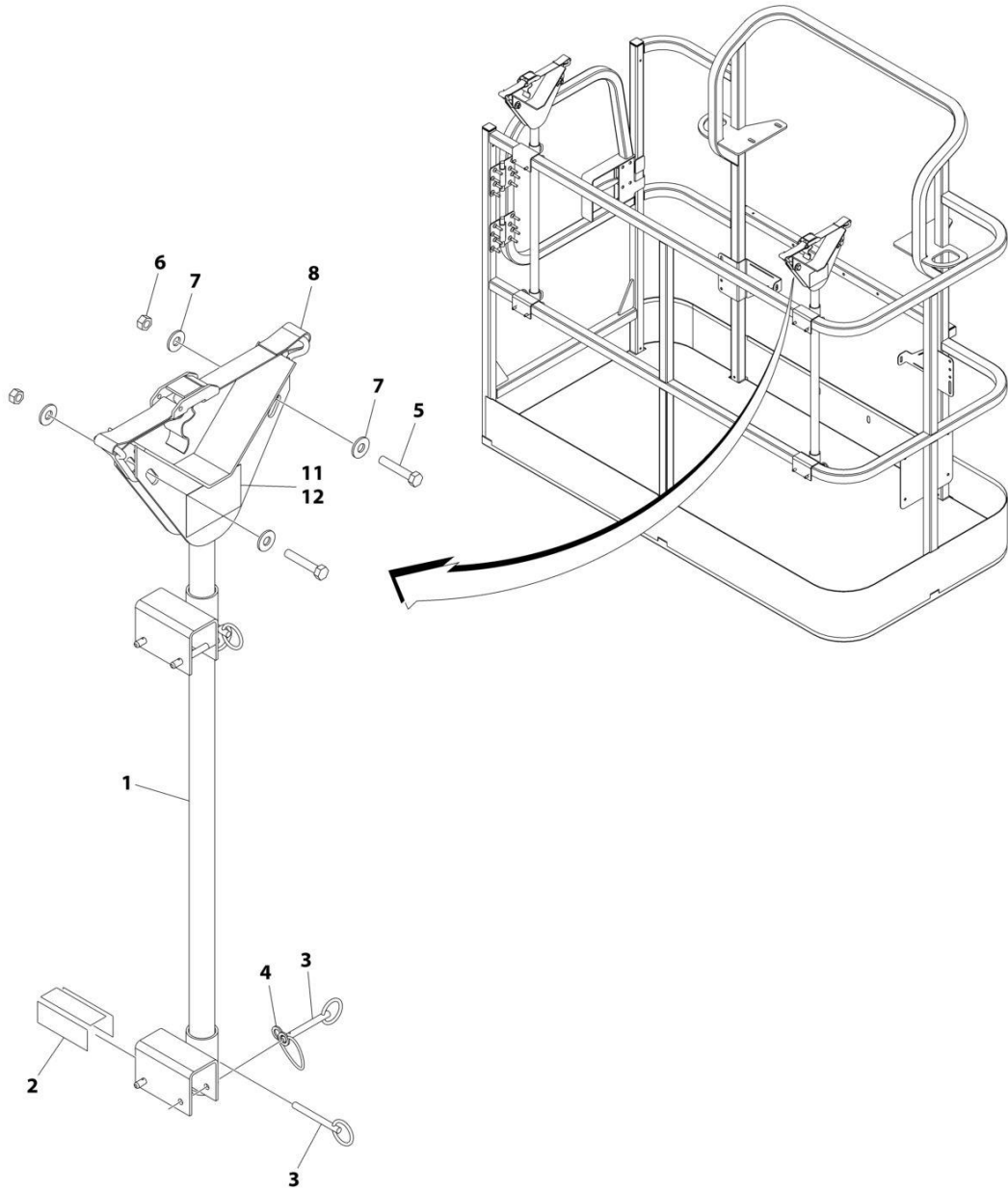
## SECTION 5 - PLATFORM

**FIGURE 5-29. PIPE RACK INSTALLATION (ALL SPECS EXCEPT AUSTRALIAN SPEC)**

ITEM	PART NUMBER	QTY	DESCRIPTION	REV
	0257728	Ref	PIPE RACK INSTALLATION	E
1	4845582	2	Rack, Pipe	
2	4420062	AR	Tape	
3	3422661	10	Pin	
4	1060379	4	Lanyard	
5	0641514	4	Bolt 5/16 x 1-3/4	
6	3311505	4	Nut 5/16	
7	4751500	8	Washer 5/16	
8	0480100	2	Tie-Down	
11	1001252946	2	Decal - Capacity (500-600LBS/2227-272KG Zones)	
12	1001252947	2	Decal - Capacity (660-1000LBS/299-454KG Zones)	

# SECTION 5 - PLATFORM

## FIGURE 5-30. PIPE RACK INSTALLATION (AUSTRALIAN SPEC)



ART\_0274661\_C

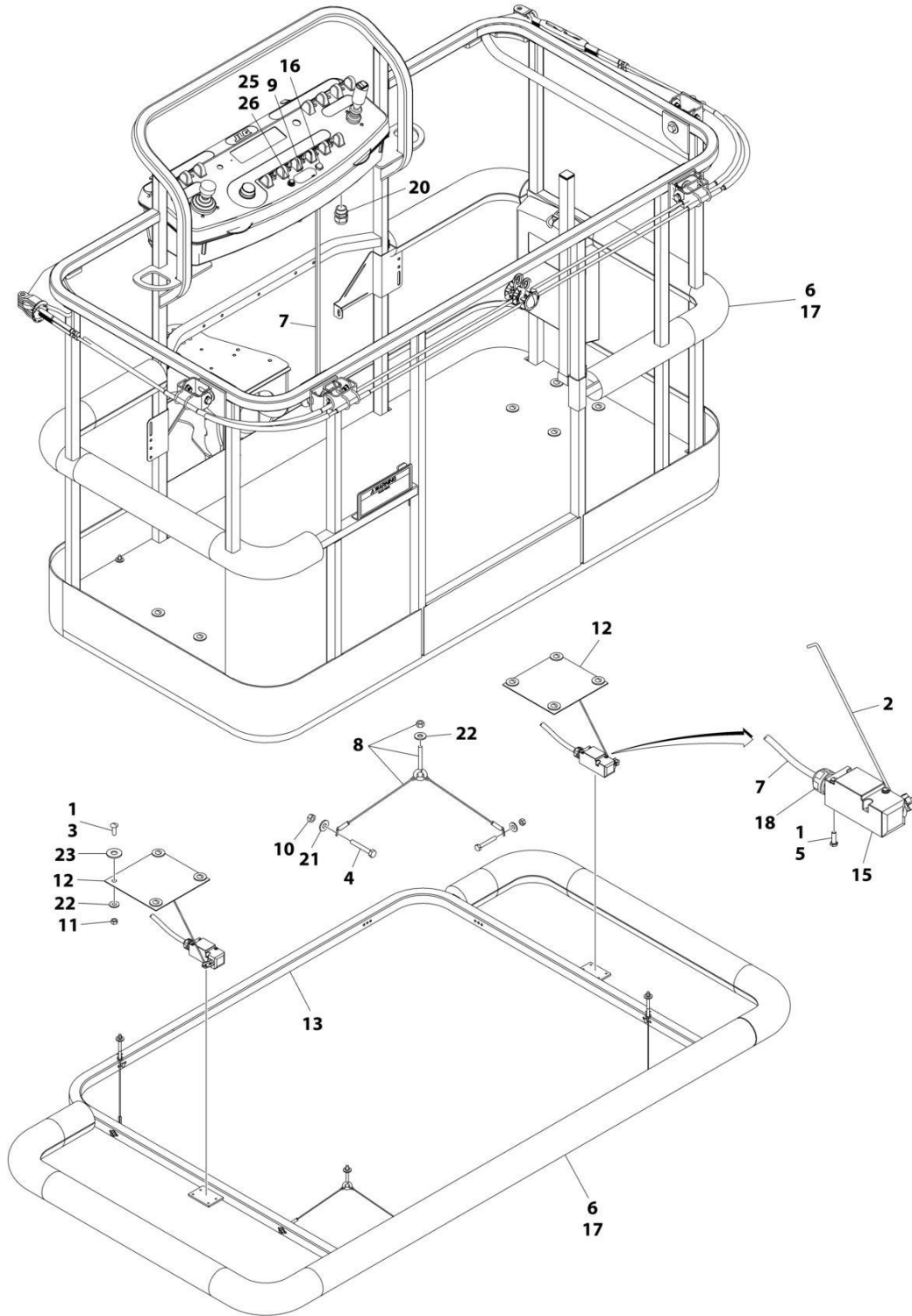
## SECTION 5 - PLATFORM

**FIGURE 5-30. PIPE RACK INSTALLATION (AUSTRALIAN SPEC)**

ITEM	PART NUMBER	QTY	DESCRIPTION	REV
	0274661	Ref	PIPE RACK INSTALLATION	C
1	4845582	2	Rack, Pipe	
2	4420062	AR	Tape	
3	3422661	10	Pin	
4	1060379	4	Lanyard	
5	0641514	4	Bolt 5/16 x 1-3/4	
6	3311505	4	Nut 5/16	
7	4751500	8	Washer 5/16	
8	0480100	2	Tie-Down	
11	1001252946	2	Decal - Capacity (1) (500-600LBSS/227-272KG Zones) (1200SJP,1250AJP,1350SJP,1500SJ,400S,450A,450AJ,460SJ,520AJ,800S,860SJ)	
12	1001252947	2	Decal - Capacity (2) (660-1000LBSS/299-454KG Zones)	

# SECTION 5 - PLATFORM

## FIGURE 5-31. SOFT TOUCH INSTALLATION - 6FT (1.83M) FALL ARREST PLATFORM (OPTIONAL)



ART\_1001108256

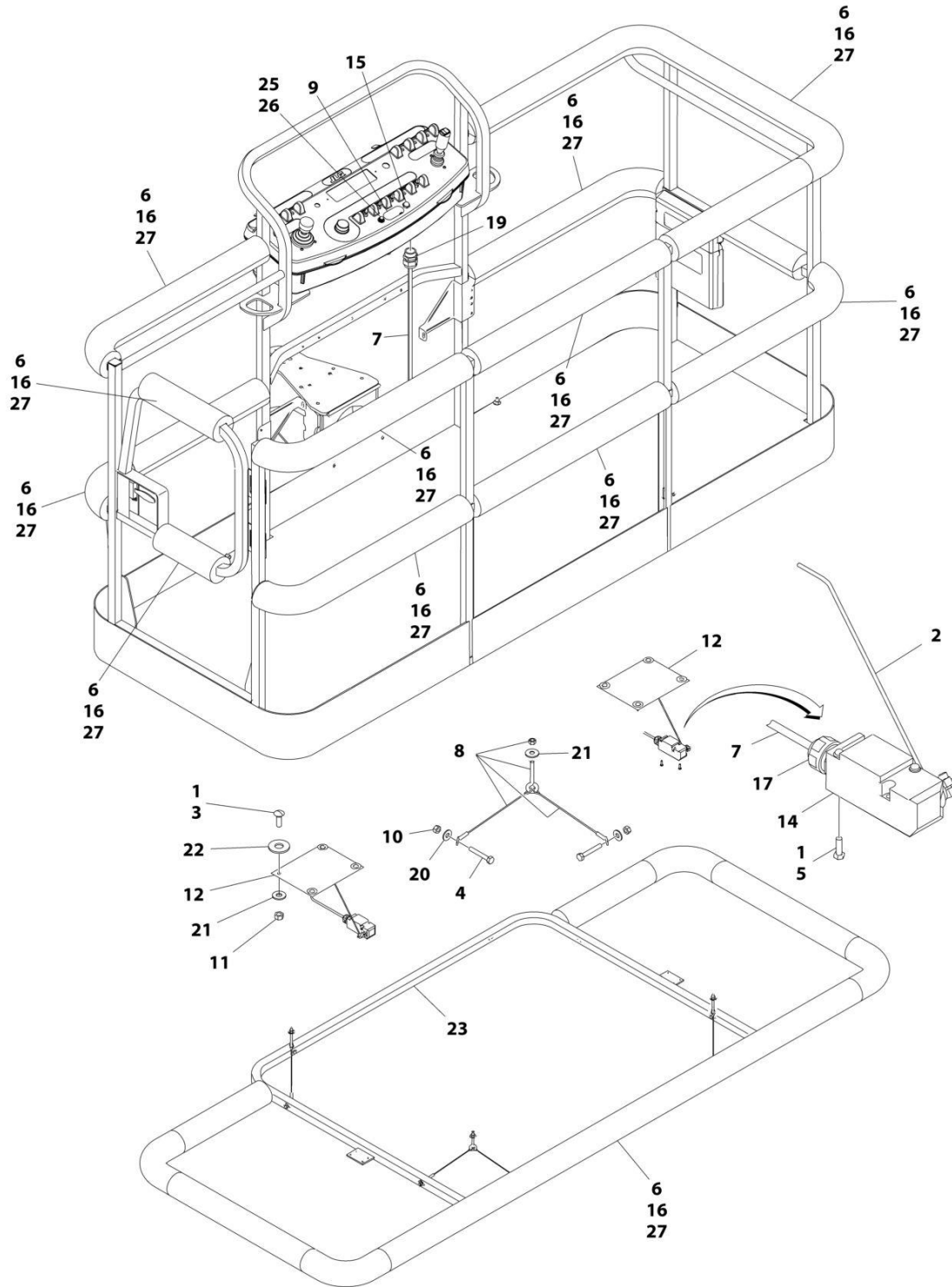
## SECTION 5 - PLATFORM

**FIGURE 5-31. SOFT TOUCH INSTALLATION - 6FT (1.83M) FALL ARREST PLATFORM (OPTIONAL)**

ITEM	PART NUMBER	QTY	DESCRIPTION	REV
	1001108256	Ref	SOFT TOUCH INSTALLATION	C
1	0100011	AR	Compound, Locking	
2	0200048	2	Arm, Switch	
3	0630462	8	Bolt	
4	0641414	8	Bolt 1/4 x 1-3/4	
5	0731005	4	Bolt #10 x 5/8	
6	0940177	1	Bumper Kit (Includes Corners and Enough Straight Material for One Platform)	
6	0940092	8	Bumper (Corner)	
6	0940094	AR	Bumper (12ft Length)	
7	1060341	23 ft/7m	Cable, Soft Touch - 16/2	
8	1060903	4	Wire Rope and Eyebolt Assembly	
9	1702938	1	Decal - Soft Touch Override	
10	3311401	8	Nut 1/4	
11	3311501	8	Nut 5/16	
12	3575359	2	Plate, Switch Strike	
13	3641569	1	Rail, Soft Touch	
14	4240099	7	Tie-Strap (Not Shown)	
15	4360057	2	Switch, Limit	
16	4360387	1	Switch, Push Button	
17	4420068	AR	Tape, Adhesive	
17	1001197017	AR	Tie-Strap	
18	4460049	2	Connector, Strain Relief	
19	4460234	7	Tie-Strap (Not Shown)	
20	4460425	1	Connector, Strain Relief	
21	4751400	8	Washer 1/4	
22	4751500	9	Washer 5/16	
23	4751800	8	Washer 1/2	
25	2920028	1	Light, Indicator	
26	2920029	1	Bulb, Light	

# SECTION 5 - PLATFORM

## FIGURE 5-32. SOFT TOUCH INSTALLATION - 8FT (2.4M) PLATFORM (OPTIONAL)



ART\_0272427

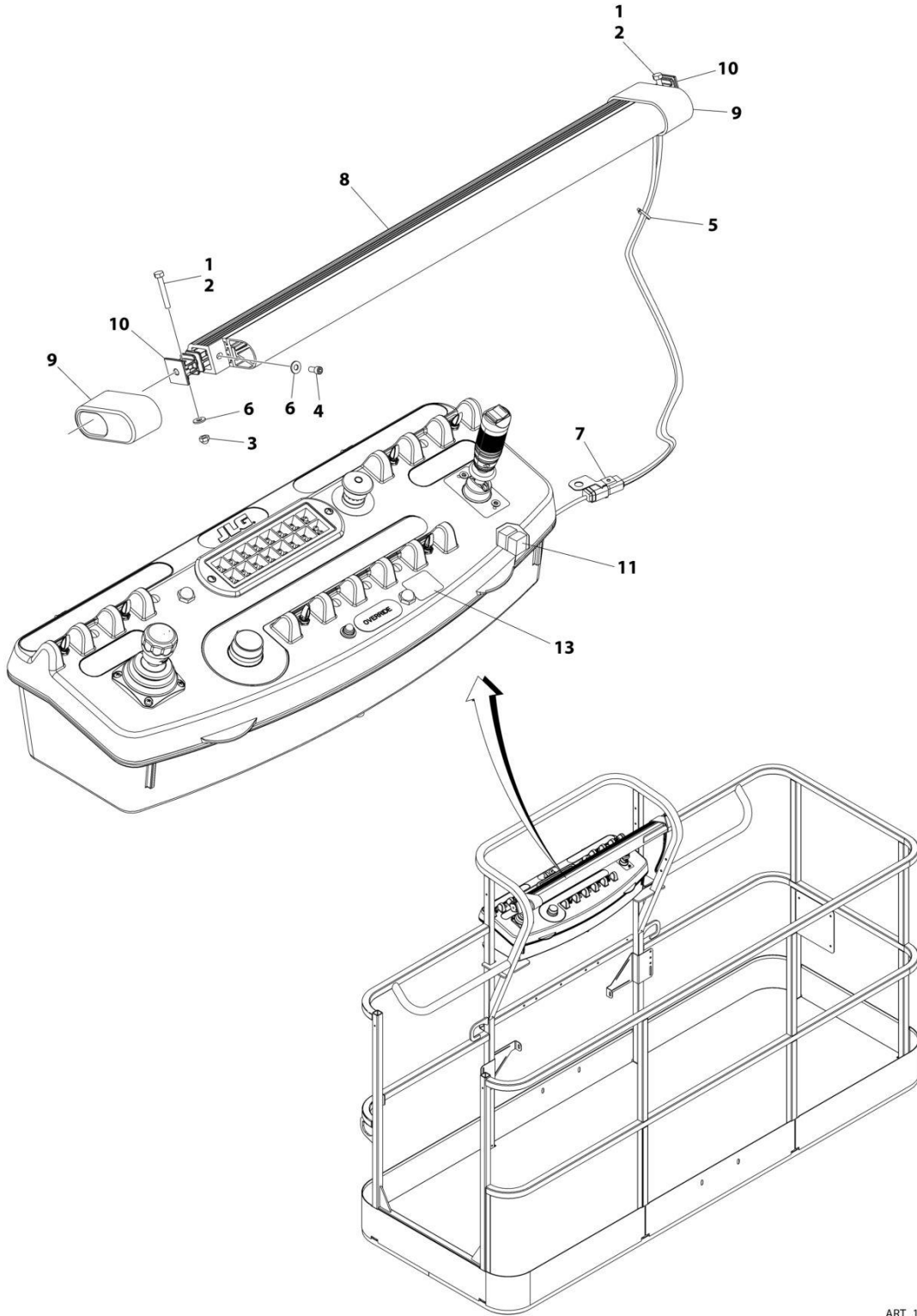
## SECTION 5 - PLATFORM

**FIGURE 5-32. SOFT TOUCH INSTALLATION - 8FT (2.4M) PLATFORM (OPTIONAL)**

ITEM	PART NUMBER	QTY	DESCRIPTION	REV
	0272427	Ref	SOFT TOUCH SYSTEM INSTALLATION	G
1	0100011	AR	Compound, Locking	
2	0200048	2	Arm, Switch	
3	0630462	8	Bolt	
4	0641414	8	Bolt 1/4 x 1-3/4	
5	0721005	4	Bolt #10 x 5/8	
6	0940103	1	Bumper Kit (Includes Corners and Enough Straight Material for One Platform)	
6	0940092	12	Bumper (Corner)	
6	0940094	AR	Bumper (12ft Length)	
7	1060341	23 ft/7m	Cable, Electrical - 16/2	
8	1060903	4	Wire Rope and Eyebolt Assembly	
9	1702938	1	Decal - Soft Touch Override	
10	3311401	8	Nut 1/4	
11	3311501	8	Nut 5/16	
12	3574091	2	Plate, Switch Strike	
13	4240099	7	Tie-Strap (Not Shown)	
14	4360057	2	Switch, Limit	
15	4360387	1	Switch, Push Button	
16	4420068	AR	Tape, Adhesive	
16	1001197017	AR	Tie-Strap	
17	4460049	2	Connector, Strain Relief	
18	4460234	7	Tie-Strap (Not Shown)	
19	4460425	1	Connector, Strain Relief	
20	4751400	8	Washer 1/4	
21	4751500	12	Washer 5/16	
22	4751800	8	Washer 1/2	
23	4846673	1	Rail, Soft Touch	
24	4933218	1	Soft Touch Wiring Diagram (Not Shown - Reference Only)	
25	2920028	1	Light, Indicator	
26	2920029	1	Bulb, Light	

# SECTION 5 - PLATFORM

## FIGURE 5-33. SKYGUARD BAR INSTALLATION



ART\_1001238495



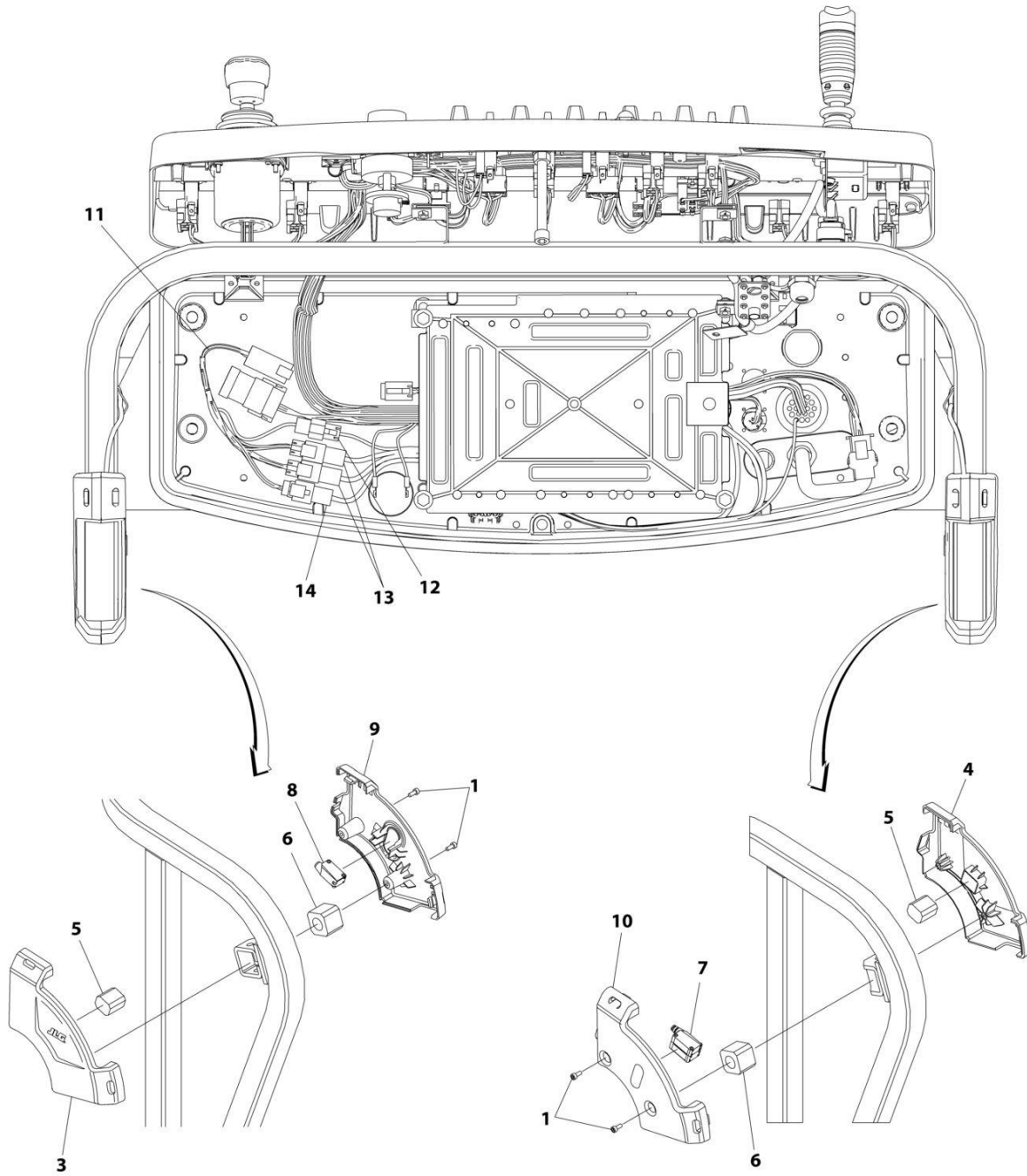
## SECTION 5 - PLATFORM

**FIGURE 5-33. SKYGUARD BAR INSTALLATION**

ITEM	PART NUMBER	QTY	DESCRIPTION	REV
	1001238495	Ref	SKYGUARD BAR INSTALLATION	A
1	0100011	AR	Compound, Locking	
2	0641414	2	Bolt 1/4 x 1-3/4	
3	3300430	2	Nut 1/4	
4	3931408	2	Capscrew 1/4 x 1/2	
5	4240033	8	Tie-Strap	
6	4711400	6	Washer 1/4	
7	1001120328	1	Mount	
8	1001137673	1	SkyGuard Switch Assembly	
9	1001186517	2	Cover, Platform Sensor	
10	1001209664	2	Support, Block	
11	1001186431	2	Relay	
12	1001225580	1	Interface Harness Assembly (Not Shown - Located Inside Console Box) (See Separate Breakdown in ELECTRICAL Section)	
13	1001144433	1	Decal - No Weight SkyGuard	

# SECTION 5 - PLATFORM

## FIGURE 5-34. SKYEYE INSTALLATION



ART\_1001229341

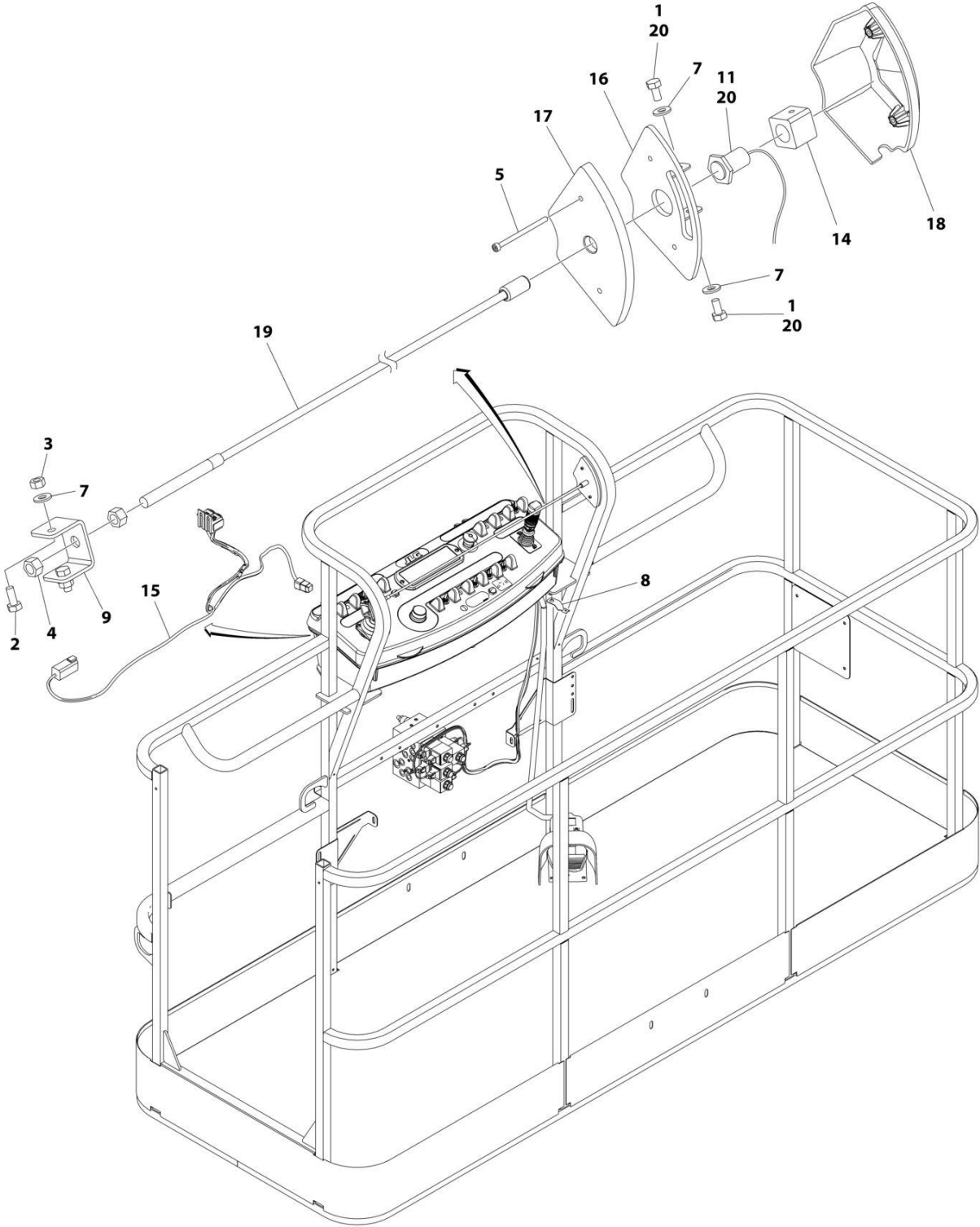
## SECTION 5 - PLATFORM

**FIGURE 5-34. SKYEYE INSTALLATION**

ITEM	PART NUMBER	QTY	DESCRIPTION	REV
	1001229341	Ref	SKYEYE INSTALLATION	B
1	4031505	4	Bolt M4 x 10	
2	4240033	AR	Tie-Strap (Not Shown)	
3	1001227633	1	Housing, LH Outer	
4	1001227634	1	Housing, RH Outer	
5	1001227985	2	Shim	
6	1001227987	2	Shim	
7	1001228224	2	Sensor, Receiver	
8	1001228225	1	Sensor, Emitter	
9	1001232164	1	Housing, LH Inner	
10	1001232165	1	Housing, RH Inner	
11	1001237865	1	Harness, Skyeeye Intermediate (See Separate Breakdown in ELECTRICAL Section)	
12	1001238319	NLA	Harness, Skyeeye Drain Jumper	
12	1001187674	1	Plug, Male - 2 Position	
12	4460942	1	Terminal	
12	4460466	1	Plug, Terminal	
12	4460508	1	Pin, Male	
13	1001237863	2	Harness, Skyeeye Receiver (See Separate Breakdown in ELECTRICAL Section)	
14	1001237864	1	Harness, Skyeeye Emitter (See Separate Breakdown in ELECTRICAL Section)	

**SECTION 5 - PLATFORM**

**FIGURE 5-35. SKYLINE INSTALLATION**



ART\_1001238559\_D

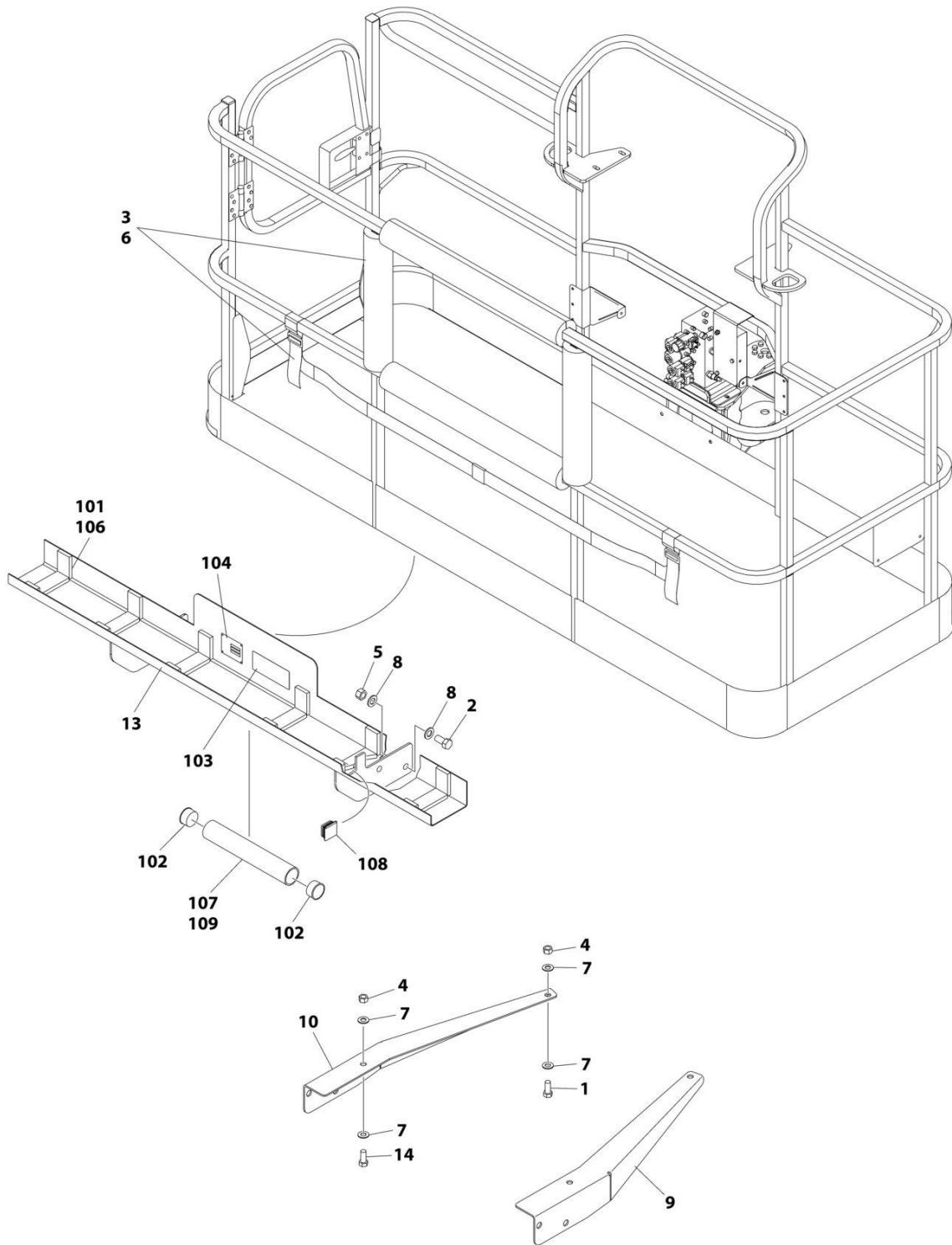
## SECTION 5 - PLATFORM

**FIGURE 5-35. SKYLINE INSTALLATION**

ITEM	PART NUMBER	QTY	DESCRIPTION	REV
	1001238559	Ref	SKYLINE INSTALLATION	D
1	0641404	2	Bolt 1/4 x 1/2	
2	0641405	2	Bolt 1/4 x 5/8	
3	3311405	2	Nut 1/4	
4	3311601	2	Nut 3/8	
5	4031516	2	Capscrew M4 x 60	
6	4240033	AR	Tie-Strap (Not Shown)	
7	4711400	4	Washer 1/4	
8	1001120328	1	Mount	
9	1001232642	1	Bracket	
11	1001232667	1	Sensor, Proximity	
11	1001311034	1	Sensor, Proximity	
14	1001236552	1	Block	
15	1001238418	1	Harness, Skyline (See Separate Breakdown in ELECTRICAL Section)	
16	1001238472	1	Mount	
17	1001254473	1	Housing, LH	
18	1001241965	1	Housing, RH	
19	1001254472	1	Rod	
20	0100011	AR	Compound, Locking	

# SECTION 5 - PLATFORM

## FIGURE 5-36. SKYGLAZIER INSTALLATION



ART\_1001172578\_C

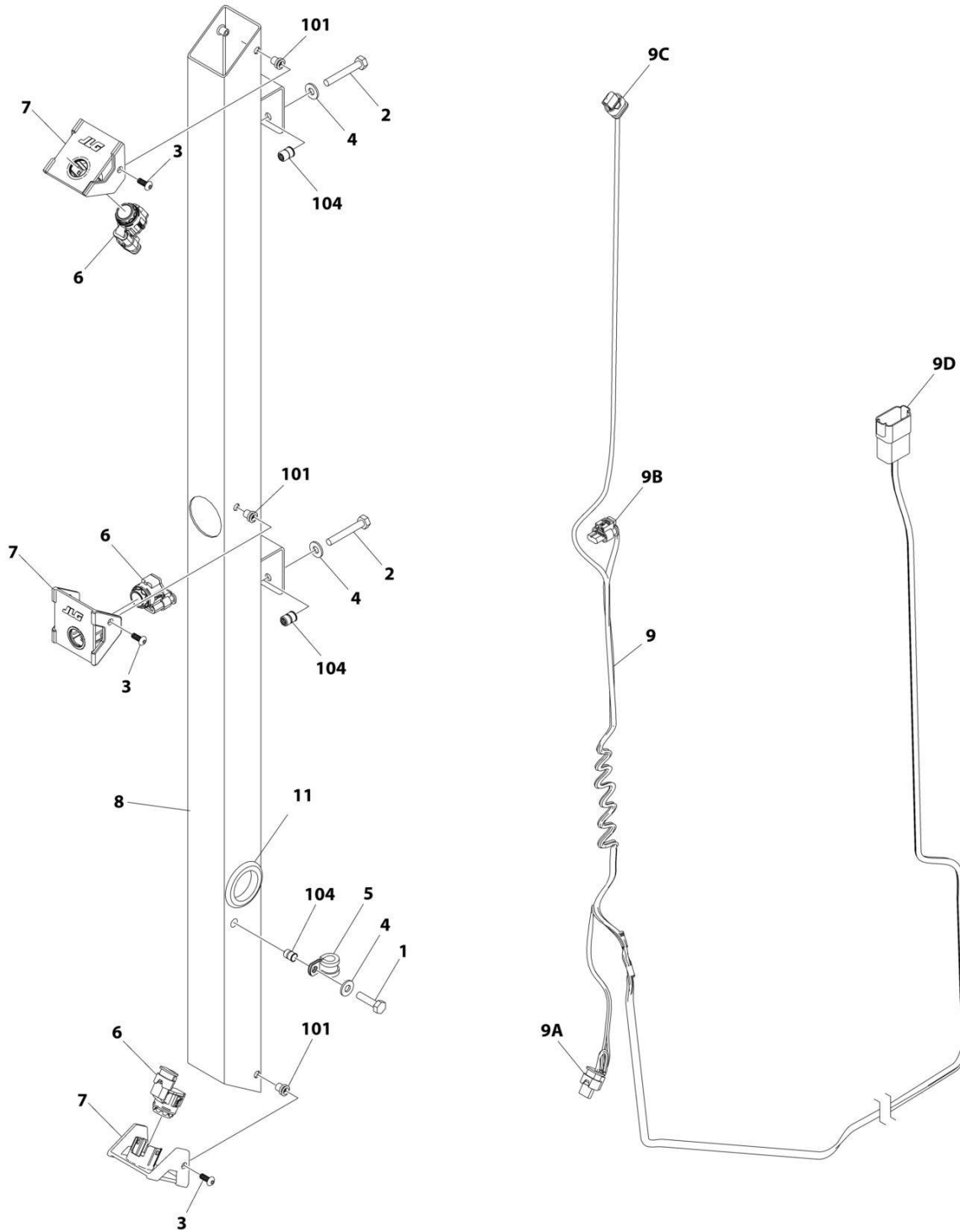
## SECTION 5 - PLATFORM

**FIGURE 5-36. SKYGLAZIER INSTALLATION**

ITEM	PART NUMBER	QTY	DESCRIPTION	REV
	1001172578	Ref	SKYGLAZIER INSTALLATION	C
1	0642012	2	Bolt 5/8 x 1-1/2	
2	0642212	4	Bolt 3/4 x 1-1/2	
3	2902212	1	Bumpers and Strap Kit	
3	0940102	1	Bumper Only	
3	4240149	1	Strap Only	
4	3312005	1	Nut 5/8	
5	3312205	4	Nut 3/4	
6	4420014	AR	Tape	
7	4712000	6	Washer 5/8	
8	4712200	8	Washer 3/4	
9	1001099366	1	Support	
10	1001099367	1	Support	
13	1001172577	1	Tray Assembly (See Items 101-109 for Breakdown)	
14	8310129	2	Bolt 3/4 x 2-1/2	
	1001172577	Ref	TRAY ASSEMBLY	C
101	0100081	AR	Adhesive	
102	1120555	2	Cap, Tube	
103	1701509	1	Decal - Manual	
104	See Note	NSS	Nameplate - Serial Number (Note: Not Available for Purchase)	
106	3340956	1	Pad Kit	
107	3460334	1	Tube	
108	3520071	2	Plug	
109	4420066	AR	Tape, Double Sided	

# SECTION 5 - PLATFORM

## FIGURE 5-37. SKYSENSE MID TUBE SENSOR ASSEMBLY



ART\_1001243205



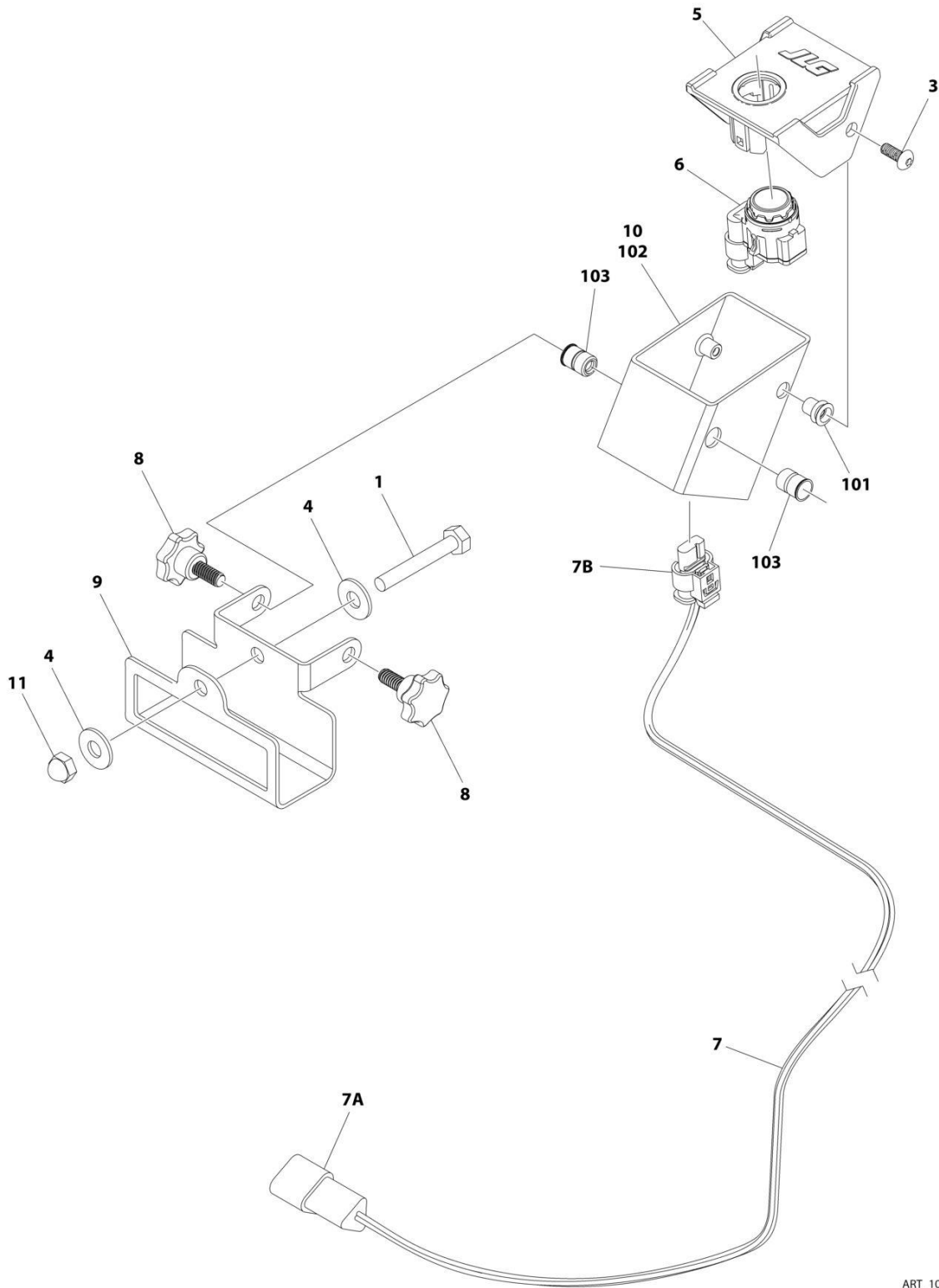
## SECTION 5 - PLATFORM

**FIGURE 5-37. SKYSENSE MID TUBE SENSOR ASSEMBLY**

ITEM	PART NUMBER	QTY	DESCRIPTION	REV
	1001243205	Ref	SKYSENSE MID TUBE SENSOR ASSEMBLY	C
1	0641408	1	Bolt 1/4 x 1	
2	0641414	2	Bolt 1/4 x 1-3/4	
3	1001260525	6	Screw #10 x 1/2	
4	4711400	3	Washer 1/4	
5	1001260524	1	Clamp	
6	1001237902	3	Sensor, SkySense	
7	1001241162	3	Mount, Sensor	
8	1001243092	1	Tube Assembly (Includes items 101 through 104)	C
9	1001244336	1	Harness, SkySense Mid Tube	D
9A	1001237898	1	Connector	
9A	1001237888	3	Terminal	
9B	1001237898	1	Connector	
9B	1001237888	3	Terminal	
9C	1001237898	1	Connector	
9C	1001237888	3	Terminal	
9D	4460931	1	Connector	
9D	4460943	7	Pin	
9D	4460466	1	Plug	
10	1001246389	1	Decal (Not Shown)	
11	1001247252	1	Grommet	
101	2080069	6	Fastener	
104	1001258730	3	Rivnut	

# SECTION 5 - PLATFORM

## FIGURE 5-38. SKYSENSE OVERHEAD SENSOR ASSEMBLY



ART\_1001244733

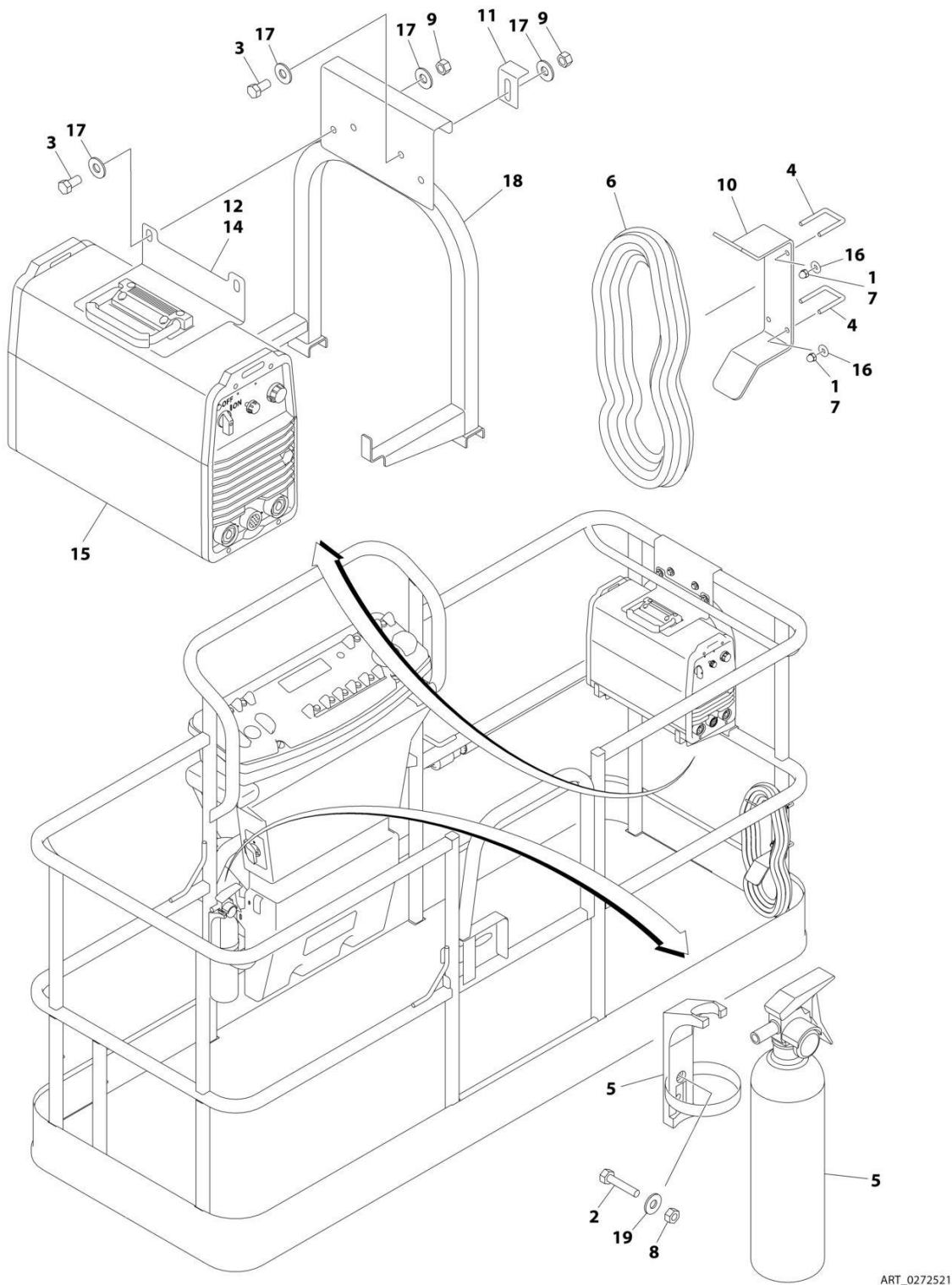
## SECTION 5 - PLATFORM

**FIGURE 5-38. SKYSENSE OVERHEAD SENSOR ASSEMBLY**

ITEM	PART NUMBER	QTY	DESCRIPTION	REV
	1001244733	Ref	SKYSENSE OVERHEAD SENSOR ASSEMBLY	D
1	0641414	1	Bolt 1/4 x 1-3/4	
3	1001260525	2	Screw #10 x 1/2	
4	4751400	2	Washer 1/4	
5	1001237891	1	Mount, Sensor	
6	1001237902	1	Sensor, SkySense	
7	1001244335	1	Harness, SkySense Overhead	D
7A	4460536	1	Connector	
7A	4460943	3	Pin	
7B	1001237898	1	Connector	
7B	1001237888	1	Terminal	
8	1001244671	2	Knob	
9	1001244709	1	Bracket, Mounting	
10	1001244732	1	Housing Assembly (Includes items 101 through 103)	B
11	3300430	1	Nut	
101	2080069	2	Fastener	
102	1001244710	1	Housing, Sensor	
103	1001258730	2	Rivnut	

# SECTION 5 - PLATFORM

## FIGURE 5-39. SKYWELDER INSTALLATION (50HZ)



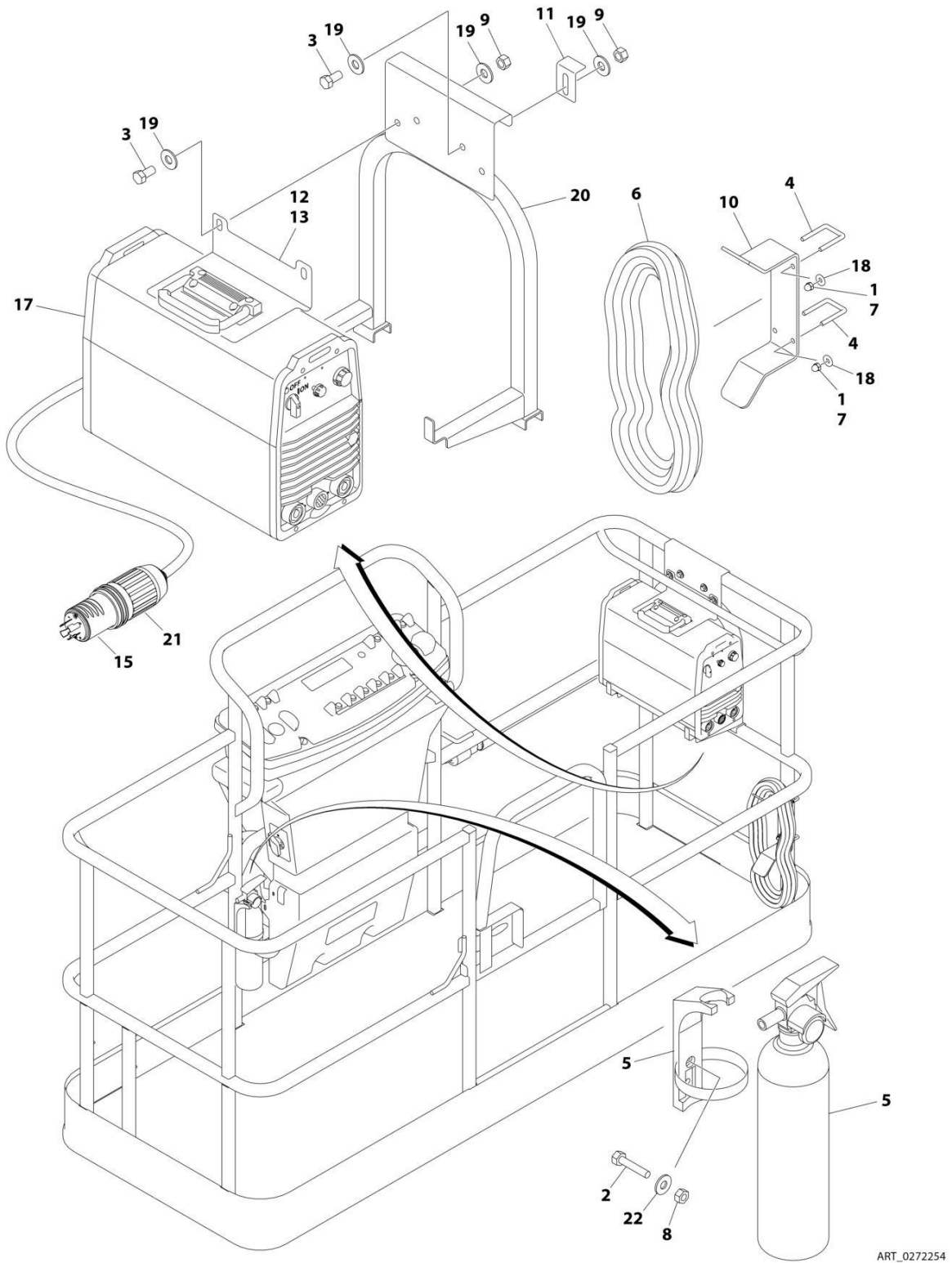
## SECTION 5 - PLATFORM

**FIGURE 5-39. SKYWELDER INSTALLATION (50HZ)**

ITEM	PART NUMBER	QTY	DESCRIPTION	REV
	0272521	Ref	SKYWELDER INSTALLATION	F
1	0100011	AR	Compound, Locking	
2	0630518	2	Screw #10 x 3/4	
3	0641606	4	Bolt 3/8 x 3/4	
4	1320302	2	U-Clamp	
5	2030010	1	Extinguisher, Fire	
6	2902217	1	Weld Leads Kit	
7	3300151	4	Nut 1/4	
8	3311005	2	Nut #10	
9	3311605	4	Nut 3/8	
10	3573400	1	Bracket	
11	3577121	2	Angle	
12	3573642	1	Plate	
13	4240099	AR	Tie-Strap (Not Shown)	
14	4420037	AR	Tape	
15	4530028	1	Welder Assembly (See Separate Breakdown in this Section)	
16	4751400	4	Washer 1/4	
17	4751600	8	Washer 3/8	
18	4846627	1	Support	
19	4751000	2	Washer #10	

# SECTION 5 - PLATFORM

## FIGURE 5-40. SKYWELDER INSTALLATION (60HZ)



ART\_0272254

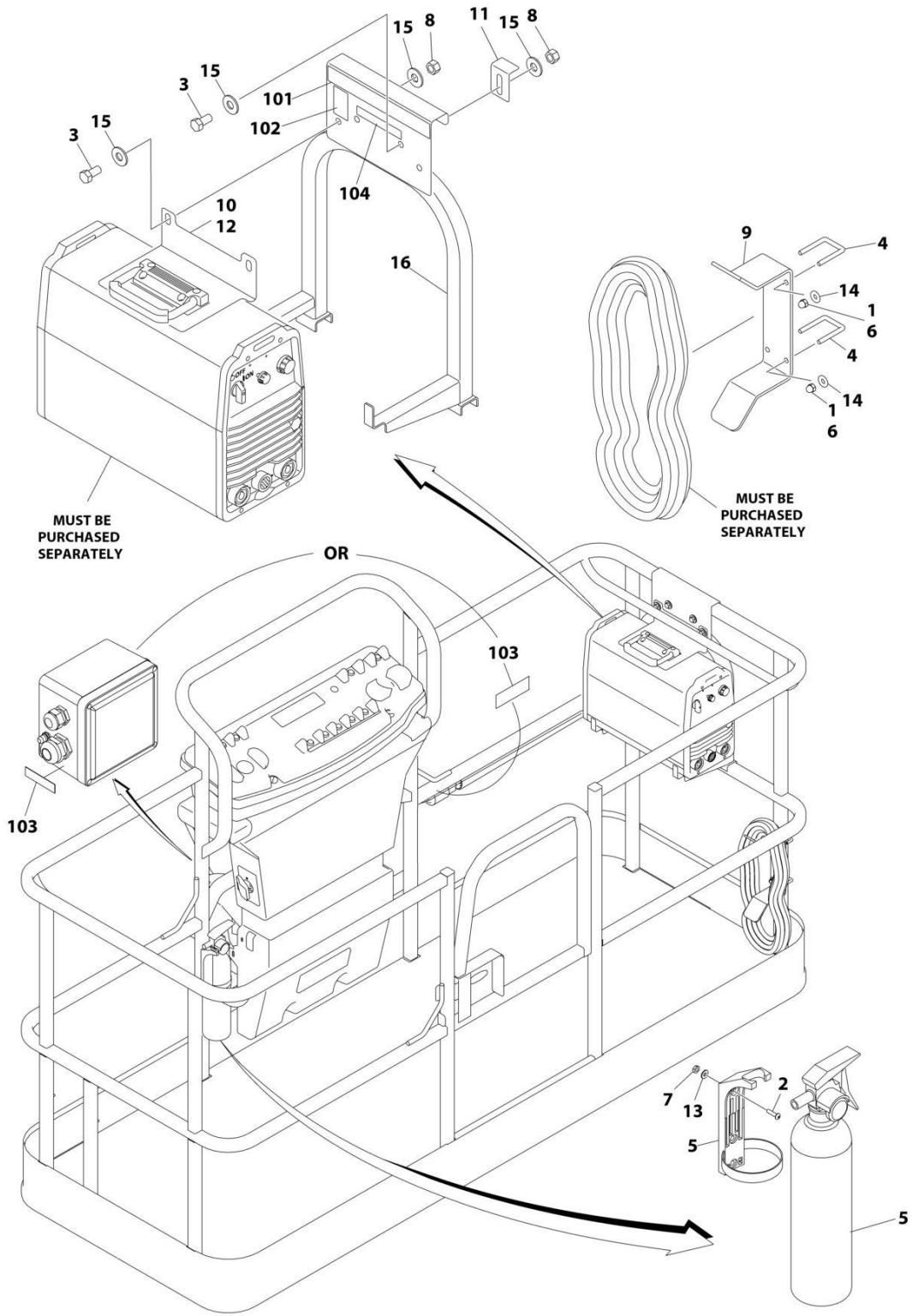
## SECTION 5 - PLATFORM

**FIGURE 5-40. SKYWELDER INSTALLATION (60HZ)**

ITEM	PART NUMBER	QTY	DESCRIPTION	REV
	0272254	Ref	SKYWELDER INSTALLATION	1
1	0100011	AR	Compound, Locking	
2	0630518	2	Screw #10 x 3/4	
3	0641606	4	Bolt 3/8 x 3/4	
4	1320302	2	U-Clamp	
5	2030010	1	Extinguisher, Fire	
6	2902217	1	Weld Leads Kit	
7	3300151	4	Nut 1/4	
8	3311005	2	Nut #10	
9	3311605	4	Nut 3/8	
10	3573400	1	Bracket	
11	3577121	2	Angle	
12	3573642	1	Plate	
13	4420037	AR	Tape	
14	4240099	AR	Tie-Strap (Not Shown)	
15	4460962	1	Plug, Male Twistlock	
17	4530028	1	Welder Assembly (See Separate Breakdown in this Section)	
18	4751400	4	Washer 1/4	
19	4751600	8	Washer 3/8	
20	4846627	1	Support	
21	1671093	1	Cover, Plug	
22	4751000	2	Washer #10	

# SECTION 5 - PLATFORM

## FIGURE 5-41. SKYWELDER PREP PACKAGE (60HZ)



ART\_1001128527\_B



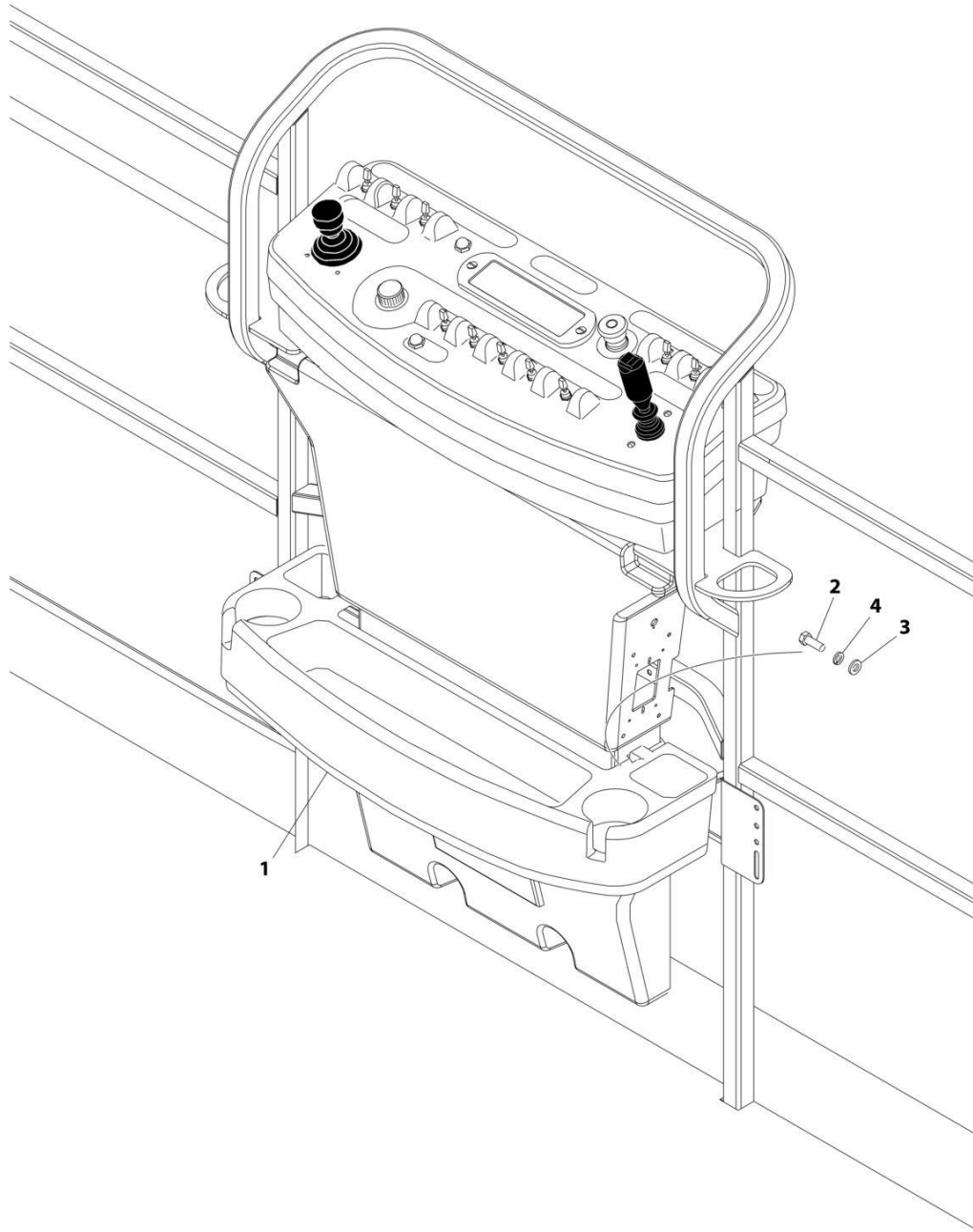
## SECTION 5 - PLATFORM

**FIGURE 5-41. SKYWELDER PREP PACKAGE (60HZ)**

ITEM	PART NUMBER	QTY	DESCRIPTION	REV
	1001128527	Ref	SKYWELDER PREP PACKAGE	B
1	0100011	AR	Compound, Locking	
2	0630518	2	Screw #10 x 3/4	
3	0641606	4	Bolt 3/8 x 3/4	
4	1320302	2	U-Clamp	
5	2030010	1	Extinguisher, Fire	
6	3300151	4	Nut 1/4	
7	3311005	2	Nut #10	
8	3311605	4	Nut 3/8	
9	3573400	1	Bracket	
10	3573642	1	Plate	
11	3577121	2	Angle	
12	4420037	AR	Tape	
13	4751000	2	Washer #10	
14	4751400	4	Washer 1/4	
15	4751600	8	Washer 3/8	
16	4846627	1	Support	
	1001128556	Ref	SKYWELDER DECAL INSTALLATION	C
101	1702868	1	Decal - No Hands	
102	1705305	1	Decal - Weld Lead	
103	1705375	1	Decal - 240V - 3 Phase - 60Hz	
104	1001228988	1	Decal - Weight	

# SECTION 5 - PLATFORM

## FIGURE 5-42. TRAY INSTALLATION



ART\_1580012

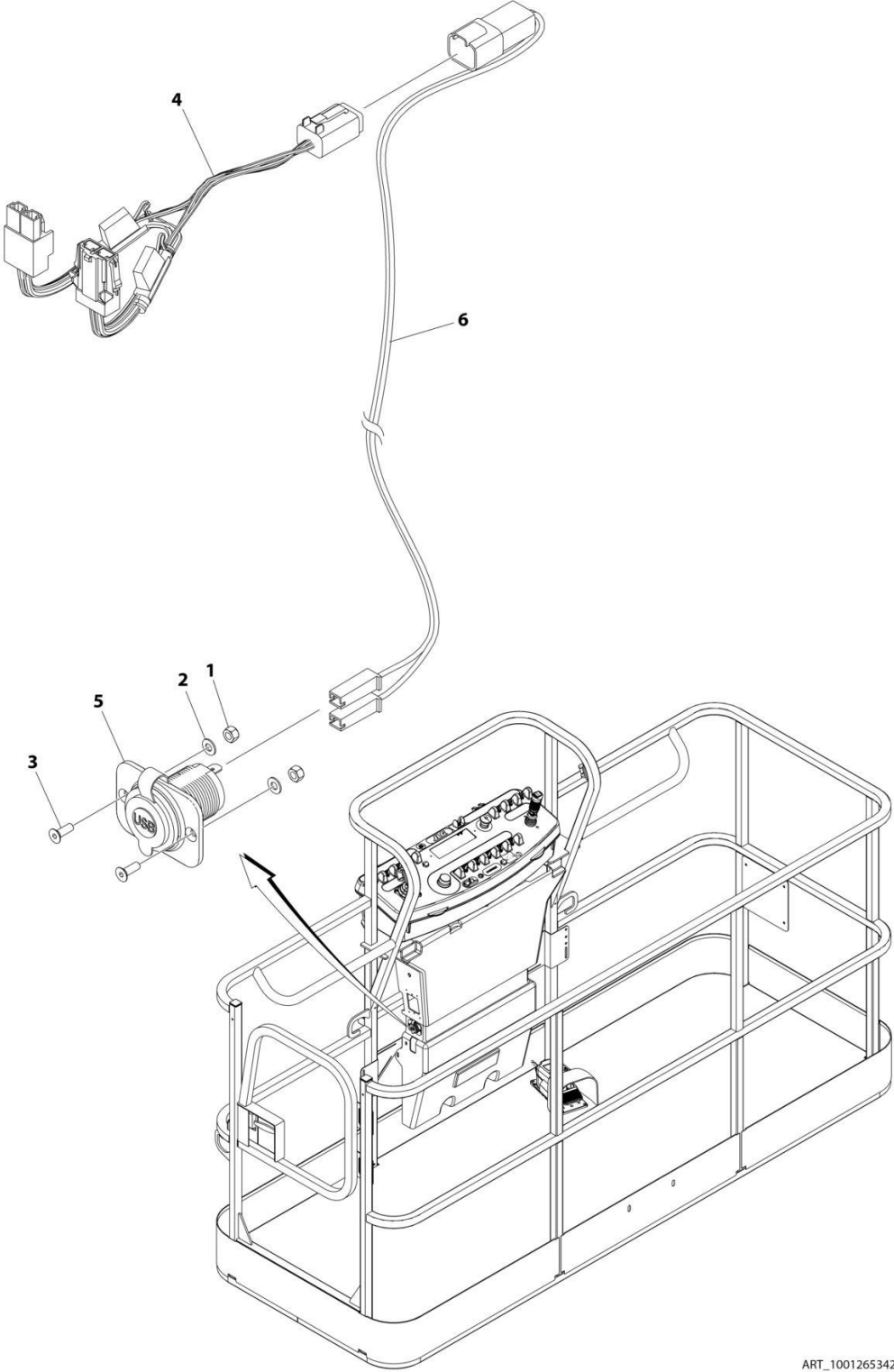
## SECTION 5 - PLATFORM

### FIGURE 5-42. TRAY INSTALLATION

ITEM	PART NUMBER	QTY	DESCRIPTION	REV
	1580012	Ref	TRAY ASSEMBLY	C
1	See Note	NSS	Tray, Storage (Center) (Note: Purchase p/n 1580012)	
2	0641406	2	Bolt 1/4 x 3/4	
3	4751400	2	Washer 1/4	
4	4761400	2	Washer 1/4	

**SECTION 5 - PLATFORM**

**FIGURE 5-43. USB CHARGER INSTALLATION**



ART\_1001265342

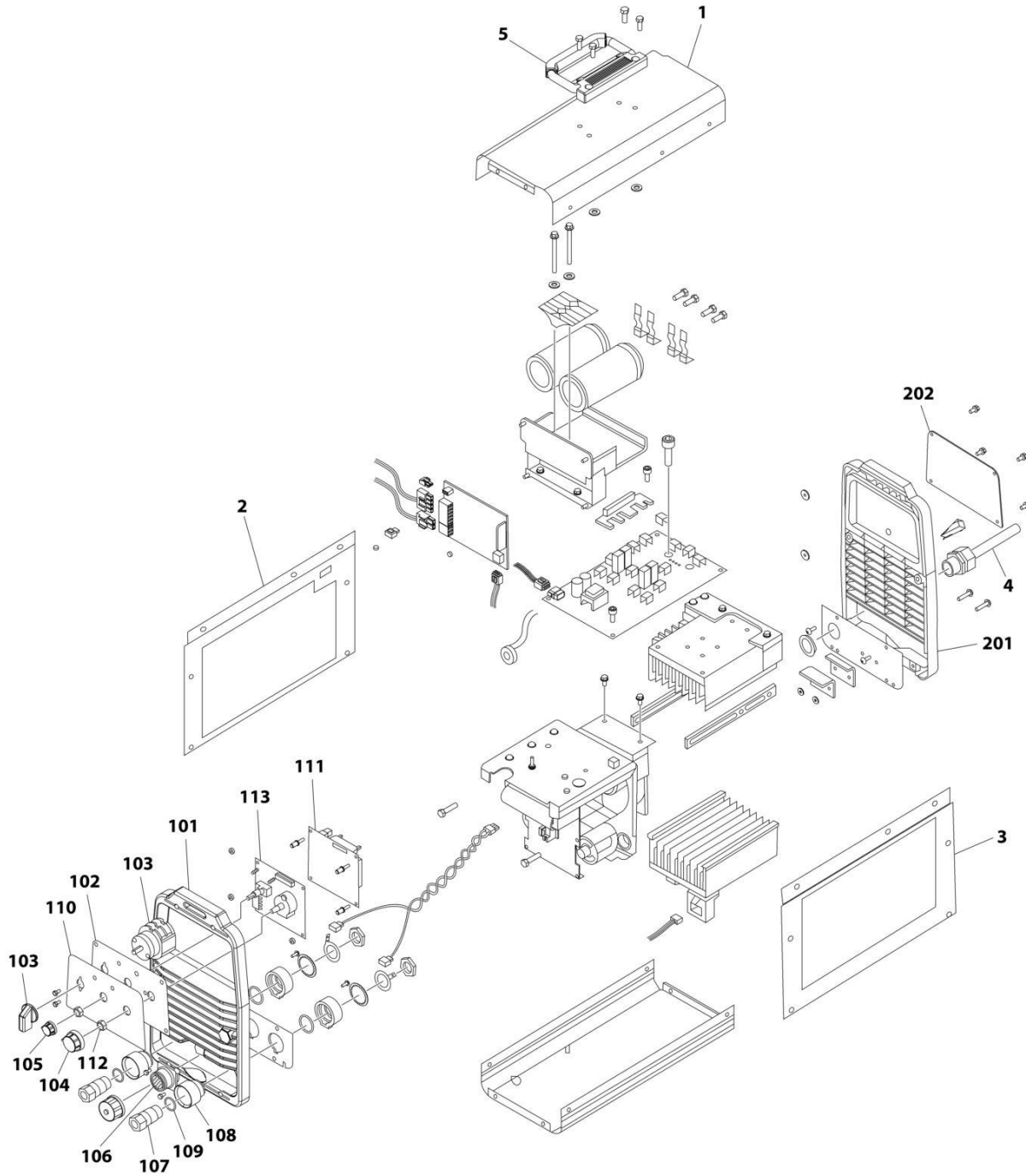
## SECTION 5 - PLATFORM

**FIGURE 5-43. USB CHARGER INSTALLATION**

ITEM	PART NUMBER	QTY	DESCRIPTION	REV
	1001265342	Ref	USB CHARGER INSTALLATION	A
1	3290405	2	Nut M4	
2	4811400	2	Washer M4	
3	1001097244	2	Screw M4 x 12	
4	1001120484	1	Harness, Work Lights	
4	4460879	1	Plug, Male - 2 Position	
4	4460887	2	Terminal	
4	2400060	2	Fuseholder Includes Cover	
4	8229249	2	Fuse, 3 Amp	
4	4460884	1	Connector - 4 Position	
4	4460465	4	Socket, Female	
4	1001120471	1	Connector - 2 Position	
4	1001120477	2	Terminal	
5	1001210636	1	Receptacle, USB	
6	1001265163	1	Harness, USB	A
6	4460260	2	Cover, Terminal	
6	4460259	2	Terminal	
6	4460932	1	Receptacle, Bussbar - 4 Position	
6	4460464	2	Pin, Male	
6	4460466	2	Plug, Terminal	

# SECTION 5 - PLATFORM

## FIGURE 5-44. WELDER ASSEMBLY



ART\_4530028

## SECTION 5 - PLATFORM

### FIGURE 5-44. WELDER ASSEMBLY

ITEM	PART NUMBER	QTY	DESCRIPTION	REV
	4530028	Ref	WELDER ASSEMBLY	B
		Ref	Note: For Other Components, contact your Miller Welder Dealer.	
1	7027773	1	Cover, Top	
1	7027774	1	Decal - Static Precautionary Warning	
2	See Note	NSS	Panel, LH Side (Note: Part of Item 1. Purchase Item 1)	
3	See Note	NSS	Panel, RH Side (Note: Part of Item 1. Purchase Item 1)	
4	7024467	1	Cable, Power	
4	7027775	1	Decal - Electrical Shock Warning (Not Shown)	
5	7027776	1	Handle, Carrying	
101	7024462	1	Panel, Front	
102	7024463	1	Panel, Console	
103	7024469	1	Switch with Lead	
104	7024470	1	Knob	
105	7024471	1	Knob	
106	7024472	1	Receptacle with Leads and Plugs	
107	7024473	2	Receptacle, Twistlock Female	
108	7024474	2	Insulator	
109	7024475	2	O-Ring	
110	7027777	1	Nameplate	
111	7027779	1	Circuit Card Assembly (Process Control)	
112	7024478	2	Nut	
113	7027778	1	Circuit Card Assembly (Operator Interface)	
201	7024462	1	Panel, Rear	
202	7027780	1	Panel, Cover	

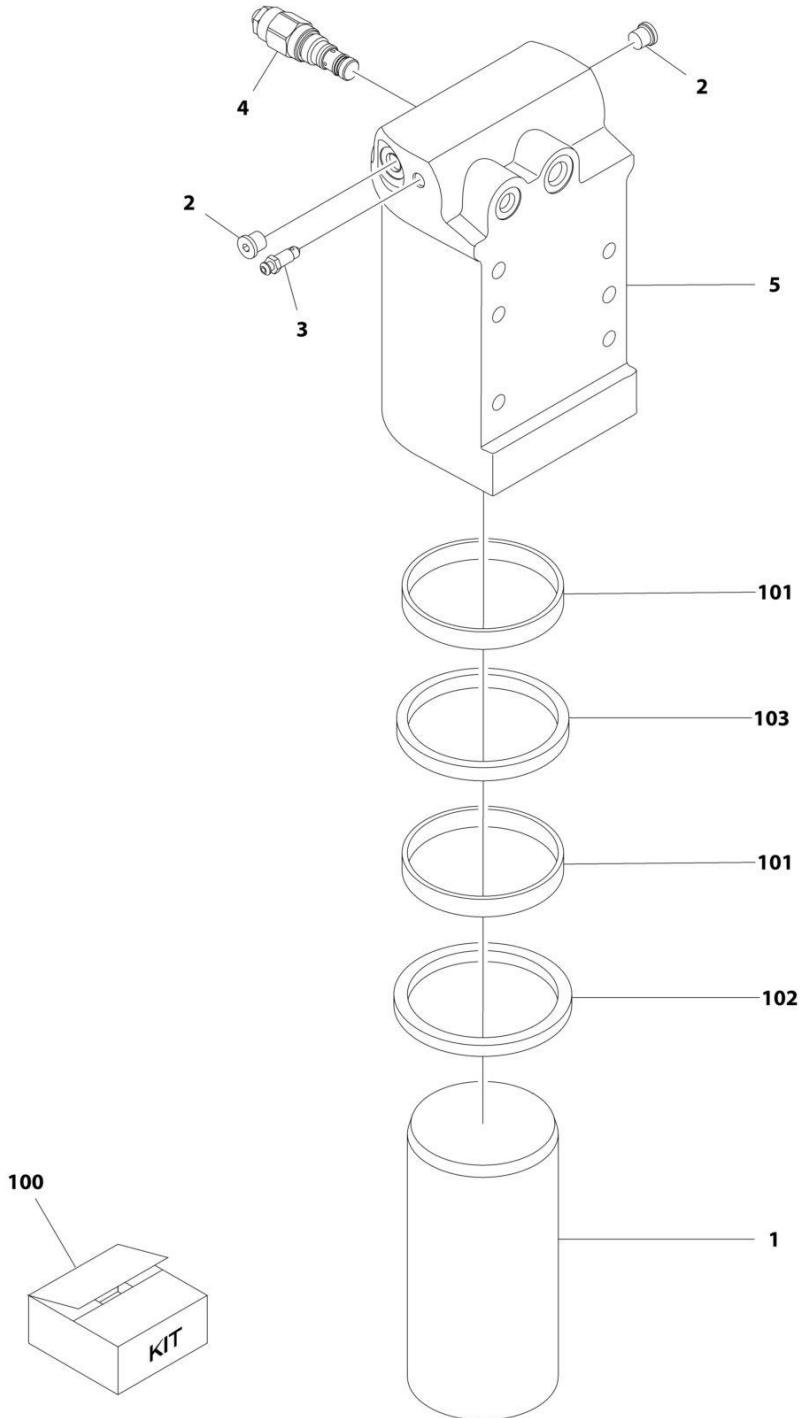




**SECTION 6 - CYLINDER**

# SECTION 6 - CYLINDER

## FIGURE 6-1. AXLE LOCKOUT CYLINDER ASSEMBLY



ART\_1001163580

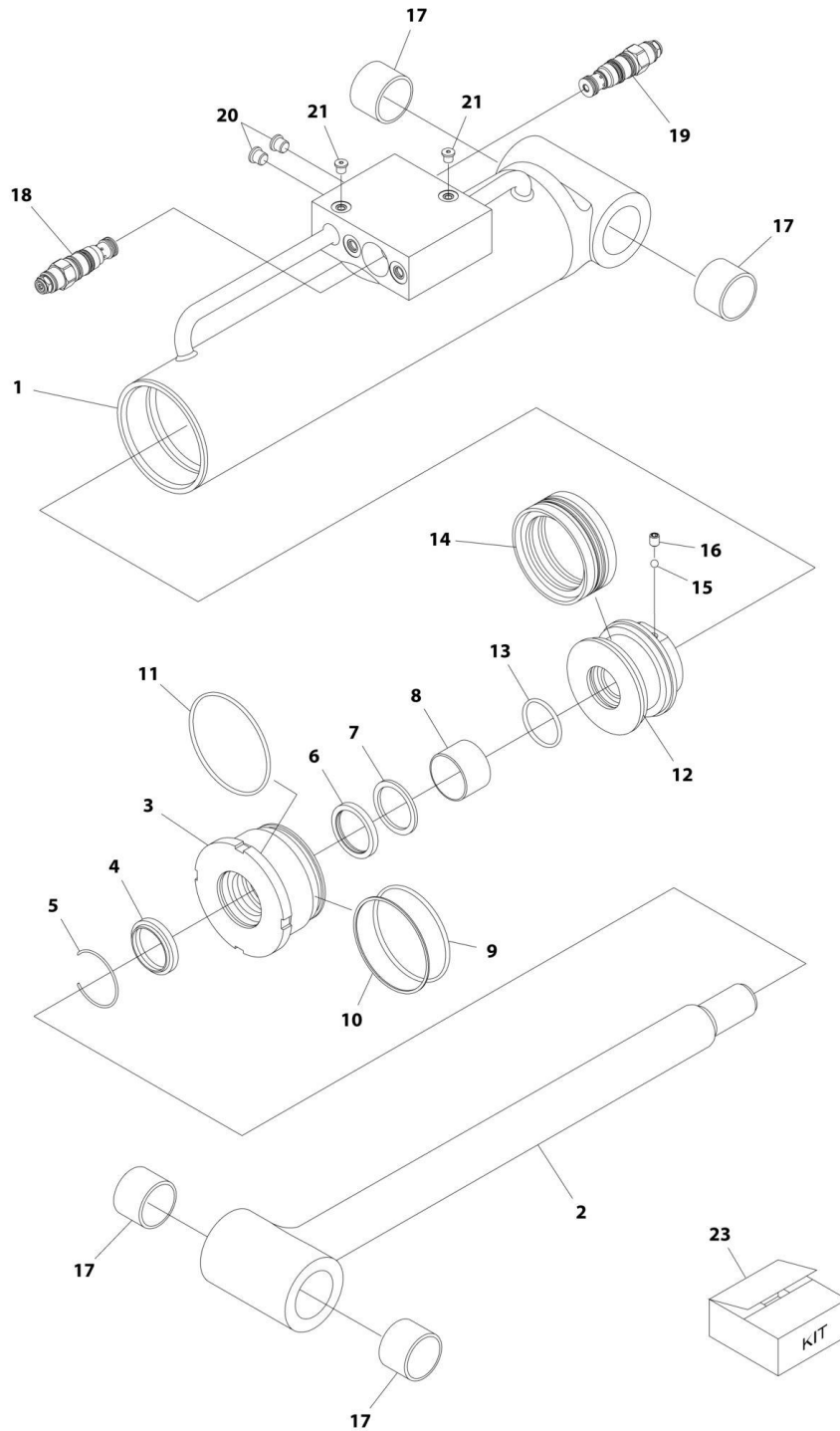
## SECTION 6 - CYLINDER

**FIGURE 6-1. AXLE LOCKOUT CYLINDER ASSEMBLY**

ITEM	PART NUMBER	QTY	DESCRIPTION	REV
	1001163580	Ref	AXLE LOCKOUT CYLINDER ASSEMBLY	I
		Ref	Note: Original Cylinder May Have Been Replaced with Service Replacement. Identify PN Stamped on Cylinder Before Ordering Parts.	
1	1684290	1	Rod	
2	2220883	2	Plug #4	
3	4640858	1	Valve, Bleeder	
4	1001117372	1	Cartridge, Valve	
4	70002842	1	Seal Kit - 1001117372 Valve	
5	1001164817	1	Barrel	
100	2902266	NLA	Seal Kit - 1001163590 Cylinder (Includes Items 101-103)	
101	See Note	NSS	Ring, Wear (Note: Use Item 100)	
102	See Note	NSS	Seal (Note: Use Item 100)	
103	See Note	NSS	Wiper (Note: Use Item 100)	

# SECTION 6 - CYLINDER

## FIGURE 6-2. LEVEL (PLATFORM SLAVE) CYLINDER ASSEMBLY



ART\_1001163386

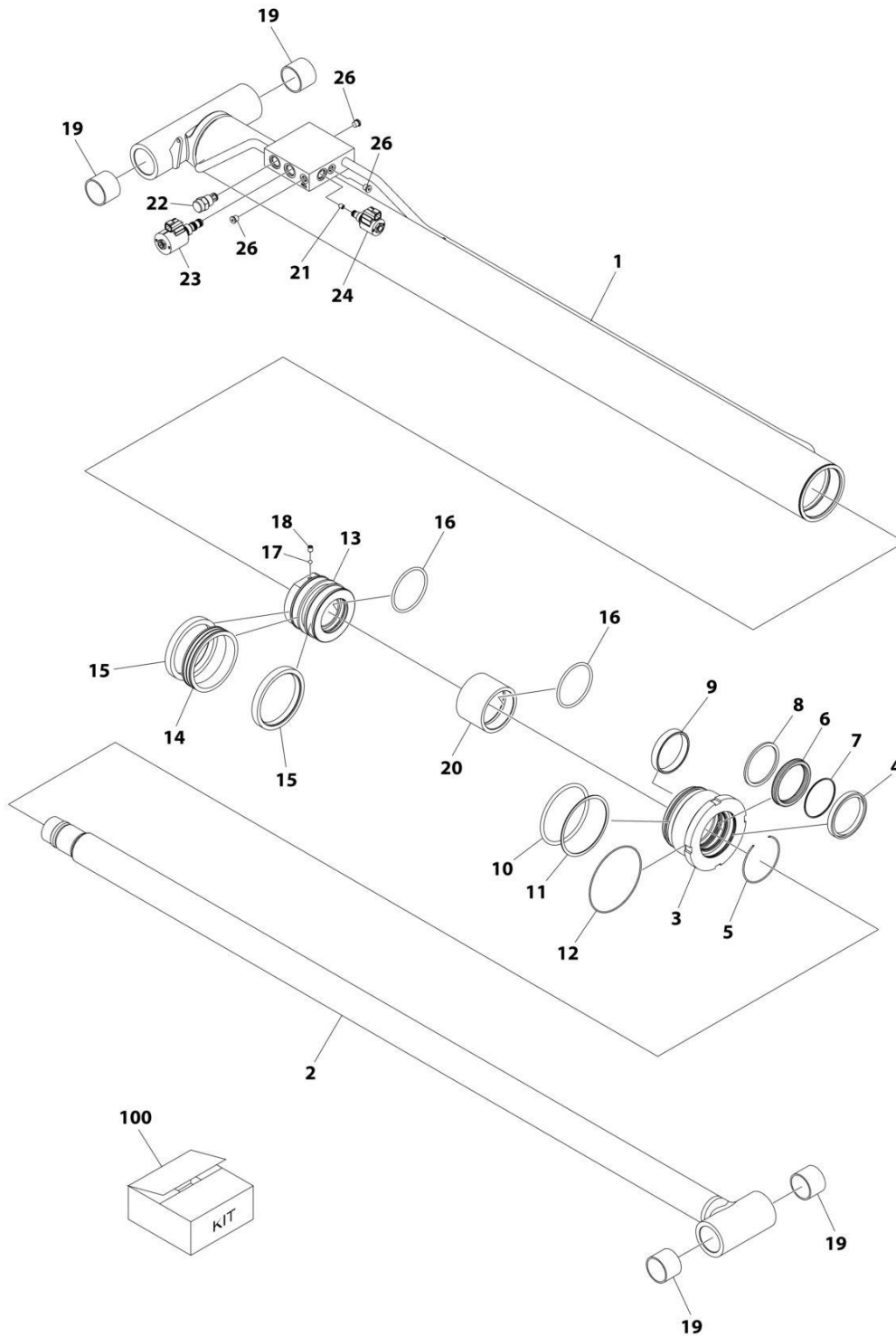
## SECTION 6 - CYLINDER

**FIGURE 6-2. LEVEL (PLATFORM SLAVE) CYLINDER ASSEMBLY**

ITEM	PART NUMBER	QTY	DESCRIPTION	REV
	1001163386	Ref	LEVEL (PLATFORM SLAVE) CYLINDER ASSEMBLY	G
		Ref	Note: Original Cylinder May Have Been Replaced with Service Replacement. Identify PN Stamped on Cylinder Before Ordering Parts.	
1	70005147	1	Barrel	
2	70005148	1	Rod	
3	70005142	1	Head	
4	See Note	NSS	Wiper (Note: Use Item 23)	
5	70002373	1	Ring, Retaining	
6	See Note	NSS	Seal, Rod (Note: Use Item 23)	
7	See Note	NSS	Ring, Back-up (Note: Use Item 23)	
8	70005143	1	Bearing, Dry	
9	See Note	NSS	O-Ring (Note: Use Item 23)	
10	See Note	NSS	Ring, Back-up (Note: Use Item 23)	
11	See Note	NSS	O-Ring (Note: Use Item 23)	
12	70005144	1	Piston	
13	See Note	NSS	O-Ring (Note: Use Item 23)	
14	See Note	NSS	Seal, Piston (Note: Use Item 23)	
15	70022564	1	Ball	
16	70023369	1	Setscrew	
17	70005145	4	Bearing	
18	1001168209	1	Cartridge, Valve	
18	2900770	1	Seal Kit - 1001168209 Valve	
19	1001168210	1	Cartridge, Valve	
19	2900770	1	Seal Kit - 1001168210 Valve	
20	70023370	1	Plug 7/16	
21	2220881	1	Plug, O-Ring 5/16	
23	70005149	1	Seal Kit - 1001163386 Cylinder (Includes Items 4, 6, 7, 9, 10, 11, 13 & 14)	

# SECTION 6 - CYLINDER

## FIGURE 6-3. LIFT CYLINDER ASSEMBLY - MAIN BOOM



ART\_1001228092

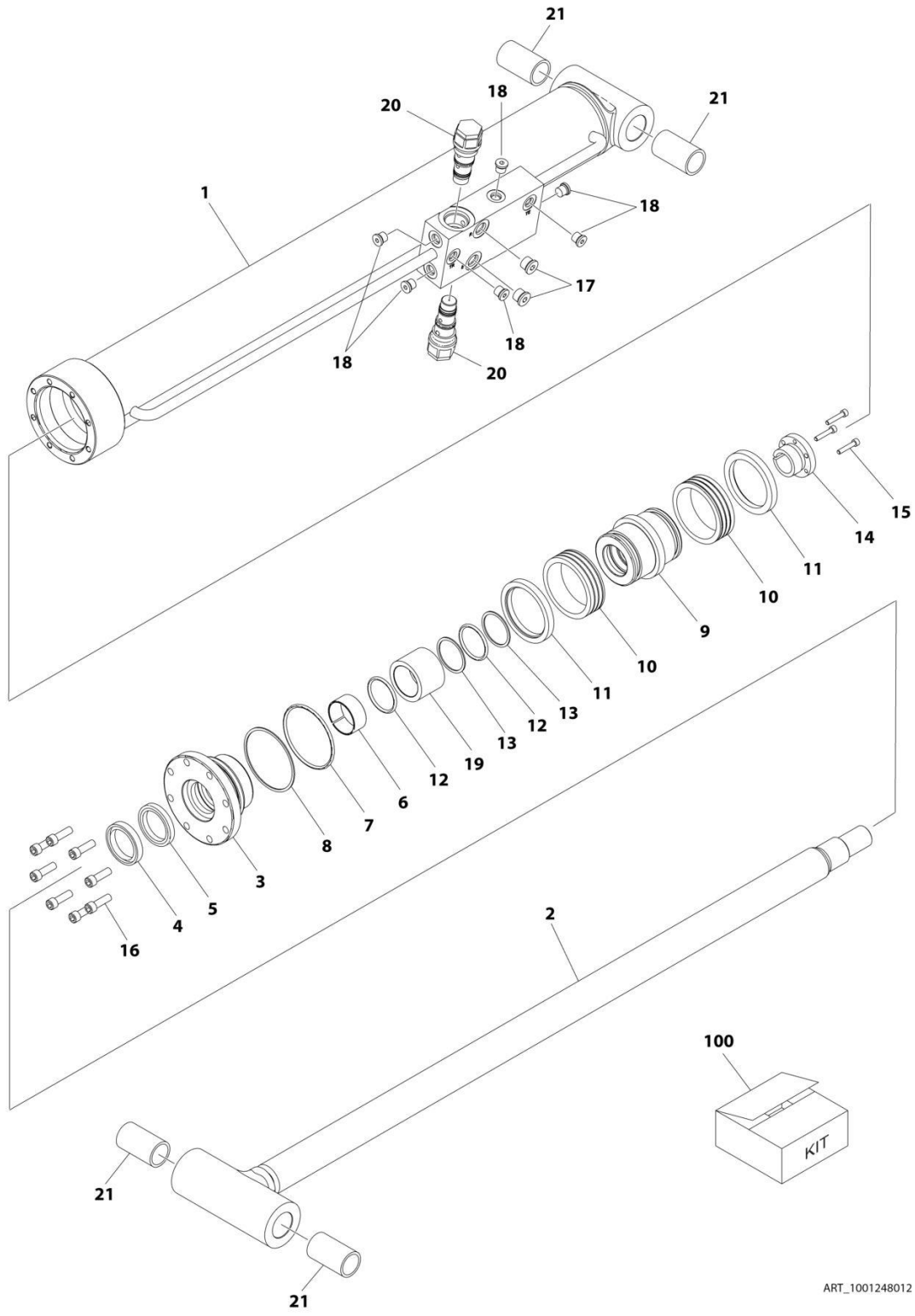
## SECTION 6 - CYLINDER

### FIGURE 6-3. LIFT CYLINDER ASSEMBLY - MAIN BOOM

ITEM	PART NUMBER	QTY	DESCRIPTION	REV
	1001228092	Ref	LIFT CYLINDER ASSEMBLY - MAIN BOOM	C
		Ref	Note: Original Cylinder May Have Been Replaced with Service Replacement. Identify PN Stamped on Cylinder Before Ordering Parts.	
1	See Note	NSS	Barrel (Use p/n 1001228092)	
2	70006702	1	Rod	
3	70006703	1	Head	
4	See Note	NSS	Wiper (Note: Use Item 100)	
5	70050795	1	Ring, Retainer	
6	See Note	NSS	Seal, Rod (Note: Use Item 100)	
7	See Note	NSS	O-Ring (Note: Use Item 100)	
8	See Note	NSS	Ring (Note: Use Item 100)	
9	70006636	1	Ring, Wear	
10	See Note	NSS	O-Ring (Note: Use Item 100)	
11	See Note	NSS	Ring, Back-up (Note: Use Item 100)	
12	See Note	NSS	O-Ring (Note: Use Item 100)	
13	70006704	1	Piston	
14	See Note	NSS	Seal (Note: Use Item 100)	
15	See Note	NSS	Ring, Wear (Note: Use Item 100)	
16	See Note	NSS	Seal (Note: Use Item 100)	
17	70022564	1	Ball	
18	70023369	1	Setscrew M8 x 10	
19	0961950	4	Bearing	
20	70006705	1	Spacer	
21	70004231	1	Orifice	
22	4641390	1	Cartridge, Check Valve	
22	7017496	1	Seal Kit - 4641390 Valve	
23	1001206625	1	Cartridge, Valve (Includes Coil)	
23	70006104	1	Cartridge, Less Coil	
23	70006105	1	Seal Kit - 70006104 & 1001206625 Cartridges	
23	70003788	1	Coil	
23	7022390	1	Nut, Coil	
24	1001164709	1	Cartridge, Valve (Includes Coil)	
24	7017467	1	Cartridge, Less Coil	
24	7012998	1	Seal Kit - 7017467 & 1001164709 Cartridges	
24	70002386	1	Coil	
26	2220883	3	Plug #4	
100	70006706	1	Seal Kit - 1001228092 Cylinder (Includes Item 4, 6-8, 10-12 & 14-16)	

# SECTION 6 - CYLINDER

## FIGURE 6-4. LIFT CYLINDER ASSEMBLY - JIB



ART\_1001248012



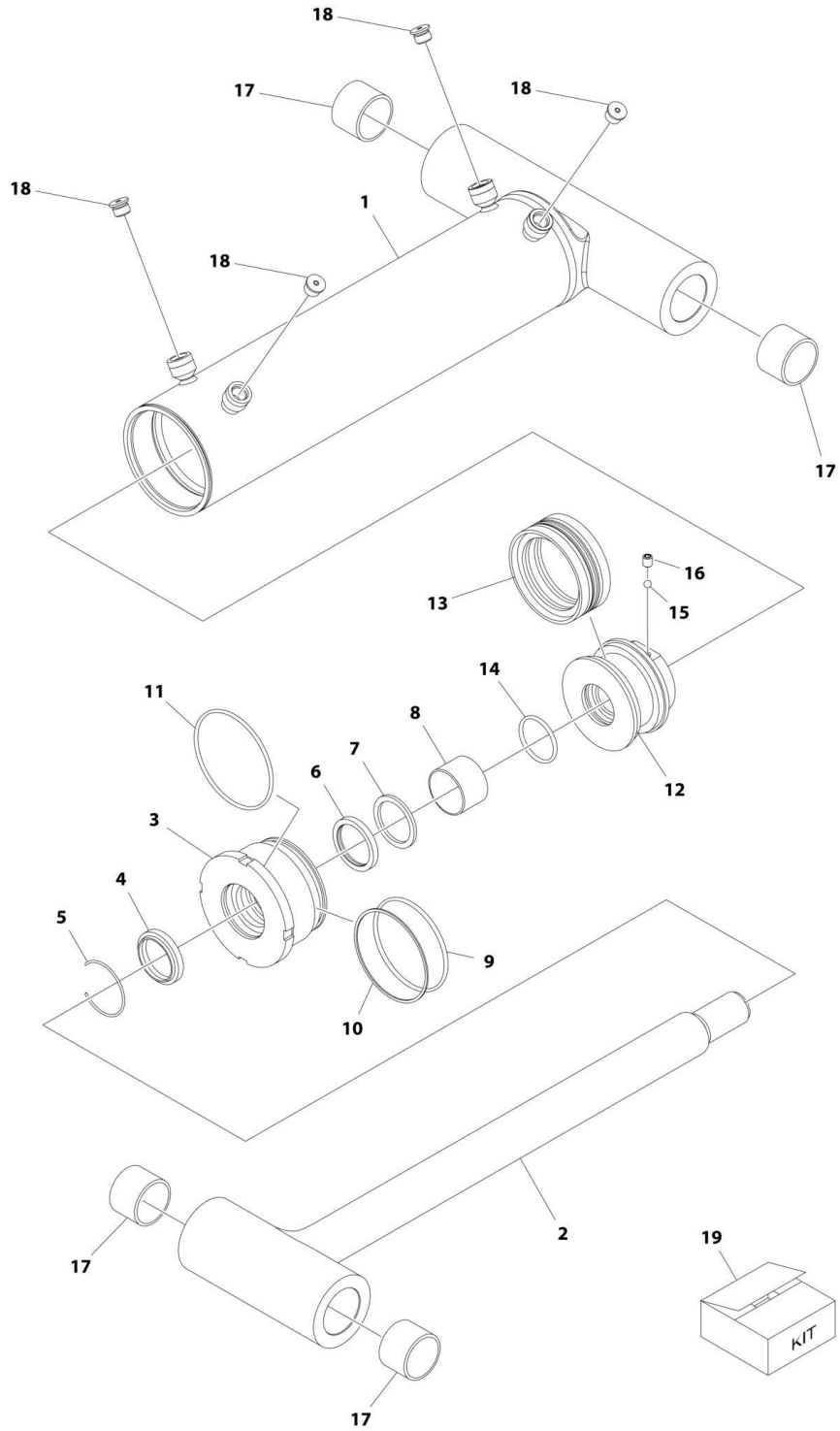
## SECTION 6 - CYLINDER

**FIGURE 6-4. LIFT CYLINDER ASSEMBLY - JIB**

ITEM	PART NUMBER	QTY	DESCRIPTION	REV
	1001248012	Ref	LIFT CYLINDER ASSEMBLY - JIB	C
		Ref	Note: Original Cylinder May Have Been Replaced with Service Replacement. Identify PN Stamped on Cylinder Before Ordering Parts.	
1	See Note	NSS	Barrel (Note: Not Available for Purchase)	
2	70006734	1	Rod	
3	70006649	1	Head	
4	See Note	NSS	Wiper (Note: Use Item 100)	
5	See Note	NSS	Seal, Rod (Note: Use Item 100)	
6	See Note	NSS	Ring, Wear (Note: Use Item 100)	
7	See Note	NSS	O-Ring (Note: Use Item 100)	
8	See Note	NSS	Ring, Back-up (Note: Use Item 100)	
9	70006650	1	Piston	
10	See Note	NSS	Seal (Note: Use Item 100)	
11	See Note	NSS	Ring, Lock (Note: Use Item 100)	
12	See Note	NSS	O-Ring (Note: Use Item 100)	
13	See Note	NSS	Ring, Back-up (Note: Use Item 100)	
14	0961893	1	Bushing, Tapered	
15	0630534	3	Capscrew, Socket Head #10 x 1	
16	70006735	8	Capscrew 5/16	
17	2220885	2	Plug, O-Ring	
18	2220883	6	Plug, O-Ring	
19	70006736	1	Spacer	
20	4640509	2	Cartridge, Valve	
20	2900792	2	Seal Kit - 4640509 Valve	
21	0962336	4	Bushing	
100	1001138795	1	Seal Kit (Includes Items 4-8 & 10-13)	

# SECTION 6 - CYLINDER

## FIGURE 6-5. MASTER CYLINDER ASSEMBLY



ART\_1001163385

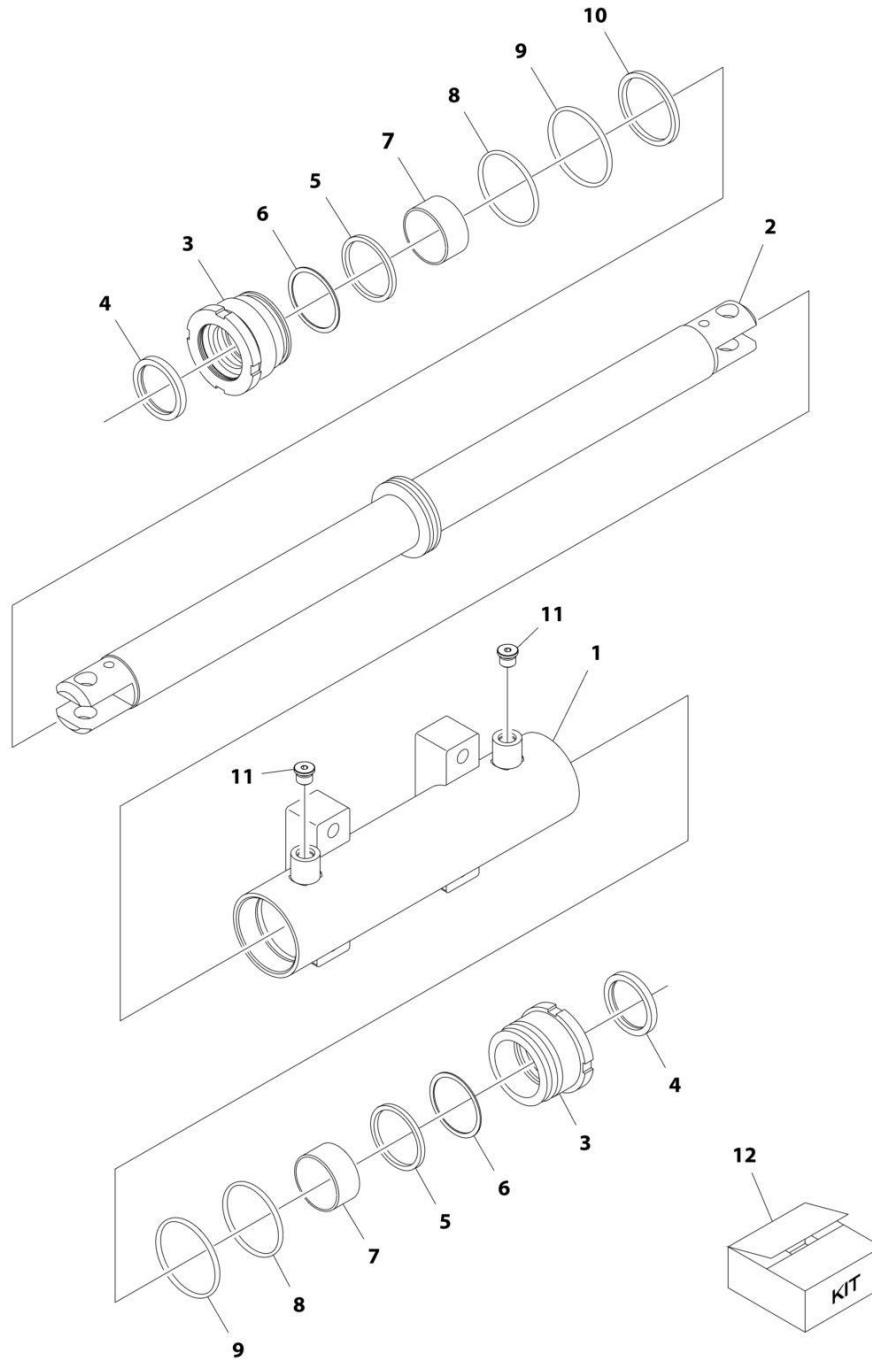
## SECTION 6 - CYLINDER

### FIGURE 6-5. MASTER CYLINDER ASSEMBLY

ITEM	PART NUMBER	QTY	DESCRIPTION	REV
	1001163385	Ref	MASTER CYLINDER ASSEMBLY	F
		Ref	Note: Original Cylinder May Have Been Replaced with Service Replacement. Identify PN Stamped on Cylinder Before Ordering Parts.	
1	70005140	1	Barrel	
2	70005141	1	Rod	
3	70005142	1	Head, Cylinder	
4	See Note	NSS	Wiper (Note: Use Item 19)	
5	70002373	1	Ring, Retaining	
6	See Note	NSS	Seal, Rod (Note: Use Item 19)	
7	See Note	NSS	Ring, Back-up (Note: Use Item 19)	
8	70005143	1	Bearing, Dry	
9	See Note	NSS	O-Ring (Note: Use Item 19)	
10	See Note	NSS	Ring, Back-up (Note: Use Item 19)	
11	See Note	NSS	O-Ring (Note: Use Item 19)	
12	70005144	1	Piston	
13	See Note	NSS	Seal, Piston	
14	See Note	NSS	O-Ring (Note: Use Item 19)	
15	70022564	1	Ball	
16	70023369	1	Setscrew M8 x 31.75	
17	70005145	4	Bearing	
18	700023371	4	Plug 9/16	
19	70005146	1	Seal Kit - 1001163385 Cylinder (Includes Items 4, 6, 7, 9, 10, 11, 13 & 14)	

# SECTION 6 - CYLINDER

## FIGURE 6-6. STEER CYLINDER ASSEMBLY



ART\_1001163178

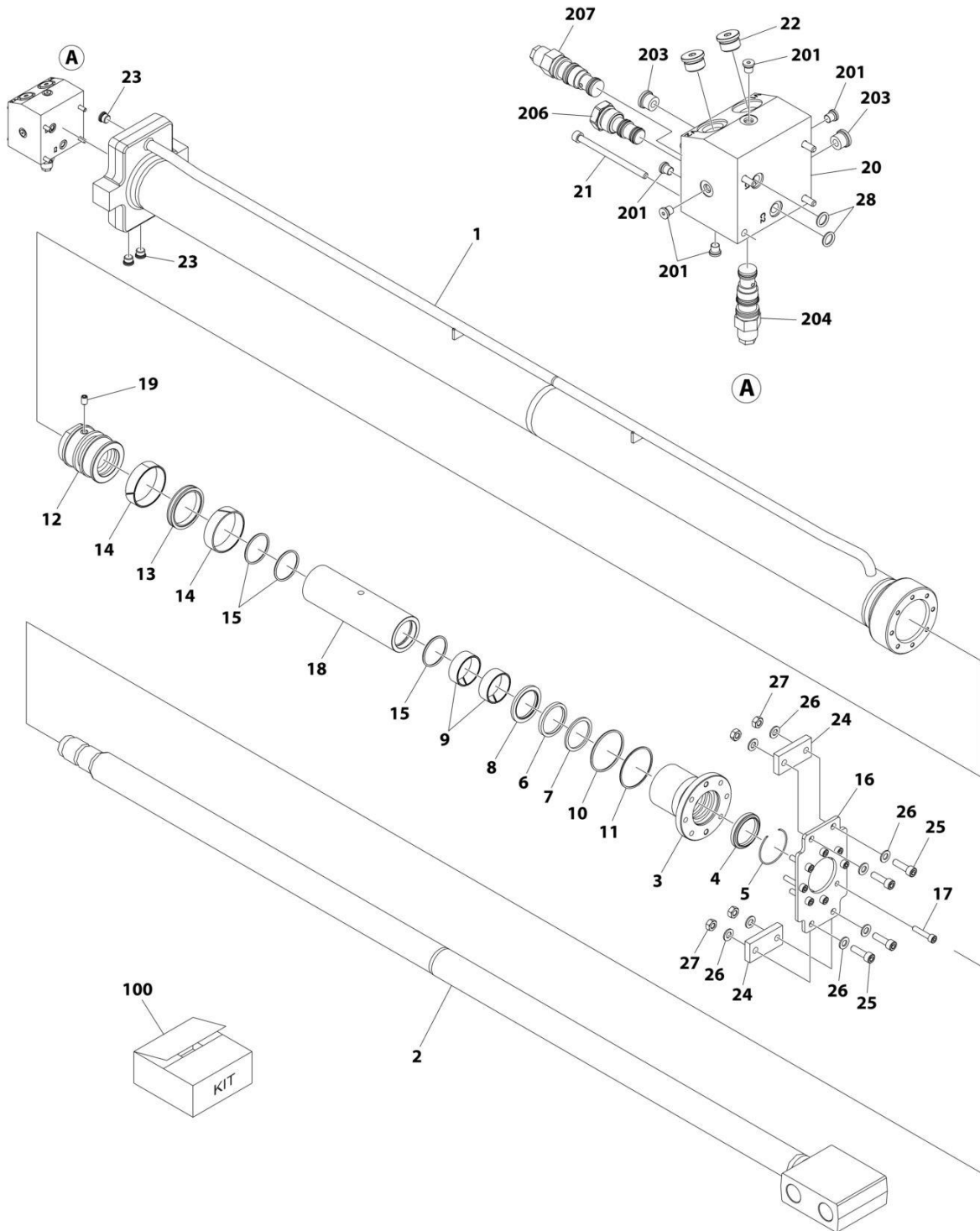
## SECTION 6 - CYLINDER

**FIGURE 6-6. STEER CYLINDER ASSEMBLY**

ITEM	PART NUMBER	QTY	DESCRIPTION	REV
	1001163178	Ref	STEER CYLINDER ASSEMBLY	E
		Ref	Note: Original Cylinder May Have Been Replaced with Service Replacement. Identify PN Stamped on Cylinder Before Ordering Parts.	
1	70005150	1	Barrel	
2	70005151	1	Rod	
3	70005152	2	Head	
4	See Note	NSS	Wiper (Note: Use Item 12)	
5	See Note	NSS	Seal, Rod (Note: Use Item 12)	
6	See Note	NSS	Ring, Back-up (Note: Use Item 12)	
7	70005153	2	Bearing, Dry	
8	See Note	NSS	O-Ring (Note: Use Item 12)	
9	See Note	NSS	O-Ring (Note: Use Item 12)	
10	See Note	NSS	Seal, Piston (Note: Use Item 12)	
11	See Note	2	Plug 9/16 (Note: Not Available for Purchase)	
12	70005154	1	Seal Kit - 1001163178 Cylinder (Includes Items 4-6 & 8-10)	

# SECTION 6 - CYLINDER

## FIGURE 6-7. TELESCOPE CYLINDER ASSEMBLY



ART\_1001251075

## SECTION 6 - CYLINDER

### FIGURE 6-7. TELESCOPE CYLINDER ASSEMBLY

ITEM	PART NUMBER	QTY	DESCRIPTION	REV
	1001251075	Ref	TELESCOPE CYLINDER ASSEMBLY	B
		Ref	Note: Original Cylinder May Have Been Replaced with Service Replacement. Identify PN Stamped on Cylinder Before Ordering Parts.	
1	See Note	NSS	Barrel (Note: Purchase Complete Assembly)	
2	70007062	1	Rod	
3	70007063	1	Head	
4	See Note	NSS	Wiper (Note: Use Item 100)	
5	70002412	1	Ring, Retaining	
6	See Note	NSS	Seal (Note: Use Item 100)	
7	See Note	NSS	Ring, Back-up (Note: Use Item 100)	
8	See Note	NSS	Ring, Wear (Note: Use Item 100)	
9	See Note	NSS	Ring, Wear (Note: Use Item 100)	
10	See Note	NSS	O-Ring (Note: Use Item 100)	
11	See Note	NSS	Ring, Back-up (Note: Use Item 100)	
12	70007064	1	Piston	
13	See Note	NSS	Seal (Note: Use Item 100)	
14	See Note	NSS	Ring, Wear (Note: Use Item 100)	
15	See Note	NSS	O-Ring (Note: Use Item 100)	
16	70007065	1	Plate	
17	70007066	8	Capscrew	
18	70007067	1	Spacer	
19	70006817	1	Set Screw	
20	1001166997	1	Valve Block Assembly (See Items 201-207 for Breakdown)	
21	70007068	4	Capscrew	
22	2220886	2	Plug, O-Ring	
23	2220885	3	Plug	
24	70007069	2	Pad, Wear	
25	70007070	4	Bolt	
26	70006344	8	Washer	
27	70007071	4	Nut	
28	See Note	NSS	O-Ring (Note: Use Item 100)	
100	70007072	1	Seal Kit - 1001251075 Cylinder (Includes Items 4, 6-11, 13-15 & 28)	
	1001166997	Ref	VALVE BLOCK ASSEMBLY	
201	2220881	5	Plug	
203	2220885	2	Plug	
204	4640452	1	Cartridge, Counterbalance Valve	
204	2900770	1	Seal Kit - 4640452 Valve	
206	1001165363	1	Cartridge, Shuttle Valve	
206	7012518	1	Seal Kit - 1001165363 Valve	
207	1001168209	1	Cartridge, Counterbalance Valve	
207	2900770	1	Seal Kit - 1001168209 Valve	

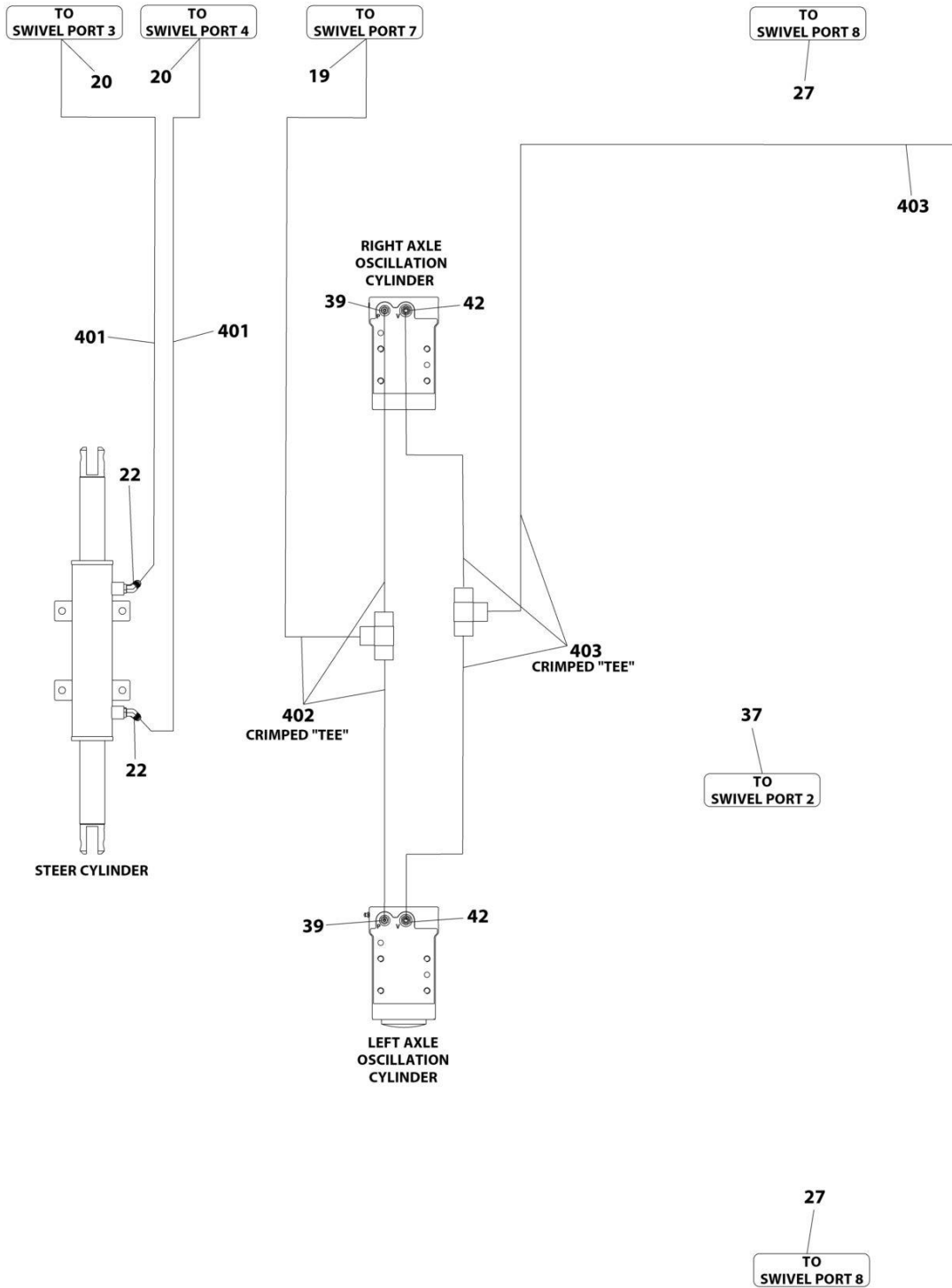




**SECTION 7 - HYDRAULIC**

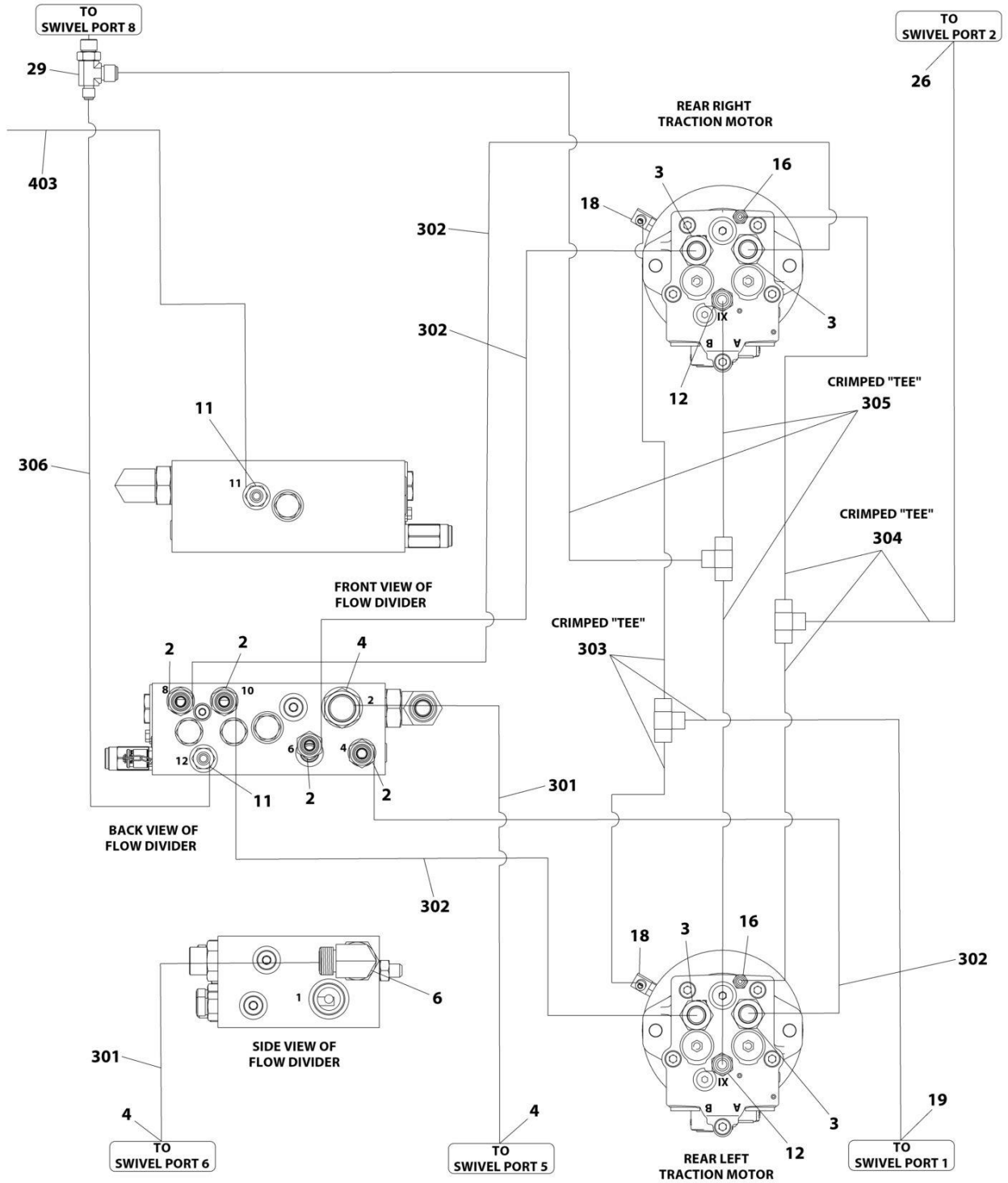
# SECTION 7 - HYDRAULIC

## FIGURE 7-1. 2WD HYDRAULIC SYSTEM INSTALLATION (400S)



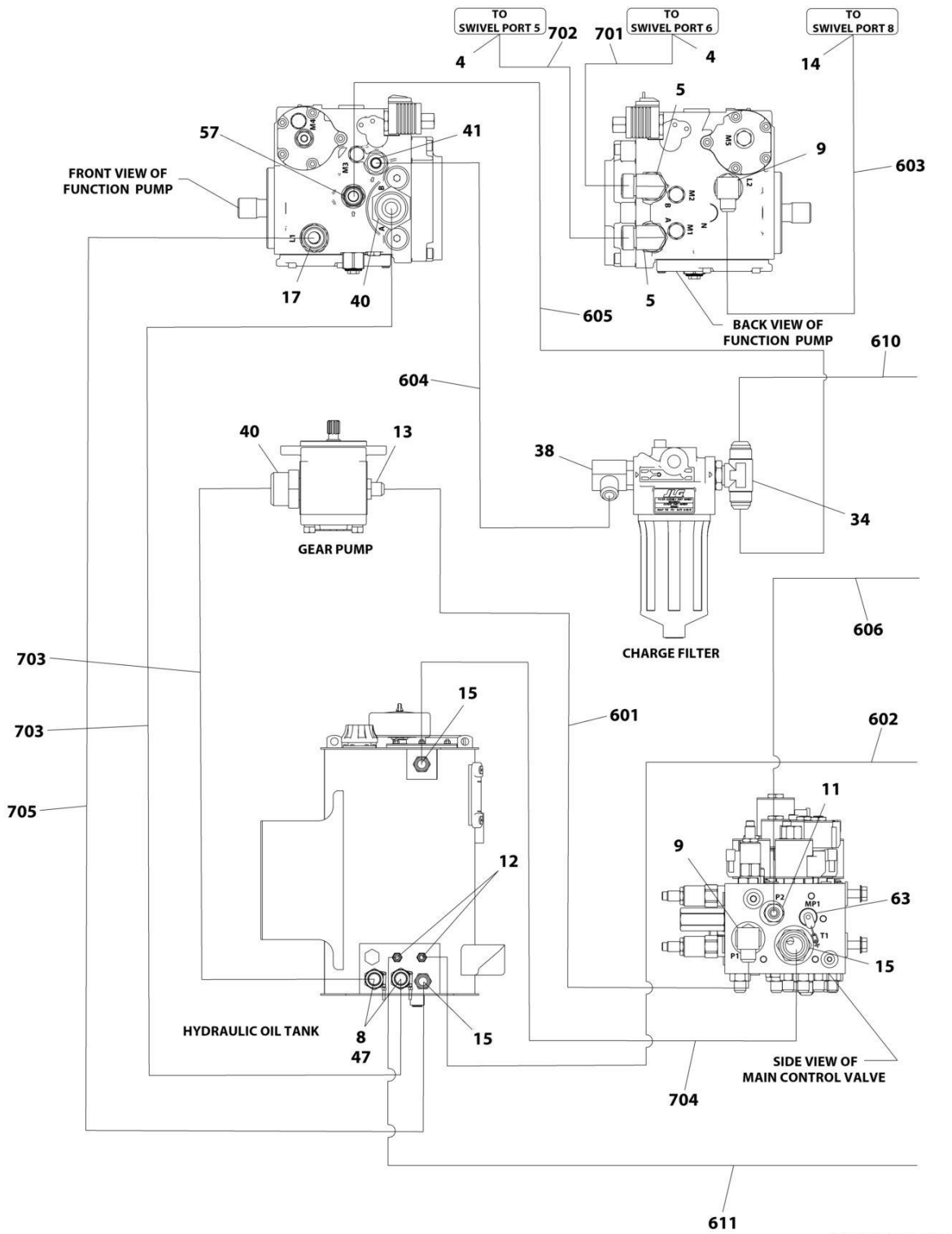
ART\_1001216801\_10F6

# SECTION 7 - HYDRAULIC



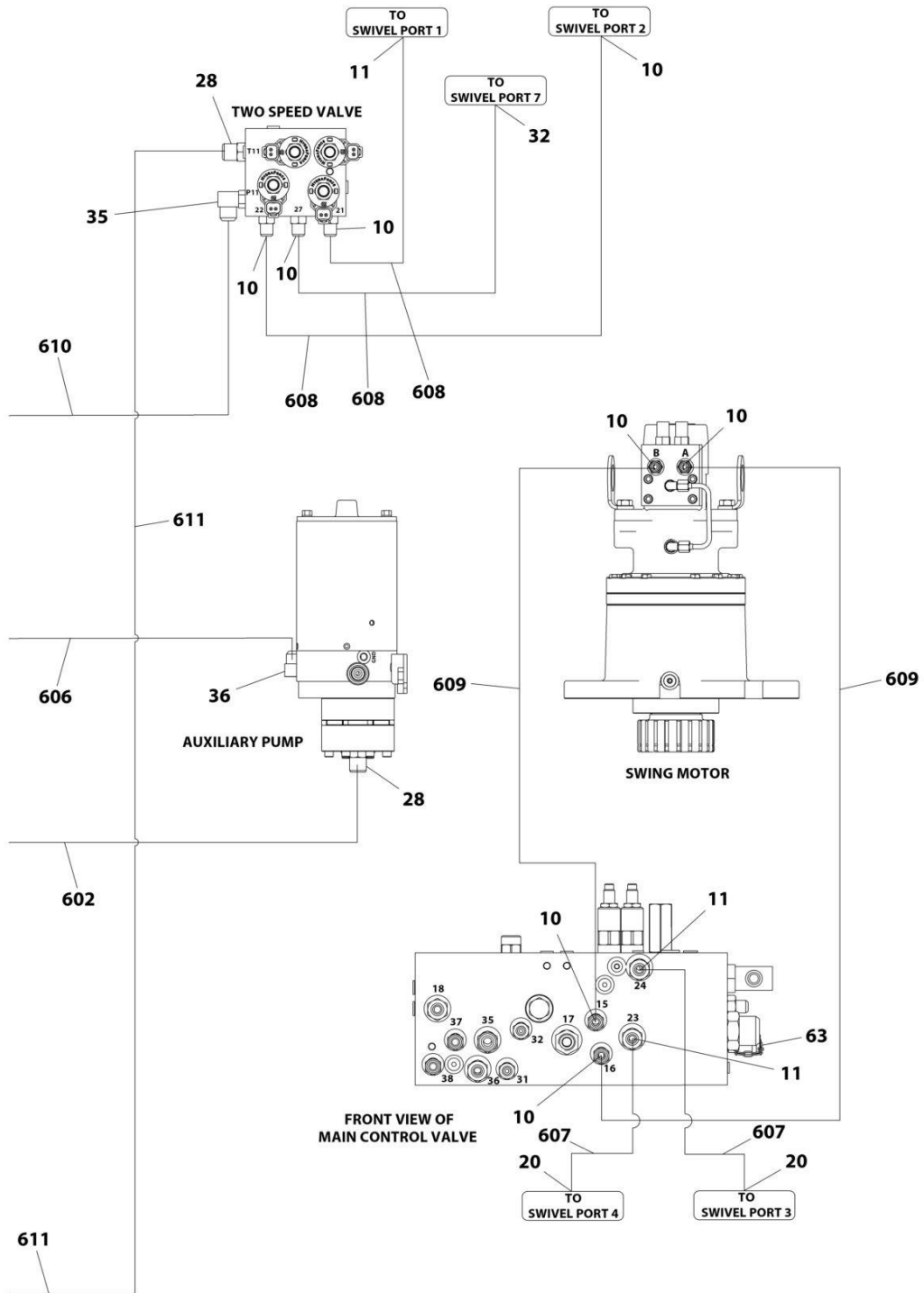
ART\_1001216801\_20F6

# SECTION 7 - HYDRAULIC



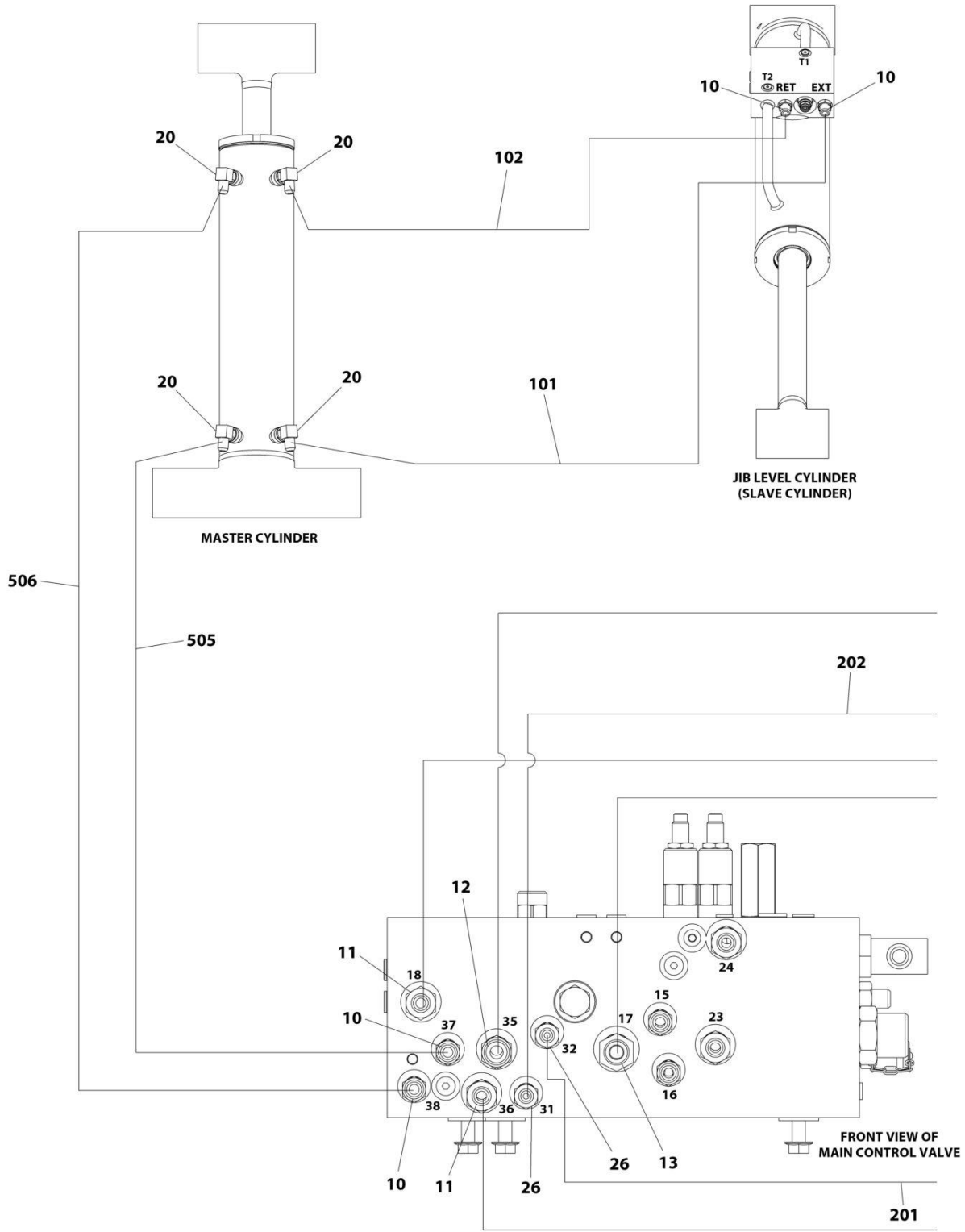
ART\_1001216801\_30F6

# SECTION 7 - HYDRAULIC



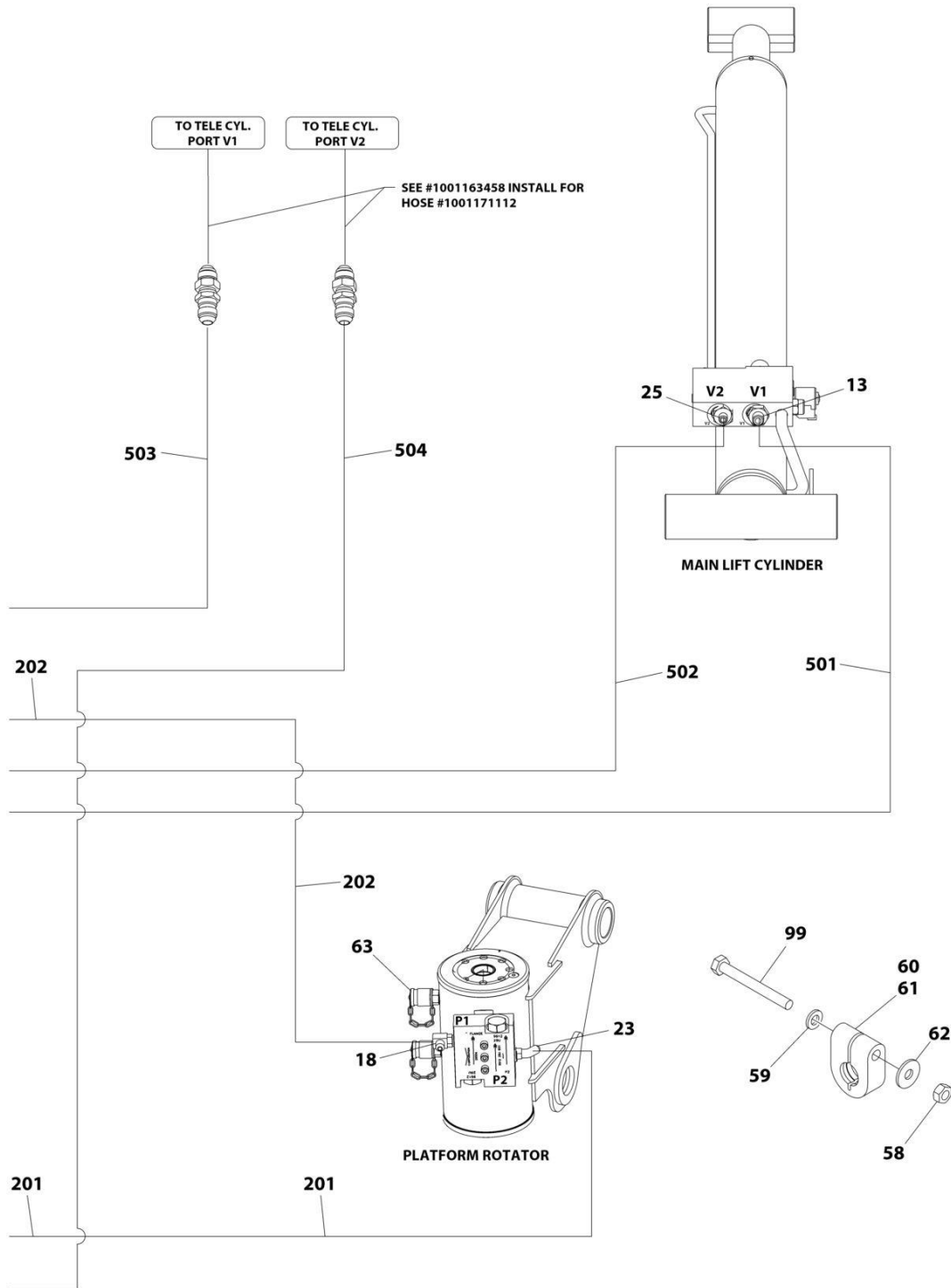
ART\_1001216801\_4OF6

# SECTION 7 - HYDRAULIC



ART\_1001216801\_50F6

# SECTION 7 - HYDRAULIC



ART\_1001216801\_6OF6

# SECTION 7 - HYDRAULIC

## FIGURE 7-1. 2WD HYDRAULIC SYSTEM INSTALLATION (400S)

ITEM	PART NUMBER	QTY	DESCRIPTION	REV
	1001216801	Ref	2WD HYDRAULIC SYSTEM INSTALLATION	E
2	2110810	4	Fitting, Straight ORFS/ORB	
3	2110812	4	Fitting, Straight ORFS/ORB	
4	2111216	5	Fitting, Straight ORFS/ORB	
5	2131212	2	Fitting, 90 ORFS/ORB	
6	2131216	1	Fitting, 90 ORFS/ORB	
8	1001202910	2	Fitting, Straight MORB	
9	2220366	2	Fitting, 90 JIC/ORB	
10	2220371	12	Fitting, Straight JIC/ORB	
11	2220372	8	Fitting, Straight JIC/ORB	
12	2220373	5	Fitting, Straight JIC/ORB	
13	2220374	3	Fitting, Straight JIC/ORB	
14	2220375	1	Fitting, Straight JIC/ORB	
15	2220377	3	Fitting, Straight JIC/ORB	
16	2220415	2	Fitting, Straight JIC/ORB	
17	2220451	1	Fitting, Straight JIC/ORB	
18	2220466	3	Fitting, 90 JIC/ORB	
19	2220468	2	Fitting, Straight JIC/ORB	
20	2220473	8	Fitting, 90 JIC/ORB	
22	2220501	2	Fitting, 45 JIC/ORB	
23	2220502	1	Fitting, 45 JIC/ORB	
25	2220497	1	Fitting, Straight JIC/ORB	
26	2220582	3	Fitting, Straight JIC/ORB	
27	2220238	2	Plug ORB	
28	2220600	2	Fitting, Straight JIC/ORB	
29	1001197272	1	Fitting, Tee JIC/ORB/JIC	
32	2220628	1	Fitting, 90 JIC/ORB	
34	2220695	1	Fitting, Tee JIC/ORB/JIC	
35	2220726	1	Fitting, 90 JIC/ORB	
36	2220775	1	Fitting, 90 JIC/ORB	
37	2220237	1	Plug ORB	
38	2220906	1	Fitting, 90 JIC/ORB	
39	2220923	2	Fitting, Straight JIC/ORB	
40	2220946	2	Fitting, Straight JIC/ORB	
41	2220947	1	Fitting, Straight JIC/ORB	
42	2220998	2	Fitting, Straight JIC/ORB	
44	4240018	13	Tie-Strap (Not Shown)	
47	80633030	2	Clamp	
49	1001098928	1	Clamp (Not Shown)	
57	88662037	1	Fitting, Straight JIC/ORB	
58	3290601	2	Nut M6 x 1	
59	4811700	2	Washer M6	
60	1001191275	1	Clamp	
61	1001191276	1	Clamp	
62	4811702	2	Washer M6	
63	2221086	3	Fitting, Diagnostic Test Port	
99	0700619	2	Bolt M6 x 55	
101	1001173909	1	Hose	
102	1001173937	1	Hose	
201	1001172694	1	Hose	

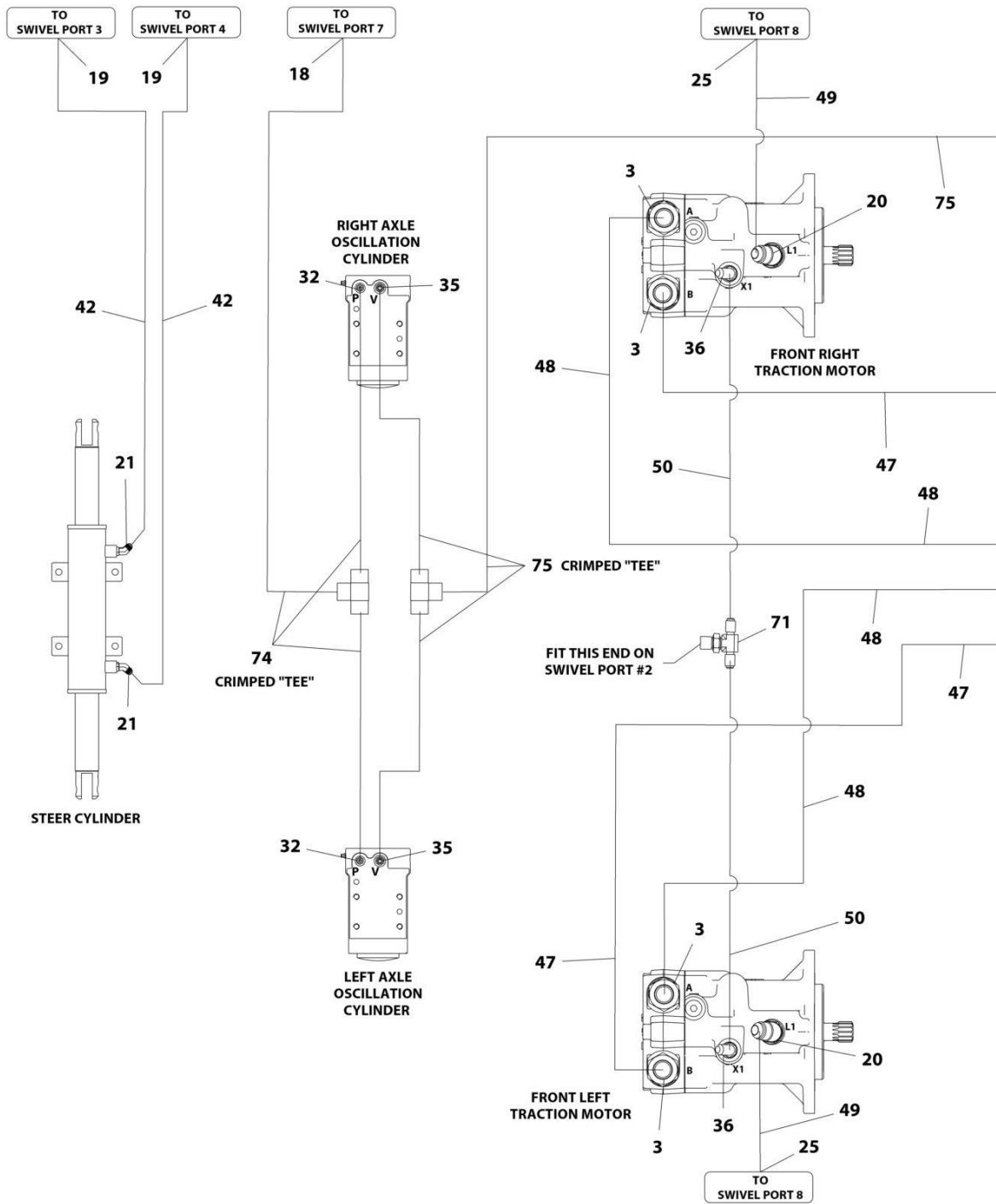


## SECTION 7 - HYDRAULIC

ITEM	PART NUMBER	QTY	DESCRIPTION	REV
202	1001172696	1	Hose	
301	1001172695	2	Hose	
302	1001172697	4	Hose	
303	1001184561	1	Hose	
304	1001184562	1	Hose	
305	1001184563	1	Hose	
306	1001197284	1	Hose	
401	1001172692	2	Hose	
402	1001184542	1	Hose	
403	1001184543	1	Hose	
501	1001173901	1	Hose	
502	1001173902	1	Hose	
503	1001173903	1	Hose	
504	1001173904	1	Hose	
505	1001173907	1	Hose	
506	1001173908	1	Hose	
601	2752500	1	Hose	
602	1001172716	1	Hose	
603	1001172717	1	Hose	
604	1001172718	1	Hose	
605	1001172719	1	Hose	
606	1001172721	1	Hose	
607	1001172722	2	Hose	
608	1001172723	3	Hose	
609	1001173900	1	Hose	
610	1001181075	1	Hose	
611	1001193654	1	Hose	
701	1001173898	1	Hose	
702	1001181074	1	Hose	
703	1001207332	1	Hose	
704	1001207333	1	Hose	
705	1001216655	1	Hose	

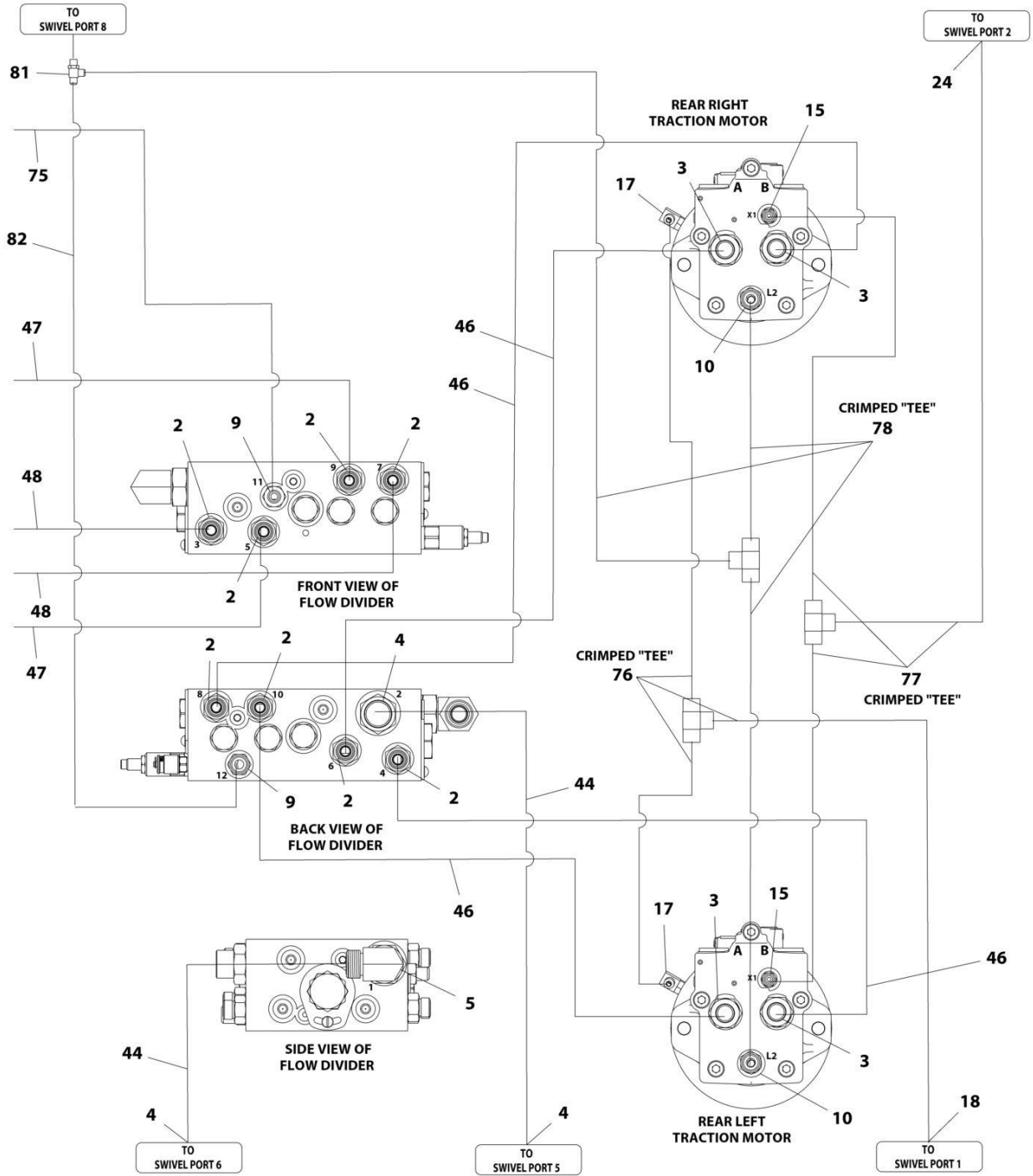
# SECTION 7 - HYDRAULIC

## FIGURE 7-2. 4WD HYDRAULIC SYSTEM INSTALLATION (ALL MACHINES) (400S)



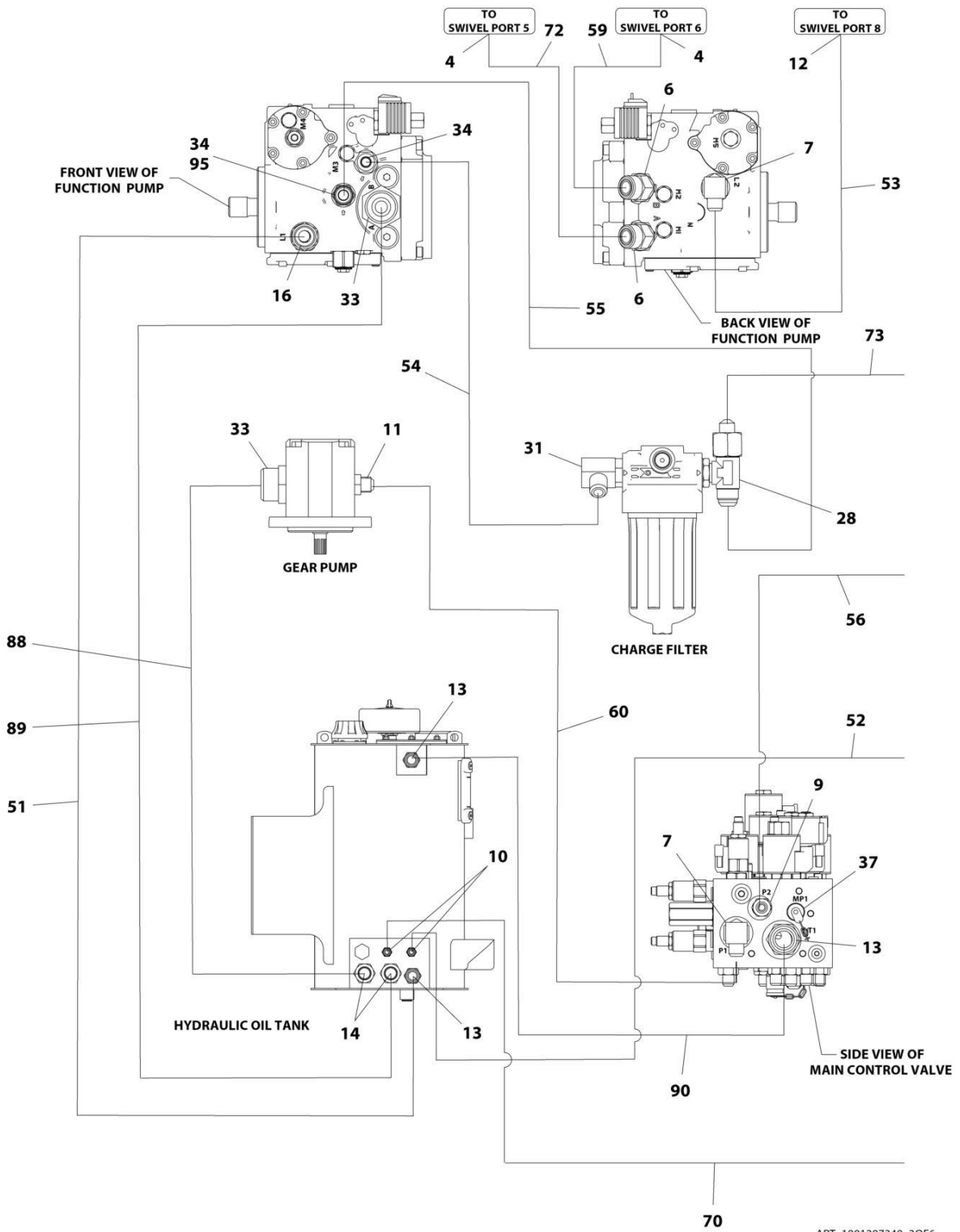
ART\_1001207340\_10F6

# SECTION 7 - HYDRAULIC



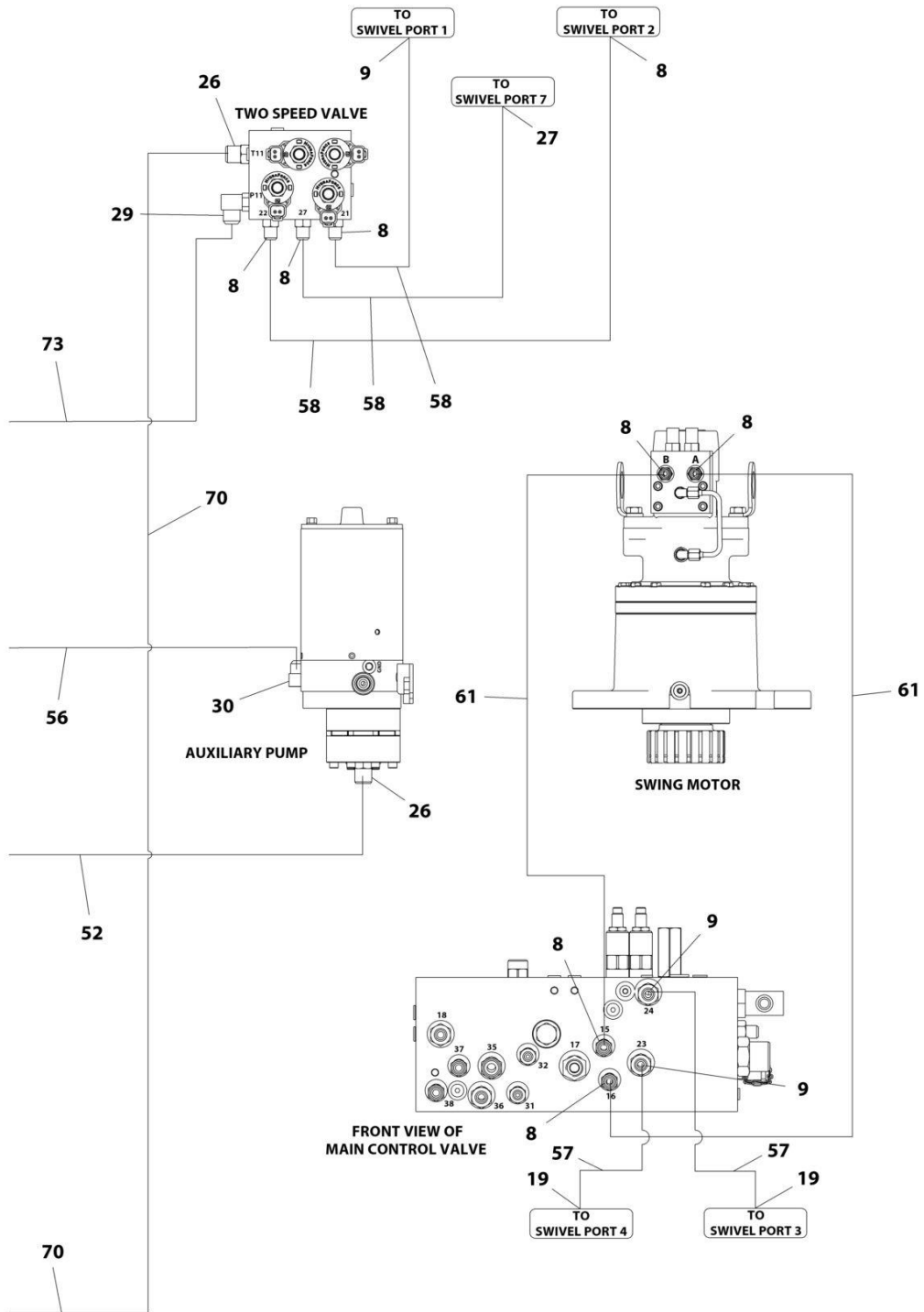
ART\_1001207340\_20F6

# SECTION 7 - HYDRAULIC



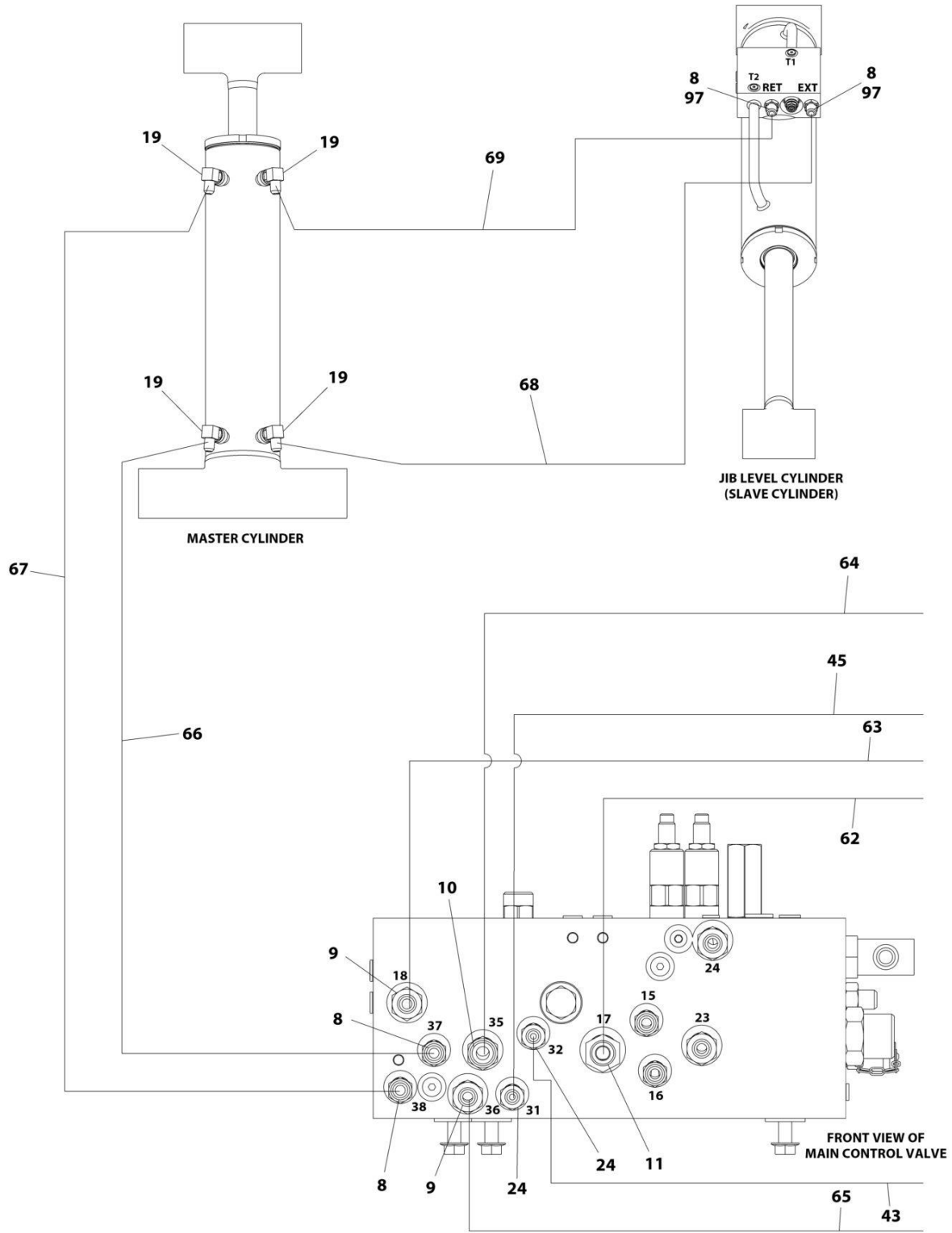
ART\_1001207340\_30F6

# SECTION 7 - HYDRAULIC



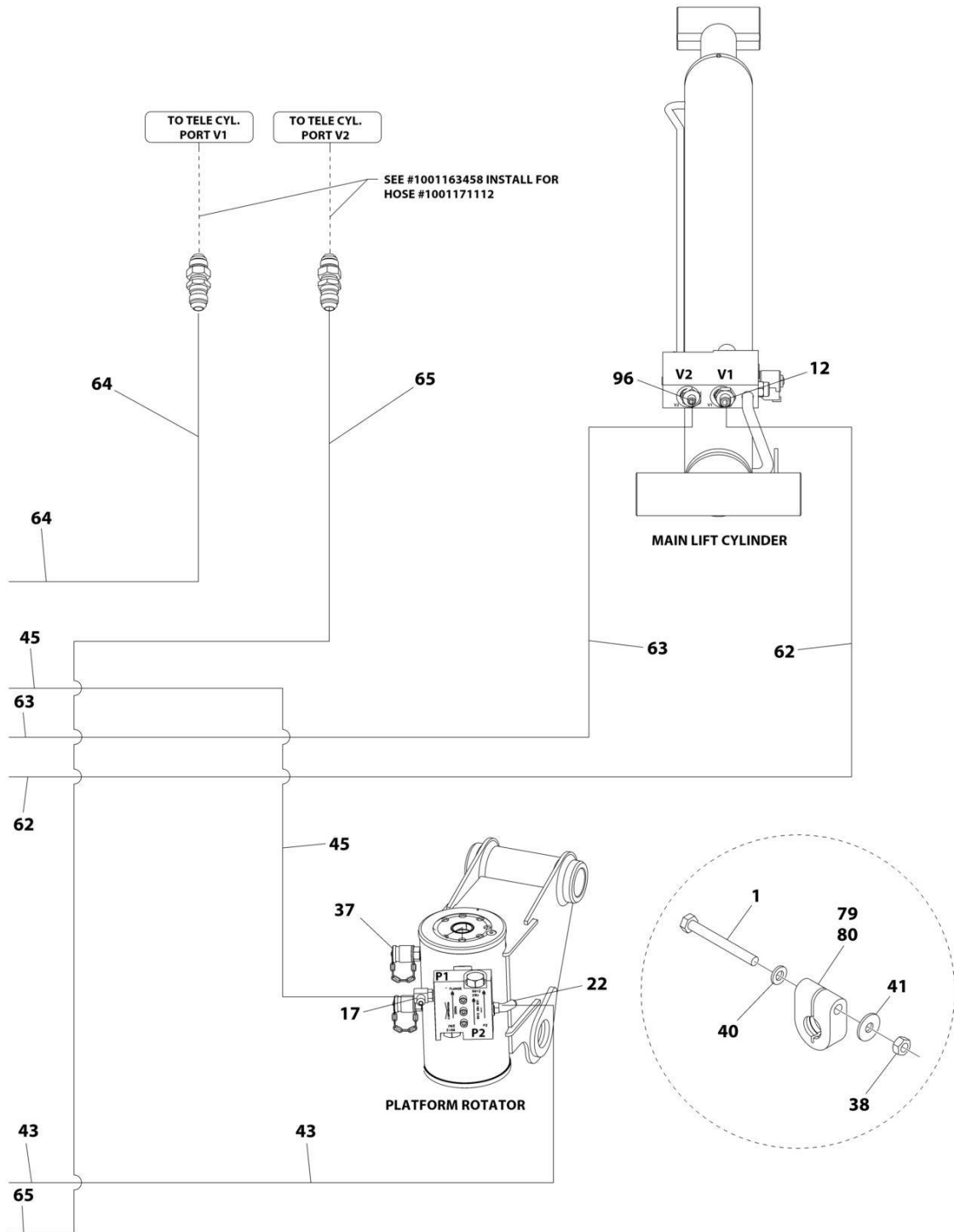
ART\_1001207340\_40F6

# SECTION 7 - HYDRAULIC



ART\_1001207340\_50F6

# SECTION 7 - HYDRAULIC



ART\_1001207340\_6OF6

# SECTION 7 - HYDRAULIC

**FIGURE 7-2. 4WD HYDRAULIC SYSTEM INSTALLATION (ALL MACHINES) (400S)**

ITEM	PART NUMBER	QTY	DESCRIPTION	REV
	1001207340	Ref	4WD HYDRAULIC SYSTEM INSTALLATION	F
1	0700619	2	Bolt, M6 x 55	
2	2110810	8	Fitting, Straight ORFS/ORB	
3	2110812	8	Fitting, Straight ORFS/ORB	
4	2111216	5	Fitting, Straight ORFS/ORB	
5	2131216	1	Fitting, 90 ORFS/ORB	
6	2131212	2	Fitting, 90 ORFS/ORB	
7	2220366	2	Fitting, 90 JIC/ORB	
8	2220371	10	Fitting, Straight JIC/ORB	
9	2220372	8	Fitting, Straight JIC/ORB	
10	2220373	5	Fitting, Straight JIC/ORB	
11	2220374	AR	Fitting, Straight JIC/ORB	
12	2220375	AR	Fitting, Straight JIC/ORB	
13	2220377	3	Fitting, Straight JIC/ORB	
14	1001202910	2	Fitting, Straight MORB	
15	2220415	2	Fitting, Straight JIC/ORB	
16	2220451	1	Fitting, Straight JIC/ORB	
17	2220466	3	Fitting, 90 JIC/ORB	
18	2220468	2	Fitting, Straight JIC/ORB	
19	2220473	8	Fitting, 90 JIC/ORB	
20	2220500	2	Fitting, 45 JIC/ORB	
21	2220501	2	Fitting, 45 JIC/ORB	
22	2220502	1	Fitting, 45 JIC/ORB	
24	2220582	3	Fitting, Straight JIC/ORB	
25	2220596	2	Fitting, 90 JIC/ORB	
26	2220600	2	Fitting, Straight JIC/ORB	
27	2220628	1	Fitting, 90 JIC/ORB	
28	2220695	1	Fitting, Tee JIC/ORB/JIC	
29	2220726	1	Fitting, 90 JIC/ORB	
30	2220775	1	Fitting, 90 JIC/ORB	
31	2220906	1	Fitting, 90 JIC/ORB	
32	2220923	2	Fitting, Straight JIC/ORB	
33	2220946	2	Fitting, Straight JIC/ORB	
34	2220947	AR	Fitting, Straight JIC/ORB	
35	2220998	2	Fitting, Straight JIC/ORB	
36	2221040	2	Fitting, 45 JIC/ORB	
37	2221086	3	Fitting, Diagnostic Test Port	
38	3290601	2	Nut, M6 x 1	
39	4240018	20	Tie-Strap (Not Shown)	
40	4811700	2	Washer, M6	
41	4811702	2	Washer, M6	
42	1001172692	2	Hose	
43	1001172694	1	Hose	
44	1001172695	2	Hose	
45	1001172696	1	Hose	
46	1001172697	4	Hose	
47	1001172698	2	Hose	
48	1001172699	2	Hose	
49	1001172703	2	Hose	
50	1001172707	2	Hose	

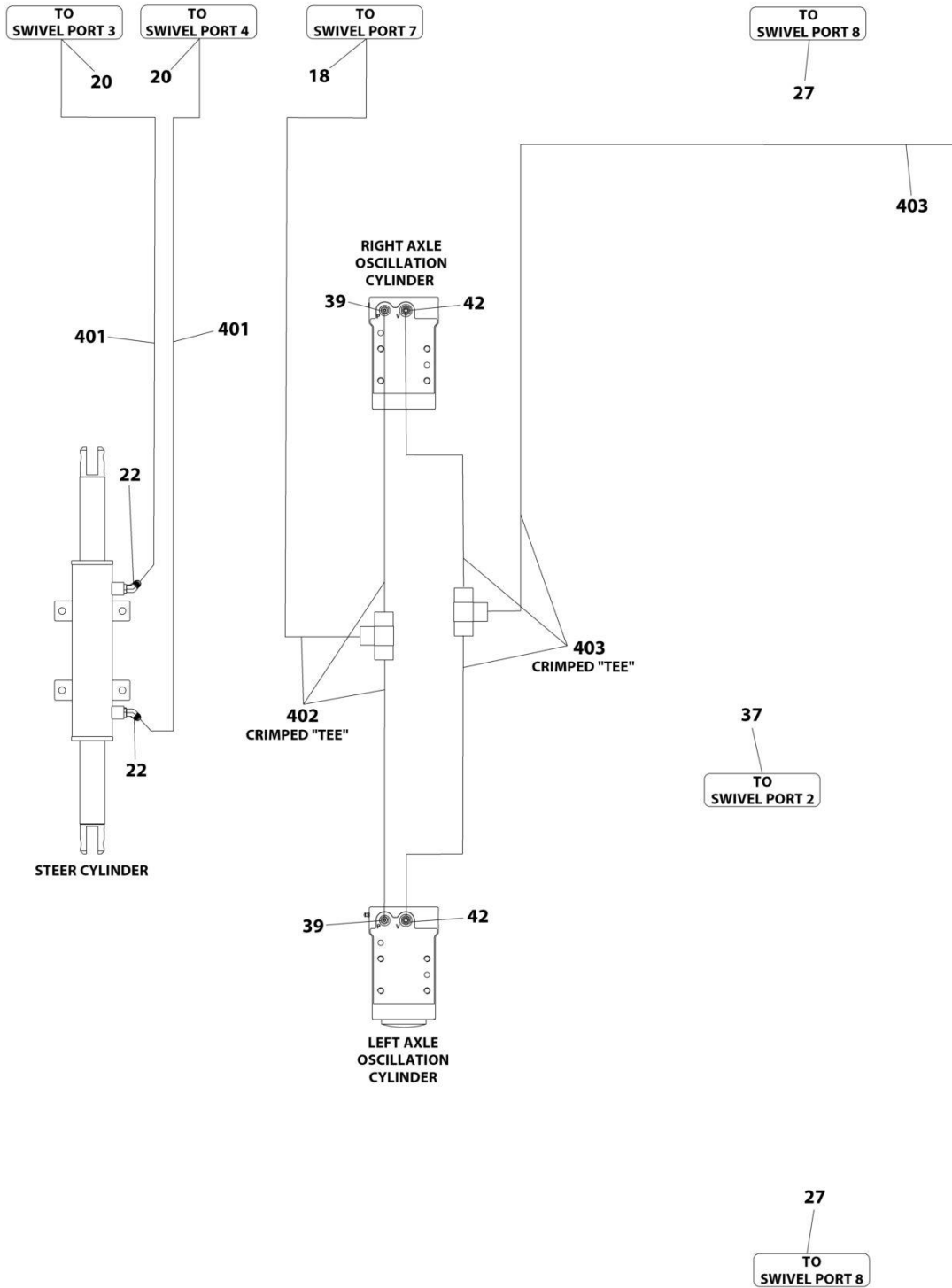


## SECTION 7 - HYDRAULIC

ITEM	PART NUMBER	QTY	DESCRIPTION	REV
51	1001216655	1	Hose	
52	1001172716	1	Hose	
53	1001172717	1	Hose	
54	1001172718	1	Hose	
55	1001172719	1	Hose	
56	1001172721	1	Hose	
57	1001172722	2	Hose	
58	1001172723	3	Hose	
59	1001173898	1	Hose	
60	2752500	1	Hose	
61	1001173900	2	Hose	
62	1001173901	1	Hose	
63	1001173902	1	Hose	
64	1001173903	1	Hose	
65	1001173904	1	Hose	
66	1001173907	1	Hose	
67	1001173908	1	Hose	
68	1001173909	1	Hose	
69	1001173937	1	Hose	
70	1001193654	1	Hose	
71	1001175024	1	Fitting, Tee JIC/JIC/ORB	
72	1001181074	1	Hose	
73	1001181075	1	Hose	
74	1001184542	1	Hose	
75	1001184543	1	Hose	
76	1001184561	1	Hose	
77	1001184562	1	Hose	
78	1001184563	1	Hose	
79	1001191275	1	Clamp	
80	1001191276	1	Clamp	
81	1001197272	1	Fitting, Tee JIC/ORB/JIC	
82	1001197284	1	Hose	
88	1001207332	1	Hose	
89	1001207332	1	Hose	
90	1001207333	1	Hose	
94	80633030	2	Clamp, Hose (Not Shown)	
95	88662037	AR	Fitting, Straight JIC/ORB	
96	2220497	AR	Fitting, Straight JIC/ORB	
97	2220603	AR	Fitting, Straight JIC/ORB	

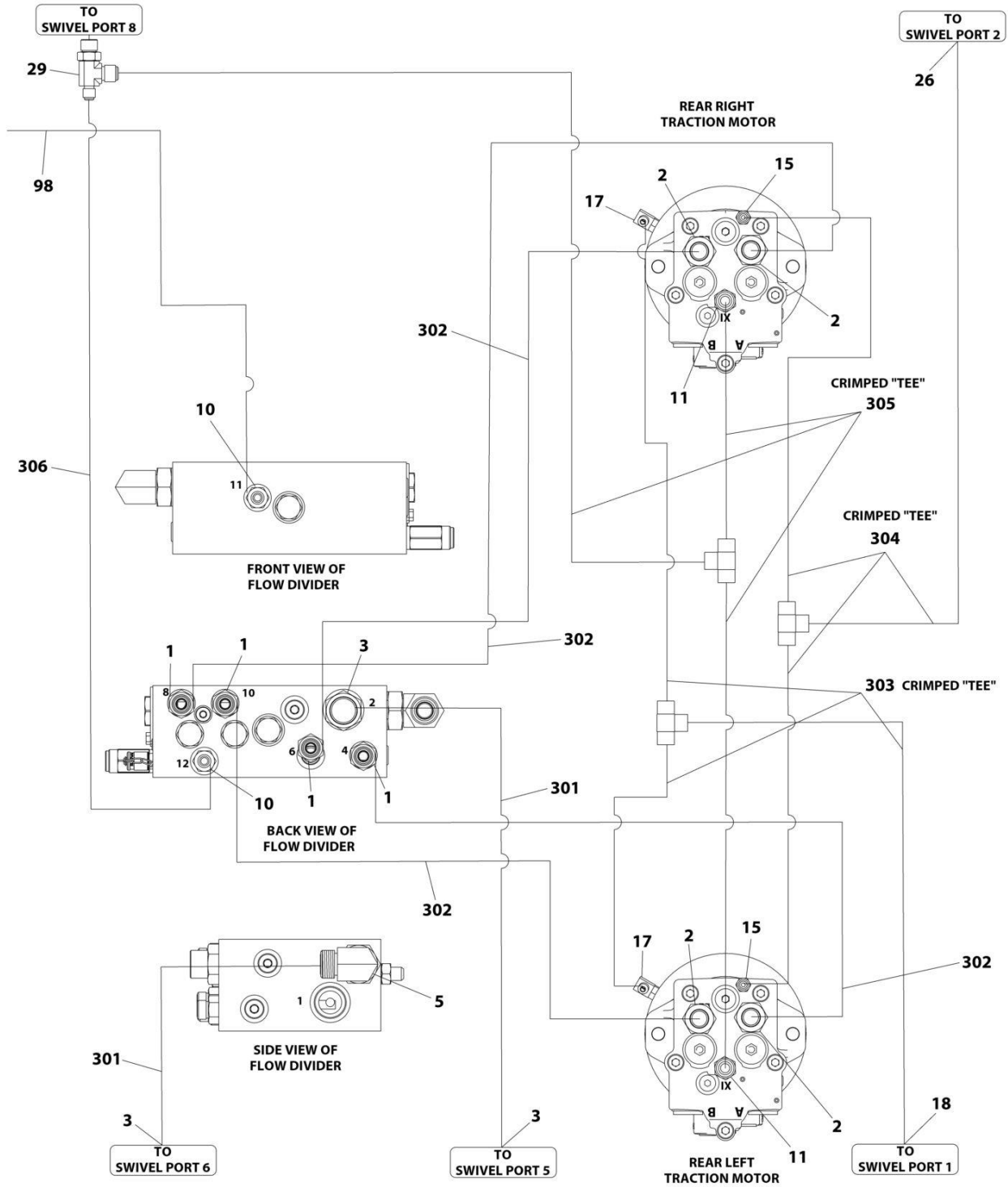
# SECTION 7 - HYDRAULIC

## FIGURE 7-3. 2WD HYDRAULIC SYSTEM INSTALLATION (460SJ)



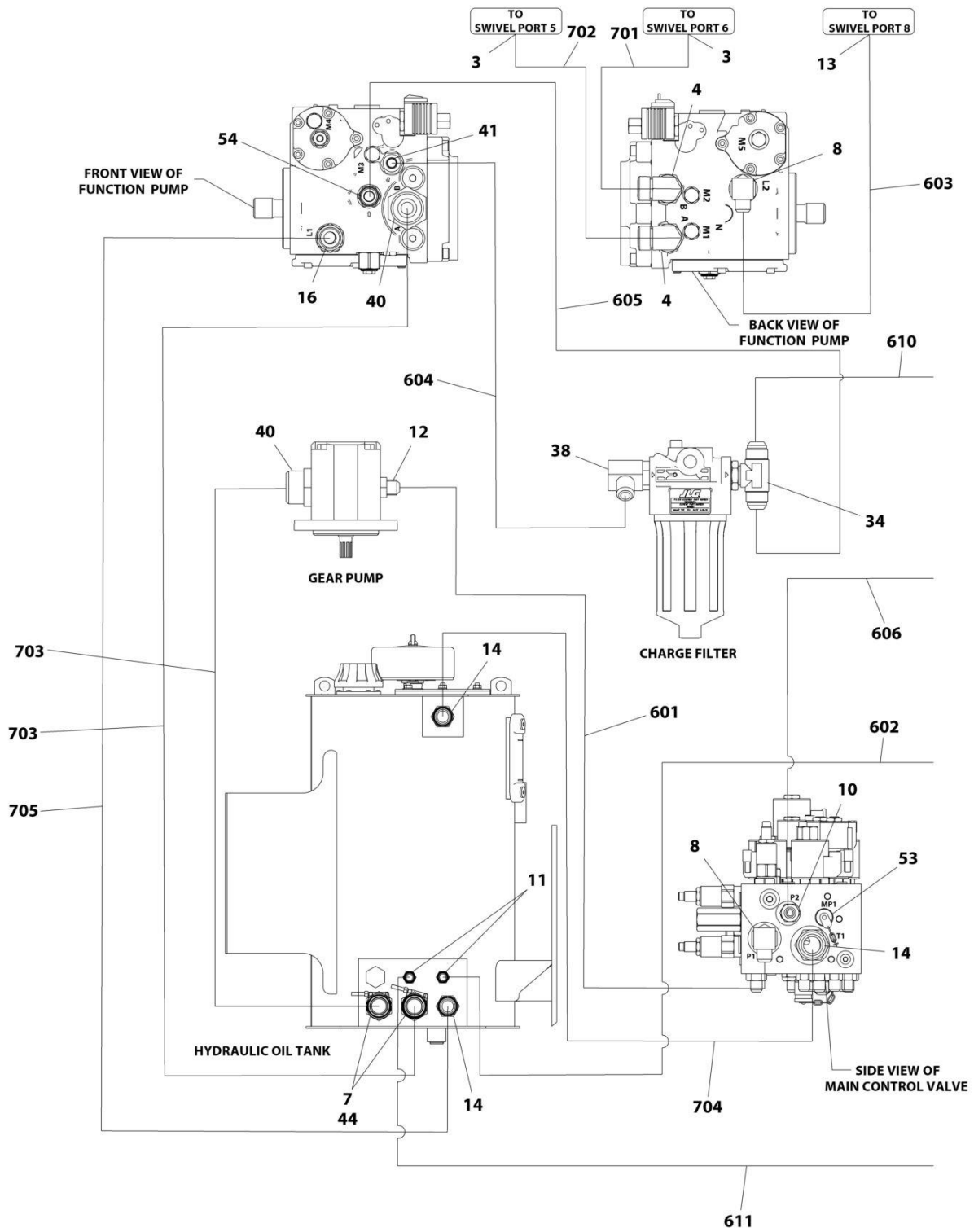
ART\_1001216800\_1OF6

# SECTION 7 - HYDRAULIC



ART\_1001216800\_20F6

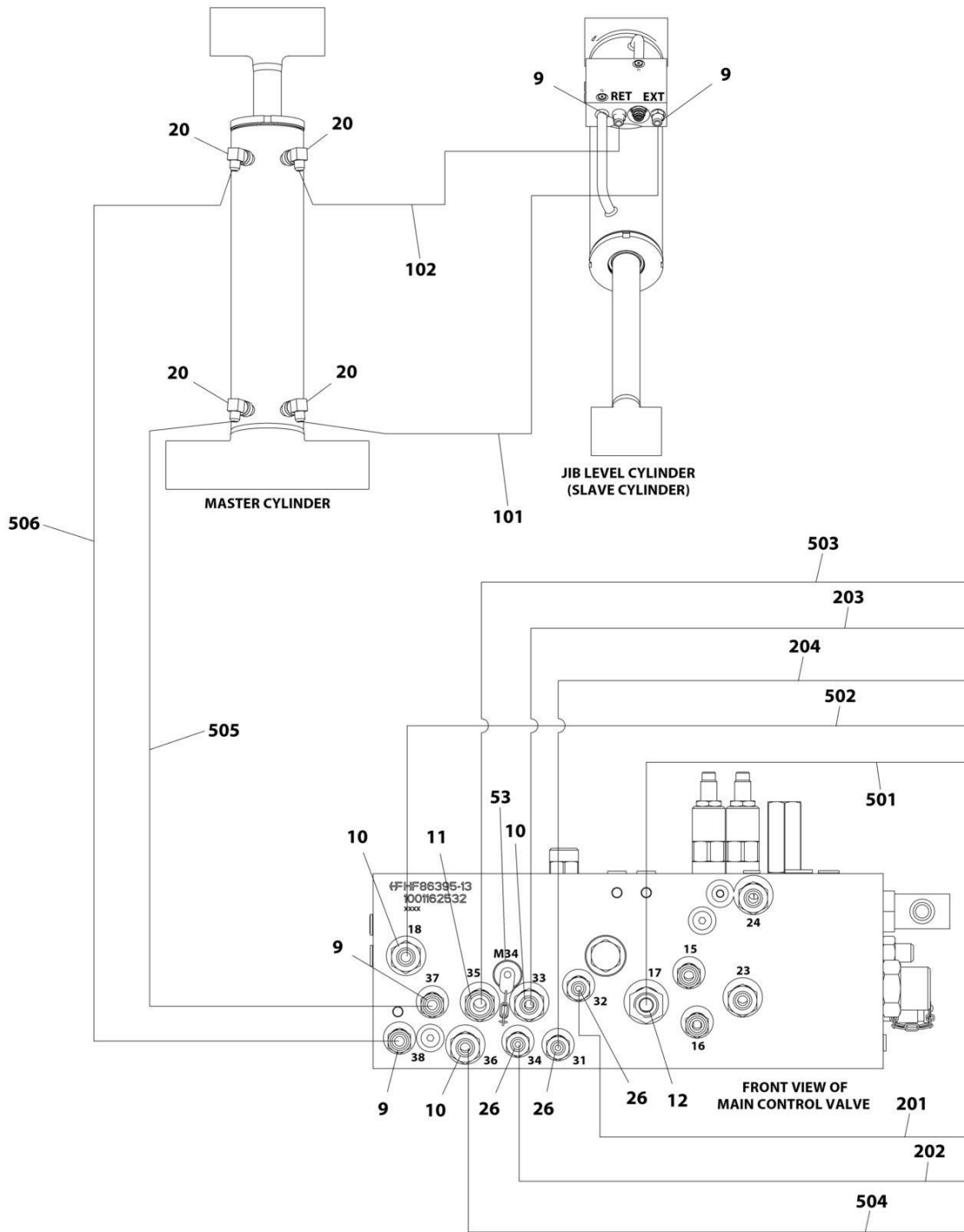
# SECTION 7 - HYDRAULIC



ART\_1001216800\_30F6

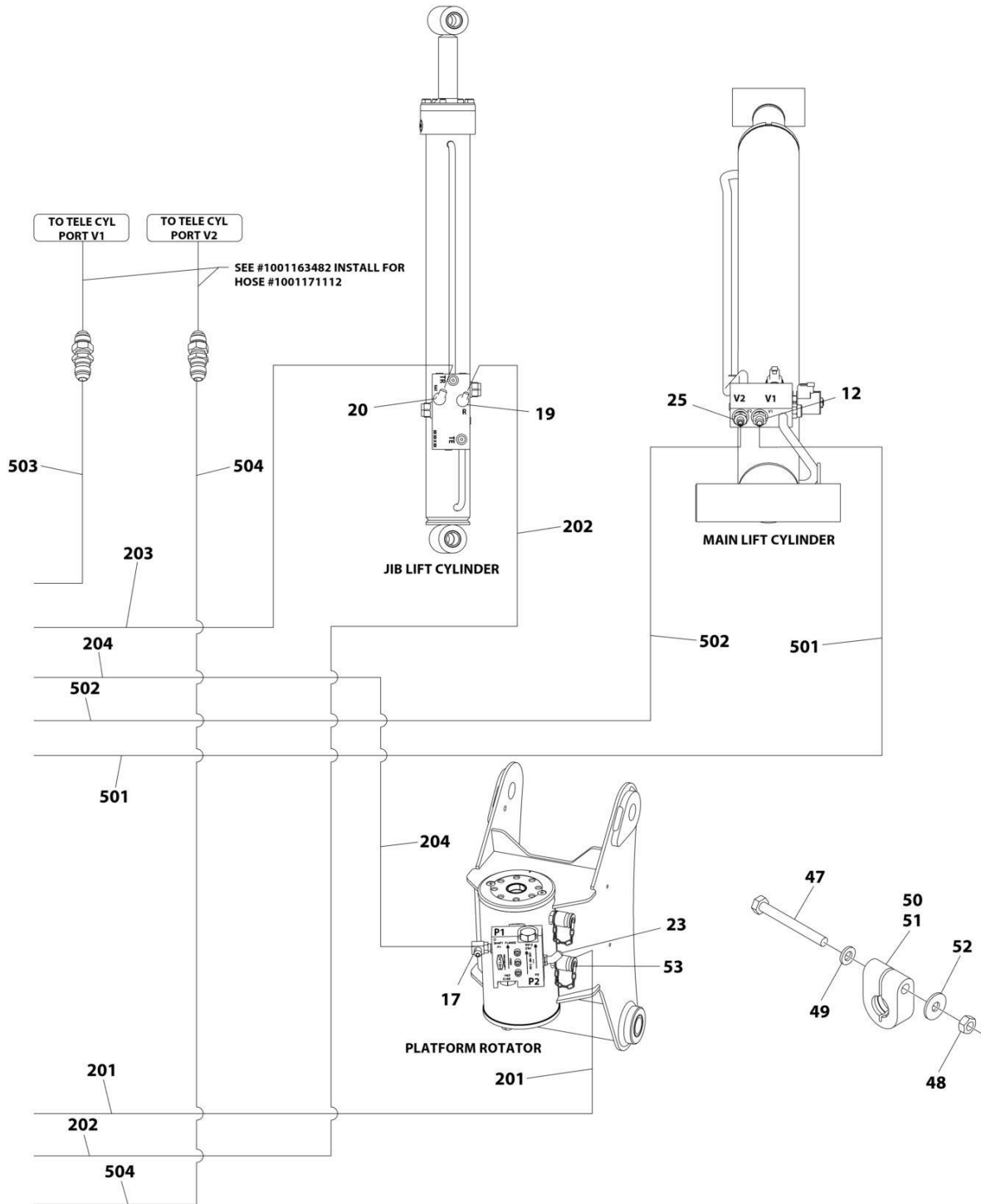


# SECTION 7 - HYDRAULIC



ART\_1001216800\_50F6

# SECTION 7 - HYDRAULIC



ART\_1001216800\_6OF6

# SECTION 7 - HYDRAULIC

## FIGURE 7-3. 2WD HYDRAULIC SYSTEM INSTALLATION (460SJ)

ITEM	PART NUMBER	QTY	DESCRIPTION	REV
	1001216800	Ref	2WD HYDRAULIC SYSTEM INSTALLATION	E
1	2110810	4	Fitting, Straight ORFS/ORB	
2	2110812	4	Fitting, Straight ORFS/ORB	
3	2111216	5	Fitting, Straight ORFS/ORB	
4	2131212	2	Fitting, 90 ORFS/ORB	
5	2131216	1	Fitting, 90 ORFS/ORB	
7	1001202910	2	Fitting, Straight MORB	
8	2220366	2	Fitting, 90 JIC/ORB	
9	2220371	12	Fitting, Straight JIC/ORB	
10	2220372	9	Fitting, Straight JIC/ORB	
11	2220373	5	Fitting, Straight JIC/ORB	
12	2220374	3	Fitting, Straight JIC/ORB	
13	2220375	1	Fitting, Straight JIC/ORB	
14	2220377	3	Fitting, Straight JIC/ORB	
15	2220415	2	Fitting, Straight JIC/ORB	
16	2220451	1	Fitting, Straight JIC/ORB	
17	2220466	3	Fitting, 90 JIC/ORB	
18	2220468	2	Fitting, Straight JIC/ORB	
19	2220472	1	Fitting, 90 JIC/ORB	
20	2220473	9	Fitting, 90 JIC/ORB	
22	2220501	2	Fitting, 45 JIC/ORB	
23	2220502	1	Fitting, 45 JIC/ORB	
25	2220497	1	Fitting, Straight JIC/ORB	
26	2220582	4	Fitting, Straight JIC/ORB	
27	2220238	2	Plug	
28	2220600	2	Fitting, Straight JIC/ORB	
29	1001197272	1	Fitting, Tee JIC/ORB/JIC	
32	2220628	1	Fitting, 90 JIC/ORB	
34	2220695	1	Fitting, Tee JIC/ORB/JIC	
35	2220726	1	Fitting, 90 JIC/ORB	
36	2220775	1	Fitting, 90 JIC/ORB	
37	2220237	1	Plug #6	
38	2220906	1	Fitting, 90 JIC/ORB	
39	2220923	2	Fitting, Straight JIC/ORB	
40	2220946	2	Fitting, Straight JIC/ORB	
41	2220947	1	Fitting, Straight JIC/ORB	
42	2220998	2	Fitting, Straight JIC/ORB	
43	4240018	15	Tie-Strap (Not Shown)	
44	80633030	2	Clamp	
46	1001098928	1	Clamp (Not Shown)	
47	0700619	2	Bolt M6 x 55	
48	3290601	2	Nut M6	
49	4811700	2	Washer M6	
50	1001191275	1	Clamp	
51	1001191276	1	Clamp	
52	4811702	1	Washer M6	
53	2221086	4	Fitting, Diagnostic Test Port	
54	88662037	1	Fitting, Straight JIC/ORB	
101	1001173909	1	Hose	
102	1001173937	1	Hose	

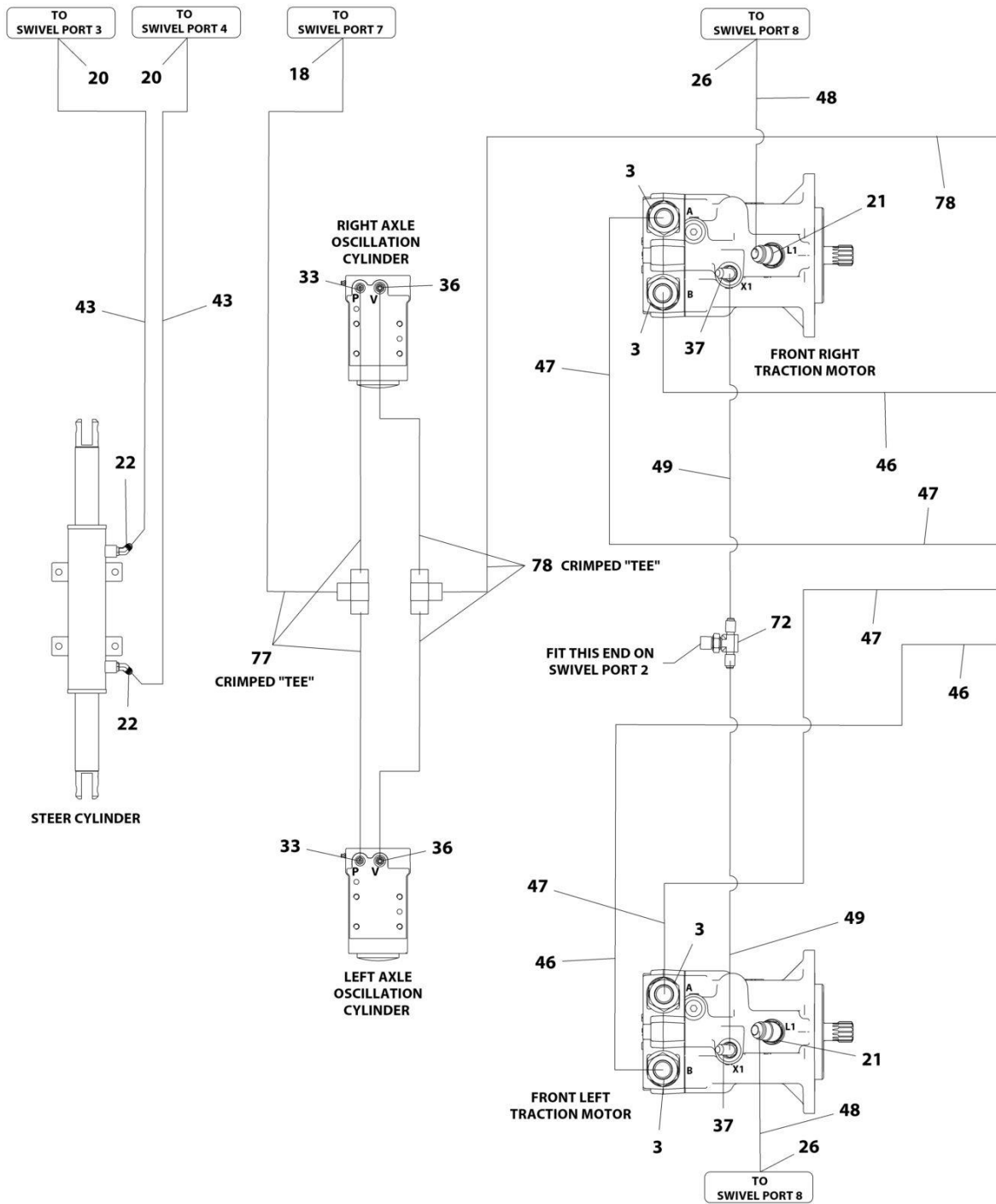


## SECTION 7 - HYDRAULIC

ITEM	PART NUMBER	QTY	DESCRIPTION	REV
201	1001173905	1	Hose	
202	1001173906	1	Hose	
203	1001181076	1	Hose	
204	1001181077	1	Hose	
301	1001172695	2	Hose	
302	1001172697	4	Hose	
303	1001184561	1	Hose	
304	1001184562	1	Hose	
305	1001184563	1	Hose	
306	1001197284	1	Hose	
401	1001172692	2	Hose	
402	1001184542	1	Hose	
403	1001184543	1	Hose	
501	1001173901	1	Hose	
502	1001173902	1	Hose	
503	1001173903	1	Hose	
504	1001173904	1	Hose	
505	1001173907	1	Hose	
506	1001173908	1	Hose	
601	2752500	1	Hose	
602	1001172716	1	Hose	
603	1001172717	1	Hose	
604	1001172718	1	Hose	
605	1001172719	1	Hose	
606	1001172721	1	Hose	
607	1001172722	2	Hose	
608	1001172723	3	Hose	
609	1001173900	2	Hose	
610	1001181075	1	Hose	
611	1001193654	1	Hose	
701	1001173898	1	Hose	
702	1001181074	1	Hose	
703	1001207332	1	Hose	
704	1001207333	1	Hose	
705	1001216655	1	Hose	

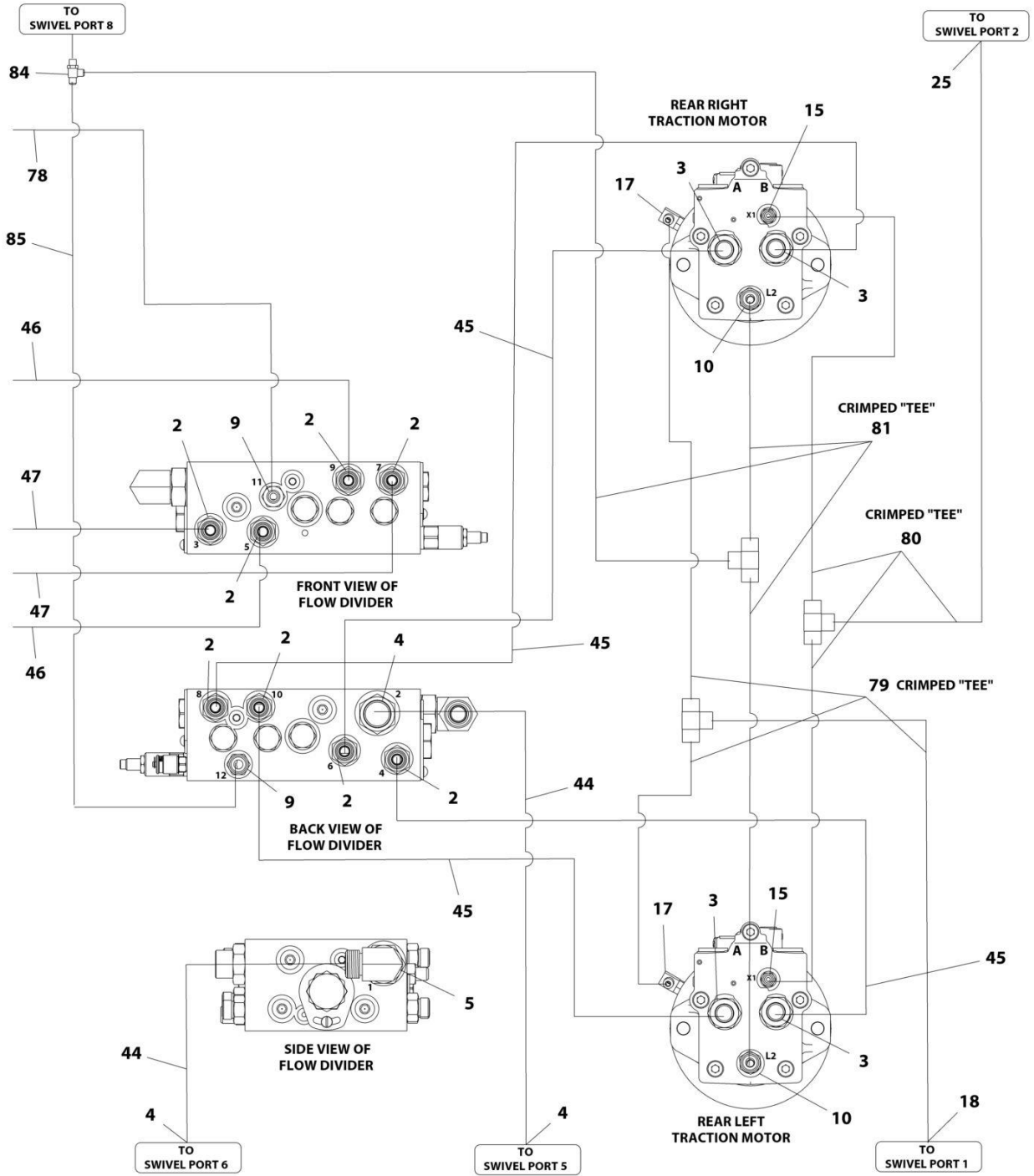
# SECTION 7 - HYDRAULIC

## FIGURE 7-4. 4WD HYDRAULIC SYSTEM INSTALLATION (ALL MACHINES) (460SJ)



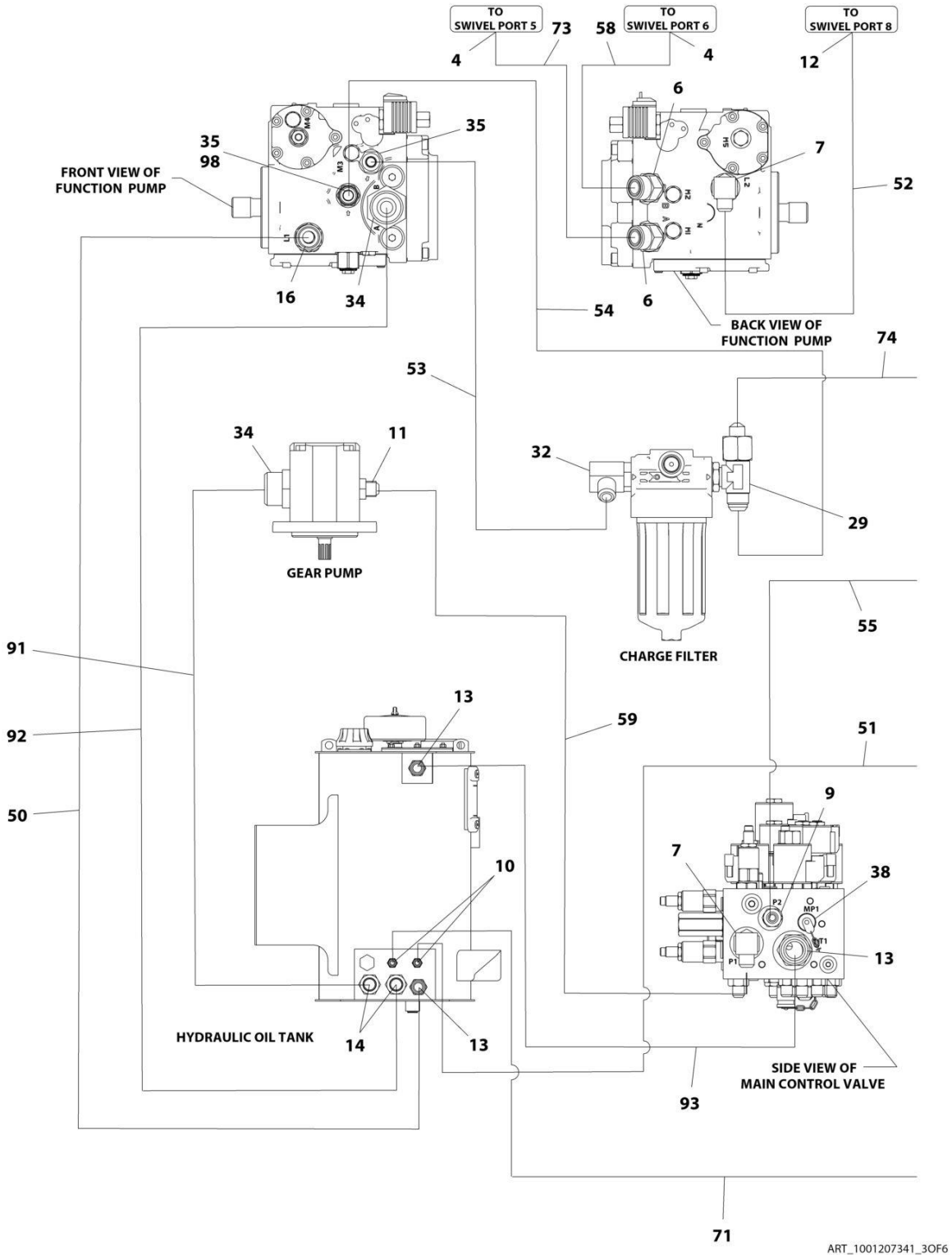
ART\_1001207341\_10F6

# SECTION 7 - HYDRAULIC



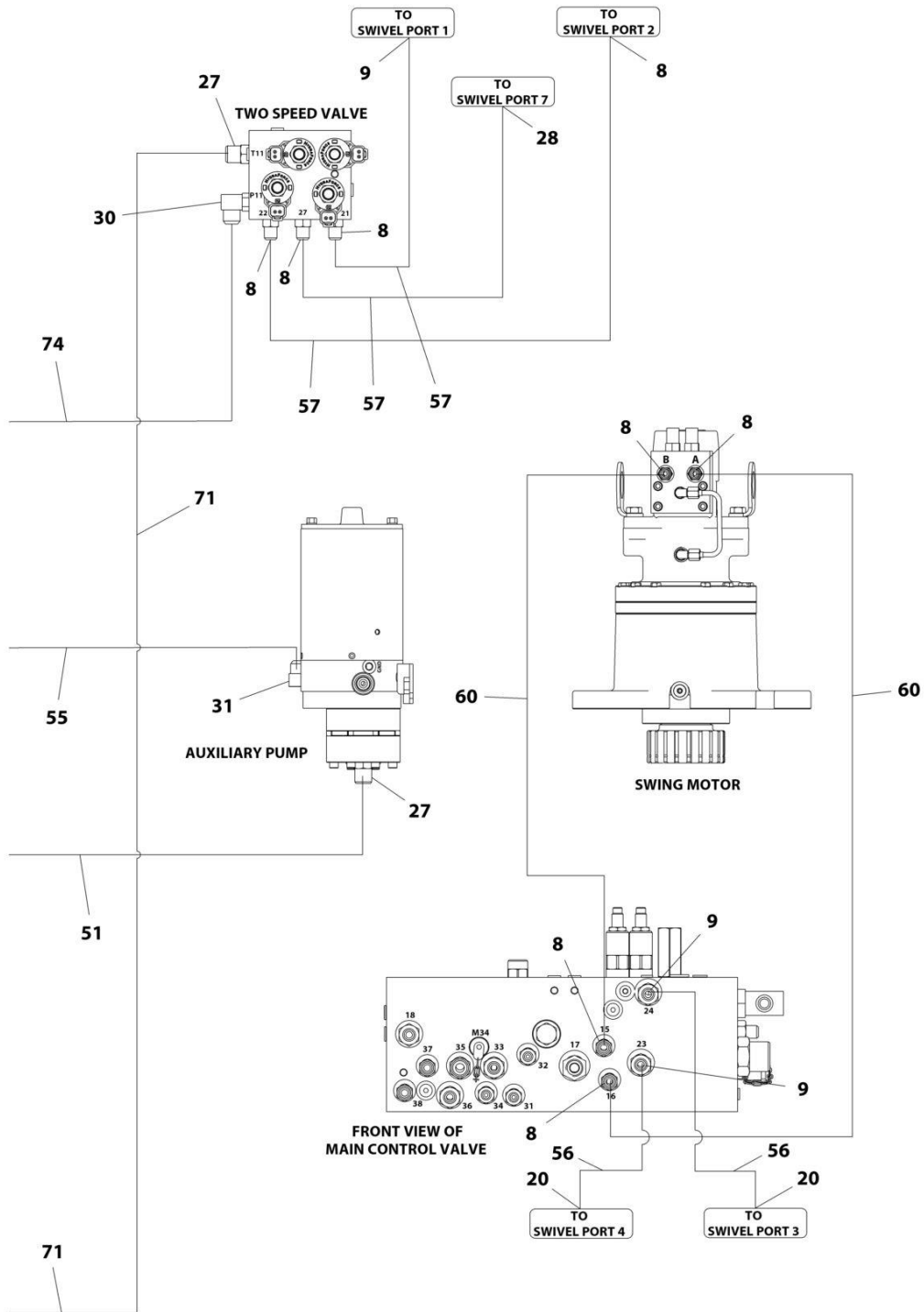
ART\_1001207341\_20F6

# SECTION 7 - HYDRAULIC



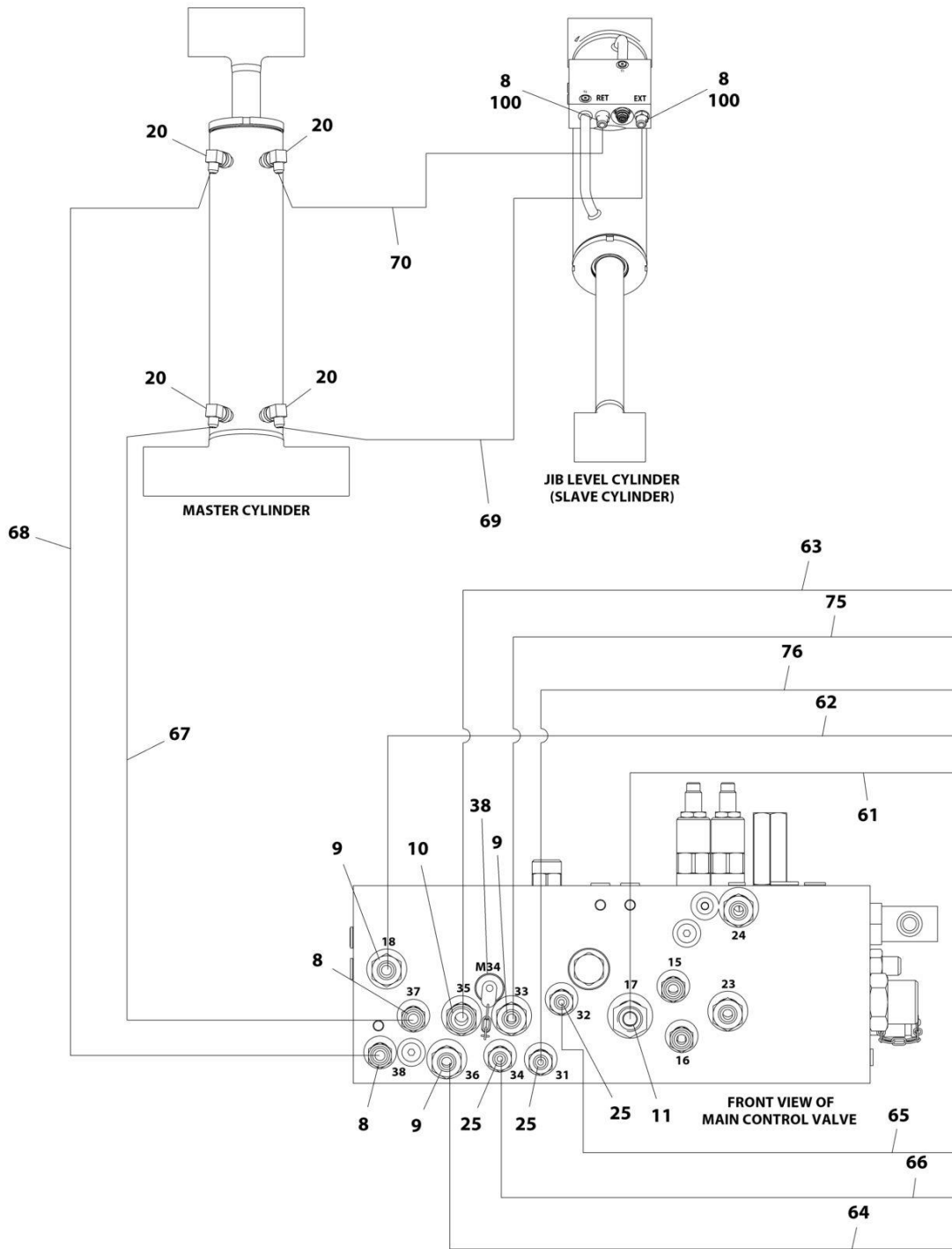
ART\_1001207341\_30F6

# SECTION 7 - HYDRAULIC



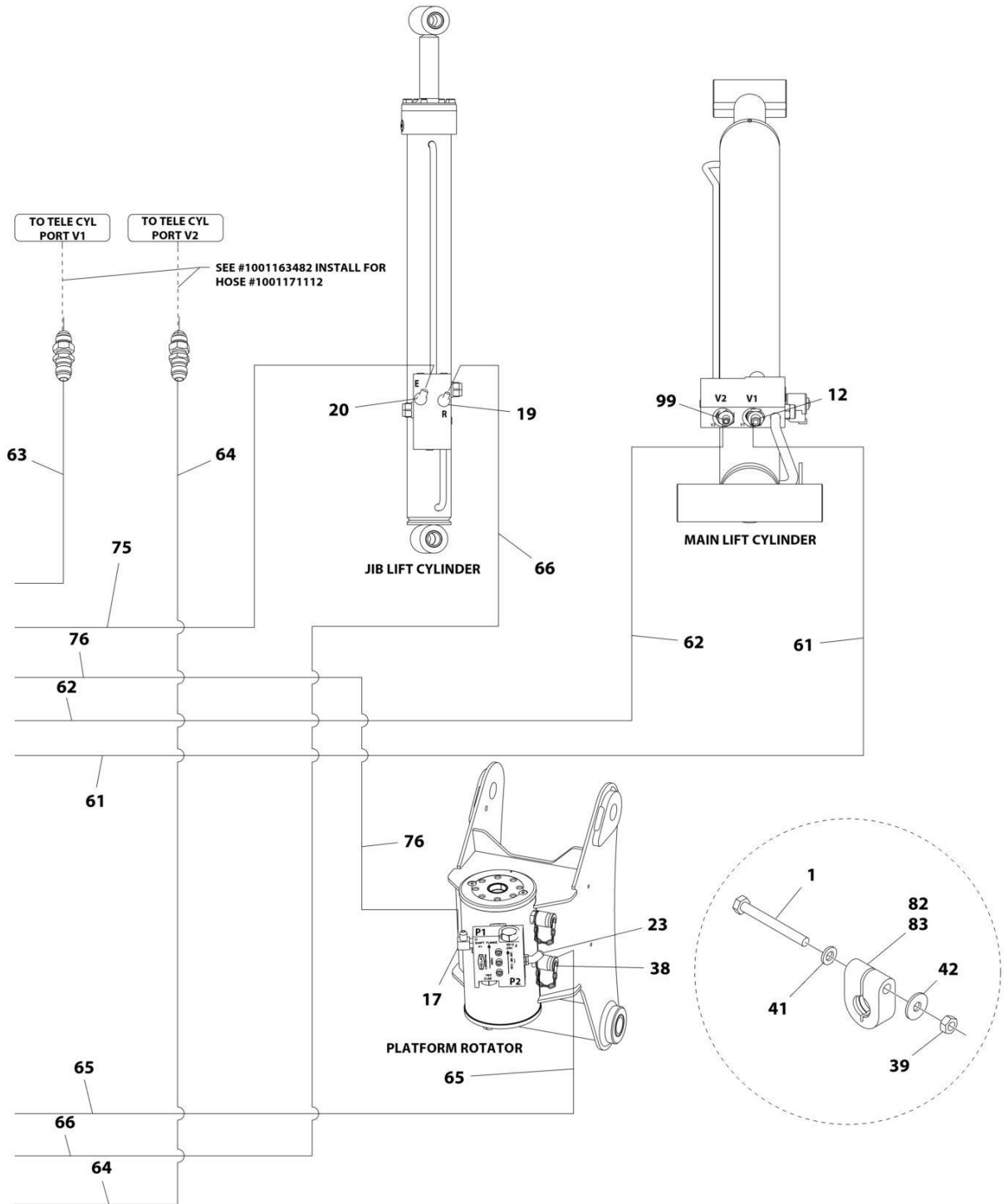
ART\_1001207341\_40F6

# SECTION 7 - HYDRAULIC



ART\_1001207341\_SOF6

# SECTION 7 - HYDRAULIC



ART\_1001207341\_6OF6

## SECTION 7 - HYDRAULIC

FIGURE 7-4. 4WD HYDRAULIC SYSTEM INSTALLATION (ALL MACHINES) (460SJ)

ITEM	PART NUMBER	QTY	DESCRIPTION	REV
	1001207341	Ref	4WD HYDRAULIC SYSTEM INSTALLATION	F
1	0760619	2	Bolt, M6 x 55	
2	2110810	8	Fitting, Straight ORFS/ORB	
3	2110812	8	Fitting, Straight ORFS/ORB	
4	2111216	5	Fitting, Straight ORFS/ORB	
5	2131216	1	Fitting, 90 ORFS/ORB	
6	2131212	2	Fitting, 90 ORFS/ORB	
7	2220366	2	Fitting, 90 JIC/ORB	
8	2220371	10	Fitting, Straight JIC/ORB	
9	2220372	9	Fitting, Straight JIC/ORB	
10	2220373	5	Fitting, Straight JIC/ORB	
11	2220374	AR	Fitting, Straight JIC/ORB	
12	2220375	AR	Fitting, Straight JIC/ORB	
13	2220377	3	Fitting, Straight JIC/ORB	
14	1001202910	2	Fitting, Straight MORB	
15	2220415	2	Fitting, Straight JIC/ORB	
16	2220451	1	Fitting, Straight JIC/ORB	
17	2220466	3	Fitting, 90 JIC/ORB	
18	2220468	2	Fitting, Straight JIC/ORB	
19	2220472	1	Fitting, 90 JIC/ORB	
20	2220473	9	Fitting, 90 JIC/ORB	
21	2220500	2	Fitting, 45 JIC/ORB	
22	2220501	2	Fitting, 45 JIC/ORB	
23	2220502	1	Fitting, 45 JIC/ORB	
25	2220582	4	Fitting, Straight JIC/ORB	
26	2220596	2	Fitting, 90 JIC/ORB	
27	2220600	2	Fitting, Straight JIC/ORB	
28	2220628	1	Fitting, 90 JIC/ORB	
29	2220695	1	Fitting, Tee JIC/ORB/JIC	
30	2220726	1	Fitting, 90 JIC/ORB	
31	2220775	1	Fitting, 90 JIC/ORB	
32	2220906	1	Fitting, 90 JIC/ORB	
33	2220923	2	Fitting, Straight JIC/ORB	
34	2220946	2	Fitting, Straight JIC/ORB	
35	2220947	AR	Fitting, Straight JIC/ORB	
36	2220998	2	Fitting, Straight JIC/ORB	
37	2221040	2	Fitting, 45 JIC/ORB	
38	2221086	4	Fitting, Diagnostic Test Port	
39	3290601	2	Nut, M6 x 1	
40	4240018	22	Tie-Strap (Not Shown)	
41	4811700	2	Washer, M6	
42	4811702	2	Washer, M6	
43	1001172692	2	Hose	
44	1001172695	1	Hose	
45	1001172697	4	Hose	
46	1001172698	2	Hose	
47	1001172699	2	Hose	
48	1001172703	2	Hose	
49	1001172707	2	Hose	
50	1001216655	1	Hose	



## SECTION 7 - HYDRAULIC

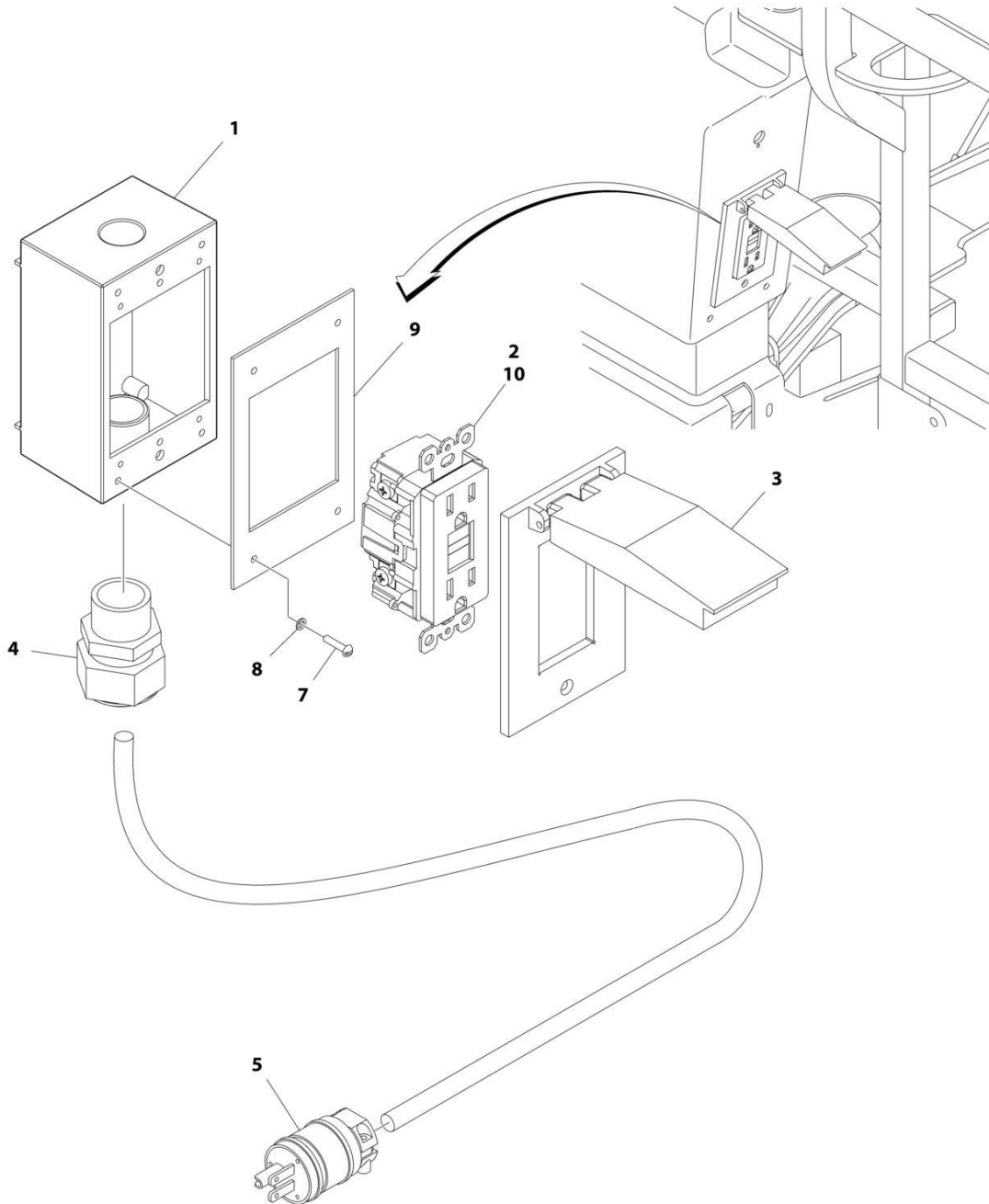
ITEM	PART NUMBER	QTY	DESCRIPTION	REV
51	1001172716	1	Hose	
52	1001172717	1	Hose	
53	1001172718	1	Hose	
54	1001172719	1	Hose	
55	1001172721	1	Hose	
56	1001172722	2	Hose	
57	1001172723	3	Hose	
58	1001173898	1	Hose	
59	2752500	1	Hose	
60	1001173900	2	Hose	
61	1001173901	1	Hose	
62	1001173902	1	Hose	
63	1001173903	1	Hose	
64	1001173904	1	Hose	
65	1001173905	1	Hose	
66	1001173906	1	Hose	
67	1001173907	1	Hose	
68	1001173908	1	Hose	
69	1001173909	1	Hose	
70	1001173937	1	Hose	
71	1001193654	1	Hose	
72	1001175024	1	Fitting, Tee JIC/JIC/ORB	
73	1001181074	1	Hose	
74	1001181075	1	Hose	
75	1001181076	1	Hose	
76	1001181077	1	Hose	
77	1001184542	1	Hose	
78	1001184543	1	Hose	
79	1001184561	1	Hose	
80	1001184562	1	Hose	
81	1001184563	1	Hose	
82	1001191275	1	Clamp	
83	1001191276	1	Clamp	
84	1001197272	1	Fitting, Tee JIC/ORB/JIC	
85	1001197284	1	Hose	
91	1001207332	1	Hose	
92	1001207332	1	Hose	
93	1001207333	1	Hose	
97	80633030	2	Clamp (Not Shown)	
98	88662037	1	Fitting, Straight JIC/ORB	
99	2220497	1	Fitting, Straight JIC/ORB	
100	2220603	AR	Fitting, Straight JIC/ORB	



**SECTION 8 - ELECTRICAL**

# SECTION 8 - ELECTRICAL

FIGURE 8-1. AC BOX AT PLATFORM INSTALLATION - 110V (ANSI, ANSI EXPORT(HRC), CSA AND JAPANESE SPECS)



ART\_0270022

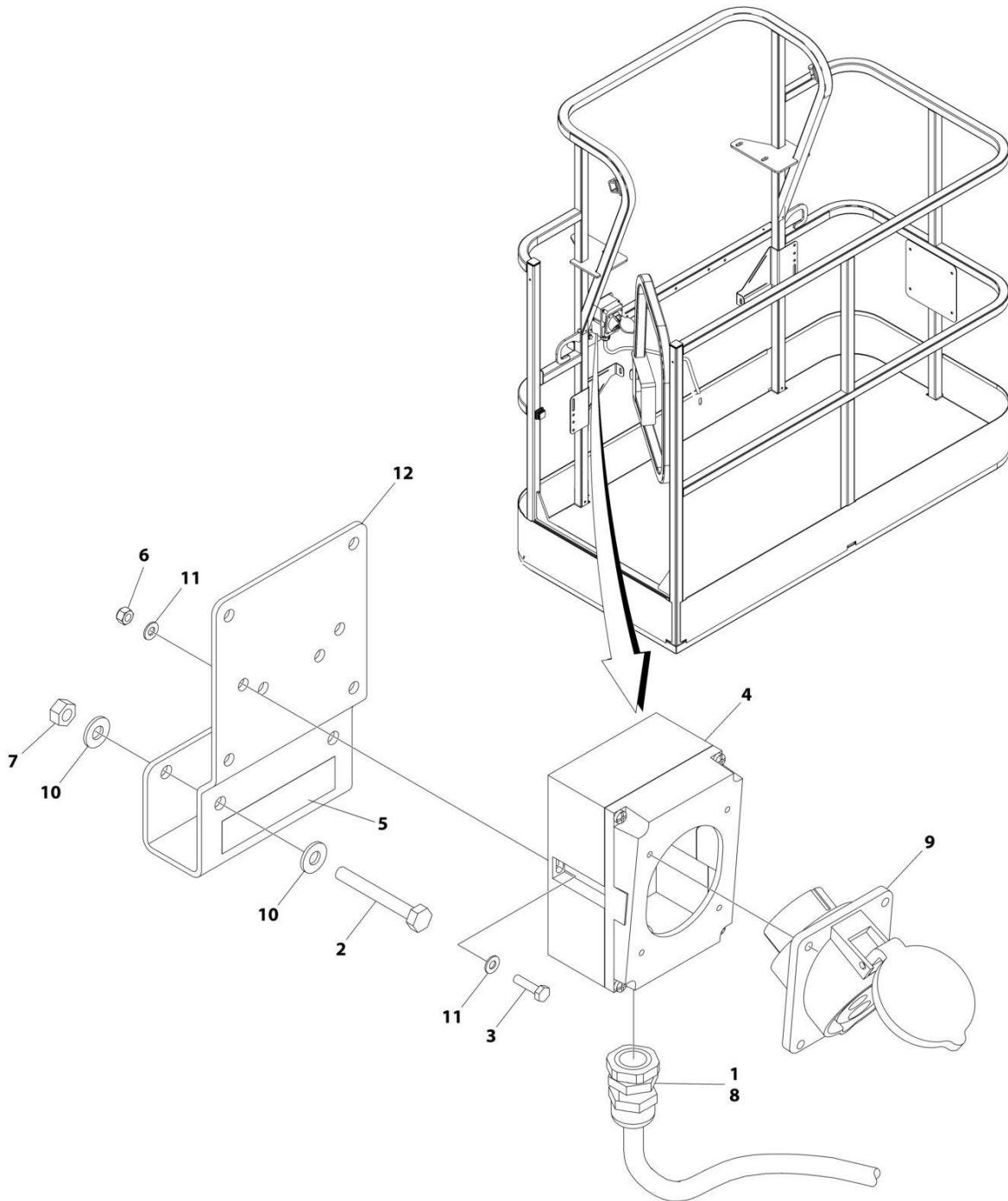
## SECTION 8 - ELECTRICAL

**FIGURE 8-1. AC BOX AT PLATFORM INSTALLATION - 110V (ANSI, ANSI EXPORT(HRC), CSA AND JAPANESE SPECS)**

ITEM	PART NUMBER	QTY	DESCRIPTION	REV
	0270022	Ref	AC BOX AT PLATFORM INSTALLATION - 110V	4-B
1	0860038	1	Box, Switch	
2	4460346	1	Receptacle	
3	1001110873	1	Shield, Cover	
4	4460071	1	Connector, Strain Relief	
5	4460205	1	Plug, Male	
7	3910610	4	Screw #6 x 5/8	
8	4760600	4	Washer #6	
9	3960422	1	Gasket	
10	4460315	1	Terminal, Spade	

# SECTION 8 - ELECTRICAL

FIGURE 8-2. AC BOX AT PLATFORM INSTALLATION - 110V IEC YELLOW (CE SPECS WITH 4000W/50HZ GENERATOR)



ART\_1001194203

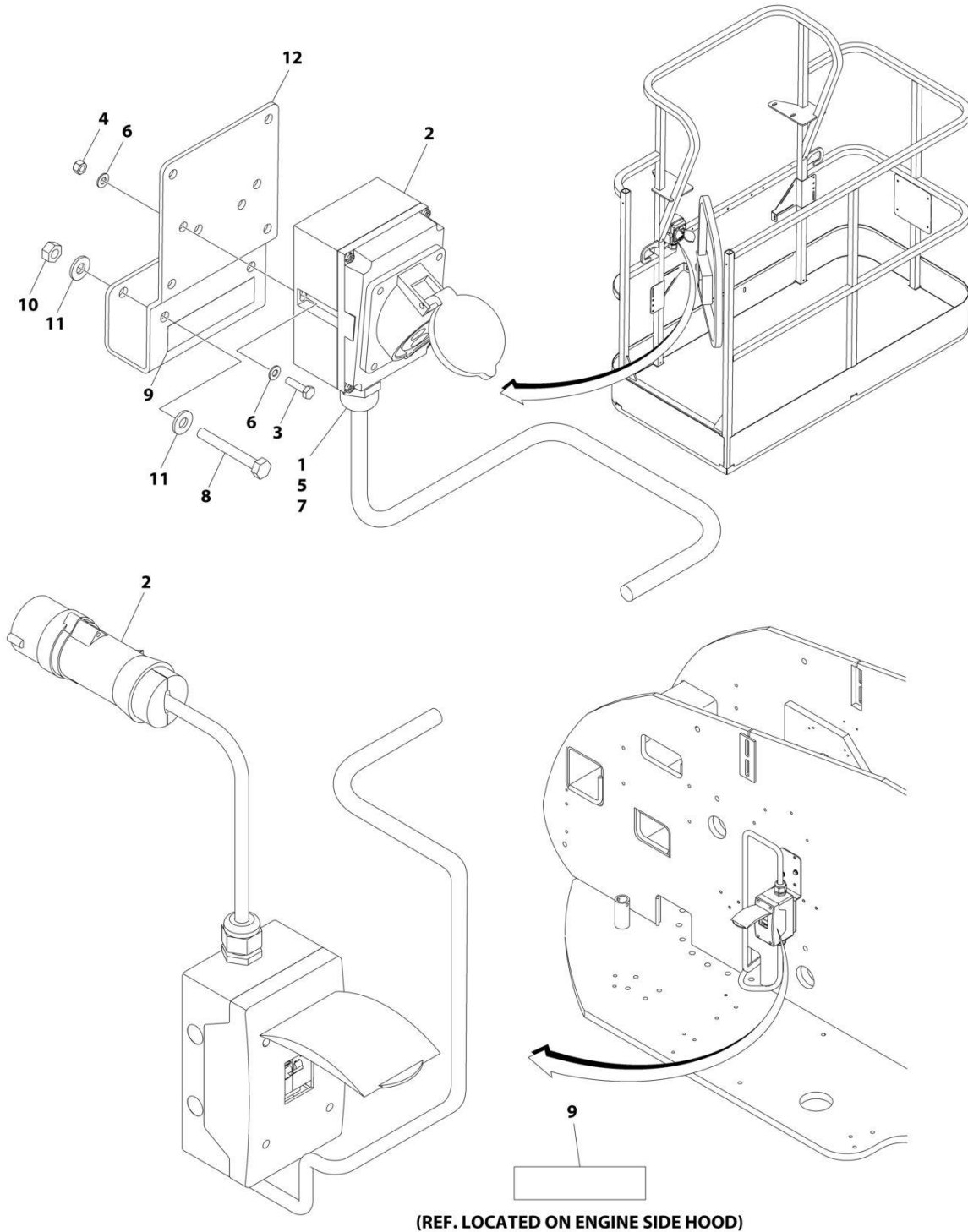
## SECTION 8 - ELECTRICAL

**FIGURE 8-2. AC BOX AT PLATFORM INSTALLATION - 110V IEC YELLOW (CE SPECS WITH 4000W/50HZ GENERATOR)**

ITEM	PART NUMBER	QTY	DESCRIPTION	REV
	1001194203	Ref	AC BOX AT PLATFORM INSTALLATION	B
1	0100020	AR	Sealant, Pipe	
2	0641416	2	Bolt 1/4 x 2	
3	0700408	2	Bolt M4 x 16	
4	0861781	1	Box, Switch	
5	1705325	1	Decal - 110V	
6	3290405	2	Nut M4	
7	3311405	2	Nut 1/4	
8	4460968	1	Connector, Strain Relief	
9	4461198	1	Receptacle	
10	4711400	4	Washer 1/4	
11	4811400	4	Washer M4	
12	1001193018	1	Bracket, AC Receptacle	

# SECTION 8 - ELECTRICAL

FIGURE 8-3. AC BOX AT PLATFORM - 110V IEC YELLOW (CE SPEC WITHOUT GENERATOR)



ART\_1001091969



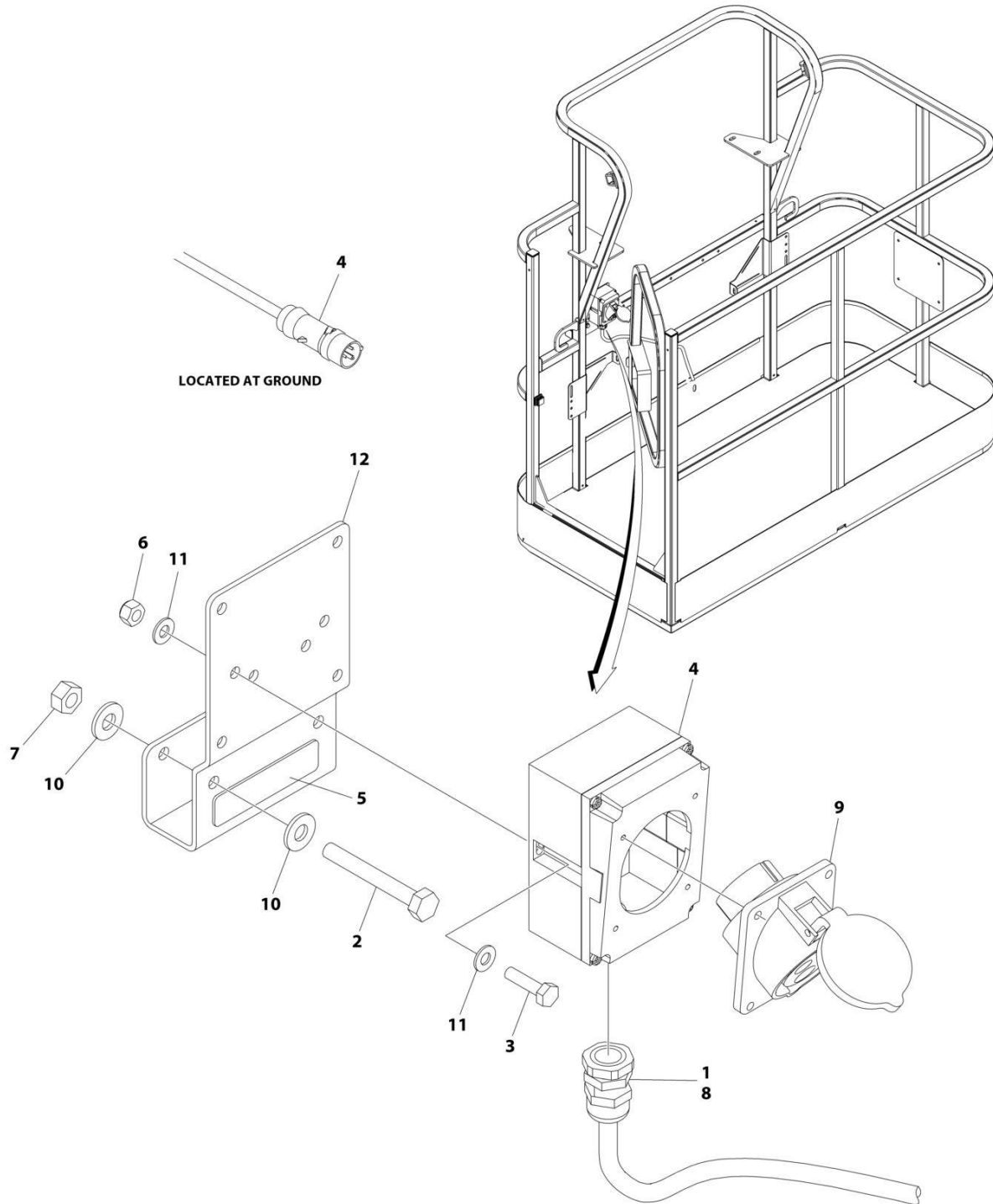
## SECTION 8 - ELECTRICAL

**FIGURE 8-3. AC BOX AT PLATFORM - 110V IEC YELLOW (CE SPEC WITHOUT GENERATOR)**

ITEM	PART NUMBER	QTY	DESCRIPTION	REV
	1001091969	Ref	AC BOX AT PLATFORM INSTALLATION - 110V IEC YELLOW	D
1	0100020	AR	Sealant, Pipe	
2	0275216	1	Receptacle Box Kit (See Separate Breakdown in this Section)	
3	0700408	2	Bolt M4 x 16	
4	3290405	2	Nut M4	
5	1001101196	1	Adapter	
6	4811400	4	Washer M4	
7	1001101191	1	Connector, Strain Relief	
8	0641416	2	Bolt 1/4 x 2	
9	1705325	2	Decal - 110V	
10	3311405	2	Nut 1/4	
11	4711400	4	Washer 1/4	
12	1001193018	1	Bracket	

# SECTION 8 - ELECTRICAL

FIGURE 8-4. AC BOX AT PLATFORM INSTALLATION - 220V IEC BLUE (CE SPECS WITH 4000W/50HZ GENERATOR)



ART\_1001194204

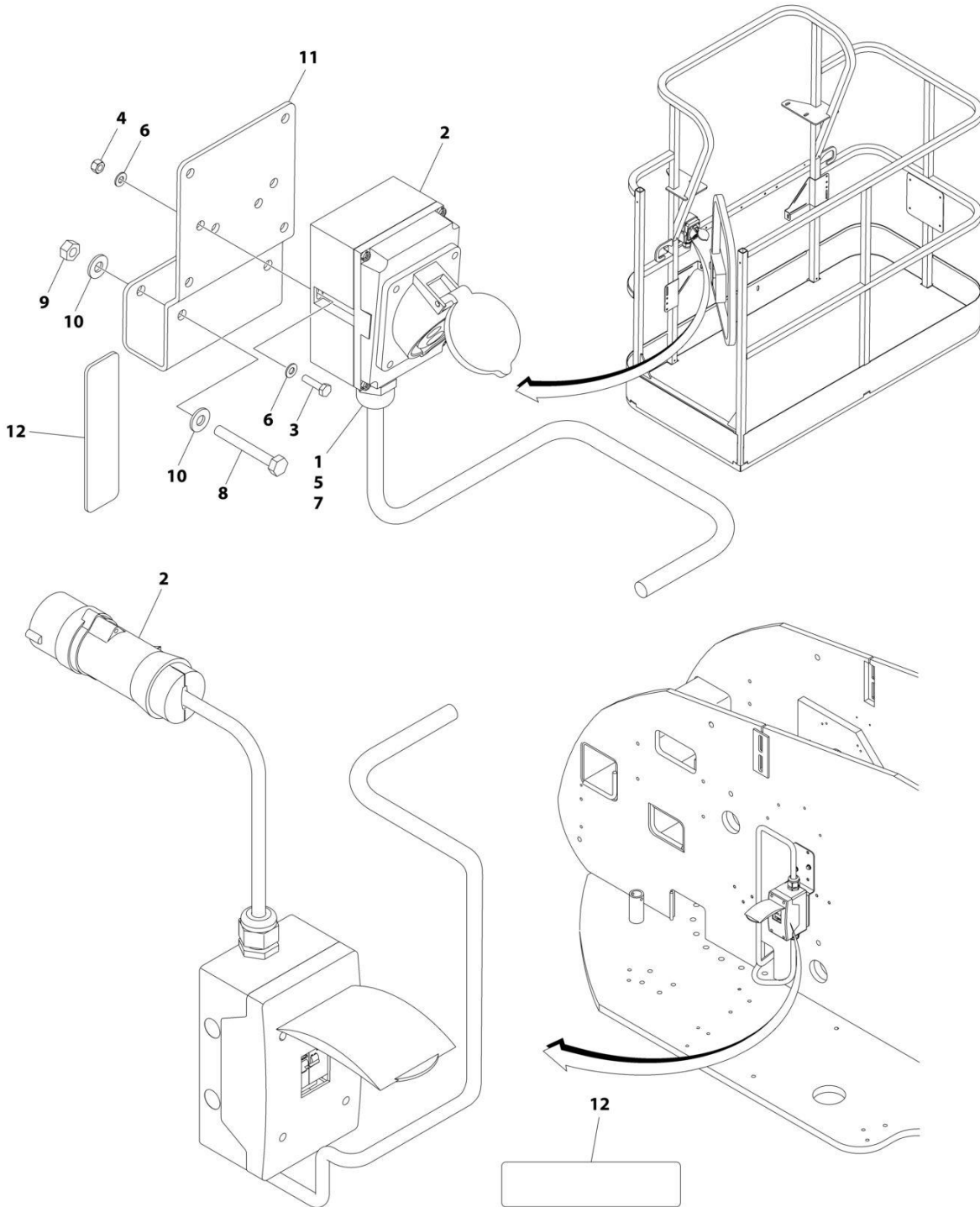
## SECTION 8 - ELECTRICAL

**FIGURE 8-4. AC BOX AT PLATFORM INSTALLATION - 220V IEC BLUE (CE SPECS WITH 4000W/50HZ GENERATOR)**

ITEM	PART NUMBER	QTY	DESCRIPTION	REV
	1001194204	Ref	AC BOX AT PLATFORM INSTALLATION	B
1	0100020	AR	Sealant, Pipe	
2	0641416	2	Bolt 1/4 x 2	
3	0700408	2	Bolt M4 x 16	
4	0861781	1	Box, Switch	
5	3251242	1	Decal - 240V/50Hz	
6	3290405	2	Nut M4	
7	3311405	2	Nut 1/4	
8	4460968	1	Connector, Strain Relief	
9	4461201	1	Receptacle	
10	4711400	4	Washer 1/4	
11	4811400	4	Washer M4	
12	1001193018	1	Bracket, AC Receptacle	

# SECTION 8 - ELECTRICAL

FIGURE 8-5. AC BOX AT PLATFORM - 220V IEC BLUE (CE SPEC WITHOUT GENERATOR)



(REF. LOCATED ON ENGINE SIDE HOOD)

ART\_1001091970

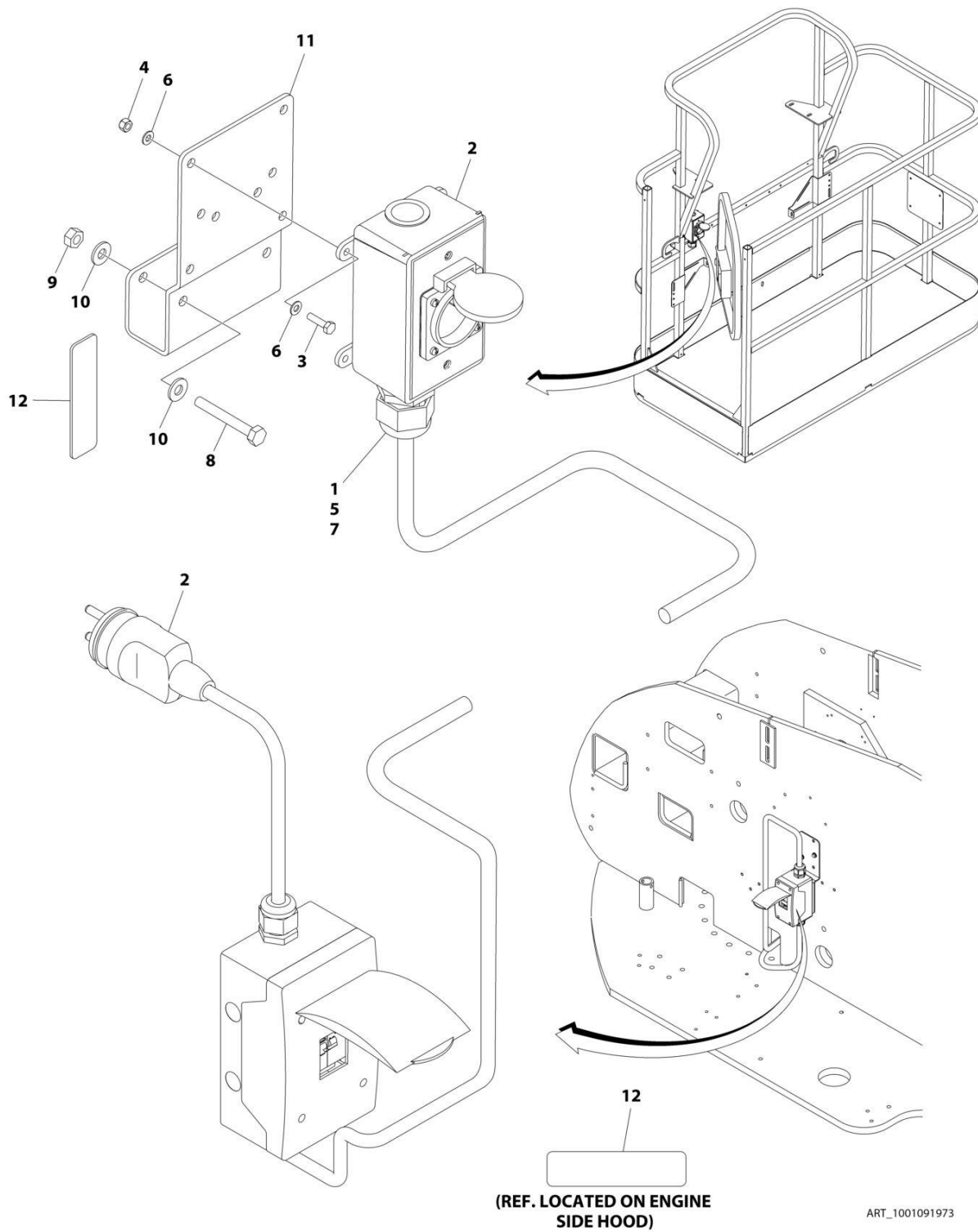
## SECTION 8 - ELECTRICAL

**FIGURE 8-5. AC BOX AT PLATFORM - 220V IEC BLUE (CE SPEC WITHOUT GENERATOR)**

ITEM	PART NUMBER	QTY	DESCRIPTION	REV
	1001091970	Ref	AC BOX AT PLATFORM INSTALLATION - 220V IEC BLUE	D
1	0100020	AR	Sealant, Pipe	
2	0275217	1	Receptacle Box Kit (See Separate Breakdown in this Section)	
3	0700408	2	Bolt M4 x 16	
4	3290405	2	Nut M4	
5	1001101196	1	Adapter	
6	4811400	4	Washer M4	
7	1001101191	1	Connector, Strain Relief	
8	0641416	2	Bolt 1/4 x 2	
9	3311405	2	Nut 1/4	
10	4711400	4	Washer 1/4	
11	1001193018	1	Bracket	
12	3251242	2	Decal - 240V/50Hz	

# SECTION 8 - ELECTRICAL

FIGURE 8-6. AC BOX AT PLATFORM - 220V CEE7 2IN X 4IN POST GROUND (CE SPEC WITHOUT GENERATOR)



ART\_1001091973

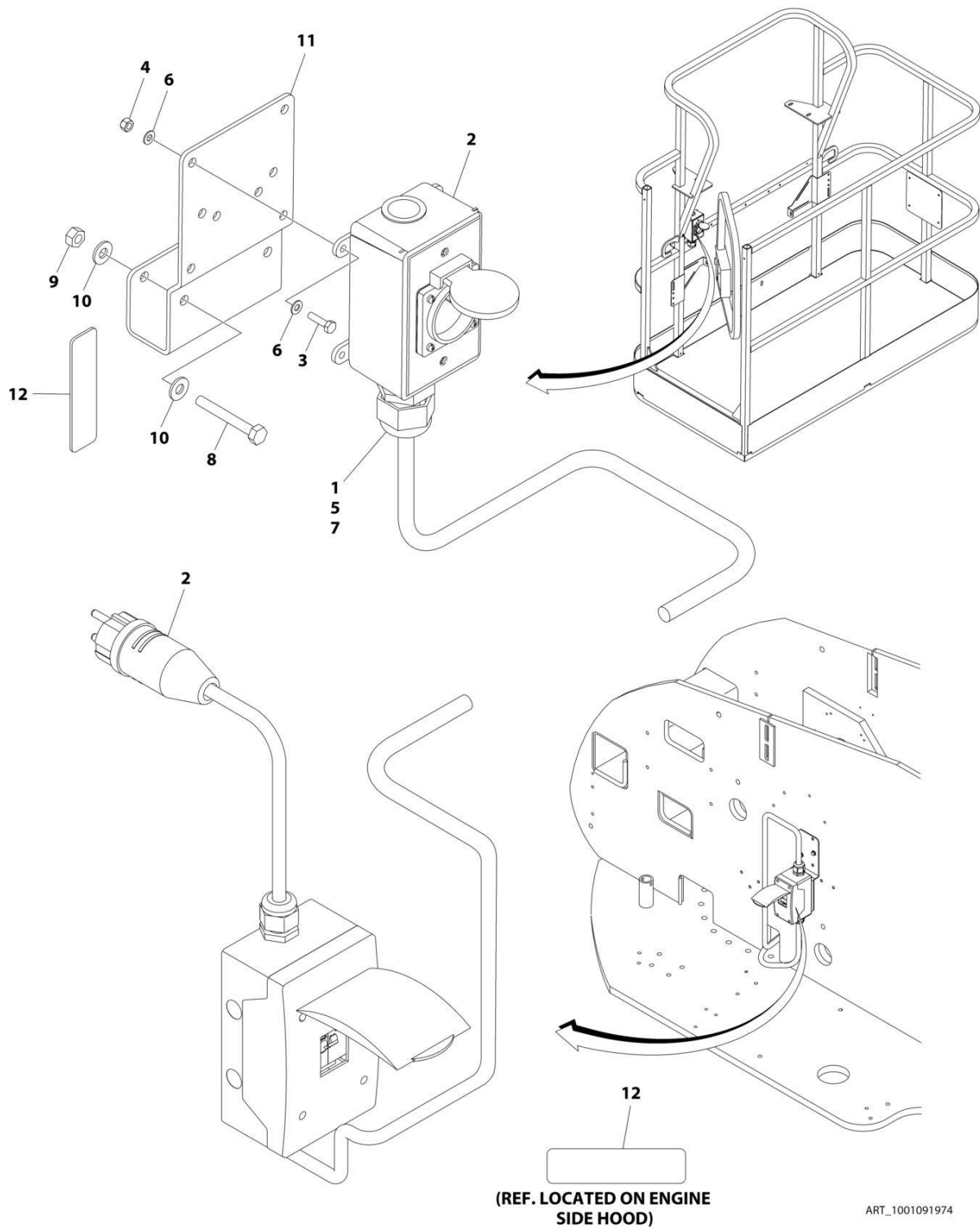
## SECTION 8 - ELECTRICAL

**FIGURE 8-6. AC BOX AT PLATFORM - 220V CEE7 2IN X 4IN POST GROUND (CE SPEC WITHOUT GENERATOR)**

ITEM	PART NUMBER	QTY	DESCRIPTION	REV
	1001091973	Ref	AC BOX AT PLATFORM INSTALLATION - 220V CEE7 2X4 BOX POST GROUND	F
1	0100020	AR	Sealant, Pipe	
2	0275452	1	Receptacle Box Kit (See Separate Breakdown in this Section)	
3	0700408	4	Bolt M4 x 16	
4	3290405	4	Nut M4	
5	1001101197	1	Adapter	
6	4811400	8	Washer M4	
7	1001101191	1	Connector, Strain Relief	
8	0641416	2	Bolt 1/4 x 2	
9	3311405	2	Nut 1/4	
10	4711400	4	Washer 1/4	
11	1001193018	1	Bracket	
12	3251242	2	Decal - 240V/50Hz	
13	4460806	2	Terminal, Fork (Not Shown)	
14	1001205958	1	Terminal (Not Shown)	

# SECTION 8 - ELECTRICAL

FIGURE 8-7. AC BOX AT PLATFORM - 220V CEE7 2IN X 4IN SIDE GROUND (CE SPEC WITHOUT GENERATOR)





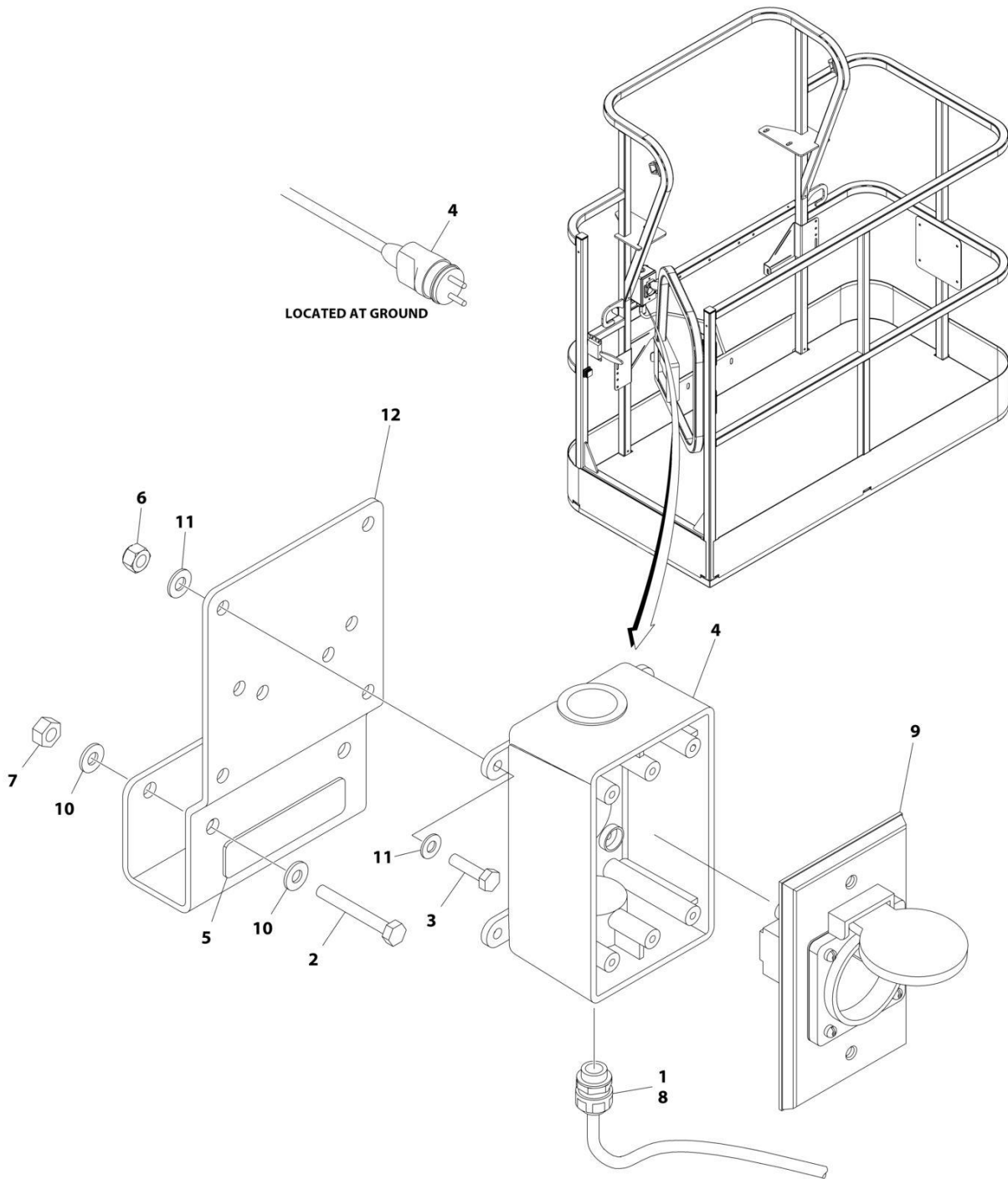
## SECTION 8 - ELECTRICAL

**FIGURE 8-7. AC BOX AT PLATFORM - 220V CEE7 2IN X 4IN SIDE GROUND (CE SPEC WITHOUT GENERATOR)**

ITEM	PART NUMBER	QTY	DESCRIPTION	REV
	1001091974	Ref	AC BOX AT PLATFORM INSTALLATION - 220V CEE7 2X4 BOX SIDE GROUND	F
1	0100020	AR	Sealant, Pipe	
2	0275453	1	Receptacle Box Kit (See Separate Breakdown in this Section)	
3	0700408	4	Bolt M4 x 16	
4	3290405	4	Nut M4	
5	1001101197	1	Adapter	
6	4811400	8	Washer M4	
7	1001101191	1	Connector, Strain Relief	
8	0641416	2	Bolt 1/4 x 2	
9	3311405	2	Nut 1/4	
10	4711400	4	Washer 1/4	
11	1001193018	1	Bracket	
12	3251242	2	Decal - 240V/50Hz	
13	4460806	2	Terminal, Fork (Not Shown)	
14	1001205958	1	Terminal (Not Shown)	

# SECTION 8 - ELECTRICAL

FIGURE 8-8. AC BOX AT PLATFORM INSTALLATION - 220V CEE7 2IN X 4IN POST GROUND (CE SPECS WITH 4000W/50HZ GENERATOR)



ART\_1001194197

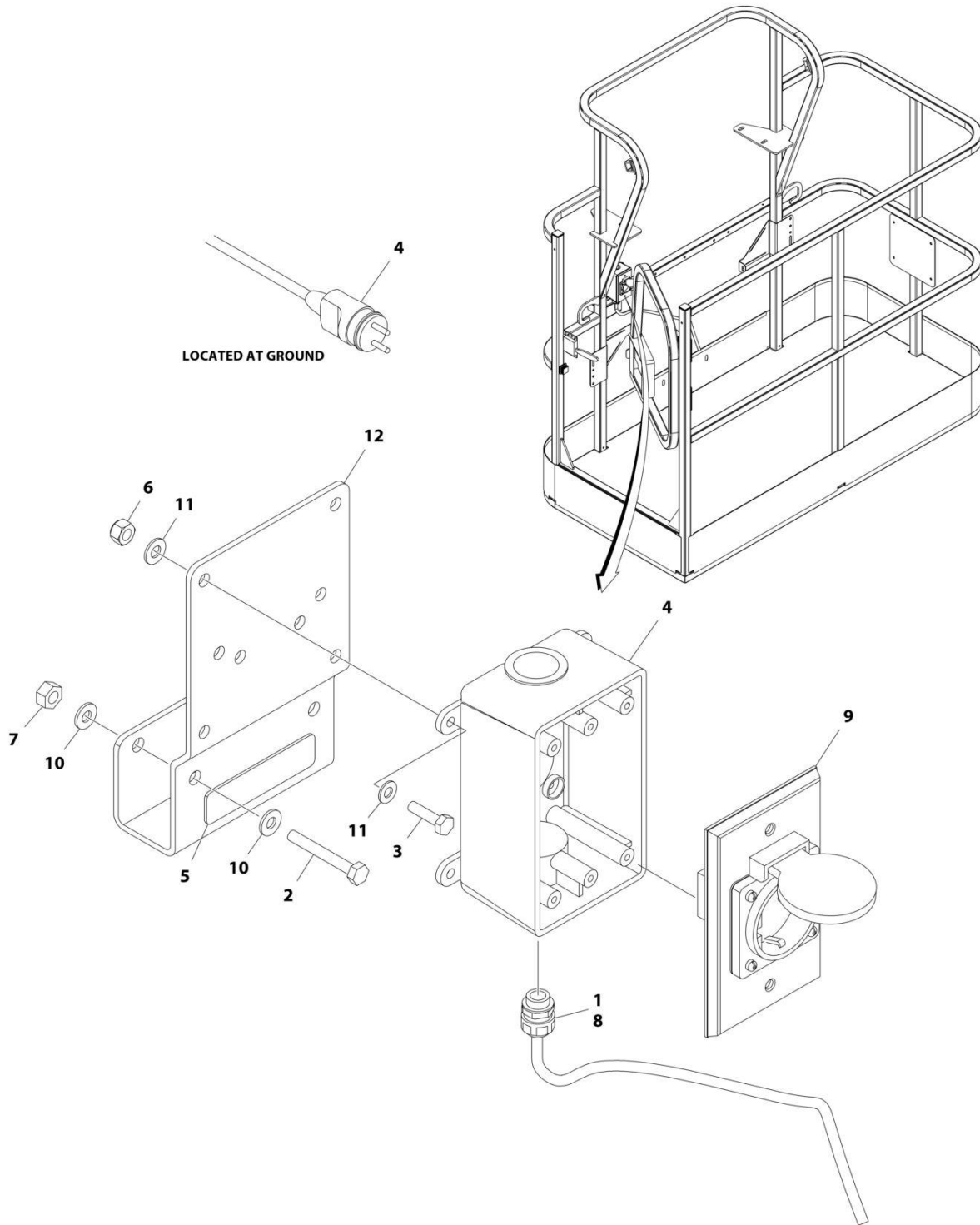
## SECTION 8 - ELECTRICAL

**FIGURE 8-8. AC BOX AT PLATFORM INSTALLATION - 220V CEE7 2IN X 4IN POST GROUND (CE SPECS WITH 4000W/50HZ GENERATOR)**

ITEM	PART NUMBER	QTY	DESCRIPTION	REV
	1001194197	Ref	AC BOX AT PLATFORM INSTALLATION	B
1	0100020	AR	Sealant, Pipe	
2	0641416	2	Bolt 1/4 x 2	
3	0700408	4	Bolt M4 x 16	
4	0861731	1	Box, Switch	
5	3251242	1	Decal - 240V/50Hz	
6	3290405	4	Nut M4	
7	3311405	2	Nut 1/4	
8	4460662	1	Connector, Strain Relief	
9	4461244	1	Receptacle	
10	4711400	4	Washer 1/4	
11	4811400	8	Washer M4	
12	1001193018	1	Bracket, AC Receptacle	
13	4460806	2	Terminal, Fork (Not Shown)	
14	1001205958	1	Terminal (Not Shown)	

# SECTION 8 - ELECTRICAL

FIGURE 8-9. AC BOX AT PLATFORM INSTALLATION - 220V CEE7 2IN X 4IN SIDE GROUND (CE SPECS WITH 4000W/50HZ GENERATOR)



ART\_1001194198

## SECTION 8 - ELECTRICAL

**FIGURE 8-9. AC BOX AT PLATFORM INSTALLATION - 220V CEE7 2IN X 4IN SIDE GROUND (CE SPECS WITH 4000W/50HZ GENERATOR)**

ITEM	PART NUMBER	QTY	DESCRIPTION	REV
	1001194198	Ref	AC BOX AT PLATFORM INSTALLATION	B
1	0100020	AR	Sealant, Pipe	
2	0641416	2	Bolt 1/4 x 2	
3	0700408	4	Bolt M4 x 16	
4	0861731	1	Box, Switch	
5	3251242	1	Decal - 240V/50Hz	
6	3290405	4	Nut M4	
7	3311405	2	Nut 1/4	
8	4460662	1	Connector, Strain Relief	
9	4461245	1	Receptacle	
10	4711400	4	Washer 1/4	
11	4811400	8	Washer M4	
12	1001193018	1	Bracket, AC Receptacle	
13	4460806	2	Terminal, Fork (Not Shown)	
14	1001205958	1	Terminal (Not Shown)	



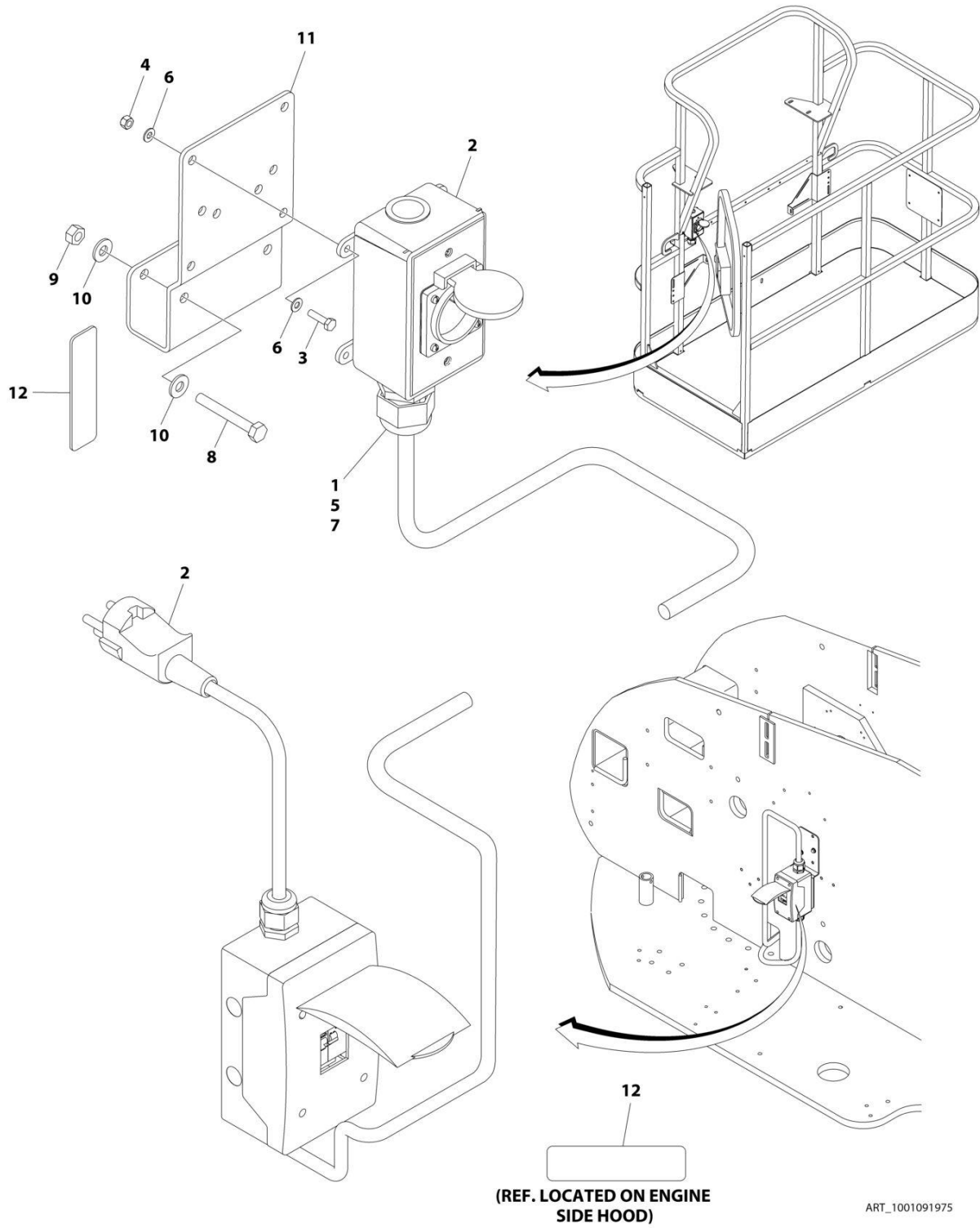
## SECTION 8 - ELECTRICAL

**FIGURE 8-10. AC BOX AT PLATFORM INSTALLATION - 220V AFSINT107 (CE SPECS WITH 4000W/50HZ GENERATOR)**

ITEM	PART NUMBER	QTY	DESCRIPTION	REV
	1001194200	Ref	AC BOX AT PLATFORM INSTALLATION	B
1	0100020	AR	Sealant, Pipe	
2	0641416	2	Bolt 1/4 x 2	
3	0700408	4	Bolt M4 x 16	
4	0861731	1	Box, Switch	
5	3251242	1	Decal - 240V/50Hz	
6	3290405	4	Nut M4	
7	3311405	2	Nut 1/4	
8	4460662	1	Connector, Strain Relief	
9	4461246	1	Receptacle	
10	4711400	4	Washer 1/4	
11	4811400	8	Washer M4	
12	1001193018	1	Bracket, AC Receptacle	
13	1001205958	1	Terminal (Not Shown)	

# SECTION 8 - ELECTRICAL

## FIGURE 8-11. AC BOX AT PLATFORM - 220V AFSINT107 (CE SPEC WITHOUT GENERATOR)





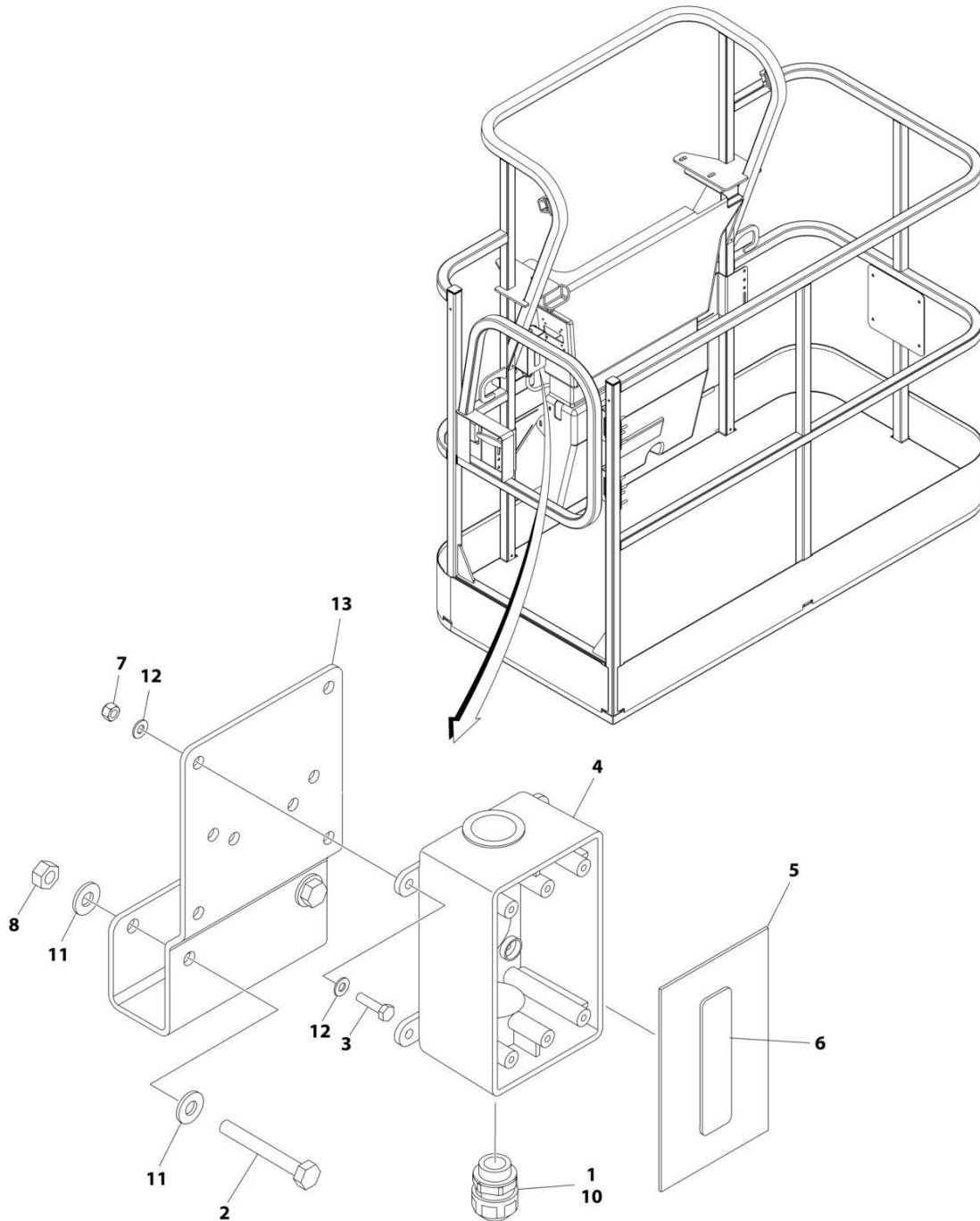
## SECTION 8 - ELECTRICAL

**FIGURE 8-11. AC BOX AT PLATFORM - 220V AFSINT107 (CE SPEC WITHOUT GENERATOR)**

ITEM	PART NUMBER	QTY	DESCRIPTION	REV
	1001091975	Ref	AC BOX AT PLATFORM INSTALLATION - 220V AFSINT 107 2X4 BOX KEYED GROUND	F
1	0100020	AR	Sealant, Pipe	
2	0275454	1	Receptacle Box Kit (See Separate Breakdown in this Section)	
3	0700408	4	Bolt M4 x 16	
4	3290405	4	Nut M4	
5	1001101197	1	Adapter	
6	4811400	8	Washer M4	
7	1001101191	1	Connector, Strain Relief	
8	0641416	2	Bolt 1/4 x 2	
9	3311405	2	Nut 1/4	
10	4711400	4	Washer 1/4	
11	1001193018	1	Bracket	
12	3251242	2	Decal - 240V/50Hz	
13	1001205958	3	Terminal (Not Shown)	

# SECTION 8 - ELECTRICAL

FIGURE 8-12. AC BOX AT PLATFORM INSTALLATION - 220V CUSTOMER SUPPLIED COMPONENTS  
(ALL SPECS EXCEPT CSA SPECS)



ART\_1001194365

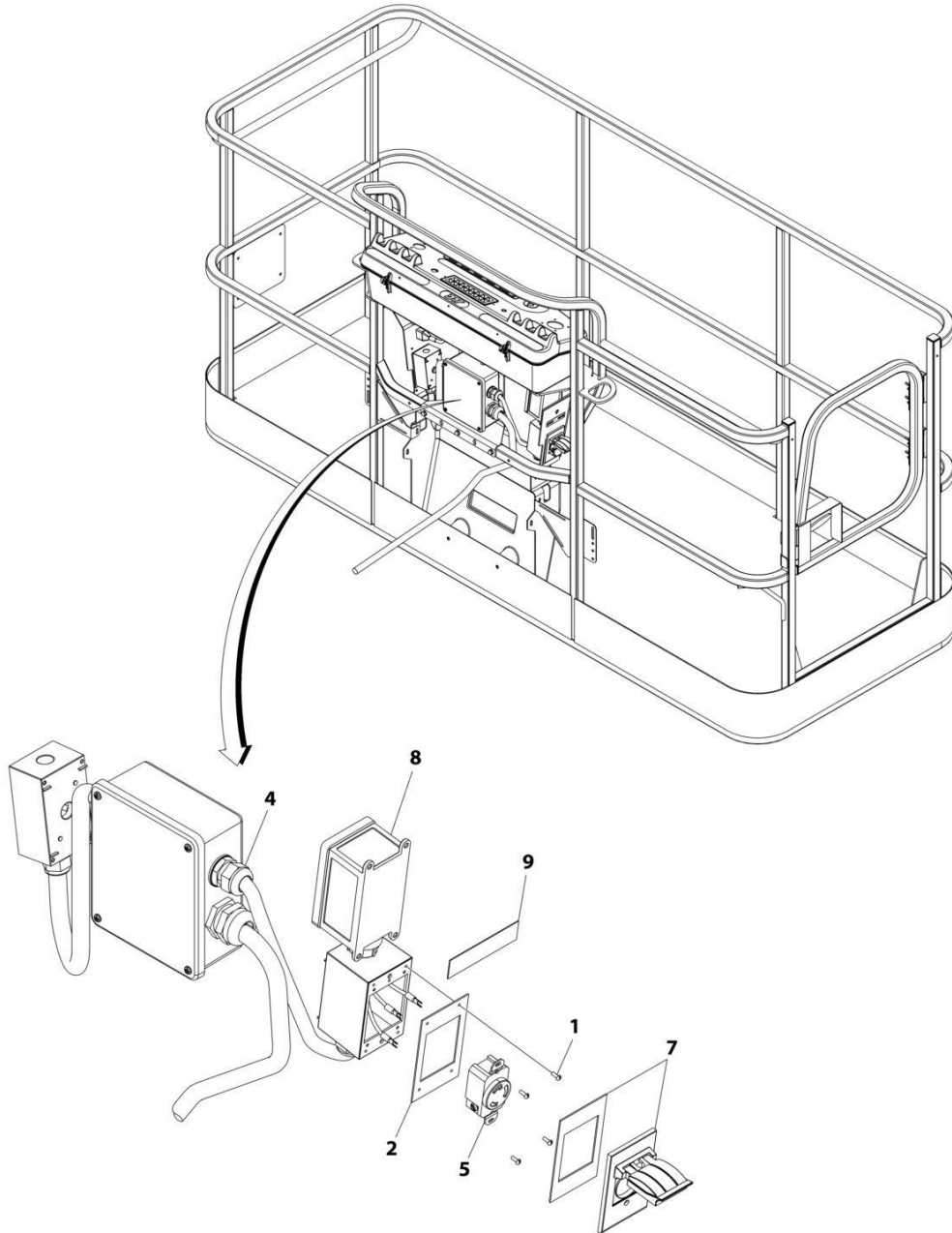
## SECTION 8 - ELECTRICAL

**FIGURE 8-12. AC BOX AT PLATFORM INSTALLATION - 220V CUSTOMER SUPPLIED COMPONENTS  
(ALL SPECS EXCEPT CSA SPECS)**

ITEM	PART NUMBER	QTY	DESCRIPTION	REV
	1001194365	Ref	AC BOX AT PLATFORM INSTALLATION - BOX WITH COVER (2X4 BOX)	A
1	0100020	AR	Sealant	
2	0641416	2	Bolt 1/4 x 2	
3	0700408	4	Bolt M4 x 16	
4	0861731	1	Box, Switch	
5	1670603	1	Cover	
6	3251242	1	Decal - 240V/50Hz	
7	3290405	4	Nut M4	
8	3311405	2	Nut 1/4	
9	4460384	3	Terminal (Not Shown)	
10	4460662	1	Connector, Strain Relief	
11	4711400	4	Washer 1/4	
12	4811400	8	Washer M4	
13	1001193018	1	Bracket, AC Receptacle	

## SECTION 8 - ELECTRICAL

FIGURE 8-13. AC BOX AT PLATFORM INSTALLATION - 240V (WITH 4000W GENERATOR) (ANSI, ANSI EXPORT(HRC), CSA AND JAPANESE SPECS)



ART\_1001171131

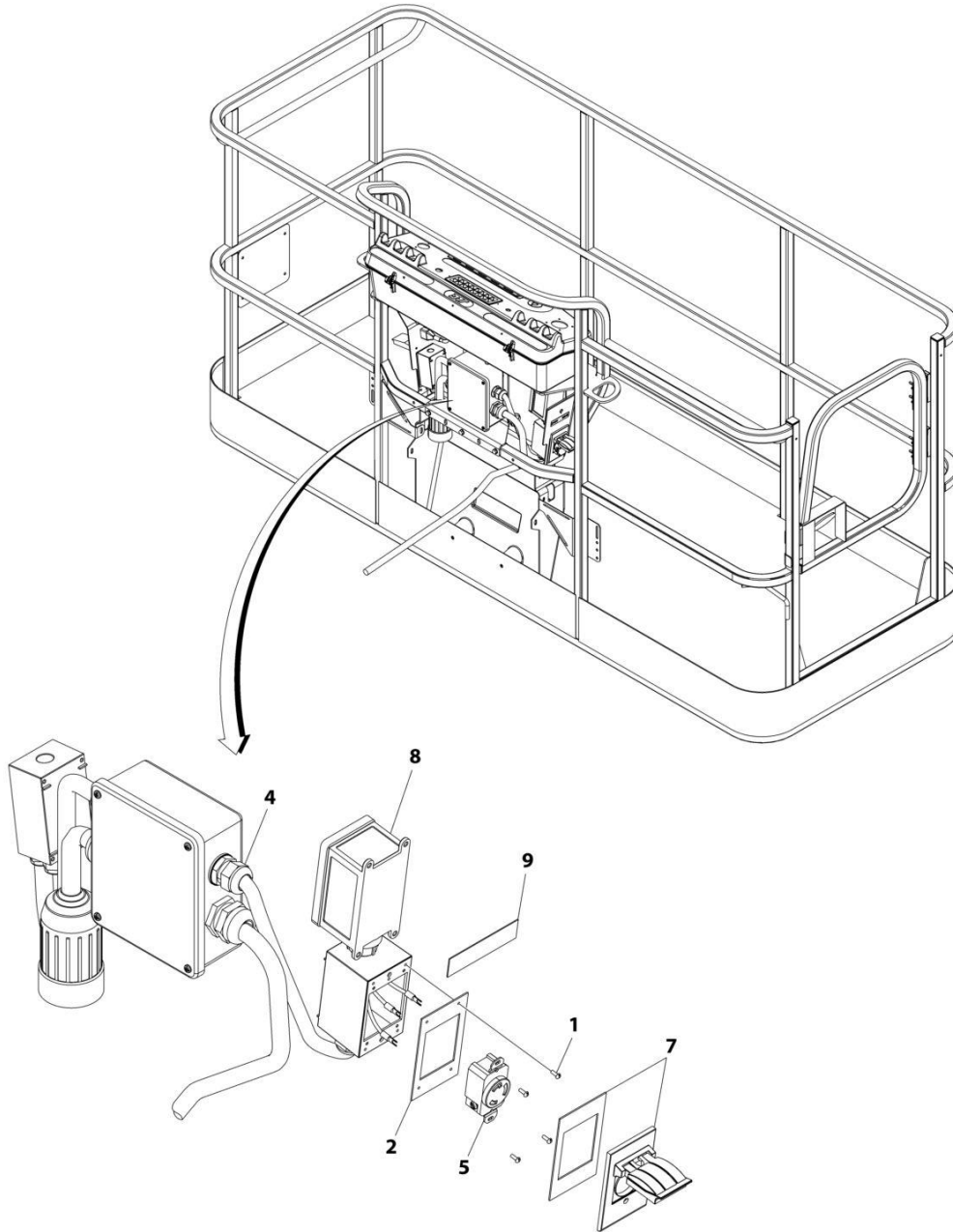
## SECTION 8 - ELECTRICAL

**FIGURE 8-13. AC BOX AT PLATFORM INSTALLATION - 240V (WITH 4000W GENERATOR) (ANSI, ANSI EXPORT(HRC), CSA AND JAPANESE SPECS)**

ITEM	PART NUMBER	QTY	DESCRIPTION	REV
	1001171131	Ref	AC BOX AT PLATFORM INSTALLATION - 240V RECEPTACLE	B
1	3910606	4	Screw 6 x 3/8	
2	3960422	1	Gasket	
3	4240018	AR	Tie-Strap (Not Shown)	
4	4460425	1	Connector, Strain Relief	
5	1001176862	1	Receptacle	
7	1001110872	1	Cover, Receptacle	
8	1001159120	1	Receptacle/Breaker Box Assembly	
8	1001148675	1	Box, Receptacle	
8	1001159118	1	Breaker GFCI 30Amp 240VAC	
8	4460612	1	Connector, Strain Relief	
8	1001159119	1	Connector (Between Boxes)	
9	1705374	1	Decal - 240V/60Hz	

## SECTION 8 - ELECTRICAL

FIGURE 8-14. AC BOX AT PLATFORM INSTALLATION - 240V (WITH 7500W SKYPOWER GENERATOR) (ANSI, ANSI EXPORT(HRC), CSA AND JAPANESE SPECS)



ART\_1001159121

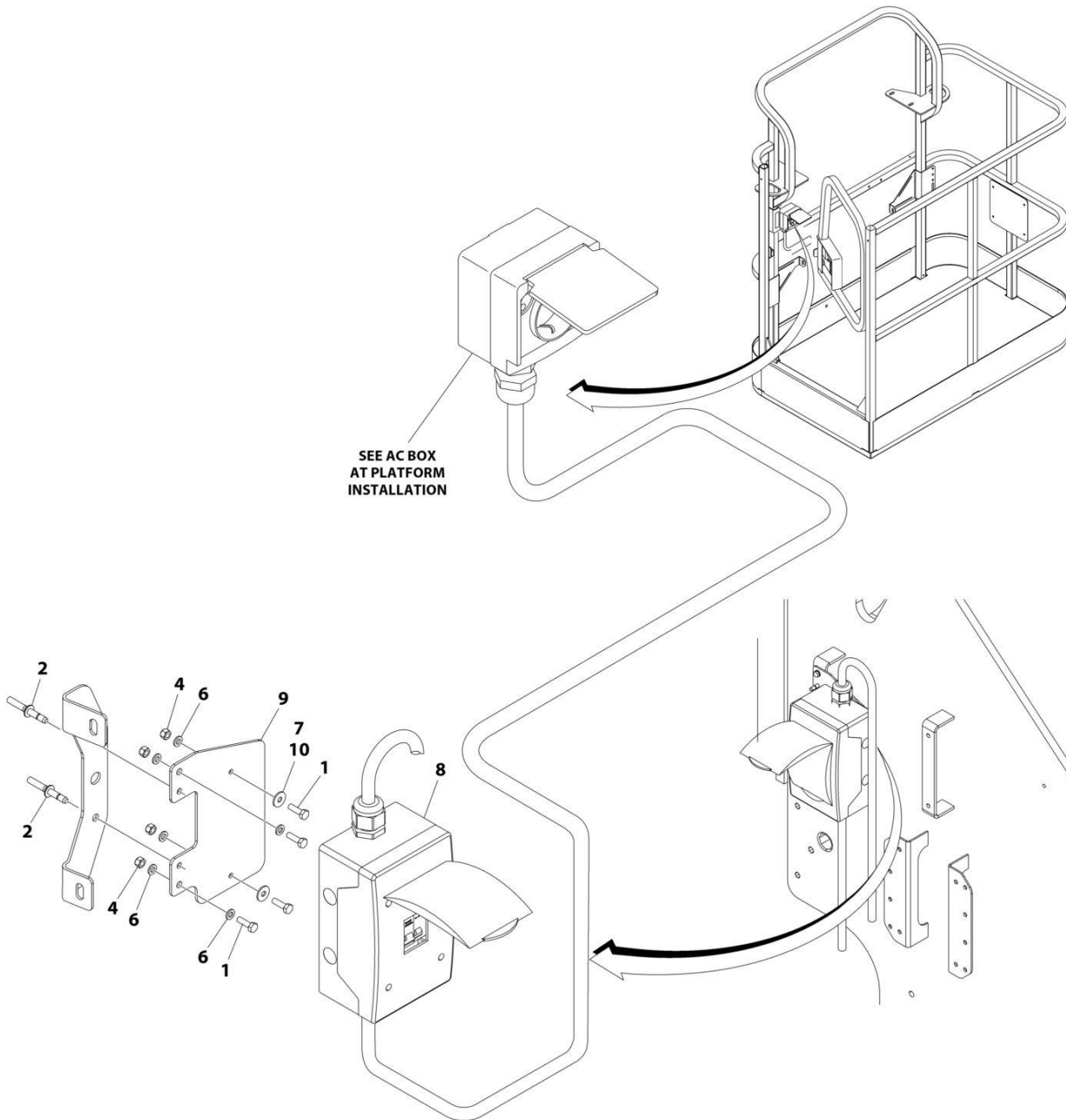
## SECTION 8 - ELECTRICAL

**FIGURE 8-14. AC BOX AT PLATFORM INSTALLATION - 240V (WITH 7500W SKYPOWER GENERATOR) (ANSI, ANSI EXPORT(HRC), CSA AND JAPANESE SPECS)**

ITEM	PART NUMBER	QTY	DESCRIPTION	REV
	1001159121	Ref	AC BOX AT PLATFORM INSTALLATION - 240V RECEPTACLE	B
1	3910606	4	Screw 6 x 3/8	
2	3960422	1	Gasket	
3	4240018	AR	Tie-Strap (Not Shown)	
4	4460425	1	Connector, Strain Relief	
5	4460958	1	Receptacle	
7	1001110872	1	Cover, Receptacle	
8	1001159120	1	Receptacle/Breaker Box Assembly	
8	1001148675	1	Box, Receptacle	
8	1001159118	1	Breaker Box Assembly	
8	4460612	1	Connector, Strain Relief	
8	1001159119	1	Connector (Between Boxes)	
9	1705374	1	Decal - 240V/60Hz	

# SECTION 8 - ELECTRICAL

## FIGURE 8-15. AC CABLE INSTALLATION - WITH THREE BREAKERS (CE SPECS)



ART\_1001209677



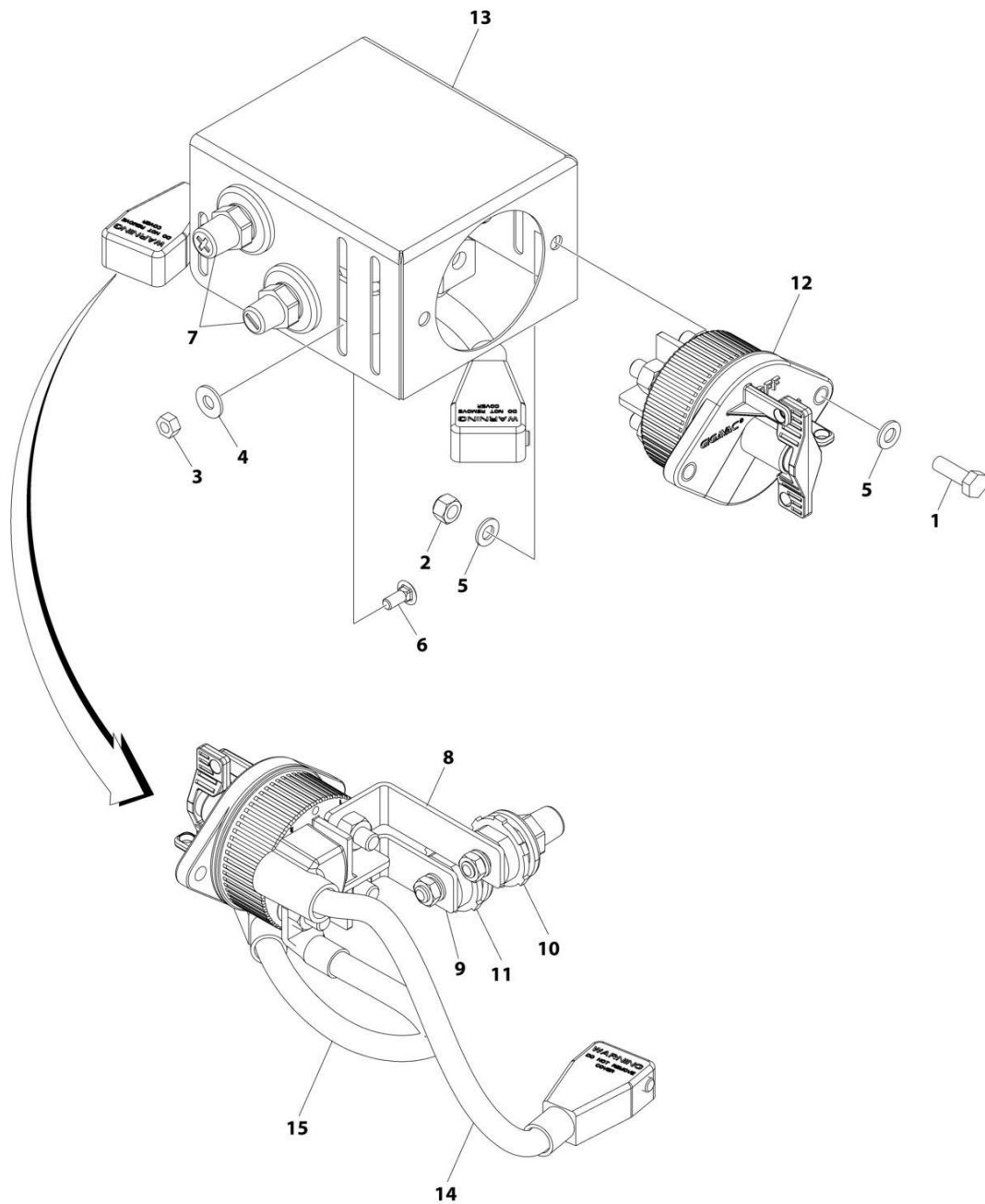
## SECTION 8 - ELECTRICAL

**FIGURE 8-15. AC CABLE INSTALLATION - WITH THREE BREAKERS (CE SPECS)**

ITEM	PART NUMBER	QTY	DESCRIPTION	REV
	1001209677	Ref	AC CABLE INSTALLATION - WITH THREE BREAKERS	B
1	0760610	AR	Bolt M6 x 20	
1	4010405	AR	Bolt M4 x 10	
2	2080040	AR	Fastener, Huck	
4	3290605	AR	Nut M6	
6	4811700	4	Washer M6	
7	1001091102	AR	Washer M4	
8	1001152485	1	Breaker Box Kit (See Separate Breakdown in this Section)	
9	1001209832	1	Bracket	
10	4811702	AR	Washer M6	

# SECTION 8 - ELECTRICAL

## FIGURE 8-16. BATTERY DISCONNECT SWITCH



ART\_1001236304

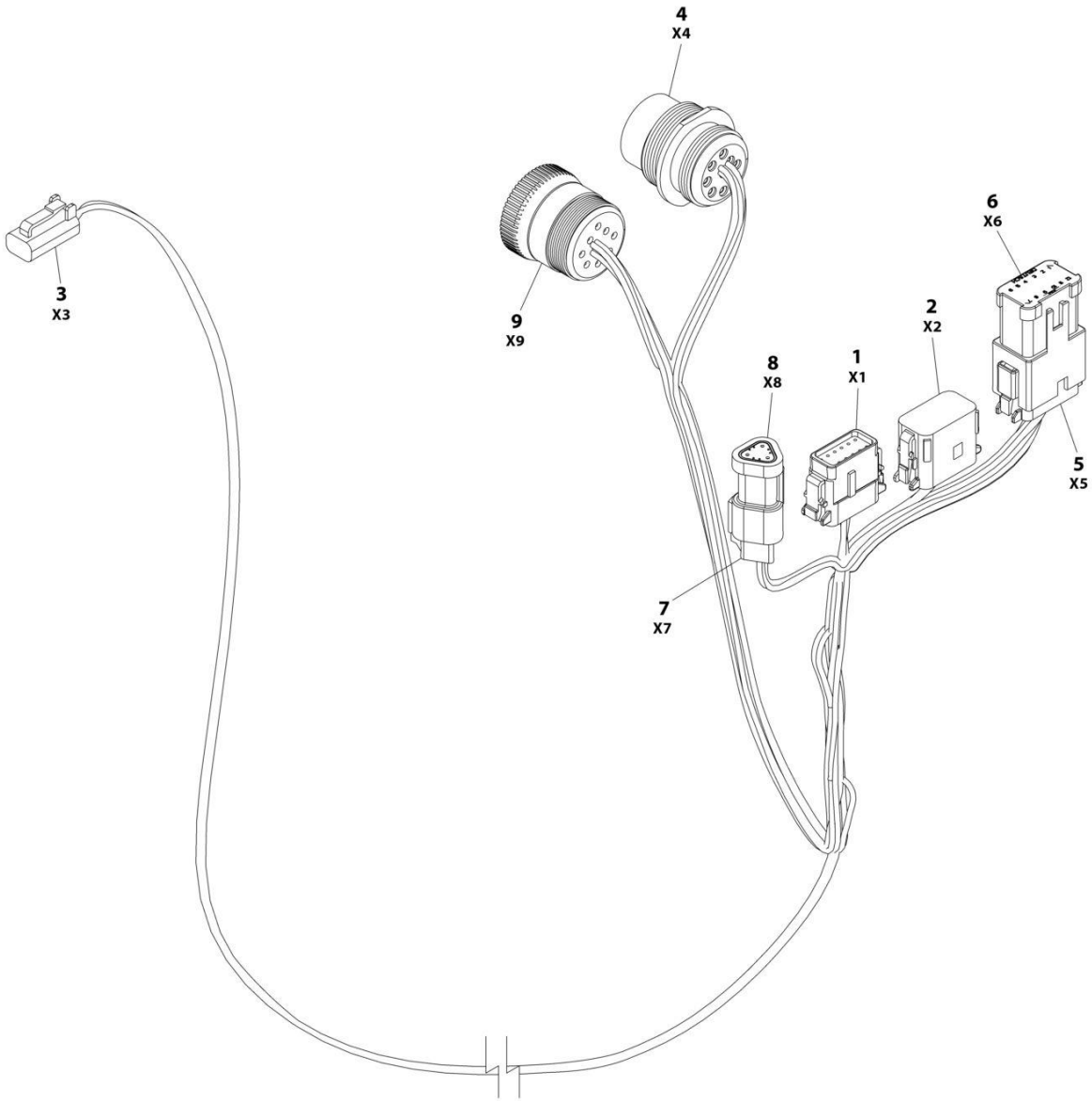
## SECTION 8 - ELECTRICAL

**FIGURE 8-16. BATTERY DISCONNECT SWITCH**

ITEM	PART NUMBER	QTY	DESCRIPTION	REV
	1001236304	Ref	BATTERY DISCONNECT SWITCH INSTALLATION	A
1	0760812	2	Bolt M8 x 25	
2	3290805	2	Nut M8	
3	3311405	3	Nut 1/4	
4	4751400	3	Washer 1/4	
5	4811900	4	Washer M8	
6	88411013	3	Bolt 1/4 x 3/4	
7	1001206476	1	Connectors, Post	
8	1001209432	1	Bussbar	
9	1001209474	1	Bussbar	
10	1001214570	1	Connector (Red)	
11	1001214571	1	Connector (Black)	
12	1001225346	1	Switch, Battery	
13	1001226531	1	Mount	
14	1001236504	1	Cable, Battery (+)	
15	1001236505	1	Cable, Battery (-)	

# SECTION 8 - ELECTRICAL

## FIGURE 8-17. BEACON HARNES (BLUE/RED BEACON LIGHT)



ART\_1001142736

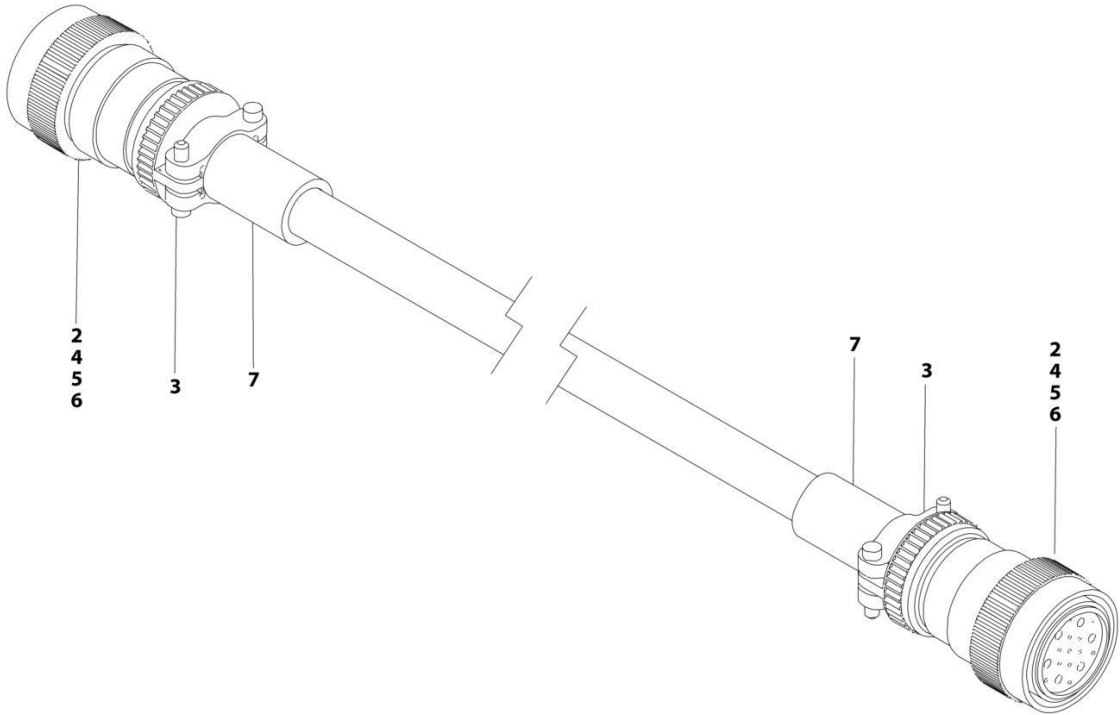
## SECTION 8 - ELECTRICAL

**FIGURE 8-17. BEACON HARNESS (BLUE/RED BEACON LIGHT)**

ITEM	PART NUMBER	QTY	DESCRIPTION	REV
	1001142736	Ref	STROBE LIGHT HARNESS	F
1	1001116808	1	Plug, Male - 12 Position	
1	4460928	3	Socket, Female	
1	4460518	9	Plug, Terminal	
2	1001116774	1	Plug, Male - 12 Position	
2	4460928	3	Socket, Female	
2	4460518	9	Plug, Terminal	
3	4460891	1	Plug, Male - 2 Position	
3	4460465	2	Socket, Female	
4	1001112612	1	Connector - 9 Position	
4	4460464	6	Pin, Male	
4	4460466	3	Plug, Terminal	
5	4460933	1	Plug, Male - 12 Position	
5	4460465	12	Socket, Female	
6	1001119020	1	Bussbar - 12 Position	
7	4461095	1	Plug, Male - 3 Position	
7	4460465	3	Socket, Female	
8	4461070	1	Bussbar - 3 Position	
9	1001112796	1	Connector - 9 Position	
9	4460465	6	Socket, Female	
9	4460466	3	Plug, Terminal	

**SECTION 8 - ELECTRICAL**

**FIGURE 8-18. BOOM HARNESS (400S)**



ART\_1001176952

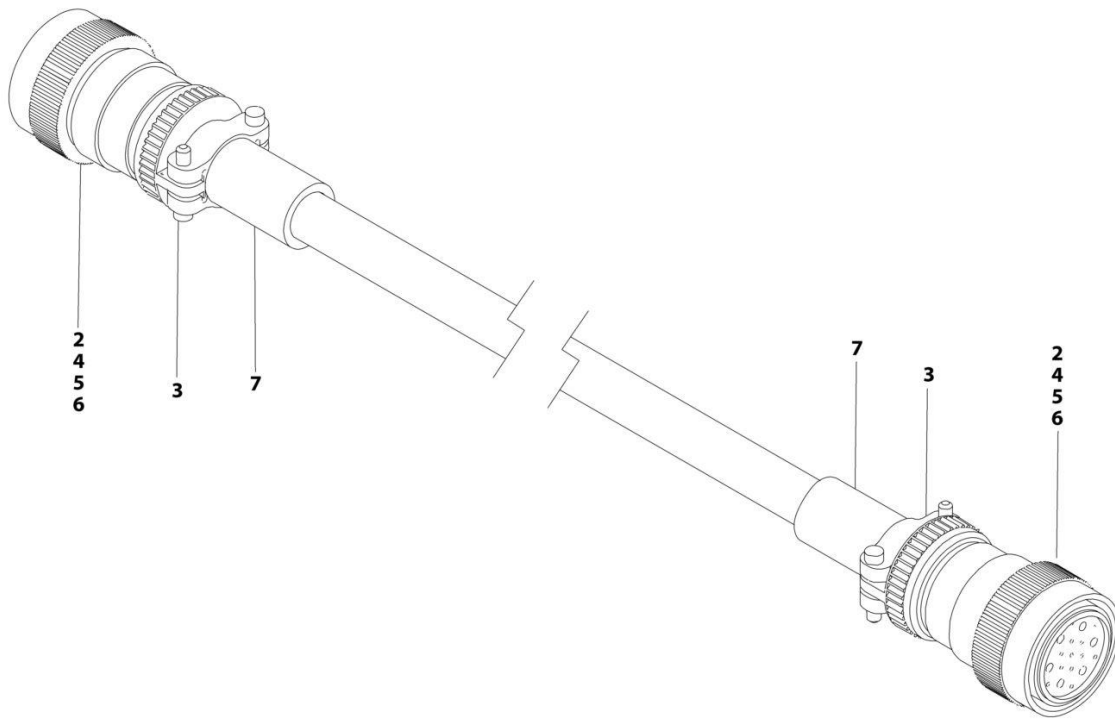
## SECTION 8 - ELECTRICAL

### FIGURE 8-18. BOOM HARNESS (400S)

ITEM	PART NUMBER	QTY	DESCRIPTION	REV
	1001176952	Ref	BOOM HARNESS	C
2	4460865	2	Connector - 19 Position	
3	4460473	2	Clamp	
4	4460465	20	Socket, Female	
5	4460509	8	Socket, Female	
6	4460466	10	Plug, Socket	
7	1001226400	AR	Heat Shrink	

# SECTION 8 - ELECTRICAL

## FIGURE 8-19. BOOM HARNESS (460SJ)



ART\_1001176953



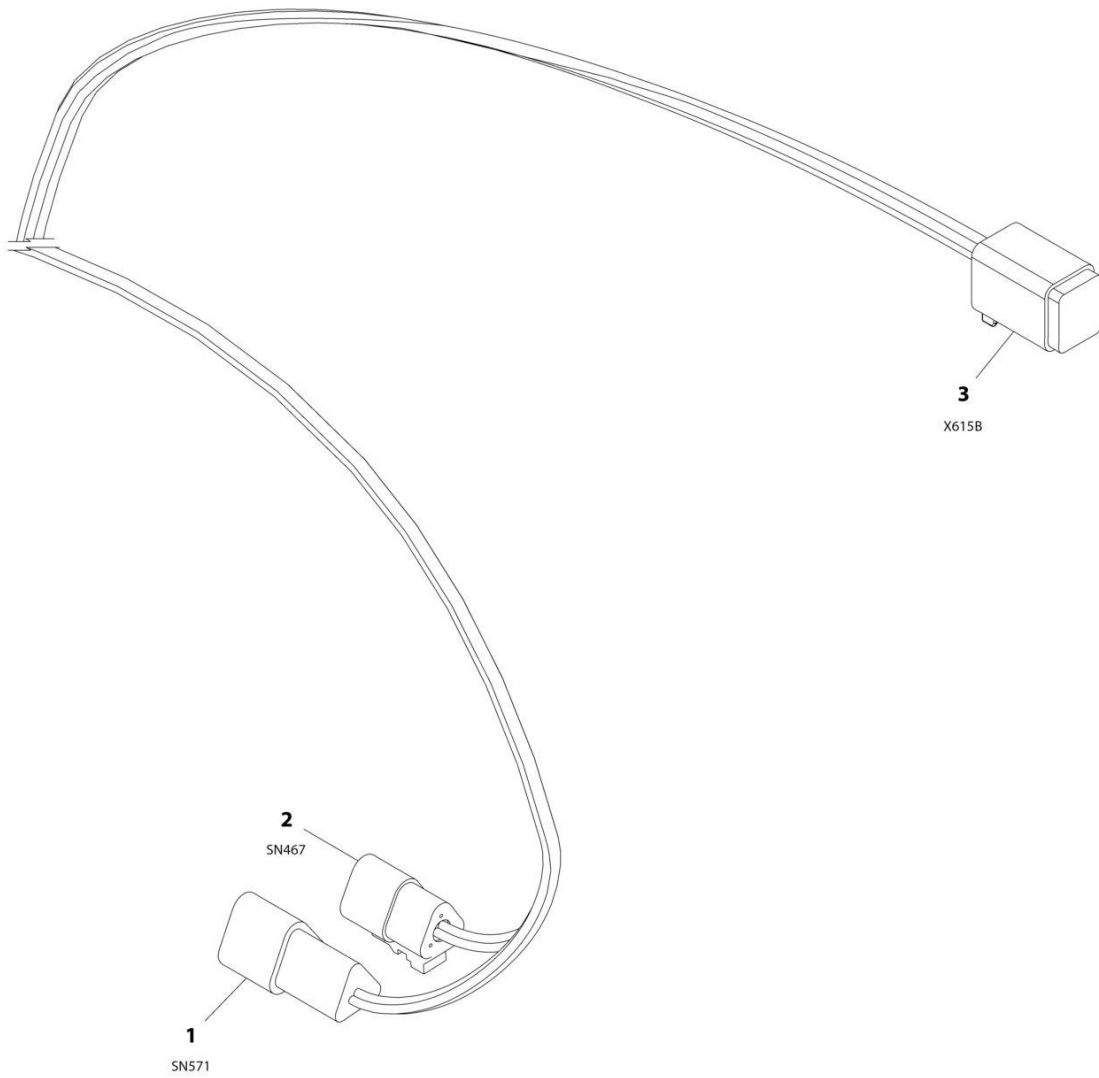
## SECTION 8 - ELECTRICAL

### FIGURE 8-19. BOOM HARNESS (460SJ)

ITEM	PART NUMBER	QTY	DESCRIPTION	REV
	1001176953	Ref	BOOM HARNESS	C
2	4460865	2	Connector - 19 Position	
3	4460473	2	Clamp	
4	4460465	20	Socket, Female	
5	4460509	8	Socket, Female	
6	4460466	10	Plug, Socket	
7	1001226400	AR	Heat Shrink	

# SECTION 8 - ELECTRICAL

## FIGURE 8-20. BOOM CAPACITY PROXIMITY SWITCH HARNESS (400S)



ART\_1001173807

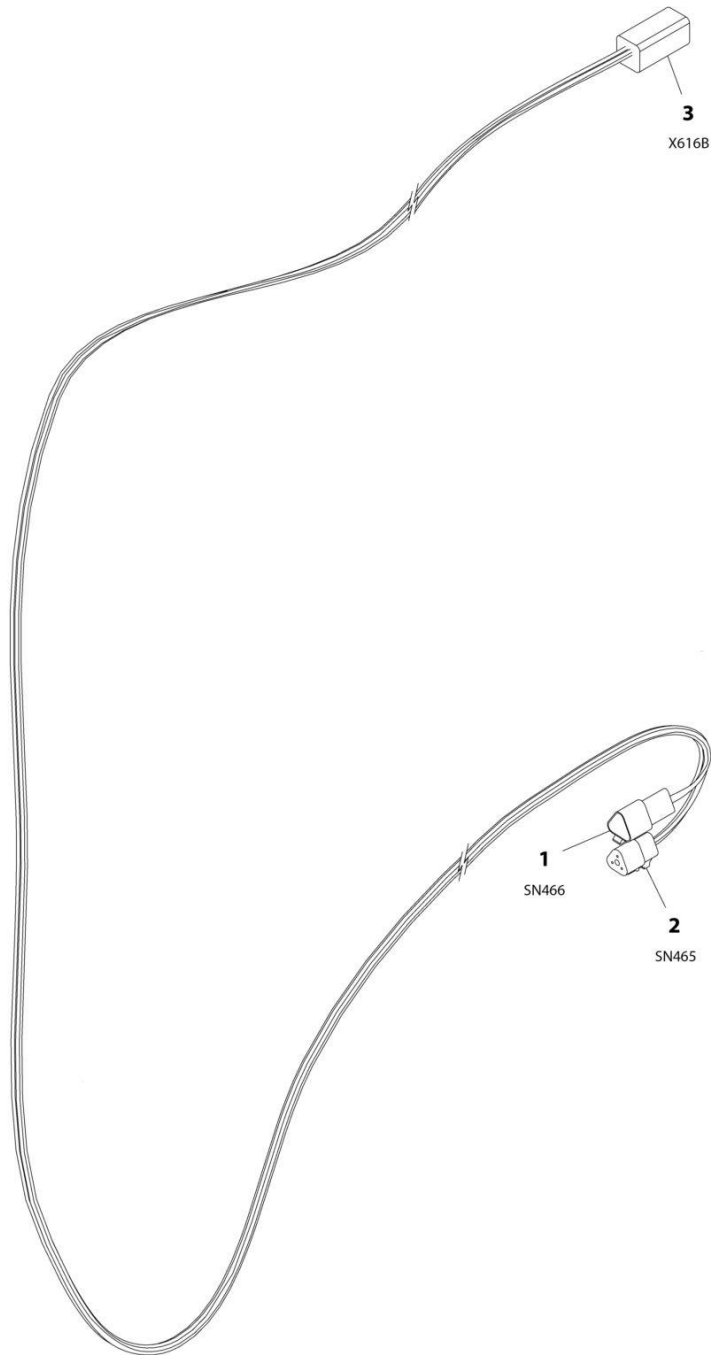
## SECTION 8 - ELECTRICAL

**FIGURE 8-20. BOOM CAPACITY PROXIMITY SWITCH HARNESS (400S)**

ITEM	PART NUMBER	QTY	DESCRIPTION	REV
	1001173807	Ref	BOOM CAPACITY PROXIMITY SWITCH HARNESS	C
1	4460536	1	Receptacle, Female - 3 Position	
1	4460464	3	Pin, Male	
2	4460539	1	Plug, Male - 3 Position	
2	4460465	1	Socket, Female	
3	4460930	1	Plug, Male - 8 Position	
3	4460465	6	Socket, Female	
3	4460466	2	Plug, Terminal	

# SECTION 8 - ELECTRICAL

## FIGURE 8-21. BOOM TELE IN PROXIMITY SWITCH HARNESS



ART\_1001173808

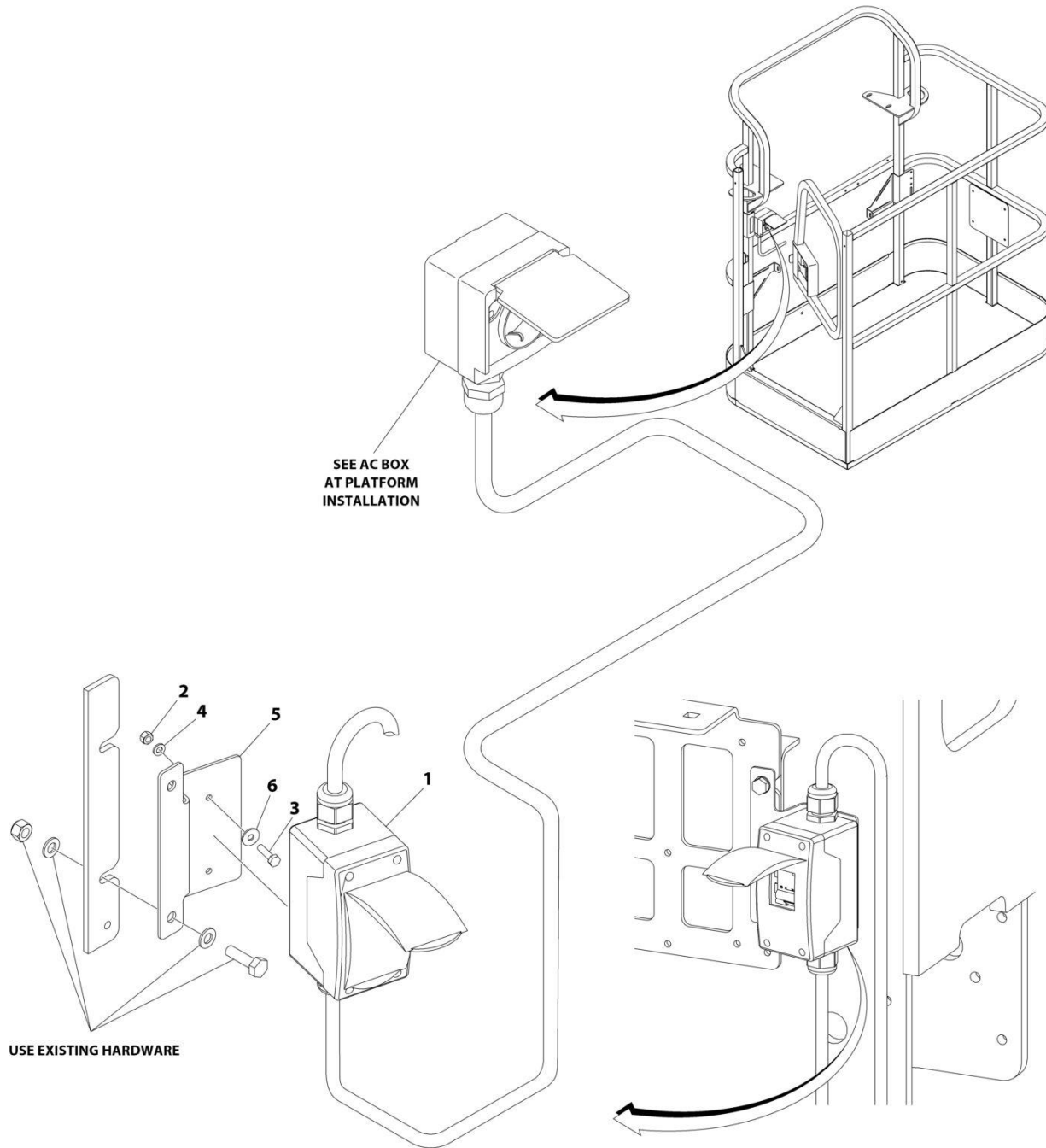
## SECTION 8 - ELECTRICAL

**FIGURE 8-21. BOOM TELE IN PROXIMITY SWITCH HARNESS**

ITEM	PART NUMBER	QTY	DESCRIPTION	REV
	1001173808	Ref	BOOM TELE IN PROXIMITY SWITCH HARNESS	C
1	4460536	1	Receptacle, Female - 3 Position	
1	4460464	3	Pin, Male	
2	4460539	1	Plug, Male - 3 Position	
2	4460465	1	Socket, Female	
3	4460899	1	Receptacle, Female - 6 Position	
3	4460464	1	Pin, Male	

# SECTION 8 - ELECTRICAL

## FIGURE 8-22. BREAKER BOX INSTALLATION - 110/220V 16AMP BREAKER (CE SPEC)



ART\_1001230907

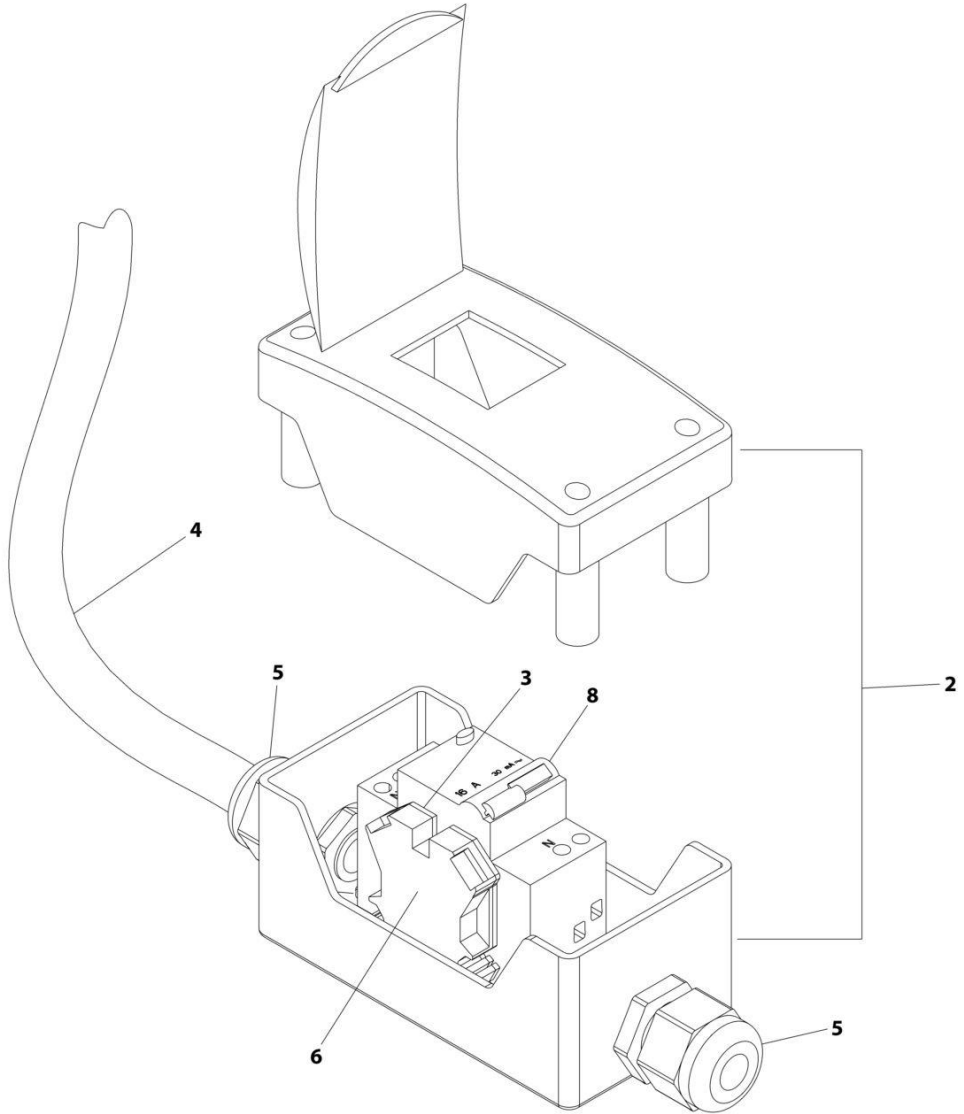
## SECTION 8 - ELECTRICAL

**FIGURE 8-22. BREAKER BOX INSTALLATION - 110/220V 16AMP BREAKER (CE SPEC)**

ITEM	PART NUMBER	QTY	DESCRIPTION	REV
	1001230907	Ref	BREAKER BOX INSTALLATION - 110/220V 16AMP BREAKER	C
1	2902549	1	Breaker Box Kit (See Separate Breakdown in this Section)	
2	3290405	2	Nut M4	
2	3290605	2	Nut M6	
3	4010405	2	Screw M4 x 10	
3	0760614	2	Screw M6 x 30	
4	1001091102	2	Washer M4	
4	4811700	2	Washer M6	
5	1001230784	1	Bracket	
6	4811702	2	Washer M6	

**SECTION 8 - ELECTRICAL**

**FIGURE 8-23. BREAKER BOX KIT - 110/220V 16AMP BREAKER (CE SPEC)**



ART\_2902549



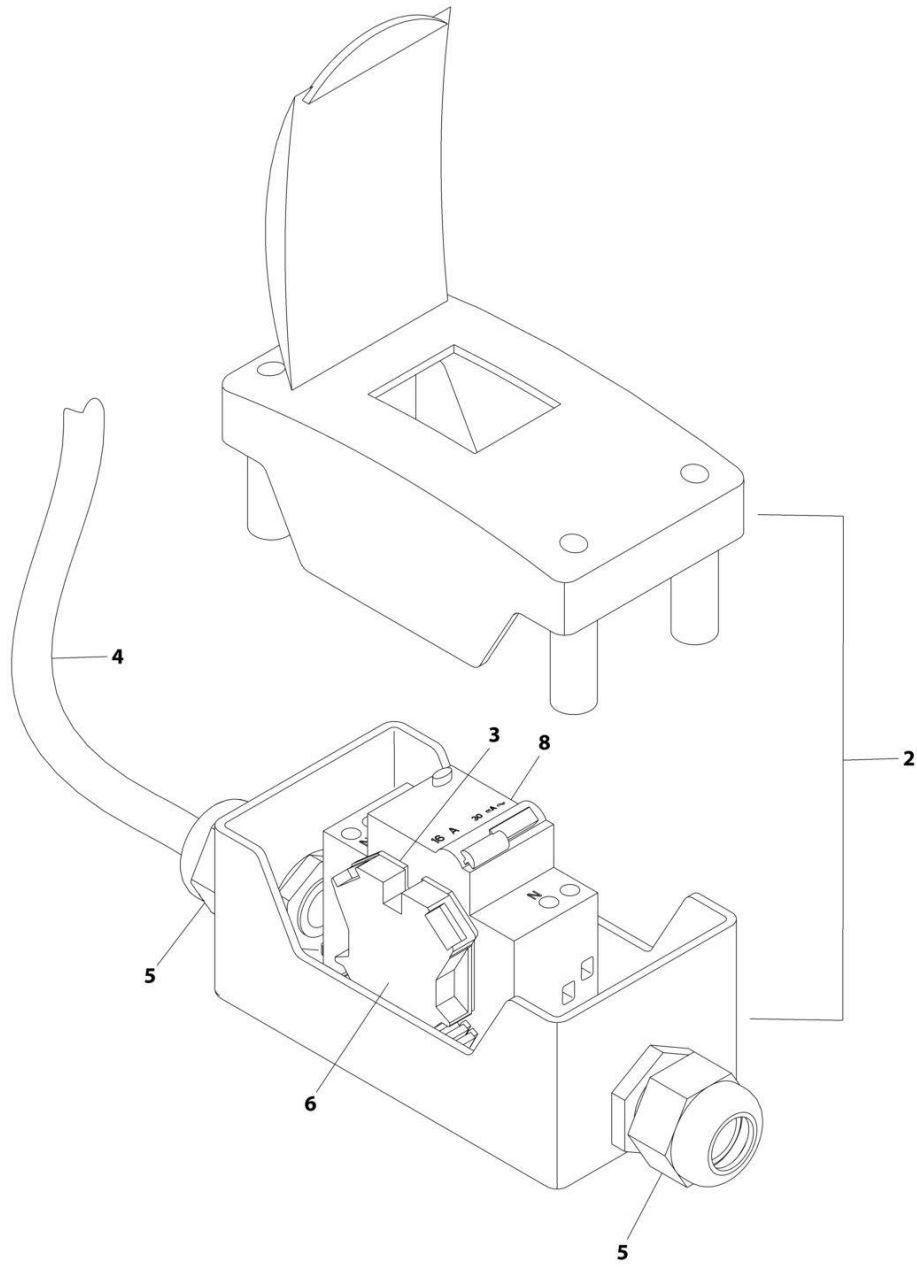
## SECTION 8 - ELECTRICAL

**FIGURE 8-23. BREAKER BOX KIT - 110/220V 16AMP BREAKER (CE SPEC)**

ITEM	PART NUMBER	QTY	DESCRIPTION	REV
	2902549	Ref	BREAKER BOX KIT - 110/220V 16AMP BREAKER	F
2	0861880	1	Box	
3	4460956	1	Barrier, Terminal	
4	1060908	6 ft/1.8m	Cable, 12/3	
5	1001097150	2	Connector, Strain Relief	
6	4460957	1	Block, Terminal	
8	1001181045	1	Breaker, Combination 16Amp/30mAmp	

# SECTION 8 - ELECTRICAL

## FIGURE 8-24. BREAKER BOX KIT - 30MA/16 AMP



ART\_1001096070

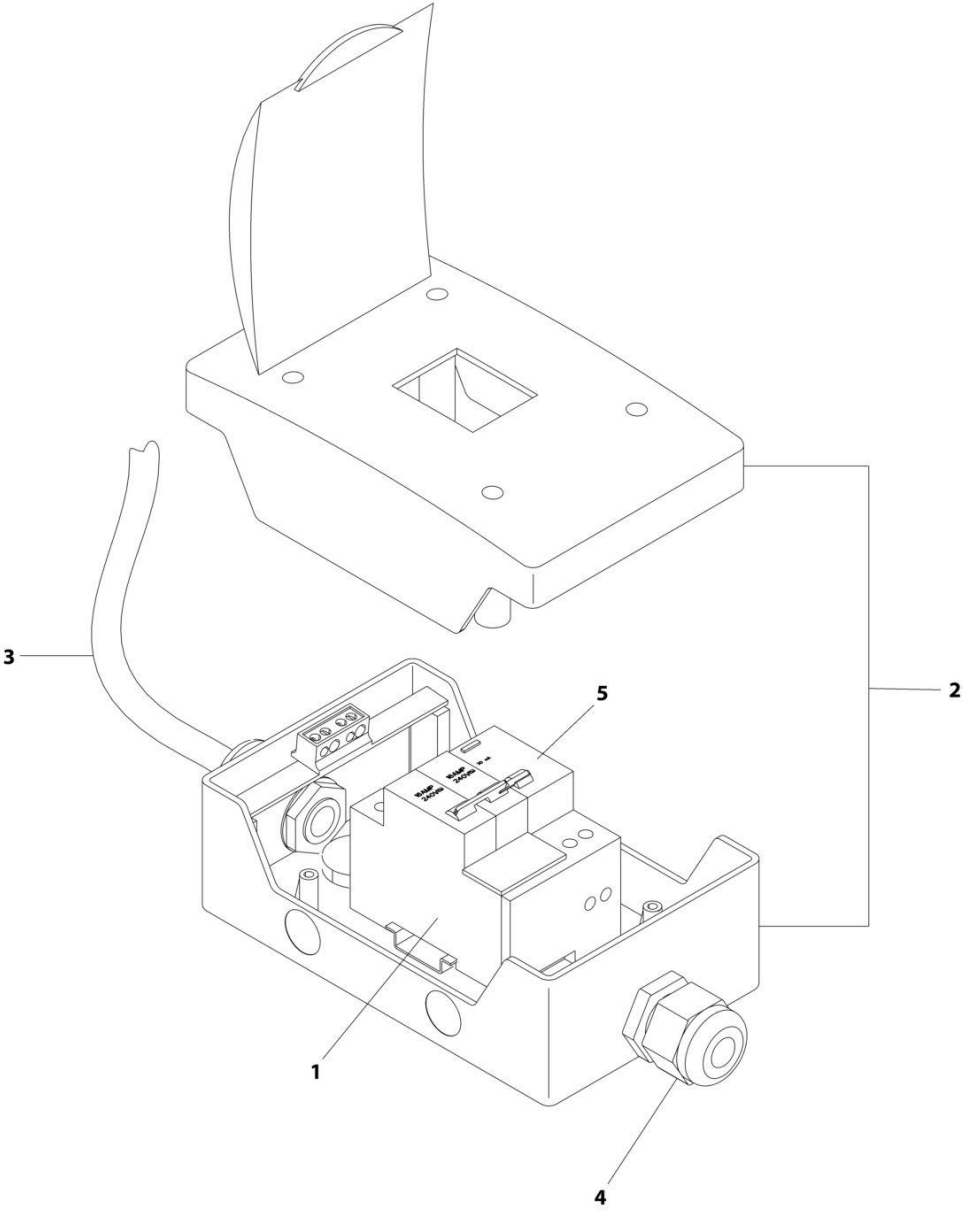
## SECTION 8 - ELECTRICAL

### FIGURE 8-24. BREAKER BOX KIT - 30MA/16 AMP

ITEM	PART NUMBER	QTY	DESCRIPTION	REV
	1001096070	Ref	BREAKER BOX KIT	E
2	0861880	1	Box	
3	4460956	1	Barrier, Terminal Block End	
4	1060908	12 ft/ 3.6m	Cable, 12/3	
5	1001097150	2	Connector, Strain Relief	
6	4460957	1	Block, Terminal	
8	1001181045	1	Breaker, 16Amp	

**SECTION 8 - ELECTRICAL**

**FIGURE 8-25. BREAKER BOX KIT WITH THREE BREAKERS**



ART\_1001152485

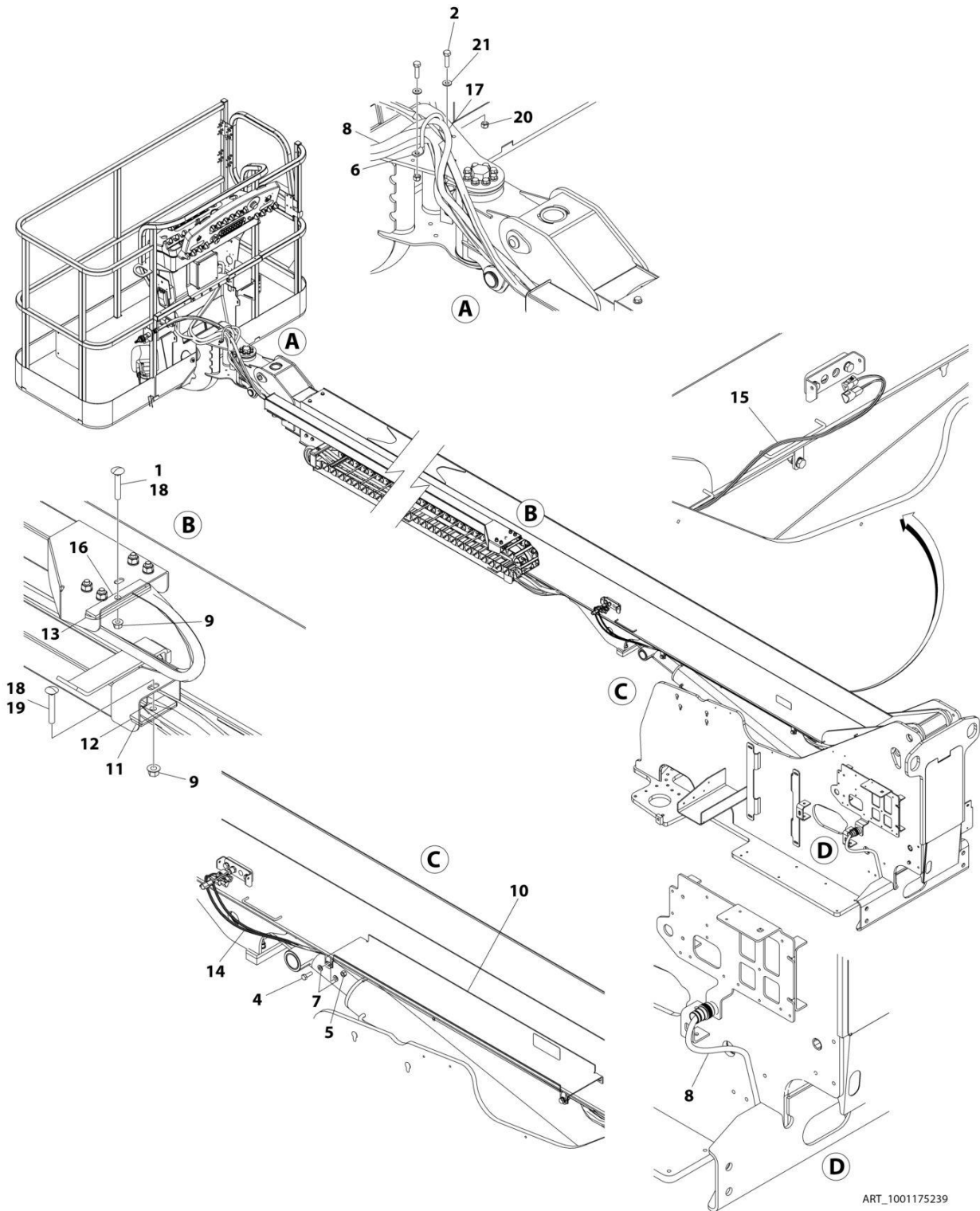
## SECTION 8 - ELECTRICAL

### FIGURE 8-25. BREAKER BOX KIT WITH THREE BREAKERS

ITEM	PART NUMBER	QTY	DESCRIPTION	REV
	1001152485	Ref	BREAKER BOX KIT WITH THREE BREAKERS	F
1	1001189172	1	Breaker 16 Amp Double	
2	1001152483	1	Box	
3	1060908	6 ft/1.8m	Cable, 12/3	
4	1001097150	2	Connector, Strain Relief	
5	1001189171	1	Breaker, 30mA	

# SECTION 8 - ELECTRICAL

FIGURE 8-26. CABLES AND CLAMPS INSTALLATION (4000W GENERATOR 60HZ) (ANSI, ANSI EXPORT, CSA AND JAPANESE SPECS) (400S)



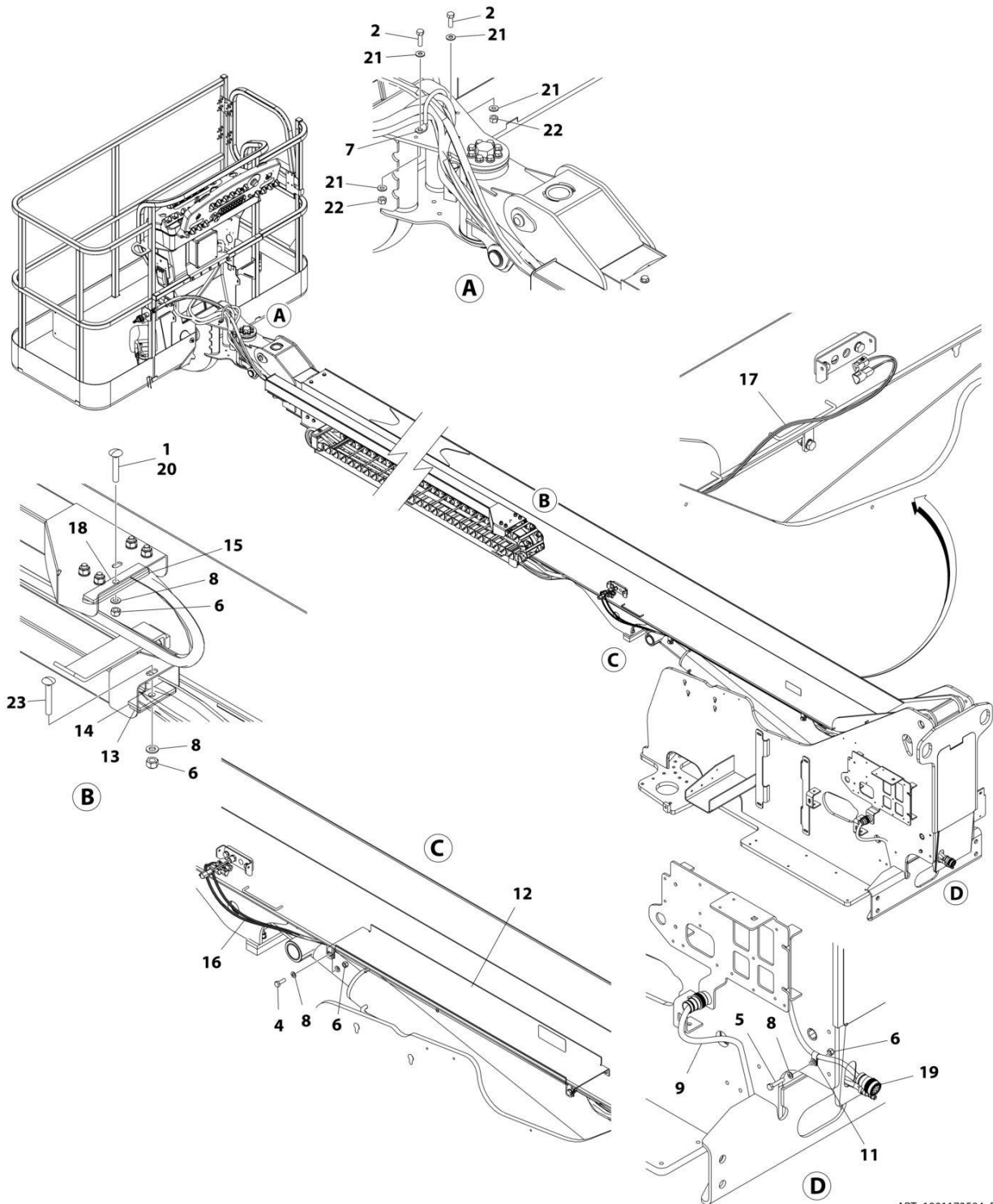
## SECTION 8 - ELECTRICAL

**FIGURE 8-26. CABLES AND CLAMPS INSTALLATION (4000W GENERATOR 60HZ) (ANSI, ANSI EXPORT, CSA AND JAPANESE SPECS) (400S)**

ITEM	PART NUMBER	QTY	DESCRIPTION	REV
	1001175239	Ref	CABLES AND CLAMPS INSTALLATION	D
1	0630563	1	Bolt, Carriage M10 x 60	
2	0760814	2	Bolt, M8 x 30	
4	0761014	4	Bolt M10 x 30	
5	3291005	4	Nut M10	
6	3841340	1	Hose Loop	
7	4812000	8	Washer M10	
8	1001176952	1	Harness, Main Boom Cable (See Separate Breakdown in this Section)	
9	5261018	2	Nut M10	
10	1001172128	1	Bracket, Hose Cover	
11	1001173456	1	Clamp	
12	1001173665	1	Clamp	
13	1001173761	1	Bracket	
14	1001173807	1	Harness, Capacity Switch (See Separate Breakdown in this Section)	
15	1001173808	1	Harness, Telescope In Proximity Sensors (See Separate Breakdown in this Section)	
16	1001173927	1	Clamp	
17	1001175170	1	Cable, Electrical 12/3	
18	0100081	AR	Adhesive	
19	1001181329	1	Bolt, Carriage M10 x 70	
20	3290805	3	Nut M8	
21	4811900	4	Washer M8	

# SECTION 8 - ELECTRICAL

FIGURE 8-27. CABLES AND CLAMPS INSTALLATION (4000W GENERATOR 50HZ) (ANSI, ANSI EXPORT, CSA, CHINA AND JAPANESE SPECS) (400S)



ART\_1001173594\_E



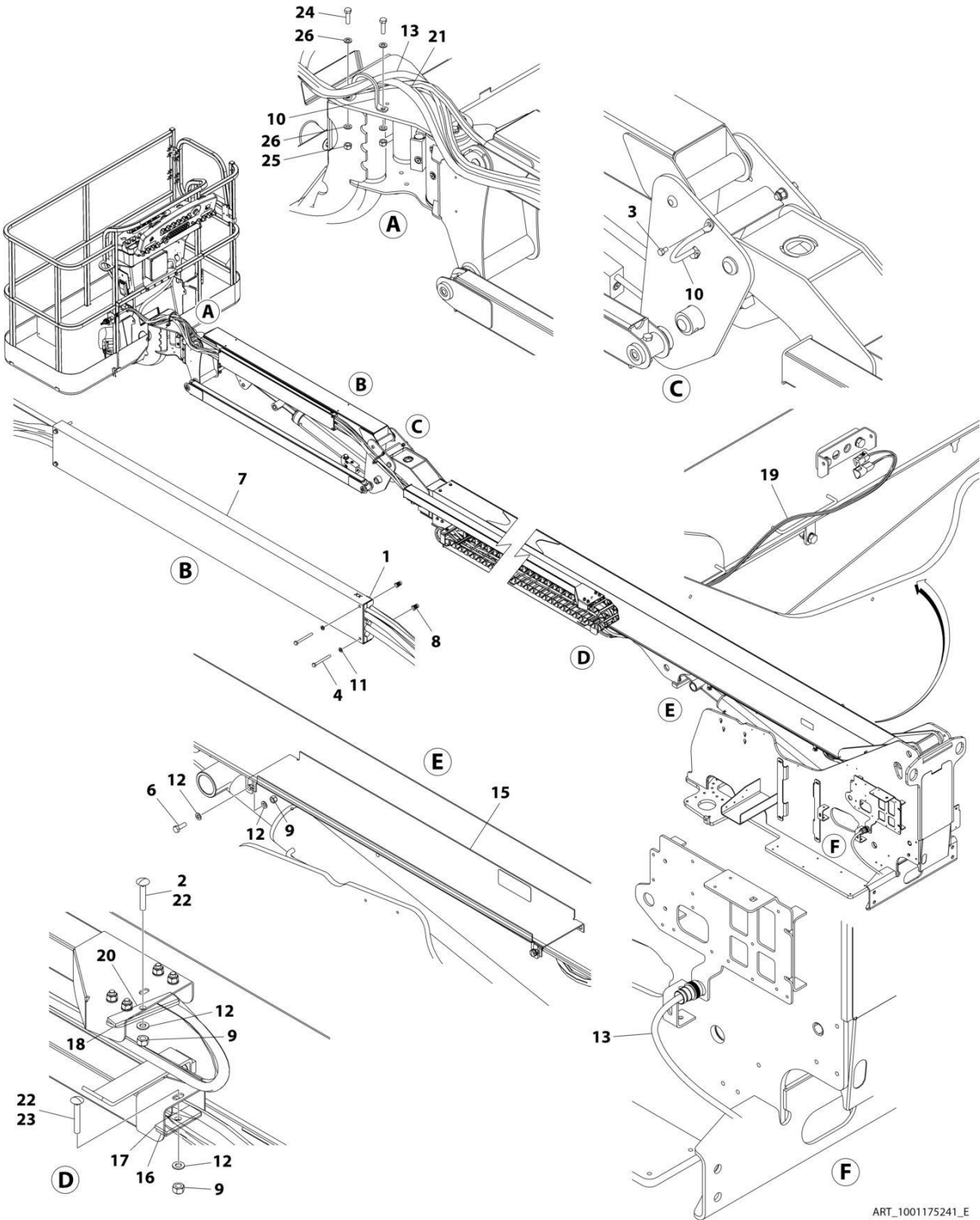
## SECTION 8 - ELECTRICAL

**FIGURE 8-27. CABLES AND CLAMPS INSTALLATION (4000W GENERATOR 50HZ) (ANSI, ANSI EXPORT, CSA, CHINA AND JAPANESE SPECS) (400S)**

ITEM	PART NUMBER	QTY	DESCRIPTION	REV
	1001173594	Ref	CABLES AND CLAMPS INSTALLATION	E
1	0630563	1	Bolt Carriage M10 x 60	
2	0760814	1	Bolt M8 x 30	
4	0761014	4	Bolt M10 x 30	
5	0761018	1	Bolt M10 x 50	
6	3291005	7	Nut Lock M10 x 1.5	
7	3841340	1	Hose Loop	
8	4812000	12	Washer, M10	
9	1001176952	1	Harness, Main Boom Cable (See Separate Breakdown in this Section)	
11	8406110	1	Clip	
12	1001172128	1	Bracket, Hose Cover	
13	1001173456	1	Clamp	
14	1001173665	1	Clamp	
15	1001173761	1	Bracket	
16	1001173807	1	Harness, Capacity Switch (See Separate Breakdown in this Section)	
17	1001173808	1	Harness, Telescope In Proximity Sensors (See Separate Breakdown in this Section)	
18	1001173927	1	Clamp	
19	1001203434	1	Cable, Electrical 12/3	
20	0100081	AR	Adhesive	
21	4811900	4	Washer M8	
22	3290805	2	Nut M8	
23	1001181329	1	Bolt M10 x 70	

# SECTION 8 - ELECTRICAL

FIGURE 8-28. CABLES AND CLAMPS INSTALLATION (4000W GENERATOR 60HZ) (ANSI, ANSI EXPORT, CSA AND JAPANESE SPECS) (460SJ)



ART\_1001175241\_E

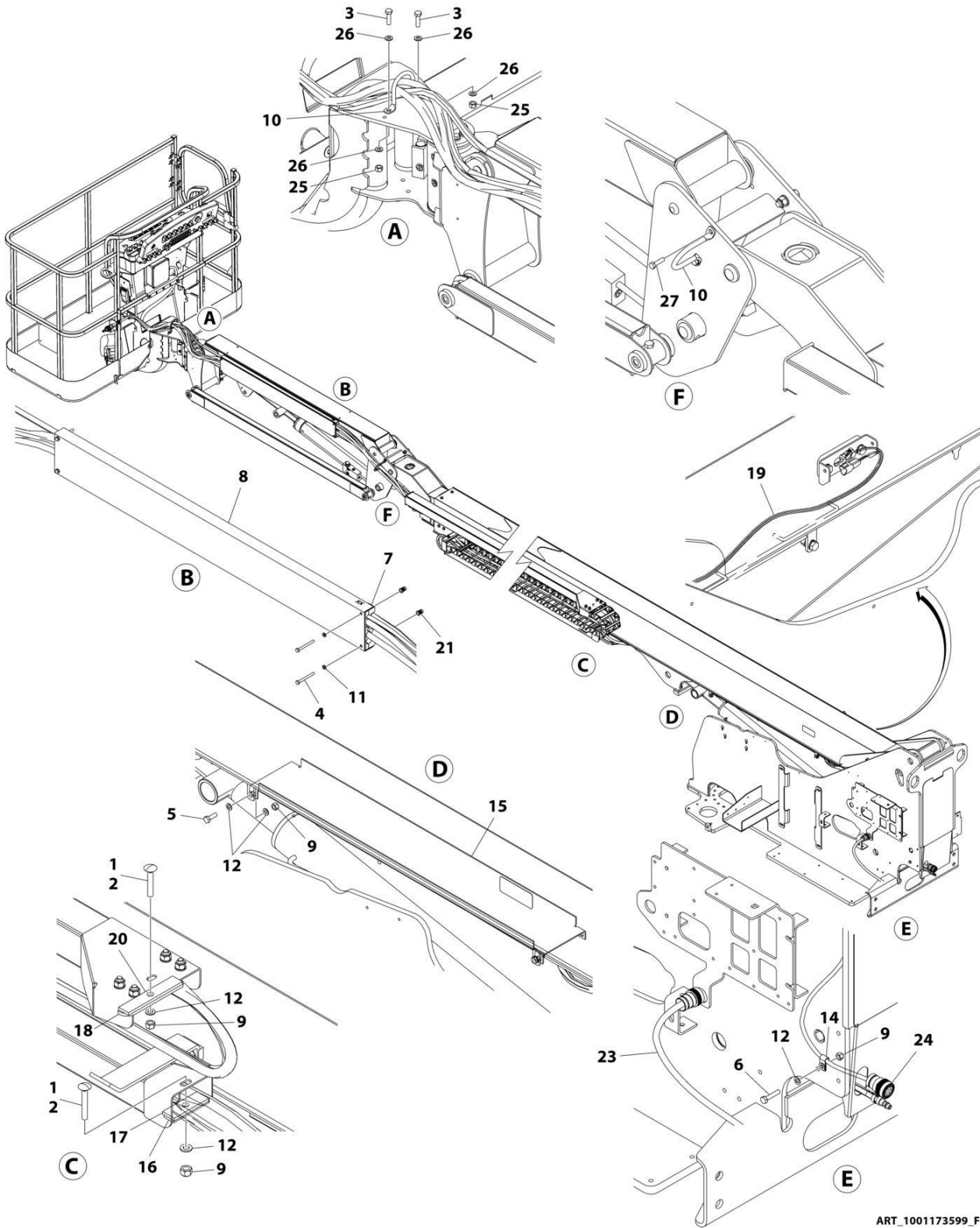
## SECTION 8 - ELECTRICAL

**FIGURE 8-28. CABLES AND CLAMPS INSTALLATION (4000W GENERATOR 60HZ) (ANSI, ANSI EXPORT, CSA AND JAPANESE SPECS) (460SJ)**

ITEM	PART NUMBER	QTY	DESCRIPTION	REV
	1001175241	Ref	CABLES AND CLAMPS INSTALLATION	E
1	0561237	2	Block, Clamp	
2	0630563	1	Bolt, Carriage M10 x 60	
3	0641504	1	Bolt 5/16 x 1/2	
4	0700620	4	Bolt M6 x 60	
6	0761014	4	Bolt M10 x 30	
7	1670769	1	Cover	
8	1001176636	4	Nut M6	
8	1001260680	4	Rivnut M6	
9	3291005	6	Nut M10	
10	3841340	2	Hose Loop	
11	4811700	4	Washer M6	
12	4812000	10	Washer M10	
13	1001176953	1	Harness, Main Boom Cable (See Separate Breakdown in this Section)	
15	1001172128	1	Bracket, Hose Cover	
16	1001173456	1	Clamp	
17	1001173665	1	Clamp	
18	1001173761	1	Bracket	
19	1001173808	1	Harness, Telescope in Proximity Sensors (See Separate Breakdown in this Section)	
20	1001173927	1	Clamp	
21	1001175171	1	Cable, Electrical 12/3	
22	0100081	AR	Adhesive	
23	1001181329	1	Bolt, Carriage M10 x 70	
24	0760814	2	Bolt M8 x 30	
25	3290805	2	Nut M8	
23	4811900	4	Washer M8	

# SECTION 8 - ELECTRICAL

## FIGURE 8-29. CABLES AND CLAMPS INSTALLATION (4000W GENERATOR 50HZ) (ALL SPECS) (460SJ)



ART\_1001173599\_F

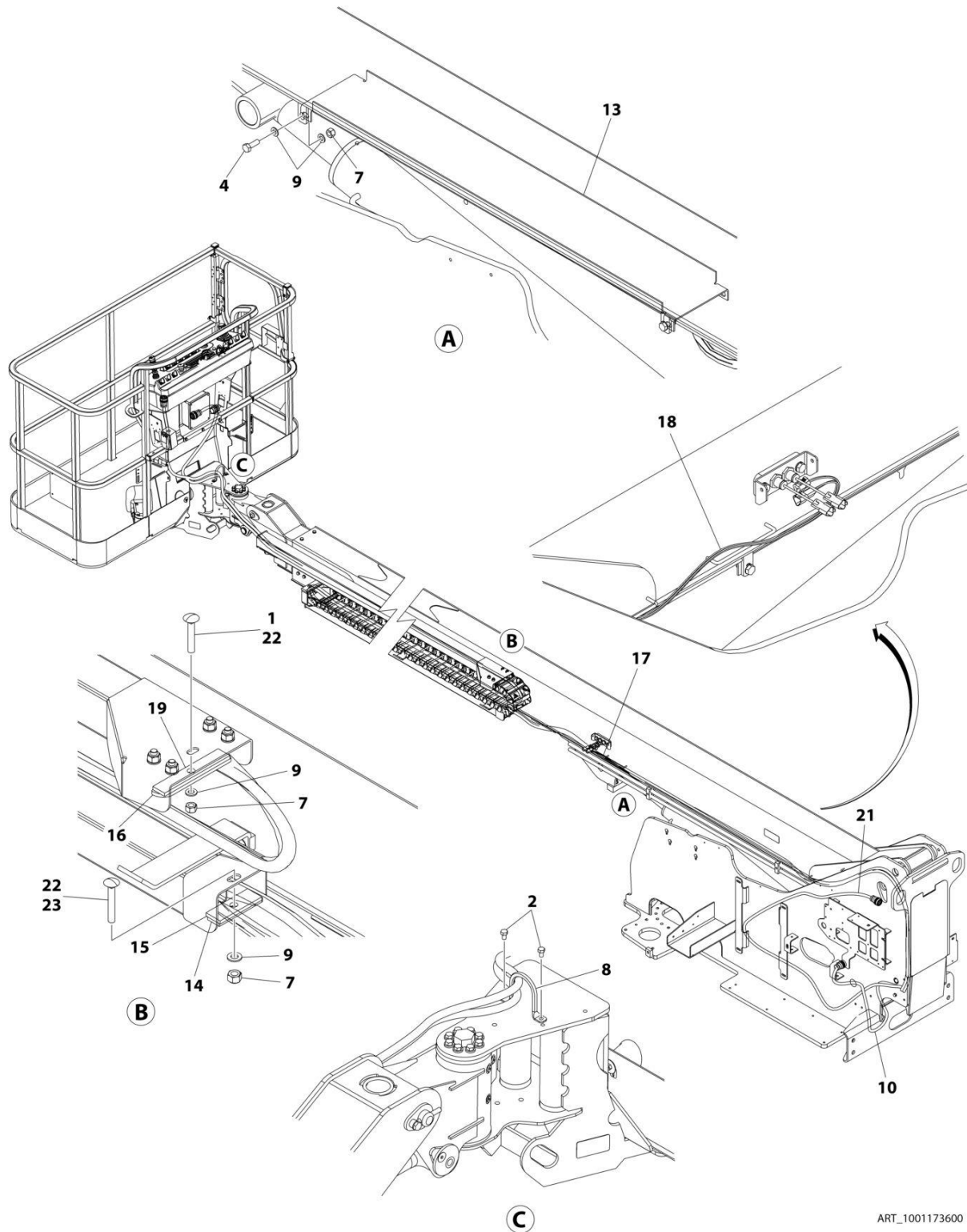
## SECTION 8 - ELECTRICAL

**FIGURE 8-29. CABLES AND CLAMPS INSTALLATION (4000W GENERATOR 50HZ) (ALL SPECS)  
(460SJ)**

ITEM	PART NUMBER	QTY	DESCRIPTION	REV
	1001173599	Ref	CABLES AND CLAMPS INSTALLATION	F
1	0100081	1	Adhesive	
2	0630563	2	Bolt, Carriage M10 x 60	
3	0760814	2	Bolt M8 x 30	
4	0641418	4	Bolt 1/4 x 2-1/4	
4	0700620	4	Bolt M6 x 60	
5	0761014	4	Bolt, M10 x 30	
6	0761018	1	Bolt, M10 x 50	
7	1001203459	2	Block, Clamp	
8	1670769	1	Cover	
9	3291005	7	Nut, Lock M10 x 1.5	
10	3841340	2	Hose Loop	
11	4811700	4	Washer, M6	
12	4812000	12	Washer, M10	
14	8406110	1	Clip	
15	1001172128	1	Bracket, Hose Cover	
16	1001173456	1	Clamp	
17	1001173665	1	Clamp	
18	1001173761	1	Bracket	
19	1001173808	1	Harness, Telescope In Proximity Sensors (See Separate Breakdown in this Section)	
20	1001173927	1	Clamp	
21	1001176636	4	Nut M6	
21	1001260680	4	Rivnut M6	
23	1001176953	1	Harness, Main Boom Cable (See Separate Breakdown in this Section)	
24	1001203435	1	Cable, Electrical 12/3	
25	3290805	2	Nut, Lock M8	
26	4811900	4	Washer M8	
27	0641504	2	Bolt 5/16 x 1/2	

# SECTION 8 - ELECTRICAL

FIGURE 8-30. CABLES AND CLAMPS INSTALLATION (7500W GENERATOR) (ANSI, ANSI EXPORT, CSA, CHINA AND JAPANESE SPECS) (400S)



ART\_1001173600

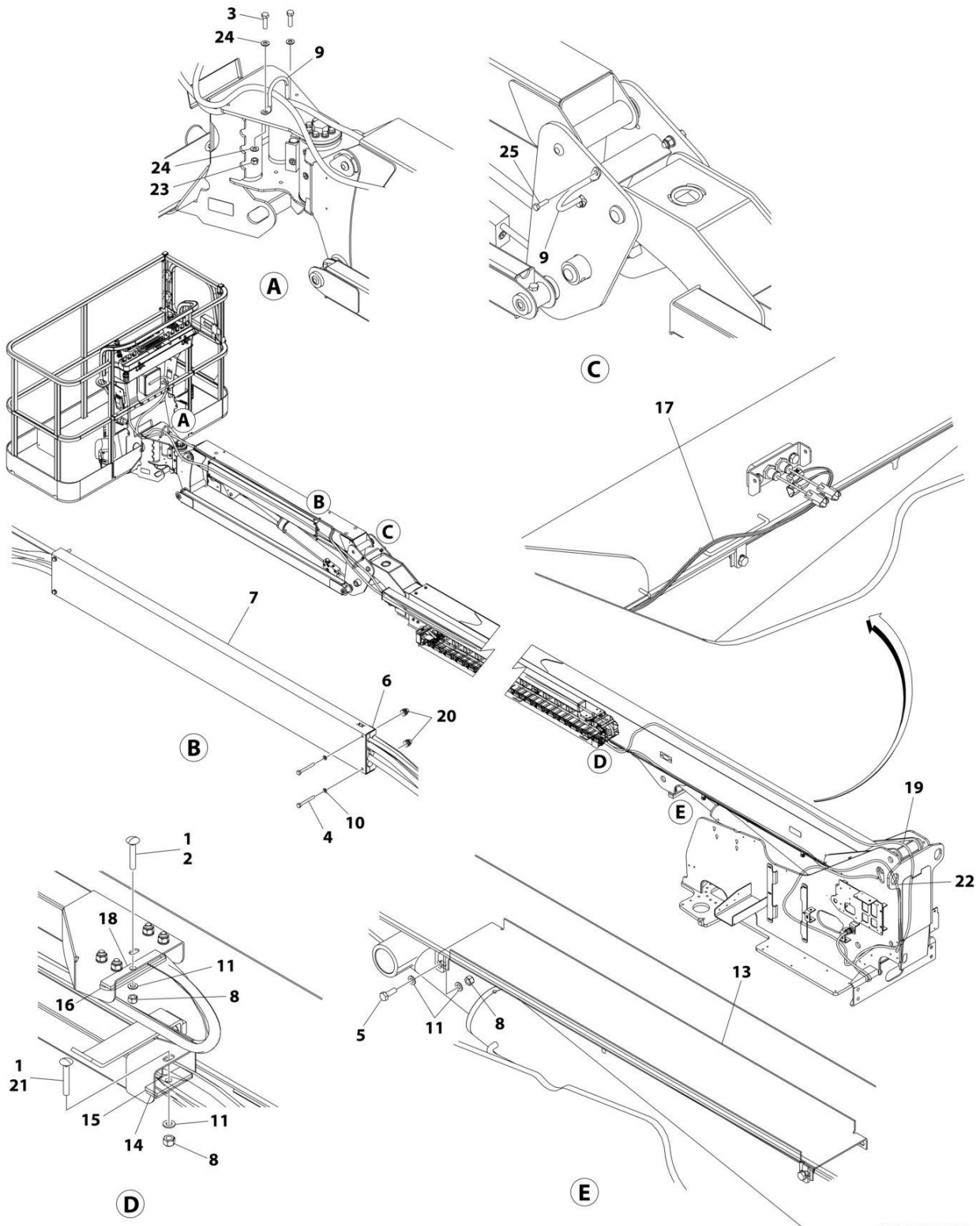
## SECTION 8 - ELECTRICAL

**FIGURE 8-30. CABLES AND CLAMPS INSTALLATION (7500W GENERATOR) (ANSI, ANSI EXPORT, CSA, CHINA AND JAPANESE SPECS) (400S)**

ITEM	PART NUMBER	QTY	DESCRIPTION	REV
	1001173600	Ref	CABLES AND CLAMPS INSTALLATION	E
1	0630563	1	Bolt, Carriage M10 x 60	
2	0641504	2	Bolt, 5/16 x 1/2	
4	0761014	4	Bolt, M10 x 30	
7	3291005	6	Nut, Lock M10 x 1.5	
8	3841340	1	Hose Loop	
9	4812000	10	Washer, M10	
10	1001176952	1	Harness, Main Boom Cable (See Separate Breakdown in this Section)	
13	1001172128	1	Bracket, Hose Cover	
14	1001173456	1	Clamp	
15	1001173665	1	Clamp	
16	1001173761	1	Bracket	
17	1001173807	1	Harness, Capacity Switch (See Separate Breakdown in this Section)	
18	1001173808	1	Harness, Telescope In Proximity Sensors (See Separate Breakdown in this Section)	
19	1001173927	1	Clamp	
21	4922802	1	Cable, Electrical 8/5	
22	0100081	1	Adhesive	
23	1001181319	1	Bolt, Carriage M10 x 70	

# SECTION 8 - ELECTRICAL

## FIGURE 8-31. CABLES AND CLAMPS INSTALLATION (7500W GENERATOR) (ALL SPECS EXCEPT CE SPECS) (460SJ)



ART\_1001173605



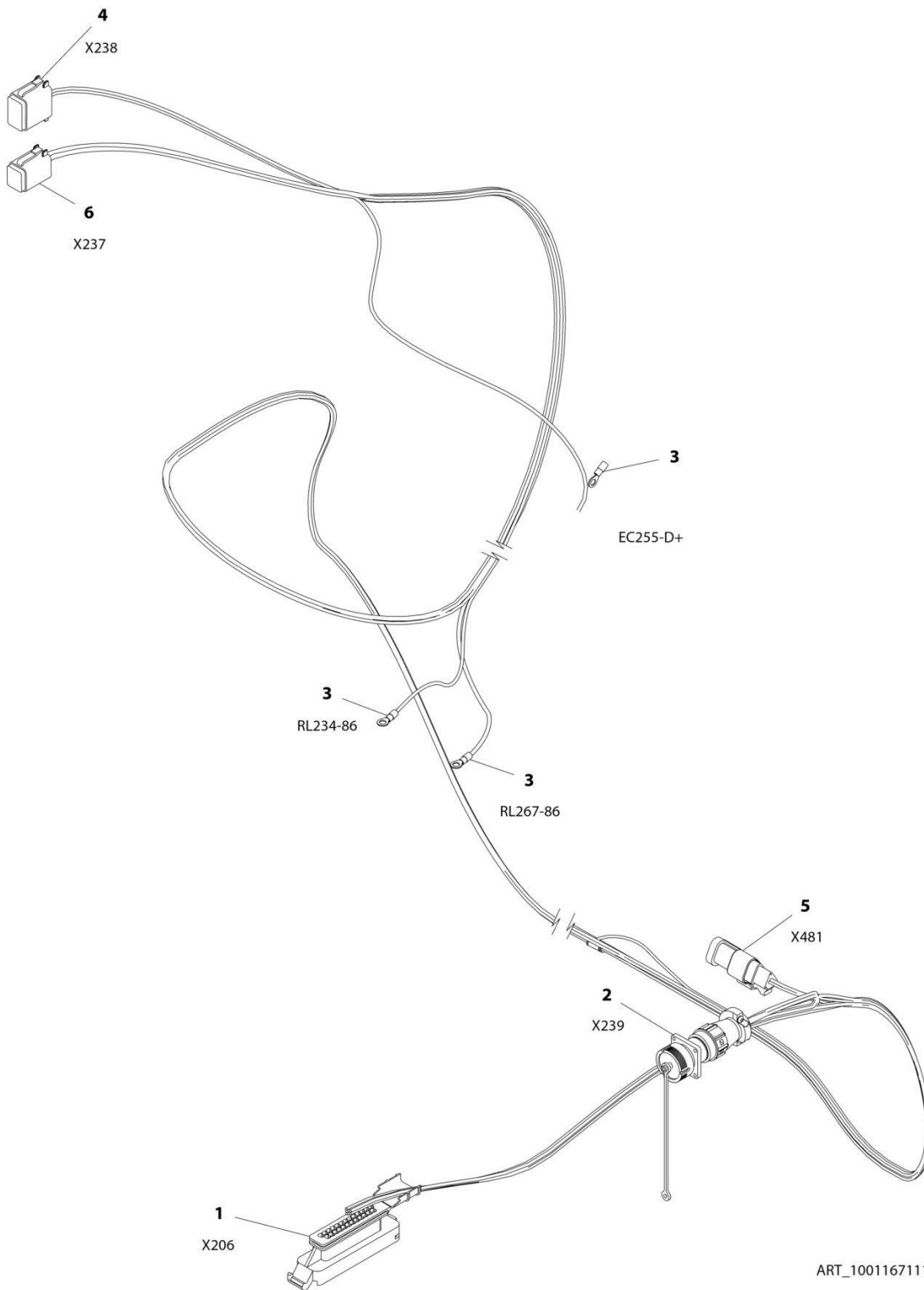
## SECTION 8 - ELECTRICAL

**FIGURE 8-31. CABLES AND CLAMPS INSTALLATION (7500W GENERATOR) (ALL SPECS EXCEPT CE SPECS) (460SJ)**

ITEM	PART NUMBER	QTY	DESCRIPTION	REV
	1001173605	Ref	CABLES AND CLAMPS INSTALLATION	G
1	0100081	1	Adhesive	
2	0630563	1	Bolt, Carriage M10 x 60	
3	0760814	2	Bolt M8 x 30	
4	0700620	4	Bolt M6 x 60	
5	0761014	4	Bolt M10 x 30	
6	1001203459	2	Block, Clamp	
7	1670769	1	Cover	
8	3291005	6	Nut M10	
9	3841340	2	Hose Loop	
10	4811700	4	Washer M6	
11	4812000	10	Washer M10	
13	1001172128	1	Bracket, Hose Cover	
14	1001173456	1	Clamp	
15	1001173665	1	Clamp	
16	1001173761	1	Bracket	
17	1001173808	1	Harness, Telescope In Proximity Sensors (See Separate Breakdown in this Section)	
18	1001173927	1	Clamp	
19	4922803	1	Cable, Electrical 8/5	
20	1001176636	4	Nut, Rivet M6	
20	1001260680	4	Rivnut M6	
21	1001181329	1	Bolt, Carriage M10 x 70	
22	1001176953	1	Harness, Main Boom (See Separate Breakdown in this Section)	
23	3290805	2	Nut, Lock M8	
24	4811900	4	Washer M8	
25	0641504	2	Bolt 5/16 x 1/2	

# SECTION 8 - ELECTRICAL

## FIGURE 8-32. ENGINE HARNESS - DEUTZ D2011



ART\_1001167111

## SECTION 8 - ELECTRICAL

**FIGURE 8-32. ENGINE HARNESS - DEUTZ D2011**

ITEM	PART NUMBER	QTY	DESCRIPTION	REV
	1001167111	Ref	ENGINE HARNESS - DEUTZ D2011	B
1	4461052	1	Connector - 25 Position	
1	4461005	7	Terminal	
1	4461008	18	Plug, Terminal	
2	2902443	1	Receptacle Kit	
2	4461071	8	Socket, Female	
2	4461072	1	Receptacle with Flange - 8 Position	
2	4461073	1	Cap, Dust	
2	4461074	1	Shell, Black	
3	4460313	3	Terminal, Ring	
4	4460930	1	Plug, Male - 8 Position	
4	4460465	2	Socket, Female	
4	4460466	6	Seal, Terminal	
5	4461095	1	Plug, Male - 3 Position	
5	4460465	3	Socket, Female	
6	4460894	1	Plug, Male - 6 Position	
6	4460465	6	Socket, Female	



## SECTION 8 - ELECTRICAL

**FIGURE 8-33. ENGINE HARNESS - DEUTZ D2.9L4**

ITEM	PART NUMBER	QTY	DESCRIPTION	REV
	1001167108	Ref	ENGINE HARNESS - DEUTZ D2.9L4	L
1	1001133956	1	Connector, 94 Position	
1	1001182361	6	Terminal	
1	1001126351	2	Terminal	
1	1001230934	17	Terminal	
1	1001230935	63	Plug, Terminal	
1	1001256507	4	Terminal	
1	1001230936	2	Plug, Terminal	
1	1001182365	6	Seal	
2	1001133957	1	Connector - 60 Position	
2	1001230936	11	Plug, Terminal	
2	1001126351	13	Terminal	
2	1001230935	19	Plug, Terminal	
2	1001230934	11	Terminal	
2	1001252527	4	Terminal	
2	1001256507	2	Terminal	
3	4461095	3	Plug, Male - 3 Position	
3	4460944	6	Socket, Female	
3	4460466	3	Plug, Terminal	
3	4461070	3	Connector, Female with Resistor 3 Position	
4	8220115	1	Terminal, Ring	
5	2902443	1	Receptacle Kit	
5	4461071	8	Socket, Female	
5	4461072	1	Receptacle with Flange - 8 Position	
5	4461073	1	Cap, Dust	
5	4461074	1	Shell, Black	
6	80484084	1	Connector - 8 Position	
6	4460746	3	Terminal	
6	1001234800	1	Terminal	
6	4460748	4	Plug, Terminal	
6	4460458	4	Seal	
6	8229242	1	Fuse - 5Amp	
6	80983191	1	Fuse - 10Amp	
6	1001147264	1	Cap	
7	1001116952	1	Plug, Male - 2 Position	
7	4460465	2	Socket, Female	
8	1001117106	1	Terminal, Ring	
9	4460043	1	Terminal, Ring	
10	4460247	2	Terminal, Ring	
11	4460703	1	Terminal, Ring	
12	8220164	1	Terminal, Ring	
13	1001117107	1	Terminal, Ring	
14	1001126362	1	Connector - 62 Position	
14	1001126363	25	Terminal	
14	1001126391	21	Seal, Terminal	
14	1001126392	10	Terminal	
14	4461008	4	Seal, Terminal	
14	1001126365	2	Terminal	
14	1001223459	10	Seal, Terminal	
14	1001126364	23	Seal, Terminal	

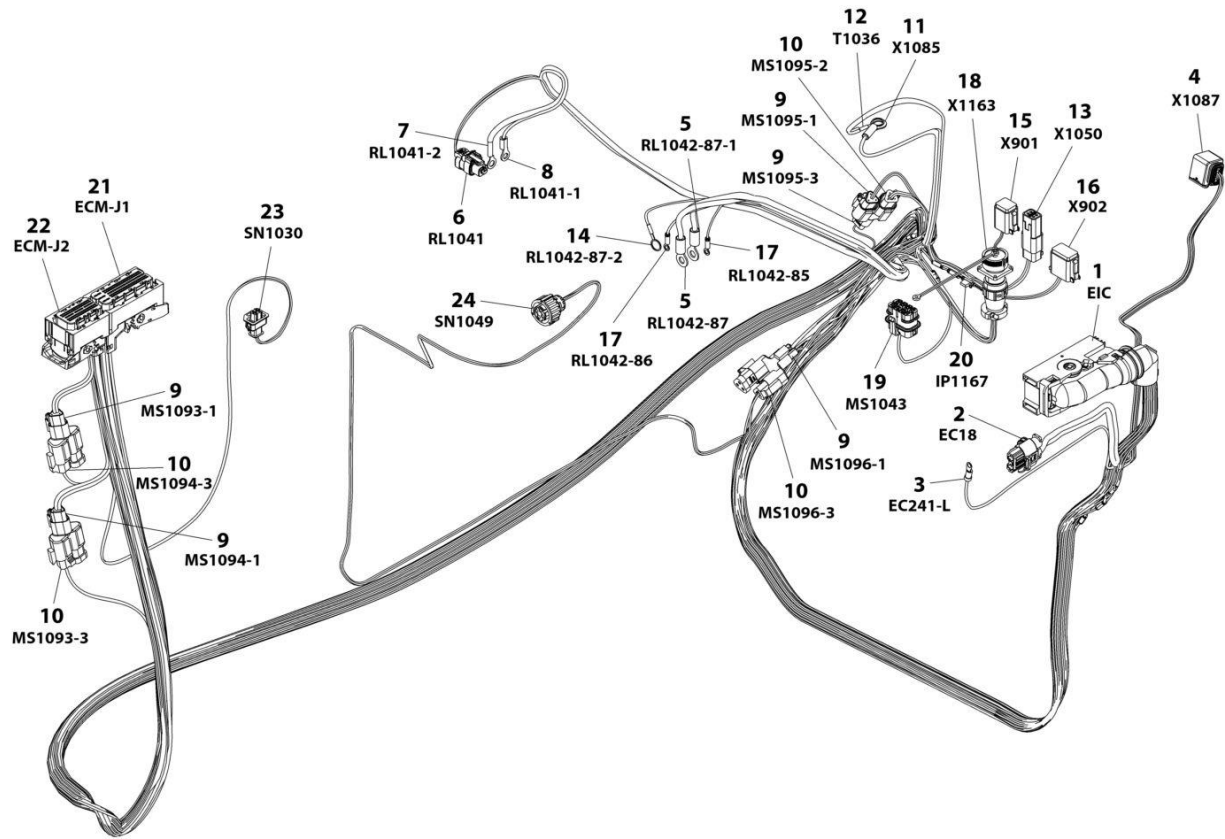
## SECTION 8 - ELECTRICAL

ITEM	PART NUMBER	QTY	DESCRIPTION	REV
14	1001256506	2	Seal, Terminal	
14	4461054	2	Seal, Terminal	
15	4460891	1	Plug, Male - 2 Position	
15	4460465	2	Socket, Female	
16	1001220379	1	Plug, Male - 4 Position	
16	4460465	2	Socket, Female	
16	4460942	2	Socket, Female	
17	4460930	1	Plug, Male - 8 Position	
17	4460465	1	Socket, Female	
17	4460466	7	Seal, Terminal	
18	4460894	1	Plug, Male - 6 Position	
18	4460465	3	Socket, Female	
18	4460944	2	Socket, Female	
18	4460466	1	Plug, Terminal	
19	1001142938	1	Connector - 2 Position	
19	1001142940	2	Terminal	
19	1001142941	2	Seal, Terminal	
20	1001133714	1	Plug, Male - 4 Position	
20	1001133715	3	Terminal	
20	1001135651	1	Plug, Terminal	
20	1001135650	3	Seal	
21	4460042	1	Terminal, Ring	



# SECTION 8 - ELECTRICAL

## FIGURE 8-34. ENGINE HARNESS - DEUTZ (STAGE V)



ART\_1001245839



## SECTION 8 - ELECTRICAL

**FIGURE 8-34. ENGINE HARNESS - DEUTZ (STAGE V)**

ITEM	PART NUMBER	QTY	DESCRIPTION	REV
	1001245839	Ref	ENGINE HARNESS - DEUTZ (STAGE V)	F
1	1001126362	1	Connector - 62 Position	
1	1001126363	37	Terminal	
1	1001126391	7	Seal, Terminal	
1	1001126392	12	Terminal	
1	4461008	4	Seal, Terminal	
1	1001167632	2	Terminal	
1	1001126364	36	Seal, Terminal	
1	1001223459	12	Seal, Terminal	
1	4461054	2	Seal, Terminal	
2	1001142938	1	Connector - 2 Position	
2	1001142940	2	Terminal	
2	1001142941	2	Seal, Terminal	
3	4460042	1	Terminal, Ring	
4	1001239202	1	Connector - 8 Position	
4	1001126363	7	Terminal	
4	1001126391	1	Seal, Terminal	
4	1001126364	7	Seal, Terminal	
5	1001117107	2	Terminal, Ring	
6	1001116952	1	Plug, Male - 2 Position	
6	4460465	2	Socket, Female	
7	1001117106	1	Terminal, Ring	
8	4460043	1	Terminal, Ring	
9	1001116812	5	Connector, 3 Position	
9	4460944	10	Socket, Female	
9	4460466	5	Plug, Terminal	
10	4460539	4	Plug, Male - 3 Position	
10	4460944	8	Socket, Female	
10	4460466	4	Plug, Terminal	
11	8220164	1	Terminal, Ring	
12	4460019	1	Terminal, Ring	
13	4460884	1	Plug, Male - 4 Position	
13	4460465	2	Socket, Female	
13	4460942	2	Socket, Female	
14	4460703	1	Terminal, Ring	
15	4460894	1	Plug, Male - 6 Position	
15	4460465	2	Socket, Female	
15	4460944	2	Socket, Female	
15	4460465	2	Socket, Female	
16	4460930	1	Plug, Male - 8 Position	
16	4460465	1	Socket, Female	
16	4460466	7	Plug, Terminal	
17	4460247	2	Terminal, Ring	
18	2902443	1	Receptacle Kit	
18	4461071	8	Socket, Female	
18	4461072	1	Receptacle with Flange - 8 Position	
18	4461073	1	Cap, Dust	
18	4461074	1	Shell, Black	
19	80484084	1	Connector - 8 Position	
19	4460746	3	Terminal	

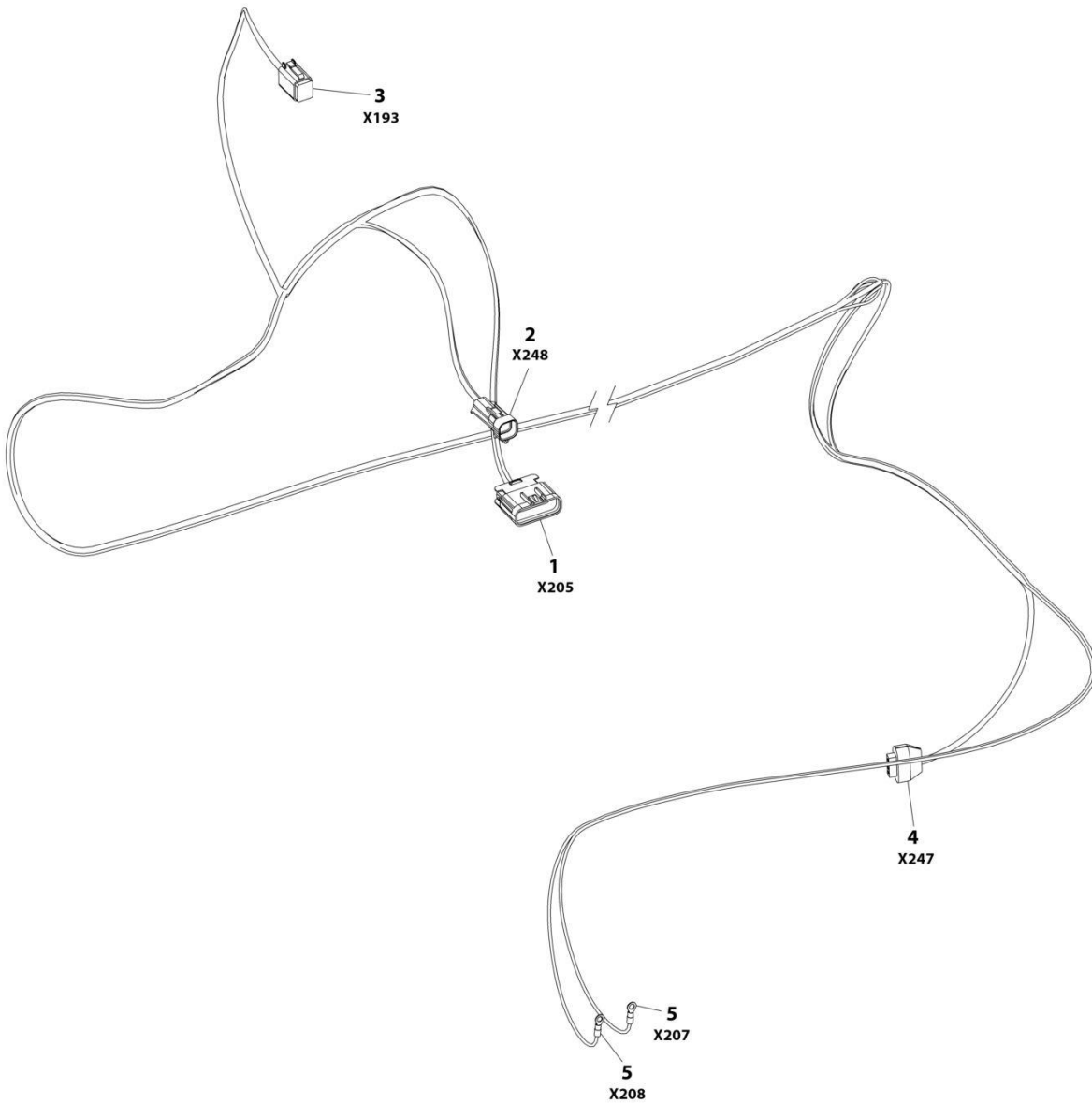
## SECTION 8 - ELECTRICAL

ITEM	PART NUMBER	QTY	DESCRIPTION	REV
19	1001234800	1	Terminal	
19	4460748	4	Plug, Terminal	
19	4460458	4	Seal	
20	1001170764	1	Holder, Fuse	
20	1001197719	1	Fuse 0.5 Watt	
21	1001133956	1	Connector, 94 Position	
21	1001182361	8	Terminal	
21	1001126351	3	Terminal	
21	1001230934	25	Terminal	
21	1001230935	55	Plug, Terminal	
21	1001252527	4	Terminal	
21	1001230936	1	Plug, Terminal	
21	1001182365	8	Seal	
22	1001133957	1	Connector - 60 Position	
22	1001230936	11	Plug, Terminal	
22	1001126351	13	Terminal	
22	1001230935	10	Plug, Terminal	
22	1001230934	26	Terminal	
23	1001126487	1	Connector - 2 Position	
23	1001167635	2	Terminal	
23	1001126485	2	Seal	
24	1001133714	1	Plug, Male - 4 Position	
24	1001133715	3	Terminal	
24	1001135651	1	Plug, Terminal	
24	1001135650	2	Seal	



# SECTION 8 - ELECTRICAL

## FIGURE 8-35. ENGINE HARNESS - KUBOTA



ART\_1001213599

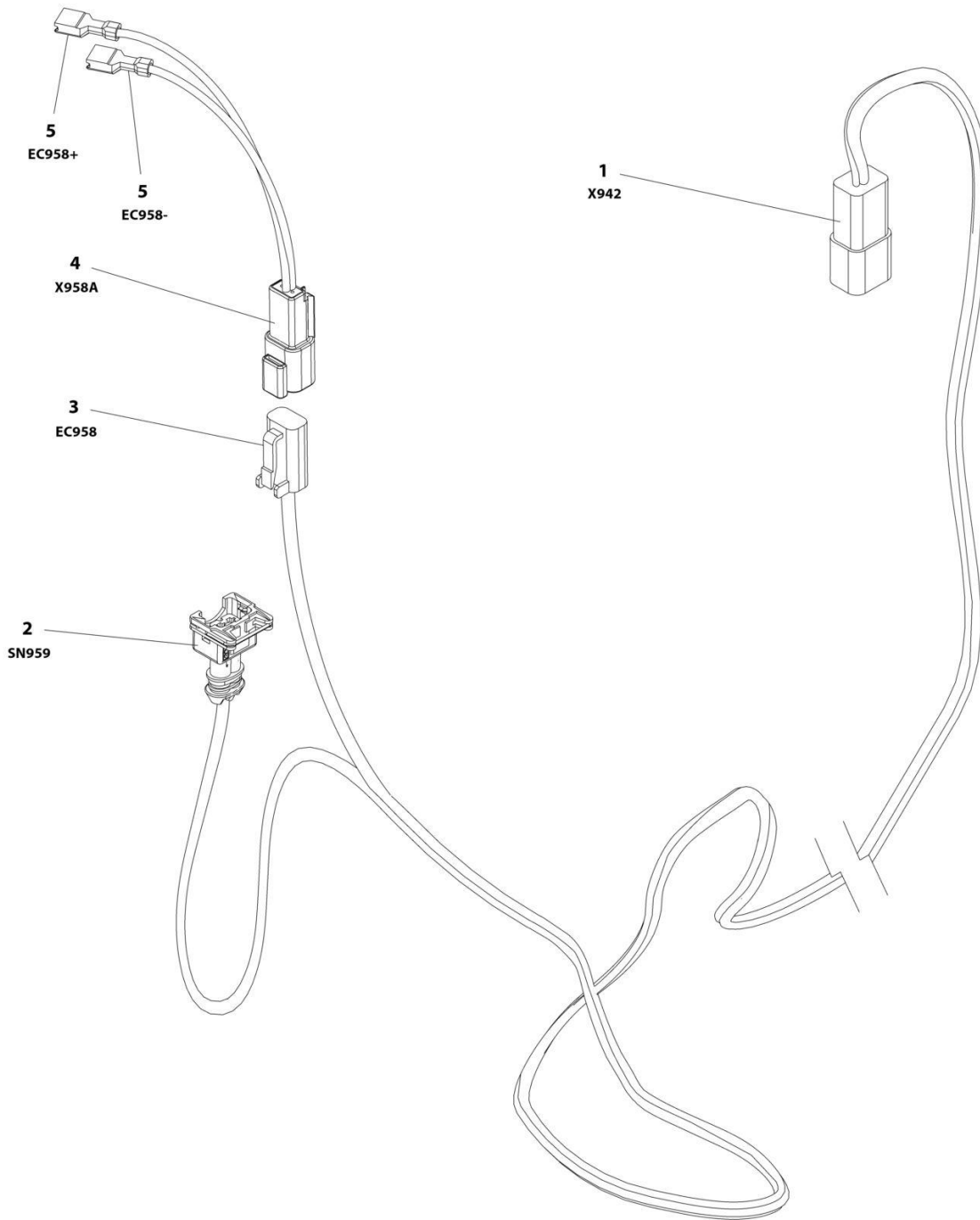
## SECTION 8 - ELECTRICAL

### FIGURE 8-35. ENGINE HARNESS - KUBOTA

ITEM	PART NUMBER	QTY	DESCRIPTION	REV
	1001213599	Ref	ENGINE HARNESS - KUBOTA	C
1	4461109	1	Plug, Male - 16 Position	
1	4461111	7	Terminal	
1	4461113	9	Plug	
2	4461124	1	Connector - 4 Position	
2	4460693	4	Terminal	
3	4460894	1	Plug, Male - 6 Position	
3	4460465	5	Socket, Female	
3	4460466	1	Plug, Terminal	
4	4461121	1	Plug, Male - 4 Position	
4	4461122	4	Terminal	
4	4461123	4	Seal	
5	4460042	2	Terminal, Ring	

# SECTION 8 - ELECTRICAL

## FIGURE 8-36. FUEL HARNESS - DEUTZ D2.9L4 ENGINE



ART\_1001173342

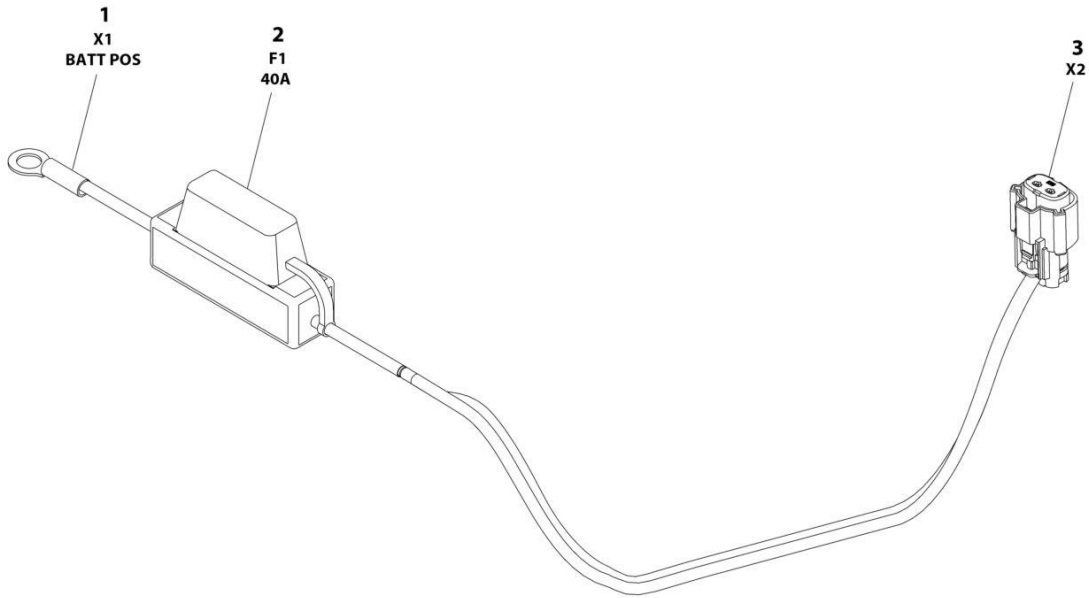
## SECTION 8 - ELECTRICAL

### FIGURE 8-36. FUEL HARNESS - DEUTZ D2.9L4 ENGINE

ITEM	PART NUMBER	QTY	DESCRIPTION	REV
	1001173342	Ref	FUEL HARNESS - DEUTZ D2.9L4 ENGINE	C
1	4460932	1	Receptacle, Female - 4 Position	
1	4460464	2	Pin, Male	
1	4460941	2	Pin, Male	
2	1001116983	1	Plug, Male - 2 Position	
2	1001116710	2	Socket, Female	
3	4460891	1	Plug, Male - 2 Position	
3	4460942	2	Socket, Female	
4	4460897	1	Receptacle, Female - 2 Position	
4	4460941	2	Pin, Male	
5	8220051	2	Coupler, Female	

# SECTION 8 - ELECTRICAL

## FIGURE 8-37. FUEL HARNESS - KUBOTA ENGINE



ART\_1001229798



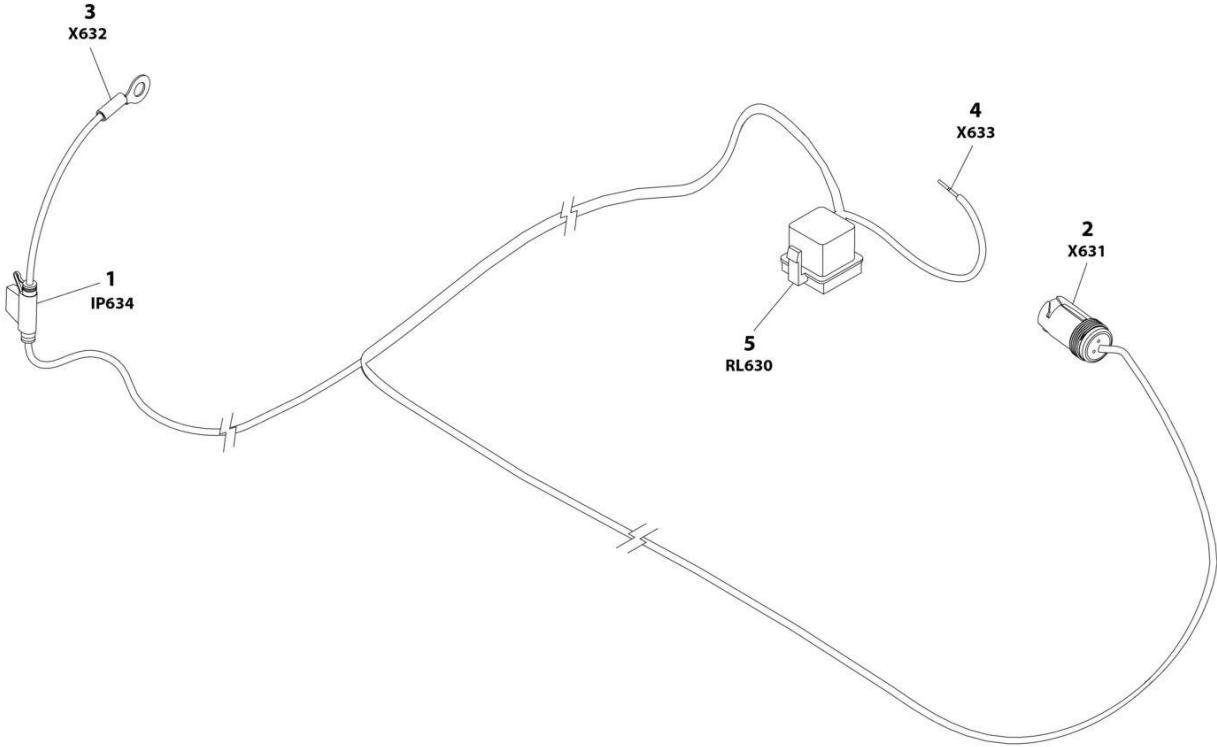
## SECTION 8 - ELECTRICAL

### FIGURE 8-37. FUEL HARNESS - KUBOTA ENGINE

ITEM	PART NUMBER	QTY	DESCRIPTION	REV
	1001229798	Ref	FUEL HARNESS - KUBOTA ENGINE	A
1	4460977	1	Terminal, Ring	
2	2400082	1	Fuse 40Amp	
3	1001229795	1	Connector - 2 Position	
3	1001229796	1	Socket, Female	

**SECTION 8 - ELECTRICAL**

**FIGURE 8-38. GENERATOR HARNESS - 2500W**



ART\_1001187522

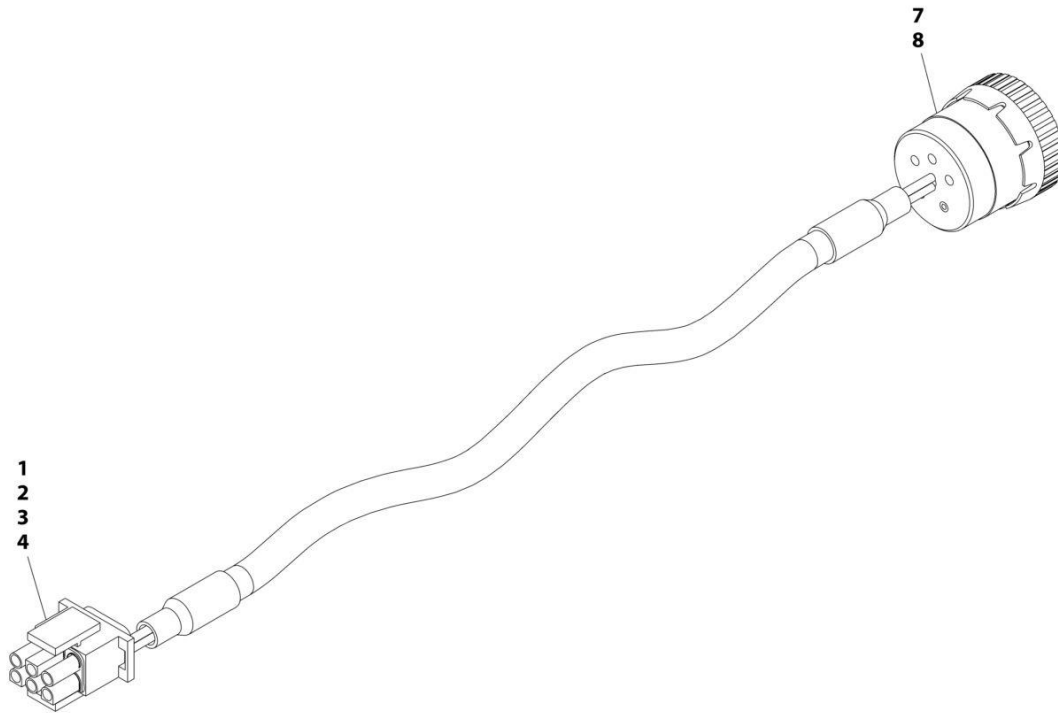
## SECTION 8 - ELECTRICAL

### FIGURE 8-38. GENERATOR HARNESS - 2500W

ITEM	PART NUMBER	QTY	DESCRIPTION	REV
	1001187522	Ref	GENERATOR HARNESS - 2500W	B
1	2400066	1	Fuseholder - 30Amp (Includes Cover)	
1	8229245	1	Fuse 30Amp	
2	1001154726	1	Receptacle, Female - 3 Position	
2	4460464	2	Pin, Male	
2	4460466	1	Plug, Terminal	
3	8220045	1	Terminal, Ring	
4	4460906	1	Socket, Female	
5	1001117057	1	Connector, Relay	
5	1001116734	2	Terminal	
5	1001116732	2	Terminal	
5	3740080	1	Relay	

# SECTION 8 - ELECTRICAL

## FIGURE 8-39. GENERATOR HARNESS - 4000W



ART\_1001152532

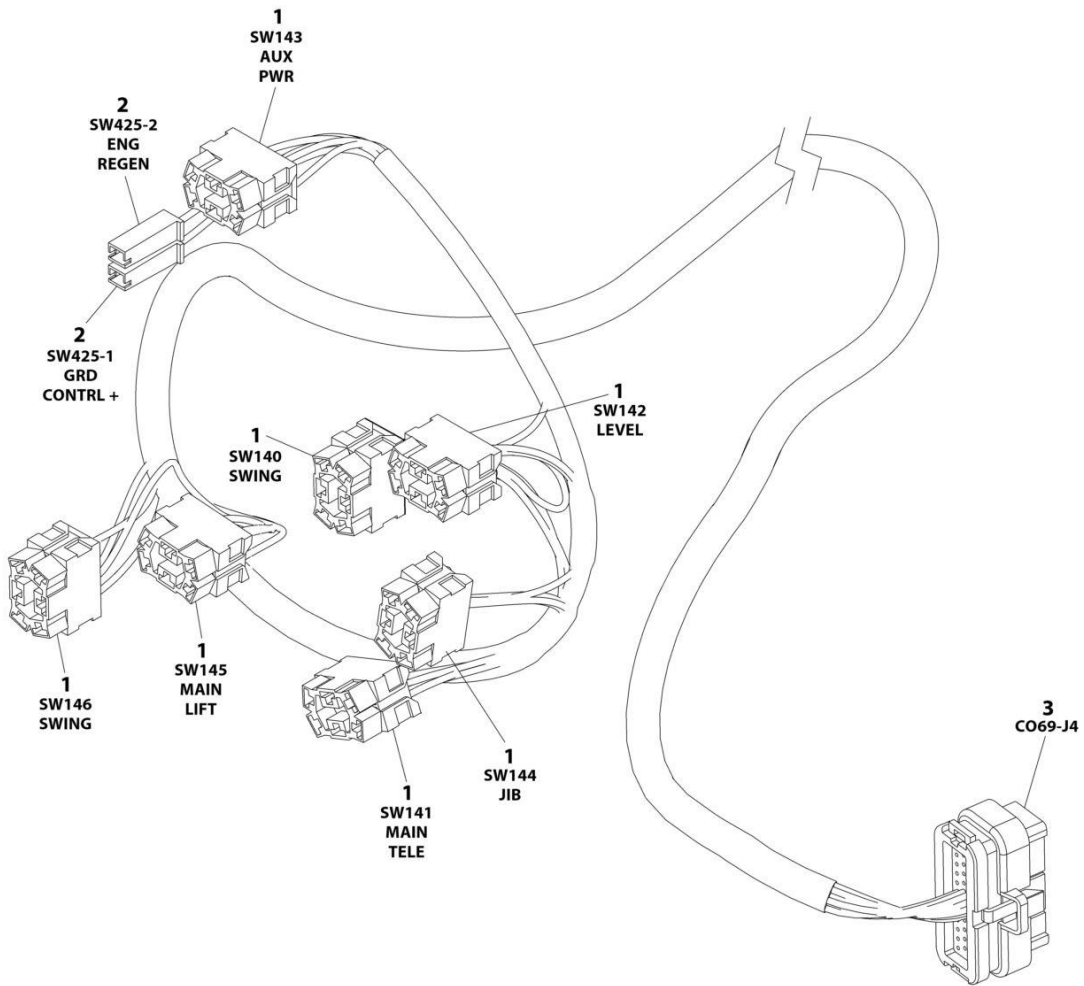
## SECTION 8 - ELECTRICAL

### FIGURE 8-39. GENERATOR HARNESS - 4000W

ITEM	PART NUMBER	QTY	DESCRIPTION	REV
	1001152532	Ref	GENERATOR HARNESS	A
1	4460225	1	Connector - 6 Position	
2	4460268	2	Socket, Female	
3	4460807	1	Seal	
4	4460808	1	Seal	
7	4460465	2	Socket, Female	
8	77363233	1	Connector - 6 Position	

# SECTION 8 - ELECTRICAL

## FIGURE 8-40. GROUND CONTROL BOX HARNESS



ART\_1001238161

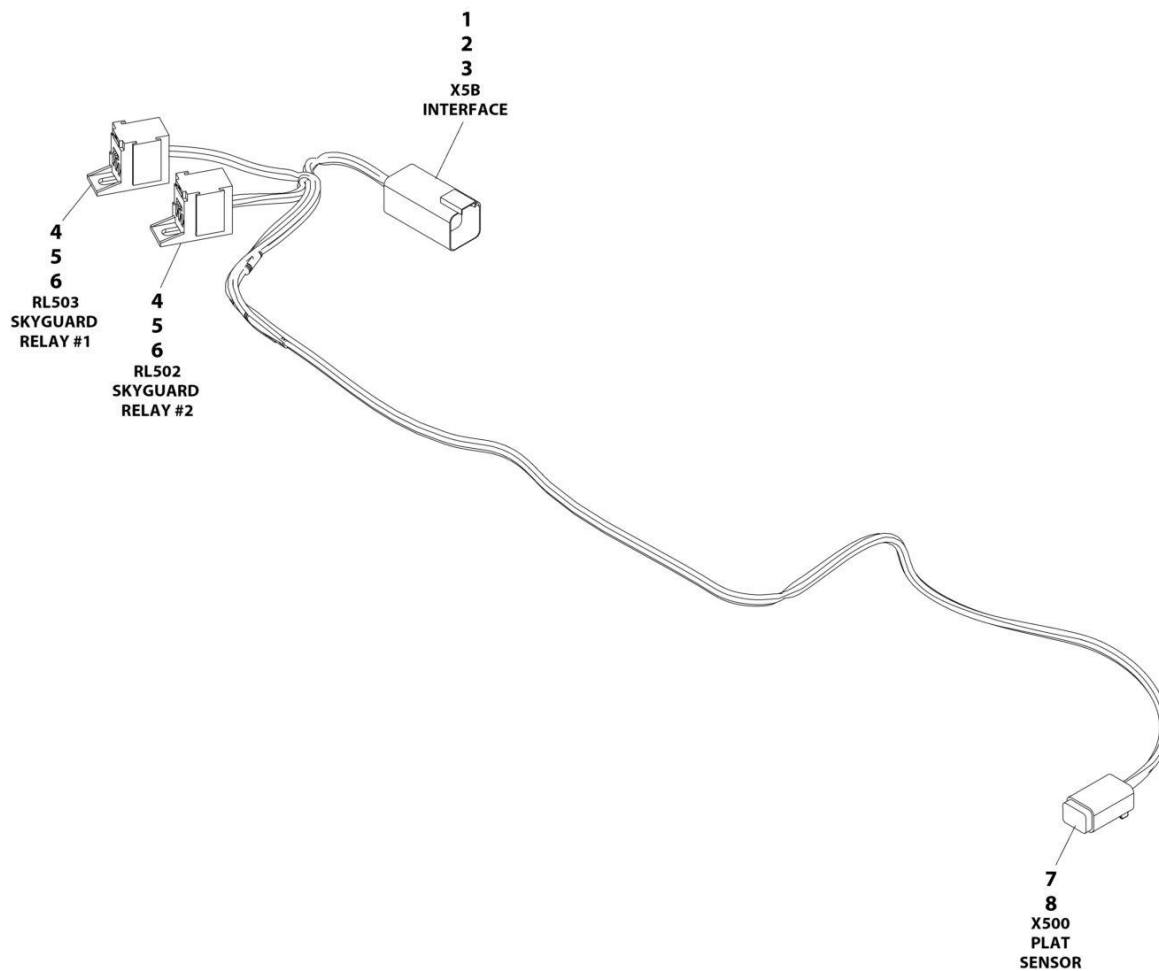
## SECTION 8 - ELECTRICAL

### FIGURE 8-40. GROUND CONTROL BOX HARNESS

ITEM	PART NUMBER	QTY	DESCRIPTION	REV
	1001238161	Ref	GROUND CONTROL BOX HARNESS	C
1	4460418	7	Connector - 6 Position	
1	4460419	27	Terminal	
2	4460260	2	Housing, Terminal	
2	4460259	2	Terminal	
3	4460876	1	Connector - 35 Position	
3	4460871	16	Socket, Female	
3	4460905	19	Plug, Terminal	

# SECTION 8 - ELECTRICAL

## FIGURE 8-41. INTERFACE HARNESS - WITH 1 CELL LSS



ART\_1001225580\_E



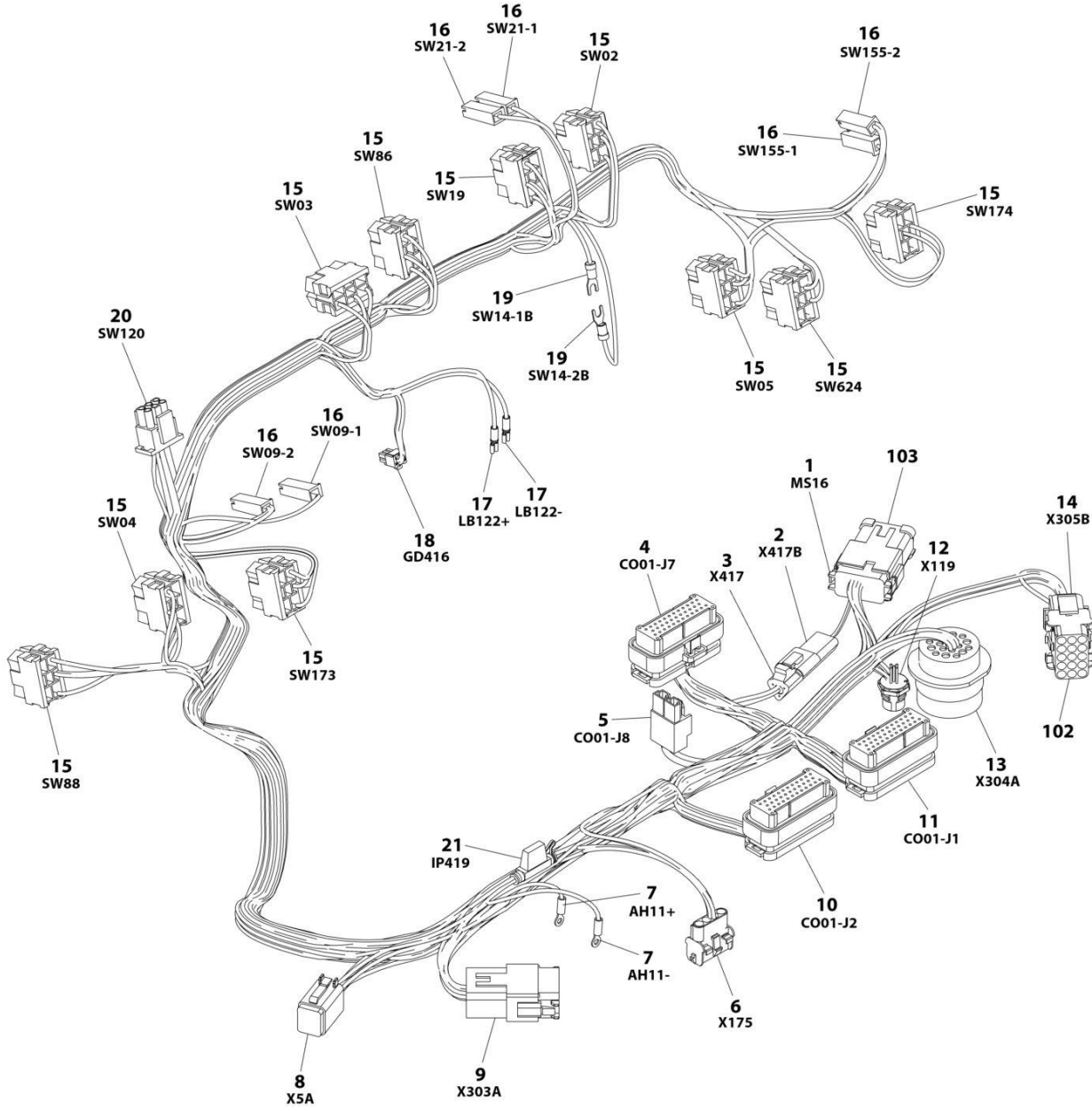
## SECTION 8 - ELECTRICAL

### FIGURE 8-41. INTERFACE HARNESS - WITH 1 CELL LSS

ITEM	PART NUMBER	QTY	DESCRIPTION	REV
	1001225580	Ref	PLATFORM INTERFACE HARNESS - WITH 1 CELL LSS	E
1	4460899	1	Connector	
2	4460464	4	Terminal	
3	4460466	2	Plug	
4	1001186432	2	Connector	
5	1001253375	4	Terminal	
6	1001104519	4	Terminal	
7	4460884	1	Connector	
8	4460465	4	Terminal	

# SECTION 8 - ELECTRICAL

## FIGURE 8-42. PLATFORM CONSOLE BOX HARNESS



ART\_1001238254

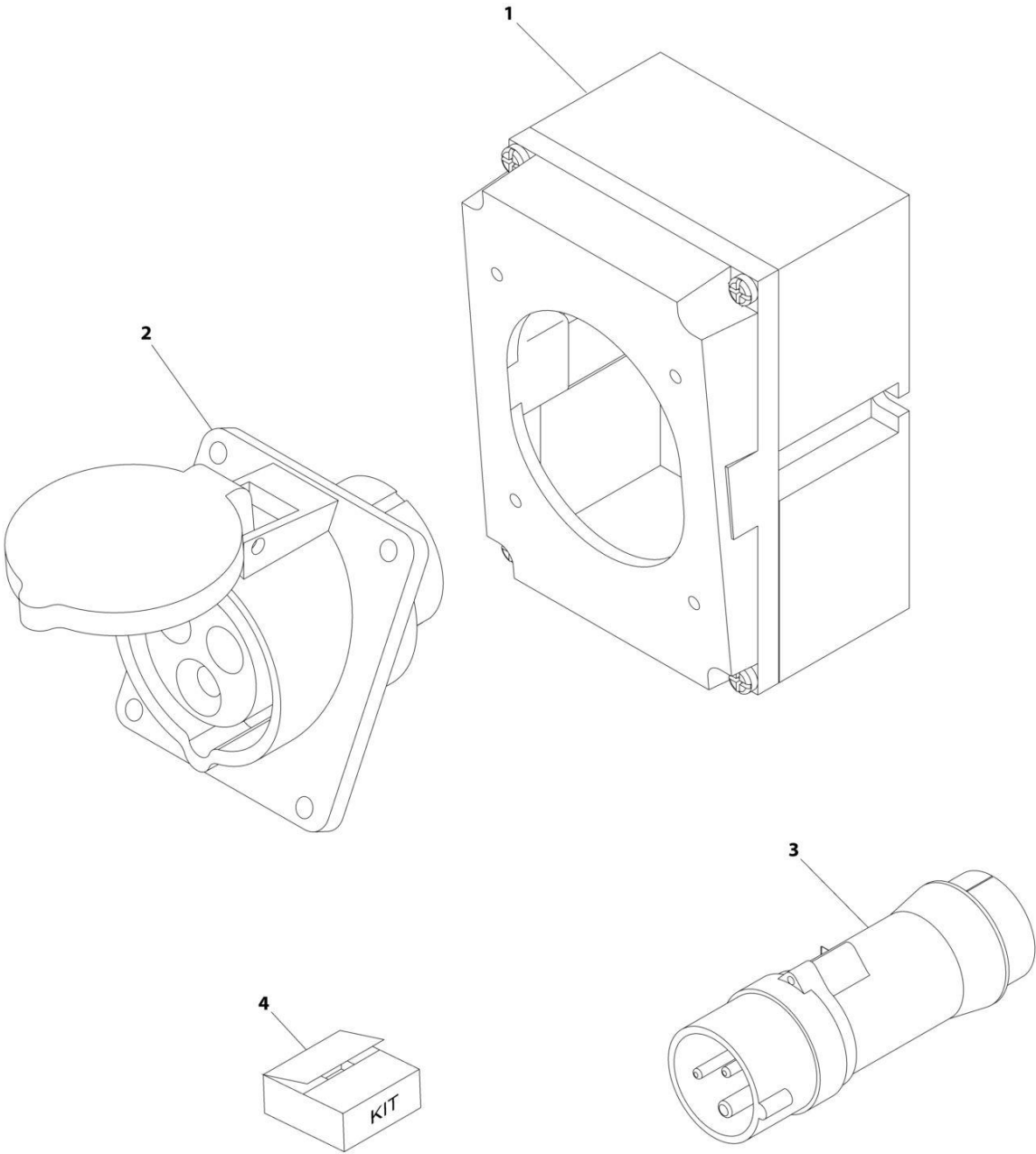
## SECTION 8 - ELECTRICAL

### FIGURE 8-42. PLATFORM CONSOLE BOX HARNESS

ITEM	PART NUMBER	QTY	DESCRIPTION	REV
	1001238254	Ref	PLATFORM CONSOLE BOX HARNESS	I
1	4460933	1	Plug, Male - 12 Position	
1	4460465	10	Socket, Female	
1	4460466	2	Plug, Terminal	
2	4460536	1	Receptacle, Female - 3 Position	
2	4460464	2	Pin, Male	
2	4460466	1	Plug, Terminal	
3	4460539	1	Plug, Male - 3 Position	
3	4460465	2	Socket, Female	
3	4460466	1	Plug, Terminal	
4	4460873	1	Connector - 35 Position	
4	4460871	21	Socket, Female	
4	4460905	14	Plug, Terminal	
5	4460879	1	Plug, Male - 2 Position	
5	4460887	2	Terminal	
6	4460761	1	Receptacle, Female - 4 Position	
6	4460267	4	Pin, Male	
7	1001098122	2	Terminal, Ring	
8	4460894	1	Plug, Male - 6 Position	
8	4460465	6	Socket, Female	
9	4460970	1	Receptacle, Female - 12 Position	
9	1001116693	11	Pin, Male	
9	4460466	1	Plug, Terminal	
10	4460875	1	Connector - 35 Position	
10	4460871	12	Socket, Female	
10	4460905	23	Plug, Terminal	
11	4460874	1	Connector - 35 Position	
11	4460871	27	Socket, Female	
11	4460905	8	Plug, Terminal	
12	1001213447	1	Connector - 4 Position	
12	See Note	NSS	Terminal (Note: Purchase p/n 1001213447)	
13	4460866	1	Connector - 19 Position	
13	4460464	5	Pin, Male	
13	4460466	11	Plug, Terminal	
13	4460508	1	Pin, Male	
14	4460434	1	Connector - 15 Position	
14	4460267	8	Pin. Male	
15	4460418	10	Connector - 6 Position	
15	4460419	45	Terminal	
16	4460260	6	Housing, Terminal	
16	4460259	8	Terminal	
17	1001271497	2	Terminal	
18	1001237667	1	Plug, Male - 6 Position	
18	1001237668	4	Terminal	
19	4460183	2	Terminal, Fork	
20	4460225	1	Plug, Male - 6 Position	
20	4460227	6	Pin, Male (Note: Used on Pump Potentiometer Connection Only)	
21	2400060	1	Fuse Holder	
102	4460708	1	Connector, Bussbar - 15 Position	
103	1001125677	1	Connector, Bussbar - 12 Position	

**SECTION 8 - ELECTRICAL**

**FIGURE 8-43. RECEPTACLE BOX KIT - 110V IEC YELLOW (CE SPEC)**



ART\_0275216

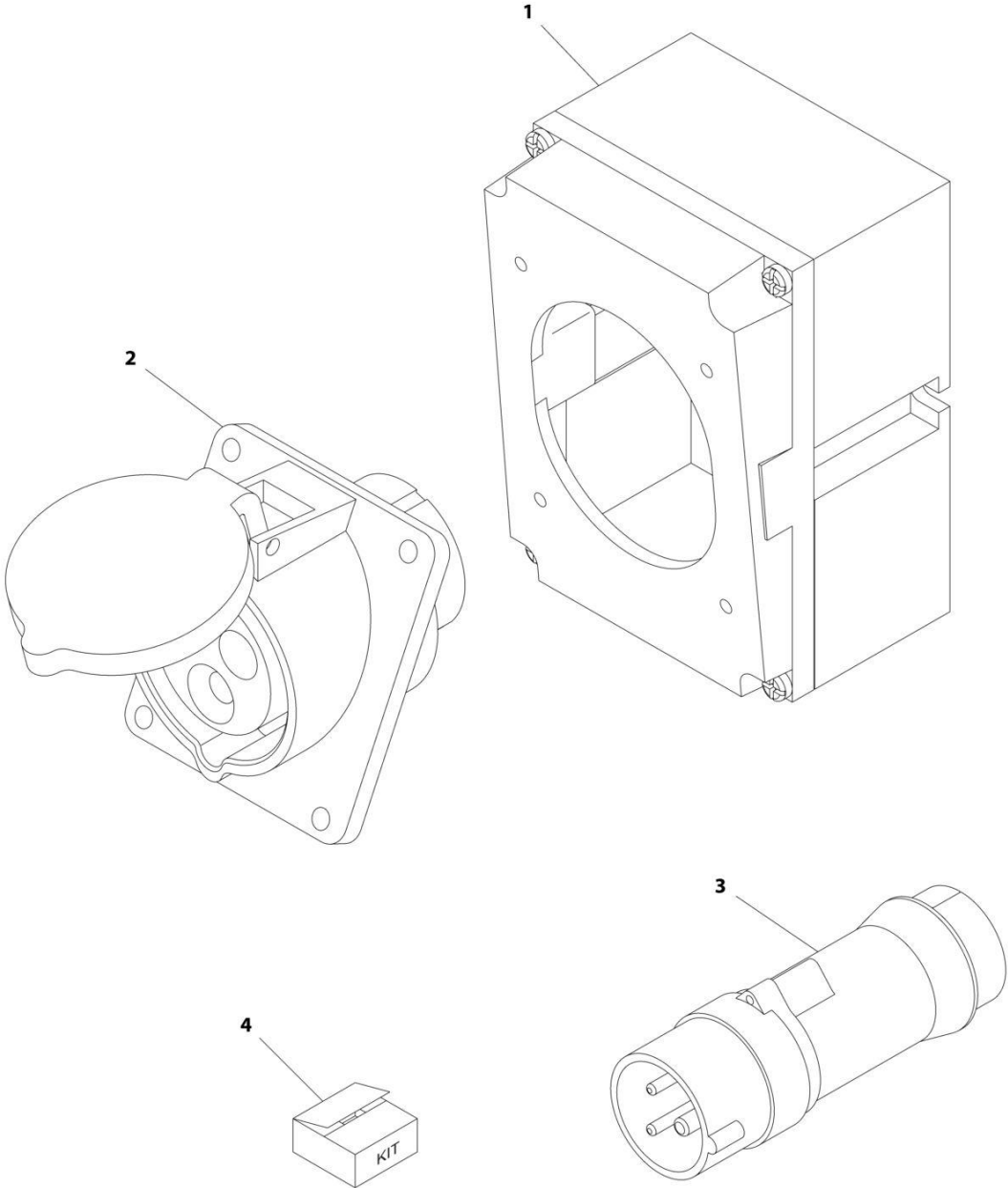
## SECTION 8 - ELECTRICAL

**FIGURE 8-43. RECEPTACLE BOX KIT - 110V IEC YELLOW (CE SPEC)**

ITEM	PART NUMBER	QTY	DESCRIPTION	REV
	0275216	Ref	RECEPTACLE BOX KIT - 110V IEC YELLOW	B
1	0861781	1	Box, Switch	
2	4461198	1	Receptacle	
3	4461196	1	Plug, Male	
4	1001100341	1	Plug and Socket Kit (Includes Items 1-3 and Female Plug p/n 4461197)	

**SECTION 8 - ELECTRICAL**

**FIGURE 8-44. RECEPTACLE BOX KIT - 220V IEC BLUE (CE SPEC)**



ART\_0275217

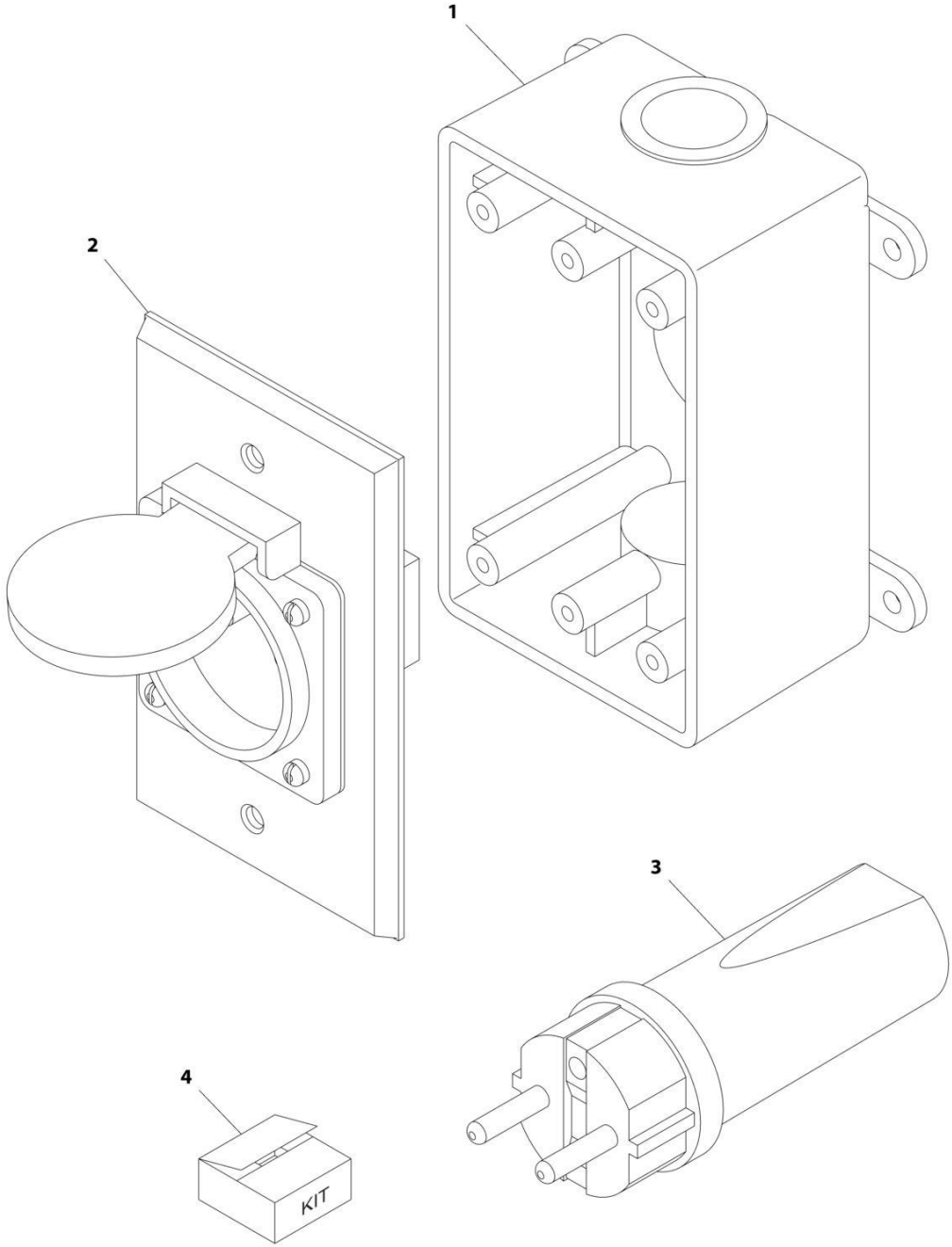
## SECTION 8 - ELECTRICAL

**FIGURE 8-44. RECEPTACLE BOX KIT - 220V IEC BLUE (CE SPEC)**

ITEM	PART NUMBER	QTY	DESCRIPTION	REV
	0275217	Ref	RECEPTACLE BOX KIT - 220V IEC BLUE	B
1	0861781	1	Box, Switch	
2	4461201	1	Receptacle	
3	4461199	1	Plug, Male	
4	1001100342	1	Plug and Socket Kit (Includes Items 1-3 and Female Plug p/n 4461200)	

**SECTION 8 - ELECTRICAL**

**FIGURE 8-45. RECEPTACLE BOX KIT - 220V CEE7 POST GROUND 2IN X 4IN (CE SPEC)**



ART\_0275452



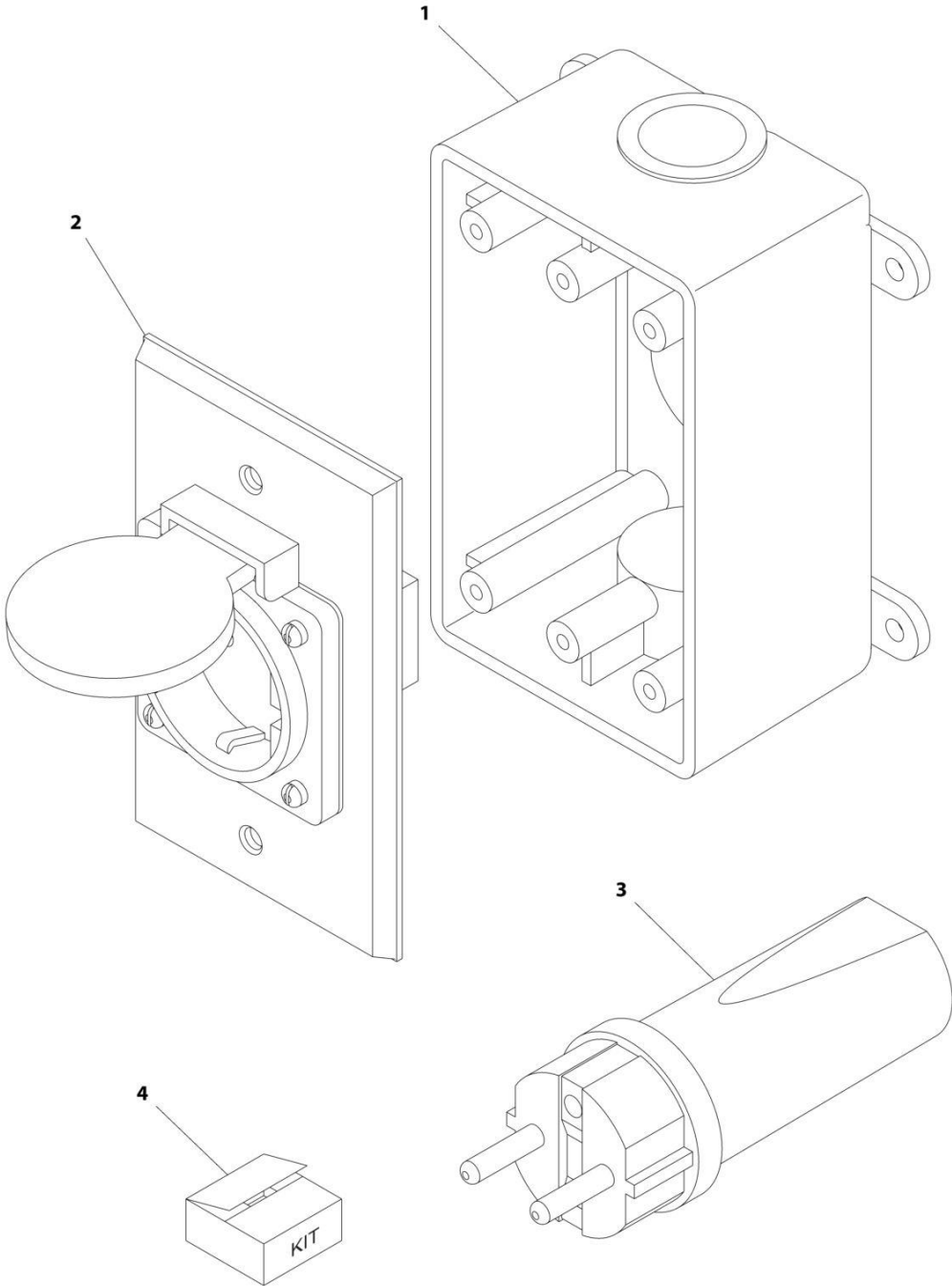
## SECTION 8 - ELECTRICAL

**FIGURE 8-45. RECEPTACLE BOX KIT - 220V CEE7 POST GROUND 2IN X 4IN (CE SPEC)**

ITEM	PART NUMBER	QTY	DESCRIPTION	REV
	0275452	Ref	RECEPTACLE BOX KIT - 220V CEE7 POST GROUND	C
1	0861731	1	Box, Switch	
2	4461244	1	Receptacle	
3	4461205	1	Plug, Male	
4	1001100345	1	Plug and Socket Kit (Includes Items 1-3 and Female Plug p/n 4461206)	

**SECTION 8 - ELECTRICAL**

**FIGURE 8-46. RECEPTACLE BOX KIT - 220V CEE7 SIDE GROUND 2IN X 4IN (CE SPEC)**



ART\_0275453

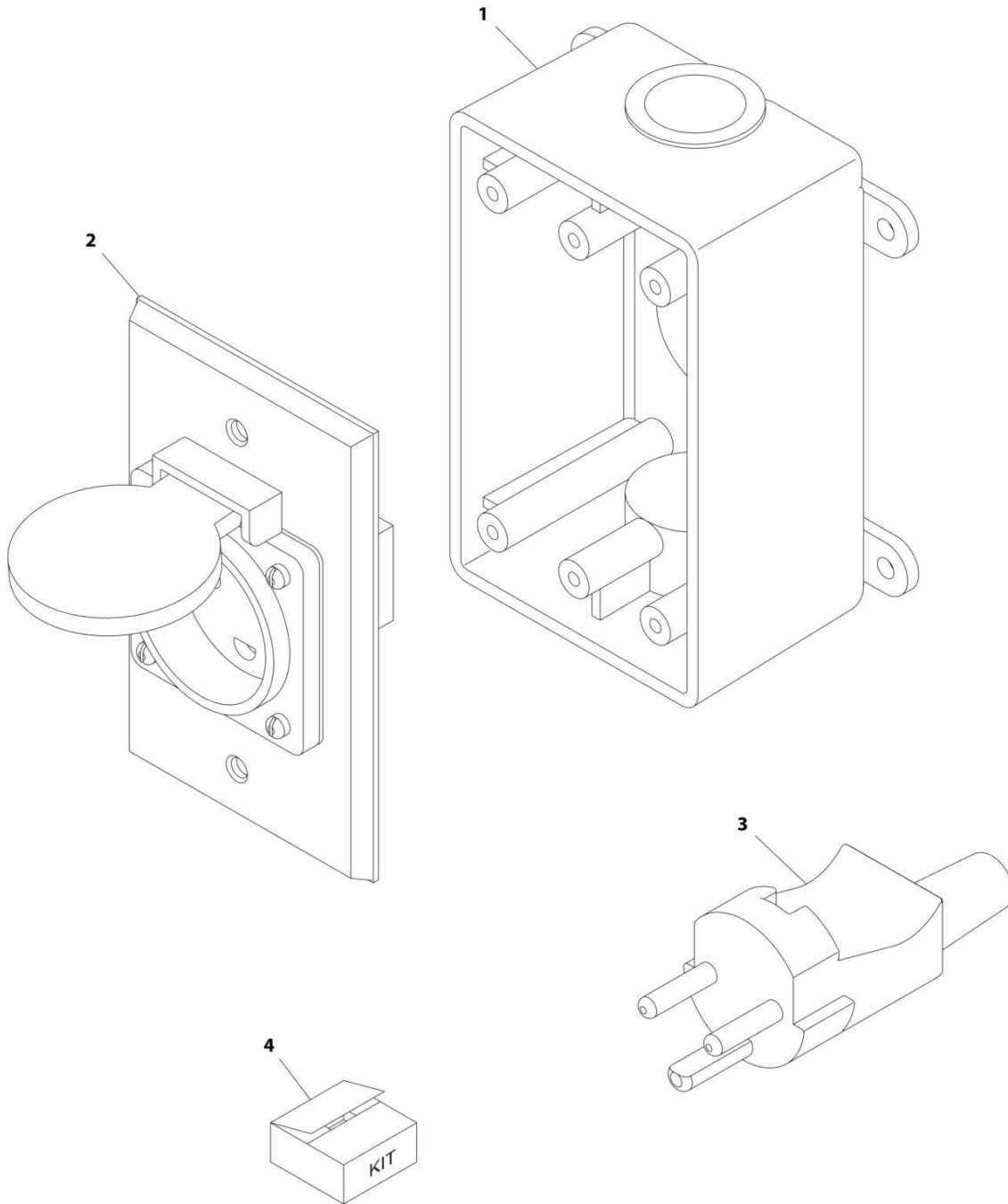
## SECTION 8 - ELECTRICAL

**FIGURE 8-46. RECEPTACLE BOX KIT - 220V CEE7 SIDE GROUND 2IN X 4IN (CE SPEC)**

ITEM	PART NUMBER	QTY	DESCRIPTION	REV
	0275453	Ref	RECEPTACLE BOX KIT - 220V CEE7 SIDE GROUND	B
1	0861731	1	Box, Switch	
2	4461245	1	Receptacle	
3	4461205	1	Plug, Male	
4	1001100347	1	Plug and Socket Kit (Includes Items 1-3 and Female Plug p/n 4461206)	

# SECTION 8 - ELECTRICAL

FIGURE 8-47. RECEPTACLE BOX KIT - 220V AFSINT 107 (CE SPEC)



ART\_0275454

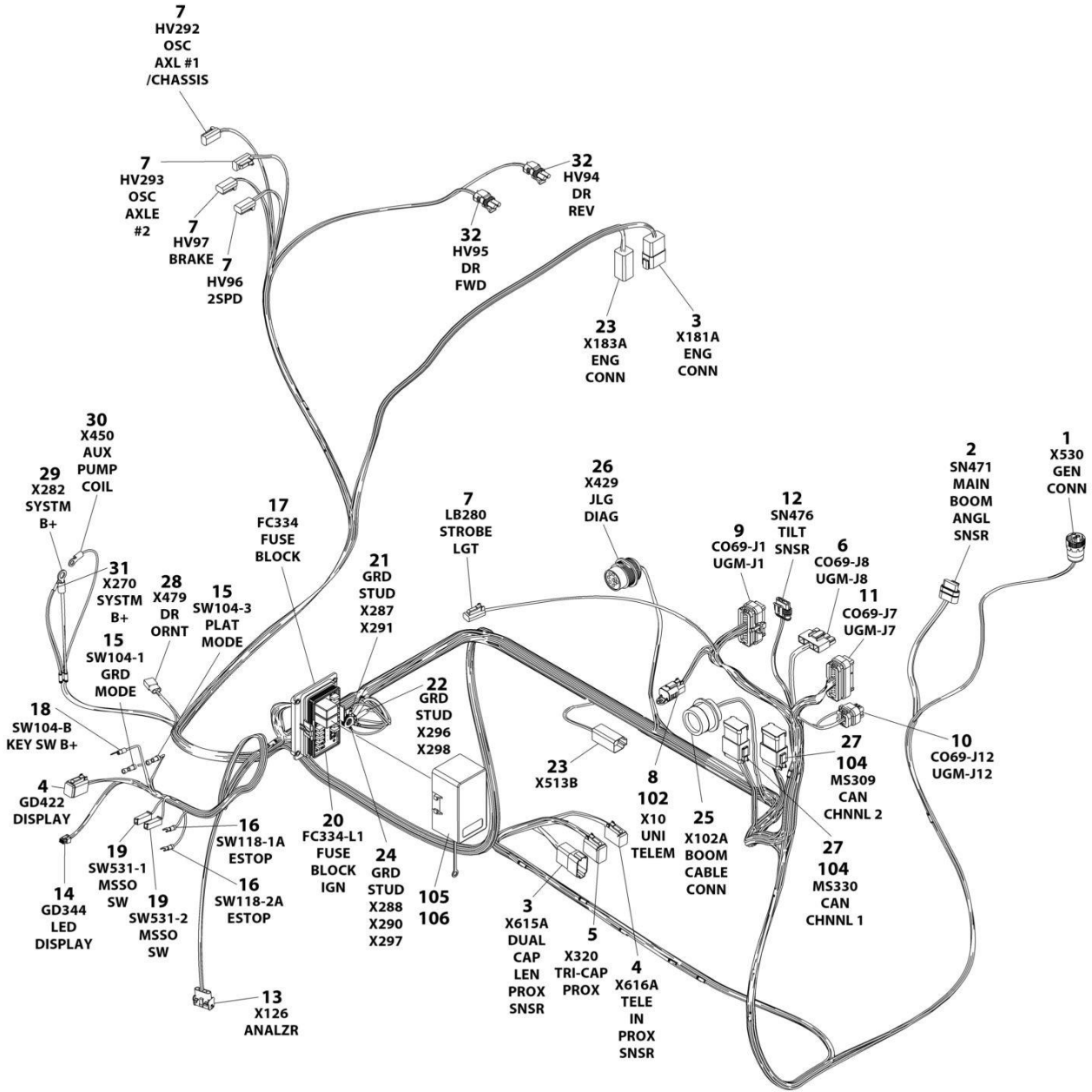
## SECTION 8 - ELECTRICAL

**FIGURE 8-47. RECEPTACLE BOX KIT - 220V AFSINT 107 (CE SPEC)**

ITEM	PART NUMBER	QTY	DESCRIPTION	REV
	0275454	Ref	RECEPTACLE BOX KIT - 220V AFSINT 107	B
1	0861731	1	Box, Switch	
2	4461246	1	Receptacle	
3	4461249	1	Plug, Male	
4	1001100346	1	Plug and Socket Kit (Includes Items 1-3 and Female Plug p/n 4461250)	

# SECTION 8 - ELECTRICAL

## FIGURE 8-48. TURNTABLE HARNESS



ART\_1001237849

## SECTION 8 - ELECTRICAL

### FIGURE 8-48. TURNTABLE HARNESS

ITEM	PART NUMBER	QTY	DESCRIPTION	REV
	1001237849	Ref	TURNTABLE HARNESS	G
1	4460967	1	Connector - 3 Position	
1	4460465	3	Socket, Female	
2	1001230931	1	Plug, Male - 6 Position	
2	1001116748	6	Terminal, Female	
3	4460931	2	Receptacle, Female - 8 Position	
3	4460464	11	Pin, Male	
3	4460466	5	Plug, Terminal	
4	4460894	2	Plug, Male - 6 Position	
4	4460465	10	Socket, Female	
4	4460466	2	Plug, Terminal	
5	4460930	1	Plug, Male - 8 Position	
5	4460465	6	Socket, Female	
5	4460466	2	Plug, Terminal	
6	4460878	1	Plug, Male - 4 Position	
6	4460887	AR	Terminal	
7	4460891	5	Plug, Male - 2 Position	
7	4460465	10	Socket, Female	
8	4460884	1	Plug, Male - 4 Position	
8	4460465	4	Socket, Female	
9	4460874	1	Connector - 35 Position	
9	4460871	22	Socket, Female	
9	4460905	13	Plug, Terminal	
10	1001113961	1	Plug, Male - 8 Position	
10	4460871	5	Socket, Female	
10	4460905	3	Plug, Terminal	
11	4460873	1	Connector - 35 Position	
11	4460871	35	Socket, Female	
11	4460905	10	Plug, Terminal	
12	1001103012	1	Plug, Male - 4 Position	
12	1001107854	2	Socket, Female	
12	1001196589	2	Terminal	
12	1001116763	AR	Seal, Red	
12	1001104498	4	Seal, Yellow	
13	1001119032	1	Receptacle, Female - 4 Position	
13	1001118378	4	Pin, Male	
14	1001237667	1	Plug, Male - 6 Position	
14	1001237668	5	Terminal	
15	4460042	2	Terminal, Fork	
16	4460183	2	Terminal, Fork	
17	1001196602	1	Fuse Box Assembly	
17	8220098	AR	Terminal	
17	1001116725	6	Terminal	
17	8220097	18	Terminal	
17	4460748	10	Plug, Terminal	
17	4460458	AR	Seal	
17	80963067	6	Seal (for 1001116725 Terminal)	
17	1001196636	2	Connector with Diode	
17	8229244	3	Fuse 15Amp	
17	8229242	6	Fuse 5Amp	

## SECTION 8 - ELECTRICAL

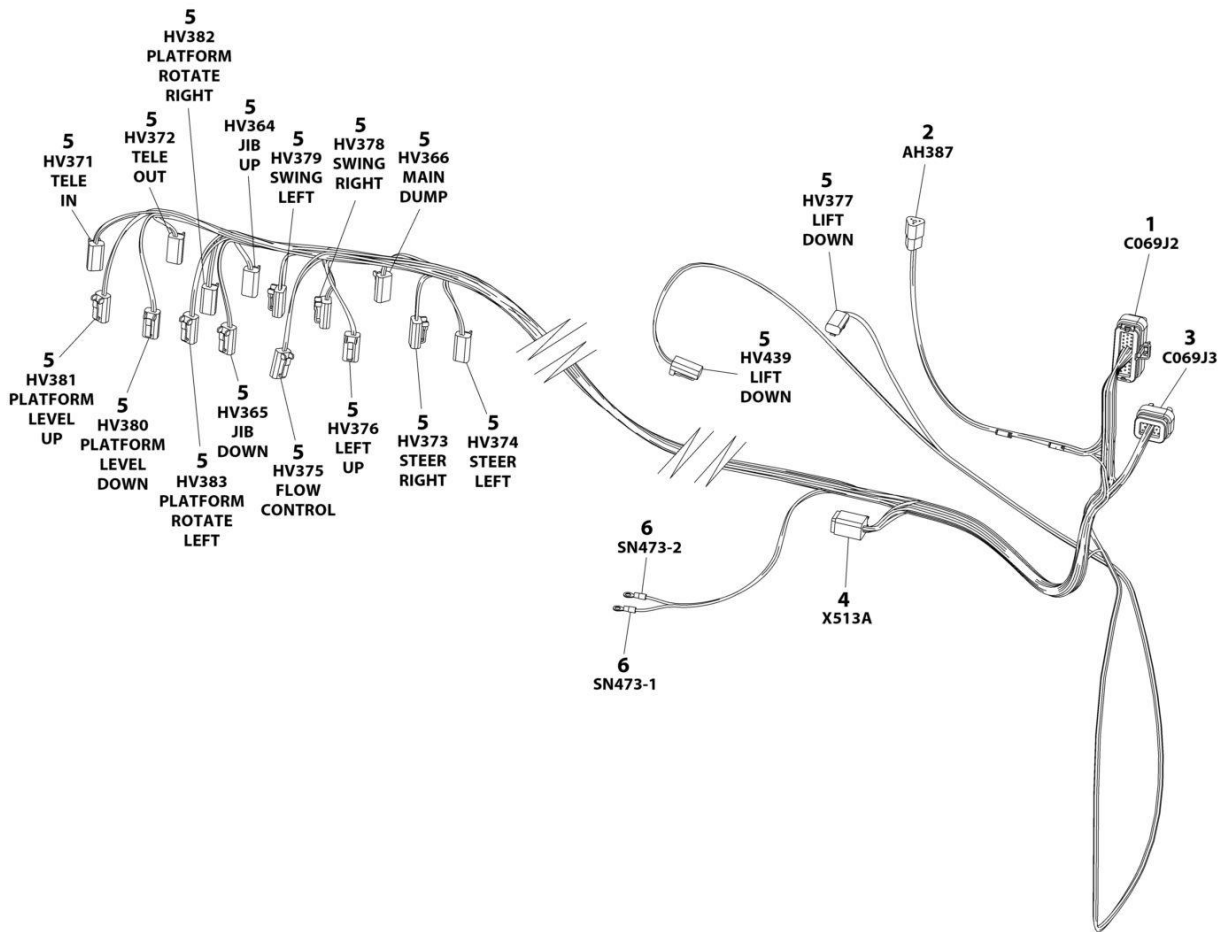
ITEM	PART NUMBER	QTY	DESCRIPTION	REV
17	1001196634	2	Fuse - 2 Amp	
17	1001095704	2	Relay 35Amp	
18	4460313	1	Terminal, Fork	
19	4460260	2	Housing, Terminal	
19	4460259	2	Terminal	
20	1001117106	1	Terminal, Ring	
21	1001187078	2	Terminal, Ring	
22	1001117110	2	Terminal, Ring	
23	4460899	2	Connector - 6 Position	
23	4460464	7	Pin, Male	
23	4460466	5	Plug, Terminal	
24	1001187077	3	Terminal, Ring	
25	4460866	1	Connector - 19 Position	
25	4460464	6	Pin, Male	
25	4460508	2	Pin, Male	
25	4460466	11	Plug, Terminal	
26	1001112612	1	Connector - 9 Position	
26	4460464	5	Pin, Male	
26	4460466	4	Plug, Terminal	
27	4460933	2	Plug, Male - 12 Position	
27	4460465	16	Socket, Female	
27	4460466	8	Plug, Terminal	
27	1001119020	2	Bussbar - 12 Position	
28	4460424	1	Plug, Male - 2 Position	
28	4460226	2	Socket, Female	
29	8220045	1	Terminal, Ring	
30	4460702	1	Terminal, Ring	
31	4460703	1	Terminal, Ring	
32	4460742	2	Plug, Male - 2 Position	
32	4460743	1	Socket, Female	
32	4460458	4	Seal	
102	1001192401	1	Cap, Dust	
104	1001125677	2	Bussbar - 12 Position	
105	1001196604	1	Cover, Fuse Box	
106	1001190921	1	Seal, Cover	





# SECTION 8 - ELECTRICAL

## FIGURE 8-49. VALVE HARNESS - MAIN VALVE



ART\_1001238160

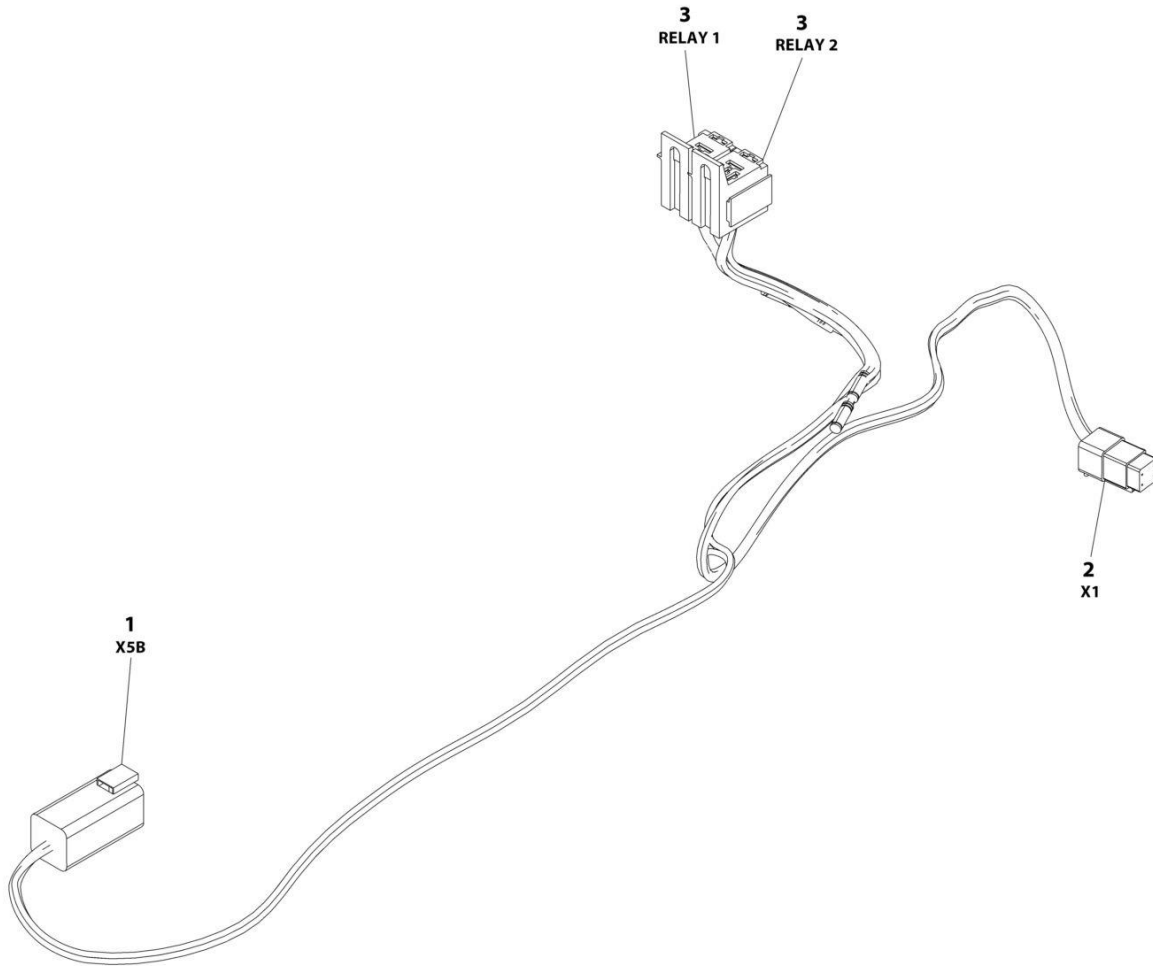
## SECTION 8 - ELECTRICAL

**FIGURE 8-49. VALVE HARNESS - MAIN VALVE**

ITEM	PART NUMBER	QTY	DESCRIPTION	REV
	1001238160	Ref	VALVE HARNESS - MAIN VALVE	C
1	4460875	1	Connector - 35 Position	
1	4460871	27	Socket, Female	
1	4460905	8	Plug, Terminal	
2	4460539	1	Plug, Male - 3 Position	
2	4460465	3	Socket, Female	
3	4460872	1	Connector - 14 Position	
3	4460871	8	Socket, Female	
3	4460905	6	Plug, Terminal	
4	4460894	1	Plug, Male - 6 Position	
4	4460465	5	Socket, Female	
4	4460466	1	Plug, Terminal	
5	4460891	17	Plug, Male - 2 Position	
5	4460465	34	Socket, Female	
6	4460313	2	Terminal, Ring	

# SECTION 8 - ELECTRICAL

## FIGURE 8-50. SKYLINE HARNESS



ART\_1001238418

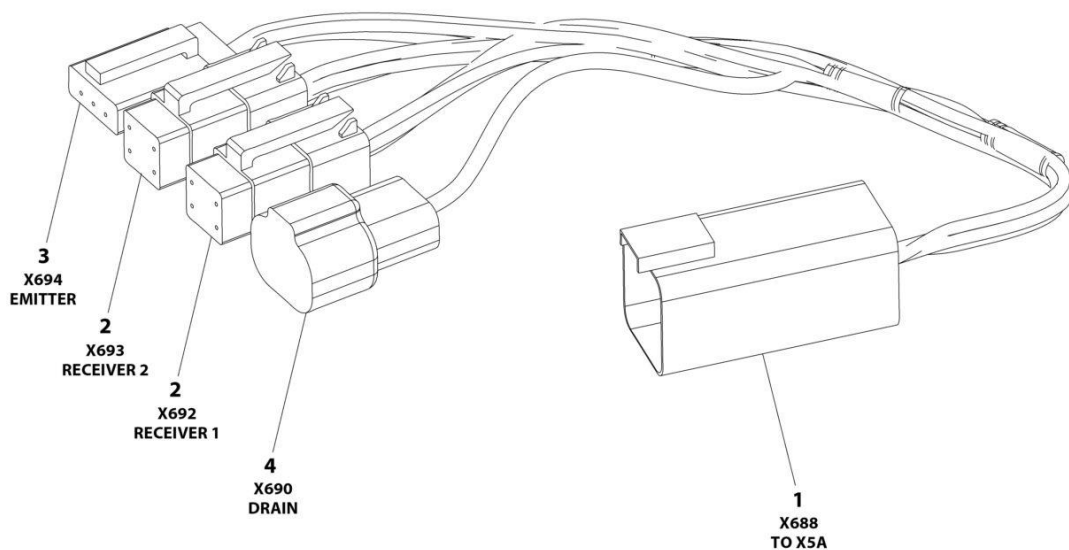
## SECTION 8 - ELECTRICAL

### FIGURE 8-50. SKYLINE HARNESS

ITEM	PART NUMBER	QTY	DESCRIPTION	REV
	1001238418	Ref	SKYLINE HARNESS	B
1	4460899	1	Connector - 6 Position	
1	4460464	4	Pin, Male	
1	4460466	2	Plug, Terminal	
2	4461077	1	Connector - 4 Position	
2	1001126009	4	Socket, Female	
3	1001186432	2	Plug, Relay	
3	1001118388	5	Terminal	
3	1001118384	3	Terminal	
3	3740086	2	Relay	

# SECTION 8 - ELECTRICAL

## FIGURE 8-51. SKYEYE INTERMEDIATE HARNESS



ART\_1001237865

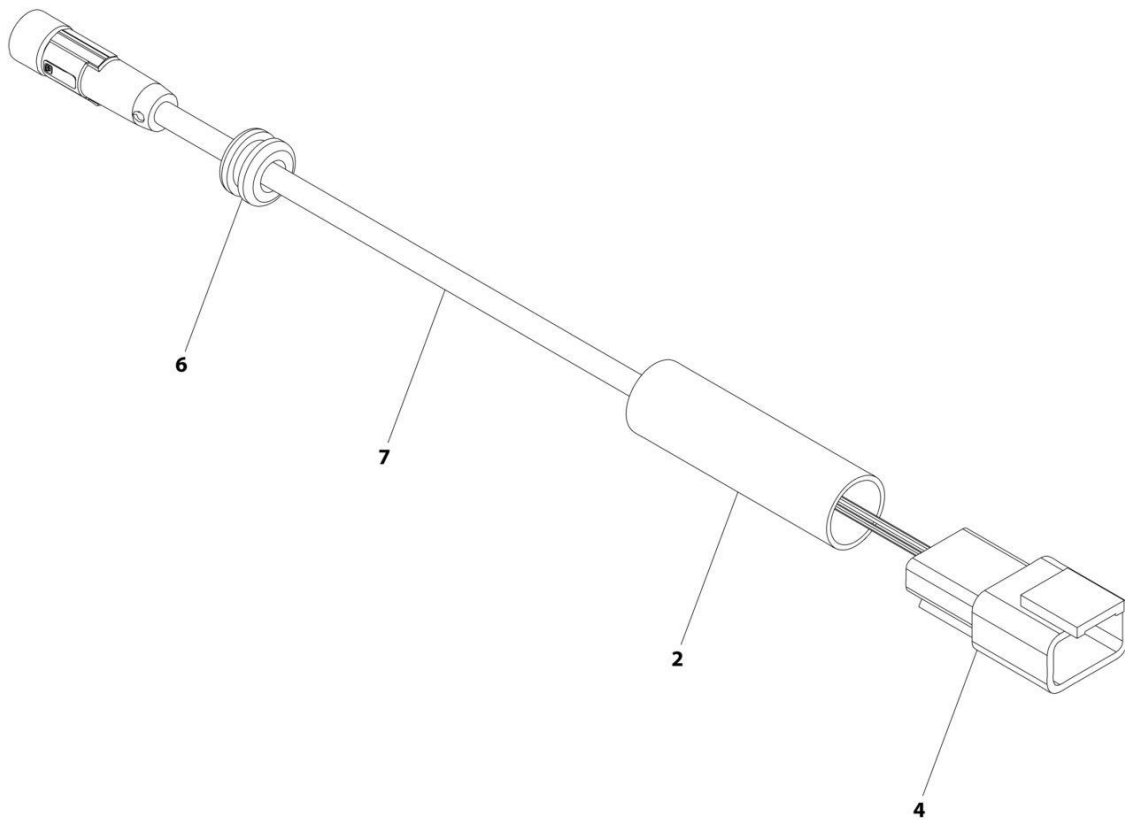
## SECTION 8 - ELECTRICAL

### FIGURE 8-51. SKYEYE INTERMEDIATE HARNESS

ITEM	PART NUMBER	QTY	DESCRIPTION	REV
	1001237865	Ref	SKYEYE INTERMEDIATE HARNESS	A
1	4460899	1	Connector - 6 Position	
1	4460943	4	Pin, Male	
1	4460466	2	Plug, Terminal	
2	4461077	2	Connector - 4 Position	
2	1001119619	8	Socket, Female	
3	4460911	1	Connector - 3 Position	
3	1001119619	3	Socket, Female	
4	1001187681	1	Connector - 2 Position	
4	4460941	1	Pin, Male	
4	4460466	1	Plug, Terminal	

# SECTION 8 - ELECTRICAL

## FIGURE 8-52. SKYEYE RECEIVER HARNESS



ART\_1001237863\_B



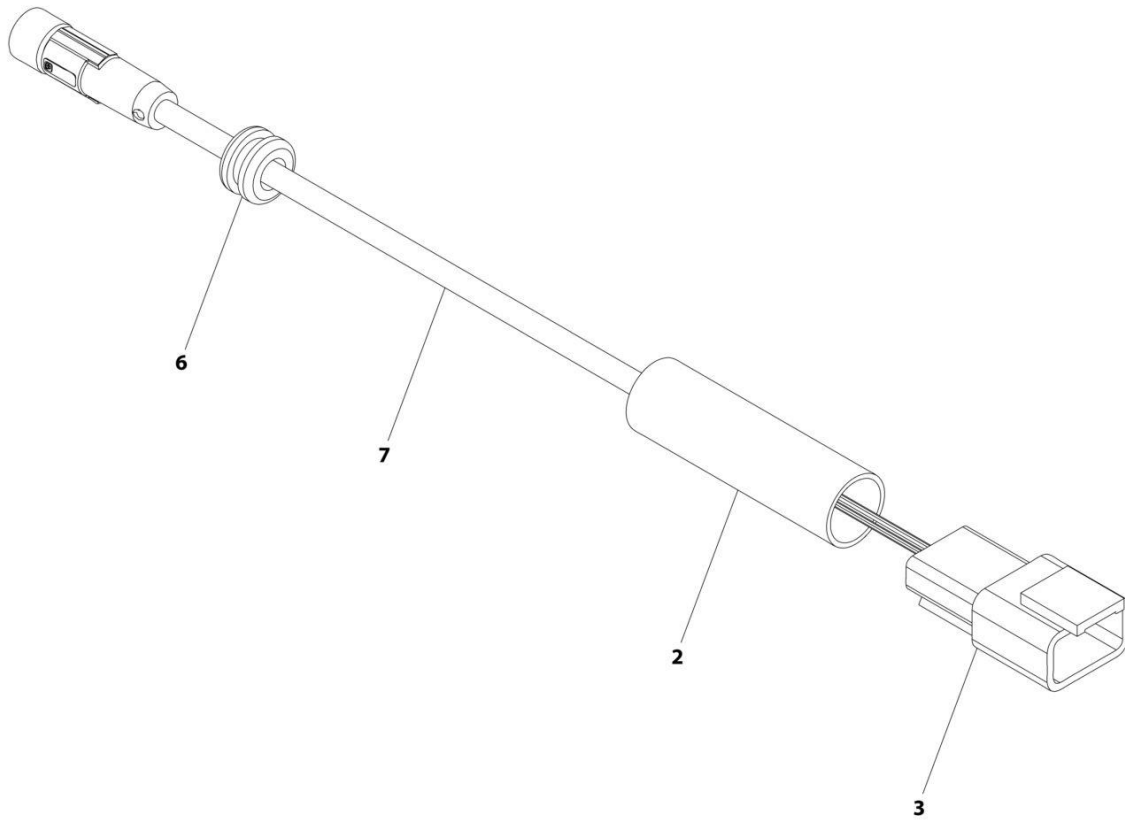
## SECTION 8 - ELECTRICAL

### FIGURE 8-52. SKYEYE RECEIVER HARNESS

ITEM	PART NUMBER	QTY	DESCRIPTION	REV
	1001237863	Ref	SKYEYE RECEIVER HARNESS	B
2	2820247	AR	Tubing, Heat Shrink	
4	1001097051	1	Connector - 4 Position	
4	1001119620	4	Pin, Male	
6	1001227996	1	Grommet	
7	1001258495	1	Cable, M8 Female Cordset	

# SECTION 8 - ELECTRICAL

## FIGURE 8-53. SKYEYE EMITTER HARNESS



ART\_1001237864\_B

## SECTION 8 - ELECTRICAL

### FIGURE 8-53. SKYEYE EMITTER HARNESS

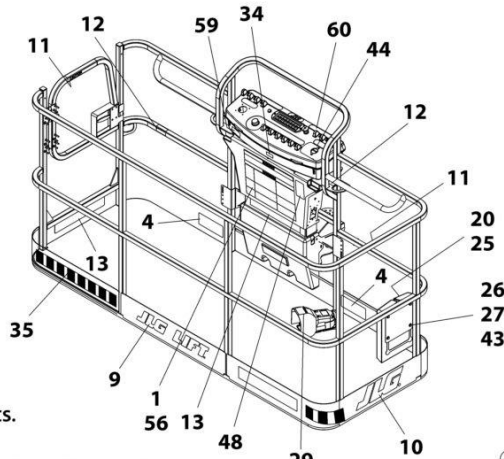
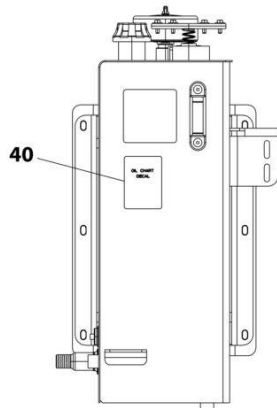
ITEM	PART NUMBER	QTY	DESCRIPTION	REV
	1001237864	Ref	SKYEYE EMITTER HARNESS	B
2	2820247	AR	Tubing, Heat Shrink	
3	4460910	1	Connector - 3 Position	
3	1001119620	3	Pin, Male	
6	1001227996	1	Grommet	
7	1001258495	1	Cable, M8 Female Cordset	



**SECTION 9 - DECAL**

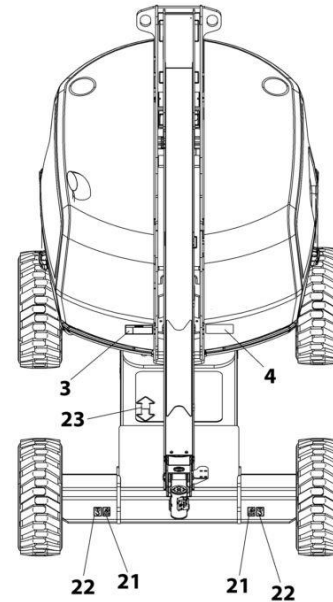
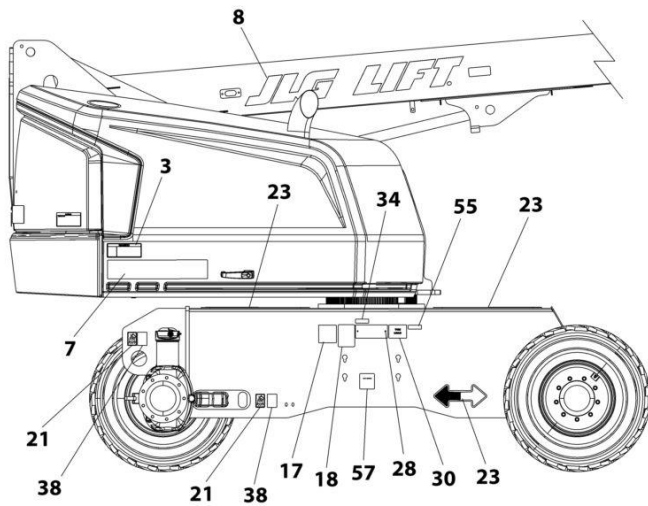
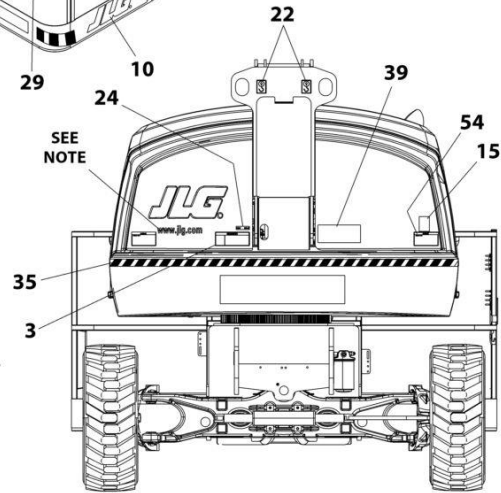
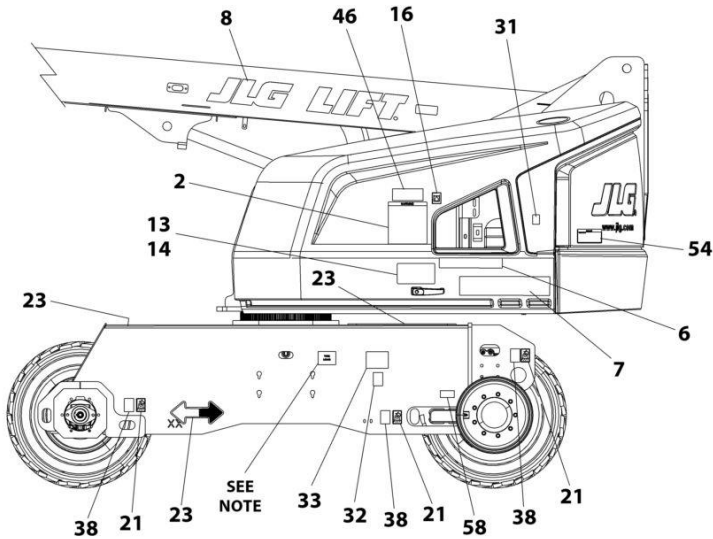
# SECTION 9 - DECAL

FIGURE 9-1. DECAL INSTALLATION - ANSI, ANSI EXPORT AND CSA SPECS - ENGLISH (400S)



NOTE: ITEMS SHOWN MAY NOT BE REQUIRED FOR ALL SPECS. REFER TO PART LIST FOR USAGE.

NOTE: ADDITIONAL DECALS ARE CALLED OUT ON DECALS INSTALLATION - OPTIONS.



ART\_1001242538

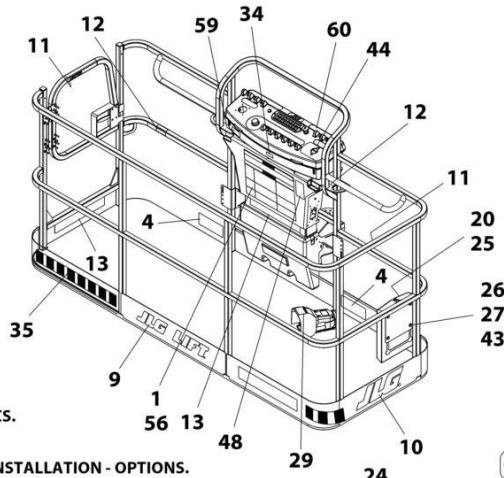
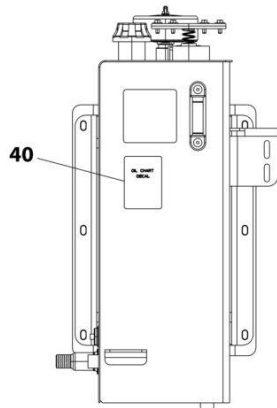
**SECTION 9 - DECAL**

**FIGURE 9-1. DECAL INSTALLATION - ANSI, ANSI EXPORT AND CSA SPECS - ENGLISH (400S)**

ITEM	PART NUMBER	QTY	DESCRIPTION	REV
	1001250764	Ref	DECAL INSTALLATION - REFERENCE CHART	J
	1001242538	Ref	DECAL INSTALLATION - ENGLISH	E
1	1703797	1	Decal - Danger/Warning (Platform)	
2	1703798	1	Decal - Danger/Warning (Ground Control)	
3	1703805	4	Decal - Danger/Electrocution	
4	1703804	4	Decal - Warning Crushing	
11	1702868	2	Decal - No Hands	
13	1001254665	1	Decal - Capacity (Platform)	
14	1001254666	1	Decal - Capacity (Ground Control)	
16	1701504	1	Decal - Hydraulic Oil	
17	See Note	NSS	Decal - Bar Code (Note: Not Available for Purchase)	
18	1001131269	1	Decal - Patent	
20	1701509	1	Decal - Manual	
21	1702300	8	Decal - Tie Down	
22	1701500	4	Decal - Lift	
23	1701529	4	Decal - Arrow	
24	3251243	1	Nameplate - 120V-60Hz	
25	0860520	1	Box, Manual Storage	
26	4751400	4	Washer, 1/4	
27	3311405	4	Nut, Lock 1/4	
28	3820001	2	Rivet	
29	3252347	1	Decal - Footswitch	
38	1701499	6	Decal - No Lift	
40	1704412	1	Decal - Hydraulic Oil Chart	
43	0641406	4	Bolt, 1/4 x 3/4	
44	1705351	1	Decal - Drive/Steer Instructions	
54	1703953	2	Decal - Warning Crushing	
57	1001223055	1	Decal - Yearly Inspection	
58	1001223453	1	Decal - ICES	

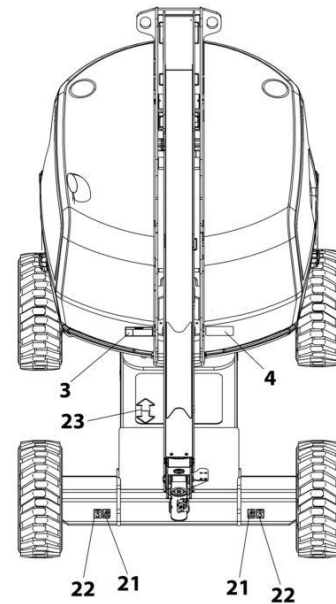
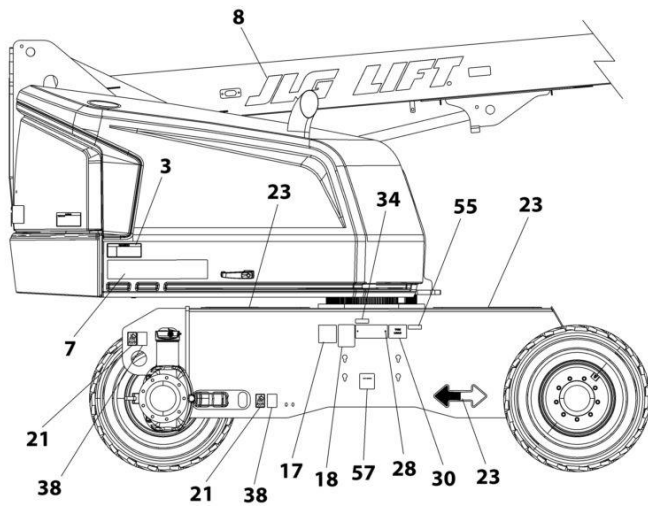
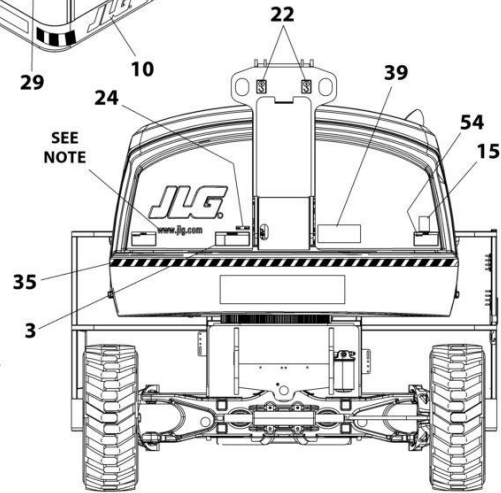
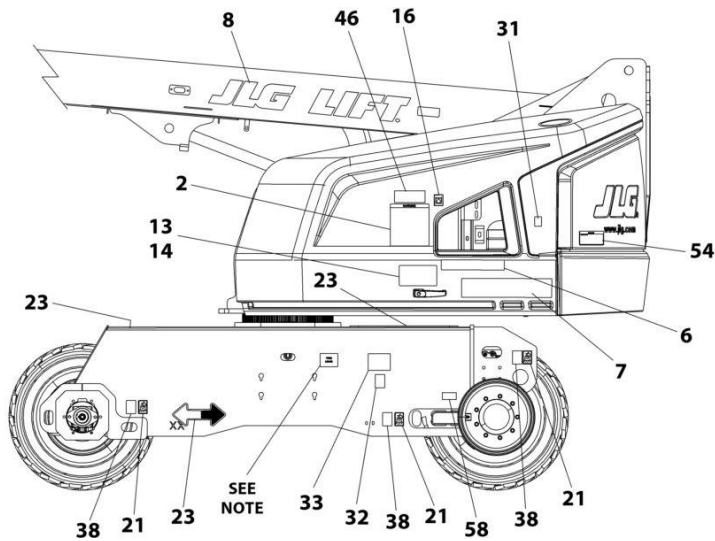
# SECTION 9 - DECAL

## FIGURE 9-2. DECAL INSTALLATION - ANSI, ANSI EXPORT AND CSA SPECS - ENGLISH (460SJ)



NOTE: ITEMS SHOWN MAY NOT BE REQUIRED FOR ALL SPECS. REFER TO PART LIST FOR USAGE.

NOTE: ADDITIONAL DECALS ARE CALLED OUT ON DECALS INSTALLATION - OPTIONS.



ART\_1001242559



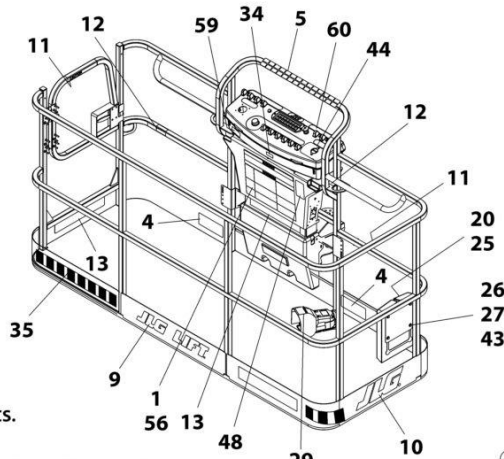
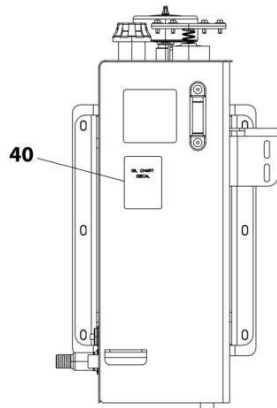
**SECTION 9 - DECAL**

**FIGURE 9-2. DECAL INSTALLATION - ANSI, ANSI EXPORT AND CSA SPECS - ENGLISH (460SJ)**

ITEM	PART NUMBER	QTY	DESCRIPTION	REV
	1001250764	Ref	DECAL INSTALLATION - REFERENCE CHART	J
	1001242559	Ref	DECAL INSTALLATION - ENGLISH	E
1	1703797	1	Decal - Danger/Warning (Platform)	
2	1703798	1	Decal - Danger/Warning (Ground Control)	
3	1703805	3	Decal - Danger/Electrocution	
4	1703804	3	Decal - Warning Crushing	
11	1702868	2	Decal - No Hands	
13	1001254750	2	Decal - Warning Dual Capacity (ANSI)	
16	1701504	1	Decal - Hydraulic Oil	
17	See Note	NSS	Decal - Bar Code (Note: Not Available for Purchase)	
18	1001131269	1	Decal - Patent	
20	1701509	1	Decal - Manual	
21	1702300	8	Decal - Tie Down	
22	1701500	4	Decal - Lift	
23	1701529	4	Decal - Arrow	
24	3251243	1	Nameplate - 120V-60Hz	
25	0860520	1	Box, Manual Storage	
26	4751400	4	Washer, 1/4	
27	3311405	4	Nut, Lock 1/4	
28	3820001	2	Rivet	
29	3252347	1	Decal - Footswitch	
38	1701499	6	Decal - No Lift	
40	1704412	1	Decal - Hydraulic Oil Chart	
43	0641406	4	Bolt, 1/4 x 3/4	
44	1705351	1	Decal - Drive/Steer Instructions	
54	1703953	2	Decal - Warning Crushing	
57	1001223055	1	Decal - Yearly Inspection	
58	1001223453	1	Decal - ICES	

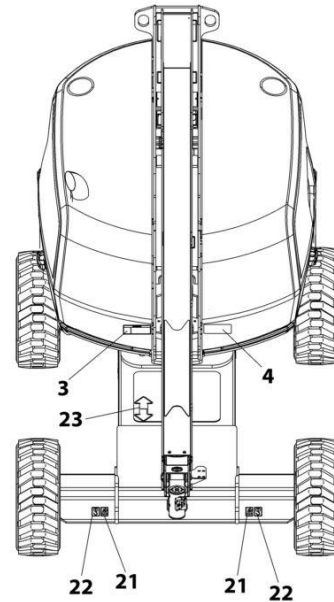
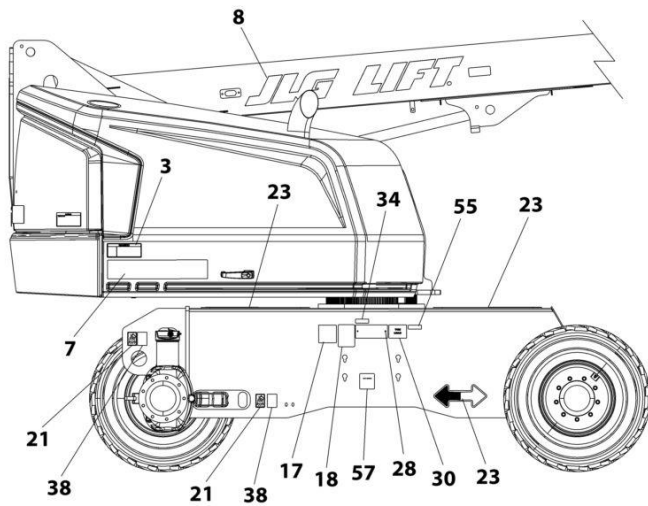
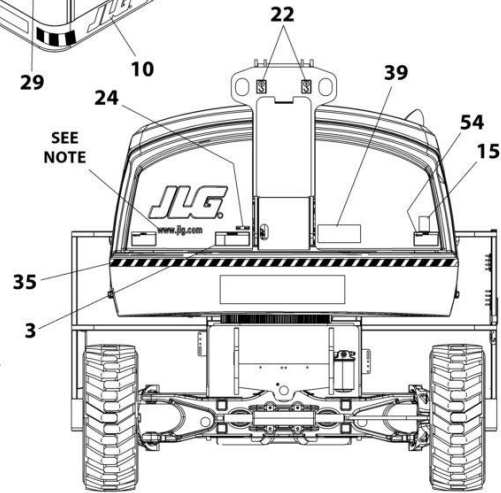
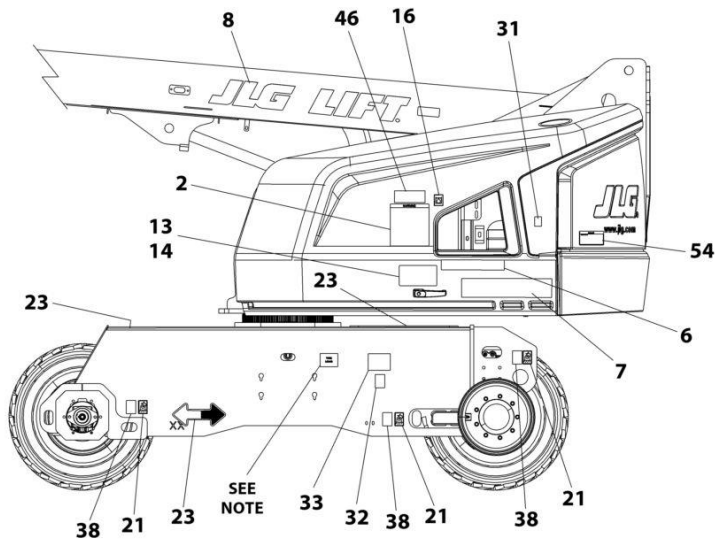
# SECTION 9 - DECAL

## FIGURE 9-3. DECAL INSTALLATION - AUSTRALIAN SPEC (460SJ)



NOTE: ITEMS SHOWN MAY NOT BE REQUIRED FOR ALL SPECS.  
REFER TO PART LIST FOR USAGE.

NOTE: ADDITIONAL DECALS ARE CALLED OUT ON DECALS INSTALLATION - OPTIONS.



ART\_1001171382

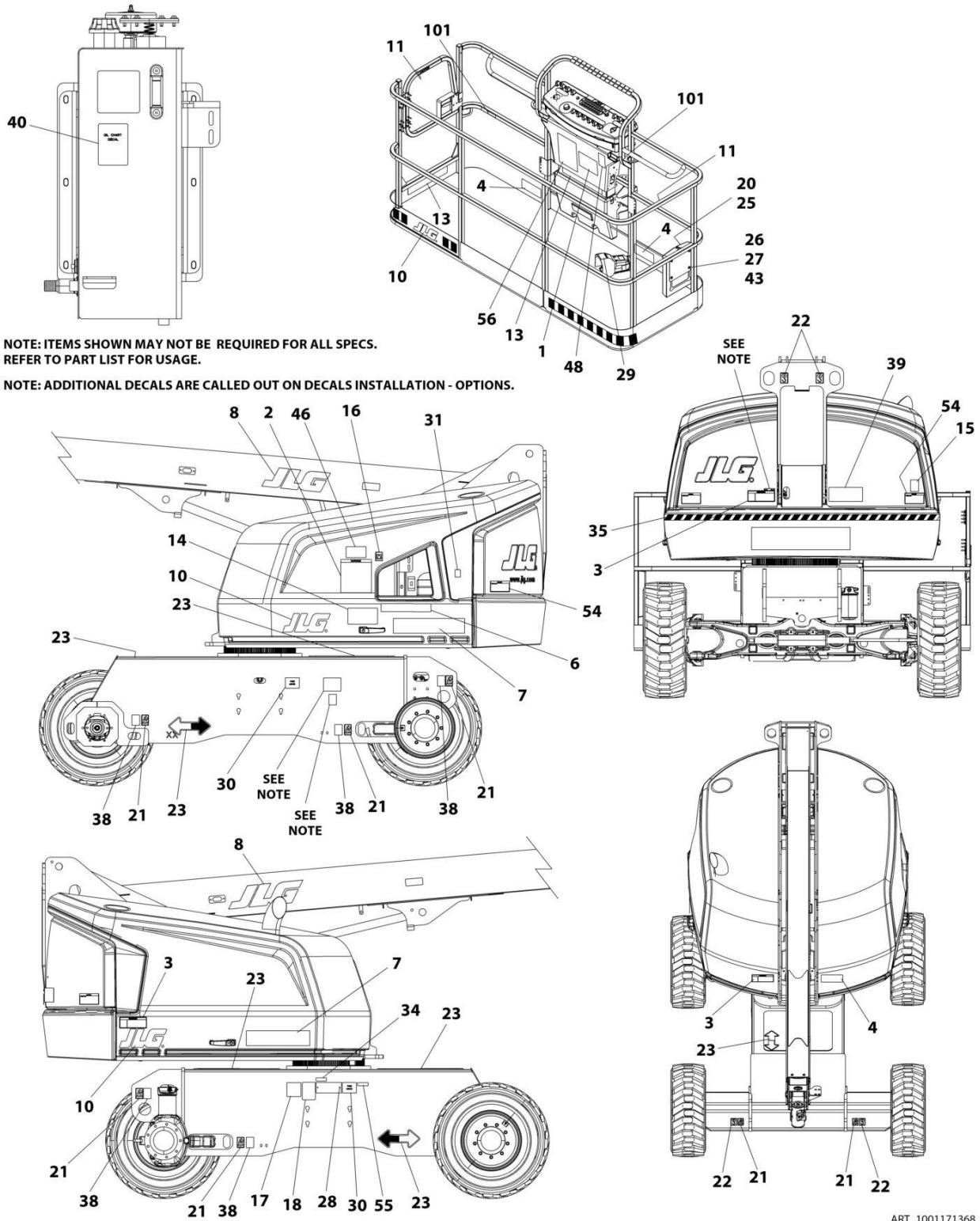
**SECTION 9 - DECAL**

**FIGURE 9-3. DECAL INSTALLATION - AUSTRALIAN SPEC (460SJ)**

ITEM	PART NUMBER	QTY	DESCRIPTION	REV
	1001250764	Ref	DECAL INSTALLATION - REFERENCE CHART	J
	1001171382	Ref	DECAL INSTALLATION - AUSTRALIAN SPEC	H
1	1705921	1	Decal - Tipping/Electrocution (Platform)	
2	1705822	1	Decal - Electrocution/Safety Manual	
3	1705961	3	Decal - Electrocution	
13	1001171339	3	Decal - Capacity (Platform)	
15	1001204510	1	Decal - Sound Power Level	
16	1701504	1	Decal - Hydraulic Oil	
17	See Note	NSS	Decal - Bar Code (Note: Not Available for Purchase)	
20	1701509	1	Decal - Manual	
21	1702300	8	Decal - Tie Down	
22	1701500	4	Decal - Lift	
23	1701529	4	Decal - Arrow	
25	0860520	1	Box, Manual Storage	
26	4751400	4	Washer, 1/4	
27	3311405	4	Nut, Lock 1/4	
28	3820001	2	Rivet	
29	1705828	1	Decal - Footswitch	
38	1701499	6	Decal - No Lift	
40	1704412	1	Decal - Hydraulic Oil Chart	
43	0641406	4	Bolt, 1/4 x 3/4	
46	1001112551	1	Decal - Emergency Controls	
54	1701518	5	Decal - Warning Crushing	

# SECTION 9 - DECAL

## FIGURE 9-4. DECAL INSTALLATION - CE SPEC (460SJ)



ART\_1001171368

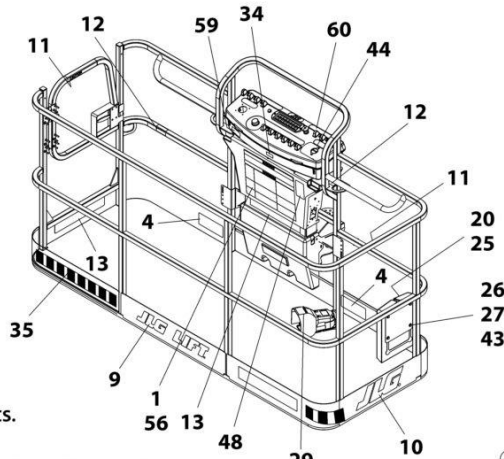
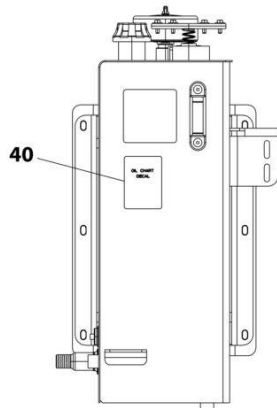
**SECTION 9 - DECAL**

**FIGURE 9-4. DECAL INSTALLATION - CE SPEC (460SJ)**

ITEM	PART NUMBER	QTY	DESCRIPTION	REV
	1001217488	Ref	DECAL INSTALLATION - REFERENCE CHART (TURNTABLE)	F
	1001171368	Ref	DECAL INSTALLATION - CE & UK CA SPEC	L
1	1705921	1	Decal - Tipping/Electrocution (Platform)	
2	1705822	1	Decal - Electrocution/Safety Manual	
3	1705961	3	Decal - Electrocution	
8	1001159323	1	Decal - JLG 8 in Black	
10	1702773	1	Decal - JLG 5	
13	1001171339	2	Decal - Capacity (Platform)	
16	1701504	1	Decal - Hydraulic Oil	
17	See Note	NSS	Decal - Bar Code (Note: Not Available for Purchase)	
20	1701509	1	Decal - Manual	
21	1702300	8	Decal - Tie Down	
22	1701500	4	Decal - Lift	
23	1701529	4	Decal - Arrow	
25	0860520	1	Box, Manual Storage	
26	4751400	4	Washer, 1/4	
27	3311405	4	Nut, Lock 1/4	
28	3820001	2	Rivet	
29	1705828	1	Decal - Footswitch	
38	1701499	6	Decal - No Lift	
40	1704412	1	Decal - Hydraulic Oil Chart	
43	0641406	4	Bolt, 1/4 x 3/4	
46	1001189882	1	Decal - MSSO	
54	1701518	5	Decal - Warning Crushing	
100	1001232066	1	Decal - Platform Lanyard Kit (Not Shown)	
101	1704277	3	Decal - Attach Lanyard Here	

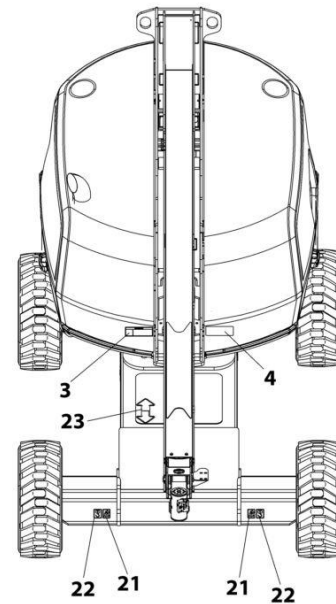
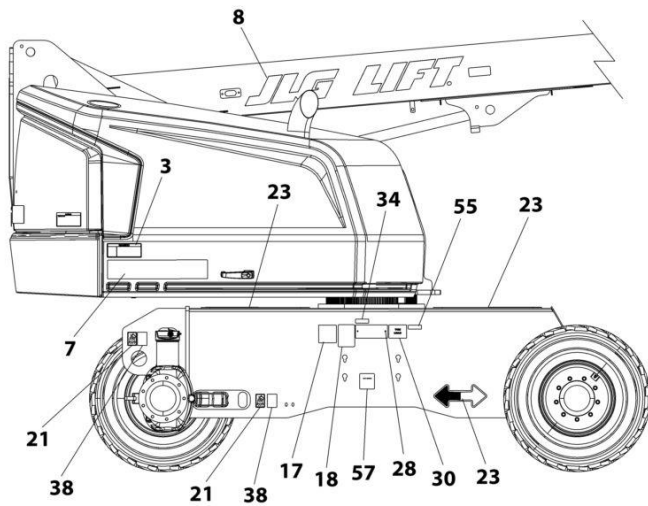
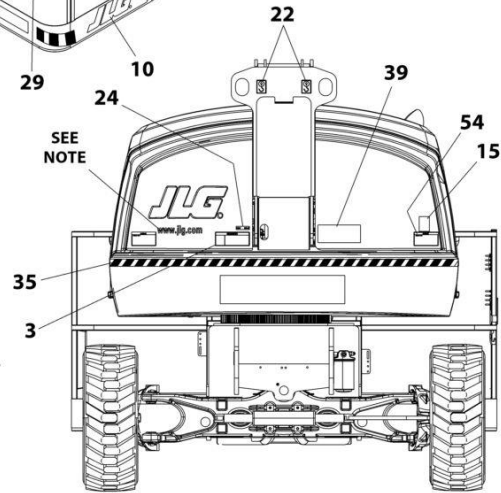
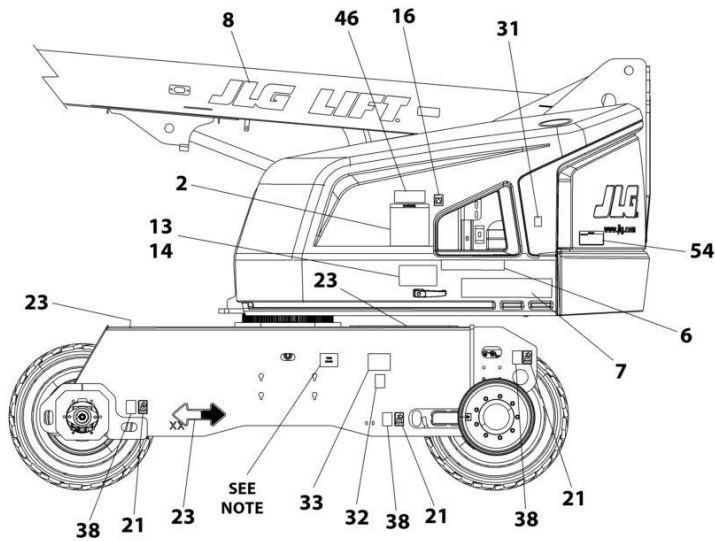
# SECTION 9 - DECAL

FIGURE 9-5. INSTALLATION - BRAZIL SPEC (DUAL LANGUAGE - PORTUGUESE/SPANISH) (400S)



NOTE: ITEMS SHOWN MAY NOT BE REQUIRED FOR ALL SPECS.  
REFER TO PART LIST FOR USAGE.

NOTE: ADDITIONAL DECALS ARE CALLED OUT ON DECALS INSTALLATION - OPTIONS.



ART\_1001242571\_E

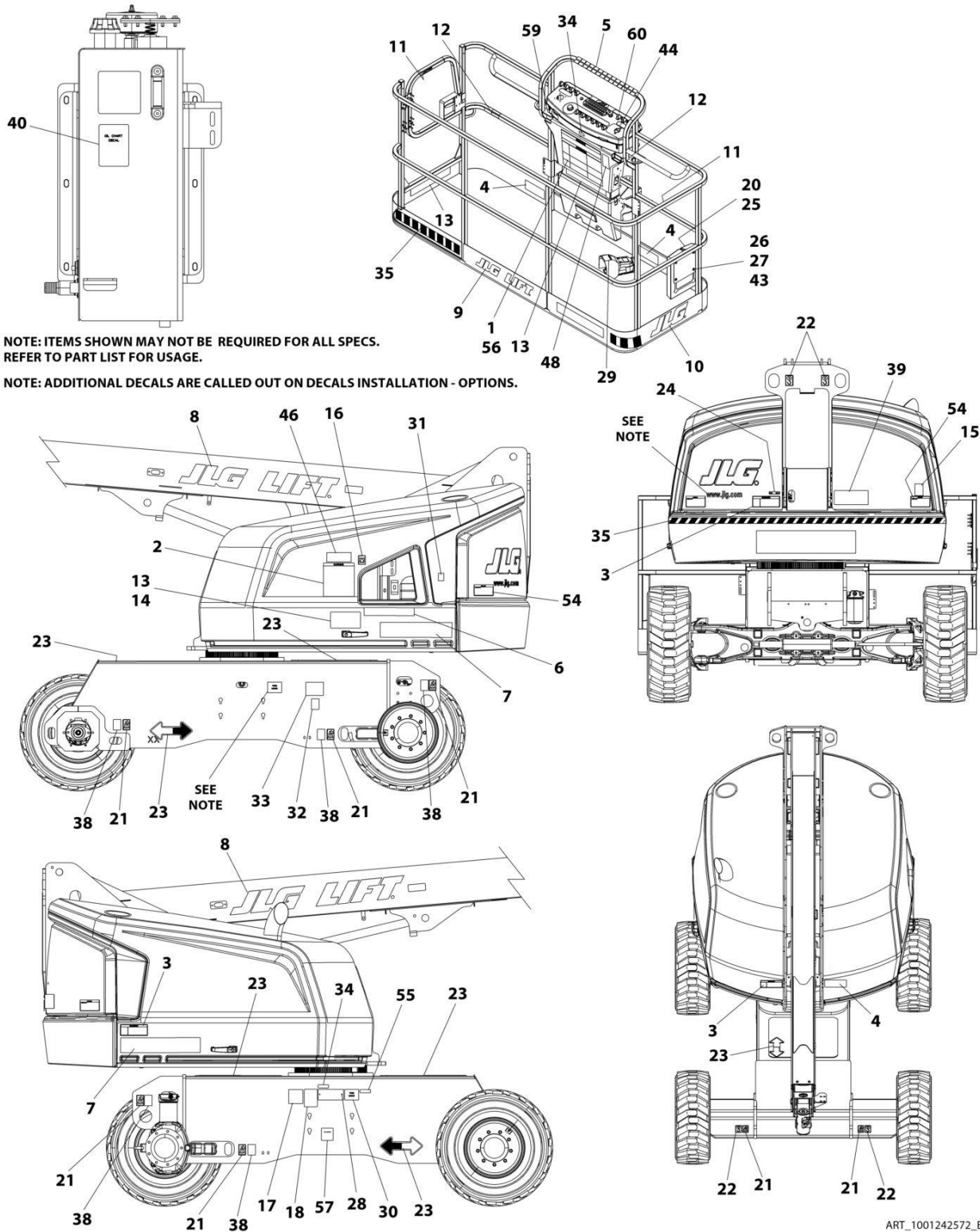
## SECTION 9 - DECAL

**FIGURE 9-5. INSTALLATION - BRAZIL SPEC (DUAL LANGUAGE - PORTUGUESE/SPANISH) (400S)**

ITEM	PART NUMBER	QTY	DESCRIPTION	REV
	1001250764	Ref	DECAL INSTALLATION - REFERENCE CHART	J
	1001242571	Ref	DECAL INSTALLATION - BRAZIL SPEC (DUAL LANGUAGE - PORTUGUESE/SPANISH)	E
1	1703928	1	Decal - Danger/Warning (Platform)	
2	1703934	1	Decal - Danger/Warning (Ground Control)	
3	1703940	3	Decal - Danger/Electrocution	
4	1703952	3	Decal - Warning Crushing	
11	1704002	2	Decal - No Hands	
13	1001254673	1	Decal - Warning Dual Capacity	
14	1001254674	1	Decal - Warning Dual Capacity	
16	1701504	1	Decal - Hydraulic Oil	
17	See Note	NSS	Decal - Bar Code (Note: Not Available for Purchase)	
20	1701509	1	Decal - Manual	
21	1702300	8	Decal - Tie Down	
22	1701500	4	Decal - Lift	
23	1701529	4	Decal - Arrow	
24	3251243	1	Nameplate - 120V-60Hz	
25	0860520	1	Box, Manual Storage	
26	4751400	4	Washer, 1/4	
27	3311405	4	Nut, Lock 1/4	
28	3820001	2	Rivet	
29	1703985	1	Decal - Footswitch	
38	1701499	6	Decal - No Lift	
40	1704412	1	Decal - Hydraulic Oil Chart	
43	0641406	4	Bolt, 1/4 x 3/4	
44	1001113680	1	Decal - Drive/Steer Instruction	
54	1703946	2	Decal - Warning Crushing	
57	1001224052	1	Decal - Yearly Inspection	

# SECTION 9 - DECAL

FIGURE 9-6. DECAL INSTALLATION - BRAZIL SPEC (DUAL LANGUAGE - PORTUGUESE/SPANISH) (460SJ)



ART\_1001242572\_E



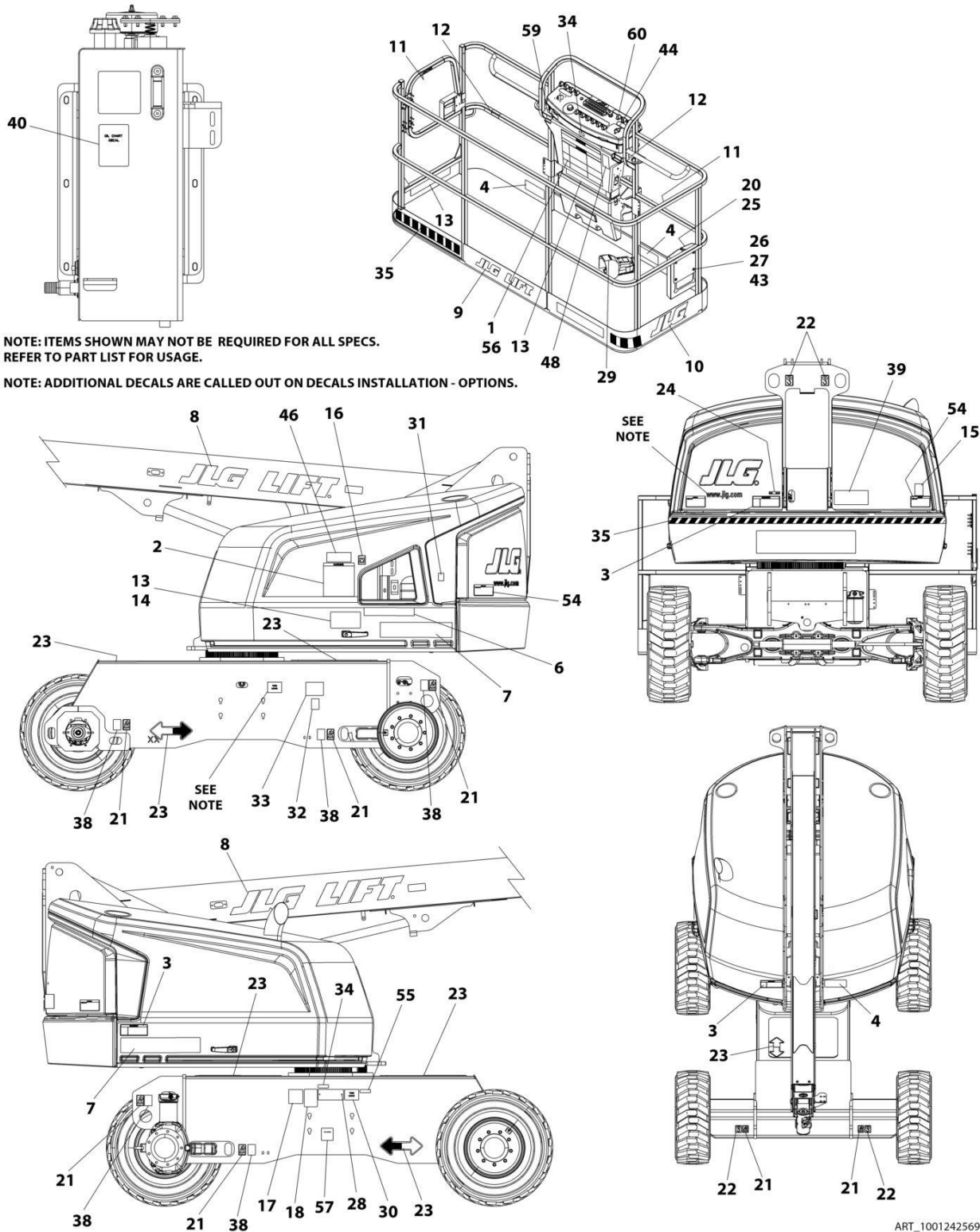
**SECTION 9 - DECAL**

**FIGURE 9-6. DECAL INSTALLATION - BRAZIL SPEC (DUAL LANGUAGE - PORTUGUESE/SPANISH)  
(460SJ)**

ITEM	PART NUMBER	QTY	DESCRIPTION	REV
	1001250764	Ref	DECAL INSTALLATION - REFERENCE CHART	J
	1001242572	Ref	DECAL INSTALLATION - BRAZIL SPEC (DUAL LANGUAGE - PORTUGUESE/SPANISH)	E
1	1703928	1	Decal - Danger/Warning (Platform)	
2	1703934	1	Decal - Danger/Warning (Ground Control)	
3	1703940	3	Decal - Danger/Electrocution	
4	1703952	3	Decal - Warning Crushing	
11	1704002	2	Decal - No Hands	
13	1001254754	2	Decal - Capacity	
16	1701504	1	Decal - Hydraulic Oil	
17	See Note	NSS	Decal - Bar Code (Note: Not Available for Purchase)	
20	1701509	1	Decal - Manual	
21	1702300	8	Decal - Tie Down	
22	1701500	4	Decal - Lift	
23	1701529	4	Decal - Arrow	
24	3251243	1	Nameplate - 120V-60Hz	
25	0860520	1	Box, Manual Storage	
26	4751400	4	Washer, 1/4	
27	3311405	4	Nut, Lock 1/4	
28	3820001	2	Rivet	
29	1703985	1	Decal - Footswitch	
38	1701499	6	Decal - No Lift	
40	1704412	1	Decal - Hydraulic Oil Chart	
43	0641406	4	Bolt, 1/4 x 3/4	
44	1001113680	1	Decal - Drive/Steer Instruction	
54	1703946	2	Decal - Warning Crushing	
57	1001224052	1	Decal - Yearly Inspection	

# SECTION 9 - DECAL

FIGURE 9-7. DECAL INSTALLATION - CHINESE SPEC (DUAL LANGUAGE - ENGLISH/CHINESE) (400S)



ART\_1001242569

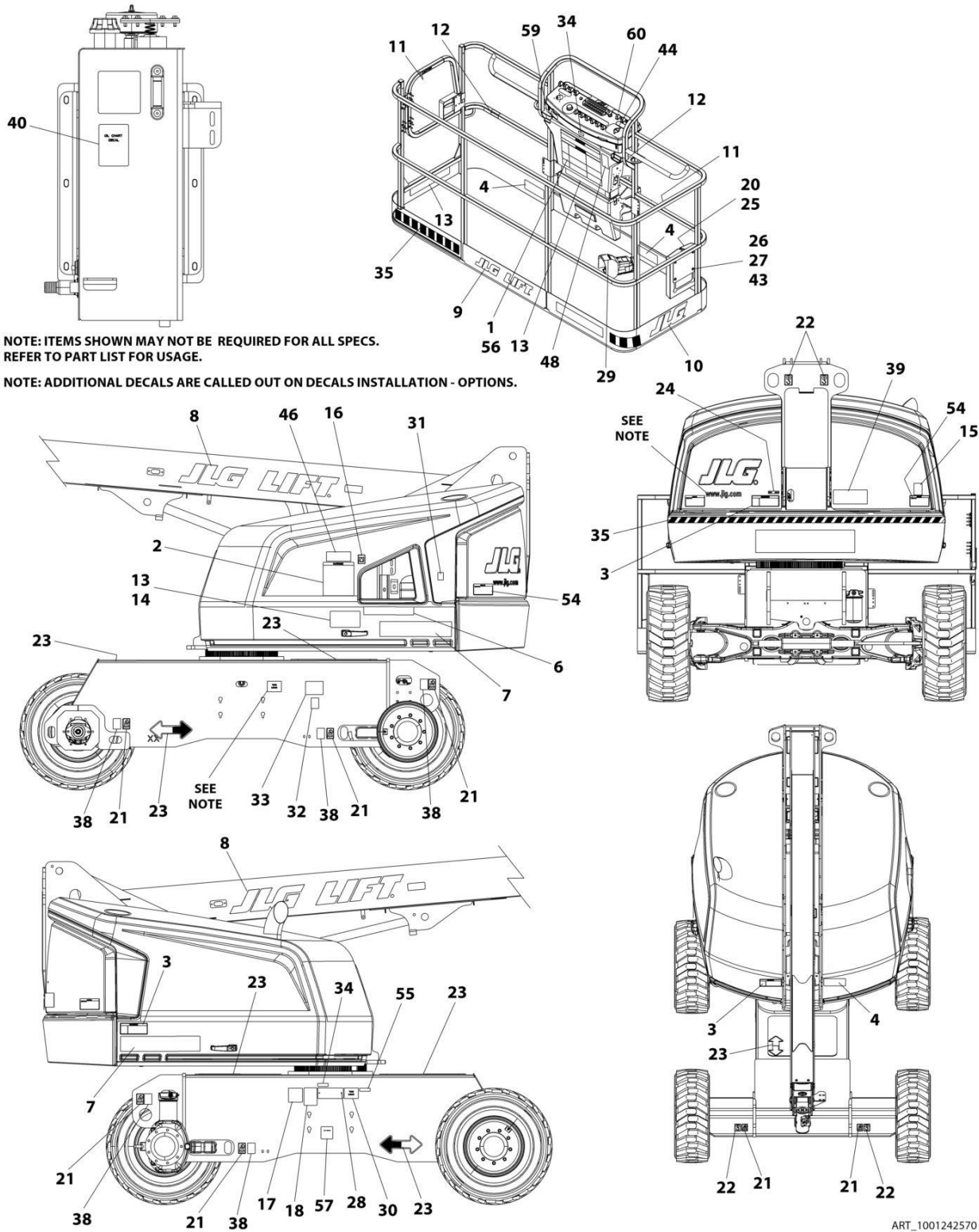
**SECTION 9 - DECAL**

**FIGURE 9-7. DECAL INSTALLATION - CHINESE SPEC (DUAL LANGUAGE - ENGLISH/CHINESE)  
(400S)**

ITEM	PART NUMBER	QTY	DESCRIPTION	REV
	1001250764	Ref	DECAL INSTALLATION - REFERENCE CHART	J
	1001242569	Ref	DECAL INSTALLATION - CHINESE SPEC (DUAL LANGUAGE - ENGLISH/CHINESE)	D
1	1703925	1	Decal - Danger/Warning (Platform)	
2	1703931	1	Decal - Danger/Warning (Ground Control)	
3	1703937	3	Decal - Danger/Electrocution	
4	1703949	3	Decal - Warning Crushing	
13	1001254671	1	Decal - Warning Dual Capacity	
14	1001254672	1	Decal - Warning Dual Capacity	
16	1701504	1	Decal - Hydraulic Oil	
17	See Note	NSS	Decal - Bar Code (Note: Not Available for Purchase)	
20	1701509	1	Decal - Manual	
21	1702300	8	Decal - Tie Down	
22	1701500	4	Decal - Lift	
23	1701529	4	Decal - Arrow	
25	0860520	1	Box, Manual Storage	
26	4751400	4	Washer, 1/4	
27	3311405	4	Nut, Lock 1/4	
28	3820001	2	Rivet	
29	1703982	1	Decal - Footswitch	
38	1701499	6	Decal - No Lift	
40	1704412	1	Decal - Hydraulic Oil Chart	
43	0641406	4	Bolt, 1/4 x 3/4	
44	1705430	1	Decal - Drive/Steer Instruction	
54	1703943	2	Decal - Warning Crushing	
57	1001224050	1	Decal - Yearly Inspection (Not Shown)	

# SECTION 9 - DECAL

FIGURE 9-8. DECAL INSTALLATION - CHINESE SPEC (DUAL LANGUAGE - ENGLISH/CHINESE) (460SJ)



ART\_1001242570

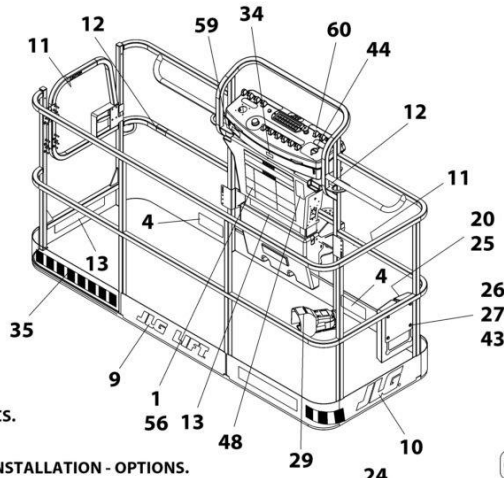
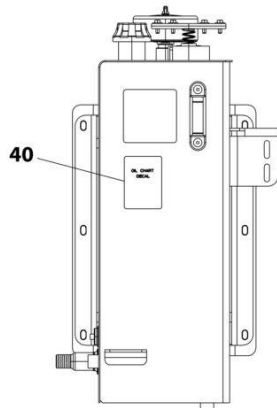
## SECTION 9 - DECAL

**FIGURE 9-8. DECAL INSTALLATION - CHINESE SPEC (DUAL LANGUAGE - ENGLISH/CHINESE)  
(460SJ)**

ITEM	PART NUMBER	QTY	DESCRIPTION	REV
	1001250764	Ref	DECAL INSTALLATION - REFERENCE CHART	J
	1001242570	Ref	DECAL INSTALLATION - CHINESE SPEC (DUAL LANGUAGE - ENGLISH/CHINESE)	D
1	1703925	1	Decal - Danger/Warning (Platform)	
2	1703931	1	Decal - Danger/Warning (Ground Control)	
3	1703937	3	Decal - Danger/Electrocution	
4	1703949	3	Decal - Warning Crushing	
13	1001254753	2	Decal - Warning Dual Capacity	
16	1701504	1	Decal - Hydraulic Oil	
17	See Note	NSS	Decal - Bar Code (Note: Not Available for Purchase)	
20	1701509	1	Decal - Manual	
21	1702300	8	Decal - Tie Down	
22	1701500	4	Decal - Lift	
23	1701529	4	Decal - Arrow	
25	0860520	1	Box, Manual Storage	
26	4751400	4	Washer, 1/4	
27	3311405	4	Nut, Lock 1/4	
28	3820001	2	Rivet	
29	1703982	1	Decal - Footswitch	
38	1701499	6	Decal - No Lift	
40	1704412	1	Decal - Hydraulic Oil Chart	
43	0641406	4	Bolt, 1/4 x 3/4	
44	1705430	1	Decal - Drive/Steer Instruction	
54	1703943	2	Decal - Warning Crushing	
57	1001224050	1	Decal - Yearly Inspection (Not Shown)	

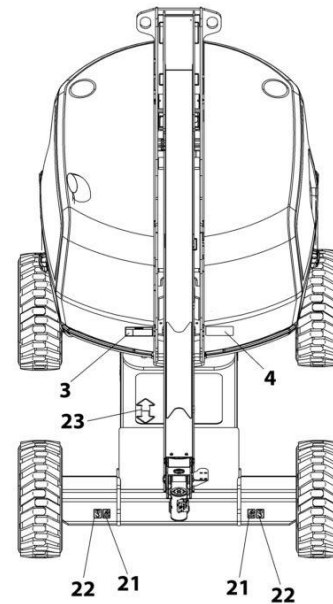
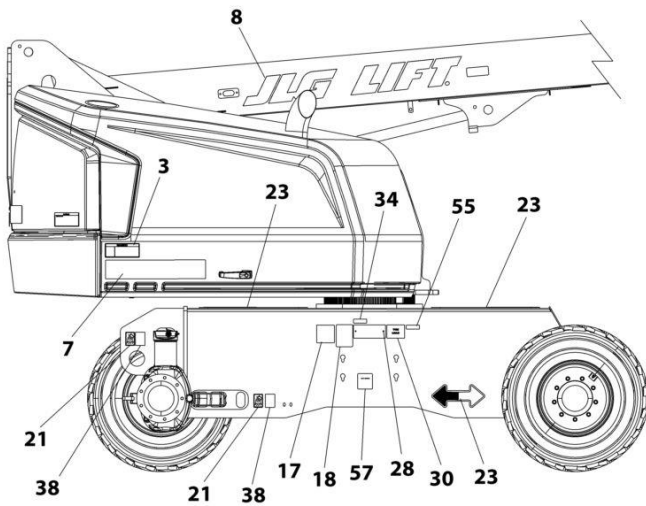
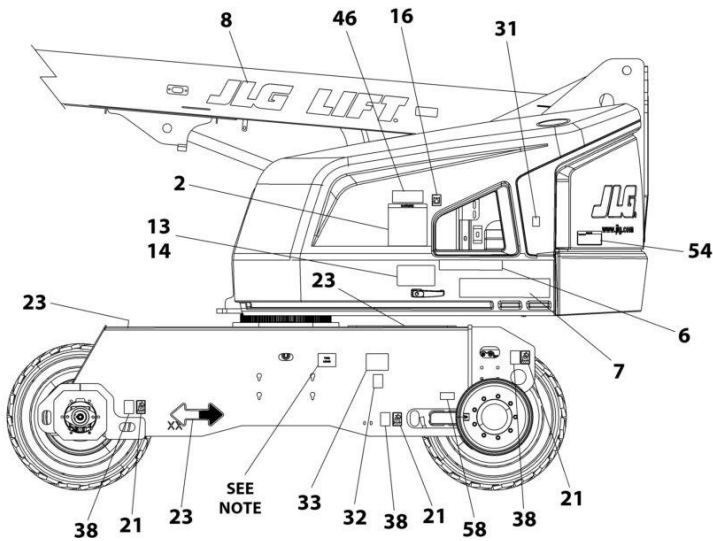
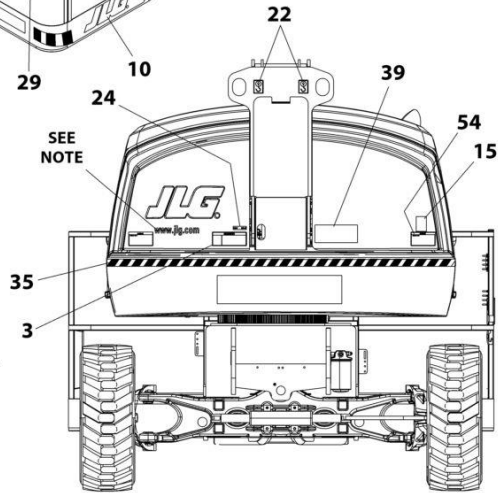
# SECTION 9 - DECAL

## FIGURE 9-9. DECAL INSTALLATION - CSA SPEC (DUAL LANGUAGE - ENGLISH/FRENCH) (400S)



NOTE: ITEMS SHOWN MAY NOT BE REQUIRED FOR ALL SPECS. REFER TO PART LIST FOR USAGE.

NOTE: ADDITIONAL DECALS ARE CALLED OUT ON DECALS INSTALLATION - OPTIONS.



ART\_1001242567

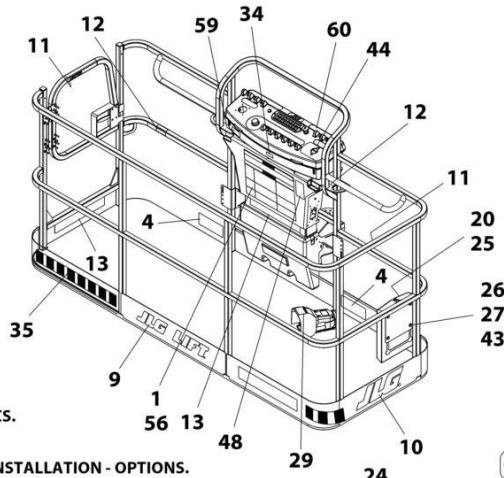
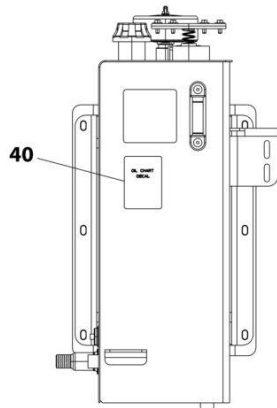
## SECTION 9 - DECAL

**FIGURE 9-9. DECAL INSTALLATION - CSA SPEC (DUAL LANGUAGE - ENGLISH/FRENCH) (400S)**

ITEM	PART NUMBER	QTY	DESCRIPTION	REV
	1001250764	Ref	DECAL INSTALLATION - REFERENCE CHART	J
	1001242567	Ref	DECAL INSTALLATION - CSA SPEC (DUAL LANGUAGE - ENGLISH/FRENCH)	E
1	1703924	1	Decal - Danger/Warning (Platform)	
2	1703930	1	Decal - Danger/Warning (Ground Control)	
3	1703936	3	Decal - Danger/Electrocution	
4	1703948	3	Decal - Warning Crushing	
11	1704000	2	Decal - No Hands	
13	1001254667	1	Decal - Warning Dual Capacity	
14	1001254668	1	Decal - Warning Dual Capacity	
16	1701504	1	Decal - Hydraulic Oil	
17	See Note	NSS	Decal - Bar Code (Note: Not Available for Purchase)	
18	1001131269	1	Decal - Patent	
20	1701509	1	Decal - Manual	
21	1702300	8	Decal - Tie Down	
22	1701500	4	Decal - Lift	
23	1701529	4	Decal - Arrow	
24	3251243	1	Nameplate - 120V-60Hz	
25	0860520	1	Box, Manual Storage	
26	4751400	4	Washer, 1/4	
27	3311405	4	Nut, Lock 1/4	
28	3820001	2	Rivet	
29	1703984	1	Decal - Footswitch	
38	1701499	6	Decal - No Lift	
40	1704412	1	Decal - Hydraulic Oil Chart	
43	0641406	4	Bolt, 1/4 x 3/4	
44	1705429	1	Decal - Drive/Steer Instruction	
54	1703942	2	Decal - Warning Crushing	
57	1001223971	1	Decal - Yearly Inspection (Not Shown)	
58	1001223453	1	Decal - ICES	

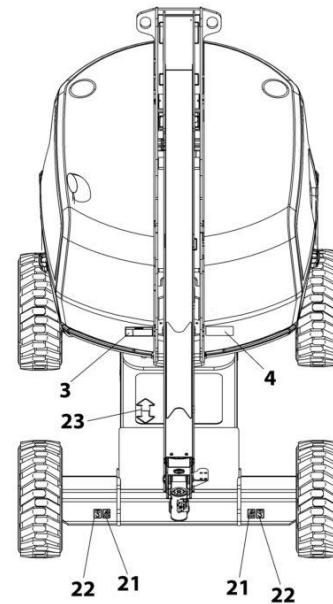
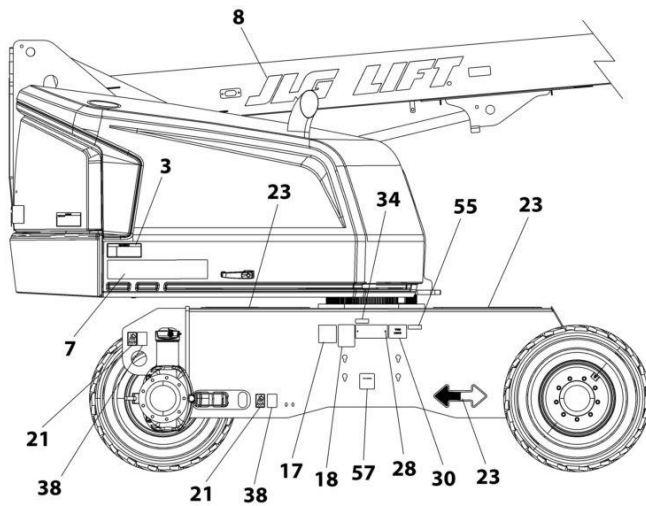
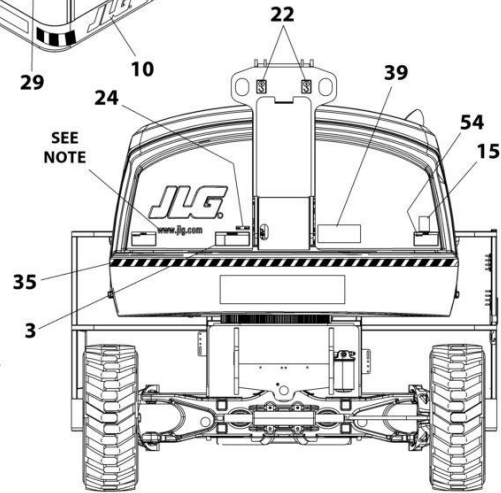
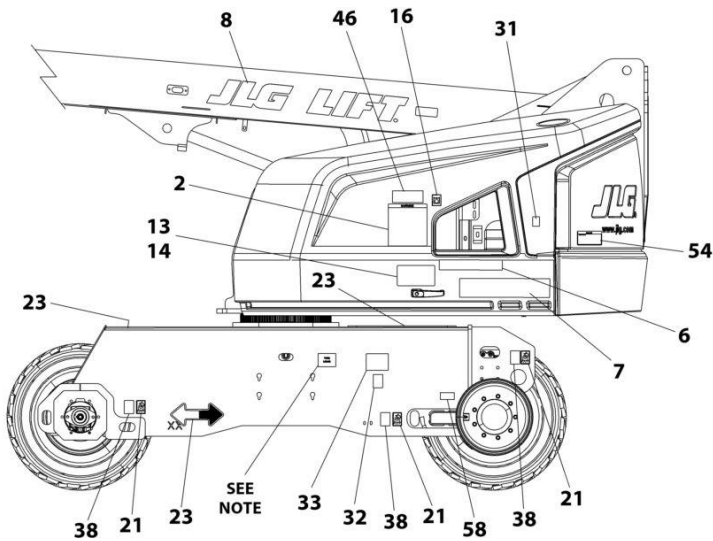
# SECTION 9 - DECAL

FIGURE 9-10. DECAL INSTALLATION - CSA SPEC (DUAL LANGUAGE - ENGLISH/FRENCH) (460SJ)



NOTE: ITEMS SHOWN MAY NOT BE REQUIRED FOR ALL SPECS. REFER TO PART LIST FOR USAGE.

NOTE: ADDITIONAL DECALS ARE CALLED OUT ON DECALS INSTALLATION - OPTIONS.



ART\_1001242568



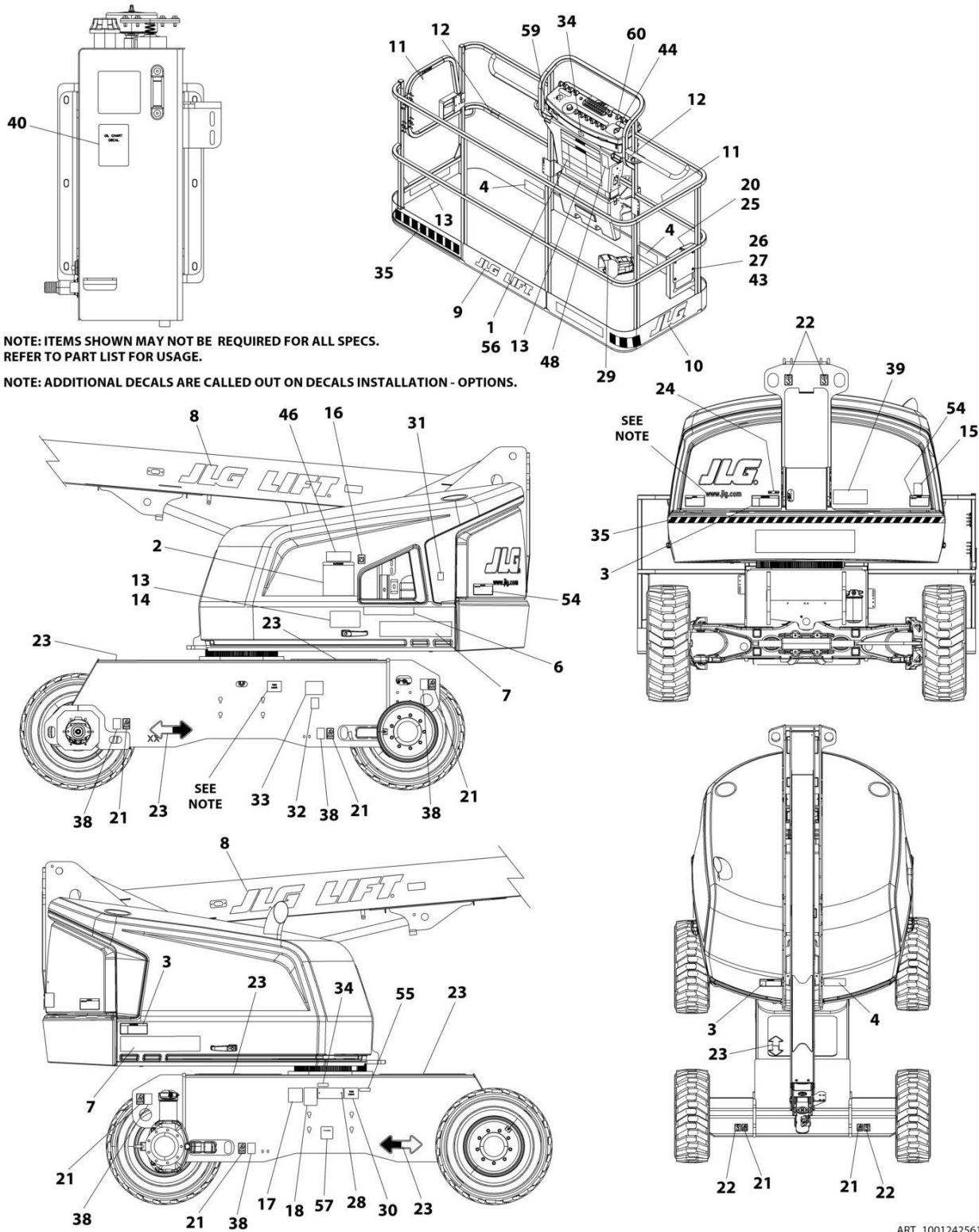
## SECTION 9 - DECAL

**FIGURE 9-10. DECAL INSTALLATION - CSA SPEC (DUAL LANGUAGE - ENGLISH/FRENCH) (460SJ)**

ITEM	PART NUMBER	QTY	DESCRIPTION	REV
	1001250764	Ref	DECAL INSTALLATION - REFERENCE CHART	J
	1001242568	Ref	DECAL INSTALLATION - CSA SPEC (DUAL LANGUAGE - ENGLISH/FRENCH)	E
1	1703924	1	Decal - Danger/Warning (Platform)	
2	1703930	1	Decal - Danger/Warning (Ground Control)	
3	1703936	3	Decal - Danger/Electrocution	
4	1703948	3	Decal - Warning Crushing	
11	1704000	2	Decal - No Hands	
13	1001254751	2	Decal - Warning Dual Capacity	
16	1701504	1	Decal - Hydraulic Oil	
17	See Note	NSS	Decal - Bar Code (Note: Not Available for Purchase)	
18	1001131269	1	Decal - Patent	
20	1701509	1	Decal - Manual	
21	1702300	8	Decal - Tie Down	
22	1701500	4	Decal - Lift	
23	1701529	4	Decal - Arrow	
24	3251243	1	Nameplate - 120V-60Hz	
25	0860520	1	Box, Manual Storage	
26	4751400	4	Washer, 1/4	
27	3311405	4	Nut, Lock 1/4	
28	3820001	2	Rivet	
29	1703984	1	Decal - Footswitch	
38	1701499	6	Decal - No Lift	
40	1704412	1	Decal - Hydraulic Oil Chart	
43	0641406	4	Bolt, 1/4 x 3/4	
44	1705429	1	Decal - Drive/Steer Instruction	
54	1703942	2	Decal - Warning Crushing	
57	1001223971	1	Decal - Yearly Inspection (Not Shown)	
58	1001223453	1	Decal - ICES	

# SECTION 9 - DECAL

## FIGURE 9-11. DECAL INSTALLATION - JAPANESE SPEC (DUAL LANGUAGE - ENGLISH/JAPANESE) (400S)



ART\_1001242561

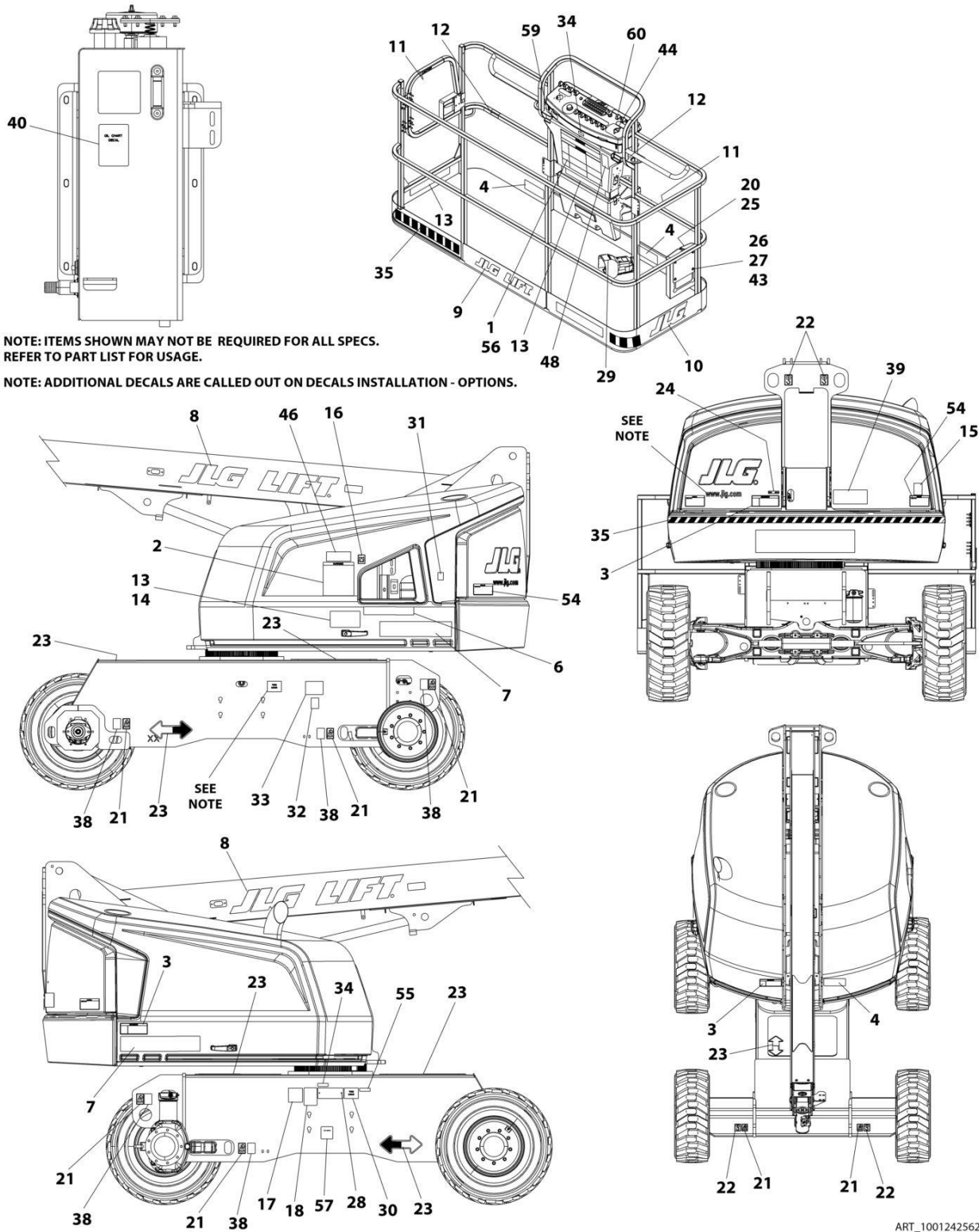
**SECTION 9 - DECAL**

**FIGURE 9-11. DECAL INSTALLATION - JAPANESE SPEC (DUAL LANGUAGE - ENGLISH/JAPANESE)  
(400S)**

ITEM	PART NUMBER	QTY	DESCRIPTION	REV
	1001250764	Ref	DECAL INSTALLATION - REFERENCE CHART	J
	1001242561	Ref	DECAL INSTALLATION - JAPANESE SPEC (DUAL LANGUAGE - ENGLISH/JAPANESE)	D
1	1703926	1	Decal - Danger/Warning (Platform)	
2	1703932	1	Decal - Danger/Warning (Ground Control)	
3	1703938	3	Decal - Danger/Electrocution	
4	1703950	3	Decal - Warning Crushing	
13	1001254677	1	Decal - Warning Dual Capacity	
14	1001254678	1	Decal - Warning Dual Capacity	
16	1701504	1	Decal - Hydraulic Oil	
17	See Note	NSS	Decal - Bar Code (Note: Not Available for Purchase)	
20	1701509	1	Decal - Manual	
21	1702300	8	Decal - Tie Down	
22	1701500	4	Decal - Lift	
23	1701529	4	Decal - Arrow	
25	0860520	1	Box, Manual Storage	
26	4751400	4	Washer, 1/4	
27	3311405	4	Nut, Lock 1/4	
28	3820001	2	Rivet	
29	1703980	1	Decal - Footswitch	
38	1701499	6	Decal - No Lift	
40	1704412	1	Decal - Hydraulic Oil Chart	
43	0641406	4	Bolt, 1/4 x 3/4	
44	1705426	1	Decal - Drive/Steer Instruction	
54	1703944	2	Decal - Warning Crushing	
57	1001224053	1	Decal - Yearly Inspection (Not Shown)	

# SECTION 9 - DECAL

## FIGURE 9-12. DECAL INSTALLATION - JAPANESE SPEC (DUAL LANGUAGE - ENGLISH/JAPANESE) (460SJ)



NOTE: ITEMS SHOWN MAY NOT BE REQUIRED FOR ALL SPECS. REFER TO PART LIST FOR USAGE.

NOTE: ADDITIONAL DECALS ARE CALLED OUT ON DECALS INSTALLATION - OPTIONS.

ART\_1001242562

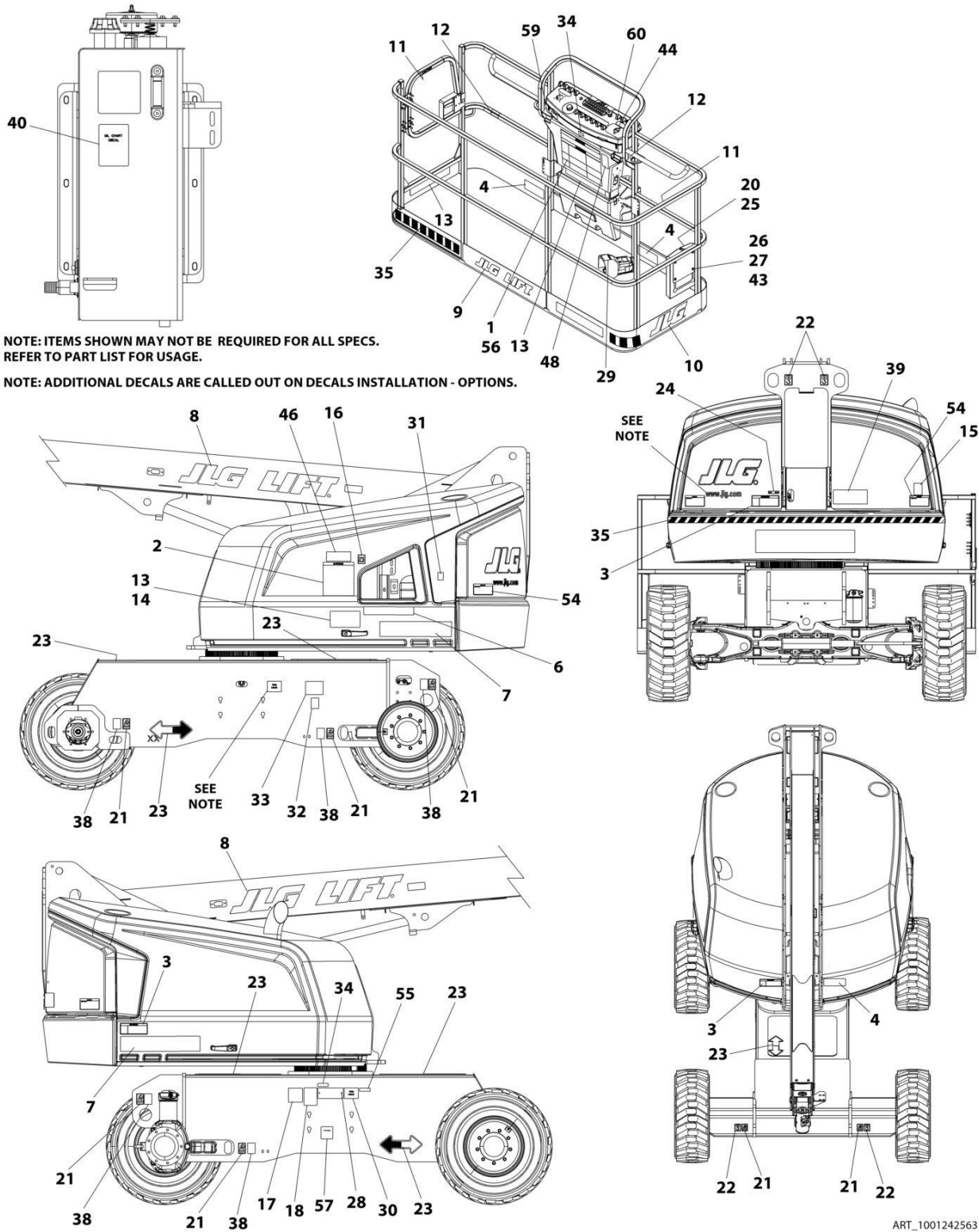
## SECTION 9 - DECAL

**FIGURE 9-12. DECAL INSTALLATION - JAPANESE SPEC (DUAL LANGUAGE - ENGLISH/JAPANESE)  
(460SJ)**

ITEM	PART NUMBER	QTY	DESCRIPTION	REV
	1001250764	Ref	DECAL INSTALLATION - REFERENCE CHART	J
	1001242562	Ref	DECAL INSTALLATION - JAPANESE SPEC (DUAL LANGUAGE - ENGLISH/JAPANESE)	D
1	1703926	1	Decal - Danger/Warning (Platform)	
2	1703932	1	Decal - Danger/Warning (Ground Control)	
3	1703938	3	Decal - Danger/Electrocution	
4	1703950	3	Decal - Warning Crushing	
13	1001254756	2	Decal - Warning Dual Capacity	
16	1701504	1	Decal - Hydraulic Oil	
17	See Note	NSS	Decal - Bar Code (Note: Not Available for Purchase)	
20	1701509	1	Decal - Manual	
21	1702300	8	Decal - Tie Down	
22	1701500	4	Decal - Lift	
23	1701529	4	Decal - Arrow	
25	0860520	1	Box, Manual Storage	
26	4751400	4	Washer, 1/4	
27	3311405	4	Nut, Lock 1/4	
28	3820001	2	Rivet	
29	1703980	1	Decal - Footswitch	
38	1701499	6	Decal - No Lift	
40	1704412	1	Decal - Hydraulic Oil Chart	
43	0641406	4	Bolt, 1/4 x 3/4	
44	1705426	1	Decal - Drive/Steer Instruction	
54	1703944	2	Decal - Warning Crushing	
57	1001224053	1	Decal - Yearly Inspection (Not Shown)	

# SECTION 9 - DECAL

## FIGURE 9-13. DECAL INSTALLATION - KOREAN SPEC (DUAL LANGUAGE - ENGLISH/KOREAN) (400S)



ART\_1001242563

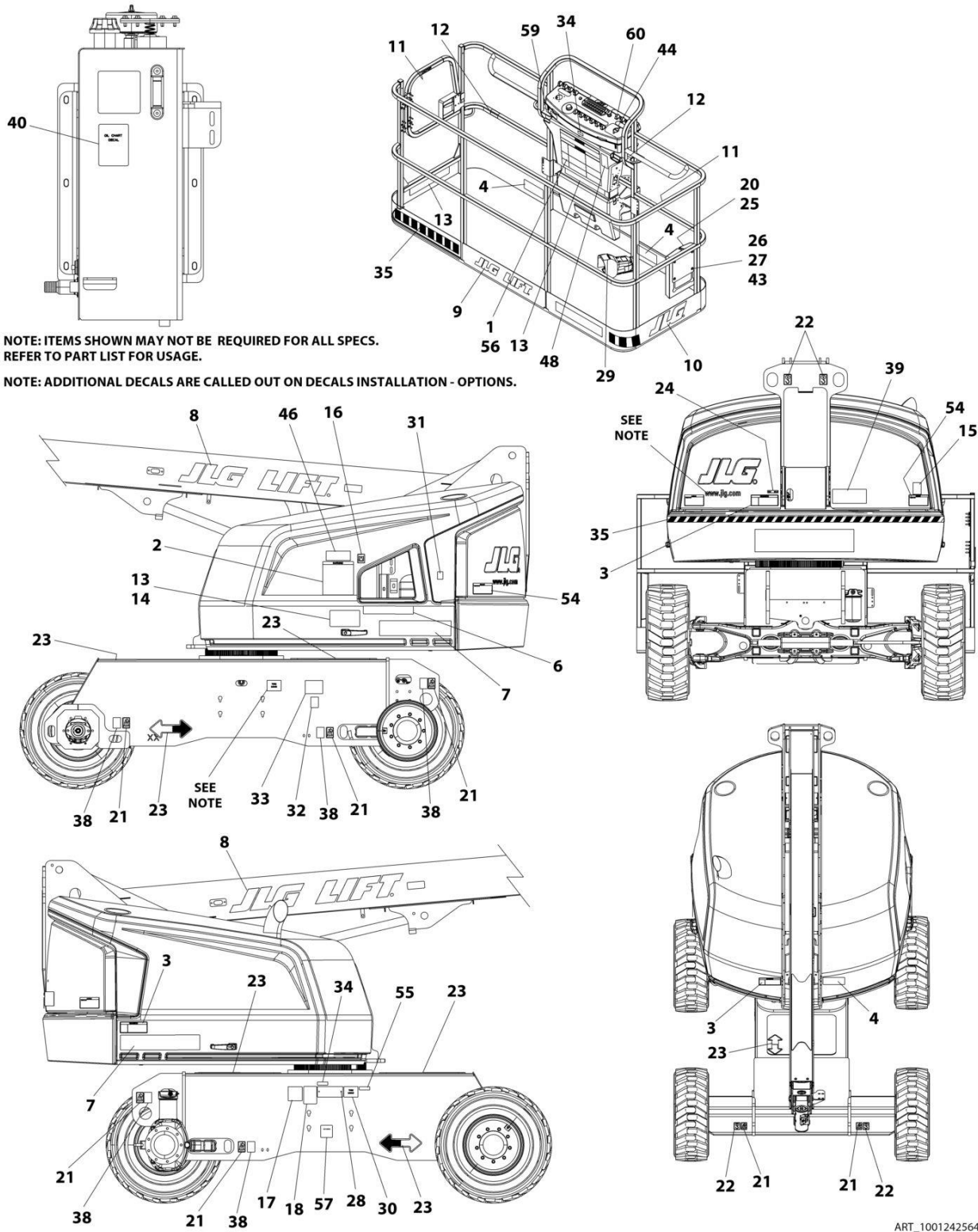
**SECTION 9 - DECAL**

**FIGURE 9-13. DECAL INSTALLATION - KOREAN SPEC (DUAL LANGUAGE - ENGLISH/KOREAN)  
(400S)**

ITEM	PART NUMBER	QTY	DESCRIPTION	REV
	1001250764	Ref	DECAL INSTALLATION - REFERENCE CHART	J
	1001242563	Ref	DECAL INSTALLATION - KOREAN SPEC (DUAL LANGUAGE - ENGLISH/KOREAN)	D
1	1703927	1	Decal - Danger/Warning (Platform)	
2	1703933	1	Decal - Danger/Warning (Ground Control)	
3	1703939	3	Decal - Danger/Electrocution	
4	1703951	3	Decal - Warning Crushing	
13	1001254669	1	Decal - Warning Dual Capacity	
14	1001254670	1	Decal - Warning Dual Capacity	
16	1701504	1	Decal - Hydraulic Oil	
17	See Note	NSS	Decal - Bar Code (Note: Not Available for Purchase)	
20	1701509	1	Decal - Manual	
21	1702300	8	Decal - Tie Down	
22	1701500	4	Decal - Lift	
23	1701529	4	Decal - Arrow	
25	0860520	1	Box, Manual Storage	
26	4751400	4	Washer, 1/4	
27	3311405	4	Nut, Lock 1/4	
28	3820001	2	Rivet	
29	1703981	1	Decal - Footswitch	
38	1701499	6	Decal - No Lift	
40	1704412	1	Decal - Hydraulic Oil Chart	
43	0641406	4	Bolt, 1/4 x 3/4	
44	1705427	1	Decal - Drive/Steer Instruction	
54	1703945	2	Decal - Warning Crushing	
57	1001224048	1	Decal - Yearly Inspection (Not Shown)	

# SECTION 9 - DECAL

## FIGURE 9-14. DECAL INSTALLATION - KOREAN SPEC (DUAL LANGUAGE - ENGLISH/KOREAN) (460SJ)



ART\_1001242564



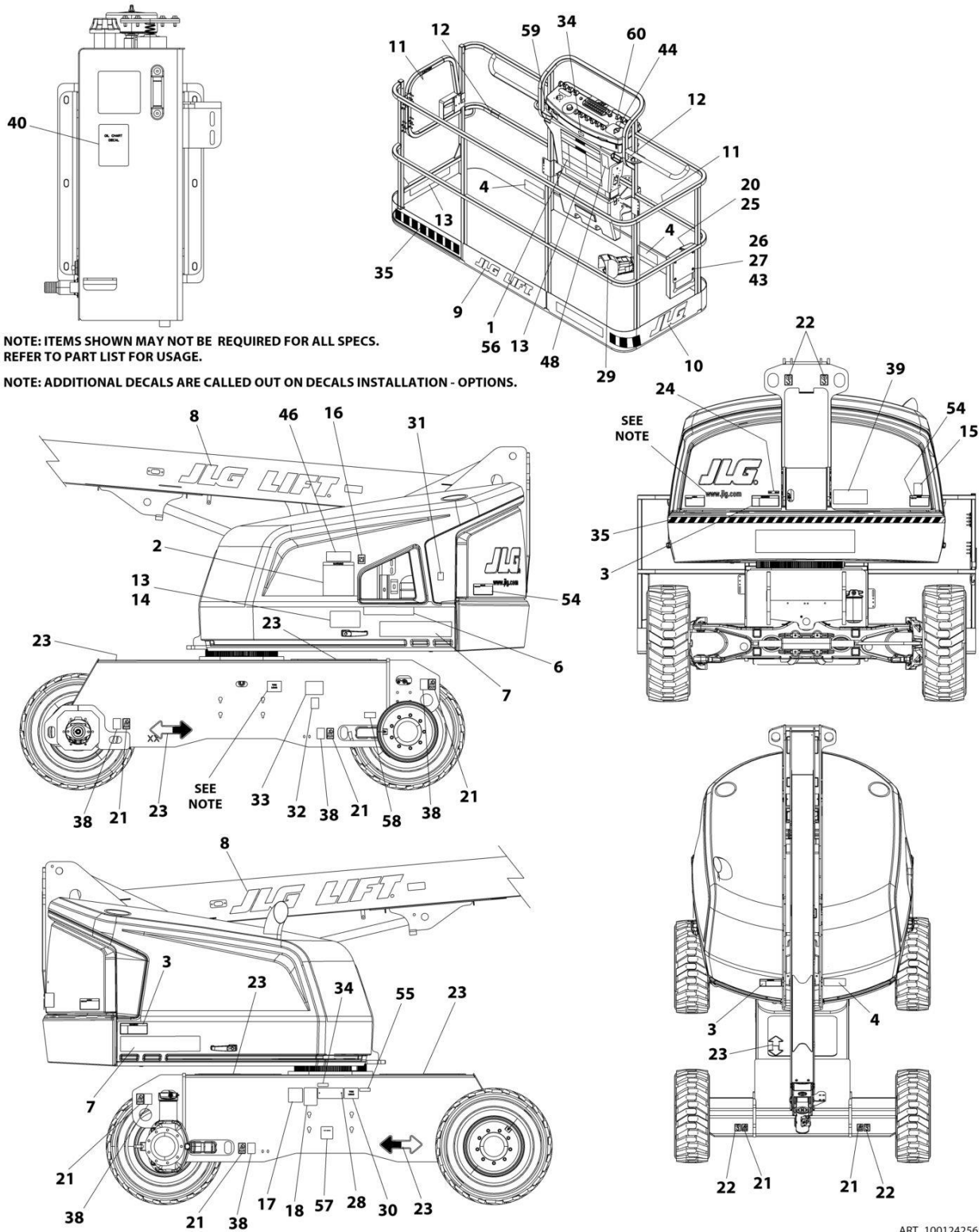
**SECTION 9 - DECAL**

**FIGURE 9-14. DECAL INSTALLATION - KOREAN SPEC (DUAL LANGUAGE - ENGLISH/KOREAN) (460SJ)**

ITEM	PART NUMBER	QTY	DESCRIPTION	REV
	1001250764	Ref	DECAL INSTALLATION - REFERENCE CHART	K
	1001242564	Ref	DECAL INSTALLATION - KOREAN SPEC (DUAL LANGUAGE - ENGLISH/KOREAN)	D
1	1703927	1	Decal - Danger/Warning (Platform)	
2	1703933	1	Decal - Danger/Warning (Ground Control)	
3	1703939	3	Decal - Danger/Electrocution	
4	1703951	3	Decal - Warning Crushing	
13	1001254752	2	Decal - Warning Dual Capacity	
16	1701504	1	Decal - Hydraulic Oil	
17	See Note	NSS	Decal - Bar Code (Note: Not Available for Purchase)	
20	1701509	1	Decal - Manual	
21	1702300	8	Decal - Tie Down	
22	1701500	4	Decal - Lift	
23	1701529	4	Decal - Arrow	
25	0860520	1	Box, Manual Storage	
26	4751400	4	Washer, 1/4	
27	3311405	4	Nut, Lock 1/4	
28	3820001	2	Rivet	
29	1703981	1	Decal - Footswitch	
38	1701499	6	Decal - No Lift	
40	1704412	1	Decal - Hydraulic Oil Chart	
43	0641406	4	Bolt, 1/4 x 3/4	
44	1705427	1	Decal - Drive/Steer Instruction	
54	1703945	2	Decal - Warning Crushing	
57	1001224048	1	Decal - Yearly Inspection (Not Shown)	

# SECTION 9 - DECAL

## FIGURE 9-15. DECAL INSTALLATION - LATIN AMERICAN SPEC (DUAL LANGUAGE - ENGLISH/SPANISH) (400S)



ART\_1001242565

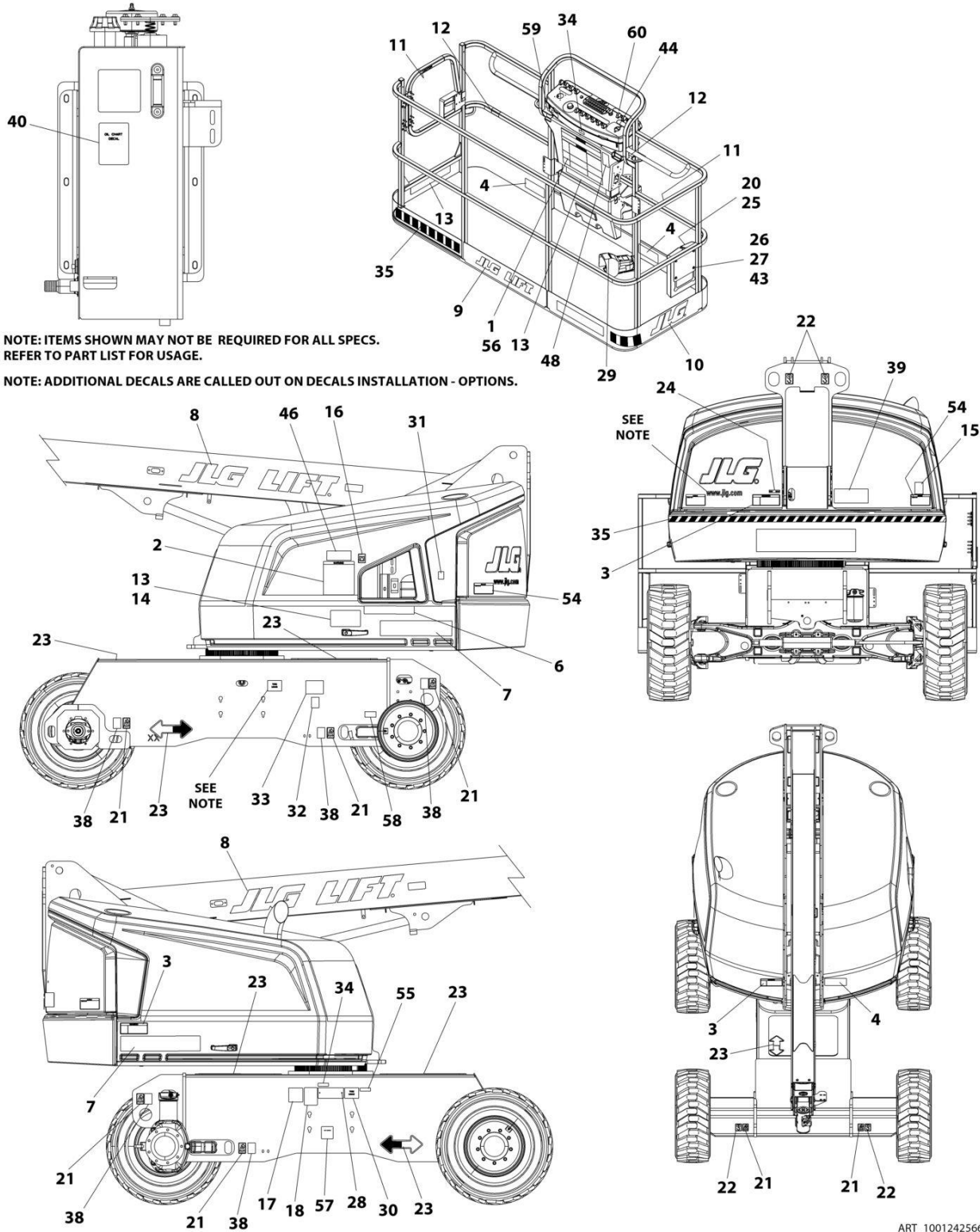
**SECTION 9 - DECAL**

**FIGURE 9-15. DECAL INSTALLATION - LATIN AMERICAN SPEC (DUAL LANGUAGE - ENGLISH/SPANISH) (400S)**

ITEM	PART NUMBER	QTY	DESCRIPTION	REV
	1001250764	Ref	DECAL INSTALLATION - REFERENCE CHART	J
	1001242565	Ref	DECAL INSTALLATION - LATIN AMERICAN SPEC (DUAL LANGUAGE - ENGLISH/SPANISH)	D
1	1703923	1	Decal - Danger/Warning (Platform)	
2	1703929	1	Decal - Danger/Warning (Ground Control)	
3	1703935	3	Decal - Danger/Electrocution	
4	1703947	3	Decal - Warning Crushing	
11	1704001	2	Decal - No Hands	
13	1001254675	2	Decal - Warning Dual Capacity	
14	1001254676	1	Decal - Warning Dual Capacity	
16	1701504	1	Decal - Hydraulic Oil	
17	See Note	NSS	Decal - Bar Code (Note: Not Available for Purchase)	
20	1701509	1	Decal - Manual	
21	1702300	8	Decal - Tie Down	
22	1701500	4	Decal - Lift	
23	1701529	4	Decal - Arrow	
24	3251243	1	Nameplate - 120V-60Hz	
25	0860520	1	Box, Manual Storage	
26	4751400	4	Washer, 1/4	
27	3311405	4	Nut, Lock 1/4	
28	3820001	2	Rivet	
29	1703983	1	Decal - Footswitch	
38	1701499	6	Decal - No Lift	
40	1704412	1	Decal - Hydraulic Oil Chart	
43	0641406	4	Bolt, 1/4 x 3/4	
44	1705910	1	Decal - Drive/Steer Instruction	
54	1703941	2	Decal - Warning Crushing	
57	1001224049	1	Decal - Yearly Inspection (Not Shown)	
58	1001223453	1	Decal - ICES	

# SECTION 9 - DECAL

FIGURE 9-16. DECAL INSTALLATION - LATIN AMERICAN SPEC (DUAL LANGUAGE - ENGLISH/SPANISH) (460SJ)



NOTE: ITEMS SHOWN MAY NOT BE REQUIRED FOR ALL SPECS. REFER TO PART LIST FOR USAGE.

NOTE: ADDITIONAL DECALS ARE CALLED OUT ON DECALS INSTALLATION - OPTIONS.

ART\_1001242566

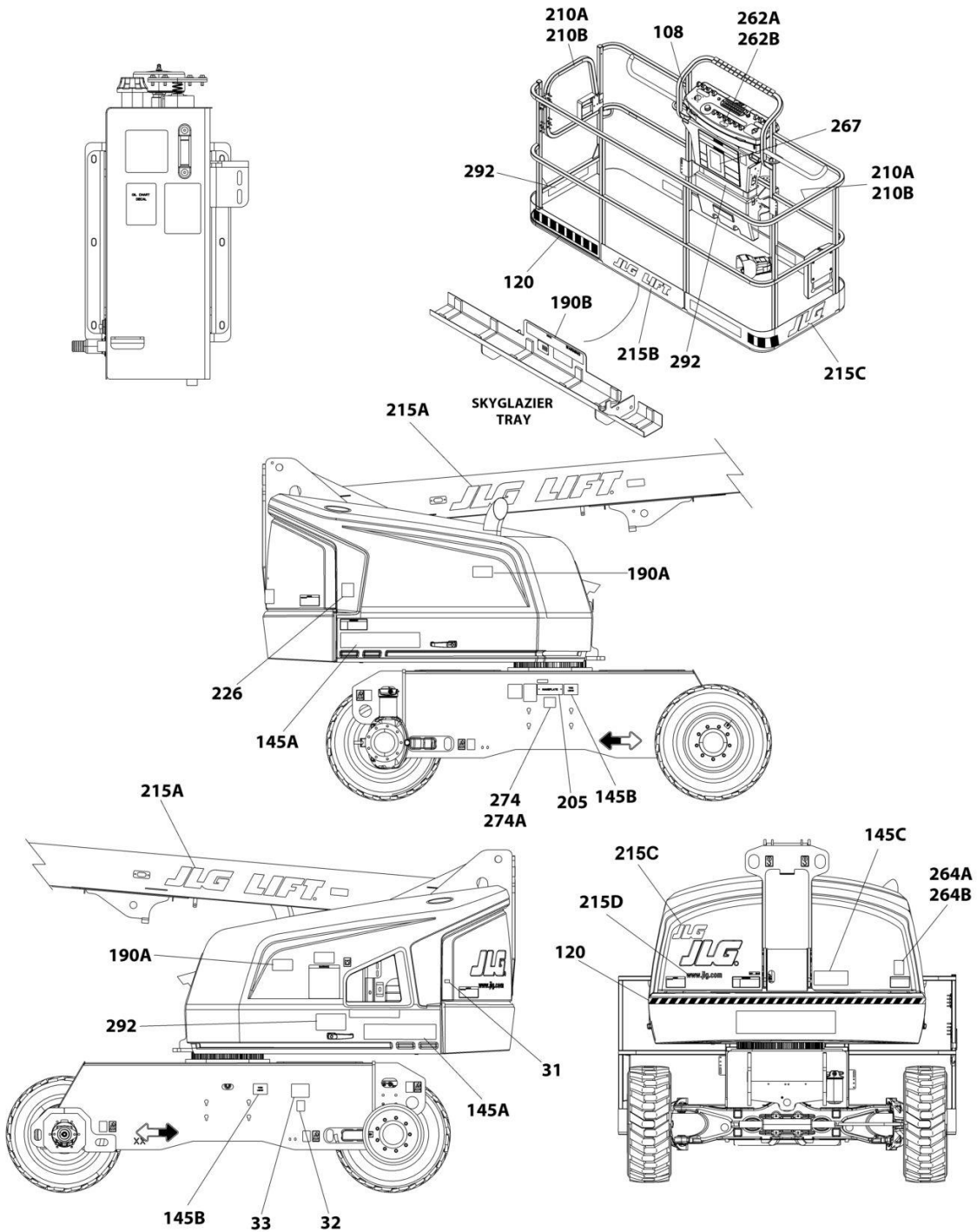
**SECTION 9 - DECAL**

**FIGURE 9-16. DECAL INSTALLATION - LATIN AMERICAN SPEC (DUAL LANGUAGE - ENGLISH/SPANISH) (460SJ)**

ITEM	PART NUMBER	QTY	DESCRIPTION	REV
	1001250764	Ref	DECAL INSTALLATION - REFERENCE CHART	J
	1001242566	Ref	DECAL INSTALLATION - LATIN AMERICAN SPEC (DUAL LANGUAGE - ENGLISH/SPANISH)	D
1	1703923	1	Decal - Danger/Warning (Platform)	
2	1703929	1	Decal - Danger/Warning (Ground Control)	
3	1703935	3	Decal - Danger/Electrocution	
4	1703947	3	Decal - Warning Crushing	
11	1704001	2	Decal - No Hands	
13	1001254755	2	Decal - Warning Dual Capacity	
16	1701504	1	Decal - Hydraulic Oil	
17	See Note	NSS	Decal - Bar Code (Note: Not Available for Purchase)	
20	1701509	1	Decal - Manual	
21	1702300	8	Decal - Tie Down	
22	1701500	4	Decal - Lift	
23	1701529	4	Decal - Arrow	
24	3251243	1	Nameplate - 120V-60Hz	
25	0860520	1	Box, Manual Storage	
26	4751400	4	Washer, 1/4	
27	3311405	4	Nut, Lock 1/4	
28	3820001	2	Rivet	
29	1703983	1	Decal - Footswitch	
38	1701499	6	Decal - No Lift	
40	1704412	1	Decal - Hydraulic Oil Chart	
43	0641406	4	Bolt, 1/4 x 3/4	
44	1705910	1	Decal - Drive/Steer Instruction	
54	1703941	2	Decal - Warning Crushing	
57	1001224049	1	Decal - Yearly Inspection (Not Shown)	
58	1001223453	1	Decal - ICES	

# SECTION 9 - DECAL

## FIGURE 9-17. DECAL INSTALLATION - OPTIONS



ART\_DECAL\_OPTIONS

## SECTION 9 - DECAL

### FIGURE 9-17. DECAL INSTALLATION - OPTIONS

ITEM	PART NUMBER	QTY	DESCRIPTION	REV
	1001250764	Ref	DECAL INSTALLATION - REFERENCE CHART	G
	1001245658	Ref	DECAL INSTALLATION - OPTIONS	M
31	1701505	1	Decal - Diesel Fuel	
31	1701542	1	Decal - Gas	
32	1701543	1	Decal - LPG	
33	1700818	1	Decal - LP Gas Liquid Withdrawal System (ANSI and CSA Spec)	
33	1704271	1	Decal - LP Gas Liquid Withdrawal System (CSA Spec)	
33	1702720	1	Decal - LP Gas Liquid Withdrawal System (ANSI Export and China Specs)	
33	1001119661	1	Decal - LP Gas Liquid Withdrawal System (ANSI, ANSI Export and China Specs)	
108	1001231801	1	Decal - Proposition 65 (Diesel Machines) (USA Built Machines)	
120	1001178415	Ref	Warning Strip Installation (Not Shown)	A
120	4420051	14.5 ft /4.42m	Tape, Safety	
145	1001174349	Ref	Decal - Model Designation (Not Shown) (400S)	C
145	1001174350	Ref	Decal - Model Designation (Not Shown) (460SJ)	C
145A	1704472	2	Decal - Model (400S) <b>(Prior to SN 0300280247)</b>	
145A	1001234608	2	Decal - Model (400S) <b>(SN 0300280248 through 0300280257)</b>	
145A	1704472	2	Decal - Model (400S) <b>(SN 0300280258 through 0300280264)</b>	
145A	1001234608	2	Decal - Model (400S) <b>(SN 0300280265 through 0300280274)</b>	
145A	1704472	2	Decal - Model (400S) <b>(SN 0300280275 through 0300280282)</b>	
145A	1001234608	2	Decal - Model (400S) <b>(SN 0300280283 to Present)</b>	
145A	1704473	2	Decal - Model (460SJ) <b>(Prior to SN 0300280247)</b>	
145A	1001251723	2	Decal - Model (460SJ) <b>(SN 0300280248 through 0300280257)</b>	
145A	1704473	2	Decal - Model (460SJ) <b>(SN 0300280258 through 0300280264)</b>	
145A	1001251723	2	Decal - Model (460SJ) <b>(SN 0300280265 through 0300280274)</b>	
145A	1704473	2	Decal - Model (460SJ) <b>(SN 0300280275 through 0300280282)</b>	
145A	1001251723	2	Decal - Model (460SJ) <b>(SN 0300280283 to Present)</b>	
145B	1001195745	2	Decal - Max Tire Load (400S)	
145B	1001195746	2	Decal - Max Tire Load (460SJ)	
145C	1001177451	1	Decal - Lift Diagram	
190	1001172570	Ref	Decal - SkyGlazier Installation (ANSI and CSA Specs) (English Decals)	C
190	1001172571	Ref	Decal - SkyGlazier Installation (ANSI Export Specs) (Spanish Decals)	B
190	1001172572	Ref	Decal - SkyGlazier Installation (ANSI Export Specs) (Portuguese Decals)	B
190	1001172620	Ref	Decal - SkyGlazier Installation (Australian Specs) (Australian Decals)	C
190A	1705358	2	Decal - SkyGlazier	
190B	1001199035	2	Decal - SkyGlazier Capacity (ANSI and CSA Specs) (English)	
190B	1001172564	2	Decal - SkyGlazier Capacity (ANSI Export Specs) (Spanish)	
190B	1001172565	2	Decal - SkyGlazier Capacity (ANSI Export Specs) (Portuguese)	
190B	1001199036	2	Decal - SkyGlazier Capacity (Australian Specs) (Australian)	
205	See Note	NSS	Nameplate - Serial Number (Note: Not Available for Purchase)	
210A	1702868	2	Decal - No Hands	
210B	1704000	2	Decal - No Hands	
215	1001178433	Ref	Decal Installation - JLG Logo (Not Shown) (All Specs except Australian and CE Specs)	A
215A	1702861	2	Decal - JLG	

## SECTION 9 - DECAL

ITEM	PART NUMBER	QTY	DESCRIPTION	REV
215B	1702774	1	Decal - JLG	
215C	1702773	1	Decal - JLG	
215D	1704885	1	Decal - Website	
215	1001243700	Ref	Decal Installation - JLG Logo (Not Shown) (Australian Specs)	
215A	1702861	2	Decal - JLG	
215B	1702774	1	Decal - JLG	
215C	1702773	2	Decal - JLG	
215D	1704885	1	Decal - Website	
215	1001243699	Ref	Decal Installation - JLG Logo (Not Shown) (CE Specs)	
215C	1702773	1	Decal - JLG	
226		Ref	Decal - Warning Explosion/Fire (Diesel Machines Only)	
226	1704972	1	Decal - Warning Explosion/Fire (ANSI and CSA Spec)	
226	1706064	1	Decal - Warning Explosion/Fire (CSA Spec - Dual Language English/French)	
226	1706098	1	Decal - Warning Explosion/Fire (Australian and CE Specs)	
226	1706059	1	Decal - Warning Explosion/Fire (Brazil Spec - Dual Language English/Portuguese)	
226	1706060	1	Decal - Warning Explosion/Fire (Chinese Spec - Dual Language English/Chinese)	
226	1706061	1	Decal - Warning Explosion/Fire (Korean Spec - Dual Language English/Korean)	
226	1706062	1	Decal - Warning Explosion/Fire (Japanese Spec - Dual Language English/Japanese)	
226	1706063	1	Decal - Warning Explosion/Fire (Latin American - Dual Language English/Spanish)	
253	1001143852	1	Decal - Emission Compliance (Machines with Diesel Engines) (ANSI Export, Australian, CE and China Specs) (Not Shown)	
262A	1001141300	Ref	Decal - SkyGuard Override	
262B	1001141302	Ref	Decal - SkyGuard/Soft Touch Override	
264A	1001204510	Ref	Decal - Sound Power Level - 102Db	
264B	1001130492	Ref	Decal - Sound Power Level - 105Db	
267	1001200128	Ref	Decal - Quick Start Guide (CE Spec) (French Decal) (For LOXAM Rentals Only)	
267	1001200129	Ref	Decal - Quick Start Guide (CE Spec) (Dutch Decal) (For LOXAM Rentals Only)	
267	1001200130	Ref	Decal - Quick Start Guide (CE Spec) (German Decal) (For LOXAM Rentals Only)	
267	1001200131	Ref	Decal - Quick Start Guide (CE Spec) (Danish Decal) (For LOXAM Rentals Only)	
267	1001200132	Ref	Decal - Quick Start Guide (CE Spec) (Swedish Decal) (For LOXAM Rentals Only)	
267	1001200133	Ref	Decal - Quick Start Guide (CE Spec) (Spanish Decal) (For LOXAM Rentals Only)	
267	1001200134	Ref	Decal - Quick Start Guide (CE Spec) (Norwegian Decal) (For LOXAM Rentals Only)	
267	1001181145	Ref	Decal - Quick Start Guide (CE Spec) (English Decal) (For LOXAM Rentals Only)	
274	1001214029	1	Decal - EAC Installation (CIS and Russia Specs)	
274A	1001173703	1	Decal - EAC	
292	1001171335	1	Decal - Dual Capacity (ANSI Spec)	
292	1001171337	1	Decal - Max Capacity (ANSI Spec)	
292	1001171359	1	Decal - Dual Capacity (Brazil Spec - Dual Language Portuguese/Spanish)	
292	1001171361	1	Decal - Max Capacity (Brazil Spec - Dual Language Portuguese/Spanish)	

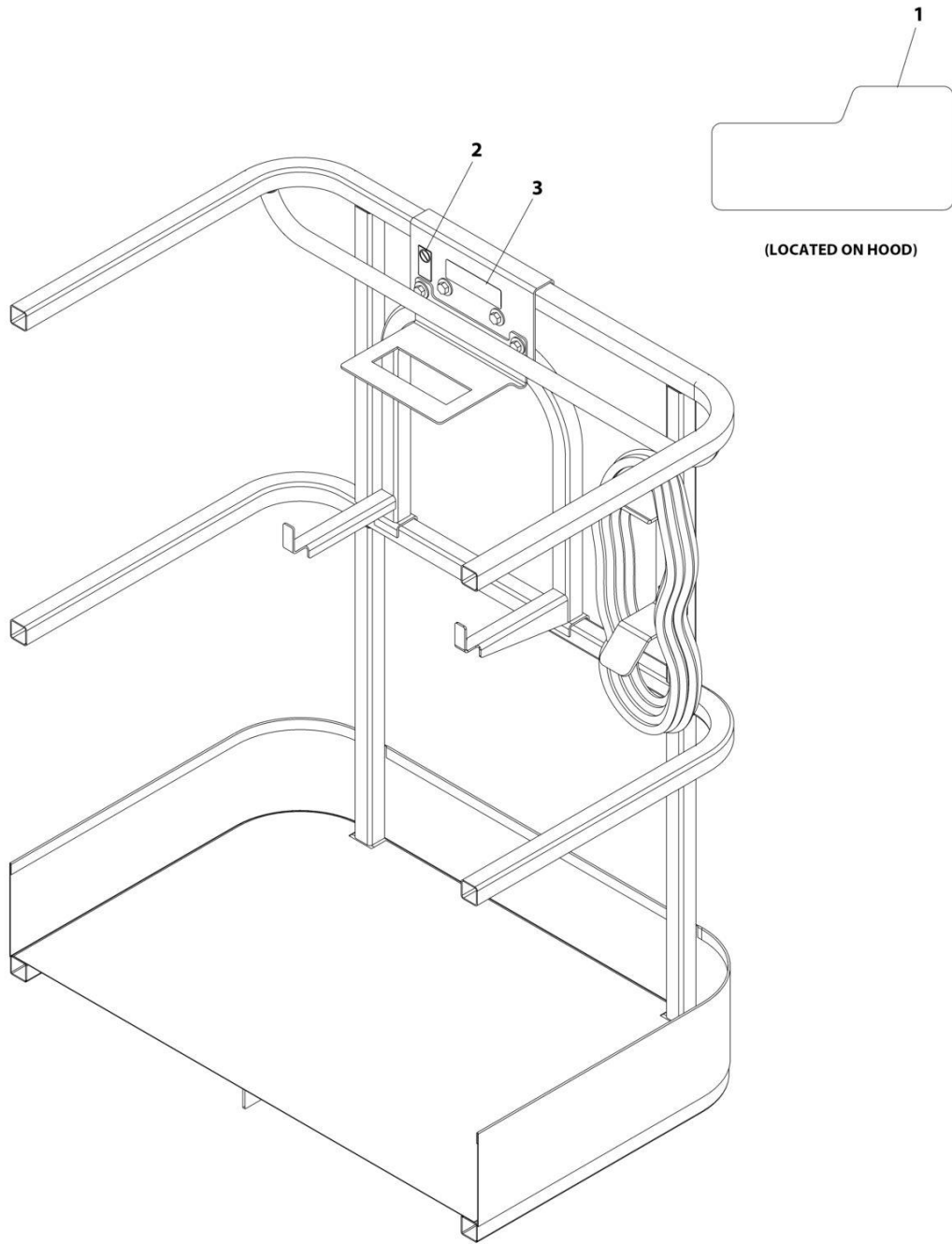


**SECTION 9 - DECAL**

<b>ITEM</b>	<b>PART NUMBER</b>	<b>QTY</b>	<b>DESCRIPTION</b>	<b>REV</b>
292	1001171355	1	Decal - Dual Capacity (Chinese Spec - Dual Language English/Chinese)	
292	1001171357	1	Decal - Max Capacity (Chinese Spec - Dual Language English/Chinese)	
292	1001171351	1	Decal - Dual Capacity (CSA Spec - Dual Language English/French)	
292	1001171353	1	Decal - Max Capacity (CSA Spec - Dual Language English/French)	
292	1001171345	1	Decal - Dual Capacity (Korean Spec - Dual Language English/Korean)	
292	1001171347	1	Decal - Max Capacity (Korean Spec - Dual Language English/Korean)	
292	1001171349	1	Decal - Dual Capacity (Latin American - Dual Language English/Spanish)	
292	1001171337	1	Decal - Max Capacity (Latin American - Dual Language English/Spanish)	
292	1001171341	1	Decal - Dual Capacity (Japanese Spec - Dual Language English/Japanese)	
292	1001171343	1	Decal - Max Capacity (Japanese Spec - Dual Language English/Japanese)	

# SECTION 9 - DECAL

## FIGURE 9-18. SKYWELDER DECAL INSTALLATION - 50HZ



ART\_0272588

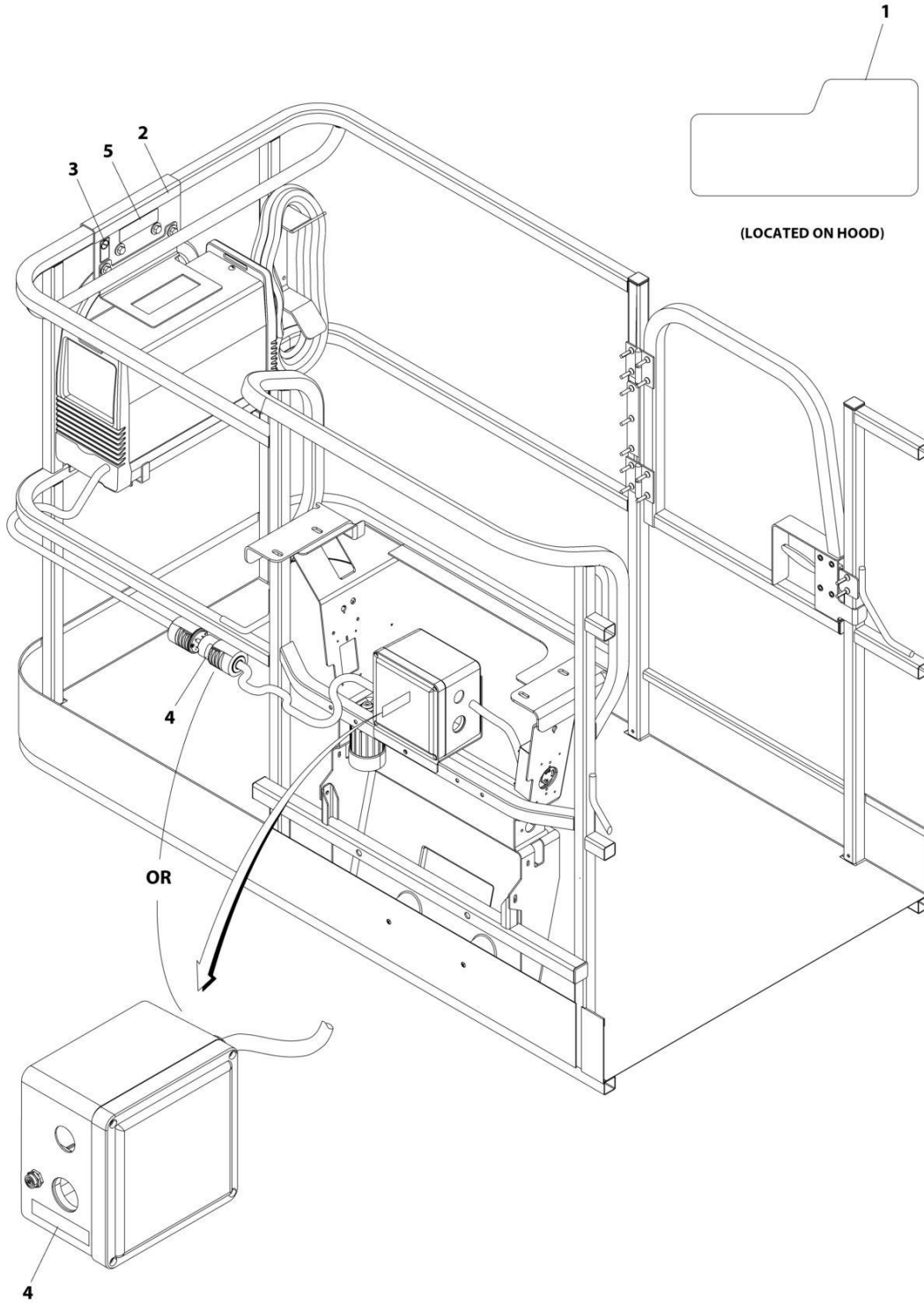
## SECTION 9 - DECAL

**FIGURE 9-18. SKYWELDER DECAL INSTALLATION - 50HZ**

ITEM	PART NUMBER	QTY	DESCRIPTION	REV
	0272588	Ref	SKYWELDER DECAL INSTALLATION - 50Hz	B
1	1705355	2	Decal - SkyWelder	
2	1705305	1	Decal - Weld Lead	
3	1001228988	1	Decal - Weight	

# SECTION 9 - DECAL

## FIGURE 9-19. SKYWELDER DECAL INSTALLATION - 60HZ



ART\_0272448\_C

## SECTION 9 - DECAL

### FIGURE 9-19. SKYWELDER DECAL INSTALLATION - 60HZ

ITEM	PART NUMBER	QTY	DESCRIPTION	REV
	0272448	Ref	SKYWELDER DECAL INSTALLATION - 60Hz	C
1	1705355	2	Decal - SkyWelder	
2	1702868	1	Decal - No Hands	
3	1705305	1	Decal - Weld Lead	
4	1705375	1	Decal - 240V - 3 Phase - 60Hz	
5	1001228988	1	Decal - Weight	



## **SECTION 10 - RECOMMENDED SERVICE PARTS STOCK**

## **SECTION 10 - RECOMMENDED SERVICE PARTS STOCK**

# SECTION 10 - RECOMMENDED SERVICE PARTS STOCK

## FIGURE 10-1. RECOMMENDED SERVICE PARTS STOCK

ITEM	PART NUMBER	QTY	DESCRIPTION	REV
		Ref	Note: The following list will service one machine (built to current production per date on the front cover) with emergency repair parts which can be installed in the field. Parts from the list should be replaced when inventory is depleted to keep service parts stock supplied. For further information, contact your JLG dealer or the JLG Industries Parts Department.	
		Ref	STANDARD PARTS	
	4360476	1	Switch, Contact Block	
	7020176	1	Block, Contact	
	70002386	1	Coil	
	70003788	1	Coil	
	70004897	1	Coil	
	70005219	1	Coil	
	70010383	1	Element, Filter	
	70003614	1	Filter Kit (Includes Hydraulic Element, Breather Element and Gasket)	
	1001196634	2	Fuse - 2Amp	
	8229242	2	Fuse - 5Amp	
	8229244	2	Fuse - 15Amp	
	2860030	1	Key, Replacement	
	1001095704	1	Relay 35Amp	
	4360475	1	Switch, Emergency Stop	
	4360469	1	Keyswitch	
	4360407	1	Switch, Potentiometer	
	4360336	1	Switch, Toggle	
	1001155045	1	Switch, Toggle	
	1001159256	1	Switch, Toggle	
	1001161709	1	Switch, Toggle	
	1001161710	1	Switch, Toggle	
		Ref	VARIABLE PARTS	
	1001118971	1	Angle, Sensor (Boom Switches)	
	1001189172	1	Breaker 16 Amp Double (Breaker Box with Three Breakers)	
	1001159118	1	Breaker GFCI 30Amp 240VAC (240V AC Box at Platform)	
	1001189171	1	Breaker, 30mA (Breaker Box with Three Breakers)	
	4360070	1	Breaker, Circuit - 15Amp (4000W/60Hz and 7500W Generators)	
	4360542	1	Breaker, Circuit (2500W Generators)	
	7024485	1	Breaker, Circuit 30Amp (7500W Generators with Deutz D2011 Engines)	
	70006095	1	Breaker, Circuit 30Amp (7500W/60Hz Generators with Deutz D2.9L4 and Kubota Engines)	
	1001181045	1	Breaker, Combination 16Amp (Breaker Box with Single Breaker)	
	70006034	1	Coil (Kubota Engine)	
	1001142683	1	Control Module (Blue and Red Beacons)	
	1001166538	1	Controller Assembly (Drive and Steer) (Use p/n 1001212415)	
	1001166539	1	Controller Assembly (Lift and Swing) (Use p/n 1001129555)	
	1001157196	1	Controller, Module (Platform Console Box)	
	70003783	1	Element, Air Cleaner (All Deutz Engines)	
	70004020	1	Element, Air Filter (Kubota Engines)	
	70025161	1	Filter, Fuel (Deutz D2.9L4 (Stage V) Engines)	
	70025153	1	Filter, Fuel Pre (Deutz D2.9L4 (Stage V) Engines)	



## SECTION 10 - RECOMMENDED SERVICE PARTS STOCK

ITEM	PART NUMBER	QTY	DESCRIPTION	REV
	70003463	1	Filter, Fuel - RME Resistant (Deutz D2011 Engines)	
	7020023	1	Filter, Fuel (Deutz D2011 Engines)	
	7017992	1	Filter, Fuel (Kubota Engines)	
	7016331	1	Filter, Oil (Deutz D2011 Engines)	
	70006023	1	Filter, Oil (Kubota Engines)	
	1001117174	1	Footswitch Assembly	
	1001197719	2	Fuse 0.5 Watt (Deutz Stage V Engines)	
	8229249	2	Fuse, 3 Amp (USB Charger)	
	80983191	2	Fuse - 10Amp (Deutz D2.9L4 Engines)	
	70023592	2	Fuse 20Amp (Deutz D2.9L4 Engines)	
	70023593	2	Fuse - 30Amp (Deutz 2.9L4 Engines)	
	8229245	2	Fuse 30Amp (2500W Generators)	
	2400082	2	Fuse 40Amp (Kubota Engines)	
	2940074	1	Latch (Platforms with Swing Gate)	
	1001247468	1	Loadcell (Platform Support with 1 Cell LSS)	
	70006061	1	Module, Engine Control (Kubota Engines)	
	1001170094	1	Module, Ground Control	
	3740080	1	Relay (2500W Generators)	
	70006553	1	Relay (4000W/60HZ Generator with Deutz D2011 Engines)	
	3740140	1	Relay (Deutz D2011 Engines)	
	70004058	1	Relay (Deutz D2011 Engines)	
	1001186431	1	Relay (SkyGuard)	
	3740086	1	Relay (SkyLine)	
	1001117308	1	Relay, 200Amp (Deutz D2.9L4 Engines)	
	1001138228	1	Relay, Power Module (Deutz D2.9L4 Engines)	
	1001219601	1	Sensor (Electrical Panel)	
	70006015	1	Sensor (Knock) (Kubota Engines)	
	70005726	1	Sensor (Kubota Engines)	
	70006018	1	Sensor (Kubota Engines)	
	70006062	1	Sensor (O2) (Kubota Engines)	
	70005746	1	Sensor (TMAP) (Kubota Engines)	
	70005737	1	Sensor Stick Assembly (Kubota Engines)	
	1001138827	1	Sensor, Coolant Level (Deutz D2.9L4 Engines)	
	1001228225	1	Sensor, Emitter (SkyEye)	
	1001231195	1	Sensor, Fuel Level	
	7027790	1	Sensor, Oil Pressure (Deutz D2011 Engines)	
	1001170847	1	Sensor, Proximity (Boom Switches)	
	1001182570	1	Sensor, Proximity (Boom Switches)	
	1001232667	1	Sensor, Proximity (SkyLine)	
	1001228224	1	Sensor, Receiver (SkyEye)	
	1001237902	1	Sensor, SkySense	
	7024565	1	Sensor, Speed (Deutz D2011 Engines)	
	7027236	1	Sensor, Temperature (Deutz D2011 Engines)	
	7027791	1	Sensor, Temperature (Deutz D2011 Engines)	
	7024469	1	Switch with Lead (Welder Assembly)	
	1001225346	1	Switch, Battery (Battery Disconnect)	
	4360274	1	Switch, Push Button (CE Spec Machines) (460SJ)	
	4360387	1	Switch, Push Button (CE Spec Machines) (460SJ)	
	70004682	1	Switch, Reset (4000W Generators)	
	4360328	1	Switch, Toggle (460SJ)	
	1001137673	1	Switch Bar Assembly (SkyGuard)	



**SECTION 11 - SPECIAL OPTIONS**

# SECTION 11 - SPECIAL OPTIONS

## FIGURE 11-1. SPECIAL OPTIONS

ITEM	PART NUMBER	QTY	DESCRIPTION	REV
		Ref	Note: This list is to accommodate machines ordered with special equipment. Options may not be applicable to all models. For more specific parts information contact JLG Parts Department.	
		Ref	MISCELLANEOUS SPECIAL OPTIONS	
	1001174347	Ref	Airline Installation (400S)	
	1001174348	Ref	Airline Installation (460SJ)	
	1001204996	Ref	Arctic Package with SkyPower Installation Kit (400S)	
	1001204997	Ref	Arctic Package without SkyPower Installation Kit (400S)	
	1001205008	Ref	Arctic Package with SkyPower Installation Kit (460SJ)	
	1001205009	Ref	Arctic Package without SkyPower Installation Kit (460SJ)	
	2915102	Ref	Bearing Kit	
	1001171499	Ref	Boom and Chassis Bellows Installation (400S)	
	1001171500	Ref	Boom and Chassis Bellows Installation (460SJ)	
	1001206437	Ref	Boom Wear Pad Kit	
	1001172630	Ref	Boom Wiper Installation	
	1001172045	Ref	Cable Carrier Tray Installation (Australian Specs) (460SJ)	
	1001243183	Ref	ClearSky (Telematics) Added-on-Kit (Dealer Installed) (ANSI, ANSI Export, CSA and CE Specs)	
	1001243184	Ref	ClearSky (Telematics) Added-on-Kit (Dealer Installed) (CE Specs)	
	1001246142	1	ClearSky (Telematics) Added-on-Kit (Dealer Installed) (Australian Spec)	
	1001242639	Ref	ClearSky (Telematics) Access Control Installation (Dealer Installed) (ANSI, ANSI Export, CSA and CE Specs)	
	1001227453	Ref	ClearSky 4G Installation (All Specs Except China Specs)	
	1001246457	Ref	ClearSky 4G Installation (China Specs)	
	1001228955	Ref	ClearSky 3G Installation (ANSI Export, CE and Japanese Specs)	
	1001246456	Ref	ClearSky 3G Installation (Australian Specs)	
	1001229107	Ref	ClearSky (Telematics) Installation (CSA Specs)	
	1001233237	Ref	ClearSky Installation (ANSI Export, CE and Japanese Specs)	
	1001262959	Ref	ClearSky Voltage Regulator Relocation Kit	
	1001183207	Ref	Cold Weather Package - Deutz D2011 Engines	
	1001183206	Ref	Cold Weather Package - Deutz D2.9L4 Engines	
	1001255807	Ref	Cold Weather Package - Deutz D2.9L4 Engines (Stage V)	
	1001216914	Ref	Cold Weather Package - Kubota Engines	
	1001177840	Ref	Container/Transport Wheels Installation - 12 x 16.5 Tires	
	1001177841	Ref	Container/Transport Wheels Installation - 14 x 17.5 Tires	
	0272031	Ref	Container/Transport Wheels Installation - 33/16LI x 16.1 Foam Filled Sand Tires	
	1001233047	Ref	Crankcase Breather Heater Kit - Deutz T4F Engine	
	1001177524	Ref	Cribbing Switch Installation (ANSI and CSA Specs)	
	1001178435	Ref	Decal - ClearSky	
	1702868	Ref	Decal - No Hands (English Language) (Used with Mesh to Top Rail Platform)	
	1704000	Ref	Decal - No Hands (English and French Dual Language) (Used with Mesh to Top Rail Platform)	
	1001214833	Ref	Engine Block Heater - Kubota Engines	
	1001237883	Ref	Fall Arrest Bolt Installation Kit - 72in Standard Platform	
	1001237882	Ref	Fall Arrest Bolt Installation Kit - 96in Standard Platform	
	1001172751	Ref	Fan Cover Installation - Deutz D2.9L4 Engines/Deutz D2.9L4 Engines (Stage V)	

## SECTION 11 - SPECIAL OPTIONS

ITEM	PART NUMBER	QTY	DESCRIPTION	REV
	1001204481	Ref	Filter Kit - Combined (Hydraulic Oil/Air & Engine Air/Fuel Oil) (Deutz D2011)	
	1001204482	Ref	Filter Kit - Combined (Hydraulic Oil/Air & Engine Air/Fuel Oil) (Deutz D2.9L4)	
	1001225794	Ref	Filter Kit - Combined (Hydraulic Oil/Air & Engine Air/Fuel Oil) (Deutz D2.3L3)	
	1001117294	Ref	Footswitch Shield Installation	
	1001220004	Ref	Ground Control Module Cover Kit	
	1001206439	Ref	Hose Kit - Power Track (Upper) (400S)	
	1001206440	Ref	Hose Kit - Power Track (Upper) (460SJ)	
	1001241396	Ref	Hostile Environment Kit (400S)	
	1001241402	Ref	Hostile Environment Kit (460SJ)	
	1001236496	Ref	Hydraulic Load Kit (Dealer Installed)	
	1001258230	Ref	Hydraulic Load Installation (Factory Installed)	
	1001174926	Ref	Lights Installation - Chassis Illumination	
	1001174925	Ref	Lights Installation - Headlights and Taillights	
	1001120466	Ref	Lights Installation - Platform Worklights	
	1001202749	Ref	Lockable Fuel Cap Cover - Black	
	1001191395	Ref	Lockable Fuel Cap Cover - Green (ANSI and ANSI Export Specs)	
	1001191394	Ref	Lockable Fuel Cap Cover - Red (ANSI and ANSI Export Specs)	
	1001183407	Ref	Low Temperature Cutout Installation (Russian Specs)	
	1001253618	Ref	Module Box Assembly Kit (Service Kit for P/N 1001246867)	
	1001253619	Ref	Module Box Assembly Kit (Service Kit for P/N 1001246860)	
	1001173664	Ref	Oil Cooler Installation - Deutz D2011 Engines	
	1001164493	Ref	Oil Cooler Installation - Deutz D2.9L4 Engines/Deutz D2.9L4 Engines (Stage V)	
	1001216552	Ref	Oil Cooler Installation - Kubota Engines	
	1580013	Ref	Platform Corner Storage Tray	
	1001195304	Ref	Platform Cover Installation - Clear	
	1001266290	Ref	Platform Cover Installation - Steel	
	1001108718	Ref	Platform Decal Kit	
	1001219794	Ref	Platform Hose and Cable Protection (400S)	
	1001258715	Ref	Platform Hose and Cable Protection (460SJ)	
	1001238421	Ref	Platform Leveling Kit	
		Ref	Platform Mesh to Mid Rail Add-On Kits - Dealer Installed:	
	1001214478	Ref	30in x 4ft (76cm x 1.22m)	
	1001214515	Ref	30in x 5ft (76cm x 1.52m)	
	1001214540	Ref	36in x 6ft (91.5cm x 1.83m)	
	1001214548	Ref	36in x 8ft (91.5cm x 2.44m)	
		Ref	Platform Mesh to Top Rail Add-On Kits - Dealer Installed:	
	1001214552	Ref	30in x 4ft (76cm x 1.22m)	
	1001214559	Ref	30in x 5ft (76cm x 1.52m)	
	1001214560	Ref	30in x 6ft (76cm x 1.83m)	
	1001214561	Ref	36in x 6ft (91.5cm x 1.83m)	
	1001214562	Ref	36in x 8ft (91.5cm x 2.44m)	
		Ref	Platform Mesh Add-On Kits - Factory Installed:	
	0273149	Ref	Platform Mesh to Toprail Installation - 36 x 72 Platforms (ANSI and CSA Specs)	
	0273145	Ref	Platform Mesh to Toprail Installation - 36 x 96 Platforms (ANSI and CSA Specs)	
	1001138773	Ref	Platform Mesh to Midrail Installation - 36 x 96 Platforms (ANSI, ANSI Export(LRC), Australian and China Specs)	

## SECTION 11 - SPECIAL OPTIONS

ITEM	PART NUMBER	QTY	DESCRIPTION	REV
		Ref	Platform Plastic Mesh Add-On Kits - Factory Installed:	
	1001266489	Ref	Platform Plastic Mesh to Toprail Installation - 36 x 72 Platforms (ANSI and CSA Specs)	
	1001266056	Ref	Platform Plastic Mesh to Toprail Installation - 36 x 96 Platforms (ANSI and CSA Specs)	
	1001266098	Ref	Platform Plastic Mesh to Midrail Installation - 36 x 96 Platforms (ANSI, ANSI Export(LRC), Australian and China Specs)	
	0272733	Ref	Platform Rail Extension Installation - 36 x 72 Platforms	
	0272725	Ref	Platform Rail Extension Installation - 36 x 96 Platforms	
	1001233079	Ref	Pump Rotation Kit	
	1001247800	Ref	Quad Tracks Replacement Kit	
	1001247073	Ref	SkyEye Retrofit Kit	
	1001241547	Ref	SkyEye Housing Repair Kit - LH	
	1001241548	Ref	SkyEye Housing Repair Kit - RH	
	1001250595	Ref	SkyGuard 6-Pin Retrofit Installation Kit	
	1001203510	Ref	SkyGuard Kit, Without Beacon	
	1001203512	Ref	SkyGuard Kit, With Blue Beacon	
	1001210037	Ref	SkyGuard Kit, With Red Beacon	
	1001250035	Ref	SkyGuard Platform Sensor Kit	
	1001249052	Ref	SkyGuard Retrofit Kit	
	1001250465	Ref	SkySense (EDS) Level 1 Booms (2-Bar) Installation (Factory Installed)	
	1001250466	Ref	SkySense (EDS) Level 2 Booms (3-Bar) Installation (Factory Installed)	
	1001252033	Ref	SkySense (EDS) Level 1 Booms (2-Bar) Installation Kit (Dealer Installed)	
	1001252034	Ref	SkySense (EDS) Level 2 Booms (3-Bar) Installation Kit (Dealer Installed)	
	1001262016	Ref	SkyLine Kit	
	1001178951	Ref	Strobe Light Installation - Platform Mounted (Amber)	
	1001177570	Ref	Strobe Light Installation - Platform/Ground Mounted (Amber)	
	1001231235	Ref	Sky Welder Locking Bracket	
		Ref	Tools For Service:	
	1001249695	Ref	Analyzer & Cable Kit	
	1001249941	Ref	Analyzer Kit (Battery Powered)	
	1001236496	Ref	Wet Stacking Prevention Kit	
	1001263176	Ref	White Noise Alarm	
	1001209059	Ref	Work Surface Installation	

**PART NUMBER INDEX**

## SECTION 11 - SPECIAL OPTIONS

0080201.....270, 284	0273149..... 693	0681810 ..... 43	0760608....140, 143, 145,
0080231.....184, 196	0273380 .... 345, 349, 353	0681814 ..... 401	270, 284, 311, 315, 319
0100009.....427	0274661 ..... 451	0681822 ..... 401	0760610....63, 65, 95, 97,
0100011....17, 19, 21, 25,	0275216 ..... 537, 621	0682014 ..... 41, 43	131, 133, 135, 137,
27, 41, 43, 63, 65, 77,	0275217 ..... 541, 623	0682026 ..... 165	171, 177, 184, 189,
79, 91, 93, 95, 105,	0275452 ..... 543, 625	0682040 ..... 39	196, 206, 212, 219,
107, 120, 124, 128,	0275453 ..... 545, 627	0682424 ... 441, 443, 445,	226, 237, 244, 263,
131, 133, 135, 137,	0275454 ..... 553, 629	447	270, 277, 284, 301,
140, 143, 145, 149,	0360406 ..... 39	0700408 ... 535, 537, 539,	303, 305, 323, 327,
171, 177, 181, 184,	0363019 ..... 37, 39	541, 543, 545, 547,	331, 335, 339, 343,
189, 193, 196, 205,	0400075 ..... 63, 65	549, 551, 553, 555	347, 351, 561
209, 212, 219, 223,	0440162 ... 177, 189, 205,	0700610 ..... 178, 190	0760612..91, 93, 97, 270,
226, 237, 241, 244,	219, 237, 263, 277	0700612 ..... 95	284
255, 263, 267, 270,	0440240 ..... 165	0700614 ..... 177, 189	0760613....205, 219, 237
277, 281, 284, 307,	0440271 ..... 27	0700619 .... 504, 512, 520	0760614....131, 133, 135,
309, 311, 315, 319, 323,	0480100 ..... 449, 451	0700620 .... 97, 587, 589,	137, 143, 145, 185,
327, 331, 335, 339,	0480122 ..... 311	593	197, 323, 335, 575
343, 347, 351, 363,	0480126 ..... 323, 339	0700810 ..... 270, 284	0760615.....71, 73
365, 367, 369, 371,	0480128 ..... 327, 343	0700814 ..... 270, 284	0760619.....528
377, 379, 381, 383,	0480129 ..... 352	0700815 ..... 270, 284	0760808....212, 226, 246,
385, 395, 397, 399,	0561237 ..... 587	0700816 ..... 272, 286	270, 284
409, 411, 413, 415,	0630462 ..... 453, 455	0700817 ... 177, 189, 205,	0760810....214, 228, 244,
417, 419, 421, 423,	0630518 .... 469, 471, 473	219, 237, 263, 277	385
453, 455, 457, 461,	0630534 ..... 489	0700818 ... 327, 331, 339,	0760812....212, 226, 244,
469, 471, 473	0630563... 583, 585, 587,	343, 347, 351	263, 270, 277, 284,
010001941, 43, 153, 165,	589, 591, 593	0700819 ..... 351	301, 303, 305, 311,
315, 323, 327, 331,	0630568 ..... 427	0700821 ... 177, 189, 205,	315, 323, 328, 332,
335, 339, 343, 347	0630613 ... 120, 124, 128,	219	340, 344, 348, 563
0100020.....23, 177, 184,	140	0700822 ..... 237	0760814....184, 196, 212,
189, 196, 205, 212,	0641404 ..... 461	0701016 .... 272, 286, 351	226, 244, 270, 284,
213, 219, 226, 237,	0641405 ..... 427, 461	0701017 .... 205, 219, 237	319, 351, 583, 585,
244, 263, 270, 277,	0641406 ... 425, 475, 647,	0701018 ..... 159, 161	587, 589, 593
284, 437, 535, 537,	649, 651, 653, 655,	0701020 ... 159, 161, 369,	0760815....184, 196, 214,
539, 541, 543, 545,	657, 659, 661, 663,	371	228, 244, 270, 284
547, 549, 551, 553, 555	665, 667, 669, 671,	0701216 ..... 270, 284	0760816.....37, 120, 124,
0100035....109, 159, 161,	673, 675, 677	0701217 ..... 17	128, 140, 272, 286
257, 427, 439	0641408 ..... 425, 465	0701219 ..... 307, 309	0761009....311, 377, 379
0100048....69, 311, 315,	0641410 ... 131, 133, 135,	0701220 ..... 149	0761010.....77, 79
319, 323, 327, 331,	137, 143, 145	0701222 ..... 365, 367	0761011.....25, 27
335, 339, 343, 347,	0641414 ... 427, 453, 455,	0701223 ..... 307, 309	0761012....41, 43, 63, 65,
351, 427	457, 465, 467	0701224 ... 270, 284, 307,	120, 124, 128, 131,
0100079....323, 327, 331,	0641416 ... 535, 537, 539,	319, 351	133, 135, 137, 140,
339, 343, 347, 351	541, 543, 545, 547,	0701617 ..... 27	303, 363, 369, 371,
0100081....184, 196, 212,	549, 551, 553, 555	0701618 ..... 153	377, 379
226, 244, 272, 286,	0641418 ... 397, 399, 409,	0701619 .... 357, 359, 361	0761014..91, 93, 95, 120,
463, 583, 585, 587,	411, 413, 415, 417,	0711214 .... 212, 226, 244	124, 128, 140, 143,
589, 591, 593	419, 421, 423, 589	0711220 ..... 25, 27	145, 151, 159, 161,
0140011 .....427	0641420 ..... 395	0711224 ... 184, 196, 212,	212, 226, 237, 244,
0140043.....97	0641504 .... 37, 177, 189,	226, 244, 311, 315,	263, 270, 277, 284,
0181949.....23	206, 219, 237, 263,	319, 323, 327, 331,	311, 315, 385, 583,
0200048.....453, 455	277, 587, 589, 591, 593	335, 339, 343, 347, 351	585, 587, 589, 591, 593
0257728.....449	0641507 ... 311, 315, 319	0711629 ..... 27	076101577, 79, 177, 184,
0270022.....533	0641514 ..... 449, 451	0721005 ..... 455	189, 196, 205, 212,
0270092.....29	0641606 .... 469, 471, 473	0721006 ..... 255, 257	219, 226, 237, 244,
0270653.....31	0641608 ..... 369, 371	0731005 .91, 93, 95, 159,	263, 270, 277, 284,
0271998.....33	0641610 .... 255, 257, 425	161, 453	315, 319, 369, 371
0272031.....692	0641612 ..... 23, 37	0741606 .... 212, 226, 244	0761016....75, 91, 93, 95,
0272254.....471	0641616 ... 323, 327, 331,	0741607 ... 323, 327, 331,	212, 226, 244, 270,
0272427.....455	335, 339, 343, 347	335, 347	284, 319, 383
0272435....345, 349, 353	0641772 .... 311, 315, 319	0741608 ..... 351	0761018.....585, 589
0272448.....685	0641812 ... 181, 193, 209,	0760415 ..... 383	0761019....363, 365, 367
0272521.....469	223, 241, 267, 281	0760605 ..... 270, 284	0761210.....37, 212, 226,
0272588.....683	0642012 ..... 463	0760606 ... 270, 284, 323,	244
0272589.....341	0642212 ..... 463	327, 331, 335, 339,	0761212....212, 226, 244,
0272725.....694	0681608 .... 214, 228, 385	343, 347	331, 335, 347
0272733.....694	0681620 ... 441, 443, 445,	0760607 .... 214, 228, 244	0761214....315, 319, 323,
0273145.....693	447		327, 339, 343, 351



## SECTION 11 - SPECIAL OPTIONS

0761215 .... 149, 319, 351	1001096070..... 323, 335, 579	1001117308..... 213, 227, 245, 689	1001138228 ..... 213, 227, 245, 689
0761216 ..... 385	1001097051..... 641	1001117372..... 483	1001138248 ..... 185, 197, 213, 227, 245, 272, 286
0761217 .... 363, 365, 367	1001097150..... 577, 579, 581	1001118274..... 272	1001138494 ..... 395, 397, 399, 409, 411, 413, 415, 417, 419, 421
0761218 .... 357, 359, 361	1001097244..... 477	1001118378..... 631	1001138514 ..... 395, 397, 399, 409, 411, 413, 417, 421
0761615 ..... 17	1001098122..... 437, 619	1001118384..... 637	1001138565 ..... 323
0761620 ..... 153	100109828..... 385	1001118388..... 637	1001138566 ..... 324, 328, 331, 335
0771212 ... 206, 220, 237, 244	1001098928..... 504, 520	1001118878..... 213, 227, 245	1001138773 ..... 693
0771414 ... 184, 196, 212, 226, 244, 311, 315, 323, 327, 331, 335, 339, 343, 347	1001099366..... 463	1001118971..... 383, 688	1001138795 ..... 489
0771416 ... 323, 327, 339, 343	1001099367..... 463	1001118972.... 19, 21, 41, 43, 91, 93, 95, 159, 161, 264, 278	1001138827 ..... 213, 227, 689
0772018 ..... 153	1001099560..... 363, 365, 367	1001119020..... 565, 632	1001139240 ..... 213, 227
0811608 ..... 41	1001100341..... 621	1001119032..... 631	1001139357 ..... 324, 328
0860038 ... 327, 331, 343, 347, 351, 533	1001100342..... 623	1001119278..... 189, 219, 277	1001139384 ..... 131, 133, 135, 137, 143, 145
0860520 ... 647, 649, 651, 653, 655, 657, 659, 661, 663, 665, 667, 669, 671, 673, 675, 677	1001100345..... 625	1001119619..... 639	1001139586 ..... 27
0861538 .... 343, 347, 351	1001100346..... 629	1001119620..... 641, 643	1001139654 ..... 237
0861572 ..... 339	1001100347..... 627	1001119661 ..... 679	1001139819 ..... 185, 196
0861731 ... 547, 549, 551, 555, 625, 627, 629	1001101191..... 537, 541, 543, 545, 553	1001120328. 97, 457, 461	1001140312 ..... 228
0861781 ... 535, 539, 621, 623	1001101196..... 537, 541	1001120466..... 693	1001140346 ..... 332
0861880 ..... 577, 579	1001101197..... 543, 545, 553	1001120471 ..... 477	1001140347 ..... 335
0902733 ..... 37	1001103012..... 631	1001120477 ..... 477	1001140429 ..... 395, 397, 399, 409, 411, 413, 415, 417, 419, 421, 423
0902734 ..... 37	1001104029..... 327, 331, 340, 344, 348, 352	1001120484..... 477	1001140564 ..... 213, 227
0902888 ... 327, 331, 339, 343, 347, 351	1001104498..... 631	1001125387..... 206, 220	1001141300 ..... 680
0940049. 91, 93, 95, 120, 124, 128, 140	1001104519..... 617	1001125677..... 619, 632	1001141302 ..... 680
0940092 ..... 453, 455	1001106736..... 97	1001126009..... 637	1001141304 .... 213, 227, 245
0940094 ..... 453, 455	1001107854..... 631	1001126351..... 597, 602	1001141694 .... 185, 196, 213, 227, 245
0940102 ..... 463	1001108256..... 453	1001126362..... 597, 601	1001141870 ..... 255, 257
0940103 ..... 455	1001108718..... 693	1001126363..... 597, 601	1001141995 ..... 185, 196, 213, 227, 245, 271, 285
0940177 ..... 453	1001110434..... 427	1001126364..... 597, 601	1001142501 ..... 206, 219, 237, 255, 257
0961845 ... 395, 397, 399, 409, 411, 413, 415, 417, 419, 421, 423	1001110872..... 557, 559	1001126365..... 597	1001142643 ..... 332, 348
0961893 ..... 489	1001110873..... 327, 331, 344, 348, 352, 533	1001126391..... 597, 601	1001142646 ..... 332, 348
0961947 ..... 369, 371	1001111424.. 63, 65, 184, 196, 213, 227	1001126392..... 597, 601	1001142683 .. 71, 73, 688
0961948 ..... 25, 27	1001112551..... 651	1001126485..... 602	1001142736 .. 71, 73, 565
0961950 ..... 17, 363, 365, 367, 487	1001112612..... 565, 632	1001126487..... 602	1001142938 ..... 598, 601
0961951 ... 184, 196, 212, 226, 244, 270, 284, 363	1001112796..... 565	1001128527..... 473	1001142940 ..... 598, 601
0962051 ..... 307, 309	1001113047..... 140	1001128556..... 473	1001142941 ..... 598, 601
0962270 ..... 401	1001113680..... 655, 657	1001129858..... 328	1001143390 ..... 185, 196, 213, 227, 245
0962292 ..... 27	1001113961..... 631	1001130492..... 680	1001143797 ..... 213, 227, 245
0962335 ..... 369, 371	1001116693..... 619	1001131269..... 647, 649, 663, 665	1001143852 ..... 680
0962336 ..... 489	1001116710..... 607	1001132195..... 184, 196	1001144116 ..... 213, 227, 245
0962348 ..... 27, 365, 367	1001116725..... 631	1001132196..... 184, 196	1001144433 ..... 457
0962520 ... 323, 327, 331, 335, 339, 343, 347, 351	1001116732..... 611	1001133714..... 598, 602	1001144629 ..... 389, 391, 393, 403, 405, 407, 415, 419
1001001939 ..... 272	1001116734..... 611	1001133715..... 598, 602	1001145781 .... 403, 405, 407, 409, 411, 413
1001091102 23, 561, 575	1001116748..... 631	1001133956..... 597, 602	1001146397 ..... 33
1001091969 ..... 537	1001116763..... 631	1001133957..... 597, 602	1001146588 ..... 238, 246
1001091970 ..... 541	1001116774..... 565	1001134488..... 213, 227	1001147233 ..... 319, 352
1001091973 ..... 543	1001116808..... 565	1001134543..... 153	1001147264 ..... 597
1001091974 ..... 545	1001116812..... 601	1001135196..... 177, 189, 205, 219, 237, 263, 277	1001147274 ..... 29, 31
1001091975 ..... 553	1001116952..... 597, 601	1001135650..... 598, 602	
1001093382 ..... 63, 65	1001116983..... 607	1001135651..... 598, 602	
1001095704 ..... 632, 688	1001117057..... 611	1001135679..... 315, 331, 335, 348	
	1001117106..... 597, 601, 632	1001136834..... 213, 227, 245	
	1001117107..... 597, 601	1001137032..... 363, 365, 367	
	1001117110..... 632	1001137336..... 272, 286	
	1001117140..... 140	1001137673..... 457, 689	
	1001117172..... 437	1001138173..... 184, 196, 213, 227, 245, 271, 285	
	1001117174..... 427, 437, 689	1001138175..... 184, 196, 213, 227, 245, 271, 285	
	1001117294..... 693		

## SECTION 11 - SPECIAL OPTIONS

1001147812.....271, 285	1001158363..... 328, 332	1001165722 ..... 213, 227, 245	1001168166.....214, 227, 245, 271, 285
1001147813.....272, 286	1001159118..... 557, 559, 688	1001165849 ..... 213, 227, 245	1001168173..... 120, 124, 128
1001148059.....336	1001159119..... 557, 559	1001166000 ..... 209, 212	1001168207..... 315, 332, 336, 348
1001148138.....316, 319	1001159120..... 557, 559	1001166001 ..... 205, 209	1001168209..... 485, 495
1001148641.....178, 190, 312, 315, 324, 328, 332, 336, 340, 344, 348	1001159121 ..... 559	1001166002 ..... 205	1001168210..... 485
1001148675.....557, 559	1001159162 ..... 97	1001166003 ..... 219	1001168402..... 385
1001148865.....29	1001159256..... 427, 688	1001166020 ..... 181, 184	1001168841..... 363
1001148866.....29	1001159323..... 140, 653	1001166021 ..... 177, 181	1001168842..... 363, 365, 367
1001148869.....31	1001161709..... 427, 688	1001166022 ..... 177	1001168843..... 357, 359, 361
1001148870.....31	1001161710..... 263, 277, 688	1001166023 ..... 189	1001168844..... 357, 359, 361
1001148875.....33	1001162335..... 206, 214, 220, 228, 255	1001166478 ..... 37	1001168845..... 357, 359, 361
1001148876.....33	1001162531 ..... 77, 81	1001166538 ..... 427, 431, 688	1001168847..... 365, 367
1001149160.....120, 124, 128, 140, 271, 285	1001162532 ..... 79, 85	1001166539 ..... 427, 433, 688	1001168848..... 363
1001149639.....271, 285	1001162537 ..... 43, 59	1001166563 ..... 17	1001168849..... 363, 365, 367
1001149953.....29, 31, 33	1001162538 ..... 77, 79, 89	1001166710 ..... 159, 161	1001168854..... 357, 359, 361
1001150324..... 17, 91, 93, 95	1001162995 ..... 17	1001166717 ..... 185, 197	1001168855..... 149
1001150326.....17	1001163178 .. 25, 27, 493	1001166718 ..... 185, 197, 213, 227, 245, 271, 285	1001168992..... 165
1001150918.....190, 220, 277	1001163179 ..... 25, 27	1001166894 ..... 307, 309	1001169046..... 120, 124, 128, 140
1001150998.....185, 197	1001163385 ..... 357, 359, 361, 491	1001166921 ..... 213, 227, 245	1001169054..... 214, 228, 245, 271, 285
1001151393.....111, 113, 115, 117	1001163386 ..... 363, 365, 367, 485	1001166922 ..... 213, 227, 245	1001169060..... 43
1001152456.....328, 332	1001163405 ..... 25, 27	1001166924 ..... 213, 227, 245	1001169086..... 19
1001152457.....328, 332	1001163418 ..... 159	1001166970 ..... 205, 220, 237	1001169138..... 214, 228, 245, 271, 285
1001152483.....581	1001163459 ..... 363	1001167036 ..... 181, 193, 209, 223, 241, 267, 281, 295	1001169185..... 149
1001152485.....561, 581	1001163470 ..... 363	1001167038 ..... 177, 189	1001169191..... 75
1001152489.....213, 227, 245	1001163482 ..... 359, 365	1001167108 ..... 213, 227, 597	1001169192..... 75
1001152525.....328, 332, 341, 345, 349, 353	1001163483 ..... 365, 367	1001167111 ..... 185, 197, 595	1001169193..... 75
1001152530.....328, 332	1001163492 ..... 365, 367	1001167159 ..... 120, 124, 128	1001169284..... 363, 365, 367
1001152532.....324, 328, 332, 336, 613	1001163580 ..... 17, 483	1001167164 ..... 301, 303, 305	1001169285..... 363, 365, 367
1001153260.....328, 332	1001163671 ..... 161	1001167512 ..... 177, 190, 205, 220, 237, 263, 277	1001169286..... 363, 365, 367
1001154405.....205, 219, 237, 255, 257	1001163715 ..... 25, 27	1001167520 ..... 185, 197, 213, 227, 245	1001169287..... 363, 365, 367
1001154726.....611	1001163716 ..... 25, 27	1001167565 ..... 385	1001169288..... 363, 365, 367
1001155041.....315, 319, 352	1001163717 ..... 27	1001167567 ..... 385	1001169289..... 363, 365, 367
1001155043.....99, 101, 103	1001163722 ..... 27	1001167596 ..... 385	1001169380..... 363, 365, 367
1001155044.....93, 99, 101, 103, 263, 277, 427	1001163724 ..... 27	1001167632 ..... 601	1001169496..... 169
1001155045.....99, 101, 103, 427, 688	1001163726 ..... 27	1001167635 ..... 602	1001169582..... 169
1001155823.....205, 219, 237	1001163959 ..... 41, 43	1001167916 ..... 77	1001169611..... 377, 379
1001156107.....177, 189, 238	1001164092 ..... 25	1001167917 ..... 79	1001169669..... 359
1001156819.....263, 278	1001164094 ..... 17	1001168018 ..... 185, 197, 213, 227, 245, 271, 285, 312, 315, 319, 324, 328, 332, 336, 340, 344, 348, 352	1001169761..... 23
1001157196.....427, 688	1001164095 ..... 27	1001168026 ..... 213, 227, 245	1001169823..... 177, 190, 205, 220, 237
1001157520.....341, 345, 349, 353	1001164202 ..... 307	1001168059 ..... 185, 197	1001169955..... 19, 21
1001157521.....341, 345, 349, 353	1001164209 ..... 25, 27	1001168099 ..... 213, 227, 245	1001169967..... 214, 228, 245, 271, 285
1001157525.....340	1001164493 ..... 693		1001170035..... 214, 228, 245, 271, 285
1001157528.....341, 345, 349, 353	1001164552 ..... 17		1001170094..... 97, 689
1001157592.....344, 348, 352	1001164709 ..... 487		1001170145..... 65
1001158007.....341, 345, 349, 353	1001164817 ..... 483		
1001158008.....328, 332, 341, 345, 349, 353	1001165035 ..... 205, 220, 237		
	1001165060 ..... 120, 124, 128		
	1001165363 ..... 495		
	1001165388 ..... 185, 197, 213, 227, 245		
	1001165389 ..... 185, 197		
	1001165405 ..... 213, 227, 245		
	1001165406 ..... 213, 227, 245		
	1001165531 ..... 377		
	1001165534 ..... 377		
	1001165538 ..... 377		
	1001165567 ..... 369, 371		
	1001165721 ..... 213, 227		

## SECTION 11 - SPECIAL OPTIONS

1001170224 ..... 299	1001172577..... 463	1001173901..... 505, 513,	1001177524 ..... 692
1001170475 ..... 137	1001172578..... 463	521, 529	1001177570 ..... 694
1001170551 ..... 120, 124,	1001172594..... 205, 220	1001173902..... 505, 513,	1001177840 ..... 692
131	1001172620..... 679	521, 529	1001177841 ..... 692
1001170552 ..... 120, 124,	1001172630..... 692	1001173903..... 505, 513,	1001178228 ..... 133
135	1001172692..... 505, 512,	521, 529	1001178415 ..... 679
1001170564 ..... 383	521, 528	1001173904..... 505, 513,	1001178433 ..... 679
1001170565 ..... 383	1001172694..... 504, 512	521, 529	1001178435 ..... 692
1001170642 ..... 383	1001172695..... 505, 512,	1001173905..... 521, 529	1001178788 ..... 213, 227,
1001170650 ..... 301	521, 528	1001173906..... 521, 529	245
1001170662 ..... 301	1001172696..... 505, 512	1001173907..... 505, 513,	1001178859 ..... 185, 197
1001170663 ..... 301, 305	1001172697..... 505, 512,	521, 529	1001178876 ..... 214, 228
1001170664 ..... 301, 303,	521, 528	1001173908..... 505, 513,	1001178951 ..... 694
305	1001172698..... 512, 528	521, 529	1001179154 ..... 328, 332,
1001170693 ..... 185, 197,	1001172699..... 512, 528	1001173909..... 504, 513,	344, 349, 352
199	1001172703..... 512, 528	520, 529	1001179836 ..... 315, 319
1001170736 ..... 37	1001172707..... 512, 528	1001173925..... 324, 328,	1001179837 ..... 315, 319
1001170764 ..... 602	1001172716..... 505, 513,	340, 344	1001179893 ..... 316, 320
1001170847 ..... 381, 383,	521, 529	1001173927..... 583, 585,	1001179903 ..... 214, 228,
689	1001172717..... 505, 513,	587, 589, 591, 593	245
1001170850 ..... 120, 124,	521, 529	1001173937..... 504, 513,	1001180001 ..... 315, 319
128	1001172718..... 505, 513,	520, 529	1001180620 ..... 214, 228,
1001171067 ..... 363, 365,	521, 529	1001173983..... 327	245, 271, 285
367	1001172719..... 505, 513,	1001174040..... 385	1001180797 ..... 315
1001171112 ..... 363, 365,	521, 529	1001174098..... 120, 124,	1001180798 ..... 311
367	1001172721..... 505, 513,	128, 140	1001181045 ..... 577, 579,
1001171131 ..... 557	521, 529	1001174158..... 336	688
1001171324 ..... 363, 365,	1001172722..... 505, 513,	1001174347..... 692	1001181051 ..... 369, 371,
367	521, 529	1001174348..... 692	375
1001171335 ..... 680	1001172723..... 505, 513,	1001174349..... 679	1001181074 ..... 505, 513,
1001171337 ..... 680, 681	521, 529	1001174350..... 679	521, 529
1001171339 ..... 651, 653	1001172751..... 692	1001174367..... 347	1001181075 ..... 505, 513,
1001171341 ..... 681	1001172757..... 91, 93, 95,	1001174486..... 263, 277	521, 529
1001171343 ..... 681	97	1001174675..... 336, 340,	1001181076 ..... 521, 529
1001171345 ..... 681	1001172760..... 427	344, 348, 352	1001181077 ..... 521, 529
1001171347 ..... 681	1001172816..... 69	1001174777..... 223, 226	1001181145 ..... 680
1001171349 ..... 681	1001173233..... 381	1001174778..... 220, 223	1001181243 ..... 316, 320
1001171351 ..... 681	1001173342..... 205, 220,	1001174783..... 193, 196	1001181319 ..... 591
1001171353 ..... 681	238, 607	1001174784..... 190, 193	1001181329 ..... 583, 585,
1001171355 ..... 681	1001173354..... 120, 124,	1001174925..... 693	587, 593
1001171357 ..... 681	128, 140	1001174926..... 693	1001181405 ..... 69
1001171359 ..... 680	1001173356..... 120	1001175024..... 513, 529	1001181895 ..... 228
1001171361 ..... 680	1001173456..... 583, 585,	1001175068..... 299	1001181913 ..... 37
1001171368 ..... 653	587, 589, 591, 593	1001175071..... 299	1001182155 ..... 37
1001171382 ..... 651	1001173535..... 270, 284	1001175073..... 307, 309	1001182245 ..... 21
1001171482 99, 101, 103	1001173594..... 585	1001175074..... 307, 309	1001182250 ..... 21
1001171499 ..... 692	1001173599..... 589	1001175075..... 307	1001182296 ..... 312, 316,
1001171500 ..... 692	1001173600..... 591	1001175170..... 583	320
1001171667 ..... 363, 365,	1001173605..... 593	1001175171 ..... 587	1001182361 ..... 597, 602
367	1001173664..... 693	1001175239..... 583	1001182365 ..... 597, 602
1001171953 ..... 181, 193,	1001173665..... 583, 585,	1001175241 ..... 587	1001182570 ..... 381, 383,
209, 223, 241, 267, 281	587, 589, 591, 593	1001175542..... 331	689
1001171954 ..... 181, 193,	1001173703..... 680	1001175631 ..... 328, 332	1001182806 ..... 171
209, 223, 241, 267, 281	1001173761..... 583, 585,	1001176330..... 271, 285	1001183206 ..... 692
1001171966 ..... 363, 365,	587, 589, 591, 593	1001176469..... 115, 117	1001183207 ..... 692
367	1001173763..... 377, 379	1001176636..... 587, 589,	1001183407 ..... 693
1001171967 ..... 363, 365,	1001173807..... 571, 583,	593	1001183477 ..... 312, 316
367	585, 591	1001176848..... 25, 27	1001184542 ..... 505, 513,
1001172045 ..... 692	1001173808..... 573, 583,	1001176862..... 557	521, 529
1001172128 ..... 583, 585,	585, 587, 589, 591, 593	1001176899..... 377, 379	1001184543 ..... 505, 513,
587, 589, 591, 593	1001173810..... 343	1001176952..... 567, 583,	521, 529
1001172195 ..... 177, 190	1001173811..... 339	585, 591	1001184561 ..... 505, 513,
1001172564 ..... 679	1001173898..... 505, 513,	1001176953..... 569, 587,	521, 529
1001172565 ..... 679	521, 529	589, 593	1001184562 ..... 505, 513,
1001172570 ..... 679	1001173900..... 505, 513,	1001177359..... 214, 228,	521, 529
1001172571 ..... 679	521, 529	245	1001184563 ..... 505, 513,
1001172572 ..... 679		1001177451..... 679	521, 529

## SECTION 11 - SPECIAL OPTIONS

1001184618.....439	1001194204..... 539	1001206314 ..... 120, 124, 128, 140	1001214207..... 181, 193, 209, 223, 241, 267, 281
1001184626.....427	1001194365..... 555	1001206402 ..... 140	1001214233..... 271, 285
1001184637.....312	1001195039..... 264, 278	1001206403 ..... 140	1001214234..... 271, 285
1001184644.....312	1001195304..... 693	1001206404 ..... 140, 143	1001214269..... 285
1001184645.....312	1001195745..... 679	1001206405 ..... 143	1001214276..... 271, 285
1001185281.....427	1001195746..... 679	1001206418 ..... 140, 145	1001214277..... 271, 285
1001185821..... 63, 65, 67	1001196382..... 324, 328, 332, 336, 340, 344, 348	1001206437 ..... 692	1001214278..... 271, 285
1001186333.....401	1001196589..... 631	1001206439 ..... 693	1001214307..... 271, 285
1001186377.....395	1001196602..... 631	1001206440 ..... 693	1001214317..... 41, 57
1001186379.....397	1001196604..... 632	1001206476 ..... 563	1001214478..... 693
1001186382.....399	1001196634..... 253, 632, 688	1001206625 ..... 487	1001214502..... 263, 278
1001186383.....393	1001196636..... 631	1001206917 ..... 159, 161, 163	1001214508..... 271, 285
1001186384.....391	1001197017..... 453, 455	1001207004 ..... 73	1001214515..... 693
1001186386.....389	1001197272..... 504, 513, 520, 529	1001207332 ..... 505, 513, 521, 529	1001214540..... 320, 352
1001186431..... 457, 689	1001197284..... 505, 513, 521, 529	1001207333 ..... 505, 513, 521, 529	1001214548..... 693
1001186432..... 617, 637	1001197719..... 602, 689	1001207340 ..... 512	1001214552..... 693
1001186517.....457	1001199035..... 679	1001207341 ..... 528	1001214553..... 271, 285
1001187077.....632	1001199036..... 679	1001207349 ..... 159	1001214555..... 271, 285
1001187078.....632	1001199177..... 163	1001207350 ..... 161	1001214556..... 271, 285
1001187382.....385	1001199207..... 120, 124, 128, 140	1001207726 ..... 145	1001214558..... 271, 285
1001187383.....385	1001199901..... 120, 124, 128, 140	1001208874 ..... 77, 79	1001214559..... 693
1001187522..... 312, 316, 320, 611	1001200128..... 680	1001208994 ..... 385	1001214560..... 693
1001187674.....459	1001200129..... 680	1001209059 ..... 694	1001214561..... 693
1001187681.....639	1001200130..... 680	1001209432 ..... 563	1001214562..... 693
1001187807..... 147, 439	1001200131..... 680	1001209474 ..... 563	1001214570..... 563
1001188305.....405	1001200132..... 680	1001209618 ..... 171	1001214571..... 563
1001188306.....413	1001200133..... 680	1001209664 ..... 457	1001214598..... 271, 286
1001188308.....407	1001200134..... 680	1001209677 ..... 561	1001214599..... 272, 286
1001188309.....409	1001200458..... 131, 135	1001209832 ..... 561	1001214664..... 272, 286
1001188314.....411	1001200491..... 385	1001209844 ..... 271, 285, 293	1001214694..... 272, 286
1001188315.....403	1001200494..... 385	1001210037 ..... 694	1001214833..... 692
1001188334.....149	1001200910..... 71	1001210636 ..... 477	1001214841..... 272, 286
1001188622.....385	1001201351..... 385	1001211336 ..... 161	1001214909..... 319
1001188622.....385	1001201633..... 135	1001211633 ..... 140	1001214910..... 351
1001188731..... 312, 316, 320	1001201634..... 135	1001211636 ..... 140	1001214975..... 185, 197
1001188844.....385	1001201635..... 131	1001211794 ..... 271, 285	1001215125..... 272, 286
1001188972..... 189, 219, 277	1001201636..... 131	1001211797 ..... 271, 285	1001215228..... 427
1001189001.....385	1001202298..... 120, 124	1001211877 ..... 301	1001215259..... 263, 278
1001189002.....385	1001202687..... 385	1001211878 ..... 301	1001215373..... 97
1001189171..... 581, 688	1001202749..... 693	1001212223 ..... 348, 352	1001215509..... 41
1001189172..... 581, 688	1001202830..... 133	1001212257 ..... 263, 277	1001215523..... 352
1001189882.....653	1001202831..... 137	1001212819 ..... 140	1001215801..... 263, 278
1001190368..... 25, 27	1001202910..... 504, 512, 520, 528	1001212822 ..... 140	1001215869..... 272, 286
1001190663..... 171	1001203434..... 585	1001212989 ..... 271, 285	1001216080..... 278
1001190921.....632	1001203435..... 589	1001212993 ..... 271, 285	1001216396..... 263, 278
1001190985.....385	1001203459..... 589, 593	1001213029 ..... 320, 352	1001216397..... 263, 278
1001191275..... 504, 513, 520, 529	1001203510..... 694	1001213062 ..... 263, 277	1001216399..... 264, 278
1001191276..... 504, 513, 520, 529	1001203512..... 694	1001213305 ..... 271, 285	1001216512..... 303
1001191394.....693	1001203655..... 401	1001213425 ..... 271, 285	1001216547..... 303
1001191395.....693	1001204481..... 693	1001213426 ..... 271, 285	1001216548..... 303
1001191620..... 214, 228, 245	1001204482..... 693	1001213447 ..... 619	1001216549..... 303
1001192401.....632	1001204510..... 651, 680	1001213482 ..... 271, 285	1001216552..... 693
1001193018..... 535, 537, 539, 541, 543, 545, 547, 549, 551, 553, 555	1001204715..... 381, 383	1001213599 ..... 263, 277, 605	1001216598..... 124
1001193336..... 159	1001204725..... 385	1001213824 ..... 271, 285	1001216630..... 385
1001193654..... 505, 513, 521, 529	1001204996..... 692	1001213882 ..... 427	1001216655..... 505, 513, 521, 528
1001194197.....547	1001204997..... 692	1001214029 ..... 680	1001216800..... 520
1001194198.....549	1001205008..... 692	1001214138 ..... 271, 285	1001216801..... 504
1001194200.....551	1001205009..... 692	1001214162 ..... 41	1001216805..... 320, 352
1001194203.....535	1001205958..... 543, 545, 547, 549, 551, 553	1001214174 ..... 41, 51	1001216825..... 272, 286
		1001214205 ..... 271, 285	1001216840..... 320
			1001216914..... 692
			1001217342..... 319, 351
			1001217343..... 270, 284
			1001217344..... 319, 351

## SECTION 11 - SPECIAL OPTIONS

1001217345 ..... 264, 278, 319, 351	1001228224..... 459, 689	1001235527..... 107	1001238932 ..... 63
1001217488 ..... 653	1001228225..... 459, 689	1001235528..... 105, 107, 109	1001239202 ..... 601
1001217494 ..... 263, 270, 278, 284	1001228243..... 419	1001235529..... 105, 107, 109	1001239293 93, 101, 115
1001217785 ..... 263, 277	1001228375..... 421	1001235531 ..... 101, 107	1001239294 ..... 91, 99
1001218538 ..... 167	1001228376..... 415	1001235949..... 246, 257	1001239512 .... 91, 93, 95
1001218676 ..... 167	1001228377..... 417	1001236087 ..... 439	1001239802 ..... 23
1001219130 ..... 167	1001228406..... 120, 124, 128, 140	1001236091 ..... 147	1001241162 ..... 465
1001219134 ..... 140	1001228487..... 153, 156	1001236250 ..... 263	1001241283 ..... 128
1001219601 ..... 97, 689	1001228492..... 153	1001236252 ..... 277	1001241288 ..... 128
1001219794 ..... 693	1001228955..... 692	1001236254 ..... 263, 267	1001241291 ..... 128, 133
1001220004 ..... 693	1001228988..... 473, 683, 685	1001236256 ..... 267, 270	1001241292 ..... 128, 137
1001220266 ..... 238	1001229107..... 692	1001236257 ..... 271, 285	1001241396 ..... 693
1001220379 ..... 598	1001229341..... 459	1001236258 ..... 278, 281	1001241402 ..... 693
1001220920 ..... 379	1001229795..... 609	1001236259 ..... 281, 284	1001241547 ..... 694
1001220921 ..... 379	1001229796..... 609	1001236303..... 63	1001241548 ..... 694
1001220924 ..... 379	1001229798..... 264, 278, 609	1001236304..... 563	1001241965 ..... 461
1001221402 ..... 111	1001230635..... 213, 227, 245	1001236393..... 271, 285, 289	1001242106 ..... 93
1001221403 ..... 113	1001230784..... 324, 336, 575	1001236496..... 693, 694	1001242538 ..... 647
1001221405 ..... 115	1001230907..... 575	1001236504..... 563	1001242559 ..... 649
1001221481 ..... 361	1001230908..... 323	1001236505 ..... 563	1001242561 ..... 667
1001221482 ..... 361, 367	1001230931..... 631	1001236552 ..... 461	1001242562 ..... 669
1001221484 ..... 371	1001230934..... 597, 602	1001236746 ..... 447	1001242563 ..... 671
1001221486 ..... 371	1001230935..... 597, 602	1001236747 ..... 443	1001242564 ..... 673
1001221927 ..... 363, 373	1001230936..... 597, 602	1001236780 ..... 246	1001242565 ..... 675
1001222043 ..... 140	1001231195..... 159, 161, 689	1001236789 ..... 441, 443, 445, 447	1001242566 ..... 677
1001222044 ..... 140	1001231235..... 694	1001236895 ..... 441, 443, 445, 447	1001242567 ..... 663
1001222139 ..... 111	1001231801..... 679	1001236965 ..... 91	1001242568 ..... 665
1001222140 ..... 113	1001231886..... 171	1001237544 ..... 439	1001242569 ..... 659
1001222142 ..... 115	1001231949..... 447	1001237546 ..... 147	1001242570 ..... 661
1001223055 ..... 647, 649	1001231950..... 443, 445	1001237549 ..... 151	1001242571 ..... 655
1001223122 ..... 246, 324, 328, 332, 336, 340, 344, 348	1001232010..... 443, 445, 447	1001237667 ..... 619, 631	1001242572 ..... 657
1001223309 ..... 305	1001232011..... 443, 445, 447	1001237668 ..... 619, 631	1001242639 ..... 692
1001223310 ..... 305	1001232066..... 653	1001237822 ..... 91, 93, 95	1001242680 ..... 147, 439
1001223328 ..... 305	1001232164..... 459	1001237829 ..... 91, 93, 95, 631	1001242851 ..... 71
1001223387 ..... 140	1001232165..... 459	1001237863 ..... 459, 641	1001242852 ..... 73
1001223453 ..... 647, 649, 663, 665, 675, 677	1001232545..... 245, 249	1001237864 ..... 459, 643	1001243092 ..... 465
1001223454 ..... 305	1001232642..... 461	1001237865 ..... 459, 639	1001243183 ..... 692
1001223459 ..... 597, 601	1001232667..... 461, 689	1001237882 ..... 692	1001243184 ..... 692
1001223899 ..... 369, 371	1001232842..... 253	1001237883 ..... 692	1001243205 ..... 465
1001223971 ..... 663, 665	1001232907..... 151	1001237888 ..... 465, 467	1001243414 ..... 120, 124, 128, 140
1001224048 ..... 671, 673	1001232908..... 151	1001237891 ..... 467	1001243699 ..... 680
1001224049 ..... 675, 677	1001232913..... 151	1001237898 ..... 465, 467	1001243700 ..... 680
1001224050 ..... 659, 661	1001232915..... 151	1001237902 ..... 465, 467, 689	1001243869 ..... 309
1001224052 ..... 655, 657	1001232916..... 151	1001238160 ..... 91, 93, 95, 635	1001243870 ..... 309
1001224053 ..... 667, 669	1001232917..... 151	1001238161 ..... 91, 93, 95, 615	1001243895 ..... 253
1001224888 ..... 377, 379	1001233047..... 692	1001238254 ..... 428, 619	1001244283 ..... 237
1001225346 ..... 563, 689	1001233048..... 151	1001238263 ..... 441, 443, 445, 447	1001244285 ..... 238, 241
1001225430 ..... 231	1001233075..... 151	1001238319 ..... 459	1001244286 ..... 241, 244
1001225580 ..... 457, 617	1001233076..... 151	1001238421 ..... 461, 637	1001244335 ..... 467
1001225794 ..... 693	1001233077..... 151	1001238428 ..... 385, 693	1001244336 ..... 465
1001226400 ..... 567, 569	1001233079..... 694	1001238463 ..... 445	1001244337 ..... 467
1001226531 ..... 563	1001233139..... 25	1001238472 ..... 461	1001244671 ..... 467
1001226872 ..... 423	1001233237..... 692	1001238495 ..... 457	1001244709 ..... 467
1001227453 ..... 692	1001233412..... 151	1001238559 ..... 461	1001244710 ..... 467
1001227633 ..... 459	1001233413..... 151	1001238886 ..... 105	1001244732 ..... 467
1001227634 ..... 459	1001233436..... 151	1001238887 ..... 99, 105	1001244733 ..... 467
1001227985 ..... 459	1001233763..... 220, 253	1001238911 ..... 246	1001244873 ..... 357
1001227987 ..... 459	1001234608..... 679		1001244874 ..... 357, 363
1001227996 ..... 641, 643	1001234800..... 597, 602		1001244975 ..... 425
1001228092 ..... 357, 359, 361, 487			1001245305 ..... 238
1001228215 ..... 423			1001245317 ..... 109
			1001245379 ..... 103, 109
			1001245380 ..... 95, 103
			1001245658 ..... 679
			1001245827 ..... 117
			1001245831 ..... 117

## SECTION 11 - SPECIAL OPTIONS

1001245839.....246, 601	1001254670.....671	10702082 . 340, 345, 349, 353	1702774.....680
1001245993.....95	1001254671.....659	1120555.....463	1702861.....679, 680
1001246087.....167	1001254672.....659	1260017.....169	1702868....473, 647, 649, 679, 685, 692
1001246142.....692	1001254673.....655	1300018.....35	1702938.....453, 455
1001246389.....465	1001254674.....655	1320016.....184, 196	1702941....189, 219, 277
1001246456.....692	1001254675.....675	1320061.....237	1702942....189, 219, 277
1001246457.....692	1001254676.....675	1320176.....299	1702943....189, 219, 277
1001247048.....365, 369	1001254677.....667	1320187 ... 177, 189, 219, 237	1702944....189, 219, 277
1001247073.....694	1001254750.....649	1320190 ... 177, 189, 219, 237	1702968.....37
1001247252.....465	1001254751.....665	1320218.....23	1703162....184, 196, 212, 226, 244, 270, 284
1001247359.....272, 286	1001254752.....673	1320220.....23	1703797.....647, 649
1001247468.....385, 689	1001254753.....661	1320222 .... 189, 219, 277	1703798.....647, 649
1001247623.....367, 371	1001254754.....657	1320223 .... 178, 190	1703804.....647, 649
1001247656.....335	1001254755.....677	1320302 .... 469, 471, 473	1703805.....647, 649
1001247800.....694	1001254756.....669	1321283.....263, 277	1703923.....675, 677
1001248012.....369, 371, 489	1001255133.....385	1321716 ... 159, 161, 212, 226, 244, 311, 315, 323, 328, 332, 335, 340, 344, 348	1703924.....663, 665
1001248140.....441, 443, 445, 447	1001255807.....692	1380147.....307, 309	1703925.....659, 661
1001248141.....441, 443, 445, 447	1001256506.....598	1580011.....270, 284	1703926.....667, 669
1001248190.....336	1001256507.....597	1580012.....475	1703927.....671, 673
1001249052.....694	1001256879.....238	1580013.....693	1703928.....655, 657
1001249695.....694	1001257271.....441	1670603.....555	1703929.....675, 677
1001249941.....694	1001257275.....441	1670769 .... 587, 589, 593	1703930.....663, 665
1001249965.....214, 228, 231	1001257800.....441	1671092 .... 344, 349, 352	1703931.....659, 661
1001250035.....694	1001258230.....693	1671093.....471	1703932.....667, 669
1001250287.....120, 128, 140	1001258495.....641, 643	1684290.....483	1703933.....671, 673
1001250288.....124	1001258715.....693	1700818.....679	1703934.....655, 657
1001250289.....120, 124, 128, 140	1001258730.....465, 467	1701499 ... 647, 649, 651, 653, 655, 657, 659, 661, 663, 665, 667, 669, 671, 673, 675, 677	1703935.....675, 677
1001250465.....694	1001258804.....246	1701500 ... 647, 649, 651, 653, 655, 657, 659, 661, 663, 665, 667, 669, 671, 673, 675, 677	1703936.....663, 665
1001250466.....694	1001259230.....133, 137	1701504 ... 647, 649, 651, 653, 655, 657, 659, 661, 663, 665, 667, 669, 671, 673, 675, 677	1703937.....659, 661
1001250595.....694	1001260412.....214, 228, 246	1701518.....651, 653	1703938.....667, 669
1001250681.....91, 93, 95	1001260420.....214, 227, 245	1701529 ... 647, 649, 651, 653, 655, 657, 659, 661, 663, 665, 667, 669, 671, 673, 675, 677	1703939.....671, 673
1001250764.....647, 649, 651, 655, 657, 659, 661, 663, 665, 667, 669, 671, 673, 675, 677, 679	1001260432.....335	1701542 .... 263, 277, 679	1703940.....655, 657
1001251075.....363, 365, 367, 495	1001260524.....465	1701543 .... 263, 277, 679	1703941.....675, 677
1001251723.....679	1001260525.....465, 467	1702300 ... 647, 649, 651, 653, 655, 657, 659, 661, 663, 665, 667, 669, 671, 673, 675, 677	1703942.....663, 665
1001252033.....694	1001260680.....587, 589, 593	1702565.....427	1703943.....659, 661
1001252034.....694	1001261045.....335	1702566.....427	1703944.....667, 669
1001252527.....597, 602	1001261085.....335	1702567.....427	1703945.....671, 673
1001252629.....441, 443, 445, 447	1001262016.....694	1702720.....679	1703946.....655, 657
1001252946.....449, 451	1001262255.....238	1702773 .... 401, 653, 680	1703947.....675, 677
1001252947.....449, 451	1001262959.....692		1703948.....663, 665
1001253375.....617	1001263176.....694		1703949.....659, 661
1001253618.....693	1001265163.....477		1703950.....667, 669
1001253619.....693	1001265342.....477		1703951.....671, 673
1001253892.....133	1001266056.....694		1703952.....655, 657
1001253893.....137	1001266098.....694		1703953.....647, 649
1001253896.....133	1001266290.....693		1703980.....667, 669
1001253897.....137	1001266489.....694		1703981.....671, 673
1001253903.....133, 137	1001269297.....35		1703982.....659, 661
1001254472.....461	1001269298.....35		1703983.....675, 677
1001254473.....461	1001271497.....619		1703984.....663, 665
1001254665.....647	1001288195.....383		1703985.....655, 657
1001254666.....647	1001311034.....461		1704000....663, 665, 679, 692
1001254667.....663	1060341.....453, 455		1704001.....675, 677
1001254668.....663	1060343 .... 344, 348, 352		1704002.....655, 657
1001254669.....671	1060379.....449, 451		1704260.....427
	1060494 .... 312, 316, 320		1704271.....679
	1060626 .... 189, 219, 277		1704277.....653
	1060903.....453, 455		1704412....647, 649, 651, 653, 655, 657, 659, 661, 663, 665, 667, 669, 671, 673, 675, 677
	1060908 .... 577, 579, 581		1704472.....679
	1060918.....437		1704473.....679
	1062255.....238		1704578.....37
	10702077 . 340, 345, 349, 353		

## SECTION 11 - SPECIAL OPTIONS

1704885 .....	680	2220273 .....	75	2220946.....	504, 512, 520, 528	2920029 ....	427, 453, 455
1704972 .....	680	2220313 ...	177, 189, 205, 219, 237	2220947.....	504, 512, 520, 528	2940045 .....	145
1705014 .....	401	2220315 ...	184, 196, 212, 226, 244, 270, 284	2220998.....	504, 512, 520, 528	2940074 ...	389, 391, 393, 403, 405, 407, 415, 419, 689
1705305 ....	473, 683, 685	2220366 ...	504, 512, 520, 528	2221018.....	23	2940173 ...	131, 133, 135, 137, 143, 145
1705325 .....	535, 537	2220371 ...	504, 512, 520, 528	2221019.....	23	3020039 .....	17
1705351 .....	647, 649	2220372 ....	37, 504, 512, 520, 528	2221024.....	23	3160348 .....	43, 55
1705355 .....	683, 685	2220373 ...	504, 512, 520, 528	2221040.....	512, 528	3160351 .....	41, 53
1705358 .....	679	2220374 ...	504, 512, 520, 528	2221052.....	37	3250872 .....	37
1705374 ...	327, 331, 557, 559	2220375 ...	504, 512, 520, 528	2221086.....	59, 504, 512, 520, 528	3251102 .....	323, 335
1705375 ...	345, 349, 353, 473, 685	2220377 ...	504, 512, 520, 528	2400060.....	253, 477, 619	3251242 ...	539, 541, 543, 545, 547, 549, 551, 553, 555
1705387 ...	327, 331, 345, 349, 353	2220415 ...	504, 512, 520, 528	2400066.....	611	3251243 ...	311, 315, 319, 327, 331, 345, 349, 353, 647, 649, 655, 657, 663, 665, 675, 677
1705426 .....	667, 669	2220451 ...	184, 196, 504, 512, 520, 528	2400082.....	609, 689	3252347 .....	647, 649
1705427 .....	671, 673	2220466 ...	504, 512, 520, 528	2410014.....	401	3252764 ...	339, 344, 347, 351
1705429 .....	663, 665	2220468 ...	504, 512, 520, 528	2420203.....	311, 316, 320	3271601 ...	120, 124, 128, 140
1705430 .....	659, 661	2220472 .....	520, 528	24431386.....	264, 278	3271605 ...	441, 443, 445, 447
1705460 ...	341, 345, 349, 353	2220473 ...	504, 512, 520, 528	2460048.....	339, 343	3271805 .....	401
1705461 .....	341	2220497 ...	504, 513, 520, 529	2460055.....	311	3272001 ...	441, 443, 445, 447
1705489 ...	323, 335, 340, 341	2220500 .....	512, 528	2540020.....	71, 73	3290401 .....	23
1705822 .....	651, 653	2220501 ...	504, 512, 520, 528	2560136.....	427	3290405 ...	383, 477, 535, 537, 539, 541, 543, 545, 547, 549, 551, 553, 555, 575
1705828 .....	651, 653	2220502 ...	504, 512, 520, 528	2560187....	131, 133, 135, 137, 143, 145	3290505 ....	69, 327, 331, 340, 344, 347, 351
1705910 .....	675, 677	2220579 .....	37	2580024.....	189, 219, 277	3290601 ...	131, 133, 135, 137, 143, 145, 171, 504, 512, 520, 528
1705921 .....	651, 653	2220582 ...	504, 512, 520, 528	2580062.....	196	3290605 ...	63, 65, 71, 73, 91, 93, 95, 97, 140, 145, 177, 184, 189, 196, 205, 212, 219, 226, 237, 244, 263, 277, 301, 303, 305, 311, 315, 319, 323, 327, 331, 335, 340, 344, 347, 351, 383, 561, 575
1705961 .....	651, 653	2220596 .....	512, 528	2600281....	389, 391, 393, 403, 405, 407, 415, 419	3290606 ...	395, 397, 399, 409, 411, 413, 417, 421
1706059 .....	680	2220600 ...	504, 512, 520, 528	2720015.....	212, 226, 244	3290607 .....	270, 284
1706060 .....	680	2220603 .....	513, 529	2720058....	177, 189, 272, 286	3290801 .....	270, 284
1706061 .....	680	2220628 ...	504, 512, 520, 528	2720144.....	23	3290805 ....	37, 177, 184, 189, 196, 205, 212, 219, 226, 237, 244, 263, 270, 277, 284, 301, 303, 305, 311, 315, 319, 323, 327, 331, 340, 344, 347, 351, 563, 583, 585, 587, 589, 593
1706062 .....	680	2220648 .....	23	2720271.....	272, 286	3290806 .....	385
1706063 .....	680	2220695 ...	504, 512, 520, 528	2720340.....	212, 226, 244	329100191, 93, 212, 226, 244, 270, 284, 385	
1706064 .....	680	2220726 ...	504, 512, 520, 528	2720392.....	23	3291005 ...	75, 91, 93, 95, 120, 124, 128, 131,
1706098 .....	680	2220767 ....	205, 219, 237	2720398.....	184, 197		
1706385 .....	401	2220775 ...	504, 512, 520, 528	2720447.....	184, 197		
2030010 ....	469, 471, 473	2220881 .....	485, 495	2720615.....	272, 286		
2060025 .....	184, 196	2220883 ...	53, 55, 57, 59, 82, 86, 89, 483, 487, 489	2720644.....	270, 284		
2080040 ...	335, 389, 391, 393, 403, 405, 407, 415, 419, 561	2220885 .....	489, 495	2750532....	177, 189, 206, 220, 237		
2080069 .....	465, 467	2220886 .....	53, 55, 495	2752500....	505, 513, 521, 529		
2110810 ...	504, 512, 520, 528	2220887 .....	163	2780267.....	41, 43, 45		
2110812 ...	504, 512, 520, 528	2220888 .....	55	2780268.....	43, 49		
2111216 ...	504, 512, 520, 528	2220906 ...	504, 512, 520, 528	2820031....	311, 315, 319, 323, 327, 331, 335, 339, 343, 347, 351		
2131212 ...	504, 512, 520, 528	2220923 ...	504, 512, 520, 528	2820035.....	253		
2131216 ...	504, 512, 520, 528			2820247.....	641, 643		
2180125 .....	23			2840016.....	307, 309		
2180348 ...	177, 189, 263, 277			2860030....	111, 113, 115, 117, 688		
2180387 .....	23			2900756.....	59		
2180388 .....	23			2900770..	81, 85, 86, 485, 495		
2180389 .....	23			2900792.....	489		
2180418 .....	23			2902065....	184, 197, 212, 226, 244, 259		
2180504 .....	272, 286			2902212.....	463		
2180832 ....	205, 219, 237			2902217.....	469, 471		
2220005 .....	23			2902266.....	483		
2220124 .....	75			2902443....	595, 597, 601		
2220237 .....	504, 520			2902549.....	575, 577		
2220238 .....	37, 149, 504, 520			2915102.....	692		
2220261 .....	23, 270, 284			2920028....	427, 453, 455		

## SECTION 11 - SPECIAL OPTIONS

133, 135, 137, 140, 143, 145, 151, 159, 161, 177, 184, 189, 196, 205, 212, 219, 226, 237, 244, 263, 270, 277, 284, 303, 311, 315, 319, 369, 371, 377, 379, 383, 385, 583, 585, 587, 589, 591, 593	3331211 ... 311, 315, 323, 327, 331, 335, 340, 344, 347, 351 3331215 ... 184, 196, 212, 226, 244 3340956 ..... 463 3380434 ..... 425 3420352 ..... 39 3420372 ..... 39 3421565 ..... 169 3422532 ... 177, 189, 205, 219, 237, 263, 277 3422661 ..... 449, 451 3422793 ..... 365, 367 3422848 ..... 27 3422860 ..... 369, 371 3422861 ..... 369, 371 3422867 ..... 369, 371 3423304 ..... 25, 27 3430616 ..... 427 3430820 ..... 307, 309 3450404 ..... 307, 309 3460334 ..... 463 3470003 ..... 428 3520028 ... 311, 316, 320 3520054 ... 184, 196, 214, 228, 244, 427 3520071 ..... 463 3520072 ... 389, 391, 393, 395, 397, 399, 401, 415, 417, 419, 421, 423 3520189 ..... 340 3520192 ..... 340 3520198 ... 389, 391, 393, 395, 397, 399, 415, 417, 419, 421, 423 3573400 ... 469, 471, 473 3573642 ... 469, 471, 473 3574091 ..... 455 3575359 ..... 453 3577121 ... 469, 471, 473 3580158 ..... 311 3580276 ..... 311 3580317 ... 323, 327, 331, 335, 340, 344, 347, 351 3580318 ... 327, 331, 344, 347, 351 3580319 ... 323, 335, 340 3580320 ... 315, 323, 327, 331, 340, 344, 347 3641569 ..... 453 3740067 .63, 65, 184, 196 3740080 ... 312, 315, 319, 611, 689 3740086 ..... 637, 689 3740140 ... 184, 196, 689 3760133 ... 363, 365, 367 3760170 ..... 39, 169 379001293, 95, 263, 277, 427 3790152 ... 181, 193, 209, 223, 241, 267, 281 3820001 ..... 37, 647, 649, 651, 653, 655, 657, 659, 661, 663, 665, 667, 669, 671, 673, 675, 677	3820020 ... 389, 391, 393, 403, 405, 407, 415, 419 384114325, 27, 177, 189, 205, 219, 237, 263, 277, 363, 369, 371, 385 3841203 ... 357, 359, 361, 365, 367 3841258 .... 17, 357, 359, 361 3841340 ... 583, 585, 587, 589, 591, 593 3900054 ..... 401 3900267 ..... 328, 332 3900295 ..... 27 3900300 ..... 328, 332 3900332 ..... 23 3900349 ..... 427 3910408 ..... 212, 226 3910606 ... 327, 331, 344, 347, 351, 557, 559 3910610 .... 307, 309, 533 3910804 ... 111, 113, 115, 117 3911010 71, 73, 147, 439 3931408 ..... 457 3931512 .... 212, 226, 244 3931618 ... 181, 193, 209, 223, 241, 267, 281 3931628 .... 315, 331, 347 3960389 ..... 151 3960407 ..... 184, 196 3960422 ... 327, 331, 344, 347, 351, 533, 557, 559 3960526 ..... 41, 43 4010405 ..... 561, 575 4010618 ... 395, 397, 399, 409, 411, 413, 417, 421 4031505 ..... 459 4031516 ..... 461 4031914 .... 212, 226, 244 4032014 .... 315, 331, 347 4032015 ... 323, 327, 340, 344 4060802 ... 312, 315, 319, 323, 327, 331, 335, 340, 344, 347, 351 4060805 ... 184, 197, 212, 226, 244, 272, 286 4070450 ..... 39 4070560 ..... 39 4070561 ..... 39 4070897 .... 363, 365, 367 4070898 .... 363, 365, 367 4071009 ..... 153 4160182 .... 120, 124, 128 4240018 ... 504, 512, 520, 528, 557, 559 4240032 ..... 69 4240033 .... 457, 459, 461 4240099 ... 71, 73, 91, 93, 95, 177, 184, 189, 196, 205, 212, 219, 226, 244, 253, 263, 270, 277, 284, 312, 315, 319, 323, 327, 331, 335, 340, 344, 347, 351, 427, 453, 455, 469, 471	4240149.....463 4280296..... 19, 21 4360057.....453, 455 4360070....328, 332, 340, 345, 349, 352, 688 4360274..... 117, 689 4360328..... 93, 95, 689 4360336....312, 315, 319, 323, 327, 331, 335, 340, 344, 347, 351, 688 4360387....115, 117, 427, 453, 455, 689 4360407.....427, 688 4360469....111, 113, 115, 117, 688 4360475..... 99, 101, 103, 427, 688 4360476..... 99, 101, 103, 427, 688 4360517.....149 4360542....311, 316, 320, 688 4400275.....23 4420014.....463 4420037....469, 471, 473 4420051.....37, 679 4420062.....449, 451 4420066.....463 4420068.....453, 455 4460019.....601 4460027....311, 316, 320 4460042....598, 601, 605, 631 4460043....253, 597, 601 4460049.....453, 455 4460071....327, 331, 344, 347, 351, 437, 533 4460134....312, 316, 320 4460138....312, 316, 320 4460183.....619, 631 4460190....311, 316, 320 4460205.....533 4460225....340, 344, 347, 351, 613, 619 4460226....431, 434, 437, 632 4460227.....619 4460234.....69, 427, 453, 455 4460247.....597, 601 4460259....477, 615, 619, 632 4460260....477, 615, 619, 632 4460265.....431, 434 4460267.....619 4460268....311, 316, 320, 613 4460313....595, 632, 635 4460315.....533 4460321....311, 316, 320 4460346....327, 331, 344, 347, 351, 533 4460384.....555 4460418.....615, 619
--	---	--	---



## SECTION 11 - SPECIAL OPTIONS

4460419 .....	615, 619	4460884 ...	477, 601, 617, 631	4530028.....	469, 471, 479	4811600 .....	69, 327, 331, 340, 344, 347, 351
4460424 .....	632	4460887 ....	477, 619, 631	4640261.....	37	4811700 ...	63, 65, 71, 73, 91, 93, 97, 131, 133, 135, 137, 143, 145, 171, 177, 184, 189, 196, 205, 212, 219, 226, 237, 244, 263, 270, 277, 284, 312, 315, 319, 323, 327, 331, 335, 340, 344, 347, 351, 395, 397, 399, 409, 411, 413, 417, 421, 504, 512, 520, 528, 561, 575, 587, 589, 593
4460425 ...	328, 332, 340, 345, 349, 352, 453, 455, 557, 559	4460891 ...	171, 565, 598, 607, 631, 635	4640452.....	495	4811702 ...	214, 228, 238, 244, 270, 284, 301, 303, 305, 504, 512, 520, 528, 561, 575
4460426 ...	328, 332, 340, 345, 349, 352	4460894 ...	595, 598, 601, 605, 619, 631, 635	4640509.....	489	4811900 .....	37, 140, 177, 184, 190, 196, 205, 212, 219, 226, 237, 244, 263, 270, 277, 284, 312, 315, 319, 323, 327, 331, 340, 344, 347, 351, 385, 563, 583, 585, 587, 589, 593
4460428 .....	427	4460897 ..	69, 71, 73, 607	4640751.....	212, 226, 244	4811902 ...	120, 124, 128, 177, 189, 205, 219, 237, 246, 270, 284
4460434 .....	619	4460899 ...	573, 617, 632, 637, 639	4640858.....	483	4812000 ...	41, 43, 63, 65, 75, 77, 79, 91, 93, 95, 120, 124, 128, 131, 133, 135, 137, 140, 143, 145, 151, 159, 161, 177, 184, 189, 196, 205, 212, 219, 226, 237, 244, 263, 270, 277, 284, 312, 315, 319, 323, 335, 348, 363, 365, 367, 377, 379, 383, 385, 583, 585, 587, 589, 591, 593
4460458 ...	597, 602, 631, 632	4460905 ...	615, 619, 631, 635	4641122.....	29, 31, 33, 35	4812002 ...	77, 79, 91, 93, 95, 120, 124, 128, 140, 159, 161, 246, 303
4460464 .....	69, 381, 383, 437, 477, 565, 571, 573, 607, 611, 617, 619, 631, 632, 637	4460906 .....	611	4641390.....	487	4812100 ...	149, 177, 189, 205, 212, 219, 226, 237, 244, 263, 277, 367, 385
4460465 ...	171, 381, 383, 477, 565, 567, 569, 571, 573, 595, 597, 598, 601, 605, 613, 617, 619, 631, 632, 635	4460910 .....	643	4710400.....	212, 226	4812102 .....	37
4460466 91, 93, 264, 278, 459, 465, 477, 565, 567, 569, 571, 595, 597, 598, 601, 605, 611, 617, 619, 631, 632, 635, 637, 639		4460911 .....	639	4711000.....	71, 73, 91, 93, 95, 255, 257, 328, 332, 340, 345, 349, 353	4812200 ...	184, 196, 212, 226, 244, 264, 278, 312, 315, 320, 323, 327, 331, 335, 340, 344, 347, 352
4460470 ..	91, 93, 95, 427	4460928 .....	565	4711400.....	131, 133, 135, 137, 143, 145, 395, 397, 399, 409, 411, 413, 415, 417, 419, 421, 423, 457, 461, 465, 535, 537, 539, 541, 543, 545, 547, 549, 551, 553, 555	4844816 .....	369
4460471 ..	91, 93, 95, 427	4460930 .....	93, 264, 278, 571, 595, 598, 601, 631	4711500 63, 65, 120, 124, 128, 177, 189, 206, 212, 219, 226, 237, 244, 263, 277		4844817 .....	369
4460473 .....	567, 569	4460931 91, 93, 465, 631		4711600.....	120, 124, 128, 140, 255, 257, 323, 327, 331, 335, 340, 344, 347, 428, 441, 443, 445, 447	4845582 .....	449, 451
4460496 .....	91, 93, 95	4460932 .....	477, 607	4711700.....	95, 312, 315, 319	4846627 ....	469, 471, 473
4460497 .....	91, 93, 95	4460933 ....	565, 619, 632	4711800.....	401	4846673 .....	455
4460508 ....	459, 619, 632	4460941 .....	607, 639	4712000.....	441, 443, 445, 447, 463	4860214 .....	35
4460509 .....	567, 569	4460942 ...	459, 598, 601, 607	4712200.....	463		
4460518 .....	565	4460943 .	71, 73, 97, 465, 467, 639	4740086.....	25, 27		
4460536 .....	97, 381, 383, 467, 571, 573, 619	4460944 ...	597, 598, 601	4740155.....	27		
4460539 ...	381, 383, 571, 573, 601, 619, 635	4460956 .....	577, 579	4740158.....	17		
4460612 .....	557, 559	4460957 .....	577, 579	4740362.....	425		
4460662 ...	547, 549, 551, 555	4460958 .....	559	4740397.....	93, 427		
4460693 .....	605	4460961 ...	311, 316, 320	4740439.....	369, 371		
4460702 .....	632	4460962 .....	471	4740491.....	27		
4460703 ....	597, 601, 632	4460963 ...	345, 349, 352	4750600.....	307, 309		
4460705 ....	311, 316, 320	4460967 .....	631	4751000.....	159, 161, 312, 315, 319, 469, 471, 473		
4460708 .....	619	4460968 .....	535, 539	4751400.....	163, 425, 427, 453, 455, 467, 469, 471, 473, 475, 563, 647, 649, 651, 653, 655, 657, 659, 661, 663, 665, 667, 669, 671, 673, 675, 677		
4460722 .....	253	4460970 .....	619	4751600.....	214, 228, 425, 469, 471, 473		
4460742 .....	632	4460977 .....	609	4751800.....	401, 453, 455		
4460743 .....	632	4461005 .....	595	4752000.....	39		
4460746 .....	597, 601	4461008 ...	595, 597, 601	4760600.....	533		
4460748 ....	597, 602, 631	4461052 .....	595	4761000 63, 65, 184, 196, 213, 227			
4460761 .....	619	4461054 .....	598, 601	4761400.....	475		
4460806 ...	543, 545, 547, 549	4461070 .....	565, 597	4770600.....	307, 309		
4460807 .....	613	4461071 ...	595, 597, 601	4811400.....	383, 477, 535, 537, 539, 541, 543, 545, 547, 549, 551, 553, 555		
4460808 .....	613	4461072 ...	595, 597, 601				
4460865 .....	567, 569	4461073 ...	595, 597, 601				
4460866 .....	619, 632	4461074 ...	595, 597, 601				
4460871 ...	171, 615, 619, 631, 635	4461077 .....	637, 639				
4460872 .....	635	4461095 ...	565, 595, 597				
4460873 .....	619, 631	4461109 .....	605				
4460874 .....	619, 631	4461111 .....	605				
4460875 .....	619, 635	4461113 .....	605				
4460876 .....	615	4461121 .....	605				
4460878 .....	631	4461122 .....	605				
4460879 .....	477, 619	4461123 .....	605				
		4461124 .....	605				
		4461196 .....	621				
		4461198 .....	535, 621				
		4461199 .....	623				
		4461201 .....	539, 623				
		4461205 .....	625, 627				
		4461244 .....	547, 625				
		4461245 .....	549, 627				
		4461246 .....	551, 629				
		4461249 .....	629				
		4520216 .....	29				
		4520240 .....	31				
		4520259 .....	33				

## SECTION 11 - SPECIAL OPTIONS

487170063, 65, 323, 327, 331, 335, 340, 344, 347	70000913 ..... 199	7000261 ..... 45, 49	70004281 ..... 231, 249
489160023, 37, 181, 193, 209, 223, 241, 267, 281, 385	70000914 ..... 199	7000262 ..... 45, 49	70004282 ..... 231
489180041, 43, 181, 193, 209, 223, 241, 267, 281	70000915 ..... 199	7000263 ..... 45, 49	70004469 ..... 156
4892000 ..... 41, 43, 165	70000916 ..... 199	70002718 ..... 199, 231	70004481 ..... 156
4892600001 ..... 385	70000917 ..... 199	70002838 ..... 163	70004482 ..... 156
4922641 ..... 312, 316, 320, 324, 328, 332, 336, 340, 344, 348, 352	70000918 ..... 199	70002842 ..... 483	70004494 ..... 156
4922802 ..... 591	70000919 ..... 200	70002902 ..... 437	70004504 ..... 249
4922803 ..... 593	70000931 ..... 200	70002903 ..... 437	70004508 ..... 250
4922925 ..... 340, 344, 347, 351	70001002 ..... 199	70002904 ..... 437	70004577 ..... 57, 59
4923451 ..... 185, 196	70001100 . 339, 343, 348, 352	70002905 ..... 437	70004676.. 324, 328, 332, 335
4933218 ..... 455	70001181 ..... 199	70002974 ..... 81, 85	70004677 ..... 324
5240800 ..... 177, 189, 206, 219, 237, 263, 270, 277, 284	70001349 ..... 45, 49	70003023 ..... 81, 85	70004678.. 324, 328, 332, 336
5241200.. 17, 25, 27, 184, 196, 212, 226, 244, 270, 284, 312, 315, 319, 323, 327, 331, 335, 340, 344, 348, 352, 385	70001384 . 339, 343, 348, 352	70003024 ..... 81, 85	70004679.. 324, 328, 332, 336
5241400 ..... 270, 284	70001423 ..... 199	70003408 ..... 81, 85	70004680.. 324, 328, 332, 336
5241600 ..... 27, 153	70001435 ..... 200	70003463 ..... 199, 689	70004681 ..... 324, 336
5242000 ..... 153	70001498 ..... 200	70003464 ..... 199	70004682.. 324, 328, 332, 336, 689
5250605 ..... 270, 284	70001654 ..... 199	70003468 ..... 200	70004683 ..... 324, 336
5250808 ..... 323, 328, 332, 340, 344, 348	70001655 ..... 199	70003469 ..... 200	70004684 ..... 328
5250810 ..... 214, 228, 323, 328, 332, 335, 340, 344, 348	70001696 ..... 339, 343	70003472 ..... 199	70004685 ..... 328, 332
5251008 ..... 363, 365, 367, 381, 383, 385	70001697 ..... 373, 375	70003473 ..... 199	70004686 ..... 336
5251009 ..... 363, 365, 367	70001844 ..... 200	70003475 ..... 199	70004687 ..... 332
5251011 ..... 363, 365, 367	70001850 ..... 199	70003479 ..... 199	70004738 ..... 431
525101241, 43, 105, 107, 109, 140	70001866 ..... 200	70003480 ..... 199	70004739 ..... 431
5251014 ..... 19, 21, 77, 79, 120, 124, 128	70001868 ..... 200	70003481 ..... 199	70004740 ..... 431
5251016 ..... 17, 385	70001870 .. 199, 232, 250	70003612 ..... 67	70004741 ..... 431
5251215 ..... 177, 189, 205, 219, 237, 246, 263, 277	70001871 ..... 200	70003614 ..... 688	70004742 ..... 431
5260800 ..... 323, 328, 332, 335, 340, 344, 348	70001872 ..... 200	70003631 . 339, 343, 348, 352	70004743 ..... 431
5261000 ..... 105, 107, 109	70001953 ..... 339, 343	70003708 . 323, 328, 332, 335, 339, 343, 348, 352	70004744 ..... 431
5261018 ..... 131, 135, 583	70001966 . 323, 328, 332, 335, 339, 343, 348, 352	70003709 . 323, 328, 332, 335, 339, 343, 348, 352	70004745 ..... 431
5261200 ..... 177, 189, 205, 219, 237, 246, 263, 277	70001973 . 339, 343, 348, 352	70003783 . 185, 197, 213, 227, 245, 688	70004746 ..... 431
70000342 ..... 373, 375	70001974 . 339, 343, 348, 352	70003788 ..... 82, 86, 487, 688	70004747 ..... 431
70000345 ..... 200, 249	70002011 ..... 379	70003931 ..... 200	70004748 ..... 431
700004508 ..... 231	70002057 ..... 156	70003932 ..... 200	70004749 ..... 431
70000619.. 339, 343, 347, 351	7000206 ..... 45, 49	70003977 ..... 81, 85	70004750 ..... 431
70000781 ..... 57, 59	70002063 ..... 89	70004000 ..... 67	70004751 ..... 431
70000787 ..... 200	70002088 ..... 339, 343	70004013 ..... 67	70004752 ..... 433
70000793 ..... 259	70002112 ..... 163	70004014 ..... 67	70004753 ..... 433
70000797 ..... 53, 55	70002209 ..... 59	70004017 ..... 59	70004754 ..... 433
70000800 ..... 199	70002234 ..... 200	70004020 .. 272, 286, 688	70004755 ..... 433
70000851 ..... 200	70002257 ..... 296	70004056 ..... 200	70004756 ..... 433
70000863.. 339, 343, 348, 352	7000229 ..... 45, 49	70004058 ..... 200, 689	70004757 ..... 433
70000912 ..... 199	70002291 ..... 348, 352	70004059 ..... 200	70004758 ..... 433
	70002297 . 339, 343, 348, 352	70004060 ..... 200	70004759 ..... 433
	7000230 ..... 45, 49	70004062 ..... 200	70004760 ..... 433
	70002316 ..... 289	70004092 . 324, 328, 332, 335, 348, 352	70004761 ..... 433
	70002318 ..... 289	70004094 ..... 348, 352	70004762 ..... 433
	7000232 ..... 45, 49	70004098 . 328, 332, 348, 352	70004763 ..... 433
	70002326 ..... 289	70004099 . 332, 335, 348, 352	70004764 ..... 433
	700023371 ..... 491	70004102 ..... 200	70004765 ..... 433
	70002373 ..... 485, 491	70004103 ..... 200	70004766 ..... 433
	70002386 82, 86, 89, 487, 688	70004169 ..... 339, 343	70004767 ..... 433
	70002390 ..... 57	70004171 . 324, 328, 339, 343	70004768 ..... 433
	70002412 ..... 495	70004231 ..... 487	70004769 ..... 433
	7000246 ..... 45, 49	70004267 ..... 67	70004770 ..... 433
	70002460 . 339, 343, 348, 352	70004268 ..... 199	70004771 ..... 433
	7000248 ..... 45, 49	70004269 ..... 199	70004772 ..... 433
	7000253 ..... 45, 49	70004270 ..... 200	70004773 ..... 433
	7000257 ..... 45, 49		70004774 ..... 434
	7000258 ..... 45, 49		70004775 ..... 434
			70004794 ..... 159, 161
			70004829 ..... 289
			70004883 ..... 89

## SECTION 11 - SPECIAL OPTIONS

70004884	59, 89	70005149	485	70006034	289, 688	70006650	489
70004885	57, 59	70005150	493	70006035	289	70006652	231
70004886	59	70005151	493	70006036	289	70006702	487
70004889	295	70005152	493	70006037	289	70006703	487
70004890	295	70005153	493	70006038	289	70006704	487
70004891	295	70005154	493	70006039	289	70006705	487
70004892	295	70005171	231	70006040	289	70006706	487
70004893	295	70005172	232, 250	70006041	289	70006734	489
70004894	295	70005173	231	70006042	289	70006735	489
70004895	295	70005177	231	70006043	289	70006736	489
70004896	295	70005182	231	70006044	289	70006817	495
70004897	295, 688	70005183	231	70006045	290	70006990	156
70004898	295	70005184	231, 249	70006046	290	70006994	156
70004899	296	70005217	81, 85	70006047	290	70006997	156
70004900	296	70005218	81, 85	70006048	290	70006998	156
70004901	296	70005219	82, 86, 688	70006049	290	70006999	156
70004902	296	70005317	156	70006050	290	70007001	156
70004903	296	70005318	156	70006051	290	70007002	156
70004904	296	70005504	249	70006052	290	70007003	156
70004905	296	70005710	149	70006053	290	70007004	156
70004906	296	70005711	149	70006054	290	70007006	156
70004907	296	70005712	149	70006055	290	70007022	156
70004908	296	70005713	149	70006056	290	70007023	156
70004909	296	70005714	149	70006057	290	70007024	156
70004910	296	70005715	149	70006058	290	70007025	156
70004911	296	70005716	149	70006059	290	70007026	156
70005065	67	70005724	82, 86	70006060	290	70007027	156
70005066	67	70005726	289, 689	70006061	290, 689	70007028	156
70005067	67	70005727	289	70006062	290, 689	70007029	156
70005068	67	70005737	289, 689	70006063	290	70007030	156
70005069	81, 85	70005745	289	70006064	290	70007031	156
70005071	81, 85	70005746	289, 689	70006065	290	70007032	156
70005072	81, 85	70005747	289	70006066	290	70007046	156
70005073	81, 85	70005751	289	70006067	290	70007062	495
70005074	81, 85	70005827	57	70006068	290	70007063	495
70005075	81, 85	70005830	57	70006069	290	70007064	495
70005076	81, 85	70005831	57	70006070	290	70007065	495
70005077	81, 85	70005832	57	70006071	290	70007066	495
70005078	81, 85	70005833	57	70006072	290	70007067	495
70005079	81, 85	70005834	57	70006074	290	70007068	495
70005080	81, 85	70005931	231, 249	70006075	290	70007069	495
70005081	81, 85	70005941	232, 250	70006076	290	70007070	495
70005082	81, 85	70005942	231, 250	70006077	290	70007071	495
70005084	81, 85	70006010	293	70006078	290	70007072	495
70005085	81, 85	70006011	293	70006079	290	7000731	46
70005086	81, 85	70006012	293	70006080	290	70007325	231
70005087	81, 85	70006013	289	70006093	348, 352	70007326	232
70005088	81, 85	70006014	289	70006094	348, 352	70007354	231
70005089	81, 85	70006015	289, 689	70006095	348, 352, 688	70007603	231, 249
70005090	81, 85	70006016	289	70006096	348, 352	70007784	249
70005091	81, 86	70006017	289	70006097	348, 352	70009002	177, 190, 205, 220
70005092	81, 85	70006018	289, 689	70006104	487	70009004	177, 189
70005093	85	70006019	289	70006105	487	70009005	177, 190
70005106	379	70006020	289	70006144	231, 249	70009006	205, 220
70005107	379	70006021	289	70006255	377	70009007	205, 220
70005108	81, 85	70006022	289	70006270	377	70010383	77, 79, 688
70005109	81, 86	70006023	289, 689	70006344	495	7001481	296
70005139	67	70006024	289	70006356	181, 193, 209, 223, 241, 267, 281	7001998	45, 49
70005140	491	70006025	289	70006379	290	70022564	485, 487, 491
70005141	491	70006026	289	70006552	328	70023369	485, 487, 491
70005142	485, 491	70006027	289	70006553	328, 689	70023370	485
70005143	485, 491	70006028	289	70006580	373	70023592	213, 227, 689
70005144	485, 491	70006029	289	70006636	487	70023593	213, 227, 689
70005145	485, 491	70006030	289	70006639	290	70024494	232, 250
70005146	491	70006031	289	70006640	290	70024504	231, 249
70005147	485	70006032	289	70006649	489	70024507	231
70005148	485	70006033	289				

## SECTION 11 - SPECIAL OPTIONS

70024513.....	231, 249	7010543.....	89	7021249.....	53, 55, 295	7024489.....	339, 343, 347, 351
70024904.....	232, 250	7012513....	311, 315, 319	7021253.....	295	7024565.....	200, 689
70024905.....	231	7012514....	311, 316, 319	7021257.....	295	7024579.....	199, 232
70024906.....	231	7012518.....	495	7021258.....	295	7024598.....	307, 309
70024913.....	250	7012558.....	311	7021259.....	295	7024705.....	45
70024915.....	231	7012941.....	89	7021262.....	295	7024712.....	45, 49
70024916.....	249	7012967.....	89	7021263.....	295	7024713.....	45, 49
70024918.....	249	7012998.....	487	7021265.....	295	7024714.....	45, 49
70024925.....	231, 250	7016322.....	307, 309	7021268.....	295	7024715.....	45, 49
70024961.....	231, 249	7016331 ...	199, 232, 250, 689	7021275.....	53, 55	7024716.....	45, 49
70025082.....	199	7017059.....	45, 49	7021276.....	53, 55, 296	7024717.....	45
70025084.....	199, 200	7017067.....	45, 49	7021277.....	53, 55, 296	7024718.....	46
70025086.....	200	7017070.....	45, 49	7021278.....	296	7024800.....	295
70025088.....	199	7017080.....	45, 49	7021281.....	295	7024810.....	57
70025091.....	199	7017142.....	373, 375	7021290.....	296	7024853.....	53
70025099.....	249	7017150.....	375	7021293.....	295	7024854.....	53, 55
70025121.....	200	7017159.....	373, 375	7021299.....	296	7024855.....	295
70025123.....	199, 200	7017162.....	373, 375	7021625.....	59	7024857.....	295
70025130.....	249	7017163.....	373, 375	7021639.....	59	7024858.....	295
70025131.....	200	7017164.....	373, 375	7022300.....	295	7024868.....	53, 55
70025135.....	231	7017172.....	373, 375	7022302.....	53, 55	7024881.....	57, 59
70025139.....	199	7017172.....	373, 375	7022305.....	53, 55	7024881.....	339, 343
70025142.....	249	7017192.....	373, 375	7022310.....	55	7026199....	311, 315, 319
70025153.....	249, 688	7017195.....	373, 375	7022311.....	53, 55	7026330.....	67
70025160.....	249	7017410.....	89	7022312.....	53, 55	7026597....	339, 343, 348
70025161.....	249, 688	7017467.....	487	7022314.....	53, 55	7026626....	339, 343, 348, 352
70025164.....	231, 249	7017496.....	57, 59, 487	7022326.....	53, 55	7027236.....	199, 689
70025168.....	249	7017904.....	289	7022328.....	53, 55	7027419.....	53
70025200.....	231	7017932.....	289	7022341.....	295	7027773.....	479
70025210.....	231	7017959.....	290	7022346.....	296	7027774.....	479
70025231.....	231	7017992.....	290, 689	7022347.....	296	7027775.....	479
70025239.....	231	7019680 ...	311, 316, 320	7022368.....	53, 55	7027776.....	479
70025667.....	199	7020023.....	199, 689	7022371.....	53, 55	7027777.....	479
70025693.....	200	7020026.....	199	7022372.....	55	7027778.....	479
70025694.....	200	7020033.....	51	7022390.....	81, 85, 487	7027779.....	479
70026210.....	231, 249	7020035.....	51	7022397.....	57, 59	7027780.....	479
70026444.....	57	7020036.....	51	7022399 ...	57, 59, 81, 85	7027790.....	200, 689
70027405.....	249	7020037.....	51	7023154.....	289	7027791.....	200, 689
70028540.....	231	7020038.....	51	7023900.....	81, 85	7027792.....	200
70029015.....	249	7020039.....	51	7023907.....	53, 55	7027796.....	200
70029402.....	249	7020040.....	51	7023908.....	53, 55	7027799....	339, 343, 348, 352
70029403.....	249	7020041.....	51	7023910.....	53, 55	7027887....	311, 316, 320
70029404.....	249	7020108 ...	311, 316, 319	7023936.....	81, 85	7027903.....	200
70029451.....	231	7020109 ...	311, 316, 319	7024182.....	45, 46	77363233.....	613
70029512.....	249	7020110 ...	311, 316, 319	7024189.....	46	80484084.....	597, 601
70029797.....	249	7020111 ...	311, 316, 320	7024190.....	46	80633030..	504, 513, 520, 529
70030360.....	231	7020175 ....	99, 101, 103, 427	7024191.....	46	80963067.....	631
70030381.....	231	7020176 ....	99, 101, 103, 427, 688	7024192.....	46	80983191.....	597, 689
70031095.....	232	7020190 ...	311, 316, 320	7024193.....	46	82033995.....	272, 286
70031136.....	231	7020403.....	199	7024194.....	46	8220045.....	611, 632
70031143.....	249	7020430.....	199	7024196.....	46	8220051.....	607
70031144.....	249	7020460.....	199	7024197.....	46	8220097.....	631
70031145.....	231	7020465 ...	199, 232, 250	7024441.....	163	8220098.....	631
70050795.....	487	7020466.....	199	7024462.....	479	8220115.....	597
7007289.....	296	7020468.....	199	7024463.....	479	8220164.....	597, 601
7007415.....	295, 296	7020468.....	199	7024467.....	479	8229242....	597, 631, 688
7007419.....	295	7020471.....	200	7024469.....	479, 689	8229244.....	631, 688
7007420.....	295, 296	7020479.....	200	7024470.....	479	8229245.....	611, 689
7007437.....	53, 55	7020492.....	199, 200	7024471.....	479	8229249.....	477, 689
7007438.....	53, 55	7021237.....	295	7024472.....	479	8305401....	184, 196, 212, 226, 244, 270, 284
7007439.....	53, 55	7021238.....	295	7024473.....	479	8307109....	184, 196, 212, 226, 245, 270, 284
7007446.....	53, 55	7021239.....	295	7024474.....	479		
7007493.....	296	7021240.....	295	7024475.....	479		
7007495.....	295	7021241.....	295	7024478.....	479		
7007601.....	45, 49	7021242.....	295	7024485 ...	339, 343, 688		
7007640.....	45, 49	7021243.....	295	7024488 ...	339, 343, 347, 351		
7010429.....	45, 49	7021248.....	295				

## SECTION 11 - SPECIAL OPTIONS

8310129 .....	463	8405202 ...	213, 227, 245, 271, 285	8410001.....	271, 285	88521214.	441, 443, 445, 447
8310548 ...	184, 196, 213, 226, 245, 270, 284	8405203 .....	271, 285	8410009.....	271, 285	88662037.	504, 513, 520, 529
8405006 ...	205, 219, 237, 255, 257	8405204 ....	213, 227, 245	8410011.....	272	90200755.	120, 124, 128, 140
8405007 ....	213, 227, 245	8406101 ....	205, 219, 237	8430007.....	237	91164057 .....	59, 82, 86
8405009 ...	177, 189, 213, 227, 245, 271, 285	8406109 ...	185, 197, 213, 227, 245, 271, 285	84521061.....	319	91164059.....	82, 86
8405102 .....	271, 285	8406110 ...	214, 228, 245, 271, 285, 383, 585, 589	84521062.....	351	91164079 .....	59, 82, 86
8405104 ...	213, 227, 245, 271, 285	8406201 ...	214, 228, 246, 271, 285	8750014.....	205	91203039.....	385
				88411013.....	563	91401281 .....	65
				88521205.....	63, 65		



**Corporate Office  
JLG Industries, Inc.  
1 JLG Drive  
McConnellsburg, PA 17233-9533 USA  
☎ (717) 485-5161 (Corporate)  
☎ (877) 554-5438 (Customer Support)  
📠 (717) 485-6417**

**Visit our website for JLG Worldwide Locations.  
[www.jlg.com](http://www.jlg.com)**



**OSHKOSH™**