



# Illustrated Parts Manual

**Models**  
**E450A/**  
**E450AJ**  
**M450AJ**

SN 0300189901  
through 0300208529  
(See Revision Log Page for Inclusions)

P/N  
3121649

July 15, 2021 - Rev H

**ANSI**

**CE**



An Oshkosh Corporation Company



## REVISION LOG

**List of SN Inclusions: SN 0300185900, 0300186011, 0300189900**

July 3, 2014 - A - Original Issue Of Manual (Edited to B/M 1001164636 Revision C)

March 24, 2015 - B - Revised Manual (Edited to B/M 1001164636 Revision L)

July 6, 2015 - C - Revised Manual (Edited to B/M 1001164636 Revision L)

October 30, 2015 - D - Revised Manual (Edited to B/M 1001164636 Revision L)

April 29, 2016 - E - Revised Manual (Edited to B/M 1001164636 Revision L)

April 28, 2017 - F - Revised Manual

November 16, 2018 - G - Revised Manual

July 15, 2021 - H - Revised Manual

# GENERAL INFORMATION

**SECTION 6 CYLINDER**

**FIGURE 6-3. LIFT CYLINDER ASSEMBLY**

PG#                      Model Designation                      Manual #

**SECTION 6 CYLINDER**

**FIGURE 6-3. LIFT CYLINDER ASSEMBLY**

ITEM #	PART NUMBER	QTY.	DESCRIPTION	REV.
	1001140104	Ref	LIFT CYLINDER ASSEMBLY	B
1	0100011	AR	Compound, Locking	
2	0630535	3	Capscrew 1/4-20 x 1-1/8	
3	0791003	1	Screw #10-24 x 3/8	
4	0961897	1	Bushing, Tapered	
5	1320136	1	Clamp, Cable	
6	1683063	1	Head	
7	2220883	1	Plug, O-Ring	
8	2220885	2	Plug, O-Ring	
9	2220886	1	Plug, O-Ring	
10	3020039	AR	Lubricant	
11	3490282	1	Piston	
12	3760371	1	Ring, Washer	
13	3931420	8	Capscrew 1/4-20 x 1-1/4	
14	3931824	8	Capscrew 1/2-13 x 1-1/2	
15	3951003	1	Setscrew #10-24 x 3/8	
16	4100099	1	Spacer	
17	4640999	1	Cartridge, Holding Valve (Non Vented)	
17	2900792		Kt, Seal - 4640999 Cartridge Valve	
18	4641248	1	Cartridge, Counterbalance Valve (Non Vented)	
18	70004186		Kt, Seal - 4641248 Cartridge Valve	
19	100117991	1	Sensor, Cylinder Length	
20	100118070	1	Cap, Retainer	
21	100118084	1	Barrel	
21A	0961950	2	Bushing	
22	100118086	1	Rod	
22A	0961950	2	Bushing	
100	1001139996	1	Kit, Seal (Includes Items 101-109)	
101	See Note	2	Ring, Wear (Note: Use pin 1001139996)	
102	See Note	1	Ring, Back-Up (Note: Use pin 1001139996)	
103	See Note	2	Ring, Lock (Note: Use pin 1001139996)	
104	See Note	2	Ring, Back-Up (Note: Use pin 1001139996)	
105	See Note	2	O-Ring (Note: Use pin 1001139996)	
106	See Note	1	O-Ring (Note: Use pin 1001139996)	
107	See Note	1	Seal (Note: Use pin 1001139996)	
108	See Note	1	Wiper, Rod (Note: Use pin 1001139996)	
109	See Note	2	Seal (Note: Use pin 1001139996)	
200	1001119105	1	Kit, Sensor Magnet (Includes Items 201-203)	
201	See Note	NSS	Sleeve, Spacer (Note: Use pin 1001119105)	
202	100118056	1	Magnet, Sensor	
203	100118069	1	Ring, Internal Retaining	

Manual #                      Model Designation                      PG#

## 1) MACHINE IDENTIFICATION

Machines are identified by model and in some cases a combination of models, serial number (SN) or regional standard (i.e ANSI, CE, CSA). Components may also be identified by SN or manufacturer. Common components that may be identified by these characteristics are engines and hydraulic components.

## 2) PARTS MANUAL ORGANIZATION

Product information in this manual is organized under section titles. Frame, Cylinder, Hydraulic and Electrical are a few examples. Each section is organized by figure and page number. The information within the Figure is then organized by item number, part number, description and corresponding illustration(s).

## 3) TABLE OF CONTENTS

A table of contents is found toward the beginning of the manual. Figure number, description and page number are provided for quick reference to the page containing the related information.

## 4) RECOMMENDED SPARE PARTS

The Recommended Spare Parts, located near the end of the manual, reference most frequently used maintenance parts.

## 5) PART NUMBER INDEX

A numerical index listing all part numbers and the corresponding page number(s) appears at the back of the manual.

## GENERAL INFORMATION

### 6) NON-SERVICED PARTS

In some instances, it is necessary to display non-serviced parts, assemblies or installations. In the case of assemblies and installations there will be a Ref in the Qty column. In case of parts that are not available for service within assemblies or components, there will be a NSS (Not Sold Separately) or NLA (No Longer Available) listed in the Qty. column of the manual.

### 7) PARTS LIST ITEM NUMBERS

Numbers shown in the item# column correspond to numbers used in the associated illustration (s). Item numbers which are missing from the sequence in the parts list are not used on that page

### 8) INDENTED PARTS DESCRIPTION

An indented part description is included in the item under which it is indented.

### 9) ABBREVIATION AND SYMBOLS

AC.....	.. Alternating Current	LCD.....	.. Liquid Crystal Display
ADE.....	..Advanced Design Electronics	LED.....	.. Light Emitting Diodes
ANSI.....	..American National Standards Institute	LH.....	.. Left Hand
AR.....	..As Required	LSS.....	..Load Sensing System
ASSY.....	.. Assembly	M(m).....	.. Metric/Meter
AUX.....	..Auxiliary	MM (mm).....	..Milimeter
AWG.....	..American WireGauge	mA.....	.. Miliamps
B/M.....	.. Bill of Material	NLA.....	..No Longer Available
CE.....	..European Conformity	NPT.....	.. National Pipe Threads
CCW.....	..Counter Clockwise	NSS.....	..Not So ld Separately
cm.....	.. Centimeter	OD.....	..Outside Diameter
CW.....	..Clockwise	ORB.....	.. O-Ring Boss
CSA.....	..Canadian Standards Association	ORFS.....	.. O-Ring Face Seal
CYL.....	..Cylinder	OZ (oz).....	..Ounces
DIA.....	..Diameter	PG.....	..Page
DC.....	..Direct Current	P/N.....	..Part Number
EMS.....	.. Emergency Stop	qt.....	..Quarts
ENG.....	..Engine	QTY.....	..Quantity
FT (ft).....	.. Feet	REF.....	.. Reference
GA(Ga).....	..Gauge	REV.....	..Revision Level
HYD.....	..Hydraulic	RH.....	.. Right Hand
HZ.....	.. Hertz	SAE.....	.. Society of Automotive Engineers
ID.....	..Inside Diameter	SN.....	..Serial Number
in.....	..inches	SPEC(S).....	..Specifications
ISO.....	..International Organization for Standards	T/T.....	..Turntable
JIC.....	..Joint Industry Council	UGM.....	..Universal Ground Module
KG.....	..Kilogram	V.....	..Volts
L.....	..Liter	W.....	..Watts
LB.....	..Pounds	#.....	.. Number

### 10) ILLUSTRATION REFERENCE LETTERS

When necessary, illustrations may contain reference letters that are intended to track information (i. e. hoses, harnesses) from one point to another or to track visual enlargement of components to show details that may be located in another area on the illustration.

*Note: Due to continuous product improvements, JLG Industries, Inc. reserves the right to make specification changes without prior notification. Contact JLG Industries, Inc. for updated information.*



# TABLE OF CONTENTS

SECTION 1 - FRAME.....	13
FIGURE 1-1. STEERING INSTALLATION.....	14
FIGURE 1-2. HUB - SPINDLE ASSEMBLY - RH.....	16
FIGURE 1-3. HUB - SPINDLE ASSEMBLY - LH.....	18
FIGURE 1-4. WHEEL DRIVE - E450A/E450AJ.....	20
FIGURE 1-5. WHEEL DRIVE - E450A/E450AJ - UL LISTED.....	24
FIGURE 1-6. WHEEL DRIVE - M450AJ.....	28
FIGURE 1-7. HUB - DRIVE ASSEMBLY.....	32
FIGURE 1-8. DRIVE MOTOR ASSEMBLY.....	36
FIGURE 1-9. TIRE AND WHEEL - IN240/55-17.5 PNEUMATIC.....	38
FIGURE 1-10. TIRE AND WHEEL - IN240/55 - 17.5 FOAM FILL.....	40
FIGURE 1-11. TIRE AND WHEEL - IN240/55-17.5 PNEUMATIC NON MARKING.....	42
FIGURE 1-12. TIRE AND WHEEL - 26 X 7 X 20 - SOLID NON MARKING.....	44
FIGURE 1-13. TIRE AND WHEEL - IN240/55-17.5 FOAM FILL NON MARKING.....	46
FIGURE 1-14. TIRE AND WHEEL - IN240/55-17.5 PNEUMATIC NON MARKING TS.....	48
FIGURE 1-15. WHEEL COVER INSTALLATION - IN240/55-17.5 TIRES ONLY.....	50
FIGURE 1-16. MOTOR/PUMP/TANK INSTALLATION - E450A/E450AJ.....	52
FIGURE 1-17. MOTOR/PUMP/TANK INSTALLATION - E450A/E450AJ - UL LISTED.....	54
FIGURE 1-18. MOTOR/PUMP/TANK INSTALLATION - M450AJ.....	56
FIGURE 1-19. MOTOR/PUMP ASSEMBLY.....	58
FIGURE 1-20. HYDRAULIC TANK ASSEMBLY - E450A/E450AJ.....	60
FIGURE 1-21. HYDRAULIC TANK ASSEMBLY - M450AJ.....	62
FIGURE 1-22. VALVE INSTALLATION - FRAME MOUNTED - E450A.....	64
FIGURE 1-23. VALVE INSTALLATION - FRAME MOUNTED - E450AJ.....	66
FIGURE 1-24. VALVE INSTALLATION - FRAME MOUNTED - M450AJ.....	68
FIGURE 1-25. BRAKE/STEER VALVE ASSEMBLY.....	70
FIGURE 1-26. BATTERY BOX INSTALLATION (ALL SPECS EXCEPT CE AND AUSTRALIAN SPECS).....	72
FIGURE 1-27. BATTERY BOX INSTALLATION - AGM BATTERIES (ALL SPECS EXCEPT CE AND AUSTRALIAN SPECS).....	74
FIGURE 1-28. BATTERY BOX INSTALLATION - CE AND AUSTRALIAN SPECS.....	76
FIGURE 1-29. BATTERY BOX INSTALLATION - AGM BATTERIES (CE AND AUSTRALIAN SPECS).....	78
FIGURE 1-30. BATTERY CHARGER INSTALLATION - E450A/E450AJ (ALL SPECS EXCEPT CE AND AUSTRALIAN SPECS).....	80
FIGURE 1-31. BATTERY CHARGER INSTALLATION - E450A/E450AJ (AUSTRALIAN SPEC).....	82
FIGURE 1-32. BATTERY CHARGER INSTALLATION - E450A/E450AJ (ANSI EXPORT AND CE SPECS).....	84
FIGURE 1-33. BATTERY CHARGER INSTALLATION - M450AJ (ALL SPECS EXCEPT CE, AUSTRALIAN AND UL SPECS).....	86
FIGURE 1-34. BATTERY CHARGER INSTALLATION - M450AJ (AUSTRALIAN SPEC).....	88
FIGURE 1-35. BATTERY CHARGER INSTALLATION - M450AJ (ANSI EXPORT AND CE SPECS).....	90
FIGURE 1-36. INVERTER INSTALLATION - E450A/E450AJ.....	92
FIGURE 1-37. FRAME COVER INSTALLATION - M450AJ.....	94
FIGURE 1-38. FRAME COVER INSTALLATION - E450A/E450AJ.....	96
SECTION 2 - TURNTABLE.....	99
FIGURE 2-1. VALVE INSTALLATION - TURNTABLE MOUNTED - E450A.....	100
FIGURE 2-2. VALVE INSTALLATION - TURNTABLE MOUNTED - E450AJ.....	102
FIGURE 2-3. VALVE INSTALLATION - TURNTABLE MOUNTED - M450AJ.....	104
FIGURE 2-4. MAIN CONTROL VALVE ASSEMBLY.....	106
FIGURE 2-5. RELEVELING VALVE ASSEMBLY.....	110
FIGURE 2-6. JIB VALVE ASSEMBLY.....	112
FIGURE 2-7. MOTION ALARM INSTALLATION.....	114
FIGURE 2-8. TURNTABLE BEARING AND SWING DRIVE INSTALLATION.....	116
FIGURE 2-9. SWING MOTOR ASSEMBLY.....	118
FIGURE 2-10. SWING BEARING ASSEMBLY.....	120
FIGURE 2-11. REMOTE BEARING LUBE INSTALLATION - OPTIONAL.....	122
FIGURE 2-12. DRIVE ORIENTATION INSTALLATION.....	124
FIGURE 2-13. FUEL TANK AND BATTERY INSTALLATION - M450AJ.....	126
FIGURE 2-14. GROUND CONTROL BOX ASSEMBLY - E450A.....	128
FIGURE 2-15. GROUND CONTROL BOX ASSEMBLY - E450A - CE SPEC (SN 0300189901 through 0300200789).....	130
FIGURE 2-16. GROUND CONTROL BOX ASSEMBLY - E450A - CE SPEC (SN 0300200790 through 0300208529).....	132
FIGURE 2-17. GROUND CONTROL BOX ASSEMBLY - E450AJ/M450AJ.....	134
FIGURE 2-18. GROUND CONTROL BOX ASSEMBLY - E450AJ/M450AJ - CE SPEC (SN 0300189901 through 0300200789).....	136
FIGURE 2-19. GROUND CONTROL BOX ASSEMBLY - E450AJ/M450AJ - CE SPEC (SN 0300200790 through 0300208529).....	138
FIGURE 2-20. MOTOR CONTROLS INSTALLATION - M450AJ.....	140
FIGURE 2-21. STROBE LIGHT INSTALLATION (AMBER) - OPTIONAL.....	142

# TABLE OF CONTENTS

FIGURE 2-22. STROBE LIGHT INSTALLATION - UL LISTED - OPTIONAL .....	144
FIGURE 2-23. STROBE LIGHT ASSEMBLY .....	146
FIGURE 2-24. BEACON LIGHT INSTALLATION - BLUE (SN 0300189901 through 0300200789) .....	148
FIGURE 2-25. BEACON LIGHT INSTALLATION - BLUE (SN 0300200790 through 0300208529) .....	150
FIGURE 2-26. HOOD INSTALLATION - E450A/E450AJ .....	152
FIGURE 2-27. HOOD INSTALLATION - M450AJ .....	154
SECTION 3 - ENGINE .....	157
FIGURE 3-1. KUBOTA MOTOR/GENERATOR INSTALLATION - M450AJ .....	158
FIGURE 3-2. KUBOTA MOTOR/GENERATOR ASSEMBLY - M450AJ .....	160
FIGURE 3-3. KUBOTA MOTOR/GENERATOR COMPONENTS .....	162
SECTION 4 - BOOM .....	165
FIGURE 4-1. BOOM AND CYLINDERS INSTALLATION - E450A .....	166
FIGURE 4-2. BOOM AND CYLINDERS INSTALLATION - E450AJ/M450AJ .....	168
FIGURE 4-3. MAIN BOOM ASSEMBLY - E450A .....	172
FIGURE 4-4. MAIN BOOM ASSEMBLY - E450AJ/M450AJ .....	176
FIGURE 4-5. JIB INSTALLATION .....	178
FIGURE 4-6. ROTATOR ASSEMBLY - E450A .....	180
FIGURE 4-7. ROTATOR ASSEMBLY - E450AJ/M450AJ .....	182
FIGURE 4-8. PLATFORM SUPPORT WITHOUT LOAD SENSING .....	184
FIGURE 4-9. PLATFORM SUPPORT INSTALLATION - WITH LSS - E450AJ/M450AJ .....	186
FIGURE 4-10. PLATFORM SUPPORT INSTALLATION - WITH LSS - E450A .....	190
FIGURE 4-11. CABLES AND CLAMPS INSTALLATION - E450A .....	194
FIGURE 4-12. CABLES AND CLAMPS INSTALLATION - E450AJ/M450AJ .....	196
FIGURE 4-13. BOOM LIMIT SWITCHES INSTALLATION .....	198
SECTION 5 - PLATFORM .....	201
FIGURE 5-1. PLATFORM ASSEMBLY - 4FT/1.22M - SIDE GATE ENTRY (SN 0300189901 through 0300200789) .....	202
FIGURE 5-2. PLATFORM ASSEMBLY - 4FT/1.22M - SIDE GATE ENTRY (SN 0300200790 through 0300208529) .....	204
FIGURE 5-3. PLATFORM ASSEMBLY - 5FT/1.52M - SIDE GATE ENTRY (SN 0300189901 through 0300200789) .....	206
FIGURE 5-4. PLATFORM ASSEMBLY - 5FT/1.52M - SIDE GATE ENTRY (SN 0300200790 through 0300208529) .....	208
FIGURE 5-5. PLATFORM ASSEMBLY - 5FT/1.52M - SIDE GATE ENTRY - WITH STOP (SN 0300189901 through 0300195136) .....	210
FIGURE 5-6. PLATFORM ASSEMBLY - 6FT/1.83M - SIDE GATE ENTRY (SN 0300195137 through 0300200789) .....	212
FIGURE 5-7. PLATFORM ASSEMBLY - 6FT/1.83M - SIDE GATE ENTRY (SN 0300200790 through 0300208529) .....	214
FIGURE 5-8. PLATFORM ASSEMBLY - 4FT/1.22M - DROP BAR ENTRY (SN 0300189901 through 0300200789) .....	216
FIGURE 5-9. PLATFORM ASSEMBLY - 4FT/1.22M - DROP BAR ENTRY (SN 0300200790 through 0300208529) .....	218
FIGURE 5-10. PLATFORM ASSEMBLY - 5FT/1.52M - DROP BAR ENTRY (SN 0300189901 through 0300200789) .....	220
FIGURE 5-11. PLATFORM ASSEMBLY - 5FT/1.52M - DROP BAR ENTRY (SN 0300200790 through 0300208529) .....	222
FIGURE 5-12. PLATFORM ASSEMBLY - 6FT/1.83M - DROP BAR ENTRY (SN 0300189901 through 0300200789) .....	224
FIGURE 5-13. PLATFORM ASSEMBLY - 6FT/1.83M - DROP BAR ENTRY (SN 0300200790 through 0300208529) .....	226
FIGURE 5-14. PLATFORM ASSEMBLY - 5FT/1.52M - FALL ARREST (ANSI EXPORT SPEC) (SN 0300189901 through 0300200789) .....	228
FIGURE 5-15. PLATFORM ASSEMBLY - 5FT/1.52M - FALL ARREST (ANSI EXPORT SPEC) (SN 0300200790 through 0300208529) .....	230
FIGURE 5-16. PLATFORM ASSEMBLY - 6FT/1.83M - FALL ARREST (SN 0300189901 through 0300200789) .....	232
FIGURE 5-17. PLATFORM ASSEMBLY - 6FT/1.83M - FALL ARREST (SN 0300200790 through 0300208529) .....	234
FIGURE 5-18. TRAY ASSEMBLY .....	236
FIGURE 5-19. PLATFORM CONSOLE AND FOOTSWITCH INSTALLATION .....	238
FIGURE 5-20. PLATFORM CONSOLE AND FOOTSWITCH INSTALLATION - UL LISTED .....	240
FIGURE 5-21. PLATFORM CONSOLE AND FOOTSWITCH INSTALLATION - WITH SKYGUARD (SN 0300200790 through 0300208529) .....	242
FIGURE 5-22. PLATFORM CONSOLE ASSEMBLY .....	244
FIGURE 5-23. PLATFORM CONSOLE ASSEMBLY - UL LISTED .....	248
FIGURE 5-24. PLATFORM CONSOLE ASSEMBLY - WITH SKYGUARD (SN 0300200790 through 0300208529) .....	252
FIGURE 5-25. LIGHT PANEL DECAL INSTALLATION .....	256
FIGURE 5-26. JIB SWITCH INSTALLATION - E450AJ/M450AJ .....	258
FIGURE 5-27. SEALED ENCLOSURES - UL LISTED .....	260
FIGURE 5-28. CONTROLLER ASSEMBLY - DRIVE AND STEER .....	262
FIGURE 5-29. CONTROLLER ASSEMBLY - LIFT AND SWING .....	264
FIGURE 5-30. FOOTSWITCH ASSEMBLY .....	266
FIGURE 5-31. MOTOR CONTROLS INSTALLATION - M450AJ .....	268
FIGURE 5-32. SKYGUARD SYSTEM INSTALLATION (SN 0300189901 through 0300200789) .....	270



# TABLE OF CONTENTS

FIGURE 5-33. SKYGUARD SYSTEM INSTALLATION (SN 0300200790 through 0300208529)	272
FIGURE 5-34. CROSS RAIL INSTALLATION	274
FIGURE 5-35. PIPE RACK INSTALLATION	276
SECTION 6 - CYLINDER	279
FIGURE 6-1. JIB CYLINDER ASSEMBLY - E450AJ/M450AJ	280
FIGURE 6-2. LIFT CYLINDER ASSEMBLY - LOWER - E450A (ORIGINAL EQUIPMENT)	282
FIGURE 6-3. LIFT CYLINDER ASSEMBLY - E450A (SERVICE REPLACEMENT)	284
FIGURE 6-4. LIFT CYLINDER ASSEMBLY - LOWER - E450AJ/M450AJ (ORIGINAL EQUIPMENT)	286
FIGURE 6-5. LIFT CYLINDER ASSEMBLY - LOWER - E450AJ/M450AJ (SERVICE REPLACEMENT)	288
FIGURE 6-6. LIFT CYLINDER ASSEMBLY - MID - E450A (ORIGINAL EQUIPMENT)	290
FIGURE 6-7. LIFT CYLINDER ASSEMBLY - MID - E450A (SERVICE REPLACEMENT)	292
FIGURE 6-8. LIFT CYLINDER ASSEMBLY - MID - E450AJ/M450AJ (ORIGINAL EQUIPMENT)	294
FIGURE 6-9. LIFT CYLINDER ASSEMBLY - MID - E450AJ/M450AJ (SERVICE REPLACEMENT)	296
FIGURE 6-10. LIFT CYLINDER ASSEMBLY - UPPER - E450A (ORIGINAL EQUIPMENT)	298
FIGURE 6-11. LIFT CYLINDER ASSEMBLY - UPPER - E450A (SERVICE REPLACEMENT)	300
FIGURE 6-12. LIFT CYLINDER ASSEMBLY - UPPER - E450AJ/M450AJ (ORIGINAL EQUIPMENT)	302
FIGURE 6-13. LIFT CYLINDER ASSEMBLY - UPPER - E450AJ/M450AJ (SERVICE REPLACEMENT)	304
FIGURE 6-14. MASTER CYLINDER ASSEMBLY - E450A	306
FIGURE 6-15. MASTER CYLINDER ASSEMBLY - E450AJ/M450AJ	308
FIGURE 6-16. LEVEL (PLATFORM SLAVE) CYLINDER ASSEMBLY - E450A	310
FIGURE 6-17. LEVEL (PLATFORM SLAVE) CYLINDER ASSEMBLY - E450AJ/M450AJ	312
FIGURE 6-18. STEER CYLINDER ASSEMBLY	314
FIGURE 6-19. TELESCOPE CYLINDER ASSEMBLY - E450A (ORIGINAL EQUIPMENT)	316
FIGURE 6-20. TELESCOPE CYLINDER ASSEMBLY - E450A (SERVICE REPLACEMENT)	318
FIGURE 6-21. TELESCOPE CYLINDER ASSEMBLY - E450AJ/M450AJ (ORIGINAL EQUIPMENT)	320
FIGURE 6-22. TELESCOPE CYLINDER ASSEMBLY - E450AJ/M450AJ (SERVICE REPLACEMENT)	322
FIGURE 6-23. COUNTERBALANCE VALVE ASSEMBLY	324
SECTION 7 - HYDRAULIC	327
FIGURE 7-1. HYDRAULIC DIAGRAM - E450A	328
FIGURE 7-2. HYDRAULIC DIAGRAM - E450AJ	332
FIGURE 7-3. HYDRAULIC DIAGRAM - M450AJ	336
FIGURE 7-4. HYDRAULIC DIAGRAM LIST	340
SECTION 8 - ELECTRICAL	341
FIGURE 8-1. ELECTRICAL DIAGRAM LIST	342
FIGURE 8-2. AC PLUGS AND SOCKETS INSTALLATION - CEE7 POST GROUND - 2 X 4 BOX (CE SPEC)	344
FIGURE 8-3. AC PLUGS AND SOCKETS INSTALLATION - CEE7 SIDE GROUND - 2 X 4 BOX (CE SPEC)	346
FIGURE 8-4. AC PLUGS AND SOCKETS INSTALLATION - AFSINT 107-2-01 KEYED GROUND - 2 X 4 BOX (CE SPEC)	348
FIGURE 8-5. AC PLUGS AND SOCKETS INSTALLATION - IEC 60309 YELLOW (CE SPEC)	350
FIGURE 8-6. AC PLUGS AND SOCKETS INSTALLATION - IEC 60309 BLUE (CE SPEC)	352
FIGURE 8-7. AC PLUGS AND SOCKETS INSTALLATION - CEE7 POST GROUND (CE SPEC)	354
FIGURE 8-8. AC PLUGS AND SOCKETS INSTALLATION - CEE 7 SIDE GROUND (CE SPEC)	356
FIGURE 8-9. ANALYZER HARNESS ASSEMBLY	358
FIGURE 8-10. BATTERY CHARGER ASSEMBLY	360
FIGURE 8-11. BATTERY CHARGER HARNESS (SN 0300189901 through 0300196080)	362
FIGURE 8-12. BATTERY CHARGER INDICATOR HARNESS - CE SPEC (SN 0300200790 through 0300208529)	364
FIGURE 8-13. BEACON LIGHT HARNESS (BLUE BEACON ONLY)	366
FIGURE 8-14. BOOM LIMIT SWITCH HARNESS - LOWER	368
FIGURE 8-15. BOOM LIMIT SWITCH HARNESS - UPPER	370
FIGURE 8-16. BREAKER BOX KIT WITH TWO BREAKERS - CE SPEC	372
FIGURE 8-17. BREAKER BOX KIT WITH THREE BREAKERS - CE SPEC	374
FIGURE 8-18. CHARGER CORD PLUG INSTALLATION - 220V - CEE7 POST GROUND (CE SPEC)	376
FIGURE 8-19. CHARGER CORD PLUG INSTALLATION - 220V - CEE7 SIDE GROUND (CE SPEC)	378
FIGURE 8-20. CHARGER CORD PLUG INSTALLATION - 220V - AFSINT 107 KEYED GROUND (CE SPEC)	380
FIGURE 8-21. CHARGER CORD PLUG INSTALLATION - 110V - IEC 60309 - YELLOW (CE SPEC)	382
FIGURE 8-22. CHARGER CORD PLUG INSTALLATION - 220V - IEC 60309 - BLUE (CE SPEC)	384
FIGURE 8-23. CONTACTOR CABLE KIT - E450A/E450AJ	386
FIGURE 8-24. CONTACTOR CABLE KIT - M450AJ	388
FIGURE 8-25. CONTACTOR PLATE ASSEMBLY AND HARNESSES	390
FIGURE 8-26. CONTACTOR PLATE ASSEMBLY AND HARNESSES - UL LISTED	392
FIGURE 8-27. CONTACTOR PLATE KIT - E450A/E450AJ - UL/EE	394
FIGURE 8-28. DRIVE ORIENTATION HARNESS	396

# TABLE OF CONTENTS

FIGURE 8-29. DRIVE ORIENTATION SWITCH HARNESS ASSEMBLY .....	398
FIGURE 8-30. GENERATOR HARNESS TO GROUND CONTROL BOX .....	400
FIGURE 8-31. GROUND CONTROL CAN HARNESS ASSEMBLY .....	402
FIGURE 8-32. GROUND CONTROL FUNCTION SWITCH HARNESS ASSEMBLY .....	404
FIGURE 8-33. GROUND CONTROL FUNCTION SWITCH HARNESS ASSEMBLY - CE SPEC (SN 0300189901 through 0300200789).....	406
FIGURE 8-34. GROUND CONTROL FUNCTION SWITCH HARNESS ASSEMBLY - CE SPEC (SN 0300200790 through 0300208529).....	408
FIGURE 8-35. GROUND CONTROL VALVE HARNESS ASSEMBLY .....	410
FIGURE 8-36. HORN/BEACON HARNESS ASSEMBLY .....	412
FIGURE 8-37. INDICATOR LAMP HARNESS ASSEMBLY .....	414
FIGURE 8-38. INDICATOR LAMP HARNESS ASSEMBLY - WITH SKYGUARD .....	416
FIGURE 8-39. INVERTER HARNESS (SN 0300189901 through 0300193792) .....	418
FIGURE 8-40. INVERTER HARNESS (SN 0300193793 through 0300208529) .....	420
FIGURE 8-41. JIB HARNESS - AJ MODELS ONLY .....	422
FIGURE 8-42. LED REMOTE HARNESS .....	424
FIGURE 8-43. LOWER BOOM 110V HARNESS ASSEMBLY .....	426
FIGURE 8-44. LOWER BOOM 220V HARNESS ASSEMBLY - CE SPEC .....	428
FIGURE 8-45. MAIN BOOM HARNESS ASSEMBLY .....	430
FIGURE 8-46. MAIN BOOM 110V HARNESS ASSEMBLY .....	432
FIGURE 8-47. MAIN BOOM 220V HARNESS ASSEMBLY - CE SPEC .....	434
FIGURE 8-48. MAIN BOOM HARNESS ASSEMBLY - E450AJ/M450AJ .....	436
FIGURE 8-49. MOTOR/STEER/BRAKE HARNESS - M450AJ .....	438
FIGURE 8-50. PLATFORM CAN BUS HARNESS ASSEMBLY .....	440
FIGURE 8-51. PLATFORM FUNCTION SWITCH HARNESS ASSEMBLY .....	442
FIGURE 8-52. PLATFORM FUNCTION SWITCH HARNESS ASSEMBLY - WITH SKYGUARD .....	444
FIGURE 8-53. PLUG AND RECEPTACLE INSTALLATION - SUPPLIED LOCALLY .....	446
FIGURE 8-54. PLUG AND RECEPTACLE INSTALLATION - 110V - ANSI SPEC .....	448
FIGURE 8-55. PLUG AND RECEPTACLE 110V INSTALLATION - IEC 60309 - YELLOW (CE SPEC) .....	450
FIGURE 8-56. PLUG AND RECEPTACLE 220V INSTALLATION - IEC 60309 - BLUE (CE SPEC) .....	452
FIGURE 8-57. PLUG AND RECEPTACLE 220V INSTALLATION - CEE7 POST GROUND - 70MM X 70MM BOX (CE SPEC) .....	454
FIGURE 8-58. PLUG AND RECEPTACLE 220V INSTALLATION - CEE7 SIDE GROUND - 70MM X 70MM BOX (CE SPEC) .....	456
FIGURE 8-59. PLUG AND RECEPTACLE 220V INSTALLATION - ANSI SPEC .....	458
FIGURE 8-60. PLUG AND RECEPTACLE 220V INSTALLATION - CEE7 SIDE GROUND - 2 X 4 BOX (CE SPEC) .....	460
FIGURE 8-61. PLUG AND RECEPTACLE 220V INSTALLATION - CEE7 POST GROUND - 2 X 4 BOX (CE SPEC) .....	462
FIGURE 8-62. PLUG AND RECEPTACLE 220V INSTALLATION - AFSINT 107 KEYED GROUND - 2 X 4 BOX (CE SPEC) .....	464
FIGURE 8-63. POSI-TRACK MODULE CAN HARNESS ASSEMBLY .....	466
FIGURE 8-64. SKYGUARD PLATFORM SENSOR HARNESS (SN 0300189901 through 0300200789) .....	468
FIGURE 8-65. SKYGUARD PLATFORM SENSOR HARNESS (SN 0300200790 through 0300208529) .....	470
FIGURE 8-66. SKYGUARD CAN HARNESS (SN 0300200790 through 0300208529) .....	472
FIGURE 8-67. STEER BRAKE HARNESS - E450A/E450AJ .....	474
FIGURE 8-68. STROBE LIGHT HARNESS .....	476
FIGURE 8-69. STROBE LIGHT - AMBER - HARNESS .....	478
FIGURE 8-70. TOWER BOOM HARNESS ASSEMBLY - E450A/E450AJ/M450AJ .....	480
FIGURE 8-71. TURNTABLE/FRAME HARNESS ASSEMBLY .....	482
 SECTION 9 - DECALS .....	 485
FIGURE 9-1. DECAL INSTALLATION - JLG LOGO .....	486
FIGURE 9-2. DECAL INSTALLATION - ANSI SPEC - M450AJ .....	488
FIGURE 9-3. DECAL INSTALLATION - ANSI SPEC - E450A/E450AJ .....	490
FIGURE 9-4. DECAL INSTALLATION - AUSTRALIAN SPEC - M450AJ .....	492
FIGURE 9-5. DECAL INSTALLATION - CE SPEC - M450AJ (SN 0300189901 through 0300200789) .....	494
FIGURE 9-6. DECAL INSTALLATION - CE SPEC - M450AJ (SN 0300200790 through 0300208529) .....	496
FIGURE 9-7. DECAL INSTALLATION - AUSTRALIAN SPEC - E450AJ .....	498
FIGURE 9-8. DECAL INSTALLATION - CE SPEC - E450AJ (SN 0300189901 through 0300200789) .....	500
FIGURE 9-9. DECAL INSTALLATION - CE SPEC - E450AJ (SN 0300200790 through 0300208529) .....	502
FIGURE 9-10. DECAL INSTALLATION - JAPANESE SPEC - M450AJ .....	504
FIGURE 9-11. DECAL INSTALLATION - JAPANESE SPEC - E450A/E450AJ .....	506
FIGURE 9-12. DECAL INSTALLATION - KOREAN SPEC - M450AJ .....	508
FIGURE 9-13. DECAL INSTALLATION - KOREAN SPEC - E450A/E450AJ .....	510
FIGURE 9-14. DECAL INSTALLATION - SPANISH/ENGLISH SPECS - M450AJ .....	512
FIGURE 9-15. DECAL INSTALLATION - SPANISH/ENGLISH SPECS - E450A/E450AJ .....	514
FIGURE 9-16. DECAL INSTALLATION - FRENCH/ENGLISH SPECS - M450AJ .....	516
FIGURE 9-17. DECAL INSTALLATION - FRENCH/ENGLISH SPECS - E450A/E450AJ .....	518
FIGURE 9-18. DECAL INSTALLATION - CHINESE/ENGLISH SPEC - M450AJ .....	520
FIGURE 9-19. DECAL INSTALLATION - CHINESE/ENGLISH SPEC - E450A/E450AJ .....	522

# TABLE OF CONTENTS

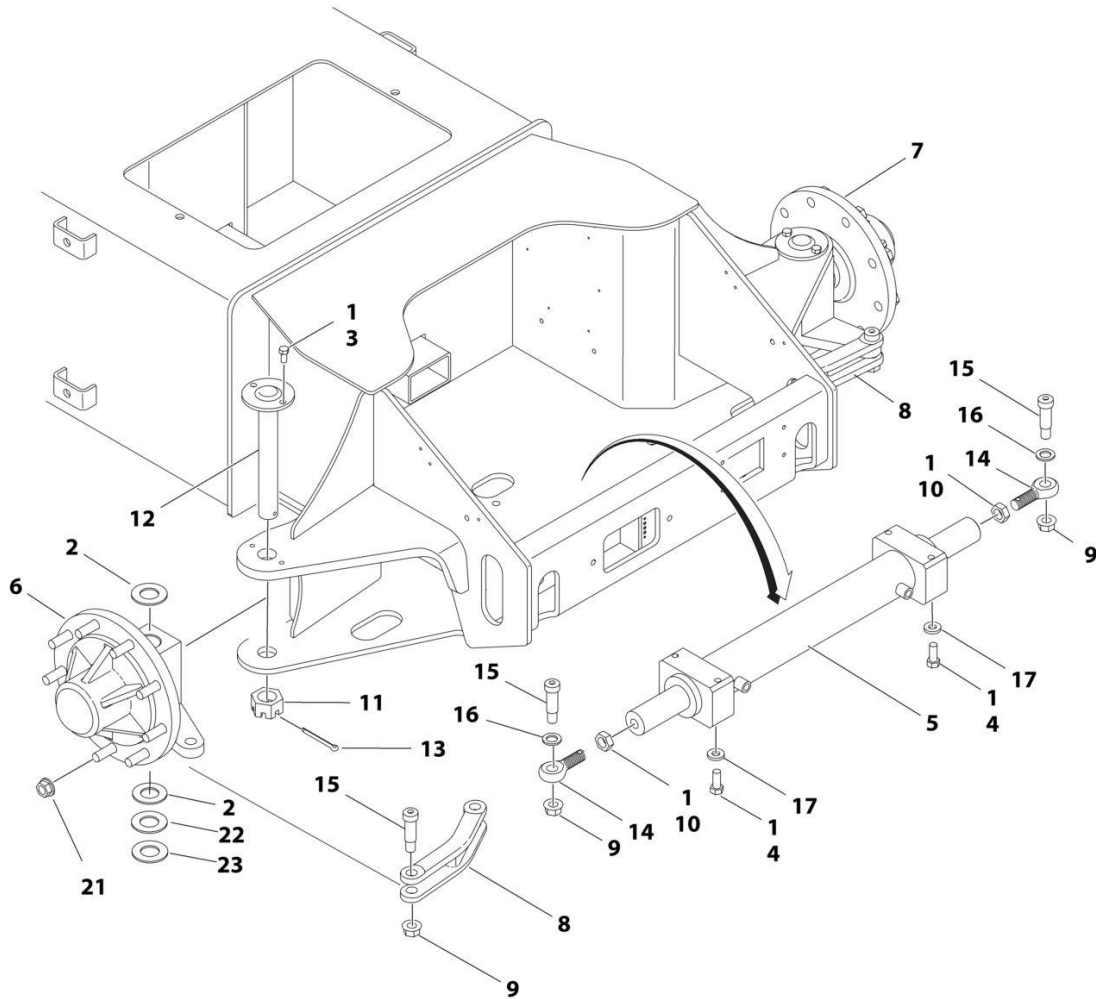
FIGURE 9-20. DECAL INSTALLATION - SPANISH/PORTUGUESE SPECS - M450AJ .....	524
FIGURE 9-21. DECAL INSTALLATION - SPANISH/PORTUGUESE SPECS - E450A/E450AJ .....	526
SECTION 10 - RECOMMENDED SERVICE PARTS STOCK.....	529
FIGURE 10-1. RECOMMENDED SERVICE PARTS STOCK .....	530
SECTION 11 - SPECIAL OPTIONS .....	531
FIGURE 11-1. SPECIAL OPTIONS.....	532
PART NUMBER INDEX .....	534



**SECTION 1 - FRAME**

# SECTION 1 - FRAME

## FIGURE 1-1. STEERING INSTALLATION



ART\_1001166414

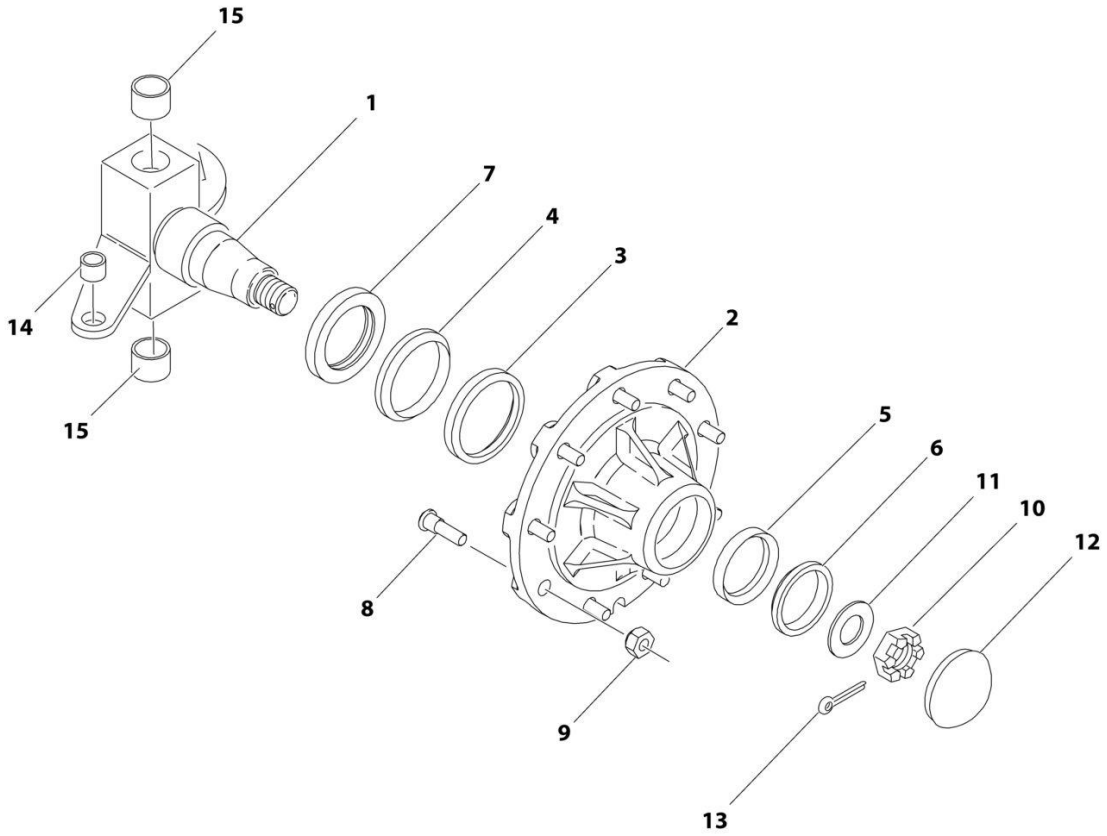
# SECTION 1 - FRAME

## FIGURE 1-1. STEERING INSTALLATION

ITEM	PART NUMBER	QTY	DESCRIPTION	REV
	1001166414	Ref	STEERING INSTALLATION	D
1	0100011	AR	Locking Compound	
2	0440162	4	Bearing, Thrust	
3	0641606	4	Bolt, 3/8-16 x 3/4	
4	0681810	4	Bolt, 1/2-13 x 1-1/4, Grade 8	
5	1683591	1	Steering Cylinder (See CYLINDER SECTION for Breakdown)	
6	2780241	1	Spindle, Hub Assembly RH (See HUB - SPINDLE ASSEMBLY RH for Breakdown)	
7	2780242	1	Spindle, Hub Assembly LH (See HUB - SPINDLE ASSEMBLY LH for Breakdown)	
8	1001153021	2	Link, Steering, Mach	
9	3312008	4	Nut, 5/8-11, Serrated	
10	3322202	2	Nut, Jam	
11	3323003	2	Nut, 1-1/4-12, Castle	
12	3422692	2	Pin, King	
13	3450810	2	Pin, Cotter	
14	3841517	2	End, Tie Rod	
15	3900109	4	Screw, Shoulder	
16	4740156	2	Washer, Thrust	
17	4891800	4	Washer, 1/2	
21	3300426	18	Lugnut, 5/8-18UNF	
22	1001151395	AR	Shim, .048 (SN 0300196080 through 0300208529)	
23	1001151428	AR	Shim, .036 (SN 0300196080 through 0300208529)	

# SECTION 1 - FRAME

## FIGURE 1-2. HUB - SPINDLE ASSEMBLY - RH



ART\_2780241



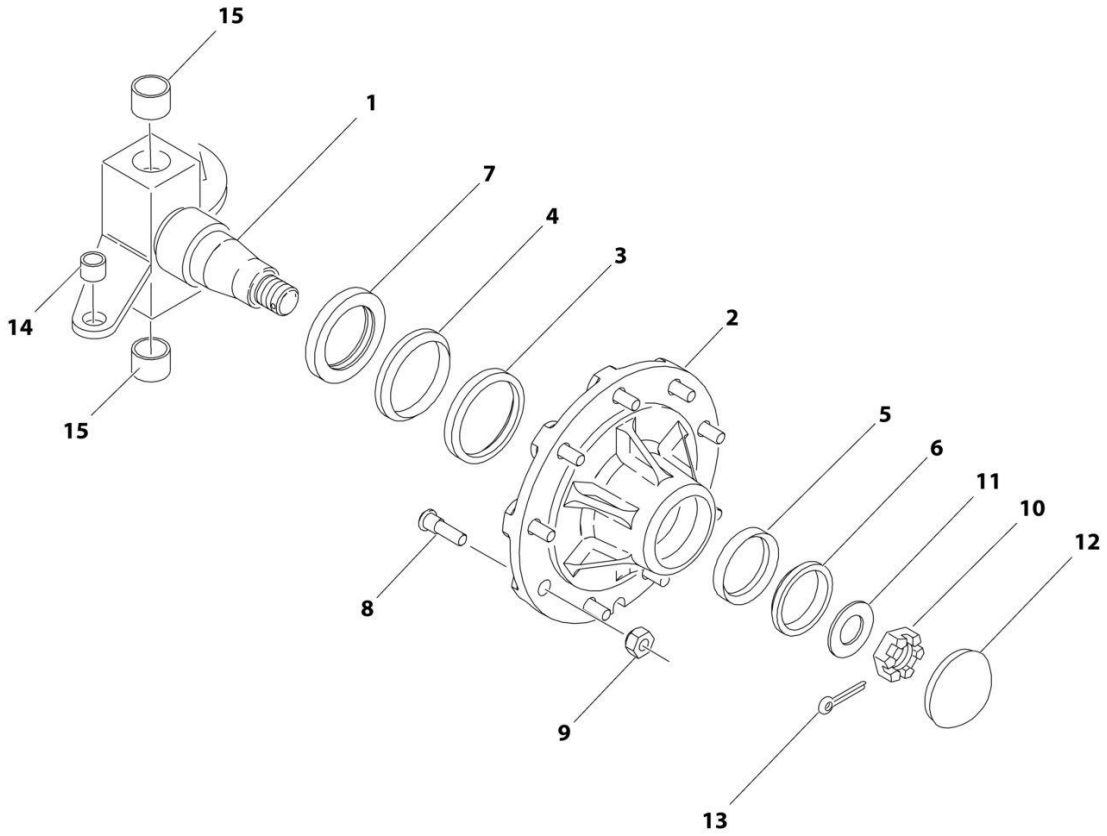
## SECTION 1 - FRAME

### FIGURE 1-2. HUB - SPINDLE ASSEMBLY - RH

ITEM	PART NUMBER	QTY	DESCRIPTION	REV
	2780241	Ref	HUB - SPINDLE ASSEMBLY - RH	C
1	4130351	1	Spindle RH	
2	7020035	1	Hub	
3	7020036	1	Cup, Bearing - Inner	
4	7020037	1	Cone, Bearing - Inner	
5	7020038	1	Cup, Bearing - Outer	
6	7020039	1	Cone, Bearing - Outer	
7	7020040	1	Seal	
8	7020041	9	Stud, Wheel	
9	7020042	9	Lugnut	
10	7020054	1	Lugnut	
11	7020055	1	Washer, Spindle	
12	7020137	1	Dust Cap	
13	7020140	1	Pin, Cotter	
14	0962140	1	Bushing	
15	0961951	2	Bushing	

# SECTION 1 - FRAME

## FIGURE 1-3. HUB - SPINDLE ASSEMBLY - LH



ART\_2780242

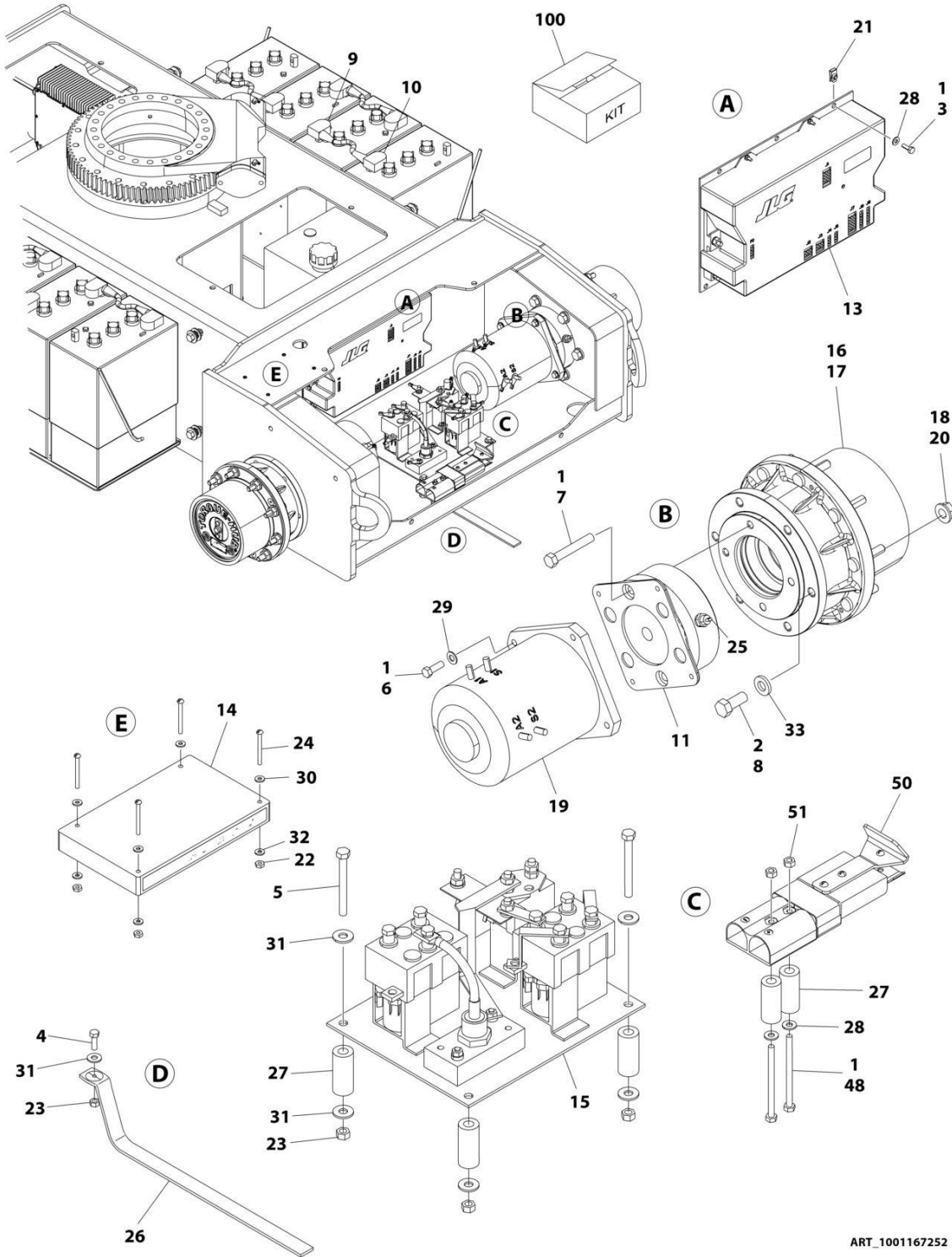
## SECTION 1 - FRAME

### FIGURE 1-3. HUB - SPINDLE ASSEMBLY - LH

ITEM	PART NUMBER	QTY	DESCRIPTION	REV
	2780242	Ref	HUB - SPINDLE ASSEMBLY - LH	C
1	4130350	1	Spindle, LH	
2	7020035	1	Hub	
3	7020036	1	Cup, Bearing - Inner	
4	7020037	1	Cone, Bearing - Inner	
5	7020038	1	Cup, Bearing - Outer	
6	7020039	1	Cone, Bearing - Outer	
7	7020040	1	Seal	
8	7020041	1	Stud, Wheel	
9	7020042	1	Lugnut	
10	7020054	1	Nut, Castle	
11	7020055	1	Washer, Spindle	
12	7020137	1	Dust Cap	
13	7020140	1	Pin, Cotter	
14	0962140	1	Bushing	
15	0961951	2	Bushing	

# SECTION 1 - FRAME

## FIGURE 1-4. WHEEL DRIVE - E450A/E450AJ



ART\_1001167252

# SECTION 1 - FRAME

## FIGURE 1-4. WHEEL DRIVE - E450A/E450AJ

ITEM	PART NUMBER	QTY	DESCRIPTION	REV
	1001167252	Ref	WHEEL DRIVE - E450A/E450AJ	F
1	0100011	AR	Compound, Locking	
2	0100019	AR	Compound, Locking	
3	0641406	5	Bolt 1/4 x 3/4	
4	0641508	1	Bolt 5/16 x 1	
5	0641524	4	Bolt 5/16 x 3	
6	0641609	8	Bolt 3/8 x 1-1/8	
7	0641826	4	Bolt 1/2 x 3-1/4	
8	0682014	12	Bolt 5/8 x 1-3/4, Grade 8	
9	0840031	8	Boot, Terminal d Shaped	
10	0840032	8	Boot, Terminal b Shaped	
11	0920113	2	Brake	
11	See Note	NSS	Ring, Sensor (Note: Use p/n 0920113)	
11	7007977	2	Ring, Bearing Retaining (Large) (1 per Assembly)	
11	7011716	2	Ring, Bearing Retaining (Small) (1 per Assembly)	
11	7007913	4	Bolt	
11	7011757	2	Complete Repair Kit (Includes Case and Oil Seals, O-Rings, Back-up Rings, Stator and Rotor Discs, Return Plate, Springs, Bearing and Brake to Hub Gasket (1 per Assembly)	
11	2900768	2	Bearing Kit (1 per Assembly)	
11	7007900	2	Seal, Oil - Front (1 per Assembly)	
11	7007933	2	Gasket, Brake to Hub (1 per Assembly)	
11	70002408	2	Gasket, Brake to Motor (1 per Assembly) (Not Included in Repair Kit)	
13	1600292	1	Controller, Power Module	
14	1600293	1	Module, Positrac/Tilt (Note: Re-calibration Required when Replaced)	
15	1600294	1	Controller, Contactor Panel (See Separate Breakdown in ELECTRICAL Section)	
16	2780282	2	Drive Hub Assembly (See Separate Breakdown in this Section)	
17	3020008	1.5 l	Lubricant, Mobilube HD 80W-90	
18	3020037	AR	Lube, Coupling Grease	
19	3160237	2	Motor, Drive (See Separate Breakdown in this Section)	
20	3300426	18	Nut 5/8	
21	3300454	5	Nut 1/4	
22	3310601	4	Nut #6	
23	3311505	5	Nut 5/16	
24	3910628	4	Screw #6 x 1-3/4	
25	3990105	2	Sensor, Speed	
26	4240084	1	Strap, Anti-Static	
27	4568114	6	Spacer, Tube	
28	4711400	7	Washer 1/4	
29	4711600	8	Washer 3/8	
30	4750600	8	Washer #6	
31	4751500	10	Washer 5/16	
32	4760600	4	Washer #6	
33	4892000	12	Washer 5/8	
43	4922103	1	Harness, Battery (Not Shown - See Separate Breakdown in ELECTRICAL Section) (SN 0300189901 through 0300196080)	
48	0641430	2	Bolt 1/4 x 3-3/4	
50	1320172	1	Handle, Pull	

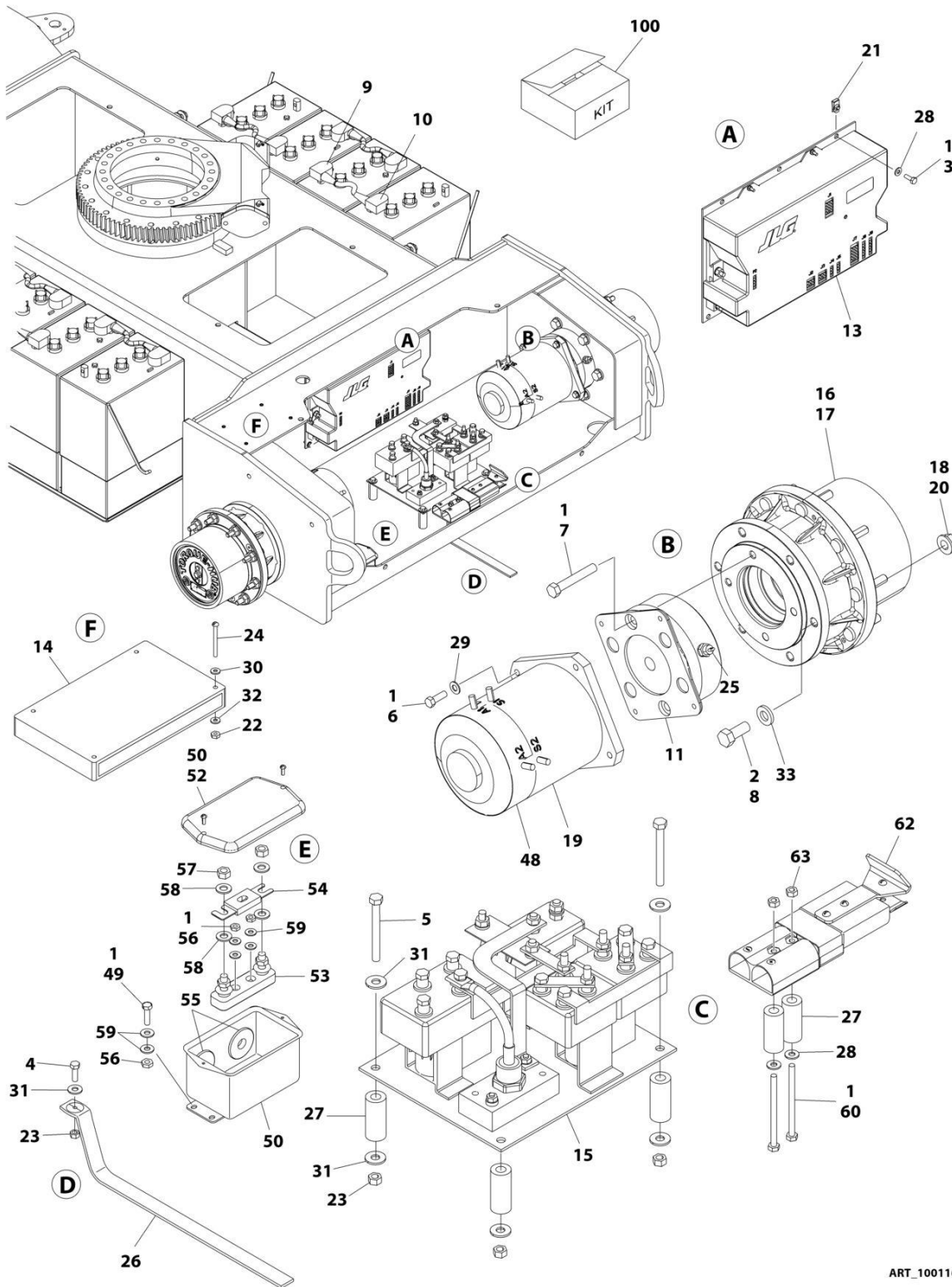
## SECTION 1 - FRAME

ITEM	PART NUMBER	QTY	DESCRIPTION	REV
51	3311401	2	Nut 1/4	
100	1001176310	1	Cable, Kit (See Separate Breakdown in ELECTRICAL Section)	



# SECTION 1 - FRAME

## FIGURE 1-5. WHEEL DRIVE - E450A/E450AJ - UL LISTED



ART\_1001167645



## SECTION 1 - FRAME

### FIGURE 1-5. WHEEL DRIVE - E450A/E450AJ - UL LISTED

ITEM	PART NUMBER	QTY	DESCRIPTION	REV
	1001167645	Ref	WHEEL DRIVE	F
1	0100011	AR	Locking Compound	
2	0100019	AR	Locking Compound	
3	0641406	5	Bolt 1/4 x 3/4	
4	0641508	1	Bolt 5/16 x 1	
5	0641524	4	Bolt 5/16 x 3	
6	0641609	8	Bolt 3/8 x 1-1/8	
7	0641826	4	Bolt 1/2 x 3-1/4	
8	0682014	12	Bolt 5/8 x 1-3/4, Grade 8	
9	0840031	8	Boot, Terminal d Shaped	
10	0840032	8	Boot, Terminal b Shaped	
11	0920113	2	Brake, Multi-Disc	
11	See Note	NSS	Ring, Sensor (Note: Use p/n 0920113)	
11	7007977	2	Ring, Bearing Retaining (Large) (1 per Assembly)	
11	7011716	2	Ring, Bearing Retaining (Small) (1 per Assembly)	
11	7007913	4	Bolt	
11	7011757	2	Complete Repair Kit (Includes Case and Oil Seals, O-Rings, Back-up Rings, Stator and Rotor Discs, Return Plate, Springs, Bearing and Brake to Hub Gasket (1 per Assembly)	
11	2900768	2	Bearing Kit (1 per Assembly)	
11	7007900	2	Seal, Oil - Front (1 per Assembly)	
11	7007933	2	Gasket, Brake to Hub (1 per Assembly)	
11	70002408	2	Gasket, Brake to Motor (1 per Assembly) (Not Included in Repair Kit)	
13	1600292	1	Controller, Power Module	
14	1600293	1	Module, Positrac/Tilt (Note: Re-calibration Required when Replaced)	
15	1600300	1	Controller, UL Contactor Panel (See Separate Breakdown in ELECTRICAL Section)	
16	2780282	2	Drive Hub Assembly (See Separate Breakdown in this Section)	
17	3020008	1.5 l	Lubricant, Mobilube HD 80W-90	
18	3020037	AR	Lube, Coupling Grease	
19	3160237	2	Motor, Drive (See Separate Breakdown in this Section)	
20	3300426	18	Nut 5/8	
21	3300454	5	Nut 1/4	
22	3310601	4	Nut #6	
23	3311505	5	Nut 5/16	
24	3910628	4	Screw #6 x 1-3/4	
25	3990105	2	Speed Sensor, Assembly	
26	4240084	1	Strap, Anti-Static	
27	4568114	6	Tube, Spacer	
28	4711400	7	Washer 1/4	
29	4711600	8	Washer 3/8	
30	4750600	8	Washer #6	
31	4751500	10	Washer 5/16	
32	4760600	4	Washer #6	
33	4892000	12	Washer 5/8	
43	4922103	1	Harness, Battery Charger (Not Shown - See Separate Breakdown in ELECTRICAL Section) <b>(SN 0300189901 through 0300196080)</b>	
48	0340047	2	Band, Motor	
49	0721006	4	Bolt #10 x 3/4	

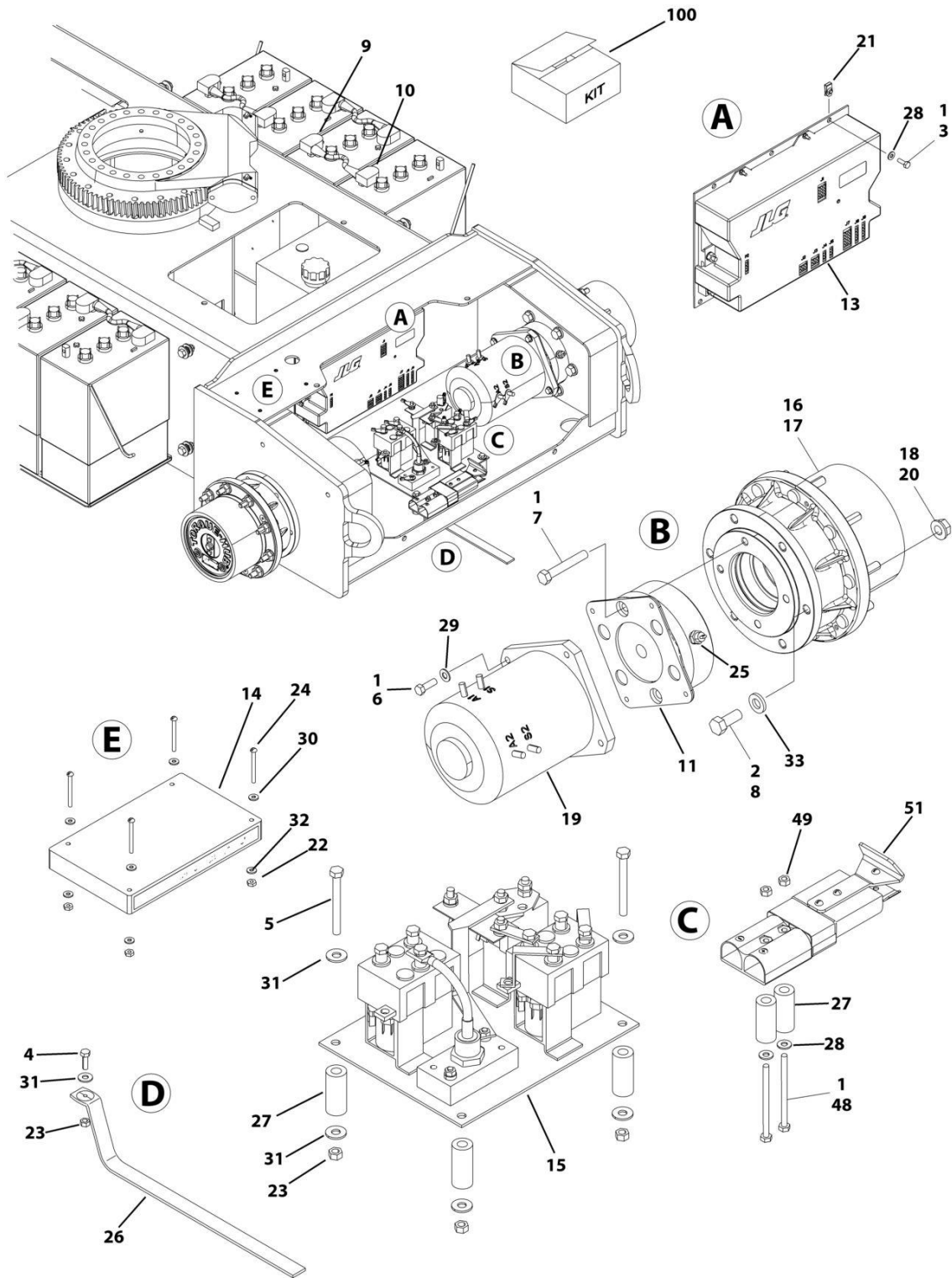
## SECTION 1 - FRAME

ITEM	PART NUMBER	QTY	DESCRIPTION	REV
50	0861375	1	Cover	
52	1704712	1	Decal, 300Amp Fuse	
53	2400044	1	Fuse, Mounting Block	
54	2400062	1	Fuse, 300Amp	
55	2540037	2	Grommet	
56	3311001	6	Nut #10	
57	3311501	2	Nut 5/16	
58	4711500	4	Washer 5/16	
59	4751000	12	Washer #10	
60	0641430	2	Bolt 1/4 x 3-3/4	
62	1320172	1	Handle, Pull	
63	3311401	2	Nut 1/4	
100	1001176309	1	Cable, Kit (See Separate Breakdown in ELECTRICAL Section)	



# SECTION 1 - FRAME

## FIGURE 1-6. WHEEL DRIVE - M450AJ



ART\_1001168731

# SECTION 1 - FRAME

## FIGURE 1-6. WHEEL DRIVE - M450AJ

ITEM	PART NUMBER	QTY	DESCRIPTION	REV
	1001168731	Ref	WHEEL DRIVE	E
1	0100011	AR	Locking Compound	
2	0100019	AR	Locking Compound	
3	0641406	5	Bolt 1/4 x 3/4	
4	0641508	1	Bolt 5/16 x 1	
5	0641524	4	Bolt 5/16 x 3	
6	0641609	8	Bolt 3/8 x 1-1/8	
7	0641826	4	Bolt 1/2 x 3-1/4	
8	0682012	12	Bolt 5/8 x 1-1/2, Grade 8	
9	0840031	8	Boot, Terminal d Shaped	
10	0840032	8	Boot, Terminal b Shaped	
11	0920113	2	Brake, Multi-Disc	
11	See Note	NSS	Ring, Sensor (Note: Use p/n 0920113)	
11	7007977	2	Ring, Bearing Retaining (Large) (1 per Assembly)	
11	7011716	2	Ring, Bearing Retaining (Small) (1 per Assembly)	
11	7007913	4	Bolt	
11	7011757	2	Complete Repair Kit (Includes Case and Oil Seals, O-Rings, Back-up Rings, Stator and Rotor Discs, Return Plate, Springs, Bearing and Brake to Hub Gasket (1 per Assembly)	
11	2900768	2	Bearing Kit (1 per Assembly)	
11	7007900	2	Seal, Oil - Front (1 per Assembly)	
11	7007933	2	Gasket, Brake to Hub (1 per Assembly)	
11	70002408	2	Gasket, Brake to Motor (1 per Assembly) (Not Included in Repair Kit)	
13	1600292	1	Controller, Power Module	
14	1600293	1	Module, Positrac/Tilt (Note: Re-calibration Required when Replaced)	
15	1600294	1	Contactora, Dual Motor Panel (See Separate Breakdown in ELECTRICAL Section)	
16	2780282	2	Drive Hub Assembly (See Separate Breakdown in this Section)	
17	3020008	1.5 l	Lubricant, Mobilube HD 80W-90	
18	3020037	AR	Lube, Coupling Grease	
19	3160237	2	Motor (See Separate Breakdown in this Section)	
20	3300426	18	Nut 5/8	
21	3300454	5	Nut 1/4	
22	3310601	4	Nut #6	
23	3311505	5	Nut 5/16	
24	3910624	4	Screw 6 x 1-1/2	
25	3990105	2	Speed Sensor, Assembly	
26	4240084	1	Strap, Anti-Static	
27	4568114	6	Tube, Spacer	
28	4711400	7	Washer 1/4	
29	4711600	8	Washer 3/8	
30	4750600	8	Washer #6	
31	4751500	10	Washer 5/16	
32	4760600	4	Washer #6	
33	4892000	12	Washer 5/8	
43	4922103	1	Harness, Battery Charger (Not Shown - See Separate Breakdown in ELECTRICAL Section) (SN 0300189901 through 0300196080)	
48	0641430	2	Bolt 1/4 x 3-3/4	
49	3311401	2	Nut 1/4	

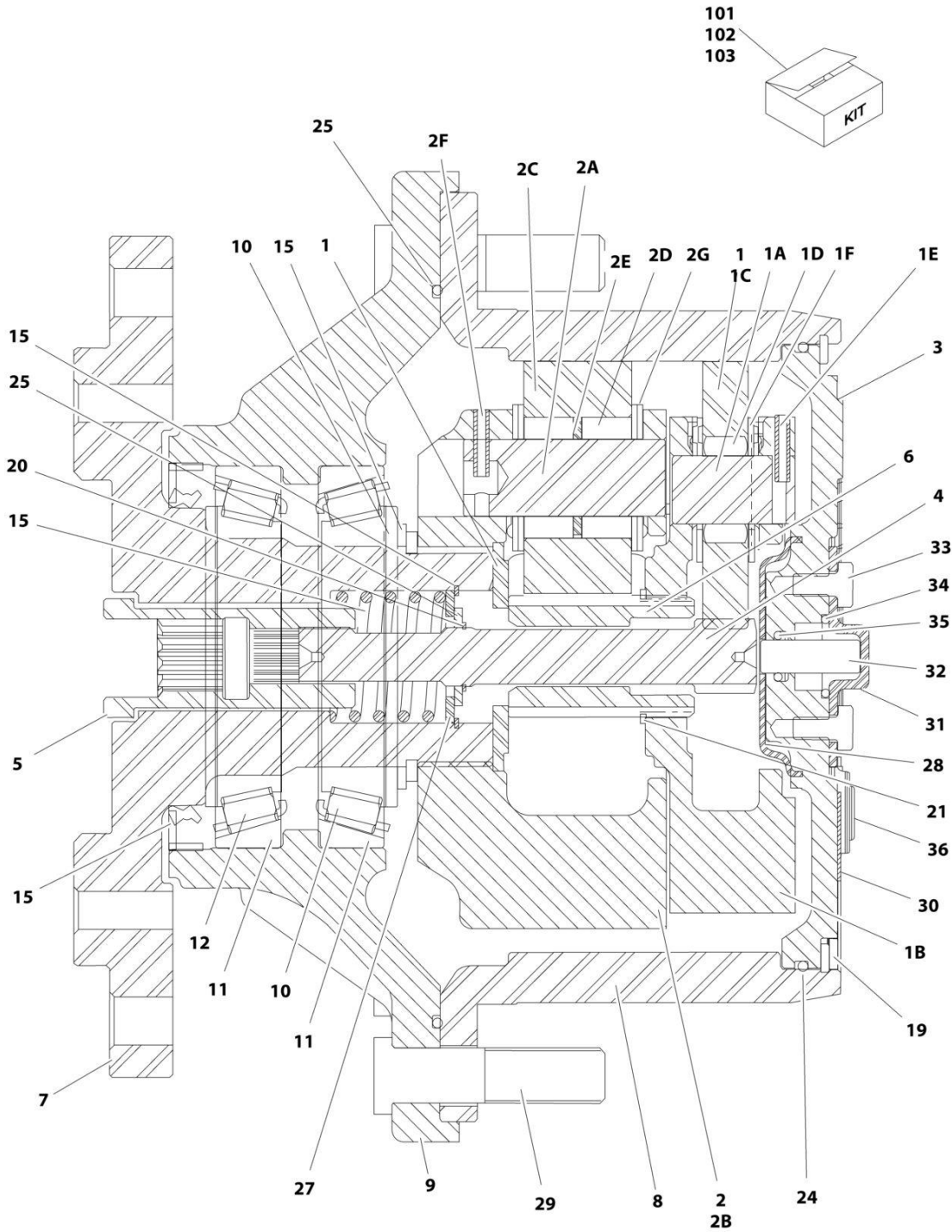
## SECTION 1 - FRAME

ITEM	PART NUMBER	QTY	DESCRIPTION	REV
51	1320172	1	Handle, Pull	
100	1001176311	1	Cable, Kit (See Separate Breakdown in ELECTRICAL Section)	



# SECTION 1 - FRAME

## FIGURE 1-7. HUB - DRIVE ASSEMBLY



ART\_2780282



# SECTION 1 - FRAME

## FIGURE 1-7. HUB - DRIVE ASSEMBLY

ITEM	PART NUMBER	QTY	DESCRIPTION	REV
	2780282	Ref	HUB - DRIVE ASSEMBLY	A
1	70001366	1	Carrier, Sub Assembly	
1A	See Note	NSS	Shaft, Planet (Note: Use Item 1)	
1B	See Note	NSS	Carrier (Note: Use Item 1)	
1C	See Note	NSS	Gear, Planet (Note: Use Item 1)	
1D	See Note	NSS	Bearing, Needle (Note: Use Item 1)	
1E	See Note	NSS	Pin, Roll (Note: Use Item 1)	
1F	See Note	NSS	Washer, Thrust (Note: Use Item 1)	
2	70001367	1	Carrier, Input	
2A	See Note	NSS	Shaft, Planet (Note: Use Item 2)	
2B	See Note	NSS	Carrier (Note: Use Item 2)	
2C	See Note	NSS	Gear, Planet (Note: Use Item 2)	
2D	See Note	NSS	Bearing, Needle (Note: Use Item 2)	
2E	See Note	NSS	Spacer, Thrust (Note: Use Item 2)	
2F	See Note	NSS	Pin, Roll (Note: Use Item 2)	
2G	See Note	NSS	Washer, Thrust (Note: Use Item 2)	
2H	See Note	NSS	Washer, Thrust (Note: Use Item 2)	
3	70001368	1	Cover	
4	70001369	1	Shaft, Input	
5	70001370	1	Coupling	
6	70001371	1	Shaft, Sun Gear	
7	70001372	1	Spindle	
8	70001373	1	Gear, Ring	
9	See Note	NSS	Housing (Note: Use p/n 2780282)	
10	See Note	NSS	Bearing, Tapered-Cone (Note: Use Item 101)	
11	See Note	NSS	Bearing, Tapered-Cup (Note: Use Item 101)	
12	See Note	NSS	Bearing, Tapered-Cone (Note: Use Item 101)	
13	7017009	1	Washer, Thrust	
15	See Note	NSS	Seal, Lip (Note: Use Item 102)	
16	70001374	1	Spring	
17	70001375	1	Ring, Retaining (Internal)	
18	See Note	NSS	Ring, Retaining (External) (Note: Use Item 102)	
19	7024738	1	Ring, Retaining (Internal)	
20	70001376	1	Ring, Retaining (External)	
21	70001377	1	Ring, Retaining (External)	
22	7000281	4	Screw (Not Shown - ID Plate Screws)	
23	7017022	3	Bolt, Flathead (Not Shown - Located on front of hub)	
24	See Note	NSS	O-Ring (Note: Use Item 102)	
25	See Note	NSS	O-Ring (Note: Use Item 102)	
26	70001378	1	Spacer, Thrust	
27	70001379	1	Washer, Thrust	
28	7024741	1	Spacer, Thrust	
29	7007640	9	Stub, Wheel	
30	See Note	NSS	Flange, Plate (Note: Use Item 103)	
31	See Note	NSS	Cap, Disengage (Note: Use Item 103)	
32	See Note	NSS	Pin, Dowel (Note: Use Item 103)	
33	See Note	NSS	Bolt (Note: Use Item 103)	
34	See Note	NSS	O-Ring (Note: Use Item 103)	
35	See Note	NSS	O-Ring (Note: Use Item 103)	
36	See Note	NSS	Plug (Note: Use Item 103)	

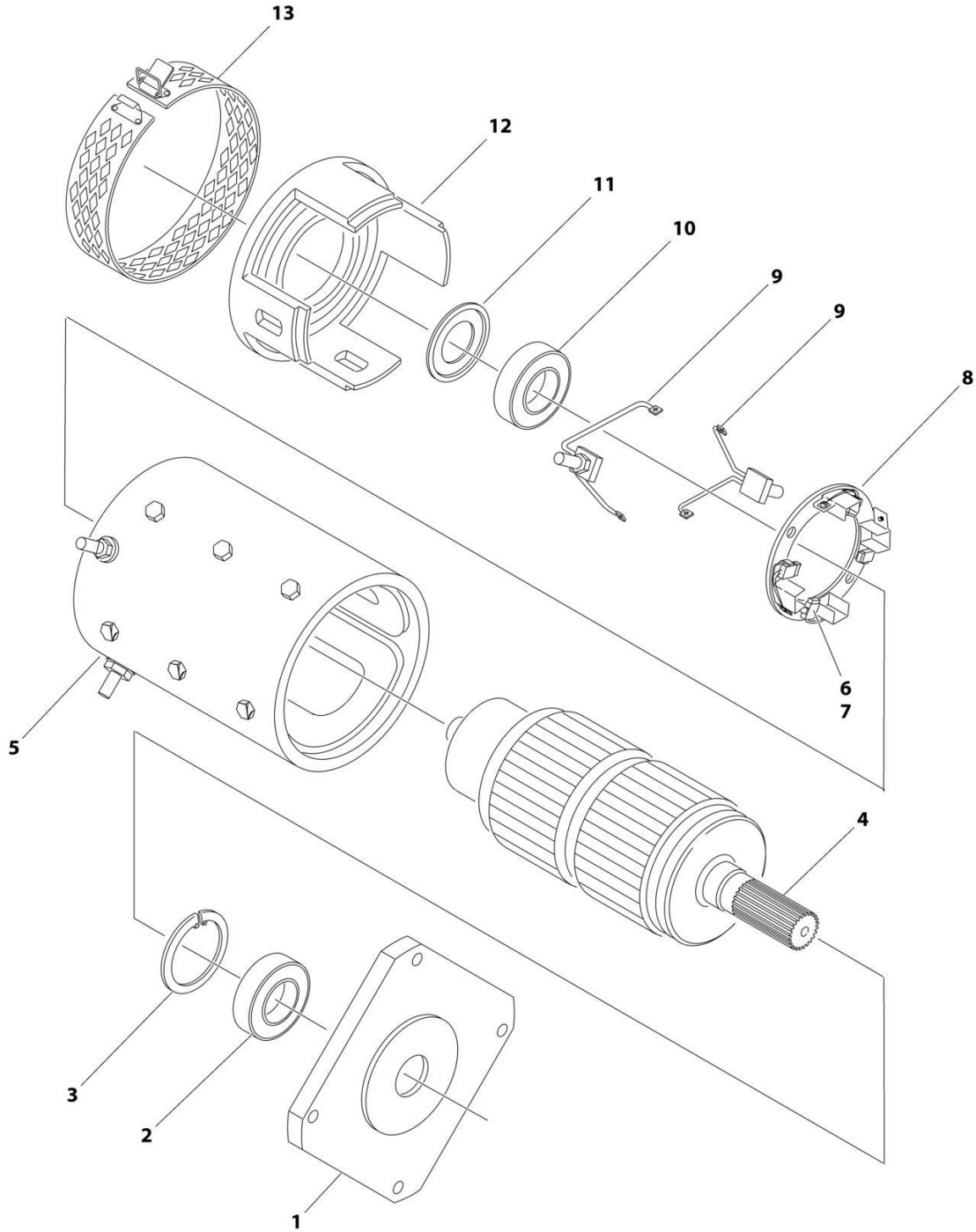
## SECTION 1 - FRAME

ITEM	PART NUMBER	QTY	DESCRIPTION	REV
101	7017007	1	Bearing Kit - Planet Gear (Includes Items 10-12)	
102	70001380	1	Seal Kit - Planet Gear (Includes Items 15, 18, 24 & 25)	
103	70001368	1	Cap/Disengage Kit (Includes Items 30-36)	



# SECTION 1 - FRAME

## FIGURE 1-8. DRIVE MOTOR ASSEMBLY



ART\_3160237

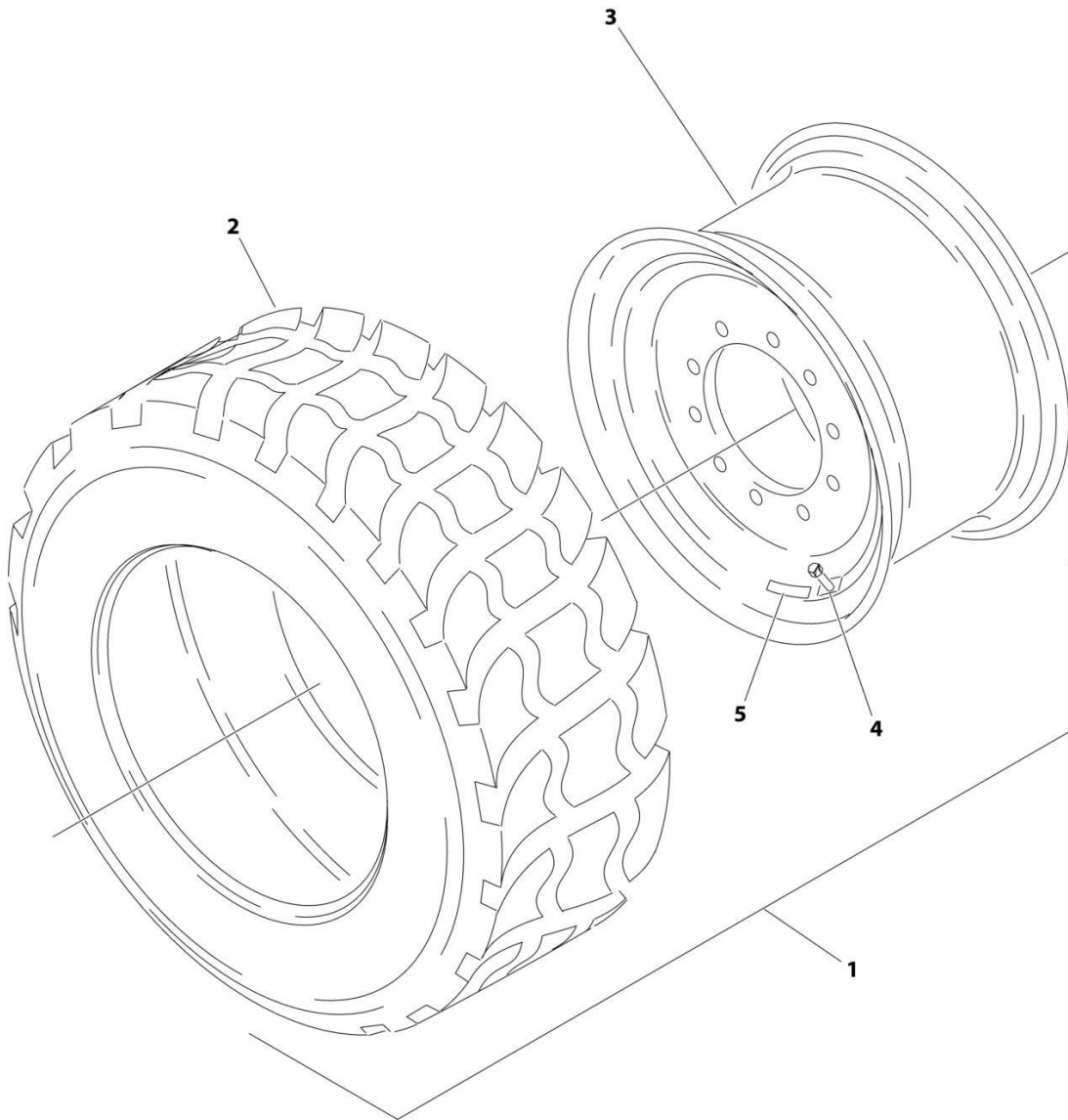
## SECTION 1 - FRAME

**FIGURE 1-8. DRIVE MOTOR ASSEMBLY**

ITEM	PART NUMBER	QTY	DESCRIPTION	REV
	3160237	Ref	DRIVE MOTOR ASSEMBLY	F
1	7020184	1	Plate, Drive End	
2	7012545	1	Bearing	
3	7020185	1	Ring, Retaining	
4	See Note	NSS	Armature (Note: Use p/n 3160237)	
5	See Note	NSS	Frame and Field Assembly (Note: Use p/n 3160237)	
6	7012548	4	Spring, Brush	
7	7020149	4	Brush	
8	7020150	1	Holder, Brush	
9	7020151	2	Brush Lead Assembly Kit	
10	7012545	1	Bearing	
11	7012549	1	Washer	
12	7020189	1	End, Commutator	
13	7019609	1	Headband Assembly	

# SECTION 1 - FRAME

FIGURE 1-9. TIRE AND WHEEL - IN240/55-17.5 PNEUMATIC



ART\_0258995

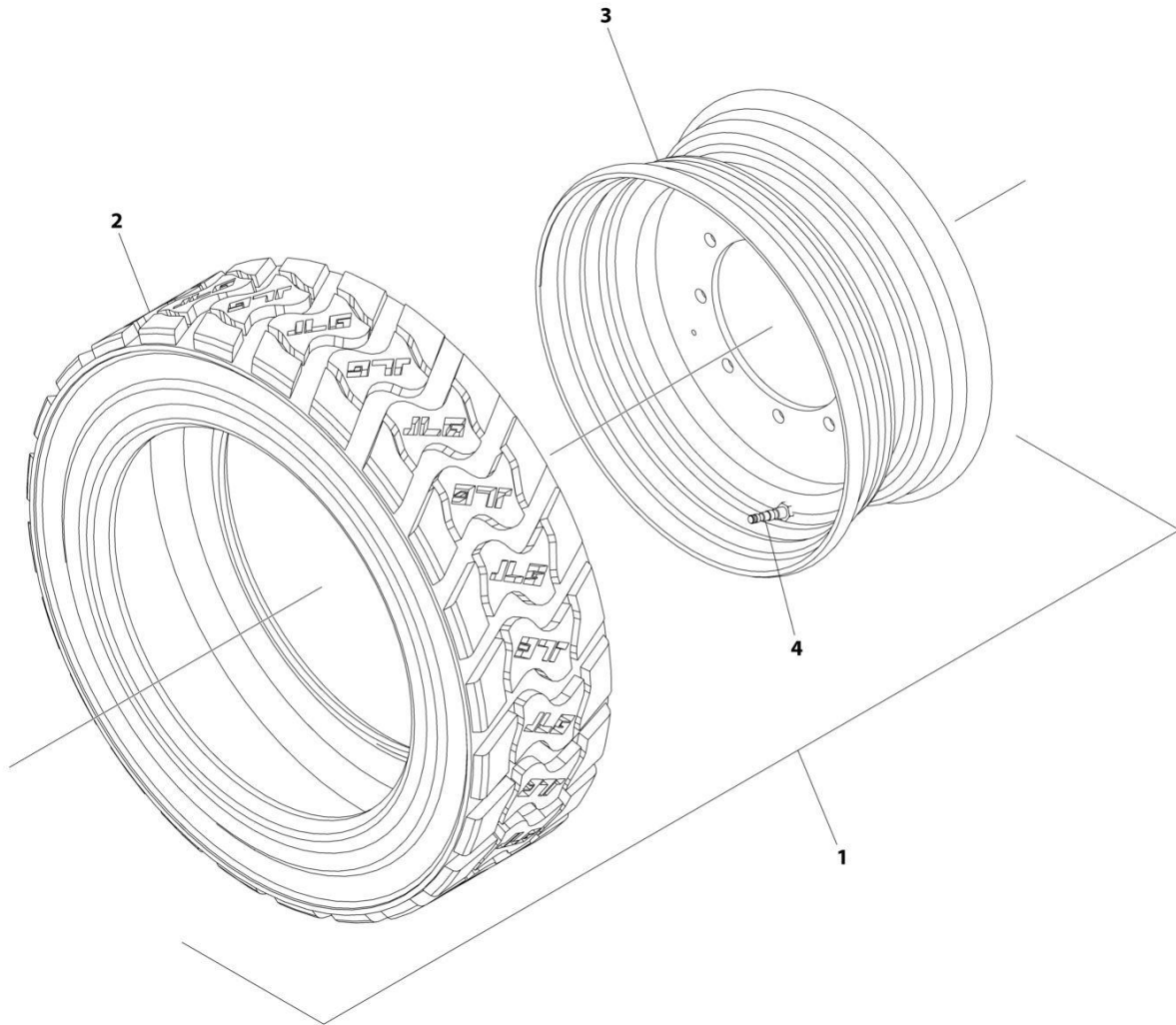
# SECTION 1 - FRAME

## FIGURE 1-9. TIRE AND WHEEL - IN240/55-17.5 PNEUMATIC

ITEM	PART NUMBER	QTY	DESCRIPTION	REV
	0258995	Ref	TIRE AND WHEEL - IN240/55-17.5 PNEUMATIC	1
1	0258688	4	Tire Assembly	2
2	4520209	1	Tire, OTR, IN240/55-17.5 Pneumatic	
3	4860191	1	Rim, Wheel	
4	4641167	1	Valve, Stem	
5	1702740	1	Decal - Tire Pressure	

# SECTION 1 - FRAME

FIGURE 1-10. TIRE AND WHEEL - IN240/55 - 17.5 FOAM FILL



ART\_0258996



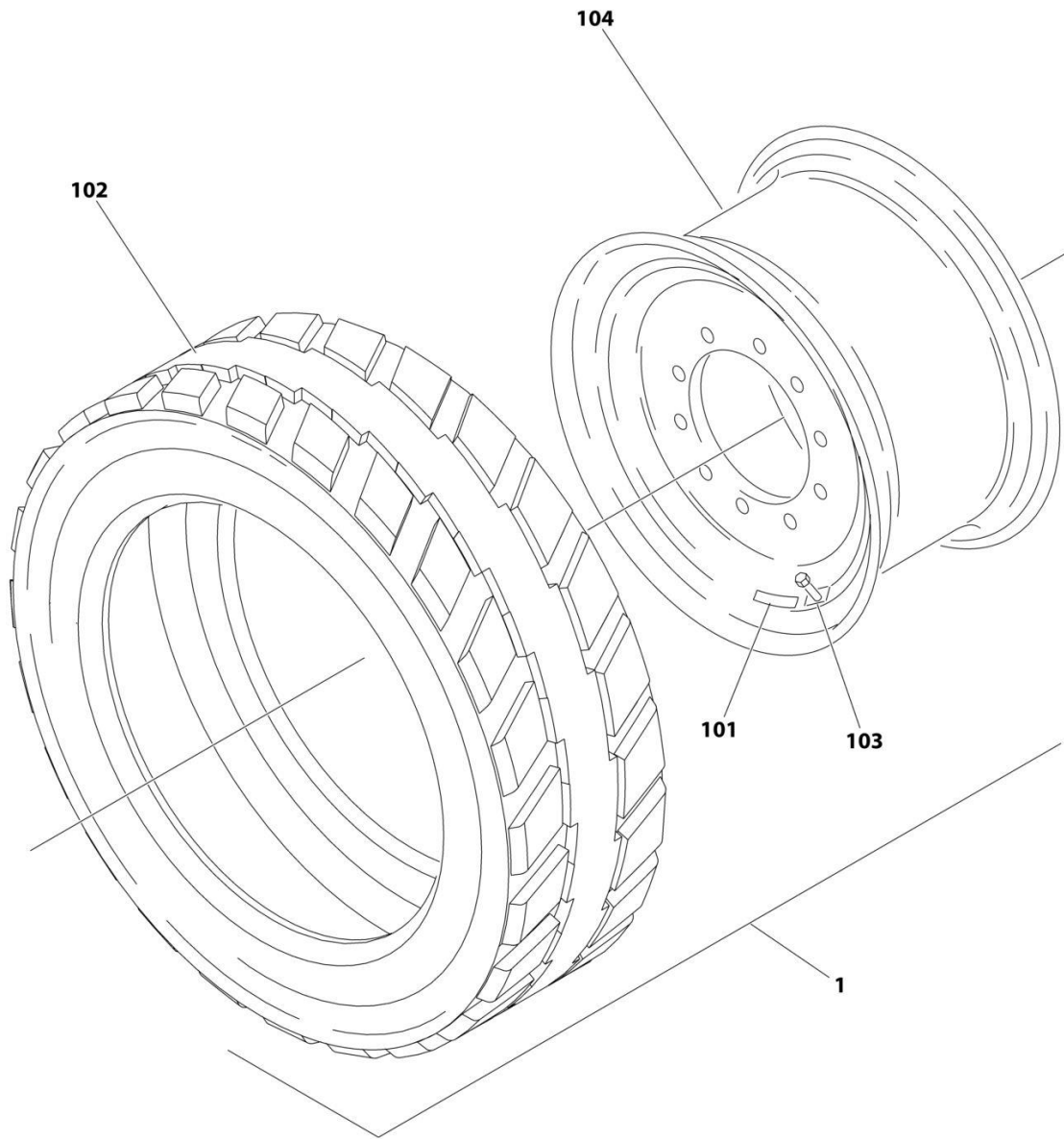
## SECTION 1 - FRAME

**FIGURE 1-10. TIRE AND WHEEL - IN240/55 - 17.5 FOAM FILL**

ITEM	PART NUMBER	QTY	DESCRIPTION	REV
1	0258996	Ref	TIRE AND WHEEL - IN240/55 - 17.5 FOAM FILL	1
	0258997	4	Tire Assembly	D
	See Note	Ref	Note: Assemblies may require ballast/foam filling to manufacture's specifications prior to installing on a machine. Refer to Operation and Safety or Service and Maintenance Manuals. Purchase Individual tire and/or rim only if able to foam fill tire and wheel assembly, otherwise, purchase complete assembly	
2	4520209	1	Tire, OTR, IN240/55-17.5	
3	4860191	1	Rim, Wheel	
4	4641122	1	Valve, Stem	

# SECTION 1 - FRAME

FIGURE 1-11. TIRE AND WHEEL - IN240/55-17.5 PNEUMATIC NON MARKING



ART\_0273683

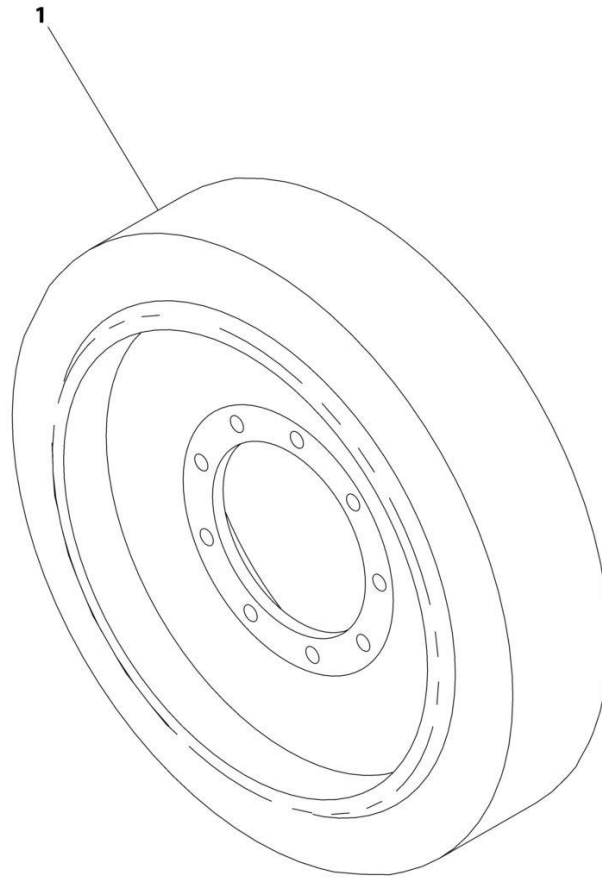
## SECTION 1 - FRAME

**FIGURE 1-11. TIRE AND WHEEL - IN240/55-17.5 PNEUMATIC NON MARKING**

ITEM	PART NUMBER	QTY	DESCRIPTION	REV
	0273683	Ref	TIRE AND WHEEL - IN240/55-17.5 PNEUMATIC NON MARKING	A
		Ref	Note: Assemblies may require ballast/foam filling to manufacturer's specifications prior to installing on a machine. Refer to Operation and Safety or Service and Maintenance Manuals. Purchase individual tire and/or rim only if able to foam fill tire and wheel assembly, otherwise, purchase complete assembly.	
1	4520279	4	Tire Assembly	A
101	1702740	1	Decal - Tire Pressure	
102	4520269	1	Tire, OTR, IN240/55-17.5 Non Marking	
103	4641167	1	Valve, Stem	
104	4860191	1	Rim, Wheel	

# SECTION 1 - FRAME

FIGURE 1-12. TIRE AND WHEEL - 26 X 7 X 20 - SOLID NON MARKING



ART\_0270037

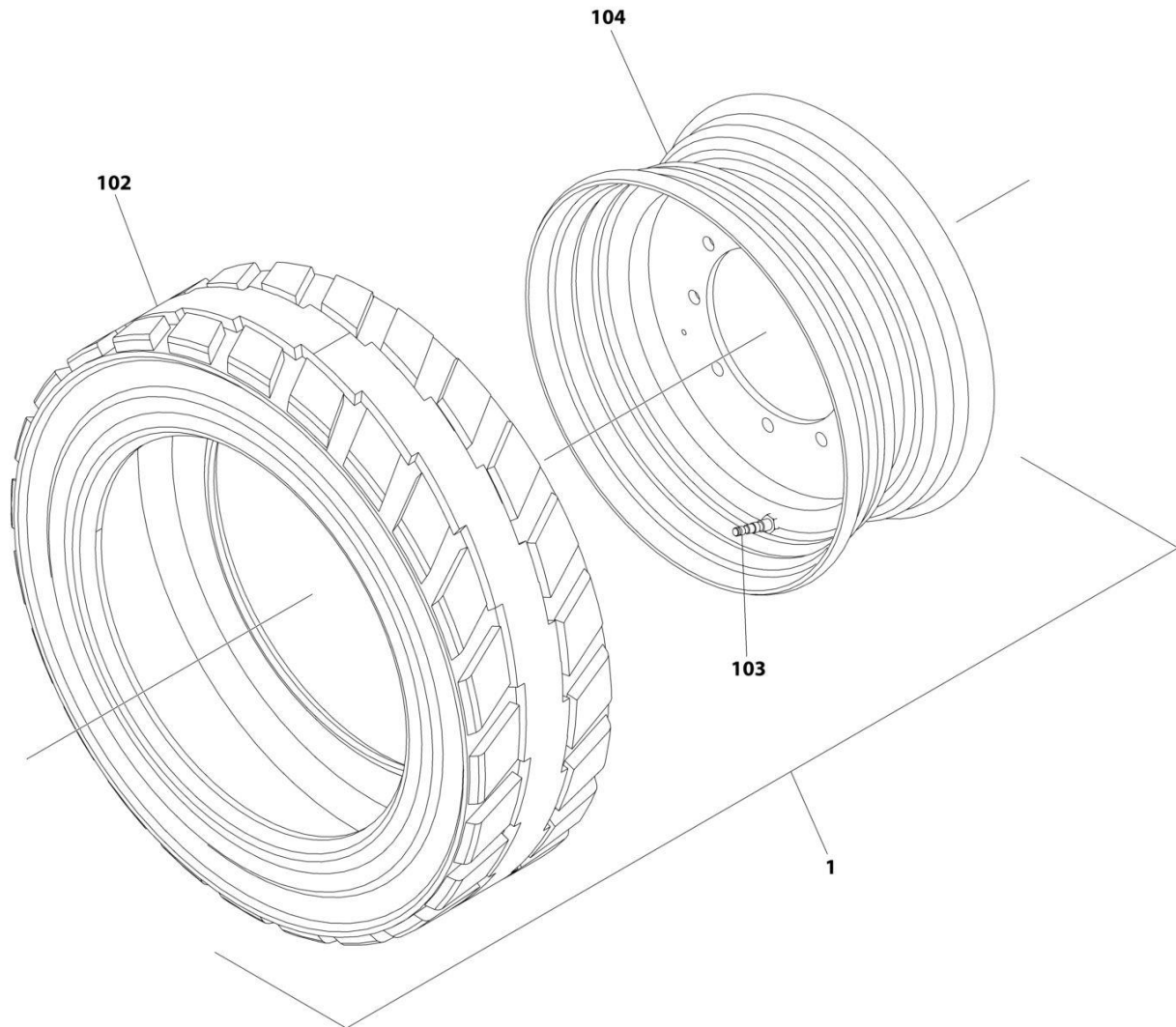
## SECTION 1 - FRAME

**FIGURE 1-12. TIRE AND WHEEL - 26 X 7 X 20 - SOLID NON MARKING**

ITEM	PART NUMBER	QTY	DESCRIPTION	REV
	0270037	Ref	TIRE AND WHEEL - 26 x 7 x 20 - SOLID NON MARKING	2
	See Note	Ref	Note: Must replace Tire and Wheel Assemblies in pairs per axle.	
1	1001110775	4	Tire Assembly	B

# SECTION 1 - FRAME

FIGURE 1-13. TIRE AND WHEEL - IN240/55-17.5 FOAM FILL NON MARKING



ART\_0273684

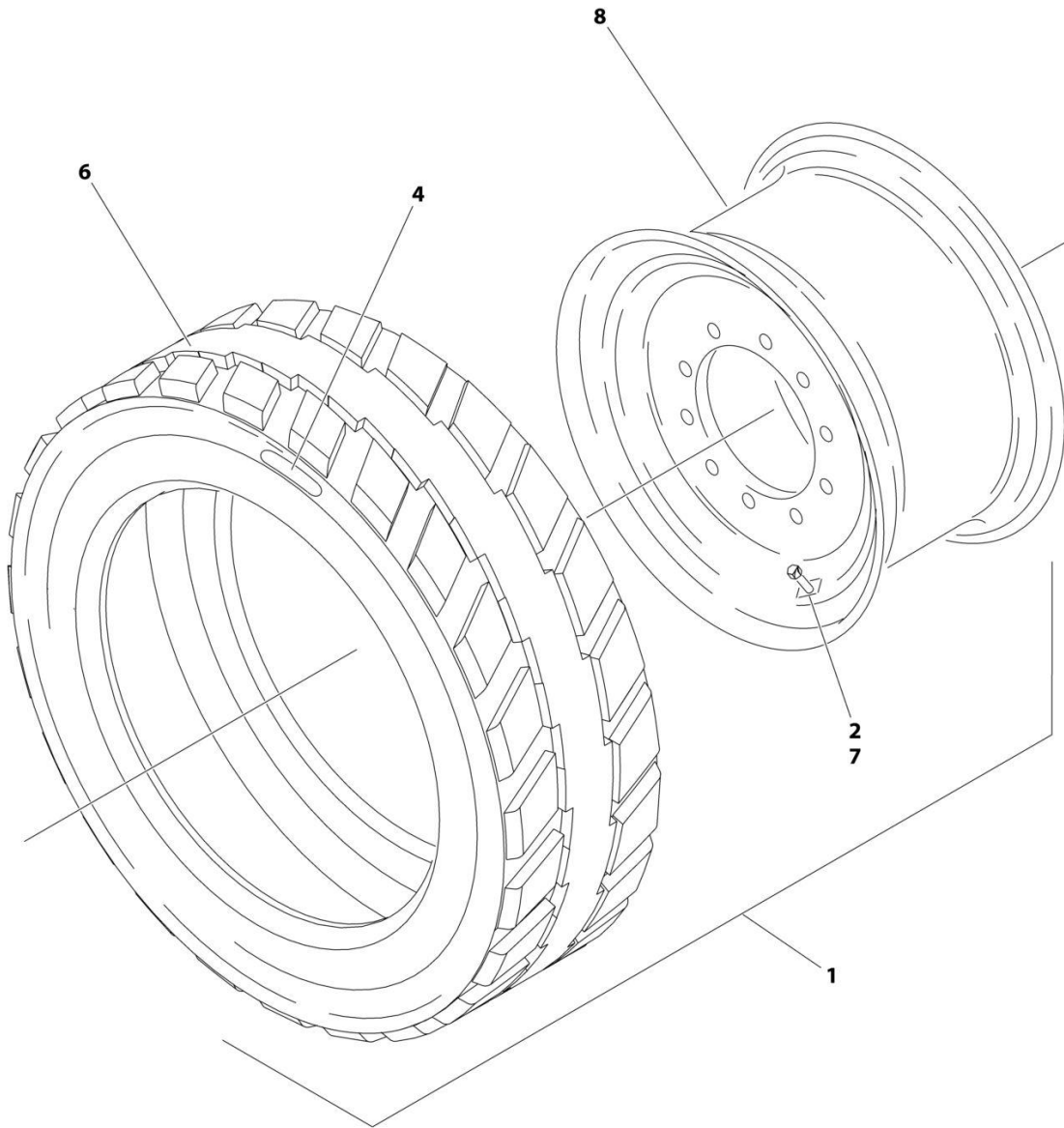
## SECTION 1 - FRAME

**FIGURE 1-13. TIRE AND WHEEL - IN240/55-17.5 FOAM FILL NON MARKING**

ITEM	PART NUMBER	QTY	DESCRIPTION	REV
	0273684	Ref	TIRE AND WHEEL - IN240/55-17.5 FOAM FILL NON MARKING	A
		Ref	Note: Assemblies may require ballast/foam filling to manufacturer's specifications prior to installing on a machine. Refer to Operation and Safety or Service and Maintenance Manuals. Purchase individual tire and/or rim only if able to foam fill tire and wheel assembly, otherwise, purchase complete assembly.	
1	0273468	4	Tire Assembly	F
102	4520269	1	Tire, OTR, IN240/55-17.5 Foam Filled Non Marking	
103	4641122	1	Valve, Stem	
104	4860191	1	Rim, Wheel	

# SECTION 1 - FRAME

FIGURE 1-14. TIRE AND WHEEL - IN240/55-17.5 PNEUMATIC NON MARKING TS



ART\_0273686



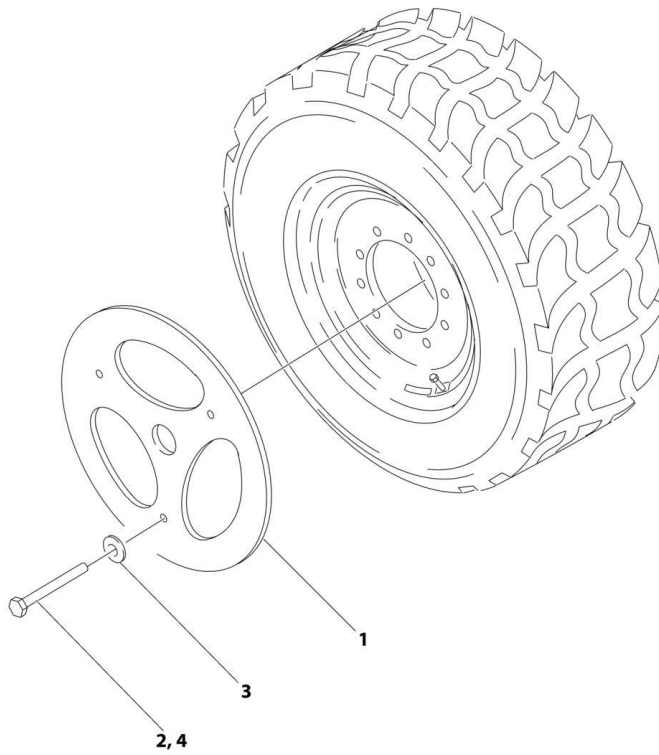
## SECTION 1 - FRAME

**FIGURE 1-14. TIRE AND WHEEL - IN240/55-17.5 PNEUMATIC NON MARKING TS**

ITEM	PART NUMBER	QTY	DESCRIPTION	REV
	0273686	Ref	TIRE AND WHEEL - IN240/55-17.5 PNEUMATIC NON MARKING TS	A
1	4520282	1	Tire Assembly	A
2	1120552	1	Cap, Valve Stem (Green)	
3	1300019	AR	Sealant, Tire (Not Shown)	
4	1702740	1	Decal - Tire Pressure	
5	1705364	1	Decal - Tire Sealant (Not Shown)	
6	4520269	1	Tire, OTR, IN240/55-17.5 Pneumatic Non Marking	
7	4641167	1	Valve, Stem	
8	4860191	1	Rim, Stem	

# SECTION 1 - FRAME

FIGURE 1-15. WHEEL COVER INSTALLATION - IN240/55-17.5 TIRES ONLY



ART\_0259302

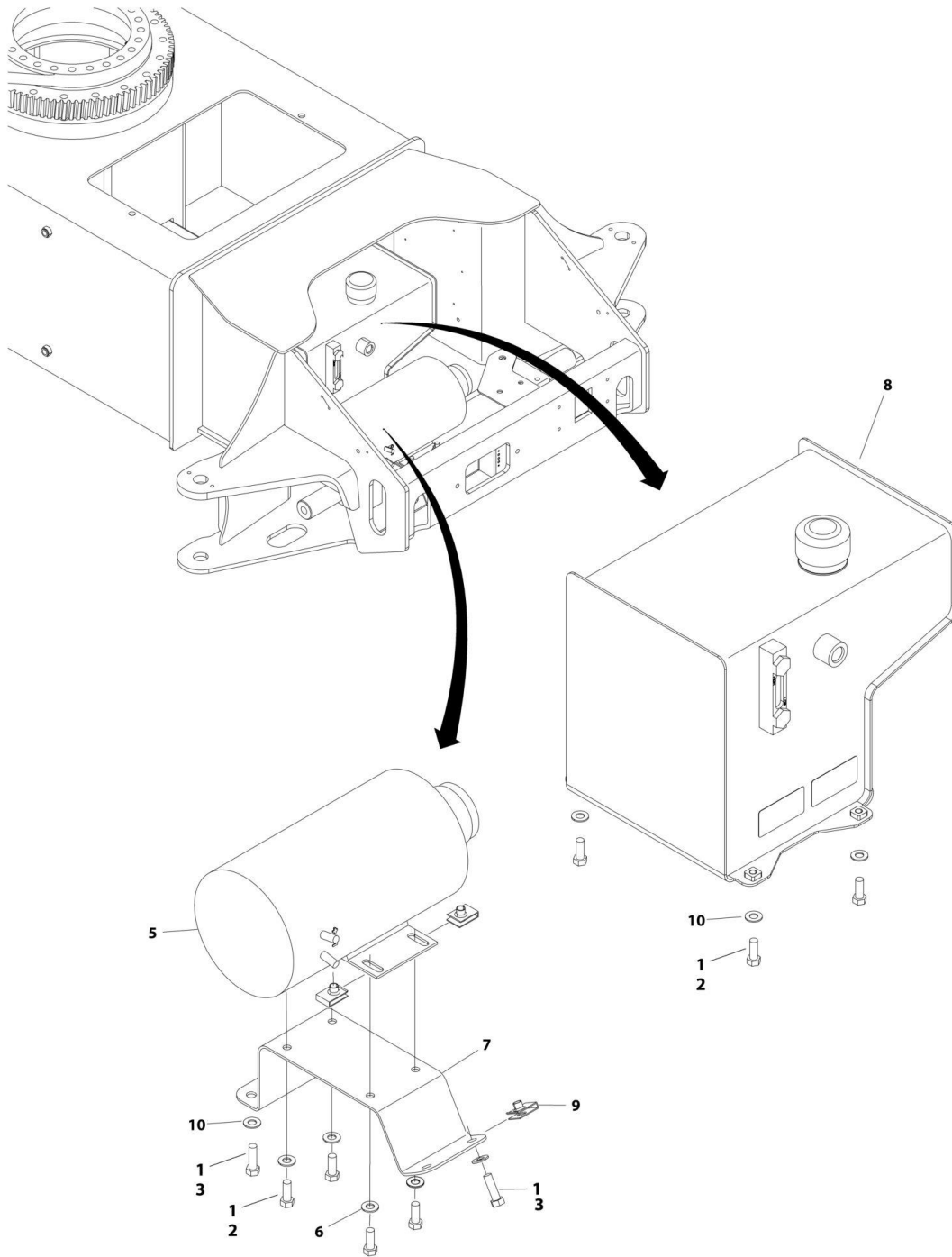
## SECTION 1 - FRAME

**FIGURE 1-15. WHEEL COVER INSTALLATION - IN240/55-17.5 TIRES ONLY**

ITEM	PART NUMBER	QTY	DESCRIPTION	REV
	0259302	Ref	WHEEL COVER INSTALLATION - IN240/55-17.5 TIRES ONLY	1
1	1670887	4	Cover, Wheel	
2	0641542	12	Bolt, 5/16-18 x 5-1/4	
3	4711500	12	Washer, 5/16	
4	0100011	AR	Compound, Locking	

# SECTION 1 - FRAME

## FIGURE 1-16. MOTOR/PUMP/TANK INSTALLATION - E450A/E450AJ



ART\_1001166417

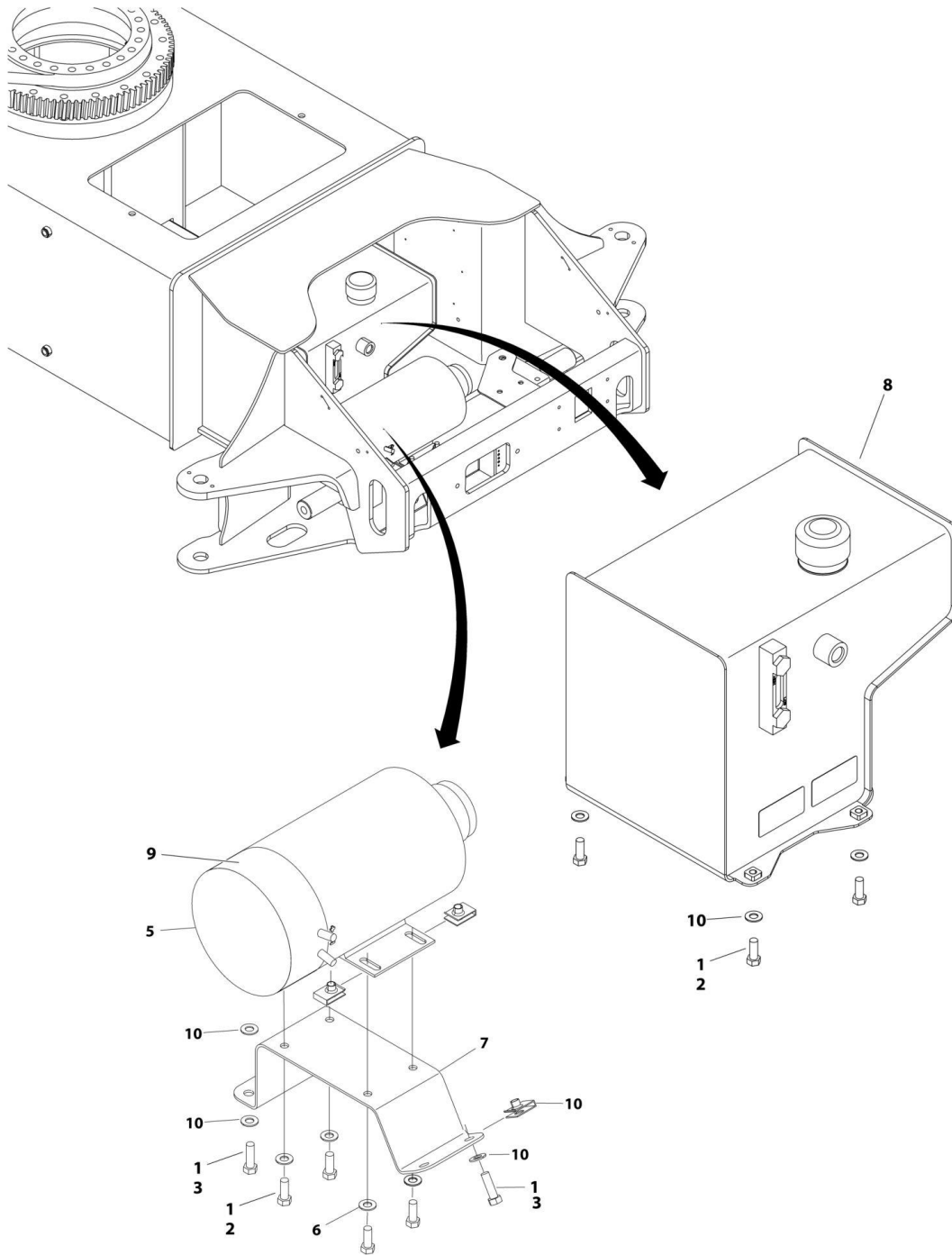
## SECTION 1 - FRAME

**FIGURE 1-16. MOTOR/PUMP/TANK INSTALLATION - E450A/E450AJ**

ITEM	PART NUMBER	QTY	DESCRIPTION	REV
	1001166417	Ref	MOTOR/PUMP/TANK INSTALLATION - E450A/E450AJ	F
1	0100011	AR	Compound, Locking	
2	0641608	8	Bolt 3/8 x 1	
3	0641610	4	Bolt 3/8 x 1-1/4	
5	3600289	1	Motor/Pump Assembly (See Separate Breakdown in this Section)	
6	4711600	4	Washer 3/8	
7	1001166419	1	Plate, Mounting	
8	1001171213	1	Tank, Hydraulic (See Separate Breakdown in this Section)	
9	88662523	8	Nut, Tinnerman	
10	4711600	8	Washer 3/8 <b>(SN 0300189901 through 0300195630)</b>	
10	4891600	8	Washer 3/8, Hardened <b>(SN 0300195631 through 0300208529)</b>	

# SECTION 1 - FRAME

## FIGURE 1-17. MOTOR/PUMP/TANK INSTALLATION - E450A/E450AJ - UL LISTED



ART\_1001167487

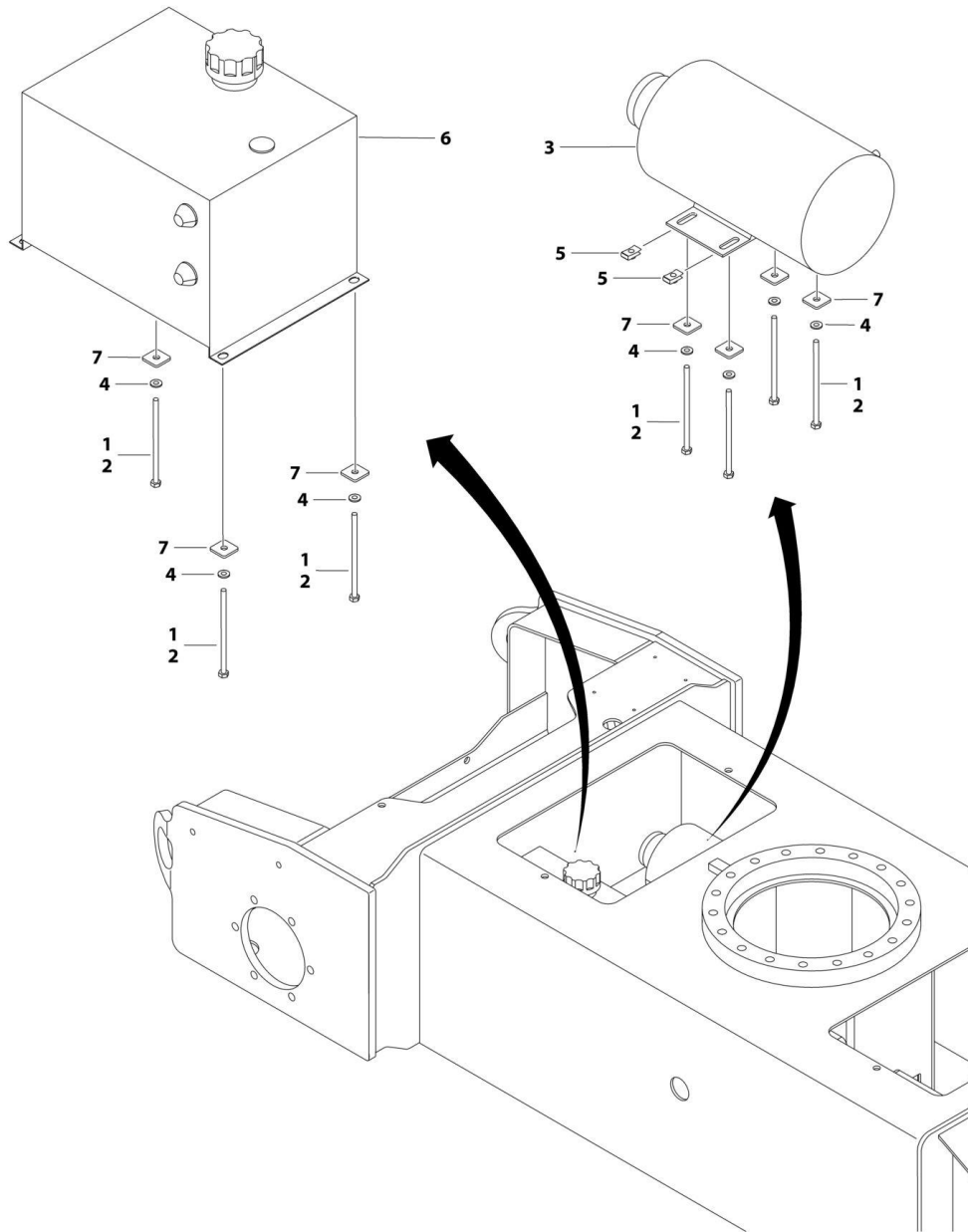
## SECTION 1 - FRAME

**FIGURE 1-17. MOTOR/PUMP/TANK INSTALLATION - E450A/E450AJ - UL LISTED**

ITEM	PART NUMBER	QTY	DESCRIPTION	REV
	1001167487	Ref	MOTOR/PUMP/TANK INSTALLATION	F
1	0100011	AR	Compound, Locking	
2	0641608	8	Bolt 3/8 x 1	
3	0641610	4	Bolt 3/8 x 1-1/4	
5	3600289	1	Motor/Pump Assembly (See Separate Breakdown in this Section)	
6	4751600	4	Washer 3/8	
7	1001166419	1	Plate, Mounting	
8	1001171213	1	Tank Hydraulic (See Separate Breakdown in this Section)	
9	0340048	1	Band, Motor	
10	88662523	8	Nut, Tinnerman	
11	4891600	8	Washer, 3/8 Hardened	

# SECTION 1 - FRAME

## FIGURE 1-18. MOTOR/PUMP/TANK INSTALLATION - M450AJ



ART\_1001167363



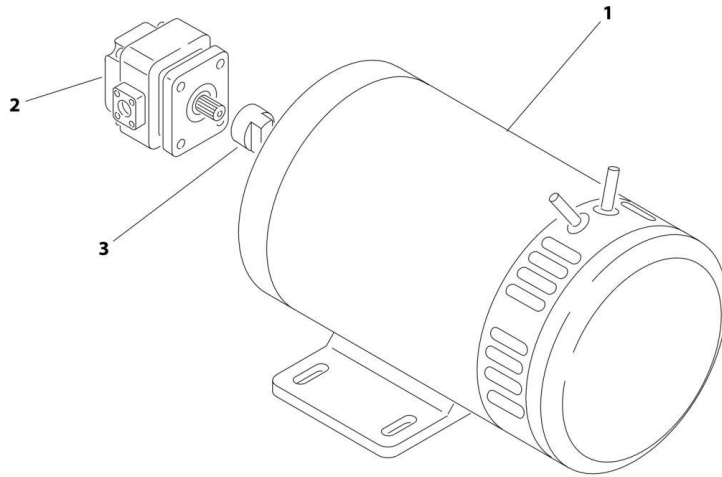
## SECTION 1 - FRAME

**FIGURE 1-18. MOTOR/PUMP/TANK INSTALLATION - M450AJ**

ITEM	PART NUMBER	QTY	DESCRIPTION	REV
	1001167363	Ref	MOTOR/PUMP/TANK INSTALLATION - M450AJ	B
1	0100011	AR	Compound, Locking	
2	0641440	7	Bolt, 1/4-20 x 5	
3	3600289	1	Motor/Pump Assembly (See MOTOR/PUMP ASSEMBLY for Breakdown)	
4	4711400	7	Washer, 1/4	
5	3300454	4	Nut, 1/4-20	
6	1001171214	1	Tank, Hydraulic (See HYDRAULIC TANK ASSEMBLY for Breakdown)	
7	1001167291	7	Washer	

# SECTION 1 - FRAME

FIGURE 1-19. MOTOR/PUMP ASSEMBLY



ART\_3600289

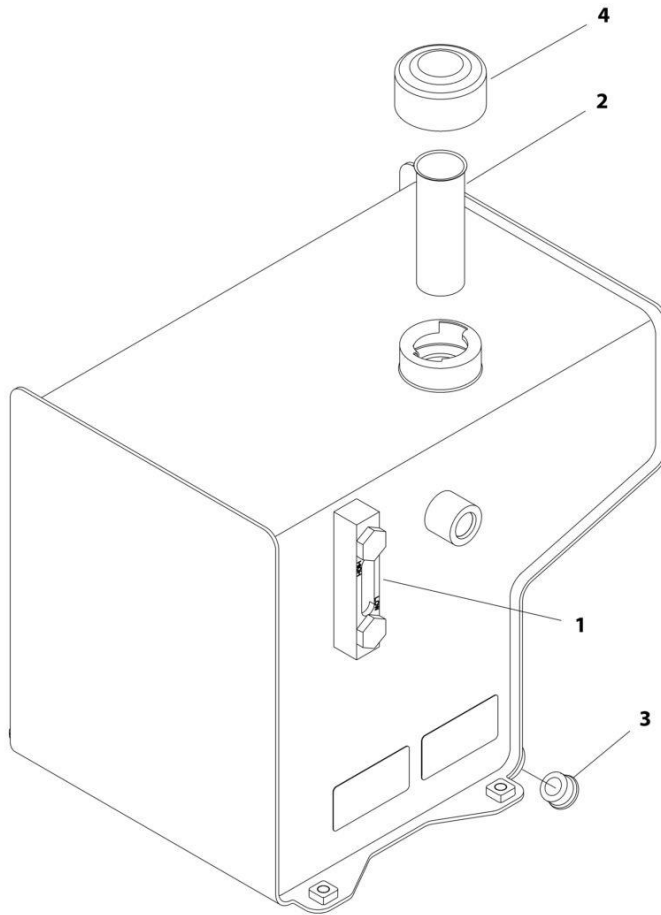
# SECTION 1 - FRAME

## FIGURE 1-19. MOTOR/PUMP ASSEMBLY

ITEM	PART NUMBER	QTY	DESCRIPTION	REV
	3600289	Ref	MOTOR/PUMP ASSEMBLY	A
1	7021318	1	Motor Assembly	
1	7021361	1	Brush Kit	
1	70003171	1	Spring, Brush	
1	70001961	1	Seal, Oil	
2	7021319	1	Pump Assembly	
2	7021377	1	Seal Kit	
3	7021367	NLA	Coupling (Use p/n 70002523)	

# SECTION 1 - FRAME

FIGURE 1-20. HYDRAULIC TANK ASSEMBLY - E450A/E450AJ



ART\_1001171213

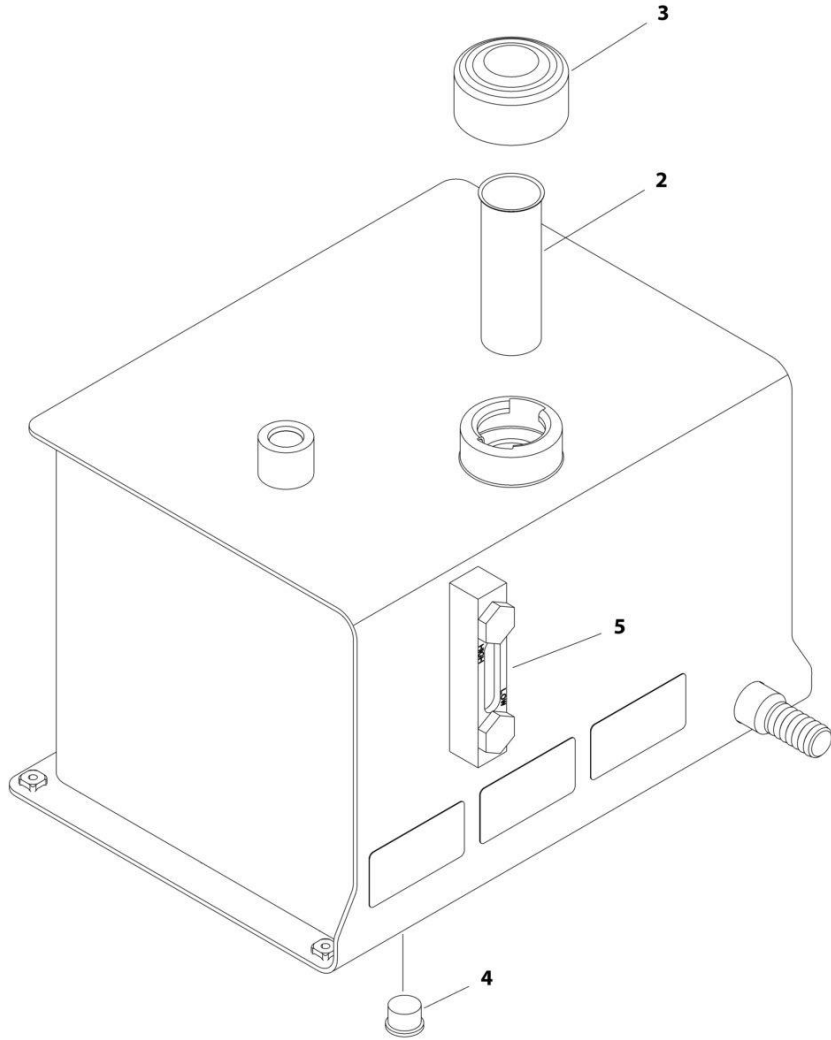
## SECTION 1 - FRAME

FIGURE 1-20. HYDRAULIC TANK ASSEMBLY - E450A/E450AJ

ITEM	PART NUMBER	QTY	DESCRIPTION	REV
	1001171213	Ref	HYDRAULIC TANK ASSEMBLY - E450A/E450AJ	B
1	70005101	1	Gauge, Sight	
2	7024445	1	Strainer	
3	70002112	1	Plug	
4	7024444	1	Cap, Breather	

# SECTION 1 - FRAME

## FIGURE 1-21. HYDRAULIC TANK ASSEMBLY - M450AJ



ART\_1001171214

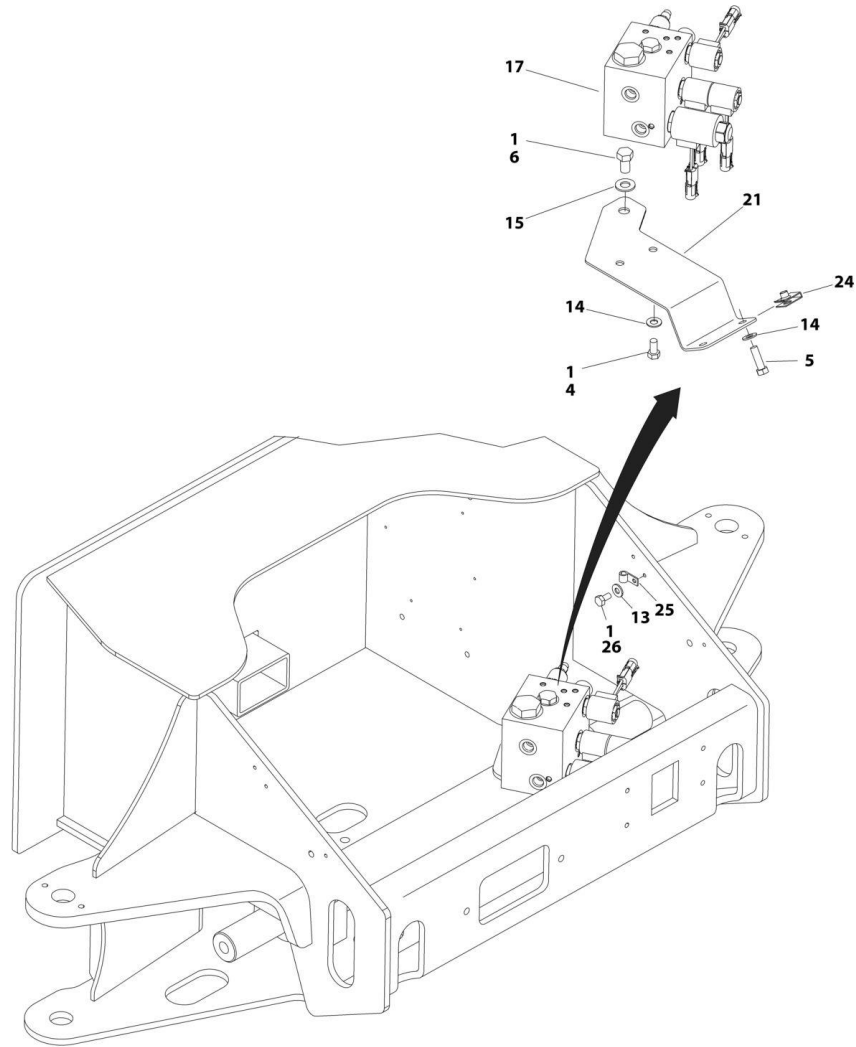
# SECTION 1 - FRAME

## FIGURE 1-21. HYDRAULIC TANK ASSEMBLY - M450AJ

ITEM	PART NUMBER	QTY	DESCRIPTION	REV
	1001171214	Ref	HYDRAULIC TANK ASSEMBLY - M450AJ	B
2	7024445	1	Strainer	
3	7024444	1	Cap, Breather	
4	70002112	1	Plug	
5	70005101	1	Gauge, Sight	

# SECTION 1 - FRAME

## FIGURE 1-22. VALVE INSTALLATION - FRAME MOUNTED - E450A



ART\_1001166438\_1OF2



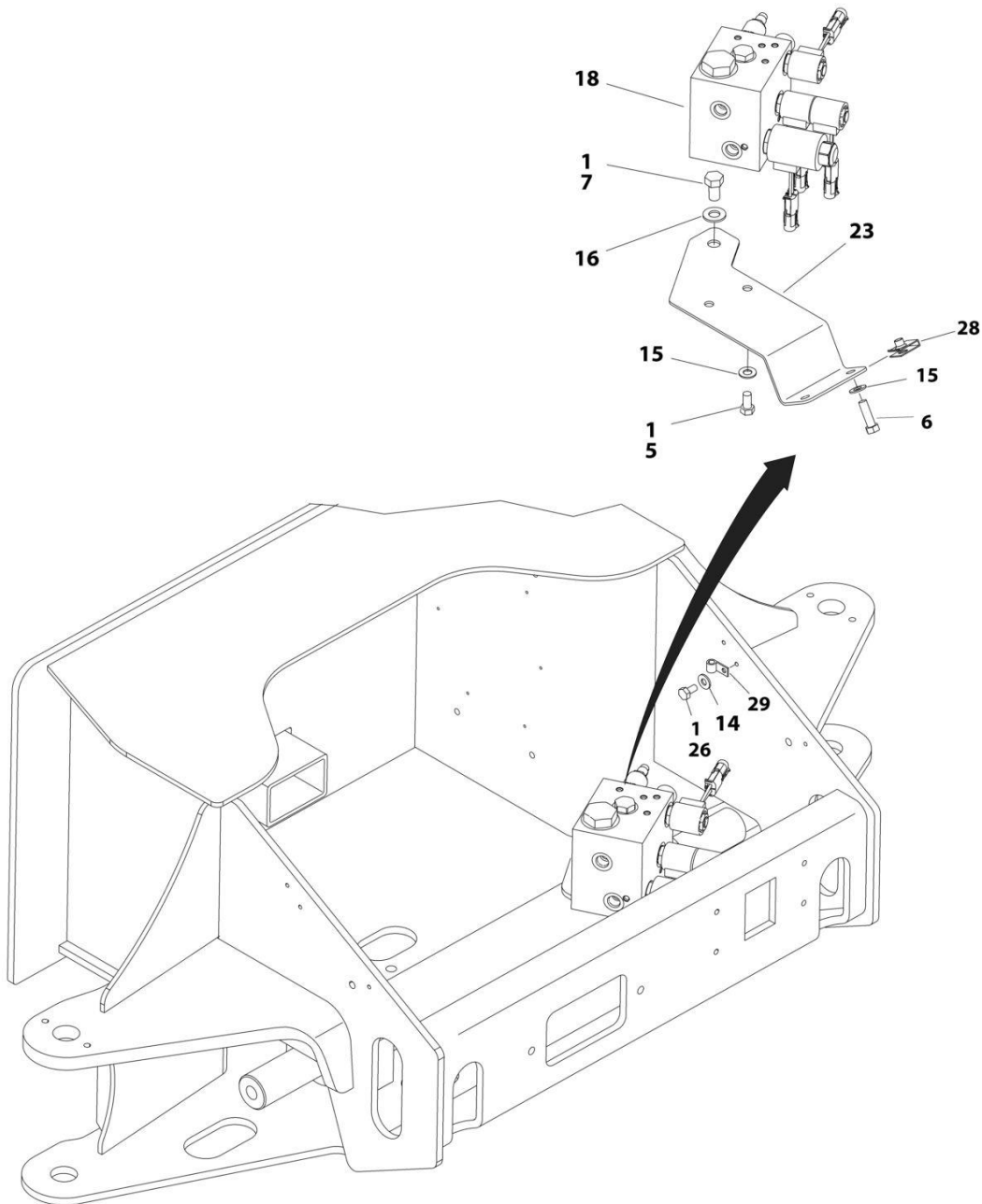
## SECTION 1 - FRAME

**FIGURE 1-22. VALVE INSTALLATION - FRAME MOUNTED - E450A**

ITEM	PART NUMBER	QTY	DESCRIPTION	REV
	1001166438	Ref	VALVE INSTALLATION - FRAME MOUNTED - E450A	F
1	0100011	AR	Compound, Locking	
4	0641606	6	Bolt, 3/8-16 x 3/4	
5	0641610	2	Bolt, 3/8-16 x 1-1/4	
6	0641807	1	Bolt, 1/2-13 x 7/8	
12	3311605	2	Nut, Lock, 3/8-16	
13	4711400	1	Washer, 1/4	
14	4711600	4	Washer, 3/8	
15	4711800	1	Washer, 1/2	
17	1001097506	1	Brake/Steer Control Valve Assembly (See BRAKE/STEER VALVE ASSEMBLY for Breakdown)	
21	1001166420	1	Bracket, Mounting	
22	1001170991	1	Harness Assembly - Brake/Steer Control Valve (Not Shown - See ELECTRICAL SECTION for Breakdown)	
24	88662523	2	Nut, Tinnerman	
25	1320040	1	Clamp	
26	0641404	1	Bolt, 1/4-20 x 1/2	
27	4240032	1	Tie, Strap (Not Shown)	

# SECTION 1 - FRAME

FIGURE 1-23. VALVE INSTALLATION - FRAME MOUNTED - E450AJ



ART\_1001166439\_Pg 1 of 2

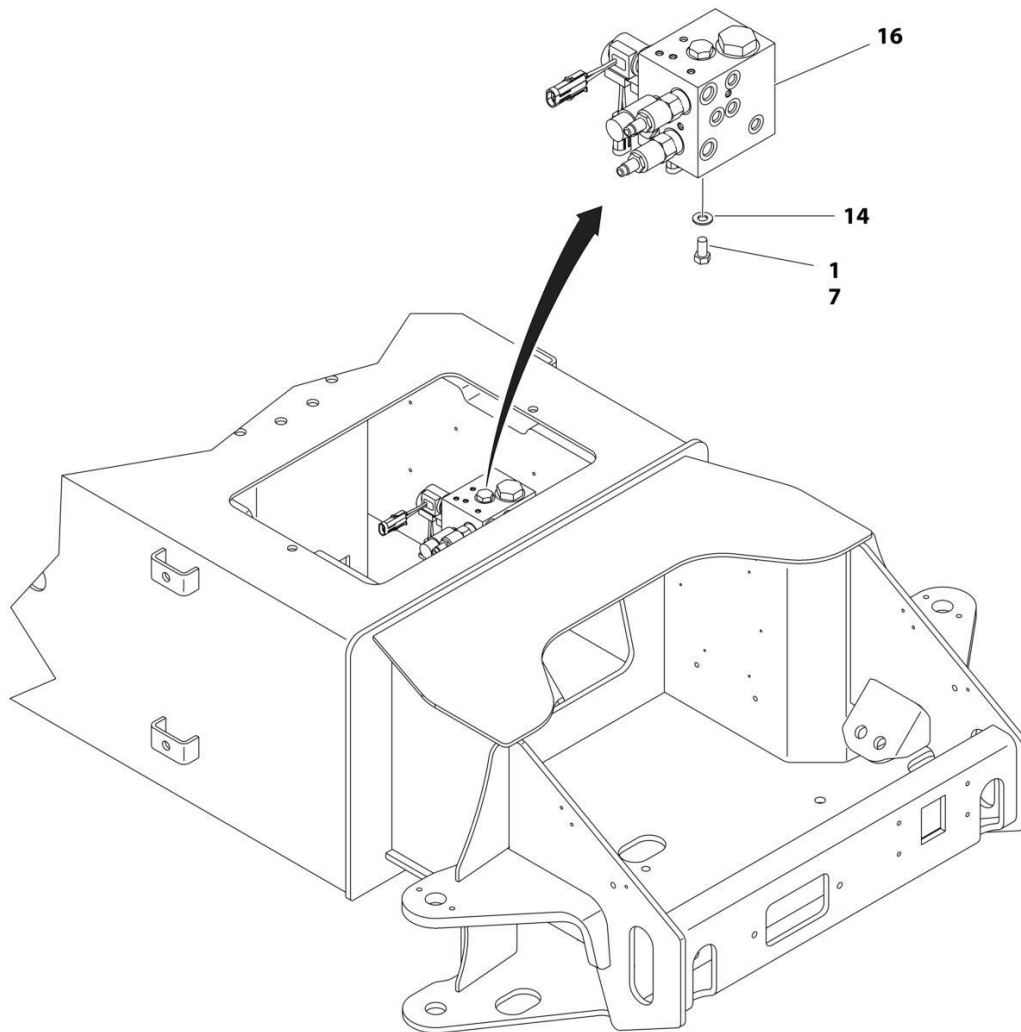
## SECTION 1 - FRAME

**FIGURE 1-23. VALVE INSTALLATION - FRAME MOUNTED - E450AJ**

ITEM	PART NUMBER	QTY	DESCRIPTION	REV
	1001166439	Ref	VALVE INSTALLATION - FRAME MOUNTED - E450AJ	F
1	0100011	AR	Compound, Locking	
5	0641606	2	Bolt, 3/8-16 x 3/4	
6	0641610	2	Bolt, 3/8-16 x 1-1/4	
7	0641807	1	Bolt, 1/2-13 x 7/8	
14	4711400	1	Washer, 1/4	
15	4711600	4	Washer, 3/8	
16	4711800	1	Washer, 1/2	
18	1001097506	1	Brake/Steer Control Valve Assembly (See BRAKE/STEER VALVE ASSEMBLY for Breakdown)	
23	1001166420	1	Bracket, Mounting	
24	1001170991	1	Harness Assembly - Brake/Steer Control Valve (Not Shown - See ELECTRICAL SECTION for Breakdown)	
26	0641404	1	Bolt, 1/4-20 x 1/2	
27	4240032	1	Tie-Strap (Not Shown)	
28	88662523	2	Nut, Tinnerman	
29	1320040	1	Clamp	

# SECTION 1 - FRAME

FIGURE 1-24. VALVE INSTALLATION - FRAME MOUNTED - M450AJ



ART\_1001167360\_10F2

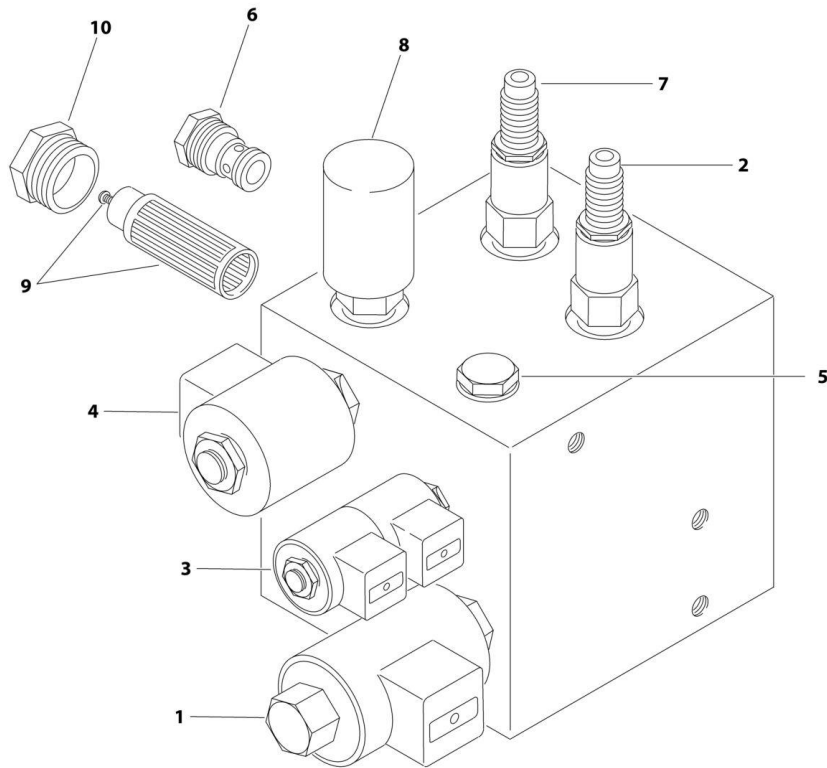
## SECTION 1 - FRAME

**FIGURE 1-24. VALVE INSTALLATION - FRAME MOUNTED - M450AJ**

ITEM	PART NUMBER	QTY	DESCRIPTION	REV
	1001167360	Ref	VALVE INSTALLATION - FRAME MOUNTED - M450AJ	C
1	0100011	AR	Compound, Locking	
7	0641606	6	Bolt, 3/8-16 x 3/4	
14	4711600	6	Washer, 3/8	
16	1001097506	1	Brake/Steer Control Valve Assembly (See BRAKE/STEER VALVE ASSEMBLY for Breakdown)	
20	1001171115	1	Harness Assembly - Brake/Steer Control Valve (Not Shown - See ELECTRICAL SECTION for Breakdown)	

# SECTION 1 - FRAME

## FIGURE 1-25. BRAKE/STEER VALVE ASSEMBLY



ART\_1001097506

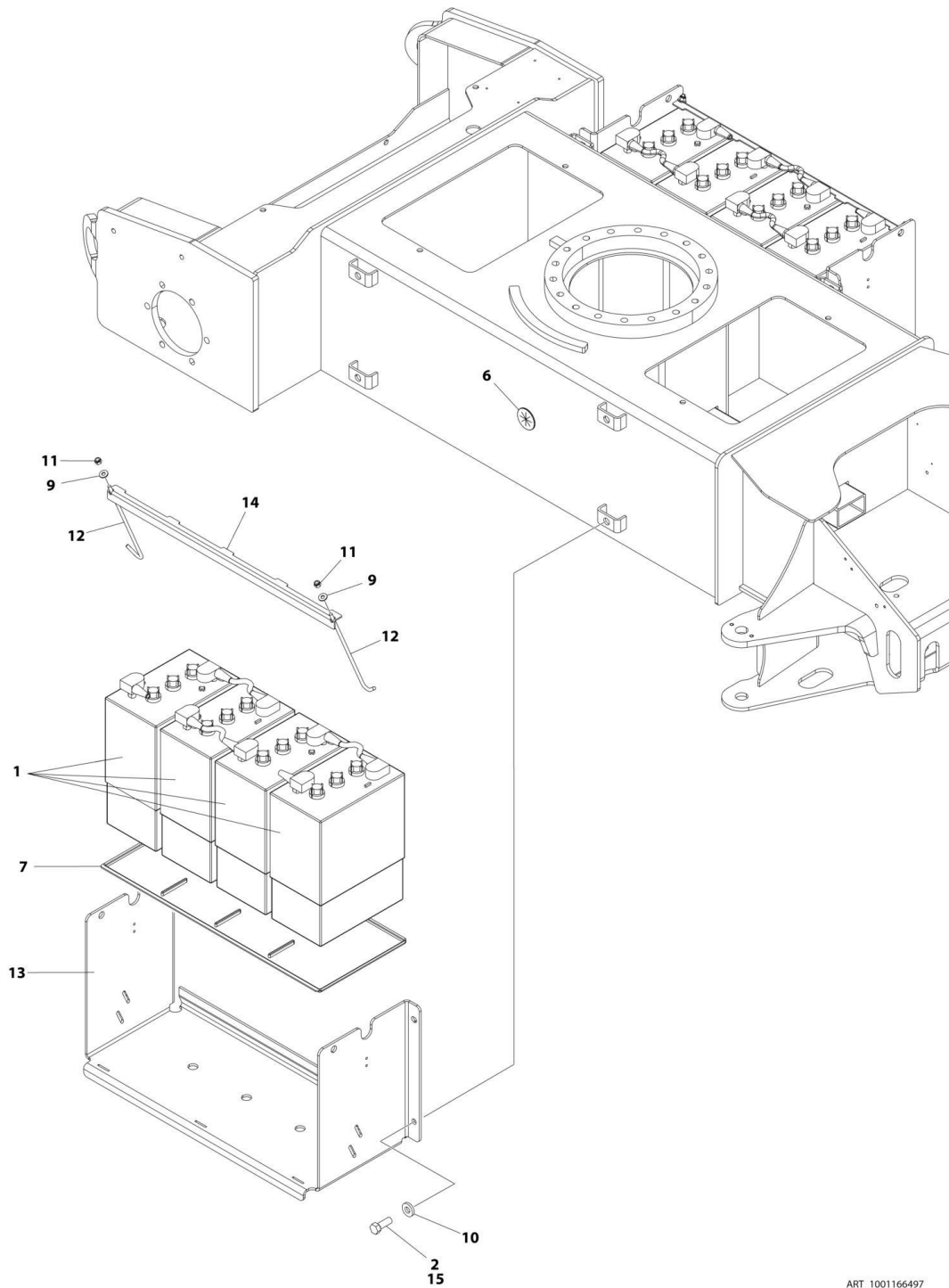
## SECTION 1 - FRAME

**FIGURE 1-25. BRAKE/STEER VALVE ASSEMBLY**

ITEM	PART NUMBER	QTY	DESCRIPTION	REV
	1001097506	Ref	BRAKE/STEER VALVE ASSEMBLY	F
1	7021611	1	Cartridge, Proportional without Coil (Flow Control)	
1	7012518	1	Seal Kit - 7021611 Cartridge	
1	7021618	1	Coil	
2	7021659	1	Cartridge, Relief (Main)	
2	7012972	1	Seal Kit - 7021659	
3	7017433	1	Cartridge, without Coil (Steer)	
3	7017402	1	Seal Kit - 7017433 Cartridge	
3	7021609	2	Coil	
4	7012941	1	Cartridge, without Coil (Brake Release)	
4	7010543	1	Seal Kit - 7012941 Cartridge	
4	7021609	1	Coil	
5	7022391	1	Cartridge, Check	
5	7012967	1	Seal Kit - 7022391 Cartridge	
6	7010542	1	Cartridge, Shuttle	
6	7010543	1	Seal Kit - 7010542 Cartridge	
7	7017488	1	Cartridge, Relief (Steer)	
7	7012998	1	Seal Kit - 7017488 Cartridge	
8	7021619	1	Switch, Pressure	
9	7021616	1	Cartridge, Filter	
10	7024832	1	Plug	

# SECTION 1 - FRAME

FIGURE 1-26. BATTERY BOX INSTALLATION (ALL SPECS EXCEPT CE AND AUSTRALIAN SPECS)



ART\_1001166497



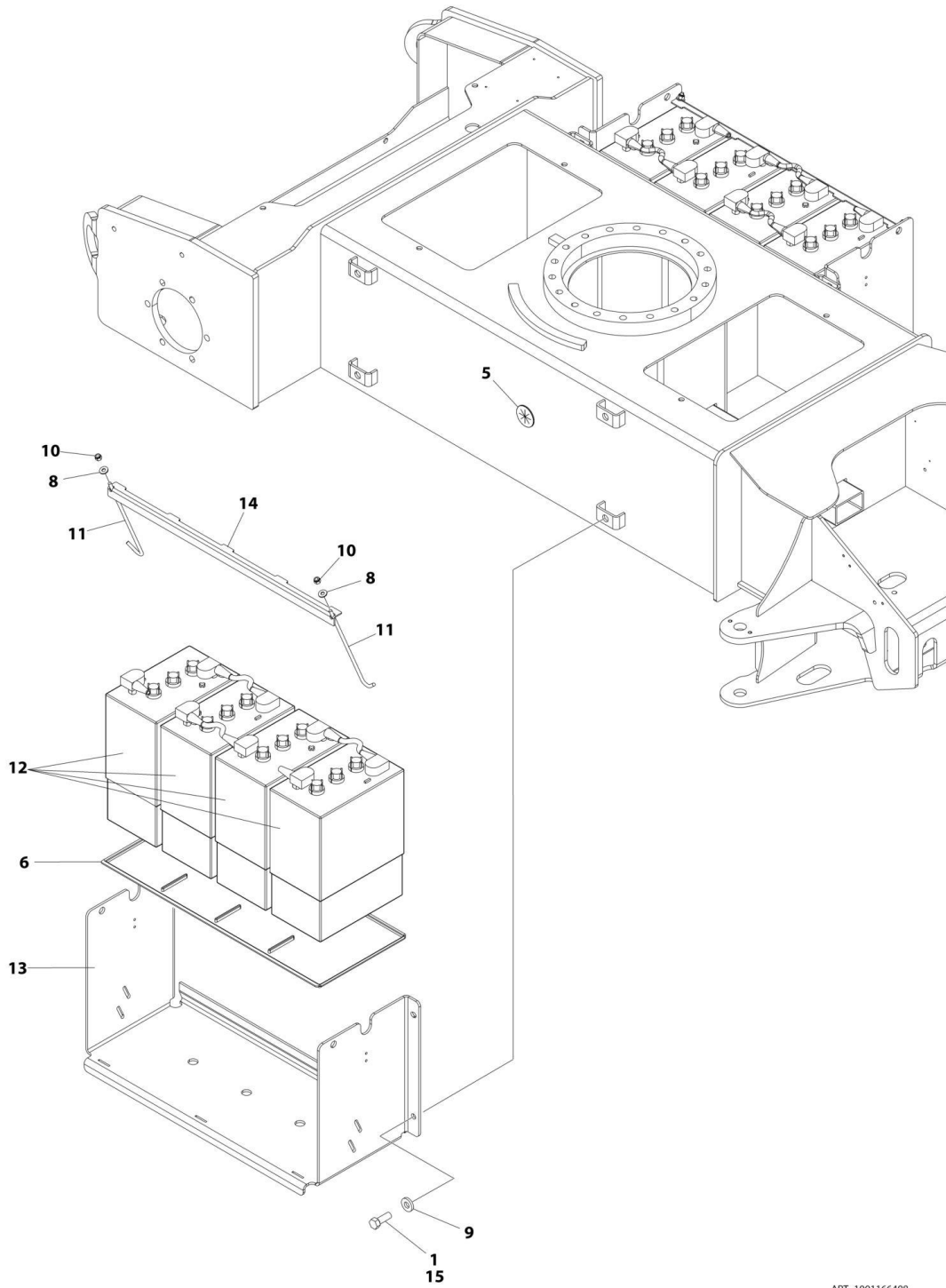
## SECTION 1 - FRAME

**FIGURE 1-26. BATTERY BOX INSTALLATION (ALL SPECS EXCEPT CE AND AUSTRALIAN SPECS)**

ITEM	PART NUMBER	QTY	DESCRIPTION	REV
	1001166497	Ref	BATTERY BOX INSTALLATION	C
1	0400055	8	Battery (Wet)	
1	7016177	8	Battery (Dry)	
2	0641811	8	Bolt 1/2 X 1-3/8	
6	2540045	2	Grommet	
7	3000003	2	Liner, Battery Box	
9	4751500	4	Washer 5/16	
10	4891800	8	Washer 1/2 Hardened	
11	88521205	4	Nut 5/16	
12	1001093382	4	Bolt, J-Bolt	
13	1001166495	2	Tray, Battery	
14	1001166496	2	Battery Hold Down	
15	0100011	AR	Compound, Locking	

# SECTION 1 - FRAME

FIGURE 1-27. BATTERY BOX INSTALLATION - AGM BATTERIES (ALL SPECS EXCEPT CE AND AUSTRALIAN SPECS)



ART\_1001166498

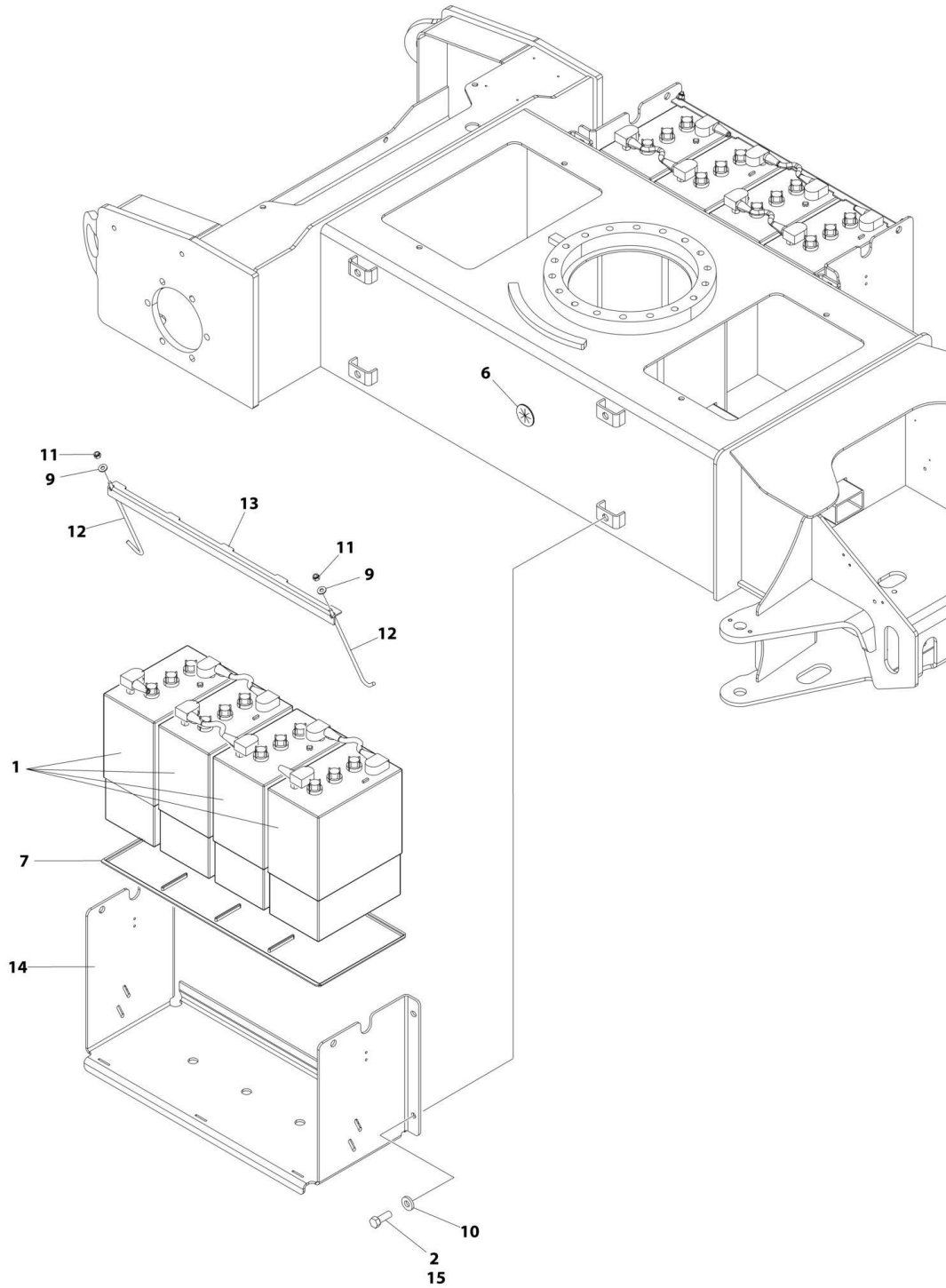
## SECTION 1 - FRAME

**FIGURE 1-27. BATTERY BOX INSTALLATION - AGM BATTERIES (ALL SPECS EXCEPT CE AND AUSTRALIAN SPECS)**

ITEM	PART NUMBER	QTY	DESCRIPTION	REV
	1001166498	Ref	BATTERY BOX INSTALLATION - AGM BATTERIES	C
1	0641811	8	Bolt 1/2 X 1-3/8	
5	2540045	2	Grommet	
6	3000003	2	Liner, Battery Box	
8	4751500	4	Washer 5/16	
9	4891800	8	Washer 1/2 Hardened	
10	88521205	4	Nut 5/16	
11	1001093382	4	Bolt, J-Bolt	
12	1001114782	8	Battery (Wet) (AGM Batteries)	
13	1001166495	2	Tray, Battery	
14	1001166496	2	Battery Hold Down	
15	0100011	AR	Compound, Locking	

# SECTION 1 - FRAME

## FIGURE 1-28. BATTERY BOX INSTALLATION - CE AND AUSTRALIAN SPECS



ART\_1001168670

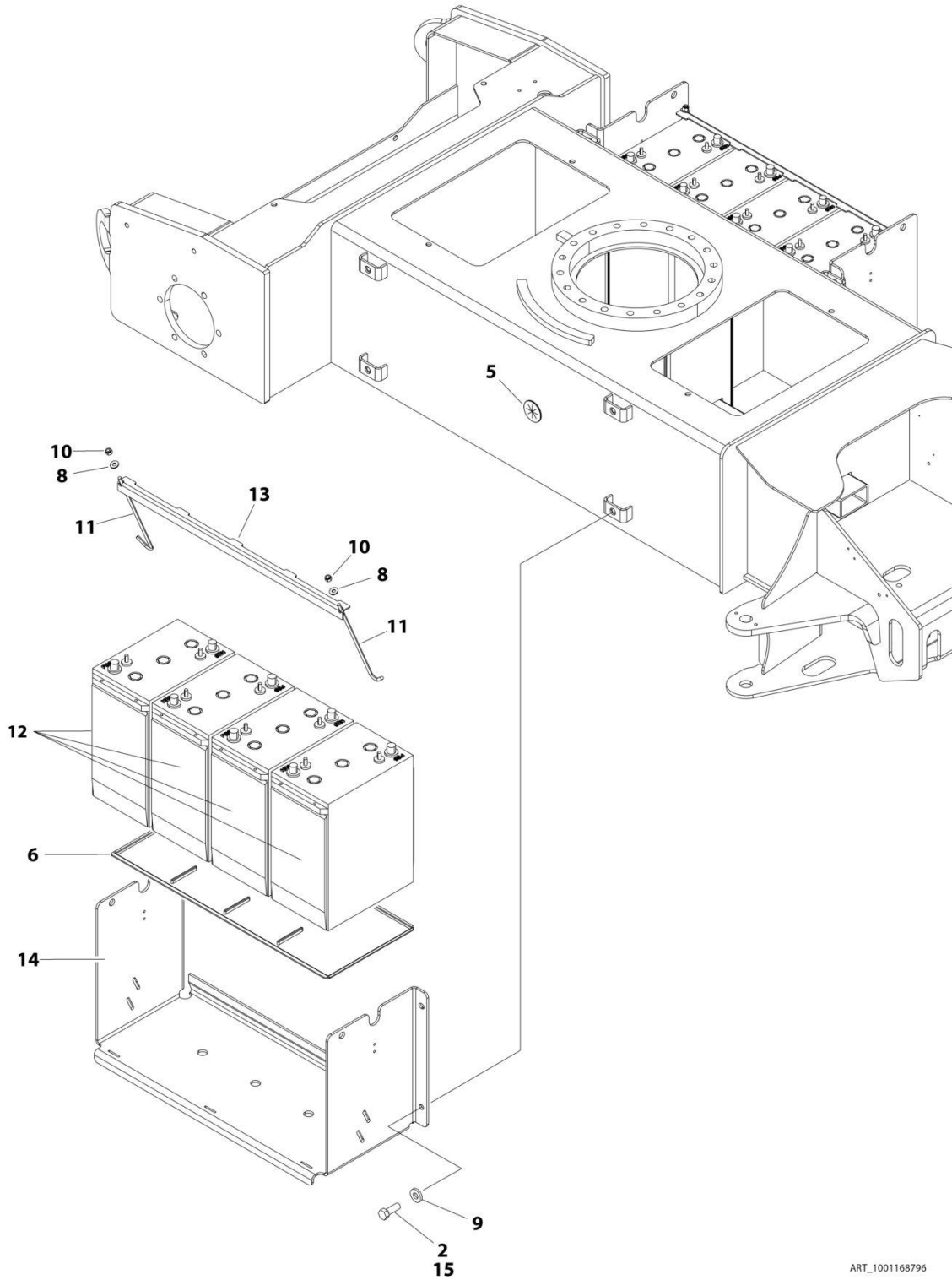
## SECTION 1 - FRAME

**FIGURE 1-28. BATTERY BOX INSTALLATION - CE AND AUSTRALIAN SPECS**

ITEM	PART NUMBER	QTY	DESCRIPTION	REV
	1001168670	Ref	BATTERY BOX INSTALLATION	C
1	0400055	8	Battery (Wet)	
1	7016177	8	Battery (Dry)	
2	0641811	8	Bolt 1/2 X 1-3/8	
6	2540045	2	Grommet	
7	3000003	2	Liner, Battery Box	
9	4751500	4	Washer 5/16	
10	4891800	8	Washer 1/2 Hardened	
11	88521205	4	Nut 5/16	
12	1001093382	4	Bolt, J-Bolt	
13	1001166496	2	Battery Hold Down	
14	1001168800	2	Tray, Battery	
15	0100011	AR	Compound, Locking	

# SECTION 1 - FRAME

FIGURE 1-29. BATTERY BOX INSTALLATION - AGM BATTERIES (CE AND AUSTRALIAN SPECS)



ART\_1001168796

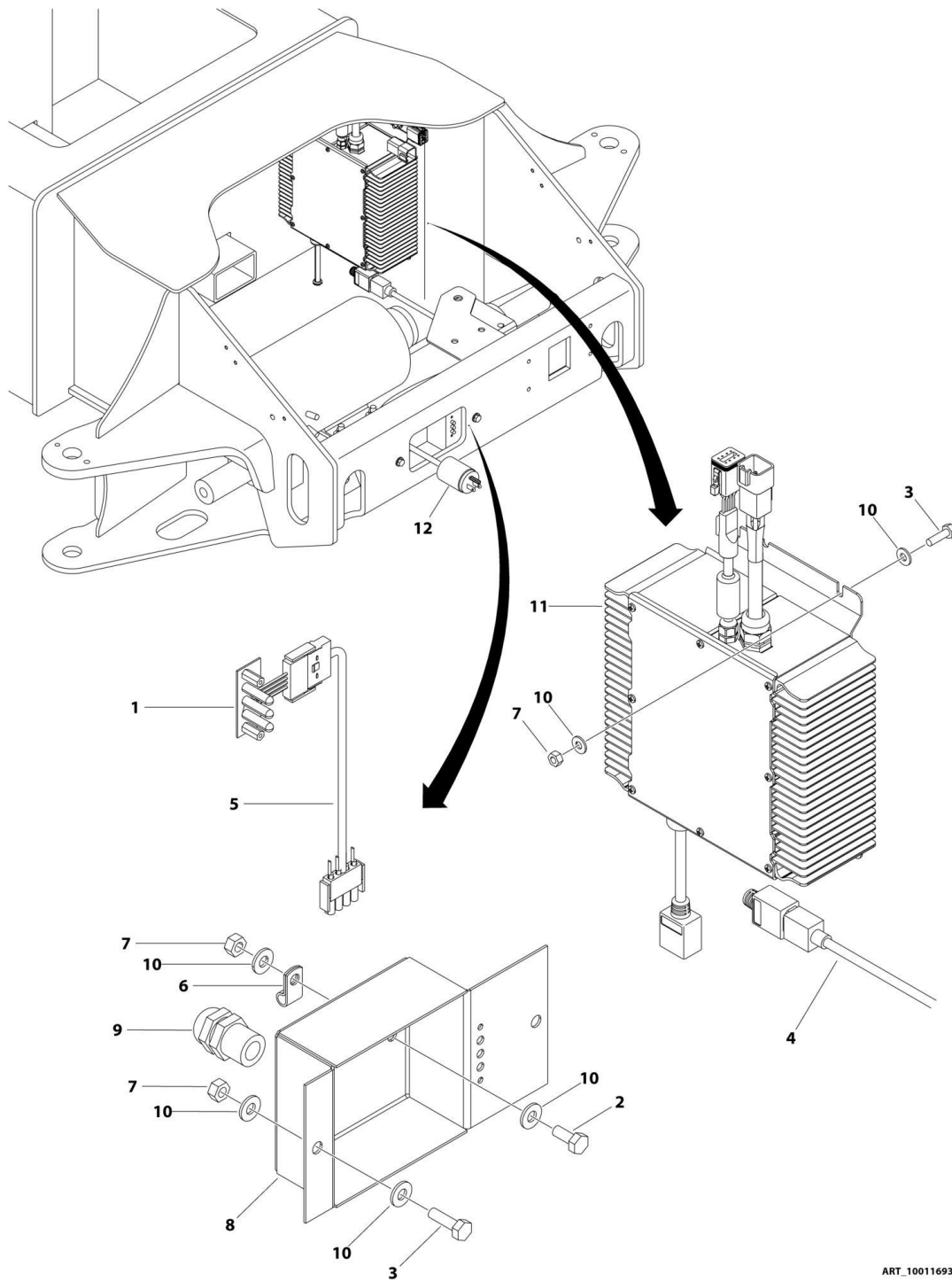
## SECTION 1 - FRAME

**FIGURE 1-29. BATTERY BOX INSTALLATION - AGM BATTERIES (CE AND AUSTRALIAN SPECS)**

ITEM	PART NUMBER	QTY	DESCRIPTION	REV
	1001168796	Ref	BATTERY BOX INSTALLATION - AGM BATTERIES (CE AND AUSTRALIAN SPECS)	C
1	0641811	8	Bolt, 1/2-13 x 1-3/8	
5	2540045	2	Grommet	
6	3000003	2	Liner, Battery Box	
8	4751500	4	Washer, 5/16	
9	4891800	8	Washer, 1/2 Hardened	
10	88521205	4	Nut, Lock, 5/16-18	
11	1001093382	4	Bolt, J-Bolt	
12	1001114782	8	Battery (Wet) (AGM Batteries)	
13	1001166496	2	Battery Hold Down	
14	1001168800	2	Tray Battery	
15	0100011	AR	Compound, Locking	

# SECTION 1 - FRAME

FIGURE 1-30. BATTERY CHARGER INSTALLATION - E450A/E450AJ (ALL SPECS EXCEPED CE AND AUSTRALIAN SPECS)



ART\_100116939



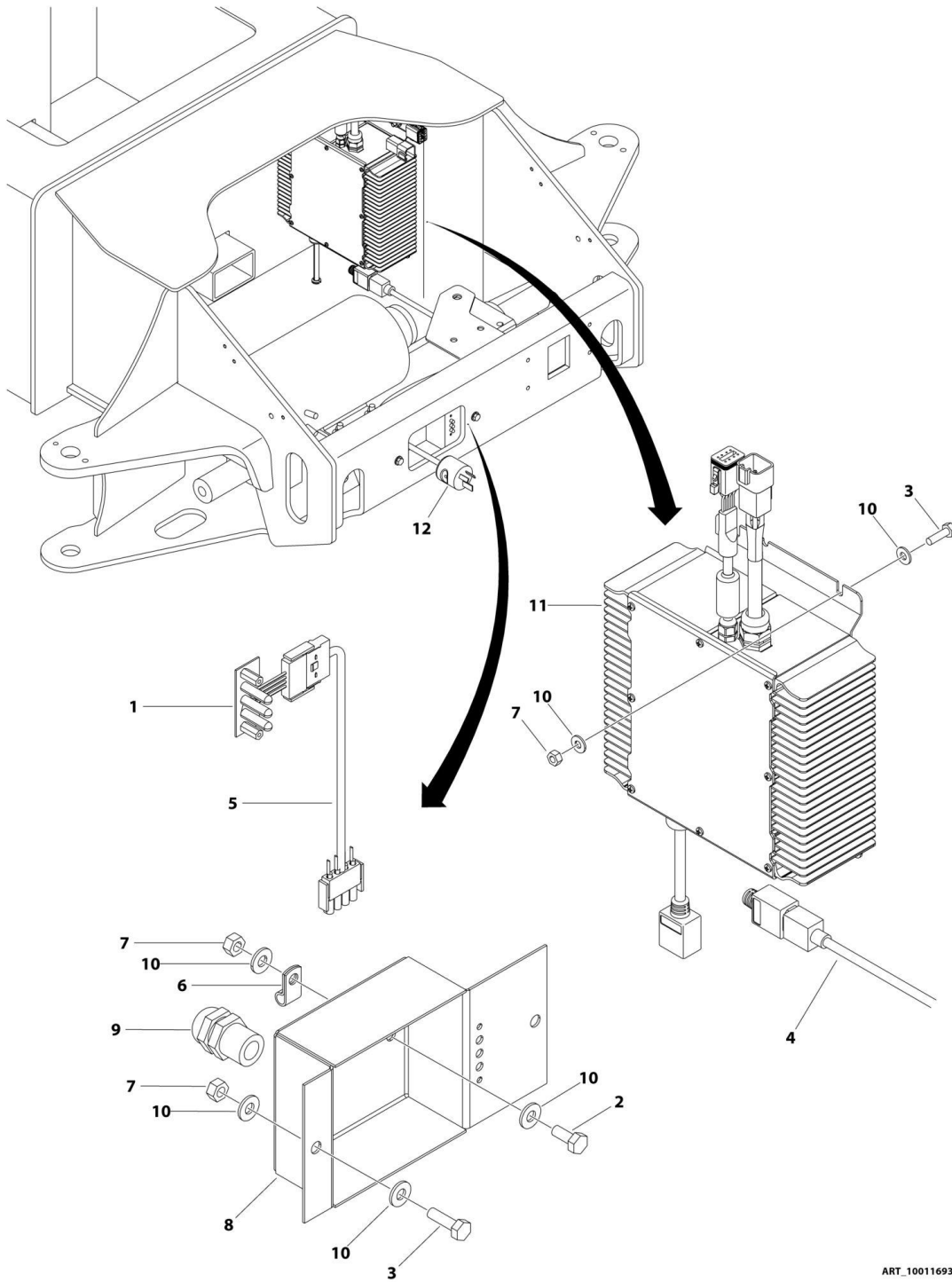
## SECTION 1 - FRAME

**FIGURE 1-30. BATTERY CHARGER INSTALLATION - E450A/E450AJ (ALL SPECS EXCEPED CE AND AUSTRALIAN SPECS)**

ITEM	PART NUMBER	QTY	DESCRIPTION	REV
	1001166939	Ref	BATTERY CHARGER INSTALLATION - E450A/E450AJ (ALL SPECS EXCEPED CE AND AUSTRALIAN SPECS)	B
1	0610131	1	Charger LED Assembly	
2	0641405	1	Bolt, 1/4-20 x 5/8	
3	0641407	6	Bolt, 1/4-20 x 7/8	
4	1060689	1	AC Cord	
5	1060778	1	LED, Remote Lead (See ELECTRICAL SECTION for Breakdown)	
6	1320136	1	Clamp	
7	3311405	7	Nut, Lock, 1/4-20	
8	3571834	1	Plate, Panel	
9	4460428	1	Connector, Strain Relief	
10	4711400	14	Washer, 1/4	
11	1001103105	1	Battery Charger Assembly (See ELECTRICAL SECTION for Breakdown)	
12	4460138	1	Plug, AC	

# SECTION 1 - FRAME

## FIGURE 1-31. BATTERY CHARGER INSTALLATION - E450A/E450AJ (AUSTRALIAN SPEC)



ART\_100116938

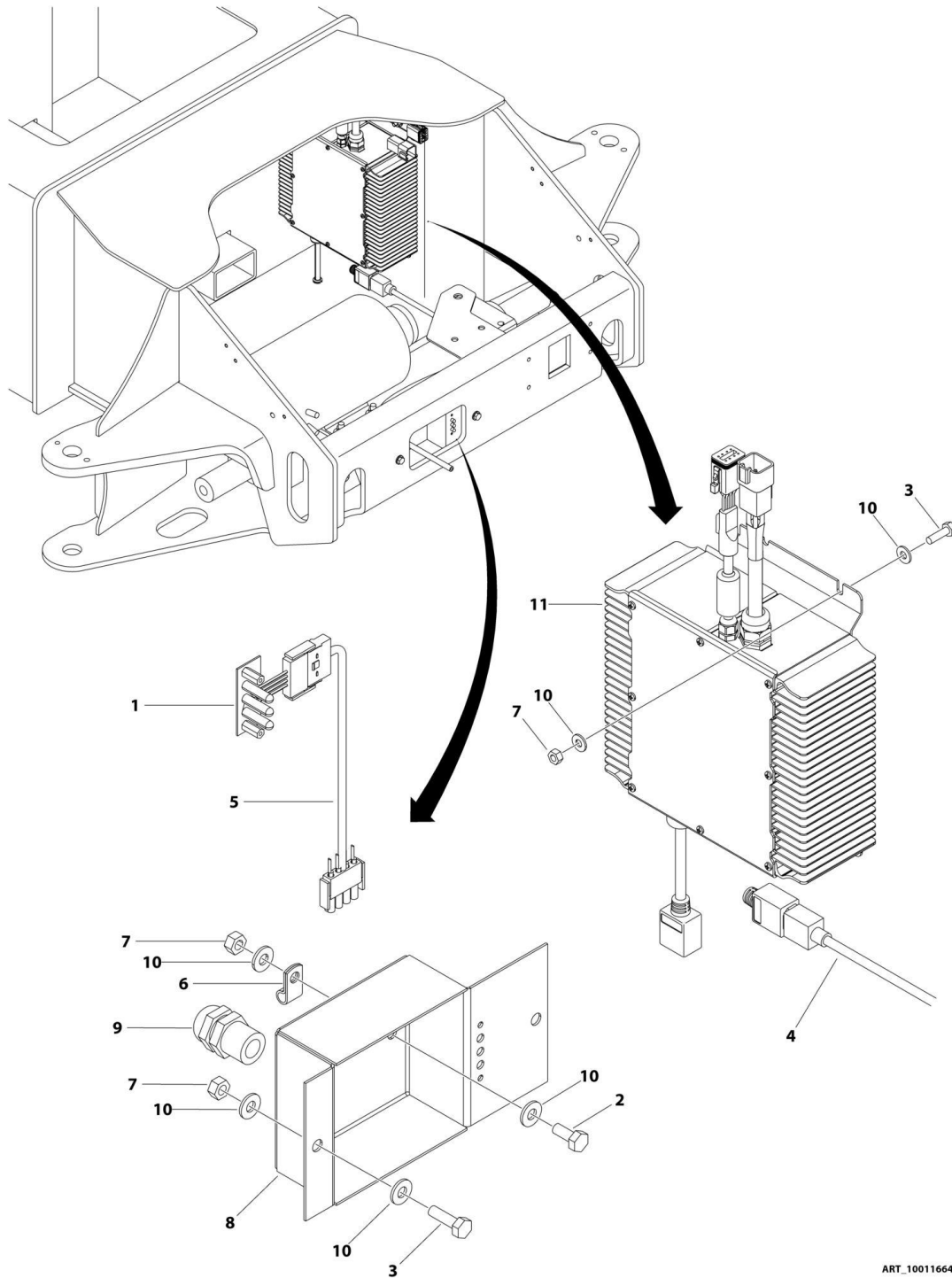
## SECTION 1 - FRAME

**FIGURE 1-31. BATTERY CHARGER INSTALLATION - E450A/E450AJ (AUSTRALIAN SPEC)**

ITEM	PART NUMBER	QTY	DESCRIPTION	REV
	1001166938	Ref	BATTERY CHARGER INSTALLATION - E450A/E450AJ (AUSTRALIAN SPEC)	B
1	0610131	1	Charger LED Assembly	
2	0641405	1	Bolt, 1/4-20 x 5/8	
3	0641407	6	Bolt, 1/4-20 x 7/8	
4	1060689	1	AC Cord	
5	1060778	1	LED, Remote Lead (See ELECTRICAL SECTION for Breakdown)	
6	1320136	1	Clamp	
7	3311405	7	Nut, Lock, 1/4-20	
8	3571834	1	Plate, Panel	
9	4460428	1	Connector, Strain Relief	
10	4711400	14	Washer, 1/4	
11	1001103105	1	Battery Charger Assembly (See ELECTRICAL SECTION for Breakdown)	
12	4460805	1	Plug, AC	

# SECTION 1 - FRAME

## FIGURE 1-32. BATTERY CHARGER INSTALLATION - E450A/E450AJ (ANSI EXPORT AND CE SPECS)



ART\_1001166444

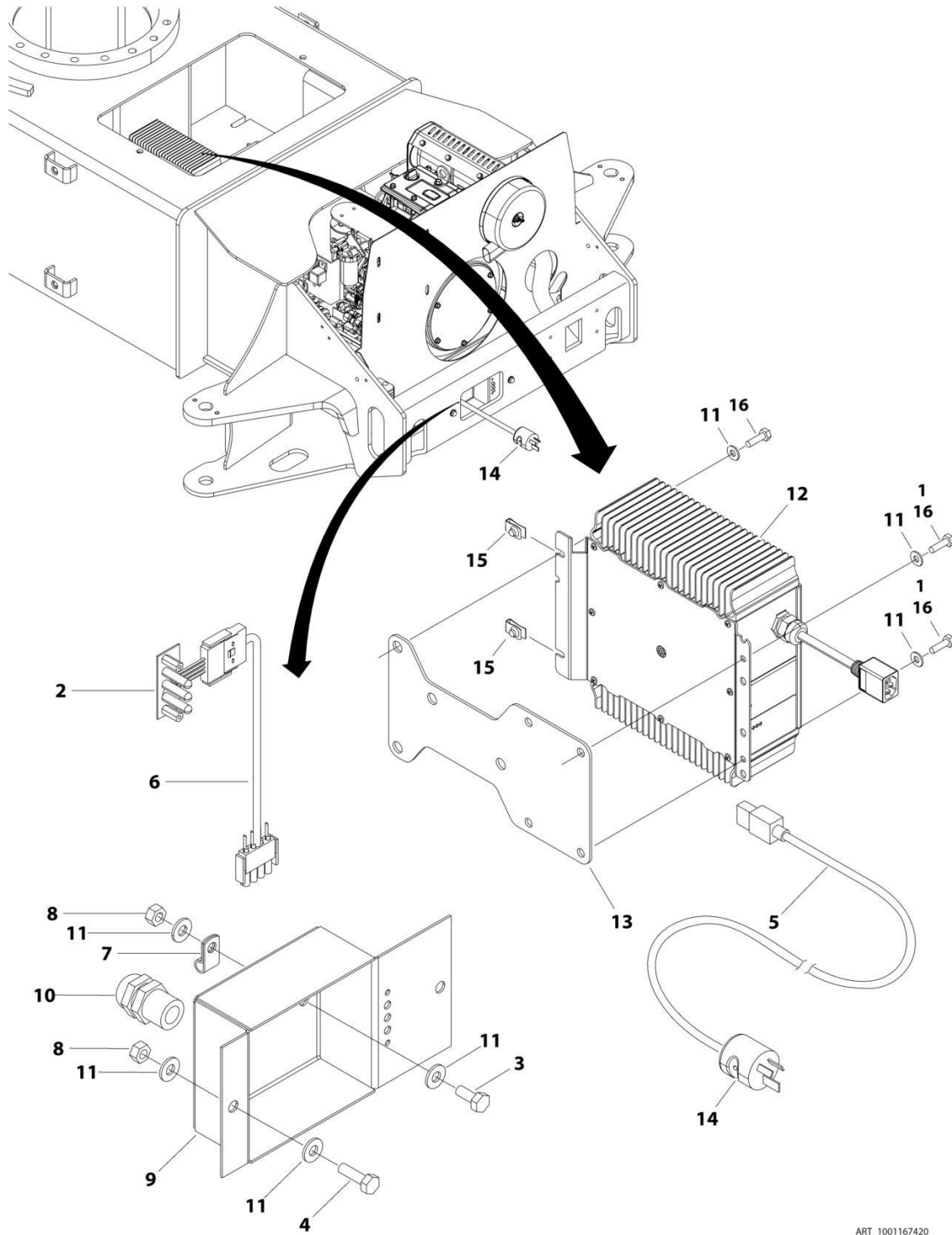
## SECTION 1 - FRAME

**FIGURE 1-32. BATTERY CHARGER INSTALLATION - E450A/E450AJ (ANSI EXPORT AND CE SPECS)**

ITEM	PART NUMBER	QTY	DESCRIPTION	REV
	1001166444	Ref	BATTERY CHARGER INSTALLATION - E450A/E450AJ (ANSI EXPORT AND CE SPECS)	B
	See Note	Ref	Note: AC Plug Supplied Locally.	
1	0610131	1	Charger LED Assembly	
2	0641405	1	Bolt, 1/4-20 x 5/8	
3	0641407	6	Bolt, 1/4-20 x 7/8	
4	1060689	1	AC Cord (Note: For Plug Options See ELECTRICAL SECTION)	
5	1060778	1	LED, Remote Harness (See ELECTRICAL SECTION for Breakdown)	
6	1320136	1	Clamp	
7	3311405	7	Nut, Lock, 1/4-20	
8	3571834	1	Plate, Panel	
9	4460428	1	Connector, Strain Relief	
10	4711400	14	Washer, 1/4	
11	1001103105	1	Battery Charger Assembly (See ELECTRICAL SECTION for Breakdown)	

# SECTION 1 - FRAME

FIGURE 1-33. BATTERY CHARGER INSTALLATION - M450AJ (ALL SPECS EXCEPTED CE, AUSTRALIAN AND UL SPECS)



ART\_1001167420

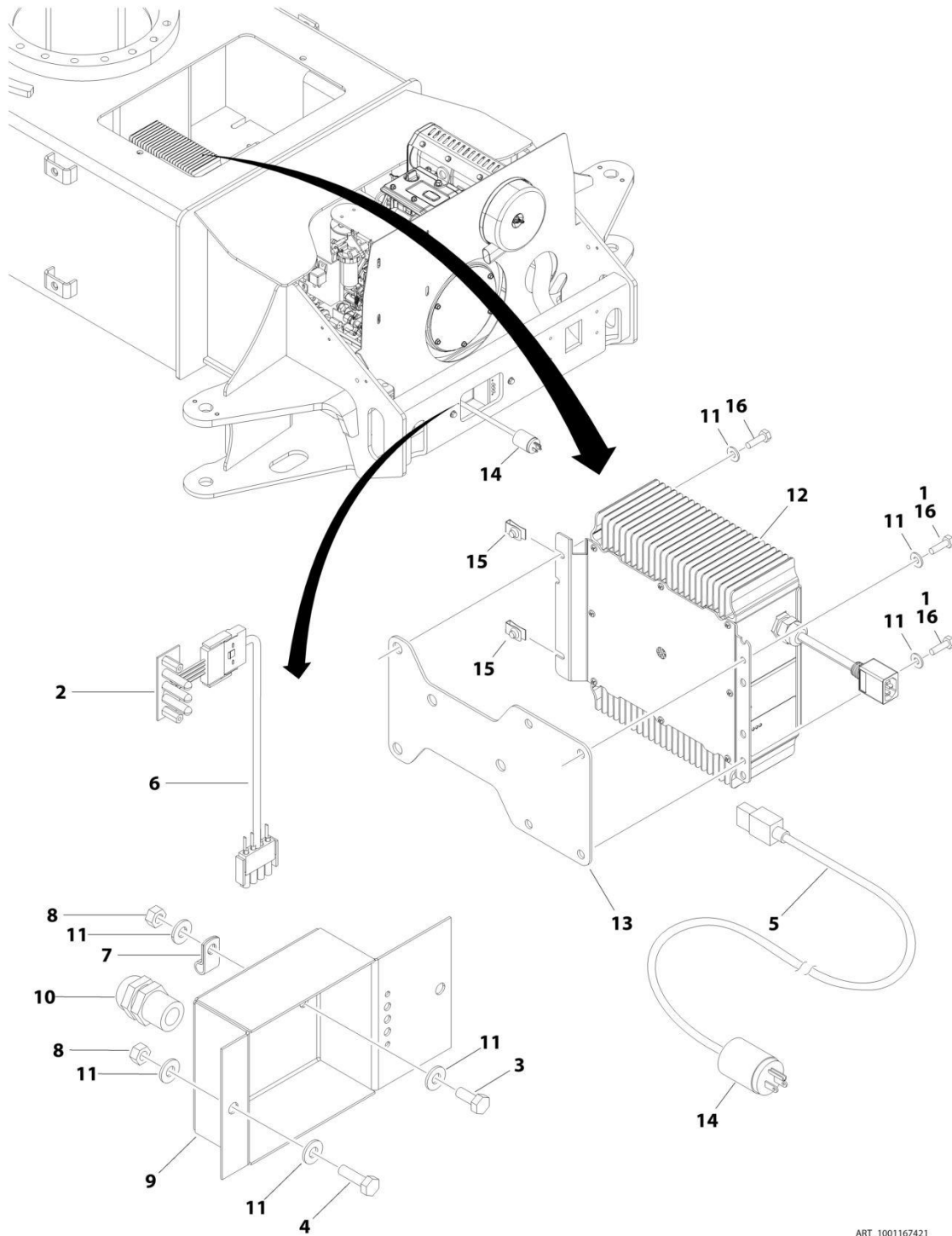
## SECTION 1 - FRAME

**FIGURE 1-33. BATTERY CHARGER INSTALLATION - M450AJ (ALL SPECS EXCEPTED CE, AUSTRALIAN AND UL SPECS)**

ITEM	PART NUMBER	QTY	DESCRIPTION	REV
	1001167420	Ref	BATTERY CHARGER INSTALLATION	D
1	0100011	AR	Compound, Locking <b>(SN 0300189901 through 0300196448)</b>	
2	0610131	1	Charger LED Assembly	
3	0641405	1	Bolt 1/4 x 5/8	
4	0641407	AR	Bolt 1/4 x 7/8	
5	1060689	1	AC Cord	
6	1060778	1	LED, Remote Lead (See Separate Breakdown in ELECTRICAL Section)	
7	1320136	1	Clamp	
8	3311405	3	Nut 1/4	
9	3571834	1	Plate, Panel	
10	4460428	1	Connector, Strain Relief	
11	4711400	AR	Washer, 1/4	
12	1001103105	1	Battery Charger Assembly (See ELECTRICAL SECTION for Breakdown)	
13	1001167303	1	Bracket, Valve Mount <b>(SN 0300189901 through 0300196448)</b>	
14	4460805	1	AC Plug	
15	3300454	AR	Nut 1/4-20	
16	0641405	4	Bolt 1/4 x 5/8 <b>(SN 0300189901 through 0300195447)</b>	
16	0641406	4	Bolt 1/4 x 3/4 <b>(SN 0300196448 through 0300208529)</b>	

# SECTION 1 - FRAME

## FIGURE 1-34. BATTERY CHARGER INSTALLATION - M450AJ (AUSTRALIAN SPEC)



ART\_1001167421



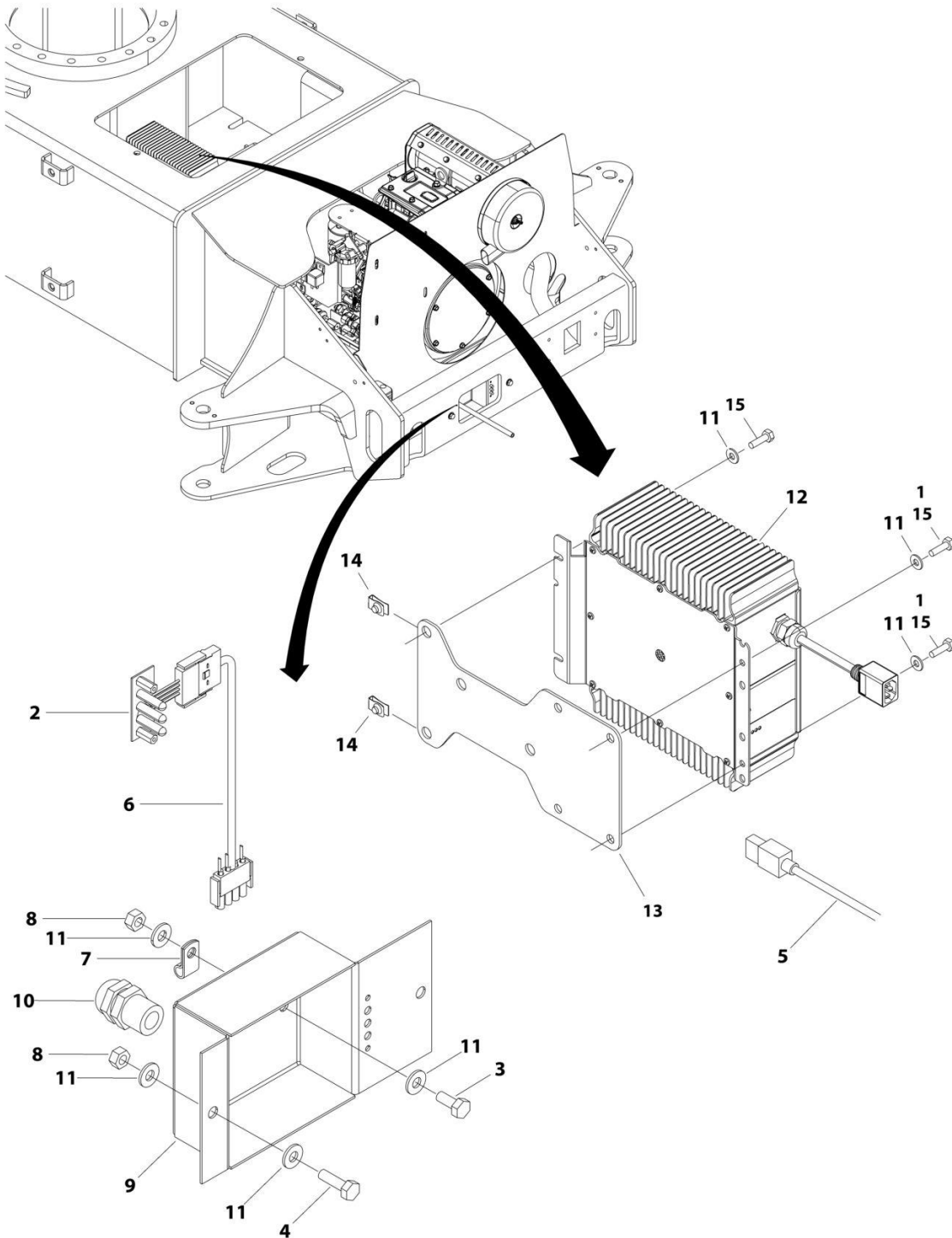
## SECTION 1 - FRAME

**FIGURE 1-34. BATTERY CHARGER INSTALLATION - M450AJ (AUSTRALIAN SPEC)**

ITEM	PART NUMBER	QTY	DESCRIPTION	REV
	1001167421	Ref	BATTERY CHARGER INSTALLATION	D
1	0100011	AR	Compound, Locking <b>(SN 0300189901 through 0300195448)</b>	
2	0610131	1	Charger LED Assembly	
3	0641405	1	Bolt 1/4 x 5/8	
4	0641407	AR	Bolt 1/4 x 7/8	
5	1060689	1	AC Cord	
6	1060778	1	LED, Remote Lead (See Separate Breakdown in ELECTRICAL Section)	
7	1320136	1	Clamp	
8	3311405	3	Nut 1/4	
9	3571834	1	Plate, Panel	
10	4460428	1	Connector, Strain Relief	
11	4711400	AR	Washer 1/4	
12	1001103105	1	Battery Charger Assembly (See Separate Breakdown in ELECTRICAL Section)	
13	1001167303	1	Bracket, Valve Mount <b>(SN 0300189901 through 0300195448)</b>	
14	4460138	1	AC Plug	
15	3300454	AR	Nut 1/4	
16	0641405	4	Bolt 1/4 x 5/8 <b>(SN 0300189901 through 0300195447)</b>	
16	0641406	4	Bolt 1/4 x 3/4 <b>(SN 0300195448 through 0300208529)</b>	

# SECTION 1 - FRAME

## FIGURE 1-35. BATTERY CHARGER INSTALLATION - M450AJ (ANSI EXPORT AND CE SPECS)



ART\_1001167419

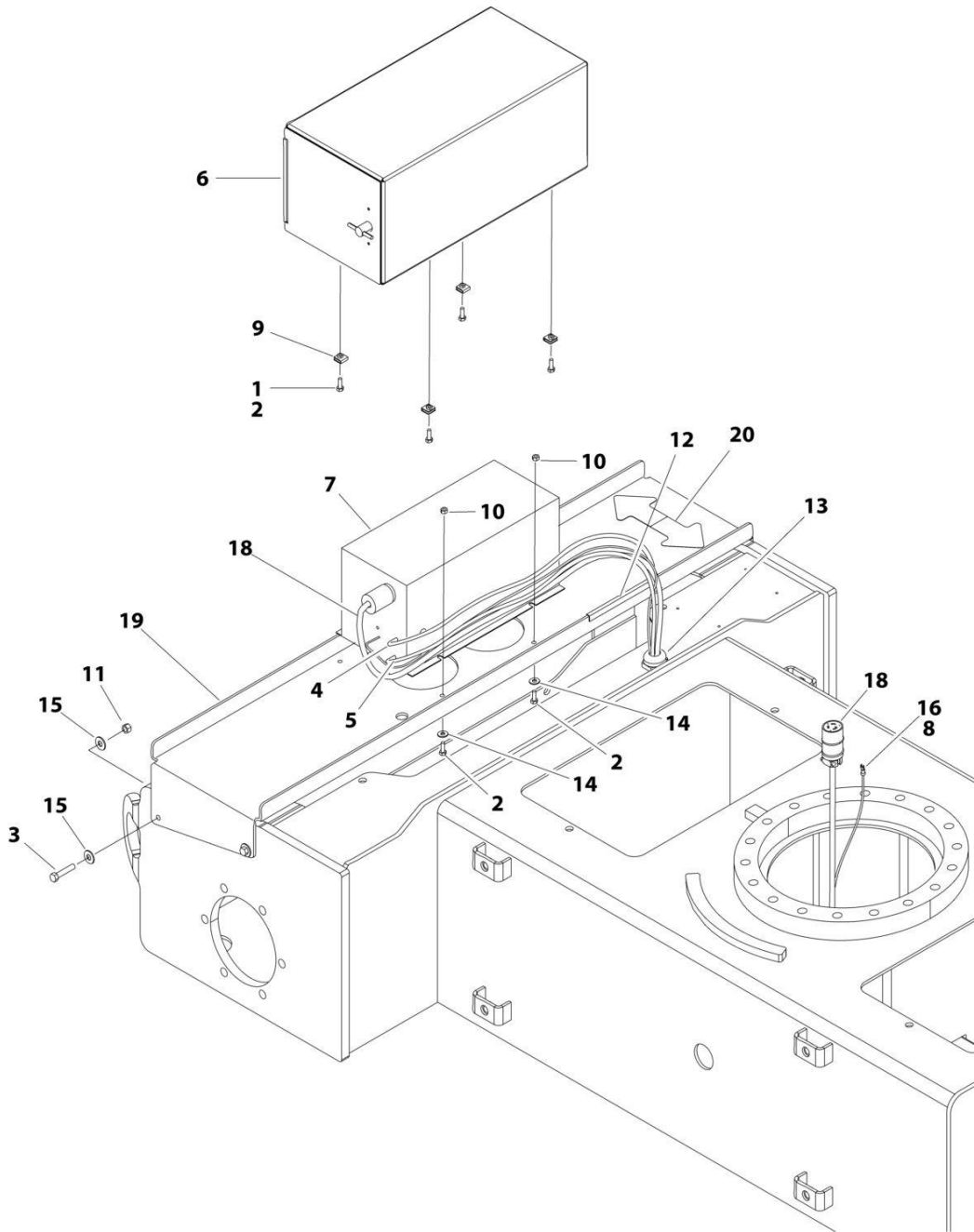
## SECTION 1 - FRAME

**FIGURE 1-35. BATTERY CHARGER INSTALLATION - M450AJ (ANSI EXPORT AND CE SPECS)**

ITEM	PART NUMBER	QTY	DESCRIPTION	REV
	1001167419	Ref	BATTERY CHARGER INSTALLATION	D
	See Note	Ref	Note: AC Plug Supplied Locally.	
1	0100011	1	Compound, Locking <b>(SN 0300189901 through 0300195448)</b>	
2	0610131	1	Charger LED Assembly	
3	0641405	1	Bolt 1/4 x 5/8	
4	0641407	AR	Bolt 1/4 x 7/8	
5	1060689	1	AC Cord	
6	1060778	1	LED, Remote Lead (See Separate Breakdown in ELECTRICAL Section)	
7	1320136	1	Clamp	
8	3311405	3	Nut 1/4	
9	3571834	1	Plate, Panel	
10	4460428	1	Connector, Strain Relief	
11	4711400	AR	Washer 1/4	
12	1001103105	1	Battery Charger Assembly (See Separate Breakdown in ELECTRICAL Section)	
13	1001167303	1	Bracket, Valve Mount <b>(SN 0300189901 through 0300195448)</b>	
14	3300454	AR	Nut 1/4	
15	0641405	4	Bolt 1/4 x 5/8 <b>(SN 0300189901 through 0300195447)</b>	
15	0641406	4	Bolt 1/4 x 3/4 <b>(SN 0300195448 through 0300208529)</b>	

# SECTION 1 - FRAME

## FIGURE 1-36. INVERTER INSTALLATION - E450A/E450AJ



ART\_1001167024

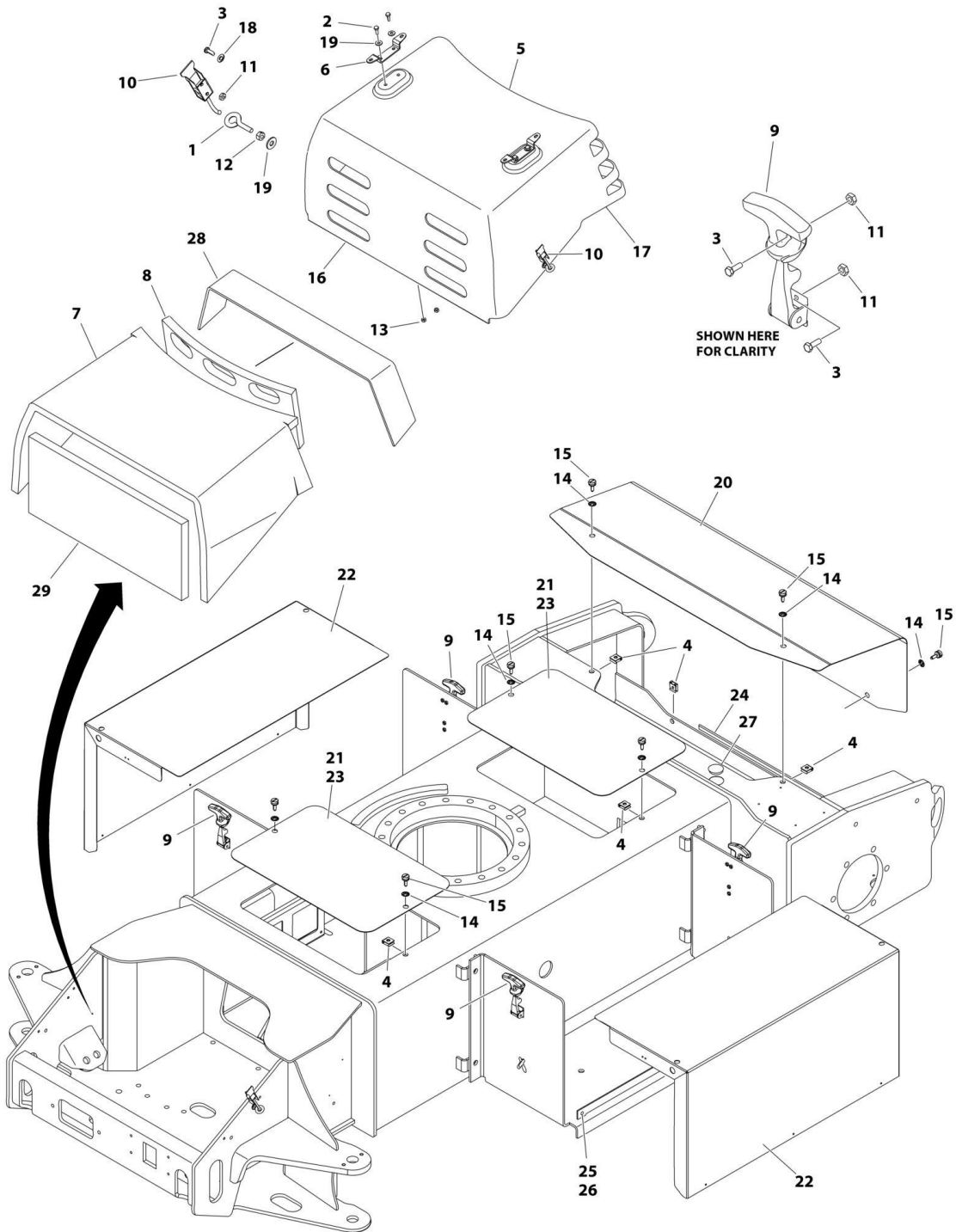
## SECTION 1 - FRAME

**FIGURE 1-36. INVERTER INSTALLATION - E450A/E450AJ**

ITEM	PART NUMBER	QTY	DESCRIPTION	REV
	1001167024	Ref	INVERTER INSTALLATION	C
1	0100011	AR	Compound, Locking	
2	0641406	8	Bolt 1/4 x 3/4	
3	0641614	4	Bolt 3/8 x 1-3/4	
4	1060801	1	Cable, Battery	
5	1060802	1	Cable, Ground	
6	1670953	1	Cover	
7	2460037	1	Inverter	
8	2820035	10 ft/3.1m	Insulate, Tubing	
9	3300353	4	Nut, Tinnerman	
10	3311405	4	Nut 1/4	
11	3311605	4	Nut 3/8	
12	4060805	6 in /150mm	Shield, Flex Trim	
13	4460426	1	Connector, Strain Relief	
14	4751400	4	Washer 1/4	
15	4751600	8	Washer 3/8	
16	4460078	1	Terminal	
18	4922390	1	Harness, Inverter (See Separate Breakdown in ELECTRICAL Section) <b>(SN 0300189901 through 0300193792)</b>	
18	1001182296	1	Harness, Inverter (See Separate Breakdown in ELECTRICAL Section) <b>(SN 0300193793 through 0300208529)</b>	
19	1001167014	1	Bracket	
20	1701642	1	Decal - Arrow <b>(SN 0300193793 through 0300208529)</b>	

# SECTION 1 - FRAME

## FIGURE 1-37. FRAME COVER INSTALLATION - M450AJ



ART\_1001166328

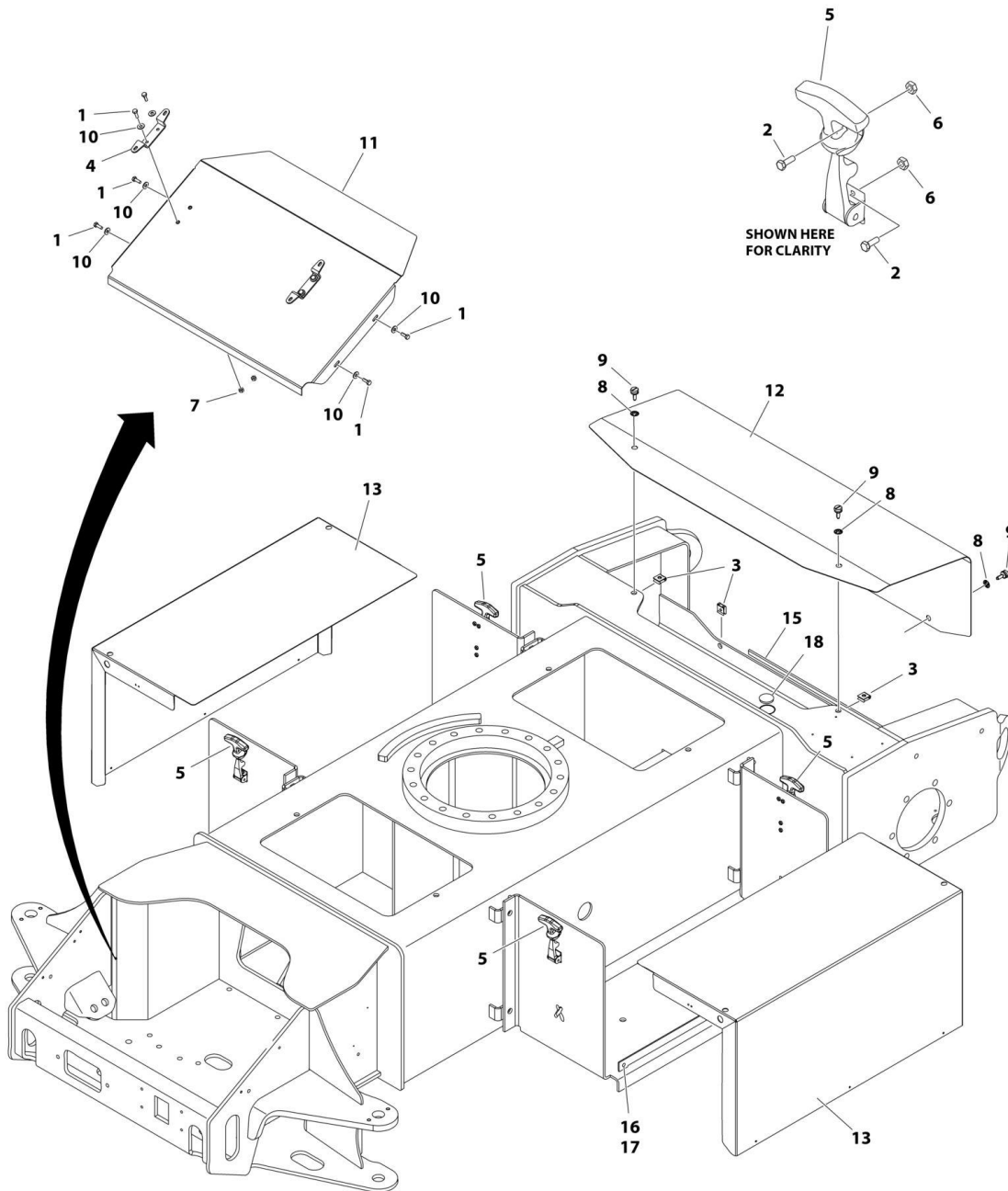
# SECTION 1 - FRAME

## FIGURE 1-37. FRAME COVER INSTALLATION - M450AJ

ITEM	PART NUMBER	QTY	DESCRIPTION	REV
	1001166328	Ref	FRAME COVER INSTALLATION	F
1	0630440	2	Eyebolt	
2	0641406	4	Bolt 1/4 x 3/4	
3	0721004	20	Bolt #10 x 1/2	
4	1380138	8	Clip, Receptacle	
5	1670880	1	Cover	
6	2700093	2	Hook	
7	2820105	1	Insulation, Acoustical Foam	
8	2820106	1	Insulation, Acoustic Foam	
9	2940095	4	Latch	
10	2940115	2	Latch	
11	3311005	20	Nut #10	
12	3311401	2	Nut 1/4	
13	3311405	4	Nut 1/4	
14	3760308	8	Retainer	
15	3900174	8	Screw, Special (SN 0300189901 through 0300195136)	
15	1001112496	8	Screw, Special (SN 0300195137 through 0300208529)	
16	3960389	2.5 ft /0.76m	Seal	
17	4060804	6.5 ft /1.9m	Flex Trim	
18	4751000	4	Washer 10	
19	4751400	6	Washer 1/4	
20	1001166330	1	Axle Cover	
21	1001166377	2	Frame Cover	
22	1001166493	2	Battery Cover	
23	3960417	12 ft /3.66m	Seal	
24	3960447	11 ft /3.35m	Seal	
25	3820019	6	Rivet	
26	1001175025	2	Brace, Battery Tray	
27	3520035	1	Plug, Cap	
28	1001182709	1	Insulation, Acoustical Foam	
29	2820110	1	Insulation, Acoustical Foam	

# SECTION 1 - FRAME

## FIGURE 1-38. FRAME COVER INSTALLATION - E450A/E450AJ



ART\_1001166327



## SECTION 1 - FRAME

**FIGURE 1-38. FRAME COVER INSTALLATION - E450A/E450AJ**

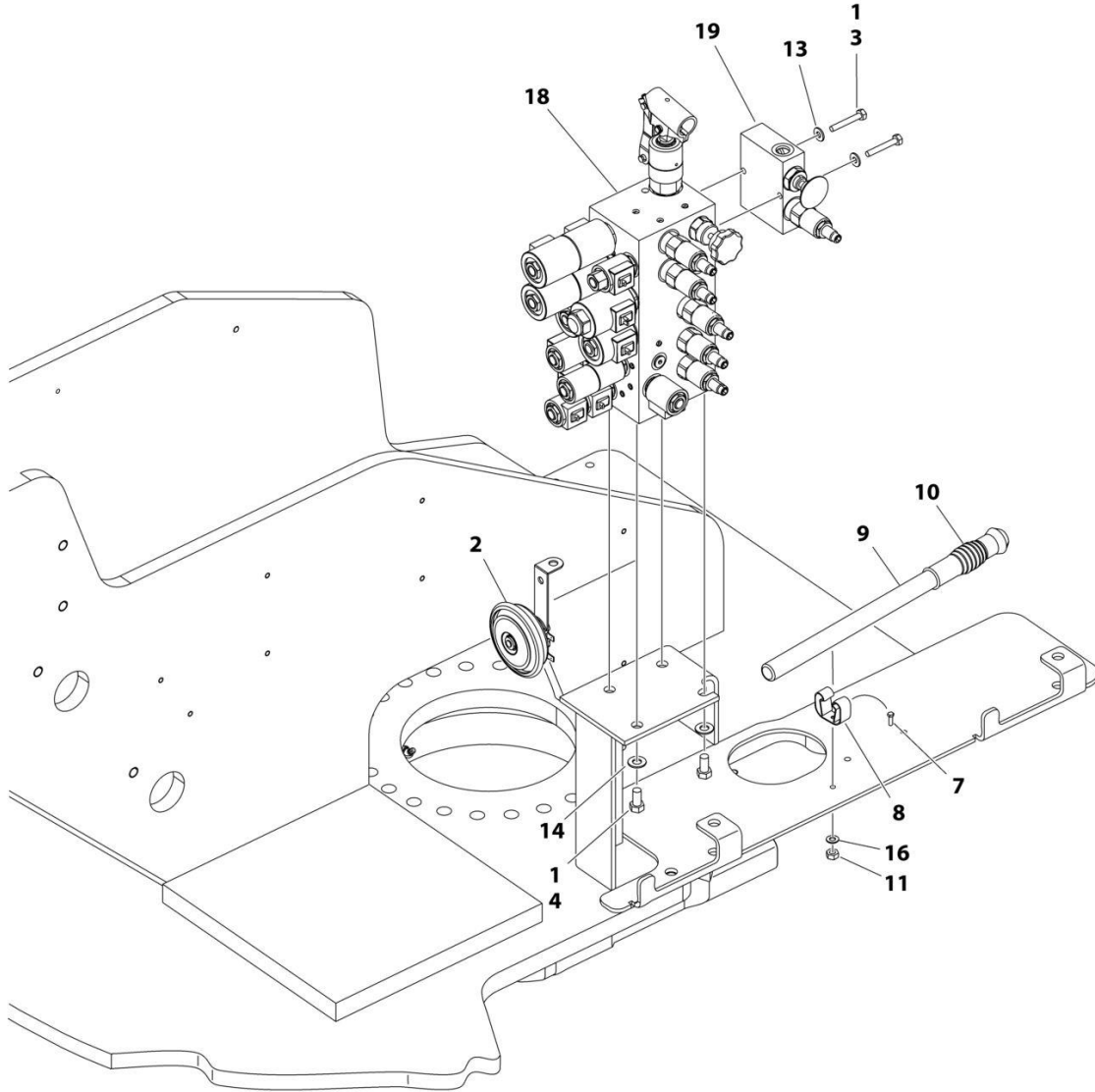
ITEM	PART NUMBER	QTY	DESCRIPTION	REV
	1001166327	Ref	FRAME COVER INSTALLATION	E
1	0641406	8	Bolt 1/4 x 3/4	
2	0721004	16	Bolt #10 x 1/2	
3	1380138	4	Clip, Receptacle	
4	2700093	2	Hook	
5	2940095	4	Latch	
6	3311005	16	Nut #10	
7	3311405	4	Nut 1/4	
8	3760308	4	Retainer	
9	3900174	4	Screw, Special (SN 0300189901 through 0300195136)	
9	1001112496	4	Screw, Special (SN 0300195137 through 0300208529)	
10	4751400	8	Washer 1/4	
11	1001166321	1	Cover	
12	1001166330	1	Axle Cover	
13	1001166493	2	Battery Cover	
15	3960447	11 ft /3.35m	Seal	
16	3820019	6	Rivet	
17	1001175025	2	Brace, Battery Tray	
18	3520035	1	Plug, Cap	



**SECTION 2 - TURNTABLE**

# SECTION 2 - TURNTABLE

## FIGURE 2-1. VALVE INSTALLATION - TURNTABLE MOUNTED - E450A



ART\_1001166438\_20F2

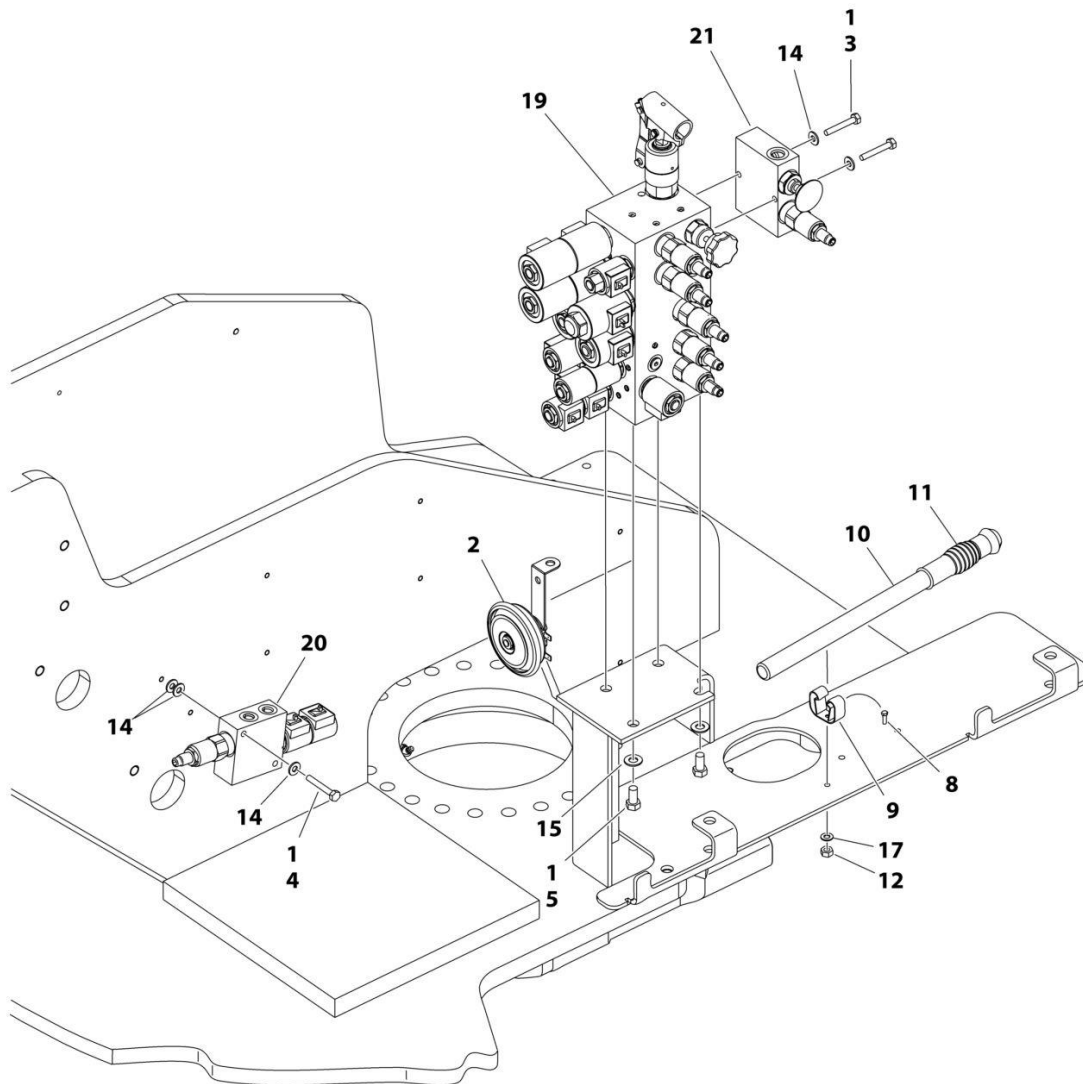
## SECTION 2 - TURNTABLE

**FIGURE 2-1. VALVE INSTALLATION - TURNTABLE MOUNTED - E450A**

ITEM	PART NUMBER	QTY	DESCRIPTION	REV
	1001166438	Ref	VALVE INSTALLATION - TURNTABLE MOUNTED - E450A	F
1	0100011	AR	Compound, Locking	
2	0140028	1	Horn	
3	0641413	2	Bolt, 1/4-20 x 1-5/8	
4	0641606	4	Bolt, 3/8-16 x 3/4	
7	0720804	1	Bolt, #8-32 x .500	
8	1380136	1	Clip	
9	2560122	1	Handle	
10	2560123	1	Handle, Grip	
11	3310805	1	Nut, Lock, #8-32	
13	4711400	2	Washer, 1/4	
14	4711600	4	Washer, 3/8	
16	4750800	1	Washer, 8	
18	1001097507	1	Main Control Valve Assembly (See MAIN CONTROL VALVE ASSEMBLY for Breakdown)	
19	1001097777	1	Releveling Valve Assembly (See RELEVELING VALVE ASSEMBLY for Breakdown)	

# SECTION 2 - TURNTABLE

## FIGURE 2-2. VALVE INSTALLATION - TURNTABLE MOUNTED - E450AJ



ART\_1001166439\_2OF2

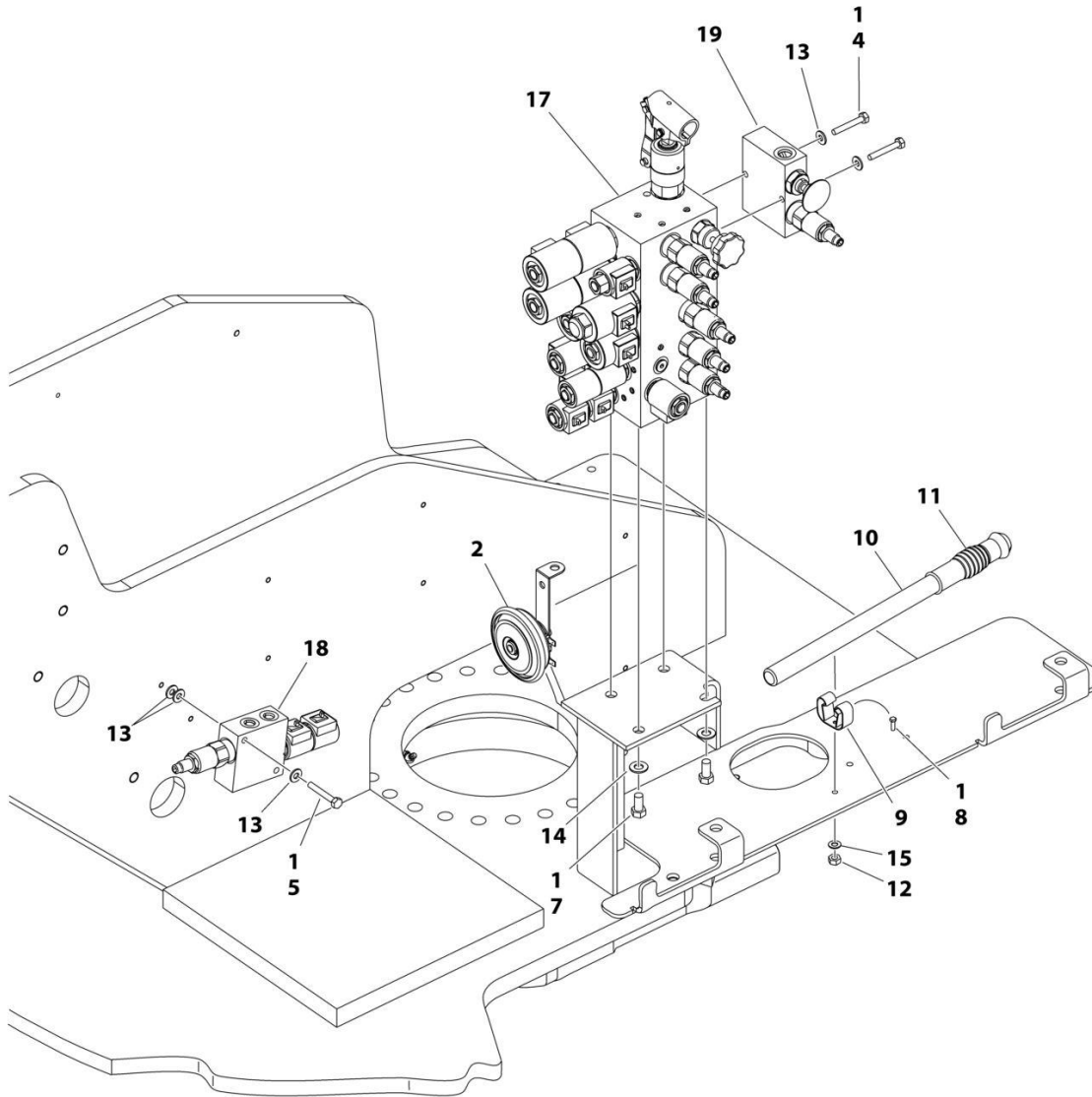
## SECTION 2 - TURNTABLE

**FIGURE 2-2. VALVE INSTALLATION - TURNTABLE MOUNTED - E450AJ**

ITEM	PART NUMBER	QTY	DESCRIPTION	REV
	1001166439	Ref	VALVE INSTALLATION - TURNTABLE MOUNTED - E450AJ	F
1	0100011	AR	Compound, Locking	
2	0140028	1	Alarm, Horn	
3	0641413	2	Bolt, 1/4-20 x 1-5/8	
4	0641414	2	Bolt, 1/4-20 x 1-3/4	
5	0641606	4	Bolt, 3/8-16 x 3/4	
8	0720804	1	Bolt, #8-32 x 1/2	
9	1380136	1	Clip	
10	2560122	1	Handle	
11	2560123	1	Handle, Grip	
12	3310805	1	Nut, Lock, #8-32	
14	4711400	8	Washer, 1/4	
15	4711600	4	Washer, 3/8	
17	4750800	1	Washer, 8	
19	1001097507	1	Main Control Valve Assembly (See MAIN CONTROL VALVE ASSEMBLY for Breakdown)	
20	1001097775	1	Jib Valve Assembly (See JIB VALVE ASSEMBLY for Breakdown)	
21	1001097777	1	Releveling Valve Assembly (See RELEVELING VALVE ASSEMBLY for Breakdown)	

# SECTION 2 - TURNTABLE

## FIGURE 2-3. VALVE INSTALLATION - TURNTABLE MOUNTED - M450AJ



ART\_1001167360\_20F2



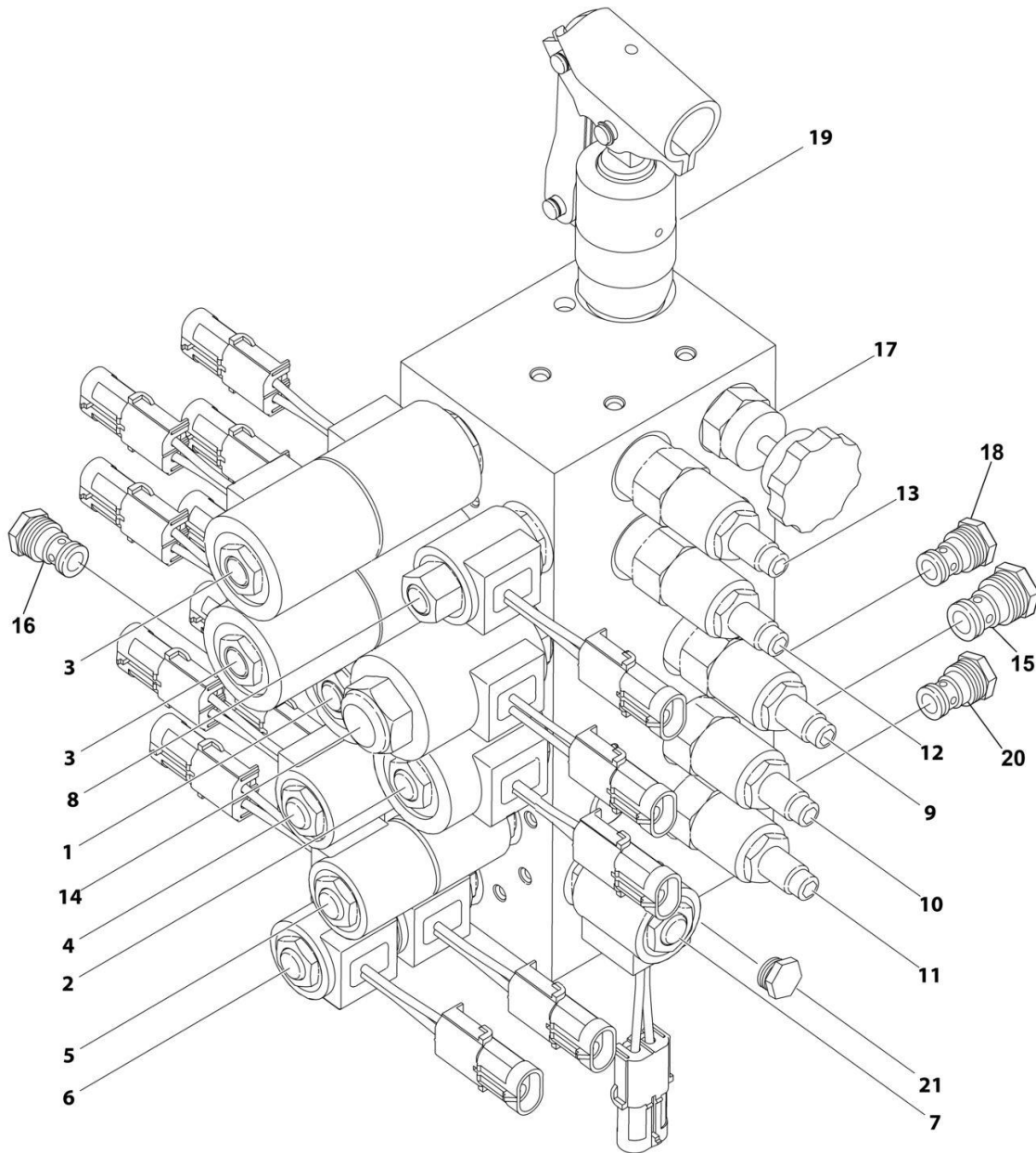
## SECTION 2 - TURNTABLE

**FIGURE 2-3. VALVE INSTALLATION - TURNTABLE MOUNTED - M450AJ**

ITEM	PART NUMBER	QTY	DESCRIPTION	REV
	1001167360	Ref	VALVE INSTALLATION - TURNTABLE MOUNTED - M450AJ	C
1	0100011	AR	Compound, Locking	
2	0140028	1	Alarm, Horn	
4	0641413	2	Bolt, 1/4-20 x 1-5/8	
5	0641414	2	Bolt, 1/4-20 x 3/4	
7	0641606	4	Bolt, 3/8-16 x 3/4	
8	0720804	1	Bolt, #8-32 x 1/2	
9	1380136	1	Clip	
10	2560122	1	Handle	
11	2560123	1	Grip, Handle	
12	3310805	1	Nut, Lock, #8-32	
13	4711400	8	Washer, 1/4	
14	4711600	4	Washer, 3/8	
15	4750800	1	Washer, #8	
17	1001097507	1	Main Control Valve Assembly (See MAIN CONTROL VALVE ASSEMBLY for Breakdown)	
18	1001097775	1	Jib Valve Assembly (See JIB VALVE ASSEMBLY for Breakdown)	
19	1001097777	1	Releveling Valve Assembly (See RELEVELING VALVE ASSEMBLY for Breakdown)	

# SECTION 2 - TURNTABLE

## FIGURE 2-4. MAIN CONTROL VALVE ASSEMBLY



ART\_1001097507

## SECTION 2 - TURNTABLE

### FIGURE 2-4. MAIN CONTROL VALVE ASSEMBLY

ITEM	PART NUMBER	QTY	DESCRIPTION	REV
	1001097507	Ref	MAIN CONTROL VALVE ASSEMBLY	D
1	7022394	1	Cartridge without Coil (Telescope In)	
1	7012518	1	Seal Kit - 7022394 Cartridge	
1	7021610	1	Coil	
2	7012995	1	Cartridge without Coil (Telescope Out)	
2	7012518	1	Seal Kit - 7012995 Cartridge	
2	7021610	1	Coil	
3	7021603	2	Cartridge without Coil (Lower and Upper Lift)	
3	7012903	1	Seal Kit - 7021603 Cartridge	
3	7021610	1	Coil (2 Per Valve)	
4	7017452	1	Cartridge without Coil (Platform Level)	
4	7017402	1	Seal Kit - 7017452 Cartridge	
4	7021609	1	Coil	
5	7017452	1	Cartridge without Coil (Rotator)	
5	7017402	1	Seal Kit - 7017452 Cartridge	
5	7021609	1	Coil	
6	7017433	1	Cartridge without Coil (Swing)	
6	7017402	1	Seal Kit - 7017433 Cartridge	
6	7021609	2	Coil	
7	7021604	1	Cartridge without Coil (Swing Restrictor)	
7	7012953	1	Seal Kit - 7021604 Cartridge	
7	7021609	1	Coil	
8	7017410	1	Cartridge without Coil (Bypass Unloading)	
8	7012998	1	Seal Kit - 7017410 Cartridge	
8	7021609	1	Coil	
9	7017418	1	Cartridge (Telescope)	
9	7012998	1	Seal Kit - 7017418 Cartridge	
10	7017421	1	Cartridge (Platform Level Backward Piston End)	
10	7012998	1	Seal Kit - 7017421 Cartridge	
11	7017418	1	Cartridge (Platform Level Forward Rod End)	
11	7012998	1	Seal Kit - 7017418 Cartridge	
12	70001876	1	Cartridge (Lower Lift Down)	
12	7012998	1	Seal Kit - 70001876 Cartridge	
13	70002806	1	Cartridge (Upper Lift Down)	
13	7012998	1	Seal Kit - 70002806 Cartridge	
14	7021611	1	Cartridge without Coil (Flow Regulator)	
14	7012518	1	Seal Kit - 7021611 Cartridge	
14	7021618	1	Coil	
15	7012914	1	Cartridge (Platform Level Piston Side)	
15	7021653	1	Seal Kit - 7012914 Cartridge	
16	7012914	1	Cartridge (Platform Level Rod Side)	
16	7021653	1	Seal Kit - 7012914 Cartridge	
17	7012947	1	Cartridge (Emergency Descent)	
17	7012518	1	Seal Kit - 7012947 Cartridge	
17	7012961	1	Knob	
18	10837580	1	Cartridge (Telescope)	
18	7010543	1	Seal Kit - 10837580 Cartridge	
19	70004019	1	Pump, Manual	
19	7017496	1	Seal Kit - 70004019 Pump	
20	7012975	1	Valve, Check	

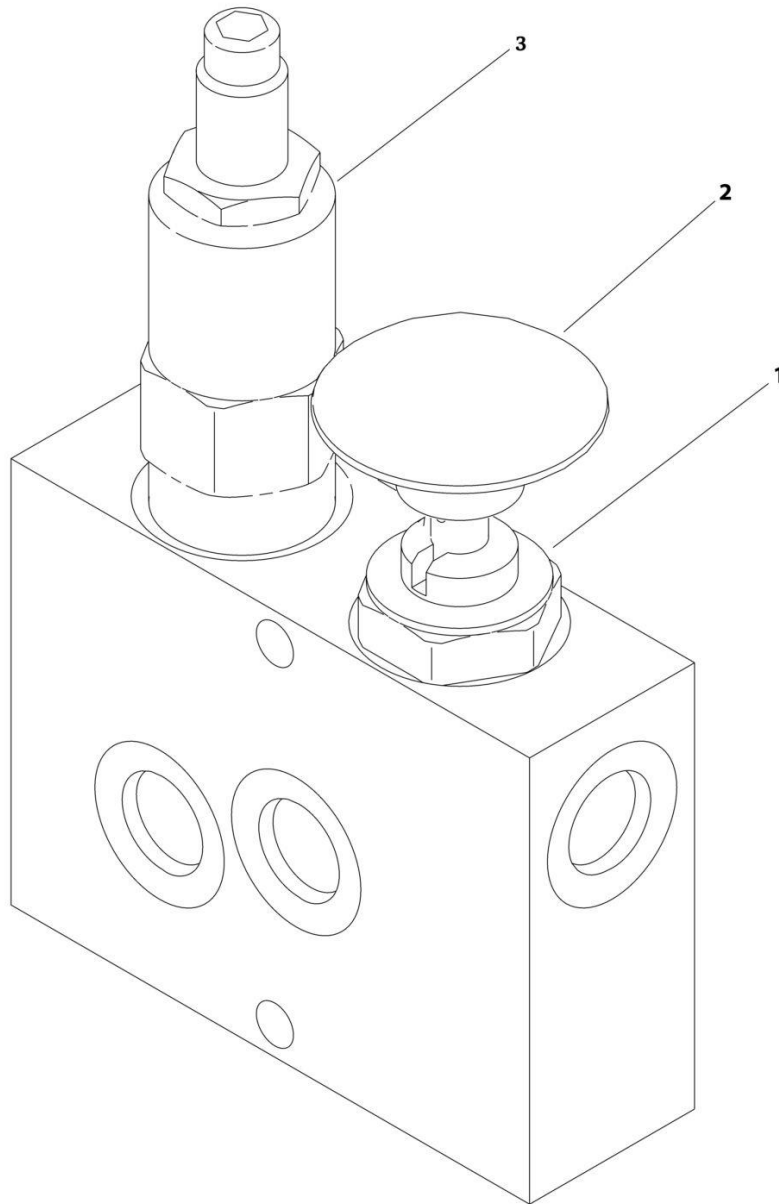
## SECTION 2 - TURNTABLE

ITEM	PART NUMBER	QTY	DESCRIPTION	REV
20	7012540	1	Seal Kit - 7012975 Cartridge	
21	70000381	1	Cartridge, Plug	
22	7017406	4	Plug (Not Shown)	



## SECTION 2 - TURNTABLE

FIGURE 2-5. RELEVELING VALVE ASSEMBLY



ART\_100109777

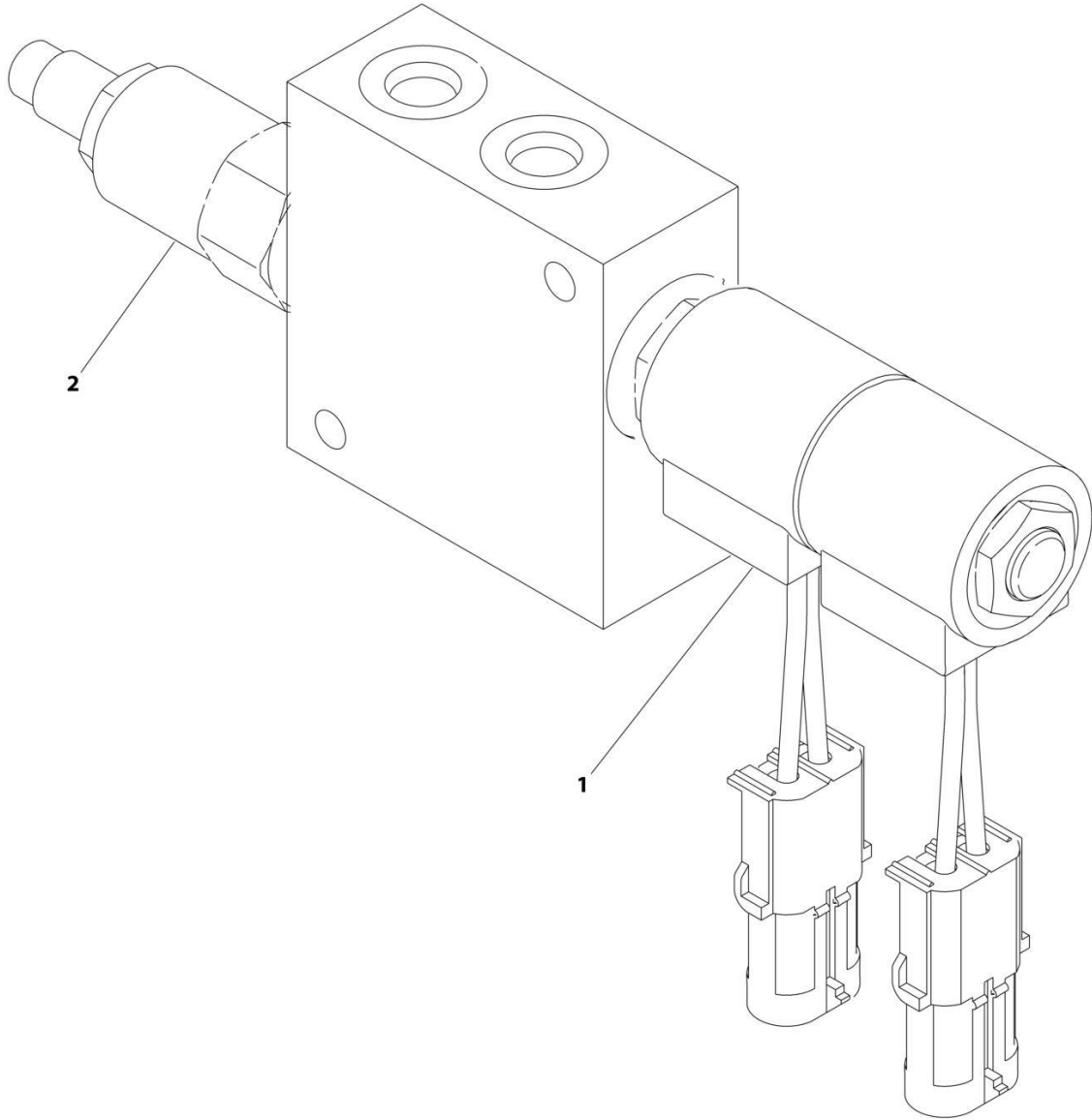
## SECTION 2 - TURNTABLE

### FIGURE 2-5. RELEVELING VALVE ASSEMBLY

ITEM	PART NUMBER	QTY	DESCRIPTION	REV
	1001097777	Ref	RELEVELING VALVE ASSEMBLY	A
1	7017466	1	Cartridge	
1	7017496	1	Seal Kit - 7017466 Cartridge	
2	7012959	1	Knob	
3	7024891	1	Cartridge	
3	7012953	1	Seal Kit - 7024891 Cartridge	

# SECTION 2 - TURNTABLE

## FIGURE 2-6. JIB VALVE ASSEMBLY



ART\_100109775



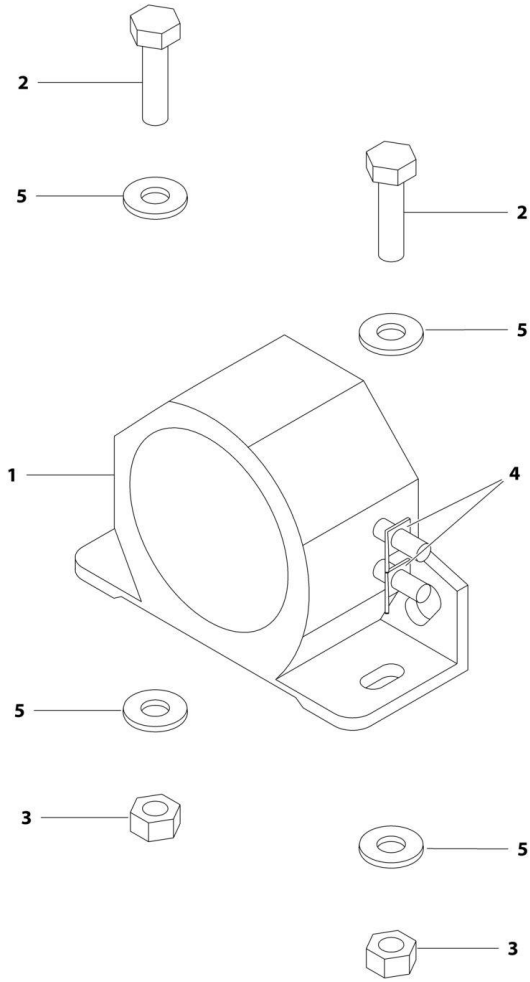
## SECTION 2 - TURNTABLE

### FIGURE 2-6. JIB VALVE ASSEMBLY

ITEM	PART NUMBER	QTY	DESCRIPTION	REV
	1001097775	Ref	JIB VALVE ASSEMBLY	C
1	7017452	1	Cartridge without Coil	
1	7017402	1	Seal Kit - 7017452 Cartridge	
1	7021609	2	Coil	
2	70002807	1	Cartridge, Relief Valve	
2	7021653	1	Seal Kit - 70002807 Cartridge	

# SECTION 2 - TURNTABLE

## FIGURE 2-7. MOTION ALARM INSTALLATION



ART\_1001166437

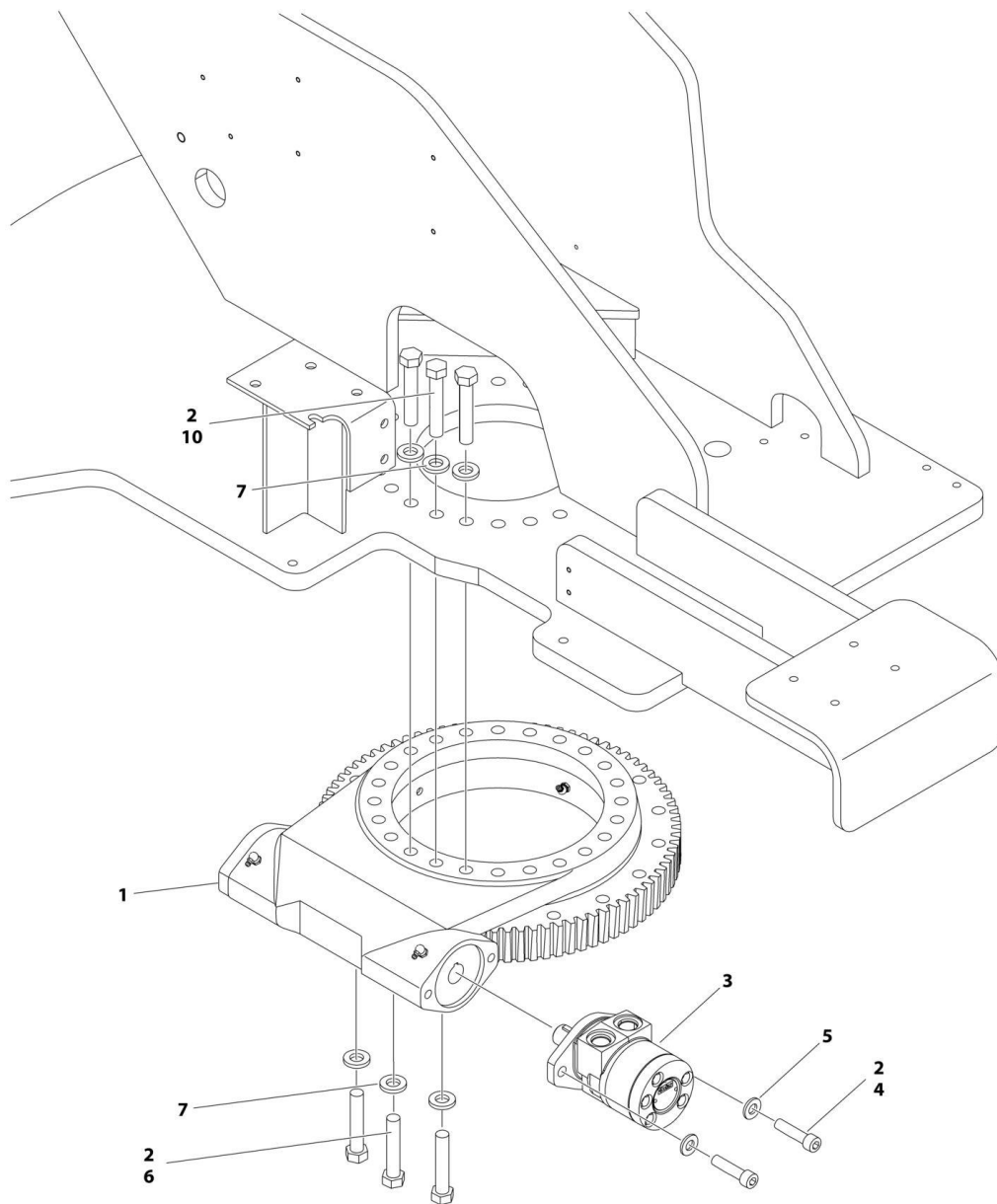
## SECTION 2 - TURNTABLE

### FIGURE 2-7. MOTION ALARM INSTALLATION

ITEM	PART NUMBER	QTY	DESCRIPTION	REV
	1001166437	Ref	MOTION ALARM INSTALLATION	A
1	0140031	1	Alarm, Motion	
2	0641408	2	Bolt, 1/4-20 x 1	
3	3311405	2	Nut, Lock, 1/4-20	
4	4460685	2	Terminal, Stud Mounted Tab	
5	4711400	4	Washer, 1/4	

# SECTION 2 - TURNTABLE

## FIGURE 2-8. TURNTABLE BEARING AND SWING DRIVE INSTALLATION



ART\_1001166395

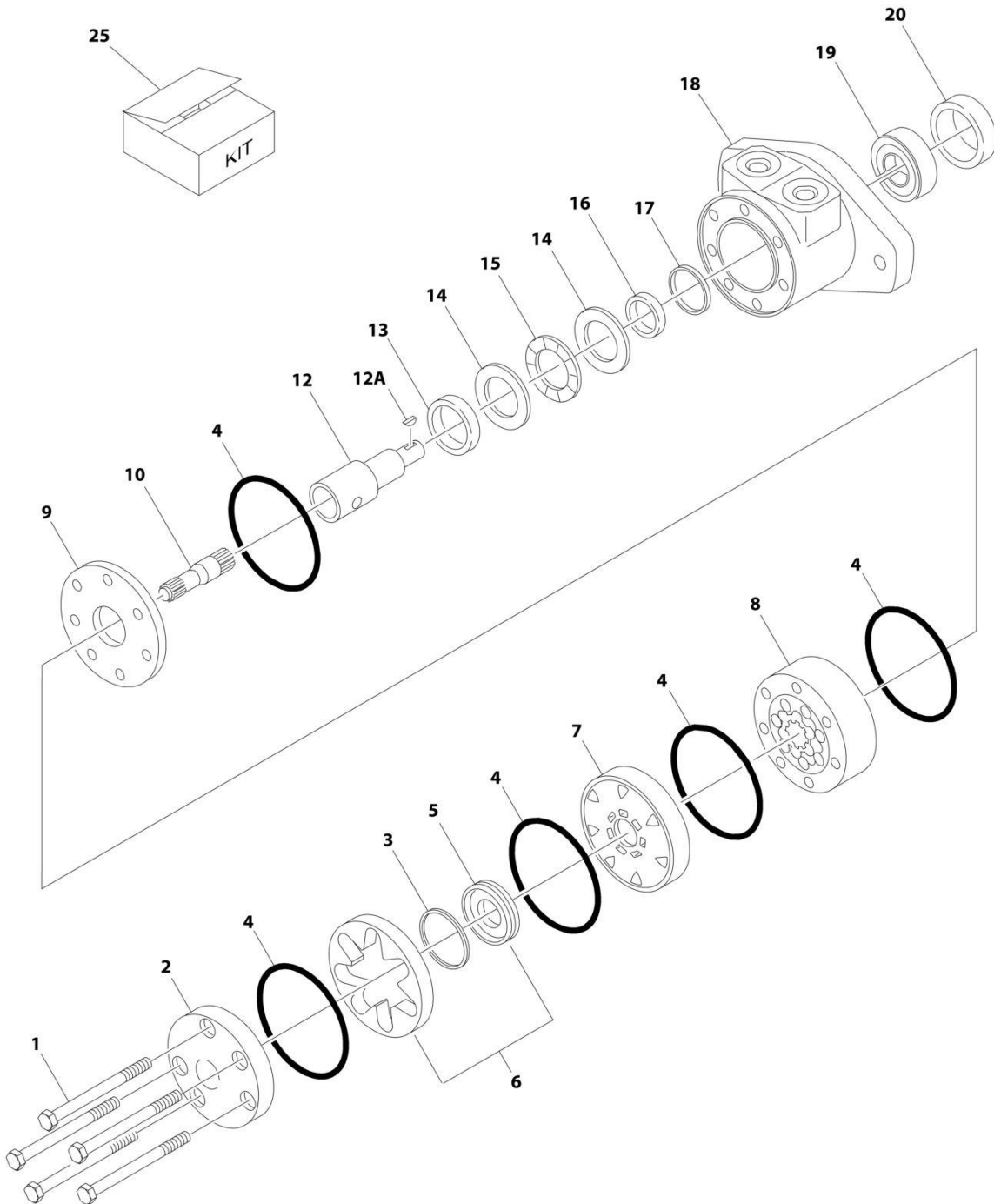
## SECTION 2 - TURNTABLE

**FIGURE 2-8. TURNTABLE BEARING AND SWING DRIVE INSTALLATION**

ITEM	PART NUMBER	QTY	DESCRIPTION	REV
	1001166395	Ref	TURNTABLE BEARING AND SWING DRIVE INSTALLATION	B
1	1001153017	1	Turntable Bearing and Worm Gear Assembly (See SWING BEARING ASSEMBLY for Breakdown)	
2	0100019	AR	Compound, Locking	
3	1001104850	1	Swing Motor Assembly (See SWING MOTOR ASSEMBLY for Breakdown)	
4	3931832	2	Bolt, Allen Head, 1/2-13 x 2	
5	4740171	2	Washer	
6	0682026	18	Bolt, 5/8-11 x 3-1/4, Grade 8	
7	4892000	41	Washer, 5/8	
9	3020029	AR	Lube, Bearing Grease	
10	0682028	23	Bolt, 5/8-11 x 3-1/2, Grade 8	

# SECTION 2 - TURNTABLE

## FIGURE 2-9. SWING MOTOR ASSEMBLY



ART\_1001104850

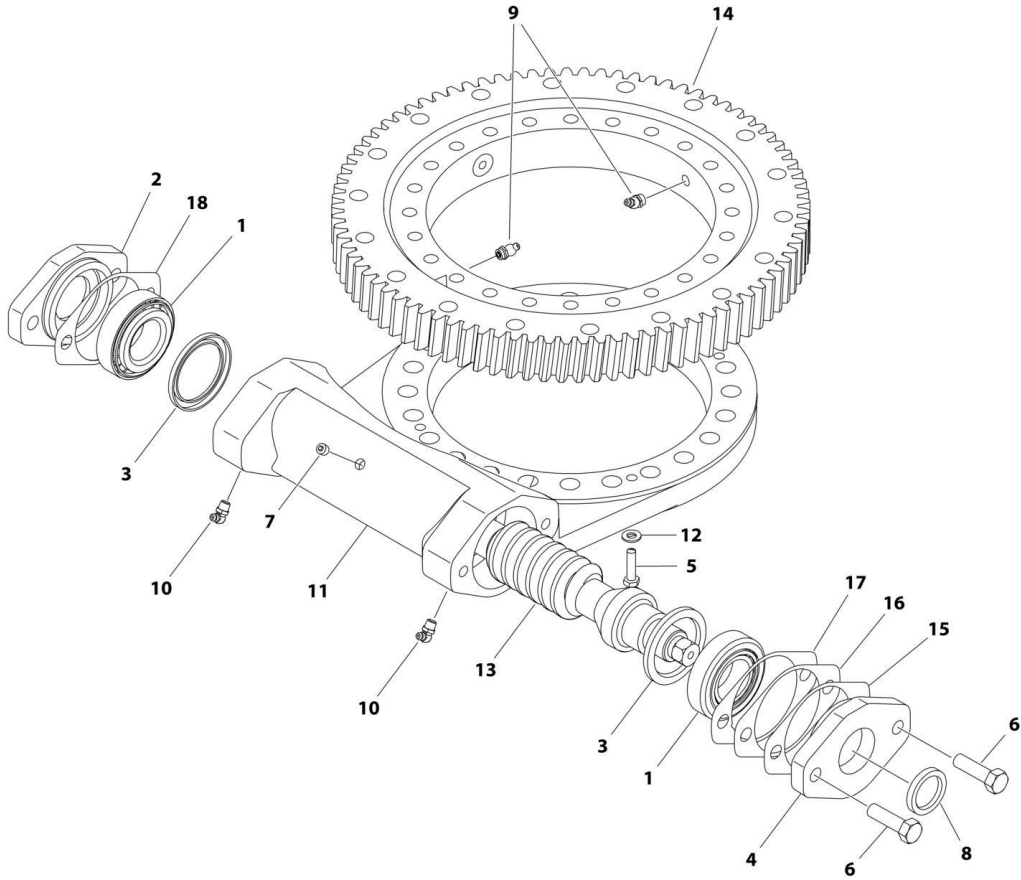
## SECTION 2 - TURNTABLE

### FIGURE 2-9. SWING MOTOR ASSEMBLY

ITEM	PART NUMBER	QTY	DESCRIPTION	REV
	1001104850	Ref	SWING MOTOR ASSEMBLY	A
1	See Note	5	Bolt (Note: Not Available for Purchase)	
2	7004035	1	Cover, End	
3	7023318	1	Seal, Commutator	
4	7004036	5	O-Ring	
5	7024453	1	Commutator and Ring Assembly	
6	See Note	NSS	Ring (Note: Use p/n 7024453)	
7	7024379	1	Manifold	
8	70002206	1	Rotor Set	
9	7024380	1	Plate, Ware	
10	70002207	1	Link, Drive	
12	70000088	1	Shaft, Coupling	
12A	70000089	1	Key, Woodruff	
13	7024381	1	Bearing, Inner	
14	7004043	1	Washer, Thrust	
15	7004044	1	Bearing, Thrust	
16	7004049	1	Seal, Inner	
17	7004045	1	Ring, Back-up	
18	See Note	NSS	Housing (Note: Use p/n 1001104850)	
19	7024390	1	Bearing, Outer	
20	7004047	1	Seal	
100	7024389	1	Seal Kit (Includes Items 3, 4, 16, 17 & 20)	

# SECTION 2 - TURNTABLE

## FIGURE 2-10. SWING BEARING ASSEMBLY



ART\_1001153017



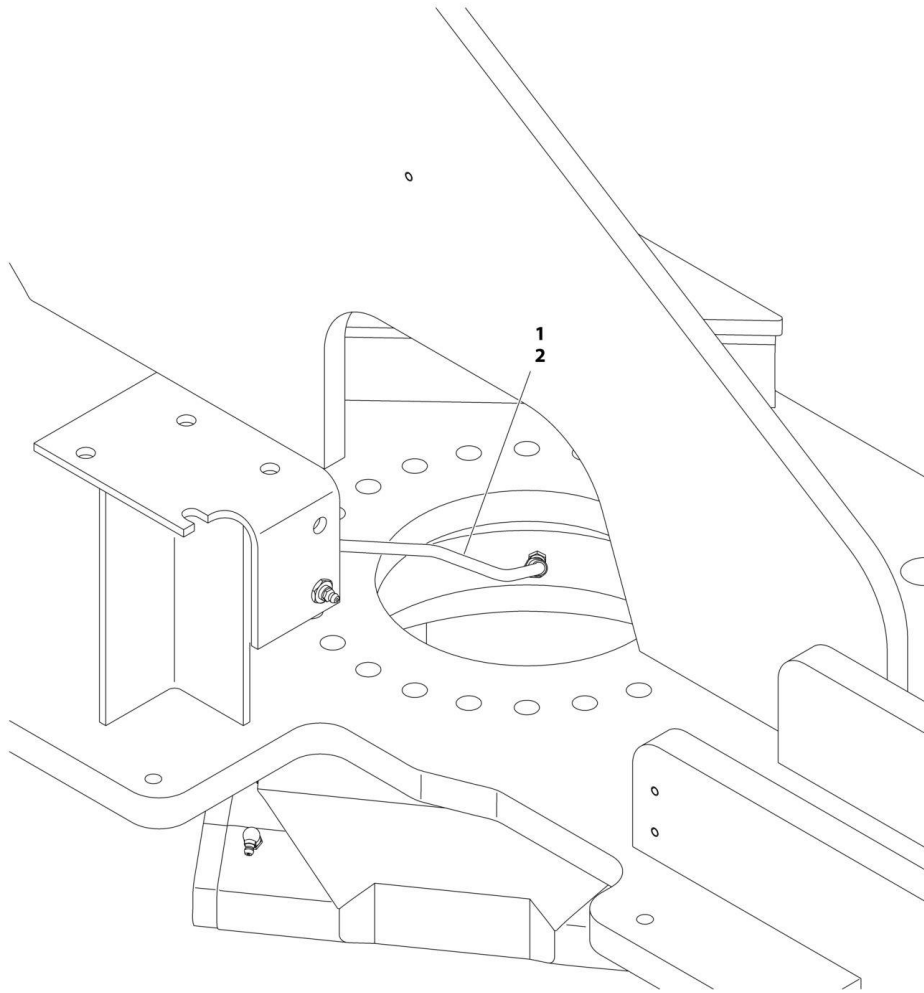
## SECTION 2 - TURNTABLE

**FIGURE 2-10. SWING BEARING ASSEMBLY**

ITEM	PART NUMBER	QTY	DESCRIPTION	REV
	1001153017	Ref	SWING BEARING ASSEMBLY	B
1	7026042	2	Bearing, Cup	
1	7026043	2	Bearing, Cone	
2	7027356	1	Adapter, Motor	
3	7027361	2	Seal	
4	7027354	1	Cap, End	
5	0641510	2	Bolt, 5/16-18 x 1-1/4	
6	0641812	2	Bolt, 1/2-13 x 1-1/2	
7	70000865	1	Plug	
8	7027360	1	Seal	
9	7027359	2	Fitting, Grease - Straight	
9	2160003	2	Fitting, Grease - 45	
10	7027358	2	Fitting, Grease - 90	
11	See Note	NSS	Housing (Note: Not Sold Separate - Use 1001153017)	
12	4891500	1	Washer, 5/16	
13	7027363	1	Gear, Worm	
14	70004159	1	Ring Gear	
15	7027352	AR	Gasket (.010 - Brown)	
16	7027351	AR	Gasket (.0075 - Clear)	
17	7027350	AR	Gasket (.005 - Blue)	
18	7027353	1	Gasket (.020 - Yellow)	

# SECTION 2 - TURNTABLE

## FIGURE 2-11. REMOTE BEARING LUBE INSTALLATION - OPTIONAL



ART\_1001166341

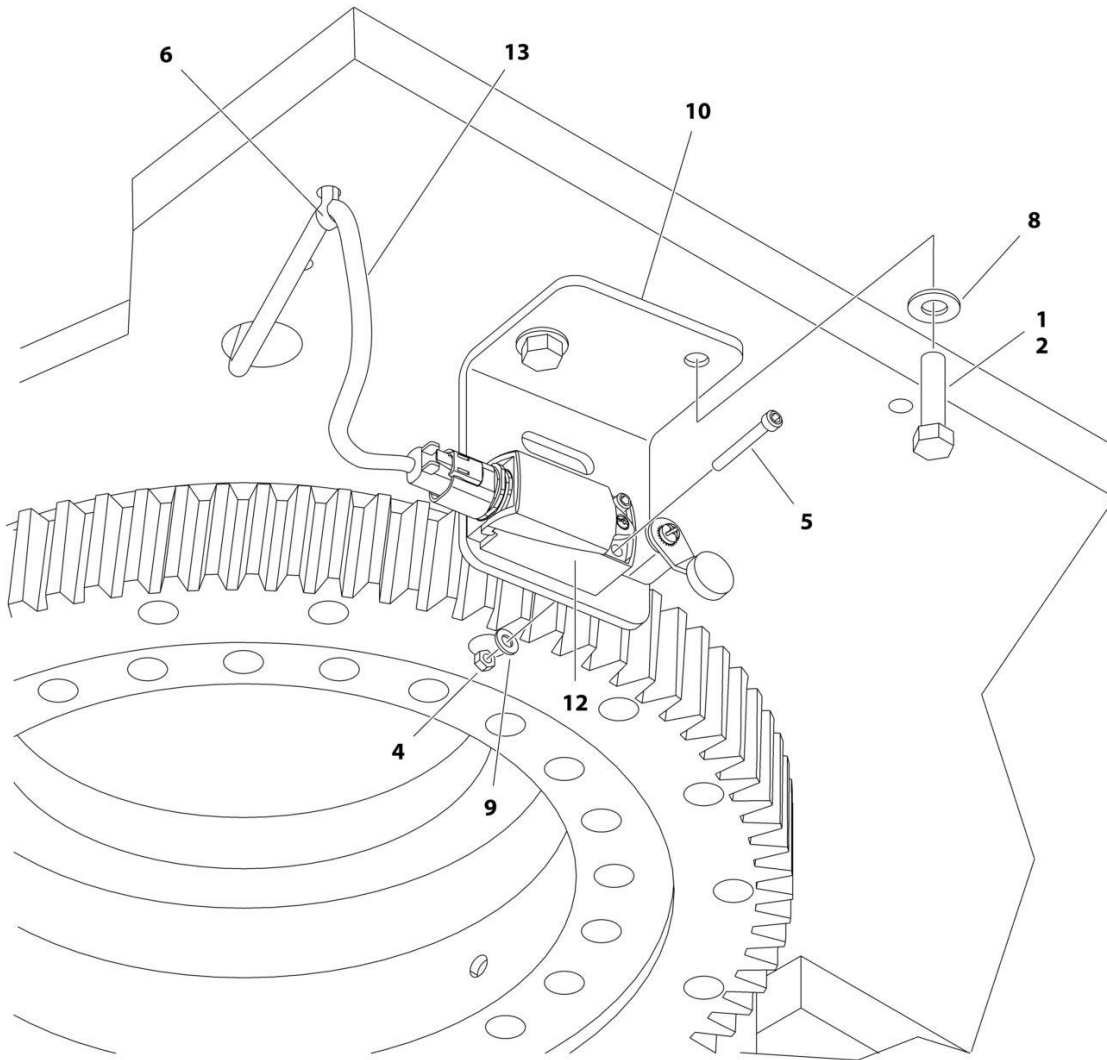
## SECTION 2 - TURNTABLE

FIGURE 2-11. REMOTE BEARING LUBE INSTALLATION - OPTIONAL

ITEM	PART NUMBER	QTY	DESCRIPTION	REV
	1001166341	Ref	REMOTE BEARING LUBE INSTALLATION - OPTIONAL	B
1	1001157058	1	Hose, Remote Grease Line	
2	0100011	AR	Compound, Locking	

# SECTION 2 - TURNTABLE

## FIGURE 2-12. DRIVE ORIENTATION INSTALLATION



ART\_1001166440

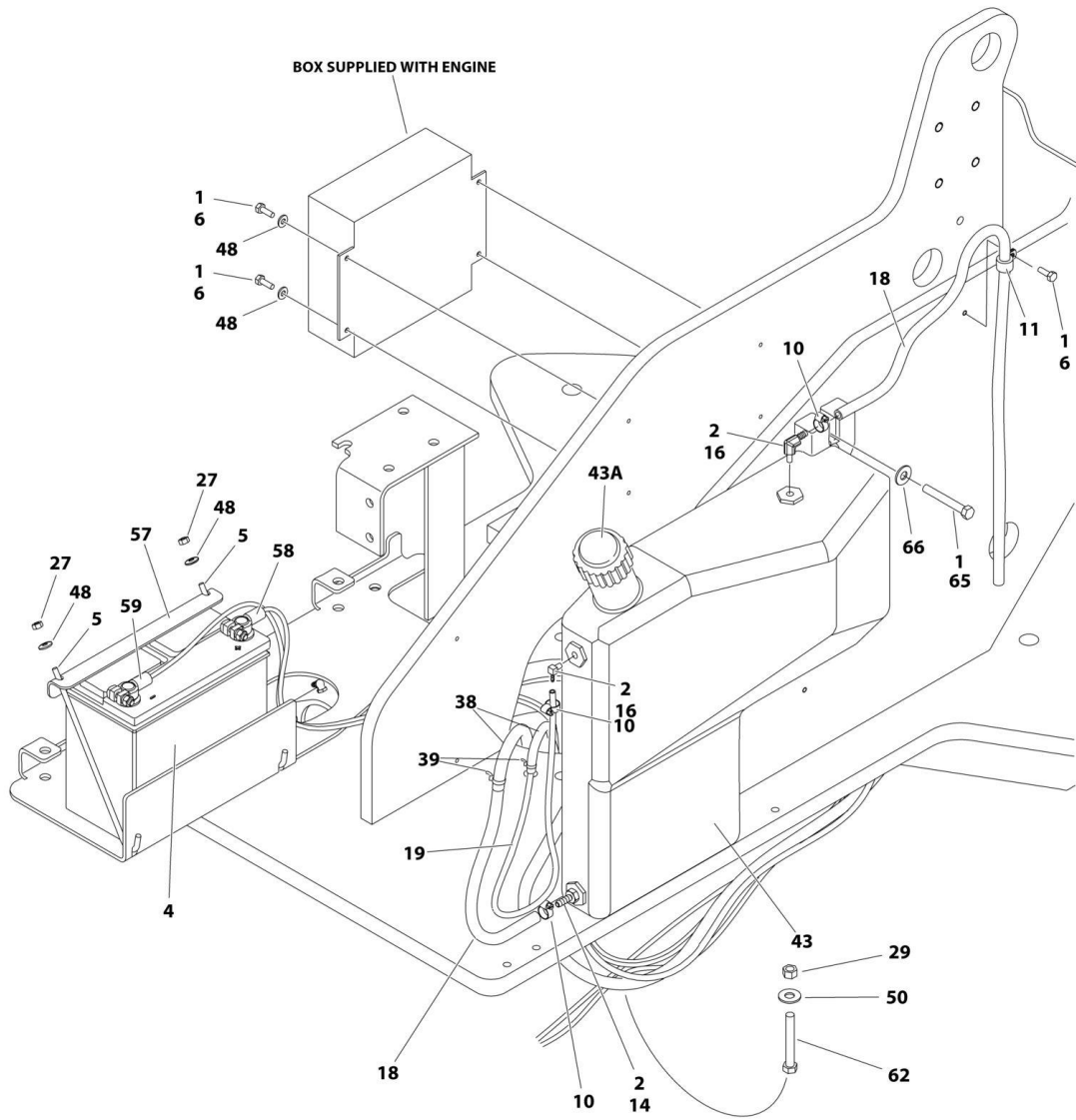
## SECTION 2 - TURNTABLE

### FIGURE 2-12. DRIVE ORIENTATION INSTALLATION

ITEM	PART NUMBER	QTY	DESCRIPTION	REV
	1001166440	Ref	DRIVE ORIENTATION INSTALLATION	B
1	0100011	AR	Compound, Locking	
2	0641608	2	Bolt, 3/8-16 x 1	
4	3310805	2	Nut, Lock, #8-32	
5	3930824	2	Bolt, Allen Head, #8-32 x 1-1/2	
6	4240175	1	Tie, Strap	
8	4711600	2	Washer, 3/8	
9	4750800	2	Washer, #8	
10	1001171298	1	Bracket, Mounting	
12	1001116232	1	Switch, Limit	
13	1001116522	1	Harness, Drive Orientation (See ELECTRICAL SECTION for Breakdown)	

# SECTION 2 - TURNTABLE

## FIGURE 2-13. FUEL TANK AND BATTERY INSTALLATION - M450AJ



ART\_1001167699\_10F4

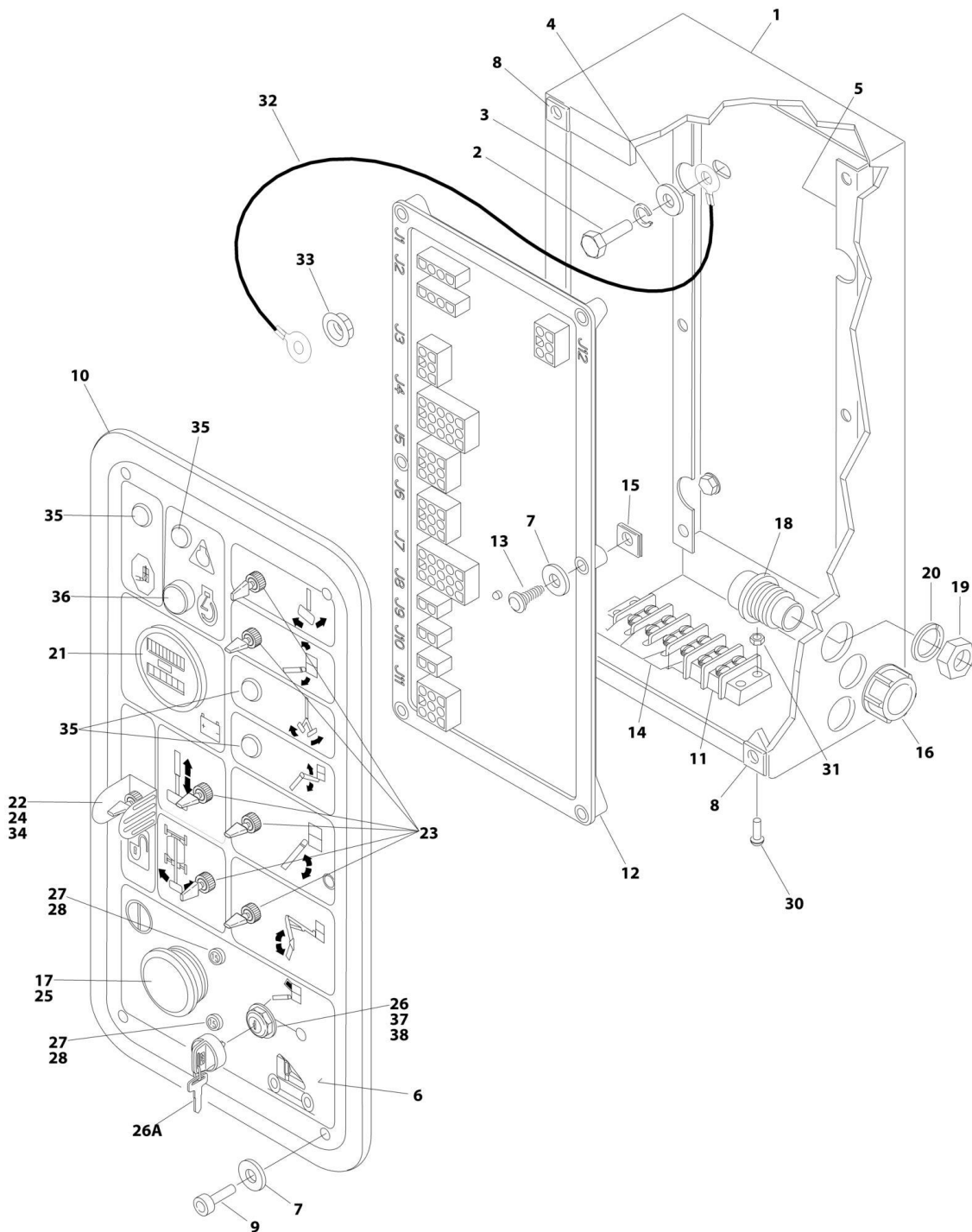
## SECTION 2 - TURNTABLE

**FIGURE 2-13. FUEL TANK AND BATTERY INSTALLATION - M450AJ**

ITEM	PART NUMBER	QTY	DESCRIPTION	REV
	1001167699	Ref	FUEL TANK AND BATTERY INSTALLATION - M450AJ	C
1	0100011	AR	Compound, Locking	
2	0100020	AR	Sealant	
4	0400201	1	Battery	
5	0630552	2	Bolt, Battery Hold Down	
6	0641406	6	Bolt, 1/4-20 x 3/4	
10	1320022	3	Clamp	
11	1320041	1	Clamp	
14	2180348	1	Fitting, Straight, NPT - Barb	
16	2221046	1	Fitting, 90, NPT - Barb	
17	2221047	1	Fitting, 90, NPT - Barb	
18	2720058	16 ft/4.9m	Hose	
19	2720271	10 ft/3m	Hose	
27	3311405	2	Nut, Lock, 1/4-20	
29	3311605	1	Nut, Lock, 3/8-16	
38	4100026	6 ft/1.8m	Sleeve, Hose	
39	4240033	AR	Tie, Wire	
43	4400417	1	Tank, Fuel	
43A	7020179	1	Cap, Fuel (Standard)	
43A	1120487	1	Cap, Lockable (Optional)	
48	4711400	6	Washer, 1/4	
50	4751600	2	Washer, 3/8	
57	1001165977	1	Mount, Battery	
58	1001168004	1	Cable, Battery (+)	
59	1001168005	1	Cable, Battery (-)	
62	0641622	1	Bolt, 3/8-16 x 2-3/4	
65	0641518	1	Bolt, 5/16-18 x 2-1/4	
66	1001167291	1	Washer, Special	

# SECTION 2 - TURNTABLE

## FIGURE 2-14. GROUND CONTROL BOX ASSEMBLY - E450A



ART\_1810136



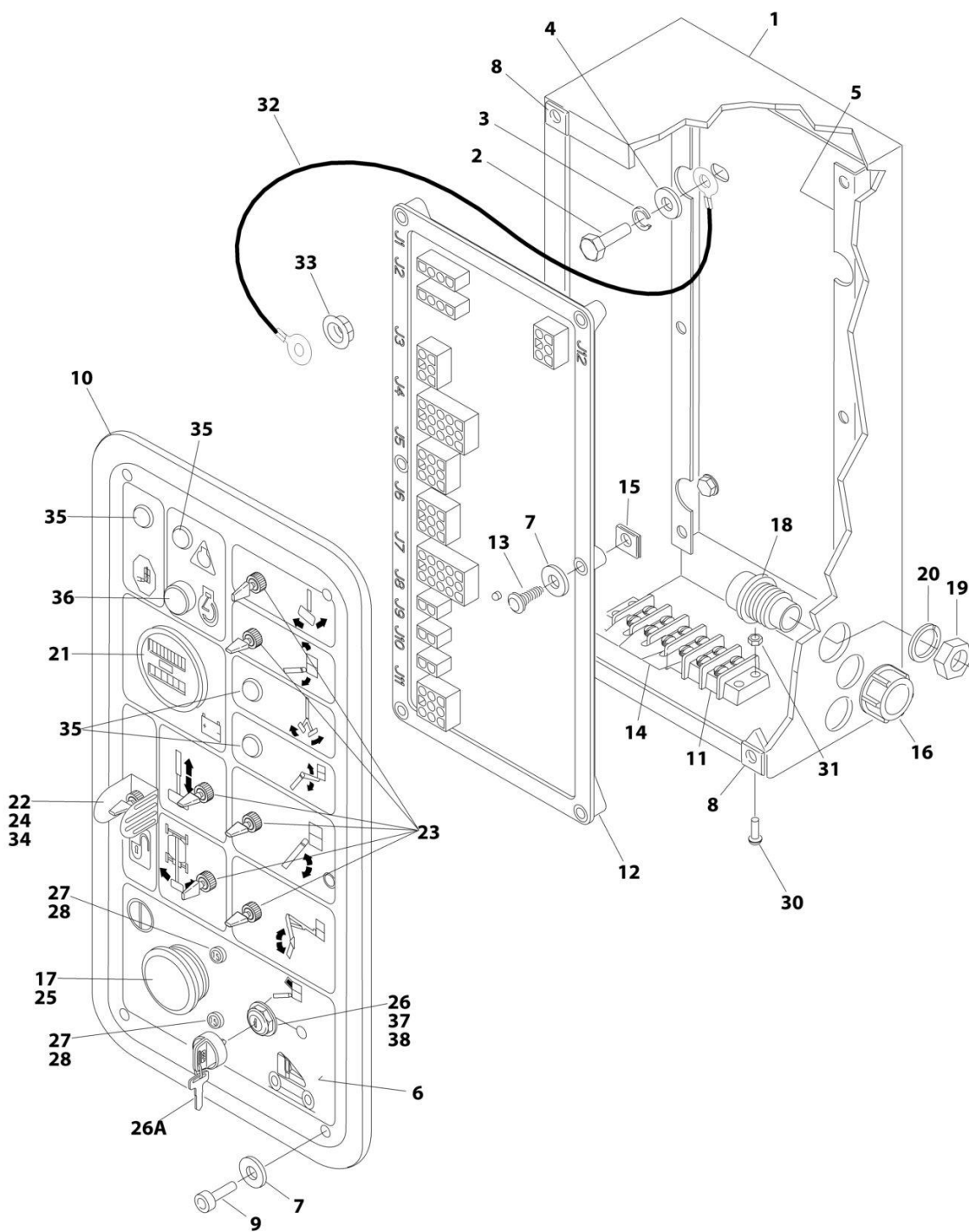
## SECTION 2 - TURNTABLE

### FIGURE 2-14. GROUND CONTROL BOX ASSEMBLY - E450A

ITEM	PART NUMBER	QTY	DESCRIPTION	REV
	1810136	Ref	GROUND CONTROL BOX ASSEMBLY - E450A	D
1	0861152	1	Box Weldment	
2	0641605	4	Bolt, 3/8-16 x 5/8	
3	4761600	4	Washer, Lock, 3/8	
4	4751600	4	Washer, 3/8	
5	0902406	1	Bracket, Module Mounting	
6	1706938	1	Nameplate	
7	4740120	12	Washer	
8	3300365	6	Nut, Retainer	
9	0630518	6	Screw #10-24 x 3/4	
10	3960438	50 in /1.26m	Seal	
11	4460007	1	Strip, Terminal - 6 Position	
12	1001109497	1	Module (Note: Re-calibration Required when Replaced)	
13	0750808	6	Screw, #8 x 1	
14	4460264	3	Buss, Terminal	
15	3300188	6	Nut, Tinnerman	
16	4460425	1	Connector, Strain Relief	
17	4360476	1	Block, Contact	
18	4460495	1	Connector - 14 Position	
19	4460497	1	Nut, Conduit	
20	4460496	1	Washer, Lock	
21	2420106	1	Gauge, Hourmeter and Battery Capacity	
22	4740397	7	Spacer	
23	4360328	6	Switch, Toggle	
24	4060802	1	Guard, Switch	
25	4360475	1	Switch, Emergency Stop	
25	7020175	1	Cap, Mushroom Head	
25	7020176	1	Block, Contact	
26	4360469	1	Keyswitch	
26A	2860030	AR	Key, Replacement (Set of 2)	
27	4360070	2	Breaker, Circuit - 15Amp	
28	3300396	2	Nut, Special	
29	4933388	1	Wiring Diagram (Not Shown - See ELECTRICAL SECTION for Breakdown)	
30	0721005	2	Screw, #10-24 x 5/8	
31	3311005	2	Nut, Lock, #10-24	
32	1060584	1	Cable, Lanyard	
33	3311011	1	Nut, Push #10	
34	4360330	1	Switch, Toggle	
35	3520028	4	Plug, Hole, 1/2	
36	3520026	1	Plug, Hole, 5/8	
37	1001151393	1	Shim, Nylon	
38	3910804	6	Screw, #8-32 x 1/4	

# SECTION 2 - TURNTABLE

FIGURE 2-15. GROUND CONTROL BOX ASSEMBLY - E450A - CE SPEC (SN 0300189901 through 0300200789)



ART\_1810137

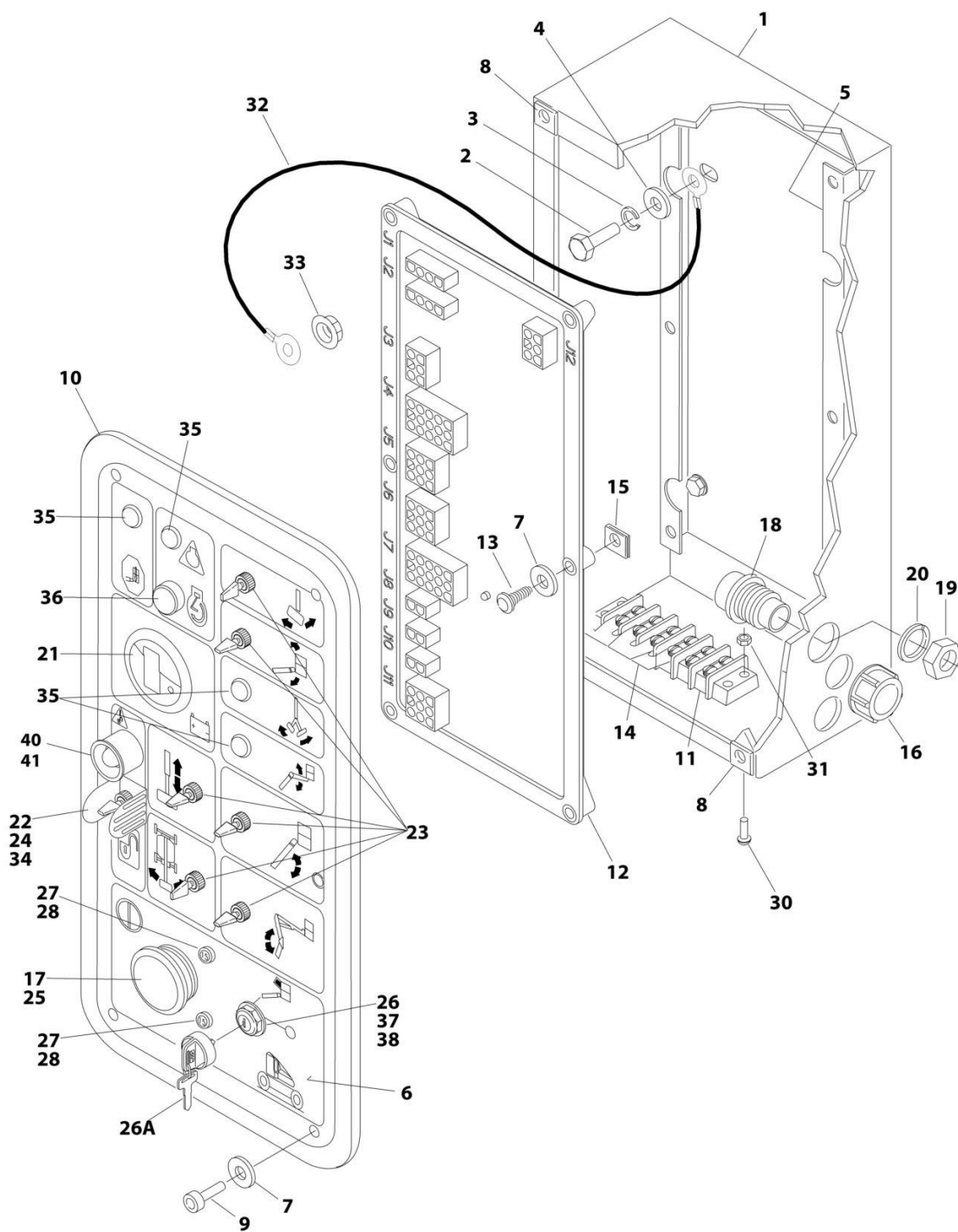
## SECTION 2 - TURNTABLE

**FIGURE 2-15. GROUND CONTROL BOX ASSEMBLY - E450A - CE SPEC (SN 0300189901 through 0300200789)**

ITEM	PART NUMBER	QTY	DESCRIPTION	REV
	1810137	Ref	GROUND CONTROL BOX ASSEMBLY	D
1	0861152	1	Box, Weldment	
2	0641605	4	Bolt 3/8 x 5/8	
3	4761600	4	Washer 3/8	
4	4751600	4	Washer 3/8	
5	0902406	1	Bracket, Module Mounting	
6	1706938	1	Nameplate	
7	4740120	12	Washer	
8	3300365	6	Nut, Retainer	
9	0630518	6	Screw #10 x 3/4	
10	3960438	50 in /1.26m	Seal	
11	4460007	1	Strip, Terminal - 6 Position	
12	1001109497	1	Module (Note: Re-calibration Required when Replaced)	
13	0750808	6	Screw #8 x 1	
14	4460264	3	Buss, Terminal	
15	3300188	6	Nut, Tinnerman	
16	4460425	1	Connector, Strain Relief	
17	4360476	1	Block, Contact	
18	4460495	1	Connector - 14 Position	
19	4460497	1	Nut, Conduit	
20	4460496	1	Washer, Lock	
21	2420106	1	Gauge, Hourmeter/Battery Capacity	
22	4740397	7	Spacer	
23	4360328	6	Switch, Toggle	
24	4060802	1	Guard, Switch	
25	4360475	1	Switch, Emergency Stop	
25	7020175	1	Cap, Mushroom Head	
25	7020176	1	Block, Contact	
26	4360470	1	Keyswitch	
26A	2860030	AR	Key, Replacement (Set of 2)	
27	4360070	2	Breaker, Circuit - 15Amp	
28	3300396	2	Nut, Special	
29	4933388	1	Wiring Diagram (Not Shown - See Separate Breakdown in ELECTRICAL Section)	
30	0721005	2	Screw #10 x 5/8	
31	3311005	2	Nut #10	
32	1060584	1	Cable, Lanyard	
33	3311011	1	Nut #10	
34	4360330	1	Switch, Toggle	
35	3520028	4	Plug, Hole - 1/2	
36	3520026	1	Plug, Hole - 5/8	
37	1001151393	1	Shim - 0.063	
38	3910804	6	Screw #8 x 1/4	

# SECTION 2 - TURNTABLE

FIGURE 2-16. GROUND CONTROL BOX ASSEMBLY - E450A - CE SPEC (SN 0300200790 through 0300208529)



ART\_1001188028

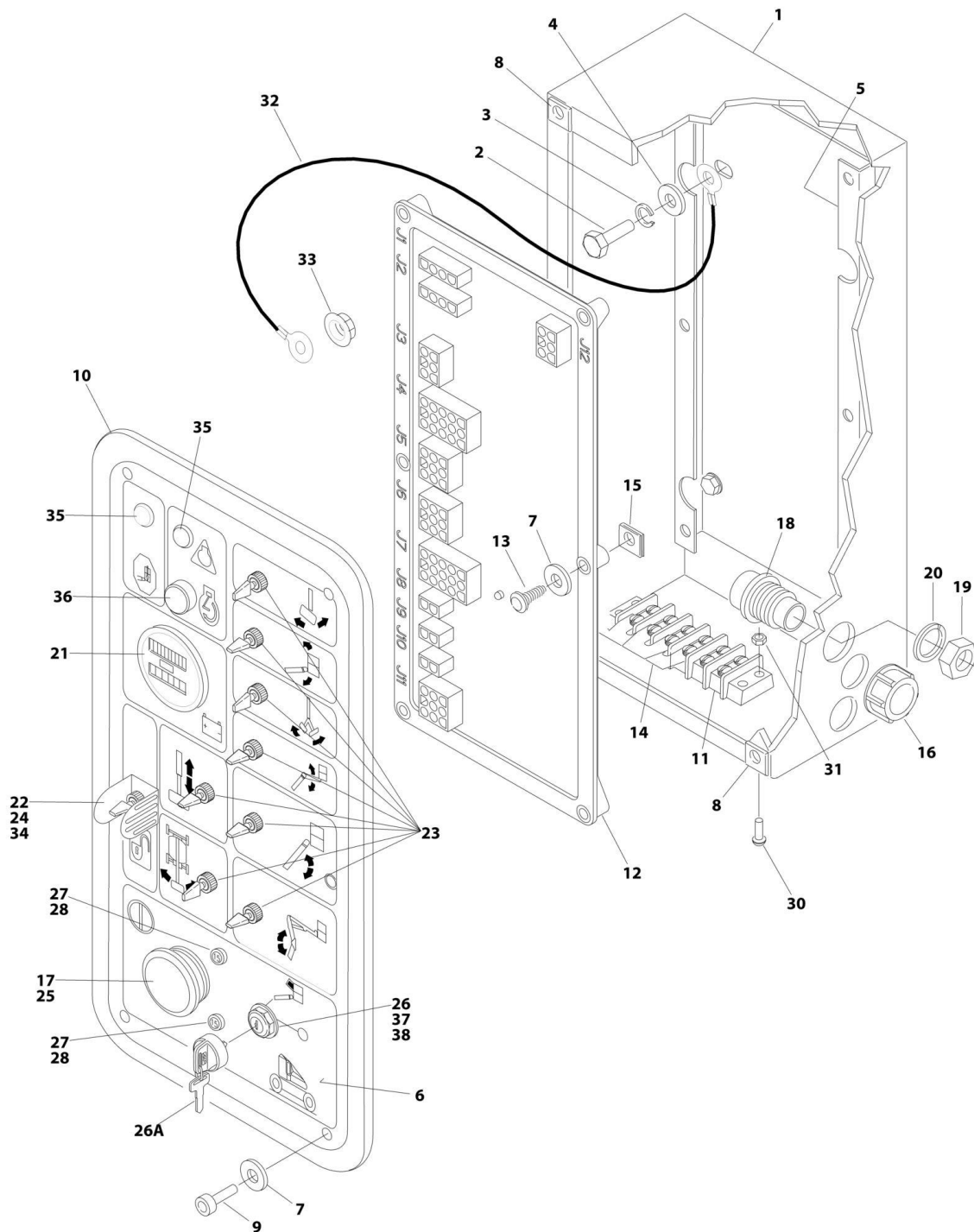
## SECTION 2 - TURNTABLE

**FIGURE 2-16. GROUND CONTROL BOX ASSEMBLY - E450A - CE SPEC (SN 0300200790 through 0300208529)**

ITEM	PART NUMBER	QTY	DESCRIPTION	REV
	1001188028	Ref	GROUND CONTROL BOX ASSEMBLY - E450A - CE SPEC (SN 0300200790 through 0300208529)	B
1	0861152	1	Box, Weldment	
2	0641605	4	Bolt, 3/8-16 x 5/8	
3	4761600	4	Washer, Lock, 3/8	
4	4751600	4	Washer, 3/8	
5	0902406	1	Bracket, Module Mounting	
6	1001196786	1	Nameplate	
7	4740120	12	Washer	
8	3300365	6	Nut, Retainer	
9	0630518	6	Screw, #10-24 x 3/4	
10	3960438	50 in /1.26m	Seal	
11	4460007	1	Strip, Terminal - 6 Position	
12	1001109497	1	Module (Note: Re-calibration Required when Replaced)	
13	0750808	6	Screw, #8 x 1	
14	4460264	3	Buss, Terminal	
15	3300188	6	Nut, Tinnerman	
16	4460425	1	Connector, Strain Relief	
17	4360476	1	Block, Contact	
18	4460495	1	Connector - 14 Position	
19	4460497	1	Nut, Conduit	
20	4460496	1	Washer, Lock	
21	1001109503	1	Gauge, Indicator	
22	4740397	7	Spacer	
23	4360328	6	Switch, Toggle	
24	4060802	1	Guard, Switch	
25	4360475	1	Switch, Emergency Stop	
25	7020175	1	Cap, Mushroom Head	
25	7020176	1	Block, Contact	
26	4360469	1	Keyswitch	
26A	2860030	AR	Key, Replacement (Set of 2)	
27	4360070	2	Breaker, Circuit - 15Amp	
28	3300396	2	Nut, Special	
29	1001189765	1	Wiring Diagram (Not Shown - See ELECTRICAL SECTION for Breakdown)	
30	0721005	2	Screw, #10-24 x 5/8	
31	3311005	2	Nut, Lock, #10-24	
32	1060584	1	Cable, Lanyard	
33	3311011	1	Nut, Push, #10	
34	4360330	1	Switch, Toggle	
35	3520028	4	Plug, Hole - 1/2	
36	3520026	1	Plug, Hole - 5/8	
37	1001151393	1	Shim - 0.063	
38	3910804	6	Screw, #8-32 x 1/4	
40	4360387	1	Switch, Push Button	
41	1001176469	1	Shroud, Push Button Switch	

# SECTION 2 - TURNTABLE

## FIGURE 2-17. GROUND CONTROL BOX ASSEMBLY - E450AJ/M450AJ



ART\_1810138

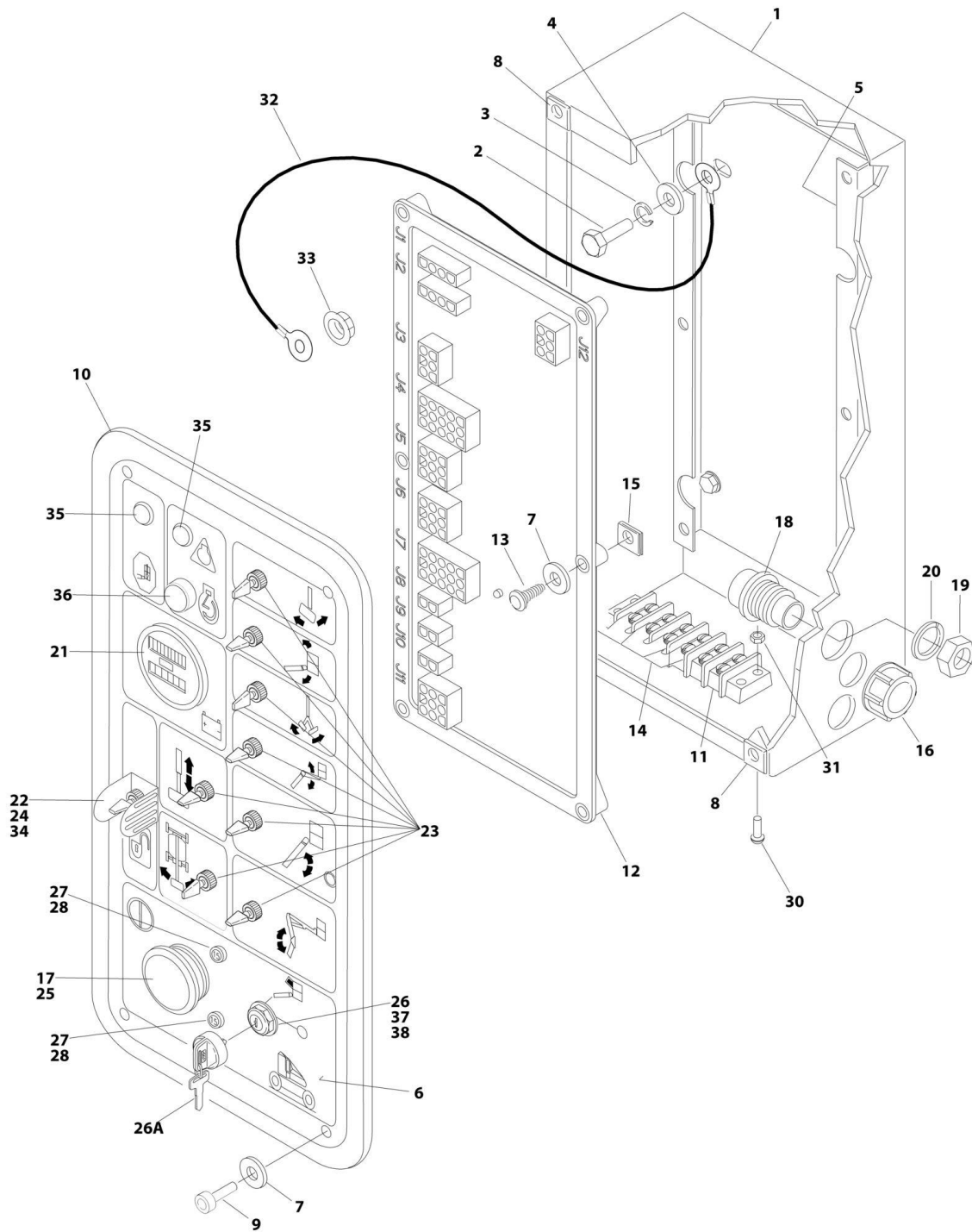
## SECTION 2 - TURNTABLE

**FIGURE 2-17. GROUND CONTROL BOX ASSEMBLY - E450AJ/M450AJ**

ITEM	PART NUMBER	QTY	DESCRIPTION	REV
	1810138	Ref	GROUND CONTROL BOX ASSEMBLY - E450AJ/M450AJ	D
1	0861152	1	Box, Weldment	
2	0641605	4	Bolt, 3/8-16 x 5/8	
3	4761600	4	Washer, Lock, 3/8	
4	4751600	4	Washer, 3/8	
5	0902406	1	Bracket, Module Mounting	
6	1706938	1	Nameplate	
7	4740120	12	Washer	
8	3300365	6	Nut, Retainer	
9	0630518	6	Screw, #10-24 x 3/4	
10	3960438	50 in /1.26m	Seal	
11	4460007	1	Strip, Terminal - 6 Position	
12	1001109497	1	Module (Note: Re-calibration Required when Replaced)	
13	0750808	6	Screw, #8 x 1	
14	4460264	3	Buss, Terminal	
15	3300188	6	Nut, Tinnerman	
16	4460425	1	Connector, Strain Relief	
17	4360476	1	Block, Contact	
18	4460495	1	Connector - 14 Position	
19	4460497	1	Nut, Conduit	
20	4460496	1	Washer, Lock	
21	2420106	1	Gauge, Hourmeter/Battery Capacity	
22	4740397	9	Spacer	
23	4360328	8	Switch, Toggle	
24	4060802	1	Guard, Switch	
25	4360475	1	Switch, Emergency Stop	
25	7020175	1	Cap, Mushroom Head	
25	7020176	1	Block, Contact	
26	4360469	1	Keyswitch	
26A	2860030	AR	Key, Replacement (Set of 2)	
27	4360070	2	Breaker, Circuit - 15Amp	
28	3300396	2	Nut, Special	
29	4933388	1	Wiring Diagram (Not Shown - See ELECTRICAL SECTION for Breakdown)	
30	0721005	2	Screw, #10-24 x 3/4	
31	3311005	2	Nut, Lock, #10-24	
32	1060584	1	Cable, Lanyard	
33	3311011	1	Nut, Push, #10	
34	4360330	1	Switch, Toggle	
35	3520028	2	Plug, Hole - 1/2	
36	3520026	1	Plug, Hole - 5/8	
37	1001151393	1	Shim - 0.063	
38	3910804	6	Screw, #8-32 x 1/4	

# SECTION 2 - TURNTABLE

FIGURE 2-18. GROUND CONTROL BOX ASSEMBLY - E450AJ/M450AJ - CE SPEC (SN 0300189901 through 0300200789)



ART\_1810139



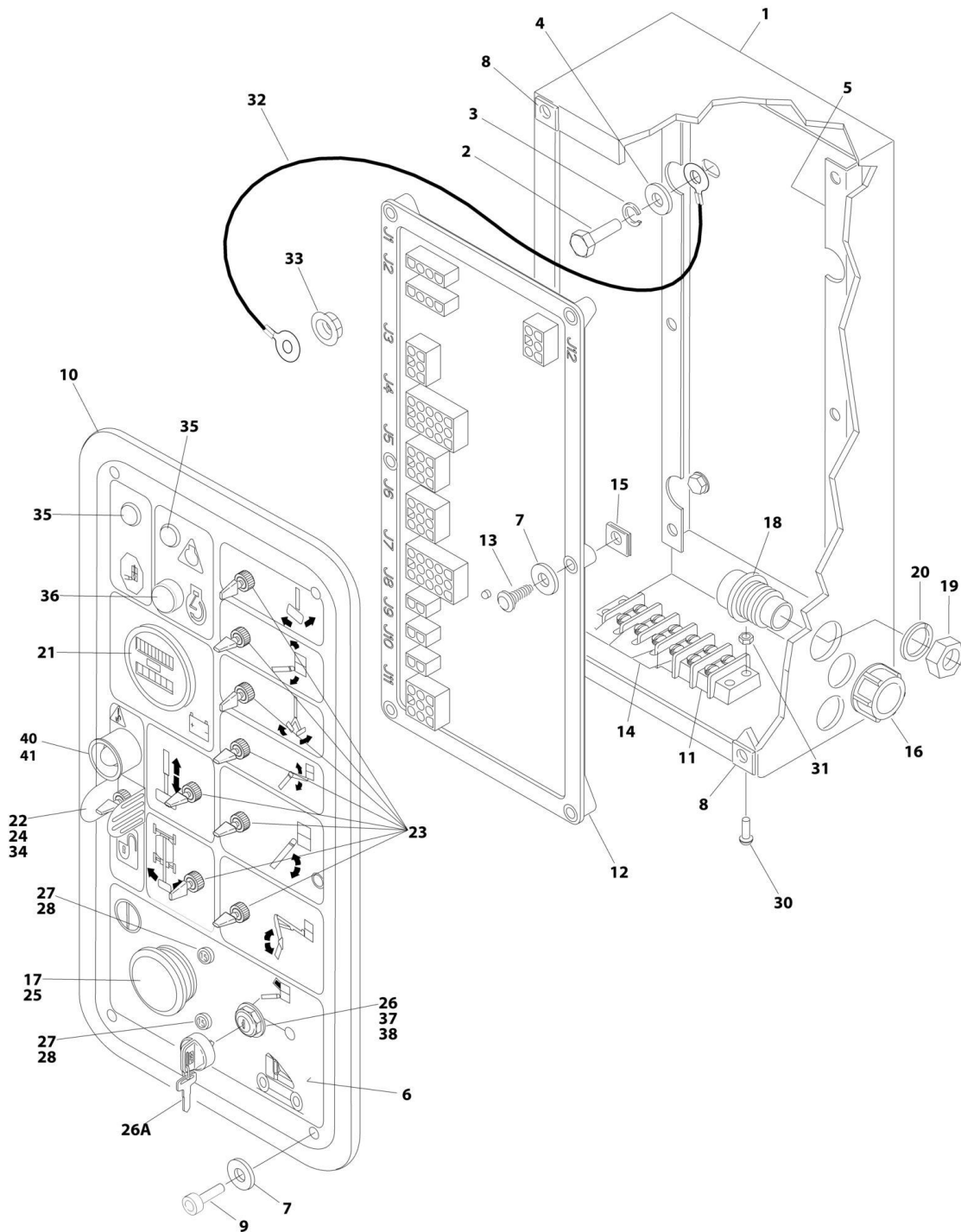
## SECTION 2 - TURNTABLE

**FIGURE 2-18. GROUND CONTROL BOX ASSEMBLY - E450AJ/M450AJ - CE SPEC (SN 0300189901 through 0300200789)**

ITEM	PART NUMBER	QTY	DESCRIPTION	REV
	1810139	Ref	GROUND CONTROL BOX ASSEMBLY (SN 0300189901 through 0300200789)	D
1	0861152	1	Box, Weldment	
2	0641605	4	Bolt 3/8 x 5/8	
3	4761600	4	Washer 3/8	
4	4751600	4	Washer 3/8	
5	0902406	1	Bracket, Module Mounting	
6	1706938	1	Nameplate	
7	4740120	12	Washer	
8	3300365	6	Nut, Retainer	
9	0630518	6	Screw #10 x 3/4	
10	3960438	50 in /1.26m	Seal	
11	4460007	1	Strip, Terminal - 6 Position	
12	1001109497	1	Module (Note: Re-calibration Required when Replaced)	
13	0750808	6	Screw #8 x 1	
14	4460264	3	Buss, Terminal	
15	3300188	6	Nut, Tinnerman	
16	4460425	1	Connector, Strain Relief	
17	4360476	1	Block, Contact	
18	4460495	1	Connector - 14 Position	
19	4460497	1	Nut, Conduit	
20	4460496	1	Washer Lock	
21	2420106	1	Gauge, Hourmeter/Battery Capacity	
22	4740397	9	Spacer	
23	4360328	8	Switch, Toggle	
24	4060802	1	Guard, Switch	
25	4360475	1	Switch, Emergency Stop	
25	7020175	1	Cap, Mushroom Head	
25	7020176	1	Block, Contact	
26	4360470	1	Keyswitch	
26A	2860030	1	Key, Replacement (Set of 2)	
27	4360070	2	Breaker, Circuit - 15Amp	
28	3300396	2	Nut, Special	
29	4933388	1	Wiring Diagram (Not Shown - See Separate Breakdown in ELECTRICAL Section)	
30	0721005	2	Screw #10 x 3/4	
31	3311005	2	Nut #10	
32	1060584	1	Cable, Lanyard	
33	3311011	1	Nut #10	
34	4360330	1	Switch, Toggle	
35	3520028	2	Plug, Hole - 1/2	
36	3520026	1	Plug, Hole - 5/8	
37	1001151393	1	Shim - 0.063	
38	3910804	6	Screw #8 x 1/4	

# SECTION 2 - TURNTABLE

FIGURE 2-19. GROUND CONTROL BOX ASSEMBLY - E450AJ/M450AJ - CE SPEC (SN 0300200790 through 0300208529)



ART\_1001188029

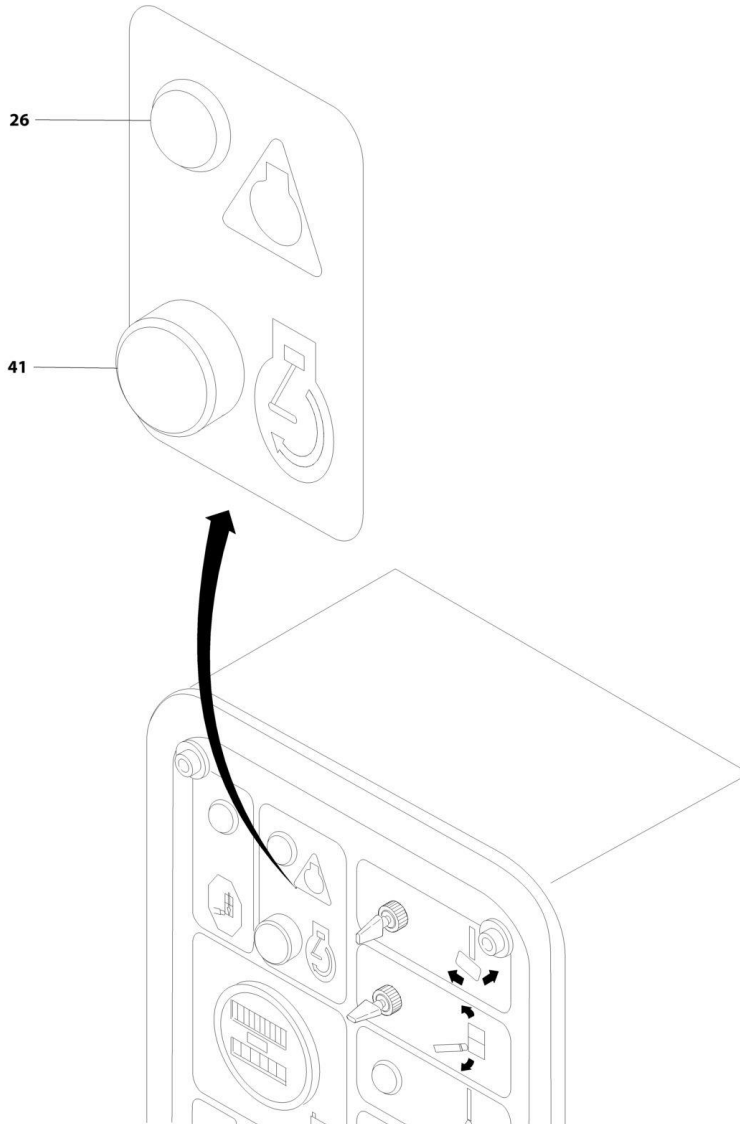
## SECTION 2 - TURNTABLE

**FIGURE 2-19. GROUND CONTROL BOX ASSEMBLY - E450AJ/M450AJ - CE SPEC (SN 0300200790 through 0300208529)**

ITEM	PART NUMBER	QTY	DESCRIPTION	REV
	1001188029	Ref	GROUND CONTROL BOX ASSEMBLY - E450AJ/M450AJ - CE SPEC (SN 0300200790 through 0300208529)	B
1	0861152	1	Box, Weldment	
2	0641605	4	Bolt, 3/8-16 x 5/8	
3	4761600	4	Washer, Lock, 3/8	
4	4751600	4	Washer, 3/8	
5	0902406	1	Bracket, Module Mounting	
6	1001196786	1	Nameplate	
7	4740120	12	Washer	
8	3300365	6	Nut, Retainer	
9	0630518	6	Screw, #10-24 x 3/4	
10	3960438	50 in /1.26m	Seal	
11	4460007	1	Strip, Terminal - 6 Position	
12	1001109497	1	Module (Note: Re-calibration Required when Replaced)	
13	0750808	6	Screw, #8 x 1	
14	4460264	3	Buss, Terminal	
15	3300188	6	Nut, Tinnerman	
16	4460425	1	Connector, Strain Relief	
17	4360476	1	Block, Contact	
18	4460495	1	Connector - 14 Position	
19	4460497	1	Nut, Conduit	
20	4460496	1	Washer, Lock	
21	1001109503	1	Gauge, Indicator	
22	4740397	9	Spacer	
23	4360328	8	Switch, Toggle	
24	4060802	1	Guard, Switch	
25	4360475	1	Switch, Emergency Stop	
25	7020175	1	Cap, Mushroom Head	
25	7020176	1	Block, Contact	
26	4360469	1	Keyswitch	
26A	2860030	1	Key, Replacement (Set of 2)	
27	4360070	2	Breaker, Circuit - 15Amp	
28	3300396	2	Nut, Special	
29	1001189765	1	Wiring Diagram (Not Shown - See ELECTRICAL SECTION for Breakdown)	
30	0721005	2	Screw, #10-24 x 3/4	
31	3311005	2	Nut, Lock, #10-24	
32	1060584	1	Cable, Lanyard	
33	3311011	1	Nut, Push, #10	
34	4360330	1	Switch, Toggle	
35	3520028	3	Plug, Hole - 1/2	
36	3520026	1	Plug, Hole - 5/8	
37	1001151393	1	Shim - 0.063	
38	3910804	6	Screw, #8-32 x 1/4	
40	4360387	1	Switch, Push Button	
41	1001176469	1	Shroud, Push Button Switch	

## SECTION 2 - TURNTABLE

FIGURE 2-20. MOTOR CONTROLS INSTALLATION - M450AJ



ART\_1001167699\_20F4

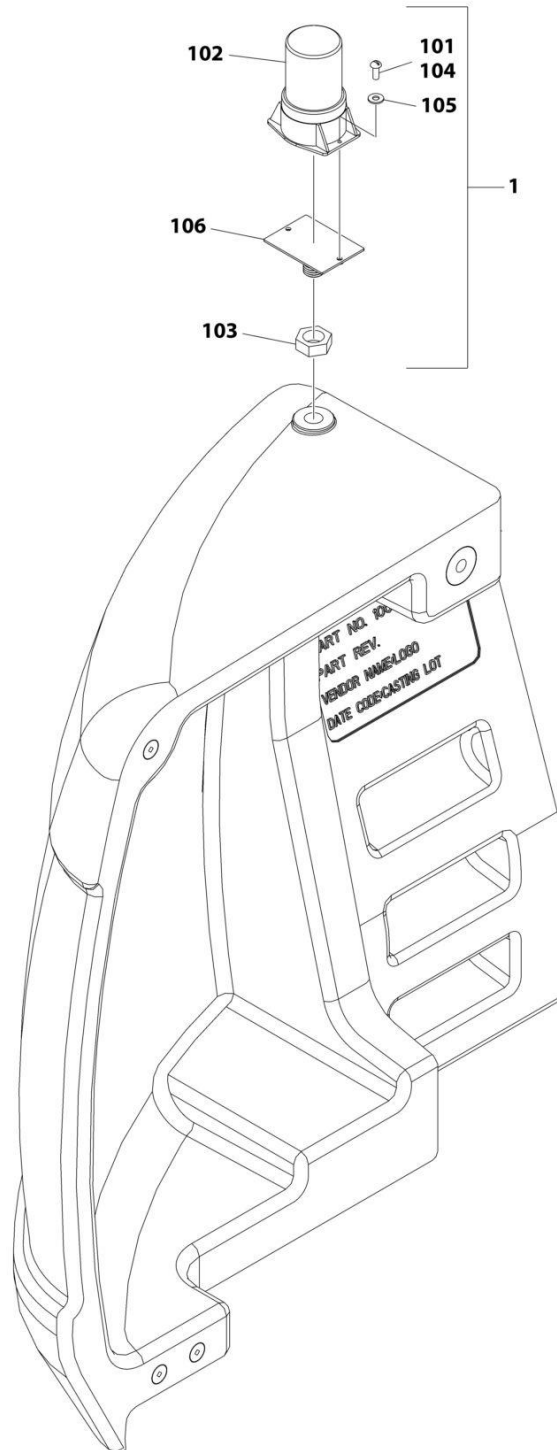
## SECTION 2 - TURNTABLE

### FIGURE 2-20. MOTOR CONTROLS INSTALLATION - M450AJ

ITEM	PART NUMBER	QTY	DESCRIPTION	REV
	1001167699	Ref	MOTOR CONTROLS INSTALLATION - M450AJ	C
26	2920151	1	Led (Red)	
41	4360274	1	Switch, Push Button	
54	4922319	1	Harness, Generator (Not Shown - See ELECTRICAL SECTION for Breakdown)	

# SECTION 2 - TURNTABLE

## FIGURE 2-21. STROBE LIGHT INSTALLATION (AMBER) - OPTIONAL



ART\_1001149955

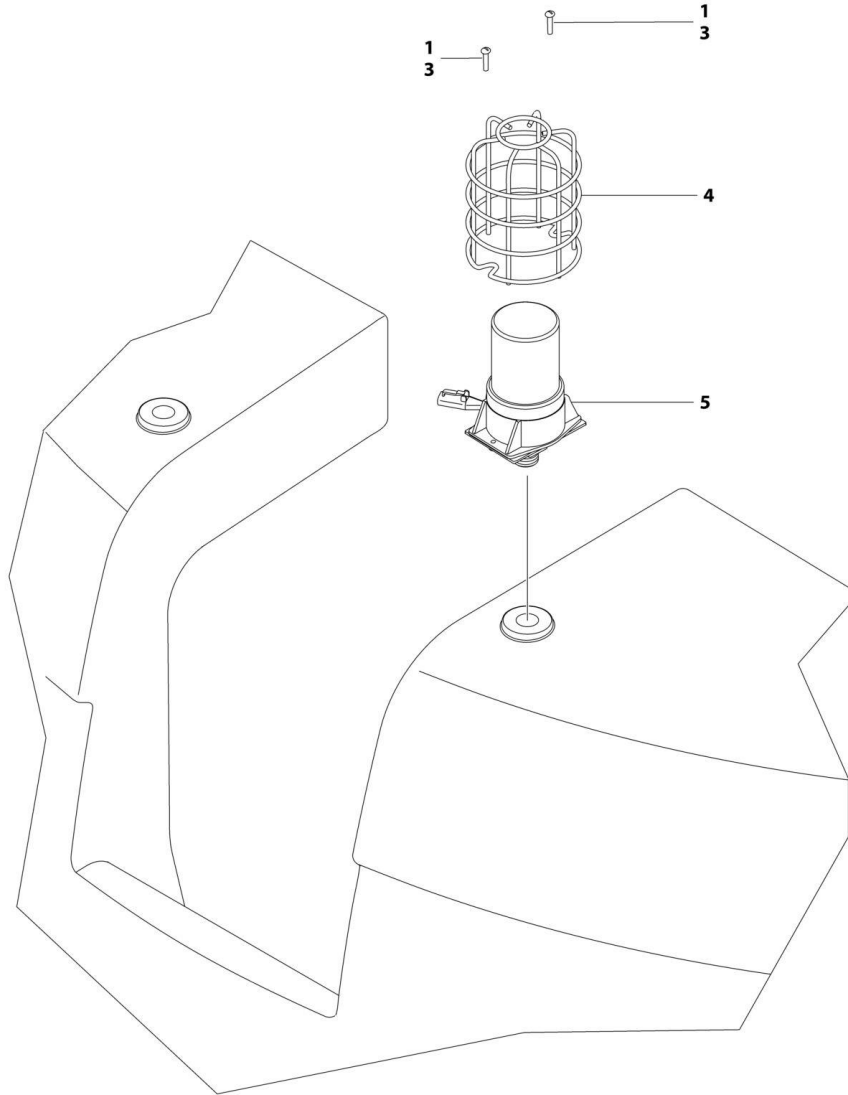
## SECTION 2 - TURNTABLE

**FIGURE 2-21. STROBE LIGHT INSTALLATION (AMBER) - OPTIONAL**

ITEM	PART NUMBER	QTY	DESCRIPTION	REV
	1001149955	Ref	STROBE LIGHT INSTALLATION (AMBER) - OPTIONAL	A
		Ref	Note: If machine is equipped with BLUE Strobe Light, See SPECIAL OPTIONS SECTION SkyGuard Kit.	
1	1001150406	1	Strobe Light Assembly (See STROBE LIGHT ASSEMBLY for Breakdown)	
2	1001149818	1	Harness, Strobe Light (Not Shown - See ELECTRICAL SECTION for Breakdown)	

# SECTION 2 - TURNTABLE

## FIGURE 2-22. STROBE LIGHT INSTALLATION - UL LISTED - OPTIONAL



ART\_1001158612



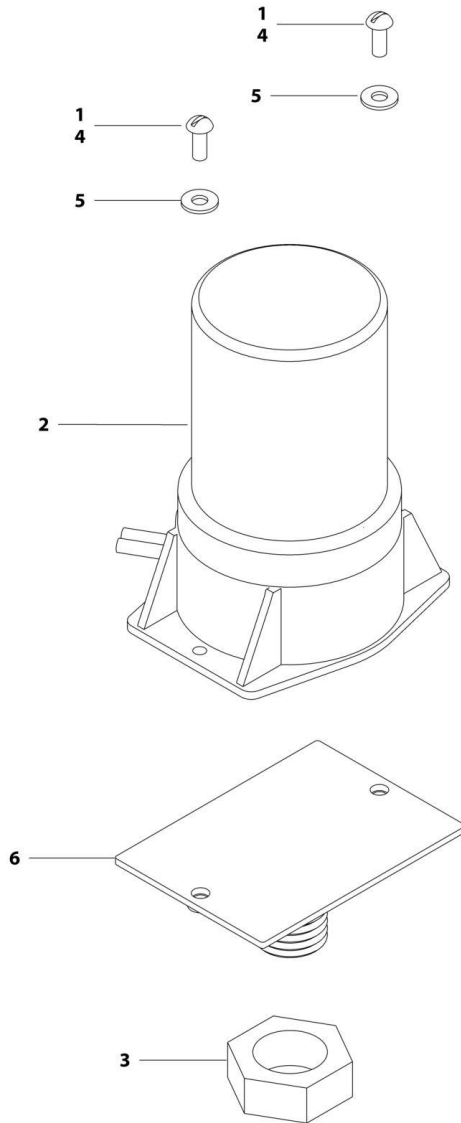
## SECTION 2 - TURNTABLE

**FIGURE 2-22. STROBE LIGHT INSTALLATION - UL LISTED - OPTIONAL**

ITEM	PART NUMBER	QTY	DESCRIPTION	REV
	1001158612	Ref	STROBE LIGHT INSTALLATION - UL LISTED - OPTIONAL	A
		Ref	Note: If machine is equipped with BLUE Strobe Light, See SPECIAL OPTIONS SECTION SkyGuard Kit.	
1	0100035	AR	Compound, Locking	
2	1001149818	1	Harness, Strobe Light (Not Shown - See ELECTRICAL SECTION for Breakdown)	
3	3900128	2	Screw #10-32 x 7/8	
4	4060865	1	Guard	
5	1001150406	1	Strobe Light Assembly (See STROBE LIGHT ASSEMBLY for Breakdown)	

# SECTION 2 - TURNTABLE

## FIGURE 2-23. STROBE LIGHT ASSEMBLY



ART\_1001150406

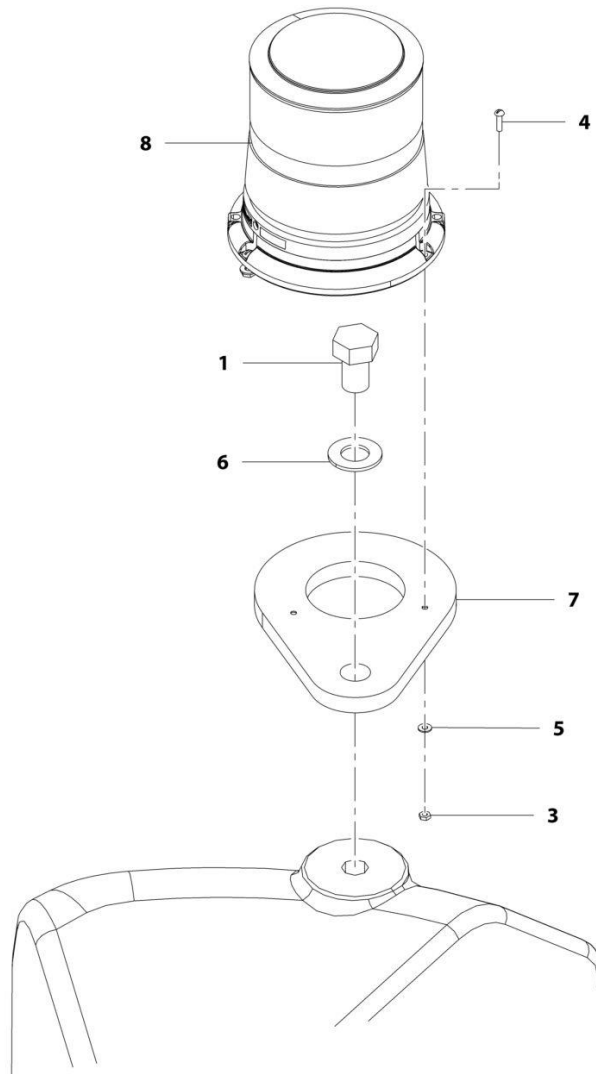
## SECTION 2 - TURNTABLE

**FIGURE 2-23. STROBE LIGHT ASSEMBLY**

ITEM	PART NUMBER	QTY	DESCRIPTION	REV
	1001150406	Ref	STROBE LIGHT ASSEMBLY (AMBER)	B
		Ref	Note: If machine is equipped with BLUE Strobe Light, See SPECIAL OPTIONS SECTION SkyGuard Kit.	
1	0100035	AR	Compound, Locking	
2	2920161	1	Strobe Light/Harness Assembly (See ELECTRICAL SECTION for Breakdown)	
3	3312602	1	Nut, Jam 1-8	
4	3900085	2	Screw #10-32 x 1/2	
5	4751000	2	Washer, #10	
6	1001149994	1	Plate, Mounting	

## SECTION 2 - TURNTABLE

FIGURE 2-24. BEACON LIGHT INSTALLATION - BLUE (SN 0300189901 through 0300200789)



ART\_1001149564

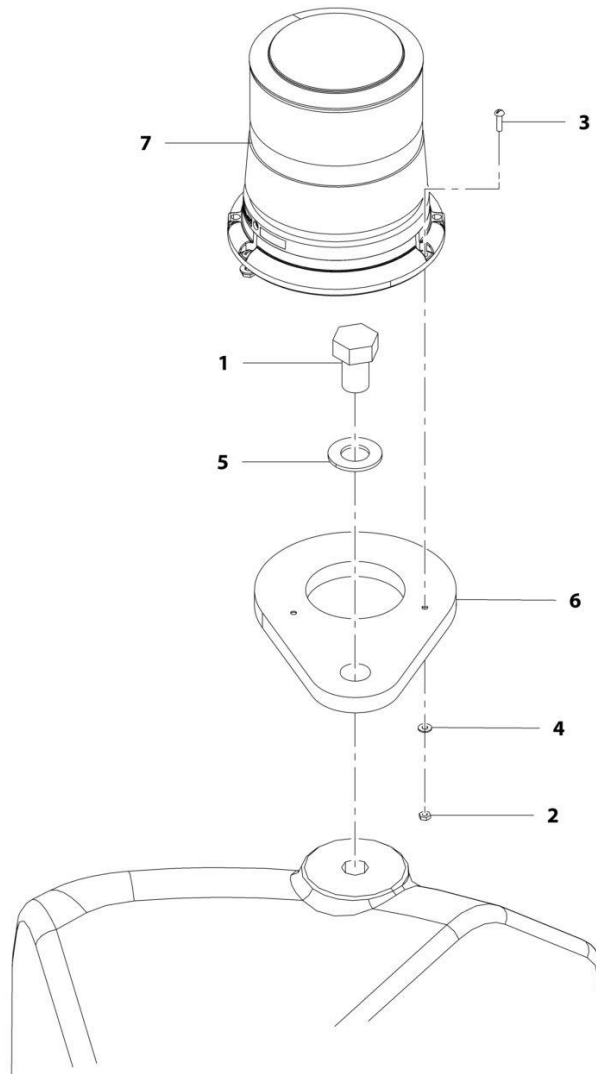
## SECTION 2 - TURNTABLE

**FIGURE 2-24. BEACON LIGHT INSTALLATION - BLUE (SN 0300189901 through 0300200789)**

ITEM	PART NUMBER	QTY	DESCRIPTION	REV
	1001149564	Ref	BEACON LIGHT INSTALLATION - BLUE (SN 0300189901 through 0300200789)	A
1	0642612	1	Bolt 1 x 1-1/2	
3	3311005	3	Nut #10	
4	3911012	3	Screw 10 x 3/4	
5	4711000	3	Washer #10	
6	4712600	1	Washer 1	
7	1001142694	1	Bracket	
8	1001143431	1	Light, Beacon	
8	7028909	1	Connector - 2 Position	
8	4460943	1	Pin, Male	
9	1001149570	1	Beacon Harness (Not Shown - See Separate Breakdown in ELECTRICAL Section)	
10	4240033	8	Tie-Strap (Not Shown)	
11	4460488	8	Base, Terminal Mounting (Not Shown)	

## SECTION 2 - TURNTABLE

FIGURE 2-25. BEACON LIGHT INSTALLATION - BLUE (SN 0300200790 through 0300208529)



ART\_1001189194

## SECTION 2 - TURNTABLE

**FIGURE 2-25. BEACON LIGHT INSTALLATION - BLUE (SN 0300200790 through 0300208529)**

ITEM	PART NUMBER	QTY	DESCRIPTION	REV
	1001189194	Ref	BEACON LIGHT INSTALLATION - BLUE (SN 0300200790 through 0300208529)	A
1	0642612	1	Bolt, 1-8 X 1-1/2	
2	3311005	3	Nut, Lock #10-24	
3	3911012	3	Screw, 10-24 X 3/4	
4	4711000	3	Washer, #10	
5	4712600	1	Washer, 1	
6	1001142694	1	Bracket	
7	1001143431	1	Light, Beacon	
7	7028909	1	Connector - 2 Position	
7	4460943	1	Pin, Male	
8	1001149570	1	Beacon Harness (Not Shown - See ELECTRICAL SECTION for Breakdown)	





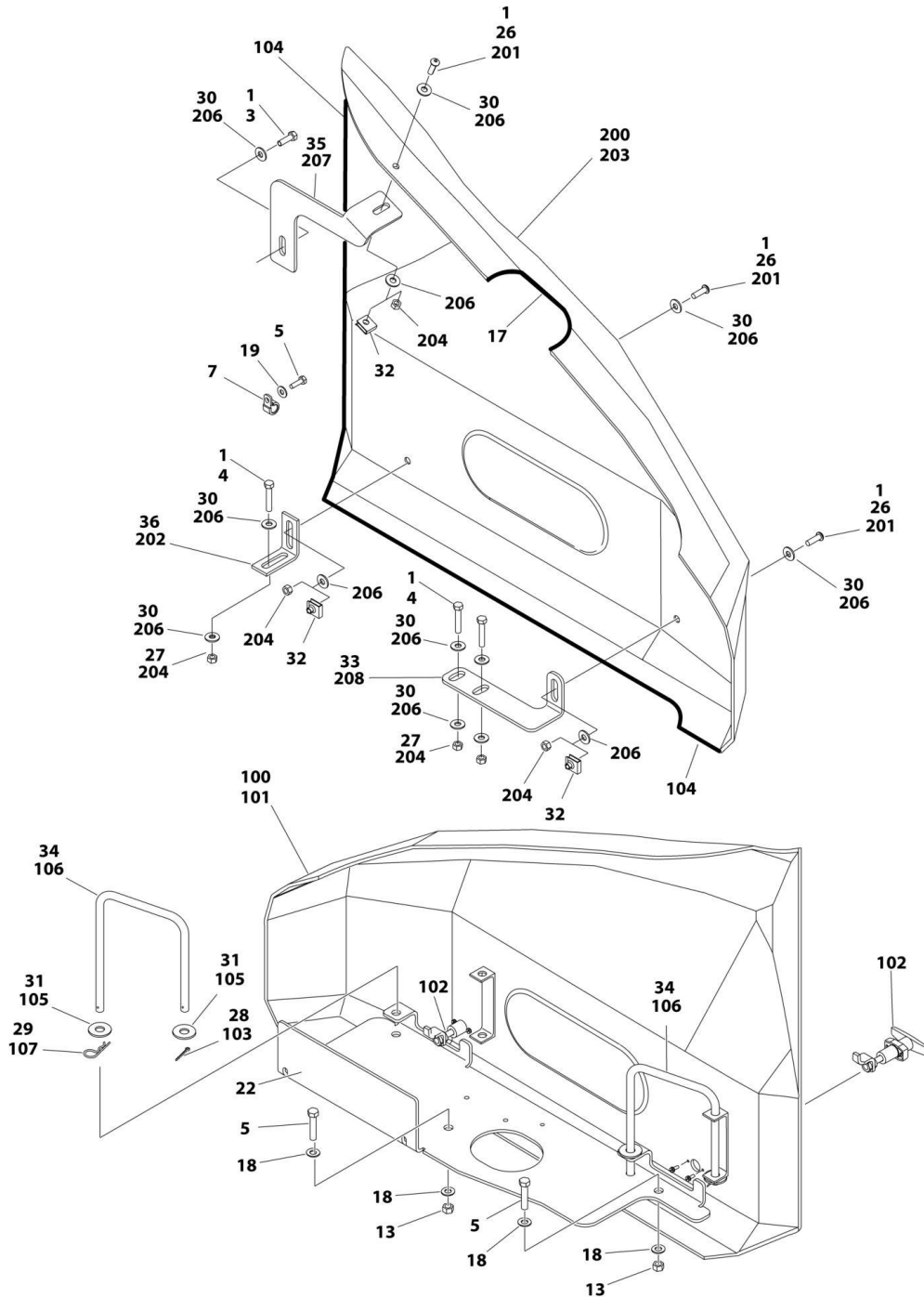
## SECTION 2 - TURNTABLE

### FIGURE 2-26. HOOD INSTALLATION - E450A/E450AJ

ITEM	PART NUMBER	QTY	DESCRIPTION	REV
	1001166738	Ref	HOOD INSTALLATION - E450A/E450AJ	D
1	0100011	AR	Compound, Locking	
3	0641508	1	Bolt 5/16 x 1	
4	0641514	3	Bolt 5/16 x 1-3/4	
5	0641614	2	Bolt 3/8 x 1-3/4	
7	1320041	1	Clamp	
13	3311601	2	Nut 3/8	
15	0641407	1	Bolt 1/4 x 7/8	
17	4060805	8 in/0.20m	Shield, Flex Trim (SN 0300189901 through 0300199190)	
18	4711600	4	Washer 3/8	
19	4751400	1	Washer 1/4	
22	1001165963	1	Plate, Tray	
26	88261024	3	Screw 5/16 x 1	
27	3311501	3	Nut 5/16 (SN 0300199191 through 0300208529)	
28	3420156	2	Pin, Cotter (SN 0300199191 through 0300208529)	
29	3450304	2	Pin, Cotter (SN 0300199191 through 0300208529)	
30	4751500	10	Washer 5/16 (SN 0300199191 through 0300208529)	
31	4751800	2	Washer 1/2 (SN 0300199191 through 0300208529)	
32	88662530	3	Nut, Tinnerman (SN 0300199191 through 0300208529)	
33	1001165981	1	Mount, Hood - Lower (SN 0300199191 through 0300208529)	
34	1001165985	2	Mount, Hood Swing (SN 0300199191 through 0300208529)	
35	1001182725	1	Mount, Hood (SN 0300199191 through 0300208529)	
36	1001183212	1	Bracket, Hood Mount (SN 0300199191 through 0300208529)	
100	1001176417	1	LH Side Hood Kit (Includes Items 101-107)	B
	See Note	Ref	Note: Replacement Decals Must be Ordered Separately - See DECAL SECTION.	
101	See Note	1	Hood, LH (Note: Use Item 100)	
102	2940071	2	Latch	
103	3420156	2	Pin, Cotter (SN 0300189901 through 0300199190)	
104	3960453	AR	Seal, Door	
105	4751800	2	Washer 1/2 (SN 0300189901 through 0300199190)	
106	1001165985	2	Mount, Hood Swing (SN 0300189901 through 0300199190)	
107	3450304	2	Pin, Cotter (SN 0300189901 through 0300199190)	
200	1001176441	1	RH Side Hood Kit (Includes Items 203 & 205)	B
	See Note	Ref	Note: Replacement Decals Must be Ordered Separately - See DECAL SECTION.	
201	0630468	3	Bolt 5/16 x 1	
202	0901923	1	Bracket, Hood Mount	
203	See Note	1	Hood, RH (Use Item 200)	
204	3311501	6	Nut 5/16	
205	3960453	AR	Seal, Door	
206	4751500	14	Washer 5/16	
207	1001165980	1	Mount, Hood	
208	1001165981	1	Mount, Hood - Lower	

# SECTION 2 - TURNTABLE

## FIGURE 2-27. HOOD INSTALLATION - M450AJ



ART\_1001166250

## SECTION 2 - TURNTABLE

### FIGURE 2-27. HOOD INSTALLATION - M450AJ

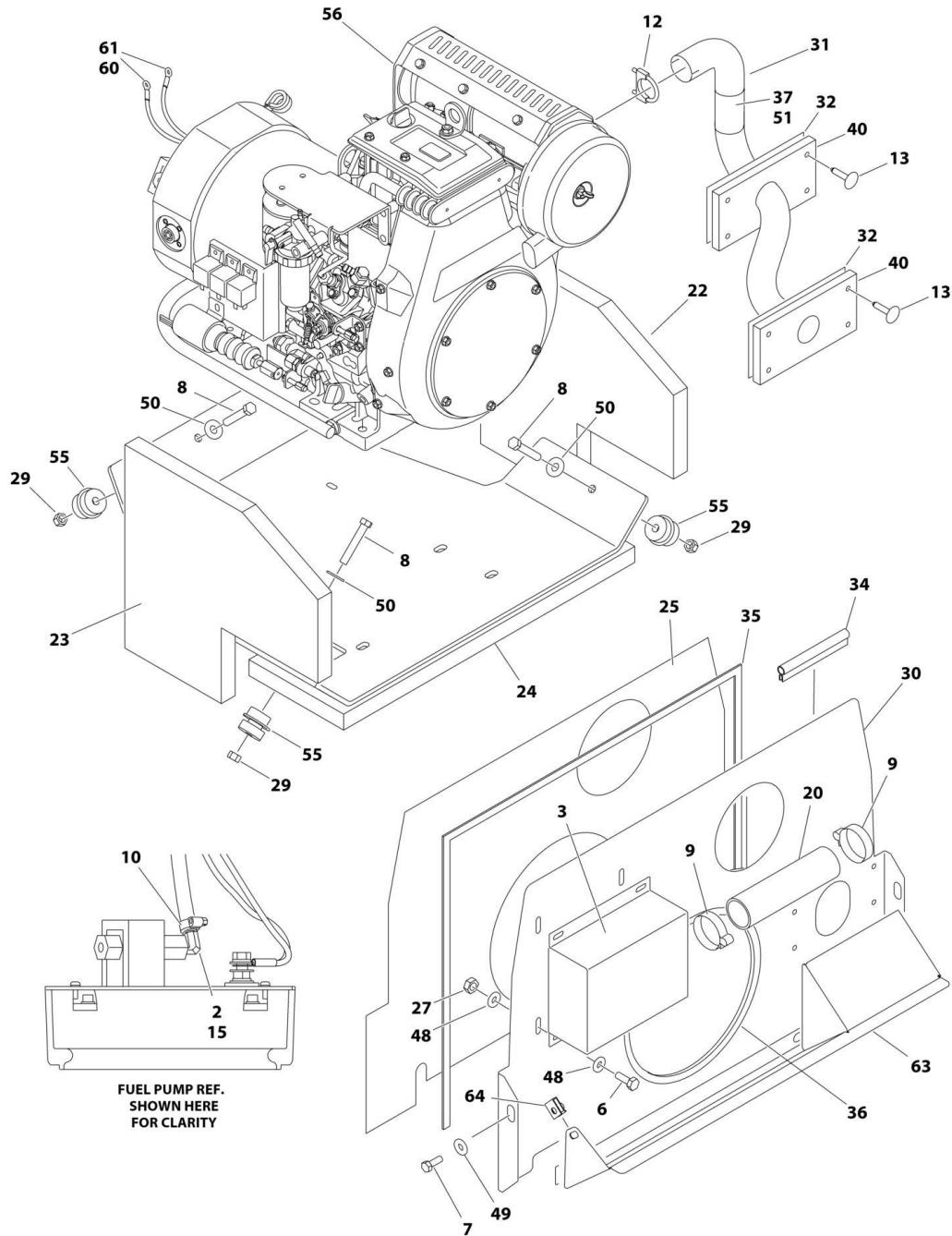
ITEM	PART NUMBER	QTY	DESCRIPTION	REV
	1001166250	Ref	HOOD INSTALLATION	D
1	0100011	AR	Compound, Locking	
3	0641508	1	Bolt 5/16 x 1	
4	0641514	3	Bolt 5/16 x 1-3/4	
5	0641614	2	Bolt 3/8 x 1-3/4	
7	1320041	1	Clamp	
13	3311601	2	Nut 3/8	
15	0641407	1	Bolt 1/4 x 7/8	
17	4060805	8 in/0.20m	Shield, Flex Trim (SN 0300189901 through 0300199190)	
18	4711600	4	Washer 3/8	
19	4751400	1	Washer 1/4	
22	1001165962	1	Plate, Tray	
26	88261024	3	Screw 5/16 x 1	
27	3311501	3	Nut 5/16 (SN 0300199191 through 0300208529)	
28	3420156	2	Pin, Cotter (SN 0300199191 through 0300208529)	
29	3450304	2	Pin, Cotter (SN 0300199191 through 0300208529)	
30	4751500	10	Washer 5/16 (SN 0300199191 through 0300208529)	
31	4751800	2	Washer 1/2 (SN 0300199191 through 0300208529)	
32	88662530	3	Nut, Tinnerman (SN 0300199191 through 0300208529)	
33	1001165981	1	Mount, Hood - Lower (SN 0300199191 through 0300208529)	
34	1001165985	2	Mount, Hood Swing (SN 0300199191 through 0300208529)	
35	1001182725	1	Mount, Hood (SN 0300199191 through 0300208529)	
36	1001183212	1	Bracket, Hood Mount (SN 0300199191 through 0300208529)	
100	1001176417	1	LH Hood Kit (Includes Items 101-107)	B
	See Note	Ref	Note: Replacement Decals Must be Ordered Separately - See DECAL SECTION.	
101	See Note	1	Hood, LH (Note: Use Item 100)	
102	2940071	2	Latch	
103	3420156	2	Pin, Cotter (SN 0300189901 through 0300199190)	
104	3960453	AR	Seal, Door	
105	4751800	2	Washer 1/2 (SN 0300189901 through 0300199190)	
106	1001165985	2	Mount, Hood Swing (SN 0300189901 through 0300199190)	
107	3450304	2	Pin, Cotter (SN 0300189901 through 0300199190)	
200	1001176441	1	RH, Side Hood Kit (Includes Items 203 & 205)	B
	See Note	Ref	Note: Replacement Decals Must be Ordered Separately - See DECAL SECTION.	
201	0630468	3	Bolt 5/16 x 1	
202	0901923	1	Bracket, Hood Mount	
203	See Note	1	Hood, RH (Note: Use Item 200)	
204	3311501	6	Nut 5/16	
205	3960453	AR	Seal, Door	
206	4751500	14	Washer 5/16	
207	1001165980	1	Mount, Hood	
208	1001165981	1	Mount, Hood - Lower	



**SECTION 3 - ENGINE**

# SECTION 3 - ENGINE

## FIGURE 3-1. KUBOTA MOTOR/GENERATOR INSTALLATION - M450AJ



ART\_1001167699\_30F4

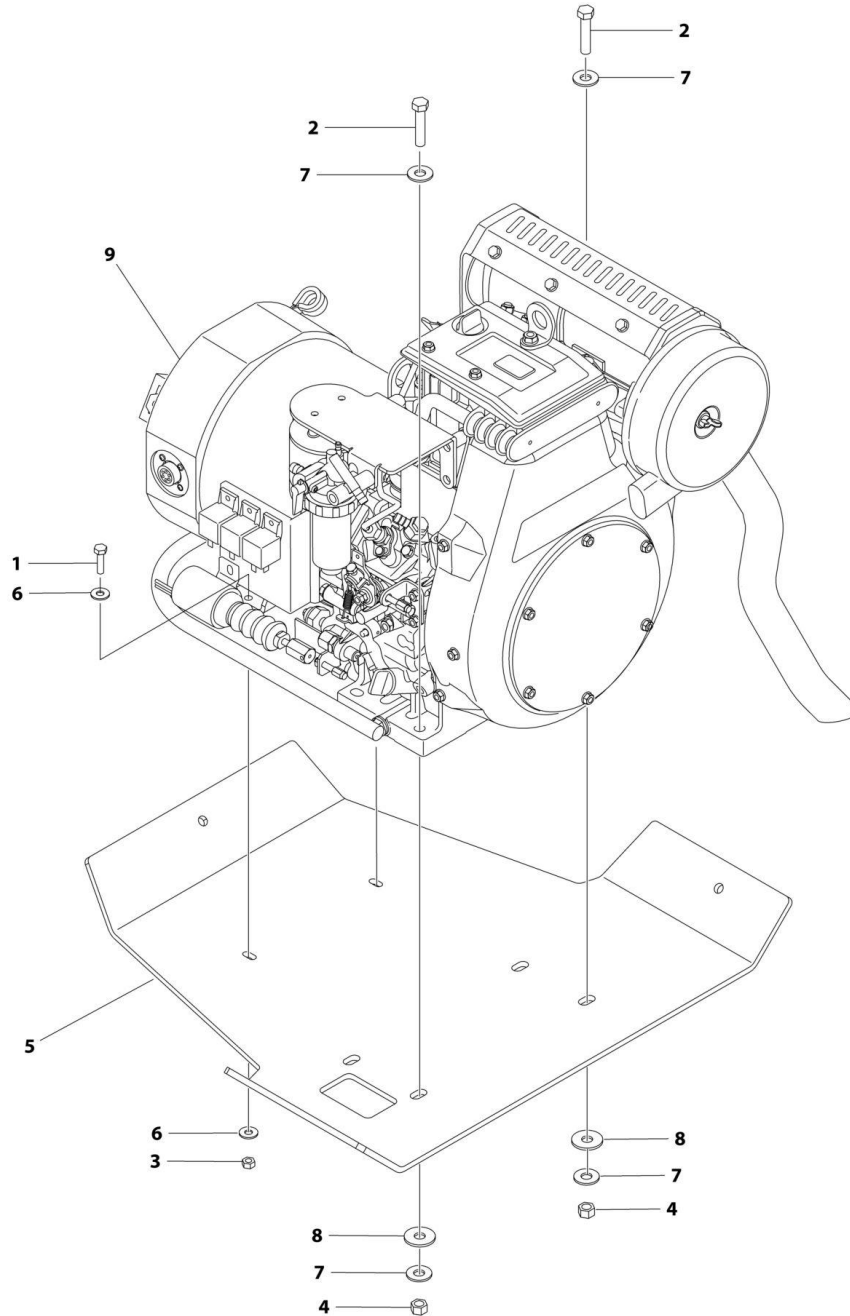
## SECTION 3 - ENGINE

**FIGURE 3-1. KUBOTA MOTOR/GENERATOR INSTALLATION - M450AJ**

ITEM	PART NUMBER	QTY	DESCRIPTION	REV
	1001167699	Ref	KUBOTA MOTOR/GENERATOR INSTALLATION - M450AJ	C
2	0100020	AR	Sealant	
3	0259481	1	Plenum Box Assembly	
6	0641406	8	Bolt, 1/4-20 x 3/4	
7	0641510	2	Bolt, 5/16-18 x 1-1/4	
8	0641618	3	Bolt, 3/8-16 x 2-1/4	
9	1320012	2	Clamp	
10	1320022	2	Clamp	
12	1320135	1	Clamp	
13	1380164	8	Clip, Panel Retainer	
15	2220805	1	Fitting, NPT Coupling 90	
20	2720559	1	Hose	
22	2820112	1	Insulation, Right Side	
23	2820116	1	Insulation, Left Side	
24	2820117	1	Foam	
25	2820218	1	Insulation, Acoustic Barrier	
27	3311405	4	Nut, Lock, ,1/4-20	
29	3311605	3	Nut, Lock, 3/8-16	
30	3380602	1	Shield, Heat	
31	3460457	1	Pipe, Exhaust	
32	3575961	2	Plate, Exhaust Mount	
34	3960389	8 ft /2.44m	Seal	
35	3960417	2.3 ft /0.70m	Seal	
36	3960418	3 ft /0.91m	Seal	
37	4100025	1.8 ft /0.54	Sleeve, Fiberglass	
40	4341072	2	Support, Exhaust Mount	
48	4711400	12	Washer, 1/4	
49	4751500	2	Washer, 5/16	
50	4751600	3	Washer, 3/8	
51	4920385	7.3 in /2.23m	Wire, Safety	
55	1001125248	3	Mount, Engine	
56	1001159361	1	Kubota Engine Assembly (See KUBOTA ENGINE ASSEMBLY for Breakdown)	
60	1060755	1	Cable, Battery (Includes Terminal Boot) (- Generator)	
61	1060754	1	Cable, Battery (Includes Terminal Boot) (+ Generator)	
63	1001181081	1	Shield, Heat	
64	88662530	2	Nut, Tinnerman	

# SECTION 3 - ENGINE

## FIGURE 3-2. KUBOTA MOTOR/GENERATOR ASSEMBLY - M450AJ



ART\_1001159361



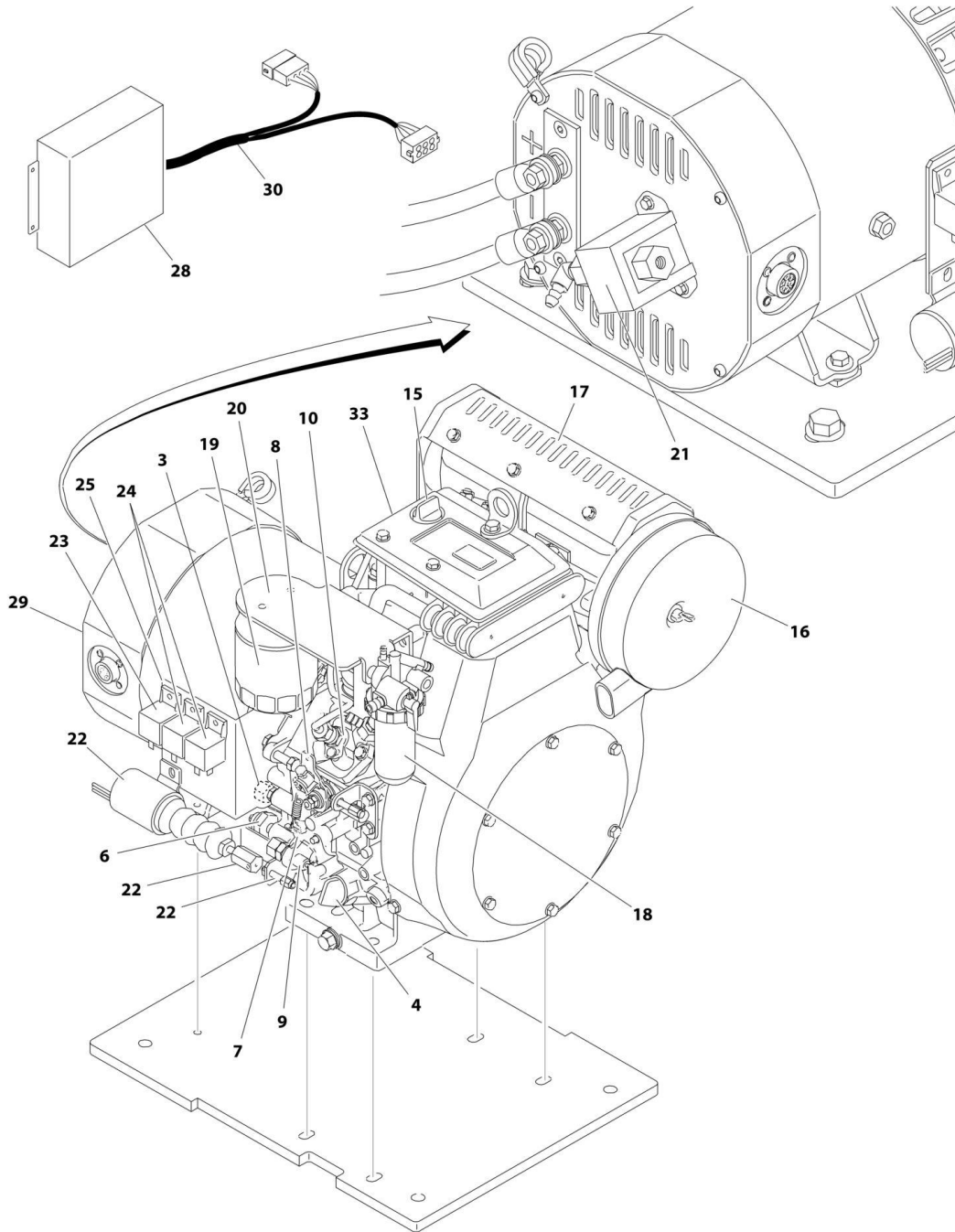
## SECTION 3 - ENGINE

**FIGURE 3-2. KUBOTA MOTOR/GENERATOR ASSEMBLY - M450AJ**

ITEM	PART NUMBER	QTY	DESCRIPTION	REV
	1001159361	Ref	KUBOTA MOTOR/GENERATOR ASSEMBLY - M450AJ	C
1	0641409	2	Bolt 1/4 x 1-1/8	
2	0641614	4	Bolt 3/8 x 1-3/4	
3	3311405	2	Nut 1/4	
4	3311605	4	Nut 3/8	
5	3575952	1	Plate, Base	
6	4891400	4	Washer 1/4, Hardened	
7	4891600	8	Washer 3/8, Hardened	
8	4761600	4	Washer 3/8 <b>(SN 0300189901 through 0300201128)</b>	
9	1001159355	1	Kubota Engine/Generator Assembly (See Separate Breakdown in this Section)	

# SECTION 3 - ENGINE

## FIGURE 3-3. KUBOTA MOTOR/GENERATOR COMPONENTS



ART\_1001159355

## SECTION 3 - ENGINE

**FIGURE 3-3. KUBOTA MOTOR/GENERATOR COMPONENTS**

ITEM	PART NUMBER	QTY	DESCRIPTION	REV
	1001159355	Ref	KUBOTA MOTOR/GENERATOR COMPONENTS	A
1	70000290	1	Glow Plug (Not Shown)	
1	70000291	1	Harness, Glow Plug (Not Shown)	
2	70000292	1	Screen, Oil Sump (Includes O-Ring)	
3	70000293	1	Cap, Oil Filler (Includes O-Ring)	
4	70000294	1	Dipstick	
5	70000295	1	Pump, Oil Rotor (Not Shown - Located beside Item 6)	
5	70000296	1	O-Ring Oil Rotor Pump (Not Shown)	
6	70000297	1	Switch, Oil	
7	70000298	1	Lever, Governor	
7	70000299	1	Pin, Governor Lever	
7	70000300	1	Spring, Governor Lever	
8	70000301	1	Spring, Idling	
8	70000304	1	Lever, Spring Control	
8	70000305	1	Spring, Stop (Speed Control Lever)	
9	70000302	1	Valve, Fuel Limit (Not Shown)	
9	70000303	1	Gasket, Fuel Limit (Not Shown)	
10	70000306	1	Pump, Injection	
10	70000307	1	Kit, Pump Adjustment Shim	
11	70000308	1	Flywheel/Ring Gear Assembly (Not Shown - Located Behind Front Cover)	
11	70000309	1	Ring Gear (Not Shown)	
11	70001121	1	Stator, Engine (Not Shown - Located Behind Flywheel) (Includes Coil and Grommet)	
12	70003557	1	Regulator, Voltage (Not Shown - Located on Opposite Side of Engine)	
13	70000310	1	Starter (Not Shown - Located on Opposite of Engine)	
14	70000311	1	Solenoid, Starter (Not Shown - Located on Opposite Side of Engine)	
15	70002244	1	Cap, Oil Filler (Includes O-Ring)	
16	70000312	1	Air Filter Assembly	
16	70000313	1	Element, Air Cleaner	
16	70000314	1	Gasket, Air Cleaner	
17	70000315	1	Muffler Assembly	
17	70000316	1	Gasket, Muffler	
18	70000317	1	Inline Fuel Check Valve Assembly	
18	70000967	1	Fuel Filter Assembly	
18	70000318	1	Element, Fuel Filter	
19	70000319	1	Element, Oil Filter	
19	70001144	1	Head, Oil Filter Head (Note: Does Not Include Element)	
20	70002544	1	Bracket, Oil Filter Mount	
21	70000320	1	Pump, Fuel	
22	70000321	1	Solenoid, Fuel	
22	70003618	1	Adapter, Solenoid	
22	70003619	1	Screw	
23	70000322	1	Relay	
24	70000323	2	Relay	
25	70002083	1	Bracket, Solenoid/Relay	
26	70000324	1	Sensor, Speed (Not Shown - Located Inside Front Cover)	
26	70004265	1	Bracket, Speed Sensor (Not Show - Located Inside Front Cover)	

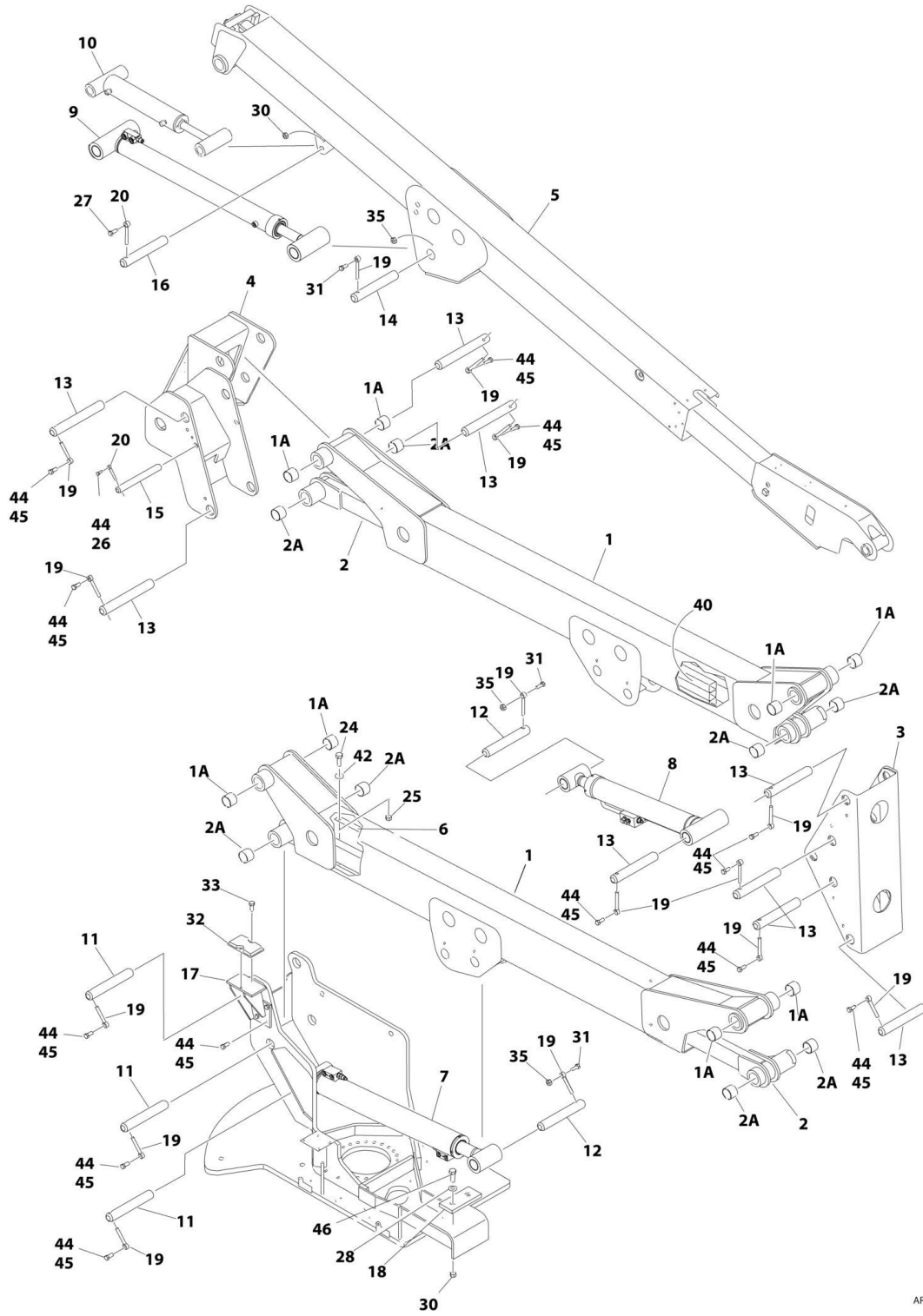
## SECTION 3 - ENGINE

ITEM	PART NUMBER	QTY	DESCRIPTION	REV
27	70000325	1	Sensor, Oil Temperature (Not Shown - Located on Opposite Side of Engine Base)	
28	70000326	1	Module, Engine Control	
29	70000327	1	Alternator	
29	70000382	1	Stator, Alternator	
29	70004394	1	Lead, Field Terminal Block Diode	
30	70000328	1	Harness, Generator	
31	70000329	1	Fuse 15Amp (Not Shown)	
32	70000330	1	Fuse 20Amp (Not Shown)	
33	70002543	1	Engine, Kubota (Without Generator)	
34	70000289	1	Regulator, Voltage (Not Shown - Located on Opposite Side of Engine)	

**SECTION 4 - BOOM**

# SECTION 4 - BOOM

## FIGURE 4-1. BOOM AND CYLINDERS INSTALLATION - E450A



ART\_0258691

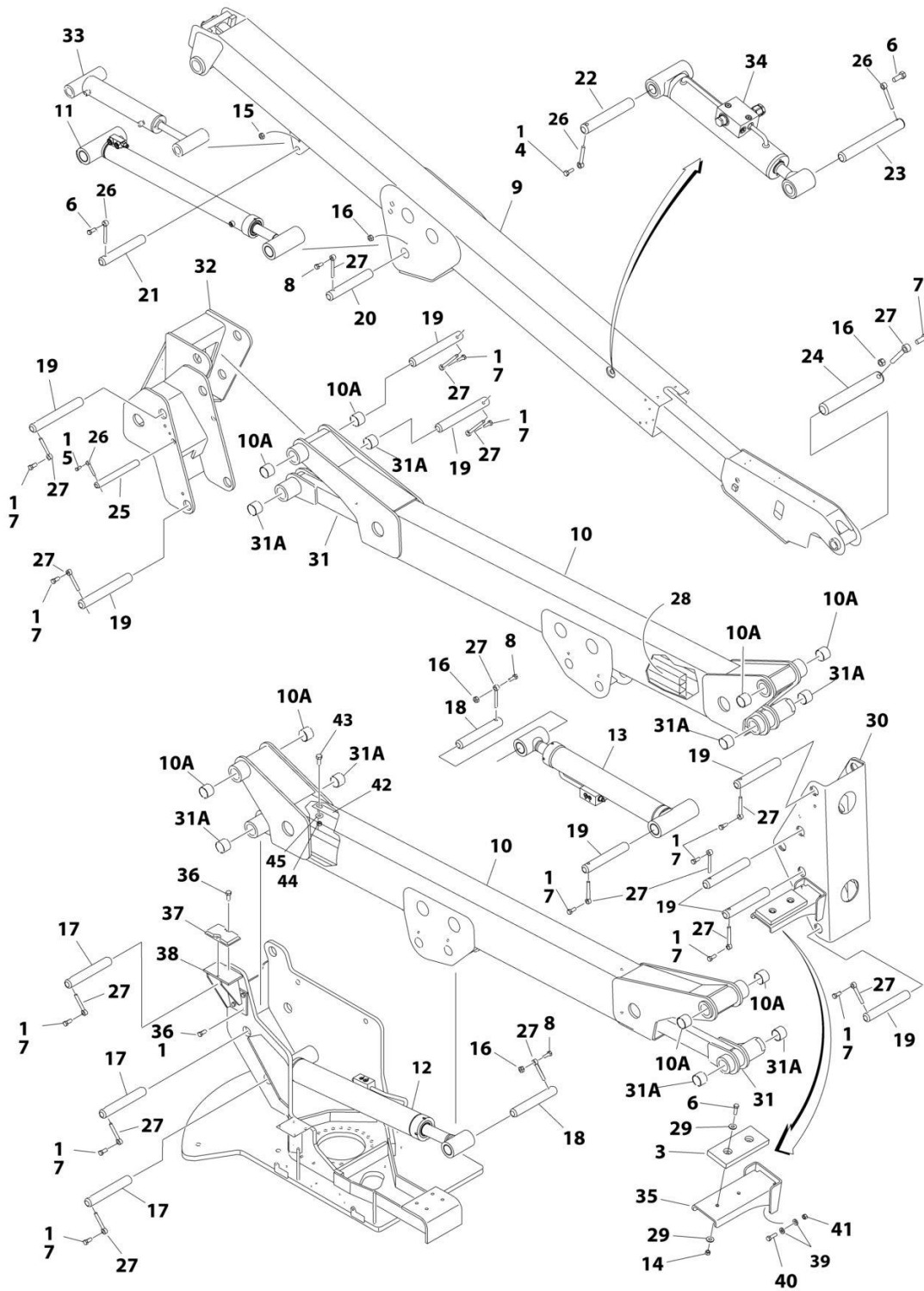
## SECTION 4 - BOOM

**FIGURE 4-1. BOOM AND CYLINDERS INSTALLATION - E450A**

ITEM	PART NUMBER	QTY	DESCRIPTION	REV
	0258691	Ref	BOOM AND CYLINDERS INSTALLATION - E450A	F
1	0801264	2	Boom Assembly - Tower	
1A	0961950	8	Bushing	
2	4846307	2	Level Link	
2A	0961950	8	Bushing	
3	4844427	1	Upright Weldment - Lower	
4	4844304	1	Upright Weldment - Upper	
5	0801169	1	Boom Assembly - Main (See Separate Breakdown in this Section)	
6	3537045	1	Hose Guard Plate	
7	1684492	NLA	Lift Cylinder Assembly - Lower (Use p/n 1001228039) (Original Equipment) (See Separate Breakdown in CYLINDER Section)	
7	1001228039	1	Lift Cylinder Assembly - Lower (Service Replacement) (See Separate Breakdown in CYLINDER Section)	
8	1684493	NLA	Lift Cylinder Assembly - Mid (Use p/n 1001237443) (Original Equipment) (See Separate Breakdown in CYLINDER Section)	
8	1001237443	1	Lift Cylinder Assembly - Mid (Service Replacement) (See Separate Breakdown in CYLINDER Section)	
9	1684061	NLA	Lift Cylinder Assembly - Upper (Use p/n 1001228081) (Original Equipment) (See CYLINDER SECTION for Breakdown)	
9	1001228018	1	Lift Cylinder Assembly - Upper (Service Replacement) (See CYLINDER SECTION for Breakdown)	
10	1001140597	1	Master Cylinder Assembly (See CYLINDER SECTION for Breakdown)	
11	3422175	3	Pin	
12	3422176	2	Pin	
13	3422177	9	Pin	
14	3422178	1	Pin	
15	3422179	1	Pin	
16	3422180	1	Pin	
17	4844467	1	Boom Rest Weldment	
18	0561076	1	Block, Boom Rest	
19	3841203	15	Keeper, Pin - 1/2	
20	3841143	2	Keeper, Pin - 3/8	
24	0641506	4	Bolt, 5/16-18 x 3/4	
25	3311505	4	Nut, Lock, 5/16-18	
26	0641608	1	Bolt, 3/8-16 x 1	
27	0641610	1	Bolt, 3/8-16 x 1-1/4	
28	4751600	4	Washer, 3/8	
30	3311605	3	Nut, Lock, 3/8-16	
31	0641812	3	Bolt, 1/2-13 x 1-1/2	
32	0940048	1	Bumper	
33	0641806	5	Bolt, 1/2-13 x 3/4	
35	3311805	3	Nut, Lock, 1/2-13	
40	4566356	1	Tube	
42	4751500	4	Washer, 5/16	
44	0100011	AR	Compound, Locking	
45	0641810	12	Bolt, 1/2-13 x 1-1/4	
46	0641608	2	Bolt, 3/8-16 x 1 (SN 0300189901 through 0300194573)	
46	0641614	2	Bolt, 3/6-16 x 1-3/4 (SN 0300194574 through 0300208529)	

# SECTION 4 - BOOM

## FIGURE 4-2. BOOM AND CYLINDERS INSTALLATION - E450AJ/M450AJ



ART\_1001168673



## SECTION 4 - BOOM

**FIGURE 4-2. BOOM AND CYLINDERS INSTALLATION - E450AJ/M450AJ**

ITEM	PART NUMBER	QTY	DESCRIPTION	REV
	1001168673	Ref	BOOM AND CYLINDERS INSTALLATION - E450AJ/M450AJ	E
1	0100011	AR	Compound, Locking	
3	0561076	1	Block, Boom Rest	
4	0641607	1	Bolt, 3/8-16 x 7/8	
5	0641608	1	Bolt, 3/8-16 x 1	
6	0641610	4	Bolt, 3/8-16 x 1-1/4	
7	0641810	13	Bolt, 1/2-13 x 1-1/4	
8	0641812	3	Bolt, 1/2-13 x 1-1/2	
9	0801197	1	Boom Assembly - Main (See MAIN BOOM ASSEMBLY - E450AJ/M450AJ for Breakdown)	
10	0801264	2	Boom Assembly - Tower	
10A	0961950	8	Bushing	
11	1683945	NLA	Lift Cylinder Assembly - Upper (Use p/n 1001228016) (Original Equipment) (See CYLINDER SECTION for Breakdown)	
11	1001228016	1	Lift Cylinder Assembly - Upper (Service Replacement) (See CYLINDER SECTION for Breakdown)	
12	1684451	NLA	Lift Cylinder Assembly - Lower (Use p/n 1001228035) (Original Equipment) (See CYLINDER SECTION for Breakdown)	
12	1001228035	1	Lift Cylinder Assembly - Lower (Service Replacement) (See CYLINDER SECTION for Breakdown)	
13	1684452	NLA	Lift Cylinder Assembly - Mid (Use p/n 1001228036) (Original Equipment) (See CYLINDER SECTION for Breakdown)	
13	1001228036	1	Lift Cylinder Assembly - Mid (Service Replacement) (See CYLINDER SECTION for Breakdown)	
14	3311601	2	Nut, 3/8-16	
15	3311605	1	Nut, Lock, 3/8-16	
16	3311805	4	Nut, Lock, 1/2-13	
17	3422175	3	Pin	
18	3422176	2	Pin	
19	3422177	9	Pin	
20	3422178	1	Pin	
21	3422582	1	Pin	
22	3422669	1	Pin	
23	3422792	1	Pin	
24	3422793	1	Pin	
25	3422806	1	Pin	
26	3841143	4	Keeper, 3/8	
27	3841203	16	Keeper, 1/2	
28	4566356	1	Tube	
29	4751600	4	Washer, 3/8 (Not Shown - Located on Platform Support)	
30	4844427	1	Upright Weldment - Lower	
31	4846307	2	Level Link	
31A	0961950	8	Bushing	
32	4846026	1	Upright Weldment - Upper	
33	1001140278	1	Master Cylinder Assembly (See CYLINDER SECTION for Breakdown)	
34	1001140279	1	Platform Level Cylinder (See CYLINDER SECTION for Breakdown)	
35	1001177483	1	Support, Boom Rest	
36	0641806	5	Bolt, 1/2-13 x 3/4	
37	0940048	1	Bumper	
38	4844467	1	Boom Rest Weldment	

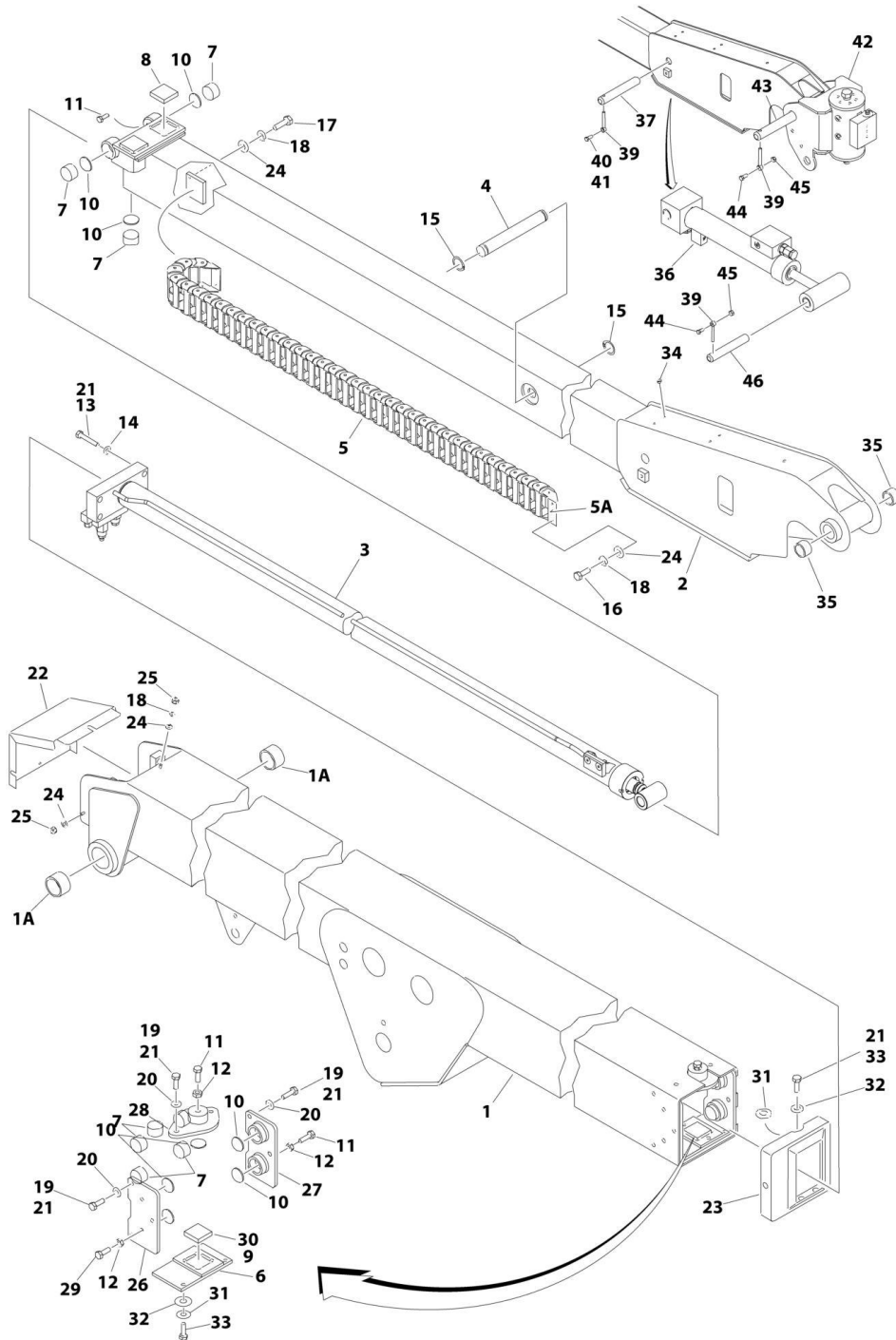
## SECTION 4 - BOOM

ITEM	PART NUMBER	QTY	DESCRIPTION	REV
39	4891600	8	Washer, 3/8	
40	0681610	4	Bolt, 3/8-16 x 1-1/4 (Grade 8)	
41	3271605	4	Nut, Lock 3/8-16 (Grade 8)	
42	3537045	1	Plate	
43	0641506	4	Bolt, 5/16-18 x 3/4	
44	3311505	4	Nut, Lock 5/16-18	
45	4751500	4	Washer, 5/16	



# SECTION 4 - BOOM

## FIGURE 4-3. MAIN BOOM ASSEMBLY - E450A



ART\_0801169

## SECTION 4 - BOOM

### FIGURE 4-3. MAIN BOOM ASSEMBLY - E450A

ITEM	PART NUMBER	QTY	DESCRIPTION	REV
	0801169	Ref	MAIN BOOM ASSEMBLY - E450A	D
1	0801261	1	Base Weldment	
1A	0961950	2	Bushing	
2	0801154	1	Fly Weldment	
3	1001151414	NLA	Telescope Cylinder Assembly (Use p/n 1001228062) (Original Equipment) (See CYLINDER SECTION for Breakdown)	
3	1001228062	1	Telescope Cylinder Assembly (Service Replacement) (See CYLINDER SECTION for Breakdown)	
4	3422901	1	Pin	
5	1180302	1	Powertrack Assembly	
5	7019698	1	Link, Repair	
5A	7019699	1	Feet, Mounting	
6	4844579	1	Holder, Ware Pad	
7	3340663	8	Pad, Ware	
8	3340820	2	Pad, Ware	
9	3340682	1	Pad, Wear	
10	1760160	8	Disc	
11	0630487	6	Bolt, Special 3/8-16 x 1-3/8	
12	3311602	8	Nut, Jam, 3/8-16	
13	0641818	4	Bolt, 1/2-13 x 2-1/4	
14	4761800	4	Washer, Lock, 1/2	
15	3760115	2	Snap, Ring	
16	0641405	2	Bolt, 1/4-20 x 5/8	
17	0641404	2	Bolt, 1/4-20 x 1/2	
18	4761400	7	Washer, Lock, 1/4	
19	0641606	7	Bolt, 3/8-16 x 3/4	
20	4761600	7	Washer, Lock, 3/8	
21	0100011	AR	Compound, Locking	
22	1670679	1	Cover, Boom	
23	1670698	1	Cover, Boom	
24	4751400	7	Washer, 1/4	
25	3311401	3	Nut, 1/4-20	
26	1220038	1	Holder, Ware Pad	
27	1220039	1	Holder, Ware Pad	
28	1220040	1	Holder, Ware Pad	
29	0630399	2	Bolt, Special, 3/8-16 x 2-1/4	
30	0100009	AR	Silicone	
31	4740413	5	Washer, Spacer	
32	4751600	5	Washer, 3/8	
33	0641608	5	Bolt, 3/8-16 x 1	
34	3520034	4	Plug, Hole	
35	0961951	2	Bearing	
36	1001140598	1	Cylinder Assembly (See CYLINDER SECTION for Breakdown)	
37	3422181	1	Shaft, Pin	
39	3841143	3	Keeper, 3/8	
40	0641607	1	Bolt, 3/8-16 x 7/8	
41	0100011	AR	Compound, Locking	
42	0060052	1	Rotator Assembly (See ROTATOR ASSEMBLY for Breakdown)	
43	3422709	1	Shaft, Pin	
44	0641608	2	Bolt, 3/8-16 x 1	

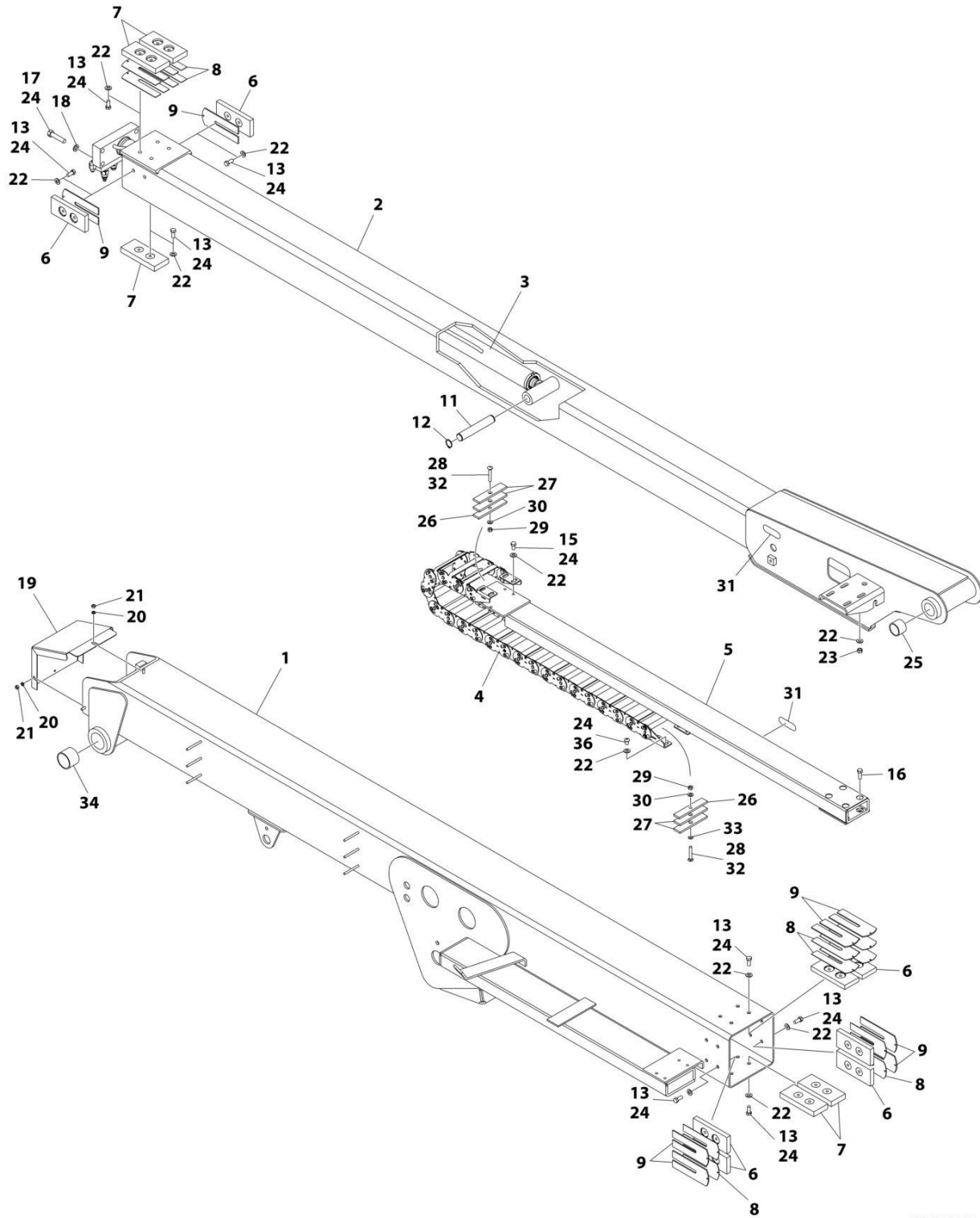
## SECTION 4 - BOOM

ITEM	PART NUMBER	QTY	DESCRIPTION	REV
45	3311605	2	Nut, Lock, 3/8-16	
46	3422180	1	Shaft, Pin	



# SECTION 4 - BOOM

## FIGURE 4-4. MAIN BOOM ASSEMBLY - E450AJ/M450AJ



ART\_0801197



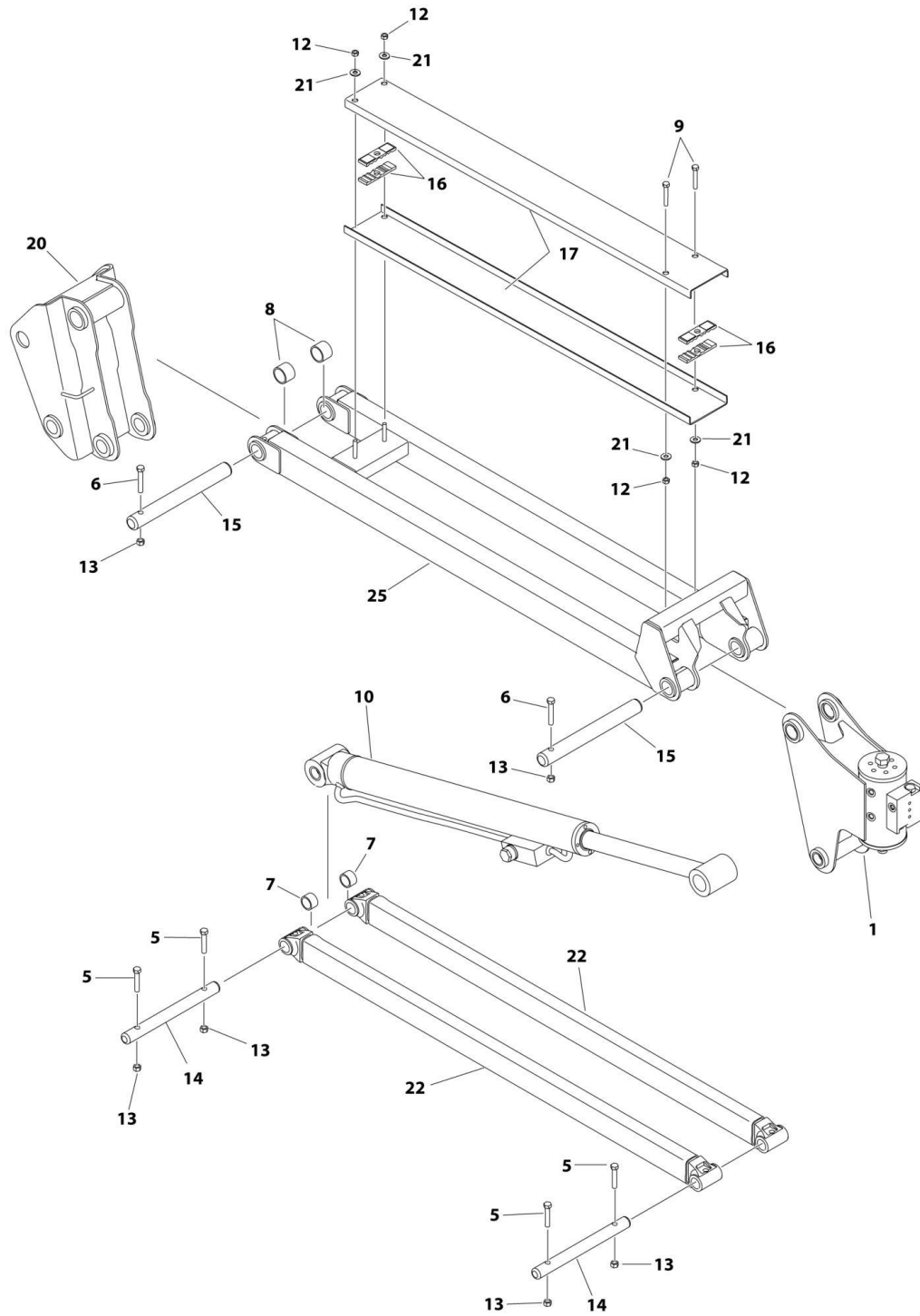
## SECTION 4 - BOOM

**FIGURE 4-4. MAIN BOOM ASSEMBLY - E450AJ/M450AJ**

ITEM	PART NUMBER	QTY	DESCRIPTION	REV
	0801197	Ref	MAIN BOOM ASSEMBLY - E450AJ/M450AJ	J
1	0801260	1	Base, Weldment	
2	0801192	1	Fly, Weldment	
3	1001151368	NLA	Telescope Cylinder Assembly (Use p/n 1001228061) (Original Equipment) (See CYLINDER SECTION for Breakdown)	
3	1001228061	1	Telescope Cylinder Assembly (Service Replacement) (See CYLINDER SECTION for Breakdown)	
4	1001099833	1	Powertrack Assembly	
4	70001996	1	Repair Section (Includes 4 links, 10 pins, 10 washers, 10 snap rings, 2 rod carriers and 4 self-tapping screws)	
4	70001998	1	Bracket Kit (Includes 2 left and 2 right mounting feet, 4 center pins, 4 center pin snap rings, 8 pins for bracket lockout, 8 washers and 8 snap rings)	
5	4846033	1	Pushtube, Weldment	
6	3340881	8	Pad, Ware	
7	3340837	5	Pad, Ware	
8	4070897	10	Shim, 18 Gauge	
9	4070898	8	Shim, 11 Gauge	
10	4070982	2	Shim, 16 Gauge	
11	3422804	1	Pin	
12	3760115	2	Ring, Snap	
13	0641606	22	Bolt, 3/8-16 x 3/4	
14	0641607	4	Bolt, 3/8-16 x 7/8	
15	0641605	8	Bolt, 3/8-16 x 5/8	
16	0641608	4	Bolt, 3/8-16 x 1	
17	0641818	4	Bolt, 1/2-13 x 2-1/4	
18	4761800	4	Washer, Lock, 1/2	
19	1670679	1	Cover, Boom	
20	4761400	3	Washer, Lock, 1/4	
21	3311401	3	Nut, 1/4-20	
22	4711600	12	Washer, 3/8	
23	3311605	4	Nut, Lock, 3/8-16	
24	0100011	AR	Compound, Locking	
25	0961948	2	Bearing	
26	1001106757	3	Plate, Clamp	
27	3340939	2	Pad, Rubber	
28	0630401	2	Bolt, Carriage, 5/16-18 x 2	
29	3311505	2	Nut, Lock 5/16-18	
30	4711500	2	Washer, 5/16	
31	4060804	15 in /38cm	Flex-Trim	
32	0100081	AR	Adhesive	
33	1001119228	1	Push Nut, M8	
34	0961950	2	Bushing	

# SECTION 4 - BOOM

## FIGURE 4-5. JIB INSTALLATION



ART\_0270400

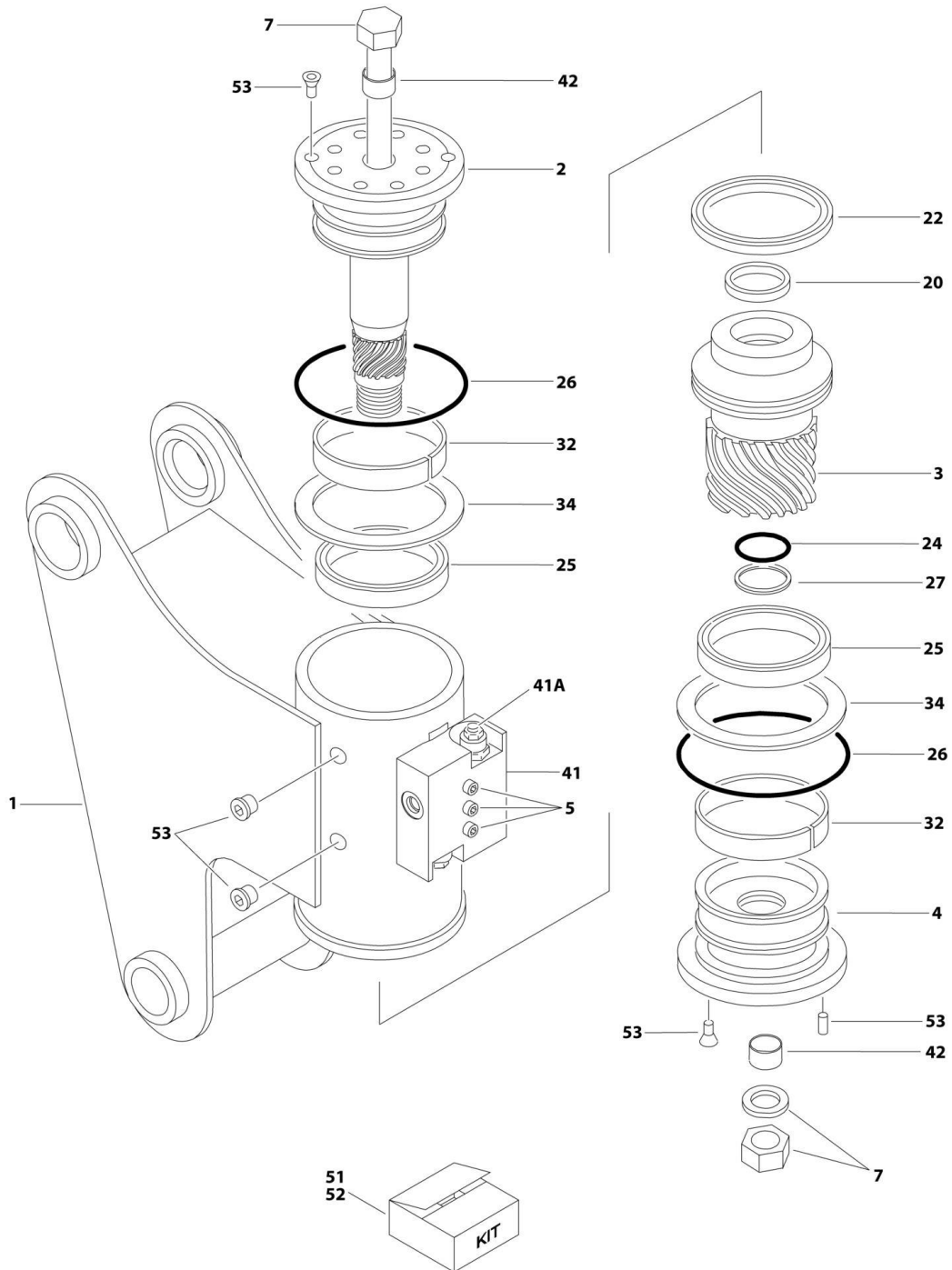
## SECTION 4 - BOOM

### FIGURE 4-5. JIB INSTALLATION

ITEM	PART NUMBER	QTY	DESCRIPTION	REV
	0270400	Ref	JIB INSTALLATION	F
1	0060044	1	Rotator Assembly (See ROTATOR ASSEMBLY for Breakdown)	
5	0641616	4	Bolt, 3/8-16 x 2	
6	0641618	2	Bolt, 3/8-16 x 2-1/4	
7	0962292	2	Bushing	
8	0961951	2	Bushing	
9	0641516	2	Bolt, 5/16-18 x 2	
10	1001140280	1	Jib Cylinder Assembly (See CYLINDER SECTION for Breakdown)	
12	3311501	4	Nut, 5/16-18	
13	3311605	6	Nut, Lock, 3/8-16	
14	3422791	2	Pin	
15	3422794	2	Pin	
16	3340860	4	Pad, Rubber	
17	3572551	2	Channel, Hose Carrier	
20	4845925	1	Pivot	
21	4751500	4	Washer, 5/16	
22	1001094670	2	Link - Lower	
25	4846278	1	Link - Upper	

# SECTION 4 - BOOM

## FIGURE 4-6. ROTATOR ASSEMBLY - E450A



ART\_0060052

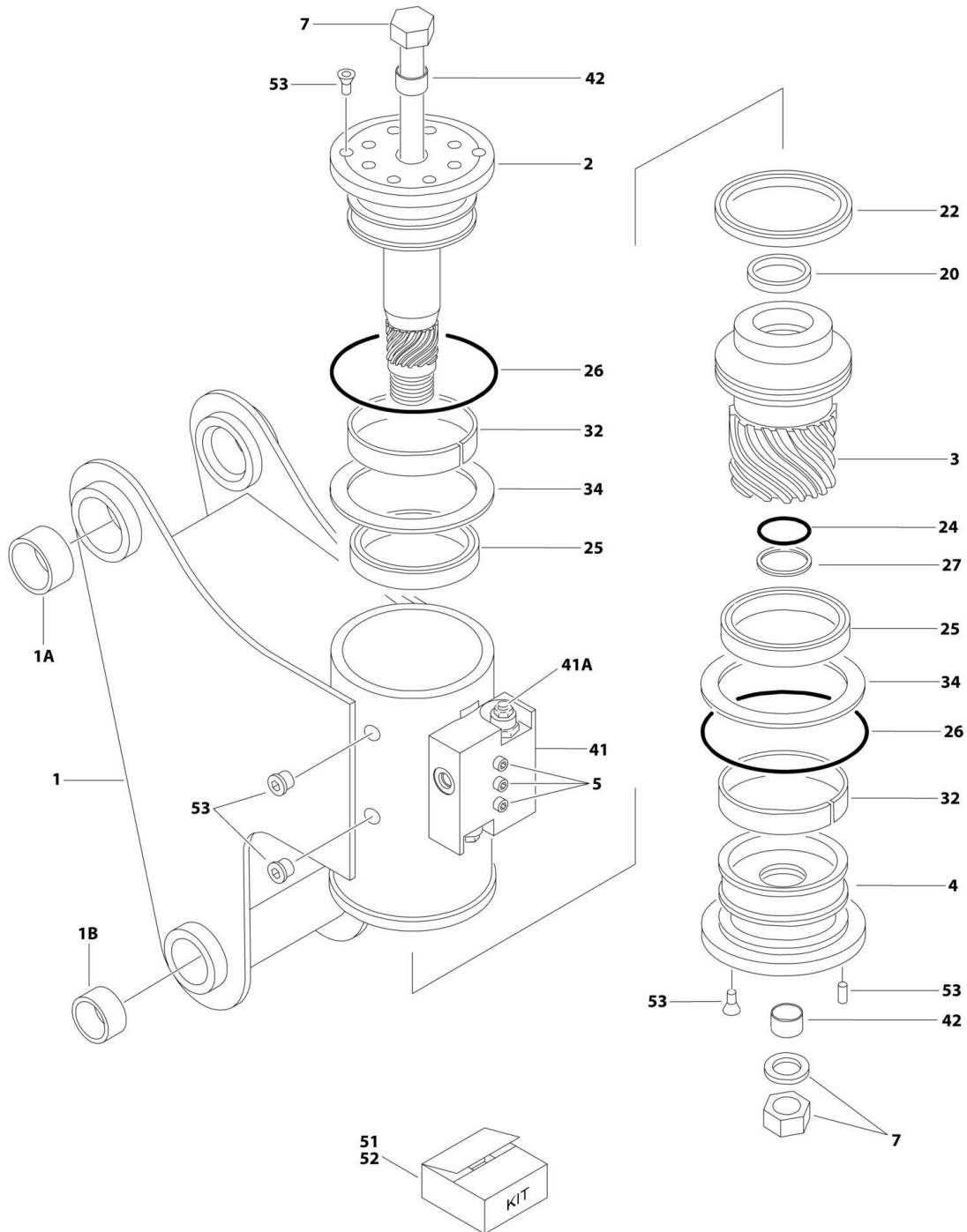
## SECTION 4 - BOOM

### FIGURE 4-6. ROTATOR ASSEMBLY - E450A

ITEM	PART NUMBER	QTY	DESCRIPTION	REV
	0060052	Ref	ROTATOR ASSEMBLY - E450A	F
1	See Note	1	Case/Bracket Weldment (Note: Not Available - Purchase Complete Assembly)	
2	7017120	1	Shaft (Rotator with Helac Control #26409)	
2	7017196	1	Shaft (Rotator with Helac Control #26966)	
3	7017121	1	Piston Sleeve (Rotator with Helac Control #26409)	
3	7027900	1	Piston Sleeve (Rotator with Helac Control #26966)	
4	7017153	1	Cap, End (Rotator with Helac Control #26409)	
4	7027901	1	Cap, End (Rotator with Helac Control #26966)	
5	See Note	3	Capscrew, 1/4-20 x 1-1/2, Grade 8 (Note: Not Available - Purchase Locally)	
7	7017126	1	Tie Rod Assembly	
20	See Note	NSS	Seal, Rod (Note: Use Items 52)	
22	See Note	NSS	Seal, Piston (Note: Use Item 52)	
24	See Note	NSS	Seal, Cap (Note: Use Item 52)	
25	See Note	NSS	Packing, Bearing (Note: Use Item 52)	
26	See Note	NSS	Seal (Note: Use Item 52)	
27	See Note	NSS	Ring, Back-up Cap (Note: Use Item 52)	
32	See Note	NSS	Bearing, Shaft (Note: Use Item 51)	
34	See Note	2	Washer, Thrust (Note: Use Item 51)	
41	7017172	1	Counterbalance Valve Assembly (Helac p/n 24327, 26553 or 26554 Stamped Beside Mounting Screws)	
41A	7011323	2	Valve, Cartridge (Helac p/n 24327 Valve)	
41A	2900770	2	Seal Kit - 7011323 Cartridge ( 1 Per Assembly)	
41A	7017192	2	Valve Cartridge (Helac p/n 26553 or 26554) (No Seal Kit Available)	
42	See Note	2	Bushing, Shaft (Note: Not Available for Purchase)	
51	7017122	1	Bearing Kit (Includes Items 32-34)	
52	7017127	1	Seal Kit - Standard (Includes Items 20, 22, 24, 25, 26 & 27)	
52	70000341	1	Seal Kit - Low Temperature (Includes Items 20, 22, 24, 25, 26 & 27)	
53	7017123	1	Hardware Kit	

# SECTION 4 - BOOM

## FIGURE 4-7. ROTATOR ASSEMBLY - E450AJ/M450AJ



ART\_0060044

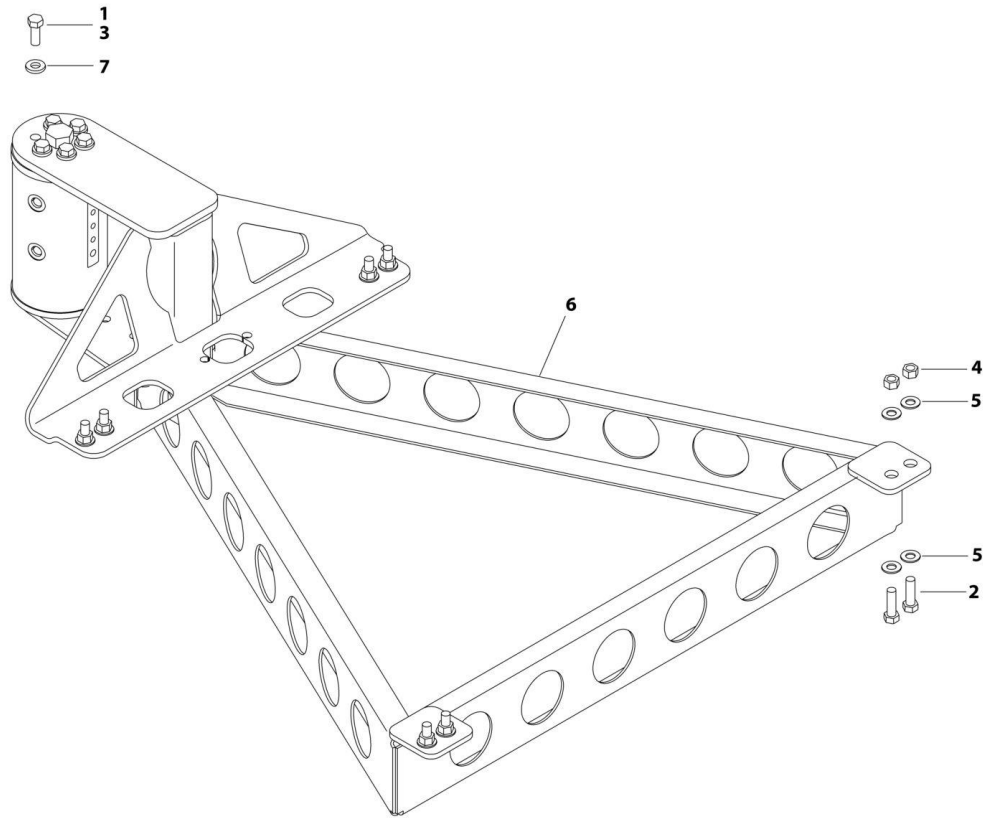
## SECTION 4 - BOOM

### FIGURE 4-7. ROTATOR ASSEMBLY - E450AJ/M450AJ

ITEM	PART NUMBER	QTY	DESCRIPTION	REV
	0060044	Ref	ROTATOR ASSEMBLY - E450AJ/M450AJ	D
1	See Note	1	Case/Bracket Weldment (Note: Not Available - Purchase Complete Assembly)	
1A	0962257	2	Bushing	
1B	0961947	2	Bushing	
2	7017120	1	Shaft (Rotator with Helac Control #25928)	
2	7017196	1	Shaft (Rotator with Helac Control #26962)	
3	7017121	1	Piston Sleeve (Rotator with Helac Control #25928)	
3	7027900	1	Piston Sleeve (Rotator with Helac Control #26962)	
4	See Note	NSS	Cap, End (Rotator with Helac Control #25928) (Note: Use p/n 0060044)	
4	7027901	1	Cap, End (Rotator with Helac Control #26962)	
5	See Note	3	Capscrew, 1/4-20 x 1-1/2, Grade 8 (Note: Not Available - Purchase Locally)	
7	7017126	1	Tie Rod Assembly	
20	See Note	NSS	Seal, Rod (Note: Use Item 52)	
22	See Note	NSS	Seal, Piston (Note: Use Item 52)	
24	See Note	NSS	Seal, Cap (Note: Use Item 52)	
25	See Note	NSS	Packing, Bearing (Note: Use Item 52)	
26	See Note	NSS	Seal (Note: Use Item 52)	
27	See Note	NSS	Ring, Back-up Cap (Note: Use Item 52)	
32	See Note	NSS	Bearing, Shaft (Note: Use Item 51)	
34	See Note	2	Washer, Thrust (Note: Use Item 51)	
41	7017172	1	Counterbalance Valve Assembly (Helac p/n 24327, 26553 or 26554 Stamped Beside Mounting Screws)	
41A	7011323	2	Valve, Cartridge (Helac p/n 24327 Valve)	
41A	2900770	2	Seal Kit - 7011323 Cartridge (1 Per Assembly)	
41A	7017192	2	Valve Cartridge (Helac p/n 26553 or 26554) (No Seal Kit Available)	
42	70004323	1	Bushing, Shaft	
51	7017122	1	Bearing Kit (Includes Items 32-34)	
52	7017127	1	Seal Kit - Standard (Includes Items 20, 22, 24, 25, 26 & 27)	
52	70000341	1	Seal Kit - Low Temperature (Includes Items 20, 22, 24, 25, 26 & 27)	
53	7017123	1	Hardware Kit	

# SECTION 4 - BOOM

## FIGURE 4-8. PLATFORM SUPPORT WITHOUT LOAD SENSING



ART\_0272976

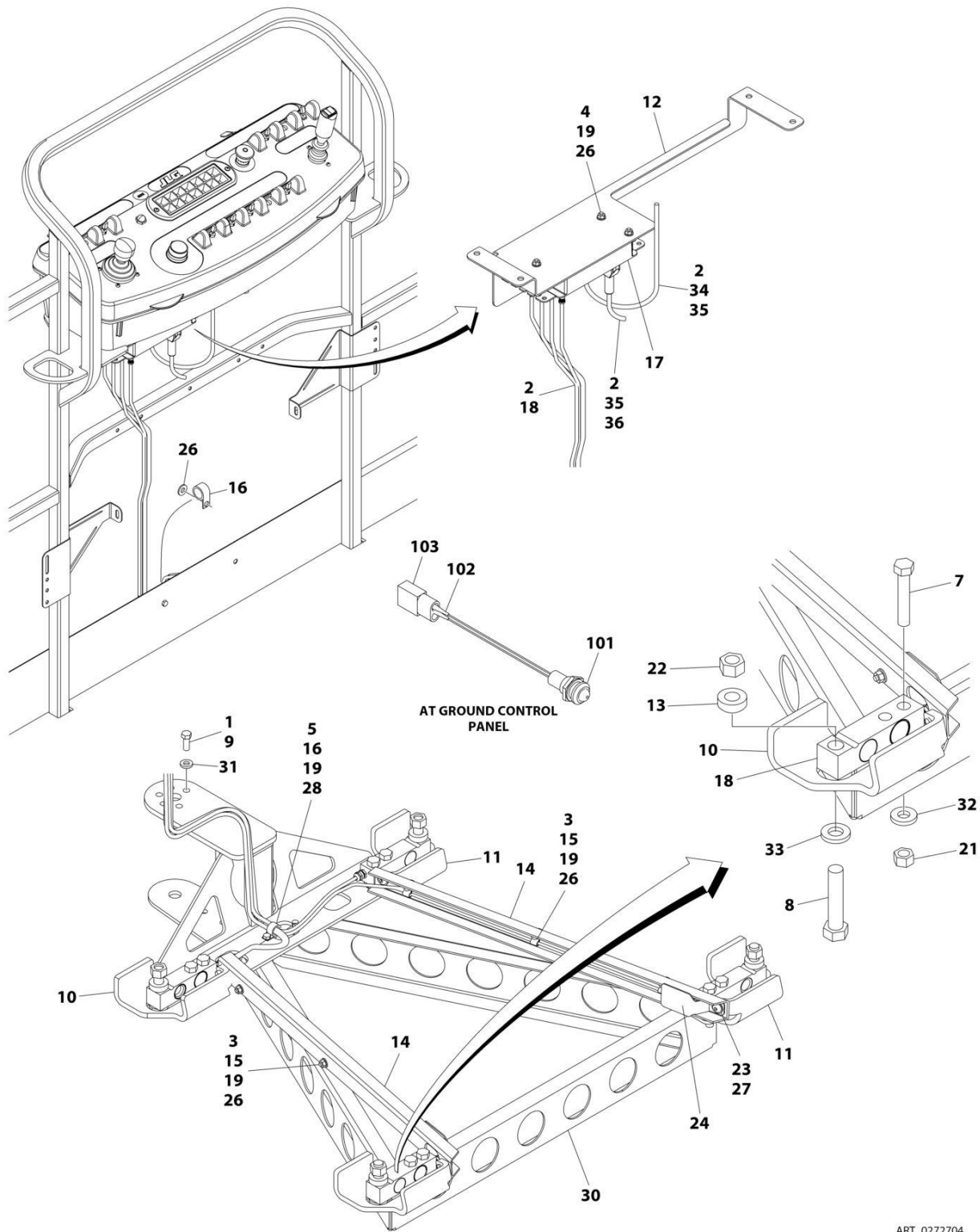


FIGURE 4-8. PLATFORM SUPPORT WITHOUT LOAD SENSING

ITEM	PART NUMBER	QTY	DESCRIPTION	REV
	0272976	Ref	PLATFORM SUPPORT WITHOUT LOAD SENSING	A
1	0100001	AR	Compound, Locking	
2	0641610	8	Bolt, 3/8-16 x 1-1/4	
3	0681608	6	Bolt, 3/8-16 x 1, Grade 8	
4	3311605	8	Nut, Lock, 3/8-16	
5	4711600	16	Washer, 3/8	
6	4846608	1	Support, Weldment (Without Load Sensing)	
6	See Note	1	Support, Weldment (With Load Sensing) (Note: See Note Above)	
7	4891600	6	Washer, 3/8	

# SECTION 4 - BOOM

## FIGURE 4-9. PLATFORM SUPPORT INSTALLATION - WITH LSS - E450AJ/M450AJ



ART\_0272704

## SECTION 4 - BOOM

**FIGURE 4-9. PLATFORM SUPPORT INSTALLATION - WITH LSS - E450AJ/M450AJ**

ITEM	PART NUMBER	QTY	DESCRIPTION	REV
	0272704	Ref	PLATFORM SUPPORT INSTALLATION - WITH LSS - E450AJ/M450AJ	K
1	0100011	AR	Compound, Locking	
2	0100048	AR	Grease, Dielectric	
3	0641405	6	Bolt 1/4 x 5/8	
4	0641416	3	Bolt 1/4 x 2	
5	0641407	1	Bolt 1/4 x 7/8	
7	0641822	8	Bolt 1/2 x 2-3/4	
8	0642024	4	Bolt 5/8 x 3	
9	0681608	6	Bolt 3/8 x 1	
10	0902919	2	Bracket, Cell Guard	
11	0902920	2	Bracket, Cell Guard	
12	1001113483	1	Bracket, Module Mounting	
13	0962450	4	Bushing, Spacer	
14	1271538	2	Channel	
15	1320136	6	Clamp	
16	1320224	2	Clamp	
17	1600387	1	Electronic Interface Module (Note: Re-calibration Required when Replaced)	
18	2420202	4	Load Cell Assembly	
19	3311405	10	Nut 1/4	
21	3311805	8	Nut 1/2	
22	3312005	4	Nut 5/8	
23	3900283	4	Screw 3/8 x 3/4	
24	4061054	2	Shield	
25	4240033	AR	Tie-Strap (Not Shown)	
26	4711400	13	Washer 1/4	
27	4711600	4	Washer 3/8	
28	4751400	1	Washer 1/4	
30	4846608	1	Platform Support	
31	4891600	6	Washer 3/8	
32	4891800	8	Washer 1/2	
33	4892000	4	Washer 5/8	
34	4922916	1	Harness, LSS System	
34	4460933	1	Connector - 12 Position (Grey) (J1)	
34	4460465	3	Socket, Female	
34	4460466	9	Plug, Terminal	
34	0840055	1	Boot	
34	4460313	3	Terminal, Ring	
35	4933289	1	EIM Load Cell to Platform Console Box Wiring (See Separate Breakdown in ELECTRICAL SECTION)	
36	4922917	1	Harness, Analyzer	
36	4460836	1	Connector - 12 Position (Black) (J2)	
36	4460465	4	Socket, Female	
36	4460466	8	Plug, Terminal	
36	0840055	1	Boot	
36	4460761	1	Connector - 4 Position	
36	4460227	4	Pin, Male	
	0273104	Ref	INDICATOR LIGHT INSTALLATION (LSS)	A/1
101	2920151	1	Light (Located on Ground Control Box)	

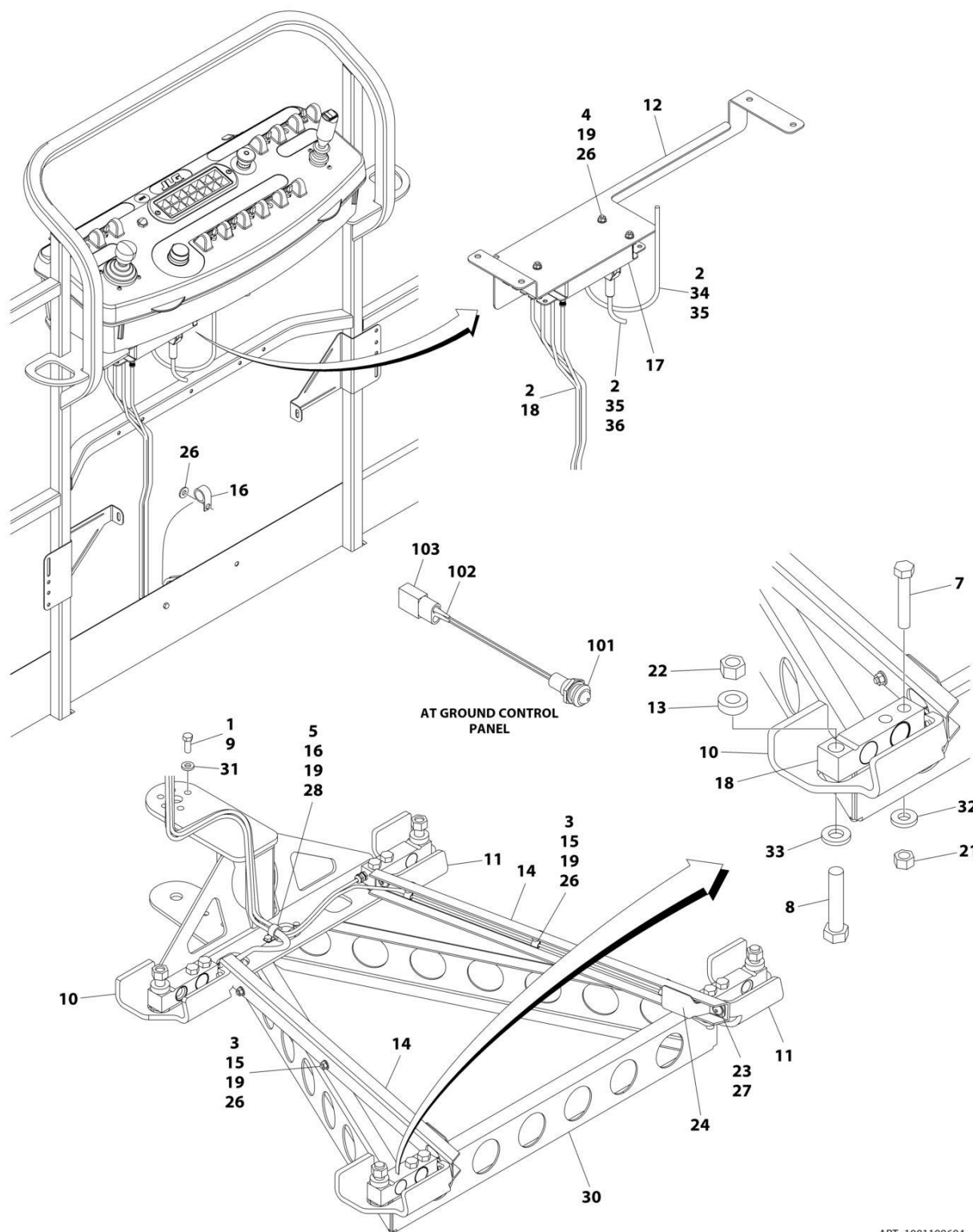
## SECTION 4 - BOOM

ITEM	PART NUMBER	QTY	DESCRIPTION	REV
102	4460226	2	Socket, Female	
103	4460424	1	Connector - 2 Position	
104	4922926	1	Harness, Indicator Lamp (Not Shown - Located at Ground Control Box)	
104	4460320	1	Plug, Male - 2 Position	
104	4460227	2	Pin, Male	
104	4460042	1	Terminal, Ring	
104	4460313	1	Terminal, Ring	
104	4460265	1	Connector - 9 Position	
104	4460226	3	Socket, Female	



# SECTION 4 - BOOM

## FIGURE 4-10. PLATFORM SUPPORT INSTALLATION - WITH LSS - E450A



ART\_1001108604

## SECTION 4 - BOOM

**FIGURE 4-10. PLATFORM SUPPORT INSTALLATION - WITH LSS - E450A**

ITEM	PART NUMBER	QTY	DESCRIPTION	REV
	1001108604	Ref	PLATFORM SUPPORT INSTALLATION - WITH LSS - E450A	C
1	0100011	AR	Compound, Locking	
2	0100048	AR	Grease, Dielectric	
3	0641405	6	Bolt 1/4 x 5/8	
4	0641416	3	Bolt 1/4 x 2	
5	0641407	1	Bolt 1/4 x 7/8	
7	0641822	8	Bolt 1/2 x 2-3/4	
8	0642024	4	Bolt 5/8 x 3	
9	0681608	6	Bolt 3/8 x 1	
10	0902919	2	Bracket, Cell Guard	
11	0902920	2	Bracket, Cell Guard	
12	1001113483	1	Bracket, Module Mounting	
13	0962450	4	Bushing, Spacer	
14	1271538	2	Channel	
15	1320136	6	Clamp	
16	1320224	2	Clamp	
17	1600387	1	Electronic Interface Module (Note: Re-calibration Required when Replaced)	
18	2420202	4	Load Cell Assembly	
19	3311405	10	Nut 1/4	
21	3311805	8	Nut 1/2	
22	3312005	4	Nut 5/8	
23	3900283	4	Screw 3/8 x 3/4	
24	4061054	2	Shield	
25	4240033	AR	Tie-Strap (Not Shown)	
26	4711400	13	Washer 1/4	
27	4711600	4	Washer 3/8	
28	4751400	1	Washer 1/4	
30	4846608	1	Platform Support	
31	4891600	6	Washer 3/8	
32	4891800	8	Washer 1/2	
33	4892000	4	Washer 5/8	
34	4922916	1	Harness, LSS System	
34	4460933	1	Connector - 12 Position (Grey) (J1)	
34	4460465	3	Socket, Female	
34	4460466	9	Plug, Terminal	
34	0840055	1	Boot	
34	4460313	3	Terminal, Ring	
35	4933289	1	EIM Load Cell to Platform Console Box Wiring (See Separate Breakdown in ELECTRICAL SECTION)	
36	4922917	1	Harness, Analyzer	
36	4460836	1	Connector - 12 Position (Black) (J2)	
36	4460465	4	Socket, Female	
36	4460466	8	Plug, Terminal	
36	0840055	1	Boot	
36	4460761	1	Connector - 4 Position	
36	4460227	4	Pin, Male	
37	4460225	1	Plug, Male - 6 Position (Not Shown - Located in Platform Console Box (J8))	
	0273104	Ref	INDICATOR LIGHT INSTALLATION (LSS)	A/1

## SECTION 4 - BOOM

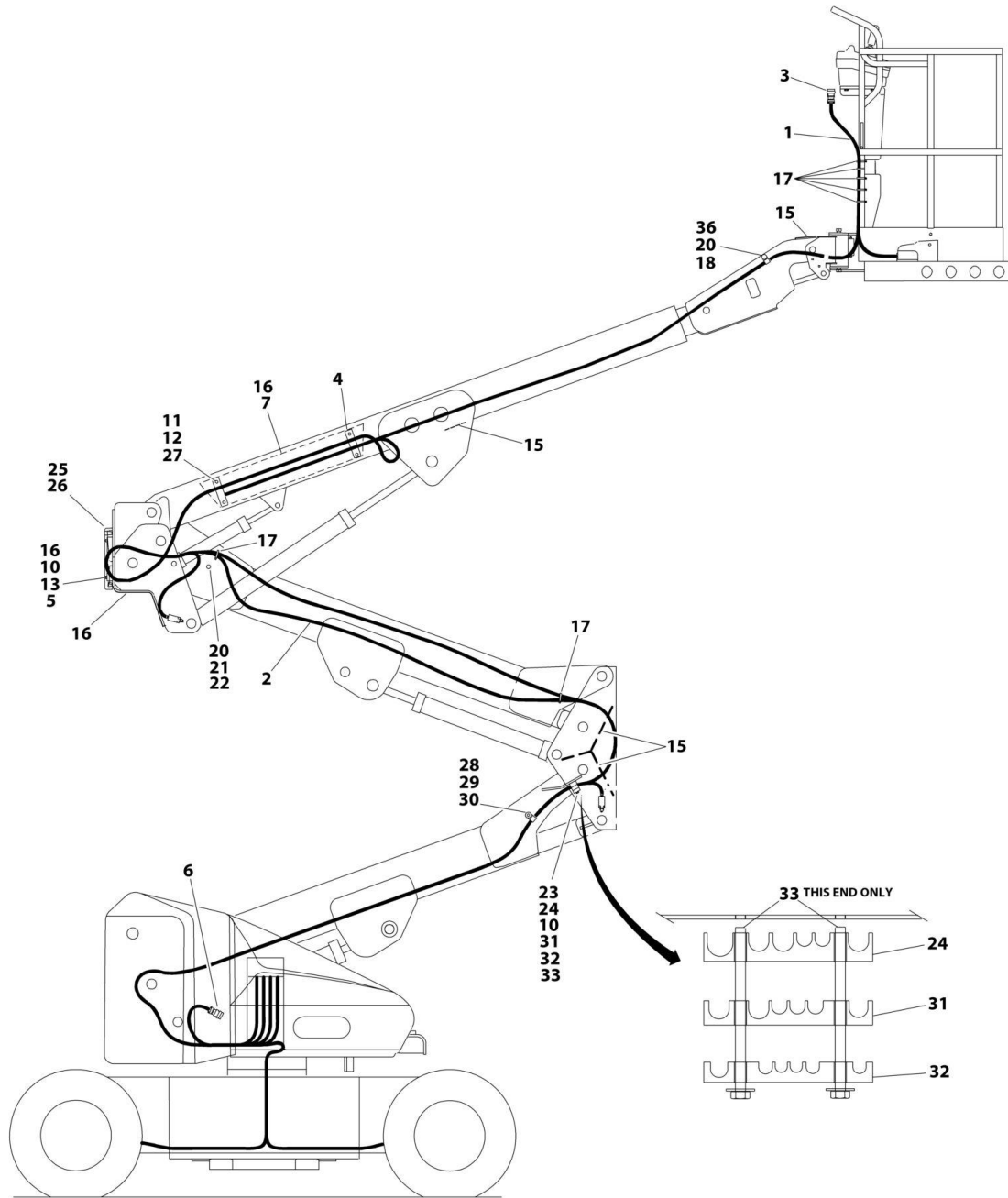
ITEM	PART NUMBER	QTY	DESCRIPTION	REV
101	2920151	1	Light (Located on Ground Control Box)	
102	4460226	2	Socket, Female	
103	4460424	1	Connector - 2 Position	
104	4922926	1	Harness, Indicator Lamp (Not Shown - Located at Ground Control Box)	
104	4460320	1	Plug, Male - 2 Position	
104	4460227	2	Pin, Male	
104	4460042	1	Terminal, Ring	
104	4460313	1	Terminal, Ring	
104	4460265	1	Connector - 9 Position	
104	4460226	3	Socket, Female	





# SECTION 4 - BOOM

## FIGURE 4-11. CABLES AND CLAMPS INSTALLATION - E450A



ART\_0257735

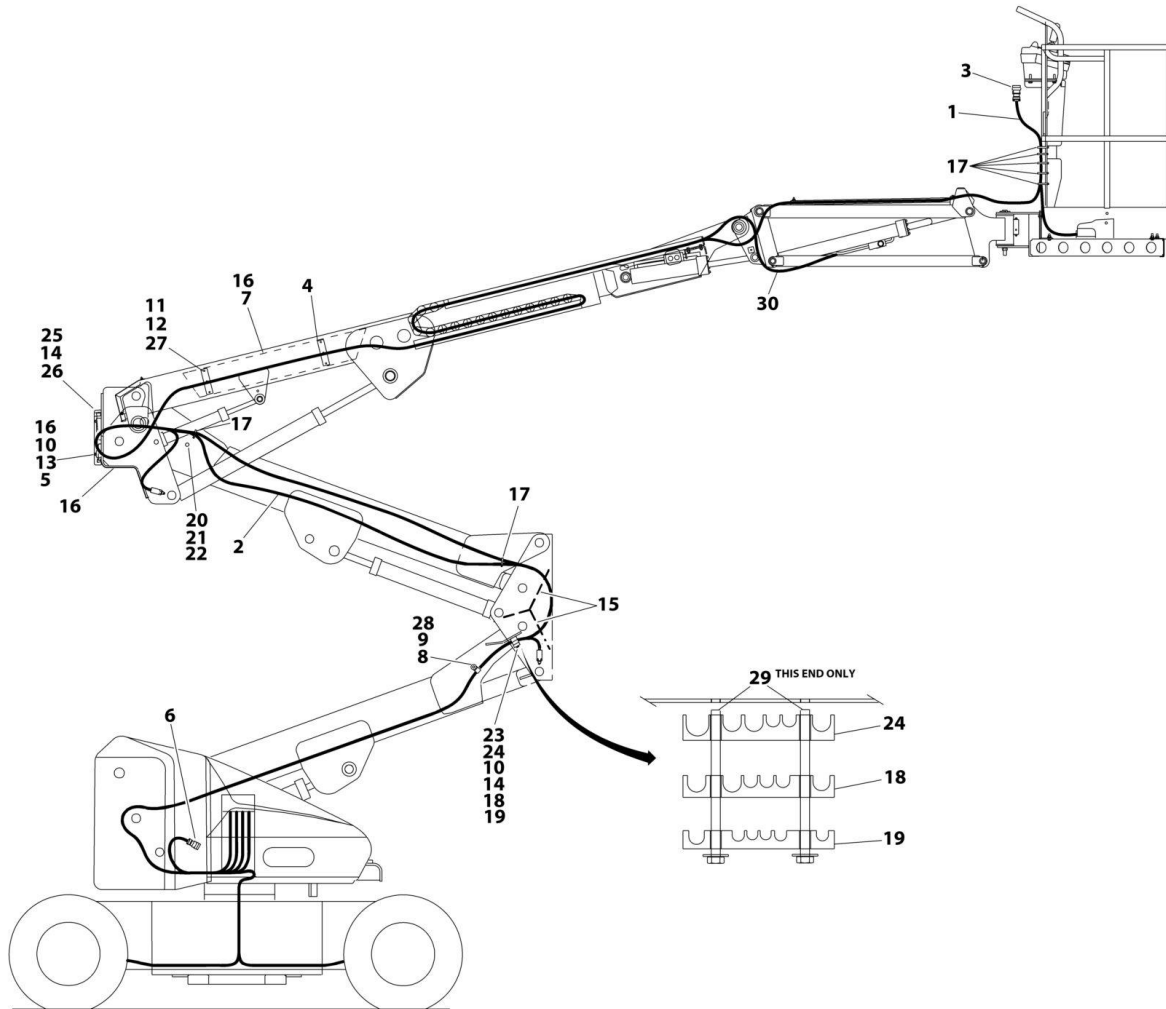
## SECTION 4 - BOOM

**FIGURE 4-11. CABLES AND CLAMPS INSTALLATION - E450A**

ITEM	PART NUMBER	QTY	DESCRIPTION	REV
	0257735	Ref	CABLES AND CLAMPS INSTALLATION - E450A	I
1	4922178	1	Harness Assembly - Upper Boom (See ELECTRICAL SECTION for Breakdown)	
2	4922179	1	Harness Assembly - Lower Boom (See ELECTRICAL SECTION for Breakdown)	
3	4460754	1	Connector	
4	1320260	2	Block, Hose Clamp	
5	0561317	1	Block, Hose Clamp	
6	4460753	1	Connector	
7	3536999	1	Shield	
10	4751500	5	Washer, 5/16	
11	4751400	12	Washer, 1/4	
12	3311401	6	Nut, 1/4-20	
13	0641514	3	Bolt, 5/16-18 x 1-3/4	
14	0100011	AR	Compound, Locking (Not Shown)	
15	4060805	4	Trim, Flex	
16	4060808	8	Trim, Flex	
17	4240099	26	Tie, Strap	
18	0641516	1	Bolt, 5/16-18 x 2	
20	3311505	2	Nut, Lock, 5/16-18	
21	4566243	1	Roller	
22	0641560	1	Bolt, 5/16-18 x 7-1/2	
23	4300140	2	Stud, 5/16-18 x 3-5/8	
24	0561384	1	Block, Hose Clamp	
25	1670697	1	Cover, Hose	
26	0630467	4	Capscrew, Button 5-16-18 x 1/2	
27	3300151	6	Nut, 1/4-20	
28	1320043	1	Clamp, Cable	
29	0641410	1	Bolt, 1/4-20 x 1-1/4	
30	3311405	1	Nut, Lock, 1/4-20	
31	0561385	1	Block, Hose Clamp	
32	0561386	1	Block, Hose Clamp	
33	0100019	1	Compound, Locking	
36	0561424	1	Block, Hose Clamp	

# SECTION 4 - BOOM

## FIGURE 4-12. CABLES AND CLAMPS INSTALLATION - E450AJ/M450AJ



ART\_0259367

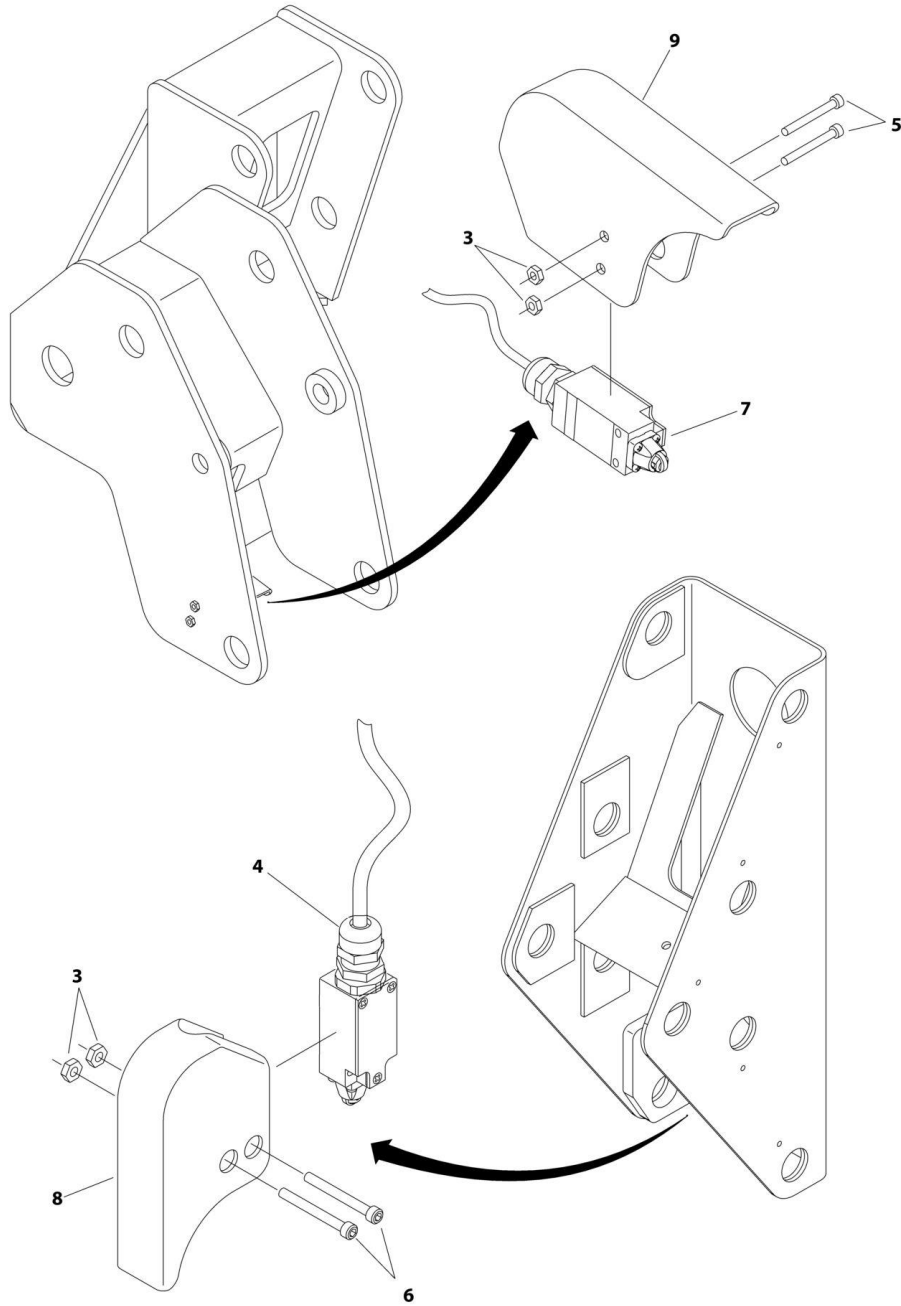
## SECTION 4 - BOOM

**FIGURE 4-12. CABLES AND CLAMPS INSTALLATION - E450AJ/M450AJ**

ITEM	PART NUMBER	QTY	DESCRIPTION	REV
	0259367	Ref	CABLES AND CLAMPS INSTALLATION - E450AJ/M450AJ	F
1	4922552	1	Harness Assembly - Upper Boom (See ELECTRICAL SECTION for Breakdown)	
2	4922179	1	Harness Assembly - Lower Boom (See ELECTRICAL SECTION for Breakdown)	
3	4460754	1	Connector	
4	1320260	2	Block, Hose Clamp	
5	0561317	1	Block, Hose Clamp	
6	4460753	1	Connector	
7	3571462	1	Shield	
8	0641410	1	Bolt, 1/4-20 x 1-1/4	
9	3311405	1	Nut, Lock, 1/4-20	
10	4751500	5	Washer, 5/16	
11	4751400	12	Washer, 1/4	
12	3311401	6	Nut, 1/4-20	
13	0641514	3	Bolt, 5/16-18 x 1-3/4	
14	0100011	AR	Compound, Locking	
15	4060805	1	Trim, 1/4	
16	4060808	8	Trim, 1/2	
17	4240099	26	Tie-Strap	
18	0561385	1	Block, Hose Clamp	
19	0561386	1	Block, Hose Clamp	
20	3311505	1	Nut, Lock, 5/16-18	
21	4566243	1	Roller	
22	0641560	1	Bolt, 5/16-18 x 7-1/2	
23	4300140	2	Stud, Weld, 5/16-18 x 3-5/8	
24	0561384	1	Block, Hose Clamp	
25	1670697	1	Cover, Hose	
26	0630467	4	Capscrew, Button, 5-16-18 x 1/2	
27	3300151	6	Nut, Acorn, 1/4-20	
28	1320043	1	Clamp, Cable	
29	0100019	AR	Compound, Locking	
30	4100067	1	Sleeve	

# SECTION 4 - BOOM

## FIGURE 4-13. BOOM LIMIT SWITCHES INSTALLATION



ART. 0271493

## SECTION 4 - BOOM

### FIGURE 4-13. BOOM LIMIT SWITCHES INSTALLATION

ITEM	PART NUMBER	QTY	DESCRIPTION	REV
	0271493	Ref	BOOM LIMIT SWITCHES INSTALLATION	2
3	3311005	4	Nut, Lock, #10-24	
4	4922614	1	Limit Switch Harness - Lower (Includes Limit Switch) (See ELECTRICAL SECTION for Breakdown)	
5	3931028	2	Screw, #10-24 x 1-3/4	
6	3900104	2	Screw, Fillister Head, #10-24 x 2-1/4	
7	4922613	1	Limit Switch Harness - Upper (Includes Limit Switch) (See ELECTRICAL SECTION for Breakdown)	
8	1670832	1	Cover, Switch - Lower	
9	1670833	1	Cover, Switch - Upper	

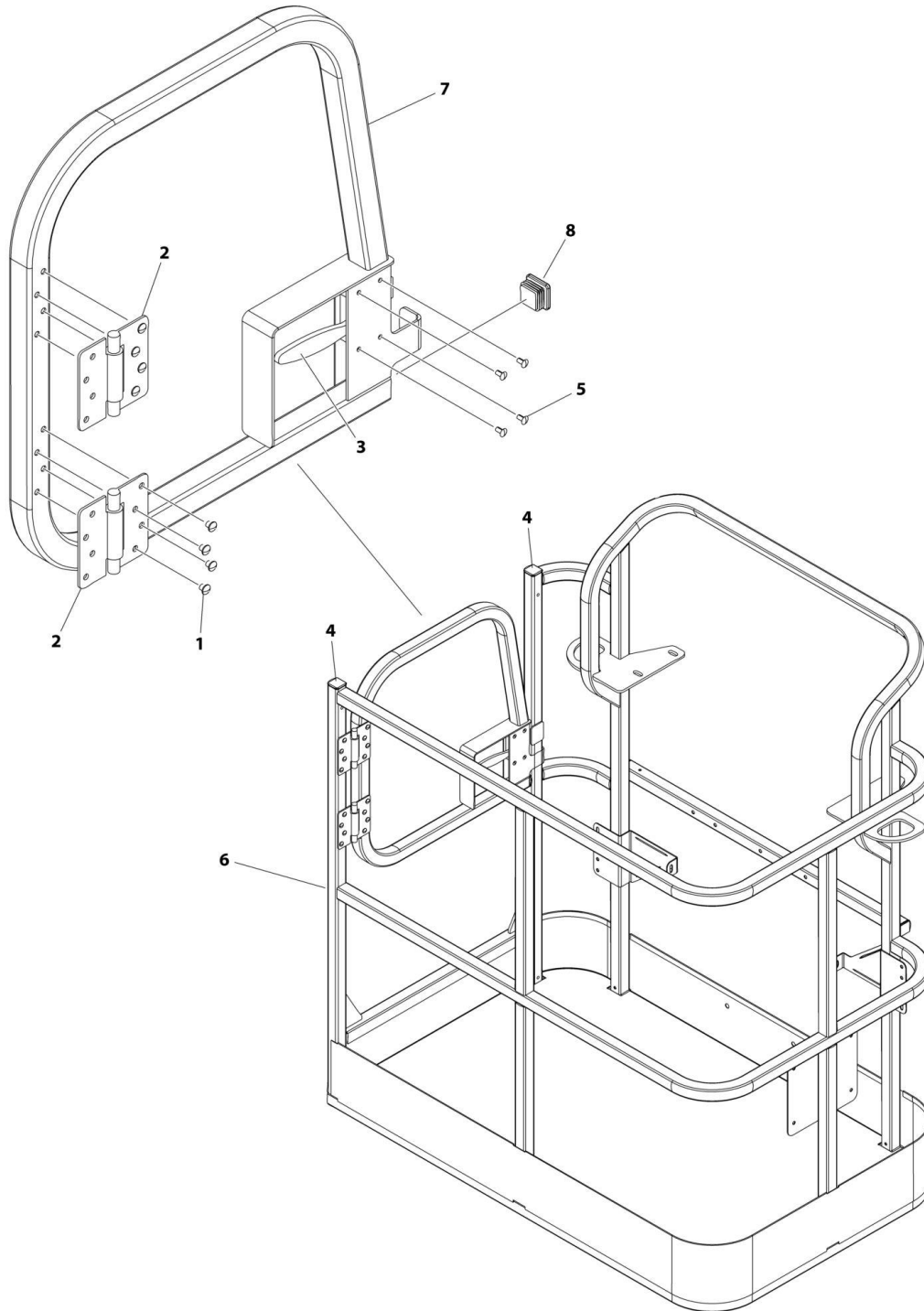




**SECTION 5 - PLATFORM**

# SECTION 5 - PLATFORM

FIGURE 5-1. PLATFORM ASSEMBLY - 4FT/1.22M - SIDE GATE ENTRY (SN 0300189901 through 0300200789)



ART\_1001144027

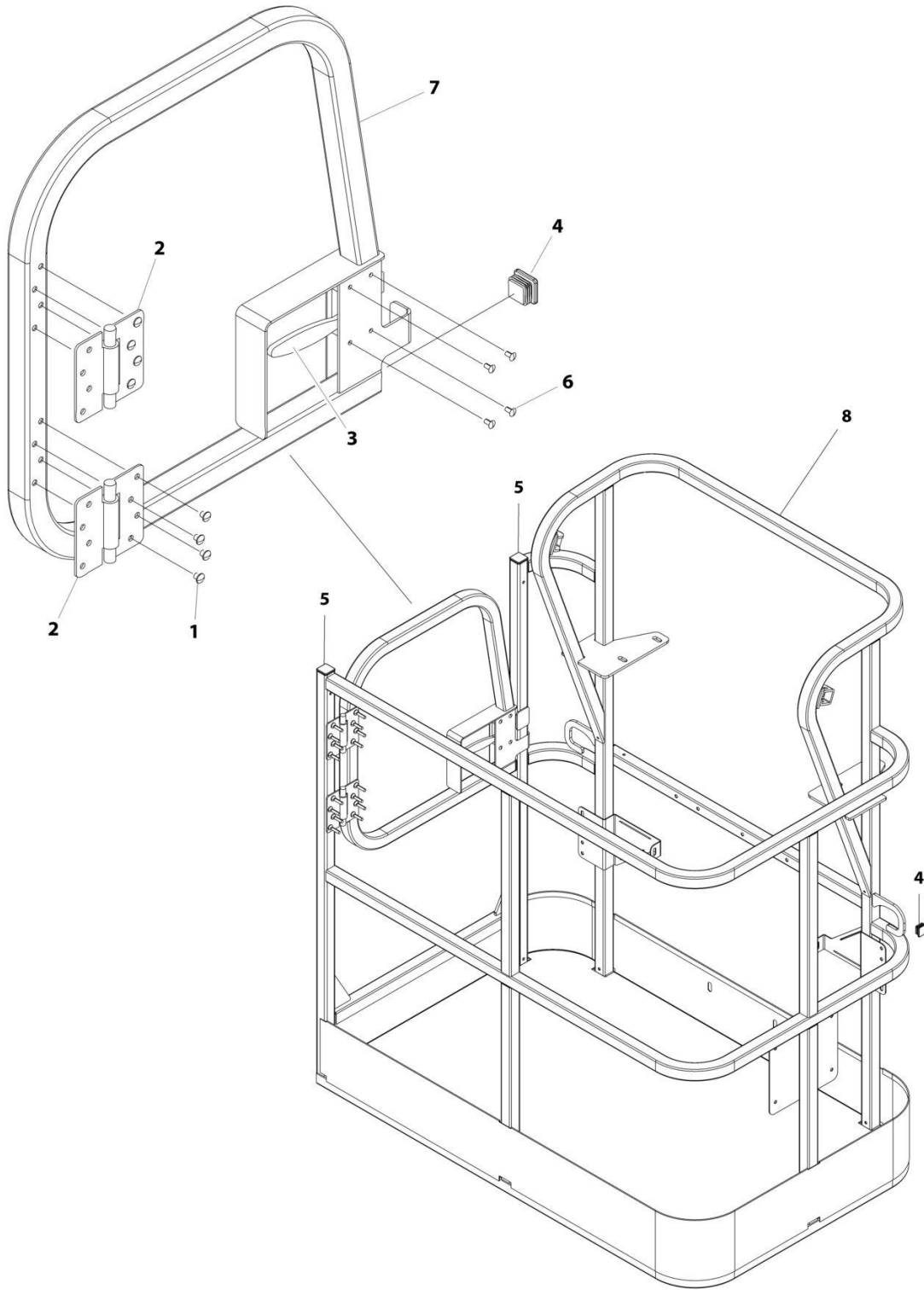
**SECTION 5 - PLATFORM**

**FIGURE 5-1. PLATFORM ASSEMBLY - 4FT/1.22M - SIDE GATE ENTRY (SN 0300189901 through 0300200789)**

ITEM	PART NUMBER	QTY	DESCRIPTION	REV
	1001144027	Ref	PLATFORM ASSEMBLY - 4ft/1.22m - SIDE GATE ENTRY (SN <b>0300189901 through 0300200789</b> )	D
		Ref	Note: Platform and Mesh must be ordered separately for Platforms with Mesh. See SPECTIAL OPTIONS SECTION for Mesh Installations.	
		Ref	Note: Replacement Decals Must be Ordered Separately - See DECALS SECTION.	
1	2080040	16	Fastener, Huck	
2	2600281	2	Hinge, Self-Closing	
3	2940074	1	Latch	
4	3520198	2	Plug, Cap	
5	3820020	4	Rivet	
6	See Note	1	Platform, Weldment (Note: Not Available - Purchase Platform Assembly)	
7	1001144629	1	Gate, Weldment	
8	3520072	3	Plug, Cap	

# SECTION 5 - PLATFORM

FIGURE 5-2. PLATFORM ASSEMBLY - 4FT/1.22M - SIDE GATE ENTRY (SN 0300200790 through 0300208529)



ART\_1001186387

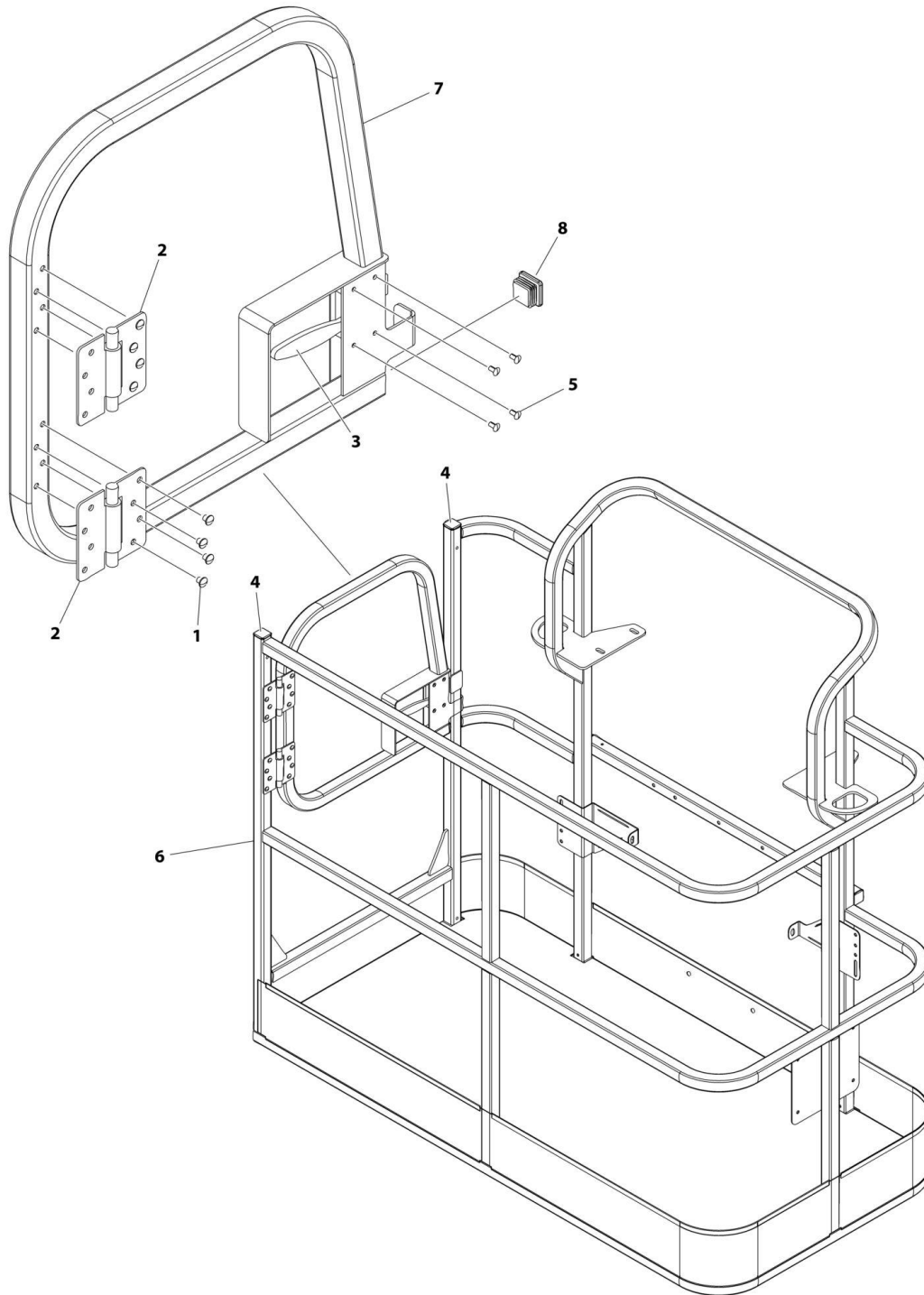
**SECTION 5 - PLATFORM**

**FIGURE 5-2. PLATFORM ASSEMBLY - 4FT/1.22M - SIDE GATE ENTRY (SN 0300200790 through 0300208529)**

ITEM	PART NUMBER	QTY	DESCRIPTION	REV
	1001186387	Ref	PLATFORM ASSEMBLY - 4FT/1.22M - SIDE GATE ENTRY (SN <b>0300200790 through 0300208529</b> )	B
		Ref	Note: Platform and Mesh must be ordered separately for Platforms with Mesh. See SPECTIAL OPTIONS SECTION for Mesh Installations.	
		Ref	Note: Replacement Decals Must be Ordered Separately - See DECALS SECTION.	
1	2080040	16	Fastener, Huck	
2	2600281	2	Hinge, Self-Closing	
3	2940074	1	Latch	
4	3520072	3	Plug, Cap	
5	3520198	2	Plug, Cap	
6	3820020	4	Rivet	
7	1001144629	1	Gate, Weldment	
8	See Note	1	Platform, Weldment (Note: Not Available - Purchase Platform Assembly)	

# SECTION 5 - PLATFORM

FIGURE 5-3. PLATFORM ASSEMBLY - 5FT/1.52M - SIDE GATE ENTRY (SN 0300189901 through 0300200789)



ART\_1001144026

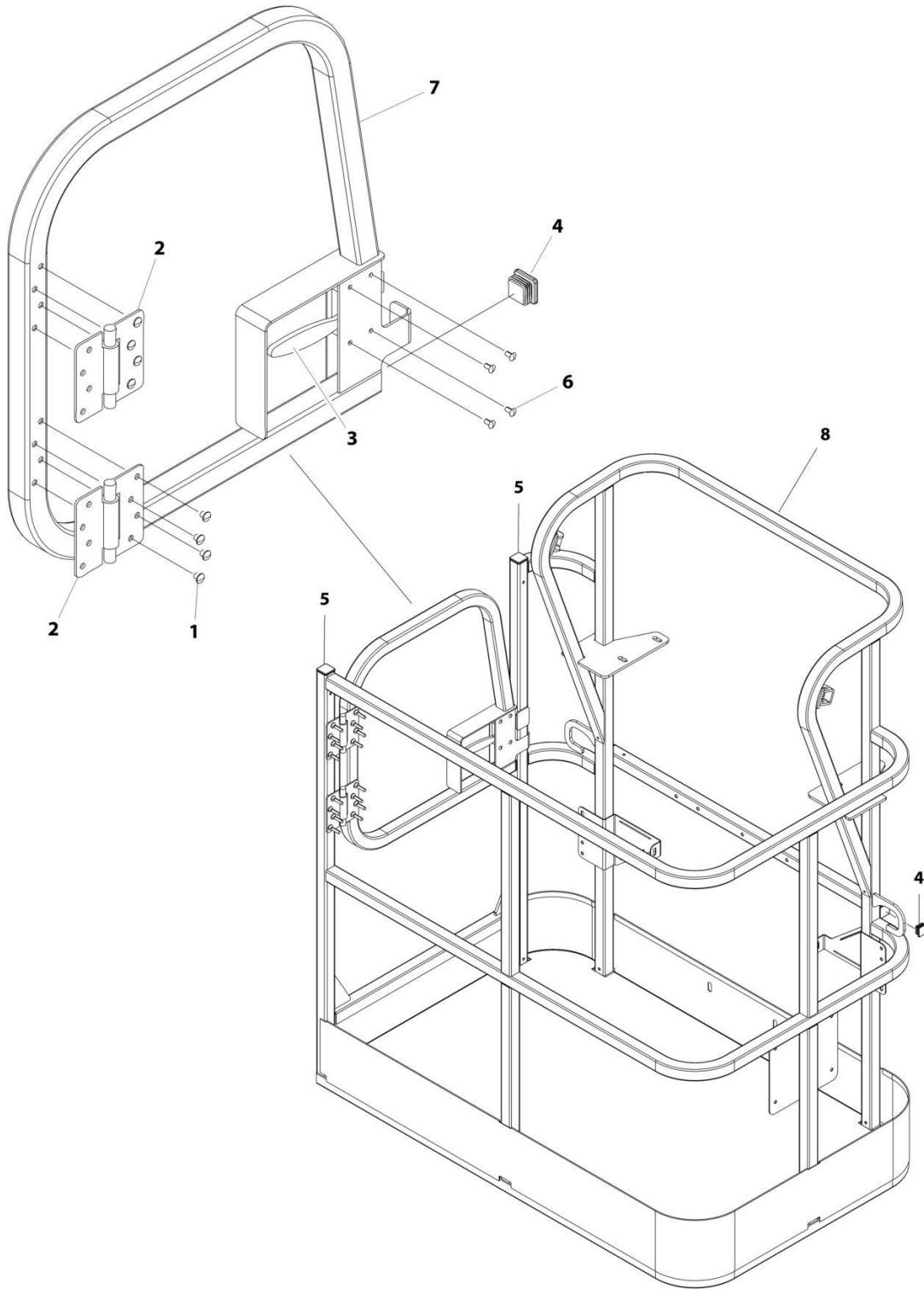
# SECTION 5 - PLATFORM

**FIGURE 5-3. PLATFORM ASSEMBLY - 5FT/1.52M - SIDE GATE ENTRY (SN 0300189901 through 0300200789)**

ITEM	PART NUMBER	QTY	DESCRIPTION	REV
	1001144026	Ref	PLATFORM ASSEMBLY - 5FT/1.52M - SIDE GATE ENTRY (SN <b>0300189901 through 0300200789</b> )	D
		Ref	Note: Platform and Mesh must be ordered separately for Platforms with Mesh. See SPECTIAL OPTIONS SECTION for Mesh Installations.	
		Ref	Note: Replacement Decals Must be Ordered Separately - See DECALS SECTION.	
1	2080040	16	Fastener, Huck	
2	2600281	2	Hinge, Self-Closing	
3	2940074	1	Latch	
4	3520198	2	Plug, Cap	
5	3820020	4	Rivet	
6	See Note	1	Platform, Weldment (Note: Not Available - Purchase Platform Assembly)	
7	1001144629	1	Gate, Weldment	
8	3520072	3	Plug, Cap	

# SECTION 5 - PLATFORM

FIGURE 5-4. PLATFORM ASSEMBLY - 5FT/1.52M - SIDE GATE ENTRY (SN 0300200790 through 0300208529)



ART\_1001186386



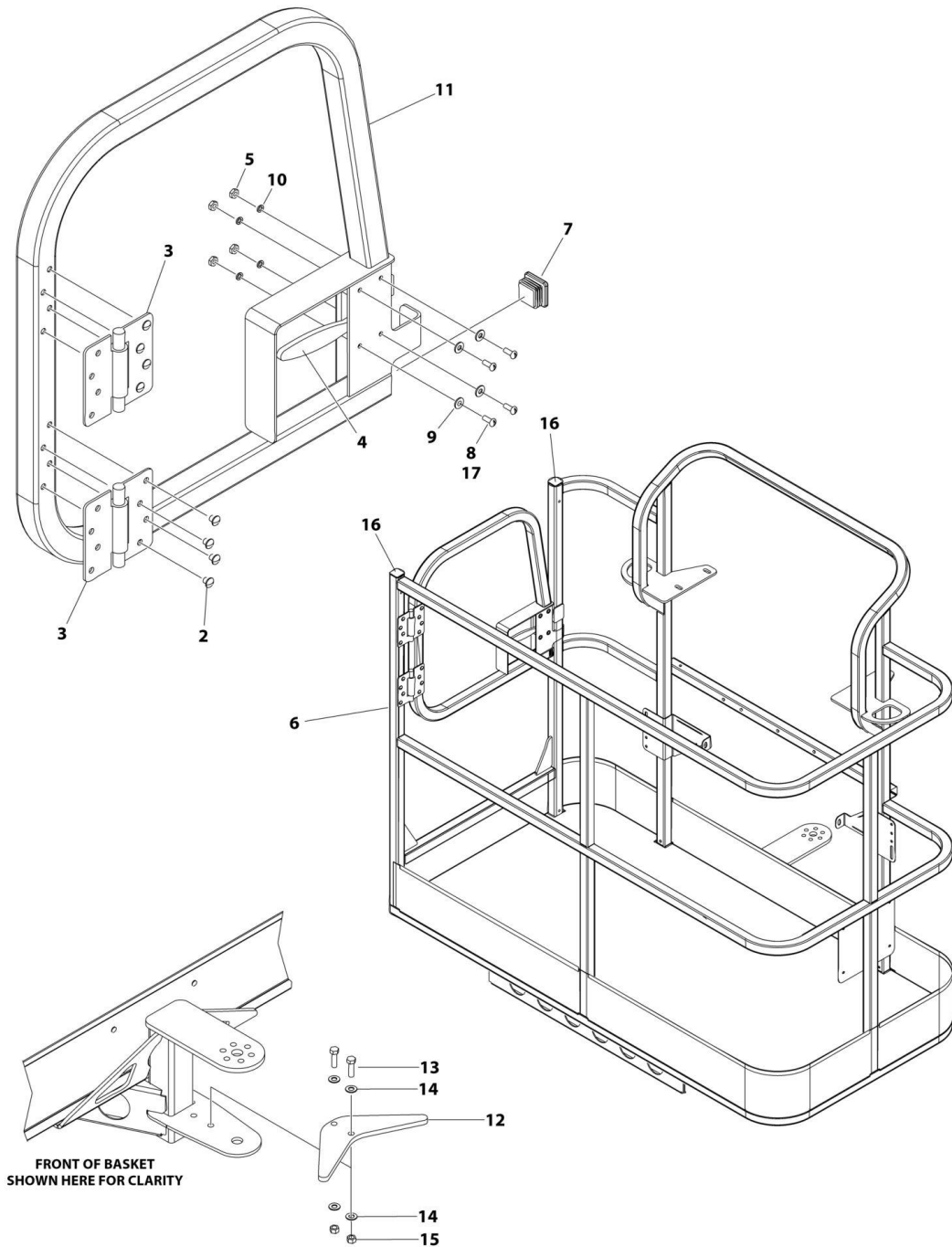
# SECTION 5 - PLATFORM

**FIGURE 5-4. PLATFORM ASSEMBLY - 5FT/1.52M - SIDE GATE ENTRY (SN 0300200790 through 0300208529)**

ITEM	PART NUMBER	QTY	DESCRIPTION	REV
	1001186386	Ref	PLATFORM ASSEMBLY - 5FT/1.52M - SIDE GATE ENTRY (SN <b>0300200790 through 0300208529</b> )	B
		Ref	Note: Platform and Mesh must be ordered separately for Platforms with Mesh. See SPECTIAL OPTIONS SECTION for Mesh Installations.	
		Ref	Note: Replacement Decals Must be Ordered Separately - See DECALS SECTION.	
1	2080040	16	Fastener, Huck	
2	2600281	2	Hinge, Self-Closing	
3	2940074	1	Latch	
4	3520072	3	Plug, Cap	
5	3520198	2	Plug, Cap	
6	3820020	4	Rivet	
7	1001144629	1	Gate, Weldment	
8	See Note	1	Platform, Weldment (Note: Not Available - Purchase Platform Assembly)	

# SECTION 5 - PLATFORM

FIGURE 5-5. PLATFORM ASSEMBLY - 5FT/1.52M - SIDE GATE ENTRY - WITH STOP (SN 0300189901 through 0300195136)



ART\_3510844

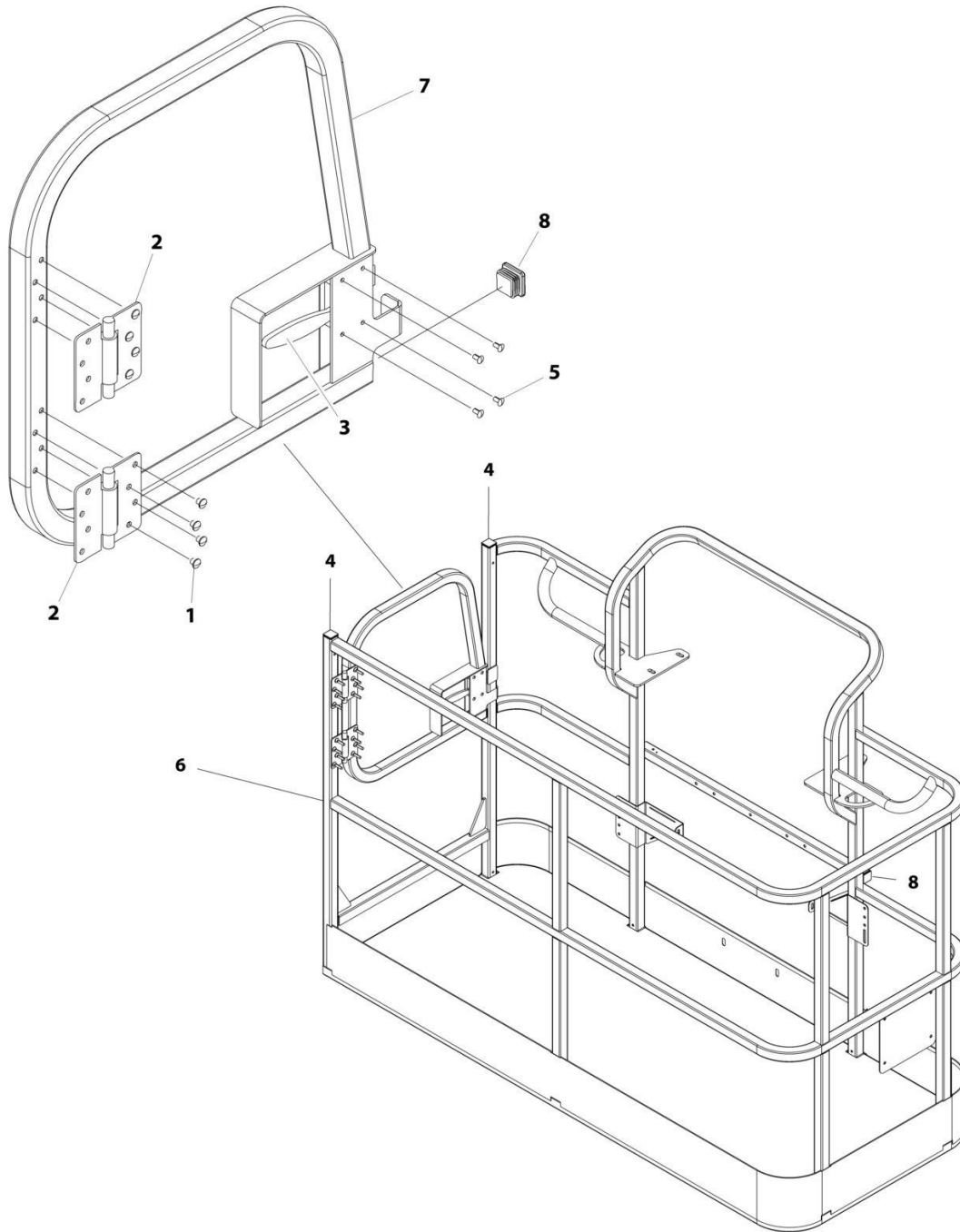
**SECTION 5 - PLATFORM**

**FIGURE 5-5. PLATFORM ASSEMBLY - 5FT/1.52M - SIDE GATE ENTRY - WITH STOP (SN 0300189901 through 0300195136)**

ITEM	PART NUMBER	QTY	DESCRIPTION	REV
	3510844	Ref	PLATFORM ASSEMBLY - 5FT/1.52M - SIDE GATE ENTRY - WITH STOP (SN 0300189901 through 0300195136)	F
		Ref	Note: Platform and Mesh must be ordered separately for Platforms with Mesh. See SPECTIAL OPTIONS SECTION for Mesh Installations.	
		Ref	Note: Replacement Decals Must be Ordered Separately - See DECAL SECTION.	
2	2080040	16	Fastener, Huck	
3	2600281	2	Hinge, Self-Closing	
4	2940074	1	Latch	
5	3311001	4	Nut #10	
6	See Note	1	Platform Weldment (Note: Not Available - Purchase Platform Assembly)	
7	1001144630	1	Cap, Plug	
8	3911008	4	Screw #10 x 1	
9	4751000	4	Washer #10	
10	4761000	4	Washer #10	
11	1001144629	1	Gate Weldment	
12	3572413	1	Stop	
13	0641610	2	Bolt 3/8 x 1-1/4	
14	4711600	4	Washer 3/8	
15	3311605	2	Nut 3/8	
16	3520198	2	Cap, Plug	
17	0100011	AR	Compound, Locking	

# SECTION 5 - PLATFORM

FIGURE 5-6. PLATFORM ASSEMBLY - 6FT/1.83M - SIDE GATE ENTRY (SN 0300195137 through 0300200789)



ART\_1001144025

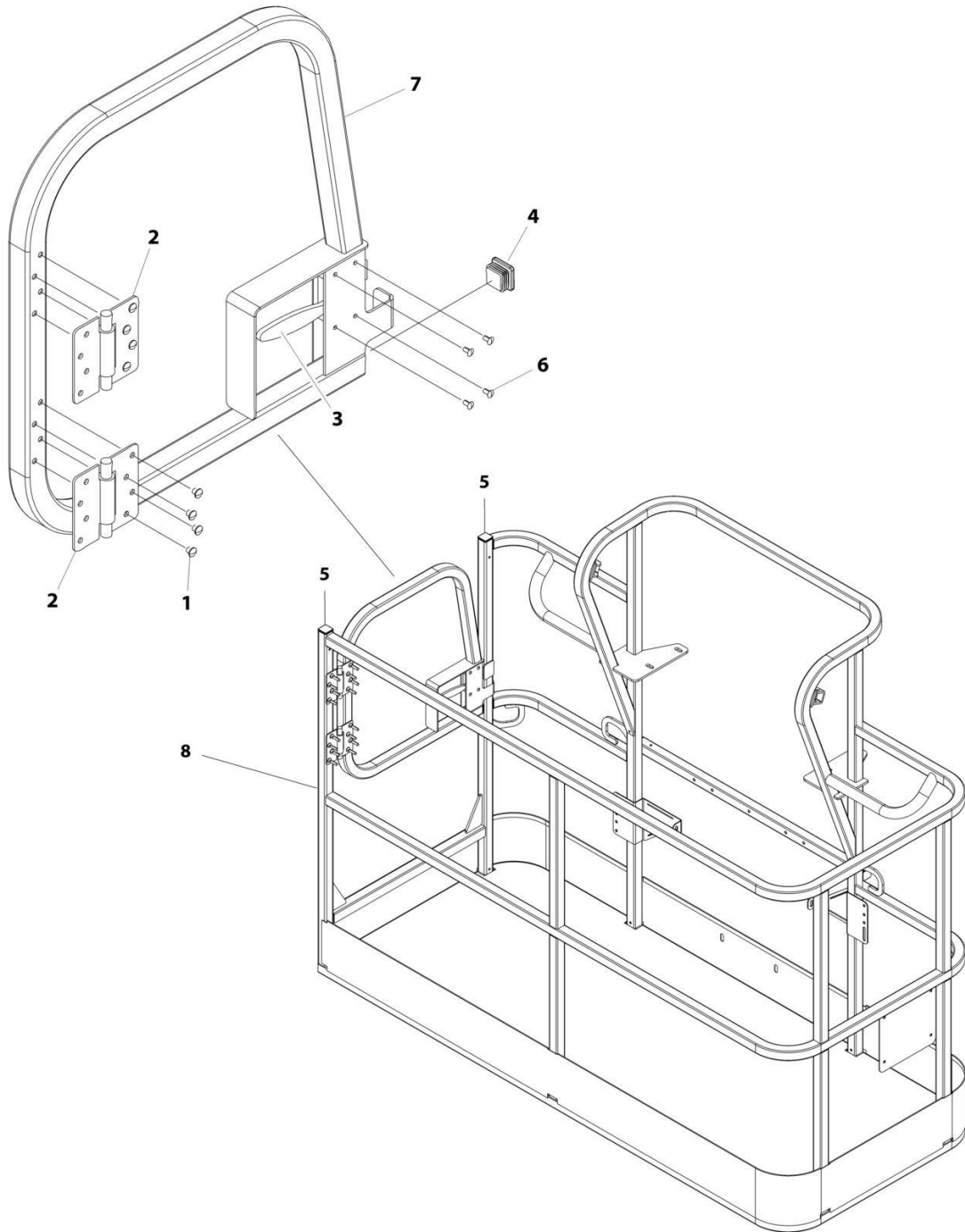
**SECTION 5 - PLATFORM**

**FIGURE 5-6. PLATFORM ASSEMBLY - 6FT/1.83M - SIDE GATE ENTRY (SN 0300195137 through 0300200789)**

ITEM	PART NUMBER	QTY	DESCRIPTION	REV
	1001144025	Ref	PLATFORM ASSEMBLY - 6FT/1.83M - SIDE GATE ENTRY (SN 0300195137 through 0300200789)	D
		Ref	Note: Platform and Mesh must be ordered separately for Platforms with Mesh. See SPECTIAL OPTIONS SECTION for Mesh Installations.	
		Ref	Note: Replacement Decals Must be Ordered Separately - See DECALS SECTION.	
1	2080040	16	Fastener, Huck	
2	2600281	2	Hinge, Self-Closing	
3	2940074	1	Latch	
4	3520198	2	Plug, Cap	
5	3820020	4	Rivet	
6	See Note	1	Platform, Weldment (Note: Not Available - Purchase Platform Assembly)	
7	1001144629	1	Gate, Weldment	
8	3520072	3	Cap, Plug	

# SECTION 5 - PLATFORM

FIGURE 5-7. PLATFORM ASSEMBLY - 6FT/1.83M - SIDE GATE ENTRY (SN 0300200790 through 0300208529)



ART\_1001186385

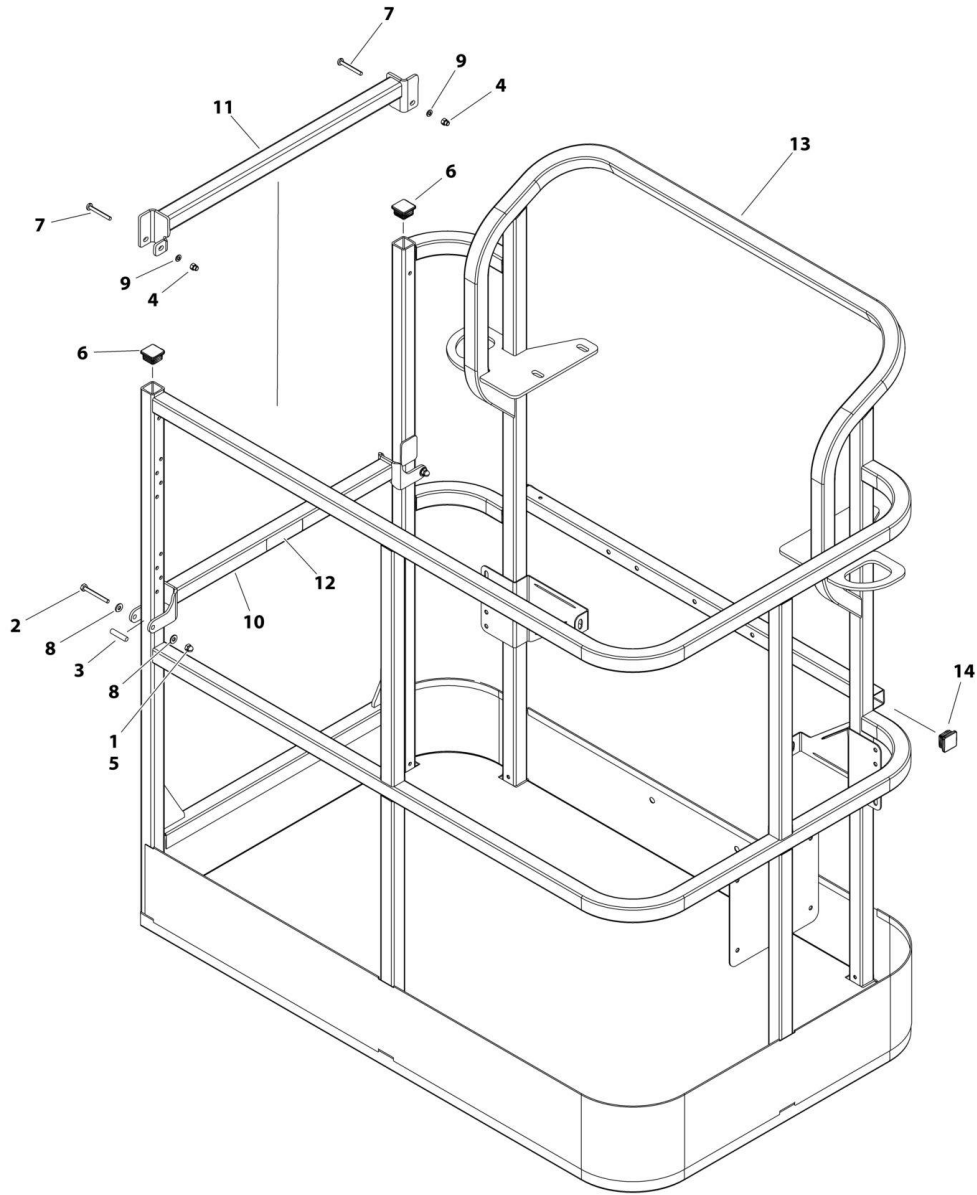
**SECTION 5 - PLATFORM**

**FIGURE 5-7. PLATFORM ASSEMBLY - 6FT/1.83M - SIDE GATE ENTRY (SN 0300200790 through 0300208529)**

ITEM	PART NUMBER	QTY	DESCRIPTION	REV
	1001186385	Ref	PLATFORM ASSEMBLY - 6FT/1.83M - SIDE GATE ENTRY (SN <b>0300200790 through 0300208529</b> )	B
		Ref	Note: Platform and Mesh must be ordered separately for Platforms with Mesh. See SPECTIAL OPTIONS SECTION for Mesh Installations.	
		Ref	Note: Replacement Decals Must be Ordered Separately - See DECALS SECTION.	
1	2080040	16	Fastener, Huck	
2	2600281	2	Hinge, Self-Closing	
3	2940074	1	Latch	
4	3520072	3	Cap, Plug	
5	3520198	2	Plug, Cap	
6	3820020	4	Rivet	
7	1001144629	1	Gate, Weldment	
8	See Note	1	Platform, Weldment (Note: Not Available - Purchase Platform Assembly)	

# SECTION 5 - PLATFORM

FIGURE 5-8. PLATFORM ASSEMBLY - 4FT/1.22M - DROP BAR ENTRY (SN 0300189901 through 0300200789)



ART\_1001144018



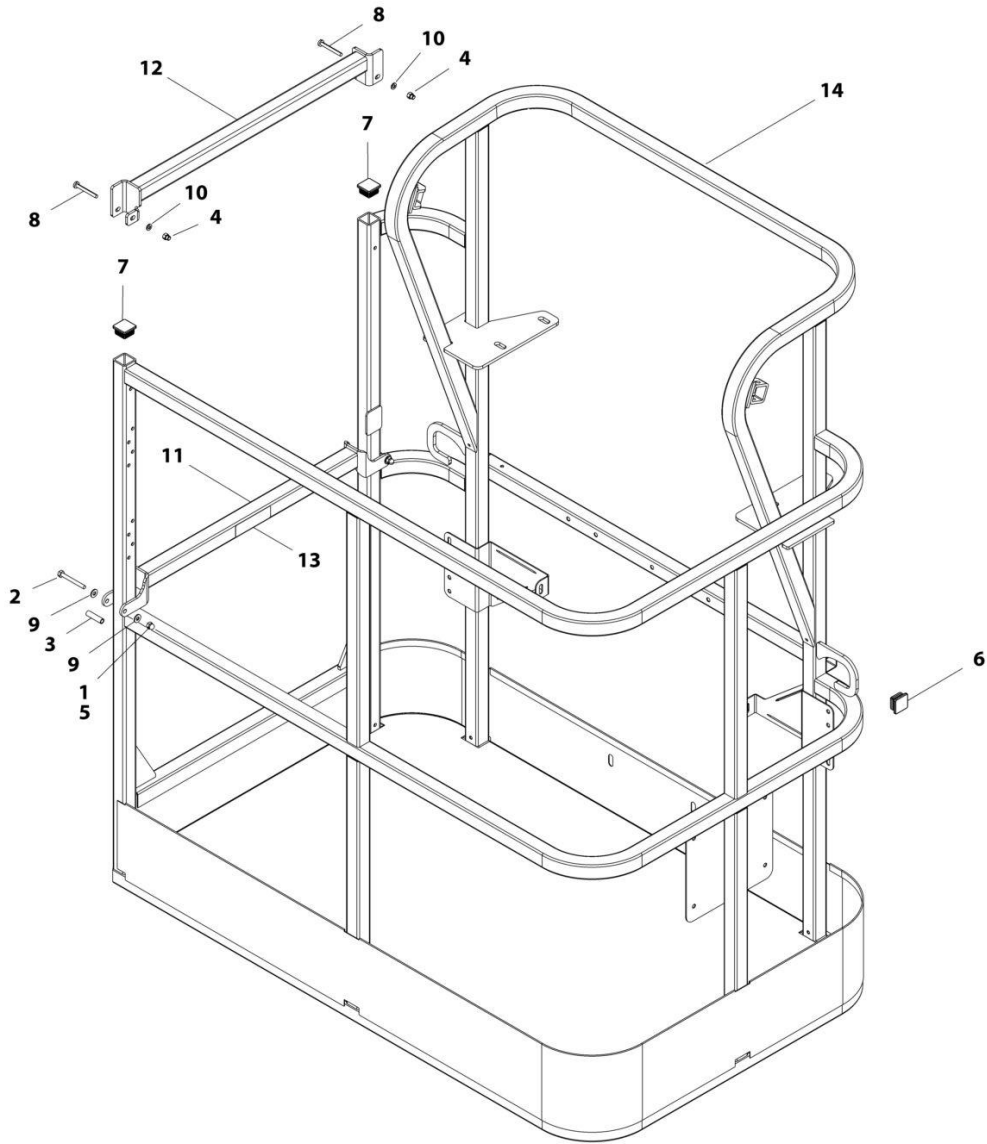
# SECTION 5 - PLATFORM

**FIGURE 5-8. PLATFORM ASSEMBLY - 4FT/1.22M - DROP BAR ENTRY (SN 0300189901 through 0300200789)**

ITEM	PART NUMBER	QTY	DESCRIPTION	REV
	1001144018	Ref	PLATFORM ASSEMBLY - 4FT/1.22M - DROP BAR ENTRY (SN <b>0300189901 through 0300200789</b> )	D
		Ref	Note: Replacement Decals Must be Ordered Separately - See DECALS SECTION.	
1	0100011	AR	Compound, Locking	
2	0641418	2	Bolt 1/4 x 2-1/4	
3	0961845	2	Bushing	
4	3290606	2	Nut M6	
5	3300151	2	Nut 1/4	
6	3520198	2	Plug, Cap	
7	4010618	2	Screw M6 x 50	
8	4711400	4	Washer 1/4	
9	4811700	2	Washer M6	
10	1001138494	1	Bar, Drop	
11	1001138514	1	Rail - Top	
12	1001140429	1	Decal - Drop Bar	
13	See Note	1	Platform, Weldment (Note: Not Available - Purchase Platform Assembly)	
14	3520072	2	Plug, Cap	

# SECTION 5 - PLATFORM

FIGURE 5-9. PLATFORM ASSEMBLY - 4FT/1.22M - DROP BAR ENTRY (SN 0300200790 through 0300208529)



ART\_1001186375

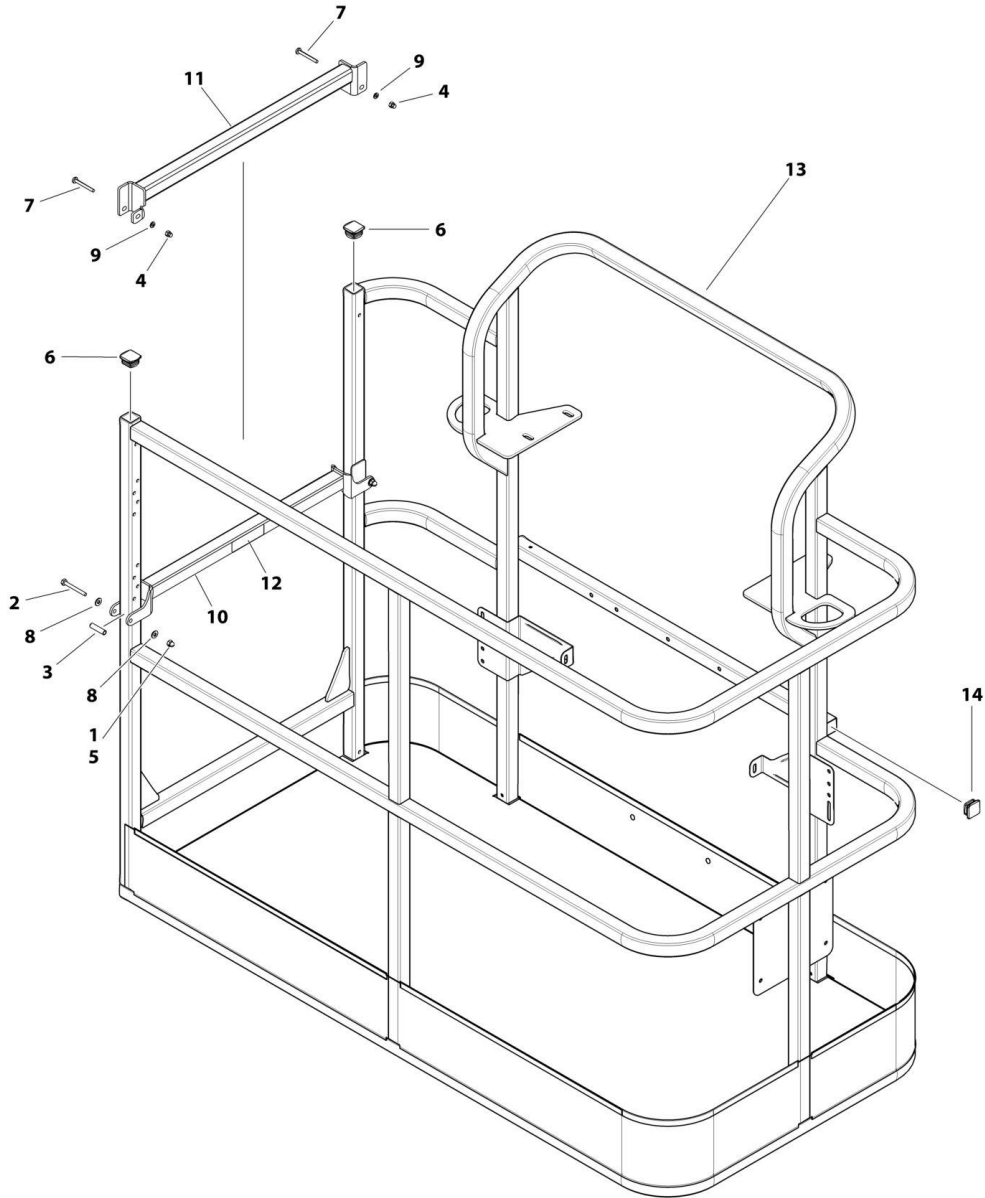
# SECTION 5 - PLATFORM

**FIGURE 5-9. PLATFORM ASSEMBLY - 4FT/1.22M - DROP BAR ENTRY (SN 0300200790 through 0300208529)**

ITEM	PART NUMBER	QTY	DESCRIPTION	REV
	1001186375	Ref	PLATFORM ASSEMBLY - 4FT/1.22M - DROP BAR ENTRY (SN <b>0300200790 through 0300208529</b> )	B
		Ref	Note: Replacement Decals Must be Ordered Separately - See DECALS SECTION.	
1	0100011	AR	Compound, Locking	
2	0641418	2	Bolt, 1/4-20 x 2-1/4	
3	0961845	2	Bushing	
4	3290606	2	Nut, M6	
5	3300151	2	Nut, Acorn, 1/4-20	
6	3520072	2	Plug, Cap	
7	3520198	2	Plug, Cap	
8	4010618	2	Screw, M6 x 50	
9	4711400	4	Washer, 1/4	
10	4811700	2	Washer, M6	
11	1001138494	1	Bar, Drop	
12	1001138514	1	Rail - Top	
13	1001140429	1	Decal - Drop Bar	
14	See Note	1	Platform, Weldment (Note: Not Available - Purchase Platform Assembly)	

# SECTION 5 - PLATFORM

FIGURE 5-10. PLATFORM ASSEMBLY - 5FT/1.52M - DROP BAR ENTRY (SN 0300189901 through 0300200789)



ART\_1001144019

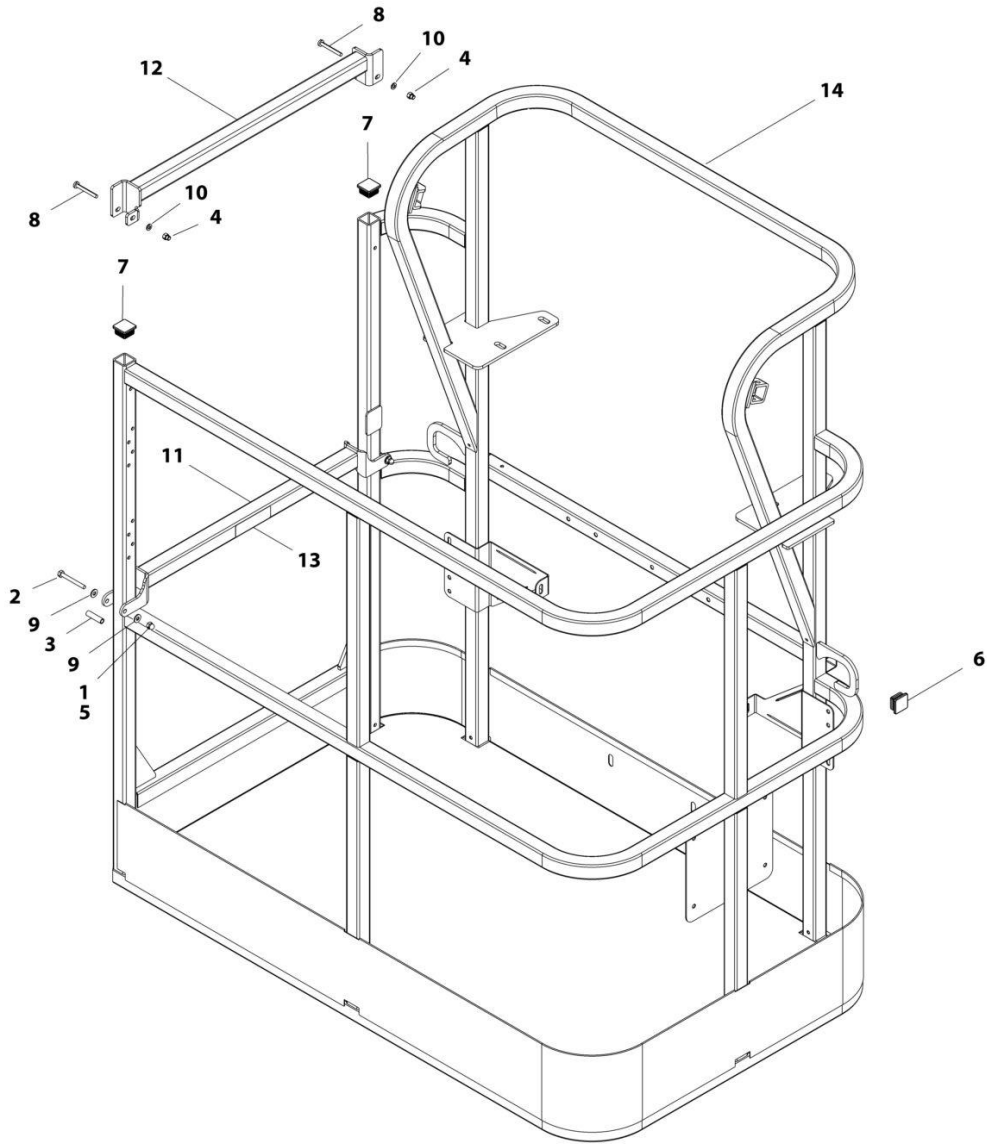
# SECTION 5 - PLATFORM

**FIGURE 5-10. PLATFORM ASSEMBLY - 5FT/1.52M - DROP BAR ENTRY (SN 0300189901 through 0300200789)**

ITEM	PART NUMBER	QTY	DESCRIPTION	REV
	1001144019	Ref	PLATFORM ASSEMBLY - 5FT/1.52M - DROP BAR ENTRY (SN <b>0300189901 through 0300200789</b> )	D
		Ref	Note: Replacement Decals Must be Ordered Separately - See DECALS SECTION.	
1	0100011	AR	Compound, Locking	
2	0641418	2	Bolt 1/4 x 2-1/4	
3	0961845	2	Bushing	
4	3290606	2	Nut M6	
5	3300151	2	Nut 1/4	
6	3520198	2	Plug, Cap	
7	4010618	2	Screw M6 x 50	
8	4711400	4	Washer 1/4	
9	4811700	2	Washer M6	
10	1001138494	1	Bar, Drop	
11	1001138514	1	Rail - Top	
12	1001140429	1	Decal - Drop Bar	
13	See Note	1	Platform, Weldment (Note: Not Available - Purchase Platform Assembly)	
14	3520072	2	Plug, Cap	

# SECTION 5 - PLATFORM

FIGURE 5-11. PLATFORM ASSEMBLY - 5FT/1.52M - DROP BAR ENTRY (SN 0300200790 through 0300208529)



ART\_1001186377

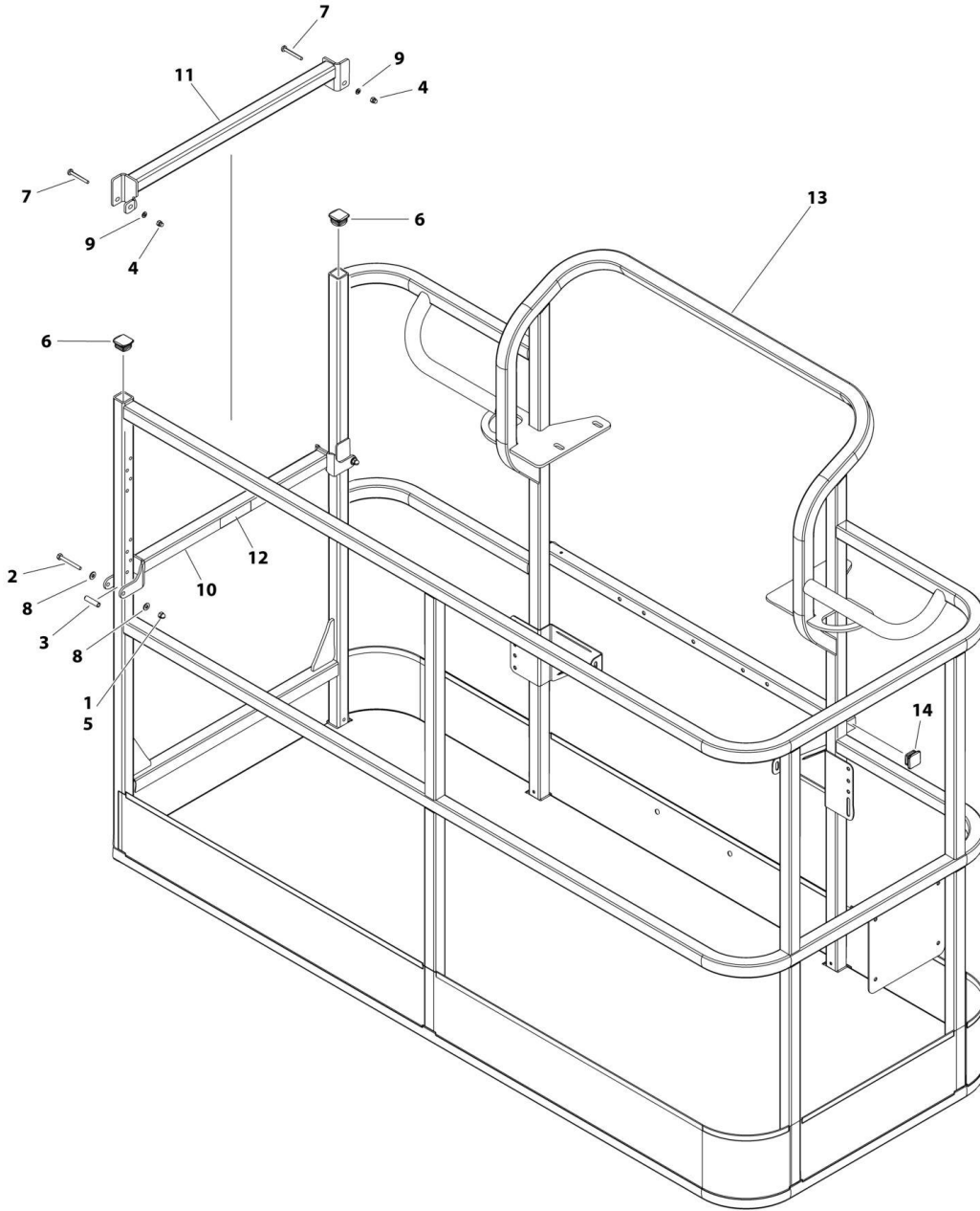
# SECTION 5 - PLATFORM

**FIGURE 5-11. PLATFORM ASSEMBLY - 5FT/1.52M - DROP BAR ENTRY (SN 0300200790 through 0300208529)**

ITEM	PART NUMBER	QTY	DESCRIPTION	REV
	1001186377	Ref	PLATFORM ASSEMBLY - 5FT/1.52M - DROP BAR ENTRY (SN <b>0300200790 through 0300208529</b> )	B
		Ref	Note: Replacement Decals Must be Ordered Separately - See DECALS SECTION.	
1	0100011	AR	Compound, Locking	
2	0641418	2	Bolt, 1/4-20 x 2-1/4	
3	0961845	2	Bushing	
4	3290606	2	Nut, M6	
5	3300151	2	Nut, Acorn, 1/4-20	
6	3520072	2	Plug, Cap	
7	3520198	2	Plug, Cap	
8	4010618	2	Screw, M6 x 50	
9	4711400	4	Washer, 1/4	
10	4811700	2	Washer, M6	
11	1001138494	1	Bar, Drop	
12	1001138514	1	Rail - Top	
13	1001140429	1	Decal - Drop Bar	
14	See Note	1	Platform, Weldment (Note: Not Available - Purchase Platform Assembly)	

# SECTION 5 - PLATFORM

FIGURE 5-12. PLATFORM ASSEMBLY - 6FT/1.83M - DROP BAR ENTRY (SN 0300189901 through 0300200789)



ART\_1001144020



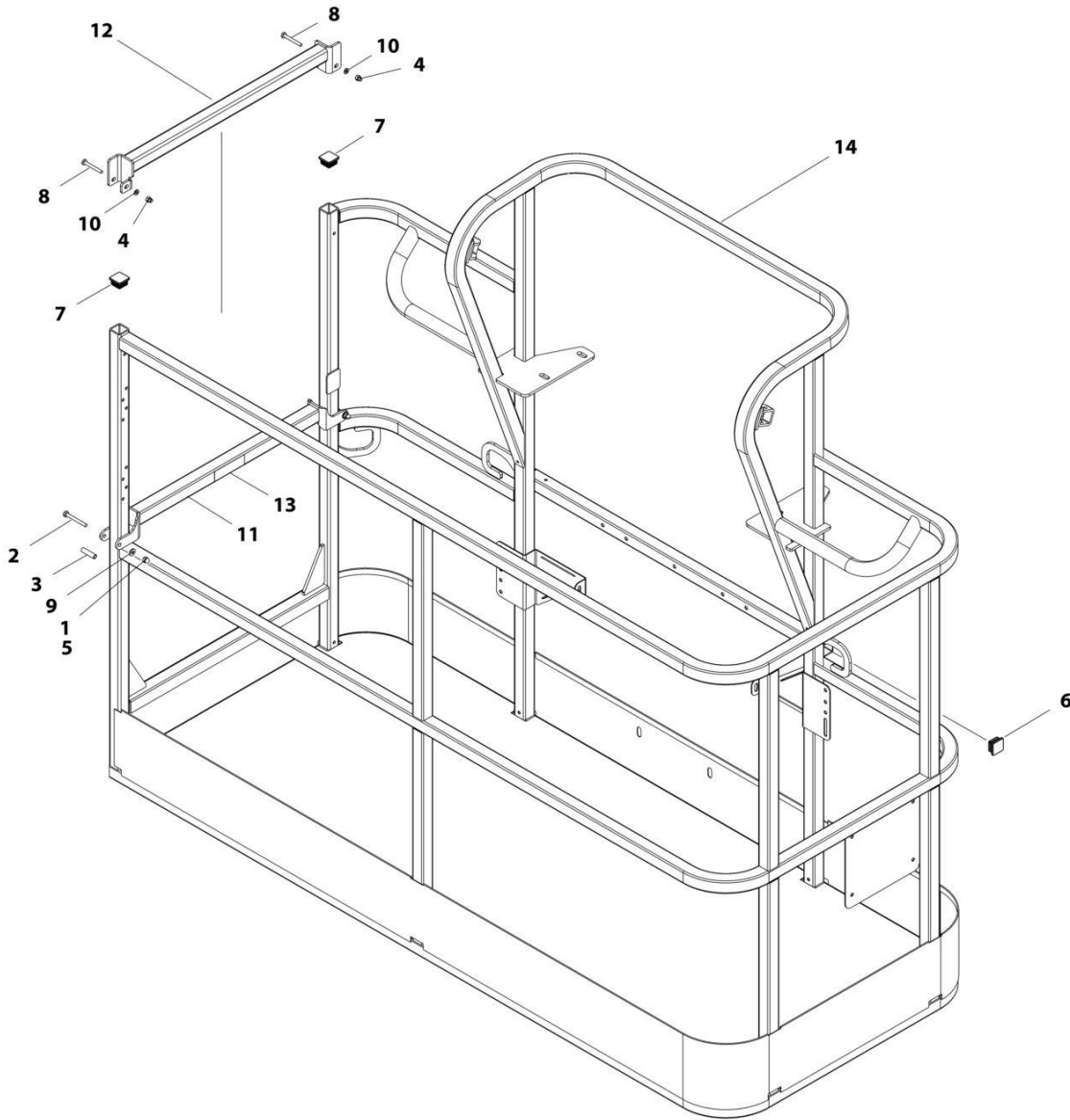
# SECTION 5 - PLATFORM

**FIGURE 5-12. PLATFORM ASSEMBLY - 6FT/1.83M - DROP BAR ENTRY (SN 0300189901 through 0300200789)**

ITEM	PART NUMBER	QTY	DESCRIPTION	REV
	1001144020	Ref	PLATFORM ASSEMBLY - 6FT/1.83M - DROP BAR ENTRY (SN <b>0300189901 through 0300200789</b> )	D
		Ref	Note: Replacement Decals Must be Ordered Separately - See DECALS SECTION.	
1	0100011	AR	Compound, Locking	
2	0641418	2	Bolt 1/4 x 2-1/4	
3	0961845	2	Bushing	
4	3290606	2	Nut M6	
5	3300151	2	Nut 1/4	
6	3520198	2	Plug, Cap	
7	4010618	2	Screw M6 x 50	
8	4711400	4	Washer 1/4	
9	4811700	2	Washer M6	
10	1001138494	1	Bar, Drop	
11	1001138514	1	Rail - Top	
12	1001140429	1	Decal - Drop Bar	
13	See Note	1	Platform, Weldment (Note: Not Available - Purchase Platform Assembly)	
14	3520072	2	Plug, Cap	

# SECTION 5 - PLATFORM

FIGURE 5-13. PLATFORM ASSEMBLY - 6FT/1.83M - DROP BAR ENTRY (SN 0300200790 through 0300208529)



ART\_1001186378

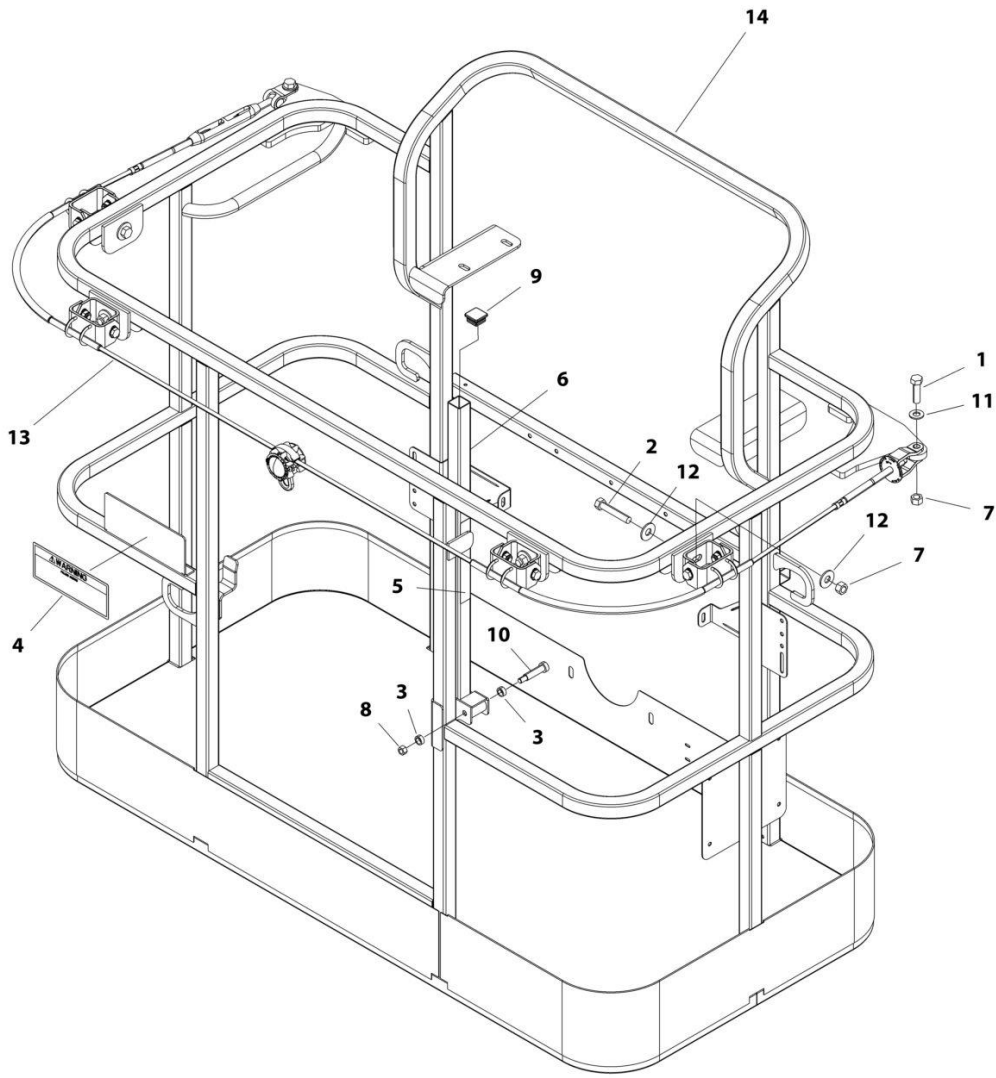
# SECTION 5 - PLATFORM

**FIGURE 5-13. PLATFORM ASSEMBLY - 6FT/1.83M - DROP BAR ENTRY (SN 0300200790 through 0300208529)**

ITEM	PART NUMBER	QTY	DESCRIPTION	REV
	1001186378	Ref	PLATFORM ASSEMBLY - 6FT/1.83M - DROP BAR ENTRY (SN <b>0300200790 through 0300208529</b> )	B
		Ref	Note: Replacement Decals Must be Ordered Separately - See DECALS SECTION.	
1	0100011	AR	Compound, Locking	
2	0641418	2	Bolt, 1/4-20 x 2-1/4	
3	0961845	2	Bushing	
4	3290606	2	Nut, M6	
5	3300151	2	Nut, Acorn, 1/4-20	
6	3520072	2	Plug, Cap	
7	3520198	2	Plug, Cap	
8	4010618	2	Screw, M6 x 50	
9	4711400	4	Washer, 1/4	
10	4811700	2	Washer, M6	
11	1001138494	1	Bar, Drop	
12	1001138514	1	Rail - Top	
13	1001140429	1	Decal - Drop Bar	
14	See Note	1	Platform, Weldment (Note: Not Available - Purchase Platform Assembly)	

# SECTION 5 - PLATFORM

FIGURE 5-14. PLATFORM ASSEMBLY - 5FT/1.52M - FALL ARREST (ANSI EXPORT SPEC) (SN 0300189901 through 0300200789)



ART\_1001144598

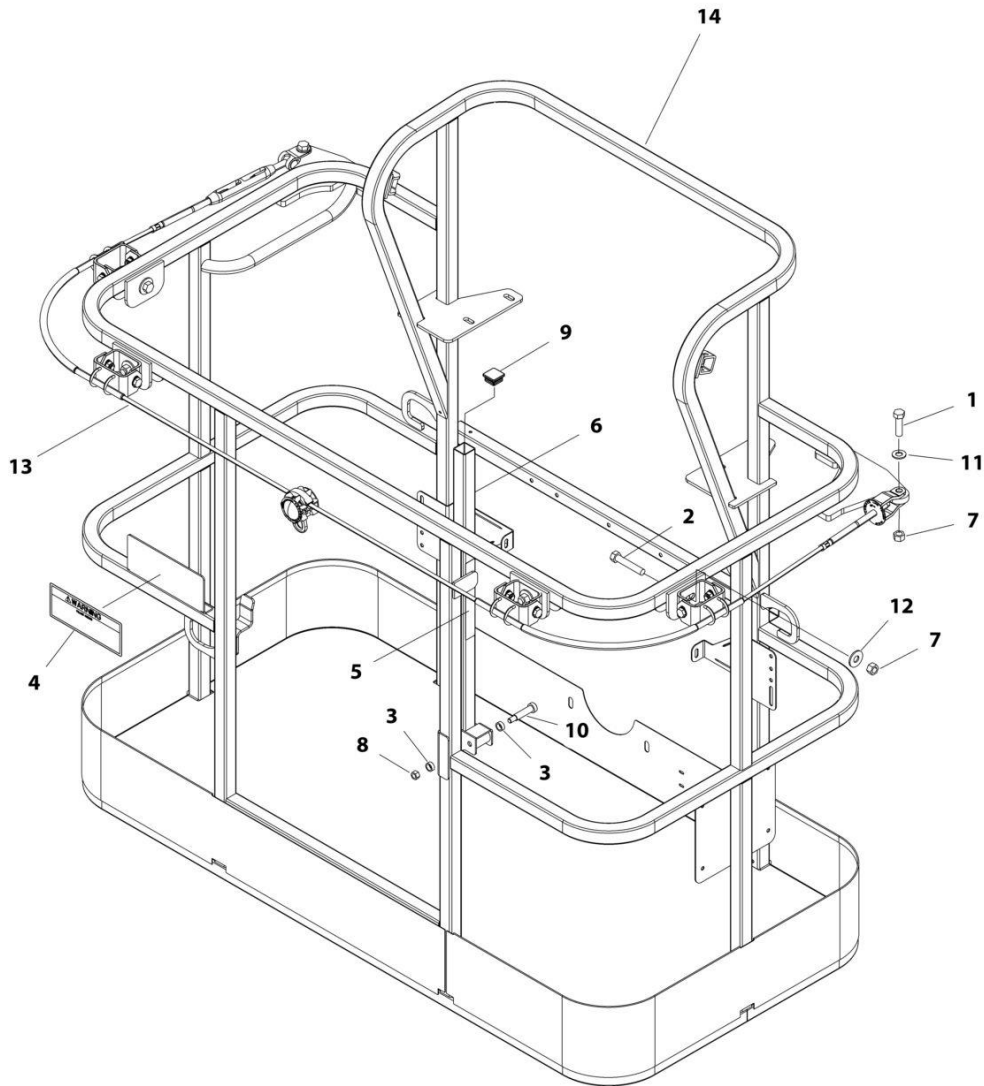
**SECTION 5 - PLATFORM**

**FIGURE 5-14. PLATFORM ASSEMBLY - 5FT/1.52M - FALL ARREST (ANSI EXPORT SPEC) (SN 0300189901 through 0300200789)**

ITEM	PART NUMBER	QTY	DESCRIPTION	REV
	1001144598	Ref	PLATFORM ASSEMBLY - 5FT/1.52M - FALL ARREST (ANSI EXPORT SPEC) (SN 0300189901 through 0300200789)	D
	See Note	Ref	Note: Fall Arrest Not Available on CE Spec Platform Assembly.	
		Ref	Note: Replacement Decals Must be Ordered Separately - See DECALS SECTION	
1	0681814	2	Bolt 1/2 x 1-3/4	
2	0681822	4	Bolt 1/2 x 2-3/4	
3	0962270	2	Bearing	
4	1705014	1	Decal - Safety	
5	1706385	1	Decal - Drop Bar	
6	2410014	1	Gate, Weldment	
7	3271805	6	Nut 1/2	
8	3311605	1	Nut 3/8	
9	3520072	1	Plug, Cap	
10	3900054	1	Bolt 1/2 x 1-3/4	
11	4711800	2	Washer 1/2	
12	4751800	8	Washer 1/2	
13	1001112943	1	Lanyard	
14	See Note	1	Platform, Weldment (Note: Not Available - Purchase Platform Assembly)	

# SECTION 5 - PLATFORM

FIGURE 5-15. PLATFORM ASSEMBLY - 5FT/1.52M - FALL ARREST (ANSI EXPORT SPEC) (SN 0300200790 through 0300208529)



ART\_1001186388

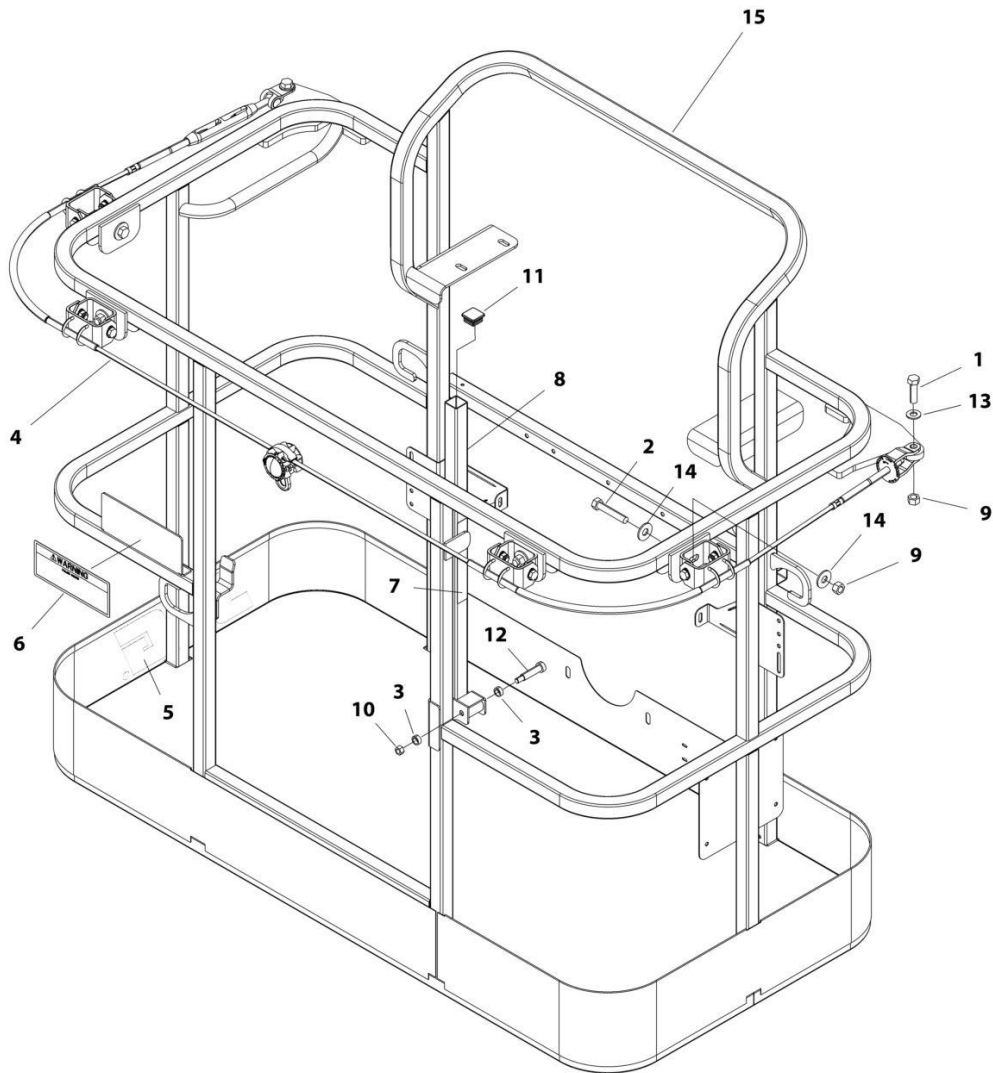
**SECTION 5 - PLATFORM**

**FIGURE 5-15. PLATFORM ASSEMBLY - 5FT/1.52M - FALL ARREST (ANSI EXPORT SPEC) (SN 0300200790 through 0300208529)**

ITEM	PART NUMBER	QTY	DESCRIPTION	REV
	1001186388	Ref	PLATFORM ASSEMBLY - 5FT/1.52M - FALL ARREST (ANSI EXPORT SPEC) (SN 0300200790 through 0300208529)	B
	See Note	Ref	Note: Fall Arrest Not Available on CE Spec Platform Assembly.	
		Ref	Note: Replacement Decals Must be Ordered Separately - See DECALS SECTION.	
1	0681814	2	Bolt, 1/2-13 x 1-3/4, Grade 8	
2	0681822	4	Bolt, 1/2-13 x 2-3/4, Grade 8	
3	0962270	2	Bearing	
4	1705014	1	Decal - Safety	
5	1706385	1	Decal - Drop Bar	
6	2410014	1	Gate, Weldment	
7	3271805	6	Nut, Lock, 1/2-13	
8	3311605	1	Nut, Lock, 3/8-16	
9	3520072	1	Plug, Cap	
10	3900054	1	Bolt, 1/2-13 x 1-3/4	
11	4711800	2	Washer, 1/2	
12	4751800	8	Washer, 1/2	
13	1001112943	1	Lanyard	
14	See Note	1	Platform, Weldment (Note: Not Available - Purchase Platform Assembly)	

# SECTION 5 - PLATFORM

FIGURE 5-16. PLATFORM ASSEMBLY - 6FT/1.83M - FALL ARREST (SN 0300189901 through 0300200789)



ART\_1001144597



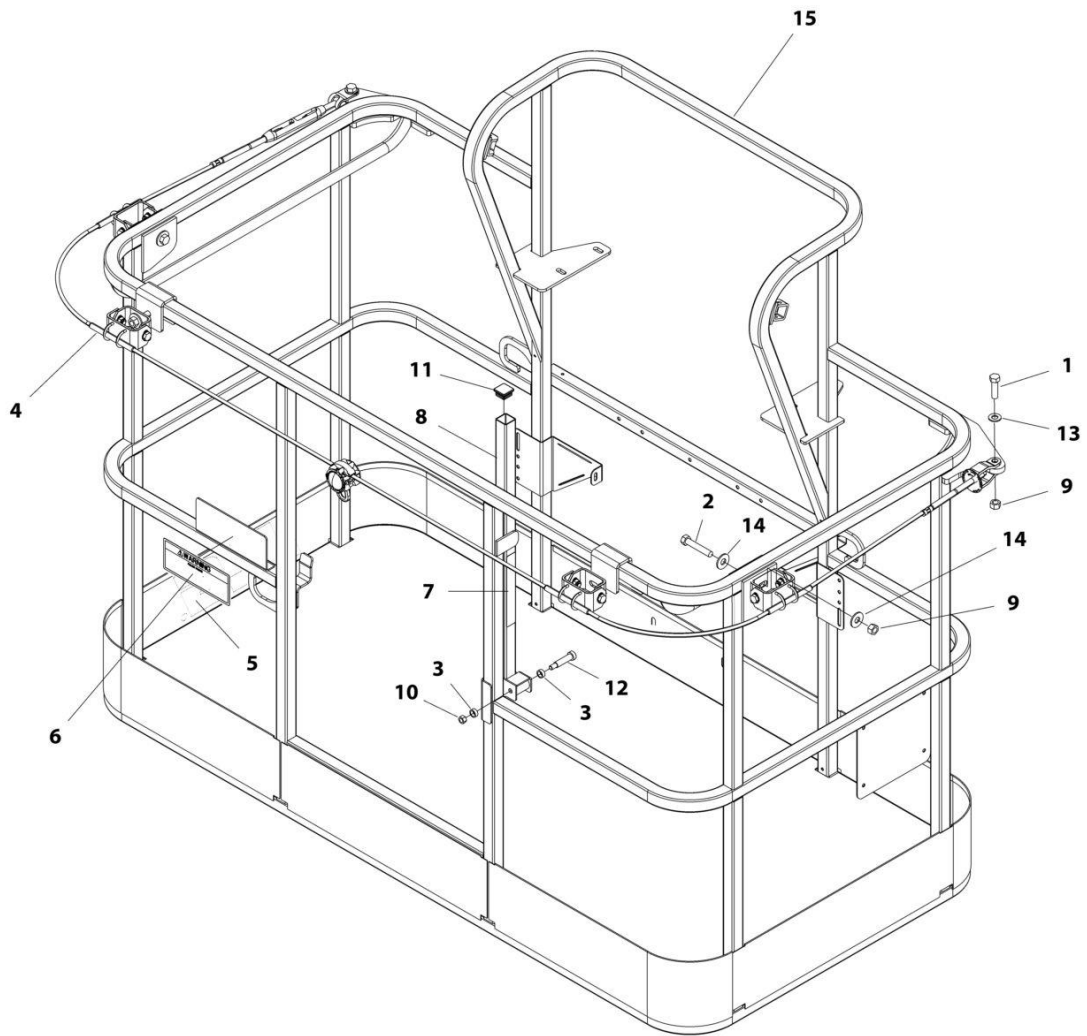
**SECTION 5 - PLATFORM**

**FIGURE 5-16. PLATFORM ASSEMBLY - 6FT/1.83M - FALL ARREST (SN 0300189901 through 0300200789)**

ITEM	PART NUMBER	QTY	DESCRIPTION	REV
	1001144597	Ref	PLATFORM ASSEMBLY - 6FT/1.83M - FALL ARREST (SN 0300189901 through 0300200789)	D
	See Note	Ref	Note: Fall Arrest Not Available on CE Spec Platform Assembly.	
		Ref	Note: Replacement Decals Must be Ordered Separately - See DECALS SECTION.	
1	0681814	2	Bolt 1/2 x 1-3/4	
2	0681822	4	Bolt 1/2 x 2-3/4	
3	0962270	2	Bearing	
4	1060919	1	Cable, Fall Arrest	
5	1702773	1	Decal - JLG	
6	1705014	1	Decal - Safety	
7	1706385	1	Decal - Drop Bar	
8	2410014	1	Gate, Weldment	
9	3271805	6	Nut 1/2	
10	3311605	1	Nut 3/8	
11	3520072	1	Plug, Cap	
12	3900054	1	Bolt 1/2 x 1-3/4	
13	4711800	2	Washer 1/2	
14	4751800	8	Washer 1/2	
15	See Note	1	Platform, Weldment (Note: Not Available - Purchase Platform Assembly)	

# SECTION 5 - PLATFORM

FIGURE 5-17. PLATFORM ASSEMBLY - 6FT/1.83M - FALL ARREST (SN 0300200790 through 0300208529)



ART\_1001186333

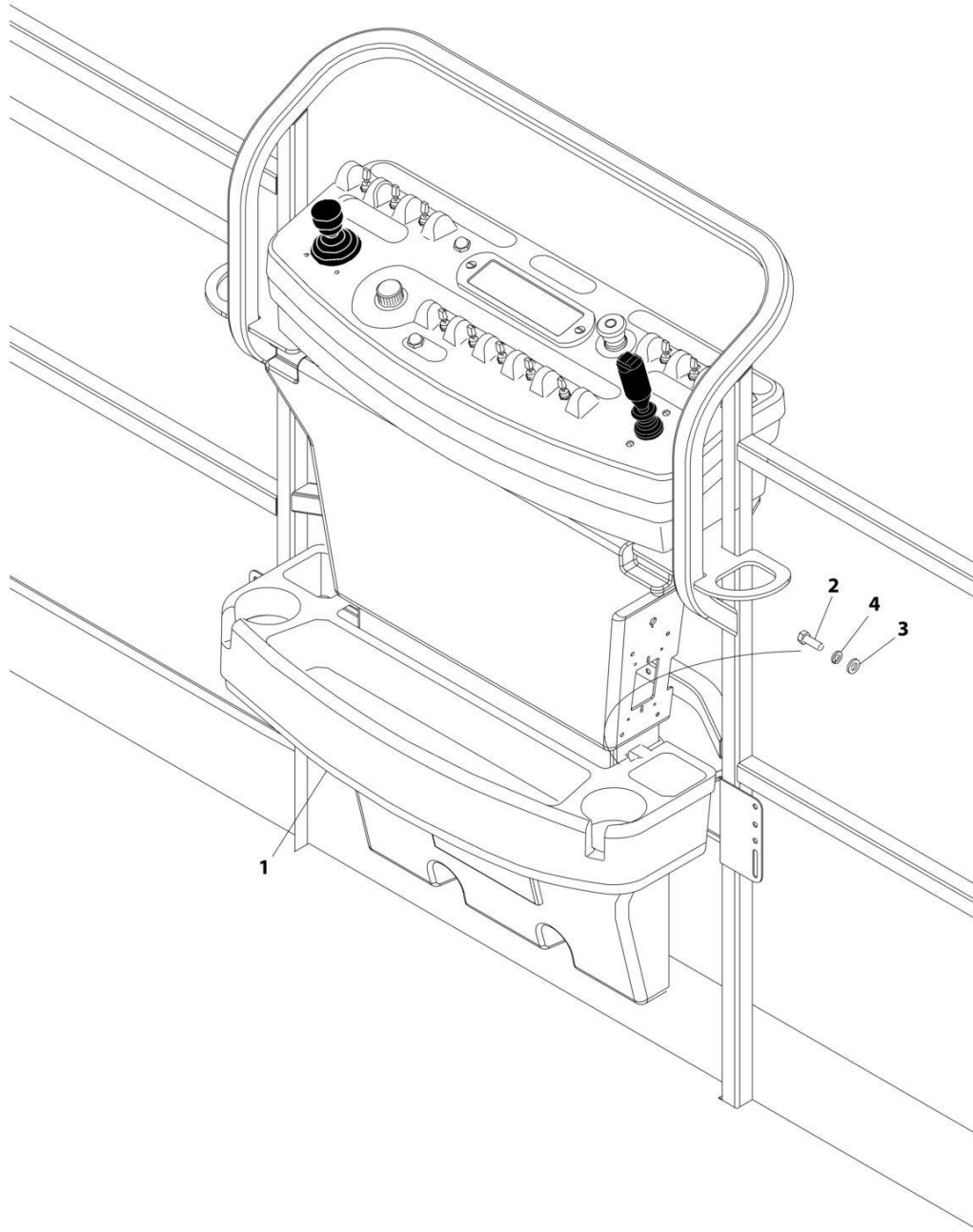
# SECTION 5 - PLATFORM

**FIGURE 5-17. PLATFORM ASSEMBLY - 6FT/1.83M - FALL ARREST (SN 0300200790 through 0300208529)**

ITEM	PART NUMBER	QTY	DESCRIPTION	REV
	1001186333	Ref	PLATFORM ASSEMBLY - 6FT/1.83M - FALL ARREST (SN <b>0300200790 through 0300208529</b> )	B
	See Note	Ref	Note: Fall Arrest Not Available on CE Spec Platform Assembly.	
		Ref	Note: Replacement Decals Must be Ordered Separately - See DECALS SECTION.	
1	0681814	2	Bolt, 1/2-13 x 1-3/4, Grade 8	
2	0681822	4	Bolt, 1/2-13 x 2-3/4, Grade 8	
3	0962270	2	Bearing	
4	1060919	1	Cable, Fall Arrest	
5	1702773	1	Decal - JLG	
6	1705014	1	Decal - Safety	
7	1706385	1	Decal - Drop Bar	
8	2410014	1	Gate, Weldment	
9	3271805	6	Nut, Lock, 1/2-13	
10	3311605	1	Nut, Lock, 3/8-16	
11	3520072	1	Plug, Cap	
12	3900054	1	Bolt, 1/2-13 x 1-3/4	
13	4711800	2	Washer, 1/2	
14	4751800	8	Washer, 1/2	
15	See Note	1	Platform, Weldment (Note: Not Available - Purchase Platform Assembly)	

# SECTION 5 - PLATFORM

## FIGURE 5-18. TRAY ASSEMBLY



ART\_1580012

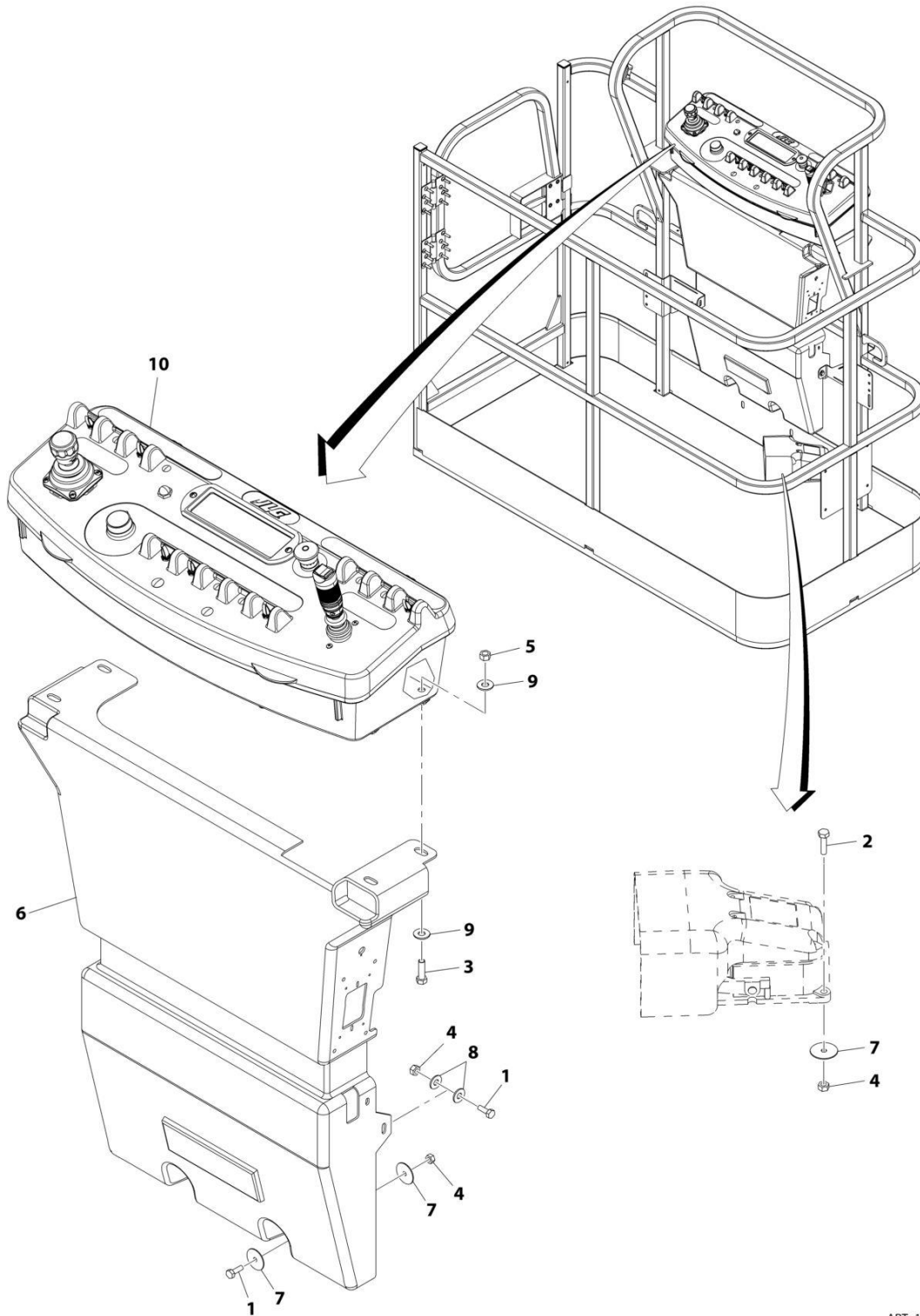
**SECTION 5 - PLATFORM**

**FIGURE 5-18. TRAY ASSEMBLY**

ITEM	PART NUMBER	QTY	DESCRIPTION	REV
	1580012	Ref	TRAY ASSEMBLY	C
1	See Note	NSS	Tray, Storage - Center (Note: Use p/n 1580012)	
2	0641406	2	Bolt, 1/4-20 x 3/4	
3	4751400	2	Washer, 1/4	
4	4761400	2	Washer, Locking, 1/4	

# SECTION 5 - PLATFORM

## FIGURE 5-19. PLATFORM CONSOLE AND FOOTSWITCH INSTALLATION



ART\_1001146082

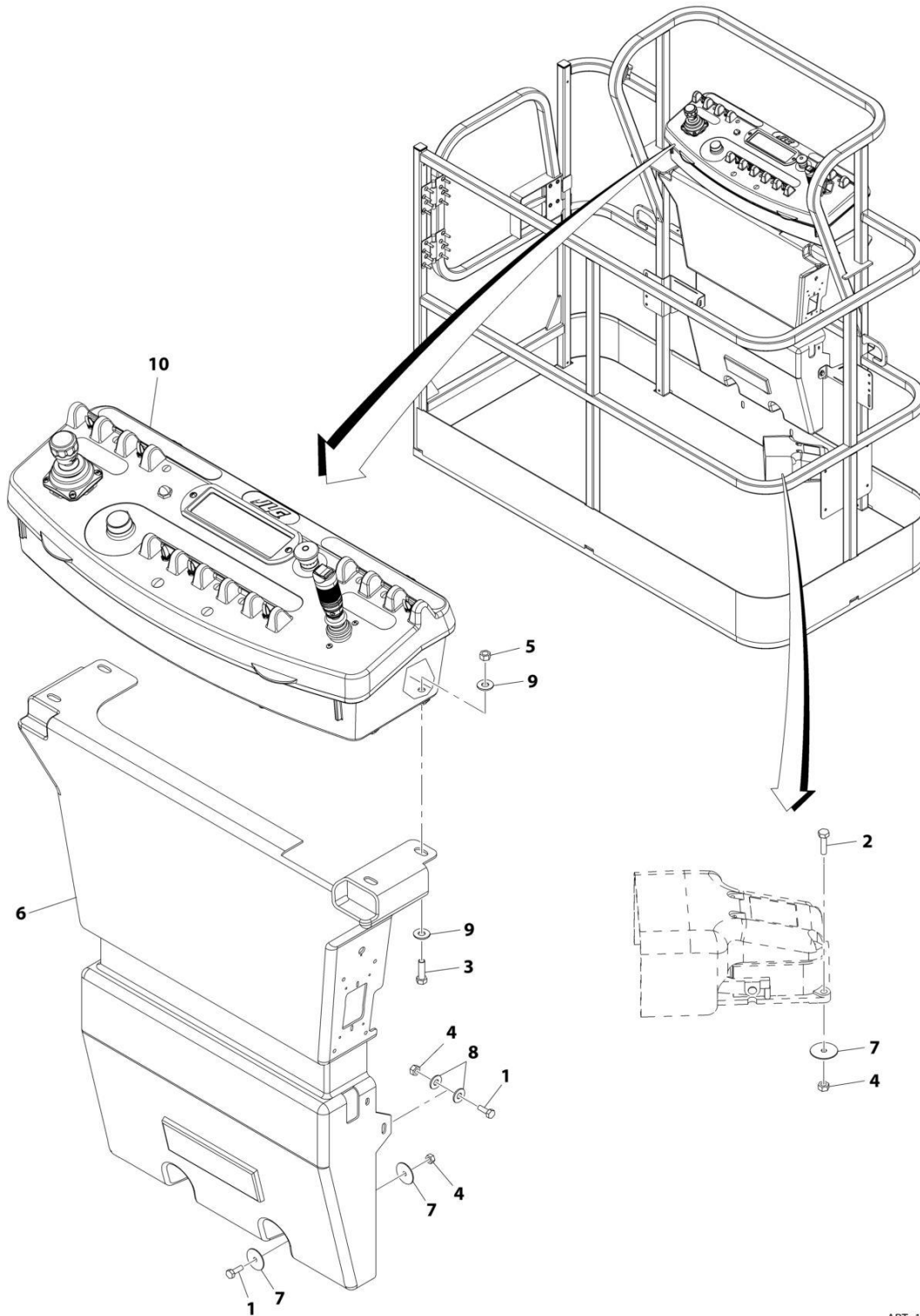
# SECTION 5 - PLATFORM

**FIGURE 5-19. PLATFORM CONSOLE AND FOOTSWITCH INSTALLATION**

ITEM	PART NUMBER	QTY	DESCRIPTION	REV
	1001146082	Ref	PLATFORM CONSOLE AND FOOTSWITCH INSTALLATION	B
1	0641406	4	Bolt, 1/4-20 x 3/4	
2	0641408	3	Bolt, 1/4-20 x 1	
3	0641610	4	Bolt, 3/8-16 x 1-1/4	
4	3311405	7	Nut, Lock, 1/4-20	
5	3311605	4	Nut, Lock, 3/8-16	
6	3380434	1	Panel, Pedestal	
7	4740362	7	Washer, 1/4	
8	4751400	4	Washer, 1/4	
9	4751600	8	Washer, 3/8	
10	1001175617	1	Platform Console Assembly (See PLATFORM CONSOLE ASSEMBLY for Breakdown)	

# SECTION 5 - PLATFORM

## FIGURE 5-20. PLATFORM CONSOLE AND FOOTSWITCH INSTALLATION - UL LISTED



ART\_1001145800



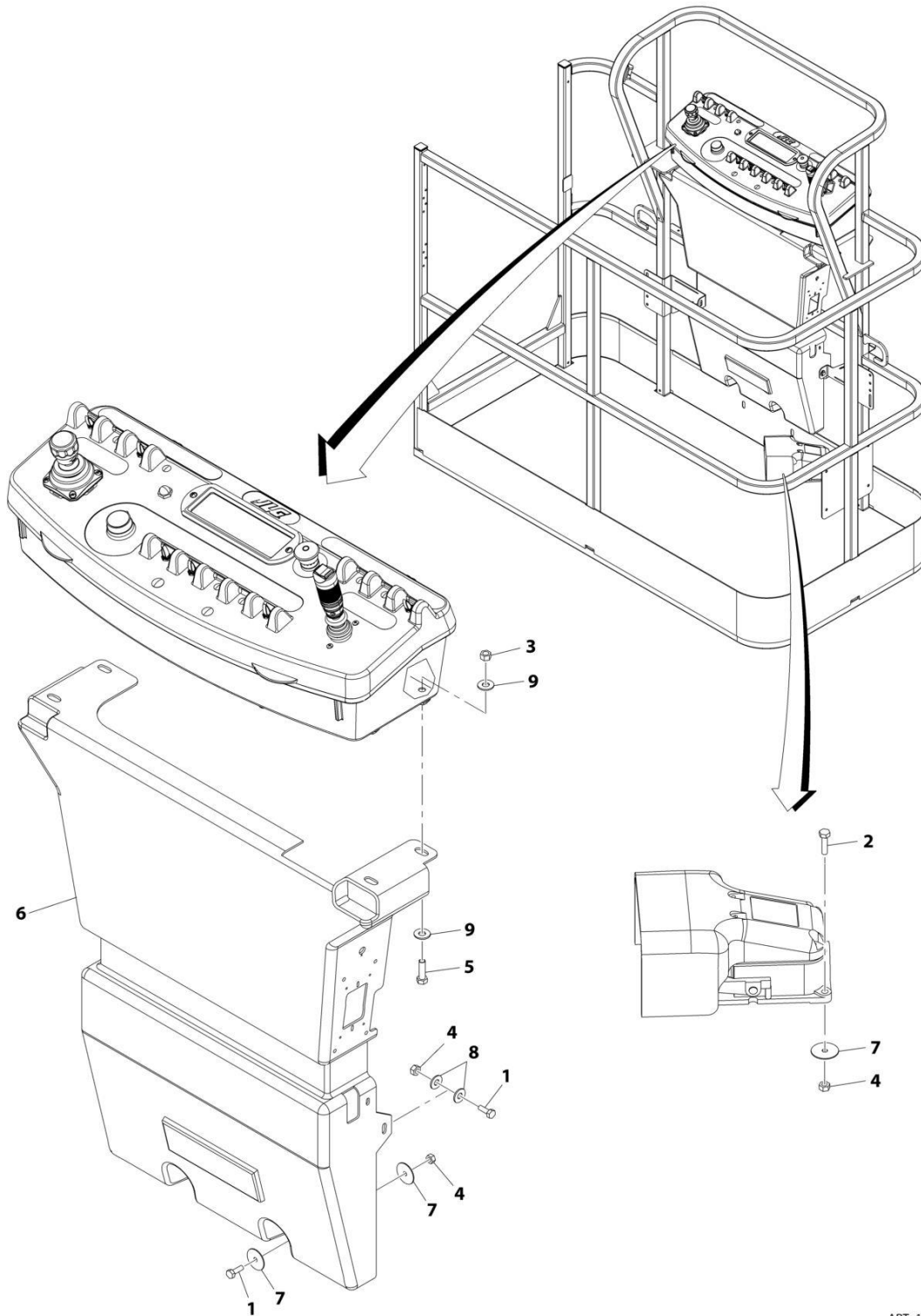
**SECTION 5 - PLATFORM**

**FIGURE 5-20. PLATFORM CONSOLE AND FOOTSWITCH INSTALLATION - UL LISTED**

ITEM	PART NUMBER	QTY	DESCRIPTION	REV
	1001145800	Ref	PLATFORM CONSOLE AND FOOTSWITCH INSTALLATION - UL LISTED	B
1	0641406	4	Bolt, 1/4-20 x 3/4	
2	0641408	3	Bolt, 1/4-20 x 1	
3	0641610	4	Bolt, 3/8-16 x 1-1/4	
4	3311405	7	Nut, Lock, 1/4-20	
5	3311605	4	Nut, Lock, 3/8-16	
6	3380434	1	Panel, Pedestal	
7	4740362	7	Washer, 1/4	
8	4751400	4	Washer, 1/4	
9	4751600	8	Washer, 3/8	
10	1001175619	1	Platform Console Assembly - UL (See PLATFORM CONSOLE ASSEMBLY - UL for Breakdown)	

# SECTION 5 - PLATFORM

FIGURE 5-21. PLATFORM CONSOLE AND FOOTSWITCH INSTALLATION - WITH SKYGUARD (SN 0300200790 through 0300208529)



ART\_1001189118

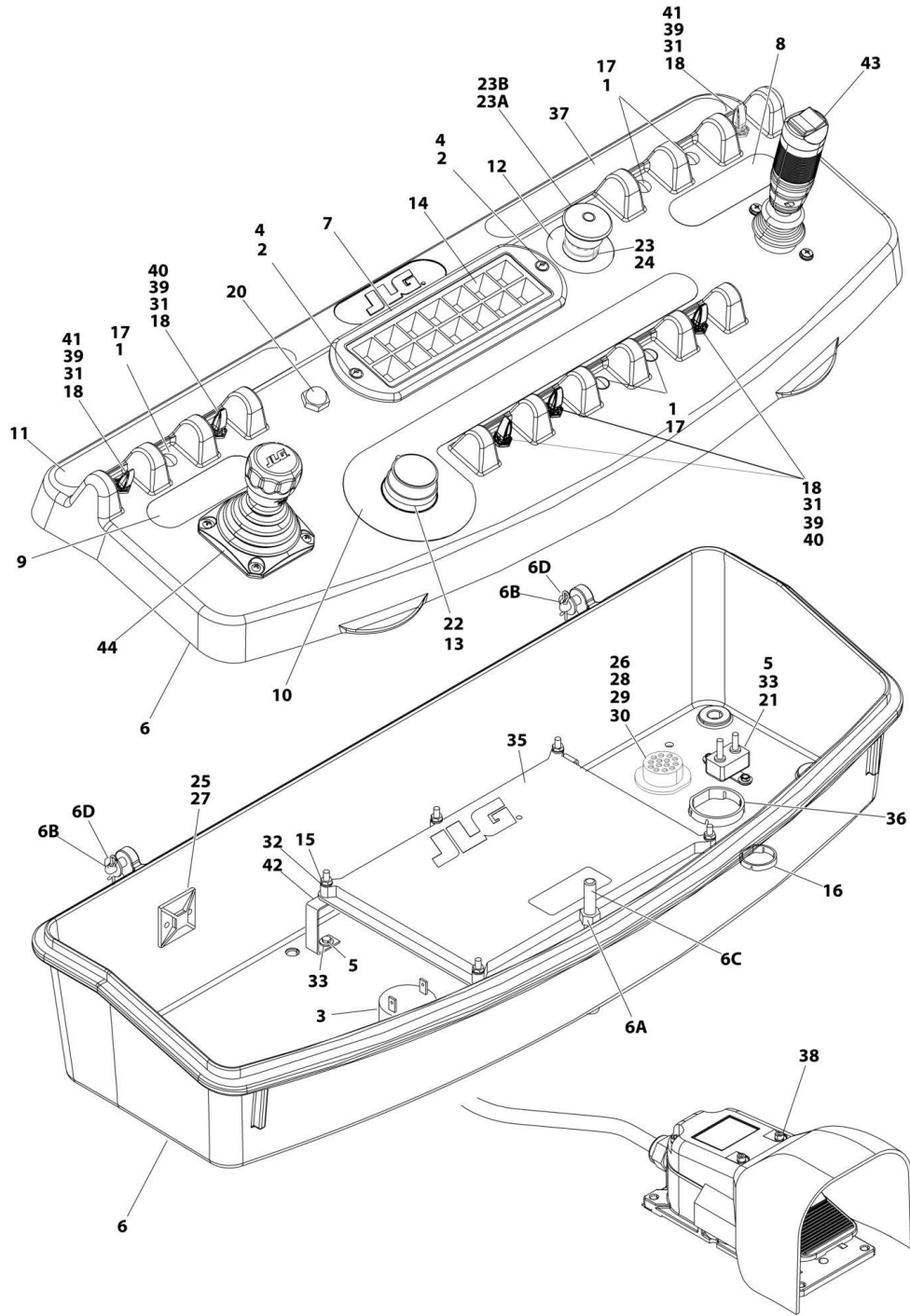
# SECTION 5 - PLATFORM

**FIGURE 5-21. PLATFORM CONSOLE AND FOOTSWITCH INSTALLATION - WITH SKYGUARD (SN 0300200790 through 0300208529)**

ITEM	PART NUMBER	QTY	DESCRIPTION	REV
	1001189118	Ref	PLATFORM CONSOLE AND FOOTSWITCH INSTALLATION - WITH SKYGUARD (SN 0300200790 through 0300208529)	A
1	0641406	4	Bolt, 1/4-20 x 3/4	
2	0641408	3	Bolt, 1/4-20 x 1	
3	0641610	4	Bolt, 3/8-16 x 1-1/4	
4	3311405	7	Nut, Lock, 1/4-20	
5	3311605	4	Nut, Lock, 3/8-16	
6	3380434	1	Panel, Pedestal	
7	4740362	7	Washer, 1/4	
8	4751400	4	Washer, 1/4	
9	4751600	8	Washer, 3/8	
10	1001189117	1	Platform Console Assembly - SKYGUARD (See PLATFORM CONSOLE ASSEMBLY - SKYGUARD for Breakdown)	

# SECTION 5 - PLATFORM

## FIGURE 5-22. PLATFORM CONSOLE ASSEMBLY



ART\_1001175617

## SECTION 5 - PLATFORM

### FIGURE 5-22. PLATFORM CONSOLE ASSEMBLY

ITEM	PART NUMBER	QTY	DESCRIPTION	REV
	1001175617	Ref	PLATFORM CONSOLE ASSEMBLY	B
1	0100009	AR	Sealant	
2	0100035	AR	Compound, Locking	
3	0140011	1	Alarm	
4	0630464	2	Bolt, #10-24 x 1/2	
5	0720804	6	Bolt, #8-32 x 1/2	
6	0861537	1	Console Box Assembly	
6A	3311601	1	Nut, 3/8-16	
6B	3470003	2	Pin, Cotter	
6C	0630568	1	Capscrew, 3/8-16 x 4-1/2	
6D	4711500	2	Washer, 5/16	
7	1670829	1	Bezel	
8	1702565	1	Decal - Drive and Steer	
9	1702566	1	Decal - Lift and Swing	
10	1702567	1	Decal - Function Speed	
11	1704240	1	Decal - Horn	
12	1704260	1	Decal - EMS	
13	2560136	1	Handle, Knob	
14	2760105	1	Fixture, Light	
15	3310601	6	Nut, #6-32	
16	3520030	1	Plug, Hole	
17	3520054	5	Plug, Hole	
18	3790012	6	O-Ring	
19	4240032	AR	Tie-Strap (Not Shown)	
20	4360387	1	Switch, Push Button	
21	4360448	1	Breaker, Circuit - 10Amp	
22	4360462	1	Switch, Potentiometer	
23	4360475	1	Switch, Emergency Stop	
23A	7020175	1	Cap, Mushroom with Sealing Ring	
23B	7020176	1	Block, Contact	
24	4360476	1	Block, Contact	
25	4460234	3	Mount, Tie-Strap	
26	4460428	1	Connector, Strain Relief	
27	4460488	1	Base, Terminal Mounting	
28	4460496	1	Washer, Lock, Terminal	
29	4460497	1	Nut, Terminal	
30	4460752	1	Connector - 14 Position	
31	4740397	6	Spacer	
32	4750600	6	Washer, #6	
33	4750800	6	Washer, #8	
34	4933060	1	Platform Console Wiring Diagram (Not Shown - See ELECTRICAL SECTION for Breakdown)	
35	1001109498	1	Module, PC (Note: Re-calibration Required when Replaced)	
36	1001110435	1	Plug, D-Shaped	
37	1001132175	1	Decal - Stop - Generator	
38	1001136889	1	Footswitch Assembly (See FOOTSWITCH ASSEMBLY for Breakdown)	
39	1001155044	6	Nut, 15/32-32	
40	1001155045	4	Switch, Toggle	
41	1001159256	2	Switch, Toggle	

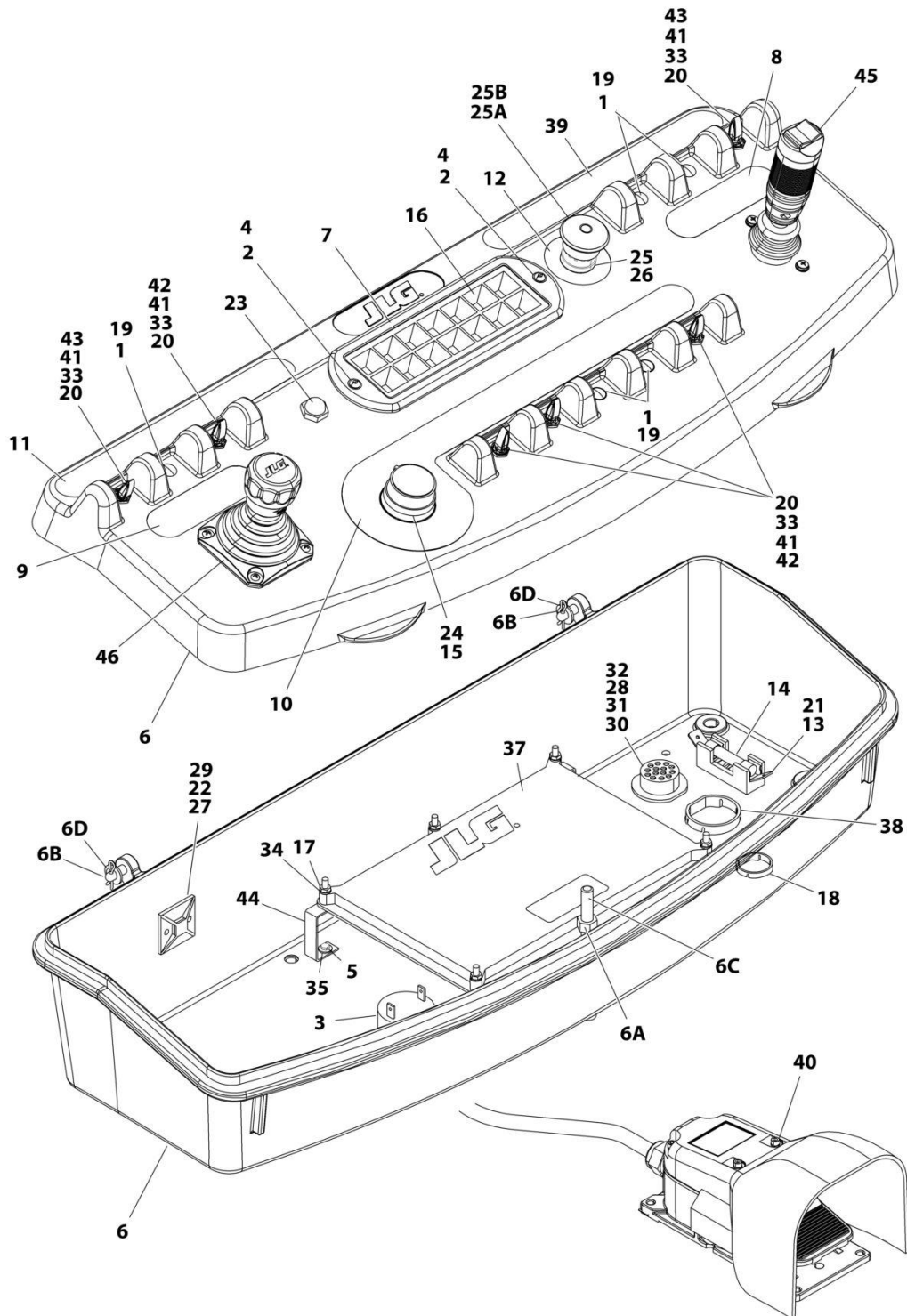
## SECTION 5 - PLATFORM

ITEM	PART NUMBER	QTY	DESCRIPTION	REV
42	1001175597	2	Bracket, Module	
43	1001178132	1	Controller Assembly - Drive and Steer (See CONTROLLER ASSEMBLY - DRIVE AND STEER for Breakdown)	
44	1001178139	1	Controller Assembly - Lift and Swing (See CONTROLLER ASSEMBLY LIFT AND SWING for Breakdown)	



# SECTION 5 - PLATFORM

## FIGURE 5-23. PLATFORM CONSOLE ASSEMBLY - UL LISTED



ART\_1001175619



## SECTION 5 - PLATFORM

**FIGURE 5-23. PLATFORM CONSOLE ASSEMBLY - UL LISTED**

ITEM	PART NUMBER	QTY	DESCRIPTION	REV
	1001175619	Ref	PLATFORM CONSOLE ASSEMBLY - UL LISTED	B
1	0100009	AR	Sealant	
2	0100035	AR	Compound, Locking	
3	0140011	1	Alarm	
4	0630464	2	Bolt, #10-24 x 1/2	
5	0720804	4	Bolt, #8-32 x 1/2	
6	0861537	1	Console Box Assembly	
6A	3311601	1	Nut, 3/8-16	
6B	3470003	2	Pin, Cotter	
6C	0630568	1	Capscrew, 3/8-16 x 4-1/2	
6D	4711500	2	Washer, 5/16	
7	1670829	1	Bezel	
8	1702565	1	Decal - Drive and Steer	
9	1702566	1	Decal - Lift and Swing	
10	1702567	1	Decal - Function Speed	
11	1704240	1	Decal, Horn	
12	1704260	1	Decal - EMS	
13	2400067	1	Holder, Fuse	
14	2400068	1	Fuse - 10Amp	
15	2560136	1	Handle, Knob	
16	2760105	1	Fixture, Light	
17	3310601	6	Nut, #6-32	
18	3520030	1	Plug, Hole	
19	3520054	5	Plug, Hole	
20	3790012	6	O-Ring	
21	3910808	1	Screw, #8-32 x 1/2	
22	4240032	AR	Tie-Strap (Not Shown)	
23	4360387	1	Switch, Push Button	
24	4360462	1	Switch, Potentiometer	
25	4360475	1	Switch, Emergency Stop	
25A	7020175	1	Cap, Mushroom with Sealing Ring	
25B	7020176	1	Block, Contact	
26	4360476	1	Block, Contact	
27	4460234	3	Mount, Tie-Strap	
28	4460428	1	Connector, Strain Relief	
29	4460488	1	Base, Terminal Mounting	
30	4460496	1	Washer, Lock, Terminal	
31	4460497	1	Nut, Terminal	
32	4460752	1	Connector - 14 Position	
33	4740397	6	Spacer	
34	4750600	6	Washer, #6	
35	4750800	4	Washer, #8	
36	4933181	1	Platform Console Wiring Diagram (Not Shown - See ELECTRICAL SECTION for Breakdown)	
37	1001109498	1	Module, PC (Note: Re-calibration Required when Replaced)	
38	1001110435	1	Plug, D-Shaped	
39	1001132175	1	Decal - Stop - Generator	
40	1001136889	1	Footswitch Assembly (See FOOTSWITCH ASSEMBLY for Breakdown)	
41	1001155044	6	Nut, 15/32-32	

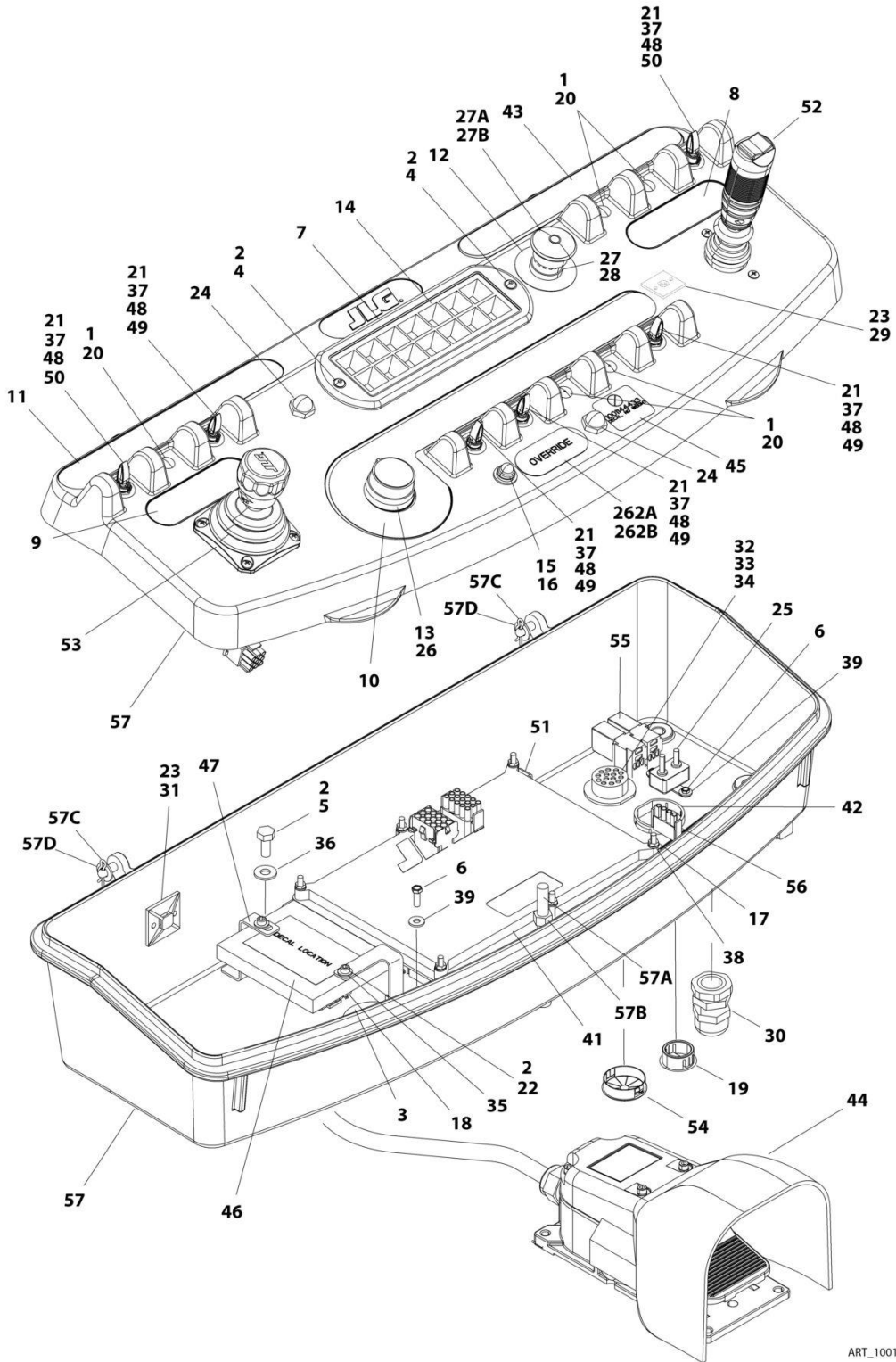
## SECTION 5 - PLATFORM

ITEM	PART NUMBER	QTY	DESCRIPTION	REV
42	1001155045	4	Switch, Toggle	
43	1001159256	2	Switch, Toggle	
44	1001175597	2	Bracket, Module	
45	1001178132	1	Controller Assembly - Drive and Steer (See CONTROLLER ASSEMBLY - DRIVE AND STEER for Breakdown)	
46	1001178139	1	Controller Assembly - Lift and Swing (See CONTROL ASSEMBLY - LIFT AND SWING for Breakdown)	



# SECTION 5 - PLATFORM

FIGURE 5-24. PLATFORM CONSOLE ASSEMBLY - WITH SKYGUARD (SN 0300200790 through 0300208529)



ART\_1001189117

## SECTION 5 - PLATFORM

**FIGURE 5-24. PLATFORM CONSOLE ASSEMBLY - WITH SKYGUARD (SN 0300200790 through 0300208529)**

ITEM	PART NUMBER	QTY	DESCRIPTION	REV
	1001189117	Ref	PLATFORM CONSOLE ASSEMBLY - WITH SKYGUARD (SN 0300200790 through 0300208529)	A
1	0100009	AR	Sealant	
2	0100035	AR	Compound, Locking	
3	0140011	1	Alarm	
4	0630464	2	Bolt, #10-24 x 1/2	
5	0641405	2	Bolt, 1/4-20 x 5/8	
6	0720804	6	Bolt, #8-32 x 1/2	
7	1670829	1	Bezel	
8	1702565	1	Decal - Drive and Steer	
9	1702566	1	Decal - Lift and Swing	
10	1702567	1	Decal - Function Speed	
11	1704240	1	Decal, Horn	
12	1704260	1	Decal - EMS	
13	2560136	1	Handle, Knob	
14	2760105	1	Fixture, Light	
15	2920028	1	Light, Indicator	
16	2920029	1	Bulb	
17	3310601	6	Nut, #6-32	
18	3311005	2	Nut, Lock, #10-24	
19	3520030	1	Plug, Hole	
20	3520054	5	Plug, Hole	
21	3790012	6	O-Ring	
22	3931016	2	Capscrew, #10-24 x 1	
23	4240032	AR	Tie-Strap	
24	4360387	2	Switch, Push Button	
25	4360448	1	Breaker, Circuit 10Amp	
26	4360462	1	Switch, Potentiometer	
27	4360475	1	Switch, Emergency Stop	
27A	7020175	1	Cap, Mushroom with Sealing Ring	
27B	7020176	1	Block, Contact	
28	4360476	1	Block, Contact	
29	4460234	3	Mount, Tie-Strap	
30	4460428	1	Connector, Strain Relief	
31	4460488	1	Base, Terminal Mounting	
32	4460496	1	Washer, Lock, Terminal	
33	4460497	1	Nut, Terminal	
34	4460752	1	Connector - 14 Position	
35	4711000	4	Washer, #10	
36	4711400	2	Washer, 1/4	
37	4740397	6	Spacer	
38	4750600	6	Washer, #6	
39	4750800	6	Washer, #8	
40	4933105	1	Platform Console Wiring Diagram (Not Shown - See ELECTRICAL SECTION for Breakdown)	
41	1001109498	1	Module, PC (Note: Re-calibration Required when Replaced)	
42	1001110435	1	Plug, D-Shaped	
43	1001132175	1	Decal - Stop - Generator	
44	1001136889	1	Footswitch Assembly (See FOOTSWITCH ASSEMBLY for	

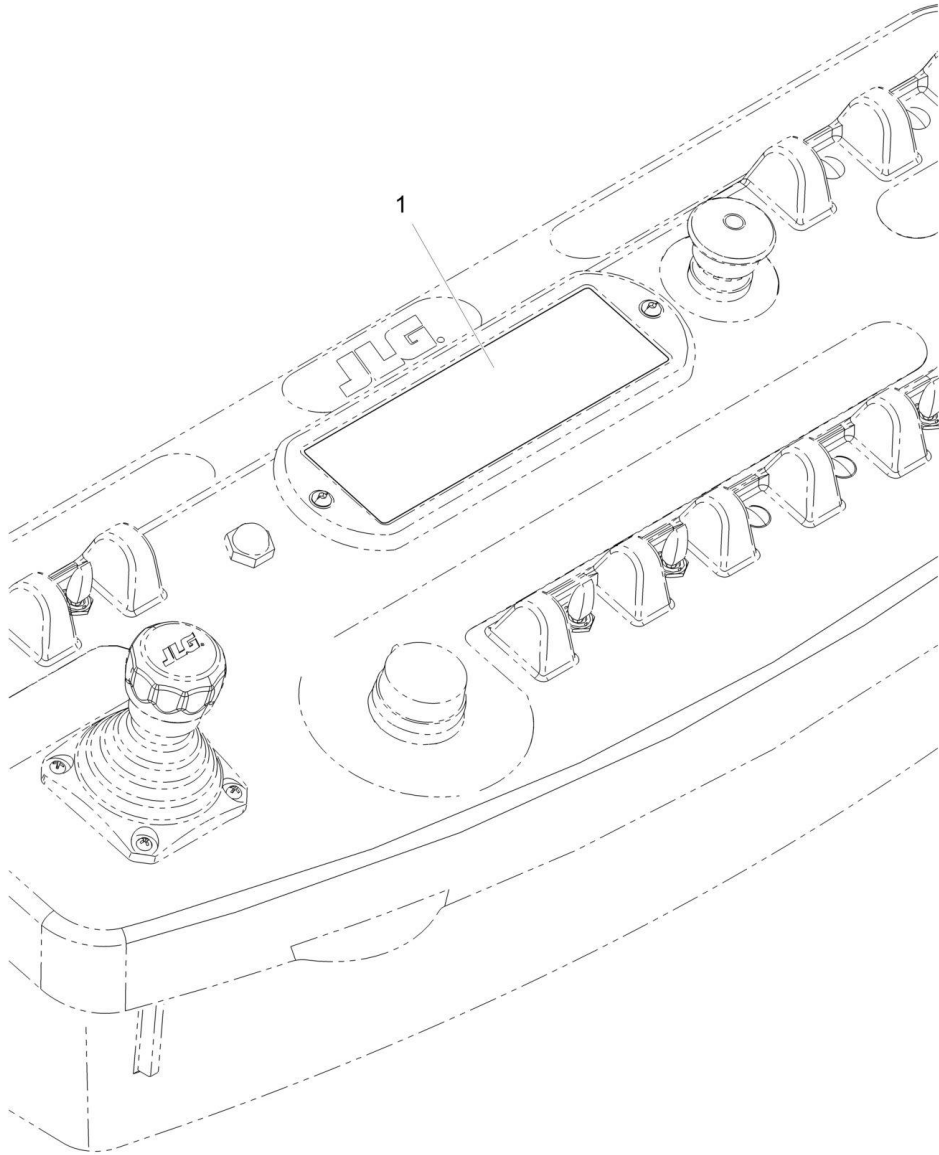
## SECTION 5 - PLATFORM

ITEM	PART NUMBER	QTY	DESCRIPTION	REV
			Breakdown)	
45	1001144433	1	Decal - No Weight - SkyGuard	
46	1001149571	1	Module, Beacon Control	
47	1001151817	2	Bracket	
48	1001155044	6	Nut, 15/32-32	
49	1001155045	4	Switch, Toggle	
50	1001159256	2	Switch, Toggle	
51	1001175597	2	Bracket	
52	1001178132	1	Controller Assembly - Drive and Steer (See CONTROLLER ASSEMBLY - DRIVE AND STEER for Breakdown)	
53	1001178139	1	Controller Assembly - Lift and Swing (See CONTROLLER ASSEMBLY LIFT AND SWING for Breakdown)	
54	1001185281	1	Plug	
55	1001189074	1	Harness, SkyGuard (See ELECTRICAL SECTION for Breakdown)	
56	1001189076	1	Harness, SkyGuard Can (See ELECTRICAL SECTION for Breakdown)	
57	1001189116	1	Console Box Assembly	
57A	0630568	1	Capscrew, 3/8-16 x 4-1/2	
57B	3311601	1	Nut, 3/8-16	
57C	3470003	2	Pin, Cotter	
57D	4711500	2	Washer, 5/16	
262A	1001141300	1	Decal - SkyGuard Override	
262B	1001141302	1	Decal - SkyGuard, Soft Touch Override	



# SECTION 5 - PLATFORM

## FIGURE 5-25. LIGHT PANEL DECAL INSTALLATION



ART\_0273089



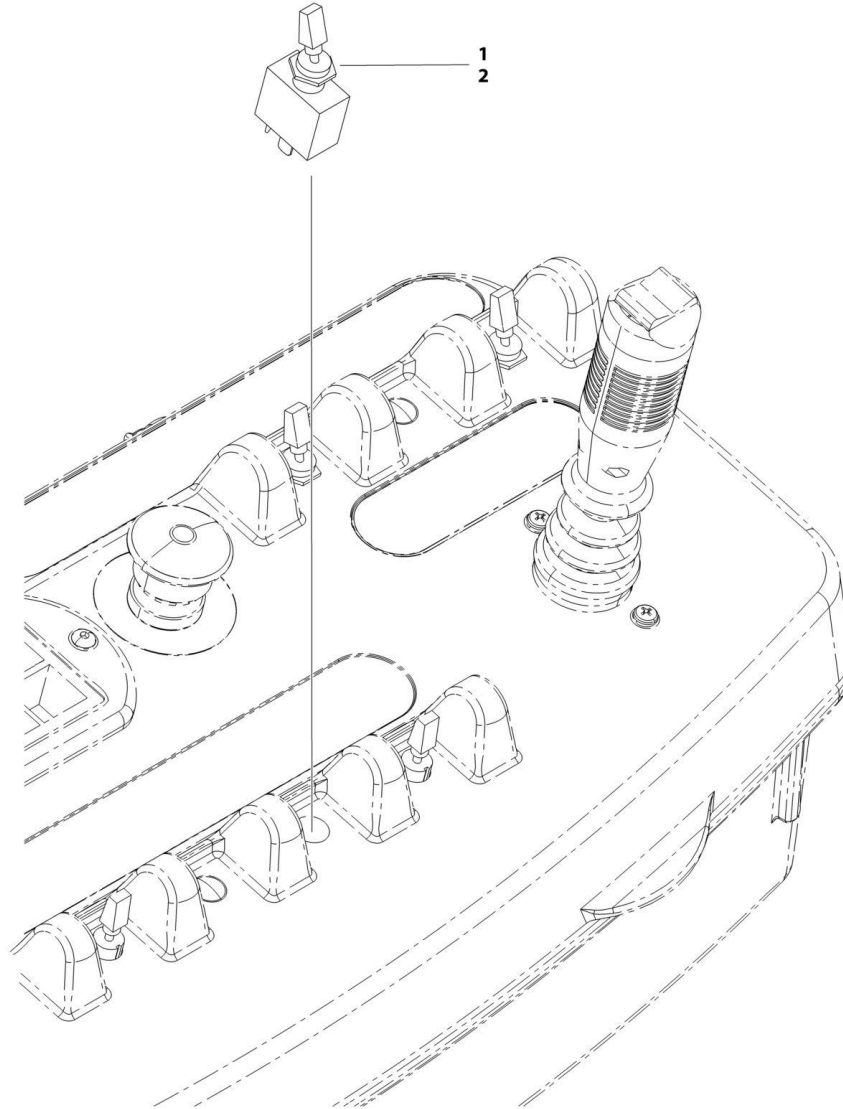
**SECTION 5 - PLATFORM**

**FIGURE 5-25. LIGHT PANEL DECAL INSTALLATION**

ITEM	PART NUMBER	QTY	DESCRIPTION	REV
1	0273089 1001110226	Ref 1	LIGHT PANEL DECAL INSTALLATION Decal - LightDisplay	B

# SECTION 5 - PLATFORM

## FIGURE 5-26. JIB SWITCH INSTALLATION - E450AJ/M450AJ



ART\_0259102

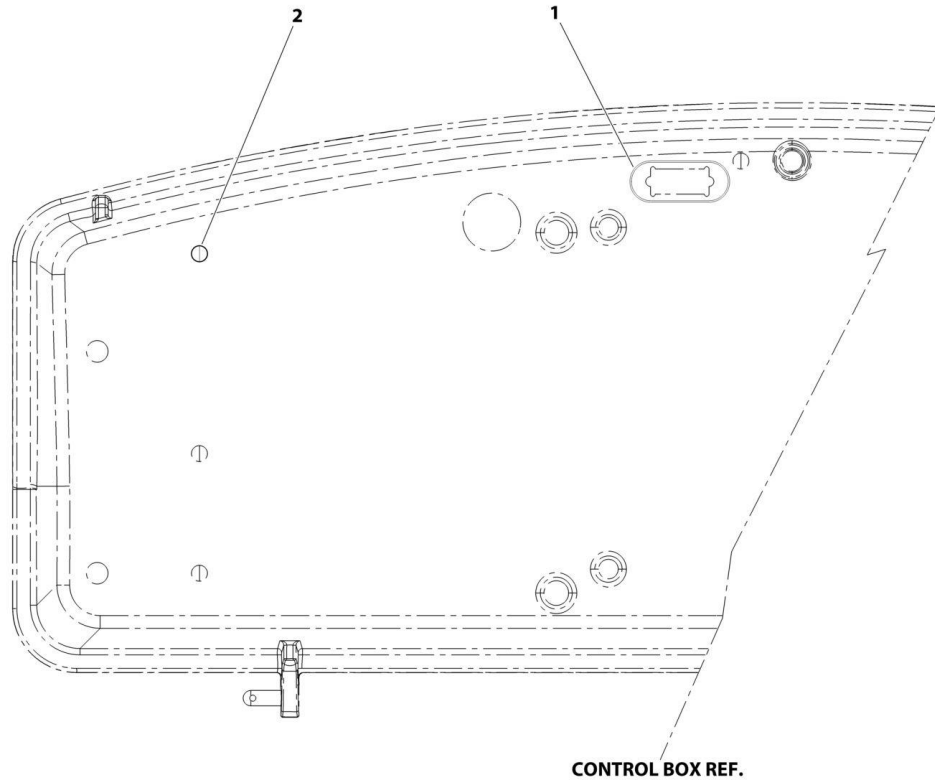
**SECTION 5 - PLATFORM**

**FIGURE 5-26. JIB SWITCH INSTALLATION - E450AJ/M450AJ**

<b>ITEM</b>	<b>PART NUMBER</b>	<b>QTY</b>	<b>DESCRIPTION</b>	<b>REV</b>
	0259102	Ref	JIB SWITCH INSTALLATION - E450AJ/M450AJ	2
1	4360328	1	Switch, Toggle	
2	3790012	1	O-Ring	
3	4922294	1	Harness, Jib Function (Not Shown - See ELECTRICAL SECTION for Breakdown)	
4	4240032	AR	Tie-Strap (Not Shown)	

# SECTION 5 - PLATFORM

## FIGURE 5-27. SEALED ENCLOSURES - UL LISTED



ART\_0272111

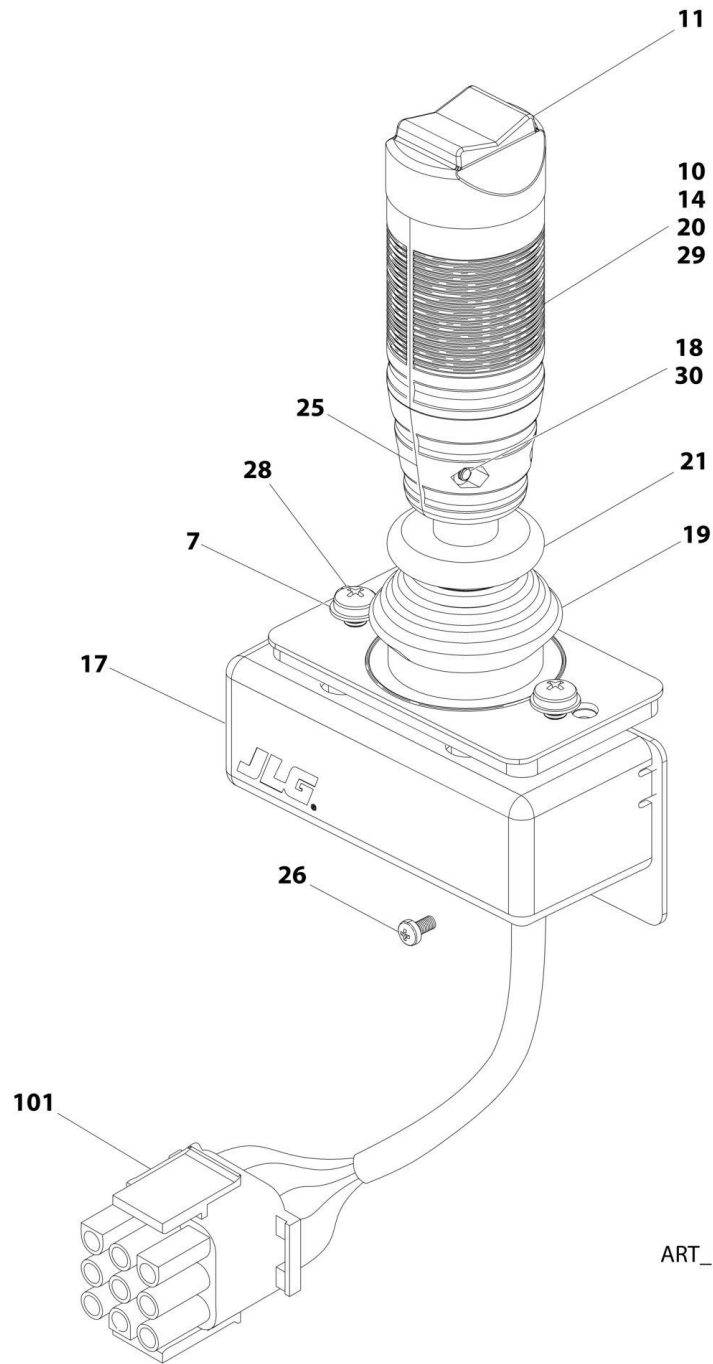
**SECTION 5 - PLATFORM**

**FIGURE 5-27. SEALED ENCLOSURES - UL LISTED**

ITEM	PART NUMBER	QTY	DESCRIPTION	REV
	0272111	Ref	SEALED ENCLOSURES - UL LISTED	B
1	0100009	AR	Sealant (Seal Around Analyzer Port)	
2	3520173	8	Plug (Located in Bottom of Console Box)	

# SECTION 5 - PLATFORM

## FIGURE 5-28. CONTROLLER ASSEMBLY - DRIVE AND STEER



ART\_1001178132

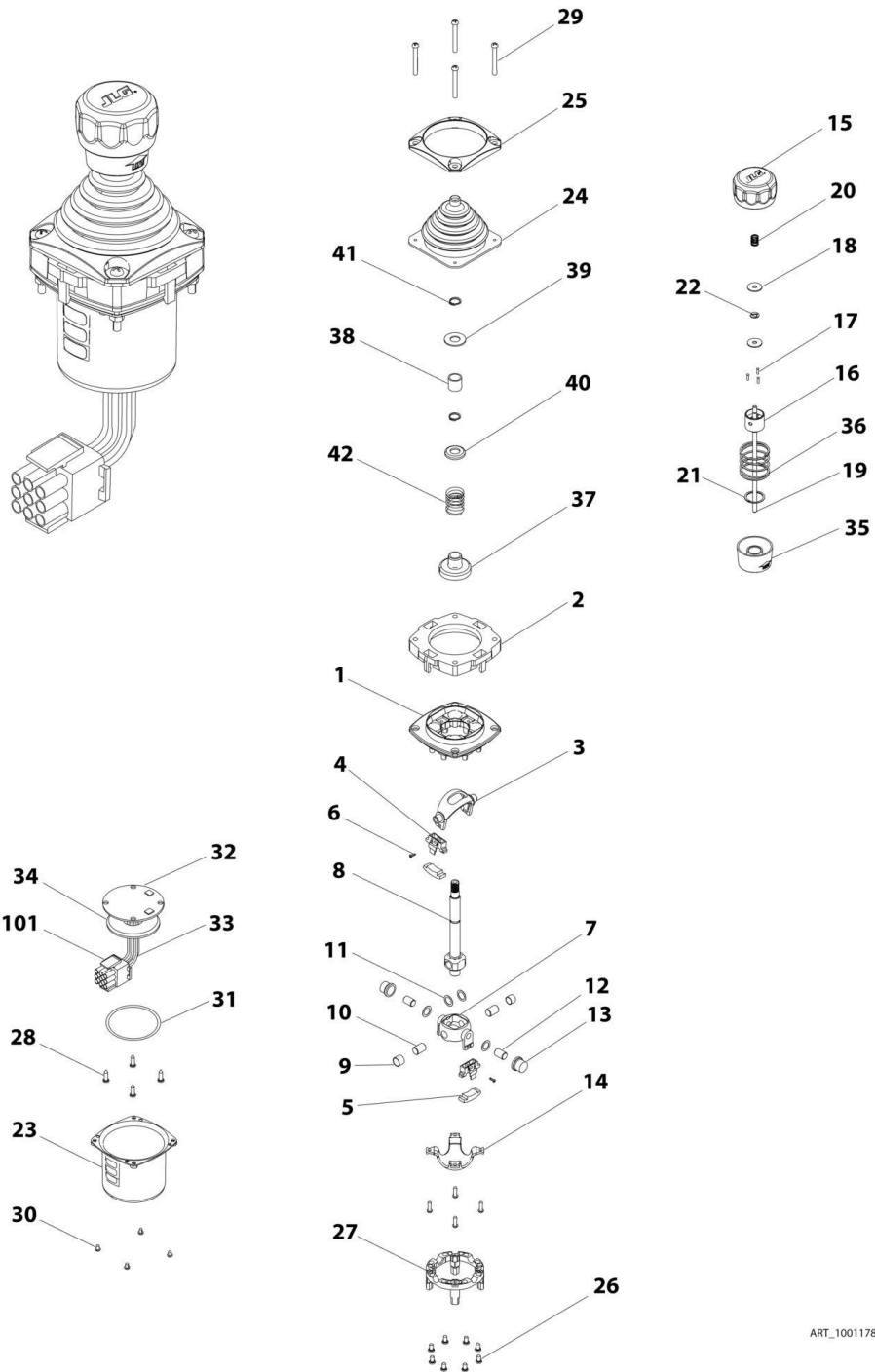
## SECTION 5 - PLATFORM

**FIGURE 5-28. CONTROLLER ASSEMBLY - DRIVE AND STEER**

ITEM	PART NUMBER	QTY	DESCRIPTION	REV
	1001178132	Ref	CONTROLLER ASSEMBLY - DRIVE AND STEER	E
7	70004738	2	Washer	
10	70004739	1	Roller	
11	70004740	1	Boot, Switch	
14	70004741	2	Half, Handle	
17	70004742	1	Enclosure	
18	70004743	4	Nut	
19	70004744	NLA	Boot, Controller (Use p/n 70005230 Boot/Base Assembly)	
20	70004745	NLA	Tube, Locking (Use p/n 70005230 Boot/Base Assembly)	
21	70004746	NLA	Disc, Locking (Use p/n 70005230 Boot/Base Assembly)	
25	70004747	2	Seal, Rope	
26	70004748	1	Screw, M3 x 9mm	
28	70004749	2	Screw, M5 x 20mm	
29	70004750	1	Pin, Dowel	
30	70004751	4	Screw, M3 x 16mm	
101	4460265	1	Connector - 9 Position	
101	4460226	7	Socket, Female	

# SECTION 5 - PLATFORM

## FIGURE 5-29. CONTROLLER ASSEMBLY - LIFT AND SWING



ART\_1001178139



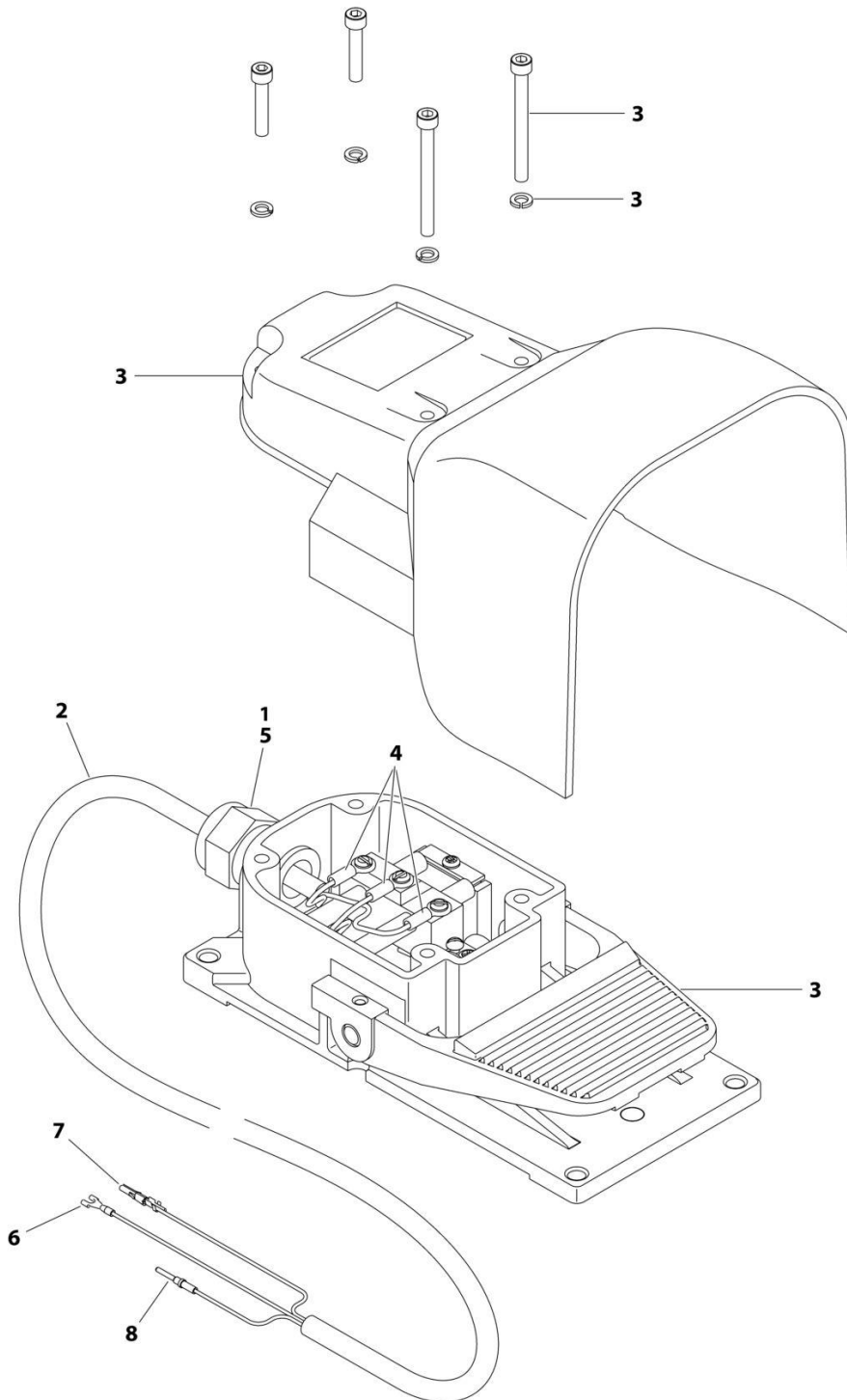
## SECTION 5 - PLATFORM

**FIGURE 5-29. CONTROLLER ASSEMBLY - LIFT AND SWING**

ITEM	PART NUMBER	QTY	DESCRIPTION	REV
	1001178139	Ref	CONTROLLER ASSEMBLY - LIFT AND SWING	D
1	See Note	NSS	Main Cast Body (Note: Not Available - Purchase Complete Assembly)	
2	70004752	1	Adapter	
3	See Note	NSS	Pivot Arm, Plastic (Note: Not Available - Purchase Complete Assembly)	
4	See Note	NSS	Holder, Magnet (Note: Not Available - Purchase Complete Assembly)	
5	See Note	NSS	Arc, Magnet (Note: Not Available - Purchase Complete Assembly)	
6	See Note	2	Screw (Note: Not Available for Purchase)	
7	See Note	NSS	Pivot Arm, Cast (Note: Not Available - Purchase Complete Assembly)	
8	See Note	NSS	Shaft, Main (Note: Not Available - Purchase Complete Assembly)	
9	See Note	NSS	Bearing (Note: Not Available - Purchase Complete Assembly)	
10	See Note	NSS	Pin (Note: Not Available - Purchase Complete Assembly)	
11	See Note	NSS	Shim (Note: Not Available - Purchase Complete Assembly)	
12	See Note	NSS	Pin (Note: Not Available - Purchase Complete Assembly)	
13	See Note	NSS	Bearing (Note: Not Available - Purchase Complete Assembly)	
14	See Note	NSS	Dome, Centering (Note: Not Available - Purchase Complete Assembly)	
15	70004753	1	Cap	
16	70004754	1	Insert, Cap	
17	70004755	3	Pin	
18	70004756	2	Washer	
19	70004757	1	Pin, Centering	
20	70004758	1	Spring	
21	70004759	1	Ring, Retaining	
22	70004760	1	E-Ring	
23	70004761	1	Can, Enclosure	
24	70004762	1	Boot	
25	70004763	1	Bezel	
26	See Note	8	Screw (Note: Not Available for Purchase)	
27	See Note	NSS	Base Mounting (Note: Not Available - Purchase Complete Assembly)	
28	See Note	4	Screw (Note: Not Available for Purchase)	
29	70004764	4	Screw	
30	70004765	4	Screw	
31	70004766	1	O-Ring	
32	See Note	NSS	Plate (Note: Not Available - Purchase Complete Assembly)	
33	See Note	NSS	Harness (Note: Not Available - Purchase Complete Assembly)	
34	70004767	1	Grommet, Rubber	
35	70004768	1	Housing	
36	70004769	1	Spring	
37	70004770	1	Stopper	
38	70004771	1	Spacer	
39	70004772	1	Washer	
40	70004773	1	Disc	
41	70004774	2	Ring, Retaining	
42	70004775	1	Spring	
101	4460265	1	Connector - 9 Position	
101	4460226	6	Socket, Female	

# SECTION 5 - PLATFORM

## FIGURE 5-30. FOOTSWITCH ASSEMBLY



ART\_1001136889

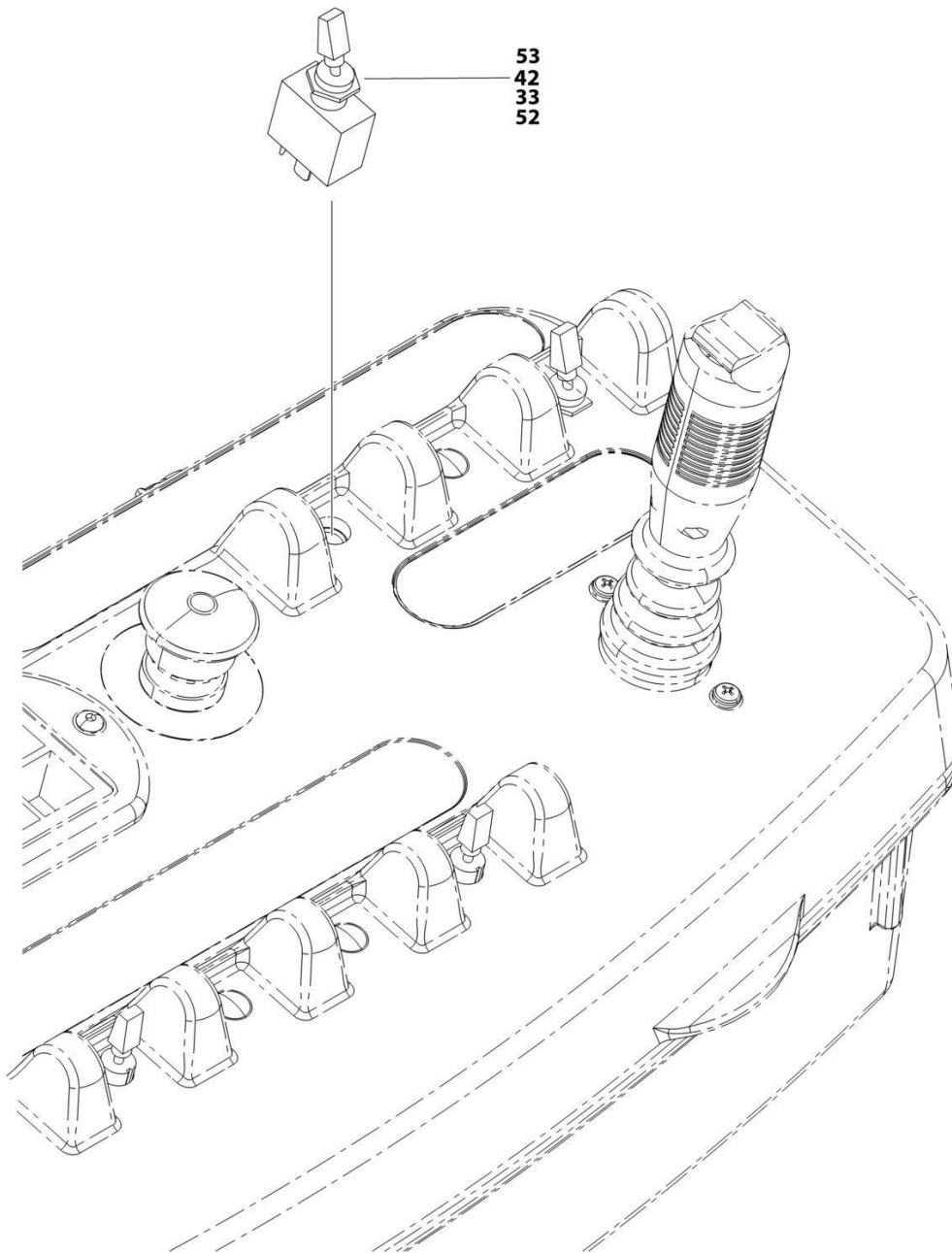
**SECTION 5 - PLATFORM**

**FIGURE 5-30. FOOTSWITCH ASSEMBLY**

ITEM	PART NUMBER	QTY	DESCRIPTION	REV
	1001136889	Ref	FOOTSWITCH ASSEMBLY	A
1	0100020	AR	Sealant	
2	1060330	1	Cable, Electrical - 16/3	
3	1001117172	1	Footswitch	
3	70002902	1	Switch, 20Amp	
3	70002903	1	Gasket	
3	70002905	1	Cover	
3	70002904	1	Kit, Replacement Bolt	
4	4460042	3	Terminal	
5	4460071	1	Connector, Strain Relief	
6	4460183	1	Terminal	
7	4460226	1	Socket, Female	
8	4460464	1	Pin, Male	

# SECTION 5 - PLATFORM

## FIGURE 5-31. MOTOR CONTROLS INSTALLATION - M450AJ



ART\_1001167699\_40F4

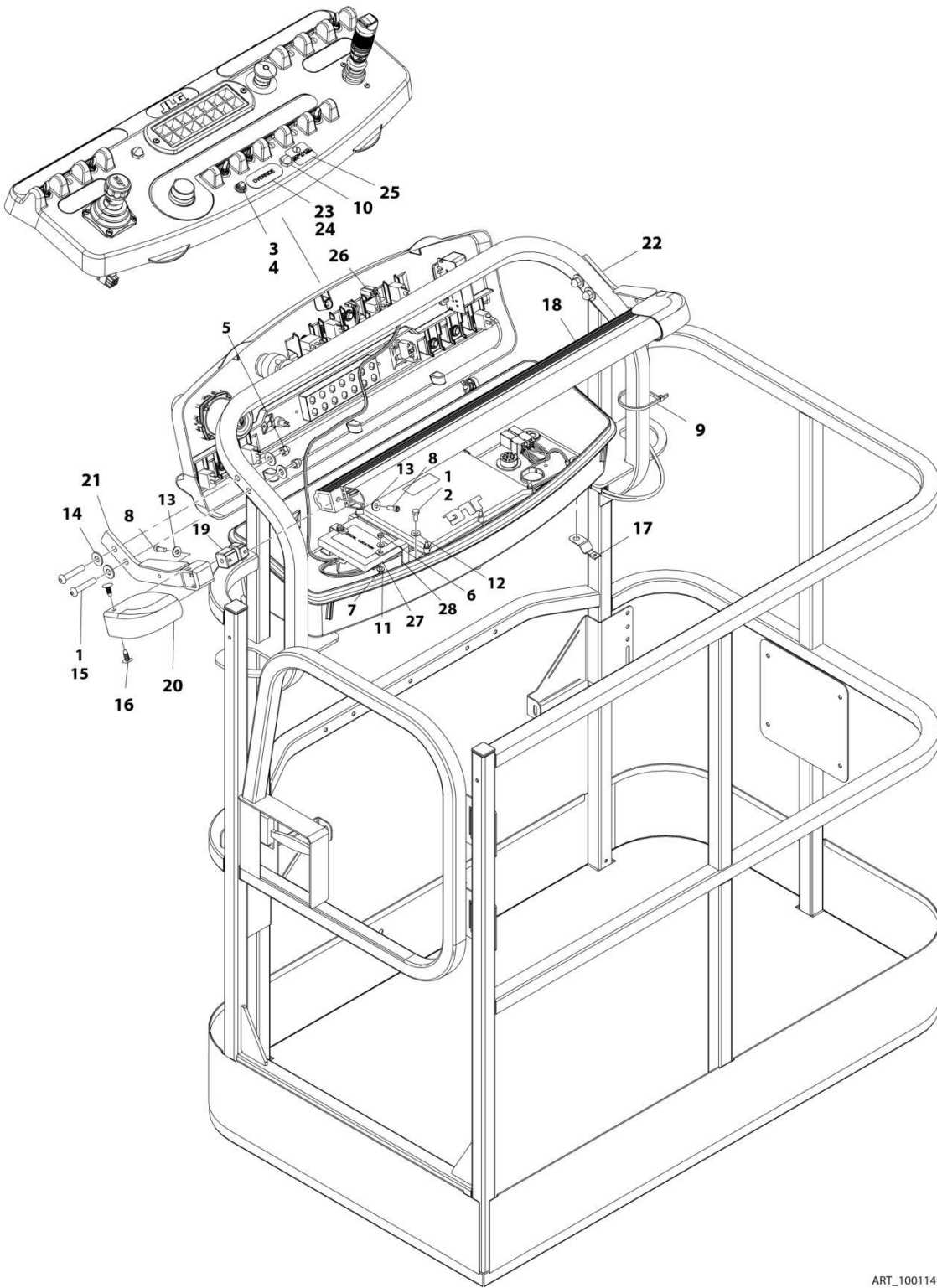
**SECTION 5 - PLATFORM**

**FIGURE 5-31. MOTOR CONTROLS INSTALLATION - M450AJ**

<b>ITEM</b>	<b>PART NUMBER</b>	<b>QTY</b>	<b>DESCRIPTION</b>	<b>REV</b>
	1001167699	Ref	MOTOR CONTROLS INSTALLATION - M450AJ	C
33	3790012	1	O-Ring	
42	4360336	1	Switch, Toggle	
52	4922222	1	Harness (Not Shown)	
52	4460464	1	Pin, Male	
53	4922223	1	Harness (Not Shown)	
53	4460464	1	Pin, Male	

# SECTION 5 - PLATFORM

FIGURE 5-32. SKYGUARD SYSTEM INSTALLATION (SN 0300189901 through 0300200789)



ART\_1001149563

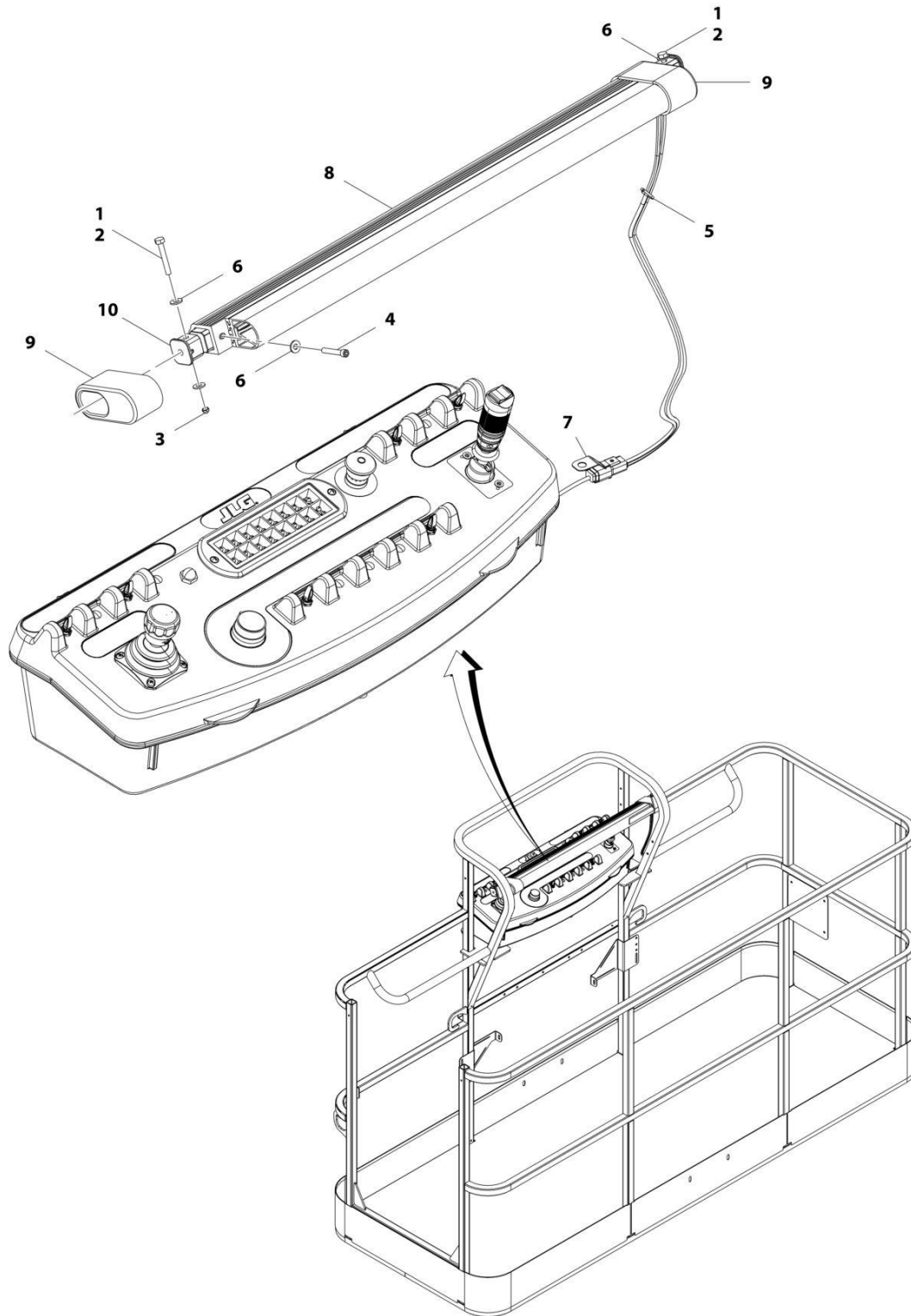
## SECTION 5 - PLATFORM

**FIGURE 5-32. SKYGUARD SYSTEM INSTALLATION (SN 0300189901 through 0300200789)**

ITEM	PART NUMBER	QTY	DESCRIPTION	REV
	1001149563	Ref	SKYGUARD SYSTEM INSTALLATION (SN 0300189901 through 0300200789)	A
1	0100011	AR	Compound, Locking	
2	0641405	2	Bolt 1/4 x 5/8	
3	2920028	1	Light, Indicator	
4	2920029	1	Bulb	
5	3300472	4	Nut 3/8	
6	3311005	2	Nut #10	
7	3931016	2	Capscrew #10 x 1	
8	3931412	4	Capscrew 1/4 x 3/4	
9	4240033	8	Tie-Strap	
10	4360387	1	Switch, Push Button	
11	4711000	4	Washer #10	
12	4711400	2	Washer 1/4	
13	4751400	4	Washer 1/4	
14	4751600	8	Washer 3/8	
15	88261039	4	Screw 3/8 x 2	
16	1001109786	4	Fastener	
17	1001120328	1	Mount	
18	1001137673	1	Switch, SkyGuard Assembly	
19	1001137681	2	Support, SkyGuard Switch	
20	1001137897	2	Cover, SkyGuard	
21	1001140223	1	Bracket, Left	
22	1001140224	1	Bracket, Right	
23	1001141300	1	Decal - SkyGuard Override	
24	1001141302	1	Decal - SkyGuard/Soft Touch Override	
25	1001144433	1	Decal - No Weight SkyGuard	
26	1001149569	1	Harness, SkyGuard Platform Sensor (See Separate Breakdown in ELECTRICAL Section)	
27	1001149571	1	Module, SkyGuard Control	
28	1001151817	2	Bracket	

# SECTION 5 - PLATFORM

FIGURE 5-33. SKYGUARD SYSTEM INSTALLATION (SN 0300200790 through 0300208529)



ART\_1001187508



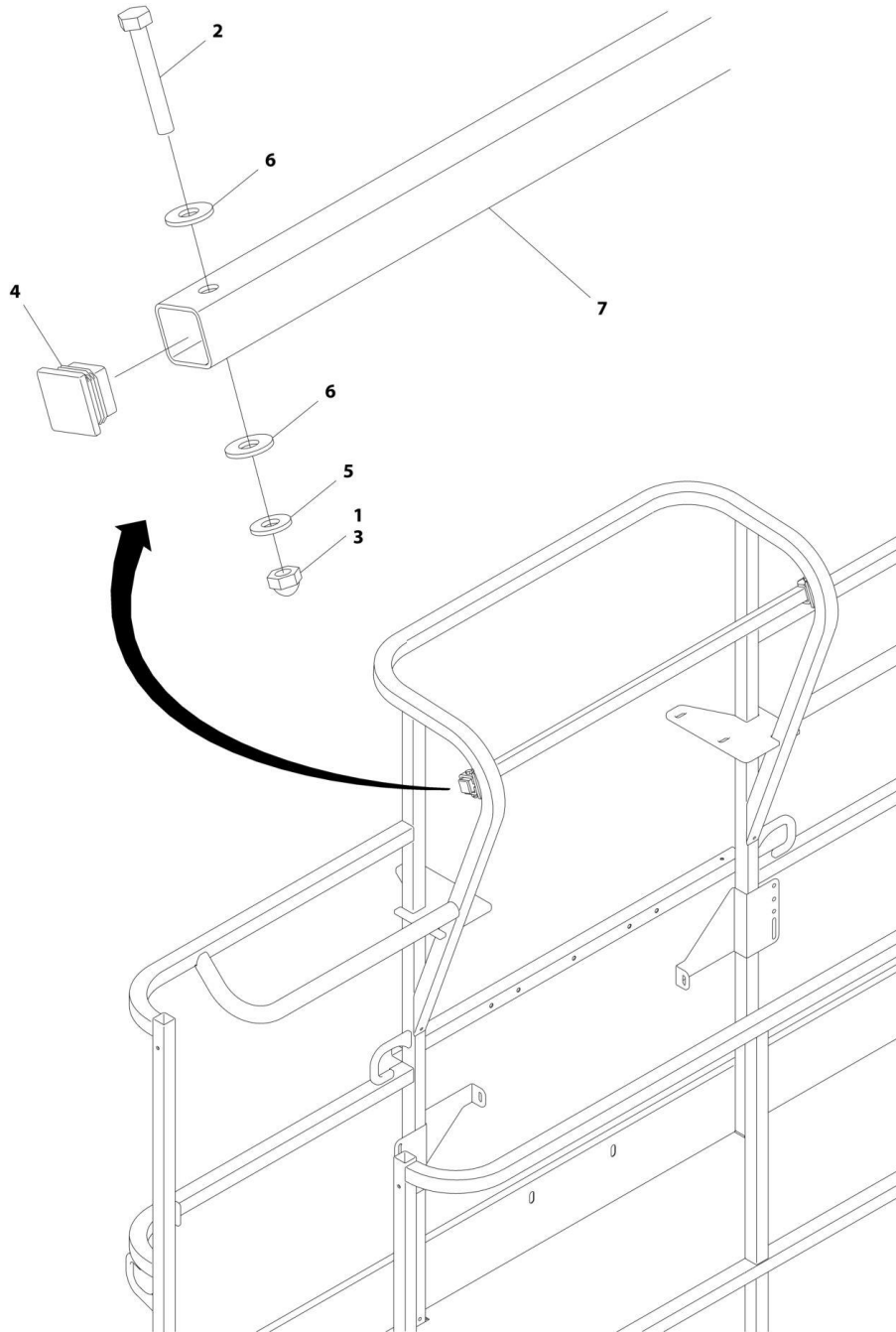
**SECTION 5 - PLATFORM**

**FIGURE 5-33. SKYGUARD SYSTEM INSTALLATION (SN 0300200790 through 0300208529)**

ITEM	PART NUMBER	QTY	DESCRIPTION	REV
	1001187508	Ref	SKYGUARD SYSTEM INSTALLATION (SN 0300200790 through 0300208529)	A
1	0100011	AR	Compound, Locking	
2	0641414	2	Bolt, 1/4-20 x 1-3/4	
3	3300430	2	Nut, Acorn 1/4-20	
4	3931424	2	Capscrew, 1/4-20 x 1-1/2	
5	4240033	1	Tie-Strap	
6	4711400	6	Washer, 1/4	
7	1001120328	1	Mount	
8	1001137673	1	Switch, SkyGuard Assembly	
9	1001186517	2	Cover, Platform Sensor	
10	1001188889	2	Support, Shear Block	

# SECTION 5 - PLATFORM

## FIGURE 5-34. CROSS RAIL INSTALLATION



ART\_1001182138

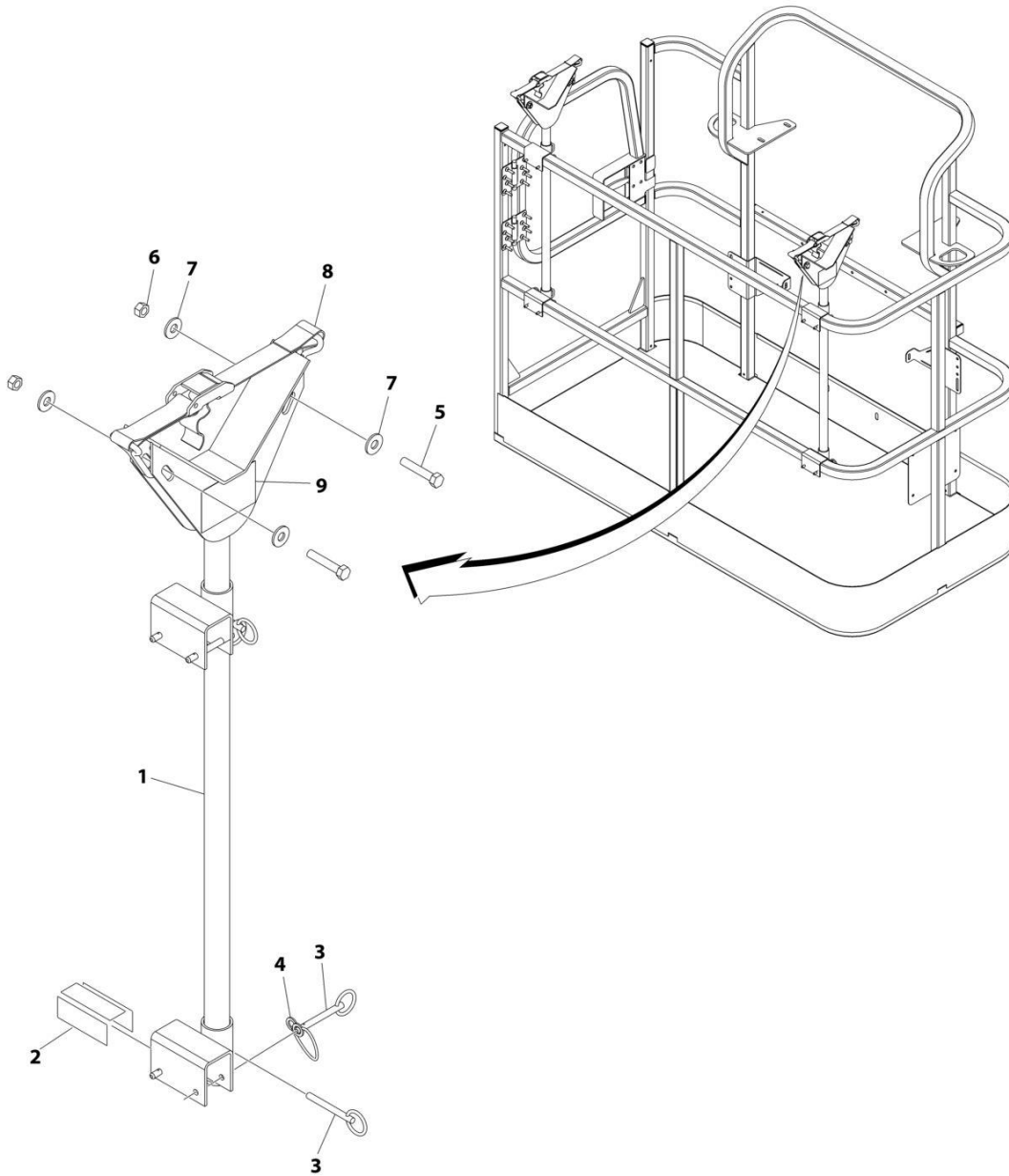
**SECTION 5 - PLATFORM**

**FIGURE 5-34. CROSS RAIL INSTALLATION**

ITEM	PART NUMBER	QTY	DESCRIPTION	REV
	1001182138	Ref	CROSS RAIL INSTALLATION	A
1	0100071	AR	Compound, Locking	
2	0641414	2	Bolt 1/4 x 1-3/4	
3	3300430	2	Nut 1/4	
4	3520182	2	Plug	
5	4711400	2	Washer 1/4	
6	4751400	4	Washer 1/4	
7	1001191708	1	Bar	

# SECTION 5 - PLATFORM

## FIGURE 5-35. PIPE RACK INSTALLATION



ART\_0257728

**SECTION 5 - PLATFORM**

**FIGURE 5-35. PIPE RACK INSTALLATION**

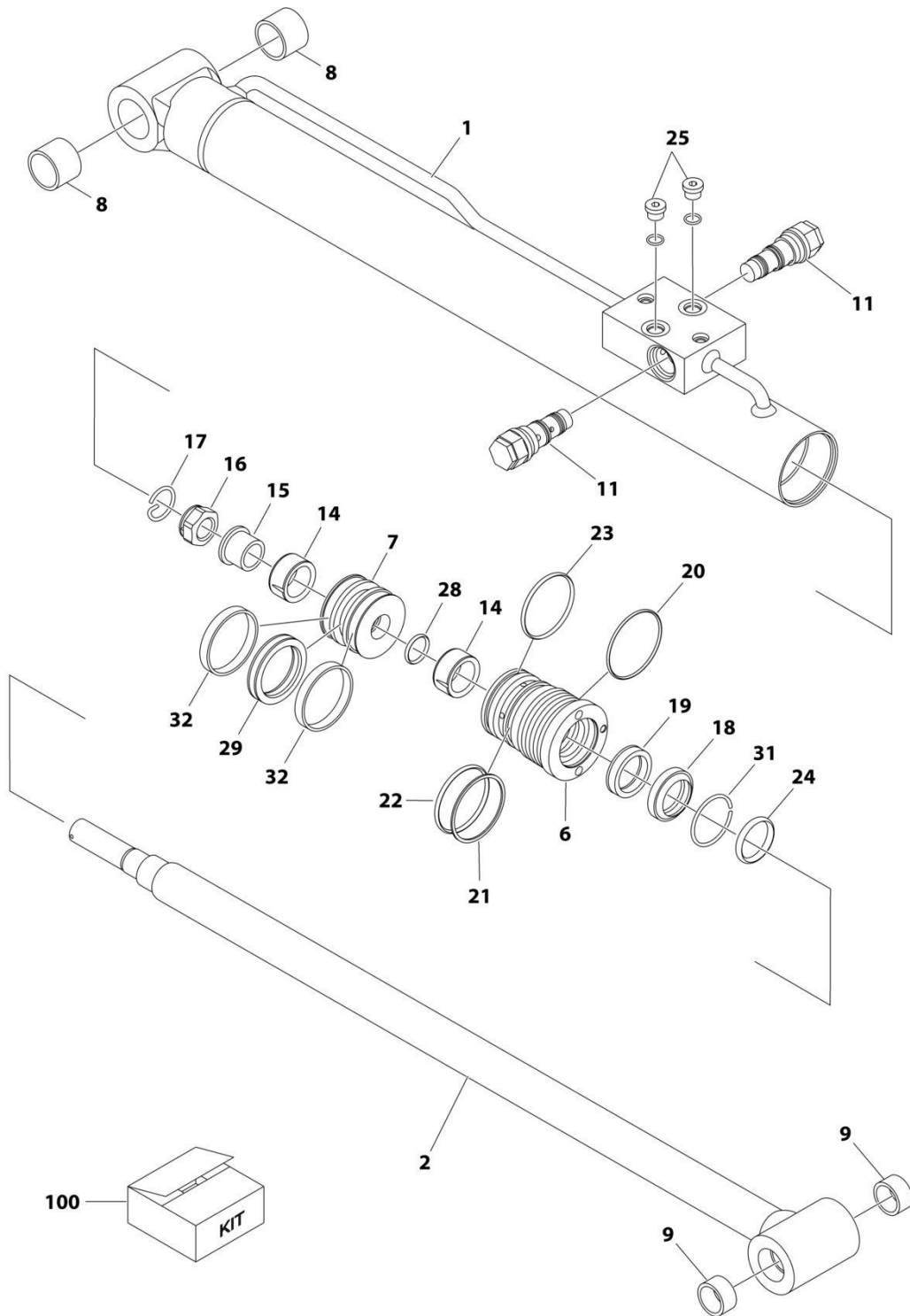
<b>ITEM</b>	<b>PART NUMBER</b>	<b>QTY</b>	<b>DESCRIPTION</b>	<b>REV</b>
	0257728	Ref	<b>PIPE RACK INSTALLATION</b>	2/C
1	4845582	2	Rack, Pipe	
2	4420062	AR	Tape	
3	3422661	10	Pin	
4	1060379	4	Lanyard	
5	0641514	4	Bolt 5/16 x 1-3/4	
6	3311505	4	Nut 5/16	
7	4751500	8	Washer 5/16	
8	0480100	2	Tie-Down	
9	1703683	2	Decal - Capacity	



**SECTION 6 - CYLINDER**

# SECTION 6 - CYLINDER

## FIGURE 6-1. JIB CYLINDER ASSEMBLY - E450AJ/M450AJ



ART\_1001140280



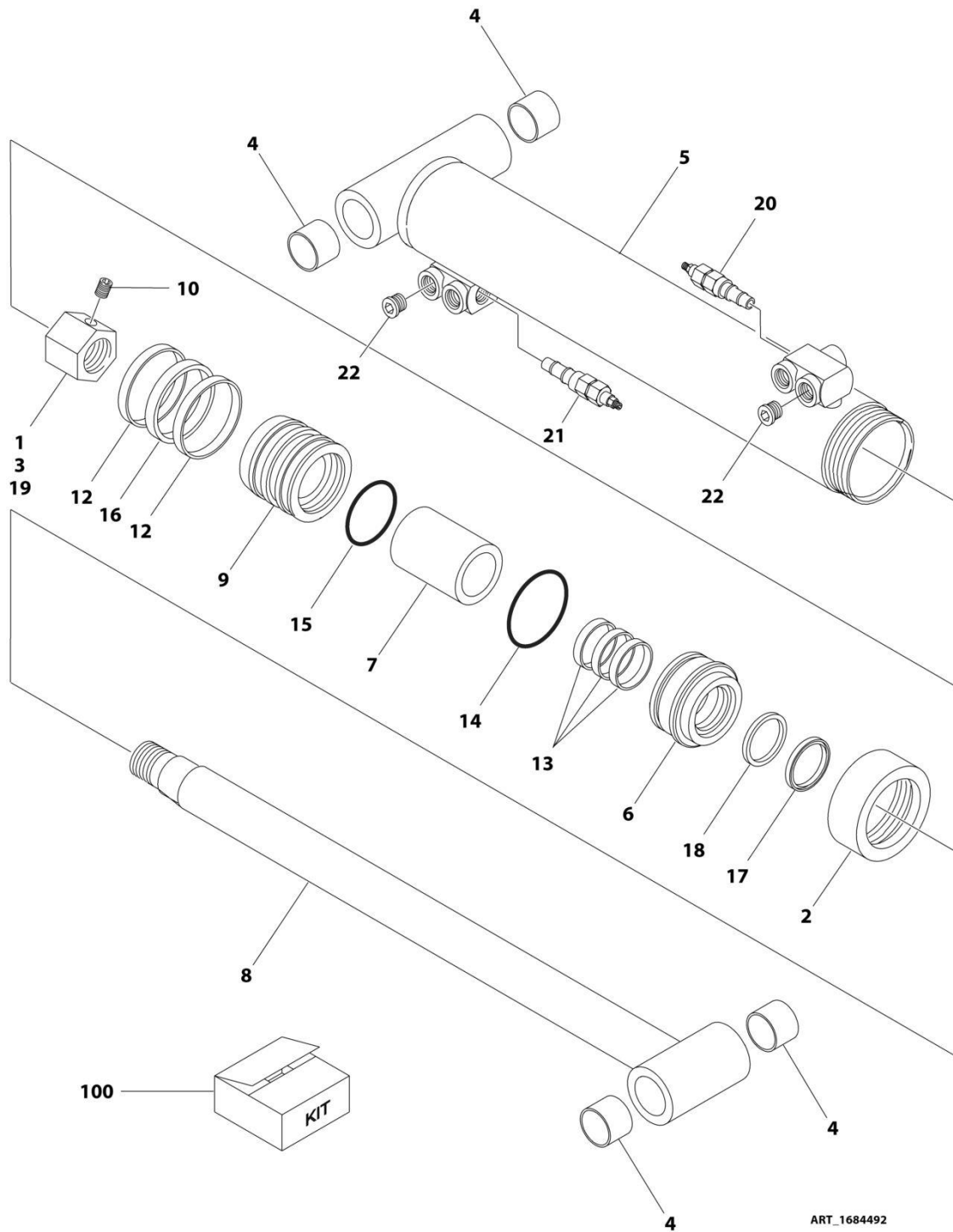
## SECTION 6 - CYLINDER

**FIGURE 6-1. JIB CYLINDER ASSEMBLY - E450AJ/M450AJ**

ITEM	PART NUMBER	QTY	DESCRIPTION	REV
	1001140280	Ref	JIB CYLINDER ASSEMBLY - E450AJ/M450AJ	A
		Ref	Note: For Jib Cylinder with Manual Descent Valve See SPECIAL OPTIONS.	
1	70003863	1	Barrel, Weldment	
2	70003864	1	Rod, Weldment	
6	7026088	1	Head	
7	70003833	1	Piston	
8	0961951	2	Bushing	
9	0961947	2	Bushing	
11	4640509	2	Cartridge, Counterbalance Valve	
11	2900792	2	Seal Kit - 4640509	
14	7026090	2	Bushing	
15	7026091	1	Sleeve	
16	7026092	1	Nut	
17	70002223	1	Retainer	
18	See Note	NSS	Wiper, Rod (Note: Use Item 100)	
19	See Note	NSS	Seal, Rod (Note: Use Item 100)	
20	See Note	NSS	O-Ring (Note: Use Item 100)	
21	See Note	NSS	Ring, Back-up (Note: Use Item 100)	
22	See Note	NSS	O-Ring (Note: Use Item 100)	
23	See Note	NSS	O-Ring (Note: Use Item 100)	
24	7026068	1	O-Ring	
25	7024844	2	Plug	
28	See Note	NSS	O-Ring (Note: Use Item 100)	
29	See Note	NSS	Seal, Piston (Note: Use Item 100)	
31	70002220	1	Ring, Retaining	
32	See Note	NSS	Ring, Wear (Note: Use Item 100)	
100	70003836	1	Seal Kit (Includes Items 18-23, 28, 29 & 32)	

# SECTION 6 - CYLINDER

## FIGURE 6-2. LIFT CYLINDER ASSEMBLY - LOWER - E450A (ORIGINAL EQUIPMENT)



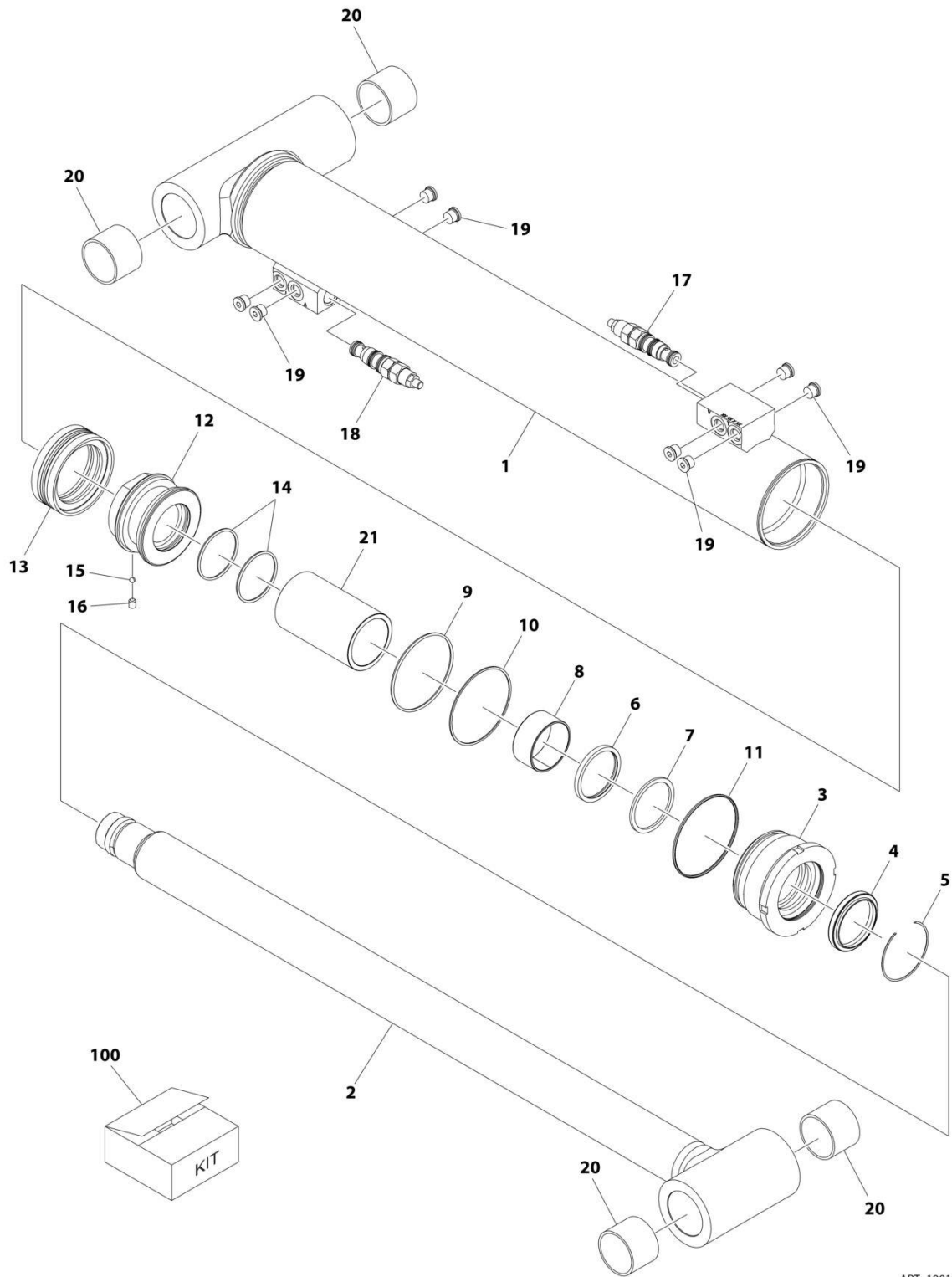
## SECTION 6 - CYLINDER

**FIGURE 6-2. LIFT CYLINDER ASSEMBLY - LOWER - E450A (ORIGINAL EQUIPMENT)**

ITEM	PART NUMBER	QTY	DESCRIPTION	REV
	1684492	Ref	LIFT CYLINDER ASSEMBLY - LOWER - E450A	B
1	0100011	AR	Compound, Locking	
2	0100035	AR	Compound, Locking	
3	0100038	AR	Primer, Locking	
4	0961950	4	Bushing	
5	1684055	1	Barrel, Weldment	
5A	1120093	1	Retainer	
6	1683710	1	Head	
7	4566432	1	Spacer	
8	1683941	1	Rod, Weldment	
9	3480241	1	Piston	
10	3900170	1	Setscrew	
12	See Note	NSS	Ring, Wear (Note: Use Item 100)	
13	See Note	NSS	Ring, Wear (Note: Use Item 100)	
14	See Note	NSS	O-Ring (Note: Use Item 100)	
15	See Note	NSS	O-Ring (Note: Use Item 100)	
16	See Note	NSS	Seal, Piston (Note: Use Item 100)	
17	See Note	NSS	Wiper, Rod (Note: Use Item 100)	
18	See Note	NSS	Seal, Rod (Note: Use Item 100)	
19	3300281	1	Nut	
20	4640634	1	Cartridge, Holding Valve	
20	2900770	1	Seal Kit - 4640634 Valve	
21	4641386	1	Cartridge, Holding Valve	
21	7011376	1	Seal Kit - 4641386 Valve	
22	2220885	2	Plug	
100	2901806	1	Seal Kit (Includes Items 12-18)	

# SECTION 6 - CYLINDER

## FIGURE 6-3. LIFT CYLINDER ASSEMBLY - E450A (SERVICE REPLACEMENT)



ART\_1001228039

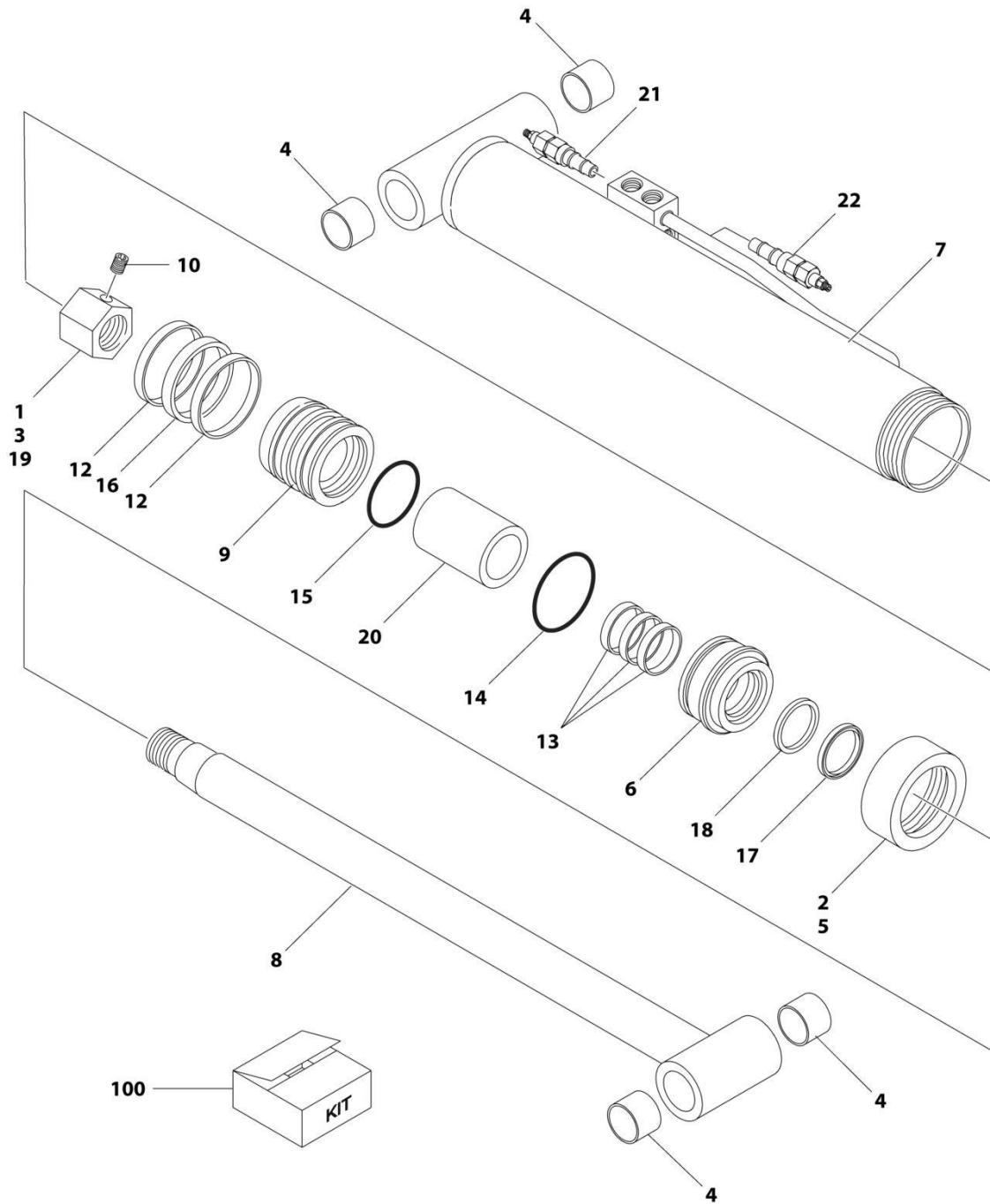
## SECTION 6 - CYLINDER

**FIGURE 6-3. LIFT CYLINDER ASSEMBLY - E450A (SERVICE REPLACEMENT)**

ITEM	PART NUMBER	QTY	DESCRIPTION	REV
	1001228039	Ref	LIFT CYLINDER ASSEMBLY - LOWER	B
		Ref	Note: Original Cylinder may have been replaced with Service Replacement. Identify PN Stamped on Cylinder Before Ordering Parts.	
1	See Note	NSS	Barrel (Note: Not Available for Purchase)	
2	70006602	1	Rod	
3	70006603	1	Head	
4	70006604	NSS	Wiper (Note: Use Item 100)	
5	70027244	1	Retainer	
6	70006605	NSS	Seal, Rod (Note: Use Item 100)	
7	See Note	NSS	Ring, Back-up (Note: Use Item 100)	
8	70004637	1	Bearing	
9	70006606	NSS	O-Ring (Note: Use Item 100)	
10	See Note	NSS	Ring, Back-up (Note: Use Item 100)	
11	See Note	NSS	O-Ring	
12	70006607	1	Piston	
13	See Note	NSS	Seal (Note: Use Item 100)	
14	See Note	NSS	O-Ring (Note: Use Item 100)	
15	70022564	1	Ball, Steel	
16	70023369	1	Setscrew	
17	4640634	1	Cartridge, Holding Valve	
17	2900770	1	Seal Kit - 4640634 Valve	
18	4641386	1	Cartridge, Holding Valve	
18	7011376	1	Seal Kit - 4641386 Valve	
19	2220885	8	Plug, O-Ring	
20	0961950	4	Bushing	
21	70006608	1	Spacer	
100	70006609	1	Seal Kit (Includes Items 4, 6, 7, 9-11, 13 & 14)	

# SECTION 6 - CYLINDER

FIGURE 6-4. LIFT CYLINDER ASSEMBLY - LOWER - E450AJ/M450AJ (ORIGINAL EQUIPMENT)



ART\_1684451

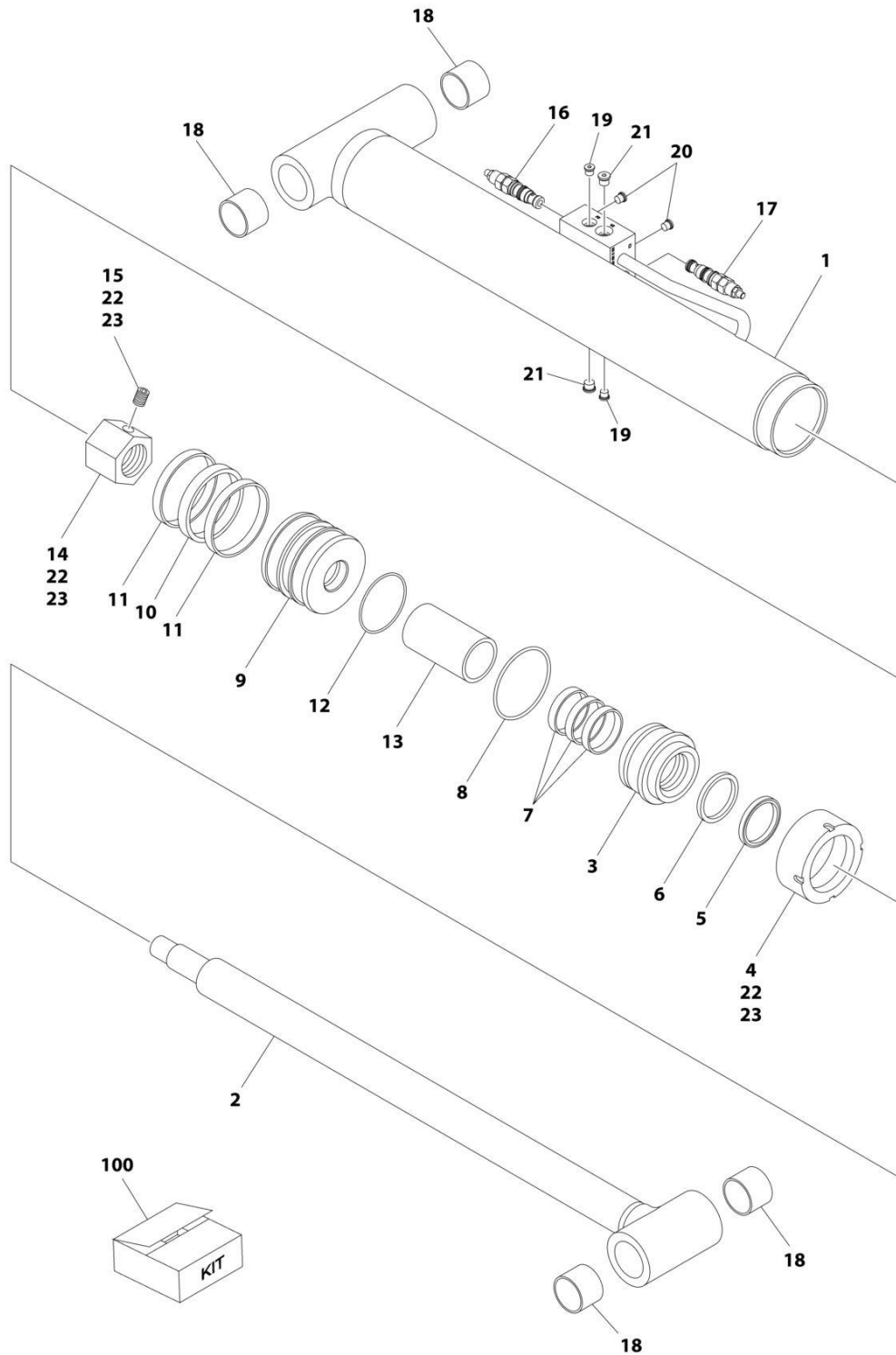
## SECTION 6 - CYLINDER

**FIGURE 6-4. LIFT CYLINDER ASSEMBLY - LOWER - E450AJ/M450AJ (ORIGINAL EQUIPMENT)**

ITEM	PART NUMBER	QTY	DESCRIPTION	REV
	1684451	Ref	LIFT CYLINDER ASSEMBLY - LOWER - E450AJ/M450AJ	D
1	0100011	AR	Compound, Locking	
2	0100035	1	Compound, Locking	
4	0961950	4	Bushing	
5	1120094	1	Retainer	
6	1683710	1	Head	
7	1683940	1	Barrel, Weldment	
8	1683941	1	Rod, Weldment	
9	3480241	1	Piston	
10	3900170	1	Setscrew	
12	See Note	NSS	Ring, Wear (Note: Use Item 100)	
13	See Note	NSS	Ring, Wear (Note: Use Item 100)	
14	See Note	NSS	O-Ring (Note: Use Item 100)	
15	See Note	NSS	O-Ring (Note: Use Item 100)	
16	See Note	NSS	Seal, Piston (Note: Use Item 100)	
17	See Note	NSS	Wiper, Rod (Note: Use Item 100)	
18	See Note	1	Seal, Rod	
19	3300281	1	Nut	
20	4566432	1	Spacer	
21	4640634	1	Cartridge, Holding Valve	
21	2900770	1	Seal Kit - 4640634 Valve	
22	4641386	1	Cartridge, Holding Valve	
22	7011376	1	Seal Kit - 4641386 Valve	
23	0100038	1	Primer, Locking	
100	2901806	1	Seal Kit (Includes Items 12-18)	

# SECTION 6 - CYLINDER

## FIGURE 6-5. LIFT CYLINDER ASSEMBLY - LOWER - E450AJ/M450AJ (SERVICE REPLACEMENT)



ART\_1001228035



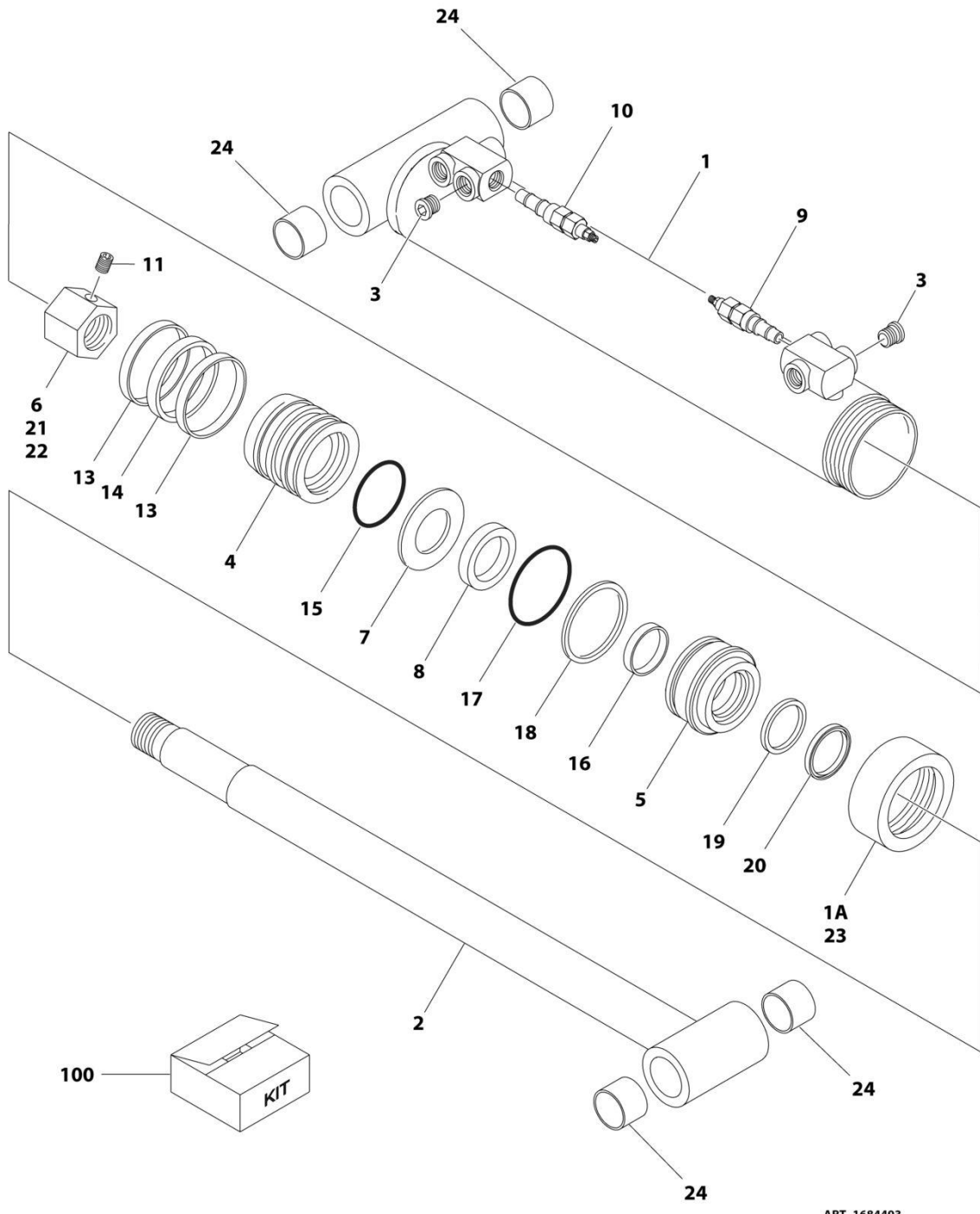
## SECTION 6 - CYLINDER

**FIGURE 6-5. LIFT CYLINDER ASSEMBLY - LOWER - E450AJ/M450AJ (SERVICE REPLACEMENT)**

ITEM	PART NUMBER	QTY	DESCRIPTION	REV
	1001228035	Ref	LIFT CYLINDER ASSEMBLY - LOWER	C
		Ref	Note: Original Cylinder may have been replaced with Service Replacement. Identify PN Stamped on Cylinder Before Ordering Parts.	
1	See Note	NSS	Barrel Weldment (Note: Not Available for Purchase)	
2	70006535	1	Rod Weldment	
3	70006533	1	Head	
4	70006533	1	Retainer	
5	See Note	NSS	Wiper (Note: Use Item 100)	
6	See Note	NSS	Seal, Rod (Note: Use Item 100)	
7	See Note	NSS	Ring, Wear (Note: Use Item 100)	
8	See Note	NSS	O-Ring (Note: Use Item 100)	
9	70006532	1	Piston	
10	See Note	NSS	Seal (Note: Use Item 100)	
11	See Note	NSS	Ring, Wear (Note: Use Item 100)	
12	See Note	NSS	O-Ring (Note: Use Item 100)	
13	70006531	1	Spacer	
14	3300281	1	Nut	
15	3900170	1	Setscrew	
16	4640634	1	Cartridge, Holding Valve	
16	2900770	1	Seal Kit - 4640634 Valve	
17	4641386	1	Cartridge, Holding Valve	
17	7011376	1	Seal Kit - 4641386 Valve	
18	0961950	4	Bushing	
19	2220883	2	Plug, O-Ring	
20	2220883	2	Plug, O-Ring	
21	2220885	2	Plug, O-Ring	
22	0100011	AR	Compound, Locking	
23	0100038	AR	Primer, Locking	
100	2901806	1	Seal Kit (Includes Items 5-8 & 10-12)	

# SECTION 6 - CYLINDER

## FIGURE 6-6. LIFT CYLINDER ASSEMBLY - MID - E450A (ORIGINAL EQUIPMENT)



ART\_1684493

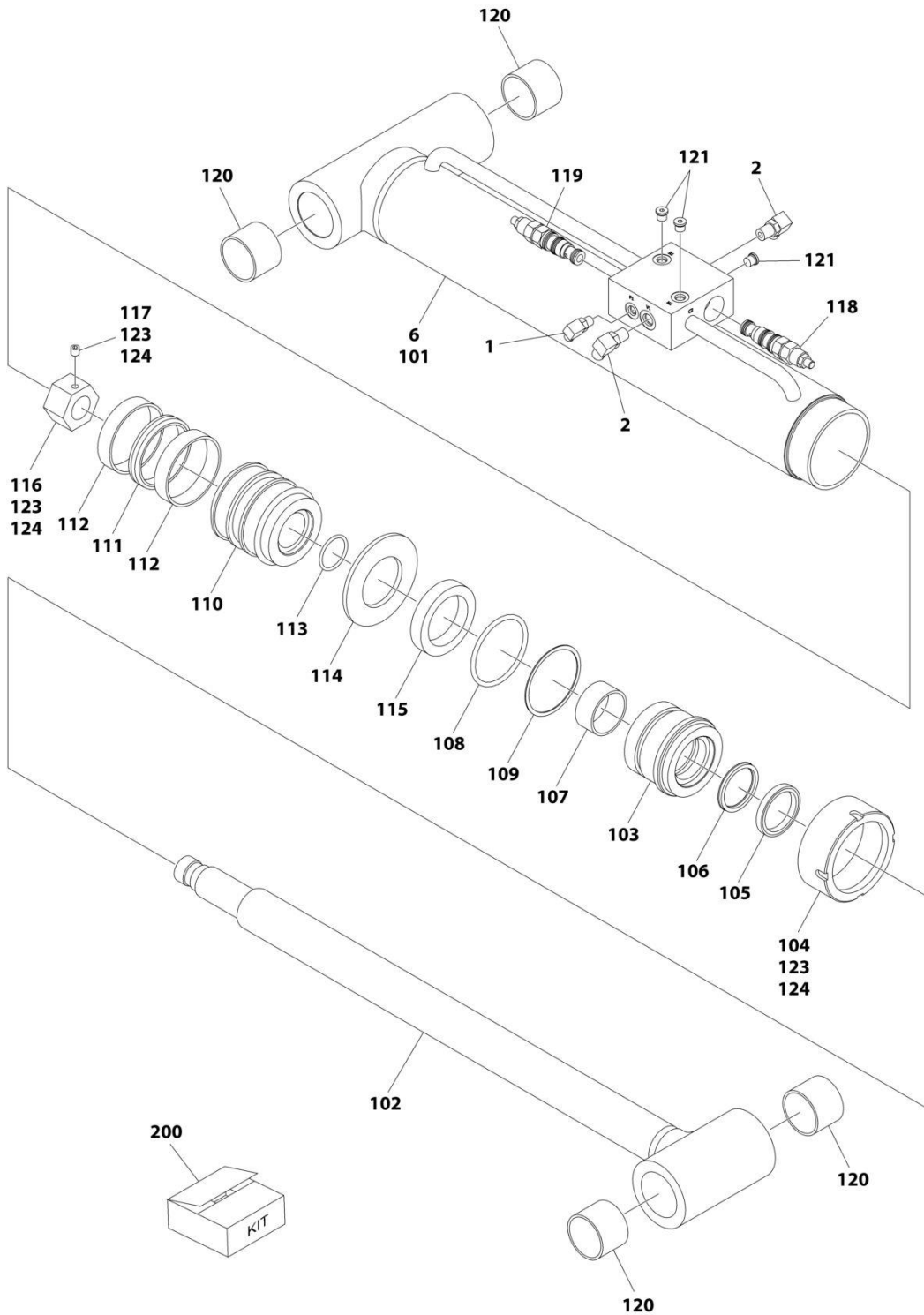
## SECTION 6 - CYLINDER

**FIGURE 6-6. LIFT CYLINDER ASSEMBLY - MID - E450A (ORIGINAL EQUIPMENT)**

ITEM	PART NUMBER	QTY	DESCRIPTION	REV
	1684493	Ref	LIFT CYLINDER ASSEMBLY - MID - E450A	B
1	1684056	1	Barrel, Weldment	
1A	1120305	1	Retainer	
2	1683944	1	Rod, Weldment	
3	2220885	2	Plug	
4	3480242	1	Piston	
5	1683712	1	Head	
6	3300281	1	Nut	
7	4740207	1	Washer	
8	4566435	1	Spacer	
9	4640634	1	Cartridge, Holding Valve	
9	2900770	1	Seal Kit - 4640634 Valve	
10	4641386	1	Cartridge, Holding Valve	
10	7011376	1	Seal Kit - 4641386 Valve	
11	3900170	1	Setscrew	
13	See Note	NSS	Ring, Wear (Note: Use Item 100)	
14	See Note	NSS	Seal, Piston (Note: Use Item 100)	
15	See Note	NSS	O-Ring (Note: Use Item 100)	
16	See Note	NSS	Ring, Wear (Note: Use Item 100)	
17	See Note	NSS	O-Ring (Note: Use Item 100)	
18	See Note	NSS	Ring, Back-up (Note: Use Item 100)	
19	See Note	NSS	Seal, Rod (Note: Use Item 100)	
20	See Note	NSS	Wiper, Rod (Note: Use Item 100)	
21	0100011	AR	Compound, Locking	
22	0100038	AR	Primer, Locking	
23	0100035	AR	Compound, Locking	
24	0961950	4	Bushing	
100	2901805	1	Seal Kit (Includes Items 13-20)	

# SECTION 6 - CYLINDER

## FIGURE 6-7. LIFT CYLINDER ASSEMBLY - MID - E450A (SERVICE REPLACEMENT)



ART\_1001237443

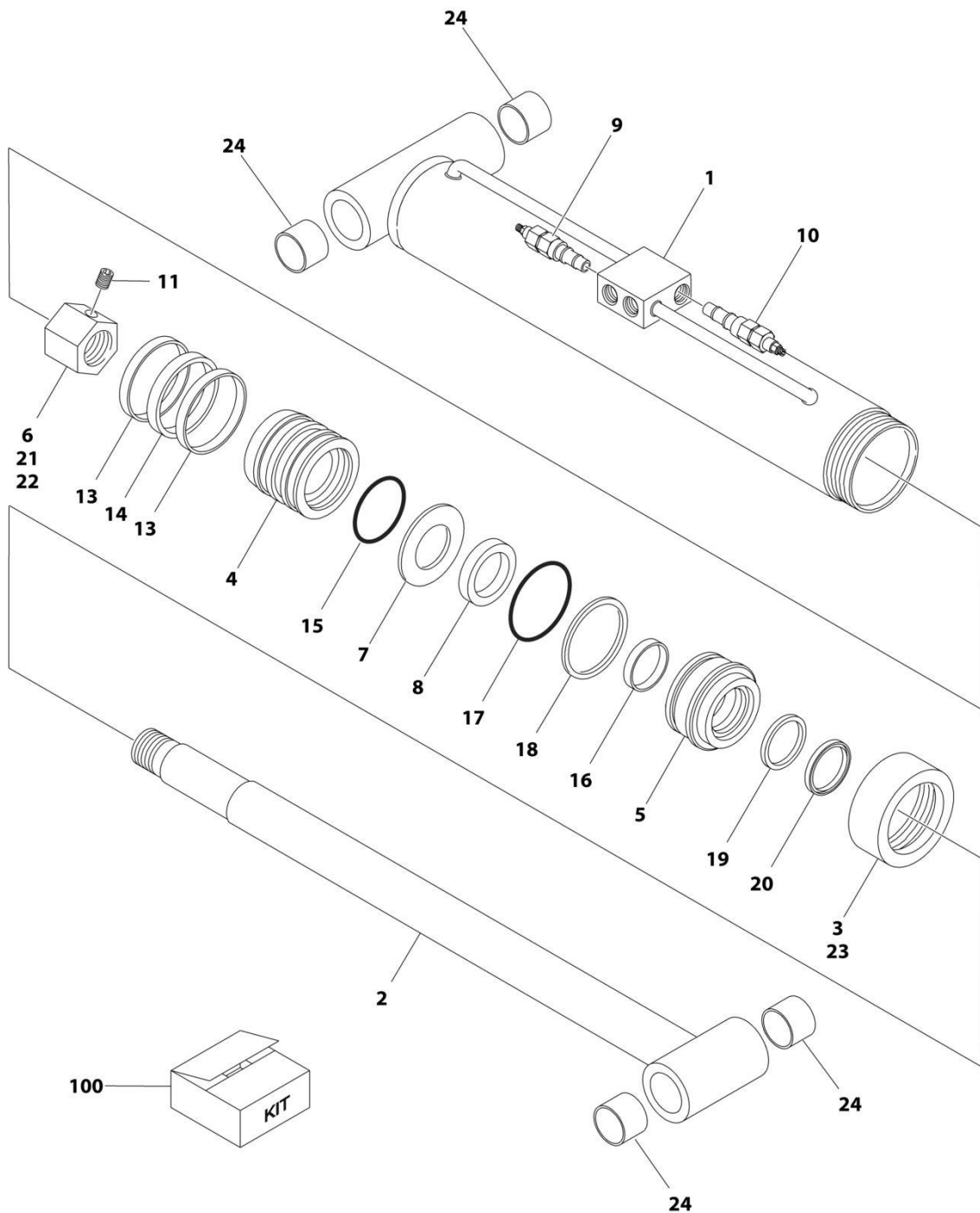
## SECTION 6 - CYLINDER

**FIGURE 6-7. LIFT CYLINDER ASSEMBLY - MID - E450A (SERVICE REPLACEMENT)**

ITEM	PART NUMBER	QTY	DESCRIPTION	REV
	1001237443	Ref	LIFT CYLINDER ASSEMBLY - MID	A
		Ref	Note: Original Cylinder may have been replaced with Service Replacement. Identify PN Stamped on Cylinder Before Ordering Parts.	
1	2220446	1	Fitting, 90 JIC/ORB	
2	2220473	2	Fitting, 90 JIC/ORB	
	See Note	Ref	Note: See Hydraulic Diagram p/n 1001178385 for item 3 hose replaces hose p/n 2751126 & item 4 hose replaces p/n 2751127.	
3	2751009	1	Hose (Not Shown)	
4	2753301	1	Hose (Not Shown)	
6	1001228036	1	Lift Cylinder Assembly - Mid (See Items 101-124 for Breakdown)	
101	See Note	NSS	Barrel Weldment (Note: Not Available for Purchase)	
102	70006543	1	Rod Weldment	
103	70006542	1	Head	
104	70006533	1	Retainer	
105	See Note	NSS	Wiper (Note: Use Item 200)	
106	See Note	NSS	Seal, Rod (Note: Use Item 200)	
107	See Note	NSS	Ring, Wear (Note: Use Item 200)	
108	See Note	NSS	O-Ring (Note: Use Item 200)	
109	See Note	NSS	Ring, Back-up (Note: Use Item 200)	
110	70006532	1	Piston	
111	See Note	NSS	Seal (Note: Use Item 200)	
112	See Note	NSS	Ring, Wear (Note: Use Item 200)	
113	See Note	NSS	O-Ring (Note: Use Item 200)	
114	4740207	1	Washer	
115	70006539	1	Spacer	
116	3300281	1	Nut	
117	3900170	1	Setscrew	
118	4640634	1	Cartridge, Holding Valve	
118	2900770	1	Seal Kit - 4640634 Valve	
119	4641386	1	Cartridge, Holding Valve	
119	7011376	1	Seal Kit - 4641386 Valve	
120	0961950	4	Bushing	
121	2220883	3	Plug, O-Ring	
123	0100011	AR	Compound, Locking	
124	0100038	AR	Primer, Locking	
200	2901806	1	Seal Kit (Includes Items 105-109 & 111-113)	

# SECTION 6 - CYLINDER

FIGURE 6-8. LIFT CYLINDER ASSEMBLY - MID - E450AJ/M450AJ (ORIGINAL EQUIPMENT)



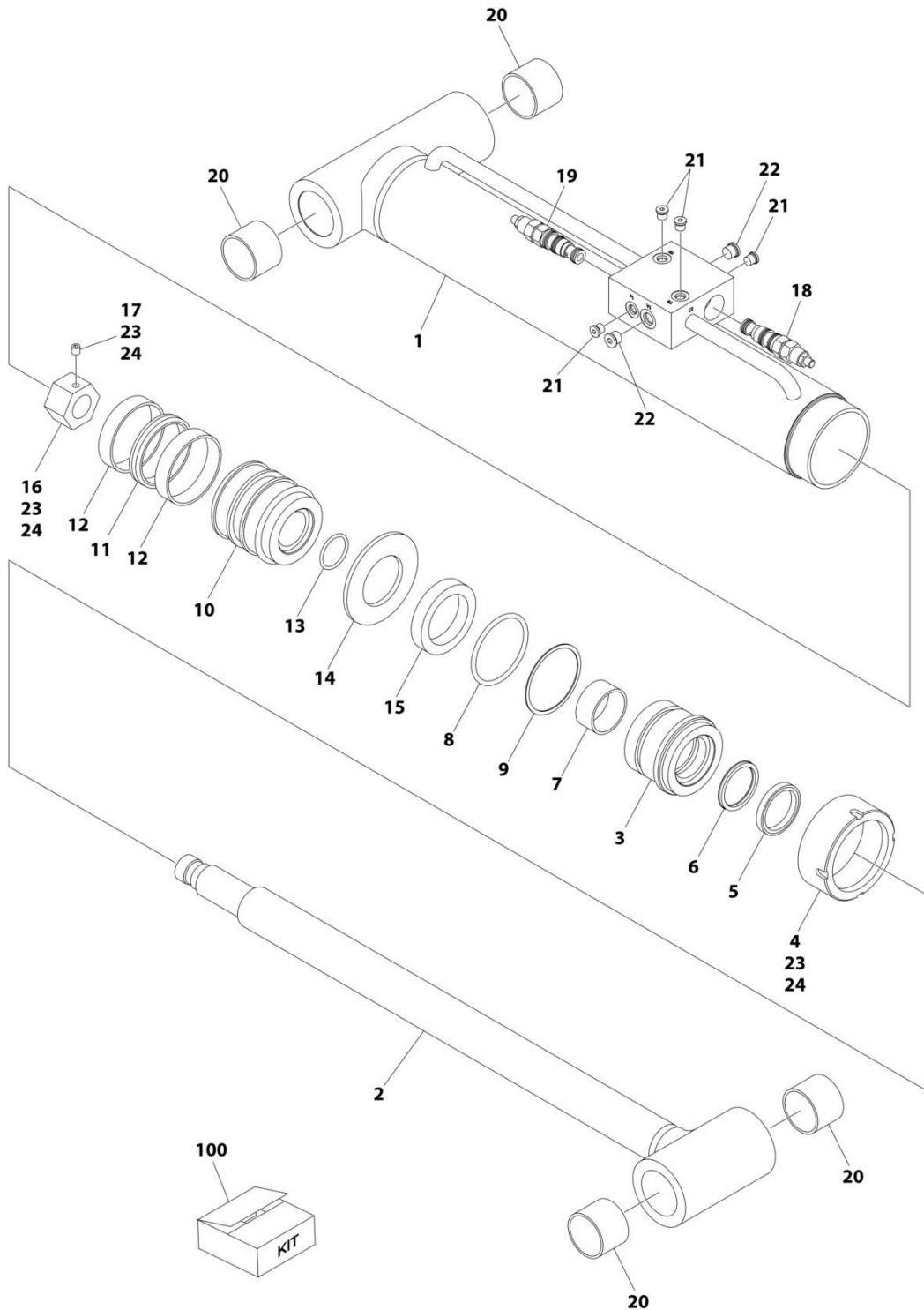
## SECTION 6 - CYLINDER

**FIGURE 6-8. LIFT CYLINDER ASSEMBLY - MID - E450AJ/M450AJ (ORIGINAL EQUIPMENT)**

ITEM	PART NUMBER	QTY	DESCRIPTION	REV
	1684452	Ref	LIFT CYLINDER ASSEMBLY - MID - E450AJ/M450AJ	C
1	1683943	1	Barrel, Weldment	
2	1683944	1	Rod, Weldment	
3	1120305	1	Retainer	
4	3480242	1	Piston	
5	1683712	1	Head	
6	3300281	1	Nut	
7	4740207	1	Washer	
8	4566435	1	Spacer	
9	4640634	1	Cartridge, Holding Valve	
9	2900770	1	Seal Kit - 4640634 Valve	
10	4641386	1	Cartridge, Holding Valve	
10	7011376	1	Seal Kit - 4641386 Valve	
11	3900170	1	Setscrew	
13	See Note	NSS	Ring, Wear (Note: Use Item 100)	
14	See Note	NSS	Seal, Piston (Note: Use Item 100)	
15	See Note	NSS	O-Ring (Note: Use Item 100)	
16	See Note	NSS	Ring, Wear (Note: Use Item 100)	
17	See Note	NSS	O-Ring (Note: Use Item 100)	
18	See Note	NSS	Ring, Back-up (Note: Use Item 100)	
19	See Note	NSS	Seal, Rod (Note: Use Item 100)	
20	See Note	NSS	Wiper, Rod (Note: Use Item 100)	
21	0100011	AR	Compound, Locking	
22	0100038	AR	Primer, Locking	
23	0100035	1	Compound, Locking	
24	0961950	4	Bushing	
100	2901805	1	Seal Kit (Includes Items 13-20)	

# SECTION 6 - CYLINDER

FIGURE 6-9. LIFT CYLINDER ASSEMBLY - MID - E450AJ/M450AJ (SERVICE REPLACEMENT)



ART\_1001228036



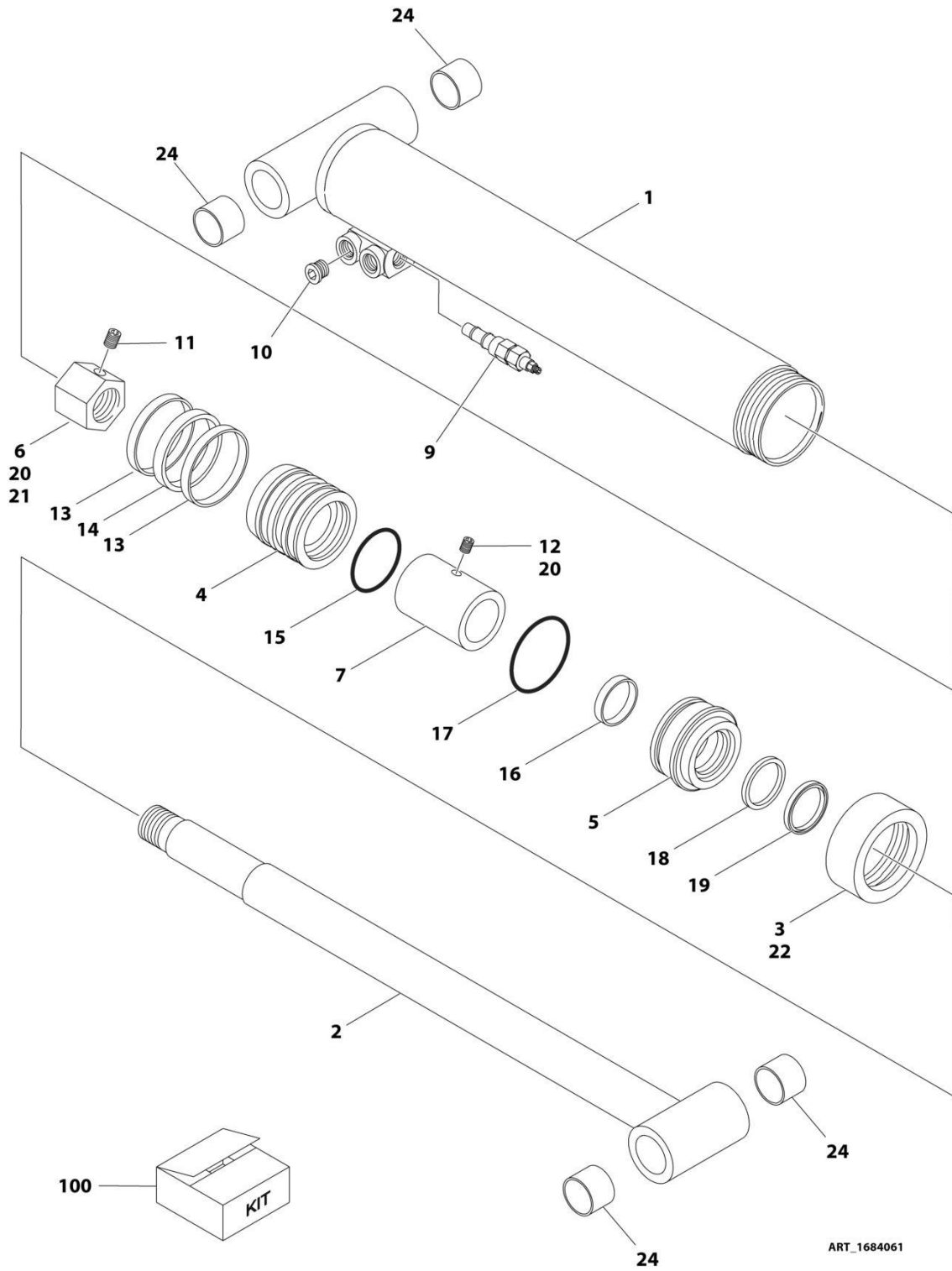
## SECTION 6 - CYLINDER

**FIGURE 6-9. LIFT CYLINDER ASSEMBLY - MID - E450AJ/M450AJ (SERVICE REPLACEMENT)**

ITEM	PART NUMBER	QTY	DESCRIPTION	REV
	1001228036	Ref	LIFT CYLINDER ASSEMBLY - MID	F
		Ref	Note: Original Cylinder may have been replaced with Service Replacement. Identify PN Stamped on Cylinder Before Ordering Parts.	
1	See Note	NSS	Barrel Weldment (Note: Not Available for Purchase)	
2	70006543	1	Rod Weldment	
3	70006542	1	Head	
4	70006533	1	Retainer	
5	See Note	NSS	Wiper (Note: Use Item 100)	
6	See Note	NSS	Seal, Rod (Note: Use Item 100)	
7	See Note	NSS	Ring, Wear (Note: Use Item 100)	
8	See Note	NSS	O-Ring (Note: Use Item 100)	
9	See Note	NSS	Ring, Back-up (Note: Use Item 100)	
10	70006532	1	Piston	
11	See Note	NSS	Seal (Note: Use Item 100)	
12	See Note	NSS	Ring, Wear (Note: Use Item 100)	
13	See Note	NSS	O-Ring (Note: Use Item 100)	
14	4740207	1	Washer	
15	70006539	1	Spacer	
16	3300281	1	Nut	
17	3900170	1	Setscrew	
18	4640634	1	Cartridge, Holding Valve	
18	2900770	1	Seal Kit - 4640634 Valve	
19	4641386	1	Cartridge, Holding Valve	
19	7011376	1	Seal Kit - 4641386 Valve	
20	0961950	4	Bushing	
21	2220883	4	Plug, O-Ring	
22	2220885	2	Plug, O-Ring	
23	0100011	AR	Compound, Locking	
24	0100038	AR	Primer, Locking	
100	2901806	1	Seal Kit (Includes Items 5-9 & 11-13)	

# SECTION 6 - CYLINDER

## FIGURE 6-10. LIFT CYLINDER ASSEMBLY - UPPER - E450A (ORIGINAL EQUIPMENT)



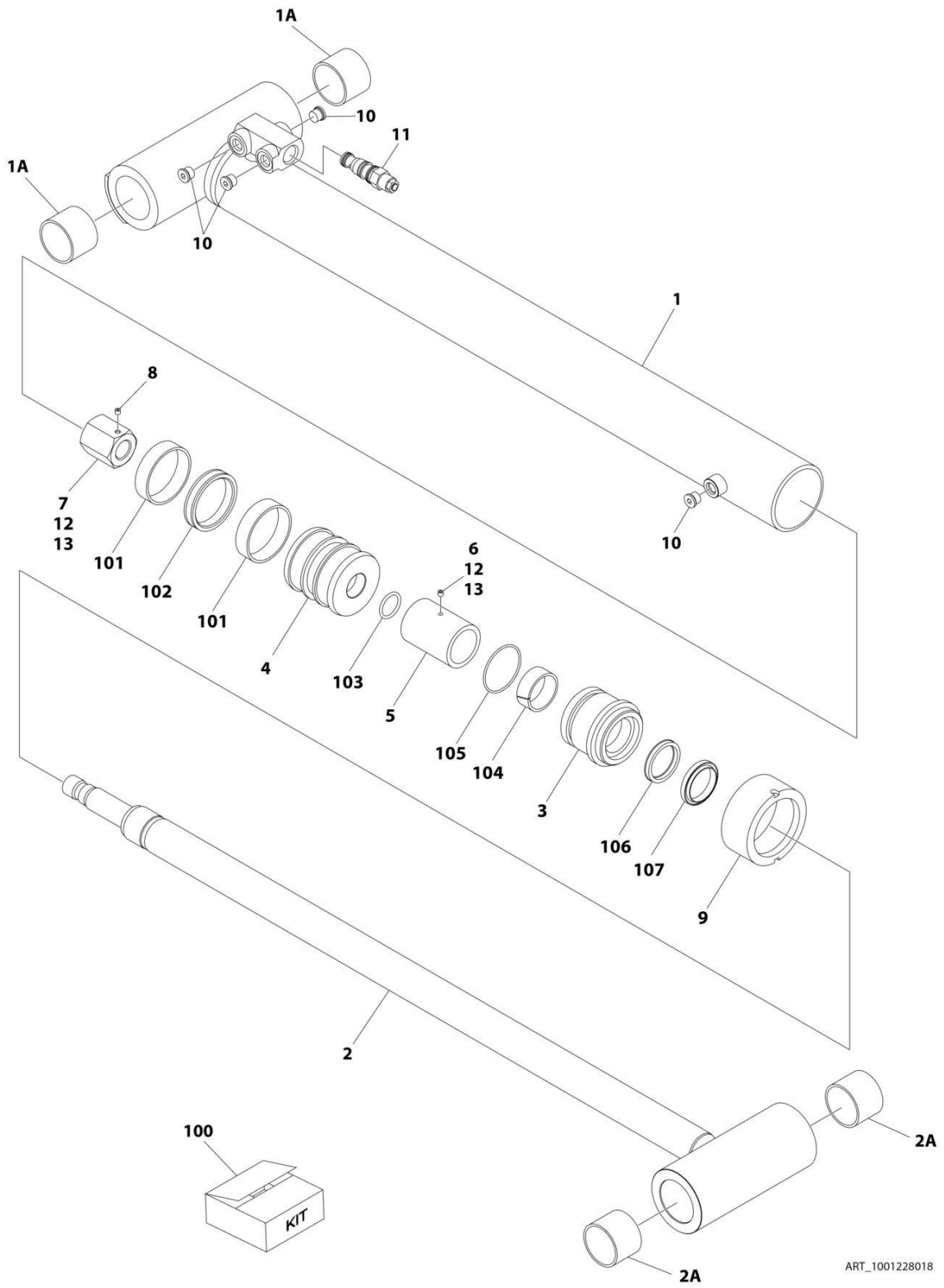
## SECTION 6 - CYLINDER

**FIGURE 6-10. LIFT CYLINDER ASSEMBLY - UPPER - E450A (ORIGINAL EQUIPMENT)**

ITEM	PART NUMBER	QTY	DESCRIPTION	REV
	1684061	Ref	LIFT CYLINDER ASSEMBLY - UPPER - E450AJ	5-G
1	1684060	1	Barrel, Weldment	
2	1684059	1	Rod, Weldment	
3	1120108	1	Retainer	
4	3480240	1	Piston	
5	1683709	1	Head	
6	3300315	1	Nut	
7	4567177	1	Spacer	
9	4640936	1	Cartridge, Valve	
9	2900770	1	Seal, Kit - 4640936 Valve	
10	2220885	4	Plug	
11	3900170	1	Setscrew	
12	3951402	1	Setscrew	
13	See Note	NSS	Ring, Wear (Note: Use Item 100)	
14	See Note	NSS	Seal, Piston (Note: Use Item 100)	
15	See Note	NSS	O-Ring (Note: Use Item 100)	
16	See Note	NSS	Ring, Wear (Note: Use Item 100)	
17	See Note	NSS	O-Ring (Note: Use Item 100)	
18	See Note	NSS	Seal, Rod (Note: Use Item 100)	
19	See Note	NSS	Wiper, Rod (Note: Use Item 100)	
20	0100011	AR	Compound, Locking	
21	0100038	AR	Primer, Locking	
22	0100035	AR	Compound, Locking	
24	0961950	4	Bushing	
100	2901804	1	Seal Kit (Includes Items 13-19)	

# SECTION 6 - CYLINDER

## FIGURE 6-11. LIFT CYLINDER ASSEMBLY - UPPER - E450A (SERVICE REPLACEMENT)



ART\_1001228018

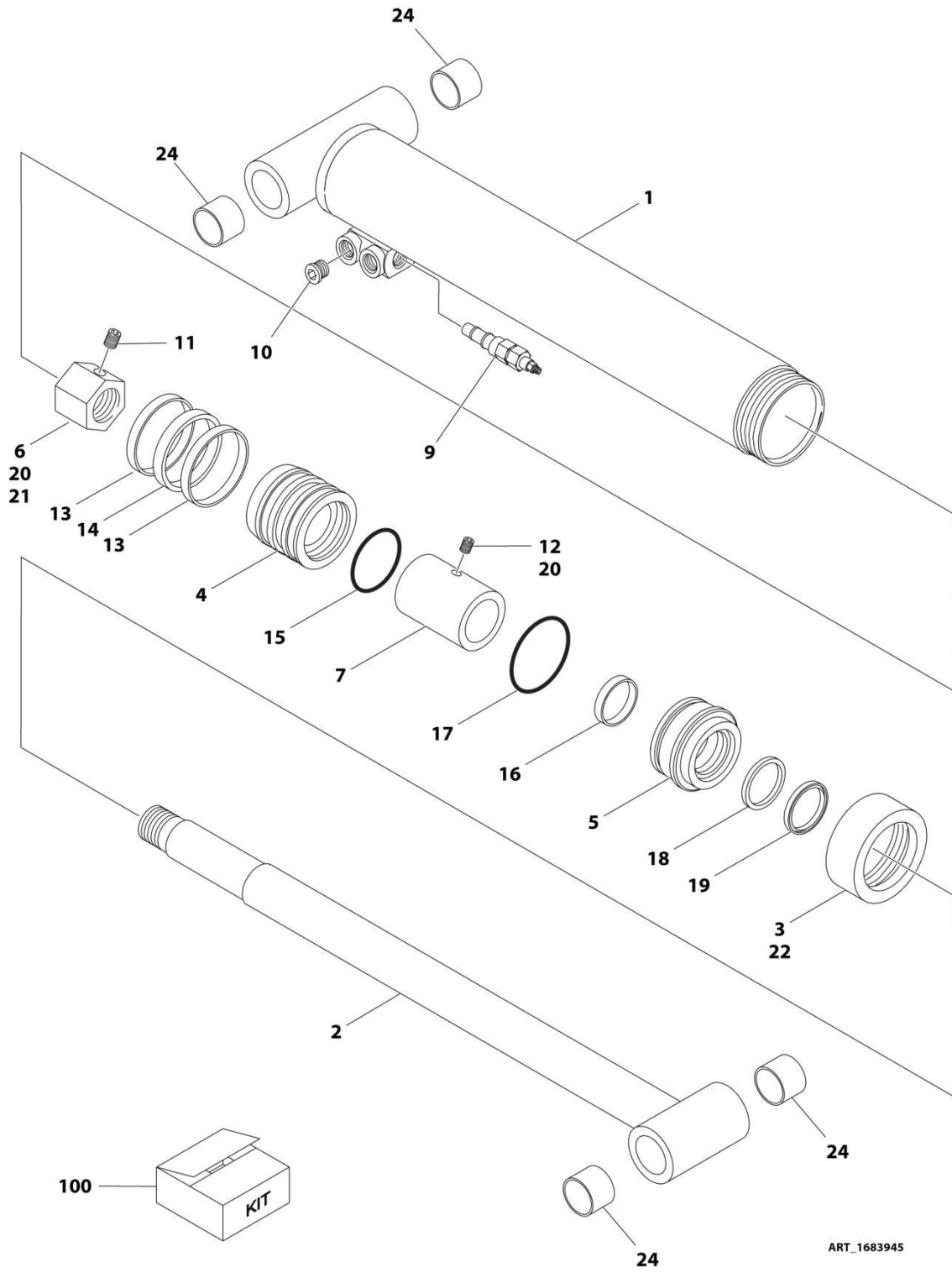
## SECTION 6 - CYLINDER

**FIGURE 6-11. LIFT CYLINDER ASSEMBLY - UPPER - E450A (SERVICE REPLACEMENT)**

ITEM	PART NUMBER	QTY	DESCRIPTION	REV
	1001228018	Ref	LIFT CYLINDER ASSEMBLY - UPPER	B
		Ref	Note: Original Cylinder may have been replaced with Service Replacement. Identify PN Stamped on Cylinder Before Ordering Parts.	
1	See Note	NSS	Barrel Weldment (Note: Not Available for Purchase)	
1A	0961950	2	Bushing	
2	70006415	1	Rod Weldment	
2A	0961950	2	Bushing	
3	70006401	1	Head	
4	70006400	1	Piston	
5	70006414	1	Spacer	
6	70006413	1	Setscrew	
7	70006412	1	Nut	
8	70023915	1	Setscrew	
9	70006411	4	Retainer	
10	2220885	1	Plug, O-Ring	
11	4640936	1	Cartridge, Holding Valve	
11	2900770	1	Seal Kit - 4640936 Valve	
12	0100011	AR	Compound, Locking	
13	0100038	AR	Primer, Locking	
100	2901804	1	Seal Kit (Includes Items 101-107)	
101	See Note	NSS	Ring, Wear (Note: Use Item 100)	
102	See Note	NSS	Seal, Piston (Note: Use Item 100)	
103	See Note	NSS	O-Ring (Note: Use Item 100)	
104	See Note	NSS	Ring, Wear (Note: Use Item 100)	
105	See Note	NSS	O-Ring (Note: Use Item 100)	
106	See Note	NSS	Seal, Rod (Note: Use Item 100)	
107	See Note	NSS	Wiper, Rod (Note: Use Item 100)	

# SECTION 6 - CYLINDER

FIGURE 6-12. LIFT CYLINDER ASSEMBLY - UPPER - E450AJ/M450AJ (ORIGINAL EQUIPMENT)



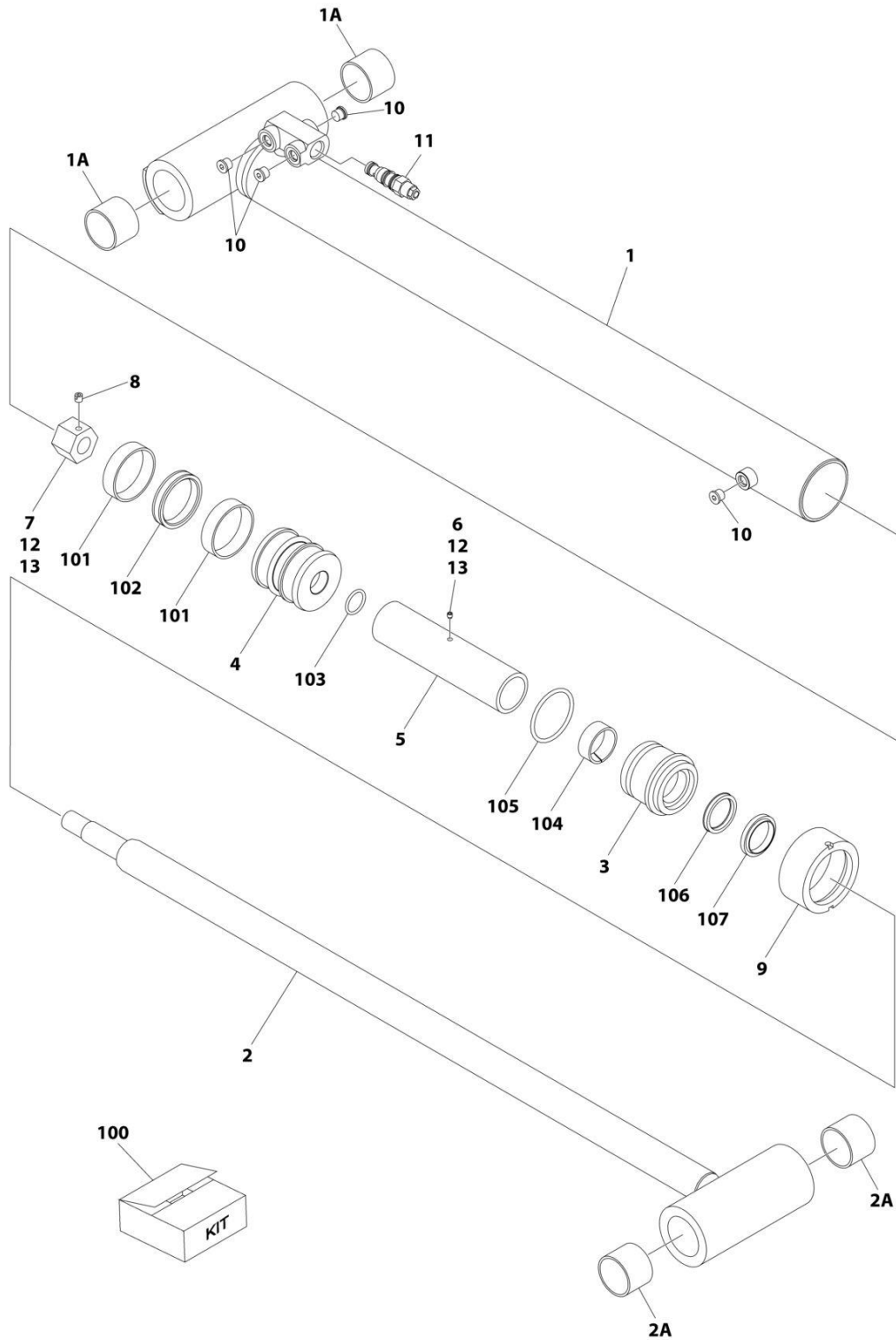
## SECTION 6 - CYLINDER

**FIGURE 6-12. LIFT CYLINDER ASSEMBLY - UPPER - E450AJ/M450AJ (ORIGINAL EQUIPMENT)**

ITEM	PART NUMBER	QTY	DESCRIPTION	REV
	1683945	Ref	LIFT CYLINDER ASSEMBLY - UPPER - E450AJ/M450AJ	4
1	1683946	1	Barrel, Weldment	
2	1683947	1	Rod, Weldment	
3	1120108	1	Retainer	
4	3480240	1	Piston	
5	1683709	1	Head	
6	3300279	1	Nut	
7	4567908	1	Spacer	
9	4640936	1	Cartridge, Holding Valve	
9	2900770	1	Seal Kit - 4640936 Valve	
10	2220885	4	Plug	
11	3900170	1	Setscrew	
12	3900142	1	Setscrew	
13	See Note	NSS	Ring, Wear (Note: Use Item 100)	
14	See Note	NSS	Seal, Piston (Note: Use Item 100)	
15	See Note	NSS	O-Ring (Note: Use Item 100)	
16	See Note	NSS	Ring, Wear (Note: Use Item 100)	
17	See Note	NSS	O-Ring (Note: Use Item 100)	
18	See Note	NSS	Seal, Rod (Note: Use Item 100)	
19	See Note	1	Wiper, Rod	
20	0100011	AR	Compound, Locking	
21	0100038	AR	Primer, Locking	
22	0100035	AR	Compound, Locking	
24	0961950	2	Bushing	
100	2901804	1	Seal Kit (Includes Items 13-19)	

# SECTION 6 - CYLINDER

FIGURE 6-13. LIFT CYLINDER ASSEMBLY - UPPER - E450AJ/M450AJ (SERVICE REPLACEMENT)



ART\_1001228016



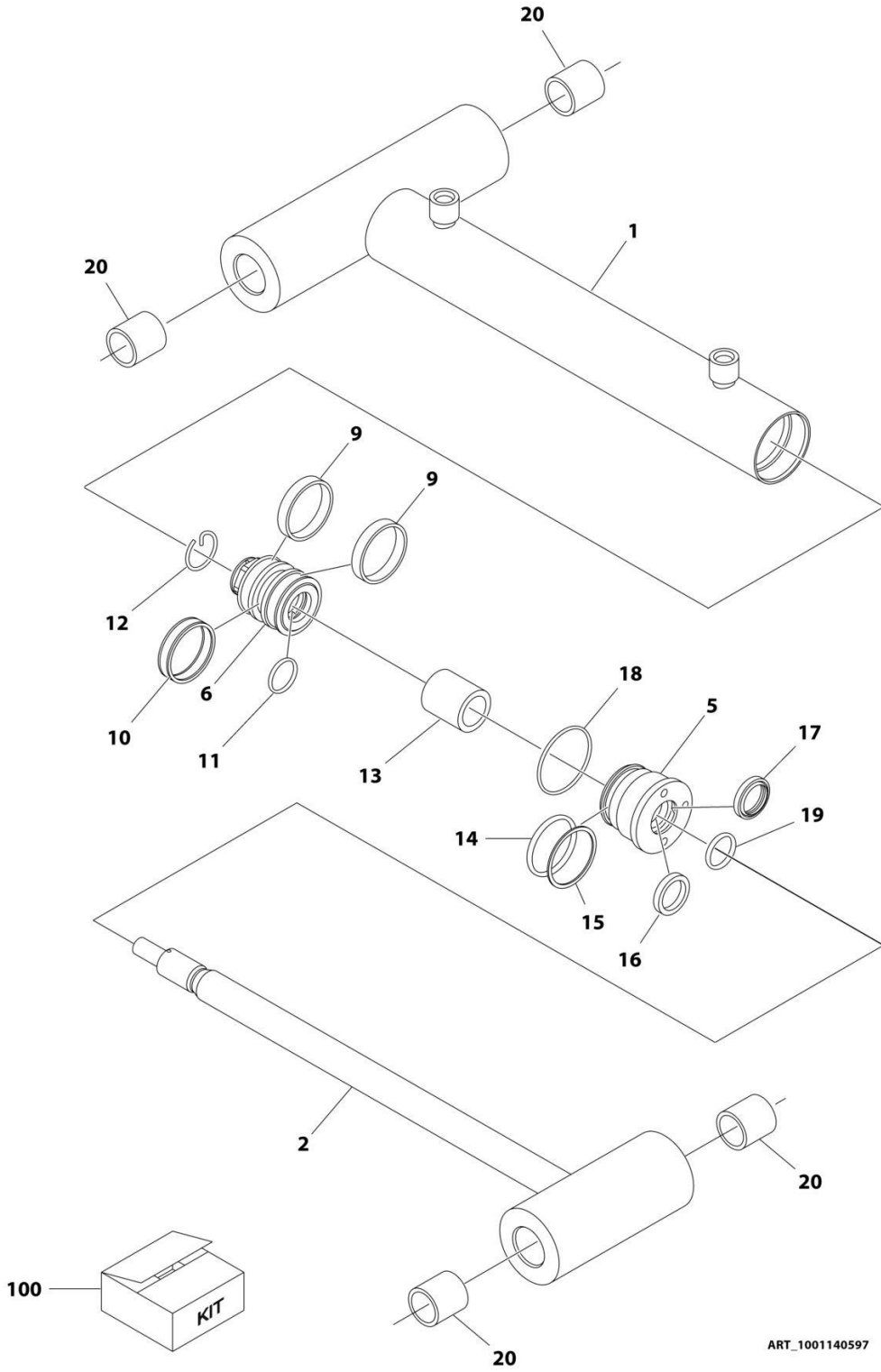
## SECTION 6 - CYLINDER

**FIGURE 6-13. LIFT CYLINDER ASSEMBLY - UPPER - E450AJ/M450AJ (SERVICE REPLACEMENT)**

ITEM	PART NUMBER	QTY	DESCRIPTION	REV
	1001228016	Ref	LIFT CYLINDER ASSEMBLY - UPPER	C
		Ref	Note: Original Cylinder may have been replaced with Service Replacement. Identify PN Stamped on Cylinder Before Ordering Parts.	
1	See Note	NSS	Barrel Weldment (Note: Not Available for Purchase)	
1A	0961950	2	Bushing	
2	70006402	1	Rod Weldment	
2A	0961950	2	Bushing	
3	70006401	1	Head	
4	70006400	1	Piston	
5	70006399	1	Spacer	
6	70006398	1	Setscrew	
7	70006397	1	Nut	
8	70023915	1	Setscrew	
9	70006396	1	Retainer	
10	2220885	4	Plug, O-Ring	
11	4640936	1	Cartridge, Holding Valve	
11	2900770	1	Seal Kit - 4640936 Valve	
12	0100011	AR	Compound, Locking	
13	0100038	AR	Primer, Locking	
100	2901804	1	Seal Kit (Includes Items 101-107)	
101	See Note	NSS	Ring, Wear (Note: Use Item 100)	
102	See Note	NSS	Seal, Piston (Note: Use Item 100)	
103	See Note	NSS	O-Ring (Note: Use Item 100)	
104	See Note	NSS	Ring, Wear (Note: Use Item 100)	
105	See Note	NSS	O-Ring (Note: Use Item 100)	
106	See Note	NSS	Seal, Rod (Note: Use Item 100)	
107	See Note	NSS	Wiper, Rod (Note: Use Item 100)	

# SECTION 6 - CYLINDER

## FIGURE 6-14. MASTER CYLINDER ASSEMBLY - E450A



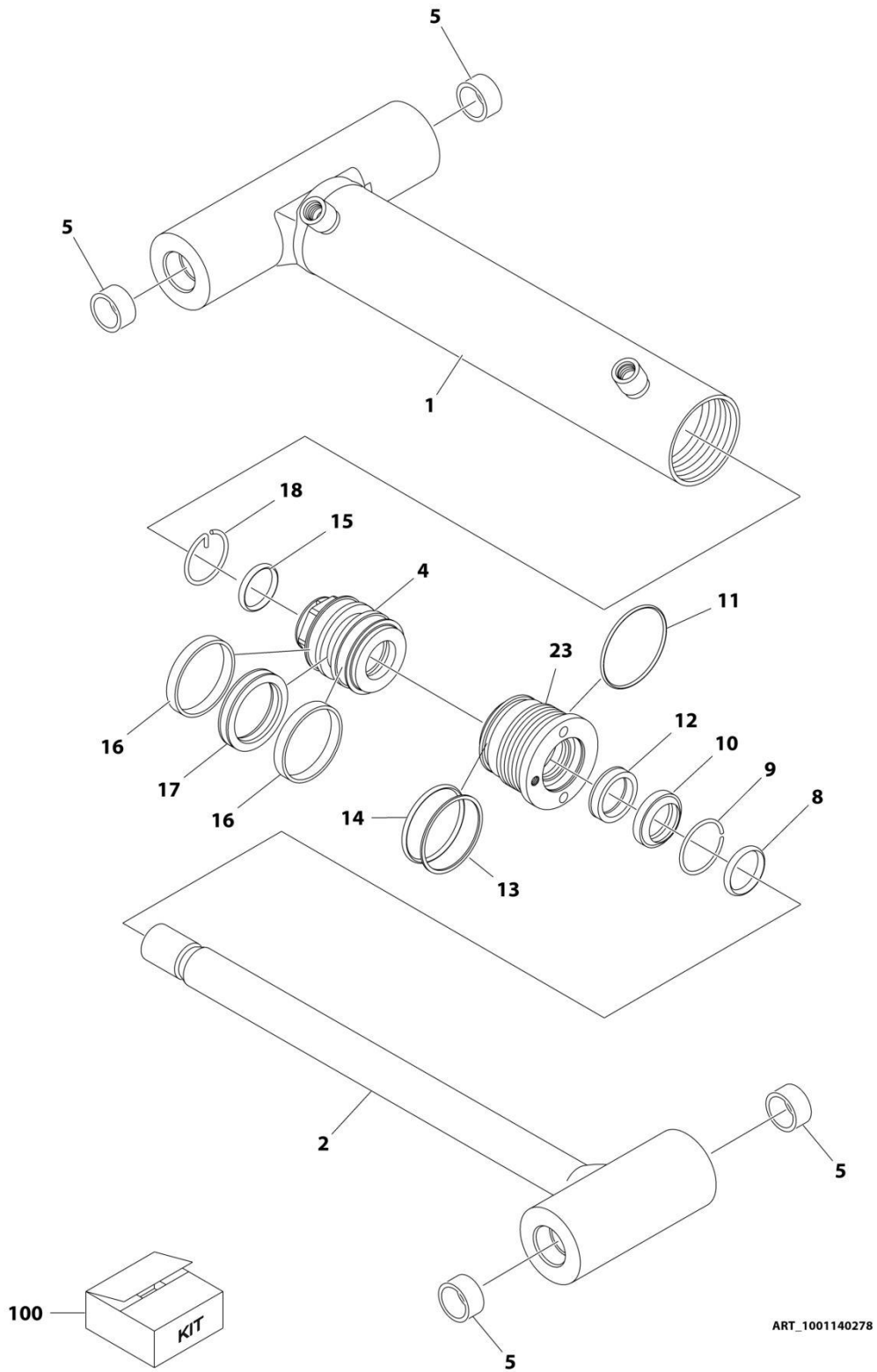
## SECTION 6 - CYLINDER

**FIGURE 6-14. MASTER CYLINDER ASSEMBLY - E450A**

ITEM	PART NUMBER	QTY	DESCRIPTION	REV
	1001140597	Ref	MASTER CYLINDER ASSEMBLY - E450A	A
1	70004144	1	Barrel, Weldment	
2	70004145	1	Rod, Weldment	
5	70000739	1	Head	
6	70004141	1	Piston	
9	See Note	NSS	Ring, Wear (Note: Use Item 100)	
10	See Note	NSS	Seal, Piston (Note: Use Item 100)	
11	70023094	1	O-Ring	
12	70004142	1	Retainer	
13	70004143	1	Spacer	
14	See Note	NSS	O-Ring (Note: Use Item 100)	
15	See Note	NSS	Ring, Back-up (Note: Use Item 100)	
16	See Note	NSS	Seal, Rod (Note: Use Item 100)	
17	See Note	NSS	Wiper, Rod (Note: Use Item 100)	
18	See Note	NSS	O-Ring (Note: Use Item 100)	
19	See Note	NSS	O-Ring (Note: Use Item 100)	
20	0962356	4	Bushing	
100	70004130	1	Seal Kit (Includes Items 9-10 & 14-19)	

# SECTION 6 - CYLINDER

## FIGURE 6-15. MASTER CYLINDER ASSEMBLY - E450AJ/M450AJ



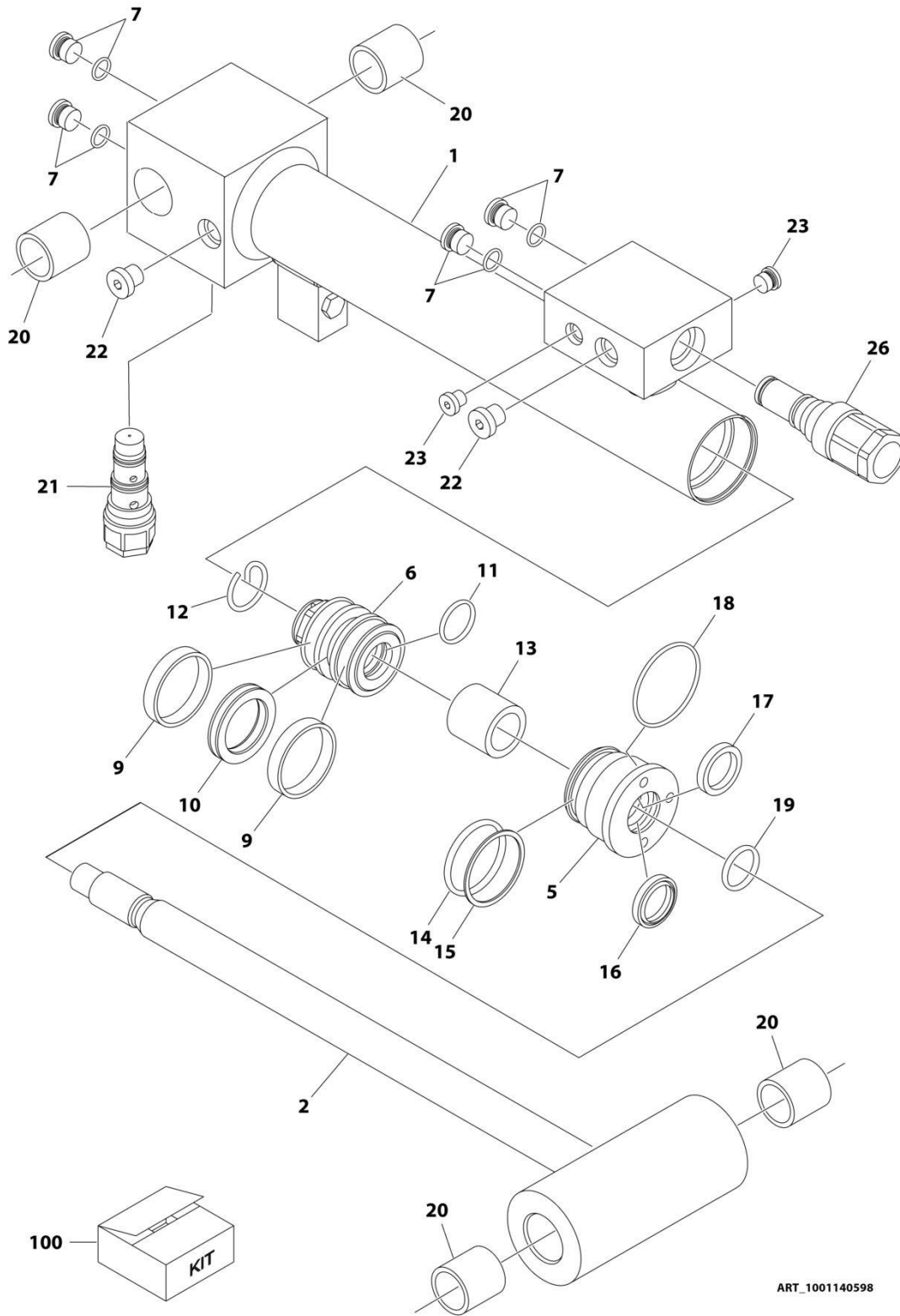
## SECTION 6 - CYLINDER

**FIGURE 6-15. MASTER CYLINDER ASSEMBLY - E450AJ/M450AJ**

ITEM	PART NUMBER	QTY	DESCRIPTION	REV
	1001140278	Ref	MASTER CYLINDER ASSEMBLY - E450AJ/M450AJ	A
1	70003843	1	Barrel, Weldment	
2	70003844	1	Rod, Weldment	
4	70003819	1	Piston	
5	0961951	4	Bushing	
8	7026084	1	O-Ring	
9	70002217	1	Ring, Retaining	
10	See Note	NSS	Wiper, Rod (Note: Use Item 100)	
11	See Note	NSS	O-Ring (Note: Use Item 100)	
12	See Note	NSS	Seal, Rod (Note: Use Item 100)	
13	See Note	NSS	Ring, Back-up (Note: Use Item 100)	
14	See Note	NSS	O-Ring (Note: Use Item 100)	
15	See Note	NSS	O-Ring (Note: Use Item 100)	
16	See Note	NSS	Ring, Wear (Note: Use Item 100)	
17	See Note	NSS	Seal, Piston (Note: Use Item 100)	
18	70002216	1	Retainer	
23	7026082	1	Head	
100	70003845	1	Seal Kit (Includes Items 10-17)	

# SECTION 6 - CYLINDER

## FIGURE 6-16. LEVEL (PLATFORM SLAVE) CYLINDER ASSEMBLY - E450A



ART\_1001140598

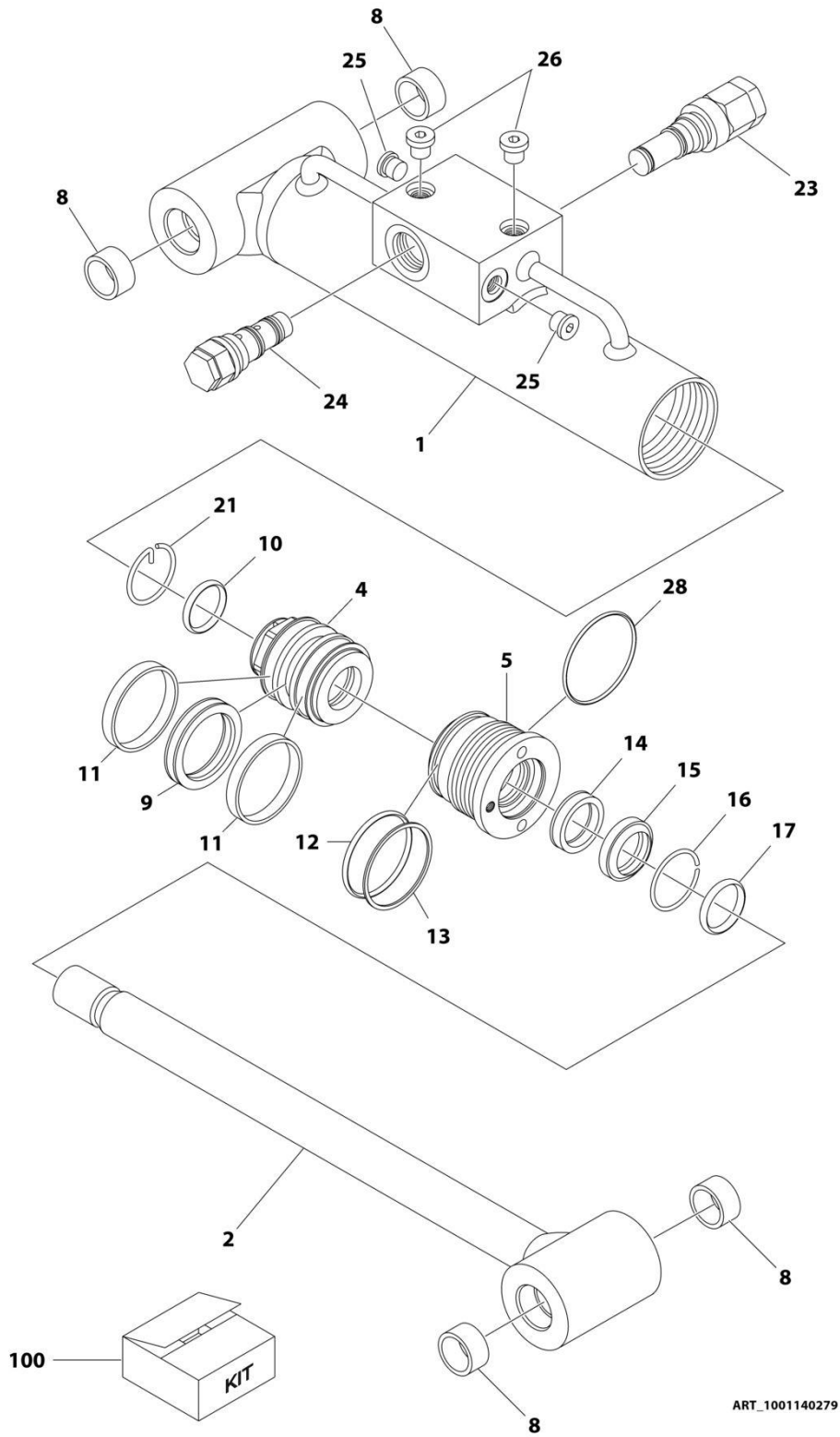
## SECTION 6 - CYLINDER

**FIGURE 6-16. LEVEL (PLATFORM SLAVE) CYLINDER ASSEMBLY - E450A**

ITEM	PART NUMBER	QTY	DESCRIPTION	REV
	1001140598	Ref	LEVEL (PLATFORM SLAVE) CYLINDER ASSEMBLY - E450A	A
1	70004146	1	Barrel, Weldment	
2	70004147	1	Rod, Weldment	
5	70000739	1	Head	
6	70004141	1	Piston	
7	See Note	4	Plug (Note: Not Available for Purchase)	
9	See Note	NSS	Ring, Wear (Note: Use Item 100)	
10	See Note	NSS	Seal, Piston (Note: Use Item 100)	
11	70023094	NSS	O-Ring (Note: Use Item 100)	
12	70004142	1	Retainer	
13	70004143	1	Spacer	
14	See Note	NSS	O-Ring (Note: Use Item 100)	
15	See Note	NSS	Ring, Back-up (Note: Use Item 100)	
16	See Note	NSS	Wiper, Rod (Note: Use Item 100)	
17	See Note	NSS	Seal, Rod (Note: Use Item 100)	
18	See Note	NSS	O-Ring (Note: Use Item 100)	
19	70000740	1	O-Ring	
20	0962356	4	Bushing	
21	4640509	1	Cartridge, Counterbalance Valve	
21	2900792	1	Seal Kit - 4640509 Valve	
22	70024262	2	Plug	
23	See Note	2	Plug (Note: Not Available for Purchase)	
26	4640932	1	Cartridge, Counterbalance Valve	
26	7011112	1	Seal Kit - 4640932 Valve	
100	70004131	1	Seal Kit (Includes Items 9-11 & 14-18)	

# SECTION 6 - CYLINDER

## FIGURE 6-17. LEVEL (PLATFORM SLAVE) CYLINDER ASSEMBLY - E450AJ/M450AJ





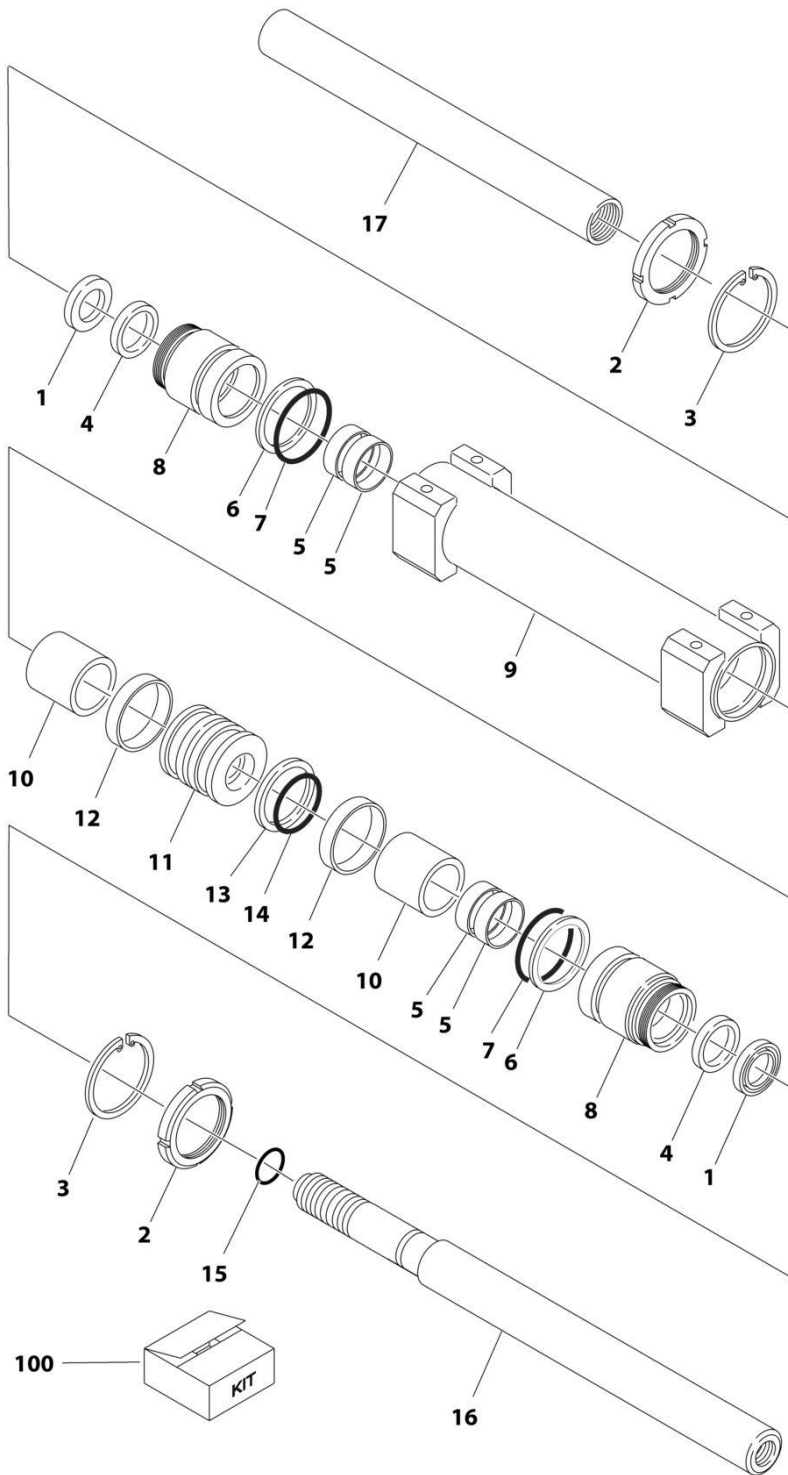
## SECTION 6 - CYLINDER

**FIGURE 6-17. LEVEL (PLATFORM SLAVE) CYLINDER ASSEMBLY - E450AJ/M450AJ**

ITEM	PART NUMBER	QTY	DESCRIPTION	REV
	1001140279	Ref	LEVEL (PLATFORM SLAVE) CYLINDER ASSEMBLY - E450AJ/M450AJ	A
1	70003846	1	Barrel, Weldment	
2	70003847	1	Rod, Weldment	
4	70003819	1	Piston	
5	7026082	1	Head	
8	0961951	4	Bushing	
9	See Note	NSS	Seal, Piston (Note: Use Item 100)	
10	See Note	NSS	O-Ring (Note: Use Item 100)	
11	See Note	NSS	Ring, Wear (Note: Use Item 100)	
12	See Note	NSS	O-Ring (Note: Use Item 100)	
13	See Note	NSS	Ring, Back-up (Note: Use Item 100)	
14	See Note	NSS	Seal, Rod (Note: Use Item 100)	
15	See Note	NSS	Wiper, Rod (Note: Use Item 100)	
16	70002217	1	Ring, Retaining	
17	7026084	1	O-Ring	
21	70002216	1	Retainer	
23	4640932	1	Cartridge, Counterbalance Valve	
23	7011112	1	Seal Kit - 4640932 Valve	
24	4641086	1	Cartridge, Counterbalance Valve	
24	2900792	1	Seal Kit - 4641086 Valve	
25	7024844	2	Plug	
26	See Note	2	Plug (Note: Not Available for Purchase)	
28	See Note	NSS	O-Ring (Note: Use Item 100)	
100	70003845	1	Seal Kit (Includes Items 9-15 & 28)	

# SECTION 6 - CYLINDER

## FIGURE 6-18. STEER CYLINDER ASSEMBLY



ART\_1683591

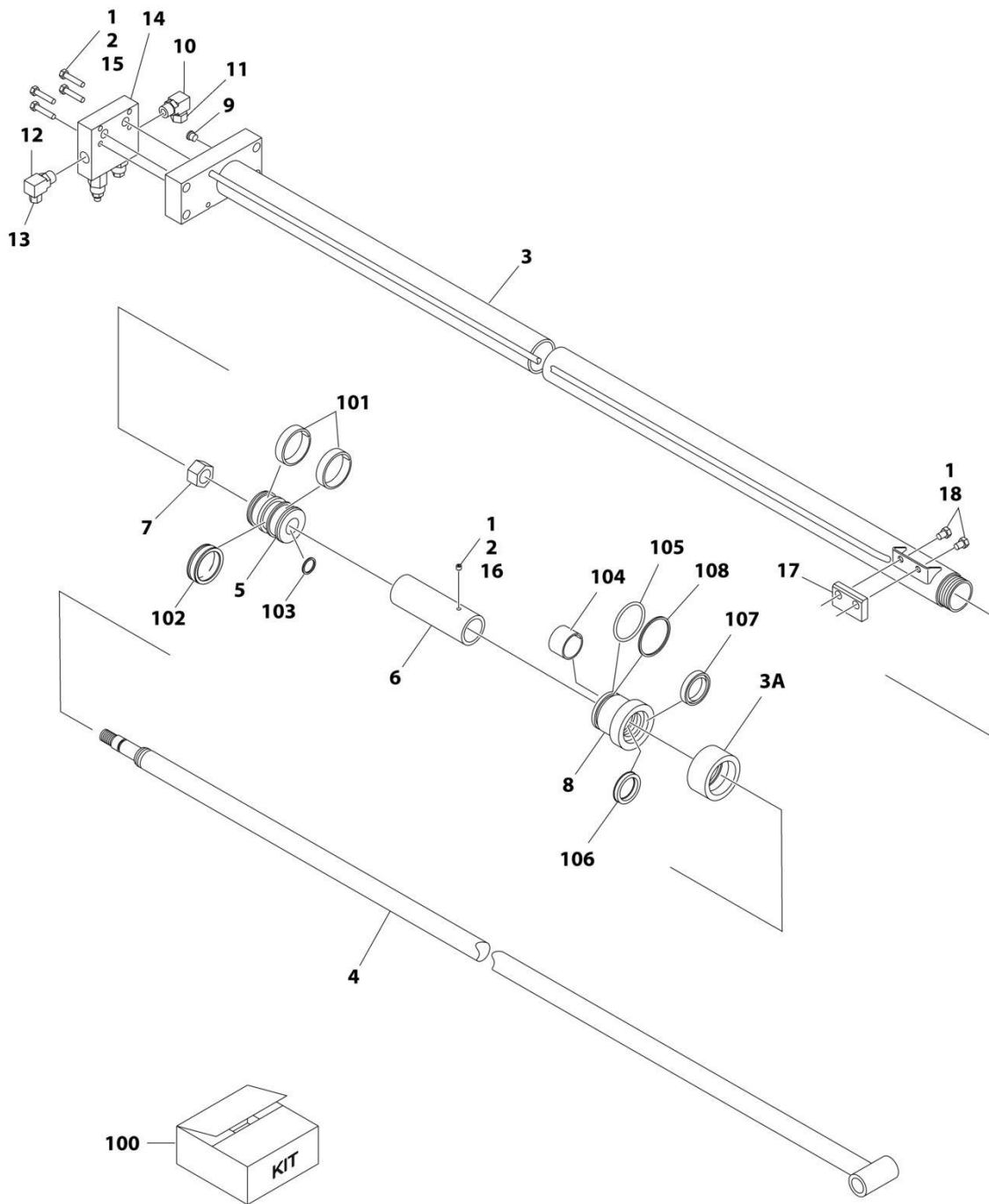
**SECTION 6 - CYLINDER**

**FIGURE 6-18. STEER CYLINDER ASSEMBLY**

ITEM	PART NUMBER	QTY	DESCRIPTION	REV
	1683591	Ref	STEER CYLINDER ASSEMBLY	B
1	See Note	NSS	Wiper (Note: Use Item 100)	
2	7001630	2	Nut, Spanner	
3	7017247	2	Ring, Retaining	
4	See Note	NSS	Seal, Lip (Note: Use Item 100)	
5	See Note	NSS	Ring, Wear (Note: Use Item 100)	
6	See Note	NSS	Ring, Back-up (Note: Use Item 100)	
7	See Note	NSS	O-Ring (Note: Use Item 100)	
8	7017248	2	Guide	
9	70003341	1	Barrel, Weldment	
10	7017249	2	Tube	
11	7017250	1	Piston	
12	See Note	NSS	Ring, Wear (Note: Use Item 100)	
13	See Note	NSS	Seal (Note: Use Item 100)	
14	See Note	NSS	O-Ring (Note: Use Item 100)	
15	See Note	NSS	O-Ring (Note: Use Item 100)	
16	7017251	1	Rod - Male End	
17	7017252	1	Rod - Female End	
100	7017246	1	Seal Kit (Includes Items 1, 4-7 & 12-15)	

# SECTION 6 - CYLINDER

## FIGURE 6-19. TELESCOPE CYLINDER ASSEMBLY - E450A (ORIGINAL EQUIPMENT)



ART\_1001151414

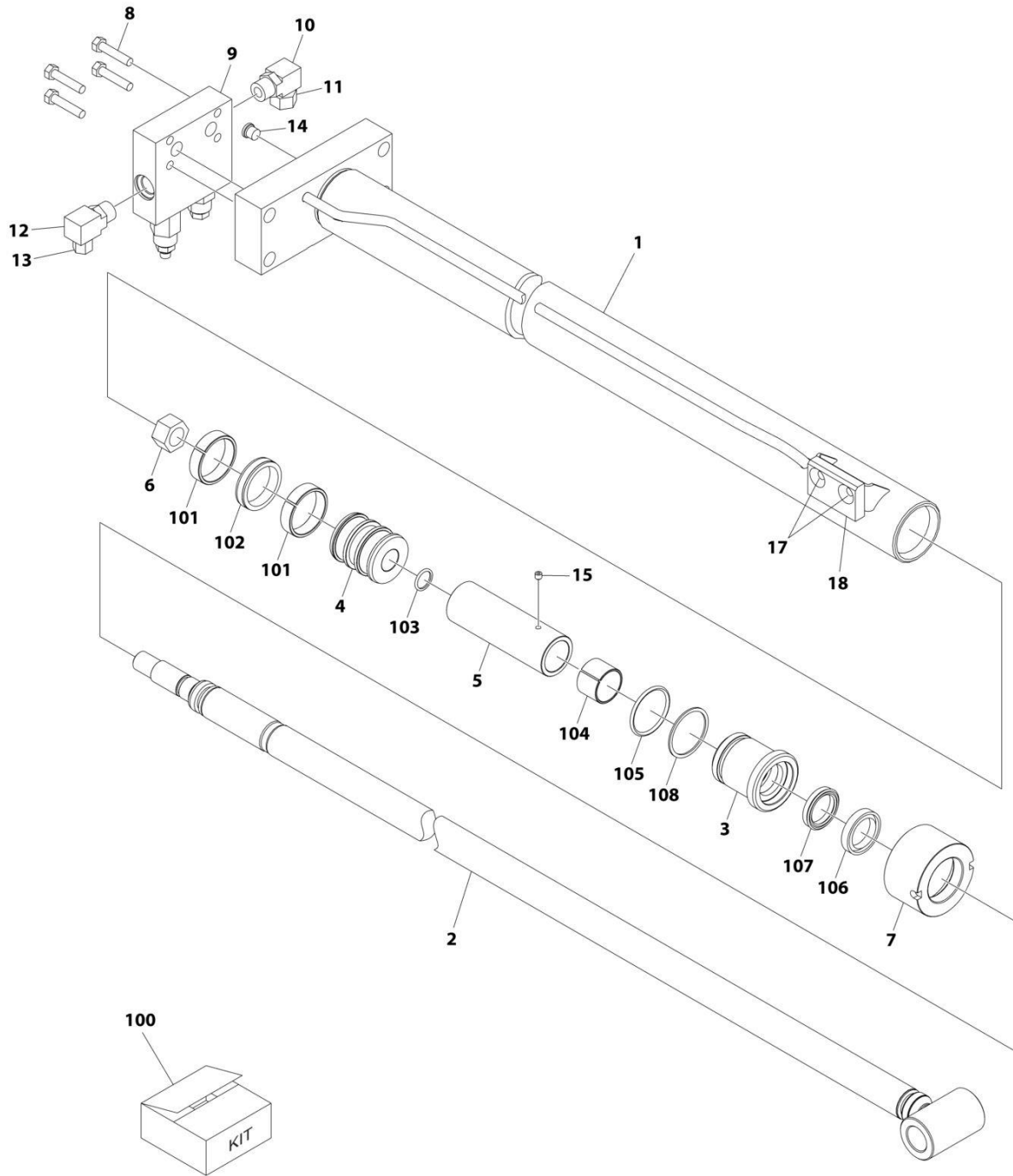
## SECTION 6 - CYLINDER

**FIGURE 6-19. TELESCOPE CYLINDER ASSEMBLY - E450A (ORIGINAL EQUIPMENT)**

ITEM	PART NUMBER	QTY	DESCRIPTION	REV
	1001151414	Ref	TELESCOPE CYLINDER ASSEMBLY - E450A	B
1	0100011	AR	Compound, Locking	
2	0100038	AR	Primer, Locking	
3	1001151413	1	Barrel, Weldment	
3A	1120110	1	Cap, End	
4	1683706	1	Rod, Weldment	
5	3480239	1	Piston	
6	4567704	1	Spacer	
7	3322205	1	Nut, Lock, 3/4-16	
8	1683584	1	Head	
9	2220883	1	Plug	
10	2220596	1	Fitting, 90 JIC/ORB	
11	2220517	1	Fitting, Cap	
12	2220628	1	Fitting, 90 JIC/ORB	
13	2220516	1	Fitting, Cap	
14	4640807	1	Counterbalance Valve Assembly (See COUNTERBALANCE VALVE ASSEMBLY for Breakdown)	
15	0641512	4	Bolt, 5/16-18 x 1-1/2	
16	3951402	1	Setscrew 1/4-20 x 1/4	
17	3340679	1	Pad, Wear	
18	0641604	2	Bolt, 3/8-16 x 1/2	
100	1001152230	1	Seal Kit (Includes Items 101-108)	
101	See Note	NSS	Ring, Wear (Note: Use Item 100)	
102	See Note	NSS	Seal, Cap (Note: Use Item 100)	
103	See Note	NSS	O-Ring (Note: Use Item 100)	
104	See Note	NSS	Ring, Wear (Note: Use Item 100)	
105	See Note	NSS	O-Ring (Note: Use Item 100)	
106	See Note	NSS	Seal, Rod (Note: Use Item 100)	
107	See Note	NSS	Wiper, Rod (Note: Use Item 100)	
108	See Note	NSS	Ring, Back-up (Note: Use Item 100)	

# SECTION 6 - CYLINDER

## FIGURE 6-20. TELESCOPE CYLINDER ASSEMBLY - E450A (SERVICE REPLACEMENT)



ART\_1001228062

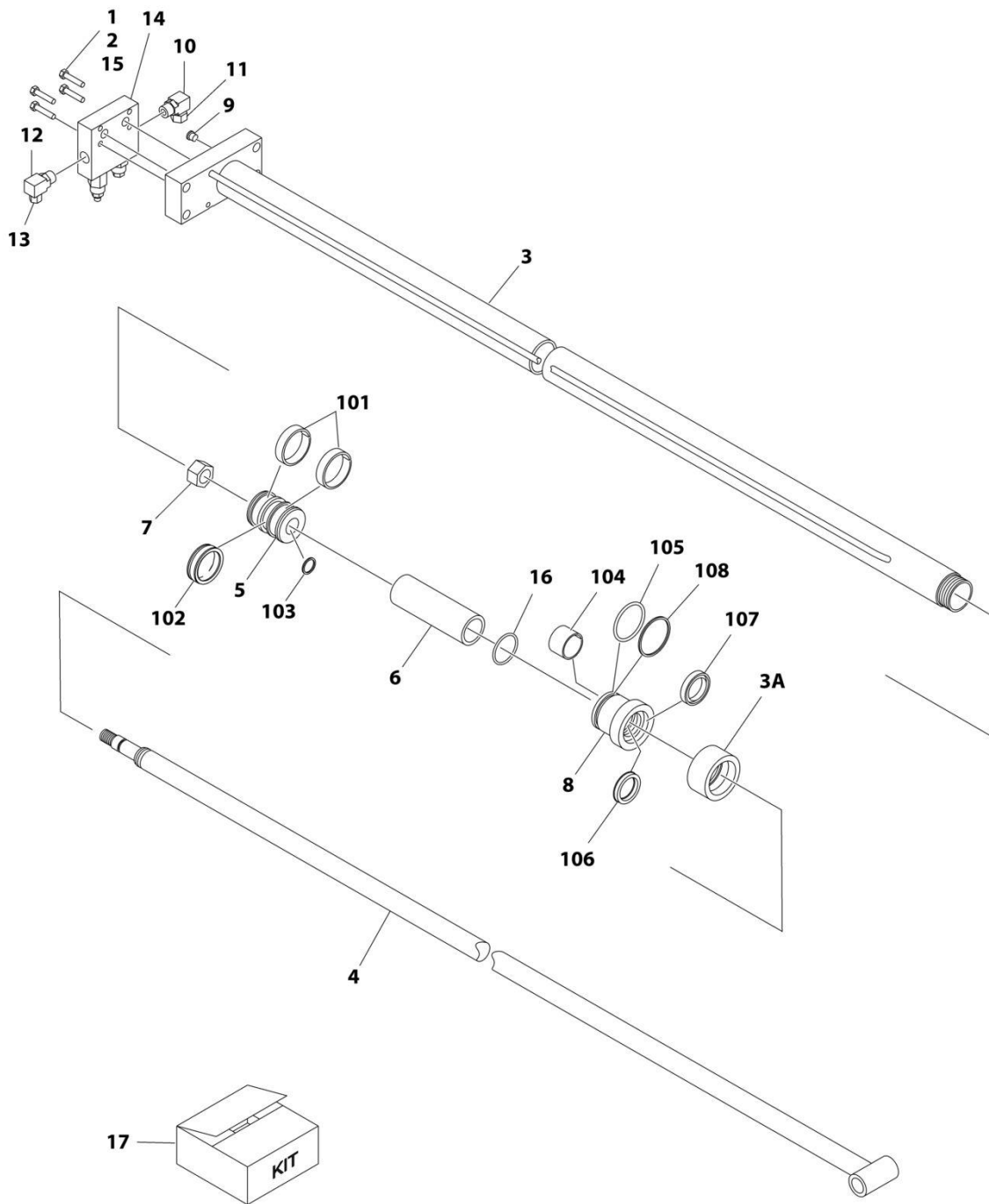
## SECTION 6 - CYLINDER

**FIGURE 6-20. TELESCOPE CYLINDER ASSEMBLY - E450A (SERVICE REPLACEMENT)**

ITEM	PART NUMBER	QTY	DESCRIPTION	REV
	1001228062	Ref	TELESCOPE CYLINDER ASSEMBLY	A
		Ref	Note: Original Cylinder may have been replaced with Service Replacement. Identify PN Stamped on Cylinder Before Ordering Parts.	
1	See Note	NSS	Barrel (Note: Not Available for Purchase)	
2	70006567	1	Rod	
3	70006565	1	Head	
4	70006564	1	Piston	
5	70006563	1	Spacer	
6	70006971	1	Nut, Lock	
7	70006561	1	Cap, End	
8	0641512	4	Bolt 5/16 X 1-1/2	
9	4640807	1	Counterbalance Valve Assembly (See Separate Breakdown in this Section)	
10	2220596	1	Fitting, 90 JIC/ORB	
11	2220517	1	Fitting, Cap	
12	2220628	1	Fitting, 90 JIC/ORB	
13	2220516	1	Fitting, Cap	
14	2220883	2	Plug	
15	70023915	1	Setscrew M6 x 8	
17	70006976	2	Screw	
18	3340679	1	Pad, Wear	
100	1001152230	1	Seal Kit (Includes Items 101-108)	
101	See Note	NSS	Ring, Wear (Note: Use p/n 1001152230)	
102	See Note	NSS	Seal, Cap (Note: Use p/n 1001152230)	
103	See Note	NSS	O-Ring (Note: Use p/n 1001152230)	
104	See Note	NSS	Ring, Wear (Note: Use p/n 1001152230)	
105	See Note	NSS	O-Ring (Note: Use p/n 1001152230)	
106	See Note	NSS	Seal, Rod (Note: Use p/n 1001152230)	
107	See Note	NSS	Wiper, Rod (Note: Use p/n 1001152230)	
108	See Note	NSS	Ring, Back-Up (Note: Use p/n 1001152230)	

# SECTION 6 - CYLINDER

FIGURE 6-21. TELESCOPE CYLINDER ASSEMBLY - E450AJ/M450AJ (ORIGINAL EQUIPMENT)



ART\_1001151368



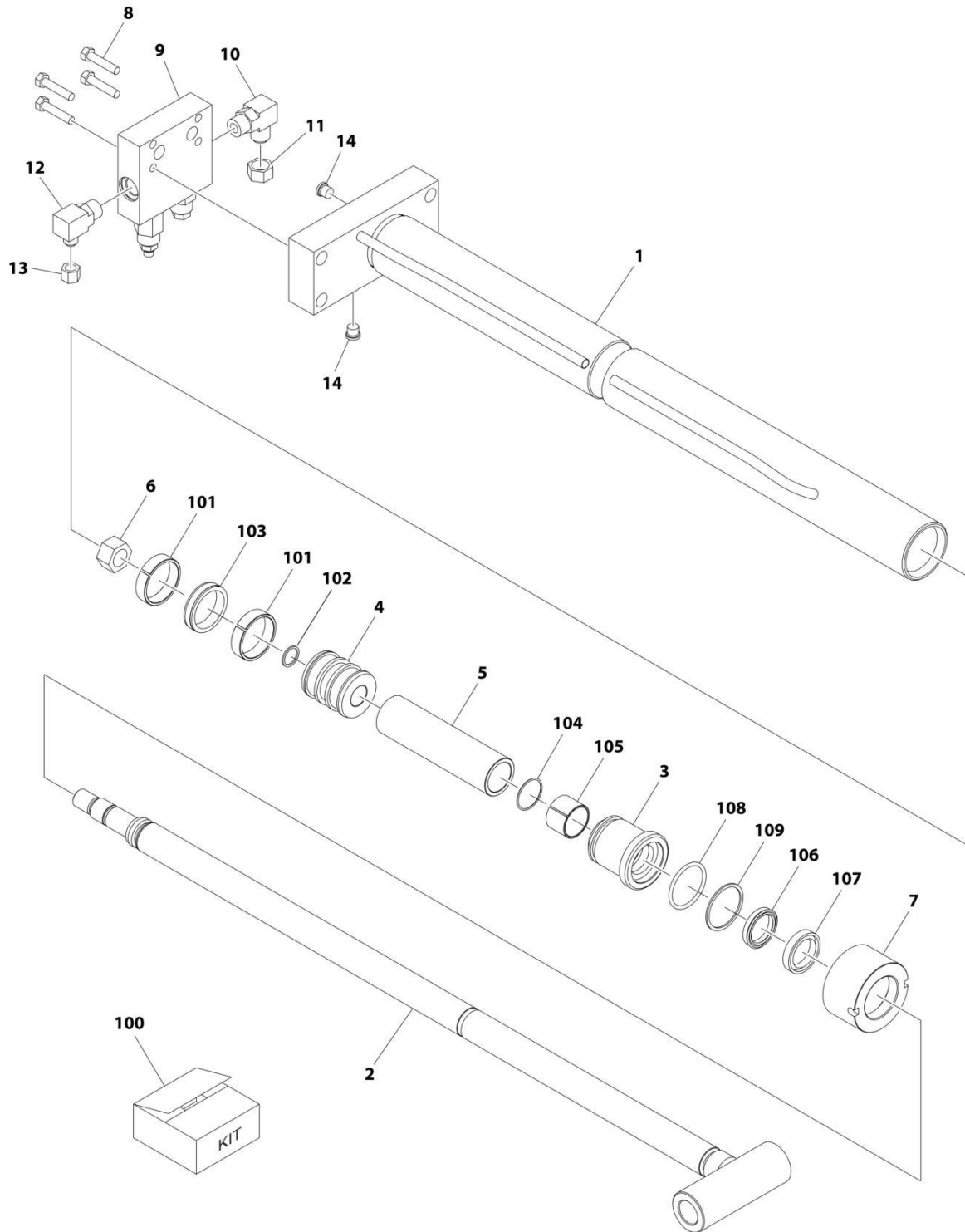
## SECTION 6 - CYLINDER

**FIGURE 6-21. TELESCOPE CYLINDER ASSEMBLY - E450AJ/M450AJ (ORIGINAL EQUIPMENT)**

ITEM	PART NUMBER	QTY	DESCRIPTION	REV
	1001151368	Ref	TELESCOPE CYLINDER ASSEMBLY - E450AJ/M450AJ	C
1	0100011	AR	Compound, Locking	
2	0100038	AR	Primer, Locking	
3	1001151386	1	Barrel, Weldment	
3A	1120110	1	Cap, End	
4	1683802	1	Rod, Weldment	
5	3480239	1	Piston	
6	4566027	1	Spacer	
7	3322205	1	Nut, Lock, 3/4-16	
8	1683584	1	Head	
9	2220883	1	Plug	
10	2220596	1	Fitting, 90 JIC/ORB	
11	2220517	1	Fitting, Cap	
12	2220628	1	Fitting, 90 JIC/ORB	
13	2220516	1	Fitting, Cap	
14	4640807	1	Counterbalance Valve Assembly (See COUNTERBALANCE VALVE ASSEMBLY for Breakdown)	
15	0641512	4	Bolt, 5/16-18 x 1-1/2	
16	See Note	NSS	O-Ring (Note: Use Item 100)	
17	1001152230	1	Seal Kit (Includes Items 16 & 101-108)	
101	See Note	NSS	Ring, Wear (Note: Use Item 100)	
102	See Note	NSS	Seal, Cap (Note: Use Item 100)	
103	See Note	NSS	O-Ring (Note: Use Item 100)	
104	See Note	NSS	Ring, Wear (Note: Use Item 100)	
105	See Note	NSS	O-Ring (Note: Use Item 100)	
106	See Note	NSS	Seal, Rod (Note: Use Item 100)	
107	See Note	NSS	Wiper, Rod (Note: Use Item 100)	
108	See Note	NSS	Ring, Back-up (Note: Use Item 100)	

# SECTION 6 - CYLINDER

FIGURE 6-22. TELESCOPE CYLINDER ASSEMBLY - E450AJ/M450AJ (SERVICE REPLACEMENT)



ART\_1001228061

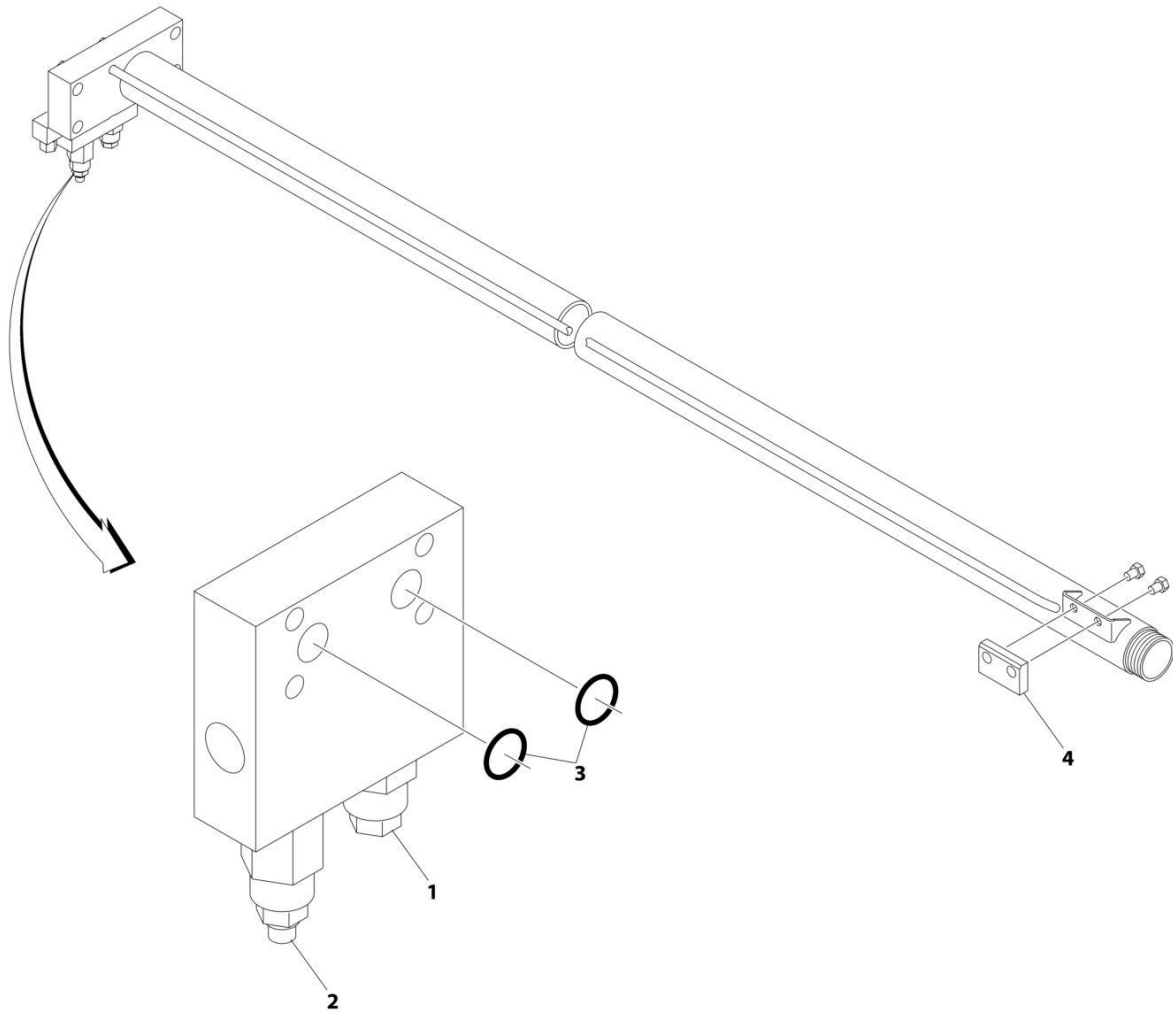
## SECTION 6 - CYLINDER

**FIGURE 6-22. TELESCOPE CYLINDER ASSEMBLY - E450AJ/M450AJ (SERVICE REPLACEMENT)**

ITEM	PART NUMBER	QTY	DESCRIPTION	REV
	1001228061	Ref	TELESCOPE CYLINDER ASSEMBLY	B
		Ref	Note: Original Cylinder may have been replaced with Service Replacement. Identify PN Stamped on Cylinder Before Ordering Parts.	
1	See Note	NSS	Barrel (Note: Not Available for Purchase)	
2	70006973	1	Rod	
3	70006565	1	Head	
4	70006564	1	Piston	
5	70006972	1	Spacer	
6	70006971	1	Nut, Lock	
7	70006561	1	Cap, End	
8	0641512	4	Bolt, 5/16 X 1-1/2	
9	4640807	1	Counterbalance Valve Assembly (See Separate Breakdown in this Section)	
10	2220596	1	Fitting, 90 JIC/ORB	
11	2220517	1	Fitting, Cap	
12	2220628	1	Fitting, 90 JIC/ORB	
13	2220516	1	Fitting, Cap	
14	2220883	2	Plug	
100	1001152230	1	Seal Kit (Includes Items 101-108)	
101	See Note	NSS	Ring, Wear (Note: Use p/n 1001152230)	
102	See Note	NSS	Seal Cap (Note: Use p/n 1001152230)	
103	See Note	NSS	O-Ring (Note: Use p/n 1001152230)	
104	See Note	NSS	Ring, Wear (Note: Use p/n 1001152230)	
105	See Note	NSS	O-Ring (Note: Use p/n 1001152230)	
106	See Note	NSS	Seal, Rod (Note: Use p/n 1001152230)	
107	See Note	NSS	Wiper, Rod (Note: Use p/n 1001152230)	
108	See Note	NSS	Ring, Back-Up (Note: Use p/n 1001152230)	

# SECTION 6 - CYLINDER

## FIGURE 6-23. COUNTERBALANCE VALVE ASSEMBLY



ART\_4640807

**SECTION 6 - CYLINDER**

**FIGURE 6-23. COUNTERBALANCE VALVE ASSEMBLY**

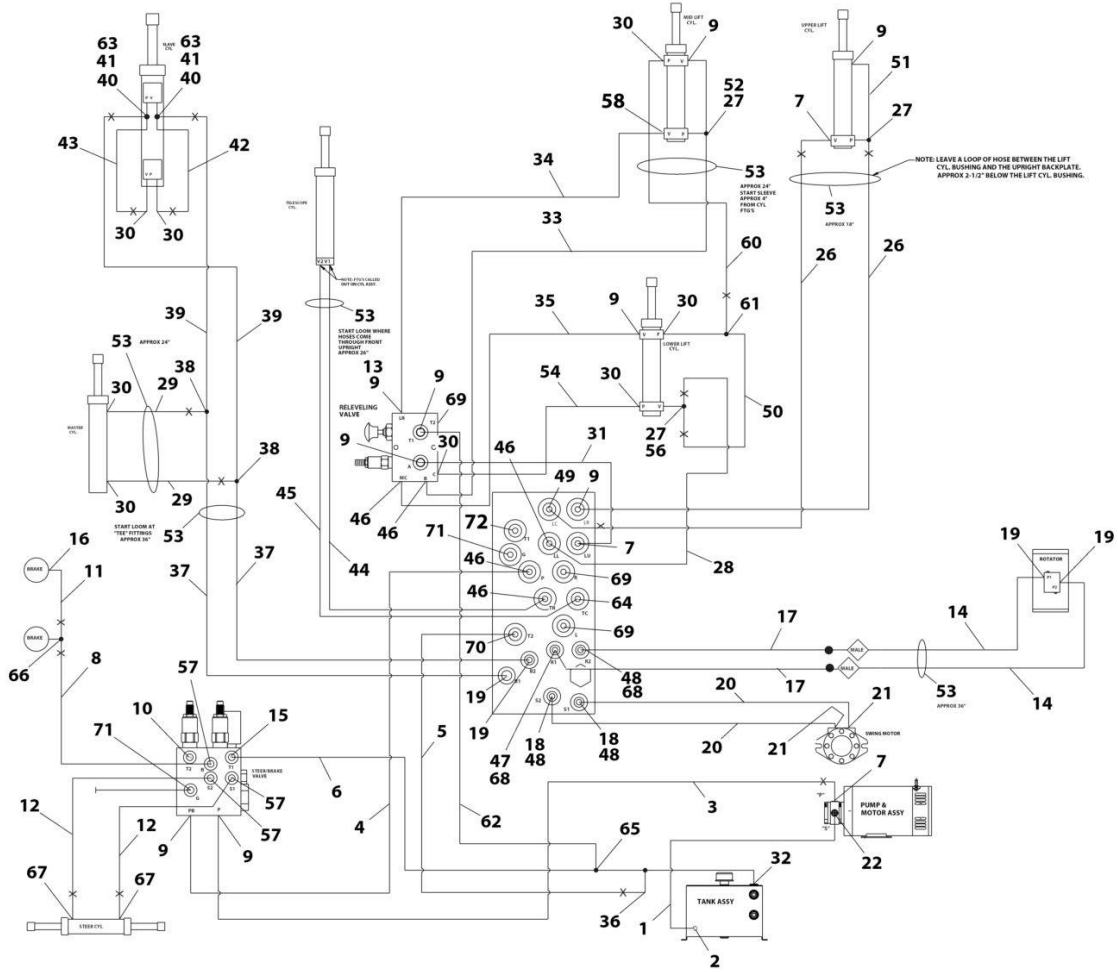
ITEM	PART NUMBER	QTY	DESCRIPTION	REV
	4640807	Ref	COUNTERBALANCE VALVE ASSEMBLY	D
1	4640771	1	Cartridge, Counterbalance	
1	2900770	1	Seal Kit - 4640771 Cartridge	
2	4640709	1	Cartridge, Vented Counterbalance	
2	2900770	1	Seal Kit - 4640709 Cartridge	
3	3790113	2	O-Ring (Between Valve and Cylinder Block)	



**SECTION 7 - HYDRAULIC**

# SECTION 7 - HYDRAULIC

## FIGURE 7-1. HYDRAULIC DIAGRAM - E450A



ART\_1001169635



## SECTION 7 - HYDRAULIC

### FIGURE 7-1. HYDRAULIC DIAGRAM - E450A

ITEM	PART NUMBER	QTY	DESCRIPTION	REV
	1001169635	Ref	HYDRAULIC DIAGRAM - E450A	F
1	2753973	1	Hose	
2	2220498	1	Fitting, 45 JIC/ORB	
3	1001152635	1	Hose	
4	2750915	1	Hose	
5	1001177666	1	Hose	
6	2752467	1	Hose	
7	2220371	3	Fitting, Straight, JIC/ORB	
8	2752589	1	Hose	
9	2220473	9	Fitting, 90 JIC/ORB	
10	2220885	1	Plug	
11	1001109687	1	Hose	
12	2752453	2	Hose	
13	2220507	1	Fitting, 90 JIC/JIC	
14	2753326	2	Hose (SN 0300189901 through 0300201788)	
14	1001185825	2	Hose (SN 0300201789 through 0300208529)	
15	2220371	1	Fitting, Straight, JIC/ORB	
16	2220466	1	Fitting, 90 JIC/ORB	
17	2752795	2	Hose (SN 0300189901 through 0300201788)	
17	1001185713	2	Hose (SN 0300201789 through 0300208529)	
18	2220415	2	Fitting, Straight JIC/ORB	
19	2220502	4	Fitting, 45 JIC/ORB	
20	2752459	2	Hose	
21	2221033	2	Fitting, Straight JIC/ORB	
22	2220593	1	Fitting, Straight JIC/ORB	
26	2753050	2	Hose	
27	2220899	3	Fitting, Tee JIC/ORB/JIC	
28	2752620	1	Hose	
29	2752580	2	Hose	
30	2220472	8	Fitting, 90 JIC/ORB	
31	2750910	1	Hose	
32	2220999	1	Fitting, Tee JIC/ORB/JIC	
33	2751127	1	Hose	
34	2751126	1	Hose	
35	2752475	1	Hose	
36	2220386	1	Fitting, 90 JIC/JIC	
37	2752585	2	Hose	
38	2220504	2	Fitting, Tee JIC/JIC/JIC	
39	2752572	2	Hose	
40	2220727	2	Fitting, Reducer ORB	
41	2220684	2	Fitting, Tee NPT/JIC/JIC	
42	2752435	1	Hose	
43	2752573	1	Hose	
44	2750996	1	Hose	
45	2751508	1	Hose	
46	2220501	5	Fitting, 45 JIC/ORB	
47	2220502	2	Fitting, 45 JIC/ORB	
48	2220677	2	Fitting, 45 JIC/JIC	
49	2221147	1	Fitting, 90 JIC/ORB	
50	2752581	1	Hose	

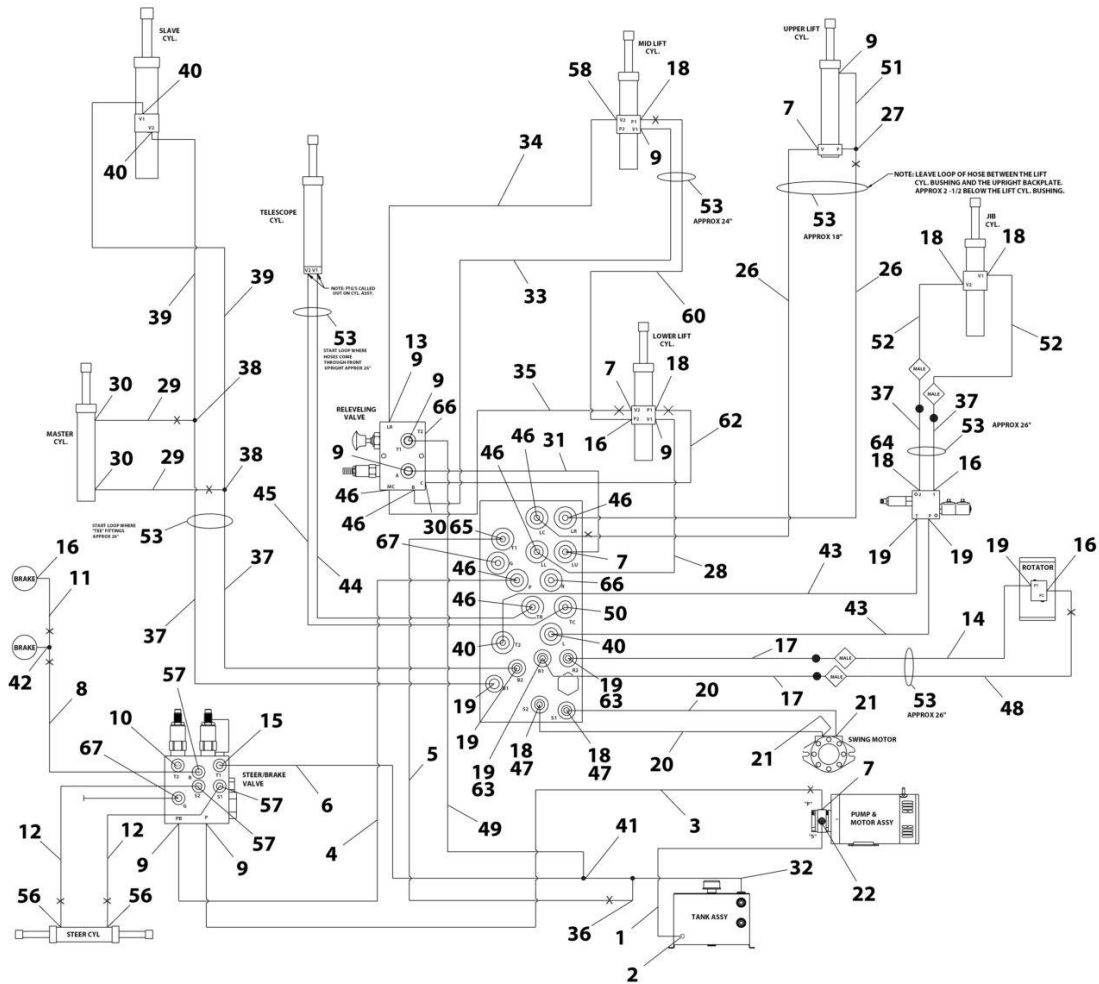
## SECTION 7 - HYDRAULIC

ITEM	PART NUMBER	QTY	DESCRIPTION	REV
51	4566188	1	Tube	
52	4566623	1	Tube	
53	4100026	13.7 ft /4.2m	Nylon, Sleeve	
54	2752983	1	Hose	
55	1702124	1	Hose, Tag (Not Shown)	
56	2220609	1	Fitting, Straight JIC/JIC	
57	2220415	3	Fitting, Straight JIC/ORB	
58	2220473	1	Fitting, 90 JIC/ORB	
60	2752440	1	Hose	
61	2220605	1	Fitting, Tee JIC/JIC/JIC	
62	2750915	1	Hose	
63	0100020	AR	Sealant	
64	2220600	1	Fitting, Straight JIC/ORB	
65	2221054	1	Fitting, Tee JIC/JIC/JIC	
66	2220711	1	Fitting, Tee JIC/ORB/JIC	
67	2220582	2	Fitting, Straight JIC/ORB	
68	2220909	2	Fitting, Restrictor	
69	2220237	3	Plug, ORB	
70	1001136881	1	Fitting, 45 JIC/ORB	
71	2221086	2	Fitting, Nipple	
72	2220239	1	Plug, ORB	



# SECTION 7 - HYDRAULIC

## FIGURE 7-2. HYDRAULIC DIAGRAM - E450AJ



ART\_1001169637

## SECTION 7 - HYDRAULIC

### FIGURE 7-2. HYDRAULIC DIAGRAM - E450AJ

ITEM	PART NUMBER	QTY	DESCRIPTION	REV
	1001169637	Ref	HYDRAULIC DIAGRAM - E450AJ	F
1	2753973	1	Hose	
2	2220498	1	Fitting, 45 JIC/ORB	
3	1001152635	1	Hose	
4	2750915	1	Hose	
5	1001177666	1	Hose	
6	2752467	1	Hose	
7	2220371	4	Fitting, Straight JIC/ORB	
8	2752589	1	Hose	
9	2220473	8	Fitting, 90 JIC/ORB	
10	2220885	1	Plug	
11	1001109687	1	Hose	
12	2752453	2	Hose	
13	2220507	1	Fitting, 90 JIC/JIC	
14	2753304	1	Hose (SN 0300189901 through 0300201788)	
14	2753638	1	Hose (SN 0300201789 through 0300208529)	
15	2220371	1	Fitting, Straight JIC/ORB	
16	2220466	4	Fitting, 90 JIC/ORB	
17	2752795	2	Hose (SN 0300189901 through 0300201788)	
17	1001185713	2	Hose (SN 0300201789 through 0300208529)	
18	2220415	7	Fitting, Straight JIC/ORB	
19	2220502	7	Fitting, 45 JIC/ORB	
20	2752459	2	Hose	
21	2221033	2	Fitting, Straight JIC/ORB	
22	2220593	1	Fitting, Straight JIC/ORB	
26	2753050	2	Hose	
27	2220899	1	Fitting, Tee JIC/ORB/JIC	
28	2752466	1	Hose	
29	2752437	2	Hose	
30	2220472	3	Fitting, 90 JIC/ORB	
31	2750910	1	Hose	
32	2220999	1	Fitting, Tee JIC/ORB/JIC	
33	2753301	1	Hose	
34	2751009	1	Hose	
35	2752611	1	Hose	
36	2220386	1	Fitting, 90 JIC/JIC	
37	2752585	4	Hose	
38	2220504	2	Fitting, Tee JIC/JIC/JIC	
39	2753302	2	Hose	
40	2220582	4	Fitting, Straight JIC/ORB	
41	2221054	1	Fitting, Tee JIC/JIC/JIC	
42	2220711	1	Fitting, Tee JIC/ORB/JIC	
43	2752430	2	Hose	
44	2750996	1	Hose	
45	2751508	1	Hose	
46	2220501	7	Fitting, 45 JIC/ORB	
47	2220677	2	Fitting, 45 JIC/JIC	
48	2753305	1	Hose (SN 0300189901 through 0300201788)	
48	1001185826	1	Hose (SN 0300201789 through 0300208529)	
49	2750915	1	Hose	

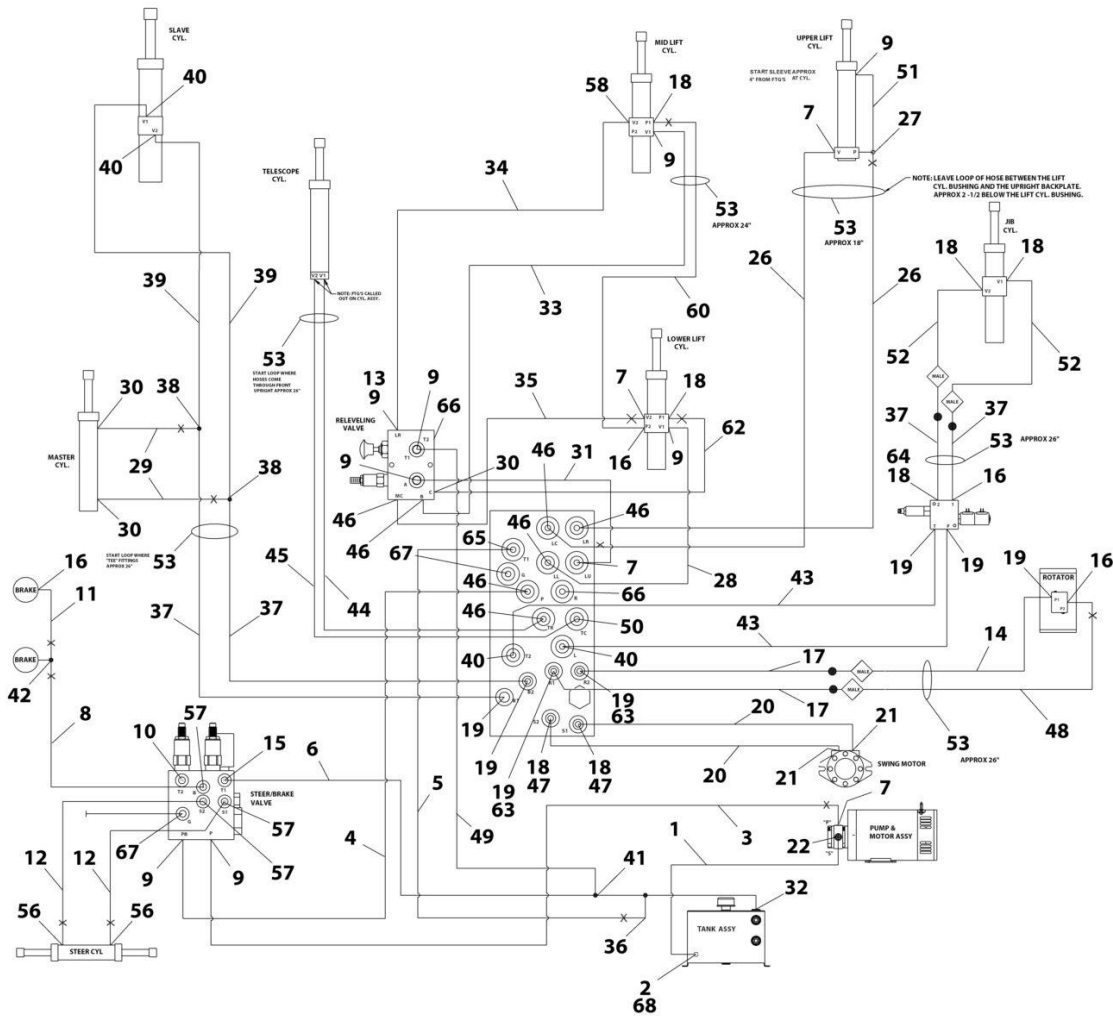
## SECTION 7 - HYDRAULIC

ITEM	PART NUMBER	QTY	DESCRIPTION	REV
50	2220600	1	Fitting, Straight JIC/ORB	
51	4567946	1	Tube	
52	2753303	2	Hose	
53	4100026	12.2 ft /3.7m	Nylon, Sleeve	
55	1702124	1	Hose, Tag (Not Shown)	
56	2220582	2	Fitting, Straight JIC/ORB	
57	2220415	3	Fitting, Straight JIC/ORB	
58	2220473	1	Fitting, 90 JIC/ORB	
60	2751414	1	Hose	
62	2752600	1	Hose	
63	2220909	2	Fitting, Restrictor	
64	2220654	1	Fitting, 90 JIC/JIC	
65	2220499	1	Fitting, 45 JIC/ORB	
66	2220237	2	Plug, ORB	
67	2221086	2	Fitting, Nipple	



# SECTION 7 - HYDRAULIC

## FIGURE 7-3. HYDRAULIC DIAGRAM - M450AJ



ART\_1001169639



## SECTION 7 - HYDRAULIC

### FIGURE 7-3. HYDRAULIC DIAGRAM - M450AJ

ITEM	PART NUMBER	QTY	DESCRIPTION	REV
	1001169639	Ref	HYDRAULIC DIAGRAM - M450AJ	D
1	2752675	1	Hose	
2	1320033	1	Clamp	
3	2752486	1	Hose	
4	2752466	1	Hose	
5	2752519	1	Hose	
6	2752462	1	Hose	
7	2220371	4	Fitting, Straight JIC/ORB	
8	2753010	1	Hose	
9	2220473	8	Fitting, 90 JIC/ORB	
10	2220885	1	Plug	
11	1001109687	1	Hose	
12	2752574	2	Hose	
13	2220507	1	Fitting, 90 JIC/JIC	
14	2753304	1	Hose (SN 0300189901 through 0300201788)	
14	2753638	1	Hose (SN 0300201789 through 0300208529)	
15	2220371	1	Fitting, Straight JIC/ORB	
16	2220466	4	Fitting, 90 JIC/ORB	
17	2752795	2	Hose (SN 0300189901 through 0300201788)	
17	1001185713	2	Hose (SN 0300201789 through 0300208529)	
18	2220415	7	Fitting, Straight JIC/ORB	
19	2220502	7	Fitting, 45 JIC/ORB	
20	2752459	2	Hose	
21	2221033	2	Fitting, Straight JIC/ORB	
22	2220593	1	Fitting, Straight JIC/ORB	
26	2753050	2	Hose	
27	2220899	1	Fitting, Tee JIC/ORB/JIC	
28	2752466	1	Hose	
29	2752437	2	Hose	
30	2220472	3	Fitting, 90 JIC/ORB	
31	2750910	1	Hose	
32	2220999	1	Fitting, Tee JIC/ORB/JIC	
33	2753301	1	Hose	
34	2751009	1	Hose	
35	2752611	1	Hose	
36	2220386	1	Fitting, 90 JIC/JIC	
37	2752585	4	Hose	
38	2220504	2	Fitting, Tee JIC/JIC/JIC	
39	2753302	2	Hose	
40	2220582	4	Fitting, Straight JIC/ORB	
41	2221054	1	Fitting, Tee JIC/JIC/JIC	
42	2220711	1	Fitting, Tee JIC/ORB/JIC	
43	2752430	2	Hose	
44	2750996	1	Hose	
45	2751508	1	Hose	
46	2220501	7	Fitting, 45 JIC/ORB	
47	2220677	2	Fitting, 45 JIC/JIC	
48	2753305	1	Hose (SN 0300189901 through 0300201788)	
48	1001185826	1	Hose (SN 0300201789 through 0300208529)	
49	2752466	1	Hose	

## SECTION 7 - HYDRAULIC

ITEM	PART NUMBER	QTY	DESCRIPTION	REV
50	2220600	1	Fitting, Straight JIC/ORB	
51	4567946	1	Tube	
52	2753303	2	Hose	
53	4100026	12.2 ft /3.7m	Nylon, Sleeve	
55	1702124	1	Hose, Tag (Not Shown)	
56	2220582	2	Fitting, Straight JIC/ORB	
57	2220415	3	Fitting, Straight JIC/ORB	
58	2220473	1	Fitting, 90 JIC/ORB	
60	2751414	1	Hose	
62	2752600	1	Hose	
63	2220909	2	Fitting, Restrictor	
64	2220654	1	Fitting, 90 JIC/JIC	
65	2220499	1	Fitting, 45 JIC/ORB	
66	2220237	2	Plug, ORB	
67	2221086	2	Fitting, Nipple	
68	4061032	1	Shield, Hose	



## SECTION 7 - HYDRAULIC

FIGURE 7-4. HYDRAULIC DIAGRAM LIST

ITEM	PART NUMBER	QTY	DESCRIPTION	REV
		Ref	Note: Diagrams are available from JLG Service/Parts Department.	
	1001169635	Ref	Hydraulic Diagram - E450A	
	1001169637	Ref	Hydraulic Diagram - E450AJ	
	1001169639	Ref	Hydraulic Diagram - M450AJ	
	2792505	Ref	Hydraulic, Schematic	

**SECTION 8 - ELECTRICAL**

# SECTION 8 - ELECTRICAL

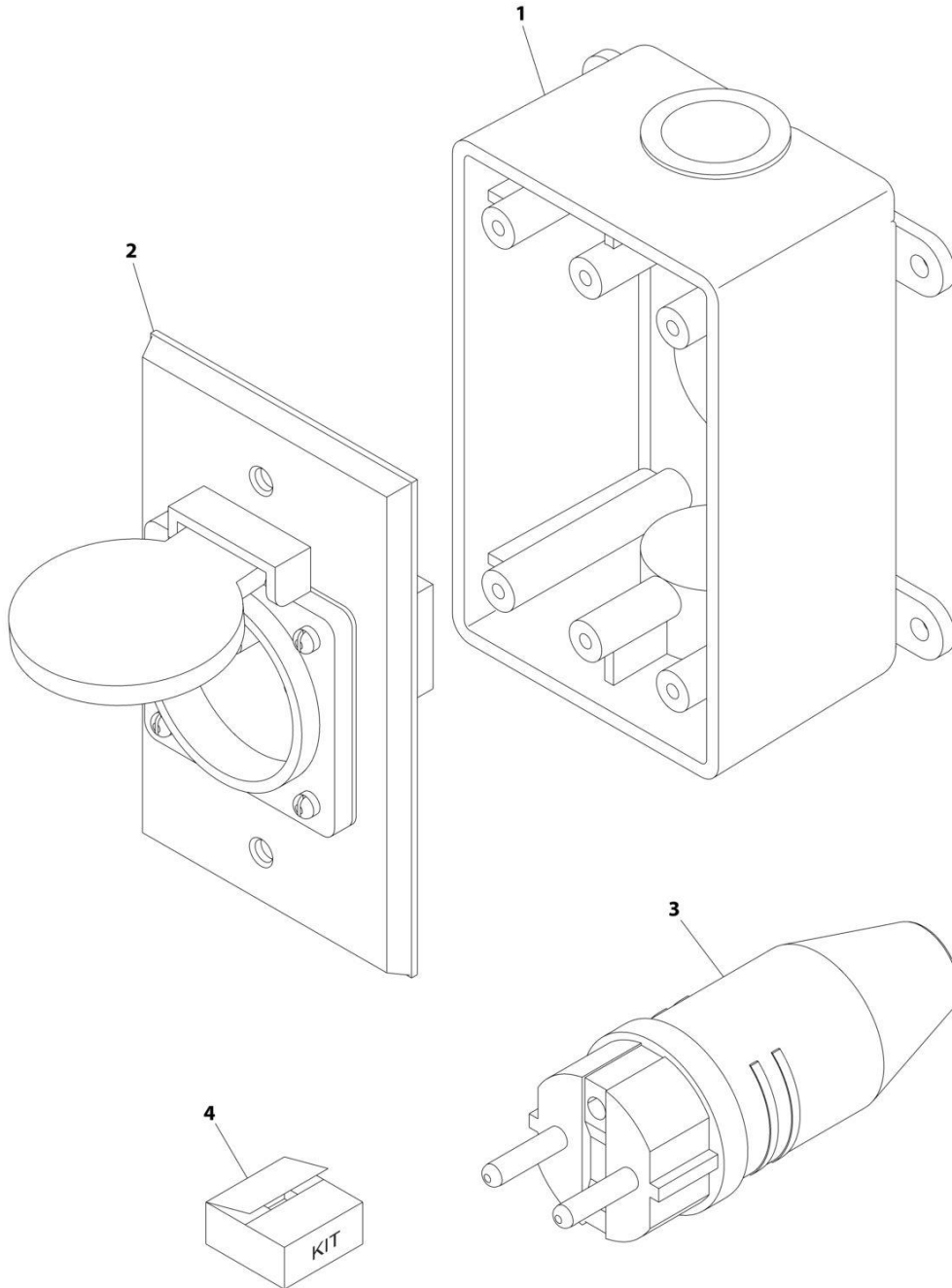
## FIGURE 8-1. ELECTRICAL DIAGRAM LIST

ITEM	PART NUMBER	QTY	DESCRIPTION	REV
		Ref	Note: For Information, Refer to Service Manual or Contact JLG Customer Service Department.	
	1870227	Ref	ELECTRICAL SCHEMATIC	
	4933388	Ref	GROUND CONTROL BOX WIRING DIAGRAM - ALL SPECS (SN 0300189901 through 0300200789 ALL SPEC EXCEPT CE, SN 0300189901 through 0300200789 CE SPEC)	C/2
	4923625	Ref	GROUND CONTROL FUNCTION SWITCH HARNESS ASSEMBLY	
	4922367	Ref	GROUND CONTROL VALVE HARNESS ASSEMBLY	
	4922104	Ref	TURNTABLE/FRAME HARNESS ASSEMBLY	
	4922263	Ref	POSI-TRACK MODULE CAN HARNESS ASSEMBLY	
	4922117	Ref	GROUND CONTROL CAN HARNESS ASSEMBLY	
	1001189765	Ref	GROUND CONTROL BOX WIRING DIAGRAM - CE SPEC (SN 0300200790 through 0300208529)	B
	1001187373	Ref	GROUND CONTROL FUNCTION SWITCH HARNESS ASSEMBLY - CE SPEC	
	4922367	Ref	GROUND CONTROL VALVE HARNESS ASSEMBLY	
	4922104	Ref	TURNTABLE/FRAME HARNESS ASSEMBLY	
	4922263	Ref	POSI-TRACK MODULE CAN HARNESS ASSEMBLY	
	4922117	Ref	GROUND CONTROL CAN HARNESS ASSEMBLY	
	1001190300	Ref	BATTERY CHARGER INDICATOR HARNESS - CE SPEC	
	4933060	Ref	PLATFORM ELECTRICAL DIAGRAM	M/7
	1001109860	Ref	INDICATOR LAMP HARNESS ASSEMBLY	
	4922060	Ref	PLATFORM FUNCTION SWITCH HARNESS ASSEMBLY	
	4922071	Ref	PLATFORM CAN BUS HARNESS ASSEMBLY	
	4922160	Ref	ANALYZER HARNESS ASSEMBLY	
	1001116368	Ref	DRIVE ORIENTATION HARNESS ASSEMBLY	
	4933181	Ref	PLATFORM ELECTRICAL DIAGRAM - UL LISTED	H/5
	1001109860	Ref	INDICATOR LAMP HARNESS ASSEMBLY	
	4922060	Ref	PLATFORM FUNCTION SWITCH HARNESS ASSEMBLY	
	4922071	Ref	PLATFORM CAN BUS HARNESS ASSEMBLY	
	4922160	Ref	ANALYZER HARNESS ASSEMBLY	
	1001116368	Ref	DRIVE ORIENTATION HARNESS ASSEMBLY	
	4933105	Ref	PLATFORM ELECTRICAL DIAGRAM - WITH SKYGUARD	J
	4922074	Ref	INDICATOR LAMP HARNESS ASSEMBLY - WITH SKYGUARD	
	4922303	Ref	PLATFORM FUNCTION SWITCH HARNESS ASSEMBLY - WITH SKYGUARD	
	4922071	Ref	PLATFORM CAN BUS HARNESS ASSEMBLY	
	4922160	Ref	ANALYZER HARNESS ASSEMBLY	
	4922307	Ref	JUMPER HARNESS	
	1001116368	Ref	DRIVE ORIENTATION HARNESS ASSEMBLY	
	1001189074	Ref	SKYGUARD HARNESS	
	1001189076	Ref	SKYGUARD CAN HARNESS	
	1001149563	Ref	SKYGUARD SENSOR WIRING DIAGRAM	



# SECTION 8 - ELECTRICAL

FIGURE 8-2. AC PLUGS AND SOCKETS INSTALLATION - CEE7 POST GROUND - 2 X 4 BOX (CE SPEC)



ART\_0275452



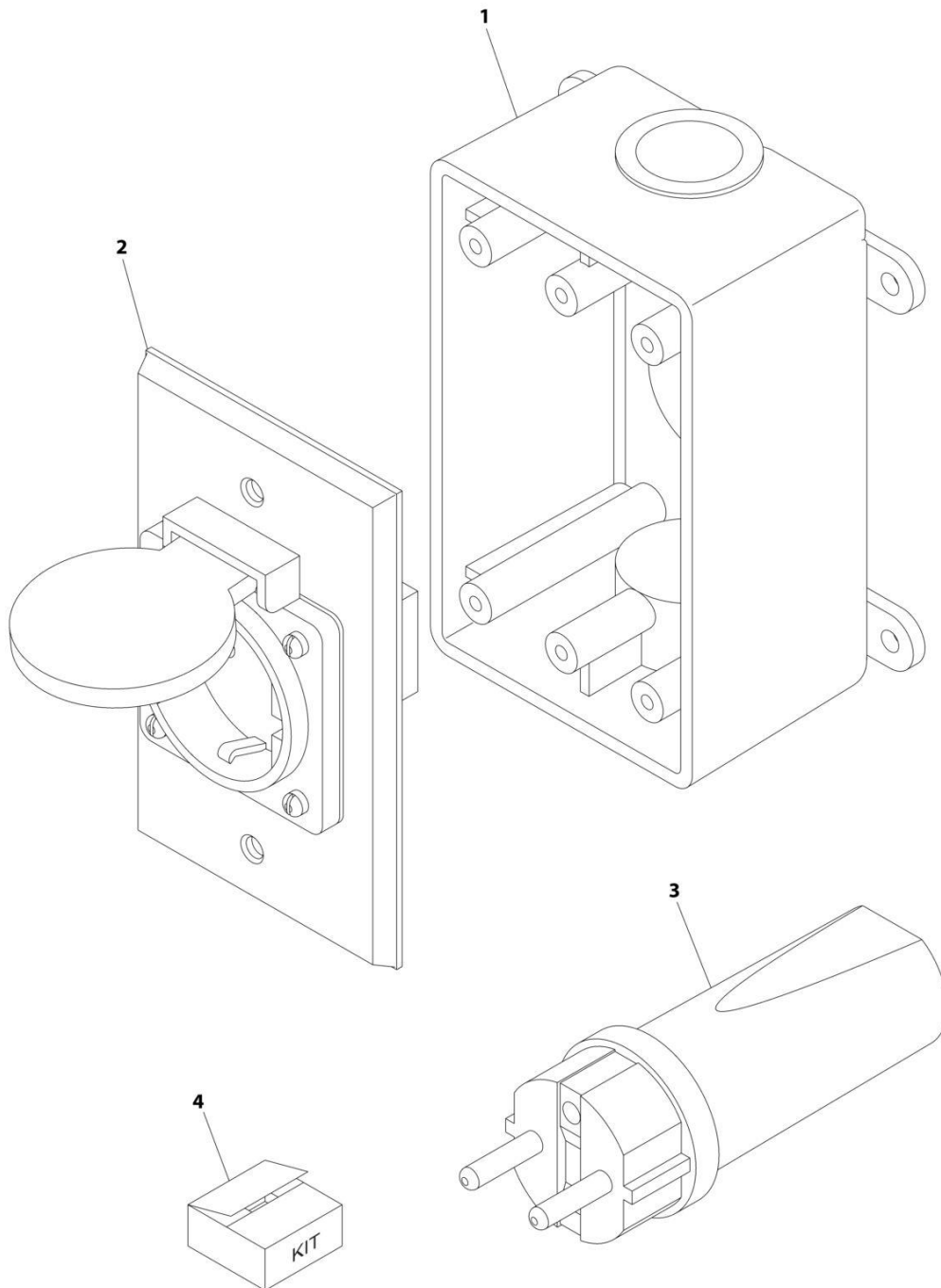
## SECTION 8 - ELECTRICAL

**FIGURE 8-2. AC PLUGS AND SOCKETS INSTALLATION - CEE7 POST GROUND - 2 X 4 BOX (CE SPEC)**

ITEM	PART NUMBER	QTY	DESCRIPTION	REV
	0275452	Ref	AC PLUGS AND SOCKETS INSTALLATION - CEE7 POST GROUND - 2 X 4 BOX (CE SPEC)	1
1	0861731	1	Box, Switch	
2	4461244	1	Receptacle	
3	4461202	1	Plug, Male	
4	1001100345	1	Plug and Socket Kit (Includes Items 1-3 and Female Plug p/n 4461206)	

# SECTION 8 - ELECTRICAL

FIGURE 8-3. AC PLUGS AND SOCKETS INSTALLATION - CEE7 SIDE GROUND - 2 X 4 BOX (CE SPEC)



ART\_0275453

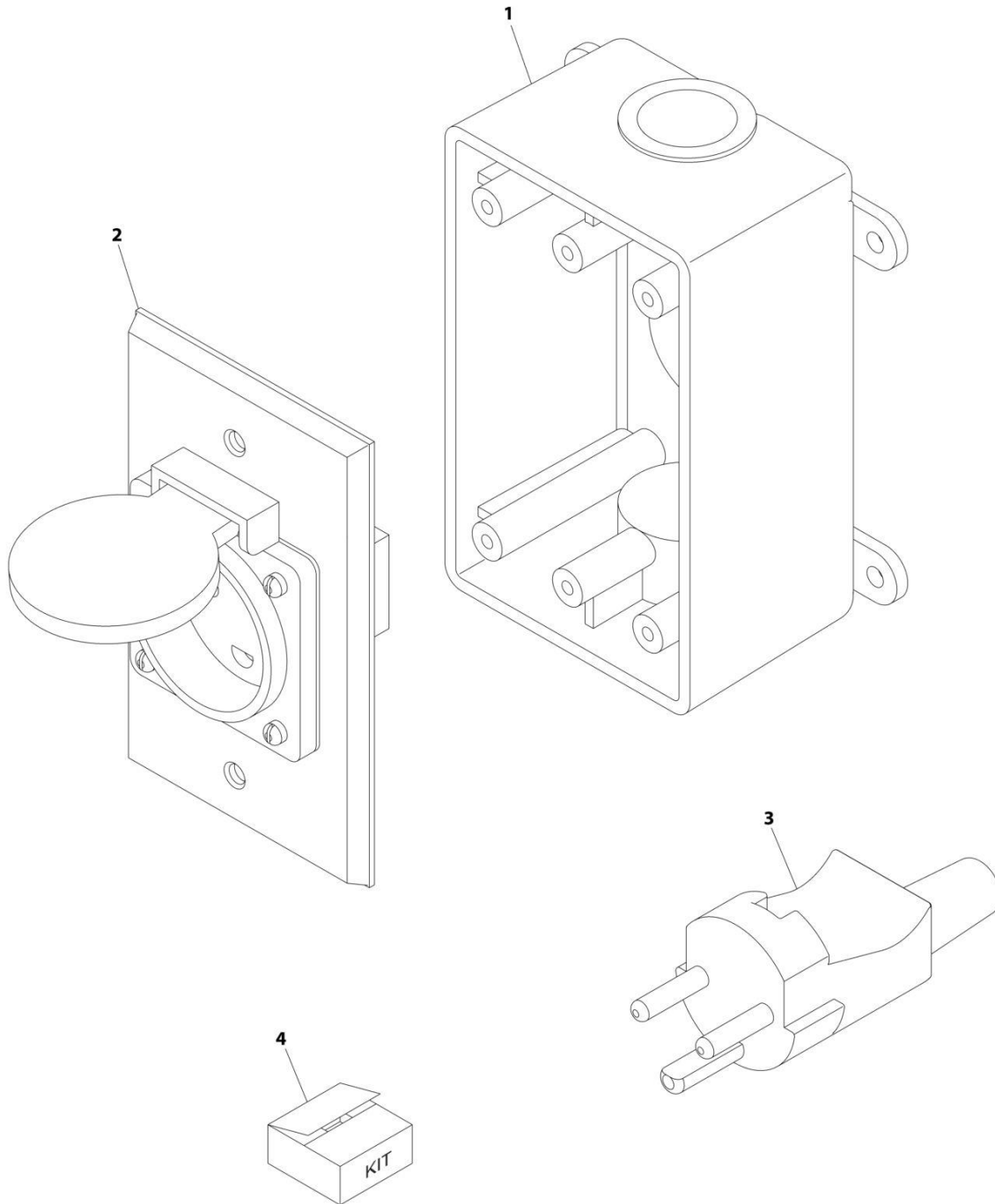
## SECTION 8 - ELECTRICAL

**FIGURE 8-3. AC PLUGS AND SOCKETS INSTALLATION - CEE7 SIDE GROUND - 2 X 4 BOX (CE SPEC)**

ITEM	PART NUMBER	QTY	DESCRIPTION	REV
	0275453	Ref	AC PLUGS AND SOCKETS INSTALLATION - CEE7 SIDE GROUND - 2 X 4 BOX (CE SPEC)	1
1	0861731	1	Box, Switch	
2	4461245	1	Receptacle	
3	4461205	1	Plug, Male	
4	1001100347	1	Plug and Socket Kit (Includes Items 1-3 and Female Plug p/n 4461206)	

# SECTION 8 - ELECTRICAL

FIGURE 8-4. AC PLUGS AND SOCKETS INSTALLATION - AFSINT 107-2-01 KEYED GROUND - 2 X 4 BOX (CE SPEC)



ART\_0275454

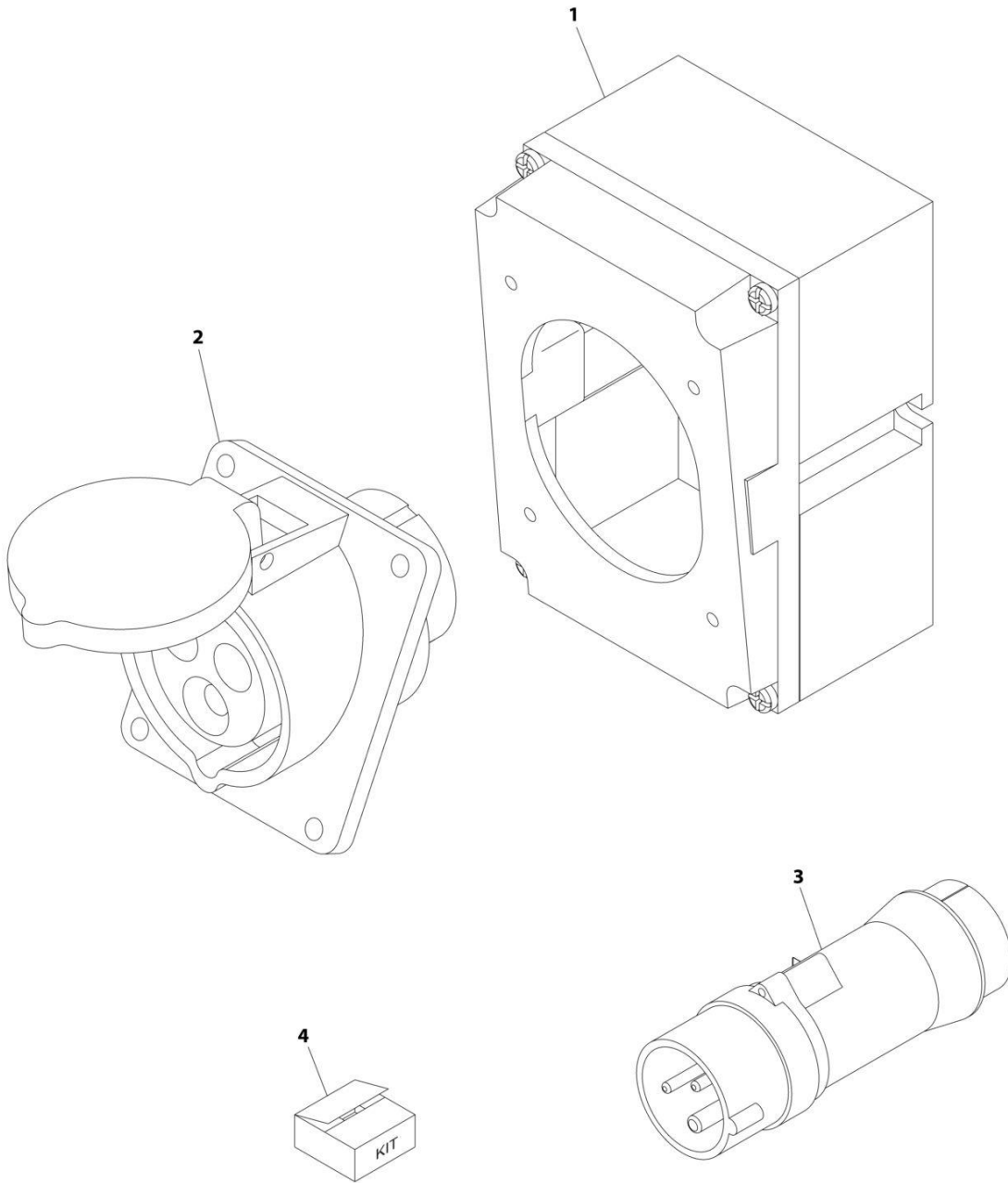
## SECTION 8 - ELECTRICAL

**FIGURE 8-4. AC PLUGS AND SOCKETS INSTALLATION - AFSINT 107-2-01 KEYED GROUND - 2 X 4 BOX (CE SPEC)**

ITEM	PART NUMBER	QTY	DESCRIPTION	REV
	0275454	Ref	AC PLUGS AND SOCKETS INSTALLATION - AFSINT 107-2-01 KEYED GROUND - 2 X 4 BOX (CE SPEC)	1
1	0861731	1	Box, Switch	
2	4461246	1	Receptacle	
3	4461249	1	Plug, Male	
4	1001100346	1	Plug and Socket Kit (Includes Items 1-3 and Female Plug p/n 4461250)	

# SECTION 8 - ELECTRICAL

FIGURE 8-5. AC PLUGS AND SOCKETS INSTALLATION - IEC 60309 YELLOW (CE SPEC)



ART\_0275216

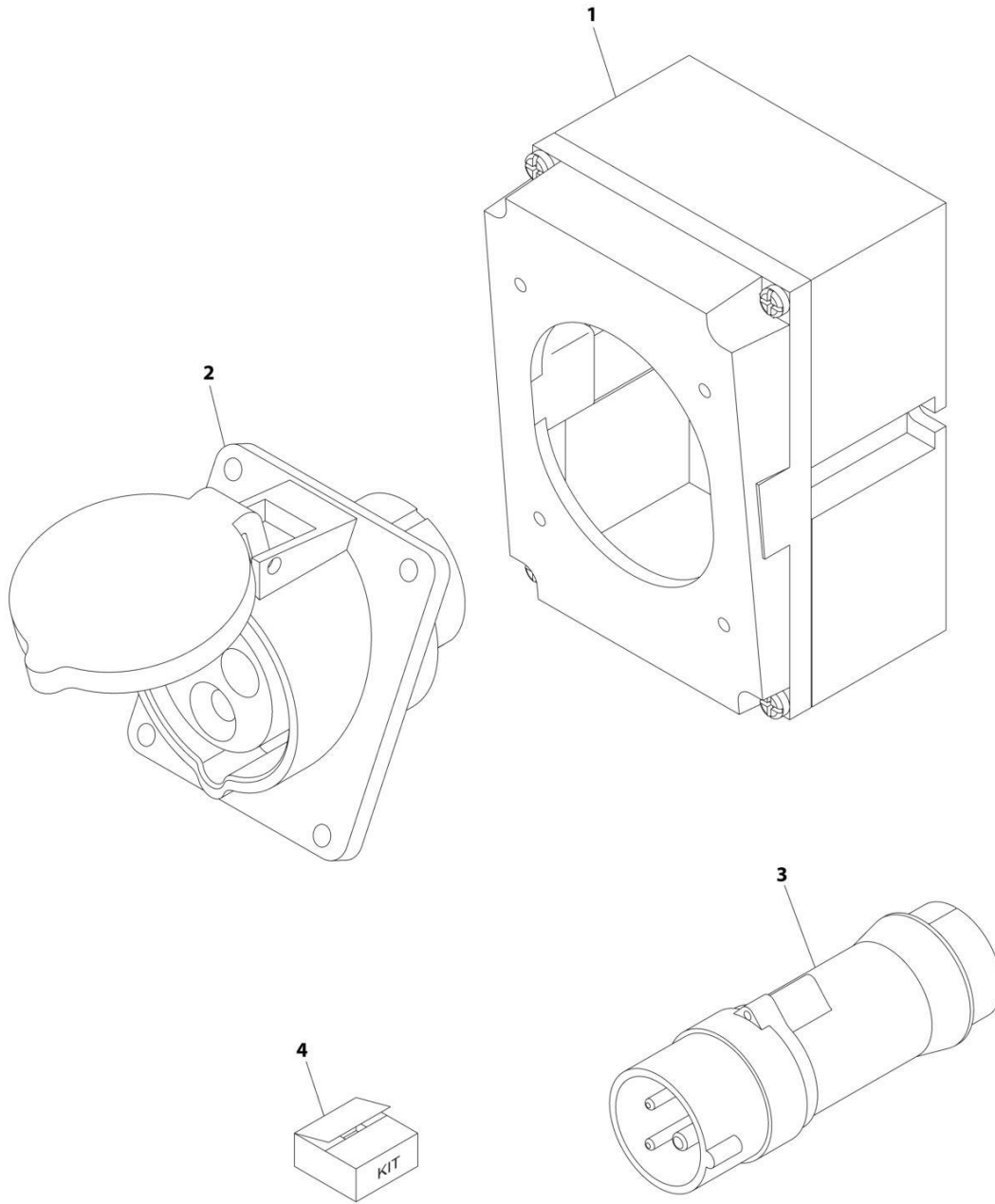
## SECTION 8 - ELECTRICAL

**FIGURE 8-5. AC PLUGS AND SOCKETS INSTALLATION - IEC 60309 YELLOW (CE SPEC)**

ITEM	PART NUMBER	QTY	DESCRIPTION	REV
	0275216	Ref	AC PLUGS AND SOCKETS INSTALLATION - IEC 60309 YELLOW (CE SPEC)	1
1	0861781	1	Box, Switch	
2	4461198	1	Receptacle	
3	4461196	1	Plug, Male	
4	1001100341	1	Plug and Socket Kit (Includes Items 1-3 and Female Plug p/n 4461197)	

# SECTION 8 - ELECTRICAL

FIGURE 8-6. AC PLUGS AND SOCKETS INSTALLATION - IEC 60309 BLUE (CE SPEC)



ART\_0275217



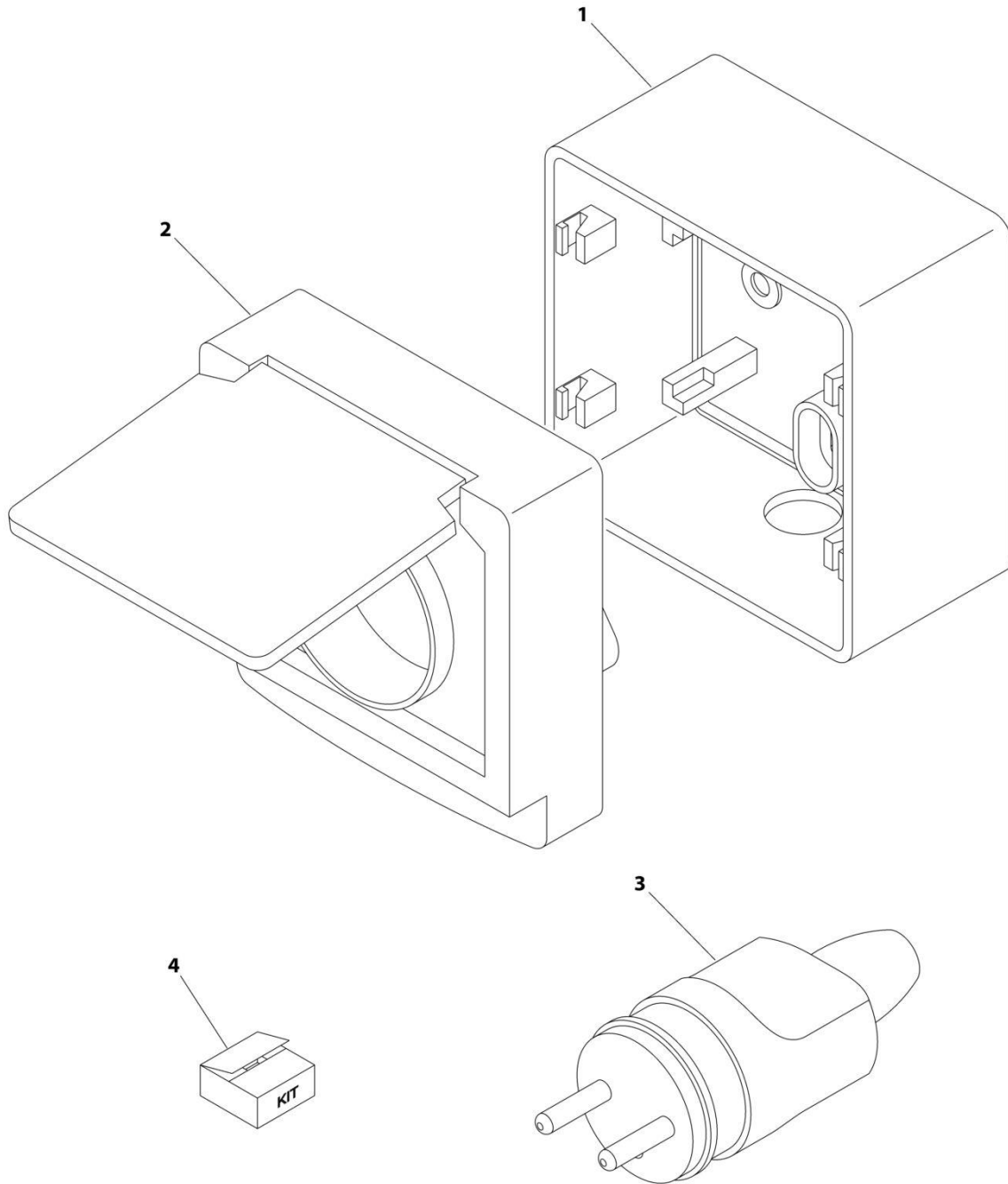
## SECTION 8 - ELECTRICAL

**FIGURE 8-6. AC PLUGS AND SOCKETS INSTALLATION - IEC 60309 BLUE (CE SPEC)**

ITEM	PART NUMBER	QTY	DESCRIPTION	REV
	0275217	Ref	AC PLUGS AND SOCKETS INSTALLATION - IEC 60309 BLUE (CE SPEC)	1
1	0861781	1	Box, Switch	
2	4461201	1	Receptacle	
3	4461199	1	Plug, Male	
	1001100342	1	Plug and Socket Kit (Includes Items 1-3 and Female Plug p/n 4461200)	

# SECTION 8 - ELECTRICAL

FIGURE 8-7. AC PLUGS AND SOCKETS INSTALLATION - CEE7 POST GROUND (CE SPEC)



ART\_0275218

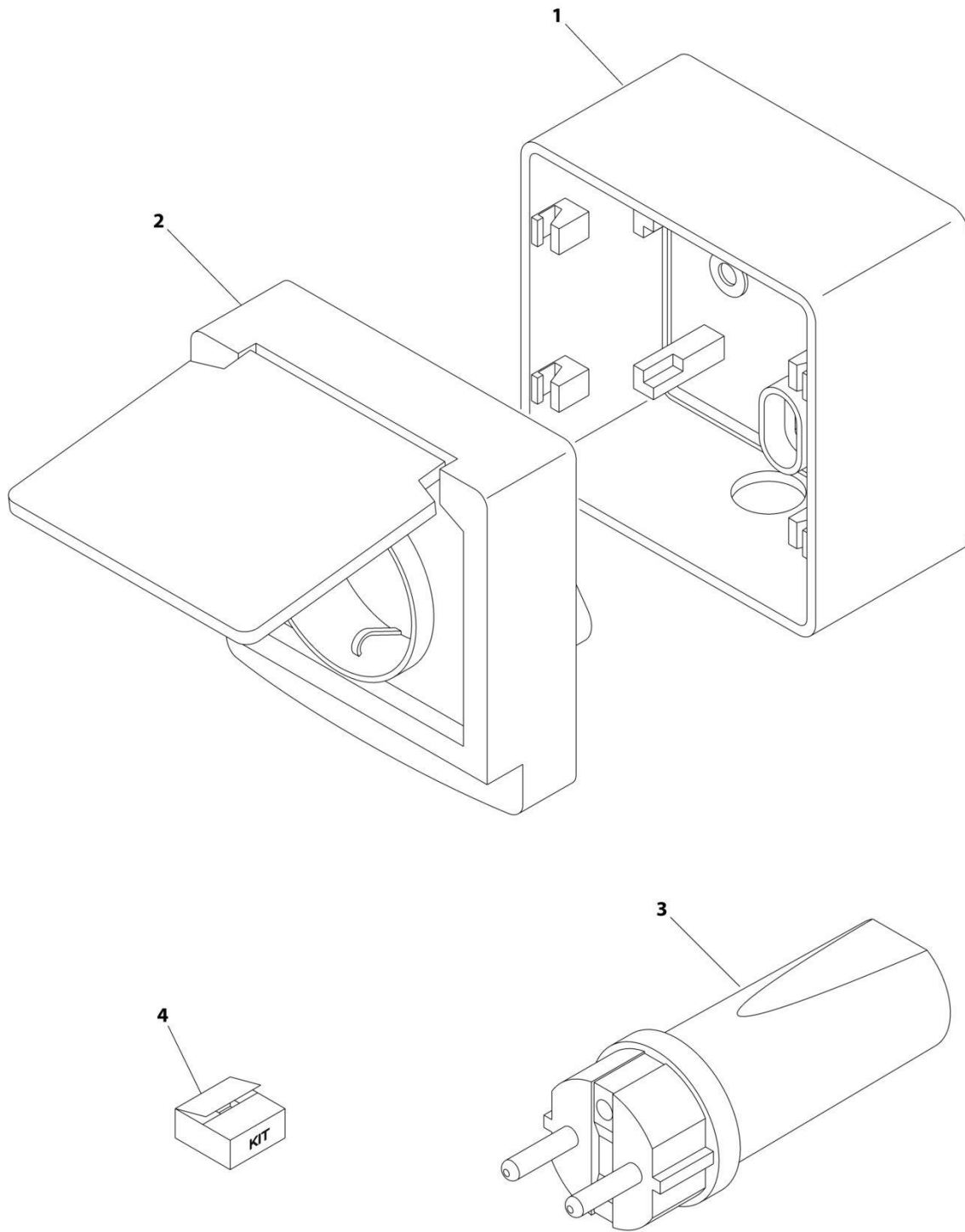
## SECTION 8 - ELECTRICAL

**FIGURE 8-7. AC PLUGS AND SOCKETS INSTALLATION - CEE7 POST GROUND (CE SPEC)**

ITEM	PART NUMBER	QTY	DESCRIPTION	REV
	0275218	Ref	AC PLUGS AND SOCKETS INSTALLATION - CEE7 POST GROUND (CE SPEC)	B
1	1001141967	1	Box, Switch	
2	1001141968	1	Receptacle	
3	4461202	1	Plug, Male	
4	1001141971	1	Plug and Socket Kit (Includes Items 1-3 and Female Plug p/n 4461206)	

# SECTION 8 - ELECTRICAL

FIGURE 8-8. AC PLUGS AND SOCKETS INSTALLATION - CEE 7 SIDE GROUND (CE SPEC)



ART\_0275219

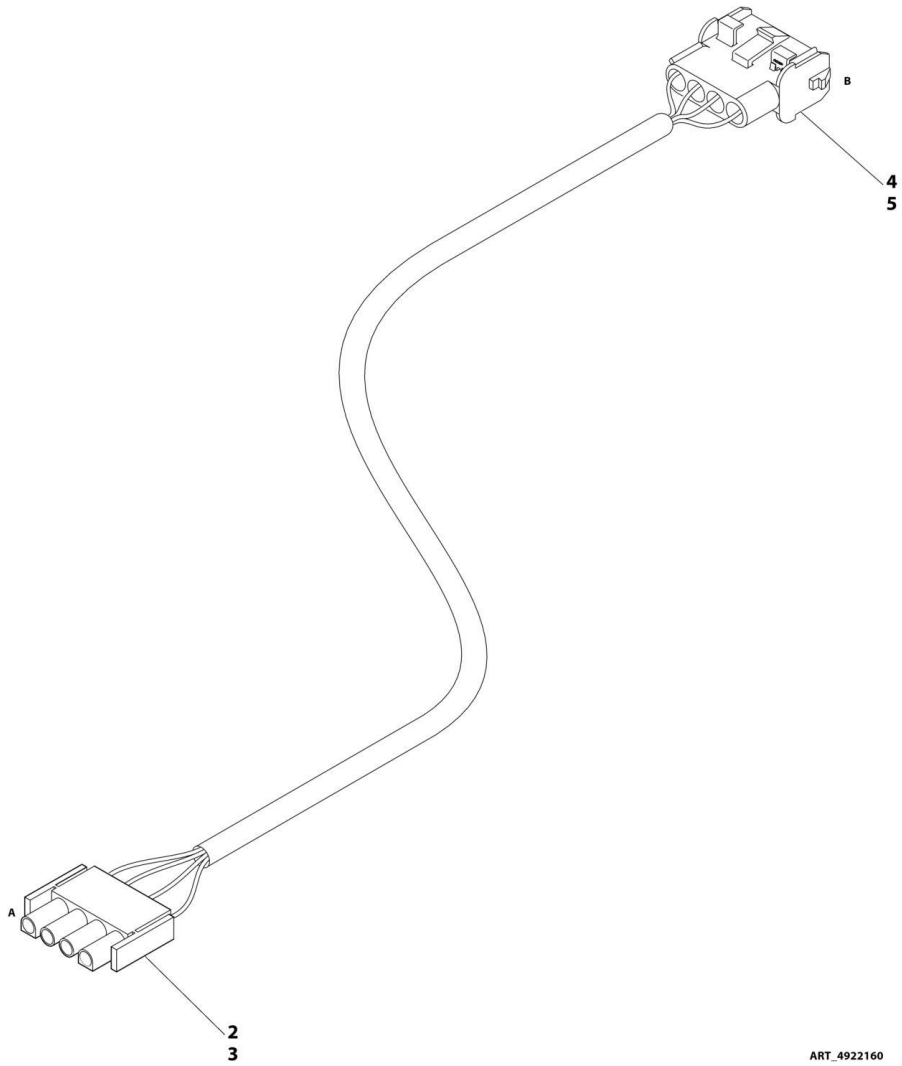
## SECTION 8 - ELECTRICAL

**FIGURE 8-8. AC PLUGS AND SOCKETS INSTALLATION - CEE 7 SIDE GROUND (CE SPEC)**

ITEM	PART NUMBER	QTY	DESCRIPTION	REV
	0275219	Ref	AC PLUGS AND SOCKETS INSTALLATION - CEE 7 SIDE GROUND (CE SPEC)	B
1	1001141967	1	Box, Switch	
2	1001141969	1	Receptacle	
3	4461205	1	Plug, Male	
4	1001141970	1	Plug and Socket Kit (Includes Items 1-3 and Female Plug p/n 4461206)	

# SECTION 8 - ELECTRICAL

## FIGURE 8-9. ANALYZER HARNESS ASSEMBLY



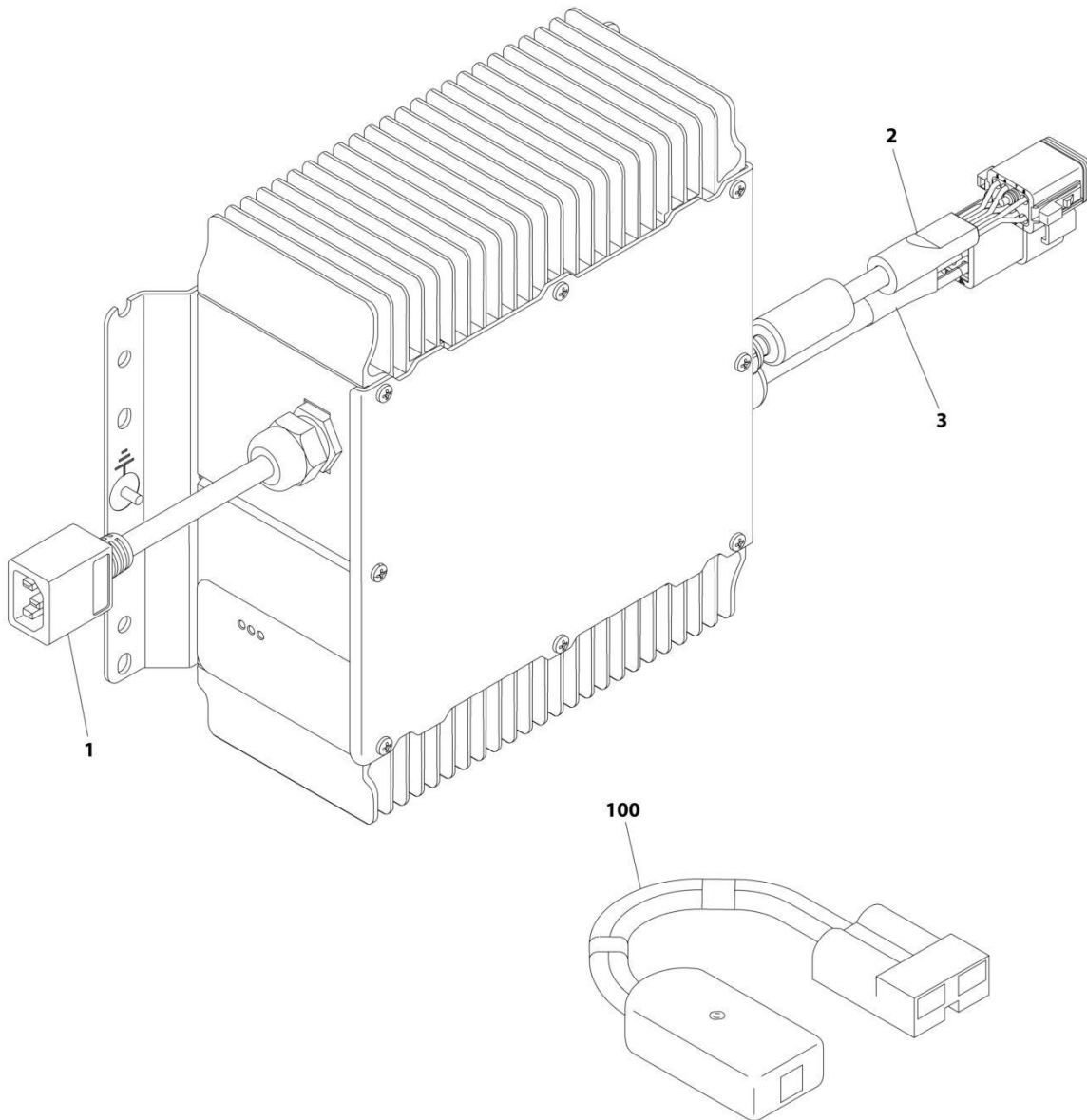
## SECTION 8 - ELECTRICAL

### FIGURE 8-9. ANALYZER HARNESS ASSEMBLY

ITEM	PART NUMBER	QTY	DESCRIPTION	REV
	4922160	Ref	ANALYZER HARNESS ASSEMBLY	3/C
2	4460321	1	Connector - 4 Position	
3	4460226	4	Socket, Female	
4	4460761	1	Connector, Female - 4 Position	
5	4460227	4	Pin, Male	

# SECTION 8 - ELECTRICAL

## FIGURE 8-10. BATTERY CHARGER ASSEMBLY



ART\_1001103105



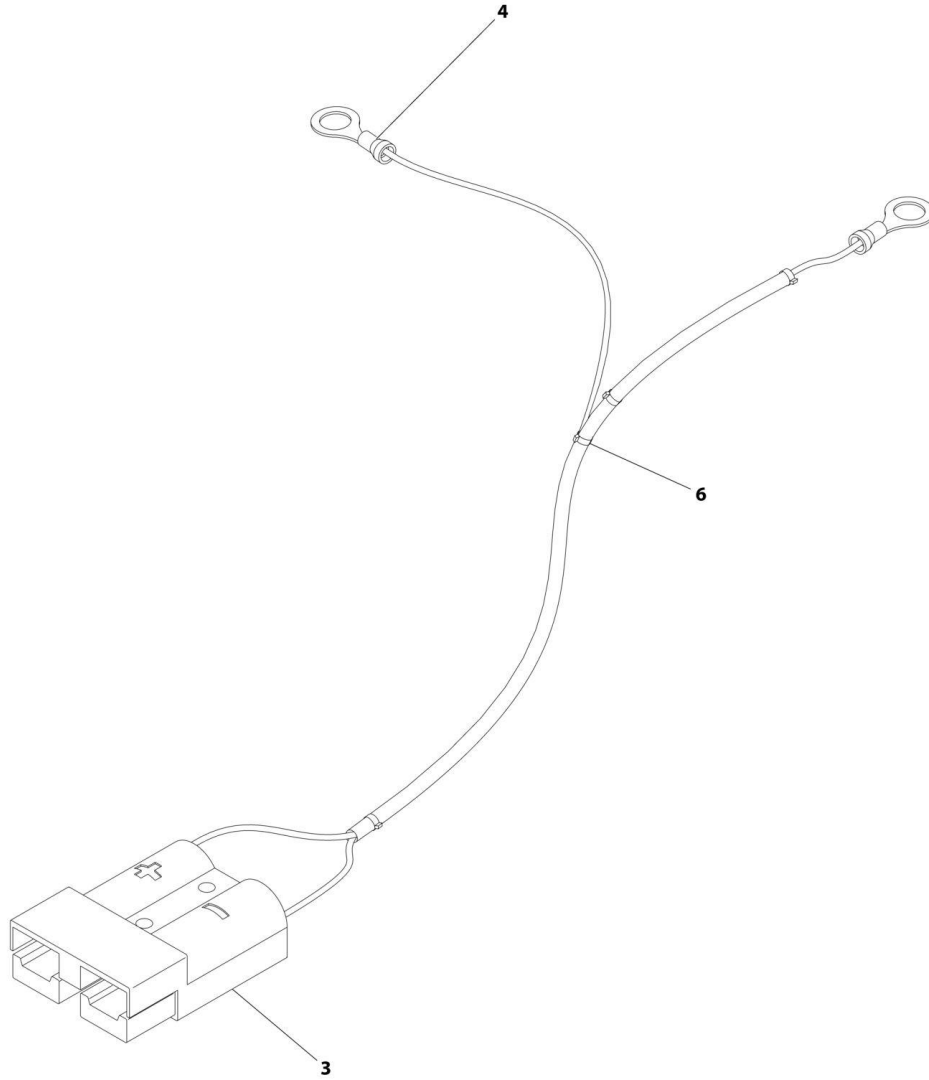
## SECTION 8 - ELECTRICAL

**FIGURE 8-10. BATTERY CHARGER ASSEMBLY**

ITEM	PART NUMBER	QTY	DESCRIPTION	REV
	1001103105	1	BATTERY CHARGER ASSEMBLY	D
1	See Note	1	Harness, Battery Charger AC Plug (Note: Not Available for Purchase)	
1	See Note	1	Connector, Plug (Note: Not Available for Purchase)	
2	See Note	1	Harness, Battery Charger Signal (Note: Not Available for Purchase)	
2	4460930	1	Connector - 8 Position	
2	4460464	7	Socket, Female	
3	See Note	1	Harness, Battery Charger Power (Note: Not Available - Purchase Complete Charger)	
3	1001116811	1	Connector - 4 Position	
3	4460508	4	Pin, Male	
100	2915230	1	BATTERY CHARGER REPROGRAM CONTROLLER KIT (Includes Controller, Software and Instructions)	

# SECTION 8 - ELECTRICAL

FIGURE 8-11. BATTERY CHARGER HARNESS (SN 0300189901 through 0300196080)



ART\_4922103

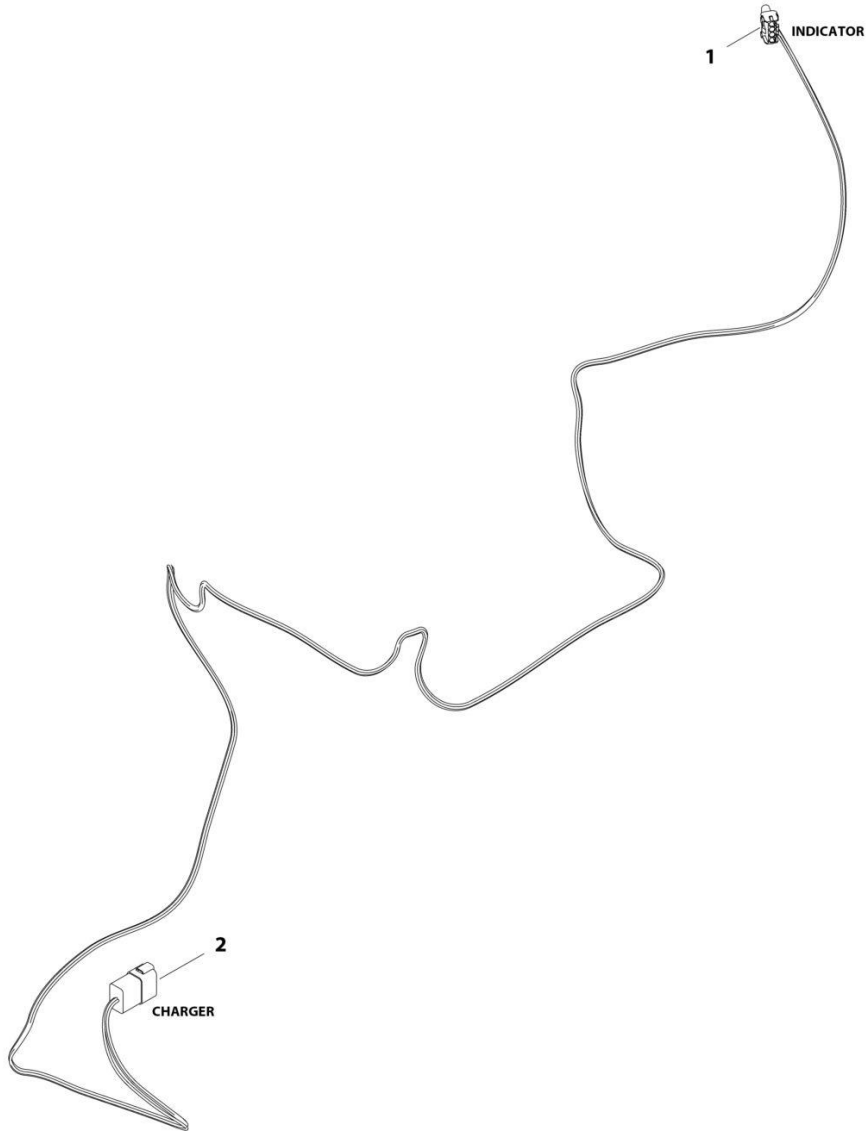
## SECTION 8 - ELECTRICAL

**FIGURE 8-11. BATTERY CHARGER HARNESS (SN 0300189901 through 0300196080)**

ITEM	PART NUMBER	QTY	DESCRIPTION	REV
	4922103	Ref	BATTERY CHARGER HARNESS (SN 0300189901 through 0300196080)	A
3	4460444	1	Connector, Anderson	
4	4460738	2	Terminal	
6	4240033	4	Tie-Strap	

# SECTION 8 - ELECTRICAL

FIGURE 8-12. BATTERY CHARGER INDICATOR HARNESS - CE SPEC (SN 0300200790 through 0300208529)



ART\_1001190300

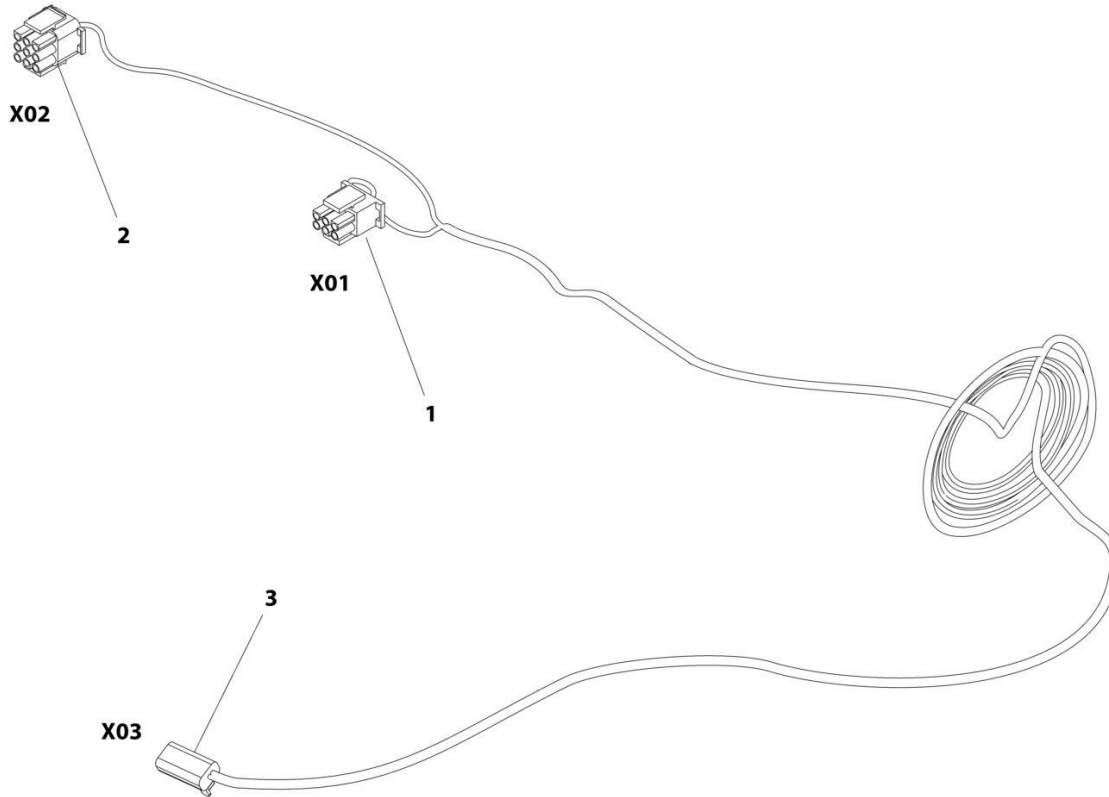
## SECTION 8 - ELECTRICAL

**FIGURE 8-12. BATTERY CHARGER INDICATOR HARNESS - CE SPEC (SN 0300200790 through 0300208529)**

ITEM	PART NUMBER	QTY	DESCRIPTION	REV
	1001190300	Ref	BATTERY CHARGER INDICATOR HARNESS - CE SPEC (SN <b>0300200790 through 0300208529</b> )	A
1	4460761	1	Connector - 4 Position	
1	4460226	4	Pin, Male	
2	4460931	1	Connector - 8 Position	
2	4460464	4	Pin, Male	
2	4460466	4	Plug, Seal	

# SECTION 8 - ELECTRICAL

## FIGURE 8-13. BEACON LIGHT HARNESS (BLUE BEACON ONLY)



ART\_1001149570

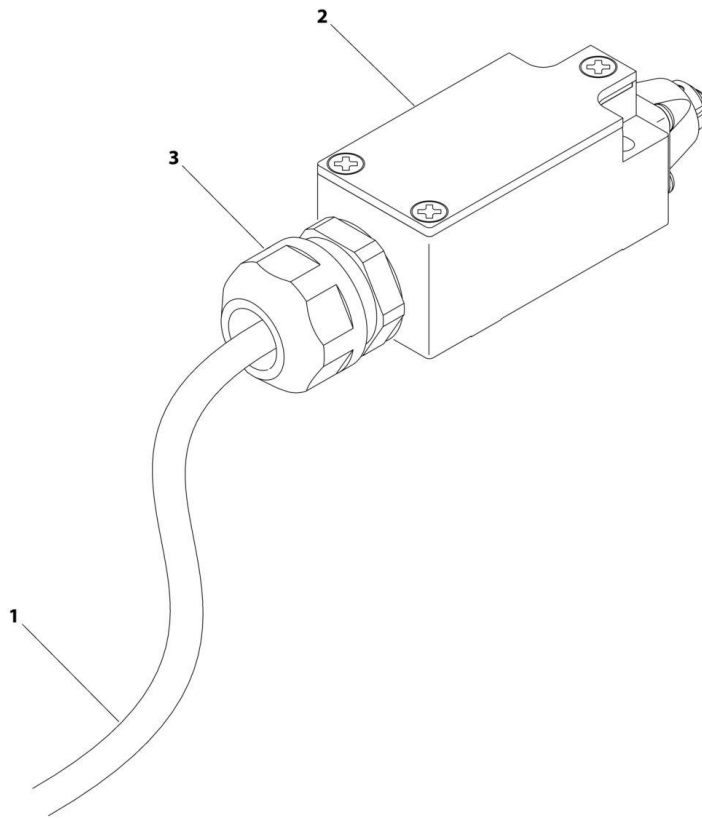
## SECTION 8 - ELECTRICAL

**FIGURE 8-13. BEACON LIGHT HARNESS (BLUE BEACON ONLY)**

ITEM	PART NUMBER	QTY	DESCRIPTION	REV
	1001149570	Ref	BEACON LIGHT HARNESS (BLUE BEACON ONLY)	B
1	4460225	1	Plug, Male - 6 Position	
1	4460267	1	Pin, Male	
2	4460265	1	Plug, Male - 9 Position	
2	4460268	1	Socket, Female	
3	4460891	1	Plug, Male - 2 Position	
3	4460465	2	Socket, Female	

# SECTION 8 - ELECTRICAL

FIGURE 8-14. BOOM LIMIT SWITCH HARNESS - LOWER



ART\_4922614



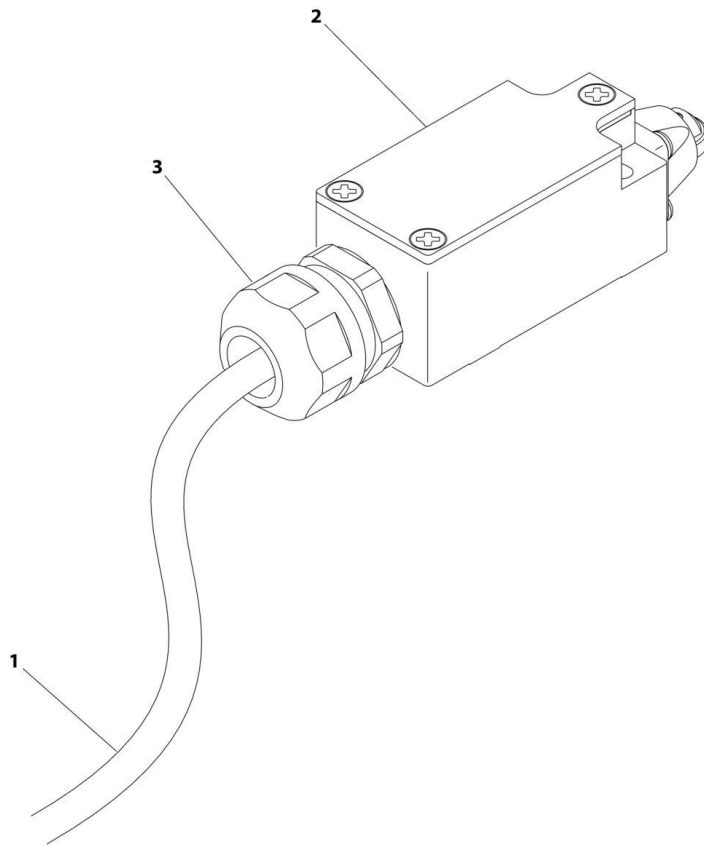
## SECTION 8 - ELECTRICAL

### FIGURE 8-14. BOOM LIMIT SWITCH HARNESS - LOWER

ITEM	PART NUMBER	QTY	DESCRIPTION	REV
	4922614	Ref	BOOM LIMIT SWITCH HARNESS - LOWER	B
1	1060341	19 ft /5.8m	Cable, Electrical - 16/2	
2	4360548	1	Switch, Limit	
3	4460968	1	Connector, Strain Relief	

# SECTION 8 - ELECTRICAL

## FIGURE 8-15. BOOM LIMIT SWITCH HARNESS - UPPER



ART\_4922613

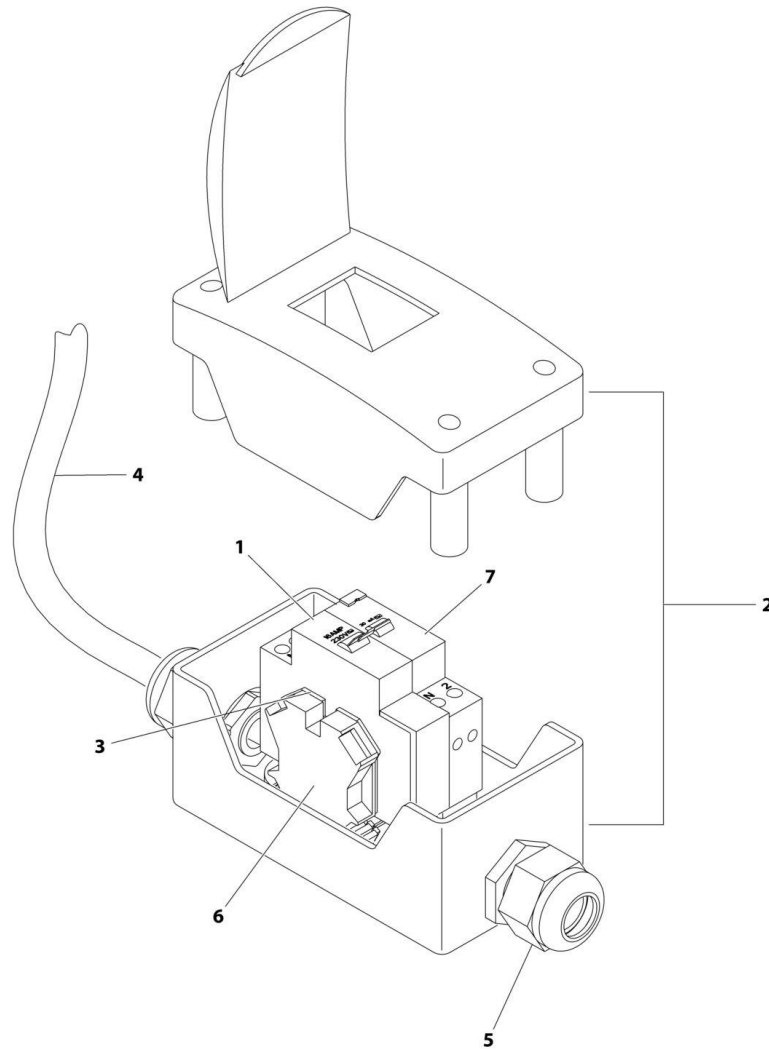
## SECTION 8 - ELECTRICAL

### FIGURE 8-15. BOOM LIMIT SWITCH HARNESS - UPPER

ITEM	PART NUMBER	QTY	DESCRIPTION	REV
	4922613	Ref	BOOM LIMIT SWITCH HARNESS - UPPER	B
1	1060341	34 ft /10.3m	Cable, Electrical - 16/2	
2	4360548	1	Switch, Limit	
3	4460968	1	Connector, Strain Relief	

# SECTION 8 - ELECTRICAL

FIGURE 8-16. BREAKER BOX KIT WITH TWO BREAKERS - CE SPEC



ART\_2902549

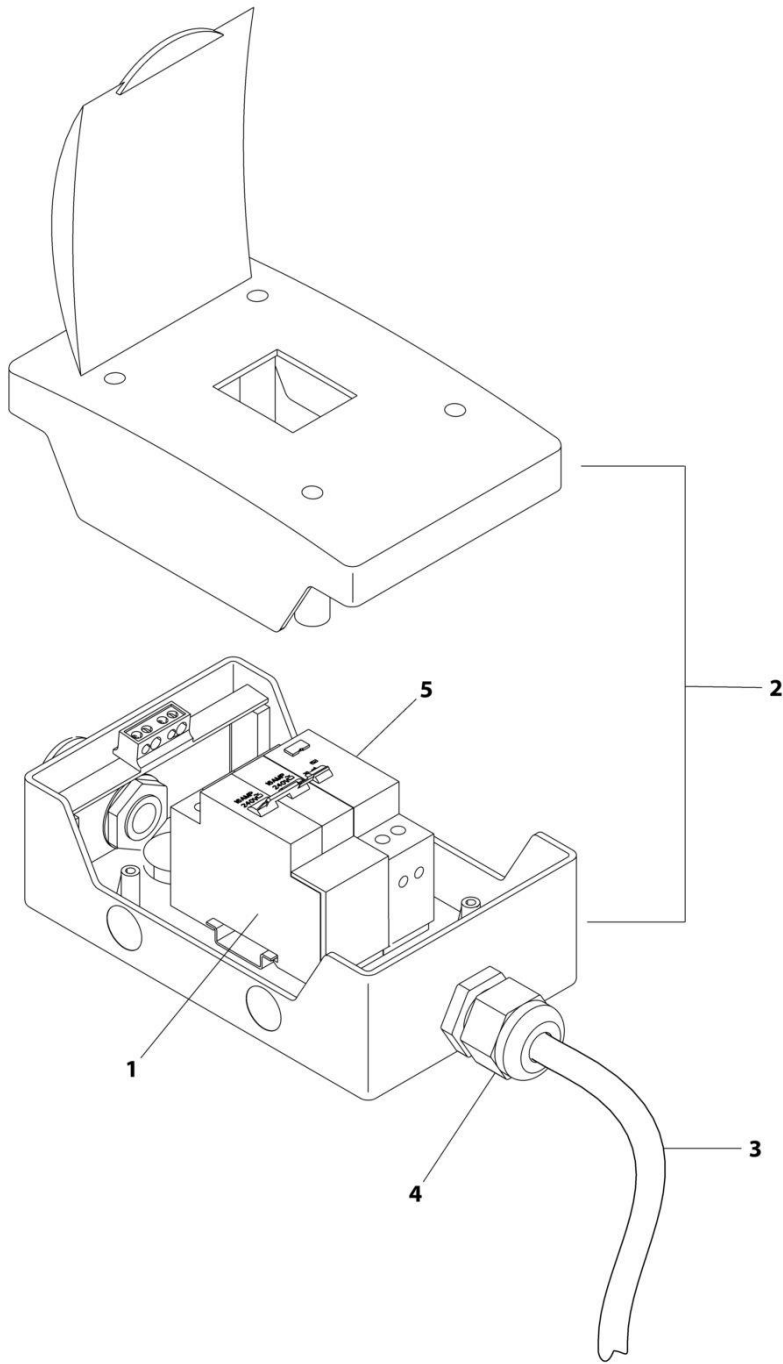
## SECTION 8 - ELECTRICAL

**FIGURE 8-16. BREAKER BOX KIT WITH TWO BREAKERS - CE SPEC**

ITEM	PART NUMBER	QTY	DESCRIPTION	REV
	2902549	Ref	BREAKER BOX KIT WITH TWO BREAKERS - CE SPEC	D
1	1001181045	1	Breaker, 16Amp	
2	0861880	1	Box	
3	4460956	1	Barrier, Terminal	
4	1060908	6 ft/1.8m	Cable, 12/3	
5	1001097150	2	Connector, Strain Relief	
6	4460957	1	Block, Terminal	
7	1001181046	1	Breaker, 30mA	

# SECTION 8 - ELECTRICAL

FIGURE 8-17. BREAKER BOX KIT WITH THREE BREAKERS - CE SPEC



ART\_1001152485

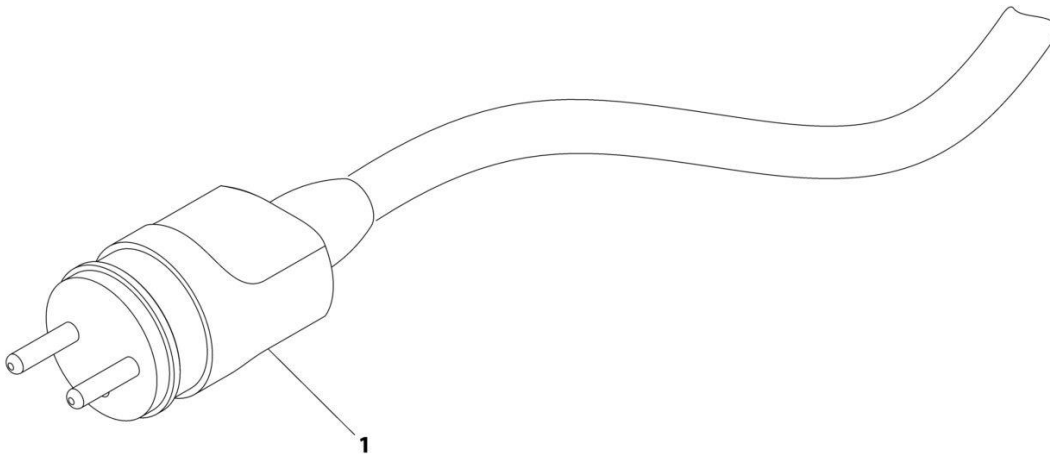
## SECTION 8 - ELECTRICAL

**FIGURE 8-17. BREAKER BOX KIT WITH THREE BREAKERS - CE SPEC**

ITEM	PART NUMBER	QTY	DESCRIPTION	REV
	1001152485	Ref	BREAKER BOX KIT WITH THREE BREAKERS - CE SPEC	B
1	1001189172	1	Breaker, 16Amp (Double)	
2	1001152483	1	Box	
3	1060908	6 ft/1.8m	Cable, 12/3	
4	1001097150	2	Connector, Strain Relief	
5	1001189171	1	Breaker, 30mA	

## SECTION 8 - ELECTRICAL

FIGURE 8-18. CHARGER CORD PLUG INSTALLATION - 220V - CEE7 POST GROUND (CE SPEC)



ART\_0275663-C



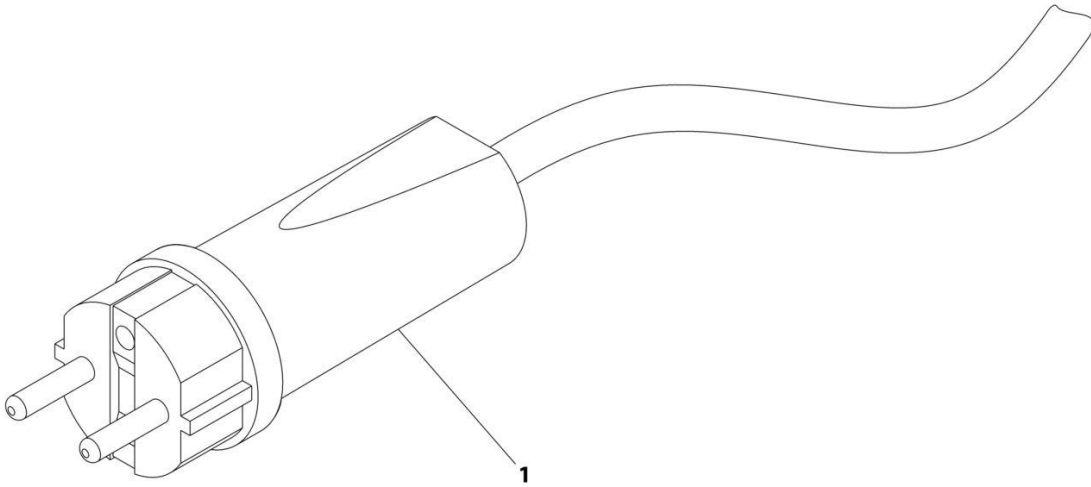
## SECTION 8 - ELECTRICAL

**FIGURE 8-18. CHARGER CORD PLUG INSTALLATION - 220V - CEE7 POST GROUND (CE SPEC)**

ITEM	PART NUMBER	QTY	DESCRIPTION	REV
	0275663	Ref	CHARGER CORD PLUG INSTALLATION - 220V - CEE7 POST GROUND (CE SPEC)	A
1	4461202	1	Plug	

## SECTION 8 - ELECTRICAL

FIGURE 8-19. CHARGER CORD PLUG INSTALLATION - 220V - CEE7 SIDE GROUND (CE SPEC)



ART\_0275664

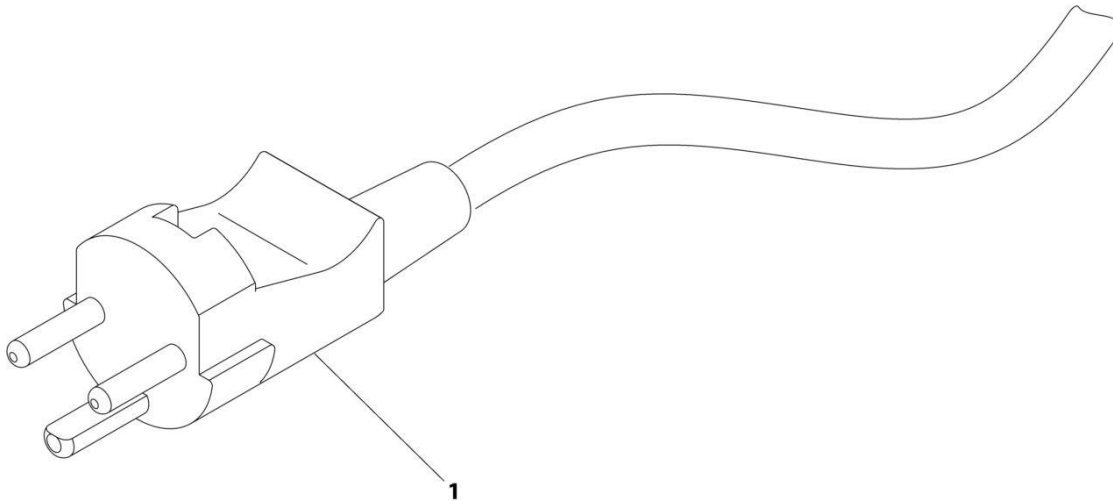
## SECTION 8 - ELECTRICAL

**FIGURE 8-19. CHARGER CORD PLUG INSTALLATION - 220V - CEE7 SIDE GROUND (CE SPEC)**

ITEM	PART NUMBER	QTY	DESCRIPTION	REV
	0275664	Ref	CHARGER CORD PLUG INSTALLATION - 220V - CEE7 SIDE GROUND (CE SPEC)	A
1	4461205	1	Plug	

## SECTION 8 - ELECTRICAL

FIGURE 8-20. CHARGER CORD PLUG INSTALLATION - 220V - AFSINT 107 KEYED GROUND (CE SPEC)



ART\_0275665

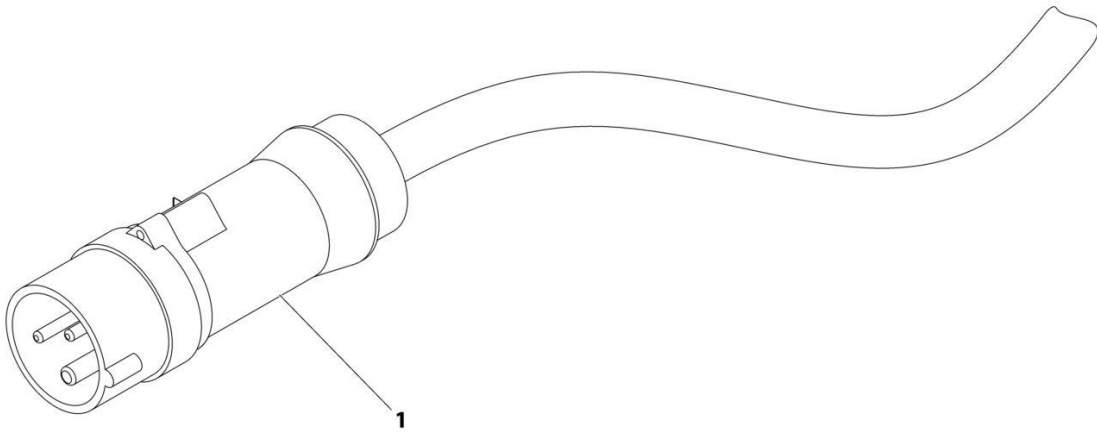
## SECTION 8 - ELECTRICAL

**FIGURE 8-20. CHARGER CORD PLUG INSTALLATION - 220V - AFSINT 107 KEYED GROUND (CE SPEC)**

ITEM	PART NUMBER	QTY	DESCRIPTION	REV
	0275665	Ref	CHARGER CORD PLUG INSTALLATION - 220V - AFSINT 107 KEYED GROUND (CE SPEC)	A
1	4461249	1	Plug	

## SECTION 8 - ELECTRICAL

FIGURE 8-21. CHARGER CORD PLUG INSTALLATION - 110V - IEC 60309 - YELLOW (CE SPEC)



ART\_0275666

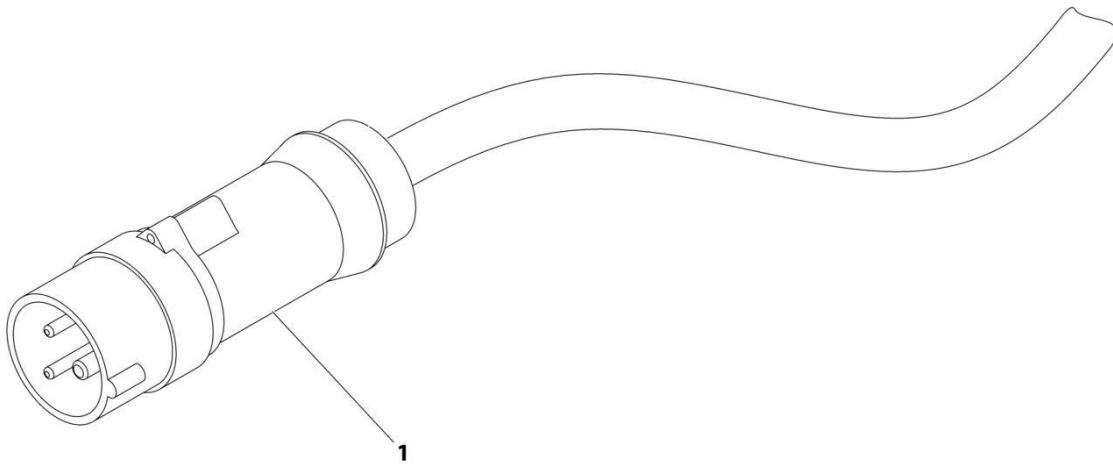
## SECTION 8 - ELECTRICAL

**FIGURE 8-21. CHARGER CORD PLUG INSTALLATION - 110V - IEC 60309 - YELLOW (CE SPEC)**

ITEM	PART NUMBER	QTY	DESCRIPTION	REV
	0275666	Ref	CHARGER CORD PLUG INSTALLATION - 110V - IEC 60309 - YELLOW (CE SPEC)	A
1	4461196	1	Plug	

## SECTION 8 - ELECTRICAL

FIGURE 8-22. CHARGER CORD PLUG INSTALLATION - 220V - IEC 60309 - BLUE (CE SPEC)



ART\_0275667



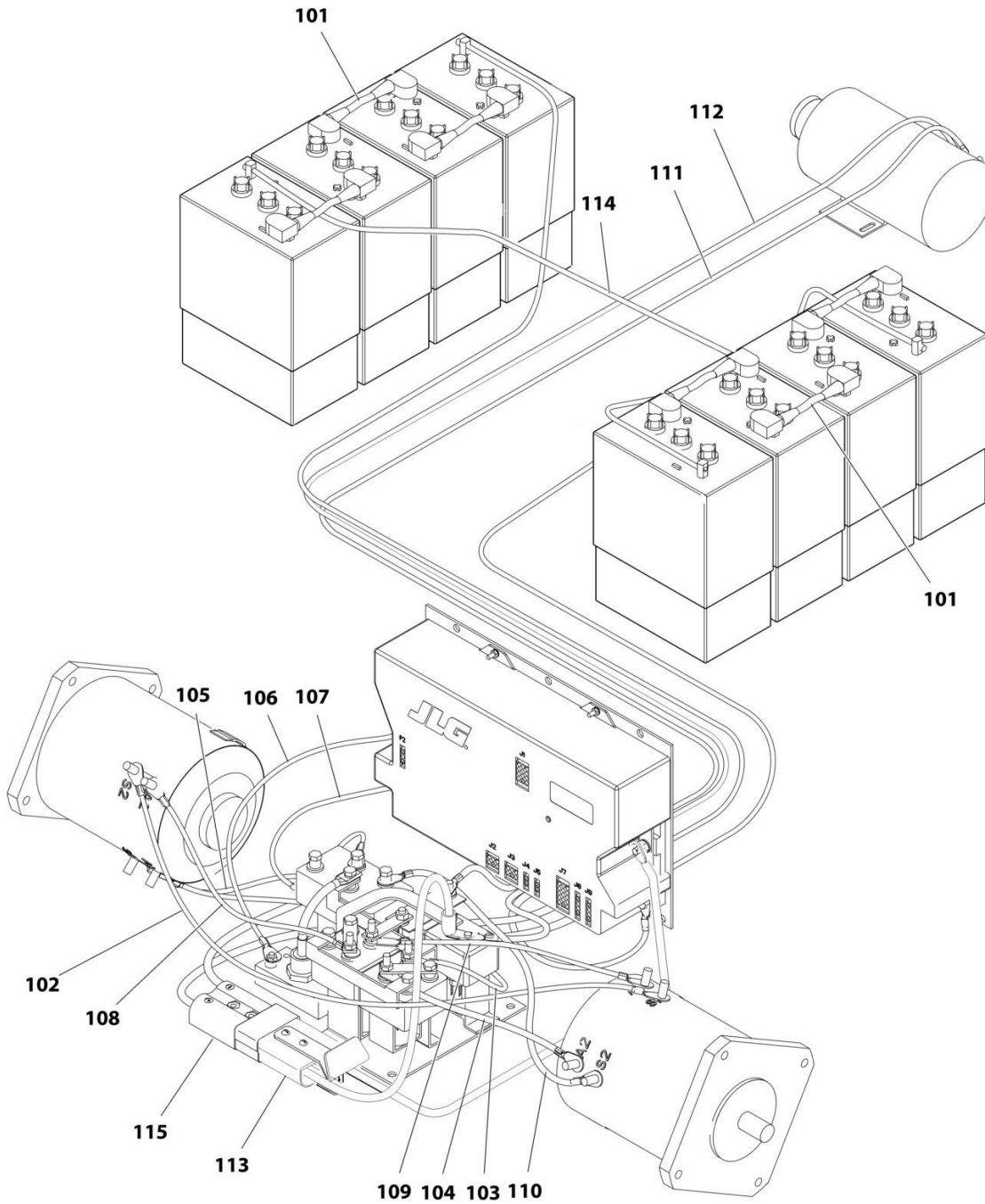
## SECTION 8 - ELECTRICAL

**FIGURE 8-22. CHARGER CORD PLUG INSTALLATION - 220V - IEC 60309 - BLUE (CE SPEC)**

ITEM	PART NUMBER	QTY	DESCRIPTION	REV
	0275667	Ref	CHARGER CORD PLUG INSTALLATION - 220V - IEC 60309 - BLUE (CE SPEC)	A
1	4461199	1	Plug	

# SECTION 8 - ELECTRICAL

## FIGURE 8-23. CONTACTOR CABLE KIT - E450A/E450AJ



ART\_1001176310

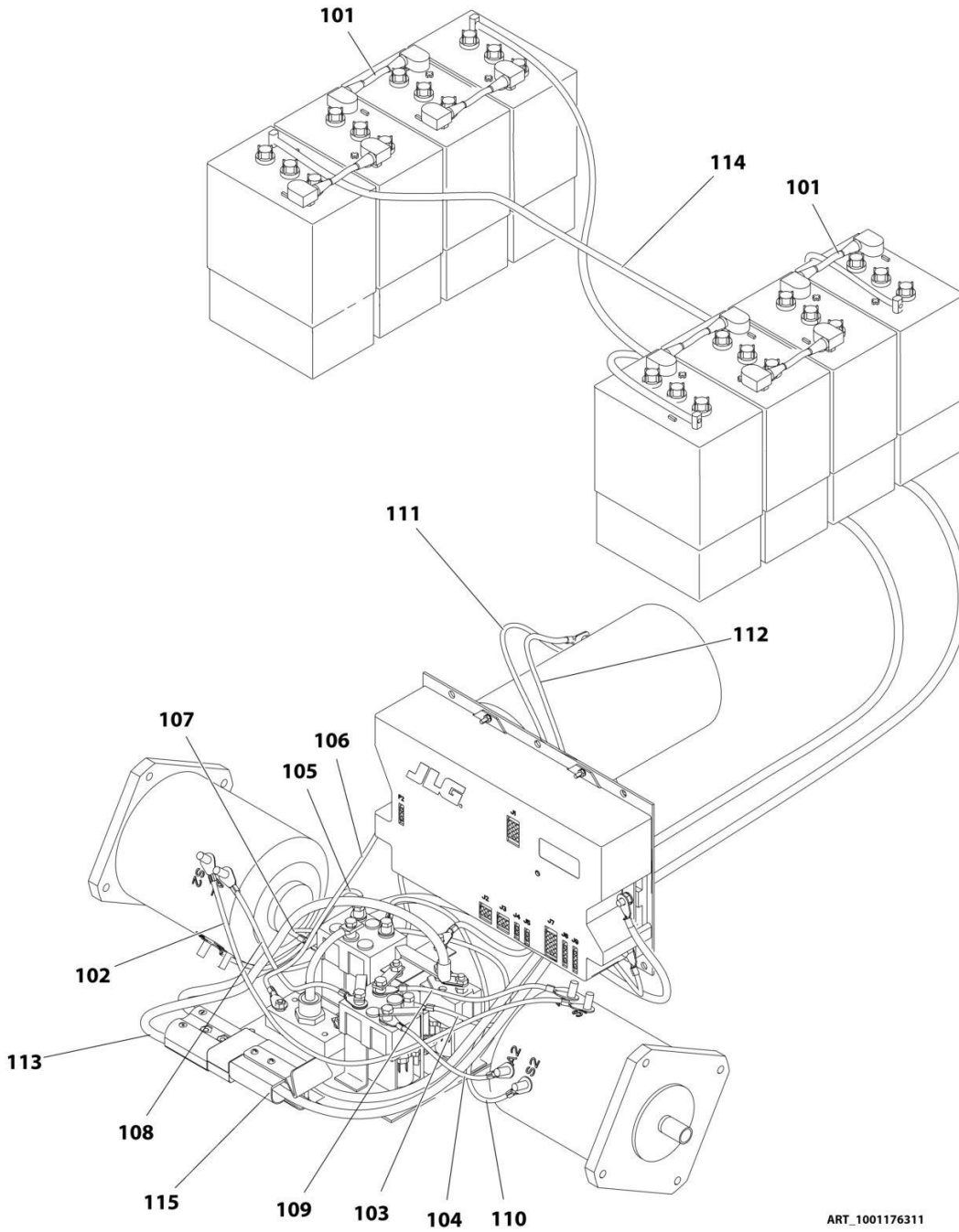
## SECTION 8 - ELECTRICAL

**FIGURE 8-23. CONTACTOR CABLE KIT - E450A/E450AJ**

ITEM	PART NUMBER	QTY	DESCRIPTION	REV
	1001176310	Ref	CONTACTOR CABLE KIT - E450A/E450AJ	A
101	1060092	6	Cable, Battery	
102	1060717	1	Cable, Electrical (Motor B S2 to Motor A S1)	
103	1060718	1	Cable, Electrical (Motor B A1 to Contactor Plate MB2)	
104	1060719	1	Cable, Electrical (Motor A A2 to Contactor Plate MA2)	
105	1001171290	1	Cable, Electrical (Motor B S1 to Contactor Plate SA1)	
106	1060721	1	Cable, Electrical (Power Module A to Contactor Plate B+)	
107	1060722	1	Cable, Electrical (Power Module B+ to Contactor Plate A)	
108	1060723	1	Cable, Electrical (Motor B A2 to Contactor Plate MB1)	
109	1060724	1	Cable, Electrical (Motor A A1 to Contactor Plate MA1)	
110	1001171289	1	Cable, Electrical (Motor A S2 to Contactor Plate SB1)	
111	1001167433	1	Cable, Electrical (Contactor Plate P2 to Hydraulic Pump Motor +)	
112	1001167434	1	Cable, Electrical (Power Module to Hydraulic Pump Motor -)	
113	1060810	1	Cable, Electrical (Contactor Plate to Battery Connector)	
114	1060811	1	Cable, Electrical (Battery to Battery)	
115	1060809	1	Cable, Electrical (Battery Connector to Batteries)	

# SECTION 8 - ELECTRICAL

## FIGURE 8-24. CONTACTOR CABLE KIT - M450AJ



ART\_1001176311

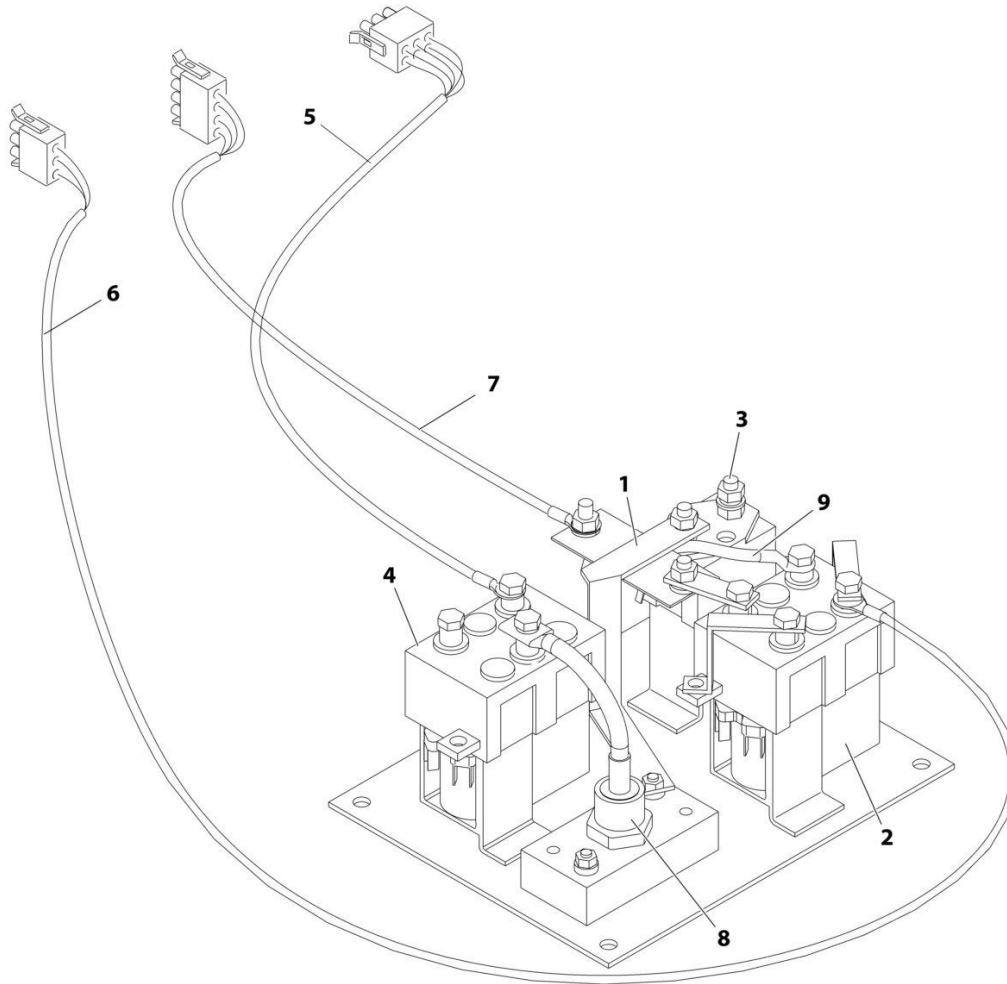
## SECTION 8 - ELECTRICAL

**FIGURE 8-24. CONTACTOR CABLE KIT - M450AJ**

ITEM	PART NUMBER	QTY	DESCRIPTION	REV
	1001176311	Ref	CONTACTOR CABLE KIT - M450AJ	A
101	1060092	6	Cable, Battery	
102	1060717	1	Cable, Electrical (Motor B S2 to Motor A S1)	
103	1060718	1	Cable, Electrical (Motor B A1 to Contactor Plate MB2)	
104	1060719	1	Cable, Electrical (Motor A A2 to Contactor Plate MA2)	
105	1001171290	1	Cable, Electrical (Motor B S1 to Contactor Plate SA1)	
106	1060721	1	Cable, Electrical (Power Module A to Contactor Plate B+)	
107	1060722	1	Cable, Electrical (Power Module B+ to Contactor Plate A)	
108	1060723	1	Cable, Electrical (Motor B A2 to Contactor Plate MB1)	
109	1060724	1	Cable, Electrical (Motor A A1 to Contactor Plate MA1)	
110	1001171289	1	Cable, Electrical (Motor A S2 to Contactor Plate SB1)	
111	1060728	1	Cable, Electrical (Contactor Plate P2 to Hydraulic Pump Motor +)	
112	1001171293	1	Cable, Electrical (Power Module to Hydraulic Pump Motor -)	
113	1060810	1	Cable, Electrical (Contactor Plate to Battery Connector)	
114	1060811	1	Cable, Electrical (Battery to Battery)	
115	1060809	1	Cable, Electrical (Battery connector to Batteries)	

# SECTION 8 - ELECTRICAL

## FIGURE 8-25. CONTACTOR PLATE ASSEMBLY AND HARNESSES



ART\_1600294

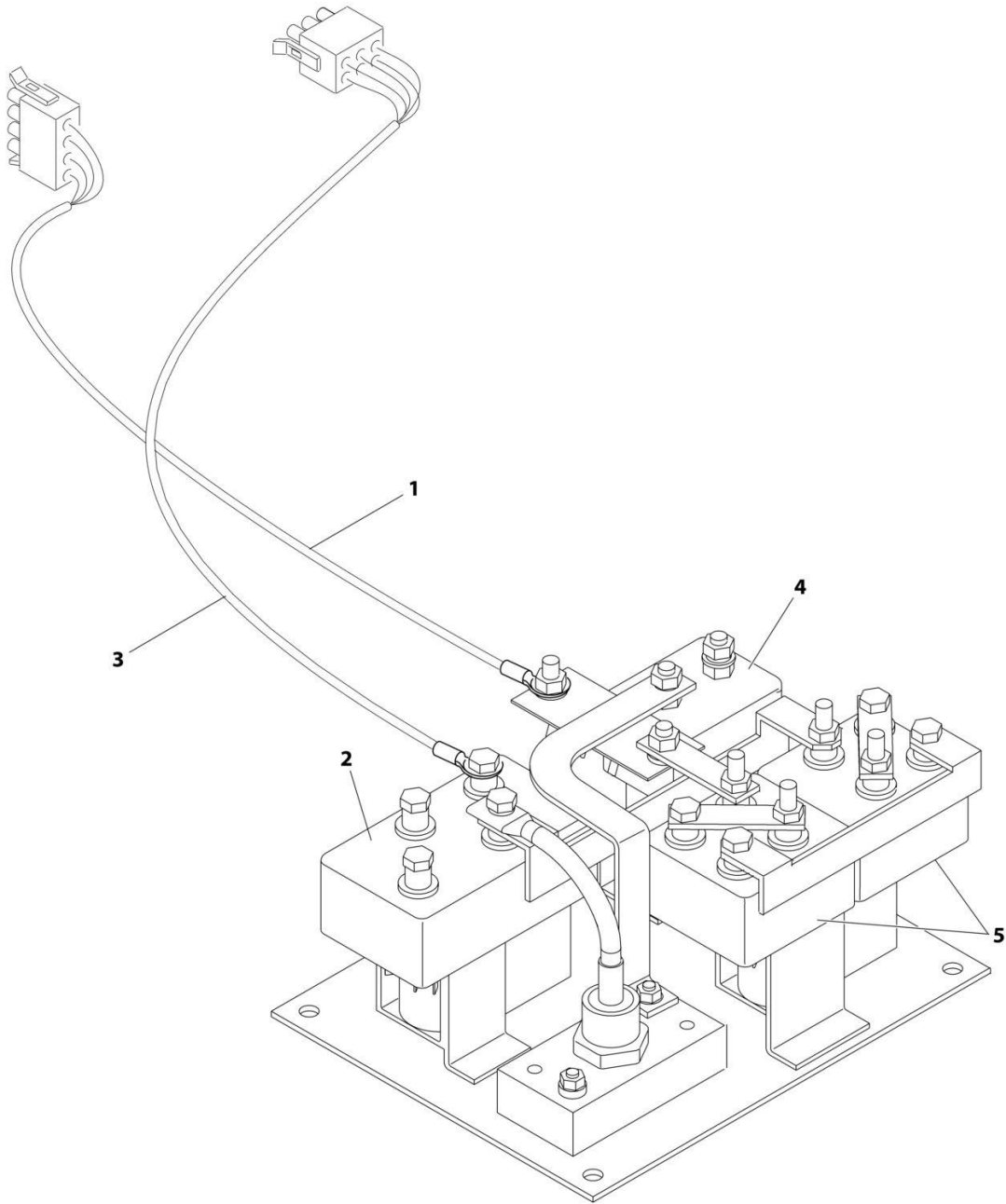
## SECTION 8 - ELECTRICAL

**FIGURE 8-25. CONTACTOR PLATE ASSEMBLY AND HARNESES**

ITEM	PART NUMBER	QTY	DESCRIPTION	REV
	1600294	Ref	CONTACTOR PLATE ASSEMBLY AND HARNESES	E
1	70001052	1	Harness, Shunt/Bus Bar Assembly	
2	7022000	1	Contactor (Posi-Track)	
3	7022001	1	Contactor (Main)	
4	7022002	1	Contactor (Forward/Reverse)	
5	7022003	1	Harness, Contactor	
5	4460225	1	Connector - 3 Position	
5	4460226	6	Socket, Female	
6	7022004	1	Harness, Posi-Track Contactor	
6	4460326	1	Connector - 3 Position	
6	4460227	3	Pin, Male	
7	7022005	1	Harness, Shunt	
7	4460321	1	Connector - 4 Position	
7	4460227	4	Pin, Male	
8	7022011	1	Diode, Power	
9	7022012	1	Cable, Power	

# SECTION 8 - ELECTRICAL

FIGURE 8-26. CONTACTOR PLATE ASSEMBLY AND HARNESSSES - UL LISTED



ART\_1600300



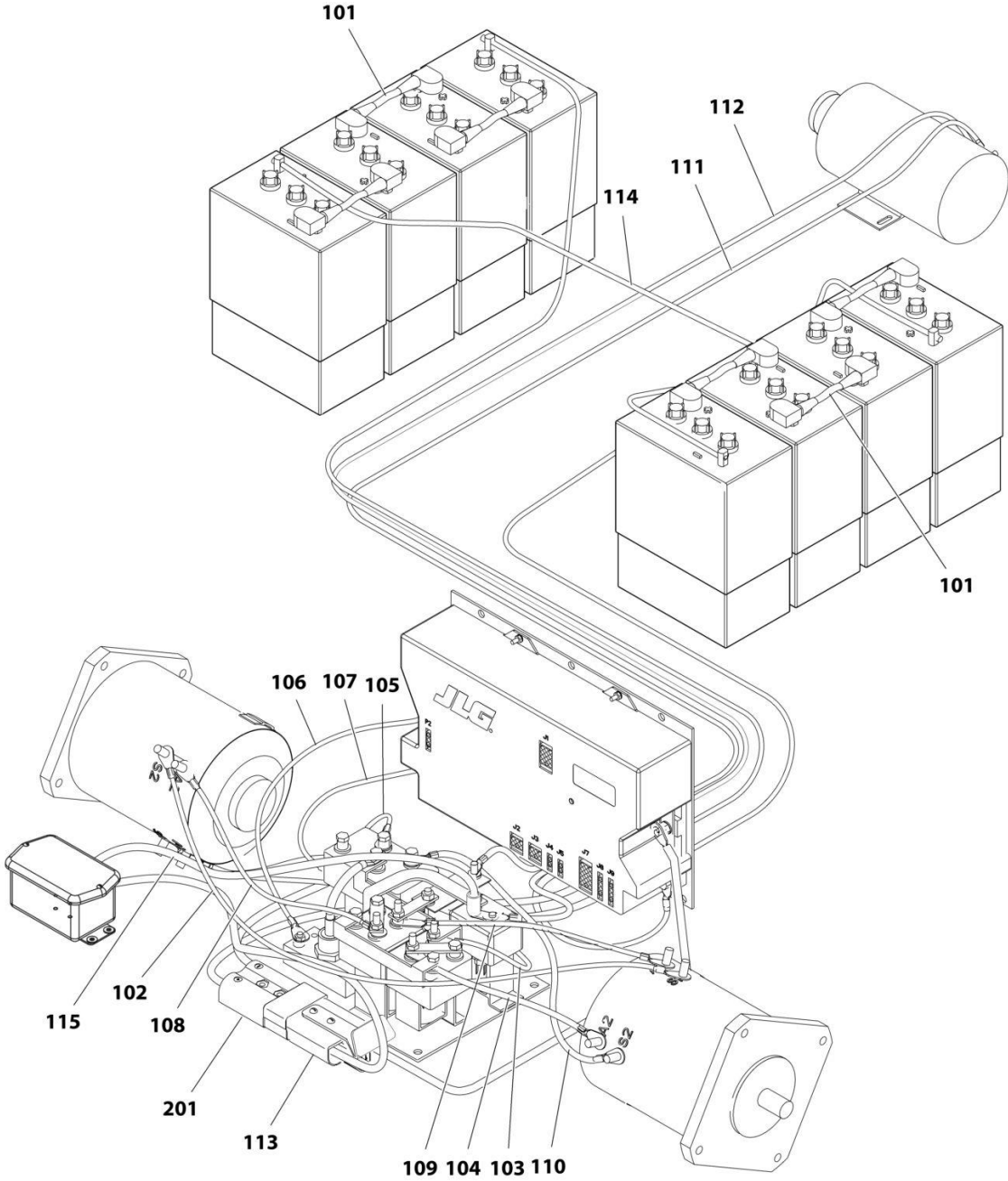
## SECTION 8 - ELECTRICAL

**FIGURE 8-26. CONTACTOR PLATE ASSEMBLY AND HARNESESSES - UL LISTED**

ITEM	PART NUMBER	QTY	DESCRIPTION	REV
	1600300	Ref	CONTACTOR PLATE ASSEMBLY AND HARNESESSES - UL LISTED	
1	7022005	1	Harness, Shunt	
1	4460321	1	Connector - 4 Position	
1	4460227	4	Pin, Male	
2	7022007	1	Contactor, (Forward/Reverse)	
3	7022008	1	Harness, Contactor	
3	4460225	1	Connector - 6 Position	
3	4460226	6	Socket, Female	
4	7022009	1	Contactor (Main)	
5	7022010	2	Contactor (Posi-Track)	

**SECTION 8 - ELECTRICAL**

**FIGURE 8-27. CONTACTOR PLATE KIT - E450A/E450AJ - UL/EE**



ART\_1001176309

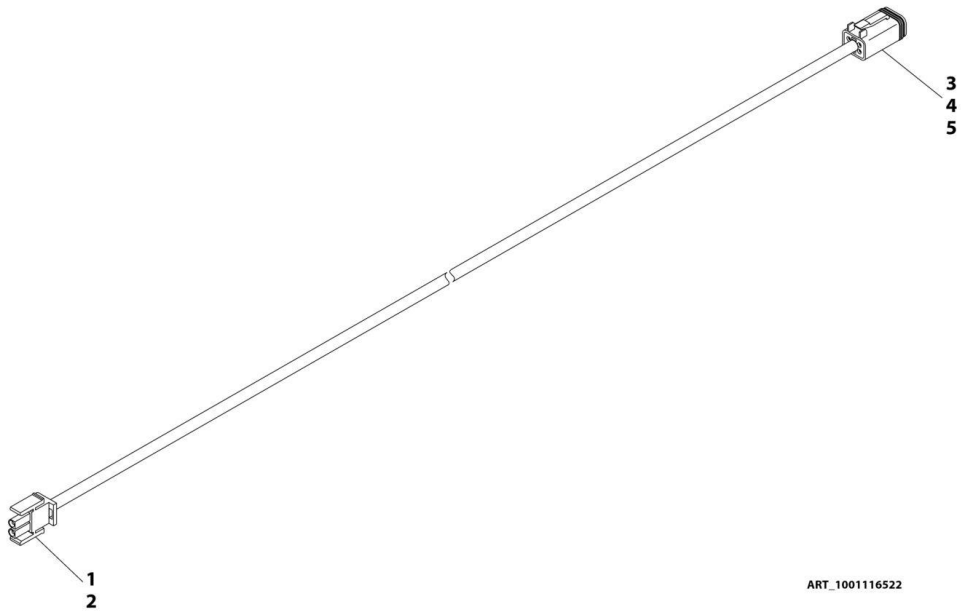
## SECTION 8 - ELECTRICAL

**FIGURE 8-27. CONTACTOR PLATE KIT - E450A/E450AJ - UL/EE**

ITEM	PART NUMBER	QTY	DESCRIPTION	REV
	1001176309	Ref	CONTACTOR PLATE KIT - E450A/E450AJ - UL/EE	A
101	1060092	6	Cable, Battery	
102	1060835	1	Cable, Electrical (Motor B S2 to Motor A S1)	
103	1060836	1	Cable, Electrical (Motor B A1 to Contactor Plate MB2)	
104	1060837	1	Cable, Electrical (Motor A A2 to Contactor Plate MA2)	
105	1001167426	1	Cable, Electrical (Motor B S1 to Contactor Plate SA1)	
106	1060839	1	Cable, Electrical (Power Module A to Contactor Plate)	
107	1060840	1	Cable, Electrical (Power Module B+ to Contactor Plate)	
108	1060841	1	Cable, Electrical (Motor B A2 to Contactor Plate MB1)	
109	1060842	1	Cable, Electrical (Motor A A1 to Contactor Plate MA1)	
110	1001167431	1	Cable, Electrical (Motor A S2 to Contactor Plate SB1)	
111	1001171292	1	Cable, Electrical (Contactor Plate P2 to Hydraulic Pump Motor +)	
112	1001171291	1	Cable, Electrical (Power Module to Hydraulic Pump Motor -)	
113	1060810	1	Cable, Electrical (Power Module to Batteries)	
114	1060811	1	Cable, Electrical (Battery to Battery)	
115	1060847	1	Cable, Electrical (Jumper, Fuse)	
201	1060809	1	Cable, Battery	

# SECTION 8 - ELECTRICAL

## FIGURE 8-28. DRIVE ORIENTATION HARNESS



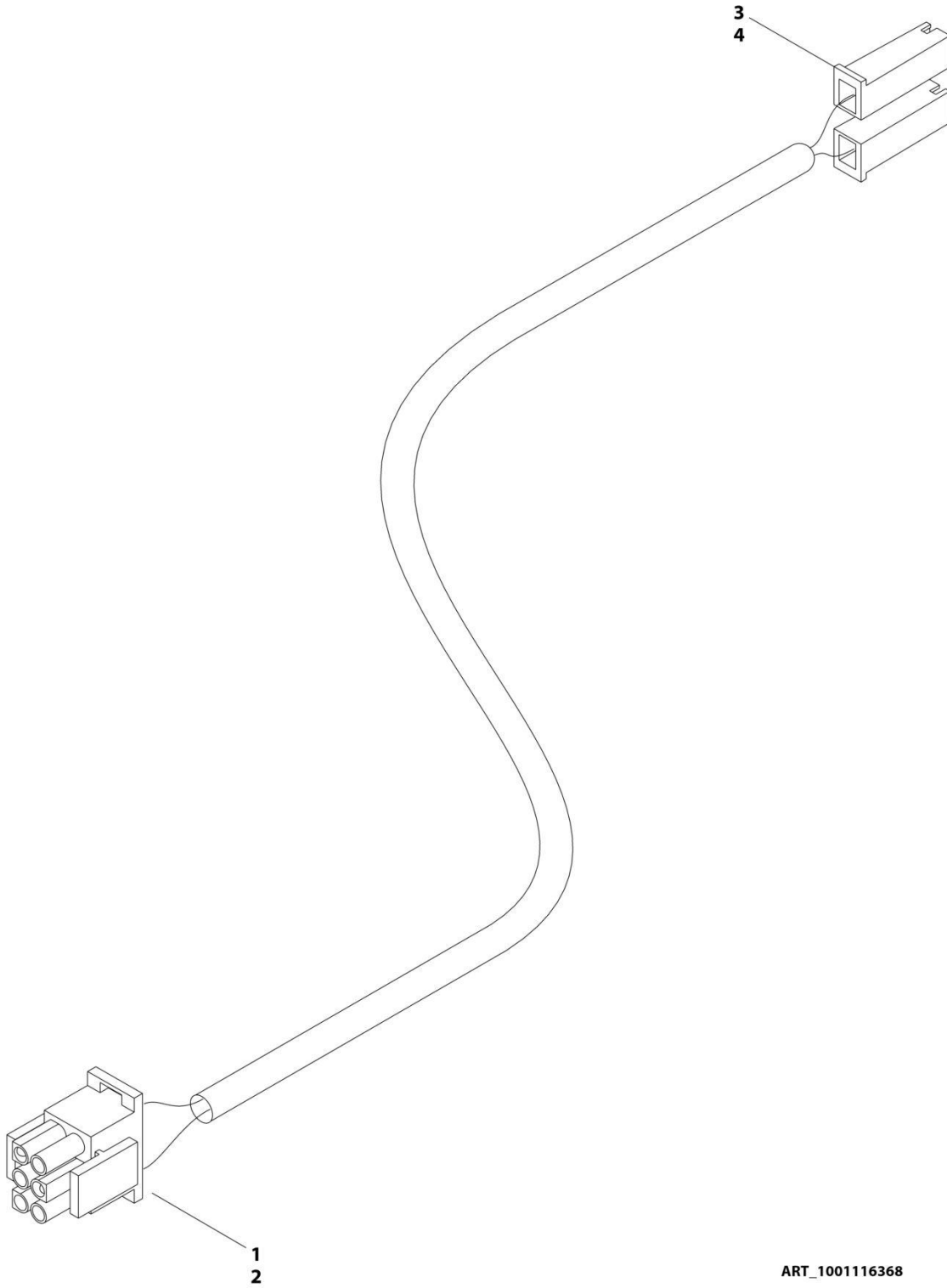
## SECTION 8 - ELECTRICAL

### FIGURE 8-28. DRIVE ORIENTATION HARNESS

ITEM	PART NUMBER	QTY	DESCRIPTION	REV
	1001116522	Ref	DRIVE ORIENTATION HARNESS	B
1	4460227	2	Pin, Male	
2	4460320	1	Connector - 2 Position	
3	4460465	2	Socket, Female	
4	4460466	2	Seal	
5	4460884	1	Connector - 4 Position	

# SECTION 8 - ELECTRICAL

## FIGURE 8-29. DRIVE ORIENTATION SWITCH HARNESS ASSEMBLY



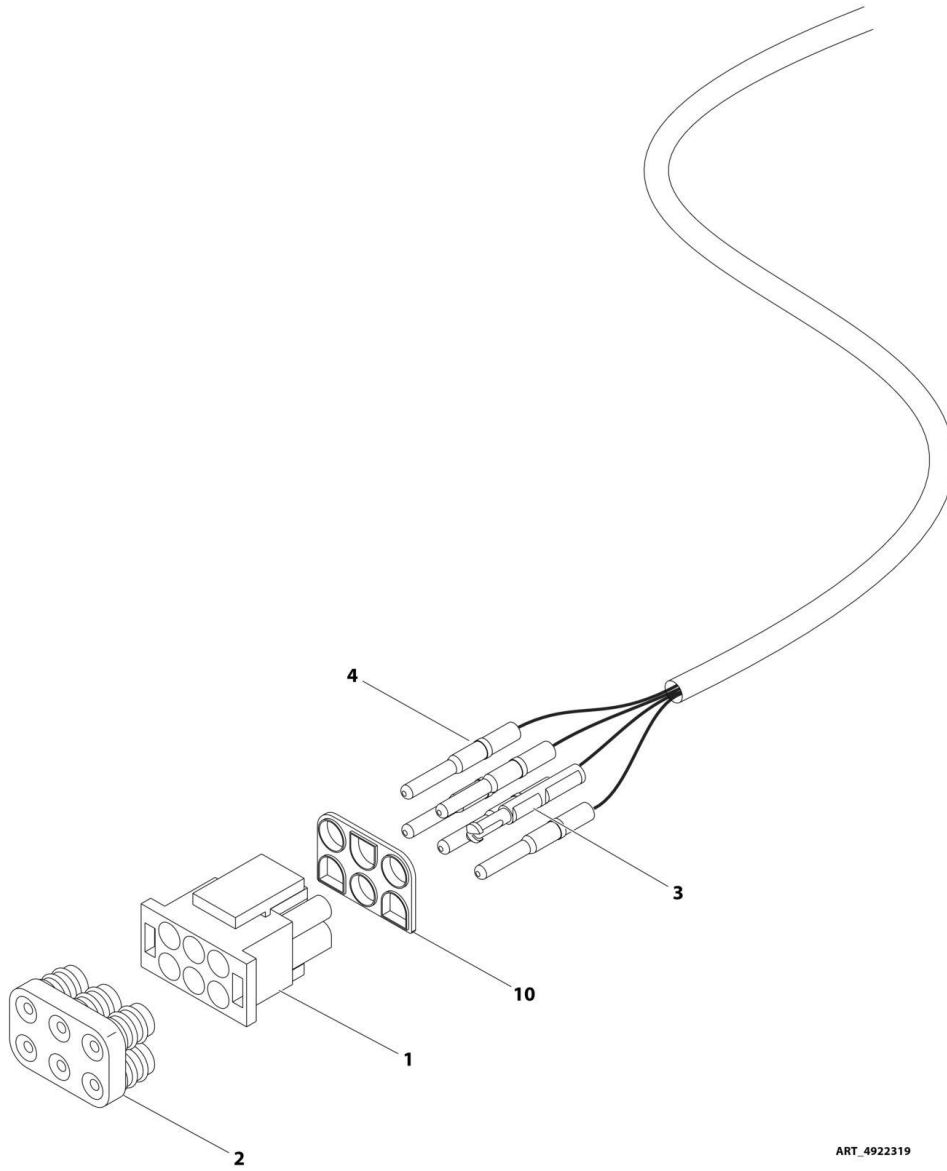
## SECTION 8 - ELECTRICAL

**FIGURE 8-29. DRIVE ORIENTATION SWITCH HARNESS ASSEMBLY**

ITEM	PART NUMBER	QTY	DESCRIPTION	REV
	1001116368	Ref	DRIVE ORIENTATION SWITCH HARNESS ASSEMBLY	A
1	4460225	1	Connector - 6 Position	
2	4460227	2	Socket, Female	
3	4460259	2	Terminal	
4	4460260	2	Terminal Housing	

# SECTION 8 - ELECTRICAL

## FIGURE 8-30. GENERATOR HARNESS TO GROUND CONTROL BOX



ART\_4922319



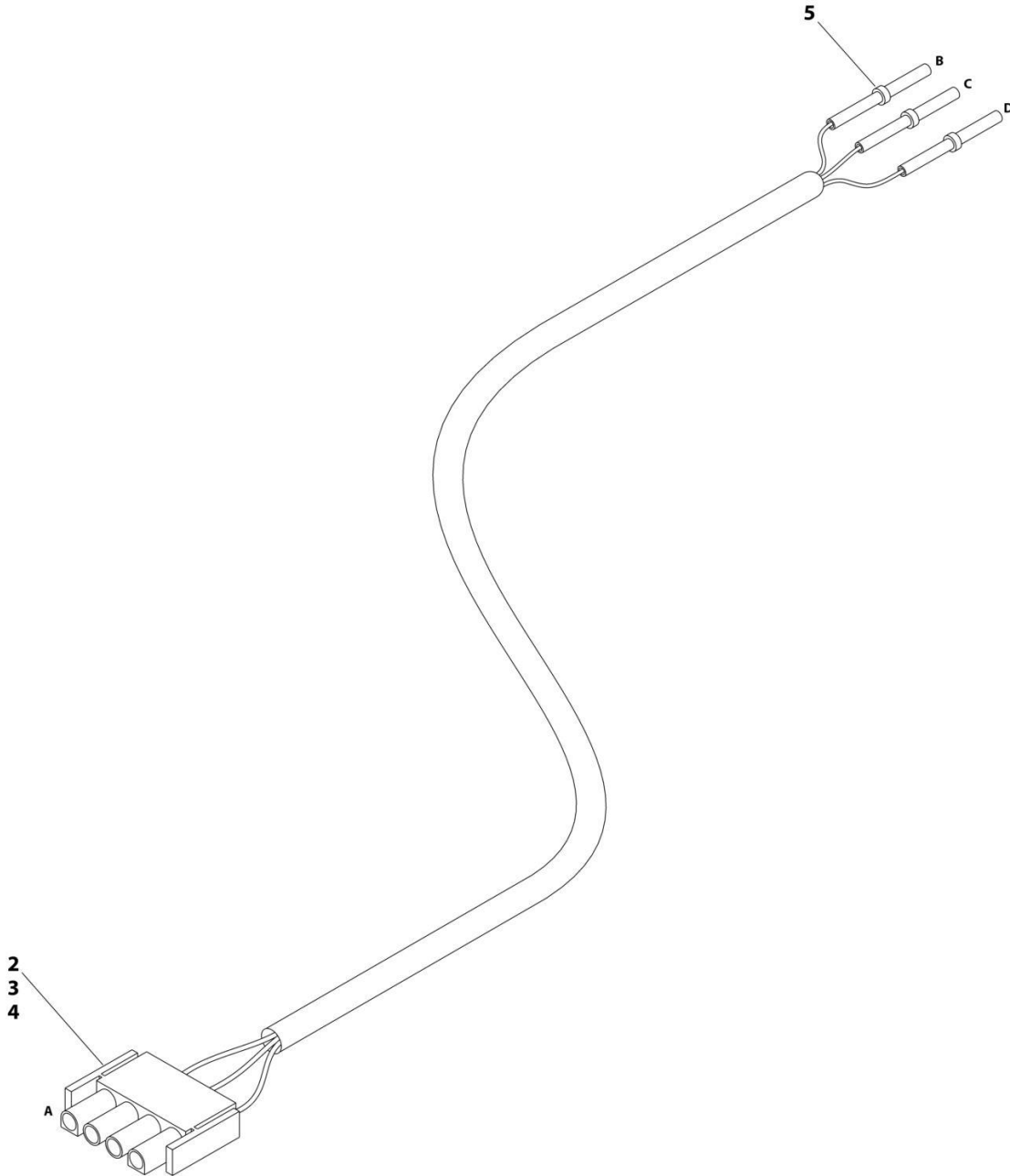
## SECTION 8 - ELECTRICAL

**FIGURE 8-30. GENERATOR HARNESS TO GROUND CONTROL BOX**

ITEM	PART NUMBER	QTY	DESCRIPTION	REV
	4922319	Ref	GENERATOR HARNESS TO GROUND CONTROL BOX	1/A
1	4460225	1	Connector - 6 Position	
2	4460807	1	Seal, Terminal	
3	4460809	1	Pin, Terminal	
4	4460267	5	Pin, Terminal	
10	4460808	1	Terminal, Seal	

# SECTION 8 - ELECTRICAL

## FIGURE 8-31. GROUND CONTROL CAN HARNESS ASSEMBLY



ART\_4922117

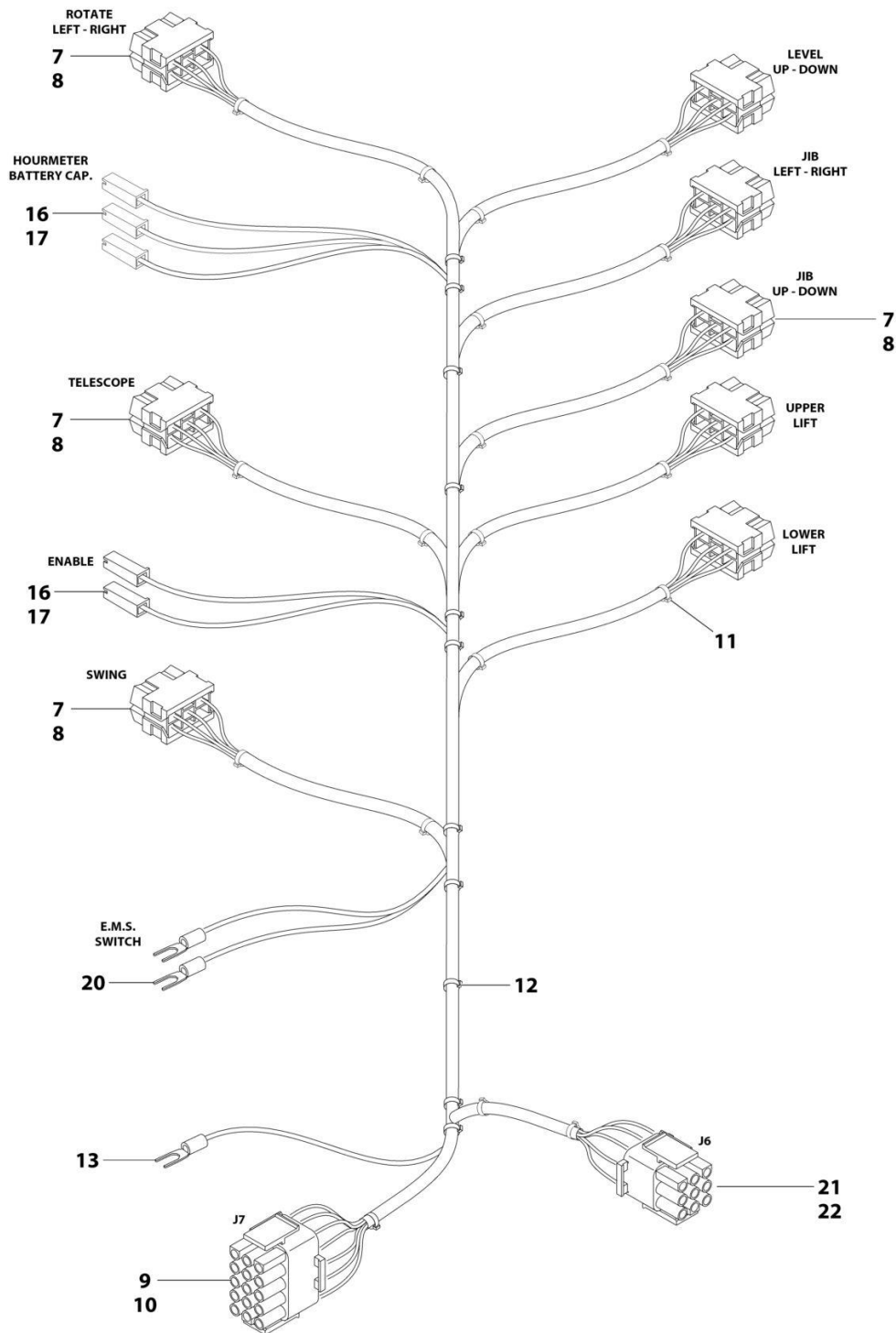
## SECTION 8 - ELECTRICAL

### FIGURE 8-31. GROUND CONTROL CAN HARNESS ASSEMBLY

ITEM	PART NUMBER	QTY	DESCRIPTION	REV
	4922117	Ref	GROUND CONTROL CAN HARNESS ASSEMBLY	3/B
2	4460321	1	Connector - 4 Position	
3	4460227	2	Pin, Male	
4	4460267	1	Pin, Male	
5	4460465	3	Socket, Female	

# SECTION 8 - ELECTRICAL

## FIGURE 8-32. GROUND CONTROL FUNCTION SWITCH HARNESS ASSEMBLY



ART\_4923625

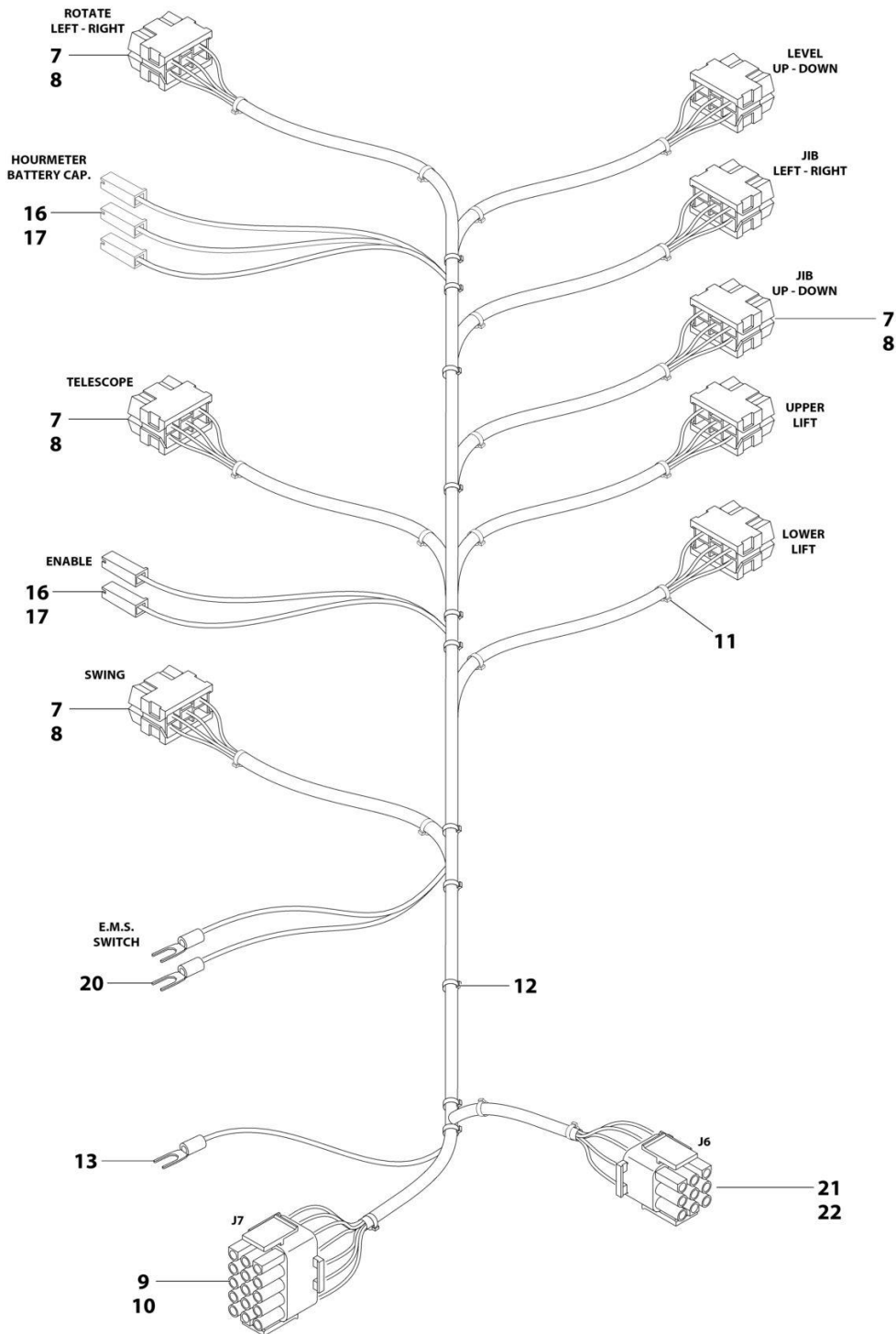
## SECTION 8 - ELECTRICAL

**FIGURE 8-32. GROUND CONTROL FUNCTION SWITCH HARNESS ASSEMBLY**

ITEM	PART NUMBER	QTY	DESCRIPTION	REV
	4923625	Ref	GROUND CONTROL FUNCTION SWITCH HARNESS ASSEMBLY	1/D
7	4460418	8	Connector - 6 Position	
8	4460419	24	Terminal, Female	
9	4460434	1	Connector - 15 Position	
10	4460226	15	Socket, Female	
11	4240032	AR	Tie-Strap	
12	4240033	AR	Tie-Strap	
13	4460145	1	Terminal	
16	4460259	5	Terminal	
17	4460260	5	Terminal, Housing	
20	4460183	2	Terminal	
21	4460265	1	Connector - 9 Position	
22	4460227	2	Pin, Male	

# SECTION 8 - ELECTRICAL

FIGURE 8-33. GROUND CONTROL FUNCTION SWITCH HARNESS ASSEMBLY - CE SPEC (SN 0300189901 through 0300200789)



ART\_4923625

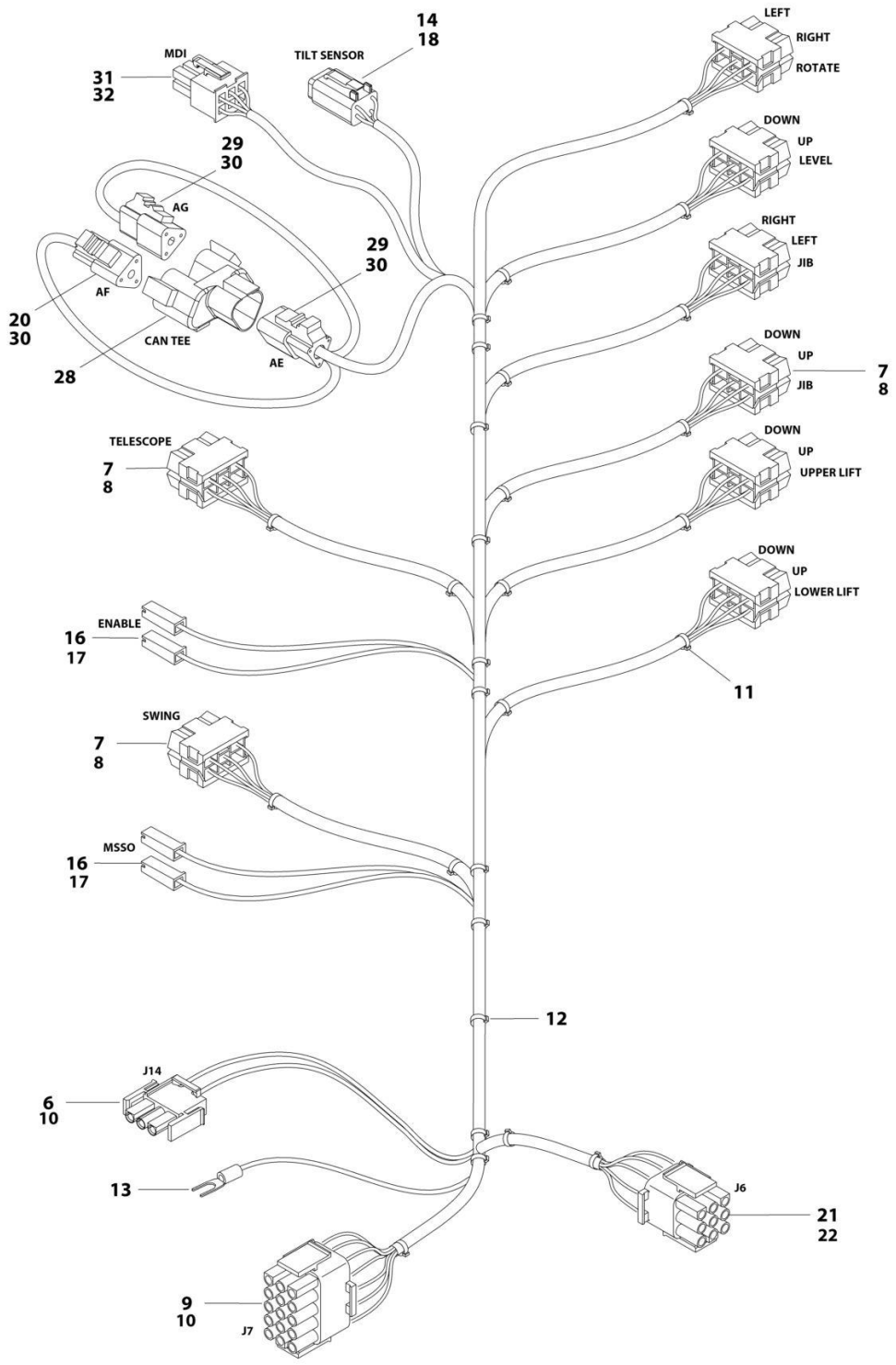
## SECTION 8 - ELECTRICAL

**FIGURE 8-33. GROUND CONTROL FUNCTION SWITCH HARNESS ASSEMBLY - CE SPEC (SN 0300189901 through 0300200789)**

ITEM	PART NUMBER	QTY	DESCRIPTION	REV
	4923625	Ref	GROUND CONTROL FUNCTION SWITCH HARNESS ASSEMBLY - CE SPEC (SN 0300189901 through 0300200789)	1/D
7	4460418	8	Connector - 6 Position	
8	4460419	24	Terminal, Female	
9	4460434	1	Connector - 15 Position	
10	4460226	15	Socket, Female	
11	4240032	AR	Tie-Strap	
12	4240033	AR	Tie-Strap	
13	4460145	1	Terminal	
16	4460259	5	Terminal	
17	4460260	5	Terminal, Housing	
20	4460183	2	Terminal	
21	4460265	1	Connector - 9 Position	
22	4460227	2	Pin, Male	

# SECTION 8 - ELECTRICAL

**FIGURE 8-34. GROUND CONTROL FUNCTION SWITCH HARNESS ASSEMBLY - CE SPEC (SN 0300200790 through 0300208529)**



ART\_1001187373



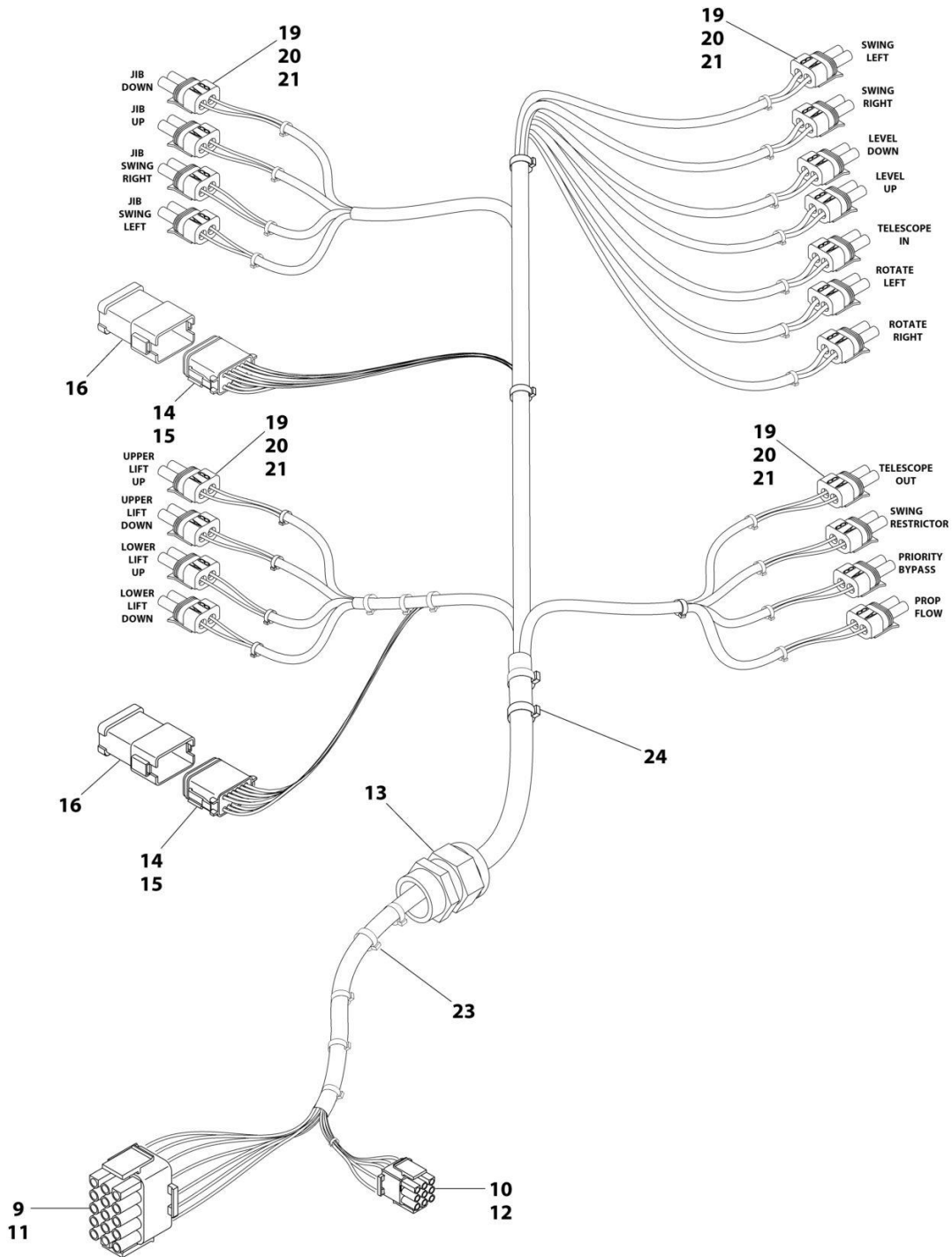
## SECTION 8 - ELECTRICAL

**FIGURE 8-34. GROUND CONTROL FUNCTION SWITCH HARNESS ASSEMBLY - CE SPEC (SN 0300200790 through 0300208529)**

ITEM	PART NUMBER	QTY	DESCRIPTION	REV
	1001187373	Ref	GROUND CONTROL FUNCTION SWITCH HARNESS ASSEMBLY - CE SPEC (SN 0300200790 through 0300208529)	A
6	4460326	1	Connector - 3 Position	
7	4460418	8	Connector - 6 Position	
8	4460419	24	Terminal, Female	
9	4460434	1	Connector - 15 Position	
10	4460226	17	Socket, Female	
11	4240032	AR	Tie-Strap	
12	4240033	AR	Tie-Strap	
13	4460145	1	Terminal	
14	4460884	1	Connector - 4 Position	
16	4460259	4	Terminal	
17	4460260	4	Terminal, Housing	
18	4460465	4	Socket, Female	
20	4460539	1	Connector - 3 Position	
21	4460265	1	Connector - 9 Position	
22	4460227	6	Pin, Male	
26	3990010	1	Diode	
28	4460945	1	Receptacle, 3 Way Tee	
29	1001116812	2	Connector - 3 Position	
30	4460944	6	Socket, Female (Gold)	
31	4460868	1	Connector - 6 Position	
32	4460877	6	Terminal	

# SECTION 8 - ELECTRICAL

## FIGURE 8-35. GROUND CONTROL VALVE HARNESS ASSEMBLY



ART\_4922367

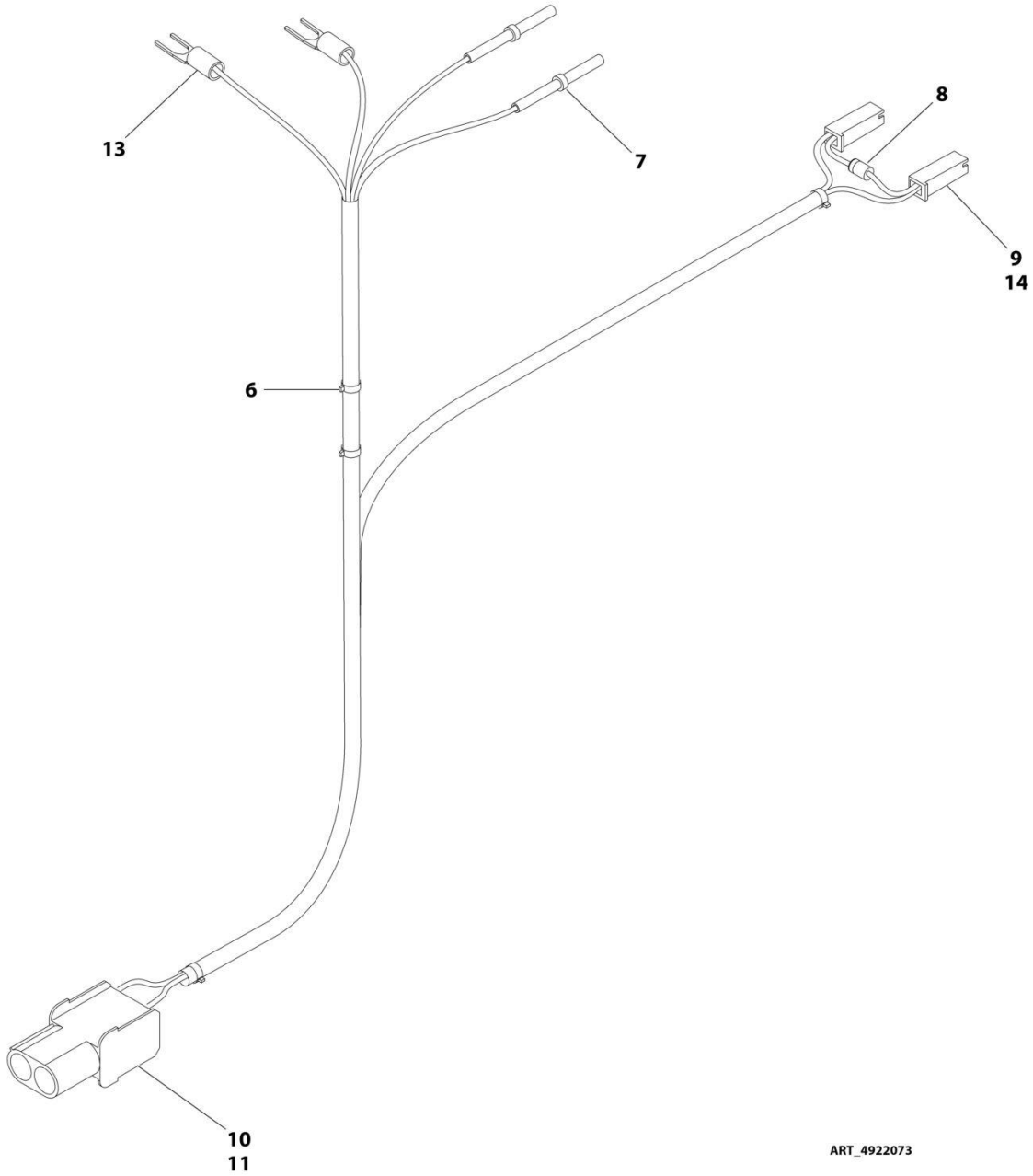
## SECTION 8 - ELECTRICAL

**FIGURE 8-35. GROUND CONTROL VALVE HARNESS ASSEMBLY**

ITEM	PART NUMBER	QTY	DESCRIPTION	REV
	4922367	Ref	GROUND CONTROL VALVE HARNESS ASSEMBLY	E
9	4460434	1	Connector - 15 Position	
10	4460265	1	Connector - 9 Position	
11	4460227	14	Pin, Male	
12	4460226	6	Socket, Female	
13	4460425	1	Connector, Strain Relief	
14	4460465	22	Pin, Terminal	
15	4460836	2	Connector, 12 Position	
16	4460837	2	Housing, Terminal - 12 Position	
19	4460458	38	Seal	
20	4460742	19	Connector - 2 Position	
21	4460743	38	Terminal, Female	
23	4240032	32	Tie-Strap	
24	4240033	7	Tie-Strap	

# SECTION 8 - ELECTRICAL

## FIGURE 8-36. HORN/BEACON HARNESS ASSEMBLY



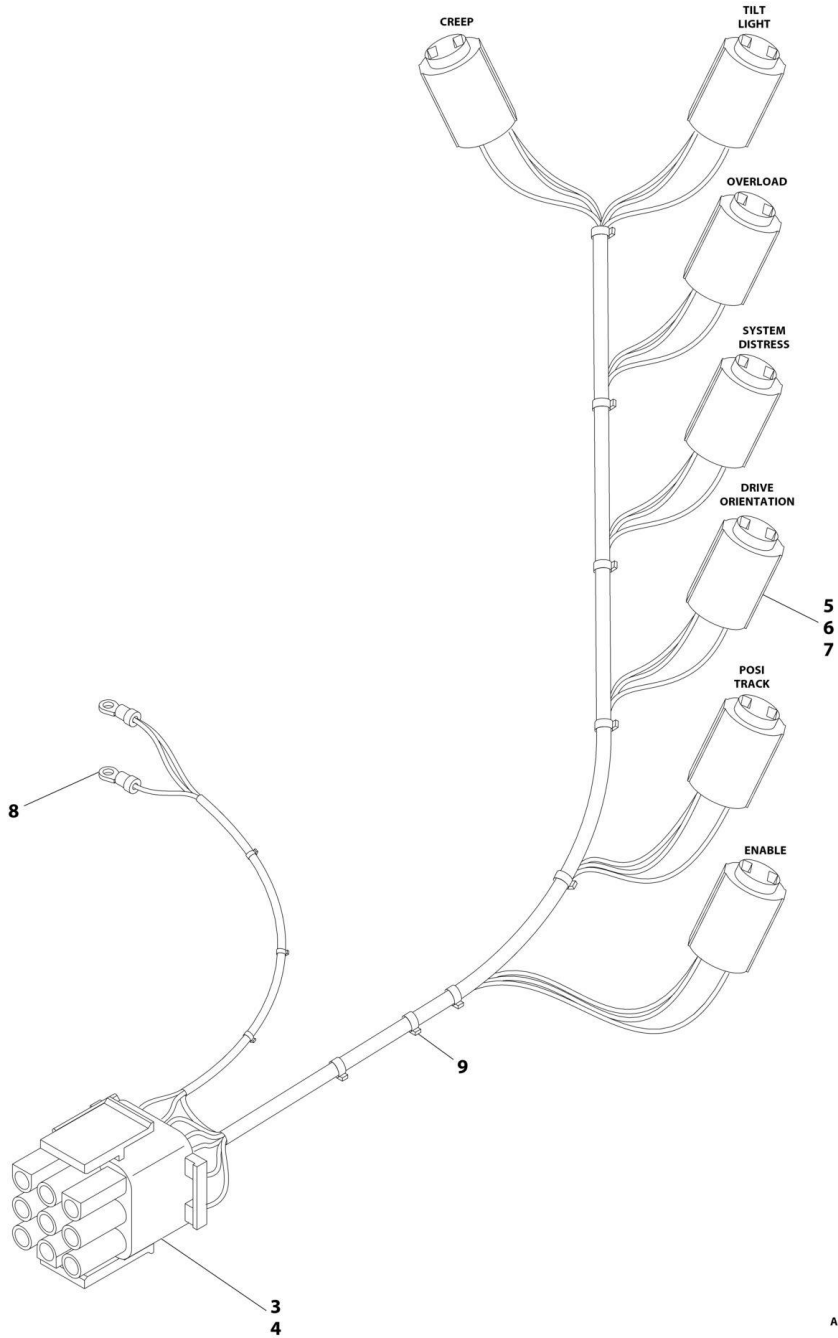
## SECTION 8 - ELECTRICAL

### FIGURE 8-36. HORN/BEACON HARNESS ASSEMBLY

ITEM	PART NUMBER	QTY	DESCRIPTION	REV
	4922073	Ref	HORN/BEACON HARNESS ASSEMBLY	5/E
6	4240032	4	Tie-Strap	
7	4460465	2	Socket, Female	
8	3990001	1	Diode	
9	4460259	2	Terminal	
10	4460268	2	Socket, Female	
11	4460424	1	Connector, 2 Position	
13	4460145	2	Terminal	
14	4460260	2	Terminal, Housing	

# SECTION 8 - ELECTRICAL

## FIGURE 8-37. INDICATOR LAMP HARNESS ASSEMBLY



ART\_1001109860

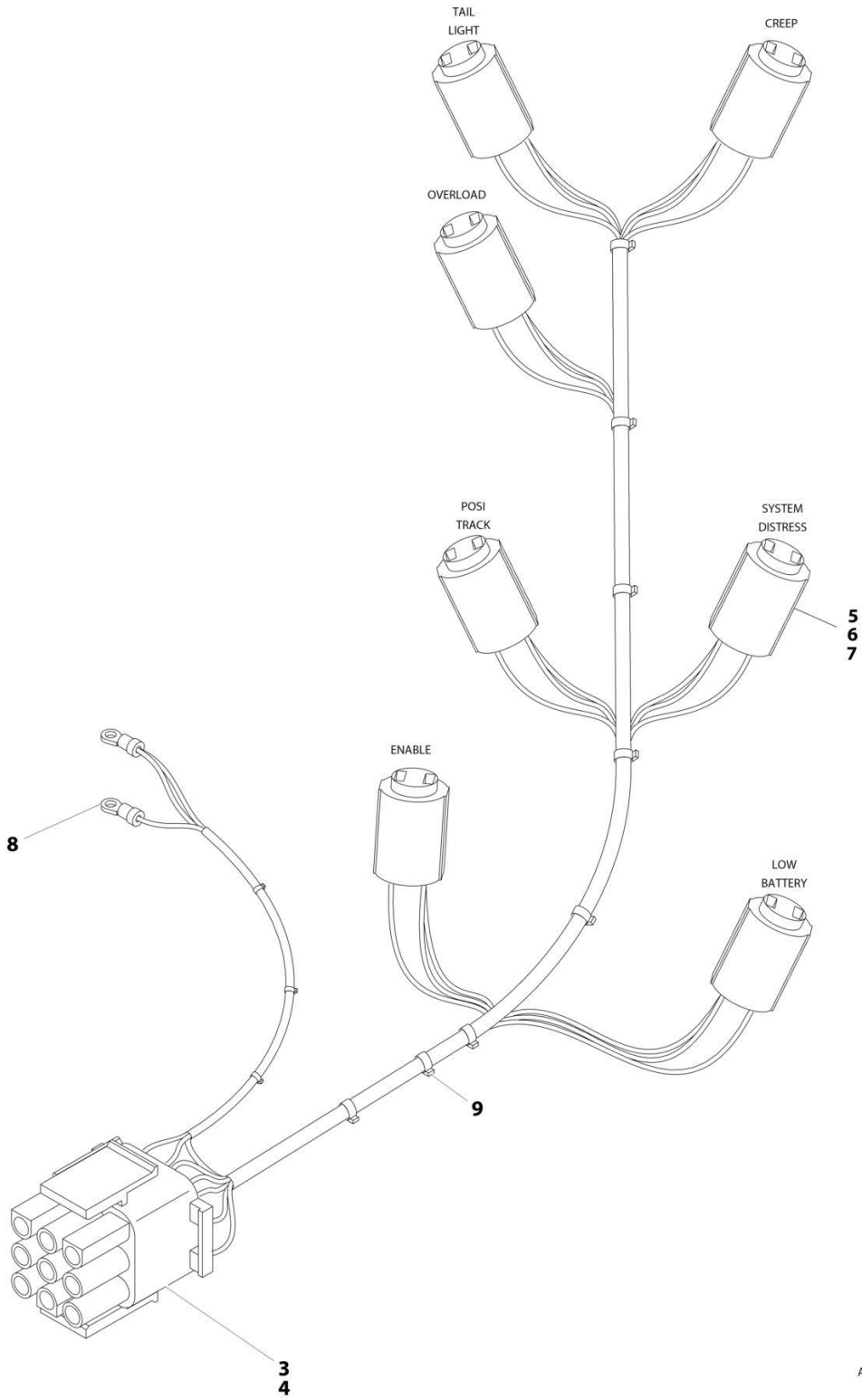
## SECTION 8 - ELECTRICAL

### FIGURE 8-37. INDICATOR LAMP HARNESS ASSEMBLY

ITEM	PART NUMBER	QTY	DESCRIPTION	REV
	1001109860	Ref	INDICATOR LAMP HARNESS ASSEMBLY	B
3	4460265	1	Connector - 9 Position	
4	4460227	8	Pin, Male	
5	4120035	6	Socket, Lamp	
6	4460634	7	Socket (Single Wire)	
7	4460635	5	Socket (Two Wire)	
8	4460042	2	Ring, Terminal	
9	4240032	AR	Tie-Strap	

# SECTION 8 - ELECTRICAL

## FIGURE 8-38. INDICATOR LAMP HARNESS ASSEMBLY - WITH SKYGUARD



ART\_4922074



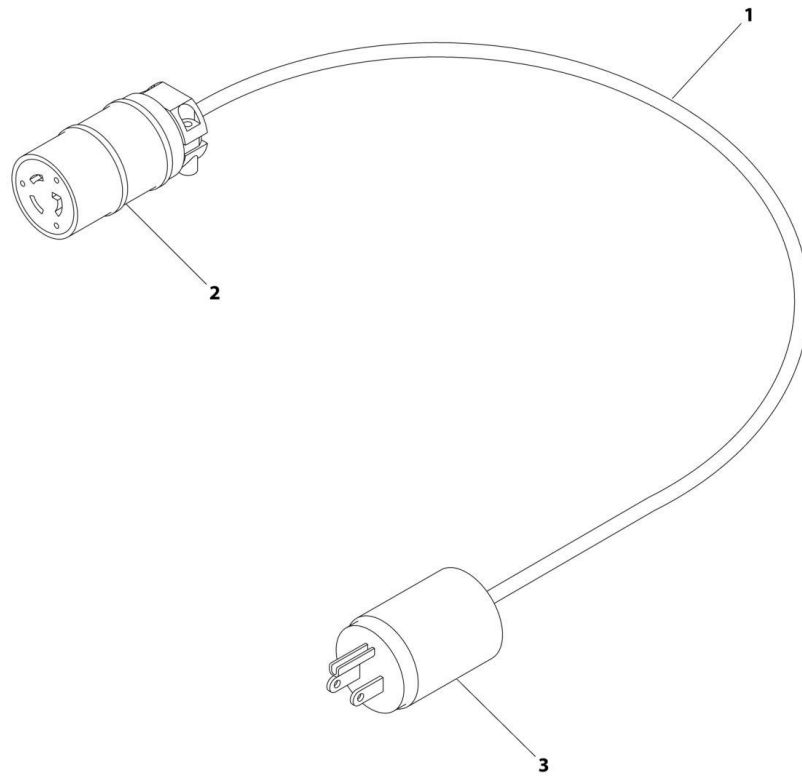
## SECTION 8 - ELECTRICAL

**FIGURE 8-38. INDICATOR LAMP HARNESS ASSEMBLY - WITH SKYGUARD**

ITEM	PART NUMBER	QTY	DESCRIPTION	REV
	4922074	Ref	INDICATOR LAMP HARNESS ASSEMBLY - WITH SKYGUARD	H/4
3	4460265	1	Connector - 9 Position	
4	4460227	8	Pin, Male	
5	4120035	6	Socket, Lamp	
6	4460634	7	Socket (Single Wire)	
7	4460635	5	Socket (Two Wire)	
8	4460042	2	Ring, Terminal	
9	4240032	AR	Tie-Strap	

# SECTION 8 - ELECTRICAL

FIGURE 8-39. INVERTER HARNESS (SN 0300189901 through 0300193792)



ART\_4922390

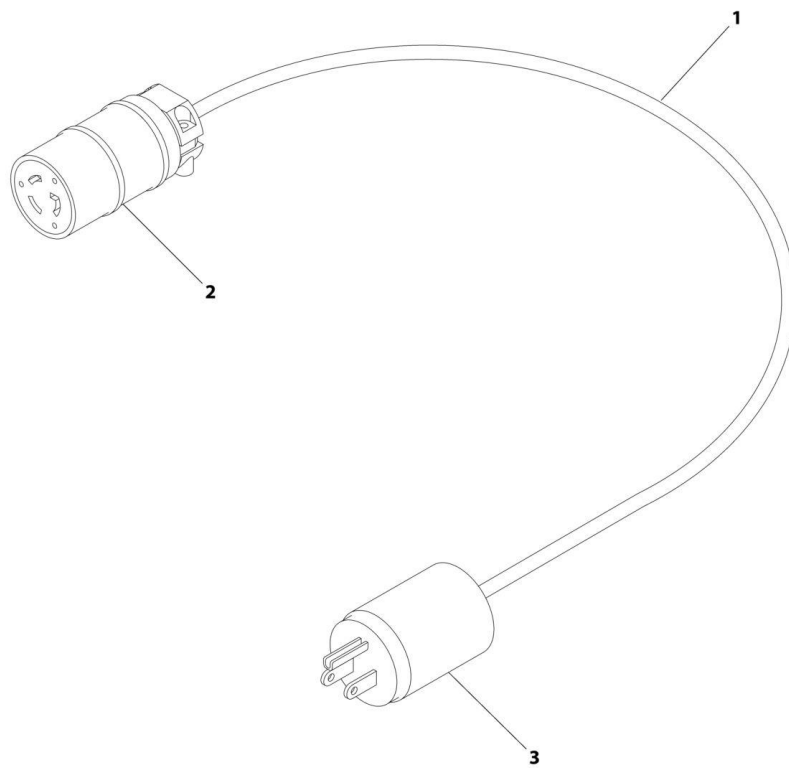
## SECTION 8 - ELECTRICAL

**FIGURE 8-39. INVERTER HARNESS (SN 0300189901 through 0300193792)**

ITEM	PART NUMBER	QTY	DESCRIPTION	REV
	4922390	Ref	INVERTER HARNESS (SN 0300189901 through 0300193792)	B
1	1060494	6 ft/1.9m	Cable, Electrical 12/3	
2	4460134	1	Connector, Female	
3	4460138	1	Plug, Connector	

# SECTION 8 - ELECTRICAL

FIGURE 8-40. INVERTER HARNESS (SN 0300193793 through 0300208529)



ART\_1001182296

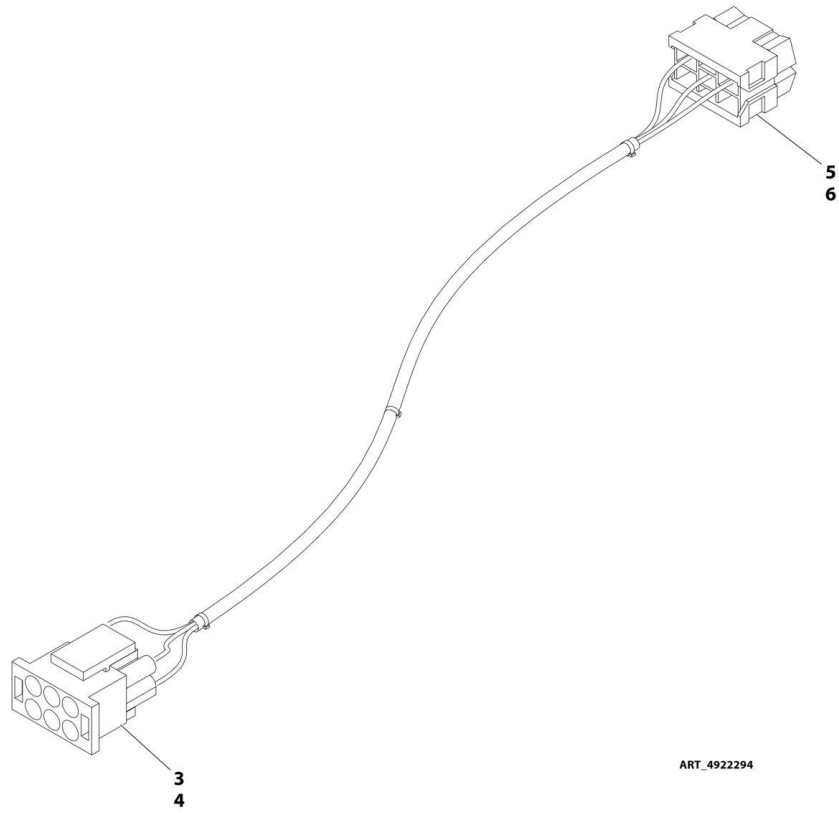
## SECTION 8 - ELECTRICAL

**FIGURE 8-40. INVERTER HARNESS (SN 0300193793 through 0300208529)**

ITEM	PART NUMBER	QTY	DESCRIPTION	REV
1	1001182296 1060494	Ref 115 in /292cm	INVERTER HARNESS (SN 0300193793 through 0300208529) Cable, Electrical 12/3	A
2	4460134	1	Connector, Female	
3	4460138	1	Plug, Connector	

# SECTION 8 - ELECTRICAL

## FIGURE 8-41. JIB HARNESS - AJ MODELS ONLY



ART\_4922294

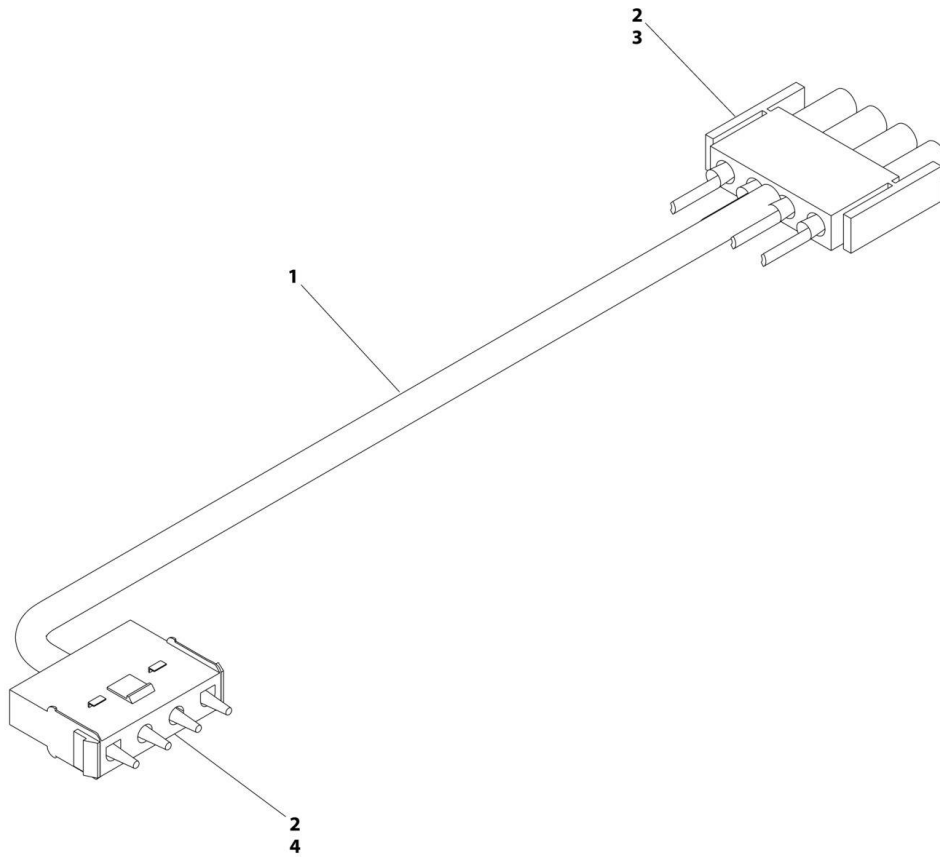
## SECTION 8 - ELECTRICAL

### FIGURE 8-41. JIB HARNESS - AJ MODELS ONLY

ITEM	PART NUMBER	QTY	DESCRIPTION	REV
	4922294	Ref	JIB HARNESS - AJ MODELS ONLY	1/B
3	4460225	1	Connector - 6 Position	
4	4460227	3	Pin, Male	
5	4460418	1	Connector, Female	
6	4460419	3	Terminal	

# SECTION 8 - ELECTRICAL

## FIGURE 8-42. LED REMOTE HARNESS



ART\_1060778



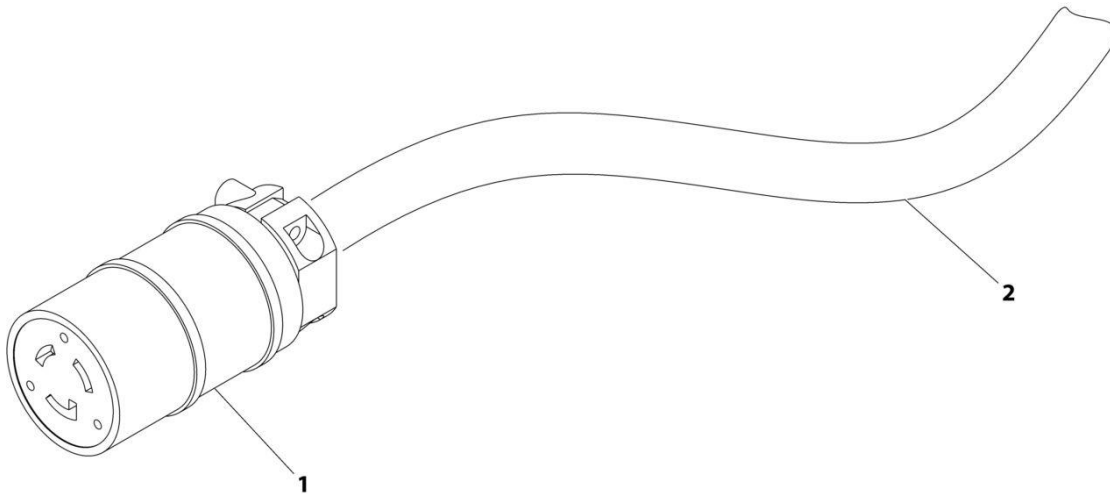
## SECTION 8 - ELECTRICAL

### FIGURE 8-42. LED REMOTE HARNESS

ITEM	PART NUMBER	QTY	DESCRIPTION	REV
	1060778	Ref	LED REMOTE HARNESS	A
1	1060779	4 ft/1.2m	Cable, Electrical 4-18	
2	4460226	8	Socket, Female	
3	4460321	1	Connector - 4 Position	
4	4460761	1	Connector - 4 Position	

# SECTION 8 - ELECTRICAL

## FIGURE 8-43. LOWER BOOM 110V HARNESS ASSEMBLY



ART\_4922607

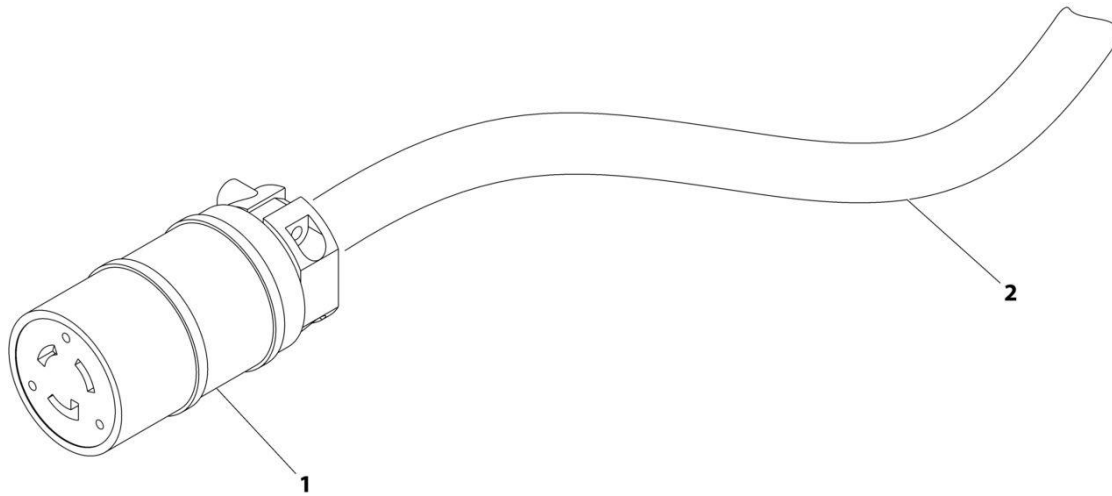
## SECTION 8 - ELECTRICAL

### FIGURE 8-43. LOWER BOOM 110V HARNESS ASSEMBLY

ITEM	PART NUMBER	QTY	DESCRIPTION	REV
	4922607	Ref	LOWER BOOM 110V HARNESS ASSEMBLY	1
1	4460134	1	Connector, Female	
2	1060494	37 ft /11.3m	Electrical Cable, 12/3	

# SECTION 8 - ELECTRICAL

FIGURE 8-44. LOWER BOOM 220V HARNESS ASSEMBLY - CE SPEC



ART\_4922609

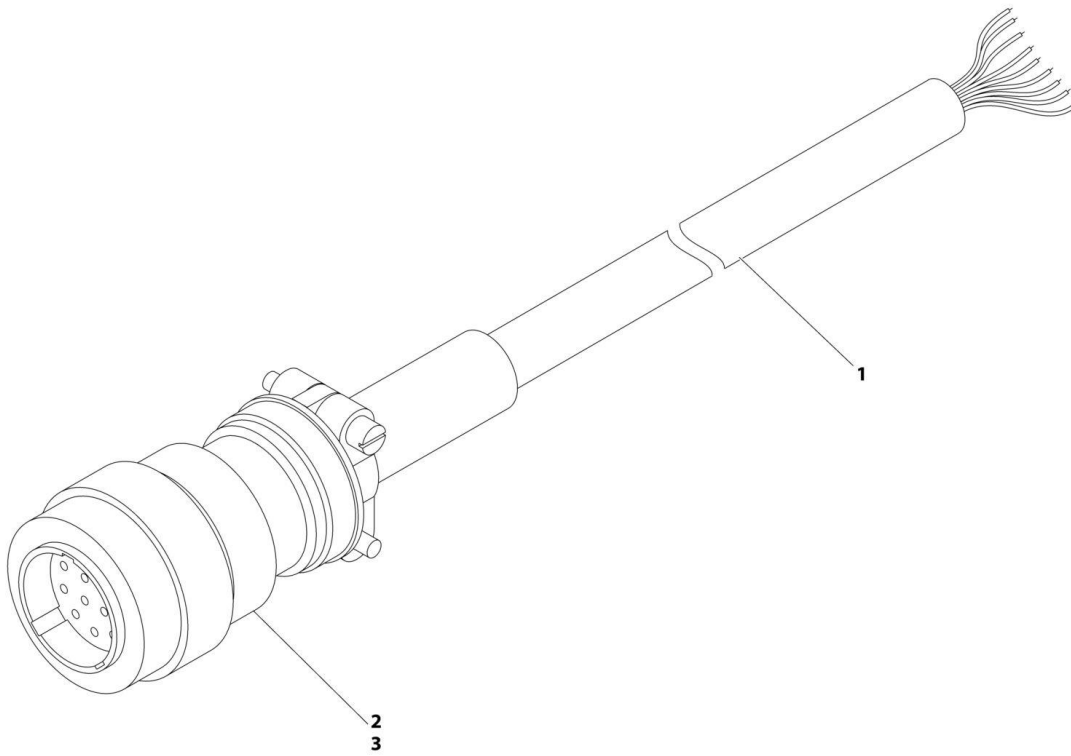
## SECTION 8 - ELECTRICAL

**FIGURE 8-44. LOWER BOOM 220V HARNESS ASSEMBLY - CE SPEC**

ITEM	PART NUMBER	QTY	DESCRIPTION	REV
	4922609	Ref	LOWER BOOM 220V HARNESS ASSEMBLY - CE SPEC	1
1	4460710	1	Connector, Female	
2	1060461	37 ft /11.3m	Electrical Cable, 12/3	

# SECTION 8 - ELECTRICAL

## FIGURE 8-45. MAIN BOOM HARNESS ASSEMBLY



ART\_4922178

## SECTION 8 - ELECTRICAL

### FIGURE 8-45. MAIN BOOM HARNESS ASSEMBLY

ITEM	PART NUMBER	QTY	DESCRIPTION	REV
	4922178	Ref	MAIN BOOM HARNESS ASSEMBLY - E450A	3/D
1	1060677	26.5 ft /8.0m	Cable, Electrical	
2	4460465	28	Socket, Female	
3	4460754	1	Connector - 14 Position	

# SECTION 8 - ELECTRICAL

FIGURE 8-46. MAIN BOOM 110V HARNESS ASSEMBLY



ART\_4922608



## SECTION 8 - ELECTRICAL

### FIGURE 8-46. MAIN BOOM 110V HARNESS ASSEMBLY

ITEM	PART NUMBER	QTY	DESCRIPTION	REV
	4922608	Ref	UPPER BOOM 110V HARNESS ASSEMBLY	2
1	4460205	1	Plug, Male	
4	1060494	27.2 ft /8.3m	Electrical Cable, 12/3	

# SECTION 8 - ELECTRICAL

FIGURE 8-47. MAIN BOOM 220V HARNESS ASSEMBLY - CE SPEC



ART\_4922610

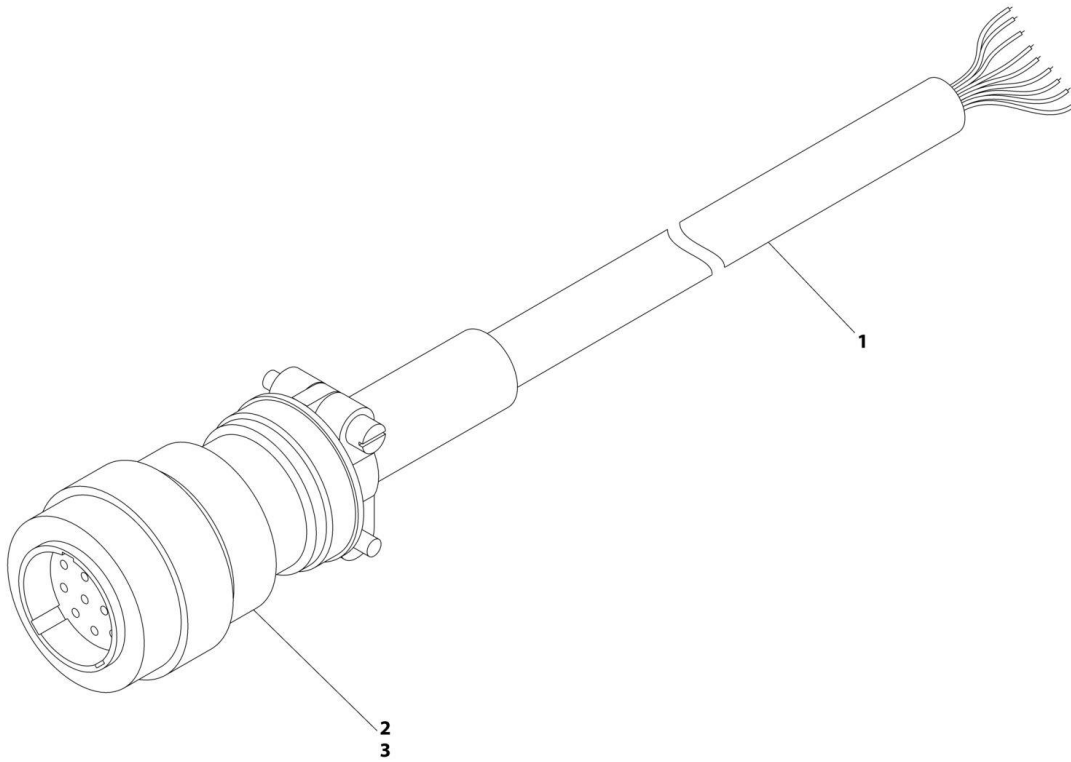
## SECTION 8 - ELECTRICAL

**FIGURE 8-47. MAIN BOOM 220V HARNESS ASSEMBLY - CE SPEC**

ITEM	PART NUMBER	QTY	DESCRIPTION	REV
	4922610	Ref	BOOM 220V HARNESS ASSEMBLY - CE SPEC	1
1	4460709	1	Plug, Male	
4	1060461	28 ft/8.5m	Electrical Cable, 12/3	

# SECTION 8 - ELECTRICAL

## FIGURE 8-48. MAIN BOOM HARNESS ASSEMBLY - E450AJ/M450AJ



ART\_4922552

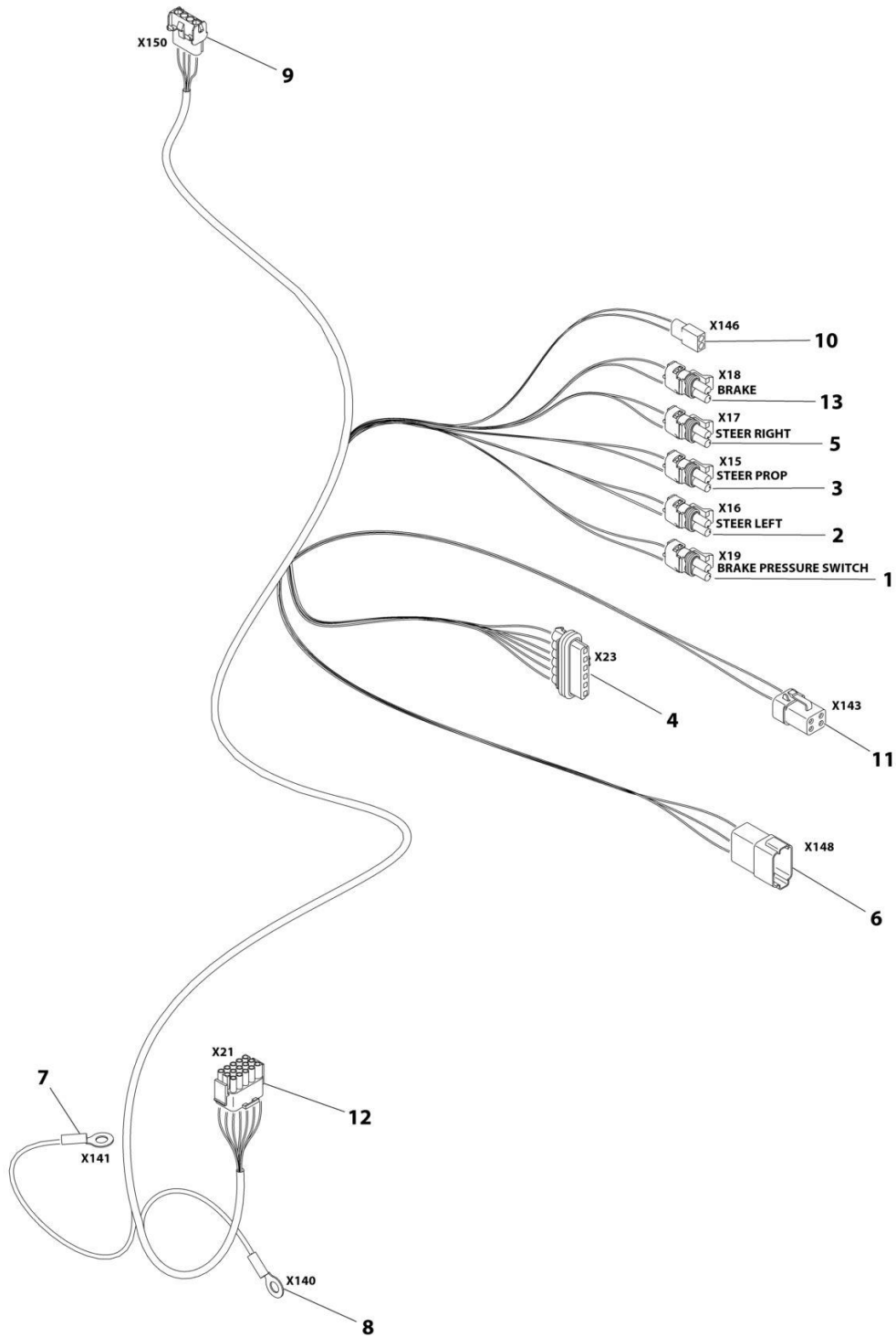
## SECTION 8 - ELECTRICAL

**FIGURE 8-48. MAIN BOOM HARNESS ASSEMBLY - E450AJ/M450AJ**

ITEM	PART NUMBER	QTY	DESCRIPTION	REV
	4922552	Ref	MAIN BOOM HARNESS ASSEMBLY - E450AJ/M450AJ	1
1	1060677	28 ft/8.5m	Cable, Electrical	
2	4460465	28	Socket, Female	
3	4460754	1	Connector - 14 Position	

# SECTION 8 - ELECTRICAL

## FIGURE 8-49. MOTOR/STEER/BRAKE HARNESS - M450AJ



ART\_1001171115

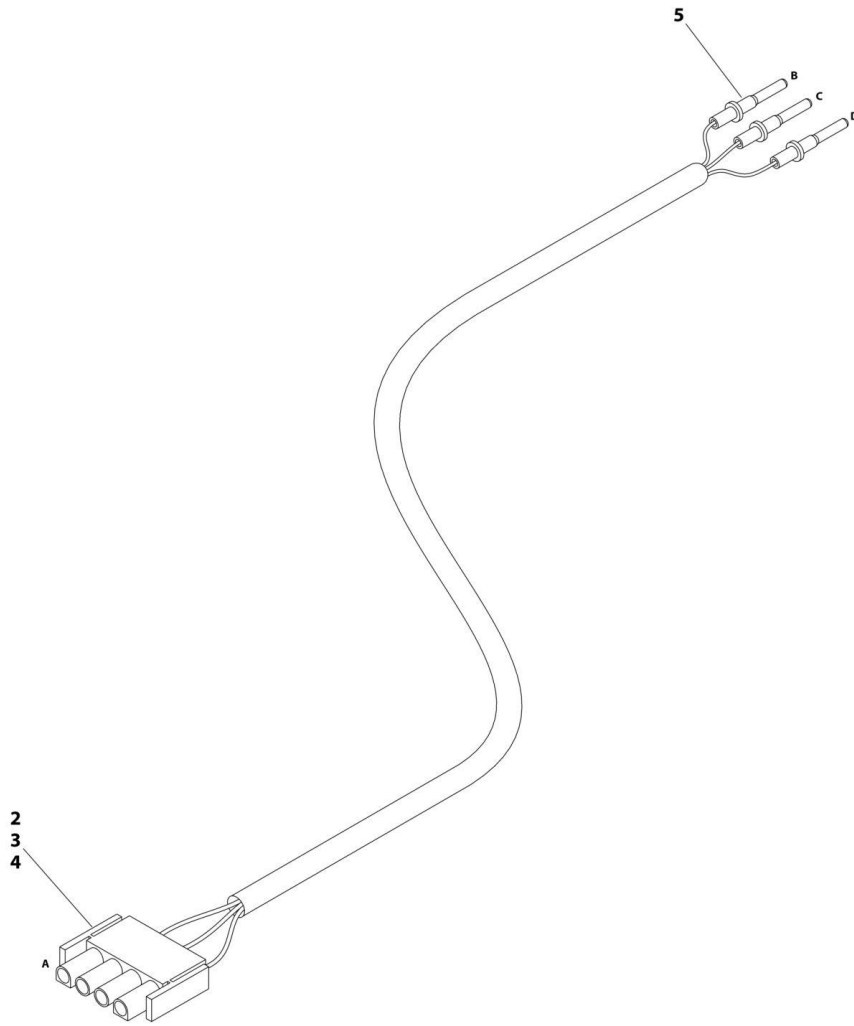
## SECTION 8 - ELECTRICAL

### FIGURE 8-49. MOTOR/STEER/BRAKE HARNESS - M450AJ

ITEM	PART NUMBER	QTY	DESCRIPTION	REV
	1001171115	Ref	MOTOR/STEER/BRAKE HARNESS - M450AJ	A
1	4460742	1	Connector - 2 Position	
1	4460743	2	Terminal, Female	
1	4460458	2	Seal	
2	4460742	1	Connector - 2 Position	
2	4460743	2	Terminal, Female	
2	4460458	2	Seal	
3	4460742	1	Connector - 2 Position	
3	4460743	2	Terminal, Female	
3	4460458	2	Seal	
4	4460744	1	Connector- 6 Position	
4	4460749	1	Cap, Shell	
4	4460750	1	Bar, Buss - 6 Position	
4	4460745	1	Lock, Secondary	
4	4460751	1	Clip, Mounting	
4	4460746	5	Socket, Female	
4	4460748	1	Plug, Seal	
4	4460458	5	Seal	
5	4460742	1	Connector - 2 Position	
5	4460743	2	Terminal, Female	
5	4460458	2	Seal	
6	4460931	1	Connector- 8 Position	
6	4460464	6	Socket, Female	
6	4460466	2	Plug, Seal	
7	4460738	1	Ring, Terminal	
8	4460738	1	Ring, Terminal	
9	4460761	1	Connector - 4 Position	
10	4460424	1	Connector - 2 Position	
10	4460227	2	Pin, Male	
11	1001116810	1	Connector - 4 Position	
11	4460509	2	Socket, Female	
11	4460466	2	Plug, Seal	
12	4460434	1	Connector - 15 Position	
12	4460226	7	Pin, Male	
13	4460742	1	Connector - 2 Position	
13	4460743	2	Terminal, Female	
13	4460458	2	Seal	

# SECTION 8 - ELECTRICAL

## FIGURE 8-50. PLATFORM CAN BUS HARNESS ASSEMBLY



ART\_4922071



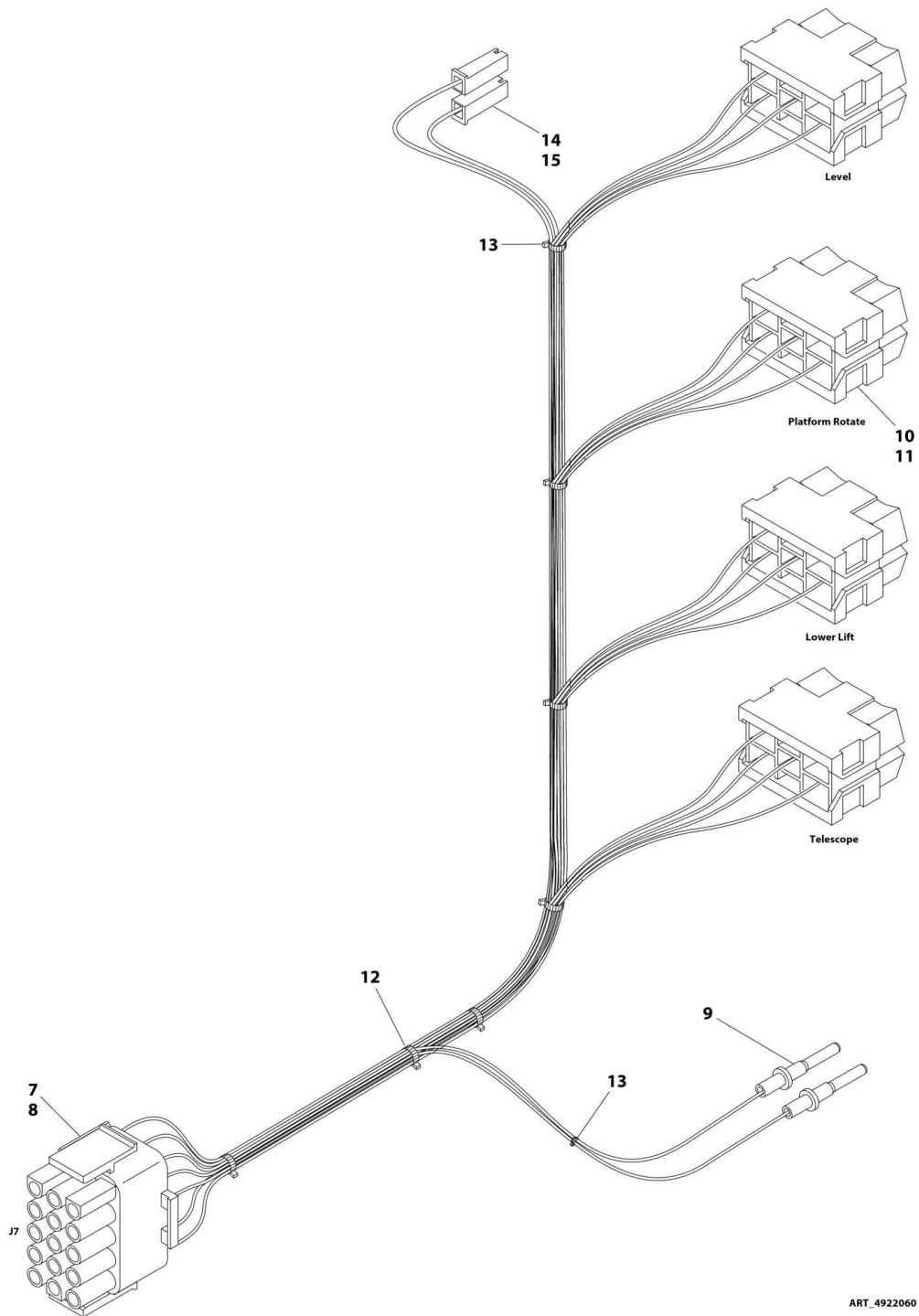
## SECTION 8 - ELECTRICAL

### FIGURE 8-50. PLATFORM CAN BUS HARNESS ASSEMBLY

ITEM	PART NUMBER	QTY	DESCRIPTION	REV
	4922071	Ref	PLATFORM CAN BUS HARNESS ASSEMBLY	2/B
2	4460321	1	Connector - 4 Position	
3	4460227	2	Pin, Male	
4	4460267	1	Pin, Male	
5	4460464	3	Pin, Male	

# SECTION 8 - ELECTRICAL

## FIGURE 8-51. PLATFORM FUNCTION SWITCH HARNESS ASSEMBLY



ART\_4922060

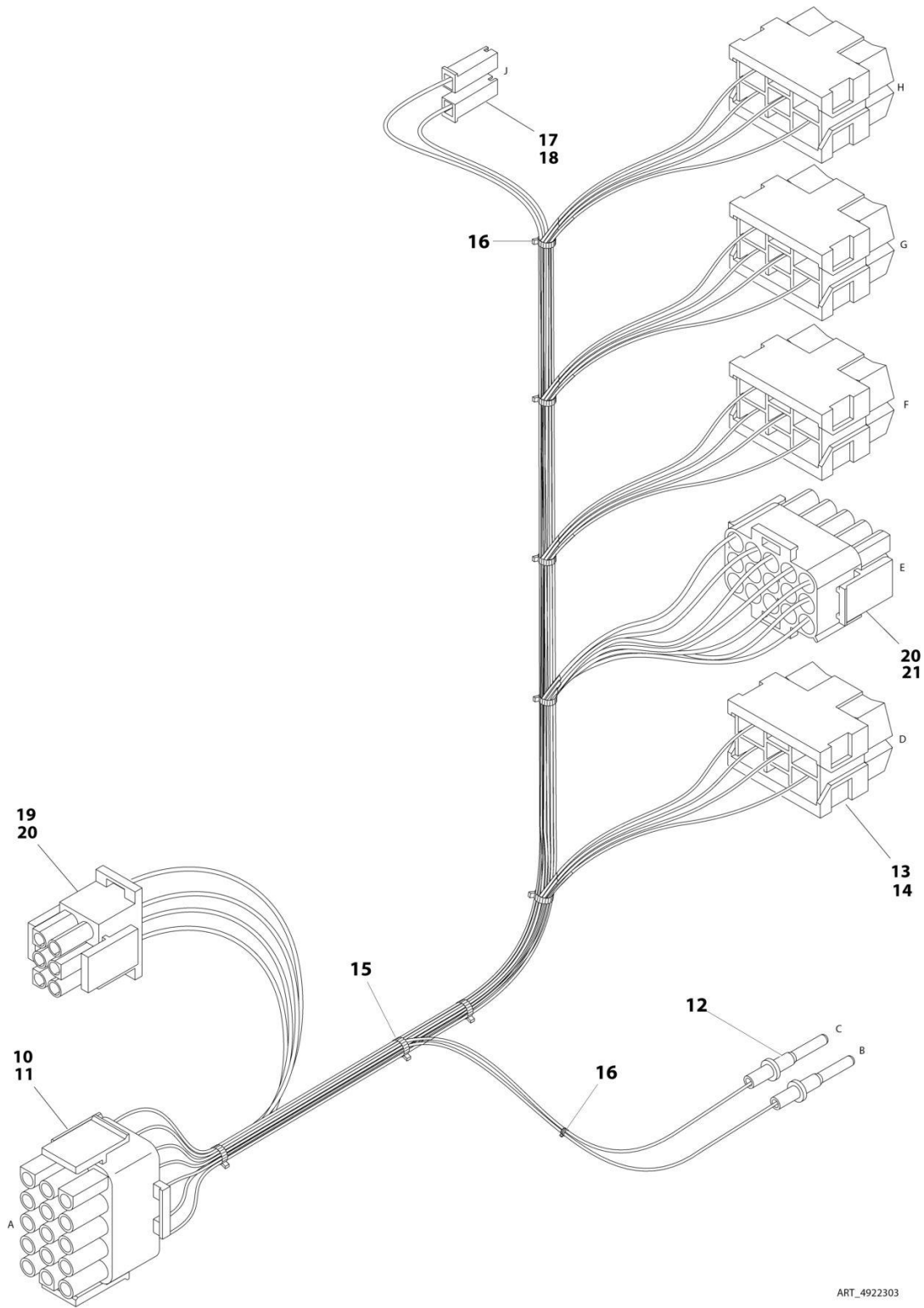
## SECTION 8 - ELECTRICAL

### FIGURE 8-51. PLATFORM FUNCTION SWITCH HARNESS ASSEMBLY

ITEM	PART NUMBER	QTY	DESCRIPTION	REV
	4922060	Ref	PLATFORM FUNCTION SWITCH HARNESS ASSEMBLY	2/D
7	4460434	1	Connector - 15 Position	
8	4460226	12	Pin, Male	
9	4460464	2	Pin, Male	
10	4460418	4	Connector, Female	
11	4460419	12	Terminal	
12	4240033	6	Tie-Strap	
13	4240032	14	Tie-Strap	
14	4460259	1	Terminal	
15	4460260	1	Terminal Housing	

# SECTION 8 - ELECTRICAL

## FIGURE 8-52. PLATFORM FUNCTION SWITCH HARNESS ASSEMBLY - WITH SKYGUARD



ART\_4922303

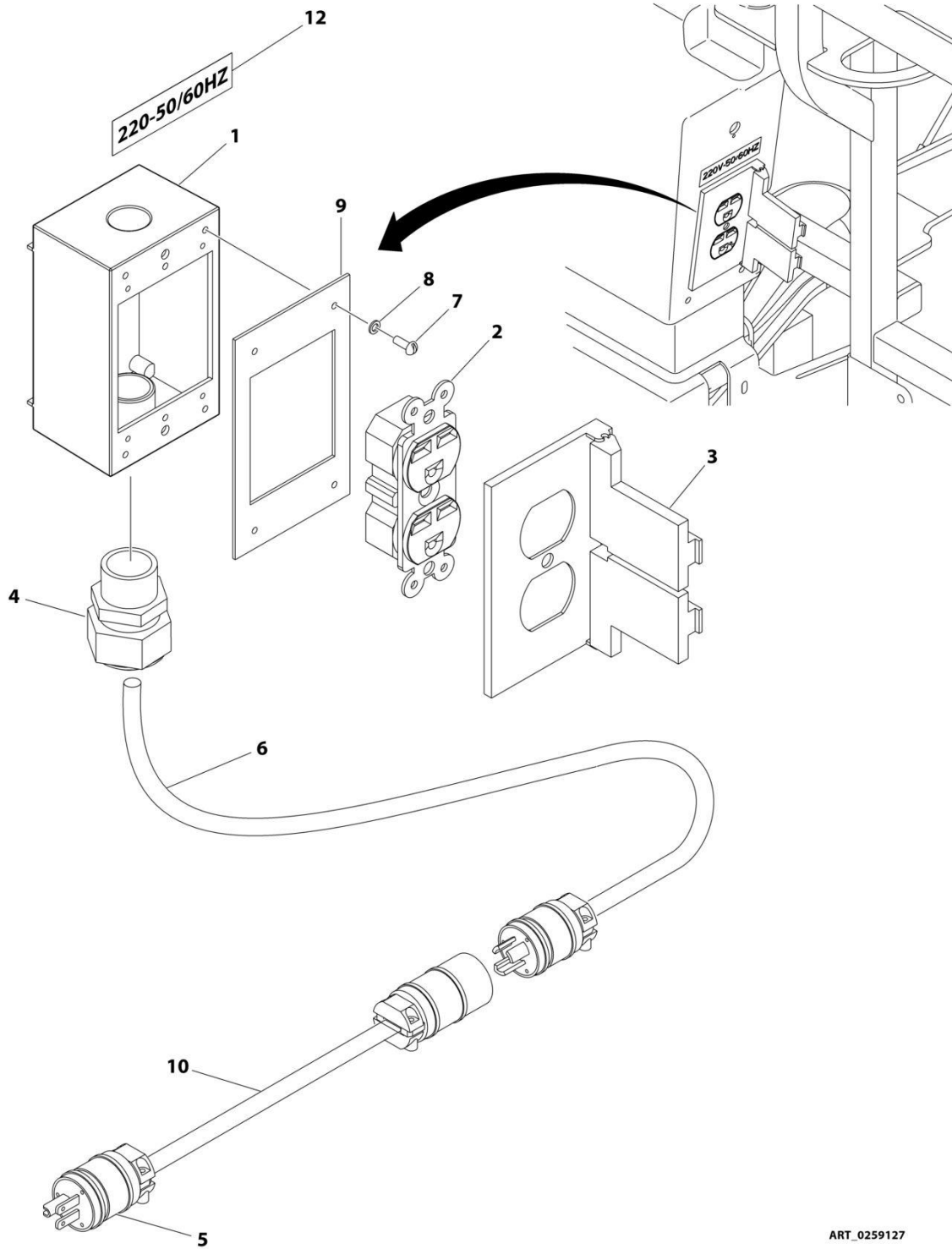
## SECTION 8 - ELECTRICAL

**FIGURE 8-52. PLATFORM FUNCTION SWITCH HARNESS ASSEMBLY - WITH SKYGUARD**

ITEM	PART NUMBER	QTY	DESCRIPTION	REV
	4922303	Ref	PLATFORM FUNCTION SWITCH HARNESS ASSEMBLY - WITH SKYGUARD	5/E
10	4460434	1	Connector - 15 Position	
11	4460226	12	Pin, Male	
12	4460464	2	Pin, Male	
13	4460418	4	Connector, Female	
14	4460419	12	Terminal	
15	4240033	AR	Tie-Strap	
16	4240032	AR	Tie-Strap	
17	4460259	1	Terminal	
18	4460260	1	Terminal Housing	
19	4460225	1	Connector - 6 Position	
20	4460227	10	Socket, Female	
21	4460343	1	Connector - 12 Position	

# SECTION 8 - ELECTRICAL

## FIGURE 8-53. PLUG AND RECEPTACLE INSTALLATION - SUPPLIED LOCALLY



ART\_0259127

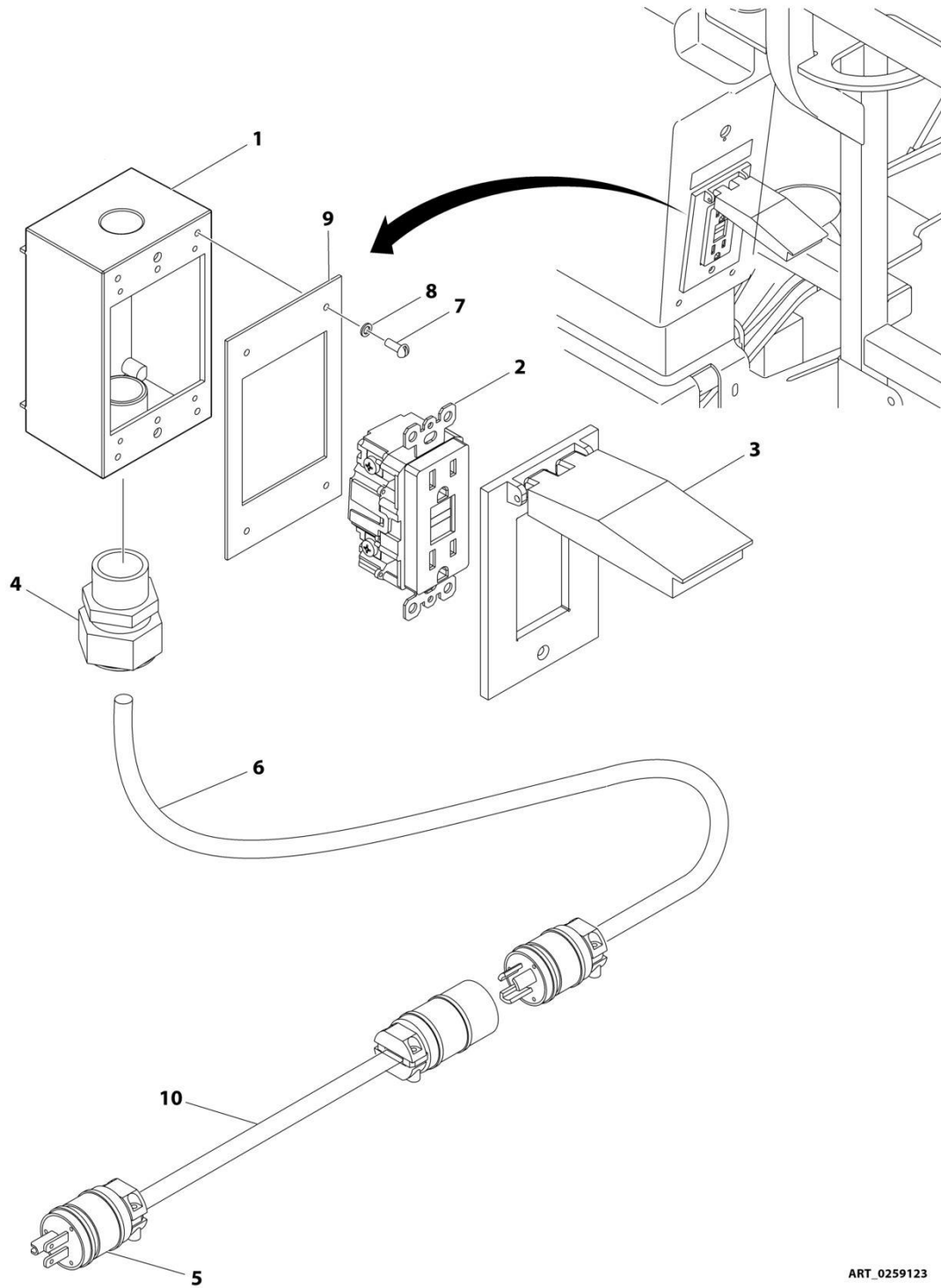
## SECTION 8 - ELECTRICAL

**FIGURE 8-53. PLUG AND RECEPTACLE INSTALLATION - SUPPLIED LOCALLY**

ITEM	PART NUMBER	QTY	DESCRIPTION	REV
	0259127	Ref	PLUG AND RECEPTACLE INSTALLATION - SUPPLIED LOCALLY	2
1	See Note	1	Box, Switch (Note: Supplied Locally)	
2	See Note	1	Receptacle (Note: Supplied Locally)	
3	See Note	1	Shield, Cover (Note: Supplied Locally)	
4	See Note	1	Connector, Strain Relief (Note: Supplied Locally)	
5	See Note	1	Plug, Male (Note: Supplied Locally)	
6	4922610	1	Upper Boom 220V Harness Assembly (See Separate Breakdown in this Section)	
7	See Note	4	Screw, Self-tapping, #6-32 x 5/8 (Note: Supplied Locally)	
8	See Note	4	Washer, #6 (Note: Supplied Locally)	
9	See Note	1	Gasket (Note: Supplied Locally)	
10	4922609	1	Lower Boom 220V Harness Assembly (See Separate Breakdown in this Section)	
12	See Note	1	Decal - 220V-50/60Hz (Note: Supplied Locally)	

# SECTION 8 - ELECTRICAL

FIGURE 8-54. PLUG AND RECEPTACLE INSTALLATION - 110V - ANSI SPEC



ART\_0259123



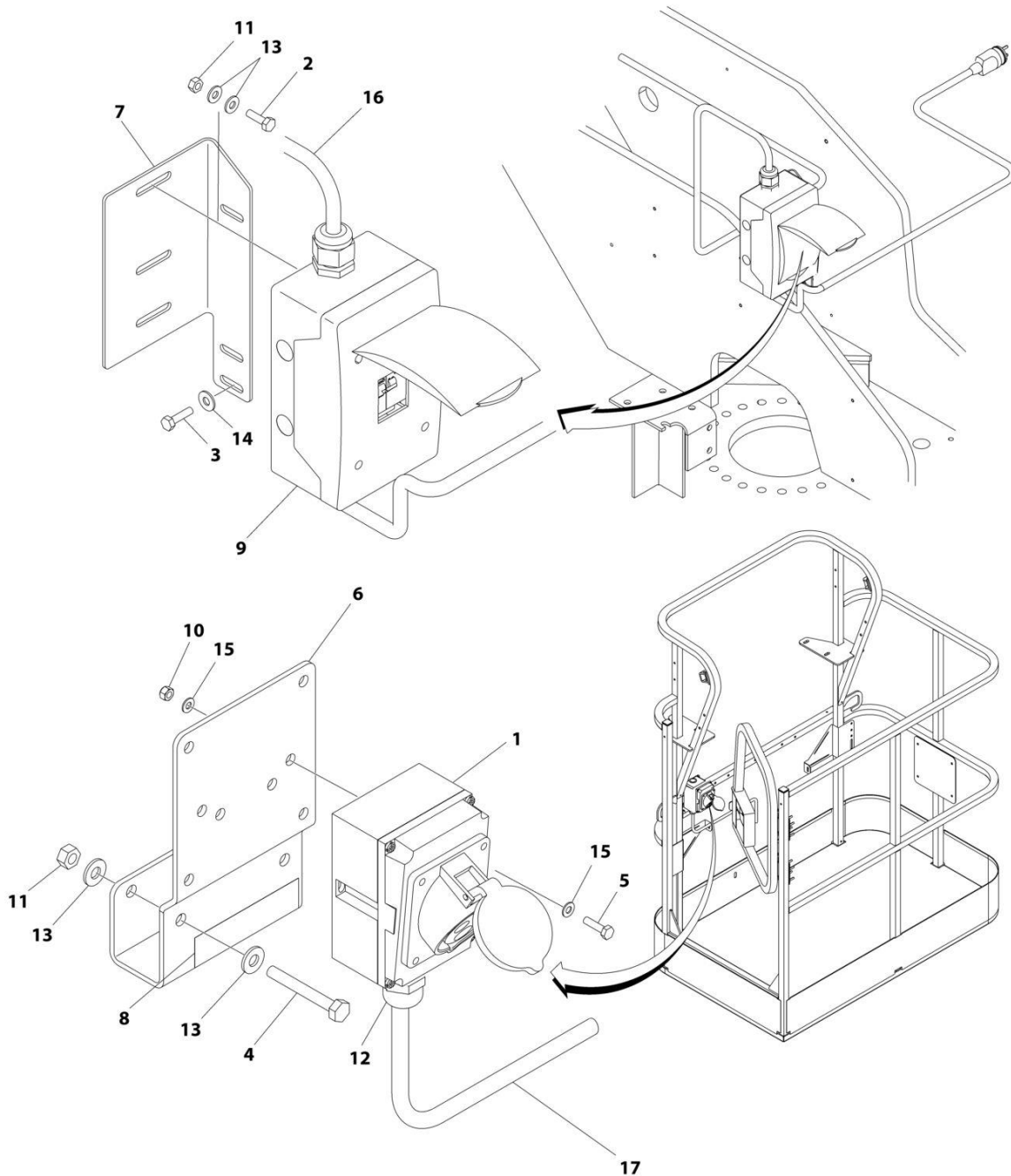
## SECTION 8 - ELECTRICAL

**FIGURE 8-54. PLUG AND RECEPTACLE INSTALLATION - 110V - ANSI SPEC**

ITEM	PART NUMBER	QTY	DESCRIPTION	REV
	0259123	Ref	PLUG AND RECEPTACLE INSTALLATION - 110V - ANSI SPEC	5
1	0860038	1	Box, Switch	
2	4460346	1	Receptacle	
3	1001110873	1	Shield, Cover	
4	4460071	1	Connector, Strain Relief	
5	4460205	1	Plug, Male	
6	4922608	1	Upper Boom 110V Harness Assembly (See Separate Breakdown in this Section)	
7	3910610	4	Screw, Self-tapping, #6 x 5/8	
8	4760600	4	Washer #6	
9	3960422	1	Gasket	
10	4922607	1	Lower Boom 110V Harness Assembly (See Separate Breakdown in this Section)	

# SECTION 8 - ELECTRICAL

FIGURE 8-55. PLUG AND RECEPTACLE 110V INSTALLATION - IEC 60309 - YELLOW (CE SPEC)



ART\_1001166263

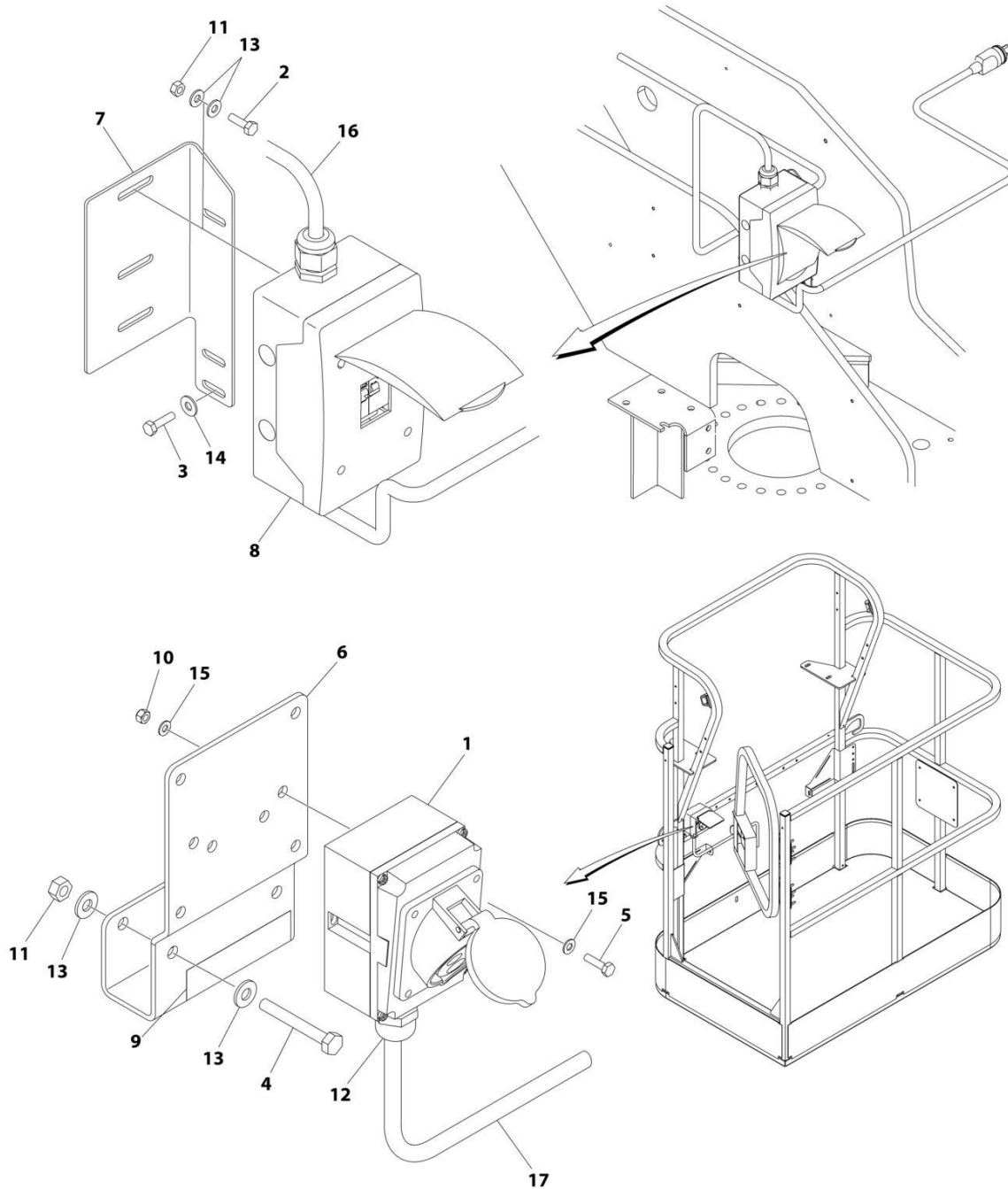
## SECTION 8 - ELECTRICAL

**FIGURE 8-55. PLUG AND RECEPTACLE 110V INSTALLATION - IEC 60309 - YELLOW (CE SPEC)**

ITEM	PART NUMBER	QTY	DESCRIPTION	REV
	1001166263	Ref	PLUG AND RECEPTACLE 110V INSTALLATION - IEC 60309 - YELLOW	C
1	0275216	1	AC Plugs and Sockets Installation (See Separate Breakdown in this Section)	
2	0641407	2	Bolt 1/4 x 7/8	
3	0641408	2	Bolt 1/4 x 1	
4	0641416	2	Bolt 1/4 x 2	
5	0700408	2	Bolt M4 x 16	
6	1001193018	1	Bracket	
7	1001178491	1	Bracket	
8	1705325	2	Decal - 120V - 50 Hz	
9	2902549	1	Breaker Box Kit with Two Breakers (See Separate Breakdown in this Section)	
10	3290405	2	Nut M4	
11	3311405	4	Nut 1/4	
12	4460968	1	Connector, Strain Relief	
13	4711400	8	Washer 1/4	
14	4751400	2	Washer 1/4	
15	4811400	4	Washer M4	
16	4922609	1	Lower Boom 220V Harness Assembly (See Separate Breakdown in this Section)	
17	4922610	1	Main Boom 220V Harness Assembly (See Separate Breakdown in this Section)	

# SECTION 8 - ELECTRICAL

## FIGURE 8-56. PLUG AND RECEPTACLE 220V INSTALLATION - IEC 60309 - BLUE (CE SPEC)



ART\_1001166260

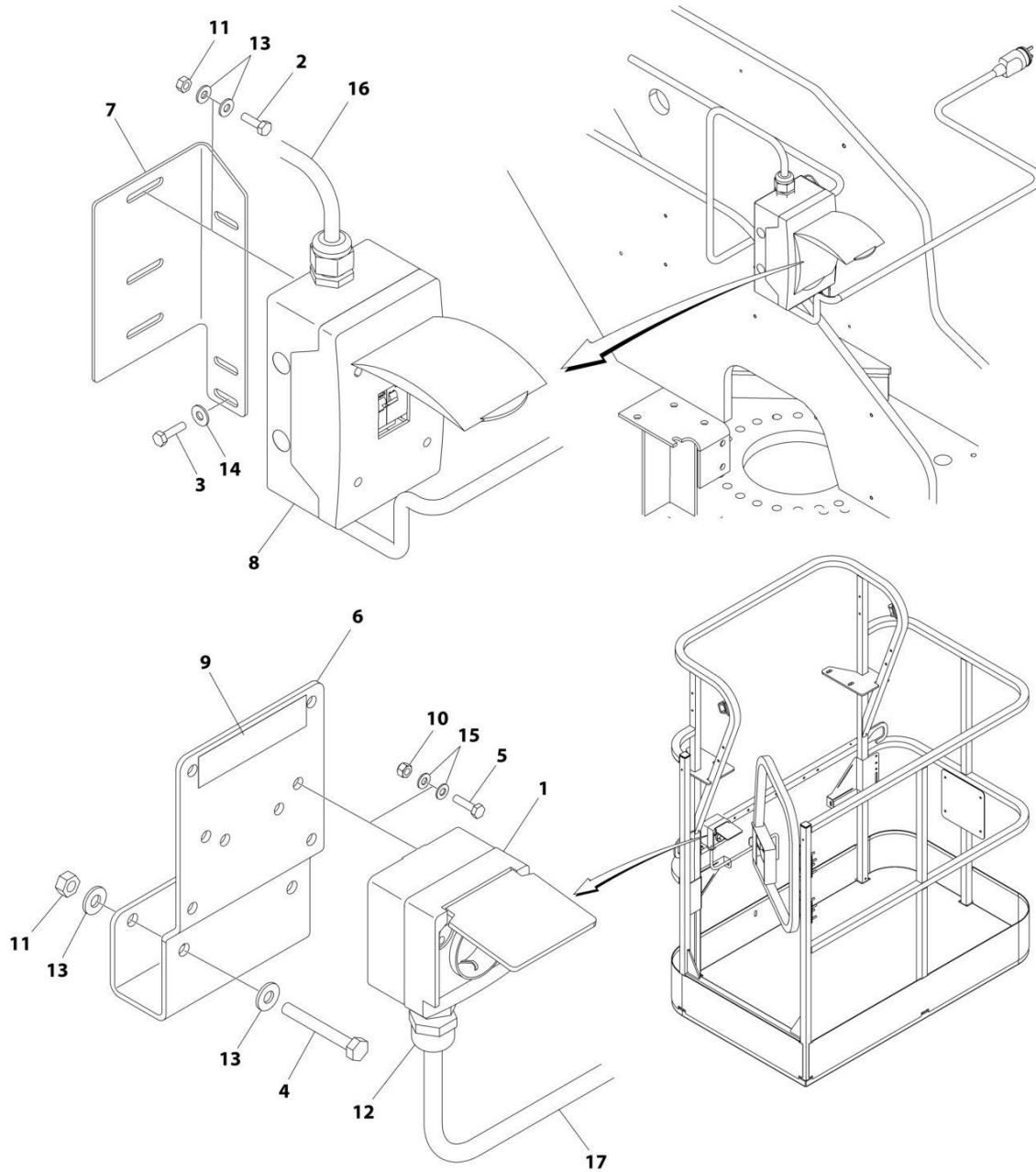
## SECTION 8 - ELECTRICAL

**FIGURE 8-56. PLUG AND RECEPTACLE 220V INSTALLATION - IEC 60309 - BLUE (CE SPEC)**

ITEM	PART NUMBER	QTY	DESCRIPTION	REV
	1001166260	Ref	PLUG AND RECEPTACLE 220V INSTALLATION - IEC 60309 - BLUE	C
1	0275217	1	AC Plugs and Sockets Installation (See Separate Breakdown in this Section)	
2	0641407	2	Bolt 1/4 x 7/8	
3	0641408	2	Bolt 1/4 x 1	
4	0641416	2	Bolt 1/4 x 2	
5	0700408	2	Bolt M4 x 16	
6	1001193018	1	Bracket	
7	1001178491	1	Bracket	
8	2902549	1	Breaker Box Kit with One Breakers (See Separate Breakdown in this Section)	
9	3252507	2	Decal - 220V - 50/60 Hz	
10	3290405	2	Nut M4	
11	3311405	4	Nut M4	
12	4460968	1	Connector, Strain Relief	
13	4711400	8	Washer 1/4	
14	4751400	2	Washer 1/4	
15	4811400	4	Washer M4	
16	4922609	1	Lower Boom 220V Harness Assembly (See Separate Breakdown in this Section)	
17	4922610	1	Main Boom 220V Harness Assembly (See Separate Breakdown in this Section)	

# SECTION 8 - ELECTRICAL

FIGURE 8-57. PLUG AND RECEPTACLE 220V INSTALLATION - CEE7 POST GROUND - 70MM X 70MM BOX (CE SPEC)



ART\_1001166261

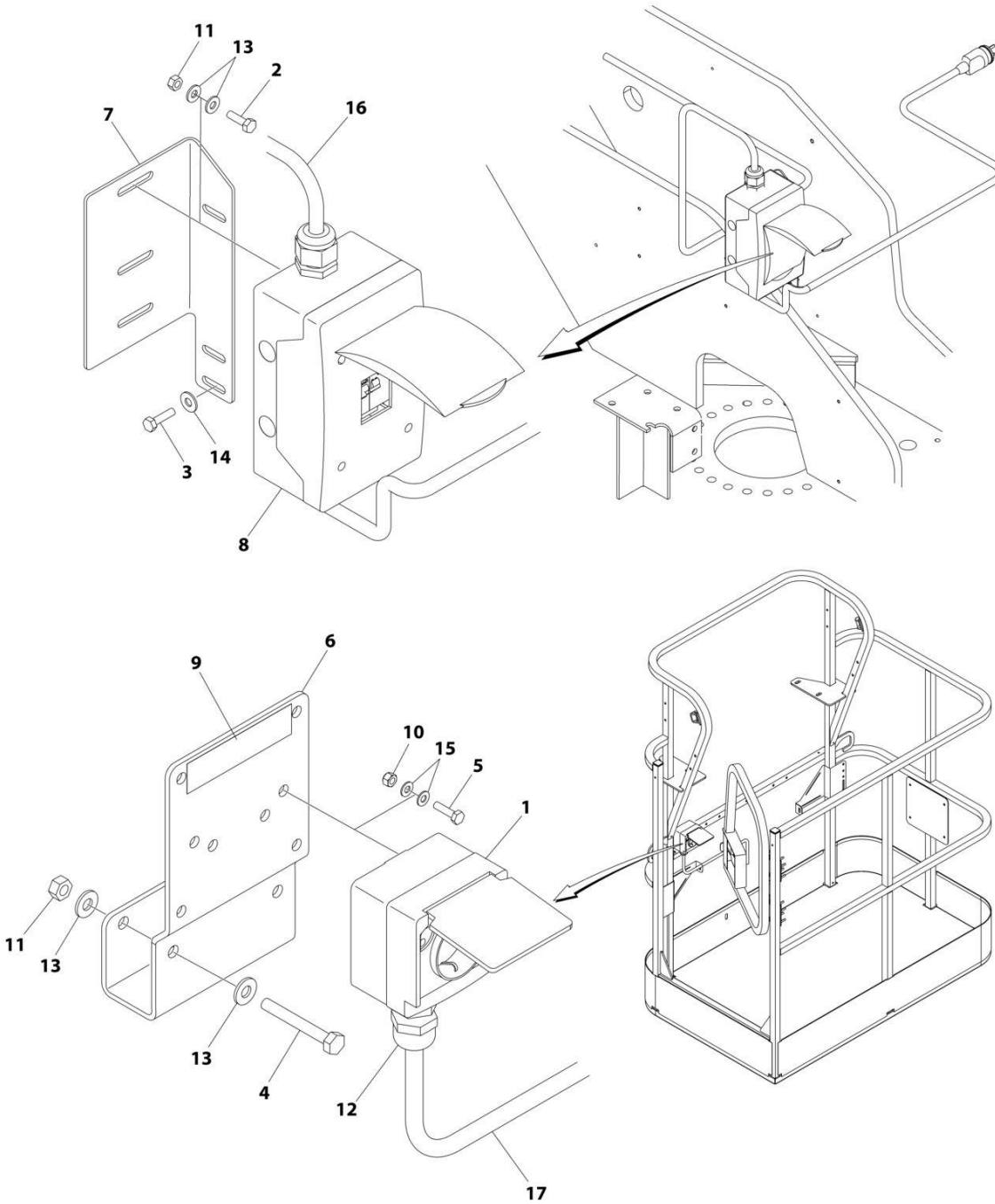
## SECTION 8 - ELECTRICAL

**FIGURE 8-57. PLUG AND RECEPTACLE 220V INSTALLATION - CEE7 POST GROUND - 70MM X 70MM BOX (CE SPEC)**

ITEM	PART NUMBER	QTY	DESCRIPTION	REV
	1001166261	Ref	PLUG AND RECEPTACLE 220V INSTALLATION - CEE7 POST GROUND - 70MM X 70MM BOX	C
1	0275218	1	AC Plugs and Sockets Installation (See Separate Breakdown in this Section)	
2	0641407	2	Bolt 1/4 x 7/8	
3	0641408	2	Bolt 1/4 x 1	
4	0641416	2	Bolt 1/4 x 2	
5	0700408	2	Bolt M4 x 16	
6	1001193018	1	Bracket	
7	1001178491	1	Bracket	
8	2902549	1	Breaker Box Kit with Two Breakers (See Separate Breakdown in this Section)	
9	3252507	2	Decal - 220V - 50/60 Hz	
10	3290405	2	Nut M4	
11	3311405	4	Nut 1/4	
12	4460968	1	Connector, Strain Relief	
13	4711400	8	Washer 1/4	
14	4751400	2	Washer 1/4	
15	4811400	4	Washer 4mm	
16	4922609	1	Lower Boom 220V Harness Assembly (See Separate Breakdown in this Section)	
17	4922610	1	Main Boom 220V Harness Assembly (See Separate Breakdown in this Section)	

# SECTION 8 - ELECTRICAL

FIGURE 8-58. PLUG AND RECEPTACLE 220V INSTALLATION - CEE7 SIDE GROUND - 70MM X 70MM BOX (CE SPEC)



ART\_1001166262



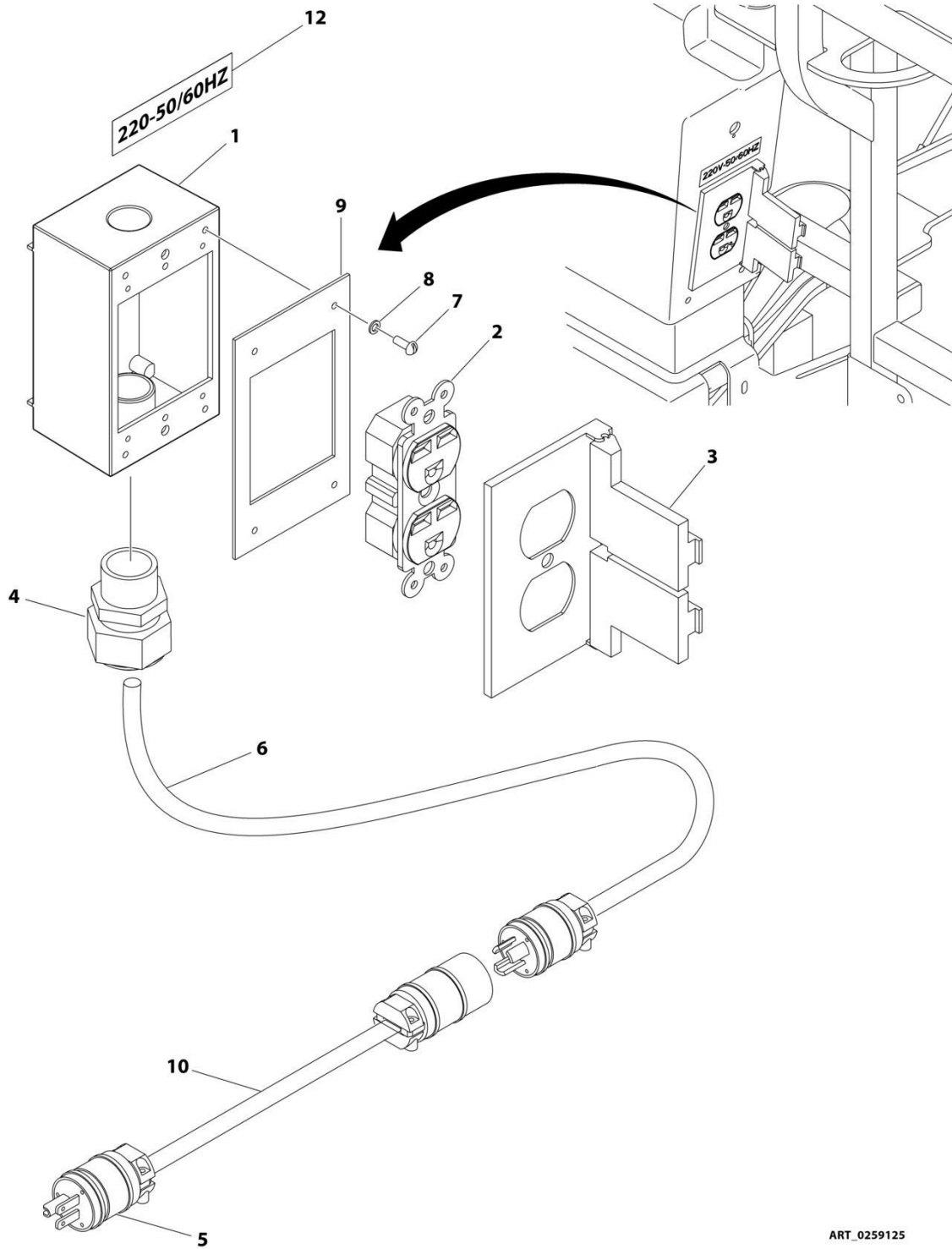
## SECTION 8 - ELECTRICAL

**FIGURE 8-58. PLUG AND RECEPTACLE 220V INSTALLATION - CEE7 SIDE GROUND - 70MM X 70MM BOX (CE SPEC)**

ITEM	PART NUMBER	QTY	DESCRIPTION	REV
	1001166262	Ref	PLUG AND RECEPTACLE 220V INSTALLATION - CEE7 SIDE GROUND - 70MM X 70MM BOX	C
1	0275219	1	AC Plugs and Sockets Installation (See Separate Breakdown in this Section)	
2	0641407	2	Bolt 1/4 x 7/8	
3	0641408	2	Bolt 1/4 x 1	
4	0641416	2	Bolt 1/4 x 2	
5	0700408	2	Bolt M4 x 16	
6	1001193018	1	Bracket	
7	1001178491	1	Bracket	
8	1001152485	1	Breaker Box Kit with Three Breakers (See Separate Breakdown in this Section)	
9	3252507	2	Decal - 220V - 50/60 Hz	
10	3290405	2	Nut M4	
11	3311405	4	Nut M4	
12	4460968	1	Connector, Strain Relief	
13	4711400	8	Washer 1/4	
14	4751400	2	Washer 1/4	
15	4811400	4	Washer M4	
16	4922609	1	Lower Boom 220V Harness Assembly (See Separate Breakdown in this Section)	
17	4922610	1	Main Boom 220V Harness Assembly (See Separate Breakdown in this Section)	

# SECTION 8 - ELECTRICAL

## FIGURE 8-59. PLUG AND RECEPTACLE 220V INSTALLATION - ANSI SPEC



ART\_0259125

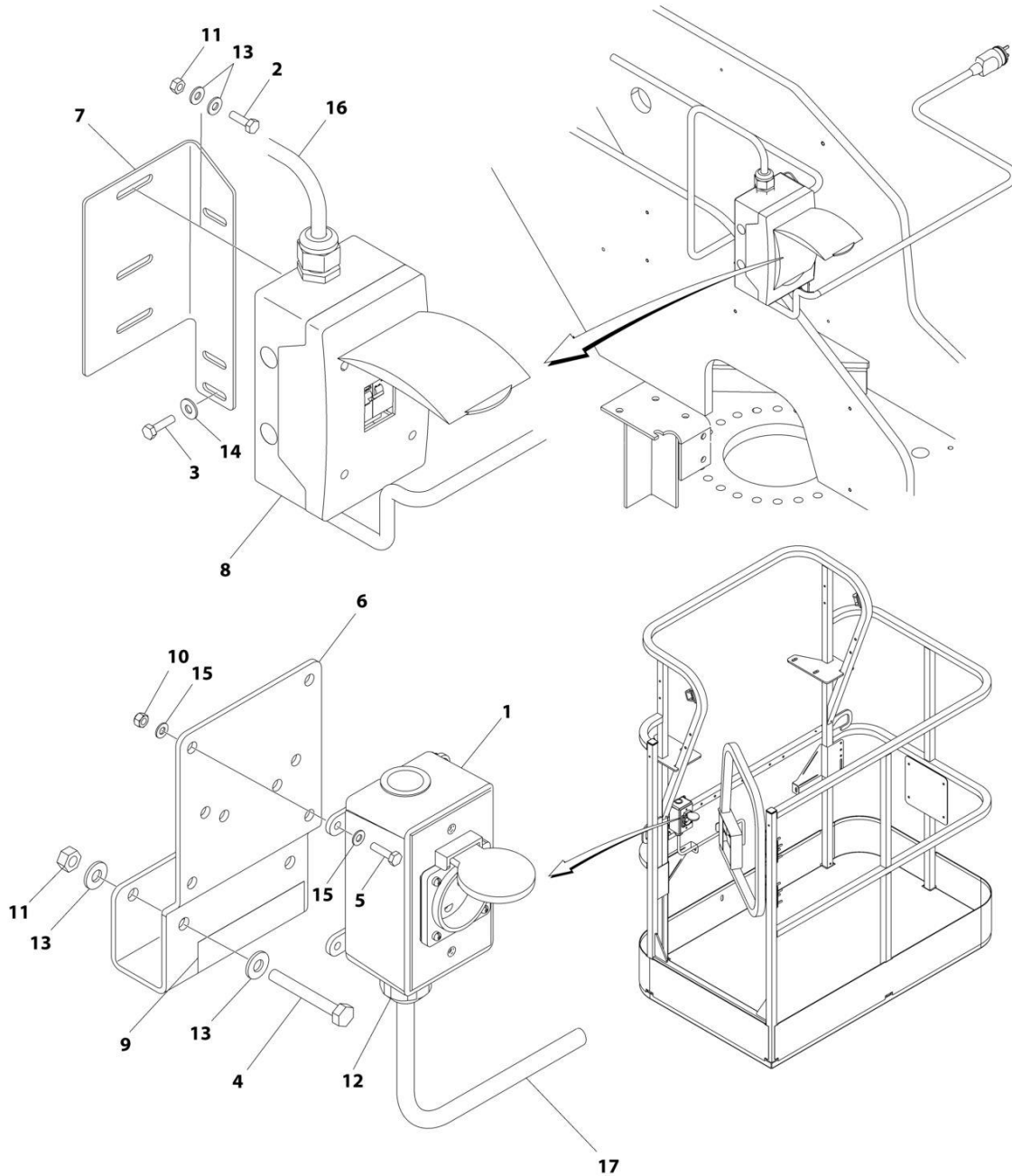
## SECTION 8 - ELECTRICAL

**FIGURE 8-59. PLUG AND RECEPTACLE 220V INSTALLATION - ANSI SPEC**

ITEM	PART NUMBER	QTY	DESCRIPTION	REV
	0259125	Ref	PLUG AND RECEPTACLE 220V INSTALLATION - ANSI SPEC	4
1	0860038	1	Box, Switch	
2	4460125	1	Receptacle	
3	4060092	1	Shield, Cover	
4	4460071	1	Connector, Strain Relief	
5	4460233	1	Plug, Male	
6	4922608	1	Upper Boom 110V Harness Assembly (See Separate Breakdown in this Section)	
7	3910610	4	Screw, Self-tapping, #6 x 5/8	
8	4760600	4	Washer #6	
9	3960422	1	Gasket	
10	4922607	1	Lower Boom 110V Harness Assembly (See Separate Breakdown in this Section)	
12	3252507	1	Decal - 220V-50/60 Hz	

# SECTION 8 - ELECTRICAL

FIGURE 8-60. PLUG AND RECEPTACLE 220 INSTALLATION - CEE7 SIDE GROUND - 2 X 4 BOX (CE SPEC)



ART\_1001166258

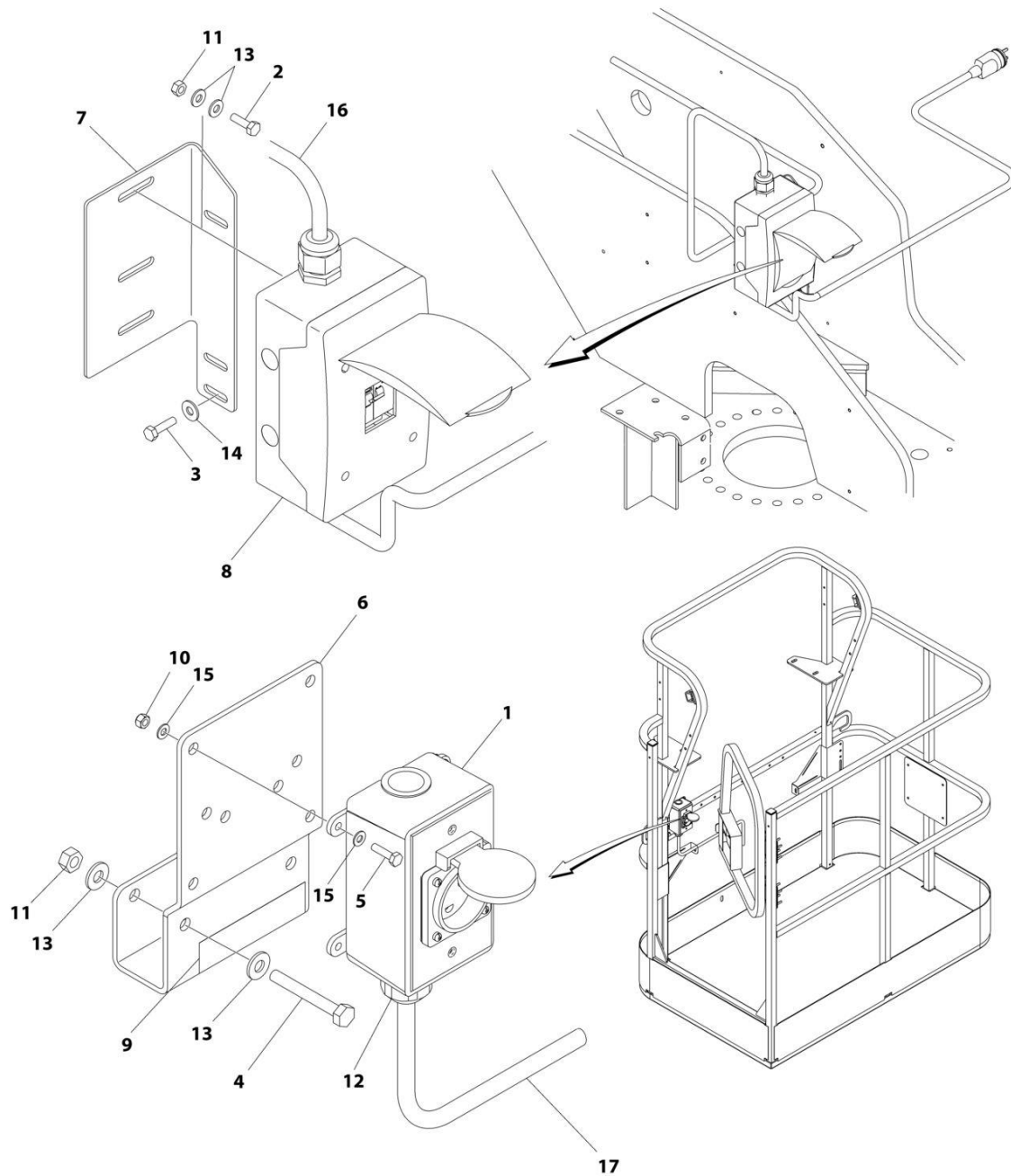
## SECTION 8 - ELECTRICAL

**FIGURE 8-60. PLUG AND RECEPTACLE 220 INSTALLATION - CEE7 SIDE GROUND - 2 X 4 BOX (CE SPEC)**

ITEM	PART NUMBER	QTY	DESCRIPTION	REV
	1001166258	Ref	PLUG AND RECEPTACLE 220 INSTALLATION - CEE7 SIDE GROUND - 2 X 4 BOX	D
1	0275453	1	AC Plugs and Sockets Installation (See Separate Breakdown in this Section)	
2	0641407	2	Bolt 1/4 x 7/8	
3	0641408	2	Bolt 1/4 x 1	
4	0641416	2	Bolt 1/4 x 2	
5	0700408	4	Bolt M4 x 16	
6	1001193018	1	Bracket	
7	1001178491	1	Bracket	
8	1001152485	1	Breaker Box Kit with Three Breakers (See Separate Breakdown in this Section)	
9	3252507	2	Decal - 220V - 50/60 Hz	
10	3290405	4	Nut M4	
11	3311405	4	Nut 1/4	
12	4460662	1	Connector, Strain Relief	
13	4711400	8	Washer 1/4	
14	4751400	2	Washer 1/4	
15	4811400	8	Washer M4	
16	4922609	1	Lower Boom 220V Harness Assembly (See Separate Breakdown in this Section)	
17	4922610	1	Main Boom 220V Harness Assembly (See Separate Breakdown in this Section)	

# SECTION 8 - ELECTRICAL

FIGURE 8-61. PLUG AND RECEPTACLE 220V INSTALLATION - CEE7 POST GROUND - 2 X 4 BOX (CE SPEC)



ART\_1001166251

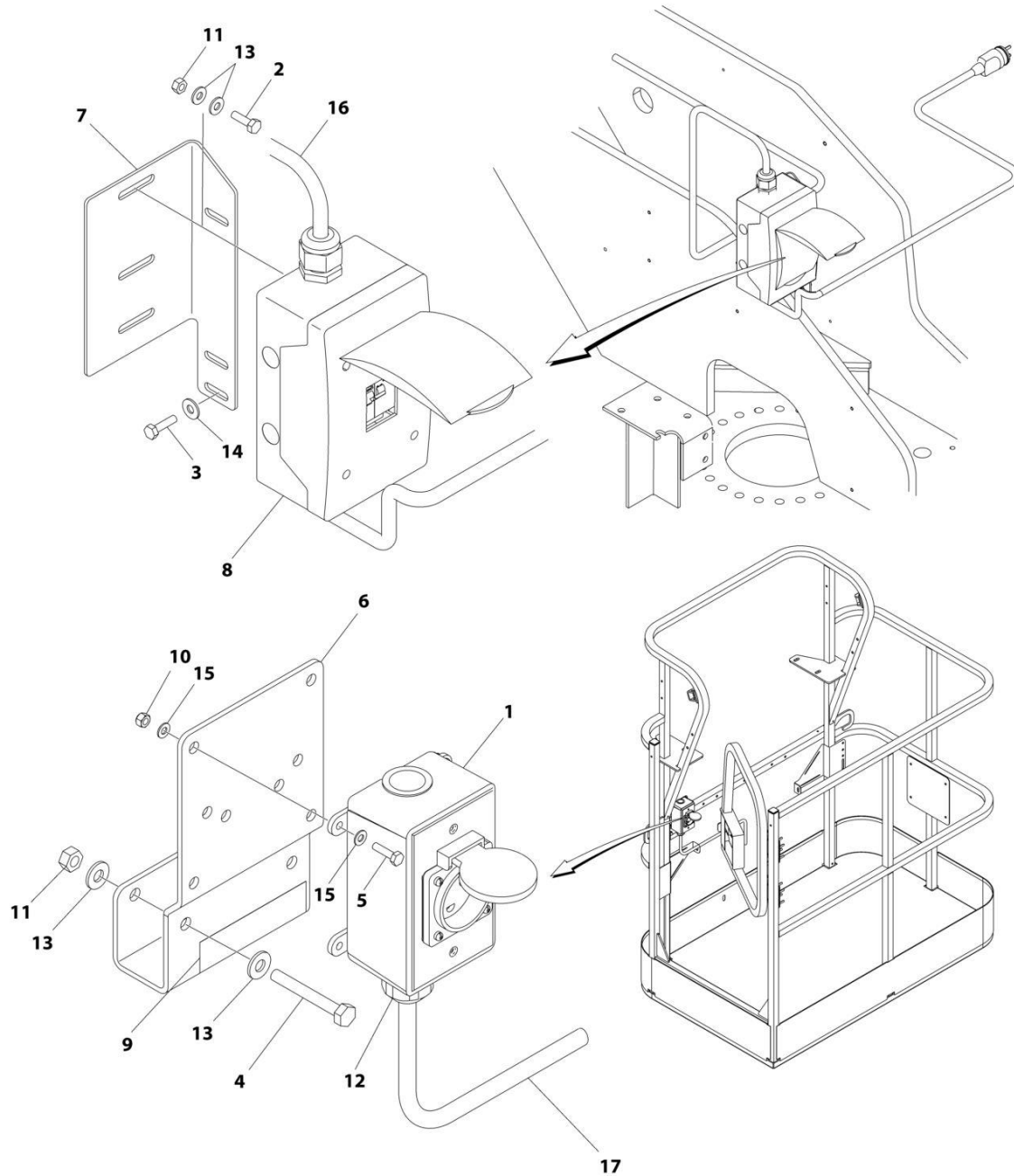
## SECTION 8 - ELECTRICAL

**FIGURE 8-61. PLUG AND RECEPTACLE 220V INSTALLATION - CEE7 POST GROUND - 2 X 4 BOX  
(CE SPEC)**

ITEM	PART NUMBER	QTY	DESCRIPTION	REV
	1001166251	Ref	PLUG AND RECEPTACLE 220V INSTALLATION - CEE7 POST GROUND - 2 X 4 BOX	C
1	0275452	1	AC Plugs and Sockets Installation (See Separate Breakdown in this Section)	
2	0641407	2	Bolt 1/4 x 7/8	
3	0641408	2	Bolt 1/4 x 1	
4	0641416	2	Bolt 1/4 x 2	
5	0700408	4	Bolt M4 x 16	
6	1001193018	1	Bracket	
7	1001178491	1	Bracket	
8	2902549	1	Breaker Box Kit with Two Breakers (See Separate Breakdown in this Section)	
9	3252507	2	Decal - 220V - 50/60Hz	
10	3290405	4	Nut M4	
11	3311405	4	Nut 1/4	
12	4460662	1	Connector, Strain Relief	
13	4711400	8	Washer 1/4	
14	4751400	2	Washer 1/4	
15	4811400	8	Washer M4	
16	4922609	1	Lower Boom 220V Harness Assembly (See Separate Breakdown in this Section)	
17	4922610	1	Main Boom 220V Harness Assembly (See Separate Breakdown in this Section)	

# SECTION 8 - ELECTRICAL

FIGURE 8-62. PLUG AND RECEPTACLE 220V INSTALLATION - AFSINT 107 KEYED GROUND - 2 X 4 BOX (CE SPEC)



ART\_1001166259



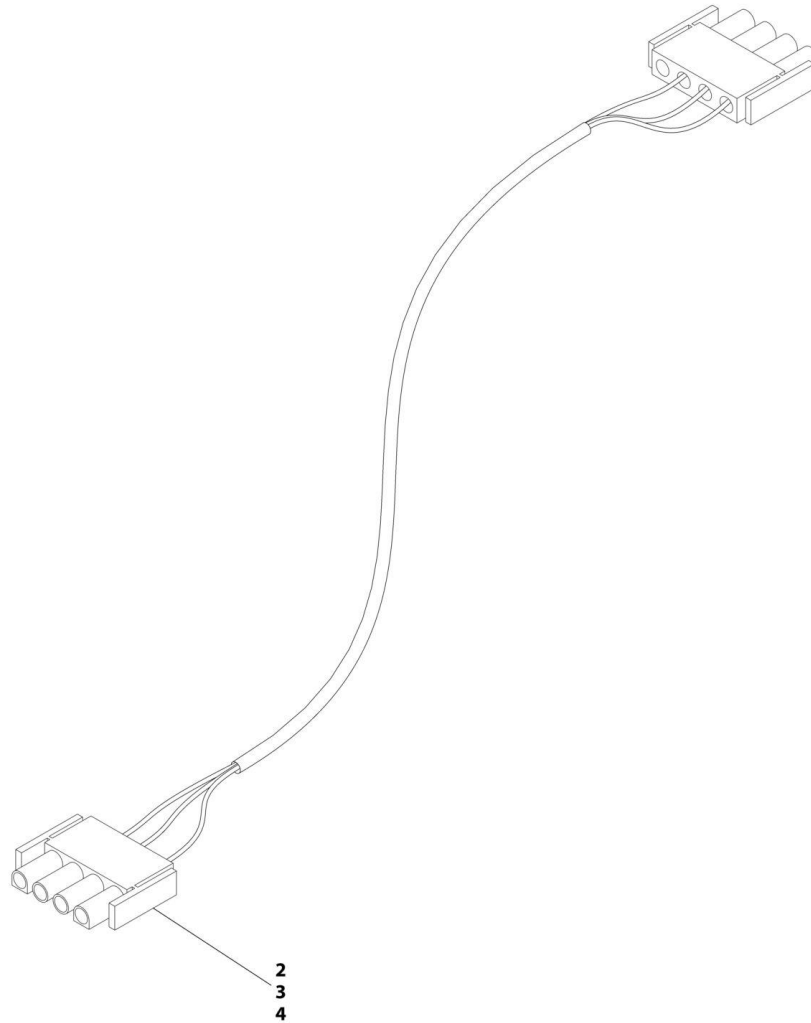
## SECTION 8 - ELECTRICAL

**FIGURE 8-62. PLUG AND RECEPTACLE 220V INSTALLATION - AFSINT 107 KEYED GROUND - 2 X 4 BOX (CE SPEC)**

ITEM	PART NUMBER	QTY	DESCRIPTION	REV
	1001166259	Ref	PLUG AND RECEPTACLE 220V INSTALLATION - AFSINT 107 KEYED GROUND - 2 X 4 BOX	C
1	0275454	1	AC Plugs and Sockets Installation (See Separate Breakdown in this Section)	
2	0641407	2	Bolt 1/4 x 7/8	
3	0641408	2	Bolt 1/4 x 1	
4	0641416	2	Bolt 1/4 x 2	
5	0700408	4	Bolt M4 x 16	
6	1001193018	1	Bracket	
7	1001178491	1	Bracket	
8	2902549	1	Breaker Box Kit with Two Breakers (See Separate Breakdown in this Section)	
9	3252507	2	Decal - 220V - 50/60 Hz	
10	3290405	4	Nut M4	
11	3311405	4	Nut 1/4	
12	4460662	1	Connector, Strain Relief	
13	4711400	8	Washer 1/4	
14	4751400	2	Washer 1/4	
15	4811400	8	Washer M4	
16	4922609	1	Lower Boom 220V Harness Assembly (See Separate Breakdown in this Section)	
17	4922610	1	Main Boom 220V Harness Assembly (See Separate Breakdown in this Section)	

# SECTION 8 - ELECTRICAL

FIGURE 8-63. POSI-TRACK MODULE CAN HARNESS ASSEMBLY



ART\_4922263

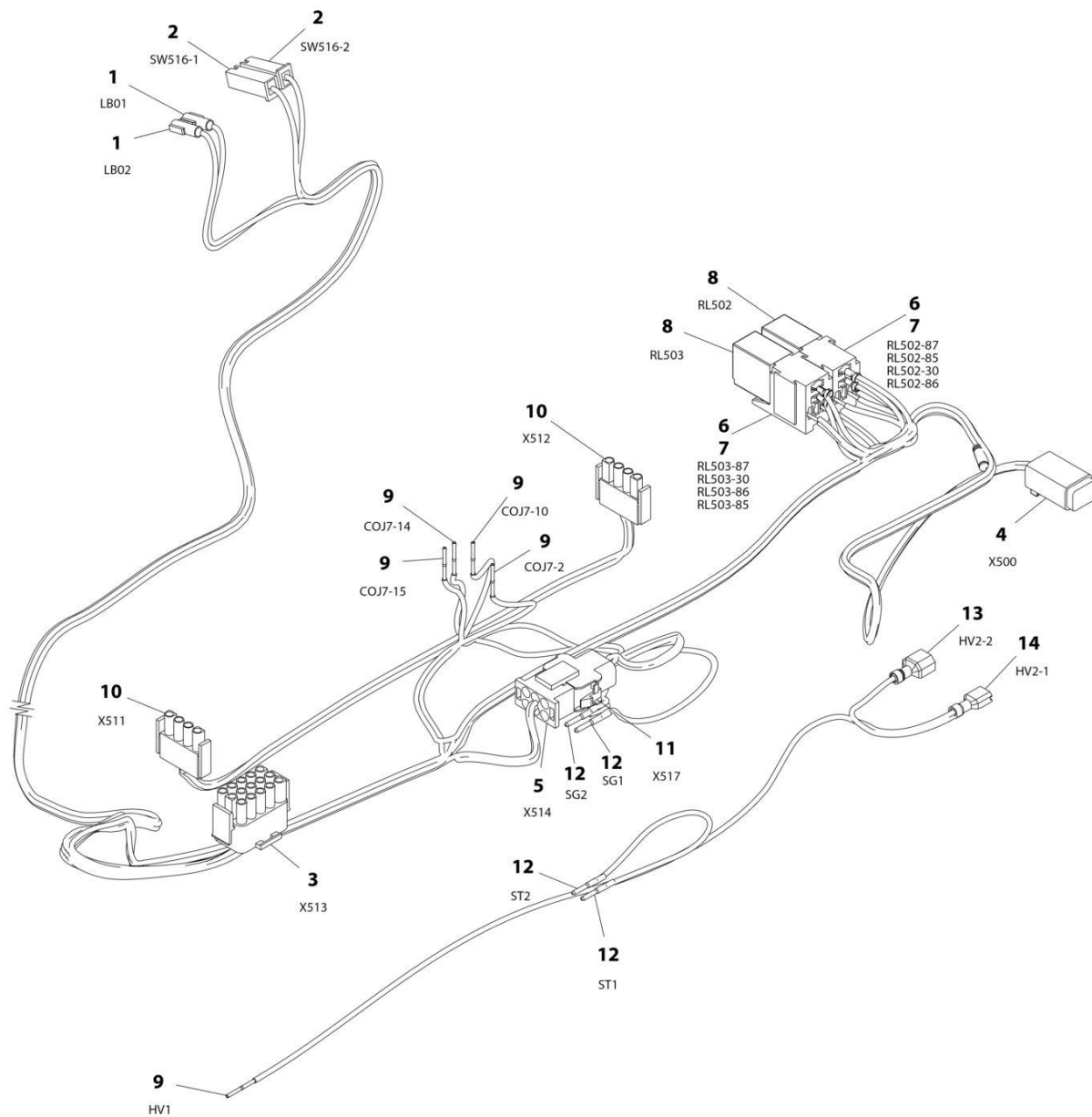
## SECTION 8 - ELECTRICAL

**FIGURE 8-63. POSI-TRACK MODULE CAN HARNESS ASSEMBLY**

ITEM	PART NUMBER	QTY	DESCRIPTION	REV
	4922263	Ref	POSI-TRACK MODULE CAN HARNESS ASSEMBLY	2/A
2	4460321	2	Connector - 4 Position	
3	4460227	4	Pin, Male	
4	4460267	2	Pin, Male	

# SECTION 8 - ELECTRICAL

FIGURE 8-64. SKYGUARD PLATFORM SENSOR HARNESS (SN 0300189901 through 0300200789)



ART\_1001149569

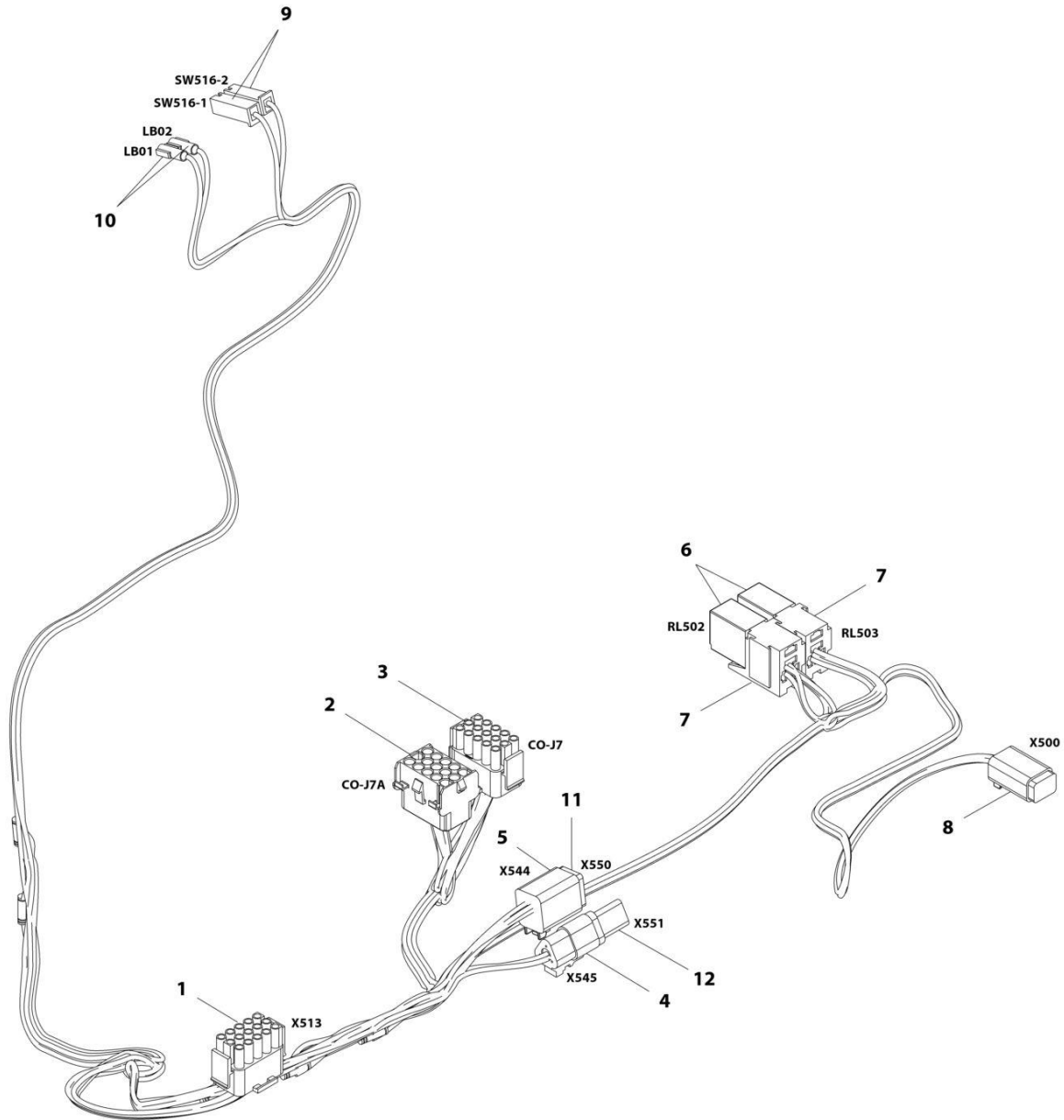
## SECTION 8 - ELECTRICAL

**FIGURE 8-64. SKYGUARD PLATFORM SENSOR HARNESS (SN 0300189901 through 0300200789)**

ITEM	PART NUMBER	QTY	DESCRIPTION	REV
	1001149569	Ref	SKYGUARD PLATFORM SENSOR HARNESS (SN 0300189901 through 0300200789)	A
1	1001117093	2	Connector, Push On	
2	4460260	2	Housing, Terminal	
2	4460259	2	Terminal	
3	4460434	1	Connector - 15 Position	
3	4460268	8	Socket, Female	
4	4460884	1	Plug, Male - 4 Position	
5	4460225	1	Plug, Male - 6 Position	
6	1001116720	4	Terminal	
7	1001118388	4	Terminal	
8	70004016	2	Relay	
9	4460268	5	Socket, Female	
10	4460321	2	Connector - 4 Position	
11	4460224	1	Connector - 6 Position	
11	4460267	6	Pin, Male	
12	4460267	4	Pin, Male	
13	8220050	1	Terminal	
14	8220051	1	Terminal	

# SECTION 8 - ELECTRICAL

FIGURE 8-65. SKYGUARD PLATFORM SENSOR HARNESS (SN 0300200790 through 0300208529)



ART\_1001189074

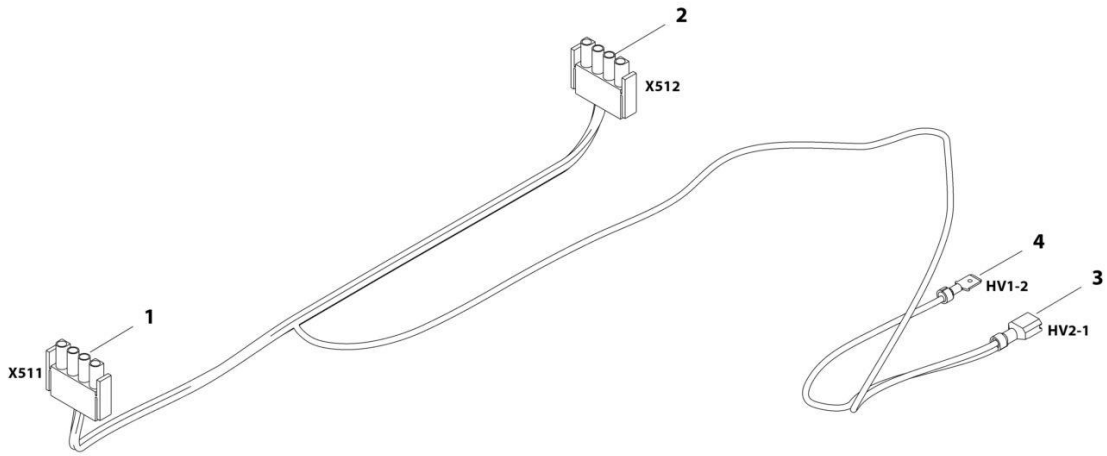
## SECTION 8 - ELECTRICAL

**FIGURE 8-65. SKYGUARD PLATFORM SENSOR HARNESS (SN 0300200790 through 0300208529)**

ITEM	PART NUMBER	QTY	DESCRIPTION	REV
	1001189074	Ref	SKYGUARD PLATFORM SENSOR HARNESS (SN 0300200790 through 0300208529)	C
1	4460434	1	Connector - 15 Position	
1	4460268	8	Socket, Female	
2	4460708	1	Connector - 15 Position	
2	4460227	14	Pin, Male	
3	4460434	1	Connector - 15 Position	
3	4460226	15	Socket, Female	
4	4460539	1	Connector - 3 Position	
4	4460465	3	Socket, Female	
5	4460894	1	Connector - 6 Position	
5	4460465	6	Socket, Female	
6	1001186432	2	Holder, Relay	
6	1001116720	4	Terminal	
6	1001118388	8	Terminal	
7	1001186432	2	Holder, Relay	
7	1001118388	4	Terminal	
7	1001116720	6	Terminal	
8	4460884	1	Connector - 4 Position	
8	4460932	1	Connector - 4 Position	
8	4460944	4	Socket, Female (Gold)	
9	4460260	2	Terminal, Housing	
9	4460259	2	Terminal	
10	1001117093	2	Connector	
11	4460899	1	Connector - 6 Position	
11	4460464	6	Pin, Male	
12	4460536	1	Connector - 3 Position	
12	4460464	3	Pin, Male	

# SECTION 8 - ELECTRICAL

FIGURE 8-66. SKYGUARD CAN HARNESS (SN 0300200790 through 0300208529)



ART\_1001189076



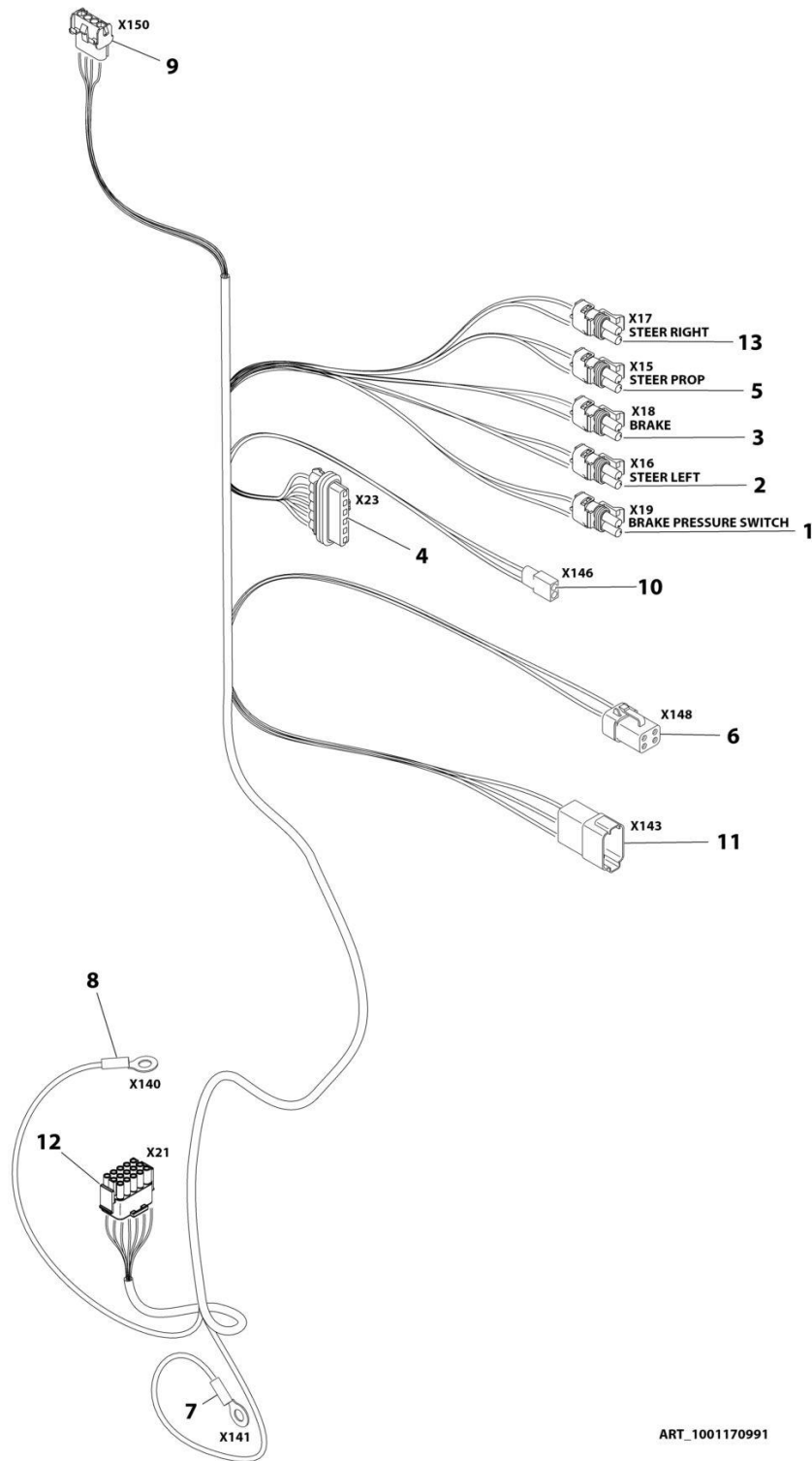
## SECTION 8 - ELECTRICAL

**FIGURE 8-66. SKYGUARD CAN HARNESS (SN 0300200790 through 0300208529)**

ITEM	PART NUMBER	QTY	DESCRIPTION	REV
	1001189076	Ref	SKYGUARD CAN HARNESS (SN 0300200790 through <b>0300208529</b> )	D
1	4460321	1	Connector - 4 Position	
1	4460267	3	Pin, Male	
2	4460321	1	Connector - 4 Position	
2	4460267	4	Pin, Male	
3	8220051	1	Terminal	
4	4461002	1	Terminal	

# SECTION 8 - ELECTRICAL

## FIGURE 8-67. STEER BRAKE HARNESS - E450A/E450AJ



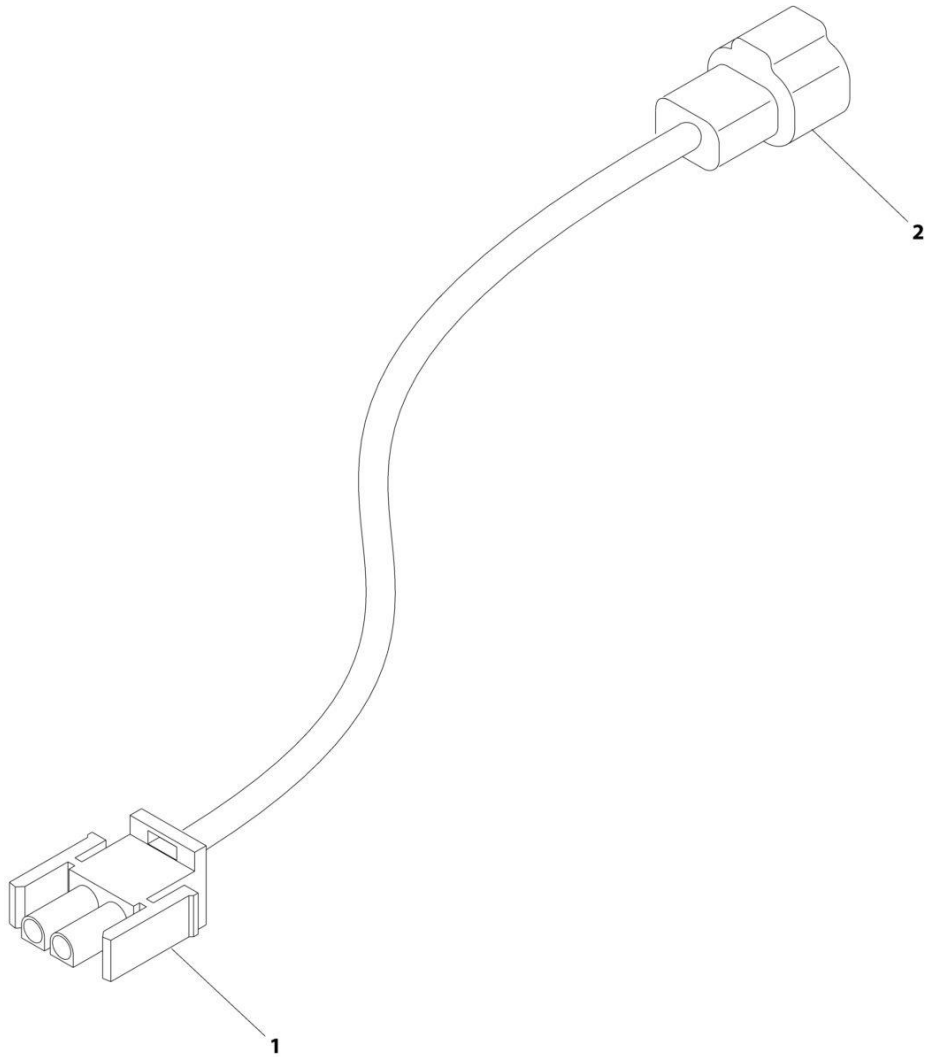
## SECTION 8 - ELECTRICAL

**FIGURE 8-67. STEER BRAKE HARNESS - E450A/E450AJ**

ITEM	PART NUMBER	QTY	DESCRIPTION	REV
	1001170991	Ref	STEER/BRAKE HARNESS - E450A/E450AJ	A
1	4460742	1	Connector - 2 Position	
1	4460743	2	Terminal, Female	
1	4460458	2	Seal	
2	4460742	1	Connector - 2 Position	
2	4460743	2	Terminal, Female	
2	4460458	2	Seal	
3	4460742	1	Connector - 2 Position	
3	4460743	2	Terminal, Female	
3	4460458	2	Seal	
4	4460744	1	Connector - 6 Position	
4	4460749	1	Cap, Shell	
4	4460750	1	Bar, Buss - 6 Position	
4	4460745	1	Lock, Secondary	
4	4460751	1	Clip, Mounting	
4	4460746	5	Socket, Female	
4	4460458	5	Seal	
4	4460748	1	Plug, Terminal	
5	4460742	1	Connector - 2 Position	
5	4460743	2	Terminal, Female	
5	4460458	2	Seal	
6	4460931	1	Connector - 8 Position	
6	4460464	6	Pin, Male	
6	4460466	2	Plug, Seal	
7	4460738	1	Ring, Terminal	
8	4460738	1	Ring, Terminal	
9	4460761	1	Connector - 4 Position	
9	4460227	4	Pin, Male	
10	4460424	1	Connector - 2 Position	
10	4460227	2	Pin, Male	
11	1001116810	1	Connector - 4 Position	
11	4460509	2	Socket, Female	
11	4460466	2	Plug, Seal	
12	4460434	1	Connector - 15 Position	
12	4460226	7	Pin, Male	
13	4460742	1	Connector - 2 Position	
13	4460743	2	Terminal, Female	
13	4460458	2	Seal	

# SECTION 8 - ELECTRICAL

## FIGURE 8-68. STROBE LIGHT HARNESS



ART\_1001149818

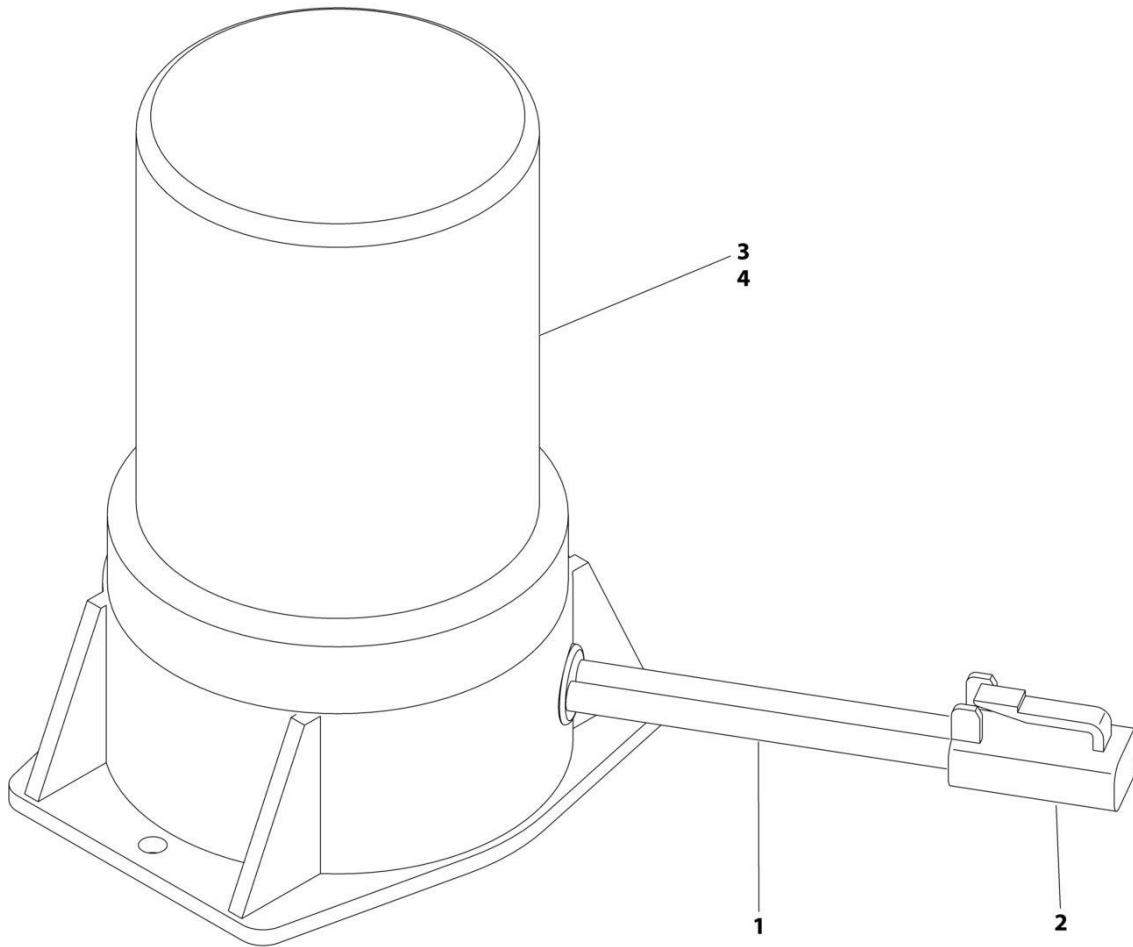
## SECTION 8 - ELECTRICAL

### FIGURE 8-68. STROBE LIGHT HARNESS

ITEM	PART NUMBER	QTY	DESCRIPTION	REV
	1001149818	Ref	STROBE LIGHT HARNESS	B
1	4460320	1	Connector, 2 Position	
1	4460267	2	Pin, Male	
2	4460897	1	Connector, Female - 2 Position	
2	4460464	2	Pin, Male	

# SECTION 8 - ELECTRICAL

## FIGURE 8-69. STROBE LIGHT - AMBER - HARNESS



ART\_2920161

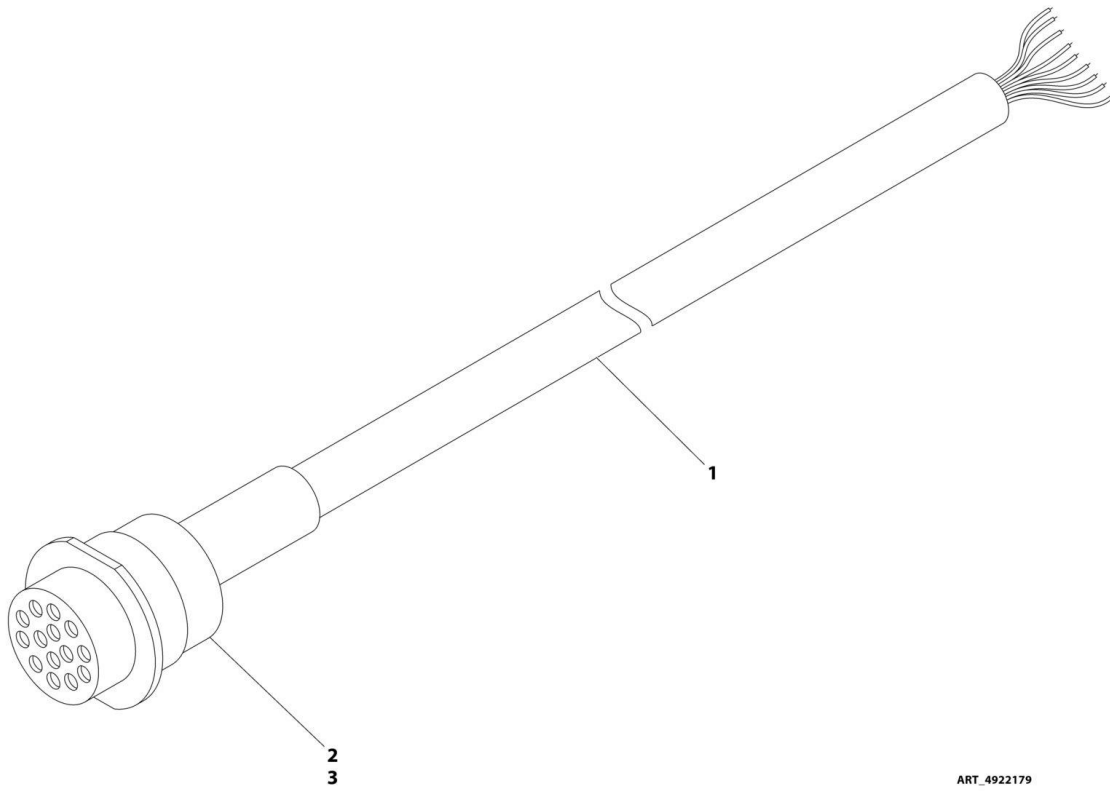
## SECTION 8 - ELECTRICAL

### FIGURE 8-69. STROBE LIGHT - AMBER - HARNESS

ITEM	PART NUMBER	QTY	DESCRIPTION	REV
	2920161	Ref	STROBE LIGHT - AMBER - HARNESS	C
1	See Note	NSS	Harness (Note: Use p/n 2920161)	
2	4460891	1	Connector - 2 Position	
2	4460465	2	Socket, Female	
3	7016319	1	Bulb, Replacement	
4	7016272	1	Lens, Replacement	

# SECTION 8 - ELECTRICAL

FIGURE 8-70. TOWER BOOM HARNESS ASSEMBLY - E450A/E450AJ/M450AJ



ART. 4922179



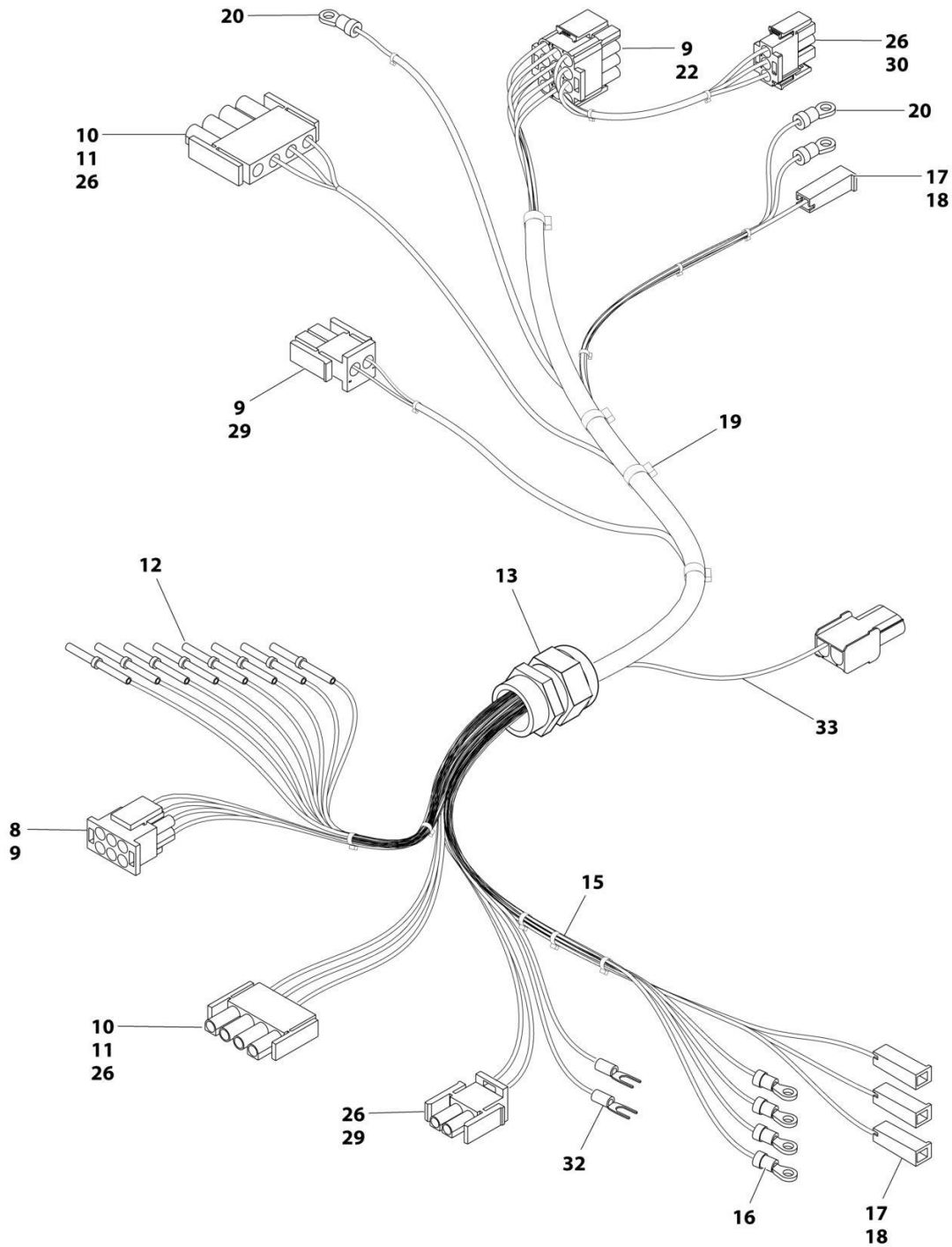
## SECTION 8 - ELECTRICAL

**FIGURE 8-70. TOWER BOOM HARNESS ASSEMBLY - E450A/E450AJ/M450AJ**

ITEM	PART NUMBER	QTY	DESCRIPTION	REV
1	4922179	Ref	TOWER BOOM HARNESS ASSEMBLY - E450A/E450AJ/M450AJ	3/D
	1060677	35.5 ft /10.8m	Cable, Electrical	
2	4460464	28	Pin, Male	
3	4460752	1	Connector - 14 Position	

# SECTION 8 - ELECTRICAL

## FIGURE 8-71. TURNTABLE/FRAME HARNESS ASSEMBLY



ART\_4922104

## SECTION 8 - ELECTRICAL

**FIGURE 8-71. TURNTABLE/FRAME HARNESS ASSEMBLY**

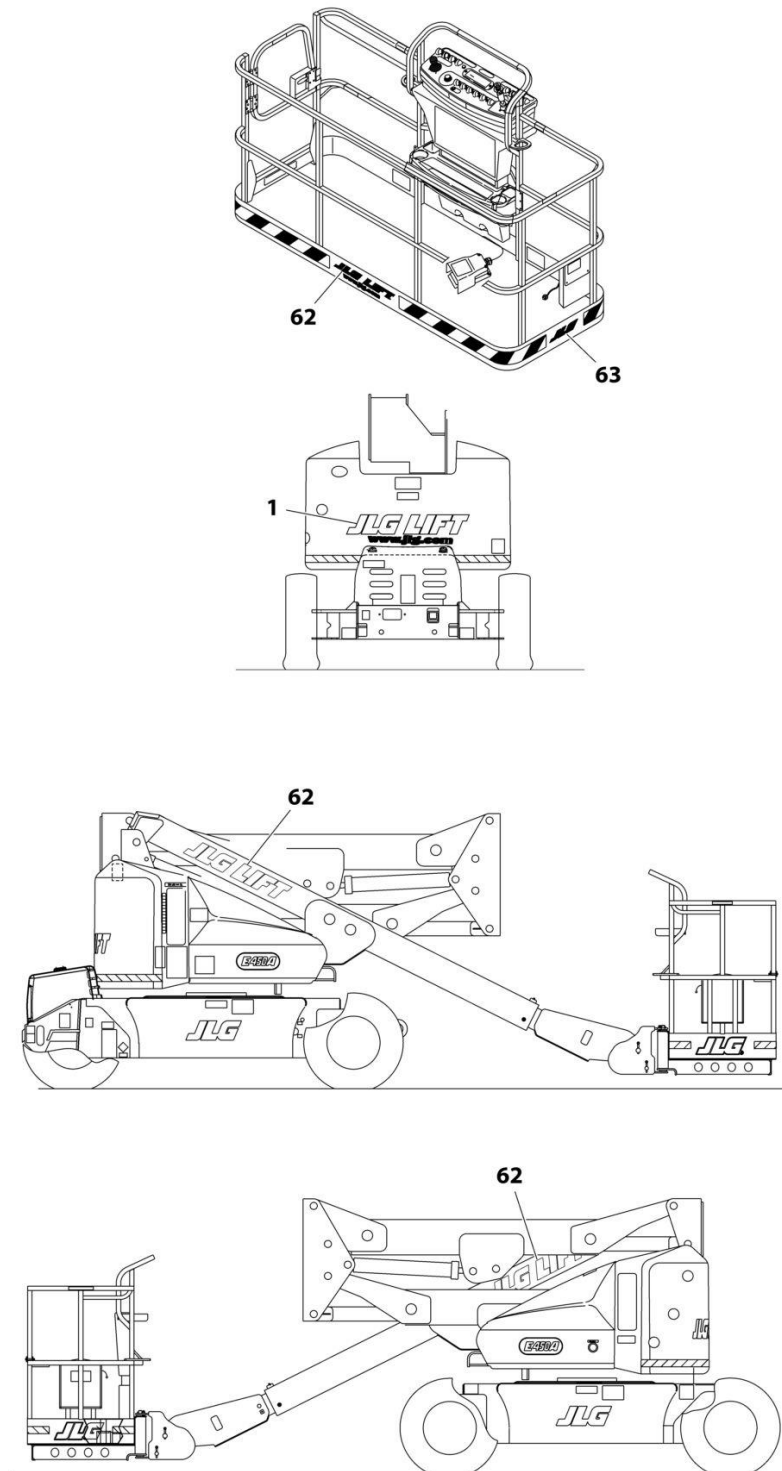
ITEM	PART NUMBER	QTY	DESCRIPTION	REV
	4922104	Ref	TURNTABLE/FRAME HARNESS ASSEMBLY	7/G
8	4460225	1	Connector - 6 Position	
9	4460268	17	Socket, Female	
10	4460321	2	Connector - 4 Position	
11	4460227	2	Pin, Male	
12	4460465	8	Socket, Female	
13	4460425	1	Connector, Strain Relief	
14	4460315	1	Terminal, Spade	
15	4240032	12	Tie-Strap	
16	4460042	4	Ring, Terminal	
17	4460259	4	Terminal	
18	4460260	4	Terminal, Housing	
19	4240033	4	Tie-Strap	
20	4460738	3	Ring, Terminal	
22	4460343	1	Connector, 12 Position	
26	4460267	11	Pin, Male	
29	4460320	2	Connector, 2 Position	
30	4460326	1	Connector, 3 Position	
32	4460145	1	Terminal	
33	4922073	1	Horn/Beacon Harness Assembly (See HORN/BEACON HARNESS ASSEMBLY for Breakdown)	



**SECTION 9 - DECALS**

# SECTION 9 - DECALS

## FIGURE 9-1. DECAL INSTALLATION - JLG LOGO



ART\_0270273

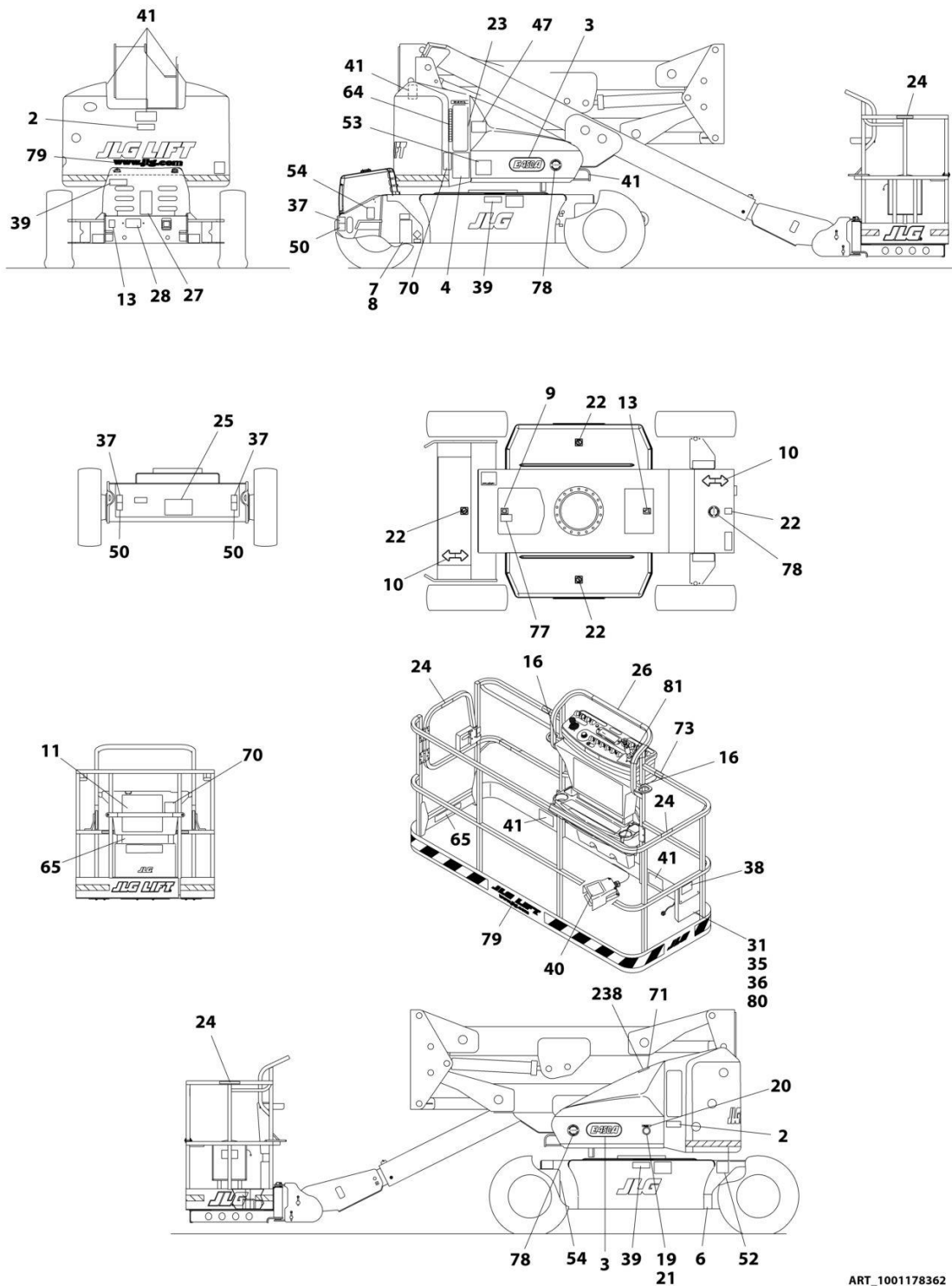
## SECTION 9 - DECALS

**FIGURE 9-1. DECAL INSTALLATION - JLG LOGO**

ITEM	PART NUMBER	QTY	DESCRIPTION	REV
	0270273	Ref	DECAL INSTALLATION - JLG LOGO	3
1	1702860	1	Decal - JLG Lift	
62	1702774	3	Decal - JLG Lift	
63	1702773	1	Decal - JLG	

# SECTION 9 - DECALS

## FIGURE 9-2. DECAL INSTALLATION - ANSI SPEC - M450AJ



ART\_1001178362



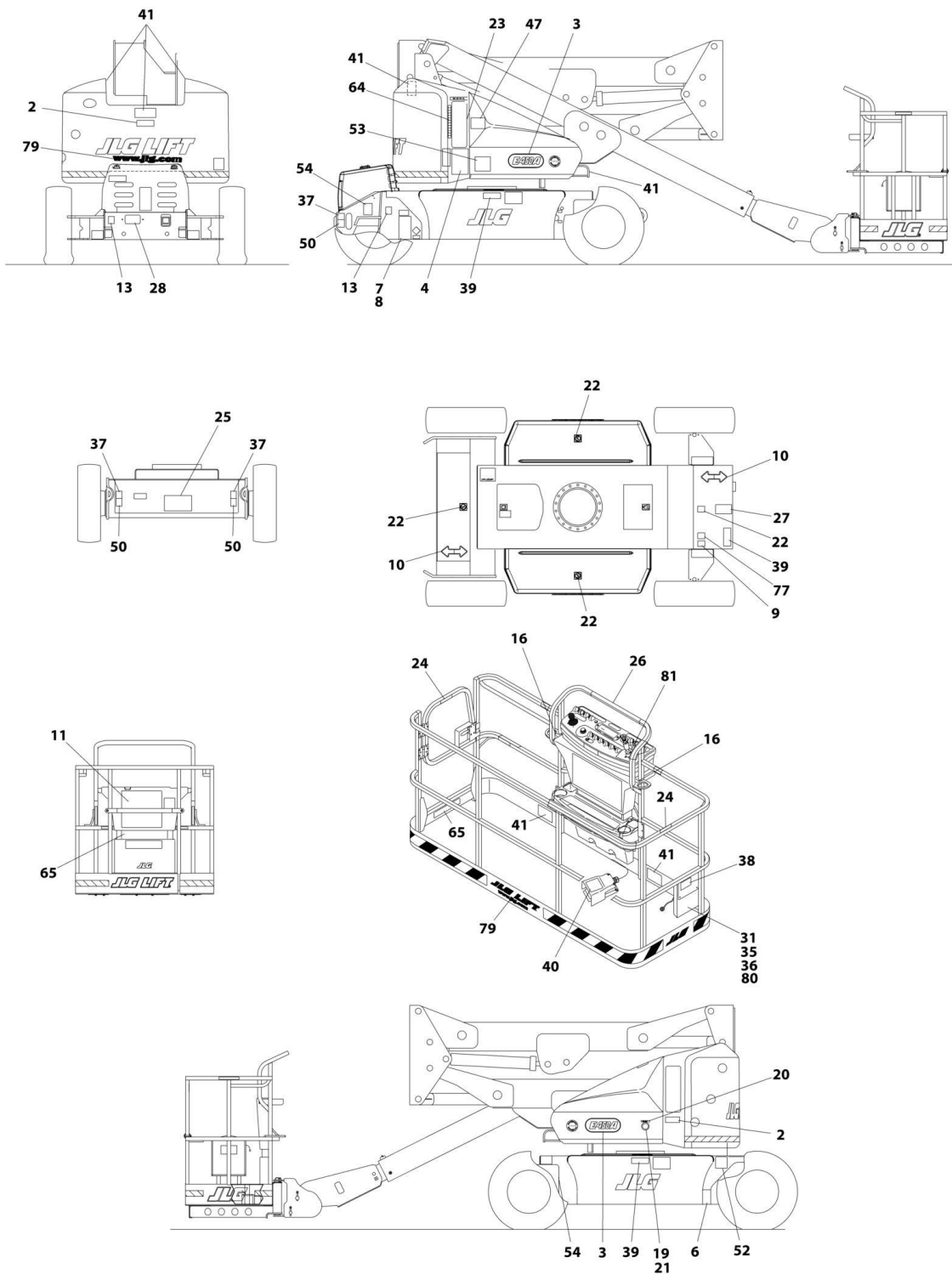
## SECTION 9 - DECALS

**FIGURE 9-2. DECAL INSTALLATION - ANSI SPEC - M450AJ**

ITEM	PART NUMBER	QTY	DESCRIPTION	REV
	1001178362	Ref	DECAL INSTALLATION - ANSI SPEC - M450AJ	B
2	1703805	2	Decal - Electrocution	
3	1704790	2	Decal - Model Designation	
4	1703798	1	Decal - Crushing	
6	1001131269	1	Decal - Patent	
7	See Note	1	Nameplate - Serial Number (Note: Not Available for Purchase)	
8	3820001	2	Rivet	
9	1701504	1	Decal - Hydraulic Oil	
10	1701642	2	Decal - Arrow	
11	1703797	1	Decal - Caution/Danger	
13	1701644	2	Decal - Charger	
16	1704277	2	Decal - Attach Lanyard	
19	0961127	1	Bushing, Snap	
20	3251243	1	Nameplate 120V-60Hz	
21	0100010	AR	Adhesive	
22	1701691	4	Decal - No Step	
23	1001104864	1	Decal - Manual Descent	
24	1702868	2	Decal - No Hands	
25	1001173577	1	Decal - Cable Routing	
26	1704253	1	Decal - Key Platform	
27	1704446	1	Decal - Charger	
28	1704431	1	Decal - Battery Charger LED Indicator	
31	0860520	1	Box, Manual Storage	
35	4751400	4	Washer, 1/4	
36	3311405	4	Nut, 1/4-20	
37	1701500	4	Decal - Lift	
38	1701509	1	Decal - Manual	
39	1703813	3	Decal - Danger	
40	3252347	1	Nameplate - Footswitch	
41	1703804	6	Decal - Crushing Hazard	
47	1702265	1	Decal	
50	1702300	4	Decal - Tie Down	
52	See Note	1	Decal - Bar Code (Note: Not Available for Purchase)	
53	1001121814	1	Decal - 500 LBS Max Capacity	
54	1704445	4	Decal - Tire Load	
64	1706950	1	Decal - Key Main Terminal Box	
65	1001121801	2	Decal - 500 LBS Max Capacity	
70	1704286	2	Decal - Generator Danger	
71	1701505	1	Decal - Fuel	
73	1702962	1	Decal - Fuel Warning	
77	1704412	1	Decal - Oil Type	
78	1001121510	3	Decal - Hybrid	
79	1704885	2	Decal - Website	
80	0641406	4	Bolt, 1/4-20 x 3/4	
81	1705351	1	Decal - Drive/Steer Instruction	
238	1001108923	1	Decal - Ultra Low Sulfur Fuel	

# SECTION 9 - DECALS

## FIGURE 9-3. DECAL INSTALLATION - ANSI SPEC - E450A/E450AJ



ART\_1001178364

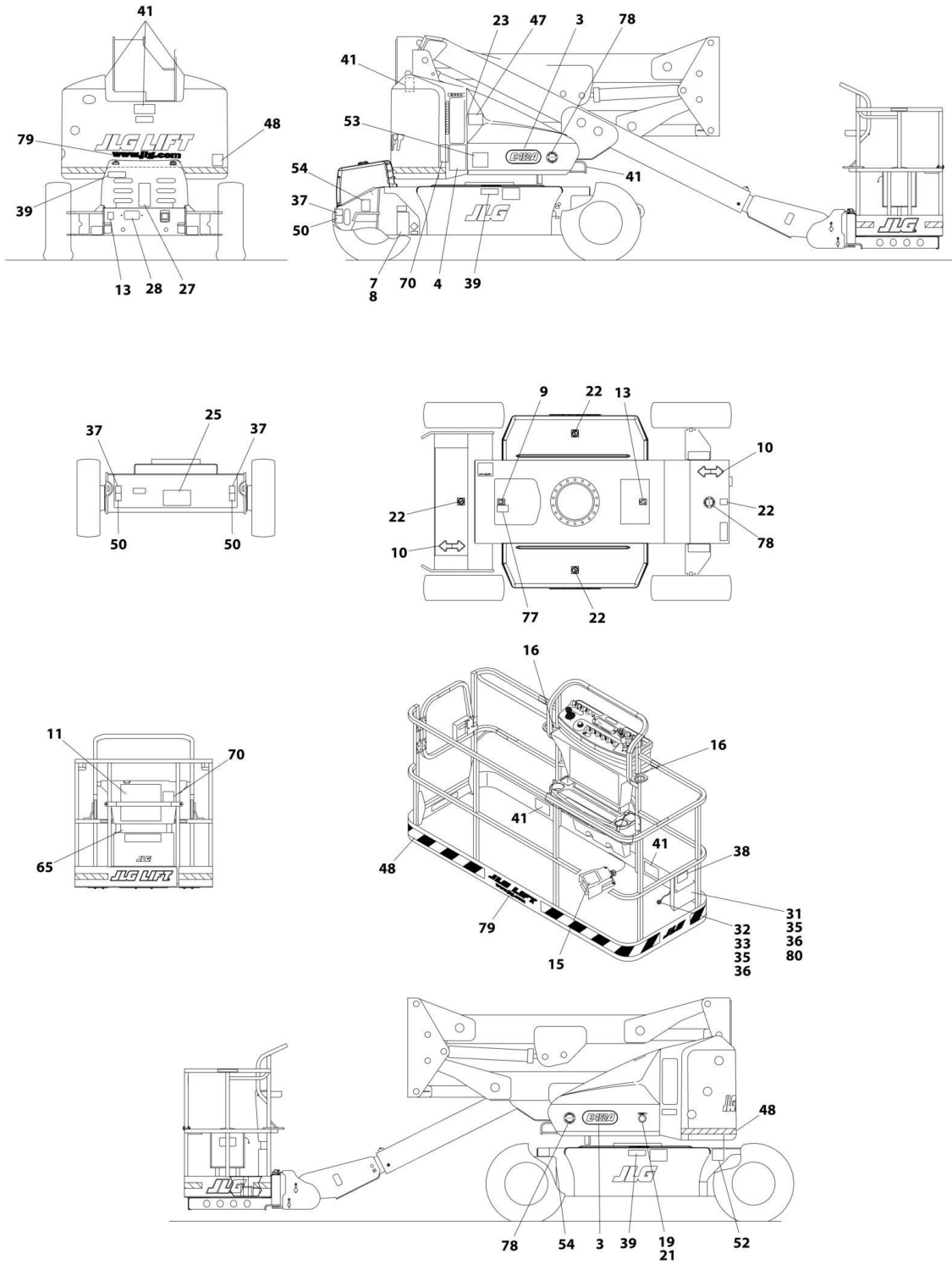
## SECTION 9 - DECALS

**FIGURE 9-3. DECAL INSTALLATION - ANSI SPEC - E450A/E450AJ**

ITEM	PART NUMBER	QTY	DESCRIPTION	REV
	1001178364	Ref	DECAL INSTALLATION - ANSI SPEC - E450A/E450AJ	B
2	1703805	2	Decal - Electrocution	
3	1704787	2	Decal - Model Designation (E450A)	
3	1704789	2	Decal - Model Designation (E450AJ)	
4	1703798	1	Decal - Crushing	
6	1001131269	1	Decal - Patent	
7	See Note	1	Nameplate - Serial Number (Note: Not Available for Purchase)	
8	3820001	2	Rivet	
9	1701504	1	Decal - Hydraulic Oil	
10	1701642	2	Decal - Arrow	
11	1703797	1	Decal - Caution/Danger	
13	1701644	2	Decal - Charger	
16	1704277	2	Decal - Attach Lanyard	
19	0961127	1	Bushing, Snap	
20	3251243	1	Nameplate 120V-60Hz	
21	0100010	AR	Adhesive	
22	1701691	4	Decal - No Step	
23	1001104864	1	Decal - Manual Descent	
24	1702868	2	Decal - No Hands	
25	1001173577	1	Decal - Cable Routing	
26	1704253	1	Decal - Key Platform	
27	1704446	1	Decal - Charger	
28	1704431	1	Decal - Battery Charger LED Indicator	
31	0860520	1	Box, Manual Storage	
35	4751400	4	Washer, 1/4	
36	3311405	4	Nut, 1/4-20	
37	1701500	4	Decal - Lift	
38	1701509	1	Decal - Manual	
39	1703813	3	Decal - Danger	
40	3252347	1	Nameplate - Footswitch	
41	1703804	6	Decal - Crushing Hazard	
47	1702265	1	Decal	
50	1702300	4	Decal - Tie Down	
52	See Note	1	Decal - Bar Code (Note: Not Available for Purchase)	
53	1001121814	1	Decal - 500 LBS Max Capacity	
54	1703488	4	Decal - Tire Load (E450A)	
54	1704445	4	Decal - Tire load (E450AJ)	
64	1706950	1	Decal - Key Main Terminal Box	
65	1001121801	2	Decal - 500 LBS Max Capacity	
77	1704412	1	Decal - Oil Type	
79	1704885	2	Decal - Website	
80	0641406	4	Bolt, 1/4-20 x 3/4	
81	1705351	1	Decal - Drive/Steer Instruction	

# SECTION 9 - DECALS

## FIGURE 9-4. DECAL INSTALLATION - AUSTRALIAN SPEC - M450AJ



ART\_1001178377

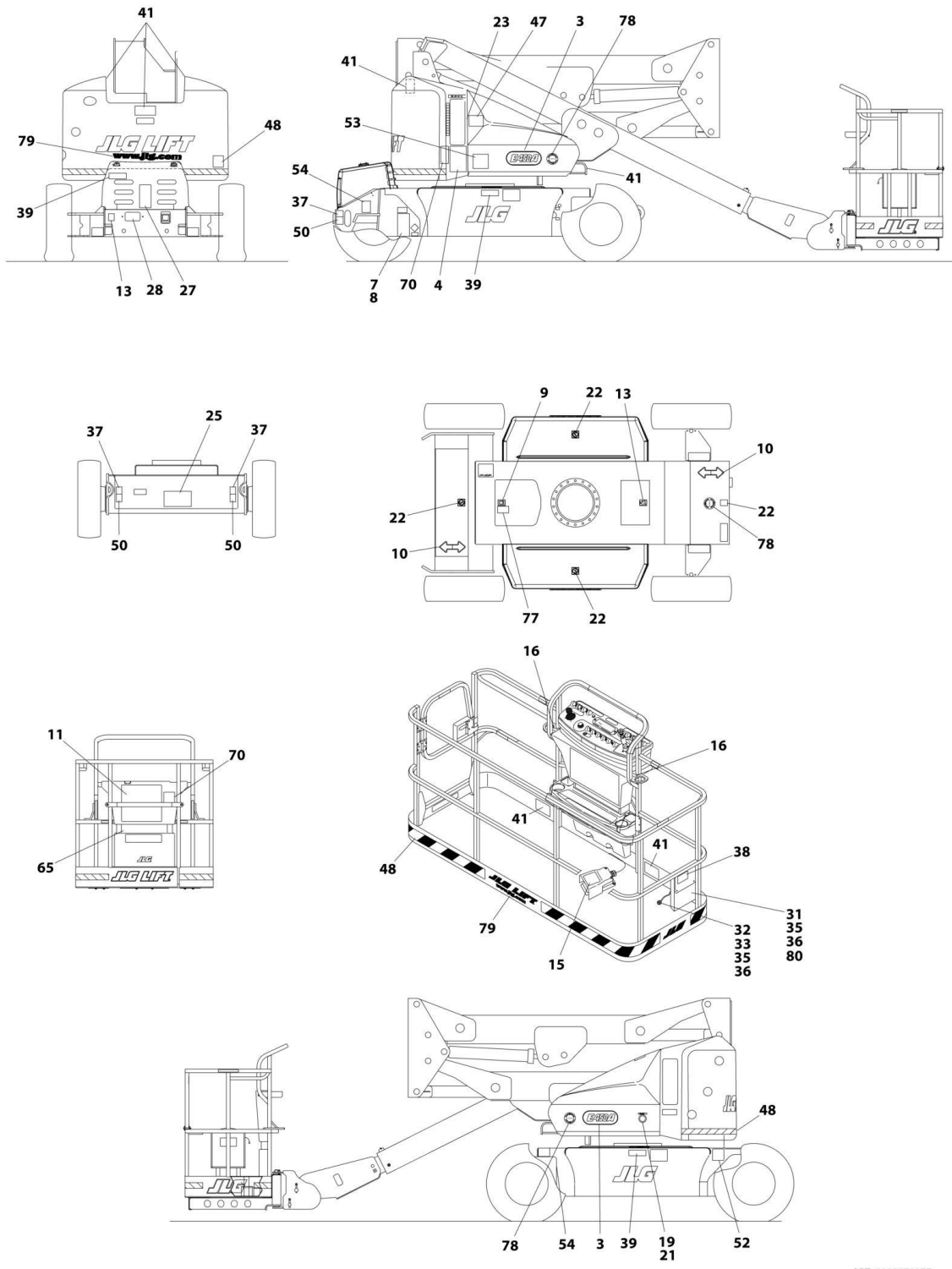
## SECTION 9 - DECALS

**FIGURE 9-4. DECAL INSTALLATION - AUSTRALIAN SPEC - M450AJ**

ITEM	PART NUMBER	QTY	DESCRIPTION	REV
	1001178377	Ref	DECAL INSTALLATION - AUSTRALIAN SPEC - M450AJ	B
3	1704790	2	Decal - Model Designation	
4	1705822	1	Decal - Danger/Caution	
7	See Note	1	Nameplate - Serial Number (Note: Not Available for Purchase)	
8	3820001	2	Rivet	
9	1701504	1	Decal - Hydraulic Oil	
10	1701642	2	Decal - Arrow	
11	1705921	1	Decal - Danger/Caution	
13	1701644	2	Decal - Charger	
15	1705828	1	Decal - Footswitch	
16	1704277	2	Decal - Attach Lanyard	
19	0961127	1	Bushing, Snap	
21	0100010	AR	Adhesive	
22	1701691	4	Decal - No Step	
23	1001104864	1	Decal - Manual Descent	
25	1001173577	1	Decal - Cable Routing	
27	1706378	1	Decal - Charging Instructions	
28	1704431	1	Decal - Battery Charger LED Indicator	
31	0860520	1	Box, Manual Storage	
32	1060279	1	Lanyard (SN 0300189901 through 0300196413)	
33	0641408	1	Bolt 1/4 x 1 (SN 0300189901 through 0300196413)	
35	4751400	AR	Washer 1/4	
36	3311405	AR	Nut 1/4	
37	1703811	4	Decal - Lift	
38	1701509	1	Decal - Manual	
39	1705670	2	Decal - Warning Explosion	
41	1701518	6	Decal - Crushing Hazard	
47	1705977	1	Decal - Upright Level Over-Ride	
48	4420051	17.4 ft /5.3m	Tape, Warning Stripes	
50	1703814	4	Decal - Tie Down	
52	See Note	1	Decal - Bar Code (Note: Not Available for Purchase)	
53	1705978	1	Decal - Capacity	
54	1704445	4	Decal - Tire Load	
65	1705978	1	Decal - Capacity	
70	1001093687	2	Decal - Generator Danger	
77	1704412	1	Decal - Oil Type	
78	1001121510	3	Decal - Hybrid	
79	1704885	2	Decal - Website	
80	0641406	4	Bolt 1/4 x 3/4	

# SECTION 9 - DECALS

FIGURE 9-5. DECAL INSTALLATION - CE SPEC - M450AJ (SN 0300189901 through 0300200789)



ART\_1001178377

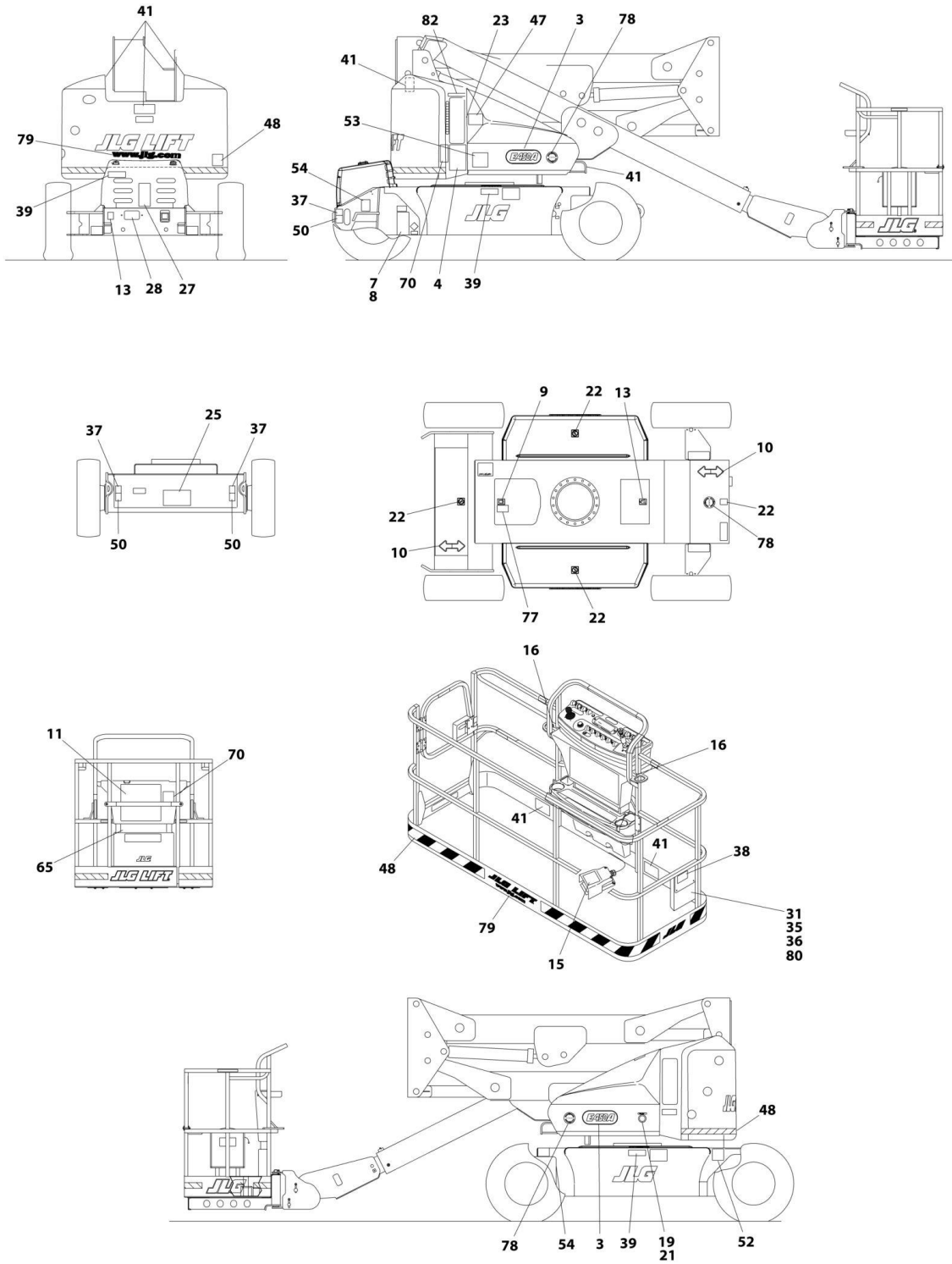
## SECTION 9 - DECALS

**FIGURE 9-5. DECAL INSTALLATION - CE SPEC - M450AJ (SN 0300189901 through 0300200789)**

ITEM	PART NUMBER	QTY	DESCRIPTION	REV
	1001248659	Ref	DECAL INSTALLATION - REFERENCE CHART	A
	1001178377	Ref	DECAL INSTALLATION	H
4	1705822	1	Decal - Danger/Caution	
8	3820001	2	Rivet	
9	1701504	1	Decal - Hydraulic Oil	
10	1701642	2	Decal - Arrow	
11	1705921	1	Decal - Danger/Caution	
13	1701644	2	Decal - Charger	
15	1705828	1	Decal - Footswitch	
16	1704277	2	Decal - Attach Lanyard	
19	0961127	1	Bushing, Snap	
21	0100010	AR	Adhesive	
22	1701691	4	Decal - No Step	
23	1001104864	1	Decal - Manual Descent	
25	1001193949	1	Decal - Cable Routing	
27	1706378	1	Decal - Charging Instructions	
31	0860520	1	Box, Manual Storage	
35	4751400	4	Washer 1/4	
36	3311405	4	Nut 1/4	
37	1703811	4	Decal - Lift	
38	1701509	1	Decal - Manual	
39	1705670	AR	Decal - Warning Explosion	
41	1701518	6	Decal - Crushing Hazard	
47	1705977	1	Decal - Upright Level Over-Ride	
50	1703814	4	Decal - Tie Down	
52	See Note	1	Decal - Bar Code (Note: Not Available for Purchase)	
53	1705978	1	Decal - Capacity	
65	1705978	1	Decal - Capacity	
77	1704412	1	Decal - Oil Type	
78	1001121510	3	Decal - Hybrid	
79	1704885	2	Decal - Website	
80	0641406	4	Bolt 1/4 x 3/4	
85	1001222801	1	Decal - Manual Jib Pump	

# SECTION 9 - DECALS

FIGURE 9-6. DECAL INSTALLATION - CE SPEC - M450AJ (SN 0300200790 through 0300208529)



ART\_1001190004



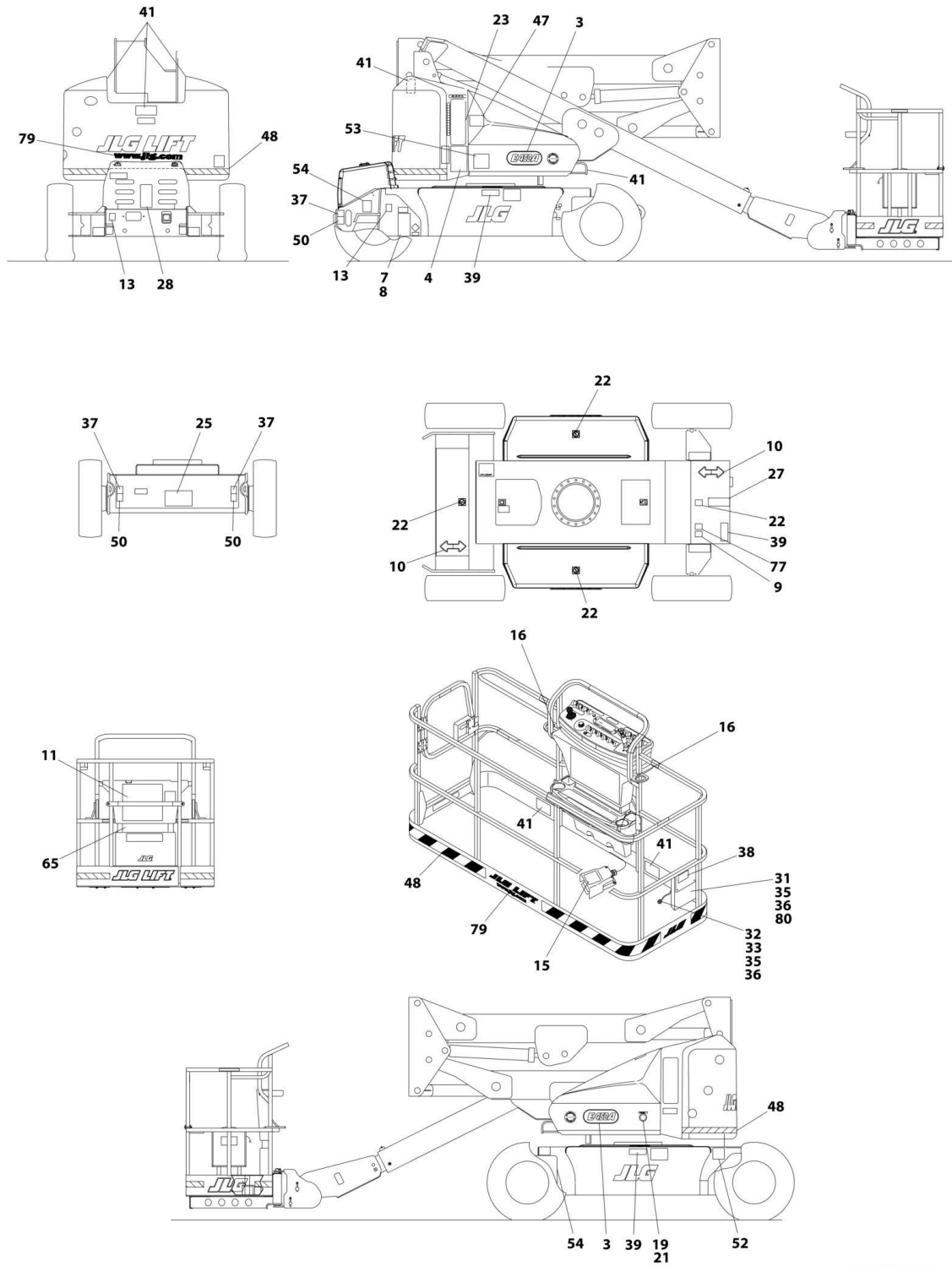
## SECTION 9 - DECALS

**FIGURE 9-6. DECAL INSTALLATION - CE SPEC - M450AJ (SN 0300200790 through 0300208529)**

ITEM	PART NUMBER	QTY	DESCRIPTION	REV
	1001190004	Ref	<b>DECAL INSTALLATION - CE SPEC - M450AJ (SN 0300200790 through 0300208529)</b>	A
3	1704790	2	Decal - Model Designation	
4	1705822	1	Decal - Danger/Caution	
7	See Note	1	Nameplate - Serial Number (Note: Not Available for Purchase)	
8	3820001	2	Rivet	
9	1701504	1	Decal - Hydraulic Oil	
10	1701642	2	Decal - Arrow	
11	1705921	1	Decal - Danger/Caution	
13	1701644	2	Decal - Charger	
15	1705828	1	Decal - Footswitch	
16	1704277	2	Decal - Attach Lanyard	
19	0961127	1	Bushing, Snap	
21	0100010	AR	Adhesive	
22	1701691	4	Decal - No Step	
23	1001104864	1	Decal - Manual Descent	
25	1001173577	1	Decal - Cable Routing	
27	1706378	1	Decal - Charging Instructions	
28	1704431	1	Decal - Battery Charger LED Indicator	
31	0860520	1	Box, Manual Storage	
35	4751400	4	Washer, 1/4	
36	3311405	4	Nut, 1/4-20	
37	1703811	4	Decal - Lift	
38	1701509	1	Decal - Manual	
39	1705670	2	Decal - Warning Explosion	
41	1701518	6	Decal - Crushing Hazard	
47	1705977	1	Decal - Upright Level Over-Ride	
48	4420051	17.4 ft /5.3m	Tape, Warning Stripes	
50	1703814	4	Decal - Tie Down	
52	See Note	1	Decal - Bar Code (Note: Not Available for Purchase)	
53	1705978	1	Decal - Capacity	
54	1704445	4	Decal - Tire Load	
65	1705978	1	Decal - Capacity	
70	1001093687	2	Decal - Generator Danger	
77	1704412	1	Decal - Oil Type	
78	1001121510	3	Decal - Hybrid	
79	1704885	2	Decal - Website	
80	0641406	4	Bolt, 1/4-20 x 3/4	
82	1001189882	1	Decal - MSSO Instructions	

# SECTION 9 - DECALS

## FIGURE 9-7. DECAL INSTALLATION - AUSTRALIAN SPEC - E450AJ



ART\_1001178378

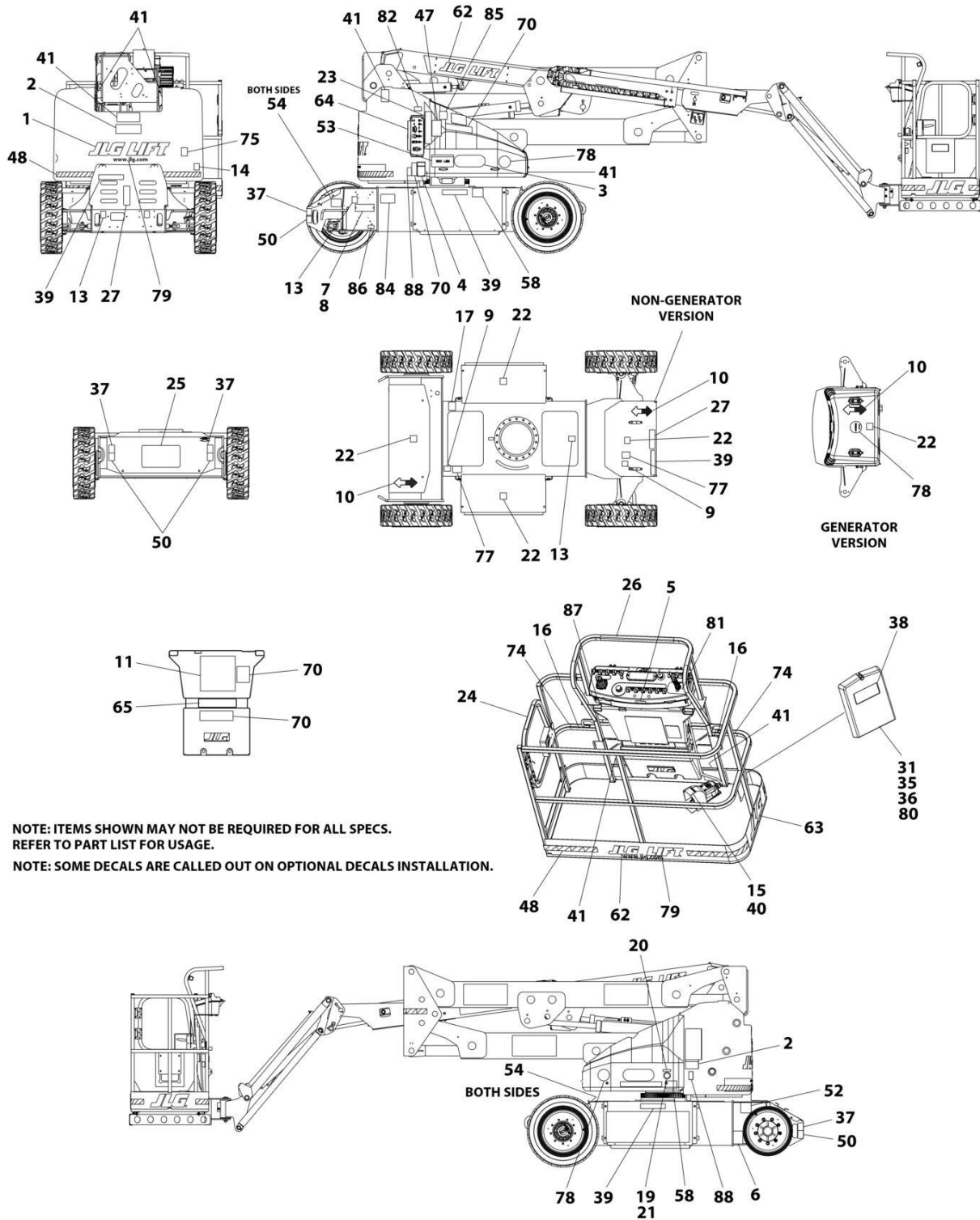
## SECTION 9 - DECALS

**FIGURE 9-7. DECAL INSTALLATION - AUSTRALIAN SPEC - E450AJ**

ITEM	PART NUMBER	QTY	DESCRIPTION	REV
	1001178378	Ref	DECAL INSTALLATION - AUSTRALIAN SPEC - E450AJ	B
3	1704789	2	Decal - Model Designation	
4	1705822	1	Decal - Danger/Caution	
7	See Note	1	Nameplate - Serial Number (Note: Not Available for Purchase)	
8	3820001	2	Rivet	
9	1701504	1	Decal - Hydraulic Oil	
10	1701642	2	Decal - Arrow	
11	1705921	1	Decal - Danger/Caution	
13	1701644	2	Decal - Charger	
15	1705828	1	Decal - Footswitch	
16	1704277	2	Decal - Attach Lanyard	
19	0961127	1	Bushing, Snap	
21	0100010	AR	Adhesive	
22	1701691	4	Decal - No Step	
23	1001104864	1	Decal - Manual Descent	
25	1001173577	1	Decal - Cable Routing	
27	1706378	1	Decal - Charging Instructions	
28	1704431	1	Decal - Battery Charger LED Indicator	
31	0860520	1	Box, Manual Storage	
32	1060279	1	Lanyard (SN 0300189901 through 0300196413)	
33	0641408	1	Bolt, 1/4-20 x 1 (SN 0300189901 through 0300196413)	
35	4751400	AR	Washer, 1/4	
36	3311405	AR	Nut, 1/4-20	
37	1703811	4	Decal - Lift	
38	1701509	1	Decal - Manual	
39	1705670	2	Decal - Explosion Warning	
41	1701518	6	Decal - Crushing Hazard	
47	1705977	1	Decal - Upright Level Over-Ride	
48	4420051	17.4 ft /5.3m	Tape, Warning Stripes	
50	1703814	4	Decal - Tie Down	
52	See Note	1	Decal - Bar Code (Note: Not Available for Purchase)	
53	1705978	1	Decal - Capacity	
54	1704445	4	Decal - Tire Load	
65	1705978	1	Decal - Capacity	
77	1704412	1	Decal - Oil Type	
79	1704885	2	Decal - Website	
80	0641406	4	Bolt, 1/4-20 x 3/4	

# SECTION 9 - DECALS

FIGURE 9-8. DECAL INSTALLATION - CE SPEC - E450AJ (SN 0300189901 through 0300200789)



ART\_1001178378

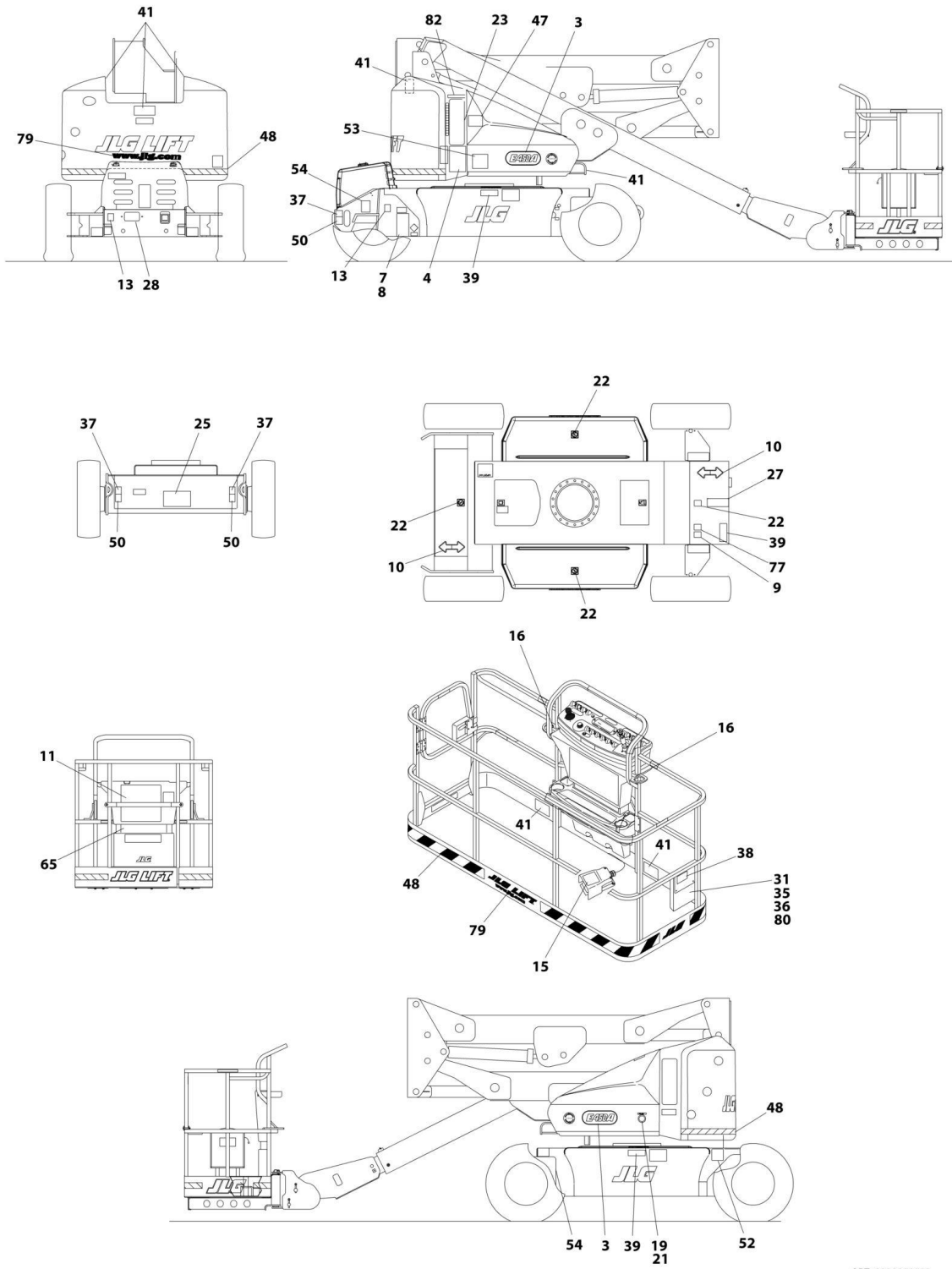
## SECTION 9 - DECALS

**FIGURE 9-8. DECAL INSTALLATION - CE SPEC - E450AJ (SN 0300189901 through 0300200789)**

ITEM	PART NUMBER	QTY	DESCRIPTION	REV
	1001248659	Ref	DECAL INSTALLATION - REFERENCE CHART	D
	1001178378	Ref	DECAL INSTALLATION	H
4	1705822	1	Decal - Danger/Caution	
8	3820001	2	Rivet	
9	1701504	1	Decal - Hydraulic Oil	
10	1701642	2	Decal - Arrow	
11	1705921	1	Decal - Danger/Caution	
13	1701644	2	Decal - Charger	
15	1705828	1	Decal - Footswitch	
16	1704277	2	Decal - Attach Lanyard	
19	0961127	1	Bushing, Snap	
21	0100010	AR	Adhesive	
22	1701691	4	Decal - No Step	
23	1001104864	1	Decal - Manual Descent	
25	1001193949	1	Decal - Cable Routing	
27	1706378	1	Decal - Charging Instructions	
31	0860520	1	Box, Manual Storage	
35	4751400	4	Washer 1/4	
36	3311405	4	Nut 1/4	
37	1703811	4	Decal - Lift	
38	1701509	1	Decal - Manual	
39	1705670	AR	Decal - Explosion Warning	
41	1701518	6	Decal - Crushing Hazard	
47	1705977	1	Decal - Upright Level Over-Ride	
50	1703814	4	Decal - Tie Down	
52	See Note	1	Decal - Bar Code (Note: Not Available for Purchase)	
53	1705978	1	Decal - Capacity	
65	1705978	1	Decal - Capacity	
77	1704412	1	Decal - Oil Type	
79	1704885	2	Decal - Website	
80	0641406	4	Bolt 1/4 x 3/4	
85	1001222801	1	Decal - Manual Jib Pump	

# SECTION 9 - DECALS

FIGURE 9-9. DECAL INSTALLATION - CE SPEC - E450AJ (SN 0300200790 through 0300208529)



ART\_1001190003

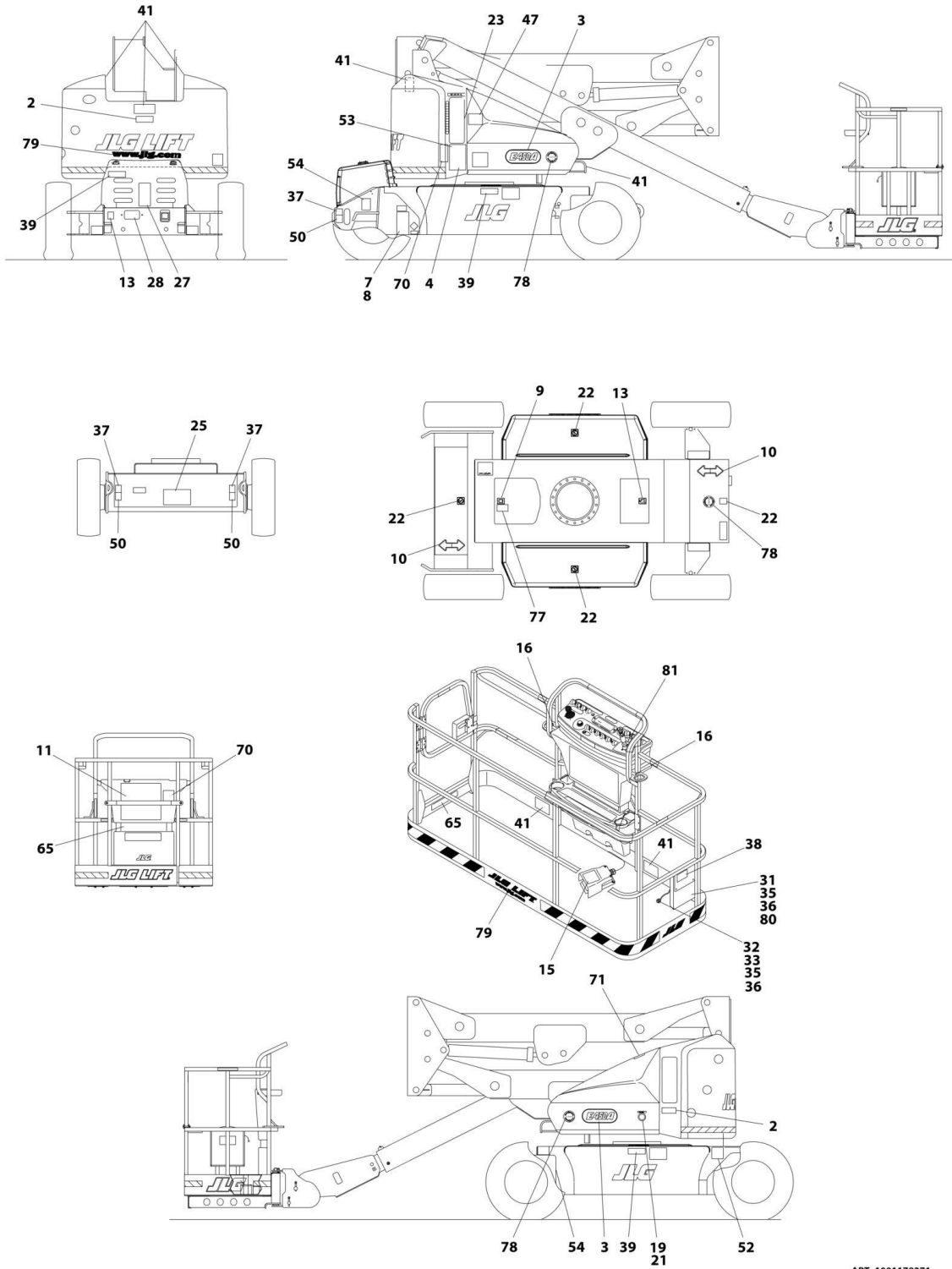
## SECTION 9 - DECALS

**FIGURE 9-9. DECAL INSTALLATION - CE SPEC - E450AJ (SN 0300200790 through 0300208529)**

ITEM	PART NUMBER	QTY	DESCRIPTION	REV
	1001190003	Ref	<b>DECAL INSTALLATION - CE SPEC - E450AJ (SN 0300200790 through 0300208529)</b>	B
3	1704789	2	Decal - Model Designation	
4	1705822	1	Decal - Danger/Caution	
7	See Note	1	Nameplate - Serial Number (Note: Not Available for Purchase)	
8	3820001	2	Rivet	
9	1701504	1	Decal - Hydraulic Oil	
10	1701642	2	Decal - Arrow	
11	1705921	1	Decal - Danger/Caution	
13	1701644	2	Decal - Charger	
15	1705828	1	Decal - Footswitch	
16	1704277	2	Decal - Attach Lanyard	
19	0961127	1	Bushing, Snap	
21	0100010	AR	Adhesive	
22	1701691	4	Decal - No Step	
23	1001104864	1	Decal - Manual Descent	
25	1001173577	1	Decal - Cable Routing	
27	1706378	1	Decal - Charging Instructions	
28	1704431	1	Decal - Battery Charger LED Indicator	
31	0860520	1	Box, Manual Storage	
35	4751400	4	Washer, 1/4	
36	3311405	4	Nut, 1/4-20	
37	1703811	4	Decal - Lift	
38	1701509	1	Decal - Manual	
39	1705670	2	Decal - Explosion Warning	
41	1701518	6	Decal - Crushing Hazard	
47	1705977	1	Decal - Upright Level Over-Ride	
48	4420051	17.4 ft /5.3m	Tape, Warning Stripes	
50	1703814	4	Decal - Tie Down	
52	See Note	1	Decal - Bar Code (Note: Not Available for Purchase)	
53	1705978	1	Decal - Capacity	
54	1704445	4	Decal - Tire Load	
65	1705978	1	Decal - Capacity	
77	1704412	1	Decal - Oil Type	
79	1704885	2	Decal - Website	
80	0641406	4	Bolt, 1/4-20 x 3/4	
82	1001189882	1	Decal - MSSO Instructions	

# SECTION 9 - DECALS

## FIGURE 9-10. DECAL INSTALLATION - JAPANESE SPEC - M450AJ



ART\_1001178371



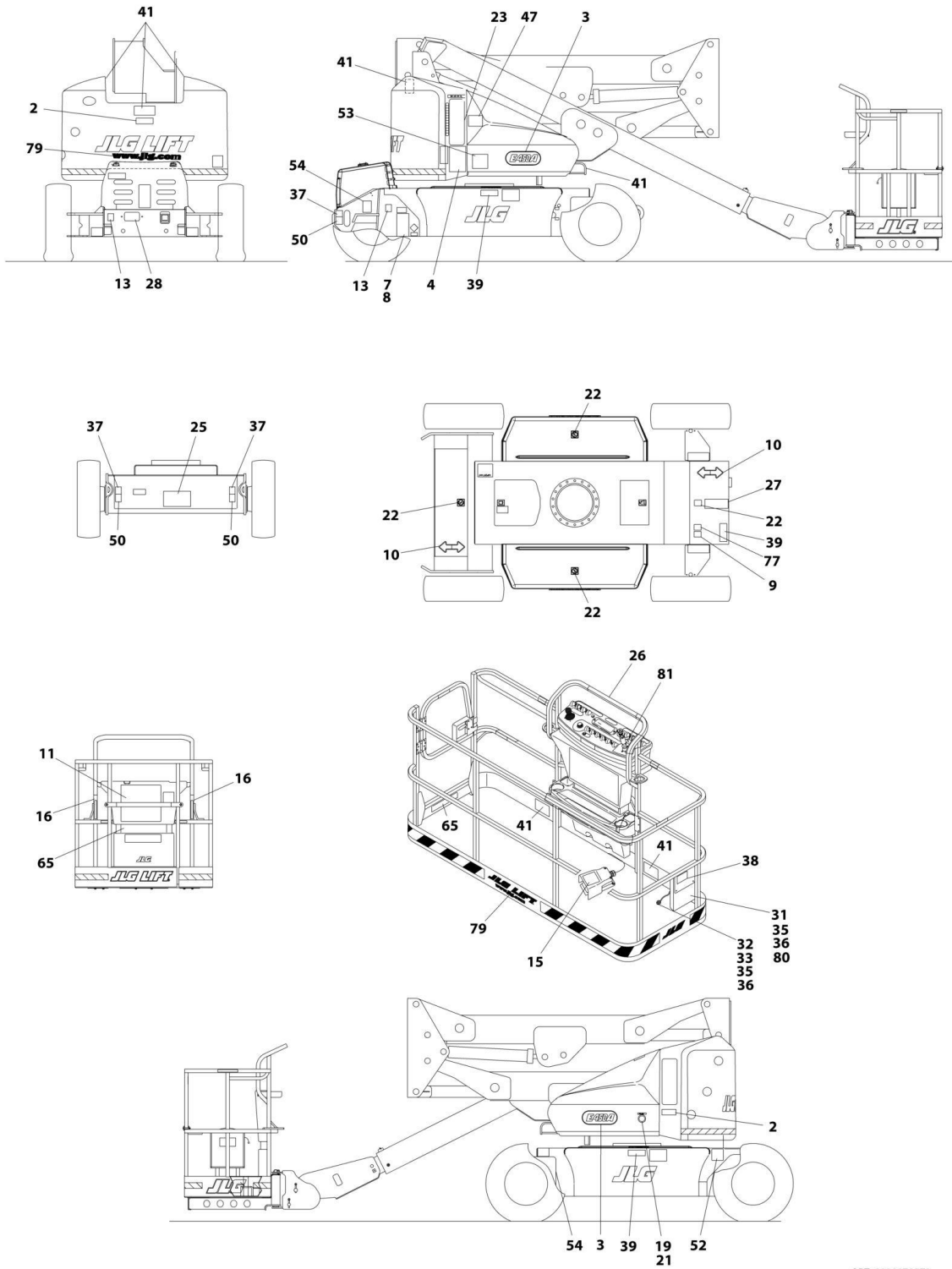
## SECTION 9 - DECALS

**FIGURE 9-10. DECAL INSTALLATION - JAPANESE SPEC - M450AJ**

ITEM	PART NUMBER	QTY	DESCRIPTION	REV
	1001178371	Ref	DECAL INSTALLATION - JAPANESE SPEC - M450AJ	B
2	1703938	2	Decal - Electrocution	
3	1704790	2	Decal - Model Designation	
4	1703932	1	Decal - Danger/Caution	
7	See Note	1	Nameplate - Serial Number (Note: Not Available for Purchase)	
8	3820001	2	Rivet	
9	1701504	1	Decal - Hydraulic Oil	
10	1701642	2	Decal - Arrow	
11	1703926	1	Decal - Caution/Danger	
13	1701644	2	Decal - Charger	
15	1703980	1	Decal - Footswitch	
16	1704277	2	Decal - Attach Lanyard	
19	0961127	1	Bushing, Snap	
21	0100010	AR	Adhesive	
22	1701691	4	Decal - No Step	
23	1001104864	1	Decal - Manual Descent	
25	1001173577	1	Decal - Cable Routing	
27	1704417	1	Decal - Charger	
28	1704431	1	Decal - Battery Charger LED Indicator	
31	0860520	1	Box, Manual Storage	
32	1060279	1	Lanyard (SN 0300189901 through 0300196413)	
33	0641408	1	Bolt 1/4 x 1 (SN 0300189901 through 0300196413)	
35	4751400	AR	Washer 1/4	
36	3311405	AR	Nut 1/4	
37	1701500	4	Decal - Lift	
38	1701509	1	Decal - Manual	
39	1704342	3	Decal - Explosion Warning	
41	1703950	6	Decal - Crushing Hazard	
47	1702271	1	Decal	
50	1702300	4	Decal - Tie Down	
52	See Note	1	Decal - Bar Code (Note: Not Available for Purchase)	
53	1001121821	1	Decal - 500 LBS. Max Capacity	
54	1704445	4	Decal - Tire Load	
65	1001121808	2	Decal - 500 LBS. Max Capacity	
70	1001093687	2	Decal - Generator Danger	
71	1701505	1	Decal - Fuel	
77	1704412	1	Decal - Oil Type	
78	1001121510	3	Decal - Hybrid	
79	1704885	2	Decal - Website	
80	0641406	4	Bolt 1/4 x 3/4	
81	1705426	1	Decal - Drive/Steer Instruction	

# SECTION 9 - DECALS

## FIGURE 9-11. DECAL INSTALLATION - JAPANESE SPEC - E450A/E450AJ



ART\_1001178372

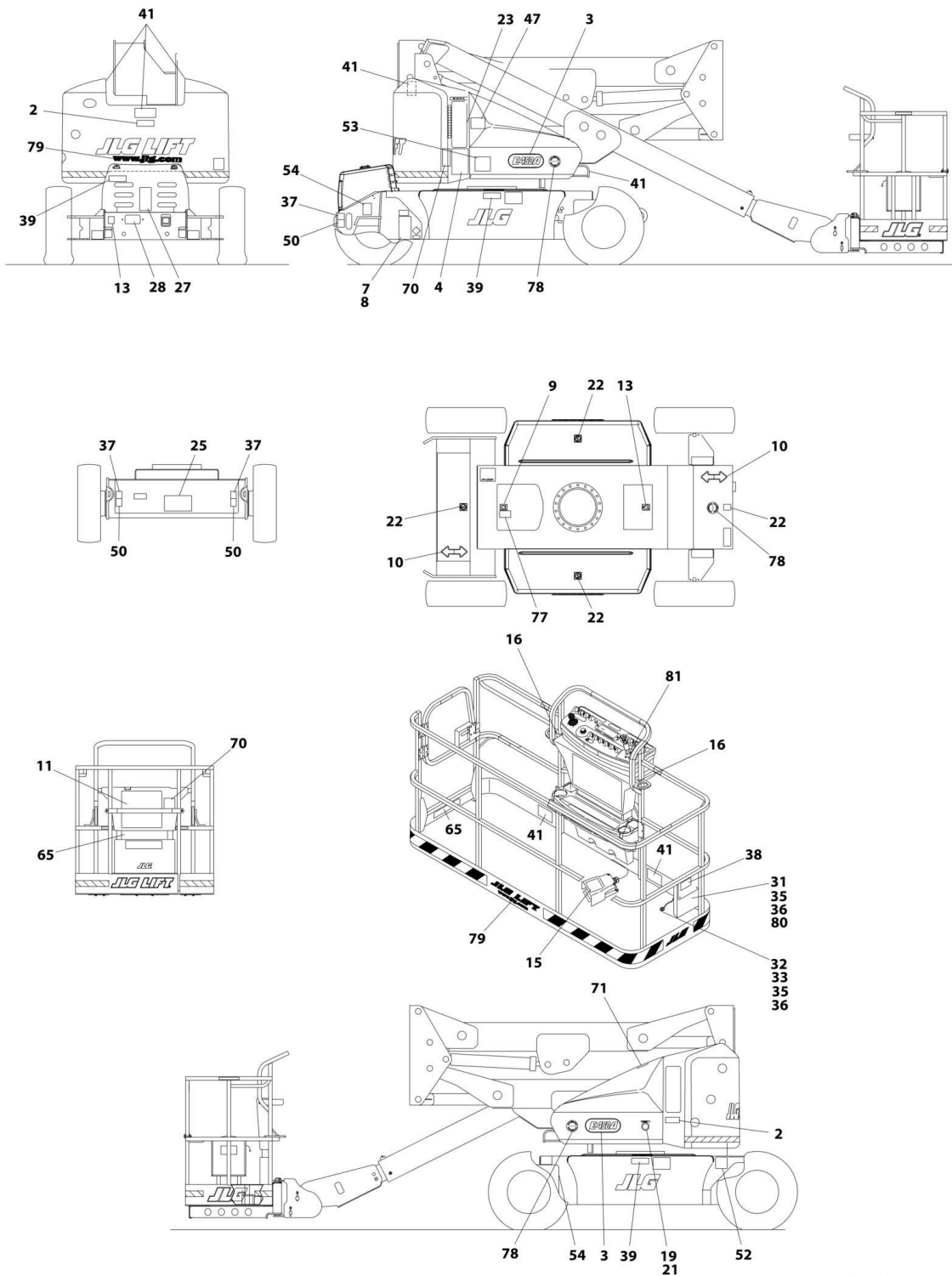
## SECTION 9 - DECALS

**FIGURE 9-11. DECAL INSTALLATION - JAPANESE SPEC - E450A/E450AJ**

ITEM	PART NUMBER	QTY	DESCRIPTION	REV
	1001178372	Ref	DECAL INSTALLATION - JAPANESE SPEC - E450A/E450AJ	B
2	1703938	2	Decal - Electrocution	
3	1704787	2	Decal - Model Designation (E450A)	
3	1704789	2	Decal - Model Designation (E450AJ)	
4	1703932	1	Decal - Danger/Caution	
7	See Note	1	Nameplate - Serial Number (Note: Not Available for Purchase)	
8	3820001	2	Rivet	
9	1701504	1	Decal - Hydraulic Oil	
10	1701642	2	Decal - Arrow	
11	1703926	1	Decal - Caution/Danger	
13	1701644	2	Decal - Charger	
15	1703980	1	Decal - Footswitch	
16	1704277	2	Decal - Attach Lanyard	
19	0961127	1	Bushing, Snap	
21	0100010	AR	Adhesive	
22	1701691	4	Decal - No Step	
23	1001104864	1	Decal - Manual Descent	
25	1001173577	1	Decal - Cable Routing	
26	1704253	1	Decal - Key Platform	
27	1704417	1	Decal - Charger	
28	1704431	1	Decal - Battery Charger LED Indicator	
31	0860520	1	Box, Manual Storage	
32	1060279	1	Lanyard <b>(SN 0300189901 through 0300196413)</b>	
33	0641408	1	Bolt 1/4 x 1 <b>(SN 0300189901 through 0300196413)</b>	
35	4751400	AR	Washer 1/4	
36	3311405	AR	Nut 1/4	
37	1701500	4	Decal - Lift	
38	1701509	1	Decal - Manual	
39	1704342	3	Decal - Explosion Warning	
41	1703950	6	Decal - Crushing Hazard	
47	1702271	1	Decal	
50	1702300	4	Decal - Tie Down	
52	See Note	1	Decal - Bar Code (Note: Not Available for Purchase)	
53	1001121821	1	Decal - 500 LBS. Max Capacity	
54	1703488	4	Decal - Tire Load (E450A)	
54	1704445	4	Decal - Tire Load (E450AJ)	
65	1001121808	2	Decal - 500 LBS. Max Capacity	
77	1704412	1	Decal - Oil Type	
79	1704885	2	Decal - Website	
80	0641406	4	Bolt 1/4 x 3/4	
81	1705426	1	Decal - Drive/Steer Instruction	

# SECTION 9 - DECALS

## FIGURE 9-12. DECAL INSTALLATION - KOREAN SPEC - M450AJ



ART\_1001178373

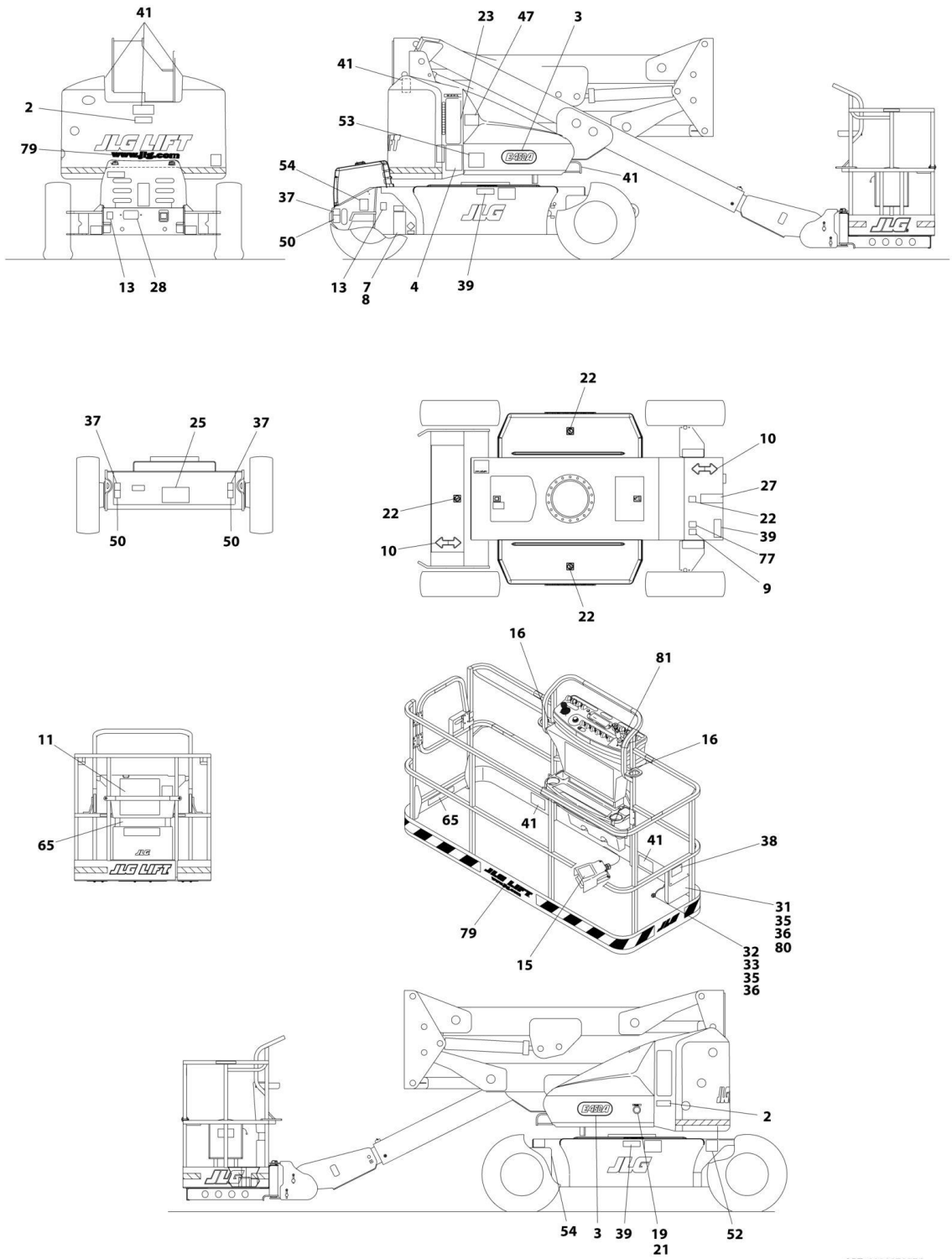
## SECTION 9 - DECALS

**FIGURE 9-12. DECAL INSTALLATION - KOREAN SPEC - M450AJ**

ITEM	PART NUMBER	QTY	DESCRIPTION	REV
	1001178373	Ref	DECAL INSTALLATION - KOREAN SPEC - M450AJ	B
2	1703939	2	Decal - Electrocution	
3	1704790	2	Decal - Model Designation	
4	1703933	1	Decal - Danger/Caution	
7	See Note	1	Nameplate - Serial Number (Note: Not Available for Purchase)	
8	3820001	2	Rivet	
9	1701504	1	Decal - Hydraulic Oil	
10	1701642	2	Decal - Arrow	
11	1703927	1	Decal - Caution/Danger	
13	1701644	2	Decal - Charger	
15	1703981	1	Decal - Footswitch	
16	1704277	2	Decal - Attach Lanyard	
19	0961127	1	Bushing, Snap	
21	0100010	AR	Adhesive	
22	1701691	4	Decal - No Step	
23	1001104864	1	Decal - Manual Descent	
25	1001173577	1	Decal - Cable Routing	
27	1704418	1	Decal - Charger	
28	1704431	1	Decal - Battery Charger LED Indicator	
31	0860520	1	Box, Manual Storage	
32	1060279	1	Lanyard (SN 0300189901 through 0300196413)	
33	0641408	1	Bolt 1/4 x 1 (SN 0300189901 through 0300196413)	
35	4751400	AR	Washer 1/4	
36	3311405	AR	Nut 1/4	
37	1701500	4	Decal - Lift	
38	1701509	1	Decal - Manual	
39	1704343	3	Decal - Explosion Warning	
41	1703951	6	Decal - Crushing Hazard	
47	1703987	1	Decal - Upright Level Override	
50	1702300	4	Decal - Tie Down	
52	See Note	1	Decal - Bar Code (Note: Not Available for Purchase)	
53	1001121921	1	Decal - 500 LBS. Max Capacity	
54	1704445	4	Decal - Tire Load	
65	1001121918	2	Decal - 500 LBS. Max Capacity	
70	1001093687	2	Decal - Generator Danger	
71	1701505	1	Decal - Fuel	
77	1704412	1	Decal - Oil Type	
78	1001121510	3	Decal - Hybrid	
79	1704885	2	Decal - Website	
80	0641406	4	Bolt 1/4 x 3/4	
81	1705427	1	Decal - Drive/Steer Instruction	

# SECTION 9 - DECALS

## FIGURE 9-13. DECAL INSTALLATION - KOREAN SPEC - E450A/E450AJ



ART\_1001178374

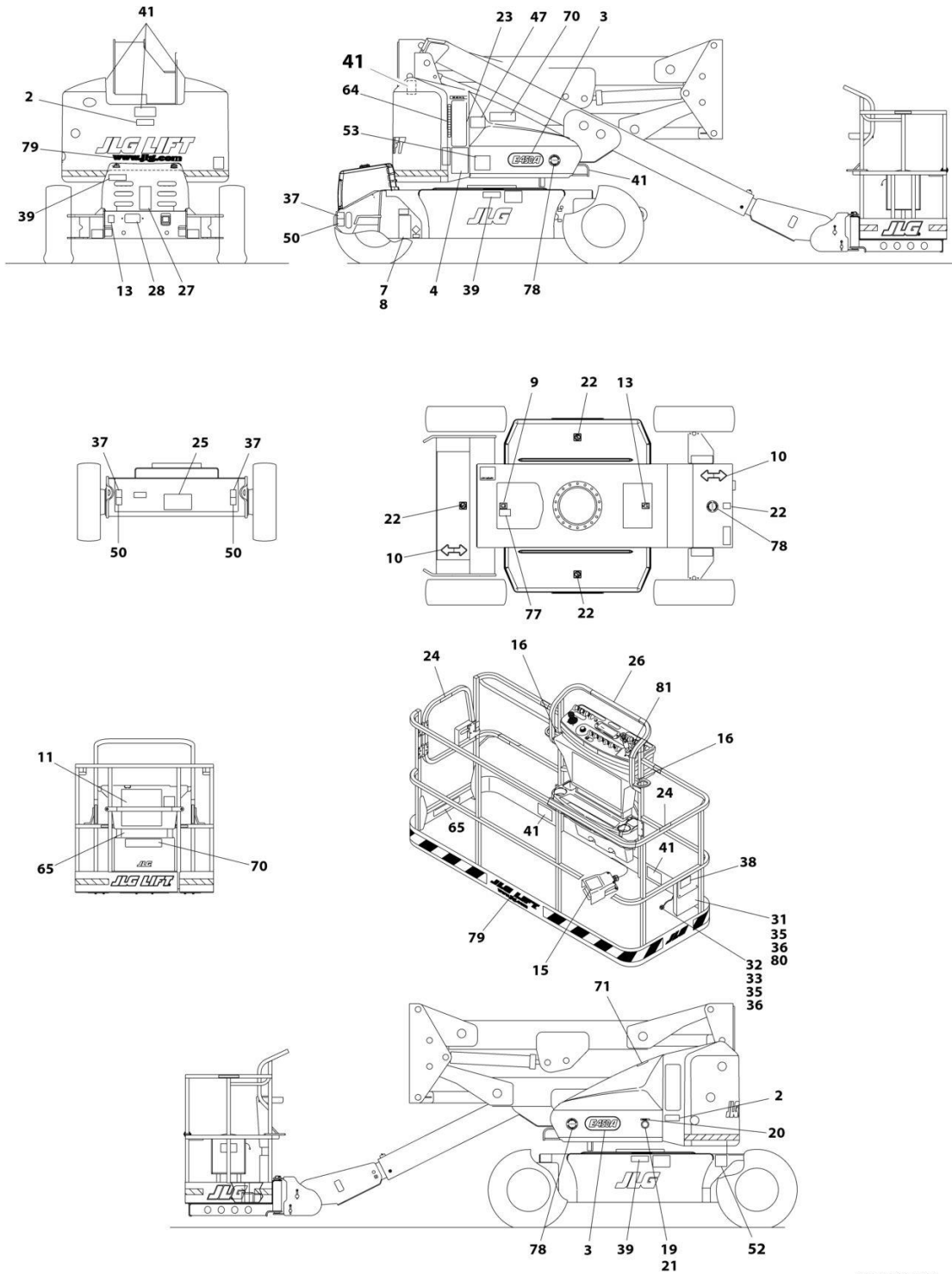
## SECTION 9 - DECALS

**FIGURE 9-13. DECAL INSTALLATION - KOREAN SPEC - E450A/E450AJ**

ITEM	PART NUMBER	QTY	DESCRIPTION	REV
	1001178374	Ref	DECAL INSTALLATION - KOREAN SPEC - E450A/E450AJ	B
2	1703939	2	Decal - Electrocution	
3	1704787	2	Decal - Model Designation (E450A)	
3	1704789	2	Decal - Model Designation (E450AJ)	
4	1703933	1	Decal - Danger/Caution	
7	See Note	1	Nameplate - Serial Number (Note: Not Available for Purchase)	
8	3820001	2	Rivet	
9	1701504	1	Decal - Hydraulic Oil	
10	1701642	2	Decal - Arrow	
11	1703927	1	Decal - Caution/Danger	
13	1701644	2	Decal - Charger	
15	1703981	1	Decal - Footswitch	
16	1704277	2	Decal - Attach Lanyard	
19	0961127	1	Bushing, Snap	
21	0100010	AR	Adhesive	
22	1701691	4	Decal - No Step	
23	1001104864	1	Decal - Manual Descent	
25	1001173577	1	Decal - Cable Routing	
27	1704418	1	Decal - Charger	
28	1704431	1	Decal - Battery Charger LED Indicator	
31	0860520	1	Box, Manual Storage	
32	1060279	1	Lanyard <b>(SN 0300189901 through 0300196413)</b>	
33	0641408	1	Bolt 1/4 x 1 <b>(SN 0300189901 through 0300196413)</b>	
35	4751400	AR	Washer 1/4	
36	3311405	AR	Nut, Lock 1/4	
37	1701500	4	Decal - Lift	
38	1701509	1	Decal - Manual	
39	1704343	3	Decal - Explosion Warning	
41	1703951	6	Decal - Crushing Hazard	
47	1703987	1	Decal - Upright Level Override	
50	1702300	4	Decal - Tie Down	
52	See Note	1	Decal - Bar Code (Note: Not Available for Purchase)	
53	1001121921	1	Decal - 500 LBS. Max Capacity	
54	1703488	4	Decal - Tire Load (E450A)	
54	1704445	4	Decal - Tire Load (E450AJ)	
65	1001121918	2	Decal - 500 LBS. Max Capacity	
77	1704412	1	Decal - Oil Type	
79	1704885	2	Decal - Website	
80	0641406	4	Bolt 1/4 x 3/4	
81	1705427	1	Decal - Drive/Steer Instruction	

# SECTION 9 - DECALS

FIGURE 9-14. DECAL INSTALLATION - SPANISH/ENGLISH SPECS - M450AJ



ART\_1001178367



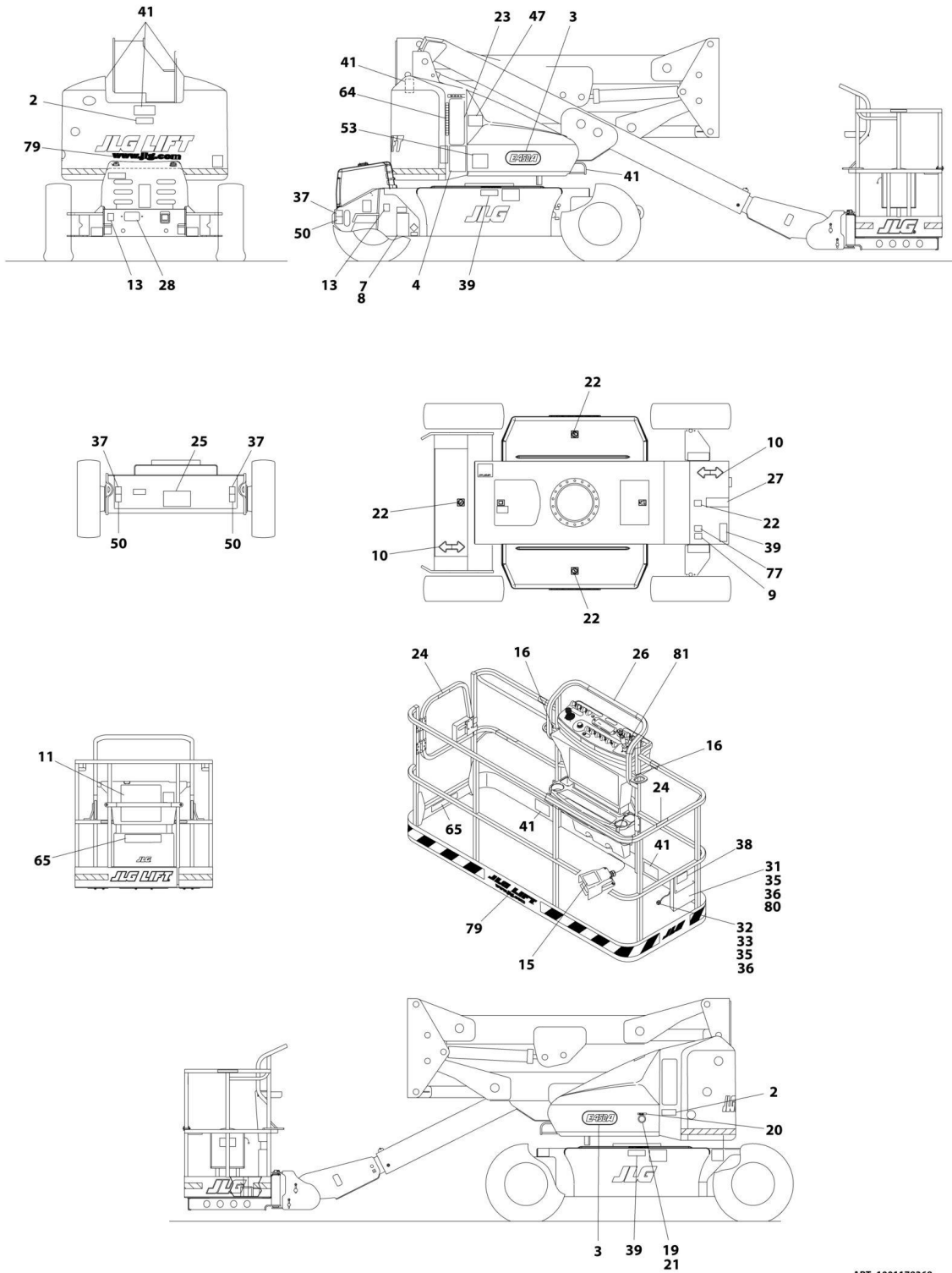
## SECTION 9 - DECALS

**FIGURE 9-14. DECAL INSTALLATION - SPANISH/ENGLISH SPECS - M450AJ**

ITEM	PART NUMBER	QTY	DESCRIPTION	REV
	1001178367	Ref	DECAL INSTALLATION - SPANISH/ENGLISH SPECS - M450AJ	B
2	1703935	2	Decal - Electrocution	
3	1704790	2	Decal - Model Designation	
4	1703929	1	Decal - Danger/Caution	
7	See Note	1	Nameplate - Serial Number (Note: Not Available for Purchase)	
8	3820001	2	Rivet	
9	1701504	1	Decal - Hydraulic Oil	
10	1701642	2	Decal - Arrow	
11	1703923	1	Decal - Caution/Danger	
13	1701644	2	Decal - Charger	
15	1703983	1	Decal - Footswitch	
16	1704277	2	Decal - Attach Lanyard	
19	0961127	1	Bushing, Snap	
20	3251243	1	Nameplate - 120V/60Hz	
21	0100010	AR	Adhesive	
22	1701691	4	Decal - No Step	
23	1001104864	1	Decal - Manual Descent	
24	1704001	2	Decal - No Hands	
25	1001173577	1	Decal - Cable Routing	
26	1704253	1	Decal - Key Platform	
27	1704454	1	Decal - Charger	
28	1704431	1	Decal - Battery Charger LED Indicator	
31	0860520	1	Box, Manual Storage	
32	1060279	1	Lanyard <b>(SN 0300189901 through 0300196413)</b>	
33	0641408	1	Bolt 1/4 x 1 <b>(SN 0300189901 through 0300196413)</b>	
35	4751400	AR	Washer 1/4	
36	3311405	AR	Nut 1/4	
37	1701500	4	Decal - Lift	
38	1701509	1	Decal - Manual	
39	1704339	3	Decal - Explosion Warning	
41	1703947	6	Decal - Crushing Hazard	
47	1702265	1	Decal - Boom Sequence	
50	1702300	4	Decal - Tie Down	
52	See Note	1	Decal - Bar Code (Note: Not Available for Purchase)	
53	1001121818	1	Decal - 500 LBS. Max Capacity	
64	1706950	1	Decal - Key, Main Terminal Box	
65	1001121805	2	Decal - 500 LBS. Max Capacity	
70	1704371	2	Decal - Generator Danger	
71	1701505	1	Decal - Fuel	
77	1704412	1	Decal - Oil Type	
78	1001121510	3	Decal - Hybrid	
79	1704885	2	Decal - Website	
80	0641406	4	Bolt 1/4 x 3/4	
81	1705910	1	Decal - Drive/Steer Instruction	

# SECTION 9 - DECALS

FIGURE 9-15. DECAL INSTALLATION - SPANISH/ENGLISH SPECS - E450A/E450AJ



ART\_1001178368

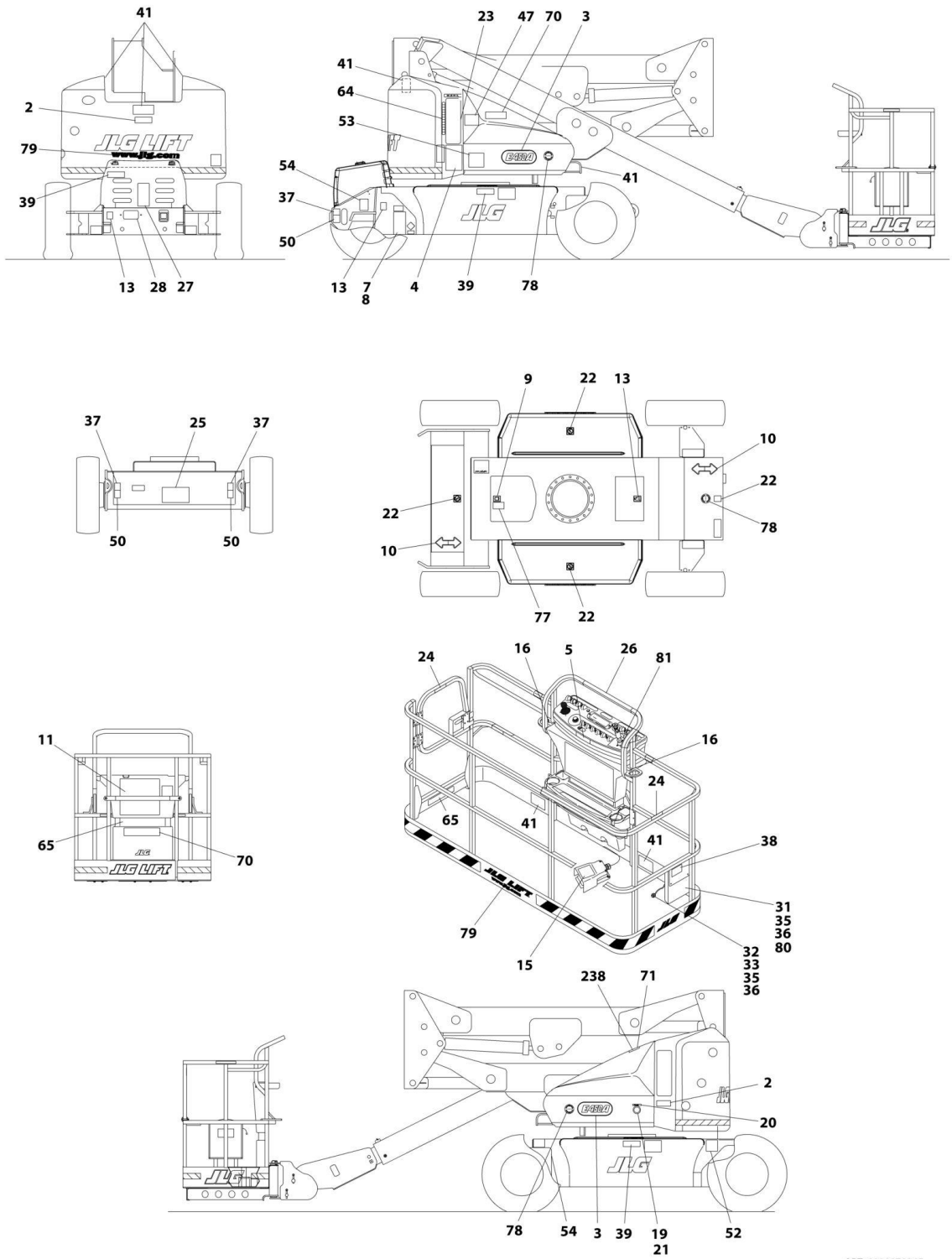
## SECTION 9 - DECALS

**FIGURE 9-15. DECAL INSTALLATION - SPANISH/ENGLISH SPECS - E450A/E450AJ**

ITEM	PART NUMBER	QTY	DESCRIPTION	REV
	1001178368	Ref	DECAL INSTALLATION - SPANISH/ENGLISH SPECS - E450A/E450AJ	B
2	1703935	2	Decal - Electrocution	
3	1704787	2	Decal - Model Designation (E450A)	
3	1704789	2	Decal - Model Designation (E450AJ)	
4	1703929	1	Decal - Danger/Caution	
7	See Note	1	Nameplate - Serial Number (Note: Not Available for Purchase)	
8	3820001	2	Rivet	
9	1701504	1	Decal - Hydraulic Oil	
10	1701642	2	Decal - Arrow	
11	1703923	1	Decal - Caution/Danger	
13	1701644	2	Decal - Charger	
15	1703983	1	Decal - Footswitch	
16	1704277	2	Decal - Attach Lanyard	
19	0961127	1	Bushing, Snap	
20	3251243	1	Nameplate - 120V/60Hz	
21	0100010	AR	Adhesive	
22	1701691	4	Decal - No Step	
23	1001104864	1	Decal - Manual Descent	
24	1704001	2	Decal - No Hands	
25	1001173577	1	Decal - Cable Routing	
26	1704253	1	Decal - Key Platform	
27	1704454	1	Decal - Charger	
28	1704431	1	Decal - Battery Charger LED Indicator	
31	0860520	1	Box, Manual Storage	
32	1060279	1	Lanyard <b>(SN 0300189901 through 0300196413)</b>	
33	0641408	1	Bolt 1/4 x 1 <b>(SN 0300189901 through 0300196413)</b>	
35	4751400	AR	Washer 1/4	
36	3311405	AR	Nut 1/4	
37	1701500	4	Decal - Lift	
38	1701509	1	Decal - Manual	
39	1704339	3	Decal - Explosion Warning	
41	1703947	6	Decal - Crushing Hazard	
47	1702265	1	Decal - Boom Sequence	
50	1702300	4	Decal - Tie Down	
52	See Note	1	Decal - Bar Code (Note: Not Available for Purchase)	
53	1001121818	1	Decal - 500 LBS. Max Capacity	
64	1706950	1	Decal - Key, Main Terminal Box	
65	1001121805	2	Decal - 500 LBS. Max Capacity	
77	1704412	1	Decal - Oil Type	
79	1704885	2	Decal - Website	
80	0641406	4	Bolt 1/4 x 3/4	
81	1705910	1	Decal - Drive/Steer Instruction	

# SECTION 9 - DECALS

FIGURE 9-16. DECAL INSTALLATION - FRENCH/ENGLISH SPECS - M450AJ



ART\_1001178365

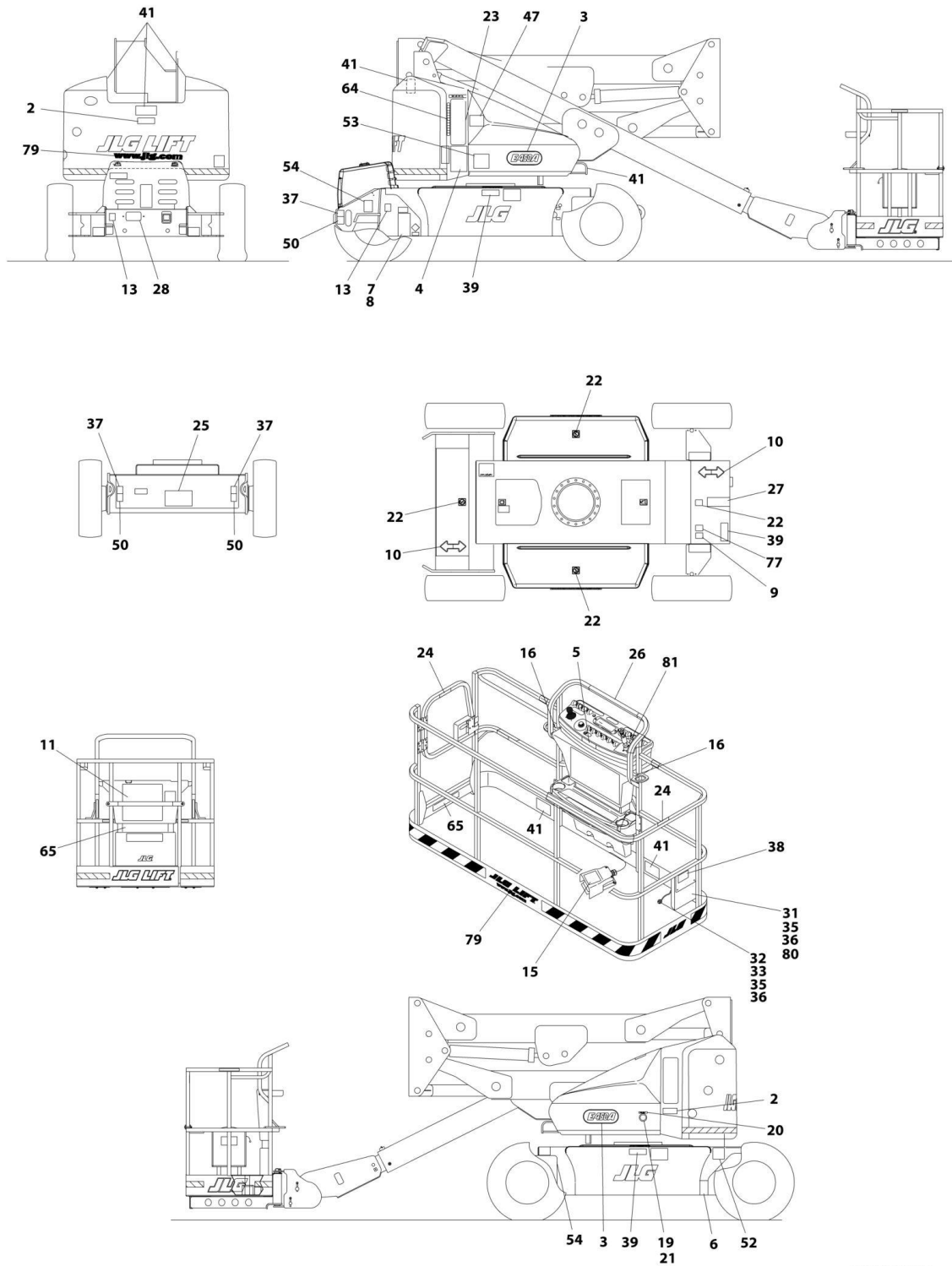
## SECTION 9 - DECALS

**FIGURE 9-16. DECAL INSTALLATION - FRENCH/ENGLISH SPECS - M450AJ**

ITEM	PART NUMBER	QTY	DESCRIPTION	REV
	1001178365	Ref	DECAL INSTALLATION - FRENCH/ENGLISH SPECS - M450AJ	B
2	1703936	2	Decal - Electrocution	
3	1704790	2	Decal - Model Designation	
4	1703930	1	Decal - Danger/Caution	
5	1705514	1	Decal - CSA	
7	See Note	1	Nameplate - Serial Number (Note: Not Available for Purchase)	
8	3820001	2	Rivet	
9	1701504	1	Decal - Hydraulic Oil	
10	1701642	2	Decal - Arrow	
11	1703924	1	Decal - Caution/Danger	
13	1701644	2	Decal - Charger	
15	1703984	1	Decal - Footswitch	
16	1704277	2	Decal - Attach Lanyard	
19	0961127	1	Bushing, Snap	
20	3251243	1	Nameplate - 120V/60Hz	
21	0100010	AR	Adhesive	
22	1701691	4	Decal - No Step	
23	1001104864	1	Decal - Manual Descent	
24	1704000	2	Decal - No Hands	
25	1001173577	1	Decal - Cable Routing	
26	1704253	1	Decal - Key Platform	
27	1704452	1	Decal - Charger	
28	1704431	1	Decal - Battery Charger LED Indicator	
31	0860520	1	Box, Manual Storage	
32	1060279	1	Lanyard <b>(SN 0300189901 through 0300196413)</b>	
33	0641408	1	Bolt 1/4 x 1 <b>(SN 0300189901 through 0300196413)</b>	
35	4751400	AR	Washer 1/4	
36	3311405	AR	Nut 1/4	
37	1701500	4	Decal - Lift	
38	1701509	1	Decal - Manual	
39	1704340	3	Decal - Explosion Warning	
41	1703948	6	Decal - Crushing Hazard	
47	1702265	1	Decal - Boom Sequence	
50	1702300	4	Decal - Tie Down	
52	See Note	1	Decal - Bar Code (Note: Not Available for Purchase)	
53	1001121816	1	Decal - 500 LBS. Max Capacity	
54	1704445	4	Decal - Tire Load	
64	1706950	1	Decal - Key, Main Terminal Box	
65	1001121803	2	Decal - 500 LBS. Max Capacity	
70	1001093687	2	Decal - Generator Danger	
71	1701505	1	Decal - Fuel	
77	1704412	1	Decal - Oil Type	
78	1001121510	3	Decal - Hybrid	
79	1704885	2	Decal - Website	
80	0641406	4	Bolt 1/4 x 3/4	
81	1705429	1	Decal - Drive/Steer Instruction	
238	1001108923	1	Decal - Ultra Low Sulfur Fuel	

# SECTION 9 - DECALS

FIGURE 9-17. DECAL INSTALLATION - FRENCH/ENGLISH SPECS - E450A/E450AJ



ART\_1001178366

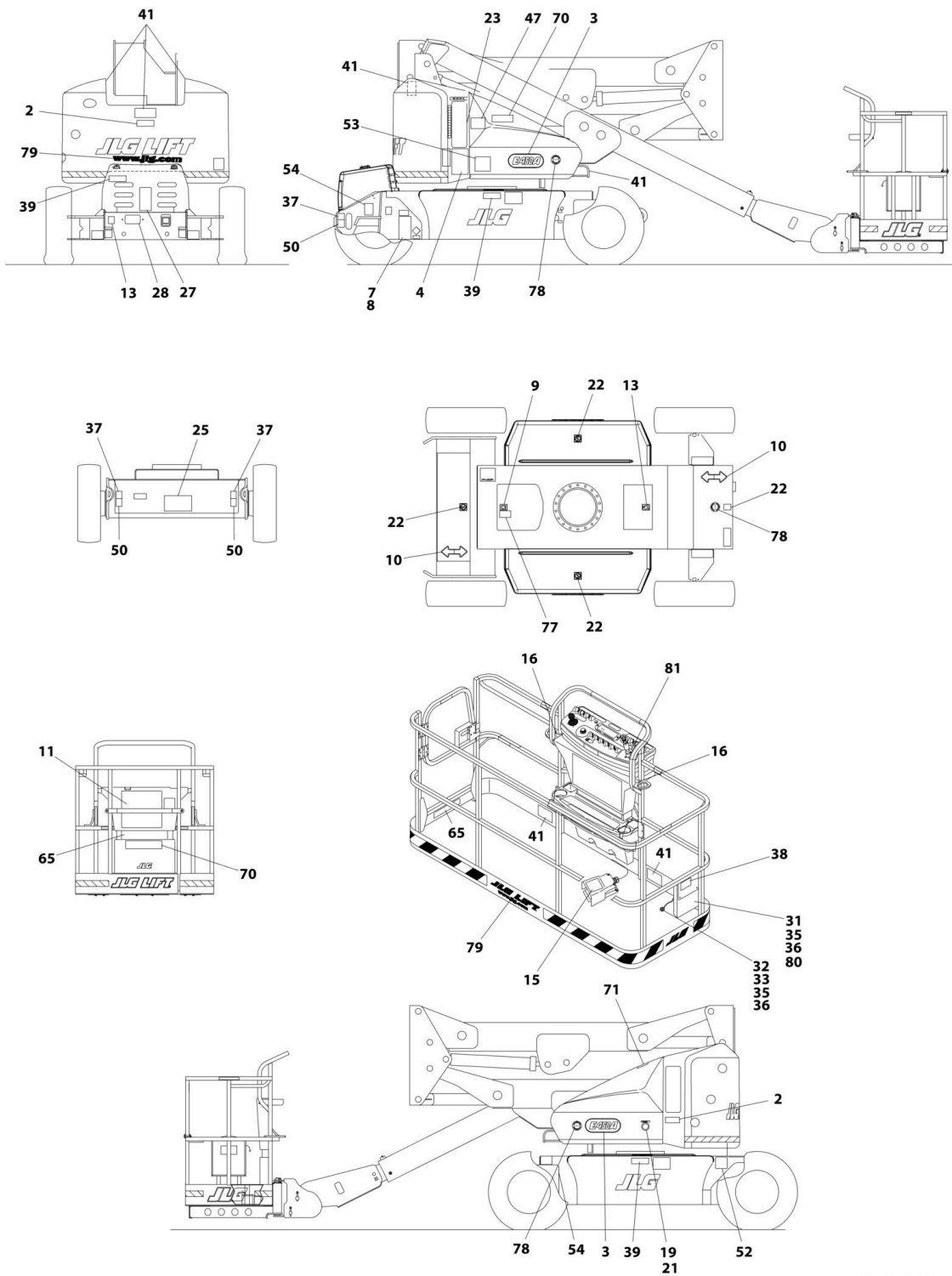
## SECTION 9 - DECALS

**FIGURE 9-17. DECAL INSTALLATION - FRENCH/ENGLISH SPECS - E450A/E450AJ**

ITEM	PART NUMBER	QTY	DESCRIPTION	REV
	1001178366	Ref	DECAL INSTALLATION - FRENCH/ENGLISH SPECS - E450A/E450AJ	B
2	1703936	2	Decal - Electrocution	
3	1704787	2	Decal - Model Designation (E450A)	
3	1704789	2	Decal - Model Designation (E450AJ)	
4	1703930	1	Decal - Danger/Caution	
5	1705514	1	Decal - CSA	
6	1700584	1	Decal - Patent	
7	See Note	1	Nameplate - Serial Number (Note: Not Available for Purchase)	
8	3820001	2	Rivet	
9	1701504	1	Decal - Hydraulic Oil	
10	1701642	2	Decal - Arrow	
11	1703924	1	Decal - Caution/Danger	
13	1701644	2	Decal - Charger	
15	1703984	1	Decal - Footswitch	
16	1704277	2	Decal - Attach Lanyard	
19	0961127	1	Bushing, Snap	
20	3251243	1	Nameplate - 120V/60Hz	
21	0100010	AR	Adhesive	
22	1701691	4	Decal - No Step	
23	1001104864	1	Decal - Manual Descent	
24	1704000	2	Decal - No Hands	
25	1001173577	1	Decal - Cable Routing	
26	1704253	1	Decal - Key Platform	
27	1704452	1	Decal - Charger	
28	1704431	1	Decal - Battery Charger LED Indicator	
31	0860520	1	Box, Manual Storage	
32	1060279	1	Lanyard <b>(SN 0300189901 through 0300196413)</b>	
33	0641408	1	Bolt 1/4 x 1 <b>(SN 0300189901 through 0300196413)</b>	
35	4751400	AR	Washer 1/4	
36	3311405	AR	Nut 1/4	
37	1701500	4	Decal - Lift	
38	1701509	1	Decal - Manual	
39	1704340	3	Decal - Explosion Warning	
41	1703948	6	Decal - Crushing Hazard	
47	1702265	1	Decal - Boom Sequence	
50	1702300	4	Decal - Tie Down	
52	See Note	1	Decal - Bar Code (Note: Not Available for Purchase)	
53	1001121816	1	Decal - 500 LBS. Max Capacity	
54	1703488	1	Decal - Tire Load (E450A)	
54	1704445	4	Decal - Tire Load (E450AJ)	
64	1706950	1	Decal - Key, Main Terminal Box	
65	1001121803	2	Decal - 500 LBS. Max Capacity	
77	1704412	1	Decal - Oil Type	
79	1704885	2	Decal - Website	
80	0641406	4	Bolt 1/4 x 3/4	
81	1705429	1	Decal - Drive/Steer Instruction	

# SECTION 9 - DECALS

FIGURE 9-18. DECAL INSTALLATION - CHINESE/ENGLISH SPEC - M450AJ



ART\_1001178375



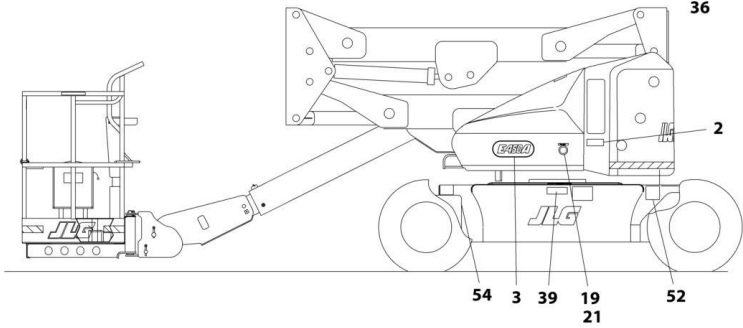
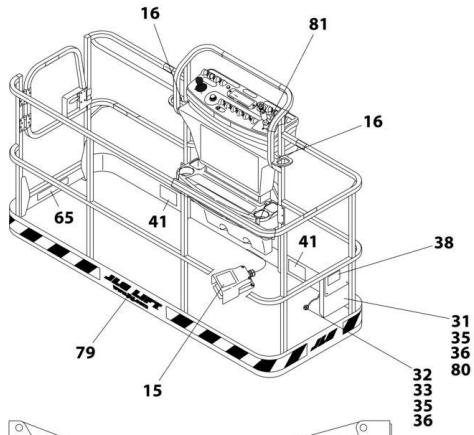
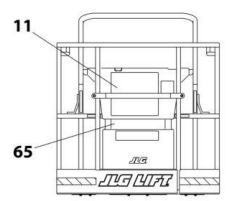
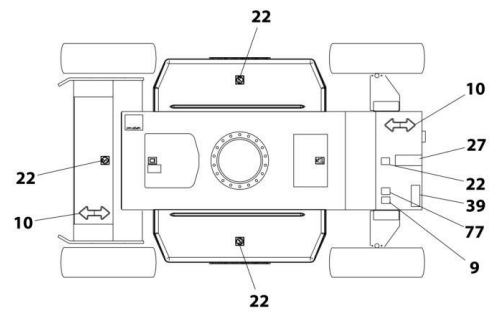
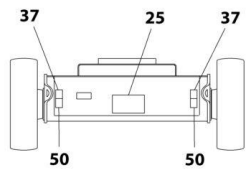
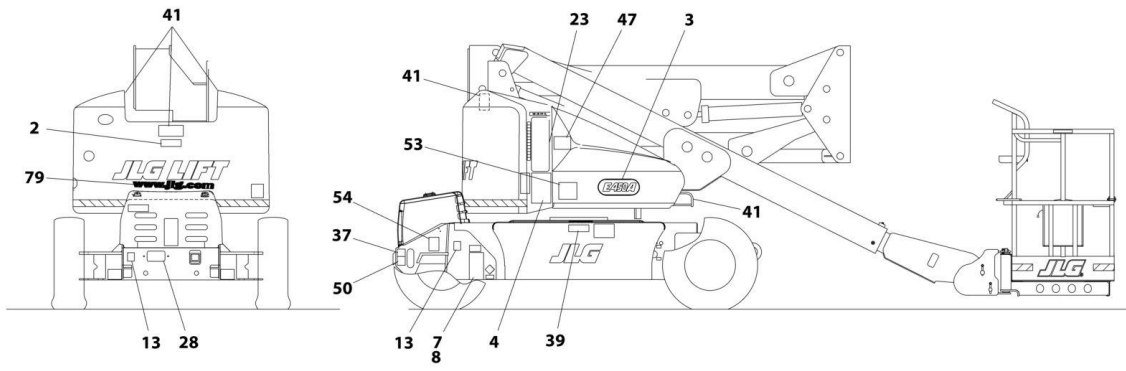
## SECTION 9 - DECALS

**FIGURE 9-18. DECAL INSTALLATION - CHINESE/ENGLISH SPEC - M450AJ**

ITEM	PART NUMBER	QTY	DESCRIPTION	REV
	1001178375	Ref	DECAL INSTALLATION - CHINESE/ENGLISH SPEC - M450AJ	B
2	1703937	2	Decal - Electrocution	
3	1704790	2	Decal - Model Designation	
4	1703931	1	Decal - Danger/Caution	
7	See Note	1	Nameplate - Serial Number (Note: Not Available for Purchase)	
8	3820001	2	Rivet	
9	1701504	1	Decal - Hydraulic Oil	
10	1701642	2	Decal - Arrow	
11	1703925	1	Decal - Caution/Danger	
13	1701644	2	Decal - Charger	
15	1703982	1	Decal - Footswitch	
16	1704277	2	Decal - Attach Lanyard	
19	0961127	1	Bushing, Snap	
21	0100010	AR	Adhesive	
22	1701691	4	Decal - No Step	
23	1001104864	1	Decal - Manual Descent	
25	1001173577	1	Decal - Cable Routing	
27	1704419	1	Decal - Charger	
28	1704431	1	Decal - Battery Charger LED Indicator	
31	0860520	1	Box, Manual Storage	
32	1060279	1	Lanyard (SN 0300189901 through 0300196413)	
33	0641408	1	Bolt 1/4 x 1 (SN 0300189901 through 0300196413)	
35	4751400	AR	Washer 1/4	
36	3311405	AR	Nut 1/4	
37	1701500	4	Decal - Lift	
38	1701509	1	Decal - Manual	
39	1704344	3	Decal - Explosion Warning	
41	1703949	6	Decal - Crushing Hazard	
47	1703988	1	Decal - Upright Level Override	
50	1702300	4	Decal - Tie Down	
52	See Note	1	Decal - Bar Code (Note: Not Available for Purchase)	
53	1001121823	1	Decal - 500 LBS. Max Capacity	
54	1704445	4	Decal - Tire Load	
65	1001121810	2	Decal - 500 LBS. Max Capacity	
70	1001093687	2	Decal - Generator Danger	
71	1701505	1	Decal - Fuel	
77	1704412	1	Decal - Oil Type	
78	1001121510	3	Decal - Hybrid	
79	1704885	2	Decal - Website	
80	0641406	4	Bolt 1/4 x 3/4	
81	1705430	1	Decal - Drive/Steer Instruction	

# SECTION 9 - DECALS

FIGURE 9-19. DECAL INSTALLATION - CHINESE/ENGLISH SPEC - E450A/E450AJ



ART\_1001178376

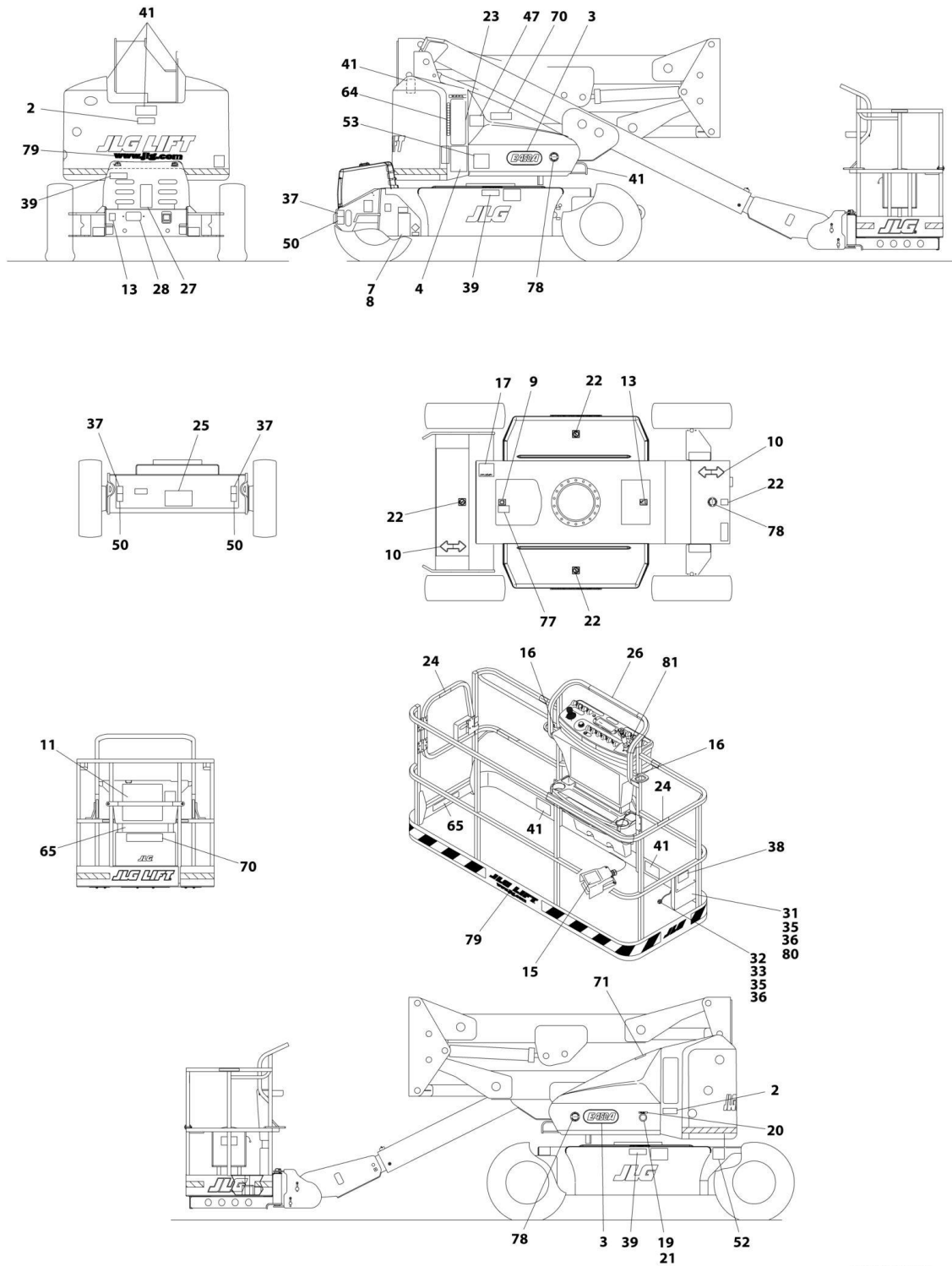
## SECTION 9 - DECALS

**FIGURE 9-19. DECAL INSTALLATION - CHINESE/ENGLISH SPEC - E450A/E450AJ**

ITEM	PART NUMBER	QTY	DESCRIPTION	REV
	1001178376	Ref	DECAL INSTALLATION - CHINESE/ENGLISH SPEC - E450A/E450AJ	B
2	1703937	2	Decal - Electrocution	
3	1704787	2	Decal - Model Designation (E450A)	
3	1704789	2	Decal - Model Designation (E450AJ)	
4	1703931	1	Decal - Danger/Caution	
7	See Note	1	Nameplate - Serial Number (Note: Not Available for Purchase)	
8	3820001	2	Rivet	
9	1701504	1	Decal - Hydraulic Oil	
10	1701642	2	Decal - Arrow	
11	1703925	1	Decal - Caution/Danger	
13	1701644	2	Decal - Charger	
15	1703982	1	Decal - Footswitch	
16	1704277	2	Decal - Attach Lanyard	
19	0961127	1	Bushing, Snap	
21	0100010	AR	Adhesive	
22	1701691	4	Decal - No Step	
23	1001104864	1	Decal - Manual Descent	
25	1001173577	1	Decal - Cable Routing	
27	1704419	1	Decal - Charger	
28	1704431	1	Decal - Battery Charger LED Indicator	
31	0860520	1	Box, Manual Storage	
32	1060279	1	Lanyard <b>(SN 0300189901 through 0300196413)</b>	
33	0641408	1	Bolt 1/4 x 1 <b>(SN 0300189901 through 0300196413)</b>	
35	4751400	AR	Washer 1/4	
36	3311405	AR	Nut 1/4	
37	1701500	4	Decal - Lift	
38	1701509	1	Decal - Manual	
39	1704344	3	Decal - Explosion Warning	
41	1703949	6	Decal - Crushing Hazard	
47	1703988	1	Decal - Upright Level Override	
50	1702300	4	Decal - Tie Down	
52	See Note	1	Decal - Bar Code (Note: Not Available for Purchase)	
53	1001121823	1	Decal - 500 LBS. Max Capacity	
54	1703488	4	Decal - Tire Load (E450A)	
54	1704445	4	Decal - Tire Load (E450AJ)	
65	1001121810	2	Decal - 500 LBS. Max Capacity	
77	1704412	1	Decal - Oil Type	
79	1704885	2	Decal - Website	
80	0641406	4	Bolt 1/4 x 3/4	
81	1705430	1	Decal - Drive/Steer Instruction	

# SECTION 9 - DECALS

FIGURE 9-20. DECAL INSTALLATION - SPANISH/PORTUGUESE SPECS - M450AJ



ART\_1001178369

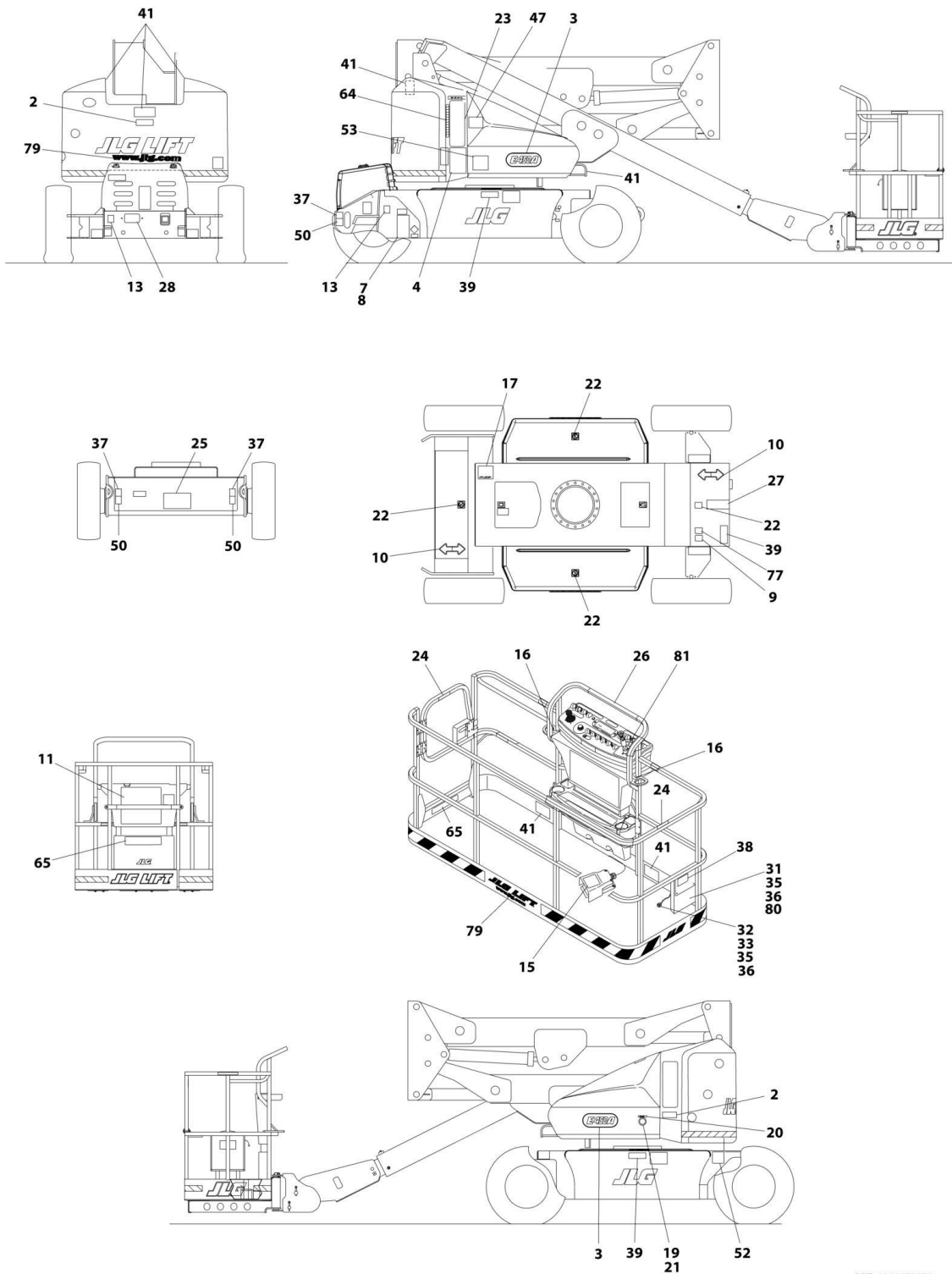
## SECTION 9 - DECALS

**FIGURE 9-20. DECAL INSTALLATION - SPANISH/PORTUGUESE SPECS - M450AJ**

ITEM	PART NUMBER	QTY	DESCRIPTION	REV
	1001178369	Ref	DECAL INSTALLATION - SPANISH/PORTUGUESE SPECS - M450AJ	B
2	1703940	2	Decal - Electrocution	
3	1704790	2	Decal - Model Designation	
4	1703934	1	Decal - Danger/Caution	
7	See Note	1	Nameplate - Serial Number (Note: Not Available for Purchase)	
8	3820001	2	Rivet	
9	1701504	1	Decal - Hydraulic Oil	
10	1701642	2	Decal - Arrow	
11	1703928	1	Decal - Caution/Danger	
13	1701644	2	Decal - Charger	
15	1703985	1	Decal - Footswitch	
16	1704277	2	Decal - Attach Lanyard	
17	1704008	1	Decal - Inspection	
19	0961127	1	Bushing, Snap	
20	3251243	1	Nameplate - 120V/60Hz	
21	0100010	AR	Adhesive	
22	1701691	4	Decal - No Step	
23	1001104864	1	Decal - Manual Descent	
24	1704002	2	Decal - No Hands	
25	1001173577	1	Decal - Cable Routing	
26	1704253	1	Decal - Key Platform	
27	1704453	1	Decal - Charger	
28	1704431	1	Decal - Battery Charger LED Indicator	
31	0860520	1	Box, Manual Storage	
32	1060279	1	Lanyard <b>(SN 0300189901 through 0300196413)</b>	
33	0641408	1	Bolt 1/4 x 1 <b>(SN 0300189901 through 0300196413)</b>	
35	4751400	AR	Washer 1/4	
36	3311405	AR	Nut 1/4	
37	1701500	4	Decal - Lift	
38	1701509	1	Decal - Manual	
39	1704341	3	Decal - Explosion Warning	
41	1703952	6	Decal - Crushing Hazard	
47	1703991	1	Decal - Boon Sequence	
50	1702300	4	Decal - Tie Down	
52	See Note	1	Decal - Bar Code (Note: Not Available for Purchase)	
53	1001121923	1	Decal - 500 LBS. Max Capacity	
64	1706950	1	Decal - Key, Main Terminal Box	
65	1001121920	2	Decal - 500 LBS. Max Capacity	
70	1001093687	2	Decal - Generator Danger	
71	1701505	1	Decal - Fuel	
77	1704412	1	Decal - Oil Type	
78	1001121510	3	Decal - Hybrid	
79	1704885	2	Decal - Website	
80	0641406	4	Bolt 1/4 x 3/4	
81	1001113680	1	Decal - Drive/Steer Instruction	

# SECTION 9 - DECALS

FIGURE 9-21. DECAL INSTALLATION - SPANISH/PORTUGUESE SPECS - E450A/E450AJ



ART\_1001178370

## SECTION 9 - DECALS

**FIGURE 9-21. DECAL INSTALLATION - SPANISH/PORTUGUESE SPECS - E450A/E450AJ**

ITEM	PART NUMBER	QTY	DESCRIPTION	REV
	1001178370	Ref	DECAL INSTALLATION - SPANISH/PORTUGUESE SPECS - E450A/E450AJ	B
2	1703940	2	Decal - Electrocution	
3	1704787	2	Decal - Model Designation (E450A)	
3	1704789	2	Decal - Model Designation (E450AJ)	
4	1703934	1	Decal - Danger/Caution	
7	See Note	1	Nameplate - Serial Number (Note: Not Available for Purchase)	
8	3820001	2	Rivet	
9	1701504	1	Decal - Hydraulic Oil	
10	1701642	1	Decal - Arrow	
11	1703928	1	Decal - Caution/Danger	
13	1701644	2	Decal - Charger	
15	1703985	1	Decal - Footswitch	
16	1704277	2	Decal - Footswitch	
17	1704008	1	Decal - Inspection	
19	0961127	1	Bushing, Snap	
20	3251243	1	Nameplate - 120V/60Hz	
21	0100010	AR	Adhesive	
22	1701691	4	Decal - No Step	
23	1001104864	1	Decal - Manual Descent	
24	1704002	2	Decal - No Hands	
25	1001173577	1	Decal - Cable Routing	
26	1704253	1	Decal - Key Platform	
27	1704453	1	Decal - Charger	
28	1704431	1	Decal - Battery Charger LED Indicator	
31	0860520	1	Box, Manual Storage	
32	1060279	1	Lanyard <b>(SN 0300189901 through 0300196413)</b>	
33	0641408	1	Bolt 1/4 x 1 <b>(SN 0300189901 through 0300196413)</b>	
35	4751400	AR	Washer 1/4	
36	3311405	AR	Nut 1/4	
37	1701500	4	Decal - Lift	
38	1701509	1	Decal - Manual	
39	1704341	3	Decal - Explosion Warning	
41	1703952	6	Decal - Crushing Hazard	
47	1703991	1	Decal - Boom Sequence	
50	1702300	4	Decal - Tie Down	
52	See Note	1	Decal - Bar Code (Note: Not Available for Purchase)	
53	1001121923	1	Decal - 500 LBS. Max Capacity	
64	1706950	1	Decal - Key, Main Terminal Box	
65	1001121920	2	Decal - 500 LBS. Max Capacity	
77	1704412	1	Decal - Oil Type	
79	1704885	2	Decal - Website	
80	0641406	4	Bolt 1/4 x 3/4	
81	1001113680	1	Decal - Drive/Steer Instruction	





## **SECTION 10 - RECOMMENDED SERVICE PARTS STOCK**

## **SECTION 10 - RECOMMENDED SERVICE PARTS STOCK**

# SECTION 10 - RECOMMENDED SERVICE PARTS STOCK

## FIGURE 10-1. RECOMMENDED SERVICE PARTS STOCK

ITEM	PART NUMBER	QTY	DESCRIPTION	REV
		Ref	Note: The following list will service one machine (built to current production per date on the front cover) with emergency repair parts which can be installed in the field. Parts from the list should be replaced when inventory is depleted to keep service parts stock supplied. For further information, contact your JLG dealer or the JLG Industries Parts Department.	
		Ref	STANDARD PARTS	
	4360070	1	Breaker, Circuit	
	4360448	1	Breaker, Circuit	
	7021618	1	Coil	
	7021609	1	Coil	
	7021610	1	Coil	
	1001178132	1	Controller (Drive and Steer)	
	1001178139	1	Controller (Lift and Swing)	
	4360476	1	Contact, Switch	
	3990001	2	Diode	
	7021616	4	Filter Cartridge	
	2860030	1	Key Replacement	
	2940074	1	Latch	
	4360328	1	Switch, Toggle	
	4360330	1	Switch, Toggle	
	4360475	1	Switch, Emergency	
	4360469	1	Switch, Key (ANSI Spec)	
	4360470	1	Switch, Key (CE Spec)	
	4360387	1	Switch, Push Button	
		Ref	VARIABLE PARTS	
	1001181045	1	Breaker 16Amp (CE Spec with 2 Breakers Box)	
	1001181046	1	Breaker 30mA (CE Spec with Breaker Box)	
	70000313	1	Element, Air Cleaner (M450AJ Only)	
	70000318	1	Element, Fuel Filter (M450AJ Only)	
	70000319	1	Element, Oil Filter (M450AJ Only)	
	2400062	1	Fuse 300Amp (UL Listed)	
	2400068	1	Fuse 10Amp (UL Listed)	
	70000329	1	Fuse 15Amp (M450AJ Only)	
	70000330	1	Fuse 20Amp (M450AJ Only)	
	70000326	1	Module (Engine Control)	
	1600292	1	Module (Frame Power)	
	1001109497	1	Module (Ground Control)	
	1600387	1	Module (LSS System)	
	1001109498	1	Module (Platform Control)	
	1600293	1	Module (Posi-Trac)	
	1001149571	1	Module, SkyGuard (Beacon Control)	
	7019698	1	Power Track - 1 Link	
	70001996	1	Power Track - 2ft Section	
	70001998	1	Power Track - Bracket Kit	
	4360548	1	Switch, Limit	
	4360274	1	Switch, Push Button (M450AJ Only)	
	4360336	1	Switch, Toggle (M450AJ Only)	

**SECTION 11 - SPECIAL OPTIONS**

# SECTION 11 - SPECIAL OPTIONS

## FIGURE 11-1. SPECIAL OPTIONS

ITEM	PART NUMBER	QTY	DESCRIPTION	REV
		Ref	MISCELLANEOUS SPECIAL OPTIONS	
		Ref	Note: This list is to accommodate machines ordered with special equipment. Options may not be applicable to all models. For more specific parts information contact JLG Parts Department.	
	0259877	Ref	Airline Installation - 1/2in (E450A Model)	
	0275650	Ref	Airline Installation - 1/2in (E/M450AJ Models)	
		Ref	ClearSky Telematics Add-on Kits:	
	1001230504	Ref	ClearSky Telematics Add-on Kit - 3 Wire (ANSI Specs)	
	1001234102	Ref	ClearSky Telematics Add-on Kit - 3 Wire (ANSI Export & CE Specs)	
	1001236405	Ref	ClearSky Telematics Add-on Kit - Canbus (ANSI Specs)	
	1001237110	Ref	ClearSky Telematics Add-on Kit - Canbus (ANSI Export & CE Specs)	
	1001243575	Ref	ClearSky Access Control Add-on Kit	
	1001243183	Ref	ClearSky Telematics Access Control Add-on Kit - Canbus (ANSI & CSA Specs)	
	1001243184	Ref	ClearSky Telematics Access Control Add-on Kit - Canbus (ANSI Export & CE Specs)	
	1001195304	Ref	Console Cover	
		Ref	Cylinder Bellows Installations	
	0259397	Ref	Cylinder Bellows Installations (E450A)	
	0271251	Ref	Cylinder Bellows Installations (E/M450AJ)	
	0460110	2	Bellows - Platform Level and Master Cylinders (E450A)	
	0460194	2	Bellows - Platform Level and Master Cylinders (E/M450AJ)	
	0460115	1	Bellows - Main Lift Cylinder	
	0460113	1	Bellows - Mid Lift Cylinder	
	0460114	1	Bellows - Tower Lift Cylinder	
	0460196	1	Bellows - Jib Cylinder (E/M450AJ)	
	1320037	6	Clamp	
	1001237443	Ref	Cylinder Service Kit - E/M450A Mid Lift	
	1001151286	Ref	Cylinder Service Kit - E/M450AJ/AJP (Adds Manual Descent Valve Kit) (Italy Specs)	
		Ref	Decal Installations	
	1703175	Ref	Decal - Lanyard Attach (GM K-1 Spec)	
	1702868	Ref	Decal - No Hands (English) (ANSI Spec) (Used with Platform Padding or Mesh to Top Rail)	
	1704000	Ref	Decal - No Hands (English & French) (CSA Spec) (Used with Platform Padding or Mesh to Top Rail)	
	1705968	Ref	Decal - No Hands (English/Simplified Chinese) (ANSI Export Spec) (Used with Platform Padding or Mesh to Top Rail)	
	1001116846	Ref	Decal - No Hands (English and Traditional Chinese) (ANSI Export Spec) (Used with Platform Padding or Mesh to Top Rail on Side Entry Platforms)	
	1001141300	Ref	Decal - SkyGuard Override	
	1001141302	Ref	Decal - SkyGuard/Soft Touch Override	
	0270433	Ref	Decal - UL Listed	
	0259550	Ref	Decal - Warning Stripes	
		Ref	Decal Kit Options:	
	1001108727	Ref	Decal Kit - Platform	
	1001119566	Ref	Decal Kit - Platform Console	
	1001198648	Ref	Decal Kit - (E/M 450A)	

## SECTION 11 - SPECIAL OPTIONS

ITEM	PART NUMBER	QTY	DESCRIPTION	REV
		Ref	Electrical Connector Kits	
	1001148902	Ref	Amp Connector Kit	
	1001148903	Ref	Deutsch DT Connector Kit	
	1001148904	Ref	Deutsch HD Connector Kit	
	1001148905	Ref	Packard Connector Kit	
	1001148906	Ref	Various Connector Kit	
	1001166284	Ref	Headlight and Tail Lights Installation	
	1001198660	Ref	Hose Kit - Boom (E/M 450A)	
		Ref	Hydraulic Fluids	
	2300028	Ref	Hydraulic Fluid - Mobil DTE 10 Excel 15	
	2300027	Ref	Hydraulic Fluid - Mobil EAL 224H - Biodegradable	
	0273104	Ref	Indicator Light Installation (Green) (LSS)	
	1001148971	Ref	Lanyard Kit (Platform Bolt-on)	
	1001189162	Ref	Low Temperature Cutout Installation (Russian Specs)	
	1001222307	Ref	LSS Override Kit	
	1001151286	Ref	Manual Descent Add-on Kit (Italy Specs)	
	0257728	Ref	Pipe Rack	
	2915225	Ref	Platform Conversion Kit (Converts Front to Side Entry) (E/M450A)	
		Ref	Platform Entry Kits	
	1001142504	Ref	Drop Bar (Replacing Swing Gate with Drop Bar)	
	1001142505	Ref	Swing Gate (Replacing Drop Bar with Swing Gate)	
		Ref	Platform Mesh To Mid Rail Installations (Factory Installed)	
	1001140318	Ref	30in X 4ft (76cm x 1.22m)	
	1001140315	Ref	30in X 5ft (76cm x 1.52m)	
	1001145985	Ref	30in x 6 ft (76cm x 1.83m)	
		Ref	Platform Mesh Mid Rail Add-on Kits (Dealer Installed)	
	1001214478	Ref	30in X 4ft (76cm x 1.22m) Platform p/n 10011816387 Only	
	1001214515	Ref	30in X 5ft (76cm x 1.52m) Platform p/n 10011186386 Only	
		Ref	Platform Mesh Top Rail Installations (Factory Installed)	
	0273147	Ref	30in X 4ft (76cm x 1.22m)	
	0273146	Ref	30in X 5ft (76cm x 1.52m)	
		Ref	Platform Mesh Top Rail Add-on Kits (Dealer Installed)	
	1001214552	Ref	30in X 4ft (76cm x 1.22m) Platform p/n 10011816387 Only	
	1001214559	Ref	30in X 5ft (76cm x 1.52m) Platform p/n 10011186386 Only	
	1001214560	Ref	30in X 6ft (76cm x 2.1m) Platform p/n 10011186385 Only	
		Ref	Platform Padding Installation	
	0273381	Ref	30in X 4ft (76cm x 1.22m)	
	0273382	Ref	30in X 5ft (76cm x 1.52m)	
	0275698	Ref	30in x 6 ft (76cm x 1.83m)	
		Ref	Platform Top Rail Extension Installation	
	1001103617	Ref	30in X 4ft (76cm x 1.22m)	
	1001103558	Ref	30in X 5ft (76cm x 1.52m)	
	0259338	Ref	Platform Worklights Installation	
	0271301	Ref	Platform Worklight Installation (UL Listed)	
	1001212202	Ref	Rotary Actuator Protection Add-on Kit	
		Ref	SkyGuard Kits (Dealer Add-on Kit):	
	1001206996	Ref	SkyGuard Kit (Dealer Add-on Kit) (Blue Beacon Light)	
	1001210033	Ref	SkyGuard Kit (Dealer Add-on Kit) (Red Beacon Light)	
	1001205501	Ref	Blue Light Kit (Dealer Add-on Kit)	
	1001210032	Ref	Red Light Kit (Dealer Add-on Kit)	
	1001149563	Ref	Platform Sensor Kit	

## SECTION 11 - SPECIAL OPTIONS

ITEM	PART NUMBER	QTY	DESCRIPTION	REV
	1001176372	Ref	SkyGuard Removal Kit	
	1001194881	Ref	Soft-Touch Installation (30in X 5ft (76cm x 1.52m)	
	0274323	Ref	Soft-Touch Installation (30in x 6 ft (76cm x 1.83m)	
		Ref	Strobe Light Installations (Amber)	
	1001152965	Ref	Strobe Light Installation (Amber) Platform Mounted	
	1001154231	Ref	Strobe Light Installation (Amber) Platform/Ground Mounted	
		Ref	Tools for Service	
	7002828	Ref	Wire Stripper	
	7002821	Ref	Wire Crimper (To install wire ends to wires)	
	7002823	Ref	Pin/Socket Extractor - Universal (To Remove Pins/Sockets from Connectors)	
	4460467	Ref	Extractor - 16-18 Gauge (For Removal of Pins/Sockets for Deutsch Connectors)	
	4460510	Ref	Extractor - 12-14 Gauge (For Removal of Pins/Sockets for Deutsch Connectors)	
	7002822	Ref	Screwdriver, Potentiometer (To Adjust Drive Controllers)	
	7016654	Ref	Screwdriver, Magnetic	
	7004275	Ref	Seal Installation Tool - 1in	
	7004276	Ref	Seal Installation Tool - 1-1/2in	
	7002826	Ref	Seal Installation Tool - 2in	
	2901443	Ref	Analyzer, Machine	
	2915230	Ref	Battery Charger Reprogram Controller Kit	
	1001137005	Ref	USB to RS232 Drive Installation (Service Kit)	
	1001160527	Ref	Turntable Bearing Kit	
	1001241270	1 Ref	Wear Pad Kit (E/M450AJ)	

## PART NUMBER INDEX

## SECTION 11 - SPECIAL OPTIONS

0060044 ..... 179, 183	0272704 ..... 187	495, 497, 499, 501,	0642612 ..... 149, 151
0060052 ..... 173, 181	0272976 ..... 185	503, 505, 507, 509,	0681608 ..... 185, 187, 191
0100001 ..... 185	0273089 ..... 257	511, 513, 515, 517,	0681610 ..... 170
0100009 .... 173, 245, 249,	0273104 .... 187, 191, 533	519, 521, 523, 525, 527	0681810 ..... 15
253, 261	0273146 ..... 533	0641407 ..... 81, 83, 85, 87,	0681814 .... 229, 231, 233,
0100010 .... 489, 491, 493,	0273147 ..... 533	89, 91, 153, 155, 187,	235
495, 497, 499, 501,	0273381 ..... 533	191, 451, 453, 455,	0681822 .... 229, 231, 233,
503, 505, 507, 509,	0273382 ..... 533	457, 461, 463, 465	235
511, 513, 515, 517,	0273468 ..... 47	0641408 ..... 115, 239, 241,	0682012 ..... 29
519, 521, 523, 525, 527	0273683 ..... 43	243, 451, 453, 455,	0682014 ..... 21, 25
0100011 .... 15, 21, 25, 29,	0273684 ..... 47	457, 461, 463, 465,	0682026 ..... 117
51, 53, 55, 57, 65, 67,	0273686 ..... 49	493, 499, 505, 507,	0682028 ..... 117
69, 73, 75, 77, 79, 87,	0274323 ..... 534	509, 511, 513, 515,	0700408 .... 451, 453, 455,
89, 91, 93, 101, 103,	0275216 ..... 351, 451	517, 519, 521, 523,	457, 461, 463, 465
105, 123, 125, 127,	0275217 ..... 353, 453	525, 527	0720804 .... 101, 103, 105,
153, 155, 167, 169,	0275218 ..... 355, 455	0641409 ..... 161	245, 249, 253
173, 177, 187, 191,	0275219 ..... 357, 457	0641410 ..... 195, 197	0721004 ..... 95, 97
195, 197, 211, 217,	0275452 ..... 345, 463	0641413 ..... 101, 103, 105	0721005 .... 129, 131, 133,
219, 221, 223, 225,	0275453 ..... 347, 461	0641414 ..... 103, 105, 273,	135, 137, 139
227, 271, 273, 283,	0275454 ..... 349, 465	275	0721006 ..... 25
287, 289, 291, 293,	0275650 ..... 532	0641416 ..... 187, 191, 451,	0750808 .... 129, 131, 133,
295, 297, 299, 301,	0275663 ..... 377	453, 455, 457, 461,	135, 137, 139
303, 305, 317, 321	0275664 ..... 379	463, 465	0801154 ..... 173
0100019 ... 21, 25, 29, 117,	0275665 ..... 381	0641418 ..... 217, 219, 221,	0801169 ..... 167, 173
195, 197	0275666 ..... 383	223, 225, 227	0801192 ..... 177
0100020 .... 127, 159, 267,	0275667 ..... 385	0641430 ..... 21, 26, 29	0801197 ..... 169, 177
330	0275698 ..... 533	0641440 ..... 57	0801260 ..... 177
0100035 .... 145, 147, 245,	0340047 ..... 25	0641506 ..... 167, 170	0801261 ..... 173
249, 253, 283, 287,	0340048 ..... 55	0641508 ... 21, 25, 29, 153,	0801264 ..... 167, 169
291, 295, 299, 303	0400055 ..... 73, 77	155	0840031 ..... 21, 25, 29
0100038 .... 283, 287, 289,	0400201 ..... 127	0641510 ..... 121, 159	0840032 ..... 21, 25, 29
291, 293, 295, 297,	0440162 ..... 15	0641512 ..... 317, 319, 321,	0840055 ..... 187, 191
299, 301, 303, 305,	0460110 ..... 532	323	0860038 ..... 449, 459
317, 321	0460113 ..... 532	0641514 ..... 153, 155, 195,	0860520 .... 489, 491, 493,
0100048 ..... 187, 191	0460114 ..... 532	197, 277	495, 497, 499, 501,
0100071 ..... 275	0460115 ..... 532	0641516 ..... 179, 195	503, 505, 507, 509,
0100081 ..... 177	0460194 ..... 532	0641518 ..... 127	511, 513, 515, 517,
0140011 .... 245, 249, 253	0460196 ..... 532	0641524 ..... 21, 25, 29	519, 521, 523, 525, 527
0140028 .... 101, 103, 105	0480100 ..... 277	0641542 ..... 51	0861152 .... 129, 131, 133,
0140031 ..... 115	0561076 ..... 167, 169	0641560 ..... 195, 197	135, 137, 139
0257728 ..... 277, 533	0561317 ..... 195, 197	0641604 ..... 317	0861375 ..... 26
0257735 ..... 195	0561384 ..... 195, 197	0641605 ..... 129, 131, 133,	0861537 ..... 245, 249
0258688 ..... 39	0561385 ..... 195, 197	135, 137, 139, 177	0861731 .... 345, 347, 349
0258691 ..... 167	0561386 ..... 195, 197	0641606 ..... 15, 65, 67, 69,	0861781 ..... 351, 353
0258995 ..... 39	0561424 ..... 195	101, 103, 105, 173, 177	0861880 ..... 373
0258996 ..... 41	0610131 .... 81, 83, 85, 87,	0641607 ..... 169, 173, 177	0901923 ..... 153, 155
0258997 ..... 41	89, 91	0641608 53, 55, 125, 167,	0902406 .... 129, 131, 133,
0259102 ..... 259	0630399 ..... 173	169, 173, 177	135, 137, 139
0259123 ..... 449	0630401 ..... 177	0641609 ..... 21, 25, 29	0902919 ..... 187, 191
0259125 ..... 459	0630440 ..... 95	0641610 ..... 53, 55, 65, 67,	0902920 ..... 187, 191
0259127 ..... 447	0630464 .... 245, 249, 253	167, 169, 185, 211,	0920113 ..... 21, 25, 29
0259302 ..... 51	0630467 ..... 195, 197	239, 241, 243	0940048 ..... 167, 169
0259338 ..... 533	0630468 ..... 153, 155	0641614 ..... 93, 153, 155,	0961127 .... 489, 491, 493,
0259367 ..... 197	0630487 ..... 173	161, 167	495, 497, 499, 501,
0259397 ..... 532	0630518 .... 129, 131, 133,	0641616 ..... 179	503, 505, 507, 509,
0259481 ..... 159	135, 137, 139	0641618 ..... 159, 179	511, 513, 515, 517,
0259550 ..... 532	0630552 ..... 127	0641622 ..... 127	519, 521, 523, 525, 527
0259877 ..... 532	0630568 .... 245, 249, 254	0641806 ..... 167, 169	0961845 .... 217, 219, 221,
0270037 ..... 45	0641404 ..... 65, 67, 173	0641807 ..... 65, 67	223, 225, 227
0270273 ..... 487	0641405 .... 81, 83, 85, 87,	0641810 ..... 167, 169	0961947 ..... 183, 281
0270400 ..... 179	89, 91, 173, 187, 191,	0641811 ..... 73, 75, 77, 79	0961948 ..... 177
0270433 ..... 532	253, 271	0641812 ..... 121, 167, 169	0961950 .... 167, 169, 173,
0271251 ..... 532	0641406 .... 21, 25, 29, 87,	0641818 ..... 173, 177	177, 283, 285, 287,
0271301 ..... 533	89, 91, 93, 95, 97, 127,	0641822 ..... 187, 191	289, 291, 293, 295,
0271493 ..... 199	159, 237, 239, 241,	0641826 ..... 21, 25, 29	297, 299, 301, 303, 305
0272111 ..... 261	243, 489, 491, 493,	0642024 ..... 187, 191	

## SECTION 11 - SPECIAL OPTIONS

0961951 17, 19, 173, 179, 281, 309, 313	1001116810.....439, 475	1001144019 ..... 221	1001165977..... 127
0962140..... 17, 19	1001116811 .....361	1001144020 ..... 225	1001165980.....153, 155
0962257..... 183	1001116812.....409	1001144025 ..... 213	1001165981.....153, 155
0962270.....229, 231, 233, 235	1001116846.....532	1001144026 ..... 207	1001165985.....153, 155
0962292..... 179	1001117093.....469, 471	1001144027 ..... 203	1001166250..... 155
0962356.....307, 311	1001117172.....267	1001144433 .....254, 271	1001166251.....463
0962450.....187, 191	1001118388.....469, 471	1001144597 ..... 233	1001166258.....461
1001093382 ....73, 75, 77, 79	1001119228.....177	1001144598 ..... 229	1001166259.....465
1001093687 .....493, 497, 505, 509, 517, 521, 525	1001119566.....532	1001144629 .....203, 205, 207, 209, 211, 213, 215	1001166260.....453
1001094670 ..... 179	1001120328.....271, 273	1001144630 ..... 211	1001166261.....455
1001097150 .....373, 375	1001121510.....489, 493, 495, 497, 505, 509, 513, 517, 521, 525	1001145800 ..... 241	1001166262.....457
1001097506 ....65, 67, 69, 71	1001121801.....489, 491	1001145985 ..... 533	1001166263.....451
1001097507 ..... 101, 103, 105, 107	1001121803.....517, 519	1001146082 ..... 239	1001166284..... 533
1001097775 ..... 103, 105, 113	1001121805.....513, 515	1001148902 ..... 533	1001166321..... 97
1001097777 ..... 101, 103, 105, 111	1001121808.....505, 507	1001148903 ..... 533	1001166327..... 97
1001099833 ..... 177	1001121810.....521, 523	1001148904 ..... 533	1001166328..... 95
1001100341 ..... 351	1001121814.....489, 491	1001148905 ..... 533	1001166330.....95, 97
1001100342 ..... 353	1001121816.....517, 519	1001148906 ..... 533	1001166341.....123
1001100345 ..... 345	1001121818.....513, 515	1001148971 ..... 533	1001166377..... 95
1001100346 ..... 349	1001121818.....513, 515	1001149563 .....271, 342, 533	1001166395.....117
1001100347 ..... 347	1001121821.....505, 507	1001149564 ..... 149	1001166414.....15
1001103105 ....81, 83, 85, 87, 89, 91, 361	1001121823.....521, 523	1001149569 .....271, 469	1001166417.....53
1001103558 ..... 533	1001121918.....509, 511	1001149570 ..... 149, 151, 367	1001166419.....53, 55
1001103617 ..... 533	1001121920.....525, 527	1001149571 .....254, 271, 530	1001166420.....65, 67
1001104850 ..... 117, 119	1001121921.....509, 511	1001149818 ..... 143, 145, 477	1001166437.....115
1001104864 .....489, 491, 493, 495, 497, 499, 501, 503, 505, 507, 509, 511, 513, 515, 517, 519, 521, 523, 525, 527	1001121923.....525, 527	1001149955 ..... 143	1001166438.....65, 101
1001106757 ..... 177	1001125248..... 159	1001149994 ..... 147	1001166439.....67, 103
1001108604 ..... 191	1001131269.....489, 491	1001150406 ..... 143, 145, 147	1001166440.....125
1001108727 ..... 532	1001132175.....245, 249, 253	1001151286 ..... 532, 533	1001166444.....85
1001108923 .....489, 517	1001136881.....330	1001151368 ..... 177, 321	1001166493.....95, 97
1001109497 .....129, 131, 133, 135, 137, 139, 530	1001136889.....245, 249, 253, 267	1001151386 ..... 321	1001166495.....73, 75
1001109498 ..... 245, 249, 253, 530	1001137005.....534	1001151393 .....129, 131, 133, 135, 137, 139	1001166496.... 73, 75, 77, 79
1001109503 ..... 133, 139	1001137673.....271, 273	1001151395 ..... 15	1001166497.....73
1001109687 .....329, 333, 337	1001137681.....271	1001151413 ..... 317	1001166498.....75
1001109786 ..... 271	1001137897.....271	1001151414 ..... 173, 317	1001166738.....153
1001109860 .....342, 415	1001138494.....217, 219, 221, 223, 225, 227	1001151428 ..... 15	1001166938.....83
1001110226 ..... 257	1001138514.....217, 219, 221, 223, 225, 227	1001151817 .....254, 271	1001166939.....81
1001110435 .....245, 249, 253	1001140223.....271	1001152230 .....317, 319, 321, 323	1001167014.....93
1001110775 ..... 45	1001140224.....271	1001152483 ..... 375	1001167024.....93
1001110873 ..... 449	1001140278.....169, 309	1001152485 .....375, 457, 461	1001167252.....21
1001112496 ..... 95, 97	1001140279.....169, 313	1001152635 .....329, 333	1001167291.....57, 127
1001112943 .....229, 231	1001140280.....179, 281	1001152965 ..... 534	1001167303..... 87, 89, 91
1001113483 .....187, 191	1001140315.....533	1001153017 ..... 117, 121	1001167360.....69, 105
1001113680 .....525, 527	1001140318.....533	1001153021 ..... 15	1001167363.....57
1001114782 .....75, 79	1001140429.....217, 219, 221, 223, 225, 227	1001154231 ..... 534	1001167419.....91
1001116232 ..... 125	1001140597.....167, 307	1001155044 .....245, 249, 254	1001167420.....87
1001116368 .....342, 399	1001140598.....173, 311	1001155045 .....245, 250, 254	1001167421.....89
1001116522 ..... 125, 397	1001141300.....254, 271, 532	1001157058 ..... 123	1001167426.....395
1001116720 .....469, 471	1001141302.....254, 271, 532	1001158612 ..... 145	1001167431.....395
	1001141967.....355, 357	1001159256 .....245, 250, 254	1001167433.....387
	1001141968.....355	1001159355 ..... 161, 163	1001167434.....387
	1001141969.....357	1001159361 ..... 159, 161	1001167487..... 55
	1001141970.....357	1001160527 ..... 534	1001167645.....25
	1001141971.....355	1001165962 ..... 155	1001167699.....127, 141, 159, 269
	1001142504.....533	1001165963 ..... 153	1001168004.....127
	1001142505.....533		1001168005.....127
	1001142694.....149, 151		1001168670.....77
	1001143431.....149, 151		1001168673.....169
	1001144018.....217		1001168731.....29
			1001168796.....79
			1001168800.....77, 79
			1001169635.....329, 340
			1001169637.....333, 340
			1001169639.....337, 340
			1001170991... 65, 67, 475



## SECTION 11 - SPECIAL OPTIONS

1001171115.....	69, 439	1001186385.....	215	1001248659.....	495, 501	1320136....	81, 83, 85, 87,
1001171213.....	53, 55, 61	1001186386.....	209	1060092.....	387, 389, 395	89, 91, 187, 191	
1001171214.....	57, 63	1001186387.....	205	1060279.....	493, 499, 505,	1320172.....	21, 26, 30
1001171289.....	387, 389	1001186388.....	231	507, 509, 511, 513,		1320224.....	187, 191
1001171290.....	387, 389	1001186432.....	471	515, 517, 519, 521,		1320260.....	195, 197
1001171291.....	395	1001186517.....	273	523, 525, 527		1380136....	101, 103, 105
1001171292.....	395	1001187373.....	342, 409	1060330.....	267	1380138.....	95, 97
1001171293.....	389	1001187508.....	273	1060341.....	369, 371	1380164.....	159
1001171298.....	125	1001188028.....	133	1060379.....	277	1580012.....	237
1001173577.....	489, 491,	1001188029.....	139	1060461.....	429, 435	1600292... 21,	25, 29, 530
493, 497, 499, 503,		1001188889.....	273	1060494.....	419, 421, 427,	1600293... 21,	25, 29, 530
505, 507, 509, 511,		1001189074.....	254, 342,	433		1600294.....	21, 29, 391
513, 515, 517, 519,		471		1060584.....	129, 131, 133,	1600300.....	25, 393
521, 523, 525, 527		1001189076.....	254, 342,	135, 137, 139		1600387....	187, 191, 530
1001175025.....	95, 97	473		1060677.....	431, 437, 481	1670679.....	173, 177
1001175597.....	246, 250,	1001189116.....	254	1060689.....	81, 83, 85, 87,	1670697.....	195, 197
254		1001189117.....	243, 253	89, 91		1670698.....	173
1001175617.....	239, 245	1001189118.....	243	1060717.....	387, 389	1670829....	245, 249, 253
1001175619.....	241, 249	1001189162.....	533	1060718.....	387, 389	1670832.....	199
1001176309.....	26, 395	1001189171.....	375	1060719.....	387, 389	1670833.....	199
1001176310.....	22, 387	1001189172.....	375	1060721.....	387, 389	1670880.....	95
1001176311.....	30, 389	1001189194.....	151	1060722.....	387, 389	1670887.....	51
1001176372.....	534	1001189765.....	133, 139,	1060723.....	387, 389	1670953.....	93
1001176417.....	153, 155	342		1060724.....	387, 389	1683584.....	317, 321
1001176441.....	153, 155	1001189882.....	497, 503	1060728.....	389	1683591.....	15, 315
1001176469.....	133, 139	1001190003.....	503	1060754.....	159	1683706.....	317
1001177483.....	169	1001190004.....	497	1060755.....	159	1683709.....	299, 303
1001177666.....	329, 333	1001190300.....	342, 365	1060778.....	81, 83, 85, 87,	1683710.....	283, 287
1001178132.....	246, 250,	1001191708.....	275	89, 91, 425		1683712.....	291, 295
254, 263, 530		1001193018.....	451, 453,	1060779.....	425	1683802.....	321
1001178139.....	246, 250,	455, 457, 461, 463, 465		1060801.....	93	1683940.....	287
254, 265, 530		1001193949.....	495, 501	1060802.....	93	1683941.....	283, 287
1001178362.....	489	1001194881.....	534	1060809.....	387, 389, 395	1683943.....	295
1001178364.....	491	1001195304.....	532	1060810.....	387, 389, 395	1683944.....	291, 295
1001178365.....	517	1001196786.....	133, 139	1060811.....	387, 389, 395	1683945.....	169, 303
1001178366.....	519	1001198648.....	532	1060835.....	395	1683946.....	303
1001178367.....	513	1001198660.....	533	1060836.....	395	1683947.....	303
1001178368.....	515	1001205501.....	533	1060837.....	395	1684055.....	283
1001178369.....	525	1001206996.....	533	1060839.....	395	1684056.....	291
1001178370.....	527	1001210032.....	533	1060840.....	395	1684059.....	299
1001178371.....	505	1001210033.....	533	1060841.....	395	1684060.....	299
1001178372.....	507	1001212202.....	533	1060842.....	395	1684061.....	167, 299
1001178373.....	509	1001214478.....	533	1060847.....	395	1684451.....	169, 287
1001178374.....	511	1001214515.....	533	1060908.....	373, 375	1684452.....	169, 295
1001178375.....	521	1001214552.....	533	1060919.....	233, 235	1684492.....	167, 283
1001178376.....	523	1001214559.....	533	10837580.....	107	1684493.....	167, 291
1001178377.....	493, 495	1001214560.....	533	1120093.....	283	1700584.....	519
1001178378.....	499, 501	1001222307.....	533	1120094.....	287	1701500....	489, 491, 505,
1001178491.....	451, 453,	1001222801.....	495, 501	1120108.....	299, 303	507, 509, 511, 513,	
455, 457, 461, 463, 465		10012228016.....	169, 305	1120110.....	317, 321	515, 517, 519, 521,	
1001181045.....	373, 530	1001228018.....	167, 301	1120305.....	291, 295	523, 525, 527	
1001181046.....	373, 530	1001228035.....	169, 289	1120487.....	127	1701504....	489, 491, 493,
1001181081.....	159	1001228036.....	169, 293,	1120552.....	49	495, 497, 499, 501,	
1001182138.....	275	297		1180302.....	173	503, 505, 507, 509,	
1001182296.....	93, 421	1001228039.....	167, 285	1220038.....	173	511, 513, 515, 517,	
1001182709.....	95	1001228061.....	177, 323	1220039.....	173	519, 521, 523, 525, 527	
1001182725.....	153, 155	1001228062.....	173, 319	1220040.....	173	1701505....	489, 505, 509,
1001183212.....	153, 155	1001230504.....	532	1271538.....	187, 191	513, 517, 521, 525	
1001185281.....	254	1001234102.....	532	1300019.....	49	1701509....	489, 491, 493,
1001185713.....	329, 333,	1001236405.....	532	1320012.....	159	495, 497, 499, 501,	
337		1001237110.....	532	1320022.....	127, 159	503, 505, 507, 509,	
1001185825.....	329	1001237443.....	167, 293,	1320033.....	337	511, 513, 515, 517,	
1001185826.....	333, 337	532		1320037.....	532	519, 521, 523, 525, 527	
1001186333.....	235	1001241270.....	534	1320040.....	65, 67	1701518....	493, 495, 497,
1001186375.....	219	1001243183.....	532	1320041.....	127, 153, 155	499, 501, 503	
1001186377.....	223	1001243184.....	532	1320043.....	195, 197	1701642.....	93, 489, 491,
1001186378.....	227	1001243575.....	532	1320135.....	159	493, 495, 497, 499,	

# SECTION 11 - SPECIAL OPTIONS

501, 503, 505, 507, 509, 511, 513, 515, 517, 519, 521, 523, 525, 527	1703952 .....525, 527	1705014.....229, 231, 233, 235	2220596 .... 317, 319, 321, 323
1701644.....489, 491, 493, 495, 497, 499, 501, 503, 505, 507, 509, 511, 513, 515, 517, 519, 521, 523, 525, 527	1703980 .....505, 507	1705325..... 451	2220600 .... 330, 334, 338
1701691.....489, 491, 493, 495, 497, 499, 501, 503, 505, 507, 509, 511, 513, 515, 517, 519, 521, 523, 525, 527	1703981 .....509, 511	1705351..... 489, 491	2220605 ..... 330
1702124.....330, 334, 338	1703982 .....521, 523	1705364..... 49	2220609 ..... 330
1702265.....489, 491, 513, 515, 517, 519	1703983 .....513, 515	1705426..... 505, 507	2220628 .... 317, 319, 321, 323
1702271 .....505, 507	1703984 .....517, 519	1705427..... 509, 511	2220654 ..... 334, 338
1702300.....489, 491, 505, 507, 509, 511, 513, 515, 517, 519, 521, 523, 525, 527	1703985 .....525, 527	1705429..... 517, 519	2220677 .... 329, 333, 337
1702565.....245, 249, 253	1703987 .....509, 511	1705430..... 521, 523	2220684 ..... 329
1702566.....245, 249, 253	1703988 .....521, 523	1705514..... 517, 519	2220711 .... 330, 333, 337
1702567.....245, 249, 253	1703991 .....525, 527	1705670.....493, 495, 497, 499, 501, 503	2220727 ..... 329
1702740.....39, 43, 49	1704000 .... 517, 519, 532	1705822.....493, 495, 497, 499, 501, 503	2220805 ..... 159
1702773.....233, 235, 487	1704001 .....513, 515	1705828.....493, 495, 497, 499, 501, 503	2220883 .... 289, 293, 297, 317, 319, 321, 323
1702774 ..... 487	1704002 .....525, 527	1705910..... 513, 515	2220885 .... 283, 285, 289, 291, 297, 299, 301, 303, 305, 329, 333, 337
1702860 ..... 487	1704008 .....525, 527	1705921.....493, 495, 497, 499, 501, 503	2220899 .... 329, 333, 337
1702868.....489, 491, 532	1704240 .... 245, 249, 253	1705968..... 532	2220909 .... 330, 334, 338
1702962 ..... 489	1704253 .... 489, 491, 507, 513, 515, 517, 519, 525, 527	1705977.....493, 495, 497, 499, 501, 503	2220999 .... 329, 333, 337
1703175 ..... 532	1704260 .... 245, 249, 253	1705978.....493, 495, 497, 499, 501, 503	2221033 .... 329, 333, 337
1703488.....491, 507, 511, 519, 523	1704277 .... 489, 491, 493, 495, 497, 499, 501, 503, 505, 507, 509, 511, 513, 515, 517, 519, 521, 523, 525, 527	1706378.....493, 495, 497, 499, 501, 503	2221046 ..... 127
1703683 ..... 277	1704286 ..... 489	1706385.....229, 231, 233, 235	2221047 ..... 127
1703797 ..... 489, 491	1704339 .....513, 515	1706938.....129, 131, 135, 137	2221054 .... 330, 333, 337
1703798 ..... 489, 491	1704340 .....517, 519	1706950.....489, 491, 513, 515, 517, 519, 525, 527	2221086 .... 330, 334, 338
1703804 ..... 489, 491	1704341 .....525, 527	1760160 ..... 173	2221147 ..... 329
1703805 ..... 489, 491	1704342 .....505, 507	1810136 ..... 129	2300027 ..... 533
1703811.....493, 495, 497, 499, 501, 503	1704343 .....509, 511	1810137 ..... 131	2300028 ..... 533
1703813 ..... 489, 491	1704344 .....521, 523	1810138 ..... 135	2400044 ..... 26
1703814.....493, 495, 497, 499, 501, 503	1704371 .....513	1810139 ..... 137	2400062 ..... 26, 530
1703923 .....513, 515	1704412 .... 489, 491, 493, 495, 497, 499, 501, 503, 505, 507, 509, 511, 513, 515, 517, 519, 521, 523, 525, 527	1870227 ..... 342	2400067 ..... 249
1703924 .....517, 519	1704417 .....505, 507	2080040.....203, 205, 207, 209, 211, 213, 215	2400068 ..... 249, 530
1703925 .....521, 523	1704418 .....509, 511	2160003 ..... 121	2410014 .... 229, 231, 233, 235
1703926 .....505, 507	1704419 .....521, 523	2180348 ..... 127	2420106 .... 129, 131, 135, 137
1703927 .....509, 511	1704431 .... 489, 491, 493, 497, 499, 503, 505, 507, 509, 511, 513, 515, 517, 519, 521, 523, 525, 527	2220237 .....330, 334, 338	2420202 ..... 187, 191
1703928 .....525, 527	1704445 .... 489, 491, 493, 497, 499, 503, 505, 507, 509, 511, 517, 519, 521, 523	2220239 ..... 330	2460037 ..... 93
1703929 .....513, 515	1704446 ..... 489, 491	2220371 ..... 329, 333, 337	2540037 ..... 26
1703930 .....517, 519	1704452 .....517, 519	2220386 ..... 329, 333, 337	2540045 .... 73, 75, 77, 79
1703931 .....521, 523	1704453 .....525, 527	2220415.....329, 330, 333, 334, 337, 338	2560122 .... 101, 103, 105
1703932 .....505, 507	1704454 .....513, 515	2220446 ..... 293	2560123 ..... 101, 103, 105
1703933 .....509, 511	1704712 ..... 26	2220466 ..... 329, 333, 337	2560136 .... 245, 249, 253
1703934 .....525, 527	1704787 .... 491, 507, 511, 515, 519, 523, 527	2220472 ..... 329, 333, 337	2600281 .... 203, 205, 207, 209, 211, 213, 215
1703935 .....513, 515	1704789 .... 491, 499, 503, 507, 511, 515, 519, 523, 527	2220473.....293, 329, 330, 333, 334, 337, 338	2700093 ..... 95, 97
1703936 .....517, 519	1704790 .... 489, 493, 497, 505, 509, 513, 517, 521, 525	2220498 ..... 329, 333	2720058 ..... 127
1703937 .....521, 523	1704885 .... 489, 491, 493, 495, 497, 499, 501, 503, 505, 507, 509, 511, 513, 515, 517, 519, 521, 523, 525, 527	2220499 ..... 334, 338	2720271 ..... 127
1703938 .....505, 507		2220501 ..... 329, 333, 337	2720559 ..... 159
1703939 .....509, 511		2220502 ..... 329, 333, 337	2750910 .... 329, 333, 337
1703940 .....525, 527		2220504 ..... 329, 333, 337	2750915 .... 329, 330, 333
1703947 .....513, 515		2220507 ..... 329, 333, 337	2750996 .... 329, 333, 337
1703948 .....517, 519		2220516.....317, 319, 321, 323	2751009 .... 293, 333, 337
1703949 .....521, 523		2220517.....317, 319, 321, 323	2751126 ..... 329
1703950 .....505, 507		2220582.....330, 333, 334, 337, 338	2751127 ..... 329
1703951 .....509, 511		2220593.....329, 333, 337	2751414 ..... 334, 338
			2751508 .... 329, 333, 337
			2752430 ..... 333, 337
			2752435 ..... 329
			2752437 ..... 333, 337
			2752440 ..... 330
			2752453 ..... 329, 333
			2752459 .... 329, 333, 337
			2752462 ..... 337
			2752466 ..... 333, 337
			2752467 ..... 329, 333

## SECTION 11 - SPECIAL OPTIONS

2752475 .....329	3020008 ..... 21, 25, 29	229, 231, 233, 235,	3536999 ..... 195
2752486 .....337	3020029 ..... 117	239, 241, 243	3537045 .....167, 170
2752519 .....337	3020037 ..... 21, 25, 29	3311805.....167, 169, 187,	3571462 ..... 197
2752572 .....329	3160237 ..... 21, 25, 29, 37	191	3571834 .... 81, 83, 85, 87,
2752573 .....329	3251243 .... 489, 491, 513,	3312005..... 187, 191	89, 91
2752574 .....337	515, 517, 519, 525, 527	3312008..... 15	3572413 .....211
2752580 .....329	3252347 .....489, 491	3312602..... 147	3572551 ..... 179
2752581 .....329	3252507 .... 453, 455, 457,	3322202..... 15	3575952 ..... 161
2752585 .... 329, 333, 337	459, 461, 463, 465	3322205..... 317, 321	3575961 ..... 159
2752589 ..... 329, 333	3271605 ..... 170	3323003..... 15	3600289 .... 53, 55, 57, 59
2752600 ..... 334, 338	3271805 .... 229, 231, 233,	3340663..... 173	3760115 .....173, 177
2752611 ..... 333, 337	235	3340679.....317, 319	3760308 .....95, 97
2752620 .....329	3290405 .... 451, 453, 455,	3340682..... 173	3790012 .... 245, 249, 253,
2752675 .....337	457, 461, 463, 465	3340820..... 173	259, 269
2752795 .... 329, 333, 337	3290606 .... 217, 219, 221,	3340837..... 177	3790113 ..... 325
2752983 .....330	223, 225, 227	3340860..... 179	3820001 .... 489, 491, 493,
2753010 .....337	3300151 .... 195, 197, 217,	3340881..... 177	495, 497, 499, 501,
2753050 .... 329, 333, 337	219, 221, 223, 225, 227	3340939..... 177	503, 505, 507, 509,
2753301 .... 293, 333, 337	3300188 .... 129, 131, 133,	3380434.....239, 241, 243	511, 513, 515, 517,
2753302 ..... 333, 337	135, 137, 139	3380602..... 159	519, 521, 523, 525, 527
2753303 ..... 334, 338	3300279 ..... 303	3420156..... 153, 155	3820019 .....95, 97
2753304 ..... 333, 337	3300281 .... 283, 287, 289,	3422175..... 167, 169	3820020 .... 203, 205, 207,
2753305 ..... 333, 337	291, 293, 295, 297	3422176..... 167, 169	209, 213, 215
2753326 .....329	3300315 ..... 299	3422177 ..... 167, 169	3841143 .... 167, 169, 173
2753638 ..... 333, 337	3300353 ..... 93	3422178 ..... 167, 169	3841203 .....167, 169
2753973 ..... 329, 333	3300365 .... 129, 131, 133,	3422179 ..... 167	3841517 ..... 15
2760105 .... 245, 249, 253	135, 137, 139	3422180 ..... 167, 174	3900054 .... 229, 231, 233,
2780241 ..... 15, 17	3300396 .... 129, 131, 133,	3422181 ..... 173	235
2780242 ..... 15, 19	135, 137, 139	3422582..... 169	3900085 ..... 147
2780282 .... 21, 25, 29, 33	3300426 .... 15, 21, 25, 29	3422661..... 277	3900104 ..... 199
2792505 .....340	3300430 .....273, 275	3422669 ..... 169	3900109 ..... 15
2820035 .....93	3300454 .... 21, 25, 29, 57,	3422692..... 15	3900128 ..... 145
2820105 .....95	87, 89, 91	3422709..... 173	3900142 ..... 303
2820106 .....95	3300472 ..... 271	3422791 ..... 179	3900170 .... 283, 287, 289,
2820110 .....95	3310601 .. 21, 25, 29, 245,	3422792 ..... 169	291, 293, 295, 297,
2820112 ..... 159	249, 253	3422793..... 169	299, 303
2820116 ..... 159	3310805 .... 101, 103, 105,	3422794..... 179	3900174 .....95, 97
2820117 ..... 159	125	3422804 ..... 177	3900283 .....187, 191
2820218 ..... 159	3311001 .....26, 211	3422806 ..... 169	3910610 .....449, 459
2860030 .... 129, 131, 133,	3311005 95, 97, 129, 131,	3422901 ..... 173	3910624 .....29
135, 137, 139, 530	133, 135, 137, 139,	3450304..... 153, 155	3910628 .....21, 25
2900768 ..... 21, 25, 29	149, 151, 199, 253, 271	3450810 ..... 15	3910804 .... 129, 131, 133,
2900770 .... 181, 183, 283,	3311011 .... 129, 131, 133,	3460457 ..... 159	135, 137, 139
285, 287, 289, 291,	135, 137, 139	3470003.....245, 249, 254	3910808 ..... 249
293, 295, 297, 299,	3311401 .... 22, 26, 29, 95,	3480239..... 317, 321	3911008 .....211
301, 303, 305, 325	173, 177, 195, 197	3480240.....299, 303	3911012 ..... 149, 151
2900792 ....281, 311, 313	3311405 .... 81, 83, 85, 87,	3480241 .....283, 287	3930824 ..... 125
2901443 .....534	89, 91, 93, 95, 97, 115,	3480242 .....291, 295	3931016 .....253, 271
2901804 ....299, 301, 303,	127, 159, 161, 187,	3510844 ..... 211	3931028 ..... 199
305	191, 195, 197, 239,	3520026.....129, 131, 133,	3931412 ..... 271
2901805 ..... 291, 295	241, 243, 451, 453,	135, 137, 139	3931424 ..... 273
2901806 ....283, 287, 289,	455, 457, 461, 463,	3520028.....129, 131, 133,	3931832 ..... 117
293, 297	465, 489, 491, 493,	135, 137, 139	3951402 .....299, 317
2902549 ....373, 451, 453,	495, 497, 499, 501,	3520030.....245, 249, 253	3960389 .....95, 159
455, 463, 465	503, 505, 507, 509,	3520034..... 173	3960417 .....95, 159
2915225 .....533	511, 513, 515, 517,	3520035..... 95, 97	3960418 ..... 159
2915230 ..... 361, 534	519, 521, 523, 525, 527	3520054.....245, 249, 253	3960422 .....449, 459
2920028 ..... 253, 271	3311501 ..... 26, 153, 155,	3520072.....203, 205, 207,	3960438 .... 129, 131, 133,
2920029 ..... 253, 271	179	209, 213, 215, 217,	135, 137, 139
2920151 ..... 141, 187, 192	3311505 .. 21, 25, 29, 167,	219, 221, 223, 225,	3960447 .....95, 97
2920161 ..... 147, 479	170, 177, 195, 197, 277	227, 229, 231, 233, 235	3960453 .....153, 155
2940071 ..... 153, 155	3311601 .... 153, 155, 169,	3520173..... 261	3990001 .....413, 530
2940074 ....203, 205, 207,	245, 249, 254	3520182..... 275	3990010 ..... 409
209, 211, 213, 215, 530	3311602 ..... 173	3520198.....203, 205, 207,	3990105 ..... 21, 25, 29
2940095 ..... 95, 97	3311605 65, 93, 127, 159,	209, 211, 213, 215,	4010618 .... 217, 219, 221,
2940115 .....95	161, 167, 169, 174,	217, 219, 221, 223,	223, 225, 227
3000003 .....73, 75, 77, 79	177, 179, 185, 211,	225, 227	4060092 ..... 459

## SECTION 11 - SPECIAL OPTIONS

4060802.....129, 131, 133, 135, 137, 139	4460145 .... 405, 407, 409, 413, 483	4460465.....187, 191, 367, 397, 403, 409, 411, 413, 431, 437, 471, 479, 483	4460945 ..... 409
4060804.....95, 177	4460183 .... 267, 405, 407	4460466.....187, 191, 365, 397, 439, 475	4460956 ..... 373
4060805.....93, 153, 155, 195, 197	4460205 ..... 433, 449	4460467..... 534	4460957 ..... 373
4060808..... 195, 197	4460224 ..... 469	4460488.....149, 245, 249, 253	4460968 .... 369, 371, 451, 453, 455, 457
4060865..... 145	4460225 .... 191, 367, 391, 393, 399, 401, 423, 445, 469, 483	4460495.....129, 131, 133, 135, 137, 139	4461002 ..... 473
4061032..... 338	4460226 .... 188, 192, 263, 265, 267, 359, 365, 391, 393, 405, 407, 409, 411, 425, 439, 443, 445, 471, 475	4460496.....129, 131, 133, 135, 137, 139, 245, 249, 253	4461196 ..... 351, 383
4061054..... 187, 191	4460227 .... 187, 188, 191, 192, 359, 391, 393, 397, 399, 403, 405, 407, 409, 411, 415, 417, 423, 439, 441, 445, 467, 471, 475, 483	4460497.....129, 131, 133, 135, 137, 139, 245, 249, 253	4461198 ..... 351
4070897..... 177	4460233 ..... 459	4460508..... 361	4461199 ..... 353, 385
4070898..... 177	4460234 .... 245, 249, 253	4460509..... 439, 475	4461201 ..... 353
4070982..... 177	4460259 .... 399, 405, 407, 409, 413, 443, 445, 469, 471, 483	4460510..... 534	4461202 .... 345, 355, 377
4100025..... 159	4460260 .... 399, 405, 407, 409, 413, 443, 445, 469, 471, 483	4460536..... 471	4461205 .... 347, 357, 379
4100026.....127, 330, 334, 338	4460264 .... 129, 131, 133, 135, 137, 139	4460539..... 409, 471	4461244 ..... 345
4100067..... 197	4460265 .... 188, 192, 263, 265, 367, 405, 407, 409, 411, 415, 417	4460634..... 415, 417	4461245 ..... 347
4120035..... 415, 417	4460267 .... 367, 401, 403, 441, 467, 469, 473, 477, 483	4460635..... 415, 417	4461246 ..... 349
4130350..... 19	4460268 .... 367, 413, 469, 471, 483	4460662..... 461, 463, 465	4461249 ..... 349, 381
4130351..... 17	4460313 .... 187, 188, 191, 192	4460685..... 115	4520209 ..... 39, 41
4240032 65, 67, 245, 249, 253, 259, 405, 407, 409, 411, 413, 415, 417, 443, 445, 483	4460315 ..... 483	4460708..... 471	4520269 ..... 43, 47, 49
4240033.....127, 149, 187, 191, 271, 273, 363, 405, 407, 409, 411, 443, 445, 483	4460320 .... 188, 192, 397, 477, 483	4460709..... 435	4520279 ..... 43
4240084.....21, 25, 29	4460321 .... 359, 391, 393, 403, 425, 441, 467, 469, 473, 483	4460710..... 429	4520282 ..... 49
4240099..... 195, 197	4460326 .... 391, 409, 483	4460738..... 363, 439, 475, 483	4566027 ..... 321
4240175..... 125	4460343 ..... 445, 483	4460742..... 411, 439, 475	4566188 ..... 330
4300140..... 195, 197	4460346 ..... 449	4460743..... 411, 439, 475	4566243 ..... 195, 197
4341072..... 159	4460418 .... 405, 407, 409, 423, 443, 445	4460744..... 439, 475	4566356 ..... 167, 169
4360070.....129, 131, 133, 135, 137, 139, 530	4460419 .... 405, 407, 409, 423, 443, 445	4460745..... 439, 475	4566432 ..... 283, 287
4360274..... 141, 530	4460424 .... 188, 192, 413, 439, 475	4460746..... 439, 475	4566435 ..... 291, 295
4360328.....129, 131, 133, 135, 137, 139, 259, 530	4460425 .... 129, 131, 133, 135, 137, 139, 411, 483	4460748..... 439, 475	4566623 ..... 330
4360330.....129, 131, 133, 135, 137, 139, 530	4460426 ..... 93	4460749..... 439, 475	4567177 ..... 299
4360336..... 269, 530	4460428 .... 81, 83, 85, 87, 89, 91, 245, 249, 253	4460750..... 439, 475	4567704 ..... 317
4360387.....133, 139, 245, 249, 253, 271, 530	4460434 .... 405, 407, 409, 411, 439, 443, 445, 469, 471, 475	4460751..... 439, 475	4567908 ..... 303
4360448..... 245, 253, 530	4460444 ..... 363	4460752..... 245, 249, 253, 481	4567946 ..... 334, 338
4360462..... 245, 249, 253	4460458 .... 411, 439, 475	4460753..... 195, 197	4568114 ..... 21, 25, 29
4360469.....129, 133, 135, 139, 530	4460464 .... 267, 269, 361, 365, 439, 441, 443, 445, 471, 475, 477, 481	4460754..... 195, 197, 431, 437	4640509 ..... 281, 311
4360470..... 131, 137, 530		4460761..... 187, 191, 359, 365, 425, 439, 475	4640634 .... 283, 285, 287, 289, 291, 293, 295, 297
4360475.....129, 131, 133, 135, 137, 139, 245, 249, 253, 530		4460805..... 83, 87	4640709 ..... 325
4360476.....129, 131, 133, 135, 137, 139, 245, 249, 253, 530		4460807..... 401	4640771 ..... 325
4360548..... 369, 371, 530		4460808..... 401	4640807 .... 317, 319, 321, 323, 325
4400417..... 127		4460809..... 401	4640932 ..... 311, 313
4420051..... 493, 497, 499, 503		4460836..... 187, 191, 411	4640936 .... 299, 301, 303, 305
4420062..... 277		4460837..... 411	4641086 ..... 313
4460007.....129, 131, 133, 135, 137, 139		4460868..... 409	4641122 ..... 41, 47
4460042..... 188, 192, 267, 415, 417, 483		4460877..... 409	4641167 ..... 39, 43, 49
4460071..... 267, 449, 459		4460884..... 397, 409, 469, 471	4641386 .... 283, 285, 287, 289, 291, 293, 295, 297
4460078..... 93		4460891..... 367, 479	4711000 .... 149, 151, 253, 271
4460125..... 459		4460894..... 471	4711400 .... 21, 25, 29, 57, 65, 67, 81, 83, 85, 87, 89, 91, 101, 103, 105, 115, 127, 159, 187, 191, 217, 219, 221, 223, 225, 227, 253, 271, 273, 275, 451, 453, 455, 457, 461, 463, 465
4460134..... 419, 421, 427		4460897..... 477	4711500 26, 51, 177, 245, 249, 254
4460138. 81, 89, 419, 421		4460899..... 471	4711600 .... 21, 25, 29, 53, 65, 67, 69, 101, 103, 105, 125, 153, 155, 177, 185, 187, 191, 211
		4460930..... 361	4711800 65, 67, 229, 231, 233, 235
		4460931..... 365, 439, 475	4712600 ..... 149, 151
		4460932..... 471	
		4460933..... 187, 191	
		4460943..... 149, 151	
		4460944..... 409, 471	

# SECTION 11 - SPECIAL OPTIONS

4740120 .... 129, 131, 133, 135, 137, 139	4892000 .. 21, 25, 29, 117, 187, 191	70000311..... 163	70002905 ..... 267
4740156 ..... 15	4920385 ..... 159	70000312..... 163	70003171 ..... 59
4740171 ..... 117	4922060 ..... 342, 443	70000313..... 163, 530	70003341 ..... 315
4740207 .... 291, 293, 295, 297	4922071 ..... 342, 441	70000314..... 163	70003557 ..... 163
4740362 .... 239, 241, 243	4922073 ..... 413, 483	70000315..... 163	70003618 ..... 163
4740397 .... 129, 131, 133, 135, 137, 139, 245, 249, 253	4922074 ..... 342, 417	70000316..... 163	70003619 ..... 163
4740413 ..... 173	4922103 ... 21, 25, 29, 363	70000317..... 163	70003819 ..... 309, 313
4750600 .. 21, 25, 29, 245, 249, 253	4922104 ..... 342, 483	70000318..... 163, 530	70003833 ..... 281
4750800 .... 101, 103, 105, 125, 245, 249, 253	4922117 ..... 342, 403	70000319..... 163, 530	70003836 ..... 281
4751000 .. 26, 95, 147, 211	4922160 ..... 342, 359	70000320..... 163	70003843 ..... 309
4751400 .. 93, 95, 97, 153, 155, 173, 187, 191, 195, 197, 237, 239, 241, 243, 271, 275, 451, 453, 455, 457, 461, 463, 465, 489, 491, 493, 495, 497, 499, 501, 503, 505, 507, 509, 511, 513, 515, 517, 519, 521, 523, 525, 527	4922178 ..... 195, 431	70000321..... 163	70003844 ..... 309
4751500 .... 21, 25, 29, 73, 75, 77, 79, 153, 155, 159, 167, 170, 179, 195, 197, 277	4922179 ..... 195, 197, 481	70000322..... 163	70003845 ..... 309, 313
4751600 55, 93, 127, 129, 131, 133, 135, 137, 139, 159, 167, 169, 173, 239, 241, 243, 271	4922222 ..... 269	70000323..... 163	70003846 ..... 313
4751800 .... 153, 155, 229, 231, 233, 235	4922223 ..... 269	70000324..... 163	70003847 ..... 313
4760600 .. 21, 25, 29, 449, 459	4922263 ..... 342, 467	70000325..... 164	70003863 ..... 281
4761000 ..... 211	4922294 ..... 259, 423	70000326..... 164, 530	70003864 ..... 281
4761400 ..... 173, 177, 237	4922303 ..... 342, 445	70000327..... 164	70004016 ..... 469
4761600 .... 129, 131, 133, 135, 137, 139, 161, 173	4922307 ..... 342	70000328..... 164	70004019 ..... 107
4761800 ..... 173, 177	4922319 ..... 141, 401	70000329..... 164, 530	70004130 ..... 307
4811400 .... 451, 453, 455, 457, 461, 463, 465	4922367 ..... 342, 411	70000330..... 164, 530	70004131 ..... 311
4811700 .... 217, 219, 221, 223, 225, 227	4922390 ..... 93, 419	70000341..... 181, 183	70004141 ..... 307, 311
4844304 ..... 167	4922552 ..... 197, 437	70000381 ..... 108	70004142 ..... 307, 311
4844427 ..... 167, 169	4922607 .... 427, 449, 459	70000382 ..... 164	70004143 ..... 307, 311
4844467 ..... 167, 169	4922608 .... 433, 449, 459	70000739 ..... 307, 311	70004144 ..... 307
4844579 ..... 173	4922609 .... 429, 447, 451, 453, 455, 457, 461, 463, 465	70000740 ..... 311	70004145 ..... 307
4845582 ..... 277	4922610 .... 435, 447, 451, 453, 455, 457, 461, 463, 465	70000865 ..... 121	70004146 ..... 311
4845925 ..... 179	4922613 ..... 199, 371	70000967 ..... 163	70004147 ..... 311
4846026 ..... 169	4922614 ..... 199, 369	70001052 ..... 391	70004159 ..... 121
4846033 ..... 177	4922916 ..... 187, 191	70001121 ..... 163	70004265 ..... 163
4846278 ..... 179	4922917 ..... 187, 191	70001144 ..... 163	70004323 ..... 183
4846307 ..... 167, 169	4922926 ..... 188, 192	70001366 ..... 33	70004394 ..... 164
4846608 .... 185, 187, 191	4923625 .... 342, 405, 407	70001367 ..... 33	70004637 ..... 285
4860191 .... 39, 41, 43, 47, 49	4933060 ..... 245, 342	70001368 ..... 33, 34	70004738 ..... 263
4891400 ..... 161	4933105 ..... 253, 342	70001369 ..... 33	70004739 ..... 263
4891500 ..... 121	4933181 ..... 249, 342	70001370 ..... 33	70004740 ..... 263
4891600 53, 55, 161, 170, 185, 187, 191	4933289 ..... 187, 191	70001371 ..... 33	70004741 ..... 263
4891800 .... 15, 73, 75, 77, 79, 187, 191	4933388 .... 129, 131, 135, 137, 342	70001372 ..... 33	70004742 ..... 263
	70000088 ..... 119	70001373 ..... 33	70004743 ..... 263
	70000089 ..... 119	70001374 ..... 33	70004744 ..... 263
	70000289 ..... 164	70001375 ..... 33	70004745 ..... 263
	70000290 ..... 163	70001376 ..... 33	70004746 ..... 263
	70000291 ..... 163	70001377 ..... 33	70004747 ..... 263
	70000292 ..... 163	70001378 ..... 33	70004748 ..... 263
	70000293 ..... 163	70001379 ..... 33	70004749 ..... 263
	70000294 ..... 163	70001380 ..... 34	70004750 ..... 263
	70000295 ..... 163	70001876 ..... 107	70004751 ..... 263
	70000296 ..... 163	70001961 ..... 59	70004752 ..... 265
	70000297 ..... 163	70001996 ..... 177, 530	70004753 ..... 265
	70000298 ..... 163	70001998 ..... 177, 530	70004754 ..... 265
	70000299 ..... 163	70002083 ..... 163	70004755 ..... 265
	70000300 ..... 163	70002112 ..... 61, 63	70004756 ..... 265
	70000301 ..... 163	70002206 ..... 119	70004757 ..... 265
	70000302 ..... 163	70002207 ..... 119	70004758 ..... 265
	70000303 ..... 163	70002216 ..... 309, 313	70004759 ..... 265
	70000304 ..... 163	70002217 ..... 309, 313	70004760 ..... 265
	70000305 ..... 163	70002220 ..... 281	70004761 ..... 265
	70000306 ..... 163	70002223 ..... 281	70004762 ..... 265
	70000307 ..... 163	70002244 ..... 163	70004763 ..... 265
	70000308 ..... 163	70002408 ..... 21, 25, 29	70004764 ..... 265
	70000309 ..... 163	70002543 ..... 164	70004765 ..... 265
	70000310 ..... 163	70002544 ..... 163	70004766 ..... 265
		70002806 ..... 107	70004767 ..... 265
		70002807 ..... 113	70004768 ..... 265
		7000281 ..... 33	70004769 ..... 265
		70002902 ..... 267	70004770 ..... 265
		70002903 ..... 267	70004771 ..... 265
		70002904 ..... 267	70004772 ..... 265

## SECTION 11 - SPECIAL OPTIONS

70004773.....	265	7004047.....	119	7017252.....	315	7022002.....	391
70004774.....	265	7004049.....	119	7017402.....	71, 107, 113	7022003.....	391
70004775.....	265	7004275.....	534	7017406.....	108	7022004.....	391
70005101.....	61, 63	7004276.....	534	7017410.....	107	7022005.....	391, 393
70006396.....	305	7007640.....	33	7017418.....	107	7022007.....	393
70006397.....	305	7007900.....	21, 25, 29	7017421.....	107	7022008.....	393
70006398.....	305	7007913.....	21, 25, 29	7017433.....	71, 107	7022009.....	393
70006399.....	305	7007933.....	21, 25, 29	7017452.....	107, 113	7022010.....	393
70006400.....	301, 305	7007977.....	21, 25, 29	7017466.....	111	7022011.....	391
70006401.....	301, 305	7010542.....	71	7017488.....	71	7022012.....	391
70006402.....	305	7010543.....	71, 107	7017496.....	107, 111	7022391.....	71
70006411.....	301	7011112.....	311, 313	7019609.....	37	7022394.....	107
70006412.....	301	7011323.....	181, 183	7019698.....	173, 530	7023318.....	119
70006413.....	301	7011376.....	283, 285, 287, 289, 291, 293, 295, 297	7019699.....	173	7024379.....	119
70006414.....	301	7011716.....	21, 25, 29	7020035.....	17, 19	7024380.....	119
70006415.....	301	7011757.....	21, 25, 29	7020036.....	17, 19	7024381.....	119
70006531.....	289	7012518.....	71, 107	7020037.....	17, 19	7024389.....	119
70006532.....	289, 293, 297	7012540.....	108	7020038.....	17, 19	7024390.....	119
70006533.....	289, 293, 297	7012545.....	37	7020039.....	17, 19	7024444.....	61, 63
70006535.....	289	7012548.....	37	7020040.....	17, 19	7024445.....	61, 63
70006539.....	293, 297	7012549.....	37	7020041.....	17, 19	7024453.....	119
70006542.....	293, 297	7012549.....	37	7020042.....	17, 19	7024738.....	33
70006543.....	293, 297	7012903.....	107	7020054.....	17, 19	7024741.....	33
70006561.....	319, 323	7012914.....	107	7020055.....	17, 19	7024832.....	71
70006563.....	319	7012941.....	71	7020137.....	17, 19	7024844.....	281, 313
70006564.....	319, 323	7012947.....	107	7020140.....	17, 19	7024891.....	111
70006565.....	319, 323	7012953.....	107, 111	7020149.....	37	7026042.....	121
70006567.....	319	7012959.....	111	7020150.....	37	7026043.....	121
70006602.....	285	7012961.....	107	7020151.....	37	7026068.....	281
70006603.....	285	7012967.....	71	7020175.....	129, 131, 133, 135, 137, 139, 245, 249, 253	7026082.....	309, 313
70006604.....	285	7012972.....	71	7020176.....	129, 131, 133, 135, 137, 139, 245, 249, 253	7026084.....	309, 313
70006605.....	285	7012975.....	107	7020179.....	127	7026088.....	281
70006606.....	285	7012995.....	107	7020184.....	37	7026090.....	281
70006607.....	285	7012998.....	71, 107	7020185.....	37	7026091.....	281
70006608.....	285	7016177.....	73, 77	7020189.....	37	7026092.....	281
70006609.....	285	7016272.....	479	7021318.....	59	7027350.....	121
70006971.....	319, 323	7016319.....	479	7021319.....	59	7027351.....	121
70006972.....	323	7016654.....	534	7021361.....	59	7027352.....	121
70006973.....	323	7017007.....	34	7021367.....	59	7027353.....	121
70006976.....	319	7017009.....	33	7021377.....	59	7027354.....	121
7001630.....	315	7017022.....	33	7021603.....	107	7027355.....	121
70022564.....	285	7017120.....	181, 183	7021604.....	107	7027358.....	121
70023094.....	307, 311	7017121.....	181, 183	7021609.....	71, 107, 113, 530	7027359.....	121
70023369.....	285	7017122.....	181, 183	7021610.....	107, 530	7027360.....	121
70023915.....	301, 305, 319	7017123.....	181, 183	7021611.....	71, 107	7027361.....	121
70024262.....	311	7017126.....	181, 183	7021616.....	71, 530	7027363.....	121
70027244.....	285	7017127.....	181, 183	7021618.....	71, 107, 530	7027369.....	181, 183
7002821.....	534	7017153.....	181	7021619.....	71	7027900.....	181, 183
7002822.....	534	7017172.....	181, 183	7021653.....	107, 113	7027901.....	181, 183
7002823.....	534	7017192.....	181, 183	7021659.....	71	7028909.....	149, 151
7002826.....	534	7017196.....	181, 183	7022000.....	391	8220050.....	469
7002828.....	534	7017246.....	315	7022001.....	391	8220051.....	469, 473
7004035.....	119	7017247.....	315			88261024.....	153, 155
7004036.....	119	7017248.....	315			88261039.....	271
7004043.....	119	7017249.....	315			88521205 ...	73, 75, 77, 79
7004044.....	119	7017250.....	315			88662523 ...	53, 55, 65, 67
7004045.....	119	7017251.....	315			88662530 ...	153, 155, 159





**Corporate Office  
JLG Industries, Inc.  
1 JLG Drive  
McConnellsburg, PA 17233-9533 USA**  
☎ **(717) 485-5161 (Corporate)**  
☎ **(877) 554-5438 (Customer Support)**  
📠 **(717) 485-6417**

**Visit our website for JLG Worldwide Locations.  
[www.jlg.com](http://www.jlg.com)**



**OSHKOSH™**