



# Illustrated Parts Manual

**Models**  
**E450A/**  
**E450AJ**  
**M450AJ**

SN 0300208529  
TO SN 0300272287  
SN B300001429  
TO SN B300005763  
EXCLUDING SN B300005567

P/N  
3121715

October 3, 2020 - Rev Q

**ANSI**

**CE**



**AS/NZS**



An Oshkosh Corporation Company



## REVISION LOG

### NOTES:

Note: SN 0300202268 and 0300202273 also built to the same specs as machines built SN 0300208529 to SN 0300272287.

Note: The E450A & E450AJ Boom Lifts are manufactured by JLG Industries in the following countries: USA and China. Refer to the Serial Number Tag to identify the country of manufacture. The country of manufacture may be determined by the Serial Number. Machines manufactured in the USA will have a serial number prefix of 03 (i.e. 03XXXXXXXX). Machines manufactured in China will have a serial number prefix of B3 (i.e. B3XXXXXXXX).

### REVISION LOG:

July 6, 2015 - A - Original Issue Of Manual (Edited to B/M 1001164636 Revision P)  
October 30, 2015 - B - Revised Manual (Edited to B/M 1001164636 Revision R)  
January 4, 2016 - C - Revised Manual (Edited to B/M 1001164636 Revision R)  
April 29, 2016 - D - Revised Manual (Edited to B/M 1001164636 Revision X)  
July 29, 2016 - E - Revised Manual (Edited to B/M 1001164636 Revision AA)  
October 31, 2016 - F - Revised Manual (Edited to B/M 1001164636 Revision AB)  
January 31, 2017 - G - Revised Manual (Edited to B/M 1001164636 Revision AD)  
April 28, 2017 - H - Revised Manual (Edited to B/M 1001164636 Revision AE)  
July 31, 2017 - I - Revised Manual (Edited to B/M 1001164636 Revision AI)  
October 31, 2017 - J - Revised Manual (Edited to B/M 1001164636 Revision AL)  
January 31, 2018 - K - Revised Manual (Edited to B/M 1001164636 Revision AL)  
April 30, 2018 - L - Revised Manual (Edited to B/M 1001164636 Revision AL)  
July 9, 2018 - M - Revised Manual (Edited to B/M 1001164636 Revision AT)  
October 31, 2018 - N - Revised Manual (Edited to B/M 1001164636 Revision AU)  
January 18, 2019 - O - Revised Manual (Edited to B/M 1001164636 Revision BB) (Revision 1)  
April 3, 2020 - P - Revised Manual (Edited to B/M 1001164636 Revision BB) (Revision 1)  
October 3, 2020 - Q - Revised Manual (Edited to B/M 1001164636 Revision BF)

# GENERAL INFORMATION

**SECTION 6 CYLINDER**

**FIGURE 6-3. LIFT CYLINDER ASSEMBLY**

PG#      Model Designation      Manual #

**SECTION 6 CYLINDER**

**FIGURE 6-3. LIFT CYLINDER ASSEMBLY**

ITEM #	PART NUMBER	QTY.	DESCRIPTION	REV.
	1001140104	Ref	<b>LIFT CYLINDER ASSEMBLY</b>	B
1	0100011	AR	Compound, Locking	
2	0630535	3	Capscrew 1/4-20 x 1-1/8	
3	0791003	1	Screw #10-24 x 3/8	
4	0961897	1	Bushing, Tapered	
5	1320136	1	Clamp, Cable	
6	1683053	1	Head	
7	2220853	1	Plug, O-Ring	
8	2220885	2	Plug, O-Ring	
9	2220886	1	Plug, O-Ring	
10	3020039	AR	Lubricant	
11	3480282	1	Piston	
12	3760371	1	Ring, Washer	
13	3931450	8	Capscrew 1/4-20 x 1-1/4	
14	3931824	8	Capscrew 1/2-13 x 1-1/2	
15	3951003	1	Setscrew #10-24 x 3/8	
16	4100099	1	Spacer	
17	4640999	1	Cartridge, Holding Valve (Non Vented)	
18	2900792	1	Kit, Seal - 4640999 Cartridge Valve	
19	4641248	1	Cartridge, Counterbalance Valve (Non Vented)	
20	70004186	1	Kit, Seal - 4641248 Cartridge Valve	
21	100117991	1	Sensor, Cylinder Length	
22	100118070	1	Cap, Retainer	
23	100118084	1	Barrel	
24	0961950	2	Bushing	
25	100118086	1	Rod	
26	0961950	2	Bushing	
27	1001139996	1	Kit, Seal (Includes Items 101-109)	
28	See Note	2	Ring, Wear (Note: Use p/n 1001139996)	
29	See Note	1	Ring, Back-Up (Note: Use p/n 1001139996)	
30	See Note	2	Ring, Lock (Note: Use p/n 1001139996)	
31	See Note	2	Ring, Back-Up (Note: Use p/n 1001139996)	
32	See Note	2	O-Ring (Note: Use p/n 1001139996)	
33	See Note	1	O-Ring (Note: Use p/n 1001139996)	
34	See Note	1	Seal (Note: Use p/n 1001139996)	
35	See Note	1	Wiper, Rod (Note: Use p/n 1001139996)	
36	See Note	2	Seal (Note: Use p/n 1001139996)	
37	100119105	1	Kit, Sensor Magnet (Includes Items 201-203)	
38	See Note	1	Sleeve, Spacer (Note: Use p/n 100119105)	
39	100118066	1	Magnet, Sensor	
40	100118069	1	Spring, Internal Retaining	

Manual #      Model Designation      PG#

## 1) MACHINE IDENTIFICATION

Machines are identified by model and in some cases a combination of models, serial number (SN) or regional standard (i.e ANSI, CE, CSA). Components may also be identified by SN or manufacturer. common components that may be identified by these characteristics are engines and hydraulic components.

## 2) PARTS MANUAL ORGANIZATION

Product information in this manual is organized under section titles. Frame, Cylinder, Hydraulic and Electrical are a few examples. Each section is organized by figure and page number. The information within the Figure is then organized by item number, part number, description and corresponding illustration (s).

## 3) TABLE OF CONTENTS

A table of contents is found toward the beginning of the manual. Figure number, description and page number are provided for quick reference to the page containing the related information.

## 4) RECOMMENDED SPARE PARTS

The Recommended Spare Parts, located near the end of the manual, reference most frequently used maintenance parts.

## 5) PART NUMBER INDEX

A numerical index listing all part numbers and the corresponding page number(s) appears at the back of the manual.

## GENERAL INFORMATION

### 6) NON-SERVICED PARTS

In some instances, it is necessary to display non-serviced parts, assemblies or installations. In the case of assemblies and installations there will be a Ref in the Qty column. In case of parts that are not available for service within assemblies or components, there will be a NSS (Not Sold Separately) or NLA (No Longer Available) listed in the Qty. column of the manual.

### 7) PARTS LIST ITEM NUMBERS

Numbers shown in the item# column correspond to numbers used in the associated illustration (s). Item numbers which are missing from the sequence in the parts list are not used on that page

### 8) INDENTED PARTS DESCRIPTION

An indented part description is included in the item under which it is indented.

### 9) ABBREVIATION AND SYMBOLS

AC.....	.. Alternating Current	LCD .....	Liquid Crystal Display
ADE.....	Advanced Design Electronics	LED .....	Light Emitting Diodes
ANSI.....	.. American National Standards Institute	LH.....	Left Hand
AR.....	.. As Required	LSS .....	.. Load Sensing System
ASSY .....	.. Assembly	M(m).....	.. Metric/Meter
AUX.....	.. Auxiliary	MM (mm).....	.. Millimeter
AWG.....	.. American Wire Gauge	mA.....	.. Milliamps
B/M.....	.. Bill of Material	NLA.....	.. No Longer Available
CE.....	.. European Conformity	NPT.....	.. National Pipe Threads
CCW .....	.. Counter Clockwise	NSS .....	.. Not Sold Separately
cm.....	.. Centimeter	OD.....	.. Outside Diameter
CW.....	.. Clockwise	ORB.....	.. O-Ring Boss
CSA.....	.. Canadian Standard Association	ORFS.....	.. O-Ring Face Seal
CYL.....	.. Cylinder	OZ (oz).....	.. Ounces
DIA.....	.. Diameter	PG .....	.. Page
DC.....	.. Direct Current	P/N.....	.. Part Number
EMS .....	.. Emergency Stop	qt.....	.. Quarts
ENG .....	.. Engine	QTY.....	.. Quantity
FT (ft).....	.. Feet	REF .....	.. Reference
GA(Ga).....	.. Gauge	REV .....	.. Revision Level
HYD.....	.. Hydraulic	RH.....	.. Right Hand
Hz.....	.. Hertz	SAE.....	.. Society of Automotive Engineers
ID.....	.. Inside Diameter	SN.....	.. Serial Number
in.....	.. inches	SPEC(S).....	.. Specifications
ISO.....	.. International Organization for Standards	T/T.....	.. Turntable
JIC.....	.. Joint Industry Council	UGM.....	.. Universal Ground Module
KG.....	.. Kilogram	V.....	.. Volts
L.....	.. Liter	W.....	.. Watts
LB.....	.. Pounds	#.....	.. Number

### 10) ILLUSTRATION REFERENCE LETTERS

When necessary, illustrations may contain reference letters that are intended to track information (i. e. hoses, harnesses) from one point to another or to track visual enlargement of components to show details that may be located in another area on the illustration.

*Note: Due to continuous product improvements, JLG Industries, Inc. reserves the right to make specification changes without prior notification. Contact JLG Industries, Inc. for updated information.*



# TABLE OF CONTENTS

SECTION 1 - FRAME.....	13
FIGURE 1-1. STEERING INSTALLATION (SN 0300208529 through 0300244781, SN B300001429 through B300005763).....	14
FIGURE 1-2. STEERING INSTALLATION (SN 0300244782 through 0300272287).....	16
FIGURE 1-3. HUB - SPINDLE ASSEMBLY - RH.....	18
FIGURE 1-4. HUB - SPINDLE ASSEMBLY - LH.....	20
FIGURE 1-5. DRIVE INSTALLATION - E450A AND E450AJ (NON-UL SPECS).....	22
FIGURE 1-6. DRIVE INSTALLATION - E450A AND E450AJ (UL SPECS).....	26
FIGURE 1-7. DRIVE INSTALLATION - M450AJ (NON-UL SPECS).....	30
FIGURE 1-8. DRIVE HUB ASSEMBLY.....	34
FIGURE 1-9. DRIVE MOTOR ASSEMBLY.....	38
FIGURE 1-10. ELECTRICAL PLATE ASSEMBLY - LH (NON-UL SPECS).....	40
FIGURE 1-11. ELECTRICAL PLATE ASSEMBLY - LH (UL SPECS).....	42
FIGURE 1-12. ELECTRICAL PLATE ASSEMBLY - RH (NON-UL SPECS).....	44
FIGURE 1-13. ELECTRICAL PLATE ASSEMBLY - RH (UL SPECS).....	46
FIGURE 1-14. TIRE/WHEEL - IN240/55-17.5 PNEUMATIC.....	48
FIGURE 1-15. TIRE/WHEEL - IN240/55-17.5 PNEUMATIC NON MARKING.....	50
FIGURE 1-16. TIRE/WHEEL - IN240/55-17.5 PNEUMATIC NON MARKING WITH TIRE SEALANT.....	52
FIGURE 1-17. TIRE/WHEEL - IN240/55 - 17.5 FOAM FILLED.....	54
FIGURE 1-18. TIRE/WHEEL - IN240/55-17.5 FOAM FILLED NON MARKING.....	56
FIGURE 1-19. TIRE/WHEEL - 26 X 7 X 20 - SOLID NON MARKING.....	58
FIGURE 1-20. MOTOR/PUMP/TANK INSTALLATION - E450A/E450AJ NON-UL SPECS.....	60
FIGURE 1-21. MOTOR/PUMP/TANK INSTALLATION - E450A/E450AJ UL SPECS.....	62
FIGURE 1-22. MOTOR/PUMP/TANK INSTALLATION - M450AJ.....	64
FIGURE 1-23. MOTOR/PUMP ASSEMBLY.....	66
FIGURE 1-24. HYDRAULIC TANK ASSEMBLY - E450A/E450AJ.....	68
FIGURE 1-25. HYDRAULIC TANK ASSEMBLY - M450AJ.....	70
FIGURE 1-26. VALVE INSTALLATION - FRAME MOUNTED - E450A.....	72
FIGURE 1-27. VALVE INSTALLATION - FRAME MOUNTED - E450AJ (SN 0300208529 through 0300233451, SN B300001429 through B300002532).....	74
FIGURE 1-28. VALVE INSTALLATION - FRAME MOUNTED - E450AJ (SN 0300233452 through 0300272287, SN B300002533 through B300005763).....	76
FIGURE 1-29. VALVE INSTALLATION - FRAME MOUNTED - M450AJ (SN 0300208529 through 0300233451).....	78
FIGURE 1-30. VALVE INSTALLATION - FRAME MOUNTED - M450AJ (SN 0300233452 through 0300272287).....	80
FIGURE 1-31. BRAKE/STEER VALVE ASSEMBLY.....	82
FIGURE 1-32. BATTERY BOX INSTALLATION - STANDARD (ALL SPECS EXCEPT AUSTRALIAN, CE AND CHINA SPECS).....	84
FIGURE 1-33. BATTERY BOX INSTALLATION - STANDARD (AUSTRALIAN, CE AND CHINA SPECS).....	86
FIGURE 1-34. BATTERY BOX INSTALLATION - AGM BATTERIES (ALL SPECS EXCEPT AUSTRALIAN, CE AND CHINA SPECS).....	88
FIGURE 1-35. BATTERY BOX INSTALLATION - AGM BATTERIES (AUSTRALIAN, CE AND CHINA SPECS).....	90
FIGURE 1-36. BATTERY CHARGER INSTALLATION - E450A/E450AJ (ANSI, ANSI EXPORT, CSA, JAPANESE AND UL SPECS).....	92
FIGURE 1-37. BATTERY CHARGER INSTALLATION - E450A/E450AJ (AUSTRALIAN SPEC).....	94
FIGURE 1-38. BATTERY CHARGER INSTALLATION - E450A/E450AJ (ANSI EXPORT AND CE SPECS).....	96
FIGURE 1-39. BATTERY CHARGER INSTALLATION - E450AJ (ANSI EXPORT AND CHINA SPECS).....	98
FIGURE 1-40. BATTERY CHARGER INSTALLATION - M450AJ (ANSI, ANSI EXPORT, CSA AND JAPANESE SPECS).....	100
FIGURE 1-41. BATTERY CHARGER INSTALLATION - M450AJ (AUSTRALIAN SPEC).....	102
FIGURE 1-42. BATTERY CHARGER INSTALLATION - M450AJ (ANSI EXPORT AND CE SPECS).....	104
FIGURE 1-43. BATTERY CHARGER ASSEMBLY.....	106
FIGURE 1-44. INVERTER INSTALLATION - E450A/E450AJ.....	108
FIGURE 1-45. VOLTAGE GUARD ASSEMBLY AND INSTALLATION (ANSI EXPORT AND CHINA SPECS).....	110
FIGURE 1-46. FRAME COVER INSTALLATION - E450A/E450AJ.....	112
FIGURE 1-47. FRAME COVER INSTALLATION - M450AJ.....	114
SECTION 2 - TURNTABLE.....	117
FIGURE 2-1. VALVE INSTALLATION- TURNTABLE MOUNTED - E450A.....	118
FIGURE 2-2. VALVE INSTALLATION - TURNTABLE MOUNTED - E450AJ (SN 0300208529 through 0300233451, SN B300001429 through B300002532).....	120
FIGURE 2-3. VALVE INSTALLATION - TURNTABLE MOUNTED - E450AJ (SN 0300233452 through 0300272287, SN B300002533 through B300005763).....	122
FIGURE 2-4. VALVE INSTALLATION - TURNTABLE MOUNTED - M450AJ (SN 0300208529 through 0300233451).....	124
FIGURE 2-5. VALVE INSTALLATION - TURNTABLE MOUNTED - M450AJ (SN 0300233452 through 0300272287).....	126
FIGURE 2-6. MAIN CONTROL VALVE ASSEMBLY.....	128
FIGURE 2-7. RELEVELING VALVE ASSEMBLY.....	130
FIGURE 2-8. JIB VALVE ASSEMBLY (SN 0300208529 through 0300233452, SN B300001429 through B300002532).....	132

# TABLE OF CONTENTS

FIGURE 2-9. JIB VALVE ASSEMBLY (SN 0300233452 through 0300272287, SN B300002533 through B300005763) .....	134
FIGURE 2-10. MOTION ALARM INSTALLATION.....	136
FIGURE 2-11. TURNTABLE BEARING AND SWING DRIVE INSTALLATION .....	138
FIGURE 2-12. SWING MOTOR ASSEMBLY .....	140
FIGURE 2-13. SWING BEARING ASSEMBLY .....	142
FIGURE 2-14. REMOTE BEARING LUBE INSTALLATION - OPTIONAL .....	144
FIGURE 2-15. DRIVE ORIENTATION INSTALLATION .....	146
FIGURE 2-16. FUEL TANK AND BATTERY INSTALLATION - M450AJ .....	148
FIGURE 2-17. GROUND CONTROL BOX INSTALLATION - E450A (ALL SPECS EXCEPT CE AND AUSTRALIAN SPECS) ..	150
FIGURE 2-18. GROUND CONTROL BOX INSTALLATION - E450A (CE SPEC) .....	152
FIGURE 2-19. GROUND CONTROL BOX INSTALLATION - E450AJ/M450AJ (ALL SPECS EXCEPT CE AND CHINA SPECS) .....	154
FIGURE 2-20. GROUND CONTROL BOX INSTALLATION - E450AJ/M450AJ (CE AND CHINA SPECS) .....	156
FIGURE 2-21. GROUND CONTROL BOX ELECTRICAL ASSEMBLY - E450A (ALL SPECS EXCEPT CE AND AUSTRALIAN SPECS).....	158
FIGURE 2-22. GROUND CONTROL BOX ELECTRICAL ASSEMBLY - E450A (CE SPEC) .....	160
FIGURE 2-23. GROUND CONTROL BOX ELECTRICAL ASSEMBLY - E450AJ/M450AJ (ALL SPECS EXCEPT CE AND CHINA SPECS).....	162
FIGURE 2-24. GROUND CONTROL BOX ELECTRICAL ASSEMBLY - E450AJ/M450AJ (CE AND CHINA SPECS).....	164
FIGURE 2-25. MOTOR CONTROLS INSTALLATION - M450AJ.....	166
FIGURE 2-26. STROBE LIGHT INSTALLATION - AMBER (OPTIONAL).....	168
FIGURE 2-27. STROBE LIGHT ASSEMBLY - AMBER .....	170
FIGURE 2-28. BEACON LIGHT INSTALLATION - BLUE (SN 0300208529 through 0300217475, SN B300001429 through B300001511).....	172
FIGURE 2-29. BEACON LIGHT INSTALLATION - BLUE (SN 0300217476 through 0300256463, SN B300001512 through B300004700).....	174
FIGURE 2-30. BEACON LIGHT INSTALLATION - BLUE (SN 0300256464 through 0300272287, SN B300004701 through B300005763).....	176
FIGURE 2-31. BEACON LIGHT INSTALLATION - RED (SN 0300208529 through 0300217178, SN B300001429 through B300001510).....	178
FIGURE 2-32. BEACON LIGHT INSTALLATION - RED (SN 0300217179 through 0300256463, SN B300001511 through B300004700).....	180
FIGURE 2-33. BEACON LIGHT INSTALLATION - RED (SN 0300256464 through 0300272287, SN B300004701 through B300005763).....	182
FIGURE 2-34. HOOD INSTALLATION - E450A/E450AJ .....	184
FIGURE 2-35. HOOD INSTALLATION - M450AJ .....	186
SECTION 3 - ENGINE .....	189
FIGURE 3-1. KUBOTA MOTOR/GENERATOR INSTALLATION - M450AJ .....	190
FIGURE 3-2. KUBOTA MOTOR/GENERATOR ASSEMBLY - M450AJ (SN 0300208529 through 0300256463, SN B300001429 through B30003676).....	192
FIGURE 3-3. KUBOTA MOTOR/GENERATOR ASSEMBLY - M450AJ (SN 0300256464 through 0300272287, SN B300003677 through B300005763, Excluding B300005567).....	194
FIGURE 3-4. KUBOTA MOTOR/GENERATOR COMPONENTS (SN 0300208529 through 0300256463, SN B300001429 through B30003676).....	196
FIGURE 3-5. KUBOTA MOTOR/GENERATOR COMPONENTS (SN 0300256464 through 0300272287, SN B30003677 through B300005763, Excluding B300005567) .....	200
SECTION 4 - BOOM .....	203
FIGURE 4-1. BOOM AND CYLINDERS INSTALLATION - WITHOUT LSS OR WITH 4 CELL LSS (E450A) (SN 0300208529 through 0300235600).....	204
FIGURE 4-2. BOOM AND CYLINDERS INSTALLATION - WITH 1 CELL LSS (E450A) (SN 0300235601 through 0300272287) .....	206
FIGURE 4-3. BOOM AND CYLINDERS INSTALLATION - E450AJ/M450AJ (SN 0300208529 through 0300272287, SN B300001429 through B300002486) .....	210
FIGURE 4-4. BOOM AND CYLINDERS INSTALLATION - E450AJ/M450AJ (SN B300002487 through B300005763, Excluding B300005567).....	214
FIGURE 4-5. MAIN BOOM ASSEMBLY - E450A.....	218
FIGURE 4-6. MAIN BOOM ASSEMBLY - E450AJ/M450AJ (SN 0300208529 through 0300272287, SN B300001429 through B300002486).....	222
FIGURE 4-7. MAIN BOOM ASSEMBLY - E450AJ/M450AJ (SN B300002487 through B300005763, Excluding B300005567) ...	226
FIGURE 4-8. JIB INSTALLATION (SN 0300208529 through 0300272287, SN B300001429 through B300002486) .....	228
FIGURE 4-9. JIB INSTALLATION (SN B300002487 through B300005763, Excluding B300005567) .....	230
FIGURE 4-10. ROTATOR ASSEMBLY - E450A.....	232
FIGURE 4-11. ROTATOR ASSEMBLY - E450AJ/M450AJ .....	234



# TABLE OF CONTENTS

FIGURE 4-12. PLATFORM SUPPORT INSTALLATION - WITHOUT LSS .....	236
FIGURE 4-13. PLATFORM SUPPORT INSTALLATION - WITH 4 CELL LSS (SN 0300208529 through 0300235600, SN B300001429 through B300002438).....	238
FIGURE 4-14. PLATFORM SUPPORT INSTALLATION - WITH 1 CELL LSS - E450A (SN 0300235601 through 0300272287, SN B300002725 through B300005763, Excluding B300005567) .....	240
FIGURE 4-15. PLATFORM SUPPORT INSTALLATION - WITH 1 CELL LSS - E450AJ/M450AJ (SN 0300235601 through 0300272287, SN B300002725 through B300005763, Excluding B300005567) .....	242
FIGURE 4-16. CABLES AND CLAMPS INSTALLATION - E450A .....	246
FIGURE 4-17. CABLES AND CLAMPS INSTALLATION - E450AJ/M450AJ .....	248
FIGURE 4-18. BOOM LIMIT SWITCHES INSTALLATION.....	250
SECTION 5 - PLATFORM.....	253
FIGURE 5-1. PLATFORM ASSEMBLY - 4FT/1.22M - SIDE GATE ENTRY.....	254
FIGURE 5-2. PLATFORM ASSEMBLY - 5FT/1.52M - SIDE GATE ENTRY.....	256
FIGURE 5-3. PLATFORM ASSEMBLY - 6FT/1.83M - SIDE GATE ENTRY.....	258
FIGURE 5-4. PLATFORM ASSEMBLY - 4FT/1.22M - DROP BAR ENTRY.....	260
FIGURE 5-5. PLATFORM ASSEMBLY - 5FT/1.52M - DROP BAR ENTRY.....	262
FIGURE 5-6. PLATFORM ASSEMBLY - 30IN X 3FT (76CM X .91M) - DROP BAR ENTRY.....	264
FIGURE 5-7. PLATFORM ASSEMBLY - 6FT/1.83M - DROP BAR ENTRY.....	266
FIGURE 5-8. PLATFORM ASSEMBLY - 5FT/1.52M - FALL ARREST (ANSI EXPORT SPEC).....	268
FIGURE 5-9. PLATFORM ASSEMBLY - 6FT/1.83M - FALL ARREST.....	270
FIGURE 5-10. PLATFORM CONSOLE AND FOOTSWITCH INSTALLATION - WITHOUT LSS OR WITH 4 CELL LSS - WITHOUT SKYGUARD (NON-UL SPECS).....	272
FIGURE 5-11. PLATFORM CONSOLE AND FOOTSWITCH INSTALLATION - WITH SKYGUARD (UL SPECS) (SN 0300208529 through 0300256463) .....	274
FIGURE 5-12. PLATFORM CONSOLE AND FOOTSWITCH INSTALLATION - WITH SKYGUARD (UL SPECS) (SN 0300256464 through 0300272287) .....	276
FIGURE 5-13. PLATFORM CONSOLE AND FOOTSWITCH INSTALLATION - WITHOUT LSS OR WITH 4 CELL LSS - WITH SKYGUARD (SN 0300208529 through 0300229285, SN B300001429 through B300001989).....	278
FIGURE 5-14. PLATFORM CONSOLE AND FOOTSWITCH INSTALLATION - WITHOUT LSS OR WITH 4 CELL LSS - WITH SKYGUARD (SN 0300229286 through 0300235600, SN B300001990 through B300005763).....	280
FIGURE 5-15. PLATFORM CONSOLE AND FOOTSWITCH INSTALLATION - WITH 1 CELL LSS AND WITH SKYGUARD (SN 0300235601 through 0300256463, SN B300001429 through B300004700) .....	282
FIGURE 5-16. PLATFORM CONSOLE AND FOOTSWITCH INSTALLATION - WITH 1 CELL LSS AND WITH SKYGUARD (SN 0300256464 through 0300272287, SN B300004701 through B300005763).....	284
FIGURE 5-17. PLATFORM CONSOLE ASSEMBLY - WITHOUT LSS OR WITH 4 CELL LSS - WITHOUT SKYGUARD (NON-UL SPECS) (SN 0300208529 through 0300219932, SN B300001429 through B300001596).....	286
FIGURE 5-18. PLATFORM CONSOLE ASSEMBLY - WITHOUT LSS OR WITH 4 CELL LSS - WITHOUT SKYGUARD (NON-UL SPECS) (SN 0300219933 through 0300272287, SN B300001597 through B300005763).....	290
FIGURE 5-19. PLATFORM CONSOLE ASSEMBLY - WITH SKYGUARD (UL SPECS) (SN 0300208529 through 0300256463) .....	294
FIGURE 5-20. PLATFORM CONSOLE ASSEMBLY - WITH SKYGUARD (UL SPECS) (SN 0300256464 through 0300272287) .....	298
FIGURE 5-21. PLATFORM CONSOLE ASSEMBLY - WITHOUT LSS OR WITH 4 CELL LSS - WITH SKYGUARD (NON-UL LISTED) (SN 0300208529 through 0300219932, SN B300001429 through B300001596) .....	302
FIGURE 5-22. PLATFORM CONSOLE ASSEMBLY - WITHOUT LSS OR WITH 4 CELL LSS - WITH SKYGUARD (NON-UL LISTED) (SN 0300219933 through 0300229285, SN B300001597 through B300001989) .....	306
FIGURE 5-23. PLATFORM CONSOLE ASSEMBLY - WITHOUT LSS OR WITH 4 CELL LSS - WITH SKYGUARD (NON-UL LISTED) (SN 0300229286 through 0300235600, SN B300001990 through B300005763) .....	310
FIGURE 5-24. PLATFORM CONSOLE ASSEMBLY - WITH 1 CELL LSS AND WITH SKYGUARD (SN 0300235601 through 0300256463, SN B300001429 through B300004700).....	314
FIGURE 5-25. PLATFORM CONSOLE ASSEMBLY - WITH 1 CELL LSS AND WITH SKYGUARD (SN 0300256464 through 0300272287, SN B300004701 through B300005763).....	318
FIGURE 5-26. JIB SWITCH INSTALLATION - E450AJ/M450AJ.....	322
FIGURE 5-27. CONTROLLER ASSEMBLY - DRIVE AND STEER.....	324
FIGURE 5-28. CONTROLLER ASSEMBLY - LIFT AND SWING .....	326
FIGURE 5-29. FOOTSWITCH ASSEMBLY.....	330
FIGURE 5-30. MOTOR CONTROLS INSTALLATION - M450AJ.....	332
FIGURE 5-31. TRAY ASSEMBLY .....	334
FIGURE 5-32. SEALED ENCLOSURES - UL SPECS .....	336
FIGURE 5-33. SOFT TOUCH INSTALLATION - 6FT/1.8M PLATFORM (ANSI, ANSI EXPORT AND CSA SPECS).....	338
FIGURE 5-34. SOFT TOUCH INSTALLATION - 5FT/1.52M PLATFORM (ANSI, ANSI EXPORT AND CSA SPECS).....	340
FIGURE 5-35. SKYEYE INSTALLATION .....	342
FIGURE 5-36. SKYGUARD SYSTEM INSTALLATION (SN 0300208529 through 0300256463, SN B300001429 through B300005763).....	344
FIGURE 5-37. SKYGUARD BAR INSTALLATION (SN 0300256464 through 0300272287) .....	346

# TABLE OF CONTENTS

FIGURE 5-38. SKYLINE INSTALLATION .....	348
FIGURE 5-39. CROSS RAIL INSTALLATION.....	350
FIGURE 5-40. PIPE RACK INSTALLATION.....	352
<b>SECTION 6 - CYLINDER.....</b>	<b>355</b>
FIGURE 6-1. LEVEL (PLATFORM SLAVE) CYLINDER ASSEMBLY - E450A.....	356
FIGURE 6-2. LEVEL (PLATFORM SLAVE) CYLINDER ASSEMBLY - E450AJ/M450AJ (SN 0300208529 through 0300272287, SN B300001429 through B300002486) .....	358
FIGURE 6-3. LEVEL (PLATFORM SLAVE) CYLINDER ASSEMBLY - E450AJ/M450AJ (SN B300002487 through B300005763) .....	360
FIGURE 6-4. LIFT CYLINDER ASSEMBLY - JIB - E450AJ/M450AJ (SN 0300208529 through 0300272287, SN B300001429 through B300002486).....	362
FIGURE 6-5. LIFT CYLINDER ASSEMBLY - JIB - E450AJ/M450AJ (SN B300002487 through B300005763).....	364
FIGURE 6-6. LIFT CYLINDER ASSEMBLY - LOWER - E450A (SN 0300235601 through 0300239755).....	366
FIGURE 6-7. LIFT CYLINDER ASSEMBLY - LOWER - E450A (SN 0300239756 through 0300272287).....	368
FIGURE 6-8. LIFT CYLINDER ASSEMBLY - LOWER - E450AJ/M450AJ (SN 0300208529 through 0300239252, SN B300001429 through B300002461).....	370
FIGURE 6-9. LIFT CYLINDER ASSEMBLY - LOWER - E450AJ/M450AJ (SN 0300239253 through 0300272287, SN B300002462 through B300002486).....	372
FIGURE 6-10. LIFT CYLINDER ASSEMBLY - LOWER - E450AJ/M450AJ (SN B300002487 through B300005763).....	374
FIGURE 6-11. LIFT CYLINDER ASSEMBLY - MID - E450A (SN 0300235601 through 0300239755) .....	376
FIGURE 6-12. LIFT CYLINDER ASSEMBLY - MID - E450A (SN 0300239756 through 0300272287) .....	378
FIGURE 6-13. LIFT CYLINDER ASSEMBLY - MID - E450AJ/M450AJ (SN 0300208529 through 0300239252, SN B300001429 through B300002461).....	380
FIGURE 6-14. LIFT CYLINDER ASSEMBLY - MID - E450AJ/M450AJ (SN 0300239253 through 0300272287, SN B300002462 through B300002486).....	382
FIGURE 6-15. LIFT CYLINDER ASSEMBLY - MID - E450AJ/M450AJ (SN B300002487 through B300005763) .....	384
FIGURE 6-16. LIFT CYLINDER ASSEMBLY - UPPER - E450A (SN 0300235601 through 0300239755) .....	386
FIGURE 6-17. LIFT CYLINDER ASSEMBLY - UPPER - E450A (SN 0300239756 through 0300271909) .....	388
FIGURE 6-18. LIFT CYLINDER ASSEMBLY - UPPER - E450A (SN 0300271910 through 0300272287) .....	390
FIGURE 6-19. LIFT CYLINDER ASSEMBLY - UPPER - E450AJ/M450AJ (SN 0300208529 through 0300239755, SN B300001429 through B300002486) .....	392
FIGURE 6-20. LIFT CYLINDER ASSEMBLY - UPPER - E450AJ/M450AJ (SN 0300239756 through 0300272287).....	394
FIGURE 6-21. LIFT CYLINDER ASSEMBLY - UPPER - E450AJ/M450AJ (SN B300002487 through B300005763).....	396
FIGURE 6-22. MASTER CYLINDER ASSEMBLY - E450A .....	398
FIGURE 6-23. MASTER CYLINDER ASSEMBLY - E450AJ/M450AJ (SN 0300208529 through 0300272287, SN B300001429 through B300002486).....	400
FIGURE 6-24. MASTER CYLINDER ASSEMBLY - E450AJ/M450AJ (SN B3000024867 through B300005763).....	402
FIGURE 6-25. STEER CYLINDER ASSEMBLY (SN 0300208529 through 0300272287, SN B300001429 through B300002982) .....	404
FIGURE 6-26. STEER CYLINDER ASSEMBLY (SN B300002983 through B300005763) .....	406
FIGURE 6-27. TELESCOPE CYLINDER ASSEMBLY - E450A (SN 0300208529 through 0300244781) .....	408
FIGURE 6-28. TELESCOPE CYLINDER ASSEMBLY - E450A (SN 0300244782 through 0300266862).....	410
FIGURE 6-29. TELESCOPE CYLINDER ASSEMBLY - E450A (SN 0300266863 through 0300272287).....	412
FIGURE 6-30. TELESCOPE CYLINDER ASSEMBLY - E450AJ/M450AJ (SN 0300208529 through 0300243858, SN B300001429 through B300002486).....	414
FIGURE 6-31. TELESCOPE CYLINDER ASSEMBLY - E450AJ/M450AJ (SN 0300243859 through 0300272287).....	416
FIGURE 6-32. TELESCOPE CYLINDER ASSEMBLY - E450AJ/M450AJ (SN B300002487 through B300005763).....	418
FIGURE 6-33. COUNTERBALANCE VALVE ASSEMBLY .....	420
<b>SECTION 7 - HYDRAULIC .....</b>	<b>423</b>
FIGURE 7-1. HYDRAULIC DIAGRAM - E450A .....	424
FIGURE 7-2. HYDRAULIC DIAGRAM - E450AJ (SN 0300208529 through 0300233451, SN B300001429 through B300002532) .....	428
FIGURE 7-3. HYDRAULIC DIAGRAM - E450AJ (SN 0300233452 through 0300272287, SN B300002533 through B300005763) .....	432
FIGURE 7-4. HYDRAULIC DIAGRAM - M450AJ (SN 0300208529 through 0300233451).....	436
FIGURE 7-5. HYDRAULIC DIAGRAM - M450AJ (SN 0300233452 through 0300272287).....	440
FIGURE 7-6. LIST, HYDRAULIC DIAGRAM LIST .....	444
<b>SECTION 8 - ELECTRICAL.....</b>	<b>445</b>
FIGURE 8-1. ELECTRICAL DIAGRAM LIST .....	446
FIGURE 8-2. AC PLUGS AND SOCKETS INSTALLATION - AFSINT 107-2-01 KEYED GROUND - 2 X 4 BOX (CE SPEC) .....	448
FIGURE 8-3. AC PLUGS AND SOCKETS INSTALLATION - CEE7 POST GROUND (CE SPEC) .....	450

# TABLE OF CONTENTS

FIGURE 8-4. AC PLUGS AND SOCKETS INSTALLATION - CEE 7 SIDE GROUND (CE SPEC) .....	452
FIGURE 8-5. AC PLUGS AND SOCKETS INSTALLATION - CEE7 POST GROUND - 2 X 4 BOX (CE SPEC).....	454
FIGURE 8-6. AC PLUGS AND SOCKETS INSTALLATION - CEE7 SIDE GROUND - 2 X 4 BOX (CE SPEC) .....	456
FIGURE 8-7. AC PLUGS AND SOCKETS INSTALLATION - IEC 60309 BLUE (CE SPEC) .....	458
FIGURE 8-8. AC PLUGS AND SOCKETS INSTALLATION - IEC 60309 YELLOW (CE SPEC).....	460
FIGURE 8-9. BATTERY CABLE KIT - E450A AND E450AJ (NON-UL SPECS).....	462
FIGURE 8-10. BATTERY CABLE KIT - E450A AND E450AJ (UL SPECS) .....	464
FIGURE 8-11. BATTERY CABLE KIT - M450AJ (NON-UL SPECS).....	466
FIGURE 8-12. BOOM CABLE - LOWER - E450A/E450AJ/M450AJ.....	468
FIGURE 8-13. BOOM CABLE - UPPER - E450A.....	470
FIGURE 8-14. BOOM CABLE - UPPER - E450AJ/M450AJ.....	472
FIGURE 8-15. BOOM LIMIT SWITCH HARNESS - LOWER .....	474
FIGURE 8-16. BOOM LIMIT SWITCH HARNESS - UPPER.....	476
FIGURE 8-17. BRAKE/STEER HARNESS - M450AJ .....	478
FIGURE 8-18. BREAKER BOX KIT WITH ONE BREAKERS - CE SPEC.....	480
FIGURE 8-19. BREAKER BOX KIT WITH TWO BREAKERS - CE SPEC.....	482
FIGURE 8-20. CHARGER CORD PLUG INSTALLATION - 110V - IEC 60309 - YELLOW (CE SPEC).....	484
FIGURE 8-21. CHARGER CORD PLUG INSTALLATION - 220V - AFSINT 107 KEYED GROUND (CE SPEC) .....	486
FIGURE 8-22. CHARGER CORD PLUG INSTALLATION - 220V - CEE7 POST GROUND (CE SPEC).....	488
FIGURE 8-23. CHARGER CORD PLUG INSTALLATION - 220V - CEE7 SIDE GROUND (CE SPEC).....	490
FIGURE 8-24. CHARGER CORD PLUG INSTALLATION - 220V - IEC 60309 - BLUE (CE SPEC) .....	492
FIGURE 8-25. CHASSIS TO TURNTABLE HARNESS.....	494
FIGURE 8-26. GENERATOR HARNESS .....	496
FIGURE 8-27. GROUND CONTROL PANEL HARNESS.....	498
FIGURE 8-28. INVERTER HARNESS.....	500
FIGURE 8-29. INVERTER IGNITION HARNESS.....	502
FIGURE 8-30. LOWER BOOM 110V HARNESS ASSEMBLY .....	504
FIGURE 8-31. LOWER BOOM 220V HARNESS ASSEMBLY .....	506
FIGURE 8-32. LSS SYSTEM HARNESS .....	508
FIGURE 8-33. PLATFORM CONSOLE HARNESS - WITHOUT LSS OR WITH 4 CELL LSS .....	510
FIGURE 8-34. PLATFORM CONSOLE HARNESS - WITH 1 CELL LSS.....	512
FIGURE 8-35. PLUG AND RECEPTACLE INSTALLATION - SUPPLIED LOCALLY.....	514
FIGURE 8-36. PLUG AND RECEPTACLE INSTALLATION - 110V.....	516
FIGURE 8-37. PLUG AND RECEPTACLE INSTALLATION - 220V.....	518
FIGURE 8-38. PLUG AND RECEPTACLE 110V INSTALLATION - IEC 60309 - YELLOW (CE SPEC).....	520
FIGURE 8-39. PLUG AND RECEPTACLE 220V INSTALLATION - AFSINT 107 KEYED GROUND - 2 X 4 BOX (CE SPEC) ...	522
FIGURE 8-40. PLUG AND RECEPTACLE 220V INSTALLATION - CEE7 POST GROUND - 2 X 4 BOX (CE SPEC).....	524
FIGURE 8-41. PLUG AND RECEPTACLE 220V INSTALLATION - CEE7 POST GROUND - 70MM X 70MM BOX (CE SPEC)	526
FIGURE 8-42. PLUG AND RECEPTACLE 220V INSTALLATION - CEE7 SIDE GROUND - 2 X 4 BOX (CE SPEC).....	528
FIGURE 8-43. PLUG AND RECEPTACLE 220V INSTALLATION - CEE7 SIDE GROUND - 70MM X 70MM BOX (CE SPEC) .	530
FIGURE 8-44. PLUG AND RECEPTACLE 220V INSTALLATION - IEC 60309 - BLUE (CE SPEC).....	532
FIGURE 8-45. SKYEYE INTERMEDIATE HARNESS.....	534
FIGURE 8-46. SKYEYE RECEIVER HARNESS.....	536
FIGURE 8-47. SKYEYE EMITTER HARNESS.....	538
FIGURE 8-48. SKYGUARD HARNESS - WITHOUT LSS OR WITH 4 CELL LSS.....	540
FIGURE 8-49. SKYGUARD HARNESS - WITH 1 CELL LSS.....	542
FIGURE 8-50. SKYLINE HARNESS.....	544
FIGURE 8-51. STEER/BRAKE HARNESS.....	546
FIGURE 8-52. TRACTION HARNESS .....	548
FIGURE 8-53. TURNTABLE HARNESS .....	552
FIGURE 8-54. UPPER BOOM 110V HARNESS ASSEMBLY .....	556
FIGURE 8-55. UPPER BOOM 220V HARNESS ASSEMBLY.....	558
FIGURE 8-56. VALVE HARNESS .....	560
SECTION 9 - DECAL .....	563
FIGURE 9-1. DECAL INSTALLATION - ANSI, ANSI EXPORT AND UL SPECS - ENGLISH - E450A/E450AJ (USA BUILT MACHINES).....	564
FIGURE 9-2. DECAL INSTALLATION - ANSI EXPORT SPEC - ENGLISH - E450AJ (CHINA BUILT MACHINES).....	568
FIGURE 9-3. DECAL INSTALLATION - ANSI AND ANSI EXPORT SPECS - ENGLISH - M450AJ .....	570
FIGURE 9-4. DECAL INSTALLATION - AUSTRALIAN SPEC - E450AJ.....	574
FIGURE 9-5. DECAL INSTALLATION - AUSTRALIAN SPEC - M450AJ.....	576
FIGURE 9-6. DECAL INSTALLATION - CE AND CHINA SPECS - E450AJ.....	578
FIGURE 9-7. DECAL INSTALLATION - CE SPEC - M450AJ.....	580
FIGURE 9-8. DECAL INSTALLATION - CHINESE/ENGLISH - E450A/E450AJ (USA BUILT MACHINES).....	582
FIGURE 9-9. DECAL INSTALLATION - CHINESE/ENGLISH - E450AJ (CHINA BUILT MACHINES).....	584
FIGURE 9-10. DECAL INSTALLATION - CHINESE/ENGLISH - M450AJ.....	586

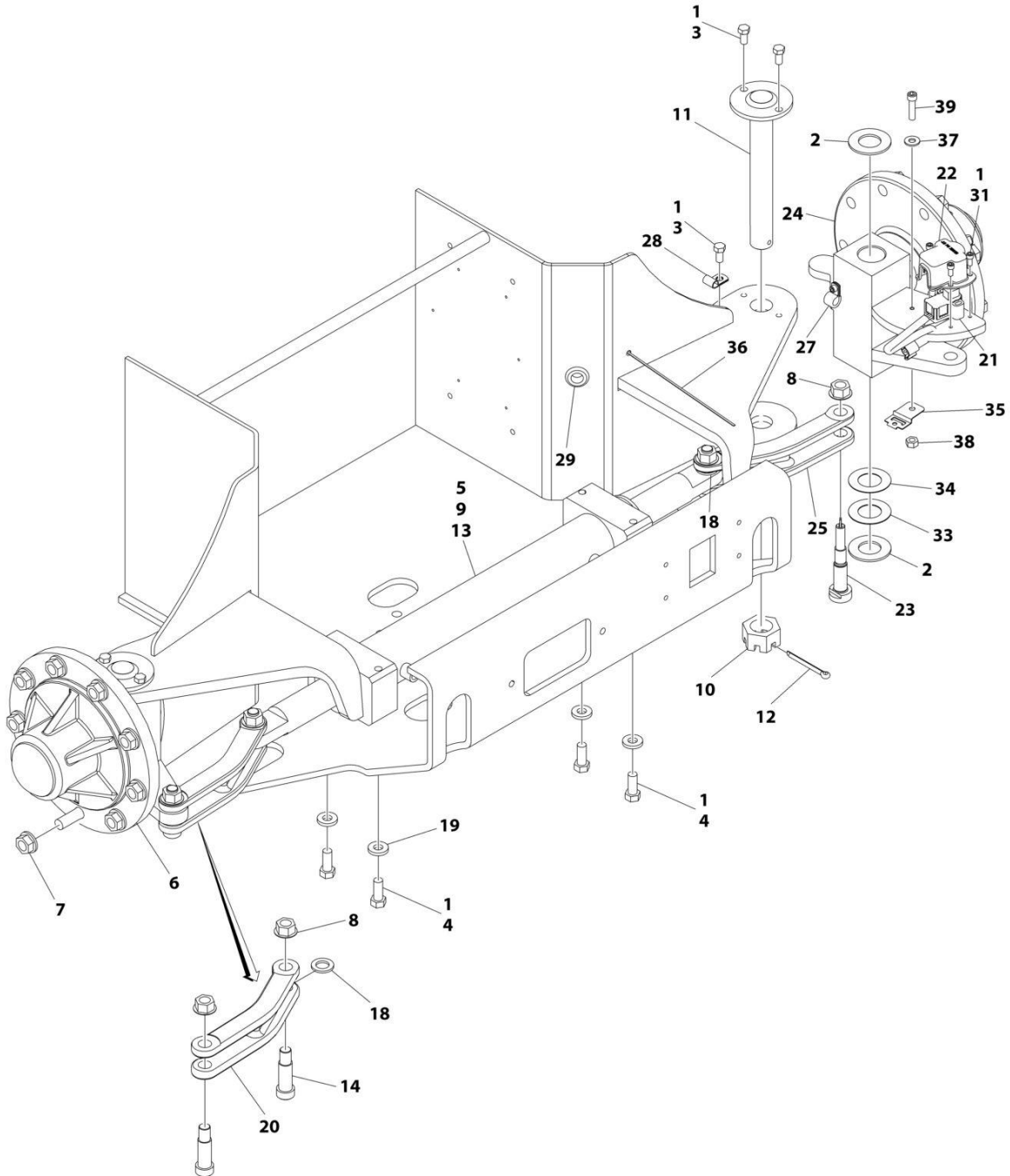
# TABLE OF CONTENTS

FIGURE 9-11. DECAL INSTALLATION - FRENCH/ENGLISH SPECS - E450A/E450AJ .....	588
FIGURE 9-12. DECAL INSTALLATION - FRENCH/ENGLISH SPECS - M450AJ .....	590
FIGURE 9-13. DECAL INSTALLATION - JAPANESE SPEC - E450A/E450AJ (USA BUILT MACHINES).....	592
FIGURE 9-14. DECAL INSTALLATION - JAPANESE SPEC - E450AJ (CHINA BUILT MACHINES).....	594
FIGURE 9-15. DECAL INSTALLATION - JAPANESE SPEC - M450AJ .....	596
FIGURE 9-16. DECAL INSTALLATION - KOREAN SPEC - E450A/E450AJ (USA BUILT MACHINES) .....	598
FIGURE 9-17. DECAL INSTALLATION - KOREAN SPEC - E450AJ (CHINA BUILT MACHINES) .....	600
FIGURE 9-18. DECAL INSTALLATION - KOREAN SPEC - M450AJ .....	602
FIGURE 9-19. DECAL INSTALLATION - SPANISH/ENGLISH SPECS - E450A/E450AJ .....	604
FIGURE 9-20. DECAL INSTALLATION - SPANISH/ENGLISH SPECS - M450AJ .....	606
FIGURE 9-21. DECAL INSTALLATION - SPANISH/PORTUGUESE SPECS - E450A/E450AJ .....	608
FIGURE 9-22. DECAL INSTALLATION - SPANISH/PORTUGUESE SPECS - M450AJ .....	610
FIGURE 9-23. DECAL INSTALLATION - OPTIONS .....	612
SECTION 10 - RECOMMENDED SERVICE PARTS STOCK .....	615
FIGURE 10-1. RECOMMENDED SERVICE PARTS STOCK.....	616
SECTION 11 - SPECIAL OPTIONS.....	619
FIGURE 11-1. SPECIAL OPTIONS .....	620
PART NUMBER INDEX.....	623

**SECTION 1 - FRAME**

# SECTION 1 - FRAME

FIGURE 1-1. STEERING INSTALLATION (SN 0300208529 through 0300244781, SN B300001429 through B300005763)



ART\_1001180923

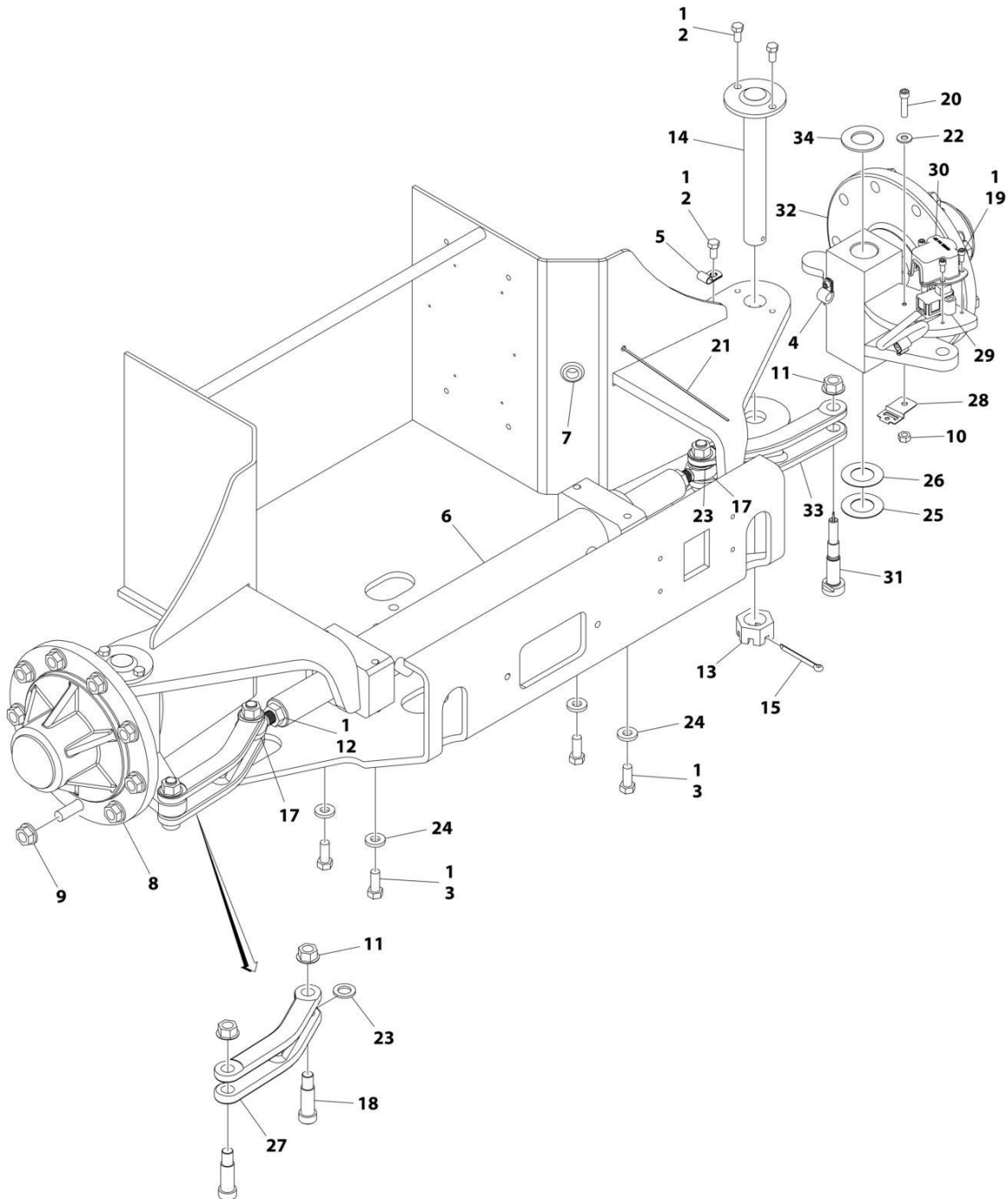
## SECTION 1 - FRAME

**FIGURE 1-1. STEERING INSTALLATION (SN 0300208529 through 0300244781, SN B300001429 through B300005763)**

ITEM	PART NUMBER	QTY	DESCRIPTION	REV
	1001180923	Ref	STEERING INSTALLATION	G
1	0100011	AR	Compound, Locking	
2	0440162	4	Bearing, Thrust (SN 0300208529 through 0300213164, SN B300001429 through B300001434)	
2	1001193047	AR	Bearing, Thrust (SN 0300213165 through 0300244781, SN B300001435 through B300005763, Excluding B300005567)	
3	0641606	5	Bolt 3/8 X 3/4	
4	0681810	4	Bolt 1/2 X 1-1/4 Grade 8	
5	1683591	1	Steer Cylinder Assembly (See CYLINDER SECTION for Breakdown) (SN B300001429 through B300002982)	
5	1001221480	1	Steer Cylinder Assembly (See CYLINDER SECTION for Breakdown) (SN 0300208529 through 0300244781, SN B300002983 through B300005763, Excluding B300005567)	
6	2780241	1	Hub - Spindle Assembly - RH (See SPINDLE - HUB ASSEMBLY - RH for Breakdown)	
7	3300426	18	Nut 5/8	
8	3312008	4	Nut 5/8	
9	3322202	2	Nut (SN 0300208529 through 0300244781, SN B300001429 through B300002982)	
10	3323003	2	Nut 1-1/4	
11	3422692	2	Kingpin	
12	3450810	2	Pin, Cotter	
13	3841517	2	End, Tie-Rod (SN 0300208529 through 0300244781, SN B300001429 through B300002982)	
14	3900109	3	Screw, Shoulder	
18	4740156	2	Washer	
19	4891800	4	Washer 1/2	
20	1001153021	1	Link	
21	1001161117	1	Switch, Angle Sensor	
21	4460536	1	Receptacle, Female - 3 Position	
21	4460464	3	Pin, Male	
22	1001169423	1	Cover	
23	1001180835	1	Pin	
24	1001180839	1	Hub - Spindle Assembly - LH (See SPINDLE - HUB ASSEMBLY - LH for Breakdown)	
25	1001180841	1	Link	
27	1320041	1	Clamp	
28	1320263	1	Clamp, Cable	
29	2540038	1	Grommet	
31	3931408	4	Capscrew 1/4 X 1/2	
33	1001151395	1	Shim 18Ga	
34	1001151428	1	Shim 20Ga	
35	1001153749	1	Clip, Connector	
36	4240175	1	Tie-Strap	
37	4711400	1	Washer 1/4	
38	3311405	1	Nut 1/4	
39	3931416	1	Capscrew 1/4 x 1	

# SECTION 1 - FRAME

FIGURE 1-2. STEERING INSTALLATION (SN 0300244782 through 0300272287)



ART\_1001232203



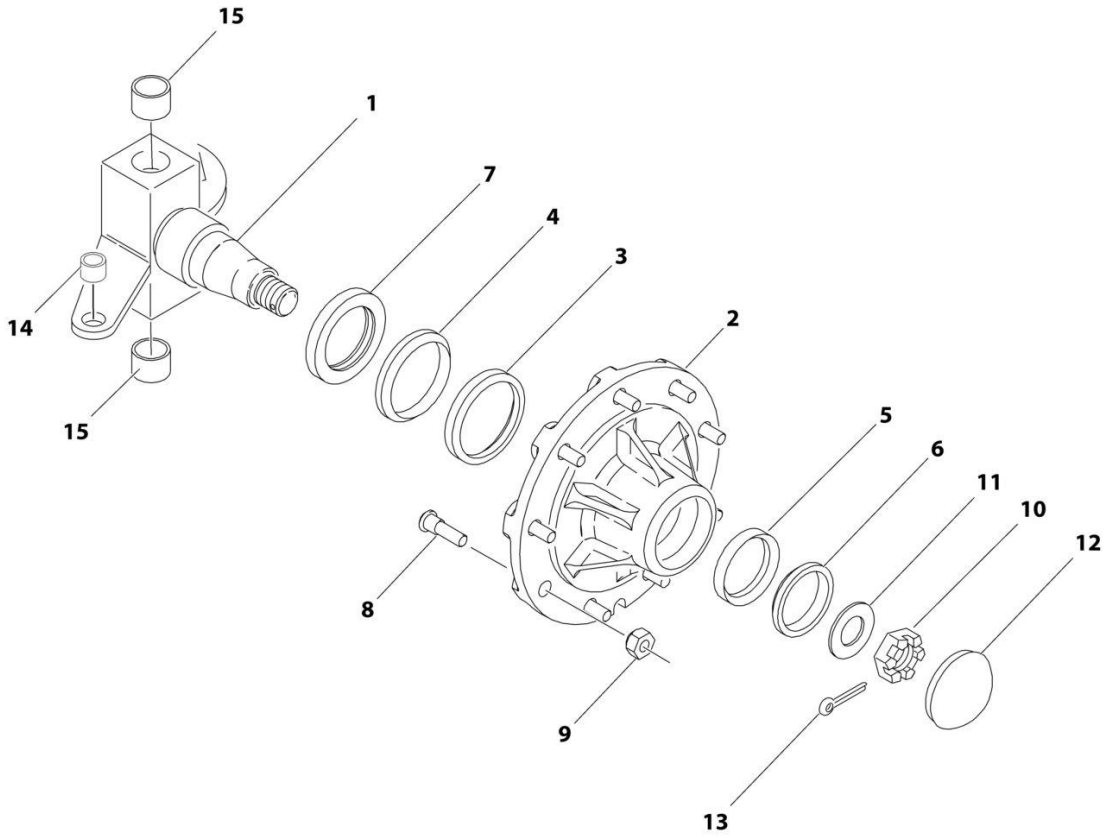
## SECTION 1 - FRAME

**FIGURE 1-2. STEERING INSTALLATION (SN 0300244782 through 0300272287)**

ITEM	PART NUMBER	QTY	DESCRIPTION	REV
	1001232203	Ref	STEERING INSTALLATION	A
1	0100011	AR	Compound, Locking	
2	0641606	5	Bolt 3/8 X 3/4	
3	0681810	4	Bolt 1/2 X 1-1/4 Grade 8	
4	1320041	1	Clamp	
5	1320263	1	Clamp, Cable	
6	1683591	1	Steer Cylinder Assembly (See CYLINDER SECTION for Breakdown)	
7	2540038	1	Grommet	
8	2780241	1	Hub - Spindle Assembly - RH (See SPINDLE - HUB ASSEMBLY - RH for Breakdown)	
9	3300426	18	Nut 5/8	
10	3311405	1	Nut 1/4	
11	3312008	4	Nut 5/8	
12	3322202	2	Nut	
13	3323003	2	Nut 1-1/4	
14	3422692	2	Kingpin	
15	3450810	2	Pin, Cotter	
17	3841517	2	End, Tie-Rod	
18	3900109	3	Screw, Shoulder	
19	3931408	4	Capscrew 1/4 X 1/2	
20	3931416	1	Capscrew 1/4 x 1	
21	4240175	1	Tie-Strap	
22	4711400	1	Washer 1/4	
23	4740156	2	Washer	
24	4891800	4	Washer 1/2	
25	1001151395	1	Shim 18Ga	
26	1001151428	1	Shim 20Ga	
27	1001153021	1	Link	
28	1001153749	1	Clip, Connector	
29	1001161117	1	Switch, Angle Sensor	
29	4460536	1	Receptacle, Female - 3 Position	
29	4460464	3	Pin, Male	
30	1001169423	1	Cover	
31	1001180835	1	Pin	
32	1001180839	1	Hub - Spindle Assembly - LH (See SPINDLE - HUB ASSEMBLY - LH for Breakdown)	
33	1001180841	1	Link	
34	1001193047	2	Bearing, Thrust	

# SECTION 1 - FRAME

## FIGURE 1-3. HUB - SPINDLE ASSEMBLY - RH



ART\_2780241

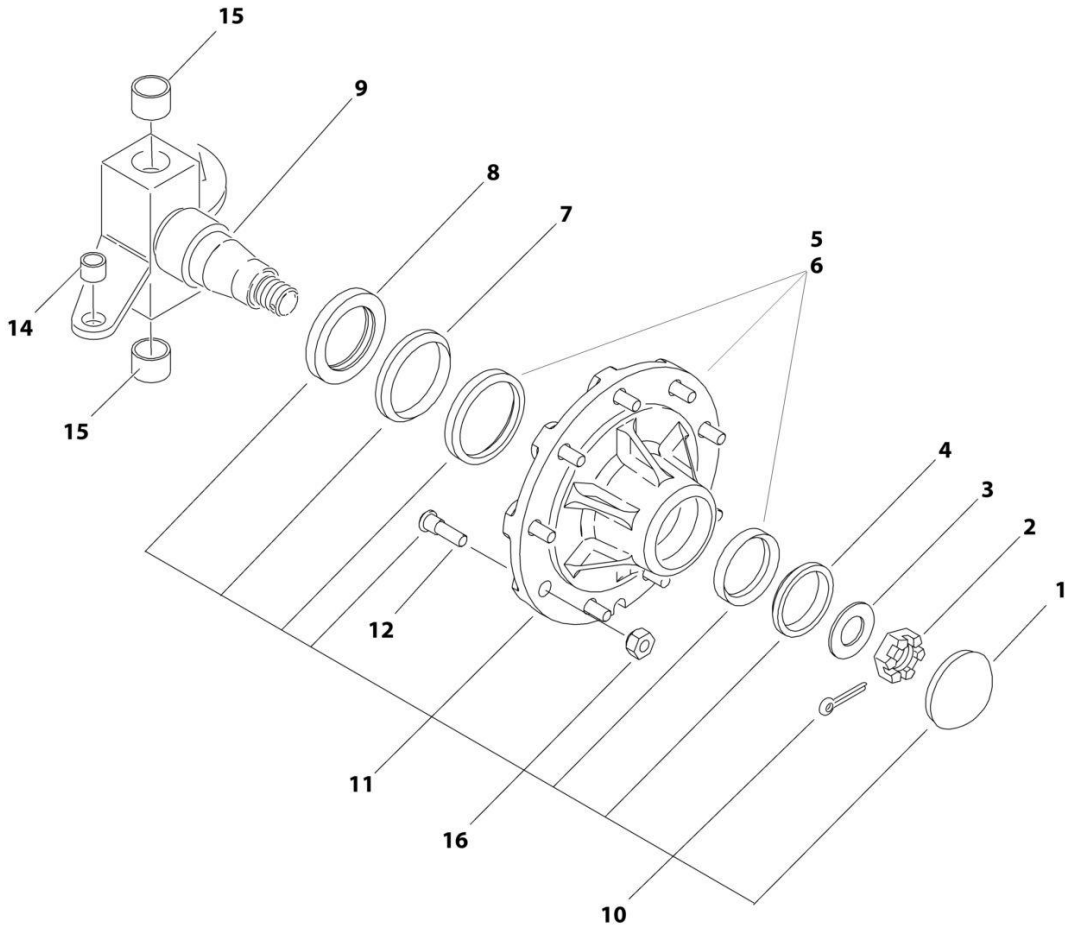
# SECTION 1 - FRAME

## FIGURE 1-3. HUB - SPINDLE ASSEMBLY - RH

ITEM	PART NUMBER	QTY	DESCRIPTION	REV
	2780241	Ref	HUB - SPINDLE ASSEMBLY, RH	C
1	4130351	1	Spindle R.H.	
2	7020035	1	Hub	
3	7020036	1	Cup, Bearing - Inner	
4	7020037	1	Cone, Bearing - Inner	
5	7020038	1	Cup, Bearing - Outer	
6	7020039	1	Cone, Bearing - Outer	
7	7020040	1	Seal	
8	7020041	9	Stud, Wheel	
9	7020042	9	Lugnut	
10	7020054	1	Nut, Castle	
11	7020055	1	Washer, Spindle	
12	7020137	1	Dust Cap	
13	7020140	1	Pin, Cotter	
14	0962140	1	Bushing	
15	0961951	2	Bushing	

# SECTION 1 - FRAME

## FIGURE 1-4. HUB - SPINDLE ASSEMBLY - LH



ART\_1001180839

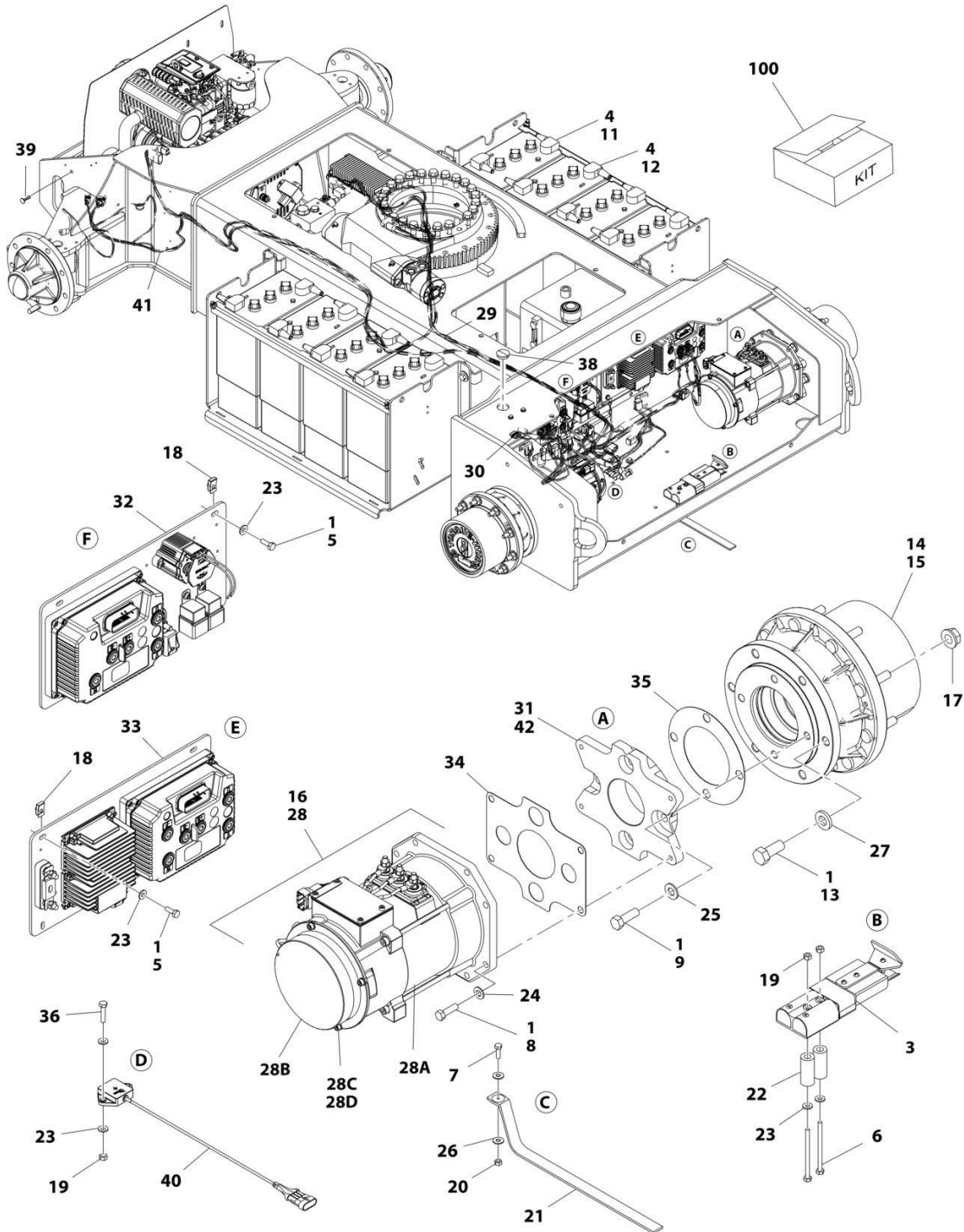
## SECTION 1 - FRAME

### FIGURE 1-4. HUB - SPINDLE ASSEMBLY - LH

ITEM	PART NUMBER	QTY	DESCRIPTION	REV
	1001180839	Ref	HUB - SPINDLE ASSEMBLY - LH	E
1	7020137	1	Dust Cap	
2	7020054	1	Nut, Castle	
3	7020055	1	Washer, Spindle	
4	7020039	1	Cone, Bearing - Outer	
5	See Note	NLA	Hub (Note: Use Item 11)	
6	See Note	1	Grease, Lithium (Note: Purchase Locally)	
7	7020037	1	Cone, Bearing - Inner	
8	7020040	1	Seal	
9	70005216	1	Spindle	
10	7020140	1	Pin, Cotter	
11	70005215	1	Hub Assembly (Includes Items 1,4,5,7,8 & 12))	
12	0630490	9	Stud, Wheel	
14	0962140	1	Bearing	
15	0961951	2	Bearing	
16	3300426	9	Lugnut (Note: Must be Purchased Separately)	

# SECTION 1 - FRAME

## FIGURE 1-5. DRIVE INSTALLATION - E450A AND E450AJ (NON-UL SPECS)



ART\_1001179134

## SECTION 1 - FRAME

**FIGURE 1-5. DRIVE INSTALLATION - E450A AND E450AJ (NON-UL SPECS)**

ITEM	PART NUMBER	QTY	DESCRIPTION	REV
	1001179134	Ref	DRIVE INSTALLATION - E450A AND E450AJ (NON-UL SPECS)	I
1	0100011	AR	Compound, Locking	
3	0100048	AR	Compound, Silicone	
4	0100051	AR	Grease, Battery Terminal	
5	0641406	8	Bolt 1/4 X 3/4	
6	0641430	2	Bolt 1/4 X 3-3/4	
7	0641508	1	Bolt 5/16 X 1	
8	0641610	8	Bolt 3/8 X 1-1/4	
9	0641812	8	Bolt 1/2 X 1-1/2	
11	0840031	8	Boot, Terminal - "d" Shaped	
12	0840032	8	Boot, Terminal - "b" Shaped	
13	0682014	12	Bolt 5/8 X 1-3/4 Grade 8	
14	2780282	2	Drive Hub Assembly (See DRIVE HUB ASSEMBLY for Breakdown)	
15	3020008	0.4 gal/ 1.5L	Lubricant, Gear - 80W-90	
16	3020037	AR	Lube, Coupling Grease	
17	3300426	18	Nut 5/8	
18	3300454	8	Nut 1/4	
19	3311401	4	Nut 1/4	
20	3311505	1	Nut 5/16	
21	4240084	1	Strap, Anti-Static	
22	4568114	2	Tube, Spacer	
23	4711400	14	Washer 1/4	
24	4711600	8	Washer 3/8	
25	4711800	8	Washer 1/2	
26	4751500	2	Washer 5/16	
27	4892000	12	Washer 5/8	
28	1001184854	2	Drive Motor and Brake Assembly	
28A	1001182550	2	Drive Motor Assembly (See DRIVE MOTOR ASSEMBLY for Breakdown)	
28B	1001184852	2	Drive Brake Assembly	
28B	70005415	2	O-Ring Between Brake and Motor (1 Per Assembly) (Not Shown)	
28C	4031707	8	Capscrew M6 x 16	
28D	1001109892	8	Washer M6	
29	1001178405	1	Chassis to Turntable Harness (See ELECTRICAL SECTION for Breakdown)	
30	1001178629	1	Traction Harness (See ELECTRICAL SECTION for Breakdown)	
31	1001178921	NLA	Adapter, Motor (Use p/n 1001219722) <b>(SN 0300208529 through 0300226308, SN B300001429 through B300001989)</b>	
31	1001219722	2	Adapter, Motor <b>(SN 0300226309 through 0300272287, SN B300001990 through B300005763, Excluding B300005567)</b>	
32	1001179060	1	Electrical Plate Assembly - LH (See ELECTRICAL PLATE ASSEMBLY - LH for Breakdown)	
33	1001179061	1	Electrical Plate Assembly - RH (See ELECTRICAL PLATE ASSEMBLY - RH for Breakdown)	
34	1001182959	NLA	Seal (Use p/n 1001220271) <b>(SN 0300208529 through 0300226308, SN B300001429 through B300001989)</b>	
34	1001220271	2	Seal <b>(SN 0300226309 through 0300272287, SN B300001990 through B300005763, Excluding B300005567)</b>	
35	1001182960	2	Seal	

## SECTION 1 - FRAME

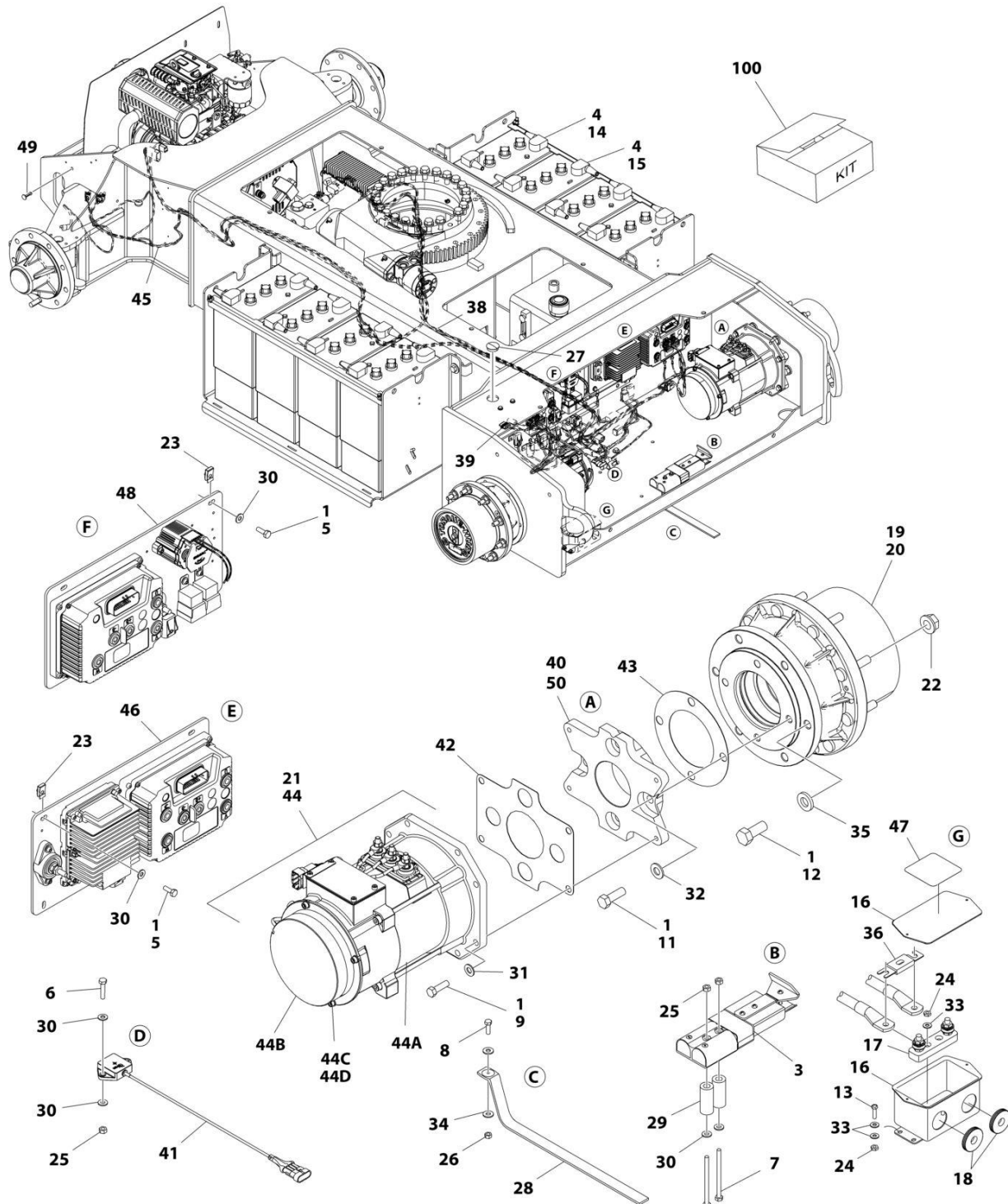
ITEM	PART NUMBER	QTY	DESCRIPTION	REV
36	0641408	2	Bolt 1/4-20 x 1	
38	3520035	1	Cap-Plug	
39	4240175	1	Tie-Strap Clamp (SN 0300214528 through 0300272287, SN B300001429 through B300005763, Excluding B300005567)	
40	1001181325	NLA	Sensor (Use p/n 1001219601) (SN 0300208529 through 0300243641, SN B300001429 through B300002651)	
40	1001219601	1	Sensor (SN 0300243642 through 0300272287, SN B300002652 through B300005763, Excluding B300005567)	
40	See Note	1	Receptacle, Female - 4 Position (Note: Not Available for Purchase)	
40	1001196589	4	Terminal	
41	1001188528	1	Steer/Brake Harness (See ELECTRICAL SECTION for Breakdown)	
42	0100020	AR	Sealant (SN 0300226309 through 0300272287, SN B300001990 through B300005763, Excluding B300005567)	
100	1001190088	1	Battery Cable Kit (See ELECTRICAL SECTION for Breakdown)	





# SECTION 1 - FRAME

## FIGURE 1-6. DRIVE INSTALLATION - E450A AND E450AJ (UL SPECS)



ART\_1001212453

# SECTION 1 - FRAME

**FIGURE 1-6. DRIVE INSTALLATION - E450A AND E450AJ (UL SPECS)**

ITEM	PART NUMBER	QTY	DESCRIPTION	REV
	1001212453	Ref	DRIVE INSTALLATION - E450A AND E450AJ (UL SPECS)	D
1	0100011	AR	Compound, Locking	
3	0100048	AR	Compound, Silicone	
4	0100051	AR	Grease, Battery Terminal	
5	0641406	8	Bolt 1/4 x 3/4	
6	0641408	2	Bolt 1/4 x 1	
7	0641430	2	Bolt 1/4 x 3-3/4	
8	0641508	1	Bolt 5/16 x 1	
9	0641610	8	Bolt 3/8 x 1-1/4	
11	0641812	8	Bolt 1/2 x 1-1/2	
12	0682014	12	Bolt 5/8 x 1-3/4 Grade 8	
13	0721006	4	Bolt #10 x 3/4	
14	0840031	8	Boot, Terminal - "d" Shaped	
15	0840032	8	Boot, Terminal - "b" Shaped	
16	0861375	1	Box	
17	2400044	1	Block, Fuse	
18	2540037	2	Grommet	
19	2780282	2	Drive Hub Assembly (See DRIVE HUB ASSEMBLY for Breakdown)	
20	3020008	0.4 gal/ 1.5L	Lubricant, Gear - 80W-90	
21	3020037	AR	Lube, Coupling Grease	
22	3300426	18	Nut 5/8	
23	3300454	8	Nut 1/4	
24	3311001	6	Nut #10	
25	3311401	4	Nut 1/4	
26	3311505	1	Nut 5/16	
27	3520035	1	Cap-Plug	
28	4240084	1	Strap, Anti-Static	
29	4568114	2	Tube, Spacer	
30	4711400	14	Washer 1/4	
31	4711600	8	Washer 3/8	
32	4711800	8	Washer 1/2	
33	4751000	10	Washer, 10	
34	4751500	2	Washer 5/16	
35	4892000	12	Washer 5/8	
36	1001170365	1	Fuse 400 Amp	
38	1001178405	1	Chassis to Turntable Harness (See ELECTRICAL SECTION for Breakdown)	
39	1001178629	1	Traction Harness (See ELECTRICAL SECTION for Breakdown)	
40	1001178921	NLA	Adapter, Motor (Use p/n 1001219722) <b>(SN 0300208529 through 0300226308)</b>	
40	1001219722	2	Adapter, Motor <b>(SN 0300226309 through 300272287)</b>	
41	1001181325	NLA	Sensor (Use p/n 1001219601) <b>(SN 0300208529 through 0300243641)</b>	
41	1001219601	1	Sensor <b>(SN 0300243642 through 300272287)</b>	
41	See Note	1	Receptacle, Female - 4 Position (Note: Not Available for Purchase)	
41	1001196589	4	Terminal	
42	1001182959	NLA	Seal (Use p/n 1001220271) <b>(SN 0300208529 through 0300226308)</b>	

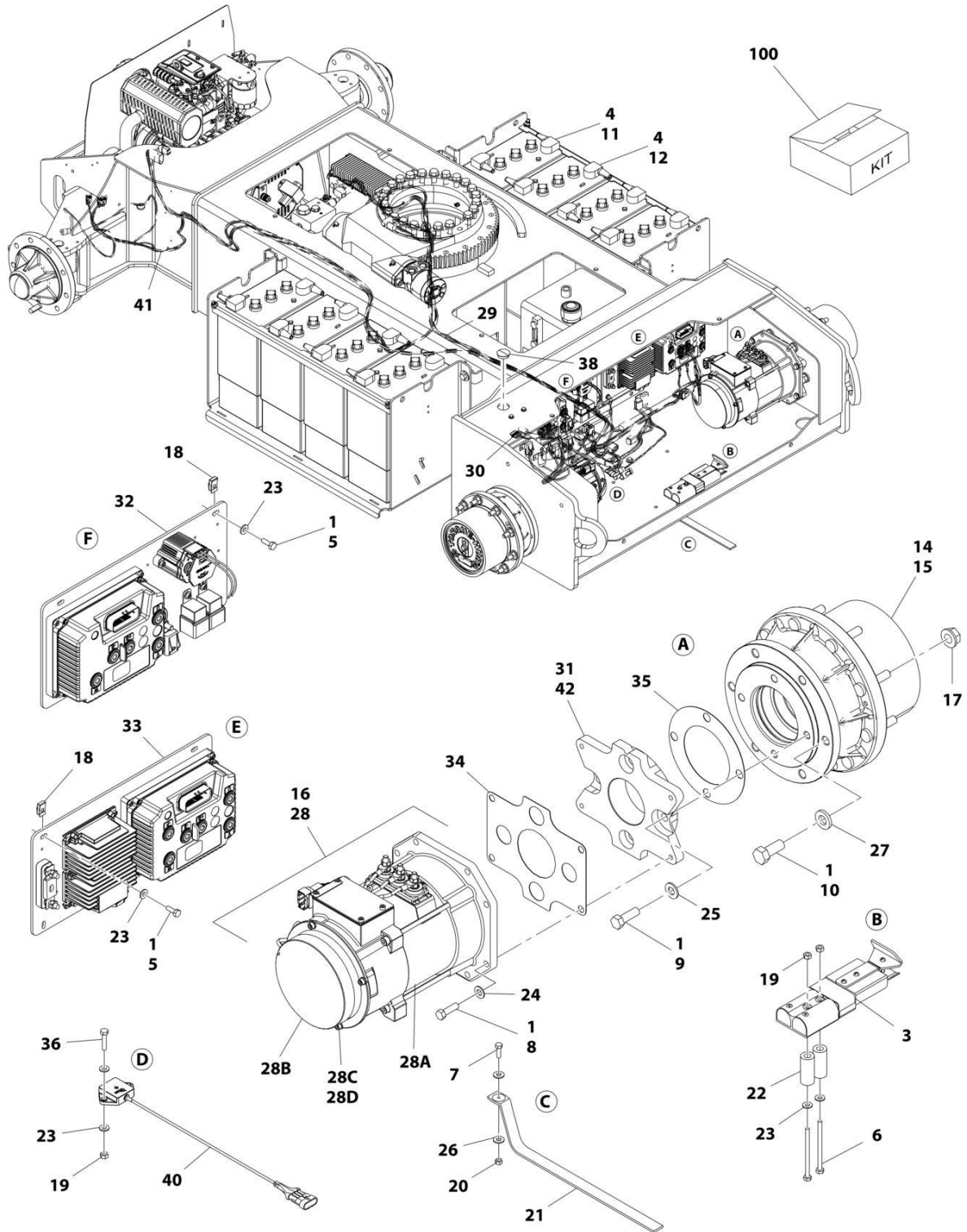
## SECTION 1 - FRAME

ITEM	PART NUMBER	QTY	DESCRIPTION	REV
42	1001220271	2	Seal <b>(SN 0300226309 through 300272287)</b>	
43	1001182960	2	Seal	
44	1001184854	2	Drive Motor and Brake Assembly	
44A	1001182550	2	Drive Motor Assembly (See DRIVE MOTOR ASSEMBLY for Breakdown)	
44B	1001184852	2	Drive Brake Assembly	
44B	70005415	2	O-Ring Between Brake and Motor (1 Per Assembly) (Not Shown)	
44C	4031707	8	Capscrew M6 x 16	
44D	1001109892	8	Washer M6	
45	1001188528	1	Steer/Brake Harness (See ELECTRICAL SECTION for Breakdown)	
46	1001212456	1	Electrical Plate Assembly - RH (See ELECTRICAL PLATE ASSEMBLY - RH for Breakdown)	
47	1001213626	1	Decal - 400 Amp Fuse	
48	1001214668	1	Electrical Plate Assembly - LH (See ELECTRICAL PLATE ASSEMBLY - LH for Breakdown)	
49	4240175	1	Tie-Strap Clamp	
50	0100020	AR	Sealant <b>(SN 0300226309 through 300272287)</b>	
100	1001212454	1	Battery Cable Kit (See ELECTRICAL SECTION for Breakdown)	



# SECTION 1 - FRAME

## FIGURE 1-7. DRIVE INSTALLATION - M450AJ (NON-UL SPECS)



ART\_1001179136

# SECTION 1 - FRAME

## FIGURE 1-7. DRIVE INSTALLATION - M450AJ (NON-UL SPECS)

ITEM	PART NUMBER	QTY	DESCRIPTION	REV
	1001179136	Ref	DRIVE INSTALLATION - M450AJ (NON-UL SPECS)	I
1	0100011	AR	Compound, Locking	
3	0100048	AR	Compound, Silicone	
4	0100051	AR	Grease, Battery Terminal	
5	0641406	8	Bolt 1/4 X 3/4	
6	0641430	2	Bolt 1/4 X 3-3/4	
7	0641508	1	Bolt 5/16 X 1	
8	0641610	8	Bolt 3/8 X 1-1/4	
9	0641812	8	Bolt 1/2 X 1-1/2	
10	0682014	12	Bolt 5/8 X 1-3/4 Grade 8	
11	0840031	8	Boot, Terminal - "d" Shaped	
12	0840032	8	Boot, Terminal - "b" Shaped	
14	2780282	2	Drive Hub Assembly (See DRIVE HUB ASSEMBLY for Breakdown)	
15	3020008	0.4 gal/ 1.5L	Lubricant, Gear - 80W-90	
16	3020037	AR	Lube, Coupling Grease	
17	3300426	18	Nut 5/8	
18	3300454	8	Nut 1/4	
19	3311401	4	Nut 1/4	
20	3311505	1	Nut 5/16	
21	4240084	1	Strap, Anti-Static	
22	4568114	2	Tube, Spacer	
23	4711400	14	Washer 1/4	
24	4711600	8	Washer 3/8	
25	4711800	8	Washer 1/2	
26	4751500	2	Washer 5/16	
27	4892000	12	Washer 5/8	
28	1001184854	2	Drive Motor and Brake Assembly	
28A	1001182550	2	Drive Motor Assembly (See DRIVE MOTOR ASSEMBLY for Breakdown)	
28B	1001184852	2	Drive Brake Assembly	
28B	70005415	2	O-Ring Between Brake and Motor (1 Per Assembly) (Not Shown)	
28C	4031707	8	Capscrew M6 x 16	
28D	1001109892	8	Washer M6	
29	1001178405	1	Chassis to Turntable Harness (See ELECTRICAL SECTION for Breakdown)	
30	1001178629	1	Traction Harness (See ELECTRICAL SECTION for Breakdown)	
31	1001178921	NLA	Adapter, Motor (Use p/n 1001219722) <b>(SN 0300208529 through 0300226308)</b>	
31	1001219722	2	Adapter, Motor <b>(SN 0300226309 through 300272287)</b>	
32	1001179060	1	Electrical Plate Assembly - LH (See ELECTRICAL PLATE ASSEMBLY - LH for Breakdown)	
33	1001179061	1	Electrical Plate Assembly - RH (See ELECTRICAL PLATE ASSEMBLY - RH for Breakdown)	
34	1001182959	NLA	Seal (Use p/n 1001220271) <b>(SN 0300208529 through 0300226308)</b>	
34	1001220271	2	Seal <b>(SN 0300226309 through 300272287)</b>	
35	1001182960	2	Seal	
36	0641408	2	Bolt 1/4-20 X 1	
38	3520035	1	Cap-Plug	

## SECTION 1 - FRAME

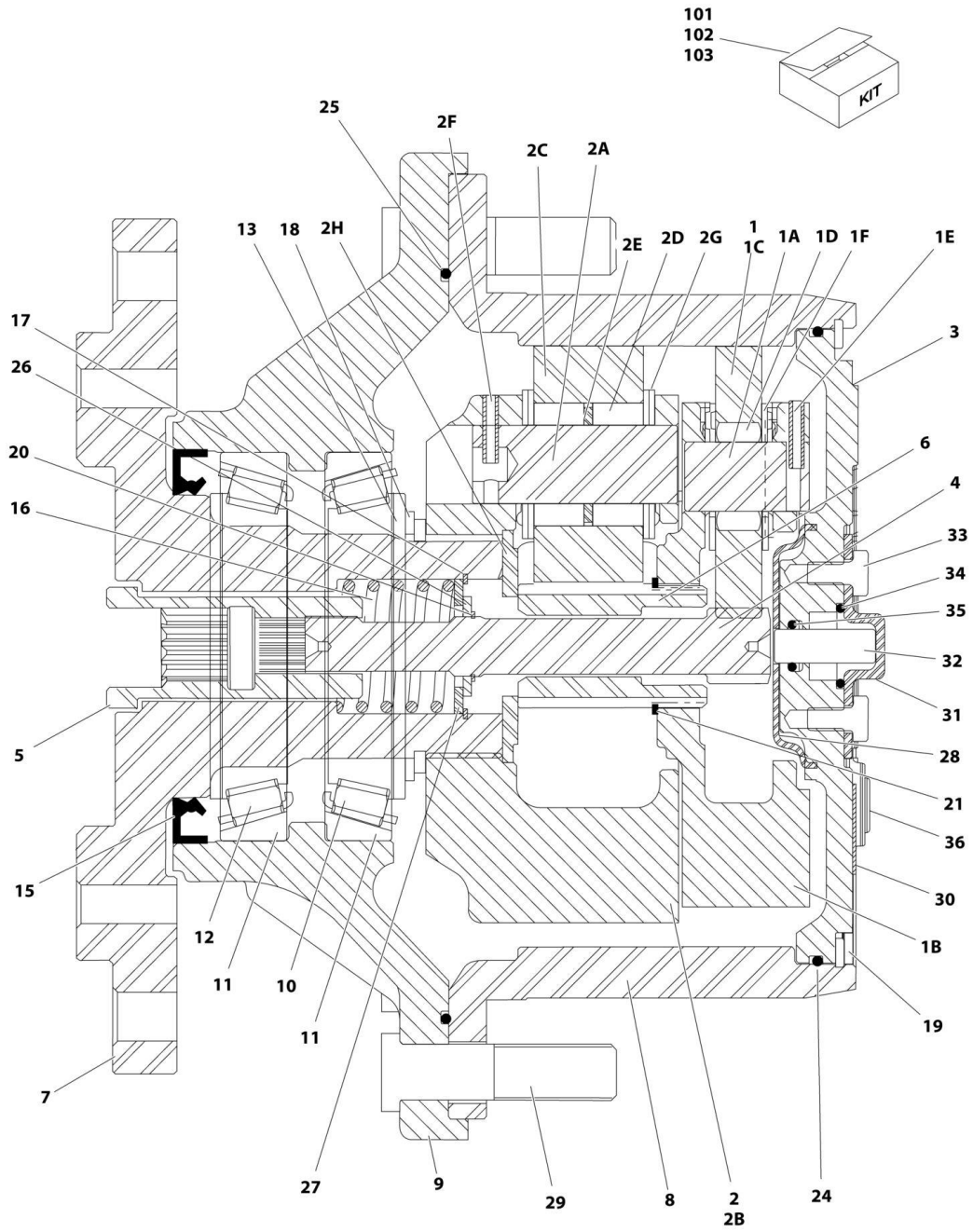
ITEM	PART NUMBER	QTY	DESCRIPTION	REV
40	1001181325	NLA	Sensor (Use p/n 1001219601) <b>(SN 0300208529 through 0300243641)</b>	
40	1001219601	1	Sensor <b>(SN 0300243642 through 300272287)</b>	
40	See Note	1	Receptacle, Female - 4 Position (Note: Not Available for Purchase)	
40	1001196589	4	Terminal	
41	1001188528	1	Steer/Brake Harness (See ELECTRICAL SECTION for Breakdown)	
42	0100020	AR	Sealant <b>(SN 0300226309 through 300272287)</b>	
100	1001190020	1	Battery Cable Kit (See ELECTRICAL SECTION for Breakdown)	





# SECTION 1 - FRAME

## FIGURE 1-8. DRIVE HUB ASSEMBLY



ART\_2780282

FIGURE 1-8. DRIVE HUB ASSEMBLY

ITEM	PART NUMBER	QTY	DESCRIPTION	REV
	2780282	Ref	DRIVE HUB ASSEMBLY	A
1	70001366	1	Carrier, Sub Assembly	
1A	See Note	3	Shaft, Planet (Note: Purchase p/n 70001366)	
1B	See Note	1	Carrier (Note: Purchase p/n 70001366)	
1C	See Note	3	Gear, Planet (Note: Purchase p/n 70001366)	
1D	See Note	42	Bearing, Needle (Note: Purchase p/n 70001366)	
1E	See Note	3	Pin, Roll (Note: Purchase p/n 70001366)	
1F	See Note	6	Washer, Thrust (Note: Purchase p/n 70001366)	
2	70001367	1	Carrier, Input	
2A	See Note	3	Shaft, Planet (Note: Purchase p/n 70001367)	
2B	See Note	1	Carrier (Note: Purchase p/n 70001367)	
2C	See Note	1	Gear, Planet (Note: Purchase p/n 70001367)	
2D	See Note	84	Bearing, Needle (Note: Purchase p/n 70001367)	
2E	See Note	3	Spacer, Thrust (Note: Purchase p/n 70001367)	
2F	See Note	3	Pin, Roll (Note: Purchase p/n 70001367)	
2G	See Note	12	Washer, Thrust (Note: Purchase p/n 70001367)	
2H	See Note	1	Washer, Thrust (Note: Purchase p/n 70001367)	
3	70001368	1	Cover	
4	70001369	1	Shaft, Input	
5	70001370	1	Coupling	
6	70001371	1	Shaft, Sun Gear	
7	70001372	1	Spindle	
8	70001373	1	Gear, Ring	
9	See Note	1	Housing (Note: Purchase p/n 2780282)	
10	See Note	1	Bearing, Tapered-Cone (Note: Purchase p/n 7017007)	
11	See Note	2	Bearing, Tapered-Cup (Note: Purchase p/n 7017007)	
12	See Note	1	Bearing, Tapered-Cone (Note: Purchase p/n 7017007)	
13	7017009	1	Washer, Thrust	
15	See Note	1	Seal, Lip (Note: Purchase p/n 70001380)	
16	70001374	1	Spring	
17	70001375	1	Ring, Retaining (Internal)	
18	See Note	1	Ring, Retaining (External) (Note: Purchase p/n 70001380)	
19	7024738	1	Ring, Retaining (Internal)	
20	70001376	1	Ring, Retaining (External)	
21	70001377	1	Ring, Retaining (External)	
22	7000281	4	Screw (Not Shown - ID Plate Screws)	
23	7017022	3	Bolt, Flathead (Not Shown - Located on front of hub)	
24	See Note	1	O-Ring (Note: Purchase p/n 70001380)	
25	See Note	1	O-Ring (Note: Purchase p/n 70001380)	
26	70001378	1	Spacer, Thrust	
27	70001379	1	Washer, Thrust	
28	7024741	1	Spacer, Thrust	
29	7007640	9	Stub, Wheel	
30	See Note	1	Flange, Plate (Note: Purchase p/n 70001368)	
31	See Note	1	Cap, Disengage (Note: Purchase p/n 70001368)	
32	See Note	1	Pin, Dowel (Note: Purchase p/n 70001368)	
33	See Note	2	Bolt (Note: Purchase p/n 70001368)	
34	See Note	1	O-Ring (Note: Purchase p/n 70001368)	
35	See Note	1	O-Ring (Note: Purchase p/n 70001368)	
36	See Note	1	Plug (Note: Purchase p/n 70001368)	

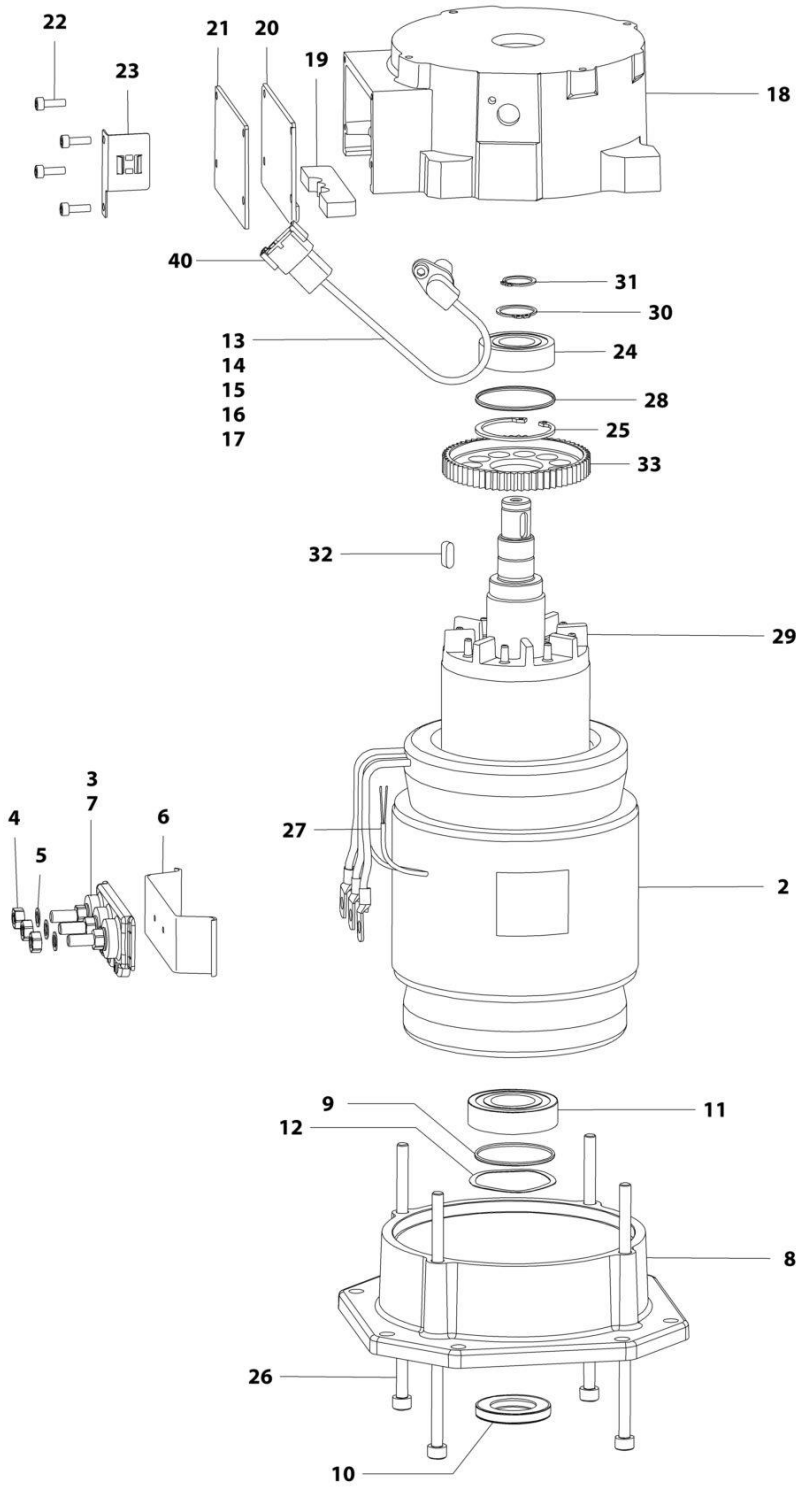
## SECTION 1 - FRAME

ITEM	PART NUMBER	QTY	DESCRIPTION	REV
101	7017007	1	Bearing Kit - Planet Gear (Includes Items 10-12)	
102	70001380	1	Seal Kit - Planet Gear (Includes Items 15, 18, 24 & 25)	
103	70001368	1	Cap/Disengage Kit (Includes Items 30-36)	



# SECTION 1 - FRAME

## FIGURE 1-9. DRIVE MOTOR ASSEMBLY



ART\_1001182550

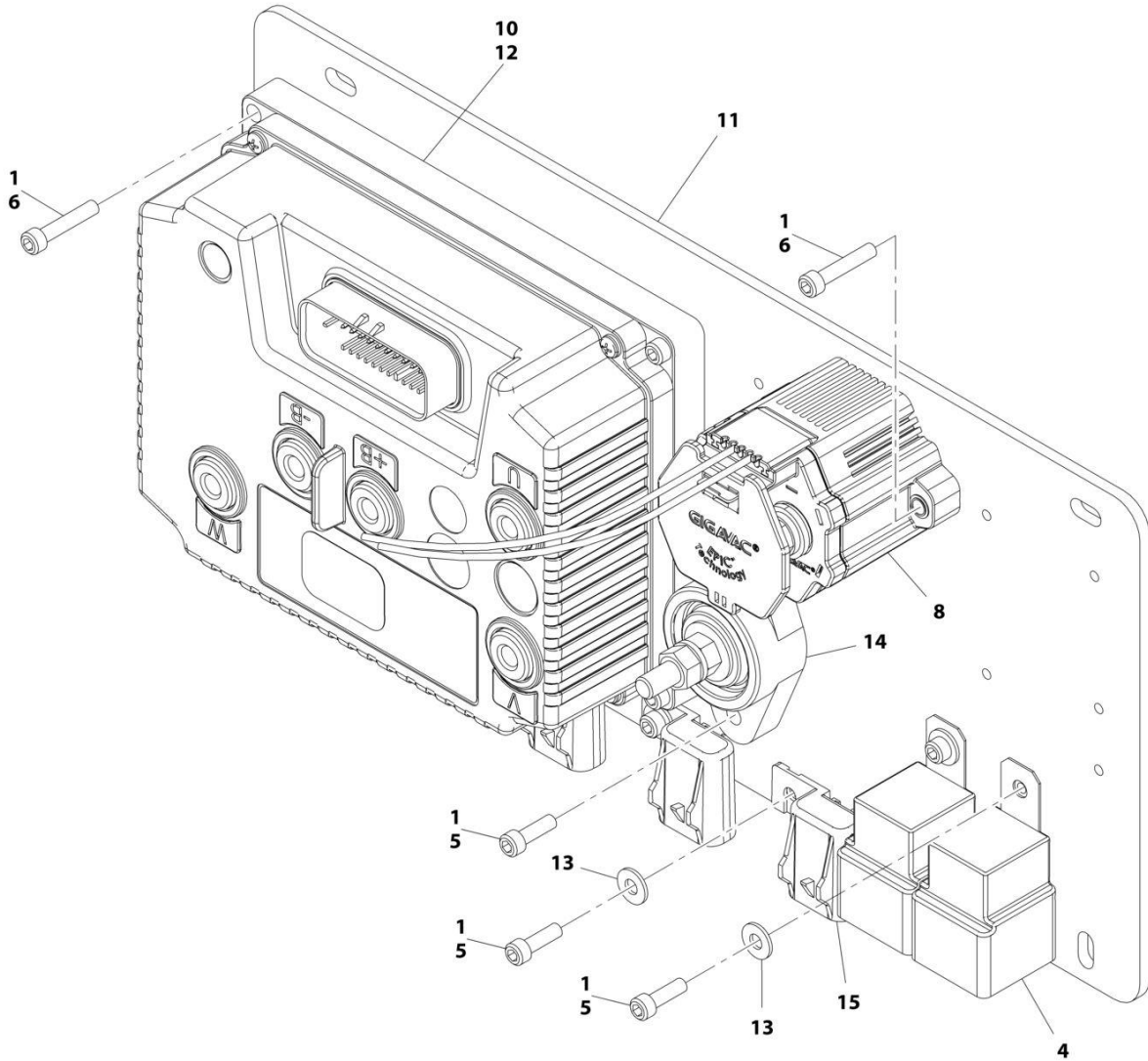
# SECTION 1 - FRAME

## FIGURE 1-9. DRIVE MOTOR ASSEMBLY

ITEM	PART NUMBER	QTY	DESCRIPTION	REV
	1001182550	Ref	DRIVE MOTOR ASSEMBLY	G
2	70005385	1	Stator	
3	70005386	1	Board, Terminal	
4	70005387	3	Nut, M8	
5	70005388	3	Washer, M8	
6	70005389	1	Base, Terminal	
7	70005390	2	Screw, M5 x 14	
8	70005391	1	Plate, Drive End	
9	70004811	1	O-Ring	
10	70005392	1	Seal, Shaft	
11	70004809	1	Bearing	
12	70005393	1	Washer, Wavy	
13	70005394	1	Sensor (Includes Items 14-17)	
14	70005395	1	Screw, M8 x 16	
15	70005396	1	Wedge	
16	70005397	1	Connector	
17	4460516	4	Pin, Male	
18	70005398	1	Shield, End	
19	70005399	1	Seal	
20	70005400	1	Seal	
21	70005401	1	Cover	
22	70005402	4	Screw, M5 x 16	
23	70005403	1	Plate, Retaining	
24	70005404	1	Bearing	
25	70005405	1	Clip, Retainer	
26	70005406	4	Screw, M8 x 180	
27	70005407	1	Temperature, Sensor	
28	70005408	1	O-Ring	
29	70005409	1	Rotor	
30	70004820	1	Clip, Retainer	
31	70005410	1	Clip, Retainer	
32	70005411	1	Key	
33	70005412	1	Gear	
40	1001190577	1	Connector - 8 Position	
40	4460516	8	Pin	

# SECTION 1 - FRAME

## FIGURE 1-10. ELECTRICAL PLATE ASSEMBLY - LH (NON-UL SPECS)



ART\_1001179060



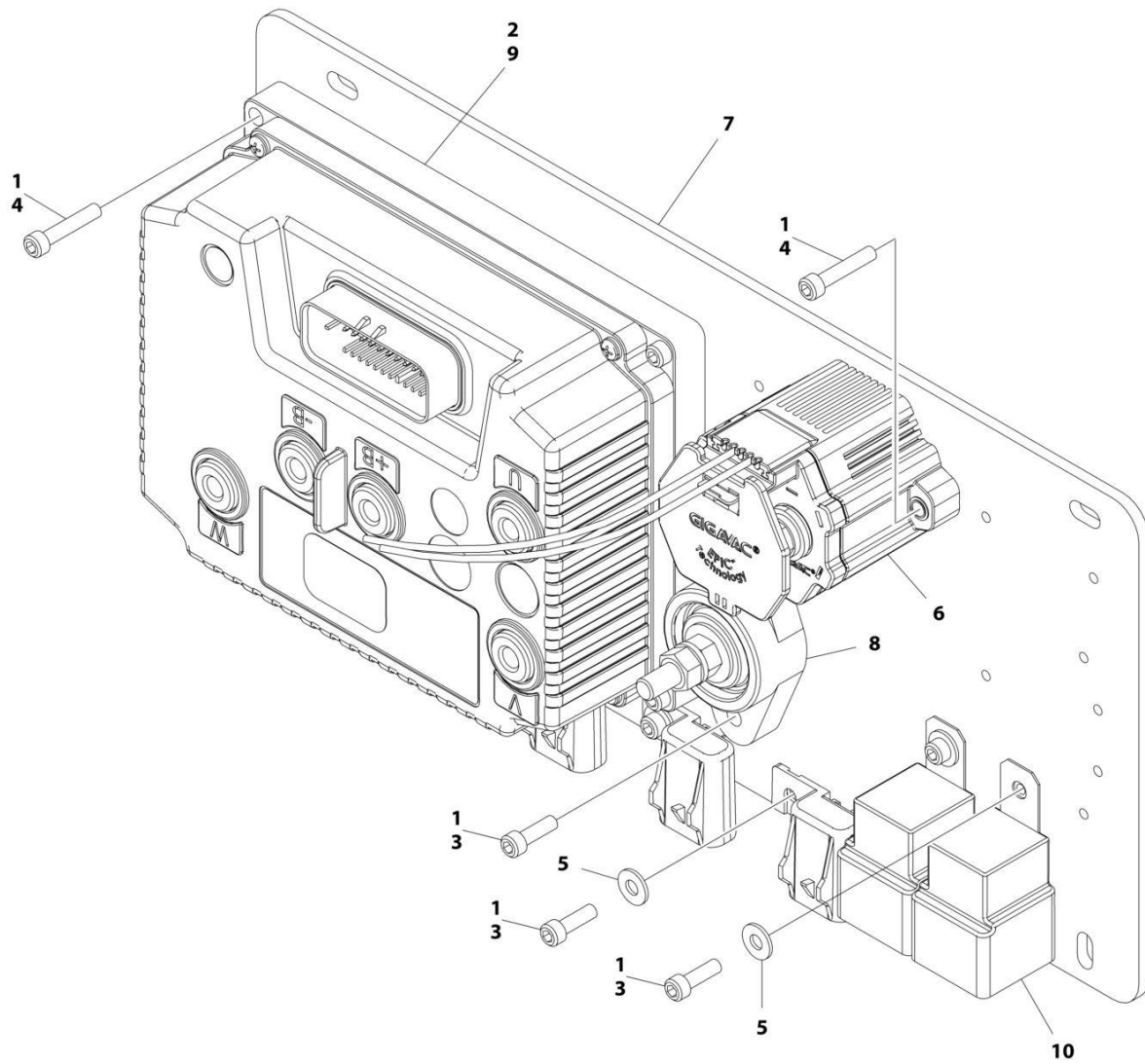
## SECTION 1 - FRAME

**FIGURE 1-10. ELECTRICAL PLATE ASSEMBLY - LH (NON-UL SPECS)**

ITEM	PART NUMBER	QTY	DESCRIPTION	REV
	1001179060	Ref	ELECTRICAL PLATE ASSEMBLY - LH (NON-UL SPECS)	G
1	0100035	AR	Compound, Locking	
4	3740080	2	Relay	
5	3931010	8	Capscrew #10 X 5/8	
6	3931016	6	Capscrew #10 X 1	
8	1001170367	1	Relay, Contacter	
8	70004827	1	Receptacle, Female - 2 Position	
10	1001192212	1	Module, Drive	
11	1001179064	1	Plate	
12	0100083	AR	Grease, Heat Transfer	
13	4711000	6	Washer #10	
14	1001186860	1	Stud, Power Distribution	
15	1001096134	4	Fuseholder (SN 0300208529 through 0300226308, SN B300001429 through B300001989)	
15	1001217842	4	Fuseholder (SN 0300226309 through 0300272287, SN B300001990 through B300005763, Excluding B300005567)	

# SECTION 1 - FRAME

## FIGURE 1-11. ELECTRICAL PLATE ASSEMBLY - LH (UL SPECS)



ART\_1001214668

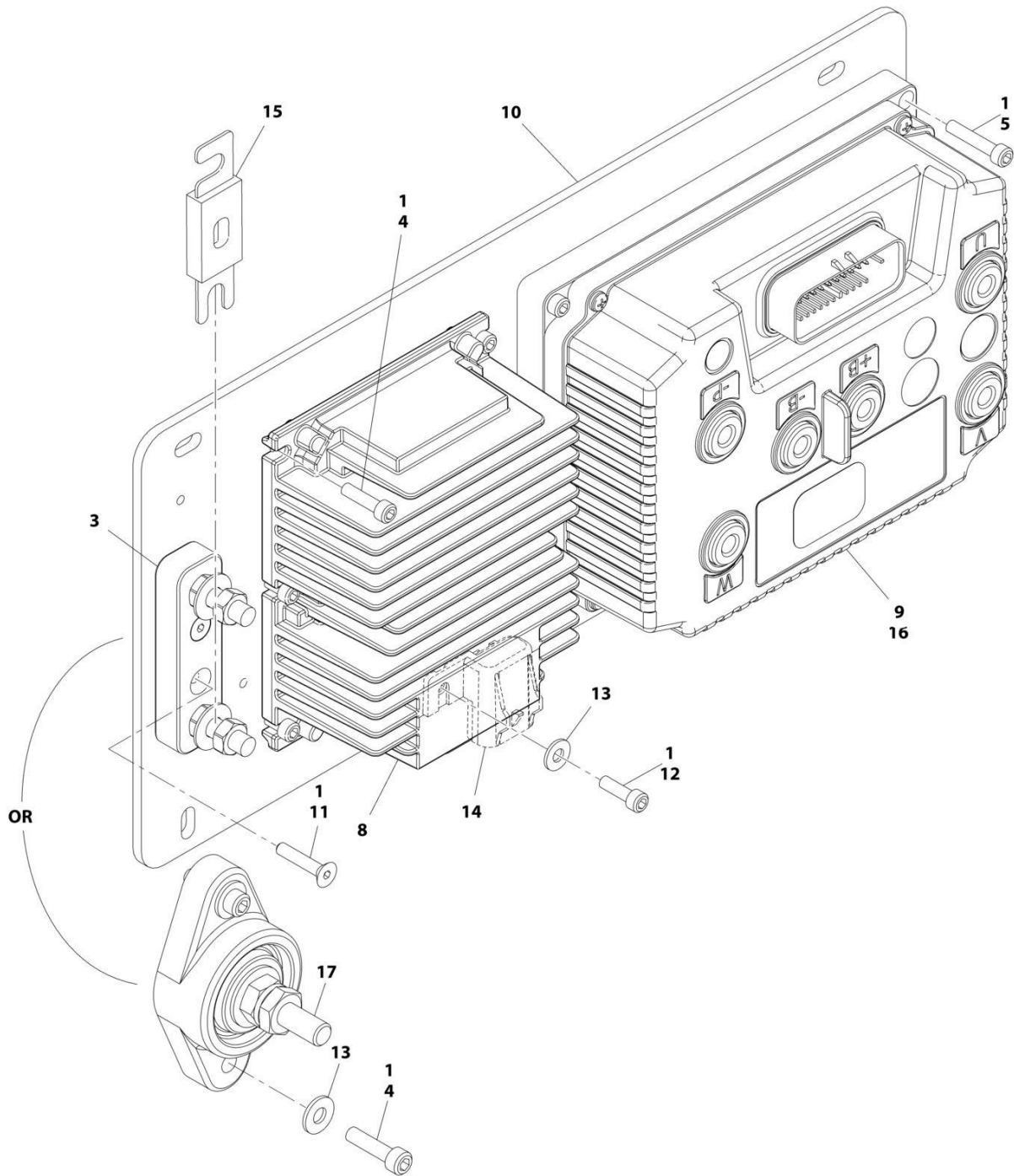
## SECTION 1 - FRAME

**FIGURE 1-11. ELECTRICAL PLATE ASSEMBLY - LH (UL SPECS)**

ITEM	PART NUMBER	QTY	DESCRIPTION	REV
	1001214668	Ref	ELECTRICAL PLATE ASSEMBLY - LH (UL SPECS)	A
1	0100035	AR	Compound, Locking	
2	0100083	AR	Grease, Heat Transfer	
3	3931010	8	Capscrew #10 x 5/8	
4	3931016	6	Capscrew #10 x 1	
5	4711000	6	Washer #10	
6	1001170367	1	Relay, Contacter	
6	70004827	1	Receptacle, Female - 2 Position	
7	1001179064	1	Plate	
8	1001186860	1	Stud, Power Distribution	
9	1001192212	1	Module, Drive	
10	1001214667	2	Relay	

# SECTION 1 - FRAME

FIGURE 1-12. ELECTRICAL PLATE ASSEMBLY - RH (NON-UL SPECS)



ART\_1001179061

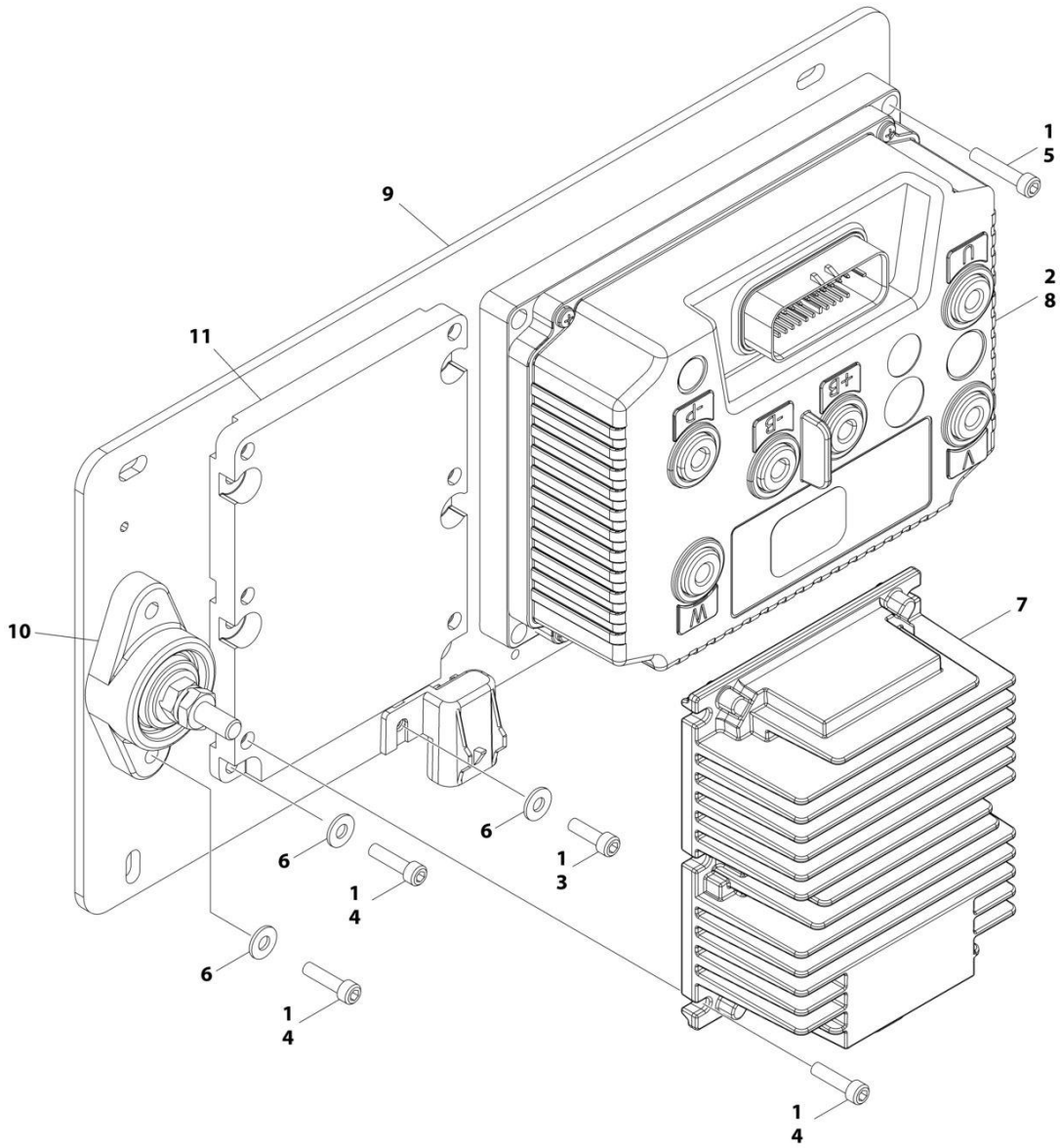
## SECTION 1 - FRAME

**FIGURE 1-12. ELECTRICAL PLATE ASSEMBLY - RH (NON-UL SPECS)**

ITEM	PART NUMBER	QTY	DESCRIPTION	REV
	1001179061	Ref	ELECTRICAL PLATE ASSEMBLY - RH (NON-UL SPECS)	F
1	0100035	AR	Compound, Locking	
3	2400044	1	Block, Fuse <b>(SN 0300208529 through 0300226308, SN B300001429 through B300001989)</b>	
4	3931012	AR	Capscrew #10 X 3/4	
5	3931016	4	Capscrew #10 X 1	
8	1001174447	1	Converter	
9	1001178339	1	Module, Drive	
10	1001179064	1	Plate	
11	0741008	2	Capscrew #10 X 1 <b>(SN 0300208529 through 0300226308, SN B300001429 through B300001989)</b>	
12	3931010	1	Capscrew #10 X 5/8	
13	4711000	AR	Washer #10	
14	1001096134	1	Fuseholder <b>(SN 0300208529 through 0300226308, SN B300001429 through B300001989)</b>	
15	1001170485	1	Fuse 250Amp <b>(SN 0300208529 through 0300226308, SN B300001429 through B300001989)</b>	
16	0100083	AR	Grease, Heat Transfer	
17	1001212359	1	Stud, Power Distribution <b>(SN 0300226309 through 0300272287, SN B300001990 through B300005763, Excluding B300005567)</b>	

# SECTION 1 - FRAME

FIGURE 1-13. ELECTRICAL PLATE ASSEMBLY - RH (UL SPECS)



ART\_1001212456

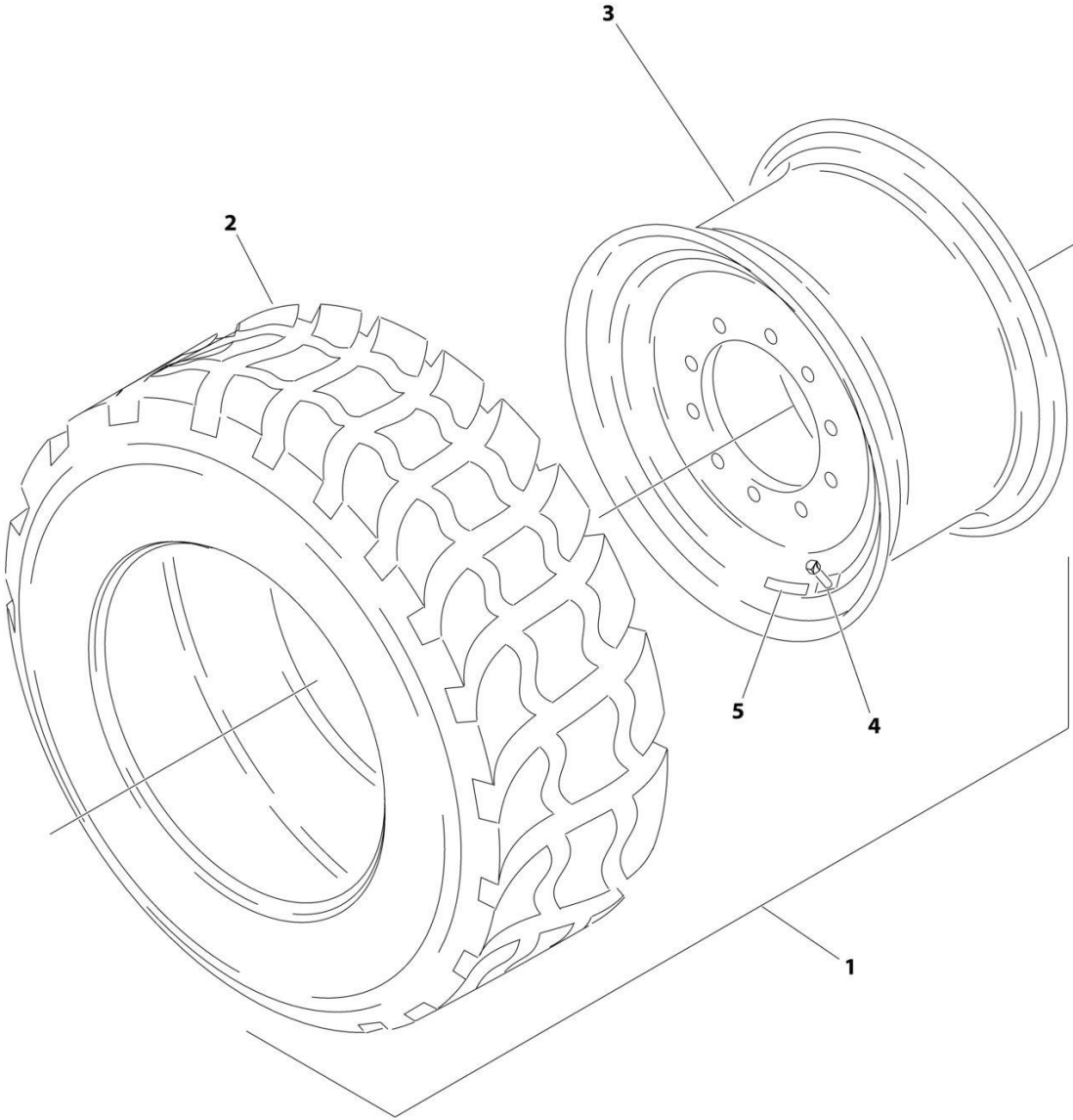
## SECTION 1 - FRAME

**FIGURE 1-13. ELECTRICAL PLATE ASSEMBLY - RH (UL SPECS)**

ITEM	PART NUMBER	QTY	DESCRIPTION	REV
	1001212456	Ref	ELECTRICAL PLATE ASSEMBLY - RH (UL SPECS)	A
1	0100035	AR	Compound, Locking	
2	0100083	AR	Grease, Heat Transfer	
3	3931010	1	Capscrew #10 X 5/8	
4	3931012	14	Capscrew #10 X 3/4	
5	3931016	4	Capscrew #10 X 1	
6	4711000	9	Washer #10	
7	1001174447	1	Converter	
8	1001178339	1	Module, Drive	
9	1001179064	1	Plate	
10	1001212359	1	Stud	
11	1001212450	1	Insulate	

**SECTION 1 - FRAME**

**FIGURE 1-14. TIRE/WHEEL - IN240/55-17.5 PNEUMATIC**



ART\_0258995



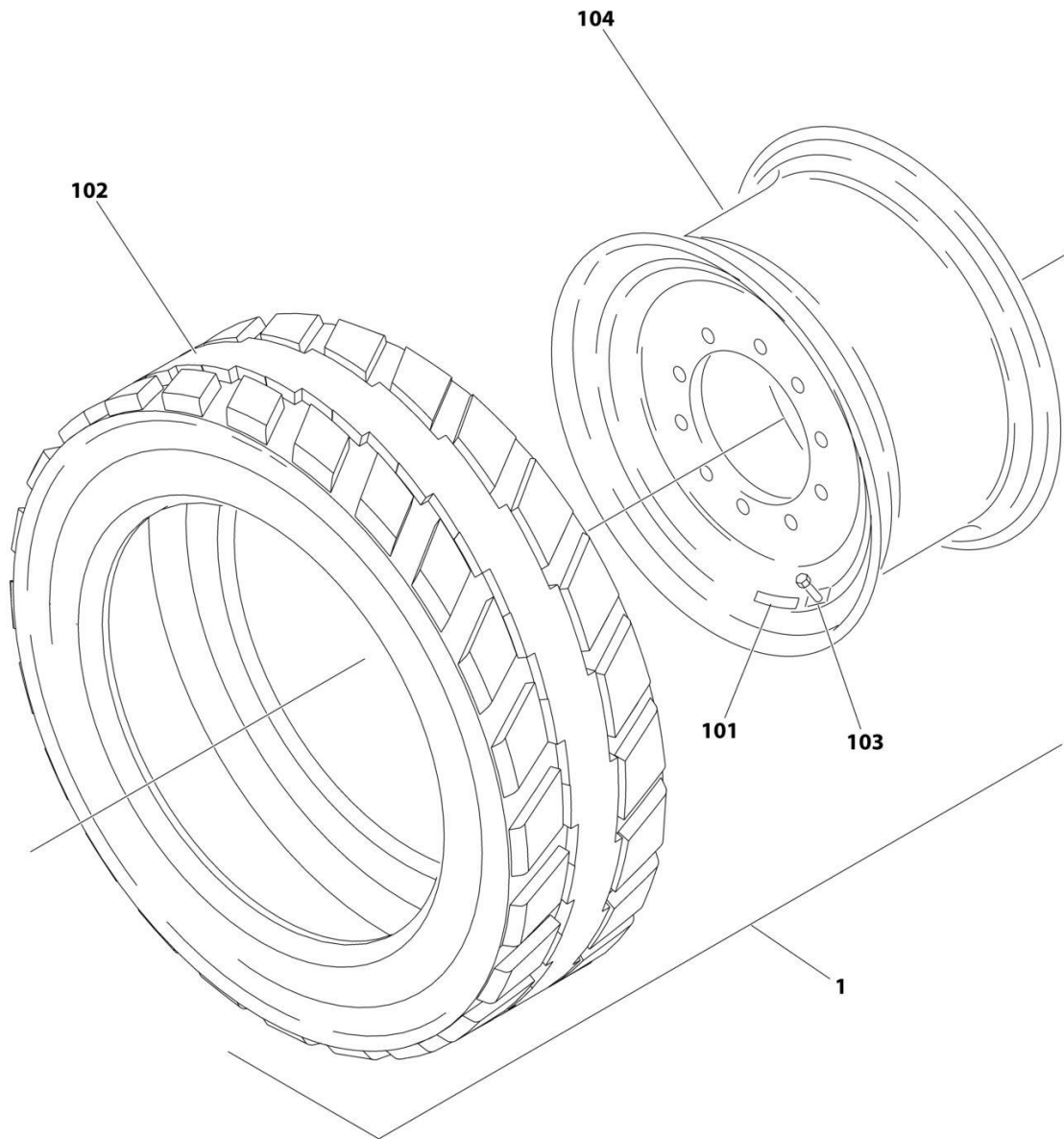
**SECTION 1 - FRAME**

**FIGURE 1-14. TIRE/WHEEL - IN240/55-17.5 PNEUMATIC**

<b>ITEM</b>	<b>PART NUMBER</b>	<b>QTY</b>	<b>DESCRIPTION</b>	<b>REV</b>
	0258995	Ref	TIRE AND WHEEL INSTALLATION	1
1	0258688	4	Tire Assembly	2
2	4520209	1	Tire, OTR, IN240/55-17.5 Pneumatic	
3	4860191	1	Rim, Wheel	
4	4641167	1	Valve, Stem	
5	1702740	1	Decal - Tire Pressure	

# SECTION 1 - FRAME

FIGURE 1-15. TIRE/WHEEL - IN240/55-17.5 PNEUMATIC NON MARKING



ART\_0273683

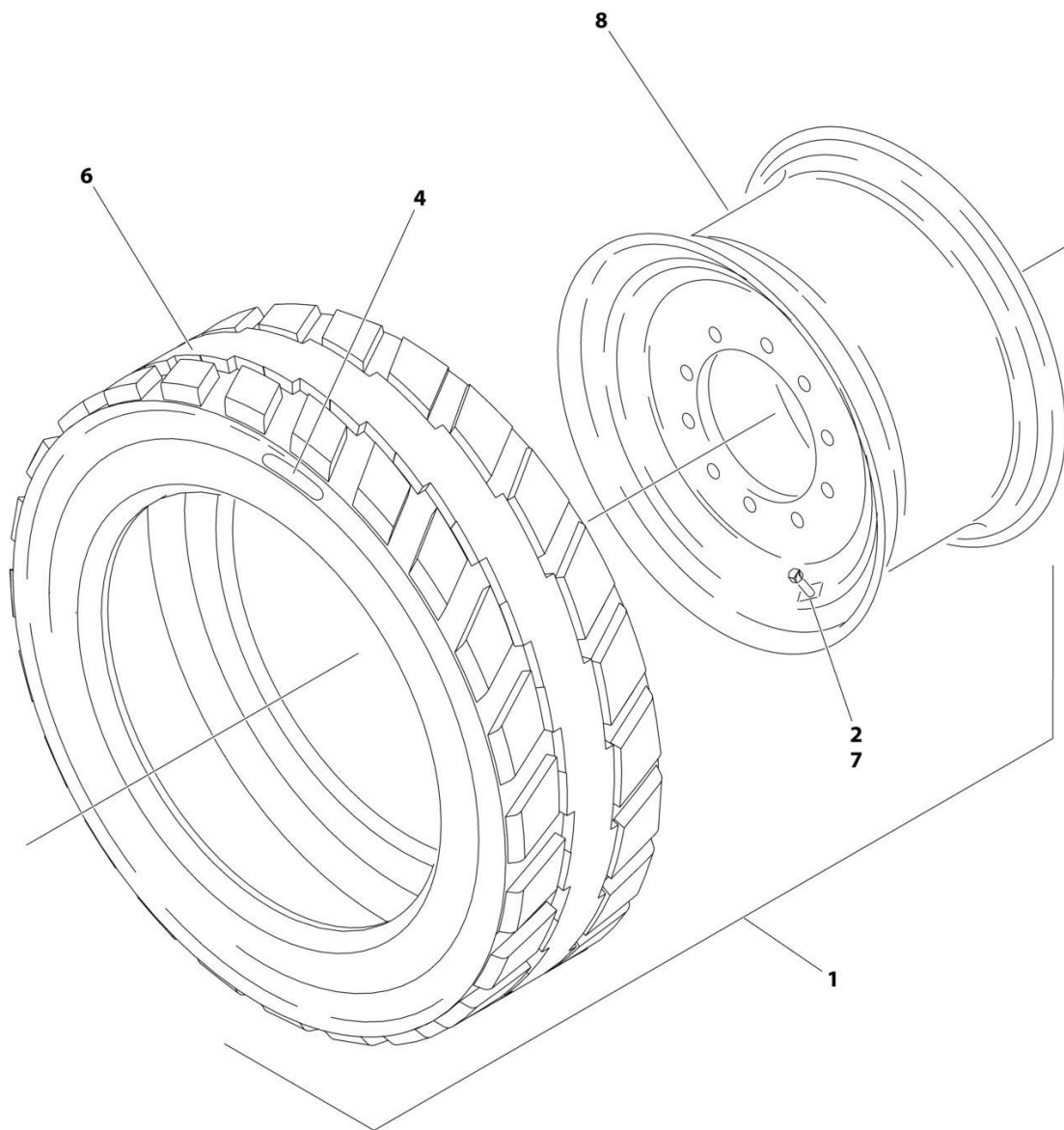
## SECTION 1 - FRAME

**FIGURE 1-15. TIRE/WHEEL - IN240/55-17.5 PNEUMATIC NON MARKING**

ITEM	PART NUMBER	QTY	DESCRIPTION	REV
	0273683	Ref	TIRE AND WHEEL INSTALLATION	A
		Ref	Note: Assemblies may require ballast/foam filling to manufacturer's prior to installing on a machine. Refer to Operation and Safety or Service and Maintenance Manuals. Purchase individual tire and/or rim only if able to foam fill tire and wheel assembly, otherwise purchase complete assembly.	
1	4520279	4	Tire and Wheel Assembly	
101	1702740	1	Decal - Tire Pressure	
102	4520269	1	IN240/55-17.5 Non-Marking Tire with Lighting Tread Pattern	
103	4641167	1	Valve	
104	4860191	1	Rim, Wheel	

# SECTION 1 - FRAME

FIGURE 1-16. TIRE/WHEEL - IN240/55-17.5 PNEUMATIC NON MARKING WITH TIRE SEALANT



ART\_0273686

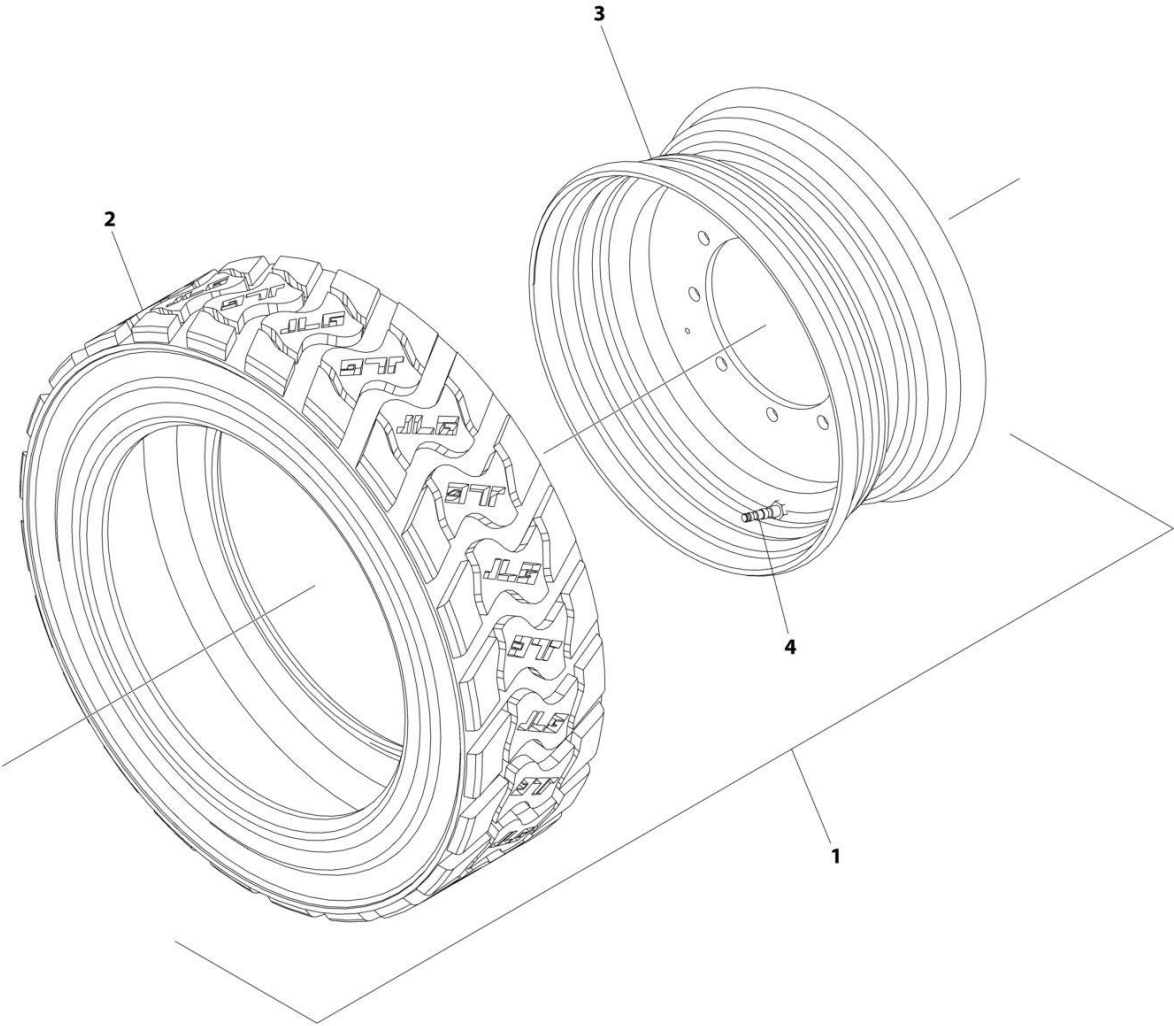
**SECTION 1 - FRAME**

**FIGURE 1-16. TIRE/WHEEL - IN240/55-17.5 PNEUMATIC NON MARKING WITH TIRE SEALANT**

ITEM	PART NUMBER	QTY	DESCRIPTION	REV
	0273686	Ref	TIRE AND WHEEL INSTALLATION	A
1	4520282	1	Tire Assembly	A
2	1120552	1	Cap, Valve Stem (Green)	
3	1300019	AR	Sealant, Tire (Not Shown)	
4	1702740	1	Decal - Tire Pressure	
5	1705364	1	Decal - Tire Sealant (Not Shown)	
6	4520269	1	Tire, OTR, IN240/55-17.5 Penu. Non Marking	
7	4641167	1	Valve, Stem	
8	4860191	1	Rim, Stem	

**SECTION 1 - FRAME**

**FIGURE 1-17. TIRE/WHEEL - IN240/55 - 17.5 FOAM FILLED**



ART\_0258996

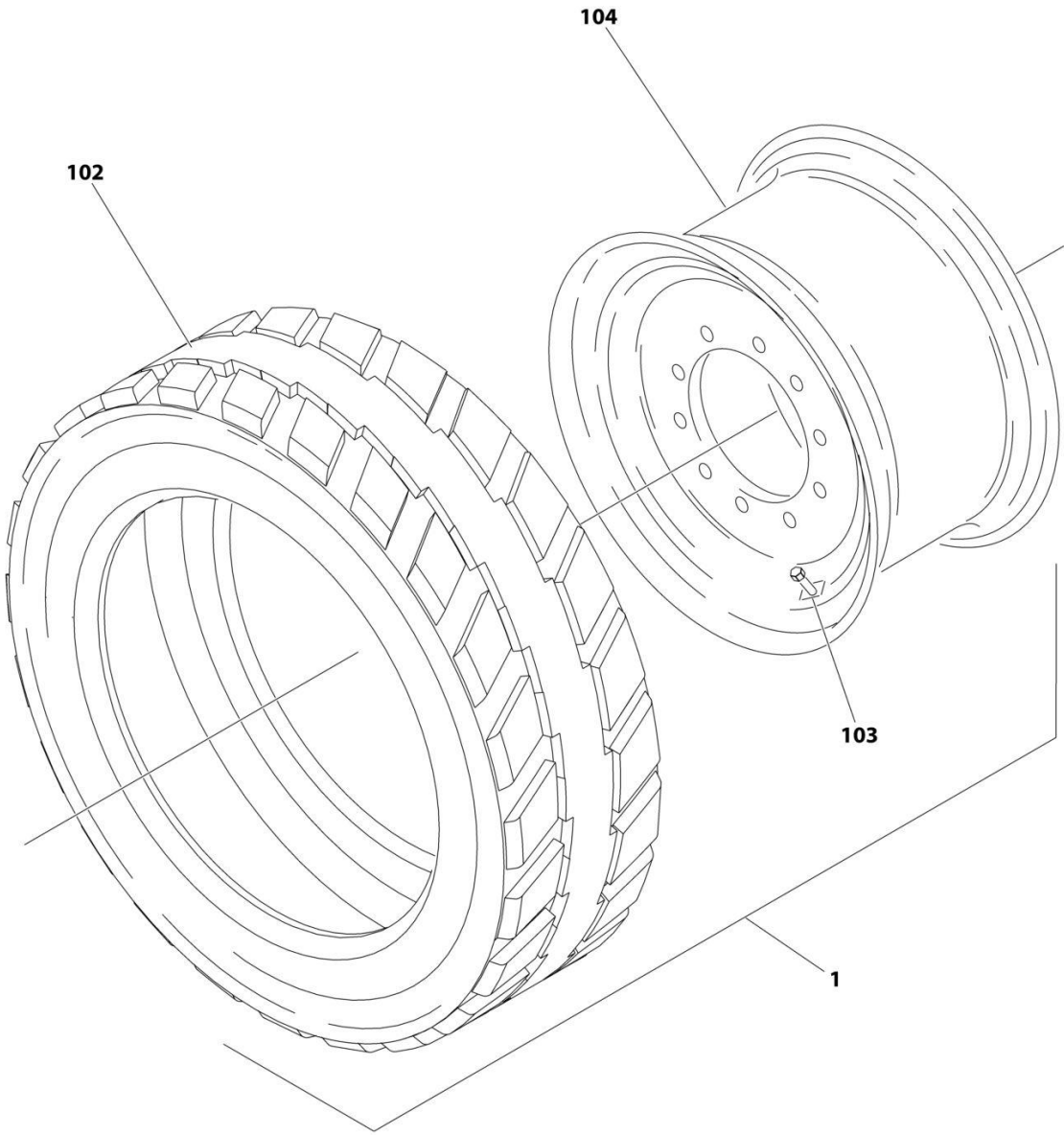
**SECTION 1 - FRAME**

**FIGURE 1-17. TIRE/WHEEL - IN240/55 - 17.5 FOAM FILLED**

ITEM	PART NUMBER	QTY	DESCRIPTION	REV
1	0258996	Ref	TIRE AND WHEEL INSTALLATION	1
	0258997	4	Tire Assembly	F
	See Note	Ref	Note: Assemblies may require ballast/foam filling to manufacture's specifications prior to installing on a machine. Refer to Operation and Safety or Service and Maintenance Manuals. Purchase Individual tire and/or rim only if able to foam fill tire and wheel assembly, otherwise, purchase complete assembly	
2	4520209	1	Tire, OTR, IN240/55-17.5	
3	4860191	1	Rim, Wheel	
4	4641122	1	Valve, Stem	

**SECTION 1 - FRAME**

**FIGURE 1-18. TIRE/WHEEL - IN240/55-17.5 FOAM FILLED NON MARKING**



ART\_0273684



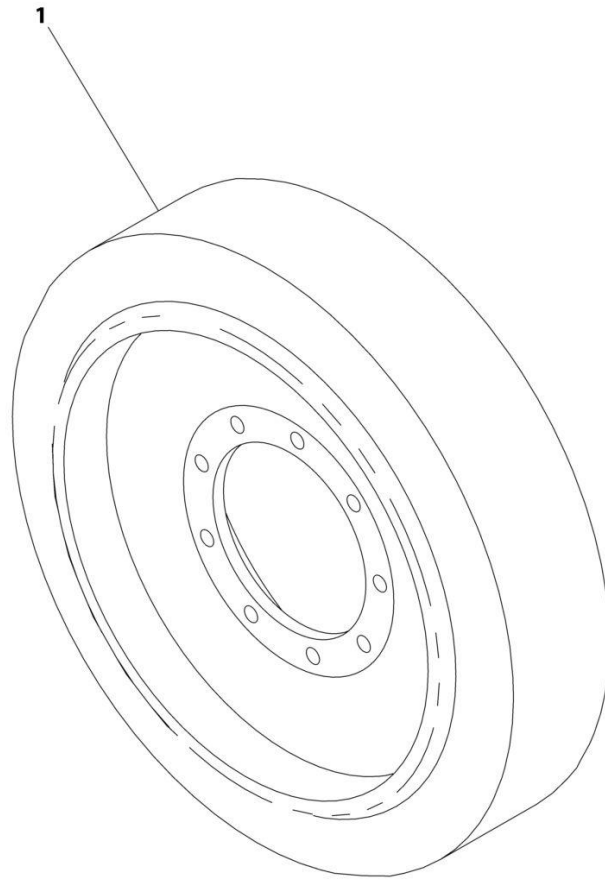
**SECTION 1 - FRAME**

**FIGURE 1-18. TIRE/WHEEL - IN240/55-17.5 FOAM FILLED NON MARKING**

ITEM	PART NUMBER	QTY	DESCRIPTION	REV
	0273684	Ref	TIRE AND WHEEL INSTALLATION	A
		Ref	Note: Assemblies may require ballast/foam filling to manufacturer's specifications prior to installing on a machine. Refer to Operation and Safety or Service and Maintenance Manuals. Purchase individual tire and/or rim only if able to foam fill tire and wheel assembly, otherwise, purchase complete assembly.	
1	0273468	4	Tire Assembly	H
102	4520269	1	Tire, OTR, IN240/55-17.5 Foam Filled Non Marking	
103	4641122	1	Valve, Stem	
104	4860191	1	Rim, Wheel	

# SECTION 1 - FRAME

FIGURE 1-19. TIRE/WHEEL - 26 X 7 X 20 - SOLID NON MARKING



ART\_0270037

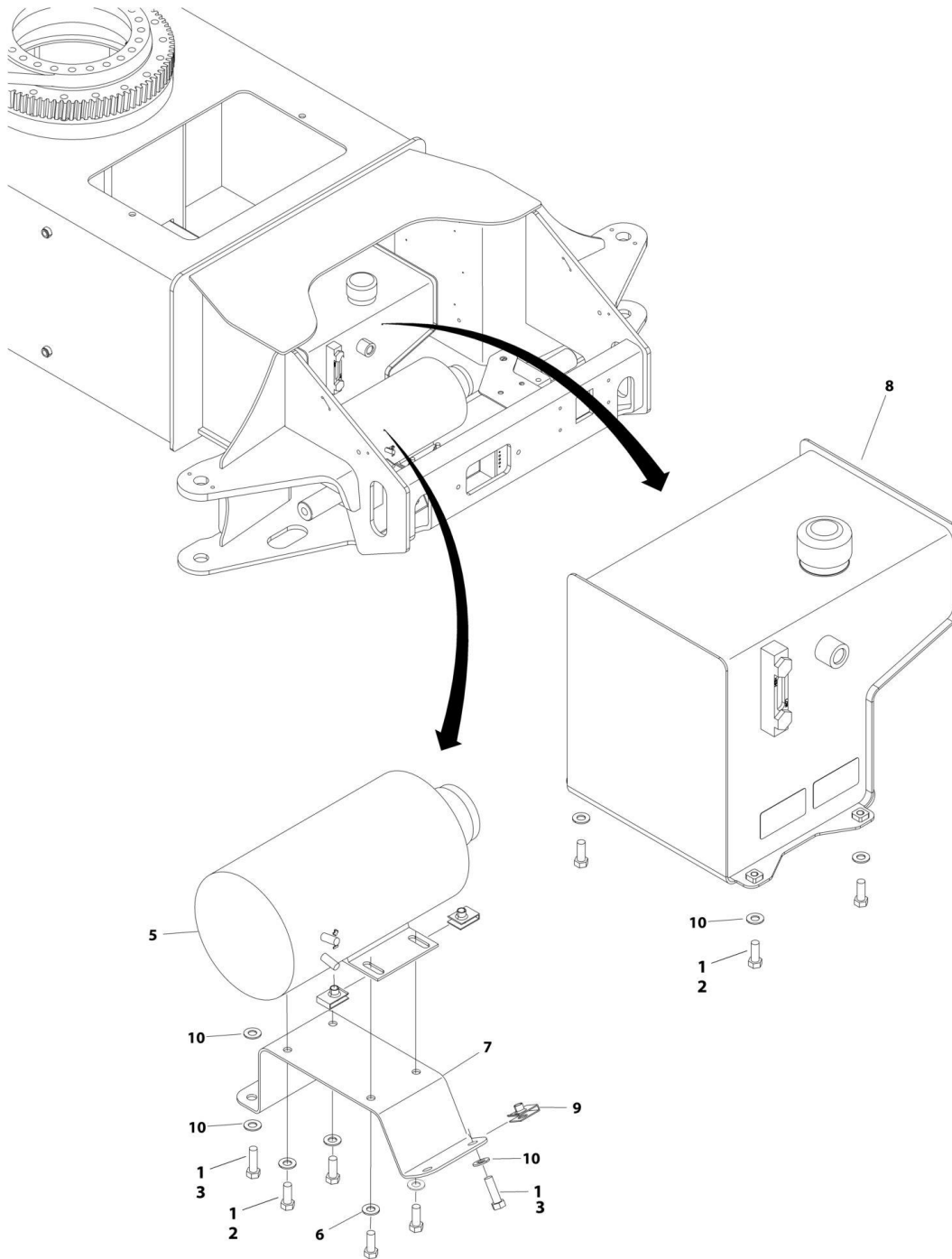
**SECTION 1 - FRAME**

**FIGURE 1-19. TIRE/WHEEL - 26 X 7 X 20 - SOLID NON MARKING**

ITEM	PART NUMBER	QTY	DESCRIPTION	REV
1	0270037 See Note 1001110775	Ref Ref 4	TIRE AND WHEEL INSTALLATION Note: Must replace Tire and Wheel Assemblies in pairs per axle. Tire Assembly	2  B

# SECTION 1 - FRAME

FIGURE 1-20. MOTOR/PUMP/TANK INSTALLATION - E450A/E450AJ NON-UL SPECS



ART\_1001166417

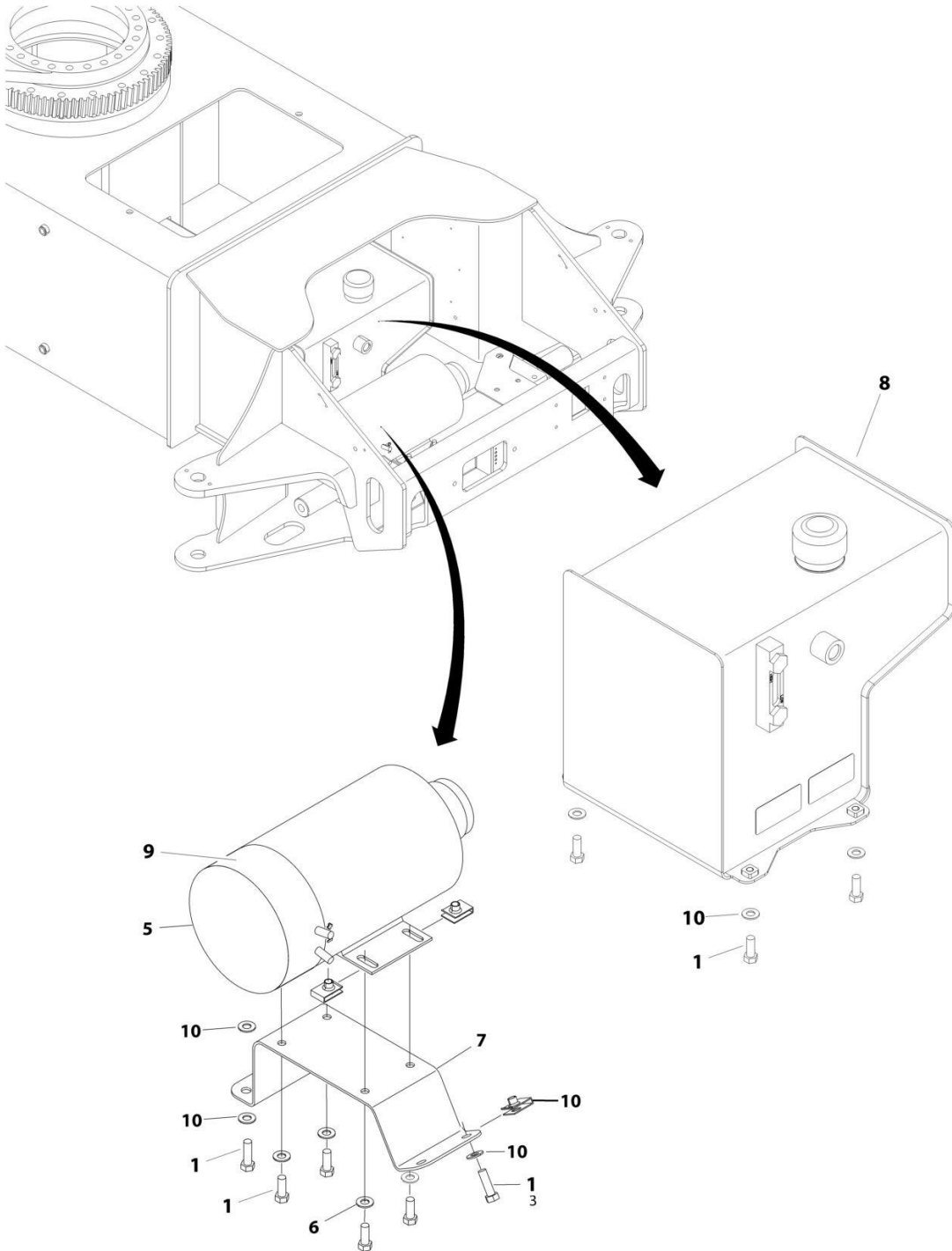
## SECTION 1 - FRAME

**FIGURE 1-20. MOTOR/PUMP/TANK INSTALLATION - E450A/E450AJ NON-UL SPECS**

ITEM	PART NUMBER	QTY	DESCRIPTION	REV
	1001166417	Ref	MOTOR/PUMP/TANK INSTALLATION - E450A/E450AJ NON-UL SPECS	F
1	0100011	AR	Compound, Locking	
2	0641608	8	Bolt, 3/8-16 x 1	
3	0641610	4	Bolt, 3/8-16 x 1-1/4	
5	3600289	1	Motor/Pump Assembly (See MOTOR/PUMP ASSEMBLY for Breakdown)	
6	4711600	4	Washer, 3/8	
7	1001166419	1	Plate, Mounting	
8	1001171213	1	Tank, Hydraulic (See HYDRAULIC TANK ASSEMBLY for Breakdown)	
9	88662523	8	Nut, Tinnerman	
10	4891600	8	Washer, 3/8 Hardened	

# SECTION 1 - FRAME

FIGURE 1-21. MOTOR/PUMP/TANK INSTALLATION - E450A/E450AJ UL SPECS



ART\_1001167487

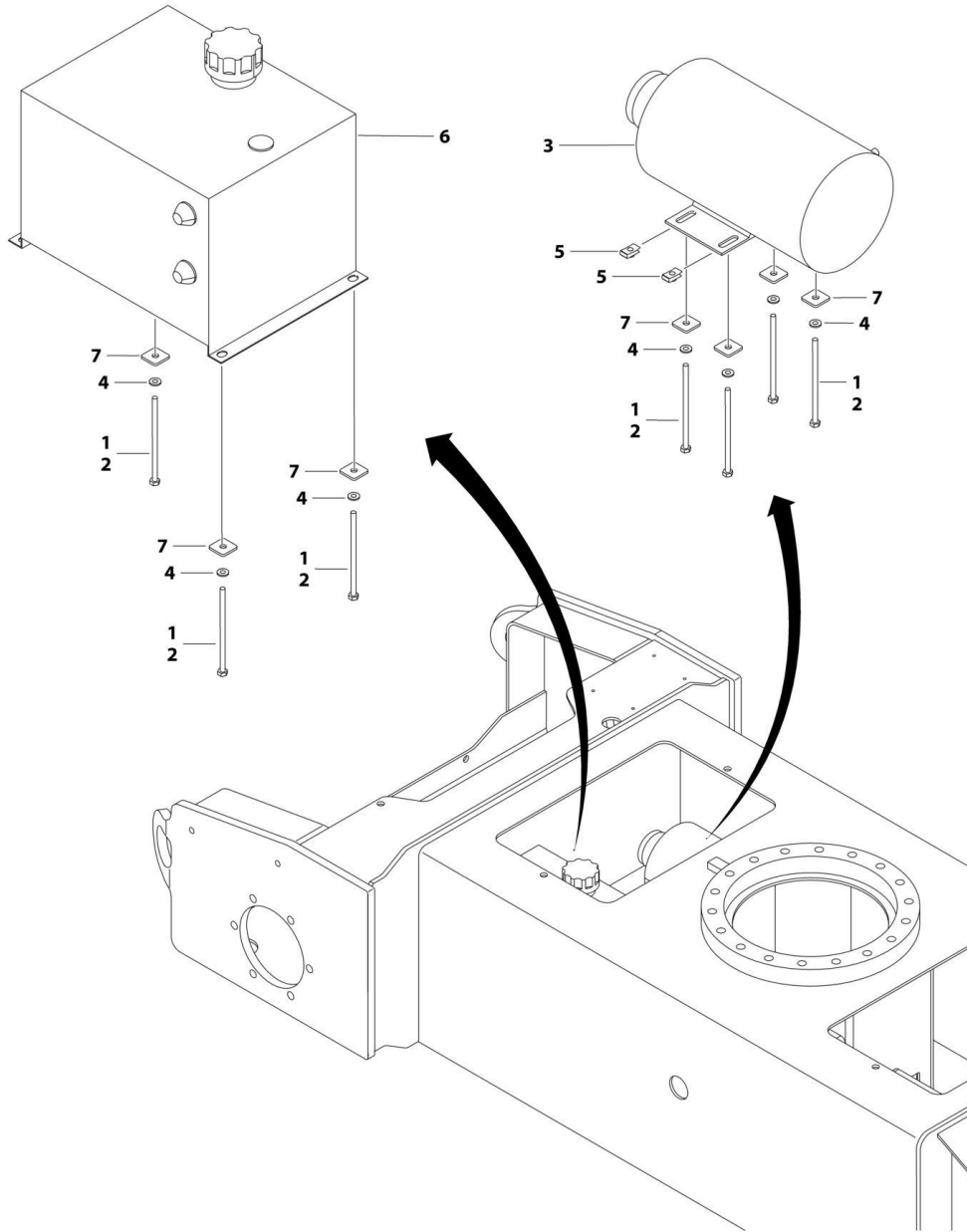
## SECTION 1 - FRAME

**FIGURE 1-21. MOTOR/PUMP/TANK INSTALLATION - E450A/E450AJ UL SPECS**

ITEM	PART NUMBER	QTY	DESCRIPTION	REV
	1001167487	Ref	MOTOR/PUMP/TANK INSTALLATION - E450A/E450AJ - UL SPECS	F
1	0100011	AR	Compound, Locking	
2	0641608	8	Bolt, 3/8-16 x 1	
3	0641610	4	Bolt, 3/8-16 x 1-1/4	
5	3600289	1	Motor/Pump Assembly (See MOTOR/PUMP ASSEMBLY for Breakdown)	
6	4751600	4	Washer, 3/8	
7	1001166419	1	Plate, Mounting	
8	1001171213	1	Tank Hydraulic (See HYDRAULIC TANK ASSEMBLY for Breakdown)	
9	0340048	1	Band, Motor	
10	88662523	8	Nut, Tinnerman	
11	4891600	8	Washer, 3/8 Hardened	

# SECTION 1 - FRAME

## FIGURE 1-22. MOTOR/PUMP/TANK INSTALLATION - M450AJ



ART\_1001167363



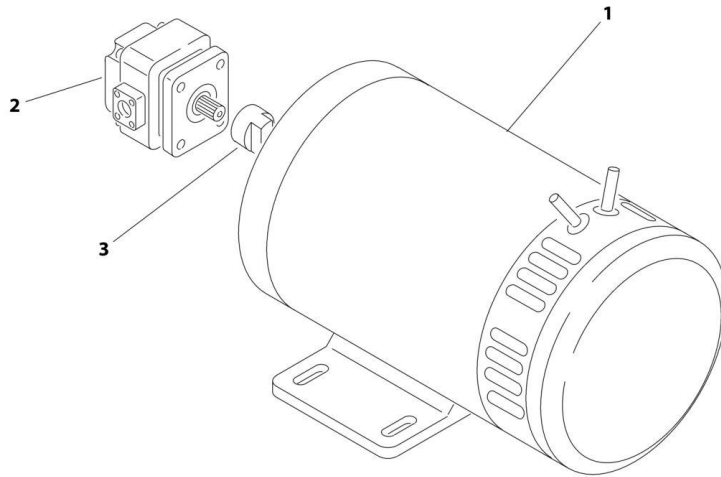
## SECTION 1 - FRAME

### FIGURE 1-22. MOTOR/PUMP/TANK INSTALLATION - M450AJ

ITEM	PART NUMBER	QTY	DESCRIPTION	REV
	1001167363	Ref	MOTOR/PUMP/TANK INSTALLATION - M50AJ	B
1	0100011	AR	Compound, Locking	
2	0641440	7	Bolt, 1/4-20 X 5	
3	3600289	1	Motor/Pump Assembly (See MOTOR/PUMP ASSEMBLY for Breakdown)	
4	4711400	7	Washer, 1/4	
5	3300454	4	Nut, 1/4-20	
6	1001171214	1	Tank, Hydraulic (See HYDRAULIC TANK ASSEMBLY for Breakdown)	
7	1001167291	7	Washer	

# SECTION 1 - FRAME

## FIGURE 1-23. MOTOR/PUMP ASSEMBLY



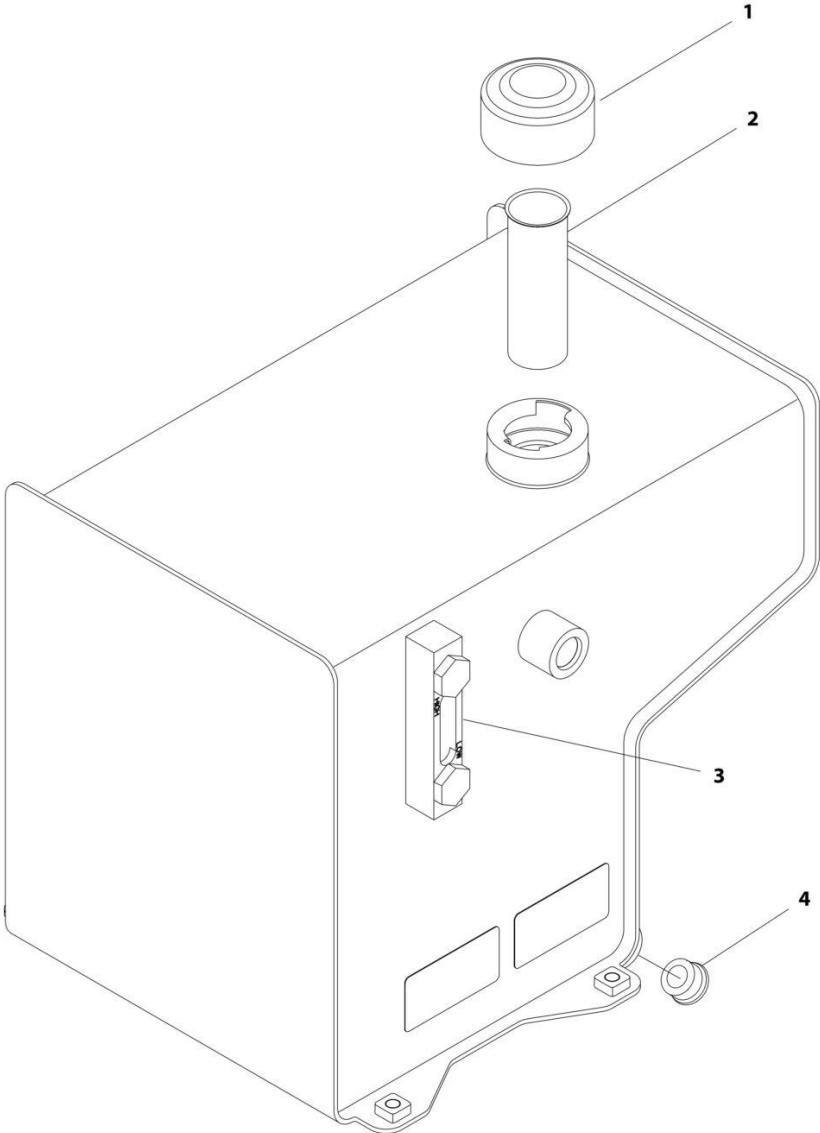
ART\_3600289

FIGURE 1-23. MOTOR/PUMP ASSEMBLY

ITEM	PART NUMBER	QTY	DESCRIPTION	REV
	3600289	Ref	MOTOR/PUMP ASSEMBLY	A
1	7021318	1	Motor Assembly	
1	7021361	1	Brush Kit	
1	70003171	1	Spring, Brush	
1	70001961	1	Seal, Oil	
2	7021319	1	Pump Assembly	
2	7021377	1	Seal Kit	
3	70002523	1	Coupling	

**SECTION 1 - FRAME**

**FIGURE 1-24. HYDRAULIC TANK ASSEMBLY - E450A/E450AJ**



ART\_1001171213

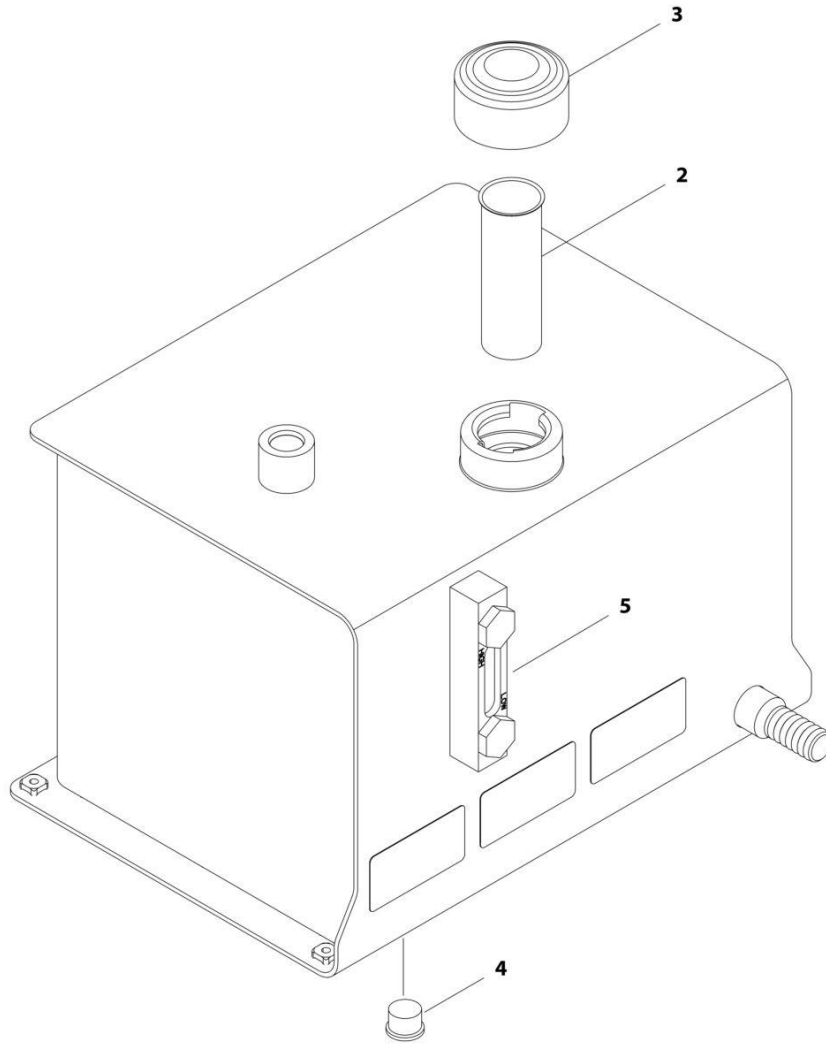
**SECTION 1 - FRAME**

**FIGURE 1-24. HYDRAULIC TANK ASSEMBLY - E450A/E450AJ**

<b>ITEM</b>	<b>PART NUMBER</b>	<b>QTY</b>	<b>DESCRIPTION</b>	<b>REV</b>
	1001171213	Ref	HYDRAULIC TANK ASSEMBLY - E450A/E450AJ	B
1	7024444	1	Cap, Breather	
2	7024445	1	Strainer	
3	70005101	1	Gauge, Sight	
4	70002112	1	Plug	

# SECTION 1 - FRAME

## FIGURE 1-25. HYDRAULIC TANK ASSEMBLY - M450AJ



ART\_1001171214

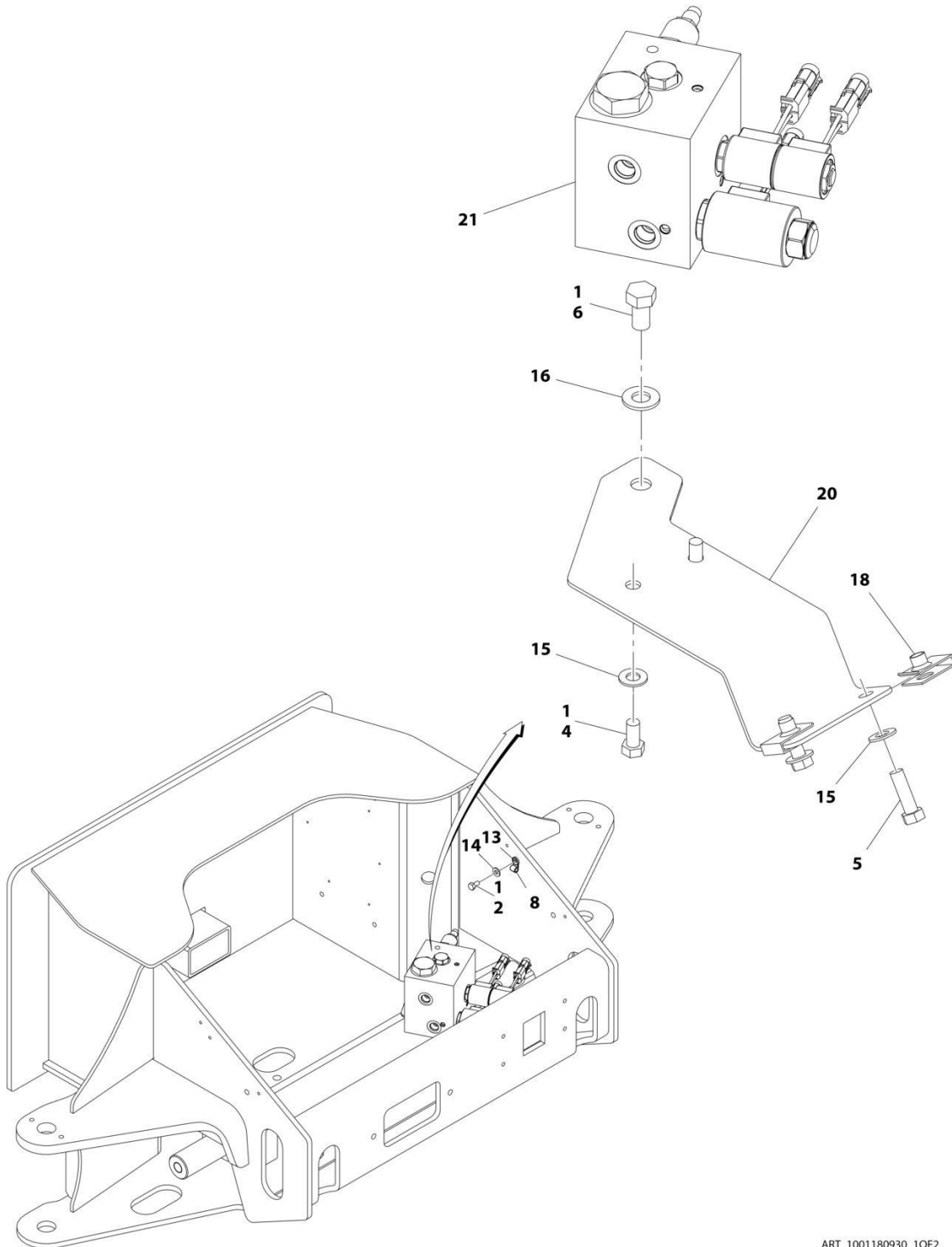
## SECTION 1 - FRAME

**FIGURE 1-25. HYDRAULIC TANK ASSEMBLY - M450AJ**

ITEM	PART NUMBER	QTY	DESCRIPTION	REV
	1001171214	Ref	HYDRAULIC TANK - M450AJ	B
2	7024445	1	Strainer	
3	7024444	1	Cap, Breather	
4	70002112	1	Plug	
5	70005101	1	Gauge, Sight	

# SECTION 1 - FRAME

## FIGURE 1-26. VALVE INSTALLATION - FRAME MOUNTED - E450A



ART\_1001180930\_10F2



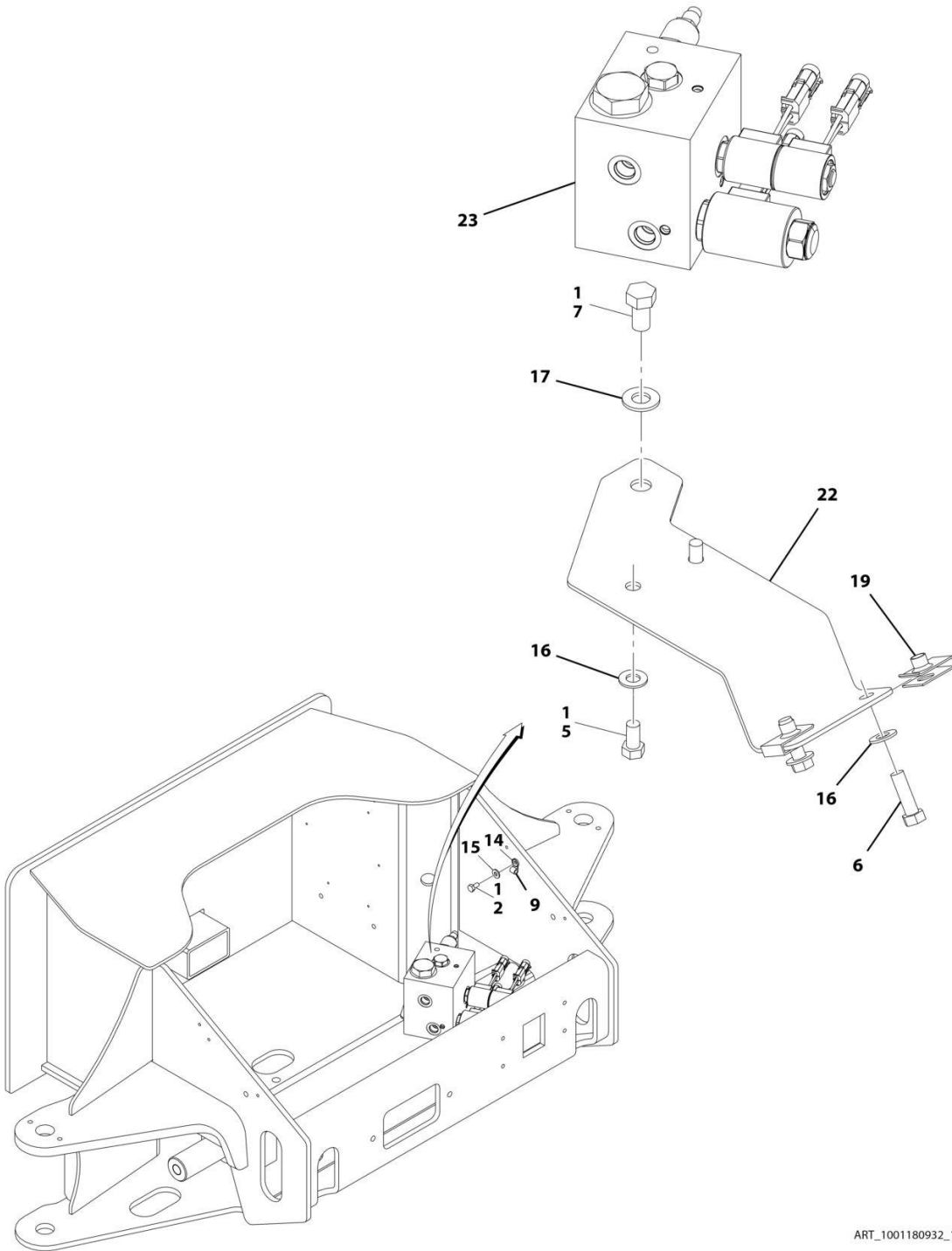
## SECTION 1 - FRAME

**FIGURE 1-26. VALVE INSTALLATION - FRAME MOUNTED - E450A**

ITEM	PART NUMBER	QTY	DESCRIPTION	REV
	1001180930	Ref	VALVE INSTALLATION - FRAME MOUNTED - E450A	B
1	0100011	AR	Compound, Locking	
2	0641404	1	Bolt, 1/4-20 x 1/2 <b>(SN 0300208529 through 0300225010)</b>	
4	0641606	2	Bolt, 3/8-16 X 3/4	
5	0641610	2	Bolt, 3/8-16 X 1-1/4	
6	0641807	1	Bolt, 1/2-13 X 7/8	
8	1320040	1	Clamp <b>(SN 0300208529 through 0300225010)</b>	
13	4240032	1	Tie, Strap <b>(SN 0300208529 through 0300225010)</b>	
14	4711400	1	Washer, 1/4 <b>(SN 0300208529 through 0300225010)</b>	
15	4711600	4	Washer, 3/8	
16	4711800	1	Washer, 1/2	
18	88662523	2	Nut, Tinnerman	
20	1001166420	1	Bracket, Mounting	
21	1001177364	1	Steer/Brake Valve Assembly (See STEER/BRAKE VALVE ASSEMBLY for Breakdown)	

# SECTION 1 - FRAME

FIGURE 1-27. VALVE INSTALLATION - FRAME MOUNTED - E450AJ (SN 0300208529 through 0300233451, SN B300001429 through B300002532)



ART\_1001180932\_10F2

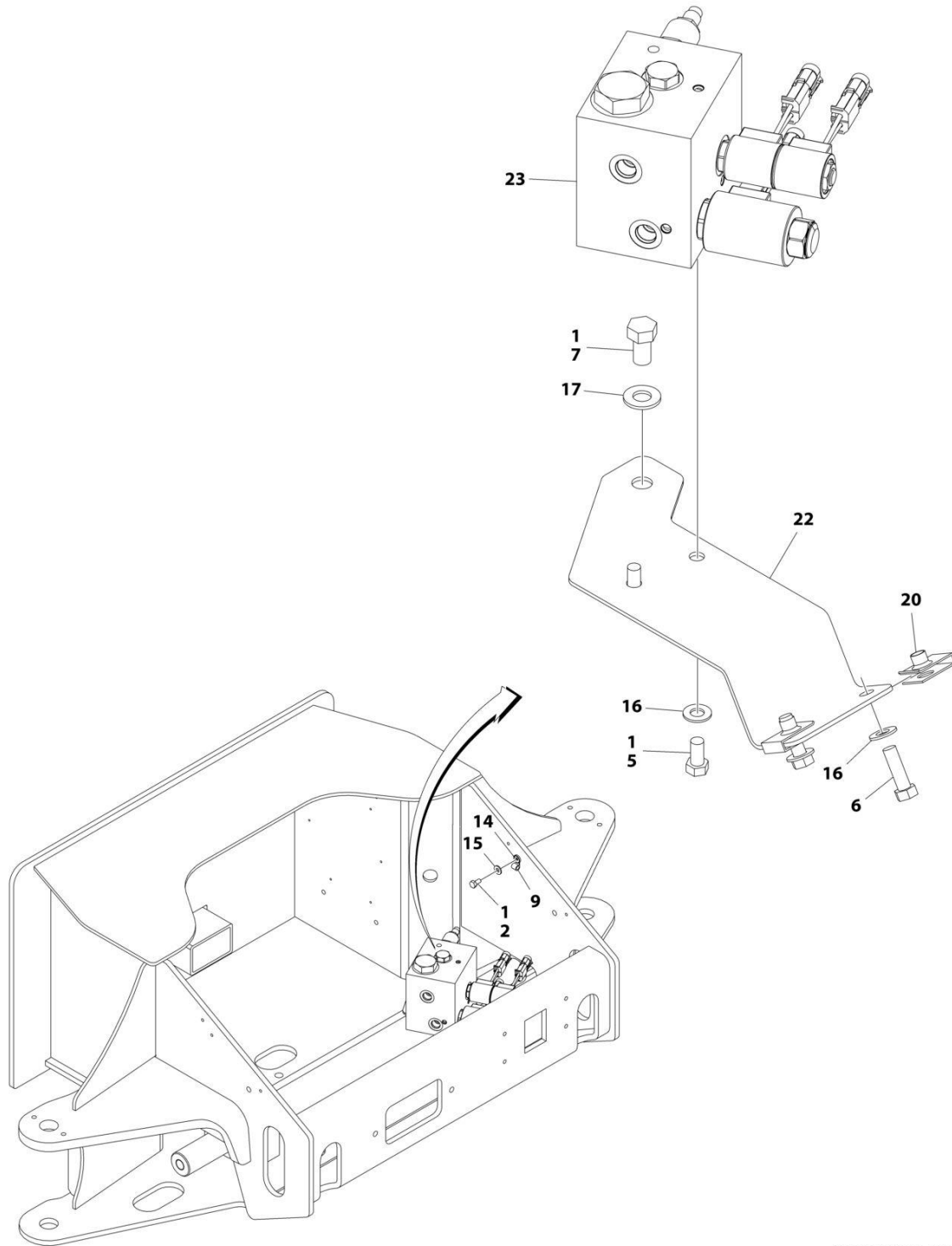
## SECTION 1 - FRAME

**FIGURE 1-27. VALVE INSTALLATION - FRAME MOUNTED - E450AJ (SN 0300208529 through 0300233451, SN B300001429 through B300002532)**

ITEM	PART NUMBER	QTY	DESCRIPTION	REV
	1001180932	Ref	VALVE INSTALLATION - FRAME MOUNTED - E450AJ (SN 0300208529 through 0300233451, SN B300001429 through B300002532)	C
1	0100011	AR	Compound, Locking	
2	0641404	1	Bolt, 1/4-20 x 1/2 (SN 0300208529 through 0300225010, SN B300001429 through B300001675)	
5	0641606	2	Bolt, 3/8-16 X 3/4	
6	0641610	2	Bolt, 3/8-16 X 1-1/4	
7	0641807	1	Bolt, 1/2-13 X 7/8	
9	1320040	1	Clamp (SN 0300208529 through 0300225010, SN B300001429 through B300001675)	
14	4240032	1	Tie, Strap (SN 0300208529 through 0300225010, SN B300001429 through B300001675)	
15	4711400	1	Washer, 1/4 (SN 0300208529 through 0300225010, SN B300001429 through B300001675)	
16	4711600	4	Washer, 3/8	
17	4711800	1	Washer, 1/2	
19	88662523	2	Nut, Tinnerman	
22	1001166420	1	Bracket, Mounting	
23	1001177364	1	Steer/Brake Valve Assembly (See STEER/BRAKE VALVE ASSEMBLY for Breakdown)	

# SECTION 1 - FRAME

FIGURE 1-28. VALVE INSTALLATION - FRAME MOUNTED - E450AJ (SN 0300233452 through 0300272287, SN B300002533 through B300005763)



ART\_1001218371\_10F2

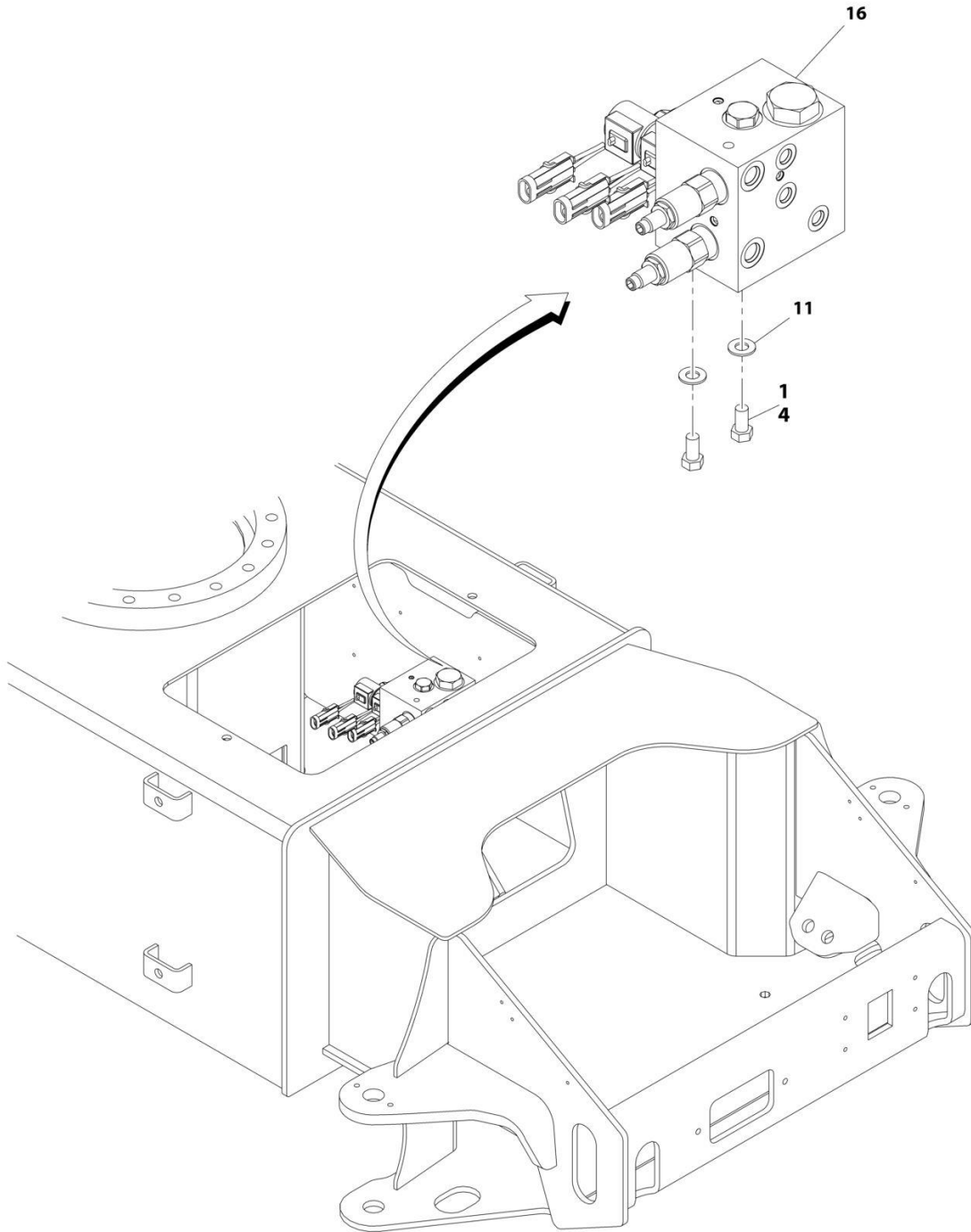
## SECTION 1 - FRAME

**FIGURE 1-28. VALVE INSTALLATION - FRAME MOUNTED - E450AJ (SN 0300233452 through 0300272287, SN B300002533 through B300005763)**

ITEM	PART NUMBER	QTY	DESCRIPTION	REV
	1001218371	Ref	VALVE INSTALLATION - FRAME MOUNTED - E450AJ	A
1	0100011	AR	Compound, Locking	
2	0641404	1	Bolt 1/4 x 1/2	
5	0641606	2	Bolt 3/8 x 3/4	
6	0641610	2	Bolt 3/8 x 1-1/4	
7	0641807	1	Bolt 1/2 x 7/8	
9	1320040	1	Clamp	
14	4240032	1	Tie-Strap	
15	4711400	1	Washer 1/4	
16	4711600	4	Washer 3/8	
17	4711800	1	Washer 1/2	
20	88662523	2	Nut, Tinnerman	
22	1001166420	1	Bracket, Mounting	
23	1001177364	1	Steer/Brake Valve Assembly (See STEER/BRAKE VALVE ASSEMBLY for Breakdown)	

# SECTION 1 - FRAME

FIGURE 1-29. VALVE INSTALLATION - FRAME MOUNTED - M450AJ (SN 0300208529 through 0300233451)



ART\_1001180933\_10F2

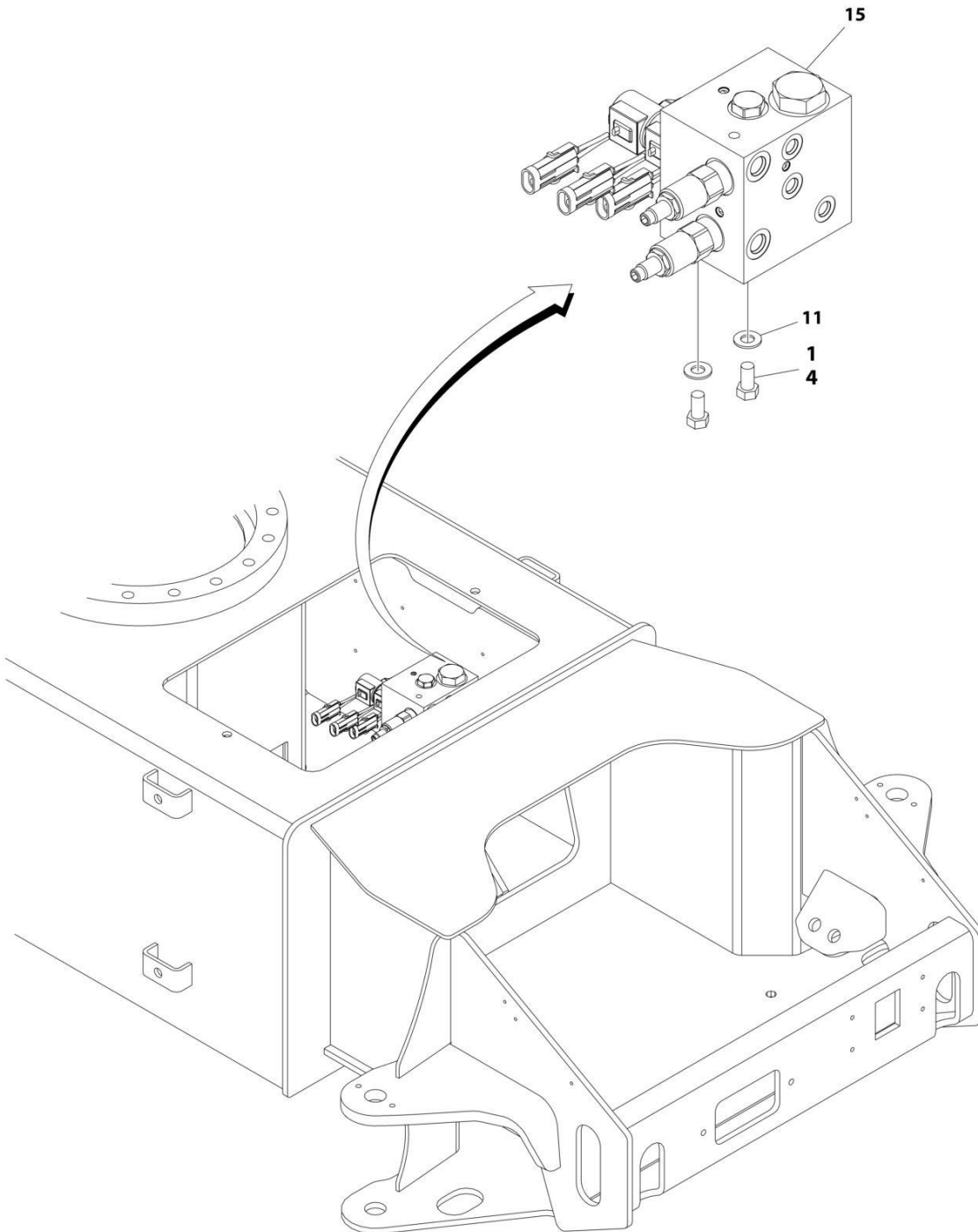
## SECTION 1 - FRAME

**FIGURE 1-29. VALVE INSTALLATION - FRAME MOUNTED - M450AJ (SN 0300208529 through 0300233451)**

ITEM	PART NUMBER	QTY	DESCRIPTION	REV
	1001180933	Ref	VALVE INSTALLATION - FRAME MOUNTED - M450AJ (SN <b>0300208529 through 0300233451</b> )	C
1	0100011	AR	Compound, Locking	
4	0641606	2	Bolt, 3/8-16 X 3/4	
11	4711600	4	Washer, 3/8	
15	1001171115	1	Brake/Steer Harness - M450AJ (See ELECTRICAL SECTION for Breakdown) (SN <b>0300208529 through 0300214528</b> )	
16	1001177364	1	Steer/Brake Valve Assembly (Not Shown - See STEER/BRAKE VALVE ASSEMBLY for Breakdown)	

# SECTION 1 - FRAME

FIGURE 1-30. VALVE INSTALLATION - FRAME MOUNTED - M450AJ (SN 0300233452 through 0300272287)



ART\_1001218372\_10F2



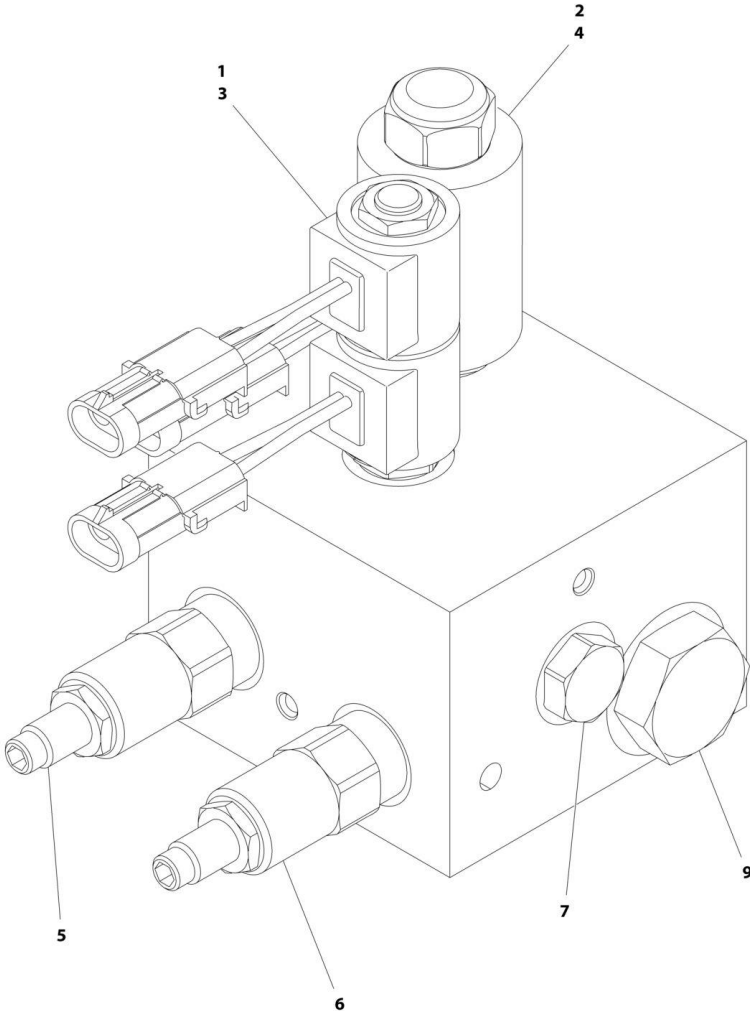
## SECTION 1 - FRAME

**FIGURE 1-30. VALVE INSTALLATION - FRAME MOUNTED - M450AJ (SN 0300233452 through 0300272287)**

ITEM	PART NUMBER	QTY	DESCRIPTION	REV
	1001218372	Ref	VALVE INSTALLATION - FRAME MOUNTED - M450AJ	A
1	0100011	AR	Compound, Locking	
4	0641606	2	Bolt 3/8-16 x 3/4	
11	4711600	4	Washer 3/8	
15	1001177364	1	Steer/Brake Valve Assembly (See STEER/BRAKE VALVE ASSEMBLY for Breakdown)	

**SECTION 1 - FRAME**

**FIGURE 1-31. BRAKE/STEER VALVE ASSEMBLY**



ART\_1001177364

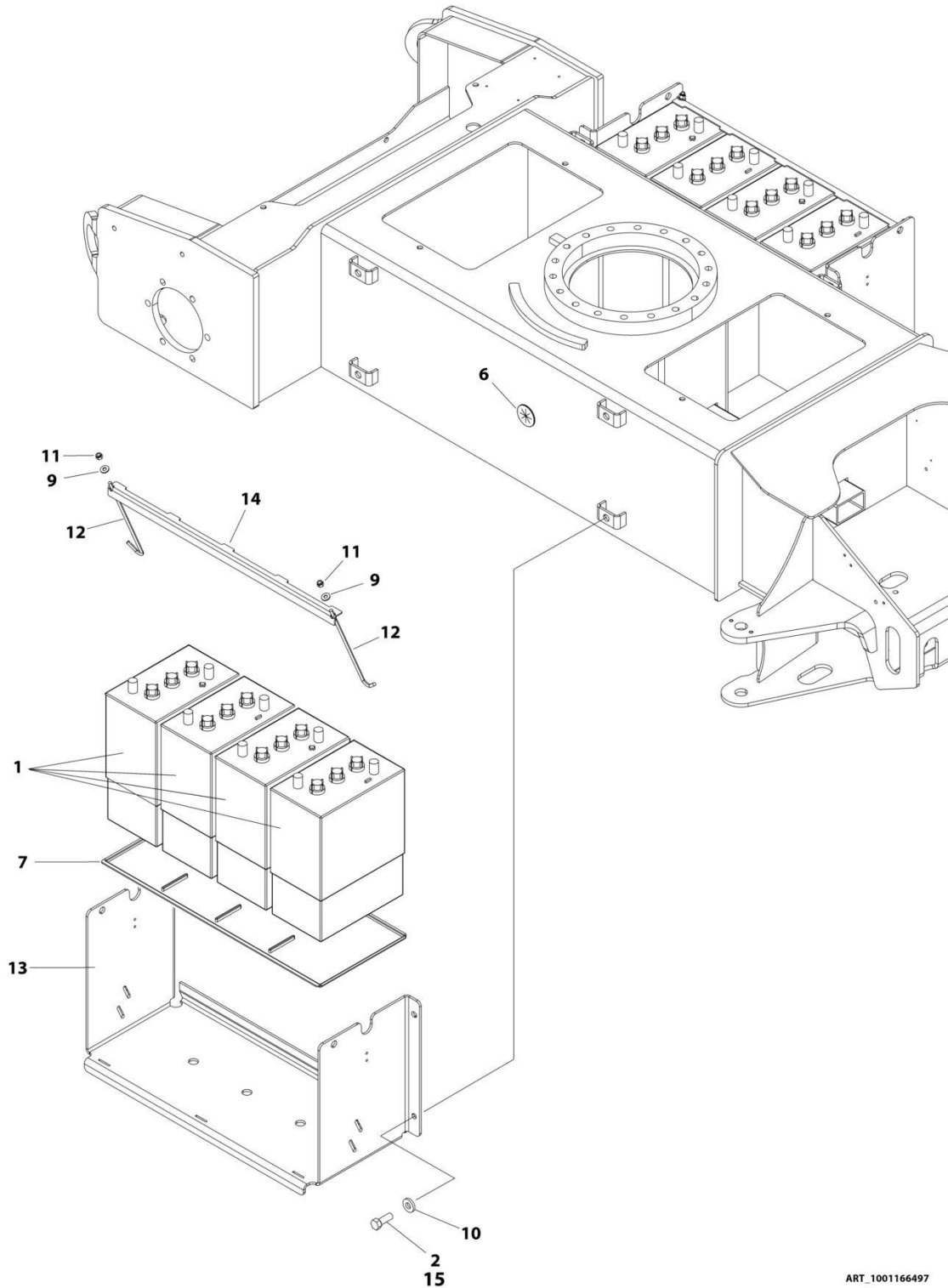
## SECTION 1 - FRAME

**FIGURE 1-31. BRAKE/STEER VALVE ASSEMBLY**

ITEM	PART NUMBER	QTY	DESCRIPTION	REV
	1001177364	Ref	BRAKE/STEER VALVE ASSEMBLY	G
1	7017433	1	Cartridge, without Coil (Steer)	
1	7017402	1	Seal Kit - 7017433 Cartridge	
2	7021611	1	Cartridge, Proportional without Coil (Flow Control)	
2	7012518	1	Seal Kit - 7021611 Cartridge	
3	7021609	2	Coil	
4	7021618	1	Coil	
5	7021659	1	Cartridge, Relief (Main)	
5	7012972	1	Seal Kit - 7021659	
6	7017488	1	Cartridge, Relief (Steer)	
6	7012998	1	Seal Kit - 7017488 Cartridge	
7	10837580	1	Cartridge, Load Shuttle	
7	7010543	1	Seal Kit - 7012941 Cartridge	
9	7021616	1	Cartridge, Filter	

# SECTION 1 - FRAME

FIGURE 1-32. BATTERY BOX INSTALLATION - STANDARD (ALL SPECS EXCEPT AUSTRALIAN, CE AND CHINA SPECS)



ART\_1001166497

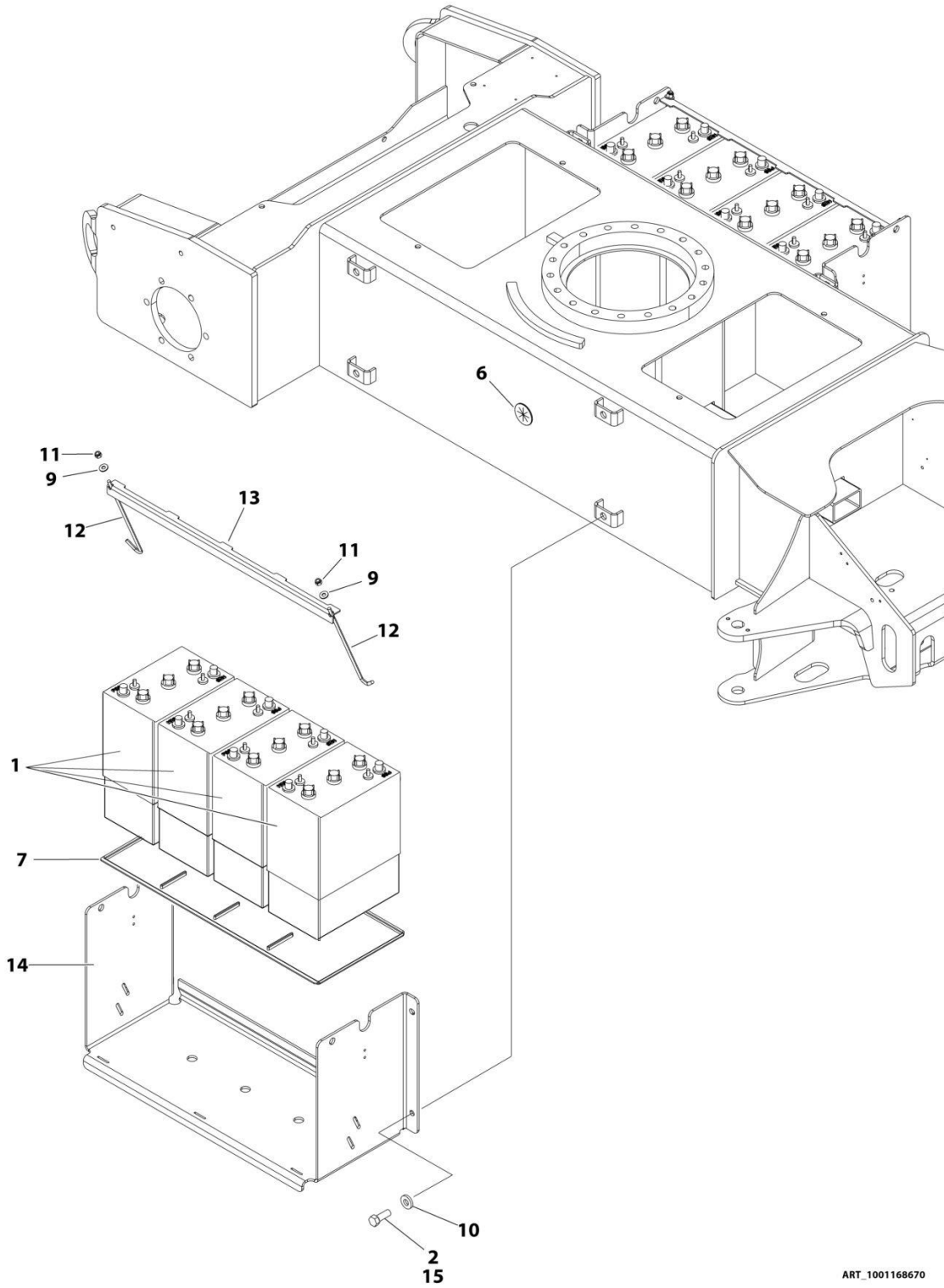
## SECTION 1 - FRAME

**FIGURE 1-32. BATTERY BOX INSTALLATION - STANDARD (ALL SPECS EXCEPT AUSTRALIAN, CE AND CHINA SPECS)**

ITEM	PART NUMBER	QTY	DESCRIPTION	REV
	1001166497	Ref	BATTERY BOX INSTALLATION - STANDARD (ALL SPECS EXCEPT AUSTRALIAN, CE AND CHINA SPECS)	C
1	0400055	8	Battery (Wet)	
1	7016177	8	Battery (Dry)	
2	0641811	8	Bolt, 1/2-13 X 1-3/8	
6	2540045	2	Grommet	
7	3000003	2	Liner, Battery Box	
9	4751500	4	Washer, 5/16	
10	4891800	8	Washer, 1/2 Hardened	
11	88521205	4	Nut, Lock, 5/16-18	
12	1001093382	4	Bolt, J-Bolt	
13	1001166495	2	Tray, Battery	
14	1001166496	2	Battery Hold Down	
15	0100011	AR	Compound, Locking	

# SECTION 1 - FRAME

FIGURE 1-33. BATTERY BOX INSTALLATION - STANDARD (AUSTRALIAN, CE AND CHINA SPECS)



ART\_1001168670

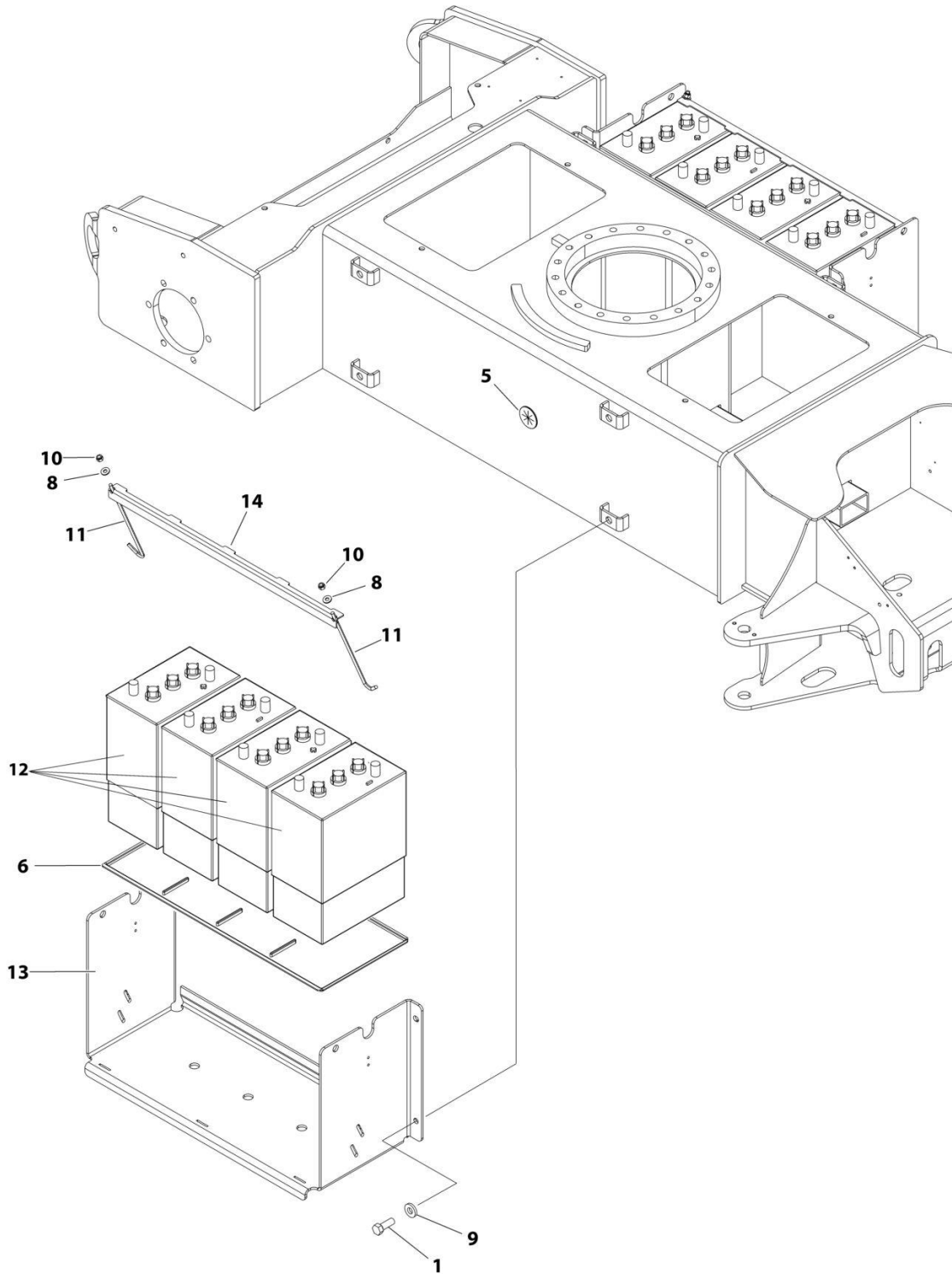
## SECTION 1 - FRAME

**FIGURE 1-33. BATTERY BOX INSTALLATION - STANDARD (AUSTRALIAN, CE AND CHINA SPECS)**

ITEM	PART NUMBER	QTY	DESCRIPTION	REV
	1001168670	Ref	BATTERY BOX INSTALLATION - STANDARD (AUSTRALIAN, CE AND CHINA SPECS)	C
1	0400055	8	Battery (Wet)	
1	7016177	8	Battery (Dry)	
2	0641811	8	Bolt, 1/2-13 X 1-3/8	
6	2540045	2	Grommet	
7	3000003	2	Liner, Battery Box	
9	4751500	4	Washer, 5/16	
10	4891800	8	Washer, 1/2 Hardened	
11	88521205	4	Nut, Lock, 5/16-18	
12	1001093382	4	Bolt, J-Bolt	
13	1001166496	2	Battery Hold Down	
14	1001168800	2	Tray, Battery	
15	0100011	AR	Compound, Locking	

# SECTION 1 - FRAME

FIGURE 1-34. BATTERY BOX INSTALLATION - AGM BATTERIES (ALL SPECS EXCEPT AUSTRALIAN, CE AND CHINA SPECS)



ART\_1001166498



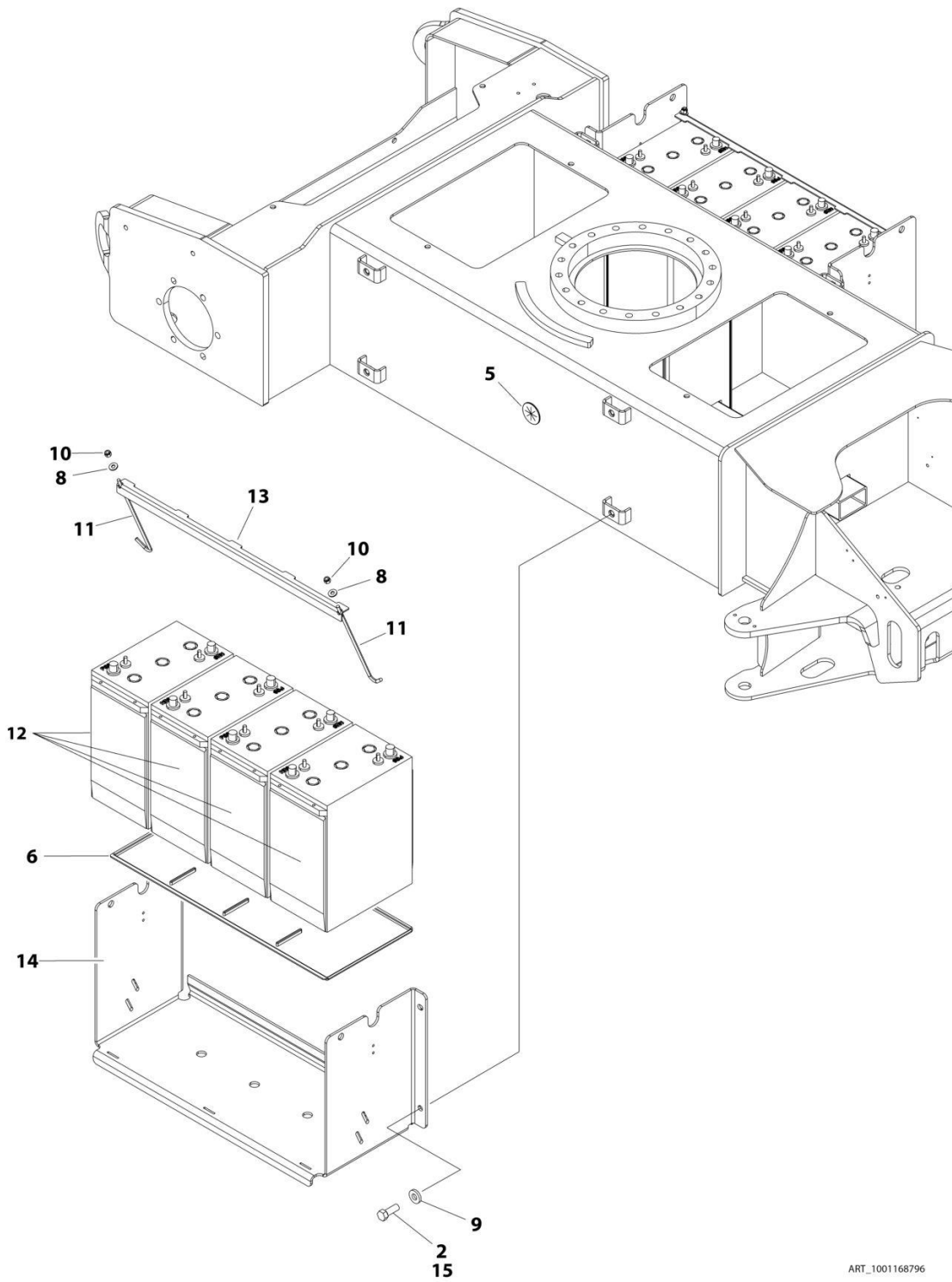
## SECTION 1 - FRAME

**FIGURE 1-34. BATTERY BOX INSTALLATION - AGM BATTERIES (ALL SPECS EXCEPT AUSTRALIAN, CE AND CHINA SPECS)**

ITEM	PART NUMBER	QTY	DESCRIPTION	REV
	1001166498	Ref	BATTERY BOX INSTALLATION - AGM BATTERIES (ALL SPECS EXCEPT AUSTRALIAN, CE AND CHINA SPECS)	C
1	0641811	8	Bolt, 1/2-13 X 1-3/8	
5	2540045	1	Grommet	
6	3000003	2	Liner, Battery Box	
8	4751500	4	Washer, 5/16	
9	4891800	8	Washer, 1/2 Hardened	
10	88521205	4	Nut, Lock, 5/16-18	
11	1001093382	4	Bolt, J-Bolt	
12	1001114782	8	Battery (Wet) (AGM Batteries)	
13	1001166495	2	Tray, Battery	
14	1001166496	2	Battery Hold Down	
15	0100011	AR	Compound, Locking	

# SECTION 1 - FRAME

## FIGURE 1-35. BATTERY BOX INSTALLATION - AGM BATTERIES (AUSTRALIAN, CE AND CHINA SPECS)



ART\_1001168796

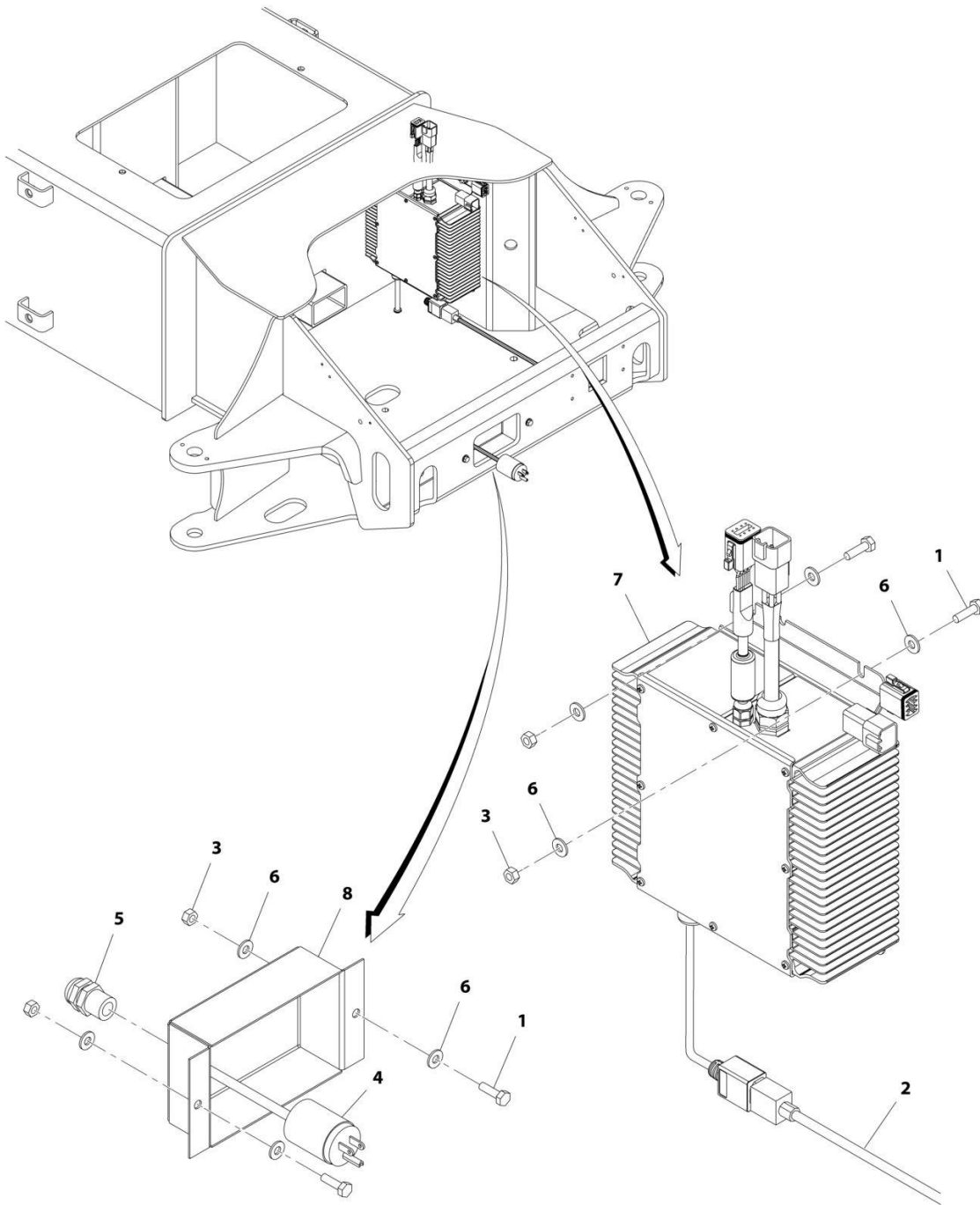
## SECTION 1 - FRAME

**FIGURE 1-35. BATTERY BOX INSTALLATION - AGM BATTERIES (AUSTRALIAN, CE AND CHINA SPECS)**

ITEM	PART NUMBER	QTY	DESCRIPTION	REV
	1001168796	Ref	BATTERY BOX INSTALLATION - AGM BATTERIES (AUSTRALIAN, CE AND CHINA SPECS)	C
1	0641811	8	Bolt, 1/2-13 X 1-3/8	
5	2540045	2	Grommet	
6	3000003	2	Liner, Battery Box	
8	4751500	4	Washer, 5/16	
9	4891800	8	Washer, 1/2 Hardened	
10	88521205	4	Nut, Lock, 5/16-18	
11	1001093382	4	Bolt, J-Bolt	
12	1001114782	8	Battery (Wet) (AGM Batteries)	
13	1001166496	2	Battery Hold Down	
14	1001168800	2	Tray Battery	
15	0100011	AR	Compound, Locking	

# SECTION 1 - FRAME

FIGURE 1-36. BATTERY CHARGER INSTALLATION - E450A/E450AJ (ANSI, ANSI EXPORT, CSA, JAPANESE AND UL SPECS)



ART\_1001191204

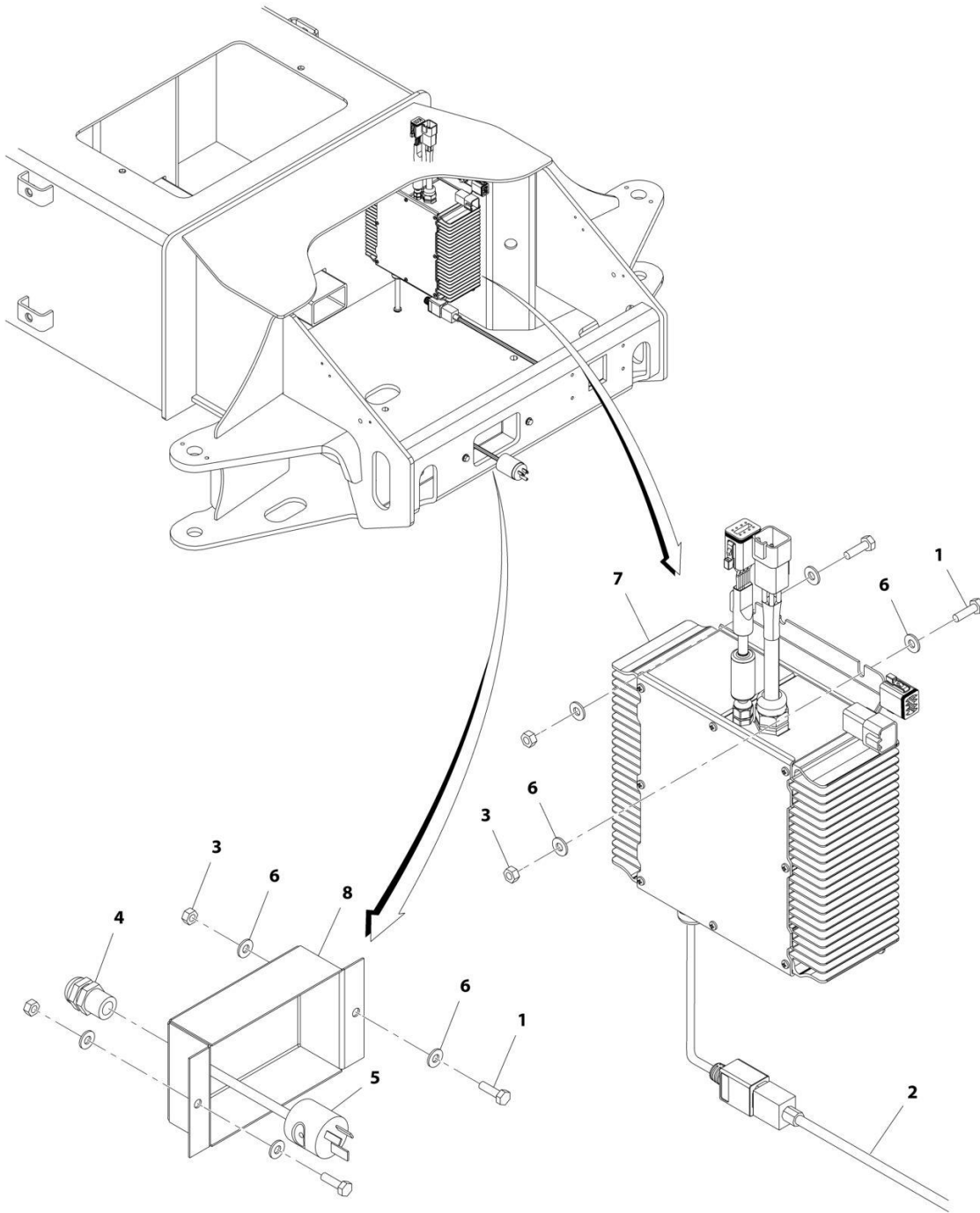
## SECTION 1 - FRAME

**FIGURE 1-36. BATTERY CHARGER INSTALLATION - E450A/E450AJ (ANSI, ANSI EXPORT, CSA, JAPANESE AND UL SPECS)**

ITEM	PART NUMBER	QTY	DESCRIPTION	REV
	1001191204	Ref	BATTERY CHARGER INSTALLATION - E450A/E450AJ (ANSI, ANSI EXPORT, CSA, JAPANESE AND UL SPECS)	A
1	0641407	6	Bolt, 1/4-20 X 7/8	
2	1060689	1	AC Cord	
3	0641405	1	Bolt, 1/4-20 X 5/8	
4	4460138	1	Plug, AC	
5	4460428	1	Connector, Strain Relief	
6	4711400	14	Washer, 1/4	
7	1001103105	1	Battery Charger Assembly (See BATTERY CHARGER ASSEMBLY for Breakdown)	
8	1001191212	1	Panel, Cable	

# SECTION 1 - FRAME

## FIGURE 1-37. BATTERY CHARGER INSTALLATION - E450A/E450AJ (AUSTRALIAN SPEC)



ART\_1001191206

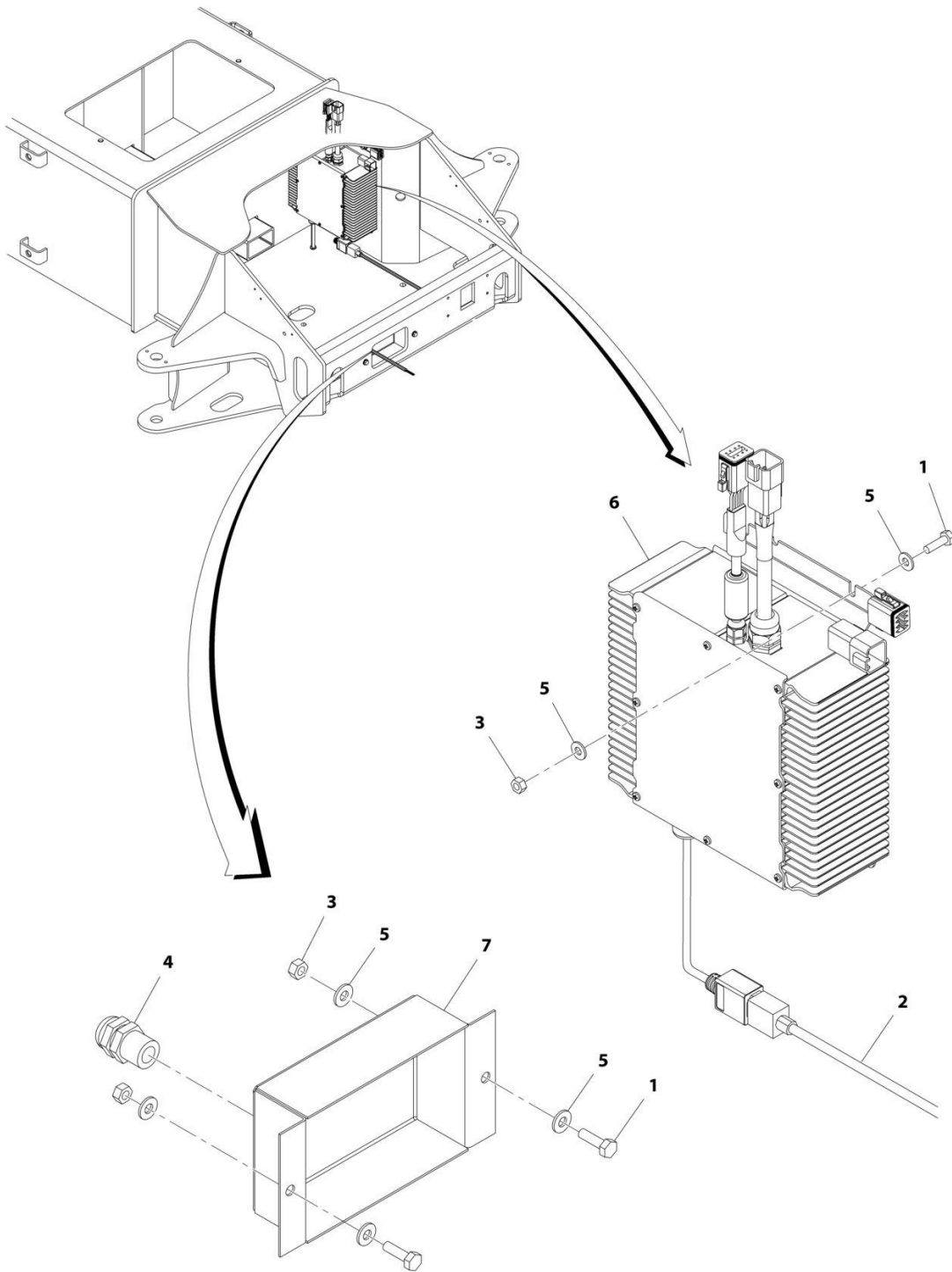
## SECTION 1 - FRAME

**FIGURE 1-37. BATTERY CHARGER INSTALLATION - E450A/E450AJ (AUSTRALIAN SPEC)**

ITEM	PART NUMBER	QTY	DESCRIPTION	REV
	1001191206	Ref	BATTERY CHARGER INSTALLATION - E450A/E450AJ (AUSTRALIAN SPECS)	A
1	0641407	6	Bolt, 1/4-20 X 7/8	
2	1060689	1	AC Cord	
3	0641405	1	Bolt, 1/4-20 X 5/8	
4	4460428	1	Connector, Strain Relief	
5	4460805	1	Plug	
6	4711400	14	Washer, 1/4	
7	1001103105	1	Battery Charger Assembly (See BATTERY CHARGER ASSEMBLY for Breakdown)	
8	1001191212	1	Panel, Cable	

# SECTION 1 - FRAME

FIGURE 1-38. BATTERY CHARGER INSTALLATION - E450A/E450AJ (ANSI EXPORT AND CE SPECS)



ART\_1001191203



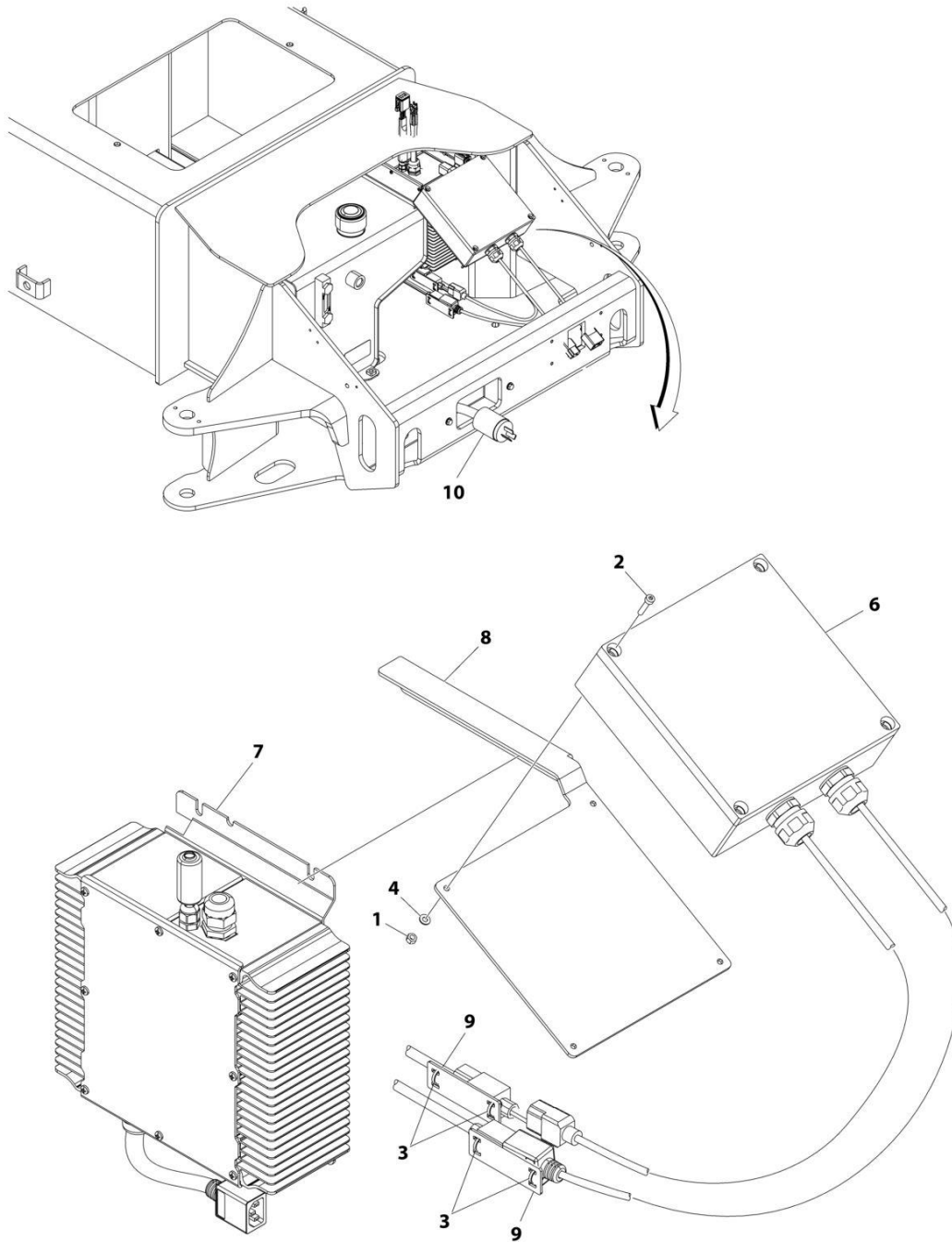
## SECTION 1 - FRAME

**FIGURE 1-38. BATTERY CHARGER INSTALLATION - E450A/E450AJ (ANSI EXPORT AND CE SPECS)**

ITEM	PART NUMBER	QTY	DESCRIPTION	REV
	1001191203	Ref	BATTERY CHARGER INSTALLATION - E450A/E450AJ (ANSI EXPORT AND CE SPECS)	A
1	0641407	6	Bolt, 1/4-20 X 7/8	
2	1060689	1	AC Cord	
3	0641405	1	Bolt, 1/4-20 X 5/8	
4	4460428	1	Connector, Strain Relief	
5	4711400	14	Washer, 1/4	
6	1001103105	1	Battery Charger Assembly (See BATTERY CHARGER ASSEMBLY for Breakdown)	
7	1001191212	1	Panel, Cable	

# SECTION 1 - FRAME

FIGURE 1-39. BATTERY CHARGER INSTALLATION - E450AJ (ANSI EXPORT AND CHINA SPECS)



ART\_1001215118

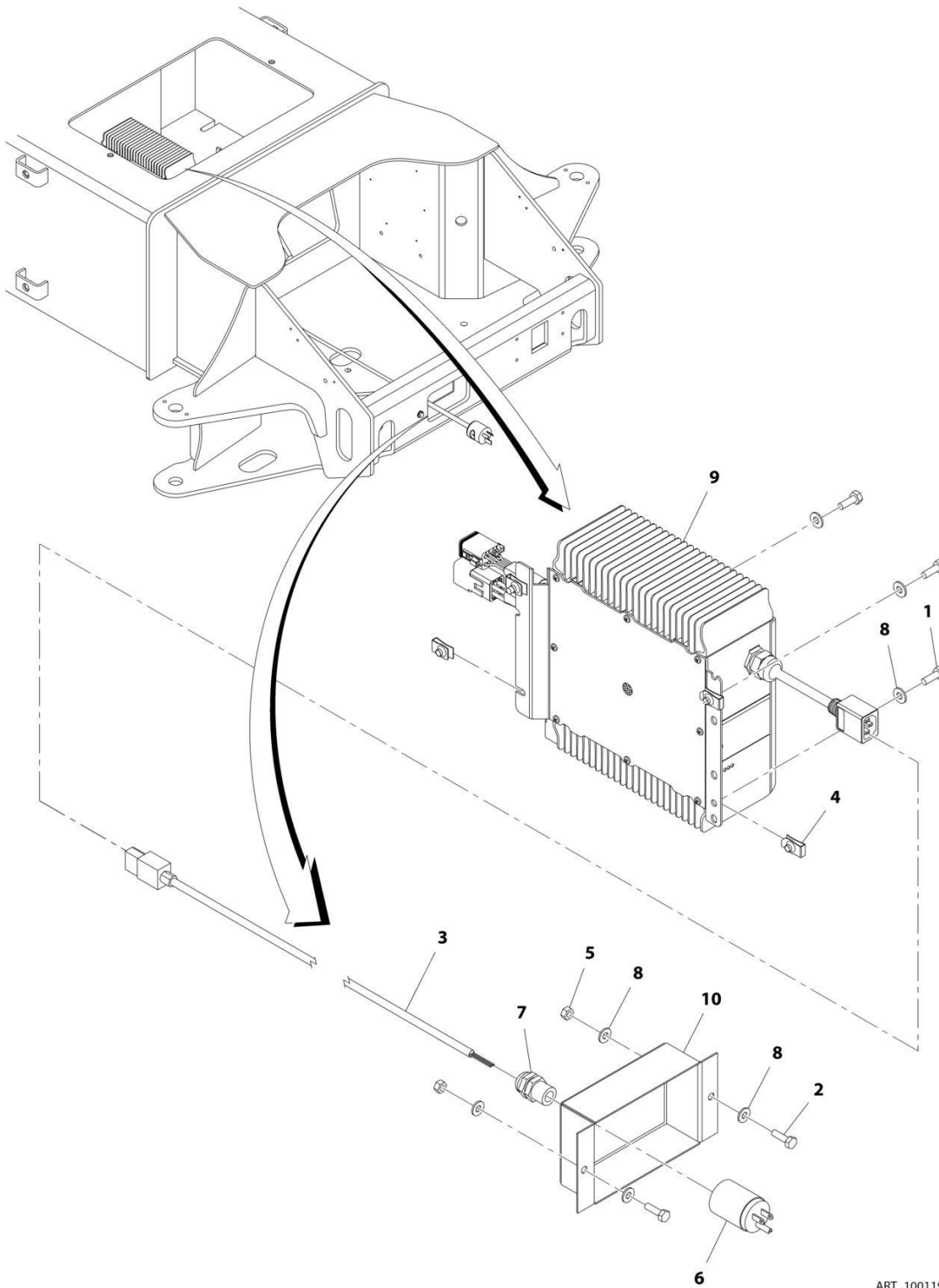
## SECTION 1 - FRAME

**FIGURE 1-39. BATTERY CHARGER INSTALLATION - E450AJ (ANSI EXPORT AND CHINA SPECS)**

ITEM	PART NUMBER	QTY	DESCRIPTION	REV
	1001215118	Ref	BATTERY CHARGER INSTALLATION - E450AJ (ANSI EXPORT AND CHINA SPECS)	C
1	3290405	4	Nut, Lock, M4 x 0.7	
2	4031508	4	Bolt M4 x 20	
3	4240017	4	Tie, Strap	
4	4811400	4	Washer M4	
6	1001185306	1	Voltage Guard Installation (See VOLTAGE GUARD INSTALLATION for Breakdown)	
7	1001191203	1	Battery Charger Installation (See BATTERY CHARGER INSTALLATION for Breakdown)	
8	1001215119	1	Bracket	
9	1001215326	1	Bracket	
10	1001187816	1	Plug (SN B300002642 through B300005763, Excluding B300005567)	

# SECTION 1 - FRAME

FIGURE 1-40. BATTERY CHARGER INSTALLATION - M450AJ (ANSI, ANSI EXPORT, CSA AND JAPANESE SPECS)



ART\_1001191209

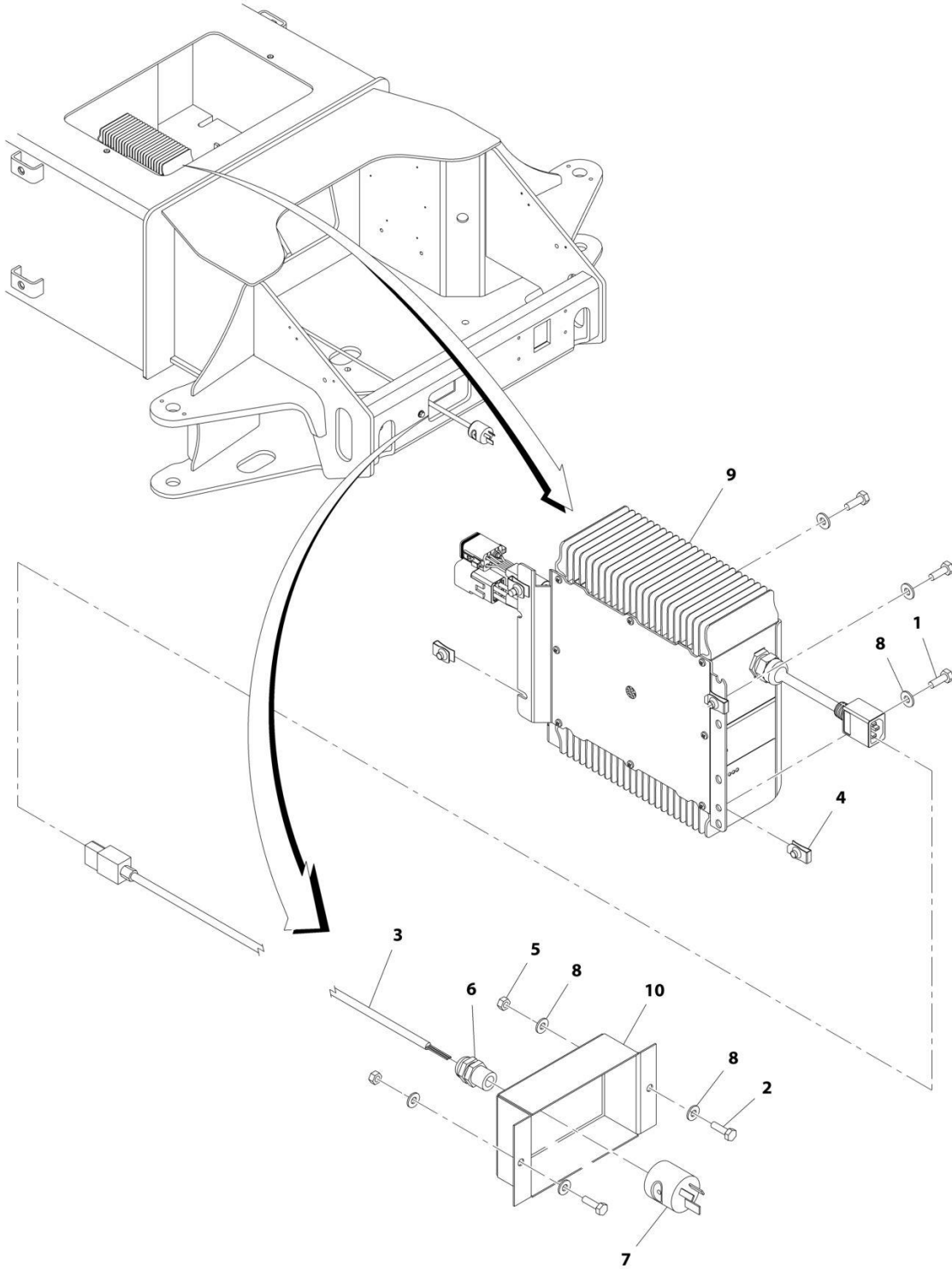
## SECTION 1 - FRAME

**FIGURE 1-40. BATTERY CHARGER INSTALLATION - M450AJ (ANSI, ANSI EXPORT, CSA AND JAPANESE SPECS)**

ITEM	PART NUMBER	QTY	DESCRIPTION	REV
	1001191209	Ref	BATTERY CHARGER INSTALLATION - M450AJ (ANSI, ANSI EXPORT, CSA AND JAPANESE SPECS)	A
1	0641406	4	Bolt 1/4 x 3/4	
2	0641407	2	Bolt 1/4 X 7/8	
3	1060689	1	AC Cord	
4	3300454	4	Nut, Tinnerman	
5	0641405	2	Bolt 1/4 X 5/8	
6	4460138	1	Plug	
7	4460428	1	Connector, Strain Relief	
8	4711400	8	Washer 1/4	
9	1001103105	1	Battery Charger Assembly (See BATTERY CHARGER ASSEMBLY for Breakdown)	
10	1001191212	1	Panel, Cable	

# SECTION 1 - FRAME

FIGURE 1-41. BATTERY CHARGER INSTALLATION - M450AJ (AUSTRALIAN SPEC)



ART\_1001191208

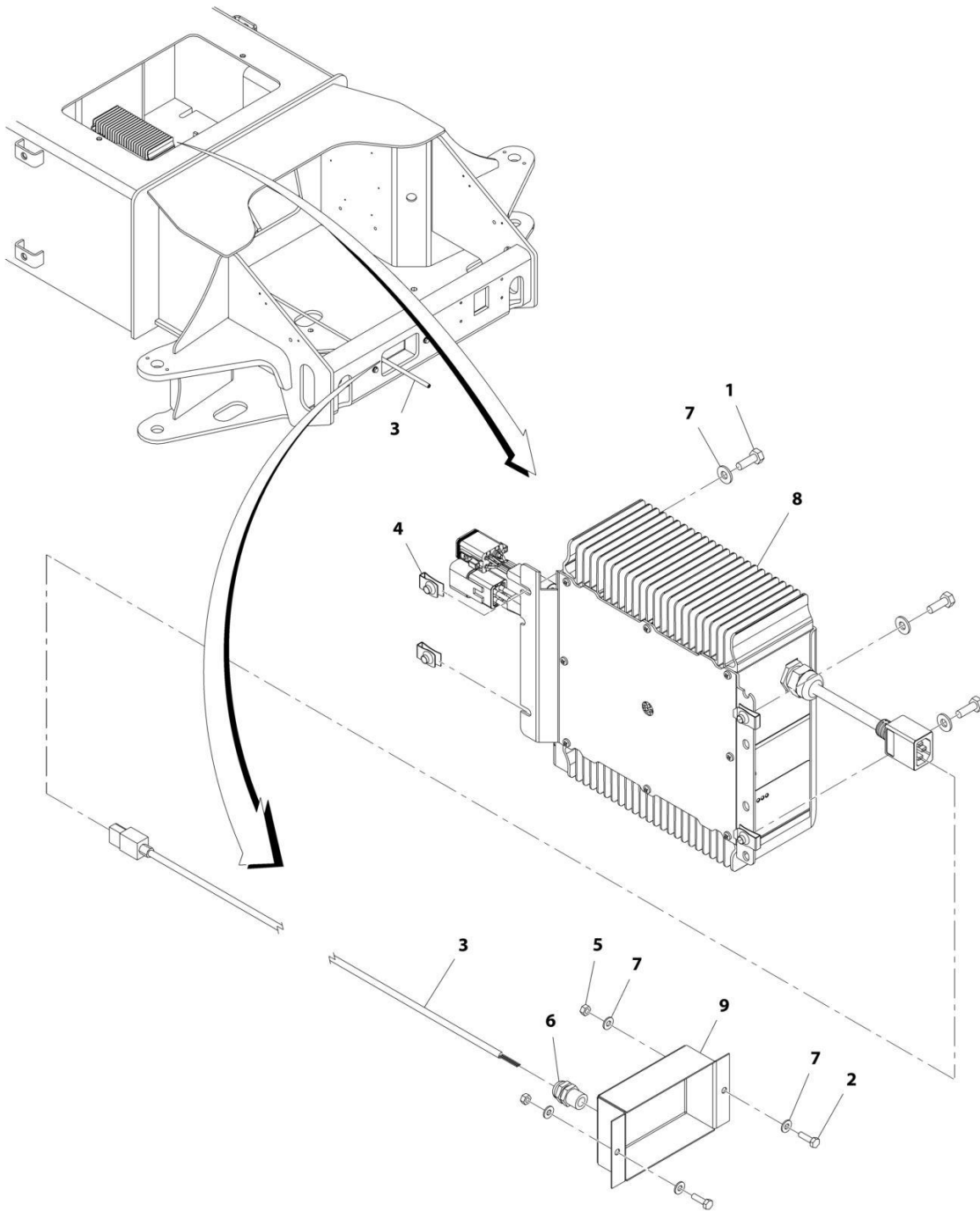
## SECTION 1 - FRAME

**FIGURE 1-41. BATTERY CHARGER INSTALLATION - M450AJ (AUSTRALIAN SPEC)**

ITEM	PART NUMBER	QTY	DESCRIPTION	REV
	1001191208	Ref	BATTERY CHARGER INSTALLATION - M450AJ (AUSTRALIAN SPEC)	A
1	0641406	4	Bolt 1/4 x 3/4	
2	0641407	2	Bolt 1/4 X 7/8	
3	1060689	1	AC Cord	
4	3300454	4	Nut, Tinnerman	
5	0641405	2	Bolt 1/4 X 5/8	
6	4460428	1	Connector, Strain Relief	
7	4460805	1	Plug	
8	4711400	8	Washer 1/4	
9	1001103105	1	Battery Charger Assembly (See BATTERY CHARGER ASSEMBLY for Breakdown)	
10	1001191212	1	Panel, Cable	

# SECTION 1 - FRAME

FIGURE 1-42. BATTERY CHARGER INSTALLATION - M450AJ (ANSI EXPORT AND CE SPECS)



ART\_1001191207



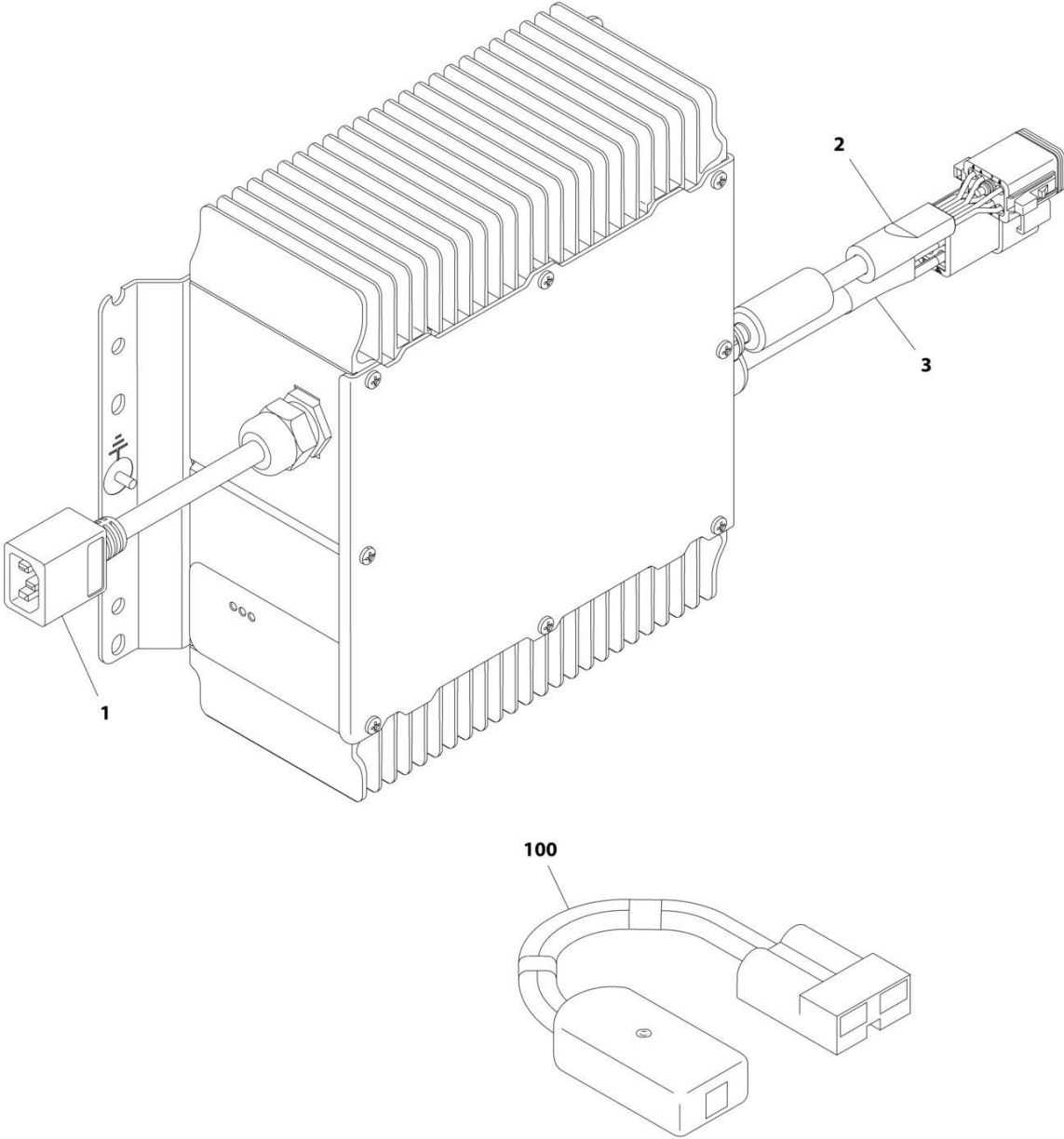
## SECTION 1 - FRAME

**FIGURE 1-42. BATTERY CHARGER INSTALLATION - M450AJ (ANSI EXPORT AND CE SPECS)**

ITEM	PART NUMBER	QTY	DESCRIPTION	REV
	1001191207	Ref	BATTERY CHARGER INSTALLATION - M450AJ (ANSI EXPORT AND CE SPECS)	A
1	0641406	4	Bolt 1/4 x 3/4	
2	0641407	2	Bolt 1/4 X 7/8	
3	1060689	1	AC Cord	
4	3300454	4	Nut, Tinnerman	
5	0641405	2	Bolt 1/4 X 5/8	
6	4460428	1	Connector, Strain Relief	
7	4711400	8	Washer 1/4	
8	1001103105	1	Battery Charger Assembly (See BATTERY CHARGER ASSEMBLY for Breakdown)	
9	1001191212	1	Panel, Cable	

**SECTION 1 - FRAME**

**FIGURE 1-43. BATTERY CHARGER ASSEMBLY**



ART\_1001103105

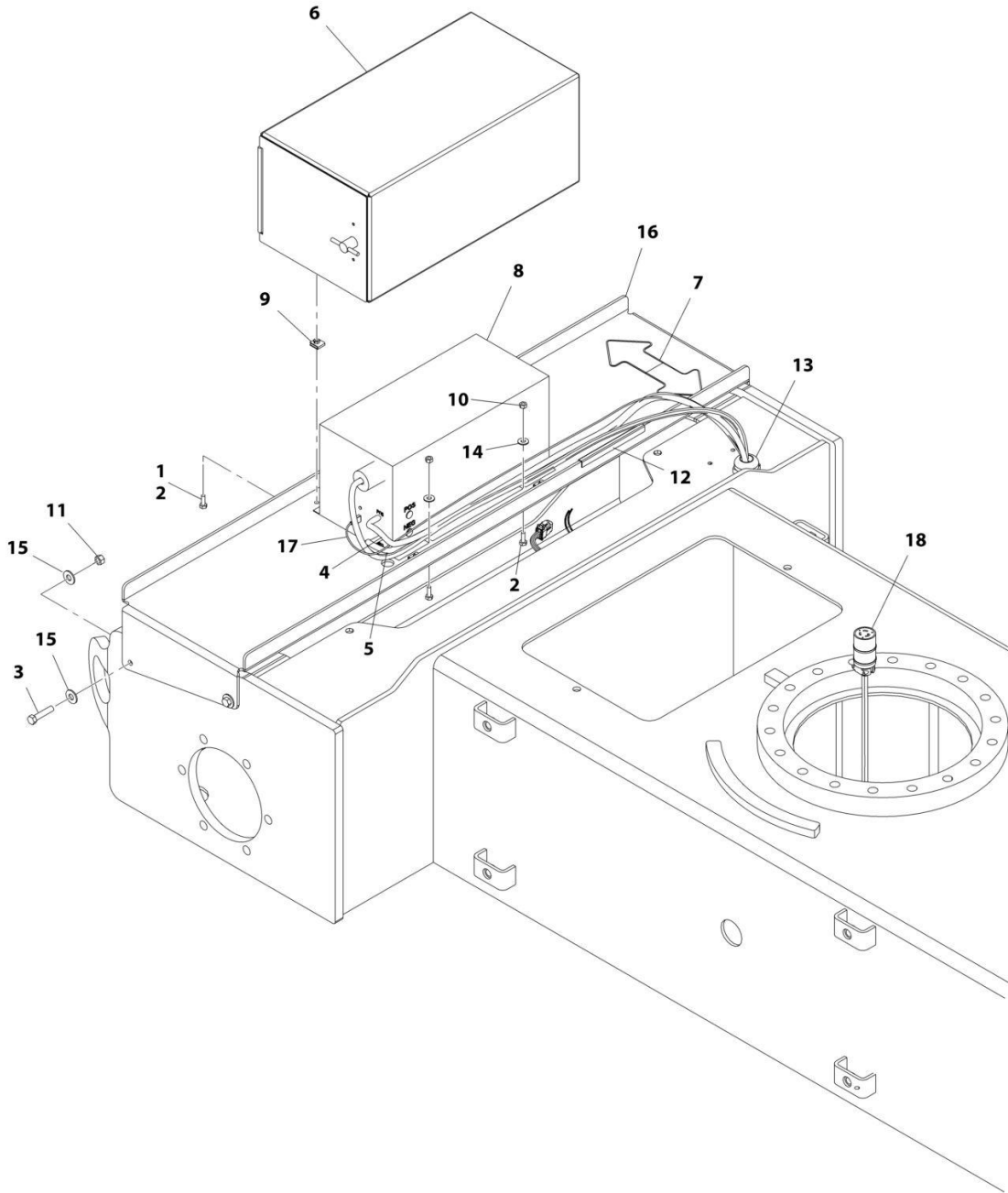
## SECTION 1 - FRAME

**FIGURE 1-43. BATTERY CHARGER ASSEMBLY**

ITEM	PART NUMBER	QTY	DESCRIPTION	REV
	1001103105	Ref	BATTERY CHARGER ASSEMBLY	D
		Ref	Note: Internal Components are Not Serviceable Replace Complete Assembly.	
1	See Note	1	Harness, Battery Charger AC Plug (Note: Not Available for Purchase)	
1	See Note	1	Connector, Plug (Note: Not Available for Purchase)	
2	See Note	1	Harness, Battery Charger Signal (Note: Not Available for Purchase)	
2	4460930	1	Connector - 8 Position	
2	4460464	7	Socket, Female	
3	See Note	1	Harness, Battery Charger Power (Note: Not Available - Purchase Complete Charger)	
3	1001116811	1	Connector - 4 Position	
3	4460508	4	Pin, Male	
100	2915230	1	BATTERY CHARGER REPROGRAM CONTROLLER KIT (Includes Controller, Software and Instructions)	

# SECTION 1 - FRAME

## FIGURE 1-44. INVERTER INSTALLATION - E450A/E450AJ



ART\_1001192502

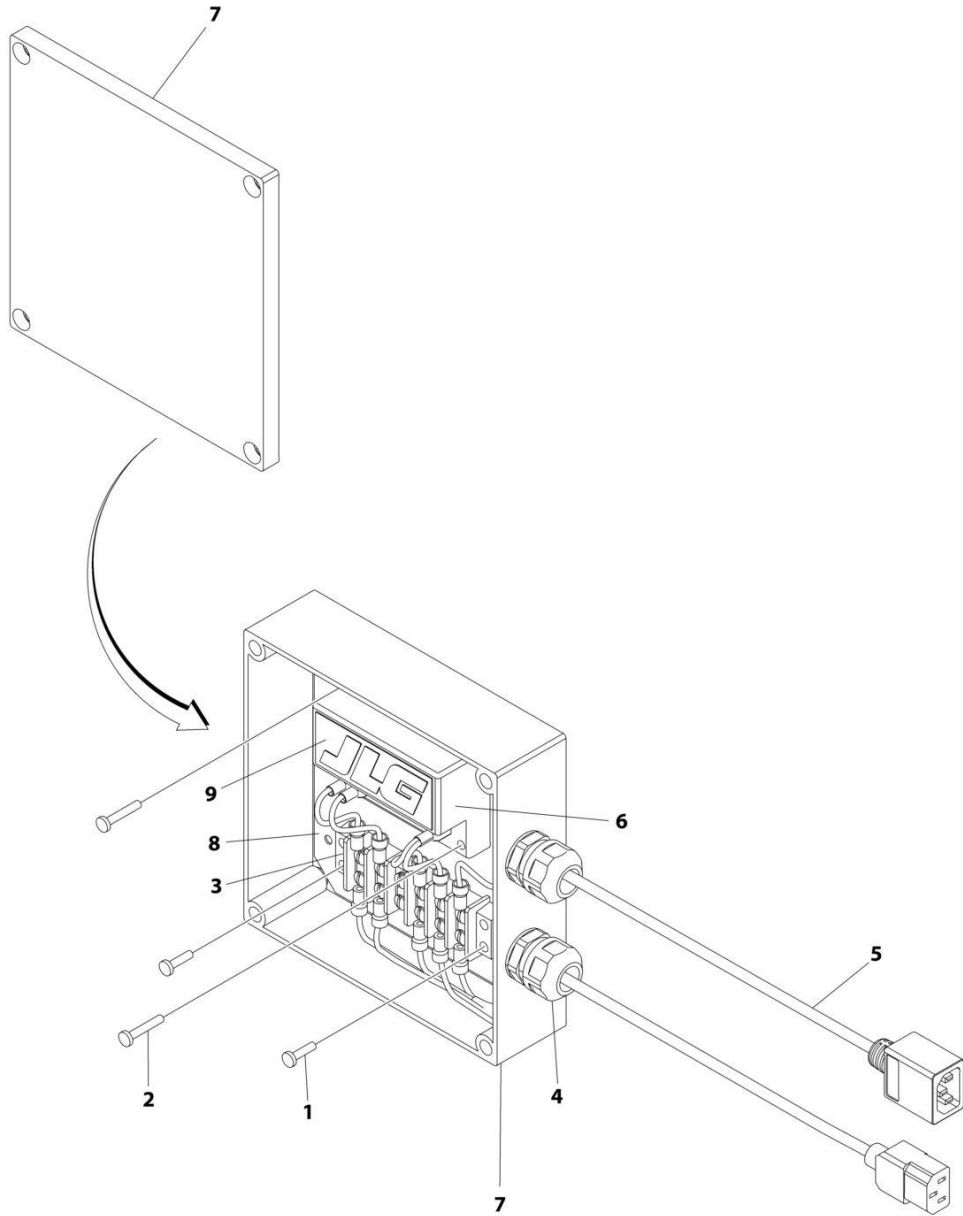
## SECTION 1 - FRAME

**FIGURE 1-44. INVERTER INSTALLATION - E450A/E450AJ**

ITEM	PART NUMBER	QTY	DESCRIPTION	REV
	1001192502	Ref	INVERTER INSTALLATION - E450A/E450AJ	A
		Ref	Note: Optional - Only Available on the E450A & E450AJ.	
1	0100011	AR	Compound, Locking	
2	0641406	8	Bolt, 1/4-20 X 3/4	
3	0641614	4	Bolt, 3/8-16 X 1-3/4	
4	1060801	1	Cable, Battery	
5	1060802	1	Cable, Ground	
6	1670953	1	Cover	
7	1701642	1	Decal - Arrow	
8	2460037	1	Inverter	
9	3300353	4	Nut, Tinnerman	
10	3311405	4	Nut, Lock, 1/4-20	
11	3311605	4	Nut, Lock, 3/8-16	
12	4060805	6 in /150mm	Shield, Flex Trim	
13	4460426	1	Connector, Strain Relief	
14	4751400	4	Washer, 1/4	
15	4751600	8	Washer, 3/8	
16	1001167014	1	Bracket	
17	1001192293	1	Inverter Ignition Harness (See ELECTRICAL SECTION for Breakdown)	
18	1001182296	1	Inverter Harness (See ELECTRICAL SECTION for Breakdown)	

# SECTION 1 - FRAME

FIGURE 1-45. VOLTAGE GUARD ASSEMBLY AND INSTALLATION (ANSI EXPORT AND CHINA SPECS)



ART\_1001185306

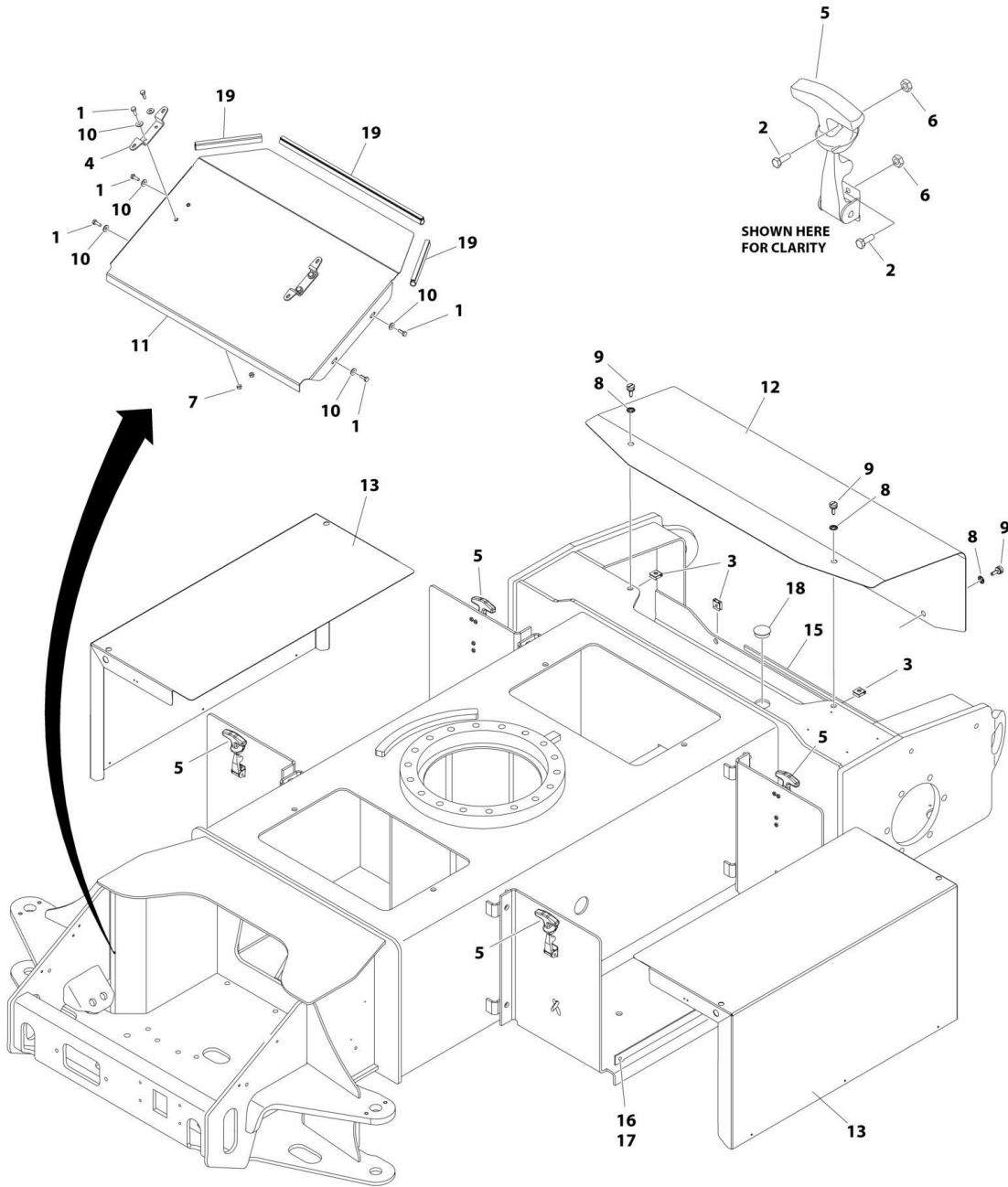
## SECTION 1 - FRAME

**FIGURE 1-45. VOLTAGE GUARD ASSEMBLY AND INSTALLATION (ANSI EXPORT AND CHINA SPECS)**

ITEM	PART NUMBER	QTY	DESCRIPTION	REV
	1001185306	Ref	VOLTAGE GUARD ASSEMBLY AND INSTALLATION (ANSI EXPORT AND CHINA SPECS)	B
1	4010408	2	Screw M4 x 16	
2	4010412	2	Screw M4 x 24	
3	4460007	1	Buss Bar	
4	4460968	2	Connector, Strain Relief	
5	1001184947	1	Harness, OVP Cable Kit	
6	1001185156	1	Module, Voltage Guard	
7	1001186497	1	Box	
8	1001187101	1	Plate	
9	1001187530	1	Decal - JLG	

# SECTION 1 - FRAME

## FIGURE 1-46. FRAME COVER INSTALLATION - E450A/E450AJ



ART\_1001166327



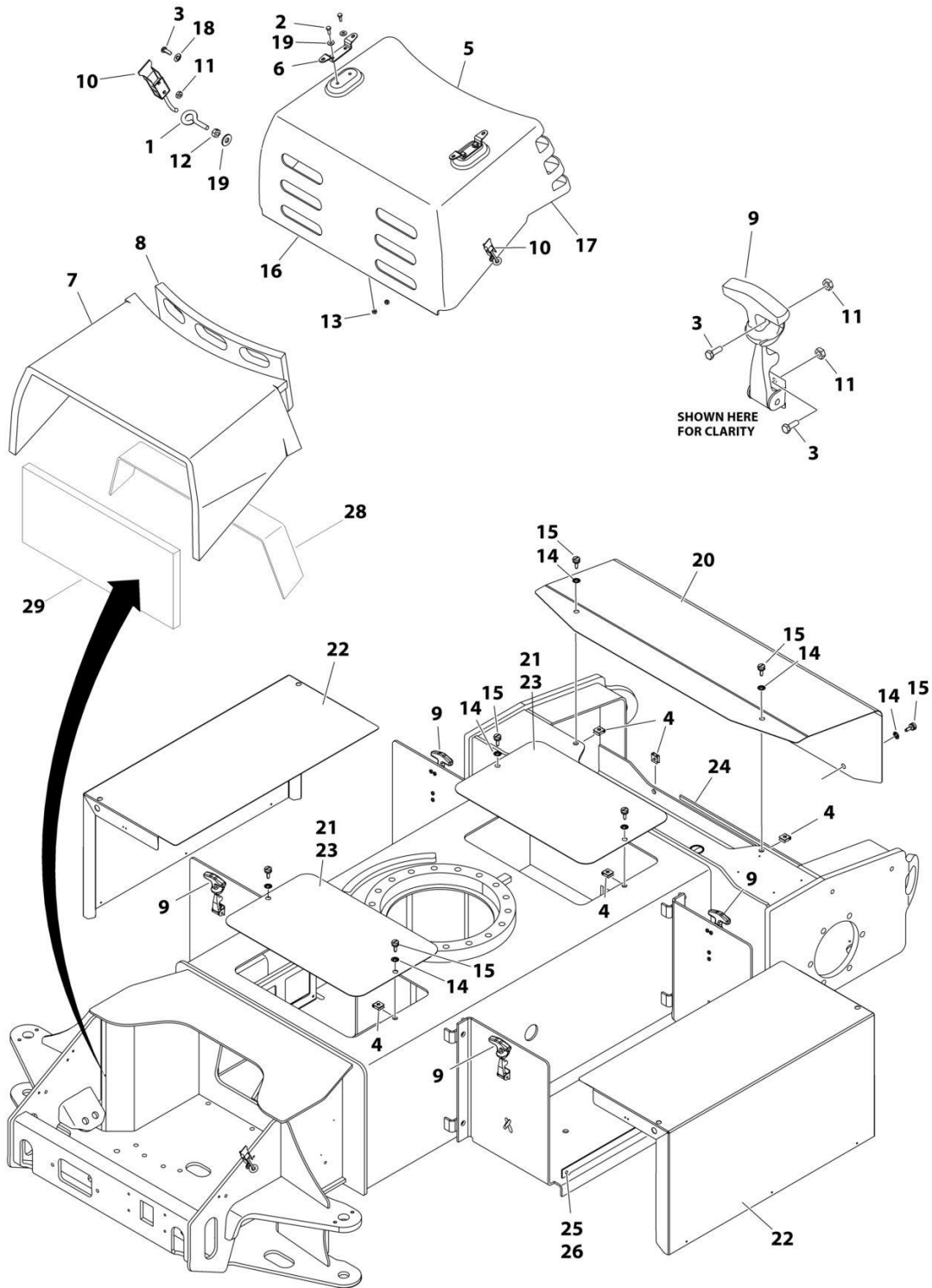
## SECTION 1 - FRAME

**FIGURE 1-46. FRAME COVER INSTALLATION - E450A/E450AJ**

ITEM	PART NUMBER	QTY	DESCRIPTION	REV
	1001166327	Ref	FRAME COVER INSTALLATION - E450A/E450AJ	F
1	0641406	8	Bolt, 1/4-20 X 3/4	
2	0721004	16	Bolt, #10-24 X .500	
3	1380138	4	Clip, Receptacle	
4	2700093	2	Hook	
5	2940095	4	Latch	
6	3311005	16	Nut, Lock, #10-24	
7	3311405	4	Nut, Lock, 1/4-20	
8	3760308	4	Retainer	
9	1001112496	4	Screw, Special	
10	4751400	8	Washer, 1/4	
11	1001166321	1	Cover	
12	1001166330	1	Axle Cover	
13	1001166493	2	Battery Cover	
15	3960447	11 ft /3.4m	Seal	
16	3820019	6	Rivet	
17	1001175025	2	Brace, Battery Tray	
18	3520035	1	Plug, Cap	
19	1001110166	3.5 ft /1.1m	Seal (SN 0300223487 through 0300272287, SN B300001613 through B300005763, Excluding B300005567)	

# SECTION 1 - FRAME

## FIGURE 1-47. FRAME COVER INSTALLATION - M450AJ



ART\_1001166328

# SECTION 1 - FRAME

## FIGURE 1-47. FRAME COVER INSTALLATION - M450AJ

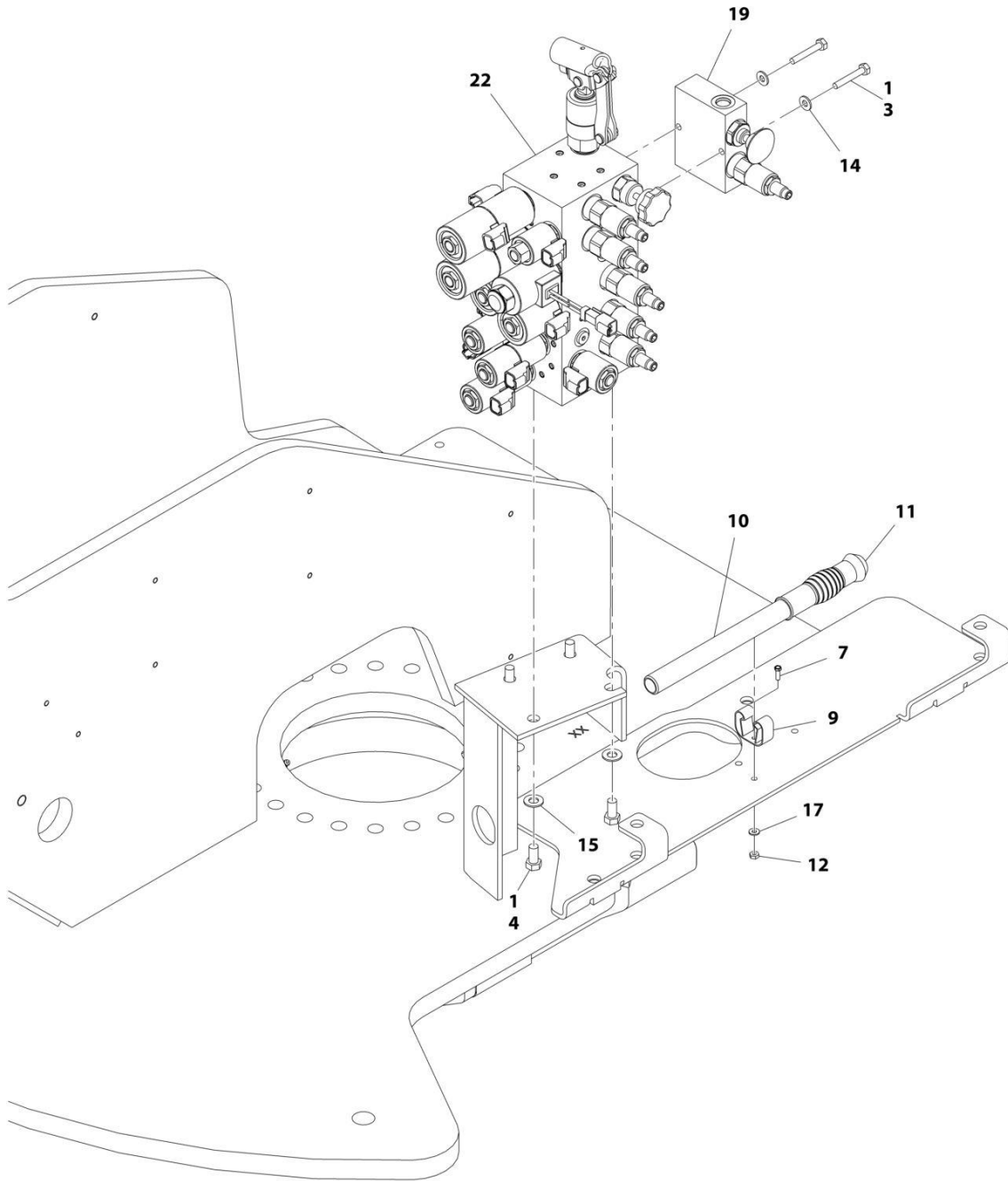
ITEM	PART NUMBER	QTY	DESCRIPTION	REV
	1001166328	Ref	FRAME COVER INSTALLATION - M450AJ	F
1	0630440	2	Eyebolt	
2	0641406	4	Bolt, 1/4-20 X 3/4	
3	0721004	20	Bolt, #10-24 X .500	
4	1380138	8	Clip, Receptacle	
5	1670880	1	Cover	
6	2700093	2	Hook	
7	2820105	1	Insulation, Acoustical Foam	
8	2820106	1	Insulation, Acoustic Foam	
9	2940095	4	Latch	
10	2940115	2	Latch	
11	3311005	20	Nut, Lock, #10-24	
12	3311401	2	Nut, 1/4-20	
13	3311405	4	Nut, Lock, 1/4-20	
14	3760308	8	Retainer	
15	1001112496	8	Screw, Special	
16	3960389	2.5 ft /0.8m	Seal	
17	4060804	6.5 ft /1.9m	Flex Trim	
18	4751000	4	Washer, 10	
19	4751400	6	Washer, 1/4	
20	1001166330	1	Axle Cover	
21	1001166377	2	Frame Cover	
22	1001166493	2	Battery Cover	
23	3960417	12 ft /3.7m	Seal	
24	3960447	11 ft /3.4m	Seal	
25	3820019	6	Rivet	
26	1001175025	2	Brace, Battery Tray	
27	3520035	1	Plug, Cap	
28	1001182709	1	Insulation, Acoustical Foam	
29	2820110	1	Insulation, Acoustical Foam	



**SECTION 2 - TURNTABLE**

# SECTION 2 - TURNTABLE

## FIGURE 2-1. VALVE INSTALLATION- TURNTABLE MOUNTED - E450A



ART\_1001180930\_20F2

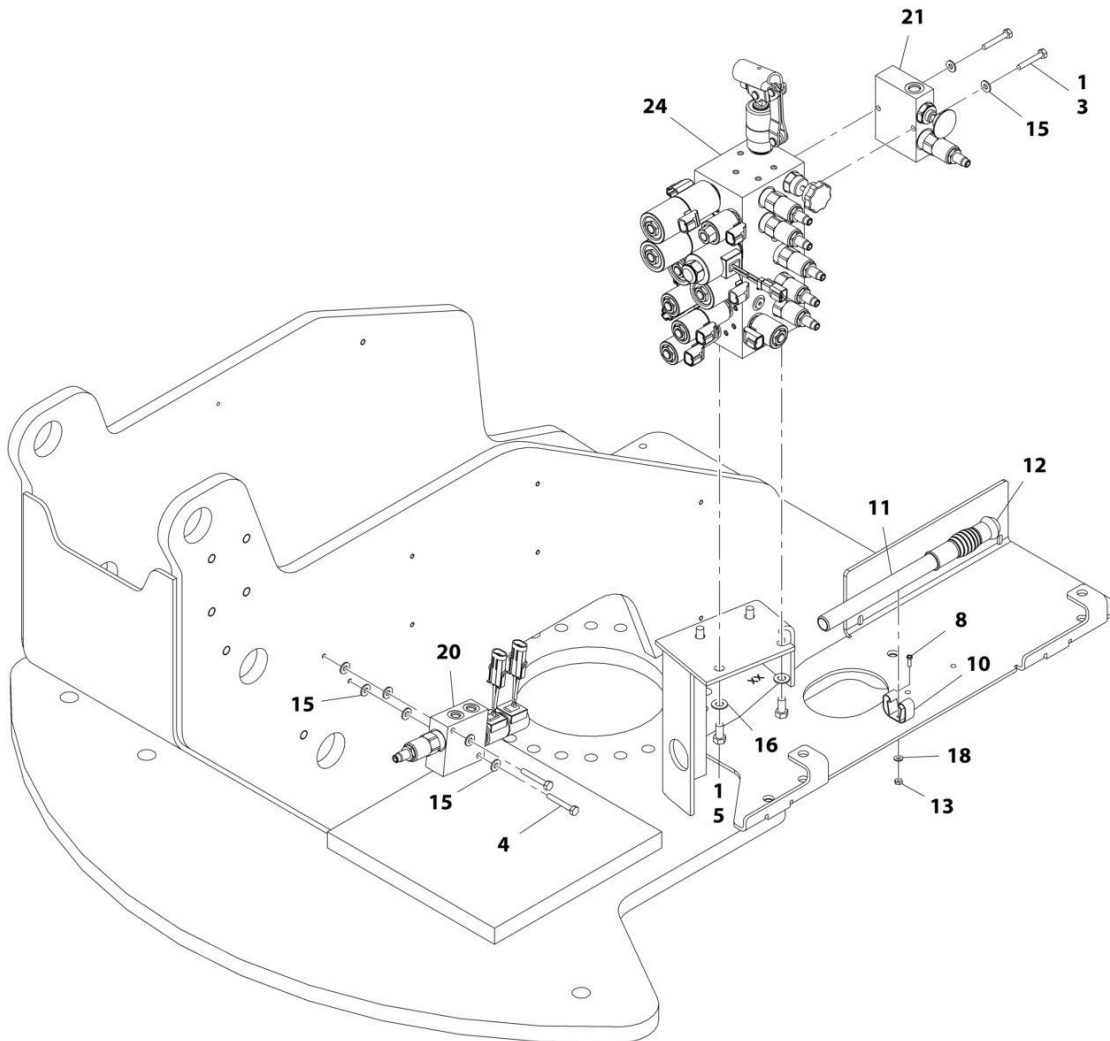
# SECTION 2 - TURNTABLE

**FIGURE 2-1. VALVE INSTALLATION- TURNTABLE MOUNTED - E450A**

ITEM	PART NUMBER	QTY	DESCRIPTION	REV
	1001180930	Ref	VALVE INSTALLATION- TURNTABLE MOUNTED - E450A	B
1	0100011	AR	Compound, Locking	
3	0641413	2	Bolt, 1/4-20 X 1-5/8	
4	0641606	4	Bolt, 3/8-16 X 3/4	
7	0720804	1	Bolt, #8-32 X .500	
9	1380136	1	Clip, Gripper	
10	2560122	1	Handle	
11	2560123	1	Handle, Grip	
12	3310805	1	Nut, Lock #8-32	
14	4711400	2	Washer, 1/4	
15	4711600	4	Washer, 3/8	
17	4750800	1	Washer, #8	
19	1001097777	1	Releveling Valve Assembly (See RELEVELING VALVE ASSEMBLY for Breakdown)	
22	1001180554	1	Main Control Valve Assembly (See MAIN CONTROL VALVE ASSEMBLY for Breakdown)	

## SECTION 2 - TURNTABLE

FIGURE 2-2. VALVE INSTALLATION - TURNTABLE MOUNTED - E450AJ (SN 0300208529 through 0300233451, SN B300001429 through B300002532)



ART\_1001180932\_2OF2



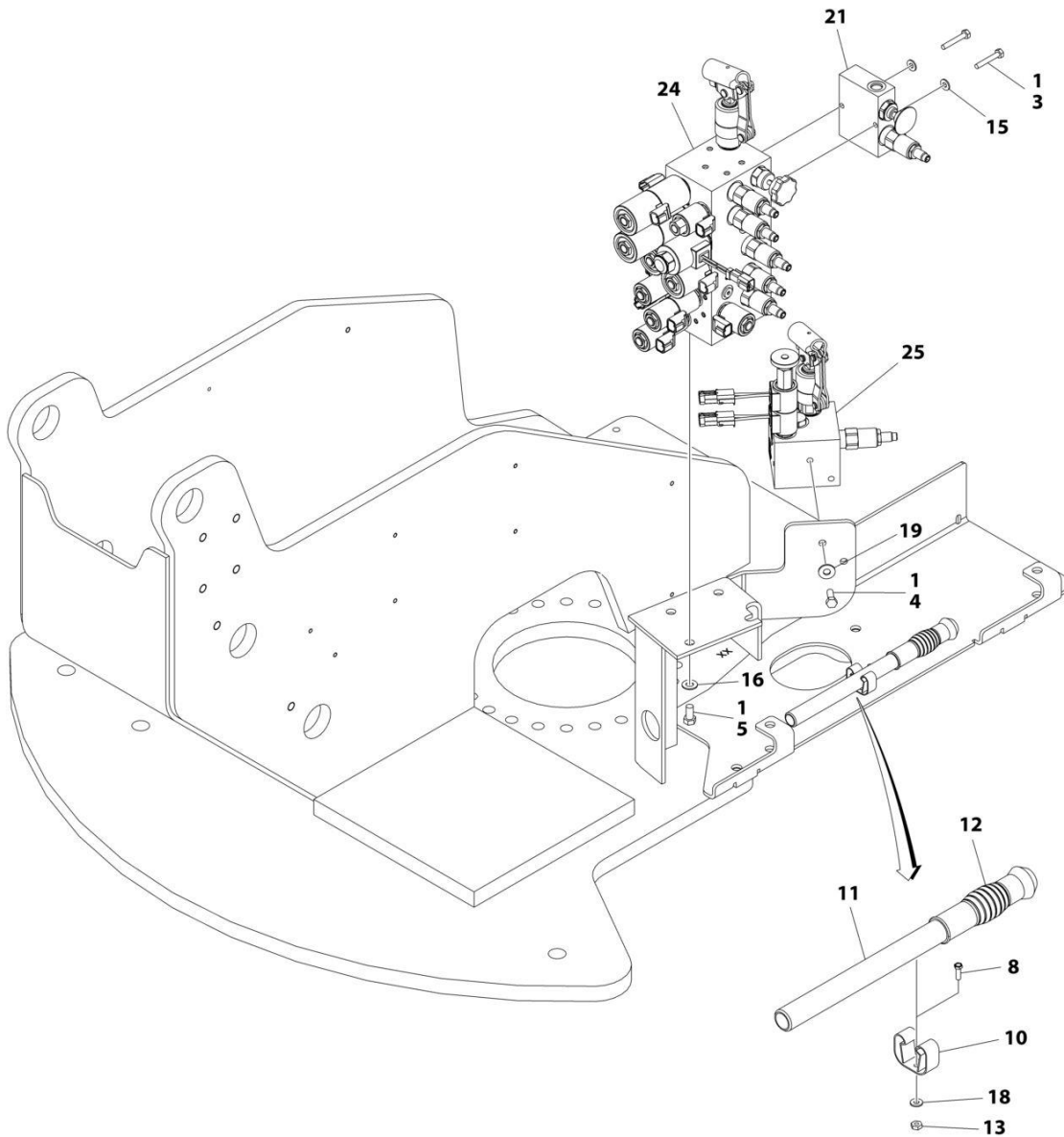
## SECTION 2 - TURNTABLE

**FIGURE 2-2. VALVE INSTALLATION - TURNTABLE MOUNTED - E450AJ (SN 0300208529 through 0300233451, SN B300001429 through B300002532)**

ITEM	PART NUMBER	QTY	DESCRIPTION	REV
	1001180932	Ref	VALVE INSTALLATION - TURNTABLE MOUNTED - E450AJ (SN 0300208529 through 0300233451, SN B300001429 through B300002532)	C
1	0100011	AR	Compound, Locking	
3	0641413	2	Bolt, 1/4-20 X 1-5/8	
4	0641414	2	Bolt, 1/4-20 X 1-3/4	
5	0641606	4	Bolt, 3/8-16 X 3/4	
8	0720804	1	Bolt, #8-32 X .500	
10	1380136	1	Clip, Gripper	
11	2560122	1	Handle	
12	2560123	1	Handle, Grip	
13	3310805	1	Nut, Lock #8-32	
15	4711400	8	Washer, 1/4	
16	4711600	4	Washer, 3/8	
18	4750800	1	Washer, #8	
20	1001097775	1	Jib Valve Assembly (See JIB VALVE ASSEMBLY for Breakdown)	
21	1001097777	1	Releveling Valve Assembly (See RELEVELING VALVE ASSEMBLY for Breakdown)	
24	1001180554	1	Main Control Valve Assembly (See MAIN CONTROL VALVE ASSEMBLY for Breakdown)	

## SECTION 2 - TURNTABLE

FIGURE 2-3. VALVE INSTALLATION - TURNTABLE MOUNTED - E450AJ (SN 0300233452 through 0300272287, SN B300002533 through B300005763)



ART\_1001218371\_2OF2

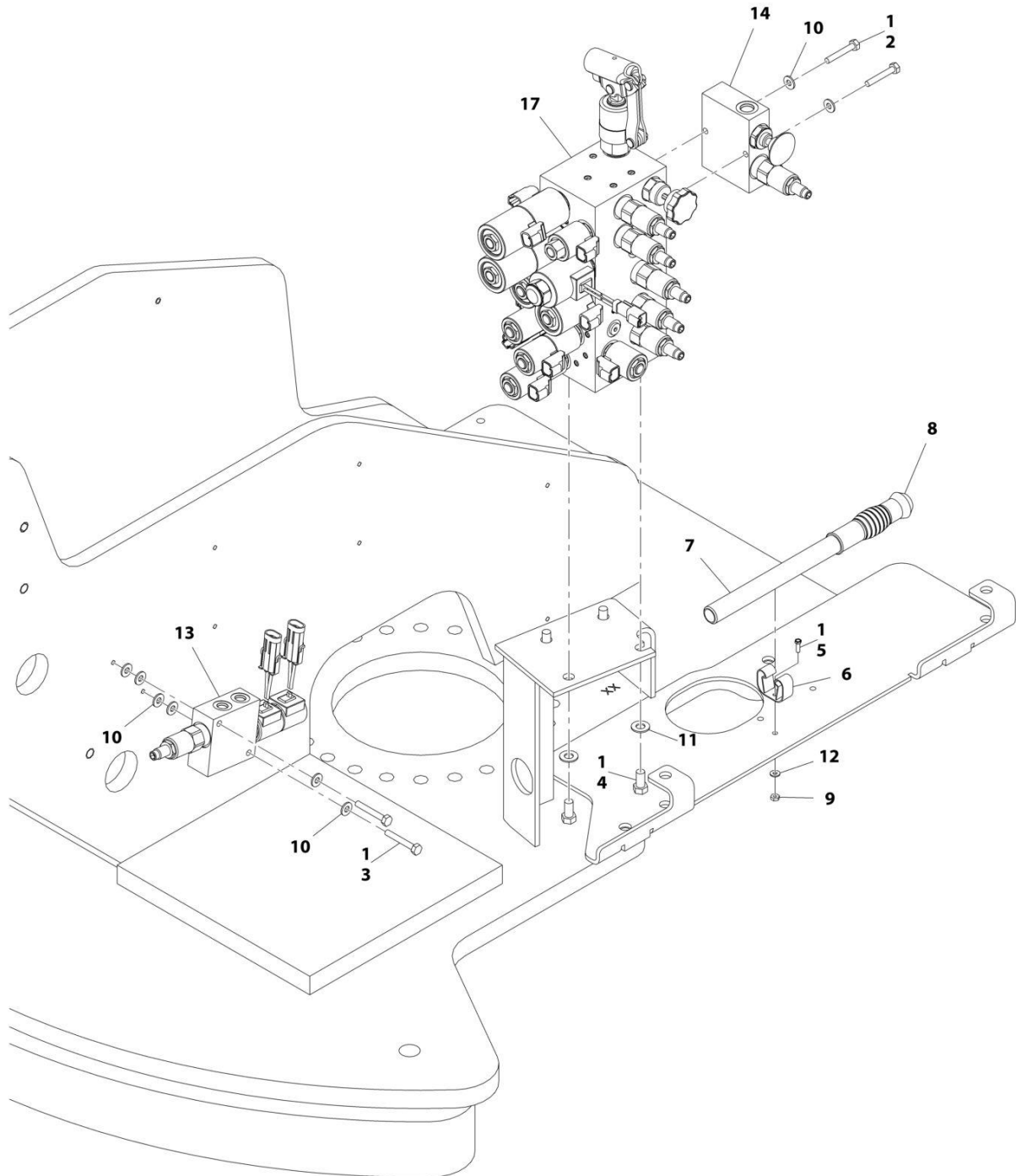
## SECTION 2 - TURNTABLE

**FIGURE 2-3. VALVE INSTALLATION - TURNTABLE MOUNTED - E450AJ (SN 0300233452 through 0300272287, SN B300002533 through B300005763)**

ITEM	PART NUMBER	QTY	DESCRIPTION	REV
	1001218371	Ref	VALVE INSTALLATION - TURNTABLE MOUNTED - E450AJ	A
1	0100011	AR	Compound, Locking	
3	0641413	2	Bolt 1/4 x 1-5/8	
4	0641507	2	Bolt 5/16 x 7/8	
5	0641606	4	Bolt 3/8 x 3/4	
8	0720804	1	Bolt #8-32 x .500	
10	1380136	1	Clip, Gripper	
11	2560122	1	Handle	
12	2560123	1	Handle, Grip	
13	3310805	1	Nut, Lock #8-32	
15	4711400	2	Washer 1/4	
16	4711600	4	Washer 3/8	
18	4750800	1	Washer #8	
19	4751500	2	Washer 5/16	
21	1001097777	1	Releveling Valve Assembly (See RELEVELING VALVE ASSEMBLY for Breakdown)	
24	1001180554	1	Main Control Valve Assembly (See MAIN CONTROL VALVE ASSEMBLY for Breakdown)	
25	1001216920	1	Jib Valve Assembly (See JIB VALVE ASSEMBLY for Breakdown)	

## SECTION 2 - TURNTABLE

FIGURE 2-4. VALVE INSTALLATION - TURNTABLE MOUNTED - M450AJ (SN 0300208529 through 0300233451)



ART\_1001180933\_2OF2

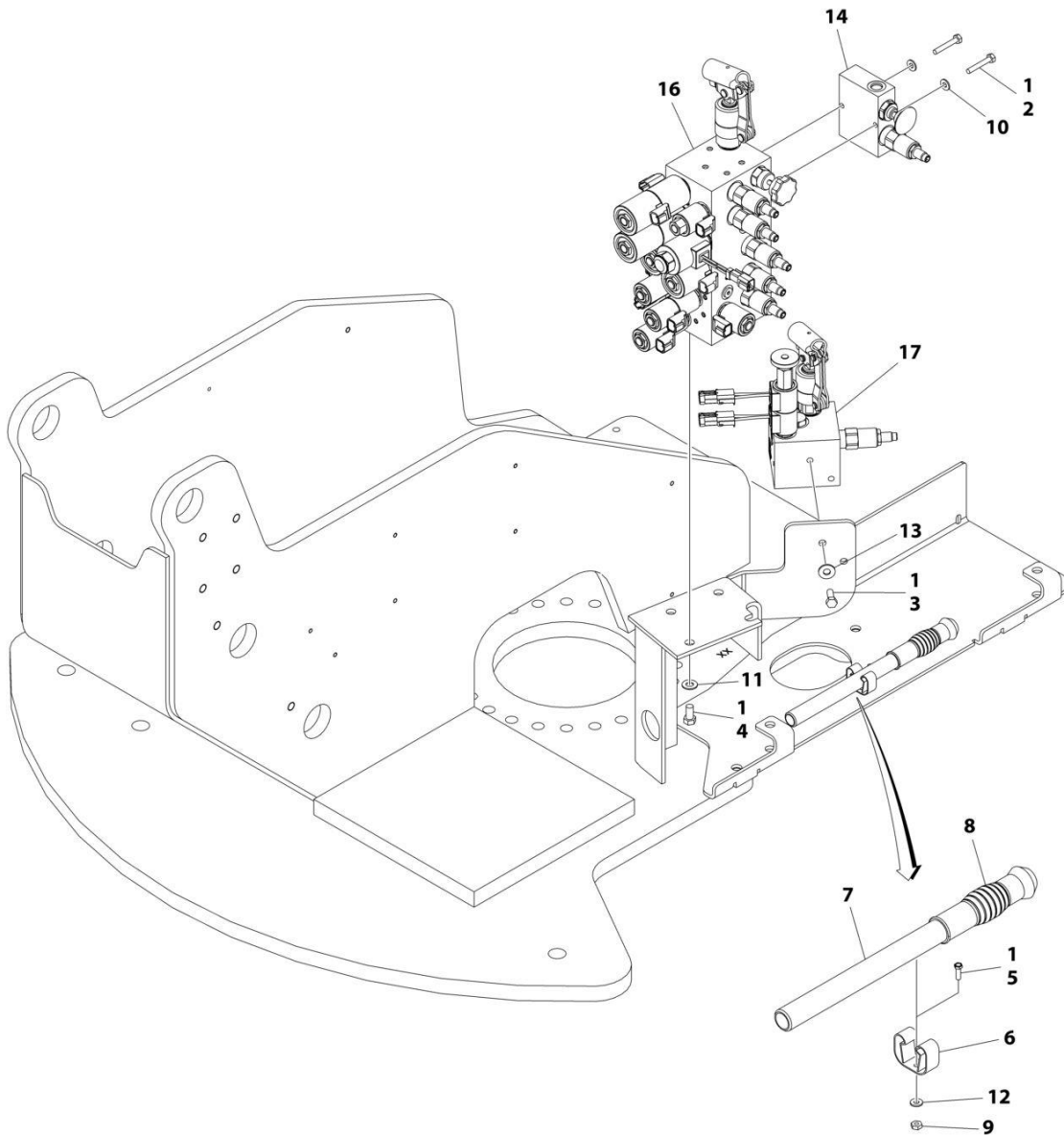
## SECTION 2 - TURNTABLE

**FIGURE 2-4. VALVE INSTALLATION - TURNTABLE MOUNTED - M450AJ (SN 0300208529 through 0300233451)**

ITEM	PART NUMBER	QTY	DESCRIPTION	REV
	1001180933	Ref	VALVE INSTALLATION - TURNTABLE MOUNTED - M450AJ (SN <b>0300208529 through 0300233451</b> )	C
1	0100011	AR	Compound, Locking	
2	0641413	2	Bolt, 1/4-20 X 1-5/8	
3	0641414	2	Bolt, 1/4-20 X 1-3/4	
4	0641606	4	Bolt, 3/8-16 X 3/4	
5	0720804	1	Bolt, #8-32 X .500	
6	1380136	1	Clip, Gripper	
7	2560122	1	Handle	
8	2560123	1	Handle, Grip	
9	3310805	1	Nut, Lock #8-32	
10	4711400	6	Washer, 1/4	
11	4711600	4	Washer, 3/8	
12	4750800	1	Washer, #8	
13	1001097775	1	Jib Valve Assembly (See JIB VALVE ASSEMBLY for Breakdown)	
14	1001097777	1	Releveling Valve Assembly (See RELEVELING VALVE ASSEMBLY for Breakdown)	
17	1001180554	1	Main Control Valve Assembly (See MAIN CONTROL VALVE ASSEMBLY for Breakdown)	

# SECTION 2 - TURNTABLE

FIGURE 2-5. VALVE INSTALLATION - TURNTABLE MOUNTED - M450AJ (SN 0300233452 through 0300272287)



ART\_1001218372\_2OF2

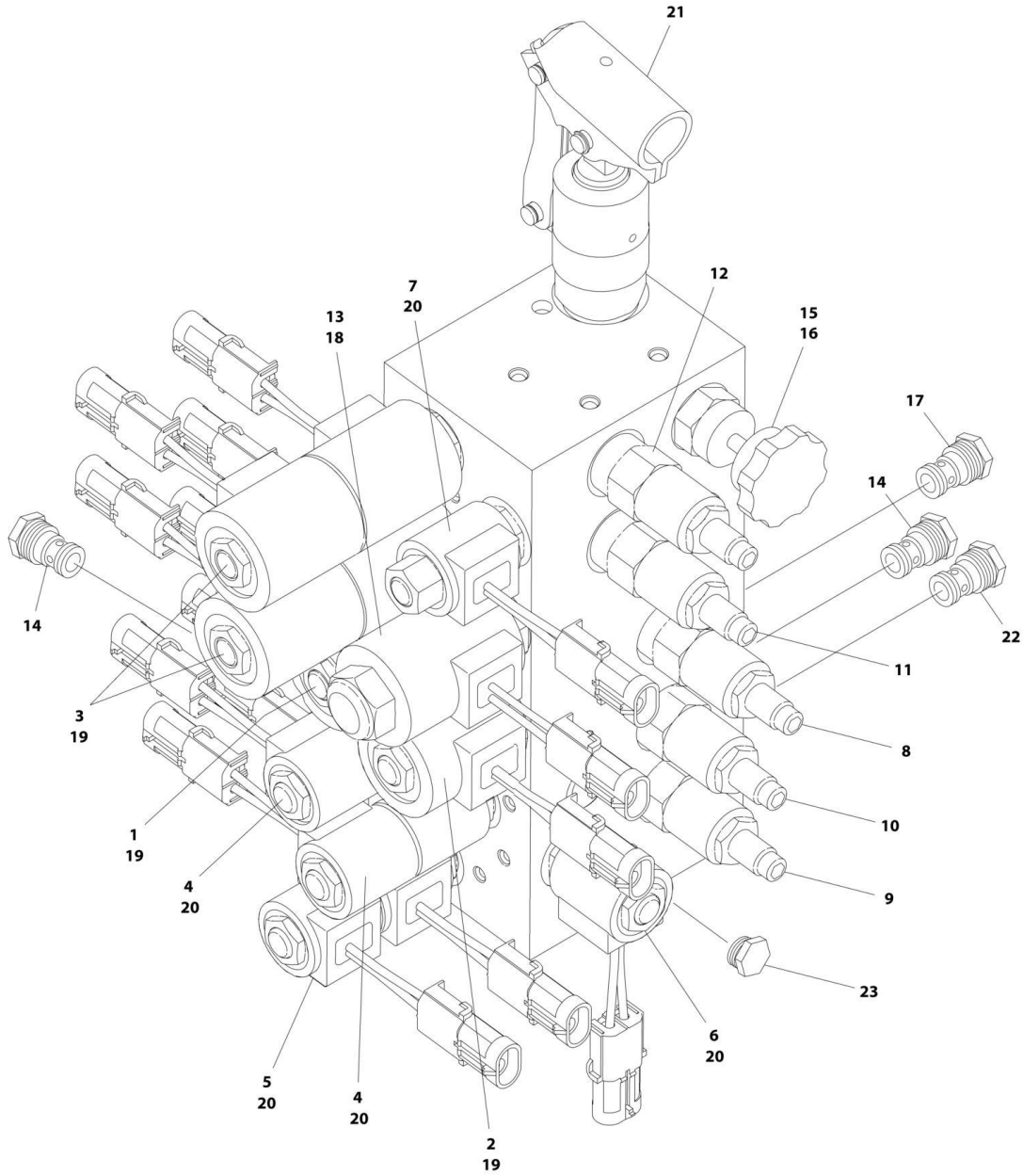
## SECTION 2 - TURNTABLE

**FIGURE 2-5. VALVE INSTALLATION - TURNTABLE MOUNTED - M450AJ (SN 0300233452 through 0300272287)**

ITEM	PART NUMBER	QTY	DESCRIPTION	REV
	1001218372	Ref	VALVE INSTALLATION - TURNTABLE MOUNTED - M450AJ	A
1	0100011	AR	Compound, Locking	
2	0641413	3	Bolt 1/4 x 1-5/8	
3	0641507	2	Bolt 5/16 x 7/8	
4	0641606	4	Bolt 3/8 x 3/4	
5	0720804	1	Bolt #8-32 x .500	
6	1380136	1	Clip, Gripper	
7	2560122	1	Handle	
8	2560123	1	Handle, Grip	
9	3310805	1	Nut, Lock #8-32	
10	4711400	2	Washer 1/4	
11	4711600	4	Washer 3/8	
12	4750800	1	Washer #8	
13	4751500	2	Washer 5/16	
14	1001097777	1	Releveling Valve Assembly (See RELEVELING VALVE ASSEMBLY for Breakdown)	
16	1001180554	1	Main Control Valve Assembly (See MAIN CONTROL VALVE ASSEMBLY for Breakdown)	
17	1001216920	1	Jib Valve Assembly (See JIB VALVE ASSEMBLY for Breakdown)	

# SECTION 2 - TURNTABLE

## FIGURE 2-6. MAIN CONTROL VALVE ASSEMBLY



ART\_1001180554



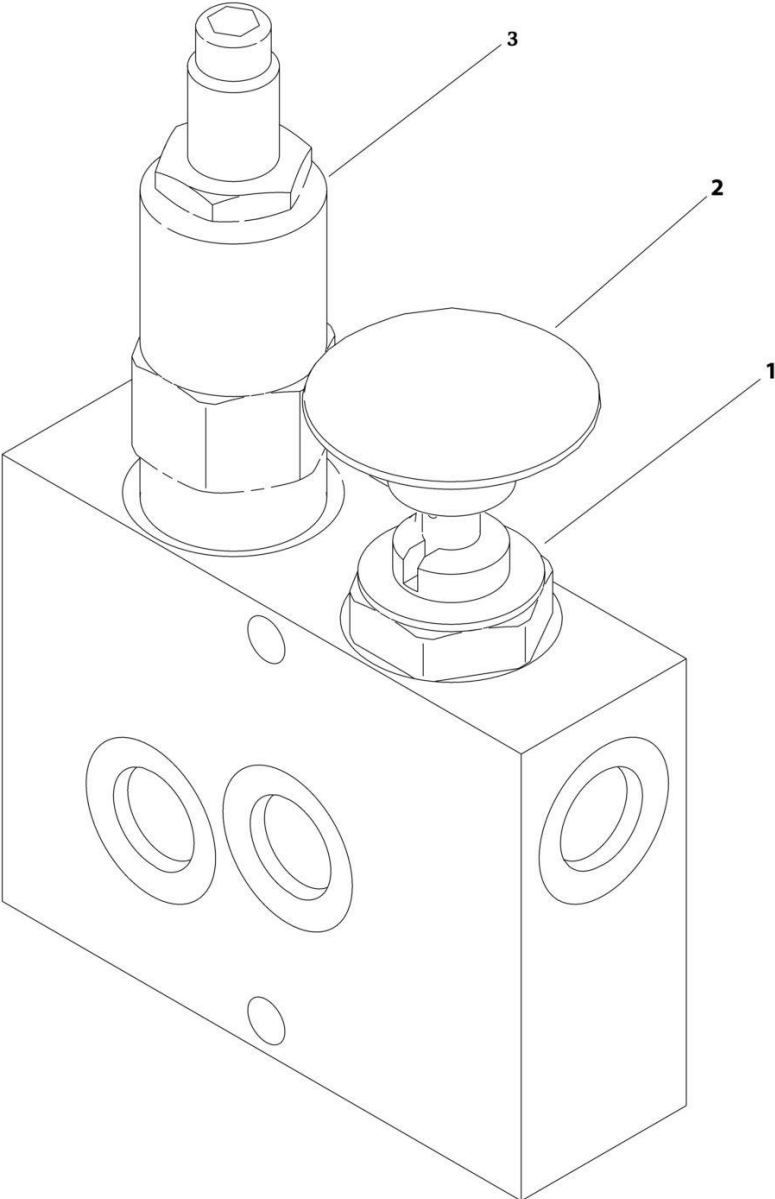
## SECTION 2 - TURNTABLE

**FIGURE 2-6. MAIN CONTROL VALVE ASSEMBLY**

ITEM	PART NUMBER	QTY	DESCRIPTION	REV
	1001180554	Ref	MAIN CONTROL VALVE ASSEMBLY	F
1	7022394	1	Cartridge without Coil (Telescope In)	
1	7012518	1	Seal Kit - 7022394 Cartridge	
2	7012995	1	Cartridge without Coil (Telescope Out)	
2	7012518	1	Seal Kit - 7012995 Cartridge	
3	7021603	2	Cartridge without Coil (Lower and Upper Lift)	
3	7012903	2	Seal Kit - 7021603 Cartridge	
4	7017452	2	Cartridge without Coil (Platform Level)	
4	7017402	2	Seal Kit - 7017452 Cartridge	
5	7017433	1	Cartridge without Coil (Swing)	
5	7017402	1	Seal Kit - 7017433 Cartridge	
6	7021604	1	Cartridge without Coil (Swing Arrest)	
6	7012953	1	Seal Kit - 7021604 Cartridge	
7	7017410	1	Cartridge without Coil (Bypass Unloading)	
7	7012967	1	Seal Kit - 7017410 Cartridge	
8	7017418	1	Cartridge (Telescope)	
8	7012998	1	Seal Kit - 7017418 Cartridge	
9	7017421	1	Cartridge (Platform Level Backward Piston End)	
9	7012998	1	Seal Kit - 7017421 Cartridge	
10	7017418	1	Cartridge (Platform Level Forward Rod End)	
10	7012998	1	Seal Kit - 7017418 Cartridge	
11	70001876	1	Cartridge (Lower Lift Down)	
11	7012998	1	Seal Kit - 70001876 Cartridge	
12	70002806	1	Cartridge (Upper Lift Down)	
12	7012998	1	Seal Kit - 70002806 Cartridge	
13	7021611	1	Cartridge without Coil (Flow Regulator)	
13	7012518	1	Seal Kit - 7021611 Cartridge	
14	7012914	2	Cartridge (Platform Level)	
14	7012918	2	Seal Kit - 7012914 Cartridge	
15	7012947	1	Cartridge (Emergency Descent)	
15	7012518	1	Seal Kit - 7012947 Cartridge	
16	7012961	1	Knob	
17	10837580	1	Cartridge (Telescope)	
17	7010543	1	Seal Kit - 10837580 Cartridge	
18	70005210	1	Coil	
19	7024883	6	Coil	
20	7024885	8	Coil	
21	70004019	1	Pump, Manual	
21	2900756	1	Seal Kit - 70004019 Pump	
21	2560122	1	Handle (Not Shown)	
21	1001114761	1	Handle, Grip (Red) (Not Shown)	
21	2560123	1	Handle, Grip (Black) (Not Shown)	
22	7012975	1	Cartridge (Check)	
22	7012540	1	Seal Kit - 7012975 Cartridge	
23	70000381	1	Plug, Cartridge	
24	70005091	1	Orifice (Swing) (Not Shown)	
25	70004884	1	Orifice (Platform) (Not Shown)	

**SECTION 2 - TURNTABLE**

**FIGURE 2-7. RELEVELING VALVE ASSEMBLY**



ART\_100109777

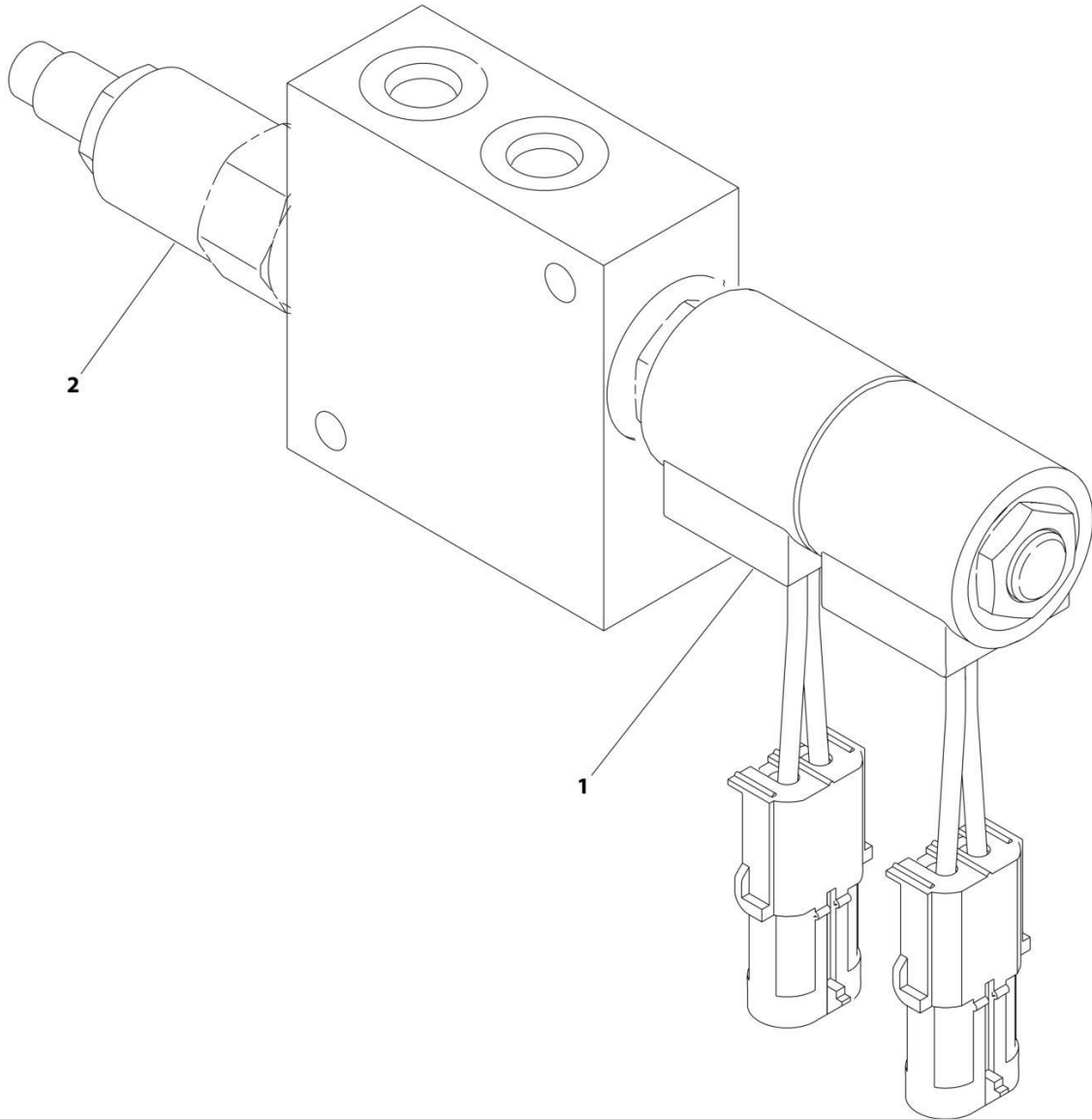
**SECTION 2 - TURNTABLE**

**FIGURE 2-7. RELEVELING VALVE ASSEMBLY**

ITEM	PART NUMBER	QTY	DESCRIPTION	REV
	1001097777	Ref	RELEVELING VALVE ASSEMBLY	B
1	7017466	1	Cartridge	
1	7017496	1	Seal Kit - 7017466 Cartridge	
2	7012959	1	Knob	
3	7024891	1	Cartridge	
3	7012953	1	Seal Kit - 7024891 Cartridge	

## SECTION 2 - TURNTABLE

FIGURE 2-8. JIB VALVE ASSEMBLY (SN 0300208529 through 0300233452, SN B300001429 through B300002532)



ART\_100109775

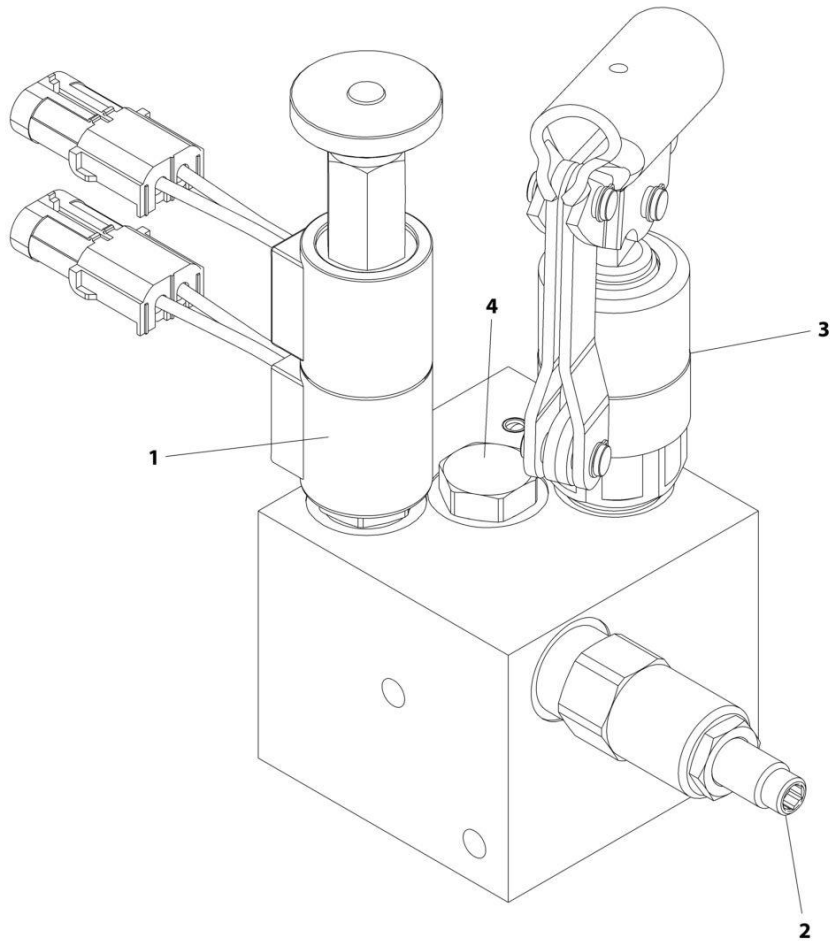
**SECTION 2 - TURNTABLE**

**FIGURE 2-8. JIB VALVE ASSEMBLY (SN 0300208529 through 0300233452, SN B300001429 through B300002532)**

ITEM	PART NUMBER	QTY	DESCRIPTION	REV
	1001097775	Ref	JIB VALVE ASSEMBLY (SN 0300208529 through 0300233452, SN B300001429 through B300002532)	C
1	7017452	1	Cartridge without Coil	
1	7017402	1	Seal Kit - 7017452 Cartridge	
1	7021609	2	Coil	
2	70002807	1	Cartridge, Relief Valve	
2	7021653	1	Seal Kit - 70002807 Cartridge	

## SECTION 2 - TURNTABLE

FIGURE 2-9. JIB VALVE ASSEMBLY (SN 0300233452 through 0300272287, SN B300002533 through B300005763)



ART\_1001216920

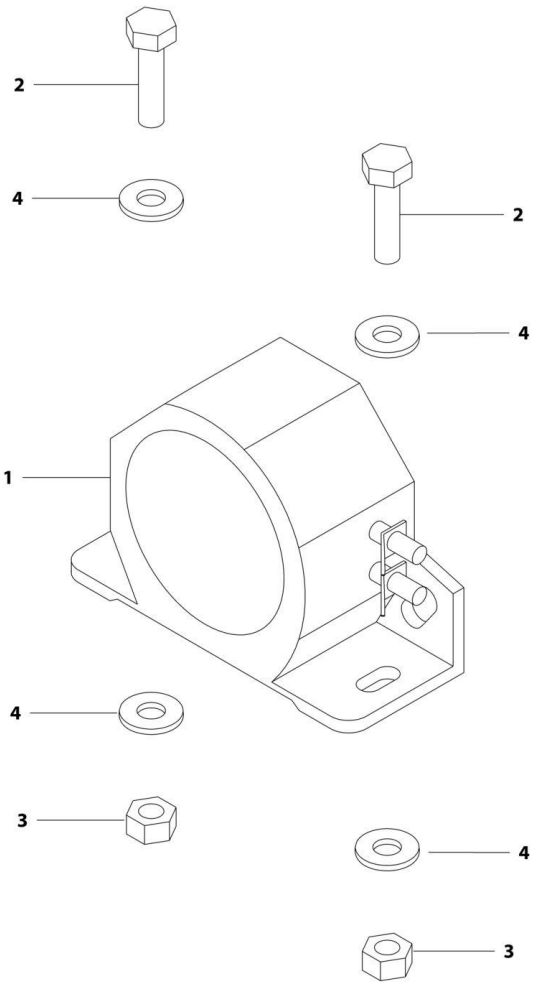
**SECTION 2 - TURNTABLE**

**FIGURE 2-9. JIB VALVE ASSEMBLY (SN 0300233452 through 0300272287, SN B300002533 through B300005763)**

ITEM	PART NUMBER	QTY	DESCRIPTION	REV
	1001216920	Ref	JIB VALVE ASSEMBLY	C
1	70006346	1	Cartridge (Manual Override)	
1	7017402	1	Seal Kit - 70006346 Cartridge	
1	70006348	1	Coil Spacer	
1	7021609	2	Coil	
1	70006347	1	Coil Nut	
2	70006349	1	Cartridge	
2	7021653	1	Seal Kit - 70006349 Cartridge	
3	70005722	1	Cartridge	
3	7017496	1	Seal Kit - 70005722 Cartridge	
3	2560122	1	Handle	
3	1001114761	1	Grip, Handle (Red)	
3	2560123	1	Grip, Handle (Black)	
4	7024887	1	Cartridge	
4	7012998	1	Seal Kit - 7024887 Cartridge	

# SECTION 2 - TURNTABLE

## FIGURE 2-10. MOTION ALARM INSTALLATION



ART\_1001183367



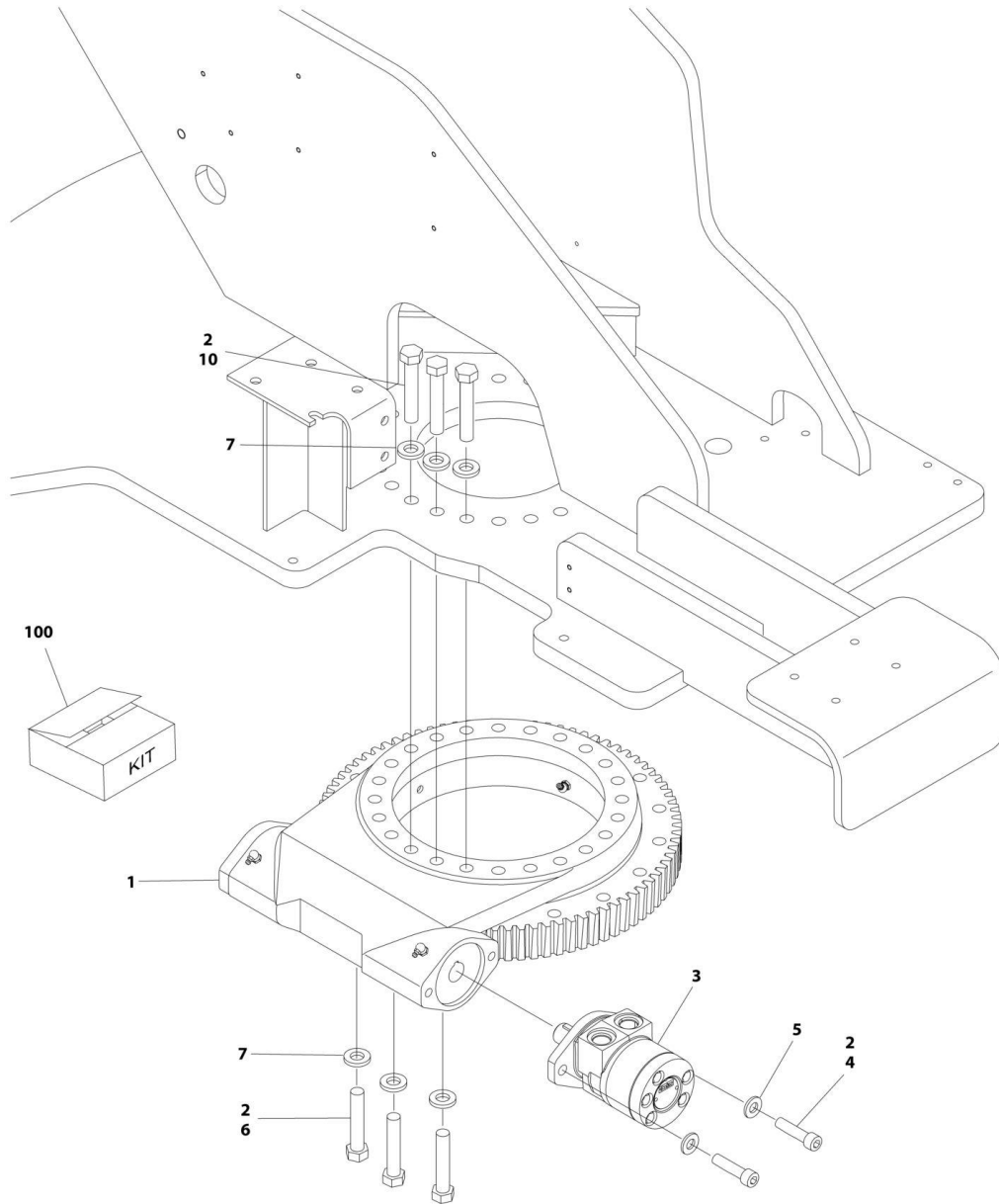
**SECTION 2 - TURNTABLE**

**FIGURE 2-10. MOTION ALARM INSTALLATION**

<b>ITEM</b>	<b>PART NUMBER</b>	<b>QTY</b>	<b>DESCRIPTION</b>	<b>REV</b>
	1001183367	Ref	MOTION ALARM INSTALLATION	A
1	0140043	1	Alarm, Motion	
2	0641406	2	Bolt, 1/4-20 X 3/4	
3	3311405	2	Nut, Lock 1/4-20	
4	4711400	2	Washer, 1/4	

# SECTION 2 - TURNTABLE

## FIGURE 2-11. TURNTABLE BEARING AND SWING DRIVE INSTALLATION



ART\_1001166395

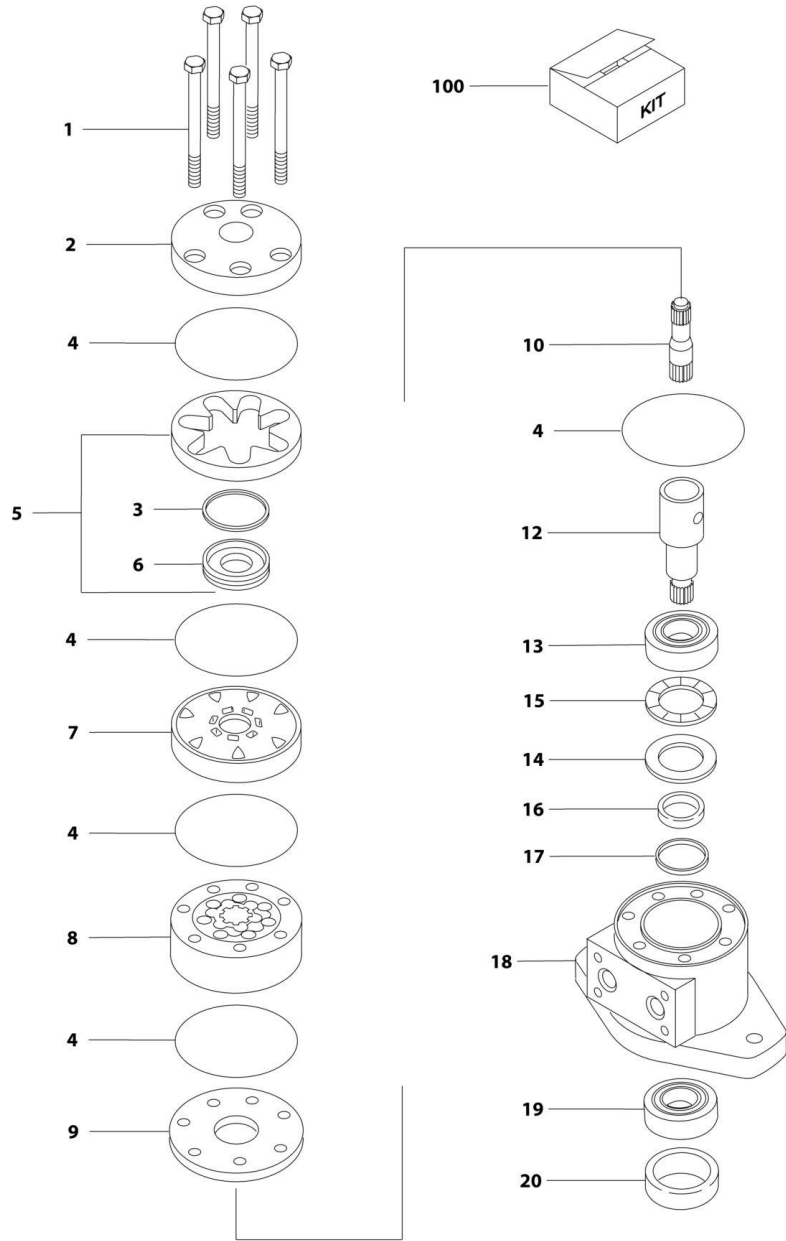
# SECTION 2 - TURNTABLE

**FIGURE 2-11. TURNTABLE BEARING AND SWING DRIVE INSTALLATION**

ITEM	PART NUMBER	QTY	DESCRIPTION	REV
	1001166395	Ref	TURNTABLE BEARING AND SWING DRIVE INSTALLATION	B
1	1001153017	1	Turntable Bearing and Worm Gear Assembly (See SWING BEARING ASSEMBLY for Breakdown)	
2	0100019	AR	Compound, Locking	
3	1001104850	1	Swing Motor Assembly (See SWING MOTOR ASSEMBLY for Breakdown)	
4	3931832	2	Bolt, Allen Head, 1/2-13 X 2	
5	4740171	2	Washer	
6	0682026	18	Bolt, 5/8-11 X 3-1/4, Grade 8	
7	4892000	41	Washer, 5/8	
9	3020029	AR	Lube, Bearing Grease	
10	0682028	23	Bolt, 5/8-11 X 3-1/2, Grade 8	
100	1001160527	1	Turntable Bearing Replacement Kit (Includes Items 1, 4, 5, 6, 7 & 10)	

# SECTION 2 - TURNTABLE

## FIGURE 2-12. SWING MOTOR ASSEMBLY



ART\_1001104850

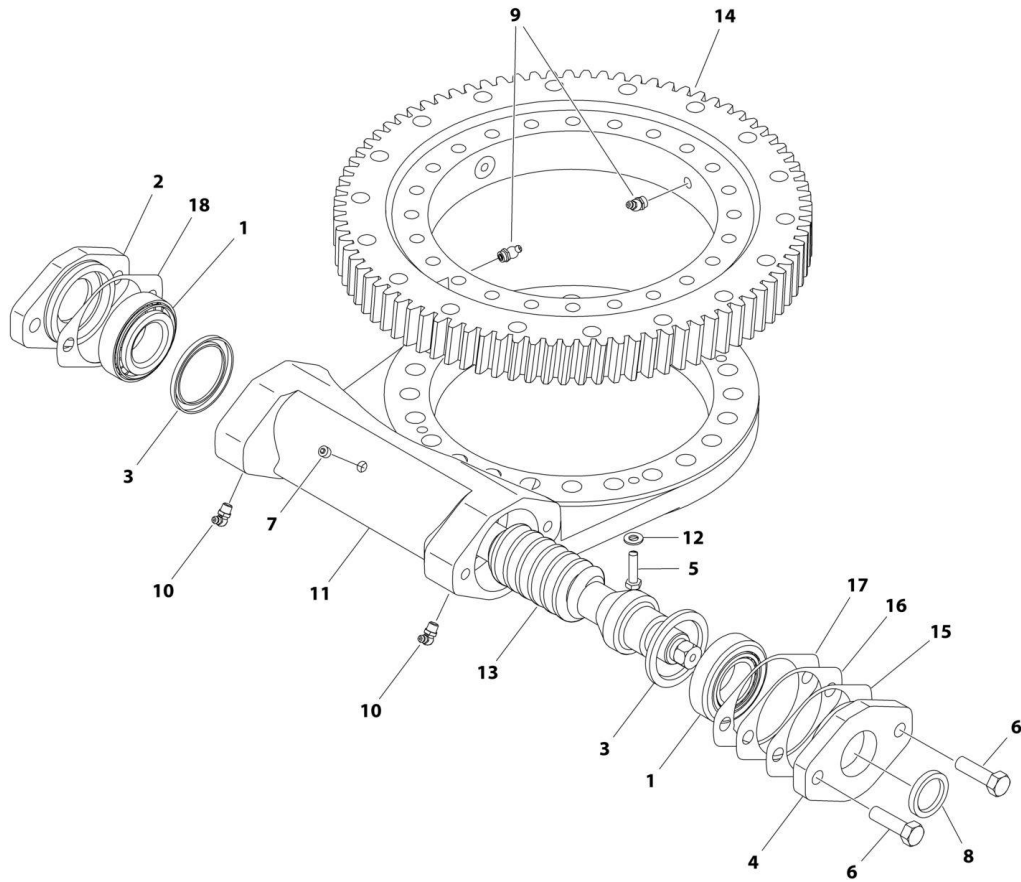
**SECTION 2 - TURNTABLE**

**FIGURE 2-12. SWING MOTOR ASSEMBLY**

ITEM	PART NUMBER	QTY	DESCRIPTION	REV
	1001104850	Ref	SWING MOTOR ASSEMBLY	A
1	See Note	5	Bolt (Note: Not Available for Purchase)	
2	7004035	1	Cover, End	
3	7023318	1	Seal, Commutator	
4	7004036	5	O-Ring	
5	7024453	1	Commutator and Ring Assembly	
6	See Note	NSS	Ring (Note: Purchase p/n 7024453)	
7	7024379	1	Manifold	
8	70002206	1	Rotor Set	
9	7024380	1	Plate, Ware	
10	70002207	1	Link, Drive	
12	70000088	1	Shaft, Coupling	
12A	70000089	1	Key, Woodruff	
13	7024381	1	Bearing, Inner	
14	7004043	1	Washer, Thrust	
15	7004044	1	Bearing, Thrust	
16	7004049	1	Seal, Inner	
17	7004045	1	Ring, Back-up	
18	See Note	NSS	Housing (Note: Purchase p/n 1001104850)	
19	7024390	1	Bearing, Outer	
20	7004047	1	Seal	
100	7024389	1	Seal Kit (Includes Items 3, 4, 16, 17 & 20)	

# SECTION 2 - TURNTABLE

## FIGURE 2-13. SWING BEARING ASSEMBLY



ART\_1001153017

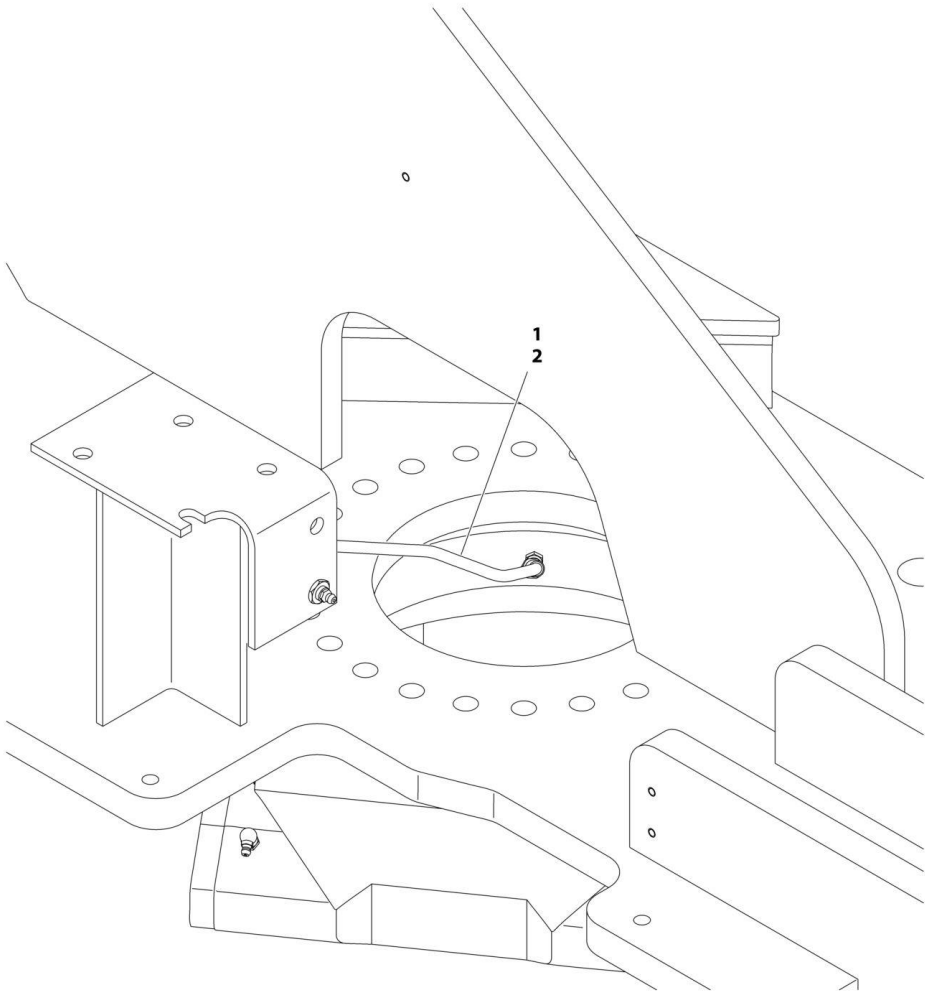
**SECTION 2 - TURNTABLE**

**FIGURE 2-13. SWING BEARING ASSEMBLY**

ITEM	PART NUMBER	QTY	DESCRIPTION	REV
	1001153017	Ref	SWING BEARING ASSEMBLY	B
1	7026042	2	Bearing, Cup	
1	7026043	2	Bearing, Cone	
2	7027356	1	Adapter, Motor	
3	7027361	2	Seal	
4	7027354	1	Cap, End	
5	0641510	2	Bolt, 5/16-18 x 1-1/4	
6	0641812	2	Bolt, 1/2-13 x 1-1/2	
7	70000865	1	Plug	
8	7027360	1	Seal	
9	7027359	2	Fitting, Grease - Straight	
9	2160003	2	Fitting, Grease - 45	
10	7027358	2	Fitting, Grease - 90	
11	See Note	NSS	Housing (Note: Not Sold Separate - Use 1001153017)	
12	4891500	1	Washer, 5/16	
13	7027363	1	Gear, Worm	
14	70004159	1	Ring Gear	
15	7027352	AR	Gasket (.010 - Brown)	
16	7027351	AR	Gasket (.0075 - Clear)	
17	7027350	AR	Gasket (.005 - Blue)	
18	7027353	1	Gasket (.020 - Yellow)	

**SECTION 2 - TURNTABLE**

**FIGURE 2-14. REMOTE BEARING LUBE INSTALLATION - OPTIONAL**



ART\_1001166341



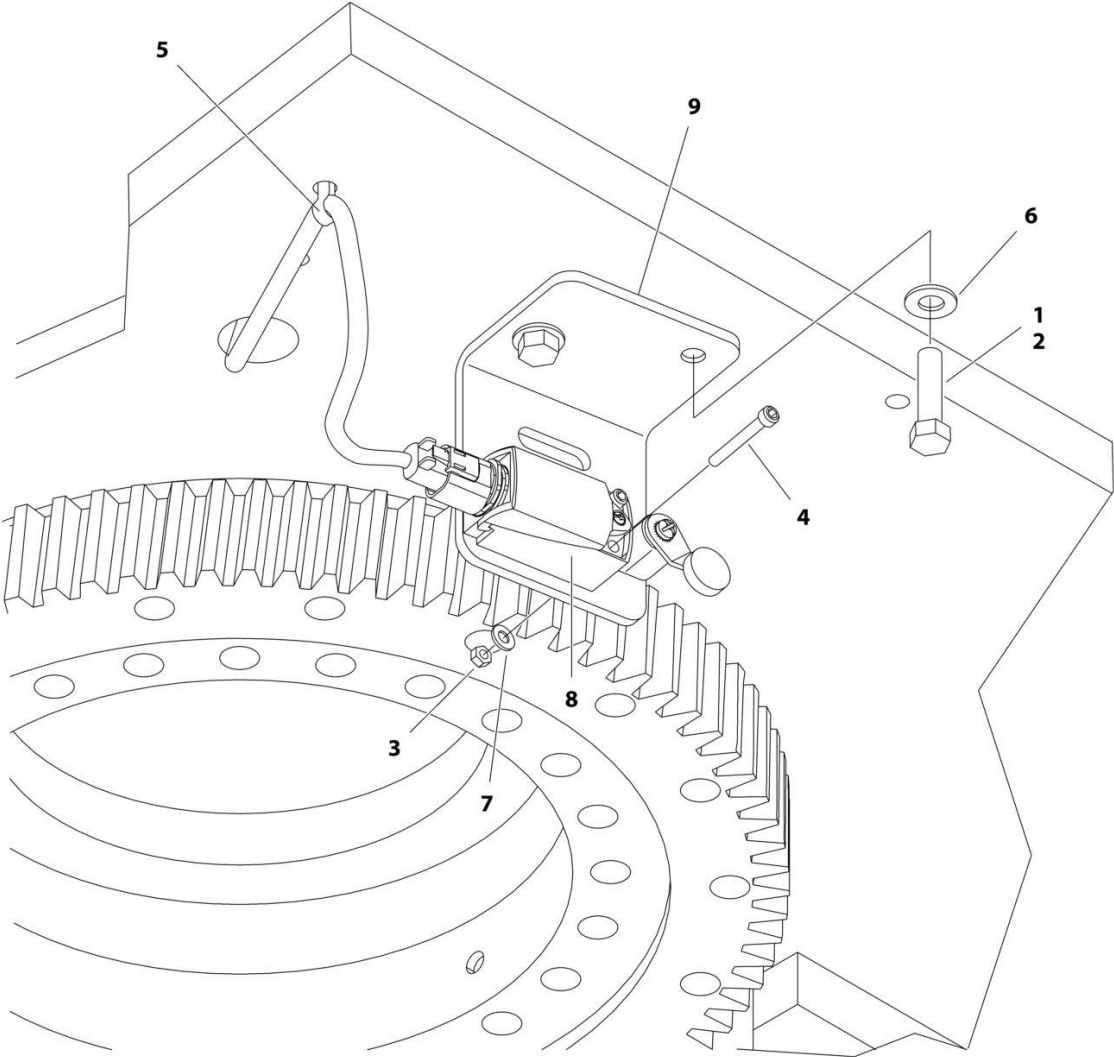
**SECTION 2 - TURNTABLE**

**FIGURE 2-14. REMOTE BEARING LUBE INSTALLATION - OPTIONAL**

<b>ITEM</b>	<b>PART NUMBER</b>	<b>QTY</b>	<b>DESCRIPTION</b>	<b>REV</b>
	1001166341	Ref	REMOTE BEARING LUBE INSTALLATION - OPTIONAL	B
1	1001157058	1	Hose, Remote Grease Line	
2	0100011	AR	Compound, Locking	

# SECTION 2 - TURNTABLE

## FIGURE 2-15. DRIVE ORIENTATION INSTALLATION



ART\_1001187790

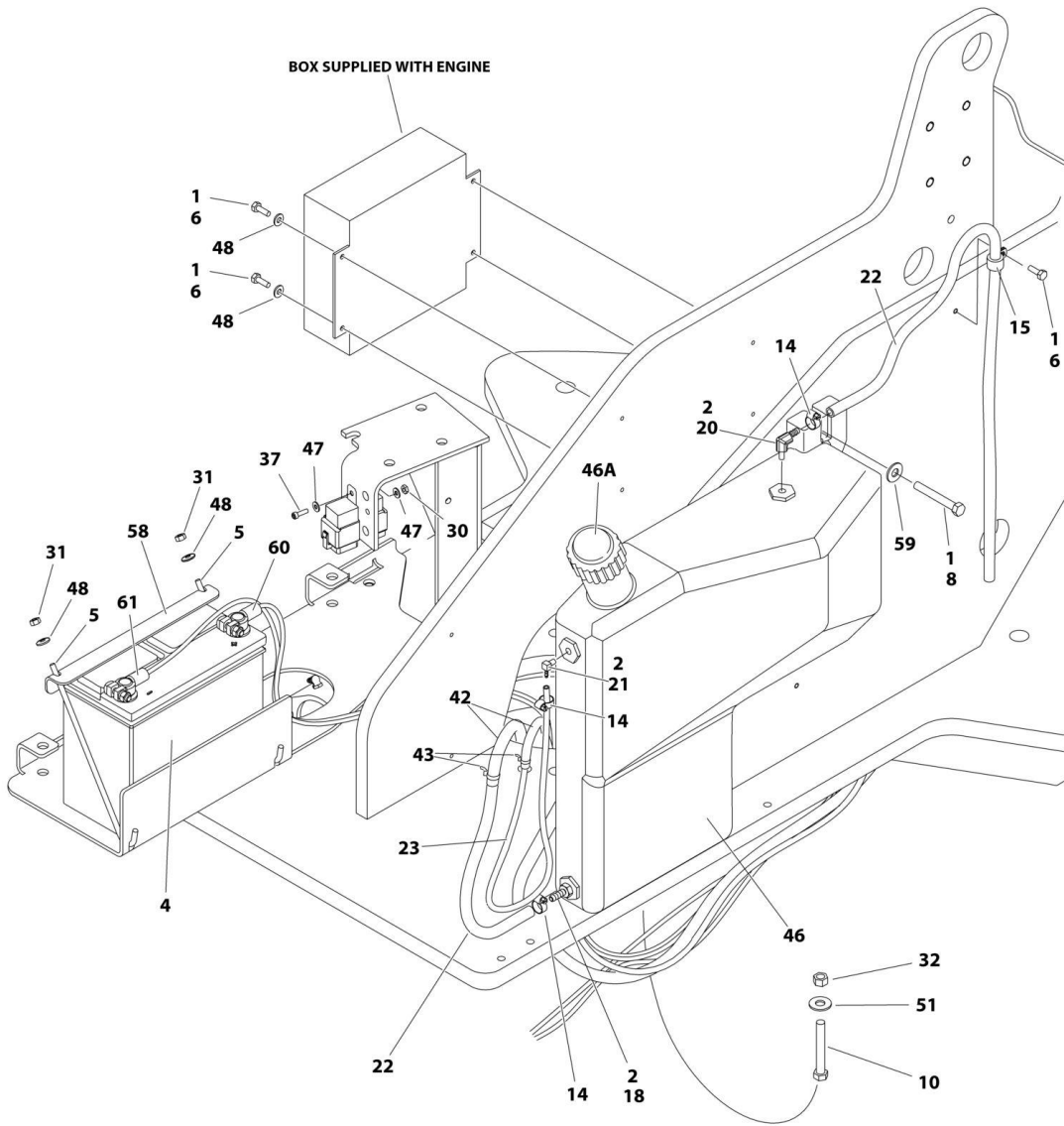
**SECTION 2 - TURNTABLE**

**FIGURE 2-15. DRIVE ORIENTATION INSTALLATION**

<b>ITEM</b>	<b>PART NUMBER</b>	<b>QTY</b>	<b>DESCRIPTION</b>	<b>REV</b>
	1001187790	Ref	DRIVE ORIENTATION INSTALLATION	B
1	0100011	AR	Compound, Locking	
2	0641608	2	Bolt, 3/8-16 X 1	
3	3310805	2	Nut, Lock, #8-32	
4	3930824	2	Bolt, Allen Head, #8-32 X 1-1/2	
5	4240175	1	Tie, Strap	
6	4711600	2	Washer, 3/8	
7	4750800	2	Washer, #8	
8	1001116232	1	Switch, Limit	
9	1001171298	1	Bracket, Mounting	

# SECTION 2 - TURNTABLE

## FIGURE 2-16. FUEL TANK AND BATTERY INSTALLATION - M450AJ



ART\_1001191232\_10F4

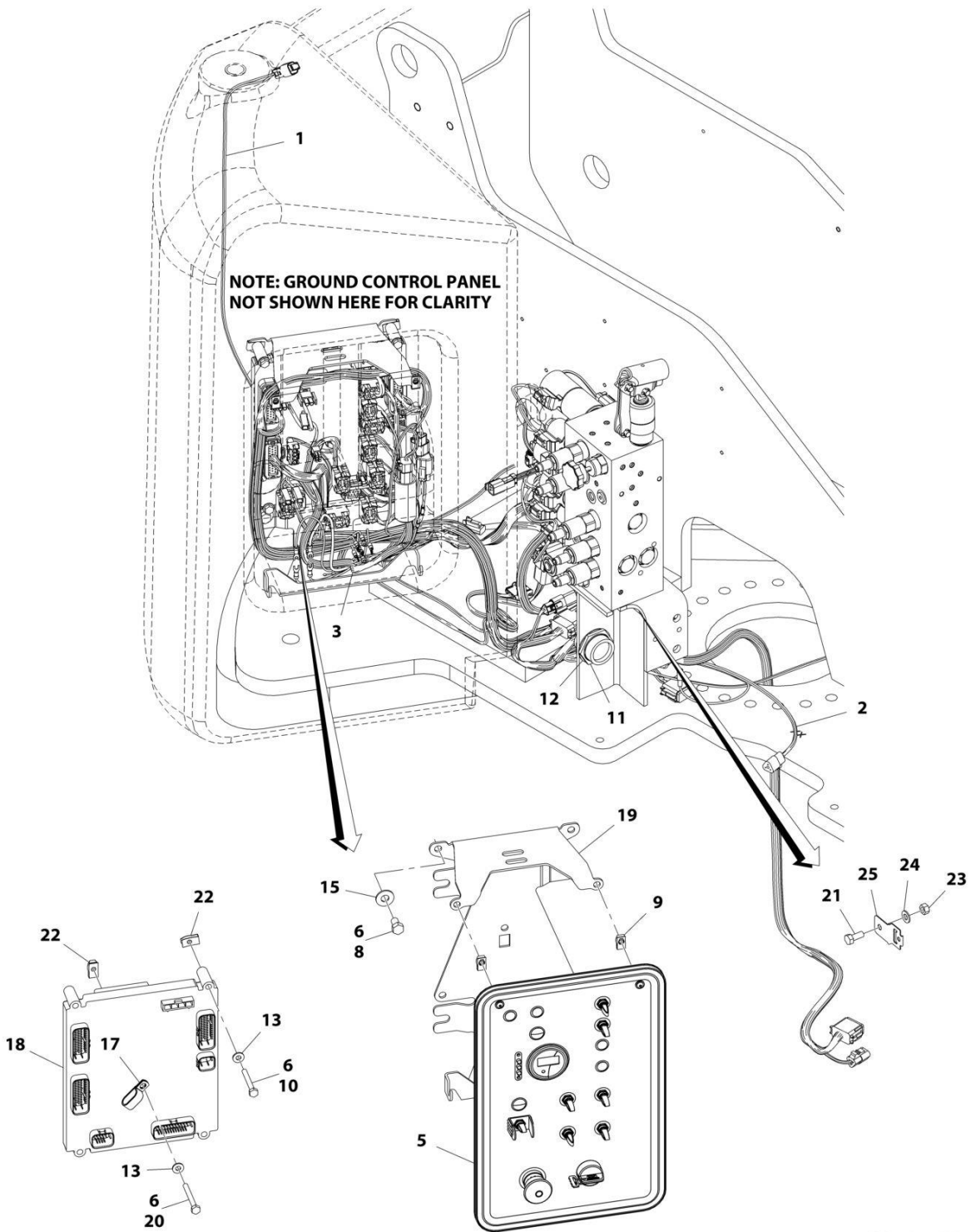
## SECTION 2 - TURNTABLE

**FIGURE 2-16. FUEL TANK AND BATTERY INSTALLATION - M450AJ**

ITEM	PART NUMBER	QTY	DESCRIPTION	REV
	1001191232	Ref	FUEL TANK AND BATTERY INSTALLATION - M450AJ	F
1	0100011	AR	Compound, Locking	
2	0100020	AR	Sealant	
4	0400201	1	Battery	
5	0630552	2	Bolt, Battery Hold Down	
6	0641406	5	Bolt, 1/4-20 X 3/4	
8	0641518	1	Bolt, 5/16-18 x 2-1/4	
10	0641622	1	Bolt, 3/8-16 X 2-3/4	
14	1320022	3	Clamp	
15	1320041	1	Clamp	
18	2180348	1	Fitting, Straight, NPT - Barb	
20	2221046	1	Fitting, 90, NPT - Barb	
21	2221047	1	Fitting, 90, NPT - Barb	
22	2720058	16 ft/4.9m	Hose	
23	2720271	10 ft/3m	Hose	
30	3311005	1	Nut, Lock #10-24	
31	3311405	2	Nut, Lock, 1/4-20	
32	3311605	1	Nut, Lock, 3/8-16	
37	3931010	1	Bolt, #10-24 x 5/8	
42	4100026	6 ft/1.8m	Sleeve, Hose	
43	4240033	AR	Tie, Wire	
46	4400417	1	Tank, Fuel	
46A	7020179	1	Cap, Fuel (Standard)	
46A	1120487	1	Cap, Lockable (Optional)	
47	4711000	2	Washer, #10	
48	4711400	6	Washer, 1/4	
51	4751600	1	Washer, 3/8	
58	1001165977	1	Mount, Battery	
59	1001167291	1	Washer, Special	
60	1001168004	1	Cable, Battery +	
61	1001168005	1	Cable, Battery (-)	

## SECTION 2 - TURNTABLE

FIGURE 2-17. GROUND CONTROL BOX INSTALLATION - E450A (ALL SPECS EXCEPT CE AND AUSTRALIAN SPECS)



ART\_1001183515

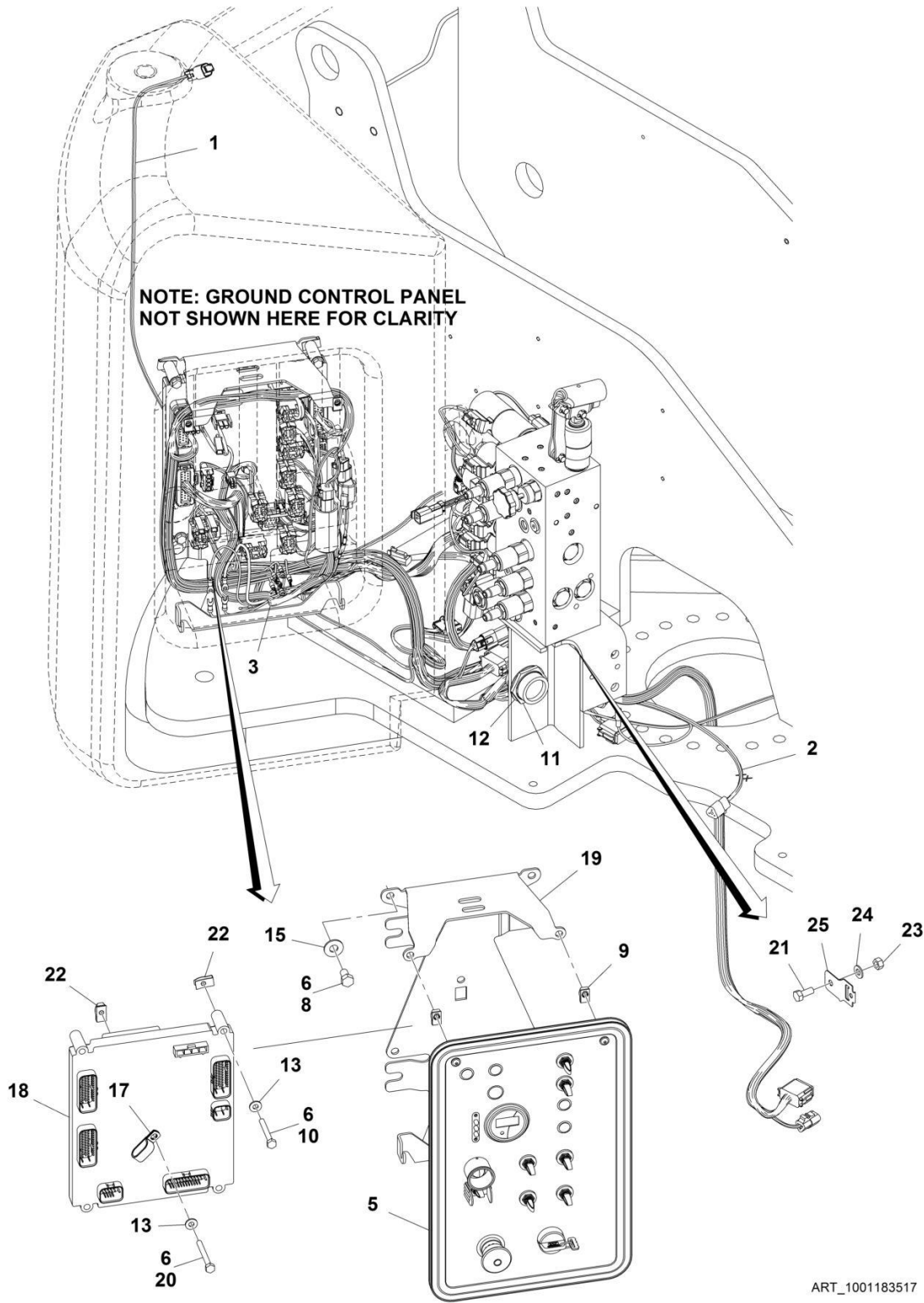
## SECTION 2 - TURNTABLE

**FIGURE 2-17. GROUND CONTROL BOX INSTALLATION - E450A (ALL SPECS EXCEPT CE AND AUSTRALIAN SPECS)**

ITEM	PART NUMBER	QTY	DESCRIPTION	REV
	1001183515	Ref	GROUND CONTROL BOX INSTALLATION - E450A (ALL SPECS EXCEPT CE AND AUSTRALIAN SPECS)	C
1	1001178793	1	Harness, Turntable (See ELECTRICAL SECTION for Breakdown)	
2	1001178794	1	Harness, Valve (See ELECTRICAL SECTION for Breakdown)	
3	1001179991	1	Harness, Ground Panel (See ELECTRICAL SECTION for Breakdown)	
5	1001183866	1	GROUND CONTROL BOX ELECTRICAL ASSEMBLY - E450A (See GROUND CONTROL BOX ELECTRICAL ASSEMBLY - E450A (ALL SPECS EXCEPT CE AND AUSTRALIAN SPECS) for Breakdown)	
6	0100011	AR	Compound, Locking	
8	0641605	4	Bolt, 3/8-16 X 5/8	
9	3300365	2	Nut, Special	
10	0641416	4	Bolt, 1/4-20 X 2	
11	4460470	1	Nut, Terminal	
12	4460471	1	Washer, Lock	
13	4711400	5	Washer, 1/4	
15	4751600	4	Washer, 3/8	
17	1321385	1	Clamp	
18	1001182700	1	Module, Ground Control (Note: Re-calibration Required when Replaced)	
19	1001188065	1	Bracket	
20	0641418	1	Bolt, 1/4-20 X 2-1/4	
21	0641506	1	Bolt, 5/16-18 X 3/4	
22	3300454	5	Nut, 1/4-20	
23	3311505	1	Nut, Lock 5/16-18	
24	4711500	1	Washer, 5/16	
25	1001153749	1	Clip	

# SECTION 2 - TURNTABLE

## FIGURE 2-18. GROUND CONTROL BOX INSTALLATION - E450A (CE SPEC)



ART\_1001183517



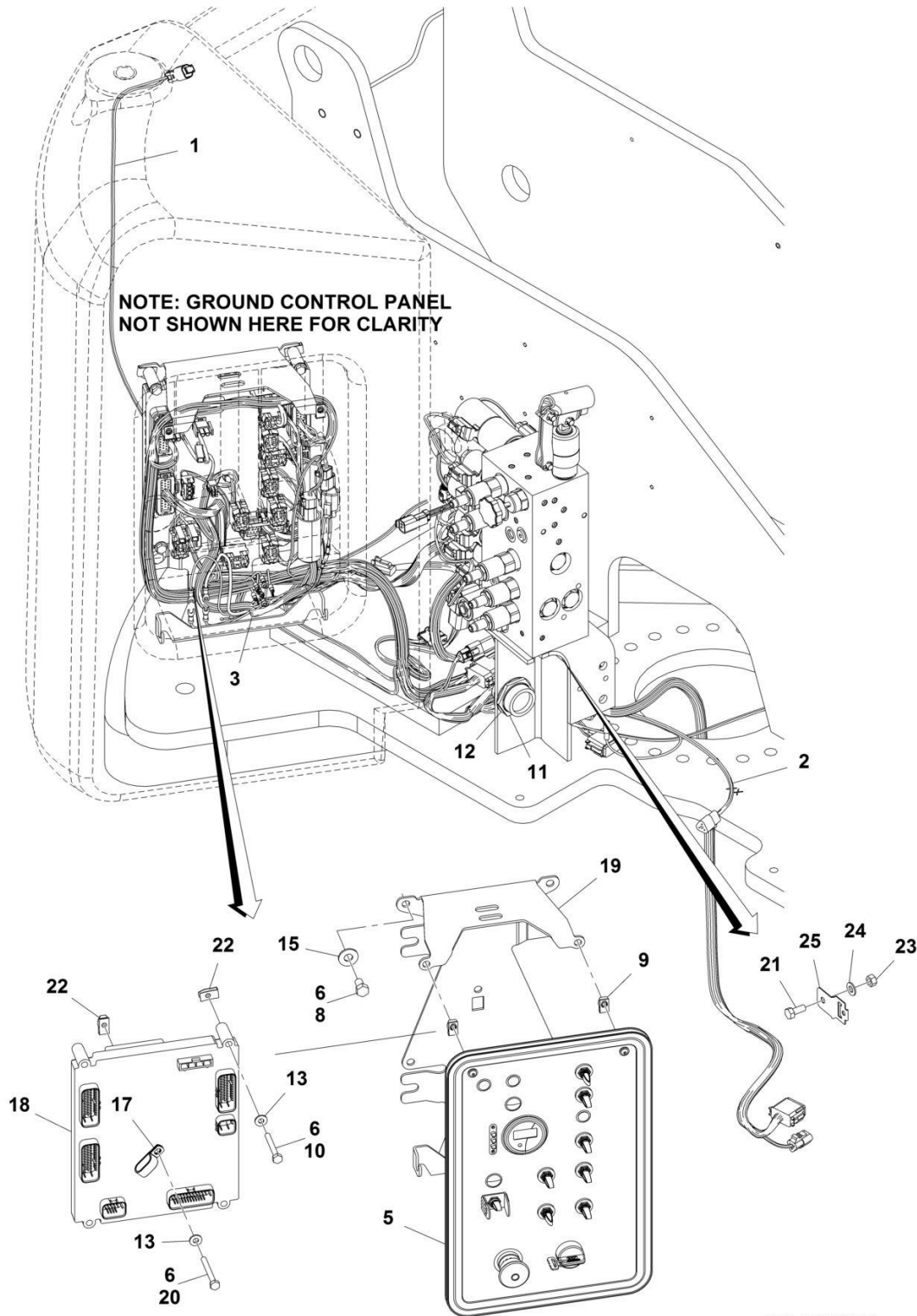
## SECTION 2 - TURNTABLE

**FIGURE 2-18. GROUND CONTROL BOX INSTALLATION - E450A (CE SPEC)**

ITEM	PART NUMBER	QTY	DESCRIPTION	REV
	1001183517	Ref	GROUND CONTROL BOX INSTALLATION - E450A (CE SPEC)	C
1	1001178793	1	Harness, Turntable (See ELECTRICAL SECTION for Breakdown)	
2	1001178794	1	Harness, Valve (See ELECTRICAL SECTION for Breakdown)	
3	1001179991	1	Harness, Ground Control Panel (See ELECTRICAL SECTION for Breakdown)	
5	1001183765	1	GROUND CONTROL BOX ELECTRICAL ASSEMBLY - E450A (See GROUND CONTROL BOX ELECTRICAL ASSEMBLY - E450A ( CE SPEC) for Breakdown)	
6	0100011	AR	Compound, Locking	
8	0641605	4	Bolt, 3/8-16 X 5/8	
9	3300365	2	Nut, Special	
10	0641416	4	Bolt, 1/4-20 X 2	
11	4460470	1	Nut, Terminal	
12	4460471	1	Washer, Lock	
13	4711400	5	Washer, 1/4	
15	4751600	4	Washer, 3/8	
17	1321385	1	Clamp	
18	1001182700	1	Module, Ground Control (Note: Re-calibration Required when Replaced)	
19	1001188065	1	Bracket	
20	0641418	1	Bolt, 1/4-20 X 2-1/4	
21	0641506	1	Bolt, 5/16-18 X 3/4	
22	3300454	5	Nut, 1/4-20	
23	3311505	1	Nut, Lock 5/16-18	
24	4711500	1	Washer, 5/16	
25	1001153749	1	Clip	

## SECTION 2 - TURNTABLE

FIGURE 2-19. GROUND CONTROL BOX INSTALLATION - E450AJ/M450AJ (ALL SPECS EXCEPT CE AND CHINA SPECS)



ART\_1001183518

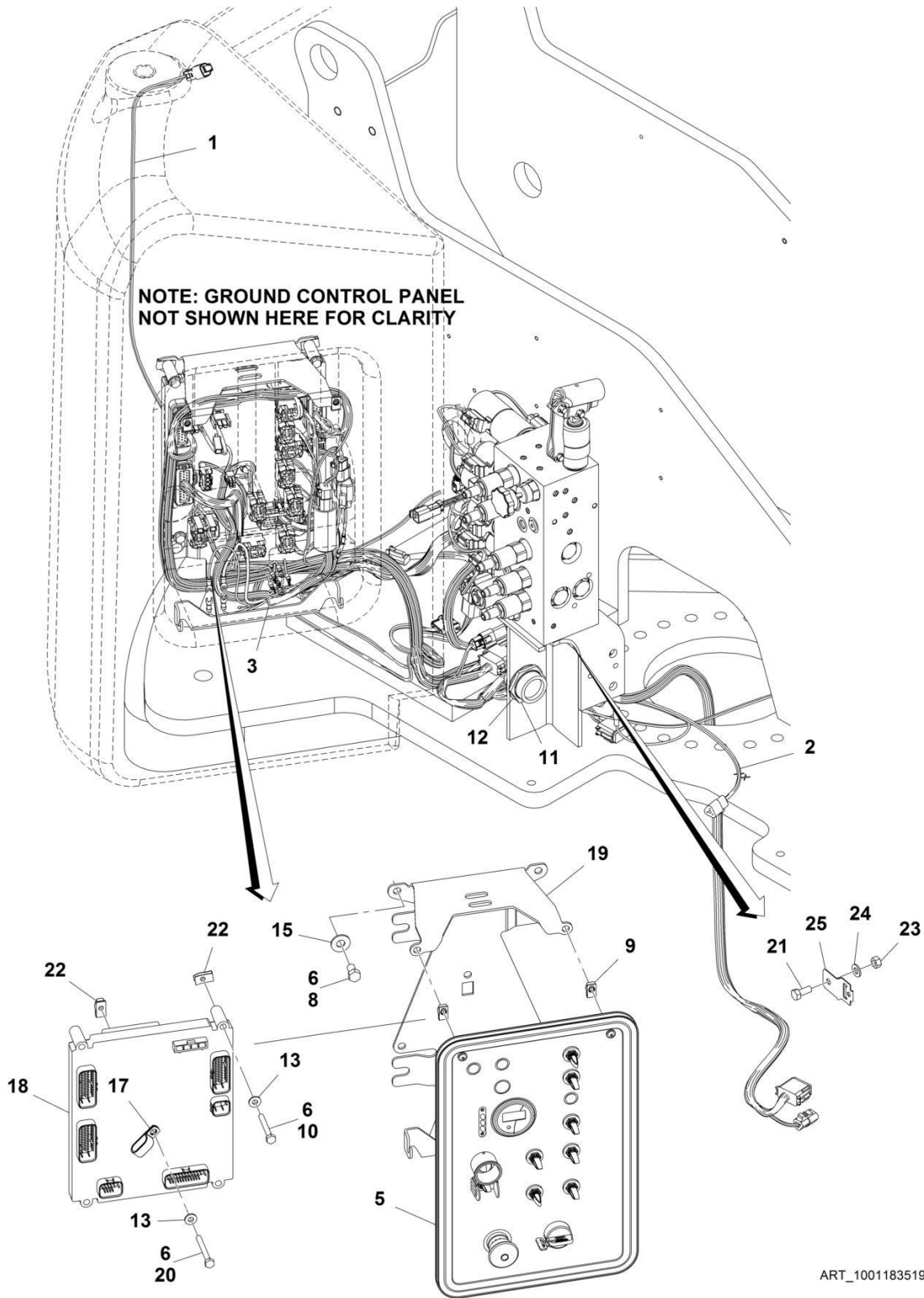
## SECTION 2 - TURNTABLE

**FIGURE 2-19. GROUND CONTROL BOX INSTALLATION - E450AJ/M450AJ (ALL SPECS EXCEPT CE AND CHINA SPECS)**

ITEM	PART NUMBER	QTY	DESCRIPTION	REV
	1001183518	Ref	GROUND CONTROL BOX INSTALLATION - E450AJ/M450AJ (ALL SPECS EXCEPT CE AND CHINA SPECS)	C
1	1001178793	1	Harness, Turntable (See ELECTRICAL SECTION for Breakdown)	
2	1001178794	1	Harness, Valve (See ELECTRICAL SECTION for Breakdown)	
3	1001179991	1	Harness, Ground Control Panel (See ELECTRICAL SECTION for Breakdown)	
5	1001183766	1	GROUND CONTROL BOX ELECTRICAL ASSEMBLY - E450AJ/M450AJ (See GROUND CONTROL BOX ELECTRICAL ASSEMBLY - E450AJ/M450AJ (ALL SPECS EXCEPT CE AND CHINA SPECS) for Breakdown)	
6	0100011	AR	Compound, Locking	
8	0641605	4	Bolt, 3/8-16 X 5/8	
9	3300365	2	Nut, Special	
10	0641416	4	Bolt, 1/4-20 X 2	
11	4460470	1	Nut, Terminal	
12	4460471	1	Washer, Lock	
13	4711400	5	Washer, 1/4	
15	4751600	4	Washer, 3/8	
17	1321385	1	Clamp	
18	1001182700	1	Module, Ground Control (Note: Re-calibration Required when Replaced)	
19	1001188065	1	Bracket	
20	0641418	1	Bolt, 1/4-20 X 2-1/4	
21	0641506	1	Bolt, 5/16-18 X 3/4	
22	3300454	5	Nut, 1/4-20	
23	3311505	1	Nut, Lock 5/16-18	
24	4711500	1	Washer, 5/16	
25	1001153749	1	Clip	

## SECTION 2 - TURNTABLE

FIGURE 2-20. GROUND CONTROL BOX INSTALLATION - E450AJ/M450AJ (CE AND CHINA SPECS)



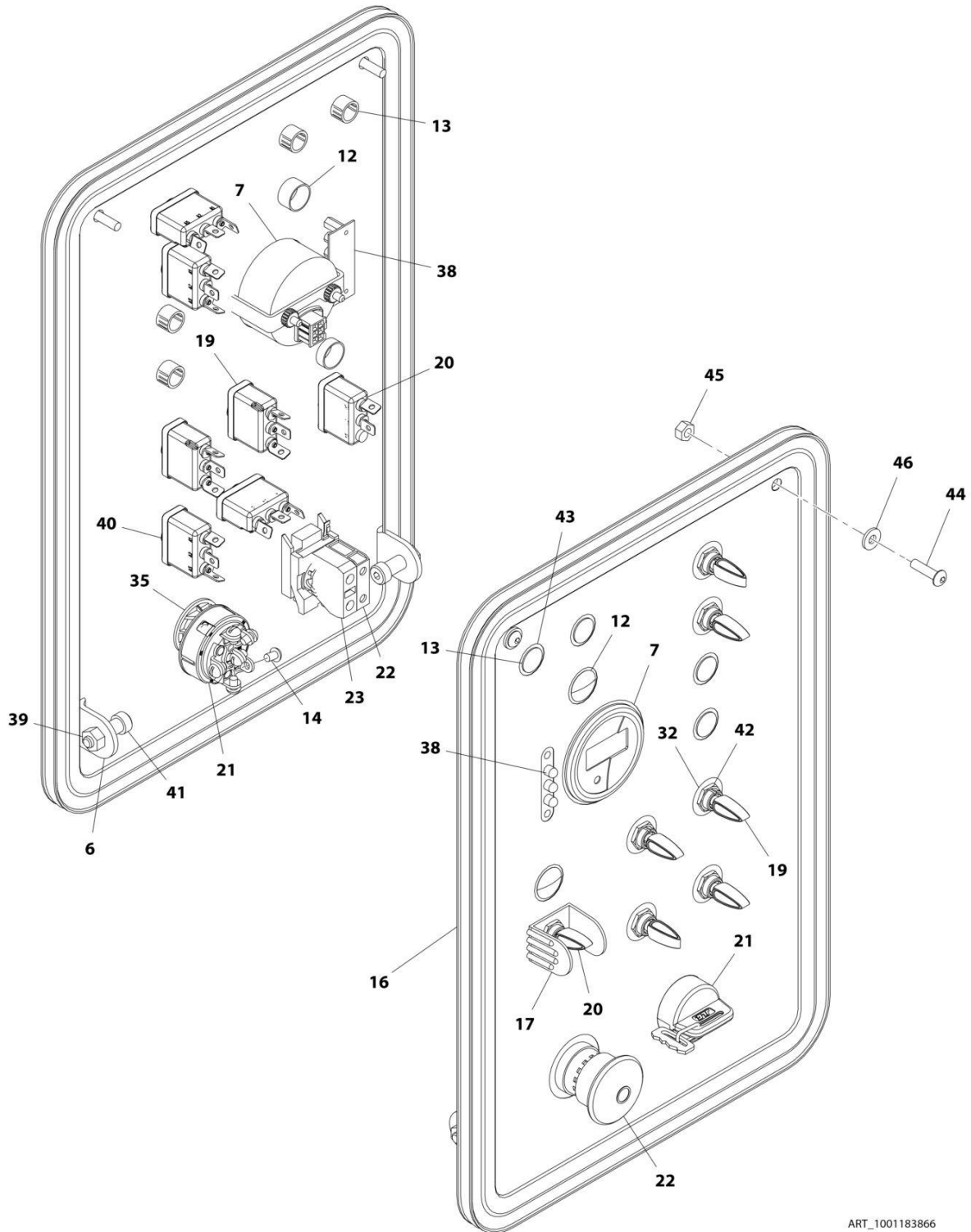
## SECTION 2 - TURNTABLE

**FIGURE 2-20. GROUND CONTROL BOX INSTALLATION - E450AJ/M450AJ (CE AND CHINA SPECS)**

ITEM	PART NUMBER	QTY	DESCRIPTION	REV
	1001183519	Ref	GROUND CONTROL BOX INSTALLATION - E450AJ/M450AJ (CE AND CHINA SPECS)	C
1	1001178793	1	Harness, Turntable (See ELECTRICAL SECTION for Breakdown)	
2	1001178794	1	Harness, Valve (See ELECTRICAL SECTION for Breakdown)	
3	1001179991	1	Harness, Ground Control Panel (See ELECTRICAL SECTION for Breakdown)	
5	1001183767	1	GROUND CONTROL BOX ELECTRICAL ASSEMBLY - E450AJ/M450AJ (See GROUND CONTROL BOX ELECTRICAL ASSEMBLY - E450AJ/M450AJ (CE AND CHINA SPECS) for Breakdown)	
6	0100011	AR	Compound, Locking	
8	0641605	4	Bolt, 3/8-16 X 5/8	
9	3300365	2	Nut, Special	
10	0641416	4	Bolt, 1/4-20 X 2	
11	4460470	1	Nut, Terminal	
12	4460471	1	Washer, Lock	
13	4711400	5	Washer, 1/4	
15	4751600	4	Washer, 3/8	
17	1321385	1	Clamp	
18	1001182700	1	Module, Ground Control (Note: Re-calibration Required when Replaced)	
19	1001188065	1	Bracket	
20	0641418	1	Bolt, 1/4-20 X 2-1/4	
21	0641506	1	Bolt, 5/16-18 X 3/4	
22	3300454	5	Nut, 1/4-20	
23	3311505	1	Nut, Lock 5/16-18	
24	4711500	1	Washer, 5/16	
25	1001153749	1	Clip	

## SECTION 2 - TURNTABLE

FIGURE 2-21. GROUND CONTROL BOX ELECTRICAL ASSEMBLY - E450A (ALL SPECS EXCEPT CE AND AUSTRALIAN SPECS)



ART\_1001183866

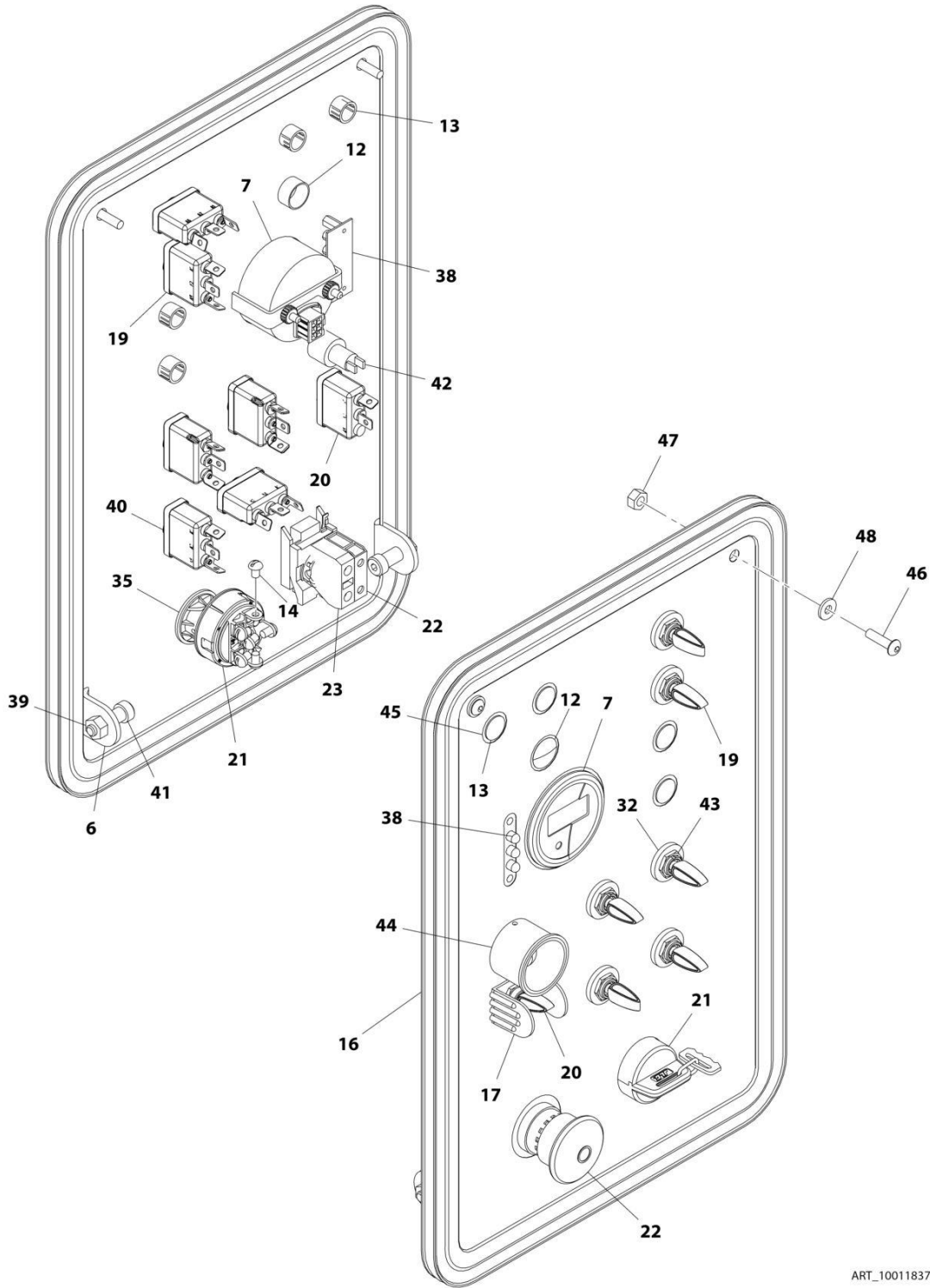
## SECTION 2 - TURNTABLE

**FIGURE 2-21. GROUND CONTROL BOX ELECTRICAL ASSEMBLY - E450A (ALL SPECS EXCEPT CE AND AUSTRALIAN SPECS)**

ITEM	PART NUMBER	QTY	DESCRIPTION	REV
	1001183866	Ref	GROUND CONTROL BOX ELECTRICAL ASSEMBLY - E450A (ALL SPECS EXCEPT CE AND AUSTRALIAN SPECS)	F
6	1001188066	1	Panel, Ground Control	
7	1001109503	1	Gauge, Indicator	
12	3520026	1	Plug, Hole	
13	3520028	4	Plug, Hole 1/2	
14	3910804	6	Screw, 8-32 X 1/4	
16	1001166394	4 ft /1.2m	Seal	
17	4060802	1	Guard, Switch	
19	1001155045	6	Switch, Toggle	
20	1001159256	1	Switch, Toggle	
21	4360469	1	Keyswitch	
21	2860030	1	Key, Replacement (Set of 2)	
22	4360475	1	Switch, Emergency Stop	
22	7020175	1	Cap, Mushroom Head	
22	7020176	1	Block, Contact	
23	4360476	1	Block, Contact	
32	4740397	6	Spacer	
35	1001151393	1	Shim, .063	
38	0610131	1	P/C Board, Battery Charger	
39	3311405	2	Nut, Lock 1/4-20	
40	3790012	7	O-Ring	
41	3900187	2	Screw	
42	1001155044	7	Nut, Special 15/32-32	
43	1001188484	1	Decal - Ground Control Lid <b>(SN 0300208529 through 0300214527)</b>	
34	1001210576	1	Decal - Ground Control Lid <b>(SN 0300214528 through 0300272287)</b>	
44	0630518	2	Bolt, #10-24 X 3/4	
45	3311011	2	Nut, Push	
46	4740120	2	Washer, Nylon	

# SECTION 2 - TURNTABLE

## FIGURE 2-22. GROUND CONTROL BOX ELECTRICAL ASSEMBLY - E450A (CE SPEC)



ART\_1001183765



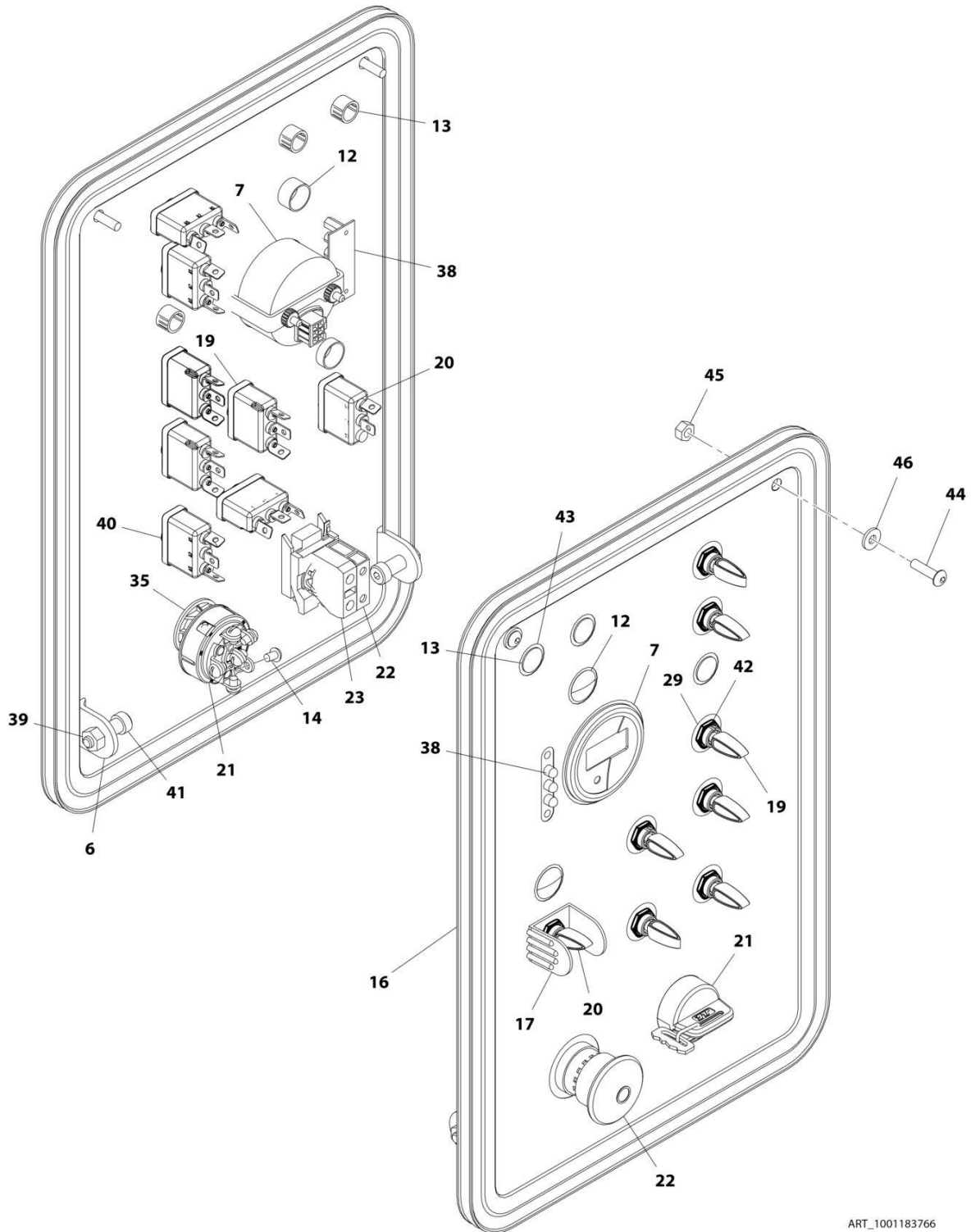
## SECTION 2 - TURNTABLE

**FIGURE 2-22. GROUND CONTROL BOX ELECTRICAL ASSEMBLY - E450A (CE SPEC)**

ITEM	PART NUMBER	QTY	DESCRIPTION	REV
	1001183765	Ref	GROUND CONTROL BOX ELECTRICAL ASSEMBLY - E450A (CE SPEC)	E
6	1001188066	1	Panel, Ground Control	
7	1001109503	1	Gauge, Indicator	
12	3520026	1	Plug, Hole	
13	3520028	4	Plug, Hole 1/2	
14	3910804	6	Screw, 8-32 X 1/4	
16	1001166394	4 ft /1.2m	Seal	
17	4060802	1	Guard, Switch	
19	1001155045	6	Switch, Toggle	
20	1001159256	1	Switch, Toggle	
21	4360469	1	Keyswitch	
21	2860030	1	Key, Replacement (Set of 2)	
22	4360475	1	Switch, Emergency Stop	
22	7020175	1	Cap, Mushroom Head	
22	7020176	1	Block, Contact	
23	4360476	1	Block, Contact	
32	4740397	6	Spacer	
35	1001151393	1	Shim, .063	
38	0610131	1	P/C Board, Battery Charger	
39	3311405	2	Nut, Lock 1/4-20	
40	3790012	7	O-Ring	
41	3900187	2	Screw	
42	4360387	1	Switch, Push Button	
43	1001155044	7	Nut, Special 15/32-32	
44	1001176469	1	Shroud	
45	1001188484	1	Decal - Ground Control Lid	
46	0630518	2	Bolt, #10-24 X 3/4	
47	3311011	2	Nut, Push	
48	4740120	2	Washer, Nylon	

## SECTION 2 - TURNTABLE

FIGURE 2-23. GROUND CONTROL BOX ELECTRICAL ASSEMBLY - E450AJ/M450AJ (ALL SPECS EXCEPT CE AND CHINA SPECS)



ART\_1001183766

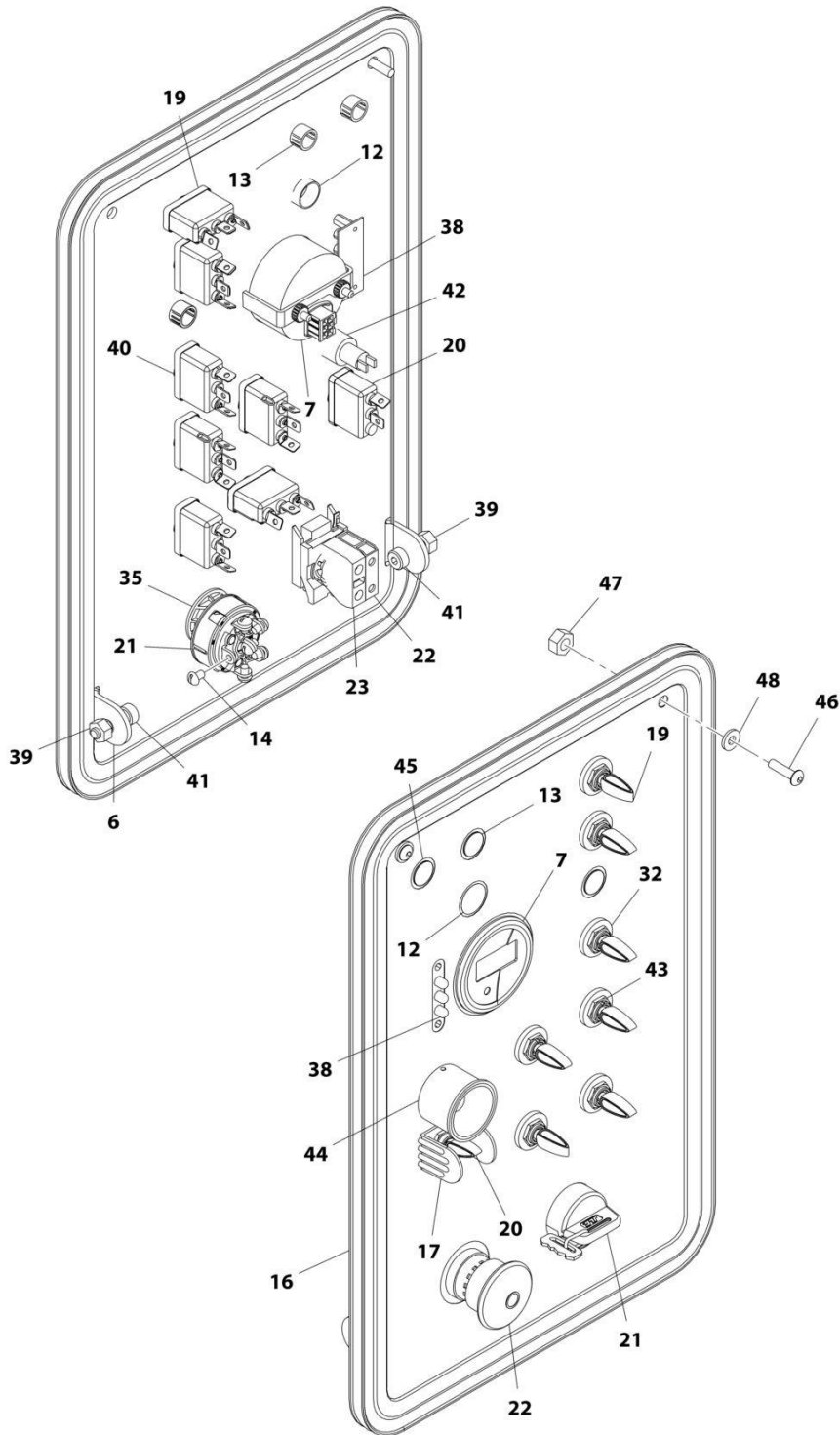
## SECTION 2 - TURNTABLE

**FIGURE 2-23. GROUND CONTROL BOX ELECTRICAL ASSEMBLY - E450AJ/M450AJ (ALL SPECS EXCEPT CE AND CHINA SPECS)**

ITEM	PART NUMBER	QTY	DESCRIPTION	REV
	1001183766	Ref	GROUND CONTROL BOX ELECTRICAL ASSEMBLY - E450AJ/M450AJ (ALL SPECS EXCEPT CE AND CHINA SPECS)	F
6	1001188066	1	Panel, Ground Control	
7	1001109503	1	Gauge, Indicator	
12	3520026	1	Plug, Hole	
13	3520028	3	Plug, Hole 1/2	
14	3910804	6	Screw, 8-32 X 1/4	
16	1001166394	4 ft /1.2m	Seal	
17	4060802	1	Guard, Switch	
19	1001155045	7	Switch, Toggle	
20	1001159256	1	Switch, Toggle	
21	4360469	1	Keyswitch	
21	2860030	1	Key, Replacement (Set of 2)	
22	4360475	1	Switch, Emergency Stop	
22	7020175	1	Cap, Mushroom Head	
22	7020176	1	Block, Contact	
23	4360476	1	Block, Contact	
29	4740397	7	Spacer	
35	1001151393	1	Shim, .063	
38	0610131	1	P/C Board, Battery Charger	
39	3311405	2	Nut, Lock 1/4-20	
40	3790012	8	O-Ring	
41	3900187	2	Screw	
42	1001155044	8	Nut, Special 15/32-32	
43	1001188484	1	Decal - Ground Control Lid <b>(SN 0300208529 through 0300214527)</b>	
43	1001210576	1	Decal - Ground Control Lid <b>(SN 0300214528 through 0300272287)</b>	
44	0630518	2	Bolt, #10-24 X 3/4	
45	3311011	2	Nut, Push	
46	4740120	2	Washer, Nylon	

# SECTION 2 - TURNTABLE

FIGURE 2-24. GROUND CONTROL BOX ELECTRICAL ASSEMBLY - E450AJ/M450AJ (CE AND CHINA SPECS)



ART\_1001183767

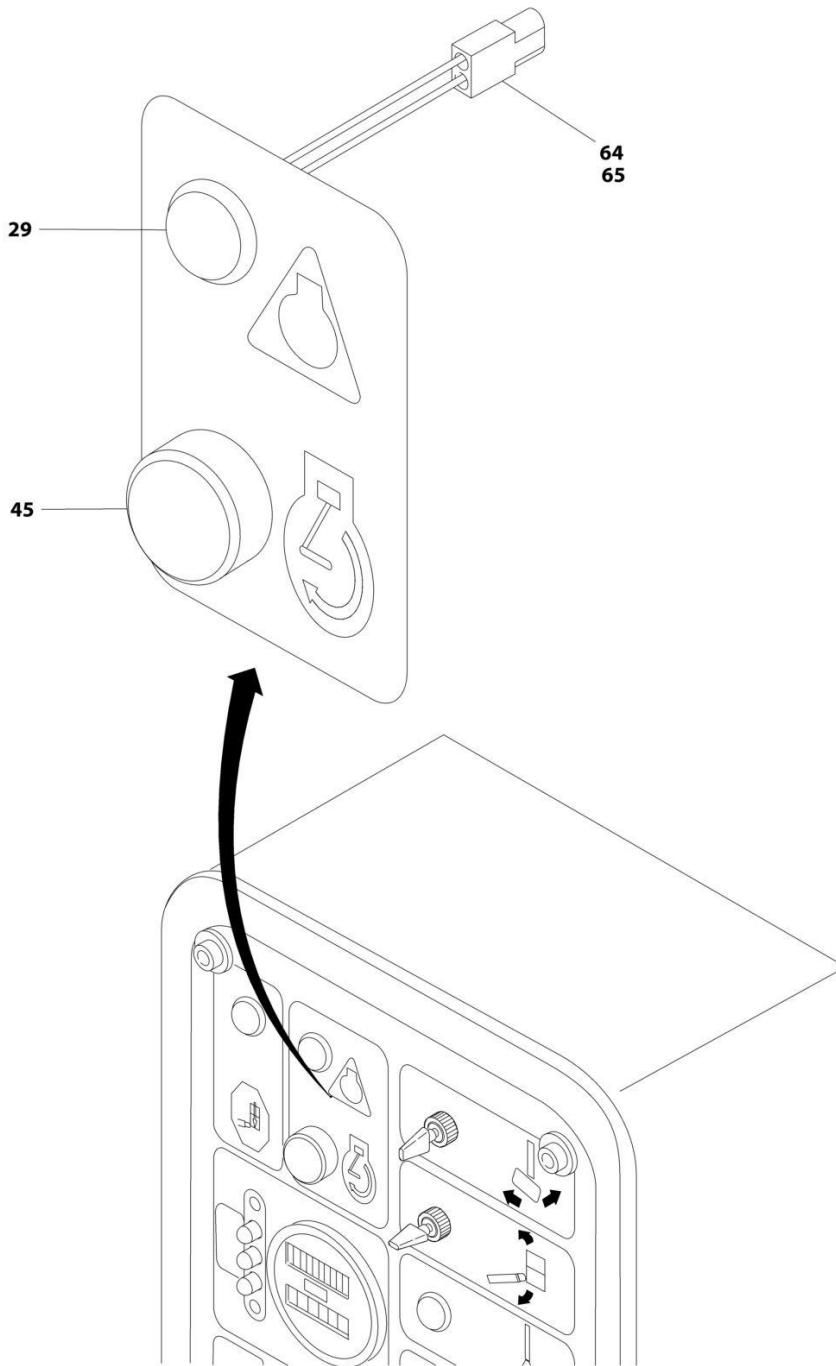
## SECTION 2 - TURNTABLE

**FIGURE 2-24. GROUND CONTROL BOX ELECTRICAL ASSEMBLY - E450AJ/M450AJ (CE AND CHINA SPECS)**

ITEM	PART NUMBER	QTY	DESCRIPTION	REV
	1001183767	Ref	GROUND CONTROL BOX ELECTRICAL ASSEMBLY - E450AJ/M450AJ (CE AND CHINA SPECS)	E
6	1001188066	1	Panel, Ground Control	
7	1001109503	1	Gauge, Indicator	
12	3520026	1	Plug, Hole	
13	3520028	3	Plug, Hole 1/2	
14	3910804	6	Screw, 8-32 X 1/4	
16	1001166394	4 ft /1.2m	Seal	
17	4060802	1	Guard, Switch	
19	1001155045	7	Switch, Toggle	
20	1001159256	1	Switch, Toggle	
21	4360469	1	Keyswitch	
21	2860030	1	Key, Replacement (Set of 2)	
22	4360475	1	Switch, Emergency Stop	
22	7020175	1	Cap, Mushroom Head	
22	7020176	1	Block, Contact	
23	4360476	1	Block, Contact	
32	4740397	7	Spacer	
35	1001151393	1	Shim, .063	
38	0610131	1	P/C Board, Battery Charger	
39	3311405	2	Nut, Lock 1/4-20	
40	3790012	8	O-Ring	
41	3900187	2	Screw	
42	4360387	1	Switch, Push Button	
43	1001155044	8	Nut, Special 15/32-32	
44	1001176469	1	Shroud	
45	1001188484	1	Decal - Ground Control Lid	
46	0630518	2	Bolt, #10-24 X 3/4	
47	3311011	2	Nut, Push	
48	4740120	2	Washer, Nylon	

## SECTION 2 - TURNTABLE

FIGURE 2-25. MOTOR CONTROLS INSTALLATION - M450AJ



ART\_1001191232\_20F4

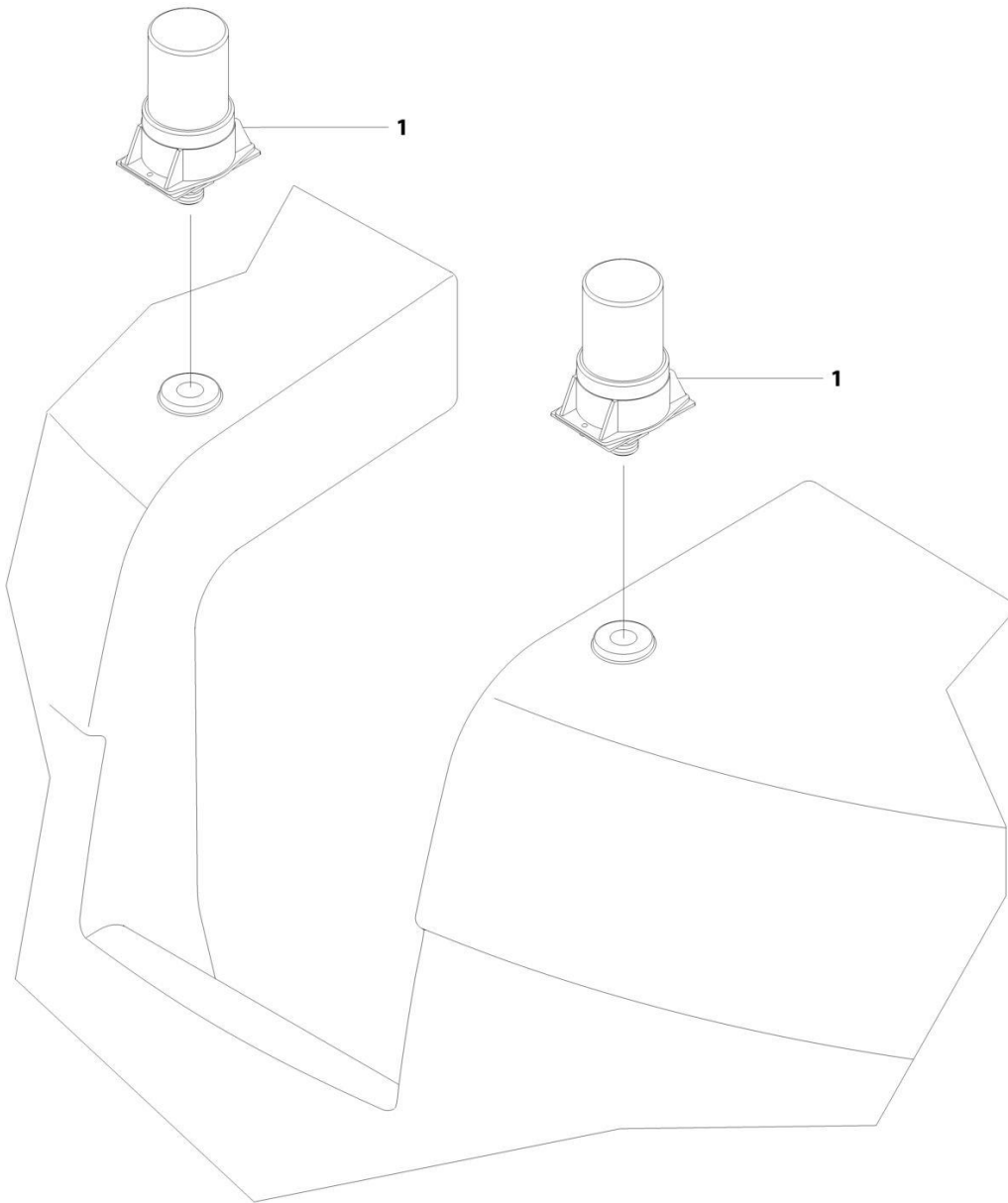
**SECTION 2 - TURNTABLE**

**FIGURE 2-25. MOTOR CONTROLS INSTALLATION - M450AJ**

<b>ITEM</b>	<b>PART NUMBER</b>	<b>QTY</b>	<b>DESCRIPTION</b>	<b>REV</b>
	1001191232	Ref	MOTOR CONTROLS INSTALLATION - M450AJ	F
29	2920151	1	Led (Red)	
45	4360274	1	Switch, Push Button	
64	4460226	2	Socket, Female	
65	4460424	1	Connector, 2 Position	

## SECTION 2 - TURNTABLE

FIGURE 2-26. STROBE LIGHT INSTALLATION - AMBER (OPTIONAL)



ART\_1001191142



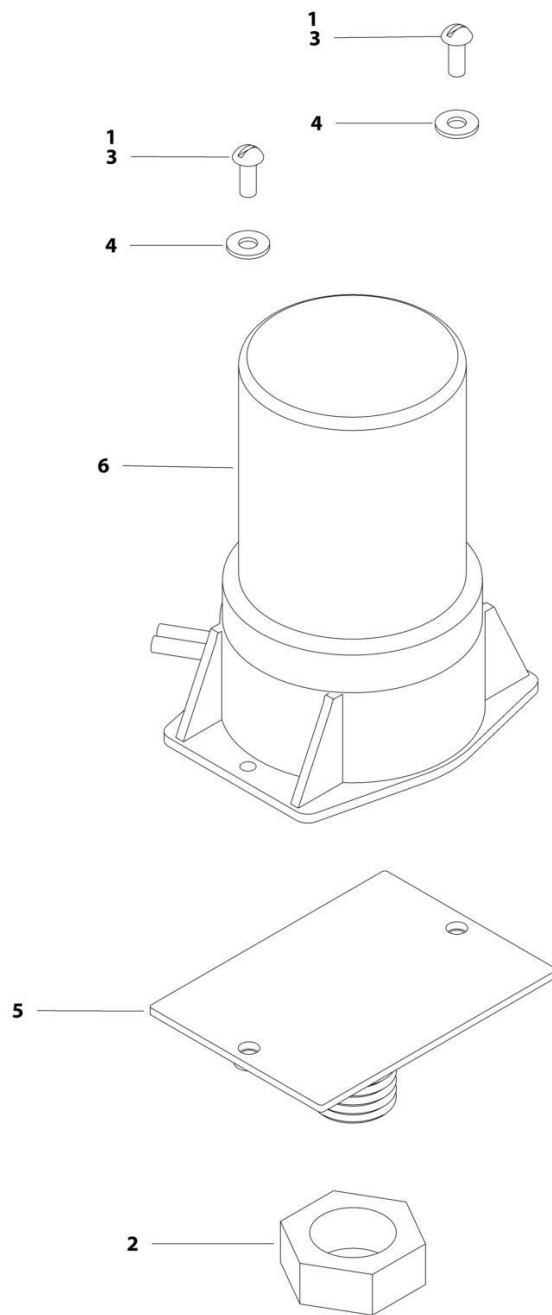
**SECTION 2 - TURNTABLE**

**FIGURE 2-26. STROBE LIGHT INSTALLATION - AMBER (OPTIONAL)**

ITEM	PART NUMBER	QTY	DESCRIPTION	REV
1	1001191142 1001191140	Ref 1	STROBE LIGHT INSTALLATION - AMBER (OPTIONAL) Strobe Light Assembly (See STROBE LIGHT ASSEMBLY for Breakdown)	A

# SECTION 2 - TURNTABLE

## FIGURE 2-27. STROBE LIGHT ASSEMBLY - AMBER



ART\_1001191140

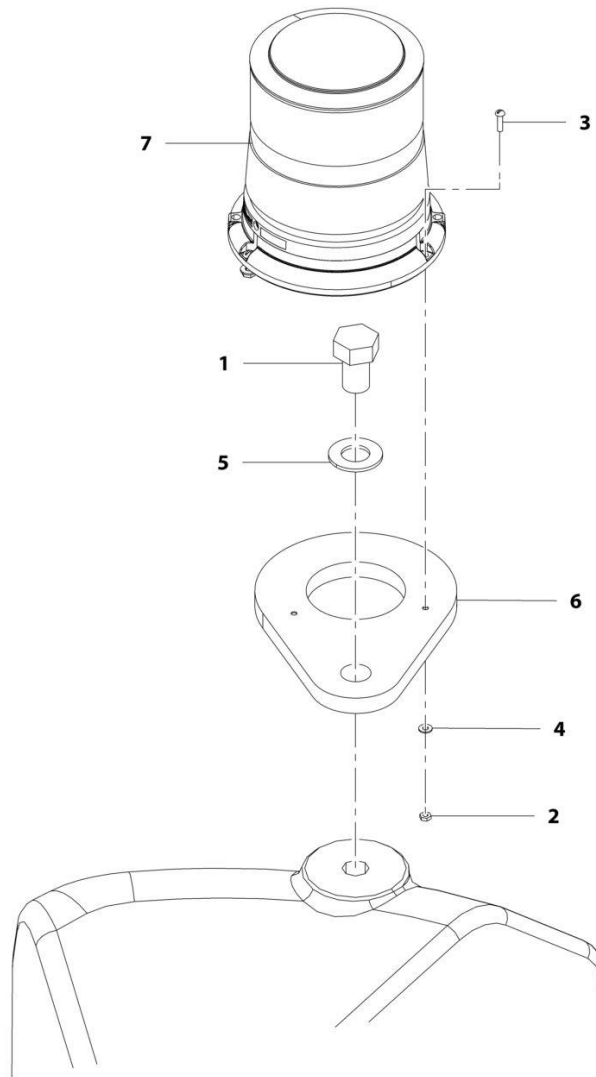
**SECTION 2 - TURNTABLE**

**FIGURE 2-27. STROBE LIGHT ASSEMBLY - AMBER**

<b>ITEM</b>	<b>PART NUMBER</b>	<b>QTY</b>	<b>DESCRIPTION</b>	<b>REV</b>
	1001191140	Ref	STROBE LIGHT ASSEMBLY - AMBER	A
1	0100035	AR	Compound, Locking	
2	3312602	1	Nut, Jam 1-8	
3	3900085	2	Screw, #10-32 x 1/2	
4	4751000	2	Washer, #10	
5	1001149994	1	Plate, Mount	
6	1001191139	1	Strobe Light/Harness Assembly	
6	4460891	1	Connector - 2 Position	
6	4460465	2	Socket, Female	

## SECTION 2 - TURNTABLE

FIGURE 2-28. BEACON LIGHT INSTALLATION - BLUE (SN 0300208529 through 0300217475, SN B300001429 through B300001511)



ART\_1001192386

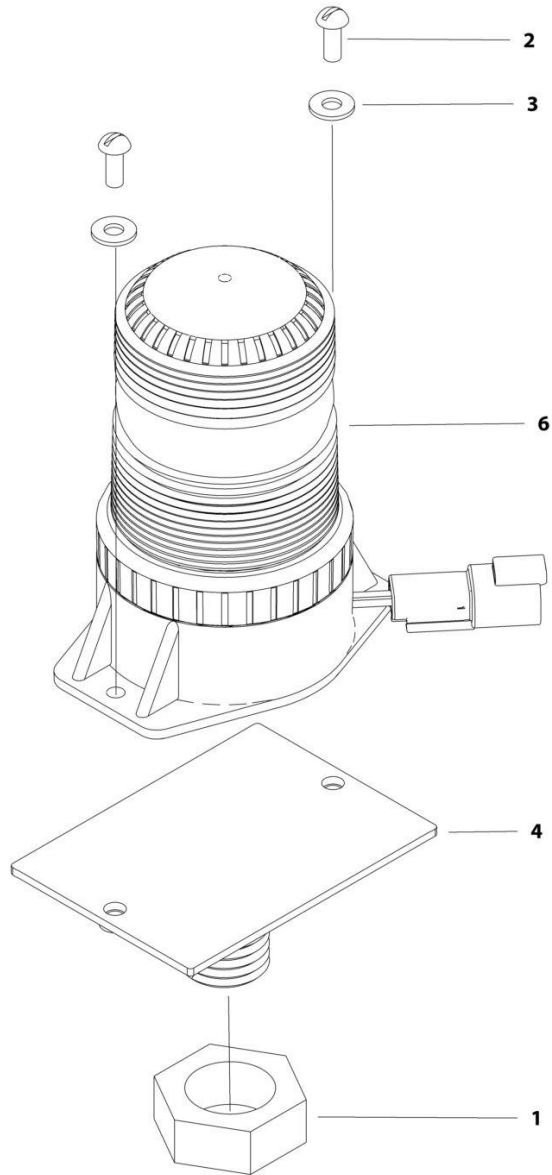
**SECTION 2 - TURNTABLE**

**FIGURE 2-28. BEACON LIGHT INSTALLATION - BLUE (SN 0300208529 through 0300217475, SN B300001429 through B300001511)**

ITEM	PART NUMBER	QTY	DESCRIPTION	REV
	1001192386	Ref	BEACON LIGHT INSTALLATION - BLUE (SN 0300208529 through 0300217475, SN B300001429 through B300001511)	C
1	0642612	1	Bolt, 1-8 X 1-1/2	
2	3311005	3	Nut, Lock #10-24	
3	3911012	3	Screw, 10-24 X 3/4	
4	4711000	3	Washer, #10	
5	4712600	1	Washer, 1	
6	1001142694	1	Bracket	
7	1001143431	1	Light, Beacon	
7	7028909	1	Connector - 2 Position	
7	4460943	1	Pin, Male	

## SECTION 2 - TURNTABLE

FIGURE 2-29. BEACON LIGHT INSTALLATION - BLUE (SN 0300217476 through 0300256463, SN B300001512 through B300004700)



ART\_1001205491

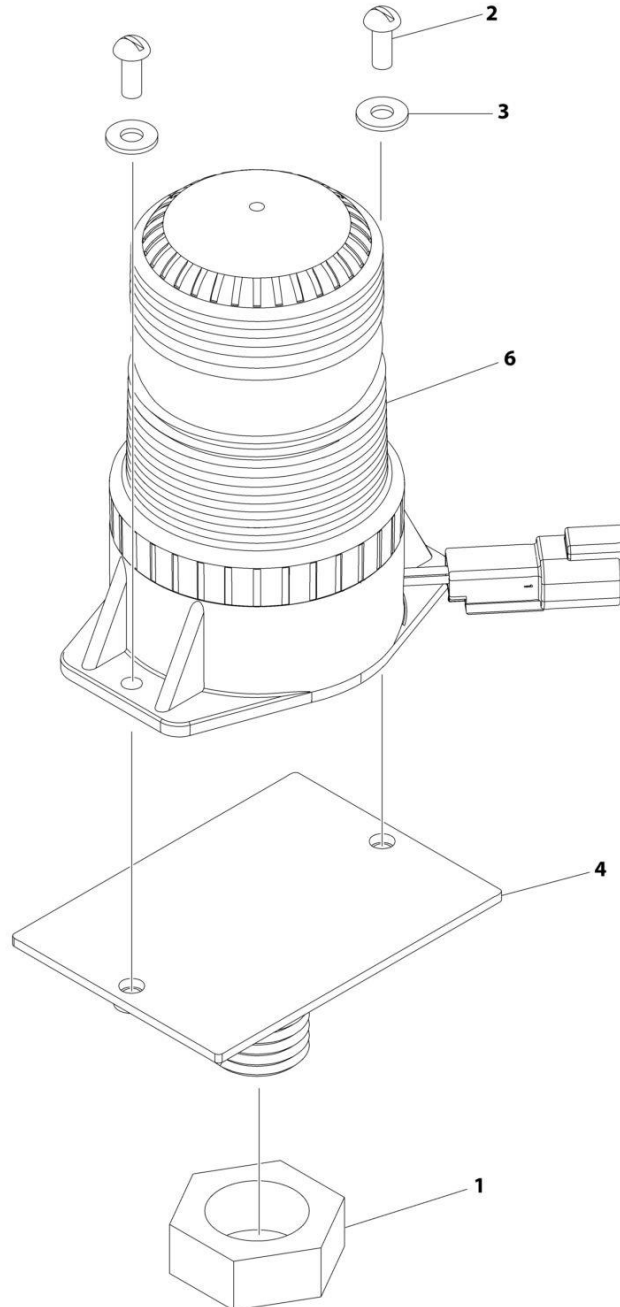
## SECTION 2 - TURNTABLE

**FIGURE 2-29. BEACON LIGHT INSTALLATION - BLUE (SN 0300217476 through 0300256463, SN B300001512 through B300004700)**

ITEM	PART NUMBER	QTY	DESCRIPTION	REV
	1001205491	Ref	BEACON LIGHT INSTALLATION – BLUE	D
	1001217005	Ref	BEACON LIGHT KIT - BLUE	B
1	3312602	1	Nut, Jam 1-8	
2	3900085	2	Screw, #10-32 x 1/2	
3	4751000	2	Washer, #10	
4	1001149994	1	Plate, Mount	
6	1001200910	1	Light, Beacon	
6	4460897	1	Connector - 2 Position	
6	4460943	2	Pin, Male	

## SECTION 2 - TURNTABLE

FIGURE 2-30. BEACON LIGHT INSTALLATION - BLUE (SN 0300256464 through 0300272287, SN B300004701 through B300005763)



ART\_1001238557



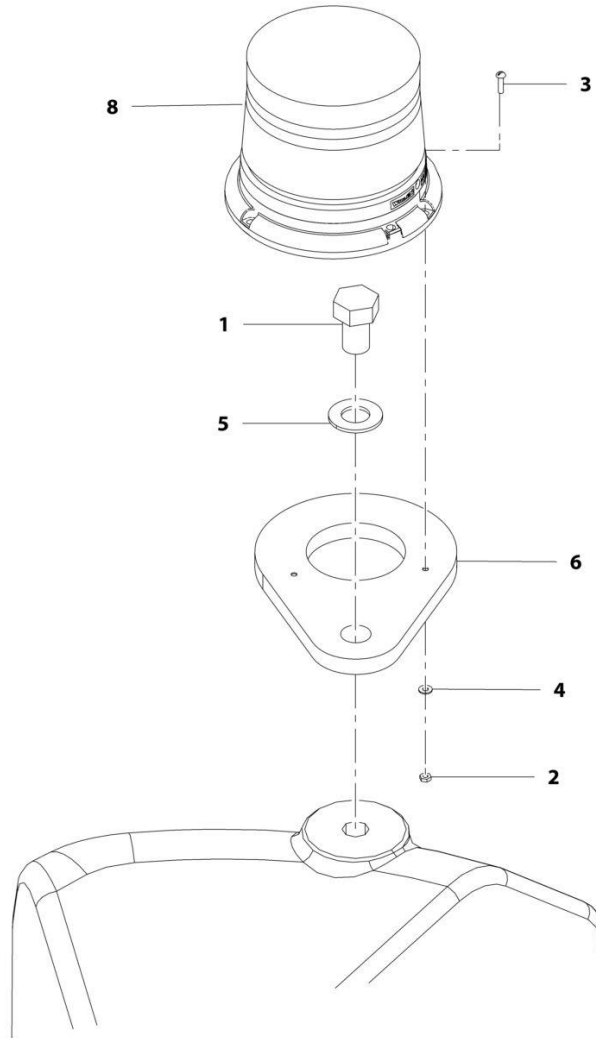
**SECTION 2 - TURNTABLE**

**FIGURE 2-30. BEACON LIGHT INSTALLATION - BLUE (SN 0300256464 through 0300272287, SN B300004701 through B300005763)**

ITEM	PART NUMBER	QTY	DESCRIPTION	REV
	1001238557	Ref	BEACON LIGHT INSTALLATION – BLUE	A
	1001217005	Ref	BEACON LIGHT KIT - BLUE	B
1	3312602	1	Nut, Jam 1	
2	3900085	2	Screw #10 x 1/2	
3	4751000	2	Washer #10	
4	1001149994	1	Plate, Mount	
6	1001200910	1	Light, Beacon	
6	4460897	1	Connector - 2 Position	
6	4460943	2	Pin, Male	

## SECTION 2 - TURNTABLE

FIGURE 2-31. BEACON LIGHT INSTALLATION - RED (SN 0300208529 through 0300217178, SN B300001429 through B300001510)



ART\_1001201715

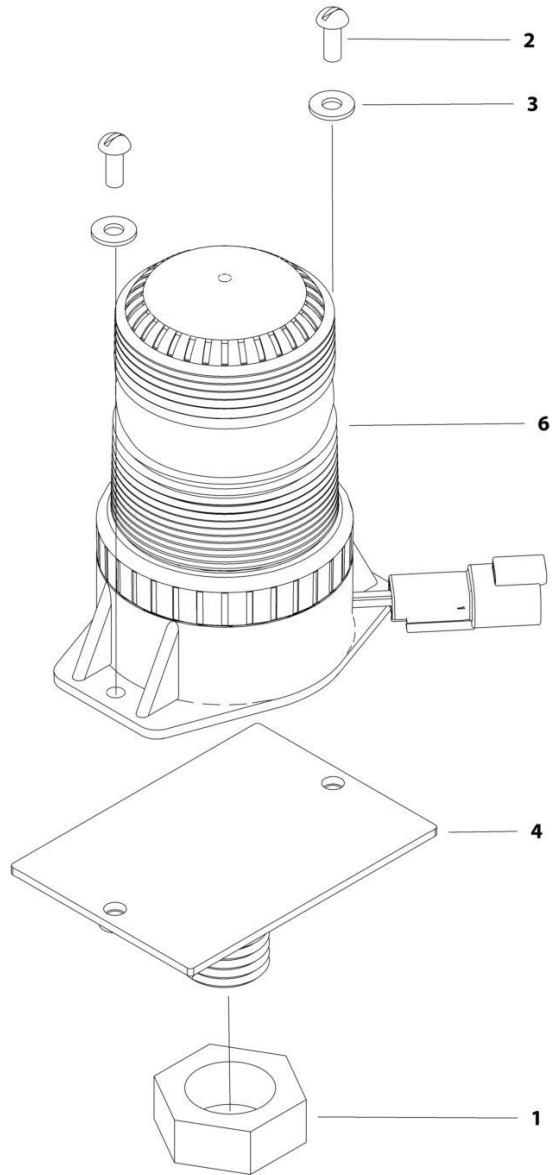
## SECTION 2 - TURNTABLE

**FIGURE 2-31. BEACON LIGHT INSTALLATION - RED (SN 0300208529 through 0300217178, SN B300001429 through B300001510)**

ITEM	PART NUMBER	QTY	DESCRIPTION	REV
	1001207314	Ref	BEACON LIGHT INSTALLATION – RED (SN 0300208529 through 0300217178, SN B300001429 through B300001510)	B
1	0642612	1	Bolt, ,1-8 X 1-1/2	
2	3311005	3	Nut, Lock #10-24	
3	3911012	3	Screw, 10-24 X 3/4	
4	4711000	3	Washer, #10	
5	4712600	1	Washer, 1	
6	1001142694	1	Bracket	
8	1001197067	1	Light, Beacon	
8	7028909	1	Connector - 2 Position	
8	4460464	2	Pin, Male	

## SECTION 2 - TURNTABLE

FIGURE 2-32. BEACON LIGHT INSTALLATION - RED (SN 0300217179 through 0300256463, SN B300001511 through B300004700)



ART\_1001209879

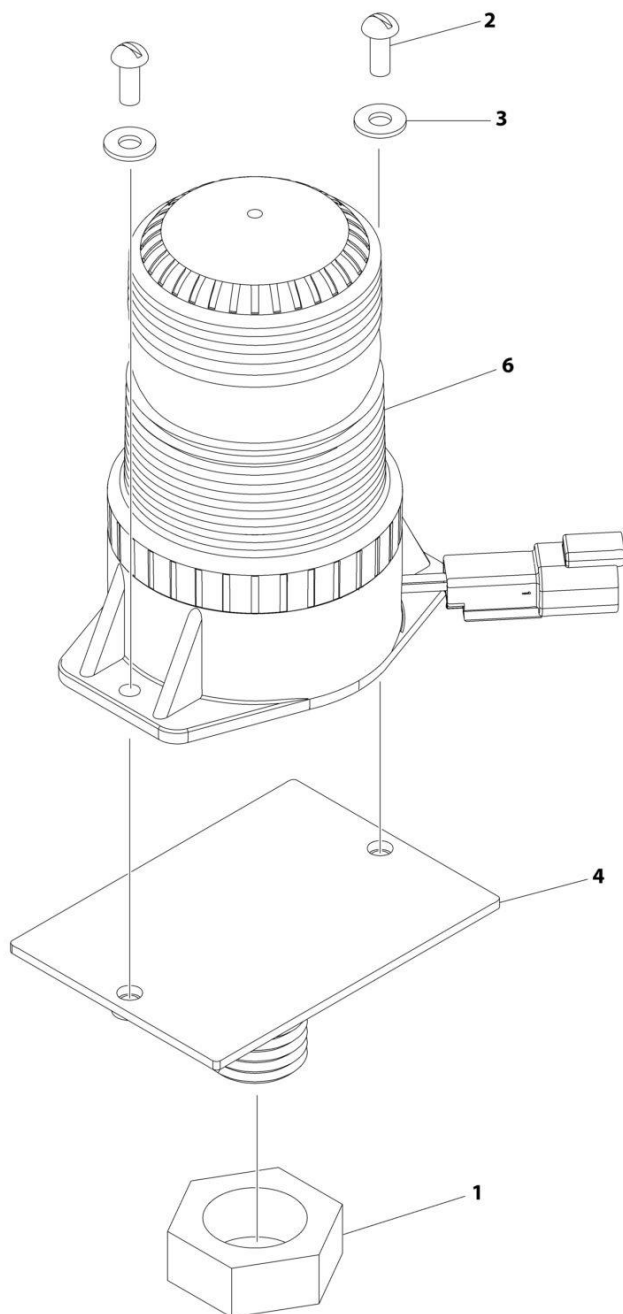
**SECTION 2 - TURNTABLE**

**FIGURE 2-32. BEACON LIGHT INSTALLATION - RED (SN 0300217179 through 0300256463, SN B300001511 through B300004700)**

ITEM	PART NUMBER	QTY	DESCRIPTION	REV
	1001209879	Ref	BEACON LIGHT INSTALLATION – RED	C
1	3312602	1	Nut, Jam 1-8	
2	3900085	2	Screw, #10-32 x 1/2	
3	4751000	2	Washer, #10	
4	1001149994	1	Plate, Mount	
6	1001207004	1	Light, Beacon	
6	4460897	1	Connector - 2 Position	
6	4460943	2	Pin, Male	

## SECTION 2 - TURNTABLE

FIGURE 2-33. BEACON LIGHT INSTALLATION - RED (SN 0300256464 through 0300272287, SN B300004701 through B300005763)



ART\_1001238558

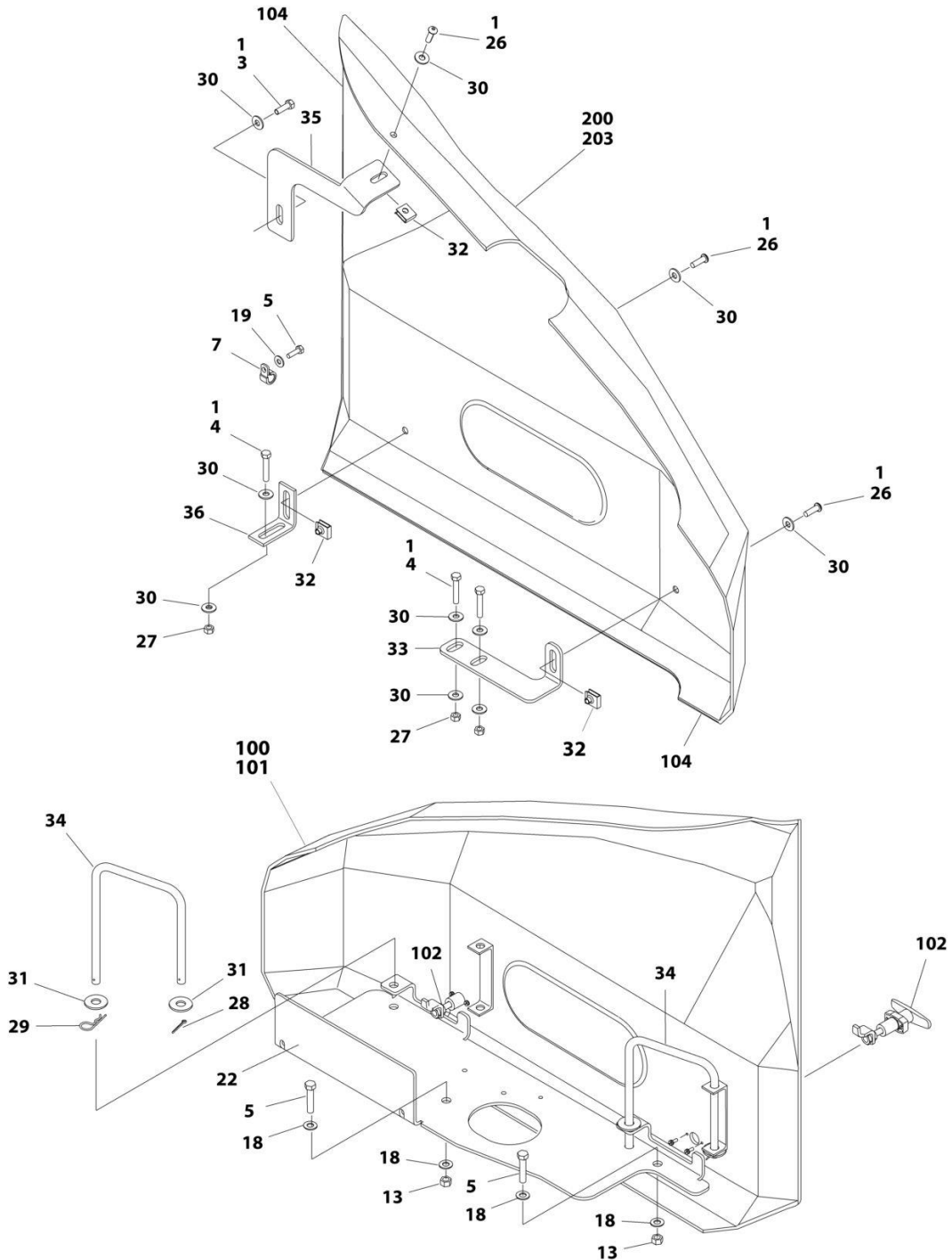
## SECTION 2 - TURNTABLE

**FIGURE 2-33. BEACON LIGHT INSTALLATION - RED (SN 0300256464 through 0300272287, SN B300004701 through B300005763)**

ITEM	PART NUMBER	QTY	DESCRIPTION	REV
	1001238558	Ref	BEACON LIGHT INSTALLATION – RED	A
1	3312602	1	Nut, Jam 1	
2	3900085	2	Screw #10 x 1/2	
3	4751000	2	Washer #10	
4	1001149994	1	Plate, Mount	
6	1001207004	1	Light, Beacon	
6	4460897	1	Connector - 2 Position	
6	4460943	2	Pin, Male	

# SECTION 2 - TURNTABLE

## FIGURE 2-34. HOOD INSTALLATION - E450A/E450AJ



ART\_1001166738



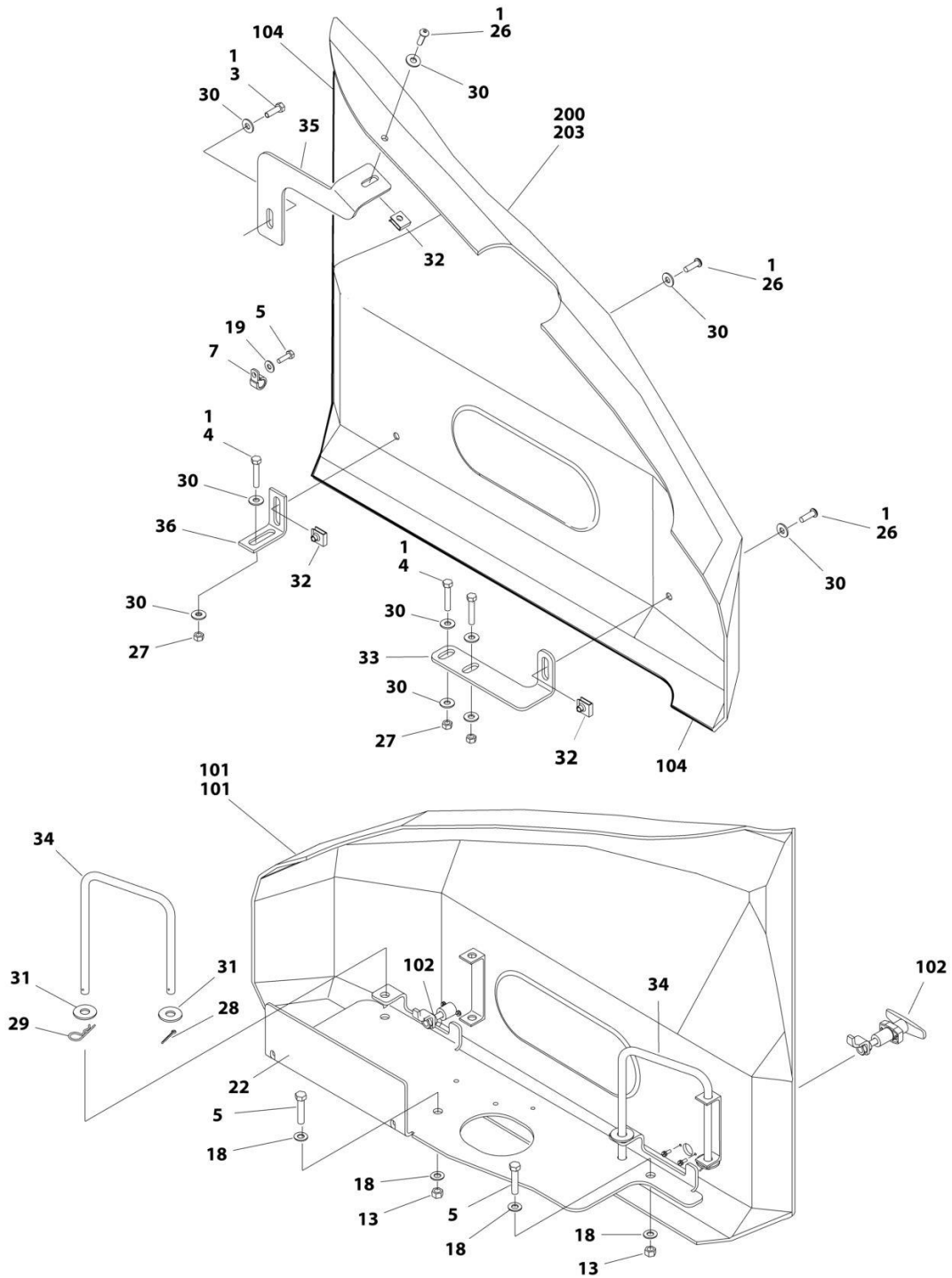
## SECTION 2 - TURNTABLE

### FIGURE 2-34. HOOD INSTALLATION - E450A/E450AJ

ITEM	PART NUMBER	QTY	DESCRIPTION	REV
	1001166738	Ref	HOOD INSTALLATION - E450A/E450AJ	D
1	0100011	AR	Compound, Locking	
3	0641508	1	Bolt, 5/16-18 X 1	
4	0641514	3	Bolt, 5/16-18 X 1-3/4	
5	0641614	2	Bolt, 3/8-16 X 1-3/4	
7	1320041	1	Clamp	
13	3311601	2	Nut, 3/8-16	
15	0641407	1	Bolt, 1/4-20 X 7/8	
18	4711600	4	Washer, 3/8	
19	4751400	1	Washer, 1/4	
22	1001165963	1	Plate, Tray	
26	88261024	3	Screw, 5/16-18 x 1	
27	3311501	3	Nut, 5/16-18	
28	3420156	2	Pin, Cotter	
29	3450304	2	Pin, Cotter	
30	4751500	10	Washer, 5/16	
31	4751800	2	Washer, 1/2	
32	88662530	3	Nut, Tinnerman	
33	1001165981	1	Mount, Hood - Lower	
34	1001165985	2	Mount, Hood Swing	
35	1001182725	1	Mount, Hood	
36	1001183212	1	Bracket, Hood Mount	
100	1001176417	1	LH Side Hood Kit (Includes Items 101-104)	B
	See Note	Ref	Note: Replacement Decals Must be Ordered Separately - See DECAL SECTION.	
101	See Note	1	Hood, LH (Note: Use Item 100)	
102	2940071	2	Latch	
104	3960453	AR	Seal, Door	
200	1001176441	1	RH Side Hood Kit (Includes Items 203 & 205)	B
	See Note	Ref	Note: Replacement Decals Must be Ordered Separately - See DECAL SECTION.	
203	See Note	1	Hood, RH (Use Item 200)	
205	3960453	AR	Seal, Door	

# SECTION 2 - TURNTABLE

## FIGURE 2-35. HOOD INSTALLATION - M450AJ



ART\_1001166250

## SECTION 2 - TURNTABLE

### FIGURE 2-35. HOOD INSTALLATION - M450AJ

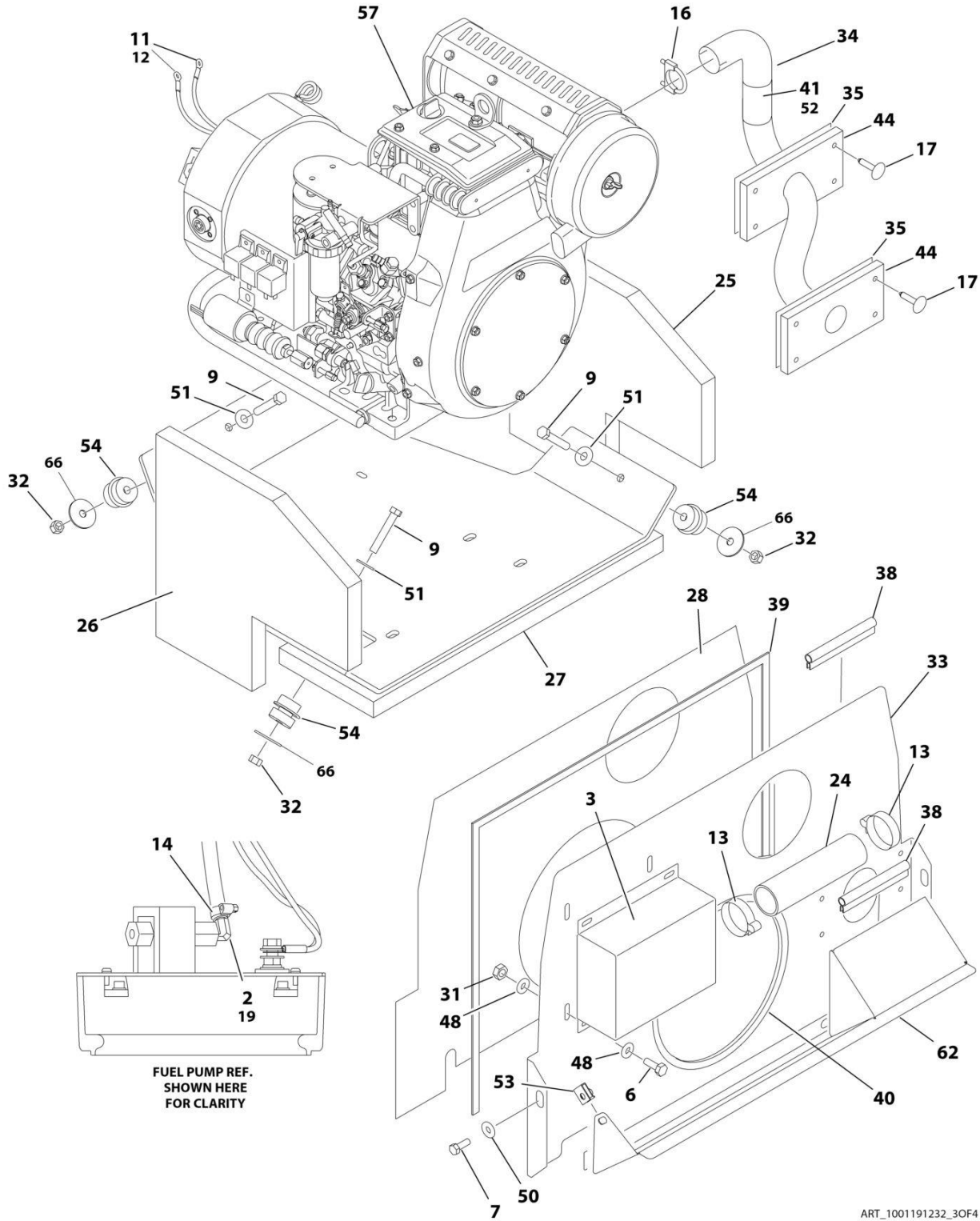
ITEM	PART NUMBER	QTY	DESCRIPTION	REV
	1001166250	Ref	HOOD INSTALLATION - M450AJ	D
1	0100011	AR	Compound, Locking	
3	0641508	1	Bolt, 5/16-18 X 1	
4	0641514	3	Bolt, 5/16-18 X 1-3/4	
5	0641614	2	Bolt, 3/8-16 X 1-3/4	
7	1320041	1	Clamp	
13	3311601	2	Nut, 3/8-16	
15	0641407	1	Bolt, 1/4-20 X 7/8	
18	4711600	4	Washer, 3/8	
19	4751400	1	Washer, 1/4	
22	1001165962	1	Plate, Tray	
26	88261024	3	Screw, 5/16-18 x 1	
27	3311501	3	Nut, 5/16-18	
28	3420156	2	Pin, Cotter	
29	3450304	2	Pin, Cotter	
30	4751500	10	Washer, 5/16	
31	4751800	2	Washer, 1/2	
32	88662530	3	Nut, Tinnerman	
33	1001165981	1	Mount, Hood - Lower	
34	1001165985	2	Mount, Hood Swing	
35	1001182725	1	Mount, Hood	
36	1001183212	1	Bracket, Hood Mount	
100	1001176417	1	LH Hood Kit (Includes Items 101-104)	B
	See Note	Ref	Note: Replacement Decals Must be Ordered Separately - See DECAL SECTION.	
101	See Note	1	Hood, LH (Note: Use Item 100)	
102	2940071	2	Latch	
104	3960453	AR	Seal, Door	
200	1001176441	1	RH, Side Hood Kit (Includes Items 203 & 205)	B
	See Note	Ref	Note: Replacement Decals Must be Ordered Separately - See DECAL SECTION.	
203	See Note	1	Hood, RH (Note: Use Item 200)	
205	3960453	AR	Seal, Door	



**SECTION 3 - ENGINE**

# SECTION 3 - ENGINE

## FIGURE 3-1. KUBOTA MOTOR/GENERATOR INSTALLATION - M450AJ



ART\_1001191232\_3OF4

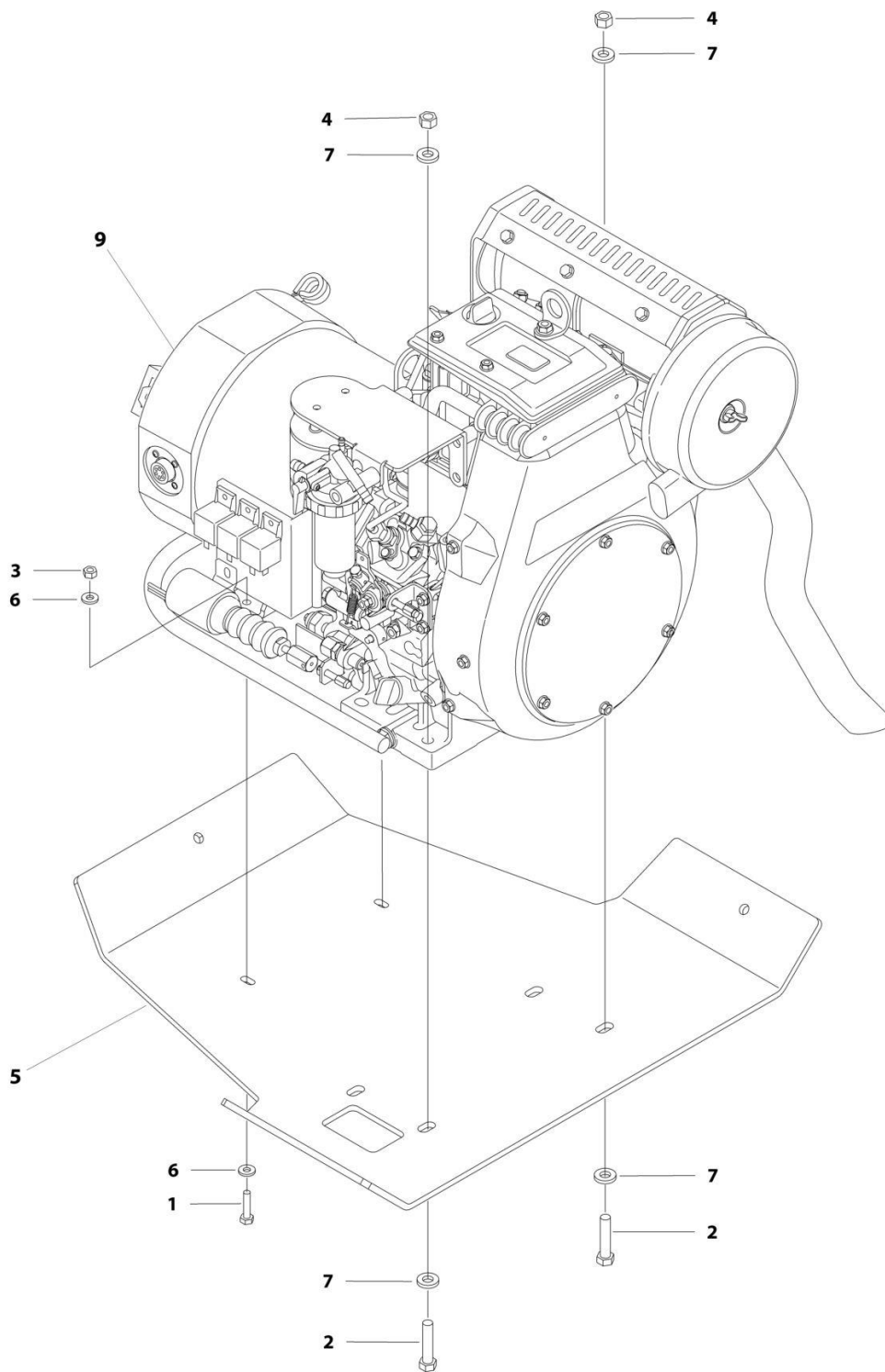
## SECTION 3 - ENGINE

**FIGURE 3-1. KUBOTA MOTOR/GENERATOR INSTALLATION - M450AJ**

ITEM	PART NUMBER	QTY	DESCRIPTION	REV
	1001191232	Ref	KUBOTA MOTOR/GENERATOR INSTALLATION - M450AJ	F
2	0100020	AR	Sealant	
3	0259481	1	Plenum Box Assembly	
6	0641406	4	Bolt, 1/4-20 X 3/4	
7	0641510	2	Bolt, 5/16-18 x 1-1/4	
9	0641618	3	Bolt, 3/8-16 X 2-1/4	
11	1060754	1	Cable, Battery (Includes Terminal Boot) (+ Generator)	
12	1060755	1	Cable, Battery (Includes Terminal Boot) (- Generator)	
13	1320012	2	Clamp	
14	1320022	2	Clamp	
16	1320135	1	Clamp	
17	1380164	8	Clip, Panel Retainer	
19	2220805	1	Fitting, NPT Coupling 90	
24	2720559	1	Hose	
25	2820112	1	Insulation, Left Side	
26	2820116	1	Insulation, Right Side	
27	2820117	1	Foam	
28	2820218	1	Insulation, Acoustic Barrier	
31	3311405	4	Nut, Lock, ,1/4-20	
32	3311605	3	Nut, Lock, 3/8-16	
33	3380602	1	Shield, Heat	
34	3460457	1	Pipe, Exhaust	
35	3575961	2	Plate, Exhaust Mount	
38	3960389	8 ft/ 2.4m	Seal	
39	3960417	2.3 ft/ 0.7m	Seal	
40	3960418	3 ft/ 0.9m	Seal	
41	4100025	1.8 ft/ 0.5m	Sleeve, Fiberglass	
44	4341072	2	Support, Exhaust Mount	
48	4711400	8	Washer, 1/4	
50	4751500	2	Washer, 5/16	
51	4751600	3	Washer, 3/8	
52	4920385	7.3 in/ 2.2m	Wire, Safety	
53	88662530	2	Nut, Tinnerman	
54	1001125248	3	Mount, Engine	
57	1001159361	NLA	Kubota Engine Assembly (Use p/n 1001238783) (See KUBOTA ENGINE ASSEMBLY for Breakdown) <b>(SN 0300208529 through 0300256463, SN B30001429 through B300003676)</b>	
57	1001238783	1	Kubota Engine Assembly (See KUBOTA ENGINE ASSEMBLY for Breakdown) <b>(SN 0300256464 through 0300272287, SN B300003677 through B300005763, Excluding B300005567)</b>	
62	1001181081	1	Shield, Heat	
63	1001192024	1	Harness, Generator (See ELECTRICAL SECTION for Breakdown) (Not Shown)	
66	1001169138	3	Pad, Snubbing Washer <b>(SN 0300243169 through 0300272287)</b>	

# SECTION 3 - ENGINE

FIGURE 3-2. KUBOTA MOTOR/GENERATOR ASSEMBLY - M450AJ (SN 0300208529 through 0300256463, SN B300001429 through B30003676)



ART\_1001159361



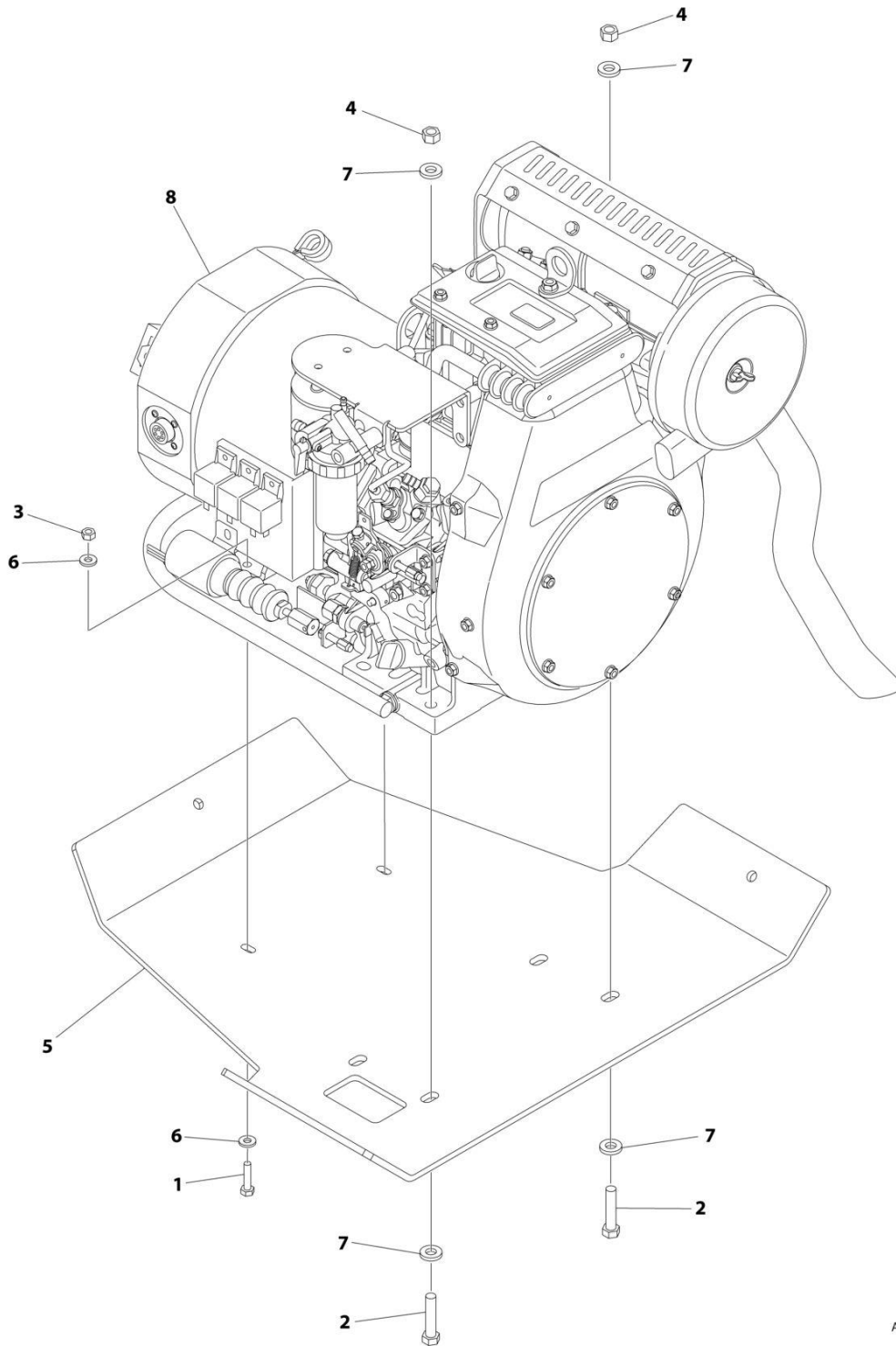
## SECTION 3 - ENGINE

**FIGURE 3-2. KUBOTA MOTOR/GENERATOR ASSEMBLY - M450AJ (SN 0300208529 through 0300256463, SN B300001429 through B30003676)**

ITEM	PART NUMBER	QTY	DESCRIPTION	REV
	1001159361	Ref	KUBOTA MOTOR/GENERATOR ASSEMBLY - M450AJ	D
1	0641409	2	Bolt, 1/4-20 x 1-1/8	
2	0641614	4	Bolt, 3/8-16 X 1-3/4	
3	3311405	2	Nut, Lock, 1/4-20	
4	3311605	4	Nut, Lock, 3/8-16	
5	3575952	1	Plate, Base	
6	4891400	4	Washer, 1/4 Hardened	
7	4891600	8	Washer, 3/8 Hardened	
9	1001159355	NLA	Kubota Engine/Generator Assembly (Use p/n 1001238782) (See KUBOTA ENGINE/GENERATOR COMPONENTS for Breakdown)	

# SECTION 3 - ENGINE

**FIGURE 3-3. KUBOTA MOTOR/GENERATOR ASSEMBLY - M450AJ (SN 0300256464 through 0300272287, SN B300003677 through B300005763, Excluding B300005567)**



ART\_1001238783

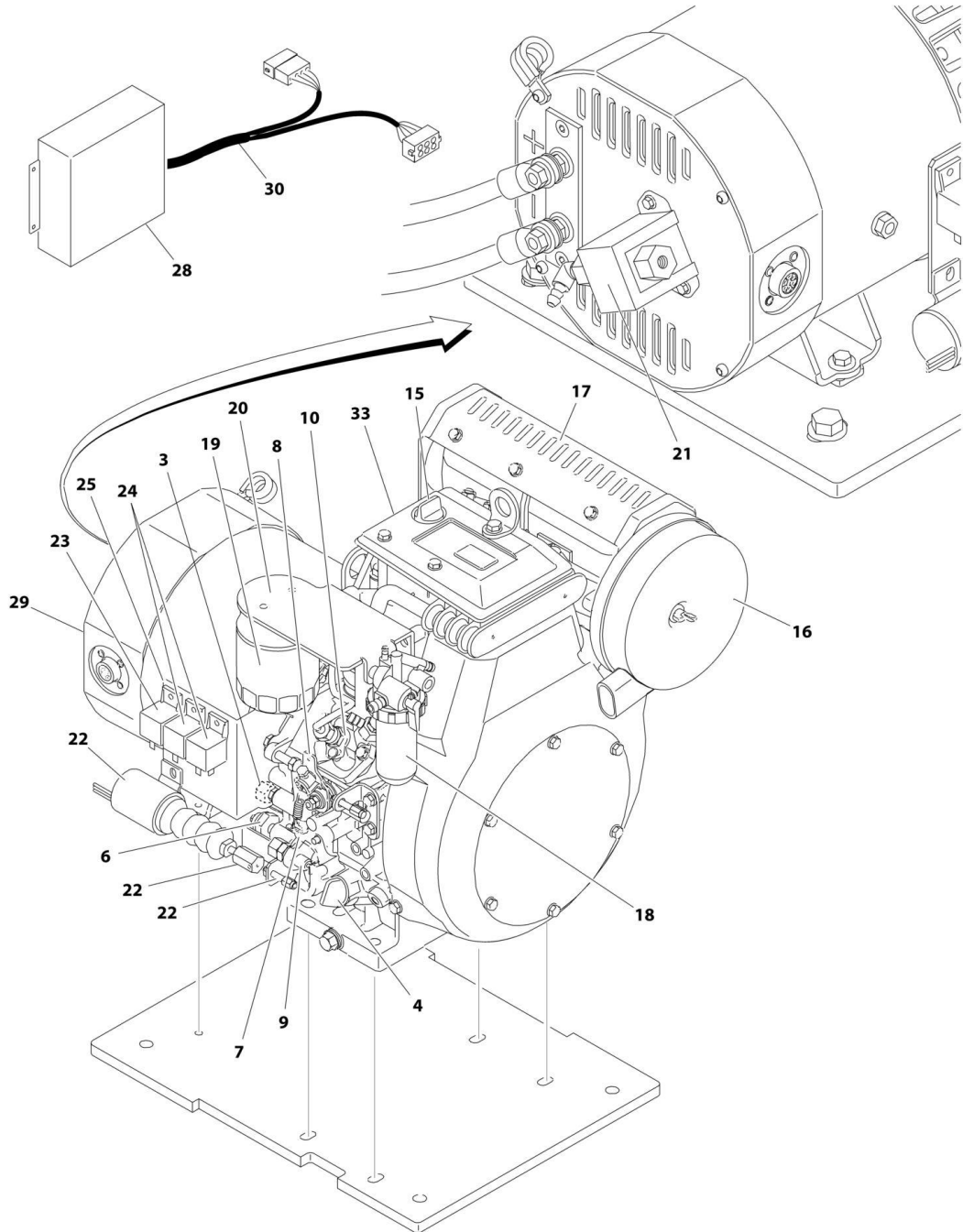
## SECTION 3 - ENGINE

**FIGURE 3-3. KUBOTA MOTOR/GENERATOR ASSEMBLY - M450AJ (SN 0300256464 through 0300272287, SN B300003677 through B300005763, Excluding B300005567)**

ITEM	PART NUMBER	QTY	DESCRIPTION	REV
	1001238783	Ref	KUBOTA MOTOR/GENERATOR ASSEMBLY	A
1	0641409	2	Bolt 1/4 x 1-1/8	
2	0641614	4	Bolt 3/8 x 1-3/4	
3	3311405	2	Nut 1/4	
4	3311605	4	Nut 3/8	
5	3575952	1	Plate, Base	
6	4891400	4	Washer 1/4 Hardened	
7	4891600	8	Washer 3/8 Hardened	
8	1001238782	1	Kubota Engine/Generator Assembly (See Separate Breakdown in this Section)	

# SECTION 3 - ENGINE

FIGURE 3-4. KUBOTA MOTOR/GENERATOR COMPONENTS (SN 0300208529 through 0300256463, SN B300001429 through B30003676)



ART\_1001159355

## SECTION 3 - ENGINE

**FIGURE 3-4. KUBOTA MOTOR/GENERATOR COMPONENTS (SN 0300208529 through 0300256463,  
SN B300001429 through B30003676)**

ITEM	PART NUMBER	QTY	DESCRIPTION	REV
	1001159355	Ref	KUBOTA MOTOR/GENERATOR COMPONENTS	B
1	70000290	1	Glow Plug (Not Shown)	
1	70000291	1	Harness, Glow Plug (Not Shown)	
2	70000292	1	Screen, Oil Sump (Includes O-Ring)	
3	70000293	1	Cap, Oil Filler (Includes O-Ring)	
4	70000294	1	Dipstick	
5	70000295	1	Pump, Oil Rotor (Not Shown - Located beside Item 6)	
5	70000296	1	O-Ring Oil Rotor Pump (Not Shown)	
6	70000297	1	Switch, Oil	
7	70000298	1	Lever, Governor	
7	70000299	1	Pin, Governor Lever	
7	70000300	1	Spring, Governor Lever	
8	70000301	1	Spring, Idling	
8	70000304	1	Lever, Spring Control	
8	70000305	1	Spring, Stop (Speed Control Lever)	
9	70000302	1	Valve, Fuel Limit (Not Shown)	
9	70000303	1	Gasket, Fuel Limit (Not Shown)	
10	70000306	1	Pump, Injection	
10	70000307	1	Kit, Pump Adjustment Shim	
11	70000308	1	Flywheel/Ring Gear Assembly (Not Shown - Located Behind Front Cover)	
11	70000309	1	Ring Gear (Not Shown)	
11	70001121	1	Stator, Engine (Not Shown - Located Behind Flywheel) (Includes Coil & Grommet)	
12	70003557	1	Regulator, Voltage (Not Shown - Located on Opposite Side of Engine)	
13	70000310	1	Starter (Not Shown - Located on Opposite of Engine)	
14	70000311	1	Solenoid, Starter (Not Shown - Located on Opposite Side of Engine)	
15	70002244	1	Cap, Oil Filler (Includes O-Ring)	
16	70000312	1	Air Filter Assembly	
16	70000313	1	Element, Air Cleaner	
16	70000314	1	Gasket, Air Cleaner	
17	70000315	1	Muffler Assembly	
17	70000316	1	Gasket, Muffler	
18	70000317	1	Inline Fuel Check Valve Assembly	
18	70000967	1	Fuel Filter Assembly	
18	70000318	1	Element, Fuel Filter	
19	70000319	1	Element, Oil Filter	
19	70001144	1	Head, Oil Filter Head (Note: Does Not Include Element)	
20	70002544	1	Bracket, Oil Filter Mount	
21	70000320	1	Pump, Fuel	
22	70000321	1	Solenoid, Fuel	
22	70003618	1	Adapter, Solenoid	
22	70003619	1	Screw	
23	70000322	1	Relay	
24	70000323	2	Relay	
25	70002083	1	Bracket, Solenoid/Relay	
26	70000324	1	Sensor, Speed (Not Shown - Located Inside Front Cover)	
26	70004265	1	Bracket, Speed Sensor (Not Show - Located Inside Front Cover)	

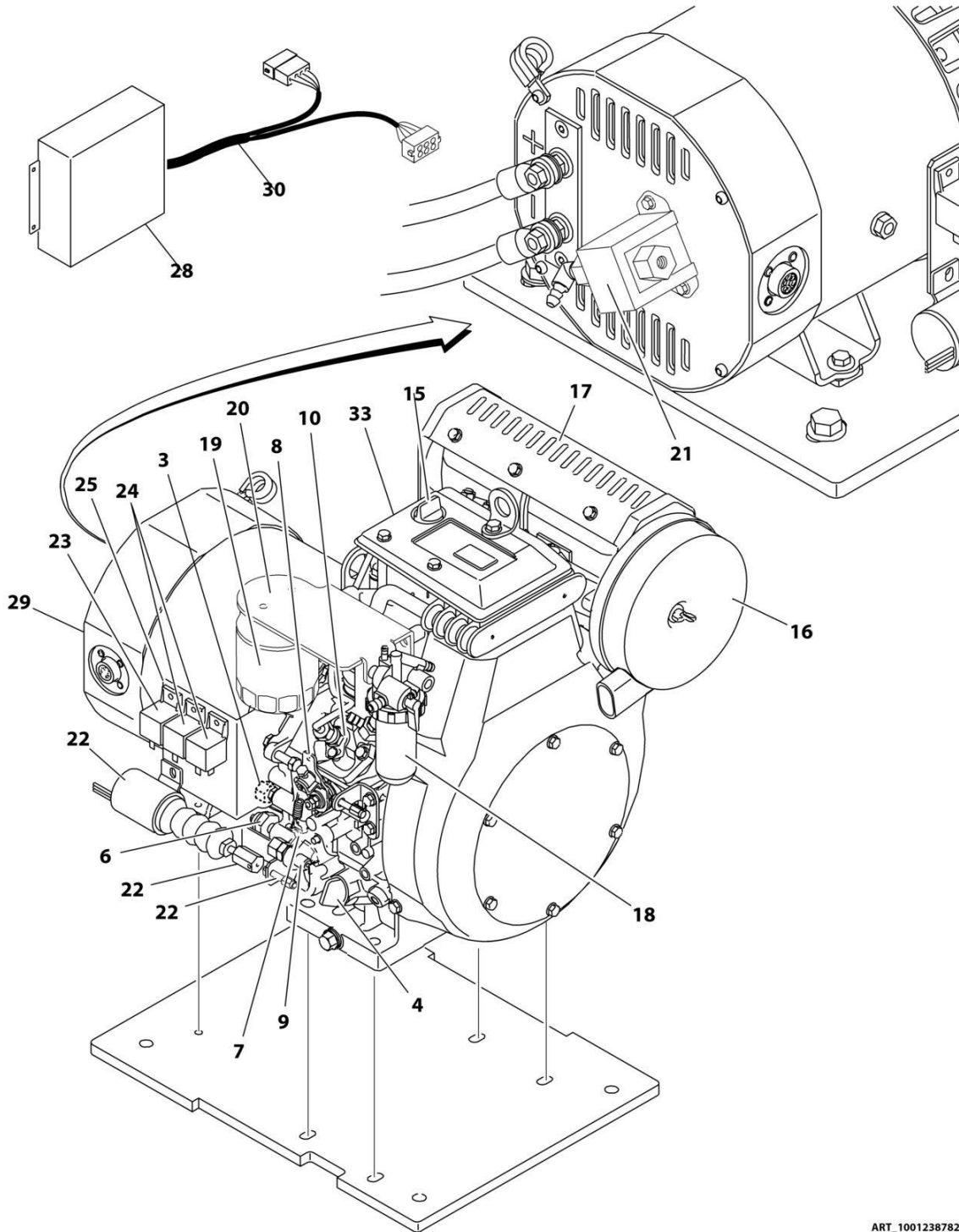
## SECTION 3 - ENGINE

ITEM	PART NUMBER	QTY	DESCRIPTION	REV
27	70000325	1	Sensor, Oil Temperature (Not Shown - Located on Opposite Side of Engine Base)	
28	70000326	1	Module, Engine Control	
29	70000327	1	Alternator	
29	70000382	1	Stator, Alternator	
29	70004394	1	Lead, Field Terminal Block Diode	
30	70000328	1	Harness, Generator	
31	70000329	1	Fuse 15Amp (Not Shown)	
32	70000330	1	Fuse 20Amp (Not Shown)	
33	70002543	1	Engine, Kubota (without Generator)	
34	70000289	1	Regulator, Voltage (Not Shown - Located on Opposite Side of Engine)	



# SECTION 3 - ENGINE

FIGURE 3-5. KUBOTA MOTOR/GENERATOR COMPONENTS (SN 0300256464 through 0300272287, SN B30003677 through B300005763, Excluding B300005567)



ART\_1001238782



## SECTION 3 - ENGINE

**FIGURE 3-5. KUBOTA MOTOR/GENERATOR COMPONENTS (SN 0300256464 through 0300272287, SN B30003677 through B300005763, Excluding B300005567)**

ITEM	PART NUMBER	QTY	DESCRIPTION	REV
	1001238782	Ref	KUBOTA MOTOR/GENERATOR COMPONENTS	A
1	70000290	1	Glow Plug (Not Shown)	
1	70000291	1	Harness, Glow Plug (Not Shown)	
2	70000292	1	Screen, Oil Sump (Includes O-Ring)	
3	70000293	1	Cap, Oil Filler (Includes O-Ring)	
4	70000294	1	Dipstick	
5	70000295	1	Pump, Oil Rotor (Not Shown - Located beside Item 6)	
5	70000296	1	O-Ring Oil Rotor Pump (Not Shown)	
6	70000297	1	Switch, Oil	
7	70000298	1	Lever, Governor	
7	70000299	1	Pin, Governor Lever	
7	70000300	1	Spring, Governor Lever	
8	70000301	1	Spring, Idling	
8	70000304	1	Lever, Spring Control	
8	70000305	1	Spring, Stop (Speed Control Lever)	
9	70000302	1	Valve, Fuel Limit (Not Shown)	
9	70000303	1	Gasket, Fuel Limit (Not Shown)	
10	70000306	1	Pump, Injection	
10	70000307	1	Kit, Pump Adjustment Shim	
11	70000308	1	Flywheel/Ring Gear Assembly (Not Shown - Located Behind Front Cover)	
11	70000309	1	Ring Gear (Not Shown)	
11	70001121	1	Stator, Engine (Not Shown - Located Behind Flywheel) (Includes Coil & Grommet)	
12	70003557	1	Regulator, Voltage (Not Shown - Located on Opposite Side of Engine)	
13	70000310	1	Starter (Not Shown - Located on Opposite of Engine)	
14	70000311	1	Solenoid, Starter (Not Shown - Located on Opposite Side of Engine)	
15	70002244	1	Cap, Oil Filler (Includes O-Ring)	
16	70000312	1	Air Filter Assembly	
16	70000313	1	Element, Air Cleaner	
16	70000314	1	Gasket, Air Cleaner	
17	70000315	1	Muffler Assembly	
17	70000316	1	Gasket, Muffler	
18	70000317	1	Inline Fuel Check Valve Assembly	
18	70000967	1	Fuel Filter Assembly	
18	70000318	1	Element, Fuel Filter	
19	70000319	1	Element, Oil Filter	
19	70001144	1	Head, Oil Filter Head (Note: Does Not Include Element)	
20	70002544	1	Bracket, Oil Filter Mount	
21	70000320	1	Pump, Fuel	
22	70000321	1	Solenoid, Fuel	
22	70003618	1	Adapter, Solenoid	
22	70003619	1	Screw	
23	70000322	1	Relay	
24	70000323	2	Relay	
25	70002083	1	Bracket, Solenoid/Relay	
26	70000324	1	Sensor, Speed (Not Shown - Located Inside Front Cover)	
26	70004265	1	Bracket, Speed Sensor (Not Show - Located Inside Front Cover)	

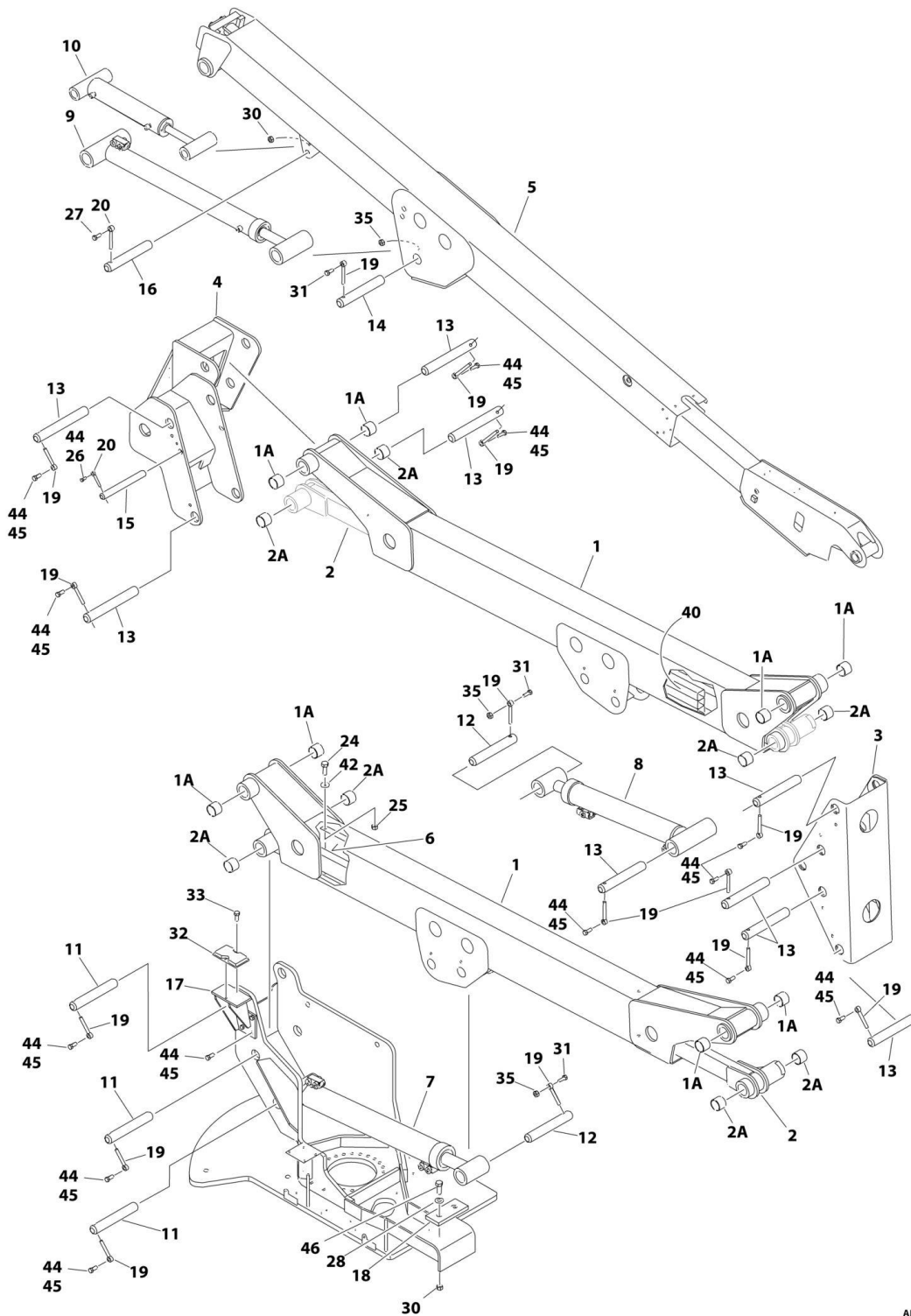
## SECTION 3 - ENGINE

ITEM	PART NUMBER	QTY	DESCRIPTION	REV
27	70000325	1	Sensor, Oil Temperature (Not Shown - Located on Opposite Side of Engine Base)	
28	70000326	1	Module, Engine Control	
29	70000327	1	Alternator	
29	70000382	1	Stator, Alternator	
29	70004394	1	Lead, Field Terminal Block Diode	
30	70000328	1	Harness, Generator	
31	70000329	1	Fuse 15Amp (Not Shown)	
32	70000330	1	Fuse 20Amp (Not Shown)	
33	70002543	1	Engine, Kubota (without Generator)	
34	70000289	1	Regulator, Voltage (Not Shown - Located on Opposite Side of Engine)	

**SECTION 4 - BOOM**

# SECTION 4 - BOOM

FIGURE 4-1. BOOM AND CYLINDERS INSTALLATION - WITHOUT LSS OR WITH 4 CELL LSS (E450A)  
(SN 0300208529 through 0300235600)



ART\_0258691

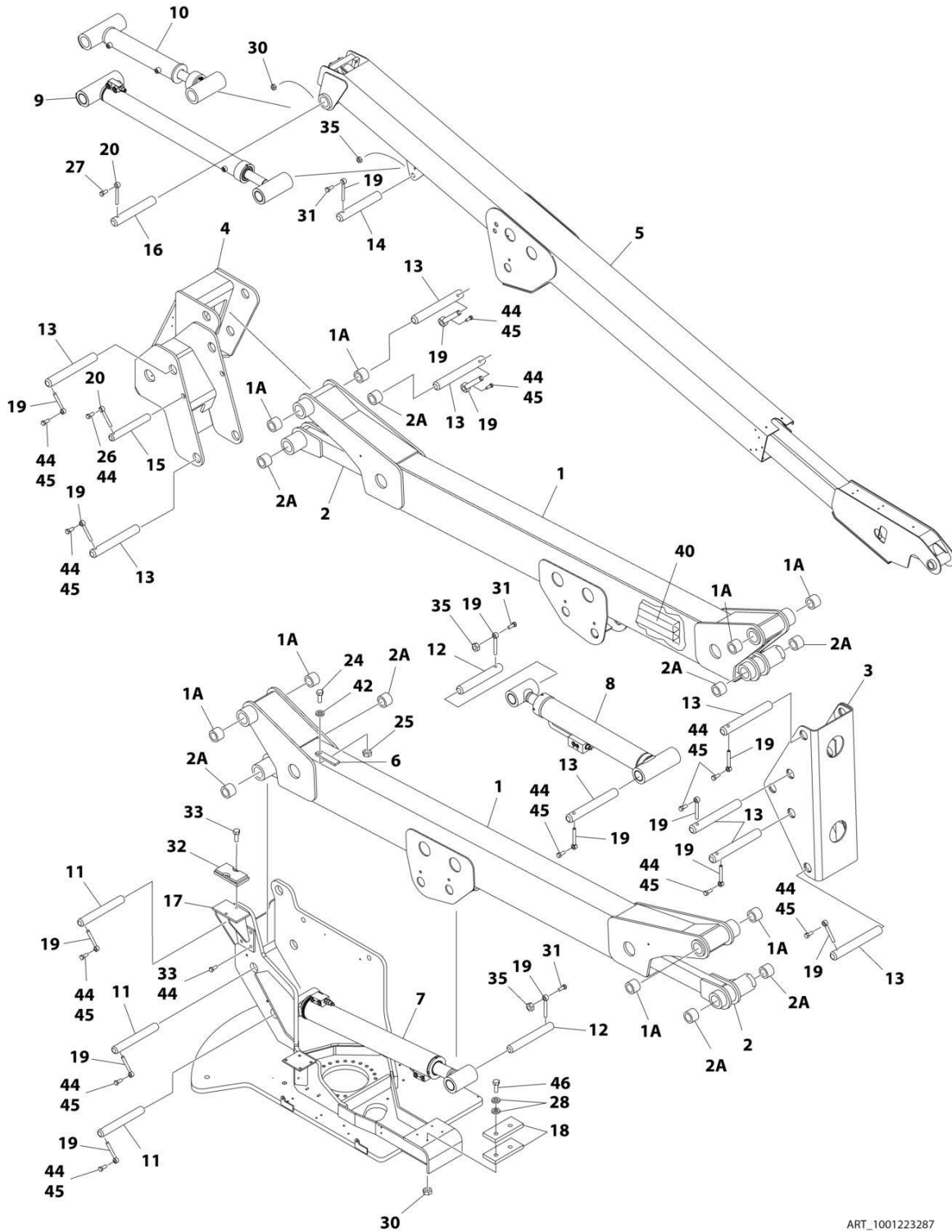
## SECTION 4 - BOOM

**FIGURE 4-1. BOOM AND CYLINDERS INSTALLATION - WITHOUT LSS OR WITH 4 CELL LSS (E450A)  
(SN 0300208529 through 0300235600)**

ITEM	PART NUMBER	QTY	DESCRIPTION	REV
	0258691	Ref	BOOM AND CYLINDERS INSTALLATION - WITHOUT LSS OR WITH 4 CELL LSS (E450A) (SN 0300208529 through 0300235600)	G
1	0801264	2	Boom Assembly - Tower	
1A	0961950	8	Bushing	
2	4846307	2	Level Link	
2A	0961950	8	Bushing	
3	4844427	1	Upright Weldment - Lower	
4	4844304	1	Upright Weldment - Upper	
5	0801169	1	Boom Assembly - Main (See MAIN BOON ASSEMBLY - E450A for Breakdown)	
6	3537045	1	Hose Guard Plate	
7	1684492	NLA	Lift Cylinder Assembly - Lower (Use p/n 1001228039) (See CYLINDER SECTION for Breakdown)	
8	1684493	NLA	Lift Cylinder Assembly - Mid (Use p/n 1001228036) (See CYLINDER SECTION for Breakdown)	
9	1684061	NLA	Lift Cylinder Assembly - Upper (Use p/n 1001228018) (See CYLINDER SECTION for Breakdown)	
10	1001140597	1	Master Cylinder Assembly (See CYLINDER SECTION for Breakdown)	
11	3422175	3	Pin	
12	3422176	2	Pin	
13	3422177	9	Pin	
14	3422178	1	Pin	
15	3422179	1	Pin	
16	3422180	1	Pin	
17	4844467	1	Boom Rest Weldment	
18	0561076	1	Block, Boom Rest	
19	3841203	15	Keeper, Pin - 1/2	
20	3841143	2	Keeper, Pin - 3/8	
24	0641506	4	Bolt, 5/16-18 x 3/4	
25	3311505	4	Nut, Lock, 5/16-18	
26	0641608	1	Bolt, 3/8-16 x 1	
27	0641610	1	Bolt, 3/8-16 x 1-1/4	
28	4751600	4	Washer, 3/8	
30	3311605	3	Nut, Lock, 3/8-16	
31	0641812	3	Bolt, 1/2-13 x 1-1/2	
32	0940048	1	Bumper	
33	0641806	5	Bolt, 1/2-13 x 3/4	
35	3311805	3	Nut, Lock, 1/2-13	
40	4566356	1	Tube	
42	4751500	4	Washer, 5/16	
44	0100011	AR	Compound, Locking	
45	0641810	12	Bolt, 1/2-13 x 1-1/4	
46	0641614	2	Bolt, 3/6-16 x 1-3/4	

# SECTION 4 - BOOM

FIGURE 4-2. BOOM AND CYLINDERS INSTALLATION - WITH 1 CELL LSS (E450A) (SN 0300235601 through 0300272287)



ART\_1001223287

## SECTION 4 - BOOM

**FIGURE 4-2. BOOM AND CYLINDERS INSTALLATION - WITH 1 CELL LSS (E450A) (SN 0300235601 through 0300272287)**

ITEM	PART NUMBER	QTY	DESCRIPTION	REV
	1001223287	Ref	BOOM AND CYLINDERS INSTALLATION - WITH 1 CELL LSS (E450A)	E
1	0801264	2	Boom Assembly - Tower	
1A	0961950	8	Bushing	
2	4846307	2	Level Link	
2A	0961950	8	Bushing	
3	4844427	1	Upright Weldment - Lower	
4	4844304	1	Upright Weldment - Upper	
5	0801169	1	Boom Assembly - Main (See Separate Breakdown in this Section)	
6	3537045	1	Hose Guard Plate	
7	1684492	NLA	Lift Cylinder Assembly - Lower (Use p/n 1001228039) (See Separate Breakdown in CYLINDER Section) <b>(SN 0300235601 through 0300239755)</b>	
7	1001228039	1	Lift Cylinder Assembly - Lower (See Separate Breakdown in CYLINDER Section) <b>(SN 0300239756 through 0300272287)</b>	
8	1684493	NLA	Lift Cylinder Assembly - Mid (Use p/n 1001228036) (See Separate Breakdown in CYLINDER Section) <b>(SN 0300235601 through 0300239755)</b>	
8	1001228036	1	Lift Cylinder Assembly - Mid (See Separate Breakdown in CYLINDER Section) <b>(SN 0300239756 through 0300272287)</b>	
9	1684061	NLA	Lift Cylinder Assembly - Upper (Use p/n 1001251018) (See Separate Breakdown in CYLINDER Section) <b>(SN 0300235601 through 0300239755)</b>	
9	1001228018	NLA	Lift Cylinder Assembly - Upper (Use p/n 1001251018) (See Separate Breakdown in CYLINDER Section) <b>(SN 0300239756 through 0300271909)</b>	
9	1001251018	1	Lift Cylinder Assembly - Upper (See Separate Breakdown in CYLINDER Section) <b>(SN 0300271910 through 0300272287)</b>	
10	1001140597	1	Master Cylinder Assembly (See Separate Breakdown in CYLINDER Section)	
11	3422175	3	Pin	
12	3422176	2	Pin	
13	3422177	9	Pin	
14	3422178	1	Pin	
15	3422179	1	Pin	
16	3422180	1	Pin	
17	4844467	1	Boom Rest Weldment	
18	0561076	2	Block, Boom Rest	
19	3841203	15	Keeper, Pin - 1/2	
20	3841143	2	Keeper, Pin - 3/8	
24	0641506	4	Bolt 5/16 x 3/4	
25	3311505	4	Nut, Lock 5/16-18	
26	0641608	1	Bolt 3/8 x 1	
27	0641610	1	Bolt 3/8 x 1-1/4	
28	4751600	4	Washer 3/8	
30	3311605	3	Nut, Lock 3/8-16	
31	0641812	3	Bolt 1/2 x 1-1/2	
32	0940048	1	Bumper	
33	0641806	5	Bolt 1/2 x 3/4	
35	3311805	3	Nut, Lock 1/2-13	
40	4566356	1	Tube	

## SECTION 4 - BOOM

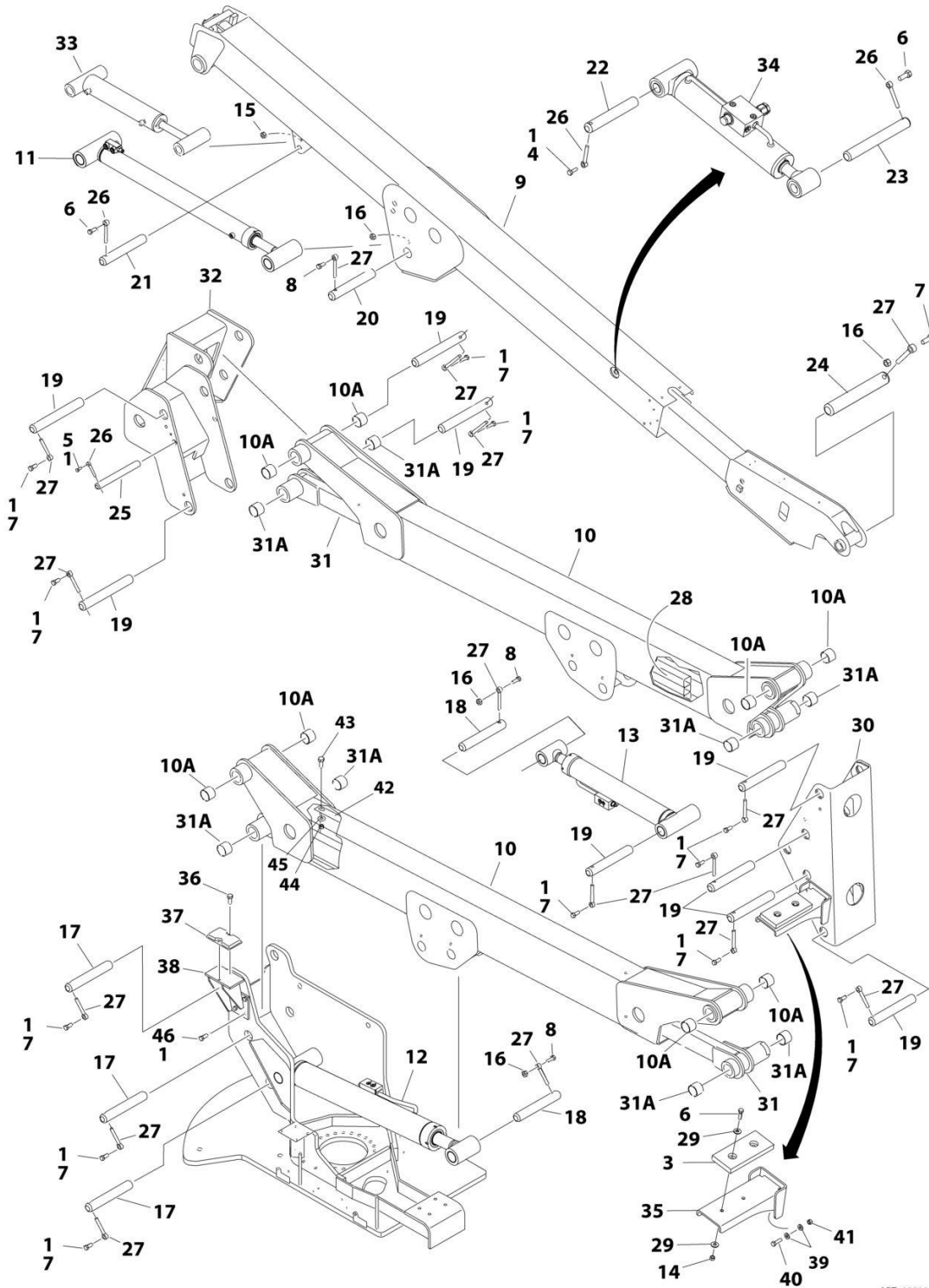
ITEM	PART NUMBER	QTY	DESCRIPTION	REV
42	4751500	4	Washer 5/16	
44	0100011	AR	Compound, Locking	
45	0641810	12	Bolt 1/2 x 1-1/4	
46	0641618	2	Bolt 3/6 x 2-1/4	





# SECTION 4 - BOOM

FIGURE 4-3. BOOM AND CYLINDERS INSTALLATION - E450AJ/M450AJ (SN 0300208529 through 0300272287, SN B300001429 through B300002486)



ART\_1001168673

## SECTION 4 - BOOM

**FIGURE 4-3. BOOM AND CYLINDERS INSTALLATION - E450AJ/M450AJ (SN 0300208529 through 0300272287, SN B300001429 through B300002486)**

ITEM	PART NUMBER	QTY	DESCRIPTION	REV
	1001168673	Ref	BOOM AND CYLINDERS INSTALLATION - E450AJ/M450AJ	H
1	0100011	AR	Compound, Locking	
3	0561076	1	Block, Boom Rest	
4	0641607	1	Bolt, 3/8-16 X 7/8	
5	0641608	1	Bolt, 3/8-16 X 1	
6	0641610	4	Bolt, 3/8-16 X 1-1/4	
7	0641810	13	Bolt, 1/2-13 X 1-1/4	
8	0641812	3	Bolt, 1/2-13 X 1-1/2	
9	0801197	1	Boom Assembly - Main (See MAIN BOOM ASSEMBLY - E450AJ/M450AJ for Breakdown)	
10	0801264	2	Boom Assembly - Tower	
10A	0961950	8	Bushing	
11	1683945	NLA	Lift Cylinder Assembly - Upper (Use p/n 1001228016) (See CYLINDER SECTION for Breakdown) <b>(SN 0300208529 through 0300239755, SN B300001429 through B300002486)</b>	
11	1001228016	1	Lift Cylinder Assembly - Upper (See CYLINDER SECTION for Breakdown) <b>(SN 0300239756 through 0300272287)</b>	
12	1684451	NLA	Lift Cylinder Assembly - Lower (Use p/n 1001228035) (See CYLINDER SECTION for Breakdown) <b>(SN 0300208529 through 0300239252, SN B300001429 through B300002461)</b>	
12	1001228035	1	Lift Cylinder Assembly - Lower (See CYLINDER SECTION for Breakdown) <b>(SN 0300239253 through 0300272287, SN B300002462 through B300002486)</b>	
13	1684452	NLA	Lift Cylinder Assembly - Mid (Use p/n 1001228036) (See CYLINDER SECTION for Breakdown) <b>(SN 0300208529 through 0300239252, SN B300001429 through B300002461)</b>	
13	1001228036	1	Lift Cylinder Assembly - Mid (See CYLINDER SECTION for Breakdown) <b>(SN 0300239253 through 0300272287, SN B300002462 through B300002486)</b>	
14	3311601	2	Nut, 3/8-16	
15	3311605	1	Nut, Lock, 3/8-16	
16	3311805	4	Nut, Lock, 1/2-13	
17	3422175	3	Pin	
18	3422176	2	Pin	
19	3422177	9	Pin	
20	3422178	1	Pin	
21	3422582	1	Pin	
22	3422669	1	Pin	
23	3422792	1	Pin	
24	3422793	1	Pin	
25	3422806	1	Pin	
26	3841143	4	Keeper, 3/8	
27	3841203	16	Keeper, 1/2	
28	4566356	1	Tube	
29	4751600	4	Washer, 3/8 (Not Shown - Located on Platform Support)	
30	4844427	1	Upright Weldment - Lower	
31	4846307	2	Level Link	
31A	0961950	8	Bushing	
32	4846026	1	Upright Weldment - Upper	
33	1001140278	1	Master Cylinder Assembly (See CYLINDER SECTION for Breakdown)	

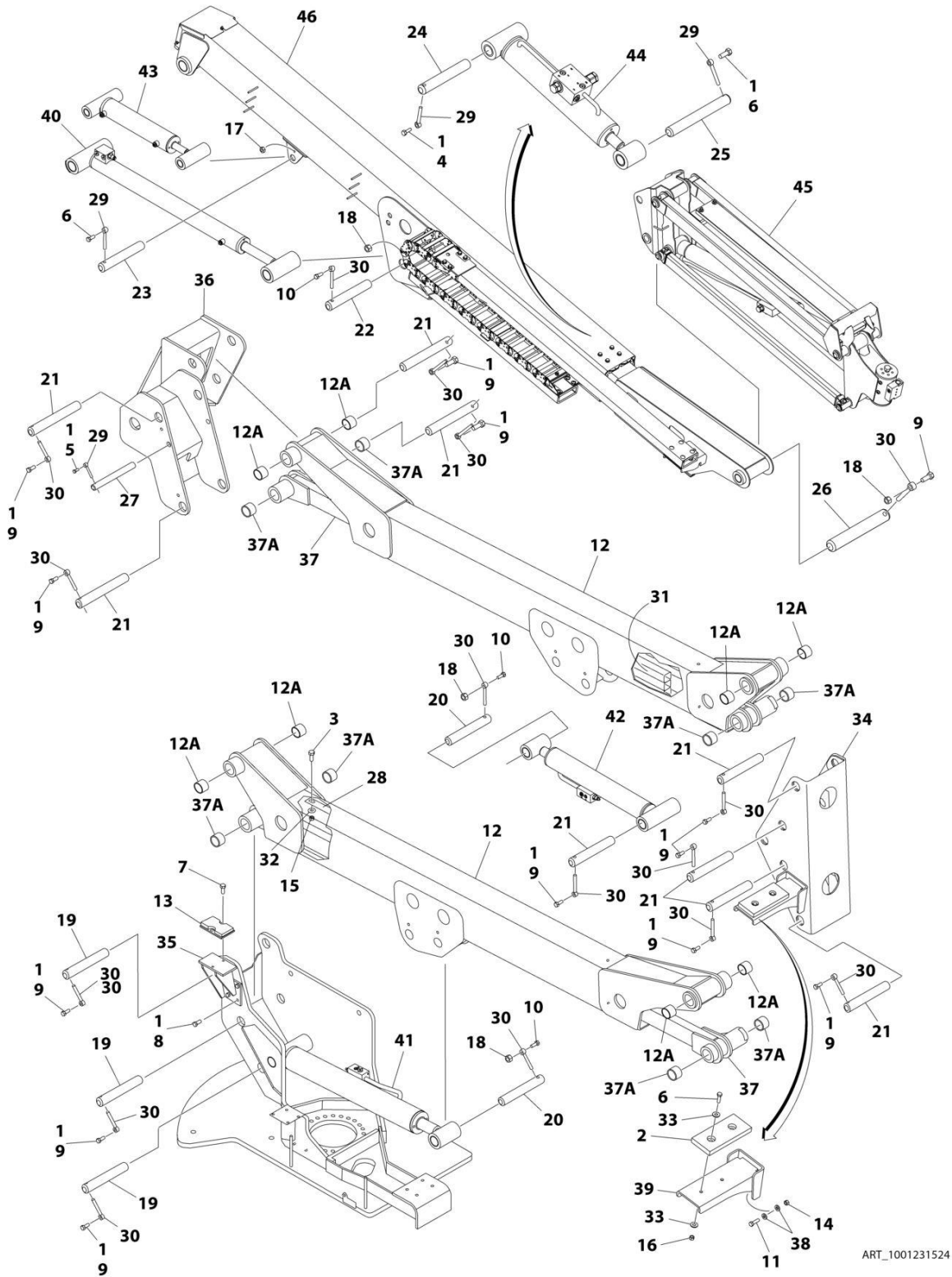
## SECTION 4 - BOOM

ITEM	PART NUMBER	QTY	DESCRIPTION	REV
34	1001140279	1	Platform Level Cylinder (See CYLINDER SECTION for Breakdown)	
35	1001177483	1	Support, Boom Rest	
36	0641806	2	Bolt, 1/2-13 X 3/4	
37	0940048	1	Bumper	
38	4844467	1	Boom Rest Weldment	
39	4891600	8	Washer, 3/8	
40	0681610	4	Bolt, 3/8-16 x 1-1/4 (Grade 8)	
41	3271605	4	Nut, Lock 3/8-16 (Grade 8)	
42	3537045	1	Plate	
43	0641506	4	Bolt, 5/16-18 x 3/4	
44	3311505	4	Nut, Lock 5/16-18	
45	4751500	4	Washer, 5/16	
46	0641806	AR	Bolt, 1/2-13 x 3/4	
46	0641808	AR	Bolt, 1/2-13 x 1	



# SECTION 4 - BOOM

FIGURE 4-4. BOOM AND CYLINDERS INSTALLATION - E450AJ/M450AJ (SN B300002487 through B300005763, Excluding B300005567)



## SECTION 4 - BOOM

**FIGURE 4-4. BOOM AND CYLINDERS INSTALLATION - E450AJ/M450AJ (SN B300002487 through B300005763, Excluding B300005567)**

ITEM	PART NUMBER	QTY	DESCRIPTION	REV
	1001231524	Ref	BOOM AND CYLINDERS INSTALLATION - E450AJ/M450AJ	A
1	0100011	AR	Compound, Locking	
2	0561076	1	Block, Boom Rest	
3	0641506	4	Bolt 5/16 x 3/4	
4	0641607	1	Bolt 3/8-16 x 7/8	
5	0641608	1	Bolt 3/8-16 x 1	
6	0641610	4	Bolt 3/8-16 x 1-1/4	
7	0641806	2	Bolt 1/2 x 3/4	
8	0641808	3	Bolt 1/2 x 1	
9	0641810	13	Bolt 1/2-13 x 1-1/4	
10	0641812	3	Bolt 1/2-13 x 1-1/2	
11	0681610	4	Bolt 3/8 x 1-1/4 Grade 8	
12	0801264	2	Boom Assembly - Tower	
12A	0961950	8	Bushing	
13	0940048	1	Bumper	
14	3271605	4	Nut 3/8 Grade 8	
15	3311505	4	Nut 5/16	
16	3311601	2	Nut 3/8	
17	3311605	1	Nut 3/8	
18	3311805	4	Nut 1/2	
19	3422175	3	Pin	
20	3422176	2	Pin	
21	3422177	9	Pin	
22	3422178	1	Pin	
23	3422582	1	Pin	
24	3422669	1	Pin	
25	3422792	1	Pin	
26	3422793	1	Pin	
27	3422806	1	Pin	
28	3537045	1	Plate	
29	3841143	4	Keeper, 3/8	
30	3841203	16	Keeper, 1/2	
31	4566356	1	Tube	
32	4751500	4	Washer 5/16	
33	4751600	4	Washer 3/8	
34	4844427	1	Upright Weldment - Lower	
35	4844467	1	Boom Rest Weldment	
36	4846026	1	Upright Weldment - Upper	
37	4846307	2	Level Link	
37A	0961950	8	Bushing	
38	4891600	8	Washer, 3/8	
39	1001177483	1	Support, Boom Rest	
40	1001230299	1	Lift Cylinder Assembly - Upper (See CYLINDER SECTION for Breakdown)	
41	1001230300	1	Lift Cylinder Assembly - Lower (See CYLINDER SECTION for Breakdown)	
42	1001230301	1	Lift Cylinder Assembly - Mid (See CYLINDER SECTION for Breakdown)	
43	1001230303	1	Master Cylinder Assembly (See CYLINDER SECTION for Breakdown)	

## SECTION 4 - BOOM

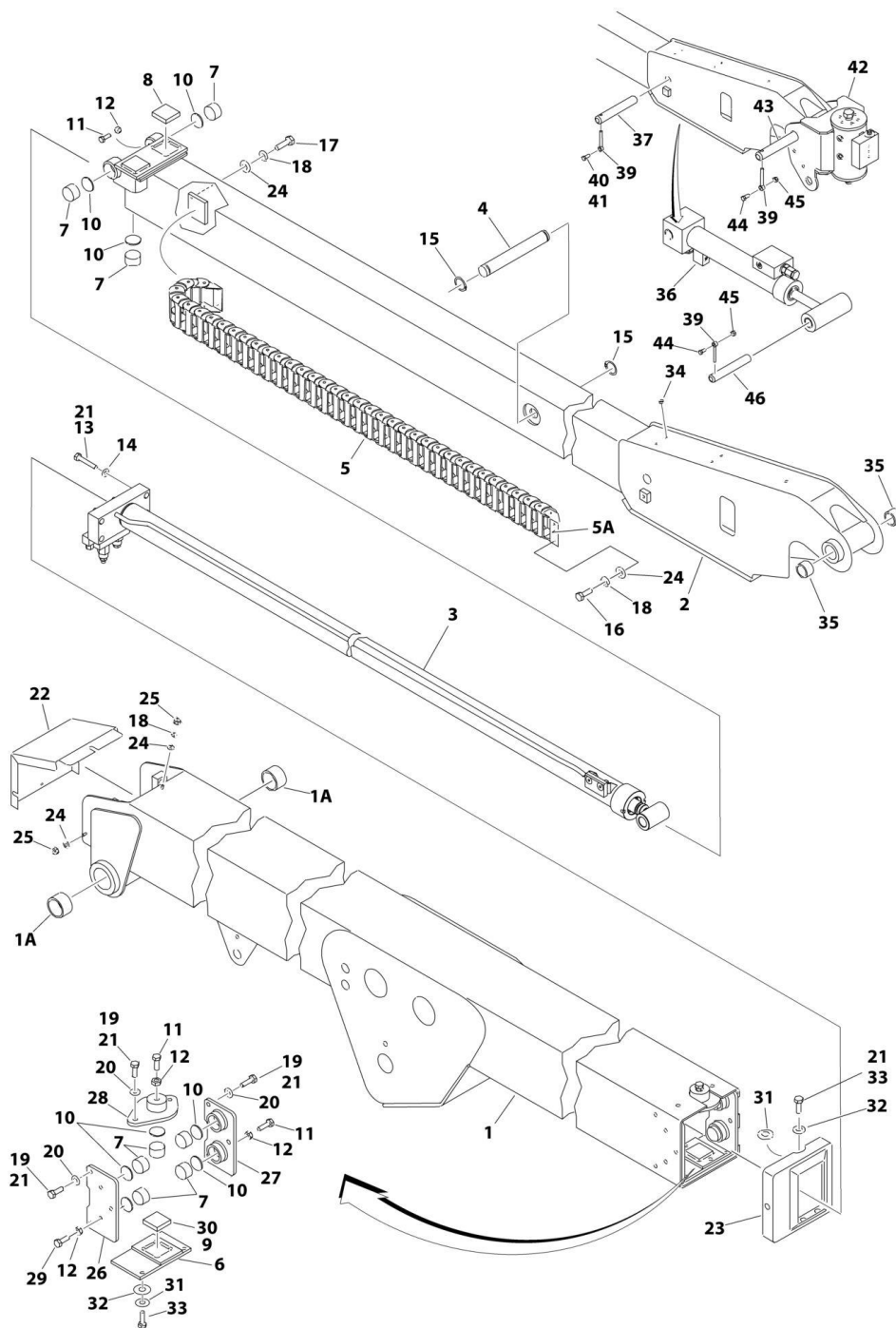
ITEM	PART NUMBER	QTY	DESCRIPTION	REV
44	1001230304	1	Platform Level Cylinder (See CYLINDER SECTION for Breakdown)	
45	1001231523	1	Jib Assembly (See JIB ASSEMBLY - for Breakdown)	
46	1001231525	1	Main Boom Installation (See MAIN BOOM ASSEMBLY - E450AJ/M450AJ for Breakdown)	





# SECTION 4 - BOOM

## FIGURE 4-5. MAIN BOOM ASSEMBLY - E450A



ART\_0801169

## SECTION 4 - BOOM

### FIGURE 4-5. MAIN BOOM ASSEMBLY - E450A

ITEM	PART NUMBER	QTY	DESCRIPTION	REV
	0801169	Ref	MAIN BOOM ASSEMBLY - E450A	F
1	0801261	1	Base Weldment	
1A	0961950	2	Bushing	
2	0801154	1	Fly Weldment	
3	1001151414	NLA	Telescope Cylinder Assembly (Use p/n 1001251062) (See Separate Breakdown in CYLINDER Section) <b>(SN 0300208529 through 0300244781)</b>	
3	1001228062	NLA	Telescope Cylinder Assembly (Use p/n 1001251062) (See Separate Breakdown in CYLINDER Section) <b>(SN 0300244782 through 0300266862)</b>	
3	1001251062	1	Telescope Cylinder Assembly (See Separate Breakdown in CYLINDER Section) <b>(SN 0300266863 through 0300272287)</b>	
4	3422901	1	Pin	
5	1180302	1	Powertrack Assembly	
5	7019698	1	Link, Repair	
5A	7019699	1	Feet, Mounting	
6	4844579	1	Holder, Ware Pad	
7	3340663	8	Pad, Ware	
8	3340820	2	Pad, Ware	
9	3340682	1	Pad, Wear	
10	1760160	8	Disc	
11	0630487	6	Bolt, Special 3/8-16 x 1-3/8	
12	3311602	8	Nut, Jam, 3/8-16	
13	0641818	4	Bolt, 1/2-13 x 2-1/4	
14	4761800	4	Washer, Lock, 1/2	
15	3760115	2	Snap, Ring	
16	0641405	2	Bolt, 1/4-20 x 5/8	
17	0641404	2	Bolt, 1/4-20 x 1/2	
18	4761400	7	Washer, Lock, 1/4	
19	0641606	7	Bolt, 3/8-16 x 3/4	
20	4761600	7	Washer, Lock, 3/8	
21	0100011	AR	Compound, Locking	
22	1670679	1	Cover, Boom	
23	1670698	1	Cover, Boom	
24	4751400	7	Washer, 1/4	
25	3311401	3	Nut, 1/4-20	
26	1220038	1	Holder, Ware Pad	
27	1220039	1	Holder, Ware Pad	
28	1220040	1	Holder, Ware Pad	
29	0630399	2	Bolt, Special, 3/8-16 X 2-1/4	
30	0100009	AR	Silicone	
31	4740413	5	Washer, Spacer	
32	4751600	5	Washer, 3/8	
33	0641608	5	Bolt, 3/8-16 x 1	
34	3520034	4	Plug, Hole	
35	0961951	2	Bearing	
36	1001140598	1	Cylinder Assembly (See Separate Breakdown in CYLINDER Section)	
37	3422181	1	Shaft, Pin	
39	3841143	3	Keeper, 3/8	
40	0641607	1	Bolt, 3/8-16 x 7/8	

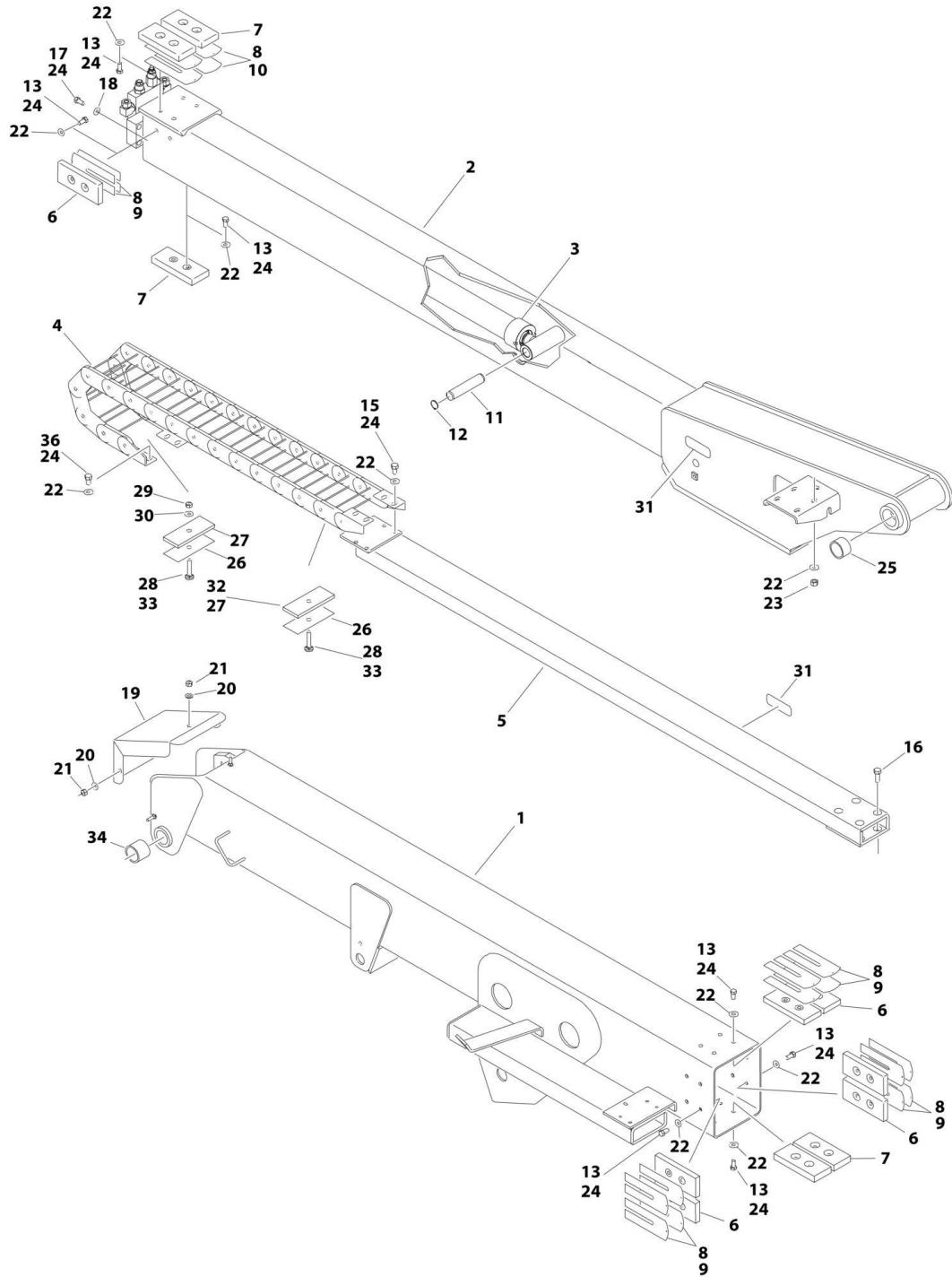
## SECTION 4 - BOOM

ITEM	PART NUMBER	QTY	DESCRIPTION	REV
41	0100011	AR	Compound, Locking	
42	0060052	1	Rotator Assembly (See Separate Breakdown in this Section)	
43	3422709	1	Shaft, Pin	
44	0641608	2	Bolt, 3/8-16 x 1	
45	3311605	2	Nut, Lock, 3/8-16	
46	3422180	1	Shaft, Pin	



# SECTION 4 - BOOM

FIGURE 4-6. MAIN BOOM ASSEMBLY - E450AJ/M450AJ (SN 0300208529 through 0300272287, SN B300001429 through B300002486)



ART\_0801197

## SECTION 4 - BOOM

**FIGURE 4-6. MAIN BOOM ASSEMBLY - E450AJ/M450AJ (SN 0300208529 through 0300272287, SN B300001429 through B300002486)**

ITEM	PART NUMBER	QTY	DESCRIPTION	REV
	0801197	Ref	MAIN BOOM ASSEMBLY - E450AJ/M450AJ	M
1	0801260	1	Base, Weldment	
2	0801192	1	Fly, Weldment	
3	1001151368	NLA	Telescope Cylinder Assembly (Use p/n 1001228061) (See CYLINDER SECTION for Breakdown) <b>(SN 0300208529 through 0300243858)</b>	
3	1001228061	1	Telescope Cylinder Assembly (See CYLINDER SECTION for Breakdown) <b>(SN 0300243859 through 0300272287)</b>	
4	1001099833	1	Powertrack Assembly (Use p/n 1001224890) <b>(SN 0300208529 through 0300230223, SN B300001429 through B300002286)</b>	
4	70001996	1	Repair Section (Includes 4 links, 10 pins, 10 washers, 10 snap rings, 2 rod carriers and 4 self-tapping screws)	
4	70001998	1	Bracket Kit (Includes 2 left and 2 right mounting feet, 4 center pins, 4 center pin snap rings, 8 pins for bracket lockout, 8 washers and 8 snap rings)	
4	1001224890	1	Powertrack Assembly <b>(SN 0300230224 through 0300272287, SN B300002287 through B300002486)</b>	
4	70006269	1	Repair Section (Includes 10 links, 22 pins, 22 washers, 22 snap rings, 5 rod carriers and 10 self-tapping screws)	
4	70006279	1	Bracket Kit (Includes 2 left and 2 right mounting feet, 4 center pins, 4 center pin snap rings, 8 pins for bracket lockout, 4 washers and 4 snap rings)	
5	4846033	1	Pushtube, Weldment	
6	3340881	8	Pad, Ware	
7	3340837	5	Pad, Ware	
8	4070897	AR	Shim, 18 Gauge	
9	4070898	8	Shim, 11 Gauge	
10	4070982	2	Shim, 16 Gauge <b>(SN 0300208529 through 0300230223, SN B300001429 through B300002286)</b>	
11	3422804	1	Pin	
12	3760115	2	Ring, Snap	
13	0641606	AR	Bolt, 3/8-16 x 3/4	
13	0641607	26	Bolt, 3/8-16 x 7/8	
15	0641605	4	Bolt, 3/8-16 x 5/8	
16	0641608	4	Bolt, 3/8-16 x 1	
17	0641818	4	Bolt, 1/2-13 x 2-1/4	
18	4761800	4	Washer, Lock, 1/2	
19	1670679	1	Cover, Boom	
20	4761400	3	Washer, Lock, 1/4	
21	3311401	3	Nut, 1/4-20	
22	4711600	38	Washer, 3/8	
23	3311605	AR	Nut, Lock, 3/8-16	
24	0100011	AR	Compound, Locking	
25	0961948	2	Bearing	
26	1001106757	AR	Plate, Clamp	
27	3340939	AR	Pad, Rubber	
28	0630401	2	Bolt, Carriage, 5/16-18 x 2	
29	3311505	2	Nut, Lock 5/16-18	
30	4711500	2	Washer, 5/16	
31	4060804	15 in/ 38cm	Flex-Trim	

## SECTION 4 - BOOM

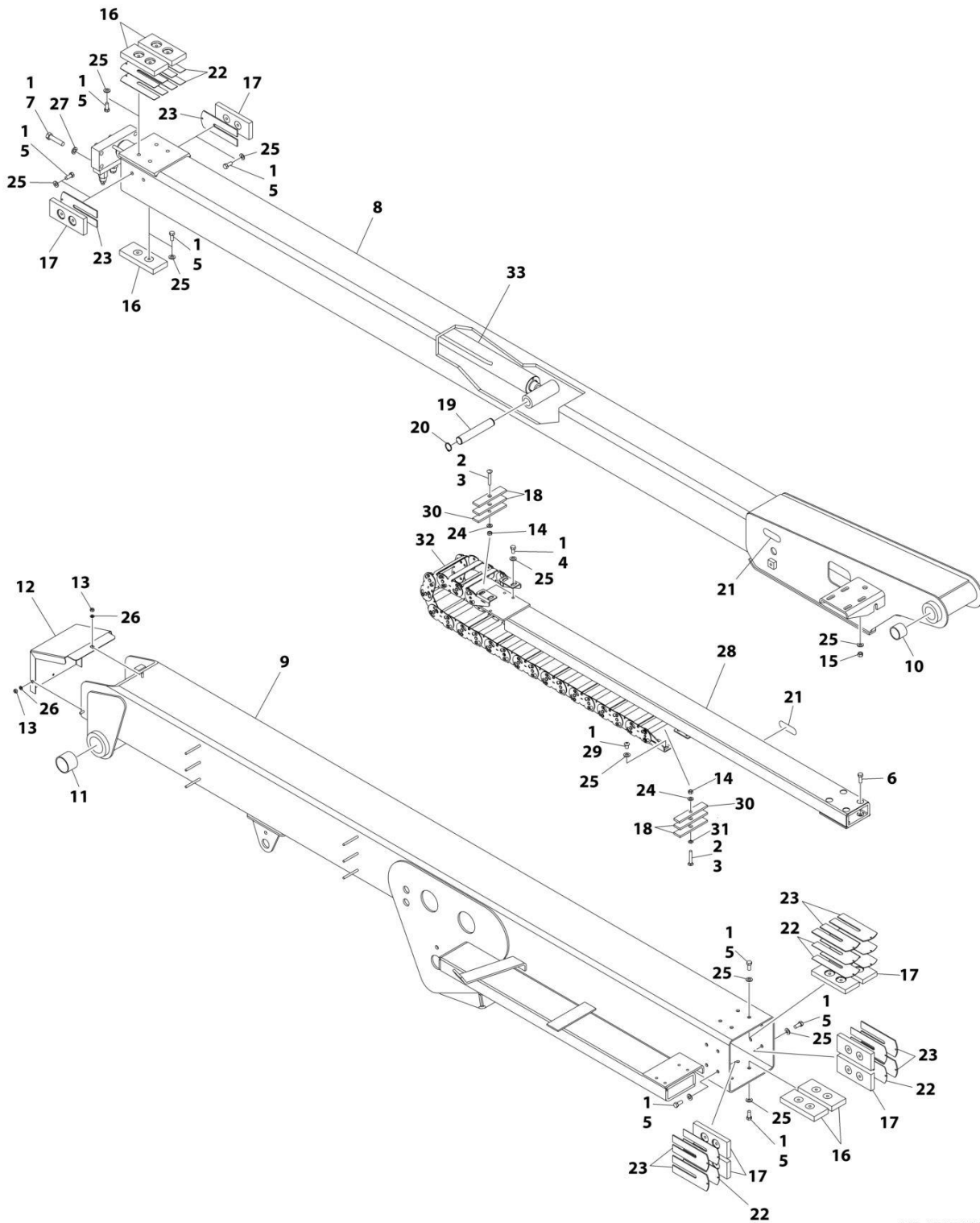
ITEM	PART NUMBER	QTY	DESCRIPTION	REV
32	0100081	AR	Adhesive	
33	1001119228	1	Push Nut, M8	
34	0961950	2	Bushing	
36	0641605	4	Bolt 3/8 x 5/8	
36	88261026	4	Bolt 3/8 x 5/8	





# SECTION 4 - BOOM

FIGURE 4-7. MAIN BOOM ASSEMBLY - E450AJ/M450AJ (SN B300002487 through B300005763, Excluding B300005567)



ART\_1001231525

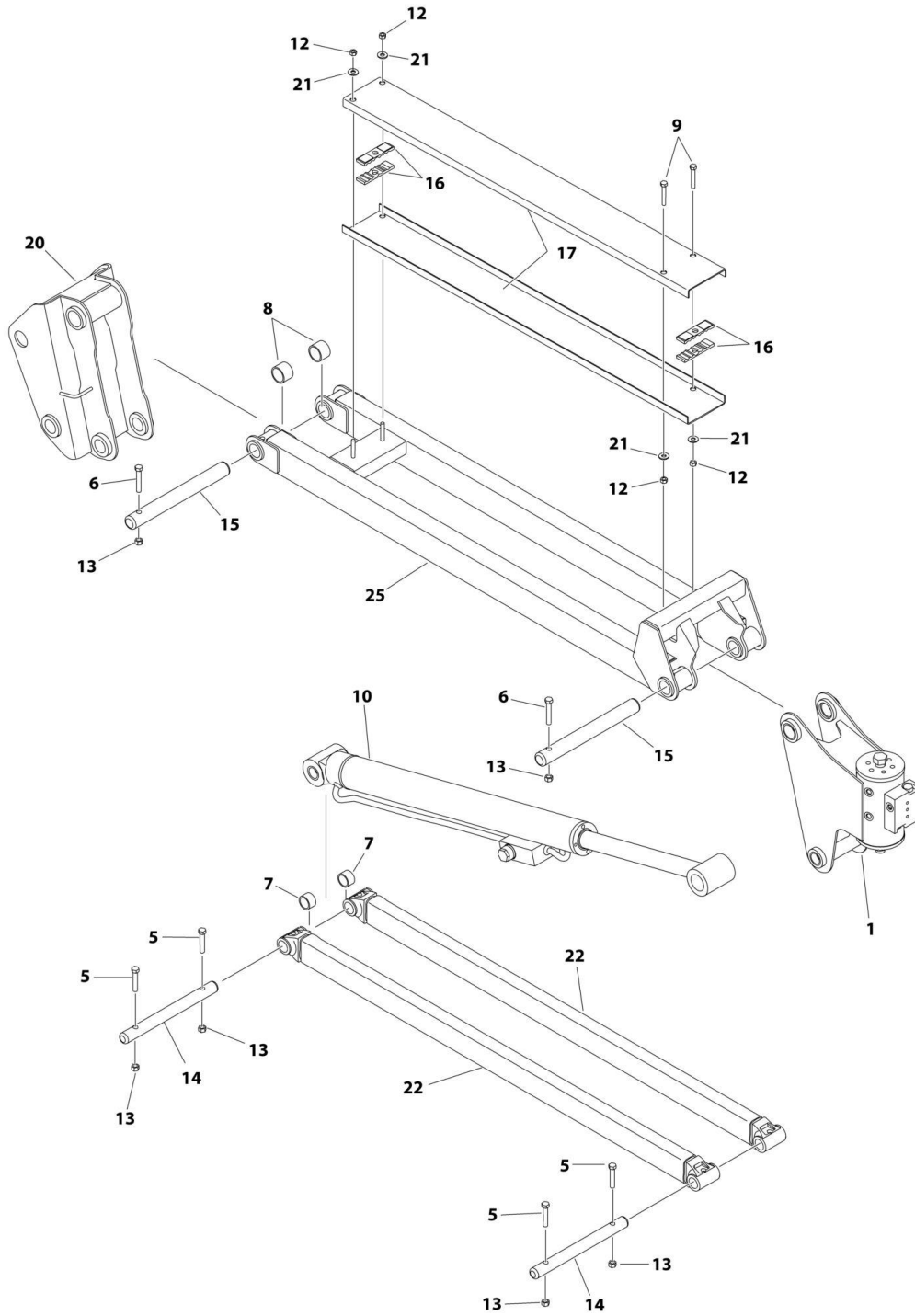
## SECTION 4 - BOOM

**FIGURE 4-7. MAIN BOOM ASSEMBLY - E450AJ/M450AJ (SN B300002487 through B300005763,  
Excluding B300005567)**

ITEM	PART NUMBER	QTY	DESCRIPTION	REV
	1001231525	Ref	MAIN BOOM ASSEMBLY - E450AJ/M450AJ	A
1	0100011	AR	Compound, Locking	
2	0100081	AR	Adhesive	
3	0630401	2	Bolt, Carriage, 5/16 x 2	
4	0641605	4	Bolt 3/8 x 5/8	
5	0641607	26	Bolt 3/8 x 7/8	
6	0641608	4	Bolt 3/8 x 1	
7	0641818	4	Bolt 1/2 x 2-1/4	
8	0801192	1	Fly, Weldment	
9	0801260	1	Base, Weldment	
10	0961948	2	Bearing	
11	0961950	2	Bushing	
12	1670679	1	Cover, Boom	
13	3311401	3	Nut 1/4	
14	3311505	2	Nut 5/16	
15	3311605	4	Nut 3/8	
16	3340837	5	Pad, Ware	
17	3340881	8	Pad, Ware	
18	3340939	4	Pad, Rubber	
19	3422804	1	Pin	
20	3760115	2	Ring, Snap	
21	4060804	15 in/ 38cm	Flex-Trim	
22	4070897	12	Shim, 18 Gauge	
23	4070898	8	Shim, 11 Gauge	
24	4711500	2	Washer 5/16	
25	4711600	38	Washer 3/8	
26	4761400	3	Washer 1/4	
27	4761800	4	Washer 1/2	
28	4846033	1	Pushtube, Weldment	
29	88261026	4	Bolt 3/8 x 5/8	
30	1001106757	AR	Plate, Clamp	
31	1001119228	1	Push Nut, M8	
32	1001224890	1	Powertrack Assembly	
32	70006269	1	Repair Section (Includes 10 links, 22 pins, 22 washers, 22 snap rings, 5 rod carriers and 10 self-tapping screws)	
32	70006279	1	Bracket Kit (Includes 2 left and 2 right mounting feet, 4 center pins, 4 center pin snap rings, 8 pins for bracket lockout, 4 washers and 4 snap rings)	
33	1001230302	1	Telescope Cylinder Assembly (See CYLINDER SECTION for Breakdown)	

# SECTION 4 - BOOM

FIGURE 4-8. JIB INSTALLATION (SN 0300208529 through 0300272287, SN B300001429 through B300002486)



ART\_0270400

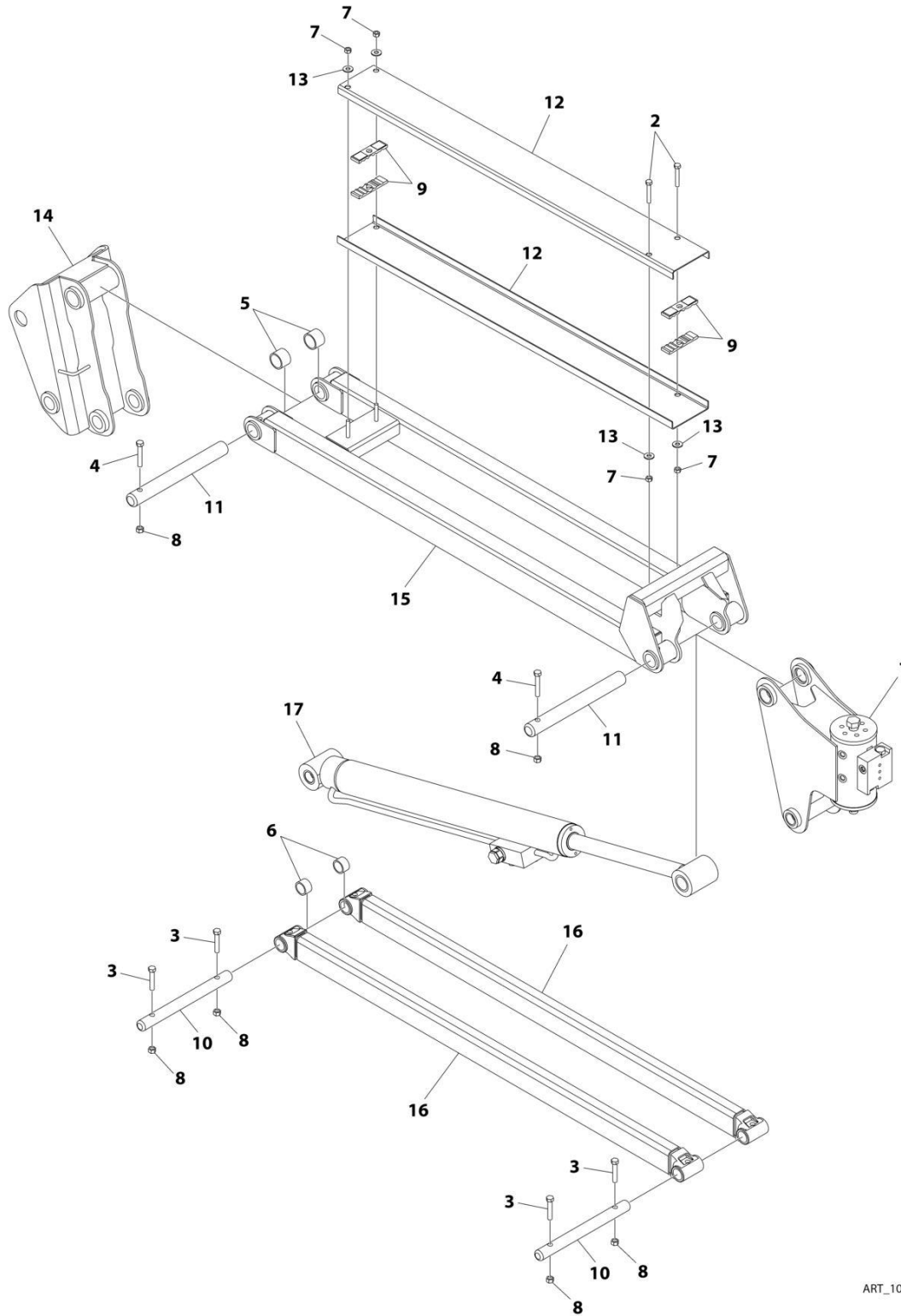
## SECTION 4 - BOOM

**FIGURE 4-8. JIB INSTALLATION (SN 0300208529 through 0300272287, SN B300001429 through B300002486)**

ITEM	PART NUMBER	QTY	DESCRIPTION	REV
	0270400	Ref	JIB INSTALLATION	F
1	0060044	1	Rotator Assembly (See ROTATOR ASSEMBLY for Breakdown)	
5	0641616	4	Bolt, 3/8-16 X 2	
6	0641618	2	Bolt, 3/8-16 X 2-1/4	
7	0962292	2	Bushing	
8	0961951	2	Bushing	
9	0641516	2	Bolt, 5/16-18 X 2	
10	1001140280	1	Jib Cylinder Assembly (See CYLINDER SECTION for Breakdown)	
12	3311501	4	Nut, 5/16-18	
13	3311605	6	Nut, Lock, 3/8-16	
14	3422791	2	Pin	
15	3422794	2	Pin	
16	3340860	4	Pad, Rubber	
17	3572551	2	Channel, Hose Carrier	
20	4845925	1	Pivot	
21	4751500	4	Washer, 5/16	
22	1001094670	2	Link - Lower	
25	4846278	1	Link - Upper	

# SECTION 4 - BOOM

FIGURE 4-9. JIB INSTALLATION (SN B300002487 through B300005763, Excluding B300005567)



ART\_1001231523

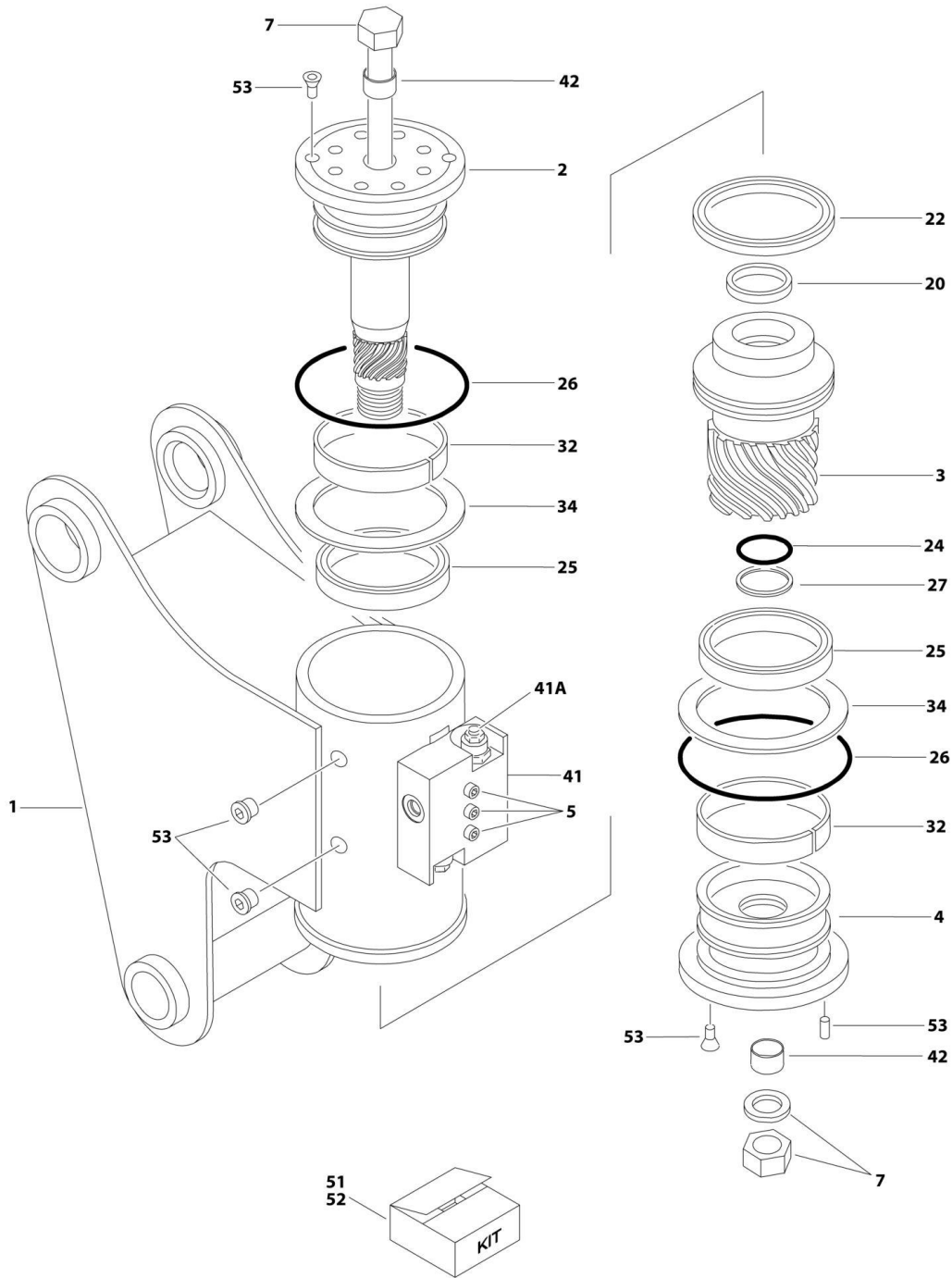
## SECTION 4 - BOOM

**FIGURE 4-9. JIB INSTALLATION (SN B300002487 through B300005763, Excluding B300005567)**

ITEM	PART NUMBER	QTY	DESCRIPTION	REV
	1001231523	Ref	JIB INSTALLATION	A
1	0060044	1	Rotator Assembly (See ROTATOR ASSEMBLY for Breakdown)	
2	0641516	2	Bolt 5/16 x 2	
3	0641616	4	Bolt 3/8 x 2	
4	0641618	2	Bolt 3/8 x 2-1/4	
5	0961951	2	Bushing	
6	0962292	2	Bushing	
7	3311501	4	Nut 5/16	
8	3311605	6	Nut 3/8	
9	3340860	4	Pad, Rubber	
10	3422791	2	Pin	
11	3422794	2	Pin	
12	3572551	2	Channel, Hose Carrier	
13	4751500	4	Washer 5/16	
14	4845925	1	Pivot	
15	4846278	1	Link - Upper	
16	1001094670	2	Link - Lower	
17	1001230305	1	Jib Cylinder Assembly (See CYLINDER SECTION for Breakdown)	

# SECTION 4 - BOOM

## FIGURE 4-10. ROTATOR ASSEMBLY - E450A



ART\_0060052



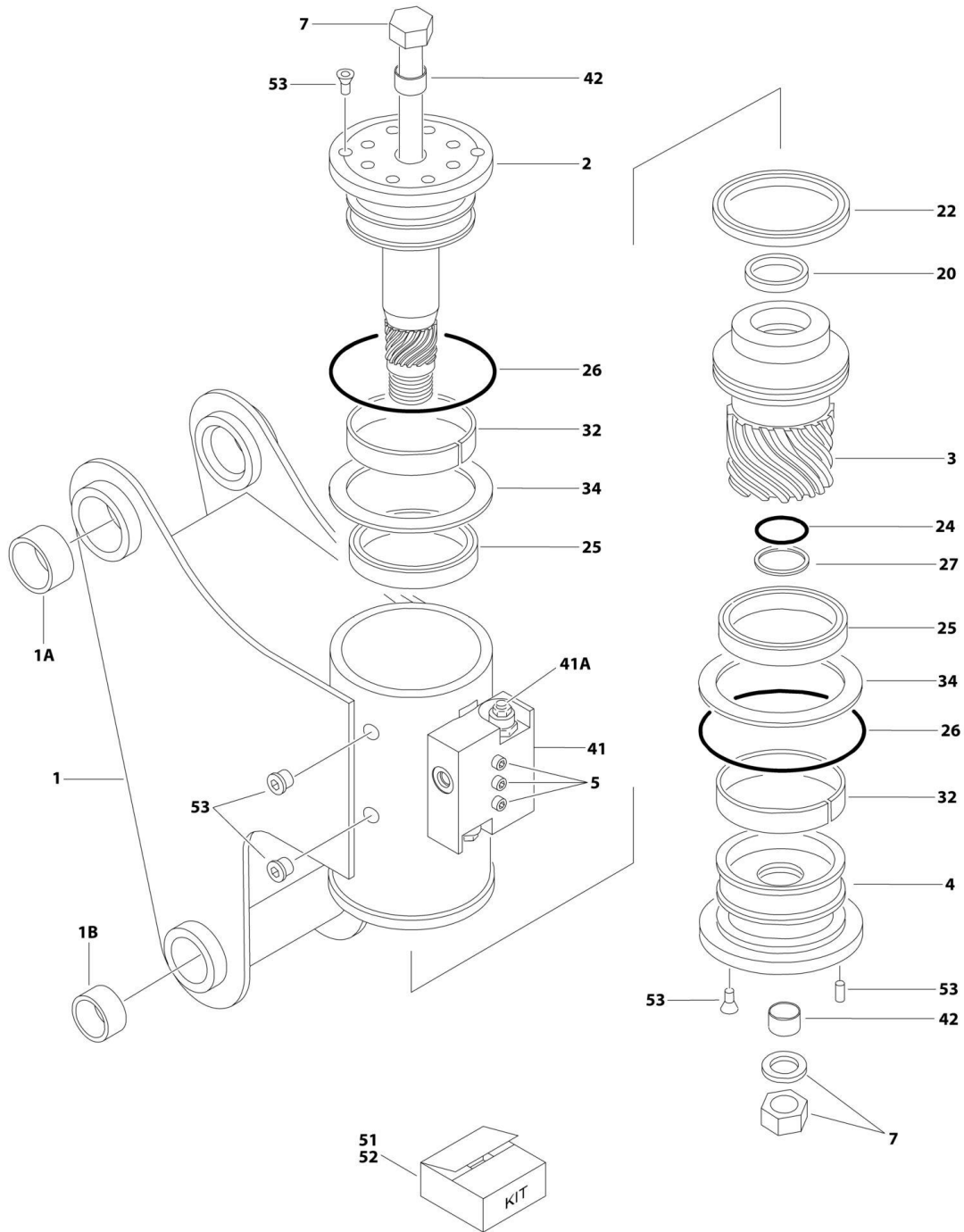
## SECTION 4 - BOOM

### FIGURE 4-10. ROTATOR ASSEMBLY - E450A

ITEM	PART NUMBER	QTY	DESCRIPTION	REV
	0060052	Ref	ROTATOR ASSEMBLY - E450A	F
1	See Note	1	Case/Bracket Weldment (Note: Not Available - Purchase Complete Assembly)	
2	7017120	1	Shaft (Rotator with Helac Control #26409)	
2	7017196	1	Shaft (Rotator with Helac Control #26966)	
3	7017121	1	Piston Sleeve (Rotator with Helac Control #26409)	
3	7027900	1	Piston Sleeve (Rotator with Helac Control #26966)	
4	7017153	1	Cap, End (Rotator with Helac Control #26409)	
4	7027901	1	Cap, End (Rotator with Helac Control #26966)	
5	See Note	3	Capscrew, 1/4-20 x 1-1/2, Grade 8 (Note: Not Available - Purchase Locally)	
7	7017126	1	Tie Rod Assembly	
20	See Note	NSS	Seal, Rod (Note: Use Items 52)	
22	See Note	NSS	Seal, Piston (Note: Use Item 52)	
24	See Note	NSS	Seal, Cap (Note: Use Item 52)	
25	See Note	NSS	Packing, Bearing (Note: Use Item 52)	
26	See Note	NSS	Seal (Note: Use Item 52)	
27	See Note	NSS	Ring, Back-Up Cap (Note: Use Item 52)	
32	See Note	NSS	Bearing, Shaft (Note: Use Item 51)	
34	See Note	2	Washer, Thrust (Note: Use Item 51)	
41	7017172	1	Counterbalance Valve Assembly (Helac p/n 24327, 26553 or 26554 Stamped Beside Mounting Screws)	
41A	7011323	2	Valve, Cartridge (Helac p/n 24327 Valve)	
41A	2900770	2	Seal Kit - 7011323 Cartridge ( 1 Per Assembly)	
41A	7017192	2	Valve Cartridge (Helac p/n 26553 or 26554) (No Seal Kit Available)	
42	See Note	2	Bushing, Shaft (Note: Not Available for Purchase)	
51	7017122	1	Bearing Kit (Includes Items 32-34)	
52	7017127	1	Seal Kit - Standard (Includes Items 20,22,24,25,26 & 27)	
52	70000341	1	Seal Kit - Low Temperature (Includes Items 20,22,24,25,26 & 27)	
53	7017123	1	Hardware Kit	

**SECTION 4 - BOOM**

**FIGURE 4-11. ROTATOR ASSEMBLY - E450AJ/M450AJ**



ART\_0060044

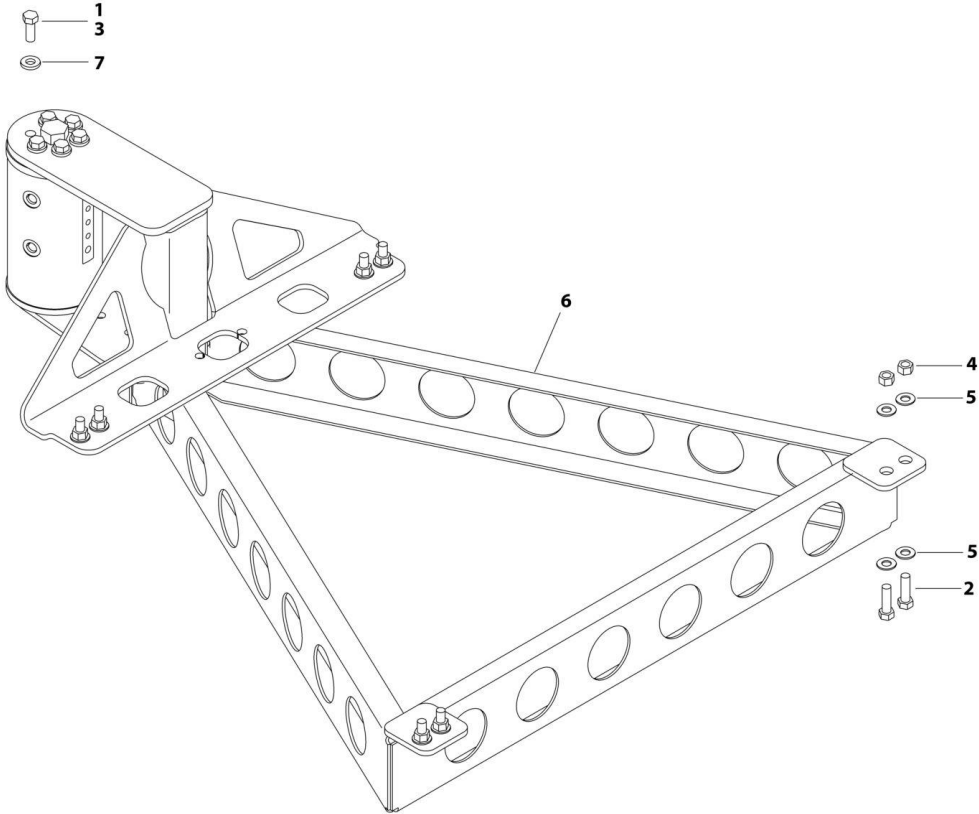
## SECTION 4 - BOOM

### FIGURE 4-11. ROTATOR ASSEMBLY - E450AJ/M450AJ

ITEM	PART NUMBER	QTY	DESCRIPTION	REV
	0060044	Ref	ROTATOR ASSEMBLY - E450AJ/M450AJ	D
1	See Note	1	Case/Bracket Weldment (Note: Not Available - Purchase Complete Assembly)	
1A	0962257	2	Bushing	
1B	0961947	2	Bushing	
2	7017120	1	Shaft (Rotator with Helac Control #25928)	
2	7017196	1	Shaft (Rotator with Helac Control #26962)	
3	7017121	1	Piston Sleeve (Rotator with Helac Control #25928)	
3	7027900	1	Piston Sleeve (Rotator with Helac Control #26962)	
4	See Note	1	Cap, End (Rotator with Helac Control #25928) (Note: Use p/n 0060044)	
4	7027901	1	Cap, End (Rotator with Helac Control #26962)	
5	See Note	3	Capscrew, 1/4-20 x 1-1/2, Grade 8 (Note: Not Available - Purchase Locally)	
7	7017126	1	Tie Rod Assembly	
20	See Note	NSS	Seal, Rod (Note: Use Item 52)	
22	See Note	NSS	Seal, Piston (Note: Use Item 52)	
24	See Note	NSS	Seal, Cap (Note: Use Item 52)	
25	See Note	NSS	Packing, Bearing (Note: Use Item 52)	
26	See Note	NSS	Seal (Note: Use Item 52)	
27	See Note	NSS	Ring, Back-Up Cap (Note: Use Item 52)	
32	See Note	NSS	Bearing, Shaft (Note: Use Item 51)	
34	See Note	2	Washer, Thrust (Note: Use Item 51)	
41	7017172	1	Counterbalance Valve Assembly (Helac p/n 24327, 26553 or 26554 Stamped Beside Mounting Screws)	
41A	7011323	2	Valve, Cartridge (Helac p/n 24327 Valve)	
41A	2900770	2	Seal Kit - 7011323 Cartridge (1 Per Assembly)	
41A	7017192	2	Valve Cartridge (Helac p/n 26553 or 26554) (No Seal Kit Available)	
42	70004323	1	Bushing, Shaft	
51	7017122	1	Bearing Kit (Includes Items 32-34)	
52	7017127	1	Seal Kit - Standard (Includes Items 20,22,24,25,26 & 27)	
52	70000341	1	Seal Kit - Low Temperature (Includes Items 20,22,24,25,26 & 27)	
53	7017123	1	Hardware Kit	

**SECTION 4 - BOOM**

**FIGURE 4-12. PLATFORM SUPPORT INSTALLATION - WITHOUT LSS**



ART\_0272976

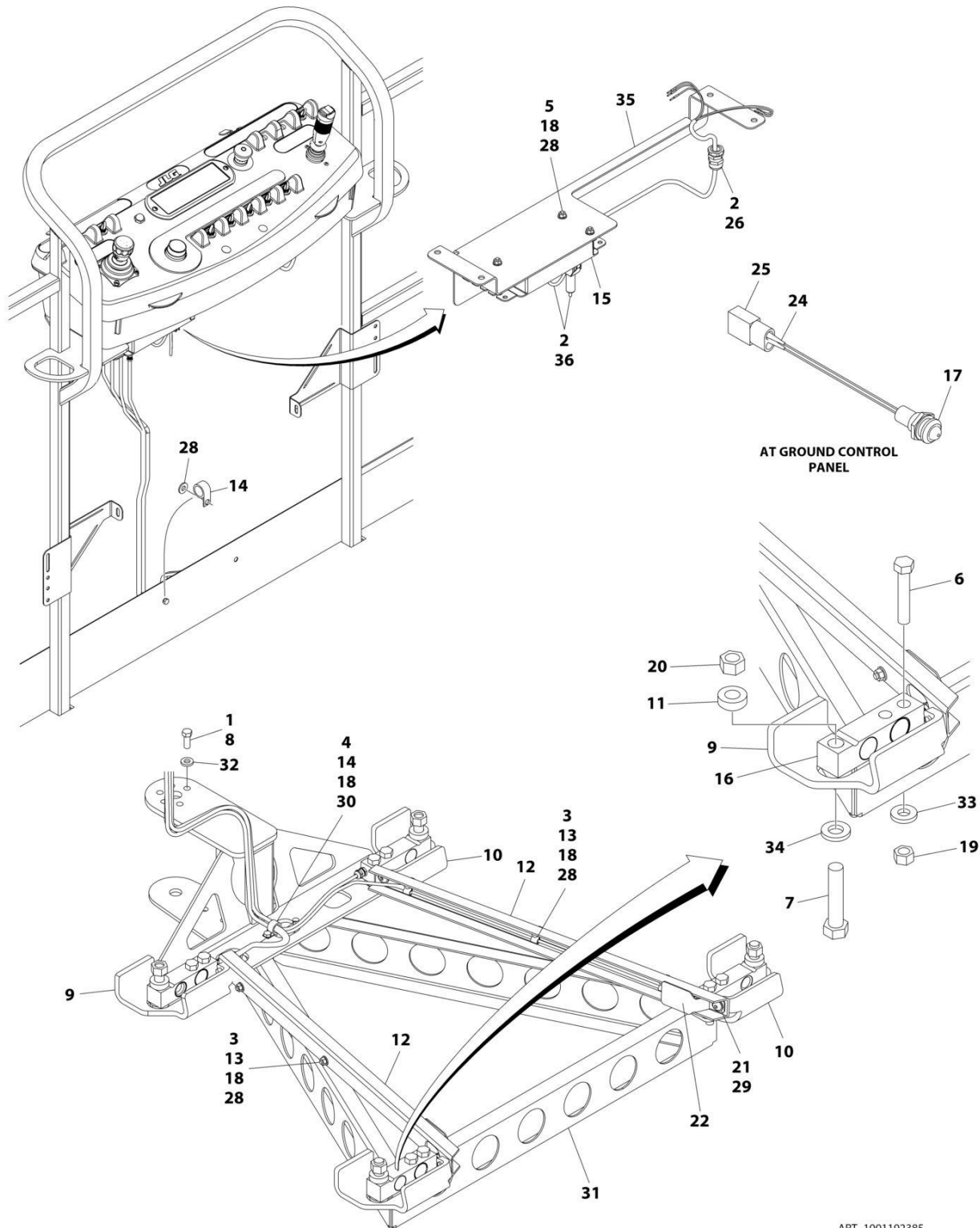
## SECTION 4 - BOOM

**FIGURE 4-12. PLATFORM SUPPORT INSTALLATION - WITHOUT LSS**

ITEM	PART NUMBER	QTY	DESCRIPTION	REV
	0272976	Ref	PLATFORM SUPPORT INSTALLATION - WITHOUT LSS	C
1	0100001	AR	Compound, Locking	
2	0641610	AR	Bolt, 3/8-16 x 1-1/4	
2	0761215	8	Bolt M12 x 35	
2	0641812	AR	Bolt, 1/2 x 1-1/2	
3	0681608	6	Bolt, 3/8-16 x 1, Grade 8	
4	3311605	AR	Nut, Lock, 3/8-16	
4	3311805	AR	Nut 1/2	
4	3291205	8	Nut M12	
5	4711600	AR	Washer, 3/8	
5	4711800	AR	Washer 1/2	
5	5241200	16	Washer M12	
6	4846608	1	Support, Weldment	
7	4891600	6	Washer, 3/8	

# SECTION 4 - BOOM

**FIGURE 4-13. PLATFORM SUPPORT INSTALLATION - WITH 4 CELL LSS (SN 0300208529 through 0300235600, SN B300001429 through B300002438)**



ART\_1001192385

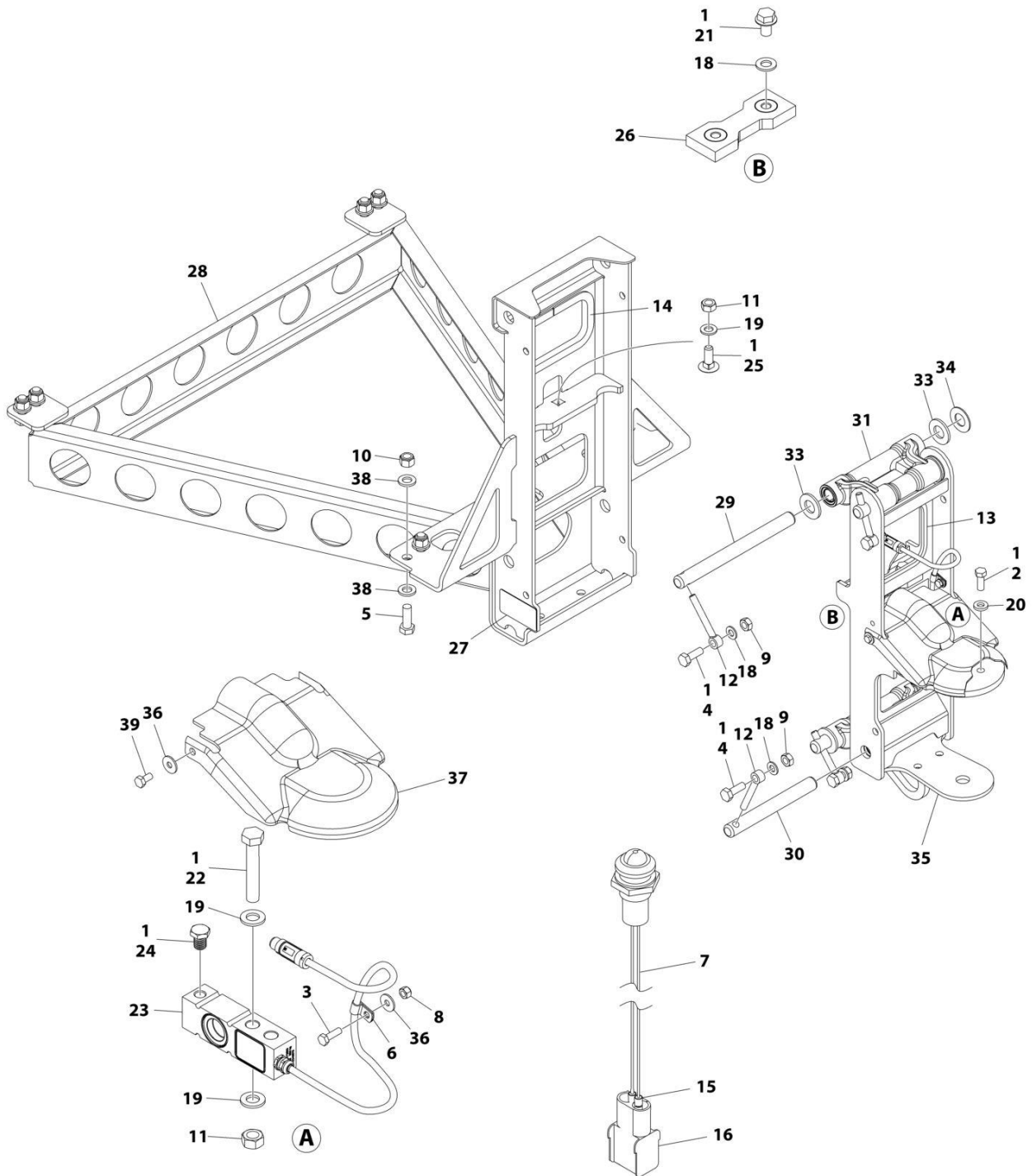
## SECTION 4 - BOOM

**FIGURE 4-13. PLATFORM SUPPORT INSTALLATION - WITH 4 CELL LSS (SN 0300208529 through 0300235600, SN B300001429 through B300002438)**

ITEM	PART NUMBER	QTY	DESCRIPTION	REV
	1001192385	Ref	PLATFORM SUPPORT INSTALLATION - WITH 4 CELL LSS (SN 0300208529 through 0300235600, SN B300001429 through B300002438)	A
1	0100011	AR	Compound, Locking	
2	0100048	AR	Grease, Dielectric	
3	0641405	6	Screw 1/4 x 5/8	
4	0641407	1	Bolt 1/4 x 7/8	
5	0641416	3	Bolt 1/4 x 2	
6	0641822	8	Bolt 1/2 x 2-3/4	
7	0642024	4	Bolt 5/8 x 3	
8	0681608	6	Bolt 3/8 x 1	
9	0902919	2	Bracket, Cell Guard	
10	0902920	2	Bracket, Cell Guard	
11	0962450	4	Bushing, Spacer	
12	1271538	2	Channel	
13	1320136	6	Clamp	
14	1320224	2	Clamp	
15	1600387	1	Electronic Interface Module (Note: Re-calibration Required when Replaced)	
16	2420202	4	Load Cell Assembly	
17	2920151	1	Light	
18	3311405	10	Nut 1/4	
19	3311805	8	Nut 1/2	
20	3312005	4	Nut 5/8	
21	3900283	4	Screw 3/8 x 3/4	
22	4061054	2	Shield	
23	4240033	AR	Tie-Strap (Not Shown)	
24	4460226	2	Socket, Female	
25	4460424	1	Connector - 2 Position	
26	4460428	1	Connector, Strain Relief	
27	4460434	1	Plug, Male - 15 Position (Not Shown - Located in Platform Console Box)	
28	4711400	13	Washer 1/4	
29	4711600	4	Washer 3/8	
30	4751400	1	Washer 1/4	
31	4846608	1	Platform Support	
32	4891600	6	Washer 3/8	
33	4891800	8	Washer 1/2	
34	4892000	4	Washer 5/8	
35	1001113483	1	Bracket, Module Mount	
36	1001192283	1	Harness, LSS System (See Separate Breakdown in ELECTRICAL SECTION)	

# SECTION 4 - BOOM

**FIGURE 4-14. PLATFORM SUPPORT INSTALLATION - WITH 1 CELL LSS - E450A (SN 0300235601 through 0300272287, SN B300002725 through B300005763, Excluding B300005567)**



ART\_1001223259



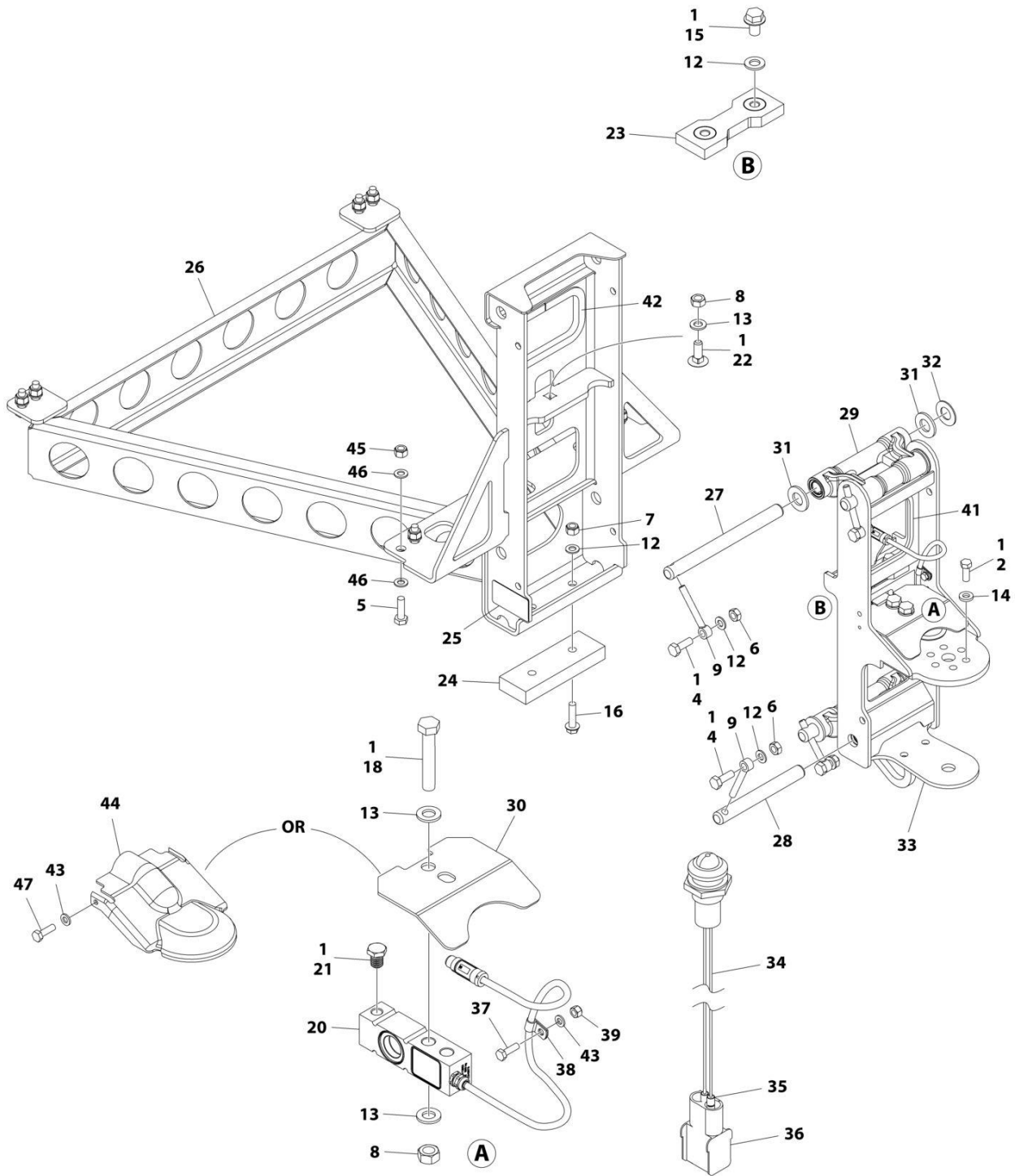
## SECTION 4 - BOOM

**FIGURE 4-14. PLATFORM SUPPORT INSTALLATION - WITH 1 CELL LSS - E450A (SN 0300235601 through 0300272287, SN B300002725 through B300005763, Excluding B300005567)**

ITEM	PART NUMBER	QTY	DESCRIPTION	REV
	1001223259	Ref	PLATFORM SUPPORT INSTALLATION - WITH 1 CELL LSS - E450A	C
1	0100011	AR	Compound, Locking	
2	0681608	6	Bolt 3/8 x 1	
3	0760610	1	Bolt M6 x 20	
4	0761014	4	Bolt M10 x 30	
5	0761215	8	Bolt M12 x 35	
6	1320136	1	Clamp	
7	2920151	1	Light	
8	3290605	1	Nut	
9	3291001	4	Nut M10	
10	3291205	8	Nut M12	
11	3291201	3	Nut M12	
12	3841143	4	Keeper	
13	4060804	1.5 ft/ 0.5m	Flex-Trim	
14	4060805	1.5 ft/ 0.5m	Flex-Trim	
15	4460226	2	Socket, Female	
16	4460424	1	Connector - 2 Position	
18	4812000	6	Washer M10	
19	4812100	5	Washer M12	
20	4891600	6	Washer 3/8	
21	5251008	2	Bolt M10 x 16	
22	1001098828	2	Bolt M12 x 70 Grade 10.9	
23	1001172663	1	Gauge, Load Sensing	
24	1001188622	1	Screw M12	
25	1001188844	1	Bolt M12 x 35	
26	1001190985	1	Pad, Wear	
27	1001216630	2	Decal - Tie Down/No Lift	
28	1001217228	1	Platform Support	
29	1001217242	2	Pin	
30	1001217243	2	Pin	
31	1001217244	2	Link, LSS Assembly	
31	1001217413	4	Bearing	
31	1001217249	1	Seal	
33	1001217253	8	Bearing	
34	1001217254	4	Bearing	
35	1001217267	1	Support, Rotary	
36	4811702	3	Washer M6	
37	1001228627	1	Cover	
38	5241200	16	Washer M12	
39	0760606	2	Bolt M6 x 12	

# SECTION 4 - BOOM

FIGURE 4-15. PLATFORM SUPPORT INSTALLATION - WITH 1 CELL LSS - E450AJ/M450AJ (SN 0300235601 through 0300272287, SN B300002725 through B300005763, Excluding B300005567)



ART\_1001219016

## SECTION 4 - BOOM

**FIGURE 4-15. PLATFORM SUPPORT INSTALLATION - WITH 1 CELL LSS - E450AJ/M450AJ (SN 0300235601 through 0300272287, SN B300002725 through B300005763, Excluding B300005567)**

ITEM	PART NUMBER	QTY	DESCRIPTION	REV
	1001219016	Ref	PLATFORM SUPPORT INSTALLATION - WITH 1 CELL LSS - E450AJ/M450AJ	E
1	0100011	AR	Compound, Locking	
2	0681608	6	Bolt 3/8 x 1	
4	0761014	4	Bolt M10 x 30	
5	0761015	8	Bolt M10 x 35	
5	0761215	8	Bolt M12 x 35	
6	3291001	4	Nut M10	
7	3291005	2	Nut M10	
8	3291201	3	Nut M12	
9	3841143	4	Keeper	
12	4812000	8	Washer M10	
13	4812100	5	Washer M12	
14	4891600	6	Washer 3/8	
15	5251008	2	Bolt M10 x 16	
16	5251016	2	Bolt M10 x 40	
18	1001098828	2	Bolt M12 x 70 Grade 10.9	
20	1001172663	1	Gauge, Load Sensing	
21	1001188622	1	Screw M12	
22	1001188844	1	Bolt M12 x 35	
23	1001190985	1	Pad, Wear	
24	1001200491	1	Plate	
25	1001216630	2	Decal - Tie Down/No Lift	
26	1001217228	1	Platform Support	
27	1001217242	2	Pin	
28	1001217243	2	Pin	
29	1001217244	2	Link, LSS Assembly	
29	1001217413	4	Bearing	
29	1001217249	1	Seal	
30	1001217250	1	Plate <b>(SN 0300235601 through 0300235617)</b>	
31	1001217253	8	Bearing	
32	1001217254	4	Bearing	
33	1001217267	1	Support, Rotary	
34	2920151	1	Light	
35	4460226	2	Socket, Female	
36	4460424	1	Connector - 2 Position	
37	0760610	1	Bolt M6 x 20	
38	1320136	1	Clamp	
39	3290605	1	Nut	
41	4060804	1.5 ft/ 0.5m	Flex-Trim	
42	4060805	1.5 ft/ 0.5m	Flex-Trim	
43	4811702	3	Washer M6	
44	1001228627	1	Cover, Platform Support and LSS <b>(SN 0300235618 through 0300272287)</b>	
45	3291005	8	Nut M10	
45	3291205	8	Nut M12	
46	4812000	16	Washer M10	
46	5241200	16	Washer M12	

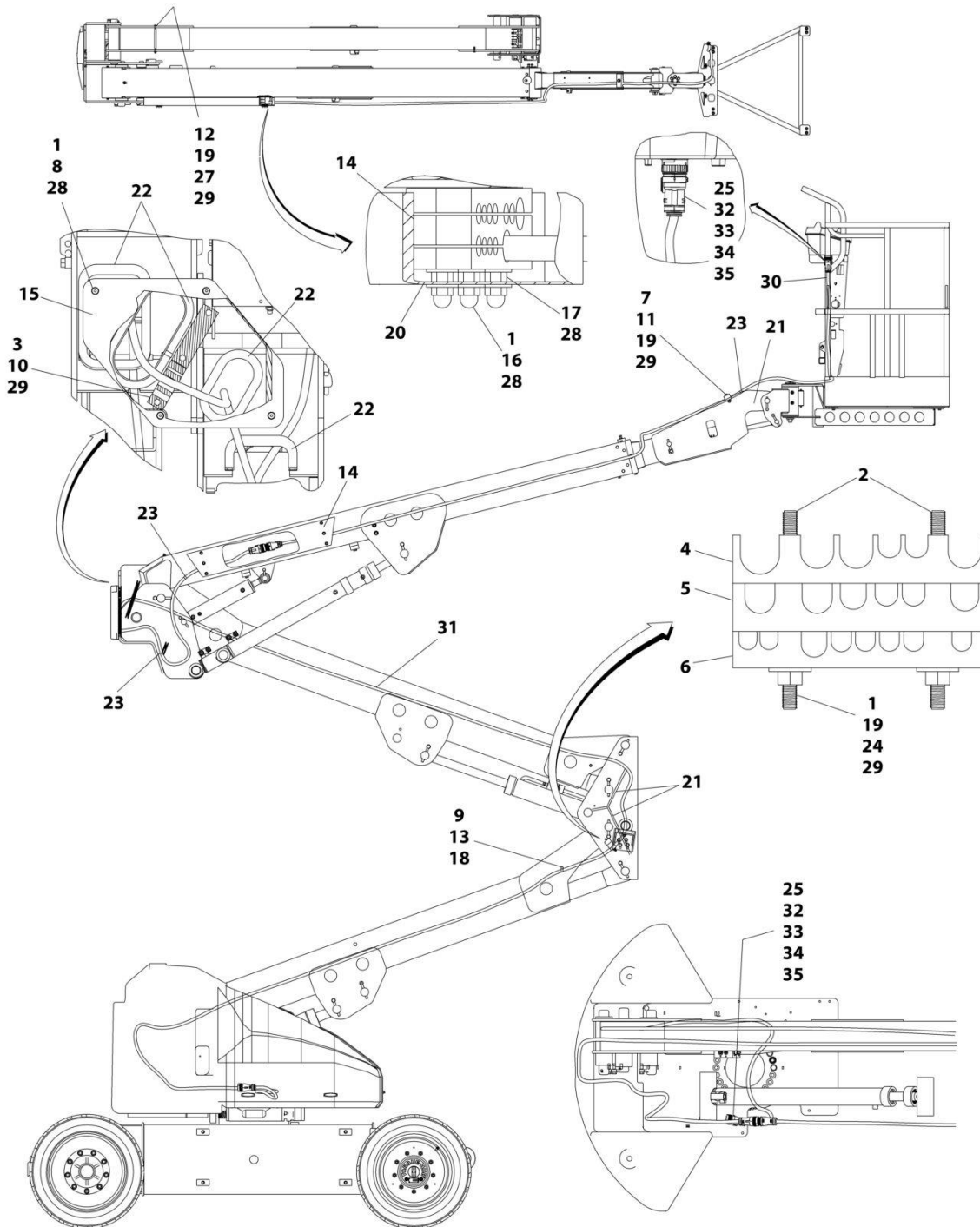
## SECTION 4 - BOOM

ITEM	PART NUMBER	QTY	DESCRIPTION	REV
47	0760610	2	Bolt M6 x 20	
47	0760606	2	Bolt M6 x 12	



# SECTION 4 - BOOM

## FIGURE 4-16. CABLES AND CLAMPS INSTALLATION - E450A



ART\_1001183527

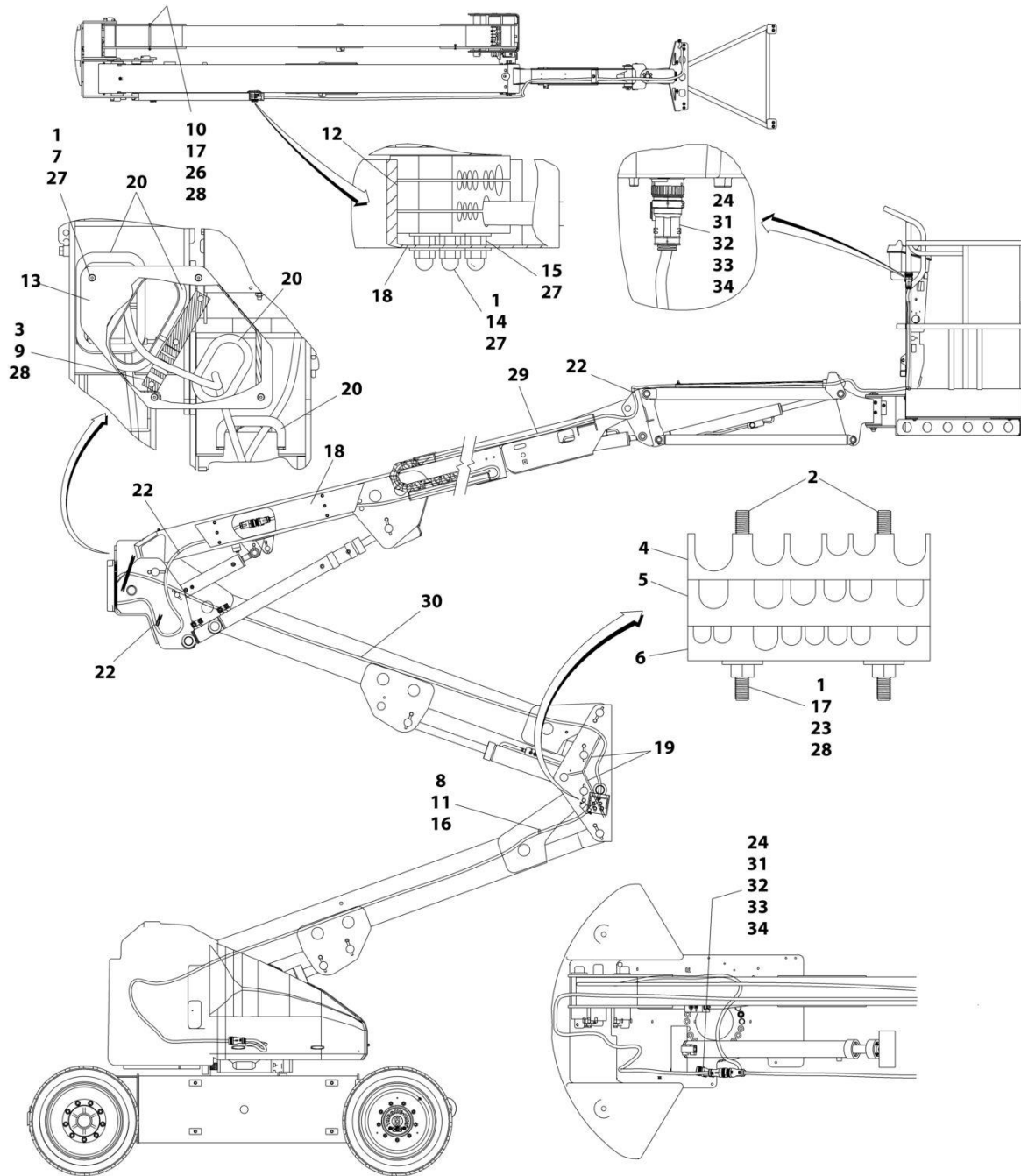
## SECTION 4 - BOOM

**FIGURE 4-16. CABLES AND CLAMPS INSTALLATION - E450A**

ITEM	PART NUMBER	QTY	DESCRIPTION	REV
	1001183527	Ref	CABLES AND CLAMPS INSTALLATION - E450A	E
1	0100011	AR	Compound, Locking	
2	0100019	AR	Compound, Locking	
3	0561317	1	Block, Hose Clamp	
4	0561384	1	Block, Hose Clamp	
5	0561385	1	Block, Hose Clamp	
6	0561386	1	Block, Hose Clamp	
7	0561424	1	Block, Hose Clamp	
8	0630467	4	Capscrew, Button 5-16-18 x 1/2	
9	0641410	1	Bolt, 1/4-20 x 1-1/4	
10	0641514	3	Bolt, 5/16-18 x 1-3/4	
11	0641516	1	Bolt, 5/16-18 x 2	
12	0641560	1	Bolt, 5/16-18 x 7-1/2	
13	1320043	1	Clamp, Cable	
14	1320260	2	Block, Hose Clamp	
15	1670697	1	Cover, Hose	
16	3300151	6	Nut, 1/4-20	
17	3311401	6	Nut, 1/4-20	
18	3311405	1	Nut, Lock, 1/4-20	
19	3311505	4	Nut, Lock, 5/16-18	
20	3536999	1	Shield	
21	4060805	2 ft /0.6m	Trim, Flex	
22	4060808	6 ft /1.8m	Trim, Flex	
23	4240099	AR	Tie, Strap	
24	4300140	2	Stud, 5/16-18 x 3-5/8	
25	1001188292	2	Connector - 19 Position	
27	4566243	1	Roller	
28	4751400	AR	Washer, 1/4	
29	4751500	8	Washer, 5/16	
30	1001183876	1	Harness Assembly - Upper Boom (See ELECTRICAL SECTION for Breakdown)	
31	1001183878	1	Harness Assembly - Lower Boom (See ELECTRICAL SECTION for Breakdown)	
32	4240033	AR	Tie-Strap	
33	4460466	8	Terminal	
34	1001188291	2	Connector, Backshell	
35	1001188354	2	Grommet	

# SECTION 4 - BOOM

## FIGURE 4-17. CABLES AND CLAMPS INSTALLATION - E450AJ/M450AJ



ART\_1001183528



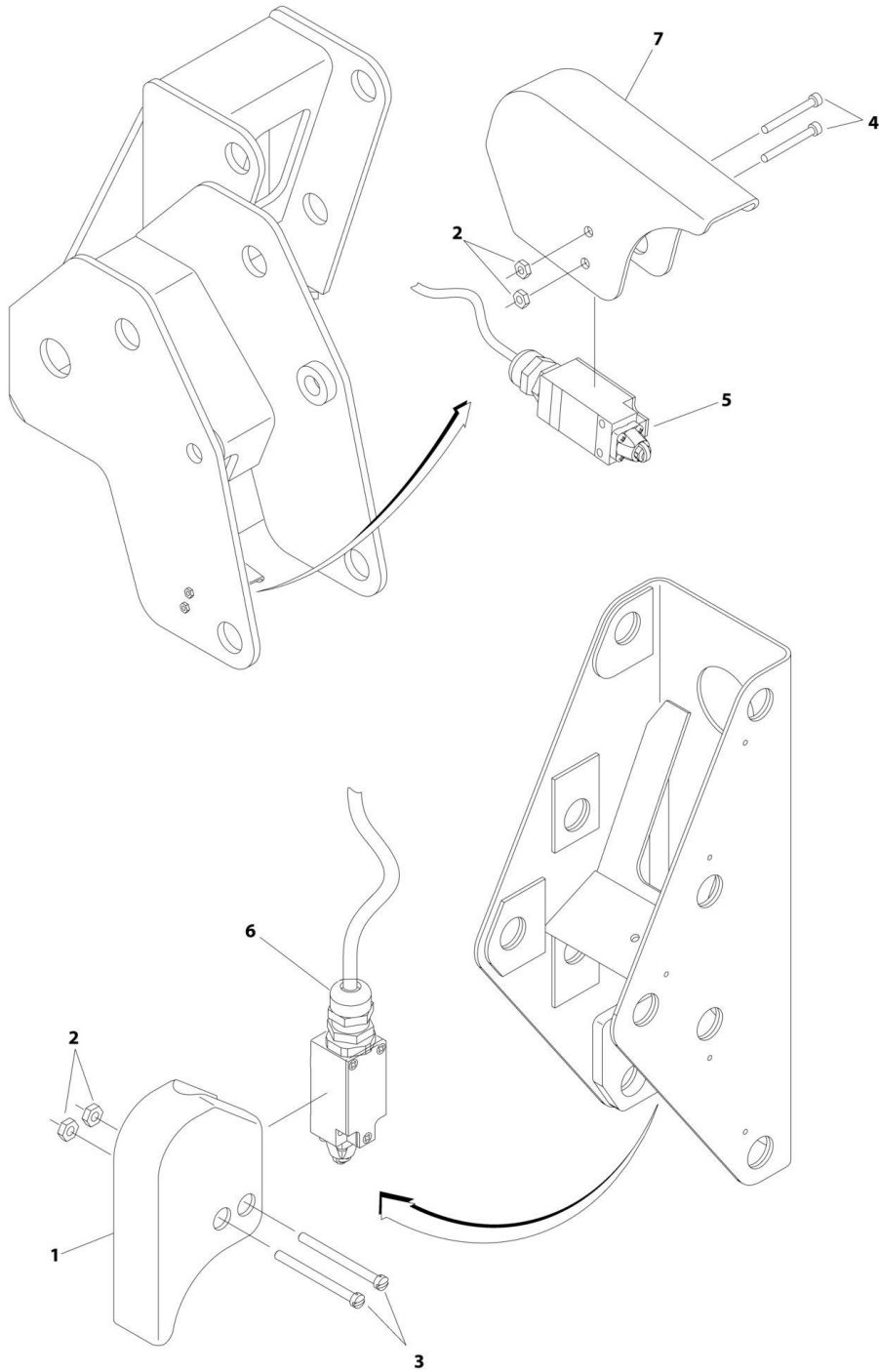
## SECTION 4 - BOOM

**FIGURE 4-17. CABLES AND CLAMPS INSTALLATION - E450AJ/M450AJ**

ITEM	PART NUMBER	QTY	DESCRIPTION	REV
	1001183528	Ref	CABLES AND CLAMPS INSTALLATION - E450AJ/M450AJ	E
1	0100011	AR	Compound, Locking	
2	0100019	AR	Compound, Locking	
3	0561317	1	Block, Hose Clamp	
4	0561384	1	Block, Hose Clamp	
5	0561385	1	Block, Hose Clamp	
6	0561386	1	Block, Hose Clamp	
7	0630467	4	Capscrew, Button 5-16-18 x 1/2	
8	0641410	1	Bolt, 1/4-20 x 1-1/4	
9	0641514	3	Bolt, 5/16-18 x 1-3/4	
10	0641560	1	Bolt, 5/16-18 x 7-1/2	
11	1320043	1	Clamp, Cable	
12	1320260	2	Block, Hose Clamp	
13	1670697	1	Cover, Hose	
14	3300151	6	Nut, 1/4-20	
15	3311401	6	Nut, 1/4-20	
16	3311405	1	Nut, Lock, 1/4-20	
17	3311505	3	Nut, Lock, 5/16-18	
18	3571462	1	Shield	
19	4060805	1.5 ft /0.5m	Trim, Flex	
20	4060808	6 ft /1.8m	Trim, Flex	
21	4100067	AR	Sleeve, Hose (Not Shown)	
22	4240099	AR	Tie, Strap	
23	4300140	2	Stud, 5/16-18 x 3-5/8	
24	1001188292	2	Connector - 19 Position	
26	4566243	1	Roller	
27	4751400	AR	Washer, 1/4	
28	4751500	6	Washer, 5/16	
29	1001183879	1	Harness Assembly - Upper Boom (See ELECTRICAL SECTION for Breakdown)	
30	1001183878	1	Harness Assembly - Lower Boom (See ELECTRICAL SECTION for Breakdown)	
31	4240033	AR	Tie-Strap	
32	4460466	8	Terminal	
33	1001188291	2	Connector, Backshell	
34	1001188354	2	Grommet	

# SECTION 4 - BOOM

## FIGURE 4-18. BOOM LIMIT SWITCHES INSTALLATION



ART\_1001167789

FIGURE 4-18. BOOM LIMIT SWITCHES INSTALLATION

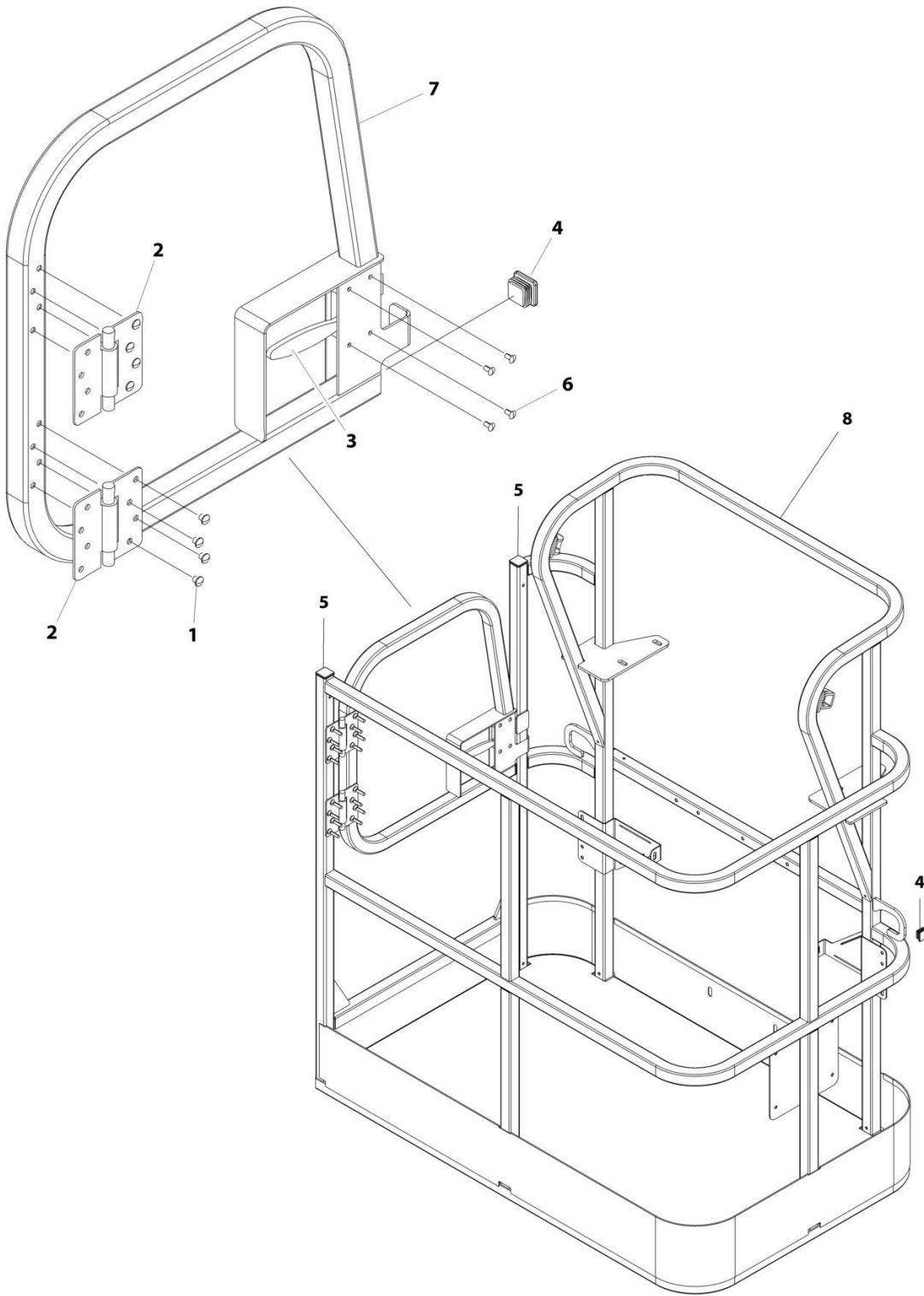
ITEM	PART NUMBER	QTY	DESCRIPTION	REV
	1001187789	Ref	BOOM LIMIT SWITCHES INSTALLATION	D
1	1670832	1	Cover, Switch - Lower	
2	3311005	4	Nut, Lock, #10-24	
3	3900104	2	Screw, Fillister Head, #10-24 x 2-1/4	
4	3931028	2	Screw, #10-24 x 1-3/4	
5	1001187777	1	Limit Switch Harness - Upper (Includes Limit Switch) (See ELECTRICAL SECTION for Breakdown)	
6	1001187776	1	Limit Switch Harness - Lower (Includes Limit Switch) (See ELECTRICAL SECTION for Breakdown)	
7	1670833	1	Cover	



**SECTION 5 - PLATFORM**

# SECTION 5 - PLATFORM

FIGURE 5-1. PLATFORM ASSEMBLY - 4FT/1.22M - SIDE GATE ENTRY



ART\_1001186387

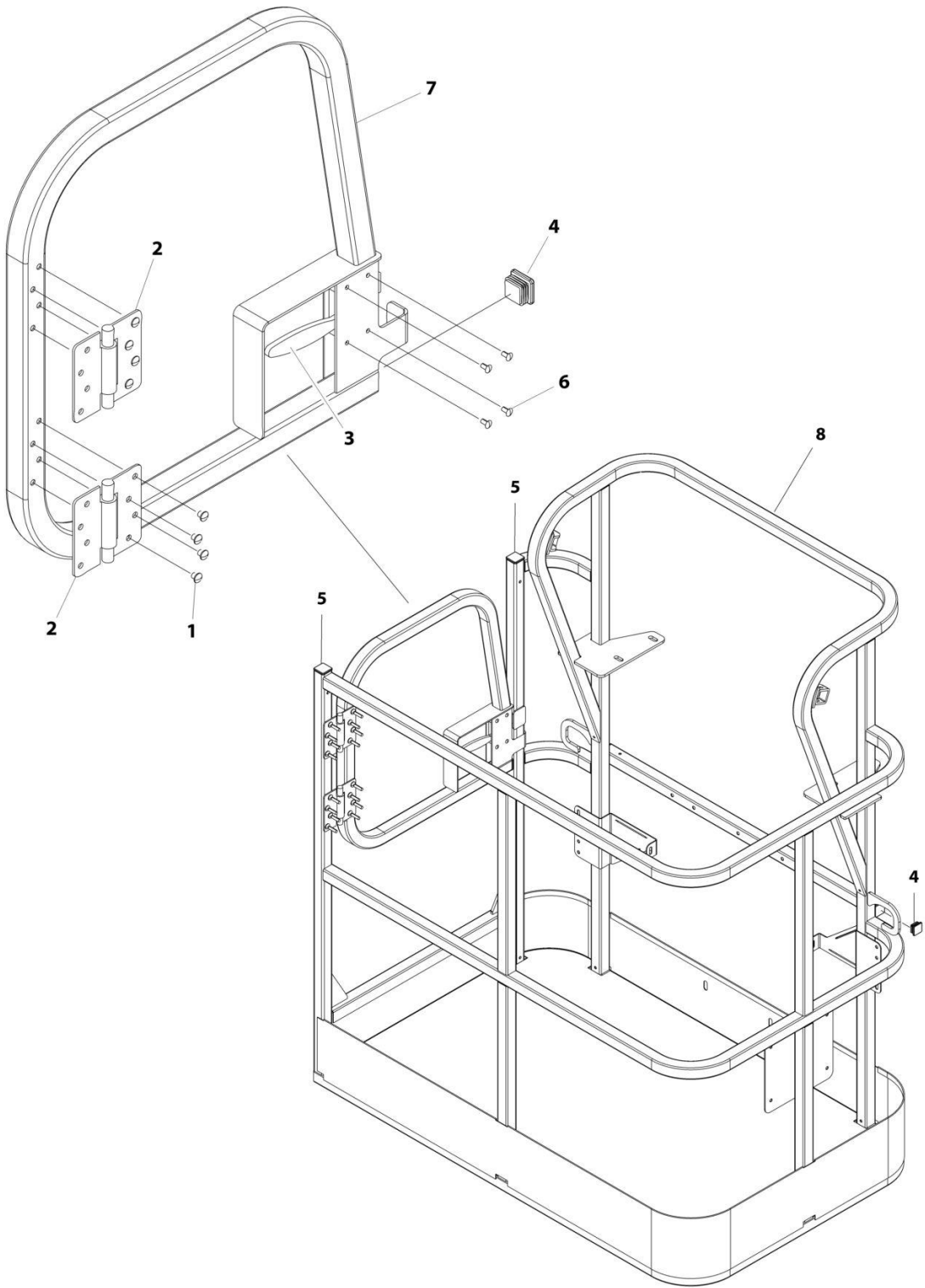
## SECTION 5 - PLATFORM

**FIGURE 5-1. PLATFORM ASSEMBLY - 4FT/1.22M - SIDE GATE ENTRY**

ITEM	PART NUMBER	QTY	DESCRIPTION	REV
	1001186387	Ref	PLATFORM ASSEMBLY - 4ft/1.22m - SIDE GATE ENTRY	C
		Ref	Note: Platform and Mesh must be ordered separately for Platforms with Mesh. See SPECTIAL OPTIONS SECTION for Mesh Installations.	
		Ref	Note: Replacement Decals Must be Ordered Separately - See DECALS SECTION	
1	2080040	16	Fastener, Huck	
2	2600281	2	Hinge, Self-Closing	
3	2940074	1	Latch	
4	3520072	3	Plug, Cap	
5	3520198	2	Plug, Cap	
6	3820020	4	Rivet	
7	1001144629	1	Gate, Weldment	
8	See Note	1	Platform, Weldment (Note: Not Available - Purchase Platform Assembly)	

# SECTION 5 - PLATFORM

## FIGURE 5-2. PLATFORM ASSEMBLY - 5FT/1.52M - SIDE GATE ENTRY



ART\_1001186386



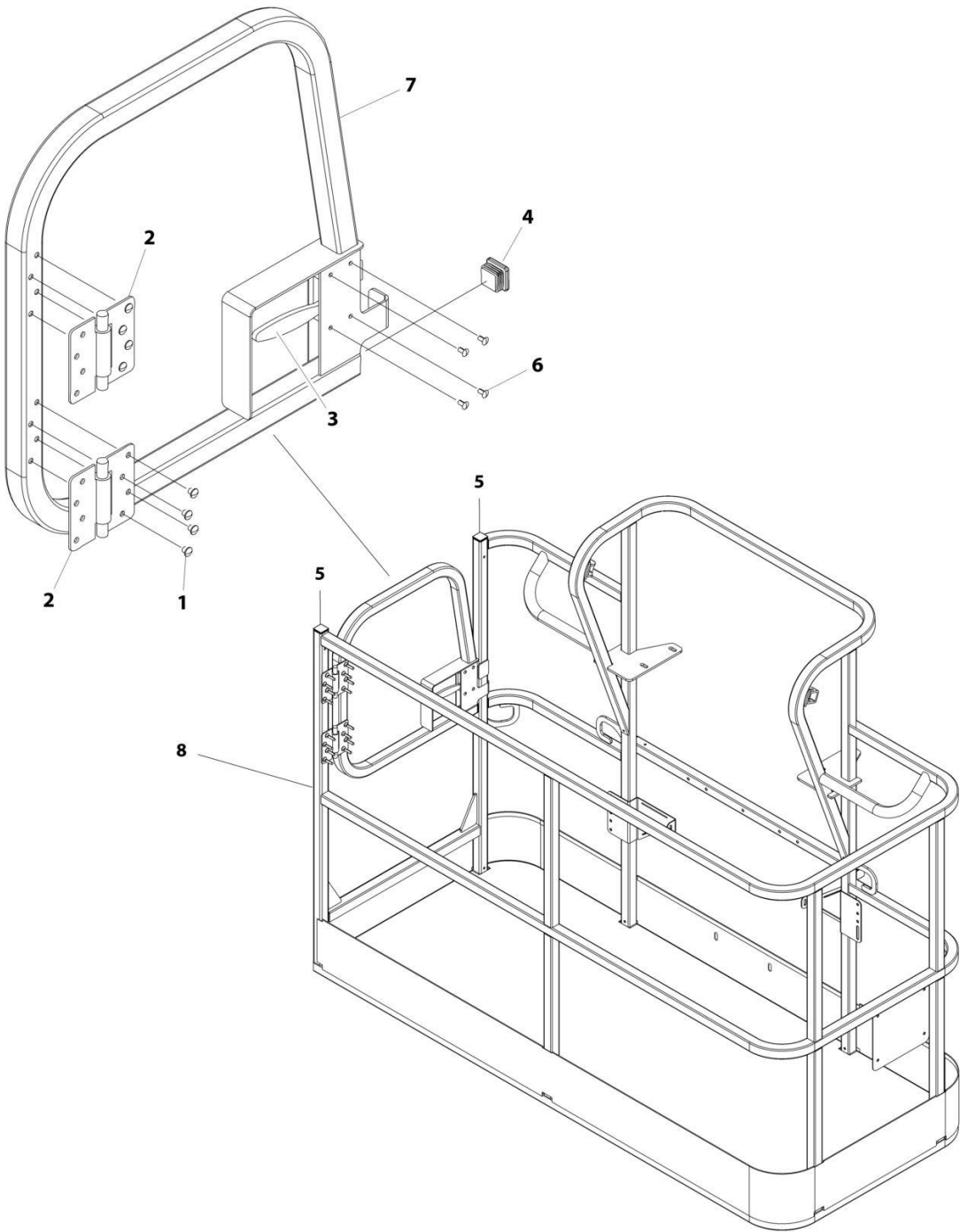
## SECTION 5 - PLATFORM

**FIGURE 5-2. PLATFORM ASSEMBLY - 5FT/1.52M - SIDE GATE ENTRY**

ITEM	PART NUMBER	QTY	DESCRIPTION	REV
	1001186386	Ref	PLATFORM ASSEMBLY - 5ft/1.52m - SIDE GATE ENTRY	C
		Ref	Note: Platform and Mesh must be ordered separately for Platforms with Mesh. See SPECTIAL OPTIONS SECTION for Mesh Installations.	
		Ref	Note: Replacement Decals Must be Ordered Separately - See DECALS SECTION	
1	2080040	16	Fastener, Huck	
2	2600281	2	Hinge, Self-Closing	
3	2940074	1	Latch	
4	3520072	3	Plug, Cap	
5	3520198	2	Plug, Cap	
6	3820020	4	Rivet	
7	1001144629	1	Gate, Weldment	
8	See Note	1	Platform, Weldment (Note: Not Available - Purchase Platform Assembly)	

**SECTION 5 - PLATFORM**

**FIGURE 5-3. PLATFORM ASSEMBLY - 6FT/1.83M - SIDE GATE ENTRY**



ART\_1001186385

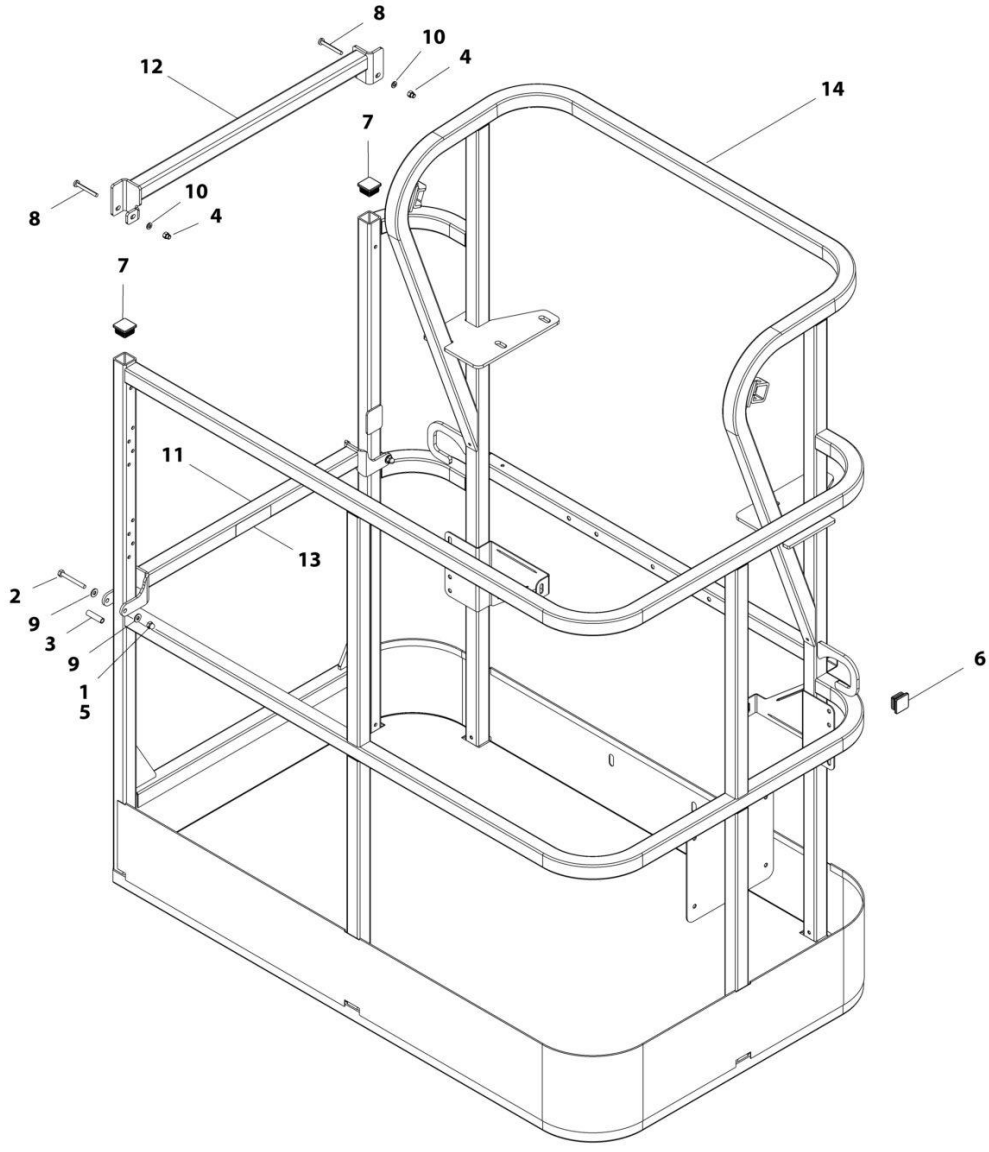
## SECTION 5 - PLATFORM

**FIGURE 5-3. PLATFORM ASSEMBLY - 6FT/1.83M - SIDE GATE ENTRY**

ITEM	PART NUMBER	QTY	DESCRIPTION	REV
	1001186385	Ref	PLATFORM ASSEMBLY - 6FT/1.83M - SIDE GATE ENTRY	D
		Ref	Note: Platform and Mesh must be ordered separately for Platforms with Mesh. See SPECTIAL OPTIONS SECTION for Mesh Installations.	
		Ref	Note: Replacement Decals Must be Ordered Separately - See DECALS SECTION	
1	2080040	16	Fastener, Huck	
2	2600281	2	Hinge, Self-Closing	
3	2940074	1	Latch	
4	3520072	3	Cap, Plug	
5	3520198	2	Plug, Cap	
6	3820020	4	Rivet	
7	1001144629	1	Gate, Weldment	
8	See Note	1	Platform, Weldment (Note: Not Available - Purchase Platform Assembly)	

# SECTION 5 - PLATFORM

## FIGURE 5-4. PLATFORM ASSEMBLY - 4FT/1.22M - DROP BAR ENTRY



ART\_1001186375

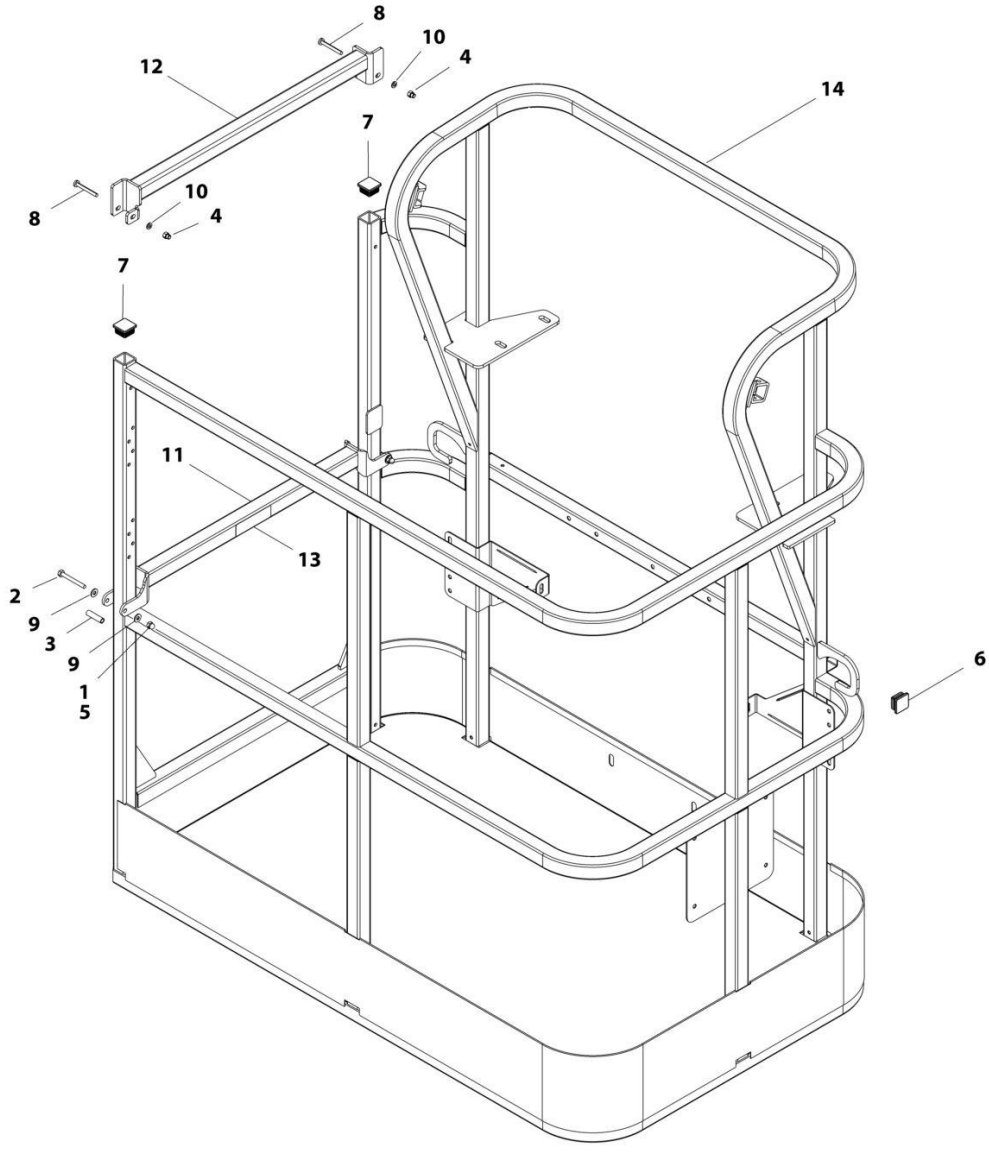
## SECTION 5 - PLATFORM

**FIGURE 5-4. PLATFORM ASSEMBLY - 4FT/1.22M - DROP BAR ENTRY**

ITEM	PART NUMBER	QTY	DESCRIPTION	REV
	1001186375	Ref	PLATFORM ASSEMBLY - 4FT/1.22M - DROP BAR ENTRY	B
		Ref	Note: Replacement Decals Must be Ordered Separately - See DECALS SECTION	
1	0100011	AR	Compound, Locking	
2	0641418	2	Bolt, 1/4-20 X 2-1/4	
3	0961845	2	Bushing	
4	3290606	2	Nut, M6	
5	3300151	2	Nut, Acom, 1/4-20	
6	3520072	2	Plug, Cap	
7	3520198	2	Plug, Cap	
8	4010618	2	Screw, M6 X 50	
9	4711400	4	Washer, 1/4	
10	4811700	2	Washer, M6	
11	1001138494	1	Bar, Drop	
12	1001138514	1	Rail - Top	
13	1001140429	1	Decal - Drop Bar	
14	See Note	1	Platform, Weldment (Note: Not Available - Purchase Platform Assembly)	

# SECTION 5 - PLATFORM

## FIGURE 5-5. PLATFORM ASSEMBLY - 5FT/1.52M - DROP BAR ENTRY



ART\_1001186377

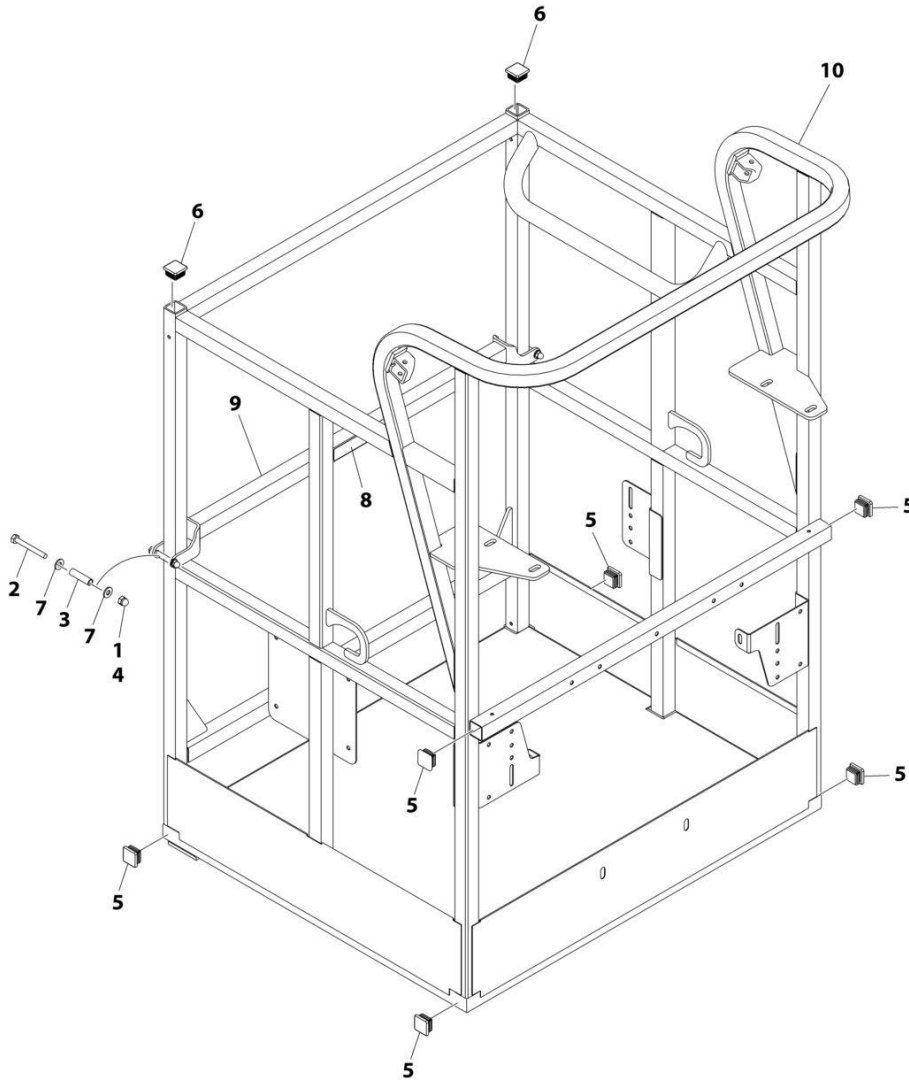
## SECTION 5 - PLATFORM

**FIGURE 5-5. PLATFORM ASSEMBLY - 5FT/1.52M - DROP BAR ENTRY**

ITEM	PART NUMBER	QTY	DESCRIPTION	REV
	1001186377	Ref	PLATFORM ASSEMBLY - 5FT/1.52M - DROP BAR ENTRY	C
		Ref	Note: Replacement Decals Must be Ordered Separately - See DECALS SECTION	
1	0100011	AR	Compound, Locking	
2	0641418	AR	Bolt, 1/4-20 X 2-1/4	
2	0641420	AR	Bolt, 1/4-20 x 2 1/2	
3	0961845	2	Bushing	
4	3290606	2	Nut, M6	
5	3300151	2	Nut, Acorn, 1/4-20	
6	3520072	2	Plug, Cap	
7	3520198	2	Plug, Cap	
8	4010618	2	Screw, M6 X 50	
9	4711400	4	Washer, 1/4	
10	4811700	2	Washer, M6	
11	1001138494	1	Bar, Drop	
12	1001138514	1	Rail - Top	
13	1001140429	1	Decal - Drop Bar	
14	See Note	1	Platform, Weldment (Note: Not Available - Purchase Platform Assembly)	

# SECTION 5 - PLATFORM

FIGURE 5-6. PLATFORM ASSEMBLY - 30IN X 3FT (76CM X .91M) - DROP BAR ENTRY



ART\_1001228215



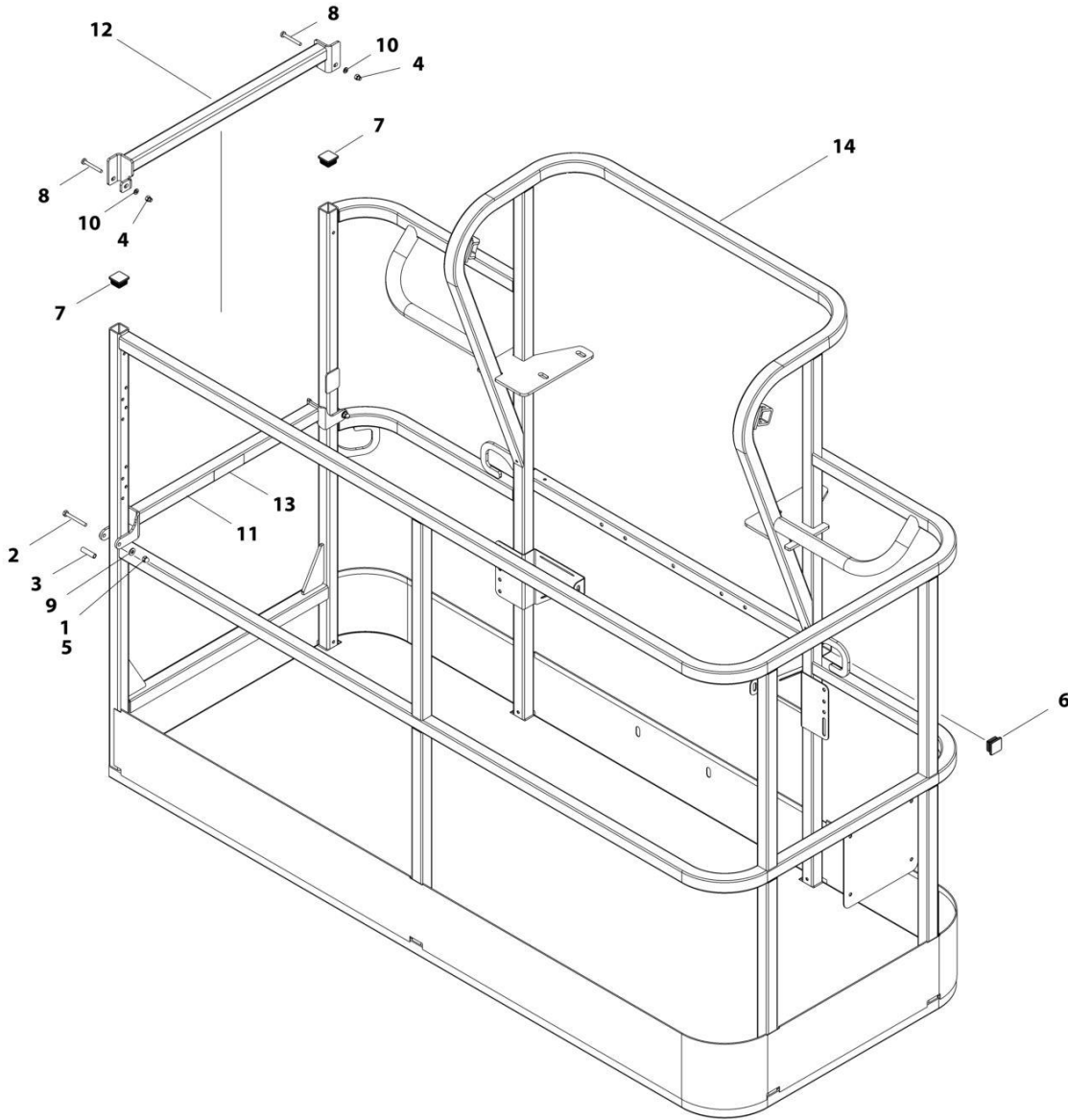
## SECTION 5 - PLATFORM

**FIGURE 5-6. PLATFORM ASSEMBLY - 30IN X 3FT (76CM X .91M) - DROP BAR ENTRY**

ITEM	PART NUMBER	QTY	DESCRIPTION	REV
	1001228215	Ref	PLATFORM ASSEMBLY	A
	See Note	Ref	Note: Platform and Mesh must be ordered separately for Platforms with Mesh. See SPECIAL OPTIONS SECTION for Mesh Installations.	
	See Note	Ref	Note: Replacement Decals Must be Ordered Separately - See DECAL SECTION.	
1	0100011	AR	Compound, Locking	
2	0641418	2	Bolt 1/4 x 2-1/4	
3	0961845	2	Bushing	
4	3300151	2	Nut 1/4	
5	3520072	6	Cap, Plug	
6	3520198	2	Cap, Plug	
7	4711400	4	Washer 1/4	
8	1001140429	1	Decal - Drop Bar	
9	1001226872	1	Bar, Drop	
10	See Note	NSS	Platform (Note: Not Available - Purchase Platform Assembly)	

# SECTION 5 - PLATFORM

## FIGURE 5-7. PLATFORM ASSEMBLY - 6FT/1.83M - DROP BAR ENTRY



ART\_1001186378

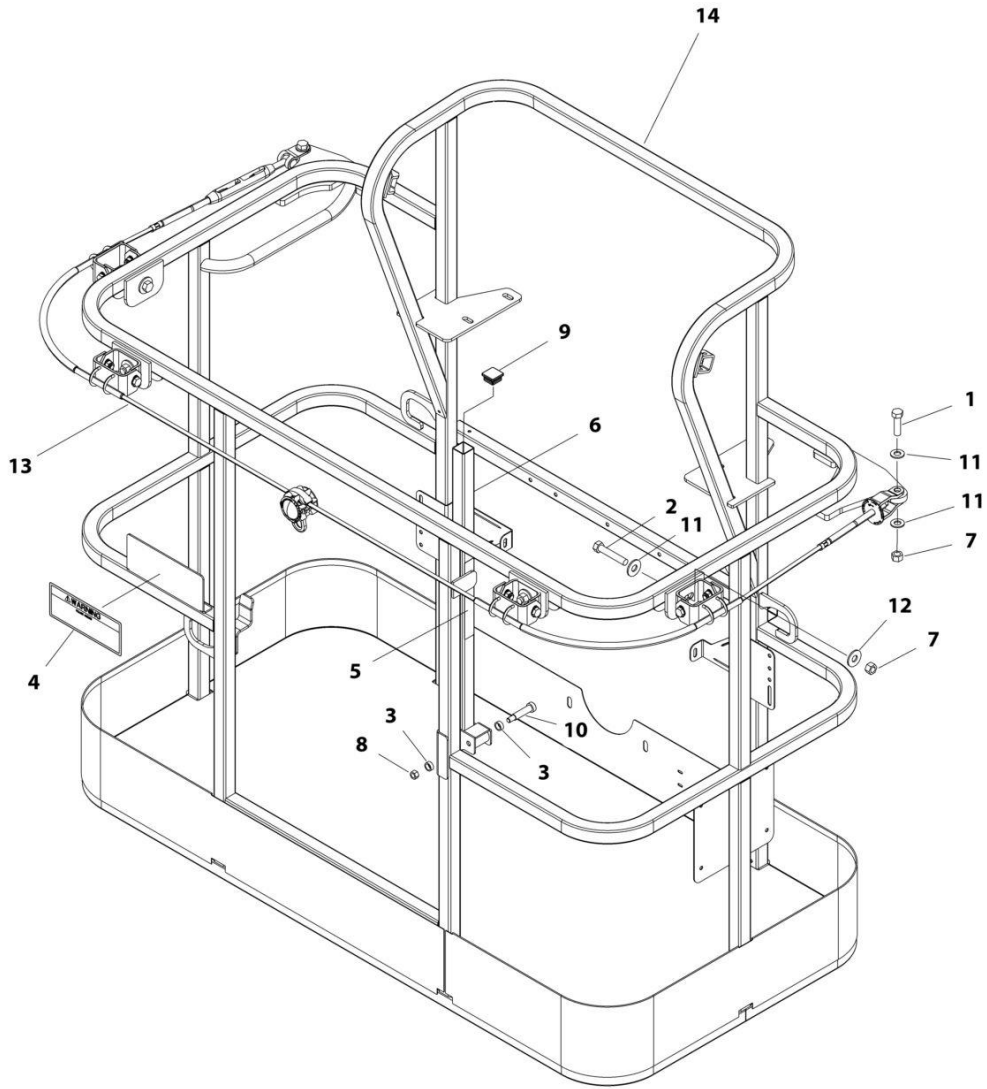
## SECTION 5 - PLATFORM

**FIGURE 5-7. PLATFORM ASSEMBLY - 6FT/1.83M - DROP BAR ENTRY**

ITEM	PART NUMBER	QTY	DESCRIPTION	REV
	1001186378	Ref	PLATFORM ASSEMBLY - 6FT/1.83M - DROP BAR ENTRY	B
		Ref	Note: Replacement Decals Must be Ordered Separately - See DECALS SECTION	
1	0100011	AR	Compound, Locking	
2	0641418	2	Bolt, 1/4-20 X 2-1/4	
3	0961845	2	Bushing	
4	3290606	2	Nut, M6	
5	3300151	2	Nut, Acom, 1/4-20	
6	3520072	2	Plug, Cap	
7	3520198	2	Plug, Cap	
8	4010618	2	Screw, M6 X 50	
9	4711400	4	Washer, 1/4	
10	4811700	2	Washer, M6	
11	1001138494	1	Bar, Drop	
12	1001138514	1	Rail - Top	
13	1001140429	1	Decal - Drop Bar	
14	See Note	1	Platform, Weldment (Note: Not Available - Purchase Platform Assembly)	

# SECTION 5 - PLATFORM

FIGURE 5-8. PLATFORM ASSEMBLY - 5FT/1.52M - FALL ARREST (ANSI EXPORT SPEC)



ART\_1001186388

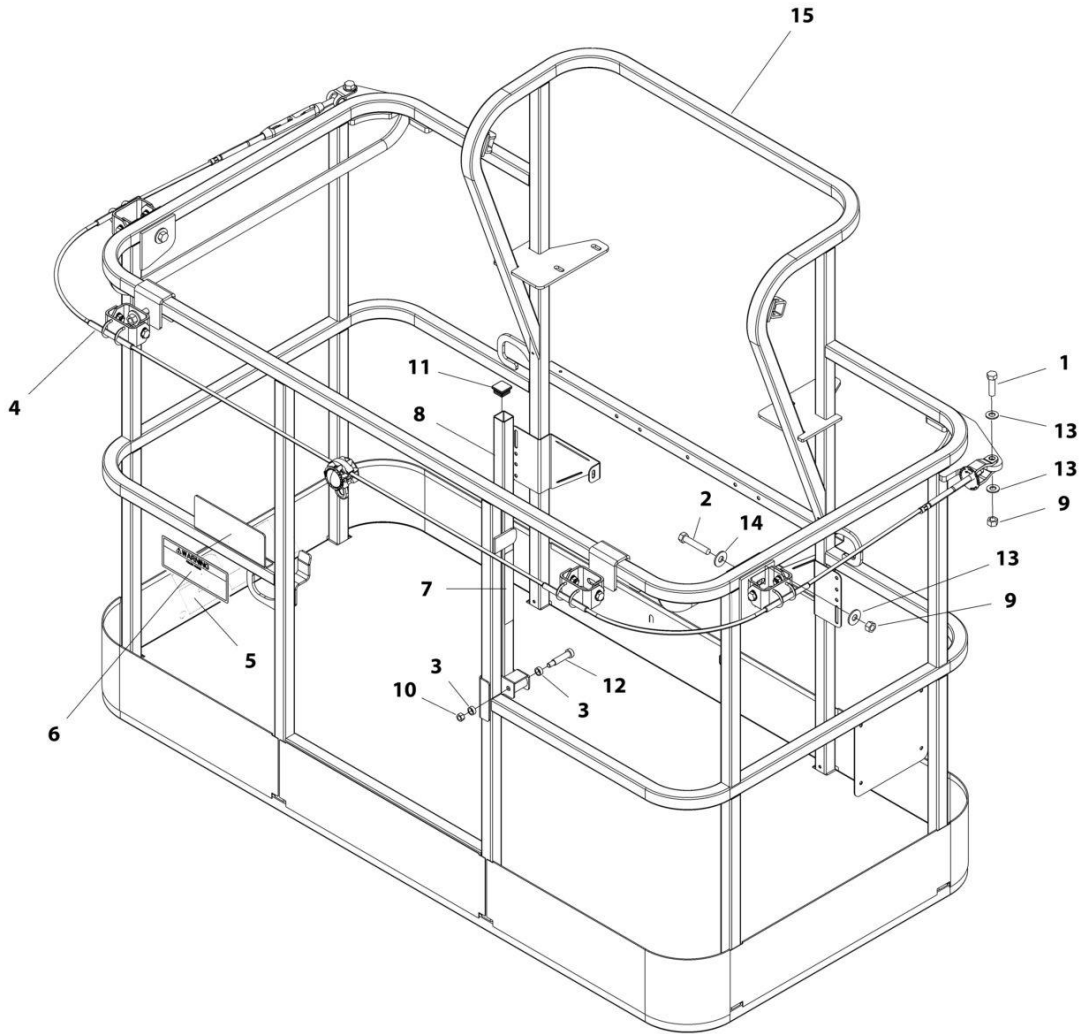
## SECTION 5 - PLATFORM

**FIGURE 5-8. PLATFORM ASSEMBLY - 5FT/1.52M - FALL ARREST (ANSI EXPORT SPEC)**

ITEM	PART NUMBER	QTY	DESCRIPTION	REV
	1001186388	Ref	PLATFORM ASSEMBLY - 5ft/1.52m - FALL ARREST (ANSI EXPORT SPEC)	C
	See Note	Ref	Note: Fall Arrest Not Available on CE Spec Platform Assembly.	
		Ref	Note: Replacement Decals Must be Ordered Separately - See DECALS SECTION	
1	0681814	2	Bolt, 1/2-13 X 1-3/4, Grade 8	
2	0681822	4	Bolt, 1/2-13 X 2-3/4, Grade 8	
3	0962270	2	Bearing	
4	1705014	1	Decal - Safety	
5	1706385	1	Decal - Drop Bar	
6	2410014	1	Gate, Weldment	
7	3271805	6	Nut, Lock, 1/2-13	
8	3311605	1	Nut, Lock, 3/8-16	
9	3520072	1	Plug, Cap	
10	3900054	1	Bolt, 1/2-13 x 1-3/4	
11	4711800	AR	Washer, 1/2	
12	4751800	AR	Washer, 1/2	
13	1001112943	NLA	Lanyard (Use p/n 1001203654) <b>(SN 0300208529 through 0300213992)</b>	
13	1001203654	1	Lanyard <b>(SN 0300213993 through 0300272287)</b>	
14	See Note	1	Platform, Weldment (Note: Not Available - Purchase Platform Assembly)	

# SECTION 5 - PLATFORM

## FIGURE 5-9. PLATFORM ASSEMBLY - 6FT/1.83M - FALL ARREST



ART\_1001186333

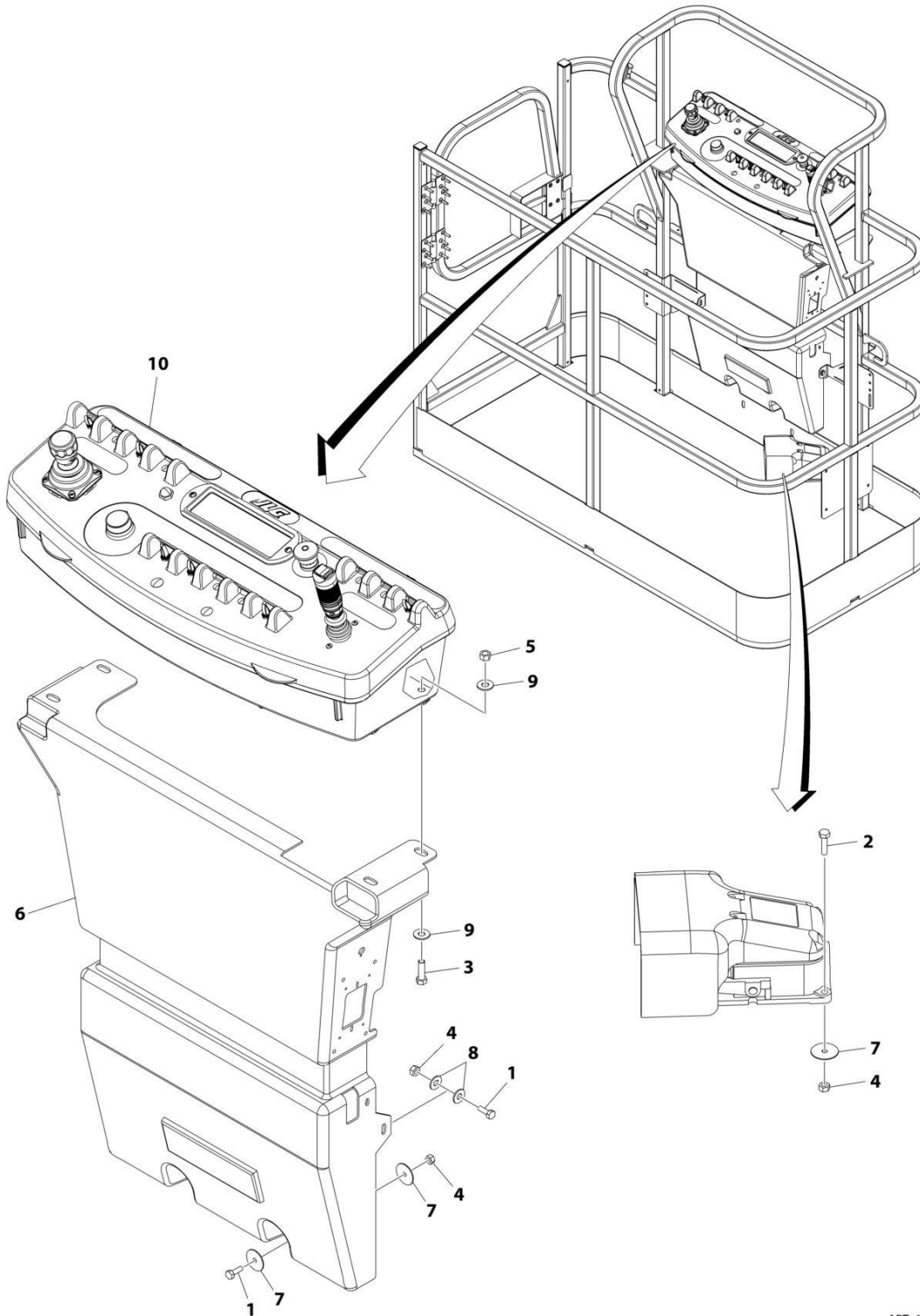
## SECTION 5 - PLATFORM

**FIGURE 5-9. PLATFORM ASSEMBLY - 6FT/1.83M - FALL ARREST**

ITEM	PART NUMBER	QTY	DESCRIPTION	REV
	1001186333	Ref	PLATFORM ASSEMBLY - 6ft/1.83m - FALL ARREST	C
	See Note	Ref	Note: Fall Arrest Not Available on CE Spec Platform Assembly.	
		Ref	Note: Replacement Decals Must be Ordered Separately - See DECALS SECTION	
1	0681814	2	Bolt, 1/2-13 X 1-3/4, Grade 8	
2	0681822	4	Bolt, 1/2-13 X 2-3/4, Grade 8	
3	0962270	2	Bearing	
4	1060919	NLA	Cable, Fall Arrest (Use p/n 1001203655) <b>(SN 0300208529 through 0300213992)</b>	
4	1001203655	1	Cable, Fall Arrest <b>(SN 0300213993 through 0300272287)</b>	
5	1702773	1	Decal - JLG	
6	1705014	1	Decal - Safety	
7	1706385	1	Decal - Drop Bar	
8	2410014	1	Gate, Weldment	
9	3271805	6	Nut, Lock, 1/2-13	
10	3311605	1	Nut, Lock, 3/8-16	
11	3520072	1	Plug, Cap	
12	3900054	1	Bolt, 1/2-13 X 1-3/4	
13	4711800	AR	Washer, 1/2	
14	4751800	AR	Washer, 1/2	
15	See Note	1	Platform, Weldment (Note: Not Available - Purchase Platform Assembly)	

# SECTION 5 - PLATFORM

FIGURE 5-10. PLATFORM CONSOLE AND FOOTSWITCH INSTALLATION - WITHOUT LSS OR WITH 4 CELL LSS - WITHOUT SKYGUARD (NON-UL SPECS)



ART\_1001183512



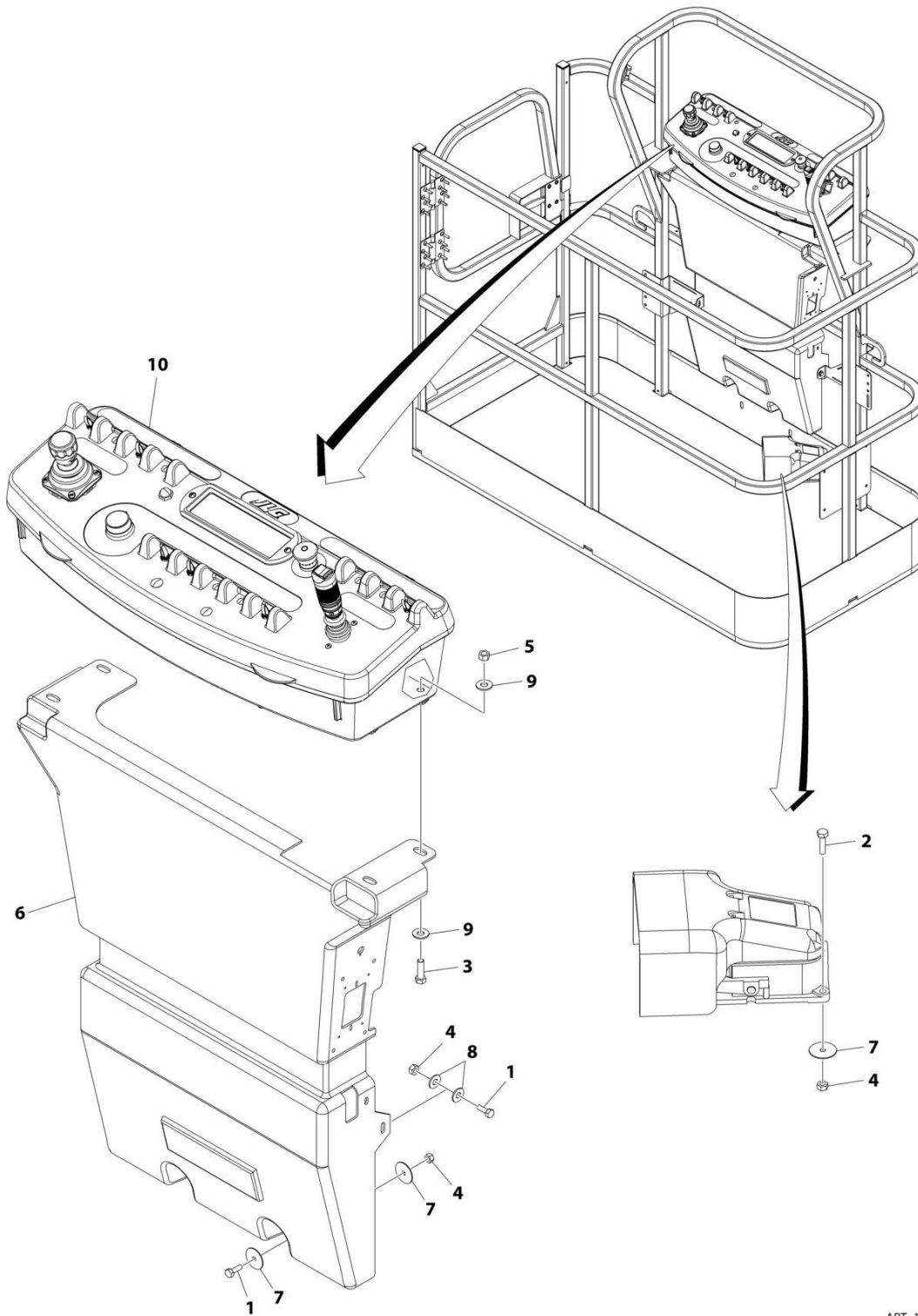
## SECTION 5 - PLATFORM

**FIGURE 5-10. PLATFORM CONSOLE AND FOOTSWITCH INSTALLATION - WITHOUT LSS OR WITH 4 CELL LSS - WITHOUT SKYGUARD (NON-UL SPECS)**

ITEM	PART NUMBER	QTY	DESCRIPTION	REV
	1001183512	Ref	PLATFORM CONSOLE AND FOOTSWITCH INSTALLATION - WITHOUT LSS OR WITH 4 CELL LSS - WITHOUT SKYGUARD (NON-UL SPECS)	B
1	0641406	4	Bolt, 1/4-20 X 3/4	
2	0641408	3	Bolt, 1/4-20 X 1	
3	0641610	4	Bolt, 3/8-16 X 1-1/4	
4	3311405	7	Nut, Lock, 1/4-20	
5	3311605	4	Nut, Lock, 3/8-16	
6	3380434	1	Panel, Pedestal	
7	4740362	7	Washer, 1/4	
8	4751400	4	Washer, 1/4	
9	4751600	8	Washer, 3/8	
10	1001183693	NLA	Platform Console Assembly (See PLATFORM CONSOLE ASSEMBLY (NON-UL SPECS) for Breakdown) (Use p/n 1001202581) <b>(SN 0300208529 through 0300219932, SN B300001429 through B300001596)</b>	
10	1001202581	1	Platform Console Assembly (See PLATFORM CONSOLE ASSEMBLY (NON-UL SPECS) for Breakdown) <b>(SN 0300219933 through 0300272287, SN B300001597 through B300005763, Excluding B300005567)</b>	

# SECTION 5 - PLATFORM

FIGURE 5-11. PLATFORM CONSOLE AND FOOTSWITCH INSTALLATION - WITH SKYGUARD (UL SPECS) (SN 0300208529 through 0300256463)



ART\_1001216147

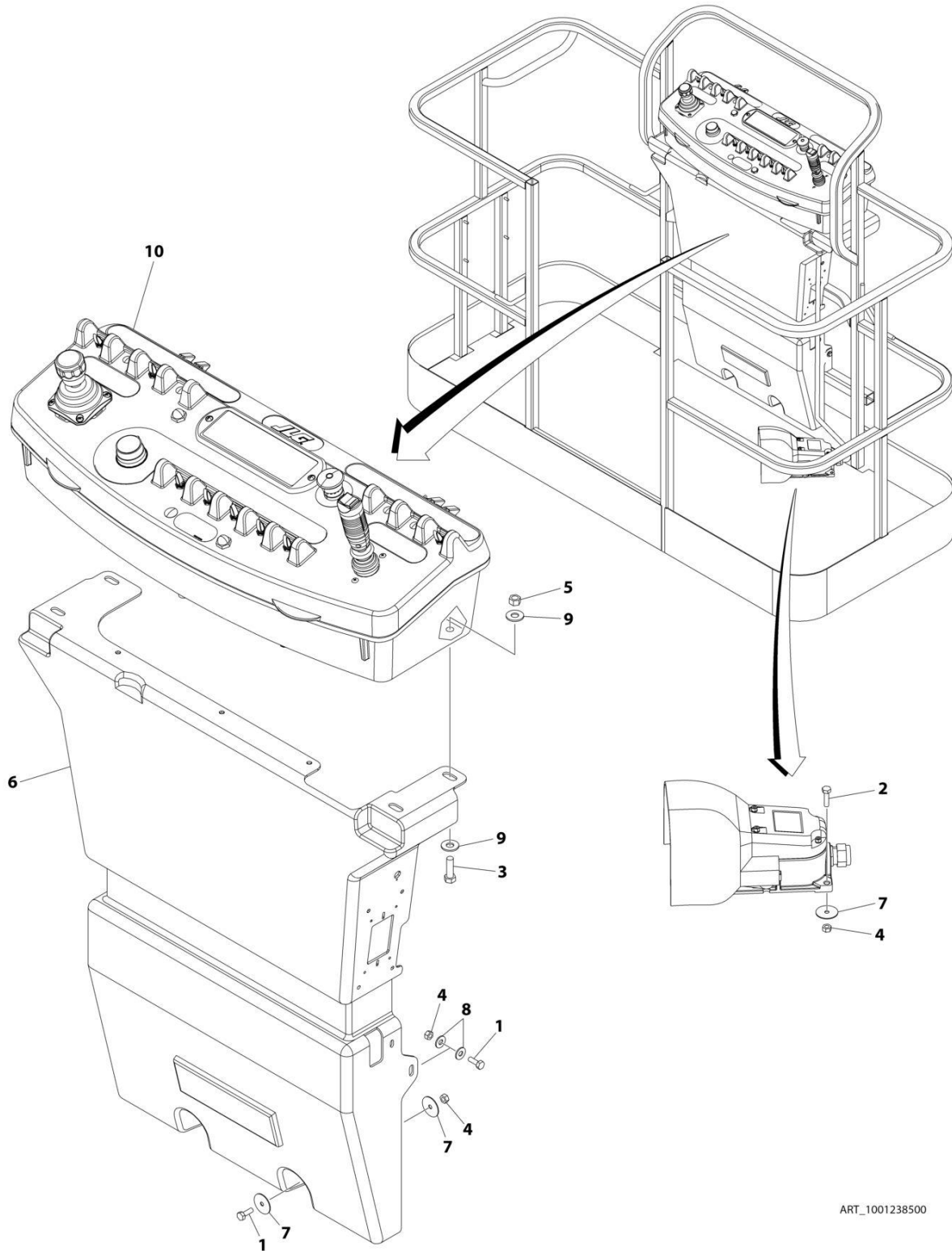
## SECTION 5 - PLATFORM

**FIGURE 5-11. PLATFORM CONSOLE AND FOOTSWITCH INSTALLATION - WITH SKYGUARD (UL SPECS) (SN 0300208529 through 0300256463)**

ITEM	PART NUMBER	QTY	DESCRIPTION	REV
	1001216147	Ref	PLATFORM CONSOLE AND FOOTSWITCH INSTALLATION - WITH SKYGUARD (UL SPECS)	B
1	0641406	4	Bolt, 1/4-20 X 3/4	
2	0641408	3	Bolt, 1/4-20 X 1	
3	0641610	4	Bolt, 3/8-16 X 1-1/4	
4	3311405	7	Nut, Lock, 1/4-20	
5	3311605	4	Nut, Lock, 3/8-16	
6	3380434	1	Panel, Pedestal	
7	4740362	7	Washer, 1/4	
8	4751400	4	Washer, 1/4	
9	4751600	8	Washer, 3/8	
10	1001216153	NLA	Platform Console Assembly (Use p/n 1001238493) (See PLATFORM CONSOLE ASSEMBLY - WITH SKYGUARD (UL SPECS) for Breakdown)	

# SECTION 5 - PLATFORM

FIGURE 5-12. PLATFORM CONSOLE AND FOOTSWITCH INSTALLATION - WITH SKYGUARD (UL SPECS) (SN 0300256464 through 0300272287)



ART\_1001238500

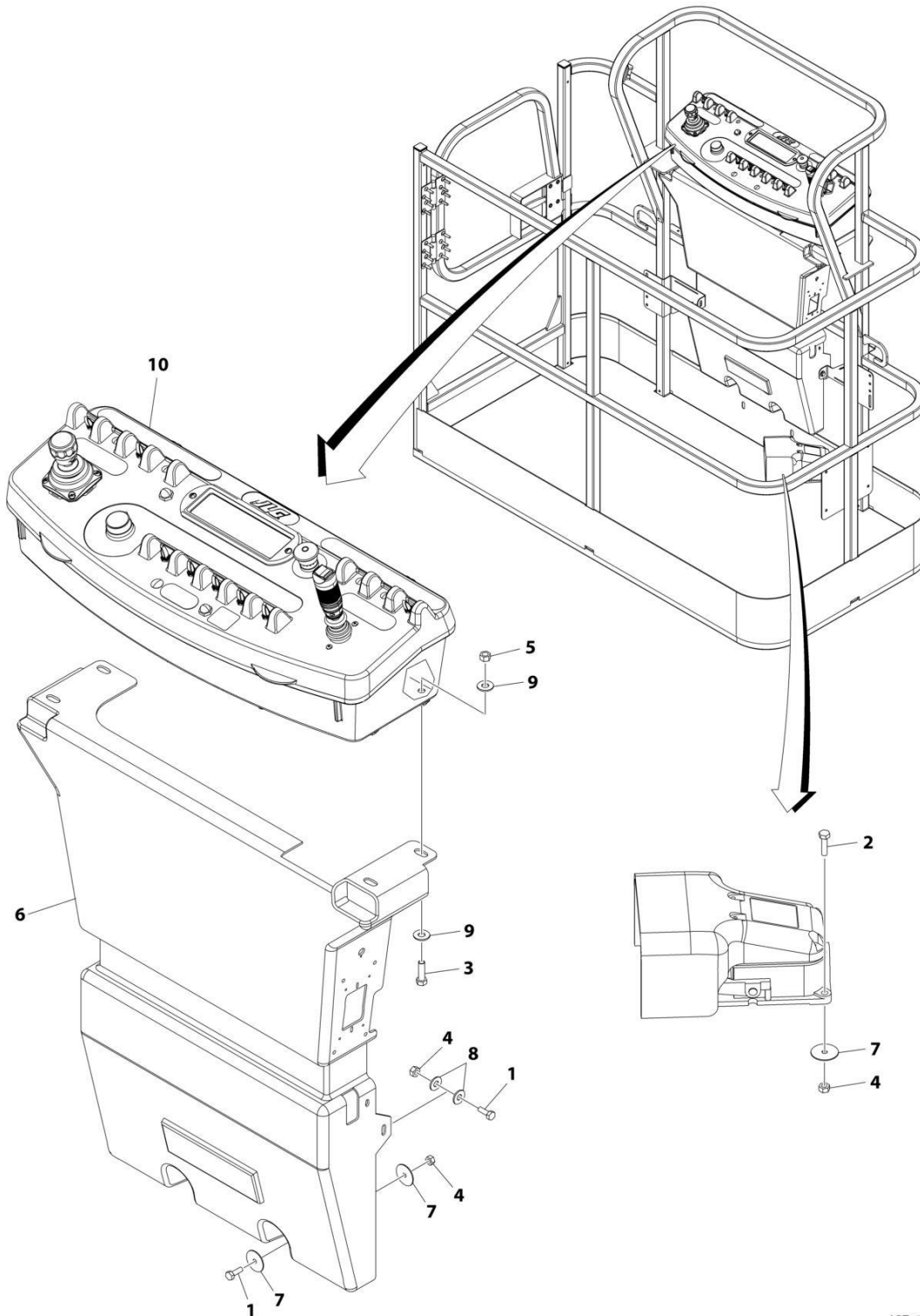
## SECTION 5 - PLATFORM

**FIGURE 5-12. PLATFORM CONSOLE AND FOOTSWITCH INSTALLATION - WITH SKYGUARD (UL SPECS) (SN 0300256464 through 0300272287)**

ITEM	PART NUMBER	QTY	DESCRIPTION	REV
	1001238500	Ref	PLATFORM CONSOLE AND FOOTSWITCH INSTALLATION (UL SPECS)	A
1	0641406	4	Bolt, 1/4-20 X 3/4	
2	0641408	3	Bolt, 1/4-20 X 1	
3	0641610	4	Bolt, 3/8-16 X 1-1/4	
4	3311405	7	Nut, Lock, 1/4-20	
5	3311605	4	Nut, Lock, 3/8-16	
6	3380434	1	Panel, Pedestal	
7	4740362	7	Washer, 1/4	
8	4751400	4	Washer, 1/4	
9	4751600	8	Washer, 3/8	
10	1001238493	1	Platform Console Assembly (See PLATFORM CONSOLE ASSEMBLY - WITH SKYGUARD (UL SPECS) for Breakdown)	

# SECTION 5 - PLATFORM

**FIGURE 5-13. PLATFORM CONSOLE AND FOOTSWITCH INSTALLATION - WITHOUT LSS OR WITH 4 CELL LSS - WITH SKYGUARD (SN 0300208529 through 0300229285, SN B300001429 through B300001989)**



ART\_1001196500

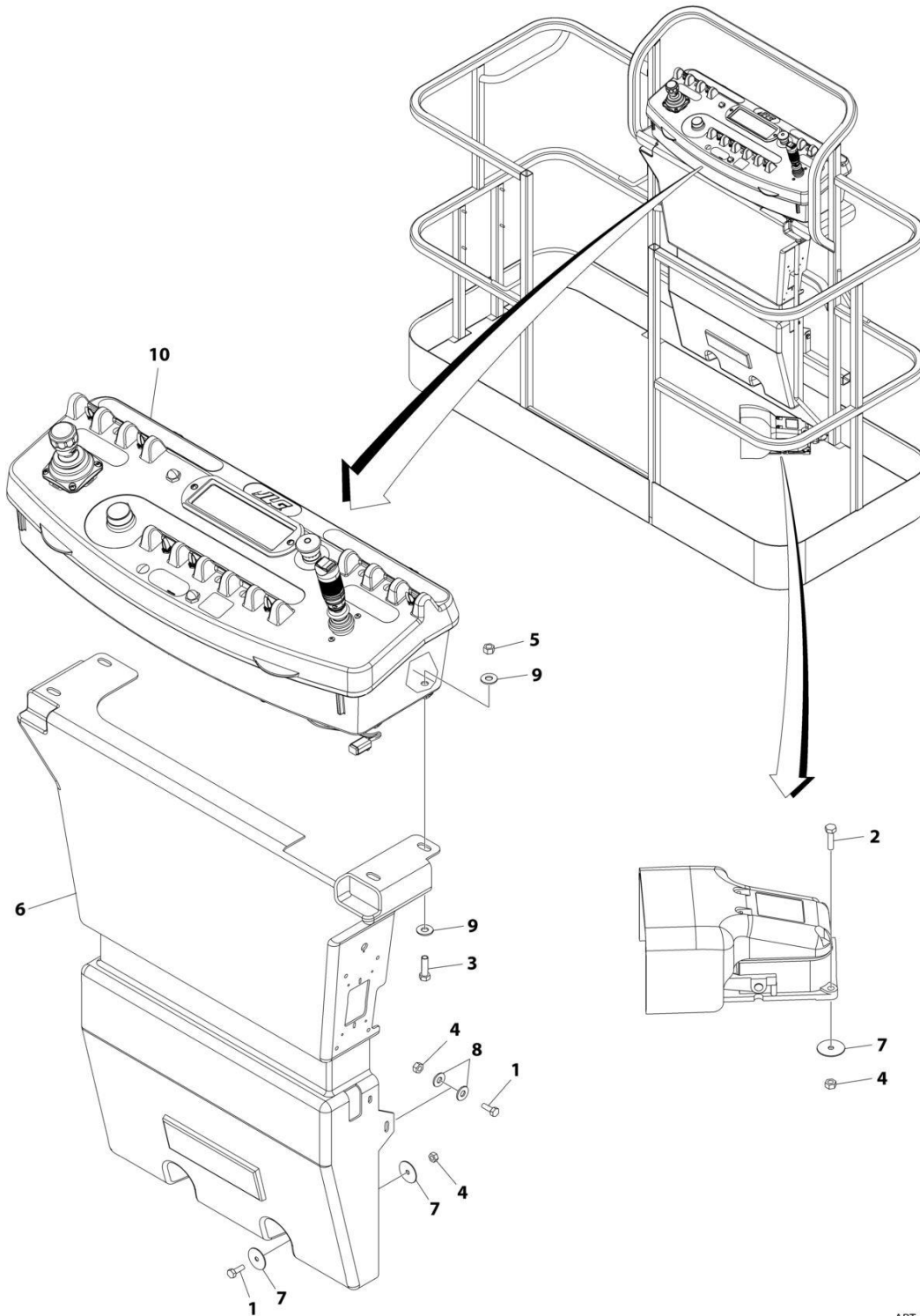
## SECTION 5 - PLATFORM

**FIGURE 5-13. PLATFORM CONSOLE AND FOOTSWITCH INSTALLATION - WITHOUT LSS OR WITH 4 CELL LSS - WITH SKYGUARD (SN 0300208529 through 0300229285, SN B300001429 through B300001989)**

ITEM	PART NUMBER	QTY	DESCRIPTION	REV
	1001196500	Ref	PLATFORM CONSOLE AND FOOTSWITCH INSTALLATION - WITHOUT LSS OR WITH 4 CELL LSS - WITH SKYGUARD (All Specs) <b>(SN 0300208529 through 0300229285, SN B300001429 through B300001989)</b>	B
1	0641406	4	Bolt, 1/4-20 X 3/4	
2	0641408	3	Bolt, 1/4-20 X 1	
3	0641610	4	Bolt, 3/8-16 X 1-1/4	
4	3311405	7	Nut, Lock, 1/4-20	
5	3311605	4	Nut, Lock, 3/8-16	
6	3380434	1	Panel, Pedestal	
7	4740362	7	Washer, 1/4	
8	4751400	4	Washer, 1/4	
9	4751600	8	Washer, 3/8	
10	1001196484	1	Platform Console Assembly (See PLATFORM CONSOLE ASSEMBLY for Breakdown) <b>(SN 0300208529 through 0300219932, SN B300001429 through B300001596)</b>	
10	1001202580	1	Platform Console Assembly (See PLATFORM CONSOLE ASSEMBLY for Breakdown) <b>(SN 0300219933 through 0300229285, SN B300001597 through B300001989)</b>	

# SECTION 5 - PLATFORM

**FIGURE 5-14. PLATFORM CONSOLE AND FOOTSWITCH INSTALLATION - WITHOUT LSS OR WITH 4 CELL LSS - WITH SKYGUARD (SN 0300229286 through 0300235600, SN B300001990 through B300005763)**



ART\_1001196487



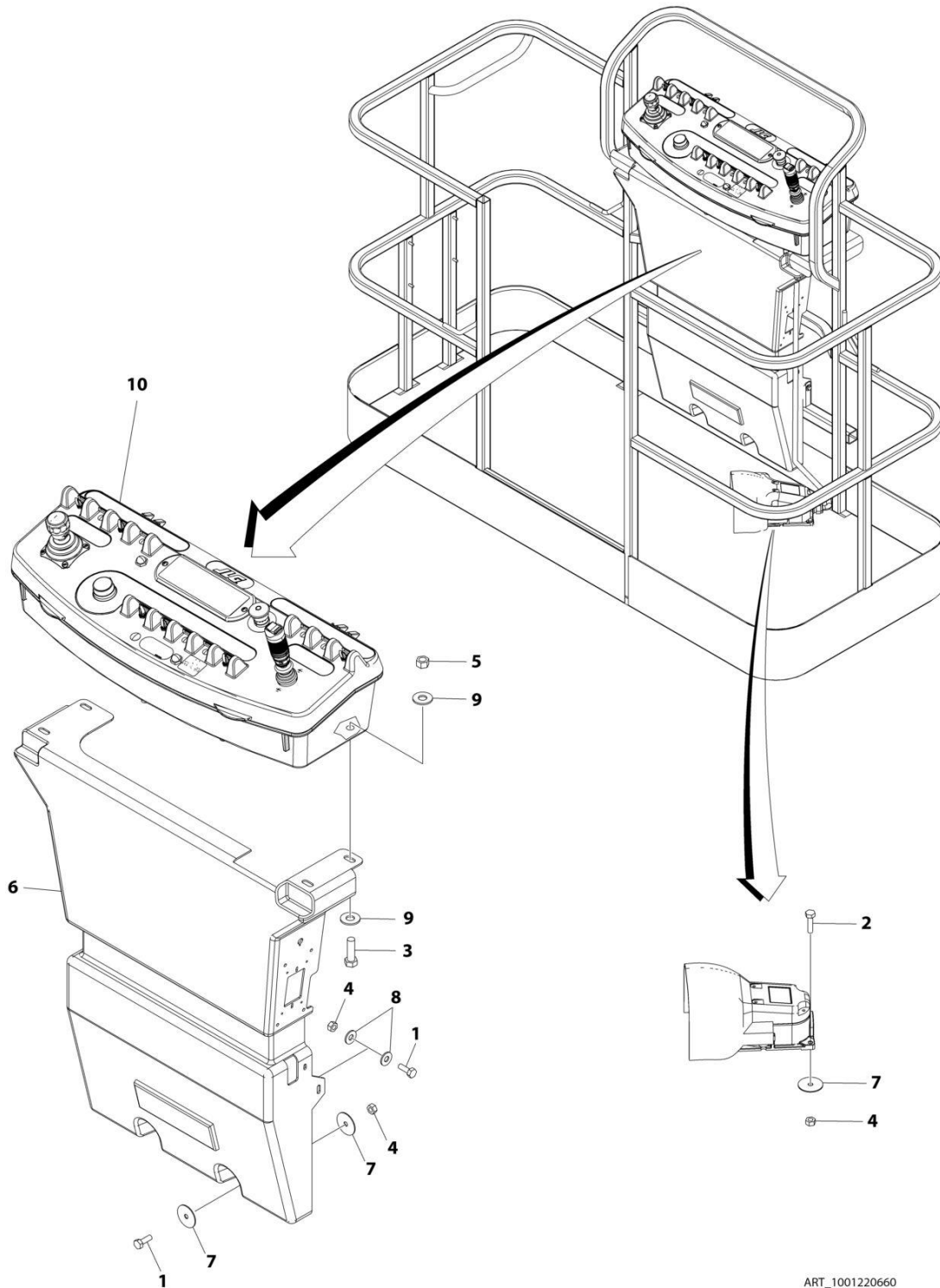
## SECTION 5 - PLATFORM

**FIGURE 5-14. PLATFORM CONSOLE AND FOOTSWITCH INSTALLATION - WITHOUT LSS OR WITH 4 CELL LSS - WITH SKYGUARD (SN 0300229286 through 0300235600, SN B300001990 through B300005763)**

ITEM	PART NUMBER	QTY	DESCRIPTION	REV
	1001196487	Ref	PLATFORM CONSOLE AND FOOTSWITCH INSTALLATION - WITHOUT LSS OR WITH 4 CELL LSS - WITH SKYGUARD (All Specs)	C
1	0641406	4	Bolt, 1/4-20 x 3/4	
2	0641408	3	Bolt, 1/4-20 x 1	
3	0641610	4	Bolt, 3/8-16 x 1-1/4	
4	3311405	7	Nut, Lock, 1/4-20	
5	3311605	4	Nut, Lock, 3/8-16	
6	3380434	1	Panel, Pedestal	
7	4740362	7	Washer, 1/4	
8	4751400	4	Washer, 1/4	
9	4751600	8	Washer, 3/8	
10	1001196486	1	Platform Console Assembly (See PLATFORM CONSOLE ASSEMBLY - WITH SKYGUARD for Breakdown)	

# SECTION 5 - PLATFORM

**FIGURE 5-15. PLATFORM CONSOLE AND FOOTSWITCH INSTALLATION - WITH 1 CELL LSS AND WITH SKYGUARD (SN 0300235601 through 0300256463, SN B300001429 through B300004700)**



ART\_1001220660

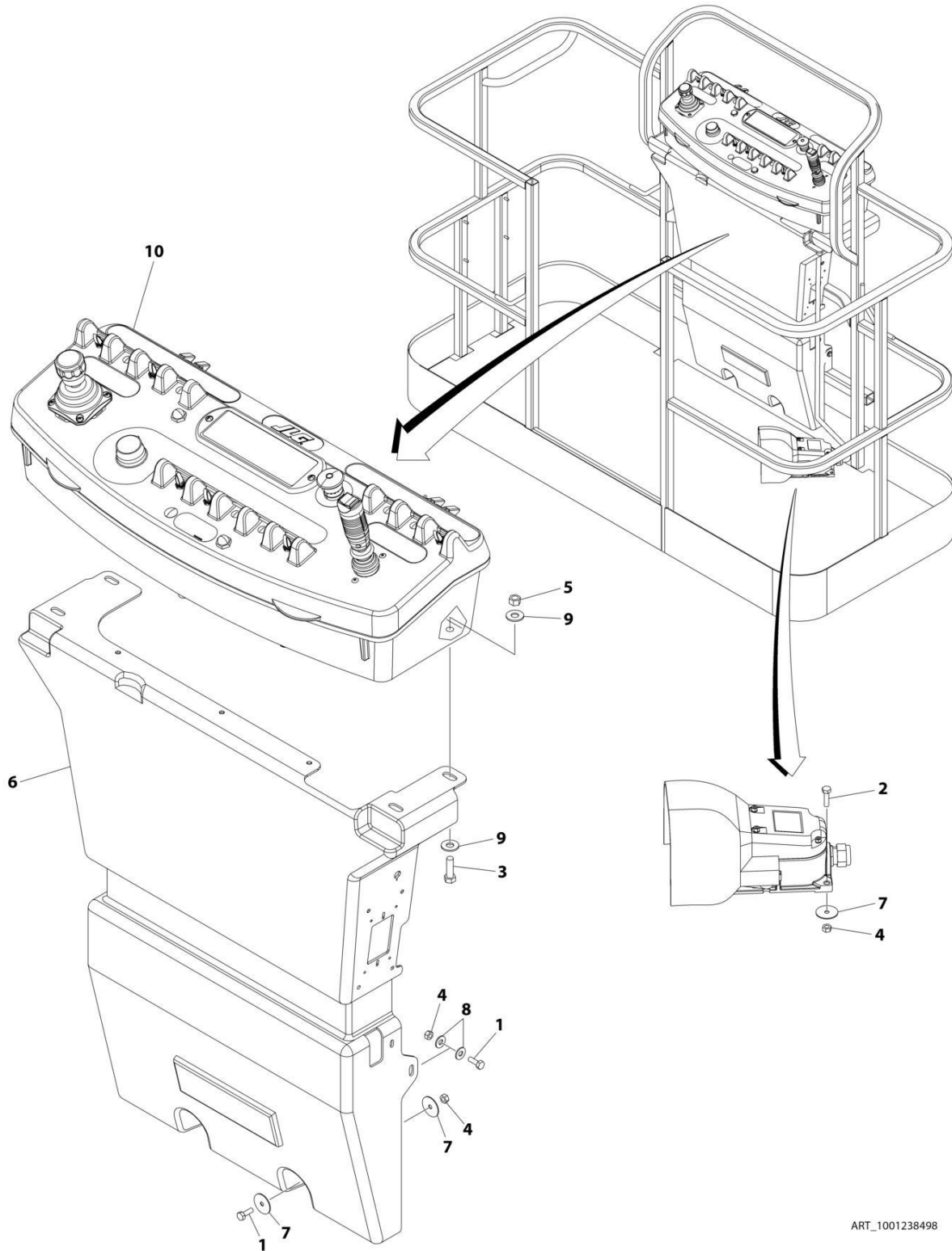
## SECTION 5 - PLATFORM

**FIGURE 5-15. PLATFORM CONSOLE AND FOOTSWITCH INSTALLATION - WITH 1 CELL LSS AND WITH SKYGUARD (SN 0300235601 through 0300256463, SN B300001429 through B300004700)**

ITEM	PART NUMBER	QTY	DESCRIPTION	REV
	1001220660	Ref	PLATFORM CONSOLE AND FOOTSWITCH INSTALLATION - WITH 1 CELL LSS AND WITH SKYGUARD	B
1	0641406	4	Bolt 1/4 x 3/4	
2	0641408	3	Bolt 1/4 x 1	
3	0641610	4	Bolt 3/8-16 x 1	
4	3311405	7	Nut, Lock 1/4-20	
5	3311605	4	Nut, Lock 3/8-16	
6	3380434	1	Panel, Pedestal	
7	4740362	7	Washer 1/4	
8	4751400	4	Washer 1/4	
9	4751600	8	Washer 3/8	
10	1001218652	1	Platform Console Assembly (See PLATFORM CONSOLE ASSEMBLY for Breakdown)	

# SECTION 5 - PLATFORM

**FIGURE 5-16. PLATFORM CONSOLE AND FOOTSWITCH INSTALLATION - WITH 1 CELL LSS AND WITH SKYGUARD (SN 0300256464 through 0300272287, SN B300004701 through B300005763)**



ART\_1001238498

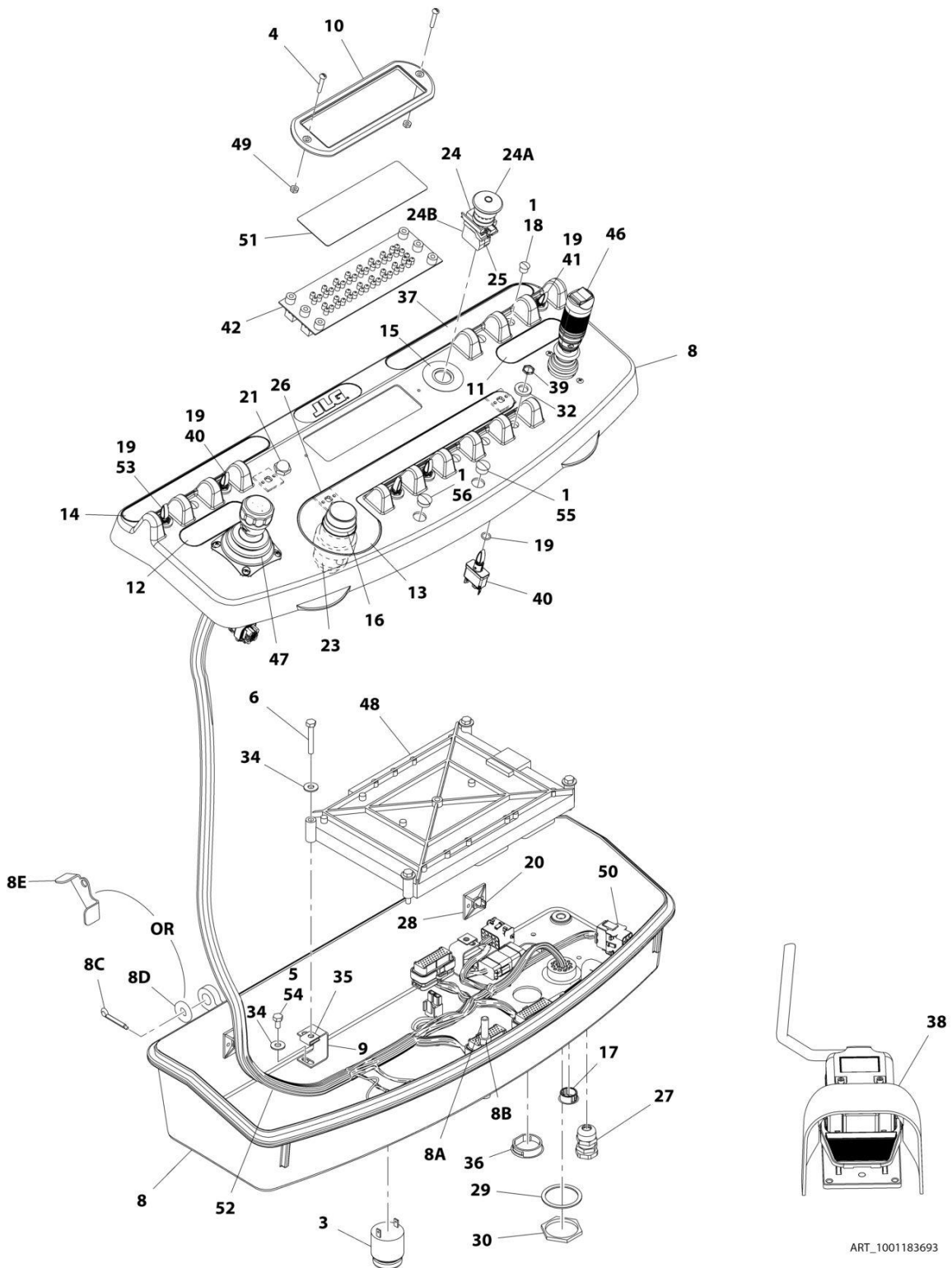
## SECTION 5 - PLATFORM

**FIGURE 5-16. PLATFORM CONSOLE AND FOOTSWITCH INSTALLATION - WITH 1 CELL LSS AND WITH SKYGUARD (SN 0300256464 through 0300272287, SN B300004701 through B300005763)**

ITEM	PART NUMBER	QTY	DESCRIPTION	REV
	1001238498	Ref	PLATFORM CONSOLE AND FOOTSWITCH INSTALLATION - WITH 1 CELL LSS AND WITH SKYGUARD	A
1	0641406	4	Bolt 1/4 x 3/4	
2	0641408	3	Bolt 1/4 x 1	
3	0641610	4	Bolt 3/8-16 x 1	
4	3311405	7	Nut, Lock 1/4-20	
5	3311605	4	Nut, Lock 3/8-16	
6	3380434	1	Panel, Pedestal	
7	4740362	7	Washer 1/4	
8	4751400	4	Washer 1/4	
9	4751600	8	Washer 3/8	
10	1001238490	1	Platform Console Assembly (See PLATFORM CONSOLE ASSEMBLY for Breakdown)	

# SECTION 5 - PLATFORM

**FIGURE 5-17. PLATFORM CONSOLE ASSEMBLY - WITHOUT LSS OR WITH 4 CELL LSS - WITHOUT SKYGUARD (NON-UL SPECS) (SN 0300208529 through 0300219932, SN B300001429 through B300001596)**



ART\_1001183693

## SECTION 5 - PLATFORM

**FIGURE 5-17. PLATFORM CONSOLE ASSEMBLY - WITHOUT LSS OR WITH 4 CELL LSS - WITHOUT SKYGUARD (NON-UL SPECS) (SN 0300208529 through 0300219932, SN B300001429 through B300001596)**

ITEM	PART NUMBER	QTY	DESCRIPTION	REV
	1001183693	Ref	PLATFORM CONSOLE ASSEMBLY - WITHOUT LSS OR WITH 4 CELL LSS - WITHOUT SKYGUARD (NON-UL SPECS) (SN 0300208529 through 0300219932, SN B300001429 through B300001596)	H
1	0100009	AR	Sealant	
3	0140011	1	Alarm	
4	3911018	2	Screw, #10-24 x 1-1/8	
5	0641404	4	Bolt, 1/4-20 x 1/2	
6	0641414	4	Bolt, 1/4-20 x 1-3/4	
8	1001190017	1	Console Box Assembly	
8A	0630568	1	Capscrew, 3/8-16 x 4-1/2	
8B	3311601	1	Nut, 3/8-16	
8C	3470003	2	Pin, Cotter	
8D	4711500	2	Washer, 5/16	
8E	1001200575	2	Bracket, Stop	
9	1001172760	4	Bracket, Module	
10	1671176	1	Bezel	
11	1702565	1	Decal - Drive and Steer	
12	1702566	1	Decal - Lift and Swing	
13	1702567	1	Decal - Function Speed	
14	1001193987	1	Decal - Horn and Drive Select	
15	1704260	1	Decal - EMS	
16	2560136	1	Handle, Knob	
17	3520030	1	Plug, Hole	
18	3520054	5	Plug, Hole	
19	3790012	6	O-Ring	
20	4240032	AR	Tie-Strap (Not Shown)	
21	4360387	1	Switch, Push Button	
23	4360407	1	Switch, Potentiometer	
24	4360475	1	Switch, Emergency Stop	
24A	7020175	1	Cap, Mushroom with Sealing Ring	
24B	7020176	1	Block, Contact	
25	4360476	1	Block, Contact	
26	4460234	4	Mount, Tie-Strap	
27	4460428	1	Connector, Strain Relief	
28	4460488	2	Base, Terminal Mounting	
29	4460471	1	Washer, Lock, Terminal	
30	4460470	1	Nut, Terminal	
32	4740397	6	Spacer	
34	4751400	8	Washer, 1/4	
35	3300353	4	Nut, Tinnerman	
36	1001110434	2	Plug, D-Shaped	
37	1001132175	1	Decal - Stop - Generator	
38	1001189039	1	Footswitch Assembly (See FOOTSWITCH ASSEMBLY for Breakdown)	
39	1001155044	6	Nut, 15/32-32	
40	1001155045	4	Switch, Toggle	
41	1001159256	1	Switch, Toggle	
42	1001170838	1	Gauge, Led Panel	

## SECTION 5 - PLATFORM

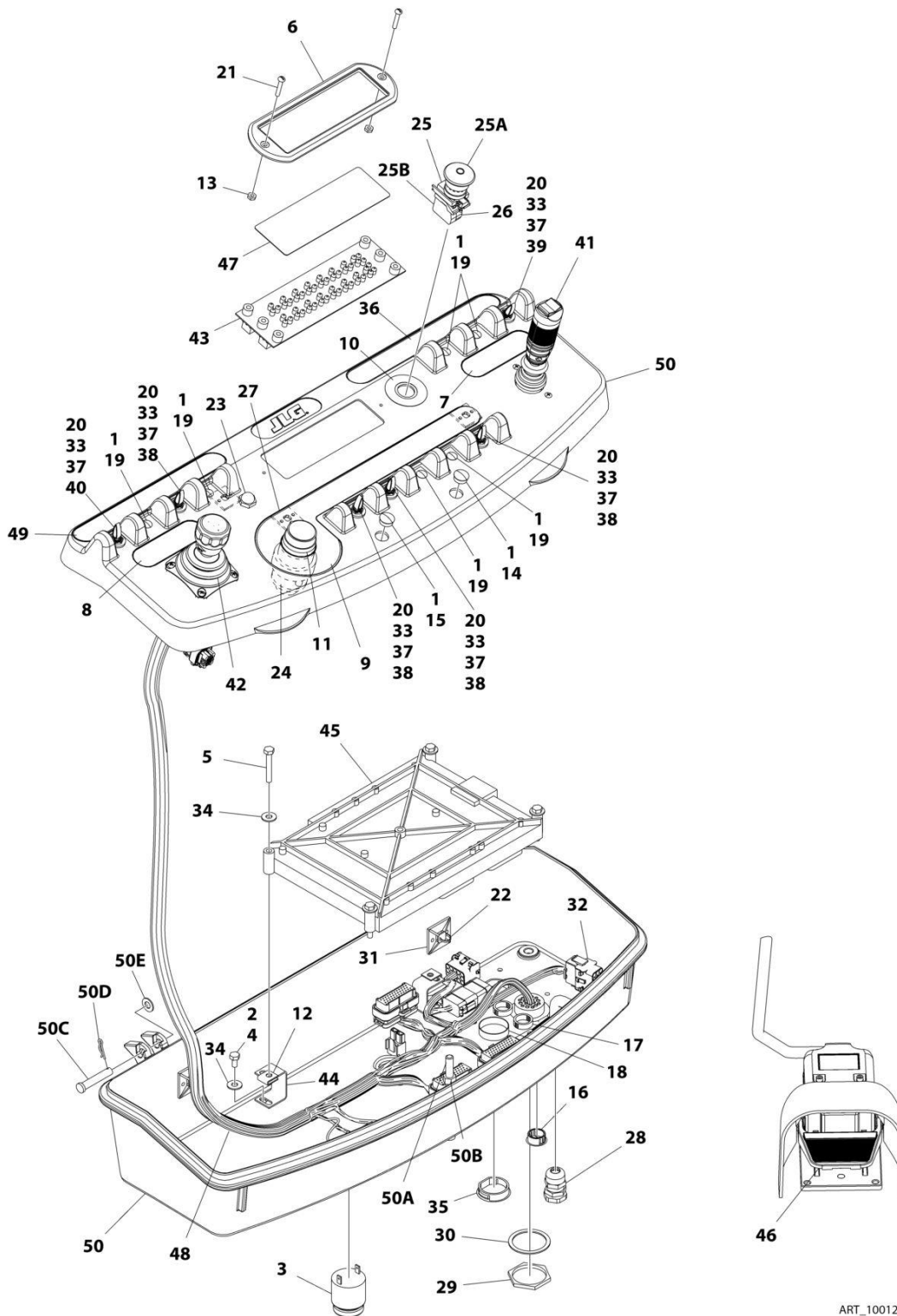
ITEM	PART NUMBER	QTY	DESCRIPTION	REV
46	1001166538	NLA	Controller Assembly - Drive and Steer (Use p/n 1001212415) (See CONTROLLER ASSEMBLY - DRIVE AND STEER for Breakdown)	
47	1001166539	NLA	Controller Assembly - Lift and Swing (Use p/n 1001129555) (See CONTROLLER ASSEMBLY LIFT AND SWING for Breakdown)	
48	1001182724	1	Module, PC (Note: Re-calibration Required when Replaced)	
49	3300408	2	Nut, Lock	
50	4460708	1	Connector - 15 Position	
51	1001190797	1	Decal - Platform Display	
52	1001191318	1	Harness, Platform Console Box (See ELECTRICAL SECTION for Breakdown)	
53	1001161710	1	Switch, Toggle	
54	0100075	AR	Sealant	
55	3520026	1	Plug, Hole	
56	3520027	1	Plug, Hole	





# SECTION 5 - PLATFORM

**FIGURE 5-18. PLATFORM CONSOLE ASSEMBLY - WITHOUT LSS OR WITH 4 CELL LSS - WITHOUT SKYGUARD (NON-UL SPECS) (SN 0300219933 through 0300272287, SN B300001597 through B300005763)**



ART\_1001202581

## SECTION 5 - PLATFORM

**FIGURE 5-18. PLATFORM CONSOLE ASSEMBLY - WITHOUT LSS OR WITH 4 CELL LSS - WITHOUT SKYGUARD (NON-UL SPECS) (SN 0300219933 through 0300272287, SN B300001597 through B300005763)**

ITEM	PART NUMBER	QTY	DESCRIPTION	REV
	1001202581	Ref	PLATFORM CONSOLE ASSEMBLY - WITHOUT LSS OR WITH 4 CELL LSS - WITHOUT SKYGUARD (NON-UL SPECS)	C
1	0100009	AR	Sealant	
2	0100075	AR	Sealant	
3	0140011	1	Alarm	
4	0641404	4	Bolt, 1/4-20 x 1/2	
5	0641414	4	Bolt, 1/4-20 x 1-3/4	
6	1671176	1	Bezel	
7	1702565	1	Decal - Drive and Steer	
8	1702566	1	Decal - Lift and Swing	
9	1702567	1	Decal - Function Speed	
10	1704260	1	Decal - EMS	
11	2560136	1	Handle, Knob	
12	3300353	4	Nut, Tinnerman	
13	3300408	2	Nut, Lock	
14	3520026	1	Plug, Hole	
15	3520027	1	Plug, Hole	
16	3520030	1	Plug, Hole	
17	3520033	2	Plug, Hole (SN 0300219933 through 0300226308, SN B300001597 through B300001989)	
17	1001220486	2	Plug, Hole (SN 0300226309 through 0300272287, SN B300001990 through B300005763, Excluding B300005567)	
18	3520035	1	Plug, Cap	
19	3520054	6	Plug, Hole	
20	3790012	6	O-Ring	
21	3911018	2	Screw, #10-24 x 1-1/8	
22	4240032	AR	Tie-Strap (Not Shown)	
23	4360387	1	Switch, Push Button	
24	4360407	1	Switch, Potentiometer	
25	4360475	1	Switch, Emergency Stop	
25A	7020175	1	Cap, Mushroom with Sealing Ring	
25B	7020176	1	Block, Contact	
26	4360476	1	Block, Contact	
27	4460234	4	Mount, Tie-Strap	
28	4460428	1	Connector, Strain Relief	
29	4460470	1	Nut, Terminal	
30	4460471	1	Washer, Lock, Terminal	
31	4460488	2	Base, Terminal Mounting	
32	4460708	1	Connector - 15 Position	
33	4740397	6	Spacer	
34	4751400	8	Washer, 1/4	
35	1001110434	1	Plug, D-Shaped	
36	1001132175	1	Decal - Stop - Generator	
37	1001155044	6	Nut, 15/32-32	
38	1001155045	4	Switch, Toggle	
39	1001159256	1	Switch, Toggle	
40	1001161710	1	Switch, Toggle	
41	1001166538	NLA	Controller Assembly - Drive and Steer (Use p/n 1001212415) (See CONTROLLER ASSEMBLY - DRIVE AND STEER for Breakdown)	

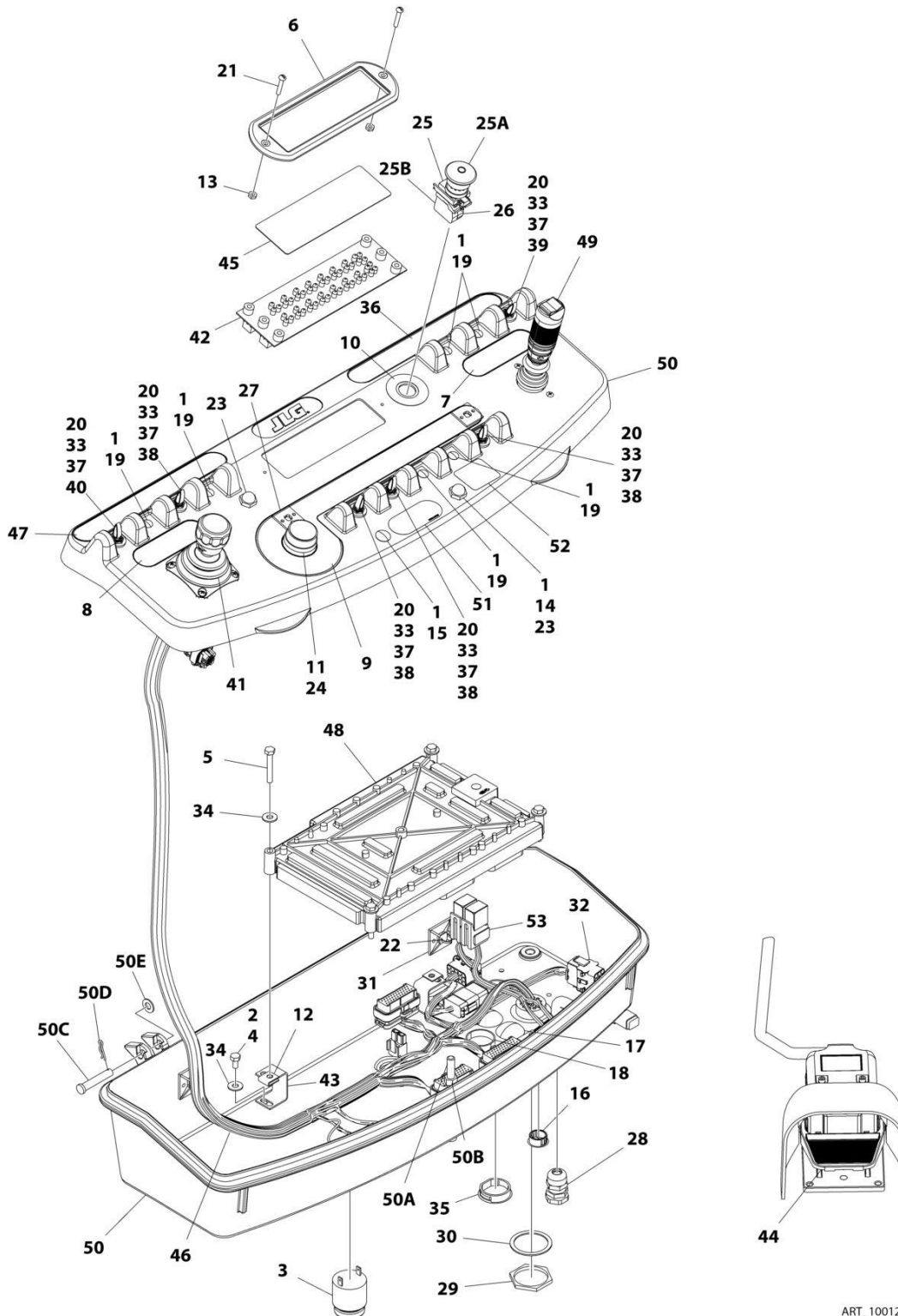
## SECTION 5 - PLATFORM

ITEM	PART NUMBER	QTY	DESCRIPTION	REV
42	1001166539	NLA	Controller Assembly - Lift and Swing (Use p/n 1001129555) (See CONTROLLER ASSEMBLY LIFT AND SWING for Breakdown)	
43	1001170838	1	Gauge, Led Panel	
44	1001172760	4	Bracket, Module	
45	1001182724	1	Module, PC (Note: Re-calibration Required when Replaced)	
46	1001189039	1	Footswitch Assembly (See FOOTSWITCH ASSEMBLY for Breakdown)	
47	1001190797	1	Decal - Platform Display	
48	1001191318	1	Harness, Platform Console Box (See ELECTRICAL SECTION for Breakdown)	
49	1001193987	1	Decal - Horn and Drive Select	
50	1001201887	1	Console Box Assembly	
50A	0630568	1	Capscrew, 3/8-16 x 4-1/2	
50B	3311601	1	Nut, 3/8-16	
50C	3430616	2	Pin	
50D	3470003	2	Pin, Cotter	
50E	4711600	2	Washer, 5/16	



# SECTION 5 - PLATFORM

FIGURE 5-19. PLATFORM CONSOLE ASSEMBLY - WITH SKYGUARD (UL SPECS) (SN 0300208529 through 0300256463)



ART\_1001216153

## SECTION 5 - PLATFORM

**FIGURE 5-19. PLATFORM CONSOLE ASSEMBLY - WITH SKYGUARD (UL SPECS) (SN 0300208529 through 0300256463)**

ITEM	PART NUMBER	QTY	DESCRIPTION	REV
	1001216153	Ref	PLATFORM CONSOLE ASSEMBLY - WITH SKYGUARD (UL SPECS)	E
1	0100009	AR	Sealant	
2	0100075	AR	Sealant	
3	0140011	1	Alarm	
4	0641404	4	Bolt, 1/4 x 1/2	
5	0641414	4	Bolt, 1/4 x 1-3/4	
6	1671176	1	Bezel	
7	1702565	1	Decal - Drive and Steer	
8	1702566	1	Decal - Lift and Swing	
9	1702567	1	Decal - Function Speed	
10	1704260	1	Decal - EMS	
11	2560136	1	Handle, Knob	
12	3300353	4	Nut, Tinnerman	
13	3300408	2	Nut, Lock	
14	3520026	1	Plug, Hole	
15	3520027	1	Plug, Hole	
16	3520030	1	Plug, Hole	
17	3520033	2	Plug, Hole (SN 0300208529 through 0300226308)	
17	1001220486	2	Plug, Hole (SN 0300226309 through 0300256463)	
18	3520035	1	Plug, Cap (SN 0300208529 through 0300229285)	
18	1001185281	1	Plug, Bushing (SN 0300229286 through 0300256463)	
19	3520054	6	Plug, Hole	
20	3790012	6	O-Ring	
21	3911018	2	Screw, #10 x 1-1/8	
22	4240032	AR	Tie-Strap (Not Shown)	
23	4360387	AR	Switch, Push Button	
24	4360407	1	Switch, Potentiometer	
25	4360475	1	Switch, Emergency Stop	
25A	7020175	1	Cap, Mushroom with Sealing Ring	
25B	7020176	1	Block, Contact	
26	4360476	1	Block, Contact	
27	4460234	4	Mount, Tie-Strap	
28	4460428	1	Connector, Strain Relief	
29	4460470	1	Nut, Terminal	
30	4460471	1	Washer, Lock, Terminal	
31	4460488	2	Base, Terminal Mounting	
32	4460708	1	Connector - 15 Position	
33	4740397	6	Spacer	
34	4751400	8	Washer, 1/4	
35	1001110434	1	Plug, D-Shaped	
36	1001132175	1	Decal - Stop - Generator	
37	1001155044	6	Nut, 15/32	
38	1001155045	4	Switch, Toggle	
39	1001159256	1	Switch, Toggle	
40	1001161710	1	Switch, Toggle	
41	1001166539	NLA	Controller Assembly - Lift and Swing (Use p/n 1001129555) (See CONTROLLER ASSEMBLY LIFT AND SWING for Breakdown)	
42	1001170838	1	Gauge, Led Panel	

## SECTION 5 - PLATFORM

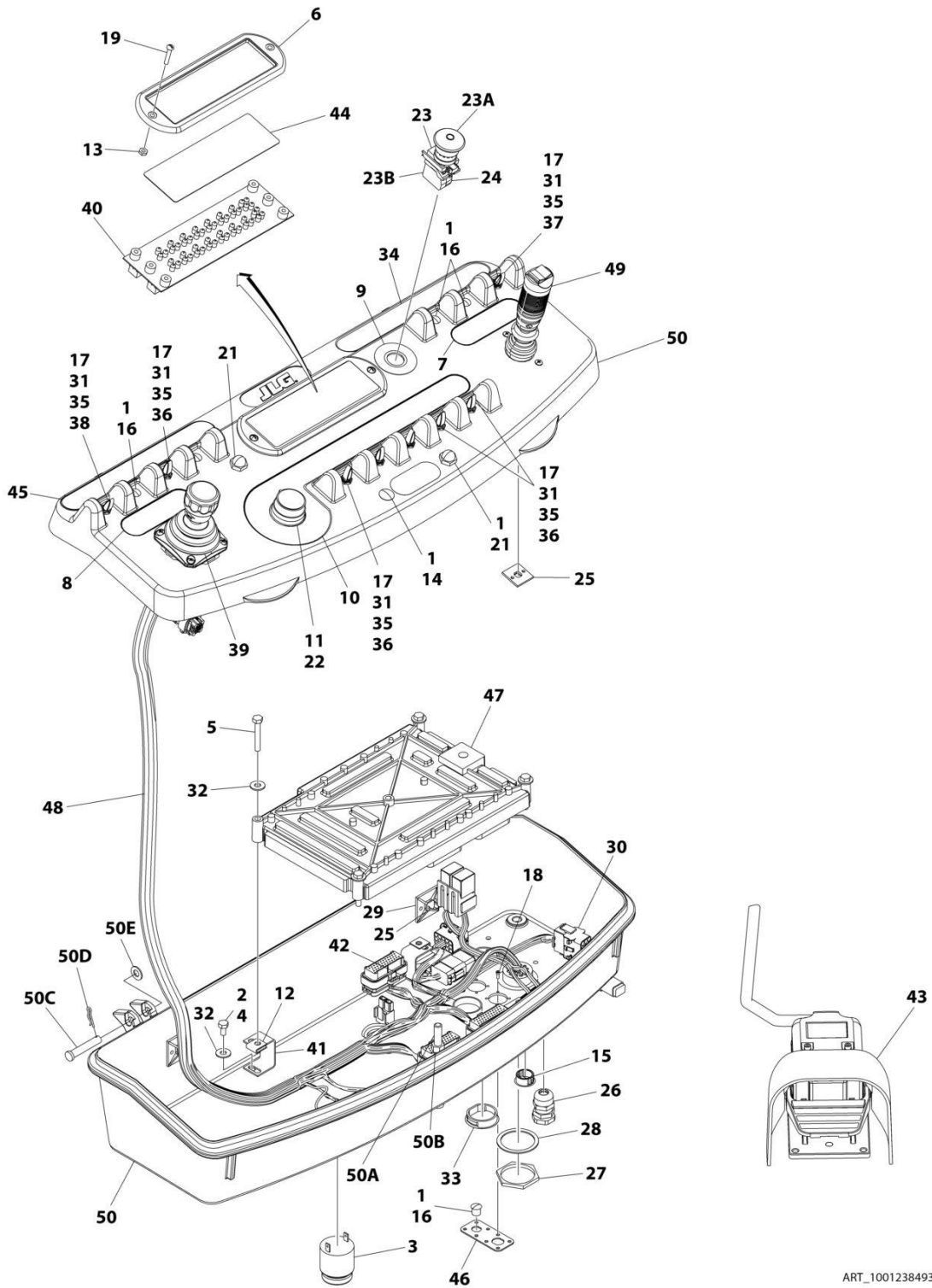
ITEM	PART NUMBER	QTY	DESCRIPTION	REV
43	1001172760	4	Bracket, Module	
44	1001189039	1	Footswitch Assembly (See FOOTSWITCH ASSEMBLY for Breakdown)	
45	1001190797	1	Decal - Platform Display	
46	1001191318	1	Harness, Platform Console Box (See ELECTRICAL SECTION for Breakdown)	
47	1001193987	1	Decal - Horn and Drive Select	
48	1001215835	1	Module, PC (Note: Re-calibration Required when Replaced)	
49	1001166538	NLA	Controller Assembly - Drive and Steer (Use p/n 1001212415) (See CONTROLLER ASSEMBLY - DRIVE AND STEER for Breakdown)	
50	1001201887	1	Console Box Assembly	
50A	0630568	1	Capscrew, 3/8 x 4-1/2	
50B	3311601	1	Nut, 3/8	
50C	3430616	2	Pin	
50D	3470003	2	Pin, Cotter	
50E	4711600	2	Washer, 5/16	
51	1001141300	1	Decal - Platform Sensor Override <b>(SN 0300208529 through 0300237419)</b>	
52	1001144433	1	Decal - No Weight SkyGuard <b>(SN 0300229286 through 0300256463)</b>	
53	1001192292	1	Harness, SkyGuard (See ELECTRICAL SECTION for Breakdown) <b>(SN 0300229286 through 0300256463)</b>	





# SECTION 5 - PLATFORM

FIGURE 5-20. PLATFORM CONSOLE ASSEMBLY - WITH SKYGUARD (UL SPECS) (SN 0300256464 through 0300272287)



ART\_1001238493

## SECTION 5 - PLATFORM

**FIGURE 5-20. PLATFORM CONSOLE ASSEMBLY - WITH SKYGUARD (UL SPECS) (SN 0300256464 through 0300272287)**

ITEM	PART NUMBER	QTY	DESCRIPTION	REV
	1001238493	Ref	PLATFORM CONSOLE ASSEMBLY - WITH SKYGUARD (UL SPECS)	A
1	0100009	AR	Sealant	
2	0100035	AR	Compound, Locking	
3	0140011	1	Alarm	
4	0641404	4	Bolt, 1/4 x 1/2	
5	0641414	4	Bolt, 1/4 x 1-3/4	
6	1671176	1	Bezel	
7	1702565	1	Decal - Drive and Steer	
8	1702566	1	Decal - Lift and Swing	
9	1704260	1	Decal - EMS	
10	1704422	1	Decal - Function Speed	
11	2560136	1	Handle, Knob	
12	3300353	4	Nut, Tinnerman	
13	3300408	2	Nut, Lock	
14	3520027	1	Plug, Hole	
15	3520030	1	Plug, Hole	
16	3520054	5	Plug, Hole	
17	3790012	8	O-Ring	
18	3900349	8	Screw M2.5	
19	3911018	2	Screw, #10 x 1-1/8	
20	4240032	AR	Tie-Strap (Not Shown)	
21	4360387	2	Switch, Push Button	
22	4360407	1	Switch, Potentiometer	
23	4360475	1	Switch, Emergency Stop	
23A	7020175	1	Cap, Mushroom with Sealing Ring	
23B	7020176	1	Block, Contact	
24	4360476	1	Block, Contact	
25	4460234	4	Mount, Tie-Strap	
26	4460428	1	Connector, Strain Relief	
27	4460470	1	Nut, Terminal	
28	4460471	1	Washer, Lock, Terminal	
29	4460488	2	Base, Terminal Mounting	
30	4460708	1	Connector - 15 Position	
31	4740397	8	Spacer	
32	4751400	8	Washer, 1/4	
33	1001110434	1	Plug, D-Shaped	
34	1001132175	1	Decal - Stop - Generator	
35	1001155044	8	Nut, 15/32	
36	1001155045	6	Switch, Toggle	
37	1001159256	1	Switch, Toggle	
38	1001161710	1	Switch, Toggle	
39	1001166539	NLA	Controller Assembly - Lift and Swing (Use p/n 1001129555) (See CONTROLLER ASSEMBLY LIFT AND SWING for Breakdown)	
40	1001170838	1	Gauge, Led Panel	
41	1001172760	4	Bracket, Module	
42	1001185281	1	Plug, Bushing	
43	1001189039	1	Footswitch Assembly (See FOOTSWITCH ASSEMBLY for Breakdown)	

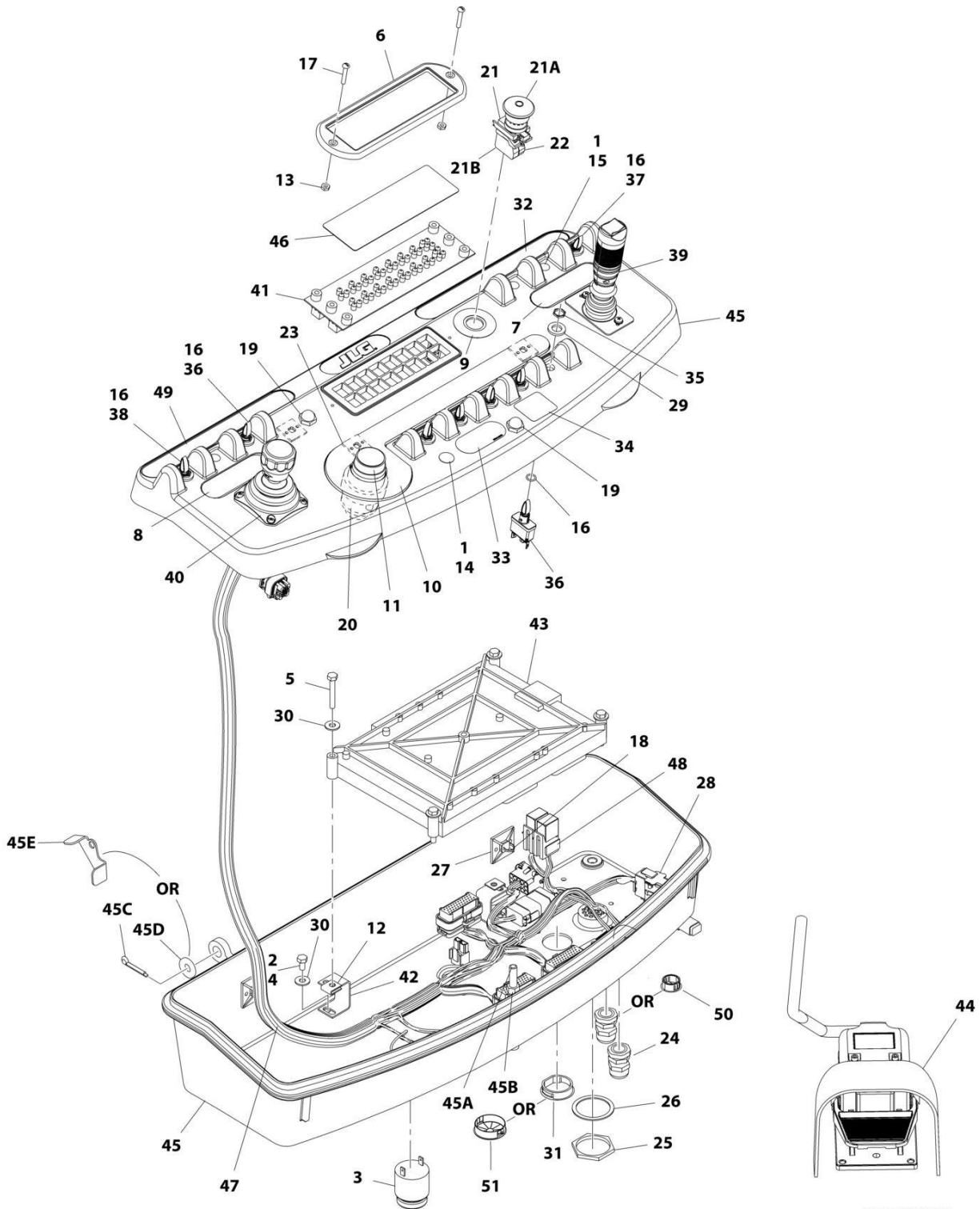
## SECTION 5 - PLATFORM

ITEM	PART NUMBER	QTY	DESCRIPTION	REV
44	1001190797	1	Decal - Platform Display	
45	1001193987	1	Decal - Horn and Drive Select	
46	1001213882	1	Mount, Connector	
47	1001215835	1	Module, PC (Note: Re-calibration Required when Replaced)	
48	1001217621	1	Harness, Platform Console Box (With 1 Cell LSS) (See ELECTRICAL SECTION for Breakdown)	
49	1001166538	NLA	Controller Assembly - Drive and Steer (Use p/n 1001212415) (See CONTROLLER ASSEMBLY - DRIVE AND STEER for Breakdown)	
50	1001218068	1	Console Box Assembly	
50A	0630568	1	Capscrew 3/8 x 4-1/2	
50B	3311601	1	Nut 3/8	
50C	3430616	2	Pin, Clevis	
50D	3470003	2	Pin, Cotter	
50E	4711600	2	Washer 3/8	



# SECTION 5 - PLATFORM

**FIGURE 5-21. PLATFORM CONSOLE ASSEMBLY - WITHOUT LSS OR WITH 4 CELL LSS - WITH SKYGUARD (NON-UL LISTED) (SN 0300208529 through 0300219932, SN B300001429 through B300001596)**



ART\_1001196484

## SECTION 5 - PLATFORM

**FIGURE 5-21. PLATFORM CONSOLE ASSEMBLY - WITHOUT LSS OR WITH 4 CELL LSS - WITH SKYGUARD (NON-UL LISTED) (SN 0300208529 through 0300219932, SN B300001429 through B300001596)**

ITEM	PART NUMBER	QTY	DESCRIPTION	REV
	1001196484	Ref	PLATFORM CONSOLE ASSEMBLY - WITHOUT LSS OR WITH 4 CELL LSS - WITH SKYGUARD (NON-UL LISTED) (SN 0300208529 through 0300219932, SN B300001429 through B300001596)	D
1	0100009	AR	Sealant	
2	0100075	AR	Sealant	
3	0140011	1	Alarm	
4	0641404	4	Bolt, 1/4-20 x 1/2	
5	0641414	4	Bolt, 1/4-20 x 1-3/4	
6	1671176	1	Bezel	
7	1702565	1	Decal - Drive and Steer	
8	1702566	1	Decal - Lift and Swing	
9	1704260	1	Decal - EMS	
10	1704422	1	Decal - Function Speed	
11	2560136	1	Handle, Knob	
12	3300353	4	Nut, Tinnerman	
13	3300408	2	Nut, Lock	
14	3520027	1	Plug, Hole	
15	3520054	3	Plug, Hole	
16	3790012	8	O-Ring	
17	3911018	2	Screw, #10-24 x 1-1/8	
18	4240032	AR	Tie-Strap (Not Shown)	
19	4360387	2	Switch, Push Button	
20	4360407	1	Switch, Potentiometer	
21	4360475	1	Switch, Emergency Stop	
21A	7020175	1	Cap, Mushroom with Sealing Ring	
21B	7020176	1	Block, Contact	
22	4360476	1	Block, Contact	
23	4460234	4	Mount, Tie-Strap	
24	4460428	AR	Connector, Strain Relief	
25	4460470	1	Nut, Terminal	
26	4460471	1	Washer, Lock, Terminal	
27	4460488	2	Base, Terminal Mounting	
28	4460708	1	Connector - 15 Position	
29	4740397	8	Spacer	
30	4751400	8	Washer, 1/4	
31	1001110434	AR	Plug, D-Shaped	
32	1001132175	1	Decal - Stop - Generator	
33	1001141300	1	Decal - Platform Sensor Override	
34	1001144433	1	Decal - No Weight SkyGuard	
35	1001155044	8	Nut, 15/32-32	
36	1001155045	6	Switch, Toggle	
37	1001159256	1	Switch, Toggle	
38	1001161710	1	Switch, Toggle	
39	1001166538	NLA	Controller Assembly - Drive and Steer (Use p/n 1001212415) (See CONTROLLER ASSEMBLY - DRIVE AND STEER for Breakdown)	
40	1001166539	NLA	Controller Assembly - Lift and Swing (Use p/n 1001129555) (See CONTROLLER ASSEMBLY LIFT AND SWING for Breakdown)	
41	1001170838	1	Gauge, Led Panel	

## SECTION 5 - PLATFORM

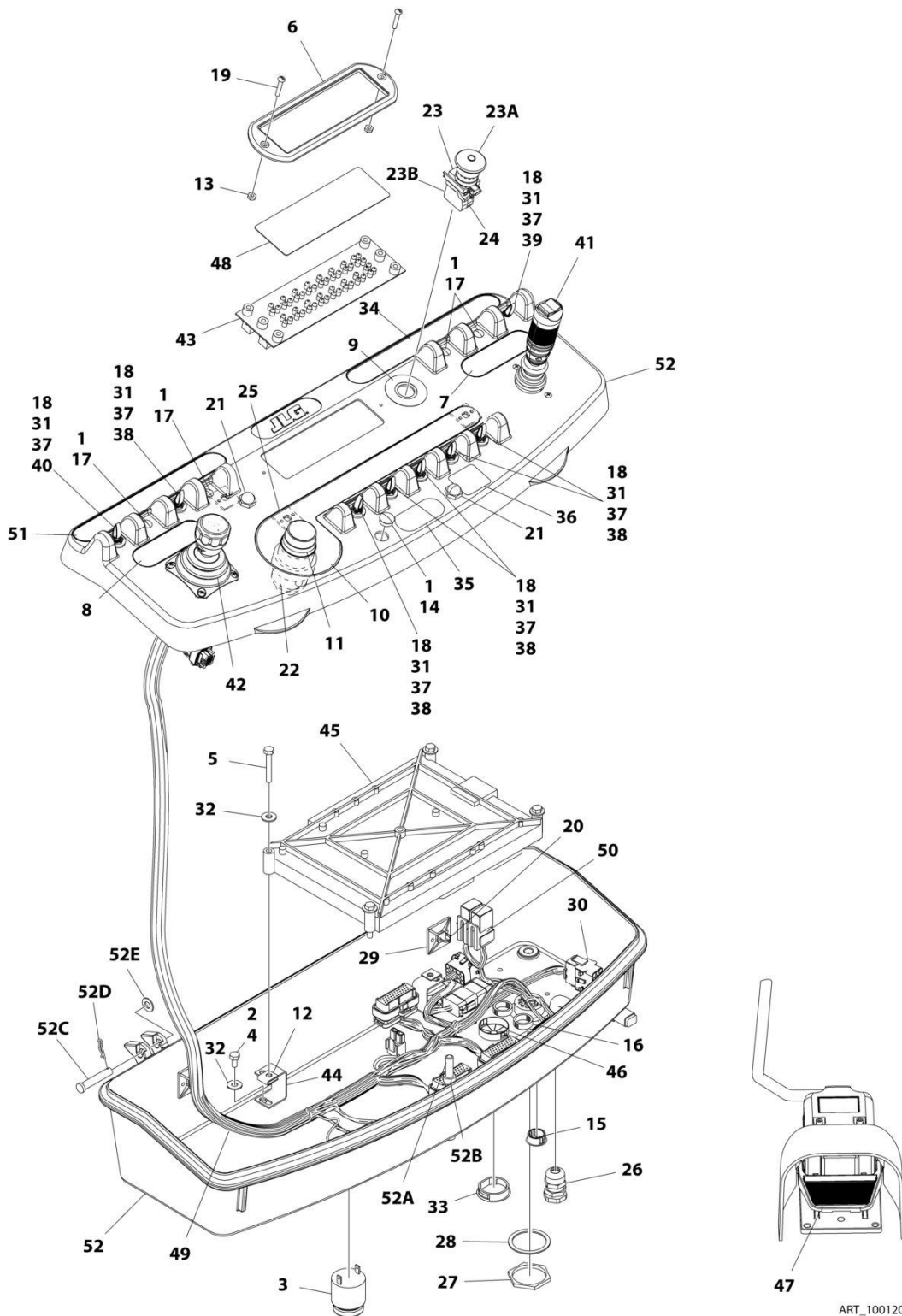
ITEM	PART NUMBER	QTY	DESCRIPTION	REV
42	1001172760	4	Bracket, Module	
43	1001182724	1	Module, PC (Note: Re-calibration Required when Replaced)	
44	1001189039	1	Footswitch Assembly (See FOOTSWITCH ASSEMBLY for Breakdown)	
45	1001190017	1	Console Box Assembly	
45A	0630568	1	Capscrew, 3/8-16 x 4-1/2	
45B	3311601	1	Nut, 3/8-16	
45C	3470003	2	Pin, Cotter	
45D	4711500	2	Washer, 5/16	
45E	1001200575	2	Bracket, Stop	
46	1001190797	1	Decal - Platform Display	
47	1001191318	1	Harness, Platform Console Box (See ELECTRICAL SECTION for Breakdown)	
48	1001192292	1	Harness, SkyGuard (See ELECTRICAL SECTION for Breakdown)	
49	1001193987	1	Decal - Horn and Drive Select	
50	3520030	1	Plug, Hole (SN 0300214528 through 0300219932, SN B300001429 through B300001596)	
51	1001185281	1	Plug, Bushing (SN 0300214528 through 0300219932, SN B300001429 through B300001596)	





# SECTION 5 - PLATFORM

**FIGURE 5-22. PLATFORM CONSOLE ASSEMBLY - WITHOUT LSS OR WITH 4 CELL LSS - WITH SKYGUARD (NON-UL LISTED) (SN 0300219933 through 0300229285, SN B300001597 through B300001989)**



ART\_1001202580

## SECTION 5 - PLATFORM

**FIGURE 5-22. PLATFORM CONSOLE ASSEMBLY - WITHOUT LSS OR WITH 4 CELL LSS - WITH SKYGUARD (NON-UL LISTED) (SN 0300219933 through 0300229285, SN B300001597 through B300001989)**

ITEM	PART NUMBER	QTY	DESCRIPTION	REV
	1001202580	Ref	PLATFORM CONSOLE ASSEMBLY - WITHOUT LSS OR WITH 4 CELL LSS - WITH SKYGUARD (NON-UL LISTED) (SN <b>0300219933 through 0300229285, SN B300001597 through B300001989</b> )	C
1	0100009	AR	Sealant	
2	0100075	AR	Sealant	
3	0140011	1	Alarm	
4	0641404	4	Bolt, 1/4-20 x 1/2	
5	0641414	4	Bolt, 1/4-20 x 1-3/4	
6	1671176	1	Bezel	
7	1702565	1	Decal - Drive and Steer	
8	1702566	1	Decal - Lift and Swing	
9	1704260	1	Decal - EMS	
10	1704422	1	Decal - Function Speed	
11	2560136	1	Handle, Knob	
12	3300353	4	Nut, Tinnerman	
13	3300408	2	Nut, Lock	
14	3520027	1	Plug, Hole	
15	3520030	1	Plug, Hole	
16	3520033	2	Plug, Hole (SN <b>0300219933 through 0300226308, SN B300001597 through B300001989</b> )	
16	1001220486	2	Plug, Hole (SN <b>0300226309 through 0300229285</b> )	
17	3520054	4	Plug, Hole	
18	3790012	8	O-Ring	
19	3911018	2	Screw, #10-24 x 1-1/8	
20	4240032	AR	Tie-Strap	
21	4360387	2	Switch, Push Button	
22	4360407	1	Switch, Potentiometer	
23	4360475	1	Switch, Emergency Stop	
23A	7020175	1	Cap, Mushroom with Sealing Ring	
23B	7020176	1	Block, Contact	
24	4360476	1	Block, Contact	
25	4460234	4	Mount, Tie-Strap	
26	4460428	1	Connector, Strain Relief	
27	4460470	1	Nut, Terminal	
28	4460471	1	Washer, Lock, Terminal	
29	4460488	2	Base, Terminal Mounting	
30	4460708	1	Connector - 15 Position	
31	4740397	8	Spacer	
32	4751400	8	Washer, 1/4	
33	1001110434	1	Plug, D-Shaped	
34	1001132175	1	Decal - Stop - Generator	
35	1001141300	1	Decal - Platform Sensor Override	
36	1001144433	1	Decal - No Weight SkyGuard	
37	1001155044	8	Nut, 15/32-32	
38	1001155045	6	Switch, Toggle	
39	1001159256	1	Switch, Toggle	
40	1001161710	1	Switch, Toggle	
41	1001166538	NLA	Controller Assembly - Drive and Steer (Use p/n 1001212415) (See	

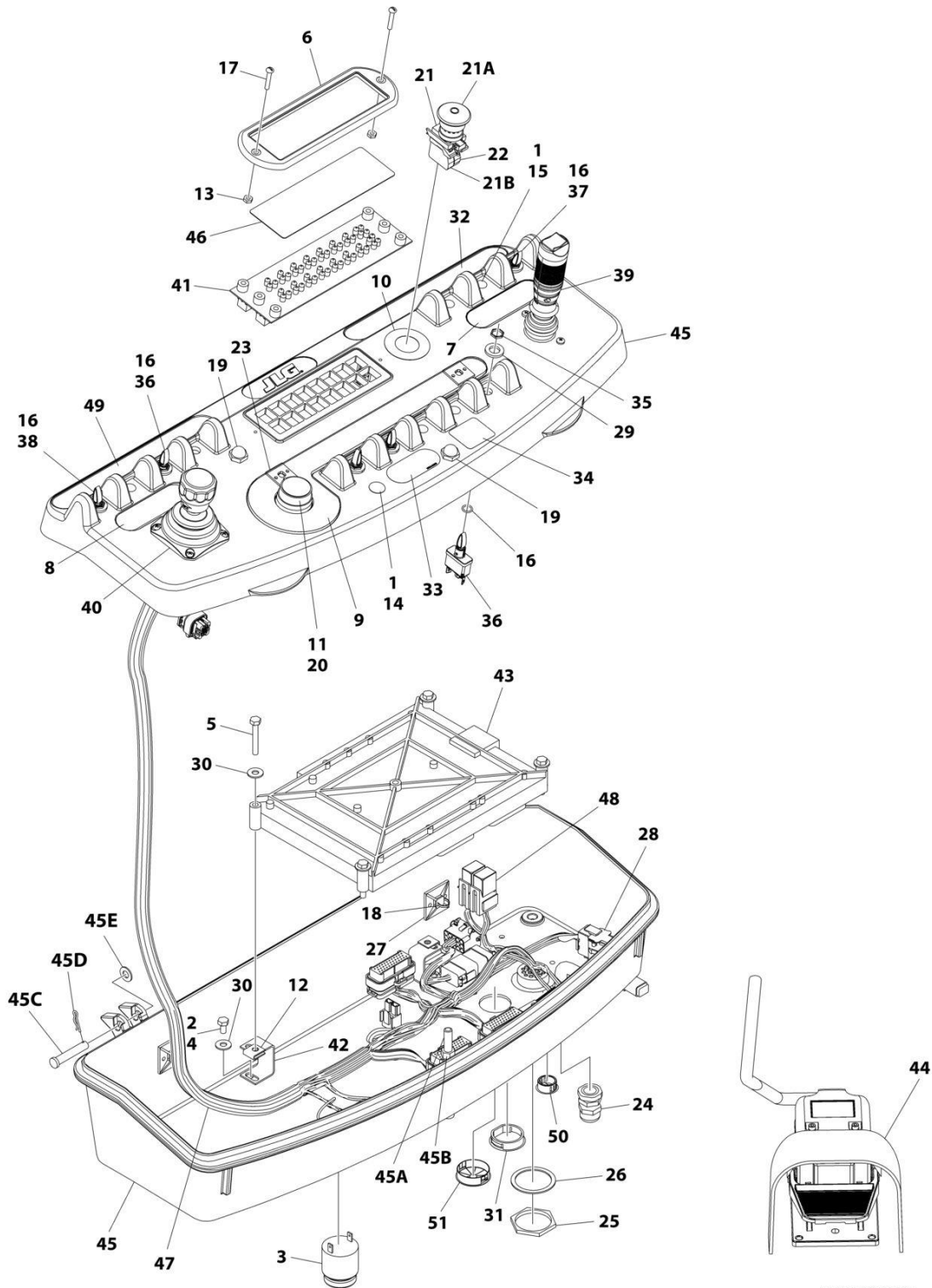
## SECTION 5 - PLATFORM

ITEM	PART NUMBER	QTY	DESCRIPTION	REV
42	1001166539	NLA	CONTROLLER ASSEMBLY - DRIVE AND STEER for Breakdown) Controller Assembly - Lift and Swing (Use p/n 1001129555) (See CONTROLLER ASSEMBLY LIFT AND SWING for Breakdown)	
43	1001170838	1	Gauge, Led Panel	
44	1001172760	4	Bracket, Module	
45	1001182724	1	Module, PC (Note: Re-calibration Required when Replaced)	
46	1001185281	1	Plug, Bushing	
47	1001189039	1	Footswitch Assembly (See FOOTSWITCH ASSEMBLY for Breakdown)	
48	1001190797	1	Decal - Platform Display	
49	1001191318	1	Harness, Platform Console Box (See ELECTRICAL SECTION for Breakdown)	
50	1001192292	1	Harness, SkyGuard (Not Shown - See ELECTRICAL SECTION for Breakdown)	
51	1001193987	1	Decal - Horn and Drive Select	
52	1001201887	1	Console Box Assembly	
52A	0630568	1	Capscrew, 3/8-16 x 4-1/2	
52B	3311601	1	Nut, 3/8-16	
52C	3430616	2	Pin	
52D	3470003	2	Pin, Cotter	
52E	4711600	2	Washer 3/8	



# SECTION 5 - PLATFORM

**FIGURE 5-23. PLATFORM CONSOLE ASSEMBLY - WITHOUT LSS OR WITH 4 CELL LSS - WITH SKYGUARD (NON-UL LISTED) (SN 0300229286 through 0300235600, SN B300001990 through B300005763)**



ART\_1001196486

## SECTION 5 - PLATFORM

**FIGURE 5-23. PLATFORM CONSOLE ASSEMBLY - WITHOUT LSS OR WITH 4 CELL LSS - WITH SKYGUARD (NON-UL LISTED) (SN 0300229286 through 0300235600, SN B300001990 through B300005763)**

ITEM	PART NUMBER	QTY	DESCRIPTION	REV
	1001196486	Ref	PLATFORM CONSOLE ASSEMBLY - WITHOUT LSS OR WITH 4 CELL LSS - WITH SKYGUARD (NON-UL LISTED)	C
1	0100009	AR	Sealant	
2	0100075	AR	Sealant	
3	0140011	1	Alarm	
4	0641404	4	Bolt, 1/4-20 x 1/2	
5	0641414	4	Bolt, 1/4-20 x 1-3/4	
6	1671176	1	Bezel	
7	1702565	1	Decal - Drive and Steer	
8	1702566	1	Decal - Lift and Swing	
9	1702567	1	Decal - Function Speed	
10	1704260	1	Decal - EMS	
11	2560136	1	Handle, Knob	
12	3300353	4	Nut, Tinnerman	
13	3300408	2	Nut, Lock	
14	3520027	1	Plug, Hole	
15	3520054	5	Plug, Hole	
16	3790012	6	O-Ring	
17	3911018	2	Screw, #10-24 x 1-1/8	
18	4240032	AR	Tie-Strap	
19	4360387	2	Switch, Push Button	
20	4360407	1	Switch, Potentiometer	
21	4360475	1	Switch, Emergency Stop	
21A	7020175	1	Cap, Mushroom with Sealing Ring	
21B	7020176	1	Block, Contact	
22	4360476	1	Block, Contact	
23	4460234	4	Mount, Tie-Strap	
24	4460428	1	Connector, Strain Relief	
25	4460470	1	Nut, Terminal	
26	4460471	1	Washer, Lock, Terminal	
27	4460488	2	Base, Terminal Mounting	
28	4460708	1	Connector - 15 Position	
29	4740397	6	Spacer	
30	4751400	8	Washer, 1/4	
31	1001110434	1	Plug, D-Shaped	
32	1001132175	1	Decal - Stop - Generator	
33	1001141300	1	Decal - Platform Sensor Override	
34	1001144433	1	Decal - No Weight SkyGuard	
35	1001155044	6	Nut, 15/32-32	
36	1001155045	4	Switch, Toggle	
37	1001159256	1	Switch, Toggle	
38	1001161710	1	Switch, Toggle	
39	1001166538	NLA	Controller Assembly - Drive and Steer (Use p/n 1001212415) (See CONTROLLER ASSEMBLY - DRIVE AND STEER for Breakdown)	
40	1001166539	NLA	Controller Assembly - Lift and Swing (Use p/n 1001129555) (See CONTROLLER ASSEMBLY LIFT AND SWING for Breakdown)	
41	1001170838	1	Gauge, Led Panel	
42	1001172760	4	Bracket, Module	

## SECTION 5 - PLATFORM

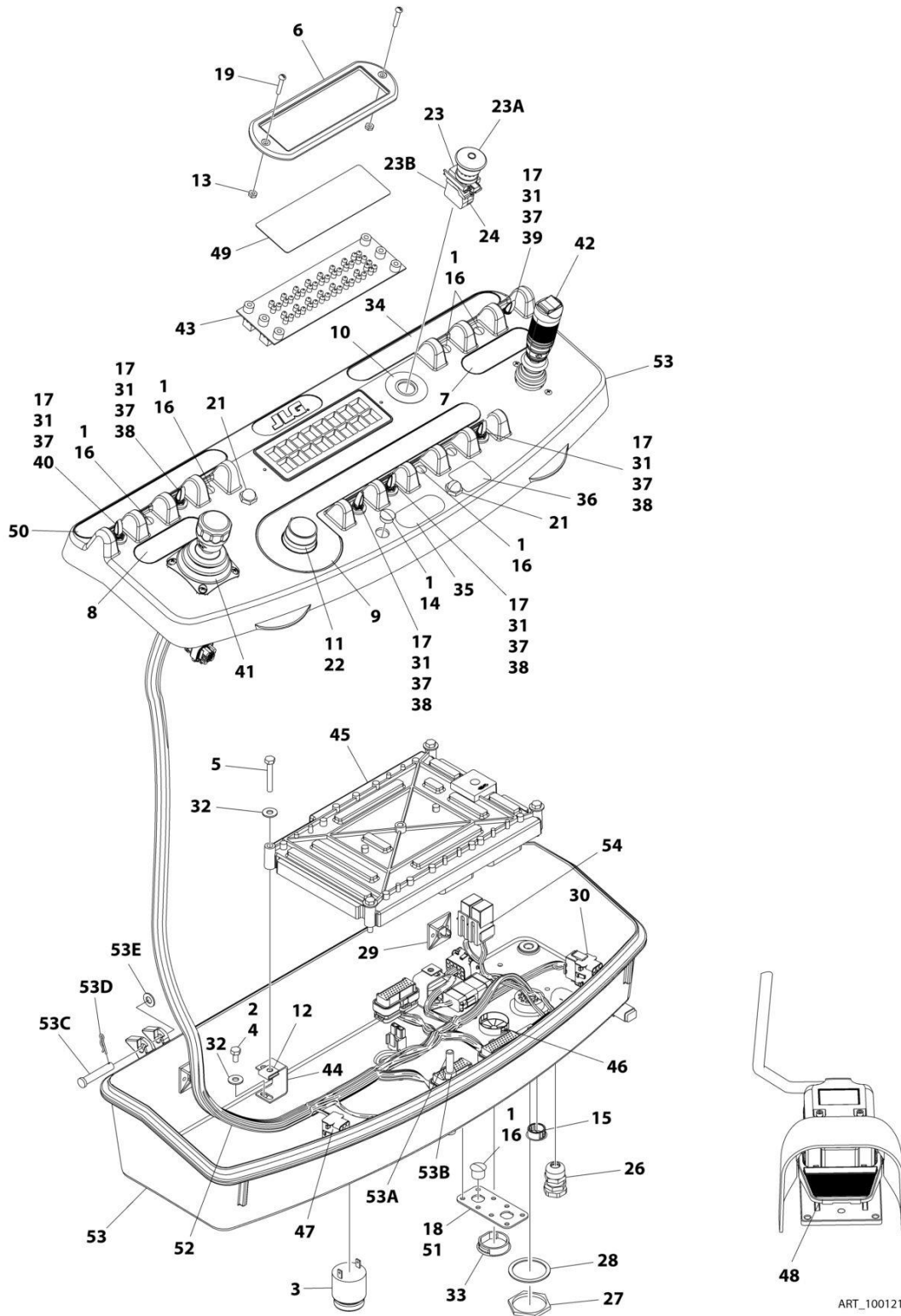
ITEM	PART NUMBER	QTY	DESCRIPTION	REV
43	1001182724	1	Module, PC (Note: Re-calibration Required when Replaced)	
44	1001189039	1	Footswitch Assembly (See FOOTSWITCH ASSEMBLY for Breakdown)	
45	1001201887	1	Console Box Assembly	
45A	0630568	1	Capscrew, 3/8-16 x 4-1/2	
45B	3311601	1	Nut, 3/8-16	
45C	3430616	2	Pin	
45D	3470003	2	Pin, Cotter	
45E	4711600	2	Washer, 3/8	
46	1001190797	1	Decal - Platform Display	
47	1001191318	1	Harness, Platform Console Box (See ELECTRICAL SECTION for Breakdown)	
48	1001192292	1	Harness, SkyGuard (See ELECTRICAL SECTION for Breakdown)	
49	1001193987	1	Decal - Horn and Drive Select	
50	3520030	1	Plug	
51	1001185281	1	Plug, Bushing	





# SECTION 5 - PLATFORM

**FIGURE 5-24. PLATFORM CONSOLE ASSEMBLY - WITH 1 CELL LSS AND WITH SKYGUARD (SN 0300235601 through 0300256463, SN B300001429 through B300004700)**



ART\_1001218652

## SECTION 5 - PLATFORM

**FIGURE 5-24. PLATFORM CONSOLE ASSEMBLY - WITH 1 CELL LSS AND WITH SKYGUARD (SN 0300235601 through 0300256463, SN B300001429 through B300004700)**

ITEM	PART NUMBER	QTY	DESCRIPTION	REV
	1001218652	Ref	PLATFORM CONSOLE ASSEMBLY - WITH 1 CELL LSS AND WITH SKYGUARD	E
1	0100009	AR	Sealant	
2	0100035	AR	Compound, Locking	
3	0140011	1	Alarm	
4	0641404	4	Bolt 1/4 x 1/2	
5	0641414	4	Bolt 1/4 x 1-3/4	
6	1671176	1	Bezel	
7	1702565	1	Decal - Drive and Steer	
8	1702566	1	Decal - Lift and Swing	
9	17042567	1	Decal - Function Speed	
10	1704260	1	Decal - EMS	
11	2560136	1	Handle, Knob	
12	3300353	4	Nut, Tinnerman	
13	3300408	2	Nut, Lock	
14	3520027	1	Plug, Hole	
15	3520030	1	Plug, Hole	
16	3520054	5	Plug, Hole	
17	3790012	6	O-Ring	
18	3900349	8	Screw M2.5	
19	3911018	2	Screw #10 x 1-1/8	
20	4240032	AR	Tie-Strap (Not Shown)	
21	4360387	2	Switch, Push Button	
22	4360407	1	Switch, Potentiometer	
23	4360475	1	Switch, Emergency Stop	
23A	7020175	1	Cap, Mushroom with Sealing Ring	
23B	7020176	1	Block, Contact	
24	4360476	1	Block, Contact	
25	4460234	4	Mount, Tie-Strap (Not Shown)	
26	4460428	1	Connector, Strain Relief	
27	4460470	1	Nut, Terminal	
28	4460471	1	Washer, Lock Terminal	
29	4460488	3	Base, Terminal Mounting	
30	4460708	1	Connector - 15 Position	
31	4740397	6	Spacer	
32	4751400	8	Washer 1/4	
33	1001110434	1	Plug, D-Shaped	
34	1001132175	1	Decal - Stop - Generator	
35	1001141300	1	Decal - Platform Sensor Override (SN 0300208529 through 0300237419, SN B300001429 through B300002549)	
36	1001144433	1	Decal - No Weight SkyGuard	
37	1001155044	6	Nut 15/32	
38	1001155045	4	Switch, Toggle	
39	1001159256	1	Switch, Toggle	
40	1001161710	1	Switch, Toggle	
41	1001166539	NLA	Controller Assembly - Lift and Swing (Use p/n 1001129555) (See CONTROLLER ASSEMBLY LIFT AND SWING for Breakdown)	
42	1001166538	NLA	Controller Assembly - Drive and Steer (Use p/n 1001212415) (See CONTROLLER ASSEMBLY - DRIVE AND STEER for Breakdown)	
43	1001170838	1	Gauge, Led Panel	

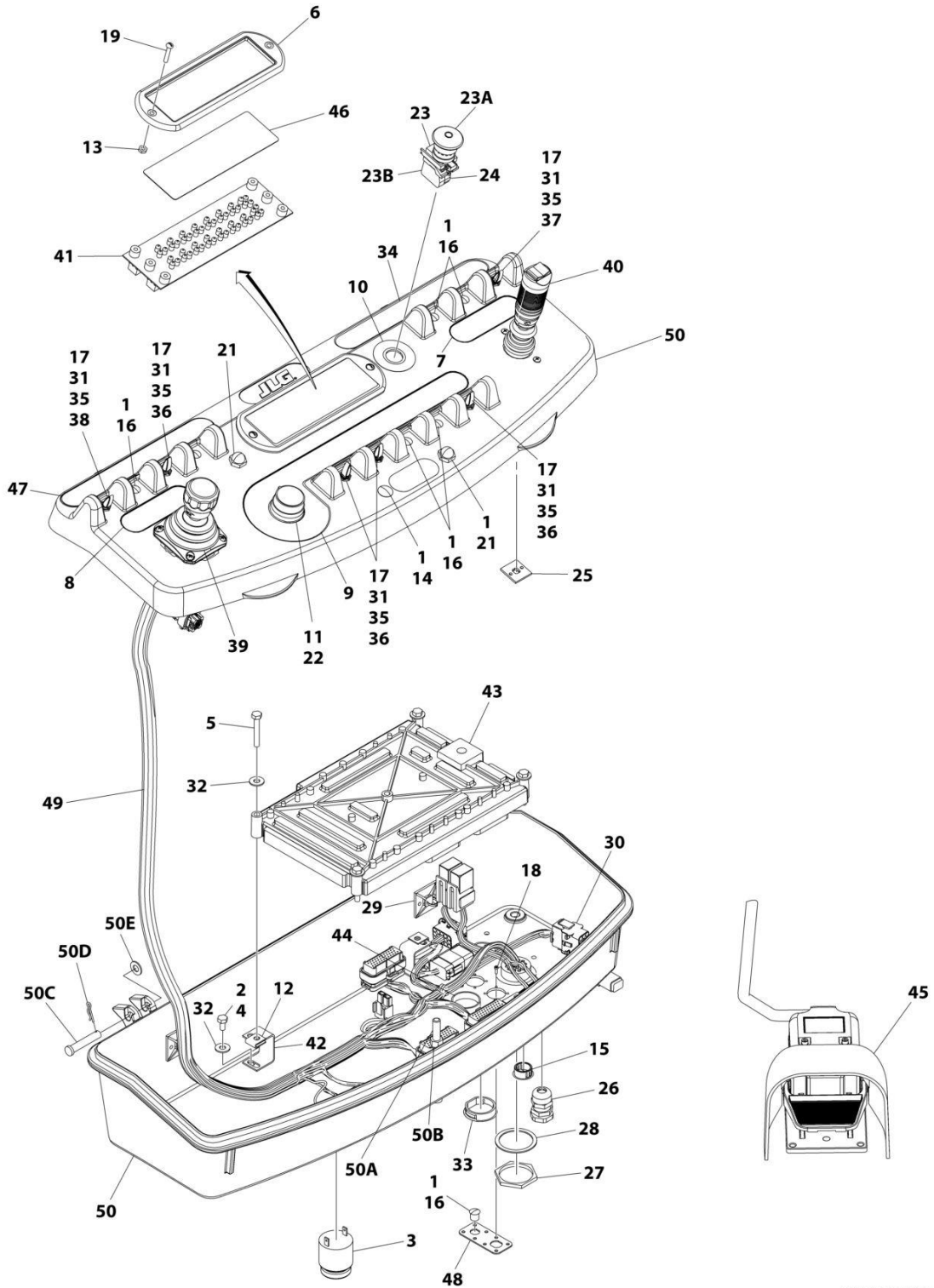
## SECTION 5 - PLATFORM

ITEM	PART NUMBER	QTY	DESCRIPTION	REV
44	1001172760	4	Bracket, Module	
45	1001182724	1	Module, PC (Note: Re-calibration Required when Replaced)	
46	1001185281	1	Plug, Bushing	
47	1001186431	2	Relay	
48	1001189039	1	Footswitch Assembly (See FOOTSWITCH ASSEMBLY for Breakdown)	
49	1001190797	1	Decal - Platform Display	
50	1001193987	1	Decal - Horn and Drive Select	
51	1001213882	1	Mount, Connector	
52	1001217621	1	Harness, Platform Console Box (With 1 Cell LSS) (See ELECTRICAL SECTION for Breakdown)	
53	1001218068	1	Console Box Assembly	
53A	0630568	1	Capscrew 3/8 x 4-1/2	
53B	3311601	1	Nut 3/8	
53C	3430616	2	Pin, Clevis	
53D	3470003	2	Pin, Cotter	
53E	4711600	2	Washer 3/8	
54	1001225580	1	Harness, SkyGuard (See ELECTRICAL SECTION for Breakdown)	



# SECTION 5 - PLATFORM

**FIGURE 5-25. PLATFORM CONSOLE ASSEMBLY - WITH 1 CELL LSS AND WITH SKYGUARD (SN 0300256464 through 0300272287, SN B300004701 through B300005763)**



ART\_1001238490

## SECTION 5 - PLATFORM

**FIGURE 5-25. PLATFORM CONSOLE ASSEMBLY - WITH 1 CELL LSS AND WITH SKYGUARD (SN 0300256464 through 0300272287, SN B300004701 through B300005763)**

ITEM	PART NUMBER	QTY	DESCRIPTION	REV
	1001238490	Ref	PLATFORM CONSOLE ASSEMBLY - WITH 1 CELL LSS AND WITH SKYGUARD	A
1	0100009	AR	Sealant	
2	0100035	AR	Compound, Locking	
3	0140011	1	Alarm	
4	0641404	4	Bolt 1/4 x 1/2	
5	0641414	4	Bolt 1/4 x 1-3/4	
6	1671176	1	Bezel	
7	1702565	1	Decal - Drive and Steer	
8	1702566	1	Decal - Lift and Swing	
9	17042567	1	Decal - Function Speed	
10	1704260	1	Decal - EMS	
11	2560136	1	Handle, Knob	
12	3300353	4	Nut, Tinnerman	
13	3300408	2	Nut, Lock	
14	3520027	1	Plug, Hole	
15	3520030	1	Plug, Hole	
16	3520054	7	Plug, Hole	
17	3790012	6	O-Ring	
18	3900349	8	Screw M2.5	
19	3911018	2	Screw #10 x 1-1/8	
20	4240032	AR	Tie-Strap (Not Shown)	
21	4360387	2	Switch, Push Button	
22	4360407	1	Switch, Potentiometer	
23	4360475	1	Switch, Emergency Stop	
23A	7020175	1	Cap, Mushroom with Sealing Ring	
23B	7020176	1	Block, Contact	
24	4360476	1	Block, Contact	
25	4460234	4	Mount, Tie-Strap	
26	4460428	1	Connector, Strain Relief	
27	4460470	1	Nut, Terminal	
28	4460471	1	Washer, Lock Terminal	
29	4460488	3	Base, Terminal Mounting	
30	4460708	1	Connector - 15 Position	
31	4740397	6	Spacer	
32	4751400	8	Washer 1/4	
33	1001110434	1	Plug, D-Shaped	
34	1001132175	1	Decal - Stop - Generator	
35	1001155044	6	Nut 15/32	
36	1001155045	4	Switch, Toggle	
37	1001159256	1	Switch, Toggle	
38	1001161710	1	Switch, Toggle	
39	1001166539	NLA	Controller Assembly - Lift and Swing (Use p/n 1001129555) (See CONTROLLER ASSEMBLY LIFT AND SWING for Breakdown)	
40	1001166538	NLA	Controller Assembly - Drive and Steer (Use p/n 1001212415) (See CONTROLLER ASSEMBLY - DRIVE AND STEER for Breakdown)	
41	1001170838	1	Gauge, Led Panel	
42	1001172760	4	Bracket, Module	
43	1001182724	1	Module, PC (Note: Re-calibration Required when Replaced)	

## SECTION 5 - PLATFORM

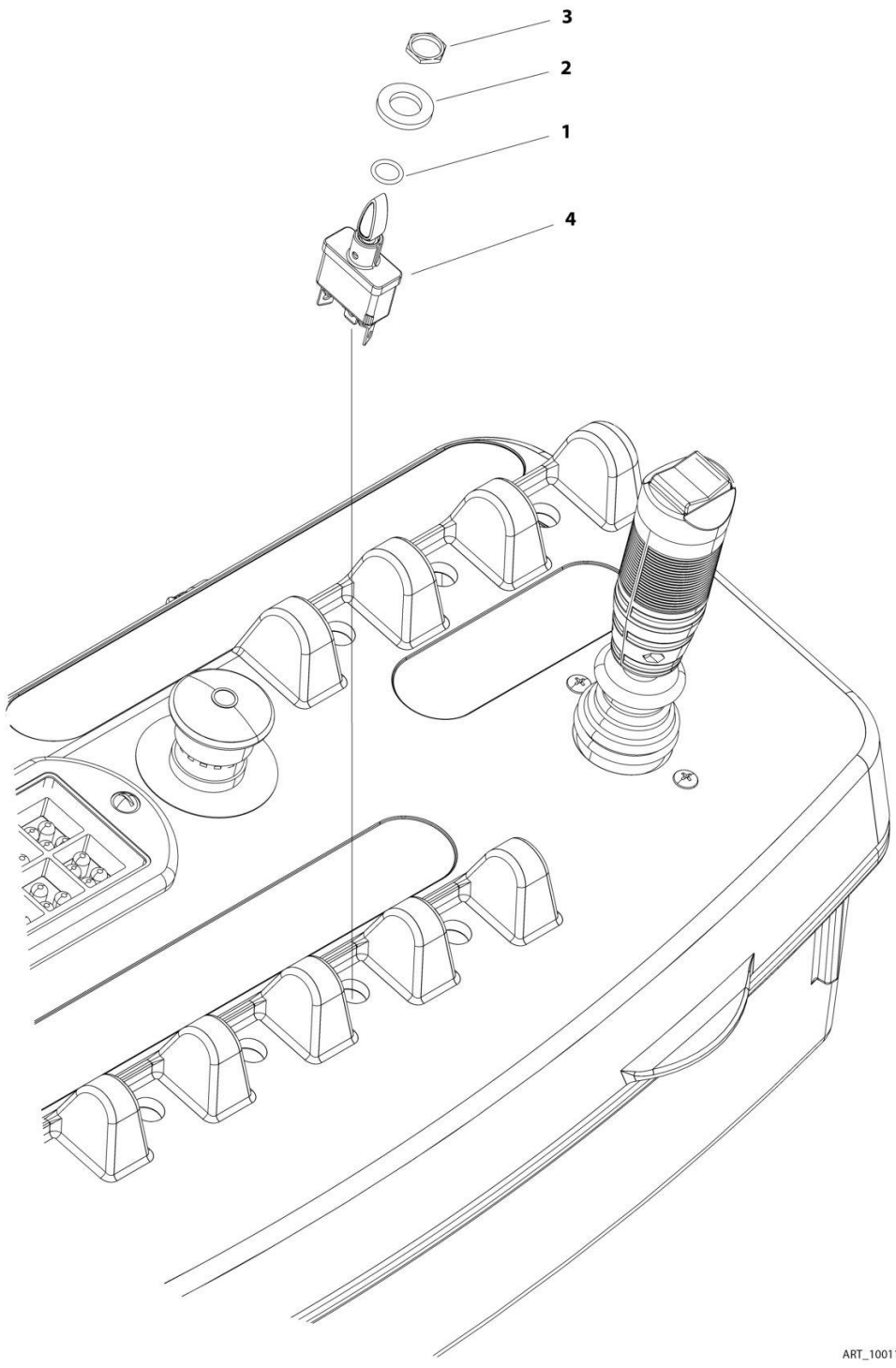
ITEM	PART NUMBER	QTY	DESCRIPTION	REV
44	1001185281	1	Plug, Bushing	
45	1001189039	1	Footswitch Assembly (See FOOTSWITCH ASSEMBLY for Breakdown)	
46	1001190797	1	Decal - Platform Display	
47	1001193987	1	Decal - Horn and Drive Select	
48	1001213882	1	Mount, Connector	
49	1001217621	1	Harness, Platform Console Box (With 1 Cell LSS) (See ELECTRICAL SECTION for Breakdown)	
50	1001218068	1	Console Box Assembly	
50A	0630568	1	Capscrew 3/8 x 4-1/2	
50B	3311601	1	Nut 3/8	
50C	3430616	2	Pin, Clevis	
50D	3470003	2	Pin, Cotter	
50E	4711600	2	Washer 3/8	





# SECTION 5 - PLATFORM

FIGURE 5-26. JIB SWITCH INSTALLATION - E450AJ/M450AJ



ART\_1001188892

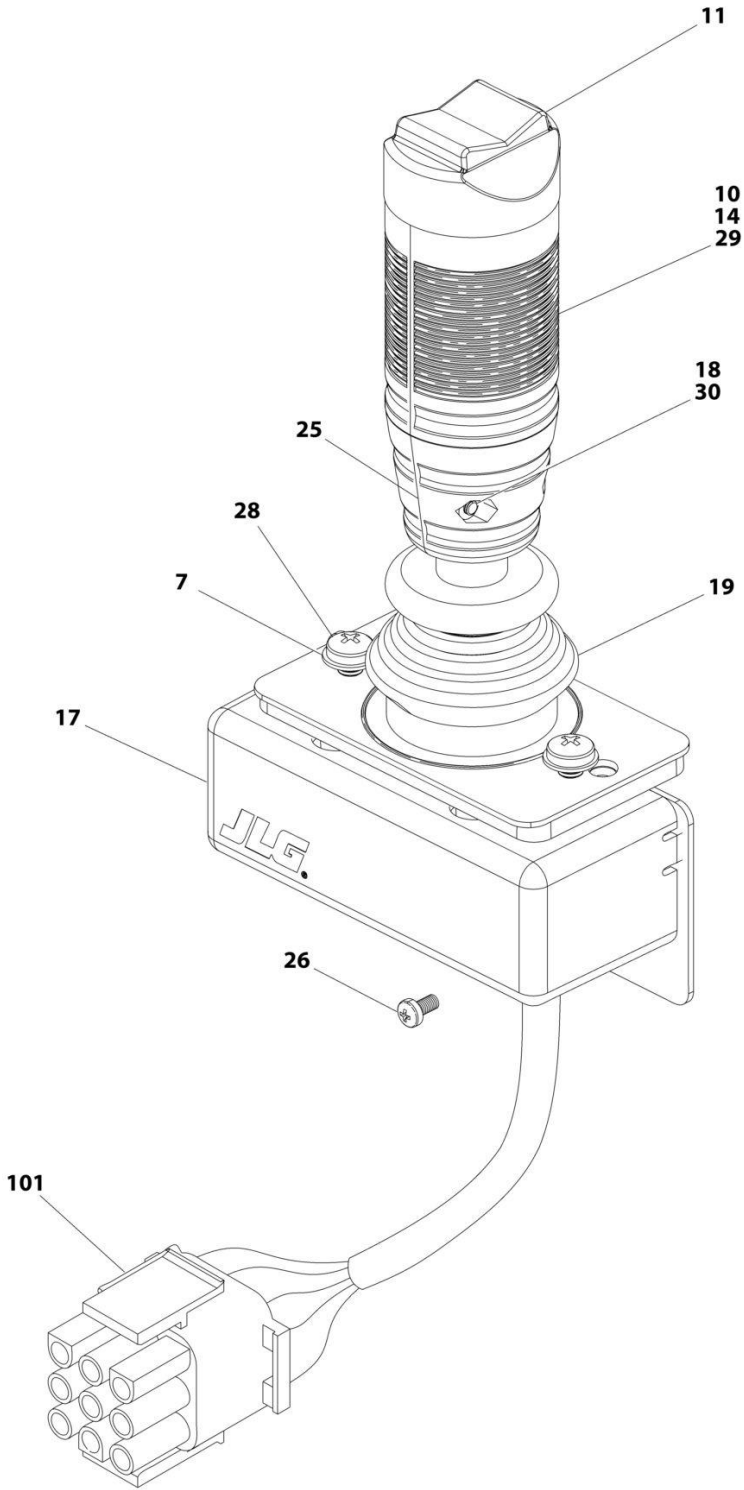
## SECTION 5 - PLATFORM

**FIGURE 5-26. JIB SWITCH INSTALLATION - E450AJ/M450AJ**

ITEM	PART NUMBER	QTY	DESCRIPTION	REV
	1001188892	Ref	JIB SWITCH INSTALLATION - E450AJ/M450AJ	A
1	3790012	1	O-Ring	
2	4740397	1	Spacer	
3	1001155044	1	Nut, Special	
4	1001155045	1	Switch, Toggle	

**SECTION 5 - PLATFORM**

**FIGURE 5-27. CONTROLLER ASSEMBLY - DRIVE AND STEER**



ART\_1001166538

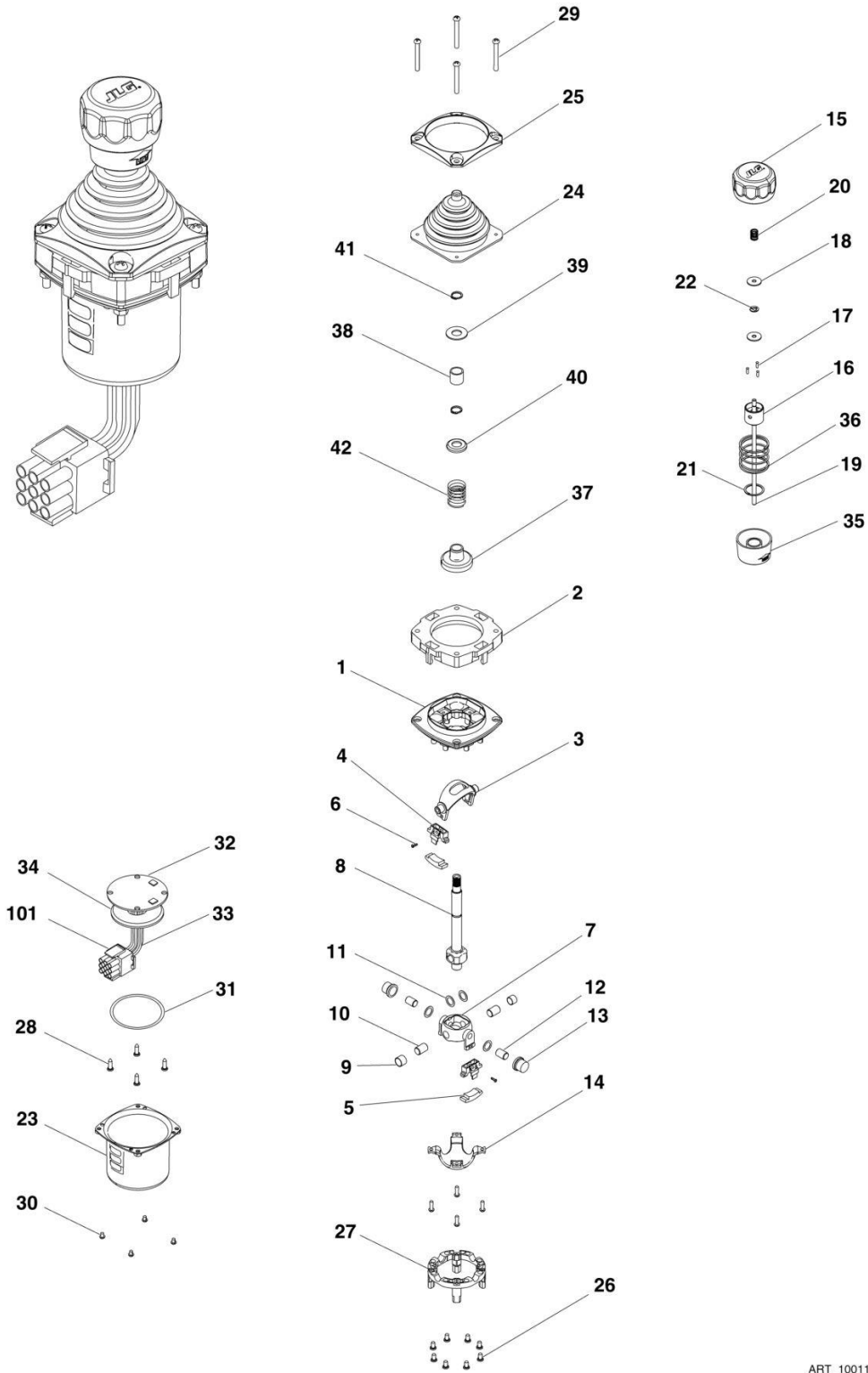
## SECTION 5 - PLATFORM

**FIGURE 5-27. CONTROLLER ASSEMBLY - DRIVE AND STEER**

ITEM	PART NUMBER	QTY	DESCRIPTION	REV
	1001166538	1	CONTROLLER ASSEMBLY - DRIVE AND STEER	G
	See Note	Ref	Note: Use p/n 1001212415 Kit as Replacement.	
7	70004738	2	Washer	
10	70004739	1	Roller	
11	70004740	1	Boot, Switch	
14	70004741	2	Half, Handle	
17	70004742	1	Enclosure	
18	70004743	4	Nut	
19	70005230	1	Boot/Base Assembly	
25	70004747	2	Seal, Rope	
26	70004748	1	Screw, M3 x 6mm	
28	70004749	2	Screw, M5 x 20mm	
29	70004750	1	Pin, Dowel	
30	70004751	4	Screw, M3 x 16mm	
101	4460265	1	Connector - 9 Position	
101	4460226	7	Socket, Female	

# SECTION 5 - PLATFORM

## FIGURE 5-28. CONTROLLER ASSEMBLY - LIFT AND SWING



ART\_1001166539

## SECTION 5 - PLATFORM

**FIGURE 5-28. CONTROLLER ASSEMBLY - LIFT AND SWING**

ITEM	PART NUMBER	QTY	DESCRIPTION	REV
	1001166539	Ref	CONTROLLER ASSEMBLY - LIFT AND SWING	D
		Ref	Note: Use p/n 1001129555 as replacement.	
1	See Note	1	Main Cast Body (Note: Not Available - Purchase Complete Assembly)	
2	70004752	1	Adapter	
3	See Note	NSS	Pivot Arm, Plastic (Note: Not Available - Purchase Complete Assembly)	
4	See Note	NSS	Holder, Magnet (Note: Not Available - Purchase Complete Assembly)	
5	See Note	NSS	Arc, Magnet (Note: Not Available - Purchase Complete Assembly)	
6	See Note	NSS	Screw (Note: Not Available for Purchase)	
7	See Note	NSS	Pivot Arm, Cast (Note: Not Available - Purchase Complete Assembly)	
8	See Note	NSS	Shaft, Main (Note: Not Available - Purchase Complete Assembly)	
9	See Note	NSS	Bearing (Note: Not Available - Purchase Complete Assembly)	
10	See Note	NSS	Pin (Note: Not Available - Purchase Complete Assembly)	
11	See Note	NSS	Shim (Note: Not Available - Purchase Complete Assembly)	
12	See Note	NSS	Pin (Note: Not Available - Purchase Complete Assembly)	
13	See Note	NSS	Bearing (Note: Not Available - Purchase Complete Assembly)	
14	See Note	NSS	Dome, Centering (Note: Not Available - Purchase Complete Assembly)	
15	70004753	1	Cap	
16	70004754	1	Insert, Cap	
17	70004755	3	Pin	
18	70004756	2	Washer	
19	70004757	1	Pin, Centering	
20	70004758	1	Spring	
21	70004759	1	Ring, Retaining	
22	70004760	1	E-Ring	
23	70004761	1	Can, Enclosure	
24	70004762	1	Boot	
25	70004763	1	Bezel	
26	See Note	NSS	Screw (Note: Not Available for Purchase)	
27	See Note	NSS	Base Mounting (Note: Not Available - Purchase Complete Assembly)	
28	See Note	NSS	Screw (Note: Not Available for Purchase)	
29	70004764	4	Screw	
30	70004765	4	Screw	
31	70004766	1	O-Ring	
32	See Note	NSS	Plate (Note: Not Available - Purchase Complete Assembly)	
33	See Note	NSS	Harness (Note: Not Available - Purchase Complete Assembly)	
34	70004767	1	Gromment, Rubber	
35	70004768	1	Housing	
36	70004769	1	Spring	
37	70004770	1	Stopper	
38	70004771	1	Spacer	
39	70004772	1	Washer	
40	70004773	1	Disc	
41	70004774	2	Ring, Retaining	
42	70004775	1	Spring	
101	4460265	1	Connector - 9 Position	

## SECTION 5 - PLATFORM

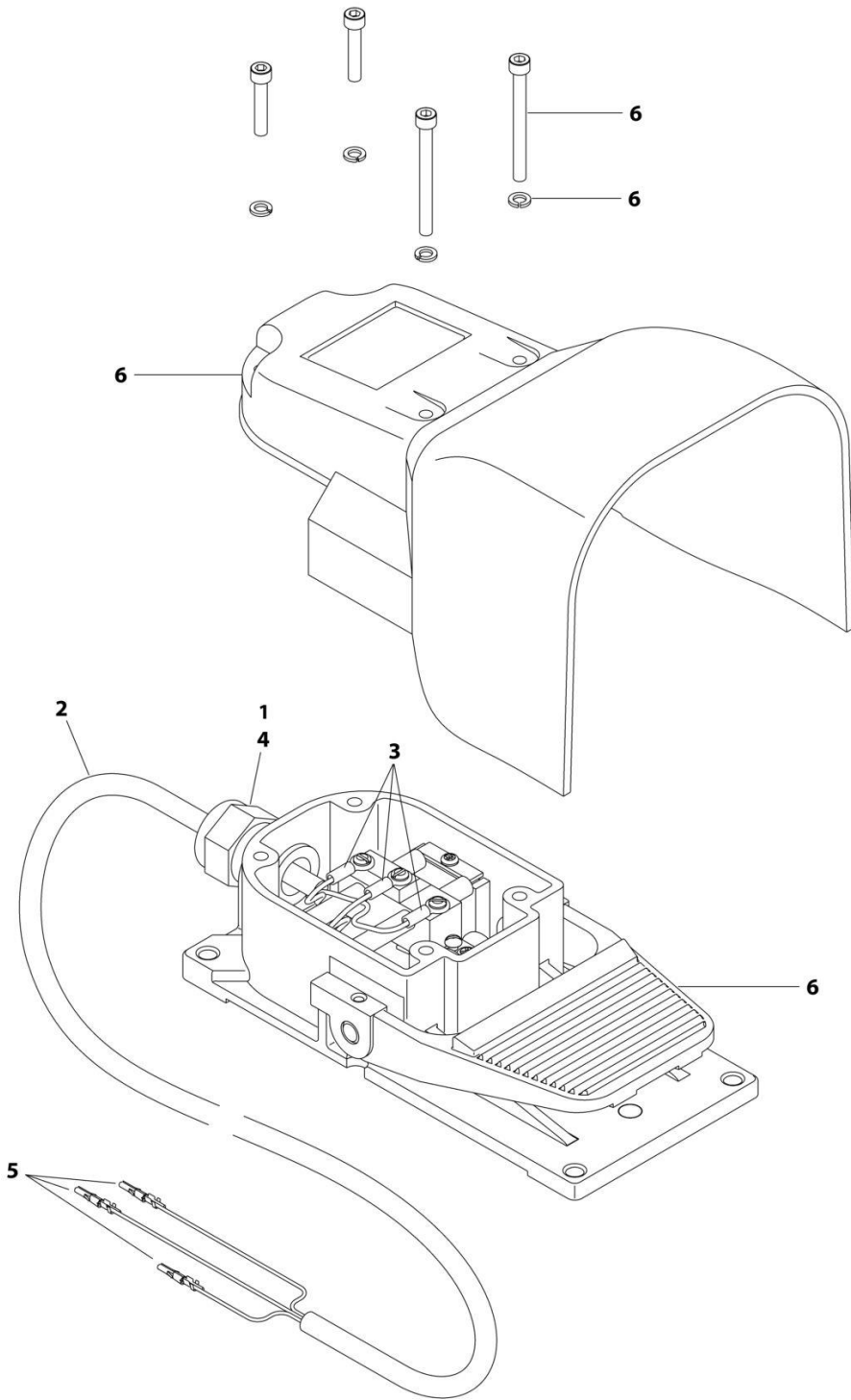
ITEM	PART NUMBER	QTY	DESCRIPTION	REV
101	4460226	6	Socket, Female	





# SECTION 5 - PLATFORM

## FIGURE 5-29. FOOTSWITCH ASSEMBLY



ART\_1001189039

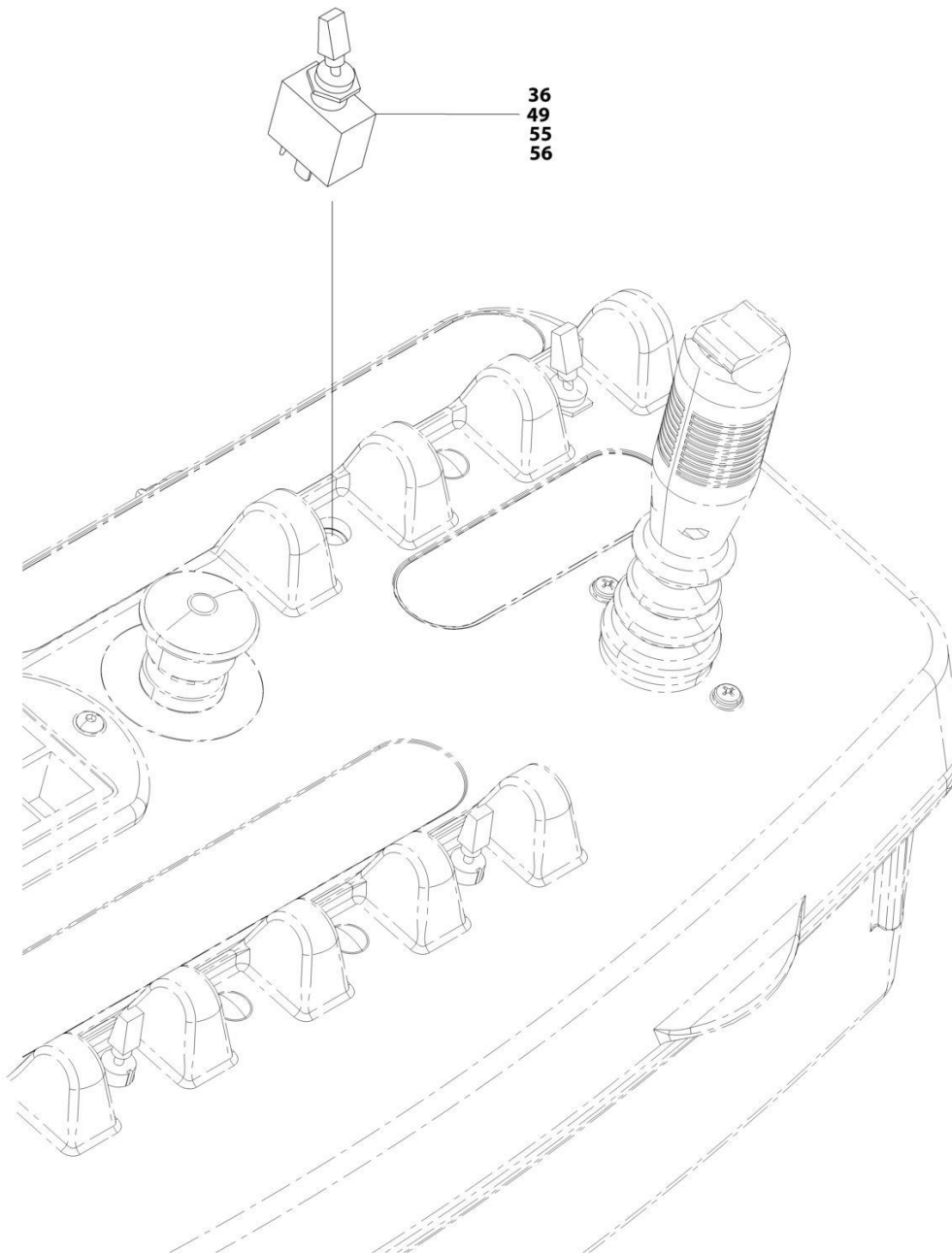
## SECTION 5 - PLATFORM

### FIGURE 5-29. FOOTSWITCH ASSEMBLY

ITEM	PART NUMBER	QTY	DESCRIPTION	REV
	1001189039	Ref	FOOTSWITCH ASSEMBLY	A
1	0100020	AR	Sealant	
2	1060330	6 ft /1.8m	Cable, Electrical - 16/3	
3	4460042	3	Terminal	
4	4460071	1	Connector, Strain Relief	
5	4460226	3	Socket, Female	
6	1001117172	1	Footswitch	
6	70002902	1	Switch, 20Amp	
6	70002903	1	Gasket	
6	70002905	1	Cover	
6	70002904	1	Kit, Replacement Bolt	

# SECTION 5 - PLATFORM

## FIGURE 5-30. MOTOR CONTROLS INSTALLATION - M450AJ



ART\_1001191232\_40F4

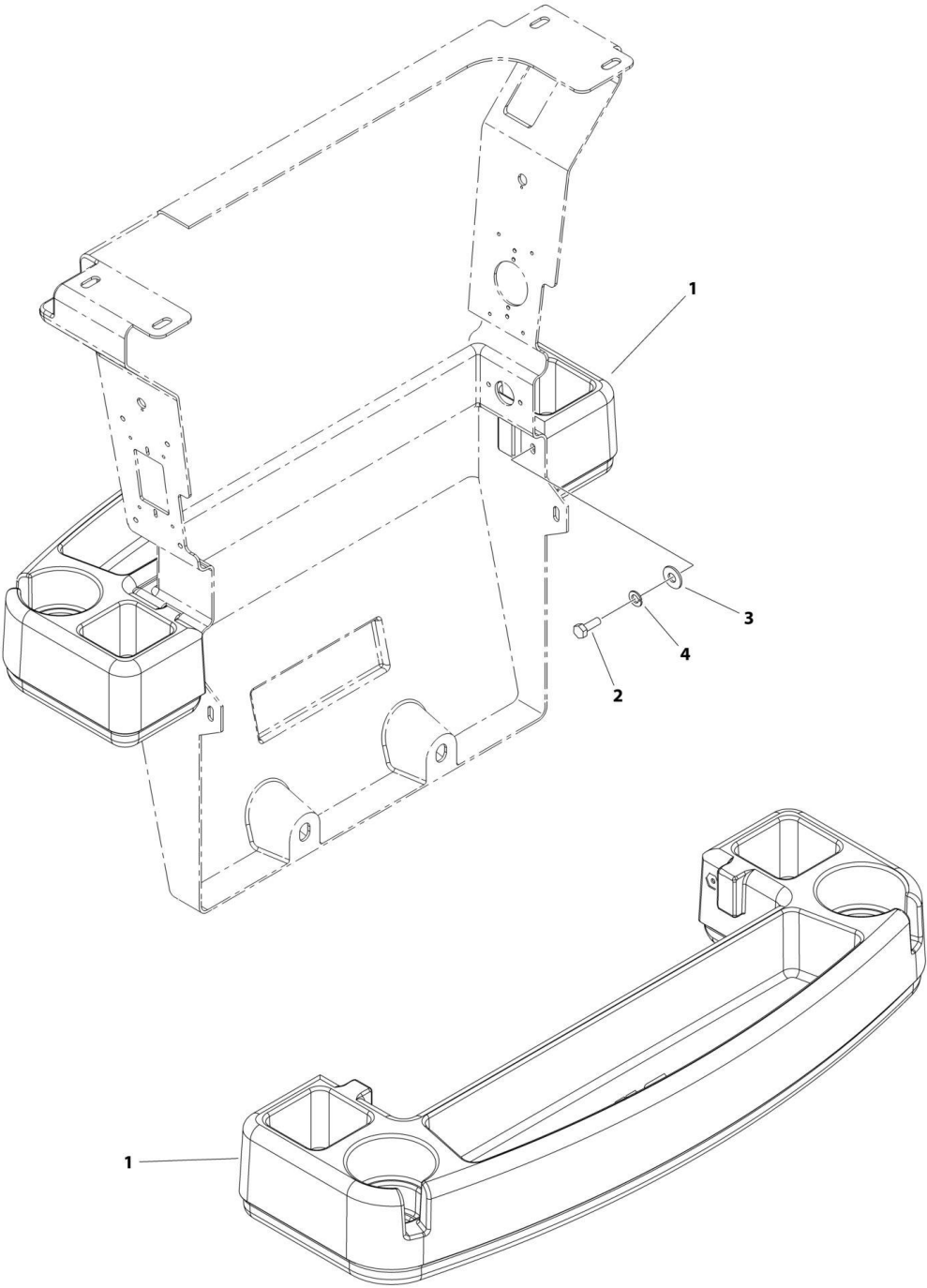
## SECTION 5 - PLATFORM

### FIGURE 5-30. MOTOR CONTROLS INSTALLATION - M450AJ

ITEM	PART NUMBER	QTY	DESCRIPTION	REV
	1001191232	Ref	MOTOR CONTROLS INSTALLATION - M450AJ	F
36	3790012	1	O-Ring	
49	4740397	1	Washer, Spacer	
55	1001155044	1	Nut, Special	
56	1001161710	1	Switch, Toggle	

**SECTION 5 - PLATFORM**

**FIGURE 5-31. TRAY ASSEMBLY**



ART\_1580012

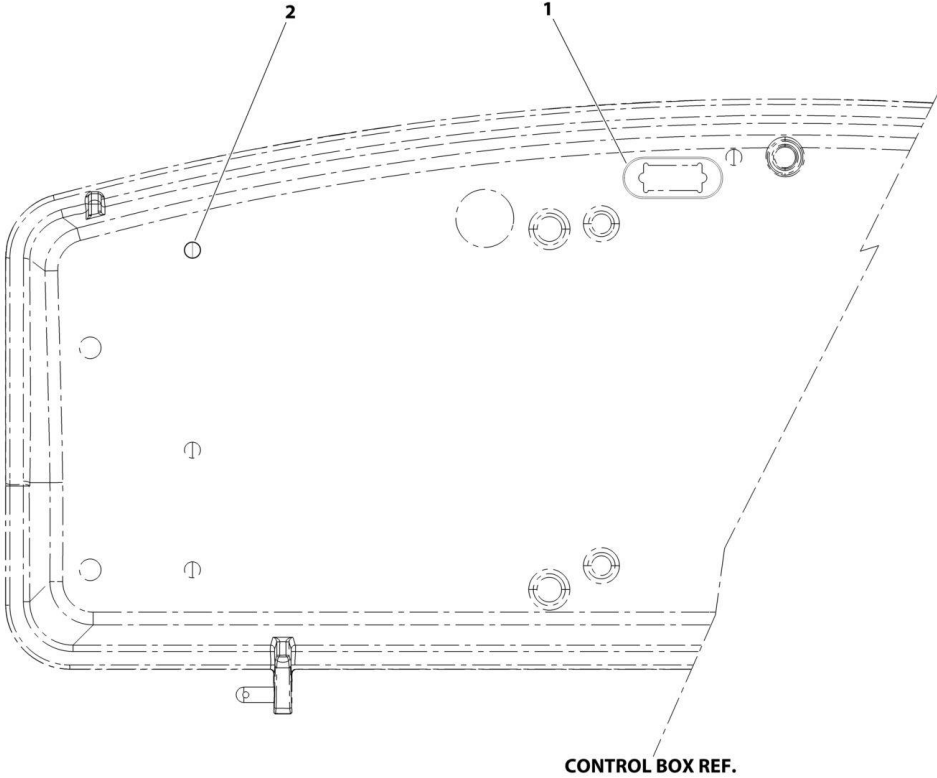
## SECTION 5 - PLATFORM

### FIGURE 5-31. TRAY ASSEMBLY

ITEM	PART NUMBER	QTY	DESCRIPTION	REV
	1580012	Ref	TRAY INSTALLATION	C
1	See Note	1	Tray, Storage - Center (Note: Purchase p/n 1580012)	
2	0641406	2	Bolt, 1/4-20 x 3/4	
3	4751400	2	Washer, 1/4	
4	4761400	2	Washer, Locking, 1/4	

**SECTION 5 - PLATFORM**

**FIGURE 5-32. SEALED ENCLOSURES - UL SPECS**



ART\_0272111



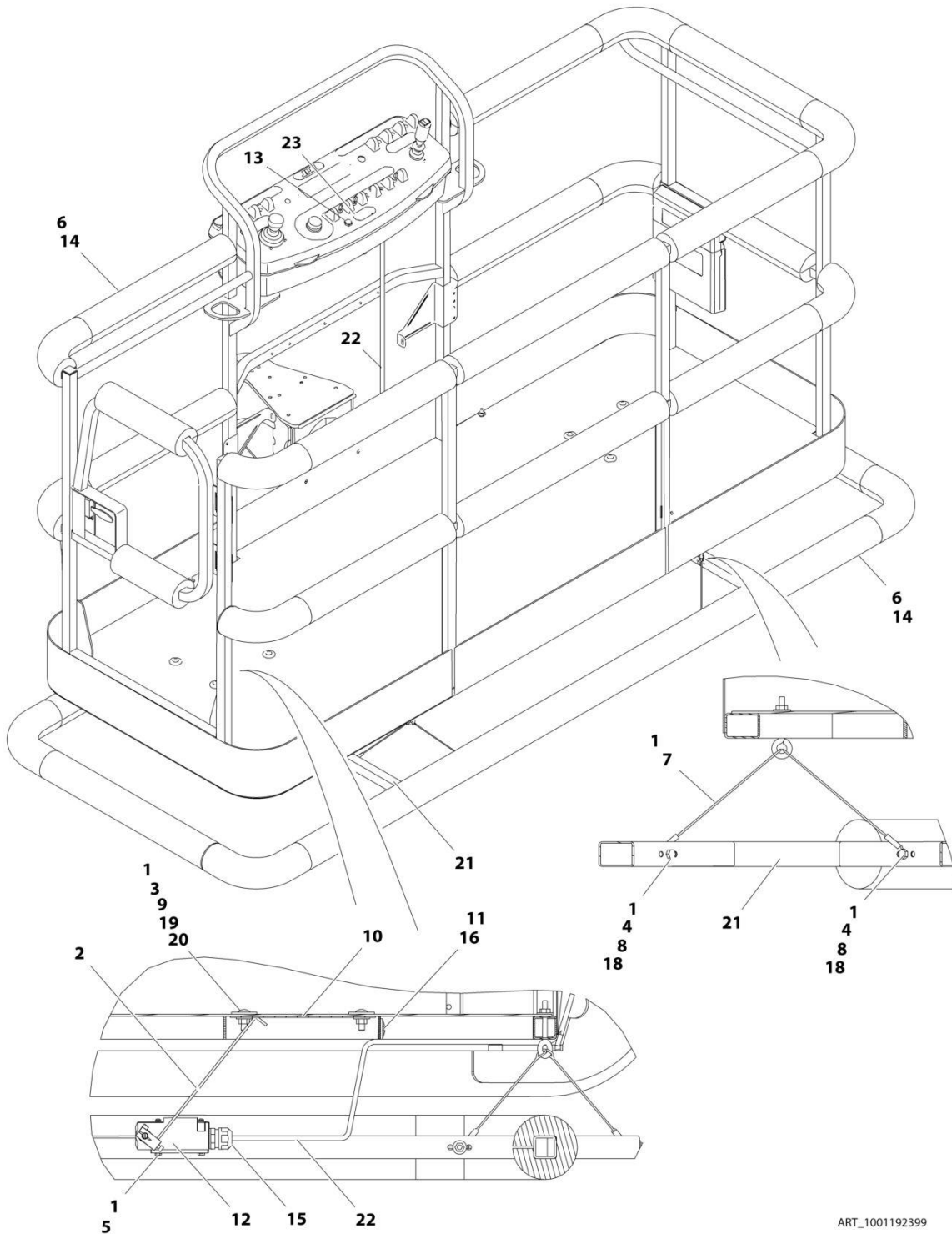
## SECTION 5 - PLATFORM

**FIGURE 5-32. SEALED ENCLOSURES - UL SPECS**

ITEM	PART NUMBER	QTY	DESCRIPTION	REV
	0272111	Ref	SEALED ENCLOSURES - UL SPECS	B
1	0100009	AR	Sealant (Seal Around Analyzer Port)	
2	3520173	8	Plug (Located in Bottom of Console Box)	

# SECTION 5 - PLATFORM

FIGURE 5-33. SOFT TOUCH INSTALLATION - 6FT/1.8M PLATFORM (ANSI, ANSI EXPORT AND CSA SPECS)



ART\_1001192399

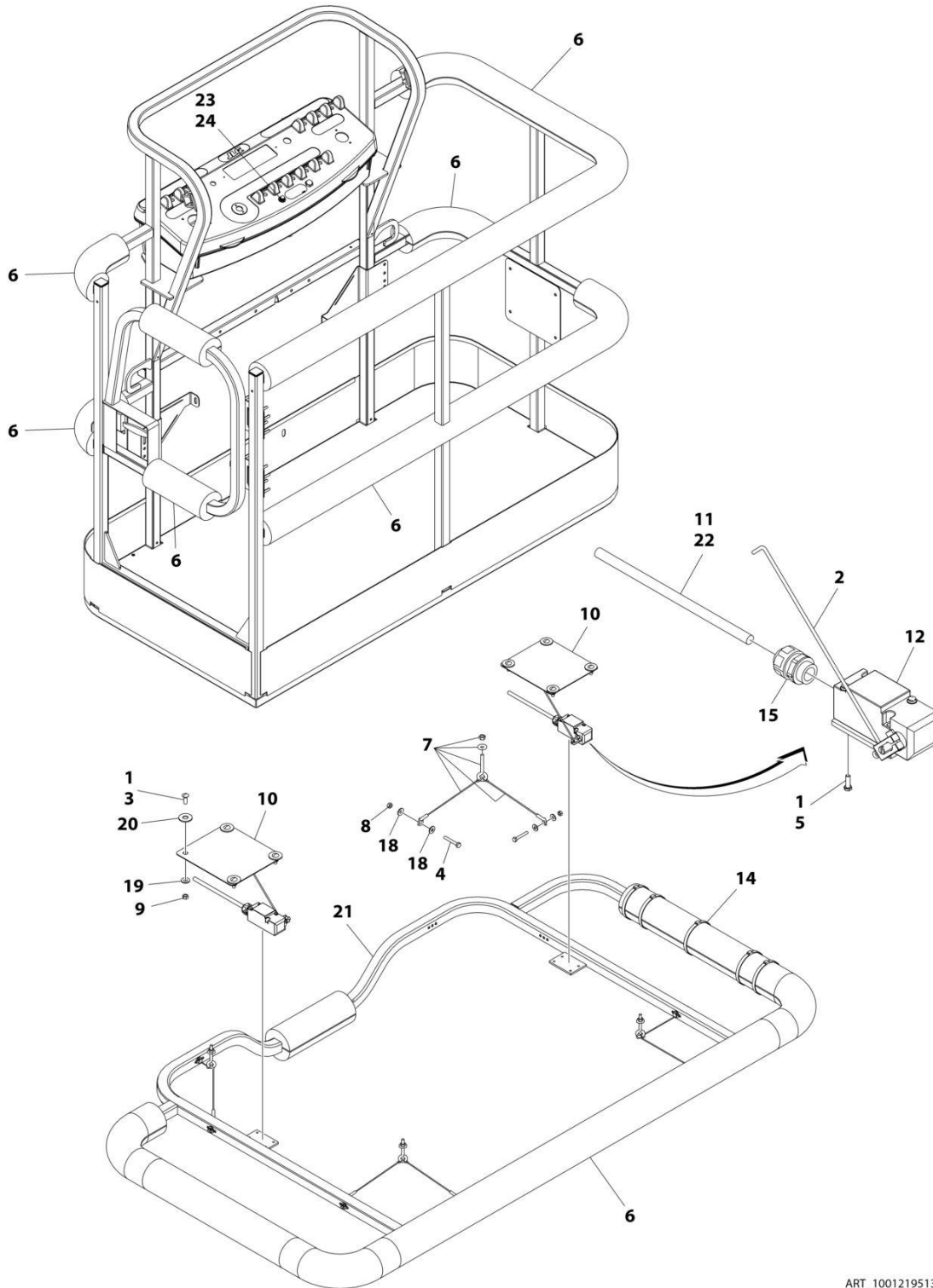
## SECTION 5 - PLATFORM

**FIGURE 5-33. SOFT TOUCH INSTALLATION - 6FT/1.8M PLATFORM (ANSI, ANSI EXPORT AND CSA SPECS)**

ITEM	PART NUMBER	QTY	DESCRIPTION	REV
	1001192399	Ref	SOFT TOUCH INSTALLATION - 6FT/1.8M PLATFORM (ANSI, ANSI EXPORT AND CSA SPECS)	C
1	0100011	AR	Compound, Locking	
2	0200048	2	Arm, Switch	
3	0630462	8	Bolt, Carriage	
4	0641414	8	Bolt, 1/4-20 x 1-3/4	
5	0721005	4	Bolt, #10-24 x 5/8	
6	0940167	1	Bumper Kits (Includes Corners and Enough Straight Material for One Platform)	
7	1060903	4	Wire Rope and Eyebolt Assembly	
8	3311401	8	Nut, 1/4-20	
9	3311501	8	Nut, 5/16-18	
10	3575705	2	Plate, Switch Strike	
11	4240099	AR	Tie-Strap	
12	4360057	2	Switch, Limit	
13	4360387	1	Switch, Push Button	
14	4420068	1	Tape, Adhesive	
14	1001197017	AR	Tie-Strap	
15	4460049	2	Connector, Strain Relief	
16	4460234	2	Tie-Strap Mount	
17	4460425	1	Connector, Strain Relief (Not Shown - Located on bottom of console box)	
18	4751400	16	Washer, 1/4	
19	4751500	8	Washer, 5/16	
20	4751800	8	Washer, 1/2	
21	4846370	1	Rail, Soft Touch	
22	1001193419	1	Soft Touch Wiring Diagram (See ELECTRICAL SECTION for Breakdown)	
22	4460226	4	Socket, Female	
23	1001141302	1	Decal - Soft Touch Override	

# SECTION 5 - PLATFORM

FIGURE 5-34. SOFT TOUCH INSTALLATION - 5FT/1.52M PLATFORM (ANSI, ANSI EXPORT AND CSA SPECS)



ART\_1001219513

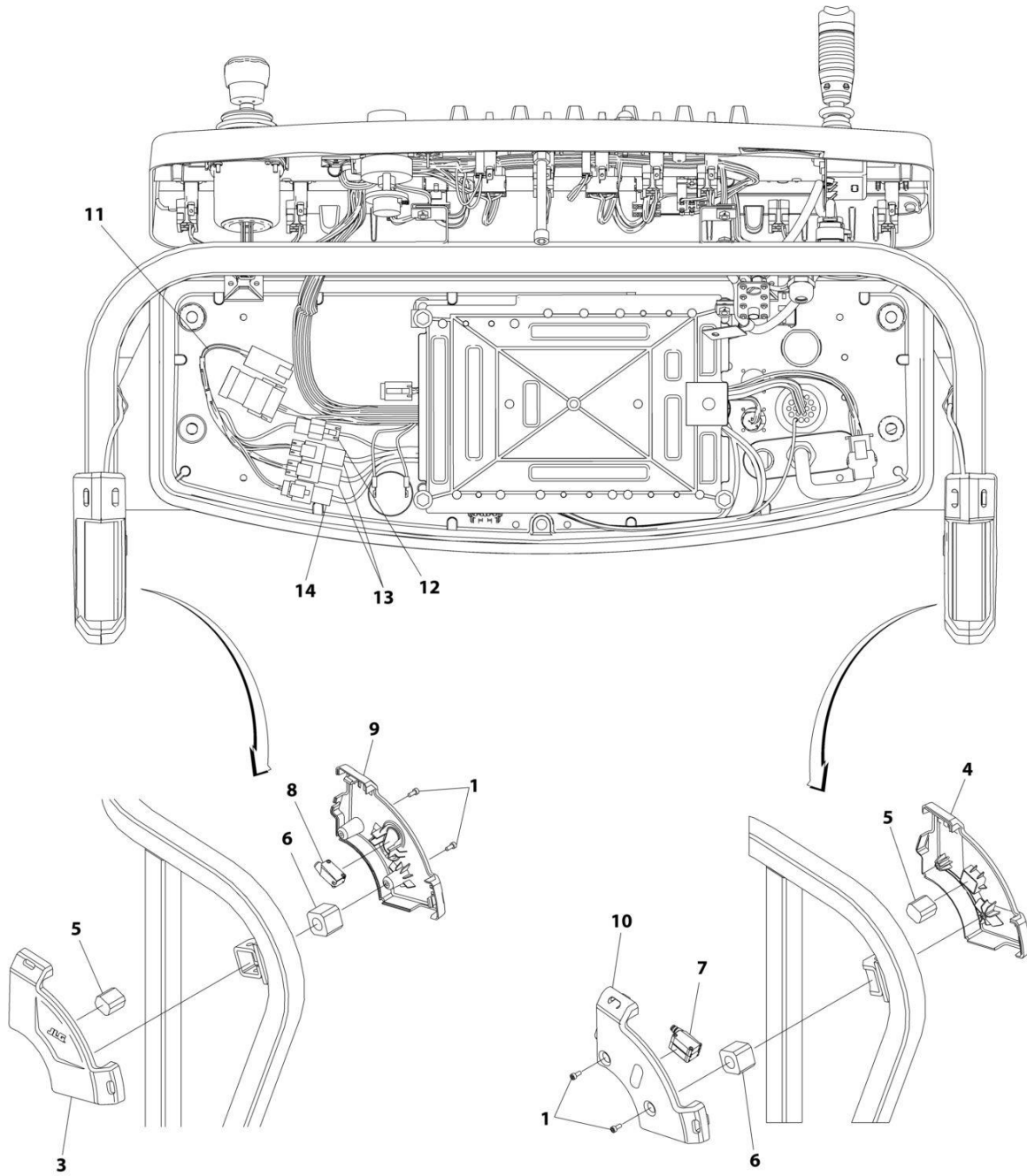
## SECTION 5 - PLATFORM

**FIGURE 5-34. SOFT TOUCH INSTALLATION - 5FT/1.52M PLATFORM (ANSI, ANSI EXPORT AND CSA SPECS)**

ITEM	PART NUMBER	QTY	DESCRIPTION	REV
	1001219513	Ref	SOFT TOUCH INSTALLATION - 5FT/1.52M PLATFORM (ANSI, ANSI EXPORT AND CSA SPECS)	A
1	0100011	AR	Compound, Locking	
2	0200048	2	Arm, Switch	
3	0630462	8	Bolt, Carriage	
4	0641414	8	Bolt 1/4 x 1-3/4	
5	0721005	4	Bolt #10 x 5/8	
6	1001196004	1	Bumper Kits (Includes Corners and Enough Straight Material for One Platform)	
7	1060903	4	Wire Rope and Eyebolt Assembly	
8	3311401	8	Nut 1/4	
9	3311501	8	Nut 5/16	
10	3575705	2	Plate, Switch Strike	
11	4240099	AR	Tie-Strap	
12	4360057	2	Switch, Limit	
14	1001197017	66	Strap, Cable Tie	
15	4460049	2	Connector, Strain Relief	
16	4460234	2	Tie-Strap Mount (Not Shown)	
17	4460425	1	Connector, Strain Relief (Not Shown - Located on bottom of console box)	
18	4751400	16	Washer 1/4	
19	4751500	8	Washer 5/16	
20	4751800	8	Washer 1/2	
21	1001195841	1	Rail, Soft Touch	
22	1001193419	1	Soft Touch Wiring Diagram (See ELECTRICAL SECTION for Breakdown)	
22	4460226	4	Socket, Female	
23	2920028	1	Light, Indicator	
24	2920029	1	Bulb	

# SECTION 5 - PLATFORM

## FIGURE 5-35. SKYEYE INSTALLATION



ART\_1001229341

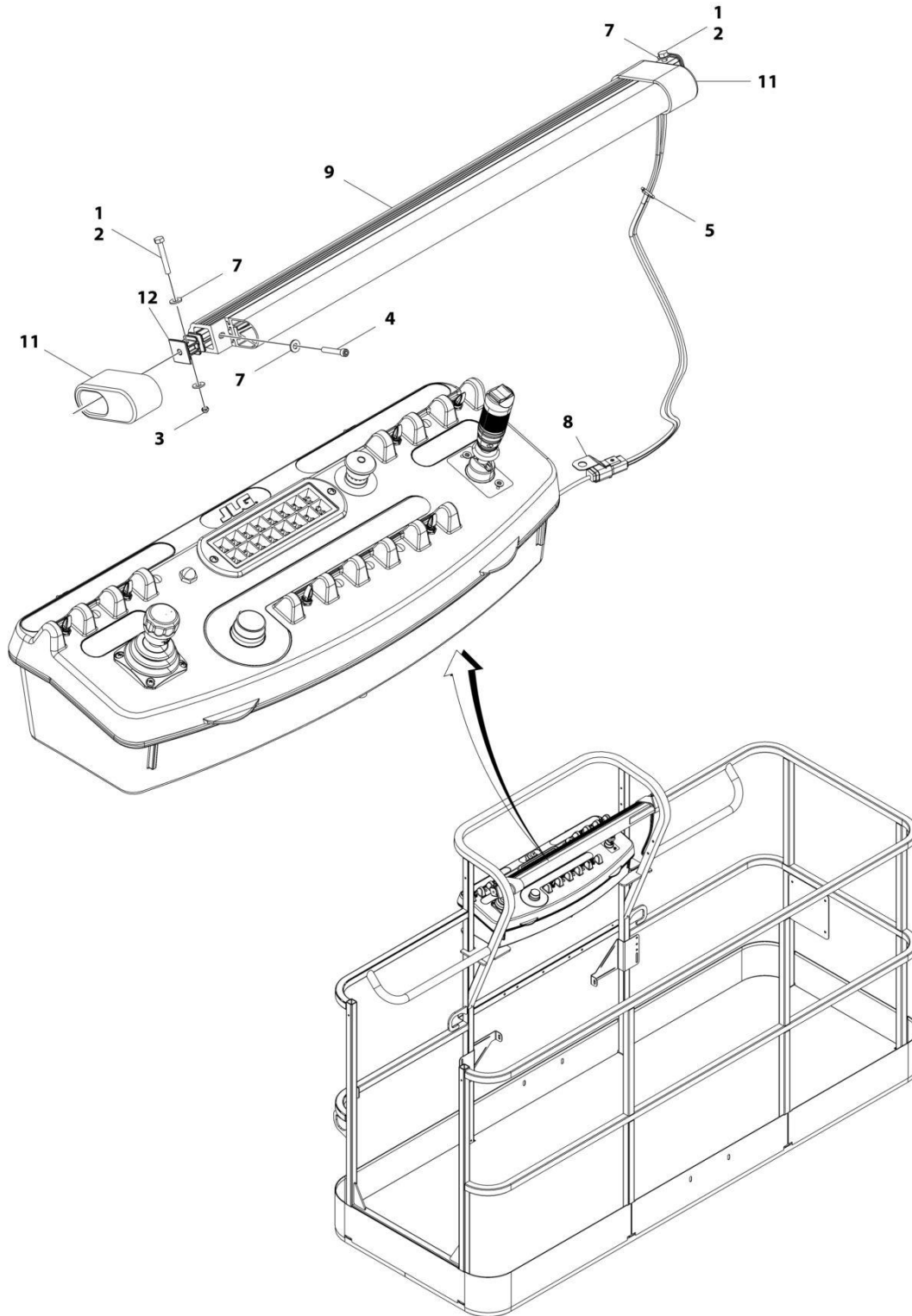
## SECTION 5 - PLATFORM

### FIGURE 5-35. SKYEYE INSTALLATION

ITEM	PART NUMBER	QTY	DESCRIPTION	REV
	1001229341	Ref	SKYEYE INSTALLATION	B
1	4031505	4	Bolt M4 x 10	
2	4240033	AR	Tie-Strap (Not Shown)	
3	1001227633	1	Housing, LH Outer	
4	1001227634	1	Housing, RH Outer	
5	1001227985	2	Shim	
6	1001227987	2	Shim	
7	1001228224	2	Sensor, Receiver	
8	1001228225	1	Sensor, Emitter	
9	1001232164	1	Housing, LH Inner	
10	1001232165	1	Housing, RH Inner	
11	1001237865	1	Harness, Skyeye Intermediate (See Separate Breakdown in ELECTRICAL Section)	
12	1001238319	NLA	Harness, Skyeye Drain Jumper	
12	1001187674	1	Plug, Male - 2 Position	
12	4460942	1	Terminal	
12	4460466	1	Plug, Terminal	
12	4460508	1	Pin, Male	
13	1001237863	2	Harness, Skyeye Receiver (See Separate Breakdown in ELECTRICAL Section)	
14	1001237864	1	Harness, Skyeye Emitter (See Separate Breakdown in ELECTRICAL Section)	

# SECTION 5 - PLATFORM

FIGURE 5-36. SKYGUARD SYSTEM INSTALLATION (SN 0300208529 through 0300256463, SN B300001429 through B300005763)



ART\_1001192387



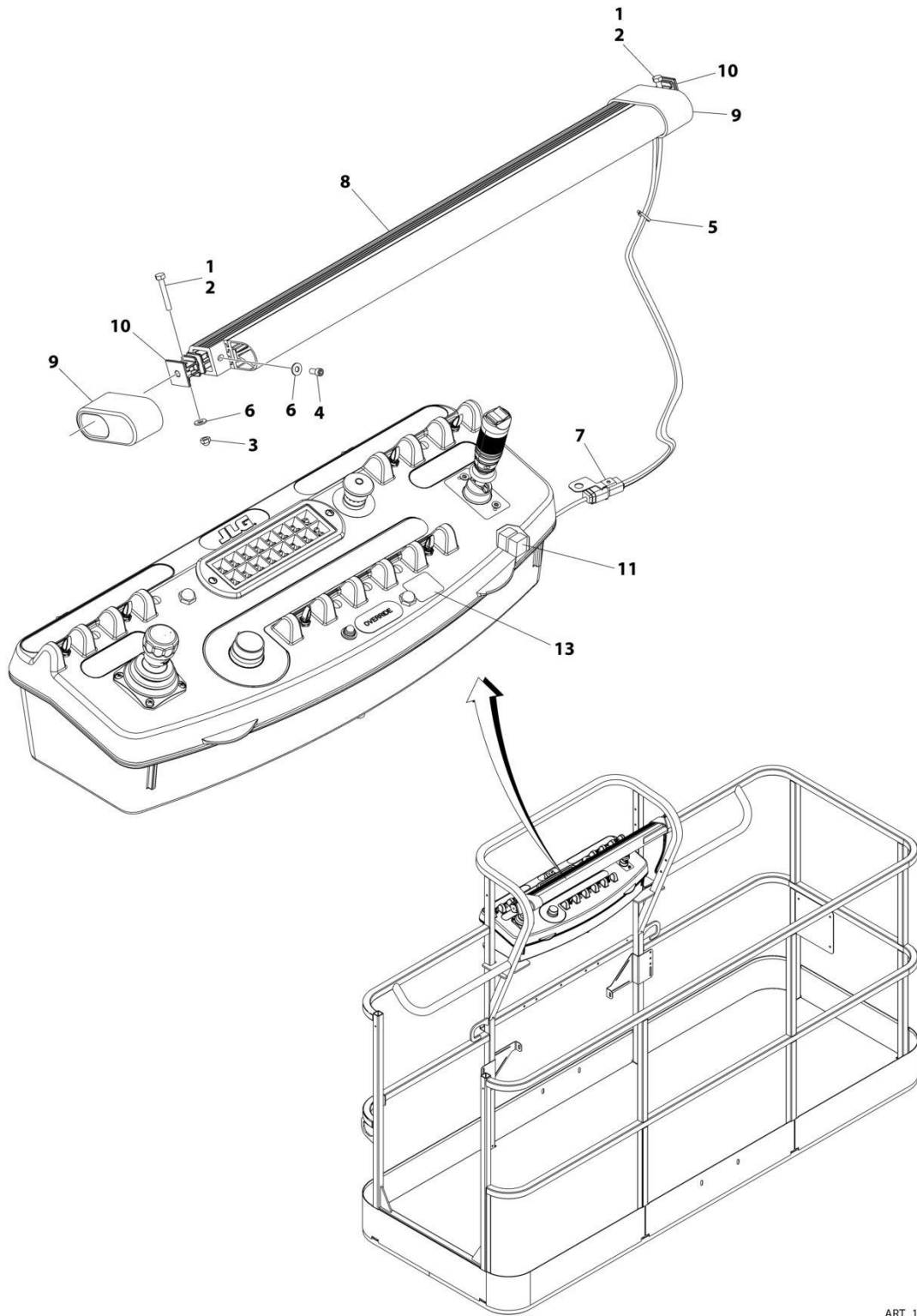
## SECTION 5 - PLATFORM

**FIGURE 5-36. SKYGUARD SYSTEM INSTALLATION (SN 0300208529 through 0300256463, SN B300001429 through B300005763)**

ITEM	PART NUMBER	QTY	DESCRIPTION	REV
	1001192387	Ref	SKYGUARD SYSTEM INSTALLATION	C
1	0100011	AR	Compound, Locking	
2	0641414	2	Bolt, 1/4-20 X 1-3/4	
3	3300430	2	Nut, Acorn 1/4-20	
4	3931424	2	Capscrew, 1/4 X 1-1/2	
4	3931408	2	Capscrew 1/4 x 1/2	
5	4240033	AR	Tie-Strap	
7	4711400	6	Washer, 1/4	
8	1001120328	1	Mount	
9	1001137673	1	Switch, SkyGuard Assembly	
11	1001186517	2	Cover, Platform Sensor	
12	1001188889	2	Support, Shear Block <b>(SN 0300208529 through 0300244469, SN B300001429 through B300004007)</b>	
12	1001209664	2	Support, Block <b>(SN 0300244470 through 0300256463, SN B300004008 through B300005763, Excluding B300005567)</b>	

# SECTION 5 - PLATFORM

FIGURE 5-37. SKYGUARD BAR INSTALLATION (SN 0300256464 through 0300272287)



ART\_1001238495

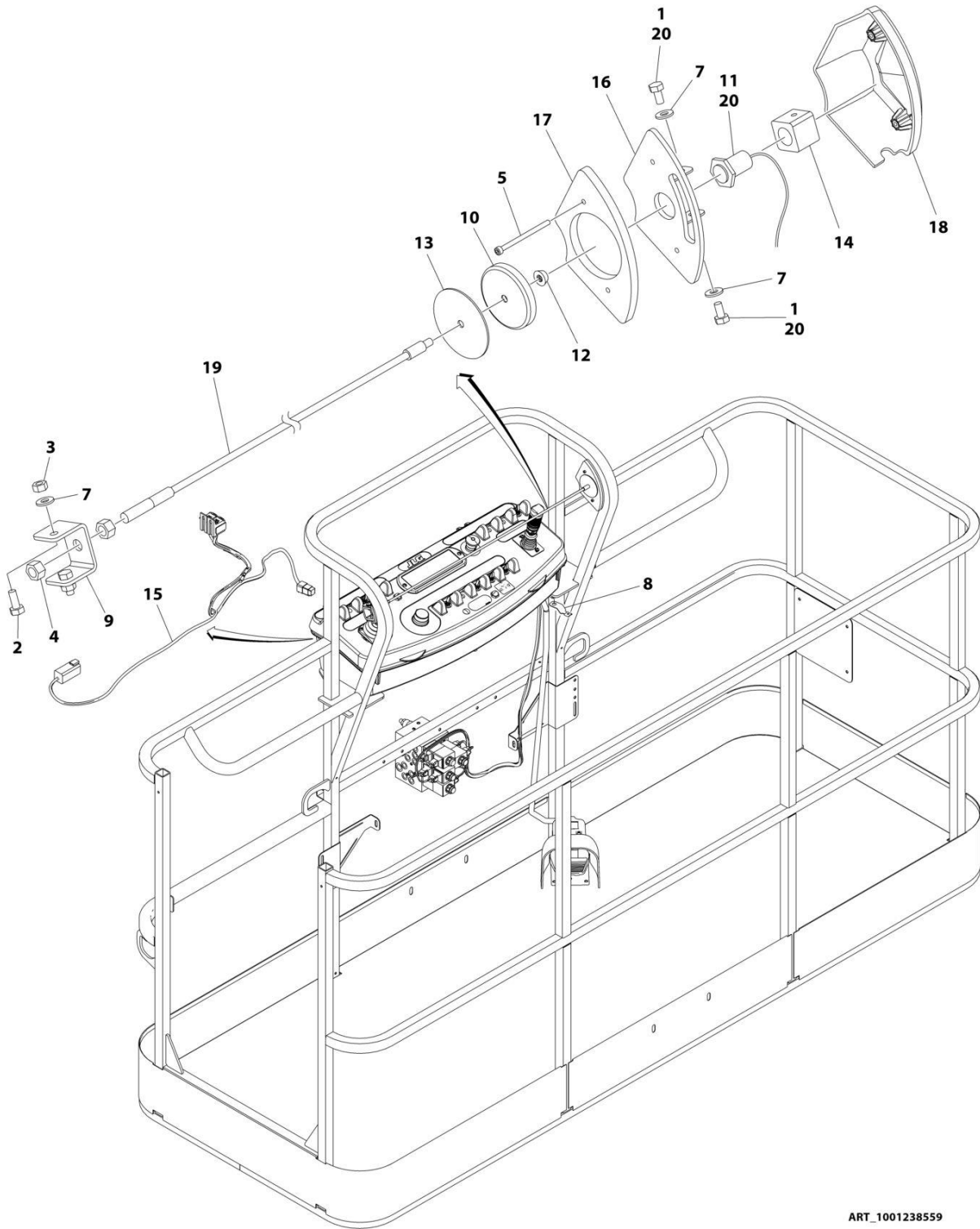
## SECTION 5 - PLATFORM

**FIGURE 5-37. SKYGUARD BAR INSTALLATION (SN 0300256464 through 0300272287)**

ITEM	PART NUMBER	QTY	DESCRIPTION	REV
	1001238495	Ref	SKYGUARD BAR INSTALLATION	A
1	0100011	AR	Compound, Locking	
2	0641414	2	Bolt 1/4 x 1-3/4	
3	3300430	2	Nut 1/4	
4	3931408	2	Capscrew 1/4 x 1/2	
5	4240033	8	Tie-Strap	
6	4711400	6	Washer 1/4	
7	1001120328	1	Mount	
8	1001137673	1	SkyGuard Switch Assembly	
9	1001186517	2	Cover, Platform Sensor	
10	1001209664	2	Support, Block	
11	1001186431	2	Relay	
12	1001225580	1	Interface Harness Assembly (Not Shown - Located Inside Console Box) (See Separate Breakdown in ELECTRICAL Section)	
13	1001144433	1	Decal - No Weight SkyGuard	

# SECTION 5 - PLATFORM

## FIGURE 5-38. SKYLINE INSTALLATION



ART\_1001238559

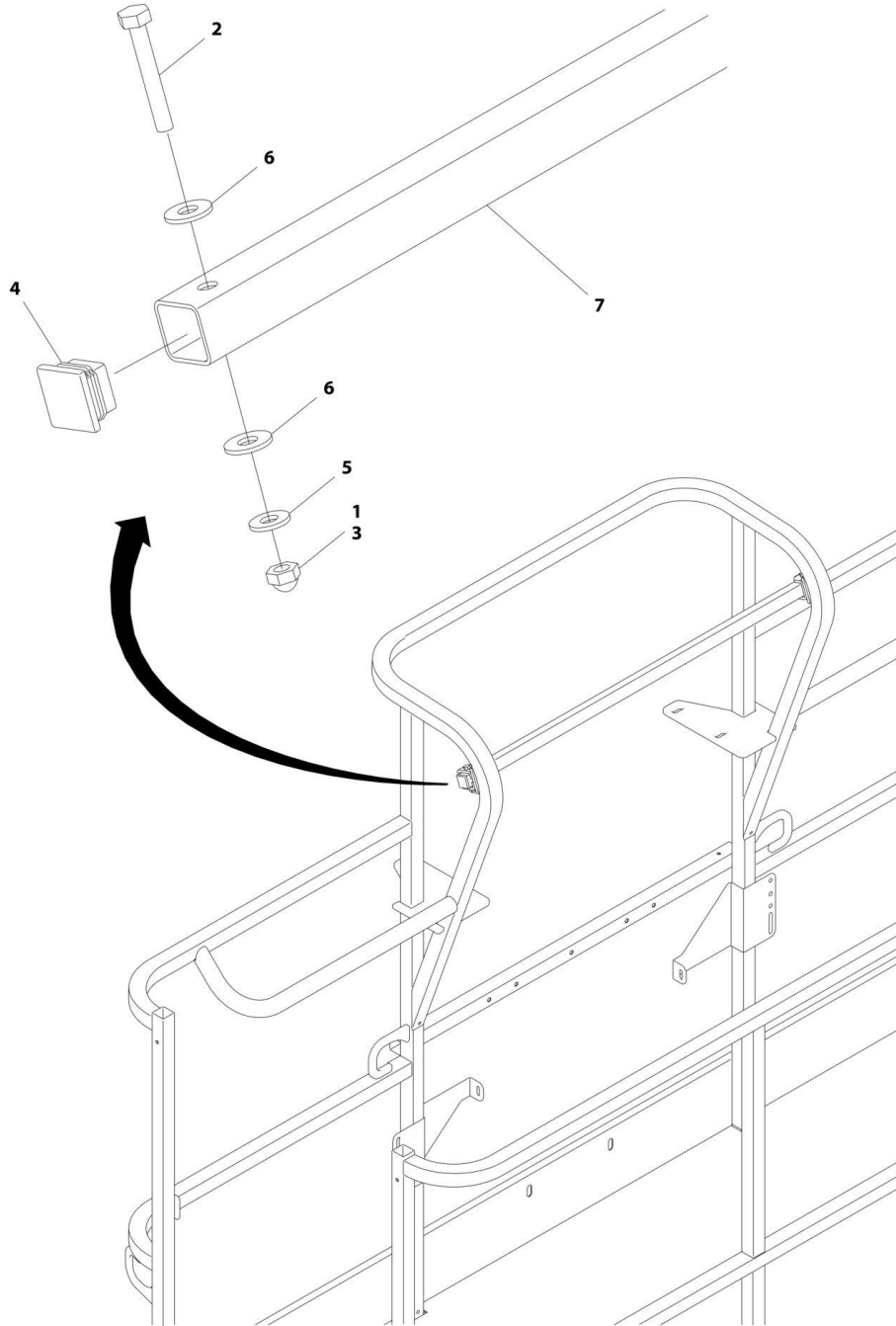
## SECTION 5 - PLATFORM

### FIGURE 5-38. SKYLINE INSTALLATION

ITEM	PART NUMBER	QTY	DESCRIPTION	REV
	1001238559	Ref	SKYLINE INSTALLATION	B
1	0641404	2	Bolt 1/4 x 1/2	
2	0641405	2	Bolt 1/4 x 5/8	
3	3311405	2	Nut 1/4	
4	3311601	2	Nut 3/8	
5	4031516	2	Capscrew M4 x 60	
6	4240033	AR	Tie-Strap (Not Shown)	
7	4711400	4	Washer 1/4	
8	1001120328	1	Mount	
9	1001232642	1	Bracket	
10	1001232650	1	Magnet	
11	1001232667	1	Sensor, Proximity	
12	1001235011	1	Nut	
13	1001235013	1	Washer	
14	1001236552	1	Block	
15	1001238418	1	Harness, Skyline (See Separate Breakdown in ELECTRICAL Section)	
16	1001238472	1	Mount	
17	1001238477	1	Housing, LH	
18	1001241965	1	Housing, RH	
19	1001238824	1	Rope	
20	0100011	AR	Compound, Locking	

# SECTION 5 - PLATFORM

## FIGURE 5-39. CROSS RAIL INSTALLATION



ART\_1001182138

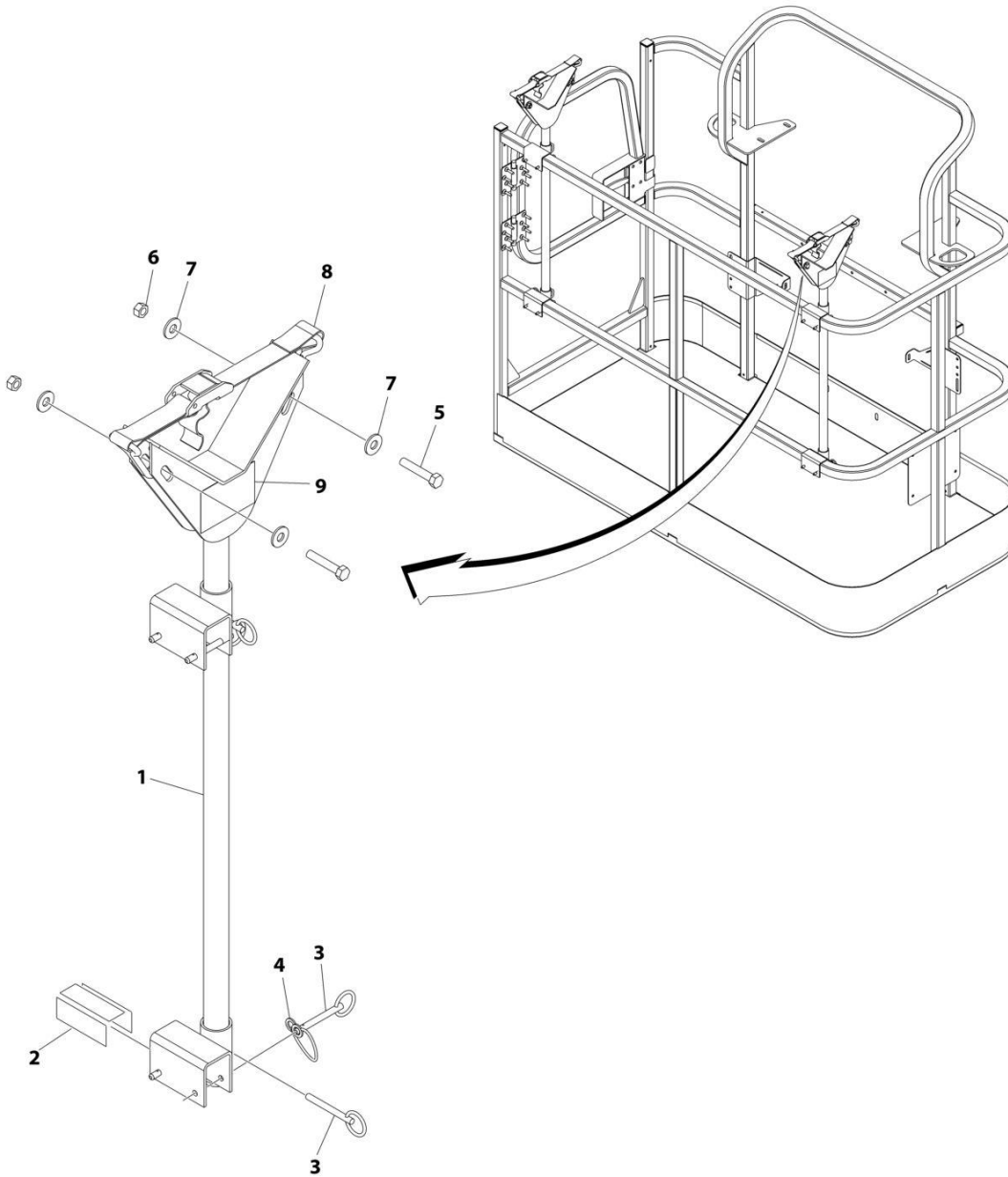
## SECTION 5 - PLATFORM

### FIGURE 5-39. CROSS RAIL INSTALLATION

ITEM	PART NUMBER	QTY	DESCRIPTION	REV
	1001182138	Ref	CROSS RAIL INSTALLATION	A
1	0100071	AR	Compound, Locking	
2	0641414	2	Bolt 1/4 x 1-3/4	
3	3300430	2	Nut 1/4	
4	3520182	2	Plug	
5	4711400	2	Washer 1/4	
6	4751400	4	Washer 1/4	
7	1001191708	1	Bar	

# SECTION 5 - PLATFORM

## FIGURE 5-40. PIPE RACK INSTALLATION



ART\_0257728



## SECTION 5 - PLATFORM

### FIGURE 5-40. PIPE RACK INSTALLATION

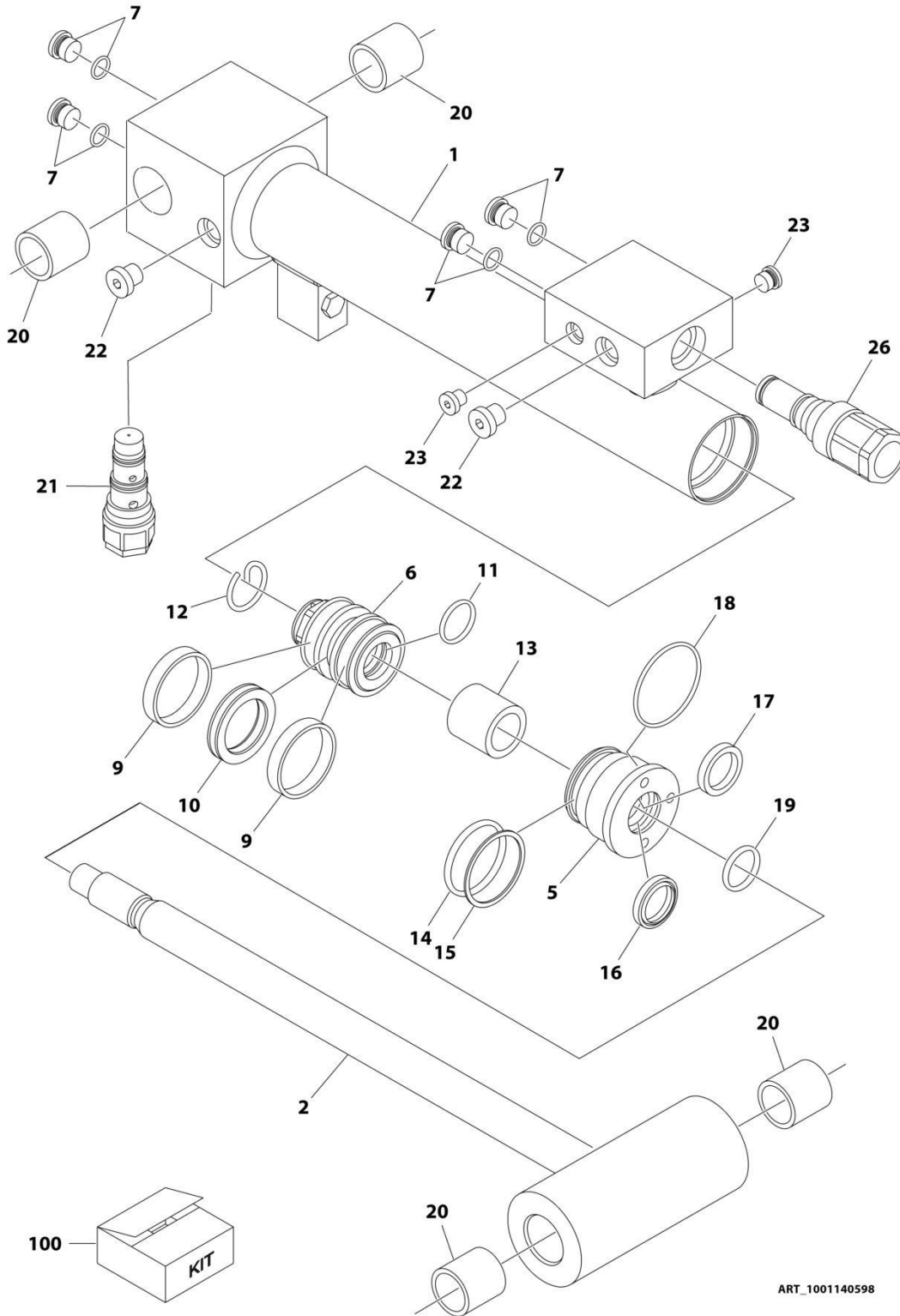
ITEM	PART NUMBER	QTY	DESCRIPTION	REV
	0257728	Ref	PIPE RACK INSTALLATION	2/C
1	4845582	2	Rack, Pipe	
2	4420062	AR	Tape	
3	3422661	10	Pin	
4	1060379	4	Lanyard	
5	0641514	4	Bolt 5/16 x 1-3/4	
6	3311505	4	Nut 5/16	
7	4751500	8	Washer 5/16	
8	0480100	2	Tie-Down	
9	1703683	2	Decal - Capacity	



**SECTION 6 - CYLINDER**

# SECTION 6 - CYLINDER

## FIGURE 6-1. LEVEL (PLATFORM SLAVE) CYLINDER ASSEMBLY - E450A



ART\_1001140598

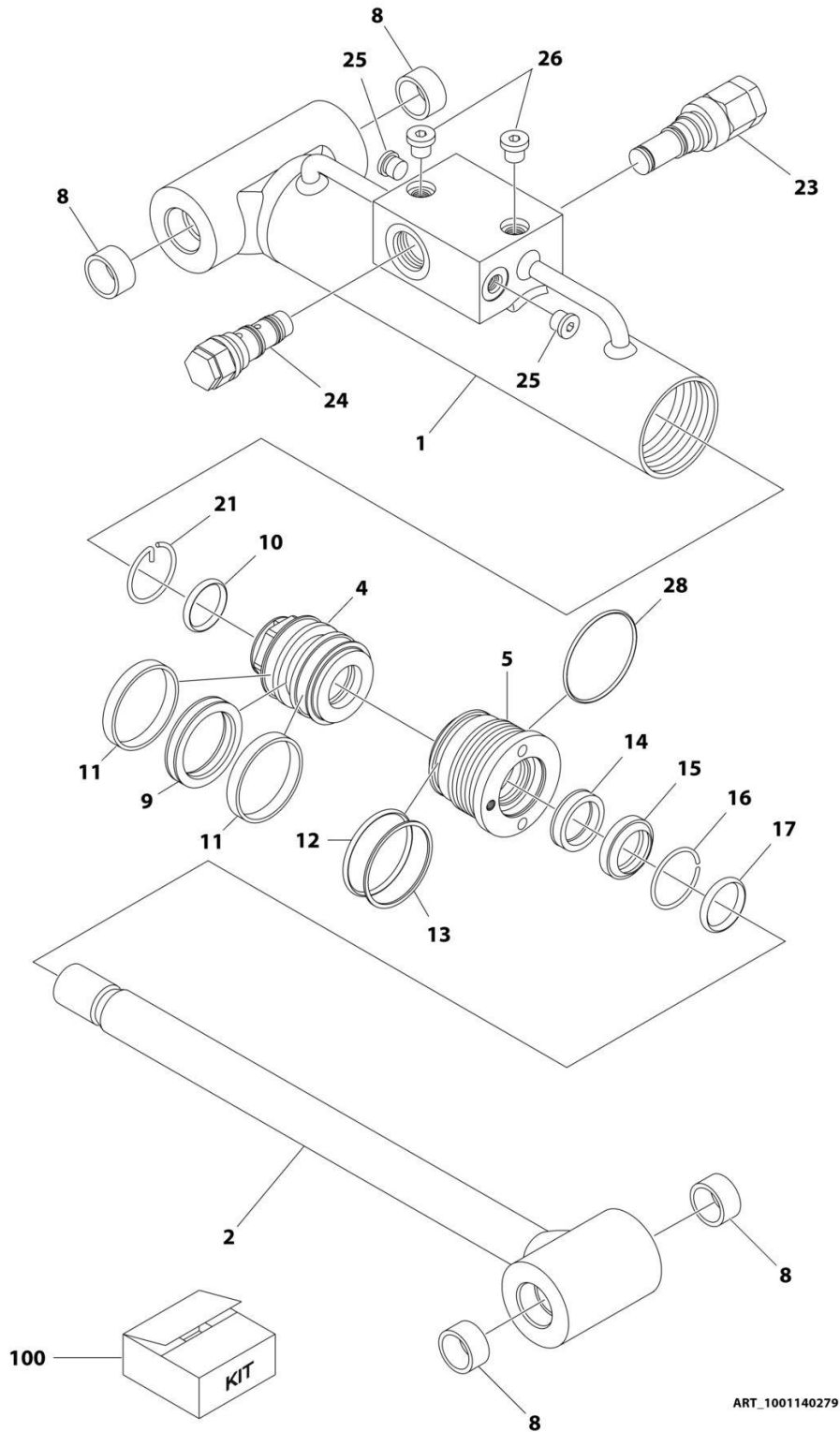
## SECTION 6 - CYLINDER

**FIGURE 6-1. LEVEL (PLATFORM SLAVE) CYLINDER ASSEMBLY - E450A**

ITEM	PART NUMBER	QTY	DESCRIPTION	REV
	1001140598	Ref	LEVEL (PLATFORM SLAVE) CYLINDER ASSEMBLY - E450A	A
1	70004146	1	Barrel	
2	70004147	1	Rod	
5	70000739	1	Head	
6	70004141	1	Piston	
7	See Note	4	Plug (Note: Not Available for Purchase)	
9	See Note	NSS	Ring, Wear (Note: Use p/n 70004131)	
10	See Note	NSS	Seal, Piston (Note: Use p/n 70004131)	
11	70023094	NSS	O-Ring (Note: Use p/n 70004131)	
12	70004142	1	Retainer	
13	70004143	1	Spacer	
14	See Note	NSS	O-Ring (Note: Use p/n 70004131)	
15	See Note	NSS	Ring, Back-Up (Note: Use p/n 70004131)	
16	See Note	NSS	Wiper, Rod (Note: Use p/n 70004131)	
17	See Note	NSS	Seal, Rod (Note: Use p/n 70004131)	
18	See Note	NSS	O-Ring (Note: Use p/n 70004131)	
19	70000740	1	O-Ring	
20	0962356	4	Bushing	
21	4640509	1	Cartridge, Counterbalance Valve	
21	2900792	1	Seal Kit - 4640509 Valve	
22	70024262	2	Plug	
23	See Note	2	Plug (Note: Not Available for Purchase)	
26	4640932	1	Cartridge, Counterbalance Valve	
26	7011112	1	Seal Kit - 4640932 Valve	
100	70004131	1	Seal Kit (Includes Items 9-11 & 14-18)	

# SECTION 6 - CYLINDER

FIGURE 6-2. LEVEL (PLATFORM SLAVE) CYLINDER ASSEMBLY - E450AJ/M450AJ (SN 0300208529 through 0300272287, SN B300001429 through B300002486)



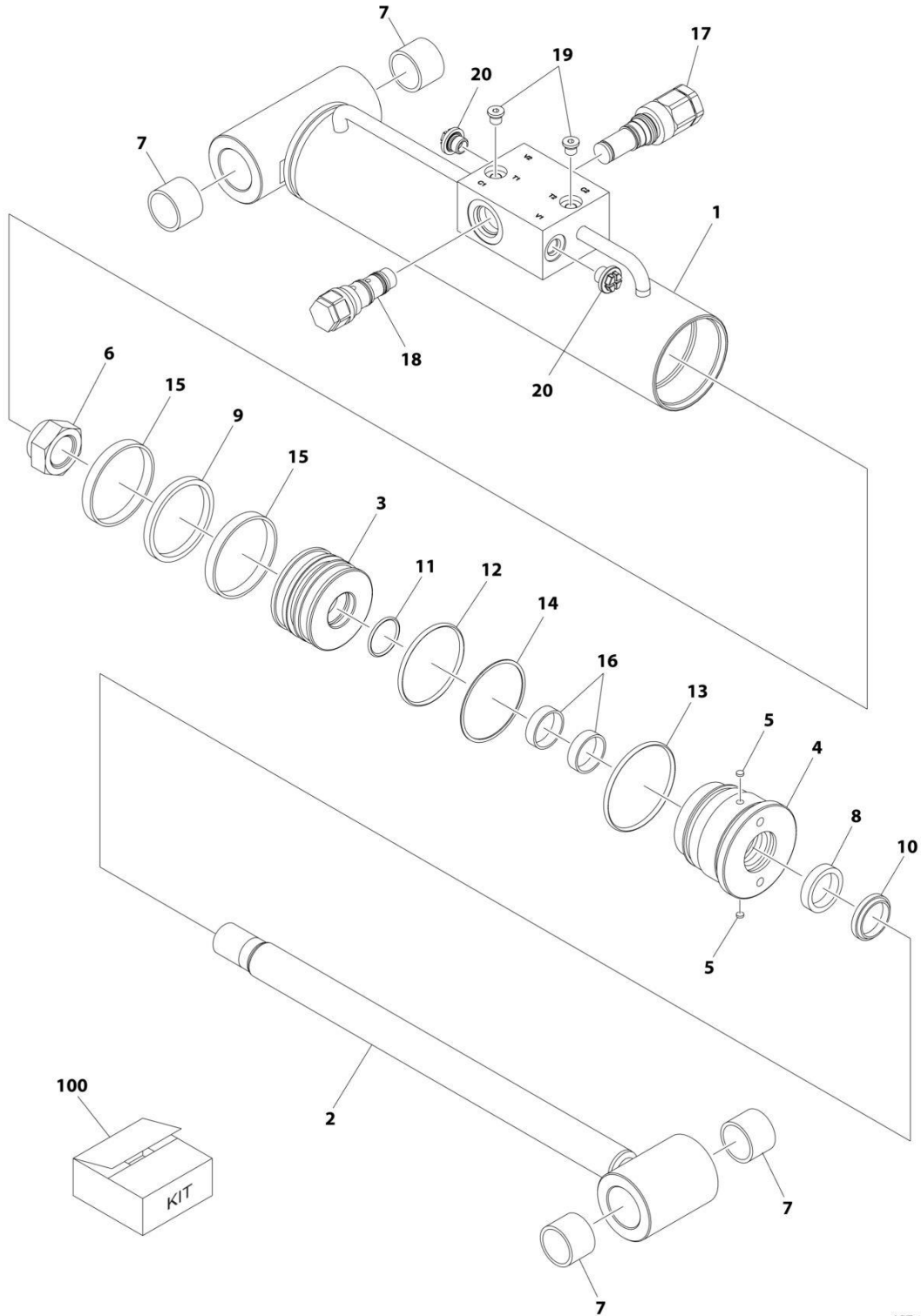
## SECTION 6 - CYLINDER

**FIGURE 6-2. LEVEL (PLATFORM SLAVE) CYLINDER ASSEMBLY - E450AJ/M450AJ (SN 0300208529 through 0300272287, SN B300001429 through B300002486)**

ITEM	PART NUMBER	QTY	DESCRIPTION	REV
	1001140279	Ref	LEVEL (PLATFORM SLAVE) CYLINDER ASSEMBLY - E450AJ/M450AJ	A
		Ref	Note: Original Cylinder may have been replaced with Service Replacement. Identify PN Stamped on Cylinder Before Ordering Parts.	
1	70003846	1	Barrel	
2	70003847	1	Rod	
4	70003819	1	Piston	
5	7026082	1	Head	
8	0961951	4	Bushing	
9	See Note	NSS	Seal, Piston (Note: Use p/n 70003845)	
10	See Note	NSS	O-Ring (Note: Use p/n 70003845)	
11	See Note	NSS	Ring, Wear (Note: Use p/n 70003845)	
12	See Note	NSS	O-Ring (Note: Use p/n 70003845)	
13	See Note	NSS	Ring, Back-Up (Note: Use p/n 70003845)	
14	See Note	NSS	Seal, Rod (Note: Use p/n 70003845)	
15	See Note	NSS	Wiper, Rod (Note: Use p/n 70003845)	
16	70002217	1	Ring, Retaining	
17	7026084	1	O-Ring	
21	70002216	1	Retainer	
23	4640932	1	Cartridge, Counterbalance Valve	
23	7011112	1	Seal Kit - 4640932 Valve	
24	4641086	1	Cartridge, Counterbalance Valve	
24	2900792	1	Seal Kit - 4641086 Valve	
25	7024844	2	Plug	
26	See Note	2	Plug (Note: Not Available for Purchase)	
28	See Note	NSS	O-Ring (Note: Use p/n 70003845)	
100	70003845	1	Seal Kit (Includes Items 9-15 & 28)	

# SECTION 6 - CYLINDER

FIGURE 6-3. LEVEL (PLATFORM SLAVE) CYLINDER ASSEMBLY - E450AJ/M450AJ (SN B300002487 through B300005763)



ART\_1001230304



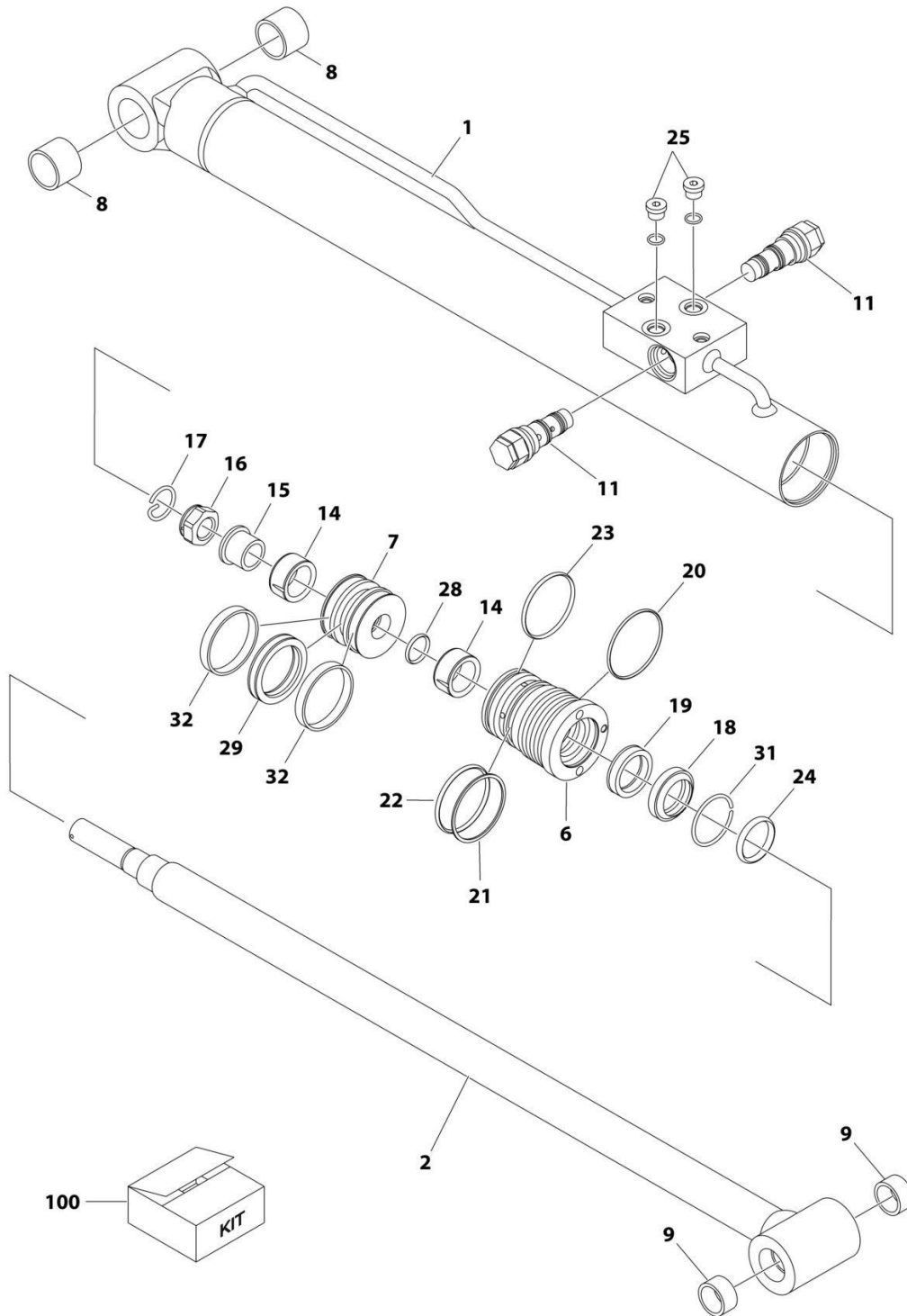
## SECTION 6 - CYLINDER

**FIGURE 6-3. LEVEL (PLATFORM SLAVE) CYLINDER ASSEMBLY - E450AJ/M450AJ (SN B300002487 through B300005763)**

ITEM	PART NUMBER	QTY	DESCRIPTION	REV
	1001230304	Ref	LEVEL (PLATFORM SLAVE) CYLINDER ASSEMBLY	A
		Ref	Note: Original Cylinder may have been replaced with Service Replacement. Identify PN Stamped on Cylinder Before Ordering Parts.	
1	See Note	NSS	Barrel (Note: Not Available for Purchase)	
2	70006912	1	Rod Assembly	
3	70006909	1	Piston	
4	70006910	1	Gland	
5	70003636	2	Locking Piece (Insert)	
6	70006878	1	Metal Lock Nut	
7	0961951	4	Self-Lubricating Composite Bearing	
8	See Note	NSS	Rod Seal (Note: Use p/n 70006913)	
9	See Note	NSS	Stopt (Note: Use p/n 70006913)	
10	See Note	NSS	Wiper (Note: Use p/n 70006913)	
11	See Note	NSS	O-Ring (Note: Use p/n 70006913)	
12	See Note	NSS	O-Ring (Note: Use p/n 70006913)	
13	See Note	NSS	O-Ring (Note: Use p/n 70006913)	
14	See Note	NSS	Backup (Note: Use p/n 70006913)	
15	See Note	NSS	Tube Wearband (Note: Use p/n 70006913)	
16	See Note	NSS	Rod Wearband (Note: Use p/n 70006913)	
17	4640932	1	Counter Balance Valve	
18	4641086	1	Counter Balance Valve	
19	See Note	NSS	Plug VST	
20	2220885	2	Hex Socket Head Plug	
100	70006913	1	Seal Kit (Includes Items 8-16)	

# SECTION 6 - CYLINDER

FIGURE 6-4. LIFT CYLINDER ASSEMBLY - JIB - E450AJ/M450AJ (SN 0300208529 through 0300272287, SN B300001429 through B300002486)



ART\_1001140280

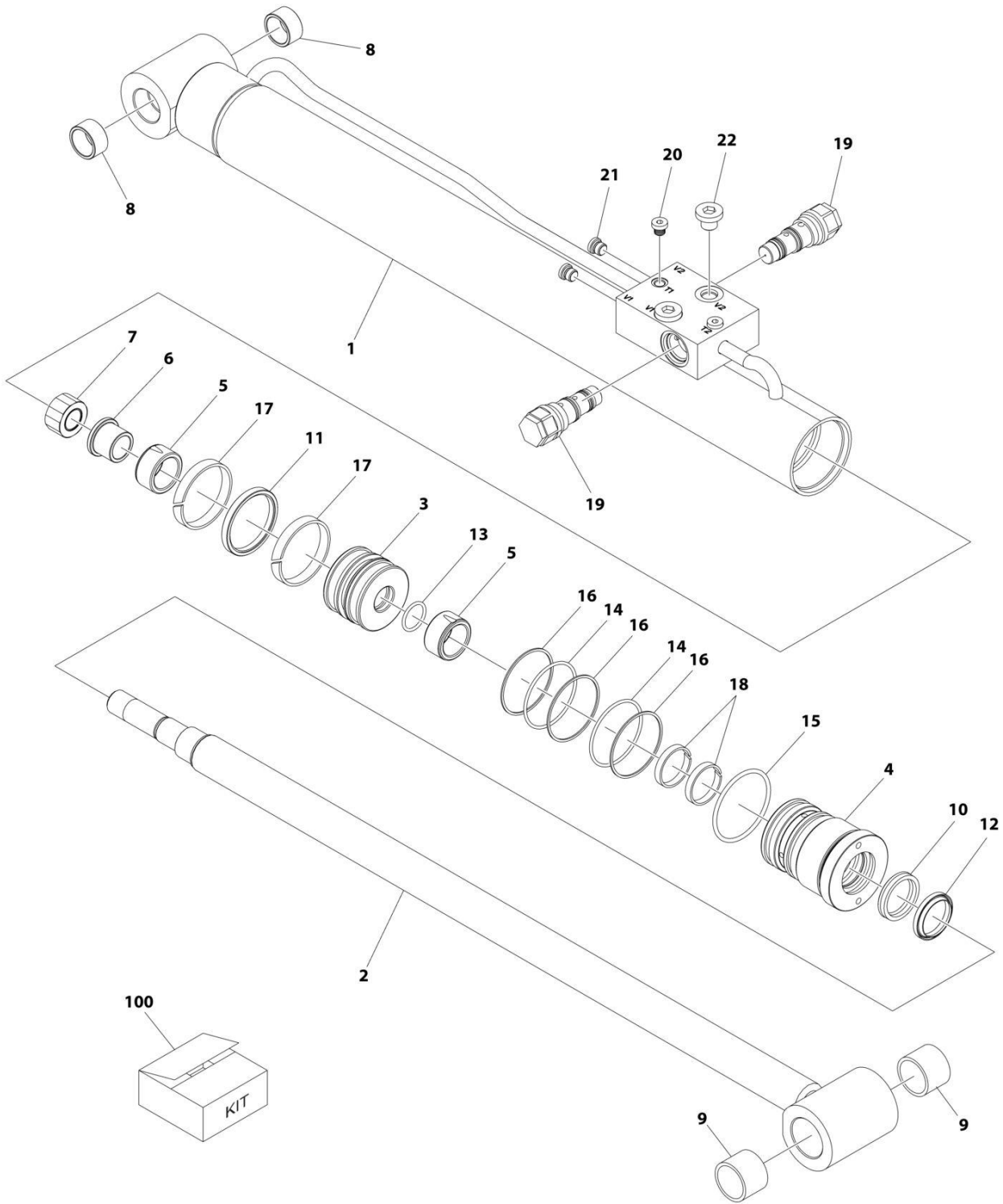
## SECTION 6 - CYLINDER

**FIGURE 6-4. LIFT CYLINDER ASSEMBLY - JIB - E450AJ/M450AJ (SN 0300208529 through 0300272287, SN B300001429 through B300002486)**

ITEM	PART NUMBER	QTY	DESCRIPTION	REV
	1001140280	Ref	LIFT CYLINDER ASSEMBLY - JIB - E450AJ/M450AJ	A
		Ref	Note: Original Cylinder may have been replaced with Service Replacement. Identify PN Stamped on Cylinder Before Ordering Parts.	
		Ref	Note: For Jib Cylinder with Manual Descent Valve see SPECIAL OPTIONS.	
1	70003863	1	Barrel	
2	70003864	1	Rod	
6	7026088	1	Head	
7	70003833	1	Piston	
8	0961951	2	Bushing	
9	0961947	2	Bushing	
11	4640509	2	Cartridge, Counterbalance Valve	
11	2900792	2	Seal Kit - 4640509	
14	7026090	2	Bushing	
15	7026091	1	Sleeve	
16	7026092	1	Nut	
17	70002223	1	Retainer	
18	See Note	NSS	Wiper, Rod (Note: Use p/n 70003836)	
19	See Note	NSS	Seal, Rod (Note: Use p/n 70003836)	
20	See Note	NSS	O-Ring (Note: Use p/n 70003836)	
21	See Note	NSS	Ring, Back-Up (Note: Use p/n 70003836)	
22	See Note	NSS	O-Ring (Note: Use p/n 70003836)	
23	See Note	1	O-Ring (Note: Use p/n 70003836)	
24	7026068	1	O-Ring	
25	7024844	2	Plug	
28	See Note	NSS	O-Ring (Note: Use p/n 70003836)	
29	See Note	NSS	Seal, Piston (Note: Use p/n 70003836)	
31	70002220	1	Ring, Retaining	
32	See Note	NSS	Ring, Wear (Note: Use p/n 70003836)	
100	70003836	1	Seal Kit (Includes Items 18-23, 28, 29 & 32)	

# SECTION 6 - CYLINDER

FIGURE 6-5. LIFT CYLINDER ASSEMBLY - JIB - E450AJ/M450AJ (SN B300002487 through B300005763)



ART\_1001230305

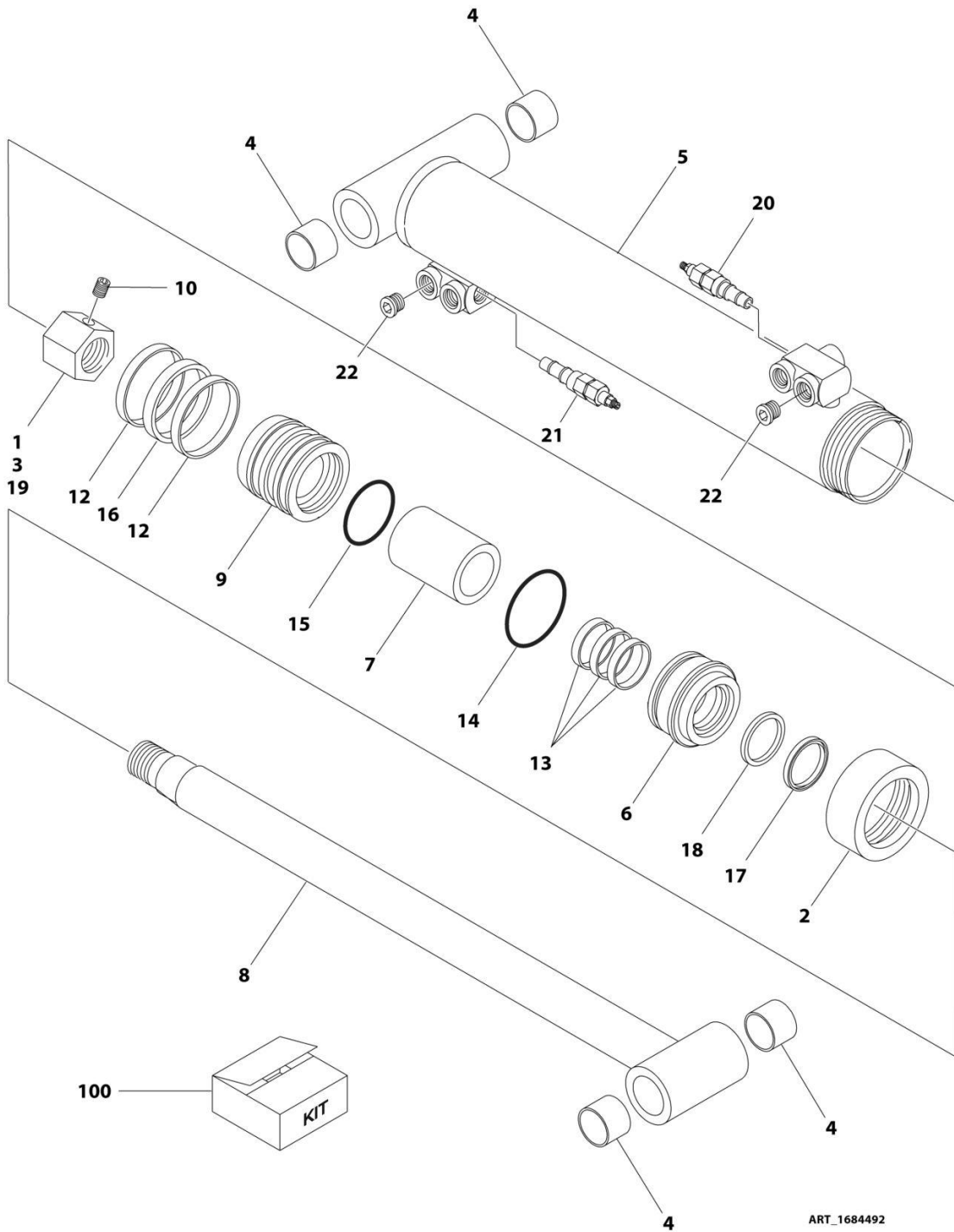
## SECTION 6 - CYLINDER

**FIGURE 6-5. LIFT CYLINDER ASSEMBLY - JIB - E450AJ/M450AJ (SN B300002487 through B300005763)**

ITEM	PART NUMBER	QTY	DESCRIPTION	REV
	1001230305	Ref	LIFT CYLINDER ASSEMBLY - JIB	A
		Ref	Note: Original Cylinder may have been replaced with Service Replacement. Identify PN Stamped on Cylinder Before Ordering Parts.	
1	See Note	NSS	Barrel (Note: Not Available for Purchase)	
2	70006914	1	Rod Assembly	
3	70006915	1	Piston	
4	70006916	1	Gland	
5	70006917	2	Cushion Tube	
6	70006918	1	Location Tube	
7	70006919	1	Hex Nut	
8	0961947	2	Self-lubricating Composite Bearing	
9	0961951	2	Self-lubricating Composite Bearing	
10	See Note	NSS	Rod Seal (Note: Purchase p/n 70006920)	
11	See Note	NSS	Stopt (Note: Purchase p/n 70006920)	
12	See Note	NSS	Wiper (Note: Purchase p/n 70006920)	
13	See Note	NSS	O-Ring (Note: Purchase p/n 70006920)	
14	See Note	NSS	O-Ring (Note: Purchase p/n 70006920)	
15	See Note	NSS	O-Ring (Note: Purchase p/n 70006920)	
16	See Note	NSS	Backup (Note: Purchase p/n 70006920)	
17	See Note	NSS	Tube Wearband (Note: Purchase p/n 70006920)	
18	See Note	NSS	Rod Wearband (Note: Purchase p/n 70006920)	
19	4640509	2	Counter Balance Valve	
20	See Note	NSS	Plug VST	
21	2220883	2	Hex Socket Head Plug	
22	2220885	2	Hex Socket Head Plug	
100	70006920	1	Seal Kit (Includes Items 10-18)	

# SECTION 6 - CYLINDER

FIGURE 6-6. LIFT CYLINDER ASSEMBLY - LOWER - E450A (SN 0300235601 through 0300239755)



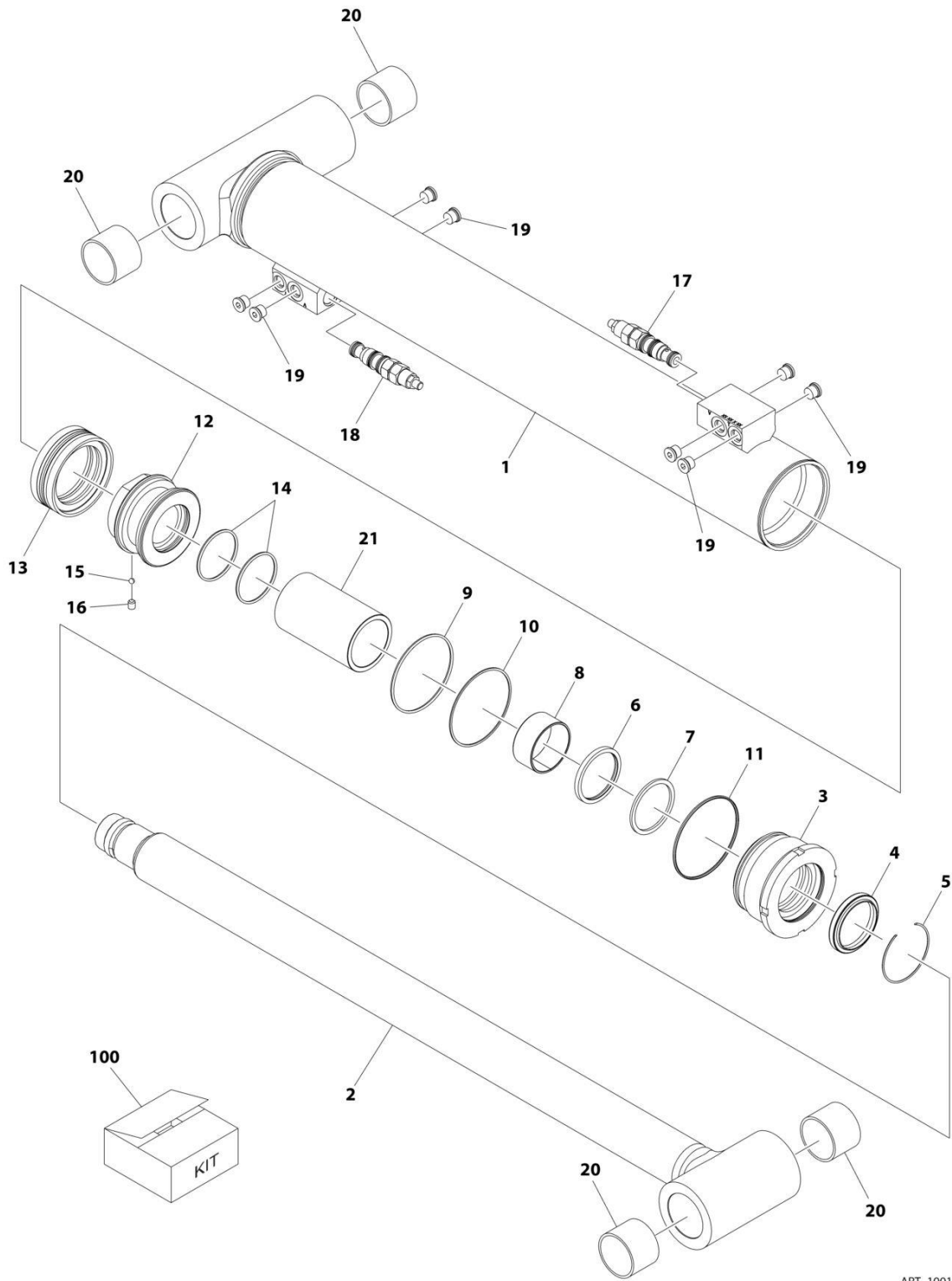
## SECTION 6 - CYLINDER

**FIGURE 6-6. LIFT CYLINDER ASSEMBLY - LOWER - E450A (SN 0300235601 through 0300239755)**

ITEM	PART NUMBER	QTY	DESCRIPTION	REV
	1684492	Ref	LIFT CYLINDER ASSEMBLY - LOWER - E450A	C
		Ref	Note: Original Cylinder May Have Been Replaced with Service Replacement. Identify PN Stamped on Cylinder Before Ordering Parts.	
1	0100011	AR	Compound, Locking	
2	0100035	AR	Compound, Locking	
3	0100038	AR	Primer, Locking	
4	0961950	4	Bushing	
5	1684055	1	Barrel	
5A	1120093	1	Retainer	
6	1683710	1	Head	
7	4566432	1	Spacer	
8	1683941	1	Rod	
9	3480241	1	Piston	
10	3900170	1	Setscrew	
12	See Note	NSS	Ring, Wear (Note: Use p/n 2901806)	
13	See Note	NSS	Ring, Wear (Note: Use p/n 2901806)	
14	See Note	NSS	O-Ring (Note: Use p/n 2901806)	
15	See Note	NSS	O-Ring (Note: Use p/n 2901806)	
16	See Note	NSS	Seal, Piston (Note: Use p/n 2901806)	
17	See Note	NSS	Wiper, Rod (Note: Use p/n 2901806)	
18	See Note	NSS	Seal, Rod (Note: Use p/n 2901806)	
19	3300281	1	Nut	
20	4640634	1	Cartridge, Holding Valve	
20	2900770	1	Seal Kit - 4640634 Valve	
21	4641386	1	Cartridge, Holding Valve	
21	7011376	1	Seal Kit - 4641386 Valve	
22	2220885	2	Plug	
100	2901806	1	Seal Kit (Includes Items 12-18)	

# SECTION 6 - CYLINDER

FIGURE 6-7. LIFT CYLINDER ASSEMBLY - LOWER - E450A (SN 0300239756 through 0300272287)



ART\_1001228039



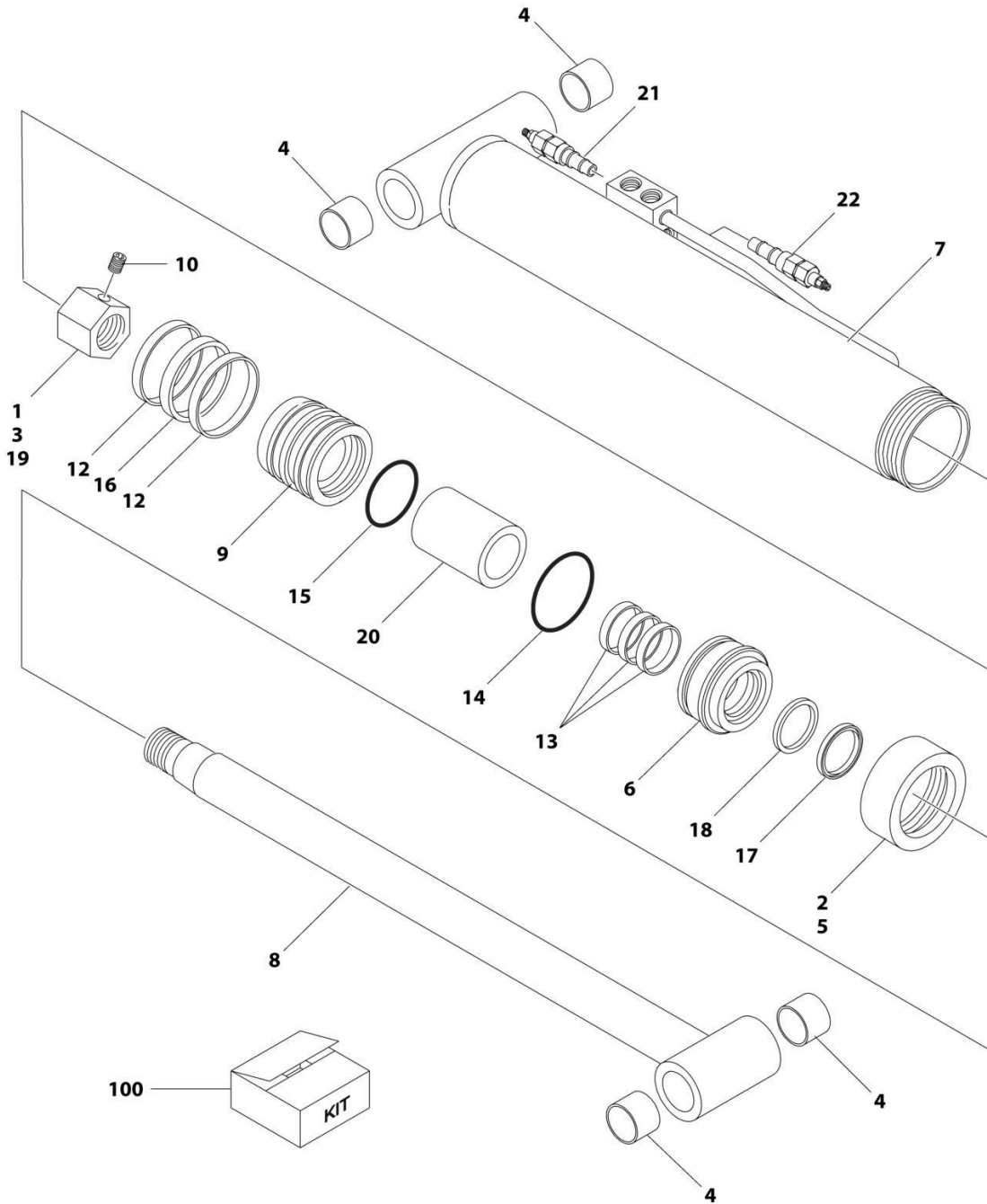
## SECTION 6 - CYLINDER

**FIGURE 6-7. LIFT CYLINDER ASSEMBLY - LOWER - E450A (SN 0300239756 through 0300272287)**

ITEM	PART NUMBER	QTY	DESCRIPTION	REV
	1001228039	Ref	LIFT CYLINDER ASSEMBLY - LOWER	B
		Ref	Note: Original Cylinder may have been replaced with Service Replacement. Identify PN Stamped on Cylinder Before Ordering Parts.	
1	See Note	NSS	Barrel (Note: Not Available for Purchase)	
2	70006602	1	Rod	
3	70006603	1	Head	
4	70006604	NSS	Wiper (Note: Use Item 100)	
5	70027244	1	Retainer	
6	70006605	NSS	Seal, Rod (Note: Use Item 100)	
7	See Note	NSS	Ring, Back-up (Note: Use Item 100)	
8	70004637	1	Bearing	
9	70006606	NSS	O-Ring (Note: Use Item 100)	
10	See Note	NSS	Ring, Back-up (Note: Use Item 100)	
11	See Note	NSS	O-Ring	
12	70006607	1	Piston	
13	See Note	NSS	Seal (Note: Use Item 100)	
14	See Note	NSS	O-Ring (Note: Use Item 100)	
15	70022564	1	Ball, Steel	
16	70023369	1	Setscrew	
17	4640634	1	Cartridge, Holding Valve	
17	2900770	1	Seal Kit - 4640634 Valve	
18	4641386	1	Cartridge, Holding Valve	
18	7011376	1	Seal Kit - 4641386 Valve	
19	2220885	8	Plug, O-Ring	
20	0961950	4	Bushing	
21	70006608	1	Spacer	
100	70006609	1	Seal Kit (Includes Items 4, 6, 7, 9-11, 13 & 14)	

# SECTION 6 - CYLINDER

FIGURE 6-8. LIFT CYLINDER ASSEMBLY - LOWER - E450AJ/M450AJ (SN 0300208529 through 0300239252, SN B300001429 through B300002461)



ART\_1684451

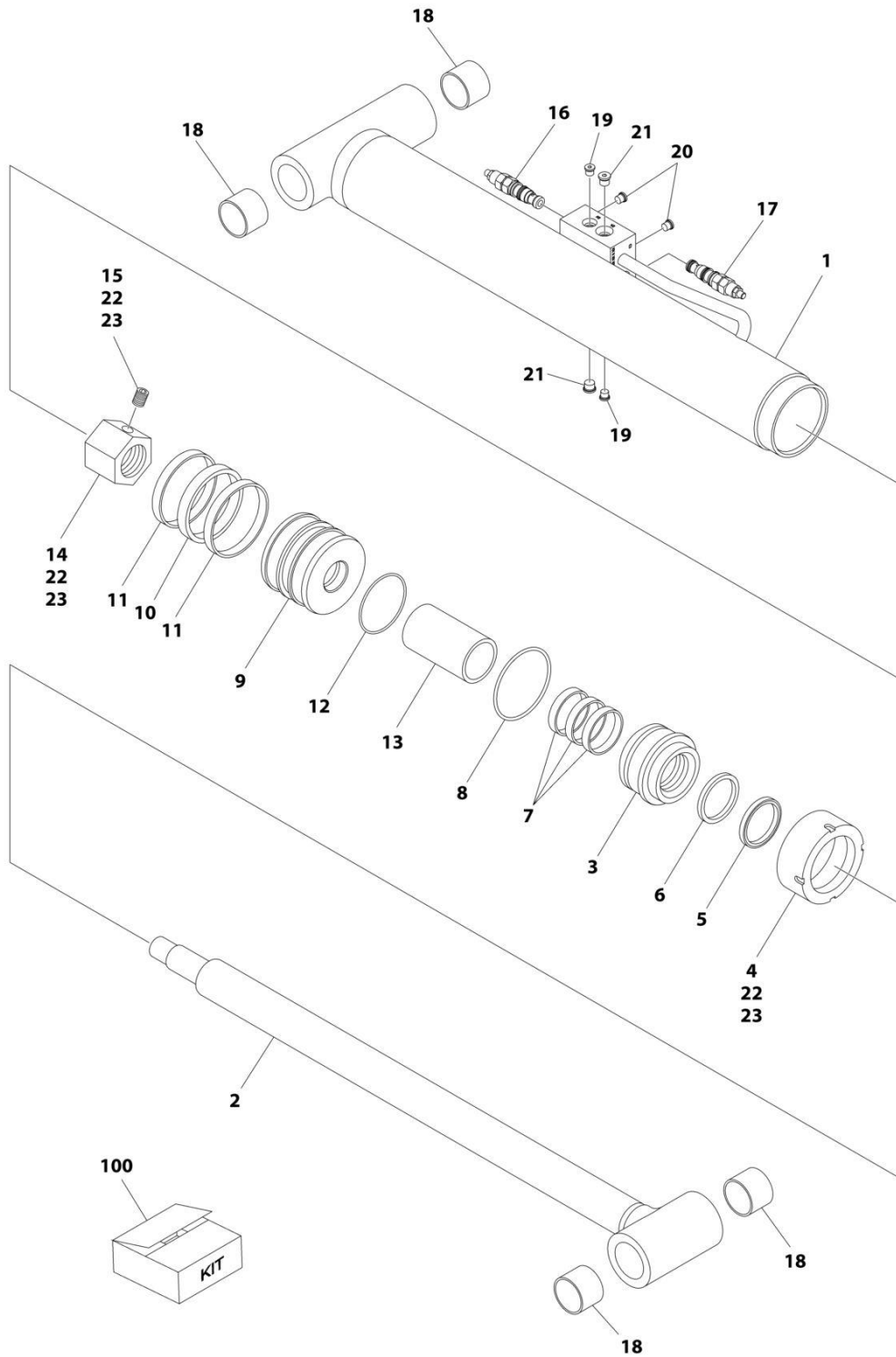
## SECTION 6 - CYLINDER

**FIGURE 6-8. LIFT CYLINDER ASSEMBLY - LOWER - E450AJ/M450AJ (SN 0300208529 through 0300239252, SN B300001429 through B300002461)**

ITEM	PART NUMBER	QTY	DESCRIPTION	REV
	1684451	Ref	LIFT CYLINDER ASSEMBLY - LOWER - E450AJ/M450AJ	E
		Ref	Note: Original Cylinder May Have Been Replaced with Service Replacement. Identify PN Stamped on Cylinder Before Ordering Parts.	
1	0100011	AR	Compound, Locking	
2	0100035	1	Compound, Locking	
4	0961950	4	Bushing	
5	1120094	1	Retainer	
6	1683710	1	Head	
7	1683940	1	Barrel	
8	1683941	1	Rod	
9	3480241	1	Piston	
10	3900170	1	Setscrew	
12	See Note	NSS	Ring, Wear (Note: Use p/n 2901806)	
13	See Note	NSS	Ring, Wear (Note: Use p/n 2901806)	
14	See Note	NSS	O-Ring (Note: Use p/n 2901806)	
15	See Note	NSS	O-Ring (Note: Use p/n 2901806)	
16	See Note	NSS	Seal, Piston (Note: Use p/n 2901806)	
17	See Note	NSS	Wiper, Rod (Note: Use p/n 2901806)	
18	See Note	1	Seal, Rod	
19	3300281	1	Nut	
20	4566432	1	Spacer	
21	4640634	1	Cartridge, Holding Valve	
21	2900770	1	Seal Kit - 4640634 Valve	
22	4641386	1	Cartridge, Holding Valve	
22	7011376	1	Seal Kit - 4641386 Valve	
23	0100038	1	Primer, Locking	
100	2901806	1	Seal Kit (Includes Items 12-18)	

# SECTION 6 - CYLINDER

FIGURE 6-9. LIFT CYLINDER ASSEMBLY - LOWER - E450AJ/M450AJ (SN 0300239253 through 0300272287, SN B300002462 through B300002486)



ART\_1001228035

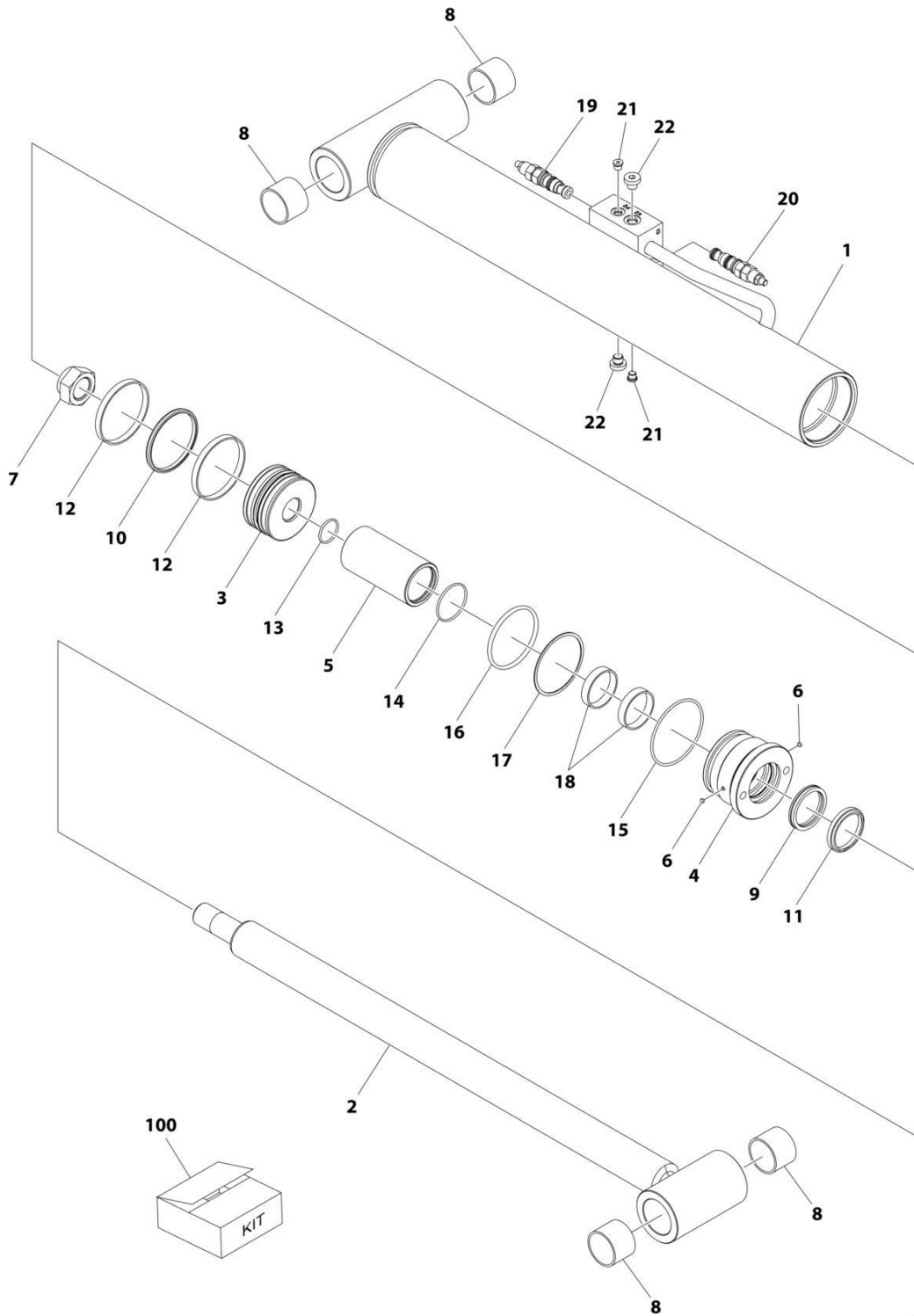
## SECTION 6 - CYLINDER

**FIGURE 6-9. LIFT CYLINDER ASSEMBLY - LOWER - E450AJ/M450AJ (SN 0300239253 through 0300272287, SN B300002462 through B300002486)**

ITEM	PART NUMBER	QTY	DESCRIPTION	REV
	1001228035	Ref	LIFT CYLINDER ASSEMBLY - LOWER	B
		Ref	Note: Original Cylinder may have been replaced with Service Replacement. Identify PN Stamped on Cylinder Before Ordering Parts.	
1	See Note	NSS	Barrel Weldment (Note: Not Available for Purchase)	
2	70006535	1	Rod Weldment	
3	70006533	1	Head	
4	70006533	1	Retainer	
5	See Note	NSS	Wiper (Note: Use Item 100)	
6	See Note	NSS	Seal, Rod (Note: Use Item 100)	
7	See Note	NSS	Ring, Wear (Note: Use Item 100)	
8	See Note	NSS	O-Ring (Note: Use Item 100)	
9	70006532	1	Piston	
10	See Note	NSS	Seal (Note: Use Item 100)	
11	See Note	NSS	Ring, Wear (Note: Use Item 100)	
12	See Note	NSS	O-Ring (Note: Use Item 100)	
13	70006531	1	Spacer	
14	3300281	1	Nut	
15	3900170	1	Setscrew	
16	4640634	1	Cartridge, Holding Valve	
16	2900770	1	Seal Kit - 4640634 Valve	
17	4641386	1	Cartridge, Holding Valve	
17	7011376	1	Seal Kit - 4641386 Valve	
18	0961950	4	Bushing	
19	2220883	2	Plug, O-Ring	
20	2220883	2	Plug, O-Ring	
21	2220885	2	Plug, O-Ring	
22	0100011	AR	Compound, Locking	
23	0100038	AR	Primer, Locking	
100	2901806	1	Seal Kit (Includes Items 5-8 & 10-12)	

# SECTION 6 - CYLINDER

FIGURE 6-10. LIFT CYLINDER ASSEMBLY - LOWER - E450AJ/M450AJ (SN B300002487 through B300005763)



ART\_1001230300

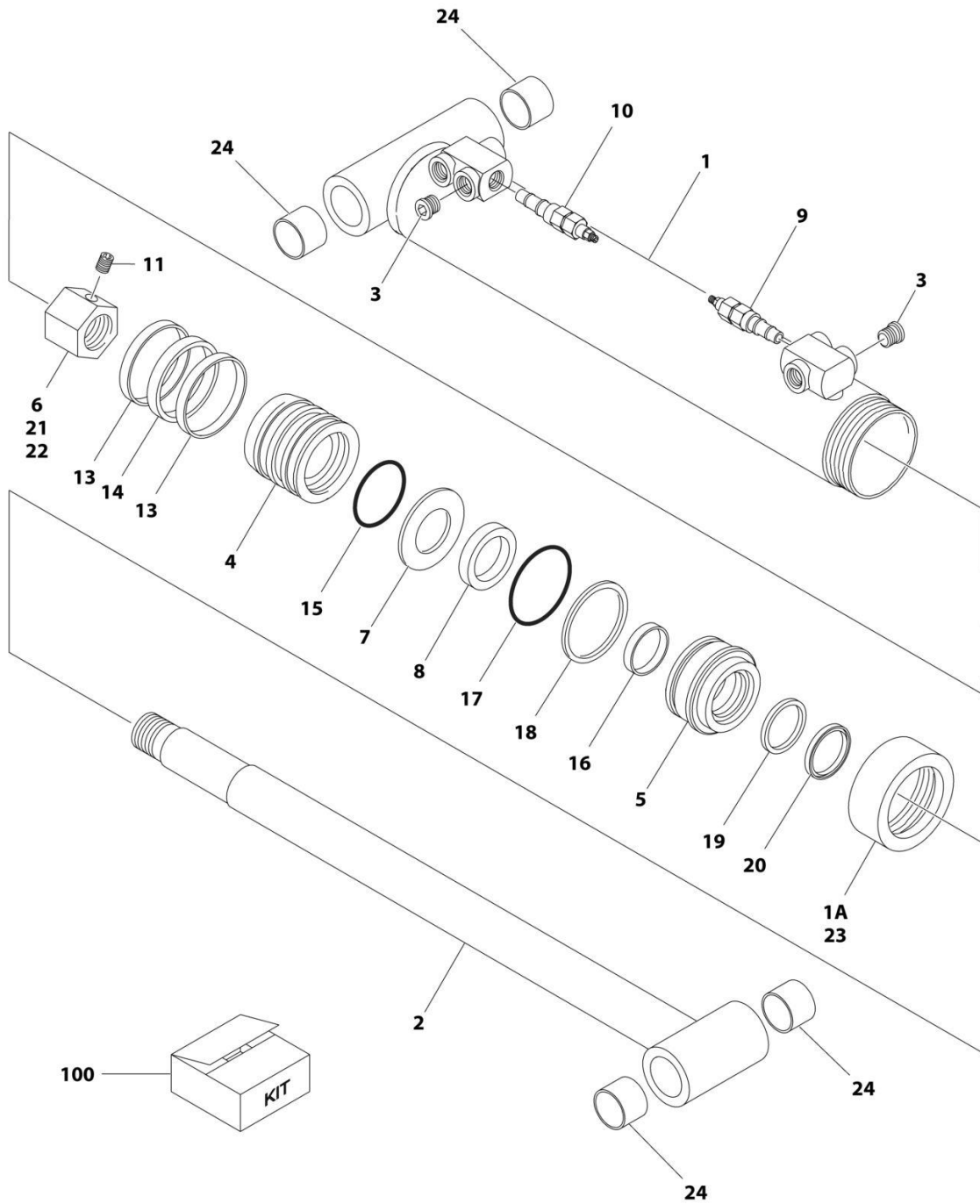
## SECTION 6 - CYLINDER

**FIGURE 6-10. LIFT CYLINDER ASSEMBLY - LOWER - E450AJ/M450AJ (SN B300002487 through B300005763)**

ITEM	PART NUMBER	QTY	DESCRIPTION	REV
	1001230300	Ref	LIFT CYLINDER ASSEMBLY - LOWER	A
		Ref	Note: Original Cylinder may have been replaced with Service Replacement. Identify PN Stamped on Cylinder Before Ordering Parts.	
1	See Note	NSS	Barrel (Note: Not Available for Purchase)	
2	70006889	1	Rod Assembly	
3	70006890	1	Piston	
4	70006891	1	Head	
5	70006892	1	Tube, Stop	
6	70003636	2	Plate, Locking	
7	70006893	1	Lock Nut	
8	0961950	4	Bearing	
9	See Note	NSS	Seal (Note: Purchase p/n 70006894)	
10	See Note	NSS	Stop (Note: Purchase p/n 70006894)	
11	See Note	NSS	Wiper (Note: Purchase p/n 70006894)	
12	See Note	NSS	Wear band, Tube (Note: Purchase p/n 70006894)	
13	See Note	NSS	O-Ring (Note: Purchase p/n 70006894)	
14	See Note	NSS	O-Ring (Note: Purchase p/n 70006894)	
15	See Note	NSS	O-Ring (Note: Purchase p/n 70006894)	
16	See Note	NSS	O-Ring (Note: Purchase p/n 70006894)	
17	See Note	NSS	Back-up (Note: Purchase p/n 70006894)	
18	See Note	NSS	Wear band, Tube (Note: Purchase p/n 70006894)	
19	4640634	1	Valve, Counter Balance	
19	2900770	1	Seal Kit - 4640634 Valve	
20	4641386	2	Valve, Counter Balance	
20	7011376	1	Seal Kit - 4641386 Valve	
21	2220883	2	Plug	
22	2220885	2	Plug	
100	70006894	1	Seal Kit (Includes Items 9-18)	

# SECTION 6 - CYLINDER

FIGURE 6-11. LIFT CYLINDER ASSEMBLY - MID - E450A (SN 0300235601 through 0300239755)



ART\_1684493



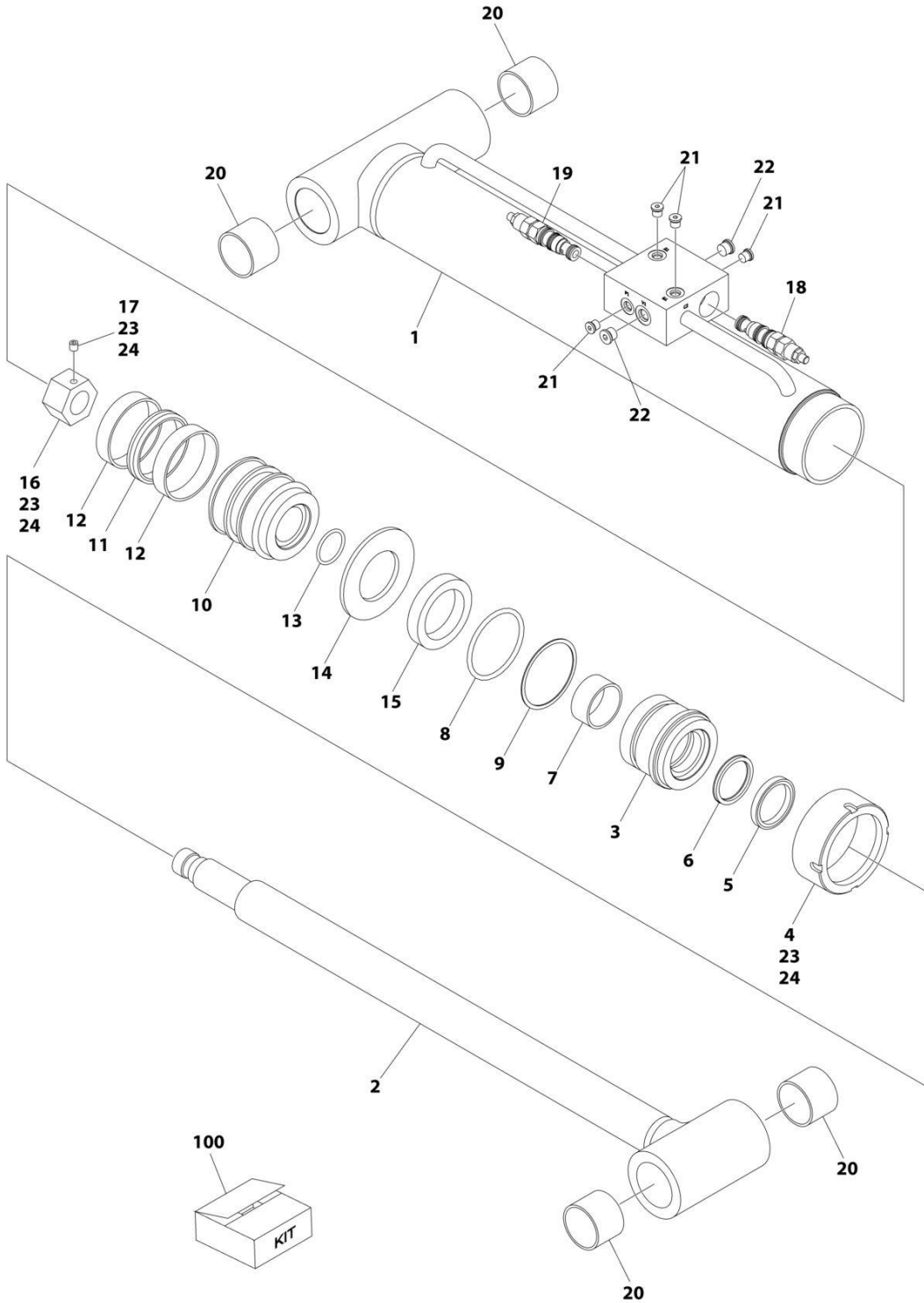
## SECTION 6 - CYLINDER

**FIGURE 6-11. LIFT CYLINDER ASSEMBLY - MID - E450A (SN 0300235601 through 0300239755)**

ITEM	PART NUMBER	QTY	DESCRIPTION	REV
	1684493	Ref	LIFT CYLINDER ASSEMBLY - MID - E450A	D
		Ref	Note: Original Cylinder May Have Been Replaced with Service Replacement. Identify PN Stamped on Cylinder Before Ordering Parts.	
1	1684056	1	Barrel	
1A	1120305	1	Retainer	
2	1683944	1	Rod	
3	2220885	2	Plug	
4	3480242	1	Piston	
5	1683712	1	Head	
6	3300281	1	Nut	
7	4740207	1	Washer	
8	4566435	1	Spacer	
9	4640634	1	Cartridge, Holding Valve	
9	2900770	1	Seal Kit - 4640634 Valve	
10	4641386	1	Cartridge, Holding Valve	
10	7011376	1	Seal Kit - 4641386 Valve	
11	3900170	1	Setscrew	
13	See Note	NSS	Ring, Wear (Note: Use p/n 2901805)	
14	See Note	NSS	Seal, Piston (Note: Use p/n 2901805)	
15	See Note	NSS	O-Ring (Note: Use p/n 2901805)	
16	See Note	NSS	Ring, Wear (Note: Use p/n 2901805)	
17	See Note	NSS	O-Ring (Note: Use p/n 2901805)	
18	See Note	NSS	Ring, Back-Up (Note: Use p/n 2901805)	
19	See Note	NSS	Seal, Rod (Note: Use p/n 2901805)	
20	See Note	NSS	Wiper, Rod (Note: Use p/n 2901805)	
21	0100011	AR	Compound, Locking	
22	0100038	AR	Primer, Locking	
23	0100035	AR	Compound, Locking	
24	0961950	4	Bushing	
100	2901805	1	Seal Kit (Includes Items 13-20)	

# SECTION 6 - CYLINDER

FIGURE 6-12. LIFT CYLINDER ASSEMBLY - MID - E450A (SN 0300239756 through 0300272287)



ART\_1001228036

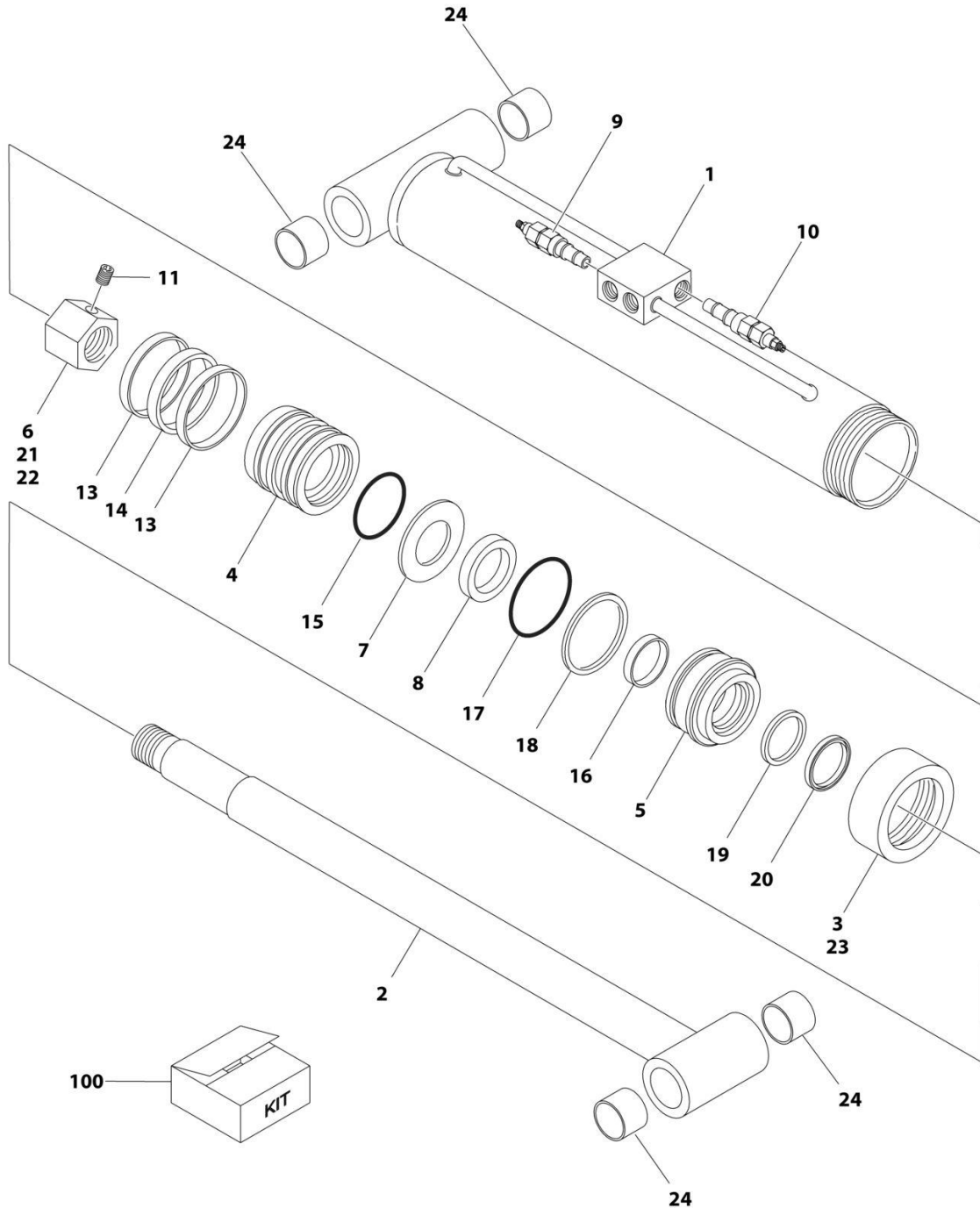
## SECTION 6 - CYLINDER

**FIGURE 6-12. LIFT CYLINDER ASSEMBLY - MID - E450A (SN 0300239756 through 0300272287)**

ITEM	PART NUMBER	QTY	DESCRIPTION	REV
	1001228036	Ref	LIFT CYLINDER ASSEMBLY - MID	E
		Ref	Note: Original Cylinder may have been replaced with Service Replacement. Identify PN Stamped on Cylinder Before Ordering Parts.	
1	See Note	NSS	Barrel Weldment (Note: Not Available for Purchase)	
2	70006543	1	Rod Weldment	
3	70006542	1	Head	
4	70006533	1	Retainer	
5	See Note	NSS	Wiper (Note: Use Item 100)	
6	See Note	NSS	Seal, Rod (Note: Use Item 100)	
7	See Note	NSS	Ring, Wear (Note: Use Item 100)	
8	See Note	NSS	O-Ring (Note: Use Item 100)	
9	See Note	NSS	Ring, Back-up (Note: Use Item 100)	
10	70006532	1	Piston	
11	See Note	NSS	Seal (Note: Use Item 100)	
12	See Note	NSS	Ring, Wear (Note: Use Item 100)	
13	See Note	NSS	O-Ring (Note: Use Item 100)	
14	4740207	1	Washer	
15	70006539	1	Spacer	
16	3300281	1	Nut	
17	3900170	1	Setscrew	
18	4640634	1	Cartridge, Holding Valve	
18	2900770	1	Seal Kit - 4640634 Valve	
19	4641386	1	Cartridge, Holding Valve	
19	7011376	1	Seal Kit - 4641386 Valve	
20	0961950	4	Bushing	
21	2220883	4	Plug, O-Ring	
22	2220885	2	Plug, O-Ring	
23	0100011	AR	Compound, Locking	
24	0100038	AR	Primer, Locking	
100	2901805	1	Seal Kit (Includes Items 5-9 & 11-13)	

# SECTION 6 - CYLINDER

FIGURE 6-13. LIFT CYLINDER ASSEMBLY - MID - E450AJ/M450AJ (SN 0300208529 through 0300239252, SN B300001429 through B300002461)



ART\_1684452

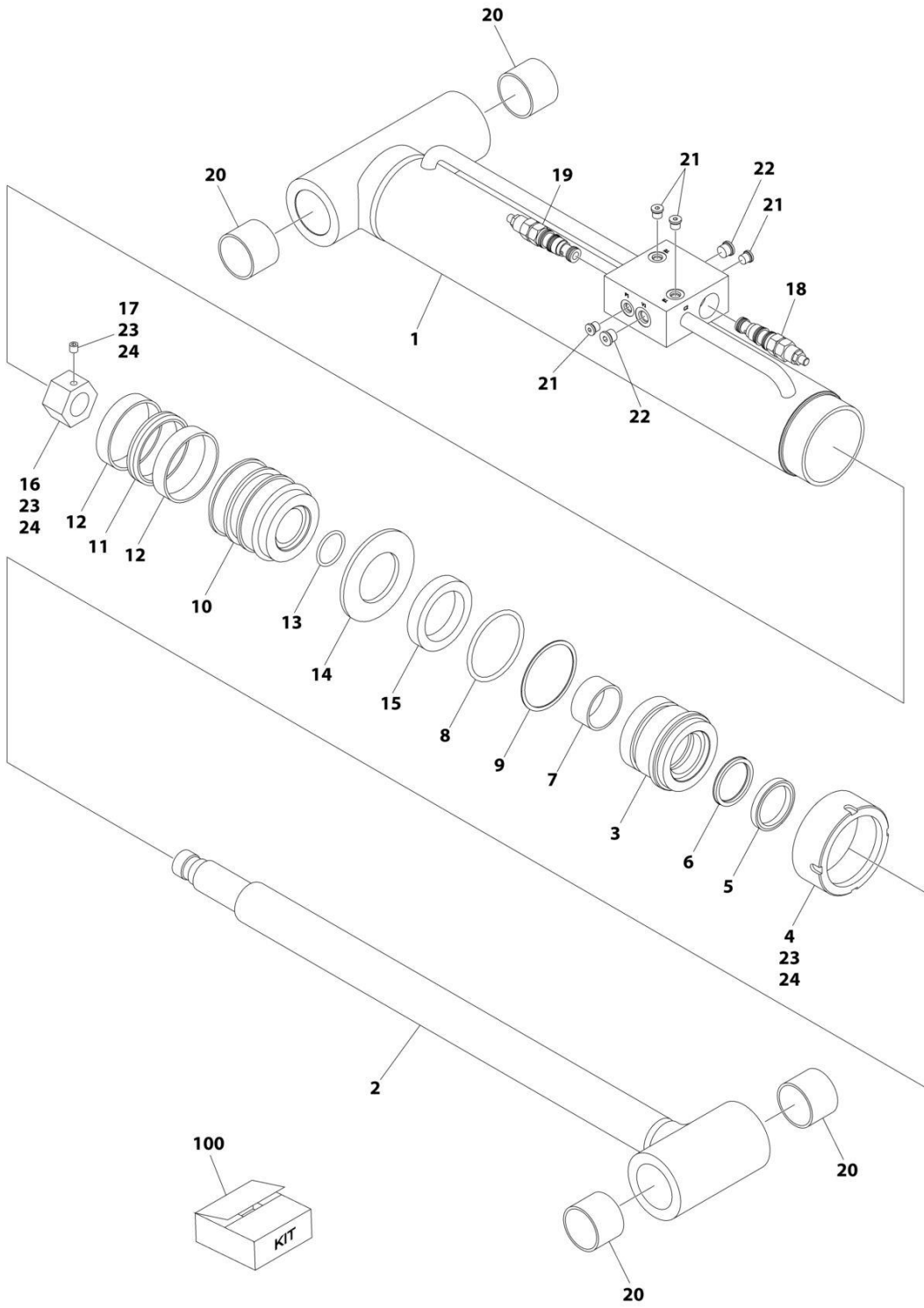
## SECTION 6 - CYLINDER

**FIGURE 6-13. LIFT CYLINDER ASSEMBLY - MID - E450AJ/M450AJ (SN 0300208529 through 0300239252, SN B300001429 through B300002461)**

ITEM	PART NUMBER	QTY	DESCRIPTION	REV
	1684452	Ref	LIFT CYLINDER ASSEMBLY - MID - E450AJ/M450AJ	D
		Ref	Note: Original Cylinder May Have Been Replaced with Service Replacement. Identify PN Stamped on Cylinder Before Ordering Parts.	
1	1683943	1	Barrel	
2	1683944	1	Rod	
3	1120305	1	Retainer	
4	3480242	1	Piston	
5	1683712	1	Head	
6	3300281	1	Nut	
7	4740207	1	Washer	
8	4566435	1	Spacer	
9	4640634	1	Cartridge, Holding Valve	
9	2900770	1	Seal Kit - 4640634 Valve	
10	4641386	1	Cartridge, Holding Valve	
10	7011376	1	Seal Kit - 4641386 Valve	
11	3900170	1	Setscrew	
13	See Note	NSS	Ring, Wear (Note: Use p/n 2901805)	
14	See Note	NSS	Seal, Piston (Note: Use p/n 2901805)	
15	See Note	NSS	O-Ring (Note: Use p/n 2901805)	
16	See Note	NSS	Ring, Wear (Note: Use p/n 2901805)	
17	See Note	NSS	O-Ring (Note: Use p/n 2901805)	
18	See Note	NSS	Ring, Back-Up (Note: Use p/n 2901805)	
19	See Note	NSS	Seal, Rod (Note: Use p/n 2901805)	
20	See Note	NSS	Wiper, Rod (Note: Use p/n 2901805)	
21	0100011	AR	Compound, Locking	
22	0100038	AR	Primer, Locking	
23	0100035	1	Compound, Locking	
24	0961950	4	Bushing	
100	2901805	1	Seal Kit (Includes Items 13-20)	

# SECTION 6 - CYLINDER

FIGURE 6-14. LIFT CYLINDER ASSEMBLY - MID - E450AJ/M450AJ (SN 0300239253 through 0300272287, SN B300002462 through B300002486)



ART\_1001228036

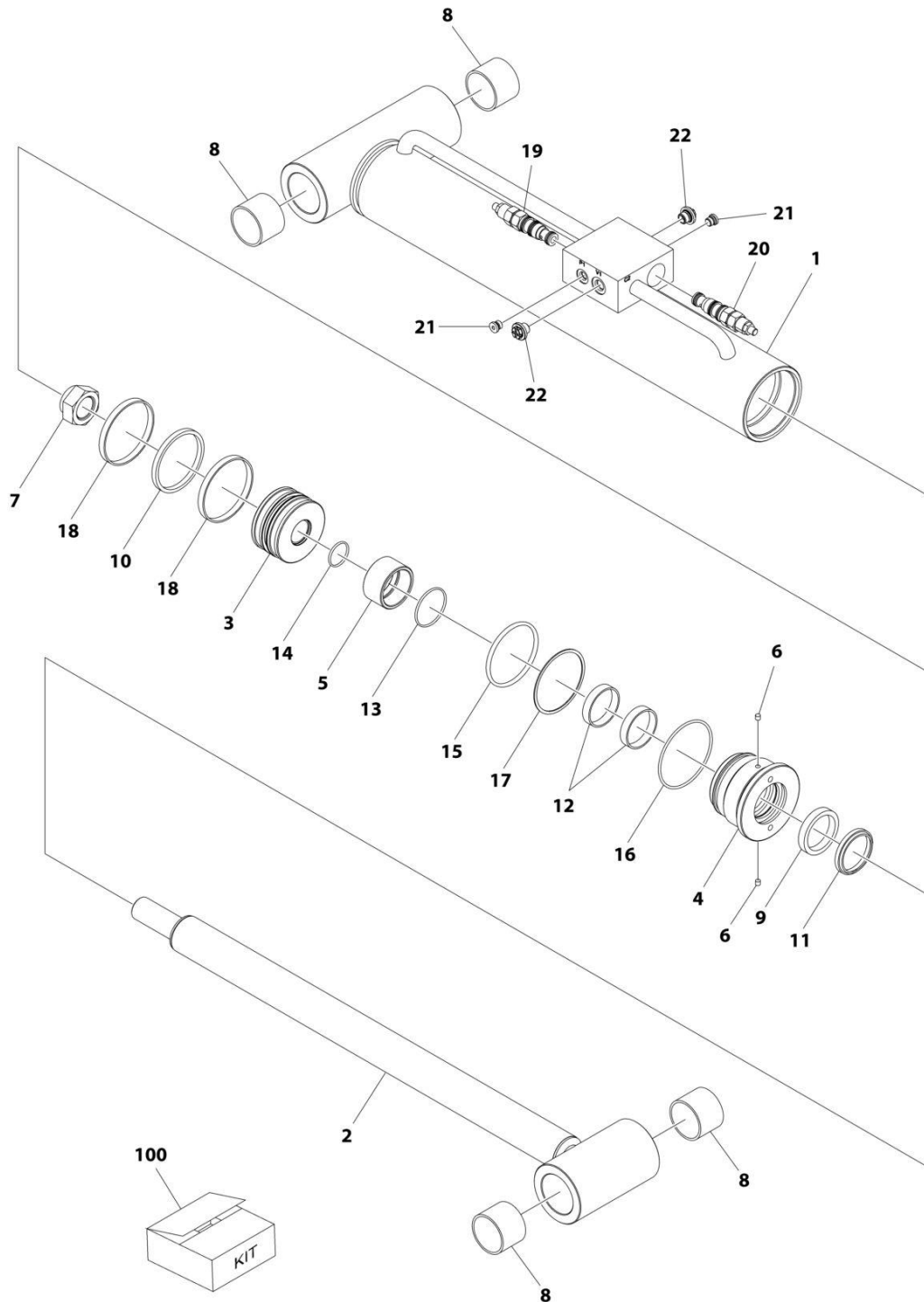
## SECTION 6 - CYLINDER

**FIGURE 6-14. LIFT CYLINDER ASSEMBLY - MID - E450AJ/M450AJ (SN 0300239253 through 0300272287, SN B300002462 through B300002486)**

ITEM	PART NUMBER	QTY	DESCRIPTION	REV
	1001228036	Ref	LIFT CYLINDER ASSEMBLY - MID	E
		Ref	Note: Original Cylinder may have been replaced with Service Replacement. Identify PN Stamped on Cylinder Before Ordering Parts.	
1	See Note	NSS	Barrel Weldment (Note: Not Available for Purchase)	
2	70006543	1	Rod Weldment	
3	70006542	1	Head	
4	70006533	1	Retainer	
5	See Note	NSS	Wiper (Note: Use Item 100)	
6	See Note	NSS	Seal, Rod (Note: Use Item 100)	
7	See Note	NSS	Ring, Wear (Note: Use Item 100)	
8	See Note	NSS	O-Ring (Note: Use Item 100)	
9	See Note	NSS	Ring, Back-up (Note: Use Item 100)	
10	70006532	1	Piston	
11	See Note	NSS	Seal (Note: Use Item 100)	
12	See Note	NSS	Ring, Wear (Note: Use Item 100)	
13	See Note	NSS	O-Ring (Note: Use Item 100)	
14	4740207	1	Washer	
15	70006539	1	Spacer	
16	3300281	1	Nut	
17	3900170	1	Setscrew	
18	4640634	1	Cartridge, Holding Valve	
18	2900770	1	Seal Kit - 4640634 Valve	
19	4641386	1	Cartridge, Holding Valve	
19	7011376	1	Seal Kit - 4641386 Valve	
20	0961950	4	Bushing	
21	2220883	4	Plug, O-Ring	
22	2220885	2	Plug, O-Ring	
23	0100011	AR	Compound, Locking	
24	0100038	AR	Primer, Locking	
100	2901805	1	Seal Kit (Includes Items 5-9 & 11-13)	

# SECTION 6 - CYLINDER

FIGURE 6-15. LIFT CYLINDER ASSEMBLY - MID - E450AJ/M450AJ (SN B300002487 through B300005763)



ART\_1001230301



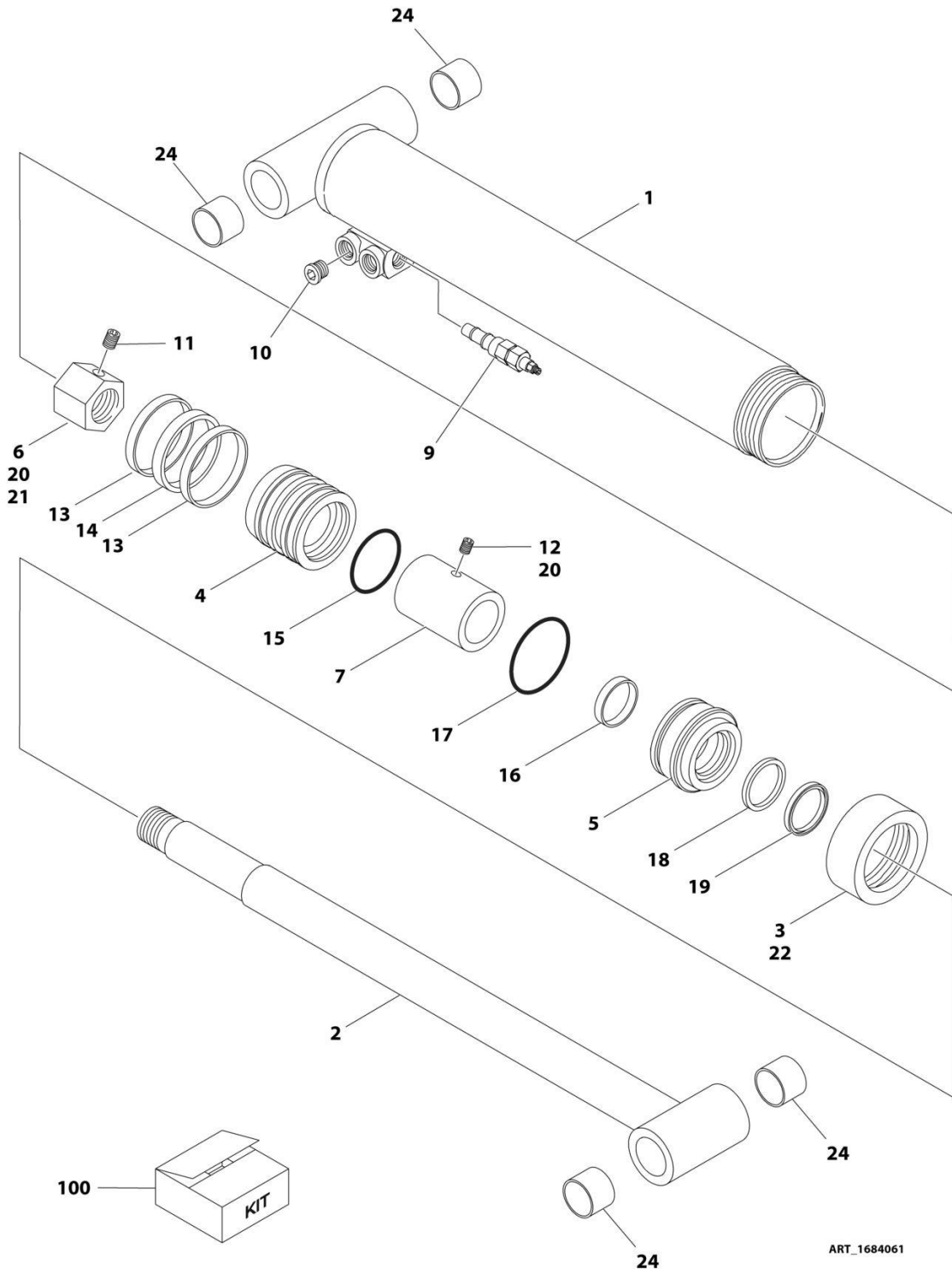
## SECTION 6 - CYLINDER

**FIGURE 6-15. LIFT CYLINDER ASSEMBLY - MID - E450AJ/M450AJ (SN B300002487 through B300005763)**

ITEM	PART NUMBER	QTY	DESCRIPTION	REV
	1001230301	Ref	LIFT CYLINDER ASSEMBLY - MID	A
		Ref	Note: Original Cylinder may have been replaced with Service Replacement. Identify PN Stamped on Cylinder Before Ordering Parts.	
1	See Note	NSS	Barrel (Note: Not Available for Purchase)	
2	70006895	1	Rod Assembly	
3	70006896	1	Piston	
4	70006897	1	Gland	
5	70006898	1	Stop Tube	
6	70006899	2	Locking Piece (Insert)	
7	70006900	1	Metal Lock Nut	
8	0961950	4	Self-Lubricating Composite Bearing	
9	See Note	NSS	Rod Seal (Note: Purchase p/n 70006901)	
10	See Note	NSS	Stopt (Note: Purchase p/n 70006901)	
11	See Note	NSS	Wiper (Note: Purchase p/n 70006901)	
12	See Note	NSS	Rod Wearband (Note: Purchase p/n 70006901)	
13	See Note	NSS	O-Ring (Note: Purchase p/n 70006901)	
14	See Note	NSS	O-Ring (Note: Purchase p/n 70006901)	
15	See Note	NSS	O-Ring (Note: Purchase p/n 70006901)	
16	See Note	NSS	O-Ring (Note: Purchase p/n 70006901)	
17	See Note	NSS	Backup (Note: Purchase p/n 70006901)	
18	See Note	NSS	Tube Wearband (Note: Purchase p/n 70006901)	
19	4640634	1	Counter Balance Valve	
20	4641386	1	Counter Balance Valve	
21	2220883	2	Hex Socket Head Plug	
22	2220885	2	Hex Socket Head Plug	
100	70006901	1	Seal Kit (Includes Items 9-18)	

# SECTION 6 - CYLINDER

FIGURE 6-16. LIFT CYLINDER ASSEMBLY - UPPER - E450A (SN 0300235601 through 0300239755)



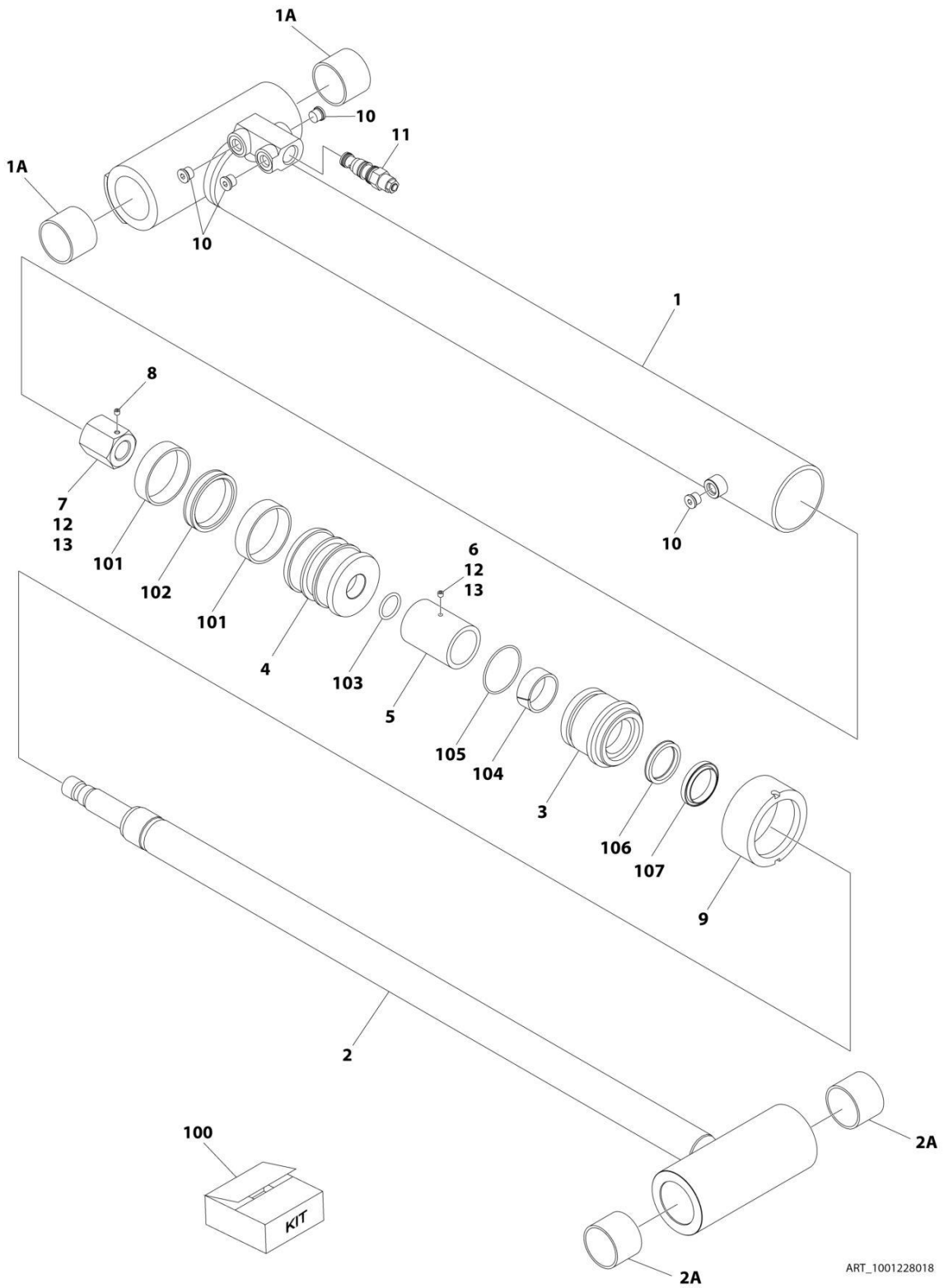
## SECTION 6 - CYLINDER

**FIGURE 6-16. LIFT CYLINDER ASSEMBLY - UPPER - E450A (SN 0300235601 through 0300239755)**

ITEM	PART NUMBER	QTY	DESCRIPTION	REV
	1684061	Ref	LIFT CYLINDER ASSEMBLY - UPPER - E450AJ	G
		Ref	Note: Original Cylinder May Have Been Replaced with Service Replacement. Identify PN Stamped on Cylinder Before Ordering Parts.	
1	1684060	1	Barrel	
2	1684059	1	Rod	
3	1120108	1	Retainer	
4	3480240	1	Piston	
5	1683709	1	Head	
6	3300315	1	Nut	
7	4567177	1	Spacer	
9	4640936	1	Cartridge, Valve	
9	2900770	1	Seal, Kit - 4640936 Valve	
10	2220885	4	Plug	
11	3900170	1	Setscrew	
12	3951402	1	Setscrew	
13	See Note	NSS	Ring, Wear (Note: Use p/n 2901804)	
14	See Note	NSS	Seal, Piston (Note: Use p/n 2901804)	
15	See Note	NSS	O-Ring (Note: Use p/n 2901804)	
16	See Note	NSS	Ring, Wear (Note: Use p/n 2901804)	
17	See Note	NSS	O-Ring (Note: Use p/n 2901804)	
18	See Note	NSS	Seal, Rod (Note: Use p/n 2901804)	
19	See Note	NSS	Wiper, Rod (Note: Use p/n 2901804)	
20	0100011	AR	Compound, Locking	
21	0100038	AR	Primer, Locking	
22	0100035	AR	Compound, Locking	
24	0961950	4	Bushing	
100	2901804	1	Seal Kit (Includes Items 13-19)	

# SECTION 6 - CYLINDER

FIGURE 6-17. LIFT CYLINDER ASSEMBLY - UPPER - E450A (SN 0300239756 through 0300271909)



ART\_1001228018

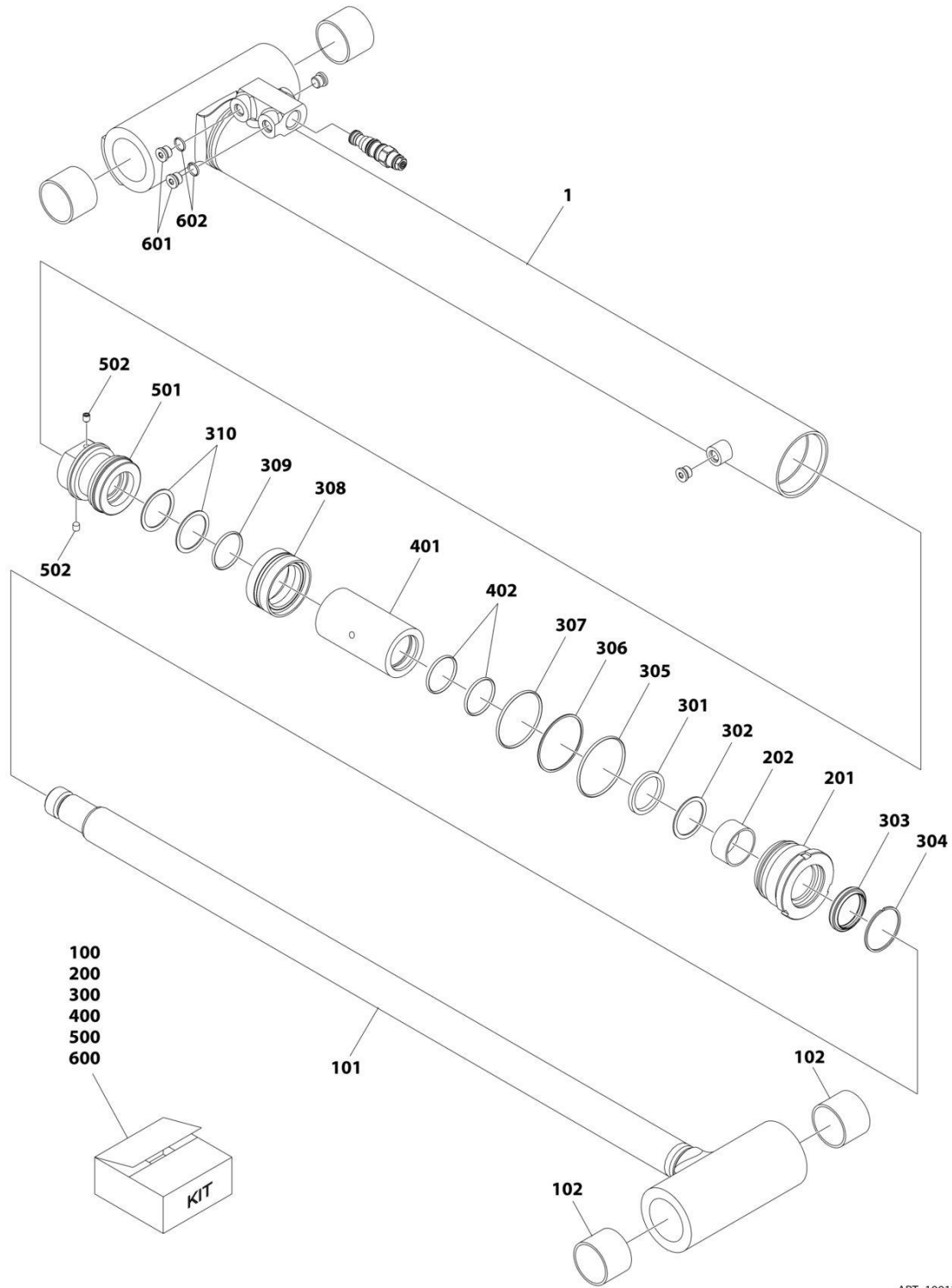
## SECTION 6 - CYLINDER

**FIGURE 6-17. LIFT CYLINDER ASSEMBLY - UPPER - E450A (SN 0300239756 through 0300271909)**

ITEM	PART NUMBER	QTY	DESCRIPTION	REV
	1001228018	Ref	LIFT CYLINDER ASSEMBLY - UPPER - E450AJ	C
		Ref	Note: Original Cylinder may have been replaced with Service Replacement. Identify PN Stamped on Cylinder Before Ordering Parts.	
1	See Note	NSS	Barrel Weldment (Note: Not Available for Purchase)	
1A	0961950	2	Bushing	
2	70006415	1	Rod Weldment	
2A	0961950	2	Bushing	
3	70006401	1	Head	
4	70006400	1	Piston	
5	70006414	1	Spacer	
6	70006413	1	Setscrew	
7	70006412	1	Nut	
8	70023915	1	Setscrew	
9	70006411	1	Retainer	
10	2220885	4	Plug, O-Ring	
11	4640936	1	Cartridge, Holding Valve	
11	2900770	1	Seal Kit - 4640936 Valve	
12	0100011	AR	Compound, Locking	
13	0100038	AR	Primer, Locking	
100	2901804	1	Seal Kit (Includes Items 101-107)	
101	See Note	NSS	Ring, Wear (Note: Use Item 100)	
102	See Note	NSS	Seal, Piston (Note: Use Item 100)	
103	See Note	NSS	O-Ring (Note: Use Item 100)	
104	See Note	NSS	Ring, Wear (Note: Use Item 100)	
105	See Note	NSS	O-Ring (Note: Use Item 100)	
106	See Note	NSS	Seal, Rod (Note: Use Item 100)	
107	See Note	NSS	Wiper, Rod (Note: Use Item 100)	

# SECTION 6 - CYLINDER

FIGURE 6-18. LIFT CYLINDER ASSEMBLY - UPPER - E450A (SN 0300271910 through 0300272287)



ART\_1001251018

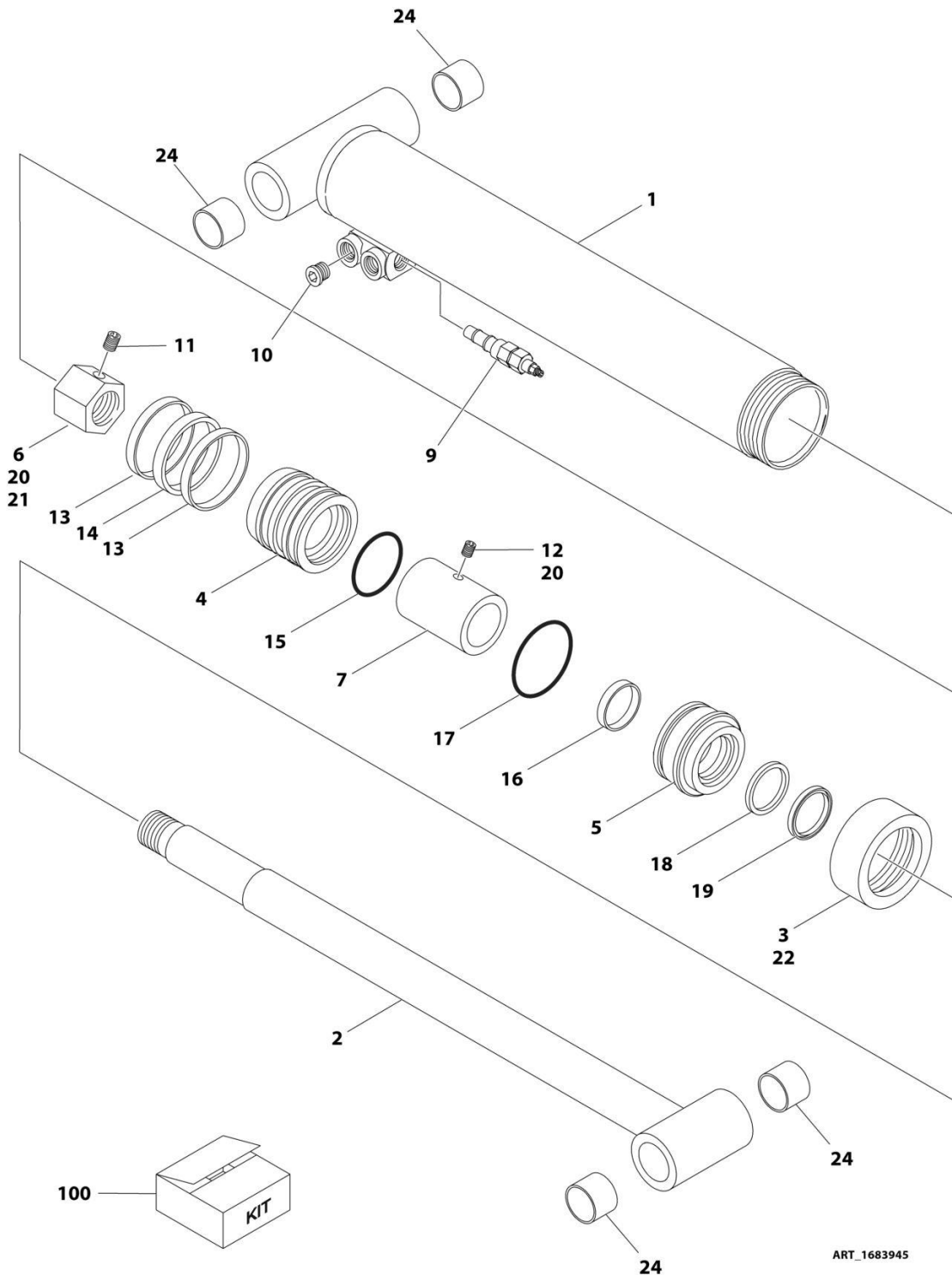
## SECTION 6 - CYLINDER

**FIGURE 6-18. LIFT CYLINDER ASSEMBLY - UPPER - E450A (SN 0300271910 through 0300272287)**

ITEM	PART NUMBER	QTY	DESCRIPTION	REV
	1001251018	Ref	LIFT CYLINDER ASSEMBLY - UPPER	B
		Ref	Note: Original Cylinder may have been replaced with Service Replacement. Identify PN Stamped on Cylinder Before Ordering Parts.	
1	See Note	NSS	Barrel (Note: Not Available for Purchase)	
100	70007367	1	Rod Assembly Kit (Includes Item 101)	
101	See Note	NSS	Rod Assembly (Note: Use p/n 70007367)	
102	See Note	NSS	Bushing (Note: Use p/n 70007367)	
200	70007368	1	Head Kit (Includes Items 201-202)	
201	See Note	NSS	Head (Note: Use p/n 70007368)	
202	See Note	NSS	Bushing (Note: Use p/n 70007368)	
300	70007369	1	Seal Kit (Includes Items 301-310)	
301	See Note	NSS	U-Packing (Note: Use Item 70007369)	
302	See Note	NSS	Ring, Back-up (Note: Use Item 7007369)	
303	See Note	NSS	Wiper, Rod (Note: Use Item 7007369)	
304	See Note	NSS	Ring, Retaining (Note: Use Item 7007369)	
305	See Note	NSS	O-Ring (Note: Use Item 7007369)	
306	See Note	NSS	Ring, Back-up (Note: Use Item 7007369)	
307	See Note	NSS	O-Ring (Note: Use Item 7007369)	
308	See Note	NSS	Seal, Compact (Note: Use Item 7007369)	
309	See Note	NSS	O-Ring (Note: Use Item 7007369)	
310	See Note	NSS	Ring, Back-up (Note: Use Item 7007369)	
400	70007370	1	Spacer Kit (Includes Items 401-402)	
401	See Note	NSS	Spacer (Note: Use p/n 70007370)	
402	See Note	NSS	O-Ring (Note: Use p/n 70007370)	
500	70007371	1	Piston Kit (Includes Items 501-502)	
501	See Note	NSS	Piston (Note: Use Item 7007371)	
502	See Note	NSS	Set Screw (Note: Use Item 7007371)	
600	70007372	1	Plug Kit (Includes Items 601-602)	
601	See Note	NSS	Plug (Note: Use Item 7007372)	
602	See Note	NSS	O-Ring (Note: Use Item 7007372)	

# SECTION 6 - CYLINDER

FIGURE 6-19. LIFT CYLINDER ASSEMBLY - UPPER - E450AJ/M450AJ (SN 0300208529 through 0300239755, SN B300001429 through B300002486)





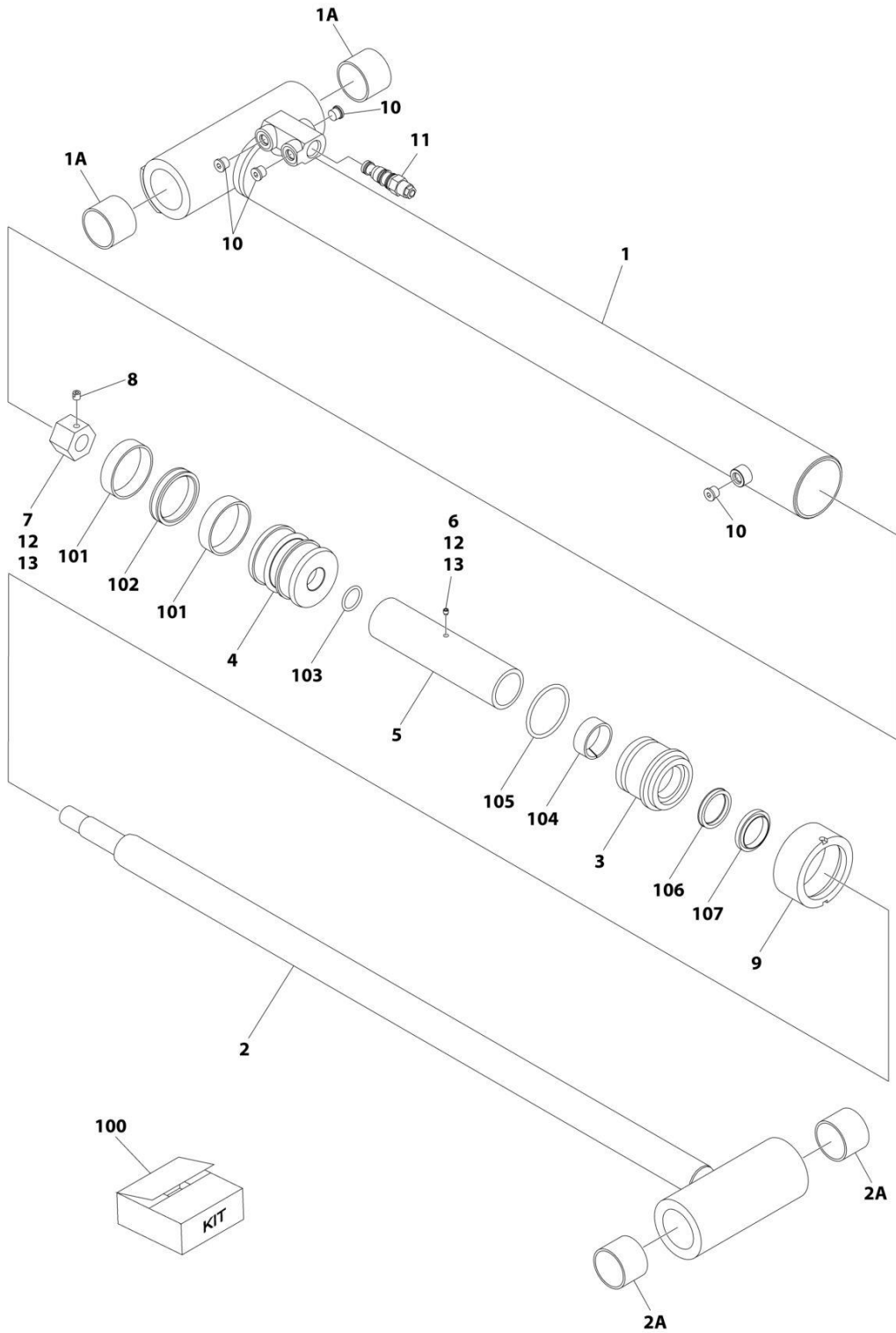
## SECTION 6 - CYLINDER

**FIGURE 6-19. LIFT CYLINDER ASSEMBLY - UPPER - E450AJ/M450AJ (SN 0300208529 through 0300239755, SN B300001429 through B300002486)**

ITEM	PART NUMBER	QTY	DESCRIPTION	REV
	1683945	Ref	LIFT CYLINDER ASSEMBLY - UPPER - E450AJ/M450AJ	G
		Ref	Note: Original Cylinder May Have Been Replaced with Service Replacement. Identify PN Stamped on Cylinder Before Ordering Parts.	
1	1683946	1	Barrel	
2	1683947	1	Rod	
3	1120108	1	Retainer	
4	3480240	1	Piston	
5	1683709	1	Head	
6	3300279	1	Nut	
7	4567908	1	Spacer	
9	4640936	1	Cartridge, Holding Valve	
9	2900770	1	Seal Kit - 4640936 Valve	
10	2220885	4	Plug	
11	3900170	1	Setscrew	
12	3900142	1	Setscrew	
13	See Note	NSS	Ring, Wear (Note: Use p/n 2901804)	
14	See Note	NSS	Seal, Piston (Note: Use p/n 2901804)	
15	See Note	NSS	O-Ring (Note: Use p/n 2901804)	
16	See Note	NSS	Ring, Wear (Note: Use p/n 2901804)	
17	See Note	NSS	O-Ring (Note: Use p/n 2901804)	
18	See Note	NSS	Seal, Rod (Note: Use p/n 2901804)	
19	See Note	1	Wiper, Rod	
20	0100011	AR	Compound, Locking	
21	0100038	AR	Primer, Locking	
22	0100035	AR	Compound, Locking	
24	0961950	4	Bushing	
100	2901804	1	Seal Kit (Includes Items 13-19)	

# SECTION 6 - CYLINDER

FIGURE 6-20. LIFT CYLINDER ASSEMBLY - UPPER - E450AJ/M450AJ (SN 0300239756 through 0300272287)



ART\_1001228016

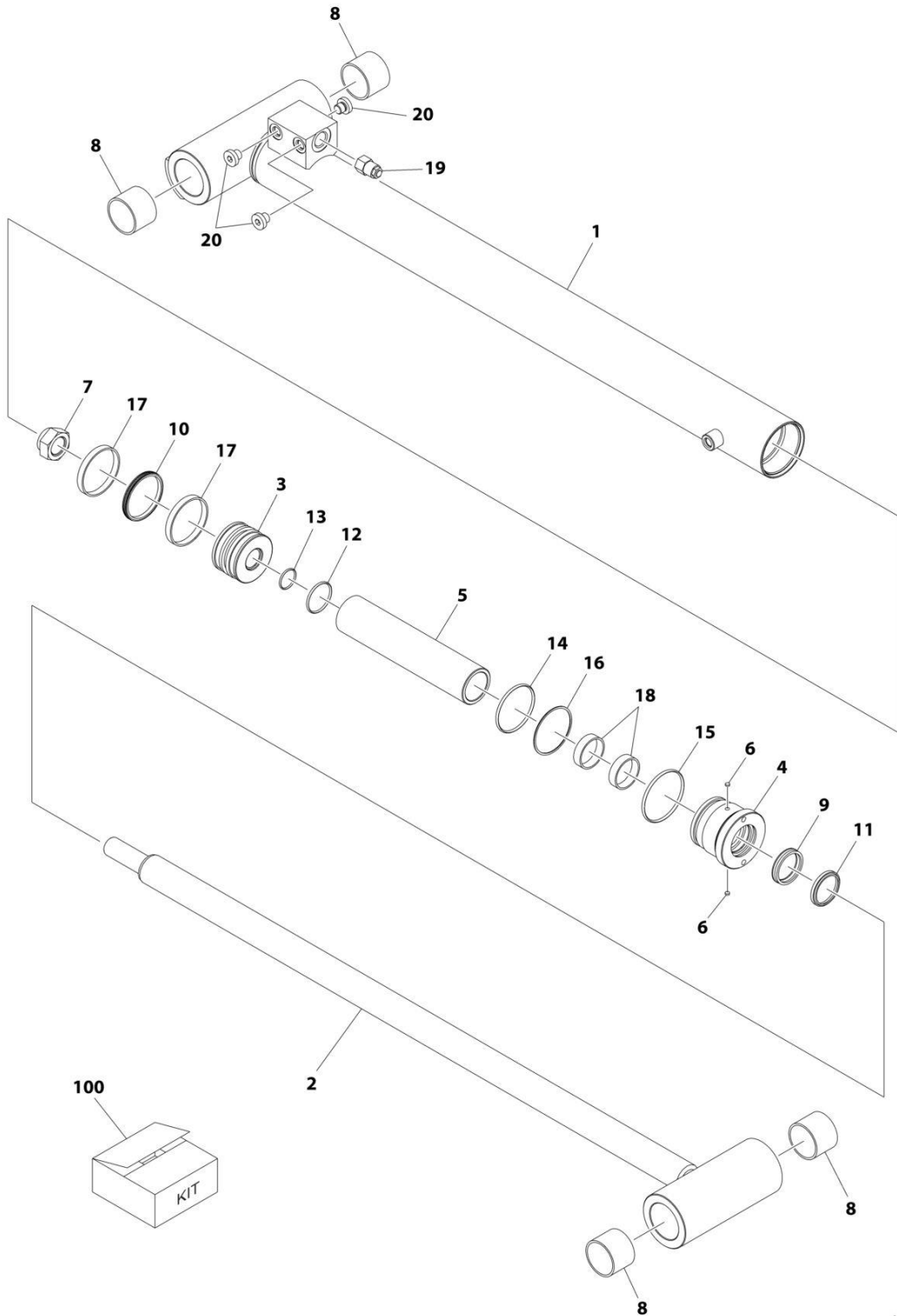
## SECTION 6 - CYLINDER

**FIGURE 6-20. LIFT CYLINDER ASSEMBLY - UPPER - E450AJ/M450AJ (SN 0300239756 through 0300272287)**

ITEM	PART NUMBER	QTY	DESCRIPTION	REV
	1001228016	Ref	LIFT CYLINDER ASSEMBLY - UPPER - E450AJ/M450AJ	B
		Ref	Note: Original Cylinder may have been replaced with Service Replacement. Identify PN Stamped on Cylinder Before Ordering Parts.	
1	See Note	NSS	Barrel Weldment (Note: Not Available for Purchase)	
1A	0961950	2	Bushing	
2	70006402	1	Rod Weldment	
2A	0961950	2	Bushing	
3	70006401	1	Head	
4	70006400	1	Piston	
5	70006399	1	Spacer	
6	70006398	1	Setscrew	
7	70006397	1	Nut	
8	70023915	1	Setscrew	
9	70006396	1	Retainer	
10	2220885	4	Plug, O-Ring	
11	4640936	1	Cartridge, Holding Valve	
11	2900770	1	Seal Kit - 4640936 Valve	
12	0100011	AR	Compound, Locking	
13	0100038	AR	Primer, Locking	
100	2901804	1	Seal Kit (Includes Items 101-107)	
101	See Note	NSS	Ring, Wear (Note: Use Item 100)	
102	See Note	NSS	Seal, Piston (Note: Use Item 100)	
103	See Note	NSS	O-Ring (Note: Use Item 100)	
104	See Note	NSS	Ring, Wear (Note: Use Item 100)	
105	See Note	NSS	O-Ring (Note: Use Item 100)	
106	See Note	NSS	Seal, Rod (Note: Use Item 100)	
107	See Note	NSS	Wiper, Rod (Note: Use Item 100)	

# SECTION 6 - CYLINDER

FIGURE 6-21. LIFT CYLINDER ASSEMBLY - UPPER - E450AJ/M450AJ (SN B300002487 through B300005763)



ART\_1001230299

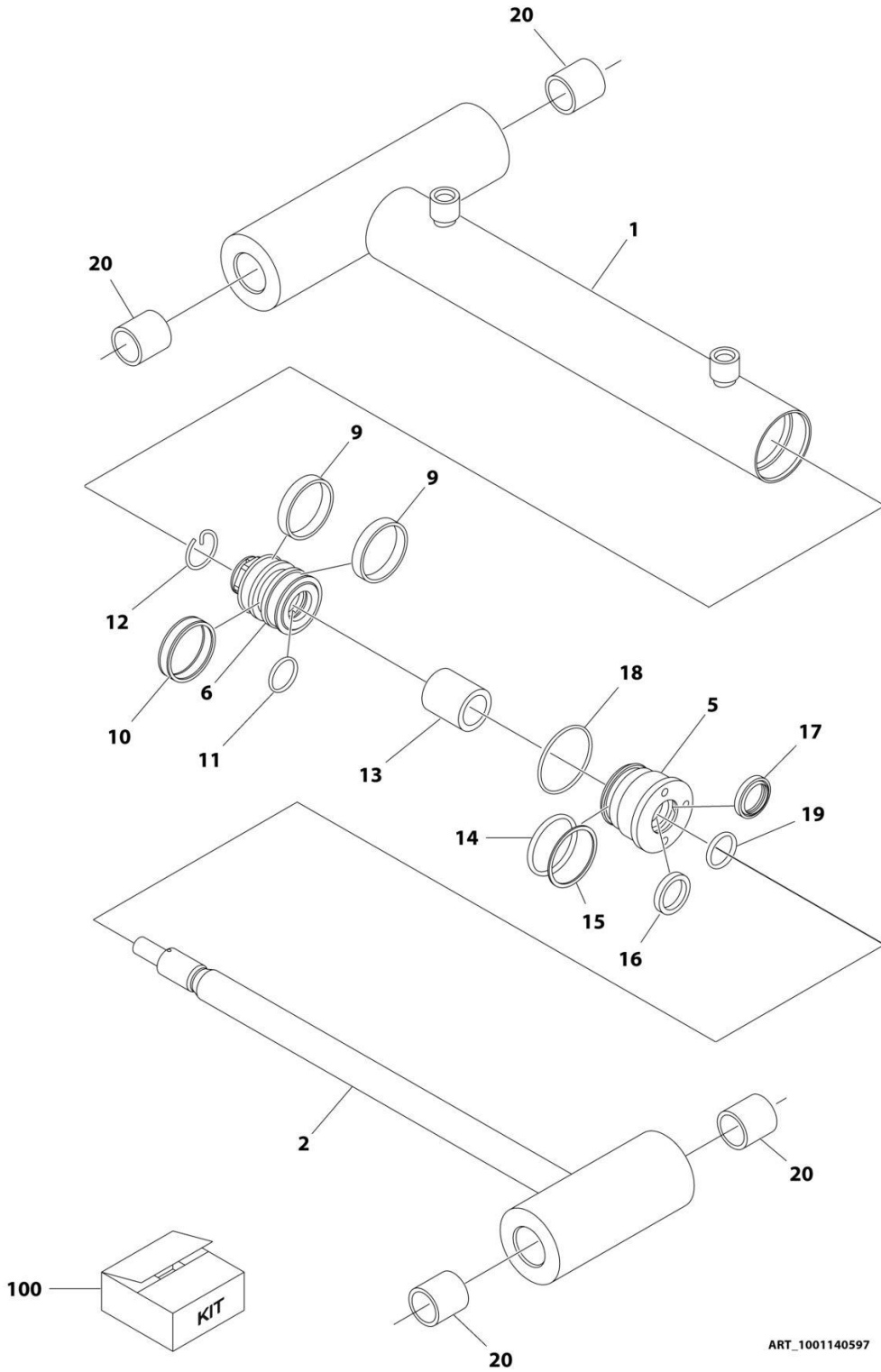
## SECTION 6 - CYLINDER

**FIGURE 6-21. LIFT CYLINDER ASSEMBLY - UPPER - E450AJ/M450AJ (SN B300002487 through B300005763)**

ITEM	PART NUMBER	QTY	DESCRIPTION	REV
	1001230299	Ref	LIFT CYLINDER ASSEMBLY - UPPER	B
		Ref	Note: Original Cylinder may have been replaced with Service Replacement. Identify PN Stamped on Cylinder Before Ordering Parts.	
1	See Note	NSS	Barrel (Note: Not Available for Purchase)	
2	70006874	1	Rod Assembly	
3	70006875	1	Piston	
4	70006876	1	Gland	
5	70006877	1	Stop Tube	
6	70003636	2	Locking Piece	
7	70006878	1	Locknut	
8	0961950	4	Self-Lubricating Composite Bearing	
9	See Note	NSS	Rod Seal (Note: Purchase p/n 70006904)	
10	See Note	NSS	Stopt (Note: Purchase p/n 70006904)	
11	See Note	NSS	Wiper (Note: Purchase p/n 70006904)	
12	See Note	NSS	O-Ring (Note: Purchase p/n 70006904)	
13	See Note	NSS	O-Ring (Note: Purchase p/n 70006904)	
14	See Note	NSS	O-Ring (Note: Purchase p/n 70006904)	
15	See Note	NSS	O-Ring (Note: Purchase p/n 70006904)	
16	See Note	NSS	Backup (Note: Purchase p/n 70006904)	
17	See Note	NSS	Tube Wearband (Note: Purchase p/n 70006904)	
18	See Note	NSS	Rod Wearband (Note: Purchase p/n 70006904)	
19	4640936	1	Counter Balance Valve	
20	2220885	3	Hex Socket Head Plug	
100	70006904	1	Seal Kit (Includes Items 9-19)	

# SECTION 6 - CYLINDER

## FIGURE 6-22. MASTER CYLINDER ASSEMBLY - E450A



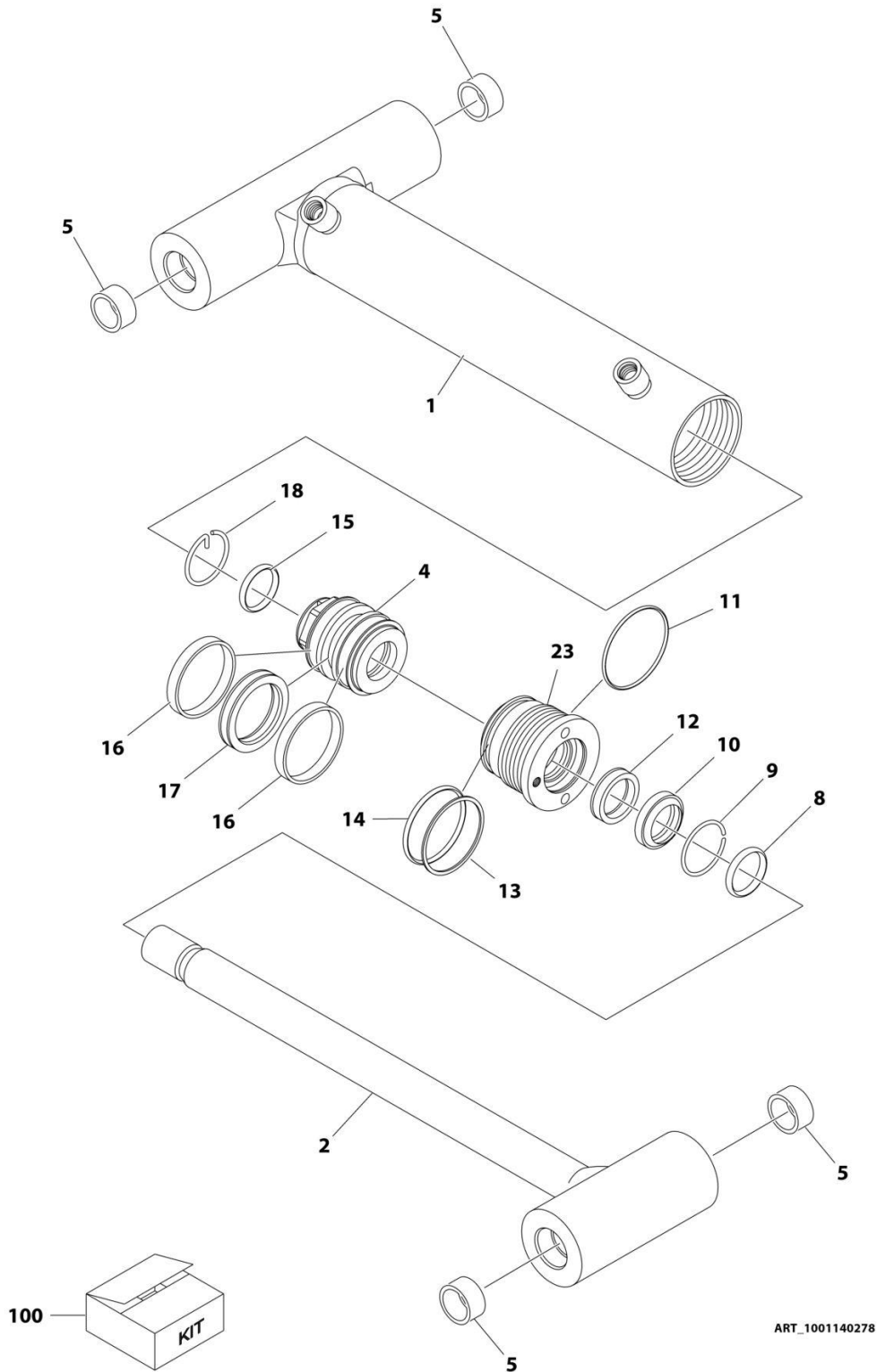
## SECTION 6 - CYLINDER

**FIGURE 6-22. MASTER CYLINDER ASSEMBLY - E450A**

ITEM	PART NUMBER	QTY	DESCRIPTION	REV
	1001140597	Ref	MASTER CYLINDER ASSEMBLY - E450A	A
1	70004144	1	Barrel	
2	70004145	1	Rod	
5	70000739	1	Head	
6	70004141	1	Piston	
9	See Note	NSS	Ring, Wear (Note: Use p/n 70004130)	
10	See Note	NSS	Seal, Piston (Note: Use p/n 70004130)	
11	70023094	1	O-Ring	
12	70004142	1	Retainer	
13	70004143	1	Spacer	
14	See Note	NSS	O-Ring (Note: Use p/n 70004130)	
15	See Note	NSS	Ring, Back-Up (Note: Use p/n 70004130)	
16	See Note	NSS	Seal, Rod (Note: Use p/n 70004130)	
17	See Note	NSS	Wiper, Rod (Note: Use p/n 70004130)	
18	See Note	NSS	O-Ring (Note: Use p/n 70004130)	
19	See Note	NSS	O-Ring (Note: Use p/n 70004130)	
20	0962356	4	Bushing	
100	70004130	1	Seal Kit (Includes Items 9-11 & 14-18)	

# SECTION 6 - CYLINDER

FIGURE 6-23. MASTER CYLINDER ASSEMBLY - E450AJ/M450AJ (SN 0300208529 through 0300272287, SN B300001429 through B300002486)





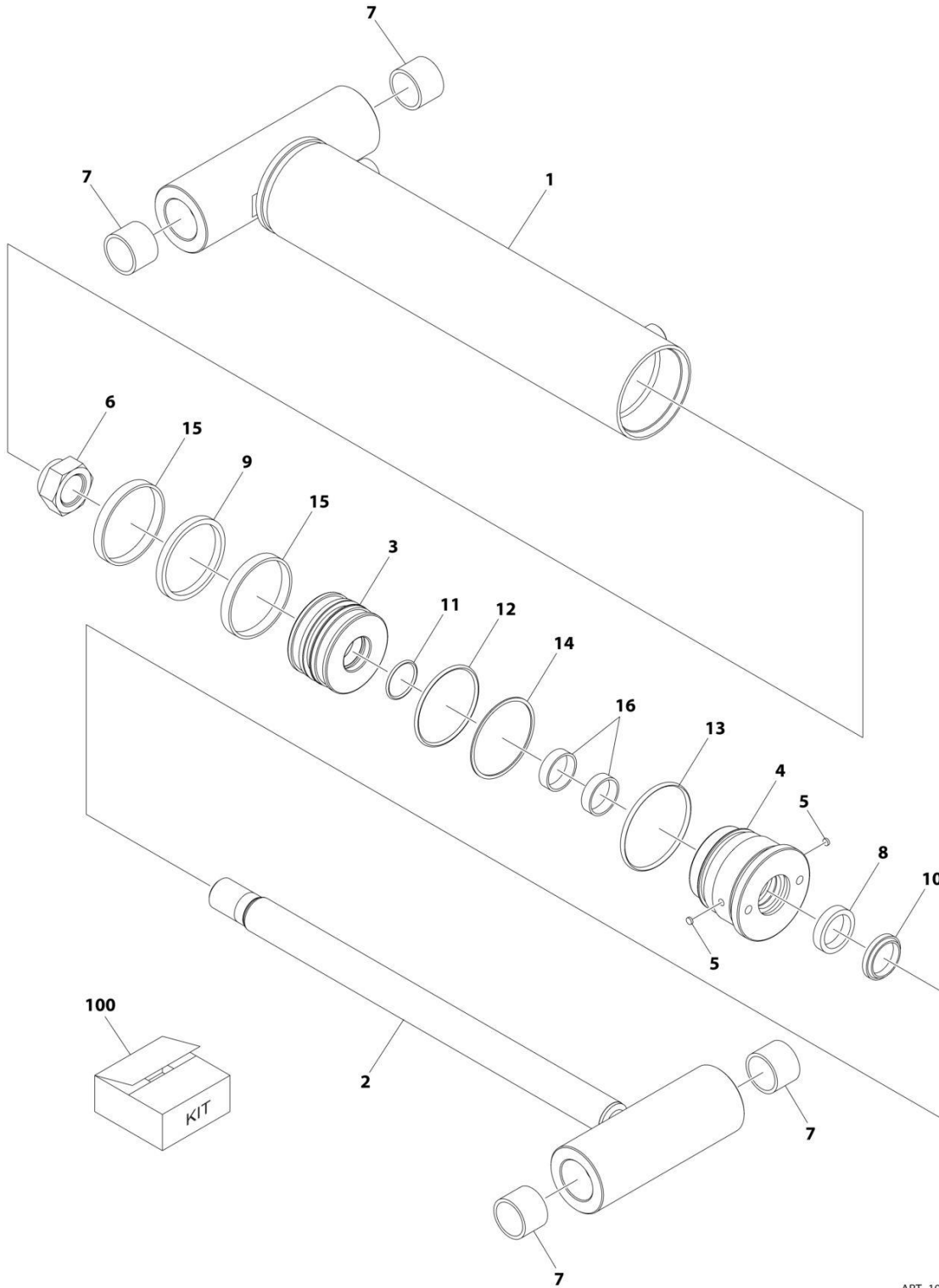
## SECTION 6 - CYLINDER

**FIGURE 6-23. MASTER CYLINDER ASSEMBLY - E450AJ/M450AJ (SN 0300208529 through 0300272287, SN B300001429 through B300002486)**

ITEM	PART NUMBER	QTY	DESCRIPTION	REV
	1001140278	Ref	MASTER CYLINDER ASSEMBLY - E450AJ/M450AJ Note: Original Cylinder may have been replaced with Service Replacement. Identify PN Stamped on Cylinder Before Ordering Parts.	A
		Ref		
1	70003843	1	Barrel	
2	70003844	1	Rod	
4	70003819	1	Piston	
5	0961951	4	Bushing	
8	7026084	1	O-Ring	
9	70002217	1	Ring, Retaining	
10	See Note	NSS	Wiper, Rod (Note: Use p/n 70003845)	
11	See Note	NSS	O-Ring (Note: Use p/n 70003845)	
12	See Note	NSS	Seal, Rod (Note: Use p/n 70003845)	
13	See Note	NSS	Ring, Back-Up (Note: Use p/n 70003845)	
14	See Note	NSS	O-Ring (Note: Use p/n 70003845)	
15	See Note	NSS	O-Ring (Note: Use p/n 70003845)	
16	See Note	NSS	Ring, Wear (Note: Use p/n 70003845)	
17	See Note	NSS	Seal, Piston (Note: Use p/n 70003845)	
18	70002216	1	Retainer	
23	7026082	1	Head	
100	70003845	1	Seal Kit (Includes Items 10-17)	

# SECTION 6 - CYLINDER

FIGURE 6-24. MASTER CYLINDER ASSEMBLY - E450AJ/M450AJ (SN B3000024867 through B300005763)



ART\_1001230303

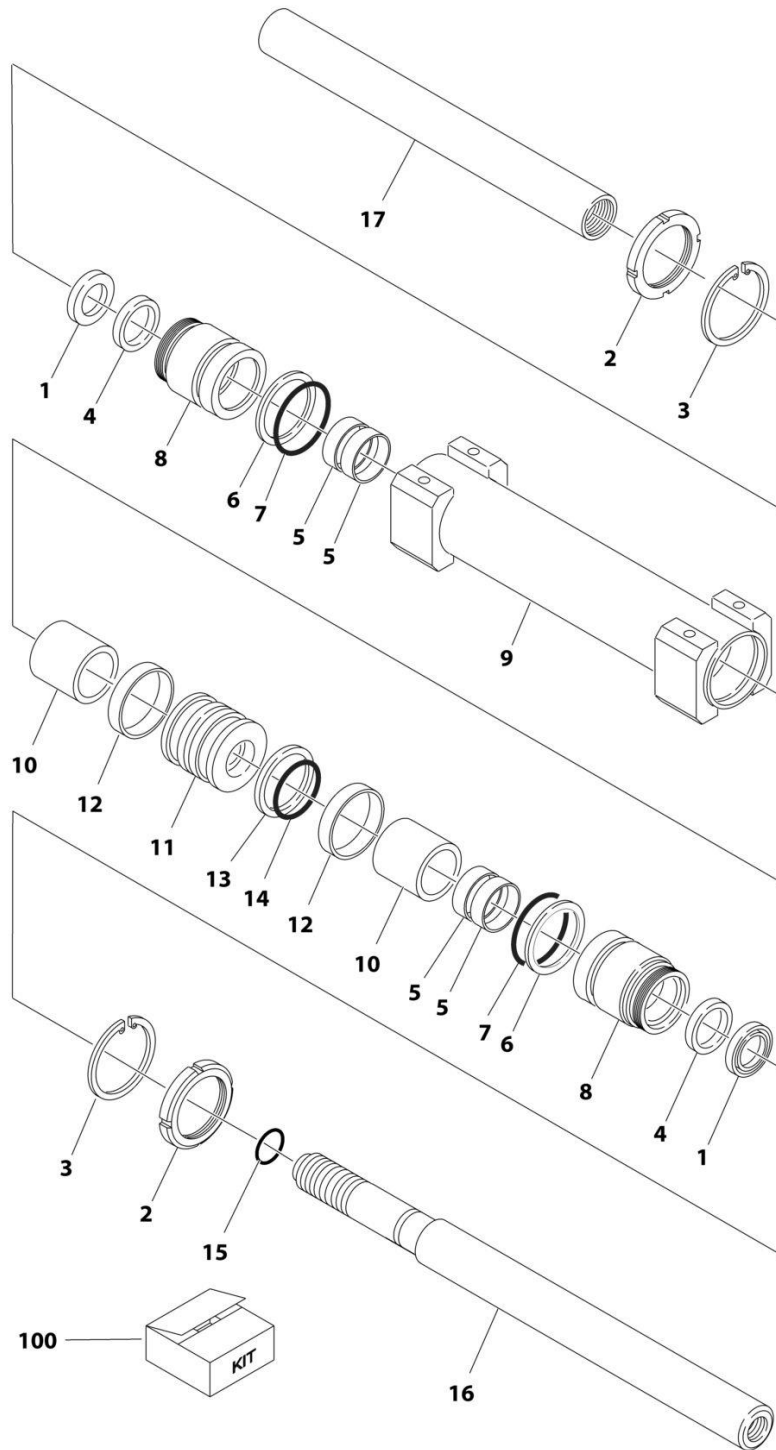
## SECTION 6 - CYLINDER

**FIGURE 6-24. MASTER CYLINDER ASSEMBLY - E450AJ/M450AJ (SN B3000024867 through B300005763)**

ITEM	PART NUMBER	QTY	DESCRIPTION	REV
	1001230303	Ref	MASTER CYLINDER ASSEMBLY	A
		Ref	Note: Original Cylinder may have been replaced with Service Replacement. Identify PN Stamped on Cylinder Before Ordering Parts.	
1	See Note	NSS	Barrel (Note: Not Available for Purchase)	
2	70006908	1	Rod Assembly	
3	70006909	1	Piston	
4	70006910	1	Gland	
5	70003636	2	Locking Piece (Insert)	
6	70006878	1	Metal Lock Nut	
7	0961951	4	Self-Lubricating Composite Bearing	
8	See Note	NSS	Rod Seal (Note: Purchase p/n 70006911)	
9	See Note	NSS	Stopt (Note: Purchase p/n 70006911)	
10	See Note	NSS	Wiper (Note: Purchase p/n 70006911)	
11	See Note	NSS	O-Ring (Note: Purchase p/n 70006911)	
12	See Note	NSS	O-Ring (Note: Purchase p/n 70006911)	
13	See Note	NSS	O-Ring (Note: Purchase p/n 70006911)	
14	See Note	NSS	Backup (Note: Purchase p/n 70006911)	
15	See Note	NSS	Tube Wearband (Note: Purchase p/n 70006911)	
16	See Note	NSS	Rod Wearband (Note: Purchase p/n 70006911)	
100	70006911	1	Seal Kit (Includes Items 8-16)	

# SECTION 6 - CYLINDER

FIGURE 6-25. STEER CYLINDER ASSEMBLY (SN 0300208529 through 0300272287, SN B300001429 through B300002982)



ART\_1683591

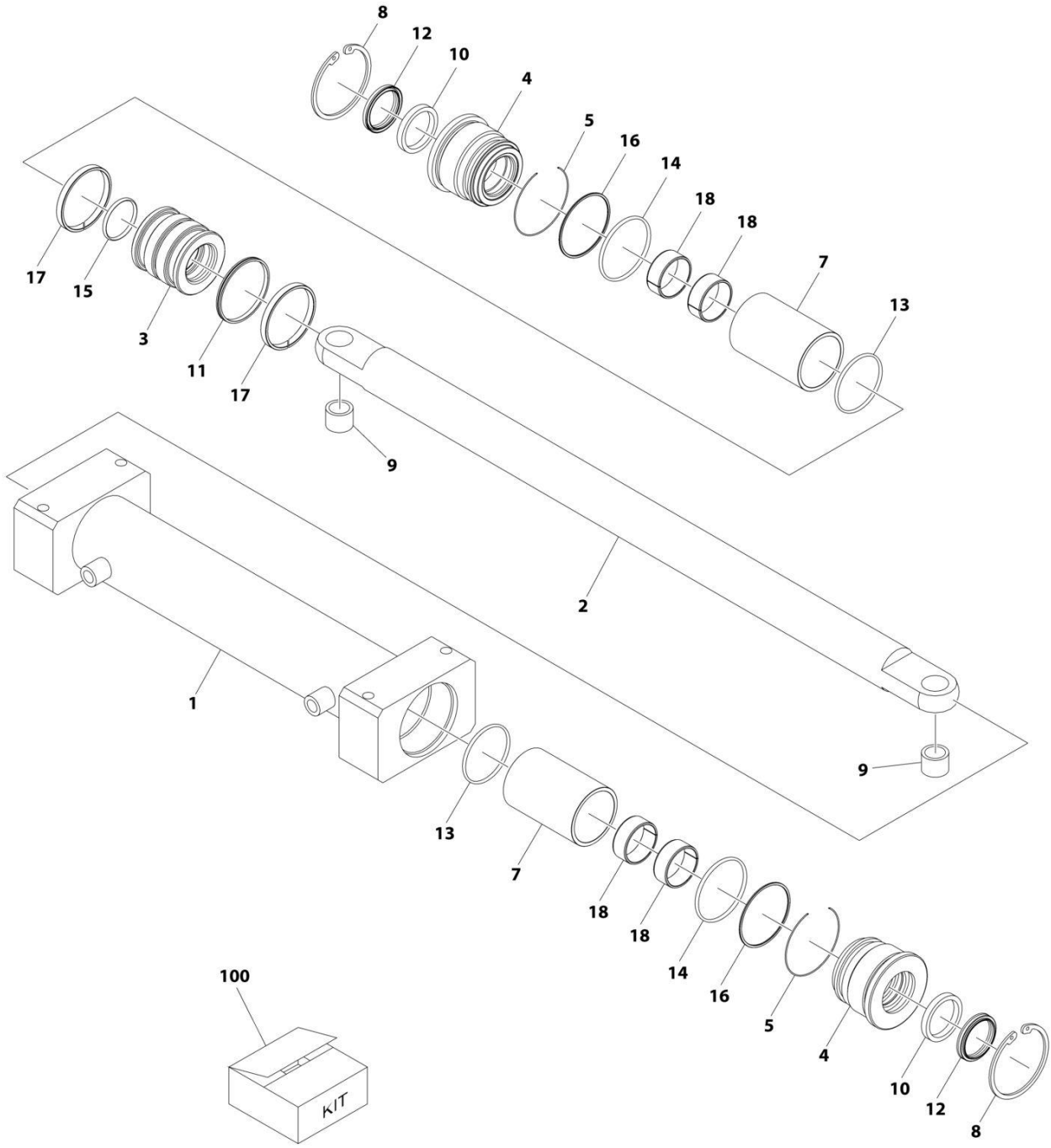
## SECTION 6 - CYLINDER

**FIGURE 6-25. STEER CYLINDER ASSEMBLY (SN 0300208529 through 0300272287, SN B300001429 through B300002982)**

ITEM	PART NUMBER	QTY	DESCRIPTION	REV
	1683591	Ref	STEER CYLINDER ASSEMBLY	C
1	See Note	2	Wiper (Note: Use p/n 7017246)	
2	7001630	2	Nut, Spanner	
3	7017247	2	Ring, Retaining	
4	See Note	2	Seal, Lip (Note: Use p/n 7017246)	
5	See Note	4	Ring, Wear (Note: Use p/n 7017246)	
6	See Note	2	Ring, Back-Up (Note: Use p/n 7017246)	
7	See Note	2	O-Ring (Note: Use p/n 7017246)	
8	7017248	2	Guide	
9	70003341	1	Barrel	
10	7017249	2	Tube	
11	7017250	1	Piston	
12	See Note	2	Ring, Wear (Note: Use p/n 7017246)	
13	See Note	1	Seal (Note: Use p/n 7017246)	
14	See Note	1	O-Ring (Note: Use p/n 7017246)	
15	See Note	1	O-Ring (Note: Use p/n 7017246)	
16	7017251	1	Rod - Male End	
17	7017252	1	Rod - Female End	
100	7017246	1	Seal Kit (Includes Items 1,4-7 & 12-15)	

# SECTION 6 - CYLINDER

FIGURE 6-26. STEER CYLINDER ASSEMBLY (SN B300002983 through B300005763)



ART\_1001221480

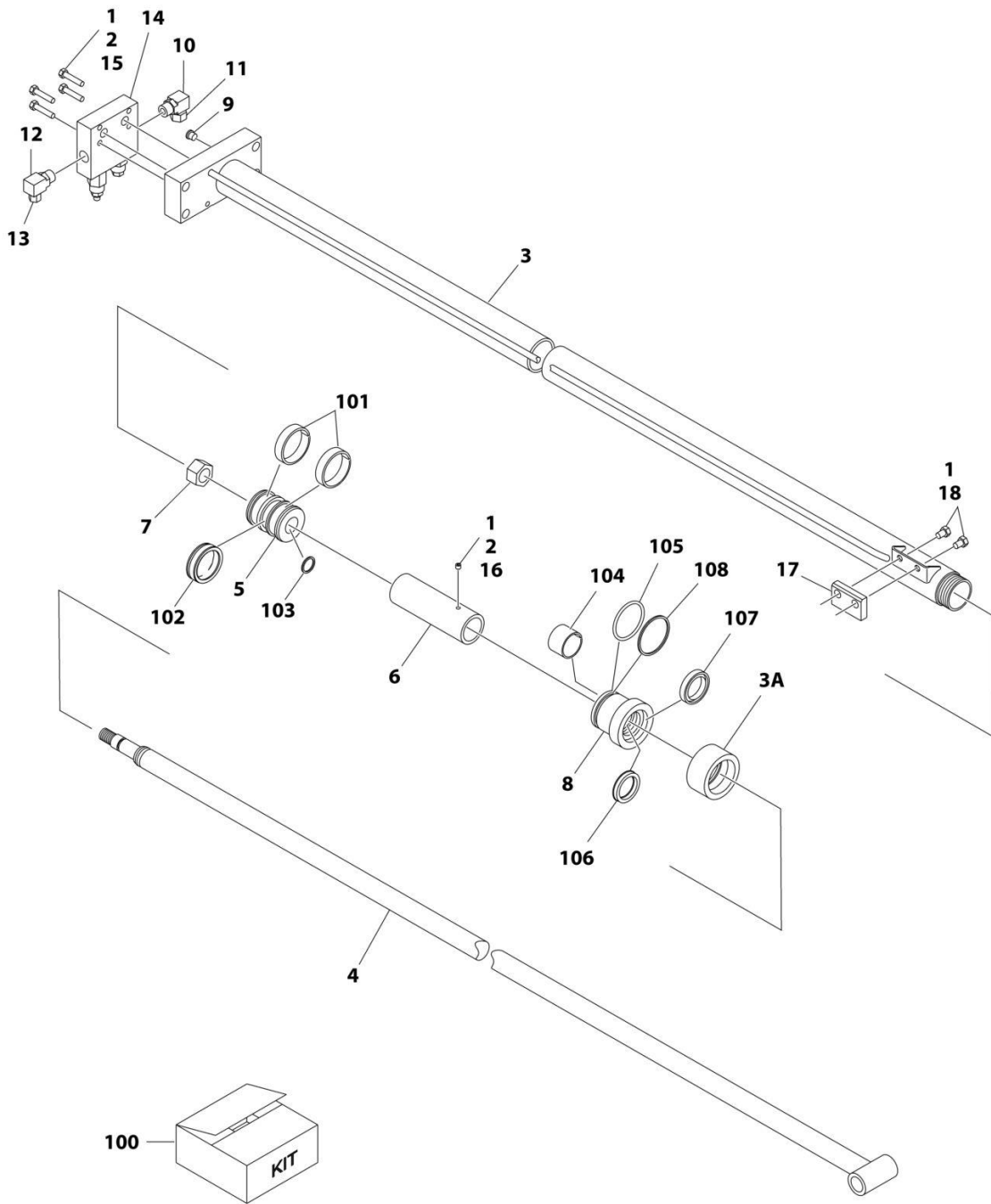
## SECTION 6 - CYLINDER

**FIGURE 6-26. STEER CYLINDER ASSEMBLY (SN B300002983 through B300005763)**

ITEM	PART NUMBER	QTY	DESCRIPTION	REV
	1001221480	Ref	STEER CYLINDER ASSEMBLY	B
		Ref	Note: Original Cylinder May Have Been Replaced with Service Replacement. Identify PN Stamped on Cylinder Before Ordering Parts.	
1	See Note	NSS	Barrel (Note: Use P/N 1001221480)	
2	70007109	1	Rod	
3	70007110	1	Piston	
4	70007111	1	Head	
5	70007112	2	Ring, Retaining	
6	70007113	1	Ring, Retaining (Not Shown)	
7	70007114	2	Tube, Stop	
8	70007115	2	Ring, Locking	
9	1001164209	2	Bushing	
10	See Note	NSS	Seal, Rod (Note: Use Item 100)	
11	See Note	NSS	Seal, Piston (Note: Use Item 100)	
12	See Note	NSS	Wiper (Note: Use Item 100)	
13	See Note	NSS	O-Ring (Note: Use Item 100)	
14	See Note	NSS	O-Ring (Note: Use Item 100)	
15	See Note	NSS	Ring, Back-up (Note: Use Item 100)	
16	See Note	NSS	Ring, Back-up (Note: Use Item 100)	
17	See Note	NSS	Ring, Wear (Note: Use Item 100)	
18	See Note	NSS	Ring, Wear (Note: Use Item 100)	
100	70007116	1	Seal Kit - Cylinder (Includes Item 8-16)	

# SECTION 6 - CYLINDER

FIGURE 6-27. TELESCOPE CYLINDER ASSEMBLY - E450A (SN 0300208529 through 0300244781)



ART\_1001151414



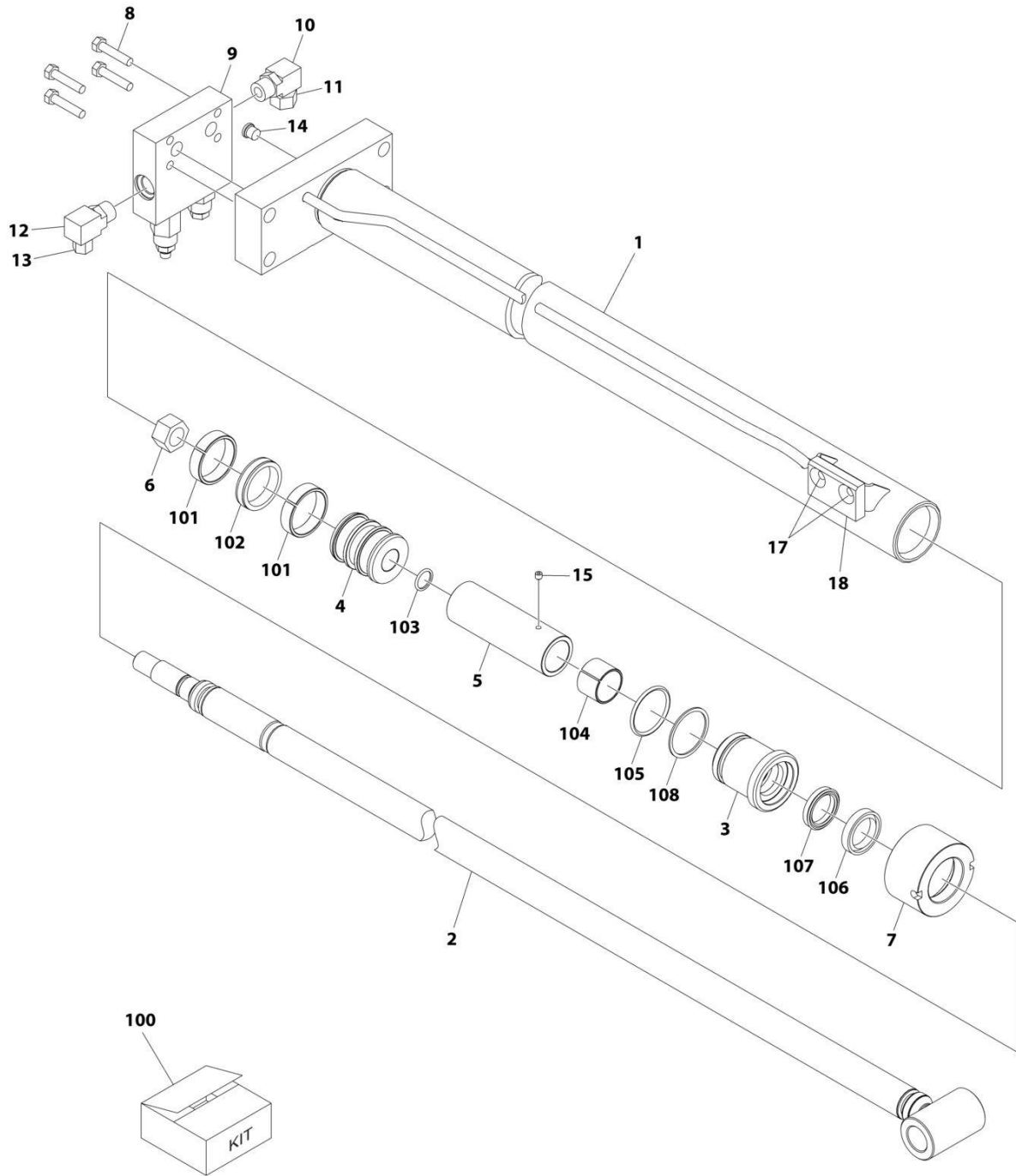
## SECTION 6 - CYLINDER

**FIGURE 6-27. TELESCOPE CYLINDER ASSEMBLY - E450A (SN 0300208529 through 0300244781)**

ITEM	PART NUMBER	QTY	DESCRIPTION	REV
	1001151414	Ref	TELESCOPE CYLINDER ASSEMBLY - E450A	C
		Ref	Note: Original Cylinder may have been replaced with Service Replacement. Identify PN Stamped on Cylinder Before Ordering Parts.	
1	0100011	AR	Compound, Locking	
2	0100038	AR	Primer, Locking	
3	1001151413	1	Barrel	
3A	1120110	1	Cap, End	
4	1683706	1	Rod	
5	3480239	1	Piston	
6	4567704	1	Spacer	
7	3322205	1	Nut, Lock, 3/4-16	
8	1683584	1	Head	
9	2220883	1	Plug	
10	2220596	1	Fitting, 90 JIC/ORB	
11	2220517	1	Fitting, Cap	
12	2220628	1	Fitting, 90 JIC/ORB	
13	2220516	1	Fitting, Cap	
14	4640807	1	Counterbalance Valve Assembly (See COUNTERBALANCE VALVE ASSEMBLY for Breakdown)	
15	0641512	4	Bolt, 5/16-18 X 1-1/2	
16	3951402	1	Setscrew 1/4-20 X 1/4	
17	3340679	1	Pad, Wear	
18	0641604	2	Bolt, 3/8-16 X 1/2	
100	1001152230	1	Seal Kit (Includes Items 101-108)	
101	See Note	NSS	Ring, Wear (Note: Use p/n 1001152230)	
102	See Note	NSS	Seal, Cap (Note: Use p/n 1001152230)	
103	See Note	NSS	O-Ring (Note: Use p/n 1001152230)	
104	See Note	NSS	Ring, Wear (Note: Use p/n 1001152230)	
105	See Note	NSS	O-Ring (Note: Use p/n 1001152230)	
106	See Note	NSS	Seal, Rod (Note: Use p/n 1001152230)	
107	See Note	NSS	Wiper, Rod (Note: Use p/n 1001152230)	
108	See Note	NSS	Ring, Back-Up (Note: Use p/n 1001152230)	

# SECTION 6 - CYLINDER

FIGURE 6-28. TELESCOPE CYLINDER ASSEMBLY - E450A (SN 0300244782 through 0300266862)



ART\_1001228062

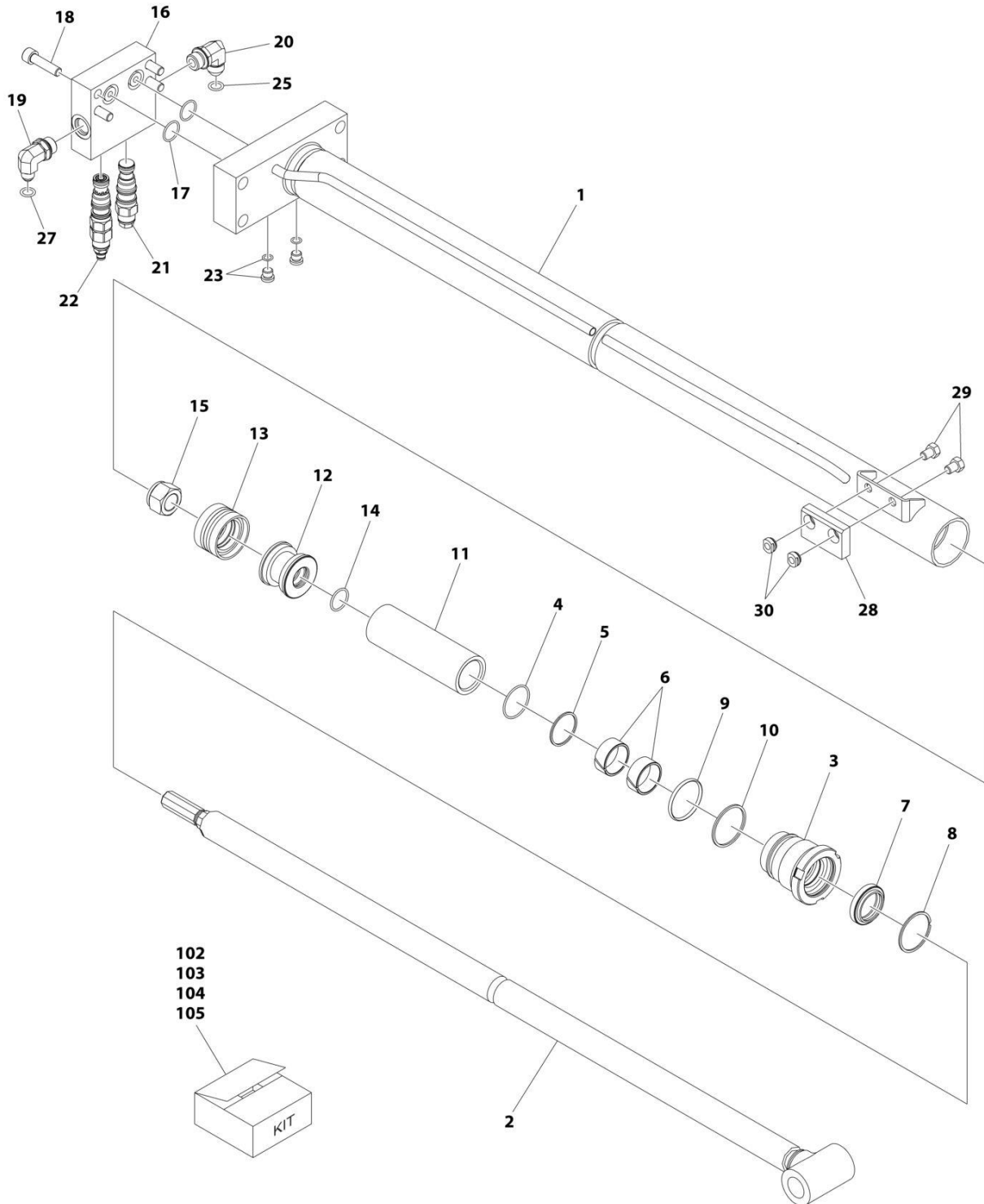
## SECTION 6 - CYLINDER

**FIGURE 6-28. TELESCOPE CYLINDER ASSEMBLY - E450A (SN 0300244782 through 0300266862)**

ITEM	PART NUMBER	QTY	DESCRIPTION	REV
	1001228062	Ref	TELESCOPE CYLINDER ASSEMBLY	A
		Ref	Note: Original Cylinder may have been replaced with Service Replacement. Identify PN Stamped on Cylinder Before Ordering Parts.	
1	See Note	NSS	Barrel (Note: Not Available for Purchase)	
2	70006567	1	Rod	
3	70006565	1	Head	
4	70006564	1	Piston	
5	70006563	1	Spacer	
6	70006971	1	Nut, Lock	
7	70006561	1	Cap, End	
8	0641512	4	Bolt 5/16 X 1-1/2	
9	4640807	1	Counterbalance Valve Assembly (See Separate Breakdown in this Section)	
10	2220596	1	Fitting, 90 JIC/ORB	
11	2220517	1	Fitting, Cap	
12	2220628	1	Fitting, 90 JIC/ORB	
13	2220516	1	Fitting, Cap	
14	2220883	2	Plug	
15	70023915	1	Setscrew M6 x 8	
17	70006976	2	Screw	
18	3340679	1	Pad, Wear	
100	1001152230	1	Seal Kit (Includes Items 101-108)	
101	See Note	NSS	Ring, Wear (Note: Use p/n 1001152230)	
102	See Note	NSS	Seal, Cap (Note: Use p/n 1001152230)	
103	See Note	NSS	O-Ring (Note: Use p/n 1001152230)	
104	See Note	NSS	Ring, Wear (Note: Use p/n 1001152230)	
105	See Note	NSS	O-Ring (Note: Use p/n 1001152230)	
106	See Note	NSS	Seal, Rod (Note: Use p/n 1001152230)	
107	See Note	NSS	Wiper, Rod (Note: Use p/n 1001152230)	
108	See Note	NSS	Ring, Back-Up (Note: Use p/n 1001152230)	

# SECTION 6 - CYLINDER

FIGURE 6-29. TELESCOPE CYLINDER ASSEMBLY - E450A (SN 0300266863 through 0300272287)



ART\_1001251062

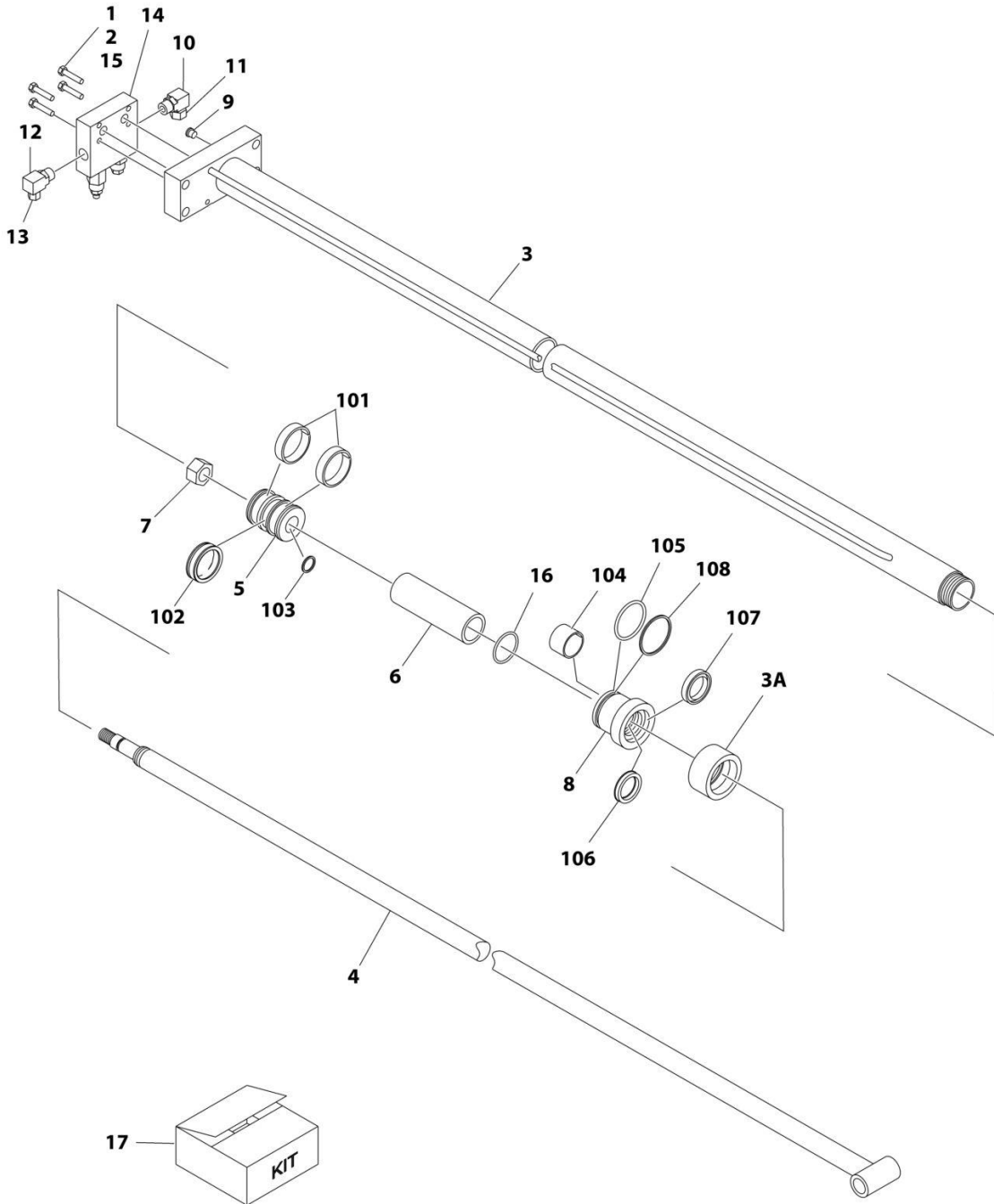
## SECTION 6 - CYLINDER

**FIGURE 6-29. TELESCOPE CYLINDER ASSEMBLY - E450A (SN 0300266863 through 0300272287)**

ITEM	PART NUMBER	QTY	DESCRIPTION	REV
	1001251062	Ref	TELESCOPE CYLINDER ASSEMBLY	A
		Ref	Note: Original Cylinder may have been replaced with Service Replacement. Identify PN Stamped on Cylinder Before Ordering Parts.	
1	See Note	NSS	Barrel (Note: Not Available - Purchase Complete Assembly)	
2	70007356	1	Rod Assembly	
3	70007357	1	Head	
4	See Note	NSS	O-Ring (Note: Purchase p/n 70007363)	
5	See Note	NSS	Backup (Note: Purchase p/n 70007363)	
6	See Note	NSS	Rod Wearband (Note: Purchase p/n 70007363)	
7	See Note	NSS	Wiper (Note: Purchase p/n 70007363)	
8	See Note	NSS	Ring, Retaining (Note: Purchase p/n 70007363)	
9	See Note	NSS	O-Ring (Note: Purchase p/n 70007363)	
10	See Note	NSS	Ring, Back-up (Note: Purchase p/n 70007363)	
11	70007358	1	Spacer	
12	70007359	1	Piston	
13	See Note	NSS	Seal (Note: Purchase p/n 70007363)	
14	See Note	NSS	O-Ring (Note: Purchase p/n 70007363)	
15	70007360	1	Nut	
16	See Note	NSS	Block Valve (Note: Purchase p/n 70007364)	
17	See Note	NSS	O-Ring (Note: Purchase p/n 70007364)	
18	See Note	NSS	Capscrew M10 x 35 (Note: Purchase p/n 70007364)	
19	70007361	1	Fitting, 90	
20	70007362	1	Fitting, 90	
21	4640495	1	Valve, Cartridge	
21	2900770	1	Seal Kit - 4640495 Valve	
22	4640709	1	Valve, Cartridge	
22	2900770	1	Seal Kit - 4640709 Valve	
23	See Note	NSS	Plug, O-Ring (Note: Purchase p/n 70007366)	
25	See Note	NSS	O-Ring (Note: Purchase p/n 70007366)	
27	See Note	NSS	O-Ring (Note: Purchase p/n 70007366)	
28	See Note	NSS	Pad, Wear (Note: Purchase p/n 70007365)	
29	See Note	NSS	Bolt 3/8 (Note: Purchase p/n 70007365)	
30	See Note	NSS	Nut 3/8 (Note: Purchase p/n 70007365)	
102	70007363	1	Seal kit - Cylinder (Includes Items 4-10, 13 &14)	
103	70007364	1	Valve Block Kit (Includes Items 16-18)	
104	70007365	1	Wear Pad Kit (Includes Items 28-30)	
105	70007366	1	Plug Kit (Includes Items 23-27)	

# SECTION 6 - CYLINDER

FIGURE 6-30. TELESCOPE CYLINDER ASSEMBLY - E450AJ/M450AJ (SN 0300208529 through 0300243858, SN B300001429 through B300002486)



ART\_1001151368

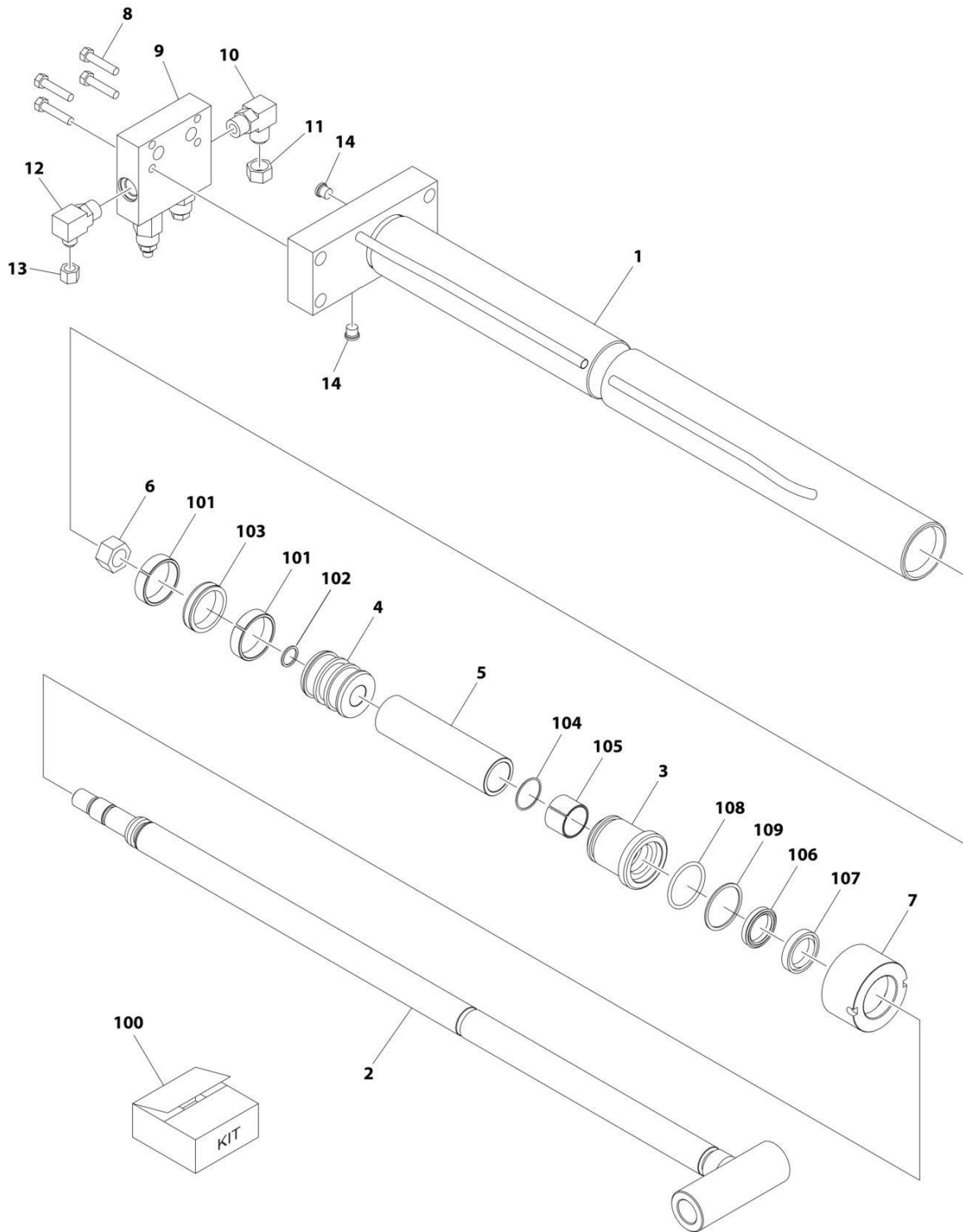
## SECTION 6 - CYLINDER

**FIGURE 6-30. TELESCOPE CYLINDER ASSEMBLY - E450AJ/M450AJ (SN 0300208529 through 0300243858, SN B300001429 through B300002486)**

ITEM	PART NUMBER	QTY	DESCRIPTION	REV
	1001151368	Ref	TELESCOPE CYLINDER ASSEMBLY - E450AJ/M450AJ	D
		Ref	Note: Original Cylinder may have been replaced with Service Replacement. Identify PN Stamped on Cylinder Before Ordering Parts.	
1	0100011	AR	Compound, Locking	
2	0100038	AR	Primer, Locking	
3	1001151386	1	Barrel	
3A	1120110	1	Cap, End	
4	1683802	1	Rod	
5	3480239	1	Piston	
6	4566027	1	Spacer	
7	3322205	1	Nut, Lock, 3/4-16	
8	1683584	1	Head	
9	2220883	1	Plug	
10	2220596	1	Fitting, 90 JIC/ORB	
11	2220517	1	Fitting, Cap	
12	2220628	1	Fitting, 90 JIC/ORB	
13	2220516	1	Fitting, Cap	
14	4640807	1	Counterbalance Valve Assembly (See COUNTERBALANCE VALVE ASSEMBLY for Breakdown)	
15	0641512	4	Bolt, 5/16-18 X 1-1/2	
16	See Note	NSS	O-Ring (Note: Use p/n 1001152230)	
17	1001152230	1	Seal Kit (Includes Items 16 & 101-108)	
101	See Note	NSS	Ring, Wear (Note: Use p/n 1001152230)	
102	See Note	NSS	Seal, Cap (Note: Use p/n 1001152230)	
103	See Note	NSS	O-Ring (Note: Use p/n 1001152230)	
104	See Note	NSS	Ring, Wear (Note: Use p/n 1001152230)	
105	See Note	NSS	O-Ring (Note: Use p/n 1001152230)	
106	See Note	NSS	Seal, Rod (Note: Use p/n 1001152230)	
107	See Note	NSS	Wiper, Rod (Note: Use p/n 1001152230)	
108	See Note	NSS	Ring, Back-Up (Note: Use p/n 1001152230)	

# SECTION 6 - CYLINDER

FIGURE 6-31. TELESCOPE CYLINDER ASSEMBLY - E450AJ/M450AJ (SN 0300243859 through 0300272287)



ART\_1001228061



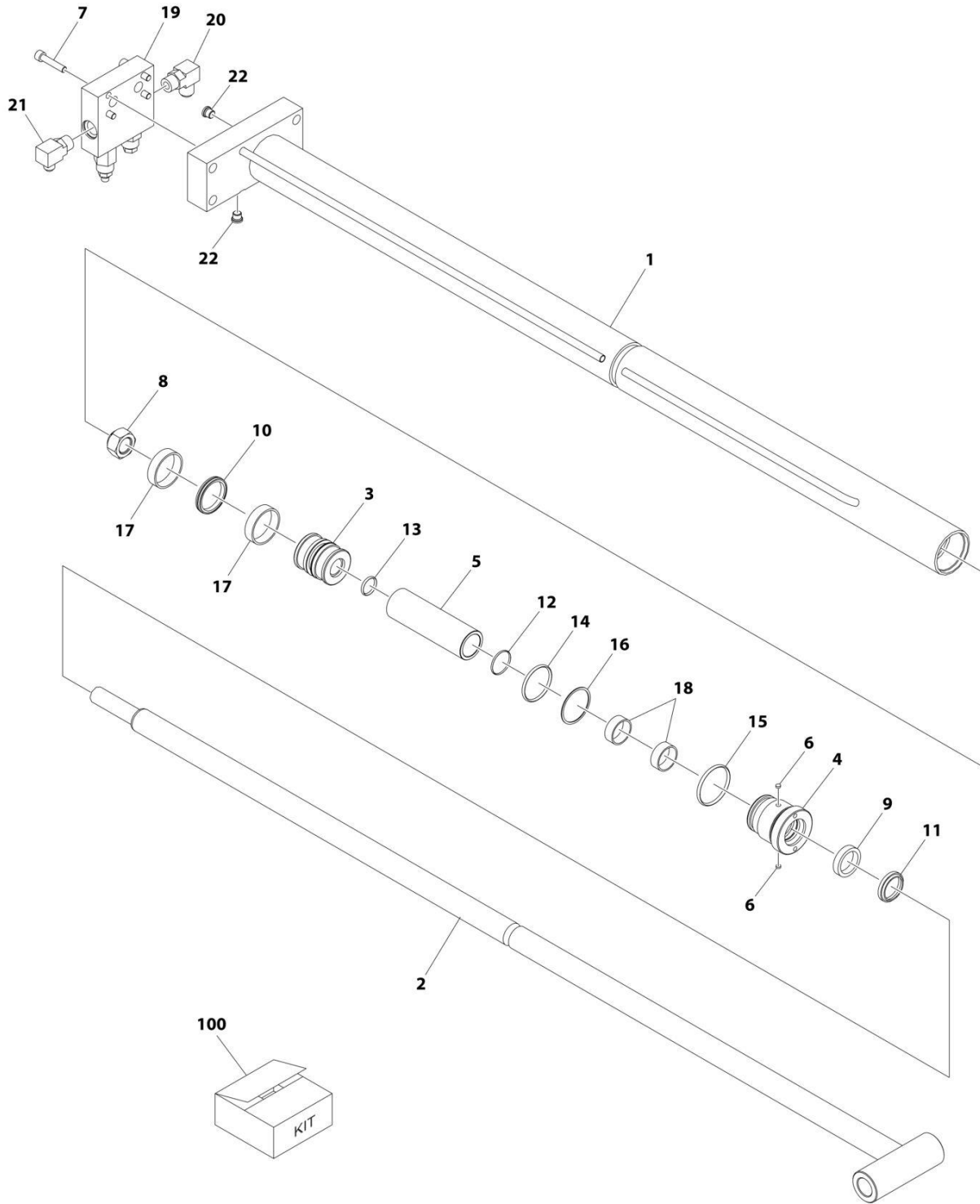
## SECTION 6 - CYLINDER

**FIGURE 6-31. TELESCOPE CYLINDER ASSEMBLY - E450AJ/M450AJ (SN 0300243859 through 0300272287)**

ITEM	PART NUMBER	QTY	DESCRIPTION	REV
	1001228061	Ref	TELESCOPE CYLINDER ASSEMBLY	B
		Ref	Note: Original Cylinder may have been replaced with Service Replacement. Identify PN Stamped on Cylinder Before Ordering Parts.	
1	See Note	NSS	Barrel (Note: Not Available for Purchase)	
2	70006973	1	Rod	
3	70006565	1	Head	
4	70006564	1	Piston	
5	70006972	1	Spacer	
6	70006971	1	Nut, Lock	
7	70006561	1	Cap, End	
8	0641512	4	Bolt, 5/16 X 1-1/2	
9	4640807	1	Counterbalance Valve Assembly (See Separate Breakdown in this Section)	
10	2220596	1	Fitting, 90 JIC/ORB	
11	2220517	1	Fitting, Cap	
12	2220628	1	Fitting, 90 JIC/ORB	
13	2220516	1	Fitting, Cap	
14	2220883	2	Plug	
100	1001152230	1	Seal Kit (Includes Items 101-108)	
101	See Note	NSS	Ring, Wear (Note: Use p/n 1001152230)	
102	See Note	NSS	Seal Cap (Note: Use p/n 1001152230)	
103	See Note	NSS	O-Ring (Note: Use p/n 1001152230)	
104	See Note	NSS	Ring, Wear (Note: Use p/n 1001152230)	
105	See Note	NSS	O-Ring (Note: Use p/n 1001152230)	
106	See Note	NSS	Seal, Rod (Note: Use p/n 1001152230)	
107	See Note	NSS	Wiper, Rod (Note: Use p/n 1001152230)	
108	See Note	NSS	Ring, Back-Up (Note: Use p/n 1001152230)	

# SECTION 6 - CYLINDER

FIGURE 6-32. TELESCOPE CYLINDER ASSEMBLY - E450AJ/M450AJ (SN B300002487 through B300005763)



ART\_1001230302

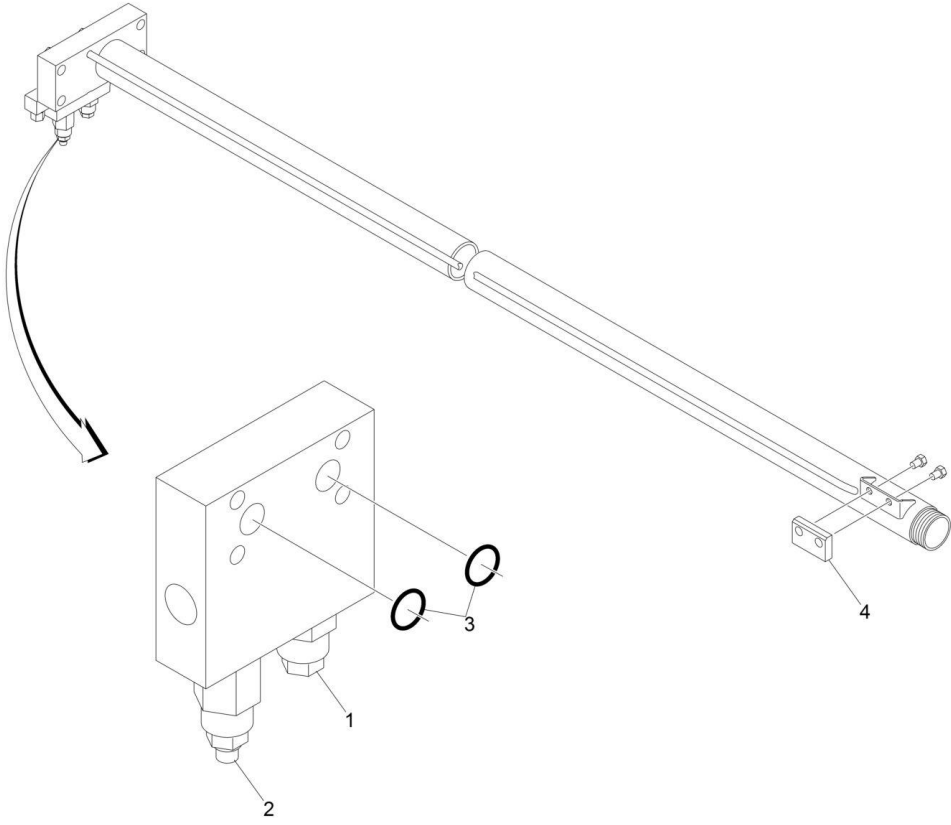
## SECTION 6 - CYLINDER

**FIGURE 6-32. TELESCOPE CYLINDER ASSEMBLY - E450AJ/M450AJ (SN B300002487 through B300005763)**

ITEM	PART NUMBER	QTY	DESCRIPTION	REV
	1001230302	Ref	TELESCOPE CYLINDER ASSEMBLY	B
		Ref	Note: Original Cylinder may have been replaced with Service Replacement. Identify PN Stamped on Cylinder Before Ordering Parts.	
1	See Note	NSS	Barrel (Note: Not Available for Purchase)	
2	70006902	1	Rod Assembly	
3	70006903	1	Piston	
4	70006905	1	Gland	
5	70006906	1	Stop Tube	
6	70003636	2	Locking Piece (Insert)	
7	0641512	4	Hex Socket Cap Screw	
8	70004213	1	Metal Lock Nut	
9	See Note	NSS	Rod Seal (Note: Purchase p/n 7006907)	
10	See Note	NSS	Stopt (Note: Purchase p/n 7006907)	
11	See Note	NSS	Wiper (Note: Purchase p/n 7006907)	
12	See Note	NSS	O-Ring (Note: Purchase p/n 7006907)	
13	See Note	NSS	O-Ring (Note: Purchase p/n 7006907)	
14	See Note	NSS	O-Ring (Note: Purchase p/n 7006907)	
15	See Note	NSS	O-Ring (Note: Purchase p/n 7006907)	
16	See Note	NSS	Backup (Note: Purchase p/n 7006907)	
17	See Note	NSS	Tube Wearband (Note: Purchase p/n 7006907)	
18	See Note	NSS	Rod Wearband (Note: Purchase p/n 7006907)	
19	4640807	1	Counterbalance Valve Assembly (See Separate Breakdown in this Section)	
20	2220596	1	Transition Joint	
21	2220628	1	Transition Joint	
22	2220883	2	Hex Socket Head Plug	
100	70006907	1	Seal Kit (Includes Items 9-18)	

**SECTION 6 - CYLINDER**

**FIGURE 6-33. COUNTERBALANCE VALVE ASSEMBLY**



ART\_4640807

## SECTION 6 - CYLINDER

### FIGURE 6-33. COUNTERBALANCE VALVE ASSEMBLY

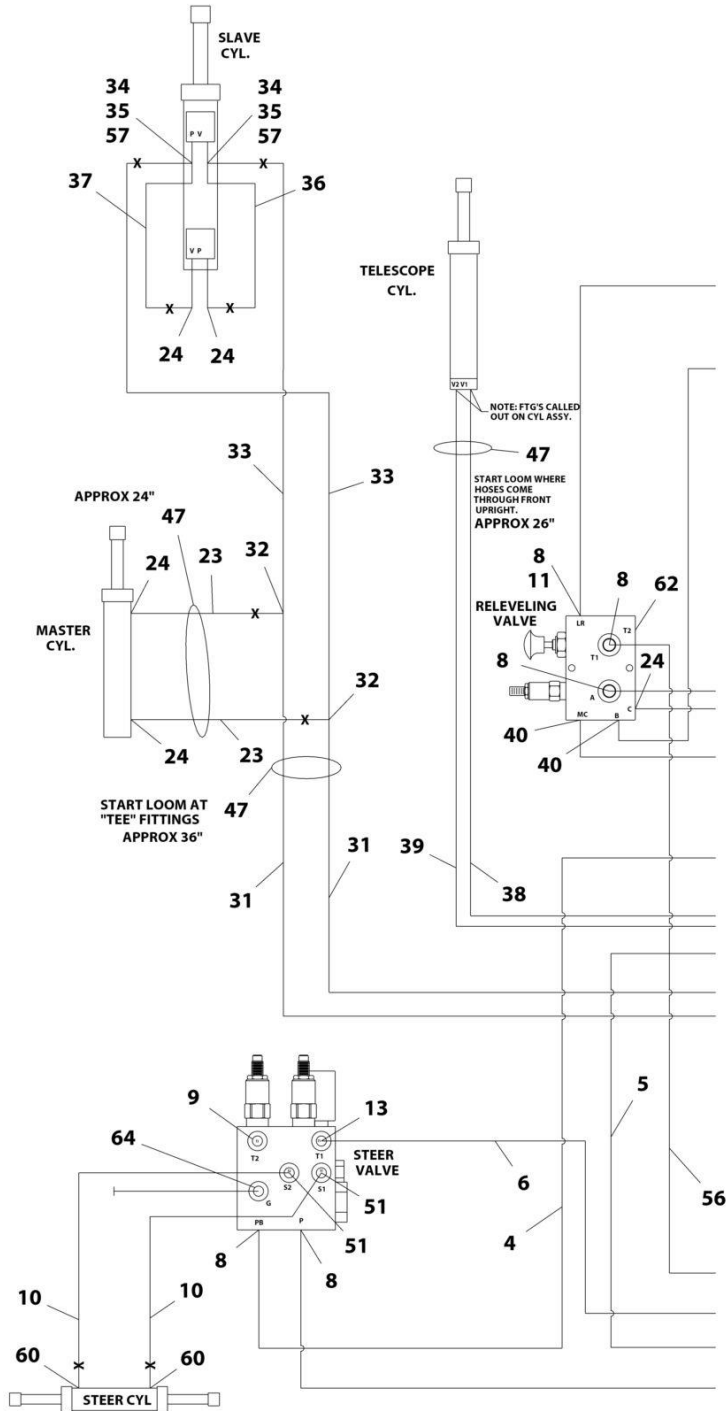
ITEM	PART NUMBER	QTY	DESCRIPTION	REV
	4640807	Ref	COUNTERBALANCE VALVE ASSEMBLY	D
1	4640495	1	Cartridge, Counterbalance	
1	2900770	1	Seal Kit - 4640771 Cartridge	
2	4640709	1	Cartridge, Vented Counterbalance	
2	2900770	1	Seal Kit - 4640709 Cartridge	
3	3790113	2	O-Ring (Between Valve and Cylinder Block)	
4	3340679	1	Wear Pad	



**SECTION 7 - HYDRAULIC**

# SECTION 7 - HYDRAULIC

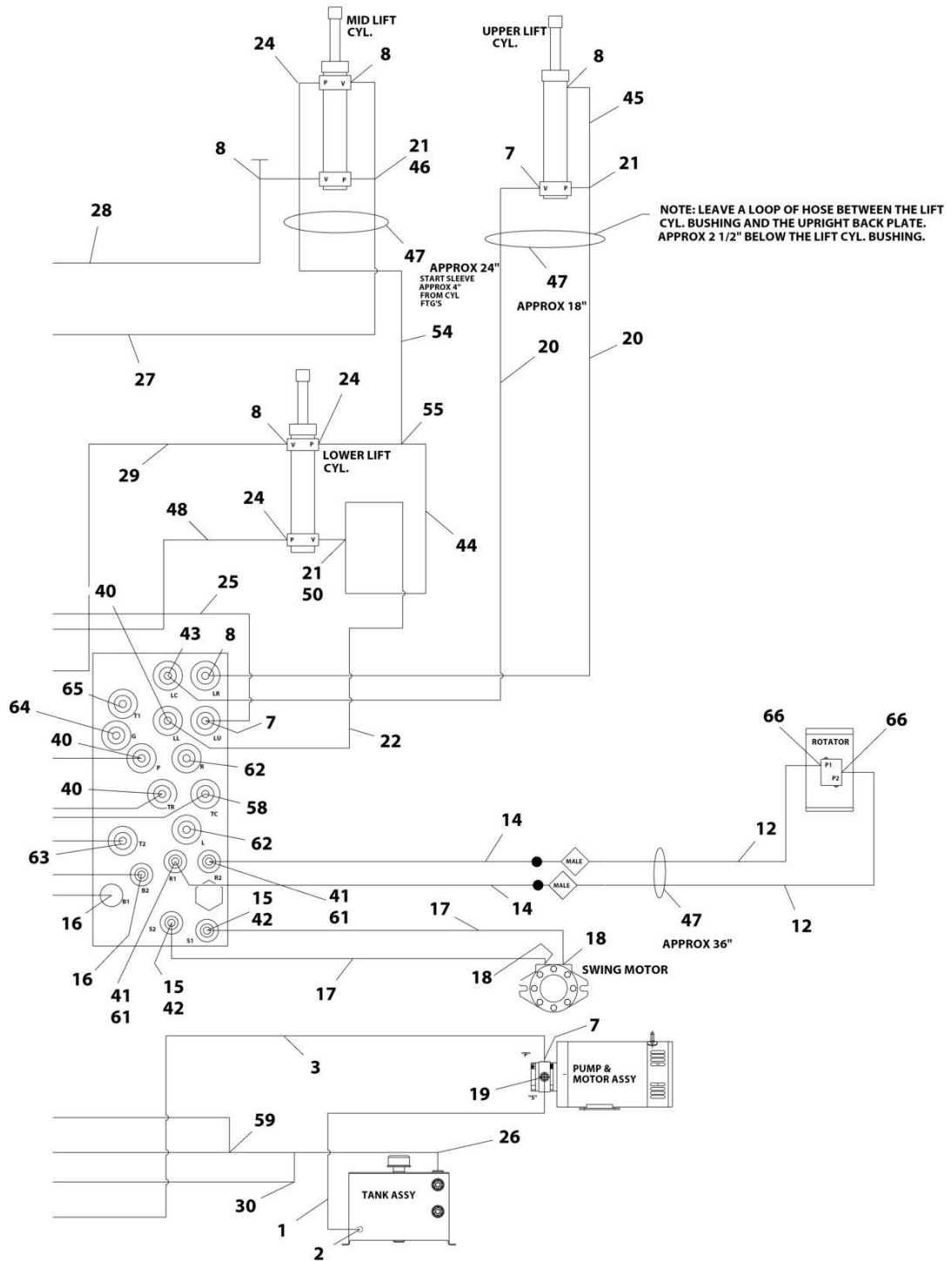
## FIGURE 7-1. HYDRAULIC DIAGRAM - E450A



ART\_1001178385\_1OF2



# SECTION 7 - HYDRAULIC



ART\_1001178385\_20F2

# SECTION 7 - HYDRAULIC

## FIGURE 7-1. HYDRAULIC DIAGRAM - E450A

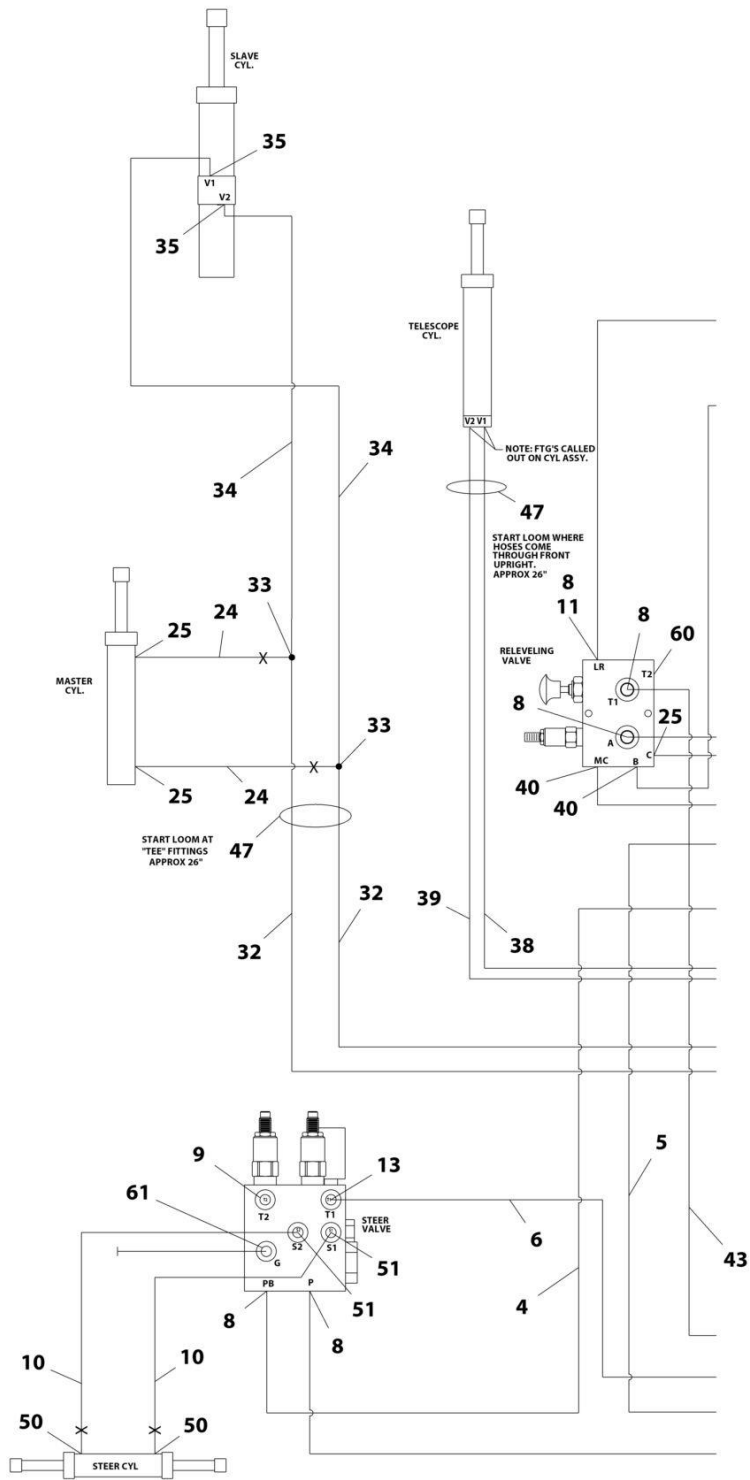
ITEM	PART NUMBER	QTY	DESCRIPTION	REV
	1001178385	Ref	HYDRAULIC DIAGRAM - E450A	E
1	2753973	1	Hose	
2	2220498	1	Fitting, 45 JIC/ORB	
3	1001152635	1	Hose	
4	2750915	1	Hose	
5	1001177666	1	Hose	
6	2752467	1	Hose	
7	2220371	3	Fitting, Straight, JIC/ORB	
8	2220473	10	Fitting, 90 JIC/ORB	
9	2220885	1	Plug	
10	2752453	2	Hose	
11	2220507	1	Fitting, 90 JIC/JIC	
12	1001185825	2	Hose	
13	2220371	1	Fitting, Straight, JIC/ORB	
14	1001185713	2	Hose	
15	2220415	2	Fitting, Straight JIC/ORB	
16	2220502	2	Fitting, 45 JIC/ORB	
17	2752459	2	Hose	
18	2221033	2	Fitting, Straight JIC/ORB	
19	2220593	1	Fitting, Straight JIC/ORB	
20	2753050	2	Hose	
21	2220899	3	Fitting, Tee JIC/ORB/JIC (SN 0300208529 through 0300242058)	
21	2220899	2	Fitting, Tee JIC/ORB/JIC (SN 0300242059 through 0300272287)	
22	2752620	1	Hose	
23	2752580	2	Hose	
24	2220472	8	Fitting, 90 JIC/ORB (SN 0300208529 through 0300242058)	
24	2220472	7	Fitting, 90 JIC/ORB (SN 0300242059 through 0300272287)	
25	2750910	1	Hose	
26	2220999	1	Fitting, Tee JIC/ORB/JIC	
27	2751127	1	Hose (SN 0300208529 through 0300242058)	
27	2753301	1	Hose (SN 0300242059 through 0300272287)	
28	2751126	1	Hose (SN 0300208529 through 0300242058)	
28	2751009	1	Hose (SN 0300242059 through 0300272287)	
29	2752475	1	Hose	
30	2220386	1	Fitting, 90 JIC/JIC	
31	2752585	2	Hose	
32	2220504	2	Fitting, Tee JIC/JIC/JIC	
33	2752572	2	Hose	
34	2220727	2	Fitting, Reducer ORB	
35	2220684	2	Fitting, Tee NPT/JIC/JIC	
36	2752435	1	Hose	
37	2752573	1	Hose	
38	2750996	1	Hose	
39	2751508	1	Hose	
40	2220501	5	Fitting, 45 JIC/ORB	
41	2220502	2	Fitting, 45 JIC/ORB	
42	2220677	2	Fitting, 45 JIC/JIC	
43	2221147	1	Fitting, 90 JIC/ORB	
44	2752581	1	Hose	
45	4566188	1	Tube	

## SECTION 7 - HYDRAULIC

ITEM	PART NUMBER	QTY	DESCRIPTION	REV
46	4566623	1	Tube (SN 0300208529 through 0300242058)	
47	4100026	13.7 ft/ 4.2m	Nylon, Sleeve	
48	2752983	1	Hose	
49	1702124	1	Hose, Tag (Not Shown)	
50	2220609	1	Fitting, Straight JIC/JIC	
51	2220415	2	Fitting, Straight JIC/ORB (SN 0300208529 through 0300242058)	
51	2220415	3	Fitting, Straight JIC/ORB (SN 0300242059 through 0300272287)	
54	2752440	1	Hose	
55	2220605	1	Fitting, Tee JIC/JIC/JIC	
56	2750915	1	Hose	
58	2220600	1	Fitting, Straight JIC/ORB	
59	2221054	1	Fitting, Tee JIC/JIC/JIC	
60	2220582	2	Fitting, Straight JIC/ORB	
61	2220909	2	Fitting, Restrictor	
62	2220237	3	Plug, ORB	
63	1001136881	1	Fitting, 45 JIC/ORB	
64	2221086	2	Fitting, Nipple	
65	2220239	1	Plug, ORB	
66	2220502	2	Fitting, 45 JIC/ORB (SN 0300208529 through 0300235600)	
66	2220940	2	Fitting 90 JIC/ORB (SN 0300235601 through 0300272287)	
67	2220654	1	Fitting 90 JIC/FSJIC (SN 0300242059 through 0300272287)	

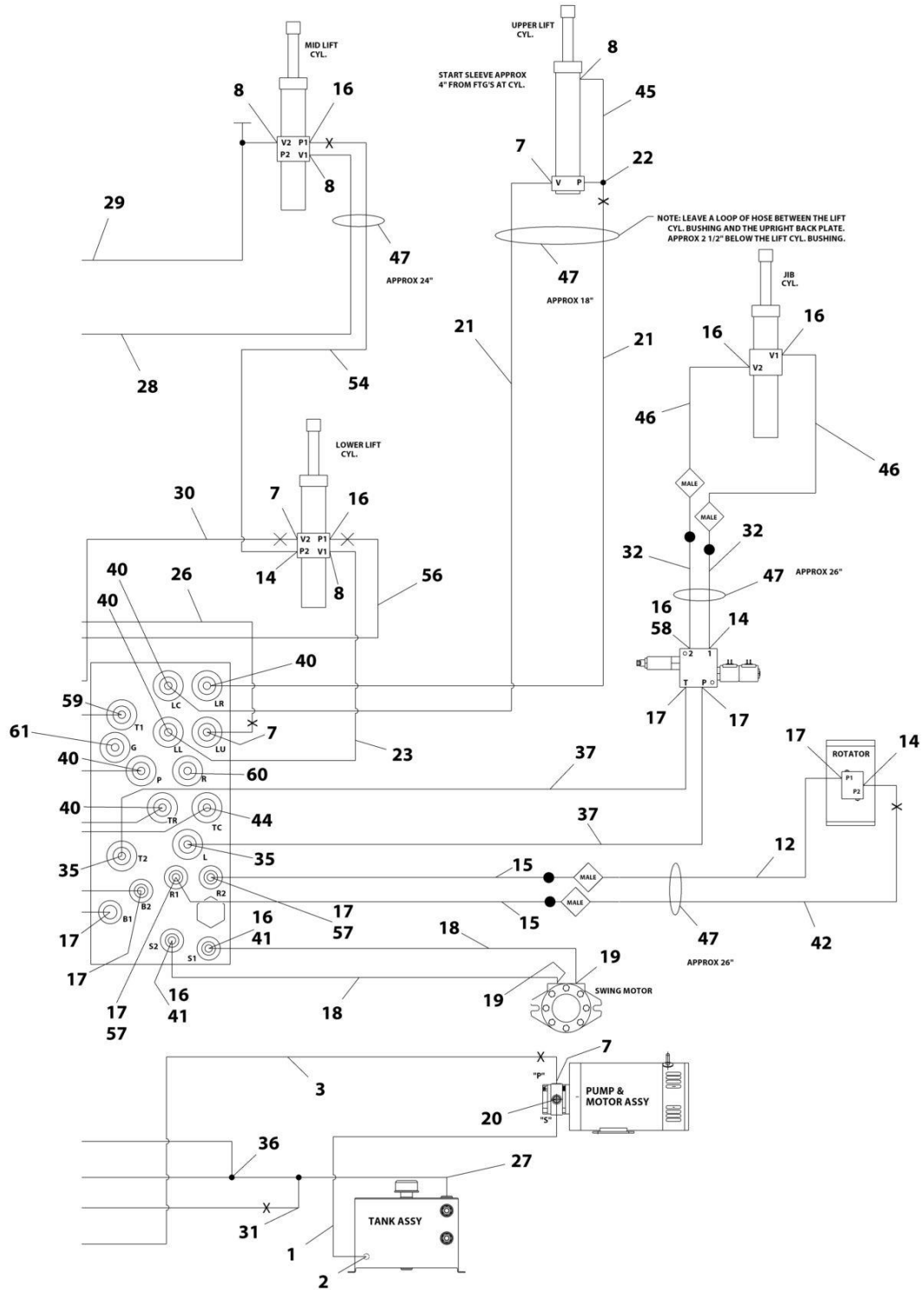
# SECTION 7 - HYDRAULIC

FIGURE 7-2. HYDRAULIC DIAGRAM - E450AJ (SN 0300208529 through 0300233451, SN B300001429 through B300002532)



ART\_1001178386\_10F2

# SECTION 7 - HYDRAULIC



ART\_1001178386\_2OF2

## SECTION 7 - HYDRAULIC

**FIGURE 7-2. HYDRAULIC DIAGRAM - E450AJ (SN 0300208529 through 0300233451, SN B300001429 through B300002532)**

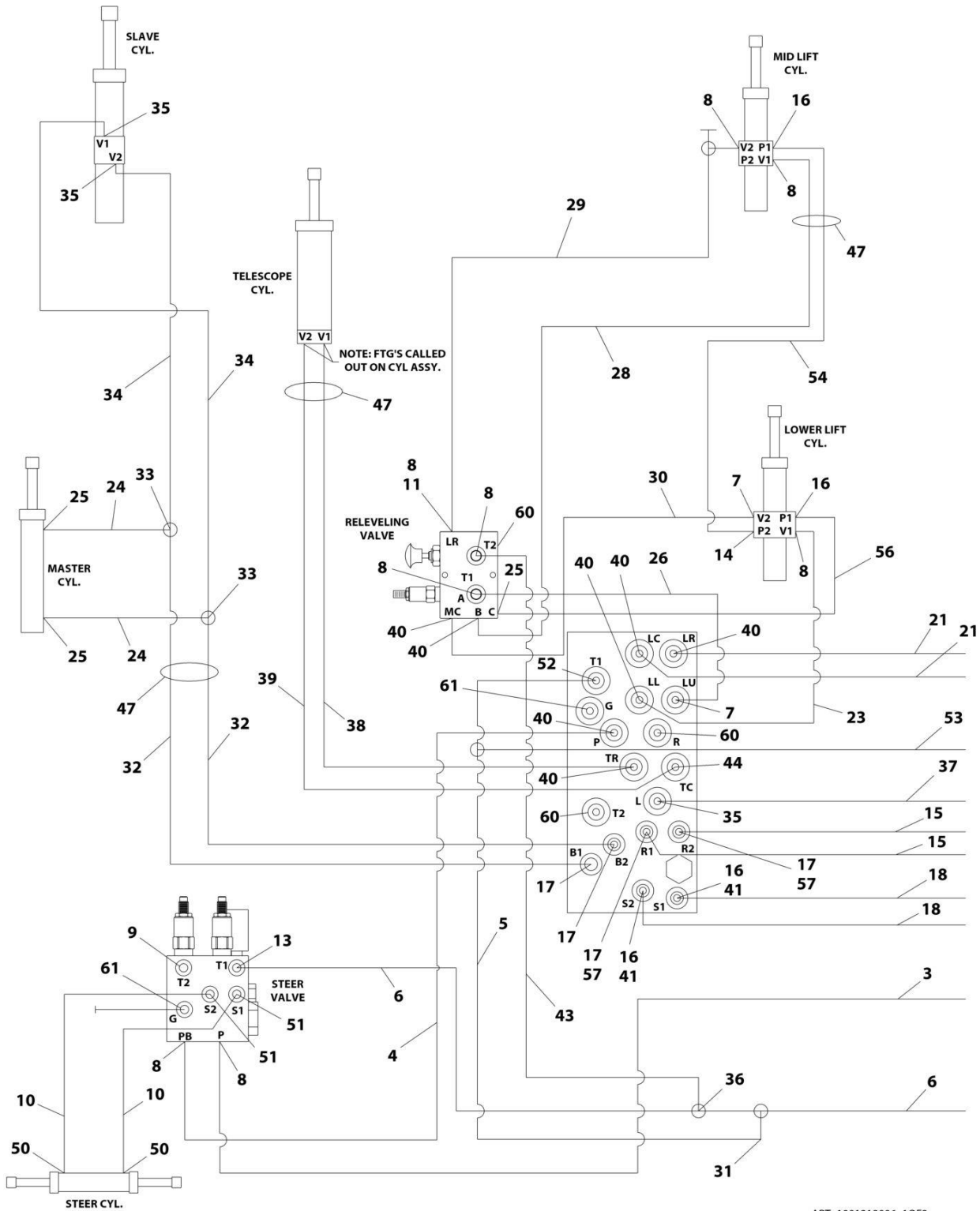
ITEM	PART NUMBER	QTY	DESCRIPTION	REV
	1001178386	Ref	HYDRAULIC DIAGRAM - E450AJ (SN 0300208529 through 0300233451, SN B300001429 through B300002532)	C
1	2753973	1	Hose	
2	2220498	1	Fitting, 45 JIC/ORB	
3	1001152635	1	Hose	
4	2750915	1	Hose	
5	1001177666	1	Hose	
6	2752467	1	Hose	
7	2220371	4	Fitting, Straight JIC/ORB	
8	2220473	9	Fitting, 90 JIC/ORB	
9	2220885	1	Plug	
10	2752453	2	Hose	
11	2220507	1	Fitting, 90 JIC/JIC	
12	2753638	1	Hose	
13	2220371	1	Fitting, Straight JIC/ORB	
14	2220466	4	Fitting, 90 JIC/ORB	
15	1001185713	2	Hose	
16	2220415	7	Fitting, Straight JIC/ORB	
17	2220502	7	Fitting, 45 JIC/ORB	
18	2752459	2	Hose	
19	2221033	2	Fitting, Straight JIC/ORB	
20	2220593	1	Fitting, Straight JIC/ORB	
21	2753050	2	Hose	
22	2220899	1	Fitting, Tee JIC/ORB/JIC	
23	2752466	1	Hose	
24	2752437	2	Hose	
25	2220472	3	Fitting, 90 JIC/ORB	
26	2750910	1	Hose	
27	2220999	1	Fitting, Tee JIC/ORB/JIC	
28	2753301	1	Hose	
29	2751009	1	Hose	
30	2752611	1	Hose	
31	2220386	1	Fitting, 90 JIC/JIC	
32	2752585	4	Hose	
33	2220504	2	Fitting, Tee JIC/JIC/JIC	
34	2753302	2	Hose	
35	2220582	4	Fitting, Straight JIC/ORB	
36	2221054	1	Fitting, Tee JIC/JIC/JIC	
37	2752430	2	Hose	
38	2750996	1	Hose	
39	2751508	1	Hose	
40	2220501	7	Fitting, 45 JIC/ORB	
41	2220677	2	Fitting, 45 JIC/JIC	
42	1001185826	1	Hose	
43	2750915	1	Hose	
44	2220600	1	Fitting, Straight JIC/ORB	
45	4567946	1	Tube	
46	2753303	2	Hose	
47	4100026	12.2 ft/	Nylon, Sleeve	

## SECTION 7 - HYDRAULIC

ITEM	PART NUMBER	QTY	DESCRIPTION	REV
		3.7m		
49	1702124	1	Hose, Tag (Not Shown)	
50	2220582	2	Fitting, Straight JIC/ORB	
51	2220415	2	Fitting, Straight JIC/ORB	
52	8760554	1	Fitting, Tee ORB/JIC/JIC	
53	2752493	1	Hose	
54	2751414	1	Hose	
56	2752600	1	Hose	
57	2220909	2	Fitting, Restrictor	
58	2220654	1	Fitting, 90 JIC/JIC	
59	2220499	1	Fitting, 45 JIC/ORB (Not Shown)	
60	2220237	2	Plug, ORB	
61	2221086	2	Fitting, Nipple	

# SECTION 7 - HYDRAULIC

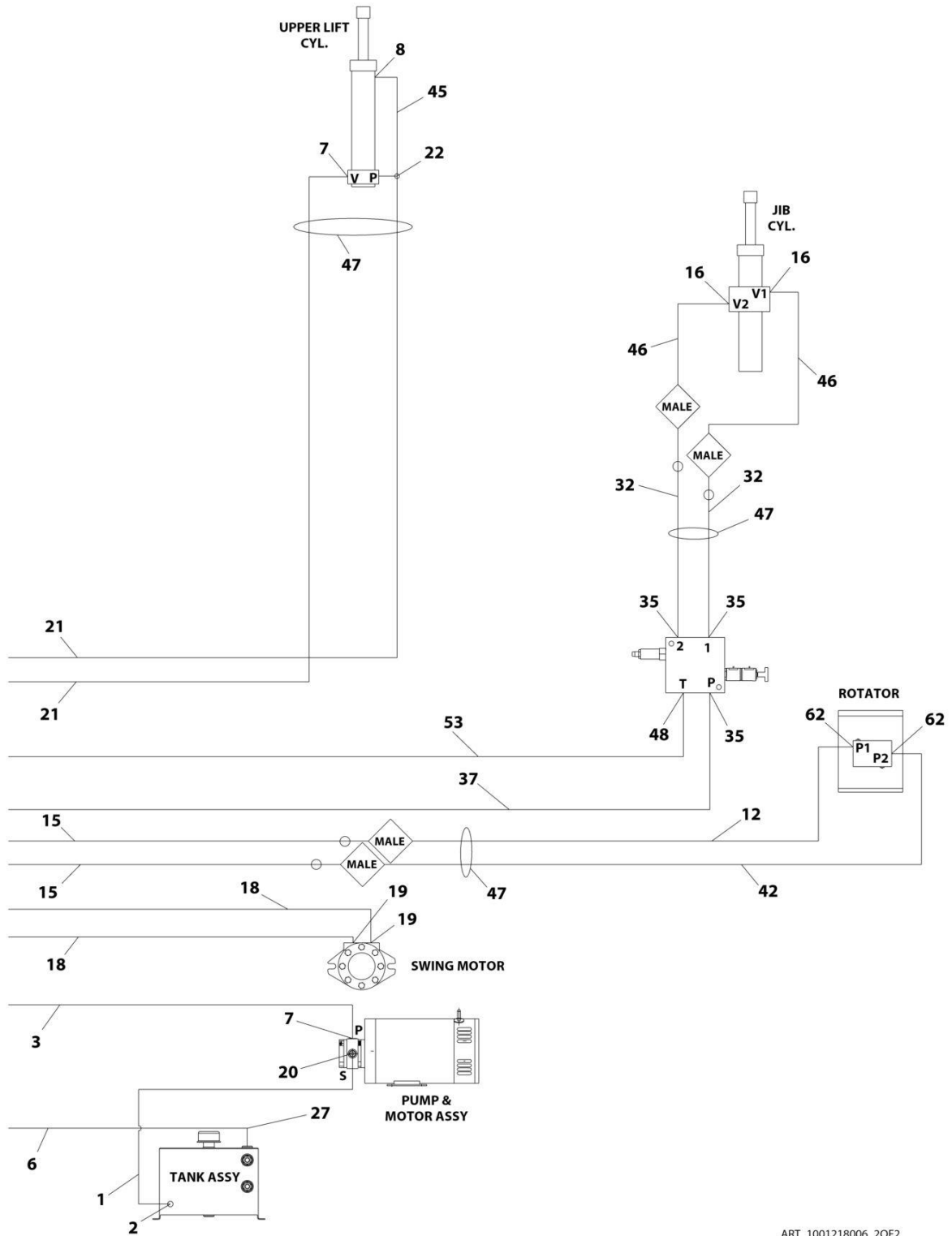
FIGURE 7-3. HYDRAULIC DIAGRAM - E450AJ (SN 0300233452 through 0300272287, SN B300002533 through B300005763)



ART\_1001218006\_1OF2



# SECTION 7 - HYDRAULIC



ART\_1001218006\_20F2

## SECTION 7 - HYDRAULIC

**FIGURE 7-3. HYDRAULIC DIAGRAM - E450AJ (SN 0300233452 through 0300272287, SN B300002533 through B300005763)**

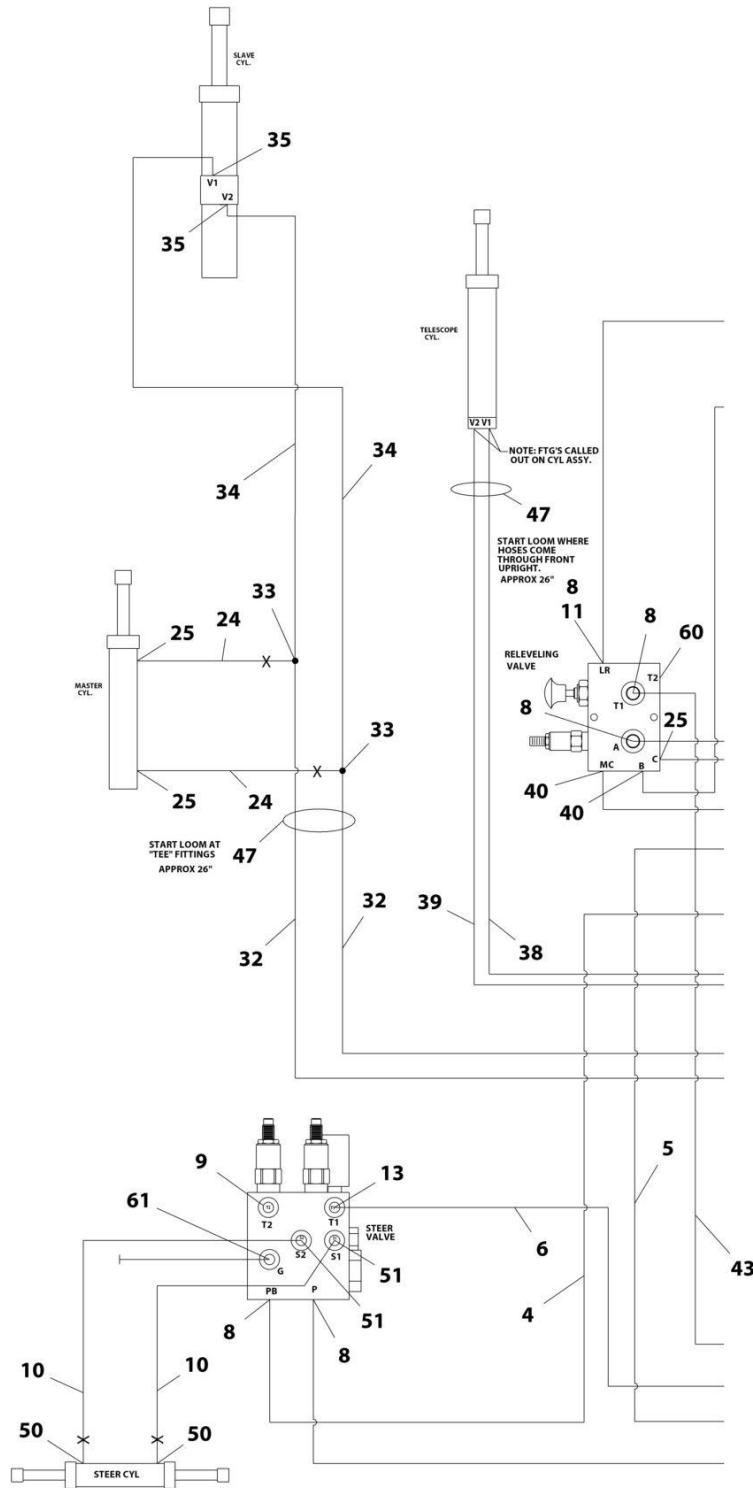
ITEM	PART NUMBER	QTY	DESCRIPTION	REV
	1001218006	Ref	HYDRAULIC DIAGRAM - E450AJ	C
1	2753973	1	Hose	
2	2220498	1	Fitting, 45 JIC/ORB	
3	1001152635	1	Hose	
4	2750915	1	Hose	
5	1001177666	1	Hose	
6	2752467	1	Hose	
7	2220371	4	Fitting, Straight JIC/ORB	
8	2220473	9	Fitting, 90 JIC/ORB	
9	2220885	1	Plug	
10	2752453	2	Hose	
11	2220507	1	Fitting, 90 JIC/JIC	
12	2753638	1	Hose	
13	2220371	1	Fitting, Straight JIC/ORB	
14	2220466	1	Fitting, 90 JIC/ORB	
15	1001185713	2	Hose	
16	2220415	6	Fitting, Straight JIC/ORB	
17	2220502	4	Fitting, 45 JIC/ORB	
18	2752459	2	Hose	
19	2221033	2	Fitting, Straight JIC/ORB	
20	2220593	1	Fitting, Straight JIC/ORB	
21	2753050	2	Hose	
22	2220899	1	Fitting, Tee JIC/ORB/JIC	
23	2752466	1	Hose	
24	2752437	2	Hose	
25	2220472	3	Fitting, 90 JIC/ORB	
26	2750910	1	Hose	
27	2220999	1	Fitting, Tee JIC/ORB/JIC	
28	2753301	1	Hose	
29	2751009	1	Hose	
30	2752611	1	Hose	
31	2220386	1	Fitting, 90 JIC/JIC	
32	2752585	4	Hose	
33	2220504	2	Fitting, Tee JIC/JIC/JIC	
34	2753302	2	Hose	
35	2220582	7	Fitting, Straight JIC/ORB	
36	2221054	1	Fitting, Tee JIC/JIC/JIC	
37	2752442	2	Hose	
38	2750996	1	Hose	
39	2751508	1	Hose	
40	2220501	7	Fitting, 45 JIC/ORB	
41	2220677	1	Fitting, 45 JIC/JIC	
42	1001185826	1	Hose	
43	2750915	1	Hose	
44	2220600	1	Fitting, Straight JIC/ORB	
45	4567946	1	Tube	
46	2753303	2	Hose	
47	4100026	12.2 ft/ 3.7m	Nylon, Sleeve	

## SECTION 7 - HYDRAULIC

ITEM	PART NUMBER	QTY	DESCRIPTION	REV
48	2220373	1	Fitting, Straight JIC/ORB	
49	1702124	1	Hose, Tag (Not Shown)	
50	2220582	2	Fitting, Straight JIC/ORB	
51	2220415	2	Fitting, Straight JIC/ORB	
52	8760554	1	Fitting, Tee ORB/JIC/JIC	
53	2752493	1	Hose	
54	2751414	1	Hose	
56	2752600	1	Hose	
57	2220909	2	Fitting, Restrictor	
59	2220499	1	Fitting, 45 JIC/ORB (Not Shown)	
60	2220237	3	Plug, ORB	
61	2221086	2	Fitting, Nipple	
62	2220466	1	Fitting, 90 JIC/ORB <b>(SN 0300233452 through 0300235600)</b>	
62	2220502	1	Fitting, 45 JIC/ORB <b>(SN 0300233452 through 0300235600)</b>	
62	2220940	2	Fitting, 90 JIC/ORB <b>(SN 0300235601 through 0300272287)</b>	

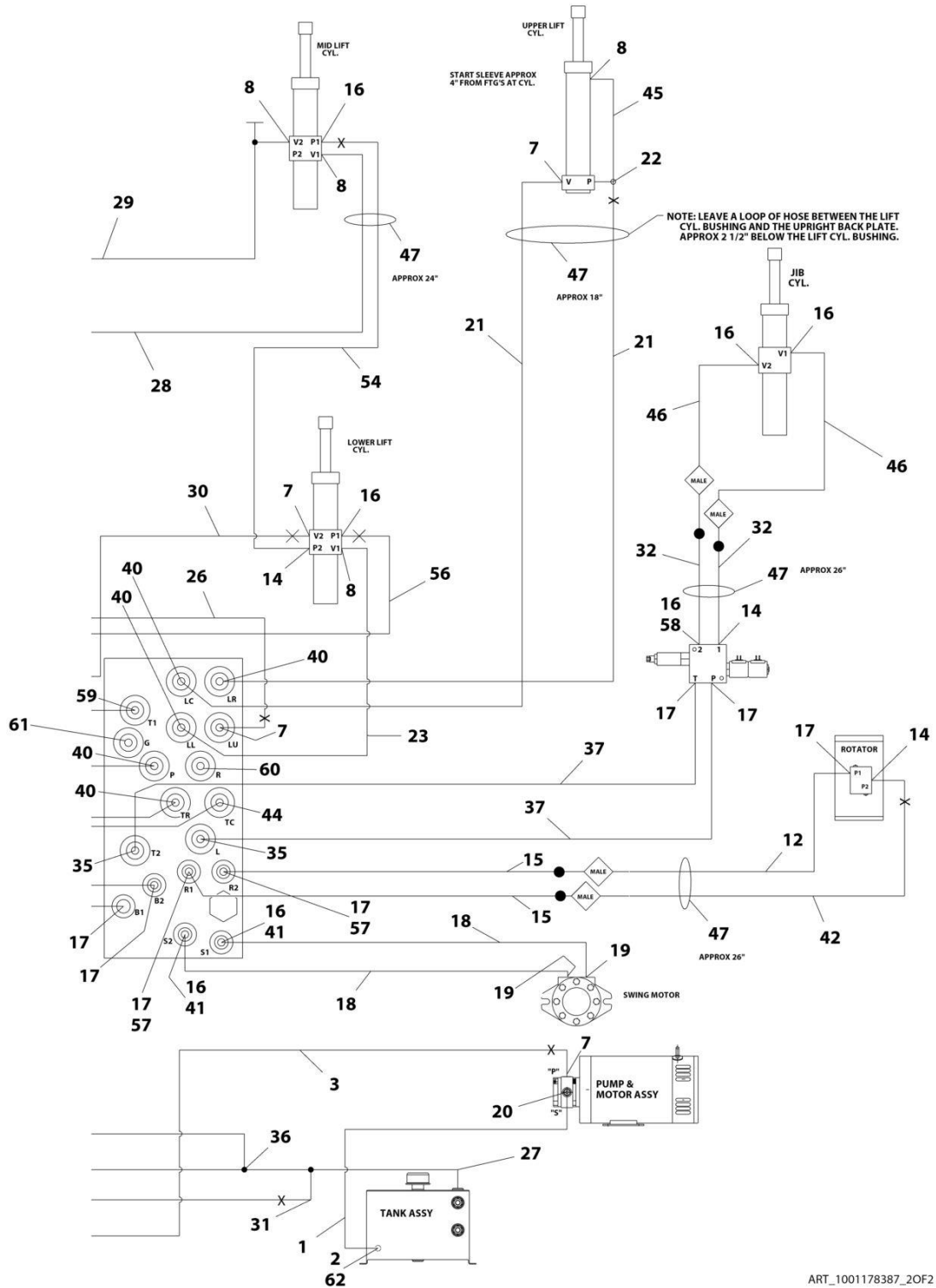
# SECTION 7 - HYDRAULIC

FIGURE 7-4. HYDRAULIC DIAGRAM - M450AJ (SN 0300208529 through 0300233451)



ART\_1001178387\_1OF2

# SECTION 7 - HYDRAULIC



ART\_1001178387\_2OF2

# SECTION 7 - HYDRAULIC

**FIGURE 7-4. HYDRAULIC DIAGRAM - M450AJ (SN 0300208529 through 0300233451)**

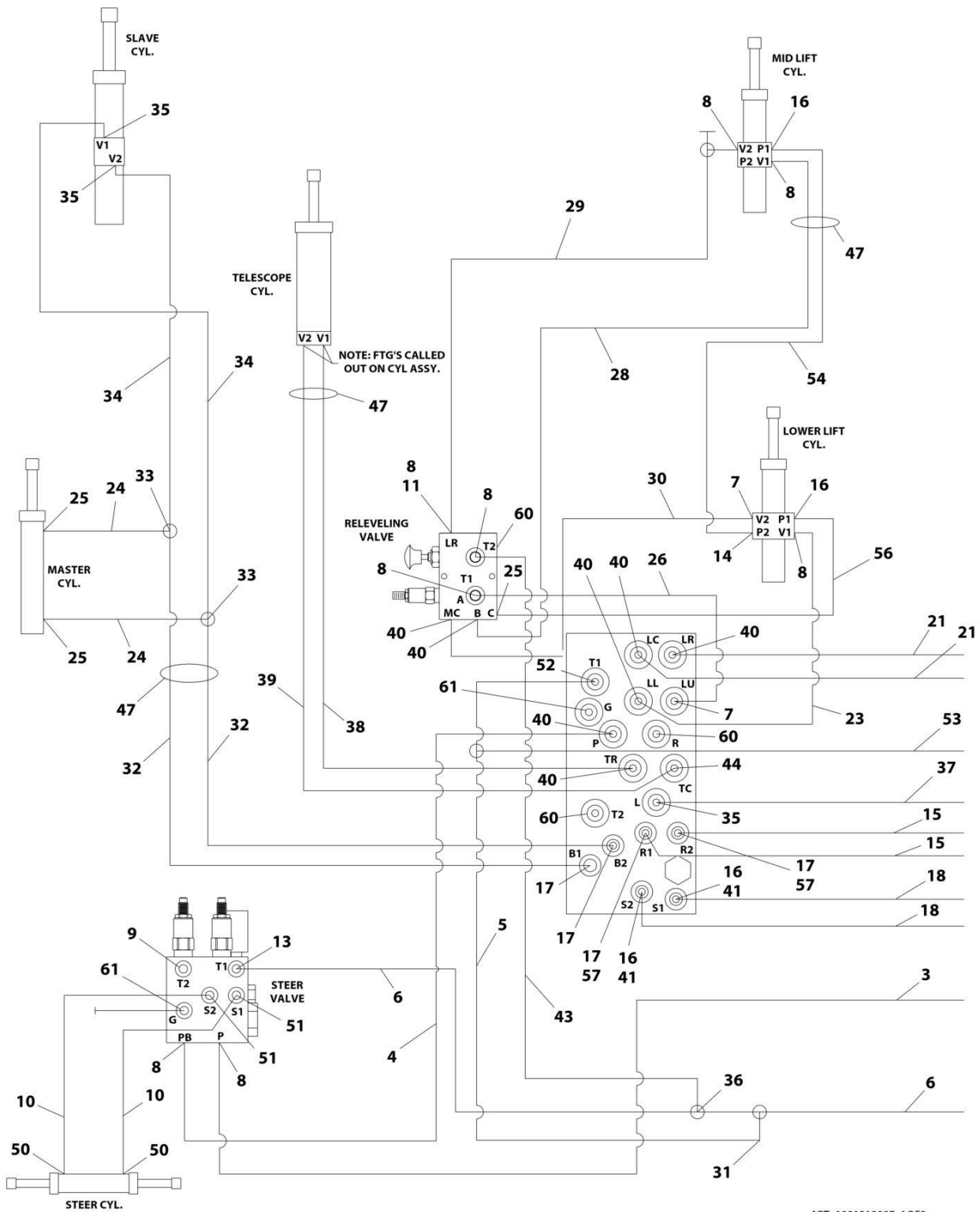
ITEM	PART NUMBER	QTY	DESCRIPTION	REV
	1001178387	Ref	HYDRAULIC DIAGRAM - M450AJ (SN 0300208529 through 0300233451)	C
1	2752675	1	Hose	
2	1320033	1	Clamp	
3	2752486	1	Hose	
4	2752466	1	Hose	
5	2752519	1	Hose	
6	2752462	1	Hose	
7	2220371	4	Fitting, Straight JIC/ORB	
8	2220473	9	Fitting, 90 JIC/ORB	
9	2220885	1	Plug	
10	2752574	2	Hose	
11	2220507	1	Fitting, 90 JIC/JIC	
12	2753638	1	Hose	
13	2220371	1	Fitting, Straight JIC/ORB	
14	2220466	3	Fitting, 90 JIC/ORB	
15	1001185713	2	Hose	
16	2220415	7	Fitting, Straight JIC/ORB	
17	2220502	7	Fitting, 45 JIC/ORB	
18	2752459	2	Hose	
19	2221033	2	Fitting, Straight JIC/ORB	
20	2220593	1	Fitting, Straight JIC/ORB	
21	2753050	2	Hose	
22	2220899	1	Fitting, Tee JIC/ORB/JIC	
23	2752466	1	Hose	
24	2752437	2	Hose	
25	2220472	3	Fitting, 90 JIC/ORB	
26	2750910	1	Hose	
27	2220999	1	Fitting, Tee JIC/ORB/JIC	
28	2753301	1	Hose	
29	2751009	1	Hose	
30	2752611	1	Hose	
31	2220386	1	Fitting, 90 JIC/JIC	
32	2752585	4	Hose	
33	2220504	2	Fitting, Tee JIC/JIC/JIC	
34	2753302	2	Hose	
35	2220582	4	Fitting, Straight JIC/ORB	
36	2221054	1	Fitting, Tee JIC/JIC/JIC	
37	2752430	2	Hose	
38	2750996	1	Hose	
39	2751508	1	Hose	
40	2220501	7	Fitting, 45 JIC/ORB	
41	2220677	2	Fitting, 45 JIC/JIC	
42	1001185826	1	Hose	
43	2752466	1	Hose	
44	2220600	1	Fitting, Straight JIC/ORB	
45	4567946	1	Tube	
46	2753303	2	Hose	
47	4100026	12.2 ft/ 3.7m	Nylon, Sleeve	

## SECTION 7 - HYDRAULIC

ITEM	PART NUMBER	QTY	DESCRIPTION	REV
49	1702124	1	Hose, Tag (Not Shown)	
50	2220582	2	Fitting, Straight JIC/ORB	
51	2220415	2	Fitting, Straight JIC/ORB	
54	2751414	1	Hose	
56	2752600	1	Hose	
57	2220909	2	Fitting, Restrictor	
58	2220654	1	Fitting, 90 JIC/JIC	
59	2220499	1	Fitting, 45 JIC/ORB	
60	2220237	2	Plug, ORB	
61	2221086	2	Fitting, Nipple	
62	4061032	1	Shield, Hose	

# SECTION 7 - HYDRAULIC

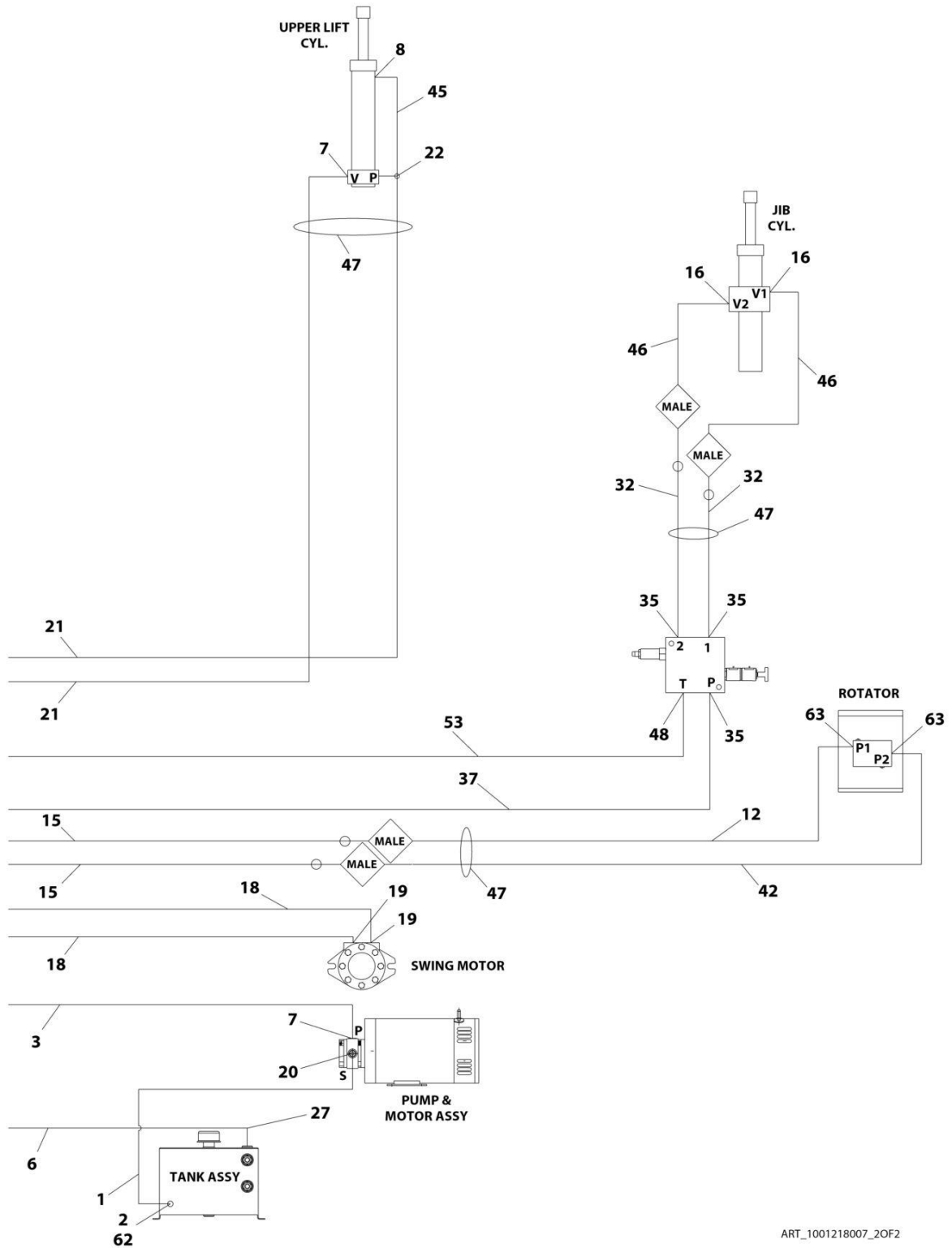
FIGURE 7-5. HYDRAULIC DIAGRAM - M450AJ (SN 0300233452 through 0300272287)



ART\_1001218007\_1OF2



# SECTION 7 - HYDRAULIC



ART\_1001218007\_20F2

# SECTION 7 - HYDRAULIC

FIGURE 7-5. HYDRAULIC DIAGRAM - M450AJ (SN 0300233452 through 0300272287)

ITEM	PART NUMBER	QTY	DESCRIPTION	REV
	1001218007	Ref	HYDRAULIC DIAGRAM - M450AJ	C
1	2752675	1	Hose	
2	1320033	1	Clamp	
3	2752486	1	Hose	
4	2752466	1	Hose	
5	2752519	1	Hose	
6	2752462	1	Hose	
7	2220371	4	Fitting, Straight JIC/ORB	
8	2220473	9	Fitting, 90 JIC/ORB	
9	2220885	1	Plug	
10	2752574	2	Hose	
11	2220507	1	Fitting, 90 JIC/JIC	
12	2753638	1	Hose	
13	2220371	1	Fitting, Straight JIC/ORB	
14	2220466	1	Fitting, 90 JIC/ORB	
15	1001185713	2	Hose	
16	2220415	6	Fitting, Straight JIC/ORB	
17	2220502	4	Fitting, 45 JIC/ORB	
18	2752459	2	Hose	
19	2221033	2	Fitting, Straight JIC/ORB	
20	2220593	1	Fitting, Straight JIC/ORB	
21	2753050	2	Hose	
22	2220899	1	Fitting, Tee JIC/ORB/JIC	
23	2752466	1	Hose	
24	2752437	2	Hose	
25	2220472	3	Fitting, 90 JIC/ORB	
26	2750910	1	Hose	
27	2220999	1	Fitting, Tee JIC/ORB/JIC	
28	2753301	1	Hose	
29	2751009	1	Hose	
30	2752611	1	Hose	
31	2220386	1	Fitting, 90 JIC/JIC	
32	2752585	4	Hose	
33	2220504	2	Fitting, Tee JIC/JIC/JIC	
34	2753302	2	Hose	
35	2220582	7	Fitting, Straight JIC/ORB	
36	2221054	1	Fitting, Tee JIC/JIC/JIC	
37	2752442	2	Hose	
38	2750996	1	Hose	
39	2751508	1	Hose	
40	2220501	7	Fitting, 45 JIC/ORB	
41	2220677	2	Fitting, 45 JIC/JIC	
42	1001185826	1	Hose	
43	2752466	1	Hose	
44	2220600	1	Fitting, Straight JIC/ORB	
45	4567946	1	Tube	
46	2753303	2	Hose	
47	4100026	12.2 ft/ 3.7m	Nylon, Sleeve	
48	2220373	1	Fitting, Straight JIC/ORB	

## SECTION 7 - HYDRAULIC

ITEM	PART NUMBER	QTY	DESCRIPTION	REV
49	1702124	1	Hose, Tag (Not Shown)	
50	2220582	2	Fitting, Straight JIC/ORB	
51	2220415	2	Fitting, Straight JIC/ORB	
52	8760554	1	Fitting, Tee ORB/JIC/JIC	
53	2752493	1	Hose	
54	2751414	1	Hose	
56	2752600	1	Hose	
57	2220909	2	Fitting, Restrictor	
59	2220499	1	Fitting, 45 JIC/ORB (Not Shown)	
60	2220237	3	Plug, ORB	
61	2221086	2	Fitting, Nipple	
62	4061032	1	Shield, Hose	
63	2220466	1	Fitting, 90 JIC/ORB <b>(SN 0300233452 through 0300235600)</b>	
63	2220502	1	Fitting, 45 JIC/ORB <b>(SN 0300233452 through 0300235600)</b>	
63	2220940	2	Fitting, 90 JIC/ORB <b>(SN 0300235601 through 0300272287)</b>	

## SECTION 7 - HYDRAULIC

FIGURE 7-6. LIST, HYDRAULIC DIAGRAM LIST

ITEM	PART NUMBER	QTY	DESCRIPTION	REV
		Ref	Note: Diagrams are available from JLG Service/Parts Department. See Service and Maintenance Manual for schematics.	
	1001179226	Ref	Hydraulic, Schematic (SN 0300208529 through 0300233451, SN B300001429 through B300002532)	
	1001218114	Ref	Hydraulic, Schematic (SN 0300233452 through 0300272287, SN B300002533 through B300005763, Excluding B300005567)	

**SECTION 8 - ELECTRICAL**

## SECTION 8 - ELECTRICAL

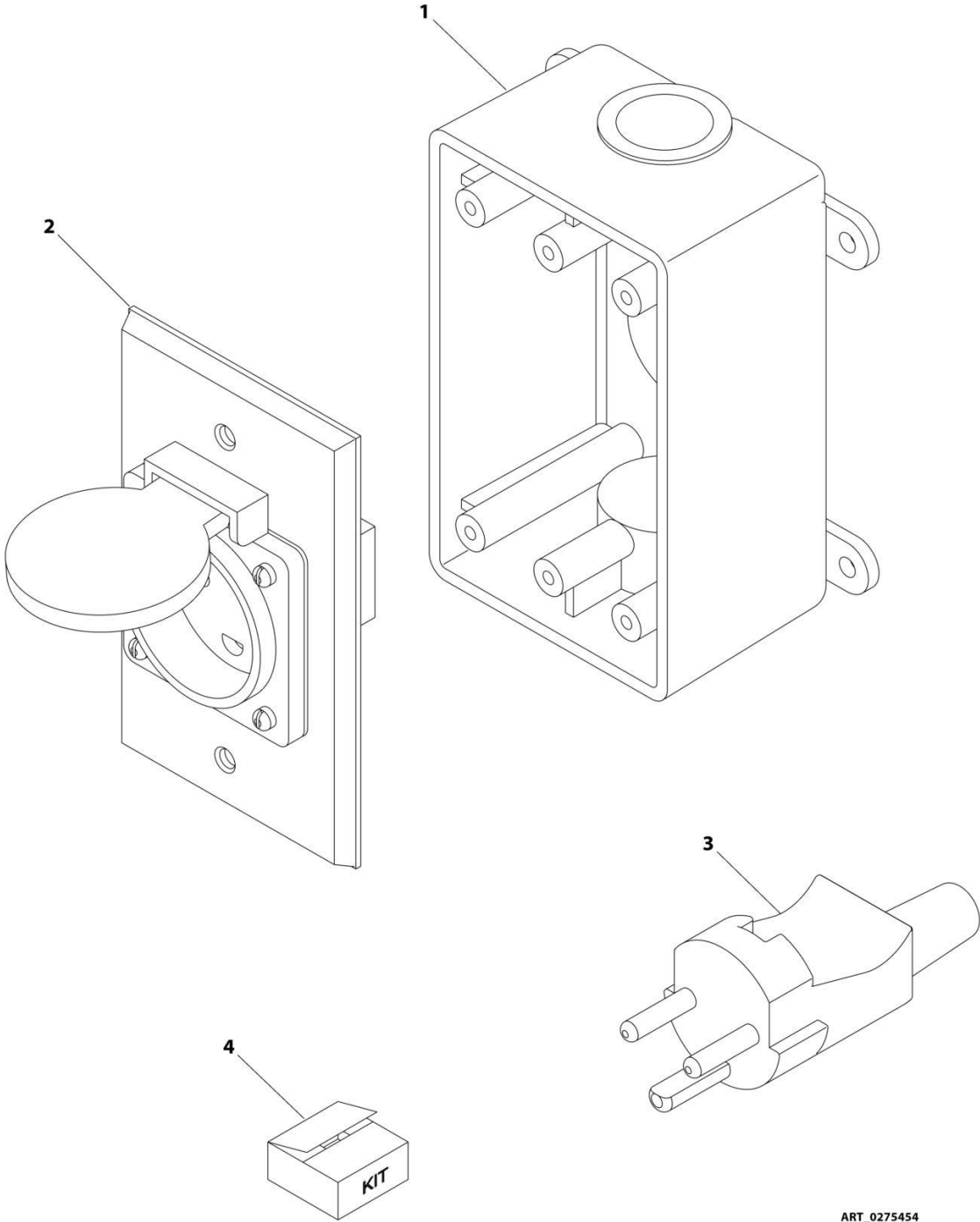
FIGURE 8-1. ELECTRICAL DIAGRAM LIST

ITEM	PART NUMBER	QTY	DESCRIPTION	REV
		Ref	Note: Diagrams are available from JLG Service/Parts Department. See Service and Maintenance Manual for schematics.	
	1001173941	Ref	Electrical Schematic	
	1001193419	Ref	Soft Touch Wiring Diagram	



**SECTION 8 - ELECTRICAL**

**FIGURE 8-2. AC PLUGS AND SOCKETS INSTALLATION - AFSINT 107-2-01 KEYED GROUND - 2 X 4 BOX (CE SPEC)**



ART\_0275454



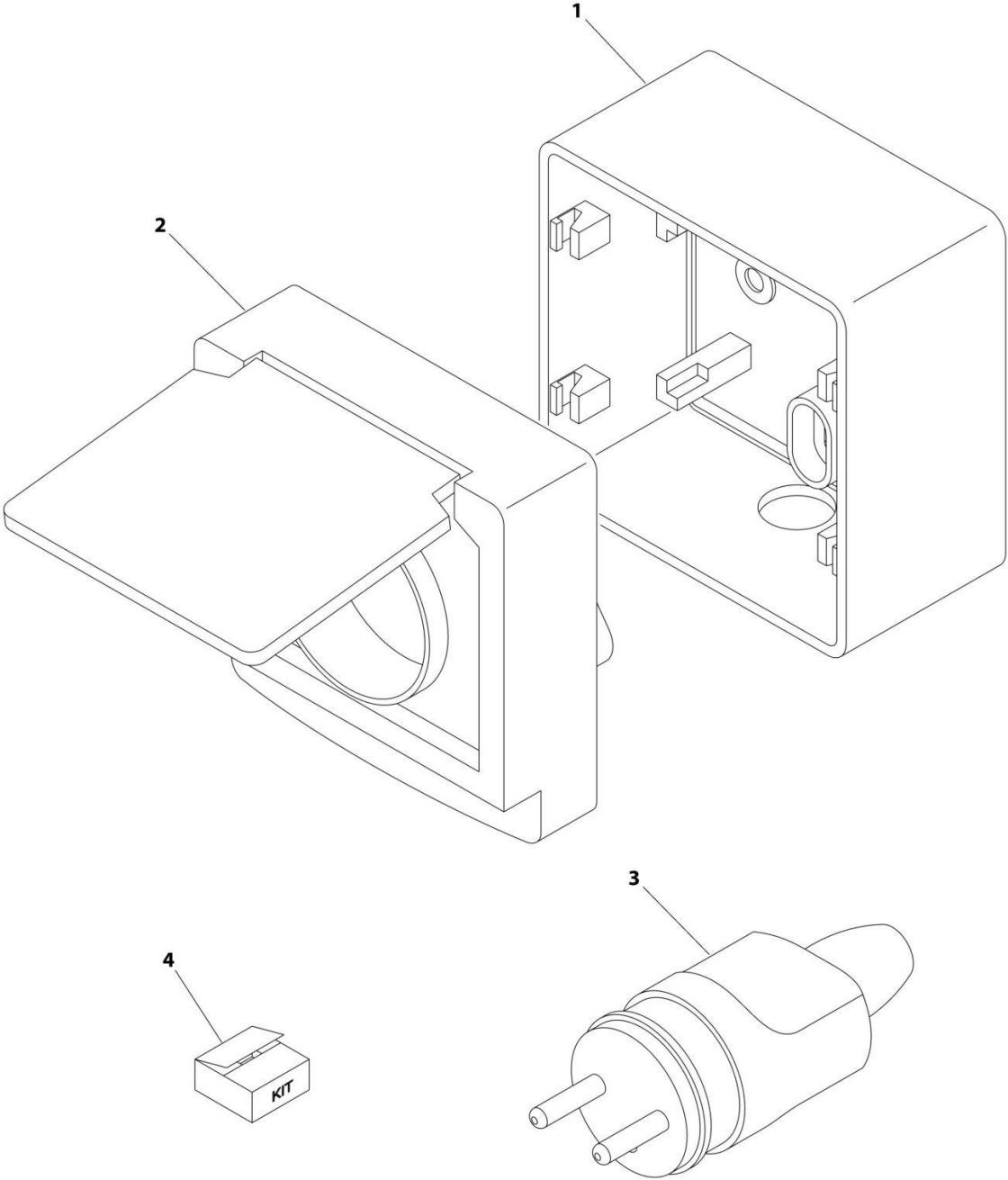
## SECTION 8 - ELECTRICAL

**FIGURE 8-2. AC PLUGS AND SOCKETS INSTALLATION - AFSINT 107-2-01 KEYED GROUND - 2 X 4 BOX (CE SPEC)**

ITEM	PART NUMBER	QTY	DESCRIPTION	REV
	0275454	Ref	AC PLUGS AND SOCKETS INSTALLATION - AFSINT 107-2-01 KEYED GROUND - 2 X 4 BOX (CE SPEC)	1
1	0861731	1	Box, Switch	
2	4461246	1	Receptacle	
3	4461249	1	Plug, Male	
4	1001100346	1	Plug and Socket Kit (Includes Items 1-3 and Female Plug p/n 4461250)	

**SECTION 8 - ELECTRICAL**

**FIGURE 8-3. AC PLUGS AND SOCKETS INSTALLATION - CEE7 POST GROUND (CE SPEC)**



ART\_0275218

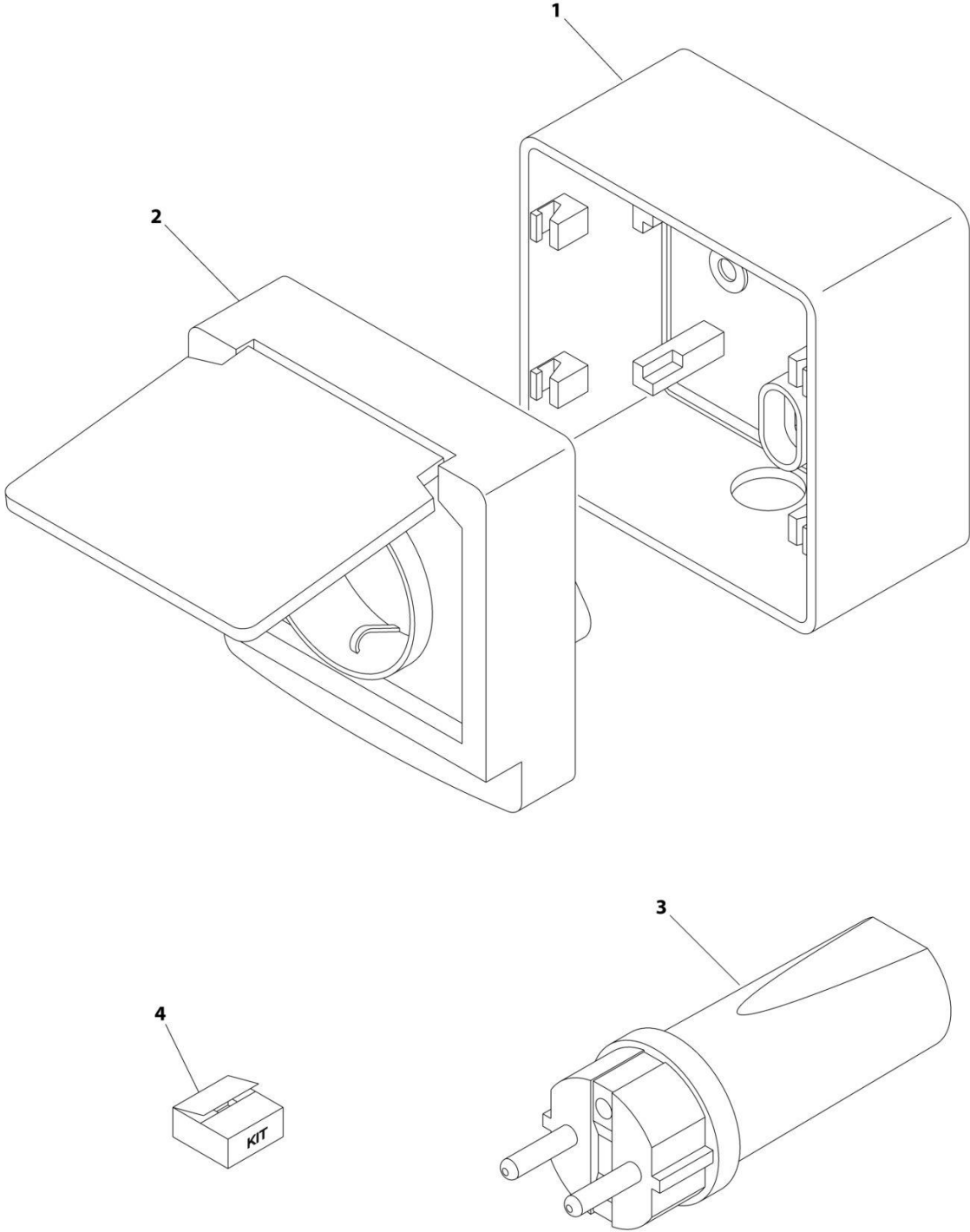
## SECTION 8 - ELECTRICAL

**FIGURE 8-3. AC PLUGS AND SOCKETS INSTALLATION - CEE7 POST GROUND (CE SPEC)**

ITEM	PART NUMBER	QTY	DESCRIPTION	REV
	0275218	Ref	AC PLUGS AND SOCKETS INSTALLATION - CEE7 POST GROUND (CE SPEC)	B
1	1001141967	1	Box, Switch	
2	1001141968	1	Receptacle	
3	4461202	1	Plug, Male	
4	1001141971	1	Plug and Socket Kit (Includes Items 1-3 and Female Plug p/n 4461206)	

**SECTION 8 - ELECTRICAL**

**FIGURE 8-4. AC PLUGS AND SOCKETS INSTALLATION - CEE 7 SIDE GROUND (CE SPEC)**



ART\_0275219

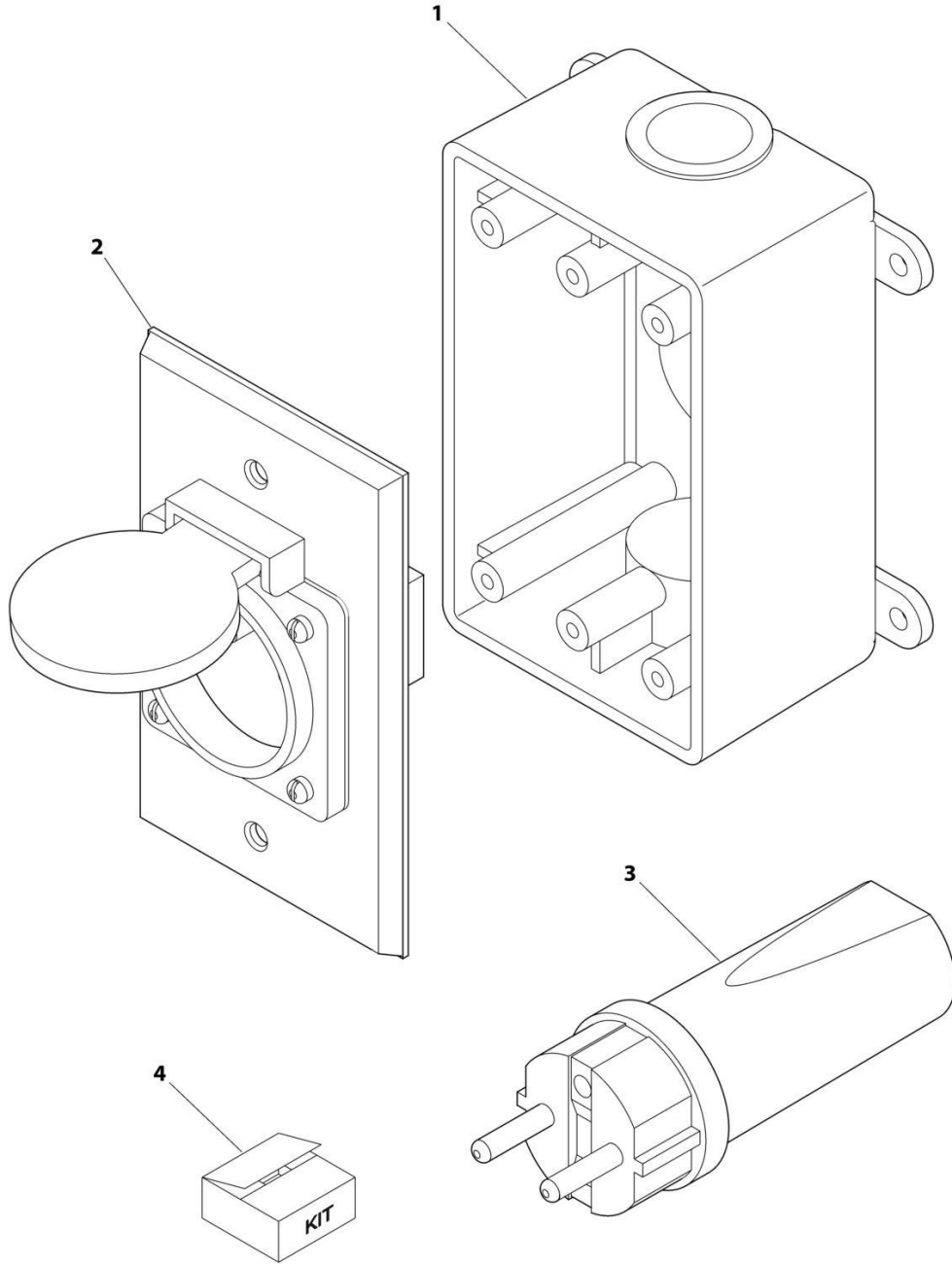
## SECTION 8 - ELECTRICAL

**FIGURE 8-4. AC PLUGS AND SOCKETS INSTALLATION - CEE 7 SIDE GROUND (CE SPEC)**

ITEM	PART NUMBER	QTY	DESCRIPTION	REV
	0275219	Ref	AC PLUGS AND SOCKETS INSTALLATION - CEE 7 SIDE GROUND (CE SPEC)	B
1	1001141967	1	Box, Switch	
2	1001141969	1	Receptacle	
3	4461205	1	Plug, Male	
4	1001141970	1	Plug and Socket Kit (Includes Items 1-3 and Female Plug p/n 4461206)	

# SECTION 8 - ELECTRICAL

FIGURE 8-5. AC PLUGS AND SOCKETS INSTALLATION - CEE7 POST GROUND - 2 X 4 BOX (CE SPEC)



ART\_0275452

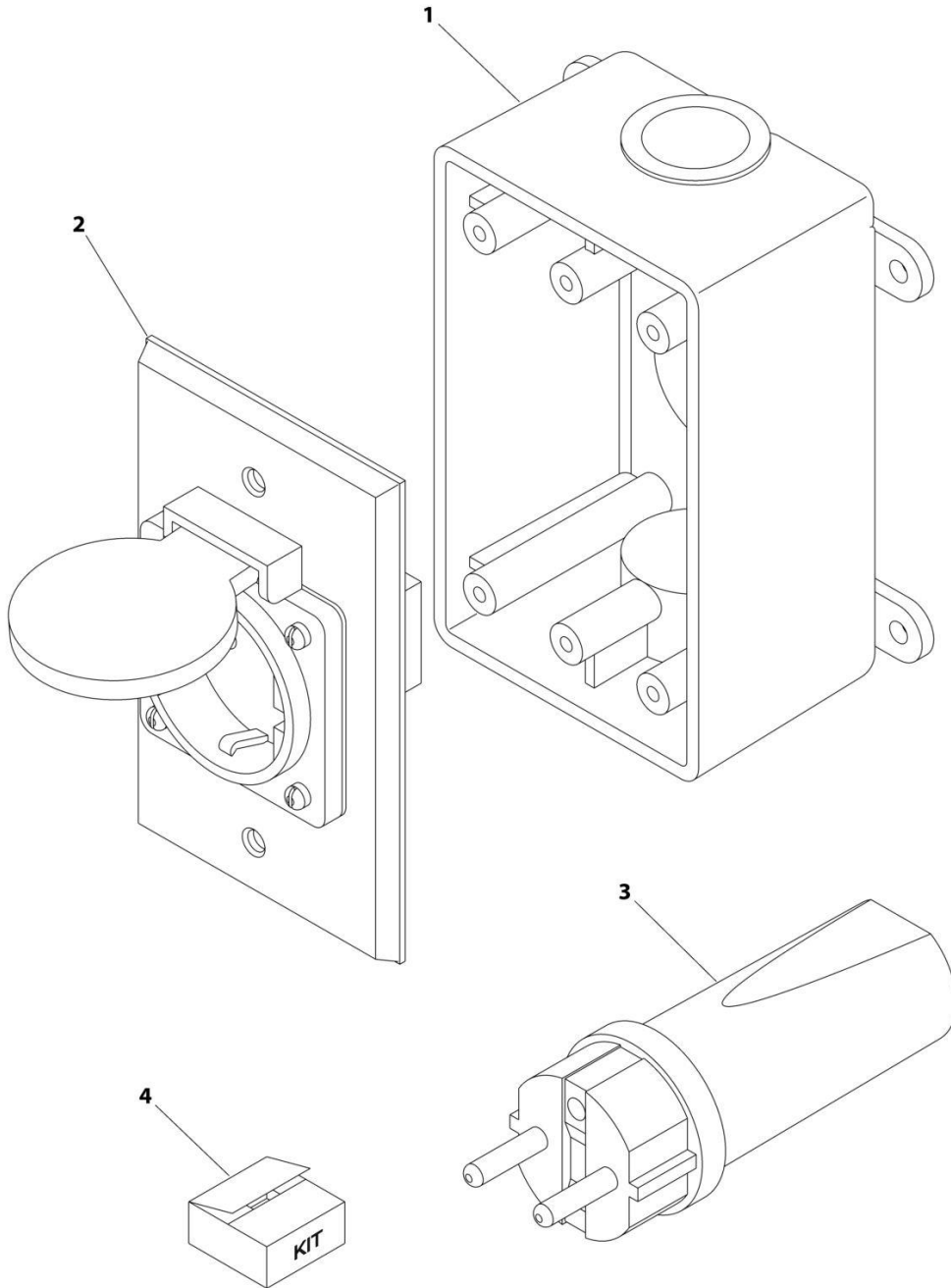
## SECTION 8 - ELECTRICAL

**FIGURE 8-5. AC PLUGS AND SOCKETS INSTALLATION - CEE7 POST GROUND - 2 X 4 BOX (CE SPEC)**

ITEM	PART NUMBER	QTY	DESCRIPTION	REV
	0275452	Ref	AC PLUGS AND SOCKETS INSTALLATION - CEE7 POST GROUND - 2 X 4 BOX (CE SPEC)	1
1	0861731	1	Box, Switch	
2	4461244	1	Receptacle	
3	4461202	1	Plug, Male	
4	1001100345	1	Plug and Socket Kit (Includes Items 1-3 and Female Plug p/n 4461206)	

# SECTION 8 - ELECTRICAL

FIGURE 8-6. AC PLUGS AND SOCKETS INSTALLATION - CEE7 SIDE GROUND - 2 X 4 BOX (CE SPEC)



ART\_0275453



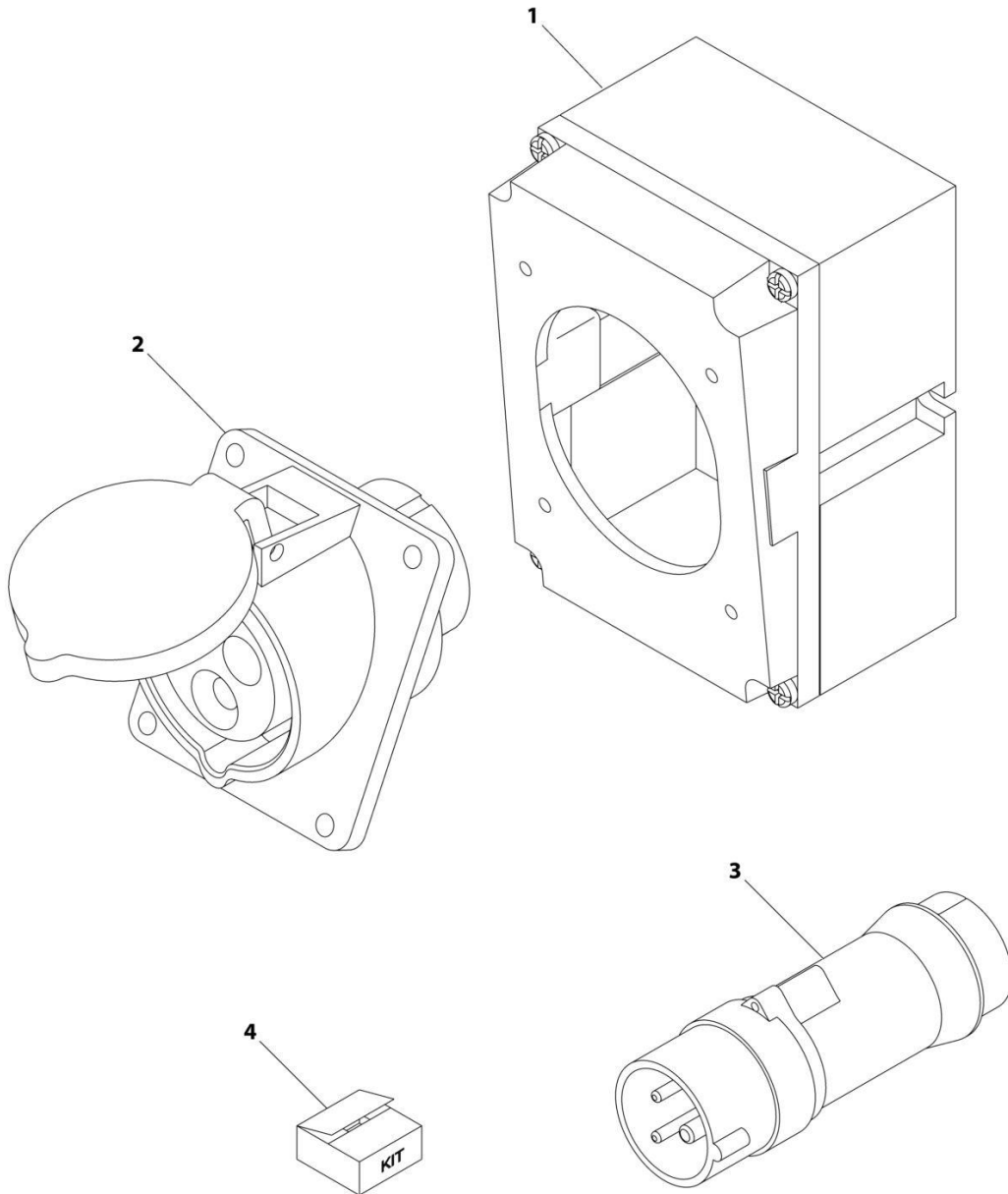
## SECTION 8 - ELECTRICAL

**FIGURE 8-6. AC PLUGS AND SOCKETS INSTALLATION - CEE7 SIDE GROUND - 2 X 4 BOX (CE SPEC)**

ITEM	PART NUMBER	QTY	DESCRIPTION	REV
	0275453	Ref	AC PLUGS AND SOCKETS INSTALLATION - CEE7 SIDE GROUND - 2 X 4 BOX (CE SPEC)	1
1	0861731	1	Box, Switch	
2	4461245	1	Receptacle	
3	4461205	1	Plug, Male	
4	1001100347	1	Plug and Socket Kit (Includes Items 1-3 and Female Plug p/n 4461206)	

# SECTION 8 - ELECTRICAL

## FIGURE 8-7. AC PLUGS AND SOCKETS INSTALLATION - IEC 60309 BLUE (CE SPEC)



ART\_0275217

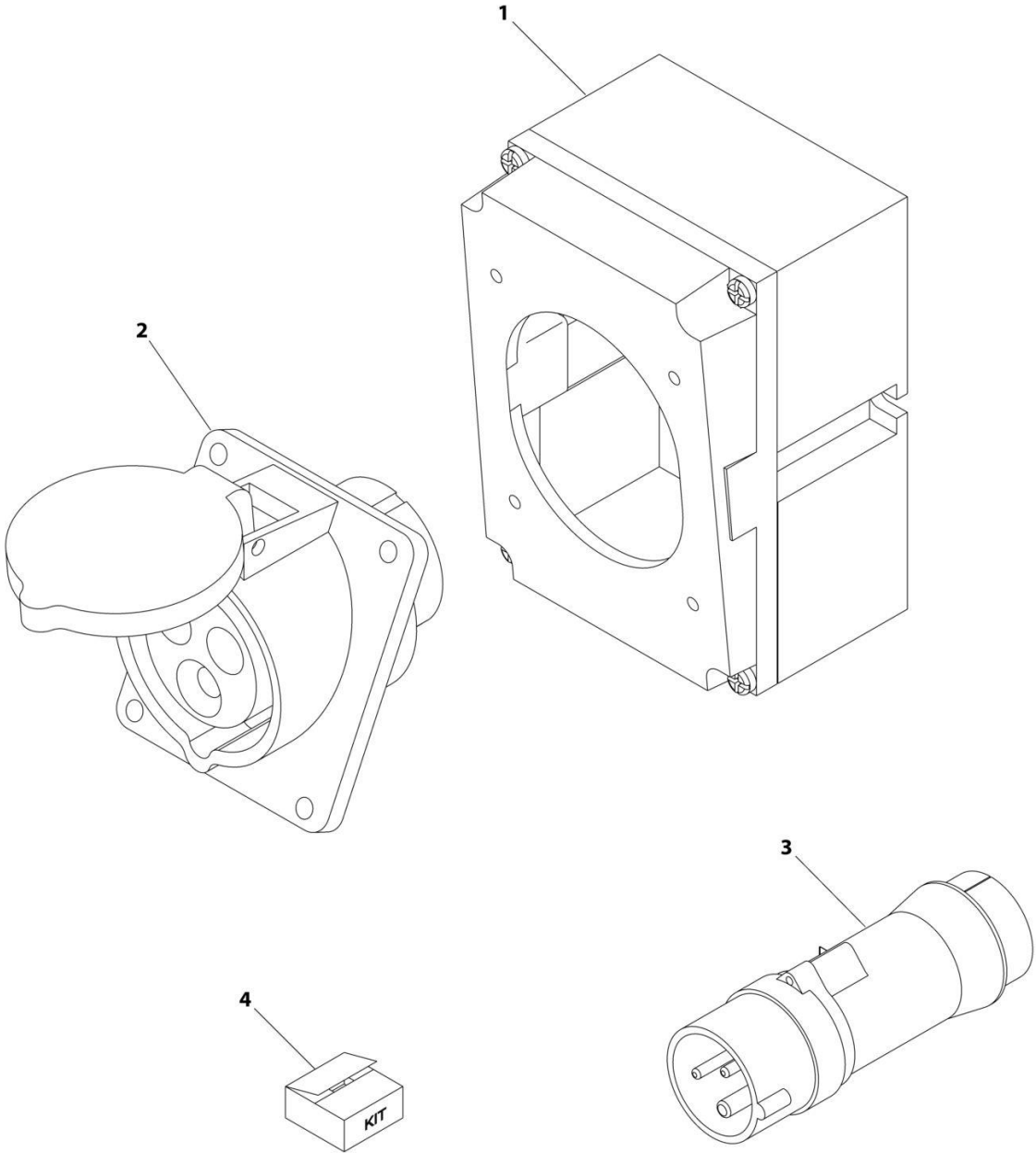
## SECTION 8 - ELECTRICAL

**FIGURE 8-7. AC PLUGS AND SOCKETS INSTALLATION - IEC 60309 BLUE (CE SPEC)**

ITEM	PART NUMBER	QTY	DESCRIPTION	REV
	0275217	Ref	AC PLUGS AND SOCKETS INSTALLATION - IEC 60309 BLUE (CE SPEC)	1
1	0861781	1	Box, Switch	
2	4461201	1	Receptacle	
3	4461199	1	Plug, Male	
4	1001100342	1	Plug and Socket Kit (Includes Items 1-3 and Female Plug p/n 4461200)	

**SECTION 8 - ELECTRICAL**

**FIGURE 8-8. AC PLUGS AND SOCKETS INSTALLATION - IEC 60309 YELLOW (CE SPEC)**



ART\_0275216

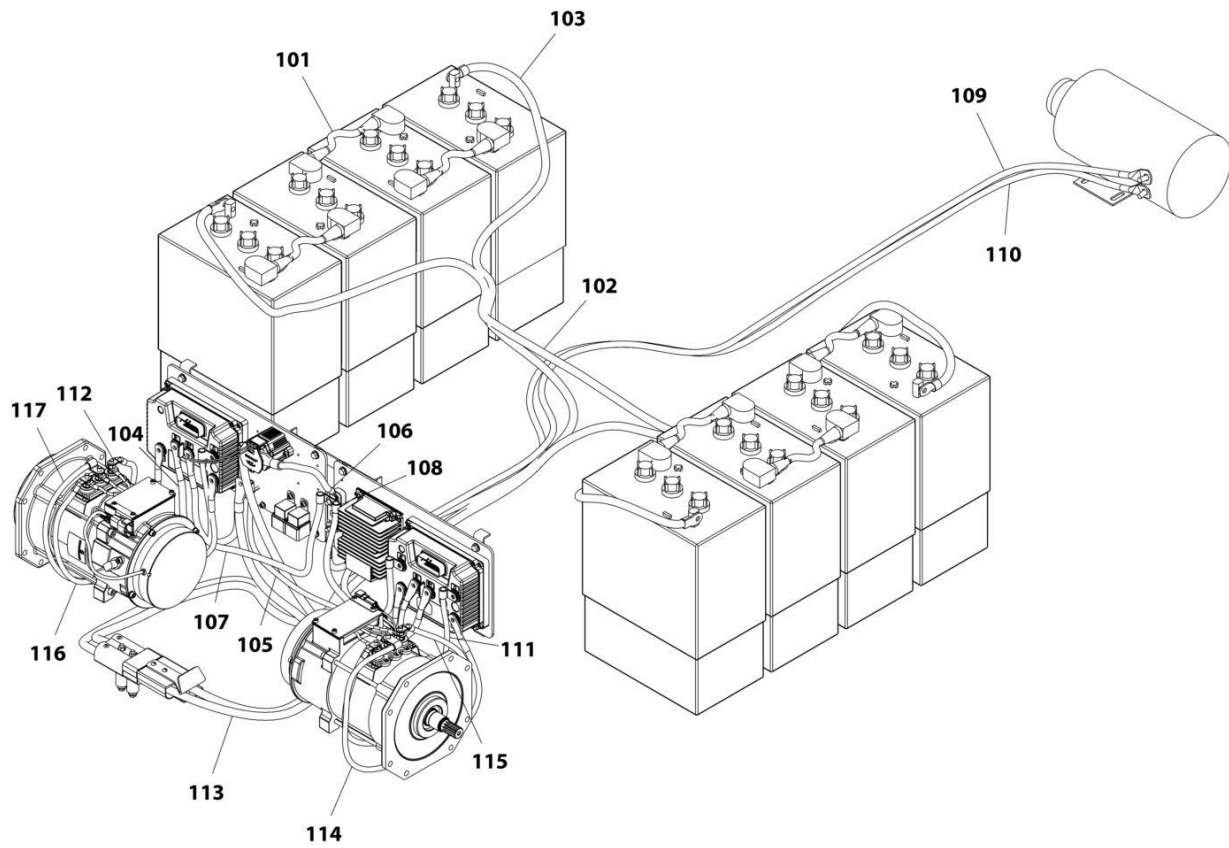
## SECTION 8 - ELECTRICAL

**FIGURE 8-8. AC PLUGS AND SOCKETS INSTALLATION - IEC 60309 YELLOW (CE SPEC)**

ITEM	PART NUMBER	QTY	DESCRIPTION	REV
	0275216	Ref	AC PLUGS AND SOCKETS INSTALLATION - IEC 60309 YELLOW (CE SPEC)	1
1	0861781	1	Box, Switch	
2	4461198	1	Receptacle	
3	4461196	1	Plug, Male	
4	1001100341	1	Plug and Socket Kit (Includes Items 1-3 and Female Plug p/n 4461197)	

# SECTION 8 - ELECTRICAL

## FIGURE 8-9. BATTERY CABLE KIT - E450A AND E450AJ (NON-UL SPECS)



ART\_1001190088

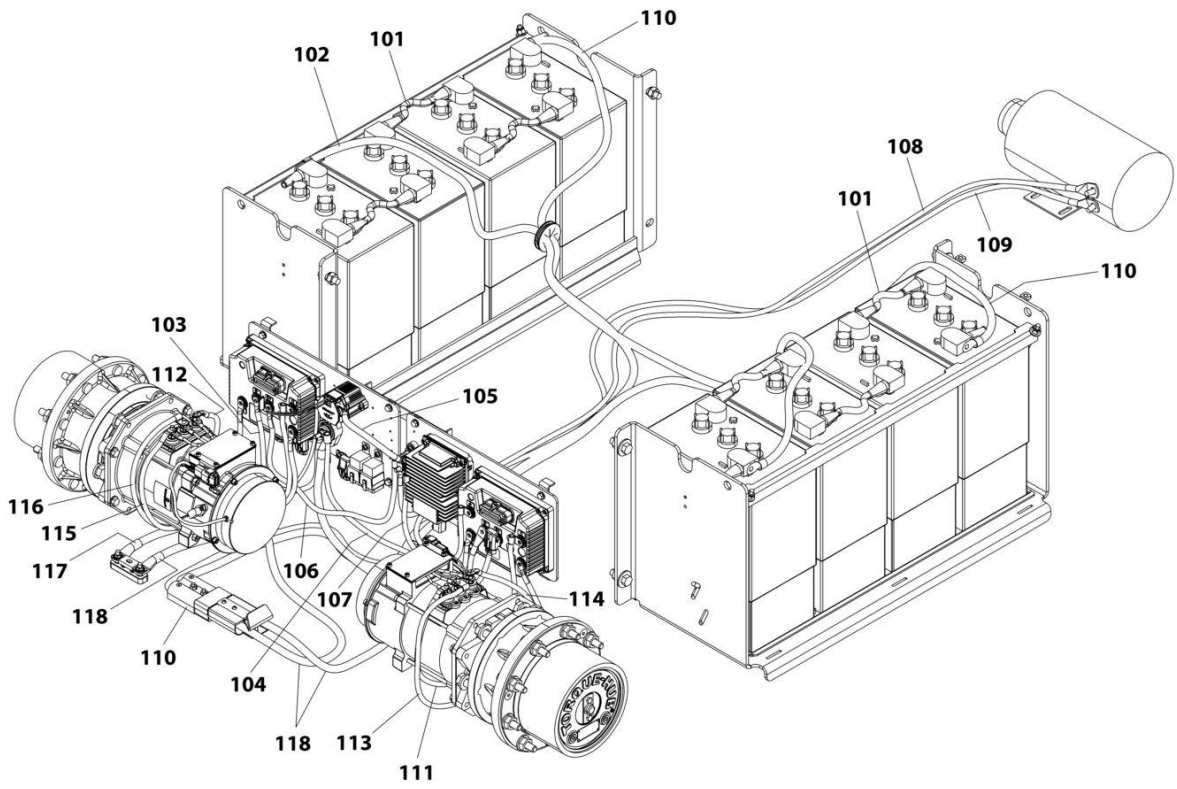
## SECTION 8 - ELECTRICAL

**FIGURE 8-9. BATTERY CABLE KIT - E450A AND E450AJ (NON-UL SPECS)**

ITEM	PART NUMBER	QTY	DESCRIPTION	REV
	1001190088	Ref	BATTERY CABLE KIT - E450A AND E450AJ (NON-UL SPECS)	I
101	1060092	1	Cable, Battery	
102	1001177245	1	Cable, Interconnect	
103	1001177246	1	Cable, Battery	
104	1001178394	1	Cable, Negative to LH Module	
105	1001178395	1	Cable, Negative to RH Module	
106	1001178396	1	Cable, Positive to Pump Motor Fuse	
107	1001178398	1	Cable, Positive to LH Module	
108	1001178399	1	Cable, Positive to RH Module	
109	1001178400	1	Cable, Pump Motor Positive	
110	1001178401	1	Cable, Pump Motor Negative	
111	1001178402	1	Cable, Motor R U	
112	1001178403	1	Cable, Motor L U	
113	1001178660	1	Cable, Battery	
114	1001189027	1	Cable, Motor R V	
115	1001189030	1	Cable, Motor R W	
116	1001189031	1	Cable, Motor L W	
117	1001189032	1	Cable, Motor L V	

# SECTION 8 - ELECTRICAL

## FIGURE 8-10. BATTERY CABLE KIT - E450A AND E450AJ (UL SPECS)



ART\_1001212454



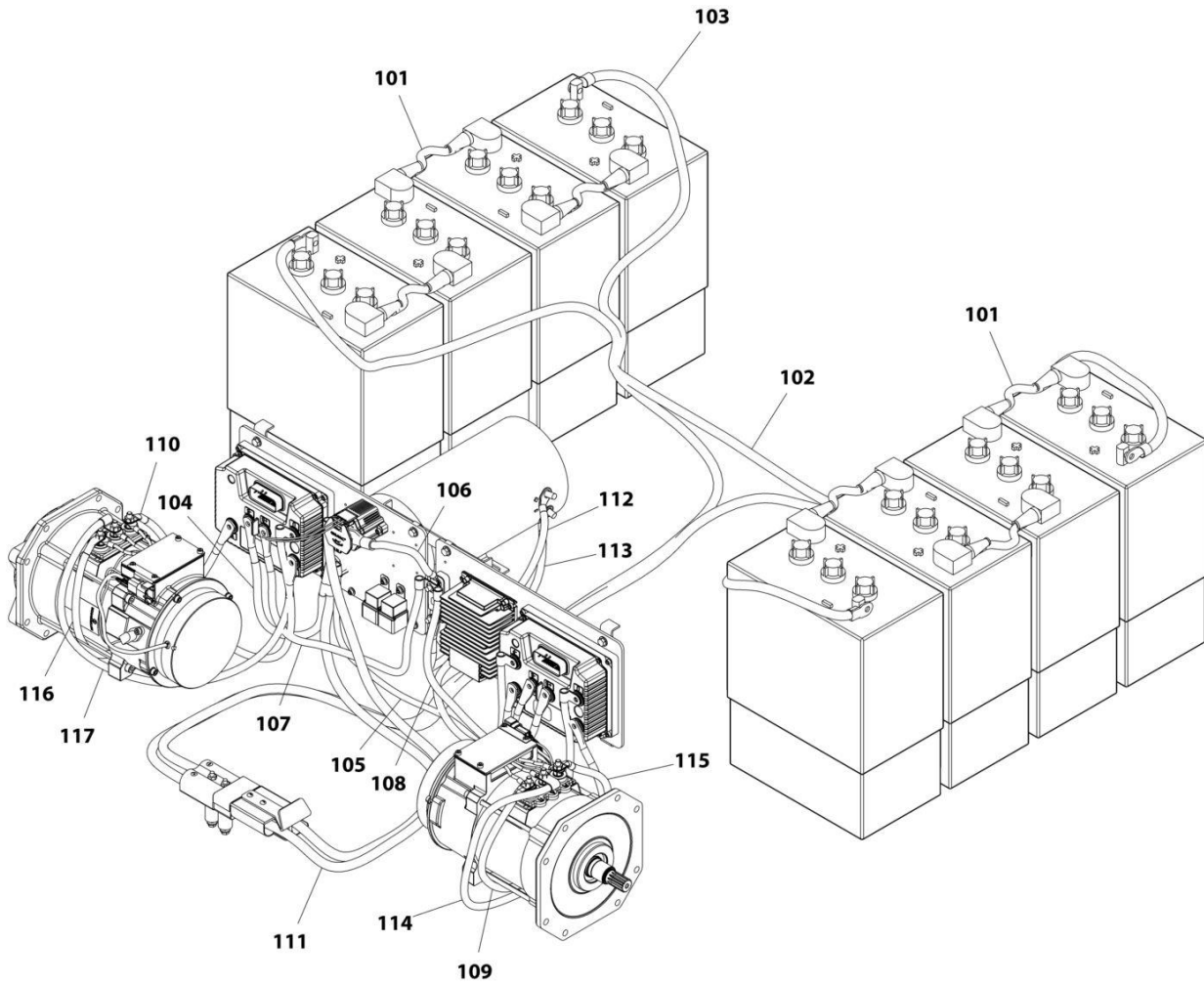
## SECTION 8 - ELECTRICAL

**FIGURE 8-10. BATTERY CABLE KIT - E450A AND E450AJ (UL SPECS)**

ITEM	PART NUMBER	QTY	DESCRIPTION	REV
	1001212454	Ref	BATTERY CABLE KIT - E450A AND E450AJ (UL SPECS)	D
101	1060092	6	Cable, Battery	
102	1001177245	1	Cable, Interconnect	
103	1001178394	1	Cable, Negative to LH Module	
104	1001178395	1	Cable, Negative to RH Module	
105	1001178396	1	Cable, Positive to Pump Motor Fuse	
106	1001178398	1	Cable, Positive to LH Module	
107	1001178399	1	Cable, Positive to RH Module	
108	1001178400	1	Cable, Pump Motor Positive	
109	1001178401	1	Cable, Pump Motor Negative	
110	1001177246	1	Cable, Battery	
111	1001178402	1	Cable, Motor R U	
112	1001178403	1	Cable, Motor L U	
113	1001189027	1	Cable, Motor R V	
114	1001189030	1	Cable, Motor R W	
115	1001189031	1	Cable, Motor L W	
116	1001189032	1	Cable, Motor L V	
117	1001212455	1	Cable, Drive Jumper	
118	1001212480	1	Cable, Battery	

# SECTION 8 - ELECTRICAL

## FIGURE 8-11. BATTERY CABLE KIT - M450AJ (NON-UL SPECS)



ART\_1001190020

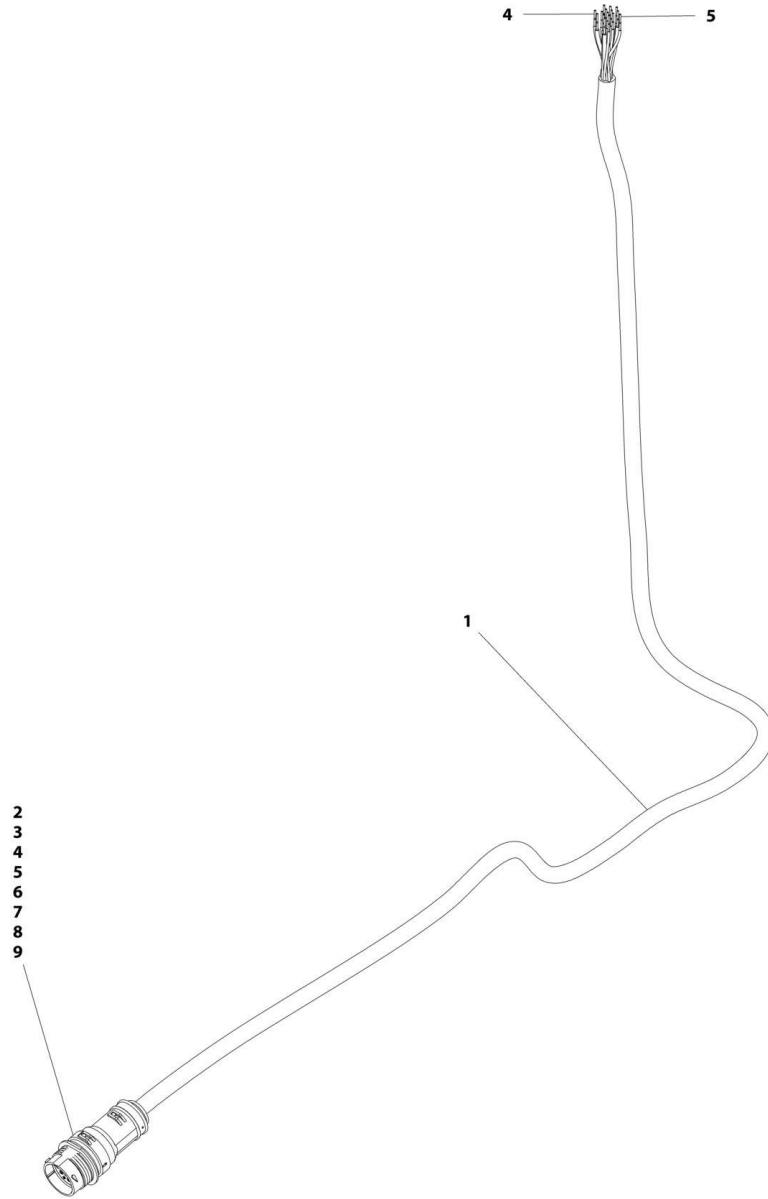
## SECTION 8 - ELECTRICAL

**FIGURE 8-11. BATTERY CABLE KIT - M450AJ (NON-UL SPECS)**

ITEM	PART NUMBER	QTY	DESCRIPTION	REV
	1001190020	Ref	BATTERY CABLE KIT - M450AJ (NON-UL SPECS)	I
101	1060092	1	Cable, Battery	
102	1001177245	1	Cable, Interconnect	
103	1001177246	1	Cable, Battery	
104	1001178394	1	Cable, Negative to LH Module	
105	1001178395	1	Cable, Negative to RH Module	
106	1001178396	1	Cable, Positive to Pump Motor Fuse	
107	1001178398	1	Cable, Positive to LH Module	
108	1001178399	1	Cable, Positive to RH Module	
109	1001178402	1	Cable, Motor R U	
110	1001178403	1	Cable, Motor L U	
111	1001178660	1	Cable, Battery	
112	1001178822	1	Cable, Pump Motor Positive	
113	1001178823	1	Cable, Pump Motor Negative	
114	1001189027	1	Cable, Motor R V	
115	1001189030	1	Cable, Motor R W	
116	1001189031	1	Cable, Motor L W	
117	1001189032	1	Cable, Motor L V	

# SECTION 8 - ELECTRICAL

FIGURE 8-12. BOOM CABLE - LOWER - E450A/E450AJ/M450AJ



ART\_1001183878

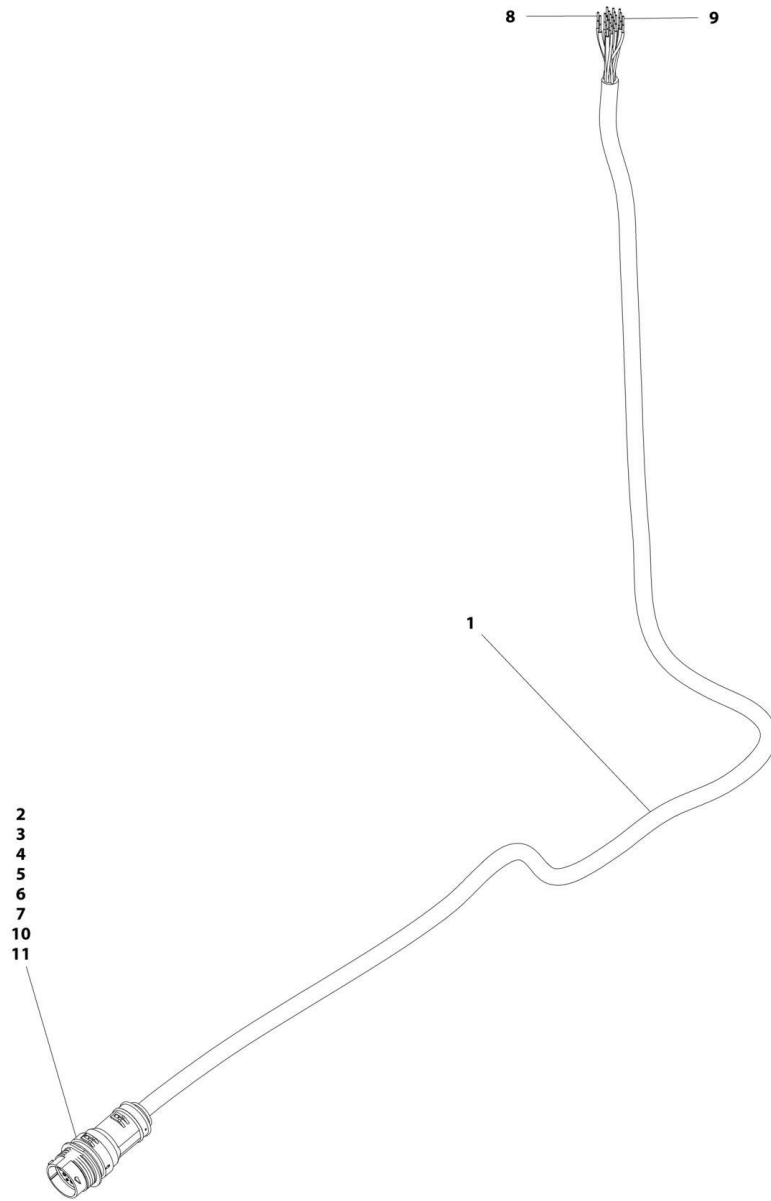
## SECTION 8 - ELECTRICAL

**FIGURE 8-12. BOOM CABLE - LOWER - E450A/E450AJ/M450AJ**

ITEM	PART NUMBER	QTY	DESCRIPTION	REV
	1001183878	Ref	BOOM CABLE - LOWER - E450A/E450AJ/M450AJ	E
1	1060896	35.5 ft /10.8m	Cable, Electrical	
2	1001188292	1	Connector - 19 Position	
3	1001188291	1	Connector, Backshell	
4	4460465	22	Socket, Female	
5	4460509	8	Socket, Female	
6	4460466	4	Plug, Seal	
7	2820118	6.5 in /16.5cm	Insulator, Tubing	
8	1001188354	1	Grommet	
9	4240033	2	Tie-Strap	

# SECTION 8 - ELECTRICAL

## FIGURE 8-13. BOOM CABLE - UPPER - E450A



ART\_1001183879

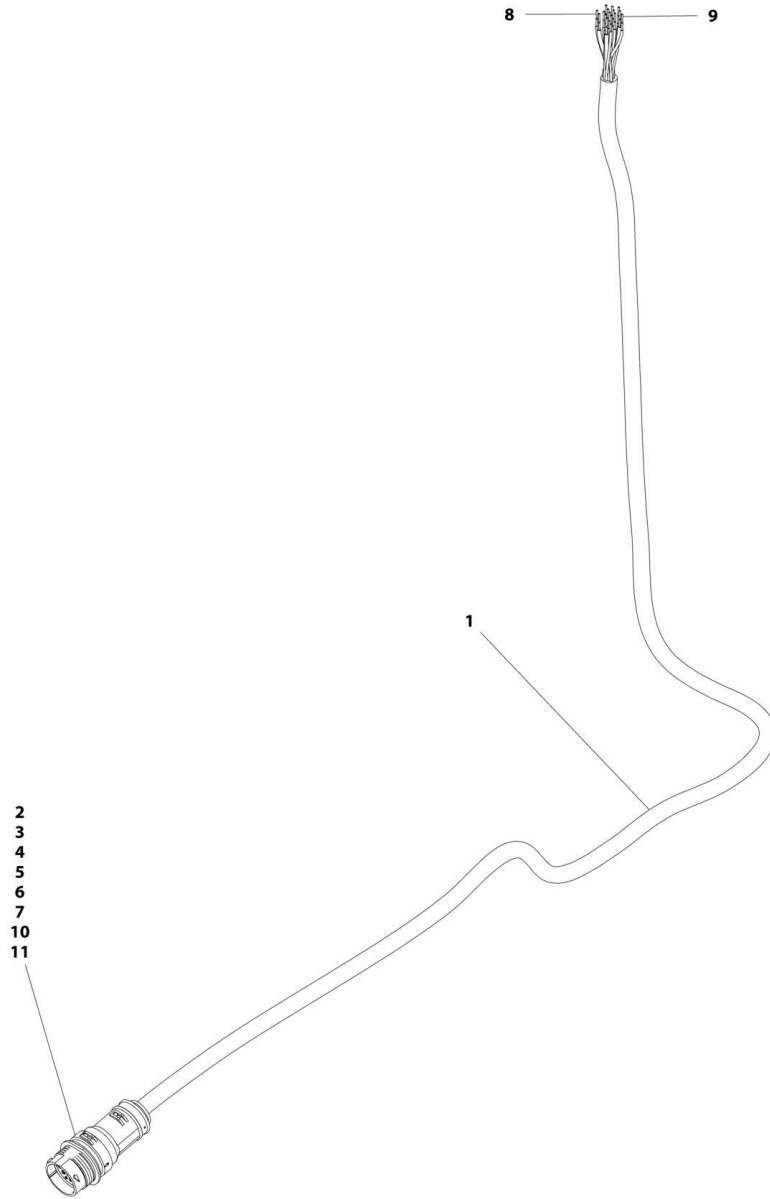
## SECTION 8 - ELECTRICAL

**FIGURE 8-13. BOOM CABLE - UPPER - E450A**

ITEM	PART NUMBER	QTY	DESCRIPTION	REV
	1001183876	Ref	BOOM CABLE - UPPER - E450A	E
1	1060896	26.5 ft /8.1m	Cable, Electrical	
2	1001188293	1	Connector - 19 Position	
3	1001188291	1	Connector, Backshell	
4	4460465	11	Socket, Female	
5	4460509	4	Socket, Female	
6	4460466	4	Plug, Seal	
7	2820118	6.5 in /16.5cm	Insulator, Tubing	
8	4460464	11	Pin, Male	
9	4460508	4	Pin, Male	
10	1001188354	1	Grommet	
11	4240033	2	Tie-Strap	

# SECTION 8 - ELECTRICAL

## FIGURE 8-14. BOOM CABLE - UPPER - E450AJ/M450AJ



ART\_1001183879



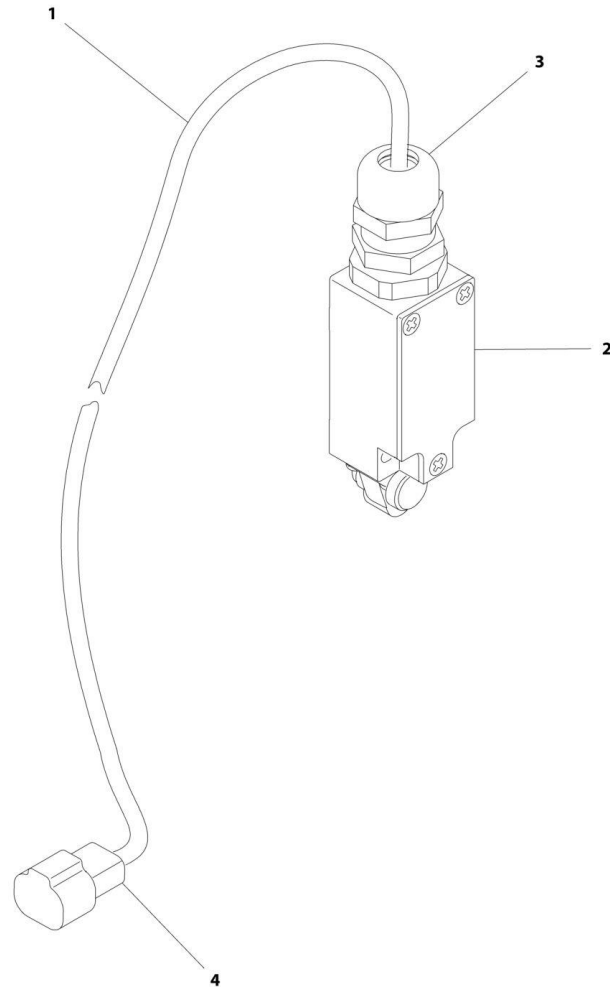
## SECTION 8 - ELECTRICAL

**FIGURE 8-14. BOOM CABLE - UPPER - E450AJ/M450AJ**

ITEM	PART NUMBER	QTY	DESCRIPTION	REV
	1001183879	Ref	BOOM CABLE - UPPER - E450AJ/M450AJ	E
1	1060896	28 ft /8.5m	Cable, Electrical	
2	1001188293	1	Connector - 19 Position	
3	1001188291	1	Connector, Backshell	
4	4460465	11	Socket, Female	
5	4460509	4	Socket, Female	
6	4460466	4	Plug, Seal	
7	2820118	6.5 in /16.5cm	Insulator, Tubing	
8	4460464	11	Pin, Male	
9	4460508	4	Pin, Male	
10	1001188354	1	Grommet	
11	4240033	2	Tie-Strap	

# SECTION 8 - ELECTRICAL

## FIGURE 8-15. BOOM LIMIT SWITCH HARNESS - LOWER



ART\_1001187776

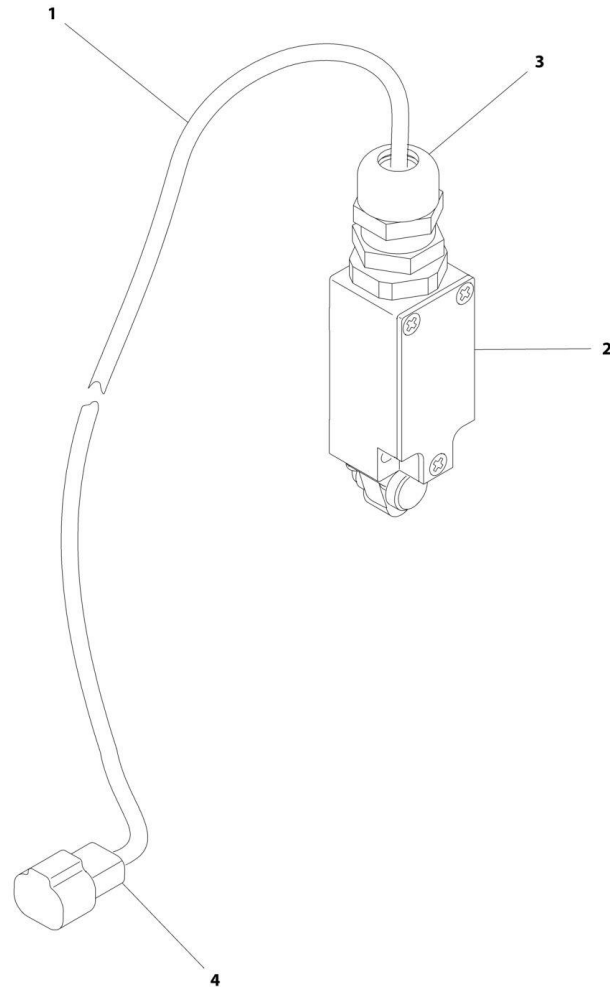
## SECTION 8 - ELECTRICAL

### FIGURE 8-15. BOOM LIMIT SWITCH HARNESS - LOWER

ITEM	PART NUMBER	QTY	DESCRIPTION	REV
	1001187776	Ref	BOOM LIMIT SWITCH HARNESS - LOWER	D
1	1060341	14 ft /4.3m	Cable, Electrical - 16/2	
2	4360548	1	Switch, Limit	
3	4460968	1	Connector, Strain Relief	
4	1001187681	1	Connector- 2 Position <b>(SN 0300208529 through 0300214527)</b>	
4	4460897	1	Connector- 2 Position <b>(SN 0300214528 through 0300272287, SN B300001429 through B300005763, Excluding B300005567)</b>	
4	4460464	2	Pin, Male	
4	1001187683	1	Connector, Wedge Lock	

# SECTION 8 - ELECTRICAL

## FIGURE 8-16. BOOM LIMIT SWITCH HARNESS - UPPER



ART\_1001187777

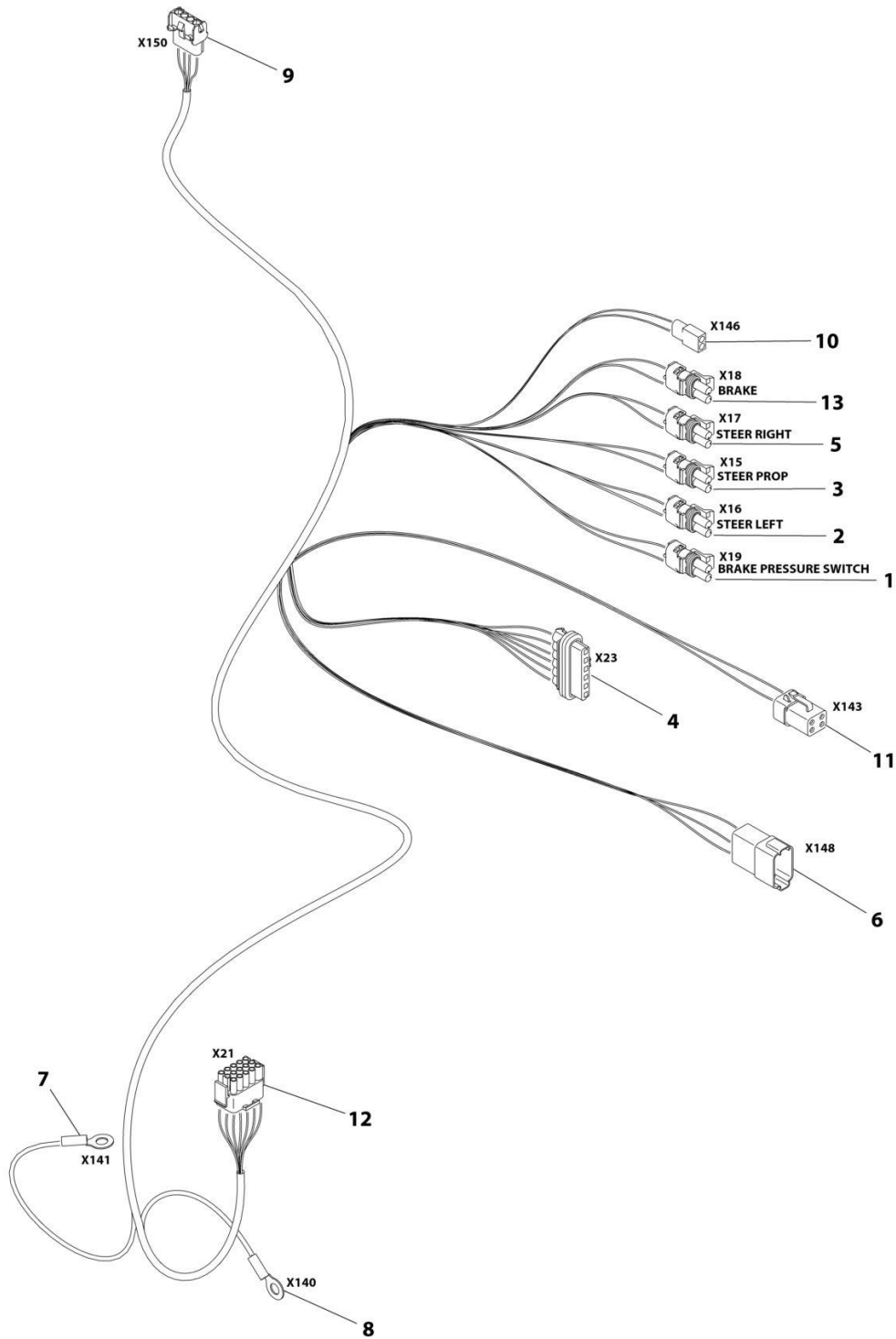
## SECTION 8 - ELECTRICAL

**FIGURE 8-16. BOOM LIMIT SWITCH HARNESS - UPPER**

ITEM	PART NUMBER	QTY	DESCRIPTION	REV
	1001187777	Ref	BOOM LIMIT SWITCH HARNESS - UPPER	D
1	1060341	29 ft /8.8m	Cable, Electrical - 16/2	
2	4360548	1	Switch, Limit	
3	4460968	1	Connector, Strain Relief	
4	1001187681	1	Connector- 2 Position <b>(SN 0300208529 through 0300214527)</b>	
4	4460897	1	Connector - 2 Position <b>(SN 0300214528 through 0300272287, SN B300001429 through B300005763, Excluding B300005567)</b>	
4	4460464	2	Pin, Male	
4	1001187684	1	Connector, Wedge Lock <b>(SN 0300208529 through 0300214527)</b>	

# SECTION 8 - ELECTRICAL

## FIGURE 8-17. BRAKE/STEER HARNESS - M450AJ



ART\_1001171115

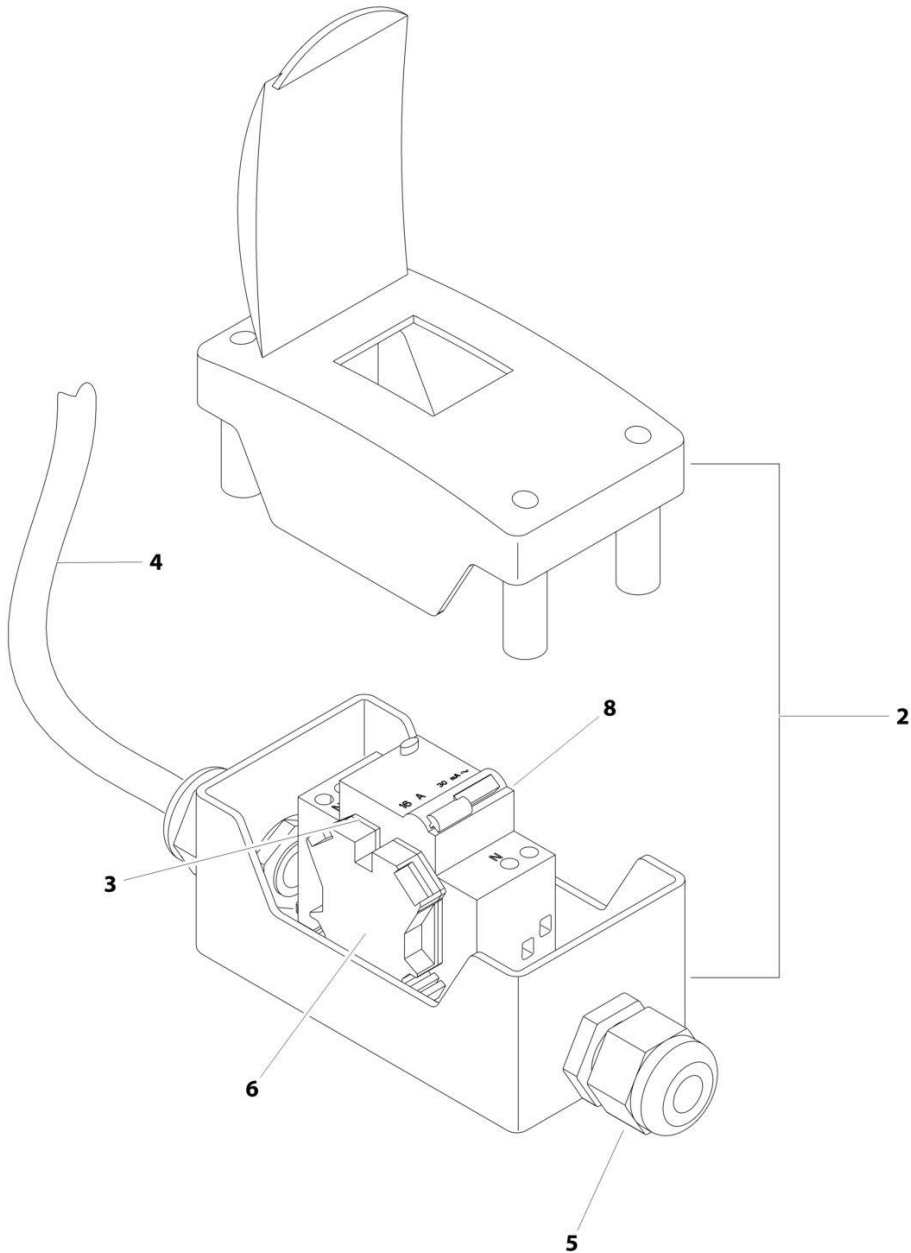
## SECTION 8 - ELECTRICAL

**FIGURE 8-17. BRAKE/STEER HARNESS - M450AJ**

ITEM	PART NUMBER	QTY	DESCRIPTION	REV
	1001171115	Ref	MOTOR/STEER/BRAKE HARNESS - M450AJ	A
1	4460742	1	Connector - 2 Position	
1	4460743	2	Terminal, Female	
1	4460458	2	Seal	
2	4460742	1	Connector - 2 Position	
2	4460743	2	Terminal, Female	
2	4460458	2	Seal	
3	4460742	1	Connector - 2 Position	
3	4460743	2	Terminal, Female	
3	4460458	2	Seal	
4	4460744	1	Connector- 6 Position	
4	4460749	1	Cap, Shell	
4	4460750	1	Bar, Buss - 6 Position	
4	4460745	1	Lock, Secondary	
4	4460751	1	Clip, Mounting	
4	4460746	5	Socket, Female	
4	4460748	1	Plug, Seal	
4	4460458	5	Seal	
5	4460742	1	Connector - 2 Position	
5	4460743	2	Terminal, Female	
5	4460458	2	Seal	
6	4460931	1	Connector- 8 Position	
6	4460464	6	Socket, Female	
6	4460466	2	Plug, Seal	
7	4460738	1	Ring, Terminal	
8	4460738	1	Ring, Terminal	
9	4460761	1	Connector - 4 Position	
10	4460424	1	Connector - 2 Position	
10	4460227	2	Pin, Male	
11	1001116810	1	Connector - 4 Position	
11	4460509	2	Socket, Female	
11	4460466	2	Plug, Seal	
12	4460434	1	Connector - 15 Position	
12	4460226	7	Pin, Male	
13	4460742	1	Connector - 2 Position	
13	4460743	2	Terminal, Female	
13	4460458	2	Seal	

**SECTION 8 - ELECTRICAL**

**FIGURE 8-18. BREAKER BOX KIT WITH ONE BREAKERS - CE SPEC**



ART\_2902549



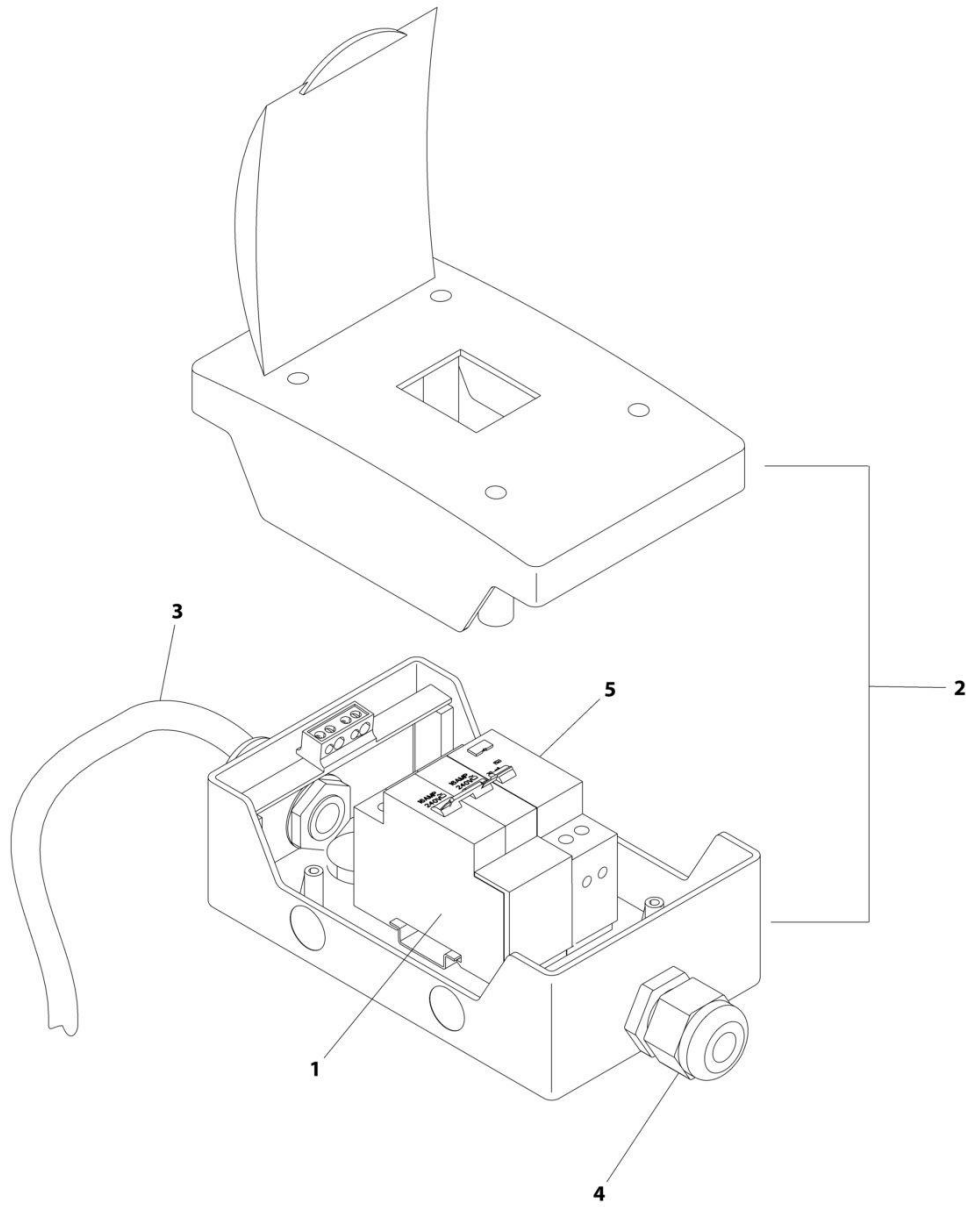
## SECTION 8 - ELECTRICAL

**FIGURE 8-18. BREAKER BOX KIT WITH ONE BREAKERS - CE SPEC**

ITEM	PART NUMBER	QTY	DESCRIPTION	REV
	2902549	Ref	BREAKER BOX KIT WITH ONE BREAKERS - CE SPEC	F
2	0861880	1	Box	
3	4460956	1	Barrier, Terminal	
4	1060908	6 ft/1.8m	Cable, 12/3	
5	1001097150	2	Connector, Strain Relief	
6	4460957	1	Block, Terminal	
8	1001181045	1	Breaker, 30mA	

# SECTION 8 - ELECTRICAL

FIGURE 8-19. BREAKER BOX KIT WITH TWO BREAKERS - CE SPEC



ART\_1001152485

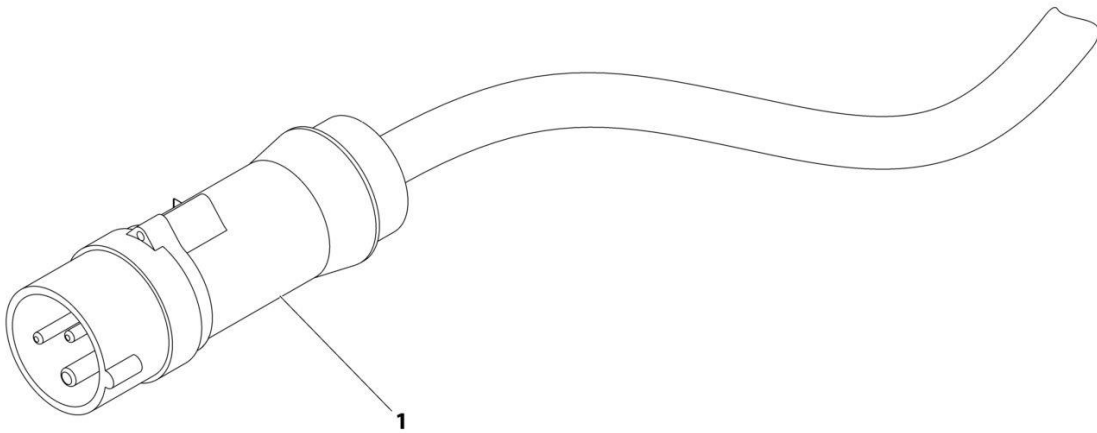
## SECTION 8 - ELECTRICAL

**FIGURE 8-19. BREAKER BOX KIT WITH TWO BREAKERS - CE SPEC**

ITEM	PART NUMBER	QTY	DESCRIPTION	REV
	1001152485	Ref	BREAKER BOX KIT WITH TWO BREAKERS - CE SPEC	C
1	1001189172	1	Breaker, 16 Amp, (Double)	
2	1001152483	1	Box	
3	1060908	6 ft/1.8m	Cable, 12/3	
4	1001097150	2	Connector, Strain Relief	
5	1001189171	1	Breaker, 30mA	

## SECTION 8 - ELECTRICAL

FIGURE 8-20. CHARGER CORD PLUG INSTALLATION - 110V - IEC 60309 - YELLOW (CE SPEC)



ART\_0275666

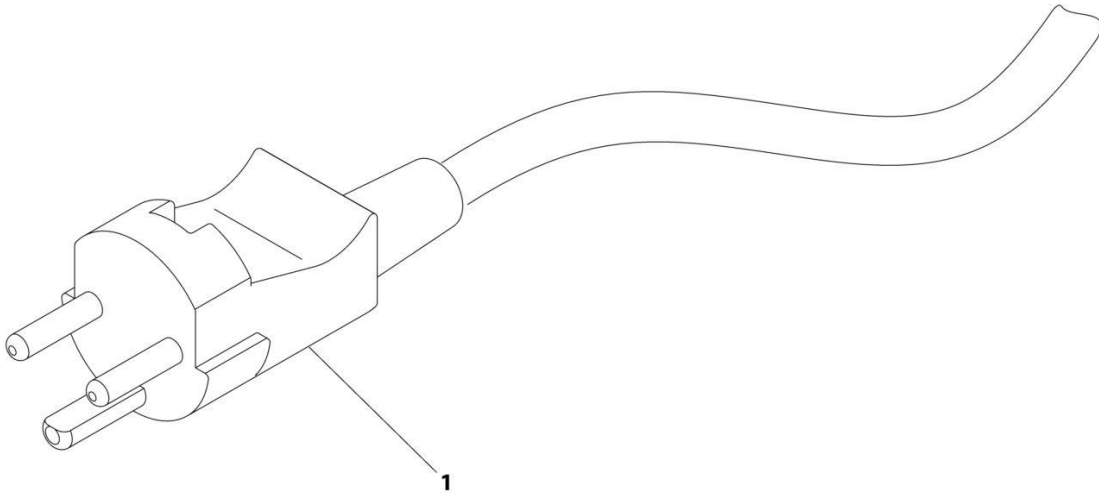
## SECTION 8 - ELECTRICAL

**FIGURE 8-20. CHARGER CORD PLUG INSTALLATION - 110V - IEC 60309 - YELLOW (CE SPEC)**

ITEM	PART NUMBER	QTY	DESCRIPTION	REV
	0275666	Ref	CHARGER CORD PLUG INSTALLATION - 110V - IEC 60309 - YELLOW (CE SPEC)	A
1	4461196	1	Plug	

## SECTION 8 - ELECTRICAL

FIGURE 8-21. CHARGER CORD PLUG INSTALLATION - 220V - AFSINT 107 KEYED GROUND (CE SPEC)



ART\_0275665

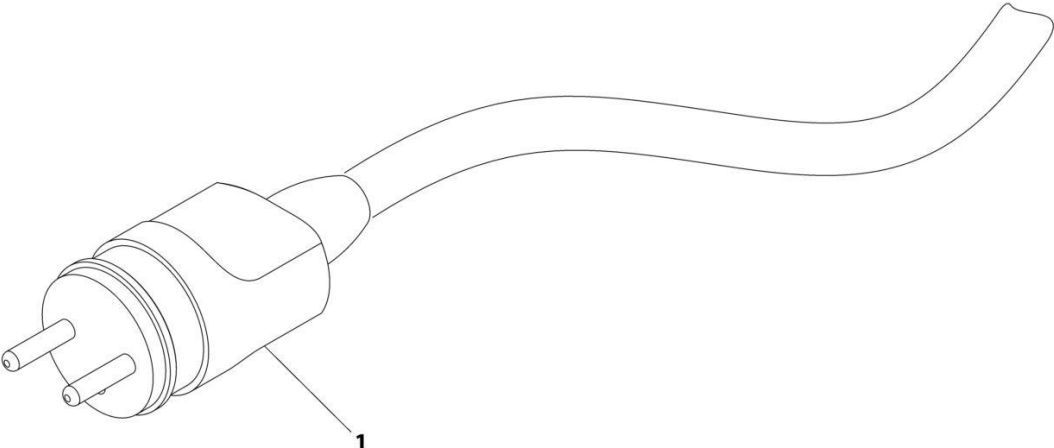
## SECTION 8 - ELECTRICAL

**FIGURE 8-21. CHARGER CORD PLUG INSTALLATION - 220V - AFSINT 107 KEYED GROUND (CE SPEC)**

ITEM	PART NUMBER	QTY	DESCRIPTION	REV
	0275665	Ref	CHARGER CORD PLUG INSTALLATION - 220V - AFSINT 107 KEYED GROUND (CE SPEC)	A
1	4461249	1	Plug	

**SECTION 8 - ELECTRICAL**

**FIGURE 8-22. CHARGER CORD PLUG INSTALLATION - 220V - CEE7 POST GROUND (CE SPEC)**



ART\_0275663



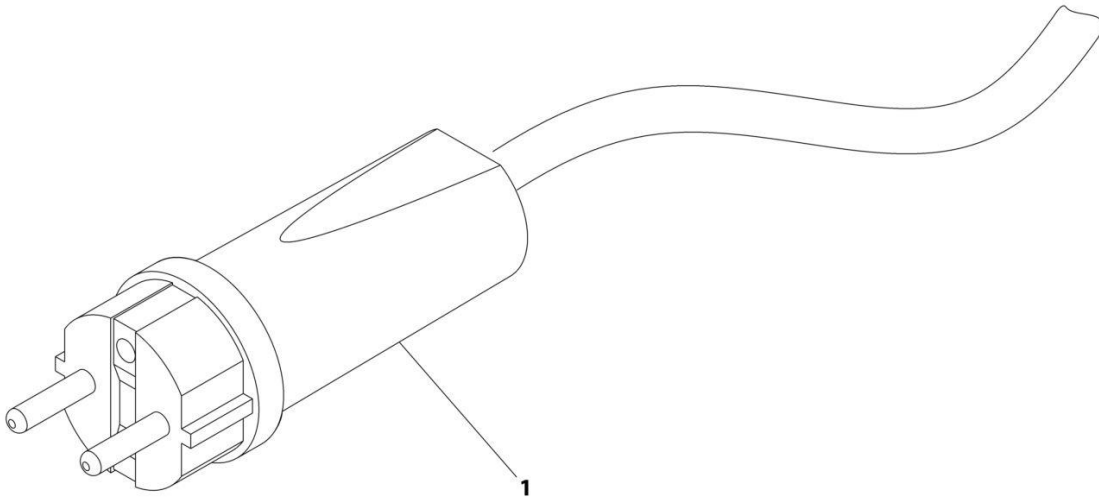
## SECTION 8 - ELECTRICAL

**FIGURE 8-22. CHARGER CORD PLUG INSTALLATION - 220V - CEE7 POST GROUND (CE SPEC)**

ITEM	PART NUMBER	QTY	DESCRIPTION	REV
	0275663	Ref	CHARGER CORD PLUG INSTALLATION - 220V - CEE7 POST GROUND (CE SPEC)	A
1	4461202	1	Plug	

## SECTION 8 - ELECTRICAL

FIGURE 8-23. CHARGER CORD PLUG INSTALLATION - 220V - CEE7 SIDE GROUND (CE SPEC)



ART\_0275664

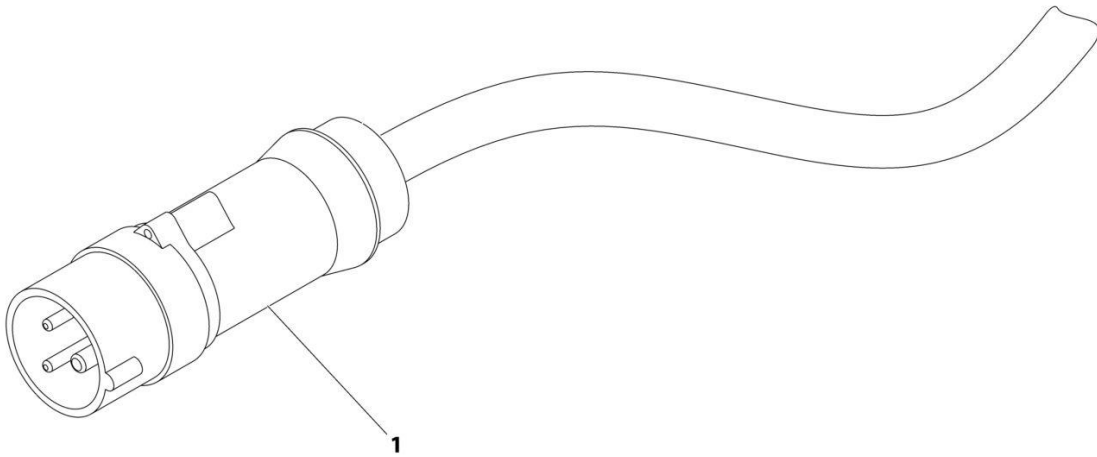
## SECTION 8 - ELECTRICAL

**FIGURE 8-23. CHARGER CORD PLUG INSTALLATION - 220V - CEE7 SIDE GROUND (CE SPEC)**

ITEM	PART NUMBER	QTY	DESCRIPTION	REV
	0275664	Ref	CHARGER CORD PLUG INSTALLATION - 220V - CEE7 SIDE GROUND (CE SPEC)	A
1	4461205	1	Plug	

## SECTION 8 - ELECTRICAL

FIGURE 8-24. CHARGER CORD PLUG INSTALLATION - 220V - IEC 60309 - BLUE (CE SPEC)



ART\_0275667

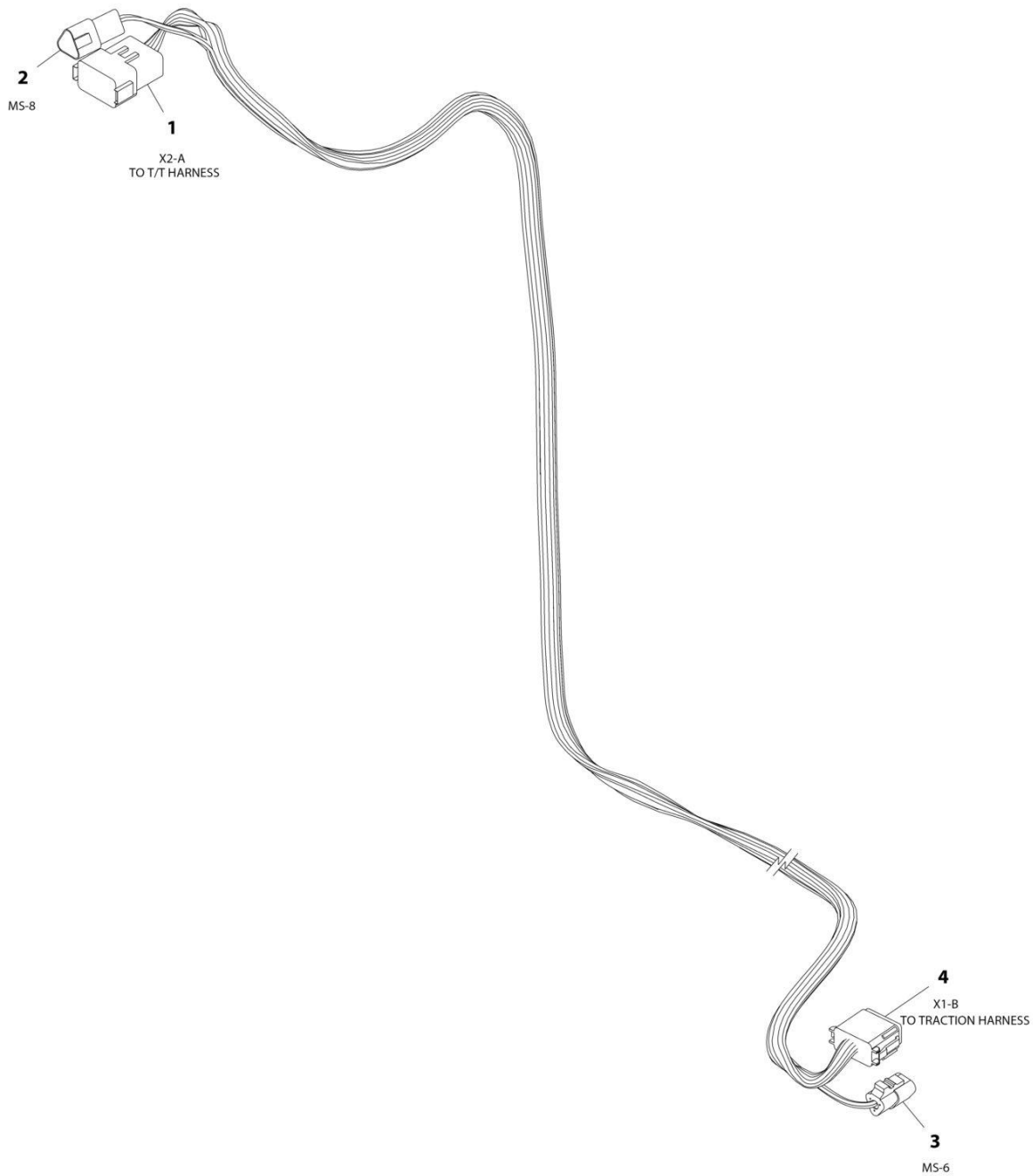
## SECTION 8 - ELECTRICAL

**FIGURE 8-24. CHARGER CORD PLUG INSTALLATION - 220V - IEC 60309 - BLUE (CE SPEC)**

ITEM	PART NUMBER	QTY	DESCRIPTION	REV
	0275667	Ref	CHARGER CORD PLUG INSTALLATION - 220V - IEC 60309 - BLUE (CE SPEC)	A
1	4461199	1	Plug	

# SECTION 8 - ELECTRICAL

## FIGURE 8-25. CHASSIS TO TURNTABLE HARNESS



ART\_1001178405

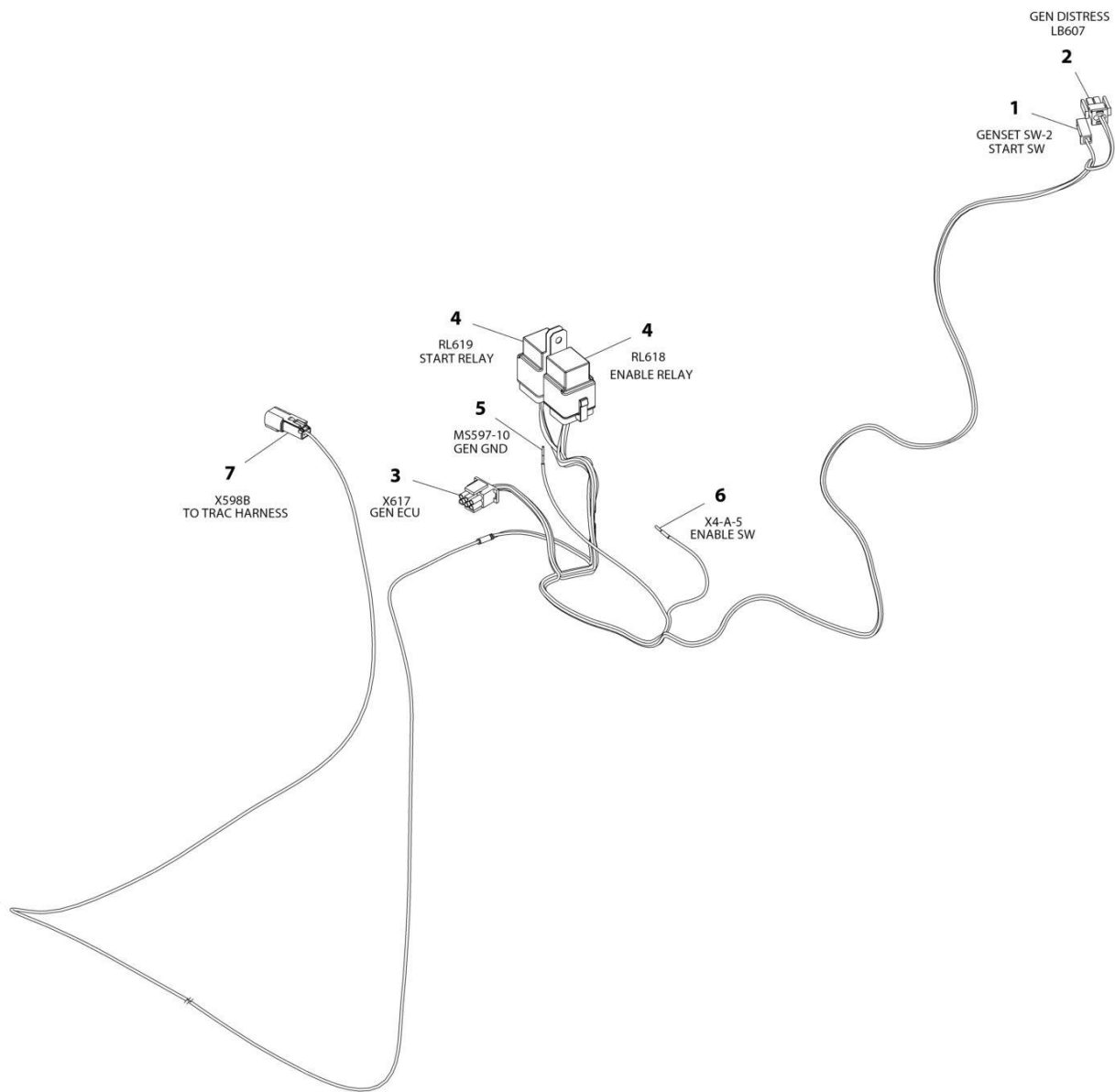
## SECTION 8 - ELECTRICAL

### FIGURE 8-25. CHASSIS TO TURNTABLE HARNESS

ITEM	PART NUMBER	QTY	DESCRIPTION	REV
	1001178405	Ref	CHASSIS TO TURNTABLE HARNESS	G
1	4460950	1	Connector - 12 Position	
1	1001157891	4	Terminal	
1	4460464	5	Pin, Male	
1	4460941	1	Terminal	
1	4460943	2	Pin, Male	
2	1001144147	1	Receptacle, Female - 3 Position	
2	4460943	3	Pin, Male	
3	4460539	1	Plug, Male - 3 Position	
3	4460944	3	Socket, Female	
4	4460836	1	Connector - 12 Position	
4	1001157890	4	Terminal	
4	4460465	5	Socket, Female	
4	4460942	1	Terminal	
4	4460944	2	Socket, Female	

# SECTION 8 - ELECTRICAL

## FIGURE 8-26. GENERATOR HARNESS



ART\_1001192024



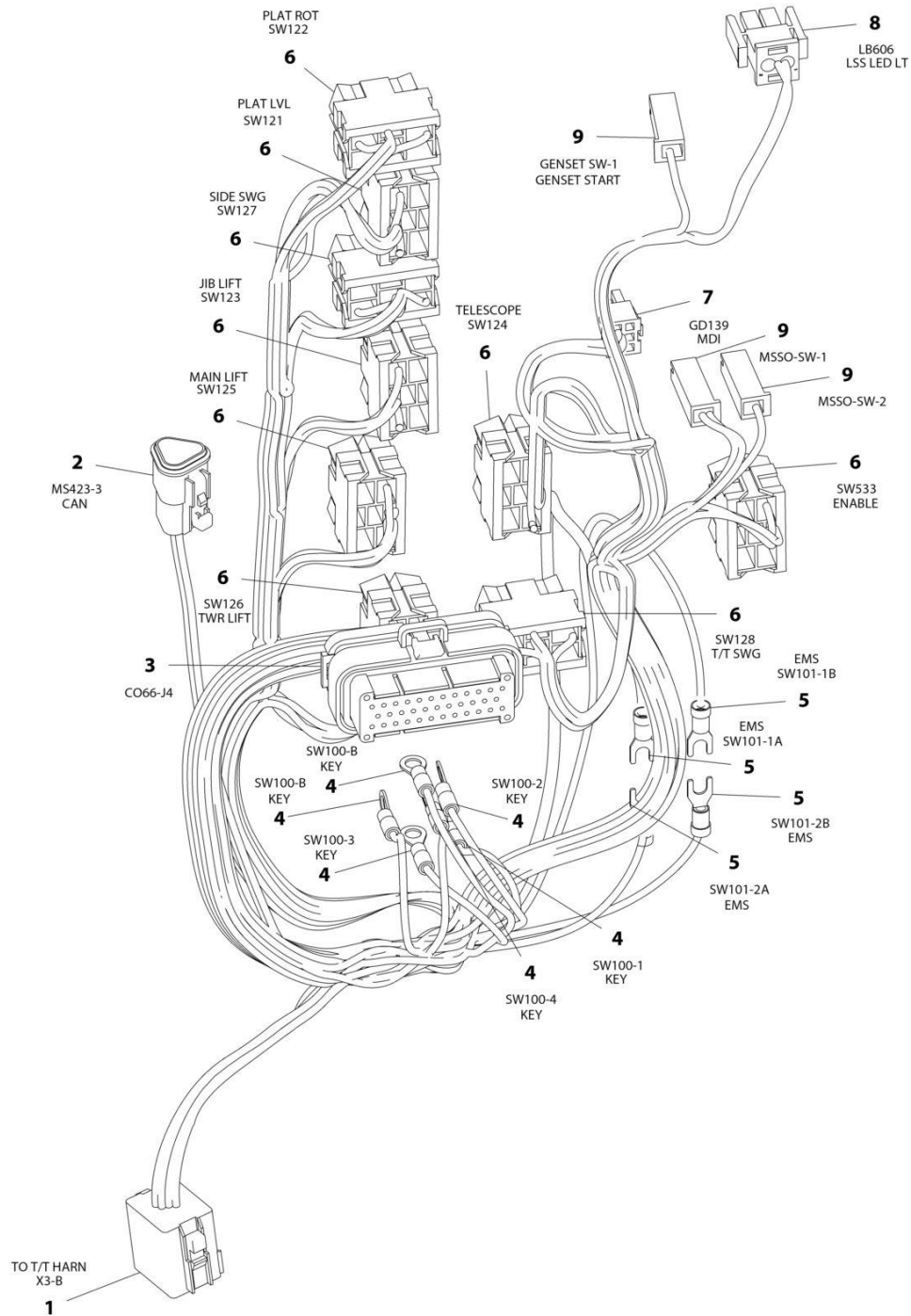
## SECTION 8 - ELECTRICAL

**FIGURE 8-26. GENERATOR HARNESS**

ITEM	PART NUMBER	QTY	DESCRIPTION	REV
	1001192024	Ref	GENERATOR HARNESS	D
1	4460260	1	Housing, Terminal	
1	4460259	1	Terminal	
2	4460320	1	Plug, Male - 2 Position	
2	4460227	2	Pin, Male	
3	4460225	1	Connector - 6 Position	
3	4460267	5	Pin, Male	
4	3740080	2	Relay	
4	4460374	2	Plug, Relay	
4	1001116733	8	Terminal	
4	1001128128	2	Plug, Terminal	
5	4460465	1	Socket, Female	
6	4460464	1	Pin, Male	
7	4460897	1	Receptacle, Female - 2 Position	
7	4460464	1	Pin, Male	
7	4460466	1	Plug, Terminal	

# SECTION 8 - ELECTRICAL

## FIGURE 8-27. GROUND CONTROL PANEL HARNESS



ART\_1001179991

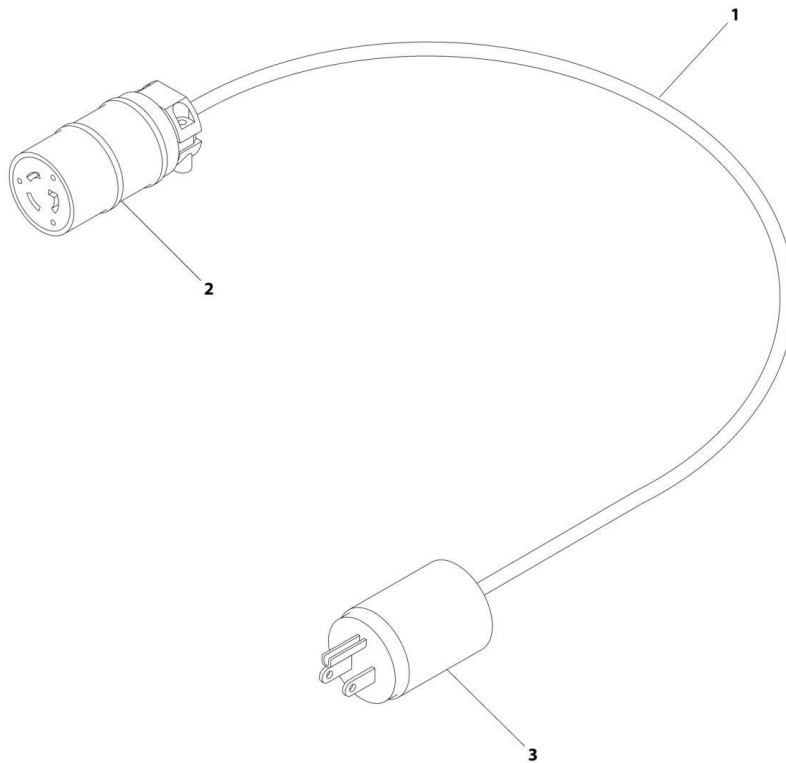
## SECTION 8 - ELECTRICAL

### FIGURE 8-27. GROUND CONTROL PANEL HARNESS

ITEM	PART NUMBER	QTY	DESCRIPTION	REV
	1001179991	Ref	GROUND CONTROL PANEL HARNESS	I
1	4460851	1	Connector - 8 Position	
2	1001157890	1	Socket, Female	
4	1001116692	1	Socket, Female	
1	4460465	1	Socket, Female	
1	4460466	1	Plug, Terminal	
2	1001116812	1	Plug, Male - 3 Position	
2	4460944	2	Socket, Female	
2	4460466	1	Plug, Terminal	
3	4460876	1	Connector - 35 Position	
3	4460871	23	Socket, Female	
3	4460905	12	Plug, Terminal	
4	4460313	6	Terminal, Ring	
5	4460806	4	Terminal, Fork	
6	4460418	9	Connector - 6 Position	
6	4460419	18	Terminal	
6	1001159186	17	Terminal	
7	4460868	1	Plug, Male - 6 Position	
7	4460877	4	Terminal	
8	4460320	1	Plug, Male - 2 Position	
8	4460227	2	Pin, Male	
9	4460260	3	Housing, Terminal	
9	4460259	3	Terminal	

# SECTION 8 - ELECTRICAL

## FIGURE 8-28. INVERTER HARNESS



ART\_1001182296

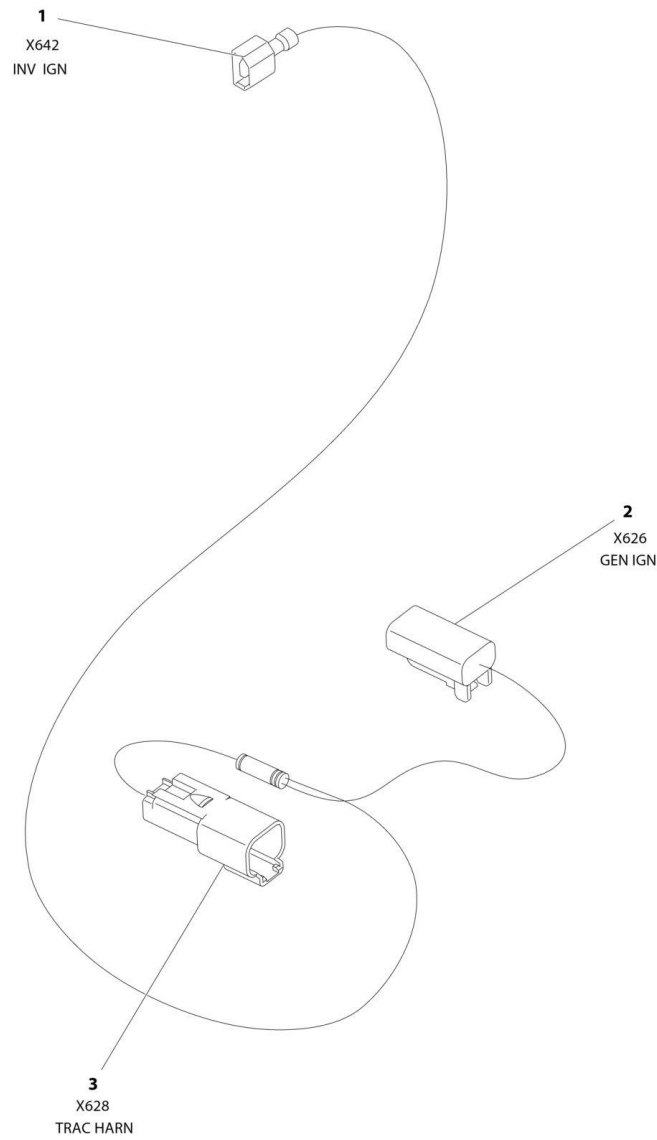
## SECTION 8 - ELECTRICAL

### FIGURE 8-28. INVERTER HARNESS

ITEM	PART NUMBER	QTY	DESCRIPTION	REV
1	1001182296 1060494	Ref 115 in /292cm	INVERTER HARNESS Cable, Electrical 12/3	A
2	4460134	1	Connector, Female	
3	4460138	1	Plug, Connector	

# SECTION 8 - ELECTRICAL

## FIGURE 8-29. INVERTER IGNITION HARNESS



ART\_1001192293

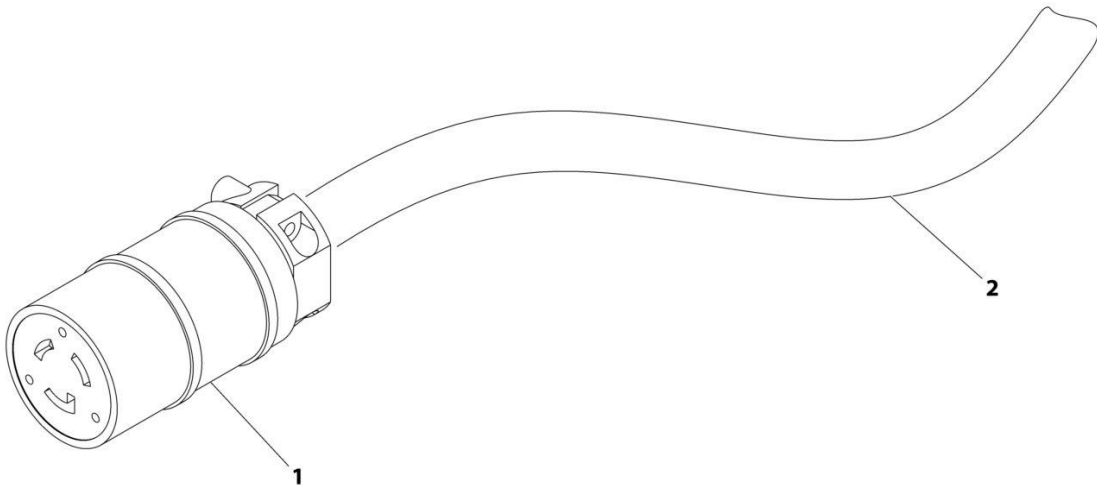
## SECTION 8 - ELECTRICAL

### FIGURE 8-29. INVERTER IGNITION HARNESS

ITEM	PART NUMBER	QTY	DESCRIPTION	REV
	1001192293	Ref	INVERTER IGNITION HARNESS	C
1	1001193545	1	Terminal	
2	4460891	1	Plug, Male - 2 Position	
2	4460465	1	Socket, Female	
2	4460466	1	Plug, Terminal	
3	4460897	1	Receptacle, Female - 2 Position	
3	4460464	1	Pin, Male	
3	4460466	1	Plug, Seal	

## SECTION 8 - ELECTRICAL

FIGURE 8-30. LOWER BOOM 110V HARNESS ASSEMBLY



ART\_4922607



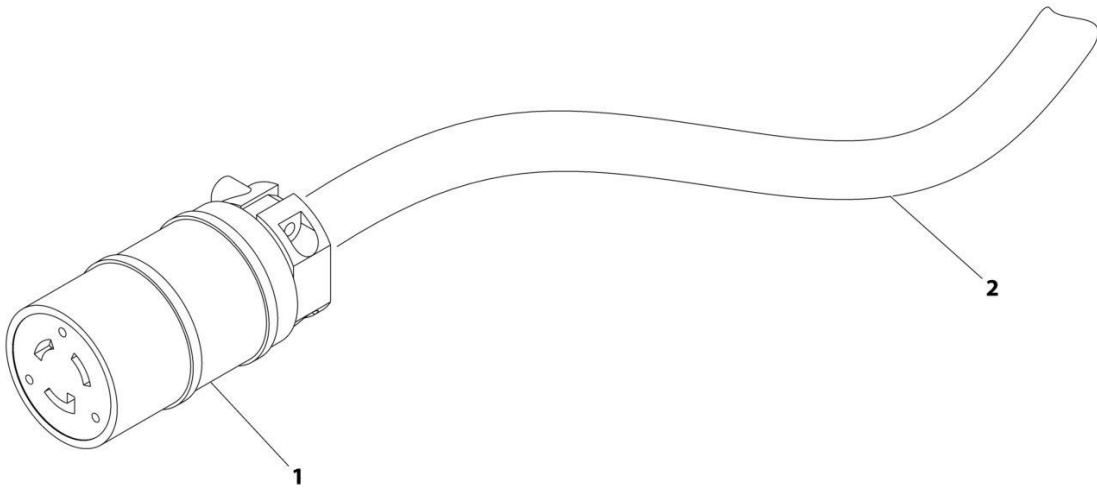
## SECTION 8 - ELECTRICAL

**FIGURE 8-30. LOWER BOOM 110V HARNESS ASSEMBLY**

ITEM	PART NUMBER	QTY	DESCRIPTION	REV
	4922607	Ref	LOWER BOOM 110V HARNESS ASSEMBLY	1
1	4460134	1	Connector, Female	
2	1060494	37 ft /11.3m	Electrical Cable, 12/3	

## SECTION 8 - ELECTRICAL

FIGURE 8-31. LOWER BOOM 220V HARNESS ASSEMBLY



ART\_4922609

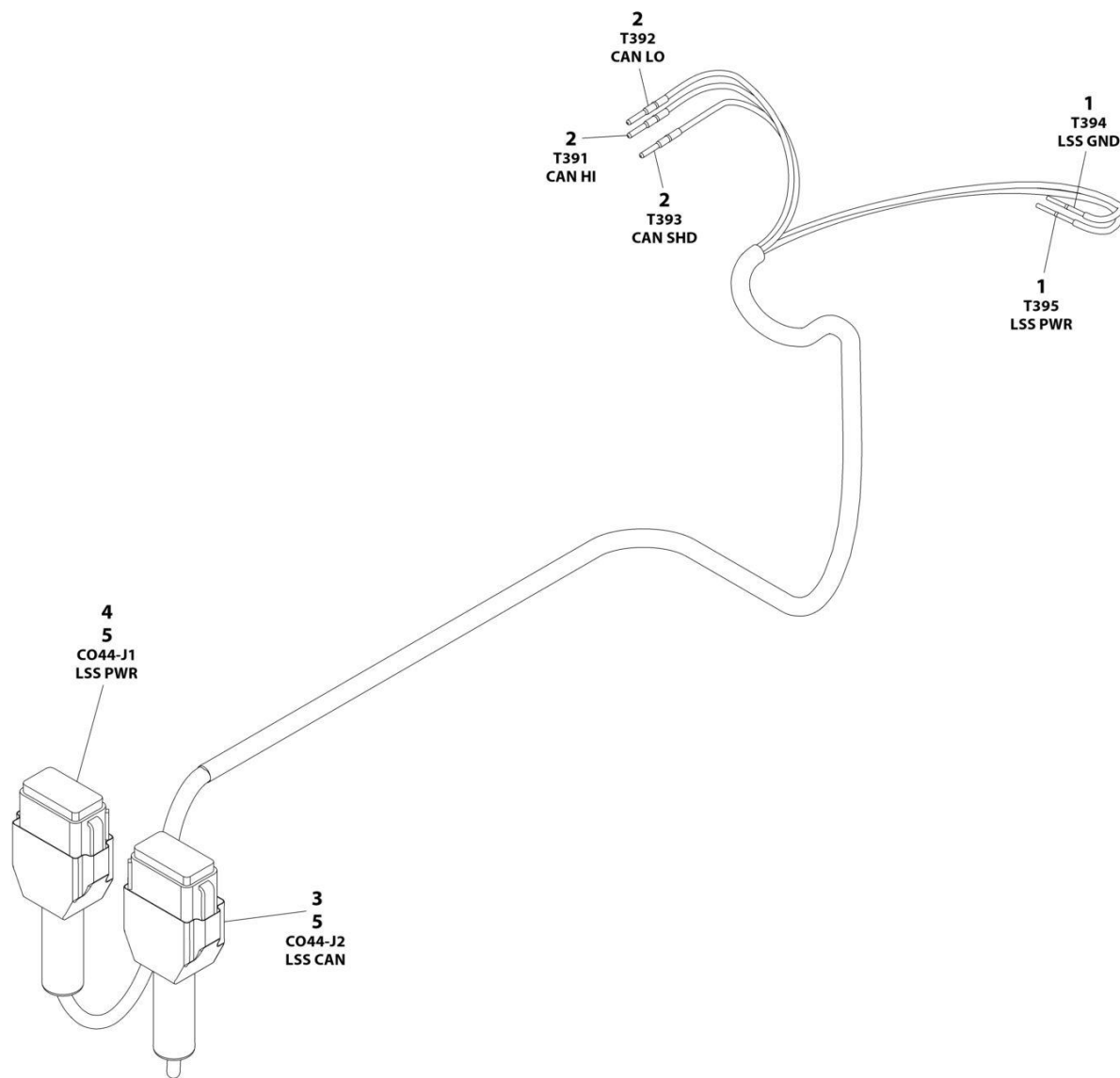
## SECTION 8 - ELECTRICAL

**FIGURE 8-31. LOWER BOOM 220V HARNESS ASSEMBLY**

ITEM	PART NUMBER	QTY	DESCRIPTION	REV
	4922609	Ref	LOWER BOOM 220V HARNESS ASSEMBLY	1
1	4460710	1	Connector, Female	
2	1060461	37 ft /11.3m	Electrical Cable, 12/3	

# SECTION 8 - ELECTRICAL

## FIGURE 8-32. LSS SYSTEM HARNESS



ART\_1001192283

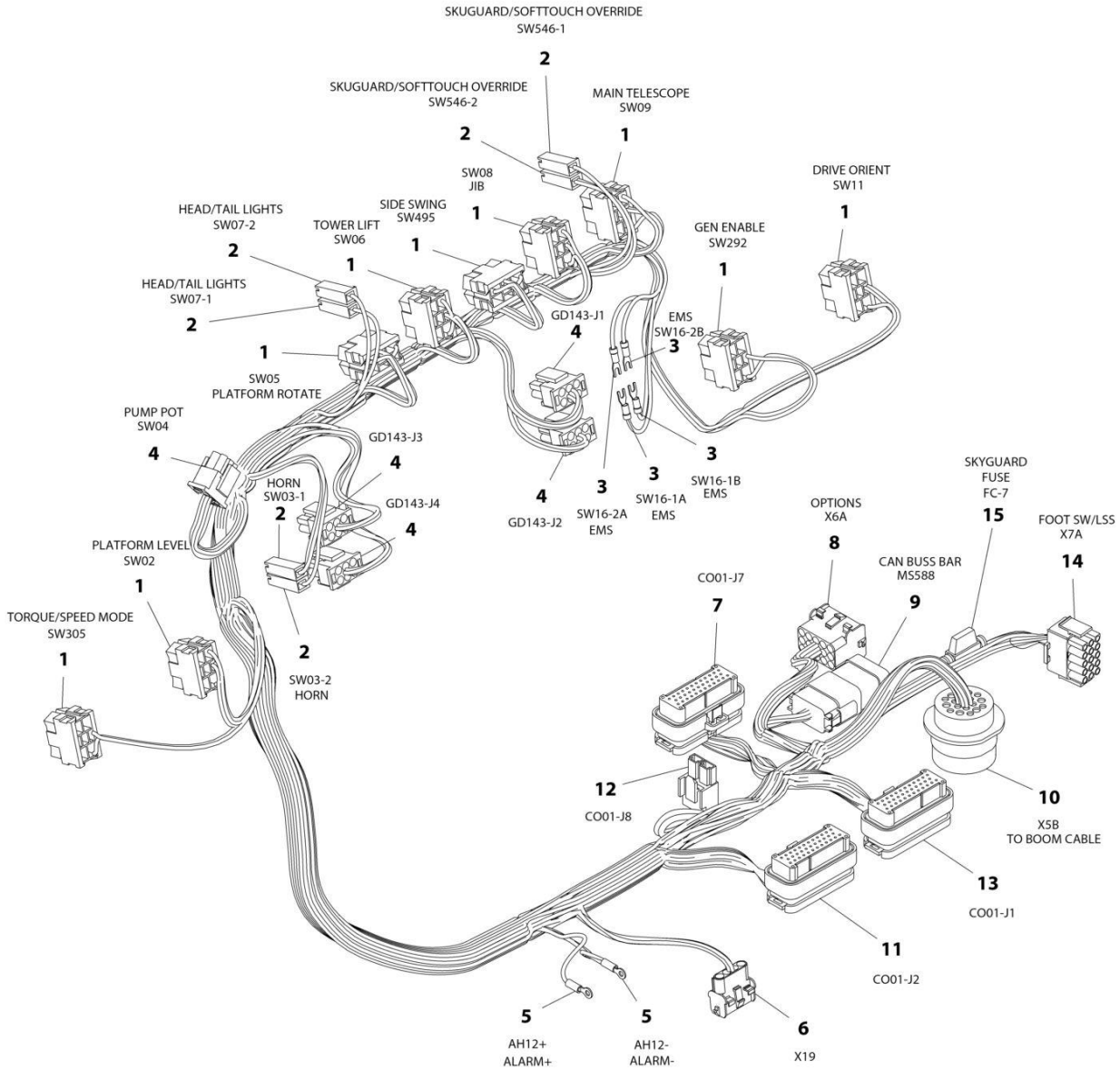
## SECTION 8 - ELECTRICAL

### FIGURE 8-32. LSS SYSTEM HARNESS

ITEM	PART NUMBER	QTY	DESCRIPTION	REV
	1001192283	Ref	LSS SYSTEM HARNESS	B
1	4460226	2	Socket, Female	
2	4460227	3	Pin, Male	
3	4460836	1	Plug, Male - 12 Position	
3	4460944	2	Socket, Female	
3	4460466	10	Plug, Terminal	
3	1001174455	1	Boot	
4	4460933	1	Plug, Male - 12 Position	
4	4460465	2	Socket, Female	
4	4460466	10	Plug, Terminal	
4	1001174455	1	Boot	
5	2820030	AR	Heat Shrink	

# SECTION 8 - ELECTRICAL

## FIGURE 8-33. PLATFORM CONSOLE HARNESS - WITHOUT LSS OR WITH 4 CELL LSS



ART\_1001191318

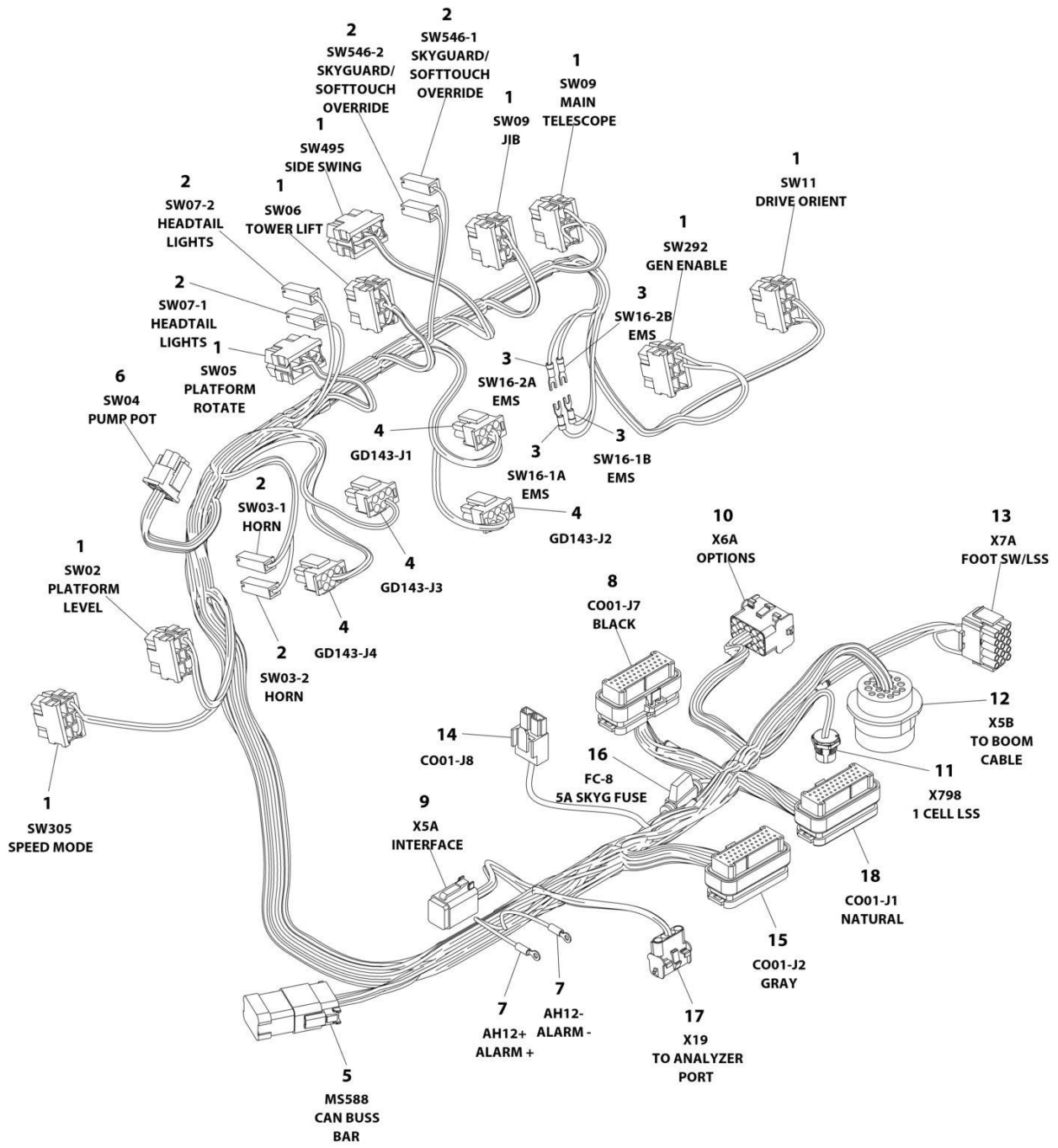
## SECTION 8 - ELECTRICAL

**FIGURE 8-33. PLATFORM CONSOLE HARNESS - WITHOUT LSS OR WITH 4 CELL LSS**

ITEM	PART NUMBER	QTY	DESCRIPTION	REV
	1001191318	Ref	PLATFORM CONSOLE HARNESS - WITHOUT LSS OR WITH 4 CELL LSS	I
1	4460418	9	Connector - 6 Position	
1	4460419	14	Terminal	
1	1001159186	17	Terminal	
2	4460260	6	Housing, Terminal	
2	4460259	6	Terminal	
3	4460888	4	Terminal, Fork	
4	4460225	5	Connector - 6 Position	
4	4460226	14	Socket, Female	
4	4460267	6	Pin, Male	
5	1001098122	2	Terminal, Ring	
6	4460761	1	Receptacle, Female - 4 Position	
6	4460227	4	Pin, Male	
7	4460873	1	Connector - 35 Position	
7	4460871	21	Socket, Female	
7	4460905	14	Plug, Terminal	
8	4460708	1	Connector - 15 Position	
8	4460226	12	Socket, Female	
9	4460930	1	Plug, Male - 8 Position	
9	4460465	6	Socket, Female	
9	4460466	2	Plug, Terminal	
10	4460866	1	Connector - 19 Position	
10	4460464	10	Pin, Male	
10	4460508	2	Pin, Male	
10	4460466	7	Plug, Terminal	
11	4460875	1	Connector - 35 Position	
11	4460871	24	Socket, Female	
11	4460905	12	Plug, Terminal	
12	4460879	1	Plug, Male - 2 Position	
12	4460887	2	Terminal	
13	4460874	1	Connector - 35 Position	
13	4460871	24	Socket, Female	
13	4460905	11	Plug, Terminal	
14	4460434	1	Plug, Male - 15 Position	
14	4460227	13	Pin, Male	
15	2400060	1	Fuseholder with Cover (SN 0300229286 through 0300272287, SN B30001990 through B300005763, Excluding B300005567)	
15	8229242	1	Fuse - 5Amp (SN 0300229286 through 0300272287, SN B30001990 through B300005763, Excluding B300005567)	

# SECTION 8 - ELECTRICAL

## FIGURE 8-34. PLATFORM CONSOLE HARNESS - WITH 1 CELL LSS



ART\_1001217621



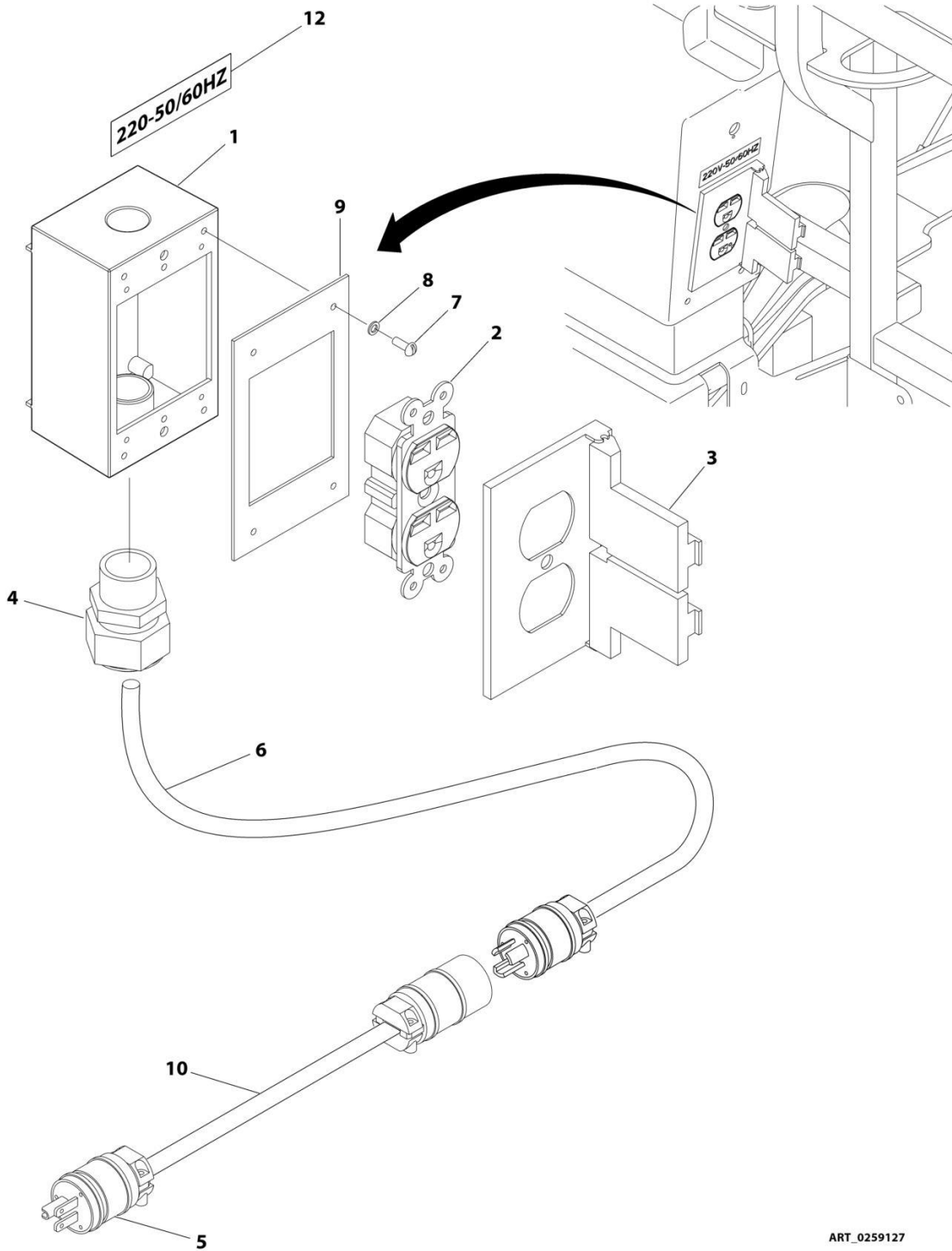
## SECTION 8 - ELECTRICAL

**FIGURE 8-34. PLATFORM CONSOLE HARNESS - WITH 1 CELL LSS**

ITEM	PART NUMBER	QTY	DESCRIPTION	REV
	1001217621	Ref	PLATFORM CONSOLE HARNESS - WITH 1 CELL LSS	D
1	4460418	9	Connector - 6 Position	
1	4460419	15	Terminal	
1	1001159186	17	Terminal	
2	4460260	6	Housing, Terminal	
2	4460259	8	Terminal	
3	4460888	4	Terminal, Fork	
4	4460225	4	Connector - 6 Position	
4	4460226	15	Socket, Female	
5	4460930	1	Plug, Male - 8 Position	
5	4460465	6	Socket, Female	
5	4460466	2	Plug, Terminal	
6	4460224	1	Plug, Male - 6 Position	
6	4460267	7	Pin, Male	
7	1001098122	2	Terminal, Ring	
8	4460873	1	Connector - 35 Position	
8	4460871	23	Socket, Female	
8	4460905	13	Plug, Terminal	
9	4460894	1	Plug, Male - 6 Position	
9	4460465	6	Socket, Female	
10	4460708	1	Connector - 15 Position	
10	4460226	12	Socket, Female	
11	1001213447	1	Connector, Female - 5 Position	
12	4460866	1	Connector - 19 Position	
12	4460466	7	Plug, Terminal	
12	4460464	10	Pin, Male	
12	4460508	2	Pin, Male	
13	4460434	1	Plug, Male - 15 Position	
13	4460227	9	Pin, Male	
14	4460879	1	Plug, Male - 2 Position	
14	4460887	2	Terminal	
15	4460875	1	Connector - 35 Position	
15	4460905	13	Plug, Terminal	
15	4460871	22	Socket, Female	
16	2400060	1	Fuseholder with Cover	
16	8229242	1	Fuse - 5Amp	
17	4460761	1	Receptacle, Female - 4 Position	
17	4460227	4	Pin, Male	
18	4460874	1	Connector - 35 Position	
18	4460871	24	Socket, Female	
18	4460905	11	Plug, Terminal	

# SECTION 8 - ELECTRICAL

## FIGURE 8-35. PLUG AND RECEPTACLE INSTALLATION - SUPPLIED LOCALLY



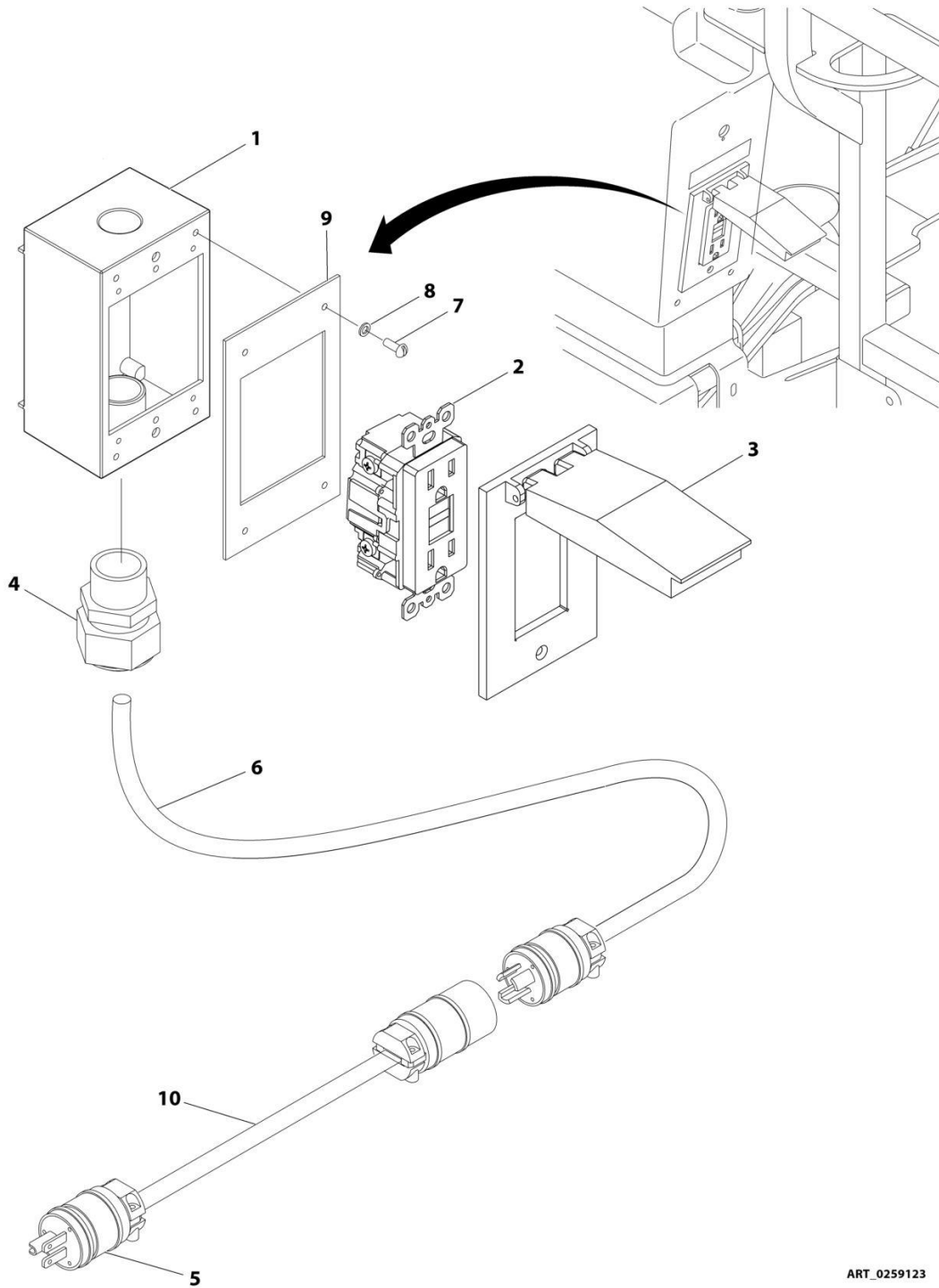
## SECTION 8 - ELECTRICAL

**FIGURE 8-35. PLUG AND RECEPTACLE INSTALLATION - SUPPLIED LOCALLY**

ITEM	PART NUMBER	QTY	DESCRIPTION	REV
	0259127	Ref	PLUG AND RECEPTACLE INSTALLATION - SUPPLIED LOCALLY	2
1	See Note	1	Box, Switch (Note: Supplied Locally)	
2	See Note	1	Receptacle (Note: Supplied Locally)	
3	See Note	1	Shield, Cover (Note: Supplied Locally)	
4	See Note	1	Connector, Strain Relief (Note: Supplied Locally)	
5	See Note	1	Plug, Male (Note: Supplied Locally)	
6	4922610	1	Upper Boom 220V Harness Assembly (See UPPER BOOM 220V HARNESS ASSEMBLY for Breakdown)	
7	See Note	4	Screw, Self-tapping, #6-32 x 5/8 (Note: Supplied Locally)	
8	See Note	4	Washer, #6 (Note: Supplied Locally)	
9	See Note	1	Gasket (Note: Supplied Locally)	
10	4922609	1	Lower Boom 220V Harness Assembly (See LOWER BOOM 220V HARNESS ASSEMBLY for Breakdown)	
12	See Note	1	Decal - 220V-50/60Hz (Note: Supplied Locally)	

# SECTION 8 - ELECTRICAL

## FIGURE 8-36. PLUG AND RECEPTACLE INSTALLATION - 110V



ART\_0259123

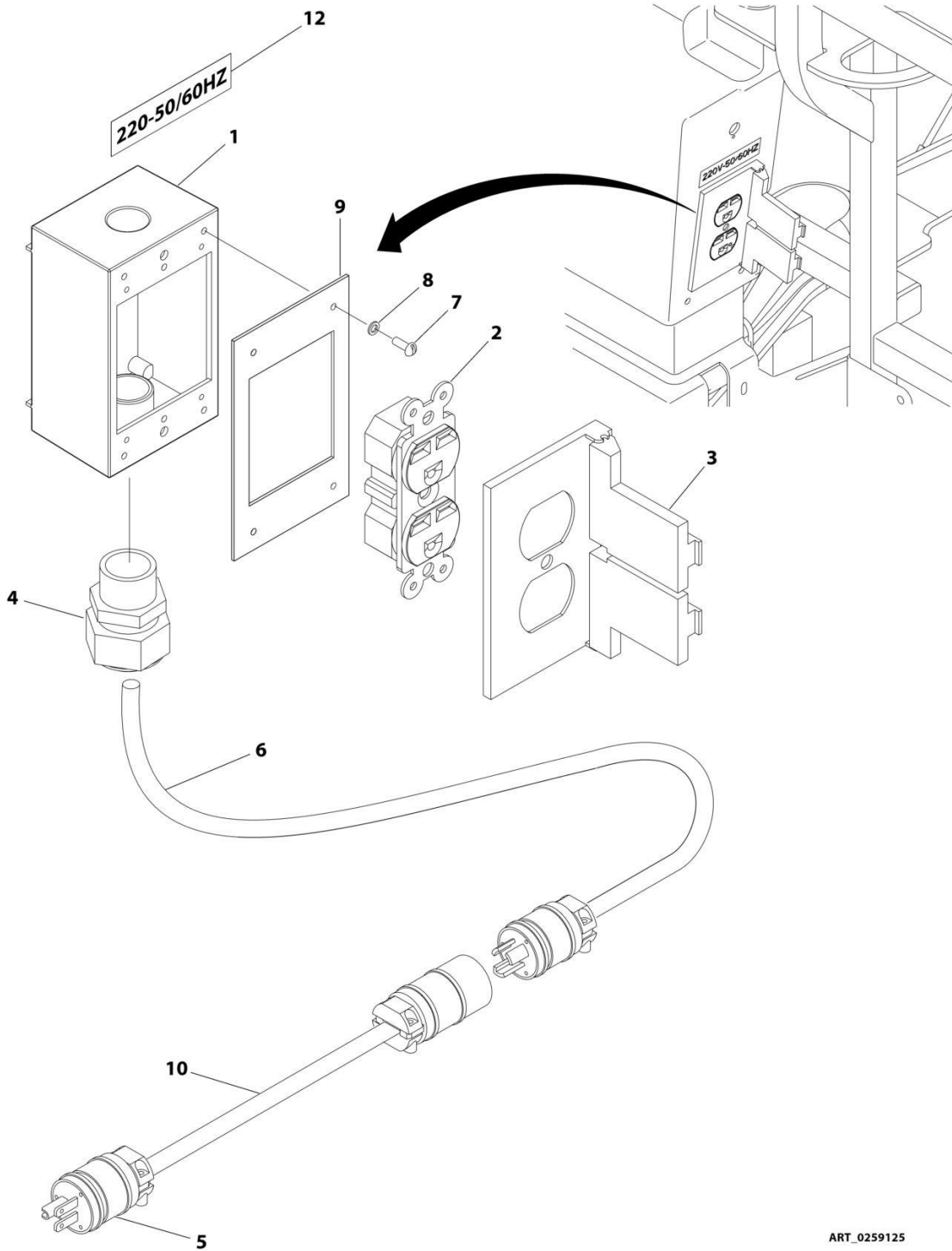
## SECTION 8 - ELECTRICAL

**FIGURE 8-36. PLUG AND RECEPTACLE INSTALLATION - 110V**

ITEM	PART NUMBER	QTY	DESCRIPTION	REV
	0259123	Ref	PLUG AND RECEPTACLE INSTALLATION - 110V	5
1	0860038	1	Box, Switch	
2	4460346	1	Receptacle	
3	1001110873	1	Shield, Cover	
4	4460071	1	Connector, Strain Relief	
5	4460205	1	Plug, Male	
6	4922608	1	Upper Boom 110V Harness Assembly (See UPPER BOOM 110V HARNESS ASSEMBLY for Breakdown)	
7	3910610	4	Screw, Self-tapping, #6-32 x 5/8	
8	4760600	4	Washer, #6	
9	3960422	1	Gasket	
10	4922607	1	Lower Boom 110V Harness Assembly (See LOWER BOOM 110V HARNESS ASSEMBLY for Breakdown)	

# SECTION 8 - ELECTRICAL

## FIGURE 8-37. PLUG AND RECEPTACLE INSTALLATION - 220V



ART\_0259125

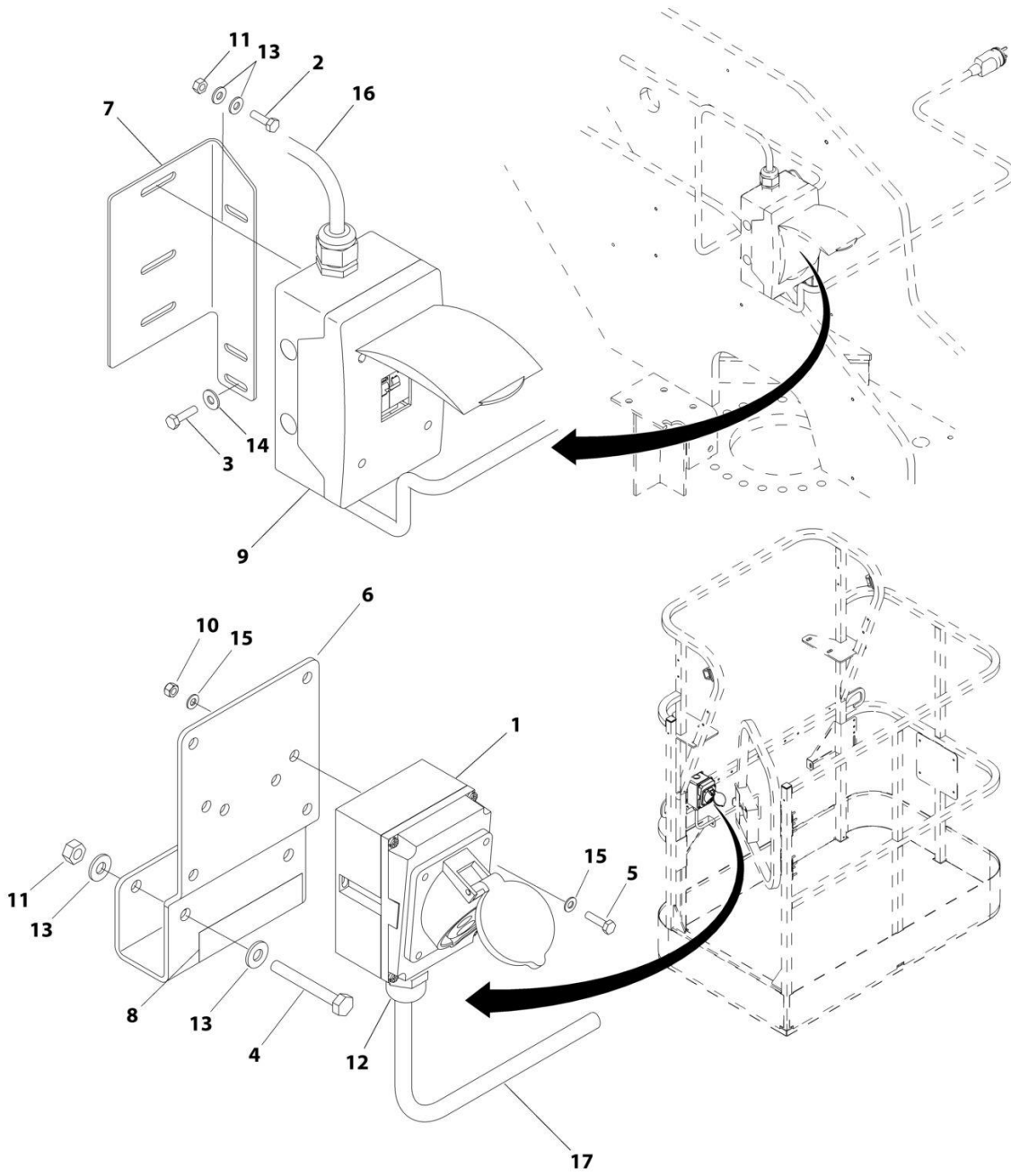
## SECTION 8 - ELECTRICAL

**FIGURE 8-37. PLUG AND RECEPTACLE INSTALLATION - 220V**

ITEM	PART NUMBER	QTY	DESCRIPTION	REV
	0259125	Ref	PLUG AND RECEPTACLE INSTALLATION - 220V	4
1	0860038	1	Box, Switch	
2	4460125	1	Receptacle	
3	4060092	1	Shield, Cover	
4	4460071	1	Connector, Strain Relief	
5	4460233	1	Plug, Male	
6	4922608	1	Upper Boom 110V Harness Assembly (See UPPER BOOM 110V HARNESS ASSEMBLY for Breakdown)	
7	3910610	4	Screw, Self-tapping, #6-32 x 5/8	
8	4760600	4	Washer, #6	
9	3960422	1	Gasket	
10	4922607	1	Lower Boom 110V Harness Assembly (See LOWER BOOM 110V HARNESS ASSEMBLY for Breakdown)	
12	3252507	1	Decal - 220V-50/60 Hz	

# SECTION 8 - ELECTRICAL

FIGURE 8-38. PLUG AND RECEPTACLE 110V INSTALLATION - IEC 60309 - YELLOW (CE SPEC)



ART\_1001166263



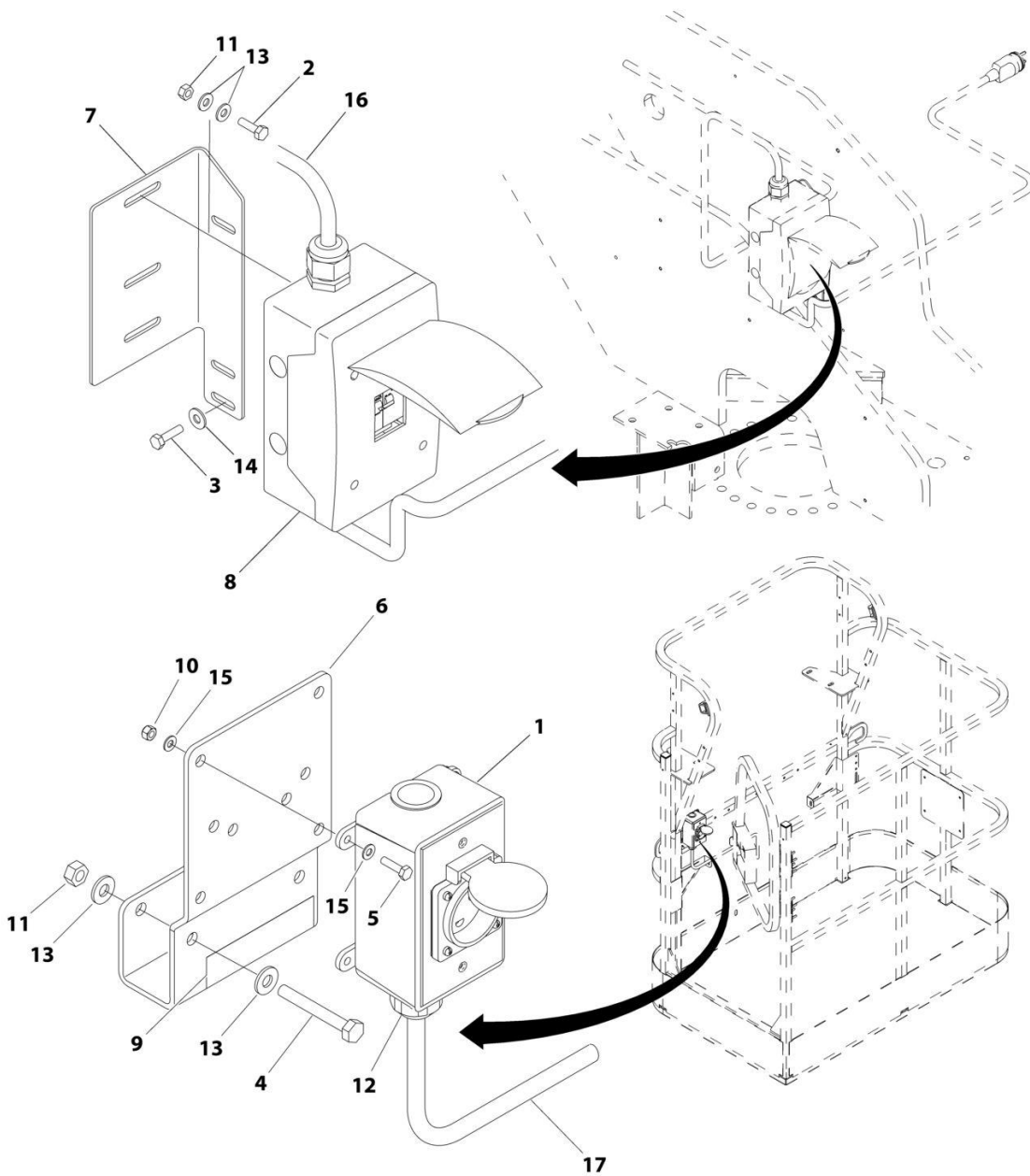
## SECTION 8 - ELECTRICAL

**FIGURE 8-38. PLUG AND RECEPTACLE 110V INSTALLATION - IEC 60309 - YELLOW (CE SPEC)**

ITEM	PART NUMBER	QTY	DESCRIPTION	REV
	1001166263	Ref	PLUG AND RECEPTACLE 110V INSTALLATION - IEC 60309 - YELLOW (CE SPEC)	C
1	0275216	1	AC Plugs and Sockets Installation - CE Spec (See AC PLUGS AND SOCKETS INSTALLATION - CE SPEC for Breakdown)	
2	0641407	2	Bolt, 1/4-20 x 7/8	
3	0641408	2	Bolt, 1/4-20 x 1	
4	0641416	2	Bolt, 1/4-20 x 2	
5	0700408	2	Bolt, M4 x 16	
6	1001193018	1	Bracket	
7	1001178491	1	Bracket	
8	1705325	2	Decal - 120V - 50 Hz	
9	2902549	1	Breaker Box Kit with One Breakers - CE Spec (See BREAKER BOX KIT WITH ONE BREAKERS CE SPEC for Breakdown)	
10	3290405	2	Nut, Lock, M4 x 0.7	
11	3311405	4	Nut, Lock, 1/4-20	
12	4460968	1	Connector, Strain Relief	
13	4711400	8	Washer, 1/4	
14	4751400	2	Washer, 1/4	
15	4811400	4	Washer, 4mm	
16	4922609	1	Lower Boom 220V Harness Assembly - CE Spec (See LOWER BOOM 220V HARNESS ASSEMBLY - CE SPEC for Breakdown)	
17	4922610	1	Main Boom 220V Harness Assembly - CE Spec (See MAIN BOOM 220V HARNESS ASSEMBLY - CE SPEC for Breakdown)	

# SECTION 8 - ELECTRICAL

FIGURE 8-39. PLUG AND RECEPTACLE 220V INSTALLATION - AFSINT 107 KEYED GROUND - 2 X 4 BOX (CE SPEC)



ART\_1001166259

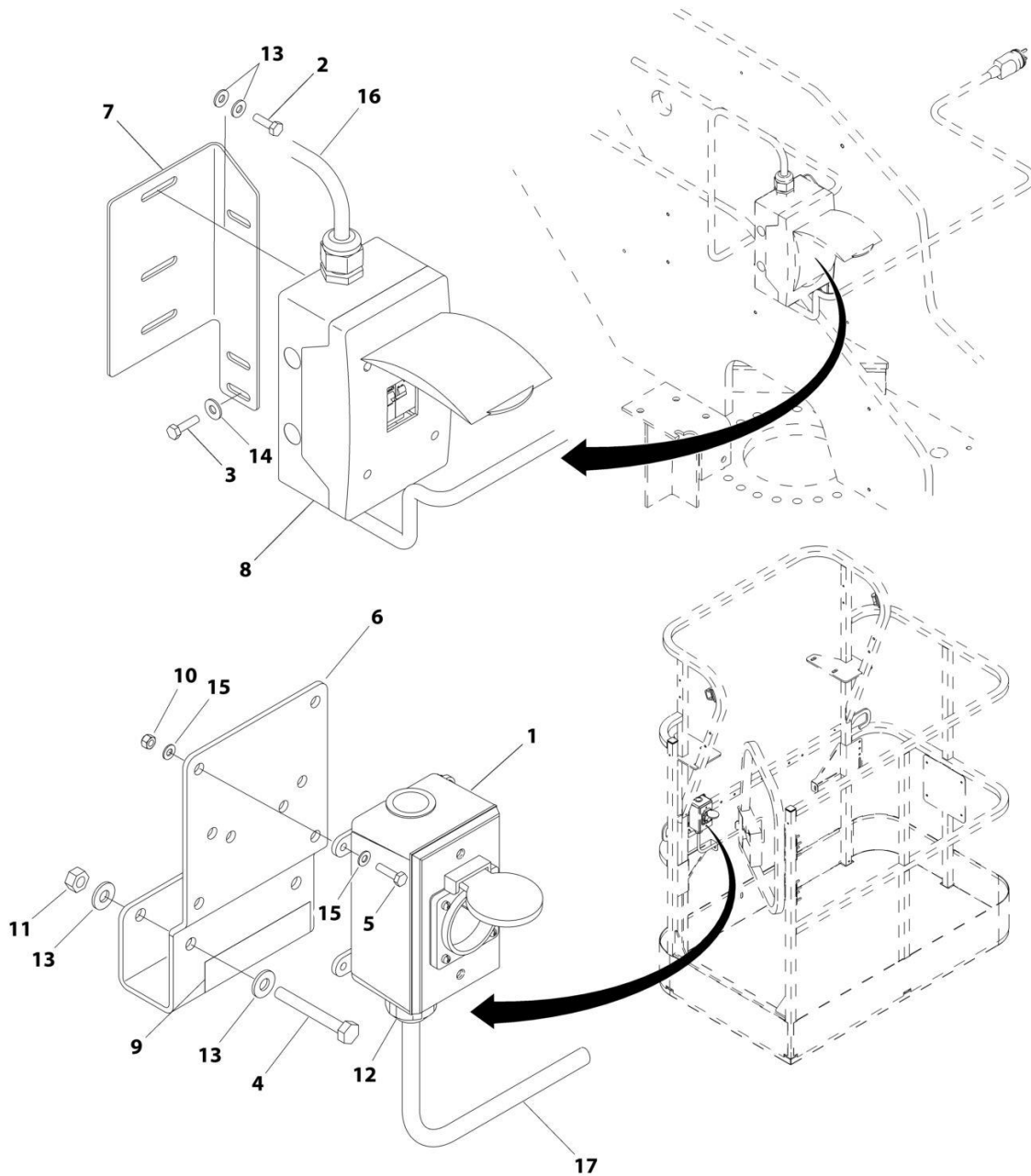
## SECTION 8 - ELECTRICAL

**FIGURE 8-39. PLUG AND RECEPTACLE 220V INSTALLATION - AFSINT 107 KEYED GROUND - 2 X 4 BOX (CE SPEC)**

ITEM	PART NUMBER	QTY	DESCRIPTION	REV
	1001166259	Ref	PLUG AND RECEPTACLE 220V INSTALLATION - AFSINT 107 KEYED GROUND - 2 X 4 BOX (CE SPEC)	C
1	0275454	1	AC Plugs and Sockets Installation - CE Spec (See AC PLUGS AND SOCKETS INSTALLATION - CE SPEC for Breakdown)	
2	0641407	2	Bolt, 1/4-20 x 7/8	
3	0641408	2	Bolt, 1/4-20- x 1	
4	0641416	2	Bolt, 1/4-20 x 2	
5	0700408	4	Bolt, M4 x 16	
6	1001193018	1	Bracket	
7	1001178491	1	Bracket	
8	2902549	1	Breaker Box Kit with One Breakers - CE Spec (See BREAKER BOX KIT WITH ONE BREAKERS - CE SPEC for Breakdown)	
9	3252507	2	Decal - 220V - 50/60 Hz	
10	3290405	4	Nut, Lock, M4 x 0.7	
11	3311405	4	Nut, Lock, 1/4-20	
12	4460662	1	Connector, Strain Relief	
13	4711400	8	Washer, 1/4	
14	4751400	2	Washer, 1/4	
15	4811400	8	Washer, 4mm	
16	4922609	1	Lower Boom 220V Harness Assembly - CE Spec (See LOWER BOOM 220V HARNESS ASSEMBLY - CE SPEC for Breakdown)	
17	4922610	1	Main Boom 220V Harness Assembly - CE Spec (See MAIN BOOM 220V HARNESS ASSEMBLY - CE SPEC for Breakdown)	

# SECTION 8 - ELECTRICAL

FIGURE 8-40. PLUG AND RECEPTACLE 220V INSTALLATION - CEE7 POST GROUND - 2 X 4 BOX (CE SPEC)



ART\_1001166251

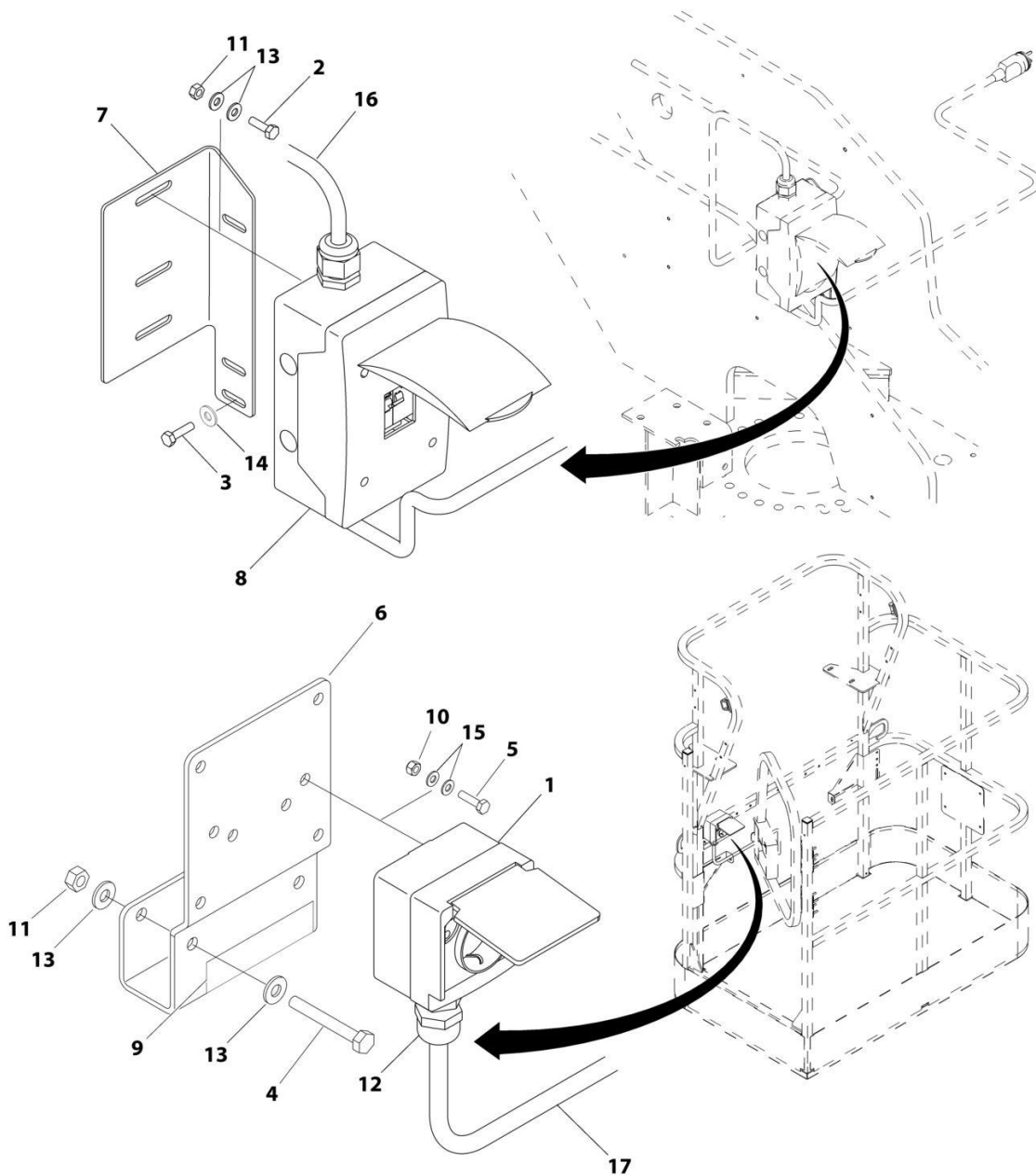
## SECTION 8 - ELECTRICAL

**FIGURE 8-40. PLUG AND RECEPTACLE 220V INSTALLATION - CEE7 POST GROUND - 2 X 4 BOX  
(CE SPEC)**

ITEM	PART NUMBER	QTY	DESCRIPTION	REV
	1001166251	Ref	PLUG AND RECEPTACLE 220V INSTALLATION - CEE7 POST GROUND - 2 X 4 BOX (CE SPEC)	C
1	0275452	1	AC Plugs and Sockets Installation - CE Spec (See AC PLUGS AND SOCKETS INSTALLATION - CE SPEC for Breakdown)	
2	0641407	2	Bolt, 1/4-20 x 7/8	
3	0641408	2	Bolt, 1/4-20 x 1	
4	0641416	2	Bolt, 1/4-20 x 2	
5	0700408	4	Bolt, M4 x 16	
6	1001193018	1	Bracket	
7	1001178491	1	Bracket	
8	2902549	1	Breaker Box Kit with One Breakers - CE Spec (See BREAKER BOX KIT WITH ONE BREAKERS CE SPEC for Breakdown)	
9	3252507	2	Decal - 220V - 50/60Hz	
10	3290405	4	Nut, Lock, M4 x 0.7	
11	3311405	4	Nut, Lock, 1/4-20	
12	4460662	1	Connector, Strain Relief	
13	4711400	8	Washer, 1/4	
14	4751400	2	Washer, 1/4	
15	4811400	8	Washer, 4mm	
16	4922609	1	Lower Boom 220V Harness Assembly (See LOWER BOOM 220V HARNESS ASSEMBLY for Breakdown)	
17	4922610	1	Upper Boom 220V Harness Assembly (See UPPER BOOM 220V HARNESS ASSEMBLY for Breakdown)	

# SECTION 8 - ELECTRICAL

FIGURE 8-41. PLUG AND RECEPTACLE 220V INSTALLATION - CEE7 POST GROUND - 70MM X 70MM BOX (CE SPEC)



ART\_1001166261

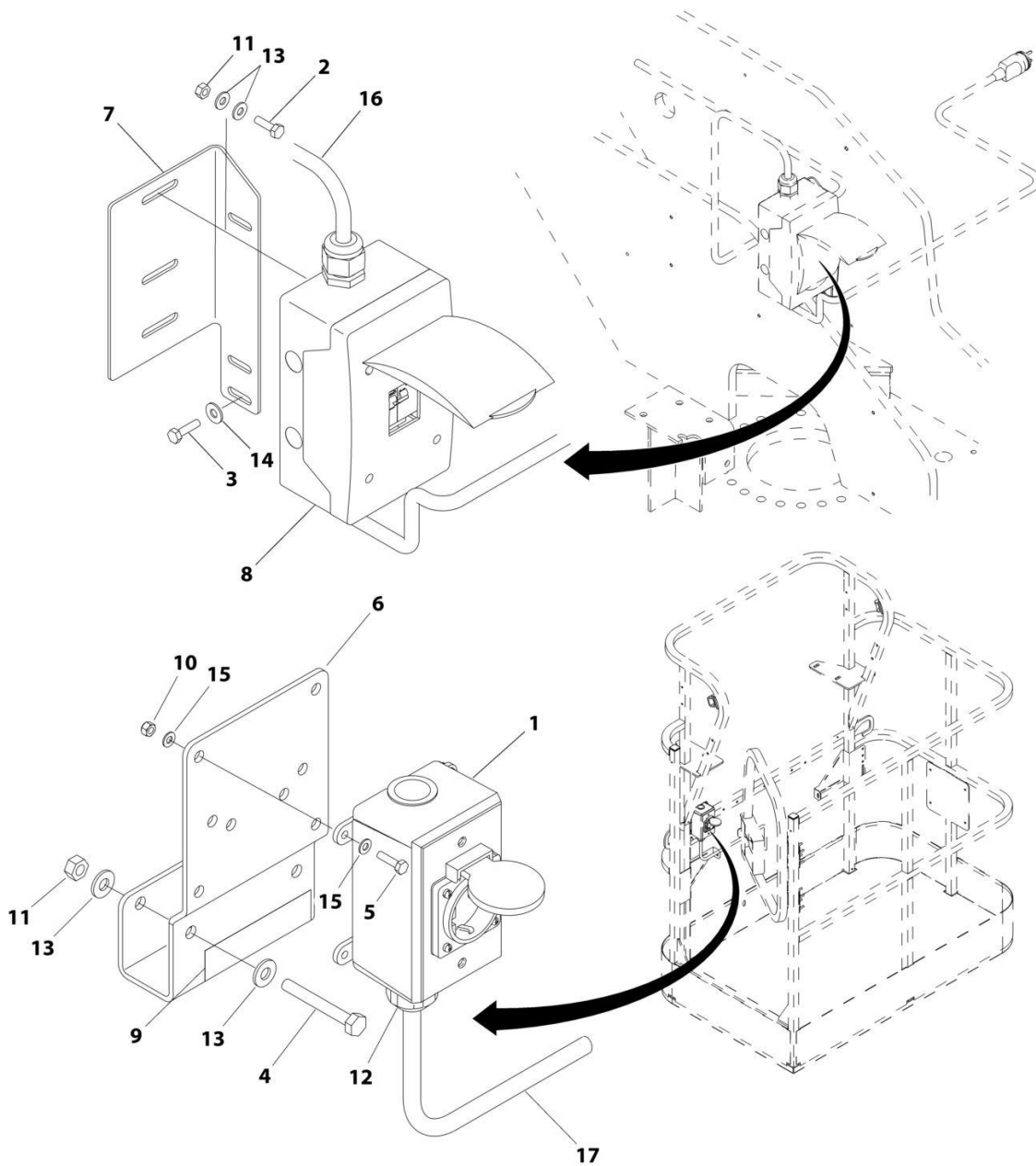
## SECTION 8 - ELECTRICAL

**FIGURE 8-41. PLUG AND RECEPTACLE 220V INSTALLATION - CEE7 POST GROUND - 70MM X 70MM BOX (CE SPEC)**

ITEM	PART NUMBER	QTY	DESCRIPTION	REV
	1001166261	Ref	PLUG AND RECEPTACLE 220V INSTALLATION - CEE7 POST GROUND - 70MM X 70MM BOX (CE SPEC)	C
1	0275218	1	AC Plugs and Sockets Installation - CE Spec (See AC PLUGS AND SOCKETS INSTALLATION - CE SPEC for Breakdown)	
2	0641407	2	Bolt, 1/4-20 x 7/8	
3	0641408	2	Bolt, 1/4-20 x 1	
4	0641416	2	Bolt, 1/4-20 x 2	
5	0700408	2	Bolt, M4 x 16	
6	1001193018	1	Bracket	
7	1001178491	1	Bracket	
8	2902549	1	Breaker Box Kit with One Breakers - CE Spec (See BREAKER BOX KIT WITH ONE BREAKERS CE Spec for Breakdown)	
9	3252507	2	Decal - 220V - 50/60 Hz	
10	3290405	2	Nut, Lock, M4 x 0.7	
11	3311405	4	Nut, Lock, 1/4-20	
12	4460968	1	Connector, Strain Relief	
13	4711400	8	Washer, 1/4	
14	4751400	2	Washer, 1/4	
15	4811400	4	Washer, 4mm	
16	4922609	1	Lower Boom 220V Harness Assembly - CE Spec (See LOWER BOOM 220V HARNESS ASSEMBLY - CE SPEC for Breakdown)	
17	4922610	1	Main Boom 220V Harness Assembly - CE Spec (See MAIN BOOM 220V HARNESS ASSEMBLY - CE SPEC for Breakdown)	

# SECTION 8 - ELECTRICAL

FIGURE 8-42. PLUG AND RECEPTACLE 220 INSTALLATION - CEE7 SIDE GROUND - 2 X 4 BOX (CE SPEC)



ART\_1001166258



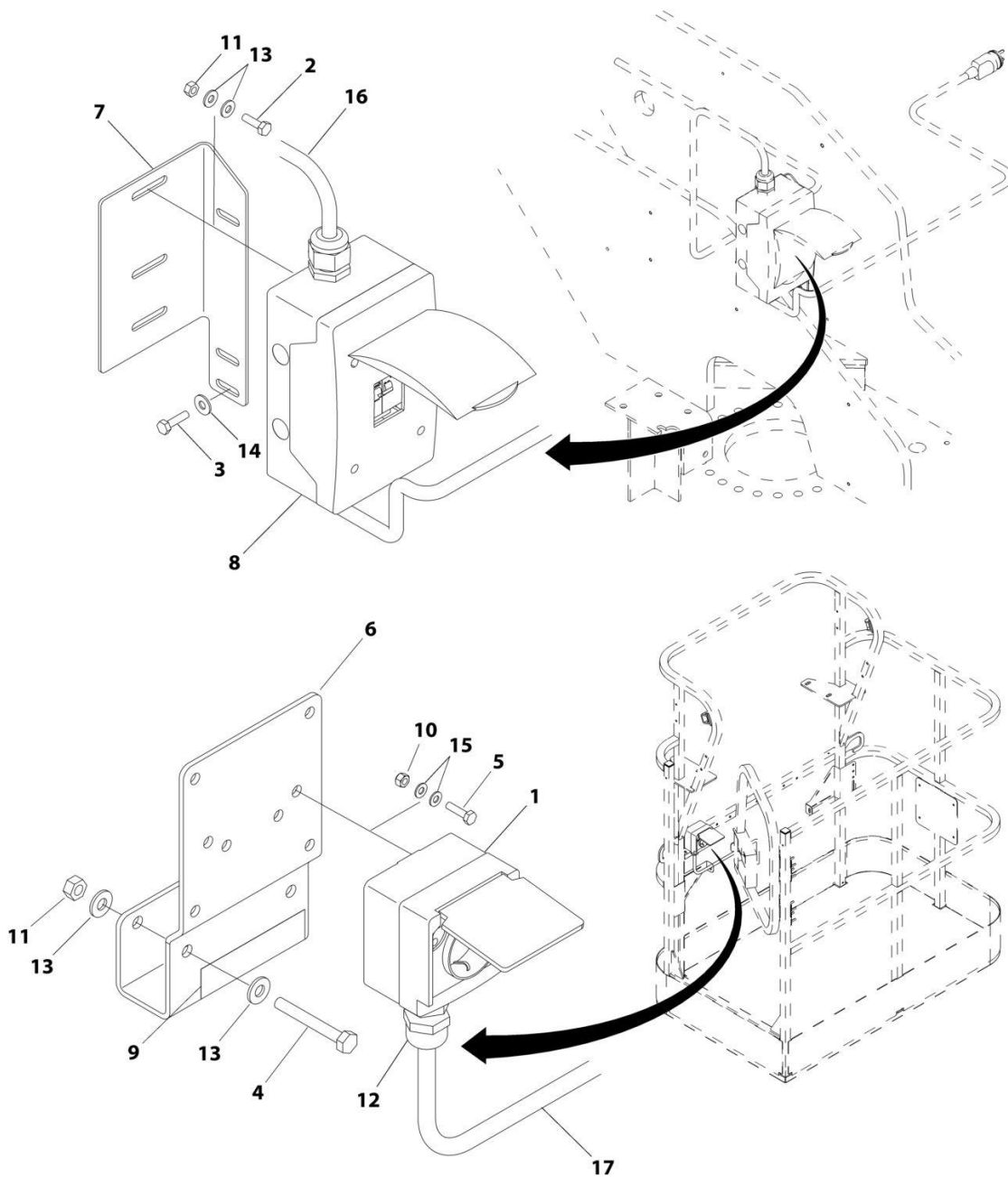
## SECTION 8 - ELECTRICAL

**FIGURE 8-42. PLUG AND RECEPTACLE 220 INSTALLATION - CEE7 SIDE GROUND - 2 X 4 BOX (CE SPEC)**

ITEM	PART NUMBER	QTY	DESCRIPTION	REV
	1001166258	Ref	PLUG AND RECEPTACLE 220 INSTALLATION - CEE7 SIDE GROUND - 2 X 4 BOX (CE SPEC)	C
1	0275453	1	AC Plugs and Sockets Installation - CE Spec (See AC PLUGS AND SOCKETS INSTALLATION - CE SPEC for Breakdown)	
2	0641407	2	Bolt, 1/4-20 x 7/8	
3	0641408	2	Bolt, 1/4-20 x 1	
4	0641416	2	Bolt, 1/4-20 x 2	
5	0700408	4	Bolt, M4 x 16	
6	1001193018	1	Bracket	
7	1001178491	1	Bracket	
8	1001152485	1	Breaker Box Kit with Two Breakers - CE Spec (See BREAKER BOX KIT WITH TWO BREAKERS - CE SPEC for Breakdown)	
9	3252507	2	Decal - 220V - 50/60 Hz	
10	3290405	4	Nut, Lock, M4 x 0.7	
11	3311405	4	Nut, Lock, 1/4-20	
12	4460662	1	Connector, Strain Relief	
13	4711400	8	Washer, 1/4	
14	4751400	2	Washer, 1/4	
15	4811400	8	Washer, 4mm	
16	4922609	1	Lower Boom 220V Harness Assembly (See LOWER BOOM 220V HARNESS ASSEMBLY for Breakdown)	
17	4922610	1	Upper Boom 220V Harness Assembly (See UPPER BOOM 220V HARNESS ASSEMBLY for Breakdown)	

# SECTION 8 - ELECTRICAL

## FIGURE 8-43. PLUG AND RECEPTACLE 220V INSTALLATION - CEE7 SIDE GROUND - 70MM X 70MM BOX (CE SPEC)



ART\_1001166262

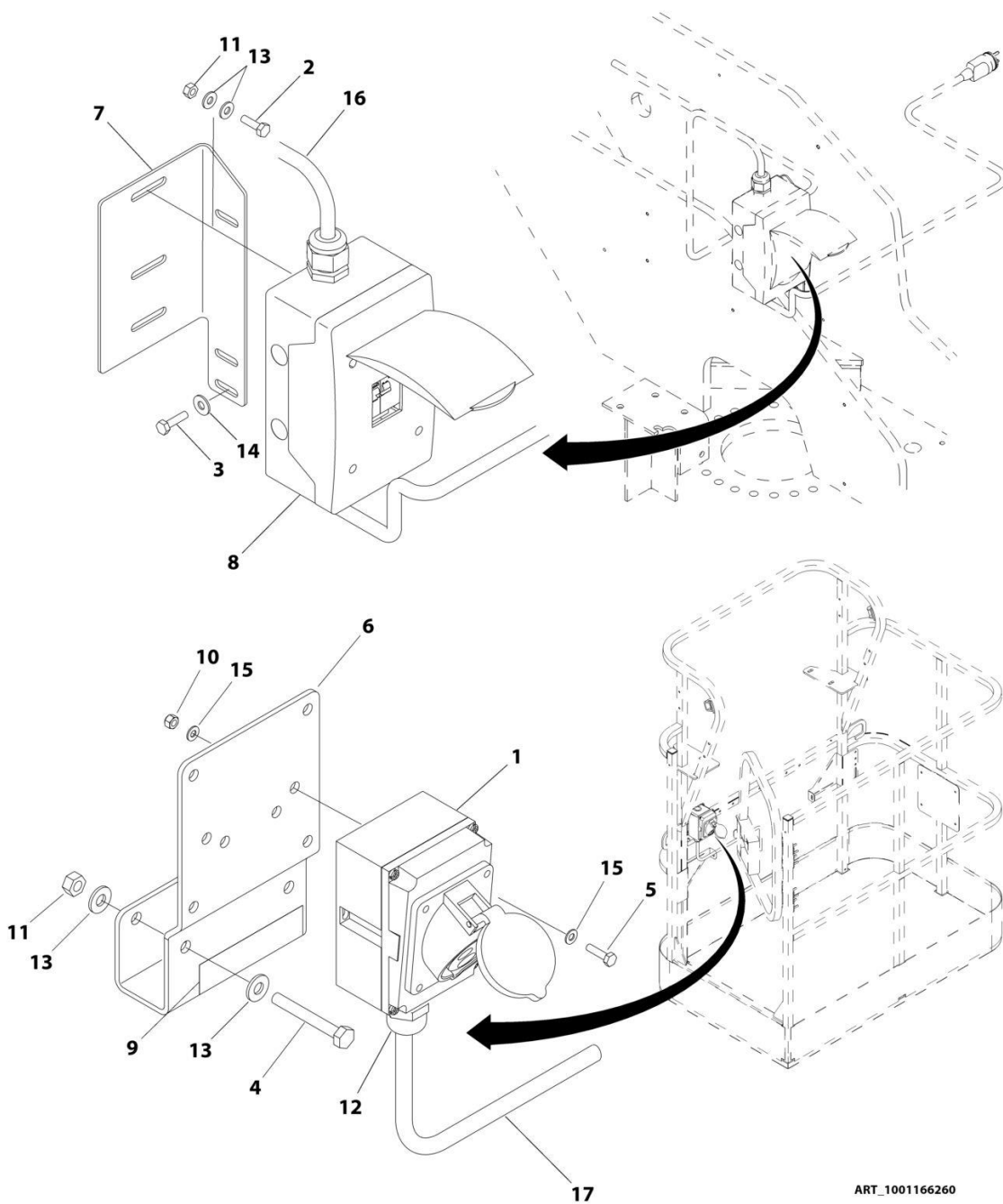
## SECTION 8 - ELECTRICAL

**FIGURE 8-43. PLUG AND RECEPTACLE 220V INSTALLATION - CEE7 SIDE GROUND - 70MM X 70MM BOX (CE SPEC)**

ITEM	PART NUMBER	QTY	DESCRIPTION	REV
	1001166262	Ref	PLUG AND RECEPTACLE 220V INSTALLATION - CEE7 SIDE GROUND - 70MM X 70MM BOX (CE SPEC)	C
1	0275219	1	AC Plugs and Sockets Installation - CE Spec (See AC PLUGS AND SOCKETS INSTALLATION - CE SPEC for Breakdown)	
2	0641407	2	Bolt, 1/4-20 x 7/8	
3	0641408	2	Bolt, 1/4-20 x 1	
4	0641416	2	Bolt, 1/4-20 x 2	
5	0700408	2	Bolt, M4 x 16	
6	1001193018	1	Bracket	
7	1001178491	1	Bracket	
8	1001152485	1	Breaker Box Kit with Two Breakers - CE Spec (See BREAKER BOX KIT WITH TWO BREAKERS - CE SPEC for Breakdown)	
9	3252507	2	Decal - 220V - 50/60 Hz	
10	3290405	2	Nut, Lock, M4 x 0.7	
11	3311405	4	Nut, Lock, 1/4-20	
12	4460968	1	Connector, Strain Relief	
13	4711400	8	Washer, 1/4	
14	4751400	2	Washer, 1/4	
15	4811400	4	Washer, 4mm	
16	4922609	1	Lower Boom 220V Harness Assembly - CE Spec (See LOWER BOOM 220V HARNESS ASSEMBLY - CE SPEC for Breakdown)	
17	4922610	1	Main Boom 220V Harness Assembly - CE Spec (See MAIN BOOM 220V HARNESS ASSEMBLY - CE SPEC for Breakdown)	

# SECTION 8 - ELECTRICAL

FIGURE 8-44. PLUG AND RECEPTACLE 220V INSTALLATION - IEC 60309 - BLUE (CE SPEC)



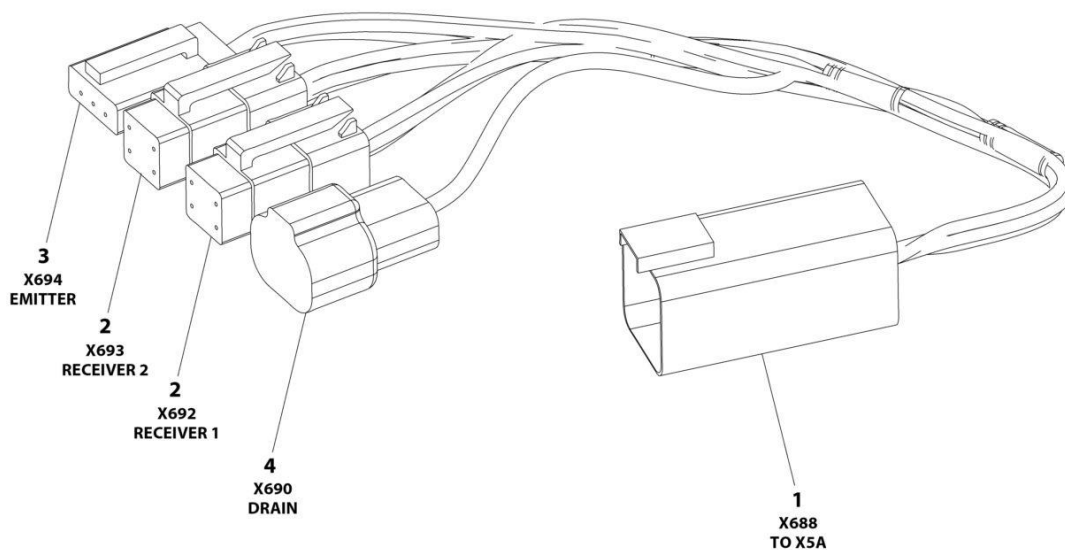
## SECTION 8 - ELECTRICAL

**FIGURE 8-44. PLUG AND RECEPTACLE 220V INSTALLATION - IEC 60309 - BLUE (CE SPEC)**

ITEM	PART NUMBER	QTY	DESCRIPTION	REV
	1001166260	Ref	PLUG AND RECEPTACLE 220V INSTALLATION - IEC 60309 - BLUE (CE SPEC)	C
1	0275217	1	AC Plugs and Sockets Installation - CE Spec (See AC PLUGS AND SOCKETS INSTALLATION - CE SPEC for Breakdown)	
2	0641407	2	Bolt, 1/4-20 x 7/8	
3	0641408	2	Bolt, 1/4-20 x 1	
4	0641416	2	Bolt, 1/4-20 x 2	
5	0700408	2	Bolt, M4 x 16	
6	1001193018	1	Bracket	
7	1001178491	1	Bracket	
8	2902549	1	Breaker Box Kit with One Breakers - CE Spec (See BREAKER BOX KIT WITH ONE BREAKERS - CE SPEC for Breakdown)	
9	3252507	2	Decal - 220V - 50/60 Hz	
10	3290405	2	Nut, Lock, M4 x 0.7	
11	3311405	4	Nut, Lock, 1/4-20	
12	4460968	1	Connector, Strain Relief	
13	4711400	8	Washer, 1/4	
14	4751400	2	Washer, 1/4	
15	4811400	4	Washer, 4mm	
16	4922609	1	Lower Boom 220V Harness Assembly - CE Spec (See LOWER BOOM 220V HARNESS ASSEMBLY - CE SPEC for Breakdown)	
17	4922610	1	Main Boom 220V Harness Assembly - CE Spec (See MAIN BOOM 220V HARNESS ASSEMBLY - CE SPEC for Breakdown)	

# SECTION 8 - ELECTRICAL

## FIGURE 8-45. SKYEYE INTERMEDIATE HARNESS



ART\_1001237865

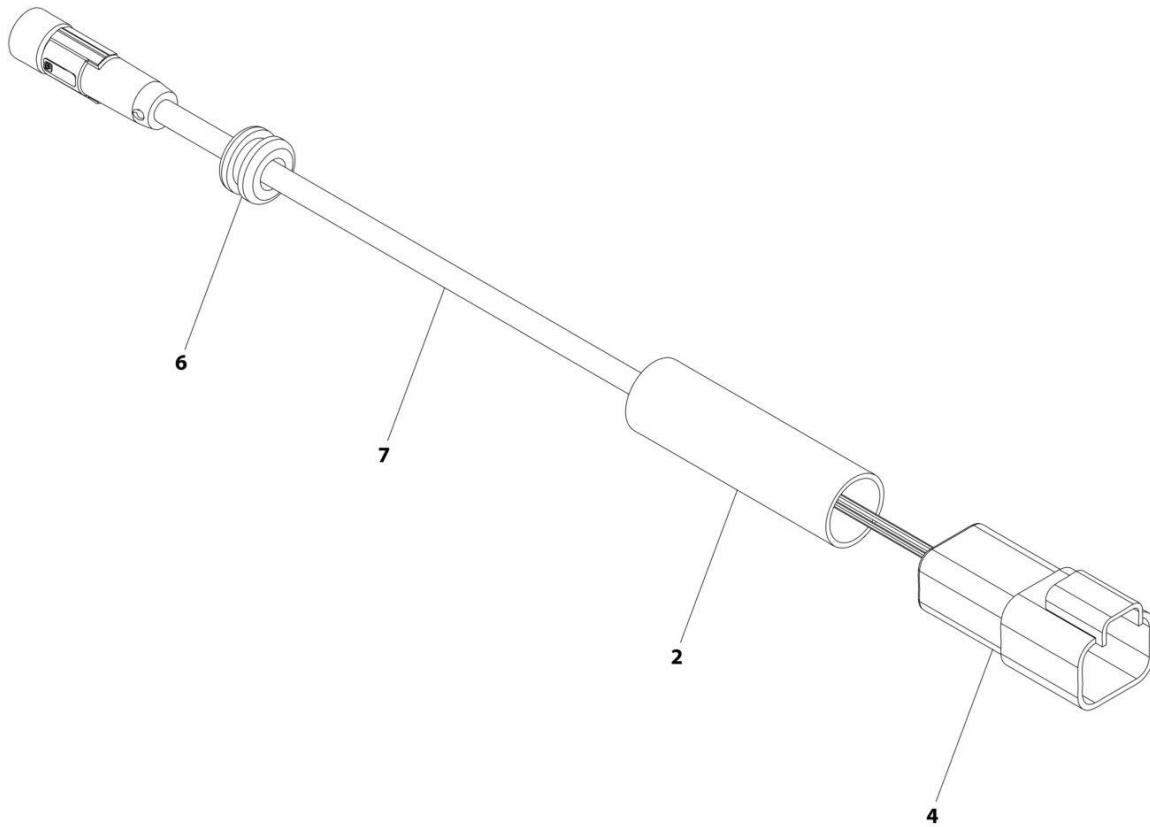
## SECTION 8 - ELECTRICAL

### FIGURE 8-45. SKYEYE INTERMEDIATE HARNESS

ITEM	PART NUMBER	QTY	DESCRIPTION	REV
	1001237865	Ref	SKYEYE INTERMEDIATE HARNESS	A
1	4460899	1	Connector - 6 Position	
1	4460943	4	Pin, Male	
1	4460466	2	Plug, Terminal	
2	4461077	2	Connector - 4 Position	
2	1001119619	8	Socket, Female	
3	4460911	1	Connector - 3 Position	
3	1001119619	3	Socket, Female	
4	1001187681	1	Connector - 2 Position	
4	4460941	1	Pin, Male	
4	4460466	1	Plug, Terminal	

# SECTION 8 - ELECTRICAL

## FIGURE 8-46. SKYEYE RECEIVER HARNESS



ART\_1001237863



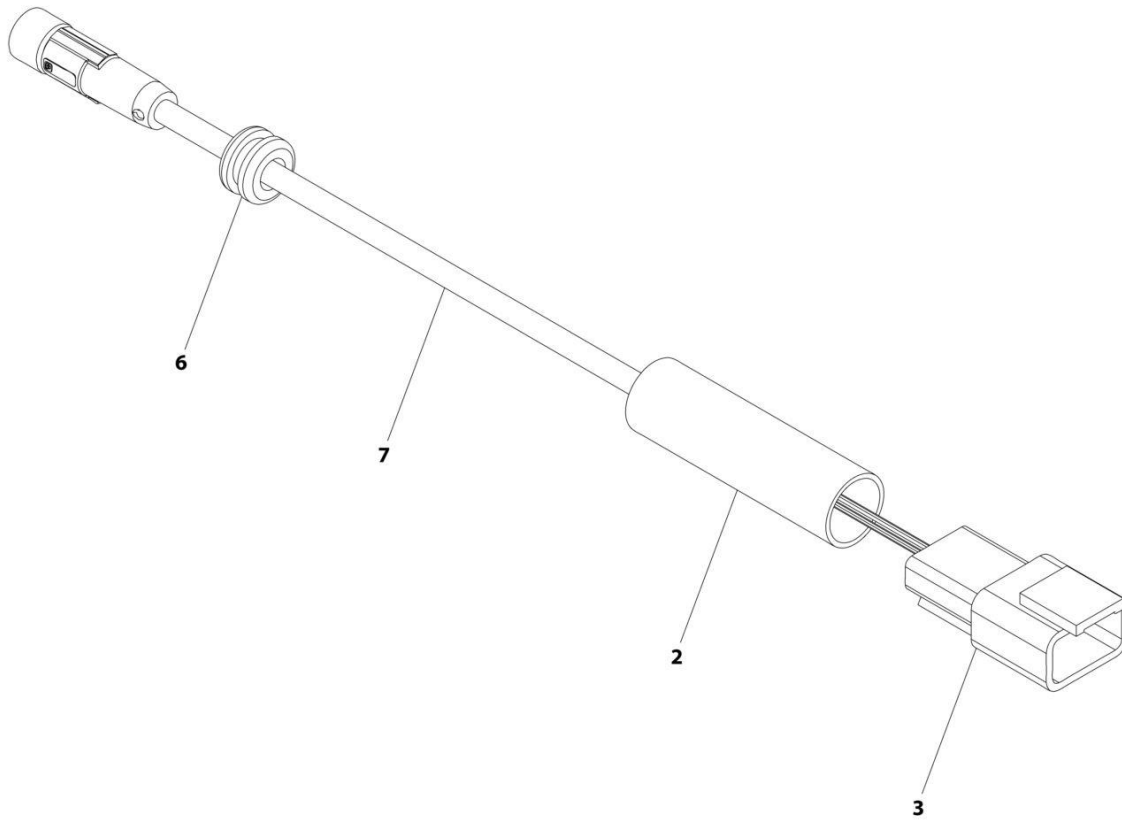
## SECTION 8 - ELECTRICAL

### FIGURE 8-46. SKYEYE RECEIVER HARNESS

ITEM	PART NUMBER	QTY	DESCRIPTION	REV
	1001237863	Ref	SKYEYE RECEIVER HARNESS	A
2	2820247	AR	Tubing, Heat Shrink	
4	1001097051	1	Connector - 4 Position	
4	1001119620	4	Pin, Male	
6	1001227996	1	Grommet	
7	1001237862	1	Cable, M8 Female Cordset	

# SECTION 8 - ELECTRICAL

## FIGURE 8-47. SKYEYE EMITTER HARNESS



ART\_1001237864

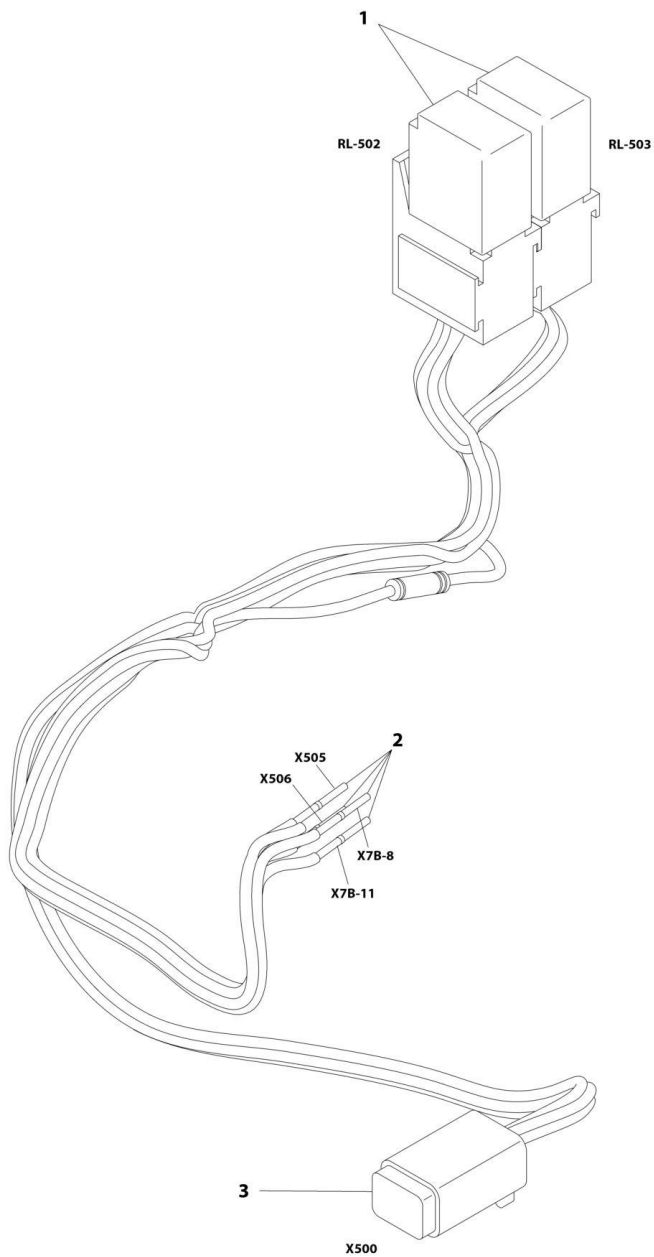
## SECTION 8 - ELECTRICAL

### FIGURE 8-47. SKYEYE EMITTER HARNESS

ITEM	PART NUMBER	QTY	DESCRIPTION	REV
	1001237864	Ref	SKYEYE EMITTER HARNESS	A
2	2820247	AR	Tubing, Heat Shrink	
3	4460910	1	Connector - 3 Position	
3	1001119620	3	Pin, Male	
6	1001227996	1	Grommet	
7	1001237862	1	Cable, M8 Female Cordset	

# SECTION 8 - ELECTRICAL

## FIGURE 8-48. SKYGUARD HARNESS - WITHOUT LSS OR WITH 4 CELL LSS



ART\_1001192292

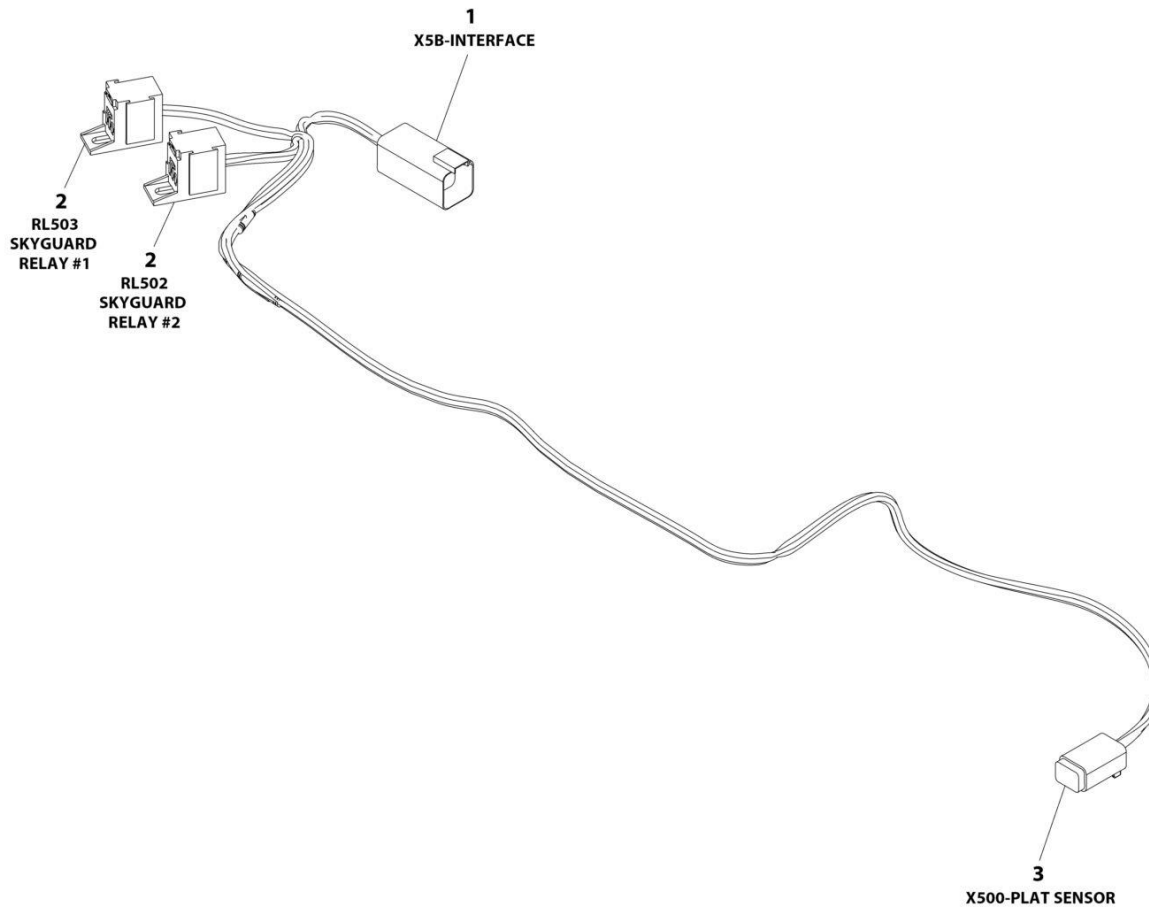
## SECTION 8 - ELECTRICAL

**FIGURE 8-48. SKYGUARD HARNESS - WITHOUT LSS OR WITH 4 CELL LSS**

ITEM	PART NUMBER	QTY	DESCRIPTION	REV
	1001192292	Ref	SKYGUARD HARNESS - WITHOUT LSS OR WITH 4 CELL LSS	B
1	1001186432	1	Holder, Relay	
1	1001186431	1	Relay, 35Amp	
1	1001116720	5	Terminal	
2	1001186432	1	Holder, Relay	
2	1001186431	1	Relay, 35Amp	
2	1001116720	6	Terminal	
3	4460226	4	Socket, Female	
4	4460884	1	Connector - 4 Position	
4	4460465	4	Socket, Female	

# SECTION 8 - ELECTRICAL

## FIGURE 8-49. SKYGUARD HARNESS - WITH 1 CELL LSS



ART\_1001225580

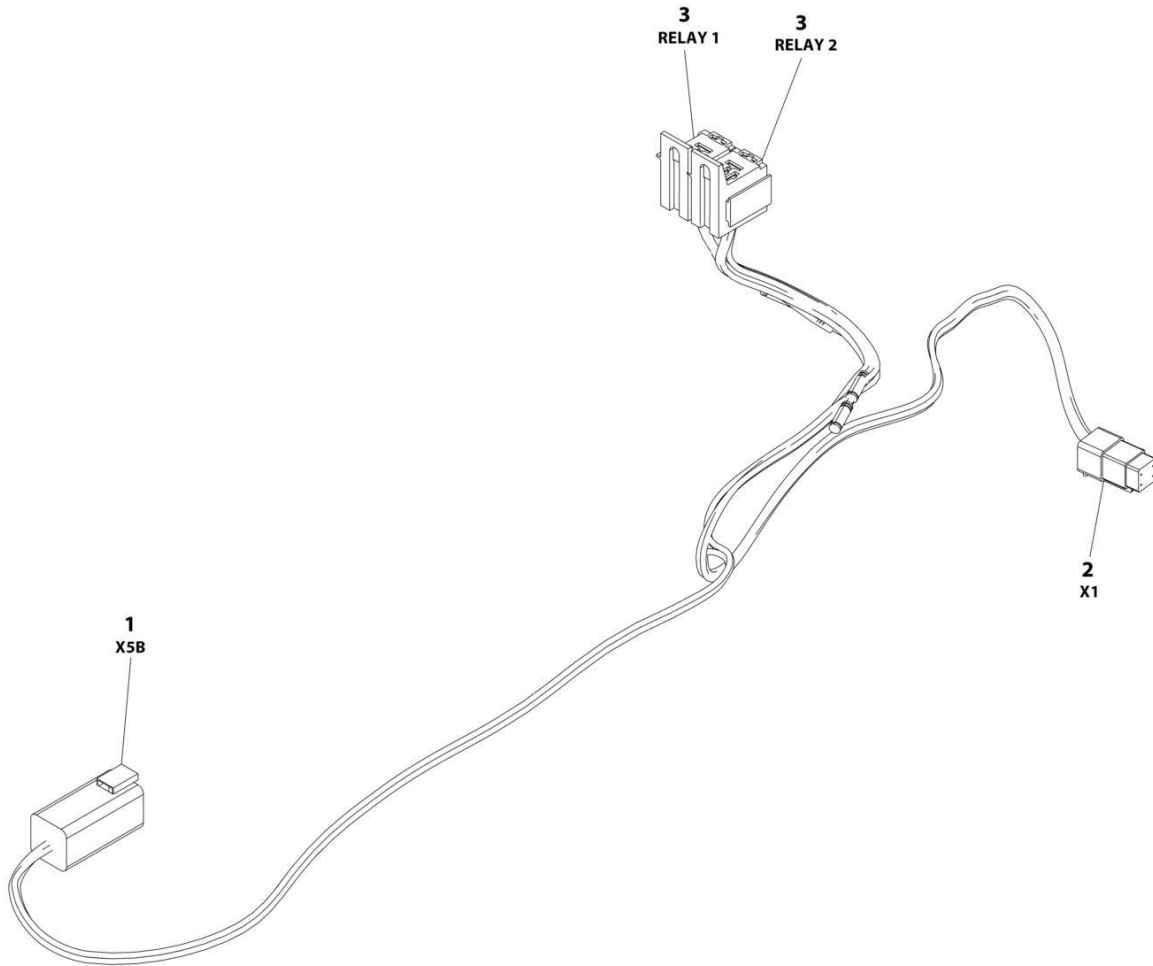
## SECTION 8 - ELECTRICAL

**FIGURE 8-49. SKYGUARD HARNESS - WITH 1 CELL LSS**

ITEM	PART NUMBER	QTY	DESCRIPTION	REV
	1001225580	Ref	SKYGUARD HARNESS - WITH 1 CELL LSS	C
1	4460899	1	Receptacle, Female - 6 Position	
1	4460464	4	Pin, Male	
1	4460466	2	Plug, Terminal	
2	1001186432	1	Holder, Relay	
2	1001186431	1	Relay, 35Amp	
2	1001116720	4	Terminal	
2	1001118388	4	Terminal	
3	4460884	1	Connector - 4 Position	
3	4460465	4	Socket, Female	

# SECTION 8 - ELECTRICAL

## FIGURE 8-50. SKYLINE HARNESS



ART\_1001238418



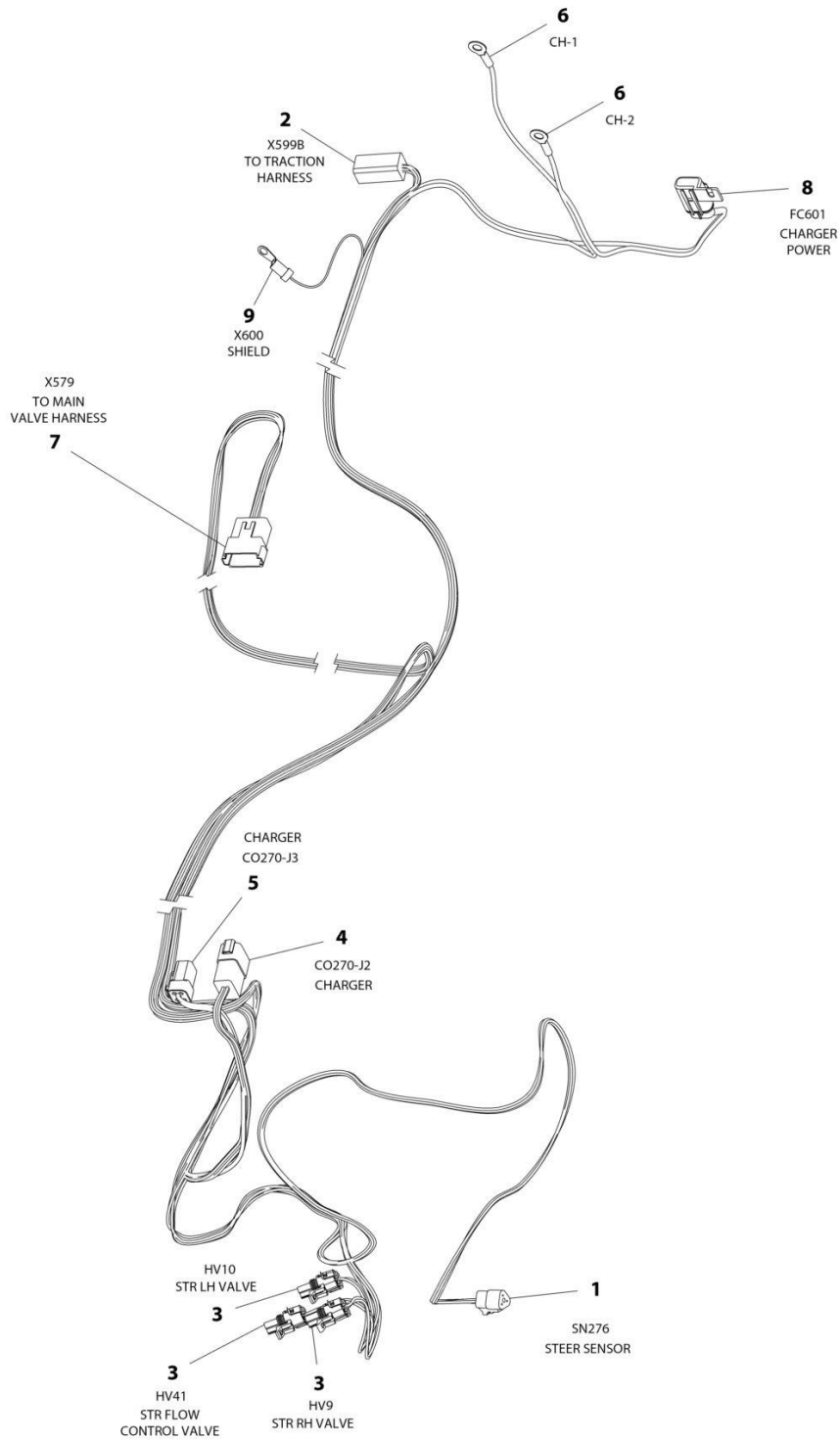
## SECTION 8 - ELECTRICAL

### FIGURE 8-50. SKYLINE HARNESS

ITEM	PART NUMBER	QTY	DESCRIPTION	REV
	1001238418	Ref	SKYLINE HARNESS	B
1	4460899	1	Connector - 6 Position	
1	4460464	4	Pin, Male	
1	4460466	2	Plug, Terminal	
2	4461077	1	Connector - 4 Position	
2	1001126009	4	Socket, Female	
3	1001186432	2	Plug, Relay	
3	1001118388	5	Terminal	
3	1001118384	3	Terminal	
3	3740086	2	Relay	

# SECTION 8 - ELECTRICAL

## FIGURE 8-51. STEER/BRAKE HARNESS



ART\_1001188528

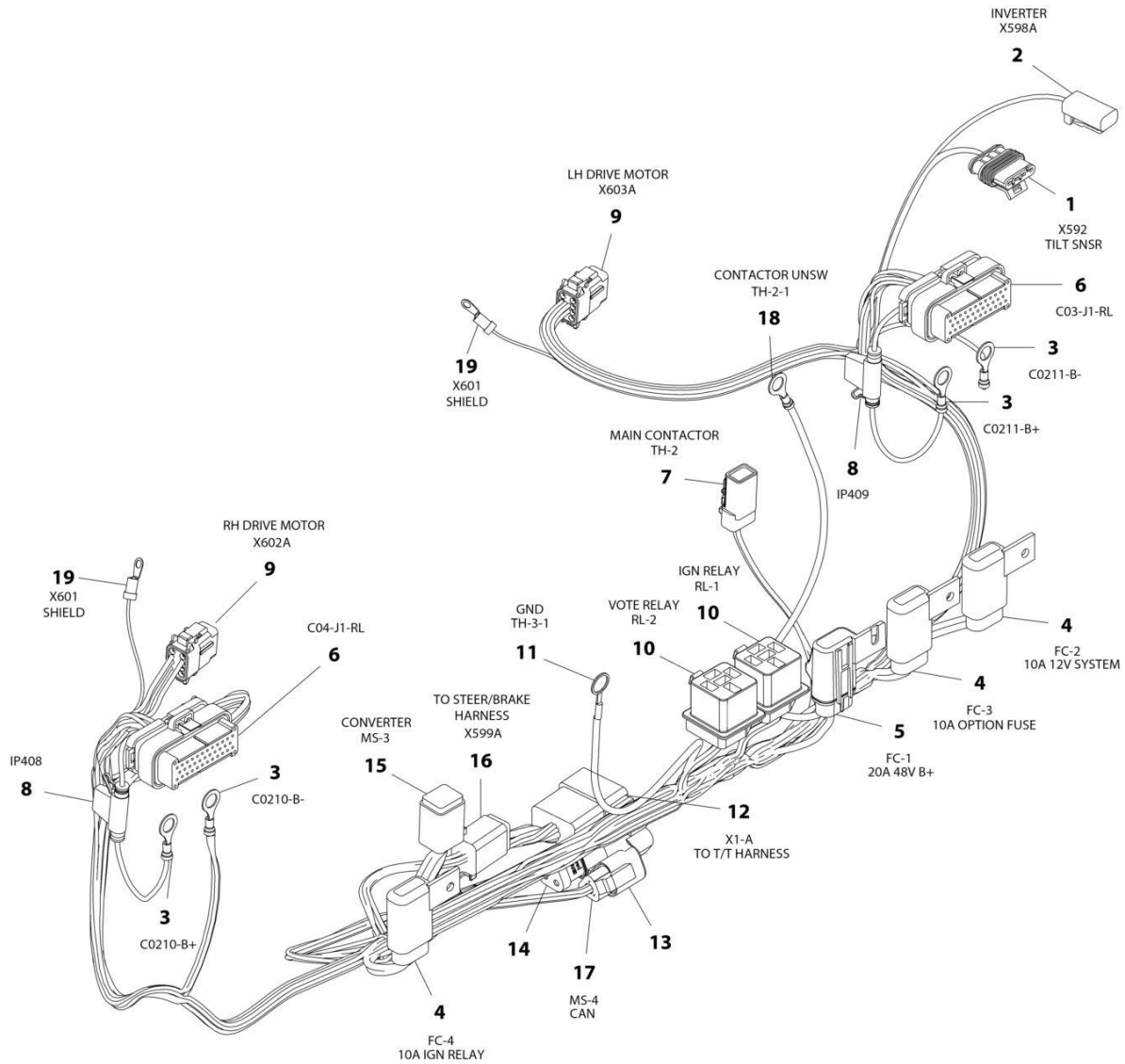
## SECTION 8 - ELECTRICAL

### FIGURE 8-51. STEER/BRAKE HARNESS

ITEM	PART NUMBER	QTY	DESCRIPTION	REV
	1001188528	Ref	STEER/BRAKE HARNESS	H
1	4460539	1	Plug, Male - 4 Position	
1	4460465	3	Socket, Female	
2	4460899	1	Receptacle, Female - 6 Position	
2	4460464	AR	Pin, Male	
2	4460466	1	Plug, Terminal <b>(SN 0300226307 through 0300272287)</b>	
3	4460742	3	Plug, Male - 2 Position	
3	4460743	6	Socket, Female	
4	4460931	1	Receptacle, Female - 8 Position	
4	4460464	6	Pin, Male	
4	4460466	2	Plug, Terminal	
5	1001116810	1	Plug, Male - 4 Position	
5	4460509	2	Terminal	
5	4460466	2	Plug, Terminal	
6	8220045	2	Ring, Terminal	
7	4460970	1	Receptacle, Female - 12 Position	
7	4460464	9	Pin, Male	
7	4460466	3	Plug, Terminal	
8	1001117070	1	Fuseholder with Cover & 30Amp Fuse <b>(SN 0300208529 through 0300226308, SN B300001429 through B300001989)</b>	
8	8229245	1	Fuse 30Amp <b>(SN 0300208529 through 0300226308, SN B300001429 through B300001989)</b>	
8	1001217844	1	Fuseholder <b>(SN 0300226309 through 0300272287, SN B300001990 through B300005763, Excluding B300005567)</b>	
8	1001217842	1	Cover <b>(SN 0300226309 through 0300272287, SN B300001990 through B300005763, Excluding B300005567)</b>	
8	8229236	1	Fuse - 30Amp <b>(SN 0300226309 through 0300272287, SN B300001990 through B300005763, Excluding B300005567)</b>	
8	1001116734	2	Terminal, Female <b>(SN 0300226309 through 0300272287, SN B300001990 through B300005763, Excluding B300005567)</b>	
9	4460142	1	Terminal, Ring <b>(SN 0300226309 through 0300272287, SN B300001990 through B300005763, Excluding B300005567)</b>	

# SECTION 8 - ELECTRICAL

## FIGURE 8-52. TRACTION HARNESS



ART\_1001178629

## SECTION 8 - ELECTRICAL

### FIGURE 8-52. TRACTION HARNESS

ITEM	PART NUMBER	QTY	DESCRIPTION	REV
	1001178629	Ref	TRACTION HARNESS	K
1	1001103012	1	Connector - 4 Position	
1	1001107854	4	Socket, Female	
2	4460891	1	Plug, Male - 2 Position	
2	4460465	1	Socket, Female	
2	4460466	1	Plug, Terminal	
3	4460670	AR	Terminal, Ring	
4	1001117024	3	Connector with 10Amp Fuse (SN 0300208529 through 0300226308, SN B300001429 through B300001989)	
4	1001096134	3	Cover, Fuse (SN 0300208529 through 0300226308, SN B300001429 through B300001989)	
4	1001217844	3	Fuseholder (SN 0300226309 through 0300272287, SN B300001990 through B300005763, Excluding B300005567)	
4	1001217842	3	Cover (SN 0300226309 through 0300272287, SN B300001990 through B300005763, Excluding B300005567)	
4	8229261	1	Fuse - 5Amp (SN 0300226309 through 0300272287, SN B300001990 through B300005763, Excluding B300005567)	
4	8229237	1	Fuse - 15Amp (SN 0300226309 through 0300272287, SN B300001990 through B300005763, Excluding B300005567)	
4	8229235	1	Fuse - 20Amp (SN 0300226309 through 0300272287, SN B300001990 through B300005763, Excluding B300005567)	
4	1001116734	6	Terminal, Female	
5	1001117069	1	Connector with 20Amp Fuse (SN 0300208529 through 0300226308, SN B300001429 through B300001989)	
5	1001096134	1	Cover, Fuseholder (SN 0300208529 through 0300226308, SN B300001429 through B300001989)	
5	1001217844	1	Fuseholder (SN 0300226309 through 0300272287, SN B300001990 through B300005763, Excluding B300005567)	
5	1001217842	1	Cover (SN 0300226309 through 0300272287, SN B300001990 through B300005763, Excluding B300005567)	
5	8229235	1	Fuse - 20Amp (SN 0300226309 through 0300272287, SN B300001990 through B300005763, Excluding B300005567)	
5	1001116734	2	Terminal, Female	
6	4460873	1	Connector - 35 Position	
6	4460871	11	Terminal, Female	
6	4460905	24	Seal, Terminal	
7	1001126245	1	Connector - 2 Position	
7	1001126008	2	Terminal	
8	2400060	1	Fuseholder with Cover (SN 0300208529 through 0300210635)	
8	1001201642	2	Fuseholder with Cover (SN 0300210636 through 0300226308, SN B300001429 through B300001989)	
8	1001170760	2	Fuse - 10Amp (SN 0300210636 through 0300226308, SN B300001429 through B300001989)	
8	1001217843	2	Fuseholder (SN 0300226309 through 0300272287, SN B300001990 through B300005763, Excluding B300005567)	
8	1001217842	2	Cover (SN 0300226309 through 0300272287, SN B300001990 through B300005763, Excluding B300005567)	
8	8229234	2	Fuse - 10Amp (SN 0300226309 through 0300272287, SN B300001990 through B300005763, Excluding B300005567)	
8	1001116733	4	Terminal	
9	1001190577	2	Plug, Male - 8 Position	
9	1001126008	16	Terminal	
10	4460374	2	Plug, Relay (SN 0300208529 through 0300214527)	

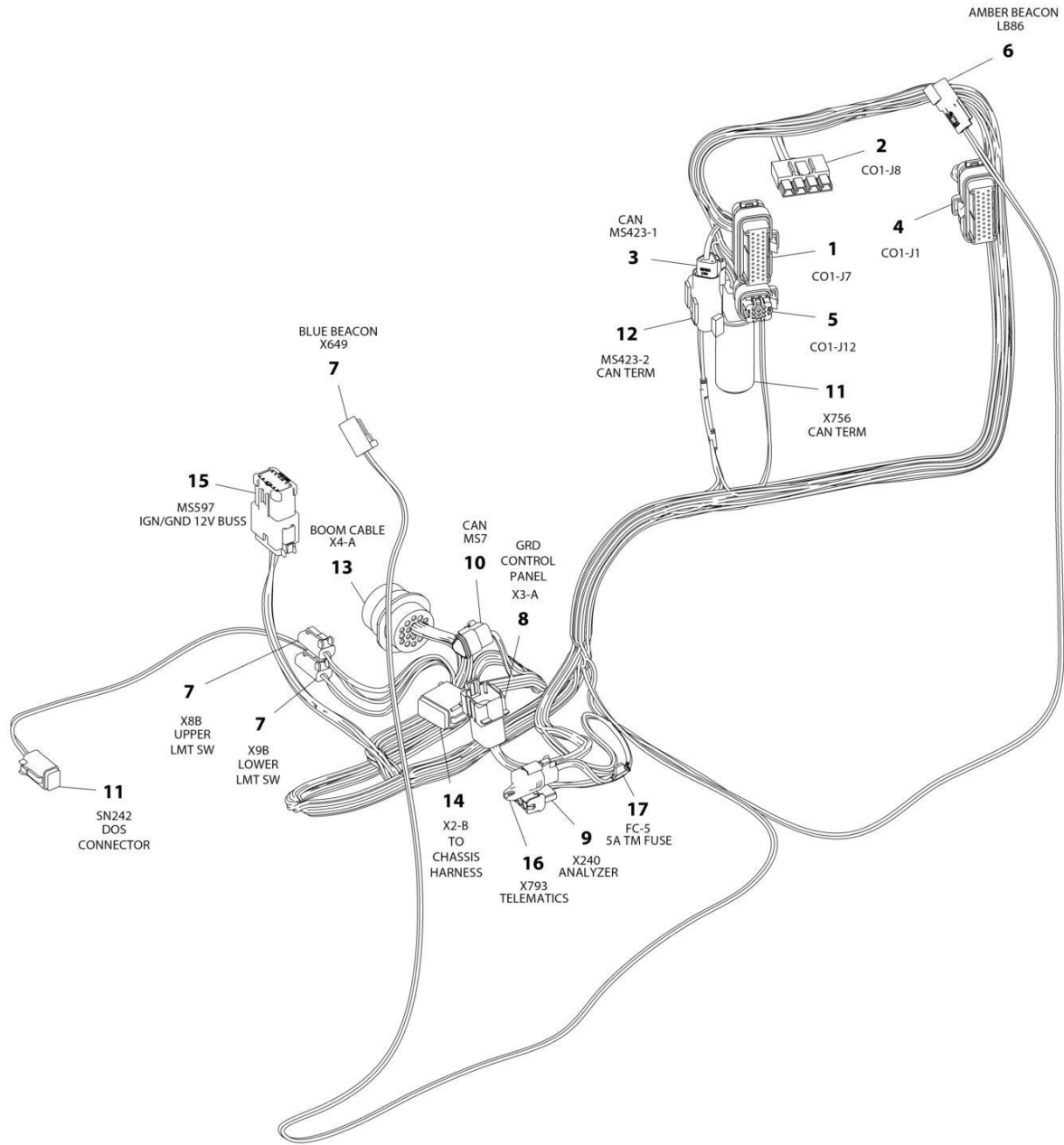
## SECTION 8 - ELECTRICAL

ITEM	PART NUMBER	QTY	DESCRIPTION	REV
10	1001203734	2	Plug, Relay (SN 0300214528 through 0300272287, SN B300001429 through B300005763, Excluding B300005567)	
10	1001116732	8	Terminal	
10	1001128128	2	Plug, Terminal (SN 0300208529 through 03002145287)	
11	4460019	1	Terminal, Ring	
12	4460950	1	Connector - 12 Position	
12	1001157891	4	Terminal	
12	1001116693	4	Pin, Male	
12	4460464	2	Pin, Male	
12	4460943	2	Pin, Male	
13	4460945	1	Receptacle, 3 Way	
14	1001116815	1	Resistor, 3 Position	
15	4460894	1	Plug, Male - 6 Position	
15	1001157890	5	Terminal	
15	1001116692	1	Socket, Female	
16	4460894	1	Plug, Male - 6 Position	
16	4460465	AR	Socket, Female	
16	4460466	1	Plug, Terminal (SN 0300226309 through 0300272287, SN B300001990 through B300005763, Excluding B300005567)	
17	1001116812	1	Plug, Male - 3 Position	
17	4460944	3	Socket, Female	
18	4460670	1	Terminal, Ring (SN 0300208529 through 0300214527)	
18	4460738	1	Terminal, Ring (SN 0300214528 through 0300272287, SN B300001429 through B300005763, Excluding B300005567)	
19	4460142	2	Terminal, Ring (SN 0300226309 through 0300272287, SN B300001990 through B300005763, Excluding B300005567)	



# SECTION 8 - ELECTRICAL

## FIGURE 8-53. TURNTABLE HARNESS



ART\_1001178793



## SECTION 8 - ELECTRICAL

### FIGURE 8-53. TURNTABLE HARNESS

ITEM	PART NUMBER	QTY	DESCRIPTION	REV
	1001178793	Ref	TURNTABLE HARNESS	H
1	4460873	1	Connector - 35 Position	
1	4460871	15	Socket, Female	
1	4460905	20	Plug, Terminal	
2	4460878	1	Connector - 4 Position	
2	4460887	4	Terminal	
3	1001116812	2	Plug, Male -3 Position	
3	4460944	5	Socket, Female	
3	4460466	1	Plug, Terminal	
4	4460874	1	Connector - 35 Position	
4	4460871	9	Socket, Female	
4	4460905	26	Plug, Terminal	
5	1001113961	1	Plug, Male - 8 Position	
5	4460871	3	Socket, Female	
5	4460905	5	Plug, Terminal	
6	4460897	1	Receptacle, Female - 2 Position	
6	4460464	2	Pin, Male	
7	4460891	3	Plug, Male - 2 Position	
7	4460465	6	Socket, Female	
8	1001116813	1	Receptacle, Female - 8 Position	
8	1001116693	6	Pin, Male	
8	4460464	1	Pin, Male	
8	4460466	1	Plug, Terminal	
9	4460761	1	Connector - 4 Position	
9	4460227	4	Pin, Male	
10	4460539	1	Plug, Male - 3 Position	
10	4460944	2	Socket, Female	
10	4460466	1	Plug, Terminal	
11	4460884	2	Plug, Male - 4 Position	
11	4460465	8	Socket, Female	
11	1001186231	1	Connector, Fuse/Diode Can	
12	4460945	1	Receptacle, 3 Way	
13	4460866	1	Connector - 19 Position	
13	4460943	2	Pin, Male	
13	4460508	4	Pin, Male	
13	4460464	7	Pin, Male	
13	4460466	6	Plug, Terminal	
14	4460836	1	Plug, Male - 12 Position	
14	1001157890	5	Socket, Female	
14	4460465	2	Socket, Female	
14	4460944	2	Socket, Female	
14	1001116692	3	Socket, Female	
15	4460933	1	Plug, Male - 12 Position	
15	4460942	6	Socket, Female	
15	4460465	2	Socket, Female	
15	4460466	4	Plug, Terminal	
16	4460884	1	Connector - 4 Position	
16	4460465	AR	Socket, Female	
16	4460942	1	Socket, Female (SN 0300226309 through 0300272287, SN B300001990 through B300005763, Excluding B300005567)	

## SECTION 8 - ELECTRICAL

ITEM	PART NUMBER	QTY	DESCRIPTION	REV
16	1001192401	1	Connector, Dust Cap	
17	2400060	1	Fuseholder with Cover (SN 0300226309 through 0300272287, SN B300001990 through B300005763, Excluding B300005567)	
17	8229242	1	Fuse - 5Amp (SN 0300226309 through 0300272287, SN B300001990 through B300005763, Excluding B300005567)	



## SECTION 8 - ELECTRICAL

FIGURE 8-54. UPPER BOOM 110V HARNESS ASSEMBLY



ART\_4922608

## SECTION 8 - ELECTRICAL

**FIGURE 8-54. UPPER BOOM 110V HARNESS ASSEMBLY**

ITEM	PART NUMBER	QTY	DESCRIPTION	REV
	4922608	Ref	UPPER BOOM 110V HARNESS ASSEMBLY	2
1	4460205	1	Plug, Male	
4	1060494	27.2 ft /8.3m	Electrical Cable, 12/3	

## SECTION 8 - ELECTRICAL

FIGURE 8-55. UPPER BOOM 220V HARNESS ASSEMBLY



ART\_4922610

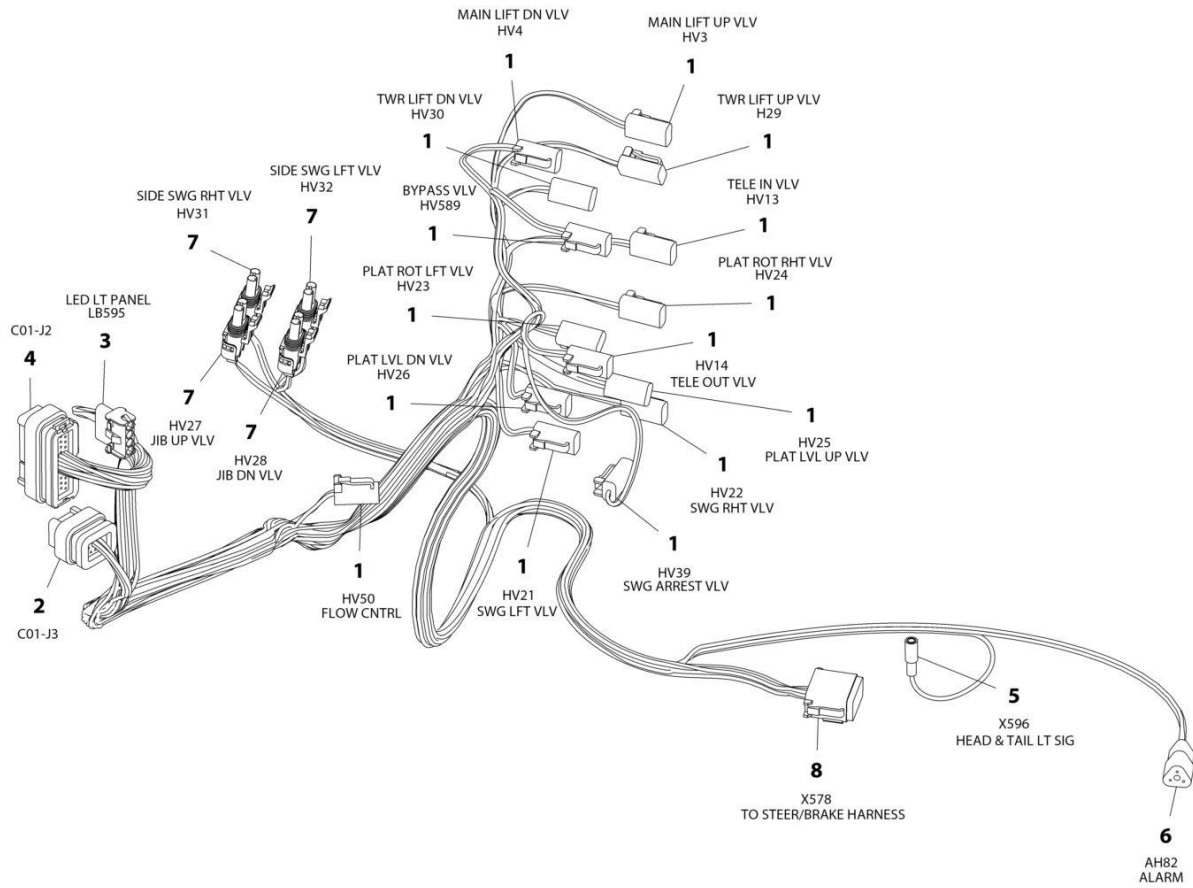
## SECTION 8 - ELECTRICAL

**FIGURE 8-55. UPPER BOOM 220V HARNESS ASSEMBLY**

ITEM	PART NUMBER	QTY	DESCRIPTION	REV
	4922610	Ref	UPPER BOOM 220V HARNESS ASSEMBLY	1
1	4460709	1	Plug, Male	
4	1060461	28 ft/8.5m	Electrical Cable, 12/3	

# SECTION 8 - ELECTRICAL

## FIGURE 8-56. VALVE HARNESS



ART\_1001178794



## SECTION 8 - ELECTRICAL

### FIGURE 8-56. VALVE HARNESS

ITEM	PART NUMBER	QTY	DESCRIPTION	REV
	1001178794	Ref	VALVE HARNESS	I
1	4460891	15	Plug, Male - 2 Position	
1	4460465	30	Socket, Female	
2	4460872	1	Connector - 14 Position	
2	4460871	6	Socket, Female	
2	4460905	8	Plug, Terminal	
3	4460761	1	Connector - 4 Position	
3	4460226	4	Socket, Female	
4	4460875	1	Connector - 35 Position	
4	4460871	30	Socket, Female	
4	4460905	5	Plug, Terminal	
5	8220068	1	Connector - 1 Position	
6	4460539	1	Plug, Male - 3 Position	
6	4460465	3	Socket, Female	
7	4460742	4	Plug, Male - 2 Position	
7	4460743	8	Socket, Female	
7	4460458	8	Seal, Terminal	
8	4460933	1	Plug, Male - 12 Position	
8	1001116692	9	Socket, Female	
8	4460466	3	Plug, Terminal	



**SECTION 9 - DECAL**



**SECTION 9 - DECAL**

**FIGURE 9-1. DECAL INSTALLATION - ANSI, ANSI EXPORT AND UL SPECS - ENGLISH - E450A/E450AJ (USA BUILT MACHINES)**

ITEM	PART NUMBER	QTY	DESCRIPTION	REV
	1001178379	Ref	DECAL INSTALLATION - REFERENCE CHART	L
	1001178364	Ref	DECAL INSTALLATION - ANSI, ANSI EXPORT AND UL SPECS - ENGLISH - E450A/E450AJ (USA BUILT MACHINES)	H
2	1703805	2	Decal - Electrocution	
4	1703798	1	Decal - Crushing	
5	1705514	1	Decal - CSA <b>(SN 0300222756 through 0300272287)</b>	
6	1001131269	1	Decal - Patent	
7	See Note	1	Nameplate - Serial Number (Note: Not Available for Purchase)	
8	3820001	2	Rivet	
9	1701504	1	Decal - Hydraulic Oil	
10	1701642	2	Decal - Arrow	
11	1703797	1	Decal - Caution/Danger	
13	1701644	2	Decal - Charger	
16	1704277	2	Decal - Attach Lanyard	
19	0961127	1	Bushing, Snap	
20	3251243	1	Nameplate 120V-60Hz	
21	0100010	AR	Adhesive	
22	1701691	4	Decal - No Step	
23	1001104864	1	Decal - Manual Descent	
24	1702868	2	Decal - No Hands	
25	1001193949	1	Decal - Cable Routing	
26	1001196811	1	Decal - Legend Platform	
27	1704446	1	Decal - Charger	
28	1704431	1	Decal - Battery Charger LED Indicator <b>(SN 0300208529 through 0300214528)</b>	
31	0860520	1	Box, Manual Storage	
35	4751400	4	Washer, 1/4	
36	3311405	4	Nut, 1/4-20	
37	1701500	4	Decal - Lift	
38	1701509	1	Decal - Manual	
39	1703813	3	Decal - Danger	
40	3252347	1	Nameplate - Footswitch	
41	1703804	6	Decal - Crushing Hazard	
47	1702265	1	Decal	
50	1702300	4	Decal - Tie Down	
52	See Note	1	Decal - Bar Code (Note: Not Available for Purchase)	
53	1001121814	1	Decal - 500 LBS Max Capacity	
64	1706950	1	Decal - Key Main Terminal Box	
65	1001121801	2	Decal - 500 LBS Max Capacity	
77	1704412	1	Decal - Oil Type	
79	1704885	2	Decal - Website	
80	0641406	4	Bolt, 1/4-20 x 3/4	
81	1705351	1	Decal - Drive/Steer Instruction	
82	1001189882	1	Decal - MSSO Operation	
84	1001223055	1	Decal - Yearly Inspection <b>(SN 0300233828 through 0300272287)</b>	
85	1001222801	1	Decal - Manual Jib Pump <b>(SN 0300233828 through 0300272287)</b>	
86	1001228370	1	Decal - CSA ICES <b>(SN 0300233828 through 0300272287)</b>	

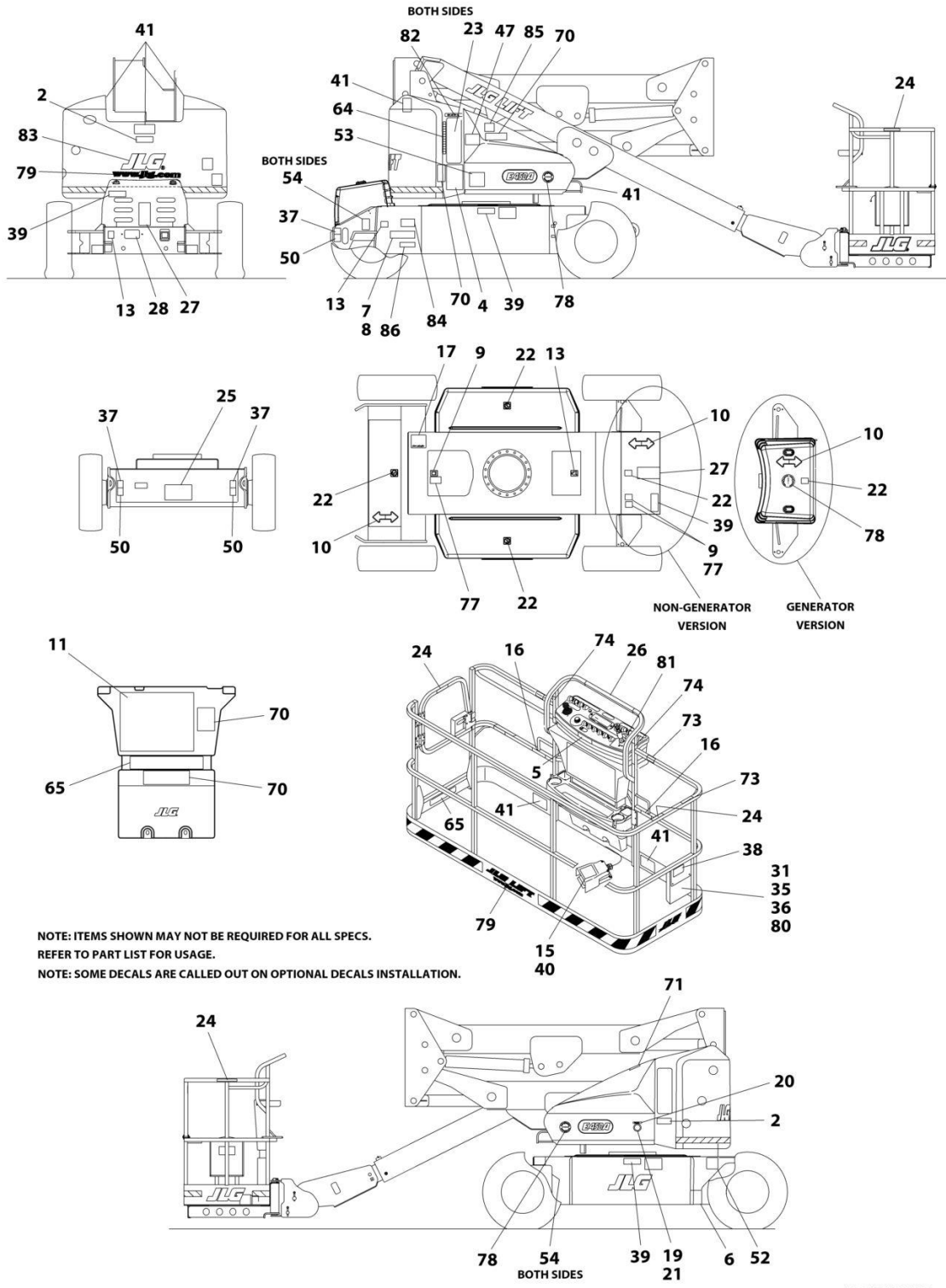
## SECTION 9 - DECAL

ITEM	PART NUMBER	QTY	DESCRIPTION	REV
87	1001231801	1	Decal - Prop 65 Warning (SN 0300256464 through 0300272287)	



# SECTION 9 - DECAL

## FIGURE 9-2. DECAL INSTALLATION - ANSI EXPORT SPEC - ENGLISH - E450AJ (CHINA BUILT MACHINES)



ART\_1001214410



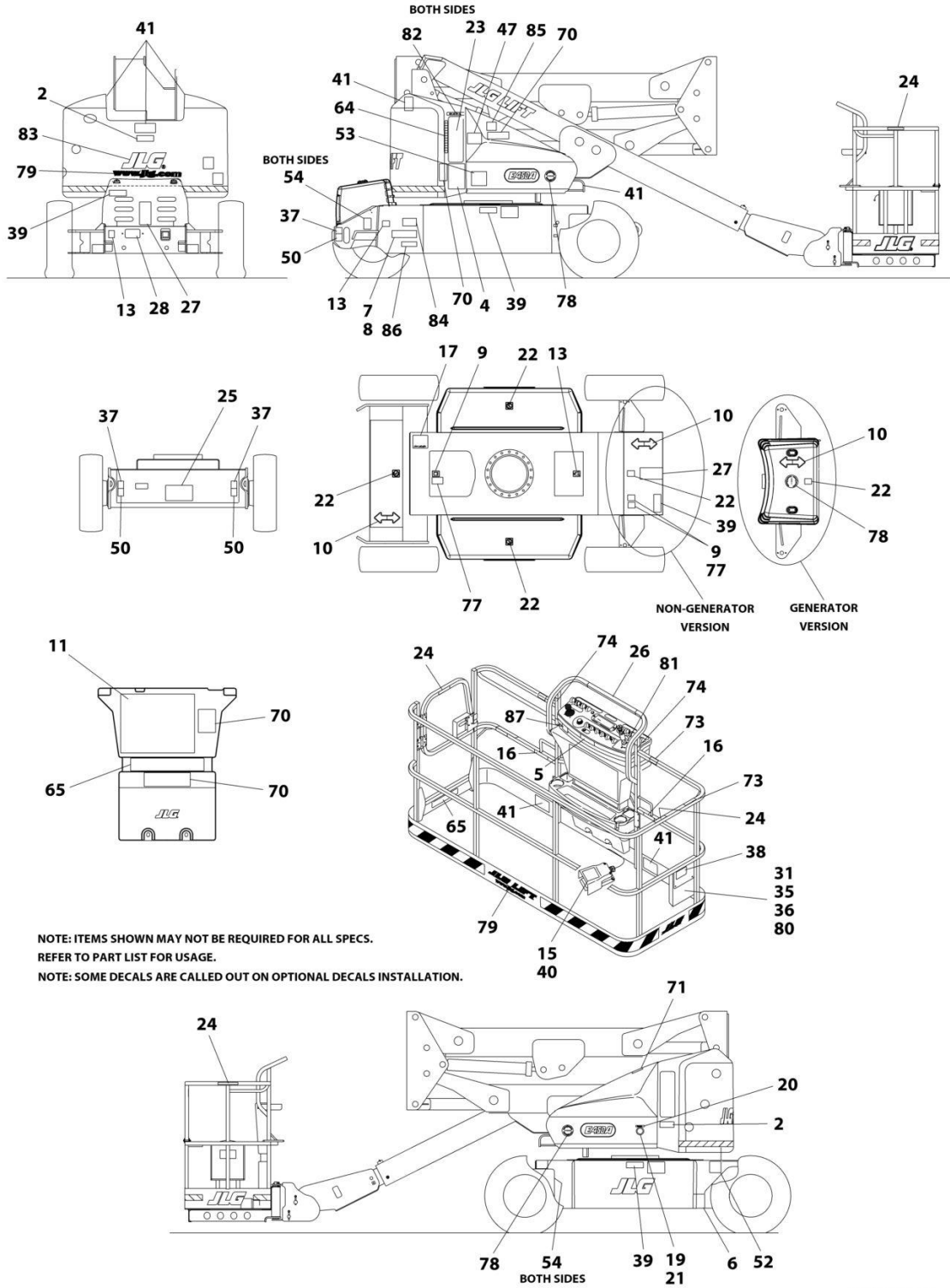
**SECTION 9 - DECAL**

**FIGURE 9-2. DECAL INSTALLATION - ANSI EXPORT SPEC - ENGLISH - E450AJ (CHINA BUILT MACHINES)**

ITEM	PART NUMBER	QTY	DESCRIPTION	REV
	1001178379	Ref	DECAL INSTALLATION - REFERENCE CHART	L
	1001214410	Ref	DECAL INSTALLATION - ANSI EXPORT SPEC - ENGLISH - E450AJ (CHINA BUILT MACHINES)	C
2	1703805	2	Decal - Electrocution	
4	1703798	1	Decal - Crushing	
6	1001131269	1	Decal - Patent	
7	See Note	1	Nameplate - Serial Number (Note: Not Available for Purchase)	
8	3820001	2	Rivet	
9	1701504	1	Decal - Hydraulic Oil	
10	1701642	2	Decal - Arrow	
11	1703797	1	Decal - Caution/Danger	
13	1701644	2	Decal - Charger	
16	1704277	2	Decal - Attach Lanyard	
19	0961127	1	Bushing, Snap	
20	3251243	1	Nameplate 120V-60Hz	
21	0100010	AR	Adhesive	
22	1701691	4	Decal - No Step	
23	1001104864	1	Decal - Manual Descent	
24	1702868	2	Decal - No Hands	
25	1001193949	1	Decal - Cable Routing	
26	1001196811	1	Decal - Legend Platform	
27	1704446	1	Decal - Charger	
31	0860520	1	Box, Manual Storage	
35	4751400	4	Washer, 1/4	
36	3311405	4	Nut, 1/4-20	
37	1701500	4	Decal - Lift	
38	1701509	1	Decal - Manual	
39	1703813	3	Decal - Danger	
40	3252347	1	Nameplate - Footswitch	
41	1703804	6	Decal - Crushing Hazard	
47	1702265	1	Decal	
50	1702300	4	Decal - Tie Down	
52	See Note	1	Decal - Bar Code (Note: Not Available for Purchase)	
53	1001121814	1	Decal - 500 LBS Max Capacity	
64	1706950	1	Decal - Key Main Terminal Box	
65	1001121801	2	Decal - 500 LBS Max Capacity	
77	1704412	1	Decal - Oil Type	
79	1704885	2	Decal - Website	
80	0641406	4	Bolt, 1/4-20 x 3/4	
81	1705351	1	Decal - Drive/Steer Instruction	
84	1001223055	1	Decal - Yearly Inspection (SN B300002016 through B300005763, Excluding B300005567)	
85	1001222801	1	Decal - Manual Jib Pump (SN B300002016 through B300005763, Excluding B300005567)	
86	1001228370	1	Decal - CSA ICES (SN B300002016 through B300005763, Excluding B300005567)	

# SECTION 9 - DECAL

## FIGURE 9-3. DECAL INSTALLATION - ANSI AND ANSI EXPORT SPECS - ENGLISH - M450AJ



ART\_1001178362

## SECTION 9 - DECAL

**FIGURE 9-3. DECAL INSTALLATION - ANSI AND ANSI EXPORT SPECS - ENGLISH - M450AJ**

ITEM	PART NUMBER	QTY	DESCRIPTION	REV
	1001178379	Ref	DECAL INSTALLATION - REFERENCE CHART	L
	1001178362	Ref	DECAL INSTALLATION - ANSI AND ANSI EXPORT SPECS - ENGLISH - M450AJ	H
2	1703805	2	Decal - Electrocution	
4	1703798	1	Decal - Crushing	
5	1705514	1	Decal - CSA <b>(SN 0300222756 through 0300272287)</b>	
6	1001131269	1	Decal - Patent	
7	See Note	1	Nameplate - Serial Number (Note: Not Available for Purchase)	
8	3820001	2	Rivet	
9	1701504	1	Decal - Hydraulic Oil	
10	1701642	2	Decal - Arrow	
11	1703797	1	Decal - Caution/Danger	
13	1701644	2	Decal - Charger	
16	1704277	2	Decal - Attach Lanyard	
19	0961127	1	Bushing, Snap	
20	3251243	1	Nameplate 120V-60Hz	
21	0100010	AR	Adhesive	
22	1701691	4	Decal - No Step	
23	1001104864	1	Decal - Manual Descent	
24	1702868	2	Decal - No Hands	
25	1001193949	1	Decal - Cable Routing	
26	1001196811	1	Decal - Legend Platform	
27	1704446	1	Decal - Charger	
28	1704431	1	Decal - Battery Charger LED Indicator <b>(SN 0300208529 through 0300214528)</b>	
31	0860520	1	Box, Manual Storage	
35	4751400	4	Washer, 1/4	
36	3311405	4	Nut, 1/4-20	
37	1701500	4	Decal - Lift	
38	1701509	1	Decal - Manual	
39	1703813	3	Decal - Danger	
40	3252347	1	Nameplate - Footswitch	
41	1703804	6	Decal - Crushing Hazard	
47	1702265	1	Decal	
50	1702300	4	Decal - Tie Down	
52	See Note	1	Decal - Bar Code (Note: Not Available for Purchase)	
53	1001121814	1	Decal - 500 LBS Max Capacity	
64	1706950	1	Decal - Key Main Terminal Box	
65	1001121801	2	Decal - 500 LBS Max Capacity	
70	1704286	2	Decal - Generator Danger	
73	1702962	1	Decal - Fuel Warning	
77	1704412	1	Decal - Oil Type	
78	1001121510	3	Decal - Hybrid	
79	1704885	2	Decal - Website	
80	0641406	4	Bolt, 1/4-20 x 3/4	
81	1705351	1	Decal - Drive/Steer Instruction	
82	1001189882	1	Decal - MSSO Operation	
84	1001223055	1	Decal - Yearly Inspection <b>(SN 0300233828 through 0300272287)</b>	
85	1001222801	1	Decal - Manual Jib Pump <b>(SN 0300233828 through</b>	

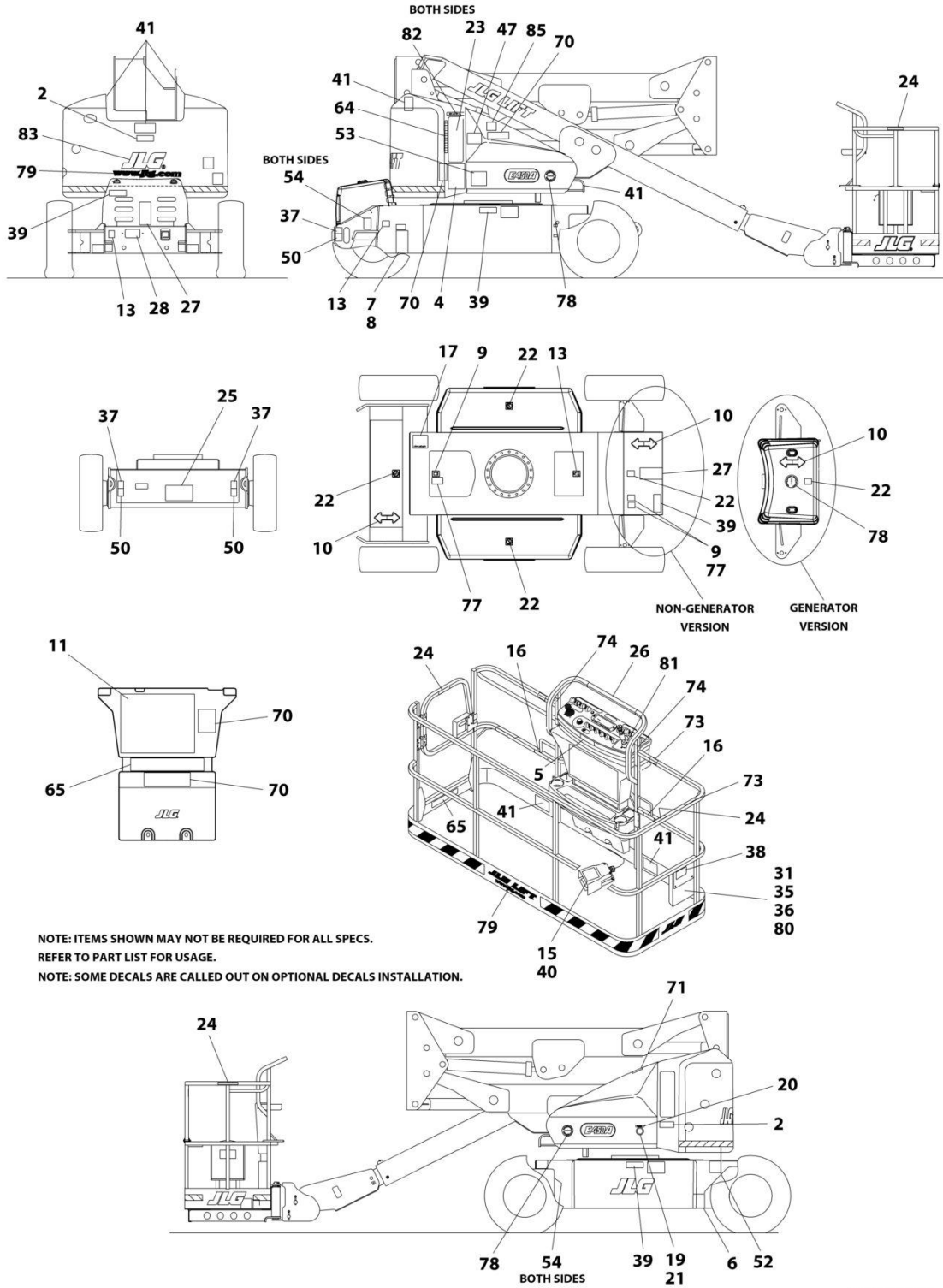
## SECTION 9 - DECAL

ITEM	PART NUMBER	QTY	DESCRIPTION	REV
86	1001228370	1	<b>0300272287)</b> Decal - CSA ICES (SN 0300233828 through 0300272287)	
87	1001231801	1	Decal - Prop 65 Warning (SN 0300256464 through <b>0300272287)</b>	



# SECTION 9 - DECAL

## FIGURE 9-4. DECAL INSTALLATION - AUSTRALIAN SPEC - E450AJ



NOTE: ITEMS SHOWN MAY NOT BE REQUIRED FOR ALL SPECS.  
REFER TO PART LIST FOR USAGE.  
NOTE: SOME DECALS ARE CALLED OUT ON OPTIONAL DECALS INSTALLATION.

ART\_1001178378

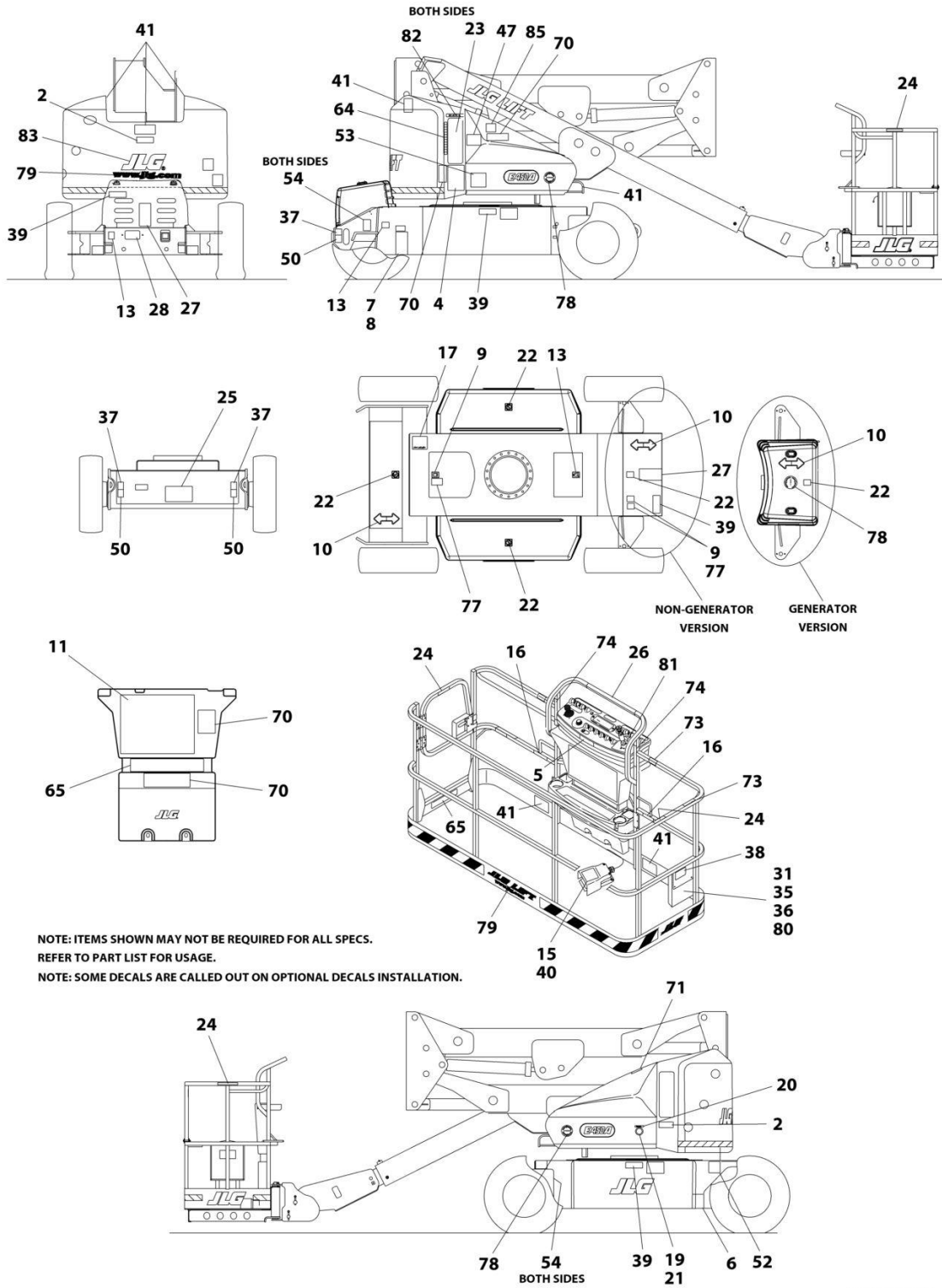
**SECTION 9 - DECAL**

**FIGURE 9-4. DECAL INSTALLATION - AUSTRALIAN SPEC - E450AJ**

ITEM	PART NUMBER	QTY	DESCRIPTION	REV
	1001178379	Ref	DECAL INSTALLATION - REFERENCE CHART	L
	1001178378	Ref	DECAL INSTALLATION - AUSTRALIAN SPEC - E450AJ	H
4	1705822	1	Decal - Danger/Caution	
7	See Note	1	Nameplate - Serial Number (Note: Not Available for Purchase)	
8	3820001	2	Rivet	
9	1701504	1	Decal - Hydraulic Oil	
10	1701642	2	Decal - Arrow	
11	1705921	1	Decal - Danger/Caution	
13	1701644	2	Decal - Charger	
15	1705828	1	Decal - Footswitch	
16	1704277	2	Decal - Attach Lanyard	
19	0961127	1	Bushing, Snap	
21	0100010	AR	Adhesive	
22	1701691	4	Decal - No Step	
23	1001104864	1	Decal - Manual Descent	
25	1001193949	1	Decal - Cable Routing	
27	1706378	1	Decal - Charging Instructions	
28	1704431	1	Decal - Battery Charger LED Indicator	
31	0860520	1	Box, Manual Storage (SN 0300208529 through 0300214528)	
35	4751400	4	Washer, 1/4	
36	3311405	4	Nut, 1/4-20	
37	1703811	4	Decal - Lift	
38	1701509	1	Decal - Manual	
39	1705670	AR	Decal - Explosion Warning	
41	1701518	6	Decal - Crushing Hazard	
47	1705977	1	Decal - Upright Level Over-Ride	
50	1703814	4	Decal - Tie Down	
52	See Note	1	Decal - Bar Code (Note: Not Available for Purchase)	
53	1705978	1	Decal - Capacity	
65	1705978	1	Decal - Capacity	
77	1704412	1	Decal - Oil Type	
79	1704885	2	Decal - Website	
80	0641406	4	Bolt, 1/4-20 x 3/4	
82	1001189882	1	Decal - MSSO Operation	
85	1001222801	1	Decal - Manual Jib Pump (SN 0300233828 through 0300272287, SN B300002016 through B300005763, Excluding B300005567)	

# SECTION 9 - DECAL

## FIGURE 9-5. DECAL INSTALLATION - AUSTRALIAN SPEC - M450AJ



ART\_1001178377



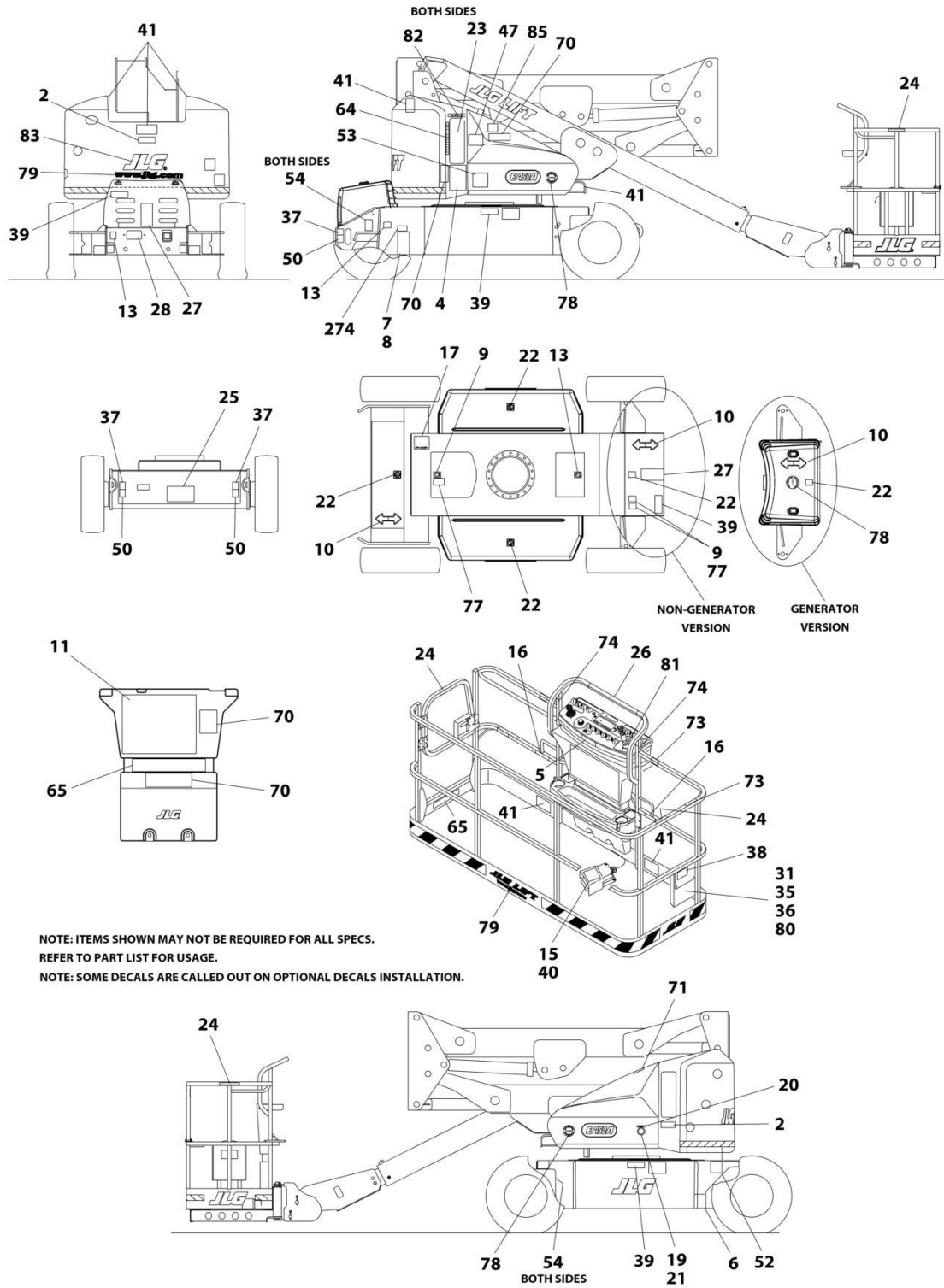
## SECTION 9 - DECAL

**FIGURE 9-5. DECAL INSTALLATION - AUSTRALIAN SPEC - M450AJ**

ITEM	PART NUMBER	QTY	DESCRIPTION	REV
	1001178379	Ref	DECAL INSTALLATION - REFERENCE CHART	L
	1001178377	Ref	DECAL INSTALLATION - AUSTRALIAN SPEC - M450AJ	H
4	1705822	1	Decal - Danger/Caution	
7	See Note	1	Nameplate - Serial Number (Note: Not Available for Purchase)	
8	3820001	2	Rivet	
9	1701504	1	Decal - Hydraulic Oil	
10	1701642	2	Decal - Arrow	
11	1705921	1	Decal - Danger/Caution	
13	1701644	2	Decal - Charger	
15	1705828	1	Decal - Footswitch	
16	1704277	2	Decal - Attach Lanyard	
19	0961127	1	Bushing, Snap	
21	0100010	AR	Adhesive	
22	1701691	4	Decal - No Step	
23	1001104864	1	Decal - Manual Descent	
25	1001193949	1	Decal - Cable Routing	
27	1706378	1	Decal - Charging Instructions	
28	1704431	1	Decal - Battery Charger LED Indicator <b>(SN 0300208529 through 0300214528)</b>	
31	0860520	1	Box, Manual Storage	
35	4751400	4	Washer, 1/4	
36	3311405	4	Nut, 1/4-20	
37	1703811	4	Decal - Lift	
38	1701509	1	Decal - Manual	
39	1705670	AR	Decal - Warning Explosion	
41	1701518	6	Decal - Crushing Hazard	
47	1705977	1	Decal - Upright Level Over-Ride	
50	1703814	4	Decal - Tie Down	
52	See Note	1	Decal - Bar Code (Note: Not Available for Purchase)	
53	1705978	1	Decal - Capacity	
65	1705978	1	Decal - Capacity	
77	1704412	1	Decal - Oil Type	
78	1001121510	3	Decal - Hybrid	
79	1704885	2	Decal - Website	
80	0641406	4	Bolt 1/4-20 x 3/4	
82	1001189882	1	Decal - MSSO Operation	
85	1001222801	1	Decal - Manual Jib Pump <b>(SN 0300233828 through 0300272287)</b>	

# SECTION 9 - DECAL

## FIGURE 9-6. DECAL INSTALLATION - CE AND CHINA SPECS - E450AJ



NOTE: ITEMS SHOWN MAY NOT BE REQUIRED FOR ALL SPECS.  
REFER TO PART LIST FOR USAGE.  
NOTE: SOME DECALS ARE CALLED OUT ON OPTIONAL DECALS INSTALLATION.

ART\_1001190003

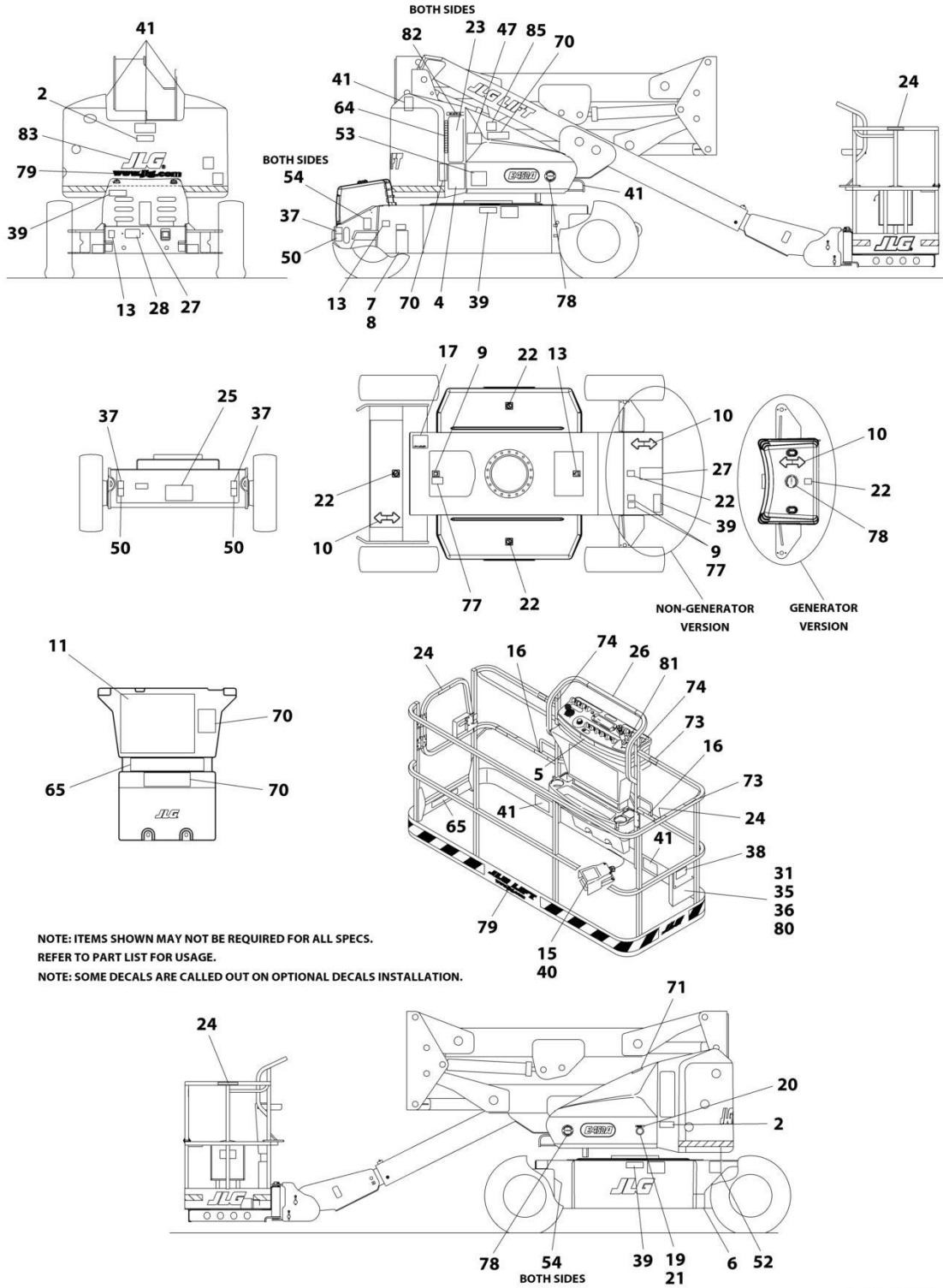
**SECTION 9 - DECAL**

**FIGURE 9-6. DECAL INSTALLATION - CE AND CHINA SPECS - E450AJ**

ITEM	PART NUMBER	QTY	DESCRIPTION	REV
	1001178379	Ref	DECAL INSTALLATION - REFERENCE CHART (SN 0300208529 through 0300220860, SN B300001429 through B300001580)	G
	1001217465	Ref	DECAL INSTALLATION - REFERENCE CHART (SN 0300220861 through 0300272287, SN B300001581 through B300005763, Excluding B300005567)	B
	1001190003	Ref	DECAL INSTALLATION - CE AND CHINA SPECS - E450AJ	G
4	1705822	1	Decal - Danger/Caution	
7	See Note	1	Nameplate - Serial Number (Note: Not Available for Purchase)	
8	3820001	2	Rivet	
9	1701504	1	Decal - Hydraulic Oil	
10	1701642	2	Decal - Arrow	
11	1705921	1	Decal - Danger/Caution	
13	1701644	2	Decal - Charger	
15	1705828	1	Decal - Footswitch	
16	1704277	2	Decal - Attach Lanyard	
19	0961127	1	Bushing, Snap	
21	0100010	AR	Adhesive	
22	1701691	4	Decal - No Step	
23	1001104864	1	Decal - Manual Descent	
25	1001193949	1	Decal - Cable Routing	
27	1706378	1	Decal - Charging Instructions	
28	1704431	1	Decal - Battery Charger LED Indicator (SN 0300208529 through 0300214528, SN B300001429 through B300001580)	
31	0860520	1	Box, Manual Storage	
35	4751400	4	Washer, 1/4	
36	3311405	4	Nut, 1/4-20	
37	1703811	4	Decal - Lift	
38	1701509	1	Decal - Manual	
39	1705670	AR	Decal - Explosion Warning	
41	1701518	6	Decal - Crushing Hazard	
47	1705977	1	Decal - Upright Level Over-Ride	
50	1703814	4	Decal - Tie Down	
52	See Note	1	Decal - Bar Code (Note: Not Available for Purchase)	
53	1705978	1	Decal - Capacity	
65	1705978	1	Decal - Capacity	
77	1704412	1	Decal - Oil Type	
79	1704885	2	Decal - Website (SN 0300208529 through 0300220860, SN B300001429 through B300001580)	
80	0641406	4	Bolt, 1/4-20 x 3/4	
83	1702773	1	Decal - JLG 5in (SN 0300220861 through 0300272287, SN B300001581 through B300005763, Excluding B300005567)	
85	1001222801	1	Decal - Manual Jib Pump (SN 0300233828 through 0300272287, SN B300002016 through B300005763, Excluding B300005567)	
274	1001214031	1	Decal Installation - EAC (Russian/CIS Specs)	
274	1001173703	1	Decal - EAC (Russian/CIS Specs)	

# SECTION 9 - DECAL

## FIGURE 9-7. DECAL INSTALLATION - CE SPEC - M450AJ



NOTE: ITEMS SHOWN MAY NOT BE REQUIRED FOR ALL SPECS.  
 REFER TO PART LIST FOR USAGE.  
 NOTE: SOME DECALS ARE CALLED OUT ON OPTIONAL DECALS INSTALLATION.

ART\_1001190004

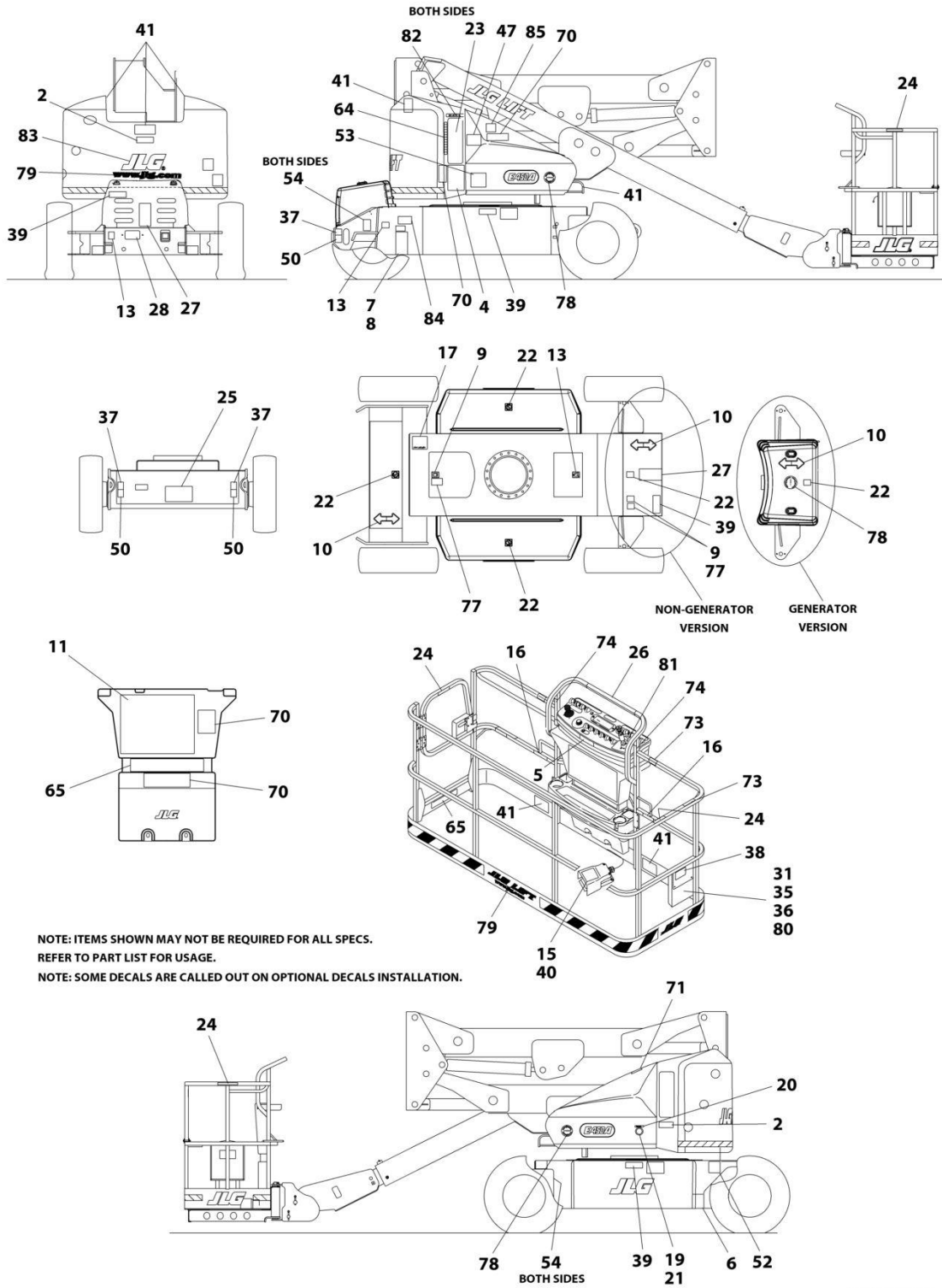
**SECTION 9 - DECAL**

**FIGURE 9-7. DECAL INSTALLATION - CE SPEC - M450AJ**

ITEM	PART NUMBER	QTY	DESCRIPTION	REV
	1001178379	Ref	DECAL INSTALLATION - REFERENCE CHART (SN 0300208529 through 0300220860)	G
	1001217465	Ref	DECAL INSTALLATION - REFERENCE CHART (SN 0300220861 through 0300272287)	B
	1001190004	Ref	DECAL INSTALLATION - CE SPEC - M450AJ	G
4	1705822	1	Decal - Danger/Caution	
7	See Note	1	Nameplate - Serial Number (Note: Not Available for Purchase)	
8	3820001	2	Rivet	
9	1701504	1	Decal - Hydraulic Oil	
10	1701642	2	Decal - Arrow	
11	1705921	1	Decal - Danger/Caution	
13	1701644	2	Decal - Charger	
15	1705828	1	Decal - Footswitch	
16	1704277	2	Decal - Attach Lanyard	
19	0961127	1	Bushing, Snap	
21	0100010	AR	Adhesive	
22	1701691	4	Decal - No Step	
23	1001104864	1	Decal - Manual Descent	
25	1001193949	1	Decal - Cable Routing	
27	1706378	1	Decal - Charging Instructions	
28	1704431	1	Decal - Battery Charger LED Indicator (SN 0300208529 through 0300214528)	
31	0860520	1	Box, Manual Storage	
35	4751400	4	Washer, 1/4	
36	3311405	4	Nut, 1/4-20	
37	1703811	4	Decal - Lift	
38	1701509	1	Decal - Manual	
39	1705670	AR	Decal - Warning Explosion	
41	1701518	6	Decal - Crushing Hazard	
47	1705977	1	Decal - Upright Level Over-Ride	
50	1703814	4	Decal - Tie Down	
52	See Note	1	Decal - Bar Code (Note: Not Available for Purchase)	
53	1705978	1	Decal - Capacity	
65	1705978	1	Decal - Capacity	
77	1704412	1	Decal - Oil Type	
78	1001121510	3	Decal - Hybrid	
79	1704885	2	Decal - Website (SN 0300208529 through 0300220860)	
80	0641406	4	Bolt 1/4-20 x 3/4	
83	1702773	1	Decal - JLG 5in (SN 0300220861 through 0300272287)	
85	1001222801	1	Decal - Manual Jib Pump (SN 0300233828 through 0300272287)	

# SECTION 9 - DECAL

FIGURE 9-8. DECAL INSTALLATION - CHINESE/ENGLISH - E450A/E450AJ (USA BUILT MACHINES)



ART\_1001178376

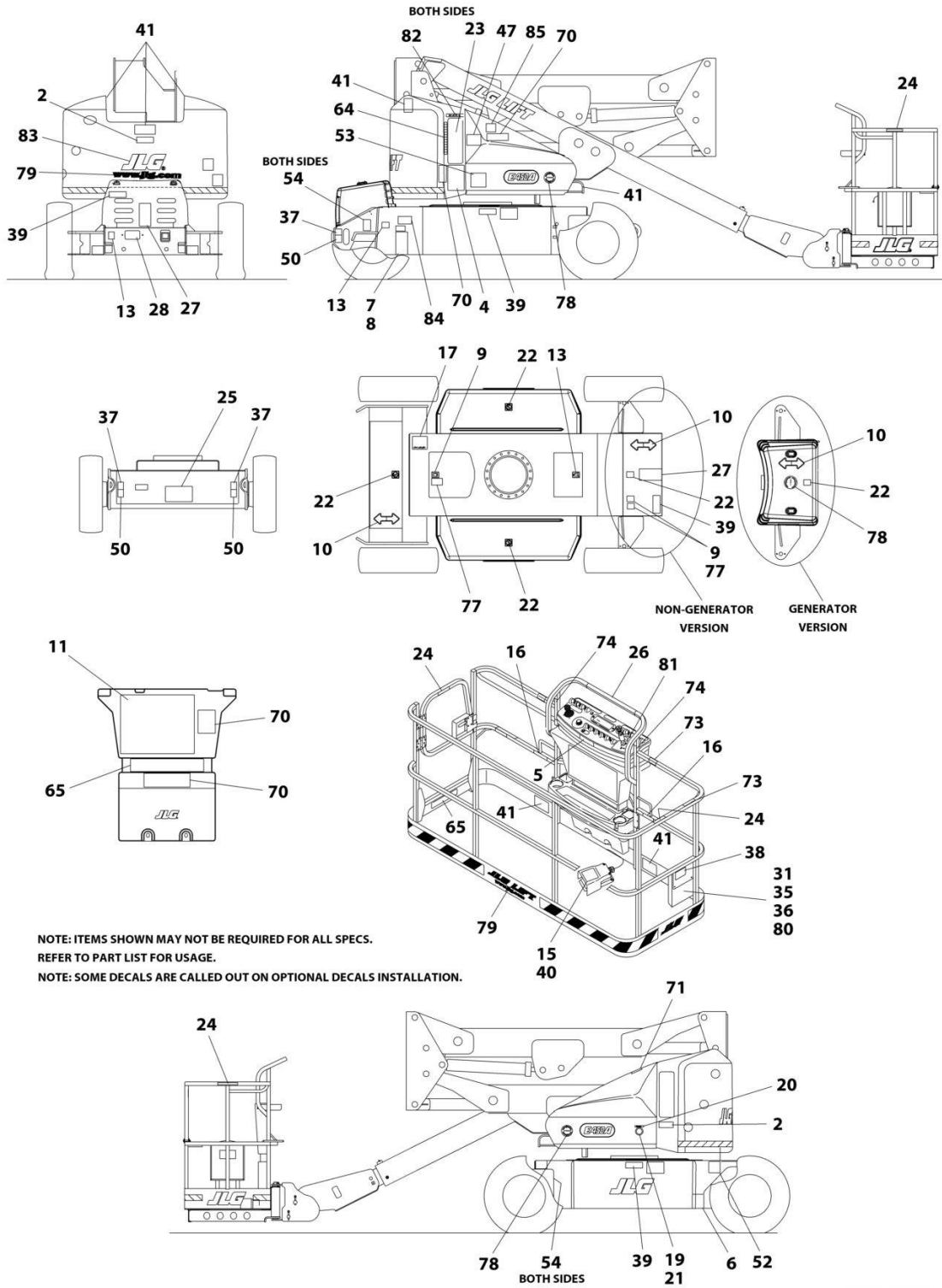
**SECTION 9 - DECAL**

**FIGURE 9-8. DECAL INSTALLATION - CHINESE/ENGLISH - E450A/E450AJ (USA BUILT MACHINES)**

ITEM	PART NUMBER	QTY	DESCRIPTION	REV
	1001178379	Ref	DECAL INSTALLATION - REFERENCE CHART	L
	1001178376	Ref	DECAL INSTALLATION - CHINESE/ENGLISH - E450A/E450AJ (USA BUILT MACHINES)	G
2	1703937	2	Decal - Electrocutation	
4	1703931	1	Decal - Danger/Caution	
7	See Note	1	Nameplate - Serial Number (Note: Not Available for Purchase)	
8	3820001	2	Rivet	
9	1701504	1	Decal - Hydraulic Oil	
10	1701642	2	Decal - Arrow	
11	1703925	1	Decal - Caution/Danger	
13	1701644	2	Decal - Charger	
15	1703982	1	Decal - Footswitch	
16	1704277	2	Decal - Attach Lanyard	
19	0961127	1	Bushing, Snap	
21	0100010	AR	Adhesive	
22	1701691	4	Decal - No Step	
23	1001104864	1	Decal - Manual Descent	
25	1001193949	1	Decal - Cable Routing	
27	1704419	1	Decal - Charger	
28	1704431	1	Decal - Battery Charger LED Indicator <b>(SN 0300208529 through 0300214528)</b>	
31	0860520	1	Box, Manual Storage	
35	4751400	AR	Washer, 1/4	
36	3311405	AR	Nut, Lock, 1/4-20	
37	1701500	4	Decal - Lift	
38	1701509	1	Decal - Manual	
39	1704344	3	Decal - Explosion Warning	
41	1703949	6	Decal - Crushing Hazard	
47	1703988	1	Decal - Upright Level Override	
50	1702300	4	Decal - Tie Down	
52	See Note	1	Decal - Bar Code (Note: Not Available for Purchase)	
53	1001121823	1	Decal - 500 LBS. Max Capacity	
65	1001121810	2	Decal - 500 LBS. Max Capacity	
77	1704412	1	Decal - Oil Type	
79	1704885	2	Decal - Website	
80	0641406	4	Bolt 1/4-20 x 3/4	
81	1705430	1	Decal - Drive/Steer Instruction	
82	1001189882	1	Decal - MSSO Operation	
84	1001224050	1	Decal - Yearly Inspection <b>(SN 0300233828 through 0300272287)</b>	
85	1001222801	1	Decal - Manual Jib Pump <b>(SN 0300233828 through 0300272287)</b>	

# SECTION 9 - DECAL

## FIGURE 9-9. DECAL INSTALLATION - CHINESE/ENGLISH - E450AJ (CHINA BUILT MACHINES)



ART\_1001214413



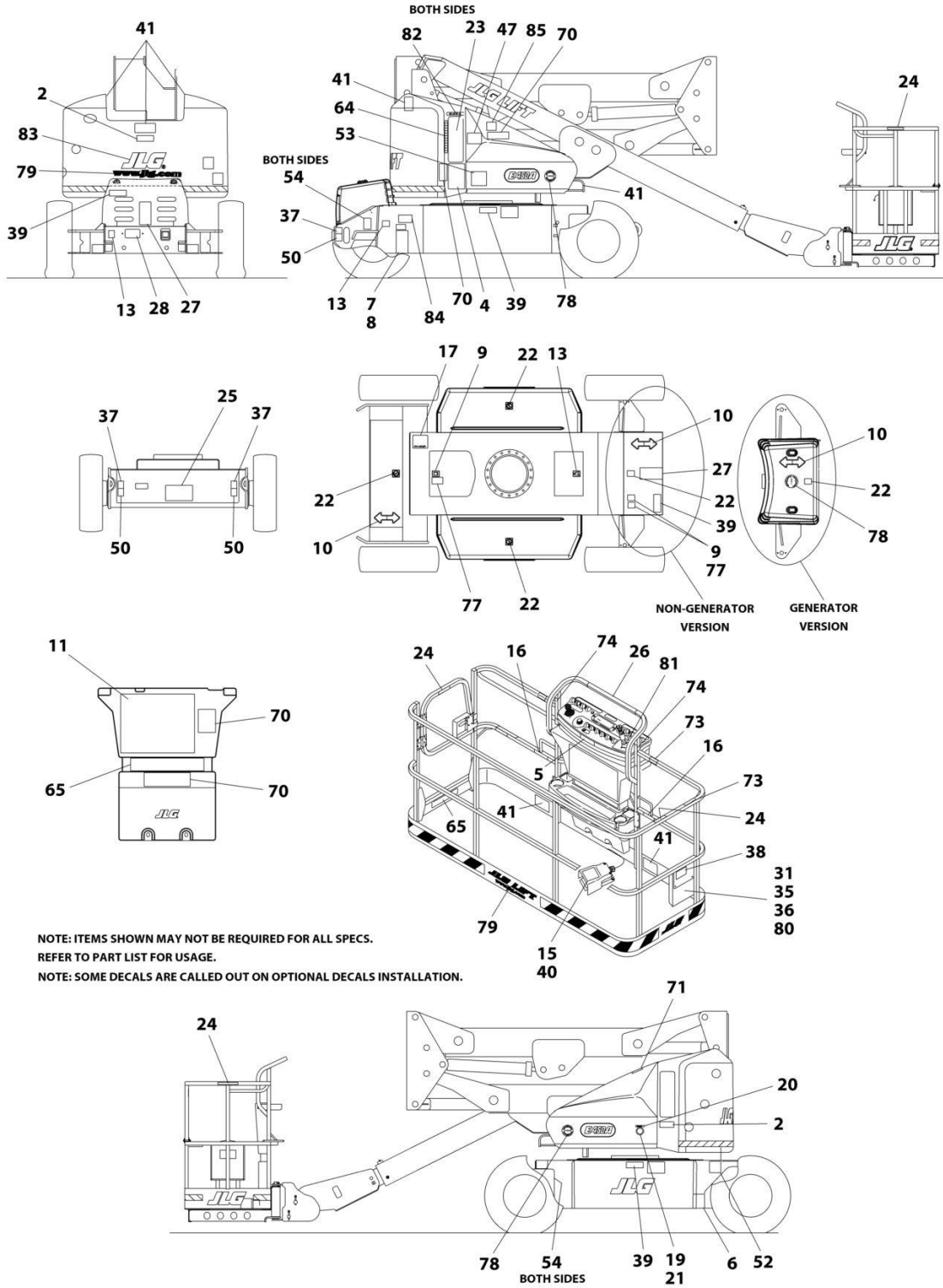
**SECTION 9 - DECAL**

**FIGURE 9-9. DECAL INSTALLATION - CHINESE/ENGLISH - E450AJ (CHINA BUILT MACHINES)**

ITEM	PART NUMBER	QTY	DESCRIPTION	REV
	1001178379	Ref	DECAL INSTALLATION - REFERENCE CHART	L
	1001214413	Ref	DECAL INSTALLATION - CHINESE/ENGLISH -E450AJ (CHINA BUILT MACHINES)	C
2	1703937	2	Decal - Electrocutation	
4	1703931	1	Decal - Danger/Caution	
7	See Note	1	Nameplate - Serial Number (Note: Not Available for Purchase)	
8	3820001	2	Rivet	
9	1701504	1	Decal - Hydraulic Oil	
10	1701642	2	Decal - Arrow	
11	1703925	1	Decal - Caution/Danger	
13	1701644	2	Decal - Charger	
15	1703982	1	Decal - Footswitch	
16	1704277	2	Decal - Attach Lanyard	
19	0961127	1	Bushing, Snap	
21	0100010	AR	Adhesive	
22	1701691	4	Decal - No Step	
23	1001104864	1	Decal - Manual Descent	
25	1001193949	1	Decal - Cable Routing	
27	1704419	1	Decal - Charger	
31	0860520	1	Box, Manual Storage	
35	4751400	4	Washer, 1/4	
36	3311405	4	Nut, Lock, 1/4-20	
37	1701500	4	Decal - Lift	
38	1701509	1	Decal - Manual	
39	1704344	3	Decal - Explosion Warning	
41	1703949	6	Decal - Crushing Hazard	
47	1703988	1	Decal - Upright Level Override	
50	1702300	4	Decal - Tie Down	
52	See Note	1	Decal - Bar Code (Note: Not Available for Purchase)	
53	1001121823	1	Decal - 500 LBS. Max Capacity	
65	1001121810	2	Decal - 500 LBS. Max Capacity	
77	1704412	1	Decal - Oil Type	
79	1704885	2	Decal - Website	
80	0641406	4	Bolt 1/4-20 x 3/4	
81	1705430	1	Decal - Drive/Steer Instruction	
82	1001189882	1	Decal - MSSO Operation	
84	1001224050	1	Decal - Yearly Inspection (SN B300002016 through B300005763, Excluding B300005567)	
85	1001222801	1	Decal - Manual Jib Pump (SN B300002016 through B300005763, Excluding B300005567)	

# SECTION 9 - DECAL

## FIGURE 9-10. DECAL INSTALLATION - CHINESE/ENGLISH - M450AJ



ART\_1001178375

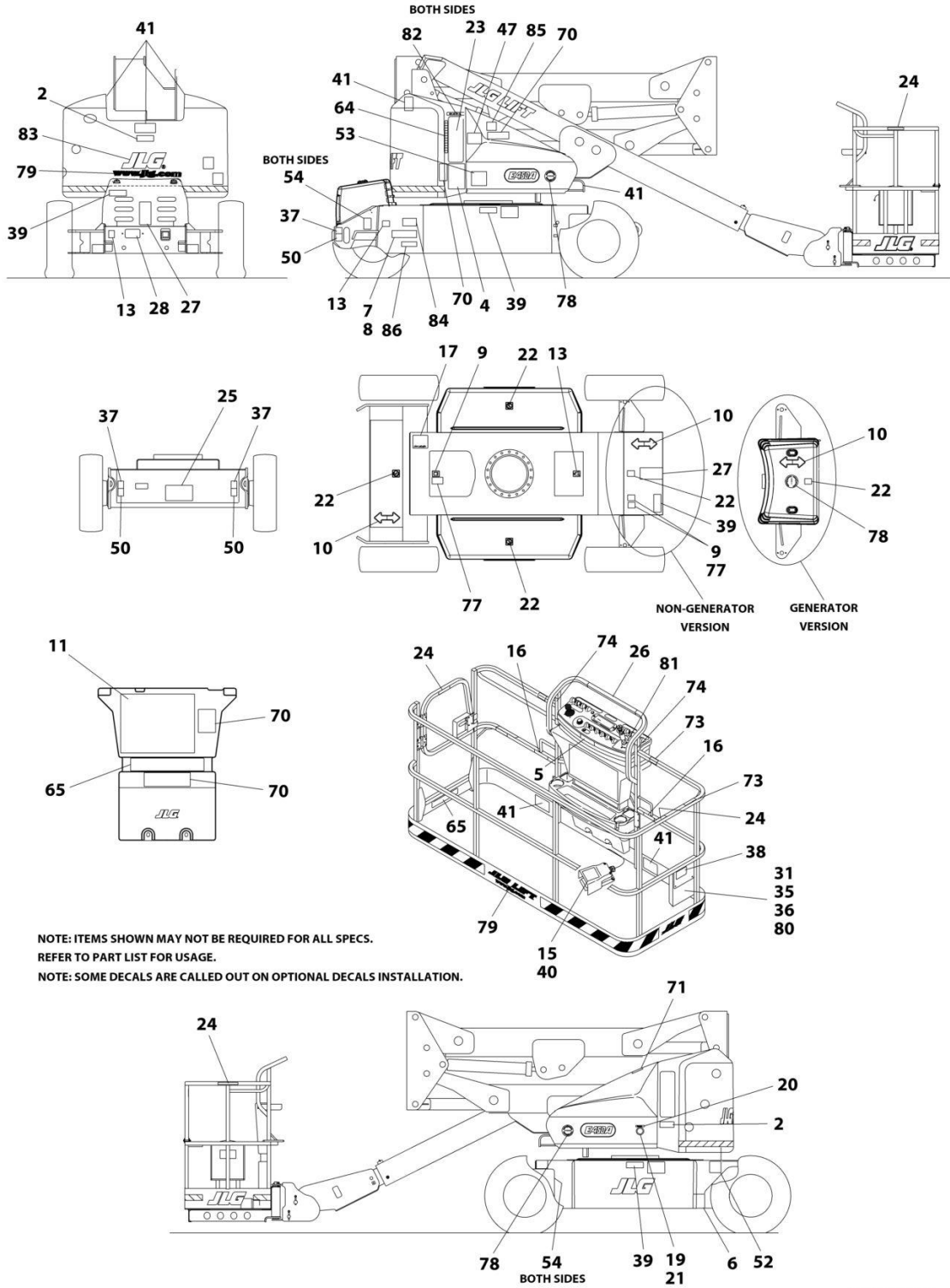
## SECTION 9 - DECAL

**FIGURE 9-10. DECAL INSTALLATION - CHINESE/ENGLISH - M450AJ**

ITEM	PART NUMBER	QTY	DESCRIPTION	REV
	1001178379	Ref	DECAL INSTALLATION - REFERENCE CHART	L
	1001178375	Ref	DECAL INSTALLATION - CHINESE/ENGLISH - M450AJ	G
2	1703937	2	Decal - Electrocution	
4	1703931	1	Decal - Danger/Caution	
7	See Note	1	Nameplate - Serial Number (Note: Not Available for Purchase)	
8	3820001	2	Rivet	
9	1701504	1	Decal - Hydraulic Oil	
10	1701642	2	Decal - Arrow	
11	1703925	1	Decal - Caution/Danger	
13	1701644	2	Decal - Charger	
15	1703982	1	Decal - Footswitch	
16	1704277	2	Decal - Attach Lanyard	
19	0961127	1	Bushing, Snap	
21	0100010	AR	Adhesive	
22	1701691	4	Decal - No Step	
23	1001104864	1	Decal - Manual Descent	
25	1001193949	1	Decal - Cable Routing	
27	1704419	1	Decal - Charger	
28	1704431	1	Decal - Battery Charger LED Indicator <b>(SN 0300208529 through 0300214528)</b>	
31	0860520	1	Box, Manual Storage	
35	4751400	AR	Washer, 1/4	
36	3311405	AR	Nut, Lock, 1/4-20	
37	1701500	4	Decal - Lift	
38	1701509	1	Decal - Manual	
39	1704344	3	Decal - Explosion Warning	
41	1703949	6	Decal - Crushing Hazard	
47	1703988	1	Decal - Upright Level Override	
50	1702300	4	Decal - Tie Down	
52	See Note	1	Decal - Bar Code (Note: Not Available for Purchase)	
53	1001121823	1	Decal - 500 LBS. Max Capacity	
65	1001121810	2	Decal - 500 LBS. Max Capacity	
70	1001093687	2	Decal - Generator Danger <b>(SN 0300208529 through 0300233828)</b>	
71	1701505	1	Decal - Fuel	
77	1704412	1	Decal - Oil Type	
78	1001121510	3	Decal - Hybrid	
79	1704885	2	Decal - Website	
80	0641406	4	Bolt 1/4-20 x 3/4	
81	1705430	1	Decal - Drive/Steer Instruction	
82	1001189882	1	Decal - MSSO Operation	
84	1001224050	1	Decal - Yearly Inspection <b>(SN 0300233828 through 0300272287)</b>	
85	1001222801	1	Decal - Manual Jib Pump <b>(SN 0300233828 through 0300272287)</b>	

# SECTION 9 - DECAL

## FIGURE 9-11. DECAL INSTALLATION - FRENCH/ENGLISH SPECS - E450A/E450AJ



NOTE: ITEMS SHOWN MAY NOT BE REQUIRED FOR ALL SPECS.  
REFER TO PART LIST FOR USAGE.  
NOTE: SOME DECALS ARE CALLED OUT ON OPTIONAL DECALS INSTALLATION.

ART\_1001178366

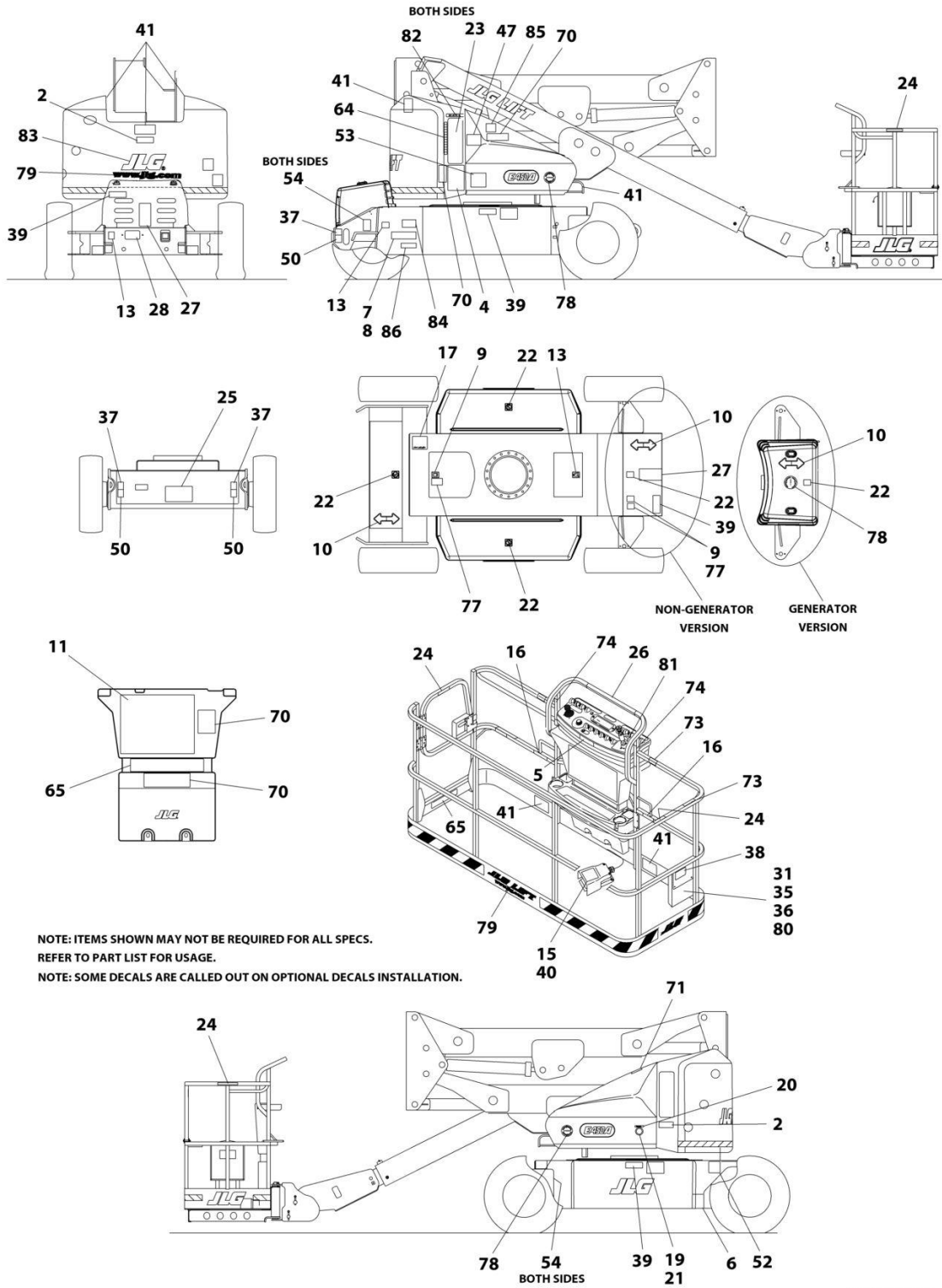
**SECTION 9 - DECAL**

**FIGURE 9-11. DECAL INSTALLATION - FRENCH/ENGLISH SPECS - E450A/E450AJ**

ITEM	PART NUMBER	QTY	DESCRIPTION	REV
	1001178379	Ref	DECAL INSTALLATION - REFERENCE CHART	L
	1001178366	Ref	DECAL INSTALLATION - FRENCH/ENGLISH SPECS - E450A/E450AJ	G
2	1703936	2	Decal - Electrocutation	
4	1703930	1	Decal - Danger/Caution	
5	1705514	1	Decal - CSA	
6	1700584	1	Decal - Patent	
7	See Note	1	Nameplate - Serial Number (Note: Not Available for Purchase)	
8	3820001	2	Rivet	
9	1701504	1	Decal - Hydraulic Oil	
10	1701642	2	Decal - Arrow	
11	1703924	1	Decal - Caution/Danger	
13	1701644	2	Decal - Charger	
15	1703984	1	Decal - Footswitch	
16	1704277	2	Decal - Attach Lanyard	
19	0961127	1	Bushing, Snap	
20	3251243	1	Nameplate - 120V/60HZ	
21	0100010	AR	Adhesive	
22	1701691	4	Decal - No Step	
23	1001104864	1	Decal - Manual Descent	
24	1704000	2	Decal - No Hands	
25	1001193949	1	Decal - Cable Routing	
26	1001196811	1	Decal - Legend Platform	
27	1704452	1	Decal - Charger	
28	1704431	1	Decal - Battery Charger LED Indicator <b>(SN 0300208529 through 0300214528)</b>	
31	0860520	1	Box, Manual Storage	
35	4751400	AR	Washer, 1/4	
36	3311405	AR	Nut, Lock, 1/4-20	
37	1701500	4	Decal - Lift	
38	1701509	1	Decal - Manual	
39	1704340	3	Decal - Explosion Warning	
41	1703948	6	Decal - Crushing Hazard	
47	1702265	1	Decal - Boom Sequence	
50	1702300	4	Decal - Tie Down	
52	See Note	1	Decal - Bar Code (Note: Not Available for Purchase)	
53	1001121816	1	Decal - 500 LBS. Max Capacity	
64	1706950	1	Decal - Key, Main Terminal Box	
65	1001121803	2	Decal - 500 LBS. Max Capacity	
77	1704412	1	Decal - Oil Type	
79	1704885	2	Decal - Website	
80	0641406	4	Bolt 1/4-20 x 3/4	
81	1705429	1	Decal - Drive/Steer Instruction	
82	1001189882	1	Decal - MSSO Operation	
84	1001223971	1	Decal - Yearly Inspection <b>(SN 0300233828 through 0300272287)</b>	
85	1001222801	1	Decal - Manual Jib Pump <b>(SN 0300233828 through 0300272287)</b>	
86	1001228370	1	Decal - CSA ICES <b>(SN 0300233828 through 0300272287)</b>	

# SECTION 9 - DECAL

## FIGURE 9-12. DECAL INSTALLATION - FRENCH/ENGLISH SPECS - M450AJ



ART\_1001178365

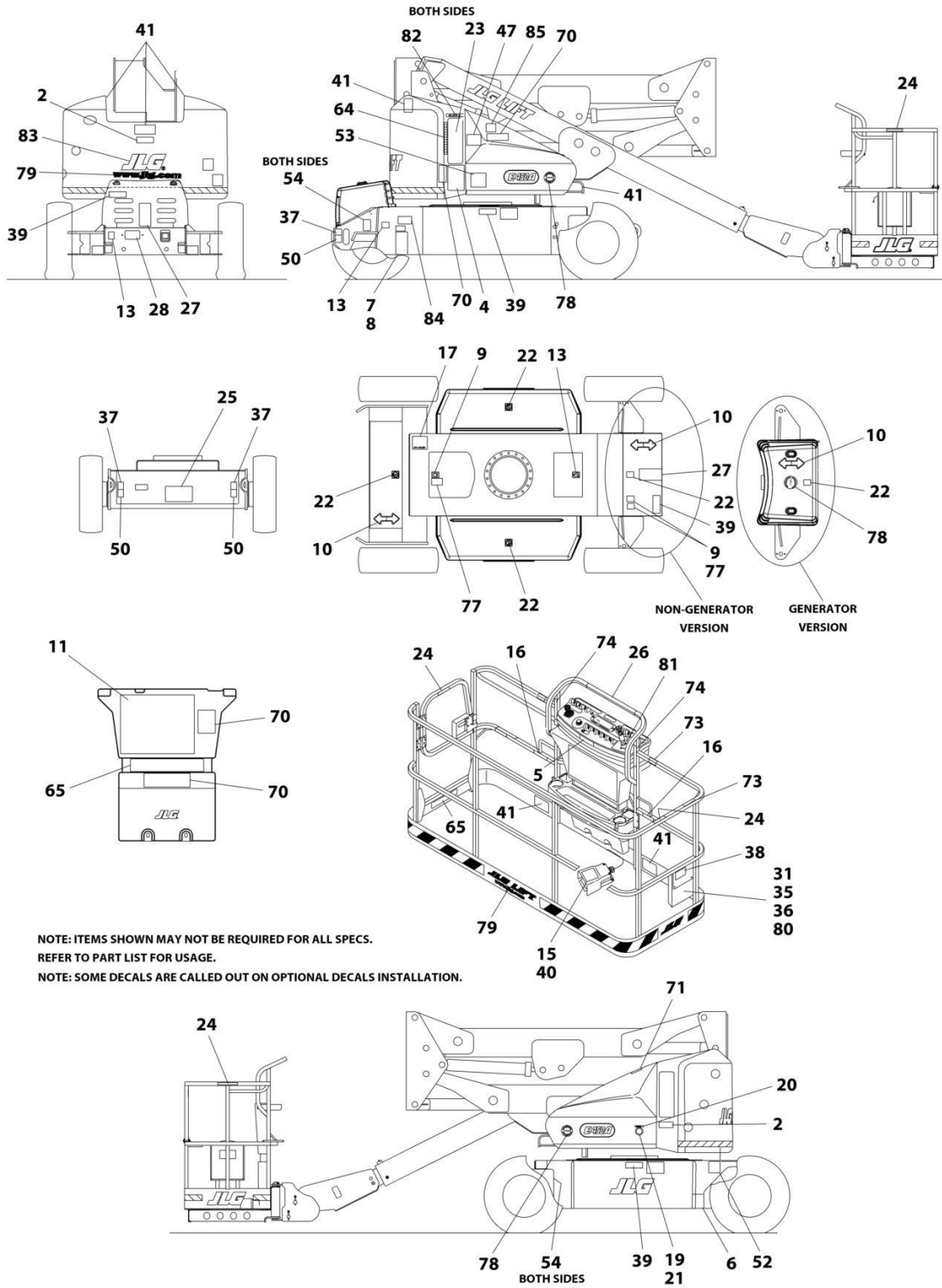
**SECTION 9 - DECAL**

**FIGURE 9-12. DECAL INSTALLATION - FRENCH/ENGLISH SPECS - M450AJ**

ITEM	PART NUMBER	QTY	DESCRIPTION	REV
	1001178379	Ref	DECAL INSTALLATION - REFERENCE CHART	L
	1001178365	Ref	DECAL INSTALLATION - FRENCH/ENGLISH SPECS - M450AJ	G
2	1703936	2	Decal - Electrocution	
4	1703930	1	Decal - Danger/Caution	
5	1705514	1	Decal - CSA	
7	See Note	1	Nameplate - Serial Number (Note: Not Available for Purchase)	
8	3820001	2	Rivet	
9	1701504	1	Decal - Hydraulic Oil	
10	1701642	2	Decal - Arrow	
11	1703924	1	Decal - Caution/Danger	
13	1701644	2	Decal - Charger	
15	1703984	1	Decal - Footswitch	
16	1704277	2	Decal - Attach Lanyard	
19	0961127	1	Bushing, Snap	
20	3251243	1	Nameplate - 120V/60HZ	
21	0100010	AR	Adhesive	
22	1701691	4	Decal - No Step	
23	1001104864	1	Decal - Manual Descent	
24	1704000	2	Decal - No Hands	
25	1001193949	1	Decal - Cable Routing	
26	1001196811	1	Decal - Legend Platform	
27	1704452	1	Decal - Charger	
28	1704431	1	Decal - Battery Charger LED Indicator <b>(SN 0300208529 through 0300214528)</b>	
31	0860520	1	Box, Manual Storage	
35	4751400	AR	Washer, 1/4	
36	3311405	AR	Nut, Lock, 1/4-20	
37	1701500	4	Decal - Lift	
38	1701509	1	Decal - Manual	
39	1704340	3	Decal - Explosion Warning	
41	1703948	6	Decal - Crushing Hazard	
47	1702265	1	Decal - Boom Sequence	
50	1702300	1	Decal - Tie Down	
52	See Note	1	Decal - Bar Code (Note: Not Available for Purchase)	
53	1001121816	1	Decal - 500 LBS. Max Capacity	
64	1706950	1	Decal - Key, Main Terminal Box	
65	1001121803	2	Decal - 500 LBS. Max Capacity	
70	1001093687	2	Decal - Generator Danger <b>(SN 0300208529 through 0300233828)</b>	
77	1704412	1	Decal - Oil Type	
78	1001121510	3	Decal - Hybrid	
79	1704885	2	Decal - Website	
80	0641406	4	Bolt 1/4-20 x 3/4	
81	1705429	1	Decal - Drive/Steer Instruction	
82	1001189882	1	Decal - MSSO Operation	
84	1001223971	1	Decal - Yearly Inspection <b>(SN 0300233828 through 0300272287)</b>	
85	1001222801	1	Decal - Manual Jib Pump <b>(SN 0300233828 through 0300272287)</b>	
86	1001228370	1	Decal - CSA ICES <b>(SN 0300233828 through 0300272287)</b>	

# SECTION 9 - DECAL

FIGURE 9-13. DECAL INSTALLATION - JAPANESE SPEC - E450A/E450AJ (USA BUILT MACHINES)



NOTE: ITEMS SHOWN MAY NOT BE REQUIRED FOR ALL SPECS.  
REFER TO PART LIST FOR USAGE.  
NOTE: SOME DECALS ARE CALLED OUT ON OPTIONAL DECALS INSTALLATION.

ART\_1001178372



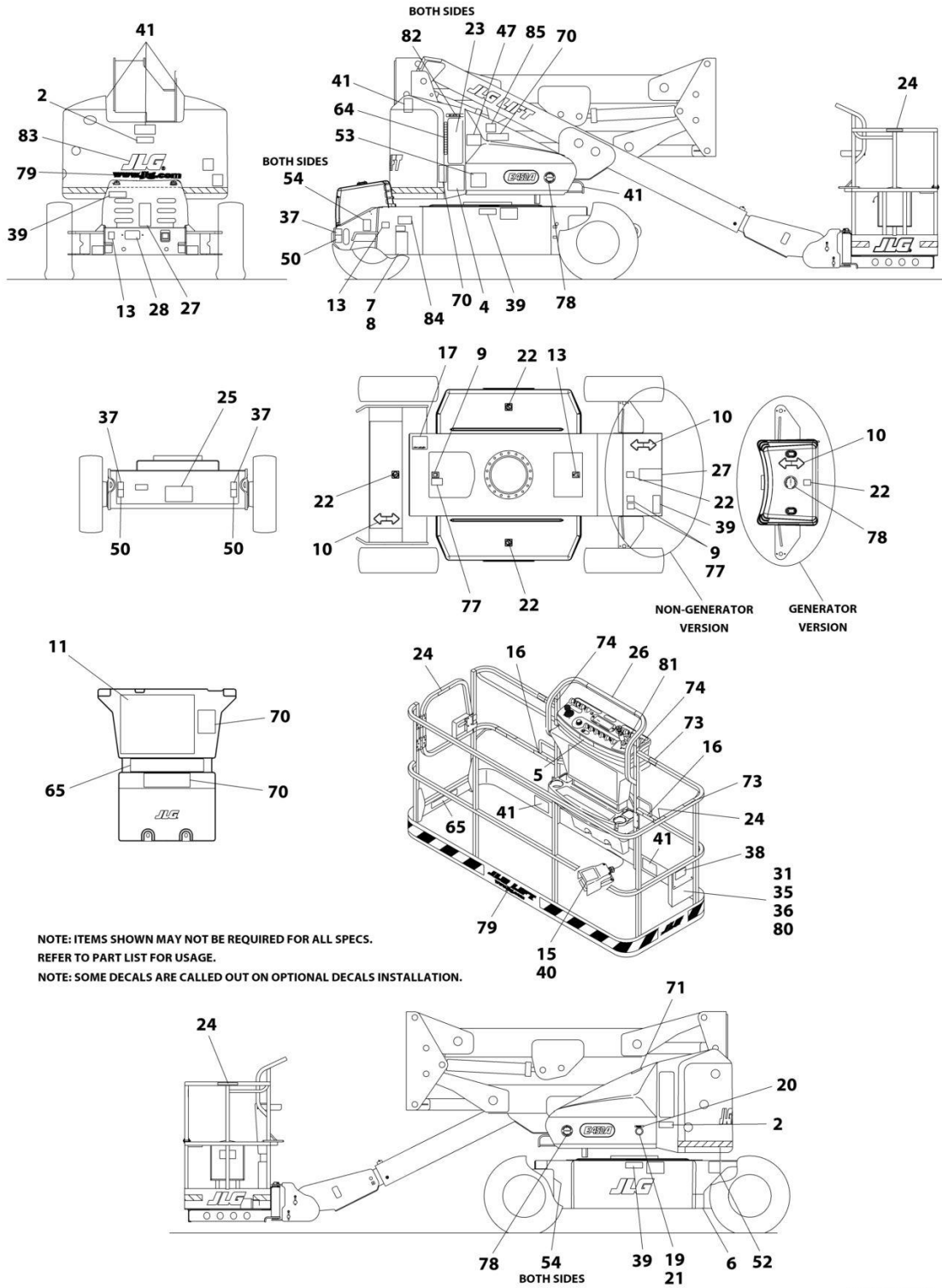
**SECTION 9 - DECAL**

**FIGURE 9-13. DECAL INSTALLATION - JAPANESE SPEC - E450A/E450AJ (USA BUILT MACHINES)**

ITEM	PART NUMBER	QTY	DESCRIPTION	REV
	1001178379	Ref	DECAL INSTALLATION - REFERENCE CHART	L
	1001178372	Ref	DECAL INSTALLATION - JAPANESE SPEC - E450A/E450AJ (USA BUILT MACHINES)	G
2	1703938	2	Decal - Electrocutation	
4	1703932	1	Decal - Danger/Caution	
7	See Note	1	Nameplate - Serial Number (Note: Not Available for Purchase)	
8	3820001	2	Rivet	
9	1701504	1	Decal - Hydraulic Oil	
10	1701642	2	Decal - Arrow	
11	1703926	1	Decal - Caution/Danger	
13	1701644	2	Decal - Charger	
15	1703980	1	Decal - Footswitch	
16	1704277	2	Decal - Attach Lanyard	
19	0961127	1	Bushing, Snap	
21	0100010	AR	Adhesive	
22	1701691	4	Decal - No Step	
23	1001104864	1	Decal - Manual Descent	
25	1001193949	1	Decal - Cable Routing	
26	1001196811	1	Decal - Legend Platform	
27	1704417	1	Decal - Charger	
28	1704431	1	Decal - Battery Charger LED Indicator (SN 0300208529 through 0300214528)	
31	0860520	1	Box, Manual Storage	
35	4751400	4	Washer, 1/4	
36	3311405	4	Nut, Lock, 1/4-20	
37	1701500	4	Decal - Lift	
38	1701509	1	Decal - Manual	
39	1704342	3	Decal - Explosion Warning	
41	1703950	6	Decal - Crushing Hazard	
47	1702271	1	Decal	
50	1702300	4	Decal - Tie Down	
52	See Note	1	Decal - Bar Code (Note: Not Available for Purchase)	
53	1001121821	1	Decal - 500 LBS. Max Capacity	
65	1001121808	2	Decal - 500 LBS. Max Capacity	
77	1704412	1	Decal - Oil Type	
79	1704885	2	Decal - Website	
80	0641406	4	Bolt 1/4-20 x 3/4	
81	1705426	1	Decal - Drive/Steer Instruction	
82	1001189882	1	Decal - MSSO Operation	
84	1001224053	1	Decal - Yearly Inspection (SN 0300233828 through 0300272287)	
85	1001222801	1	Decal - Manual Jib Pump (SN 0300233828 through 0300272287)	

# SECTION 9 - DECAL

## FIGURE 9-14. DECAL INSTALLATION - JAPANESE SPEC - E450AJ (CHINA BUILT MACHINES)



NOTE: ITEMS SHOWN MAY NOT BE REQUIRED FOR ALL SPECS.  
REFER TO PART LIST FOR USAGE.  
NOTE: SOME DECALS ARE CALLED OUT ON OPTIONAL DECALS INSTALLATION.

ART\_1001214411

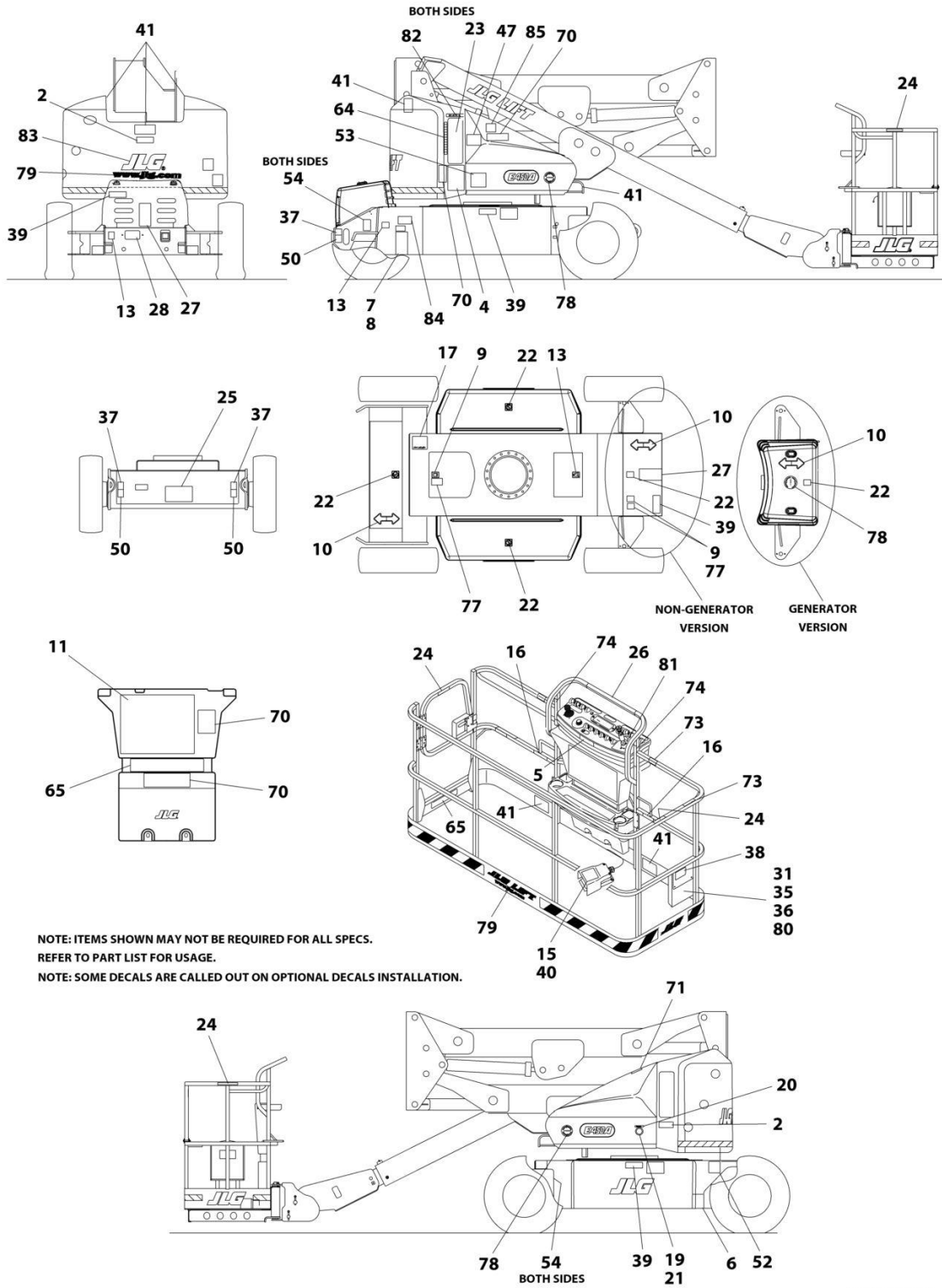
## SECTION 9 - DECAL

**FIGURE 9-14. DECAL INSTALLATION - JAPANESE SPEC - E450AJ (CHINA BUILT MACHINES)**

ITEM	PART NUMBER	QTY	DESCRIPTION	REV
	1001178379	Ref	DECAL INSTALLATION - REFERENCE CHART	L
	1001214411	Ref	DECAL INSTALLATION - JAPANESE SPEC - E450AJ (CHINA BUILT MACHINES)	C
2	1703938	2	Decal - Electrocution	
4	1703932	1	Decal - Danger/Caution	
7	See Note	1	Nameplate - Serial Number (Note: Not Available for Purchase)	
8	3820001	2	Rivet	
9	1701504	1	Decal - Hydraulic Oil	
10	1701642	2	Decal - Arrow	
11	1703926	1	Decal - Caution/Danger	
13	1701644	2	Decal - Charger	
15	1703980	1	Decal - Footswitch	
16	1704277	2	Decal - Attach Lanyard	
19	0961127	1	Bushing, Snap	
21	0100010	AR	Adhesive	
22	1701691	4	Decal - No Step	
23	1001104864	1	Decal - Manual Descent	
25	1001193949	1	Decal - Cable Routing	
26	1001196811	1	Decal - Legend Platform	
27	1704417	1	Decal - Charger	
31	0860520	1	Box, Manual Storage	
35	4751400	4	Washer, 1/4	
36	3311405	4	Nut, Lock, 1/4-20	
37	1701500	4	Decal - Lift	
38	1701509	1	Decal - Manual	
39	1704342	3	Decal - Explosion Warning	
41	1703950	6	Decal - Crushing Hazard	
47	1702271	1	Decal	
50	1702300	4	Decal - Tie Down	
52	See Note	1	Decal - Bar Code (Note: Not Available for Purchase)	
53	1001121821	1	Decal - 500 LBS. Max Capacity	
65	1001121808	2	Decal - 500 LBS. Max Capacity	
77	1704412	1	Decal - Oil Type	
79	1704885	2	Decal - Website	
80	0641406	4	Bolt 1/4-20 x 3/4	
81	1705426	1	Decal - Drive/Steer Instruction	
84	1001224053	1	Decal - Yearly Inspection (SN B300002016 through B300005763, Excluding B300005567)	
85	1001222801	1	Decal - Manual Jib Pump (SN B300002016 through B300005763, Excluding B300005567)	

# SECTION 9 - DECAL

## FIGURE 9-15. DECAL INSTALLATION - JAPANESE SPEC - M450AJ



ART\_1001178371

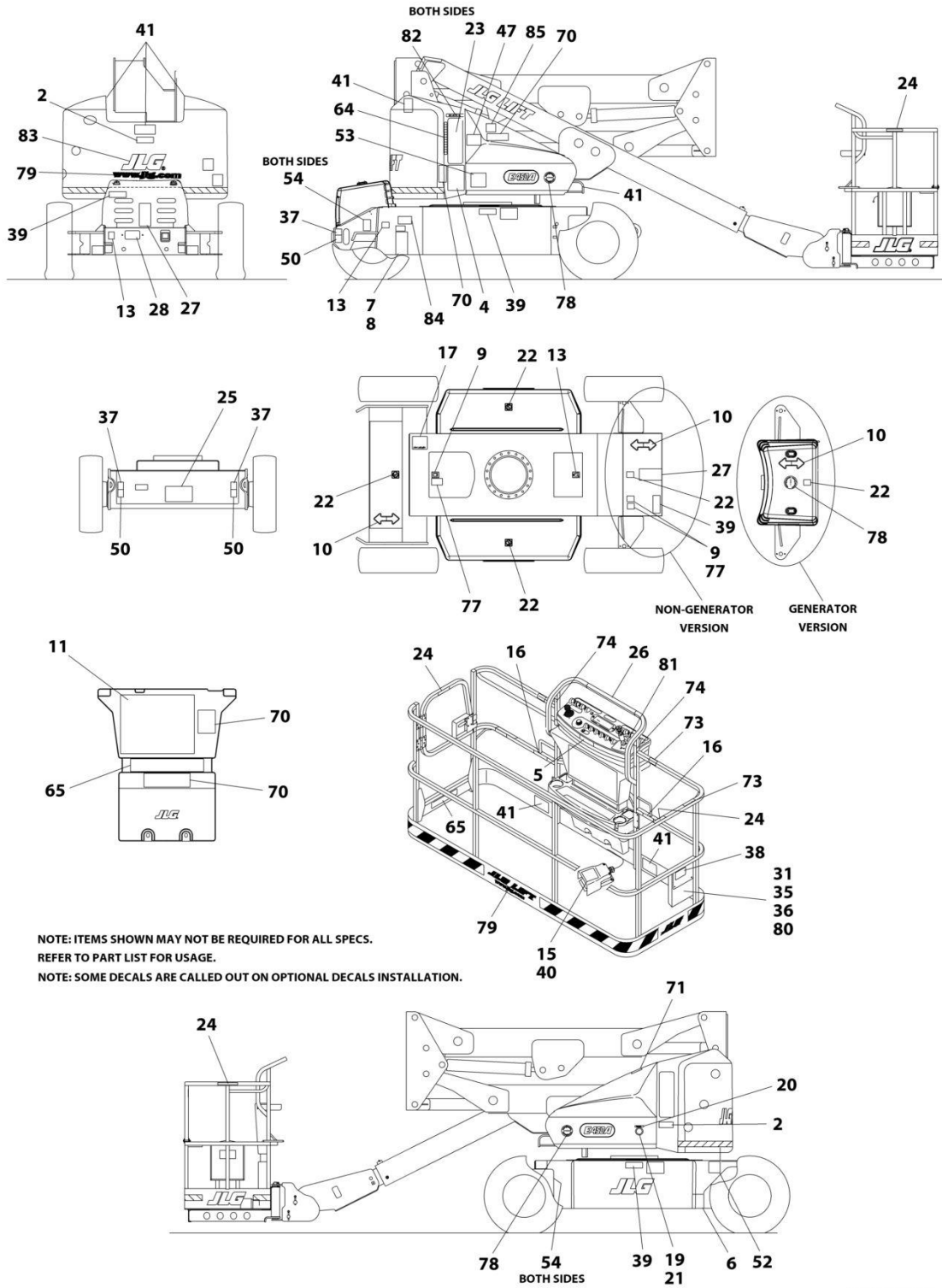
**SECTION 9 - DECAL**

**FIGURE 9-15. DECAL INSTALLATION - JAPANESE SPEC - M450AJ**

ITEM	PART NUMBER	QTY	DESCRIPTION	REV
	1001178379	Ref	DECAL INSTALLATION - REFERENCE CHART	L
	1001178371	Ref	DECAL INSTALLATION - JAPANESE SPEC - M450AJ	G
2	1703938	2	Decal - Electrocution	
4	1703932	1	Decal - Danger/Caution	
7	See Note	1	Nameplate - Serial Number (Note: Not Available for Purchase)	
8	3820001	2	Rivet	
9	1701504	1	Decal - Hydraulic Oil	
10	1701642	2	Decal - Arrow	
11	1703926	1	Decal - Caution/Danger	
13	1701644	2	Decal - Charger	
15	1703980	1	Decal - Footswitch	
16	1704277	2	Decal - Attach Lanyard	
19	0961127	1	Bushing, Snap	
21	0100010	AR	Adhesive	
22	1701691	4	Decal - No Step	
23	1001104864	1	Decal - Manual Descent	
25	1001193949	1	Decal - Cable Routing	
27	1704417	1	Decal - Charger	
28	1704431	1	Decal - Battery Charger LED Indicator <b>(SN 0300208529 through 0300214528)</b>	
31	0860520	1	Box, Manual Storage	
35	4751400	4	Washer, 1/4	
36	3311405	4	Nut, Lock, 1/4-20	
37	1701500	4	Decal - Lift	
38	1701509	1	Decal - Manual	
39	1704342	3	Decal - Explosion Warning	
41	1703950	6	Decal - Crushing Hazard	
47	1702271	1	Decal	
50	1702300	4	Decal - Tie Down	
52	See Note	1	Decal - Bar Code (Note: Not Available for Purchase)	
53	1001121821	1	Decal - 500 LBS. Max Capacity	
65	1001121808	2	Decal - 500 LBS. Max Capacity	
70	1001093687	2	Decal - Generator Danger <b>(SN 0300208529 through 0300233828)</b>	
77	1704412	1	Decal - Oil Type	
78	1001121510	3	Decal - Hybrid	
79	1704885	2	Decal - Website	
80	0641406	4	Bolt 1/4-20 x 3/4	
81	1705426	1	Decal - Drive/Steer Instruction	
82	1001189882	1	Decal - MSSO Operation	
84	1001224053	1	Decal - Yearly Inspection <b>(SN 0300233828 through 0300272287)</b>	
85	1001222801	1	Decal - Manual Jib Pump <b>(SN 0300233828 through 0300272287)</b>	

# SECTION 9 - DECAL

## FIGURE 9-16. DECAL INSTALLATION - KOREAN SPEC - E450A/E450AJ (USA BUILT MACHINES)



NOTE: ITEMS SHOWN MAY NOT BE REQUIRED FOR ALL SPECS.  
 REFER TO PART LIST FOR USAGE.  
 NOTE: SOME DECALS ARE CALLED OUT ON OPTIONAL DECALS INSTALLATION.

ART\_1001178374

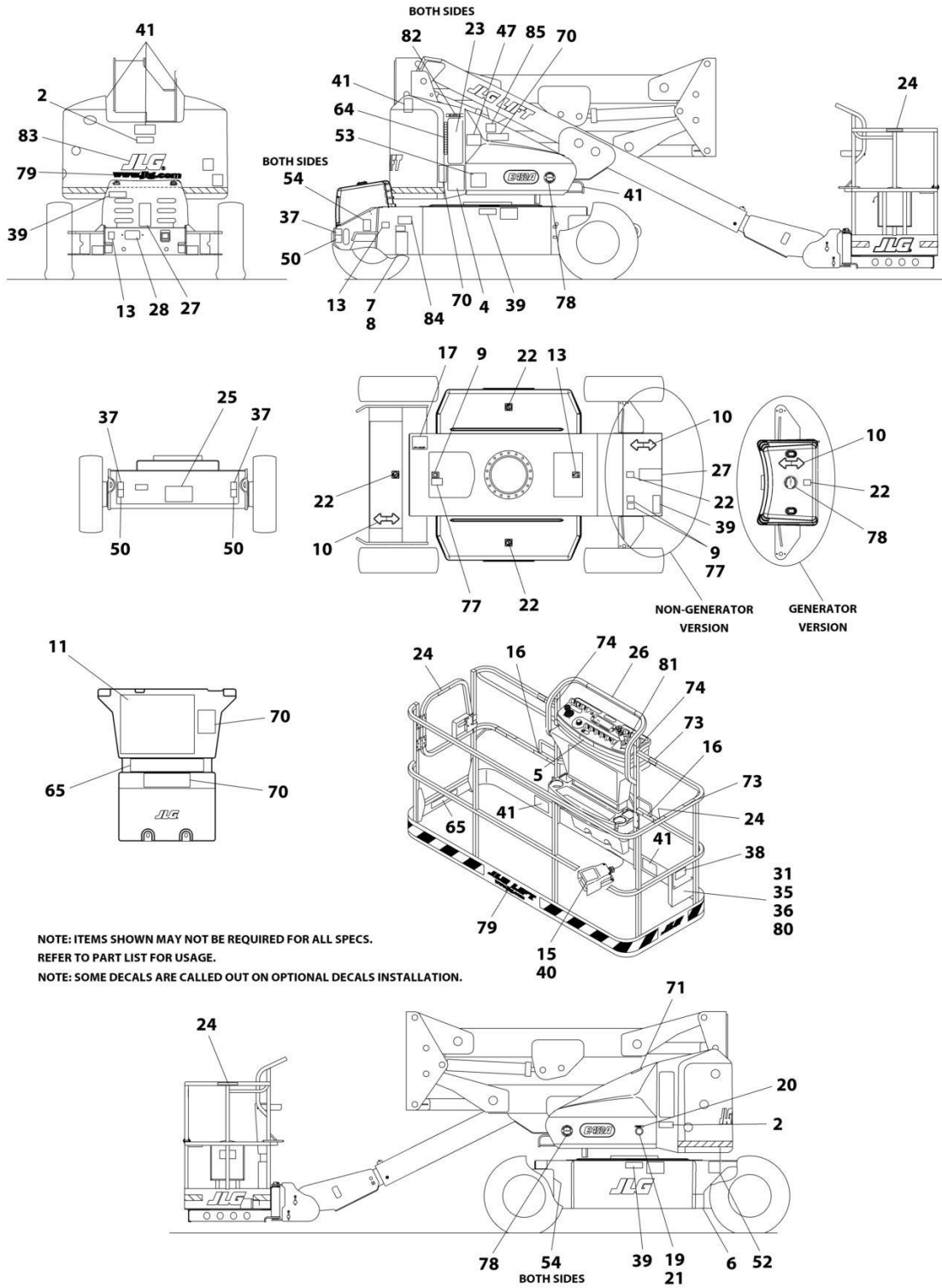
## SECTION 9 - DECAL

**FIGURE 9-16. DECAL INSTALLATION - KOREAN SPEC - E450A/E450AJ (USA BUILT MACHINES)**

ITEM	PART NUMBER	QTY	DESCRIPTION	REV
	1001178379	Ref	DECAL INSTALLATION - REFERENCE CHART	L
	1001178374	Ref	DECAL INSTALLATION - KOREAN SPEC - E450A/E450AJ (USA BUILT MACHINES)	G
2	1703939	2	Decal - Electrocution	
4	1703933	1	Decal - Danger/Caution	
7	See Note	1	Nameplate - Serial Number (Note: Not Available for Purchase)	
8	3820001	2	Rivet	
9	1701504	1	Decal - Hydraulic Oil	
10	1701642	2	Decal - Arrow	
11	1703927	1	Decal - Caution/Danger	
13	1701644	2	Decal - Charger	
15	1703981	1	Decal - Footswitch	
16	1704277	2	Decal - Attach Lanyard	
19	0961127	1	Bushing, Snap	
21	0100010	AR	Adhesive	
22	1701691	4	Decal - No Step	
23	1001104864	1	Decal - Manual Descent	
25	1001193949	1	Decal - Cable Routing	
27	1704418	1	Decal - Charger	
28	1704431	1	Decal - Battery Charger LED Indicator <b>(SN 0300208529 through 0300214528)</b>	
31	0860520	1	Box, Manual Storage	
35	4751400	AR	Washer, 1/4	
36	3311405	AR	Nut, Lock, 1/4-20	
37	1701500	4	Decal - Lift	
38	1701509	1	Decal - Manual	
39	1704343	3	Decal - Explosion Warning	
41	1703951	6	Decal - Crushing Hazard	
47	1703987	1	Decal - Upright Level Override	
50	1702300	4	Decal - Tie Down	
52	See Note	1	Decal - Bar Code (Note: Not Available for Purchase)	
53	1001121921	1	Decal - 500 LBS. Max Capacity	
65	1001121918	2	Decal - 500 LBS. Max Capacity	
77	1704412	1	Decal - Oil Type	
79	1704885	2	Decal - Website	
80	0641406	4	Bolt 1/4-20 x 3/4	
81	1705427	1	Decal - Drive/Steer Instruction	
82	1001189882	1	Decal - MSSO Operation	
84	1001224048	1	Decal - Yearly Inspection <b>(SN 0300233828 through 0300272287)</b>	
85	1001222801	1	Decal - Manual Jib Pump <b>(SN 0300233828 through 0300272287)</b>	

# SECTION 9 - DECAL

## FIGURE 9-17. DECAL INSTALLATION - KOREAN SPEC - E450AJ (CHINA BUILT MACHINES)



ART\_1001214412



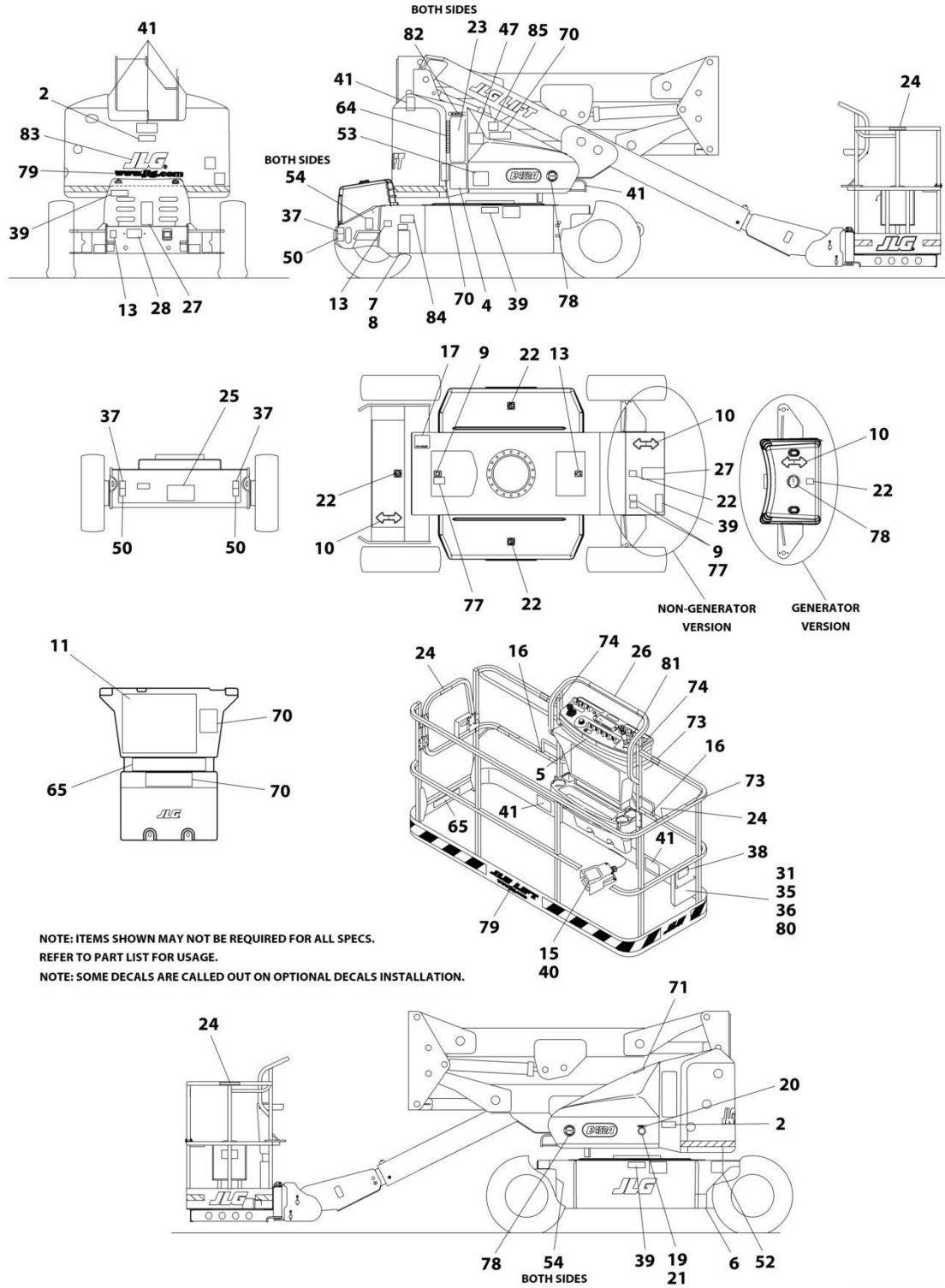
**SECTION 9 - DECAL**

**FIGURE 9-17. DECAL INSTALLATION - KOREAN SPEC - E450AJ (CHINA BUILT MACHINES)**

ITEM	PART NUMBER	QTY	DESCRIPTION	REV
	1001178379	Ref	DECAL INSTALLATION - REFERENCE CHART	L
	1001214412	Ref	DECAL INSTALLATION - KOREAN SPEC - E450AJ (CHINA BUILT MACHINES)	C
2	1703939	2	Decal - Electrocution	
4	1703933	1	Decal - Danger/Caution	
7	See Note	1	Nameplate - Serial Number (Note: Not Available for Purchase)	
8	3820001	2	Rivet	
9	1701504	1	Decal - Hydraulic Oil	
10	1701642	2	Decal - Arrow	
11	1703927	1	Decal - Caution/Danger	
13	1701644	2	Decal - Charger	
15	1703981	1	Decal - Footswitch	
16	1704277	2	Decal - Attach Lanyard	
19	0961127	1	Bushing, Snap	
21	0100010	AR	Adhesive	
22	1701691	4	Decal - No Step	
23	1001104864	1	Decal - Manual Descent	
25	1001193949	1	Decal - Cable Routing	
27	1704418	1	Decal - Charger	
31	0860520	1	Box, Manual Storage	
35	4751400	AR	Washer, 1/4	
36	3311405	AR	Nut, Lock, 1/4-20	
37	1701500	4	Decal - Lift	
38	1701509	1	Decal - Manual	
39	1704343	3	Decal - Explosion Warning	
41	1703951	6	Decal - Crushing Hazard	
47	1703987	1	Decal - Upright Level Override	
50	1702300	4	Decal - Tie Down	
52	See Note	1	Decal - Bar Code (Note: Not Available for Purchase)	
53	1001121921	1	Decal - 500 LBS. Max Capacity	
65	1001121918	2	Decal - 500 LBS. Max Capacity	
77	1704412	1	Decal - Oil Type	
79	1704885	2	Decal - Website	
80	0641406	4	Bolt 1/4-20 x 3/4	
81	1705427	1	Decal - Drive/Steer Instruction	
84	1001224048	1	Decal - Yearly Inspection (SN B300002016 through B300005763, Excluding B300005567)	
85	1001222801	1	Decal - Manual Jib Pump (SN B300002016 through B300005763, Excluding B300005567)	

# SECTION 9 - DECAL

## FIGURE 9-18. DECAL INSTALLATION - KOREAN SPEC - M450AJ



ART\_1001178373

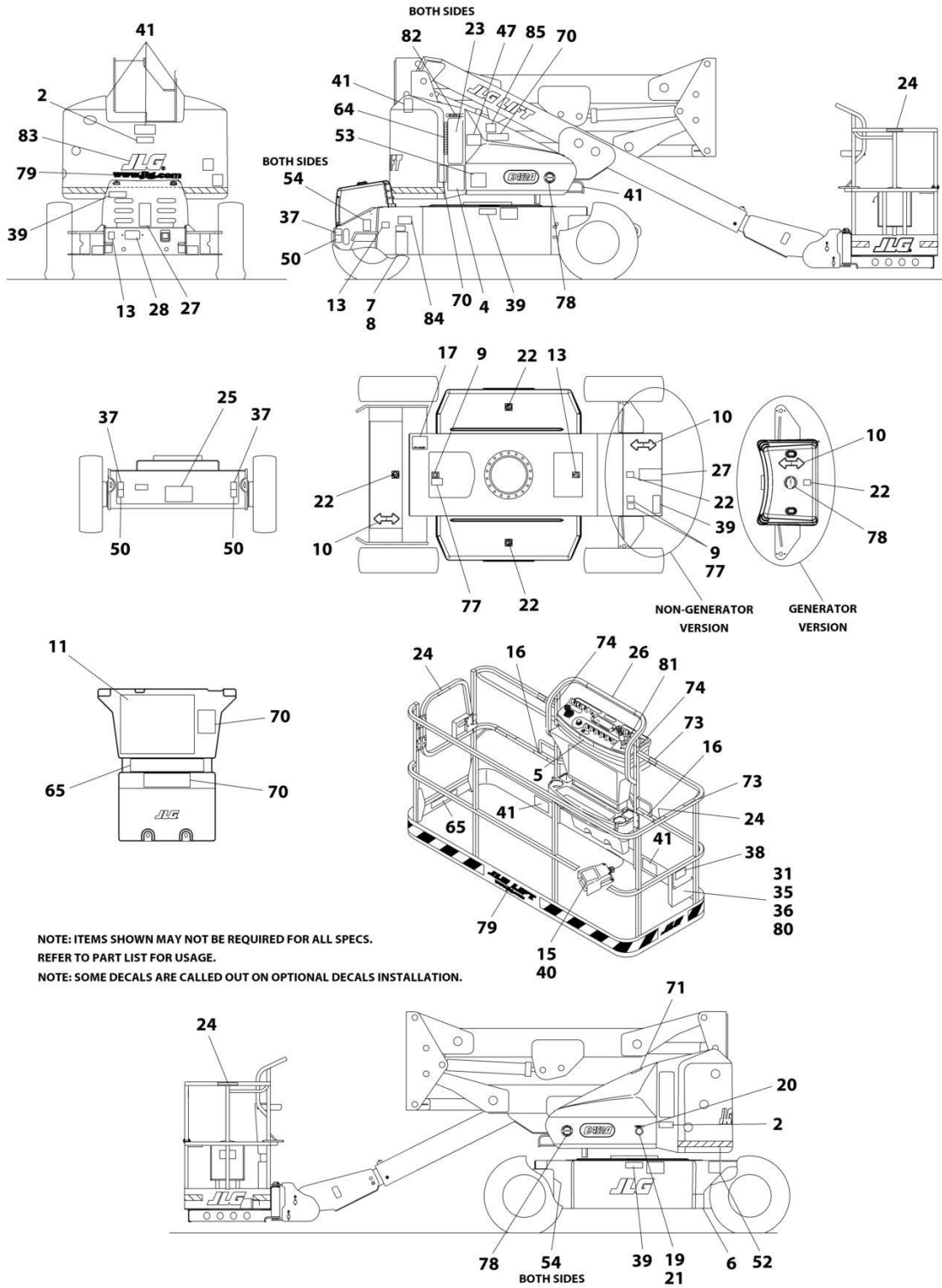
## SECTION 9 - DECAL

**FIGURE 9-18. DECAL INSTALLATION - KOREAN SPEC - M450AJ**

ITEM	PART NUMBER	QTY	DESCRIPTION	REV
	1001178379	Ref	DECAL INSTALLATION - REFERENCE CHART	L
	1001178373	Ref	DECAL INSTALLATION - KOREAN SPEC - M450AJ	G
2	1703939	2	Decal - Electrocution	
4	1703933	1	Decal - Danger/Caution	
7	See Note	1	Nameplate - Serial Number (Note: Not Available for Purchase)	
8	3820001	2	Rivet	
9	1701504	1	Decal - Hydraulic Oil	
10	1701642	2	Decal - Arrow	
11	1703927	1	Decal - Caution/Danger	
13	1701644	2	Decal - Charger	
15	1703981	1	Decal - Footswitch	
16	1704277	2	Decal - Attach Lanyard	
19	0961127	1	Bushing, Snap	
21	0100010	AR	Adhesive	
22	1701691	4	Decal - No Step	
23	1001104864	1	Decal - Manual Descent	
25	1001193949	1	Decal - Cable Routing	
27	1704418	1	Decal - Charger	
28	1704431	1	Decal - Battery Charger LED Indicator <b>(SN 0300208529 through 0300208528)</b>	
31	0860520	1	Box, Manual Storage	
35	4751400	4	Washer, 1/4	
36	3311405	4	Nut, Lock, 1/4-20	
37	1701500	4	Decal - Lift	
38	1701509	1	Decal - Manual	
39	1704343	3	Decal - Explosion Warning	
41	1703951	6	Decal - Crushing Hazard	
47	1703987	1	Decal - Upright Level Override	
50	1702300	4	Decal - Tie Down	
52	See Note	1	Decal - Bar Code (Note: Not Available for Purchase)	
53	1001121921	1	Decal - 500 LBS. Max Capacity	
54	1704445	4	Decal - Tire Load	
65	1001121918	2	Decal - 500 LBS. Max Capacity	
70	1001093687	2	Decal - Generator Danger <b>(SN 0300208529 through 0300233828)</b>	
77	1704412	1	Decal - Oil Type	
78	1001121510	3	Decal - Hybrid	
79	1704885	2	Decal - Website	
80	0641406	4	Bolt 1/4-20 x 3/4	
81	1705427	1	Decal - Drive/Steer Instruction	
82	1001189882	1	Decal - MSSO Operation	
84	1001224048	1	Decal - Yearly Inspection <b>(SN 0300233828 through 0300272287)</b>	
85	1001222801	1	Decal - Manual Jib Pump <b>(SN 0300233828 through 0300272287)</b>	

# SECTION 9 - DECAL

## FIGURE 9-19. DECAL INSTALLATION - SPANISH/ENGLISH SPECS - E450A/E450AJ



ART\_1001178368

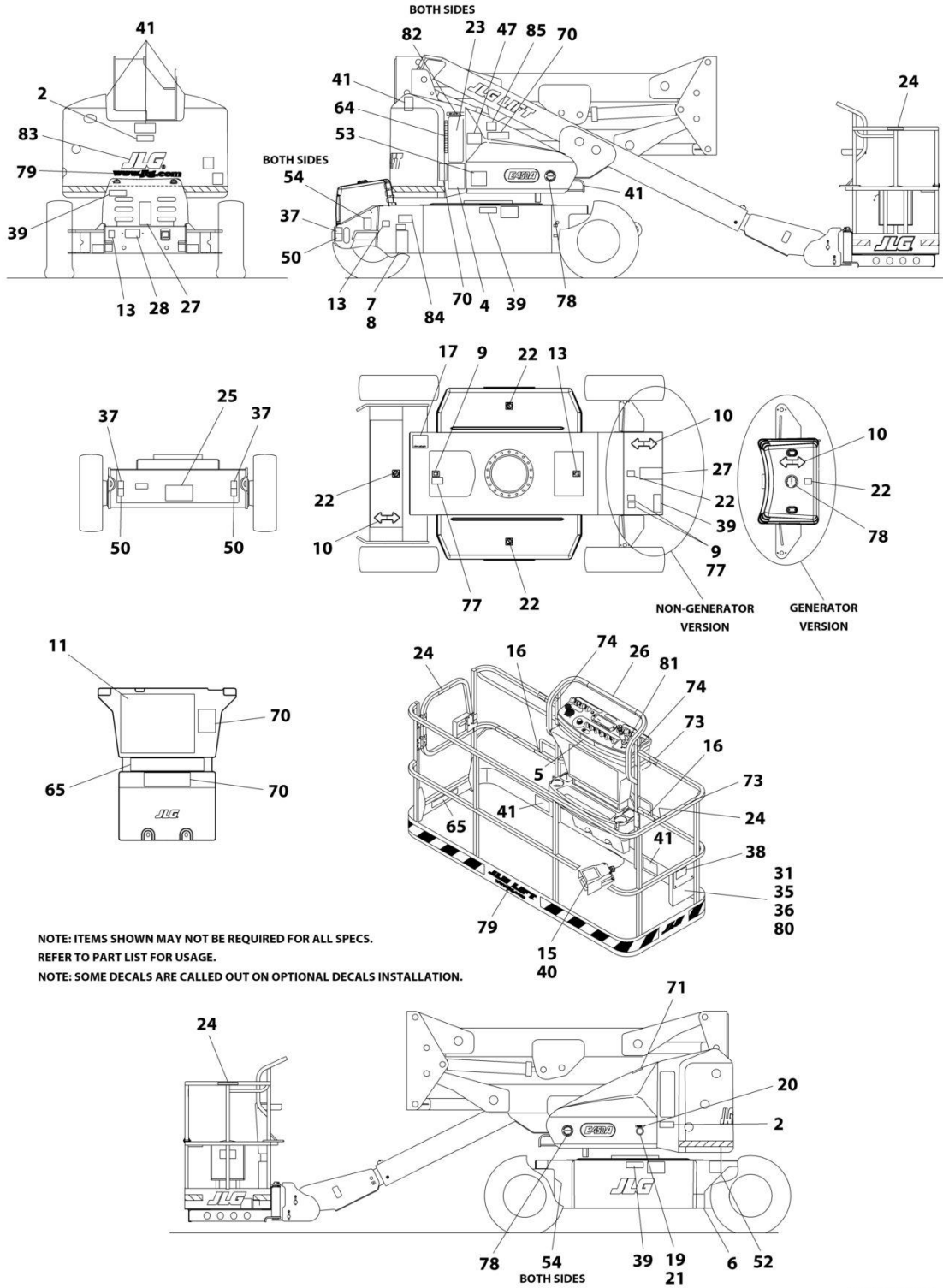
**SECTION 9 - DECAL**

**FIGURE 9-19. DECAL INSTALLATION - SPANISH/ENGLISH SPECS - E450A/E450AJ**

ITEM	PART NUMBER	QTY	DESCRIPTION	REV
	1001178379	Ref	DECAL INSTALLATION - REFERENCE CHART	L
	1001178368	Ref	DECAL INSTALLATION - SPANISH/ENGLISH SPECS - E450A/E450AJ	G
2	1703935	2	Decal - Electrocutation	
4	1703929	1	Decal - Danger/Caution	
7	See Note	1	Nameplate - Serial Number (Note: Not Available for Purchase)	
8	3820001	2	Rivet	
9	1701504	1	Decal - Hydraulic Oil	
10	1701642	2	Decal - Arrow	
11	1703923	1	Decal - Caution/Danger	
13	1701644	2	Decal - Charger	
15	1703983	1	Decal - Footswitch	
16	1704277	2	Decal - Attach Lanyard	
19	0961127	1	Bushing, Snap	
20	3251243	1	Nameplate - 120V/60HZ	
21	0100010	AR	Adhesive	
22	1701691	4	Decal - No Step	
23	1001104864	1	Decal - Manual Descent	
24	1704001	2	Decal - No Hands	
25	1001193949	1	Decal - Cable Routing	
26	1001196811	1	Decal - Legend Platform	
27	1704454	1	Decal - Charger	
28	1704431	1	Decal - Battery Charger LED Indicator (SN 0300208529 through 0300214528)	
31	0860520	1	Box, Manual Storage	
35	4751400	AR	Washer, 1/4	
36	3311405	AR	Nut, Lock, 1/4-20	
37	1701500	4	Decal - Lift	
38	1701509	1	Decal - Manual	
39	1704339	3	Decal - Explosion Warning	
41	1703947	6	Decal - Crushing Hazard	
47	1702265	1	Decal - Boom Sequence	
50	1702300	4	Decal - Tie Down	
52	See Note	1	Decal - Bar Code (Note: Not Available for Purchase)	
53	1001121818	1	Decal - 500 LBS. Max Capacity	
64	1706950	1	Decal - Key, Main Terminal Box	
65	1001121805	2	Decal - 500 LBS. Max Capacity	
77	1704412	1	Decal - Oil Type	
79	1704885	2	Decal - Website	
80	0641406	4	Bolt 1/4-20 x 3/4	
81	1705910	1	Decal - Drive/Steer Instruction	
82	1001189882	1	Decal - MSSO Operation	
84	1001224049	1	Decal - Yearly Inspection (SN 0300233828 through 0300272287)	
85	1001222801	1	Decal - Manual Jib Pump (SN 0300233828 through 0300272287)	

# SECTION 9 - DECAL

## FIGURE 9-20. DECAL INSTALLATION - SPANISH/ENGLISH SPECS - M450AJ



ART\_1001178367

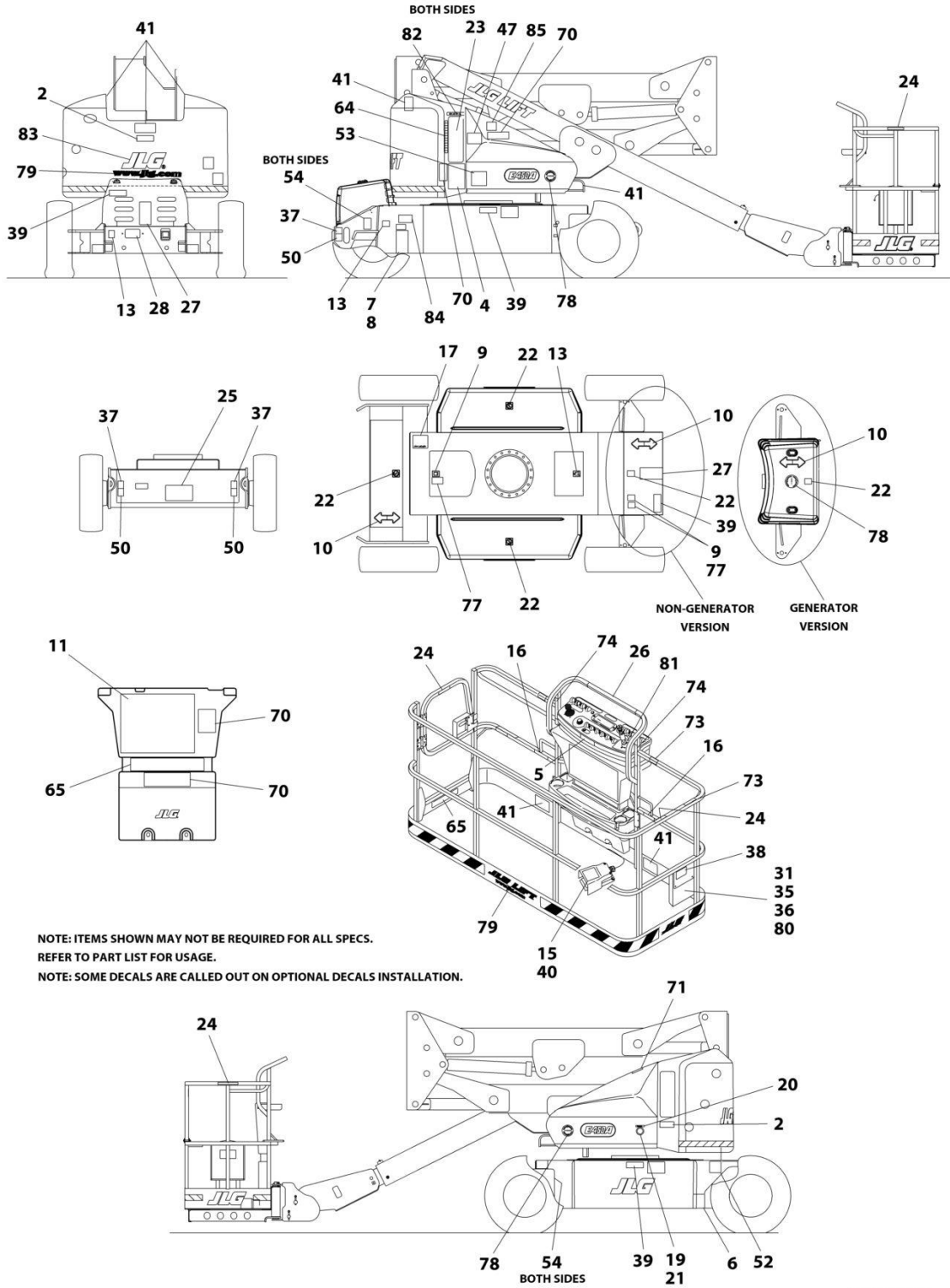
## SECTION 9 - DECAL

**FIGURE 9-20. DECAL INSTALLATION - SPANISH/ENGLISH SPECS - M450AJ**

ITEM	PART NUMBER	QTY	DESCRIPTION	REV
	1001178379	Ref	DECAL INSTALLATION - REFERENCE CHART	L
	1001178367	Ref	DECAL INSTALLATION - SPANISH/ENGLISH SPECS - M450AJ	G
2	1703935	2	Decal - Electrocution	
4	1703929	1	Decal - Danger/Caution	
7	See Note	1	Nameplate - Serial Number (Note: Not Available for Purchase)	
8	3820001	2	Rivet	
9	1701504	1	Decal - Hydraulic Oil	
10	1701642	2	Decal - Arrow	
11	1703923	1	Decal - Caution/Danger	
13	1701644	2	Decal - Charger	
15	1703983	1	Decal - Footswitch	
16	1704277	2	Decal - Attach Lanyard	
19	0961127	1	Bushing, Snap	
20	3251243	1	Nameplate - 120V/60HZ	
21	0100010	AR	Adhesive	
22	1701691	4	Decal - No Step	
23	1001104864	1	Decal - Manual Descent	
24	1704001	2	Decal - No Hands	
25	1001193949	1	Decal - Cable Routing	
26	1001196811	1	Decal - Legend Platform	
27	1704454	1	Decal - Charger	
28	1704431	1	Decal - Battery Charger LED Indicator <b>(SN 0300208529 through 0300214528)</b>	
31	0860520	1	Box, Manual Storage	
35	4751400	AR	Washer, 1/4	
36	3311405	AR	Nut, Lock, 1/4-20	
37	1701500	4	Decal - Lift	
38	1701509	1	Decal - Manual	
39	1704339	3	Decal - Explosion Warning	
41	1703947	6	Decal - Crushing Hazard	
47	1702265	1	Decal - Boom Sequence	
50	1702300	4	Decal - Tie Down	
52	See Note	1	Decal - Bar Code (Note: Not Available for Purchase)	
53	1001121818	1	Decal - 500 LBS. Max Capacity	
64	1706950	1	Decal - Key, Main Terminal Box	
65	1001121805	2	Decal - 500 LBS. Max Capacity	
70	1704371	2	Decal - Generator Danger <b>(SN 0300208529 through 0300233828)</b>	
77	1704412	1	Decal - Oil Type	
78	1001121510	3	Decal - Hybrid	
79	1704885	2	Decal - Website	
80	0641406	4	Bolt 1/4-20 x 3/4	
81	1705910	1	Decal - Drive/Steer Instruction	
82	1001189882	1	Decal - MSSO Operation	
84	1001224049	1	Decal - Yearly Inspection <b>(SN 0300233828 through 0300272287)</b>	
85	1001222801	1	Decal - Manual Jib Pump <b>(SN 0300233828 through 0300272287)</b>	

# SECTION 9 - DECAL

FIGURE 9-21. DECAL INSTALLATION - SPANISH/PORTUGUESE SPECS - E450A/E450AJ



ART\_1001178370



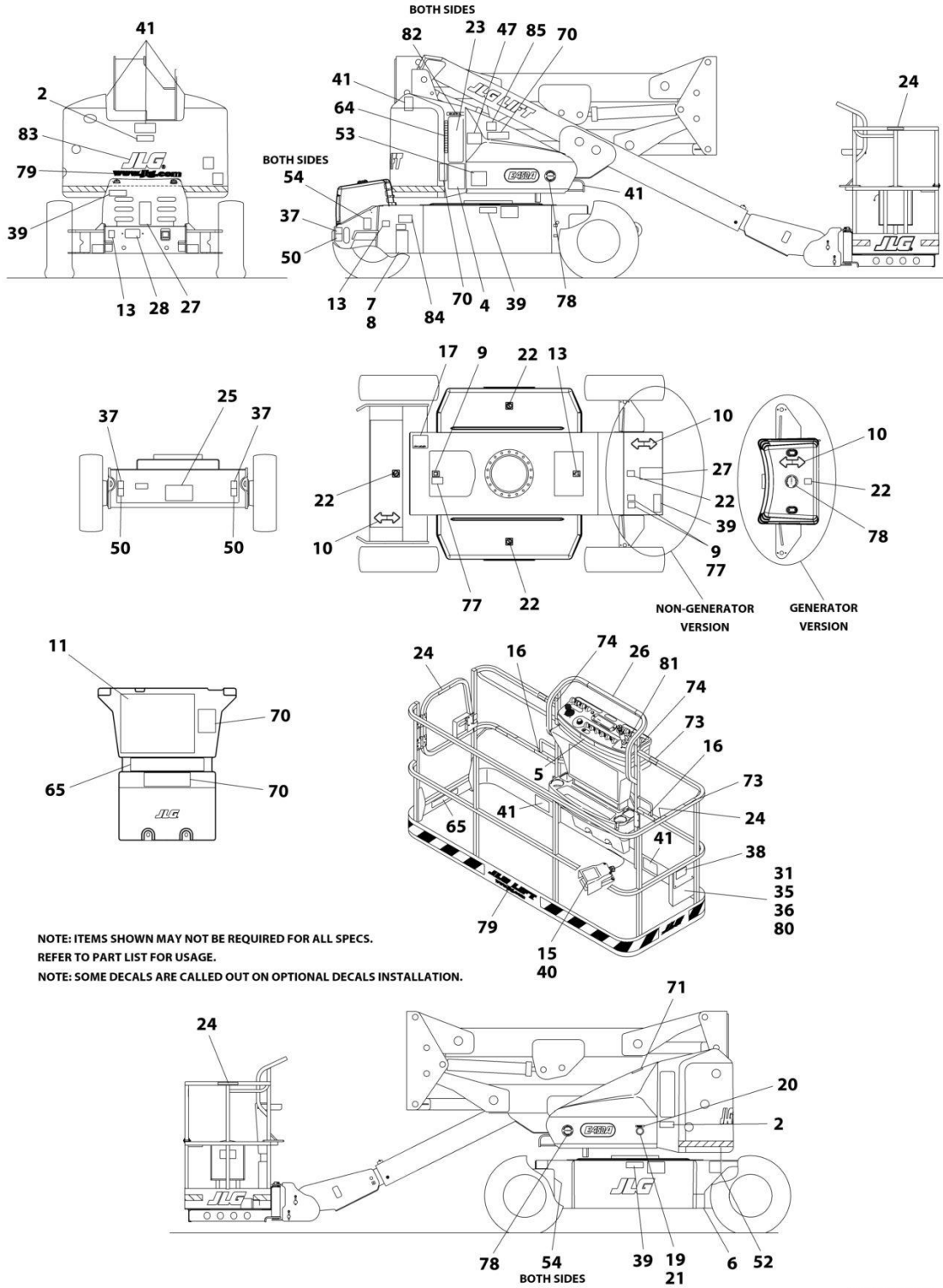
SECTION 9 - DECAL

FIGURE 9-21. DECAL INSTALLATION - SPANISH/PORTUGUESE SPECS - E450A/E450AJ

ITEM	PART NUMBER	QTY	DESCRIPTION	REV
	1001178379	Ref	DECAL INSTALLATION - REFERENCE CHART	L
	1001178370	Ref	DECAL INSTALLATION - SPANISH/PORTUGUESE SPECS - E450A/E450AJ	G
2	1703940	2	Decal - Electrocution	
4	1703934	1	Decal - Danger/Caution	
7	See Note	1	Nameplate - Serial Number (Note: Not Available for Purchase)	
8	3820001	2	Rivet	
9	1701504	1	Decal - Hydraulic Oil	
10	1701642	1	Decal - Arrow	
11	1703928	1	Decal - Caution/Danger	
13	1701644	2	Decal - Charger	
15	1703985	1	Decal - Footswitch	
16	1704277	2	Decal - Footswitch	
17	1704008	1	Decal - Inspection (SN 0300208529 through 0300233828)	
19	0961127	1	Bushing, Snap	
20	3251243	1	Nameplate - 120V/60HZ	
21	0100010	AR	Adhesive	
22	1701691	4	Decal - No Step	
23	1001104864	1	Decal - Manual Descent	
24	1704002	2	Decal - No Hands	
25	1001193949	1	Decal - Cable Routing	
26	1001196811	1	Decal - Legend Platform	
27	1704453	1	Decal - Charger	
28	1704431	1	Decal - Battery Charger LED Indicator (SN 0300208529 through 0300214528)	
31	0860520	1	Box, Manual Storage	
35	4751400	AR	Washer, 1/4	
36	3311405	AR	Nut, Lock, 1/4-20	
37	1701500	4	Decal - Lift	
38	1701509	1	Decal - Manual	
39	1704341	3	Decal - Explosion Warning	
41	1703952	6	Decal - Crushing Hazard	
47	1703991	1	Decal - Boom Sequence	
50	1702300	4	Decal - Tie Down	
52	See Note	1	Decal - Bar Code (Note: Not Available for Purchase)	
53	1001121923	1	Decal - 500 LBS. Max Capacity	
64	1706950	1	Decal - Key, Main Terminal Box	
65	1001121920	2	Decal - 500 LBS. Max Capacity	
77	1704412	1	Decal - Oil Type	
79	1704885	2	Decal - Website	
80	0641406	4	Bolt, 1/4-20 x 3/4	
81	1001113680	1	Decal - Drive/Steer Instruction	
82	1001189882	1	Decal - MSSO Operation	
84	1001224052	1	Decal - Yearly Inspection (SN 0300233828 through 0300272287)	
85	1001222801	1	Decal - Manual Jib Pump (SN 0300233828 through 0300272287)	

# SECTION 9 - DECAL

## FIGURE 9-22. DECAL INSTALLATION - SPANISH/PORTUGUESE SPECS - M450AJ



NOTE: ITEMS SHOWN MAY NOT BE REQUIRED FOR ALL SPECS.  
REFER TO PART LIST FOR USAGE.  
NOTE: SOME DECALS ARE CALLED OUT ON OPTIONAL DECALS INSTALLATION.

ART\_1001178369

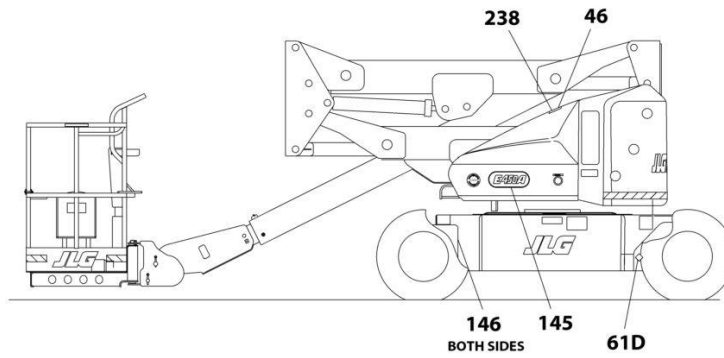
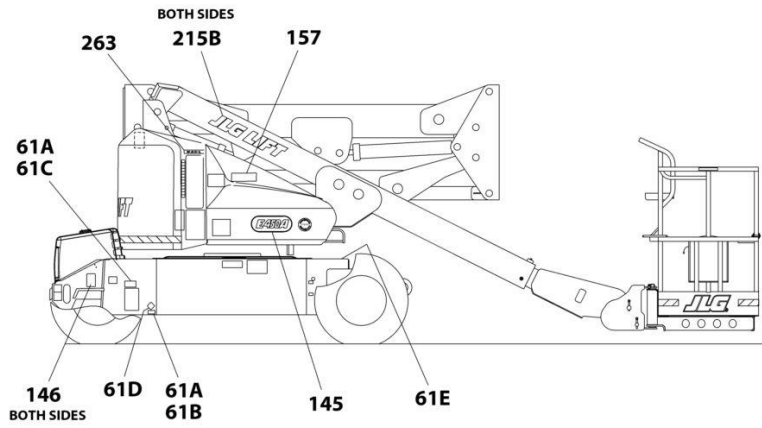
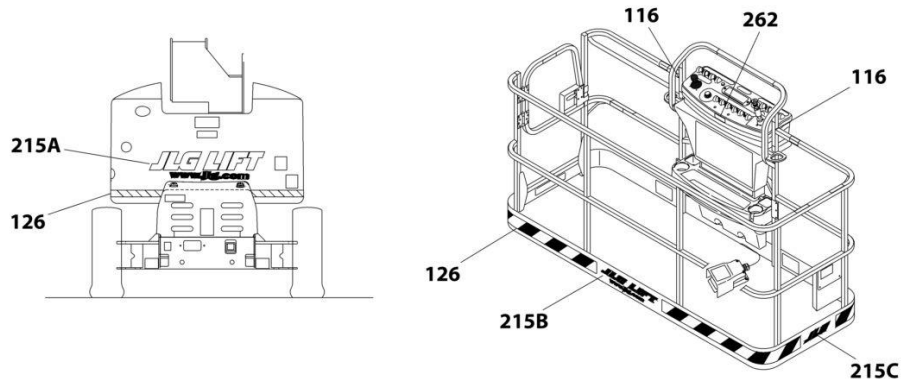
**SECTION 9 - DECAL**

**FIGURE 9-22. DECAL INSTALLATION - SPANISH/PORTUGUESE SPECS - M450AJ**

ITEM	PART NUMBER	QTY	DESCRIPTION	REV
	1001178379	Ref	DECAL INSTALLATION - REFERENCE CHART	L
	1001178369	Ref	DECAL INSTALLATION - SPANISH/PORTUGUESE SPECS - M450AJ	G
2	1703940	2	Decal - Electrocution	
4	1703934	1	Decal - Danger/Caution	
7	See Note	1	Nameplate - Serial Number (Note: Not Available for Purchase)	
8	3820001	2	Rivet	
9	1701504	1	Decal - Hydraulic Oil	
10	1701642	2	Decal - Arrow	
11	1703928	1	Decal - Caution/Danger	
13	1701644	2	Decal - Charger	
15	1703985	1	Decal - Footswitch	
16	1704277	2	Decal - Attach Lanyard	
17	1704008	1	Decal - Inspection (SN 0300208529 through 0300233828)	
19	0961127	1	Bushing, Snap	
20	3251243	1	Nameplate - 120V/60HZ	
21	0100010	AR	Adhesive	
22	1701691	4	Decal - No Step	
23	1001104864	1	Decal - Manual Descent	
24	1704002	2	Decal - No Hands	
25	1001173577	1	Decal - Cable Routing	
26	1001196811	1	Decal - Legend Platform	
27	1704453	1	Decal - Charger	
28	1704431	1	Decal - Battery Charger LED Indicator (SN 0300208529 through 0300214528)	
31	0860520	1	Box, Manual Storage	
35	4751400	AR	Washer, 1/4	
36	3311405	AR	Nut, Lock, 1/4-20	
37	1701500	4	Decal - Lift	
38	1701509	1	Decal - Manual	
39	1704341	3	Decal - Explosion Warning	
41	1703952	6	Decal - Crushing Hazard	
47	1703991	1	Decal - Boon Sequence	
50	1702300	4	Decal - Tie Down	
52	See Note	1	Decal - Bar Code (Note: Not Available for Purchase)	
53	1001121923	1	Decal - 500 LBS. Max Capacity	
64	1706950	1	Decal - Key, Main Terminal Box	
65	1001121920	2	Decal - 500 LBS. Max Capacity	
70	1001093687	2	Decal - Generator Danger (SN 0300208529 through 0300233828)	
77	1704412	1	Decal - Oil Type	
78	1001121510	3	Decal - Hybrid	
79	1704885	2	Decal - Website	
80	0641406	4	Bolt 1/4-20 x 3/4	
81	1001113680	1	Decal - Drive/Steer Instruction	
82	1001189882	1	Decal - MSSO Operation	
84	1001224052	1	Decal - Yearly Inspection (SN 0300233828 through 0300272287)	
85	1001222801	1	Decal - Manual Jib Pump (SN 0300233828 through 0300272287)	

# SECTION 9 - DECAL

## FIGURE 9-23. DECAL INSTALLATION - OPTIONS



ART\_DECAL\_OPTIONS

**SECTION 9 - DECAL**

**FIGURE 9-23. DECAL INSTALLATION - OPTIONS**

ITEM	PART NUMBER	QTY	DESCRIPTION	REV
	1001178379	Ref	DECAL INSTALLATION - REFERENCE CHART	L
	1001164636	Ref	DECAL INSTALLATION - OPTIONS	AL
46	1701505	1	Decal - Diesel	
61	0270433	Ref	Decal Installation - UL Tags	B
61A	3820001	8	Pop Rivet	
61B	3252331	1	Nameplate - Battery Info	
61C	3252780	1	Nameplate - UL Certification Tag	
61D	1702251	2	Nameplate - EE	
61E	1001213625	1	Decal - Replacement Fuse 400 Amp	
116	1703175	2	Decal - Lanyard Attach (GM K-1 Spec)	
126	0259550	Ref	Warning Strip Installation (Not Shown)	2
126	4420051	17.5 ft /5.3m	Tape, Safety	
145	1704787	2	Decal - Model Designation (E450A)	
145	1704789	2	Decal - Model Designation (E450AJ)	
145	1704790	2	Decal - Model Designation (M450AJ)	
146	1704445	4	Decal - Tire Load (E450AJ/M450AJ)	
146	1703488	4	Decal - Tire Load (E450A)	
157	1704286	2	Decal - Generator Warning (ANSI and ANSI Export Specs)	
157	1001093687	2	Decal - Generator Warning (Australian and CE Specs)	
157	1704369	2	Decal - Generator Warning (Japanese Specs - Dual Language English/Japanese)	
157	1704370	2	Decal - Generator Warning (ANSI Export Specs - Dual Language English/Korean)	
157	1704371	2	Decal - Generator Warning (ANSI Export Specs - Dual Language English/Spanish)	
157	1704368	2	Decal - Generator Warning (CSA Specs - Dual Language English/French)	
157	1704372	2	Decal - Generator Warning (ANSI Export and CE Specs - Dual Language English/Chinese)	
157	1704373	2	Decal - Generator Warning (ANSI Export Spec - Dual Language Portuguese/Spanish)	
215	0270273	Ref	Decal Installation - JLG Logo (Not Shown)	C
215A	1702860	1	Decal - JLG Lift	
215B	1702774	3	Decal - JLG Lift	
215C	1702773	1	Decal - JLG	
238	1001108923	1	Decal - Fuel Low Sulfur (ANSI and CSA Specs Only)	
238	1001139654	1	Decal - Fuel Low Sulfur (CE & Japanese Specs Only)	
262	1001141300	1	Decal - Platform Sensor Override ( <b>SN 0300237420 through 0300272287, SN B300002550 through B300005763, Excluding B300005567</b> )	
263	1001189882	1	Decal - MSSO Instructions (CE Specs Only)	



## **SECTION 10 - RECOMMENDED SERVICE PARTS STOCK**

## **SECTION 10 - RECOMMENDED SERVICE PARTS STOCK**

# SECTION 10 - RECOMMENDED SERVICE PARTS STOCK

## FIGURE 10-1. RECOMMENDED SERVICE PARTS STOCK

ITEM	PART NUMBER	QTY	DESCRIPTION	REV
		Ref	Note: The following list will service one machine (built to current production per date on the front cover) with emergency repair parts which can be installed in the field. Parts from the list should be replaced when inventory is depleted to keep service parts stock supplied. For further information, contact your JLG dealer or the JLG Industries Parts Department.	
		Ref	STANDARD PARTS	
	7021618	1	Coil	
	7021609	1	Coil	
	70005210	1	Coil	
	7024883	1	Coil	
	7024885	1	Coil	
	1001212415	1	Controller (Drive and Steer)	
	1001129555	1	Controller (Lift and Swing)	
	4360476	1	Contact, Switch	
	7021616	4	Filter Cartridge	
	8229242	1	Fuse, 5 Amp	
	8229261	1	Fuse, 5 Amp	
	8229234	1	Fuse, 10 Amp	
	8229237	1	Fuse, 15 Amp	
	8229235	1	Fuse, 20 Amp	
	8229236	1	Fuse, 30 Amp	
	1001170365	1	Fuse, 400 Amp	
	2860030	1	Key Replacement	
	2940074	1	Latch	
	1001155045	1	Switch, Toggle	
	1001159256	1	Switch, Toggle	
	4360328	1	Switch, Toggle	
	4360330	1	Switch, Toggle	
	4360475	1	Switch, Emergency	
	4360469	1	Switch, Key (ANSI Spec)	
	4360470	1	Switch, Key (CE Spec)	
	4360387	1	Switch, Push Button	
	1001161710	1	Switch, Toggle	
		Ref	VARIABLE PARTS	
	1001181045	1	Breaker 30mA (CE Spec)	
	1001189172	1	Breaker 16Amp (CE Spec)	
	1001189171	1	Breaker 16Amp (CE Spec)	
	70000313	1	Element, Air Cleaner (M450AJ Only)	
	70000318	1	Element, Fuel Filter (M450AJ Only)	
	70000319	1	Element, Oil Filter (M450AJ Only)	
	70000329	1	Fuse 15Amp (M450AJ Only)	
	70000330	1	Fuse 20Amp (M450AJ Only)	
	1001192212	1	Module (Drive - LH)	
	1001178339	1	Module (Drive - RH)	
	1001182700	1	Module (Ground Control)	
	1001182724	1	Module (Platform Control) (NON-UL Listed)	
	1001215835	1	Module (Platform Control) (UL Listed)	
	70000326	1	Module (Engine Control)	



## SECTION 10 - RECOMMENDED SERVICE PARTS STOCK

ITEM	PART NUMBER	QTY	DESCRIPTION	REV
	7019698	1	Power Track - 1 Link	
	70001996	1	Power Track - 2ft. Section	
	70001998	1	Power Track - Bracket Kit	
	4360548	1	Switch, Limit	
	4360274	1	Switch, Push Button (M450AJ Only)	



**SECTION 11 - SPECIAL OPTIONS**

# SECTION 11 - SPECIAL OPTIONS

## FIGURE 11-1. SPECIAL OPTIONS

ITEM	PART NUMBER	QTY	DESCRIPTION	REV
		Ref	MISCELLANEOUS SPECIAL OPTIONS	
		Ref	Note: This list is to accommodate machines ordered with special equipment. Options may not be applicable to all models. For more specific parts information contact JLG Parts Department.	
	0259877	Ref	Airline Installation - 1/2in (E450A Model)	
	0275650	Ref	Airline Installation - 1/2in (E/M450AJ Models)	
		Ref	ClearSky (Telematics) Installations (Dealer Installed)	
	1001243575	Ref	ClearSky (Telematics) Access Control Installation Kit (Dealer Installed) (ANSI, ANSI Export, CE and CSA Specs)	
	1001243183	Ref	ClearSky (Telematics) Added-on Kit (Dealer Installed) (ANSI, ANSI Export and CSA Specs)	
	1001243184	Ref	ClearSky (Telematics) Added-on Kit (Dealer Installed) (CE Specs)	
		Ref	ClearSky Telematics (Factory Installed)	
	1001229107	Ref	ClearSky Telematics Installation - 3 Wire Connection (Factory Installed) (ANSI & CSA Specs)	
	1001233237	Ref	ClearSky Telematics Installation - 3 Wire Connection (Factory Installed) (ANSI Export & CE Specs)	
	1001235649	Ref	ClearSky Telematics Installation - Canbus (Factory Installed) (ANSI & CSA Specs)	
	1001246541	Ref	ClearSky Telematics Installation - Canbus (Factory Installed) (Australian Specs)	
	1001236535	Ref	ClearSky Telematics Installation - Canbus (Factory Installed) (ANSI Export & CE Specs)	
	1001246542	Ref	ClearSky Telematics Installation - Canbus (Factory Installed) (China Specs)	
	1001195304	Ref	Console Cover	
	1001205175	Ref	Console Cover Kit	
	1001246695	Ref	Cover Installation - Valve & Hose Protection	
		Ref	Cylinder Bellows Installations	
	0259397	Ref	Cylinder Bellows Installations (E450A) <b>(SN 0300208529 through 0300253603, SN B300001429 through B300003279)</b>	
	1001241863	Ref	Cylinder Bellows Installations (E450A) <b>(SN 0300243604 through 0300272287, SN B300003280 through B300005763, Excluding B300005567)</b>	
	0271251	Ref	Cylinder Bellows Installations (E/M450AJ)	
	0460110	2	Bellows - Platform Level and Master Cylinders (E450A)	
	0460194	2	Bellows - Platform Level and Master Cylinders (E/M450AJ)	
	0460115	1	Bellows - Main Lift Cylinder	
	0460113	1	Bellows - Mid Lift Cylinder	
	0460114	1	Bellows - Tower Lift Cylinder	
	0460196	1	Bellows - Jib Cylinder (E/M450AJ)	
	1320037	6	Clamp	
		Ref	Decal Installations	
	1001229691	Ref	Decal - ClearSky Installation	
	1702868	Ref	Decal - No Hands (English) (ANSI/ANSI Export/Australian and Japanese Spec) (Used with Platform Padding or Mesh to Top Rail)	
	1704000	Ref	Decal - No Hands (English & French) (CSA Spec) (Used with Platform Padding or Mesh to Top Rail)	
	1705968	Ref	Decal - No Hands (English/Simplified Chinese) (ANSI Export Spec) (Used with Platform Padding or Mesh to Top Rail)	

## SECTION 11 - SPECIAL OPTIONS

ITEM	PART NUMBER	QTY	DESCRIPTION	REV
	1001116846	Ref	Decal - No Hands (English and Traditional Chinese) (ANSI Export Spec) (Used with Platform Padding or Mesh to Top Rail on Side Entry Platforms)	
	1704001	Ref	Decal - No Hands (English/Spanish (ANSI Export and CE Specs) (Used with Platform Padding on Side Entry Platforms)	
	1705969	Ref	Decal - No Hands (English/Korean (ANSI Export Specs) (Used with Platform Padding on Side Entry Platforms)	
	1705967	Ref	Decal - No Hands (English/Portuguese (ANSI Export and CE Specs) (Used with Platform Padding on Side Entry Platforms)	
	1001141300	Ref	Decal - SkyGuard Override	
	1001141302	Ref	Decal - SkyGuard/Soft Touch Override	
	1001108727	Ref	Decal Kit - Platform	
	1001223824	Ref	Decal Kit - Platform Console	
	1001198647	Ref	Decal Kit – Service	
	1001198648	Ref	Decal Kit – E/M450	
		Ref	Electrical Connector Kits	
	1001148902	Ref	Amp Connector Kit	
	1001148903	Ref	Deutsch DT Connector Kit	
	1001148904	Ref	Deutsch HD Connector Kit	
	1001148905	Ref	Packard Connector Kit	
	1001148906	Ref	Various Connector Kit	
	1001191395	Ref	Fuel Cap Cover (Lockable) (Green)	
	1001202749	Ref	Fuel Cap Cover (Lockable) (Black)	
	1001191314	Ref	Headlight and Tail Lights Installation	
	1001198660	Ref	Hose Kit - Boom (E/M450A)	
		Ref	Hydraulic Fluids	
	2300028	Ref	Hydraulic Fluid - Mobil DTE 10 Excel 15	
	2300027	Ref	Hydraulic Fluid - Mobil EAL 224H - Biodegradable	
	1001151286	Ref	Jib Cylinder with Manual Descent Valve Kit	
	1001183407	Ref	Low Temperature Cutout Installation (Russian Specs) <b>(SN 0300237420 through 0300241630, SN B300001429 through B300002660)</b>	
	1001189162	Ref	Low Temperature Cutout Installation (Russian Specs) <b>(SN 0300241631 through 0300246500, SN B300002661 through B300002850)</b>	
		Ref	Platform Mesh To Mid Rail Add-on Kits	
	1001214478	Ref	30in X 4ft (76cm x 1.22m)	
	1001214515	Ref	30in X 5ft (76cm x 1.52m)	
	1001214524	Ref	30in x 6 ft (76cm x 1.83m)	
		Ref	Platform Mesh To Mid Rail Installations	
	1001140318	Ref	30in X 4ft (76cm x 1.22m)	
	1001140315	Ref	30in X 5ft (76cm x 1.52m)	
	1001145985	Ref	30in x 6 ft (76cm x 1.83m)	
		Ref	Platform Mesh Top Rail Add-on Kits	
	1001214552	Ref	30in X 4ft (76cm x 1.22m)	
	1001214559	Ref	30in X 5ft (76cm x 1.52m)	
	1001214560	Ref	30in x 6 ft (76cm x 1.83m)	
		Ref	Platform Mesh Top Rail Installations	
	0273147	Ref	30in X 4ft (76cm x 1.22m)	
	0273146	Ref	30in X 5ft (76cm x 1.52m)	
		Ref	Platform Padding Installation	
	0273381	Ref	30in X 4ft (76cm x 1.22m)	
	0273382	Ref	30in X 5ft (76cm x 1.52m)	

## SECTION 11 - SPECIAL OPTIONS

ITEM	PART NUMBER	QTY	DESCRIPTION	REV
	0275698	Ref	30in x 6 ft (76cm x 1.83m)	
		Ref	Platform Top Rail Extension Installation	
	1001103617	Ref	30in X 4ft (76cm x 1.22m)	
	1001103558	Ref	30in X 5ft (76cm x 1.52m)	
	1001120466	Ref	Platform Worklights Installation	
	1001209059	Ref	Platform Work Surface Installation	
	1001212202	Ref	Rotator Actuator Protection Kit	
	1001190896	Ref	Service Kits	
	1001237443	Ref	Service Kit, E450A Mid-Level Cylinder	
	1001247073	Ref	SkyEye Retrofit Kit	
	1001218499	Ref	SkyGuard Bar Kit	
	1001149561	NLA	SkyGuard Complete Add-on Kit (Blue) (Use p/n 1001206996) <b>(SN 0300208529 through 0300217475, SN B300001429 through B300001511)</b>	
	1001206996	Ref	SkyGuard Complete Add-on Kit (Blue) <b>(SN 0300217476 through 0300272287, SN B300001512 through B300005763, Excluding B300005567)</b>	
	1001210033	Ref	SkyGuard Complete Add-on Kit (Red)	
	1001205501	Ref	SkyGuard Beacon Kit (Blue)	
	1001210032	Ref	SkyGuard Beacon Kit (Red)	
	1001176372	Ref	SkyGuard Removal Kit	
	1001201620	Ref	SkyGuard (Service) Kit	
	1001232643	Ref	SkyLine Kit	
		Ref	Strobe Light Installations (Amber)	
	1001191144	Ref	Strobe Light Installation (Amber) Platform Mounted	
	1001241747	Ref	Strobe Light Installation (Amber) Ground Mounted	
	1001191145	Ref	Strobe Light Installation (Amber) Platform/Ground Mounted	
	1001209413	Ref	Strobe Light Installations (Blue) (Use p/n 1001218502)	
	1001218502	Ref	Strobe Light Installations (Blue)	
	1001210041	NLA	Strobe Light Installations (Red) (Use p/n 1001218503)	
	1001218503	Ref	Strobe Light Installations (Red)	
	1001197883	Ref	Telematics Installation	
	1001239572	Ref	Upper Powertrack Service Kit	
	1001241270	Ref	Wear Pad Kit	
	0259302	Ref	Wheel Cover Installation	
	1001235847	Ref	White Noise Alarm Service Kit	
	1001235848	Ref	White Noise Ambient Alarm Service Kit	
	1001231804	Ref	White Noise Alarm	
	1001231870	Ref	White Noise Ambient Alarm	

**PART NUMBER INDEX**

## SECTION 11 - SPECIAL OPTIONS

0060044.....229, 231, 235	0270273 ..... 613	0641405 .93, 95, 97, 101,	0641614....109, 185, 187,
0060052.....220, 233	0270400 ..... 229	103, 105, 219, 239, 349	193, 195, 205
0100001.....237	0270433 ..... 613	0641406 .23, 27, 31, 101,	0641616.....229, 231
0100009....219, 287, 291,	0271251 ..... 620	103, 105, 109, 113,	0641618....191, 208, 229,
295, 299, 303, 307,	0272111 ..... 337	115, 137, 149, 191,	231
311, 315, 319, 337	0272976 ..... 237	273, 275, 277, 279,	0641622.....149
0100010....565, 569, 571,	0273146 ..... 621	281, 283, 285, 335,	0641806....205, 207, 212,
575, 577, 579, 581,	0273147 ..... 621	565, 569, 571, 575,	215
583, 585, 587, 589,	0273381 ..... 621	577, 579, 581, 583,	0641807.....73, 75, 77
591, 593, 595, 597,	0273382 ..... 621	585, 587, 589, 591,	0641808.....212, 215
599, 601, 603, 605,	0273468 ..... 57	593, 595, 597, 599,	0641810....205, 208, 211,
607, 609, 611	0273683 ..... 51	601, 603, 605, 607,	215
0100011....15, 17, 23, 27,	0273684 ..... 57	609, 611	0641811....85, 87, 89, 91
31, 61, 63, 65, 73, 75,	0273686 ..... 53	0641407 .93, 95, 97, 101,	0641812..23, 27, 31, 143,
77, 79, 81, 85, 87, 89,	0275216 .....461, 521	103, 105, 185, 187,	205, 207, 211, 215, 237
91, 109, 119, 121, 123,	0275217 .....459, 533	239, 521, 523, 525,	0641818....219, 223, 227
125, 127, 145, 147,	0275218 .....451, 527	527, 529, 531, 533	0641822.....239
149, 151, 153, 155,	0275219 .....453, 531	0641408 .24, 27, 31, 273,	0642024.....239
157, 185, 187, 205,	0275452 .....455, 525	275, 277, 279, 281,	0642612.....173, 179
208, 211, 215, 219,	0275453 .....457, 529	283, 285, 521, 523,	0681608....237, 239, 241,
220, 223, 227, 239,	0275454 .....449, 523	525, 527, 529, 531, 533	243
241, 243, 247, 249,	0275650 ..... 620	0641409 ..... 193, 195	0681610.....212, 215
261, 263, 265, 267,	0275663 ..... 489	0641410 ..... 247, 249	0681810.....15, 17
339, 341, 345, 347,	0275664 ..... 491	0641413 ... 119, 121, 123,	0681814.....269, 271
349, 367, 371, 373,	0275665 ..... 487	125, 127	0681822.....269, 271
377, 379, 381, 383,	0275666 ..... 485	0641414 ... 121, 125, 287,	0682014.....23, 27, 31
387, 389, 393, 395,	0275667 ..... 493	291, 295, 299, 303,	0682026.....139
409, 415	0275698 ..... 622	307, 311, 315, 319,	0682028.....139
0100019.....139, 247, 249	0340048 ..... 63	339, 341, 345, 347, 351	0700408....521, 523, 525,
0100020..24, 28, 32, 149,	0400055 .....85, 87	0641416 ... 151, 153, 155,	527, 529, 531, 533
191, 331	0400201 ..... 149	157, 239, 521, 523,	0720804....119, 121, 123,
0100035....41, 43, 45, 47,	0440162 ..... 15	525, 527, 529, 531, 533	125, 127
171, 299, 315, 319,	0460110 ..... 620	0641418 ... 151, 153, 155,	0721004.....113, 115
367, 371, 377, 381,	0460113 ..... 620	157, 261, 263, 265, 267	0721005.....339, 341
387, 393	0460114 ..... 620	0641420 ..... 263	0721006.....27
0100038....367, 371, 373,	0460115 ..... 620	0641430 ..... 23, 27, 31	0741008.....45
377, 379, 381, 383,	0460194 ..... 620	0641440 ..... 65	0760606.....241, 244
387, 389, 393, 395,	0460196 ..... 620	0641506 ... 151, 153, 155,	0760610....241, 243, 244
409, 415	0480100 ..... 353	157, 205, 207, 212, 215	0761014.....241, 243
0100048...23, 27, 31, 239	0561076 ... 205, 207, 211,	0641507 ..... 123, 127	0761015.....243
0100051.....23, 27, 31	215	0641508 .23, 27, 31, 185,	0761215....237, 241, 243
0100071.....351	0561317 .....247, 249	187	0801154.....219
0100075....288, 291, 295,	0561384 .....247, 249	0641510 ..... 143, 191	0801169....205, 207, 219
303, 307, 311	0561385 .....247, 249	0641512 ... 409, 411, 415,	0801192.....223, 227
0100081 .....224, 227	0561386 .....247, 249	417, 419	0801197.....211, 223
0100083....41, 43, 45, 47	0561424 ..... 247	0641514 ... 185, 187, 247,	0801260.....223, 227
0140011....287, 291, 295,	0610131 ... 159, 161, 163,	249, 353	0801261.....219
299, 303, 307, 311,	165	0641516 .... 229, 231, 247	0801264....205, 207, 211,
315, 319	0630399 ..... 219	0641518 ..... 149	215
0140043.....137	0630401 .....223, 227	0641560 ..... 247, 249	0840031.....23, 27, 31
0200048.....339, 341	0630440 ..... 115	0641604 ..... 409	0840032.....23, 27, 31
0257728.....353	0630462 .....339, 341	0641605 ... 151, 153, 155,	0860038.....517, 519
0258688.....49	0630467 .....247, 249	157, 223, 224, 227	0860520....565, 569, 571,
0258691.....205	0630487 ..... 219	0641606 ... 15, 17, 73, 75,	575, 577, 579, 581,
0258995.....49	0630490 ..... 21	77, 79, 81, 119, 121,	583, 585, 587, 589,
0258996.....55	0630518 ... 159, 161, 163,	123, 125, 127, 219, 223	591, 593, 595, 597,
0258997.....55	165	0641607 ... 211, 215, 219,	599, 601, 603, 605,
0259123.....517	0630552 ..... 149	223, 227	607, 609, 611
0259125.....519	0630568 ... 287, 292, 296,	064160861, 63, 147, 205,	0861375.....27
0259127.....515	300, 304, 308, 312,	207, 211, 215, 219,	0861731....449, 455, 457
0259302.....622	316, 320	220, 223, 227	0861781.....459, 461
0259397.....620	0641404 .73, 75, 77, 219,	0641610 ... 23, 27, 31, 61,	0861880.....481
0259481.....191	287, 291, 295, 299,	63, 73, 75, 77, 205,	0902919.....239
0259550.....613	303, 307, 311, 315,	207, 211, 215, 237,	0902920.....239
0259877.....620	319, 349	273, 275, 277, 279,	0940048....205, 207, 212,
0270037.....59		281, 283, 285	215



## SECTION 11 - SPECIAL OPTIONS

0940167 ..... 339	1001110434..... 287, 291, 295, 299, 303, 307, 311, 315, 319	1001126245..... 549	1001153749. 15, 17, 151, 153, 155, 157
0961127 ... 565, 569, 571, 575, 577, 579, 581, 583, 585, 587, 589, 591, 593, 595, 597, 599, 601, 603, 605, 607, 609, 611	1001110775..... 59	1001128128..... 497, 550	1001155044..... 159, 161, 163, 165, 287, 291, 295, 299, 303, 307, 311, 315, 319, 323, 333
0961845 ... 261, 263, 265, 267	1001110873..... 517	1001129555..... 616	1001155045..... 159, 161, 163, 165, 287, 291, 295, 299, 303, 307, 311, 315, 319, 323, 333
0961947 .... 235, 363, 365	1001112496..... 113, 115	1001132175..... 287, 291, 295, 299, 303, 307, 311, 315, 319	1001157058 ..... 145
0961948 ..... 223, 227	1001112943..... 269	1001136881..... 427	1001157890..... 495, 499, 550, 553
0961950 ... 205, 207, 211, 215, 219, 224, 227, 367, 369, 371, 373, 375, 377, 379, 381, 383, 385, 387, 389, 393, 395, 397	1001113483..... 239	1001137673..... 345, 347	1001157891 ..... 495, 550
096195119, 21, 219, 229, 231, 359, 361, 363, 365, 401, 403	1001113680..... 609, 611	1001138494..... 261, 263, 267	1001159186 ..... 499, 511, 513
0962140 ..... 19, 21	1001113961..... 553	1001138514..... 261, 263, 267	1001159256..... 159, 161, 163, 165, 287, 291, 295, 299, 303, 307, 311, 315, 319, 616
0962257 ..... 235	1001114761..... 129, 135	1001139654..... 613	1001159355 ..... 193, 197
0962270 ..... 269, 271	1001114782..... 89, 91	1001140278..... 211, 401	1001159361 ..... 191, 193
0962292 ..... 229, 231	1001116232..... 147	1001140279..... 212, 359	1001160527 ..... 139
0962356 ..... 357, 399	1001116692..... 499, 550, 553, 561	1001140280..... 229, 363	1001161117 ..... 15, 17
0962450 ..... 239	1001116693..... 550, 553	1001140315..... 621	1001161710 ..... 288, 291, 295, 299, 303, 307, 311, 315, 319, 333, 616
1001093382 ... 85, 87, 89, 91	1001116720..... 541, 543	1001140318..... 621	1001164209 ..... 407
1001093687 .... 587, 591, 597, 603, 611, 613	1001116732..... 550	1001140429..... 261, 263, 265, 267	1001164636 ..... 613
1001094670 ..... 229, 231	1001116733..... 497, 549	1001140597..... 205, 207, 399	1001165962 ..... 187
1001096134 .. 41, 45, 549	1001116734..... 547, 549	1001140598..... 219, 357	1001165963 ..... 185
1001097051 ..... 537	1001116810..... 479, 547	1001141300..... 296, 303, 307, 311, 315, 613, 621	1001165977 ..... 149
1001097150 ..... 481, 483	1001116811..... 107	1001141302..... 339, 621	1001165981 ..... 185, 187
1001097775 ..... 121, 125, 133	1001116812..... 499, 550, 553	1001141967..... 451, 453	1001165985 ..... 185, 187
1001097777 .... 119, 121, 123, 125, 127, 131	1001116813..... 553	1001141968..... 451	1001166250 ..... 187
1001098122 ..... 511, 513	1001116815..... 550	1001141969..... 453	1001166251 ..... 525
1001098828 ..... 241, 243	1001116846..... 621	1001141970..... 453	1001166258 ..... 529
1001099833 ..... 223	1001117024..... 549	1001141971..... 451	1001166259 ..... 523
1001100341 ..... 461	1001117069..... 549	1001142694..... 173, 179	1001166260 ..... 533
1001100342 ..... 459	1001117070..... 547	1001143431..... 173	1001166261 ..... 527
1001100345 ..... 455	1001117172..... 331	1001144147..... 495	1001166262 ..... 531
1001100346 ..... 449	1001118384..... 545	1001144433..... 296, 303, 307, 311, 315, 347	1001166263 ..... 521
1001100347 ..... 457	1001118388..... 543, 545	1001144629..... 255, 257, 259	1001166321 ..... 113
1001103012 ..... 549	1001119228..... 224, 227	1001145985..... 621	1001166327 ..... 113
1001103105 ... 93, 95, 97, 101, 103, 105, 107	1001119619..... 535	1001148902..... 621	1001166328 ..... 115
1001103558 ..... 622	1001119620..... 537, 539	1001148903..... 621	1001166330 ..... 113, 115
1001103617 ..... 622	1001120328..... 345, 347, 349	1001148904..... 621	1001166341 ..... 145
1001104850 ..... 139, 141	1001120466..... 622	1001148905..... 621	1001166377 ..... 115
1001104864 .... 565, 569, 571, 575, 577, 579, 581, 583, 585, 587, 589, 591, 593, 595, 597, 599, 601, 603, 605, 607, 609, 611	1001121510..... 571, 577, 581, 587, 591, 597, 603, 607, 611	1001148906..... 621	1001166394 ..... 159, 161, 163, 165
1001106757 ..... 223, 227	1001121801..... 565, 569, 571	1001149561..... 622	1001166395 ..... 139
1001107854 ..... 549	1001121803..... 589, 591	1001149994..... 171, 175, 177, 181, 183	1001166417 ..... 61, 63
1001108727 ..... 621	1001121805..... 605, 607	1001151286..... 621	1001166419 ..... 61, 63
1001108923 ..... 613	1001121808..... 593, 595, 597	1001151368..... 223, 415	1001166420 ..... 73, 75, 77
1001109503 .... 159, 161, 163, 165	1001121810..... 583, 585, 587	1001151386..... 415	1001166493 ..... 113, 115
1001109892 .... 23, 28, 31	1001121814..... 565, 569, 571	1001151393..... 159, 161, 163, 165	1001166495 ..... 85, 89
1001110166 ..... 113	1001121816..... 589, 591	1001151413..... 409	1001166496 ... 85, 87, 89, 91
	1001121818..... 605, 607	1001151428..... 15, 17	1001166497 ..... 85
	1001121821..... 593, 595, 597	1001152230..... 409, 411, 415, 417	1001166498 ..... 89
	1001121823..... 583, 585, 587	1001152483..... 483	1001166538 ..... 288, 291, 296, 300, 303, 307, 311, 315, 319, 325
	1001121918..... 599, 601, 603	1001152635..... 426, 430, 434	1001166539 ..... 288, 292, 295, 299, 303, 308, 311, 315, 319, 327
	1001121920..... 609, 611	1001153017..... 139, 143	1001166738 ..... 185
	1001121921..... 599, 601, 603	1001153021 ..... 15, 17	
	1001121923..... 609, 611		
	1001125248..... 191		
	1001126008..... 549		
	1001126009..... 545		

## SECTION 11 - SPECIAL OPTIONS

1001167014.....109	597, 599, 601, 603,	1001182959 .... 23, 27, 31	1001188292.....247, 249,
1001167291.....65, 149	605, 607, 609, 611, 613	1001182960 .... 23, 28, 31	469
1001167363.....65	1001178385.....426	1001183212 ..... 185, 187	1001188293.....471, 473
1001167487.....63	1001178386.....430	1001183367 ..... 137	1001188354.....247, 249,
1001168004.....149	1001178387 ..... 438	1001183407 ..... 621	469, 471, 473
1001168005.....149	1001178394 .... 463, 465,	1001183512 ..... 273	1001188484.....159, 161,
1001168670.....87	467	1001183515 ..... 151	163, 165
1001168673.....211	1001178395 .... 463, 465,	1001183517 ..... 153	1001188528....24, 28, 32,
1001168796.....91	467	1001183518 ..... 155	547
1001168800.....87, 91	1001178396 .... 463, 465,	1001183519 ..... 157	1001188622.....241, 243
1001169138.....191	467	1001183527 ..... 247	1001188844.....241, 243
1001169423.....15, 17	1001178398 .... 463, 465,	1001183528 ..... 249	1001188889.....345
1001170365.....27, 616	467	1001183693 ..... 273, 287	1001188892.....323
1001170367.....41, 43	1001178399 .... 463, 465,	1001183765 ..... 153, 161	1001189027.....463, 465,
1001170485.....45	467	1001183766 ..... 155, 163	467
1001170760.....549	1001178400 .....463, 465	1001183767 ..... 157, 165	1001189030.....463, 465,
1001170838.....287, 292,	1001178401 .....463, 465	1001183866 ..... 151, 159	467
295, 299, 303, 308,	1001178402 .... 463, 465,	1001183876 ..... 247, 471	1001189031.....463, 465,
311, 315, 319	467	1001183878 .... 247, 249,	467
1001171115.....79, 479	1001178403 .... 463, 465,	469	1001189032.....463, 465,
1001171213.....61, 63, 69	467	1001183879 ..... 249, 473	467
1001171214.....65, 71	1001178405... 23, 27, 31,	1001184852 .... 23, 28, 31	1001189039.....287, 292,
1001171298.....147	495	1001184854 .... 23, 28, 31	296, 299, 304, 308,
1001172663.....241, 243	1001178491 .... 521, 523,	1001184947 ..... 111	312, 316, 320, 331
1001172760.....287, 292,	525, 527, 529, 531, 533	1001185156 ..... 111	1001189162.....621
296, 299, 304, 308,	1001178629... 23, 27, 31,	1001185281 .... 295, 299,	1001189171.....483, 616
311, 316, 319	549	304, 308, 312, 316, 320	1001189172.....483, 616
1001173577.....611	1001178660 .....463, 467	1001185306 ..... 99, 111	1001189882.....565, 571,
1001173703.....579	1001178793 .... 151, 153,	1001185713 .... 426, 430,	575, 577, 583, 585,
1001173941.....446	155, 157, 553	434, 438, 442	587, 589, 591, 593,
1001174447.....45, 47	1001178794 .... 151, 153,	1001185825 ..... 426	597, 599, 603, 605,
1001174455.....509	155, 157, 561	1001185826 .... 430, 434,	607, 609, 611, 613
1001175025.....113, 115	1001178822 ..... 467	438, 442	1001190003.....579
1001176372.....622	1001178823 ..... 467	1001186231 ..... 553	1001190004.....581
1001176417.....185, 187	1001178921 ....23, 27, 31	1001186333 ..... 271	1001190017.....287, 304
1001176441.....185, 187	1001179060 ....23, 31, 41	1001186375 ..... 261	1001190020.....32, 467
1001176469.....161, 165	1001179061 ....23, 31, 45	1001186377 ..... 263	1001190088.....24, 463
1001177245.....463, 465,	1001179064 ... 41, 43, 45,	1001186378 ..... 267	1001190577.....39, 549
467	47	1001186385 ..... 259	1001190797.....288, 292,
1001177246.....463, 465,	1001179134 ..... 23	1001186386 ..... 257	296, 300, 304, 308,
467	1001179136 ..... 31	1001186387 ..... 255	312, 316, 320
1001177364....73, 75, 77,	1001179226 ..... 444	1001186388 ..... 269	1001190896.....622
79, 81, 83	1001179991 .... 151, 153,	1001186431 .... 316, 347,	1001190985.....241, 243
1001177483.....212, 215	155, 157, 499	541, 543	1001191139.....171
1001177666.....426, 430,	1001180554 .... 119, 121,	1001186432 .... 541, 543,	1001191140.....169, 171
434	123, 125, 127, 129	545	1001191142.....169
1001178339...45, 47, 616	1001180835 .....15, 17	1001186497 ..... 111	1001191144.....622
1001178362.....571	1001180839 ....15, 17, 21	1001186517 ..... 345, 347	1001191145.....622
1001178364.....565	1001180841 .....15, 17	1001186860 ..... 41, 43	1001191203.....97, 99
1001178365.....591	1001180923 ..... 15	1001187101 ..... 111	1001191204.....93
1001178366.....589	1001180930 .....73, 119	1001187530 ..... 111	1001191206.....95
1001178367.....607	1001180932 .....75, 121	1001187674 ..... 343	1001191207.....105
1001178368.....605	1001180933 .....79, 125	1001187681 .... 475, 477,	1001191208.....103
1001178369.....611	1001181045 .....481, 616	535	1001191209.....101
1001178370.....609	1001181081 ..... 191	1001187683 ..... 475	1001191212....93, 95, 97,
1001178371.....597	1001181325 ....24, 27, 32	1001187684 ..... 477	101, 103, 105
1001178372.....593	1001182138 ..... 351	1001187776 ..... 251, 475	1001191232.....149, 167,
1001178373.....603	1001182296 .....109, 501	1001187777 ..... 251, 477	191, 333
1001178374.....599	1001182550 ... 23, 28, 31,	1001187789 ..... 251	1001191314.....621
1001178375.....587	39	1001187790 ..... 147	1001191318.....288, 292,
1001178376.....583	1001182700 .... 151, 153,	1001187816 ..... 99	296, 304, 308, 312, 511
1001178377.....577	155, 157, 616	1001188065 .... 151, 153,	1001191395.....621
1001178378.....575	1001182709 ..... 115	155, 157	1001191708.....351
1001178379.....565, 569,	1001182724 .... 288, 292,	1001188066 .... 159, 161,	1001192024.....191, 497
571, 575, 577, 579,	304, 308, 312, 316,	163, 165	1001192212...41, 43, 616
581, 583, 585, 587,	319, 616	1001188291 .... 247, 249,	1001192283.....239, 509
589, 591, 593, 595,	1001182725 .....185, 187	469, 471, 473	

## SECTION 11 - SPECIAL OPTIONS

1001192292..... 296, 304, 308, 312, 541	1001210576..... 159, 163	1001219513..... 341	1001232164..... 343
1001192293..... 109, 503	1001212202..... 622	1001219601..... 24, 27, 32	1001232165..... 343
1001192385..... 239	1001212359..... 45, 47	1001219722..... 23, 27, 31	1001232203..... 17
1001192386..... 173	1001212415..... 616	1001220271..... 23, 28, 31	1001232642..... 349
1001192387..... 345	1001212450..... 47	1001220486..... 291, 295, 307	1001232643..... 622
1001192399..... 339	1001212453..... 27	1001220660..... 283	1001232650..... 349
1001192401..... 554	1001212454..... 28, 465	1001221480..... 15, 407	1001232667..... 349
1001192502..... 109	1001212455..... 465	1001222801..... 565, 569, 571, 575, 577, 579, 581, 583, 585, 587, 589, 591, 593, 595, 597, 599, 601, 603, 605, 607, 609, 611	1001233237..... 620
1001193018..... 521, 523, 525, 527, 529, 531, 533	1001212456..... 28, 47	1001223055..... 565, 569, 571	1001235011..... 349
1001193047..... 15, 17	1001212480..... 465	1001223259..... 241	1001235013..... 349
1001193419..... 339, 341, 446	1001213447..... 513	1001223287..... 207	1001235649..... 620
1001193545..... 503	1001213625..... 613	1001223824..... 621	1001235847..... 622
1001193949..... 565, 569, 571, 575, 577, 579, 581, 583, 585, 587, 589, 591, 593, 595, 597, 599, 601, 603, 605, 607, 609	1001213626..... 28	1001223971..... 589, 591	1001235848..... 622
1001193987..... 287, 292, 296, 300, 304, 308, 312, 316, 320	1001213882..... 300, 316, 320	1001224048..... 599, 601, 603	1001236535..... 620
1001195304..... 620	1001214031..... 579	1001224049..... 605, 607	1001236552..... 349
1001195841..... 341	1001214410..... 569	1001224050..... 583, 585, 587	1001237443..... 622
1001196004..... 341	1001214411..... 595	1001224052..... 609, 611	1001237862..... 537, 539
1001196484..... 279, 303	1001214412..... 601	1001224053..... 593, 595, 597	1001237863..... 343, 537
1001196486..... 281, 311	1001214413..... 585	1001224890..... 223, 227	1001237864..... 343, 539
1001196487..... 281	1001214478..... 621	1001225580..... 316, 347, 543	1001237865..... 343, 535
1001196487..... 281	1001214515..... 621	1001226872..... 265	1001238319..... 343
1001196500..... 279	1001214524..... 621	1001227633..... 343	1001238418..... 349, 545
1001196589..... 24, 27, 32	1001214552..... 621	1001227634..... 343	1001238472..... 349
1001196811..... 565, 569, 571, 589, 591, 593, 595, 605, 607, 609, 611	1001214559..... 621	1001227985..... 343	1001238477..... 349
1001197017..... 339, 341	1001214560..... 621	1001227987..... 343	1001238490..... 285, 319
1001197067..... 179	1001214667..... 43	1001227996..... 537, 539	1001238493..... 277, 299
1001197883..... 622	1001214668..... 28, 43	1001228016..... 211, 395	1001238495..... 347
1001198647..... 621	1001215118..... 99	1001228018..... 207, 389	1001238498..... 285
1001198648..... 621	1001215119..... 99	1001228035..... 211, 373	1001238500..... 277
1001198660..... 621	1001215326..... 99	1001228036..... 207, 211, 379, 383	1001238557..... 177
1001200491..... 243	1001215835..... 296, 300, 616	1001228039..... 207, 369	1001238558..... 183
1001200575..... 287, 304	1001216147..... 275	1001228061..... 223, 417	1001238559..... 349
1001200910..... 175, 177	1001216153..... 275, 295	1001228062..... 219, 411	1001238782..... 195, 201
1001201620..... 622	1001216630..... 241, 243	1001228215..... 265	1001238783..... 191, 195
1001201642..... 549	1001216920..... 123, 127, 135	1001228224..... 343	1001238824..... 349
1001201887..... 292, 296, 308, 312	1001217005..... 175, 177	1001228225..... 343	1001239572..... 622
1001202580..... 279, 307	1001217228..... 241, 243	1001228370..... 565, 569, 572, 589, 591	1001241270..... 622
1001202581..... 273, 291	1001217242..... 241, 243	1001228627..... 241, 243	1001241747..... 622
1001202749..... 621	1001217243..... 241, 243	1001229107..... 620	1001241863..... 620
1001203654..... 269	1001217244..... 241, 243	1001229341..... 343	1001241965..... 349
1001203655..... 271	1001217249..... 241, 243	1001229691..... 620	1001243183..... 620
1001203734..... 550	1001217250..... 243	1001230299..... 215, 397	1001243184..... 620
1001205175..... 620	1001217253..... 241, 243	1001230300..... 215, 375	1001243575..... 620
1001205491..... 175	1001217254..... 241, 243	1001230301..... 215, 385	1001246541..... 620
1001205501..... 622	1001217267..... 241, 243	1001230302..... 227, 419	1001246542..... 620
1001206996..... 622	1001217413..... 241, 243	1001230303..... 215, 403	1001246695..... 620
1001207004..... 181, 183	1001217465..... 579, 581	1001230304..... 216, 361	1001247073..... 622
1001207314..... 179	1001217621..... 300, 316, 320, 513	1001230305..... 231, 365	1001251018..... 207, 391
1001209059..... 622	1001217842..... 41, 547, 549	1001231523..... 216, 231	1001251062..... 219, 413
1001209413..... 622	1001217843..... 549	1001231524..... 215	1060092..... 463, 465, 467
1001209664..... 345, 347	1001217844..... 547, 549	1001231525..... 216, 227	1060330..... 331
1001209879..... 181	1001218006..... 434	1001231801..... 566, 572	1060341..... 475, 477
1001210032..... 622	1001218007..... 442	1001231804..... 622	1060379..... 353
1001210033..... 622	1001218068..... 300, 316, 320	1001231870..... 622	1060461..... 507, 559
1001210041..... 622	1001218114..... 444		1060494..... 501, 505, 557
	1001218371..... 77, 123		1060689..... 93, 95, 97, 101, 103, 105
	1001218372..... 81, 127		1060754..... 191
	1001218499..... 622		1060755..... 191
	1001218502..... 622		1060801..... 109
	1001218503..... 622		1060802..... 109
	1001218652..... 283, 315		1060896..... 469, 471, 473
	1001219016..... 243		1060903..... 339, 341
			1060908..... 481, 483
			1060919..... 271
			10837580..... 83, 129
			1120093..... 367

## SECTION 11 - SPECIAL OPTIONS

1120094.....	371	1701500... 565, 569, 571,	1703683.....	353	1704371.....	607, 613
1120108.....	387, 393	583, 585, 587, 589,	1703797 ....	565, 569, 571	1704372.....	613
1120110.....	409, 415	591, 593, 595, 597,	1703798 ....	565, 569, 571	1704373.....	613
1120305.....	377, 381	599, 601, 603, 605,	1703804 ....	565, 569, 571	1704412....	565, 569, 571,
1120487.....	149	607, 609, 611	1703805 ....	565, 569, 571	575, 577, 579, 581,	
1120552.....	53	1701504... 565, 569, 571,	1703811 ...	575, 577, 579,	583, 585, 587, 589,	
1180302.....	219	575, 577, 579, 581,	581	591, 593, 595, 597,	599, 601, 603, 605,	
1220038.....	219	583, 585, 587, 589,	1703813 ....	565, 569, 571	607, 609, 611	
1220039.....	219	591, 593, 595, 597,	1703814 ...	575, 577, 579,	1704417....	593, 595, 597
1220040.....	219	599, 601, 603, 605,	581	605, 607	1704418....	599, 601, 603
1271538.....	239	607, 609, 611	1703923 .....	605, 607	1704419....	583, 585, 587
1300019.....	53	1701505 .....	1703924 .....	589, 591	1704422....	299, 303, 307
1320012.....	191	1701509... 565, 569, 571,	1703925 ....	583, 585, 587	1704431....	565, 571, 575,
1320022.....	149, 191	575, 577, 579, 581,	1703926 ....	593, 595, 597	577, 579, 581, 583,	
1320033.....	438, 442	583, 585, 587, 589,	1703927 ....	599, 601, 603	587, 589, 591, 593,	
1320037.....	620	591, 593, 595, 597,	1703928 .....	609, 611	597, 599, 603, 605,	
1320040.....	73, 75, 77	599, 601, 603, 605,	1703929 .....	605, 607	607, 609, 611	
1320041 15, 17, 149, 185,	187	607, 609, 611	1703930 .....	589, 591	1704445.....	603, 613
1320043.....	247, 249	1701518... 575, 577, 579,	1703931 ....	583, 585, 587	1704446....	565, 569, 571
1320135.....	191	581	1703932 ....	593, 595, 597	1704452.....	589, 591
1320136....	239, 241, 243	1701642... 109, 565, 569,	1703933 ....	599, 601, 603	1704453.....	609, 611
1320224.....	239	571, 575, 577, 579,	1703934 .....	609, 611	1704454.....	605, 607
1320260.....	247, 249	581, 583, 585, 587,	1703935 .....	605, 607	1704787.....	613
1320263.....	15, 17	589, 591, 593, 595,	1703936 .....	589, 591	1704789.....	613
1321385....	151, 153, 155,	597, 599, 601, 603,	1703937 ....	583, 585, 587	1704790.....	613
157		605, 607, 609, 611	1703938 ....	593, 595, 597	1704885....	565, 569, 571,
1380136....	119, 121, 123,	1701644... 565, 569, 571,	1703939 ...	599, 601, 603	575, 577, 579, 581,	
125, 127		575, 577, 579, 581,	1703940 .....	609, 611	583, 585, 587, 589,	
1380138.....	113, 115	583, 585, 587, 589,	1703947 .....	605, 607	591, 593, 595, 597,	
1380164.....	191	591, 593, 595, 597,	1703948 .....	589, 591	599, 601, 603, 605,	
1580012.....	335	599, 601, 603, 605,	1703949 ....	583, 585, 587	607, 609, 611	
1600387.....	239	607, 609, 611	1703950 ....	593, 595, 597	1705014.....	269, 271
1670679....	219, 223, 227	1701691... 565, 569, 571,	1703951 ....	599, 601, 603	1705325.....	521
1670697.....	247, 249	575, 577, 579, 581,	1703952 .....	609, 611	1705351....	565, 569, 571
1670698.....	219	583, 585, 587, 589,	1703980 ....	593, 595, 597	1705364.....	53
1670832.....	251	591, 593, 595, 597,	1703981 ....	599, 601, 603	1705426....	593, 595, 597
1670833.....	251	599, 601, 603, 605,	1703982 ....	583, 585, 587	1705427....	599, 601, 603
1670880.....	115	607, 609, 611	1703983 .....	605, 607	1705429....	589, 591
1670953.....	109	1702124... 427, 431, 435,	1703984 .....	589, 591	1705430....	583, 585, 587
1671176....	287, 291, 295,	439, 443	1703985 .....	609, 611	1705514....	565, 571, 589,
299, 303, 307, 311,		1702251 .....	1703987 ....	599, 601, 603	591	
315, 319		613	1703988 ....	583, 585, 587	1705670....	575, 577, 579,
1683584.....	409, 415	1702265... 565, 569, 571,	1703991 .....	609, 611	581	
1683591.....	15, 17, 405	589, 591, 605, 607	1704000 ....	589, 591, 620	1705822....	575, 577, 579,
1683706.....	409	1702271 ....	1704001 ....	605, 607, 621	581	
1683709.....	387, 393	593, 595, 597	1704002 .....	609, 611	1705828....	575, 577, 579,
1683710.....	367, 371	583, 585, 587, 589,	1704008 .....	609, 611	581	
1683712.....	377, 381	591, 593, 595, 597,	17042567 .....	315, 319	1705910.....	605, 607
1683802.....	415	599, 601, 603, 605,	1704260 ...	287, 291, 295,	1705921....	575, 577, 579,
1683940.....	371	607, 609, 611	299, 303, 307, 311,	315, 319	581	
1683941.....	367, 371	1702565... 287, 291, 295,	1704277 ...	565, 569, 571,	1705967.....	621
1683943.....	381	299, 303, 307, 311,	575, 577, 579, 581,	583, 585, 587, 589,	1705968.....	620
1683944.....	377, 381	315, 319	591, 593, 595, 597,	599, 601, 603, 605,	1705969.....	621
1683945.....	211, 393	1702567... 287, 291, 295,	599, 601, 603, 605,	607, 609, 611	1705977....	575, 577, 579,
1683946.....	393	311	1702740 .....	571, 613	581	
1683947.....	393	1702773... 271, 579, 581,	1702740 .....	571, 613	1705978....	575, 577, 579,
1684055.....	367	613	1704286 .....	571, 613	581	
1684056.....	377	1702774 .....	1704339 .....	605, 607	1706378....	575, 577, 579,
1684059.....	387	613	1704340 .....	589, 591	581	
1684060.....	387	1702860 .....	1704341 .....	609, 611	1706385.....	269, 271
1684061....	205, 207, 387	613	1704342 ....	593, 595, 597	1706950....	565, 569, 571,
1684451.....	211, 371	1702868... 565, 569, 571,	1704343 ....	599, 601, 603	589, 591, 605, 607,	
1684452.....	211, 381	620	1704344 ....	583, 585, 587	609, 611	
1684492....	205, 207, 367	1702962 .....	1704368 .....	613	1760160.....	219
1684493....	205, 207, 377	571	1704369 .....	613	2080040....	255, 257, 259
1700584.....	589	1703175 .....	1704370 .....	613	2160003.....	143
		1703488 .....				

## SECTION 11 - SPECIAL OPTIONS

2180348.....	149	2221033....	426, 430, 434, 438, 442	2752581.....	426	3252347.....	565, 569, 571
2220237 ...	427, 431, 435, 439, 443	2221046.....	149	2752585....	426, 430, 434, 438, 442	3252507 ...	519, 523, 525, 527, 529, 531, 533
2220239.....	427	2221047.....	149	2752600....	431, 435, 439, 443	3252780.....	613
2220371 ...	426, 430, 434, 438, 442	2221054....	427, 430, 434, 438, 442	2752611....	430, 434, 438, 442	3271605.....	212, 215
2220373.....	435, 442	2221086....	427, 431, 435, 439, 443	2752620.....	426	3271805.....	269, 271
2220386 ...	426, 430, 434, 438, 442	2221147.....	426	2752675.....	438, 442	3290405.....	99, 521, 523, 525, 527, 529, 531, 533
2220415 ...	426, 427, 430, 431, 434, 435, 438, 439, 442, 443	2300027.....	621	2752983.....	427	3290605.....	241, 243
2220466 ...	430, 434, 435, 438, 442, 443	2300028.....	621	2753050....	426, 430, 434, 438, 442	3290606.....	261, 263, 267
2220472 ...	426, 430, 434, 438, 442	2400044.....	27, 45	2753301....	426, 430, 434, 438, 442	3291001.....	241, 243
2220473 ...	426, 430, 434, 438, 442	2400060....	511, 513, 549, 554	2753302....	430, 434, 438, 442	3291005.....	243
2220498 ....	426, 430, 434	2410014.....	269, 271	2753303....	430, 434, 438, 442	3291201.....	241, 243
2220499 ...	431, 435, 439, 443	2420202.....	239	2753638....	430, 434, 438, 442	3291205.....	237, 241, 243
2220501 ...	426, 430, 434, 438, 442	2460037.....	109	2753973....	426, 430, 434	3300151 ...	247, 249, 261, 263, 265, 267
2220502 ...	426, 427, 430, 434, 435, 438, 442, 443	2540037.....	27	2780241.....	15, 17, 19	3300279.....	393
2220504 ...	426, 430, 434, 438, 442	2540038.....	15, 17	2780282....	23, 27, 31, 35	3300281 ...	367, 371, 373, 377, 379, 381, 383
2220507 ...	426, 430, 434, 438, 442	2540045....	85, 87, 89, 91	2820030.....	509	3300315.....	387
2220516 ...	409, 411, 415, 417	2560122....	119, 121, 123, 125, 127, 129, 135	2820105.....	115	3300353 ...	109, 287, 291, 295, 299, 303, 307, 311, 315, 319
2220517 ...	409, 411, 415, 417	2560123....	119, 121, 123, 125, 127, 129, 135	2820106.....	115	3300365 ...	151, 153, 155, 157
2220582 ...	427, 430, 431, 434, 435, 438, 439, 442, 443	2560136....	287, 291, 295, 299, 303, 307, 311, 315, 319	2820110.....	115	3300408 ...	288, 291, 295, 299, 303, 307, 311, 315, 319
2220593 ...	426, 430, 434, 438, 442	2600281....	255, 257, 259	2820112.....	191	3300426 ...	15, 17, 21, 23, 27, 31
2220596 ...	409, 411, 415, 417, 419	2700093.....	113, 115	2820116.....	191	3300430.....	345, 347, 351
2220600 ...	427, 430, 434, 438, 442	2720058.....	149	2820117.....	191	3300454 ...	23, 27, 31, 65, 101, 103, 105, 151, 153, 155, 157
2220605.....	427	2720271.....	149	2820118....	469, 471, 473	3310805 ...	119, 121, 123, 125, 127, 147
2220609.....	427	2720559.....	191	2820218.....	191	3311001.....	27
2220628 ...	409, 411, 415, 417, 419	2750910....	426, 430, 434, 438, 442	2820247.....	537, 539	3311005 ...	113, 115, 149, 173, 179, 251
2220654 ....	427, 431, 439	2750915....	426, 427, 430, 434	2860030....	159, 161, 163, 165, 616	3311011... 159, 161, 163, 165	
2220677 ...	426, 430, 434, 438, 442	2750996....	426, 430, 434, 438, 442	2900756.....	129	3311401. 23, 27, 31, 115, 219, 223, 227, 247, 249, 339, 341	
2220684.....	426	2751009....	426, 430, 434, 438, 442	2900770....	233, 235, 367, 369, 371, 373, 375, 377, 379, 381, 383, 387, 389, 393, 395, 413, 421	3311405 15, 17, 109, 113, 115, 137, 149, 159, 161, 163, 165, 191, 193, 195, 239, 247, 249, 273, 275, 277, 279, 281, 283, 285, 349, 521, 523, 525, 527, 529, 531, 533, 565, 569, 571, 575, 577, 579, 581, 583, 585, 587, 589, 591, 593, 595, 597, 599, 601, 603, 605, 607, 609, 611	
2220727.....	426	2751126.....	426	2900792....	357, 359, 363	3311501 ...	185, 187, 229, 231, 339, 341
2220805.....	191	2751127.....	426	2901804....	387, 389, 393, 395	3311505. 23, 27, 31, 151, 153, 155, 157, 205, 207, 212, 215, 223, 227, 247, 249, 353	
2220883 ...	365, 373, 375, 379, 383, 385, 409, 411, 415, 417, 419	2751414....	431, 435, 439, 443	2901805....	377, 379, 381, 383	3311601 ...	185, 187, 211, 215, 287, 292, 296,
2220885 ...	361, 365, 367, 369, 373, 375, 377, 379, 383, 385, 387, 389, 393, 395, 397, 426, 430, 434, 438, 442	2751508....	426, 430, 434, 438, 442	2901806....	367, 371, 373		
2220899 ...	426, 430, 434, 438, 442	2752430.....	430, 438	2902549....	481, 521, 523, 525, 527, 533		
2220909 ...	427, 431, 435, 439, 443	2752435.....	426	2915230.....	107		
2220940 ....	427, 435, 443	2752437....	430, 434, 438, 442	2920028.....	341		
2220999 ...	426, 430, 434, 438, 442	2752440.....	427	2920029.....	341		
		2752442.....	434, 442	2920151....	167, 239, 241, 243		
		2752453....	426, 430, 434	2940071.....	185, 187		
		2752459....	426, 430, 434, 438, 442	2940074....	255, 257, 259, 616		
		2752462.....	438, 442	2940095.....	113, 115		
		2752466....	430, 434, 438, 442	2940115.....	115		
		2752467....	426, 430, 434	3000003....	85, 87, 89, 91		
		2752475.....	426	3020008.....	23, 27, 31		
		2752486.....	438, 442	3020029.....	139		
		2752493....	431, 435, 443	3020037.....	23, 27, 31		
		2752519.....	438, 442	3251243....	565, 569, 571, 589, 591, 605, 607, 609, 611		
		2752572.....	426	3252331.....	613		
		2752573.....	426				
		2752574.....	438, 442				
		2752580.....	426				

## SECTION 11 - SPECIAL OPTIONS

300, 304, 308, 312, 316, 320, 349	3520027 ... 288, 291, 295, 299, 303, 307, 311, 315, 319	3910804 ... 159, 161, 163, 165	4360387.... 161, 165, 287, 291, 295, 299, 303, 307, 311, 315, 319, 339, 616
3311602.....219	3520028... 159, 161, 163, 165	3911012 ..... 173, 179	4360407....287, 291, 295, 299, 303, 307, 311, 315, 319
3311605.... 109, 149, 191, 193, 195, 205, 207, 211, 215, 220, 223, 227, 229, 231, 237, 269, 271, 273, 275, 277, 279, 281, 283, 285	3520030... 287, 291, 295, 299, 304, 307, 312, 315, 319	3911018 ... 287, 291, 295, 299, 303, 307, 311, 315, 319	4360469.... 159, 161, 163, 165, 616
3311805....205, 207, 211, 215, 237, 239	3520033.....291, 295, 307	3930824 ..... 147	4360470.....616
3312005.....239	3520034 ..... 219	3931010 ... 41, 43, 45, 47, 149	4360475.... 159, 161, 163, 165, 287, 291, 295, 299, 303, 307, 311, 315, 319, 616
3312008.....15, 17	3520035 . 24, 27, 31, 113, 115, 291, 295	3931012 ..... 45, 47	4360476.... 159, 161, 163, 165, 287, 291, 295, 299, 303, 307, 311, 315, 319, 616
3312602.... 171, 175, 177, 181, 183	3520054 ... 287, 291, 295, 299, 303, 307, 311, 315, 319	3931016 .... 41, 43, 45, 47	4400417.....149
3322202..... 15, 17	3520072 ... 255, 257, 259, 261, 263, 265, 267, 269, 271	3931028 ..... 251	4420051.....613
3322205.....409, 415	3520173 ..... 337	3931408 15, 17, 345, 347	4420062.....353
3323003..... 15, 17	3520182 ..... 351	3931416 ..... 15, 17	4420068.....339
3340663.....219	3520198 ... 255, 257, 259, 261, 263, 265, 267	3931424 ..... 345	4460007.....111
3340679.... 409, 411, 421	3536999 ..... 247	3931832 ..... 139	4460019.....550
3340682.....219	3537045 ... 205, 207, 212, 215	3951402 ..... 387, 409	4460042.....331
3340820.....219	3571462 ..... 249	3960389 ..... 115, 191	4460049..... 339, 341
3340837 ..... 223, 227	3572551 ..... 229, 231	3960417 ..... 115, 191	4460071.... 331, 517, 519
3340860 ..... 229, 231	3575705 ..... 339, 341	3960418 ..... 191	4460125.....519
3340881 ..... 223, 227	3575952 ..... 193, 195	3960422 ..... 517, 519	4460134..... 501, 505
3340939..... 223, 227	3575961 ..... 191	3960447 ..... 113, 115	4460138..... 93, 101, 501
3380434.... 273, 275, 277, 279, 281, 283, 285	3600289 .... 61, 63, 65, 67	3960453 ..... 185, 187	4460142..... 547, 550
3380602..... 191	3740080 ..... 41, 497	4010408 ..... 111	4460205..... 517, 557
3420156..... 185, 187	3740086 ..... 545	4010412 ..... 111	4460224.....513
3422175.... 205, 207, 211, 215	3760115 .... 219, 223, 227	4010618 .... 261, 263, 267	4460225.... 497, 511, 513
3422176.... 205, 207, 211, 215	3760308 ..... 113, 115	4031505 ..... 343	4460226.... 167, 239, 241, 243, 325, 328, 331, 339, 341, 479, 509, 511, 513, 541, 561
3422177.... 205, 207, 211, 215	3790012 ... 159, 161, 163, 165, 287, 291, 295, 299, 303, 307, 311, 315, 319, 323, 333	4031508 ..... 99	4460227.... 479, 497, 499, 509, 511, 513, 553
3422178.... 205, 207, 211, 215	3790113 ..... 421	4031516 ..... 349	4460233.....519
3422179..... 205, 207	3820001 ... 565, 569, 571, 575, 577, 579, 581, 583, 585, 587, 589, 591, 593, 595, 597, 599, 601, 603, 605, 607, 609, 611, 613	4031707 ..... 23, 28, 31	4460234.... 287, 291, 295, 299, 303, 307, 311, 315, 319, 339, 341
3422180.... 205, 207, 220	3820019 ..... 113, 115	4060092 ..... 519	4460259.... 497, 499, 511, 513
3422181 ..... 219	3820020 .... 255, 257, 259	4060802 ... 159, 161, 163, 165	4460260.... 497, 499, 511, 513
3422582..... 211, 215	3841143 ... 205, 207, 211, 215, 219, 241, 243	4060804 ... 115, 223, 227, 241, 243	4460265..... 325, 327
3422661..... 353	3841203 ... 205, 207, 211, 215	4060805 ... 109, 241, 243, 247, 249	4460267.... 497, 511, 513
3422669..... 211, 215	3841517 ..... 15, 17	4060808 ..... 247, 249	4460313.....499
3422692..... 15, 17	3900054 ..... 269, 271	4061032 ..... 439, 443	4460320..... 497, 499
3422709..... 220	3900085 ... 171, 175, 177, 181, 183	4061054 ..... 239	4460346.....517
3422791 ..... 229, 231	3900104 ..... 251	4070897 ..... 223, 227	4460374..... 497, 549
3422792..... 211, 215	3900109 ..... 15, 17	4070898 ..... 223, 227	4460418.... 499, 511, 513
3422793..... 211, 215	3900142 ..... 393	4070982 ..... 223	4460419.... 499, 511, 513
3422794..... 229, 231	3900170 ... 367, 371, 373, 377, 379, 381, 383, 387, 393	4100025 ..... 191	4460424.... 167, 239, 241, 243, 479
3422804..... 223, 227	3900187 ... 159, 161, 163, 165	4100026 ... 149, 427, 430, 434, 438, 442	4460425..... 339, 341
3422806..... 211, 215	3900283 ..... 239	4100067 ..... 249	4460426..... 109
3422901 ..... 219	3900349 .... 299, 315, 319	4130351 ..... 19	4460428... 93, 95, 97, 101, 103, 105, 239, 287, 291, 295, 299, 303, 307, 311, 315, 319
3430616.... 292, 296, 300, 308, 312, 316, 320	3910610 ..... 517, 519	4240017 ..... 99	4460434.... 239, 479, 511, 513
3450304..... 185, 187		4240032 . 73, 75, 77, 287, 291, 295, 299, 303, 307, 311, 315, 319	
3450810..... 15, 17		4240033 ... 149, 239, 247, 249, 343, 345, 347, 349, 469, 471, 473	
3460457..... 191		4240084 ..... 23, 27, 31	
3470003.... 287, 292, 296, 300, 304, 308, 312, 316, 320		4240099 ... 247, 249, 339, 341	
3480239..... 409, 415		4240175 ... 15, 17, 24, 28, 147	
3480240..... 387, 393		4300140 ..... 247, 249	
3480241 ..... 367, 371		4341072 ..... 191	
3480242..... 377, 381		4360057 ..... 339, 341	
3520026.... 159, 161, 163, 165, 288, 291, 295		4360274 ..... 167, 617	
		4360328 ..... 616	
		4360330 ..... 616	

## SECTION 11 - SPECIAL OPTIONS

4460458.....	479, 561	4460875.....	511, 513, 561	4640509.....	357, 363, 365	575, 577, 579, 581,
446046415, 17, 107, 179,		4460876.....	499	4640634.....	367, 369, 371,	583, 585, 587, 589,
471, 473, 475, 477,		4460877.....	499	373, 375, 377, 379,		591, 593, 595, 597,
479, 495, 497, 503,		4460878.....	553	381, 383, 385		599, 601, 603, 605,
511, 513, 543, 545,		4460879.....	511, 513	4640709.....	413, 421	607, 609, 611
547, 550, 553		4460884.....	541, 543, 553	4640807....	409, 411, 415,	4751500 ... 23, 27, 31, 85,
4460465 ... 171, 469, 471,		4460887.....	511, 513, 553	417, 419, 421		87, 89, 91, 123, 127,
473, 495, 497, 499,		4460888.....	511, 513	4640932.....	357, 359, 361	185, 187, 191, 205,
503, 509, 511, 513,		4460891....	171, 503, 549,	4640936.....	387, 389, 393,	208, 212, 215, 229,
541, 543, 547, 549,		553, 561		395, 397		231, 247, 249, 339,
550, 553, 561		4460894.....	513, 550	4641086.....	359, 361	341, 353
4460466 ... 247, 249, 343,		4460897....	175, 177, 181,	4641122.....	55, 57	4751600 ..... 63, 109, 149,
469, 471, 473, 479,		183, 475, 477, 497,		4641167.....	49, 51, 53	151, 153, 155, 157,
497, 499, 503, 509,		503, 553		4641386....	367, 369, 371,	191, 205, 207, 211,
511, 513, 535, 543,		4460899....	535, 543, 545,	373, 375, 377, 379,		215, 219, 273, 275,
545, 547, 549, 550,		547		381, 383, 385		277, 279, 281, 283, 285
553, 561		4460905....	499, 511, 513,	4711000....	41, 43, 45, 47,	4751800 ... 185, 187, 269,
4460470 ... 151, 153, 155,		549, 553, 561		149, 173, 179		271, 339, 341
157, 287, 291, 295,		4460910.....	539	4711400....	15, 17, 23, 27,	4760600 .....517, 519
299, 303, 307, 311,		4460911.....	535	31, 65, 73, 75, 77, 93,		4761400 ... 219, 223, 227,
315, 319		4460930....	107, 511, 513	95, 97, 101, 103, 105,		335
4460471 ... 151, 153, 155,		4460931.....	479, 547	119, 121, 123, 125,		4761600 ..... 219
157, 287, 291, 295,		4460933....	509, 553, 561	127, 137, 149, 151,		4761800 .....219, 223, 227
299, 303, 307, 311,		4460941.....	495, 535	153, 155, 157, 191,		4811400 .... 99, 521, 523,
315, 319		4460942....	343, 495, 553	239, 261, 263, 265,		525, 527, 529, 531, 533
4460488 ... 287, 291, 295,		4460943....	173, 175, 177,	267, 345, 347, 349,		4811700 .....261, 263, 267
299, 303, 307, 311,		181, 183, 495, 535,		351, 521, 523, 525,		4811702 .....241, 243
315, 319		550, 553		527, 529, 531, 533		4812000 .....241, 243
4460508 ... 107, 343, 471,		4460944....	495, 499, 509,	4711500....	151, 153, 155,	4812100 .....241, 243
473, 511, 513, 553		550, 553		157, 223, 227, 287, 304		4844304 .....205, 207
4460509 ... 469, 471, 473,		4460945.....	550, 553	4711600....	23, 27, 31, 61,	4844427 ... 205, 207, 211,
479, 547		4460950.....	495, 550	73, 75, 77, 79, 81, 119,		215
4460516 ..... 39		4460956.....	481	121, 123, 125, 127,		4844467 ... 205, 207, 212,
4460536 ..... 15, 17		4460957.....	481	147, 185, 187, 223,		215
4460539 ... 495, 547, 553,		4460968....	111, 475, 477,	227, 237, 239, 292,		4844579 ..... 219
561		521, 527, 531, 533		296, 300, 308, 312,		4845582 ..... 353
4460662 .... 523, 525, 529		4460970.....	547	316, 320		4845925 .....229, 231
4460670 ..... 549, 550		4461077.....	535, 545	4711800....	23, 27, 31, 73,	4846026 .....211, 215
4460708 ... 288, 291, 295,		4461196.....	461, 485	75, 77, 237, 269, 271		4846033 .....223, 227
299, 303, 307, 311,		4461198.....	461	4712600.....	173, 179	4846278 .....229, 231
315, 319, 511, 513		4461199.....	459, 493	4740120....	159, 161, 163,	4846307 ... 205, 207, 211,
4460709 ..... 559		4461201.....	459	165		215
4460710 ..... 507		4461202....	451, 455, 489	4740156.....	15, 17	4846370 ..... 339
4460738 ..... 479, 550		4461205....	453, 457, 491	4740171.....	139	4846608 .....237, 239
4460742 .... 479, 547, 561		4461244.....	455	4740207....	377, 379, 381,	4860191 ... 49, 51, 53, 55,
4460743 .... 479, 547, 561		4461245.....	457	383		57
4460744 ..... 479		4461246.....	449	4740362....	273, 275, 277,	4891400 .....193, 195
4460745 ..... 479		4461249.....	449, 487	279, 281, 283, 285		4891500 ..... 143
4460746 ..... 479		4520209.....	49, 55	4740397....	159, 161, 163,	489160061, 63, 193, 195,
4460748 ..... 479		4520269.....	51, 53, 57	165, 287, 291, 295,		212, 215, 237, 239,
4460749 ..... 479		4520279.....	51	299, 303, 307, 311,		241, 243
4460750 ..... 479		4520282.....	53	315, 319, 323, 333		4891800 ... 15, 17, 85, 87,
4460751 ..... 479		4566027.....	415	4740413.....	219	89, 91, 239
4460761 ... 479, 511, 513,		4566188.....	426	4750800....	119, 121, 123,	4892000 . 23, 27, 31, 139,
553, 561		4566243.....	247, 249	125, 127, 147		239
4460805 ..... 95, 103		4566356....	205, 207, 211,	4751000.....	27, 115, 171,	4920385 ..... 191
4460806 ..... 499		215		175, 177, 181, 183		4922607 .....505, 517, 519
4460836 .... 495, 509, 553		4566432.....	367, 371	4751400....	109, 113, 115,	4922608 .....517, 519, 557
4460851 ..... 499		4566435.....	377, 381	185, 187, 219, 239,		4922609 ... 507, 515, 521,
4460866 .... 511, 513, 553		4566623.....	427	247, 249, 273, 275,		523, 525, 527, 529,
4460868 ..... 499		4567177.....	387	277, 279, 281, 283,		531, 533
4460871 ... 499, 511, 513,		4567704.....	409	285, 287, 291, 295,		4922610 ... 515, 521, 523,
549, 553, 561		4567908.....	393	299, 303, 307, 311,		525, 527, 529, 531,
4460872 ..... 561		4567946....	430, 434, 438,	315, 319, 335, 339,		533, 559
4460873 ... 511, 513, 549,		442		341, 351, 521, 523,		5241200 .....237, 241, 243
553		4568114.....	23, 27, 31	525, 527, 529, 531,		5251008 .....241, 243
4460874 .... 511, 513, 553		4640495.....	413, 421	533, 565, 569, 571,		5251016 ..... 243

# SECTION 11 - SPECIAL OPTIONS

70000088.....	141	70001380.....	36	70004751.....	325	70006279.....	223, 227
70000089.....	141	70001876.....	129	70004752.....	327	70006346.....	135
70000289.....	198, 202	70001961.....	67	70004753.....	327	70006347.....	135
70000290.....	197, 201	70001996.....	223, 617	70004754.....	327	70006348.....	135
70000291.....	197, 201	70001998.....	223, 617	70004755.....	327	70006349.....	135
70000292.....	197, 201	70002083.....	197, 201	70004756.....	327	70006396.....	395
70000293.....	197, 201	70002112.....	69, 71	70004757.....	327	70006397.....	395
70000294.....	197, 201	70002206.....	141	70004758.....	327	70006398.....	395
70000295.....	197, 201	70002207.....	141	70004759.....	327	70006399.....	395
70000296.....	197, 201	70002216.....	359, 401	70004760.....	327	70006400.....	389, 395
70000297.....	197, 201	70002217.....	359, 401	70004761.....	327	70006401.....	389, 395
70000298.....	197, 201	70002220.....	363	70004762.....	327	70006402.....	395
70000299.....	197, 201	70002223.....	363	70004763.....	327	70006411.....	389
70000300.....	197, 201	70002244.....	197, 201	70004764.....	327	70006412.....	389
70000301.....	197, 201	70002523.....	67	70004765.....	327	70006413.....	389
70000302.....	197, 201	70002543.....	198, 202	70004766.....	327	70006414.....	389
70000303.....	197, 201	70002544.....	197, 201	70004767.....	327	70006415.....	389
70000304.....	197, 201	70002806.....	129	70004768.....	327	70006531.....	373
70000305.....	197, 201	70002807.....	133	70004769.....	327	70006532... 373, 379, 383	
70000306.....	197, 201	7000281.....	35	70004770.....	327	70006533... 373, 379, 383	
70000307.....	197, 201	70002902.....	331	70004771.....	327	70006535.....	373
70000308.....	197, 201	70002903.....	331	70004772.....	327	70006539.....	379, 383
70000309.....	197, 201	70002904.....	331	70004773.....	327	70006542.....	379, 383
70000310.....	197, 201	70002905.....	331	70004774.....	327	70006543.....	379, 383
70000311.....	197, 201	70003171.....	67	70004775.....	327	70006561.....	411, 417
70000312.....	197, 201	70003341.....	405	70004809.....	39	70006563.....	411
70000313... 197, 201, 616		70003557.....	197, 201	70004811.....	39	70006564.....	411, 417
70000314.....	197, 201	70003618.....	197, 201	70004820.....	39	70006565.....	411, 417
70000315.....	197, 201	70003619.....	197, 201	70004827.....	41, 43	70006567.....	411
70000316.....	197, 201	70003636 . 361, 375, 397,		70004884.....	129	70006602.....	369
70000317.....	197, 201	403, 419		70005091.....	129	70006603.....	369
70000318... 197, 201, 616		70003819.....	359, 401	70005101.....	69, 71	70006604.....	369
70000319... 197, 201, 616		70003833.....	363	70005210.....	129, 616	70006605.....	369
70000320.....	197, 201	70003836.....	363	70005215.....	21	70006606.....	369
70000321.....	197, 201	70003843.....	401	70005216.....	21	70006607.....	369
70000322.....	197, 201	70003844.....	401	70005230.....	325	70006608.....	369
70000323.....	197, 201	70003845.....	359, 401	70005385.....	39	70006609.....	369
70000324.....	197, 201	70003846.....	359	70005386.....	39	70006874.....	397
70000325.....	198, 202	70003847.....	359	70005387.....	39	70006875.....	397
70000326... 198, 202, 616		70003863.....	363	70005388.....	39	70006876.....	397
70000327.....	198, 202	70003864.....	363	70005389.....	39	70006877.....	397
70000328.....	198, 202	70004019.....	129	70005390.....	39	70006878... 361, 397, 403	
70000329... 198, 202, 616		70004130.....	399	70005391.....	39	70006889.....	375
70000330... 198, 202, 616		70004131.....	357	70005392.....	39	70006890.....	375
70000341.....	233, 235	70004141.....	357, 399	70005393.....	39	70006891.....	375
70000381.....	129	70004142.....	357, 399	70005394.....	39	70006892.....	375
70000382.....	198, 202	70004143.....	357, 399	70005395.....	39	70006893.....	375
70000739.....	357, 399	70004144.....	399	70005396.....	39	70006894.....	375
70000740.....	357	70004145.....	399	70005397.....	39	70006895.....	385
70000865.....	143	70004146.....	357	70005398.....	39	70006896.....	385
70000967.....	197, 201	70004147.....	357	70005399.....	39	70006897.....	385
70001121.....	197, 201	70004159.....	143	70005400.....	39	70006898.....	385
70001144.....	197, 201	70004213.....	419	70005401.....	39	70006899.....	385
70001366.....	35	70004265.....	197, 201	70005402.....	39	70006900.....	385
70001367.....	35	70004323.....	235	70005403.....	39	70006901.....	385
70001368.....	35, 36	70004394.....	198, 202	70005404.....	39	70006902.....	419
70001369.....	35	70004637.....	369	70005405.....	39	70006903.....	419
70001370.....	35	70004738.....	325	70005406.....	39	70006904.....	397
70001371.....	35	70004739.....	325	70005407.....	39	70006905.....	419
70001372.....	35	70004740.....	325	70005408.....	39	70006906.....	419
70001373.....	35	70004741.....	325	70005409.....	39	70006907.....	419
70001374.....	35	70004742.....	325	70005410.....	39	70006908.....	403
70001375.....	35	70004743.....	325	70005411.....	39	70006909.....	361, 403
70001376.....	35	70004747.....	325	70005412.....	39	70006910.....	361, 403
70001377.....	35	70004748.....	325	70005415.....	23, 28, 31	70006911.....	403
70001378.....	35	70004749.....	325	70005722.....	135	70006912.....	361
70001379.....	35	70004750.....	325	70006269.....	223, 227	70006913.....	361



## SECTION 11 - SPECIAL OPTIONS

70006914.....	365	7004049.....	141	7017452.....	129, 133	7024453.....	141
70006915.....	365	7007640.....	35	7017466.....	131	7024738.....	35
70006916.....	365	7010543.....	83, 129	7017488.....	83	7024741.....	35
70006917.....	365	7011112.....	357, 359	7017496.....	131, 135	7024844.....	359, 363
70006918.....	365	7011323.....	233, 235	7019698.....	219, 617	7024883.....	129, 616
70006919.....	365	7011376.....	367, 369, 371, 373, 375, 377, 379, 381, 383	7019699.....	219	7024885.....	129, 616
70006920.....	365			7020035.....	19	7024887.....	135
70006971.....	411, 417			7020036.....	19	7024891.....	131
70006972.....	417	7012518.....	83, 129	7020037.....	19, 21	7026042.....	143
70006973.....	417	7012540.....	129	7020038.....	19	7026043.....	143
70006976.....	411	7012903.....	129	7020039.....	19, 21	7026068.....	363
70007109.....	407	7012914.....	129	7020040.....	19, 21	7026082.....	359, 401
70007110.....	407	7012918.....	129	7020041.....	19	7026084.....	359, 401
70007111.....	407	7012947.....	129	7020042.....	19	7026088.....	363
70007112.....	407	7012953.....	129, 131	7020054.....	19, 21	7026090.....	363
70007113.....	407	7012959.....	131	7020055.....	19, 21	7026091.....	363
70007114.....	407	7012961.....	129	7020137.....	19, 21	7026092.....	363
70007115.....	407	7012967.....	129	7020140.....	19, 21	7027350.....	143
70007116.....	407	7012972.....	83	7020175.....	159, 161, 163, 165, 287, 291, 295, 299, 303, 307, 311, 315, 319	7027351.....	143
70007356.....	413	7012975.....	129	7020176.....	159, 161, 163, 165, 287, 291, 295, 299, 303, 307, 311, 315, 319	7027352.....	143
70007357.....	413	7012995.....	129			7027353.....	143
70007358.....	413	7012998.....	83, 129, 135			7027354.....	143
70007359.....	413	7016177.....	85, 87			7027356.....	143
70007360.....	413	7017007.....	36			7027358.....	143
70007361.....	413	7017009.....	35			7027359.....	143
70007362.....	413	7017022.....	35			7027360.....	143
70007363.....	413	7017120.....	233, 235			7027361.....	143
70007364.....	413	7017121.....	233, 235			7027363.....	143
70007365.....	413	7017122.....	233, 235			7027900.....	233, 235
70007366.....	413	7017123.....	233, 235			7027901.....	233, 235
70007367.....	391	7017126.....	233, 235			7028909.....	173, 179
70007368.....	391	7017127.....	233, 235			8220045.....	547
70007369.....	391	7017153.....	233			8220068.....	561
70007370.....	391	7017172.....	233, 235			8229234.....	549, 616
70007371.....	391	7017192.....	233, 235			8229235.....	549, 616
70007372.....	391	7017196.....	233, 235			8229236.....	547, 616
7001630.....	405	7017246.....	405			8229237.....	549, 616
70022564.....	369	7017247.....	405			8229242... 511, 513, 554, 616	
70023094.....	357, 399	7017248.....	405			8229245.....	547
70023369.....	369	7017249.....	405			8229261.....	549, 616
70023915 ..	389, 395, 411	7017250.....	405			8760554.....	431, 435, 443
70024262.....	357	7017251.....	405			88261024.....	185, 187
70027244.....	369	7017252.....	405			88261026.....	224, 227
7004035.....	141	7017402.....	83, 129, 133, 135			88521205...85, 87, 89, 91	
7004036.....	141					88662523. 61, 63, 73, 75, 77	
7004043.....	141	7017410.....	129			88662530...185, 187, 191	
7004044.....	141	7017418.....	129				
7004045.....	141	7017421.....	129				
7004047.....	141	7017433.....	83, 129				
				7017452.....	129, 133		
				7017466.....	131		
				7017488.....	83		
				7017496.....	131, 135		
				7019698.....	219, 617		
				7019699.....	219		
				7020035.....	19		
				7020036.....	19		
				7020037.....	19, 21		
				7020038.....	19		
				7020039.....	19, 21		
				7020040.....	19, 21		
				7020041.....	19		
				7020042.....	19		
				7020054.....	19, 21		
				7020055.....	19, 21		
				7020137.....	19, 21		
				7020140.....	19, 21		
				7020175.....	159, 161, 163, 165, 287, 291, 295, 299, 303, 307, 311, 315, 319		
				7020176.....	159, 161, 163, 165, 287, 291, 295, 299, 303, 307, 311, 315, 319		
				7020179.....	149		
				7021318.....	67		
				7021319.....	67		
				7021361.....	67		
				7021377.....	67		
				7021603.....	129		
				7021604.....	129		
				7021609.....	83, 133, 135, 616		
				7021611.....	83, 129		
				7021616.....	83, 616		
				7021618.....	83, 616		
				7021653.....	133, 135		
				7021659.....	83		
				7022394.....	129		
				7023318.....	141		
				7024379.....	141		
				7024380.....	141		
				7024381.....	141		
				7024389.....	141		
				7024390.....	141		
				7024444.....	69, 71		
				7024445.....	69, 71		



An Oshkosh Corporation Company

**Corporate Office**  
**JLG Industries, Inc.**  
**1 JLG Drive**  
**McConnellsburg, PA 17233-9533 USA**  
**☎ (717) 485-5161 (Corporate)**  
**☎ (877) 554-5438 (Customer Support)**  
**📠 (717) 485-6417**

**Visit our website for JLG Worldwide Locations.**  
**[www.jlg.com](http://www.jlg.com)**