



---

# Illustrated Parts Manual

***Model***  
***400S***  
***460SJ***

**PVC**  
**2107**

**P/N**  
**31217482**

**July 15, 2023 - Rev C**

**ANSI**

**CE**



**UK**  
**CA**

**AS/NZS**



**An Oshkosh Corporation Company**



## **REVISION LOG**

July 1, 2021 - A - Original Issue of Manual (Edited to B/M 1001245658 Revision R)

July 11, 2022 - B - Revised Manual (Edited to B/M 1001245658 Revision R)

July 15, 2023 - C - Revised Manual (Edited to B/M 1001245658 Revision R)

# GENERAL INFORMATION



## 1) MACHINE IDENTIFICATION

Machines are identified by model and in some cases a combination of models, serial number (SN) or regional standard (i.e ANSI, CE, CSA). Components may also be identified by SN or manufacturer. Common components that may be identified by these characteristics are engines and hydraulic components.

## 2) PARTS MANUAL ORGANIZATION

Product information in this manual is organized under section titles. Frame, Cylinder, Hydraulic and Electrical are a few examples. Each section is organized by figure and page number. The information within the Figure is then organized by item number, part number, description and corresponding illustration (s).

## 3) TABLE OF CONTENTS (NOT SHOWN)

A table of contents is found toward the beginning of the manual. Figure number, description and page number are provided for quick reference to the page containing the related information.

## 4) RECOMMENDED SPARE PARTS (NOT SHOWN)

The Recommended Spare Parts List, located near the end of the manual, reference most frequently used maintenance parts.

## 5) PART NUMBER INDEX (NOT SHOWN)

A numerical index listing all part numbers and the corresponding page number(s) appears at the back of the manual.

## GENERAL INFORMATION

### 6) NON-SERVICED PARTS

In some instances, it is necessary to display non-serviced parts, assemblies or installations. In the case of assemblies and installations there will be a Ref in the Qty. column. In case of parts that are not available for service within assemblies or components, there will be a NSS (Not Sold Separately) or NLA (No Longer Available) listed in the Qty. column of the manual.

### 7) PARTS LIST ITEM NUMBERS

Numbers shown in the item# column correspond to numbers used in the associated illustration (s). Item numbers which are missing from the sequence in the parts list are not used on that page.

### 8) INDENTED PARTS DESCRIPTION

An indented part description is included in the item under which it is indented.

### 9) ABBREVIATION AND SYMBOLS

AC.....	Alternating Current	L.....	Liter
ADE.....	Advanced Design Electronics	LB(LBS).....	Pounds
AG.....	Agricultural	LCD.....	Liquid Crystal Display
ANSI.....	American National Standards Institute	LED.....	Light Emitting Diodes
AR.....	As Required	LH.....	Left Hand
ASSY.....	Assembly	LRC.....	Low Rated Countries
AUS.....	Australia	LSS.....	Load Sensing System
AUX.....	Auxiliary	M(m).....	Metric/Meter
AWG.....	American Wire Gauge	MM(mm).....	Milimeter
B/M.....	Bill of Material	mA.....	Miliamps
CAC.....	Charge Air Cooler	NLA.....	No Longer Available
CE.....	European Conformity	NPT.....	National Pipe Threads
CCW.....	Counter Clockwise	NSS.....	Not Sold Separately
CM.....	Centimeter	OD.....	Outside Diameter
CW.....	Clockwise	ORB.....	O-Ring Boss
CSA.....	Canadian Standards Association	ORFS.....	O-Ring Face Seal
CYL.....	Cylinder	OZ (oz).....	Ounces
DIA.....	Diameter	PG.....	Page
DC.....	Direct Current	PN.....	Part Number
DEF.....	Diesel Exhaust Fluid	QT(qt.).....	Quarts
EMS.....	Emergency Stop	QTY.....	Quantity
ENG.....	Engine	REF.....	Reference
FT(ft).....	Feet	REV.....	Revision Level
GA(Ga).....	Gauge	RH.....	Right Hand
HRC.....	High Rated Countries	SAE.....	Society of Automotive Engineers
HVAC.....	Heating, Ventilating, and Air Conditioning	SN.....	Serial Number
HYD.....	Hydraulic	SPEC(S).....	Specifications
Hz.....	Hertz	T/T.....	Turntable
ID.....	Inside Diameter	UGM.....	Universal Ground Module
IN.....	inches	V.....	Volts
ISO.....	International Organization for Standards	W.....	Watts
JIC.....	Joint Industry Council	#.....	Number
KG.....	Kilogram		

### 10) ILLUSTRATION REFERENCE LETTERS

When necessary, illustrations may contain reference letters that are intended to track information (i. e. hoses, harnesses) from one point to another or to track visual enlargement of components to show details that may be located in another area on the illustration.

*Note: Due to continuous product improvements, JLG Industries, Inc. reserves the right to make specification changes without prior notification. Contact JLG Industries, Inc. for updated information.*



# TABLE OF CONTENTS

SECTION 1 - FRAME.....	15
FIGURE 1-1. AXLE INSTALLATION .....	16
FIGURE 1-2. FRAME SHIELD INSTALLATION - WITHOUT TOW BAR.....	18
FIGURE 1-3. FRAME SHIELD INSTALLATION - WITH TOW BAR .....	20
FIGURE 1-4. LP TANK BRACKETS INSTALLATION .....	22
FIGURE 1-5. STEER INSTALLATION WITHOUT TOW PACKAGE .....	24
FIGURE 1-6. STEER INSTALLATION WITH TOW PACKAGE .....	26
FIGURE 1-7. TIRE AND WHEEL INSTALLATION - 12 X 16.5 FOAM FILLED (AVAILABLE ON ALL SPECS).....	28
FIGURE 1-8. TIRE AND WHEEL INSTALLATION - 12 X 16.5 FF NON-MARKING (AVAILABLE ON ALL SPECS).....	30
FIGURE 1-9. TIRE AND WHEEL INSTALLATION - 14 X 17.5 FOAM FILLED (AVAILABLE ON ALL SPECS).....	32
FIGURE 1-10. TIRE AND WHEEL INSTALLATION - 33/16LL X 16.1 FOAM FILLED TURF (ANSI AND ANSI EXPORT SPECS) .....	34
FIGURE 1-11. TOW BAR INSTALLATION.....	36
FIGURE 1-12. TOW BAR ASSEMBLY .....	38
FIGURE 1-13. WHEEL DRIVE INSTALLATION (2WD).....	40
FIGURE 1-14. WHEEL DRIVE INSTALLATION (4WD) (DANFOSS MOTOR).....	42
FIGURE 1-15. WHEEL DRIVE INSTALLATION (4WD) (HENGLI MOTOR).....	44
FIGURE 1-16. DRIVE HUB AND BRAKE ASSEMBLY - REAR .....	46
FIGURE 1-17. DRIVE HUB ASSEMBLY - FRONT.....	50
FIGURE 1-18. HUB - SPINDLE ASSEMBLY (2WD) .....	52
FIGURE 1-19. DRIVE MOTOR ASSEMBLY (2WD) .....	54
FIGURE 1-20. DRIVE MOTOR ASSEMBLY (4WD) (DANFOSS MOTOR) .....	56
FIGURE 1-21. DRIVE MOTOR ASSEMBLY (4WD) (HENGLI MOTOR) .....	58
FIGURE 1-22. TRACTION VALVE ASSEMBLY (2WD).....	60
FIGURE 1-23. TRACTION VALVE ASSEMBLY (4WD).....	62
SECTION 2 - TURNTABLE .....	65
FIGURE 2-1. AUXILIARY PUMP AND BATTERY WITH DISCONNECT SWITCH INSTALLATION.....	66
FIGURE 2-2. AUXILIARY PUMP AND BATTERY INSTALLATION.....	68
FIGURE 2-3. AUXILIARY PUMP ASSEMBLY.....	70
FIGURE 2-4. BEACON LIGHT INSTALLATION - AMBER.....	72
FIGURE 2-5. BEACON LIGHT INSTALLATION - BLUE .....	74
FIGURE 2-6. BEACON LIGHT INSTALLATION - RED .....	76
FIGURE 2-7. BEARING LUBE INSTALLATION .....	78
FIGURE 2-8. CONTROL VALVES INSTALLATION (400S) .....	80
FIGURE 2-9. CONTROL VALVES INSTALLATION (460SJ).....	82
FIGURE 2-10. MAIN VALVE ASSEMBLY (400S).....	84
FIGURE 2-11. MAIN VALVE ASSEMBLY (460SJ).....	88
FIGURE 2-12. AXLE VALVE ASSEMBLY .....	92
FIGURE 2-13. ELECTRICAL INSTALLATION (400S).....	94
FIGURE 2-14. ELECTRICAL INSTALLATION (460SJ) .....	96
FIGURE 2-15. ELECTRICAL INSTALLATION - WITH DEUTZ (STAGE V) (460SJ) .....	98
FIGURE 2-16. ELECTRICAL PANEL ASSEMBLY .....	100
FIGURE 2-17. GROUND CONTROL ASSEMBLY (400S).....	102
FIGURE 2-18. GROUND CONTROL ASSEMBLY (460SJ).....	104

# TABLE OF CONTENTS

FIGURE 2-19. GROUND CONTROL ASSEMBLY - DEUTZ (STAGE V) (CE & UK CA SPECS) (460SJ).....	106
FIGURE 2-20. GROUND CONTROL MOUNTING (400S).....	108
FIGURE 2-21. GROUND CONTROL MOUNTING (460SJ).....	110
FIGURE 2-22. GROUND CONTROL MOUNTING - DEUTZ (STAGE V) (CE & UK CA SPECS) (460SJ).....	112
FIGURE 2-23. GROUND CONTROL DECAL AND KEYSWITCH INSTALLATION (ALL SPECS EXCEPT AUSTRALIAN, CE & UK CA SPECS) (400S).....	114
FIGURE 2-24. GROUND CONTROL DECAL AND KEYSWITCH INSTALLATION (ALL SPECS EXCEPT CE & UK CA SPEC) (460SJ).....	116
FIGURE 2-25. GROUND CONTROL DECAL AND KEYSWITCH INSTALLATION (CE(LRC) & UK CA SPEC) (460SJ).....	118
FIGURE 2-26. GROUND CONTROL DECAL AND KEYSWITCH INSTALLATION (STAGE V) (CE & UK CA SPECS) (460SJ).....	120
FIGURE 2-27. HOOD INSTALLATION - ABS (DEUTZ & GM ENGINES).....	122
FIGURE 2-28. HOOD INSTALLATION - ABS (KUBOTA ENGINES).....	126
FIGURE 2-29. HOOD INSTALLATION - ABS (KUBOTA ENGINES) (ROMANIAN BUILT MACHINES).....	130
FIGURE 2-30. HOOD PLUGS INSTALLATION (HOODS WITHOUT STROBE LIGHT).....	134
FIGURE 2-31. ABS HOOD ASSEMBLY - ENGINE SIDE.....	136
FIGURE 2-32. ABS HOOD ASSEMBLY - ENGINE SIDE (CE & UK CA SPEC).....	138
FIGURE 2-33. ABS HOOD ASSEMBLY - TANK SIDE.....	140
FIGURE 2-34. ABS HOOD ASSEMBLY - TANK SIDE (CE & UK CA SPEC).....	142
FIGURE 2-35. HOOD INSTALLATION - STEEL.....	144
FIGURE 2-36. STEEL HOOD ASSEMBLY - ENGINE SIDE.....	148
FIGURE 2-37. STEEL HOOD ASSEMBLY - TANK SIDE.....	150
FIGURE 2-38. LIGHT PANEL INSTALLATION.....	152
FIGURE 2-39. ROTARY COUPLING INSTALLATION.....	154
FIGURE 2-40. SOUND REDUCTION INSTALLATION - KUBOTA ENGINE MACHINES WITH STEEL HOODS.....	156
FIGURE 2-41. SWING DRIVE INSTALLATION.....	158
FIGURE 2-42. SWING HUB/MOTOR ASSEMBLY.....	160
FIGURE 2-43. TANKS INSTALLATION - DIESEL MACHINES (WITH 17.3 GAL HYDRAULIC TANK).....	164
FIGURE 2-44. TANKS INSTALLATION - DIESEL MACHINES (WITH 36 GAL HYDRAULIC TANK).....	166
FIGURE 2-45. TANKS INSTALLATION - GAS MACHINES (WITH 17.3 GAL HYDRAULIC TANK).....	168
FIGURE 2-46. TANKS INSTALLATION - GAS MACHINES (WITH 36 GAL HYDRAULIC TANK).....	170
FIGURE 2-47. HYDRAULIC TANK ASSEMBLY - 17.3 GALLON.....	172
FIGURE 2-48. HYDRAULIC TANK ASSEMBLY - 36 GALLON.....	174
FIGURE 2-49. TURNTABLE BEARING INSTALLATION.....	176
FIGURE 2-50. TURNTABLE COVERS INSTALLATION.....	178
FIGURE 2-51. TURNTABLE LOCK INSTALLATION.....	180
FIGURE 2-52. WHITE NOISE ALARM INSTALLATION.....	182
SECTION 3 - ENGINE.....	185
FIGURE 3-1. ENGINE INSTALLATION - DEUTZ D2011 ENGINE (WITHOUT ARCTIC PACKAGE) (ANSI EXPORT(LRC), AUSTRALIAN, CE(LRC), CHINA & UK CA SPECS).....	186
FIGURE 3-2. ENGINE AND PUMP SUB-ASSEMBLY - DEUTZ D2011 (WITHOUT ARCTIC PACKAGE) (AUSTRALIAN AND CHINA SPECS).....	192
FIGURE 3-3. ENGINE ASSEMBLY - DEUTZ D2011 ENGINE (WITHOUT ARCTIC PACKAGE) (AUSTRALIAN AND CHINA SPECS).....	194
FIGURE 3-4. ENGINE INSTALLATION - DEUTZ D2011 ENGINE (WITH ARCTIC PACKAGE) (ANSI EXPORT(LRC), AUSTRALIAN, CE(LRC), CHINA & UK CA SPECS).....	198
FIGURE 3-5. ENGINE AND PUMP SUB-ASSEMBLY - DEUTZ D2011 (WITH ARCTIC PACKAGE) (ANSI EXPORT AND CHINA SPECS).....	204



# TABLE OF CONTENTS

FIGURE 3-6. ENGINE ASSEMBLY - DEUTZ D2011 ENGINE (WITH ARCTIC PACKAGE) (ANSI EXPORT AND CHINA SPECS) .....	206
FIGURE 3-7. ENGINE COMPONENTS - DEUTZ D2011 .....	210
FIGURE 3-8. ENGINE INSTALLATION - DEUTZ D2.9L4 ENGINE (WITHOUT ARCTIC PACKAGE) (ANSI, ANSI EXPORT(HRC), CSA AND JAPANESE SPECS).....	214
FIGURE 3-9. ENGINE AND PUMP SUB-ASSEMBLY - DEUTZ D2.9L4 (WITHOUT ARCTIC PACKAGE) (ANSI, ANSI EXPORT AND CSA SPECS) .....	218
FIGURE 3-10. ENGINE ASSEMBLY - DEUTZ D2.9L4 ENGINE (WITHOUT ARCTIC PACKAGE) (ANSI, ANSI EXPORT AND CSA SPECS).....	220
FIGURE 3-11. ENGINE INSTALLATION - DEUTZ D2.9L4 ENGINE (WITH ARCTIC PACKAGE) (ANSI AND CSA SPECS).....	226
FIGURE 3-12. ENGINE AND PUMP SUB-ASSEMBLY - DEUTZ D2.9L4 (WITH ARCTIC PACKAGE) (ANSI, ANSI EXPORT AND CSA SPECS).....	230
FIGURE 3-13. ENGINE ASSEMBLY - DEUTZ D2.9L4 ENGINE (WITH ARCTIC PACKAGE) (ANSI, ANSI EXPORT AND CSA SPECS) .....	232
FIGURE 3-14. ENGINE COMPONENTS - DEUTZ D2.9L4 ENGINE (ANSI, ANSI EXPORT AND CSA SPECS).....	238
FIGURE 3-15. ENGINE INSTALLATION - DEUTZ D2.9L4 ENGINE (STAGE V) (CE & UK CA SPECS) .....	242
FIGURE 3-16. ENGINE AND PUMP SUB-ASSEMBLY - DEUTZ D2.9L4 ENGINE (STAGE V) (CE & UK CA SPECS).....	248
FIGURE 3-17. ENGINE ASSEMBLY – DEUTZ D2.9L4 ENGINE (STAGE V) (CE & UK CA SPECS) .....	250
FIGURE 3-18. ENGINE COMPONENTS - DEUTZ D2.9L4 ENGINE (STAGE V) (CE & UK CA SPECS).....	256
FIGURE 3-19. BREATHER HEATER INSTALLATION - DEUTZ D2.9L4 ENGINE WITH ARCTIC PACKAGE .....	260
FIGURE 3-20. BRACKET ASSEMBLY - FUEL PUMP AND FILTER (DEUTZ D2.9L4 ENGINE).....	262
FIGURE 3-21. BRACKET ASSEMBLY - FUEL PUMP AND FILTER (DEUTZ D2.9L4 ENGINE) (STAGE V) .....	264
FIGURE 3-22. PUMP COUPLING KIT (DEUTZ ENGINES) .....	266
FIGURE 3-23. ENGINE INSTALLATION - KUBOTA ENGINE (WITHOUT ARCTIC PACKAGE).....	268
FIGURE 3-24. ENGINE AND PUMP SUB-ASSEMBLY - KUBOTA ENGINE (WITHOUT ARCTIC PACKAGE) .....	274
FIGURE 3-25. ENGINE ASSEMBLY - KUBOTA ENGINE (WITHOUT ARCTIC PACKAGE).....	276
FIGURE 3-26. ENGINE INSTALLATION - KUBOTA ENGINE (WITH ARCTIC PACKAGE) .....	282
FIGURE 3-27. ENGINE AND PUMP SUB-ASSEMBLY - KUBOTA ENGINE (WITH ARCTIC PACKAGE) .....	288
FIGURE 3-28. ENGINE ASSEMBLY - KUBOTA ENGINE (WITH ARCTIC PACKAGE) .....	290
FIGURE 3-29. ENGINE COMPONENTS - KUBOTA.....	296
FIGURE 3-30. PUMP COUPLING KIT - KUBOTA ENGINE .....	300
FIGURE 3-31. PISTON PUMP ASSEMBLY .....	302
FIGURE 3-32. SPARK ARRESTOR INSTALLATION - DEUTZ D2011 ENGINE .....	306
FIGURE 3-33. ENGINE BAFFLE INSTALLATION - ABS HOODS (DEUTZ & GM ENGINES) .....	308
FIGURE 3-34. ENGINE BAFFLE INSTALLATION - ABS HOODS (KUBOTA ENGINES).....	310
FIGURE 3-35. ENGINE BAFFLE INSTALLATION - STEEL HOODS.....	312
FIGURE 3-36. ENGINE TRAY JACK (USA BUILT MACHINES).....	314
FIGURE 3-37. ENGINE TRAY JACK (ROMANIAN BUILT MACHINES) .....	316
FIGURE 3-38. GENERATOR INSTALLATION - 2500W/60HZ (DEUTZ D2011 ENGINE) .....	318
FIGURE 3-39. GENERATOR INSTALLATION - 2500W/60HZ (DEUTZ D2.9L4 ENGINE) .....	322
FIGURE 3-40. GENERATOR INSTALLATION - 2500W/60HZ (KUBOTA ENGINE).....	326
FIGURE 3-41. GENERATOR INSTALLATION - 4000W/50HZ (DEUTZ D2011 ENGINES).....	330
FIGURE 3-42. GENERATOR INSTALLATION - 4000W/60HZ (DEUTZ D2011 ENGINE) .....	334
FIGURE 3-43. GENERATOR INSTALLATION - 4000W/60HZ (DEUTZ D2.9L4 ENGINE) .....	338
FIGURE 3-44. GENERATOR INSTALLATION - 4000W/50HZ (DEUTZ STAGE V ENGINE) .....	342
FIGURE 3-45. GENERATOR INSTALLATION - 7500W/50HZ (DEUTZ D2011 ENGINE) .....	346
FIGURE 3-46. GENERATOR INSTALLATION - 7500W/60HZ (DEUTZ D2011 ENGINE) .....	350

# TABLE OF CONTENTS

FIGURE 3-47. GENERATOR INSTALLATION - 7500W/60HZ (DEUTZ D2.9L4 ENGINE).....	354
FIGURE 3-48. GENERATOR INSTALLATION - 7500W/60HZ (KUBOTA ENGINE) .....	358
SECTION 4 - BOOM.....	363
FIGURE 4-1. BOOM AND CYLINDERS INSTALLATION (400S) .....	364
FIGURE 4-2. BOOM AND CYLINDERS INSTALLATION (USA BUILT MACHINES) (460SJ) .....	366
FIGURE 4-3. BOOM AND CYLINDERS INSTALLATION (ROMANIAN BUILT MACHINES) (460SJ) .....	368
FIGURE 4-4. MAIN BOOM ASSEMBLY (400S).....	370
FIGURE 4-5. MAIN BOOM ASSEMBLY (USA BUILT MACHINES) (460SJ) .....	372
FIGURE 4-6. MAIN BOOM ASSEMBLY (ROMANIAN BUILT MACHINES) (460SJ) .....	374
FIGURE 4-7. JIB BOOM ASSEMBLY (USA BUILT MACHINES) (460SJ) .....	376
FIGURE 4-8. JIB BOOM ASSEMBLY (ROMANIAN BUILT MACHINES) (460SJ) .....	378
FIGURE 4-9. ROTATOR ASSEMBLY (400S) .....	380
FIGURE 4-10. ROTATOR ASSEMBLY (460SJ) .....	382
FIGURE 4-11. POWER TRACK INSTALLATION (USA BUILT MACHINES).....	384
FIGURE 4-12. POWER TRACK INSTALLATION (ROMANIAN BUILT MACHINES) .....	386
FIGURE 4-13. CAPACITY SWITCH INSTALLATION .....	388
FIGURE 4-14. TRANSPORT SWITCHES INSTALLATION .....	390
FIGURE 4-15. PLATFORM SUPPORT INSTALLATION - WITH 1 CELL LSS .....	392
SECTION 5 - PLATFORM.....	395
FIGURE 5-1. PLATFORM ASSEMBLY - 30IN X 5FT (76.2CM X 1.52M) WITH SWING GATE (USA BUILT MACHINES).....	396
FIGURE 5-2. PLATFORM ASSEMBLY - 36IN X 6FT (91.5CM X 1.83M) WITH SWING GATE (USA BUILT MACHINES).....	398
FIGURE 5-3. PLATFORM ASSEMBLY - 36IN X 8FT (91.5CM X 2.44M) WITH SWING GATE (USA BUILT MACHINES).....	400
FIGURE 5-4. PLATFORM ASSEMBLY - 30IN X 5FT (76.2CM X 1.52M) WITH DROP BAR (USA BUILT MACHINES).....	402
FIGURE 5-5. PLATFORM ASSEMBLY - 36IN X 6FT (91.5CM X 1.83M) WITH DROP BAR (USA BUILT MACHINES).....	404
FIGURE 5-6. PLATFORM ASSEMBLY - 36IN X 8FT (91.5CM X 2.44M) WITH DROP BAR (USA BUILT MACHINES).....	406
FIGURE 5-7. PLATFORM ASSEMBLY - 36IN X 6FT (91.5CM X 1.83M) WITH FALL ARREST (ALL SPECS EXCEPT CE AND AUSTRALIAN SPECS) (USA BUILT MACHINES).....	408
FIGURE 5-8. PLATFORM ASSEMBLY - 30IN X 5FT (76CM X 1.52M) WITH SWING GATE (ROMANIAN BUILT MACHINES).....	410
FIGURE 5-9. PLATFORM ASSEMBLY - 36IN X 6FT (92CM X 1.83M) WITH SWING GATE (ROMANIAN BUILT MACHINES).....	412
FIGURE 5-10. PLATFORM ASSEMBLY - 36IN X 8FT (91.5CM X 2.44M) WITH SWING GATE (ROMANIAN BUILT MACHINES) .....	414
FIGURE 5-11. PLATFORM ASSEMBLY - 36IN X 8FT (91.5CM X 2.44M) WITH DROP BAR (ROMANIAN BUILT MACHINES).....	416
FIGURE 5-12. PLATFORM ASSEMBLY - 30IN X 5FT (76CM X 1.52M) WITH DROP BAR (ROMANIAN BUILT MACHINES).....	418
FIGURE 5-13. PLATFORM ASSEMBLY - 36IN X 6FT (91.5CM X 1.83M) WITH DROP BAR (ROMANIAN BUILT MACHINES).....	420
FIGURE 5-14. PLATFORM ASSEMBLY - 36IN X 6FT (91.5CM X 1.83M) TRI-ENTRY WITH GATE .....	422
FIGURE 5-15. PLATFORM ASSEMBLY - 36IN X 6FT (91.5CM X 1.83M) TRI-ENTRY WITH DROPBAR .....	424
FIGURE 5-16. PLATFORM ASSEMBLY - 36IN X 8FT (91.5CM X 2.44M) WITH TRI-ENTRY (1 GATE/2 DROP BARS).....	426
FIGURE 5-17. PLATFORM ASSEMBLY - 36IN X 8FT (91.5CM X 2.44M) WITH TRI-ENTRY (3 DROP BARS).....	428
FIGURE 5-18. PLATFORM ASSEMBLY - 30IN X 3FT (76CM X .91M) - DROP BAR ENTRY .....	430
FIGURE 5-19. PLATFORM CONSOLE BOX INSTALLATION.....	432
FIGURE 5-20. PLATFORM CONSOLE BOX ASSEMBLY .....	434
FIGURE 5-21. CONTROLLER ASSEMBLY (DRIVE AND STEER) .....	438
FIGURE 5-22. CONTROLLER ASSEMBLY (LIFT AND SWING) .....	440
FIGURE 5-23. FOOTSWITCH ASSEMBLY .....	444
FIGURE 5-24. LIGHT PANEL INSTALLATION.....	446

# TABLE OF CONTENTS

FIGURE 5-25. FALL ARREST (BOLT-ON) INSTALLATION - 5FTX3FT PLATFORM (ALL SPECS EXCEPT CE & UK CA SPECS) (OPTIONAL) .....	448
FIGURE 5-26. FALL ARREST (BOLT-ON) INSTALLATION - 6FTX3FT PLATFORM (ALL SPECS EXCEPT CE & UK CA SPECS) (OPTIONAL) .....	450
FIGURE 5-27. FALL ARREST (BOLT-ON) INSTALLATION - 6FTX3FT TRI-ENTRY PLATFORM (ALL SPECS EXCEPT CE & UK CA SPECS) (OPTIONAL) .....	452
FIGURE 5-28. FALL ARREST (BOLT-ON) INSTALLATION - 8FTX3FT PLATFORM (ALL SPECS EXCEPT CE & UK CA SPECS) (OPTIONAL) .....	454
FIGURE 5-29. PIPE RACK INSTALLATION (ALL SPECS EXCEPT AUSTRALIAN SPEC) .....	456
FIGURE 5-30. PIPE RACK INSTALLATION (AUSTRALIAN SPEC) .....	458
FIGURE 5-31. SOFT TOUCH INSTALLATION - 6FT (1.83M) FALL ARREST PLATFORM (OPTIONAL) .....	460
FIGURE 5-32. SOFT TOUCH INSTALLATION - 8FT (2.4M) PLATFORM (OPTIONAL) .....	462
FIGURE 5-33. SKYGUARD BAR INSTALLATION .....	464
FIGURE 5-34. SKYEYE INSTALLATION .....	466
FIGURE 5-35. SKYLINE INSTALLATION .....	468
FIGURE 5-36. SKYGLAZIER INSTALLATION .....	470
FIGURE 5-37. SKYSENSE MID TUBE SENSOR ASSEMBLY .....	472
FIGURE 5-38. SKYSENSE OVERHEAD SENSOR ASSEMBLY .....	474
FIGURE 5-39. SKYWELDER INSTALLATION (50HZ) .....	476
FIGURE 5-40. SKYWELDER INSTALLATION (60HZ) .....	478
FIGURE 5-41. SKYWELDER PREP PACKAGE (60HZ) .....	480
FIGURE 5-42. TRAY INSTALLATION .....	482
FIGURE 5-43. USB CHARGER INSTALLATION .....	484
FIGURE 5-44. WELDER ASSEMBLY .....	486
<b>SECTION 6 - CYLINDER</b> .....	<b>489</b>
FIGURE 6-1. AXLE LOCKOUT CYLINDER ASSEMBLY .....	490
FIGURE 6-2. LEVEL (PLATFORM SLAVE) CYLINDER ASSEMBLY .....	492
FIGURE 6-3. LIFT CYLINDER ASSEMBLY - MAIN BOOM .....	494
FIGURE 6-4. LIFT CYLINDER ASSEMBLY - JIB .....	496
FIGURE 6-5. MASTER CYLINDER ASSEMBLY .....	498
FIGURE 6-6. STEER CYLINDER ASSEMBLY .....	500
FIGURE 6-7. TELESCOPE CYLINDER ASSEMBLY .....	502
<b>SECTION 7 - HYDRAULIC</b> .....	<b>505</b>
FIGURE 7-1. 2WD HYDRAULIC SYSTEM INSTALLATION (400S) .....	506
FIGURE 7-2. 4WD HYDRAULIC SYSTEM INSTALLATION (ALL MACHINES) (400S) .....	514
FIGURE 7-3. 2WD HYDRAULIC SYSTEM INSTALLATION (460SJ) .....	522
FIGURE 7-4. 4WD HYDRAULIC SYSTEM INSTALLATION (ALL MACHINES) (460SJ) .....	530
<b>SECTION 8 - ELECTRICAL</b> .....	<b>539</b>
FIGURE 8-1. AC BOX AT PLATFORM INSTALLATION - 110V (ANSI, ANSI EXPORT(HRC), CSA AND JAPANESE SPECS) .....	540
FIGURE 8-2. AC BOX AT PLATFORM INSTALLATION - 110V IEC YELLOW (CE & UK CA SPECS WITH 4000W/50HZ GENERATOR) .....	542
FIGURE 8-3. AC BOX AT PLATFORM - 110V IEC YELLOW (CE & UK CA SPEC WITHOUT GENERATOR) .....	544
FIGURE 8-4. AC BOX AT PLATFORM INSTALLATION - 220V IEC BLUE (CE & UK CA SPECS WITH 4000W/50HZ GENERATOR) .....	546
FIGURE 8-5. AC BOX AT PLATFORM - 220V IEC BLUE (CE & UK CA SPEC WITHOUT GENERATOR) .....	548

# TABLE OF CONTENTS

FIGURE 8-6. AC BOX AT PLATFORM - 220V CEE7 2IN X 4IN POST GROUND (CE & UK CA SPEC WITHOUT GENERATOR)	550
FIGURE 8-7. AC BOX AT PLATFORM - 220V CEE7 2IN X 4IN SIDE GROUND (CE & UK CA SPEC WITHOUT GENERATOR)	552
FIGURE 8-8. AC BOX AT PLATFORM INSTALLATION - 220V CEE7 2IN X 4IN POST GROUND (CE & UK CA SPECS WITH 4000W/50HZ GENERATOR)	554
FIGURE 8-9. AC BOX AT PLATFORM INSTALLATION - 220V CEE7 2IN X 4IN SIDE GROUND (CE & UK CA SPECS WITH 4000W/50HZ GENERATOR)	556
FIGURE 8-10. AC BOX AT PLATFORM INSTALLATION - 220V AFSINT107 (CE & UK CA SPECS WITH 4000W/50HZ GENERATOR)	558
FIGURE 8-11. AC BOX AT PLATFORM - 220V AFSINT107 (CE & UK CA SPEC WITHOUT GENERATOR)	560
FIGURE 8-12. AC BOX AT PLATFORM INSTALLATION - 220V CUSTOMER SUPPLIED COMPONENTS (ALL SPECS EXCEPT CSA SPECS)	562
FIGURE 8-13. AC BOX AT PLATFORM INSTALLATION - 240V (WITH 4000W GENERATOR) (ANSI, ANSI EXPORT(HRC), CSA AND JAPANESE SPECS)	564
FIGURE 8-14. AC BOX AT PLATFORM INSTALLATION - 240V (WITH 7500W SKYPOWER GENERATOR) (ANSI, ANSI EXPORT(HRC), CSA AND JAPANESE SPECS)	566
FIGURE 8-15. AC CABLE INSTALLATION - WITH THREE BREAKERS (CE & UK CA SPECS)	568
FIGURE 8-16. BATTERY DISCONNECT SWITCH	570
FIGURE 8-17. BEACON HARNESS (BLUE/RED BEACON LIGHT)	572
FIGURE 8-18. BOOM HARNESS (400S)	574
FIGURE 8-19. BOOM HARNESS (460SJ)	576
FIGURE 8-20. BOOM CAPACITY PROXIMITY SWITCH HARNESS (400S)	578
FIGURE 8-21. BOOM TELE IN PROXIMITY SWITCH HARNESS	580
FIGURE 8-22. BREAKER BOX INSTALLATION - 110/220V 16AMP BREAKER (CE & UK CA SPEC)	582
FIGURE 8-23. BREAKER BOX KIT - 110/220V 16AMP BREAKER (CE & UK CA SPEC)	584
FIGURE 8-24. BREAKER BOX KIT - 30MA/16 AMP	586
FIGURE 8-25. BREAKER BOX KIT WITH THREE BREAKERS	588
FIGURE 8-26. CABLES AND CLAMPS INSTALLATION (4000W GENERATOR 60HZ) (ANSI, ANSI EXPORT, CSA AND JAPANESE SPECS) (400S)	590
FIGURE 8-27. CABLES AND CLAMPS INSTALLATION (4000W GENERATOR 50HZ) (ANSI, ANSI EXPORT, CSA, CHINA AND JAPANESE SPECS) (400S)	592
FIGURE 8-28. CABLES AND CLAMPS INSTALLATION (4000W GENERATOR 60HZ) (ANSI, ANSI EXPORT, CSA AND JAPANESE SPECS) (460SJ)	594
FIGURE 8-29. CABLES AND CLAMPS INSTALLATION (4000W GENERATOR 50HZ) (ALL SPECS) (460SJ)	596
FIGURE 8-30. CABLES AND CLAMPS INSTALLATION (7500W GENERATOR) (ANSI, ANSI EXPORT, CSA, CHINA AND JAPANESE SPECS) (400S)	598
FIGURE 8-31. CABLES AND CLAMPS INSTALLATION (7500W GENERATOR) (ALL SPECS EXCEPT CE & UK CA SPECS) (460SJ)	600
FIGURE 8-32. CLEARSKY 3-WIRE CONNECTION INSTALLATION	602
FIGURE 8-33. ENGINE HARNESS - DEUTZ D2011	604
FIGURE 8-34. ENGINE HARNESS - DEUTZ D2.9L4	606
FIGURE 8-35. ENGINE HARNESS - DEUTZ (STAGE V)	610
FIGURE 8-36. ENGINE HARNESS - KUBOTA	614
FIGURE 8-37. FUEL HARNESS - DEUTZ D2.9L4 ENGINE	616
FIGURE 8-38. FUEL HARNESS - KUBOTA ENGINE	618
FIGURE 8-39. GENERATOR HARNESS - 2500W	620
FIGURE 8-40. GENERATOR HARNESS - 4000W	622
FIGURE 8-41. GROUND CONTROL BOX HARNESS	624
FIGURE 8-42. INTERFACE HARNESS - WITH 1 CELL LSS	626

# TABLE OF CONTENTS

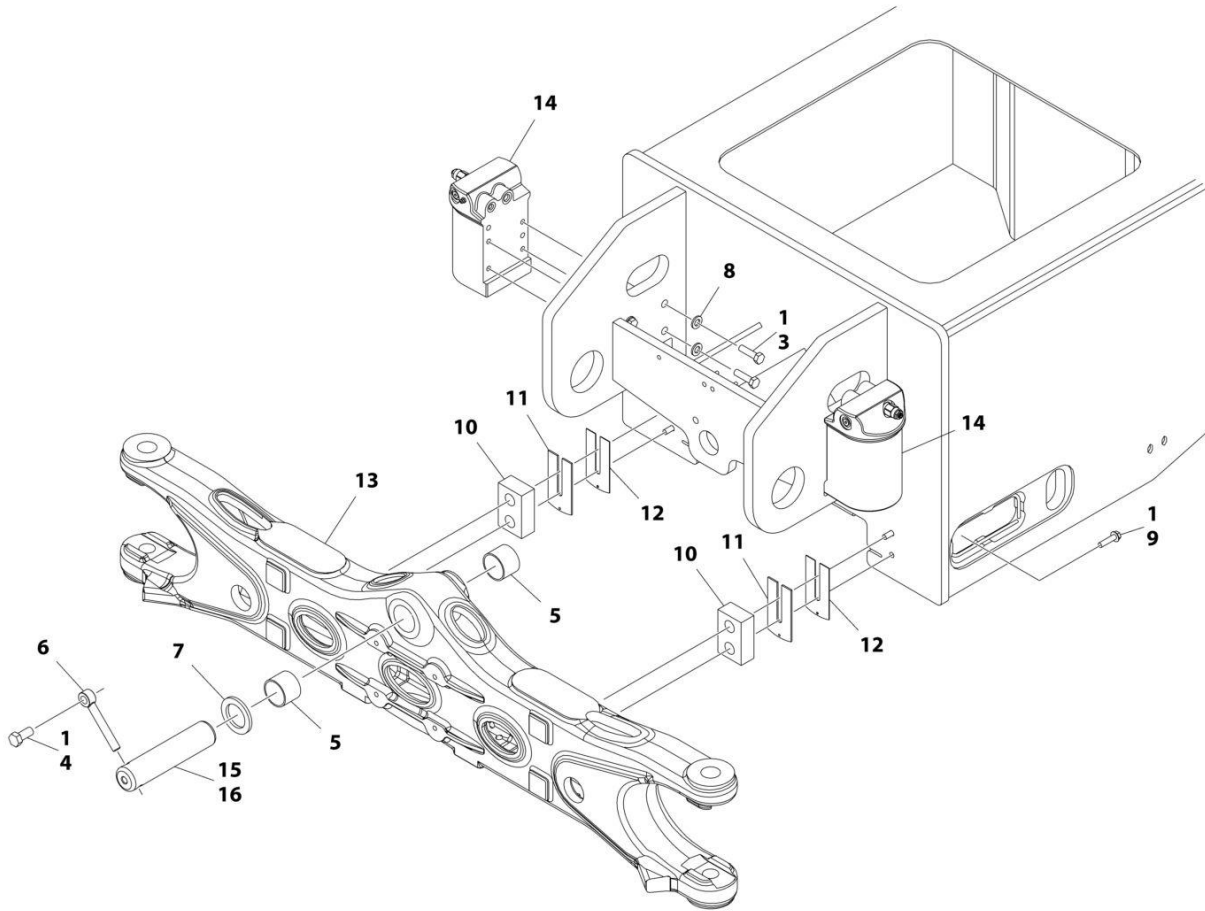
FIGURE 8-43. PLATFORM CONSOLE BOX HARNESS .....	628
FIGURE 8-44. RECEPTACLE BOX KIT - 110V IEC YELLOW (CE & UK CA SPEC) .....	630
FIGURE 8-45. RECEPTACLE BOX KIT - 220V IEC BLUE (CE & UK CA SPEC) .....	632
FIGURE 8-46. RECEPTACLE BOX KIT - 220V CEE7 POST GROUND 2IN X 4IN (CE & UK CA SPEC) .....	634
FIGURE 8-47. RECEPTACLE BOX KIT - 220V CEE7 SIDE GROUND 2IN X 4IN (CE & UK CA SPEC) .....	636
FIGURE 8-48. RECEPTACLE BOX KIT - 220V AFSINT 107 (CE & UK CA SPEC).....	638
FIGURE 8-49. TURNTABLE HARNESS .....	640
FIGURE 8-50. VALVE HARNESS - MAIN VALVE.....	644
FIGURE 8-51. SKYLINE HARNESS.....	646
FIGURE 8-52. SKYEYE INTERMEDIATE HARNESS.....	648
FIGURE 8-53. SKYEYE RECEIVER HARNESS .....	650
FIGURE 8-54. SKYEYE EMITTER HARNESS.....	652
SECTION 9 - DECAL .....	655
FIGURE 9-1. DECAL INSTALLATION - ANSI, ANSI EXPORT AND CSA SPECS - ENGLISH (400S).....	656
FIGURE 9-2. DECAL INSTALLATION - ANSI, ANSI EXPORT AND CSA SPECS - ENGLISH (460SJ).....	658
FIGURE 9-3. DECAL INSTALLATION - AUSTRALIAN SPEC (460SJ).....	660
FIGURE 9-4. DECAL INSTALLATION - CE & UK CA SPEC (460SJ).....	662
FIGURE 9-5. INSTALLATION - BRAZIL SPEC (DUAL LANGUAGE - PORTUGUESE/SPANISH) (400S).....	664
FIGURE 9-6. DECAL INSTALLATION - BRAZIL SPEC (DUAL LANGUAGE - PORTUGUESE/SPANISH) (460SJ) .....	666
FIGURE 9-7. DECAL INSTALLATION - CHINESE SPEC (DUAL LANGUAGE - ENGLISH/CHINESE) (400S).....	668
FIGURE 9-8. DECAL INSTALLATION - CHINESE SPEC (DUAL LANGUAGE - ENGLISH/CHINESE) (460SJ).....	670
FIGURE 9-9. DECAL INSTALLATION - CSA SPEC (DUAL LANGUAGE - ENGLISH/FRENCH) (400S) .....	672
FIGURE 9-10. DECAL INSTALLATION - CSA SPEC (DUAL LANGUAGE - ENGLISH/FRENCH) (460SJ) .....	674
FIGURE 9-11. DECAL INSTALLATION - JAPANESE SPEC (DUAL LANGUAGE - ENGLISH/JAPANESE) (400S) .....	676
FIGURE 9-12. DECAL INSTALLATION - JAPANESE SPEC (DUAL LANGUAGE - ENGLISH/JAPANESE) (460SJ) .....	678
FIGURE 9-13. DECAL INSTALLATION - KOREAN SPEC (DUAL LANGUAGE - ENGLISH/KOREAN) (400S) .....	680
FIGURE 9-14. DECAL INSTALLATION - KOREAN SPEC (DUAL LANGUAGE - ENGLISH/KOREAN) (460SJ) .....	682
FIGURE 9-15. DECAL INSTALLATION - LATIN AMERICAN SPEC (DUAL LANGUAGE - ENGLISH/SPANISH) (400S).....	684
FIGURE 9-16. DECAL INSTALLATION - LATIN AMERICAN SPEC (DUAL LANGUAGE - ENGLISH/SPANISH) (460SJ) .....	686
FIGURE 9-17. DECAL INSTALLATION - OPTIONS .....	688
FIGURE 9-18. SKYWELDER DECAL INSTALLATION - 50HZ .....	692
FIGURE 9-19. SKYWELDER DECAL INSTALLATION - 60HZ .....	694
SECTION 10 - RECOMMENDED SERVICE PARTS STOCK .....	697
FIGURE 10-1. RECOMMENDED SERVICE PARTS STOCK .....	698
SECTION 11 - SPECIAL OPTIONS .....	701
FIGURE 11-1. SPECIAL OPTIONS/ACCESSORIES/KITS .....	702
PART NUMBER INDEX .....	707



**SECTION 1 - FRAME**

# SECTION 1 - FRAME

## FIGURE 1-1. AXLE INSTALLATION



ART\_1001164094



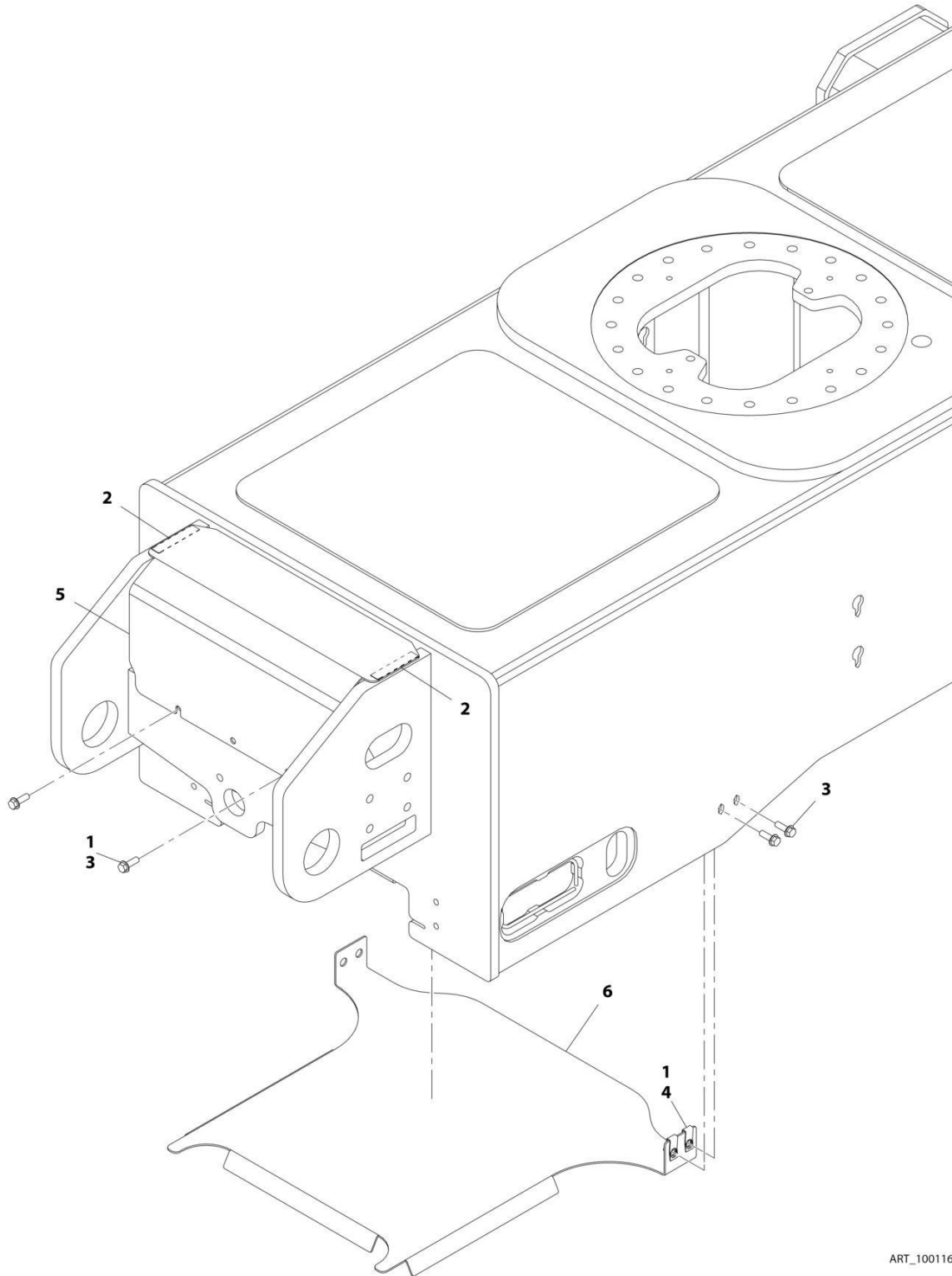
# SECTION 1 - FRAME

## FIGURE 1-1. AXLE INSTALLATION

ITEM	PART NUMBER	QTY	DESCRIPTION	REV
	1001164094	Ref	AXLE INSTALLATION	C
1	0100011	AR	Compound, Locking	
3	0701217	8	Bolt M12 x 45	
4	0761615	1	Bolt M16 x 35	
5	0961950	2	Bearing	
6	3841258	1	Keeper, Pin	
7	4740158	1	Washer	
8	5241200	8	Washer M12	
9	5251016	4	Bolt M10 x 40	
10	1001166563	2	Pad, Wear	
11	1001150324	2	Shim, 3	
12	1001150326	2	Shim, 1.2	
13	1001162995	1	Axle	
14	1001163580	2	Axle Lockout Cylinder Assembly (See Separate Breakdown in CYLINDER SECTION)	
15	1001164552	1	Pin	
16	3020039	AR	Lube	

# SECTION 1 - FRAME

## FIGURE 1-2. FRAME SHIELD INSTALLATION - WITHOUT TOW BAR



ART\_1001169973

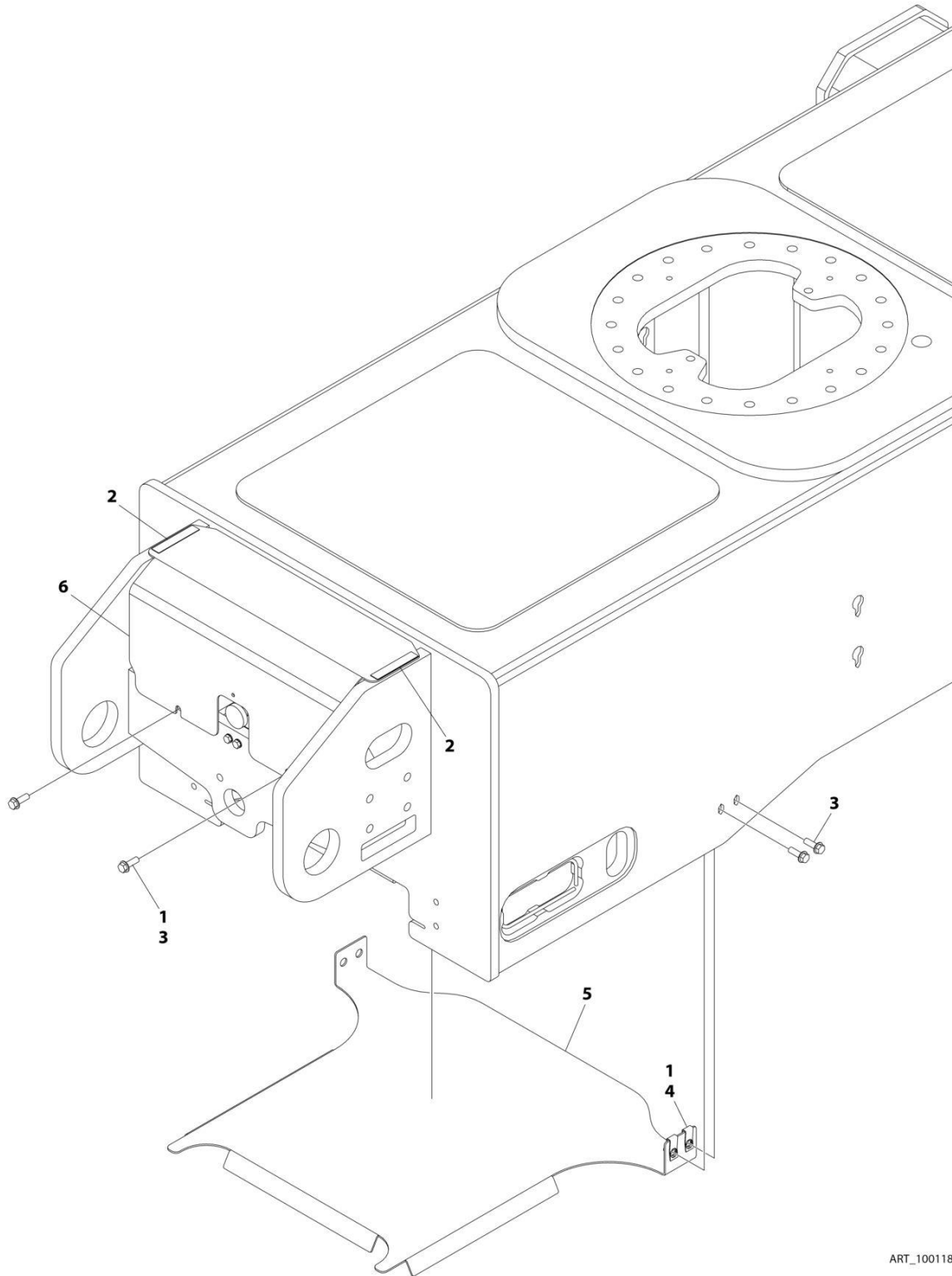
## SECTION 1 - FRAME

**FIGURE 1-2. FRAME SHIELD INSTALLATION - WITHOUT TOW BAR**

ITEM	PART NUMBER	QTY	DESCRIPTION	REV
	1001169973	Ref	FRAME SHIELD INSTALLATION - WITHOUT TOW BAR	E
1	0100011	AR	Compound, Locking	
2	4280296	8 in / 20.3cm	Strip, Wear	
3	5251014	6	Bolt M10 x 30	
4	1001118972	4	Nut M10 x 1.5	
5	1001169086	1	Plate, Cover	
6	1001169955	1	Plate, Valve Cover	

# SECTION 1 - FRAME

FIGURE 1-3. FRAME SHIELD INSTALLATION - WITH TOW BAR



ART\_1001182245

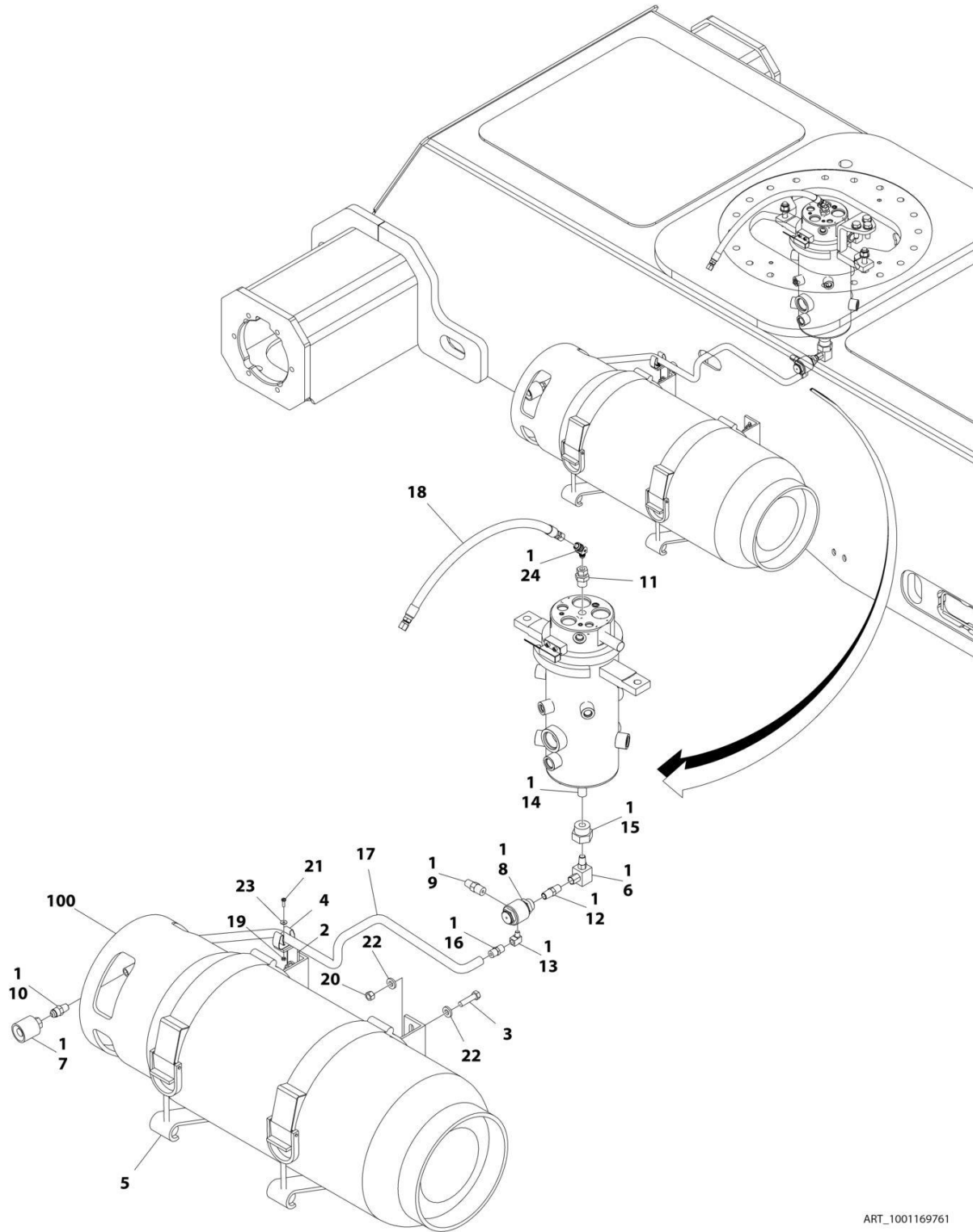
## SECTION 1 - FRAME

### FIGURE 1-3. FRAME SHIELD INSTALLATION - WITH TOW BAR

ITEM	PART NUMBER	QTY	DESCRIPTION	REV
	1001182245	Ref	FRAME SHIELD INSTALLATION - WITH TOW BAR	C
1	0100011	AR	Compound, Locking	
2	4280296	8 in / 20.3cm	Strip, Wear	
3	5251014	6	Bolt M10 x 30	
4	1001118972	4	Nut M10 x 1.5	
5	1001169955	1	Plate, Valve Cover	
6	1001182250	1	Plate, Cover	

# SECTION 1 - FRAME

## FIGURE 1-4. LP TANK BRACKETS INSTALLATION



ART\_1001169761

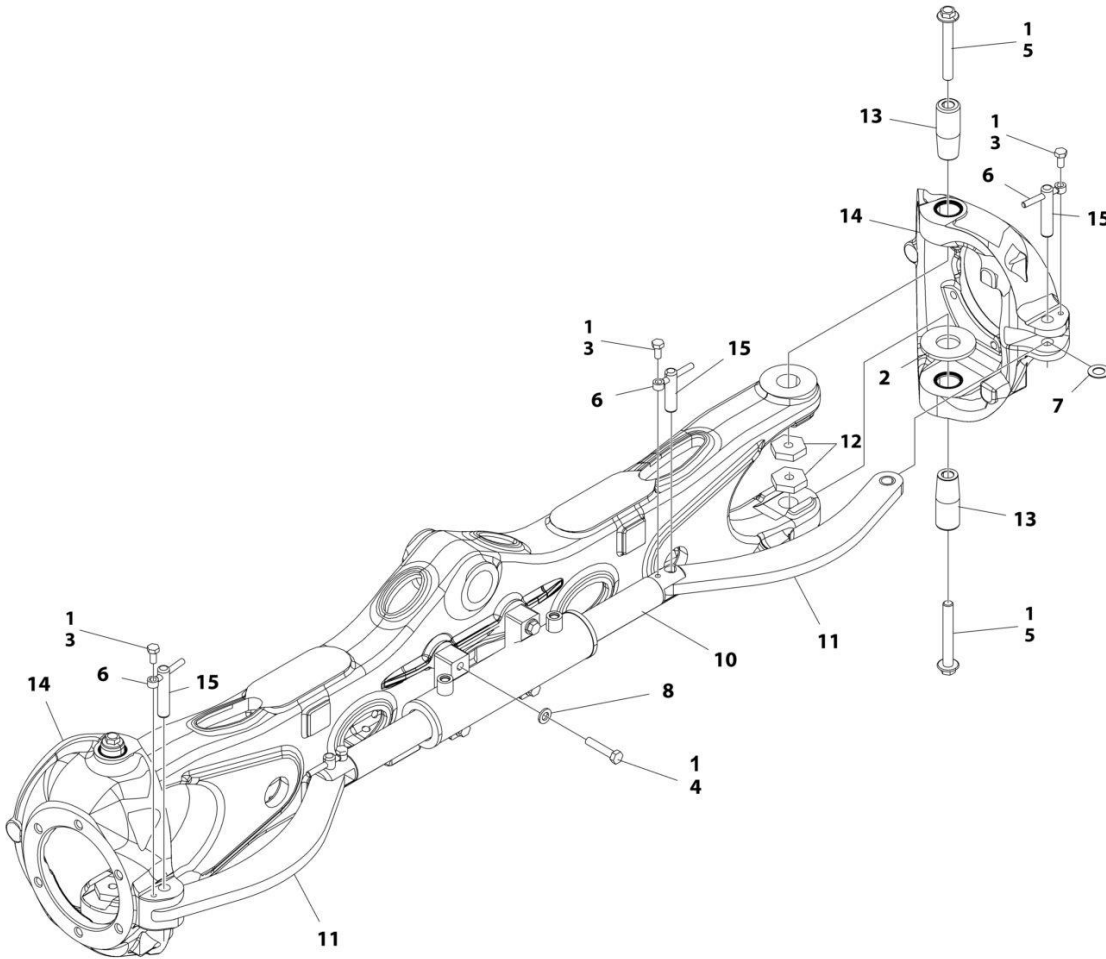
## SECTION 1 - FRAME

**FIGURE 1-4. LP TANK BRACKETS INSTALLATION**

ITEM	PART NUMBER	QTY	DESCRIPTION	REV
	1001169761	Ref	LP TANK BRACKETS INSTALLATION	E
1	0100020	AR	Sealant, Pipe	
2	0181949	1	Angle, Support	
4	1320218	1	Clamp	
5	1320220	1	Clamp	
6	2180125	1	Fitting, Swivel 90	
7	2180387	1	Fitting, Straight	
8	2180388	1	Fitting, Bulkhead	
9	2180389	1	Valve, Relief	
10	2180418	1	Fitting, Straight	
11	2220005	1	Fitting, Straight	
12	2220261	1	Fitting, Nipple	
13	2220648	1	Fitting, 90 FNPTF/NPTF	
14	2221018	1	Nipple, Pipe	
15	2221019	1	Fitting, Reducer	
16	2221024	1	Fitting, Nipple	
17	2720144	1	Hose	
18	2720392	1	Hose	
19	3290401	1	Nut M4 x 0.7	
21	3900332	1	Screw M4 x 14	
23	1001091102	1	Washer	
24	1001239802	1	Fitting, 45	
25	3311601	4	Nut 3/8	
26	4891600	8	Washer 3/8	
27	0641612	4	Bolt 3/8 x 1-1/2	
100	4400275	1	Tank, LP 43.5 Lbs (Aluminum)	

# SECTION 1 - FRAME

## FIGURE 1-5. STEER INSTALLATION WITHOUT TOW PACKAGE



ART\_1001164092



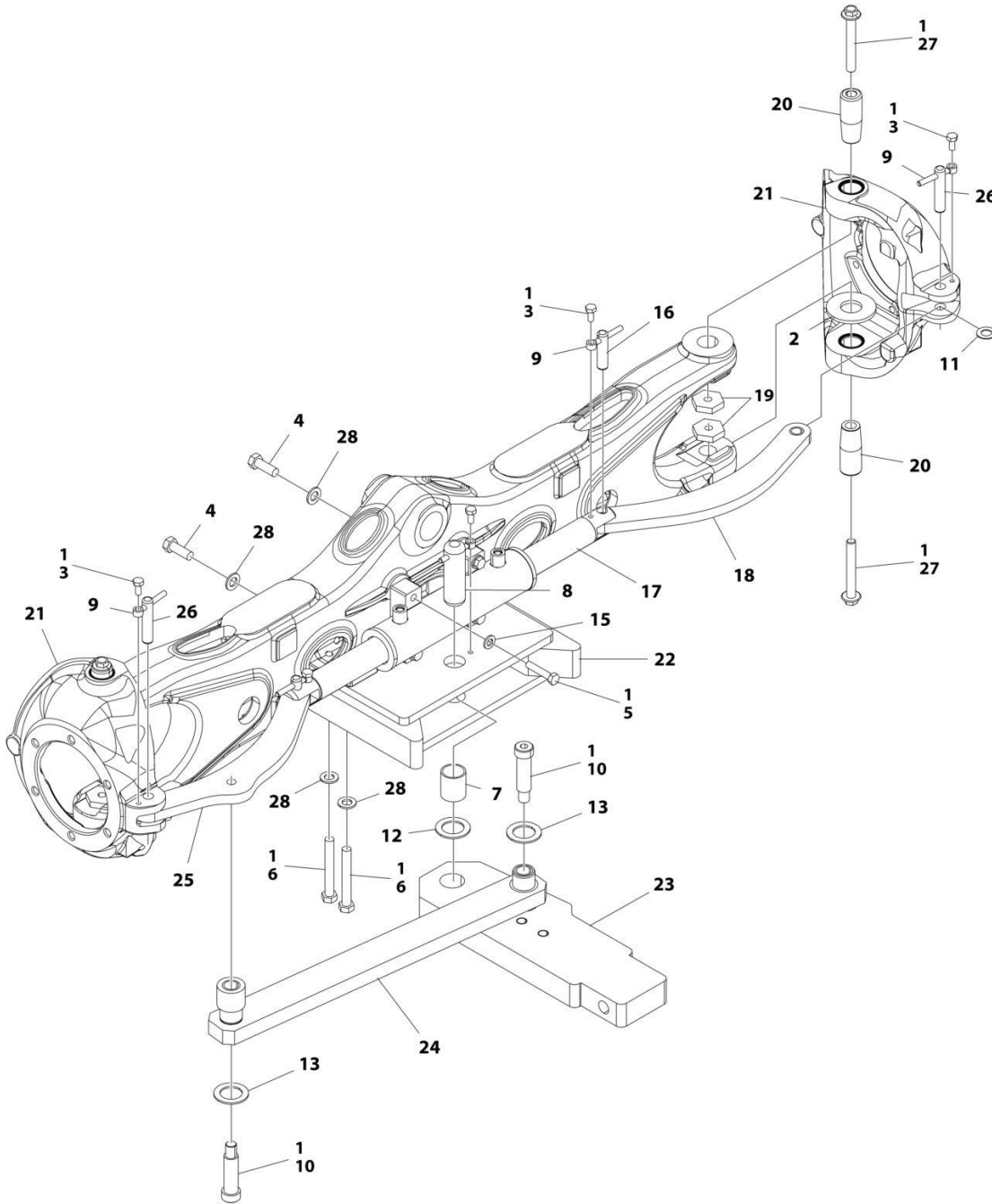
## SECTION 1 - FRAME

**FIGURE 1-5. STEER INSTALLATION WITHOUT TOW PACKAGE**

ITEM	PART NUMBER	QTY	DESCRIPTION	REV
	1001164092	Ref	STEER INSTALLATION WITHOUT TOW PACKAGE	F
1	0100011	AR	Compound, Locking	
2	1001233139	2	Bearing, Thrust	
3	0761011	4	Bolt M10 x 22	
4	0711220	4	Bolt M12 x 60 Grade 10.9	
5	1001190368	4	Bolt M16 x 120	
6	3841143	4	Keeper, Pin	
7	4740086	4	Washer	
8	5241200	4	Washer M12	
10	1001163178	1	Steer Cylinder Assembly (See Separate Breakdown in CYLINDER SECTION)	
11	1001163179	2	Link	
11	1001164209	4	Bearing (2 Per Link)	
12	1001176848	4	Nut M16	
13	1001163405	4	Kingpin	
14	1001163715	2	Spindle	
14	0961948	4	Bearing (2 Per Spindle)	
14	1001163716	8	Seal (4 Per Spindle)	
15	3423304	4	Pin	

# SECTION 1 - FRAME

## FIGURE 1-6. STEER INSTALLATION WITH TOW PACKAGE



ART\_1001164095

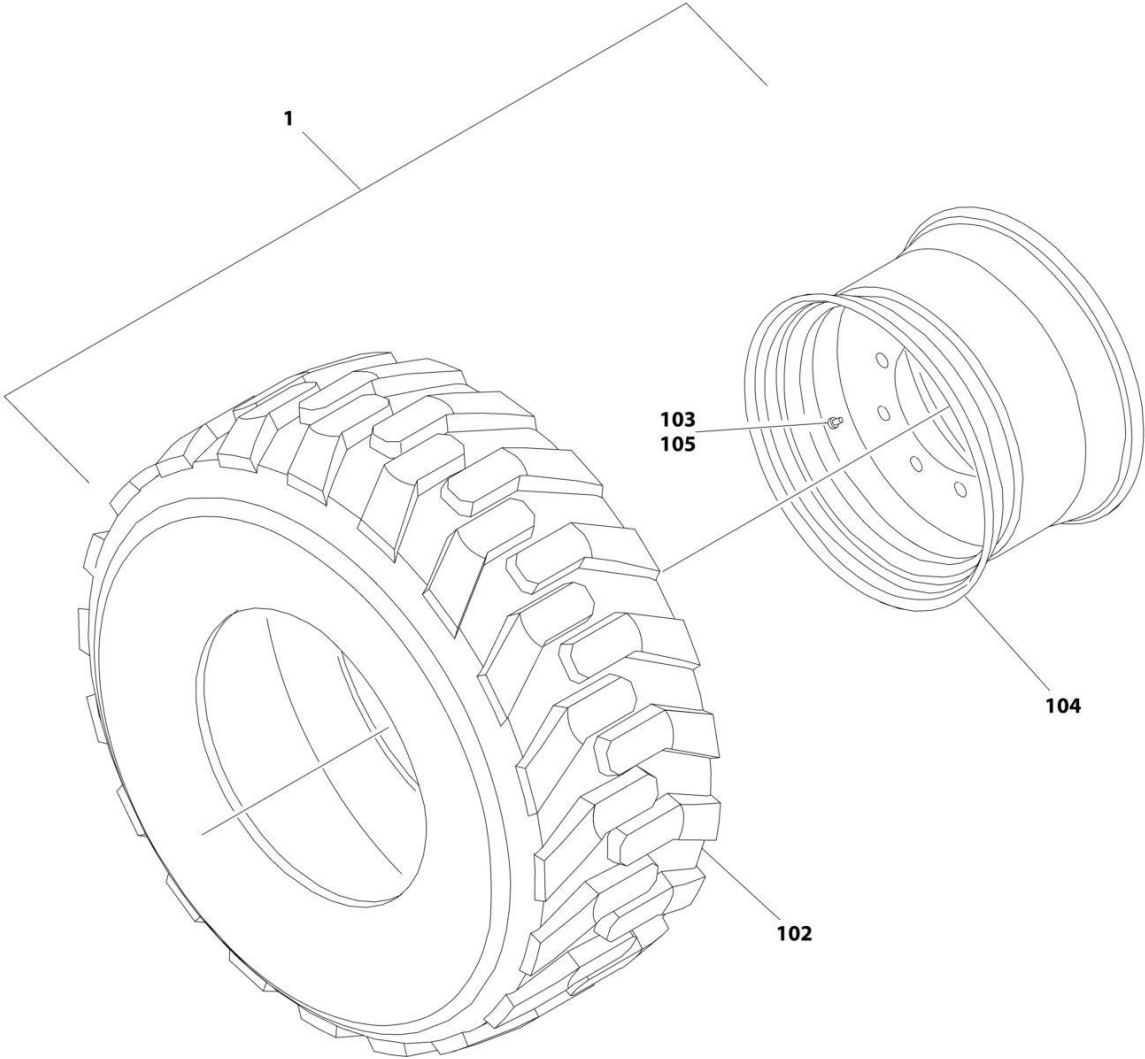
## SECTION 1 - FRAME

### FIGURE 1-6. STEER INSTALLATION WITH TOW PACKAGE

ITEM	PART NUMBER	QTY	DESCRIPTION	REV
	1001164095	Ref	STEER INSTALLATION WITH TOW PACKAGE	D
1	0100011	AR	Compound, Locking	
2	0440271	2	Bearing, Thrust	
3	0761011	5	Bolt M10 x 22	
4	0701617	2	Bolt M16 x 45	
5	0711220	4	Bolt M12 x 60 Grade 10.9	
6	0711629	4	Bolt M16 x 120	
7	0962348	1	Bearing	
8	3422848	1	Pin	
9	3841143	5	Keeper, Pin	
10	3900295	2	Bolt 1 X 3	
11	4740086	4	Washer	
12	4740155	1	Washer	
13	4740491	2	Washer	
15	5241200	4	Washer M12	
16	1001139586	2	Pin	
17	1001163178	1	Steer Cylinder Assembly (See Separate Breakdown in CYLINDER SECTION)	
18	1001163179	1	Link	
18	1001164209	2	Bearing	
19	1001176848	4	Nut M16	
20	1001163405	4	Kingpin	
21	1001163715	2	Spindle	
21	0961948	4	Bearing (2 per Spindle)	
21	1001163716	8	Seal (4 per Spindle)	
22	1001163717	1	Bracket, Tow	
23	1001163722	1	Plate	
24	1001163724	1	Link	
24	0962292	4	Bearing	
25	1001163726	1	Link	
25	1001164209	2	Bearing	
26	3423304	2	Pin	
27	1001190368	4	Bolt M16 x 120	
28	5241600	6	Washer M16	

**SECTION 1 - FRAME**

**FIGURE 1-7. TIRE AND WHEEL INSTALLATION - 12 X 16.5 FOAM FILLED (AVAILABLE ON ALL SPECS)**



ART\_0270092

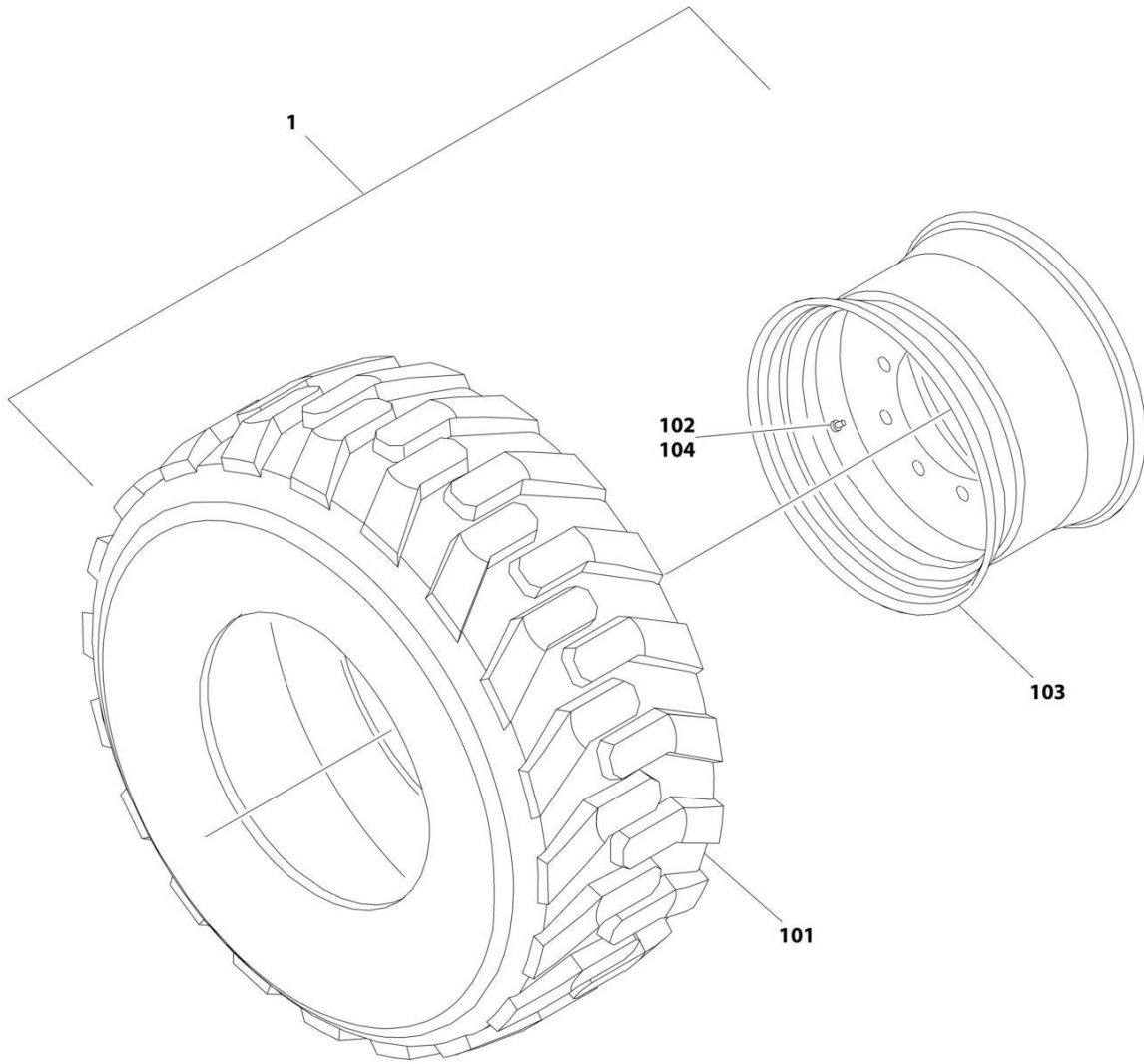
## SECTION 1 - FRAME

**FIGURE 1-7. TIRE AND WHEEL INSTALLATION - 12 X 16.5 FOAM FILLED (AVAILABLE ON ALL SPECS)**

ITEM	PART NUMBER	QTY	DESCRIPTION	REV
	0270092	Ref Ref	TIRE AND WHEEL INSTALLATION - 12 X 16.5 FOAM FILLED  Note: Assemblies may require ballast/foam filling to manufacturer's specifications prior to installing on a machine. Refer to Operation and Safety or Service and Maintenance Manuals. Purchase individual tire and/or rim only if able to foam fill tire and wheel assembly, otherwise, purchase complete assembly.	C
1	1001148865	2	Tire and Wheel Assembly - 12 x 16.5 (RH Side)	H
1	1001148866	2	Tire and Wheel Assembly - 12 x 16.5 (LH Side)	H
102	4520216	4	Tire - 12 x 16.5	
103	4641122	4	Valve	
104	1001147274	4	Rim, Wheel	
105	1001149953	4	Cap, Valve Stem	

# SECTION 1 - FRAME

FIGURE 1-8. TIRE AND WHEEL INSTALLATION - 12 X 16.5 FF NON-MARKING (AVAILABLE ON ALL SPECS)



ART\_0270653

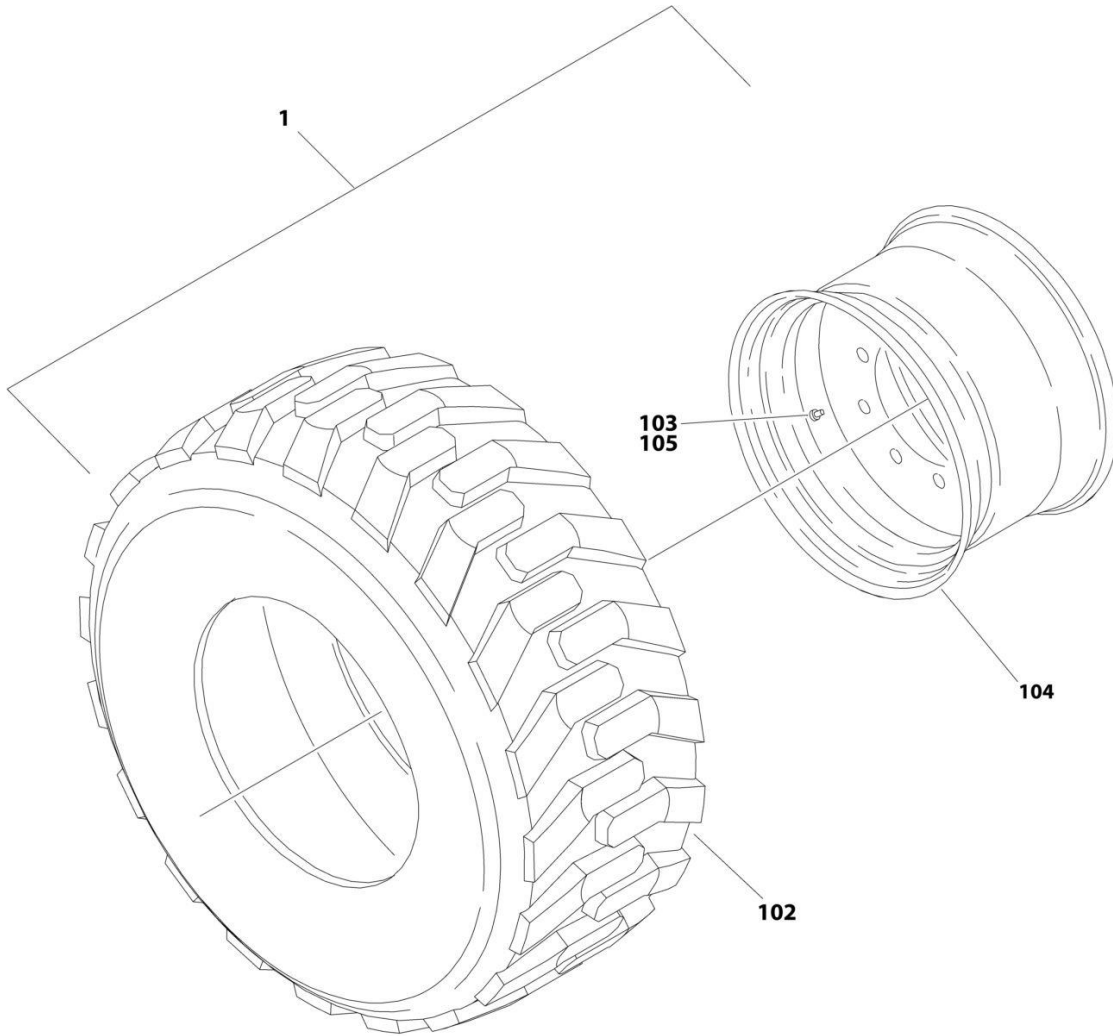
## SECTION 1 - FRAME

**FIGURE 1-8. TIRE AND WHEEL INSTALLATION - 12 X 16.5 FF NON-MARKING (AVAILABLE ON ALL SPECS)**

ITEM	PART NUMBER	QTY	DESCRIPTION	REV
	0270653	Ref Ref	TIRE AND WHEEL INSTALLATION - 12 X 16.5 FOAM FILLED  Note: Assemblies may require ballast/foam filling to manufacturer's specifications prior to installing on a machine. Refer to Operation and Safety or Service and Maintenance Manuals. Purchase individual tire and/or rim only if able to foam fill tire and wheel assembly, otherwise, purchase complete assembly.	B
1	1001148869	1	Tire and Wheel Assembly - Right Side	H
1	1001148870	1	Tire and Wheel Assembly - Left Side	H
101	4520240	1	Tire 12 x 16.5 Non-Marking	
102	4641122	1	Valve	
103	1001147274	1	Rim, Wheel	
104	1001149953	1	Cap, Valve Stem	

# SECTION 1 - FRAME

FIGURE 1-9. TIRE AND WHEEL INSTALLATION - 14 X 17.5 FOAM FILLED (AVAILABLE ON ALL SPECS)



ART\_0271998



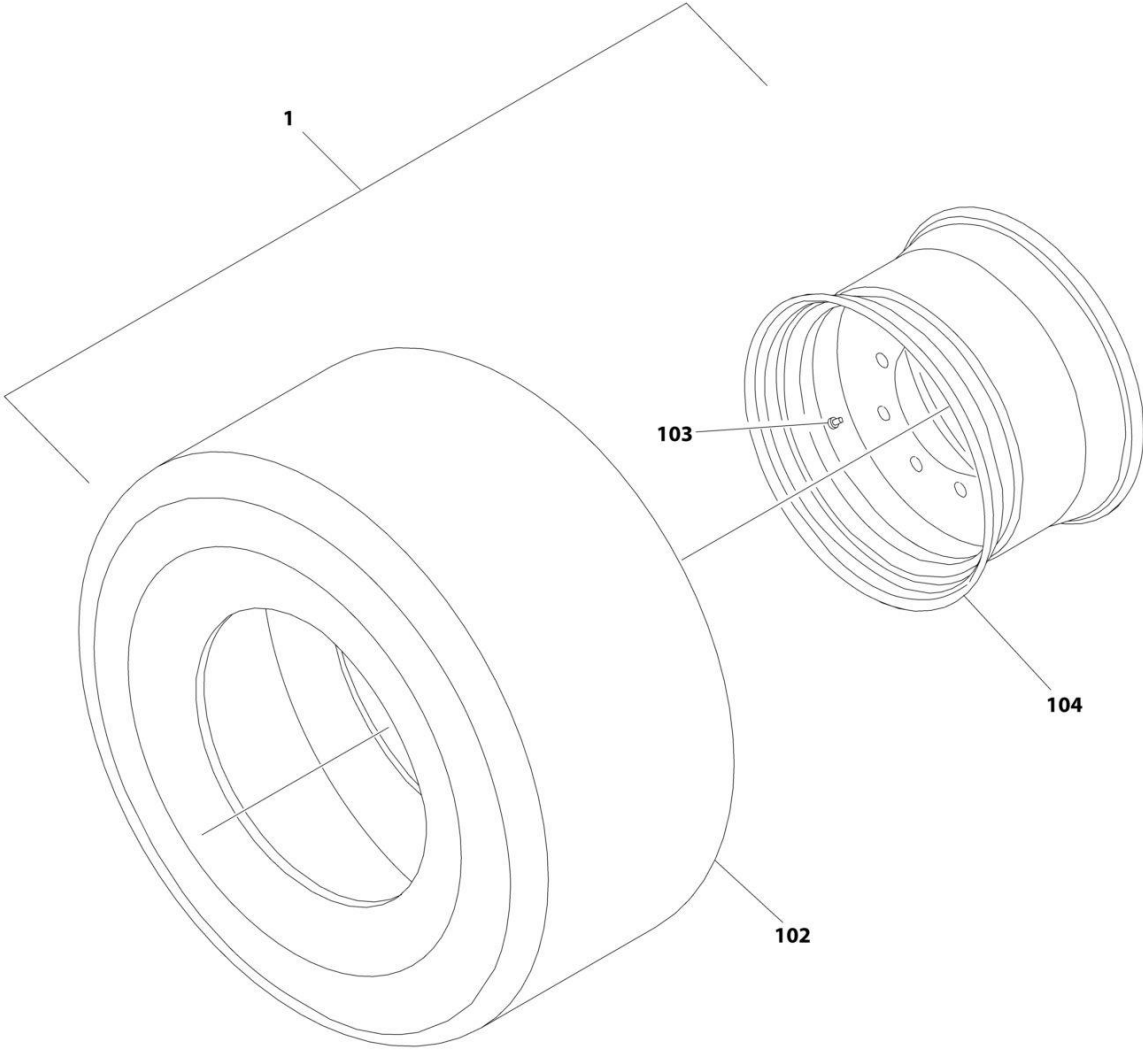
## SECTION 1 - FRAME

**FIGURE 1-9. TIRE AND WHEEL INSTALLATION - 14 X 17.5 FOAM FILLED (AVAILABLE ON ALL SPECS)**

ITEM	PART NUMBER	QTY	DESCRIPTION	REV
	0271998	Ref	TIRE AND WHEEL INSTALLATION - 14 X 17.5 FOAM FILLED  Note: Assemblies may require ballast/foam filling to manufacturer's specifications prior to installing on a machine. Refer to Operation and Safety or Service and Maintenance Manuals. Purchase individual tire and/or rim only if able to foam fill tire and wheel assembly, otherwise, purchase complete assembly.	B
		Ref		
1	1001148875	Ref	Tire and Wheel Assembly - 14 x 17.5 (RH Side)	F
1	1001148876	Ref	Tire and Wheel Assembly - 14 x 17.5 (LH Side)	F
102	4520259	4	Tire - 14 x 17.5	
103	4641122	4	Valve	
104	1001146397	4	Rim, Wheel	
105	1001149953	4	Cap, Valve Stem	

**SECTION 1 - FRAME**

**FIGURE 1-10. TIRE AND WHEEL INSTALLATION - 33/16LL X 16.1 FOAM FILLED TURF (ANSI AND ANSI EXPORT SPECS)**



ART\_1001269298

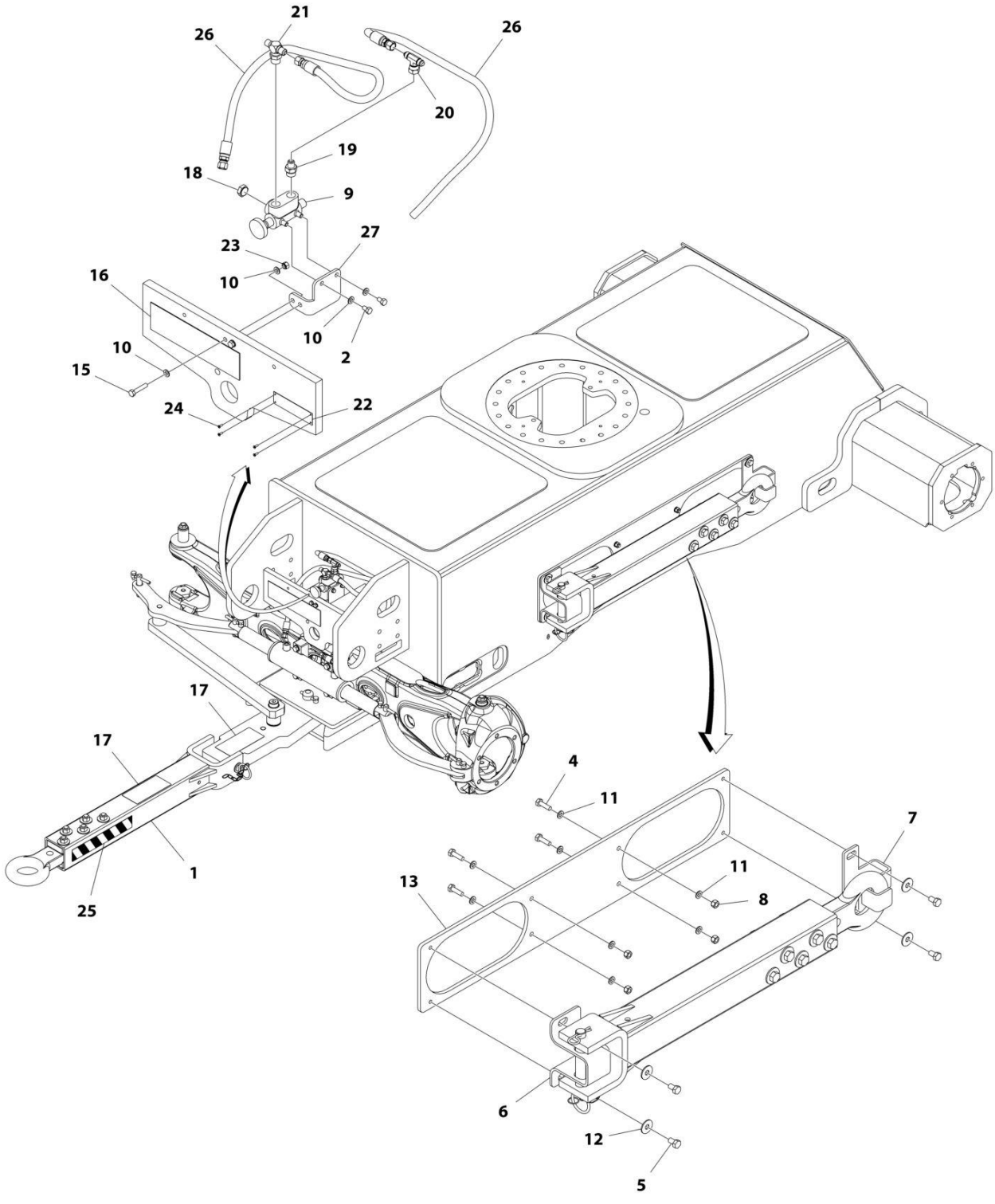
## SECTION 1 - FRAME

**FIGURE 1-10. TIRE AND WHEEL INSTALLATION - 33/16LL X 16.1 FOAM FILLED TURF (ANSI AND ANSI EXPORT SPECS)**

ITEM	PART NUMBER	QTY	DESCRIPTION	REV
	1001269298	Ref	TIRE AND WHEEL INSTALLATION - 33/16LL X 16.1 FOAM FILLED TURF	A
		Ref	Note: Assemblies may require ballast/foam filling to manufacturer's specifications prior to installing on a machine. Refer to Operation and Safety or Service and Maintenance Manuals. Purchase individual tire and/or rim only if able to foam fill tire and wheel assembly, otherwise, purchase complete assembly.	
1	1001269297	2	Tire and Wheel Assembly 33/16LL X 16.1	A
102	1300018	4	Tire - 33/16LL X 16.1	
103	4641122	4	Valve	
104	4860214	4	Rim, Wheel	

# SECTION 1 - FRAME

## FIGURE 1-11. TOW BAR INSTALLATION



ART\_1001170736

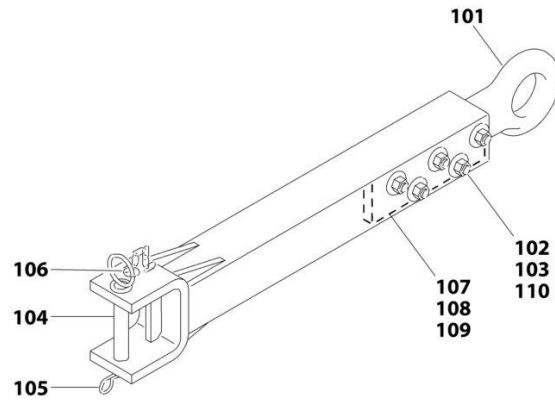
# SECTION 1 - FRAME

## FIGURE 1-11. TOW BAR INSTALLATION

ITEM	PART NUMBER	QTY	DESCRIPTION	REV
	1001170736	Ref	TOW BAR INSTALLATION	D
1	0363019	1	Tow Bar Assembly (See Separate Breakdown in this Section)	
2	0641504	2	Bolt 5/16 x 1/2	
4	0641612	4	Bolt 3/8 x 1-1/2	
5	0761210	4	Bolt M12 x 20	
6	0902733	1	Bracket, Storage (Front)	
7	0902734	1	Bracket, Storage (Rear)	
8	3311605	4	Nut 3/8	
9	4640261	1	Steer/Tow Select Valve	
10	4811900	6	Washer M8	
11	4891600	8	Washer 3/8	
12	4812102	4	Washer M12	
13	1001166478	1	Plate, Tow Bar Mount	
15	0760816	2	Bolt M8 x 40	
16	1702968	1	Decal - Towing Instructions	
17	1704578	3	Decal - Crushing	
18	2220238	1	Plug ORB	
19	2220372	1	Fitting, Straight JIC/ORB	
20	2220579	1	Fitting, Tee JIC/FSJIC/JIC	
21	2221052	1	Fitting, Tee JIC/ORB/JIC	
22	3250872	1	Nameplate, Steer/Tow Select Valve	
23	3290805	2	Nut M8 x 1.25	
24	3820001	4	Rivet	
25	4420051	48 in /1.21m	Tape, Safety	
26	1001181913	2	Hose	
27	1001182155	1	Bracket, Valve Mounting	

# SECTION 1 - FRAME

## FIGURE 1-12. TOW BAR ASSEMBLY



ART\_0363019

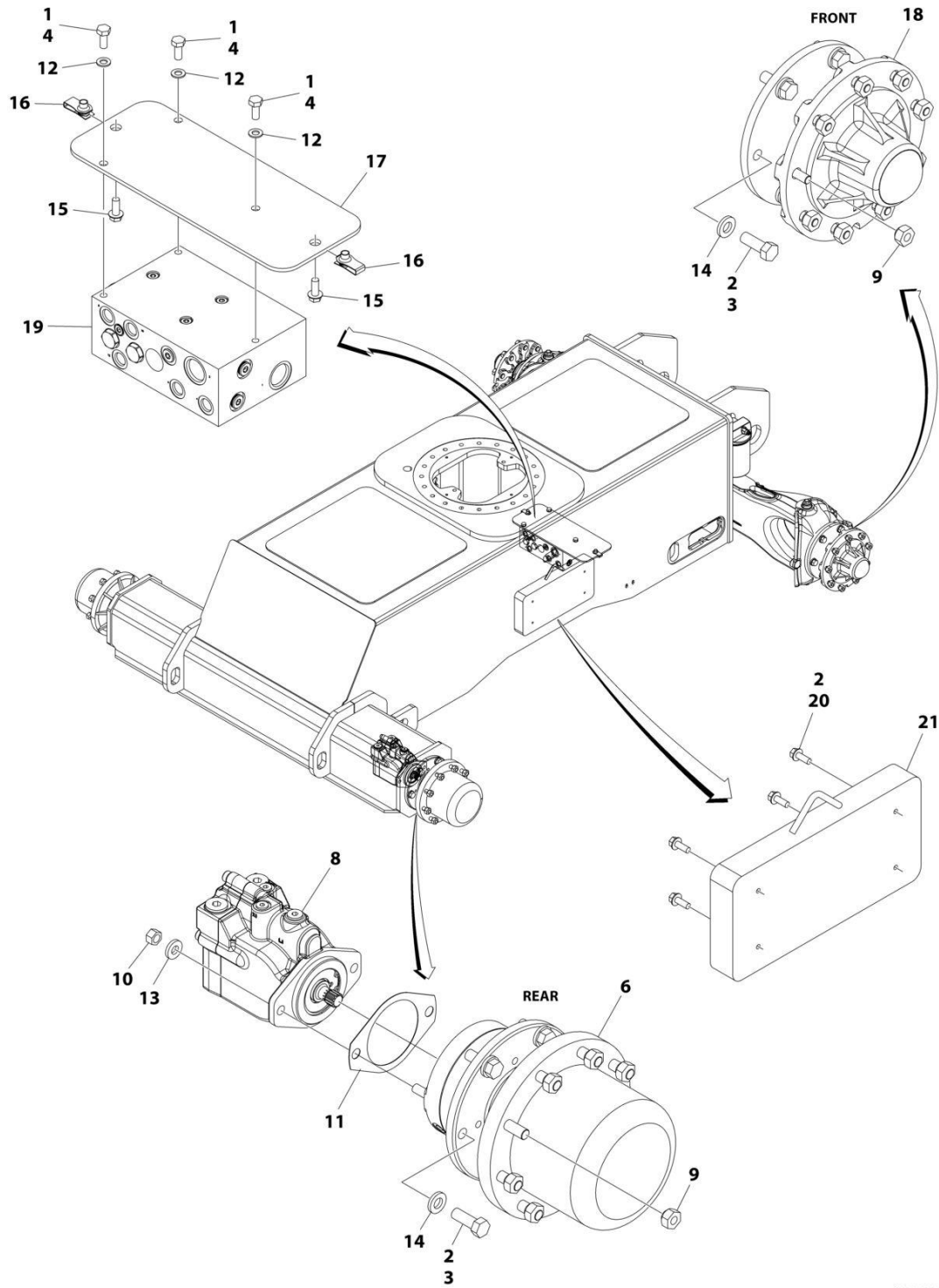
# SECTION 1 - FRAME

## FIGURE 1-12. TOW BAR ASSEMBLY

ITEM	PART NUMBER	QTY	DESCRIPTION	REV
	0363019	Ref	TOW BAR ASSEMBLY	B
101	0360406	1	Pintle, Draw Eye	
102	0682040	5	Bolt 5/8 x 5	
103	3312005	5	Nut 5/8	
104	3420352	1	Pin, Towing	
105	3420372	1	Hairpin	
106	3760170	1	Ring, Split	
107	4070450	2	Shim (.07)	
108	4070560	2	Shim (.88)	
109	4070561	2	Shim (.12)	
110	4752000	10	Washer 5/8	

# SECTION 1 - FRAME

## FIGURE 1-13. WHEEL DRIVE INSTALLATION (2WD)



ART\_1001214162



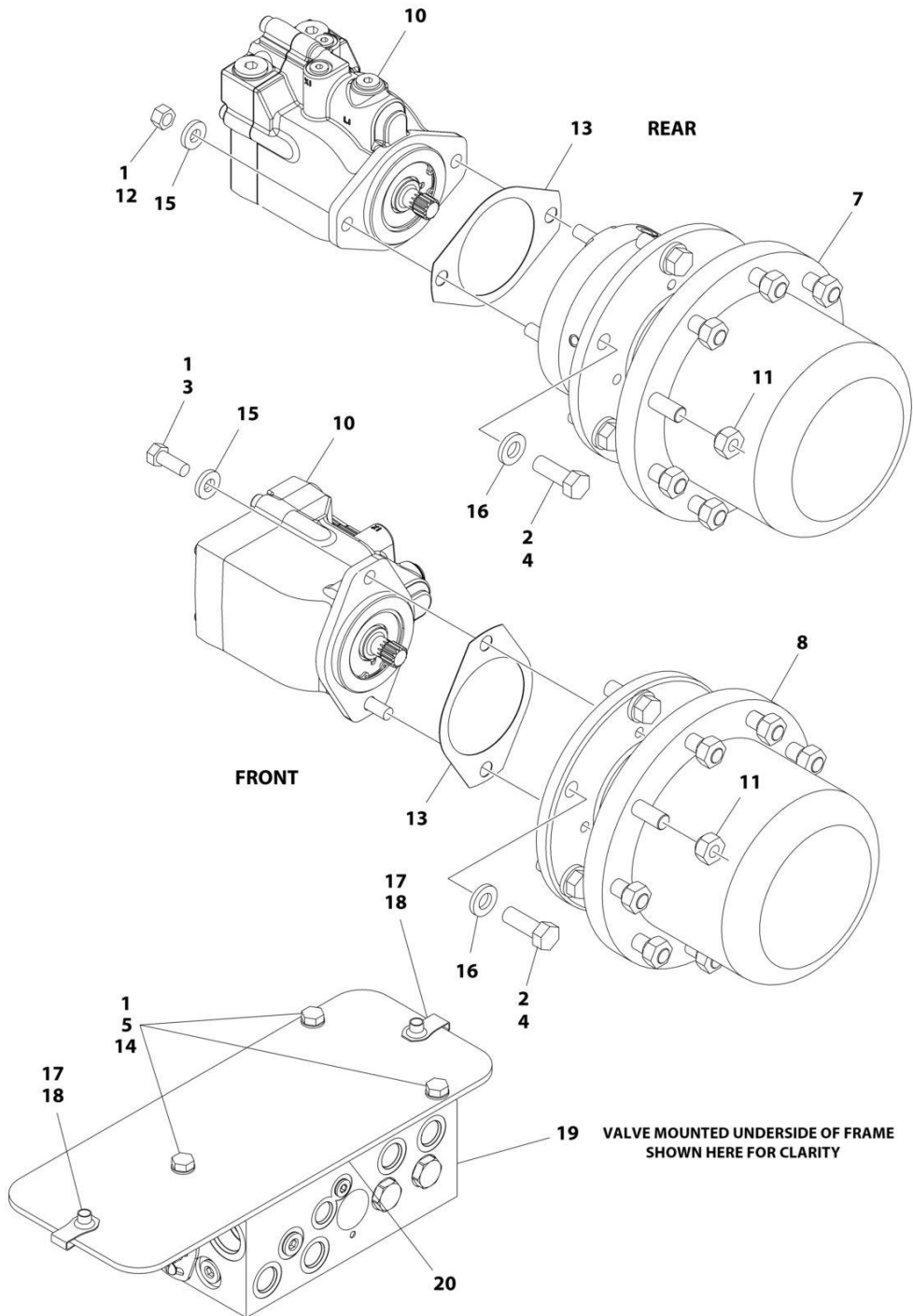
## SECTION 1 - FRAME

**FIGURE 1-13. WHEEL DRIVE INSTALLATION (2WD)**

ITEM	PART NUMBER	QTY	DESCRIPTION	REV
	1001214162	Ref	WHEEL DRIVE INSTALLATION (2WD)	E
1	0100011	AR	Compound, Locking	
2	0100019	AR	Compound, Locking	
3	0682014	24	Bolt, 5/8 x 1-3/4 (Grade 8)	
4	0761012	3	Bolt, M10 x 25	
6	2780267	2	Drive Hub Assembly - Rear (See Separate Breakdown in this Section)	
8	3160351	2	Drive Motor Assembly (See Separate Breakdown in this Section)	
9	3300106	36	Lugnut	
10	3311801	4	Nut, 1/2	
11	3960526	2	Gasket, Brake	
12	4812000	3	Washer, M10	
13	4891800	4	Washer, 1/2	
14	4892000	24	Washer, 5/8	
15	5251012	2	Bolt, M10 x 25	
16	1001118972	2	Nut, M10 x 1.5	
17	1001163959	1	Plate, Mounting	
18	1001214174	2	Hub Spindle Assembly - Front (See Separate Breakdown in this Section)	
19	1001214317	1	Traction Valve Assembly - 2WD (See Separate Breakdown in this Section)	
20	0811608	8	Bolt 3/8 x 1	
21	1001215509	2	Weight	

# SECTION 1 - FRAME

## FIGURE 1-14. WHEEL DRIVE INSTALLATION (4WD) (DANFOSS MOTOR)



ART\_1001169060

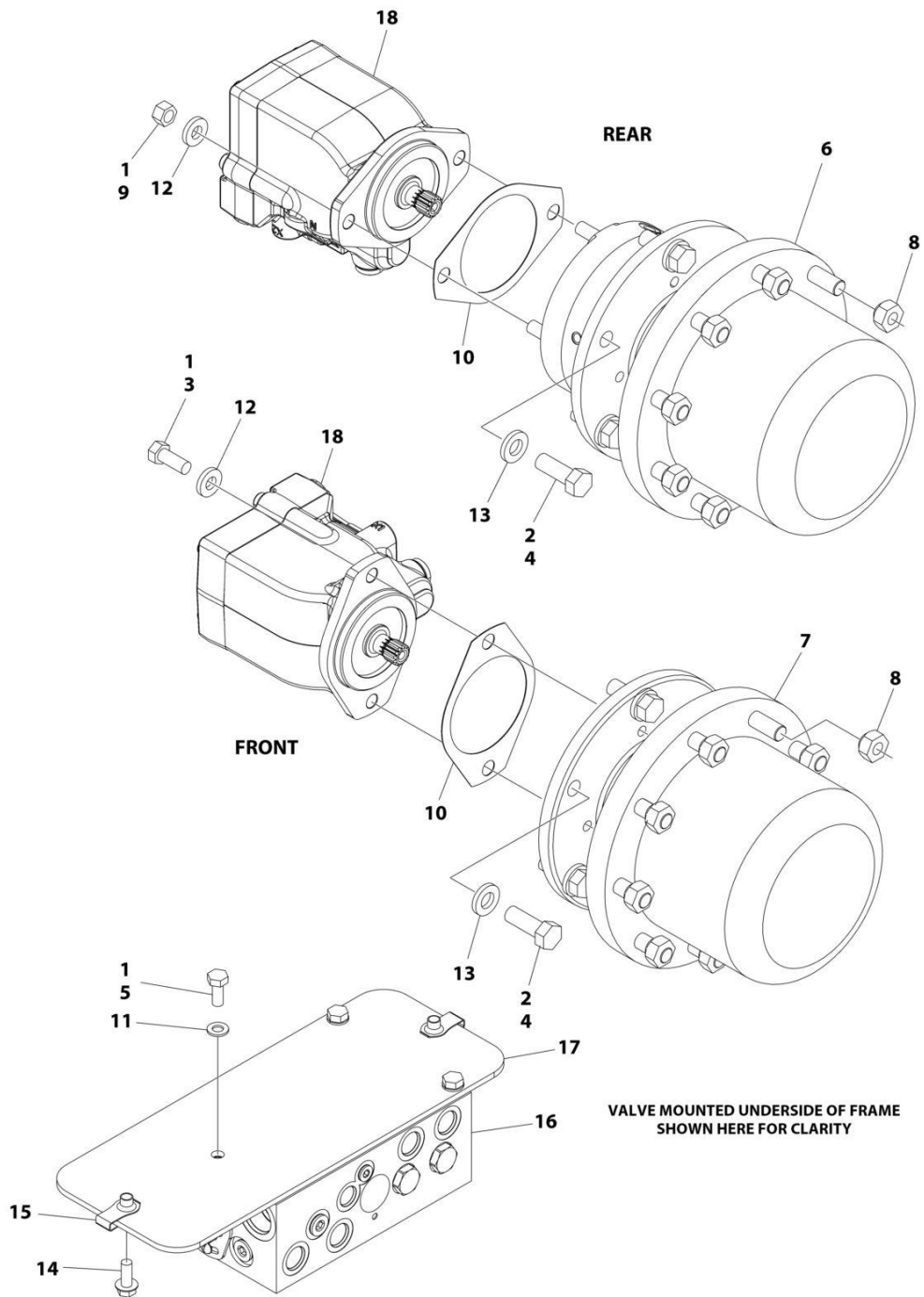
## SECTION 1 - FRAME

**FIGURE 1-14. WHEEL DRIVE INSTALLATION (4WD) (DANFOSS MOTOR)**

ITEM	PART NUMBER	QTY	DESCRIPTION	REV
	1001169060	Ref	WHEEL DRIVE INSTALLATION (4WD)	E
1	0100011	AR	Compound, Locking	
2	0100019	AR	Compound, Locking	
3	0681810	4	Bolt 1/2 x 1-1/4 (Grade 8)	
4	0682014	24	Bolt 5/8 x 1-3/4 (Grade 8)	
5	0761012	3	Bolt M10 x 25	
7	2780267	2	Drive Hub Assembly - Rear (See Separate Breakdown in this Section)	
8	2780268	2	Drive Hub Assembly - Front (See Separate Breakdown in this Section)	
10	3160348	4	Drive Motor Assembly (See Separate Breakdown in this Section)	
11	3300106	36	Lugnut	
12	3311801	4	Nut 1/2	
13	3960526	4	Gasket, Brake	
14	4812000	3	Washer M10	
15	4891800	8	Washer 1/2	
16	4892000	24	Washer 5/8	
17	5251012	2	Bolt M10 x 25	
18	1001118972	2	Nut M10	
19	1001162537	1	Traction Valve Assembly (See Separate Breakdown in this Section)	
20	1001163959	1	Plate, Mounting	

# SECTION 1 - FRAME

## FIGURE 1-15. WHEEL DRIVE INSTALLATION (4WD) (HENGLI MOTOR)



ART\_1001285010

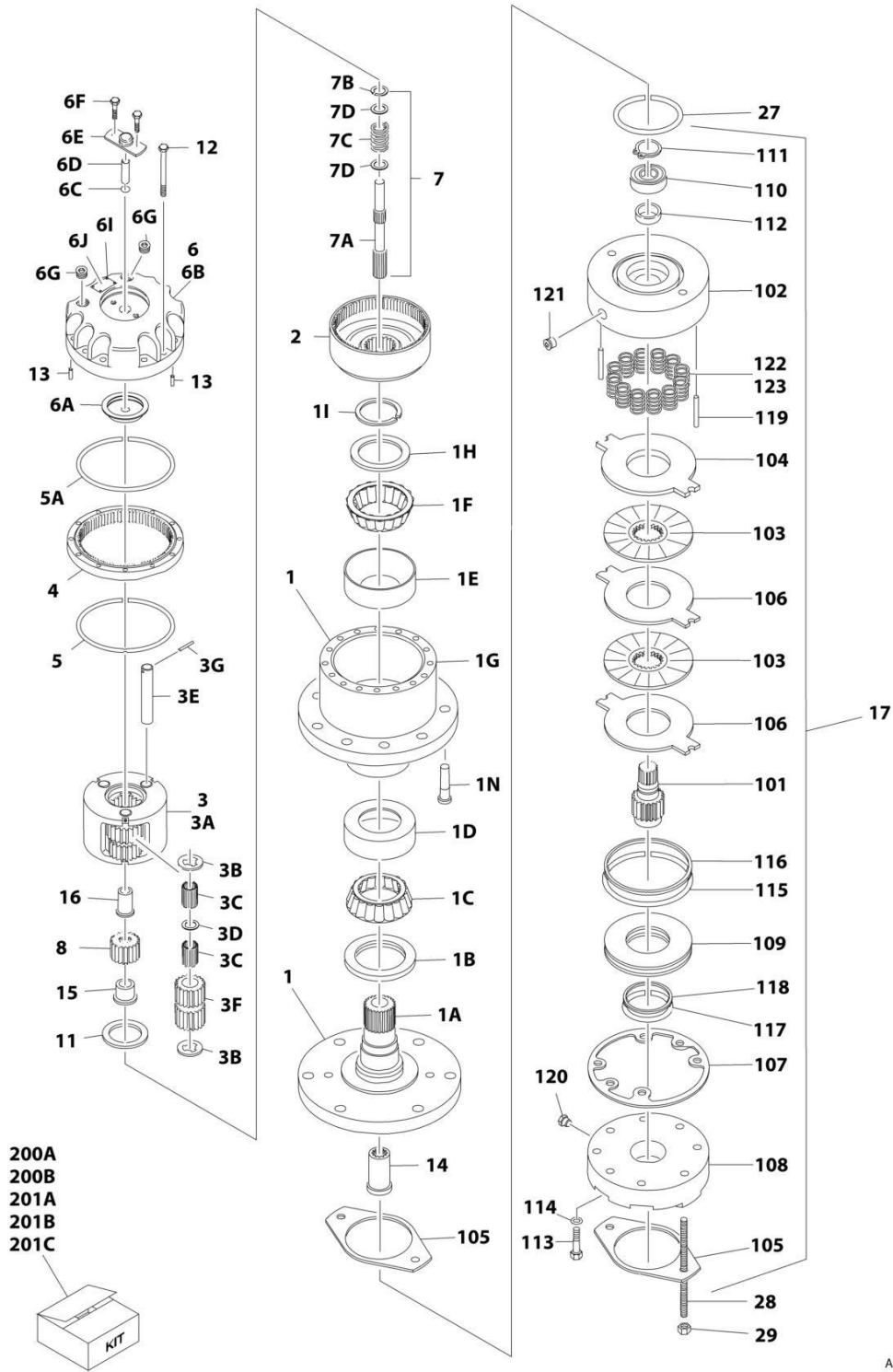
## SECTION 1 - FRAME

**FIGURE 1-15. WHEEL DRIVE INSTALLATION (4WD) (HENGLI MOTOR)**

ITEM	PART NUMBER	QTY	DESCRIPTION	REV
	1001285010	Ref	WHEEL DRIVE INSTALLATION (4WD)	B
1	0100011	AR	Compound, Locking	
2	0100019	AR	Compound, Locking	
3	0681810	4	Bolt 1/2 x 1-1/4 (Grade 8)	
4	0682014	24	Bolt 5/8 x 1-3/4 (Grade 8)	
5	0761012	3	Bolt M10 x 25	
6	2780267	2	Drive Hub Assembly - Rear (See Separate Breakdown in this Section)	
7	2780268	2	Drive Hub Assembly - Front (See Separate Breakdown in this Section)	
8	3300106	36	Lugnut	
9	3311801	4	Nut 1/2	
10	3960526	4	Gasket, Brake	
11	4812000	3	Washer M10	
12	4891800	8	Washer 1/2	
13	4892000	24	Washer 5/8	
14	5251012	2	Bolt M10 x 25	
15	1001118972	2	Nut M10	
16	1001162537	1	Traction Valve Assembly (See Separate Breakdown in this Section)	
17	1001163959	1	Plate, Mounting	
18	1001278022	4	Drive Motor Assembly (See Separate Breakdown in this Section)	

# SECTION 1 - FRAME

## FIGURE 1-16. DRIVE HUB AND BRAKE ASSEMBLY - REAR



ART\_2780267

# SECTION 1 - FRAME

## FIGURE 1-16. DRIVE HUB AND BRAKE ASSEMBLY - REAR

ITEM	PART NUMBER	QTY	DESCRIPTION	REV
	2780267	Ref	DRIVE HUB AND BRAKE ASSEMBLY - REAR	I
1	See Note	1	Spindle/Housing Assembly (Note: Purchase Individual Components)	
1A	7017059	1	Spindle	
1B	7001998	1	Seal	
1C	7010429	1	Cone, Bearing (Includes Item 1D)	
1D	7010429	1	Cup, Bearing (Includes Item 1C)	
1E	7000257	1	Cup, Bearing	
1F	7000258	1	Cone, Bearing	
1G	7007601	1	Housing/Ring Gear	
1H	7000232	1	Washer, Thrust	
1I	7000229	1	Ring, Retaining	
1N	7007640	9	Stud, Wheel	
2	7000246	1	Gear, Internal	
3	7024712	1	Carrier Assembly	
3A	See Note	1	Carrier (Note: Use Item 3)	
3B	See Note	6	Ring, Retaining (Note: Use Item 3)	
3C	See Note	AR	Bearing, Needle (Note: Use Item 3)	
3D	See Note	3	Washer, Thrust (Note: Use Item 3)	
3E	See Note	3	Shaft, Planet (Note: Use Item 3)	
3F	See Note	3	Gear, Planet (Note: Use Item 3)	
3G	See Note	3	Roll Pin (Note: Use Item 3)	
4	7000248	1	Ring Gear	
5	7000230	1	O-Ring	
5A	7017070	1	O-Ring	
6	70001349	1	Cover Assembly Kit	
6A	See Note	1	Spacer, Thrust (Note: Use Item 6)	
6B	See Note	1	Plate, Cover (Note: Use Item 6)	
6C	See Note	1	O-Ring (Note: Use Item 6)	
6D	See Note	1	Rod, Disconnect (Note: Use Item 6)	
6E	See Note	1	Cap, Disengage (Note: Use Item 6)	
6F	See Note	2	Bolt (Note: Use Item 6)	
6G	See Note	1	Plug, Pipe (Note: Use Item 6)	
6I	See Note	4	Rivet (Note: Not Available for Purchase)	
6J	See Note	1	Plate, ID (Note: Not Available for Purchase)	
7		Ref	Input Shaft Assembly	
7A	7024714	1	Shaft	
7B	7000261	1	Ring, Retaining	
7C	7000262	1	Spring	
7D	7000263	2	Spacer, Thrust	
8	7024713	1	Gear, Sun	
11	7000253	1	Washer, Thrust	
12	7017067	12	Bolt	
13	7017080	4	Pin, Dowel	
14	7000206	1	Coupling	
15	7024715	1	Spacer, Input	
16	7024716	1	Spacer, Input	
17	7024182	1	Brake Assembly (See Items 101-123 for Breakdown)	
27	7024705	1	O-Ring	
28	7024717	2	Rod, Threaded	

## SECTION 1 - FRAME

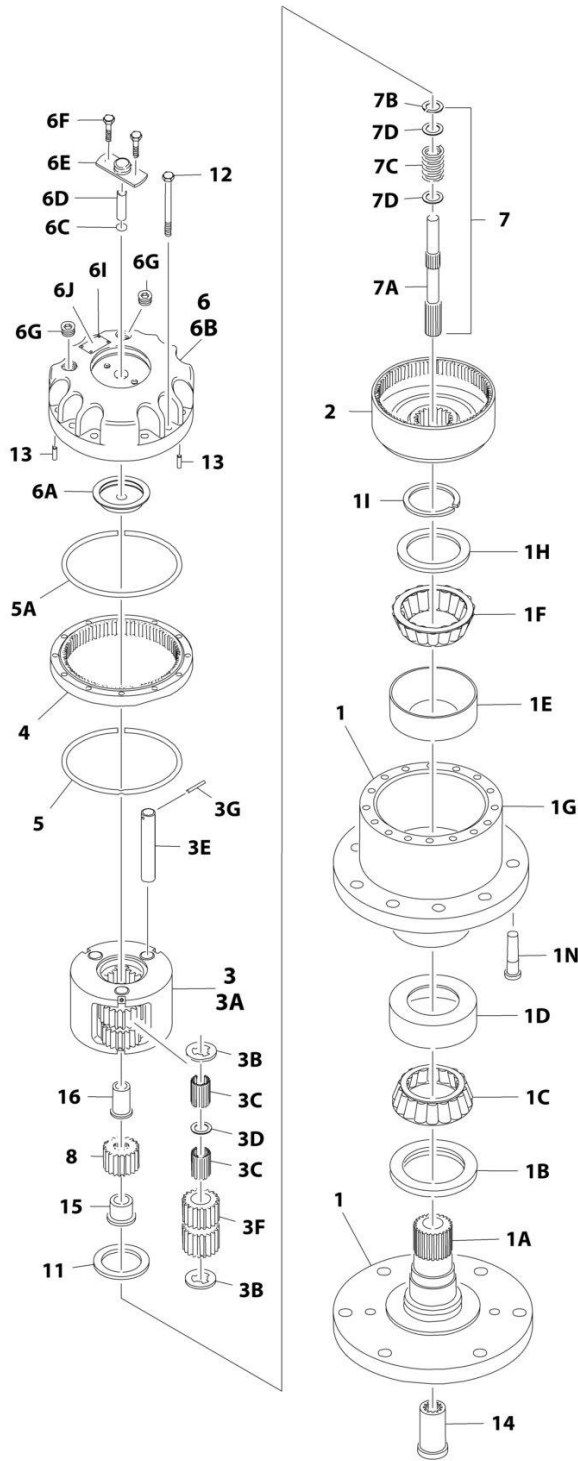
ITEM	PART NUMBER	QTY	DESCRIPTION	REV
29	7024718	2	Nut 1/2in-13NC	
	7024182	Ref	BRAKE ASSEMBLY	
101	7024189	1	Shaft	
102	See Note	1	Housing (Note: Use Item 17)	
103	See Note	2	Plate, Friction (Note: Use Item 201B)	
104	See Note	1	Plate, Pressure (Note: Use Item 201B)	
105	7000731	2	Gasket	
106	See Note	2	Plate, Outer (Note: Use Item 201B)	
107	See Note	1	Gasket (Note: Use Item 200A, 201B or 201C)	
108	7024191	1	Cylinder	
109	7024192	1	Piston	
110	See Note	1	Bearing, Ball (Note: Use Item 201C)	
111	See Note	1	Ring, Retaining (Note: Use Item 201C)	
112	See Note	1	Seal, Shaft (Note: Use Item 201C)	
113	See Note	6	Capscrew (Note: Use Item 17)	
114	See Note	6	Lockwasher (Note: Use Item 17)	
115	See Note	1	O-Ring (Note: Use Item 200B)	
116	See Note	1	Ring, Back-up (Note: Use Item 200B)	
117	See Note	1	O-Ring (Note: Use Item 200B)	
118	See Note	1	Ring, Back-up (Note: Use Item 200B)	
119	7024190	2	Pin, Dowel	
120	See Note	1	Plug (Note: Use Item 17)	
121	See Note	2	Plug (Note: Use Item 17)	
122	See Note	12	Spring Kit (Natural) (Note: Use Item 201A)	
123	See Note	2	Spring Kit (Blue) (Note: Use Item 201A)	
		Ref	Kit Options	
200		Ref	Seal Kit Options:	
200A	See Note	1	Hub Seal Kit (Note: Purchase Individual Components)	
200B	7024194	1	Brake Seal Kit (Includes Items 105, 107 & 115-118)	
201		Ref	Repair Kit Options:	
201A	7024196	1	Brake Spring Kit (Includes 12 Natural Colored and 2 Blue Colored Springs Items 122 & 123)	
201B	7024193	1	Brake Friction Disc Kit (Includes Items 103, 104, 106 & 107)	
201C	7024197	1	Brake Bearing Kit (Includes Items 107 & 110-112)	





# SECTION 1 - FRAME

## FIGURE 1-17. DRIVE HUB ASSEMBLY - FRONT



ART\_2780268

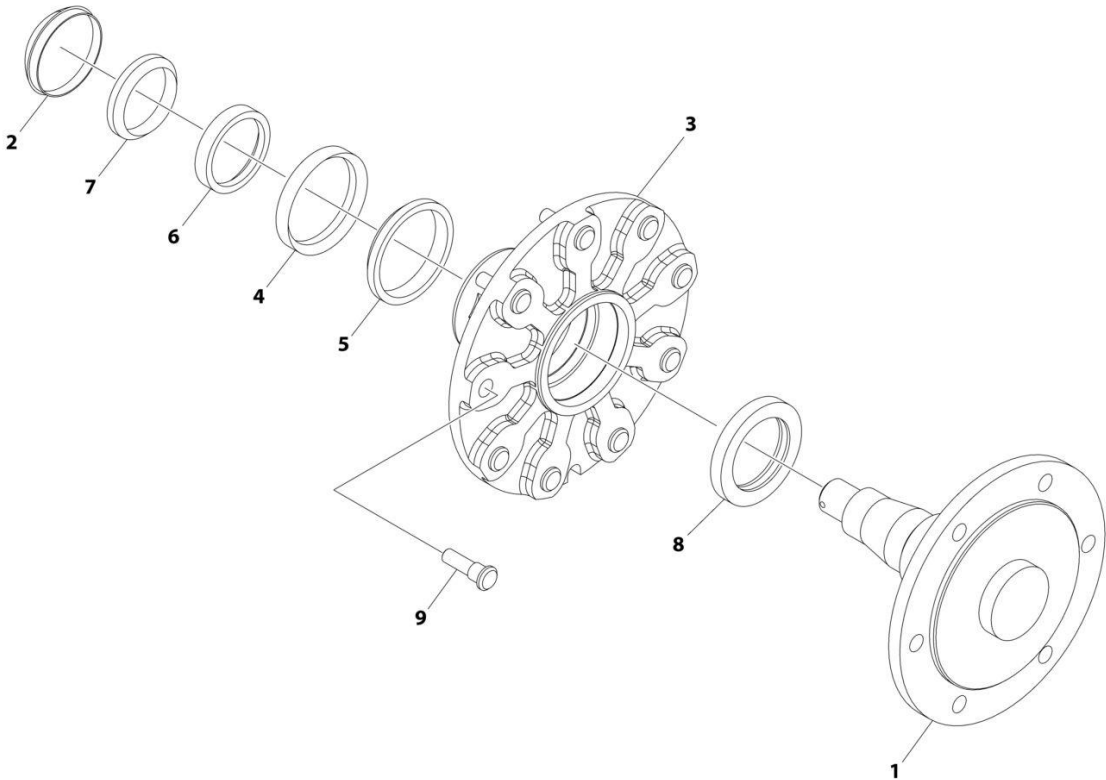
# SECTION 1 - FRAME

## FIGURE 1-17. DRIVE HUB ASSEMBLY - FRONT

ITEM	PART NUMBER	QTY	DESCRIPTION	REV
	2780268	Ref	DRIVE HUB ASSEMBLY - FRONT	F
1	See Note	1	Spindle/Housing Assembly (Note: Purchase Individual Components)	
1A	7017059	1	Spindle	
1B	7001998	1	Seal	
1C	7010429	1	Cone, Bearing (Includes Item 1D)	
1D	7010429	1	Cup, Bearing (Includes Item 1C)	
1E	7000257	1	Cup, Bearing	
1F	7000258	1	Cone, Bearing	
1G	7007601	1	Housing/Ring Gear	
1H	7000232	1	Washer, Thrust	
1I	7000229	1	Ring, Retaining	
1N	7007640	9	Stud, Wheel	
2	7000246	1	Gear, Internal	
3	7024712	1	Carrier Assembly	
3A	See Note	1	Carrier (Note: Use Item 3)	
3B	See Note	6	Ring, Retaining (Note: Use Item 3)	
3C	See Note	AR	Bearing, Needle (Note: Use Item 3)	
3D	See Note	3	Washer, Thrust (Note: Use Item 3)	
3E	See Note	3	Shaft, Planet (Note: Use Item 3)	
3F	See Note	3	Gear, Planet (Note: Use Item 3)	
3G	See Note	3	Roll Pin (Note: Use Item 3)	
4	7000248	1	Ring Gear	
5	7000230	1	O-Ring	
5A	7017070	1	O-Ring	
6	70001349	1	Cover Assembly Kit	
6A	See Note	1	Spacer, Thrust (Note: Use Item 6)	
6B	See Note	1	Plate, Cover (Note: Use Item 6)	
6C	See Note	1	O-Ring (Note: Use Item 6)	
6D	See Note	1	Rod, Disconnect (Note: Use Item 6)	
6E	See Note	1	Cap, Disengage (Note: Use Item 6)	
6F	See Note	2	Bolt (Note: Use Item 6)	
6G	See Note	1	Plug, Pipe (Note: Use Item 6)	
6I	See Note	4	Rivet (Note: Not Available for Purchase)	
6J	See Note	1	Plate, ID (Note: Not Available for Purchase)	
7		Ref	Input Shaft Assembly	
7A	7024714	1	Shaft	
7B	7000261	1	Ring, Retaining	
7C	7000262	1	Spring	
7D	7000263	2	Spacer, Thrust	
8	7024713	1	Gear, Sun	
11	7000253	1	Washer, Thrust	
12	7017067	12	Bolt	
13	7017080	4	Pin, Dowel	
14	7000206	1	Coupling	
15	7024715	1	Spacer, Input	
16	7024716	1	Spacer, Input	

**SECTION 1 - FRAME**

**FIGURE 1-18. HUB - SPINDLE ASSEMBLY (2WD)**



ART\_1001214174

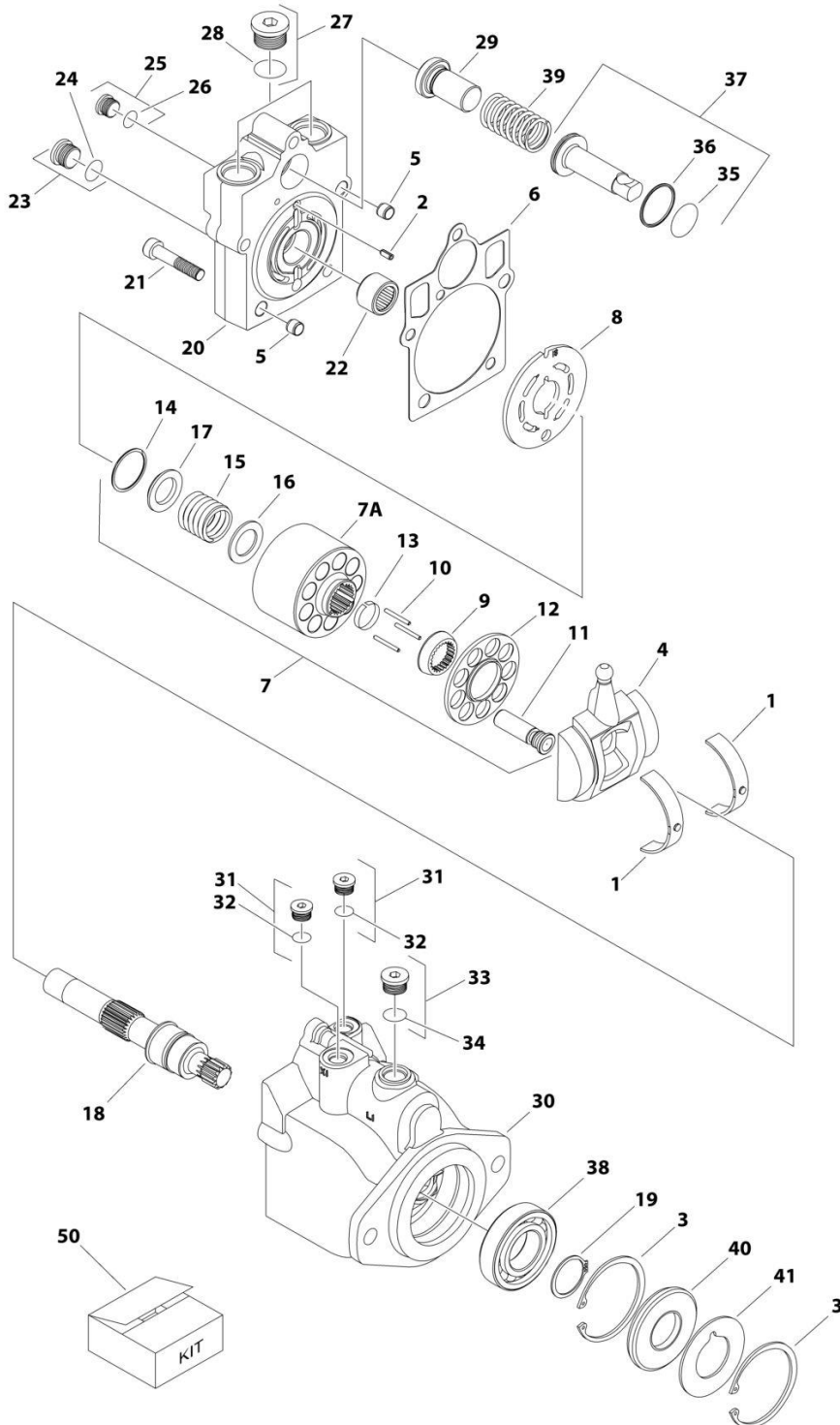
# SECTION 1 - FRAME

## FIGURE 1-18. HUB - SPINDLE ASSEMBLY (2WD)

ITEM	PART NUMBER	QTY	DESCRIPTION	REV
	1001214174	Ref	HUB - SPINDLE ASSEMBLY (2WD)	C
1	See Note	NSS	Spindle, Adapter (Note: Not Available for Purchase)	
2	7020033	1	Cap, Dust	
3	7020035	1	Hub, Casting	
4	7020036	1	Cup, Bearing	
5	7020037	1	Cone, Bearing	
6	7020038	1	Cup, Bearing	
7	7020039	1	Cone, Bearing	
8	7020040	1	Seal	
9	7020041	9	Stud	

# SECTION 1 - FRAME

## FIGURE 1-19. DRIVE MOTOR ASSEMBLY (2WD)



ART\_3160351

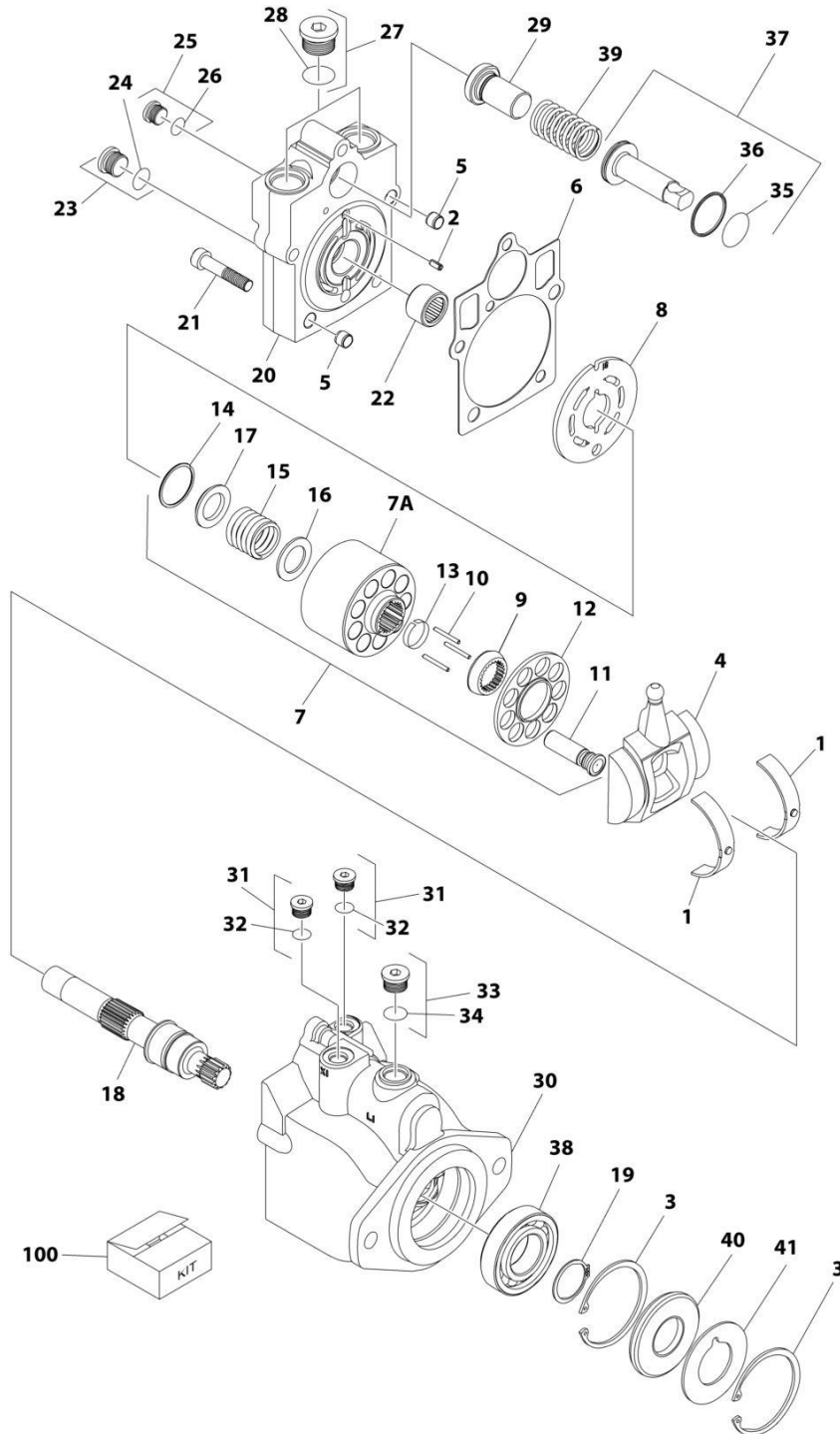
# SECTION 1 - FRAME

## FIGURE 1-19. DRIVE MOTOR ASSEMBLY (2WD)

ITEM	PART NUMBER	QTY	DESCRIPTION	REV
	3160351	Ref	DRIVE MOTOR ASSEMBLY (2WD)	D
1	7022302	2	Bearing, Journal	
2	7007446	1	Pin	
3	7007438	2	Ring, Retaining	
4	7022305	1	Swashplate	
5	See Note	2	Pin (Note: Not Available for Purchase)	
6	7022328	1	Gasket	
7	7023907	1	Cylinder Block Kit (Includes Items 7A & 9-17)	
7A	7023907	1	Block, Cylinder	
8	7023908	1	Plate, Valve	
9	7021277	1	Guide, Slipper Retainer	
10	7021275	3	Pin, Slipper Hold Down	
11	7023907	9	Piston Assembly	
12	7021276	1	Retainer, Hold Down Pin	
13	7023907	1	Retainer, Slipper	
14	7022311	1	Ring, Retaining	
15	7022312	1	Spring	
16	7024868	1	Washer	
17	7022314	1	Retainer, Spring	
18	7023910	1	Shaft	
19	7007439	1	Ring, Retaining	
20	70000797	1	Cap, End - Axial	
21	7022368	5	Screw	
22	7021249	1	Bearing, Needle	
23	2220886	1	Plug (Includes Item 24)	
24	7022328	1	O-Ring	
25	2220883	1	Plug (Includes Item 26)	
26	7022328	1	O-Ring	
27	7027419	2	Plug (Includes Item 28)	
28	7022328	2	O-Ring	
29	7024853	1	Seat, Spring	
30	See Note	NSS	Housing (Note: Not Available for Purchase – Purchase complete motor)	
31	2220883	2	Plug (Includes Item 32)	
32	7022328	2	O-Ring	
33	2220886	1	Plug (Includes Item 34)	
34	7022328	1	O-Ring	
35	7022328	1	O-Ring	
36	7022328	1	Ring, Seal	
37	7024854	1	Piston, Servo (Includes Items 35 & 36)	
38	7007437	1	Bearing	
39	7022326	1	Spring	
40	7022328	1	Seal, Lip	
41	7022371	1	Washer, Support	
50	7022328	1	Seal Kit (Includes Items 6, 24, 26, 28, 32, 34, 35, 36 & 40)	

# SECTION 1 - FRAME

## FIGURE 1-20. DRIVE MOTOR ASSEMBLY (4WD) (DANFOSS MOTOR)



ART\_3160348



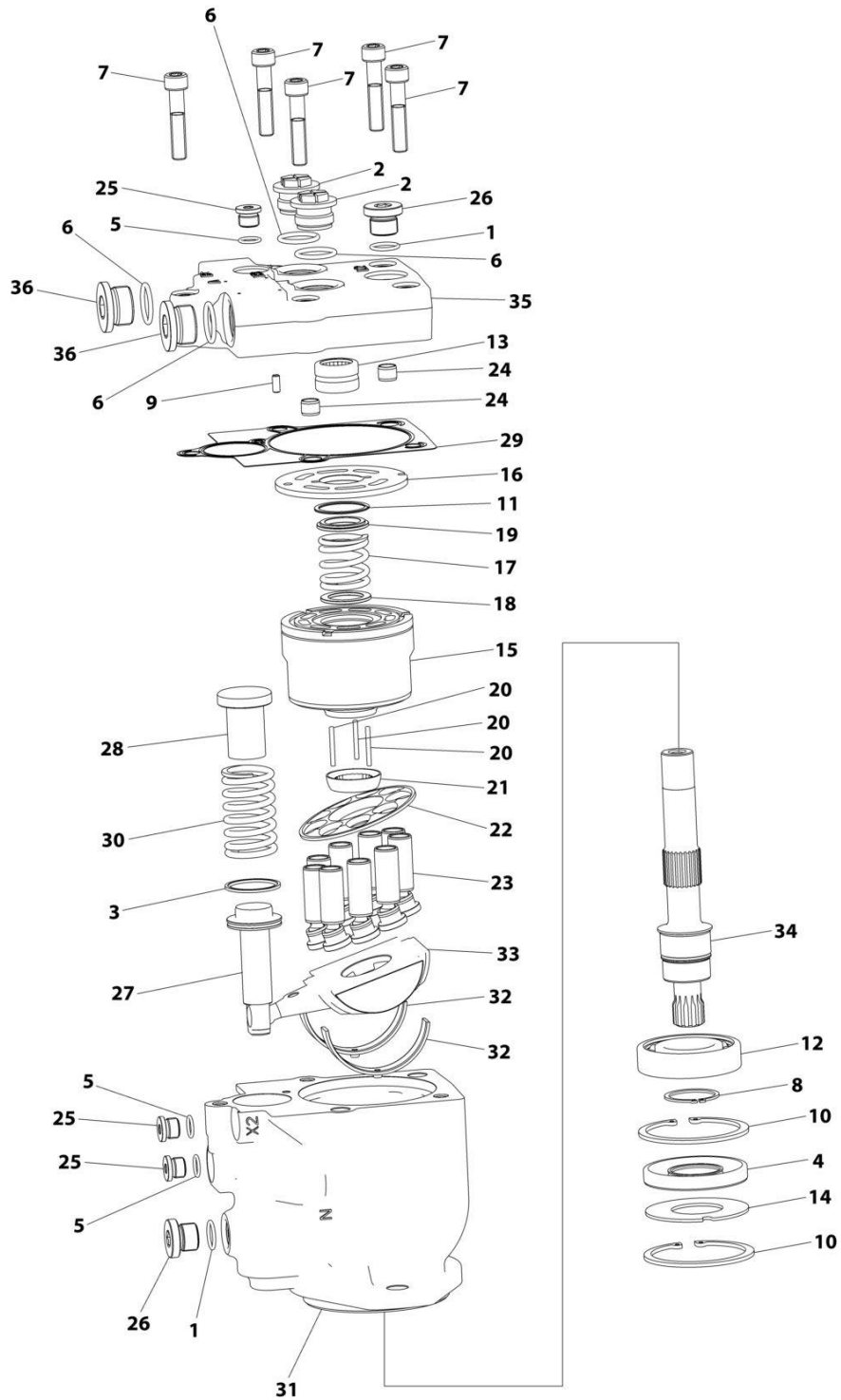
## SECTION 1 - FRAME

**FIGURE 1-20. DRIVE MOTOR ASSEMBLY (4WD) (DANFOSS MOTOR)**

ITEM	PART NUMBER	QTY	DESCRIPTION	REV
	3160348	Ref	DRIVE MOTOR ASSEMBLY	D
1	7022302	2	Bearing, Journal	
2	7007446	1	Pin	
3	7007438	2	Ring, Retaining	
4	7022305	1	Swash Plate	
5	See Note	2	Pin (Note: Not Available for Purchase)	
6	See Note	NSS	Gasket (Note: Use Item 100)	
7	7023907	1	Cylinder Block Kit (Includes Items 7A & 9-17)	
7A	See Note	NSS	Block, Cylinder (Note: Use Item 7)	
8	7023908	1	Plate, Valve	
9	7021277	1	Guide, Slipper Retainer	
10	7021275	3	Pin, Slipper Hold Down	
11	See Note	NSS	Piston Assembly (Note: Use Item 7)	
12	7022310	1	Retainer, Slipper	
13	7021276	1	Retainer, Hold Down Pin	
14	7022311	1	Ring, Retaining	
15	7022312	1	Spring	
16	7024868	1	Washer	
17	7022314	1	Retainer, Spring	
18	7023910	1	Shaft	
19	7007439	1	Ring, Retaining	
20	70000797	1	Cap, End - Axial	
21	7022368	5	Screw	
22	7021249	1	Bearing, Needle	
23	2220886	1	Plug (Includes Item 24)	
24	See Note	1	O-Ring (Note: Use Item 23 or 100)	
25	2220883	1	Plug (Includes Item 26)	
26	See Note	NSS	O-Ring (Note: Use Item 25 or 100)	
27	2220888	2	Plug (Includes Item 28)	
28	See Note	NSS	O-Ring (Note: Use Item 27 or 100)	
29	7022372	1	Seat, Spring	
30	See Note	NSS	Housing (Note: Not Available - Purchase Complete Assembly)	
31	2220883	2	Plug (Includes Item 32)	
32	See Note	NSS	O-Ring (Note: Use Item 31 or 100)	
33	2220886	1	Plug (Includes Item 34)	
34	See Note	NSS	O-Ring (Note: Use Item 33 or 100)	
35	See Note	NSS	O-Ring (Note: Use Item 100)	
36	See Note	NSS	Ring, Seal (Note: Use Item 100)	
37	7024854	1	Piston, Servo (Includes Items 35 & 36)	
38	7007437	1	Bearing	
39	7022326	1	Spring	
40	See Note	1	Seal, Lip (Note: Use Item 100)	
41	7022371	1	Washer, Support	
		Ref	KIT OPTIONS:	
100	7022328	1	Seal Kit (Includes Items 6, 24, 26, 28, 32, 34, 35, 36 & 40)	

# SECTION 1 - FRAME

## FIGURE 1-21. DRIVE MOTOR ASSEMBLY (4WD) (HENGLI MOTOR)



ART\_1001278022

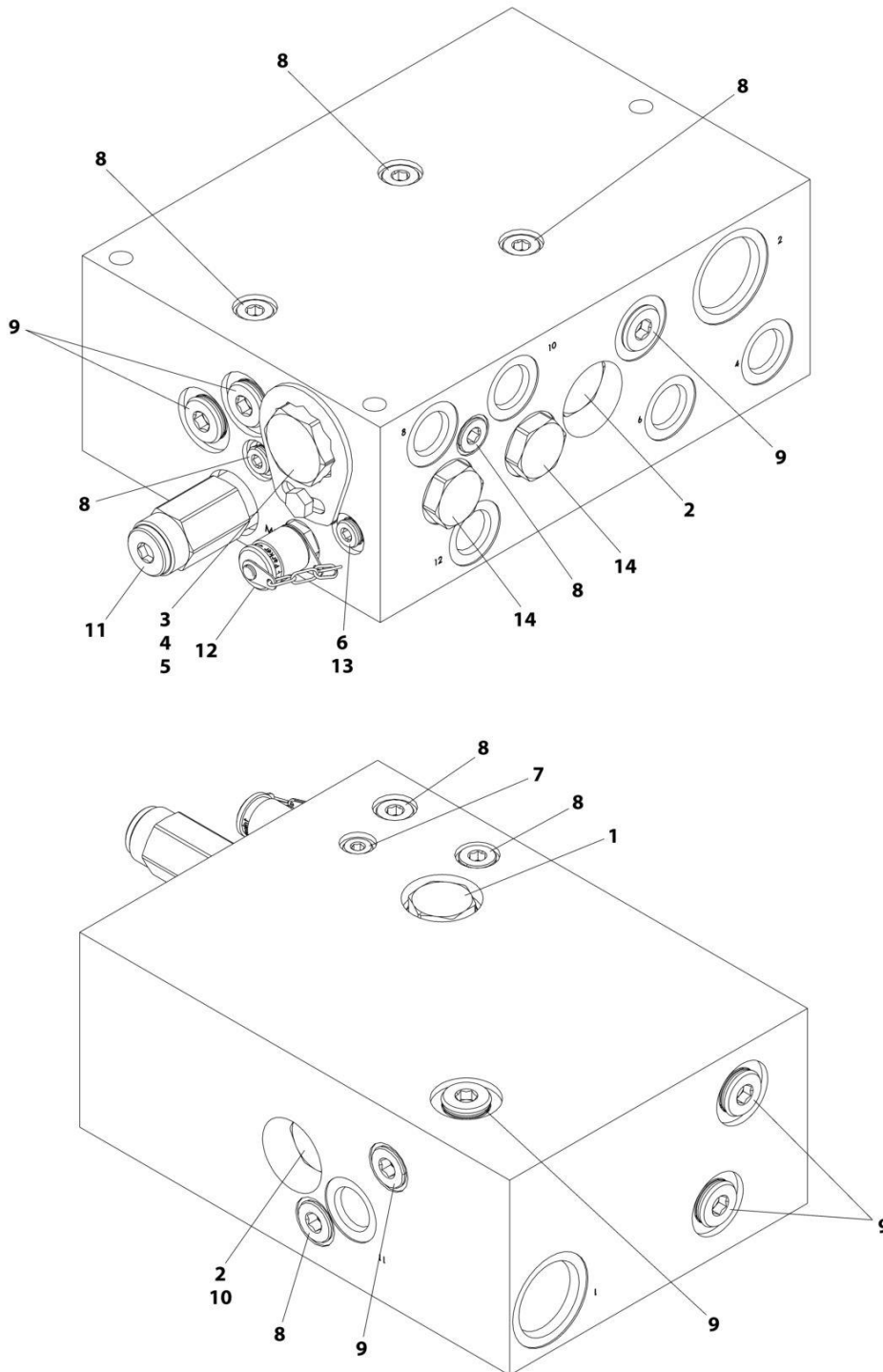
## SECTION 1 - FRAME

**FIGURE 1-21. DRIVE MOTOR ASSEMBLY (4WD) (HENGLI MOTOR)**

ITEM	PART NUMBER	QTY	DESCRIPTION	REV
	1001278022	Ref	DRIVE MOTOR ASSEMBLY	B
1	70007847	2	O-Ring	
2	70007848	2	Plug	
3	70007849	1	Ring, Sealing	
4	70007850	1	Bearing	
5	70007851	3	O-Ring	
6	70007852	4	O-Ring	
7	70007853	5	Capscrew M10 x 50	
8	70007854	1	Circlip	
9	70007855	1	Pin	
10		Ref	Circlip	
11	70007856	1	Ring, Retaining	
12	70007857	1	Bearing	
13	70007858	1	Bearing	
14	70007859	1	Gasket	
15	70007860	1	Cylinder	
16	70007861	1	Plate, Valve	
17	70007862	1	Spring	
18	70007863	1	Gasket	
19	70007864	1	Gasket	
20	70007865	3	Pin	
21	70007866	1	Bushing	
22	70007867	1	Retainer	
23	70007868	9	Piston	
24	70007869	2	Pin	
25	70007870	3	Plug	
26	70007871	2	Plug	
27	70007872	1	Piston	
28	70007873	1	Seat, Spring	
29	70007874	1	Gasket	
30	70007875	1	Spring	
31	See Note	NSS	Housing (Note: Purchase Complete Assembly)	
32	70007876	2	Bushing	
33	70007877	1	Plate, Swash	
34	70007878	1	Shaft	
35	See Note	NSS	Cover (Note: Purchase Complete Assembly)	
36	See Note	Ref	Plug (Note: Shipping Use Only)	

# SECTION 1 - FRAME

## FIGURE 1-22. TRACTION VALVE ASSEMBLY (2WD)



ART\_1001214317

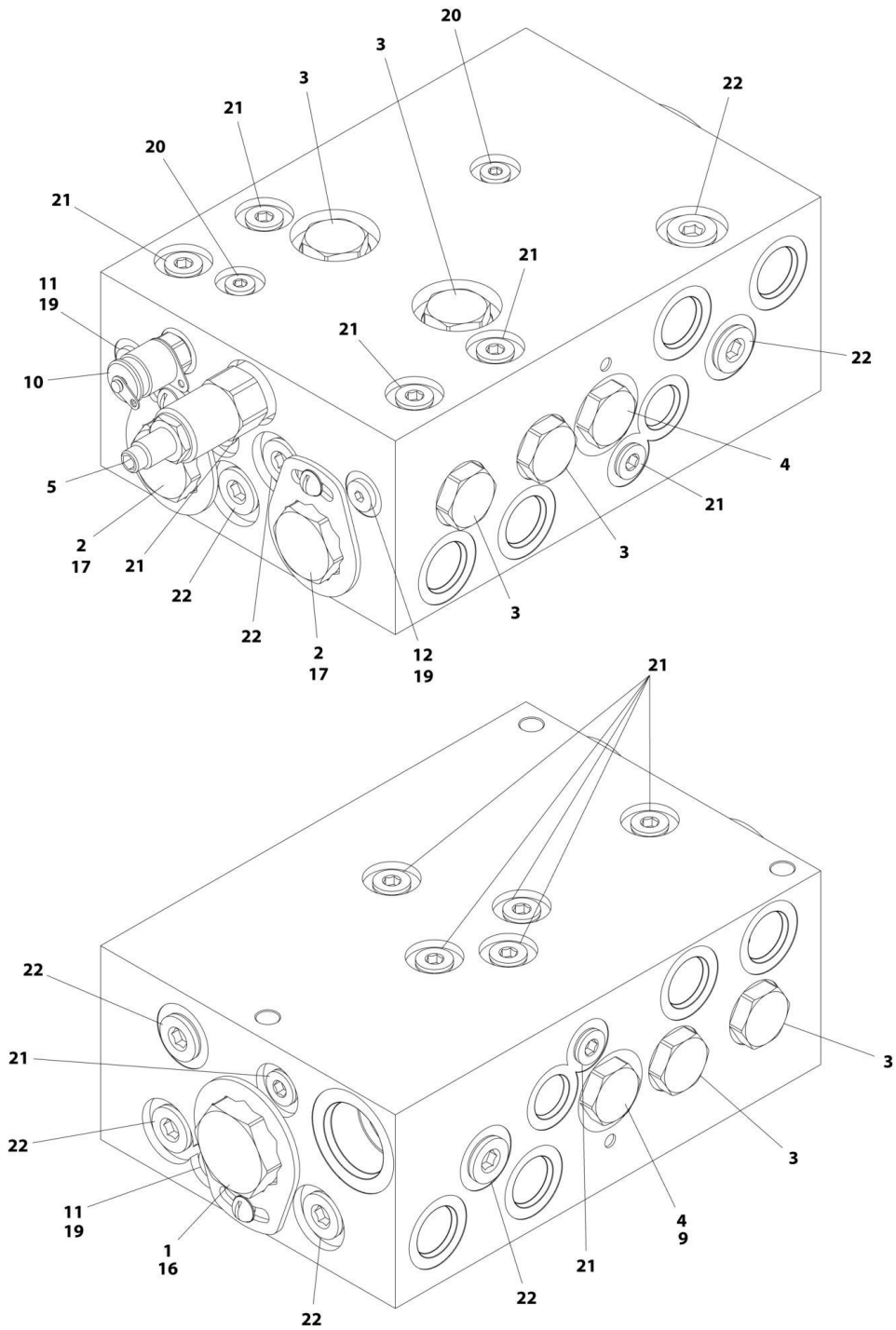
## SECTION 1 - FRAME

**FIGURE 1-22. TRACTION VALVE ASSEMBLY (2WD)**

ITEM	PART NUMBER	QTY	DESCRIPTION	REV
	1001214317	Ref	TRACTION VALVE ASSEMBLY (2WD)	D
1	7022397	1	Cartridge, Check Valve	
1	7022399	1	Seal Kit - 7022397 Valve	
2	70002390	2	Cartridge, Check Valve	
2	7022399	2	Seal Kit - 70002390 Valve	
3	70004885	1	Cartridge, Flow Divider Valve	
3	70004577	1	Seal Kit - 70004885 Valve	
4	70000781	1	Lockdown Kit	
5	70005827	1	Screw	
6	7024810	1	Orifice	
7	70005833	1	Plug #4	
8	70005830	8	Plug #6	
9	70005834	7	Plug	
10	7024881	1	Piston, Pilot	
11	70005831	1	Cartridge, Relief Valve	
11	7017496	1	Seal Kit - 70005831 Valve	
12	70005832	1	Fitting, Diagnostic	
13	2220883	1	Plug #4	
14	70026444	2	Cartridge, Check Valve	
14	7022399	2	Seal Kit - 70026444 Valve	

# SECTION 1 - FRAME

## FIGURE 1-23. TRACTION VALVE ASSEMBLY (4WD)



ART\_1001162537

## SECTION 1 - FRAME

**FIGURE 1-23. TRACTION VALVE ASSEMBLY (4WD)**

ITEM	PART NUMBER	QTY	DESCRIPTION	REV
	1001162537	Ref	TRACTION VALVE ASSEMBLY (4WD)	E
1	70004017	1	Cartridge, Flow Divider Valve	
1	7021625	1	Seal Kit - 70004017 Valve	
2	70004885	2	Cartridge, Flow Divider Valve	
2	70004577	2	Seal Kit - 70004885 Valve	
3	7022397	6	Cartridge, Check Valve	
3	7022399	6	Seal Kit - 7022397 Valve	
4	7021639	2	Cartridge, Check Valve	
4	2900756	2	Seal Kit - 7021639 Valve	
5	70004886	1	Cartridge, Relief Valve	
5	7017496	1	Seal Kit - 70004886 Valve	
9	7024881	1	Piston, Pilot	
10	2221086	1	Fitting, Test Port	
11	70004884	2	Orifice	
12	70002209	1	Orifice	
16	70000781	1	Lockdown Kit	
17	70002962	2	Lockdown Kit	
19	2220883	3	Plug, #4	
20	See Note	NSS	Plug (Note: Not Available for Purchase)	
21	91164079	13	Plug	
22	91164057	8	Plug	

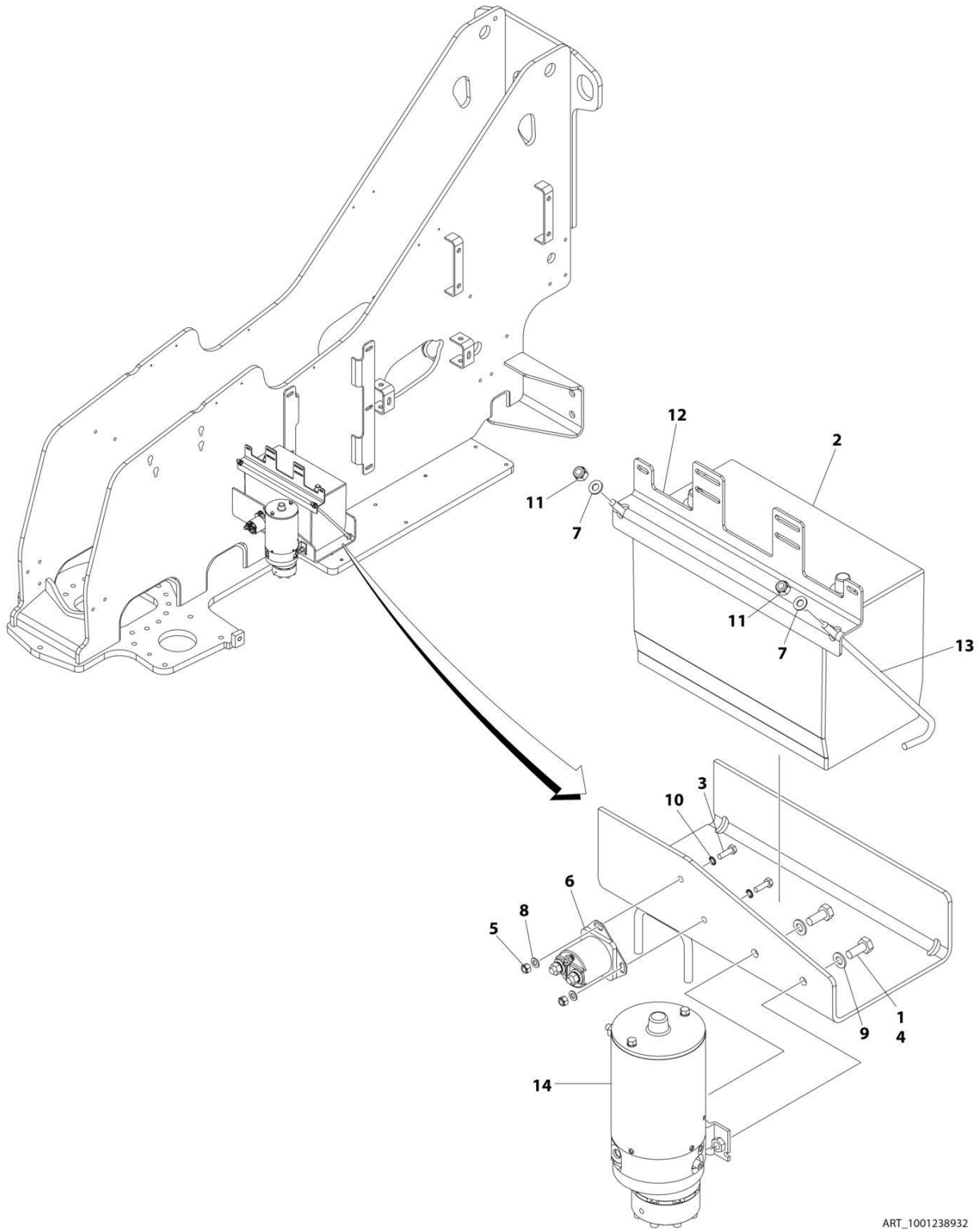




**SECTION 2 - TURNTABLE**

## SECTION 2 - TURNTABLE

FIGURE 2-1. AUXILIARY PUMP AND BATTERY WITH DISCONNECT SWITCH INSTALLATION



ART\_1001238932

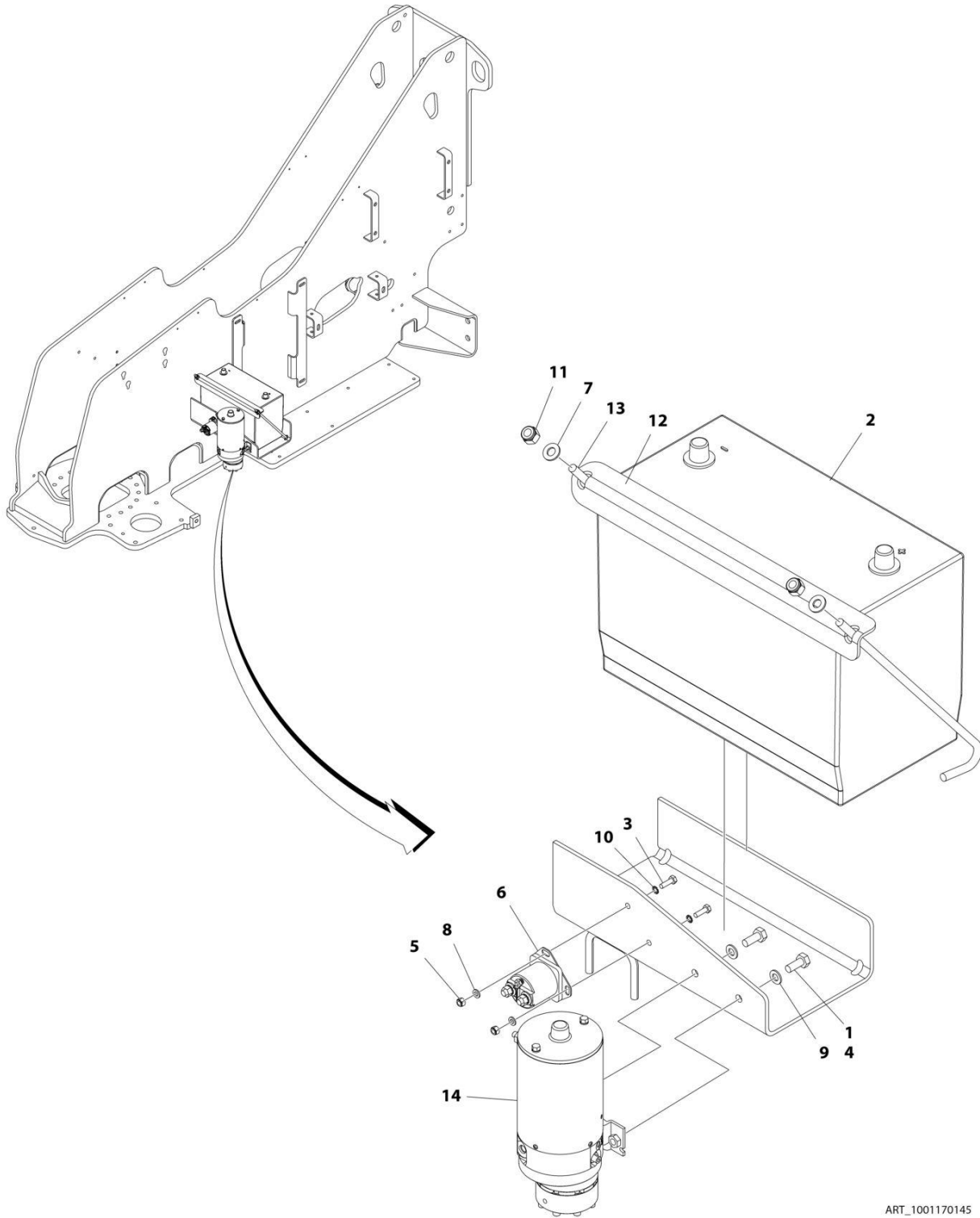
## SECTION 2 - TURNTABLE

**FIGURE 2-1. AUXILIARY PUMP AND BATTERY WITH DISCONNECT SWITCH INSTALLATION**

ITEM	PART NUMBER	QTY	DESCRIPTION	REV
	1001238932	Ref	AUXILIARY PUMP AND BATTERY INSTALLATION WITH DISCONNECT	A
1	0100011	AR	Compound, Locking	
2	0400075	1	Battery	
3	0760610	2	Bolt M6 x 20	
4	0761012	2	Bolt M10 x 25	
5	3290605	2	Nut M6	
6	3740067	1	Relay	
6	3300220	2	Nut 3/8	
6	3321001	1	Nut #10	
6	4761000	1	Washer #10	
6	1001111424	2	Washer 3/8	
7	4711500	2	Washer 5/16	
8	4811700	2	Washer M6	
9	4812000	2	Washer M10	
10	4871700	2	Washer M6	
11	88521205	2	Nut 5/16	
12	1001236303	1	Bracket	
13	1001093382	2	J-Bolt	
14	1001185821	1	Auxiliary Pump Assembly (See Separate Breakdown in this Section)	

# SECTION 2 - TURNTABLE

## FIGURE 2-2. AUXILIARY PUMP AND BATTERY INSTALLATION



ART\_1001170145

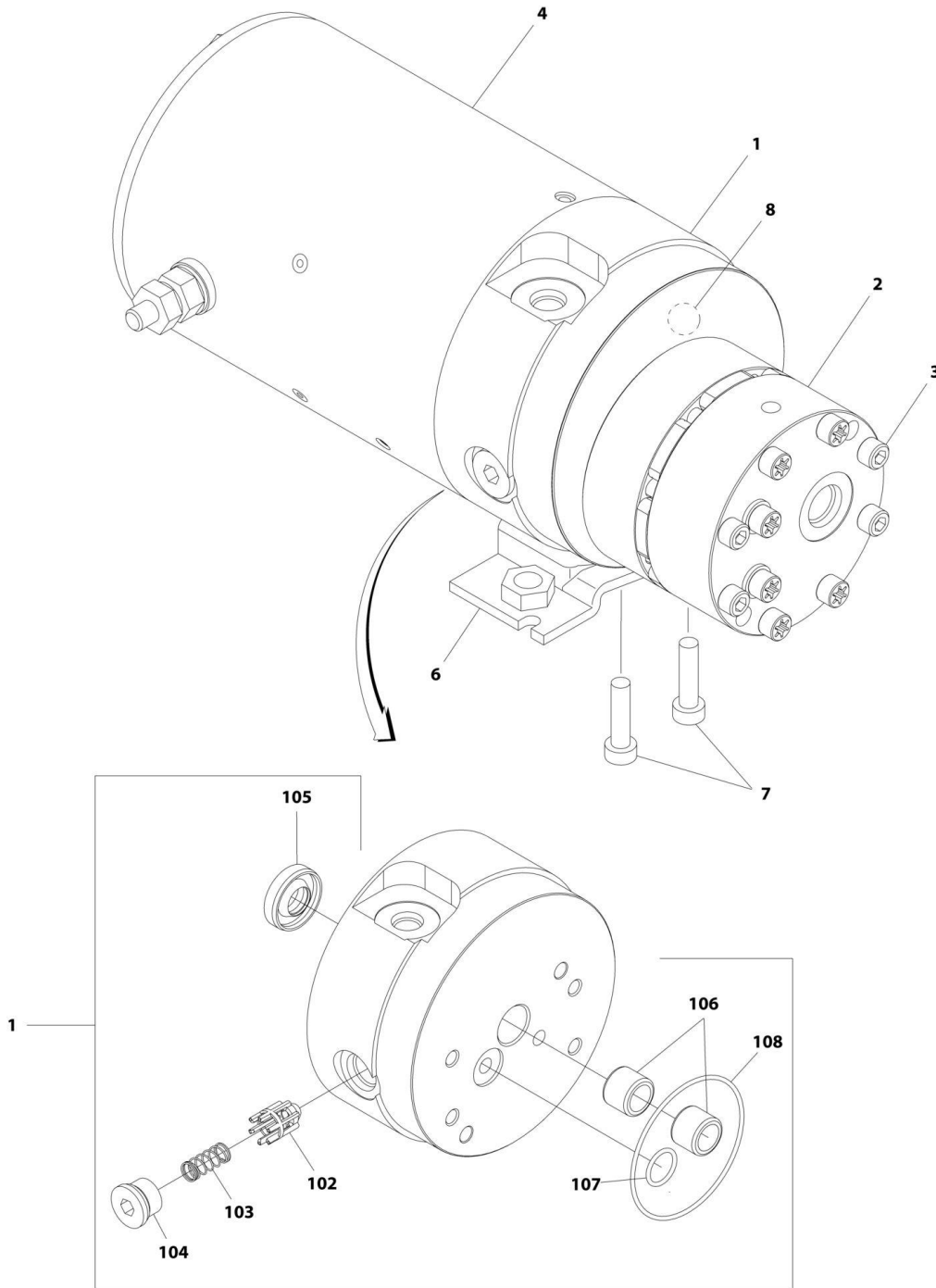
**SECTION 2 - TURNTABLE**

**FIGURE 2-2. AUXILIARY PUMP AND BATTERY INSTALLATION**

ITEM	PART NUMBER	QTY	DESCRIPTION	REV
	1001170145	Ref	AUXILIARY PUMP AND BATTERY INSTALLATION	C
1	0100011	AR	Compound, Locking	
2	0400075	1	Battery	
3	0760610	2	Bolt M6 x 20	
4	0761012	2	Bolt M10 x 25	
5	3290605	2	Nut M6	
6	3740067	1	Relay	
6	3300220	2	Nut 3/8	
6	3321001	1	Nut #10	
6	4761000	1	Washer #10	
6	1001111424	2	Washer 3/8	
7	4711500	2	Washer 5/16	
8	4811700	2	Washer M6	
9	4812000	2	Washer M10	
10	4871700	2	Washer M6	
11	88521205	2	Nut 5/16	
12	91401281	1	Bracket	
13	1001093382	2	J-Bolt	
14	1001185821	1	Auxiliary Pump Assembly (See Separate Breakdown in this Section)	

# SECTION 2 - TURNTABLE

## FIGURE 2-3. AUXILIARY PUMP ASSEMBLY



ART\_1001185821

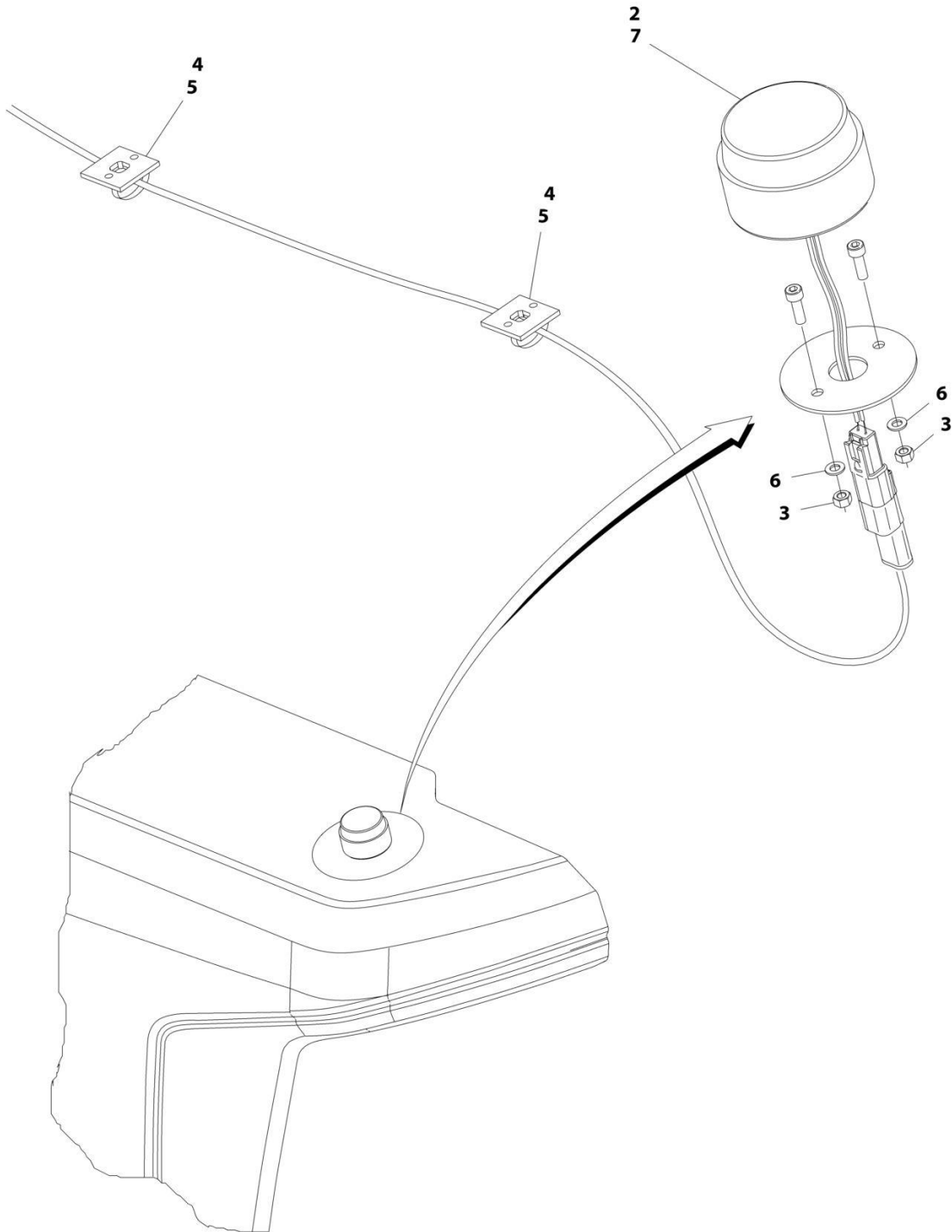
**SECTION 2 - TURNTABLE**

**FIGURE 2-3. AUXILIARY PUMP ASSEMBLY**

ITEM	PART NUMBER	QTY	DESCRIPTION	REV
	1001185821	Ref	AUXILIARY PUMP ASSEMBLY	B
1	70005065	1	Base Assembly (See Items 102-108 for Breakdown)	
2	70005066	1	Pump Assembly (Note: No Seal Kit or Internal Components are Available - Purchase Complete Pump Assembly)	
3	70005067	4	Capscrew 1/4 x 2-3/4	
4	70004013	1	Motor Assembly (Note: No Internal Components are Available - Purchase Complete Motor Assembly)	
6	70004014	1	Bracket	
7	70004000	2	Capscrew 3/8 x 1	
8	70005068	1	Relief Valve Assembly	
	70005065	Ref	BASE ASSEMBLY	
102	See Note	NSS	Poppet, Check (Note: Use p/n 70005065)	
103	See Note	NSS	Spring (Note: Use p/n 70005065)	
104	See Note	NSS	Plug (Note: Use p/n 70005065)	
105	7026330	1	Seal, Shaft	
106	70005139	2	Bearing	
107	70003612	1	O-Ring	
108	70004267	1	O-Ring	

# SECTION 2 - TURNTABLE

## FIGURE 2-4. BEACON LIGHT INSTALLATION - AMBER



ART\_1001172816



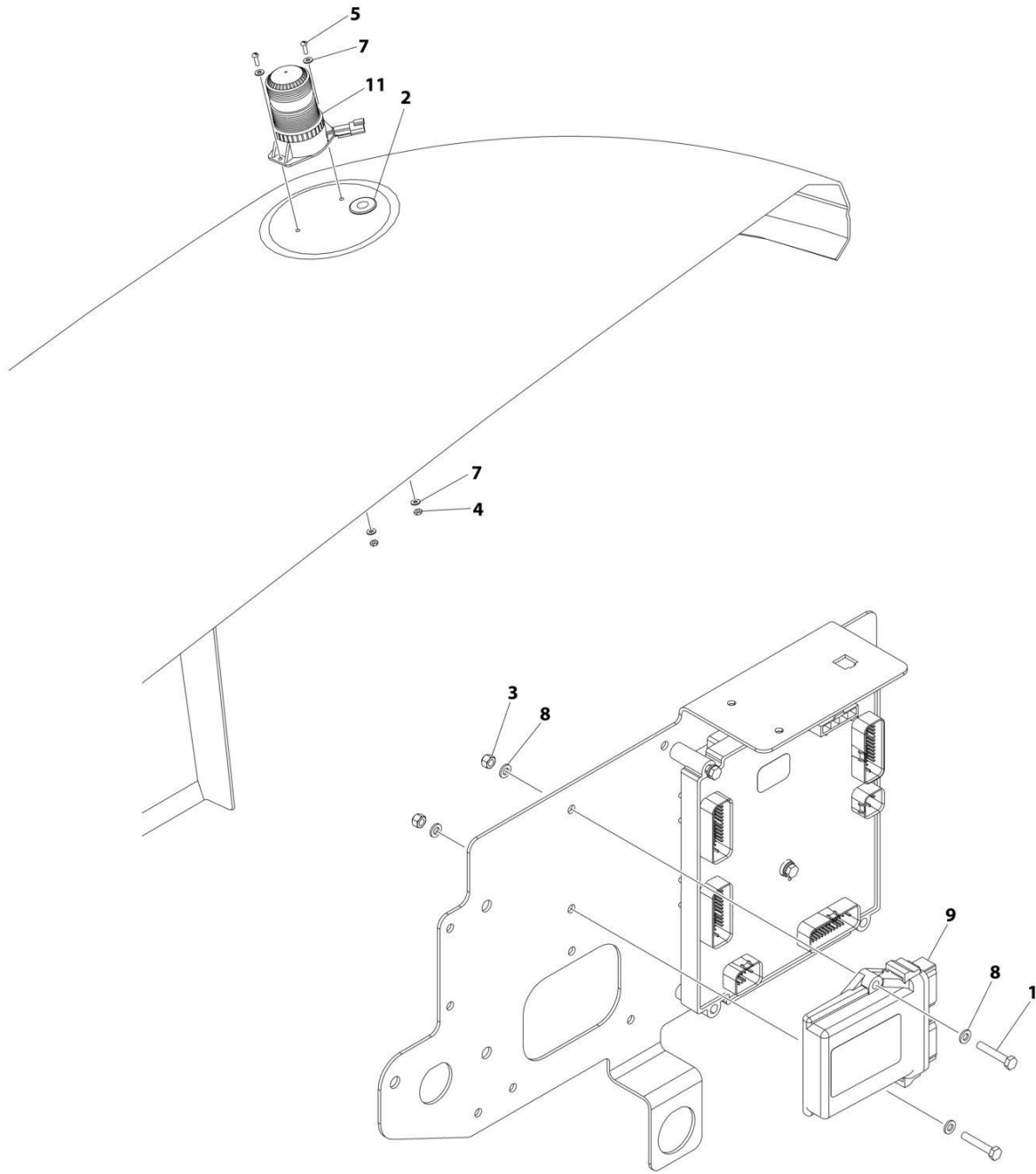
**SECTION 2 - TURNTABLE**

**FIGURE 2-4. BEACON LIGHT INSTALLATION - AMBER**

<b>ITEM</b>	<b>PART NUMBER</b>	<b>QTY</b>	<b>DESCRIPTION</b>	<b>REV</b>
	1001172816	Ref	BEACON LIGHT INSTALLATION - AMBER	C
2	1001181405	1	Light, Strobe (Amber)	
2	4460897	1	Receptacle, Female - 2 Position	
2	4460464	2	Pin, Male	
3	3290505	2	Nut M5	
4	4240032	AR	Tie-Strap	
5	4460234	2	Mount, Tie-Strap	
6	4811600	2	Washer M5	
7	0100048	1	Grease, Terminal	

# SECTION 2 - TURNTABLE

## FIGURE 2-5. BEACON LIGHT INSTALLATION - BLUE



ART\_1001242851

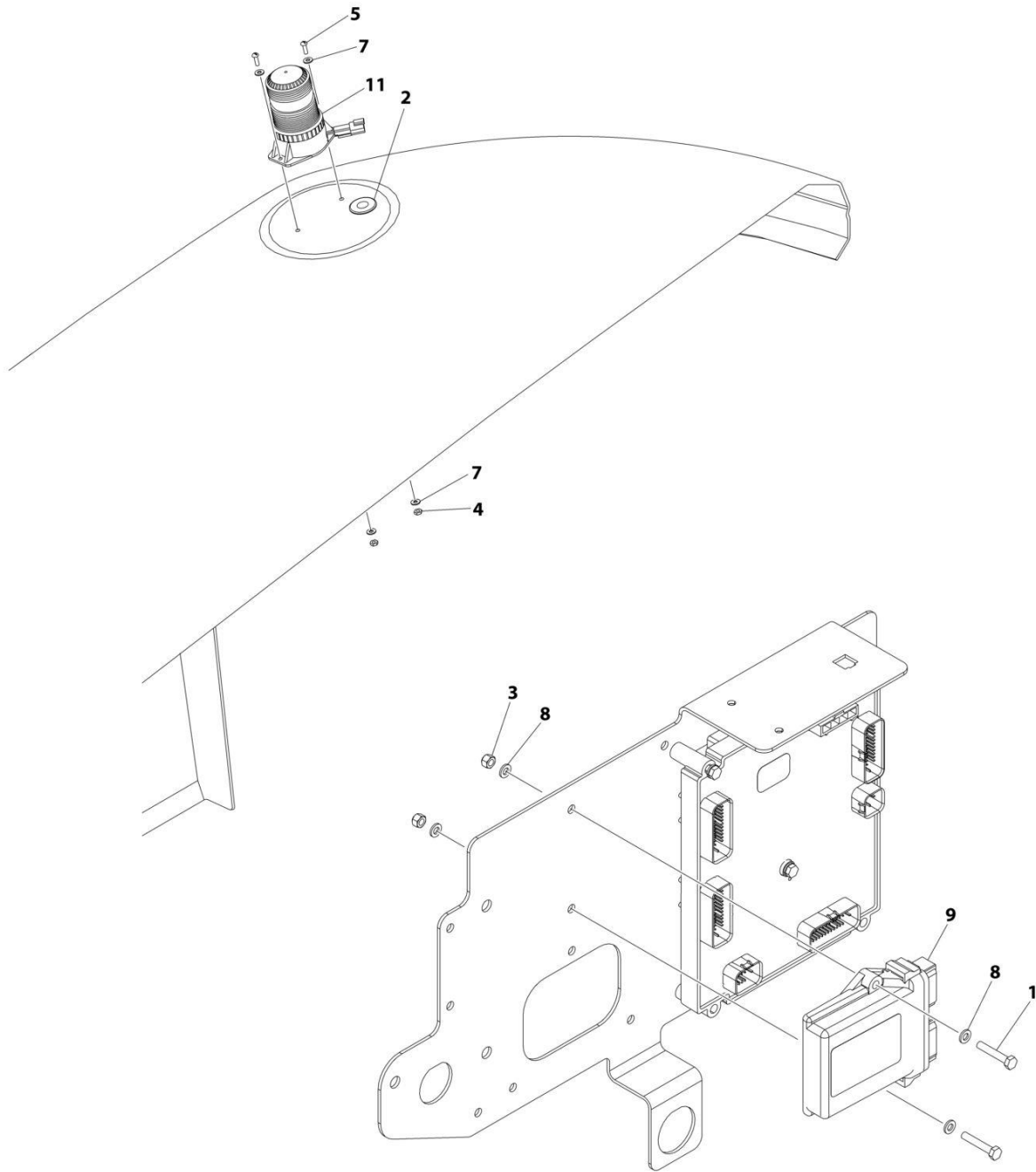
**SECTION 2 - TURNTABLE**

**FIGURE 2-5. BEACON LIGHT INSTALLATION - BLUE**

ITEM	PART NUMBER	QTY	DESCRIPTION	REV
	1001242851	Ref	BEACON LIGHT INSTALLATION - BLUE	A
1	0760615	2	Bolt M6 x 35	
2	2540020	1	Grommet, Insulation	
3	3290605	2	Nut M6	
4	3311005	2	Nut #10	
5	3911010	2	Screw #10 x 5/8	
6	4240099	AR	Tie-Strap (Not Shown)	
7	4711000	4	Washer #10	
8	4811700	4	Washer M6	
9	1001142683	1	Control Module (Note: Re-calibration Required when Replaced)	
10	1001142736	1	Beacon Harness (Not Shown - See Separate Breakdown in ELECTRICAL SECTION)	
11	1001200910	1	Light, Beacon	
11	4460897	1	Receptacle, Female - 2 Position	
11	4460943	2	Pin, Male	

# SECTION 2 - TURNTABLE

## FIGURE 2-6. BEACON LIGHT INSTALLATION - RED



ART\_1001242852

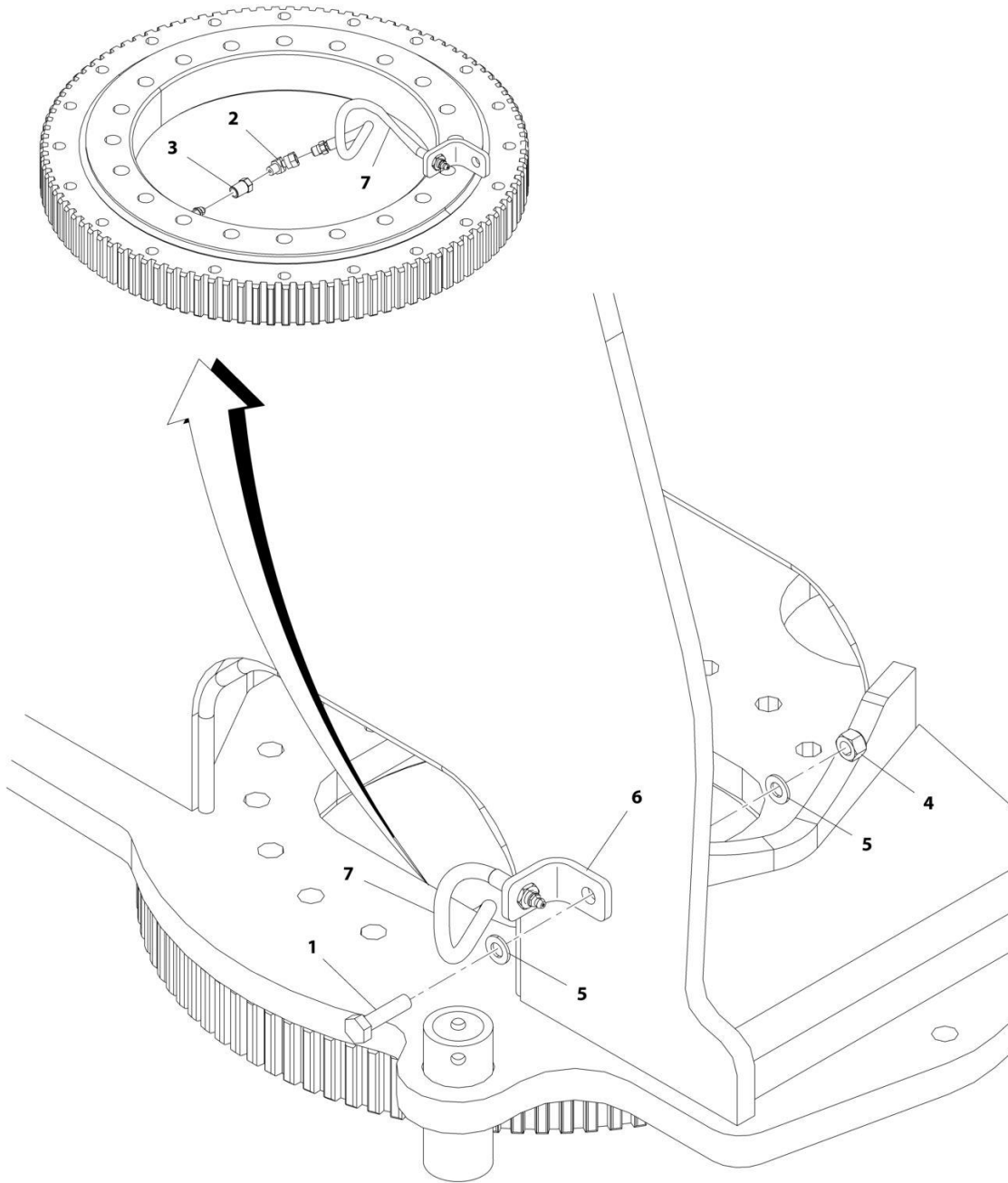
**SECTION 2 - TURNTABLE**

**FIGURE 2-6. BEACON LIGHT INSTALLATION - RED**

ITEM	PART NUMBER	QTY	DESCRIPTION	REV
	1001242852	Ref	BEACON LIGHT INSTALLATION - RED	A
1	0760615	2	Bolt M6 x 35	
2	2540020	1	Grommet, Insulation	
3	3290605	2	Nut M6	
4	3311005	2	Nut #10	
5	3911010	2	Screw #10 x 5/8	
6	4240099	AR	Tie-Strap (Not Shown)	
7	4711000	4	Washer #10	
8	4811700	4	Washer M6	
9	1001142683	1	Control Module (Note: Re-calibration Required when Replaced)	
10	1001142736	1	Beacon Harness (Not Shown - See Separate Breakdown in ELECTRICAL SECTION)	
11	1001207004	1	Light, Red Beacon	
11	4460897	1	Receptacle, Female - 2 Position	
11	4460943	2	Pin, Male	

# SECTION 2 - TURNTABLE

## FIGURE 2-7. BEARING LUBE INSTALLATION



ART\_1001169191

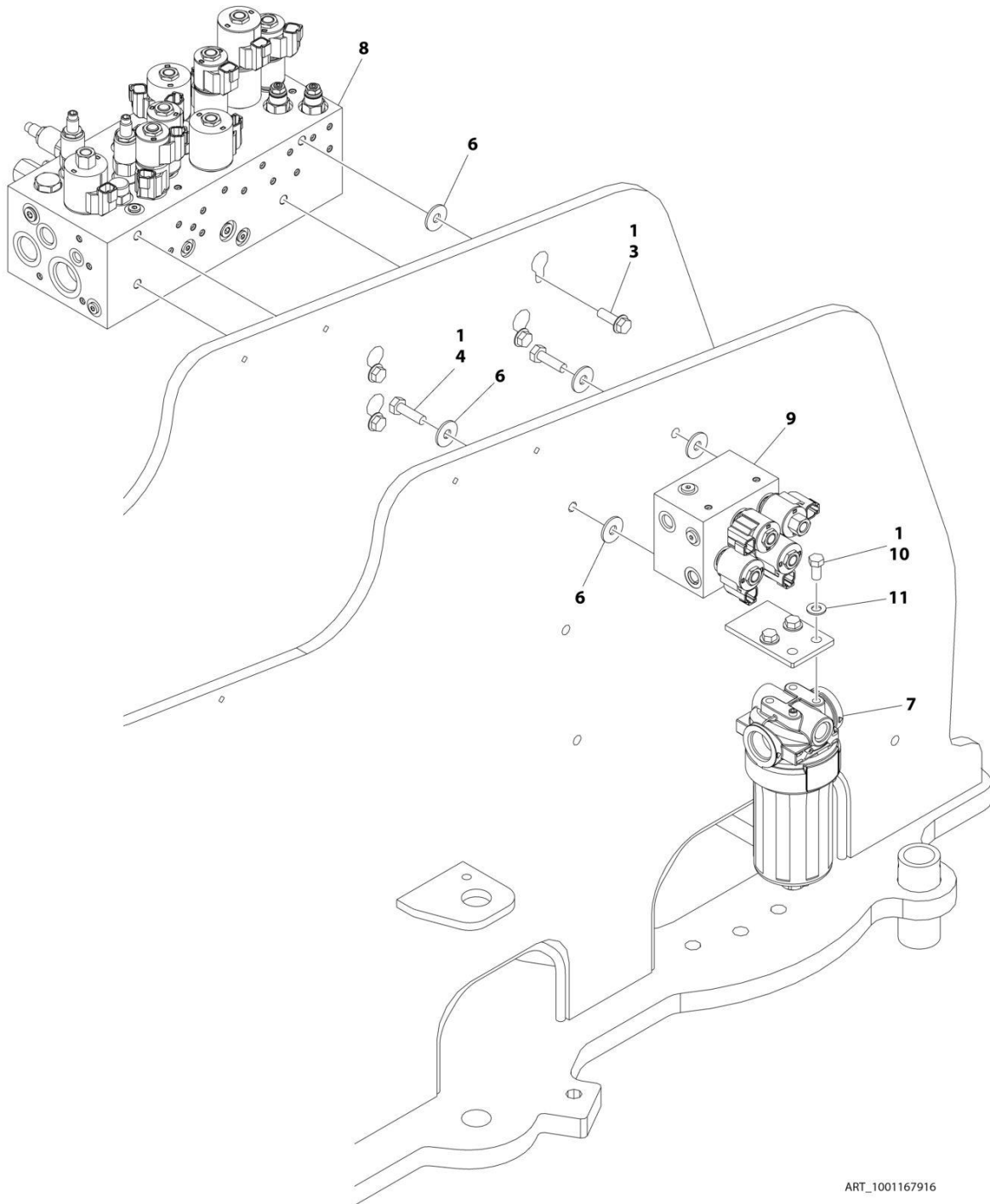
**SECTION 2 - TURNTABLE**

**FIGURE 2-7. BEARING LUBE INSTALLATION**

<b>ITEM</b>	<b>PART NUMBER</b>	<b>QTY</b>	<b>DESCRIPTION</b>	<b>REV</b>
	1001169191	Ref	BEARING LUBE INSTALLATION	A
1	0761016	1	Bolt M10 x 40	
2	2220124	1	Fitting, 45 1/8NPT	
3	2220273	1	Fitting, Straight FNPTF/NPTF	
4	3291005	1	Nut M10	
5	4812000	2	Washer M10	
6	1001169192	1	Mount, Bulkhead	
7	1001169193	1	Hose	

# SECTION 2 - TURNTABLE

## FIGURE 2-8. CONTROL VALVES INSTALLATION (400S)



ART\_1001167916



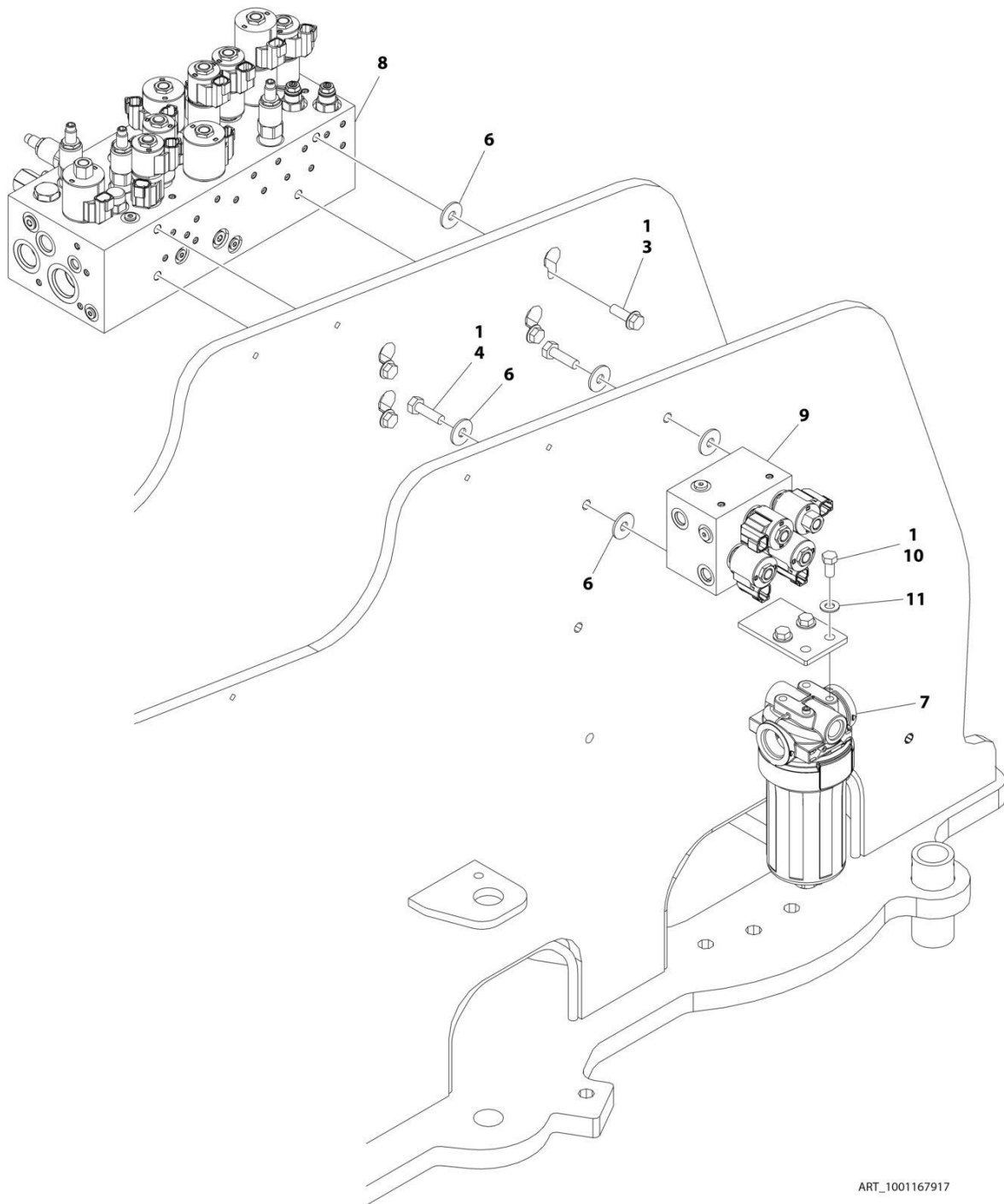
**SECTION 2 - TURNTABLE**

**FIGURE 2-8. CONTROL VALVES INSTALLATION (400S)**

<b>ITEM</b>	<b>PART NUMBER</b>	<b>QTY</b>	<b>DESCRIPTION</b>	<b>REV</b>
	1001167916	Ref	CONTROL VALVES INSTALLATION	F
1	0100011	AR	Compound, Locking	
3	5251014	4	Bolt M10 x 30	
4	0761015	2	Bolt M10 x 35	
6	4812002	8	Washer M10	
7	1001208874	1	Filter, Charge Pump	
7	70010383	1	Element, Filter (Includes O-Ring)	
8	1001162531	1	Main Valve Assembly (See Separate Breakdown in this Section)	
9	1001162538	1	Axle Valve Assembly (See Separate Breakdown in this Section)	
10	0761010	3	Bolt M10 x 20	
11	4812000	3	Washer M10	

# SECTION 2 - TURNTABLE

## FIGURE 2-9. CONTROL VALVES INSTALLATION (460SJ)



ART\_1001167917

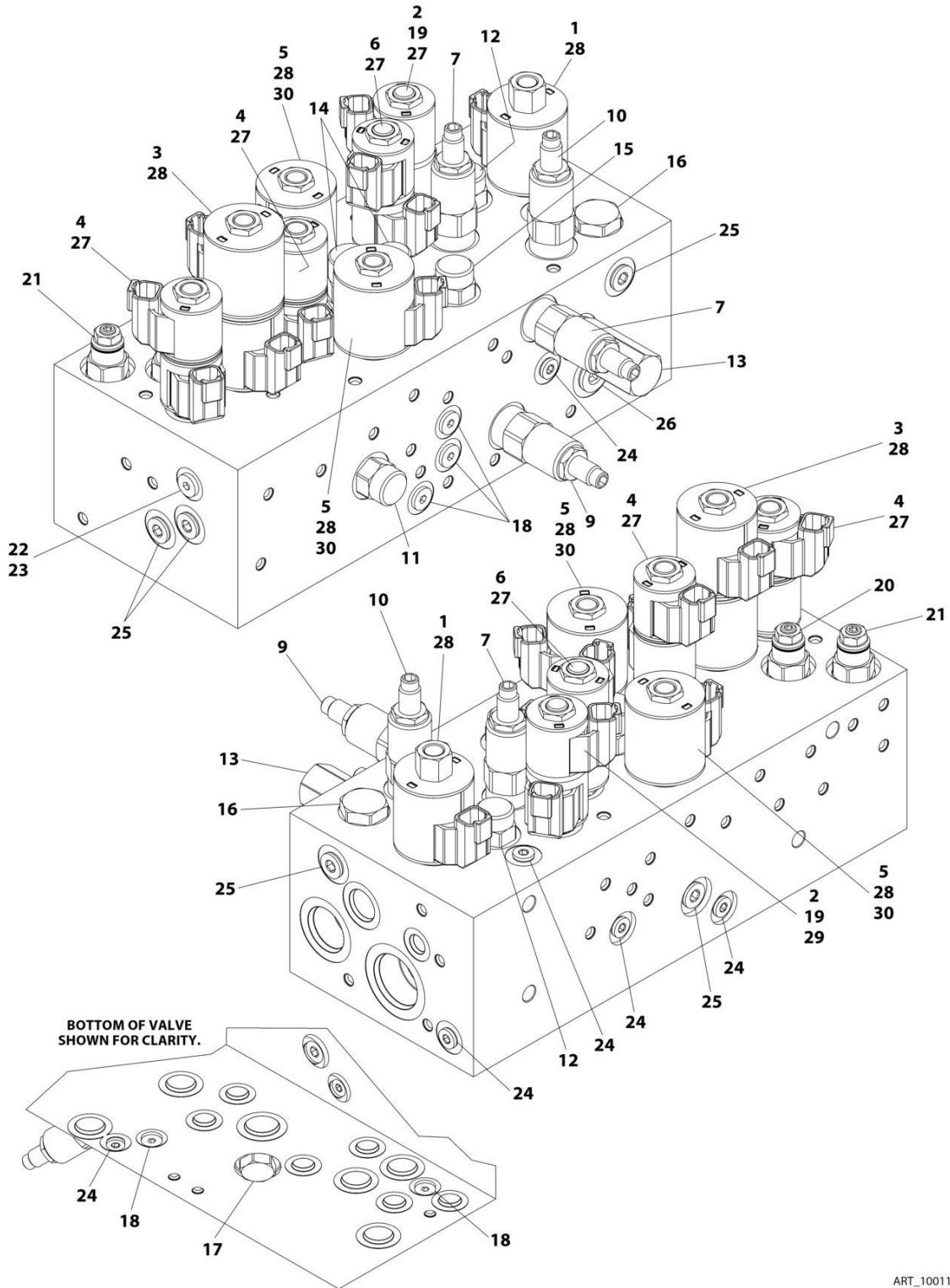
## SECTION 2 - TURNTABLE

**FIGURE 2-9. CONTROL VALVES INSTALLATION (460SJ)**

ITEM	PART NUMBER	QTY	DESCRIPTION	REV
	1001167917	Ref	CONTROL VALVES INSTALLATION	F
1	0100011	AR	Compound, Locking	
3	5251014	4	Bolt M10 x 30	
4	0761015	2	Bolt M10 x 35	
6	4812002	8	Washer M10	
7	1001208874	1	Filter, Charge Pump	
7	70010383	1	Element, Filter (Includes O-Ring)	
8	1001162532	1	Main Valve Assembly (See Separate Breakdown in this Section)	
9	1001162538	1	Axle Valve Assembly (See Separate Breakdown in this Section)	
10	0761010	3	Bolt M10 x 20	
11	4812000	3	Washer M10	

# SECTION 2 - TURNTABLE

## FIGURE 2-10. MAIN VALVE ASSEMBLY (400S)



ART\_1001162531

## SECTION 2 - TURNTABLE

### FIGURE 2-10. MAIN VALVE ASSEMBLY (400S)

ITEM	PART NUMBER	QTY	DESCRIPTION	REV
	1001162531	Ref	MAIN VALVE ASSEMBLY	F
1	70005069	1	Cartridge, Solenoid Less Coil (Main Dump)	
1	7022399	1	Seal Kit - 70005069 Valve	
1	70003977	1	Nut, Coil	
2	70005217	1	Cartridge, Solenoid Less Coil (Steer)	
2	70005071	1	Seal Kit - 70005217 Valve	
2	7022390	1	Nut, Coil	
3	70005072	1	Cartridge, Solenoid Less Coil (Tele)	
3	70005073	1	Seal Kit - 70005072 Valve	
3	7022390	1	Nut, Coil	
3	70003024	1	Spacer, Coil	
4	70005074	2	Cartridge, Solenoid Valve Less Coil (Platform Level and Rotate)	
4	70005075	2	Seal Kit - 70005074 Valve	
4	7022390	2	Nut, Coil	
4	70003023	2	Spacer, Coil	
5	70005076	2	Cartridge, Solenoid Less Coil (Lift Up and Flow Control)	
5	7022399	2	Seal Kit - 70005076 Valve	
5	7022390	2	Nut, Coil	
6	70005077	1	Cartridge, Solenoid Valve Less Coil (Swing)	
6	70005071	1	Seal Kit - 70005077 Valve	
6	7022390	1	Nut, Coil	
6	70003023	1	Spacer, Coil	
7	70005078	2	Cartridge, Relief Valve	
7	7023936	2	Seal Kit - 70005078 Valve	
9	70005079	1	Cartridge, Relief Valve	
9	7023936	1	Seal Kit - 70005079 Valve	
10	70005080	1	Cartridge, Relief Valve	
10	7022399	1	Seal Kit - 70005080 Valve	
11	70005081	1	Cartridge, Valve	
11	70005082	1	Seal Kit - 70005081 Valve	
12	70005218	1	Cartridge, Valve	
12	70005082	1	Seal Kit - 70005218 Valve	
13	70005084	1	Cartridge, Valve	
13	70005085	1	Seal Kit - 70005084 Valve	
14	70005086	2	Cartridge, Valve	
14	70005087	2	Seal Kit - 70005086 Valve	
15	70005088	1	Cartridge, Valve	
15	7023900	1	Seal Kit - 70005088 Valve	
16	70003408	1	Cartridge, Valve	
16	7022399	1	Seal Kit - 70005100 Valve	
17	70005089	1	Cartridge, Check Valve	
17	7023936	1	Seal Kit - 70005089 Valve	
18	70005090	5	Cartridge, Check Valve	
18	70005092	5	Seal Kit - 70005090 Valve	
19	70002974	1	Disc, Check Valve	
20	70005108	1	Cartridge, Valve	
20	2900770	1	Seal Kit - 70005108 Valve	
21	70005109	1	Cartridge, Valve	
21	2900770	1	Seal Kit - 70005109 Valve	
22	70005091	1	Orifice	

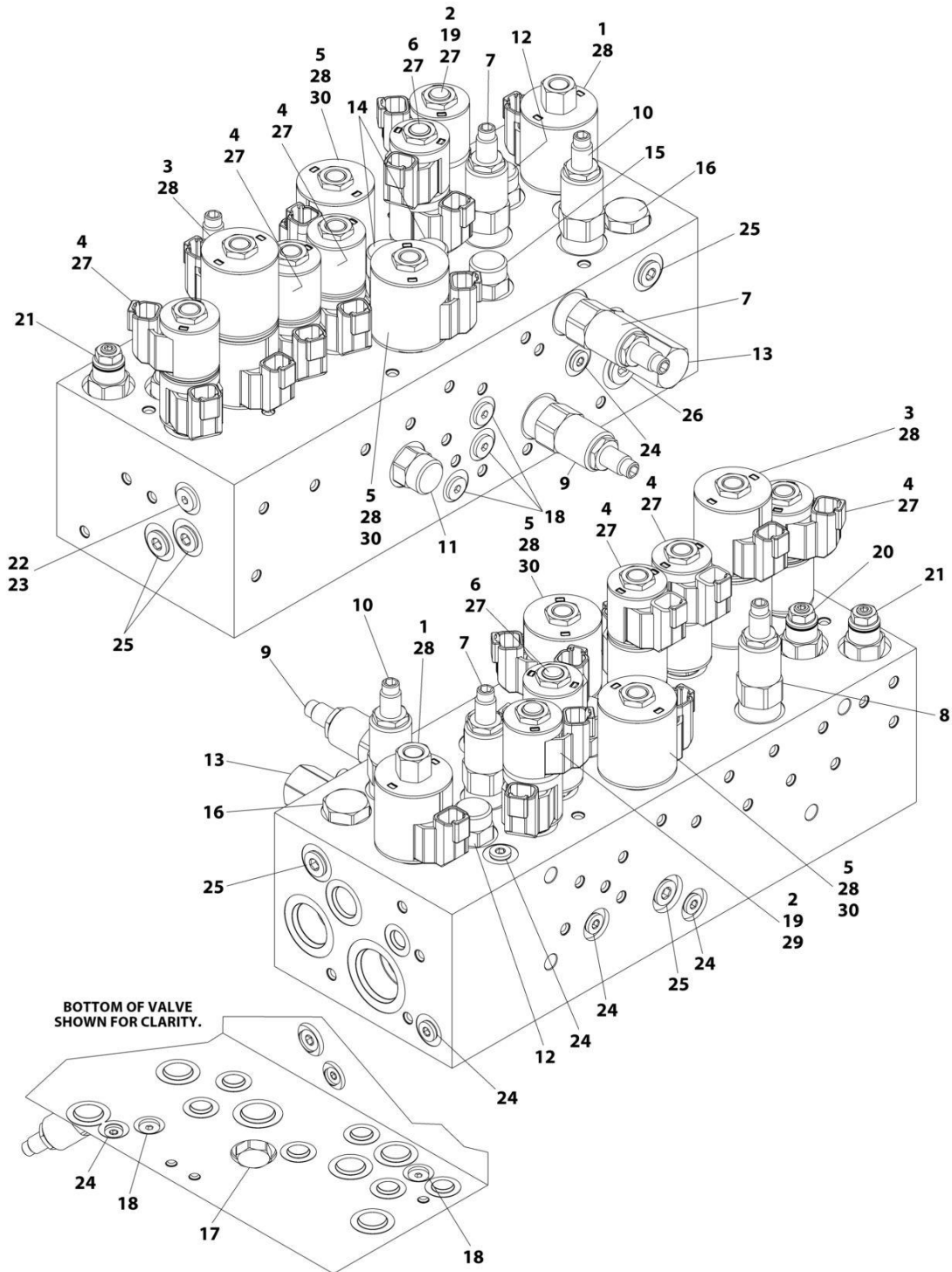
## SECTION 2 - TURNTABLE

ITEM	PART NUMBER	QTY	DESCRIPTION	REV
23	2220883	1	Plug, O-Ring #4	
24	91164059	6	Plug	
25	91164079	6	Plug	
26	91164057	1	Plug	
27	70002386	6	Coil	
28	70003788	5	Coil	
29	70005219	2	Coil	
30	70005724	2	Lockdown Kit	



# SECTION 2 - TURNTABLE

## FIGURE 2-11. MAIN VALVE ASSEMBLY (460SJ)



ART\_1001162532



**SECTION 2 - TURNTABLE**

**FIGURE 2-11. MAIN VALVE ASSEMBLY (460SJ)**

ITEM	PART NUMBER	QTY	DESCRIPTION	REV
	1001162532	Ref	MAIN VALVE ASSEMBLY	F
1	70005069	1	Cartridge, Solenoid Less Coil (Main Dump)	
1	7022399	1	Seal Kit - 70005069 Valve	
1	70003977	1	Nut, Coil	
2	70005217	1	Cartridge, Solenoid Less Coil (Steer)	
2	70005071	1	Seal Kit - 70005217 Valve	
2	7022390	1	Nut, Coil	
3	70005072	1	Cartridge, Solenoid Less Coil (Tele)	
3	70005073	1	Seal Kit - 70005072 Valve	
3	7022390	1	Nut, Coil	
3	70003024	1	Spacer, Coil	
4	70005074	3	Cartridge, Solenoid Valve Less Coil (Platform Level, Platform Rotate and Jib Lift)	
4	70005075	3	Seal Kit - 70005074 Valve	
4	7022390	3	Nut, Coil	
4	70003023	3	Spacer, Coil	
5	70005076	2	Cartridge, Solenoid Less Coil (Lift Up and Flow Control)	
5	7022399	2	Seal Kit - 70005076 Valve	
5	7022390	2	Nut, Coil	
6	70005077	1	Cartridge, Solenoid Valve Less Coil (Swing)	
6	70005071	1	Seal Kit - 70005077 Valve	
6	7022390	1	Nut, Coil	
6	70003023	1	Spacer, Coil	
7	70005078	2	Cartridge, Relief Valve	
7	7023936	2	Seal Kit - 70005078 Valve	
8	70005093	1	Cartridge, Valve	
8	7023936	1	Seal Kit - 70005093 Valve	
9	70005079	1	Cartridge, Relief Valve	
9	7023936	1	Seal Kit - 70005079 Valve	
10	70005080	1	Cartridge, Relief Valve	
10	7022399	1	Seal Kit - 70005080 Valve	
11	70005081	1	Cartridge, Valve	
11	70005082	1	Seal Kit - 70005081 Valve	
12	70005218	1	Cartridge, Valve	
12	70005082	1	Seal Kit - 70005218 Valve	
13	70005084	1	Cartridge, Valve	
13	70005085	1	Seal Kit - 70005084 Valve	
14	70005086	2	Cartridge, Valve	
14	70005087	2	Seal Kit - 70005086 Valve	
15	70005088	1	Cartridge, Valve	
15	7023900	1	Seal Kit - 70005088 Valve	
16	70003408	1	Cartridge, Valve	
16	7022399	1	Seal Kit - 70005100 Valve	
17	70005089	1	Cartridge, Check Valve	
17	7023936	1	Seal Kit - 70005089 Valve	
18	70005090	5	Cartridge, Check Valve	
18	70005092	5	Seal Kit - 70005090 Valve	
19	70002974	1	Disc, Check Valve	
20	70005108	1	Cartridge, Valve	
20	2900770	1	Seal Kit - 70005108 Valve	

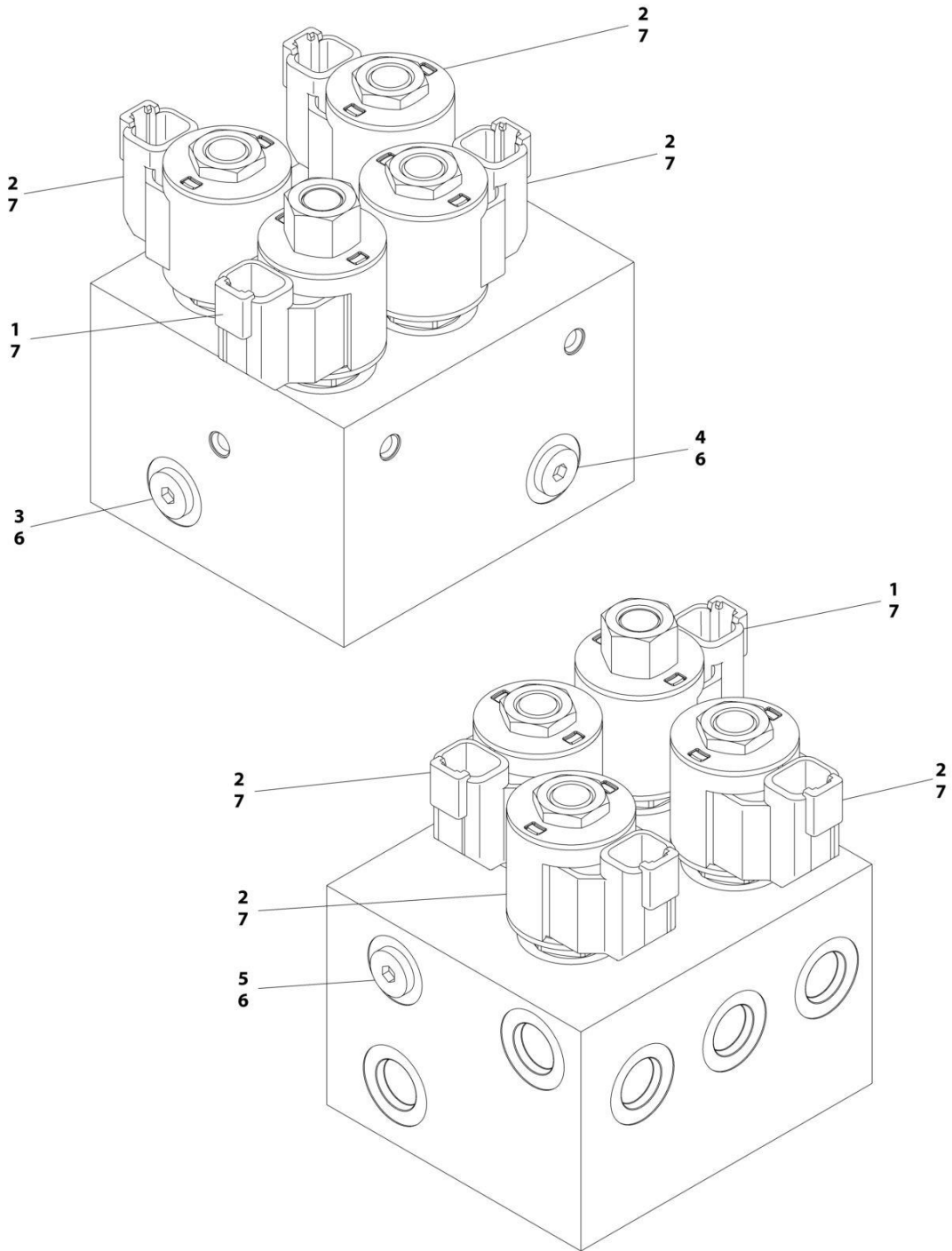
## SECTION 2 - TURNTABLE

ITEM	PART NUMBER	QTY	DESCRIPTION	REV
21	70005109	1	Cartridge, Valve	
21	2900770	1	Seal Kit - 70005109 Valve	
22	70005091	1	Orifice	
23	2220883	1	Plug, O-Ring #4	
24	91164059	6	Plug	
25	91164079	6	Plug	
26	91164057	1	Plug	
27	70002386	8	Coil	
28	70003788	5	Coil	
29	70005219	2	Coil	
30	70005724	2	Lockdown Kit	



# SECTION 2 - TURNTABLE

## FIGURE 2-12. AXLE VALVE ASSEMBLY



ART\_1001162538

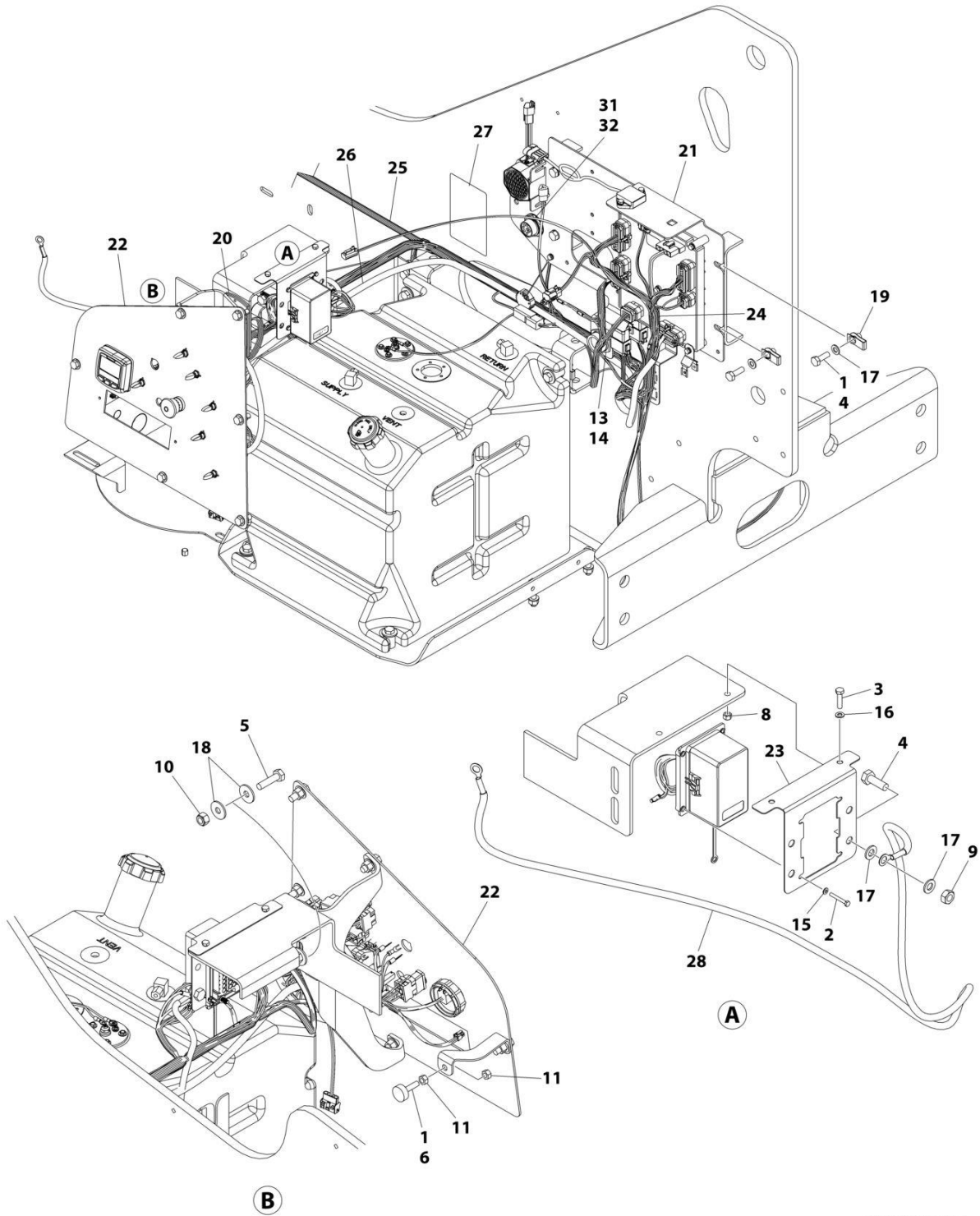
**SECTION 2 - TURNTABLE**

**FIGURE 2-12. AXLE VALVE ASSEMBLY**

ITEM	PART NUMBER	QTY	DESCRIPTION	REV
	1001162538	Ref	AXLE VALVE ASSEMBLY	D
1	7017410	1	Cartridge, Solenoid Valve Less Coil (Secondary Axle Release)	
1	7012967	1	Seal Kit - 7017410 Valve	
2	7012941	3	Cartridge, Solenoid Valve Less Coil (Brake Release, Primary Axle Release and 2 Speed)	
2	7010543	3	Seal Kit - 7012941 Valve	
3	70004883	1	Orifice	
4	70004884	1	Orifice	
5	70002063	1	Orifice	
6	2220883	3	Plug, O-Ring #4	
7	70002386	4	Coil	

# SECTION 2 - TURNTABLE

## FIGURE 2-13. ELECTRICAL INSTALLATION (400S)



ART\_1001236965\_E

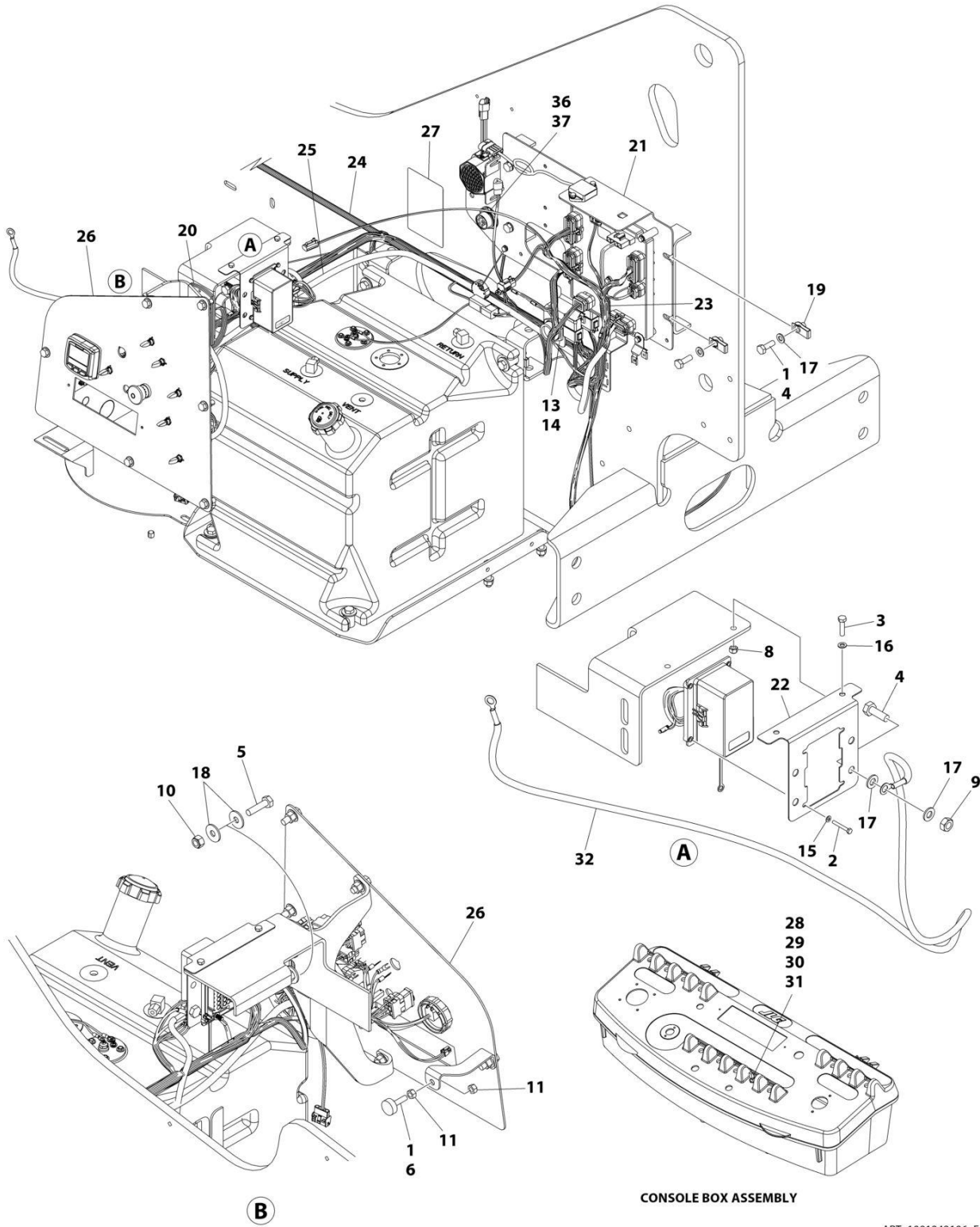
## SECTION 2 - TURNTABLE

**FIGURE 2-13. ELECTRICAL INSTALLATION (400S)**

ITEM	PART NUMBER	QTY	DESCRIPTION	REV
	1001236965	Ref	ELECTRICAL INSTALLATION	E
1	0100011	AR	Compound, Locking	
2	0731005	4	Bolt #10 x .625	
3	0760612	2	Bolt M6 x 25	
4	0761014	5	Bolt M10 x 30	
5	0761016	2	Bolt M10 x 40	
6	0940049	1	Stopper, Hood	
8	3290605	2	Nut M6	
9	3291001	1	Nut M10	
10	3291005	2	Nut M10	
11	3311501	2	Nut 5/16	
12	4240099	AR	Tie-Strap (Not Shown)	
13	4460470	1	Nut, Terminal	
14	4460471	1	Washer, Terminal	
15	4711000	4	Washer #10	
16	4811700	4	Washer M6	
17	4812000	6	Washer M10	
18	4812002	4	Washer M10	
19	1001118972	4	Nut M10	
20	1001150324	AR	Shim 3	
21	1001172757	1	Electrical Panel Assembly (See Separate Breakdown in this Section)	
22	1001239294	1	Ground Control Assembly (See Separate Breakdown in this Section)	
23	1001237822	1	Plate	
24	1001237849	1	Turntable Harness (See Separate Breakdown in ELECTRICAL SECTION)	
25	1001238160	1	Valve Harness (See Separate Breakdown in ELECTRICAL SECTION)	
26	1001238161	1	Ground Control Box Harness (See Separate Breakdown in ELECTRICAL SECTION)	
27	1001239512	1	Decal - Fuse Box	
28	1001250681	1	Battery Cable (Negative)	
29	4460466	8	Seal, Terminal (Not Shown)	
30	4460931	1	Connector - 8 Position (Not Shown)	
31	4460496	1	Washer, Lock	
32	4460497	1	Nut	

# SECTION 2 - TURNTABLE

## FIGURE 2-14. ELECTRICAL INSTALLATION (460SJ)



ART\_1001242106\_E



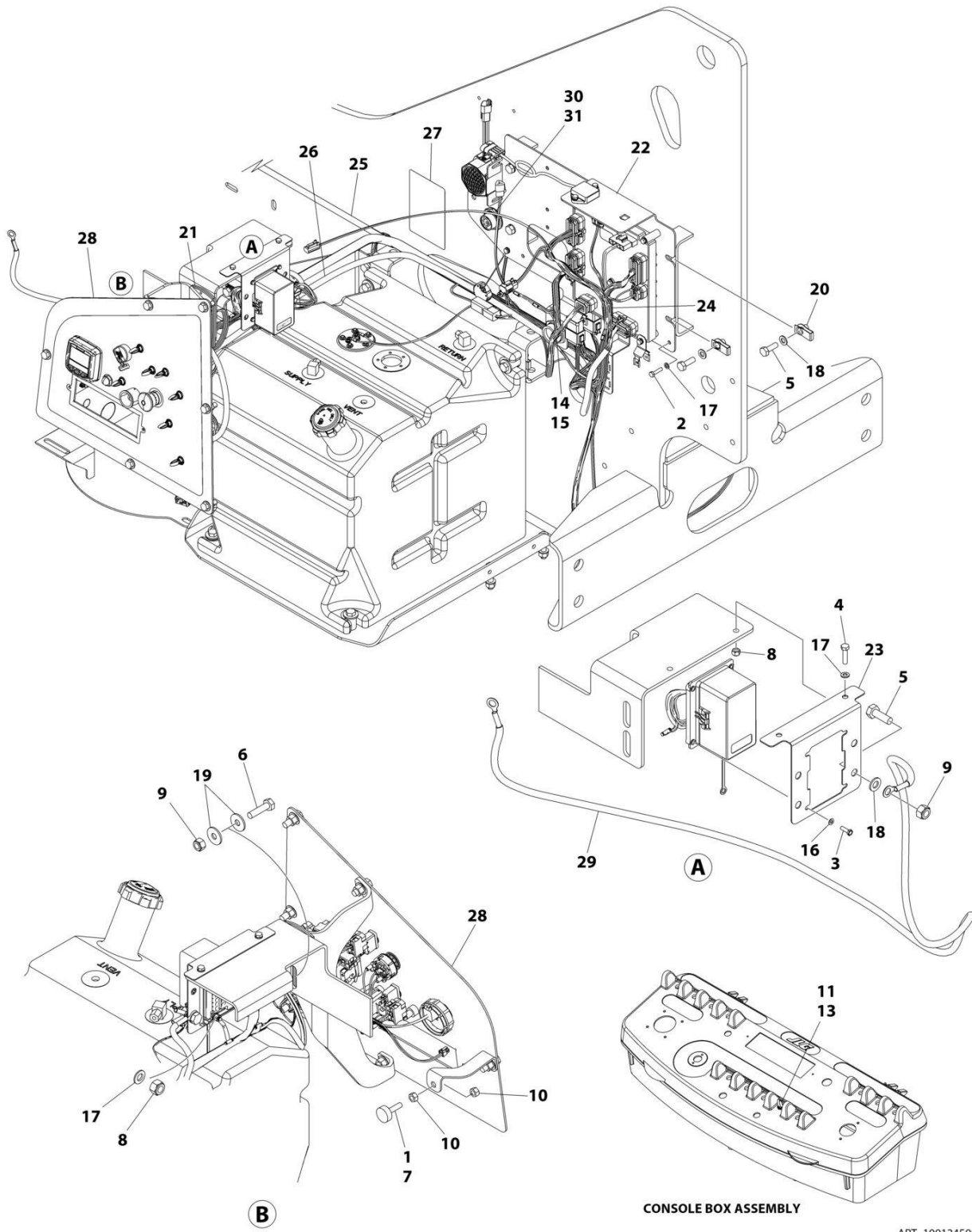
## SECTION 2 - TURNTABLE

**FIGURE 2-14. ELECTRICAL INSTALLATION (460SJ)**

ITEM	PART NUMBER	QTY	DESCRIPTION	REV
	1001242106	Ref	ELECTRICAL INSTALLATION	E
1	0100011	AR	Compound, Locking	
2	0731005	4	Bolt #10 x .625	
3	0760612	2	Bolt M6 x 25	
4	0761014	5	Bolt M10 x 30	
5	0761016	2	Bolt M10 x 40	
6	0940049	1	Stopper, Hood	
8	3290605	2	Nut M6	
9	3291001	1	Nut M10	
10	3291005	2	Nut M10	
11	3311501	2	Nut 5/16	
12	4240099	AR	Tie-Strap (Not Shown)	
13	4460470	1	Nut, Terminal	
14	4460471	1	Washer, Terminal	
15	4711000	4	Washer #10	
16	4811700	4	Washer M6	
17	4812000	6	Washer M10	
18	4812002	4	Washer M10	
19	1001118972	4	Nut M10	
20	1001150324	AR	Shim 3	
21	1001172757	1	Electrical Panel Assembly (See Separate Breakdown in this Section)	
22	1001237822	1	Plate	
23	1001237849	1	Turntable Harness (See Separate Breakdown in ELECTRICAL SECTION)	
24	1001238160	1	Valve Harness (See Separate Breakdown in ELECTRICAL SECTION)	
25	1001238161	1	Ground Control Box Harness (See Separate Breakdown in ELECTRICAL SECTION)	
26	1001239293	1	Ground Control Assembly (See Separate Breakdown in this Section)	
27	1001239512	1	Decal - Fuse Box	
28	3790012	1	O-Ring	
29	4360328	1	Switch, Toggle	
30	4740397	1	Spacer	
31	1001155044	1	Nut 15/32	
32	1001250681	1	Battery Cable (Negative)	
33	4460466	16	Seal, Terminal (Not Shown)	
34	4460930	1	Connector - 8 Position (Not Shown)	
35	4460931	1	Connector - 8 Position (Not Shown)	
36	4460496	1	Washer, Lock	
37	4460497	1	Nut	

# SECTION 2 - TURNTABLE

## FIGURE 2-15. ELECTRICAL INSTALLATION - WITH DEUTZ (STAGE V) (460SJ)



ART\_1001245993

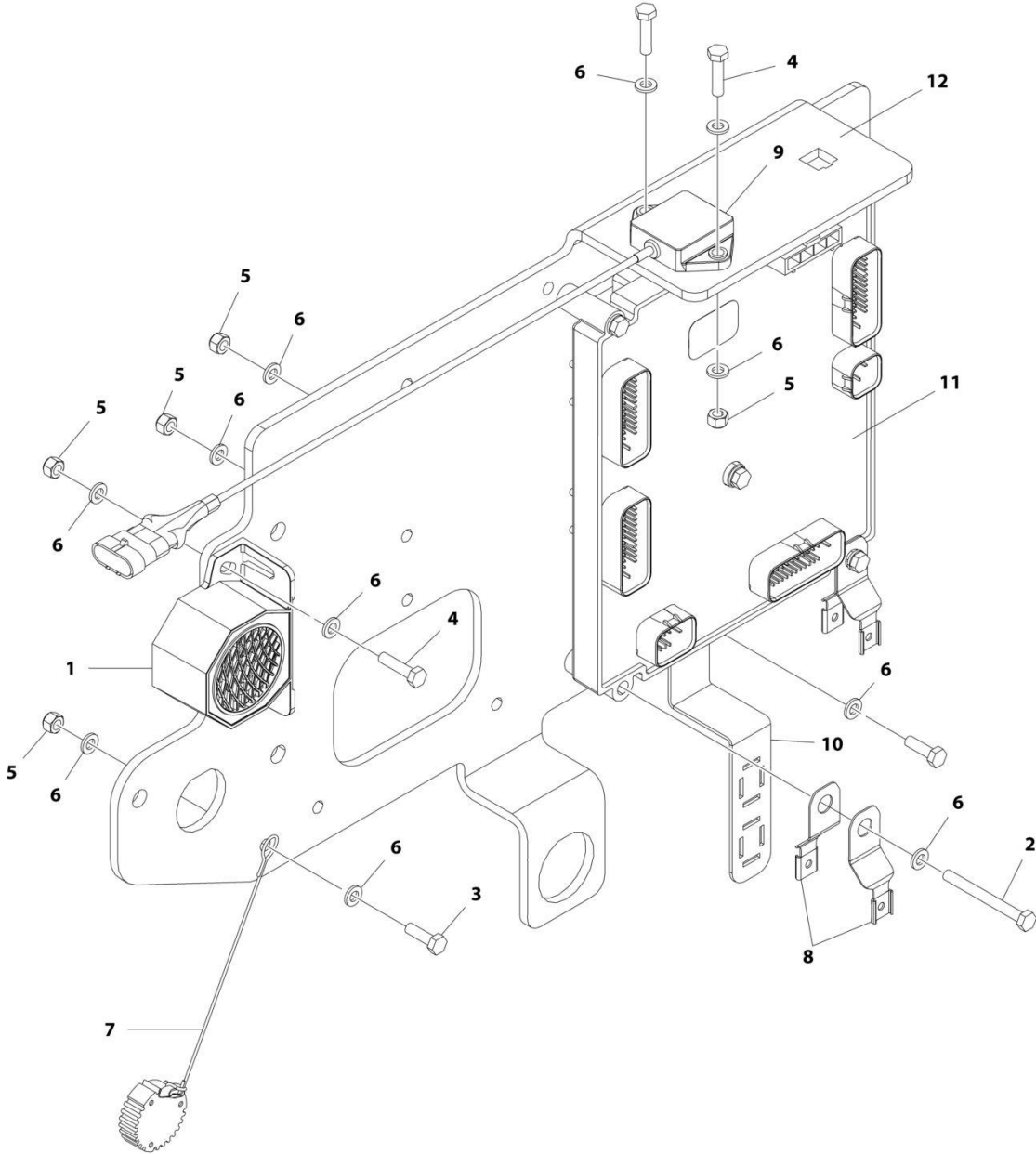
## SECTION 2 - TURNTABLE

**FIGURE 2-15. ELECTRICAL INSTALLATION - WITH DEUTZ (STAGE V) (460SJ)**

ITEM	PART NUMBER	QTY	DESCRIPTION	REV
	1001245993	Ref	ELECTRICAL INSTALLATION - DEUTZ (STAGE V)	B
1	0100011	AR	Compound, Locking	
2	0700612	1	Screw M6 x 25	
3	0731005	4	Screw #10 x 5/8	
4	0760610	2	Bolt M6 x 20	
5	0761014	5	Bolt M10 x 30	
6	0761016	2	Bolt M10 x 40	
7	0940049	1	Stopper, Hood	
8	3290605	4	Nut M6	
9	3291005	3	Nut M10	
10	3311501	2	Nut 5/16	
11	3790012	1	O-Ring	
12	4240099	AR	Tie-Strap (Not Shown)	
13	4360328	1	Switch, Toggle	
14	4460470	1	Nut, Terminal	
15	4460471	1	Washer, Terminal	
16	4711000	4	Washer #10	
17	4711700	7	Washer M6	
18	4812000	5	Washer M10	
19	4812002	4	Washer M10	
20	1001118972	4	Nut M10	
21	1001150324	AR	Shim 3	
22	1001172757	1	Electrical Panel Assembly (See Separate Breakdown in this Section)	
23	1001237822	1	Plate	
24	1001237849	1	Turntable Harness (See Separate Breakdown in ELECTRICAL SECTION)	
25	1001238160	1	Valve Harness (See Separate Breakdown in ELECTRICAL SECTION)	
26	1001238161	1	Ground Control Box Harness (See Separate Breakdown in ELECTRICAL SECTION)	
27	1001239512	1	Decal - Fuse Box	
28	1001245380	1	Electrical Assembly, Ground Control Panel (See Separate Breakdown in this Section)	
29	1001250681	1	Battery Cable (Negative)	
30	4460496	1	Washer	
31	4460497	1	Nut	

# SECTION 2 - TURNTABLE

## FIGURE 2-16. ELECTRICAL PANEL ASSEMBLY



ART\_1001172757

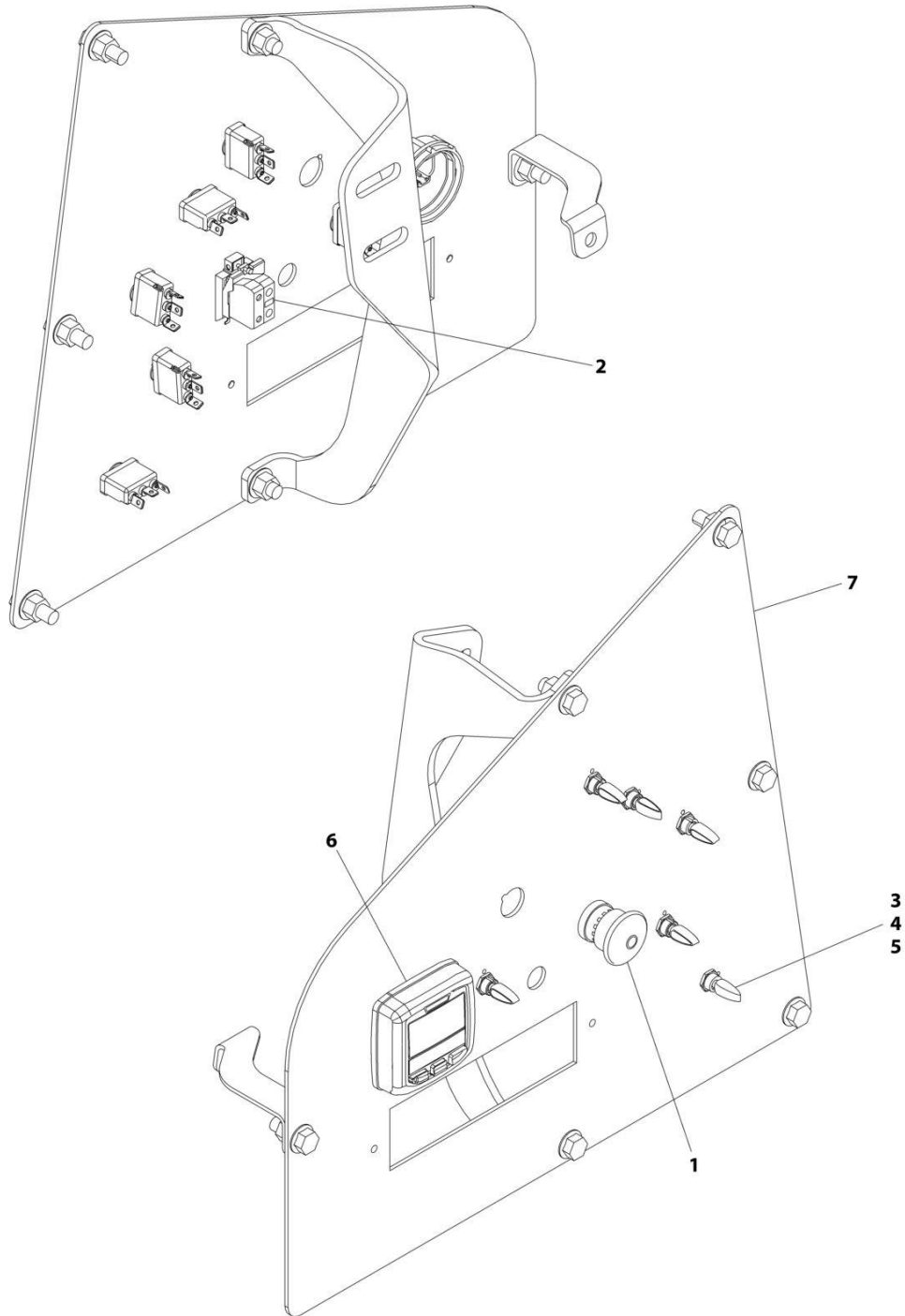
**SECTION 2 - TURNTABLE**

**FIGURE 2-16. ELECTRICAL PANEL ASSEMBLY**

ITEM	PART NUMBER	QTY	DESCRIPTION	REV
	1001172757	Ref	ELECTRICAL PANEL ASSEMBLY	E
1	0140043	1	Alarm	
1	4460536	1	Plug, Male - 3 Position	
1	4460943	3	Terminal	
2	0700620	5	Bolt M6 x 60	
3	0760610	2	Bolt M6 x 20	
4	0760612	4	Bolt M6 x 25	
5	3290605	11	Nut M6	
6	4811700	22	Washer M6	
7	1001106736	1	Cap, Dust	
8	1001120328	4	Clip, Mounting	
9	1001219601	1	Sensor	
10	1001159162	1	Bracket	
11	1001170094	1	Module, Ground Control (Note: Re-calibration Required when Replaced.)	
12	1001215373	1	Plate	

# SECTION 2 - TURNTABLE

## FIGURE 2-17. GROUND CONTROL ASSEMBLY (400S)



ART\_1001239294

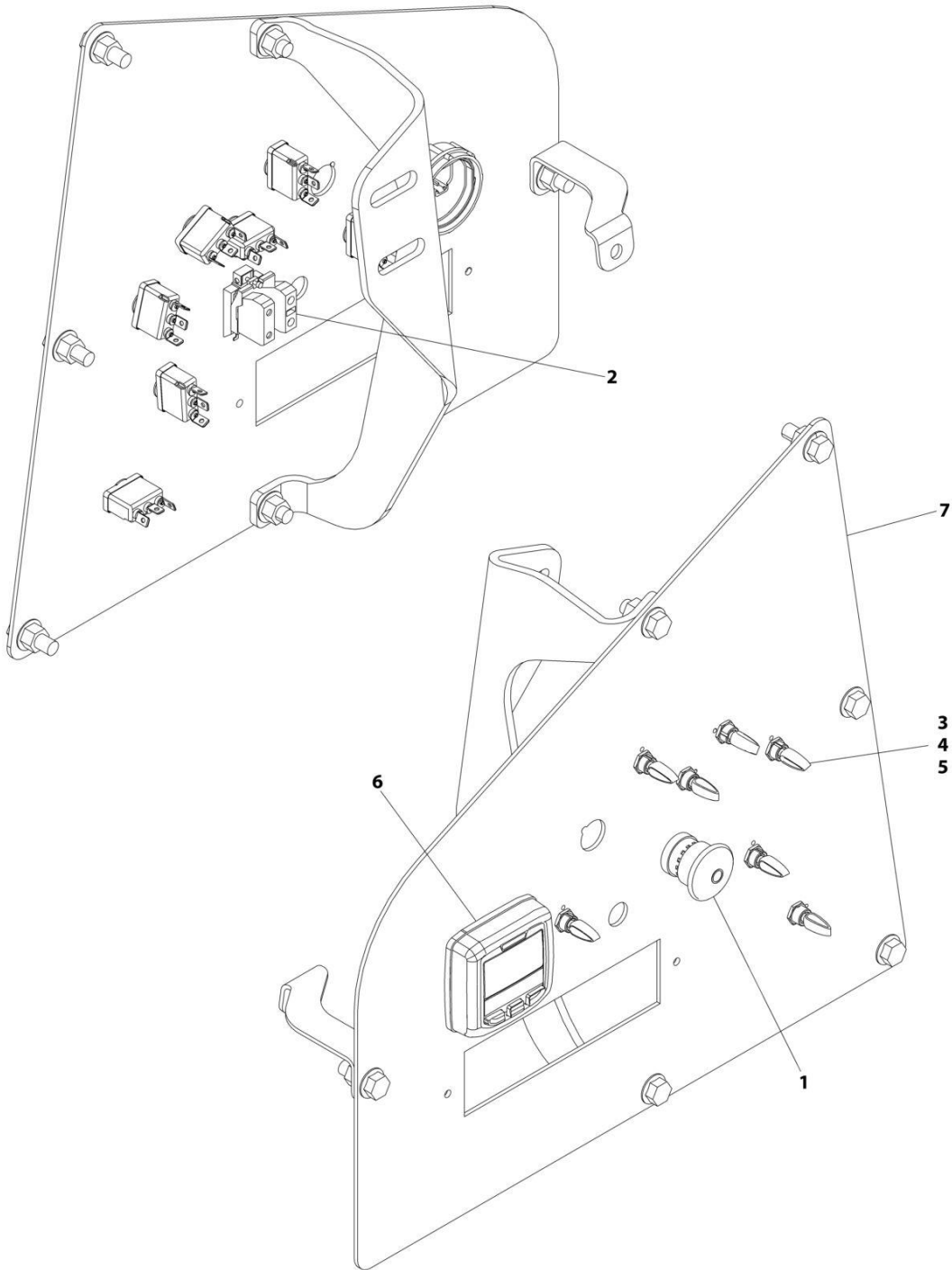
**SECTION 2 - TURNTABLE**

**FIGURE 2-17. GROUND CONTROL ASSEMBLY (400S)**

<b>ITEM</b>	<b>PART NUMBER</b>	<b>QTY</b>	<b>DESCRIPTION</b>	<b>REV</b>
	1001239294	Ref	GROUND CONTROL ASSEMBLY	A
1	4360475	1	Switch, Emergency Stop	
1	7020175	1	Cap	
1	7020176	1	Block, Contact	
2	4360476	1	Block, Contact	
3	1001155043	6	Washer	
4	1001155044	6	Nut 15/32	
5	1001155045	6	Switch, Toggle	
6	1001171482	1	Gauge	
7	1001238887	1	Mount, Ground Control Panel (See Separate Breakdown in this Section)	

# SECTION 2 - TURNTABLE

## FIGURE 2-18. GROUND CONTROL ASSEMBLY (460SJ)



ART\_1001239293



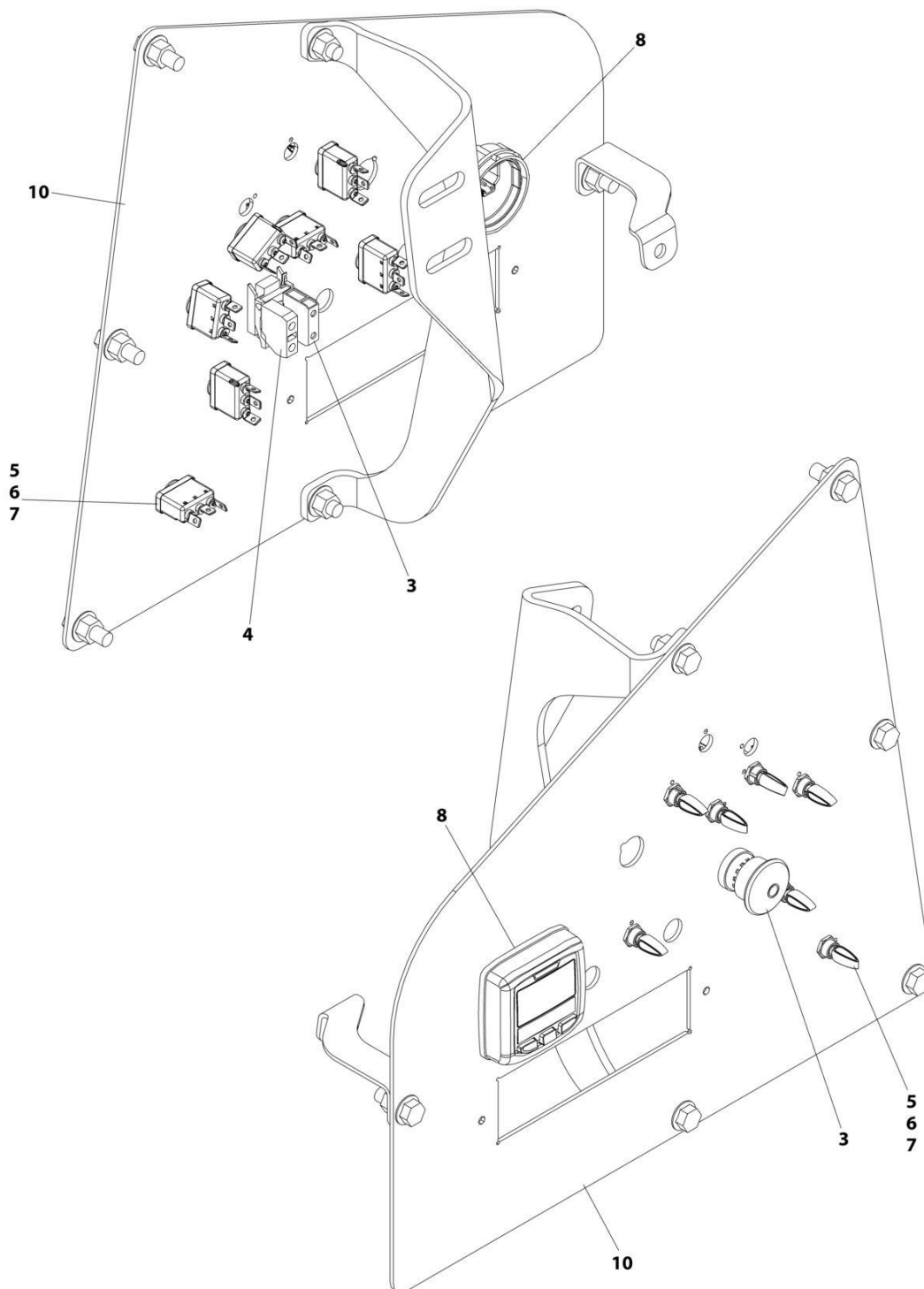
**SECTION 2 - TURNTABLE**

**FIGURE 2-18. GROUND CONTROL ASSEMBLY (460SJ)**

<b>ITEM</b>	<b>PART NUMBER</b>	<b>QTY</b>	<b>DESCRIPTION</b>	<b>REV</b>
	1001239293	Ref	GROUND CONTROL ASSEMBLY	A
1	4360475	1	Switch, Emergency Stop	
1	7020175	1	Cap	
1	7020176	1	Block, Contact	
2	4360476	1	Block, Contact	
3	1001155043	7	Washer	
4	1001155044	7	Nut 15/32	
5	1001155045	7	Switch, Toggle	
6	1001171482	1	Gauge	
7	1001235531	1	Mount, Ground Control Panel (See Separate Breakdown in this Section)	

## SECTION 2 - TURNTABLE

FIGURE 2-19. GROUND CONTROL ASSEMBLY - DEUTZ (STAGE V) (CE & UK CA SPECS) (460SJ)



ART\_1001245380

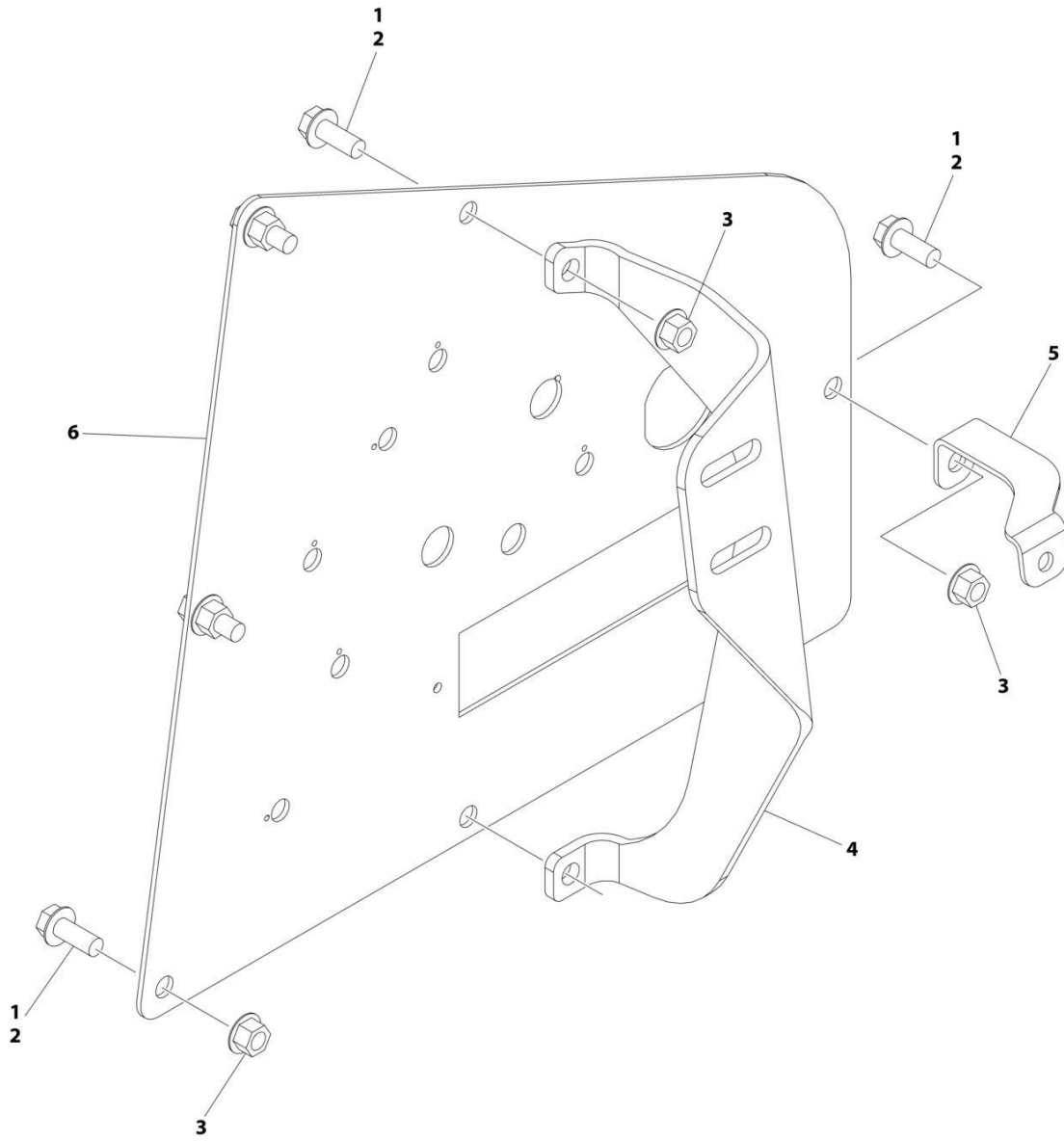
**SECTION 2 - TURNTABLE**

**FIGURE 2-19. GROUND CONTROL ASSEMBLY - DEUTZ (STAGE V) (CE & UK CA SPECS) (460SJ)**

ITEM	PART NUMBER	QTY	DESCRIPTION	REV
	1001245380	Ref	GROUND CONTROL ASSEMBLY	B
3	4360475	1	Switch, Emergency Stop	
3	7020175	1	Cap	
3	7020176	1	Block, Contact	
4	4360476	1	Block, Contact	
5	1001155043	7	Washer	
6	1001155044	7	Nut 15/32	
7	1001155045	7	Switch, Toggle	
8	1001171482	1	Gauge	
10	1001245379	1	Ground Control Mounting (See Separate Breakdown in this Section)	

# SECTION 2 - TURNTABLE

## FIGURE 2-20. GROUND CONTROL MOUNTING (400S)



ART\_1001238887

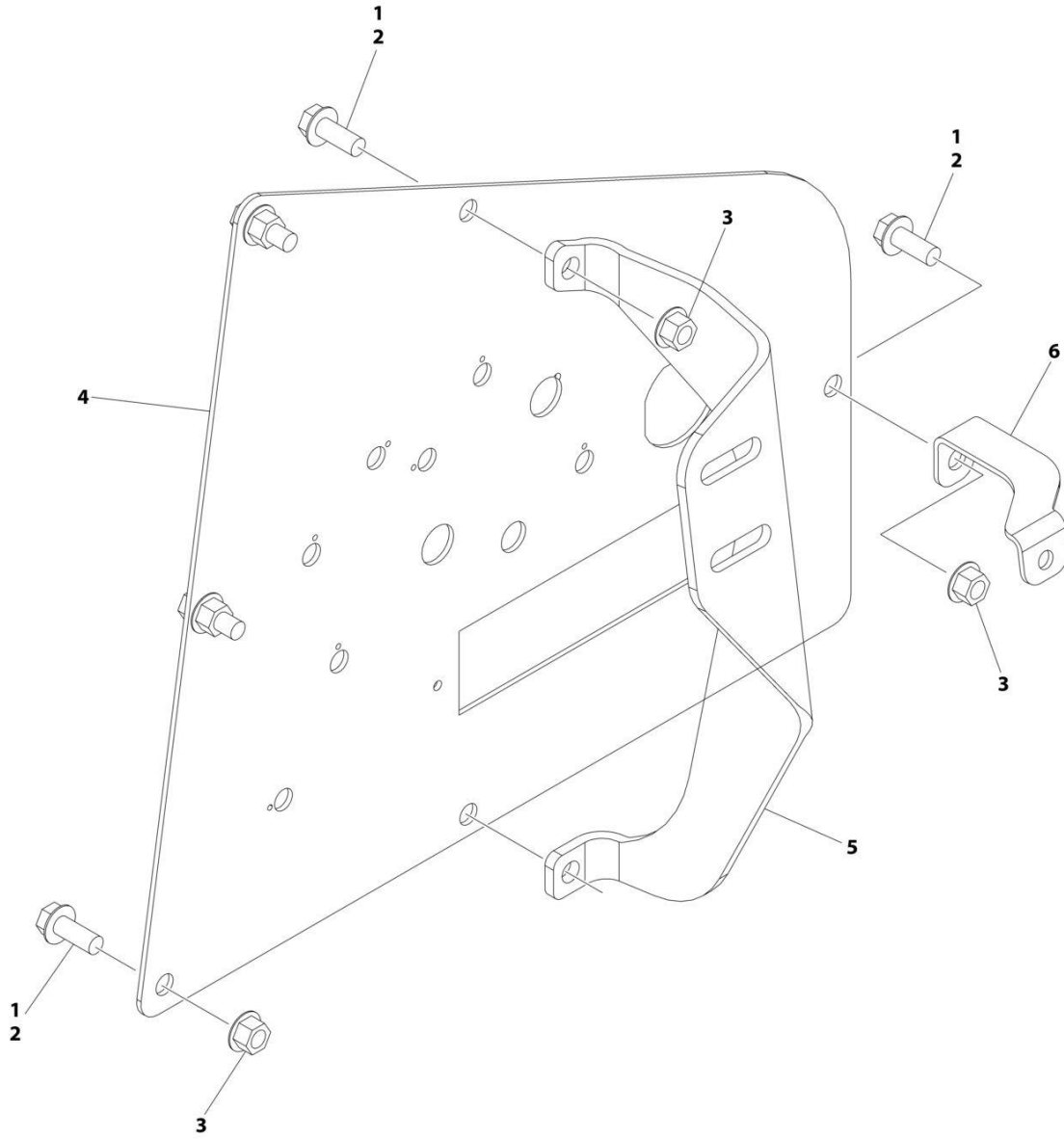
**SECTION 2 - TURNTABLE**

**FIGURE 2-20. GROUND CONTROL MOUNTING (400S)**

<b>ITEM</b>	<b>PART NUMBER</b>	<b>QTY</b>	<b>DESCRIPTION</b>	<b>REV</b>
	1001238887	Ref	GROUND CONTROL PANEL MOUNTING	A
1	0100011	AR	Compound, Locking	
2	5251012	6	Bolt M10 x 25	
3	5261000	6	Nut M10	
4	1001235528	1	Support	
5	1001235529	1	Bracket	
6	1001238886	1	Plate, Ground Control	

# SECTION 2 - TURNTABLE

## FIGURE 2-21. GROUND CONTROL MOUNTING (460SJ)



ART\_1001235531

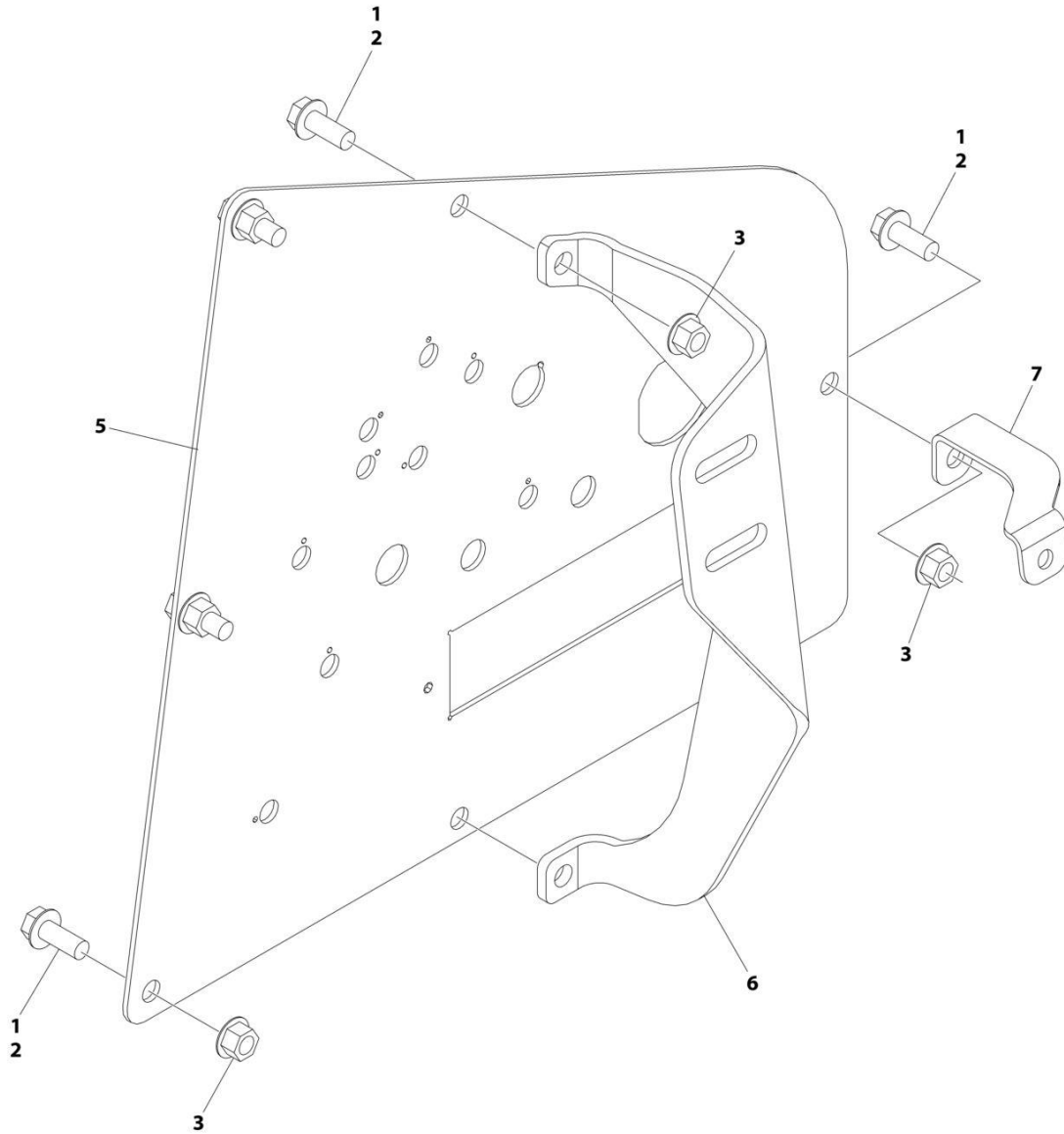
**SECTION 2 - TURNTABLE**

**FIGURE 2-21. GROUND CONTROL MOUNTING (460SJ)**

<b>ITEM</b>	<b>PART NUMBER</b>	<b>QTY</b>	<b>DESCRIPTION</b>	<b>REV</b>
	1001235531	Ref	GROUND CONTORL MOUNTING	B
1	0100011	AR	Compound, Locking	
2	5251012	6	Bolt M10 x 25	
3	5261000	6	Nut M10	
4	1001235527	1	Plate, Ground Control	
5	1001235528	1	Support	
6	1001235529	1	Bracket	

## SECTION 2 - TURNTABLE

FIGURE 2-22. GROUND CONTROL MOUNTING - DEUTZ (STAGE V) (CE & UK CA SPECS) (460SJ)



ART\_1001245379



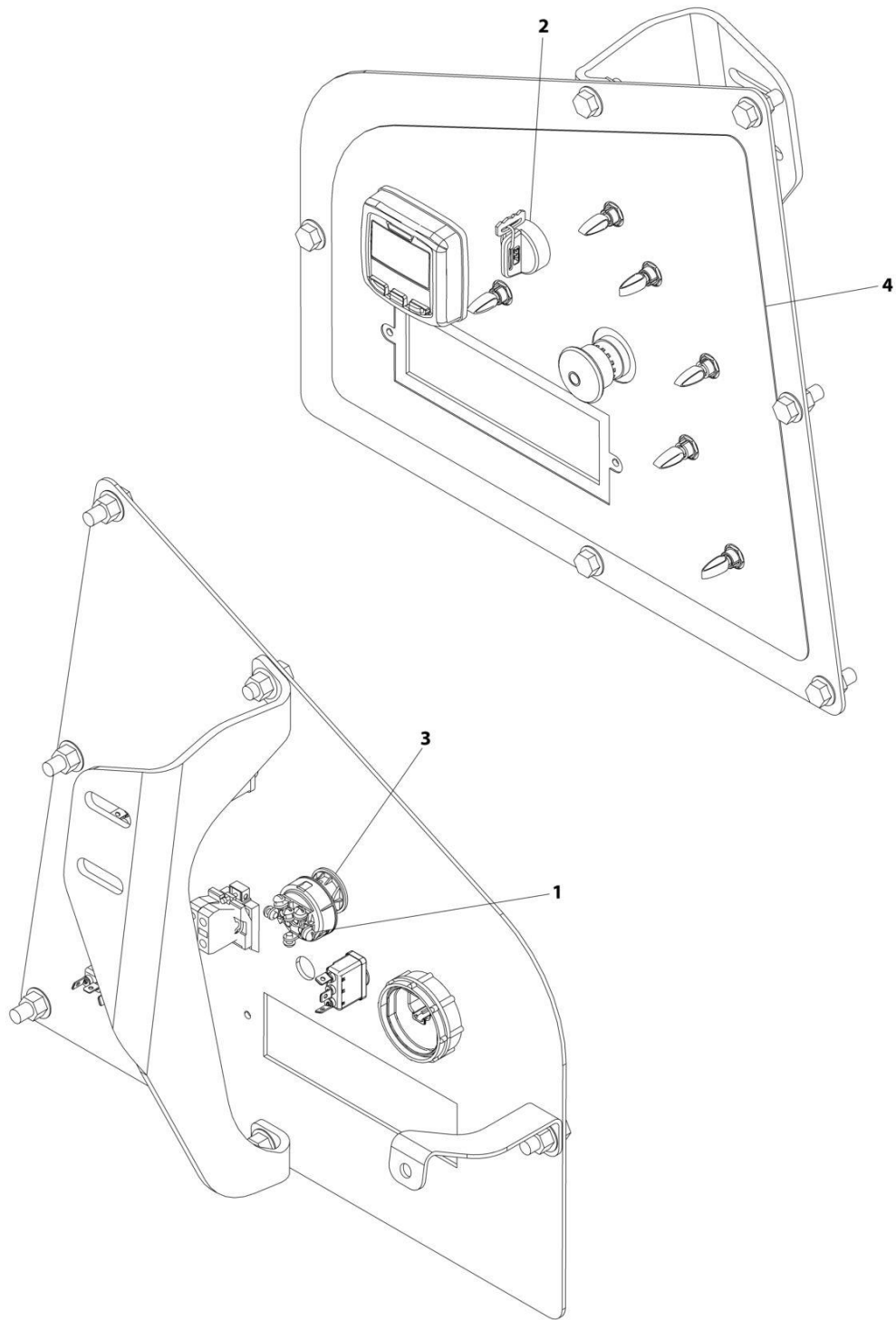
**SECTION 2 - TURNTABLE**

**FIGURE 2-22. GROUND CONTROL MOUNTING - DEUTZ (STAGE V) (CE & UK CA SPECS) (460SJ)**

ITEM	PART NUMBER	QTY	DESCRIPTION	REV
	1001245379	Ref	GROUND CONTORL MOUNTING	B
1	0100035	AR	Compound, Locking	
2	5251012	6	Bolt M10 x 25	
3	5261000	6	Nut M10	
5	1001245317	1	Plate, Ground Control	
6	1001235528	1	Support	
7	1001235529	1	Bracket	

## SECTION 2 - TURNTABLE

FIGURE 2-23. GROUND CONTROL DECAL AND KEYSWITCH INSTALLATION (ALL SPECS EXCEPT AUSTRALIAN, CE & UK CA SPECS) (400S)



ART\_1001222139

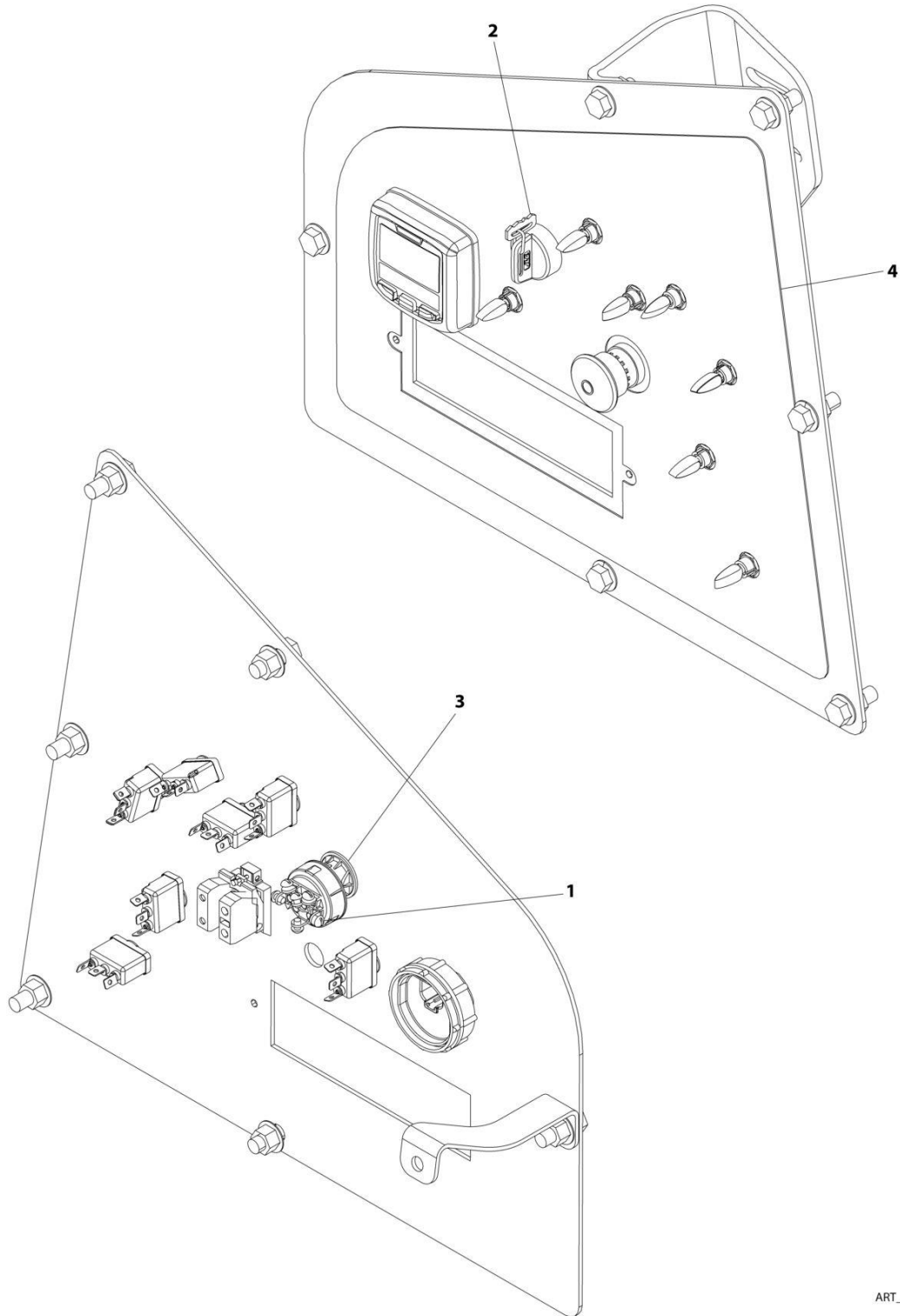
**SECTION 2 - TURNTABLE**

**FIGURE 2-23. GROUND CONTROL DECAL AND KEYSWITCH INSTALLATION (ALL SPECS EXCEPT AUSTRALIAN, CE & UK CA SPECS) (400S)**

ITEM	PART NUMBER	QTY	DESCRIPTION	REV
	1001222139	Ref	GROUND CONTROL DECAL AND KEYSWITCH INSTALLATION	B
1	3910804	6	Screw #8 x 1/4	
2	4360469	1	Switch, Key	
2	2860030	1	Key, Replacement	
3	1001151393	1	Shim .063	
4	1001221402	1	Decal - Ground Control	

## SECTION 2 - TURNTABLE

FIGURE 2-24. GROUND CONTROL DECAL AND KEYSWITCH INSTALLATION (ALL SPECS EXCEPT CE & UK CA SPEC) (460SJ)



ART\_1001222140

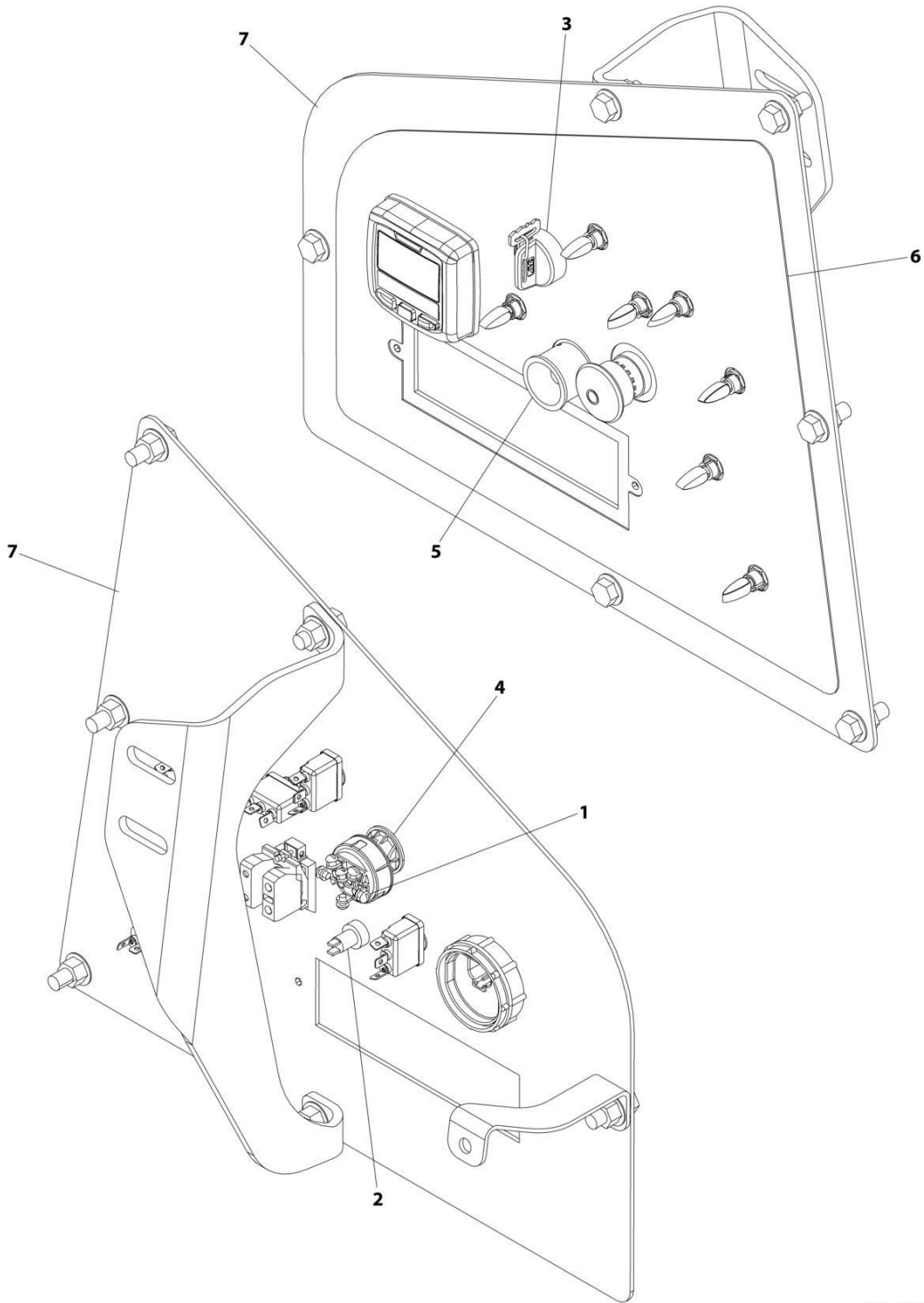
**SECTION 2 - TURNTABLE**

**FIGURE 2-24. GROUND CONTROL DECAL AND KEYSWITCH INSTALLATION (ALL SPECS EXCEPT CE & UK CA SPEC) (460SJ)**

<b>ITEM</b>	<b>PART NUMBER</b>	<b>QTY</b>	<b>DESCRIPTION</b>	<b>REV</b>
	1001222140	Ref	GROUND CONTROL DECAL AND KEYSWITCH INSTALLATION	B
1	3910804	6	Screw #8 x 1/4	
2	4360469	1	Switch, Key	
2	2860030	1	Key, Replacement	
3	1001151393	1	Shim .063	
4	1001221403	1	Decal - Ground Control	

## SECTION 2 - TURNTABLE

FIGURE 2-25. GROUND CONTROL DECAL AND KEYSWITCH INSTALLATION (CE(LRC) & UK CA SPEC) (460SJ)



ART\_1001222142

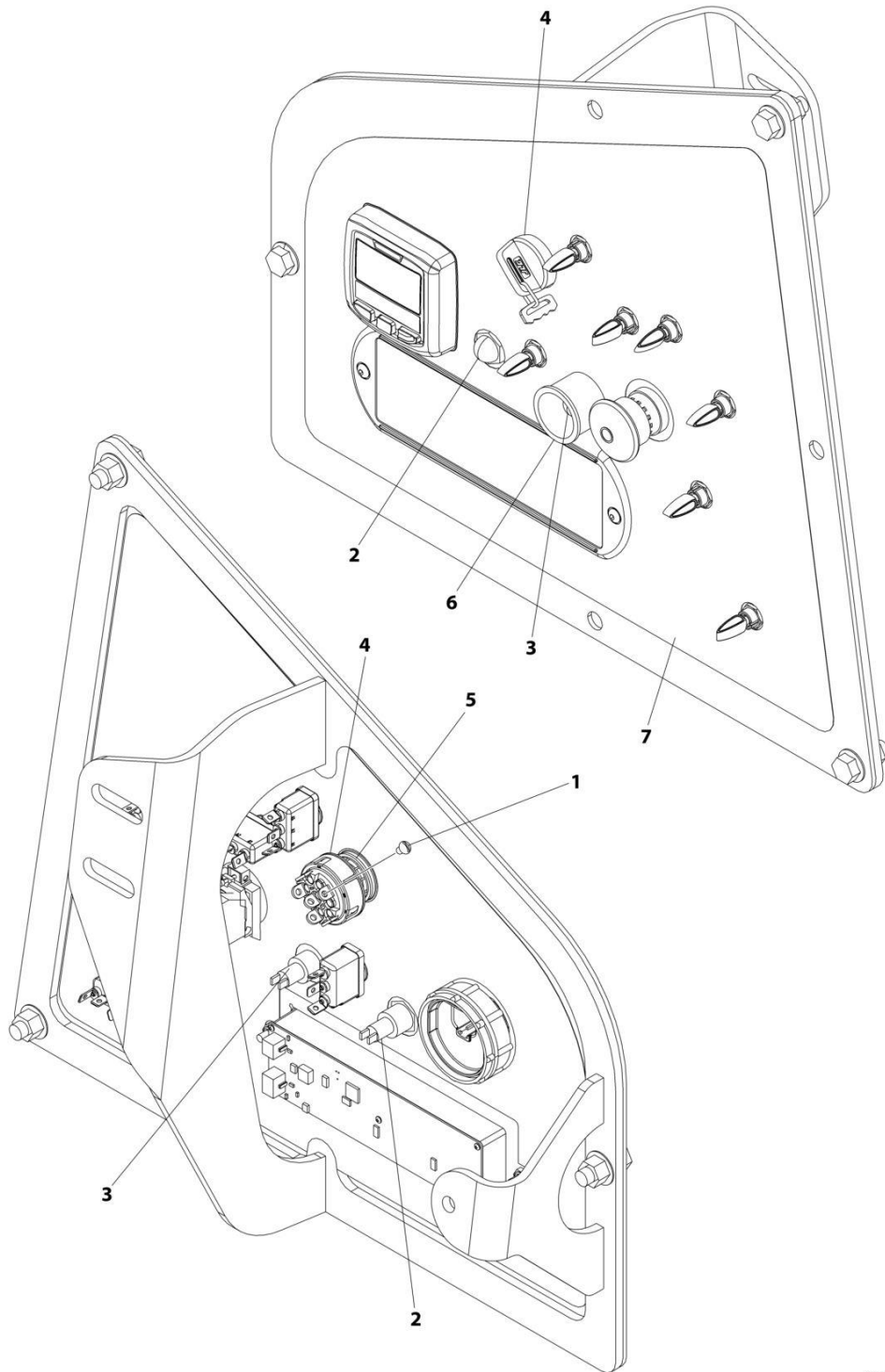
**SECTION 2 - TURNTABLE**

**FIGURE 2-25. GROUND CONTROL DECAL AND KEYSWITCH INSTALLATION (CE(LRC) & UK CA SPEC) (460SJ)**

ITEM	PART NUMBER	QTY	DESCRIPTION	REV
	1001222142	Ref	GROUND CONTROL DECAL AND KEYSWITCH INSTALLATION	C
1	3910804	6	Screw #8 x 1/4	
2	4360387	1	Switch, Push Button	
3	4360469	1	Switch, Key	
3	2860030	1 set	Key, Replacement	
4	1001151393	1	Shim .063	
5	1001176469	1	Shroud, Switch	
6	1001221405	1	Decal - Ground Control	
7	1001239293	1	Mount	

## SECTION 2 - TURNTABLE

FIGURE 2-26. GROUND CONTROL DECAL AND KEYSWITCH INSTALLATION (STAGE V) (CE & UK CA SPECS) (460SJ)



ART\_1001245831



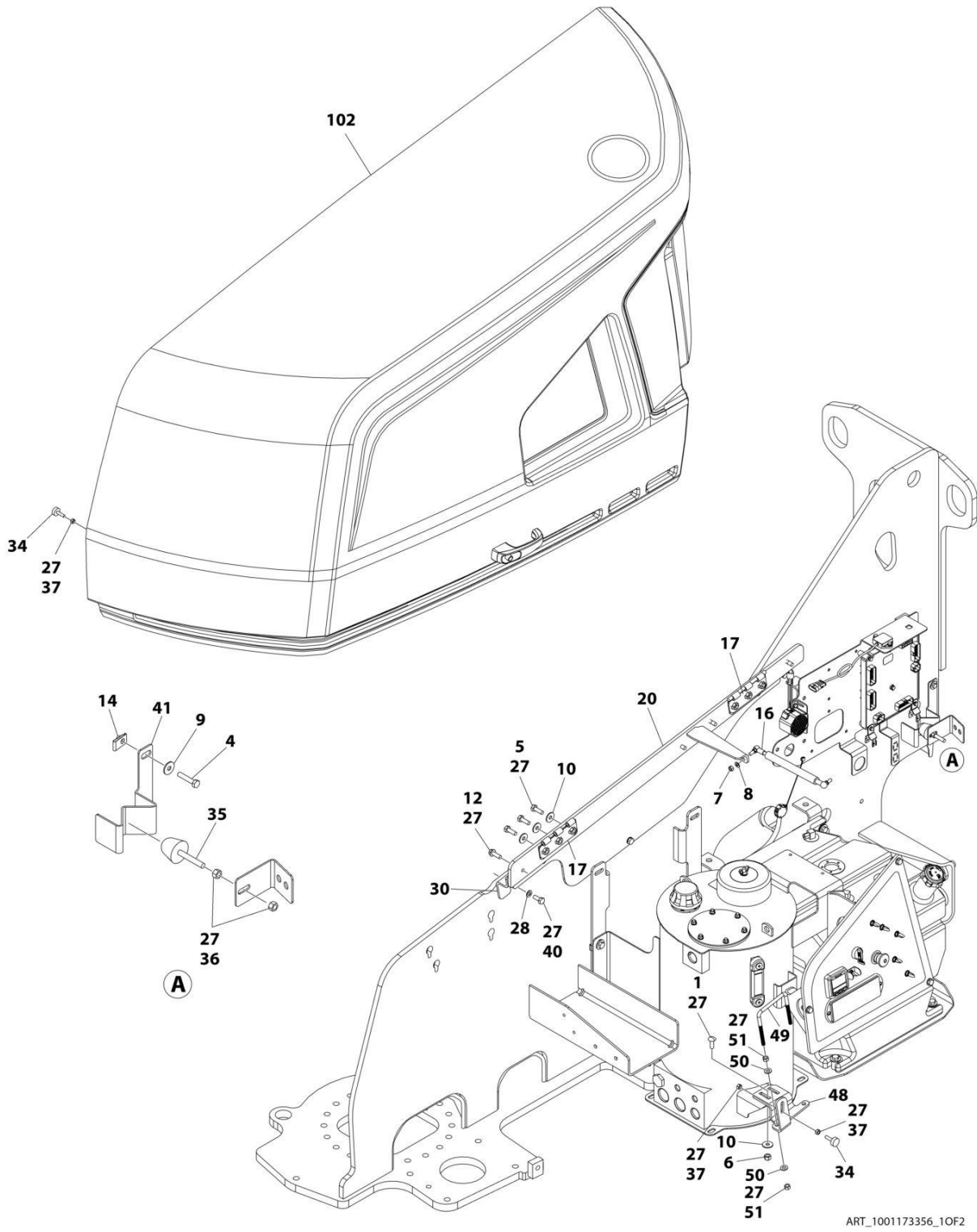
**SECTION 2 - TURNTABLE**

**FIGURE 2-26. GROUND CONTROL DECAL AND KEYSWITCH INSTALLATION (STAGE V) (CE & UK CA SPECS) (460SJ)**

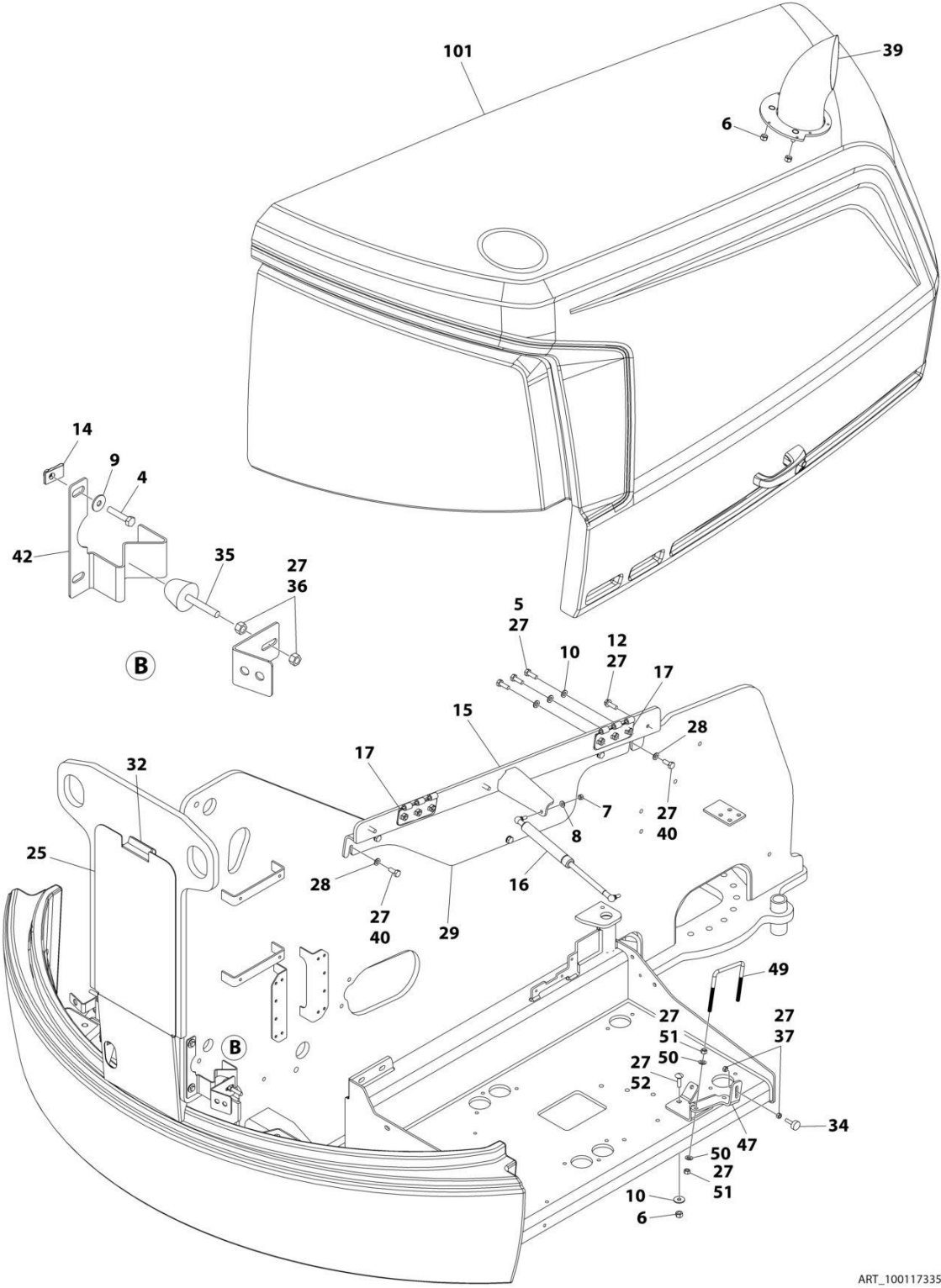
ITEM	PART NUMBER	QTY	DESCRIPTION	REV
	1001245831	Ref	GROUND CONTROL DECAL AND KEYSWITCH INSTALLATION	B
1	3910804	6	Screw #8 x 1/4	
2	4360274	1	Switch, Push Button	
3	4360387	1	Switch, Push Button	
4	4360469	1	Switch, Key	
4	2860030	1	Key, Replacement	
5	1001151393	1	Shim .063	
6	1001176469	1	Shroud, Switch	
7	1001245827	1	Decal, Ground Control	

# SECTION 2 - TURNTABLE

## FIGURE 2-27. HOOD INSTALLATION - ABS (DEUTZ & GM ENGINES)



SECTION 2 - TURNTABLE



ART\_1001173356\_2OF2

## SECTION 2 - TURNTABLE

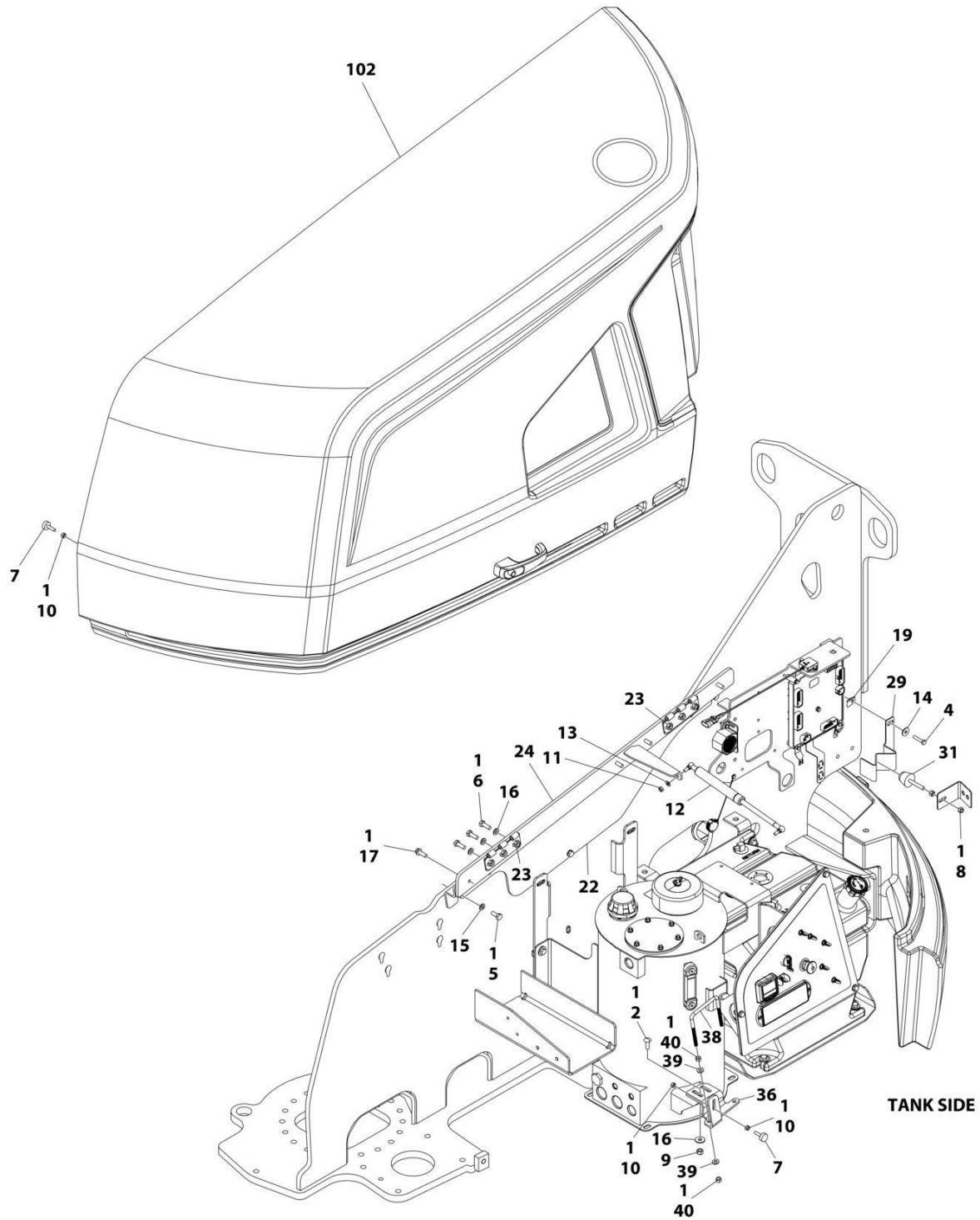
FIGURE 2-27. HOOD INSTALLATION - ABS (DEUTZ & GM ENGINES)

ITEM	PART NUMBER	QTY	DESCRIPTION	REV
	1001173356	Ref	HOOD INSTALLATION	K
1	0630613	2	Bolt M10 x 30	
4	0760816	4	Bolt M8 x 40	
5	0761014	12	Bolt M10 x 30	
6	3291005	7	Nut M10	
7	3311505	2	Nut 5/16	
8	4711500	2	Washer 5/16	
9	4811902	AR	Washer M8	
10	4812002	16	Washer M10	
12	5251014	8	Bolt M10 x 30	
14	1001149160	4	Nut, Tinnerman M8	
15	1001167159	1	Mount, Adjustment	
16	4160182	2	Spring, Gas	
17	1001169046	4	Nut	
20	1001170850	1	Mount, Adjustment	
25	1001173354	1	Cover	
27	0100011	AR	Compound, Locking	
28	4812000	10	Washer M10	
29	1001165060	1	Plate	
30	1001168173	1	Mount, Hinge	
32	90200755	AR	Tape, Gasket	
34	0940049	4	Stopper	
35	1001206314	2	Bumper	
36	3271601	4	Nut 3/8	
37	3311501	8	Nut 5/16	
39	1001174098	1	Outlet, Exhaust	
40	0761012	10	Bolt M10 x 25	
41	1001199207	1	Bracket, Bumper	
42	1001199901	1	Bracket, Bumper	
47	1001250287	1	Bracket, Engine	
48	1001250289	1	Bracket, Tank	
49	1001243414	2	Bolt, U-Bolt	
50	4711600	AR	Washer 3/8	
51	3311601	AR	Nut 3/8	
52	1001228406	2	Bolt M10 x 35	
100	1001202298	1	Hood Kit (Not Shown - Includes Items 101 & 102)	
101	1001170551	1	Hood Assembly - Engine Side (See Separate Breakdown in this Section)	
102	1001170552	1	Hood Assembly - Tank Side (See Separate Breakdown in this Section)	



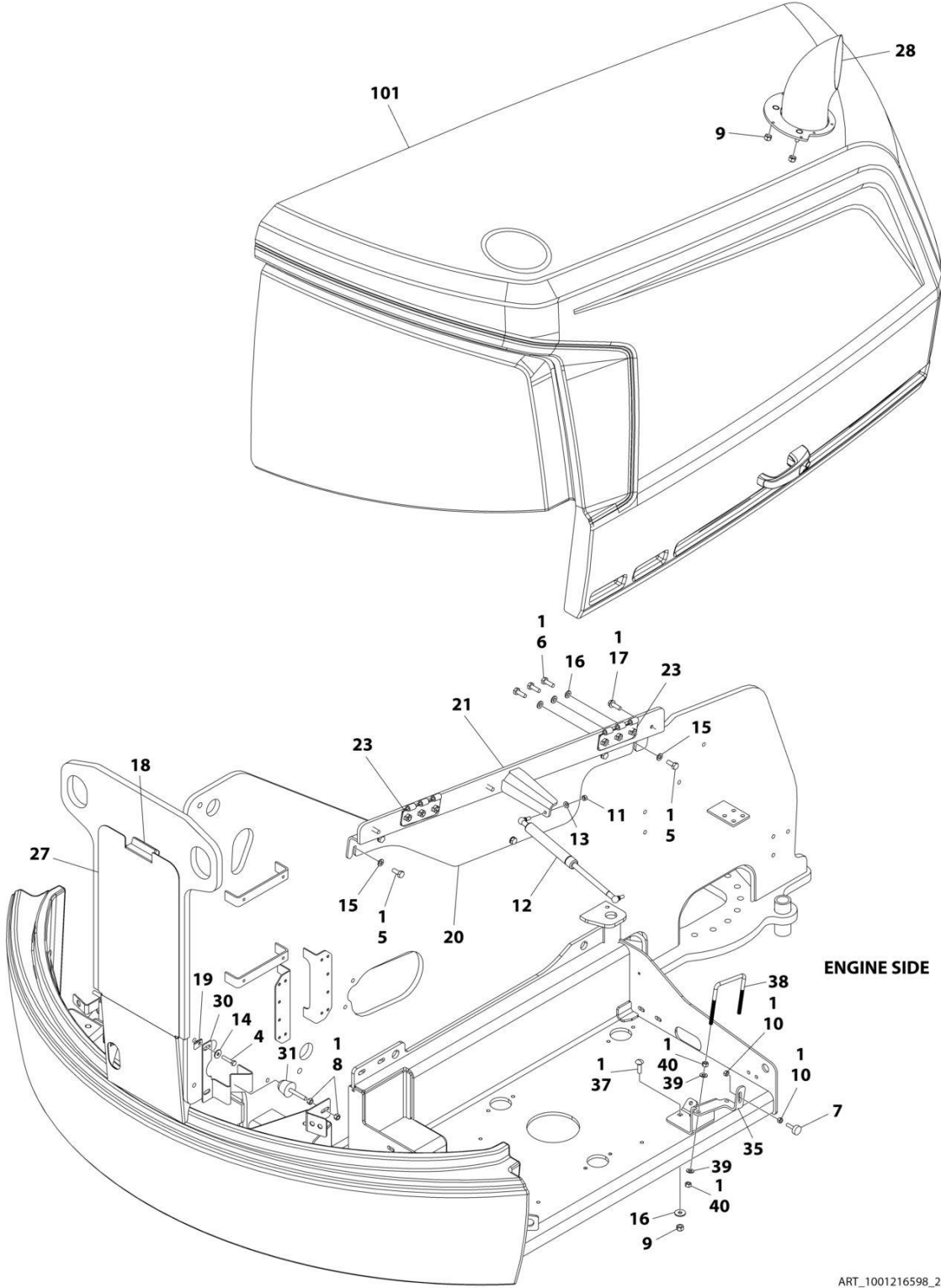
# SECTION 2 - TURNTABLE

## FIGURE 2-28. HOOD INSTALLATION - ABS (KUBOTA ENGINES)



ART\_1001216598\_10F2

**SECTION 2 - TURNTABLE**



ART\_1001216598\_2OF2

## SECTION 2 - TURNTABLE

**FIGURE 2-28. HOOD INSTALLATION - ABS (KUBOTA ENGINES)**

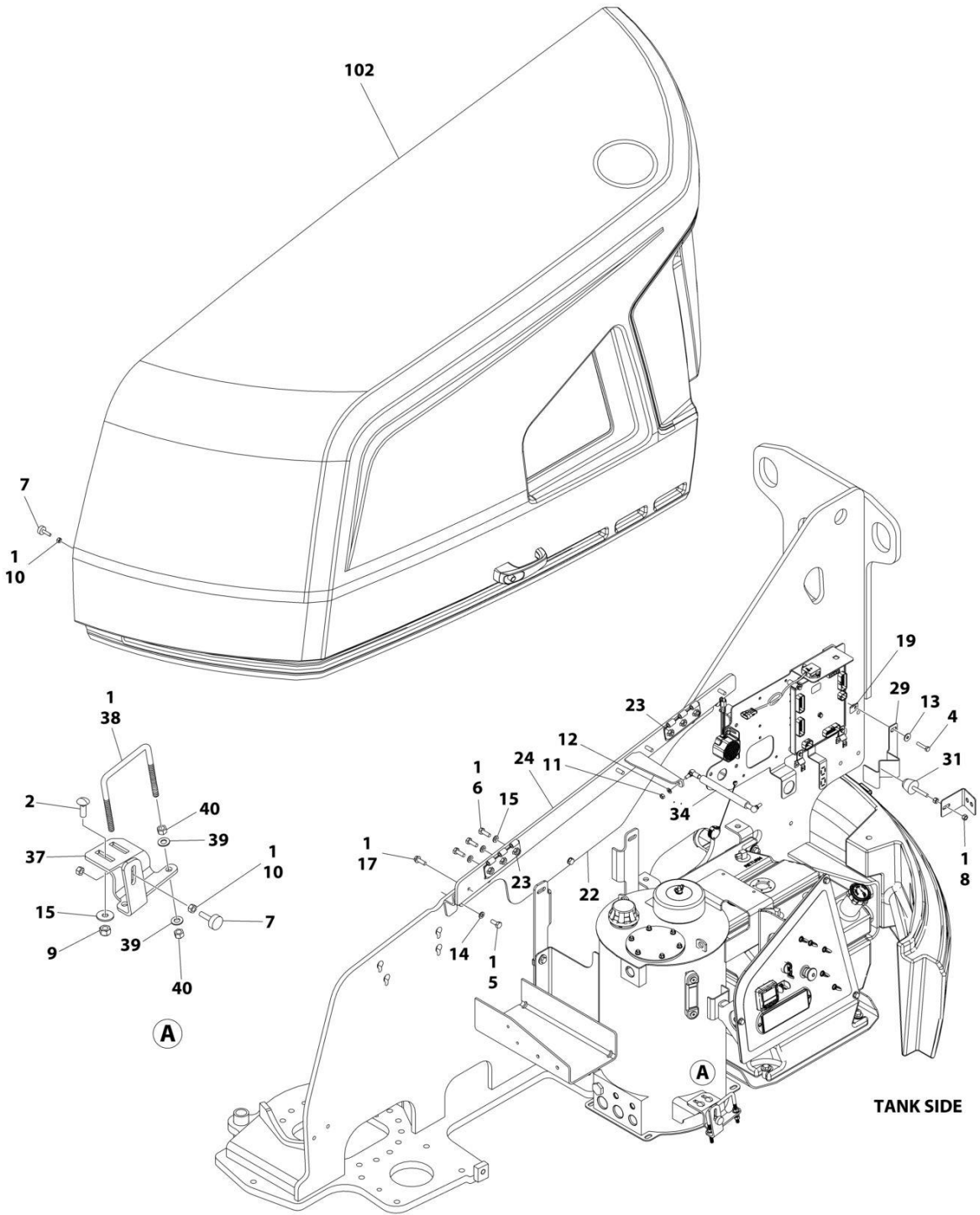
ITEM	PART NUMBER	QTY	DESCRIPTION	REV
	1001216598	Ref	KUBOTA HOOD INSTALLATION	B
1	0100011	AR	Compound, Locking	
2	0630613	2	Bolt M10 x 30	
4	0760816	4	Bolt M8 x 40	
5	0761012	10	Bolt M10 x 25	
6	0761014	12	Bolt M10 x 30	
7	0940049	4	Stopper	
8	3271601	4	Nut 3/8	
9	3291005	7	Nut M10	
10	3311501	8	Nut 5/16	
11	3311505	2	Nut 5/16	
12	4160182	2	Spring, Gas	
13	4711500	2	Washer 5/16	
14	4811902	AR	Washer M8	
15	4812000	10	Washer M10	
16	4812002	16	Washer M10	
17	5251014	8	Bolt M10 x 30	
18	90200755	AR	Tape, Gasket	
19	1001149160	4	Nut, Tinnerman M8	
20	1001165060	1	Plate	
21	1001167159	1	Mount, Adjustment	
22	1001168173	1	Mount, Hinge	
23	1001169046	4	Nut	
24	1001170850	1	Mount, Adjustment	
27	1001173354	1	Cover	
28	1001174098	1	Outlet, Exhaust	
29	1001199207	1	Bracket, Bumper	
30	1001199901	1	Bracket, Bumper	
31	1001206314	2	Bumper	
35	1001250288	1	Bracket, Engine	
36	1001250289	1	Bracket, Tank	
37	1001228406	2	Bolt, Carriage	
38	1001243414	2	Bolt, U-bolt	
39	4711600	AR	Washer 3/8	
40	3311601	AR	Nut 3/8	
100	1001202298	1	Hood Kit (Not Shown - Includes Items 101 & 102)	
101	1001170551	1	Hood Assembly - Engine Side (See Separate Breakdown in this Section)	
102	1001170552	1	Hood Assembly - Tank Side (See Separate Breakdown in this Section)	





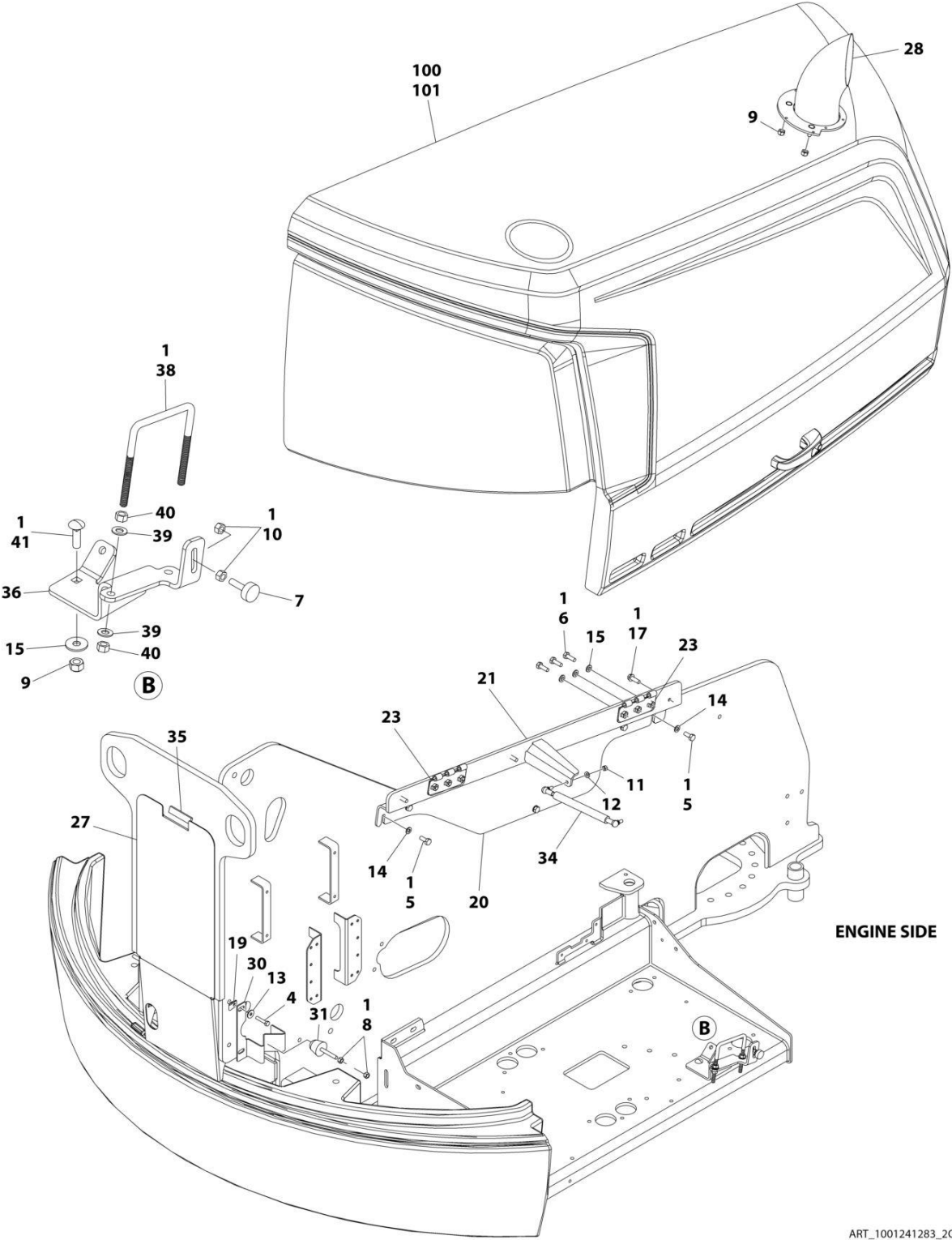
# SECTION 2 - TURNTABLE

FIGURE 2-29. HOOD INSTALLATION - ABS (KUBOTA ENGINES) (ROMANIAN BUILT MACHINES)



ART\_1001241283\_1OF2

SECTION 2 - TURNTABLE



ENGINE SIDE

ART\_1001241283\_2OF2

## SECTION 2 - TURNTABLE

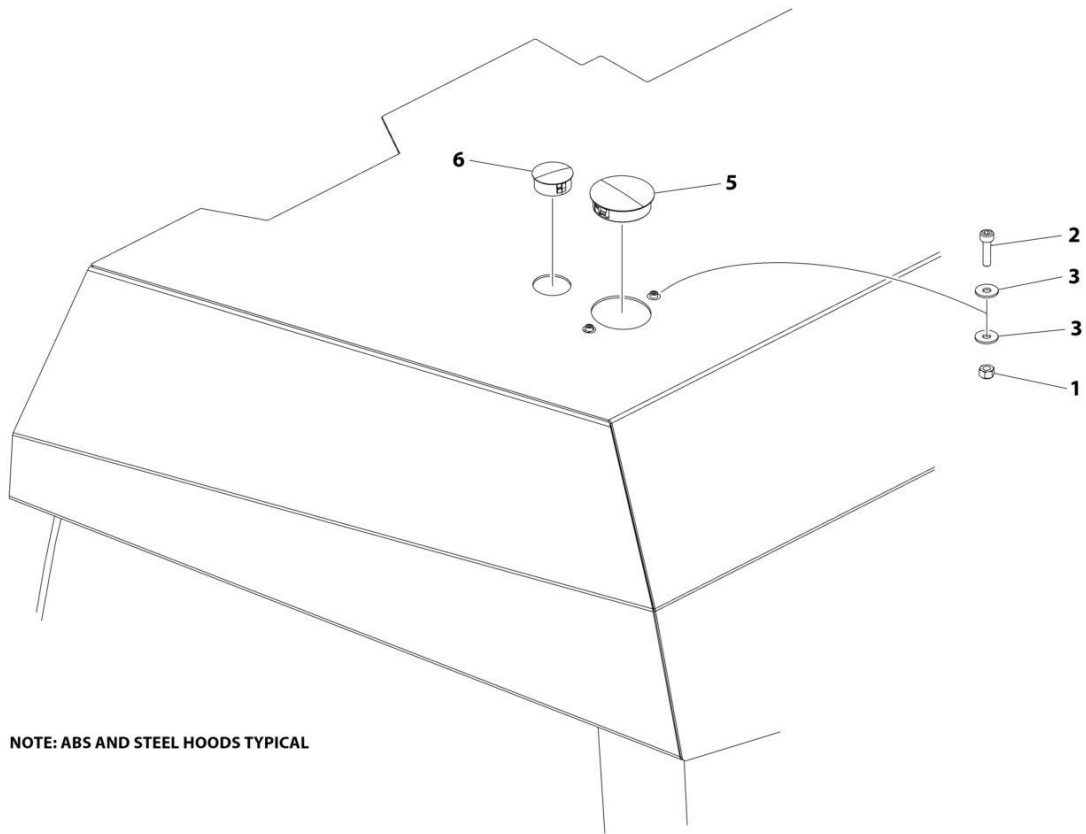
**FIGURE 2-29. HOOD INSTALLATION - ABS (KUBOTA ENGINES) (ROMANIAN BUILT MACHINES)**

ITEM	PART NUMBER	QTY	DESCRIPTION	REV
	1001241283	Ref	KUBOTA HOOD INSTALLATION	B
1	0100011	AR	Compound, Locking	
2	0630613	2	Bolt M10 x 30	
4	0760816	4	Bolt M8 x 40	
5	0761012	10	Bolt M10 x 25	
6	0761014	12	Bolt M10 x 30	
7	0940049	4	Stopper	
8	3271601	4	Nut 3/8	
9	3291005	7	Nut M10 x 1.5	
10	3311501	8	Nut 5/16	
11	3311505	2	Nut 5/16	
12	4711500	2	Washer 5/16	
13	4811902	4	Washer M8	
14	4812000	10	Washer M10	
15	4812002	16	Washer M10	
17	5251014	8	Bolt, M10 x 30	
19	1001149160	4	Nut, Tinnerman M8	
20	1001165060	1	Plate	
21	1001167159	1	Mount, Adjustment	
22	1001168173	1	Mount, Hinge	
23	1001169046	4	Nut	
24	1001170850	1	Mount, Adjustment	
27	1001173354	1	Cover	
28	1001174098	1	Outlet, Exhaust	
29	1001199207	1	Bracket, Bumper	
30	1001199901	1	Bracket, Bumper	
31	1001206314	2	Bumper	
34	4160182	2	Spring, Gas	
35	90200755	AR	Tape, Gasket	
36	1001250287	1	Bracket	
37	1001250289	1	Bracket	
38	1001243414	2	Bolt 3/8 x 4 x 4 5/8	
39	4711600	8	Washer 3/8	
40	3311601	8	Nut 3/8	
41	1001228406	2	Bolt M10 x 35	
100	1001241288	1	Hood Kit (Includes Items 101 & 102)	
101	1001241291	1	Hood Assembly - Engine Side (See Separate Breakdown in this Section)	
102	1001241292	1	Hood Assembly - Tank Side (See Separate Breakdown in this Section)	



## SECTION 2 - TURNTABLE

FIGURE 2-30. HOOD PLUGS INSTALLATION (HOODS WITHOUT STROBE LIGHT)



NOTE: ABS AND STEEL HOODS TYPICAL

ART\_1001285811

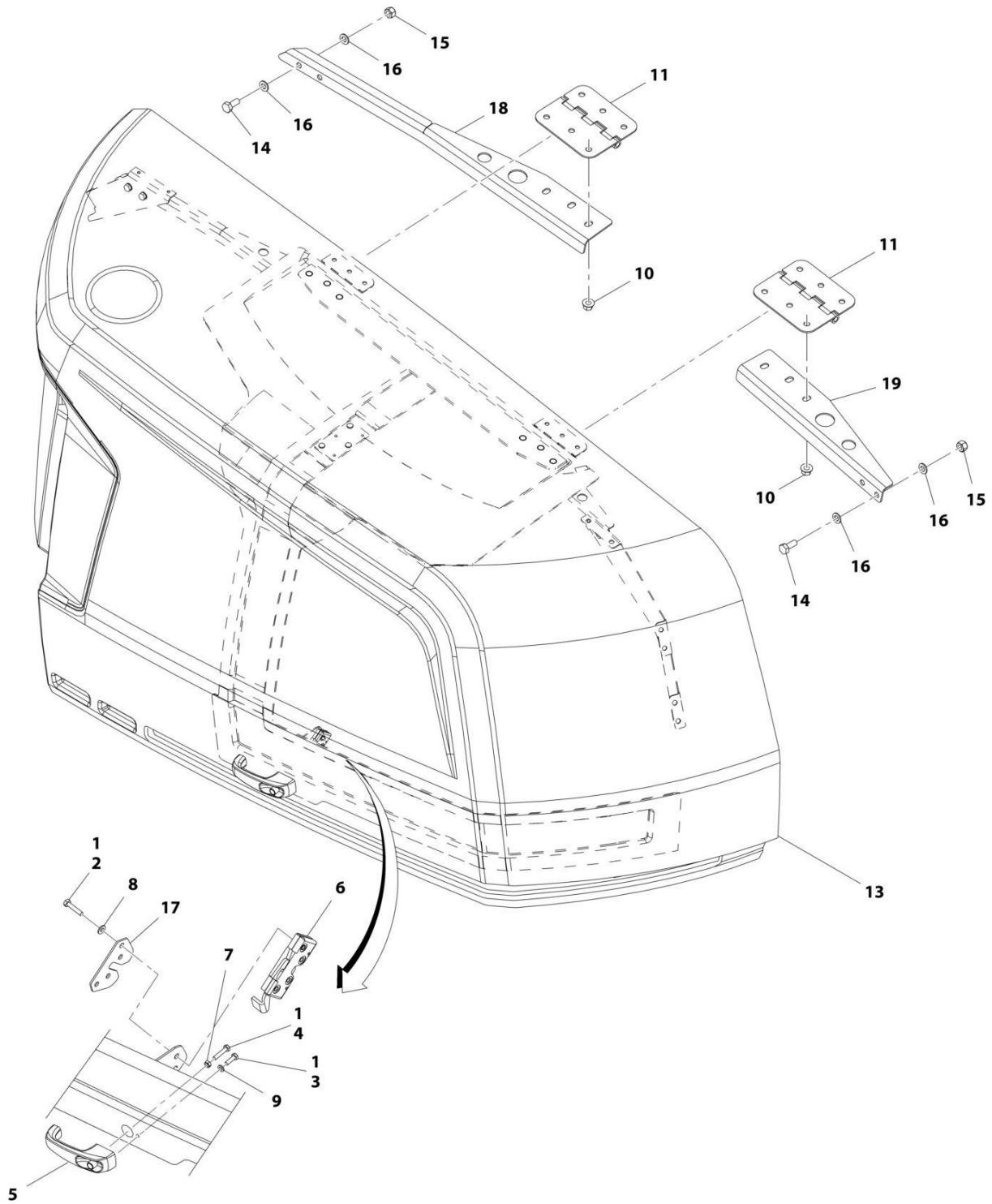
**SECTION 2 - TURNTABLE**

**FIGURE 2-30. HOOD PLUGS INSTALLATION (HOODS WITHOUT STROBE LIGHT)**

<b>ITEM</b>	<b>PART NUMBER</b>	<b>QTY</b>	<b>DESCRIPTION</b>	<b>REV</b>
	1001285811	Ref	HOOD PLUGS INSTALLATION	A
1	3290405	2	Nut M4	
2	4031507	2	Capscrew M4 x 16	
3	1001091102	4	Washer M6	
4	1001244462	1	Cap, Dust (Not Shown)	
5	1001285891	1	Plug	
6	1001285892	1	Plug	

# SECTION 2 - TURNTABLE

## FIGURE 2-31. ABS HOOD ASSEMBLY - ENGINE SIDE



ART\_1001170551



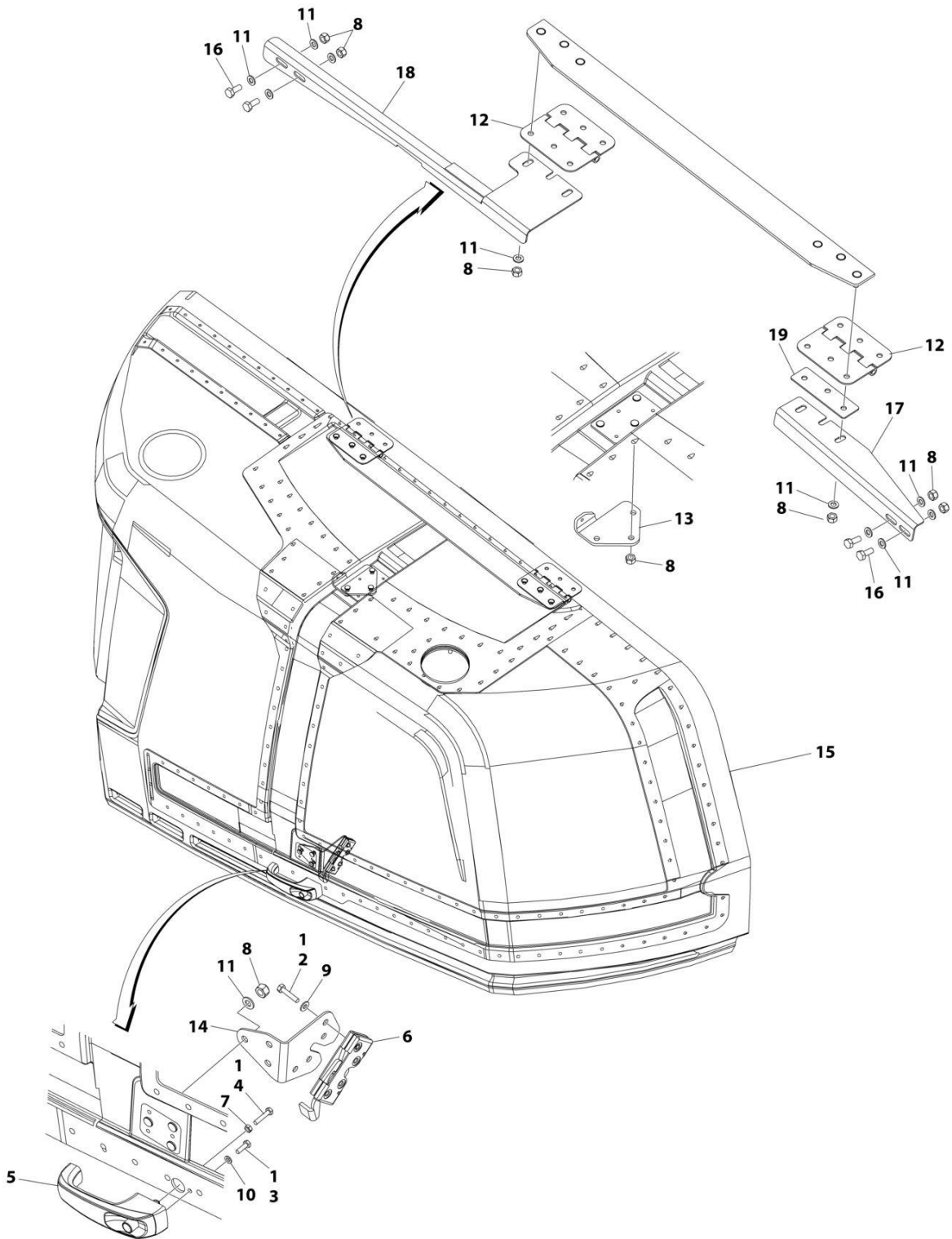
**SECTION 2 - TURNTABLE**

**FIGURE 2-31. ABS HOOD ASSEMBLY - ENGINE SIDE**

ITEM	PART NUMBER	QTY	DESCRIPTION	REV
	1001170551	Ref	HOOD ASSEMBLY - ENGINE SIDE	F
1	0100011	AR	Compound, Locking	
2	0641410	4	Bolt 1/4 x 1-1/4	
3	0760610	2	Bolt M6 x 20	
4	0760614	1	Bolt M6 x 30	
5	2560187	1	Handle, Push Button	
6	2940173	1	Latch, Rotary	
7	3290601	1	Nut M6	
8	4711400	4	Washer 1/4	
9	4811700	2	Washer M6	
10	5261018	6	Nut M10 Grade 10.9	
11	1001139384	2	Hinge	
13	See Note	NSS	Hood - Engine Side (Note: Purchase pn 1001170551)	
14	0761012	4	Bolt M10 x 25	
15	3291005	4	Nut M10	
16	4812000	8	Washer M10	
17	1001200458	1	Plate	
18	1001201636	1	Hood Support	
19	1001201635	1	Hood Support	

# SECTION 2 - TURNTABLE

## FIGURE 2-32. ABS HOOD ASSEMBLY - ENGINE SIDE (CE & UK CA SPEC)



ART\_1001241291

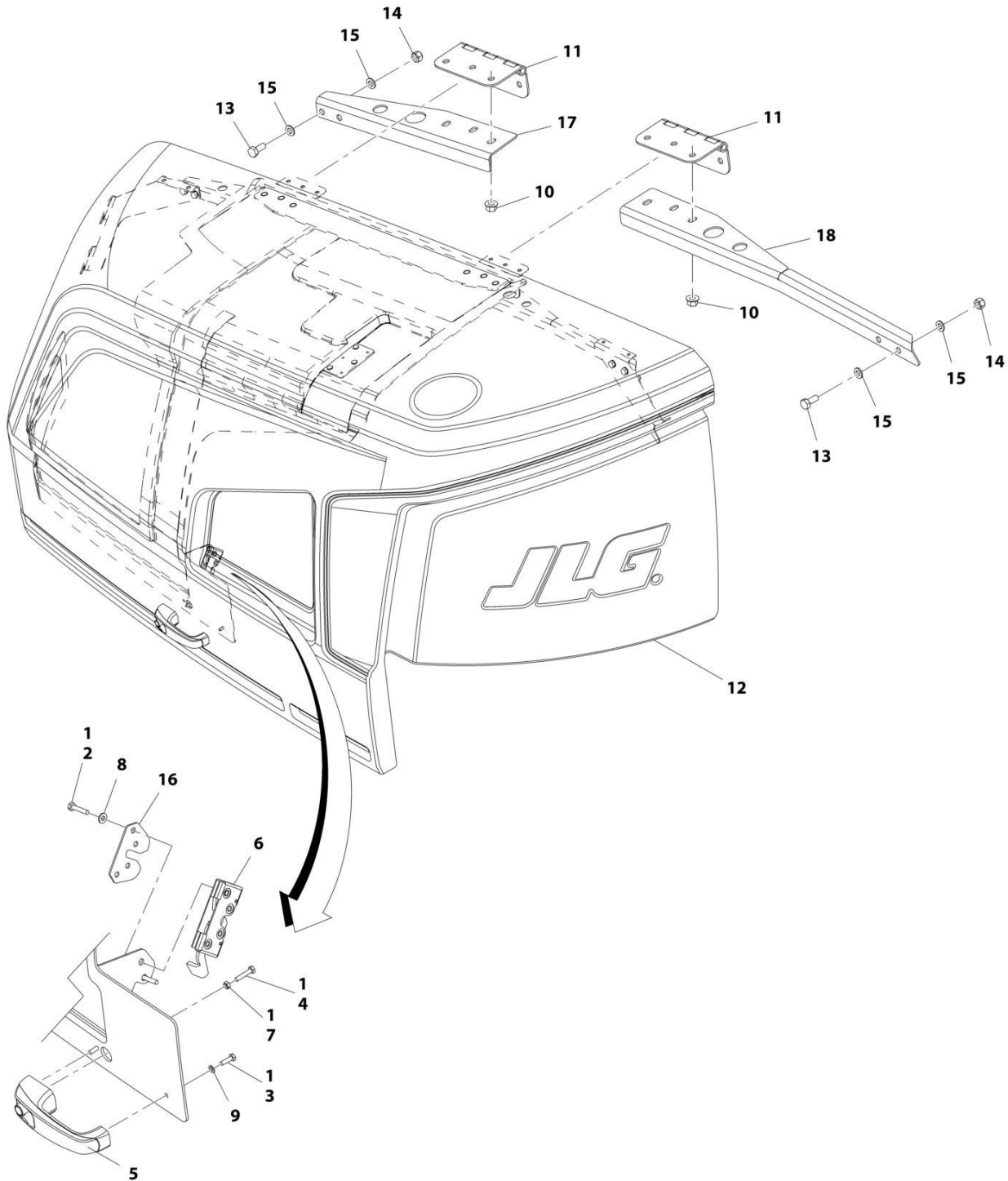
# SECTION 2 - TURNTABLE

**FIGURE 2-32. ABS HOOD ASSEMBLY - ENGINE SIDE (CE & UK CA SPEC)**

ITEM	PART NUMBER	QTY	DESCRIPTION	REV
	1001241291	Ref	HOOD ASSEMBLY - ENGINE SIDE	C
1	0100011	AR	Compound, Locking	
2	0641410	4	Bolt 1/4 x 1-1/4	
3	0760610	2	Bolt M6 x 20	
4	0760614	1	Bolt M6 x 30	
5	2560187	1	Handle, Push Button	
6	2940173	1	Latch, Rotary	
7	3290601	1	Nut M6	
8	3291005	16	Nut M10	
9	4711400	4	Washer 1/4	
10	4811700	2	Washer M6	
11	4812000	17	Washer M10	
12	1001139384	2	Hinge - 6 holes	
12	1001259230	2	Hinge - 3 holes and 3 slotted holes	
13	1001178228	1	Bracket, Engine	
14	1001202830	1	Hood Support	
15	See Note	NSS	Hood (Note: Use p/n 1001241291)	
16	0761012	4	Bolt M10 x 25	
17	1001253892	1	Support	
18	1001253896	1	Support	
19	1001253903	1	Plate	

# SECTION 2 - TURNTABLE

## FIGURE 2-33. ABS HOOD ASSEMBLY - TANK SIDE



ART\_1001170552

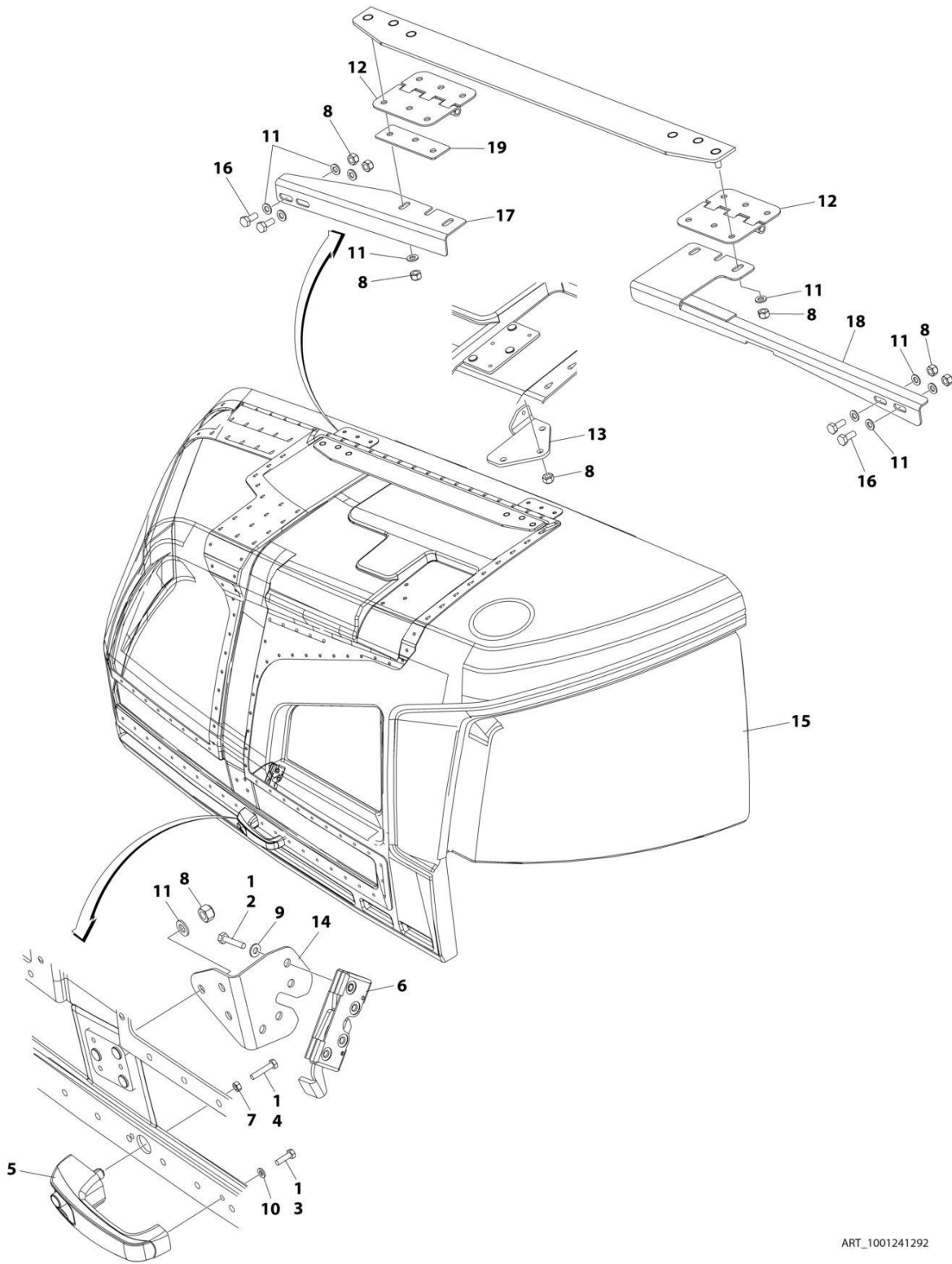
**SECTION 2 - TURNTABLE**

**FIGURE 2-33. ABS HOOD ASSEMBLY - TANK SIDE**

ITEM	PART NUMBER	QTY	DESCRIPTION	REV
	1001170552	Ref	HOOD ASSEMBLY - TANK SIDE	F
1	0100011	AR	Compound, Locking	
2	0641410	4	Bolt 1/4 x 1-1/4	
3	0760610	2	Bolt M6 x 20	
4	0760614	1	Bolt M6 x 30	
5	2560187	1	Handle, Push Button	
6	2940173	1	Latch, Rotary	
7	3290601	1	Nut M6	
8	4711400	4	Washer 1/4	
9	4811700	2	Washer M6	
10	5261018	6	Nut M10 Grade 10.9	
11	1001139384	2	Hinge	
12	See Note	NSS	Hood (Note: Use PN 1001170552)	
13	0761012	4	Bolt M10 x 25	
14	3291005	4	Nut M10	
15	4812000	8	Washer M10	
16	1001200458	AR	Plate	
17	1001201633	1	Hood Support	
18	1001201634	1	Hood Support	

# SECTION 2 - TURNTABLE

## FIGURE 2-34. ABS HOOD ASSEMBLY - TANK SIDE (CE & UK CA SPEC)



ART\_1001241292

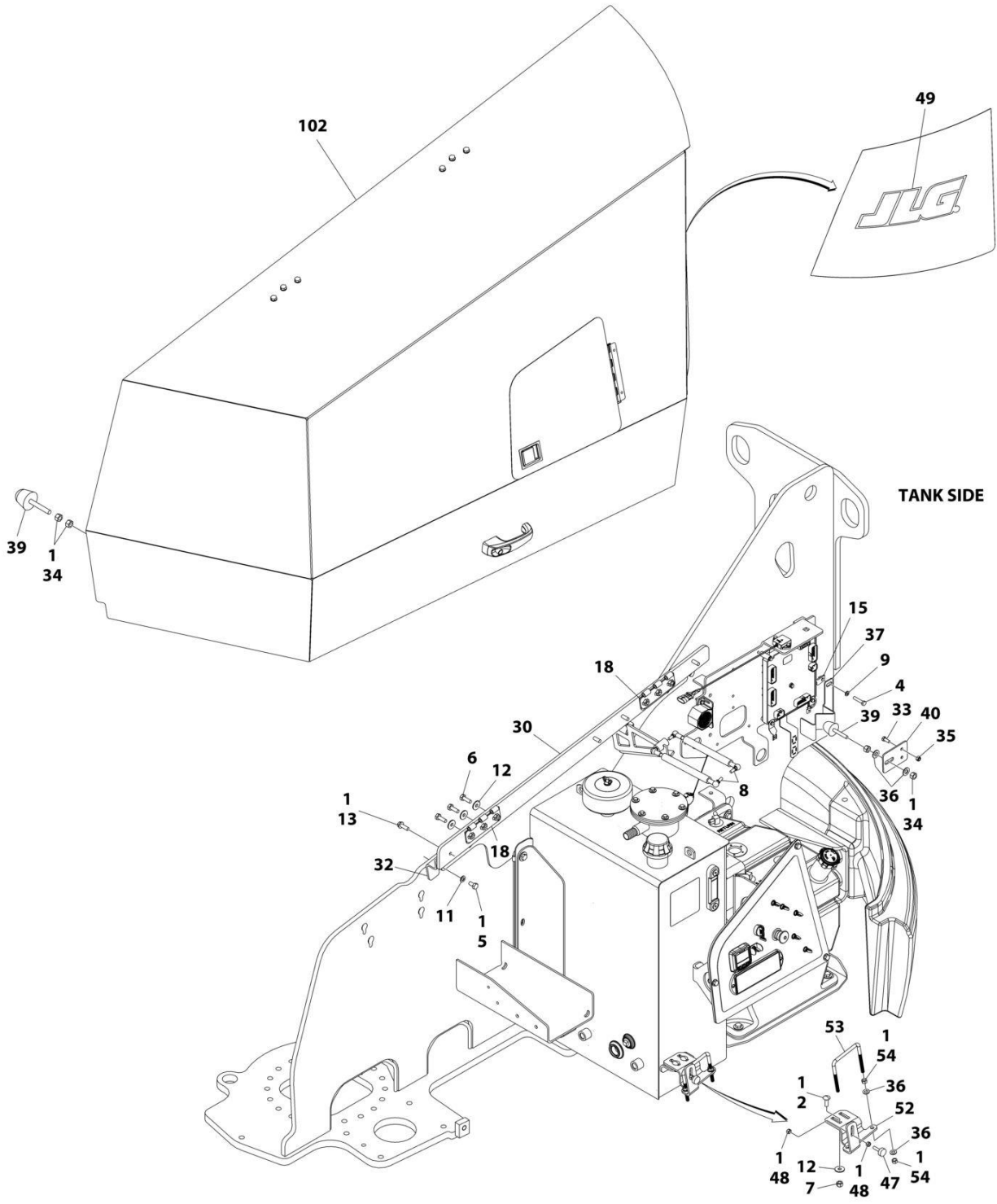
**SECTION 2 - TURNTABLE**

**FIGURE 2-34. ABS HOOD ASSEMBLY - TANK SIDE (CE & UK CA SPEC)**

ITEM	PART NUMBER	QTY	DESCRIPTION	REV
	1001241292	Ref	HOOD ASSEMBLY - TANK SIDE	C
1	0100011	AR	Compound, Locking	
2	0641410	4	Bolt 1/4 x 1-1/4	
3	0760610	2	Bolt M6 x 20	
4	0760614	1	Bolt M6 x 30	
5	2560187	1	Handle, Push Button	
6	2940173	1	Latch, Rotary	
7	3290601	1	Nut M6	
8	3291005	16	Nut M10	
9	4711400	4	Washer 1/4	
10	4811700	2	Washer M6	
11	4812000	17	Washer M10	
12	1001139384	2	Hinge - 6 holes	
12	1001259230	2	Hinge - 3 holes and 3 slotted holes	
13	1001170475	1	Bracket, Engine	
14	1001202831	1	Hood Support	
15	See Note	NSS	Hood (Note: Use PN 1001241292)	
16	0761012	4	Bolt M10 x 25	
17	1001253893	1	Support	
18	1001253897	1	Support	
19	1001253903	1	Plate	

# SECTION 2 - TURNTABLE

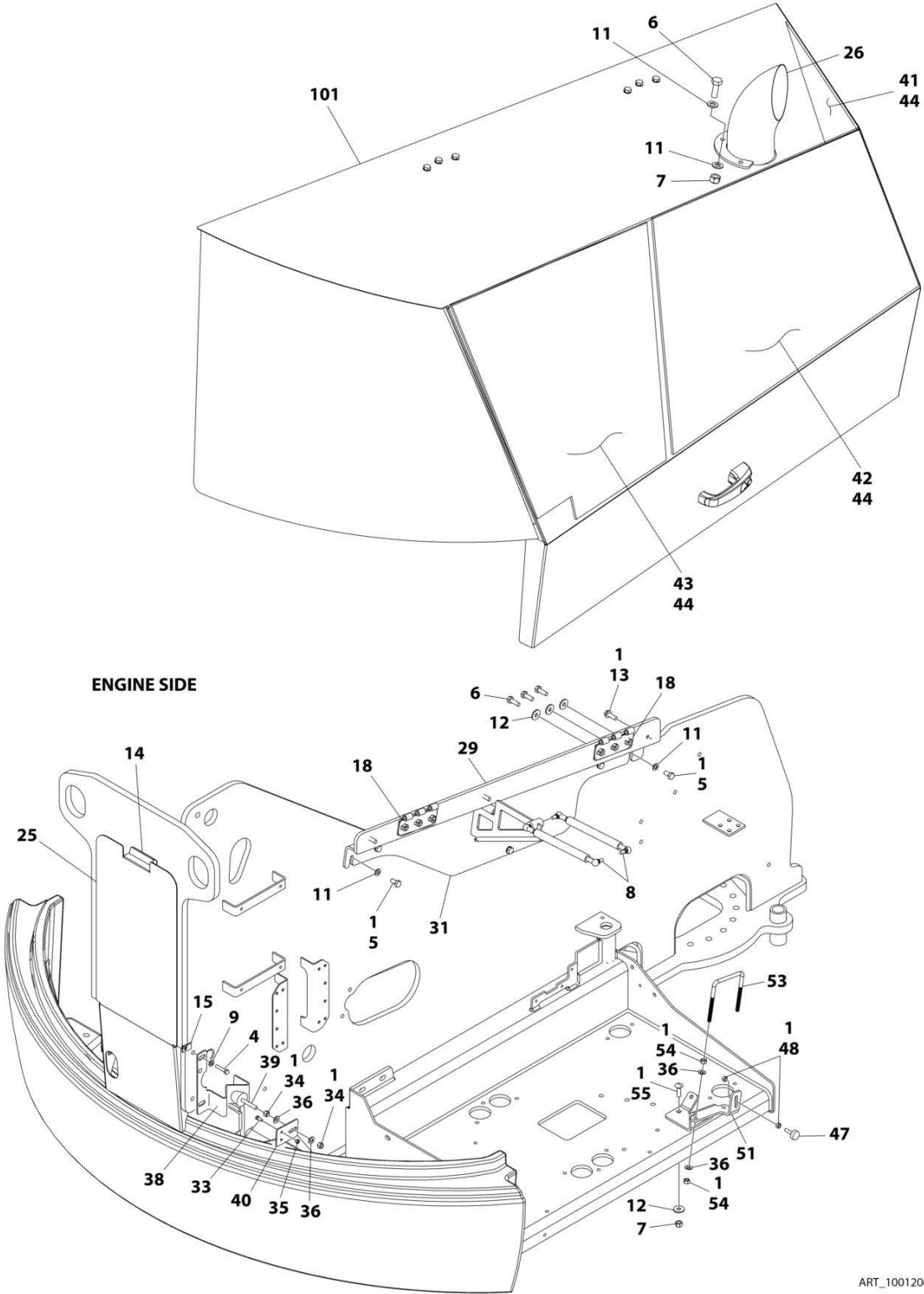
## FIGURE 2-35. HOOD INSTALLATION - STEEL



ART\_1001206402\_1OF2



**SECTION 2 - TURNTABLE**



ART\_1001206402\_20F2

## SECTION 2 - TURNTABLE

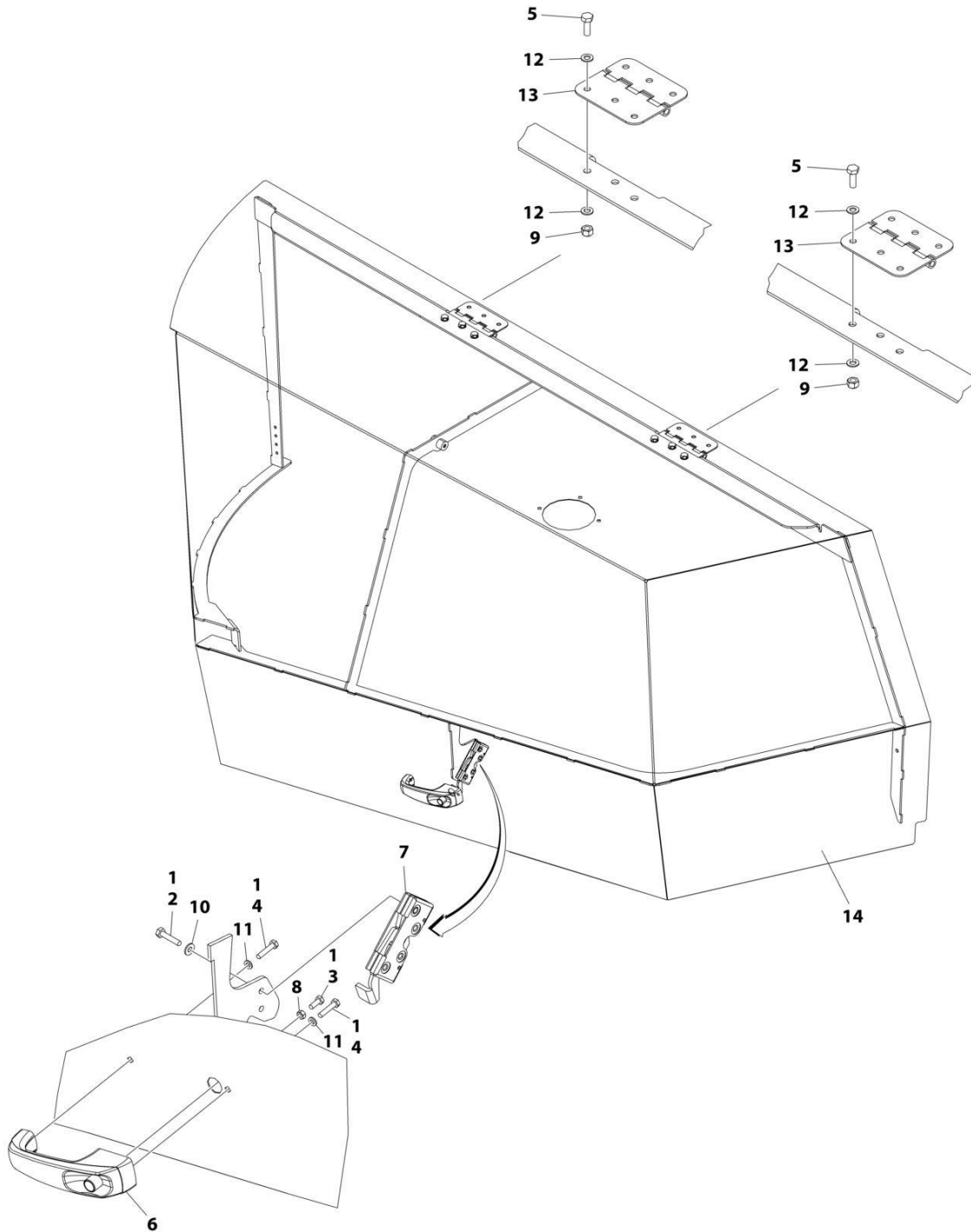
FIGURE 2-35. HOOD INSTALLATION - STEEL

ITEM	PART NUMBER	QTY	DESCRIPTION	REV
	1001206402	Ref	STEEL HOOD INSTALLATION	H
1	0100011	AR	Compound, Locking	
2	0630613	2	Bolt M10 x 30	
4	0760816	4	Bolt M8 x 40	
5	0761012	10	Bolt M10 x 25	
6	0761014	15	Bolt M10 x 30	
7	3291005	7	Nut M10	
8	1001167918	4	Spring, Gas	
9	4811900	4	Washer M8	
11	4812000	16	Washer M10	
12	4812002	16	Washer M10	
13	5251012	8	Bolt M10 x 25	
14	90200755	85 mm	Tape, Gasket	
15	1001149160	4	Nut, Tinnerman M8	
18	1001169046	4	Nut	
25	1001173354	1	Cover	
26	1001174098	1	Outlet, Exhaust	
29	1001211633	1	Plate	
30	1001211636	1	Plate	
31	1001212819	1	Mount, Hinge	
32	1001212822	1	Mount, Hinge	
33	0760608	4	Bolt M6 x 16	
34	3271601	8	Nut 3/8	
35	3290605	4	Nut M6	
36	4711600	4	Washer 3/8	
37	1001199207	1	Bracket, Bumper	
38	1001199901	1	Bracket, Bumper	
39	1001206314	4	Bumper	
40	1001219134	2	Plate, Bumper Mount	
41	1001222043	1	Insulate, Heat Shield	
42	1001222044	1	Insulate, Heat Shield	
43	1001223387	1	Insulate, Heat Shield	
44	1001117140	AR	Tape	
47	0940049	2	Stopper	
48	3311501	4	Nut	
49	1001159323	1	Decal - JLG	
50	1001113047	AR	Adhesive (Not Shown)	
51	1001250287	1	Bracket, Engine	
52	1001250289	1	Bracket, Tank	
53	1001243414	2	Bolt, U-Bolt	
54	3311601	8	Nut 3/8	
55	1001228406	2	Bolt, Carriage	
100	1001206403	1	Hood Kit (Not Shown - Includes Items 101 & 102)	
101	1001206404	1	Steel Hood Assembly - Engine Side (See Separate Breakdown in this Section)	
102	1001206418	1	Steel Hood Assembly - Tank Side (See Separate Breakdown in this Section)	



# SECTION 2 - TURNTABLE

## FIGURE 2-36. STEEL HOOD ASSEMBLY - ENGINE SIDE



ART\_1001206404

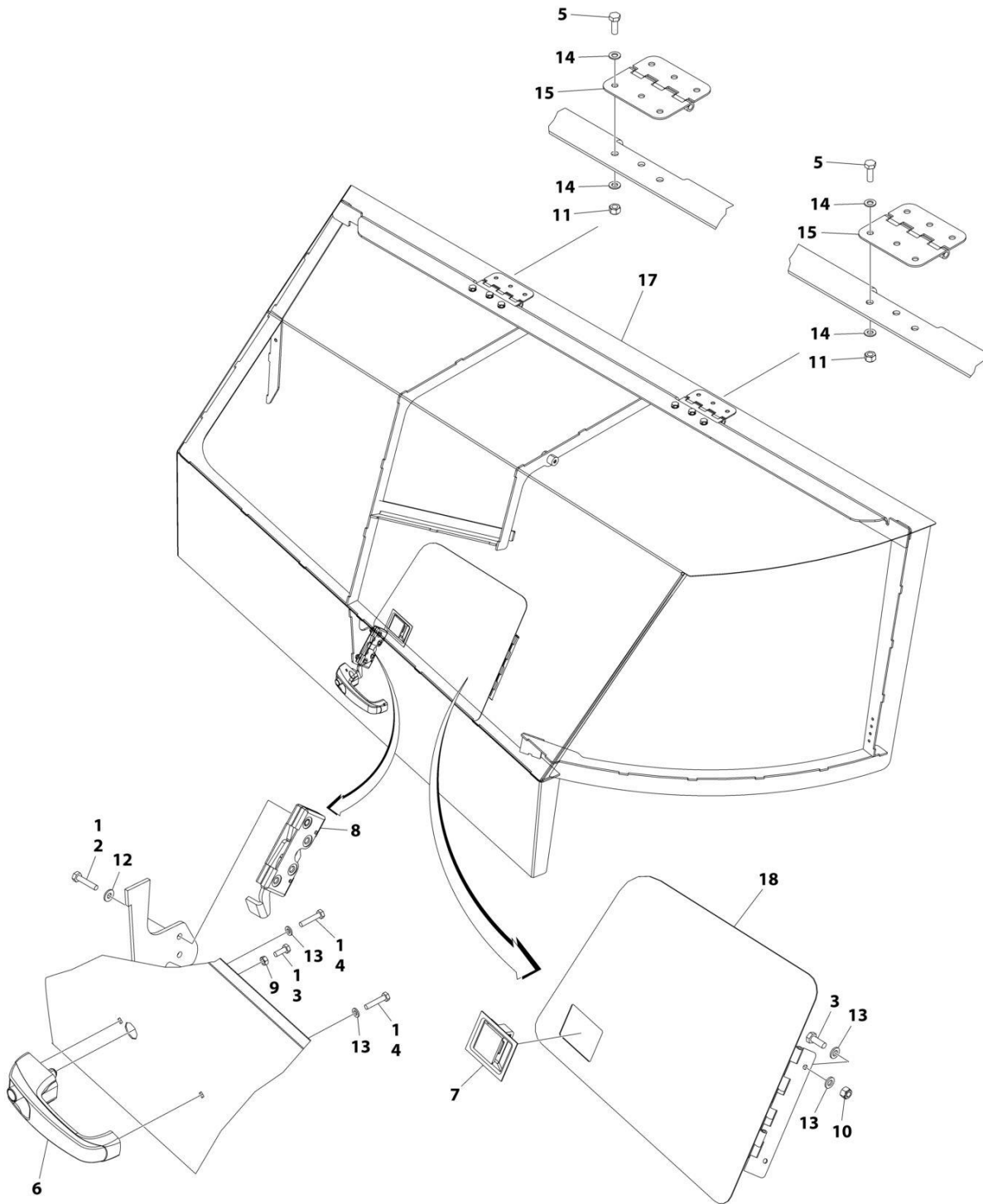
**SECTION 2 - TURNTABLE**

**FIGURE 2-36. STEEL HOOD ASSEMBLY - ENGINE SIDE**

ITEM	PART NUMBER	QTY	DESCRIPTION	REV
	1001206404	Ref	STEEL HOOD ASSEMBLY - ENGINE SIDE	E
1	0100011	AR	Compound, Locking	
2	0641410	4	Bolt 1/4 x 1-1/4	
3	0760608	1	Bolt M6 x 16	
4	0760614	2	Bolt M6 x 30	
5	0761014	6	Bolt M10 x 30	
6	2560187	1	Handle, Push Button	
7	2940173	1	Latch, Rotary	
8	3290601	1	Nut M6	
9	3291005	6	Nut M10	
10	4711400	4	Washer 1/4	
11	4811700	2	Washer M6	
12	4812000	12	Washer M10	
13	1001139384	2	Hinge	
14	1001206405	1	Hood, Engine Side	

# SECTION 2 - TURNTABLE

## FIGURE 2-37. STEEL HOOD ASSEMBLY - TANK SIDE



ART\_1001206418

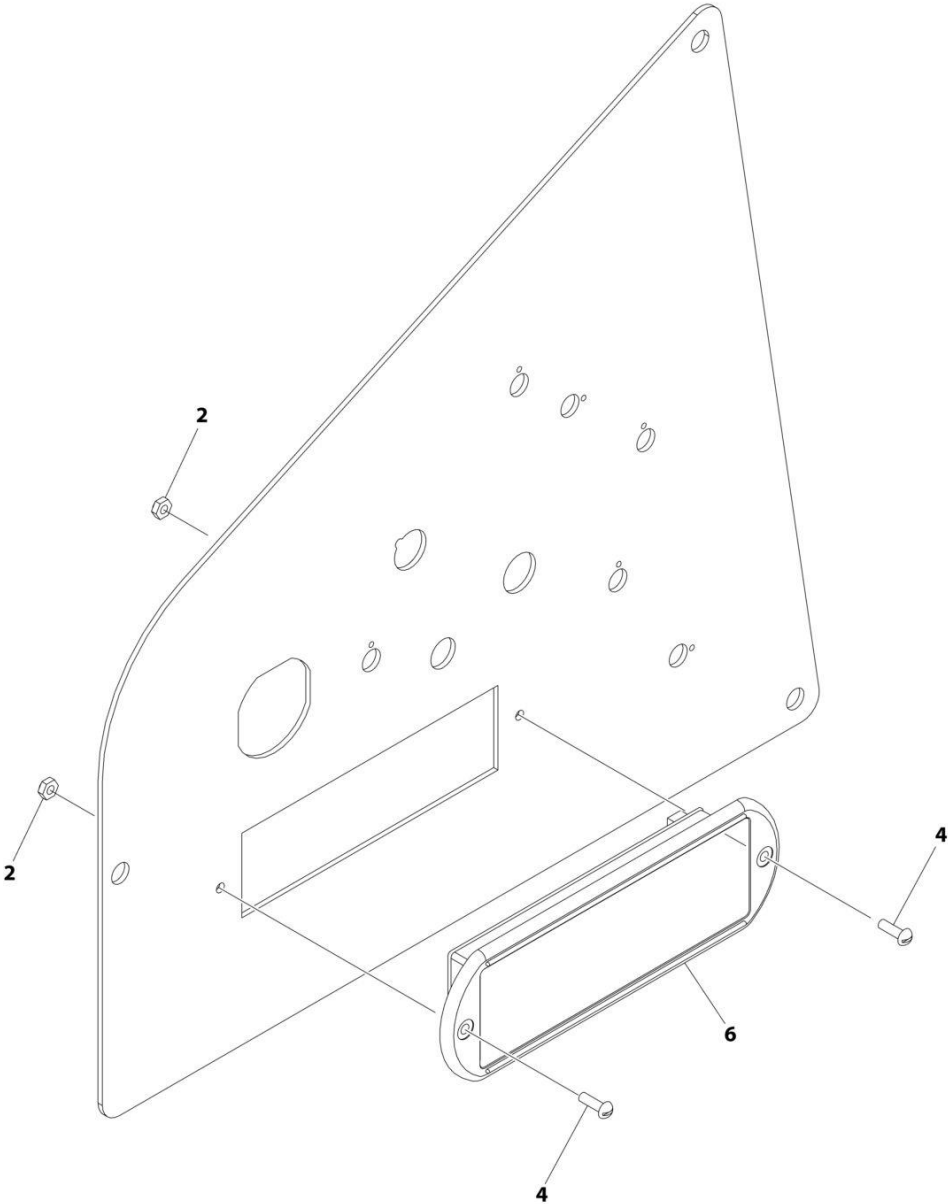
**SECTION 2 - TURNTABLE**

**FIGURE 2-37. STEEL HOOD ASSEMBLY - TANK SIDE**

ITEM	PART NUMBER	QTY	DESCRIPTION	REV
	1001206418	Ref	STEEL HOOD ASSEMBLY - TANK SIDE	F
1	0100011	AR	Compound, Locking	
2	0641410	4	Bolt 1/4 x 1-1/4	
3	0760608	3	Bolt M6 x 16	
4	0760614	2	Bolt M6 x 30	
5	0761014	6	Bolt M10 x 30	
6	2560187	1	Handle, Push Button	
7	2940045	1	Latch, Paddle	
8	2940173	1	Latch, Rotary	
9	3290601	1	Nut M6	
10	3290605	2	Nut M6	
11	3291005	6	Nut M10	
12	4711400	4	Washer 1/4	
13	4811700	6	Washer M6	
14	4812000	12	Washer M10	
15	1001139384	2	Hinge	
17	See Note	NSS	Hood - Tank Side (Note: Use PN 1001206418)	
18	1001207726	1	Door, Ground Control Panel	

**SECTION 2 - TURNTABLE**

**FIGURE 2-38. LIGHT PANEL INSTALLATION**



ART\_1001242680\_10F2



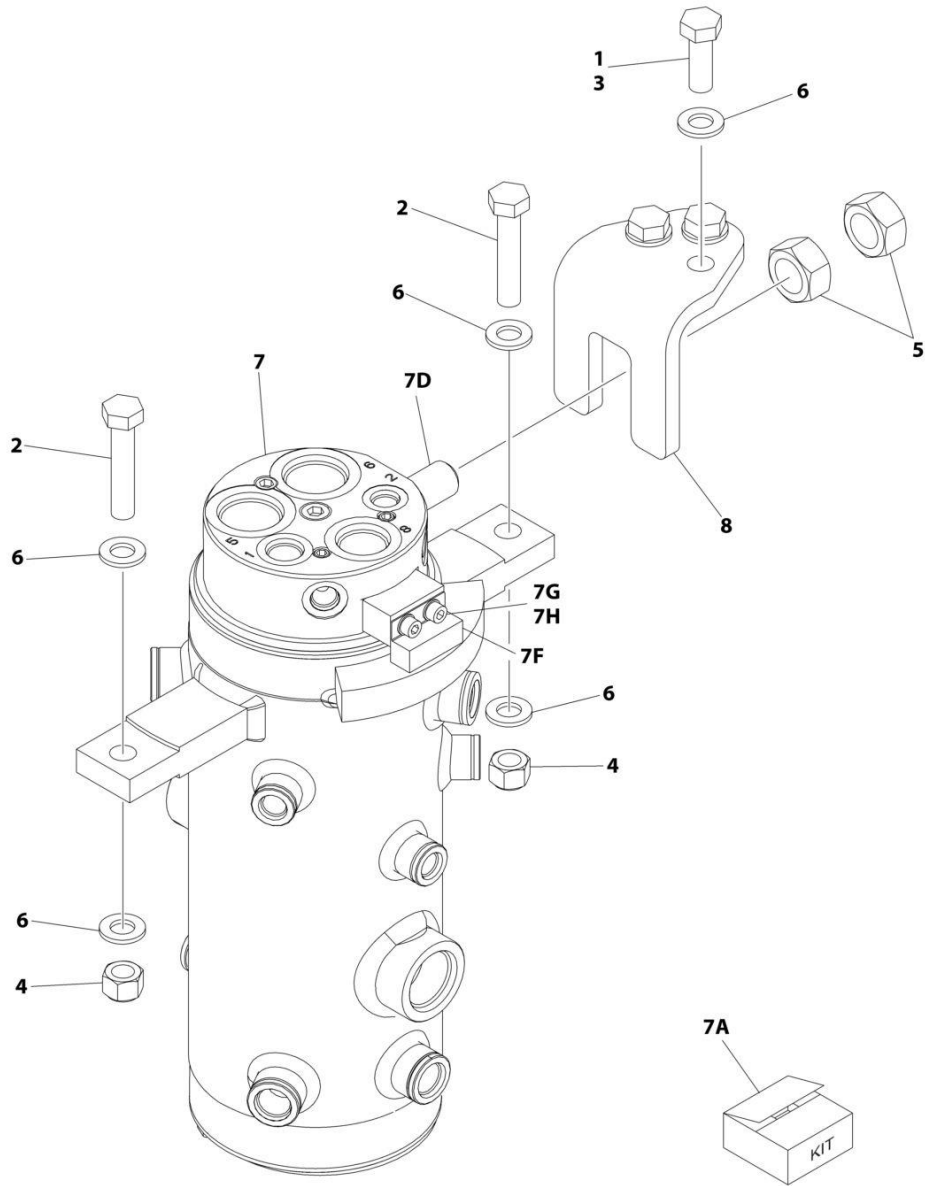
**SECTION 2 - TURNTABLE**

**FIGURE 2-38. LIGHT PANEL INSTALLATION**

<b>ITEM</b>	<b>PART NUMBER</b>	<b>QTY</b>	<b>DESCRIPTION</b>	<b>REV</b>
	1001242680	Ref	LIGHT PANEL INSTALLATION	A
2	3300408	2	Nut, Lock	
4	3911010	2	Screw #10 x 5/8	
6	1001237546	1	Light Panel Electrical Assembly	
6	1001236091	1	Overlay	
6	1001187807	1	Light Panel PCB	

# SECTION 2 - TURNTABLE

## FIGURE 2-39. ROTARY COUPLING INSTALLATION



ART\_1001168855

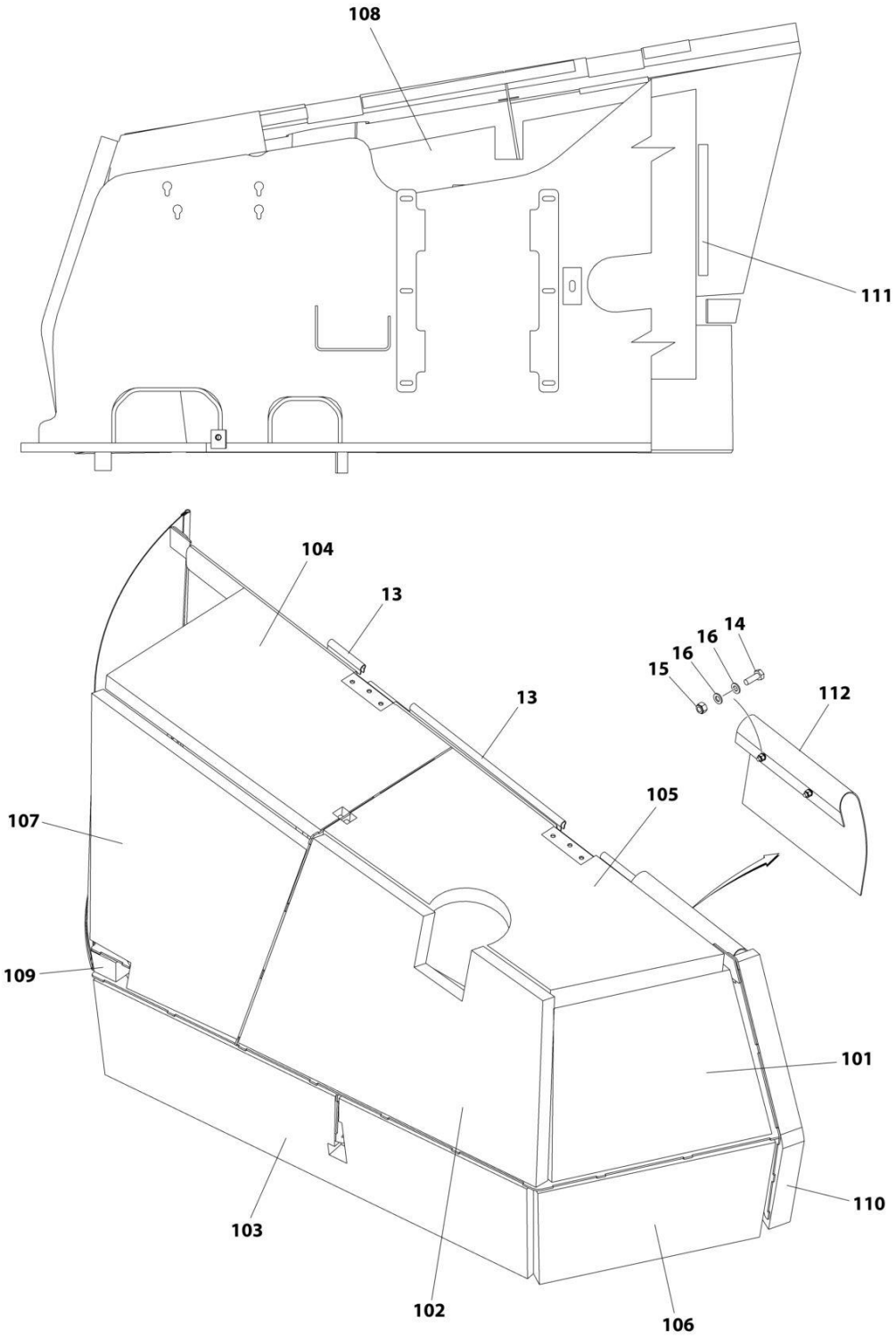
**SECTION 2 - TURNTABLE**

**FIGURE 2-39. ROTARY COUPLING INSTALLATION**

ITEM	PART NUMBER	QTY	DESCRIPTION	REV
	1001168855	Ref	ROTARY COUPLING INSTALLATION	C
1	0100011	AR	Compound, Locking	
2	0701220	2	Bolt M12 x 60	
3	0761215	3	Bolt M12 x 35	
4	3291201	2	Nut M12	
5	3292001	2	Nut M20	
6	4812100	7	Washer M12	
7	1001188334	1	Rotary Coupling Assembly	
7A	70005716	1	Seal Kit - 1001188334 Coupling	
7B	70005710	1	Spacer (Not Shown)	
7C	70005711	1	Spacer (Not Shown)	
7D	70005712	1	Threaded Spigot	
7E	70005713	1	Circlip (Not Shown)	
7F	4360517	1	Switch, Proximity	
7G	70005714	1	Bolt	
7H	70005715	1	Washer	
8	1001169185	1	Mount	
9	2220238	1	Fitting, Plug ORB (Not Shown)	

# SECTION 2 - TURNTABLE

## FIGURE 2-40. SOUND REDUCTION INSTALLATION - KUBOTA ENGINE MACHINES WITH STEEL HOODS



ART\_1001233048

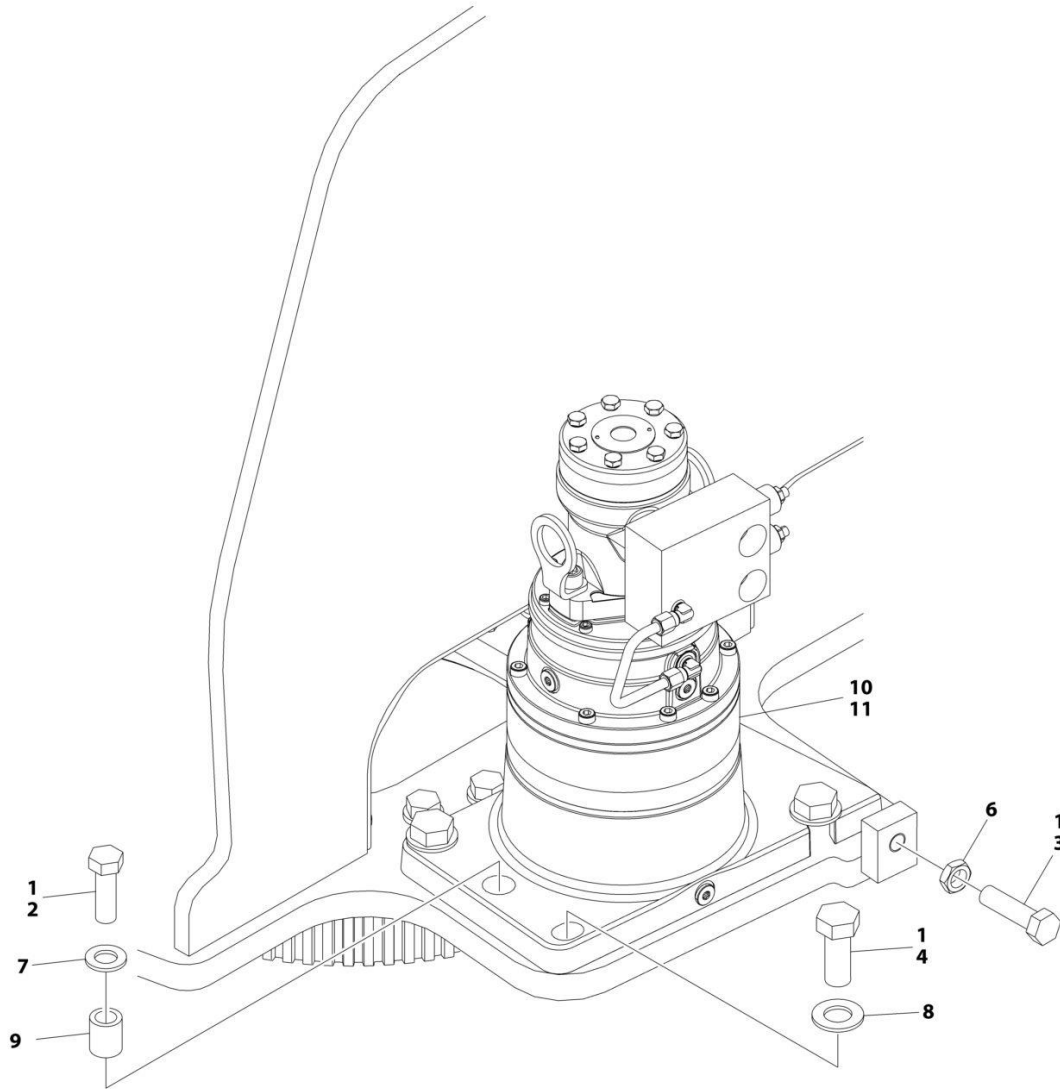
## SECTION 2 - TURNTABLE

**FIGURE 2-40. SOUND REDUCTION INSTALLATION - KUBOTA ENGINE MACHINES WITH STEEL HOODS**

ITEM	PART NUMBER	QTY	DESCRIPTION	REV
	1001233048	Ref	SOUND REDUCTION INSTALLATION	C
13	3960389	11 ft/ 3.4m	Flex-Trim	
14	0761014	2	Bolt M10 x 30	
15	3291005	2	Nut M10	
16	4812000	4	Washer M10	
100	1001237549	Ref	Sound Insulation Kit (Includes Item 101-112)	
101	1001232907	1	Shield, Sound	
102	1001232908	1	Shield, Sound	
103	1001232913	1	Shield, Sound	
104	1001232915	1	Shield, Sound	
105	1001232916	1	Shield, Sound	
106	1001232917	1	Shield, Sound	
107	1001233075	1	Shield, Sound	
108	1001233076	1	Shield, Sound	
109	1001233077	1	Shield, Sound	
110	1001233412	1	Shield, Sound	
111	1001233413	2	Shield, Sound	
112	1001233436	1	Baffle Rubber	

# SECTION 2 - TURNTABLE

## FIGURE 2-41. SWING DRIVE INSTALLATION



ART\_1001228492

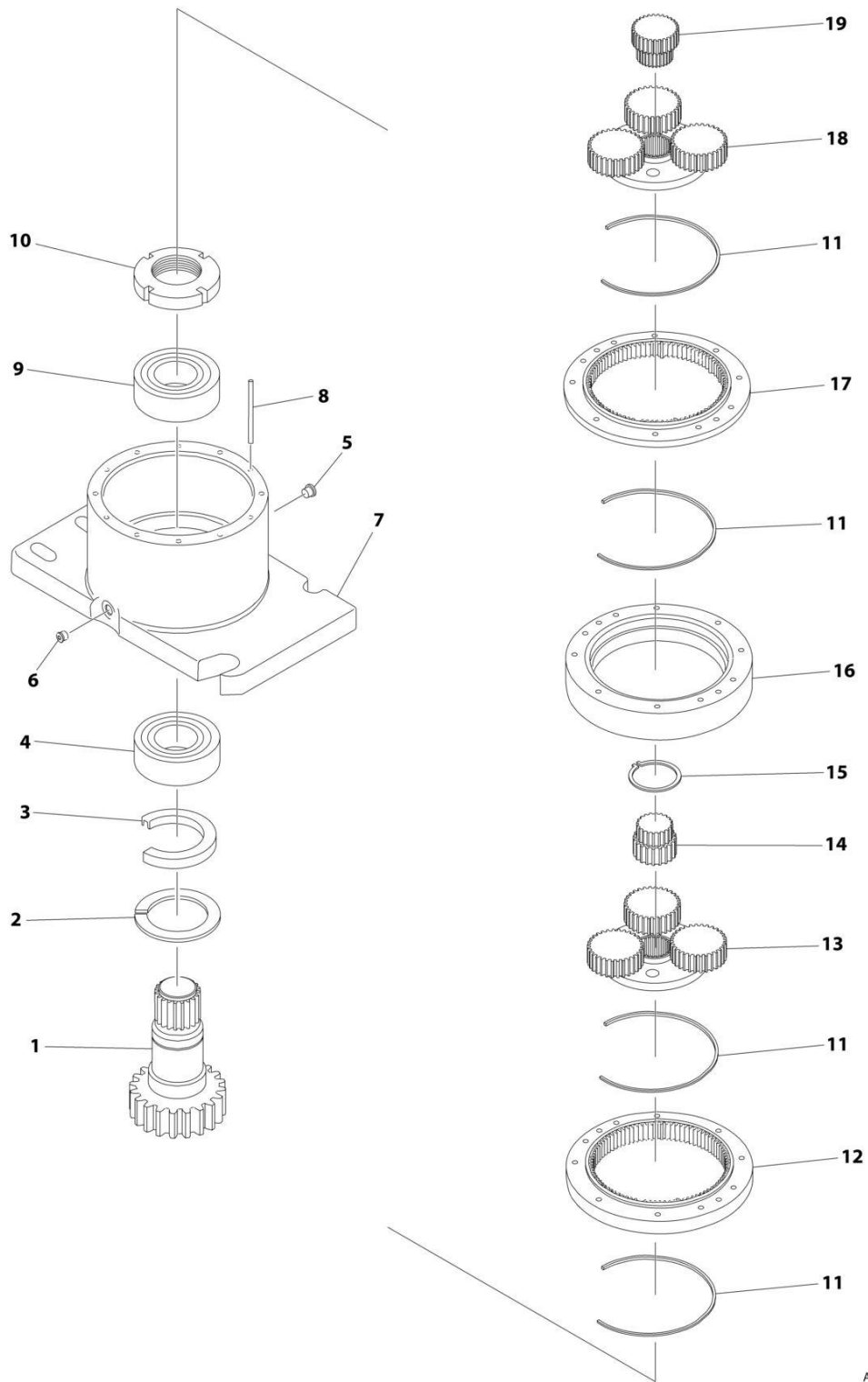
**SECTION 2 - TURNTABLE**

**FIGURE 2-41. SWING DRIVE INSTALLATION**

<b>ITEM</b>	<b>PART NUMBER</b>	<b>QTY</b>	<b>DESCRIPTION</b>	<b>REV</b>
	1001228492	Ref	SWING DRIVE INSTALLATION	C
1	0100019	AR	Compound, Locking	
2	0701618	1	Bolt M16 x 50	
3	0761620	1	Bolt M16 x 60	
4	0772018	4	Bolt M20 x 50 Grade 10.9	
6	3291602	1	Nut M16	
7	5241600	1	Washer M16	
8	5242000	4	Washer M20	
9	1001134543	1	Sleeve, Spacer	
10	4071009	1	Shim	
11	1001228487	1	Swing Hub/Motor Assembly (See Separate Breakdown in this Section)	

# SECTION 2 - TURNTABLE

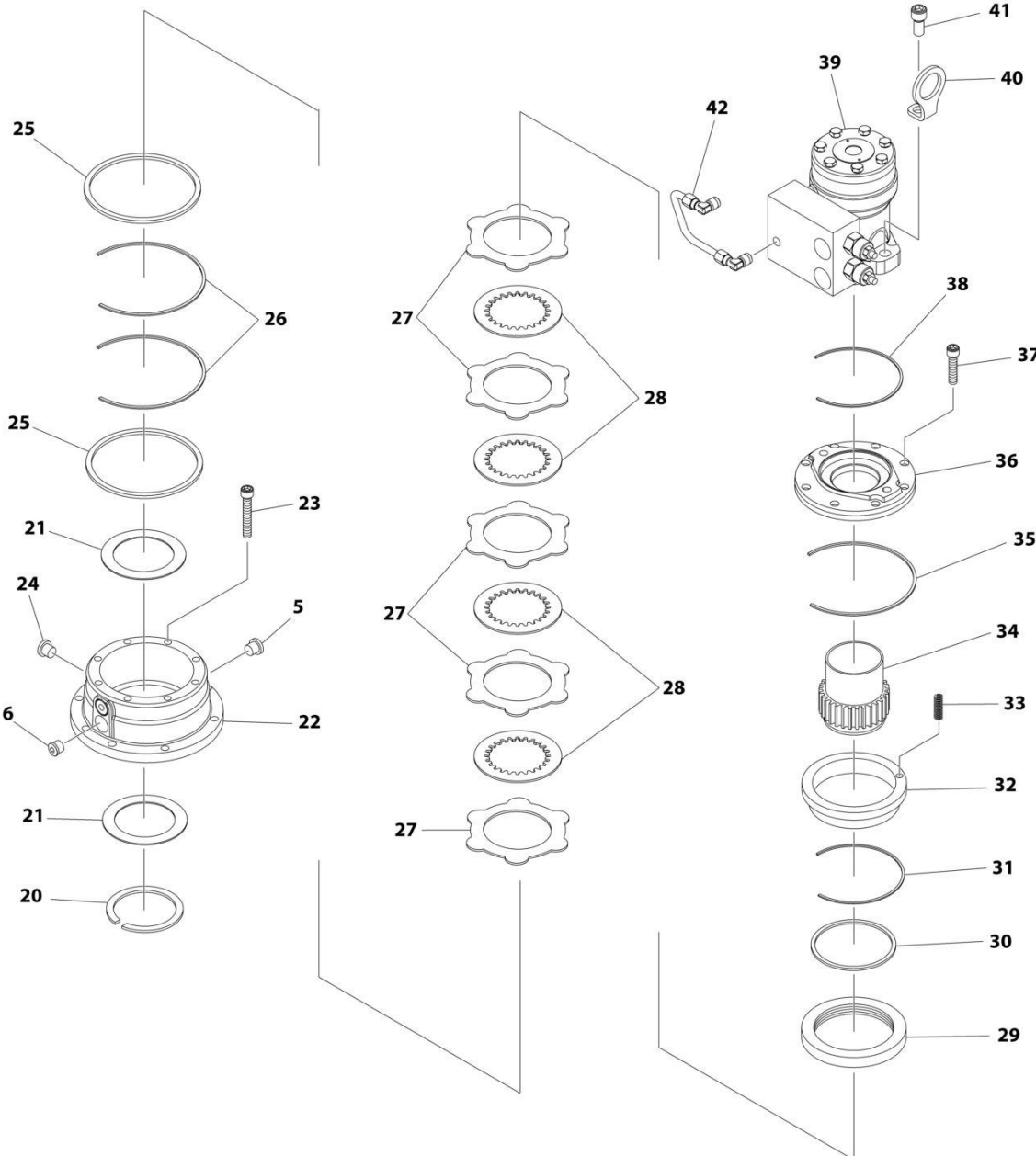
## FIGURE 2-42. SWING HUB/MOTOR ASSEMBLY



ART\_1001228487\_10F2



**SECTION 2 - TURNTABLE**



ART\_1001228487\_2OF2

## SECTION 2 - TURNTABLE

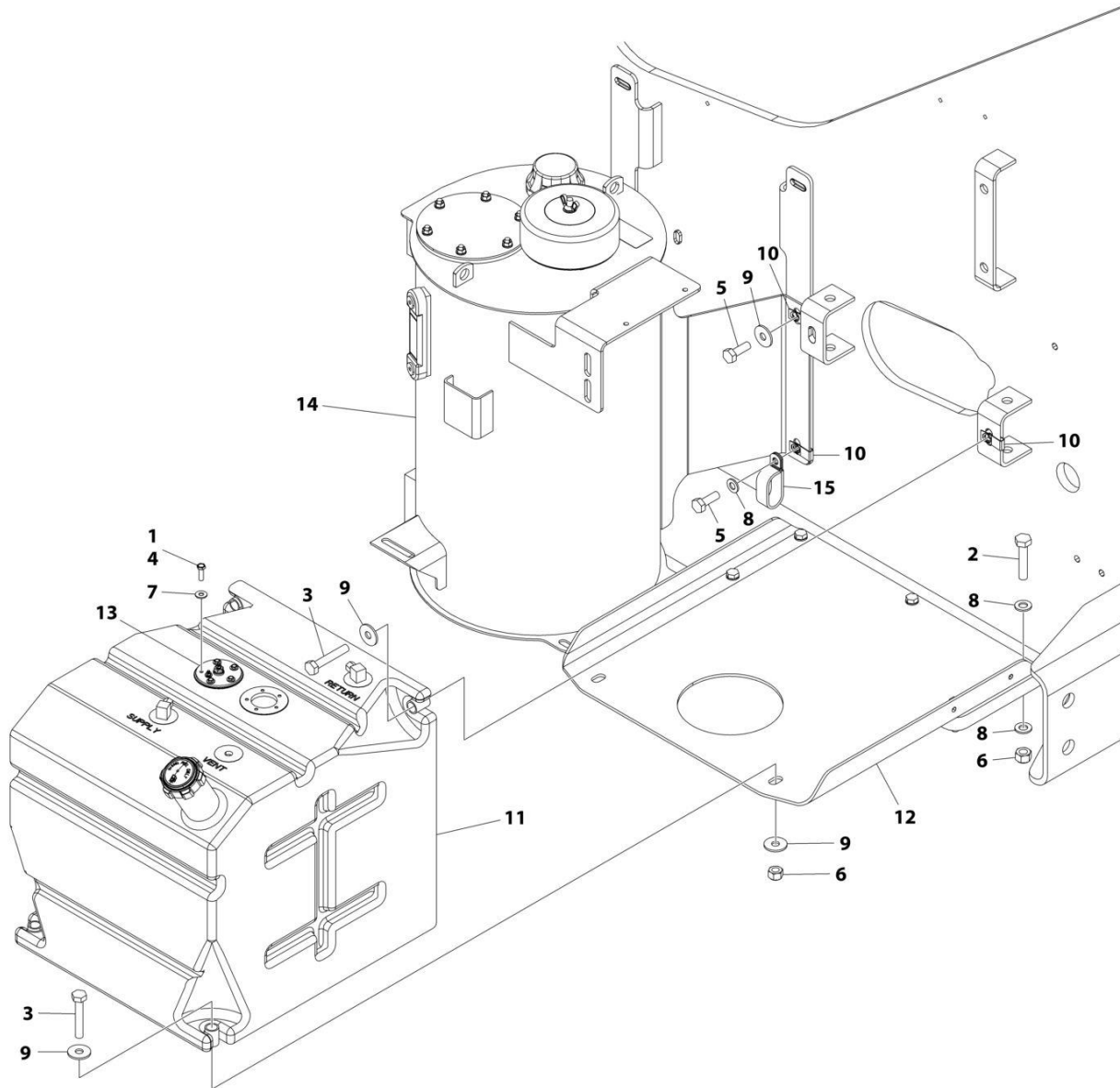
FIGURE 2-42. SWING HUB/MOTOR ASSEMBLY

ITEM	PART NUMBER	QTY	DESCRIPTION	REV
	1001228487	Ref	SWING HUB/MOTOR ASSEMBLY	C
1	70007022	1	Output Shaft	
2	70007023	1	Ring	
3		Ref	Oil Seal	
4	70007024	1	Tapered Roller Bearing	
5	70004469	2	Magnetic Plug with O-Ring	
6	70002057	4	Plug with O-Ring	
7	NSS	1	Output Support	
8	70007025	2	Spring Pin	
9	70007026	1	Tapered Roller Bearing	
10	70007027	1	Ring Nut	
11		Ref	O-Ring	
12	70006990	1	Planetary Ring	
13	70007028	1	Complete Reduction	
14	70007029	1	Pinion	
15	70007030	1	Seeger	
16	70006994	1	Spacer	
17	70004481	1	Planetary Ring	
18	70004482	1	Complete Reduction	
19	70007031	1	Pinion	
20	70006997	1	Ring	
21	70006998	2	Washer	
22	NSS	1	Brake Housing	
23	70007032	8	Screw	
24	70006999	1	Level Oil Plug	
25		Ref	Parbak	
26		Ref	O-Ring	
27		Ref	Iron Disc	
28		Ref	Sintered Disc	
29	70005317	1	Brake Spacer	
30		Ref	Parbak	
31		Ref	O-Ring	
32	70005318	1	Brake Piston	
33		Ref	Brake Spring	
34	70007001	1	Input Shaft	
35		Ref	O-Ring	
36	70007002	1	Cover	
37	70007003	8	Screw	
38		Ref	O-Ring	
39		Ref	Motor with Valve	
40	NSS	2	Vertical Lift Support	
41	70004494	2	Screw	
42	70007004	1	Brake/Valve Adapter	
43	70007046	1	Seal Kit	
44	70007006	1	Kit, Brake Repair	



# SECTION 2 - TURNTABLE

## FIGURE 2-43. TANKS INSTALLATION - DIESEL MACHINES (WITH 17.3 GAL HYDRAULIC TANK)



ART\_1001207349

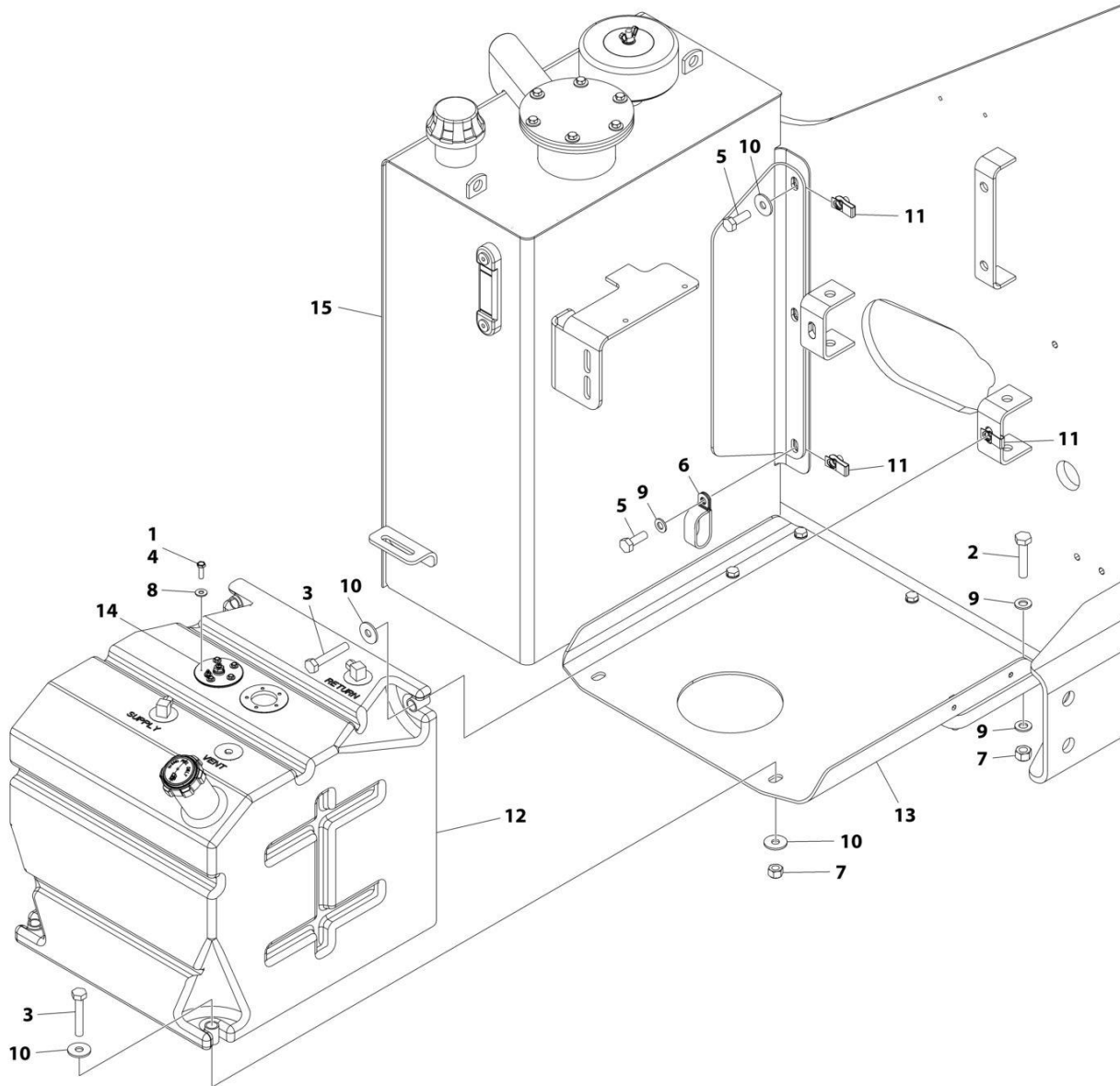
## SECTION 2 - TURNTABLE

**FIGURE 2-43. TANKS INSTALLATION - DIESEL MACHINES (WITH 17.3 GAL HYDRAULIC TANK)**

ITEM	PART NUMBER	QTY	DESCRIPTION	REV
	1001207349	Ref	TANKS INSTALLATION - DIESEL MACHINES	D
1	0100035	AR	Compound, Locking	
2	0701018	5	Bolt M10 x 50	
3	0701020	4	Bolt M10 x 60	
4	0731005	5	Screw #10 x .625	
5	0761014	4	Bolt M10 x 30	
6	3291005	7	Nut M10	
7	4751000	5	Washer #10	
8	4812000	12	Washer M10	
9	4812002	8	Washer M10	
10	1001118972	6	Nut M10	
11	1001163418	1	Tank, Fuel	
11	1001193336	1	Cap, Fill with Chain and Stop Spring	
11	70004794	1	Tube, Pick-up	
12	1001166710	1	Plate	
13	1001231195	1	Sensor, Fuel Level	
14	1001206917	1	Tank, Hydraulic (See Separate Breakdown in this Section)	
15	1321716	2	Clamp	

# SECTION 2 - TURNTABLE

## FIGURE 2-44. TANKS INSTALLATION - DIESEL MACHINES (WITH 36 GAL HYDRAULIC TANK)



ART\_1001286149

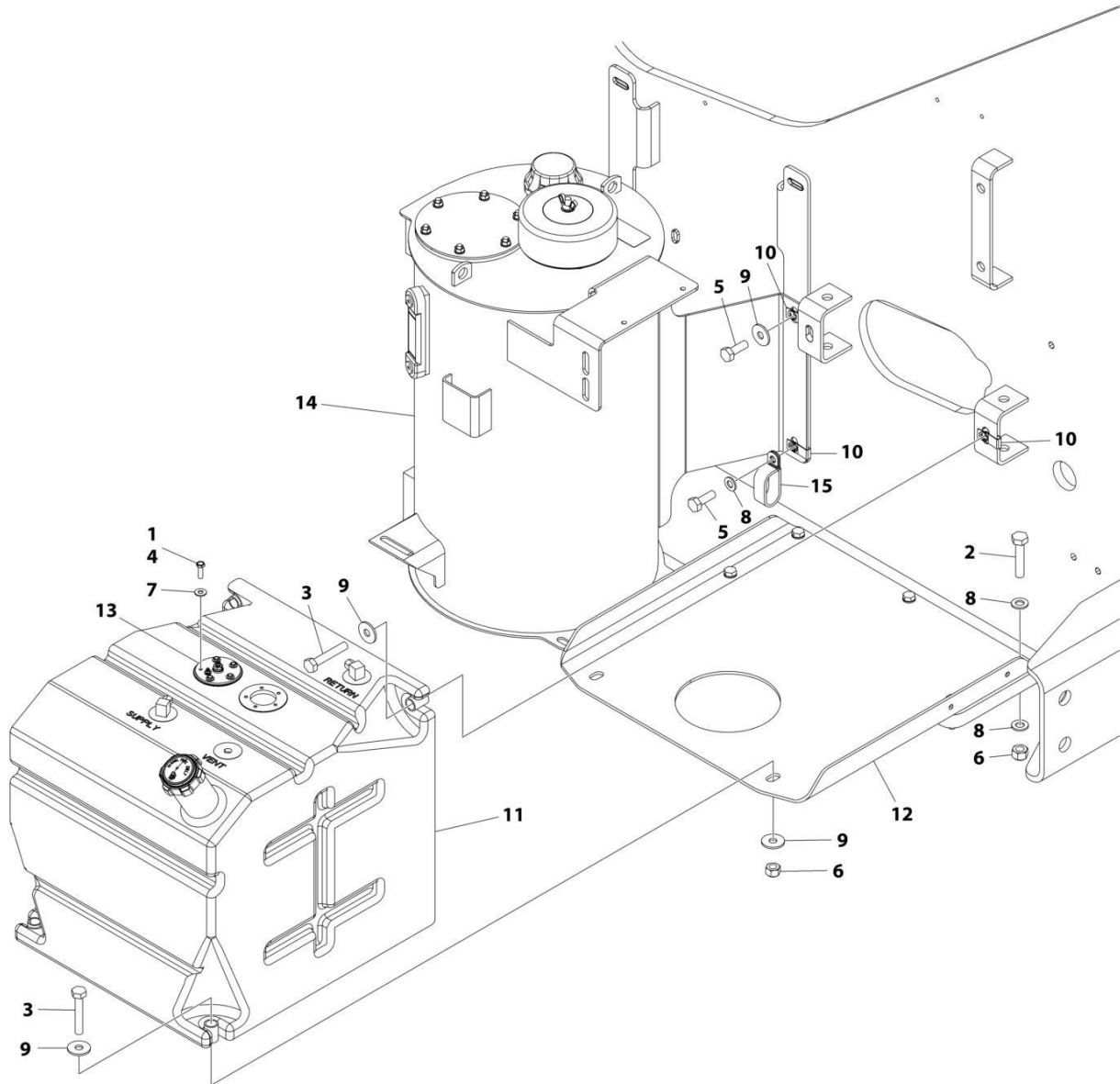
## SECTION 2 - TURNTABLE

**FIGURE 2-44. TANKS INSTALLATION - DIESEL MACHINES (WITH 36 GAL HYDRAULIC TANK)**

ITEM	PART NUMBER	QTY	DESCRIPTION	REV
	1001286149	Ref	TANKS INSTALLATION - GAS MACHINES	B
1	0100035	AR	Compound, Locking	
2	0701018	5	Bolt M10 x 50	
3	0701020	4	Bolt M10 x 60	
4	0731005	5	Screw #10 x .625	
5	0761014	4	Bolt M10 x 30	
6	1321716	2	Clamp	
7	3291005	7	Nut M10	
8	4751000	5	Washer #10	
9	4812000	12	Washer M10	
10	4812002	8	Washer M10	
11	1001118972	6	Nut M10	
12	1001163418	1	Tank, Fuel	
12	1001193336	1	Cap, Fill with Chain and Stop Spring	
12	70004794	1	Tube, Pick-up	
13	1001166710	1	Plate	
14	1001231195	1	Sensor, Fuel Level	
15	1001286148	1	Tank, Hydraulic (See Separate Breakdown in this Section)	

## SECTION 2 - TURNTABLE

FIGURE 2-45. TANKS INSTALLATION - GAS MACHINES (WITH 17.3 GAL HYDRAULIC TANK)



ART\_1001207350



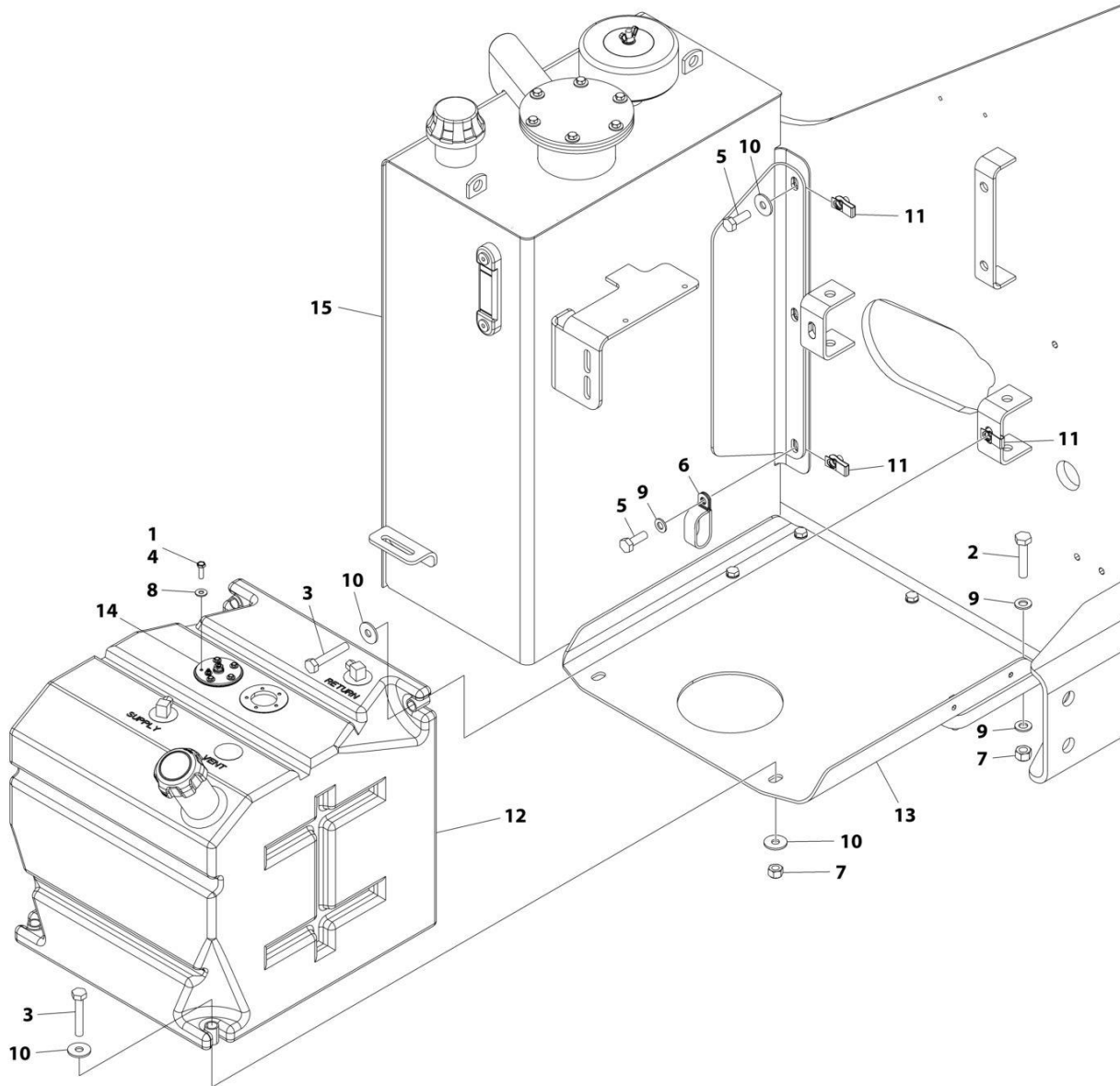
## SECTION 2 - TURNTABLE

**FIGURE 2-45. TANKS INSTALLATION - GAS MACHINES (WITH 17.3 GAL HYDRAULIC TANK)**

ITEM	PART NUMBER	QTY	DESCRIPTION	REV
	1001207350	Ref	TANKS INSTALLATION - GAS MACHINES	E
1	0100035	AR	Compound, Locking	
2	0701018	5	Bolt M10 x 50	
3	0701020	4	Bolt M10 x 60	
4	0731005	5	Screw #10 x 5/8	
5	0761014	4	Bolt M10 x 30	
6	3291005	7	Nut M10	
7	4751000	5	Washer #10	
8	4812000	12	Washer M10	
9	4812002	8	Washer M10	
10	1001118972	6	Nut M10	
11	1001163671	1	Tank, Fuel	
11	1001211336	1	Cap, Fill with Lanyard and Stop	
11	70004794	2	Tube, Pick up	
12	1001166710	1	Plate	
13	1001231195	1	Sensor, Fuel Level	
14	1001206917	1	Tank, Hydraulic (See Separate Breakdown in this Section)	
15	1321716	2	Clamp	

# SECTION 2 - TURNTABLE

FIGURE 2-46. TANKS INSTALLATION - GAS MACHINES (WITH 36 GAL HYDRAULIC TANK)



ART\_1001286150

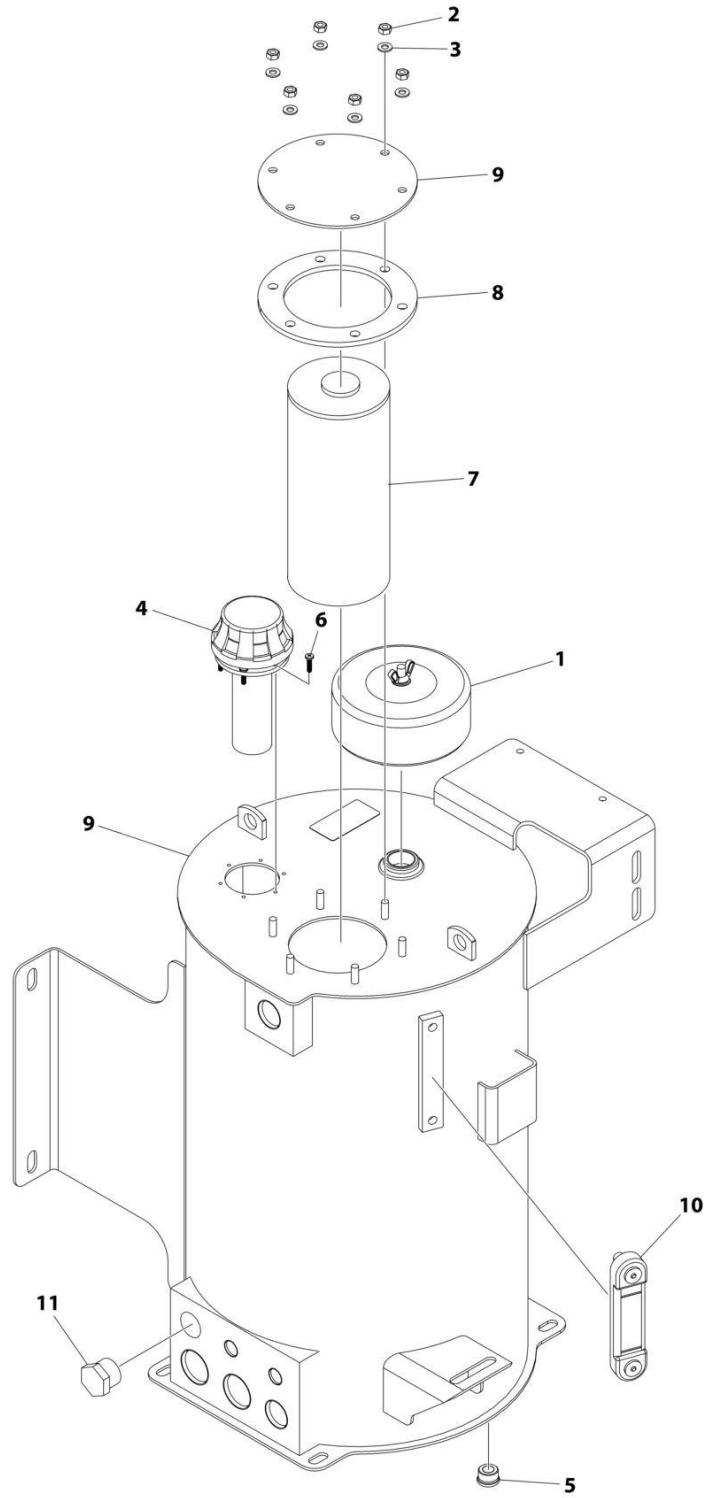
**SECTION 2 - TURNTABLE**

**FIGURE 2-46. TANKS INSTALLATION - GAS MACHINES (WITH 36 GAL HYDRAULIC TANK)**

ITEM	PART NUMBER	QTY	DESCRIPTION	REV
	1001286150	Ref	TANKS INSTALLATION - GAS MACHINES	B
1	0100035	AR	Compound, Locking	
2	0701018	5	Bolt M10 x 50	
3	0701020	4	Bolt M10 x 60	
4	0731005	5	Screw #10 x 5/8	
5	0761014	4	Bolt M10 x 30	
6	1321716	2	Clamp	
7	3291005	7	Nut M10	
8	4751000	5	Washer #10	
9	4812000	12	Washer M10	
10	4812002	8	Washer M10	
11	1001118972	6	Nut M10	
12	1001163671	1	Tank, Fuel	
12	1001211336	1	Cap, Fill with Lanyard and Stop	
12	70004794	2	Tube, Pick up	
13	1001166710	1	Plate	
14	1001231195	1	Sensor, Fuel Level	
15	1001286148	1	Tank, Hydraulic (See Separate Breakdown in this Section)	

# SECTION 2 - TURNTABLE

FIGURE 2-47. HYDRAULIC TANK ASSEMBLY - 17.3 GALLON



ART\_1001206917

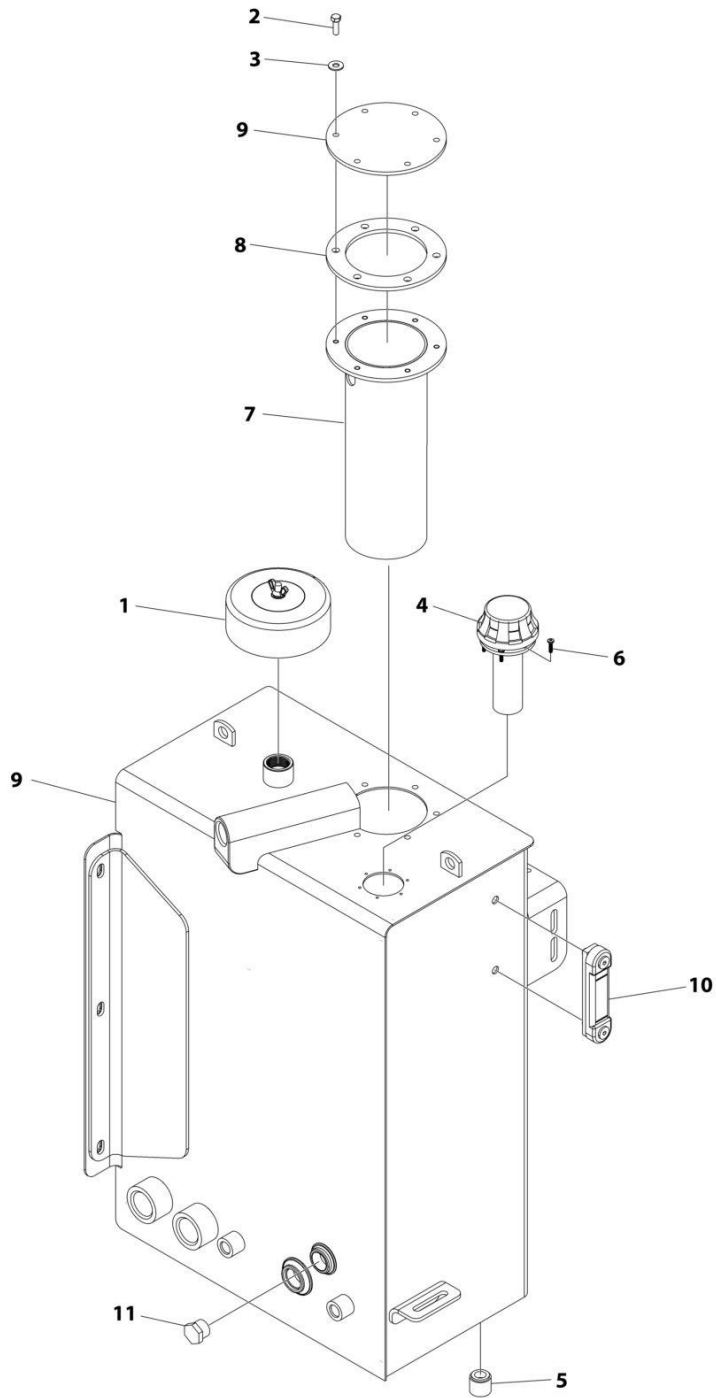
**SECTION 2 - TURNTABLE**

**FIGURE 2-47. HYDRAULIC TANK ASSEMBLY - 17.3 GALLON**

<b>ITEM</b>	<b>PART NUMBER</b>	<b>QTY</b>	<b>DESCRIPTION</b>	<b>REV</b>
	1001206917	Ref	HYDRAULIC TANK ASSEMBLY	A
1	See Note	NSS	Breather Assembly (Note: Use p/n 70003614)	
2	3311501	6	Nut 5/16	
3	4751400	6	Washer 1/4	
4	70002838	1	Cap, Fill	
5	70002112	1	Plug	
6	See Note	NSS	Screw #10 x 3/4 (Note: Not Available for purchase)	
7	See Note	NSS	Element, Filter (Note: Use p/n 70003614)	
8	1001199177	1	Gasket	
9	See Note	NSS	Reservoir (Note: Not Available for purchase)	
10	7024441	1	Gauge, Level	
11	2220887	1	Plug	

# SECTION 2 - TURNTABLE

## FIGURE 2-48. HYDRAULIC TANK ASSEMBLY - 36 GALLON



ART\_1001286148

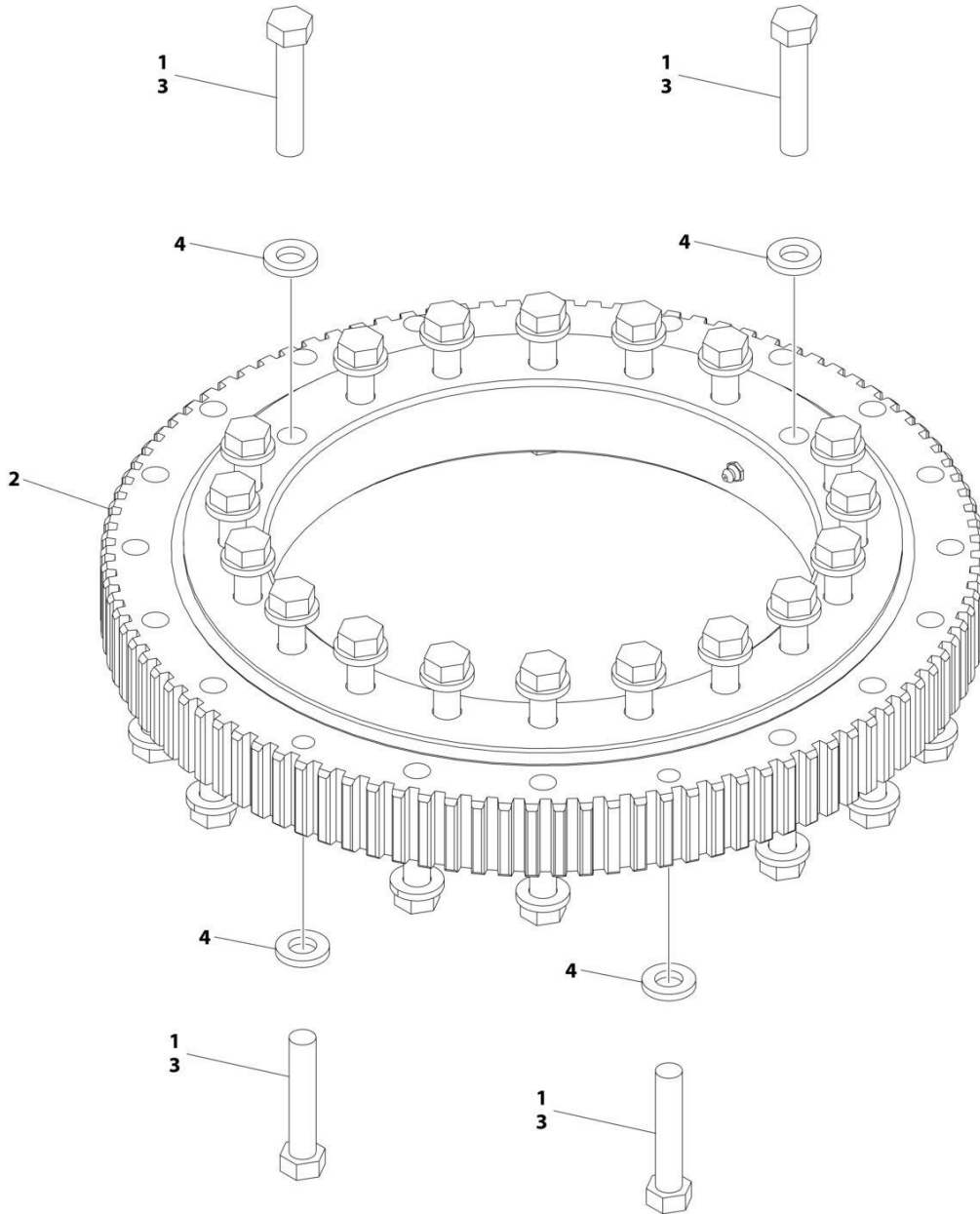
**SECTION 2 - TURNTABLE**

**FIGURE 2-48. HYDRAULIC TANK ASSEMBLY - 36 GALLON**

<b>ITEM</b>	<b>PART NUMBER</b>	<b>QTY</b>	<b>DESCRIPTION</b>	<b>REV</b>
	1001286148	Ref	HYDRAULIC TANK ASSEMBLY	B
1	See Note	NSS	Breather Assembly (Note: Use p/n 70003614)	
2		Ref	Bolt	
3	4751400	6	Washer 1/4	
4	70002838	1	Cap, Fill	
5	70002112	1	Plug	
6	See Note	NSS	Screw #10 x 3/4 (Note: Not Available for purchase)	
7	See Note	NSS	Element, Filter (Note: Use p/n 70003614)	
8	1001199177	1	Gasket	
9	See Note	NSS	Reservoir (Note: Not Available for purchase)	
10	7024441	1	Gauge, Level	
11	2220887	1	Plug	

# SECTION 2 - TURNTABLE

## FIGURE 2-49. TURNTABLE BEARING INSTALLATION



ART\_1001168992



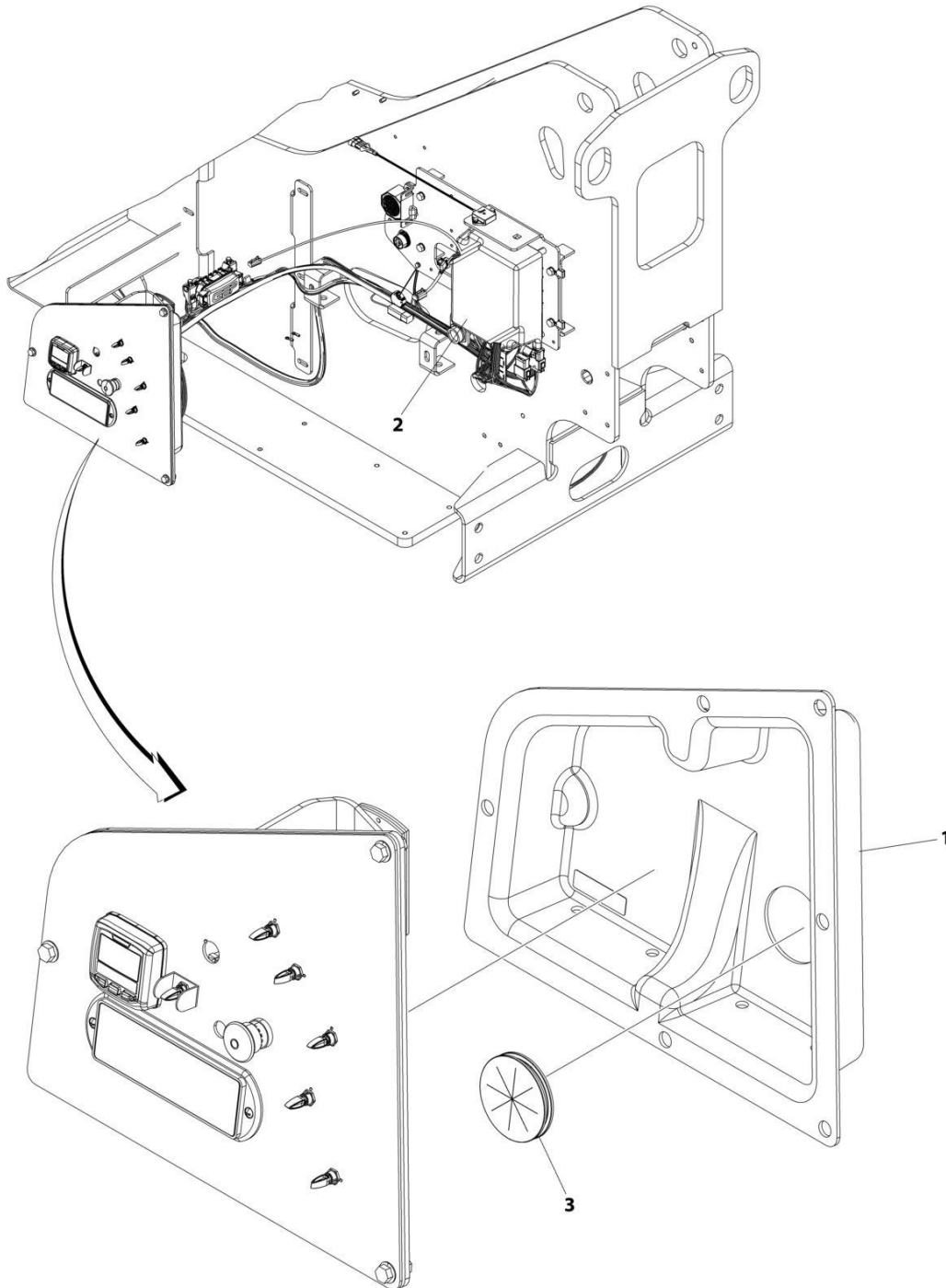
**SECTION 2 - TURNTABLE**

**FIGURE 2-49. TURNTABLE BEARING INSTALLATION**

<b>ITEM</b>	<b>PART NUMBER</b>	<b>QTY</b>	<b>DESCRIPTION</b>	<b>REV</b>
	1001168992	Ref	TURNTABLE BEARING INSTALLATION	A
1	0100019	AR	Compound, Locking	
2	0440240	1	Bearing, Turntable	
3	0682026	40	Bolt 5/8 x 3-1/4 Grade 8	
4	4892000	40	Washer 5/8	

# SECTION 2 - TURNTABLE

## FIGURE 2-50. TURNTABLE COVERS INSTALLATION



ART\_1001219130\_C

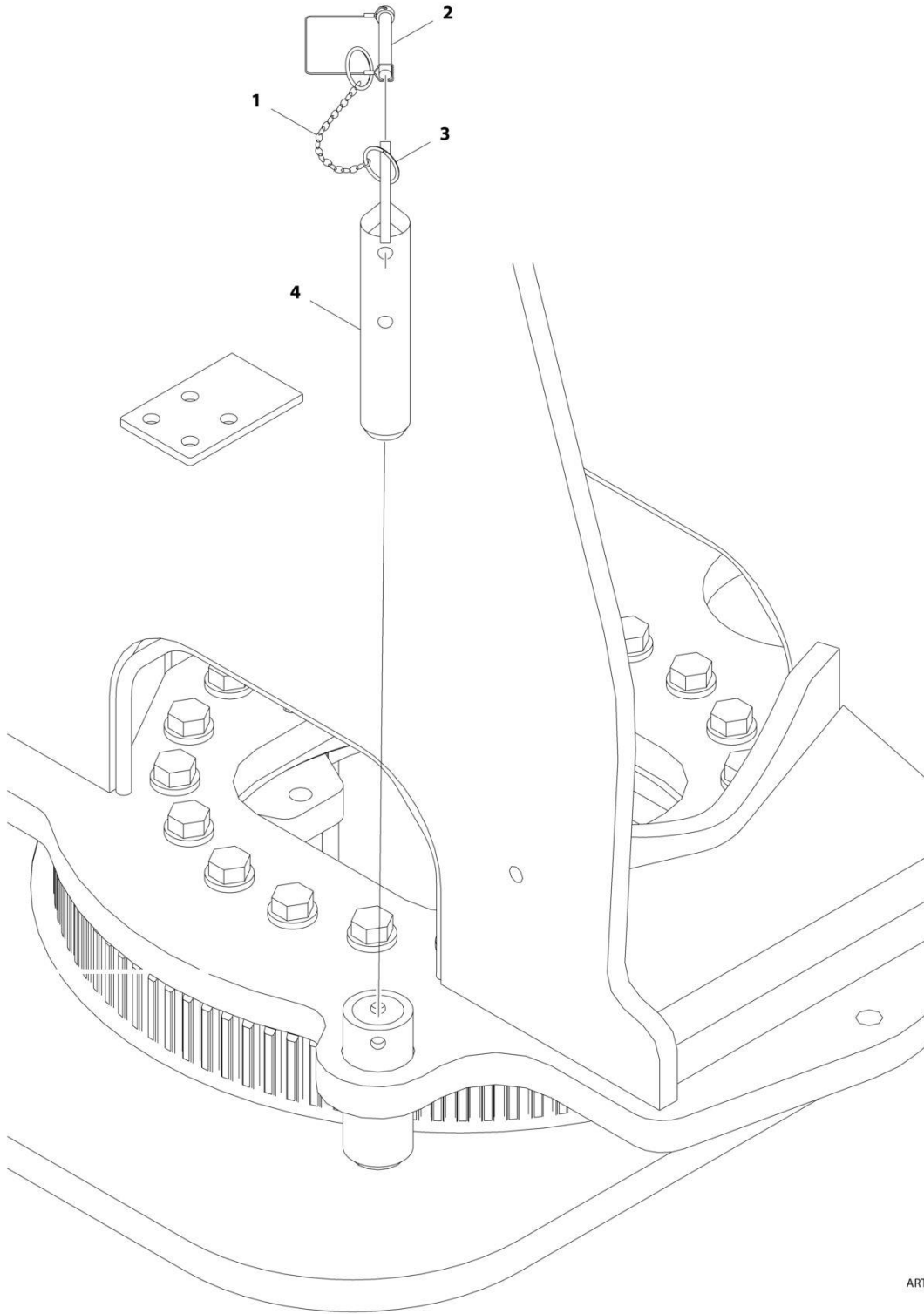
**SECTION 2 - TURNTABLE**

**FIGURE 2-50. TURNTABLE COVERS INSTALLATION**

<b>ITEM</b>	<b>PART NUMBER</b>	<b>QTY</b>	<b>DESCRIPTION</b>	<b>REV</b>
	1001219130	Ref	TURNTABLE COVERS INSTALLATION	B
1	1001246087	1	Cover, Control Panel	
2	1001218538	1	Cover, Controller	
3	1001218676	1	Grommet	

# SECTION 2 - TURNTABLE

## FIGURE 2-51. TURNTABLE LOCK INSTALLATION



ART\_1001169496

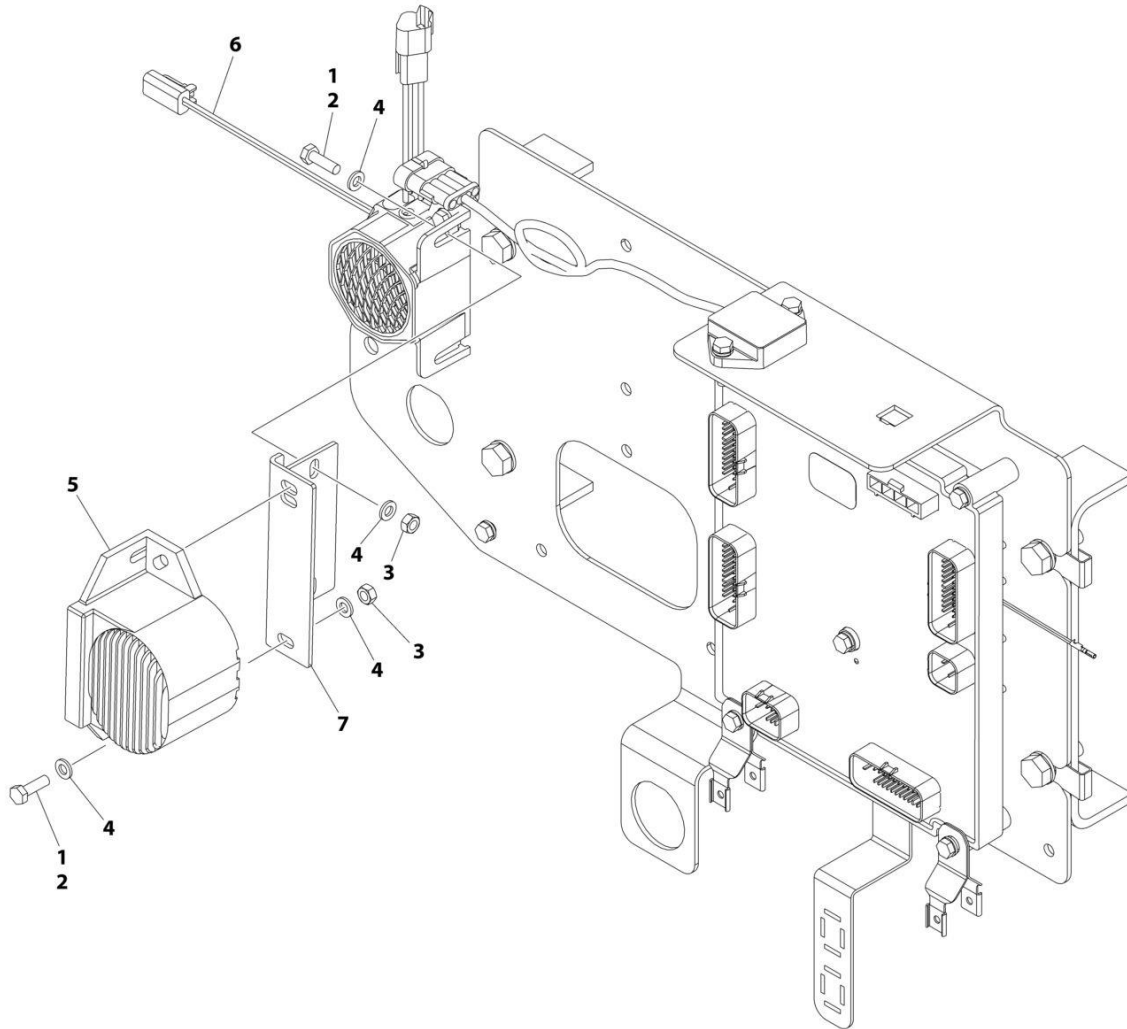
**SECTION 2 - TURNTABLE**

**FIGURE 2-51. TURNTABLE LOCK INSTALLATION**

<b>ITEM</b>	<b>PART NUMBER</b>	<b>QTY</b>	<b>DESCRIPTION</b>	<b>REV</b>
	1001169496	Ref	TURNTABLE LOCK INSTALLATION	B
1	1260017	1	Chain	
2	3421565	1	Pin, Snap	
3	3760170	2	Ring, Split	
4	1001169582	1	Pin	

# SECTION 2 - TURNTABLE

## FIGURE 2-52. WHITE NOISE ALARM INSTALLATION



ART\_1001209618

**SECTION 2 - TURNTABLE**

**FIGURE 2-52. WHITE NOISE ALARM INSTALLATION**

ITEM	PART NUMBER	QTY	DESCRIPTION	REV
	1001209618	Ref	WHITE NOISE ALARM INSTALLATION	C
1	0100011	AR	Compound, Locking	
2	0760610	4	Bolt M6 x 20	
3	3290601	4	Nut M6	
4	4811700	8	Washer M6	
5	1001182806	1	Alarm	
6	1001190663	1	Harness, Jumper	
6	4460891	1	Connector - 2 Position	
6	4460465	2	Socket, Female	
6	4460871	2	Socket, Female	
7	1001231886	1	Plate	

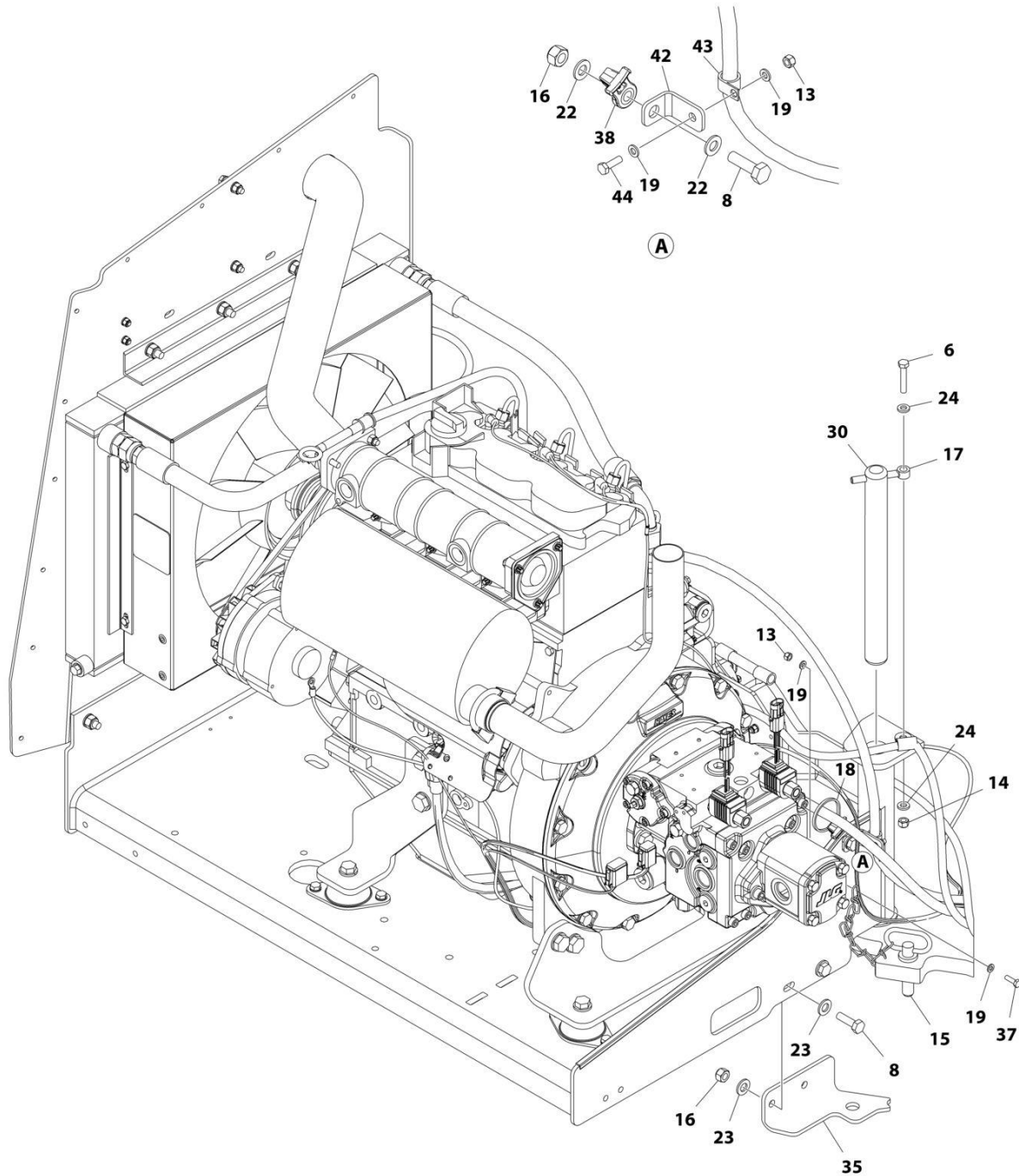




**SECTION 3 - ENGINE**

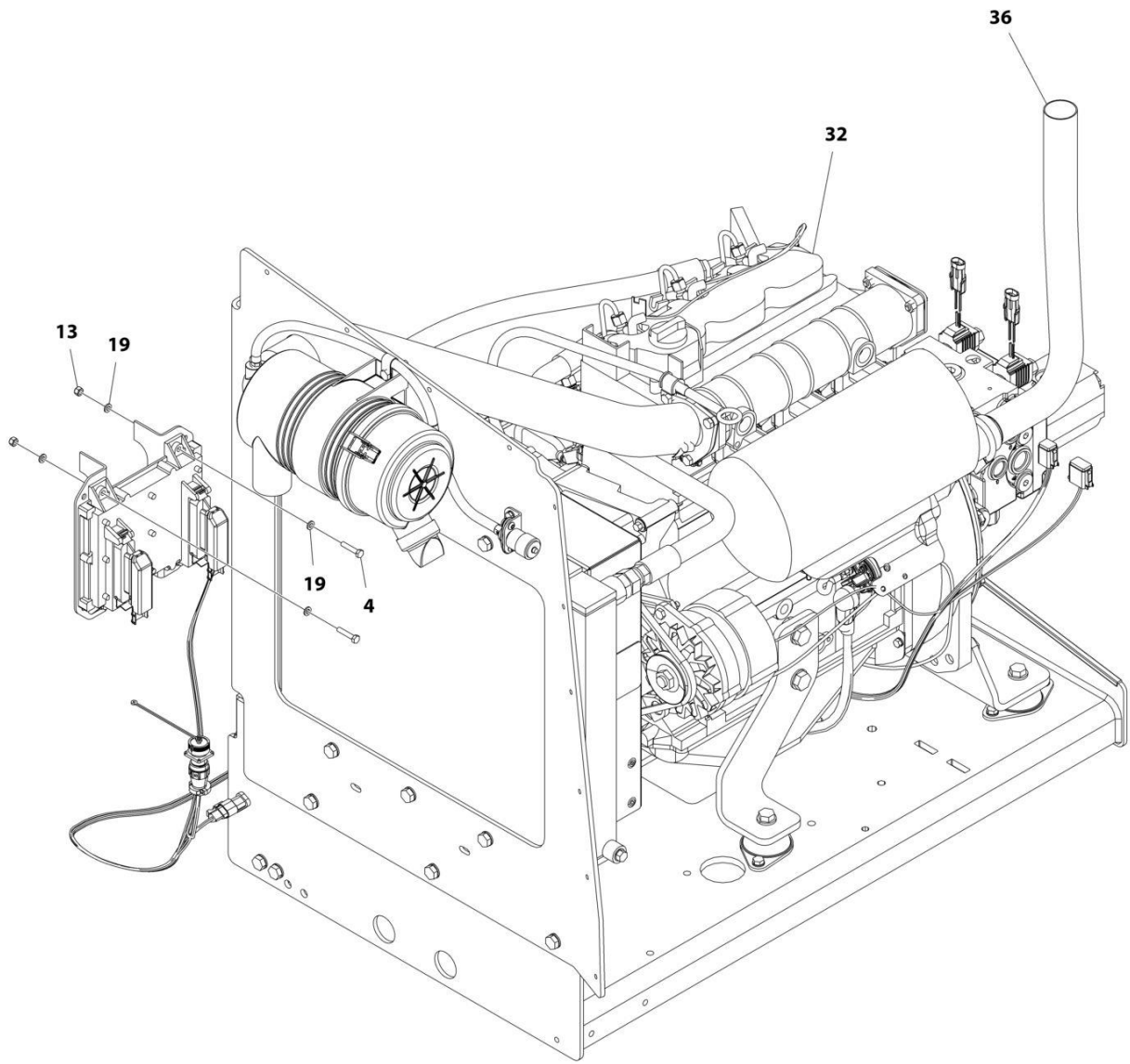
# SECTION 3 - ENGINE

FIGURE 3-1. ENGINE INSTALLATION - DEUTZ D2011 ENGINE (WITHOUT ARCTIC PACKAGE) (ANSI EXPORT(LRC), AUSTRALIAN, CE(LRC), CHINA & UK CA SPECS)



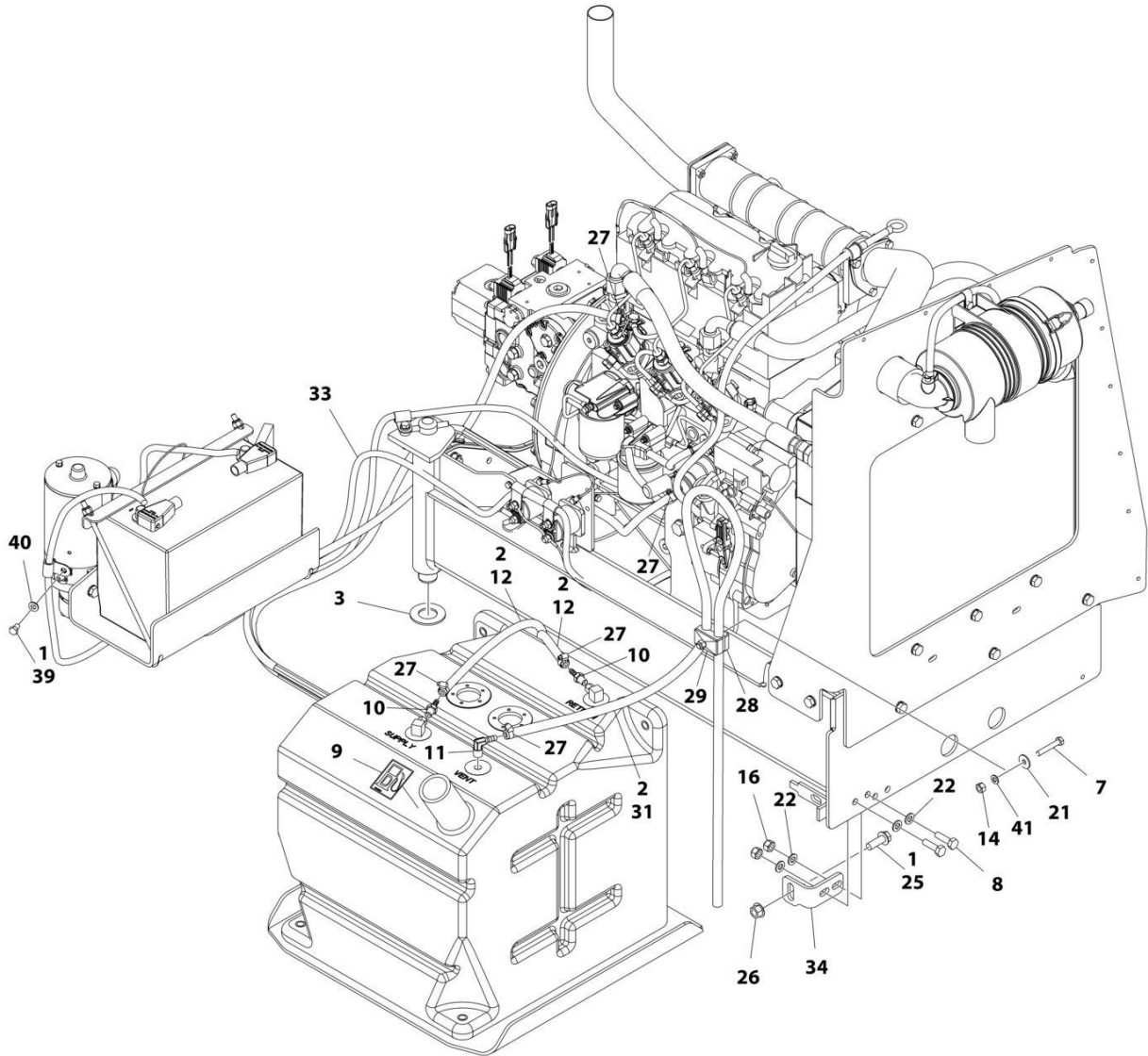
ART\_1001166022\_10F3

# SECTION 3 - ENGINE



ART\_1001166022\_2OF3

# SECTION 3 - ENGINE



ART\_1001166022\_30F3

## SECTION 3 - ENGINE

**FIGURE 3-1. ENGINE INSTALLATION - DEUTZ D2011 ENGINE (WITHOUT ARCTIC PACKAGE) (ANSI EXPORT(LRC), AUSTRALIAN, CE(LRC), CHINA & UK CA SPECS)**

ITEM	PART NUMBER	QTY	DESCRIPTION	REV
	1001166022	Ref	ENGINE INSTALLATION - DEUTZ D2011 ENGINE (WITHOUT ARCTIC PACKAGE)	I
1	0100011	AR	Compound, Locking	
2	0100020	AR	Sealant, Pipe	
3	0440162	1	Bearing	
4	0700614	4	Bolt M6 x 30	
6	0700817	1	Bolt M8 x 45	
7	0700821	1	Bolt M8 x 65	
8	0761015	5	Bolt M10 x 35	
9	1701505	1	Decal - Diesel Fuel	
10	2180348	2	Fitting, Barbed	
11	2220313	1	Fitting, Barbed 90	
12	2720058	17 ft / 5.18m	Hose	
13	3290605	5	Nut M6	
14	3290805	2	Nut M8	
15	3422532	1	Pin	
16	3291005	5	Nut M10	
17	3841143	1	Pin	
18	4240099	AR	Tie-Strap	
19	4811700	12	Washer M6	
21	4811902	1	Washer M8	
22	4812000	6	Washer M10	
23	4812100	4	Washer M12	
24	5240800	2	Washer M8 Hardened	
25	5251215	1	Bolt M12 x 35	
26	5261200	1	Nut, Flange M12 Class10	
27	8405009	5	Clamp	
28	1320187	1	Clamp	
29	1320190	1	Clamp	
30	1001135196	1	Pin	
31	2750532	6 ft/ 1.83m	Hose	
32	1001166021	1	Engine and Pump Sub-Assembly - Deutz D2011 (Without Arctic Package) (See Separate Breakdown in this Section)	
33	1001167038	1	Battery Cable Kit	G
33	70009004	1	Cable, Battery (Black) (Battery Negative, Auxiliary Power Pump, Turntable Ground to Engine Ground)	
33	70009005	1	Cable, Battery (Red) (Battery Positive, Auxiliary Power Relay, Starter Relay to Starter)	
33	70009002	1	Cable, Battery (Red) (Auxiliary Power Relay to Auxiliary Power Pump)	
34	1001167512	1	Bracket, Engine	
35	1001169823	1	Plate, Engine Lock	
36	1001172195	1	Pipe, Exhaust	
37	0760610	1	Bolt M6 x 20	
38	1001156107	1	Holder, Cable	
39	0641504	1	Bolt 5/16 x 1/2	
40	4711500	1	Washer 5/16	
41	4811900	AR	Washer M8	

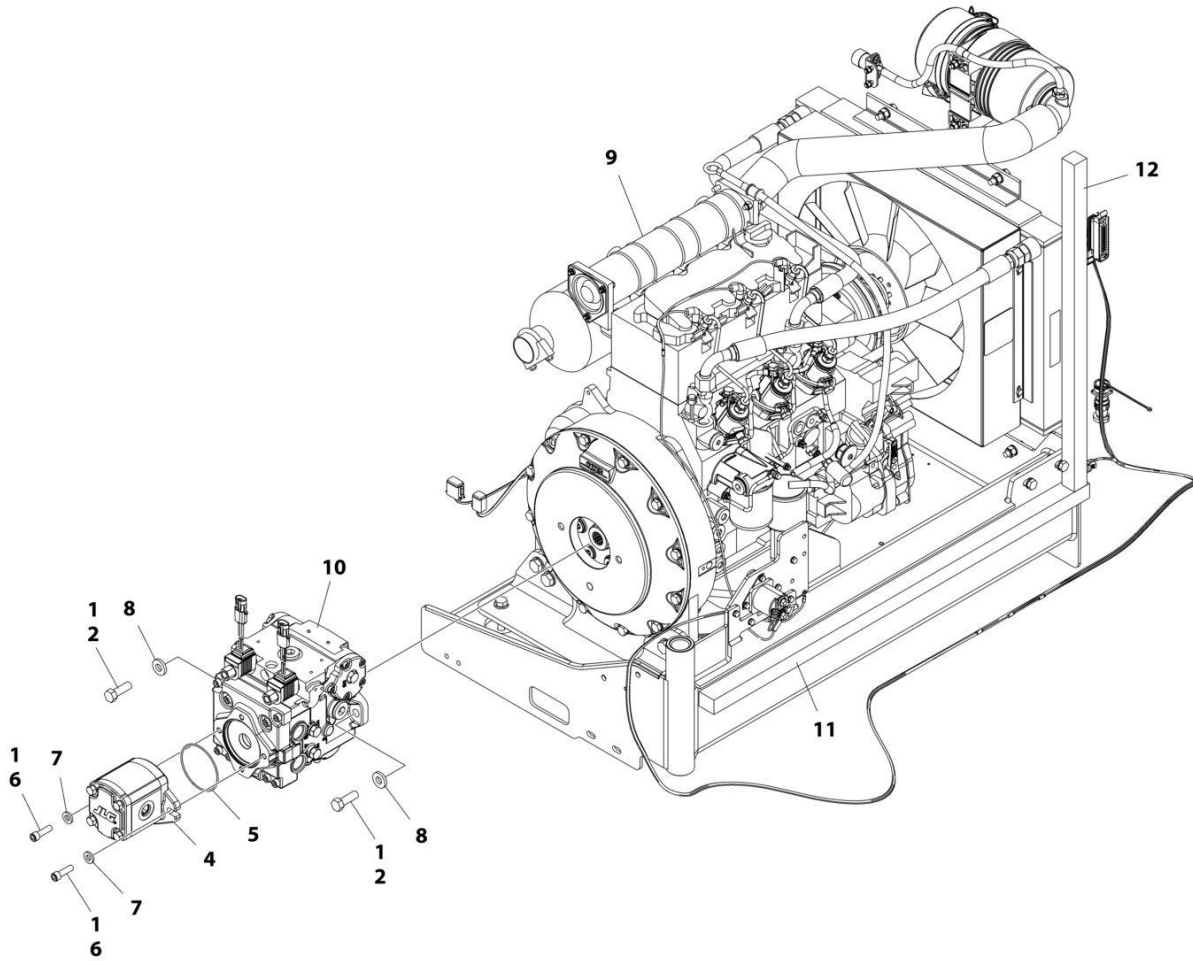
### SECTION 3 - ENGINE

ITEM	PART NUMBER	QTY	DESCRIPTION	REV
42	1001148641	1	Bracket, Clamp Mounting	
43	1320224	1	Clamp, Cable	
44	0700610	1	Bolt M6 x 20	



# SECTION 3 - ENGINE

FIGURE 3-2. ENGINE AND PUMP SUB-ASSEMBLY - DEUTZ D2011 (WITHOUT ARCTIC PACKAGE)  
(AUSTRALIAN AND CHINA SPECS)



ART\_1001166021\_G



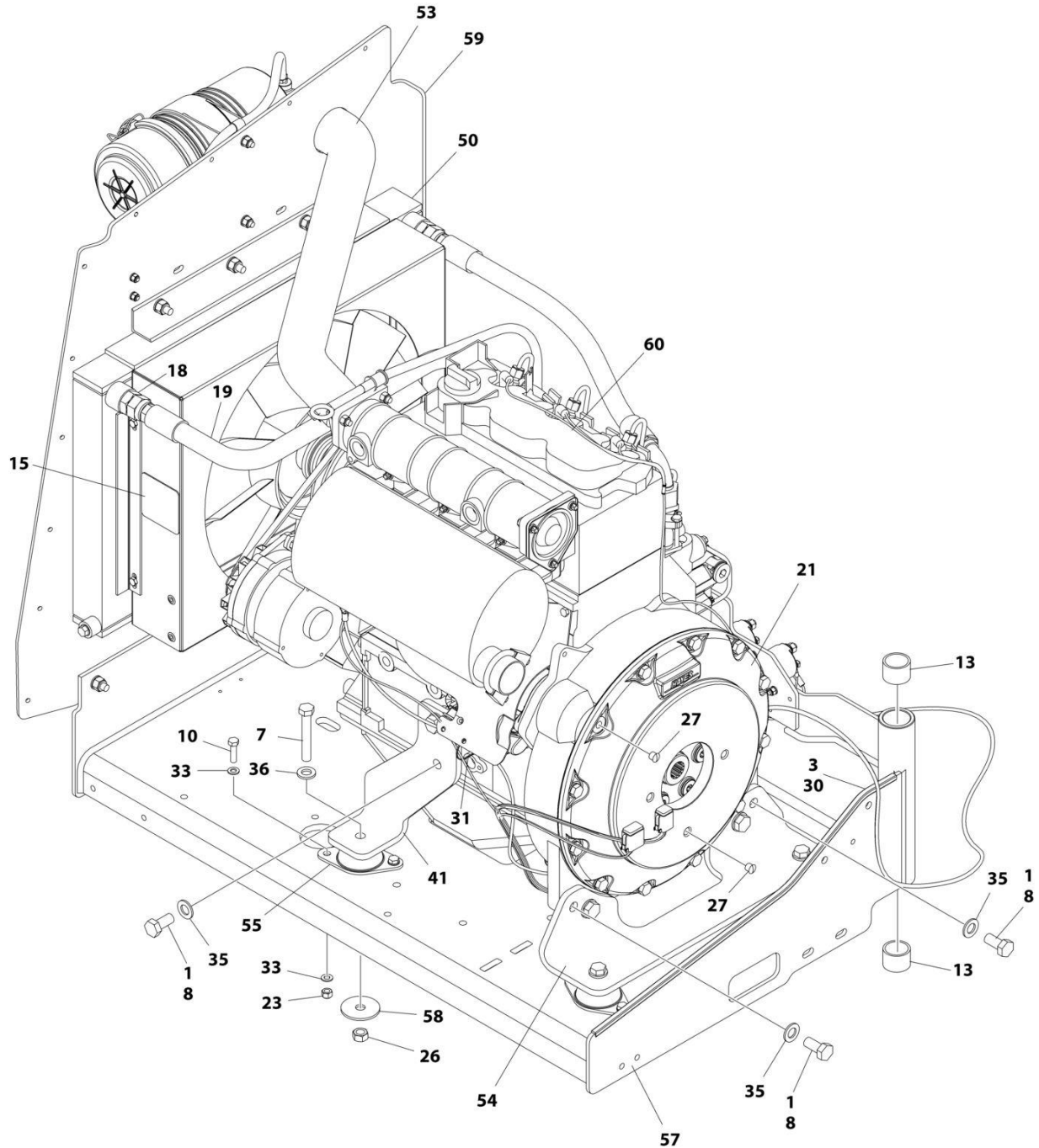
## SECTION 3 - ENGINE

**FIGURE 3-2. ENGINE AND PUMP SUB-ASSEMBLY - DEUTZ D2011 (WITHOUT ARCTIC PACKAGE)  
(AUSTRALIAN AND CHINA SPECS)**

ITEM	PART NUMBER	QTY	DESCRIPTION	REV
	1001166021	Ref	ENGINE AND PUMP SUB-ASSEMBLY - DEUTZ D2011 (WITHOUT ARCTIC PACKAGE)	G
1	0100011	AR	Compound, Locking	
2	0641812	2	Bolt 1/2 x 1-1/2	
4	1001214207	1	Gear Pump Assembly	
4	70006356	1	Seal Kit	
5	3790152	1	O-Ring	
6	3931618	2	Capscrew 3/8 x 1-1/8	
7	4891600	2	Washer 3/8 Hardened	
8	4891800	2	Washer 1/2 Hardened	
9	1001166020	1	Engine Assembly - Deutz D2011 Engine (Without Arctic Package) (See Separate Breakdown in this Section)	
10	1001167036	1	Piston Pump Assembly (See Separate Breakdown in this Section)	
11	1001171953	1	Seal	
12	1001171954	1	Seal	

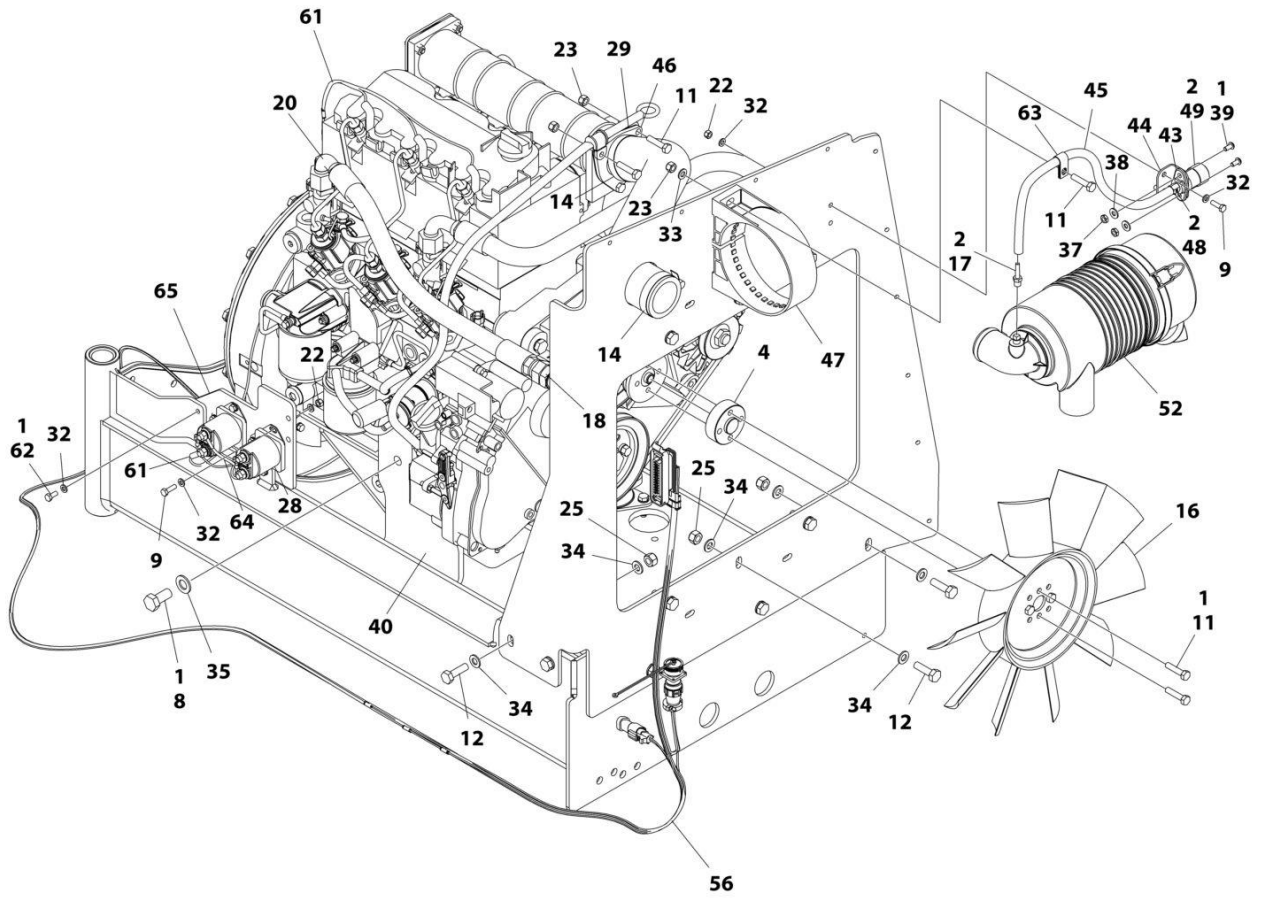
# SECTION 3 - ENGINE

FIGURE 3-3. ENGINE ASSEMBLY - DEUTZ D2011 ENGINE (WITHOUT ARCTIC PACKAGE)  
(AUSTRALIAN AND CHINA SPECS)



ART\_1001166020\_10F2

# SECTION 3 - ENGINE



ART\_1001166020\_20F2

## SECTION 3 - ENGINE

**FIGURE 3-3. ENGINE ASSEMBLY - DEUTZ D2011 ENGINE (WITHOUT ARCTIC PACKAGE)  
(AUSTRALIAN AND CHINA SPECS)**

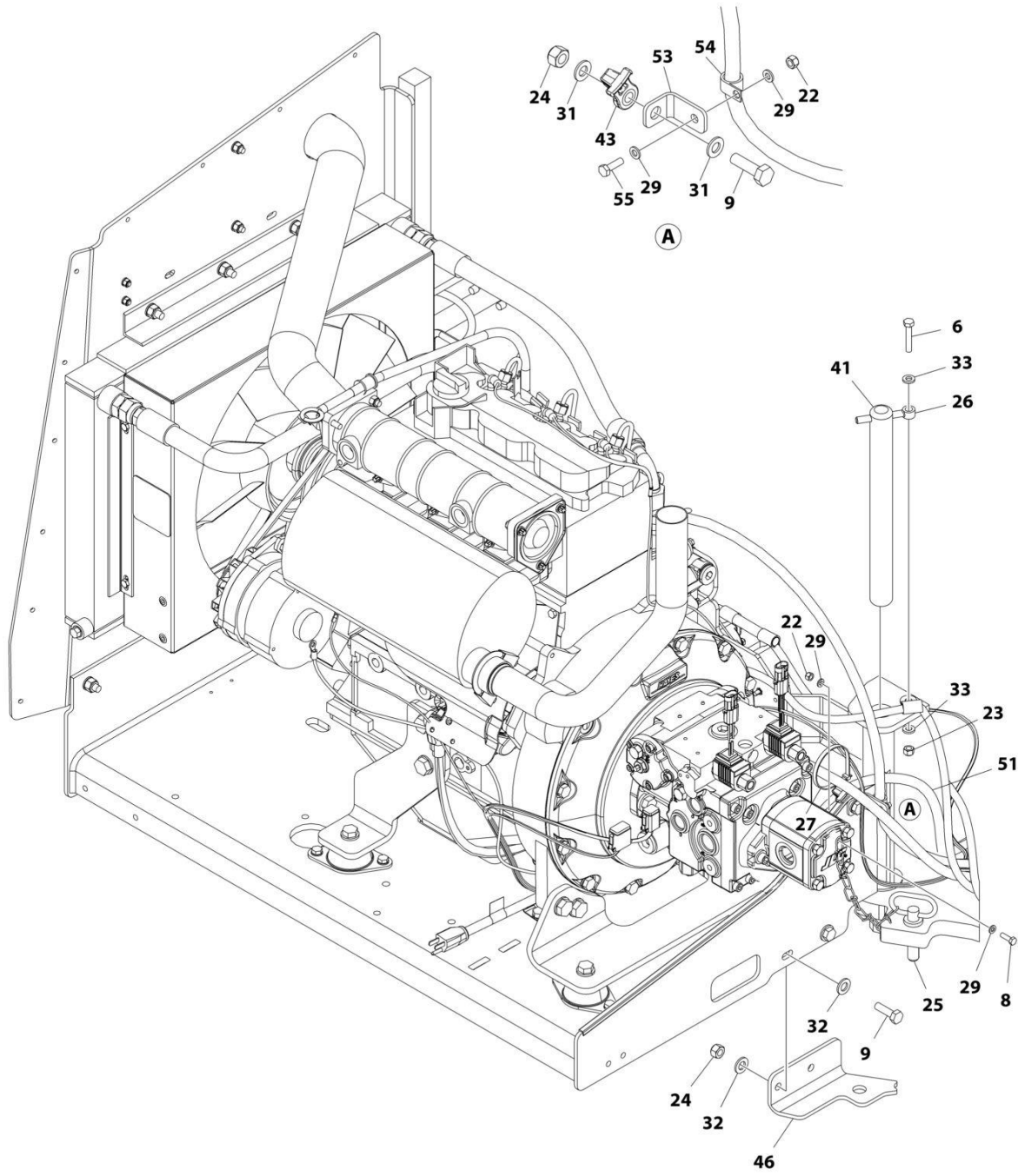
ITEM	PART NUMBER	QTY	DESCRIPTION	REV
	1001166020	Ref	ENGINE ASSEMBLY - DEUTZ D2011 ENGINE (WITHOUT ARCTIC PACKAGE)	O
1	0100011	AR	Compound, Locking	
2	0100020	AR	Sealant, Pipe	
3	0100081	AR	Adhesive	
4	0080231	1	Spacer, Fan	
7	0711224	4	Bolt M12 x 80 Grade 10.9	
8	0771414	8	Bolt M14 x 30 Grade 10.9	
9	0760610	6	Bolt M6 x 20	
10	0760814	8	Bolt M8 x 30	
11	0760815	9	Bolt M8 x 35	
12	0761015	11	Bolt M10 x 35	
13	0961951	2	Bushing	
14	1320016	2	Clamp	
15	1703162	2	Decal - Caution Fan	
16	2060025	1	Fan	
17	2220315	1	Fitting, Barbed	
18	2220451	2	Fitting, Straight JIC/ORB	
19	2720398	1	Hose	
20	2720447	1	Hose	
21	2902065	1	Pump Coupling Kit (See Separate Breakdown in this Section)	
22	3290605	6	Nut M6 x 1	
23	3290805	13	Nut M8 x 1-1/4	
25	3291005	11	Nut M10 x 1-1/2	
26	3331215	4	Nut M12 x 1-3/4	
27	3520054	2	Plug	
28	3740067	2	Relay Assembly	
28	3300220	2	Nut	
28	3321001	1	Nut #10	
28	3740140	1	Relay	
28	4761000	1	Washer #10	
28	1001111424	2	Washer	
29	3960407	1	Gasket	
30	4060805	2.25 ft/ 0.69m	Trim-Flex	
31	4240099	AR	Tie-Strap	
32	4811700	15	Washer M6	
33	4811900	20	Washer M8	
34	4812000	22	Washer M10	
35	4812200	8	Washer M14	
36	5241200	4	Washer M12	
37	8305401	2	Nut, Jam	
38	8307109	2	Washer, .250	
39	8310548	2	Screw 1/4 x 1/2	
40	1001132195	1	Bracket, Engine Mount	
41	1001132196	1	Bracket, Engine Mount	
43	1001138173	1	Support, Service Indicator	
44	1001138175	1	Bracket, Service Indicator	

## SECTION 3 - ENGINE

ITEM	PART NUMBER	QTY	DESCRIPTION	REV
45	1001138248	2 ft/ 0.61m	Tube	
46	1001139819	1	Adapter, Air Intake	
47	1001141694	1	Clamp, Air Cleaner	
48	1001141995	1	Fitting, Barbed	
49	1001143390	1	Indicator	
50	1001150998	1	Radiator	
52	1001165388	1	Air Cleaner Assembly	
52	70003783	1	Element, Air Cleaner	
53	1001165389	1	Hose	
54	1001166717	1	Bracket, Engine Mount	
55	1001166718	4	Isolator, Engine Mount	
56	1001167111	1	Harness Engine - Deutz D2011 (See Separate Breakdown in ELECTRICAL SECTION)	
57	1001167520	1	Tray, Engine	
58	1001168018	4	Washer, Snubbing	
59	1001168059	1	Plate, Radiator Mounting	
60	1001170693	1	Engine, Deutz D2011 (See Separate Breakdown in this Section)	
61	4923451	1	Harness, Glow Plugs	
62	0760614	3	Bolt M6 x 30	
63	8406109	1	Clip	
64	1001178859	1	Cable, Alternator	
65	1001214975	1	Bracket	

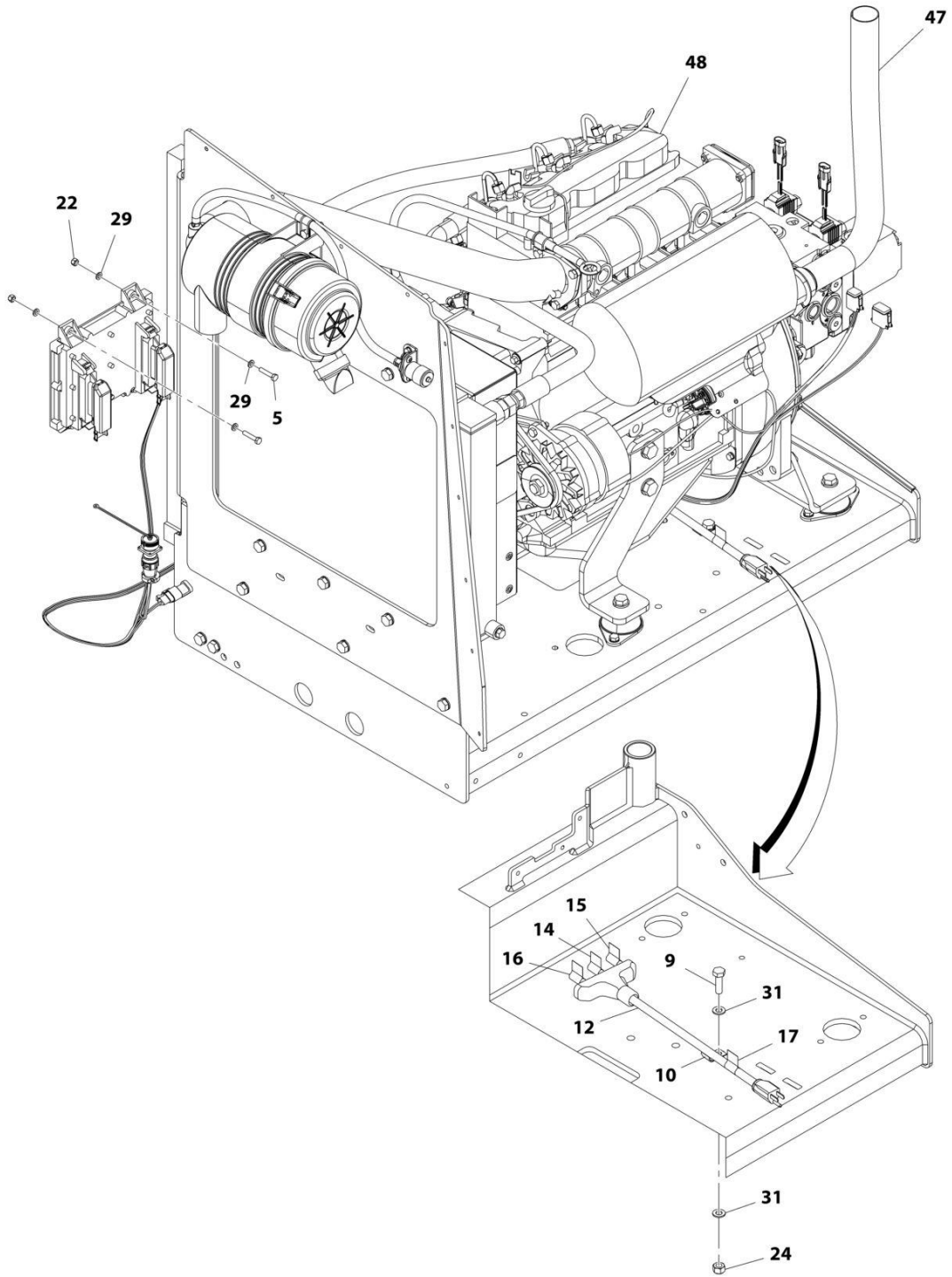
# SECTION 3 - ENGINE

FIGURE 3-4. ENGINE INSTALLATION - DEUTZ D2011 ENGINE (WITH ARCTIC PACKAGE) (ANSI EXPORT(LRC), AUSTRALIAN, CE(LRC), CHINA & UK CA SPECS)



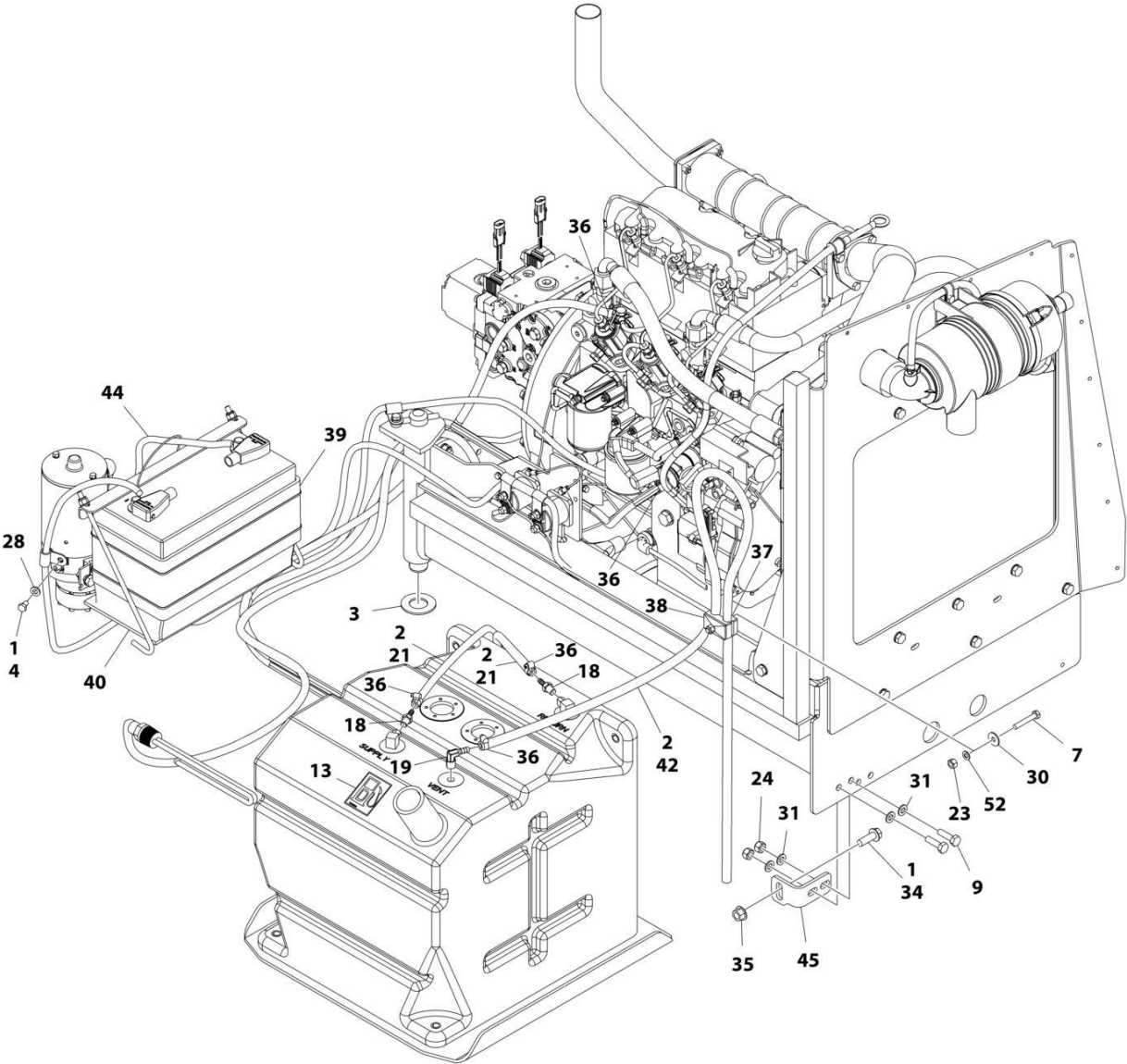
ART\_1001166023\_10F3

# SECTION 3 - ENGINE



ART\_1001166023\_2OF3

**SECTION 3 - ENGINE**



ART\_1001166023\_30F3



## SECTION 3 - ENGINE

**FIGURE 3-4. ENGINE INSTALLATION - DEUTZ D2011 ENGINE (WITH ARCTIC PACKAGE) (ANSI EXPORT(LRC), AUSTRALIAN, CE(LRC), CHINA & UK CA SPECS)**

ITEM	PART NUMBER	QTY	DESCRIPTION	REV
	1001166023	Ref	ENGINE INSTALLATION - DEUTZ D2011 ENGINE (WITH ARCTIC PACKAGE)	G
1	0100011	AR	Compound, Locking	
2	0100020	AR	Sealant, Pipe	
3	0440162	1	Bearing	
4	0641504	1	Bolt 5/16 x 1/2	
5	0700614	4	Bolt M6 x 30	
6	0700817	1	Bolt M8 x 45	
7	0700821	1	Bolt M8 x 65	
8	0760610	1	Bolt M6 x 20	
9	0761015	6	Bolt M10 x 35	
10	1320223	1	Clip	
12	1060626	1	Plug, 3 Way	
13	1701505	1	Decal - Diesel Fuel	
14	1702941	1	Decal - Battery Heater	
15	1702942	1	Decal - Engine Block Heater	
16	1702943	1	Decal - Hydraulic Tank Heater	
17	1702944	1	Decal - Heater Cord	
18	2180348	2	Fitting, Barbed	
19	2220313	1	Fitting, Barbed 90	
20	1001188972	1	Heater, Hydraulic Tank	
21	2720058	17 ft / 5.18m	Hose	
22	3290605	6	Nut, Lock M6 x 1	
23	3290805	2	Nut, Lock M8	
24	3291005	6	Nut M10	
25	3422532	1	Pin	
26	3841143	1	Keeper, Pin	
27	4240099	AR	Tie-Strap	
28	4711500	1	Washer, 5/16	
29	4811700	12	Washer, M6	
30	4811902	1	Washer, M8	
31	4812000	8	Washer, M10	
32	4812100	4	Washer, M12	
33	5240800	2	Washer, M8 Hardened	
34	5251215	1	Bolt M12 x 35	
35	5261200	1	Nut, Flange M12 Class10	
36	8405009	5	Clamp	
37	1320187	1	Clamp	
38	1320190	1	Clamp	
39	2580024	1	Heater, Battery	
40	1001119278	1	Insulate	
41	1001135196	1	Pin	
42	2750532	6 ft/ 1.83m	Hose	
43	1001156107	1	Holder, Cable	
44	1001167038	1	Battery Cable Kit	G
44	70009004	1	Cable, Battery (Black) (Battery Negative, Auxiliary Power Pump, Turntable Ground to Engine Ground)	

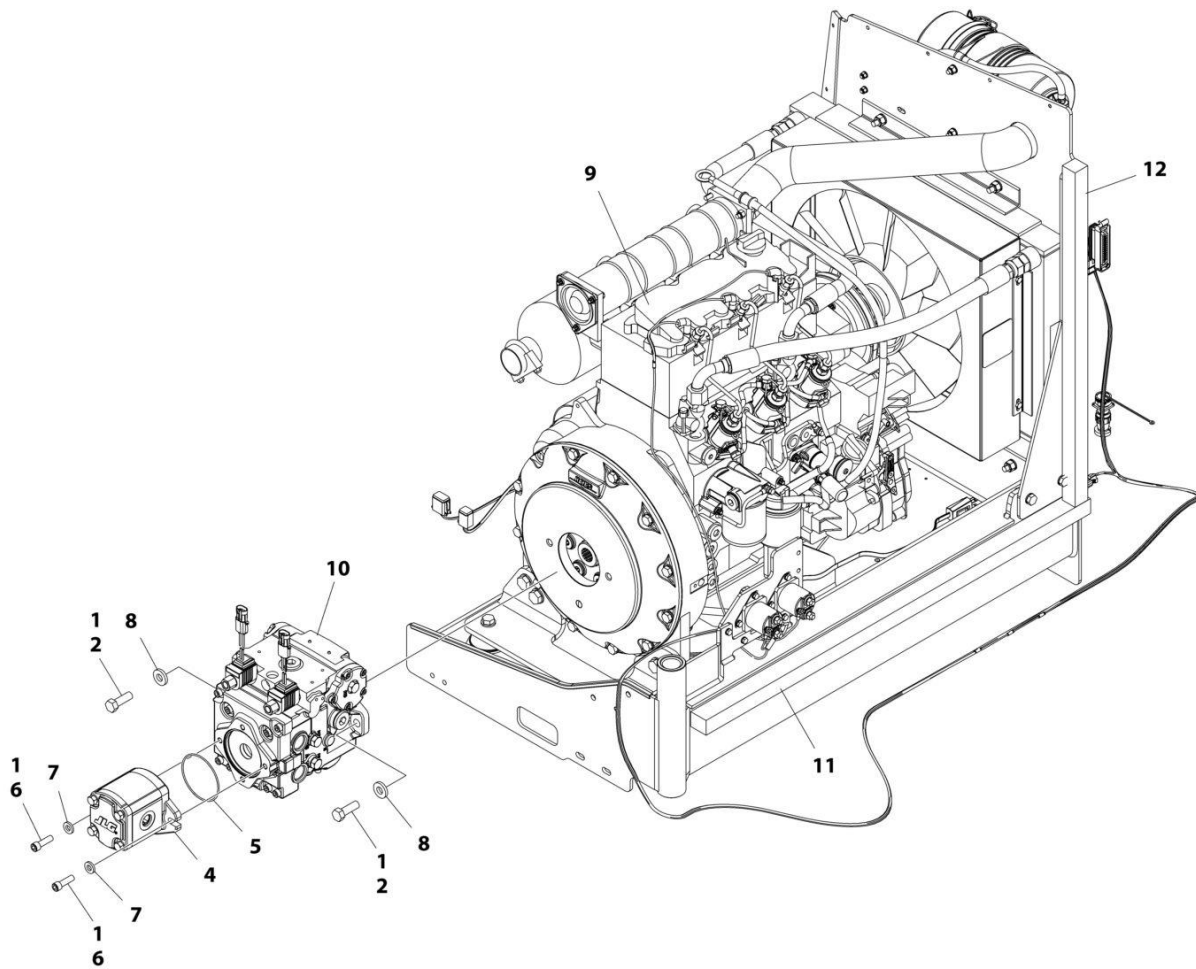
## SECTION 3 - ENGINE

ITEM	PART NUMBER	QTY	DESCRIPTION	REV
44	70009005	1	Cable, Battery (Red) (Battery Positive, Auxiliary Power Relay, Starter Relay to Starter)	
44	70009002	1	Cable, Battery (Red) (Auxiliary Power Relay to Auxiliary Power Pump)	
45	1001167512	1	Bracket, Engine	
46	1001169823	1	Plate, Engine Lock	
47	1001172195	1	Pipe, Exhaust	
48	1001174784	1	Engine and Pump Sub-Assembly - Deutz D2011 (With Arctic Package) (See Separate Breakdown in this Section)	
51	1001150918	1	Cable, Extension Cord	
52	4811900	1	Washer M8	
53	1001148641	1	Bracket, Clamp Mounting	
54	1320224	1	Clamp, Cable	
55	0700610	1	Bolt M6 x 20	



# SECTION 3 - ENGINE

FIGURE 3-5. ENGINE AND PUMP SUB-ASSEMBLY - DEUTZ D2011 (WITH ARCTIC PACKAGE) (ANSI EXPORT AND CHINA SPECS)



ART\_1001174784\_G

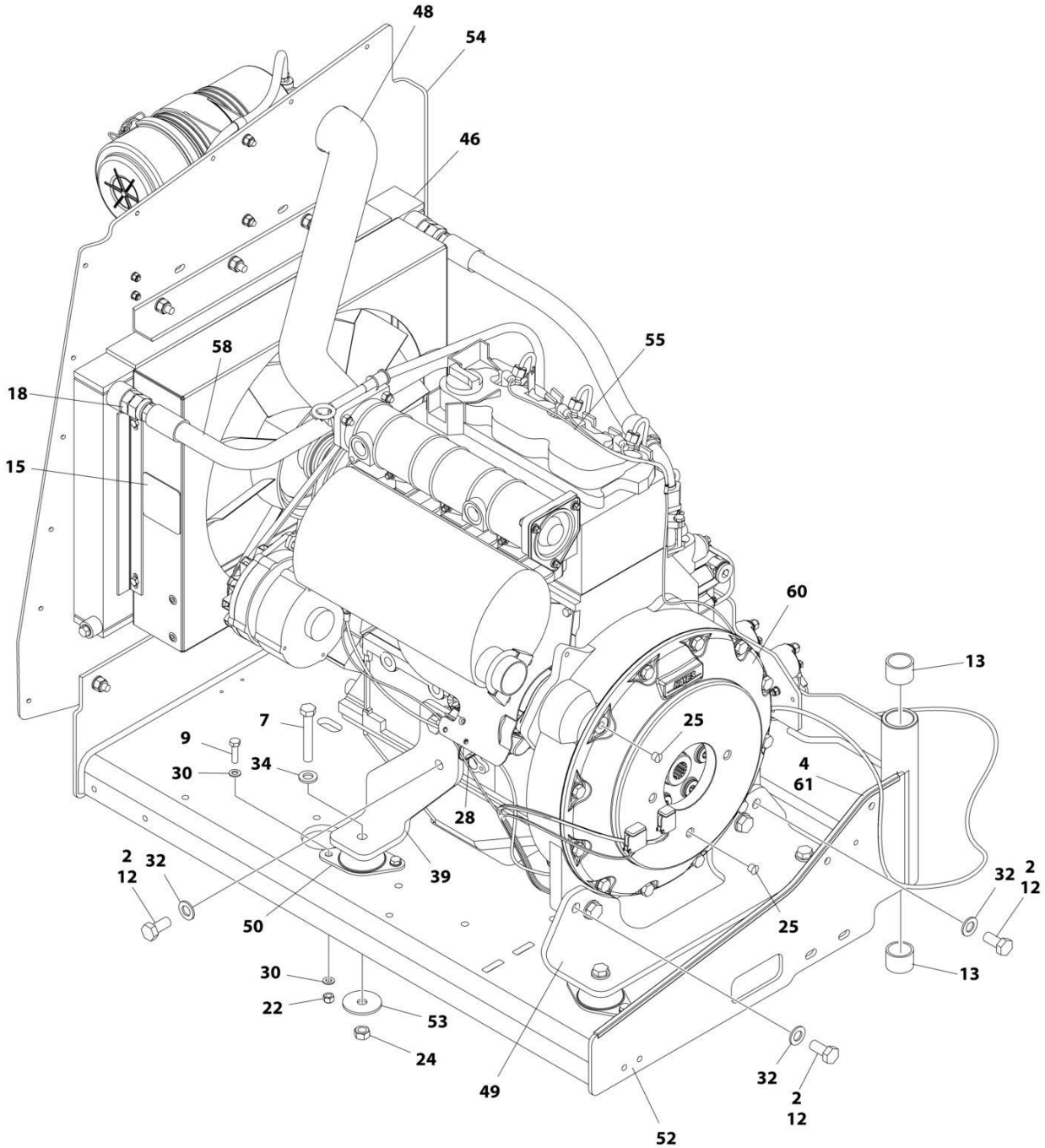
## SECTION 3 - ENGINE

**FIGURE 3-5. ENGINE AND PUMP SUB-ASSEMBLY - DEUTZ D2011 (WITH ARCTIC PACKAGE) (ANSI EXPORT AND CHINA SPECS)**

ITEM	PART NUMBER	QTY	DESCRIPTION	REV
	1001174784	Ref	ENGINE AND PUMP SUB-ASSEMBLY - DEUTZ D2011 (WITH ARCTIC PACKAGE)	G
1	0100011	AR	Compound, Locking	
2	0641812	2	Bolt 1/2 x 1-1/2	
4	1001214207	1	Gear Pump Assembly	
4	70006356	1	Seal Kit - 1001214207 Pump	
5	3790152	1	O-Ring	
6	3931618	2	Capscrew 3/8 x 1 1/8	
7	4891600	2	Washer 3/8 Hardened	
8	4891800	2	Washer 1/2 Hardened	
9	1001174783	1	Engine Assembly - Deutz D2011 Engine (With Arctic Package) (See Separate Breakdown in this Section)	
10	1001167036	1	Piston Pump Assembly (See Separate Breakdown in this Section)	
11	1001171953	1	Seal	
12	1001171954	1	Seal	

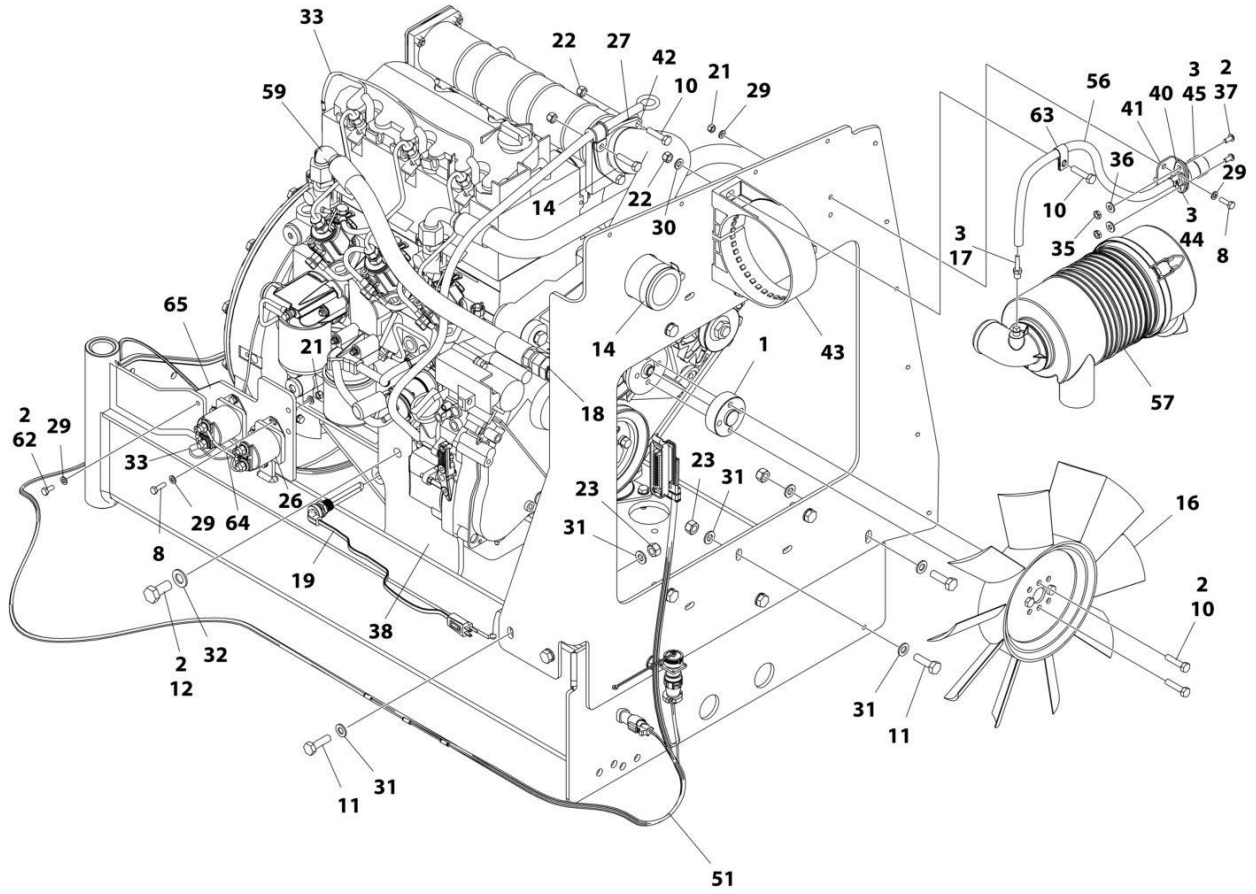
# SECTION 3 - ENGINE

## FIGURE 3-6. ENGINE ASSEMBLY - DEUTZ D2011 ENGINE (WITH ARCTIC PACKAGE) (ANSI EXPORT AND CHINA SPECS)



ART\_1001174783\_10F2

# SECTION 3 - ENGINE



ART\_1001174783\_2OF2

## SECTION 3 - ENGINE

**FIGURE 3-6. ENGINE ASSEMBLY - DEUTZ D2011 ENGINE (WITH ARCTIC PACKAGE) (ANSI EXPORT AND CHINA SPECS)**

ITEM	PART NUMBER	QTY	DESCRIPTION	REV
	1001174783	Ref	ENGINE ASSEMBLY - DEUTZ D2011 ENGINE (WITH ARCTIC PACKAGE)	N
1	0080231	1	Spacer, Fan	
2	0100011	AR	Compound, Locking	
3	0100020	AR	Sealant, Pipe	
4	0100081	AR	Adhesive	
7	0711224	4	Bolt M12 x 80 Grade 10.9	
8	0760610	6	Bolt M6 x 20	
9	0760814	8	Bolt M8 x 30	
10	0760815	9	Bolt M8 x 35	
11	0761015	11	Bolt M10 x 35	
12	0771414	8	Bolt M14 x 30 Grade 10.9	
13	0961951	2	Bushing	
14	1320016	2	Clamp	
15	1703162	2	Decal - Caution Fan	
16	2060025	1	Fan	
17	2220315	1	Fitting, Barbed	
18	2220451	2	Fitting, Straight JIC/ORB	
19	2580062	1	Heater, Engine Block	
21	3290605	6	Nut M6	
22	3290805	13	Nut M8	
23	3291005	11	Nut M10	
24	3331215	4	Nut M12	
25	3520054	2	Plug	
26	3740067	2	Relay Assembly	
26	3300220	2	Nut	
26	3321001	1	Nut #10	
26	3740140	1	Relay	
26	4761000	1	Washer #10	
26	1001111424	2	Washer	
27	3960407	1	Gasket	
28	4240099	AR	Tie-Strap (Not Shown)	
29	4811700	15	Washer M6	
30	4811900	20	Washer M8	
31	4812000	22	Washer M10	
32	4812200	8	Washer M14	
33	4923451	1	Harness, Glow Plugs	
34	5241200	4	Washer M12	
35	8305401	2	Nut, Jam	
36	8307109	2	Washer	
37	8310548	2	Screw 1/4 x 1/2	
38	1001132195	1	Bracket, Engine Mount	
39	1001132196	1	Bracket, Engine Mount	
40	1001138173	1	Support, Service Indicator	
41	1001138175	1	Bracket, Service Indicator	
42	1001139819	1	Adapter, Air Intake	
43	1001141694	1	Clamp, Air Cleaner	
44	1001141995	1	Fitting, Barbed	
45	1001143390	1	Indicator	

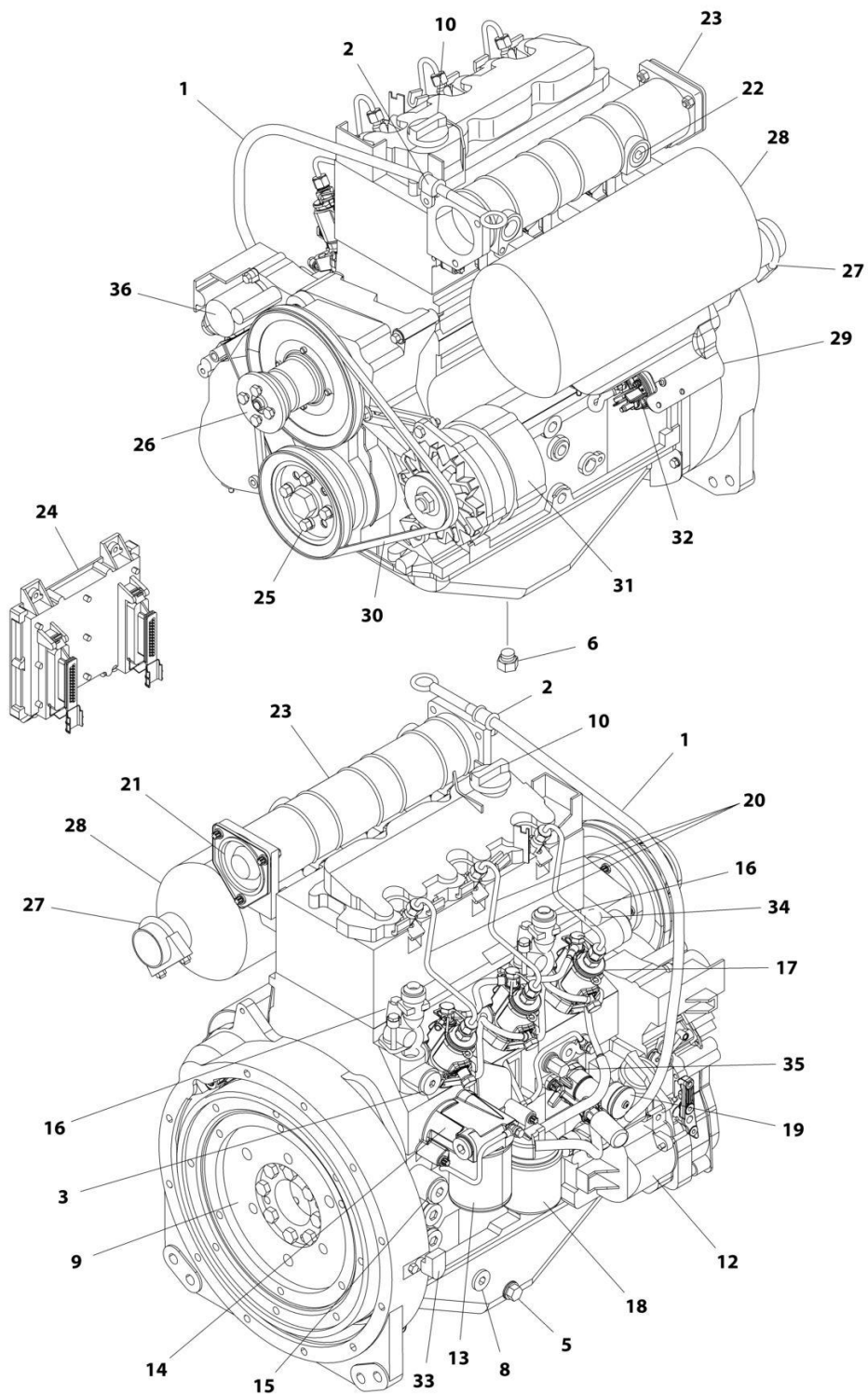


## SECTION 3 - ENGINE

ITEM	PART NUMBER	QTY	DESCRIPTION	REV
46	1001150998	1	Radiator	
48	1001165389	1	Hose	
49	1001166717	1	Bracket, Engine Mount	
50	1001166718	4	Isolator, Engine Mount	
51	1001167111	1	Harness Engine - Deutz D2011 (See Separate Breakdown in ELECTRICAL SECTION)	
52	1001167520	1	Tray, Engine	
53	1001168018	4	Washer, Snubbing	
54	1001168059	1	Plate, Radiator Mounting	
55	1001170693	1	Engine, Deutz D2011 (See Separate Breakdown in this Section)	
56	1001138248	2 ft/ 0.61m	Tube	
57	1001165388	1	Air Cleaner Assembly	
57	70003783	1	Element, Air Cleaner	
58	2720398	1	Hose	
59	2720447	1	Hose	
60	2902065	1	Pump Coupling Kit (See Separate Breakdown in this Section)	
61	4060805	2.25 ft/ 0.69m	Flex-Trim	
62	0760614	3	Bolt M6 x 30	
63	8406109	1	Clip	
64	1001178859	1	Cable, Alternator	
65	1001214975	1	Bracket	

# SECTION 3 - ENGINE

## FIGURE 3-7. ENGINE COMPONENTS - DEUTZ D2011



ART\_1001170693

## SECTION 3 - ENGINE

**FIGURE 3-7. ENGINE COMPONENTS - DEUTZ D2011**

ITEM	PART NUMBER	QTY	DESCRIPTION	REV
	1001170693	Ref	ENGINE COMPONENTS - DEUTZ D2011	C
1	70001002	1	Tube, Dipstick	
1	7020403	1	Seal, Tube	
1	7020026	1	Dipstick	
2	70001654	1	Clamp	
2	70001655	1	Bolt	
3	70003475	1	Thermostat	
3	7020460	1	Spring	
4		Ref	Seal and Gasket Options (Not Shown):	
4	70002718	1	Seal, Rear Main	
4	7020430	1	Gasket, Valve Cover	
4	70003479	1	Gasket, Head - 1 Notch	
4	70003480	1	Gasket, Head - 2 Notch	
4	70003481	1	Gasket, Head - 3 Notch	
5	70025088	1	Plug	
6	70025667	1	Plug	
7	70025123	22	Bolt, Torx (Oil Pan Bolts) (Not Shown)	
8	7020492	1	Seal	
8	70025084	1	Plug	
9	70001870	1	Flywheel	
9	7024579	1	Ring Gear (Part of Flywheel)	
9	70025139	8	Bolt	
10	7020465	1	Cap, Oil Fill	
11	70000800	1	Timing Belt/Idler Kit (Includes Timing Belt, Tensioner and Tensioner Bolt) (Not Shown)	
12	70001850	1	Pump, Lubricating	
12	7020468	1	Seal, Pump to Engine Block (Not Shown)	
13	7016331	1	Filter, Oil	
14	70003472	1	Bracket, Oil Filter (Includes Plug with Seal, Temperature Sensor, Control Valve and Compression Spring)	
14	7027236	1	Sensor, Temperature	
14	70025082	1	Seal, Plug	
14	70025091	1	Plug	
14	70003473	1	Gasket, Bracket to Engine Block (Not Shown)	
15	70001181	1	Valve	
15	70025091	1	Plug	
15	70025082	1	Seal, Plug	
16	70004268	2	Connector, Radiator Neck	
16	70004269	2	Seal, Radiator Neck to Engine Block	
17	70000912	3	Pump, Fuel Injector - A Spec	
17	70000913	3	Pump, Fuel Injector - B Spec	
17	70000914	3	Pump, Fuel Injector - C Spec	
17	70000915	3	Pump, Fuel Injector - D Spec	
17	70003464	3	O-Ring, Pump to Engine Block	
18	7020023	1	Filter, Fuel	
18	70003463	1	Filter, Fuel - RME Resistant	
18	70001423	1	Bracket, Fuel Filter	
19	70000916	1	Pump Fuel Supply	
19	70000917	1	O-Seal Between Fuel Pump and Engine Block	
19	70000918	1	Sealing Ring Between Hand Pump and Supply Pump	

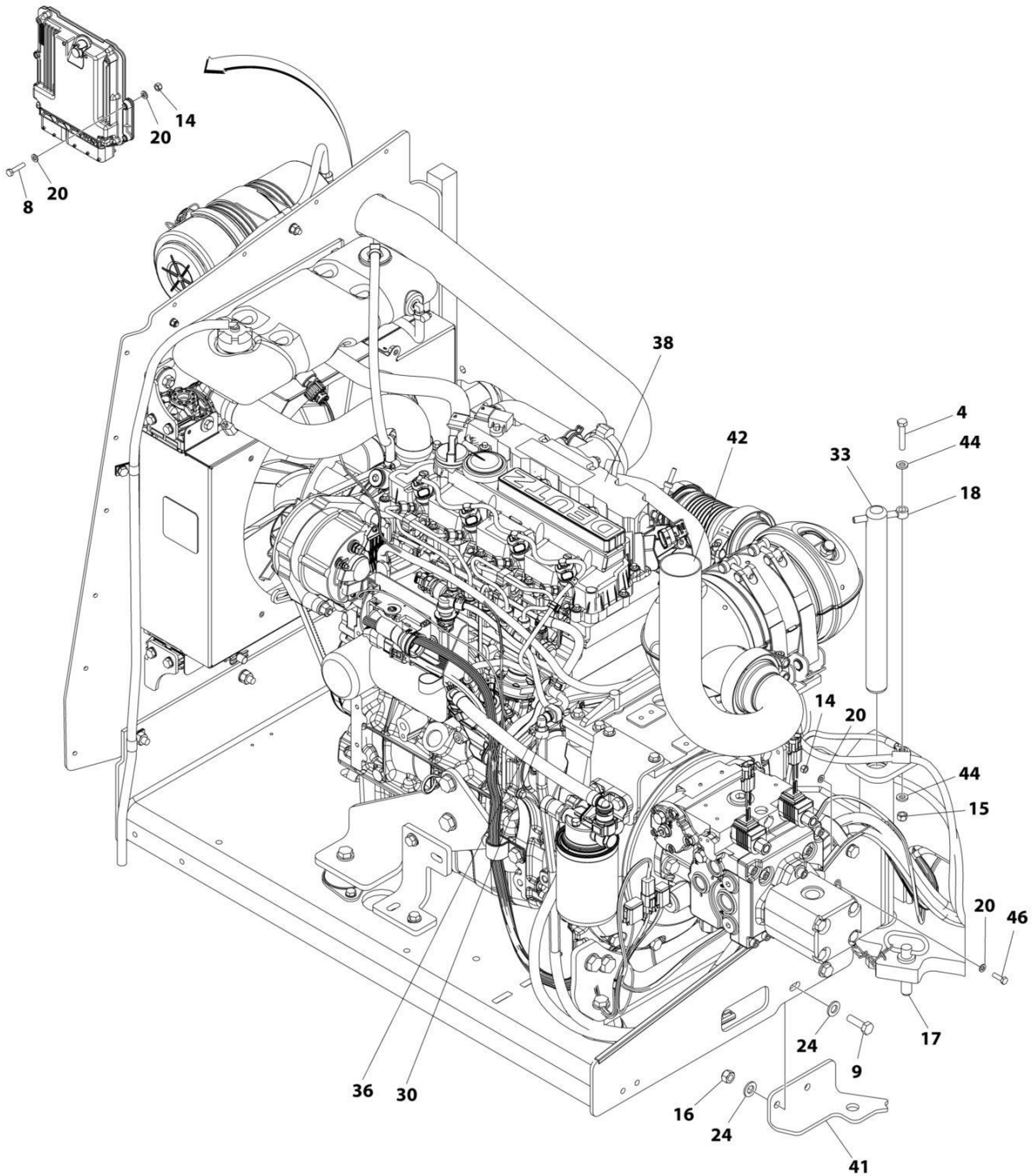
## SECTION 3 - ENGINE

ITEM	PART NUMBER	QTY	DESCRIPTION	REV
19	70000919	1	Pump, Hand	
19	70001435	1	Repair Kit	
19	70025694	2	Bolt, Torx	
20	70000931	3	Pipe, High Pressure	
21	70003469	1	Flange, Intake	
21	70003468	1	Seal	
22	70025084	1	Plug	
22	7020492	1	Seal, Plug	
23	7027903	1	Manifold, Air Intake	
23	70001871	3	Gasket Between Manifold and Engine Block	
24	See Note	1	Module, Engine Control (Note: Not Currently Available)	
24	7027796	1	Cable, Electrical Between Module and Engine Harness (Not Shown)	
24	70001872	1	Harness, Engine (Connects to p/n 70004060) (Not Shown)	
24	70004060	1	Plug, Connector Located on Cable Near Module (Not Shown)	
24	70004059	1	Plug, Analyzer (Not Shown)	
25	70025123	4	Bolt, Torx	
26	70000787	1	Support, Fan (Includes Support, Internal Shaft, Bearings and Circlip)	
27	70001844	1	Clamp	
28	See Note	1	Muffler (Note: See Separate Breakdown in this Section)	
28	7020471	3	Gasket, Exhaust Between Muffler and Engine Block	
28	70004270	6	Stud, Muffler	
29	70001498	1	Shield, Starter	
29	70025693	3	Bolt	
30	70004102	1	V-Belt	
31	70004056	1	Alternator (Includes Voltage Regulator and Gaskets, Fan and Fan Mounting Hardware)	
31	70001868	1	Regulator, Voltage	
31	70001866	1	Gasket Set, Voltage Regulator	
31	70025131	1	Fan	
31	70025086	1	Nut, Fan	
31	70000851	1	Bracket, Alternator Mounting	
31	70002234	1	Bracket, Alternator Adjustment	
31	70004103	1	Harness, Alternator (Not Shown)	
32	7020479	1	Starter	
32	70025121	2	Bolt, Starter Mounting	
32	70004058	1	Relay	
32	70004062	1	Harness, Starter (Not Shown)	
33	7024565	1	Sensor, Speed	
33	70003931	1	Bolt	
33	70003932	1	Spacer, Sleeve	
34	7027791	1	Sensor, Temperature	
35	7027790	1	Sensor, Oil Pressure	
36	7027792	1	Actuator	
37	70000345	3	Plug, Glow (Not Shown)	



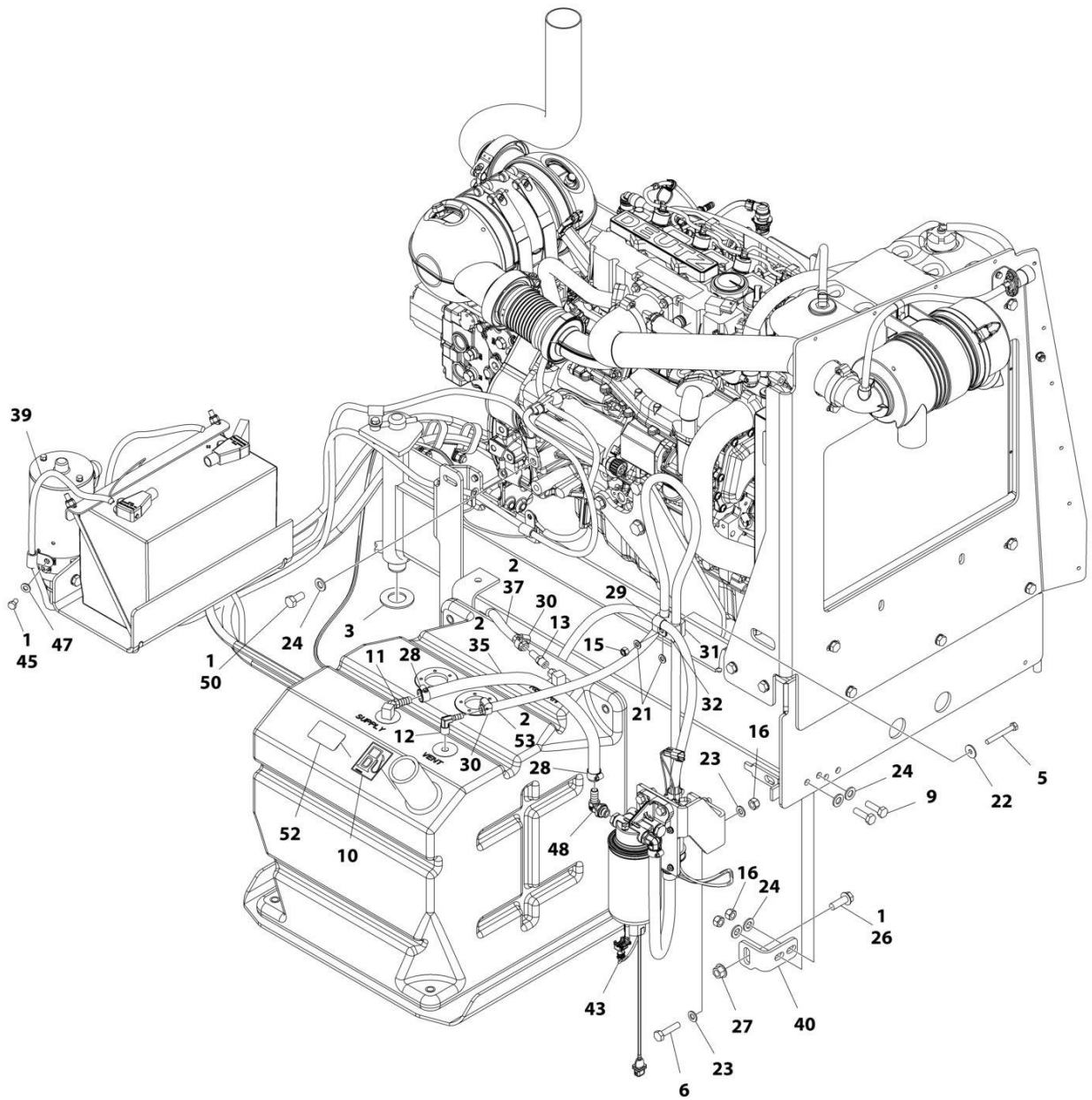
# SECTION 3 - ENGINE

FIGURE 3-8. ENGINE INSTALLATION - DEUTZ D2.9L4 ENGINE (WITHOUT ARCTIC PACKAGE) (ANSI, ANSI EXPORT(HRC), CSA AND JAPANESE SPECS)



ART\_1001166002\_L\_10F2

# SECTION 3 - ENGINE



ART\_1001166002\_L\_20F2

## SECTION 3 - ENGINE

**FIGURE 3-8. ENGINE INSTALLATION - DEUTZ D2.9L4 ENGINE (WITHOUT ARCTIC PACKAGE) (ANSI, ANSI EXPORT(HRC), CSA AND JAPANESE SPECS)**

ITEM	PART NUMBER	QTY	DESCRIPTION	REV
	1001166002	Ref	ENGINE INSTALLATION - DEUTZ D2.9L4 ENGINE (WITHOUT ARCTIC PACKAGE)	L
1	0100011	AR	Compound, Locking	
2	0100020	AR	Sealant, Pipe	
3	0440162	1	Bearing	
4	0700817	1	Bolt M8 x 45	
5	0700821	1	Bolt M8 x 65	
6	0701017	2	Bolt M10 x 45	
8	0760613	4	Bolt M6 x 28	
9	0761015	4	Bolt M10 x 35	
10	1701505	2	Decal - Diesel Fuel	
11	2180832	1	Fitting, Barbed	
12	2220313	1	Fitting, Barbed 90	
13	2220767	1	Fitting, Barbed	
14	3290605	5	Nut, Lock M6 x 1	
15	3290805	2	Bolt, M8 x 1.25	
16	3291005	6	Nut, Lock M10 x 1.5	
17	3422532	1	Pin	
18	3841143	1	Keeper, Pin	
19	4240099	AR	Tie-Strap	
20	4811700	10	Washer, M6	
21	4811900	2	Washer, M8	
22	4811902	1	Washer, M8	
23	4812000	4	Washer, M10	
24	4812100	9	Washer, M12	
26	5251215	1	Bolt M12 x 35	
27	5261200	1	Nut, Flange M12	
28	8405006	3	Clamp	
29	8406101	1	Clip	
30	8410013	4	Clamp	
31	1320187	1	Clamp	
32	1320190	1	Clamp	
33	1001135196	1	Pin	
35	1001154405	27.56 in /70cm	Hose	
36	1001155823	1	Coupling, Quick Disconnect 90	
37	1001165035	21 ft /6.42m	Hose	
38	1001166001	1	Engine and Pump Sub-Assembly - Deutz D2.9L4 (Without Arctic Package) (See Separate Breakdown in this Section)	
39	1001166970	1	Battery and Auxiliary Power Pump Cable Kit	E
39	70009006	1	Cable, Battery (Black) (Battery to Ground)	
39	70009002	1	Cable, Battery (Red) (Auxiliary Power Relay to Auxiliary Power Pump)	
39	70009007	1	Cable, Battery (Red) (Battery to Auxiliary Power Relay)	
40	1001167512	1	Bracket, Engine Tray	
41	1001169823	1	Plate, Engine Lock	
42	1001172594	1	Pipe, Exhaust	
43	1001173342	1	Harness, Fuel Pump (See Separate Breakdown in ELECTRICAL SECTION)	

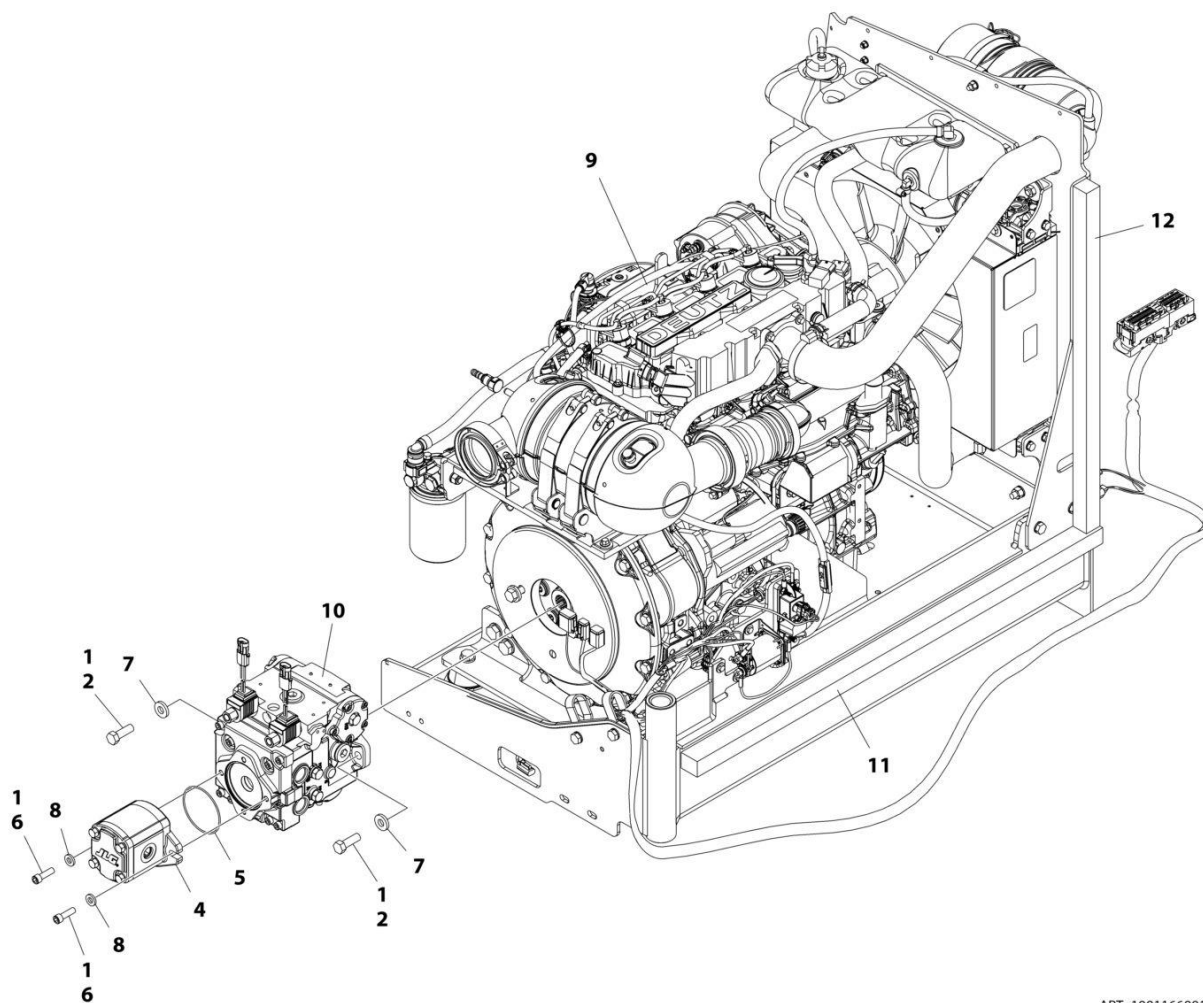


## SECTION 3 - ENGINE

ITEM	PART NUMBER	QTY	DESCRIPTION	REV
44	5240800	2	Washer, M8 Hardened	
45	0641504	1	Bolt 5/16 x 1/2	
46	0760610	1	Bolt M6 x 20	
47	4711500	1	Washer, 5/16	
48	1001142501	1	Fitting, Barbed 90	
50	0771212	1	Bolt M12 x 25	
52	1001125387	1	Decal - Ultra Low Sulfur Fuel	
53	2750532	5.54 ft /1.69m	Hose	

# SECTION 3 - ENGINE

FIGURE 3-9. ENGINE AND PUMP SUB-ASSEMBLY - DEUTZ D2.9L4 (WITHOUT ARCTIC PACKAGE)  
(ANSI, ANSI EXPORT AND CSA SPECS)



ART\_1001166001\_J

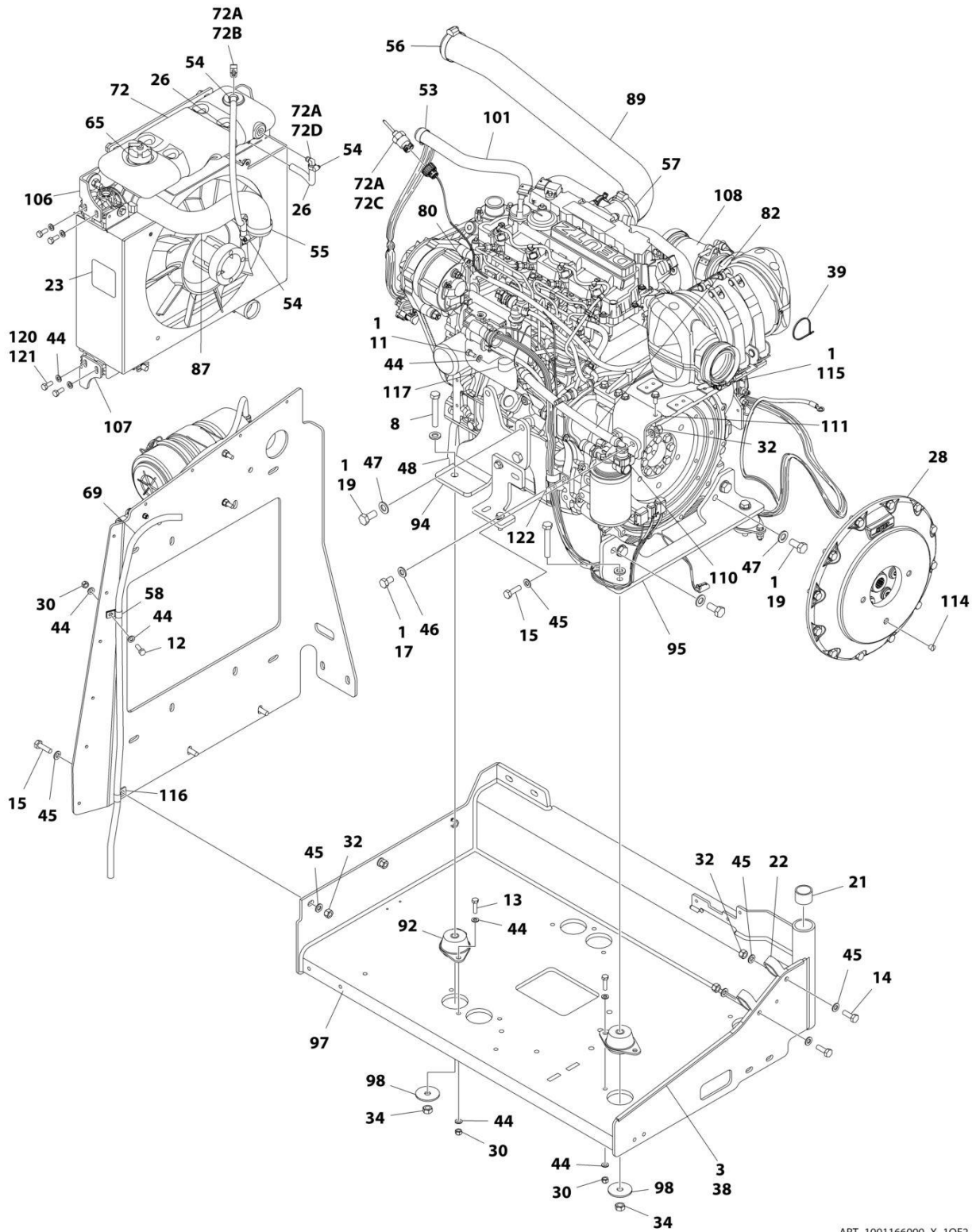
## SECTION 3 - ENGINE

**FIGURE 3-9. ENGINE AND PUMP SUB-ASSEMBLY - DEUTZ D2.9L4 (WITHOUT ARCTIC PACKAGE)  
(ANSI, ANSI EXPORT AND CSA SPECS)**

ITEM	PART NUMBER	QTY	DESCRIPTION	REV
	1001166001	Ref	ENGINE AND PUMP SUB-ASSEMBLY - DEUTZ D2.9L4 (WITHOUT ARCTIC PACKAGE)	J
1	0100011	AR	Compound, Locking	
2	0641812	2	Bolt 1/2 x 1-1/2	
4	1001214207	1	Gear Pump Assembly	
4	70006356	1	Seal Kit - 1001214207 Pump	
5	3790152	1	O-Ring	
6	3931618	2	Capscrew 3/8 x 1-1/8	
7	4891800	2	Washer 1/2 Hardened	
8	4891600	2	Washer 3/8 Hardened	
9	1001166000	1	Engine Assembly - Deutz D2.9L4 Engine (Without Arctic Package) (See Separate Breakdown in this Section)	
10	1001167036	1	Piston Pump Assembly (See Separate Breakdown in this Section)	
11	1001171953	1	Seal	
12	1001171954	1	Seal	

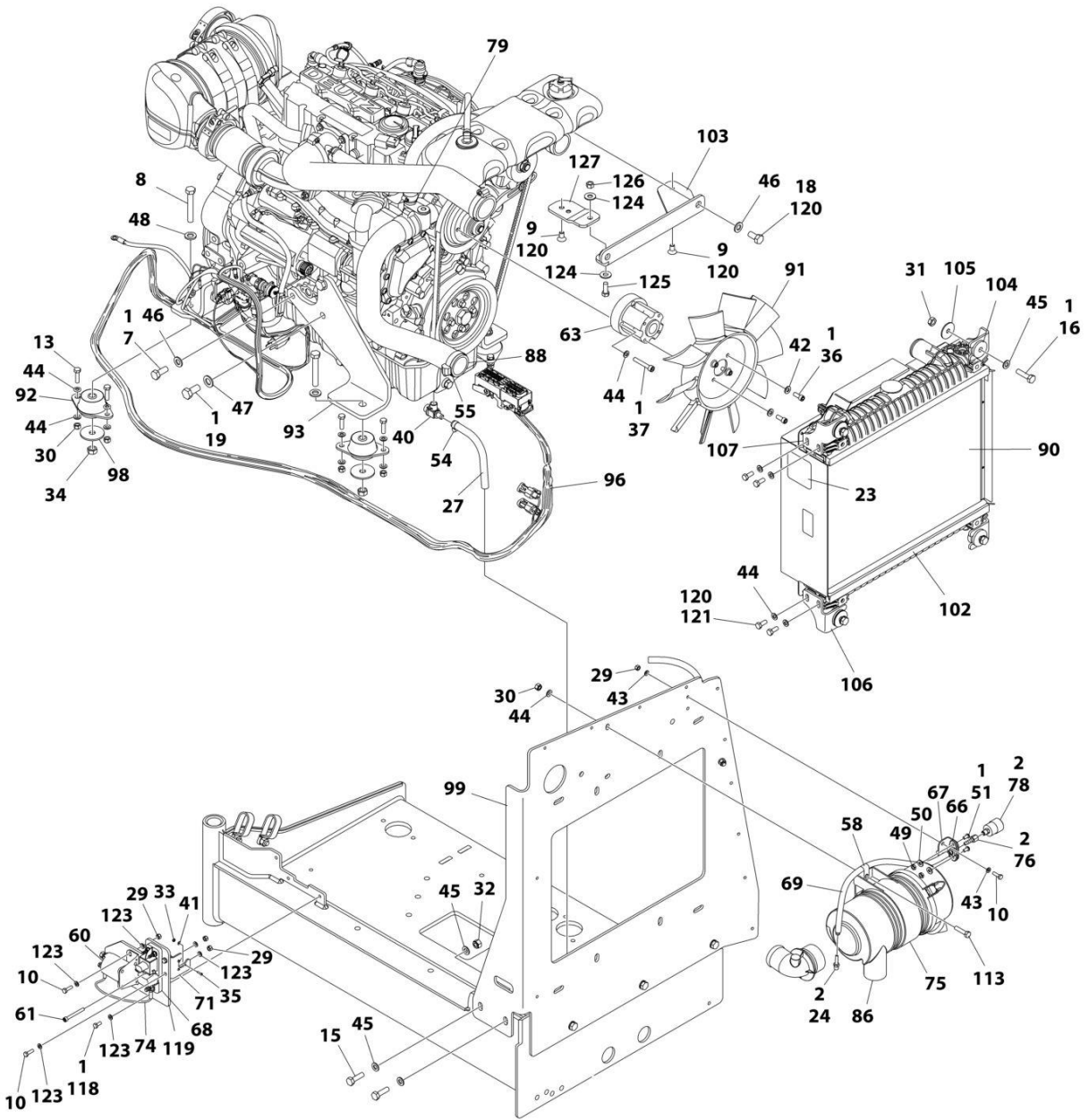
# SECTION 3 - ENGINE

FIGURE 3-10. ENGINE ASSEMBLY - DEUTZ D2.9L4 ENGINE (WITHOUT ARCTIC PACKAGE) (ANSI, ANSI EXPORT AND CSA SPECS)



ART\_1001166000\_X\_10F2

# SECTION 3 - ENGINE



ART\_1001166000\_X\_20F2

## SECTION 3 - ENGINE

**FIGURE 3-10. ENGINE ASSEMBLY - DEUTZ D2.9L4 ENGINE (WITHOUT ARCTIC PACKAGE) (ANSI, ANSI EXPORT AND CSA SPECS)**

ITEM	PART NUMBER	QTY	DESCRIPTION	REV
	1001166000	Ref	ENGINE ASSEMBLY - DEUTZ D2.9L4 ENGINE (WITHOUT ARCTIC PACKAGE)	Y
1	0100011	AR	Compound, Locking	
2	0100020	AR	Sealant, Pipe	
3	0100081	AR	Adhesive	
7	0711214	1	Bolt M12 x 30	
8	0711224	AR	Bolt M12 x 80 Grade 10.9	
9	0741606	2	Screw 3/8 x 3/4	
10	0760610	6	Bolt M6 x 20	
11	0760808	1	Bolt M8 x 16	
12	0760812	1	Bolt M8 x 25	
13	0760814	AR	Bolt M8 x 30	
14	0761014	2	Bolt M10 x 30	
15	0761015	7	Bolt M10 x 35	
16	0761016	4	Bolt M10 x 40	
17	0761210	1	Bolt M12 x 20	
18	0761212	2	Bolt M12 x 25	
19	0771414	AR	Bolt M14 x 30 Grade 10.9	
21	0961951	2	Bushing	
22	1321716	2	Clamp	
23	1703162	2	Decal - Caution Fan	
24	2220315	1	Fitting, Straight Barbed	
26	2720015	2 ft/ 0.61m	Hose	
27	2720340	8 in/ 20.3cm	Hose	
28	2902065	1	Pump Coupling Kit (See Separate Breakdown in this Section)	
29	3290605	7	Nut M6	
30	3290805	AR	Nut M8	
31	3291001	4	Nut M10	
32	3291005	9	Nut M10	
33	3310401	3	Nut #4	
34	3331215	AR	Nut M12	
35	3910408	3	Screw #4- x 1/2	
36	3931512	4	Capscrew, 5/16 x 3/4	
37	4031914	4	Bolt M8 x 50	
38	4060805	2.25 ft/ 0.69m	Flex-Trim	
39	4240099	AR	Tie-Strap	
40	4640751	1	Valve, Oil Drain	
41	4710400	3	Washer #4	
42	4711500	4	Washer 5/16	
43	4811700	4	Washer M6	
44	4811900	AR	Washer M8	
45	4812000	22	Washer M10	
46	4812100	4	Washer M12	
47	4812200	AR	Washer M14	
48	5241200	4	Washer M12 Hardened	
49	8305401	2	Nut, Jam	
50	8307109	2	Washer	

## SECTION 3 - ENGINE

ITEM	PART NUMBER	QTY	DESCRIPTION	REV
51	8310548	2	Screw, 1/4 x 1/2	
53	8405007	2	Clamp	
54	8405009	5	Clamp	
55	8405104	4	Clamp	
56	8405202	1	Clamp	
57	8405204	1	Clamp	
58	8406109	2	Clip	
60	1001117308	1	Relay, 200Amp	
60	3300220	2	Nut	
60	3321001	2	Nut #10	
60	4761000	2	Washer #10	
60	1001111424	2	Washer	
61	1001118878	1	Bolt M6 x 55	
63	1001144116	1	Spacer, Fan	
65	1001136834	1	Cap, Tank	
66	1001138173	1	Support, Service Indicator	
67	1001138175	1	Bracket, Service Indicator	
68	1001138228	1	Relay, Power Module	
68	70023592	1	Fuse 20Amp	
68	70023593	1	Fuse 30Amp	
69	1001138248	5.25 ft/ 1.6m	Tube	
71	1001139240	1	Bracket	
72	1001230635	1	Tank, Surge (Includes Items 72A-72D)	
72A	0100020	AR	Sealant, Pipe	
72B	1001134488	1	Fitting, Barbed	
72C	1001138827	1	Sensor, Coolant Level	
72D	1001140564	1	Fitting, Barbed 90	
74	1001141304	1	Harness, Glow Plug	
75	1001141694	1	Clamp, Air Cleaner	
76	1001141995	1	Fitting, Barbed	
78	1001143390	1	Indicator	
79	1001143797	1	Fitting, Barbed	
80	1001178788	1	Cable, Alternator	
82	1001152489	1	Fitting, Barbed 90	
86	1001165388	1	Air Cleaner Assembly	
86	70003783	1	Element, Air Cleaner	
87	1001165405	1	Hose, Upper Radiator	
88	1001165406	1	Hose, Lower Radiator	
89	1001165721	1	Hose, Air Intake	
90	1001165722	1	Radiator	
91	1001165849	1	Fan	
92	1001166718	AR	Mount, Motor	
93	1001166921	1	Plate, Engine Mount	
94	1001166922	Ref	Plate, Engine Mount	
95	1001166924	1	Plate, Engine Mount	
96	1001167108	1	Harness Engine - Deutz D2.9L4 (See Separate Breakdown in ELECTRICAL SECTION)	
97	1001167520	1	Tray, Engine	
98	1001168018	4	Washer, Special	
99	1001168026	1	Plate, Radiator Mounting	
101	1001168099	1	Hose	

## SECTION 3 - ENGINE

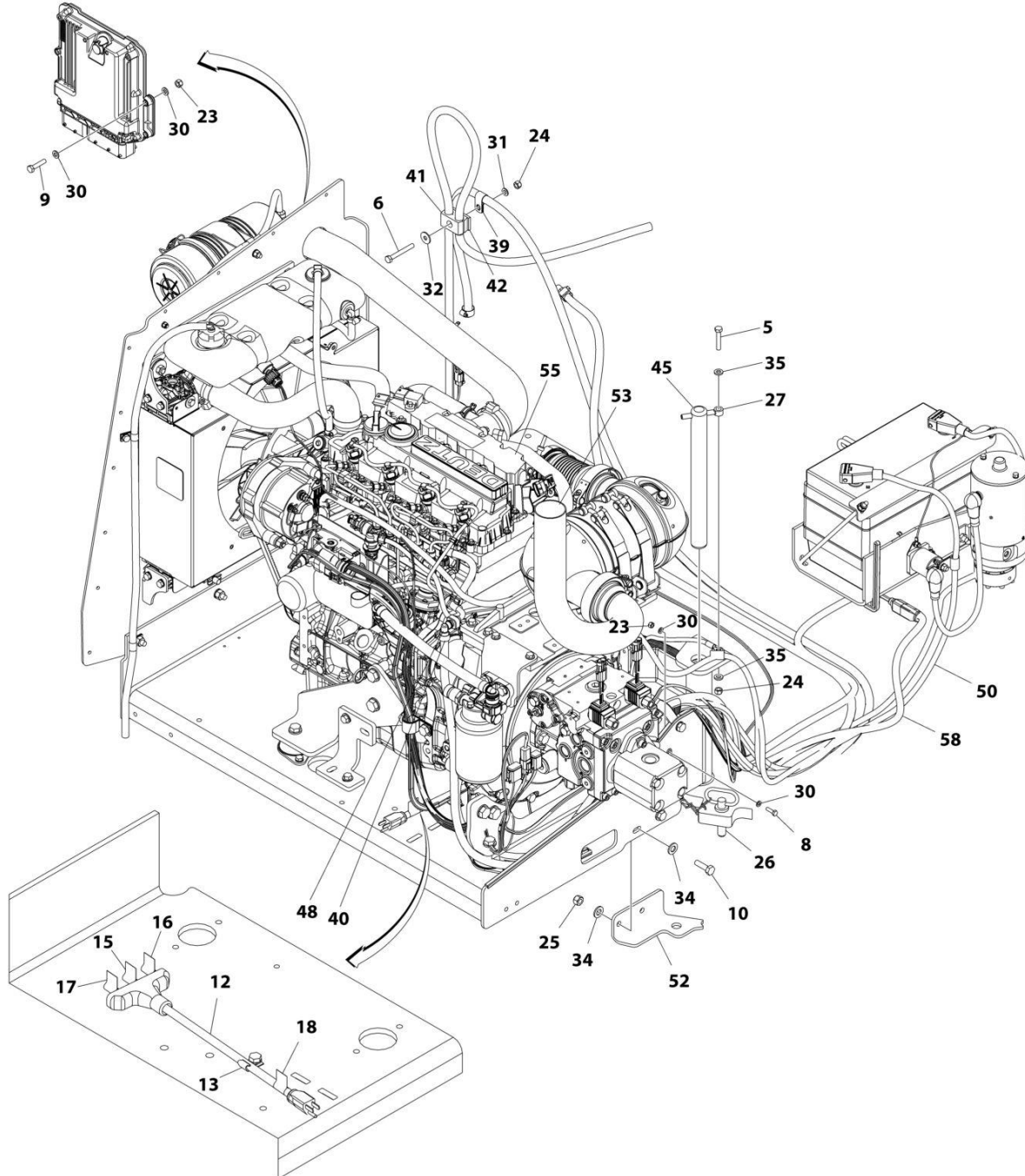
ITEM	PART NUMBER	QTY	DESCRIPTION	REV
102	1001168166	2	Seal	
103	1001260420	1	Bracket	
104	1001169054	4	Isolator	
105	1001169138	4	Washer, Snubbing	
106	1001169967	2	Bracket	
107	1001170035	2	Bracket	
108	1001249965	1	Engine, Deutz D2.9L4 (See Separate Breakdown in this Section)	
110	1001177359	1	Hose	
111	1001178876	1	Mount, Fuel Filter	
113	0760815	2	Bolt M8 x 35	
114	3520054	1	Plug	
115	5250810	2	Bolt M8 x 20	
116	8406110	1	Clip	
117	8406201	1	Clip	
118	0760607	3	Bolt M6 x 14	
119	1001179903	1	Bracket	
120	1001180620	AR	Adhesive	
121	0760810	8	Bolt M8 x 20	
122	1001191620	1	Clamp	
123	4811702	12	Washer M6	
124	4751600	2	Washer 3/8	
125	0681608	1	Bolt 3/8 x 1	
126	3311605	1	Nut 3/8	
127	1001260412	1	Bracket	
128	1001162335	1	Bracket Assembly - Fuel Pump/Filter (Not Shown - See Separate Breakdown in this Section)	





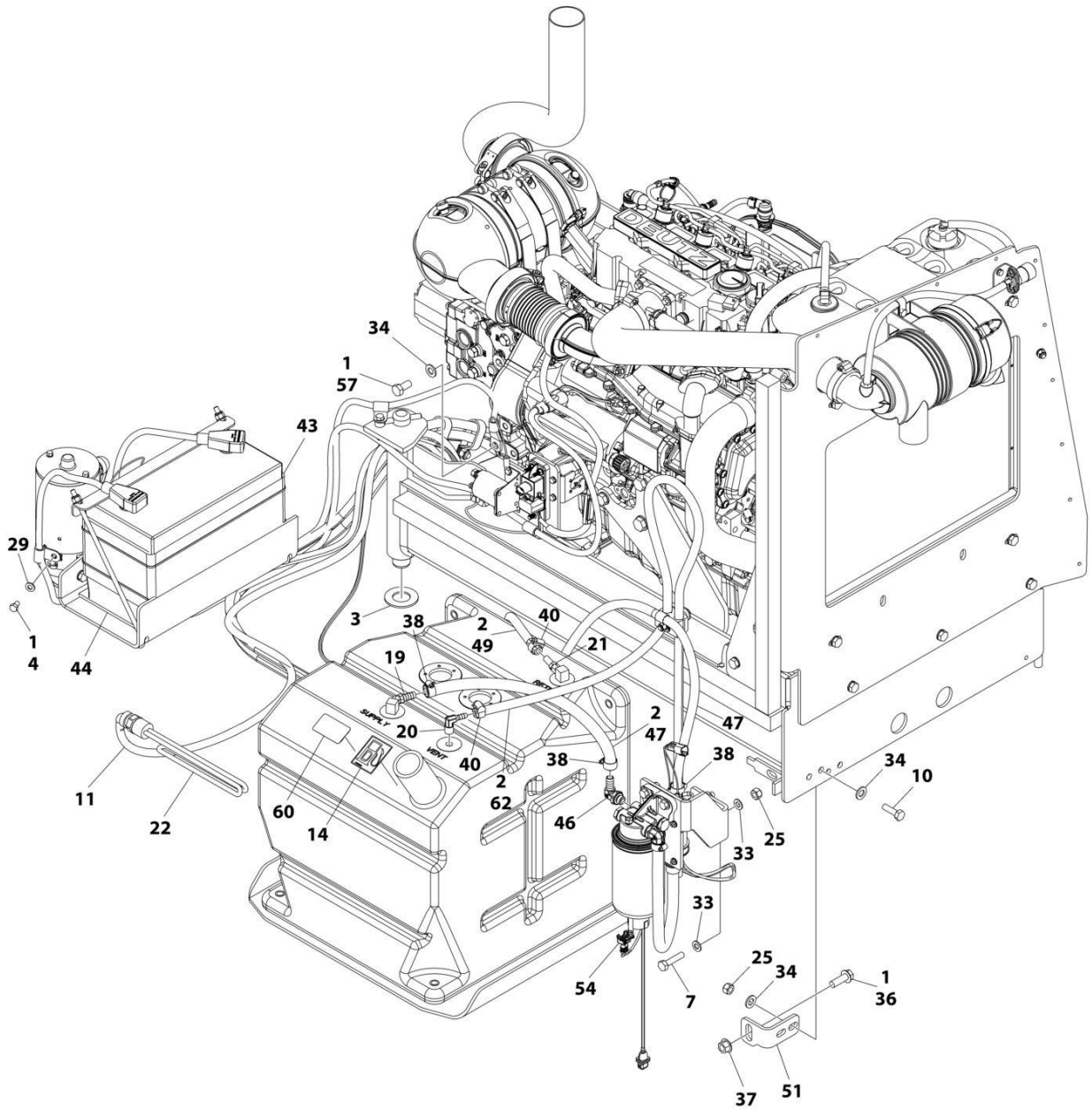
# SECTION 3 - ENGINE

FIGURE 3-11. ENGINE INSTALLATION - DEUTZ D2.9L4 ENGINE (WITH ARCTIC PACKAGE) (ANSI AND CSA SPECS)



ART\_1001166003\_K\_10F2

# SECTION 3 - ENGINE



ART\_1001166003\_K\_20F2

## SECTION 3 - ENGINE

**FIGURE 3-11. ENGINE INSTALLATION - DEUTZ D2.9L4 ENGINE (WITH ARCTIC PACKAGE) (ANSI AND CSA SPECS)**

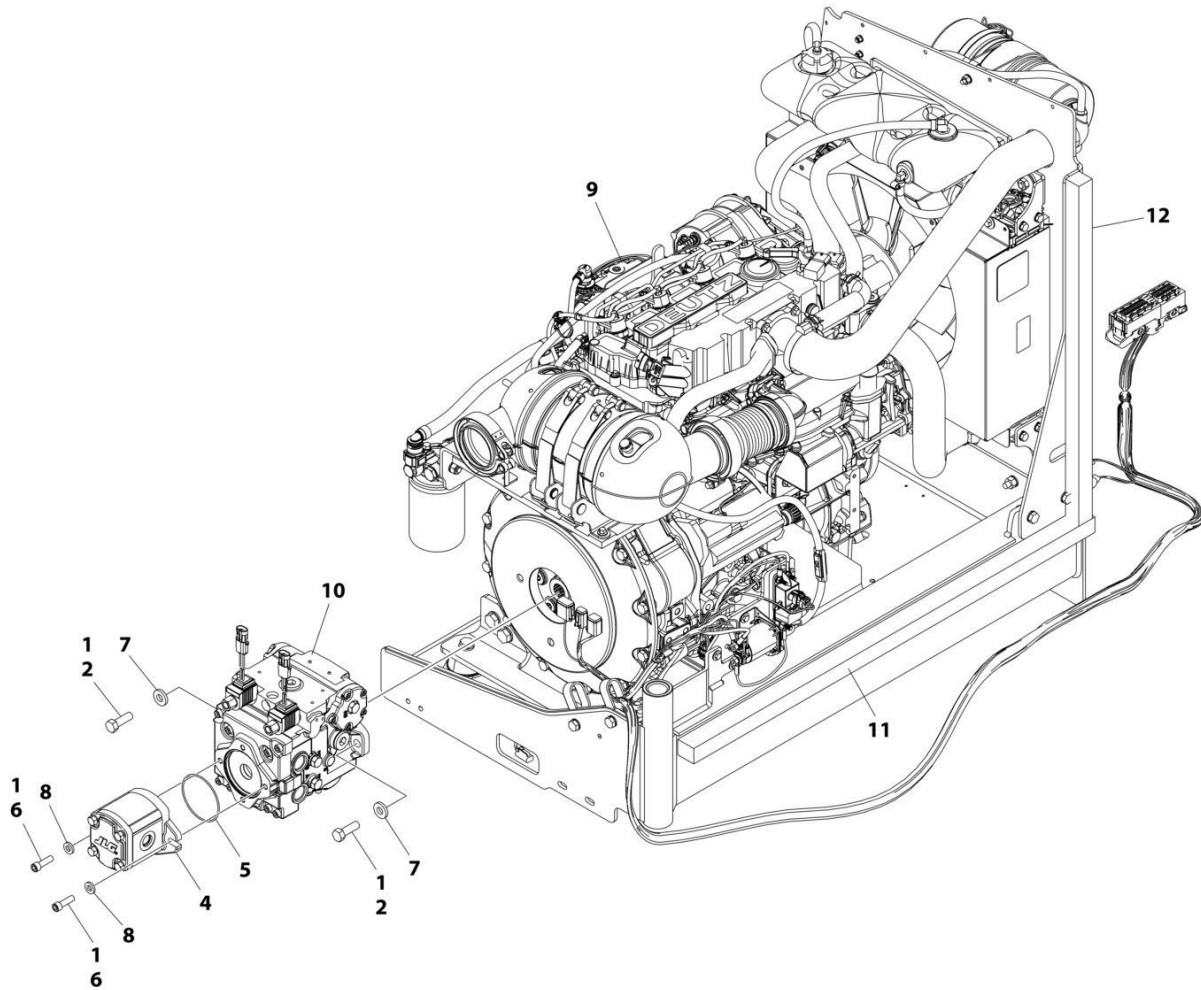
ITEM	PART NUMBER	QTY	DESCRIPTION	REV
	1001166003	Ref	ENGINE INSTALLATION - DEUTZ D2.9L4 ENGINE (WITH ARCTIC PACKAGE)	K
1	0100011	AR	Compound, Locking	
2	0100020	AR	Sealant, Pipe	
3	0440162	1	Bearing	
4	0641504	1	Bolt 5/16 x 1/2	
5	0700817	1	Bolt M8 x 45	
6	0700821	1	Bolt M8 x 65	
7	0701017	2	Bolt M10 x 45	
8	0760610	1	Bolt M6 x 20	
9	0760613	4	Bolt M6 x 28	
10	0761015	5	Bolt M10 x 35	
12	1060626	1	Plug, 3 Way	
13	1320223	1	Clamp	
14	1701505	2	Decal - Diesel Fuel	
15	1702941	1	Decal - Battery Heater	
16	1702942	1	Decal - Engine Block Heater	
17	1702943	1	Decal - Hydraulic Tank Heater	
18	1702944	1	Decal - Heater Cord	
19	2180832	1	Fitting, Barbed	
20	2220313	1	Fitting, Barbed 90	
21	2220767	1	Fitting, Barbed	
22	1001188972	1	Heater, Hydraulic Tank	
23	3290605	5	Nut, Lock M6 x 1	
24	3290805	2	Nut, Lock M8 x 1.25	
25	3291005	7	Nut, Lock M10 x 1.5	
26	3422532	1	Pin	
27	3841143	1	Keeper, Pin	
28	4240099	AR	Tie-Strap	
29	4711500	1	Washer, 5/16	
30	4811700	10	Washer, M6	
31	4811900	1	Washer, M8	
32	4811902	1	Washer, M8	
33	4812000	6	Washer, M10	
34	4812100	9	Washer, M12	
35	5240800	2	Washer, M8 Hardened	
36	5251215	1	Bolt M12 x 35	
37	5261200	1	Nut, Flange M12 Class10	
38	8405006	3	Clamp	
39	8406101	1	Clip	
40	8410013	4	Clamp	
41	1320187	1	Clamp	
42	1320190	1	Clamp	
43	2580024	1	Heater, Battery	
44	1001119278	1	Insulate	
45	1001135196	1	Pin	
46	1001142501	1	Fitting, Barbed 90	
47	1001154405	28 in/.7m	Hose	
48	1001155823	1	Coupling, Quick Disconnect 90	

## SECTION 3 - ENGINE

ITEM	PART NUMBER	QTY	DESCRIPTION	REV
49	1001165035	21 ft /6.42m	Hose	
50	1001166970	1	Battery and Auxiliary Power Pump Cable Kit	E
50	70009006	1	Cable, Battery (Black) (Battery to Ground)	
50	70009002	1	Cable, Battery (Red) (Auxiliary Power Relay to Auxiliary Power Pump)	
50	70009007	1	Cable, Battery (Red) (Battery to Auxiliary Power Relay)	
51	1001167512	1	Bracket, Engine Tray	
52	1001169823	1	Plate, Engine Lock	
53	1001172594	1	Pipe, Exhaust	
54	1001173342	1	Harness, Fuel Pump (See Separate Breakdown in ELECTRICAL SECTION)	
55	1001174778	1	Engine and Pump Sub-Assembly - Deutz D2.9L4 (With Arctic Package) (See Separate Breakdown in this Section)	
57	0771212	1	Bolt M12 x 25	
58	1001150918	1	Cable, Extension Cord	
60	1001125387	1	Decal - Ultra Low Sulfur Fuel	
62	2750532	5.54 ft /1.69m	Hose	
63	1001233763	1	Breather Heater Installation (Not Shown - See Separate Breakdown in this Section)	

# SECTION 3 - ENGINE

**FIGURE 3-12. ENGINE AND PUMP SUB-ASSEMBLY - DEUTZ D2.9L4 (WITH ARCTIC PACKAGE)  
(ANSI, ANSI EXPORT AND CSA SPECS)**



ART\_1001174778\_I

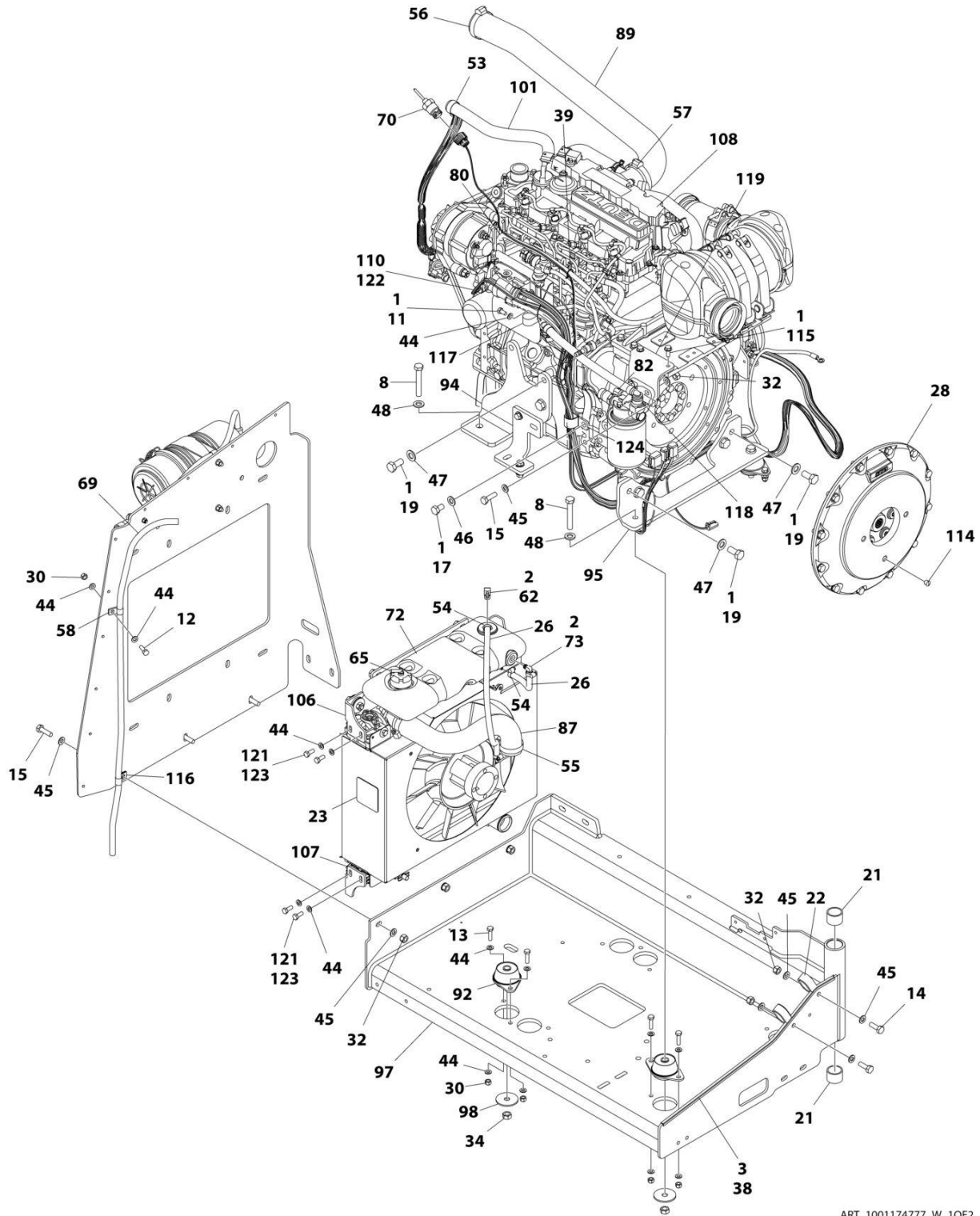
## SECTION 3 - ENGINE

**FIGURE 3-12. ENGINE AND PUMP SUB-ASSEMBLY - DEUTZ D2.9L4 (WITH ARCTIC PACKAGE)  
(ANSI, ANSI EXPORT AND CSA SPECS)**

ITEM	PART NUMBER	QTY	DESCRIPTION	REV
	1001174778	Ref	ENGINE AND PUMP SUB-ASSEMBLY - DEUTZ D2.9L4 (WITH ARCTIC PACKAGE)	I
1	0100011	AR	Compound, Locking	
2	0641812	2	Bolt 1/2 x 1-1/2	
4	1001214207	1	Gear Pump Assembly	
4	70006356	1	Seal Kit - 1001214207 Pump	
5	3790152	1	O-Ring	
6	3931618	2	Capscrew 3/8 x 1 1/8	
7	4891800	2	Washer 1/2 Hardened	
8	4891600	2	Washer 3/8 Hardened	
9	1001174777	1	Engine Assembly - Deutz D2.9L4 Engine (With Arctic Package) (See Separate Breakdown in this Section)	
10	1001167036	1	Piston Pump Assembly (See Separate Breakdown in this Section)	
11	1001171953	1	Seal	
12	1001171954	1	Seal	

# SECTION 3 - ENGINE

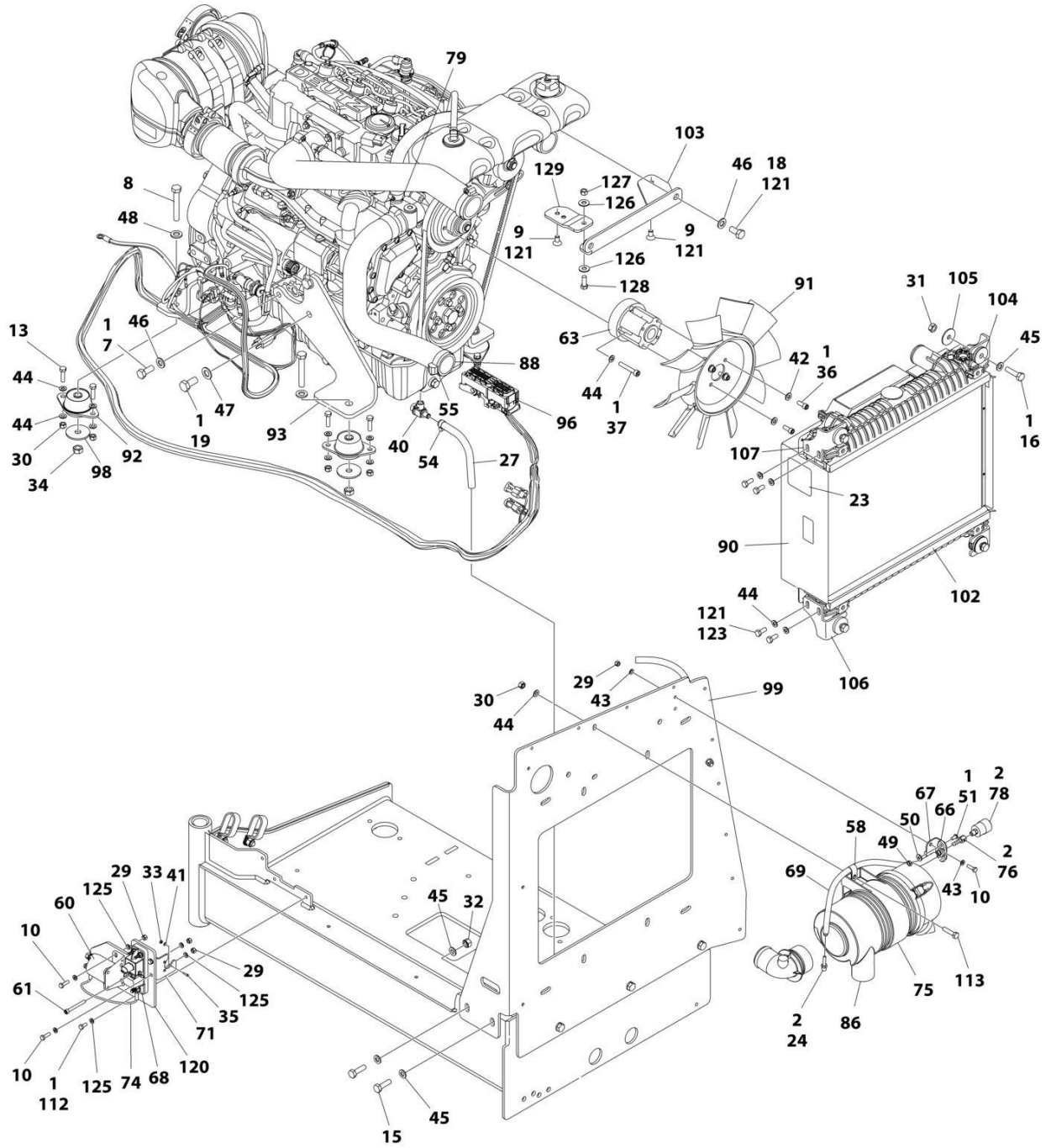
FIGURE 3-13. ENGINE ASSEMBLY - DEUTZ D2.9L4 ENGINE (WITH ARCTIC PACKAGE) (ANSI, ANSI EXPORT AND CSA SPECS)



ART\_1001174777\_W\_10F2



# SECTION 3 - ENGINE



ART\_1001174777\_W\_20F2

## SECTION 3 - ENGINE

**FIGURE 3-13. ENGINE ASSEMBLY - DEUTZ D2.9L4 ENGINE (WITH ARCTIC PACKAGE) (ANSI, ANSI EXPORT AND CSA SPECS)**

ITEM	PART NUMBER	QTY	DESCRIPTION	REV
	1001174777	Ref	ENGINE ASSEMBLY - DEUTZ D2.9L4 ENGINE (WITH ARCTIC PACKAGE)	X
1	0100011	AR	Compound, Locking	
2	0100020	AR	Sealant, Pipe	
3	0100081	AR	Adhesive	
7	0711214	1	Bolt M12 x 30	
8	0711224	AR	Bolt M12 x 80	
9	0741606	2	Screw 3/8 x 3/4	
10	0760610	6	Bolt M6 x 20	
11	0760808	1	Bolt M8 x 16	
12	0760812	1	Bolt M8 x 25	
13	0760814	8	Bolt M8 x 30	
14	0761014	2	Bolt M10 x 30	
15	0761015	7	Bolt M10 x 35	
16	0761016	4	Bolt M10 x 40	
17	0761210	1	Bolt M12 x 20	
18	0761212	2	Bolt M12 x 25	
19	0771414	AR	Bolt M14 x 30 Grade 10.9	
21	0961951	2	Bushing	
22	1321716	2	Clamp	
23	1703162	2	Decal - Caution Fan	
24	2220315	1	Fitting, Barbed	
26	2720015	2 ft/0.61m	Hose	
27	2720340	8 in /0.2m	Hose	
28	2902065	1	Pump Coupling Kit (See Separate Breakdown in this Section)	
29	3290605	7	Nut M6	
30	3290805	AR	Nut M8	
31	3291001	4	Nut M10	
32	3291005	9	Nut M10	
33	3310401	3	Nut #4	
34	3331215	AR	Nut M12 x 1.75	
35	3910408	3	Screw #4- x 1/2	
36	3931512	4	Capscrew 5/16 x 3/4	
37	4031914	4	Bolt M8 x 50	
38	4060805	2.25 ft/ 0.69m	Flex-Trim	
39	4240099	AR	Tie-Strap	
40	4640751	1	Valve, Oil Drain	
41	4710400	3	Washer #4	
42	4711500	4	Washer 5/16	
43	4811700	4	Washer M6	
44	4811900	AR	Washer M8	
45	4812000	22	Washer M10	
46	4812100	4	Washer M12	
47	4812200	9	Washer M14	
48	5241200	AR	Washer M12	
49	8305401	2	Nut Jam	
50	8307109	2	Washer, .250	
51	8310548	2	Screw 1/4 x 1/2	

## SECTION 3 - ENGINE

ITEM	PART NUMBER	QTY	DESCRIPTION	REV
53	8405007	2	Clamp	
54	8405009	5	Clamp	
55	8405104	4	Clamp	
56	8405202	1	Clamp	
57	8405204	1	Clamp	
58	8406109	2	Clip	
60	1001117308	1	Relay, 200Amp	
60	3300220	2	Nut	
60	3321001	2	Nut #10	
60	4761000	2	Washer #10	
60	1001111424	2	Washer	
61	1001118878	1	Bolt M6 x 55	
62	1001134488	1	Fitting, Barbed 90	
63	1001144116	1	Spacer, Fan	
65	1001136834	1	Cap, Tank	
66	1001138173	1	Support, Service Indicator	
67	1001138175	1	Bracket, Service Indicator	
68	1001138228	1	Relay, Power Module	
68	70023592	1	Fuse 20Amp	
68	70023593	1	Fuse 30Amp	
69	1001138248	5.25 ft/ 1.6m	Tube	
70	1001138827	1	Sensor, Coolant Level	
71	1001139240	1	Bracket	
72	1001230635	1	Tank, Surge (Includes Items 62, 70 & 73)	
73	1001140564	1	Fitting, Barbed 90	
74	1001141304	1	Harness, Glow Plug	
75	1001141694	1	Clamp, Air Cleaner	
76	1001141995	1	Fitting, Barbed	
78	1001143390	1	Indicator	
79	1001143797	1	Fitting, Barbed	
80	1001178788	1	Cable, Alternator	
82	1001152489	1	Fitting, Barbed 90	
86	1001165388	1	Air Cleaner Assembly	
86	70003783	1	Element, Air Cleaner	
87	1001165405	1	Hose, Upper Radiator	
88	1001165406	1	Hose, Lower Radiator	
89	1001165721	1	Hose, Air Intake	
90	1001165722	1	Radiator	
91	1001165849	1	Fan	
92	1001166718	AR	Mount, Motor	
93	1001166921	1	Plate, Engine Mount	
94	1001166922	Ref	Plate, Engine Mount	
95	1001166924	1	Plate, Engine Mount	
96	1001167108	1	Harness Engine - Deutz D2.9L4 (See Separate Breakdown in ELECTRICAL SECTION)	
97	1001167520	1	Tray, Engine	
98	1001168018	AR	Washer, Special	
99	1001168026	1	Plate, Radiator Mounting	
101	1001168099	1	Hose	
102	1001168166	2	Seal	
103	1001260420	1	Bracket	

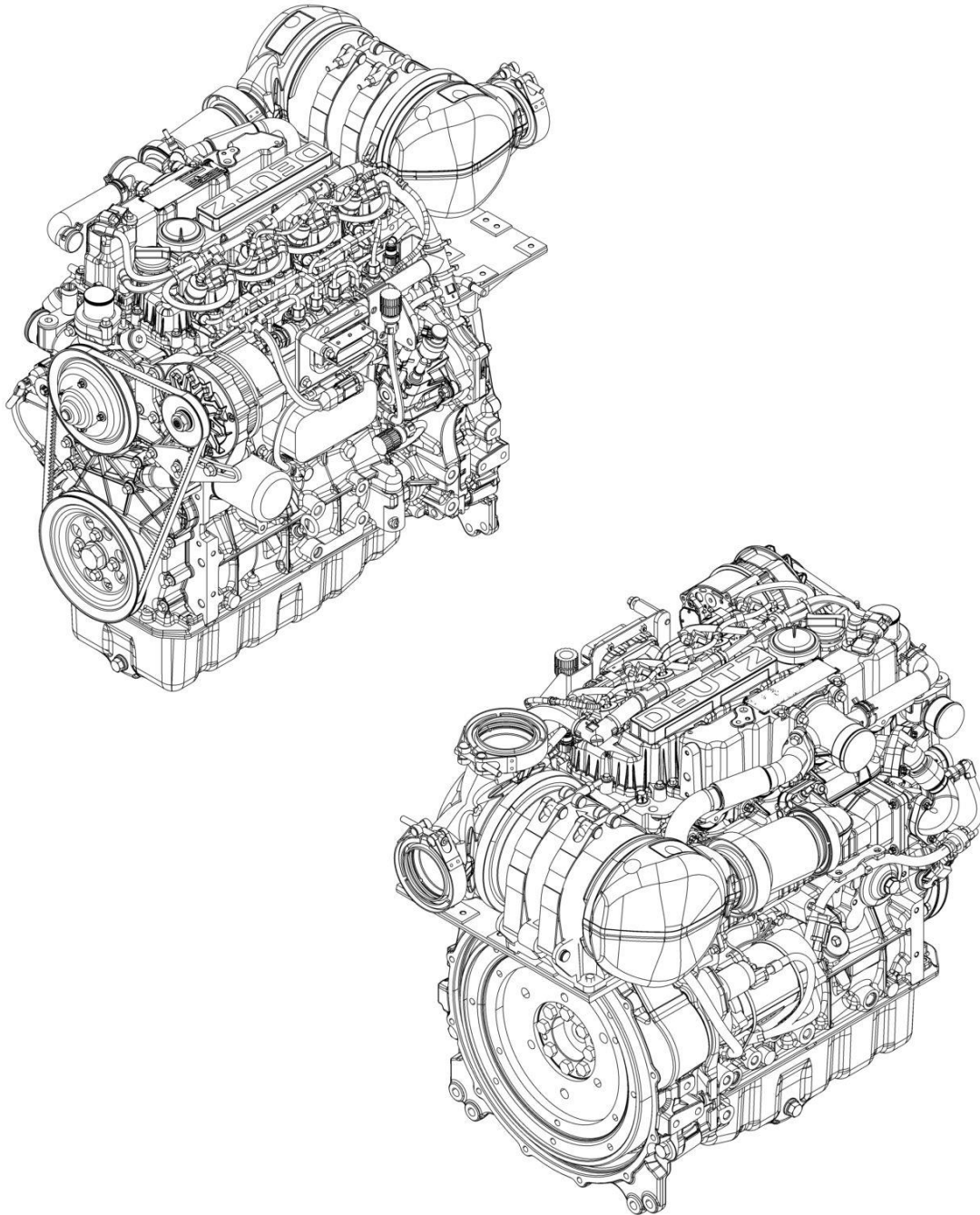
## SECTION 3 - ENGINE

ITEM	PART NUMBER	QTY	DESCRIPTION	REV
104	1001169054	4	Isolator	
105	1001169138	4	Washer, Snubbing	
106	1001169967	2	Bracket	
107	1001170035	2	Bracket	
108	1001249965	1	Engine, Deutz D2.9L4 (See Separate Breakdown in this Section)	
110	1001140312	1	Heater, Engine Block	
112	0760607	3	Bolt M6 x 14	
113	0760815	2	Bolt M8 x 35	
114	3520054	1	Plug	
115	5250810	2	Bolt M8 x 20	
116	8406110	1	Clip	
117	8406201	1	Clip	
118	1001177359	1	Hose	
119	1001178876	1	Mount, Fuel Filter	
120	1001179903	1	Bracket	
121	1001180620	AR	Adhesive	
122	1001181895	AR	Adhesive	
123	0760810	8	Bolt M8 x 20	
124	1001191620	1	Clamp	
125	4811702	12	Washer M6	
126	4751600	2	Washer 3/8	
127	3311605	1	Nut 3/8	
128	0681608	1	Bolt 3/8 x 1	
129	1001260412	1	Bracket	
130	1001162335	1	Bracket Assembly - Fuel Pump/Filter (Not Shown) (See Separate Breakdown in this Section)	



## SECTION 3 - ENGINE

FIGURE 3-14. ENGINE COMPONENTS - DEUTZ D2.9L4 ENGINE (ANSI, ANSI EXPORT AND CSA SPECS)



ART\_1001249965

## SECTION 3 - ENGINE

**FIGURE 3-14. ENGINE COMPONENTS - DEUTZ D2.9L4 ENGINE (ANSI, ANSI EXPORT AND CSA SPECS)**

ITEM	PART NUMBER	QTY	DESCRIPTION	REV
	1001249965	Ref	DEUTZ D2.9L4 - EMR4 (49HP) ENGINE COMPONENTS	B
	See Note	Ref	Note: Contact JLG Customer Service for Availability of Additional Components.	
		Ref	Air Intake System	
	70005182	1	Charge Air Elbow	
	70005183	1	Breather Line	
		Ref	Cooling System Components	
	70030360	1	Pump, Coolant	
	70007603	1	Thermostat	
		Ref	Electrical Components	
	70025210	1	Module, Engine Control (ECM/ECU)	
	70024513	1	Harness, Fuel Filter Sensor	
	70024504	1	Sensor, Fuel Pressure	
	70006652	1	Generator	
	70024915	1	Starter	
	70025231	1	Harness, Glow Plug	
	70028540	1	Sensor, Temperature	
	70026210	1	Sensor, Speed	
	70024507	1	Sensor, Pressure (Air Intake)	
	70031145	4	Plug, Glow	
		Ref	Exhaust Components	
	70031136	1	Pipe, Exhaust	
	70004282	1	Exhaust Manifold	
		Ref	Fuel System Components	
	70030381	1	Pump, High Pressure	
	700004508	1	Valve, Volume Control	
	70004281	1	Injector, Fuel	
	70006144	1	Pump, Fuel Supply (Includes Qty 2 Mounting Clamps)	
	1001225430	1	Filter, Fuel (Pre-Filter) Assembly	
	70024961	1	Filter, Fuel	
	70025239	1	Seal	
	70024513	1	Cable, Sensor	
	70029451	1	Filter, Fuel	
		Ref	Gasket & Seal Components	
	70024905	1	Seal, Dipstick	
	70005942	2	Seal, Oil Plug	
	70024906	1	Gasket, Head	
	70005171	1	Gasket, Valve Cover	
	70002718	1	Seal, Rear Main	
	70025135	1	O-Ring, Oil Lube Pump	
	70005173	1	Gasket, Oil Lube Pump	
	70024925	1	Seal, Oil Cooler	
	70005177	1	Gasket, Charge Air Housing	
	70025200	1	O-Ring, Coolant Pump	
	70007325	1	Seal, Coolant Pump	
	70005184	1	O-Ring, Thermostat	
	70005931	1	Seal, Thermostat	
	70025164	1	Gasket, Exhaust Manifold to Head	
	70007354	1	Gasket, Short Exhaust Pipe to JLG supplied Exhaust	

## SECTION 3 - ENGINE

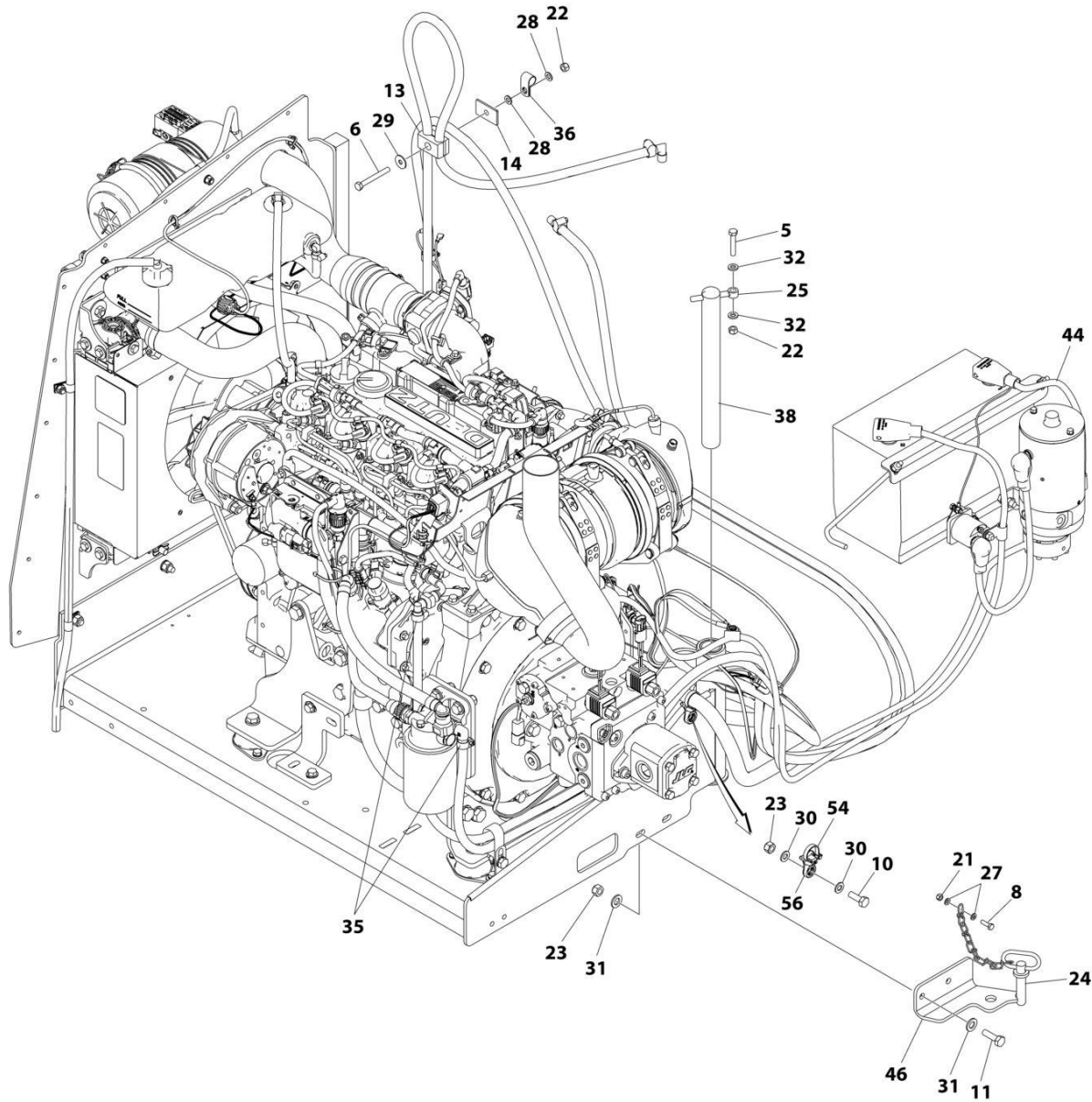
ITEM	PART NUMBER	QTY	DESCRIPTION	REV
	70007326	1	Gasket EGR Valve	
	70031095	1	Gasket, Exhaust Return Pipe (to Air Intake Housing)	
		Ref	Other Components	
	70001870	1	Flywheel	
	7024579	1	Gear, Ring	
		Ref	Oil Lube System	
	7020465	1	Cap, Oil Fill	
	70024904	1	Dipstick	
	70005941	2	Plug, Oil (Includes Seal)	
	70005172	1	Pump, Oil Lube (Includes O-Ring & Gasket)	
	70024494	1	Oil Cooler	
	7016331	1	Filter, Oil	





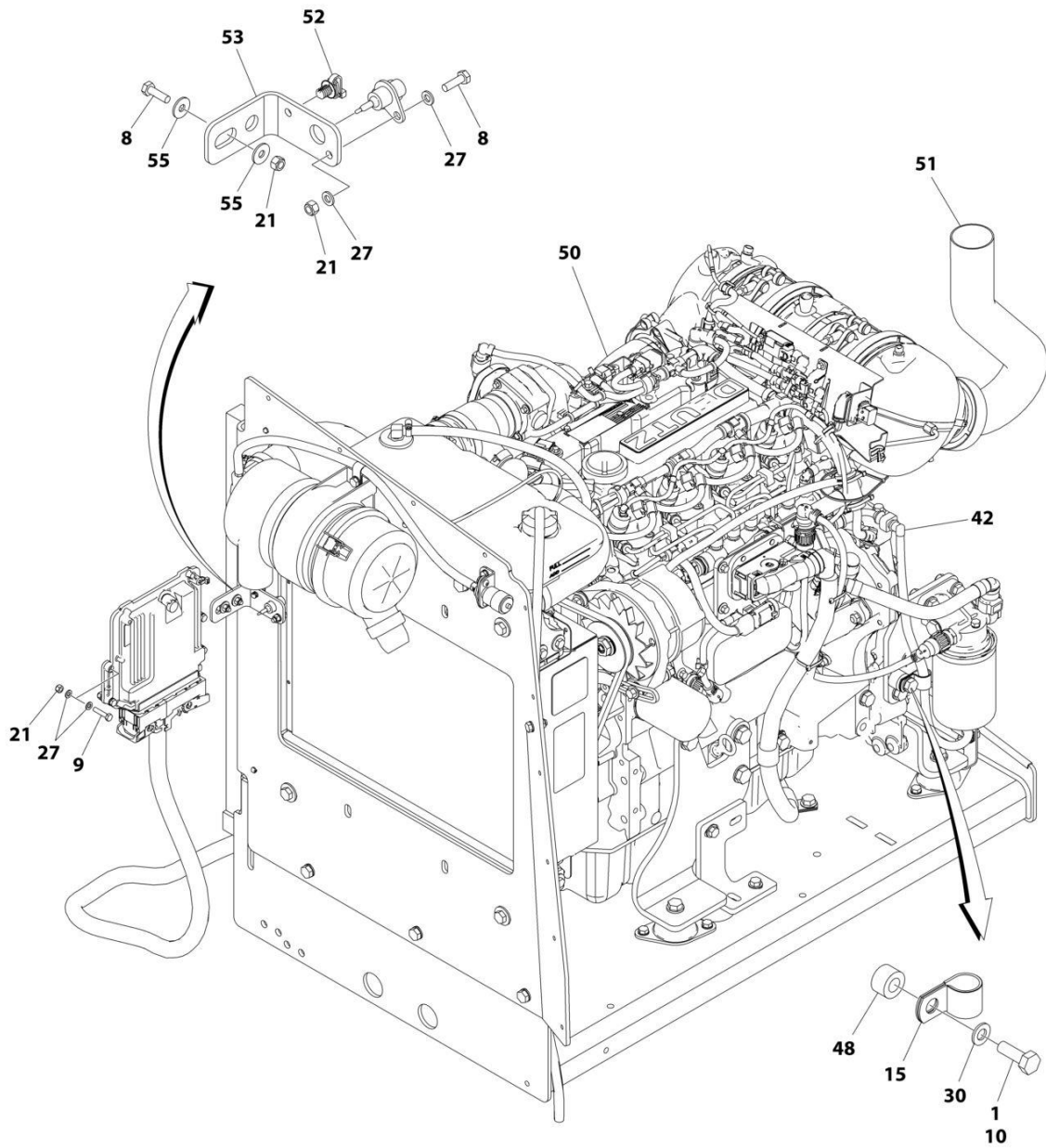
# SECTION 3 - ENGINE

FIGURE 3-15. ENGINE INSTALLATION - DEUTZ D2.9L4 ENGINE (STAGE V) (CE & UK CA SPECS)



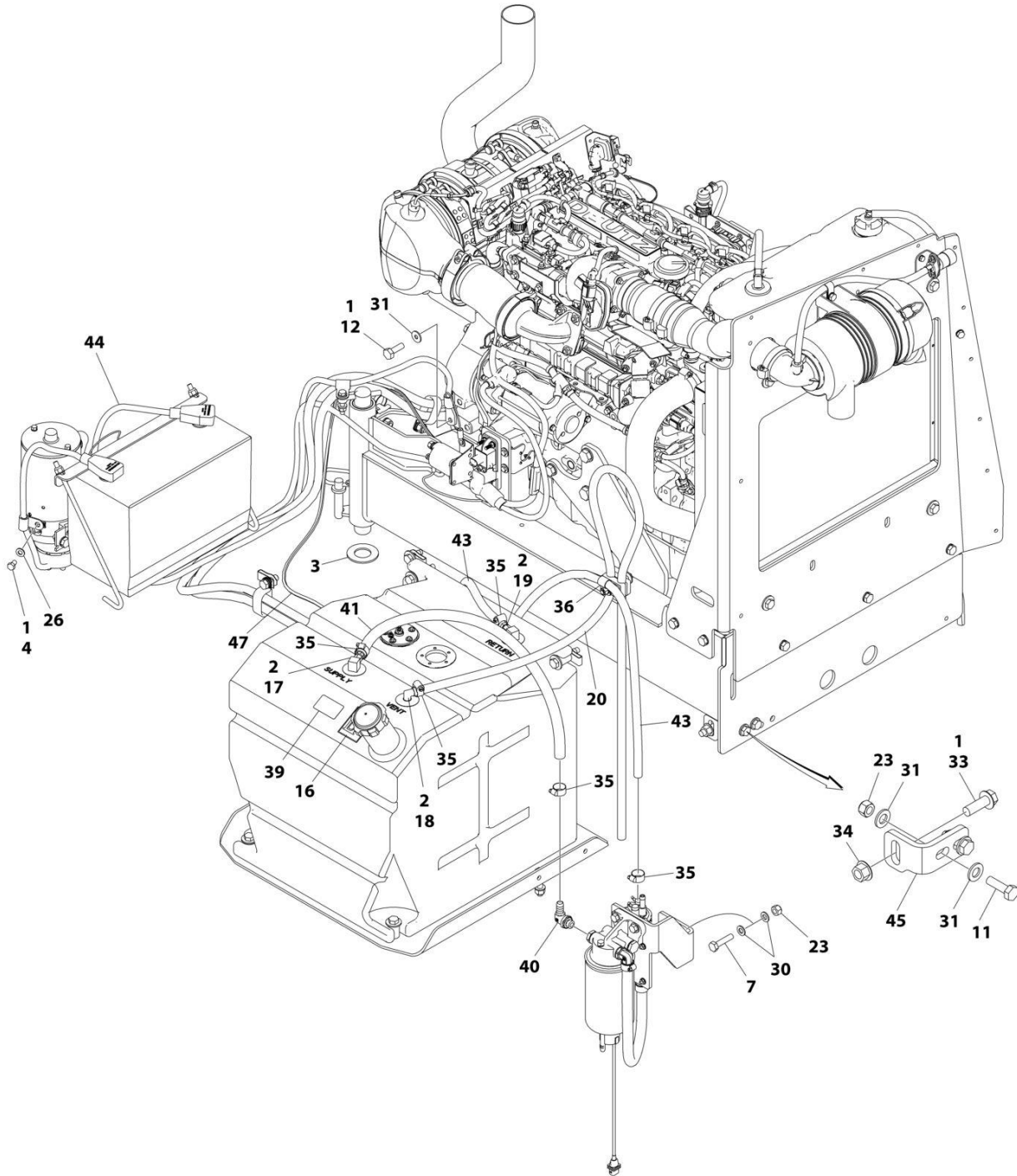
ART\_1001244283\_10F3

# SECTION 3 - ENGINE



ART\_1001244283\_2OF3

# SECTION 3 - ENGINE



ART\_1001244283\_3OF3

## SECTION 3 - ENGINE

**FIGURE 3-15. ENGINE INSTALLATION - DEUTZ D2.9L4 ENGINE (STAGE V) (CE & UK CA SPECS)**

ITEM	PART NUMBER	QTY	DESCRIPTION	REV
	1001244283	Ref	ENGINE INSTALLATION - DEUTZ STAGE V ENGINE	G
1	0100011	AR	Compound, Locking	
2	0100020	1	Sealant, Pipe	
3	0440162	1	Bearing	
4	0641504	1	Bolt 5/16 x 1/2	
5	0700817	1	Bolt M8 x 45	
6	0700822	1	Bolt M8 x 70	
7	0701017	2	Bolt M10 x 45	
8	0760610	4	Bolt M6 x 20	
9	0760613	4	Bolt M6 x 28	
10	0761014	4	Bolt M10 x 30	
11	0761015	2	Bolt M10 x 35	
12	0771212	1	Bolt M12 x 25	
13	1320187	1	Clamp	
14	1320190	1	Clamp	
15	1320061	1	Clamp	
16	1701505	1	Decal - Diesel Fuel	
17	2180832	1	Fitting, Barbed	
18	2220313	1	Fitting, Barbed 90 3/8 NPTF / 3/8	
19	2220767	AR	Fitting, Barbed 90	
19	8430007	AR	Fitting, Barbed	
20	2750532	5.5 ft /1.69m	Hose	
21	3290605	8	Nut M6	
22	3290805	2	Nut M8	
23	3291005	7	Nut M10	
24	3422532	1	Pin	
25	3841143	1	Keeper, Pin	
26	4711500	1	Washer, 5/16	
27	4811700	12	Washer, M6	
28	4811900	2	Washer, M8	
29	4811902	1	Washer, M8	
30	4812000	7	Washer, M10	
31	4812100	9	Washer, M12	
32	5240800	2	Washer, M8 Hardened	
33	5251215	1	Bolt M12 x 35	
34	5261200	1	Nut, Flange M12 Class10	
35	8405006	7	Clamp	
36	8406101	1	Clip	
38	1001135196	1	Pin	
39	1001139654	1	Decal, Ultra Low Sulfur Fuel	
40	1001142501	1	Fitting, Barbed 90	
41	1001154405	2.29 ft /0.70m	Hose	
42	1001155823	1	Coupling, Quick Disconnect 90	
43	1001165035	21.06 ft /6.42m	Hose	
44	1001166970	1	Battery and Auxiliary Power Pump Cable Kit	
45	1001167512	1	Bracket, Engine Tray	
46	1001169823	1	Plate, Engine Lock	

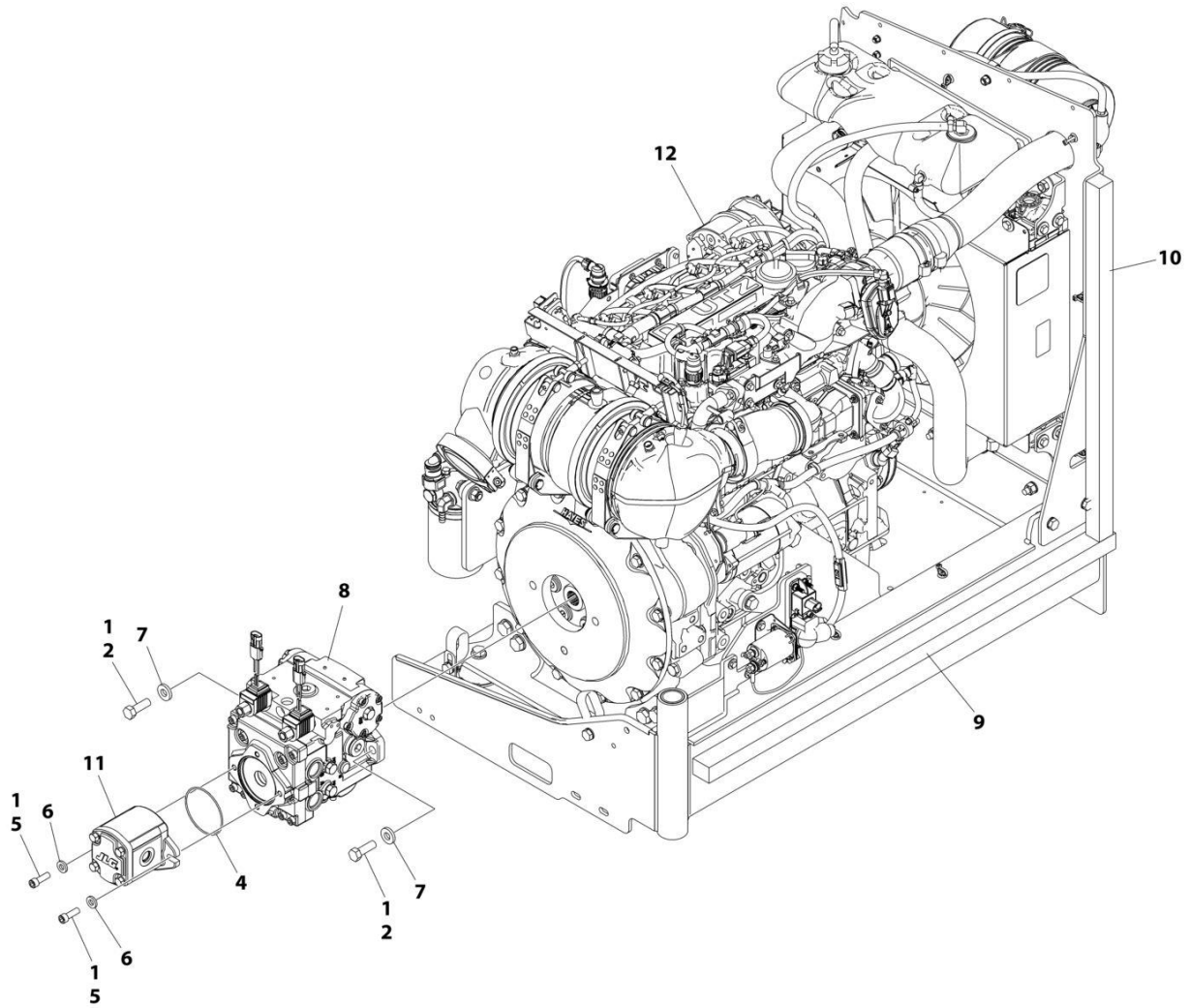
## SECTION 3 - ENGINE

ITEM	PART NUMBER	QTY	DESCRIPTION	REV
47	1001173342	1	Harness, Fuel Pump (See Separate Breakdown in ELECTRICAL SECTION)	
48	1001220266	1	Bar, Spacer M12 x 12	
50	1001244285	1	Engine Assy, Deutz Stage V W/Pumps (See Separate Breakdown in this Section)	
51	1001245305	1	Pipe, Exhaust	
52	1001146588	2	Strap	
53	1001256879	1	Bracket	
54	1062255	AR	Tie-Strap (Not Shown)	
55	4811702	4	Washer M6	
56	1001156107	1	Holder	



# SECTION 3 - ENGINE

FIGURE 3-16. ENGINE AND PUMP SUB-ASSEMBLY - DEUTZ D2.9L4 ENGINE (STAGE V) (CE & UK CA SPECS)



ART\_1001244285



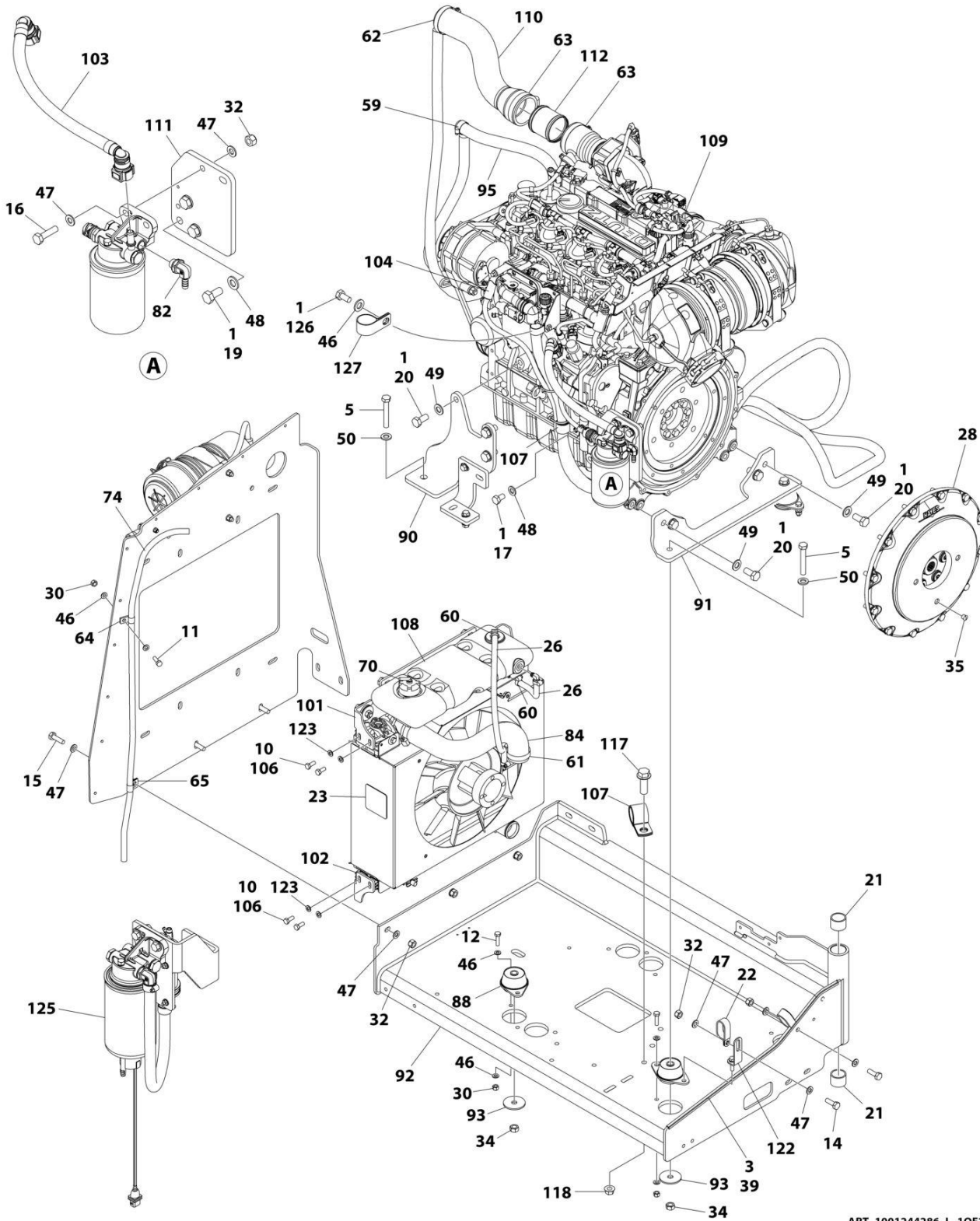
## SECTION 3 - ENGINE

**FIGURE 3-16. ENGINE AND PUMP SUB-ASSEMBLY - DEUTZ D2.9L4 ENGINE (STAGE V) (CE & UK CA SPECS)**

ITEM	PART NUMBER	QTY	DESCRIPTION	REV
	1001244285	Ref	ENGINE AND PUMP SUB-ASSEMBLY - DEUTZ (STAGE V) ENGINE	E
1	0100011	AR	Compound, Locking	
2	0641812	2	Bolt 1/2 x 1-1/2	
4	3790152	1	O-Ring	
5	3931618	2	Capscrew, 3/8 x 1-1/8	
6	4891600	2	Washer, 3/8 Hardened	
7	4891800	2	Washer 1/2 Hardened	
8	1001167036	1	Piston Pump Assembly (See Separate Breakdown in this Section)	
9	1001171953	1	Seal	
10	1001171954	1	Seal	
11	1001214207	1	Gear Pump Assembly	
11	70006356	1	Seal Kit - 1001214207 Pump	
12	1001244286	1	Engine Assembly, Deutz (Stage V) Engine (See Separate Breakdown in this Section)	

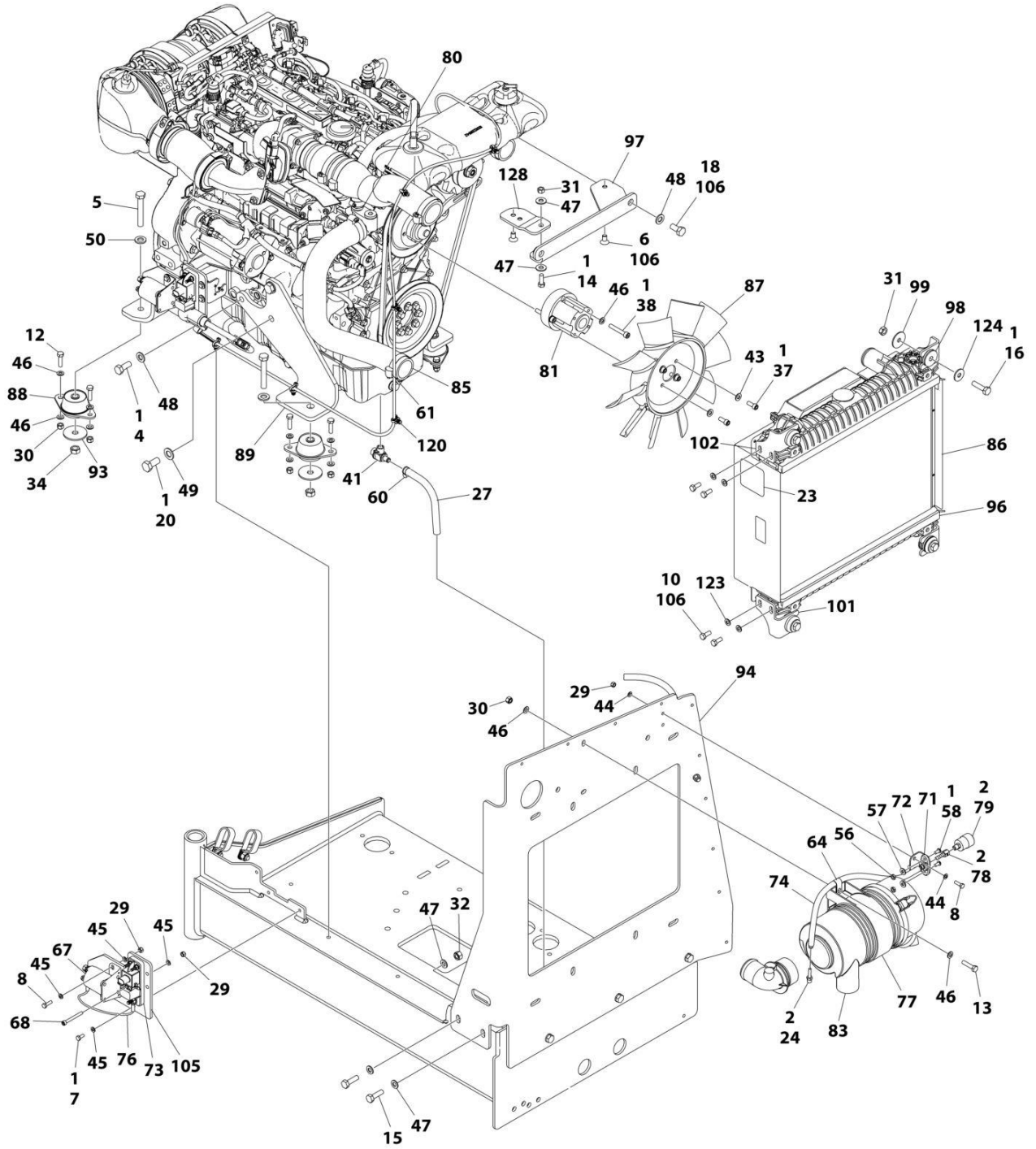
# SECTION 3 - ENGINE

## FIGURE 3-17. ENGINE ASSEMBLY – DEUTZ D2.9L4 ENGINE (STAGE V) (CE & UK CA SPECS)



ART\_1001244286\_L\_10F2

# SECTION 3 - ENGINE



ART\_1001244286\_L\_20F2

## SECTION 3 - ENGINE

FIGURE 3-17. ENGINE ASSEMBLY – DEUTZ D2.9L4 ENGINE (STAGE V) (CE & UK CA SPECS)

ITEM	PART NUMBER	QTY	DESCRIPTION	REV
	1001244286	Ref	ENGINE ASSEMBLY - DEUTZ (STAGE V)	L
1	0100011	AR	Compound, Locking	
2	0100020	AR	Sealant, Pipe	
3	0100081	AR	Adhesive	
4	0711214	1	Bolt M12 x 30	
5	0711224	AR	Bolt M12 x 80	
6	0741606	2	Screw 3/8 x 3/4	
7	0760607	3	Bolt M6 x 14	
8	0760610	4	Bolt M6 x 20	
10	0760810	8	Bolt M8 x 20	
11	0760812	1	Bolt M8 x 25	
12	0760814	AR	Bolt M8 x 30	
13	0760815	2	Bolt M8 x 35	
14	0761014	3	Bolt M10 x 30	
15	0761015	5	Bolt M8 x 35	
16	0761016	6	Bolt M10 x 40	
17	0761210	1	Bolt M12 x 20	
18	0761212	2	Bolt M12 x 25	
19	0771212	3	Bolt M12 x 25	
20	0771414	AR	Bolt M14 x 30	
21	0961951	2	Bushing	
22	1321716	2	Clamp	
23	1703162	2	Decal - Caution Fan	
24	2220315	1	Fitting, Barbed	
26	2720015	1.94 ft /0.59m	Hose	
27	2720340	0.66 ft/ 0.20m	Hose	
28	2902065	1	Pump Coupling Kit (See Separate Breakdown in this Section)	
29	3290605	5	Nut M6	
30	3290805	AR	Nut M8	
31	3291001	5	Nut M10	
32	3291005	9	Nut M10	
34	3331215	AR	Nut M12 x 1.75	
35	3520054	1	Plug	
37	3931512	4	Capscrew, 5/16 x 3/4	
38	4031914	4	Bolt M8 x 50	
39	4060805	2.03 ft /0.62m	Flex-Trim	
40	4240099	AR	Tie-Strap (Not Shown)	
41	4640751	1	Valve, Oil Drain	
43	4711500	4	Washer 5/16	
44	4811700	4	Washer M6	
45	4811702	8	Washer M6	
46	4811900	AR	Washer M8	
47	4812000	20	Washer M10	
48	4812100	7	Washer M12	
49	4812200	AR	Washer M14	
50	5241200	AR	Washer M12	
56	8305401	2	Nut Jam	

## SECTION 3 - ENGINE

ITEM	PART NUMBER	QTY	DESCRIPTION	REV
57	8307109	2	Washer 1/4	
58	8310548	2	Screw 1/4 x 1/2	
59	8405007	2	Clamp	
60	8405009	5	Clamp	
61	8405104	4	Clamp	
62	8405202	1	Clamp	
63	8405204	2	Clamp	
64	8406109	2	Clip	
65	8406110	1	Clip	
67	1001117308	1	Relay, 200Amp	
68	1001118878	1	Bolt M6 x 55	
70	1001136834	1	Cap, Tank	
71	1001138173	1	Support, Service Indicator	
72	1001138175	1	Bracket, Service Indicator	
73	1001138228	1	Relay, Power Module	
74	1001138248	5.09 ft /1.55m	Tube	
76	1001141304	1	Harness, Glow Plug	
77	1001141694	1	Clamp, Air Cleaner	
78	1001141995	1	Fitting, Barbed	
79	1001143390	1	Indicator	
80	1001143797	1	Fitting, Barbed	
81	1001144116	1	Spacer, Fan	
82	1001152489	1	Fitting, Barbed 90	
83	1001165388	1	Air Cleaner Assembly	
83	70003783	1	Element, Air Cleaner	
84	1001165405	1	Hose, Upper Radiator	
85	1001165406	1	Hose, Lower Radiator	
86	1001165722	1	Radiator	
87	1001165849	1	Fan	
88	1001166718	3	Mount, Motor	
89	1001166921	1	Plate, Engine Mount	
91	1001166924	1	Plate, Engine Mount	
92	1001167520	1	Tray, Engine	
93	1001168018	AR	Washer, Special	
94	1001168026	1	Plate, Radiator Mounting	
95	1001168099	1	Hose	
96	1001168166	2	Seal	
97	1001260420	1	Bracket (note: may require P/N 1001260412)	
98	1001169054	4	Isolator	
99	1001169138	4	Washer, Snubbing	
101	1001169967	2	Bracket	
102	1001170035	2	Bracket	
103	1001177359	1	Hose	
104	1001178788	1	Cable, Alternator	
105	1001179903	1	Bracket	
106	1001180620	AR	Adhesive	
107	1001191620	2	Clamp	
108	1001230635	1	Tank, Surge (Includes Items 62, 70, & 73)	
109	1001232545	1	Engine, Deutz 2.9L4 (Stage V) (See Separate Breakdown in this Section)	
110	1001236780	1	Hose, Air Intake	

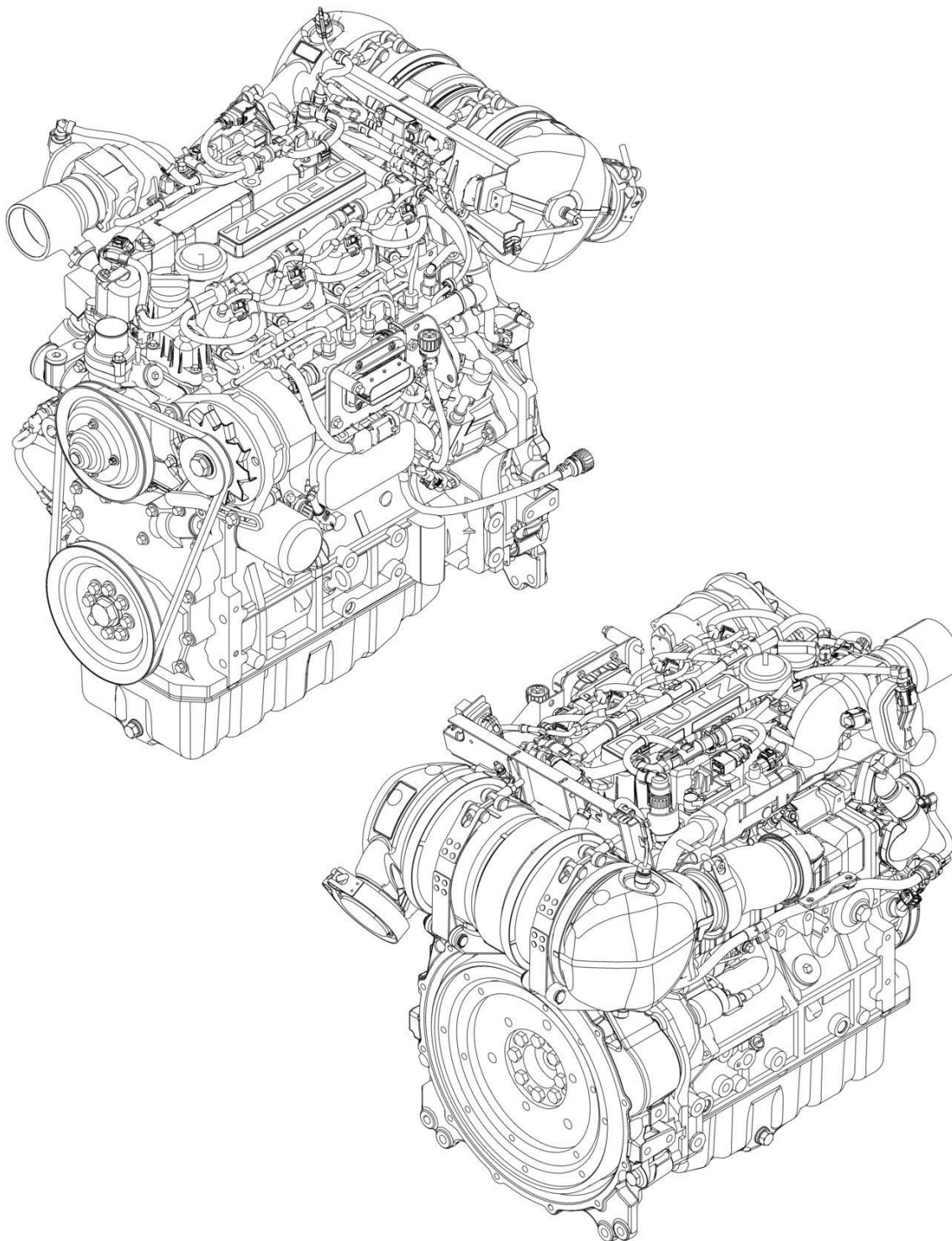
## SECTION 3 - ENGINE

ITEM	PART NUMBER	QTY	DESCRIPTION	REV
111	1001258804	1	Mount, Fuel Filter	
112	1001238911	1	Pipe, Air Intake	
113	1001245839	1	Harness, Engine (Not Shown - See Separate Breakdown in ELECTRICAL Section)	
117	5251215	1	Bolt M12 x 35	
118	5261200	1	Nut, Flange M12 Class10	
120	1001146588	AR	Tie-Strap (Not Shown)	
122	1001223122	1	Support	
123	4811902	8	Washer M8	
124	4812002	4	Washer M10	
125	1001235949	1	Bracket Assembly (See Separate Breakdown in this Section)	
126	0760808	1	Bolt M8 x 16	
127	8406201	1	Clip	
128	1001260412	1	Bracket	



## SECTION 3 - ENGINE

FIGURE 3-18. ENGINE COMPONENTS - DEUTZ D2.9L4 ENGINE (STAGE V) (CE & UK CA SPECS)



ART\_1001232545



## SECTION 3 - ENGINE

**FIGURE 3-18. ENGINE COMPONENTS - DEUTZ D2.9L4 ENGINE (STAGE V) (CE & UK CA SPECS)**

ITEM	PART NUMBER	QTY	DESCRIPTION	REV
	1001232545	Ref	DEUTZ ENGINE COMPONENTS	H
		Ref	Note: For complete list of parts, contact JLG Parts Department	
		Ref	Air Intake System Components	
		Ref	Charge Air Pipe	
	70025168	1	Intake Pipe	
		Ref	Mixing Tube	
		Ref	Throttle Valve	
		Ref	Cooling System Components	
	70029797	1	Pump, Coolant (Includes Gasket & Seals)	
	70007603	1	Thermostat	
	70005184	1	O-Ring	
	70005931	1	Gasket	
	70025142	1	Cover	
		Ref	Electrical System Components	
	70029512	1	Module, ECU/ECM	
	70007784	1	Alternator	
	70031143	1	Module, Alternator Control	
	70029015	1	Fan, Alternator	
	70029402	1	Nut, Alternator Fan	
	70029403	1	Nut, Alternator Power Stud	
	70029404	1	Washer, Alternator Power Stud Spring	
	70031144	1	Starter (Includes Solenoid)	
	70025099	1	Bolt, Starter Mounting	
	70026210	1	Sender, Tacho-Generator (Speed) (On Rear of Block) (Includes Seal)	
	70024916	1	Sender, Tacho-Generator (Speed) (On Cover) (Includes Seal)	
	70024918	1	Sender, Temperature (Includes Seal) (On Air Intake Manifold)	
		Ref	Sensor, Pressure (Includes Seal) (On Air Intake Manifold)	
	70024504	1	Sensor, Pressure (Includes Seal) (On Fuel Filter & Side of Block)	
	70005504	1	Sensor, Pressure (Includes Seal) (On Exhaust Manifold)	
	70027405	1	Sensor, Temperature (Includes Seal) (On Exhaust Manifold)	
	70000345	4	Plug, Glow	
		Ref	Exhaust System Components	
		Ref	Valve, EGR	
	70025130	8	Bolt, Exhaust Manifold	
	70025164	1	Gasket, Exhaust Manifold	
		Ref	Outlet, Muffler	
		Ref	Muffler	
		Ref	Bracket, Muffler Mounting	
	70004504	1	Compensator, Exhaust	
		Ref	Fuel System Components	
		Ref	Pump, High Pressure	
	70004281	1	Injector (Includes Sealing washer, Clamp & O-Ring)	
	70006144	1	Pump, Fuel Supply (Includes Clamps)	
	70024961	1	Filter, Fuel (Pre-Filter Assembly) (Includes Head, Spin on filter, Sensor Cable & Seal)	
	70025153	1	Filter, Fuel Spin On	
	70024513	1	Sensor Cable (Includes Seal)	
	70025160	1	Filter, Fuel (Assembly) (Includes Head & Spin on Filter)	
	70025161	1	Filter, Fuel Spin On	

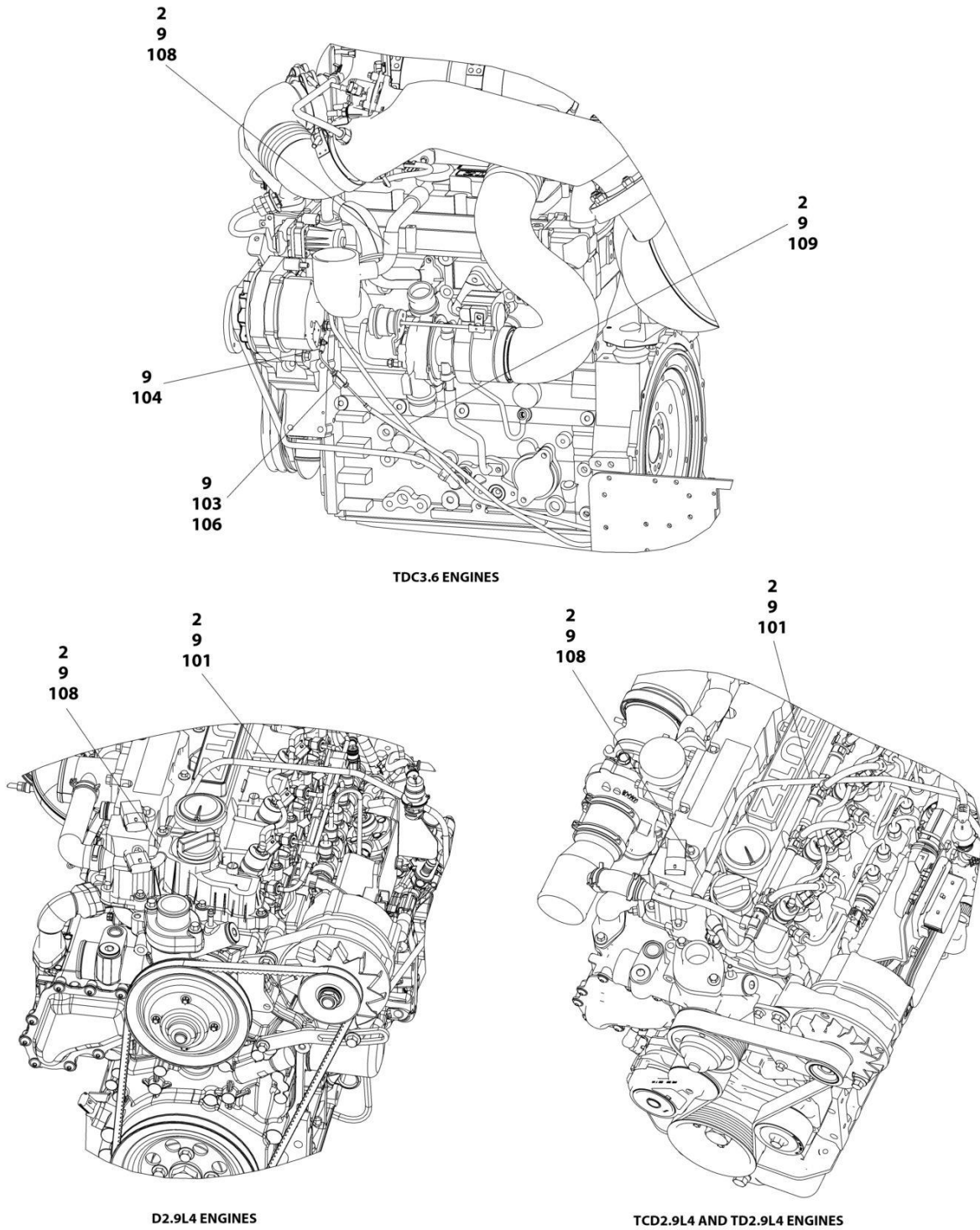
## SECTION 3 - ENGINE

ITEM	PART NUMBER	QTY	DESCRIPTION	REV
	70004508	1	Vol. Control Valve (Includes O-Ring & Gasket)	
		Ref	Lubricating System Components	
	7020465	2	Cap, Oil Fill	
	70005941	2	Plug, Oil Drain	
	70005942	2	Seal, Oil Drain Plug	
	70005172	1	Pump, Oil (Includes Seal & Gasket)	
	7016331	1	Filter, Oil	
	70024494	1	Cooler, Oil	
	70024925	1	Gasket, Oil Cooler	
	70024904	1	Dipstick (Includes Seal)	
		Ref	Mechanical Components	
	70001870	1	Flywheel (includes Gear)	
	70024913	1	V-Belt	
		Ref	Gasket Set - Complete	



# SECTION 3 - ENGINE

## FIGURE 3-19. BREATHER HEATER INSTALLATION - DEUTZ D2.9L4 ENGINE WITH ARCTIC PACKAGE



ART\_1001233763

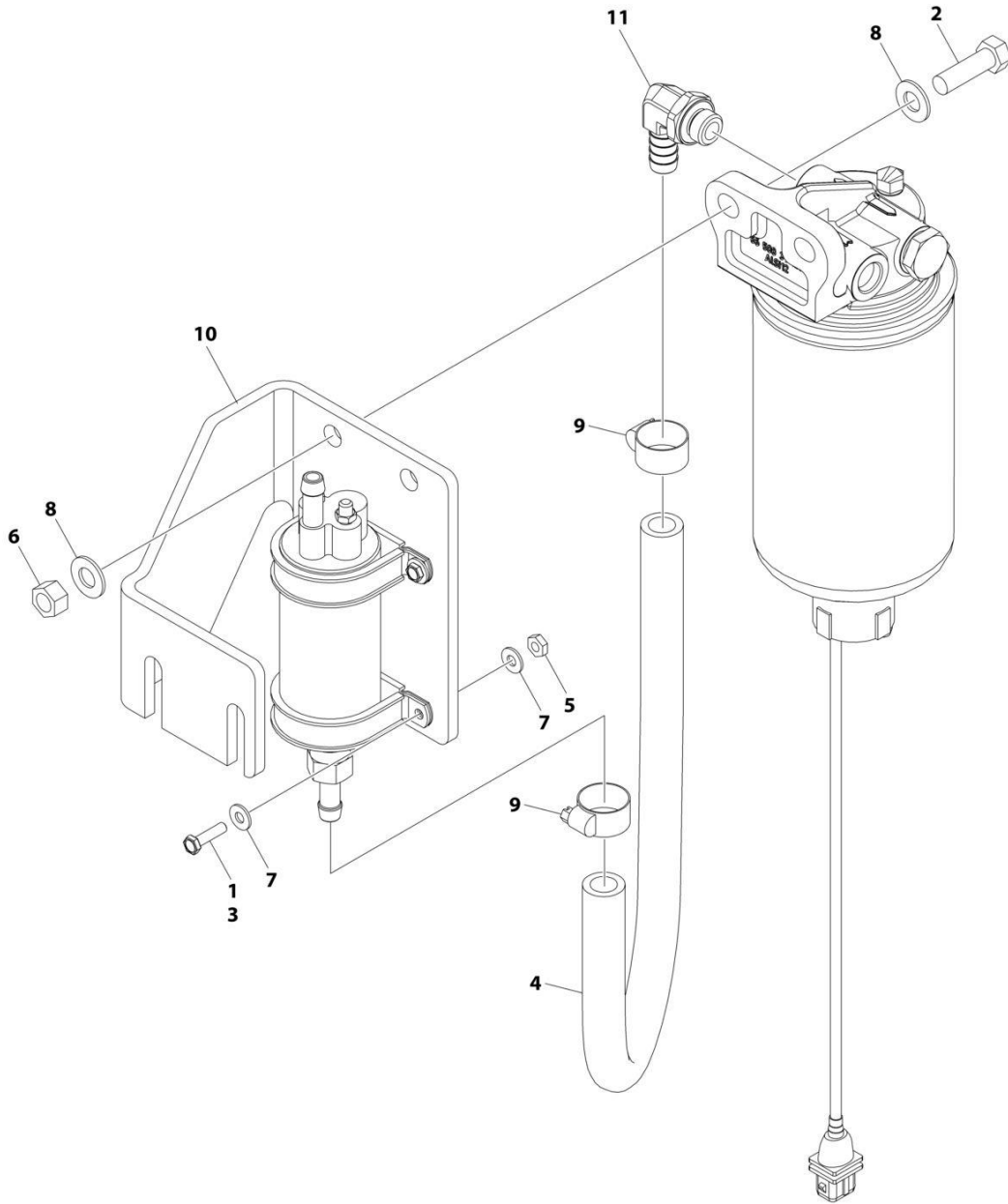
## SECTION 3 - ENGINE

**FIGURE 3-19. BREATHER HEATER INSTALLATION - DEUTZ D2.9L4 ENGINE WITH ARCTIC PACKAGE**

ITEM	PART NUMBER	QTY	DESCRIPTION	REV
	1001233763	Ref	BREATHER HEATER INSTALLATION - DEUTZ ENGINES	D
2	4240099	AR	Tie-Strap	
9	1001243895	1	Breather Heater Harness	C
101	2820035	AR	Insulation	
103	2400060	1	Fuseholder with Cover	
104	4460043	1	Terminal, Ring	
105	4460722	1	Terminal, Ring (Not Shown)	
106	1001196634	1	Fuse - 2 Amp	
108	1001232842	1	Breather Heater Kit	

# SECTION 3 - ENGINE

## FIGURE 3-20. BRACKET ASSEMBLY - FUEL PUMP AND FILTER (DEUTZ D2.9L4 ENGINE)



ART\_1001162335

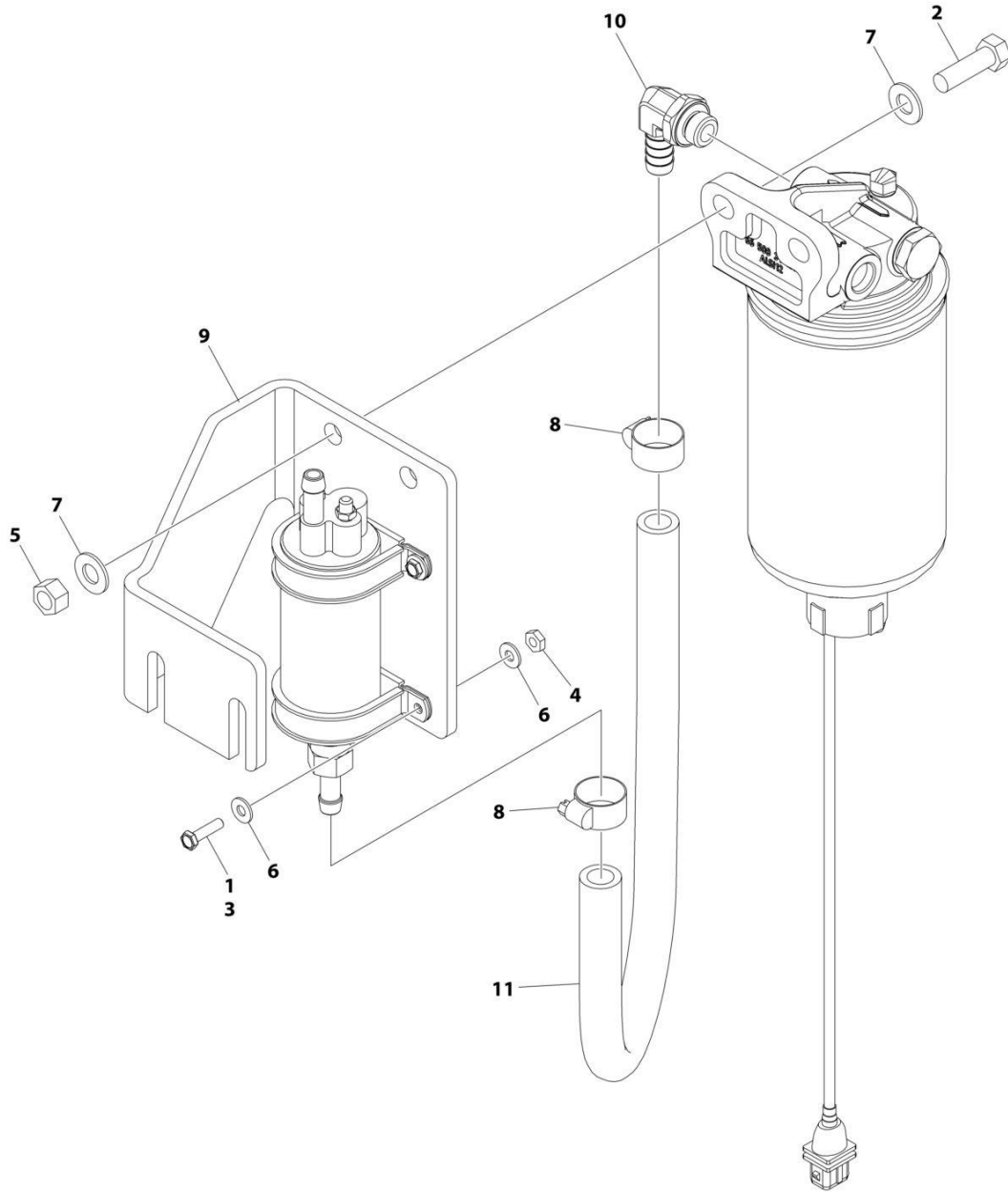
## SECTION 3 - ENGINE

**FIGURE 3-20. BRACKET ASSEMBLY - FUEL PUMP AND FILTER (DEUTZ D2.9L4 ENGINE)**

ITEM	PART NUMBER	QTY	DESCRIPTION	REV
	1001162335	Ref	BRACKET ASSEMBLY - FUEL PUMP AND FILTER (DEUTZ D2.9L4 ENGINE)	E
1	0100011	AR	Compound, Locking	
2	0641610	2	Bolt 3/8 x 1-1/4	
3	0721006	4	Bolt #10 x 3/4	
4	1001154405	AR	Hose	
5	3311001	4	Nut #10	
6	3311605	2	Nut 3/8	
7	4711000	8	Washer #10	
8	4711600	4	Washer 3/8	
9	8405006	2	Clamp	
10	1001141870	1	Plate, Fuel Pump Mount	
11	1001142501	1	Fitting, Elbow Barbed	

# SECTION 3 - ENGINE

## FIGURE 3-21. BRACKET ASSEMBLY - FUEL PUMP AND FILTER (DEUTZ D2.9L4 ENGINE) (STAGE V)



ART\_1001235949



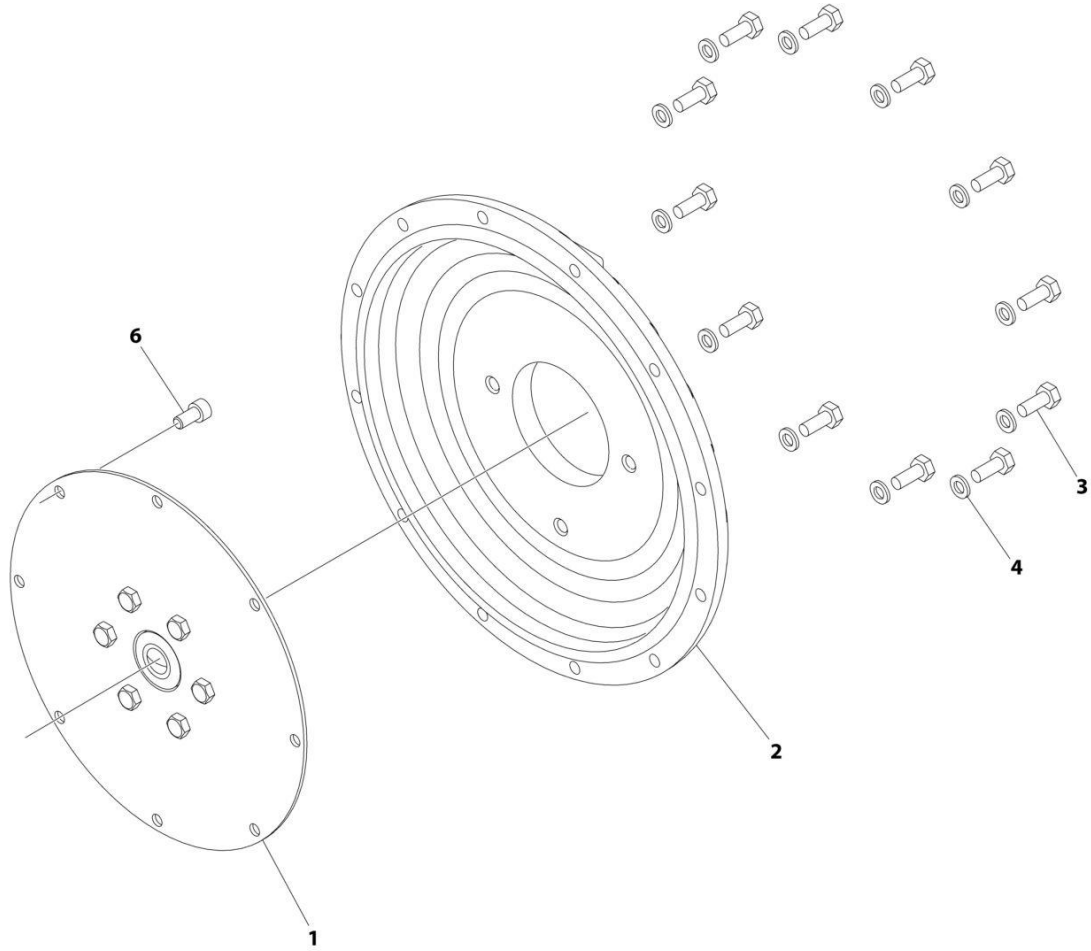
## SECTION 3 - ENGINE

**FIGURE 3-21. BRACKET ASSEMBLY - FUEL PUMP AND FILTER (DEUTZ D2.9L4 ENGINE) (STAGE V)**

ITEM	PART NUMBER	QTY	DESCRIPTION	REV
	1001235949	Ref	BRACKET ASSEMBLY - FUEL PUMP AND FILTER (DEUTZ D2.9L4 (STAGE V) ENGINE)	A
1	0100035	AR	Compound, Locking	
2	0641610	2	Bolt 3/8 x 1-1/4	
3	0721006	4	Bolt #10 x 3/4	
4	3311001	4	Nut #10	
5	3311605	2	Nut 3/8	
6	4711000	8	Washer #10	
7	4711600	4	Washer 3/8	
8	8405006	2	Clamp	
9	1001141870	1	Plate, Fuel Pump Mount	
10	1001142501	1	Fitting, Elbow Barbed	
11	1001154405	1.5 ft /0.4m	Hose	

# SECTION 3 - ENGINE

## FIGURE 3-22. PUMP COUPLING KIT (DEUTZ ENGINES)



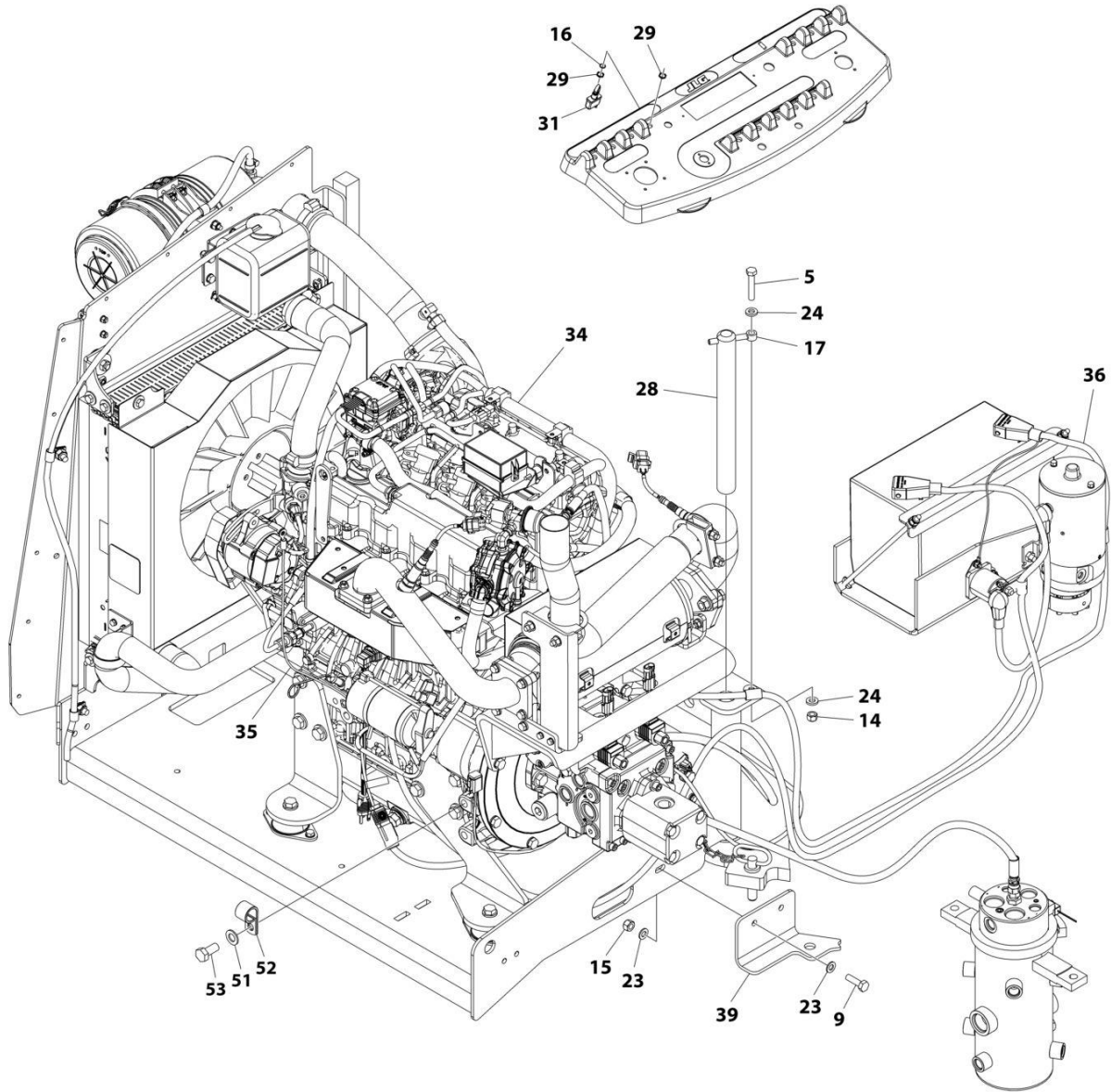
ART\_2902065

**SECTION 3 - ENGINE****FIGURE 3-22. PUMP COUPLING KIT (DEUTZ ENGINES)**

<b>ITEM</b>	<b>PART NUMBER</b>	<b>QTY</b>	<b>DESCRIPTION</b>	<b>REV</b>
	2902065	Ref	PUMP COUPLING KIT	L
1	70000793	1	Coupling, Hayes	
2	See Note	NSS	Plate, Pump Adapter (Note: Use p/n 2902065)	
3	See Note	NSS	Bolt M10 x 30 Grade 10.9 (Note: Use p/n 2902065)	
4	See Note	NSS	Washer M10 (Note: Use p/n 2902065)	
6	See Note	NSS	Bolt M10 x 20 Grade 10.9 (Note: Use p/n 2902065)	

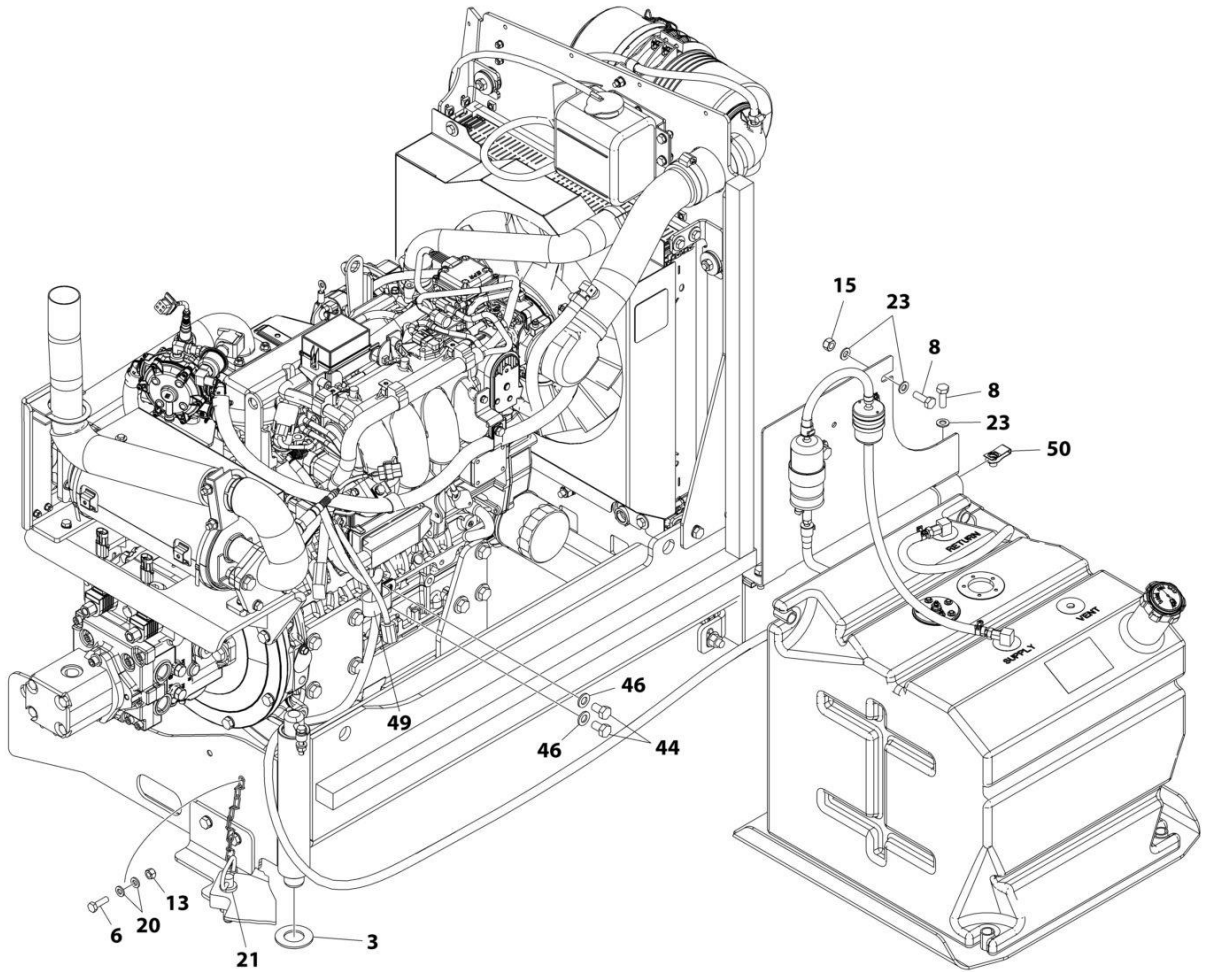
# SECTION 3 - ENGINE

## FIGURE 3-23. ENGINE INSTALLATION - KUBOTA ENGINE (WITHOUT ARCTIC PACKAGE)



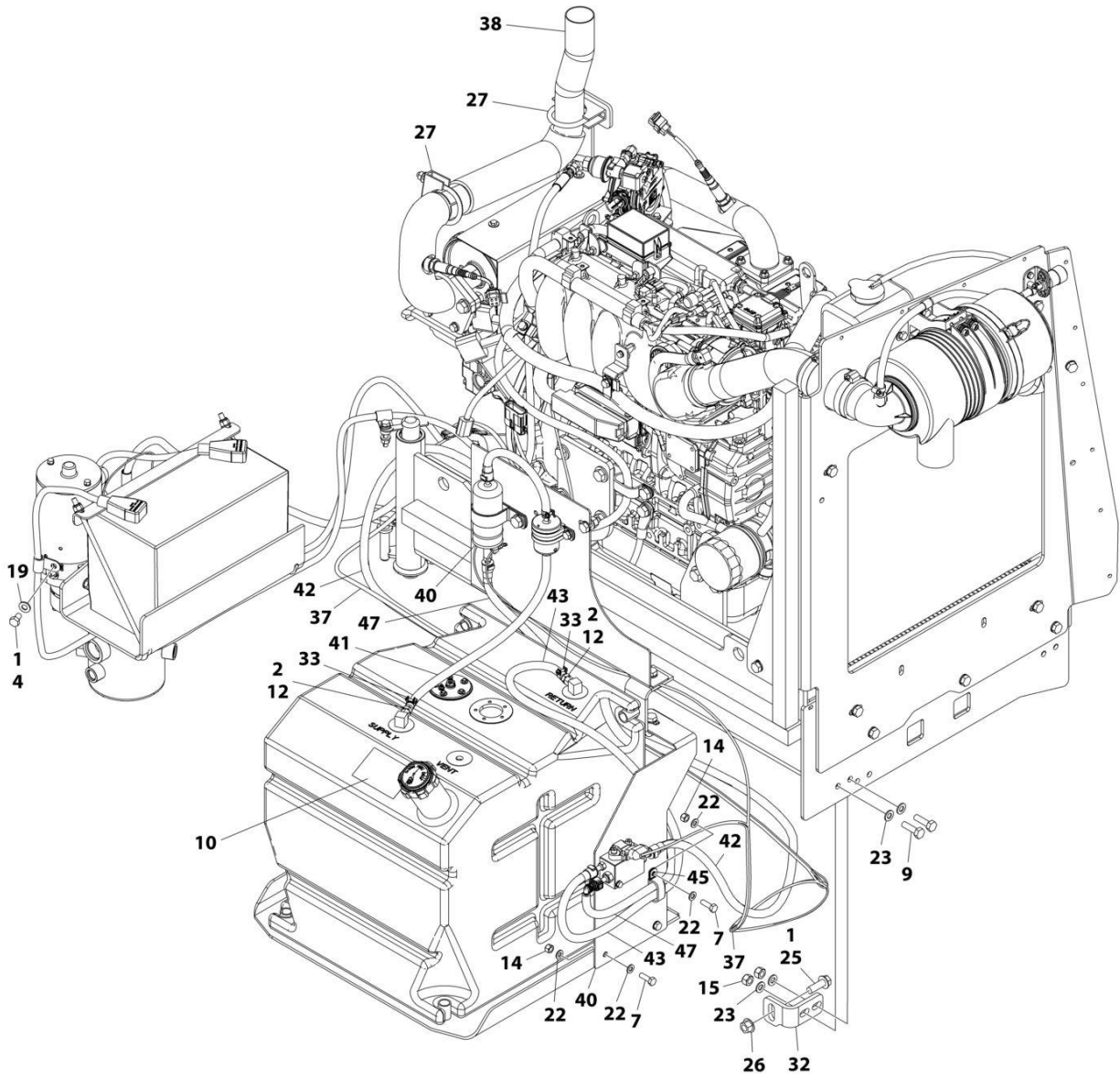
ART\_1001236250\_10F3

# SECTION 3 - ENGINE



ART\_1001236250\_20F3

# SECTION 3 - ENGINE



ART\_1001236250\_30F3

## SECTION 3 - ENGINE

**FIGURE 3-23. ENGINE INSTALLATION - KUBOTA ENGINE (WITHOUT ARCTIC PACKAGE)**

ITEM	PART NUMBER	QTY	DESCRIPTION	REV
	1001236250	Ref	ENGINE INSTALLATION - KUBOTA ENGINE (WITHOUT ARCTIC PACKAGE)	A
1	0100011	AR	Compound, Locking	
2	0100020	AR	Sealant, Pipe	
3	0440162	1	Bearing	
4	0641504	1	Bolt 5/16 x 1/2	
5	0700817	1	Bolt M8 x 45	
6	0760610	1	Bolt M6 x 20	
7	0760812	3	Bolt M8 x 25	
8	0761014	4	Bolt M10 x 30	
9	0761015	4	Bolt M10 x 35	
10	1701542	2	Decal - Gas	
11	1701543	1	Decal - LPG (Not Shown)	
12	2180348	2	Fitting, Barbed	
13	3290605	1	Nut M6	
14	3290805	4	Nut M8	
15	3291005	5	Nut M10	
16	3790012	1	O-Ring	
17	3841143	1	Keeper, Pin	
18	4240099	AR	Tie-Strap (Not Shown)	
19	4711500	1	Washer 5/16	
20	4811700	2	Washer M6	
21	3422532	1	Pin	
22	4811900	6	Washer M8	
23	4812000	13	Washer M10	
24	5240800	2	Washer M8	
25	5251215	1	Bolt M12 x 35	
26	5261200	1	Nut M12 (Grade 10.9)	
27	1001217785	2	Clamp, Muffler	
28	1001135196	1	Pin	
29	1001155044	2	Nut 15/32	
31	1001161710	1	Switch, Toggle	
32	1001167512	1	Bracket, Engine Tray Stow	
33	1001174486	2	Clamp	
34	1001236254	1	Engine and Pump Sub-Assembly - Kubota Engine (Without Arctic Package) (See Separate Breakdown in this Section)	
35	1001212257	1	Cable, Kubota Alternator	
36	1001213062	1	Cable, Battery Cable Kit	
37	1001213599	1	Harness Engine - Kubota Engine (See Separate Breakdown in ELECTRICAL SECTION)	
38	1001214502	1	Pipe, Tail Pipe	
39	1001215259	1	Plate, Engine Lock	
40	1001215801	1	Mount, Fuel System	
41	1001156819	20 in/ 53cm	Hose	
42	1001216396	1	Hose	
43	1001216397	1	Hose	
44	1001217494	2	Bolt M12 x 20	
45	1321283	1	Clamp	
46	4812100	2	Washer M12	

## SECTION 3 - ENGINE

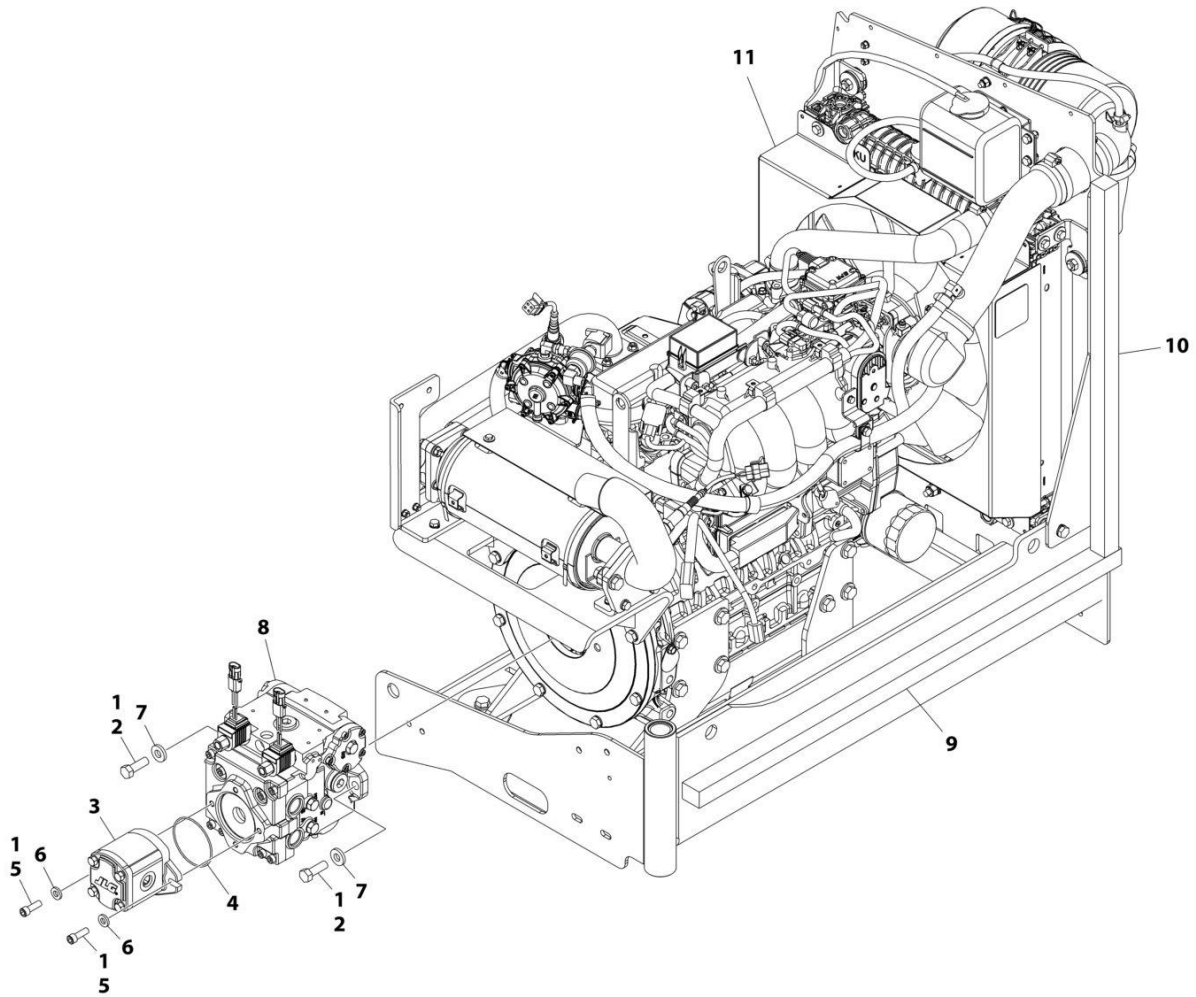
ITEM	PART NUMBER	QTY	DESCRIPTION	REV
47	1001216399	1	Hose	
49	1001195039	1	Clamp	
50	1001118972	3	Nut M10	
51	4812200	1	Washer M14	
52	24431386	1	Support Clamp 15/16	
53	1001217345	1	Bolt M14 x 30	
54	1001229798	1	Harness - Kubota Dual Fuel Power (Not Shown - See Separate Breakdown in ELECTRICAL SECTION)	
55	4460466	8	Terminal, Sealing Plug (Not Shown)	
56	4460930	1	Plug, Male - 8 Position (Deutsch) (Not Shown)	





# SECTION 3 - ENGINE

## FIGURE 3-24. ENGINE AND PUMP SUB-ASSEMBLY - KUBOTA ENGINE (WITHOUT ARCTIC PACKAGE)



ART\_1001236254

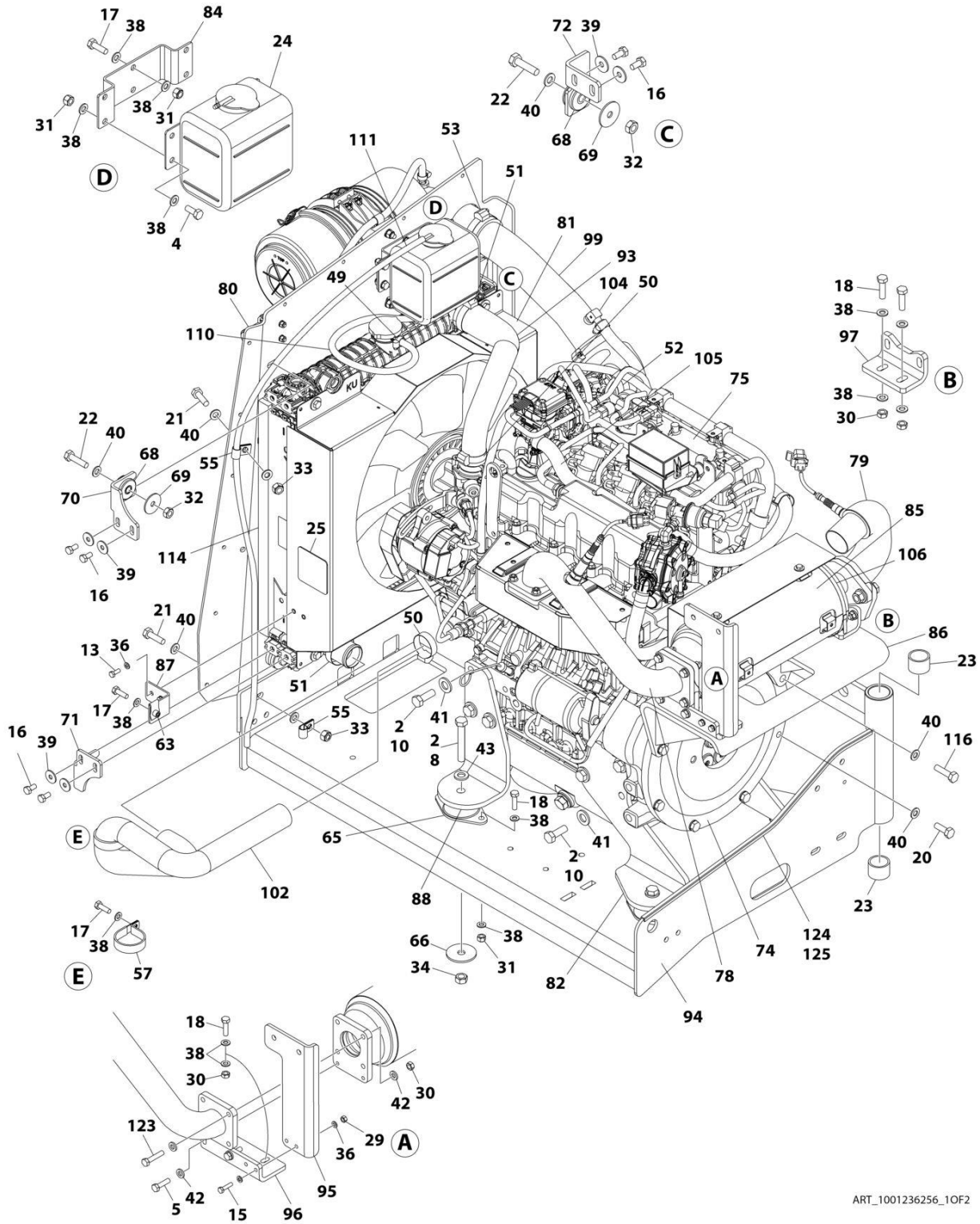
## SECTION 3 - ENGINE

**FIGURE 3-24. ENGINE AND PUMP SUB-ASSEMBLY - KUBOTA ENGINE (WITHOUT ARCTIC PACKAGE)**

ITEM	PART NUMBER	QTY	DESCRIPTION	REV
	1001236254	Ref	ENGINE AND PUMP SUB-ASSEMBLY - KUBOTA ENGINE (WITHOUT ARCTIC PACKAGE)	A
1	0100011	AR	Compound, Locking	
2	0641812	2	Bolt 1/2 x 1-1/2	
3	1001214207	1	Pump, Gear	
3	70006356	1	Seal Kit - 1001214207 Pump	
4	3790152	1	O-Ring	
5	3931618	2	Bolt 3/8 x 1-1/8	
6	4891600	2	Washer 3/8	
7	4891800	2	Washer 1/2	
8	1001167036	1	Piston Pump Assembly (See Separate Breakdown in this Section)	
9	1001171953	1	Seal, Gasket	
10	1001171954	1	Seal, Gasket	
11	1001236256	1	Engine Assembly - Kubota Engine (Without Arctic Package) (See Separate Breakdown in this Section)	

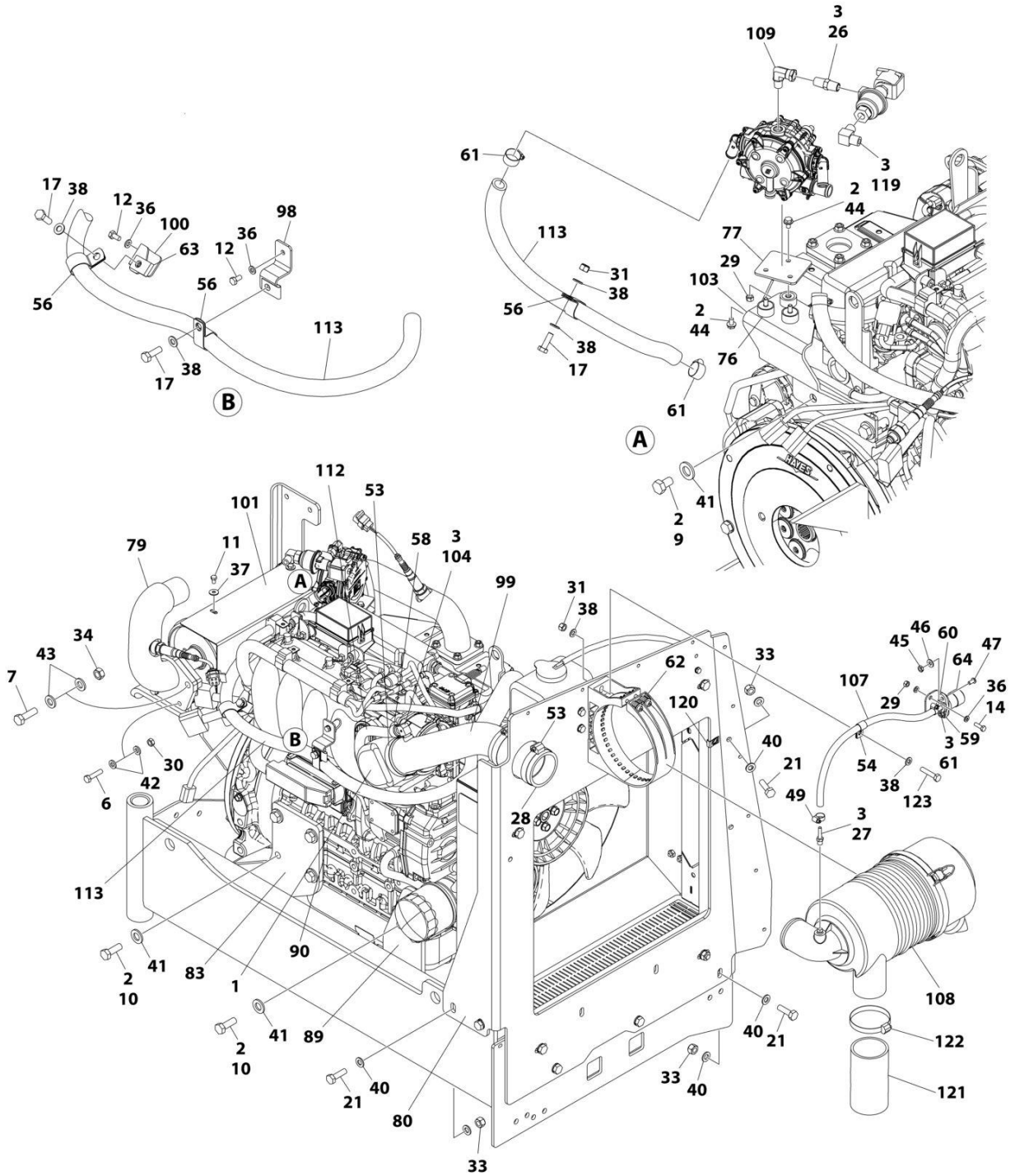
# SECTION 3 - ENGINE

## FIGURE 3-25. ENGINE ASSEMBLY - KUBOTA ENGINE (WITHOUT ARCTIC PACKAGE)



ART\_1001236256\_10F2

# SECTION 3 - ENGINE



ART\_1001236256\_20F2

## SECTION 3 - ENGINE

FIGURE 3-25. ENGINE ASSEMBLY - KUBOTA ENGINE (WITHOUT ARCTIC PACKAGE)

ITEM	PART NUMBER	QTY	DESCRIPTION	REV
	1001236256	Ref	ENGINE ASSEMBLY - KUBOTA ENGINE (WITHOUT ARCTIC PACKAGE)	E
1	0080201	1	Adapter, 90	
2	0100011	AR	Compound, Locking	
3	0100020	AR	Sealant, Pipe	
4	0700810	4	Bolt M8 x 20	
5	0700814	2	Bolt M8 x 30	
6	0700815	2	Bolt M8 x 35	
7	0701216	2	Bolt M12 x 40	
8	0701224	4	Bolt M12 x 80	
9	1001217494	2	Bolt M12 x 20	
10	1001217343	14	Bolt M12 x 35	
11	0760605	4	Bolt M6 x 10	
12	0760606	2	Bolt M6 x 12	
13	0760608	2	Bolt M6 x 16	
14	0760610	2	Bolt M6 x 20	
15	0760612	2	Bolt M6 x 25	
16	0760808	8	Bolt M8 x 16	
17	0760812	6	Bolt M8 x 25	
18	0760814	12	Bolt M8 x 30	
19	0760815	1	Bolt M8 x 35	
20	0761014	4	Bolt M10 x 30	
21	0761015	6	Bolt M10 x 35	
22	0761016	4	Bolt M10 x 40	
23	0961951	2	Bushing	
24	1580011	1	Container, Coolant Overflow	
25	1703162	2	Decal - Caution Fan	
26	2220261	1	Fitting, Nipple NPTF/NPTF	
27	2220315	1	Fitting, Barbed	
28	2720644	1	Hose	
29	3290607	5	Nut M6	
30	3290801	10	Nut M8	
31	3290805	17	Nut M8	
32	3291001	4	Nut M10	
33	3291005	6	Nut M10	
34	3291201	6	Nut M12	
35	4240099	AR	Tie-Strap (Not Shown)	
36	4811700	12	Washer M6	
37	4811702	4	Washer M6	
38	4811900	45	Washer M8	
39	4811902	8	Washer M8	
40	4812000	24	Washer M10	
41	5241400	16	Washer M14	
42	5240800	14	Washer M8	
43	5241200	8	Washer M12	
44	5250605	3	Bolt M6 x 10	
45	8305401	2	Nut 1/4	
46	8307109	2	Washer 1/4	
47	8310548	2	Screw 1/4 NC x 1/2	
48	1001173535	2	Clamp	

## SECTION 3 - ENGINE

ITEM	PART NUMBER	QTY	DESCRIPTION	REV
49	8405009	4	Clamp	
50	8405102	2	Clamp	
51	8405104	2	Clamp	
52	8405202	1	Clamp	
53	8405203	3	Clamp	
54	8406109	1	Clip	
55	8406110	2	Clip	
56	8406201	3	Clip	
57	8410001	1	Clamp	
58	8410009	6	Clamp	
59	1001138173	1	Support, Service Indicator	
60	1001138175	1	Bracket, Service Indicator	
61	1001141995	1	Fitting, Barbed	
62	1001147812	1	Clamp, Air Cleaner	
63	1001149160	3	Nut M8	
64	1001149639	1	Indicator, Air Intake	
65	1001166718	4	Isolator, Engine Mount	
66	1001168018	4	Washer, Snubbing	
67	1001168166	2	Seal	
68	1001169054	4	Isolator, Radiator	
69	1001169138	4	Washer, Snubbing	
70	1001169967	2	Bracket	
71	1001170035	1	Bracket	
72	1001176330	1	Bracket	
73	1001180620	AR	Adhesive	
74	1001209844	1	Pump Coupling Kit (See Separate Breakdown in this Section)	
75	1001236393	1	Engine, Kubota (See Separate Breakdown in this Section)	
76	1001211794	3	Mount	
77	1001211797	1	Mount	
78	1001212989	1	Pipe, Exhaust (Inlet)	
79	1001212993	1	Pipe Exhaust (Outlet)	
80	1001213305	1	Plate, Mounting	
81	1001236257	1	Radiator	
82	1001213425	1	Plate, Engine Mount (Left Rear)	
83	1001213426	1	Plate, Engine Mount (Right Rear)	
84	1001213482	1	Bracket	
85	1001213824	1	Insulation	
86	1001214138	1	Bracket	
87	1001214205	1	Support	
88	1001214233	1	Plate (Front Left)	
89	1001214234	1	Plate (Front Right)	
90	1001214276	1	Shim	
91	1001214277	1	Shim	
92	1001214278	2	Shim	
93	1001214307	1	Hose	
94	1001214508	1	Support	
95	1001214553	1	Support	
96	1001214555	1	Bracket	
97	1001214556	1	Bracket	
98	1001214558	1	Bracket	
99	1001214598	1	Tube	

## SECTION 3 - ENGINE

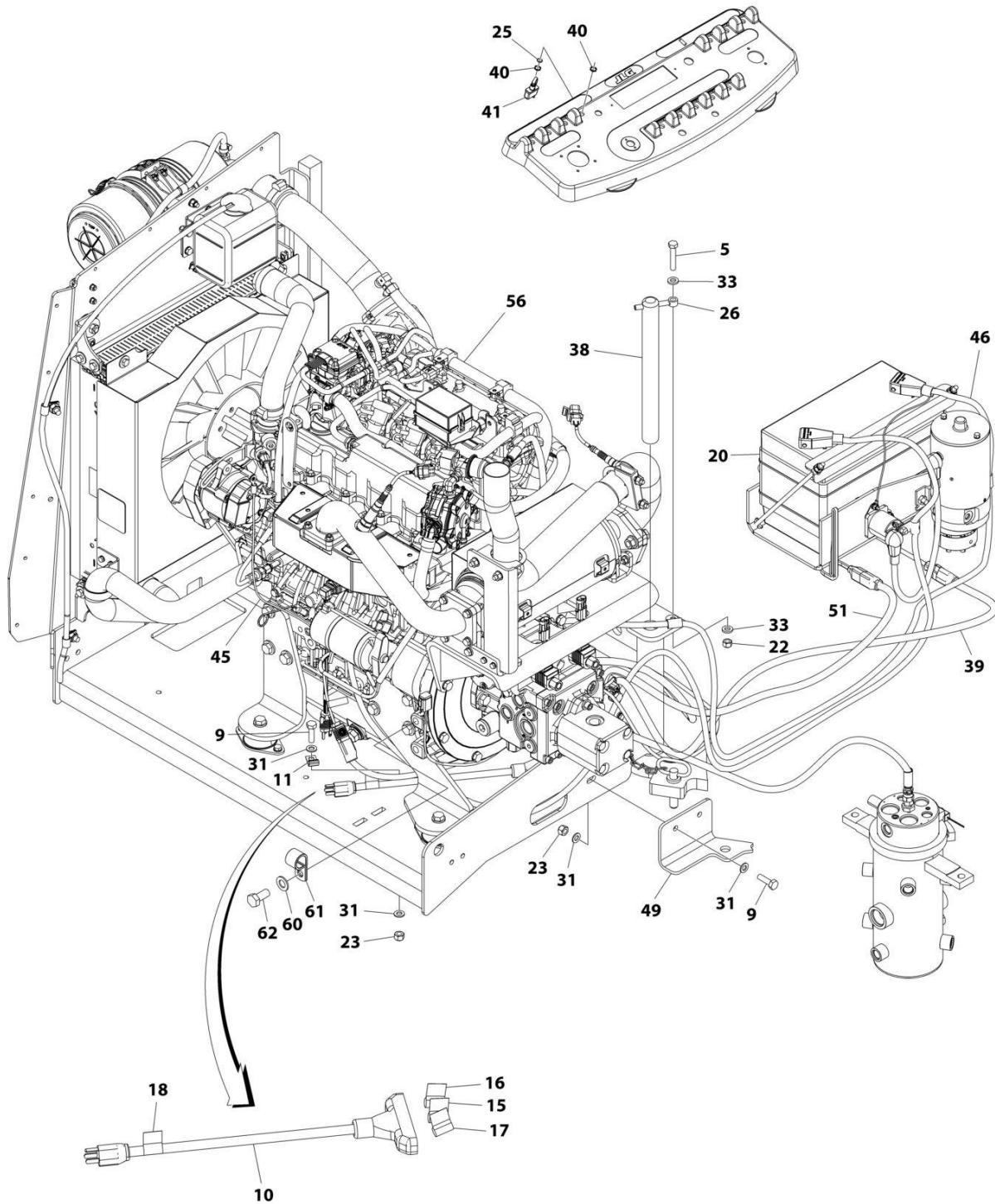
ITEM	PART NUMBER	QTY	DESCRIPTION	REV
100	1001214599	1	Bracket	
101	1001214664	1	Cover	
102	1001214694	1	Hose	
103	1001214841	1	Bracket	
104	1001215125	1	Fitting, 90	
105	1001215869	1	Hose	
106	1001137336	2	Strap	
107	1001138248	2 ft/ 0.61m	Tube	
108	1001147813	1	Air Cleaner Assembly Including Filter Element	
108	70004020	1	Element, Air Filter	
109	1001247359	1	Fitting, 90	
110	2720058	1.75 ft/ 0.53m	Hose	
111	2720271	4 ft/ 1.22m	Hose	
112	2720615	1.25 ft/ 0.38m	Hose	
113	82033995	5.5 ft/ 1.68m	Hose	
114	1001216825	2	Seal	
115	0700816	4	Bolt M8 x 40	
116	0701016	4	Bolt M10 x 40	
119	2180504	1	Fitting, Barbed	
120	1001118274	1	Nut, Special M8	
121	1001001939	1	Tube, Flex	
122	8410011	1	Clamp	
123	0760816	1	Bolt M8 x 40	
124	4060805	1.94 ft/ 0.59m	Flex-Trim	
125	0100081	AR	Adhesive	





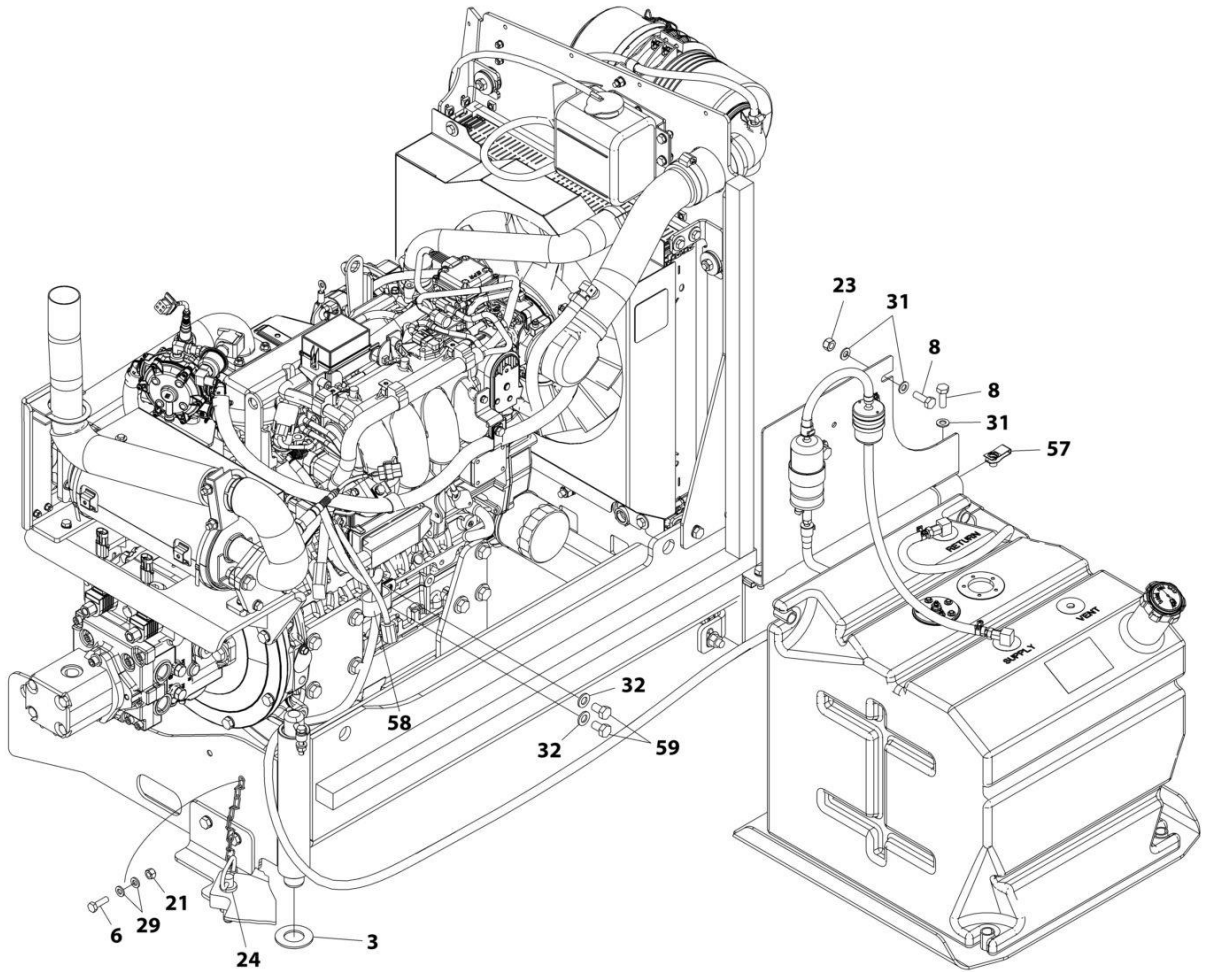
# SECTION 3 - ENGINE

## FIGURE 3-26. ENGINE INSTALLATION - KUBOTA ENGINE (WITH ARCTIC PACKAGE)



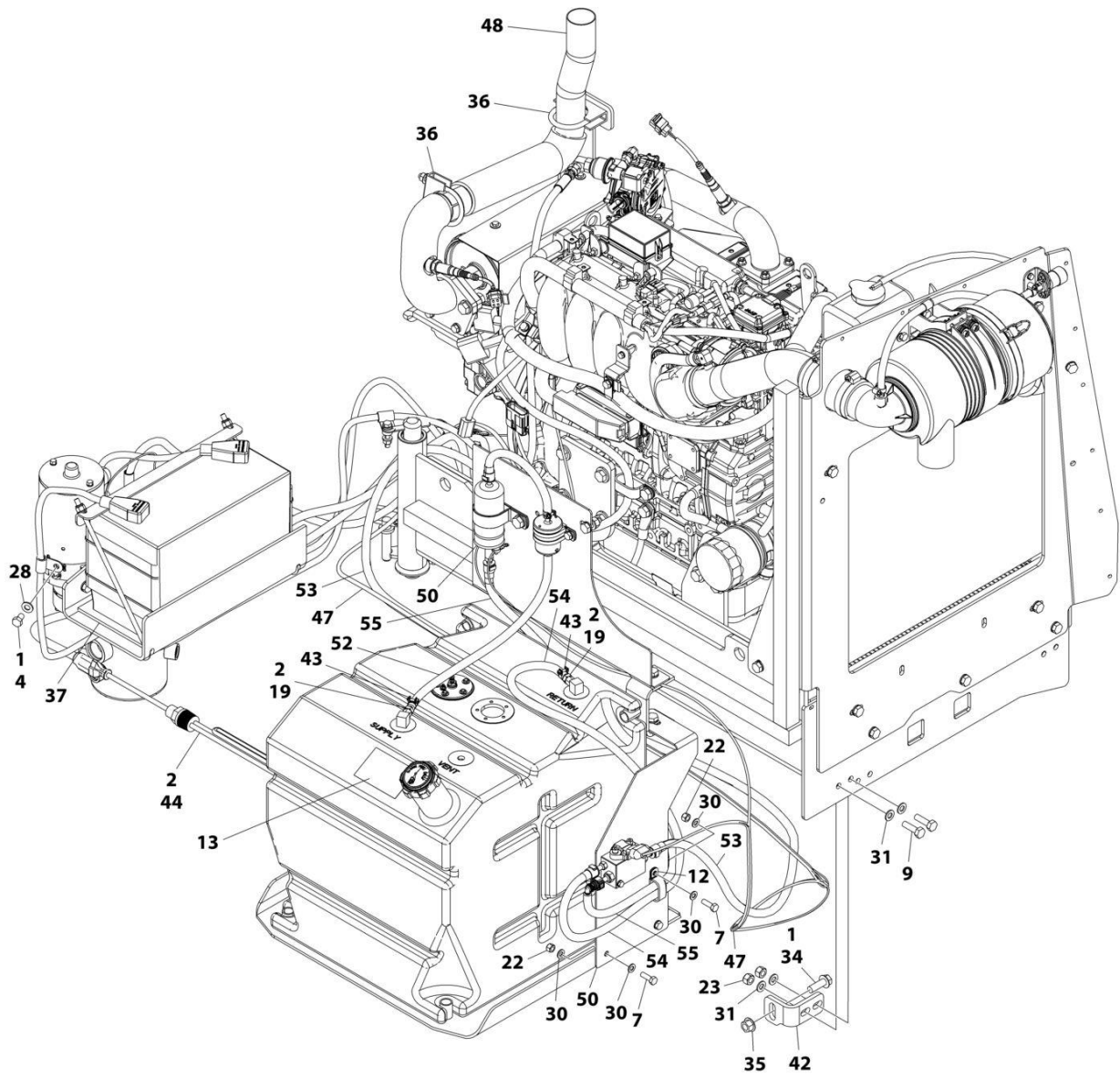
ART\_1001236252\_10F3

# SECTION 3 - ENGINE



ART\_1001236252\_20F3

# SECTION 3 - ENGINE



ART\_1001236252\_3OF3

## SECTION 3 - ENGINE

**FIGURE 3-26. ENGINE INSTALLATION - KUBOTA ENGINE (WITH ARCTIC PACKAGE)**

ITEM	PART NUMBER	QTY	DESCRIPTION	REV
	1001236252	Ref	ENGINE INSTALLATION - KUBOTA ENGINE (WITH ARCTIC PACKAGE)	B
1	0100011	AR	Compound, Locking	
2	0100020	AR	Sealant, Pipe	
3	0440162	1	Bearing	
4	0641504	1	Bolt 5/16 x 1/2	
5	0700817	1	Bolt M8 x 45	
6	0760610	1	Bolt M6 x 20	
7	0760812	3	Bolt M8 x 25	
8	0761014	4	Bolt M10 x 30	
9	0761015	5	Bolt M10 x 35	
10	1060626	1	Plug, 3 Way	
11	1320223	1	Clamp	
12	1321283	1	Clamp	
13	1701542	2	Decal - Gas	
14	1701543	1	Decal - LPG (Not Shown)	
15	1702941	1	Decal - Battery Heater	
16	1702942	1	Decal - Engine Block Heater	
17	1702943	1	Decal - Hydraulic Tank Heater	
18	1702944	1	Decal - Heater Cord	
19	2180348	2	Fitting, Barbed	
20	2580024	1	Heater, Battery	
21	3290605	1	Nut M6	
22	3290805	4	Nut M8	
23	3291005	6	Nut M10	
24	3422532	1	Pin	
25	3790012	1	O-Ring	
26	3841143	1	Keeper, Pin	
27	4240099	AR	Tie-Strap (Not Shown)	
28	4711500	1	Washer 5/16	
29	4811700	2	Washer M6	
30	4811900	6	Washer M8	
31	4812000	15	Washer M10	
32	4812100	2	Washer M12	
33	5240800	2	Washer M8	
34	5251215	1	Bolt M12 x 35	
35	5261200	1	Nut M12 Class10	
36	1001217785	2	Clamp, Muffler	
37	1001119278	1	Insulate	
38	1001135196	1	Pin	
39	1001150918	1	Cable, Extension Cord	
40	1001155044	2	Nut 15/32	
41	1001161710	1	Switch, Toggle	
42	1001167512	1	Bracket, Engine Tray Stow	
43	1001174486	2	Clamp	
44	1001188972	1	Heater, Hydraulic Tank	
45	1001212257	1	Cable, Kubota Alternator	
46	1001213062	1	Cable, Battery Cable Kit Kubota	
47	1001213599	1	Harness Engine - Kubota Engine (See Separate Breakdown in ELECTRICAL SECTION)	

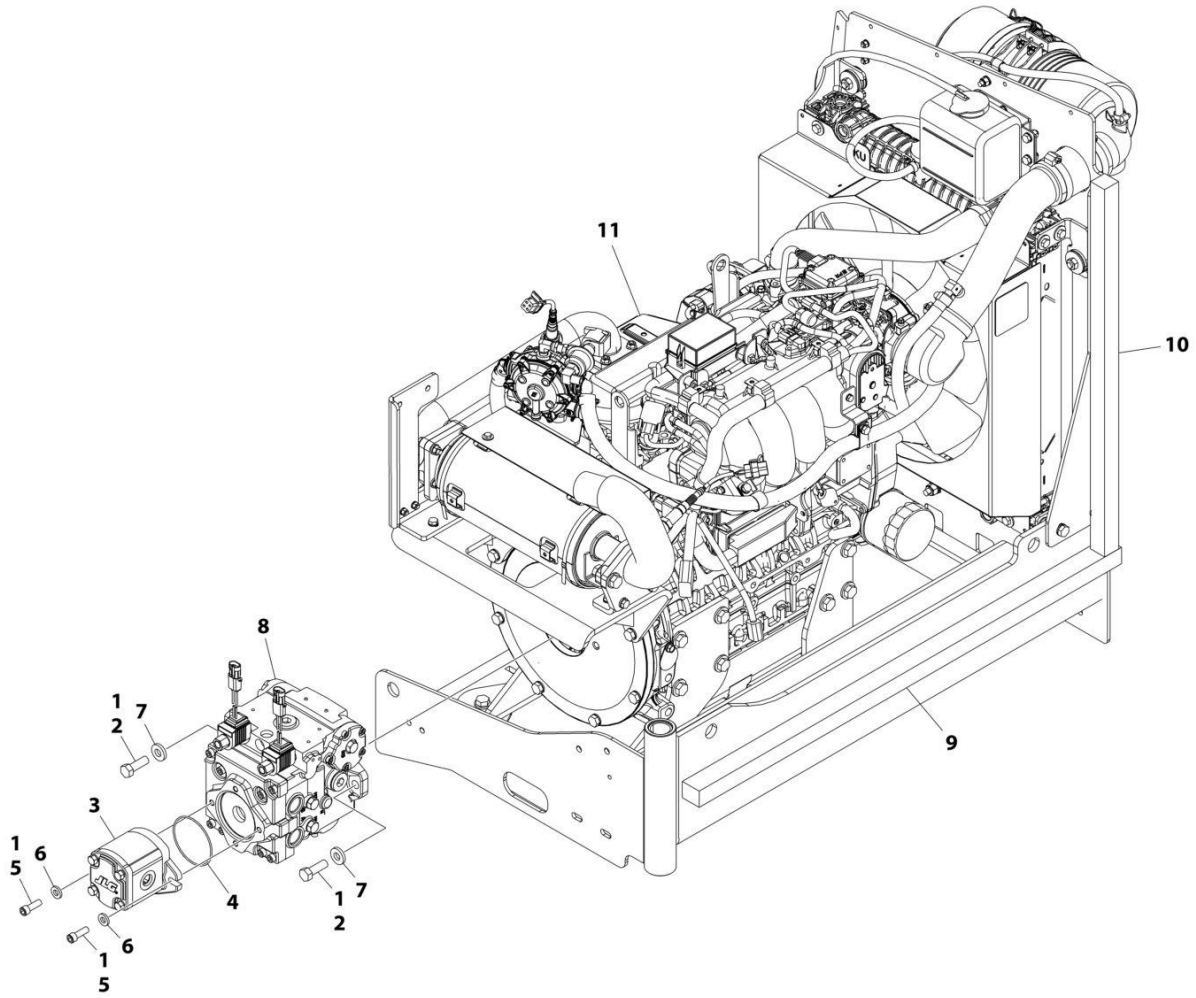
## SECTION 3 - ENGINE

ITEM	PART NUMBER	QTY	DESCRIPTION	REV
48	1001214502	1	Pipe, Tail Pipe	
49	1001215259	1	Plate, Engine Lock	
50	1001215801	1	Mount, Fuel System (Kubota)	
51	1001216080	2	Cable, Extension Cord	
52	1001156819	20.9 in/ 53cm	Hose	
53	1001216396	1	Hose	
54	1001216397	1	Hose	
55	1001216399	1	Hose	
56	1001236258	1	Engine and Pump Sub-Assembly - Kubota Engine (With Arctic Package) (See Separate Breakdown in this Section)	
57	1001118972	3	Nut M10	
58	1001195039	1	Clamp	
59	1001217494	2	Capscrew M12	
60	4812200	1	Washer M14	
61	24431386	1	Support, Clamp	
62	1001217345	1	Bolt M14 x 30	
63	1001229798	1	Harness - Kubota B6 D/F Power (Not Shown - See Separate Breakdown in ELECTRICAL SECTION)	
64	4460466	8	Terminal, Sealing Plug (Not Shown)	
65	4460930	1	Plug, Male - 8 Position (Deutsch) (Not Shown)	



# SECTION 3 - ENGINE

FIGURE 3-27. ENGINE AND PUMP SUB-ASSEMBLY - KUBOTA ENGINE (WITH ARCTIC PACKAGE)



ART\_1001236258



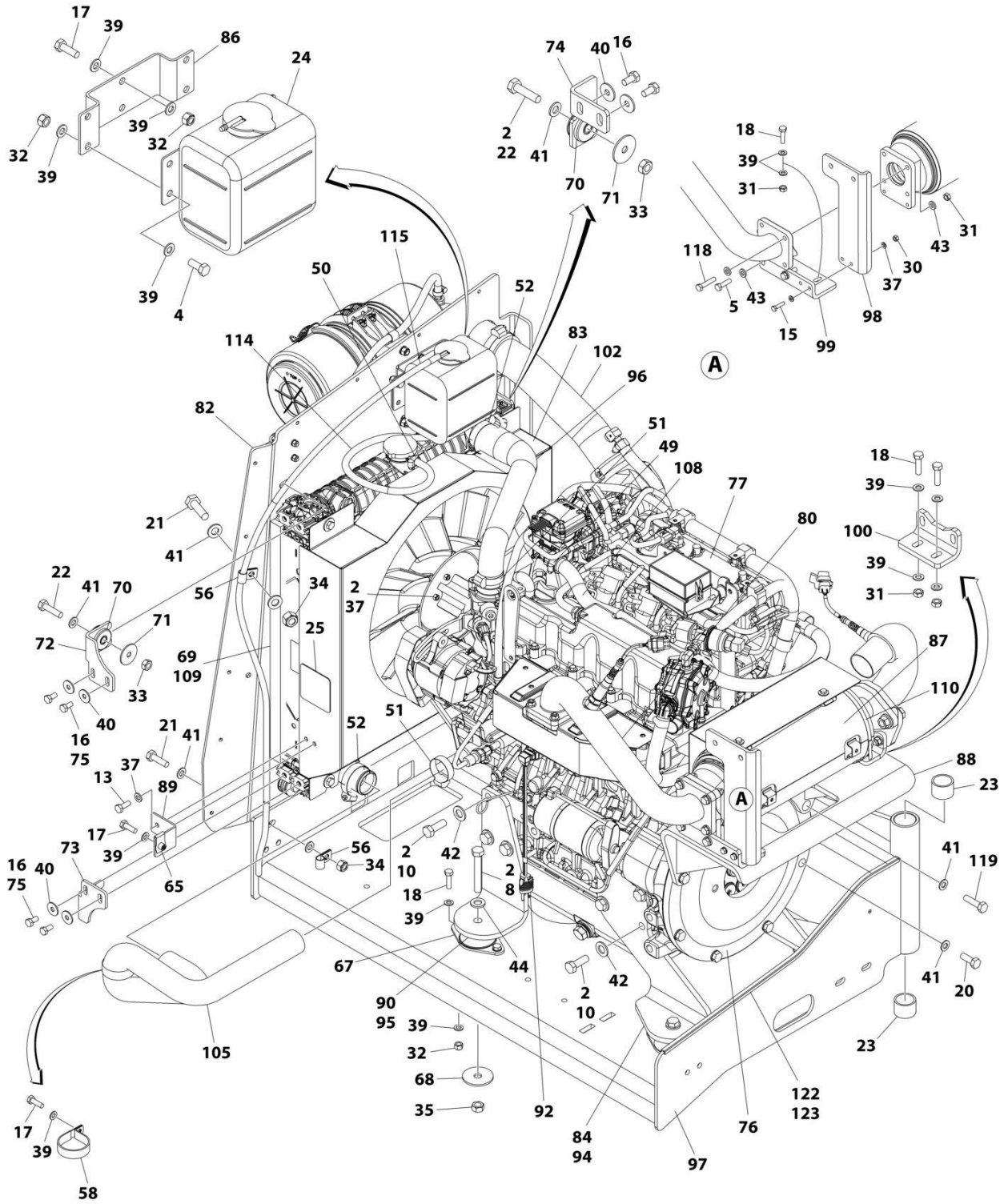
## SECTION 3 - ENGINE

**FIGURE 3-27. ENGINE AND PUMP SUB-ASSEMBLY - KUBOTA ENGINE (WITH ARCTIC PACKAGE)**

ITEM	PART NUMBER	QTY	DESCRIPTION	REV
	1001236258	Ref	ENGINE AND PUMP SUB-ASSEMBLY - KUBOTA ENGINE (WITH ARCTIC PACKAGE)	A
1	0100011	AR	Compound, Locking	
2	0641812	2	Bolt 1/2 x 1-1/2	
3	1001214207	1	Gear Pump Assembly	
3	70006356	1	Seal Kit - 1001214207 Pump	
4	3790152	1	O-Ring	
5	3931618	2	Capscrew 3/8 x 1-1/8	
6	4891600	2	Washer 3/8	
7	4891800	2	Washer 1/2	
8	1001167036	1	Piston Pump Assembly (See Separate Breakdown in this Section)	
9	1001171953	1	Seal	
10	1001171954	1	Seal	
11	1001236259	1	Engine Assembly - Kubota Engine (With Arctic Package) (See Separate Breakdown in this Section)	

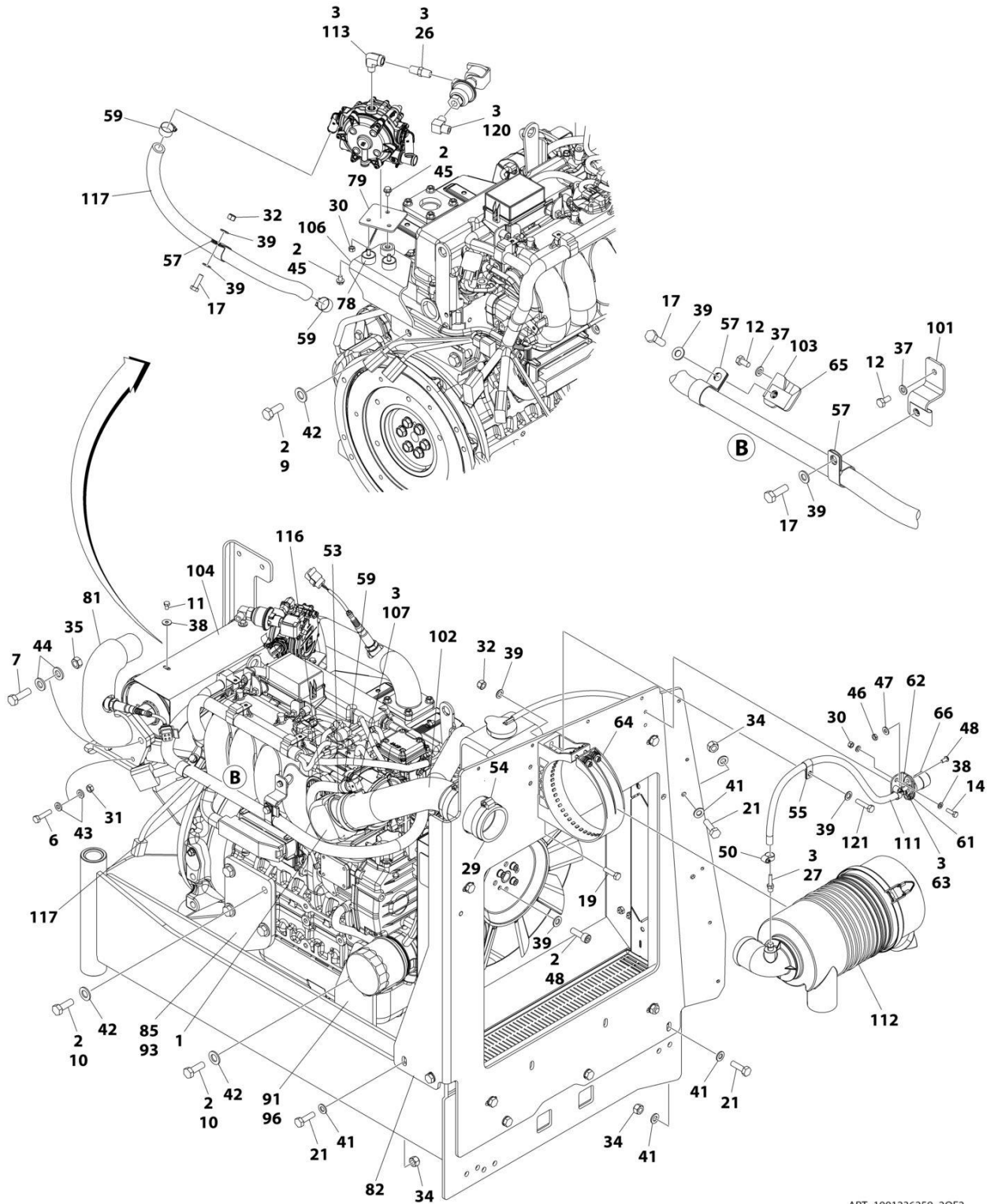
# SECTION 3 - ENGINE

## FIGURE 3-28. ENGINE ASSEMBLY - KUBOTA ENGINE (WITH ARCTIC PACKAGE)



ART\_1001236259\_10F2

# SECTION 3 - ENGINE



ART\_1001236259\_2OF2

## SECTION 3 - ENGINE

FIGURE 3-28. ENGINE ASSEMBLY - KUBOTA ENGINE (WITH ARCTIC PACKAGE)

ITEM	PART NUMBER	QTY	DESCRIPTION	REV
	1001236259	Ref	ENGINE ASSEMBLY - KUBOTA ENGINE (WITH ARCTIC PACKAGE)	E
1	0080201	1	Adapter, 90	
2	0100011	AR	Compound, Locking	
3	0100020	AR	Sealant, Pipe	
4	0700810	4	Bolt M8 x 20	
5	0700814	2	Bolt M8 x 30	
6	0700815	2	Bolt M8 x 35	
7	0701216	2	Bolt M12 x 40	
8	0701224	4	Bolt M12 x 80	
9	1001217494	2	Bolt M12 x 20	
10	1001217343	14	Bolt M12 x 35	
11	0760605	4	Bolt M6 x 10	
12	0760606	2	Bolt M6 x 12	
13	0760608	2	Bolt M6 x 16	
14	0760610	2	Bolt M6 x 20	
15	0760612	2	Bolt M6 x 25	
16	0760808	8	Bolt M8 x 16	
17	0760812	6	Bolt M8 x 25	
18	0760814	12	Bolt M8 x 30	
19	0760815	1	Bolt M8 x 35	
20	0761014	4	Bolt M10 x 30	
21	0761015	6	Bolt M10 x 35	
22	0761016	4	Bolt M10 x 40	
23	0961951	2	Bushing	
24	1580011	1	Container, Coolant Overflow	
25	1703162	2	Decal - Caution Fan	
26	2220261	1	Fitting, Nipple NPTF/NPTF	
27	2220315	1	Fitting, Barbed	
29	2720644	1	Hose	
30	3290607	5	Nut M6	
31	3290801	10	Nut M8	
32	3290805	17	Nut M8	
33	3291001	4	Nut M10	
34	3291005	6	Nut M10	
35	3291201	6	Nut M12	
36	4240099	AR	Tie-Strap (Not Shown)	
37	4811700	16	Washer M6	
38	4811702	4	Washer M6	
39	4811900	45	Washer M8	
40	4811902	8	Washer M8	
41	4812000	24	Washer M10	
42	5241400	16	Washer M14	
43	5240800	14	Washer M8	
44	5241200	8	Washer M12	
45	5250605	3	Bolt M6 x 10	
46	8305401	2	Nut 1/4	
47	8307109	2	Washer 1/4	
48	8310548	2	Screw 1/4 x 1/2	
49	1001173535	2	Clamp	

## SECTION 3 - ENGINE

ITEM	PART NUMBER	QTY	DESCRIPTION	REV
50	8405009	4	Clamp	
51	8405102	2	Clamp	
52	8405104	2	Clamp	
53	8405202	1	Clamp	
54	8405203	3	Clamp	
55	8406109	1	Clip	
56	8406110	2	Clip	
57	8406201	3	Clip	
58	8410001	1	Clamp	
59	8410009	6	Clamp	
61	1001138173	1	Support, Service Indicator	
62	1001138175	1	Bracket, Service Indicator	
63	1001141995	1	Fitting, Barbed	
64	1001147812	1	Clamp, Air Cleaner	
65	1001149160	3	Nut M8	
66	1001149639	1	Indicator, Air Intake	
67	1001166718	4	Isolator, Engine Mount	
68	1001168018	4	Washer, Snubbing	
69	1001168166	2	Seal	
70	1001169054	4	Isolator, Radiator	
71	1001169138	4	Washer, Snubbing	
72	1001169967	2	Bracket	
73	1001170035	1	Bracket	
74	1001176330	1	Bracket	
75	1001180620	AR	Adhesive	
76	1001209844	1	Pump Coupling Kit (See Separate Breakdown in this Section)	
77	1001236393	1	Engine, Kubota (See Separate Breakdown in this Section)	
78	1001211794	3	Mount	
79	1001211797	1	Mount	
80	1001212989	1	Pipe, Exhaust (Inlet)	
81	1001212993	1	Pipe, Exhaust (Outlet)	
82	1001213305	1	Plate, Mounting	
83	1001236257	1	Radiator	
84	1001213425	1	Plate, Engine Mount (Left Rear)	
85	1001213426	1	Plate, Engine Mount (Right Rear)	
86	1001213482	1	Bracket	
87	1001213824	1	Insulation	
88	1001214138	1	Bracket	
89	1001214205	1	Support	
90	1001214233	1	Plate (Front Left)	
91	1001214234	1	Plate (Front Right)	
92	1001214269	1	Heater, Block	
93	1001214276	1	Shim	
94	1001214277	1	Shim	
95	1001214278	2	Shim	
96	1001214307	1	Hose	
97	1001214508	1	Support	
98	1001214553	1	Support	
99	1001214555	1	Bracket	
100	1001214556	1	Bracket	
101	1001214558	1	Bracket	

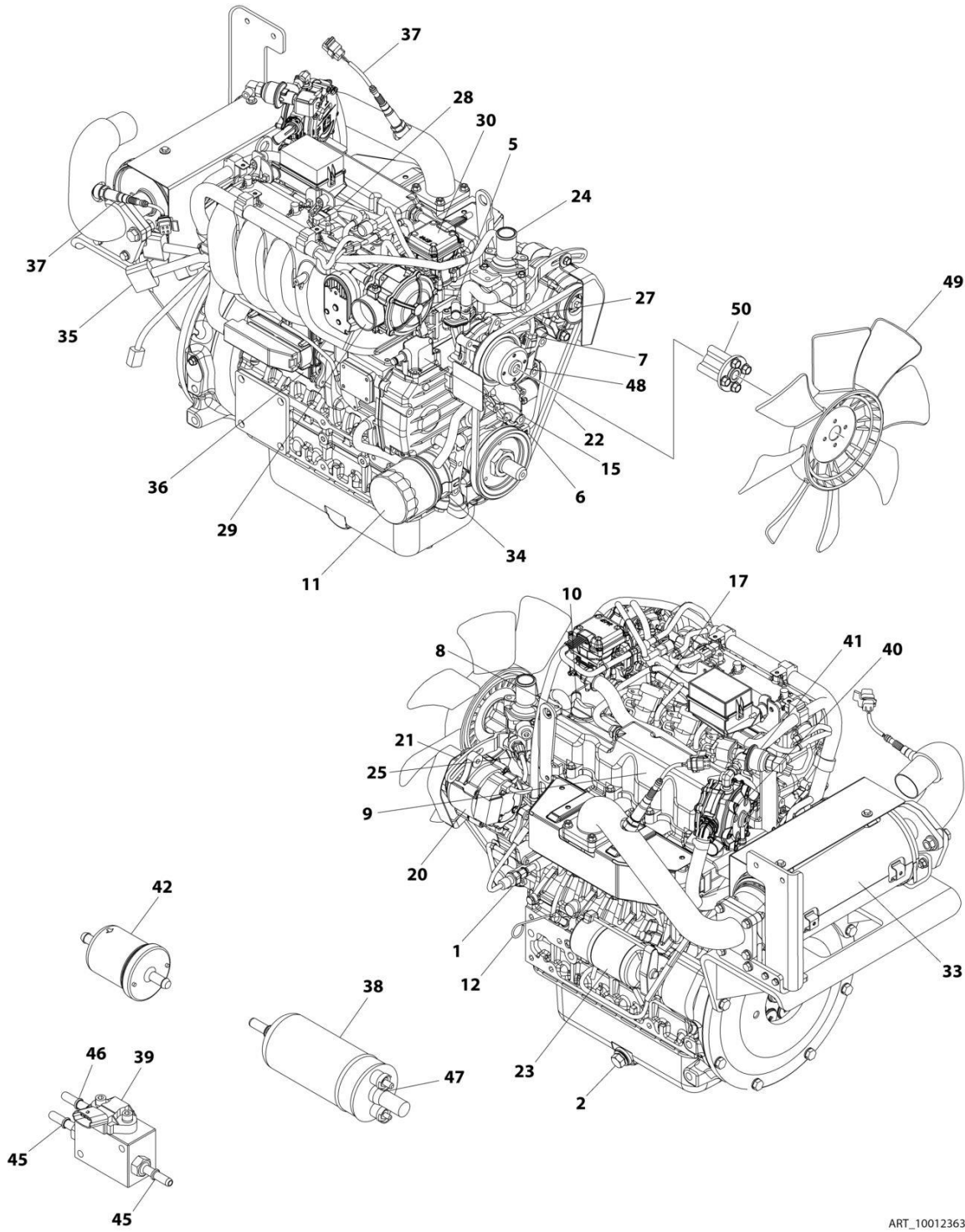
## SECTION 3 - ENGINE

ITEM	PART NUMBER	QTY	DESCRIPTION	REV
102	1001214598	1	Tube	
103	1001214599	1	Bracket	
104	1001214664	1	Cover	
105	1001214694	1	Hose	
106	1001214841	1	Bracket	
107	1001215125	1	Fitting, 90	
108	1001215869	1	Hose	
109	1001216825	2	Seal	
110	1001137336	2	Strap	
111	1001138248	2 ft/ 0.6m	Tube	
112	1001147813	1	Air Cleaner Assembly Including Filter Element	
112	70004020	1	Element, Filter (Not Shown)	
113	1001247359	1	Fitting, Street Elbow	
114	2720058	1.8 ft/ 0.5m	Hose	
115	2720271	4 ft/ 1.2m	Hose	
116	2720615	1.2 ft/ 0.4m	Hose	
117	82033995	5.5 ft/ 1.7m	Hose	
118	0700816	4	Bolt M8 x 40	
119	0701016	4	Bolt M10 x 40	
120	2180504	1	Fitting, Barbed	
121	0760816	1	Bolt M8 x 40	
122	4060805	1.94 ft/ 59m	Flex-Trim	
123	0100081	AR	Adhesive	



# SECTION 3 - ENGINE

## FIGURE 3-29. ENGINE COMPONENTS - KUBOTA



ART\_1001236393



## SECTION 3 - ENGINE

**FIGURE 3-29. ENGINE COMPONENTS - KUBOTA**

ITEM	PART NUMBER	QTY	DESCRIPTION	REV
	1001236393	Ref	ENGINE COMPONENTS - KUBOTA	D
1	70005745	1	Switch, Oil	
1	70006013	1	Adapter	
2	7023154	1	Plug, Drain	
2	7017904	1	Gasket, Oil Pan Drain	
3	70006014	1	Gasket, Cylinder Head (Not Shown)	
4	70006015	1	Sensor (Knock) (Not Shown - Located on Left Side of Engine)	
5	70006016	1	Flange Assembly (Water Return)	
5	70002316	1	Pipe	
5	70006017	1	Gasket	
6	70005737	1	Sensor Stick Assembly	
7	70006018	1	Sensor	
8	70006019	1	Valve (PCV)	
8	70006020	1	Seal	
9	7017932	3	Element, Breather	
9	70006021	1	Gasket	
10	70002318	1	Oil Filler Cap	
10	70006022	1	O-Ring	
11	70006023	1	Filter, Oil	
12	70006024	1	Dipstick	
13	70006025	1	Pump Assembly, Oil (Not Shown - Located Under Front Cover)	
13	70006026	1	Gasket	
13	70006027	1	Key	
14	70006028	1	Flywheel (Not Shown - Located Behind Coupling Plate)	
14	70006029	1	Ring Gear (Part of Flywheel)	
15	70006030	1	Flange Assembly (Breather)	
15	70002316	1	Pipe	
15	70006031	1	Gasket	
16	70006035	1	Pipe Assembly (Not Shown)	
16	70005727	1	Gasket	
17	70006034	4	Coil	
17	70006033	4	Spark Plug	
18	70006032	1	Gasket (Not Shown)	
19	70005751	4	Injector (Not Shown)	
20	70006036	1	Alternator (Includes Voltage Regulator and Gaskets, Fan and Fan Mounting Hardware)	
21	70006037	1	Bracket	
22	70006038	1	Belt	
23	70006039	1	Starter	
24	70006041	1	Thermostat	
24	70002326	1	Gasket	
25	70005726	1	Sensor	
25	70006042	1	O-Ring	
26	70006040	1	Gasket (Not Shown - Located Between Engine Head and Water Flange)	
27	70006043	1	Water Pump Assembly	
27	70004829	1	Pipe	
27	70006044	1	Gasket	
28	70005746	1	Sensor (TMAP)	
28	70005747	1	O-Ring	

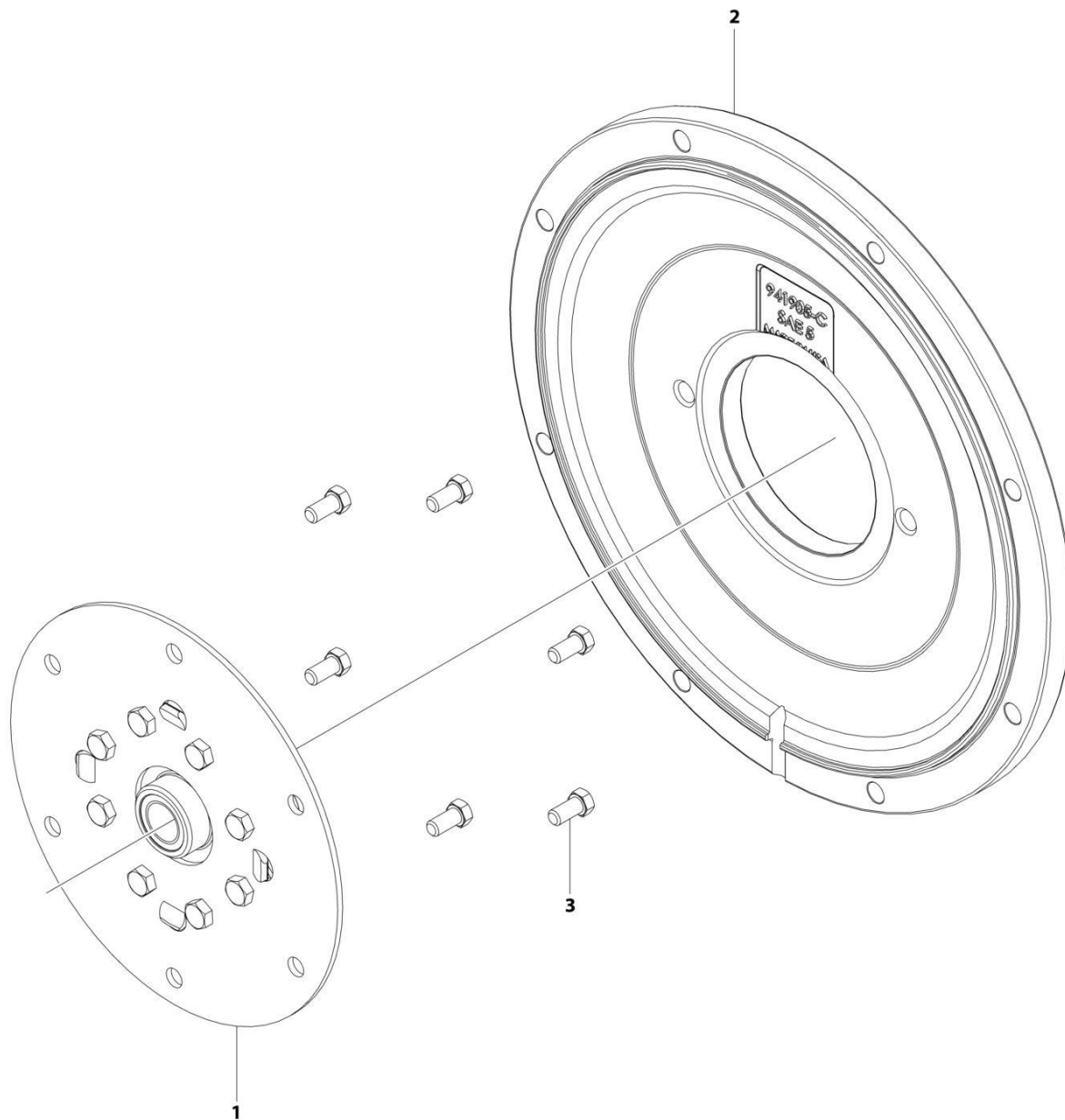
## SECTION 3 - ENGINE

ITEM	PART NUMBER	QTY	DESCRIPTION	REV
29	70006049	1	Mixer Assembly	
29	70006050	1	Seal, Rubber	
29	70006045	1	Throttle Body	
29	70006046	1	Gasket	
29	70006047	1	Adapter	
29	70006048	1	O-Ring	
30	70006051	1	Regulator Assembly	
30	70006052	1	Seal, Rubber	
30	70006053	1	Seal, Rubber	
30	70006054	1	Seal, Rubber	
31	70006055	1	Gasket (Not Shown - Located Between Intake Manifold and Engine Head)	
32	70006056	1	Gasket (Not Shown - Located Between Exhaust Manifold and Engine Head)	
33	70006057	1	Muffler	
33	70006065	1	Gasket	
33	70006066	1	Gasket	
33	70006072	1	Gasket	
34	70006058	1	Oil Cooler Assembly	
34	70006059	1	Seal	
34	7017959	2	Clamp	
35	70006060	1	Engine Harness	
36	70006061	1	Module, Engine Control	
37	70006062	2	Sensor (O2)	
38	70006063	1	Pump, Fuel	
39	70006064	1	Manifold (FPM)	
40	70006067	1	Regulator Assembly	
40	70006068	1	Connector	
40	70006069	3	Clip	
40	70006070	2	Connector	
41	70006071	1	Valve, Lockoff	
41	70006078	1	Valve, Lockoff Kit	
42	7017992	1	Filter, Fuel	
43	70006079	1	Gasket Kit (Upper) (Not Shown)	
44	70006080	1	Gasket Kit (Lower) (Not Shown)	
45	70006074	2	Joint (Includes O-Ring)	
46	70006075	1	Joint (Includes O-Ring)	
47	70006076	1	Joint (Includes O-Ring)	
47	70006077	1	Gasket	
48	70006379	1	Pulley	
49	70006639	1	Fan	
50	70006640	1	Collar, Fan	



# SECTION 3 - ENGINE

## FIGURE 3-30. PUMP COUPLING KIT - KUBOTA ENGINE



ART\_1001209844

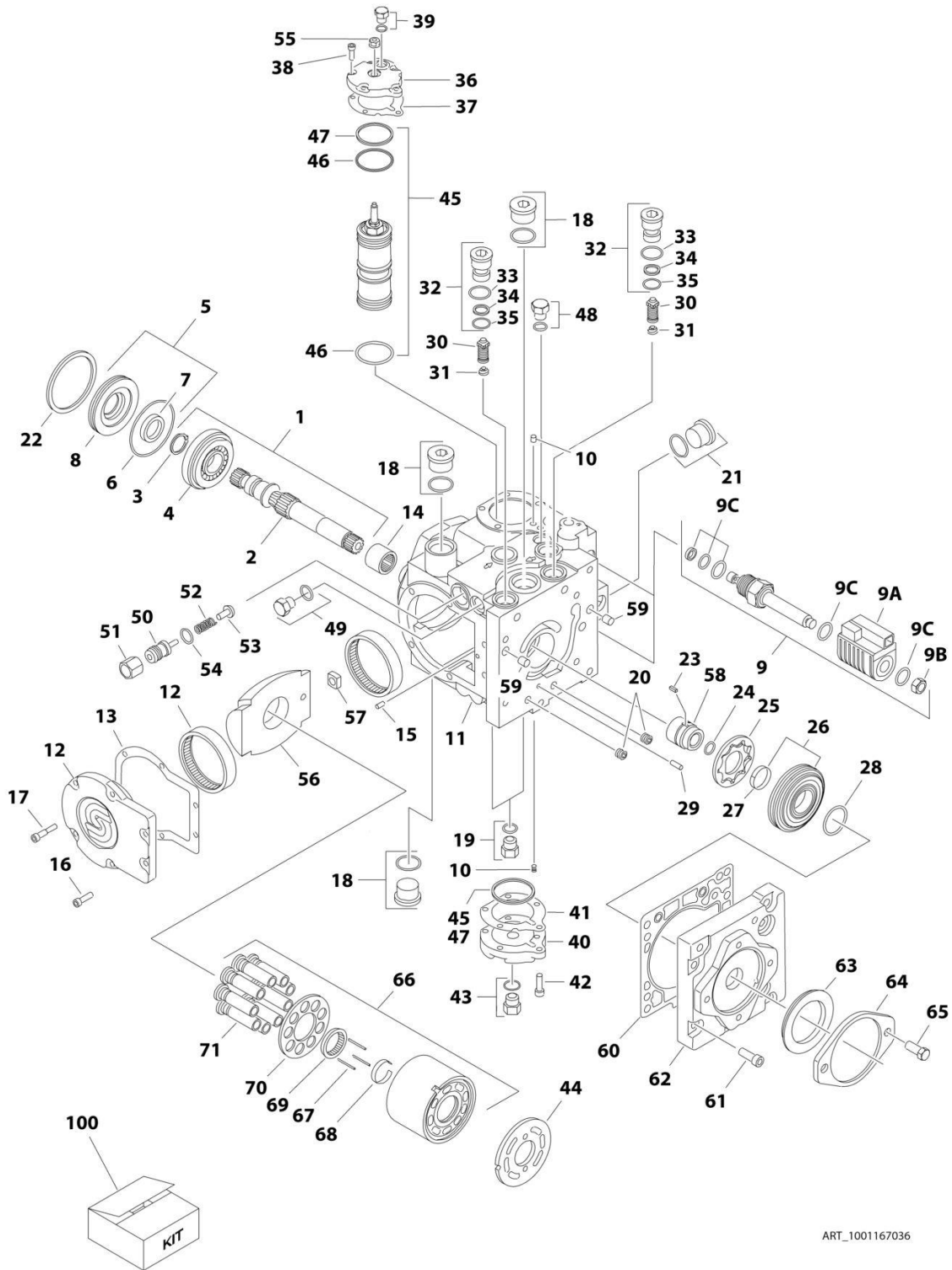
## SECTION 3 - ENGINE

### FIGURE 3-30. PUMP COUPLING KIT - KUBOTA ENGINE

ITEM	PART NUMBER	QTY	DESCRIPTION	REV
	1001209844	Ref	PUMP COUPLING KIT - KUBOTA ENGINE	C
1	70006010	1	Coupling Assembly, Hayes	
2	70006011	1	Plate, Pump Adapter	
3	70006012	1	Bolt Kit	

# SECTION 3 - ENGINE

## FIGURE 3-31. PISTON PUMP ASSEMBLY



ART\_1001167036

## SECTION 3 - ENGINE

### FIGURE 3-31. PISTON PUMP ASSEMBLY

ITEM	PART NUMBER	QTY	DESCRIPTION	REV
	1001167036	Ref	PISTON PUMP ASSEMBLY	B
1	7021240	1	Shaft Assembly (Includes Items 2-4)	
2	7021237	1	Shaft	
3	7021238	1	Ring, Retaining	
4	7021239	1	Bearing, Roller	
5	70004896	1	Shaft Seal Kit (Includes Items 6-8)	
6	7021241	1	O-Ring	
7	7021242	1	Seal, Lip	
8	7021243	1	Carrier, Seal Shaft	
9	7024855	2	Solenoid Assembly	
9A	70004897	2	Coil (1 Per Assembly)	
9B	7024857	2	Nut (1 Per Assembly)	
9C	7024858	2	Seal Kit - 7024855 Cartridge (1 Per Assembly)	
10	70004889	2	Orifice	
11	See Note	NSS	Housing Assembly (Note: Not Available for Purchase)	
12	7021248	1	Side Cover Assembly (Includes Item 13)	
13	70004891	1	Gasket	
14	7021249	1	Bearing, Needle	
15	See Note	NSS	Pin (Note: Not Available for Purchase)	
16	70004890	2	Screw	
17	70004892	4	Screw	
18	7007419	2	Plug Assembly (Includes O-Ring)	
19	7007420	2	Plug Assembly (Includes O-Ring)	
20	See Note	NSS	Plug (Note: Not Available for Purchase)	
21	7007419	1	Plug Assembly (Includes O-Ring)	
22	7021257	1	Ring, Retaining	
23	70004893	1	Key	
24	7022341	1	Ring, Retaining	
25	7021258	1	Gerotor	
26	70004894	1	Gerotor Cover Assembly (Includes Item 27)	
27	7021259	1	Bearing, Journal	
28	7021262	1	O-Ring	
29	See Note	NSS	Pin (Note: Not Available for Purchase)	
30	7021263	2	Bypass Valve Assembly	
31	7024800	2	Spring	
32	7021265	2	Bypass Valve Assembly (Includes Items 32-34)	
33	7007415	2	O-Ring	
34	7021293	2	Ring, Back-up	
35	7022300	2	O-Ring	
36	70004895	1	Cover, Servo	
37	7021253	1	Gasket	
38	70004892	5	Screw	
39	7007420	1	Plug Assembly (Includes O-Ring)	
40	7021268	1	Cover, Servo	
41	7021253	1	Gasket	
42	70004892	5	Screw	
43	7007420	1	Plug Assembly (Includes O-Ring)	
44	7021281	1	Plate, Valve	
45	70004898	1	Servo Piston Kit (Includes Items 46 & 47)	
46	7007495	2	O-Ring	

## SECTION 3 - ENGINE

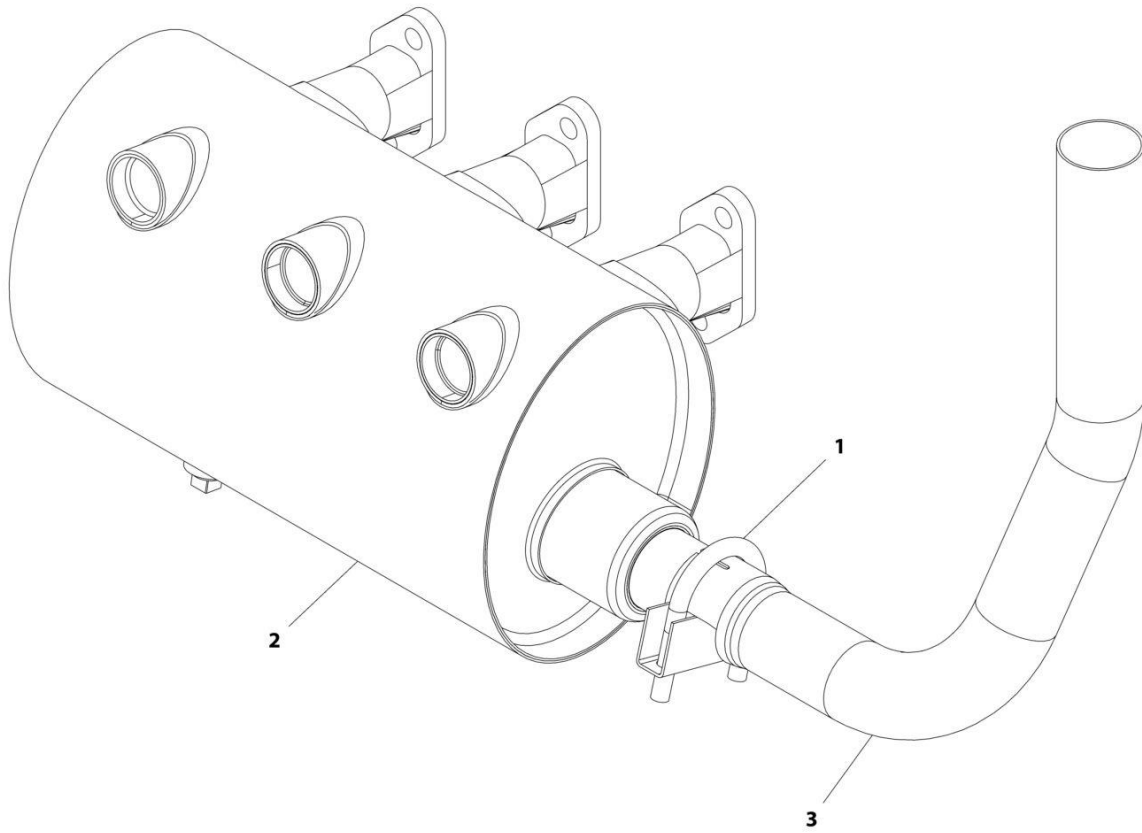
ITEM	PART NUMBER	QTY	DESCRIPTION	REV
47	7007493	2	O-Ring	
48	7007420	1	Plug Assembly (Includes O-Ring)	
49	70004900	1	Plug Assembly (Includes O-Ring)	
50	7022346	1	Adjuster	
51	7021290	1	Nut	
52	7022347	1	Spring	
53	70004901	1	Poppet	
54	7007415	1	O-Ring	
55	70004902	1	Nut, Seal	
56	70004903	1	Swash Plate	
57	70004904	1	Bearing Assembly	
58	70004905	1	Coupling	
59	7001481	2	Pin	
60	70002257	1	Gasket	
61	70004906	8	Screw	
62	70004907	1	Cover, Charge Pump	
63	70004908	1	Seal	
64	7021299	1	Plate, Cover	
65	7007289	2	Screw	
66	70004909	1	Cylinder Block Assembly (Includes Items 67-71)	
67	70004910	3	Pin, Slipper Hold Down	
68	7021276	1	Retainer, Hold Down Pin	
69	7021277	1	Guide, Slipper Retainer	
70	7021278	1	Retainer, Slipper	
71	70004911	1	Piston Assembly	
100	70004899	1	Seal Kit (Includes Items 5-8, 33-35, 37, 41, 46, 47 & 54)	





## SECTION 3 - ENGINE

FIGURE 3-32. SPARK ARRESTOR INSTALLATION - DEUTZ D2011 ENGINE



ART\_1001175071

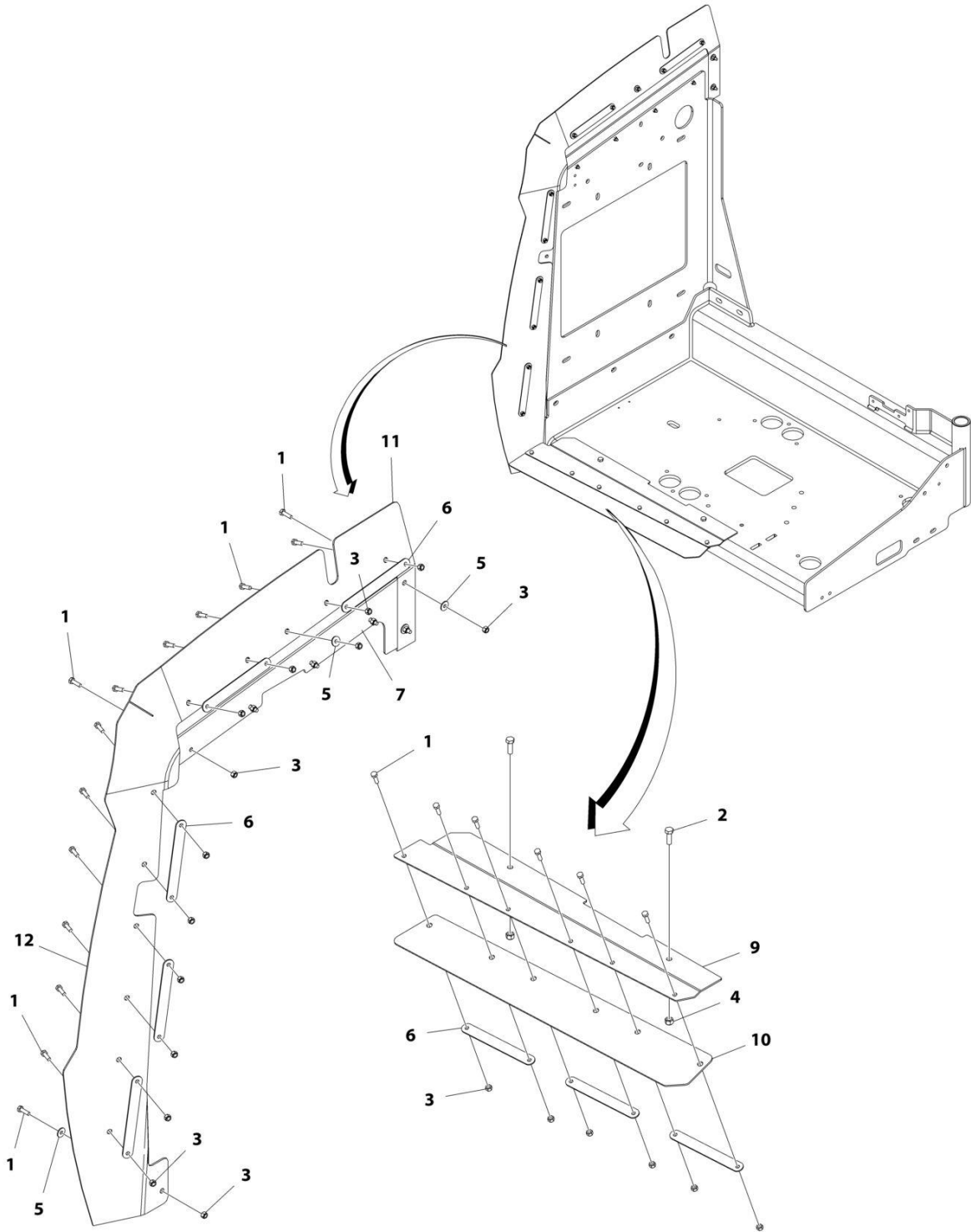
## SECTION 3 - ENGINE

**FIGURE 3-32. SPARK ARRESTOR INSTALLATION - DEUTZ D2011 ENGINE**

ITEM	PART NUMBER	QTY	DESCRIPTION	REV
	1001175071	Ref	SPARK ARRESTOR INSTALLATION	A
1	1320176	1	Clamp	
2	1001170224	1	Muffler, Spark Arresting	
3	1001175068	1	Pipe, Exhaust	

# SECTION 3 - ENGINE

## FIGURE 3-33. ENGINE Baffle INSTALLATION - ABS HOODS (DEUTZ & GM ENGINES)



ART\_1001170662

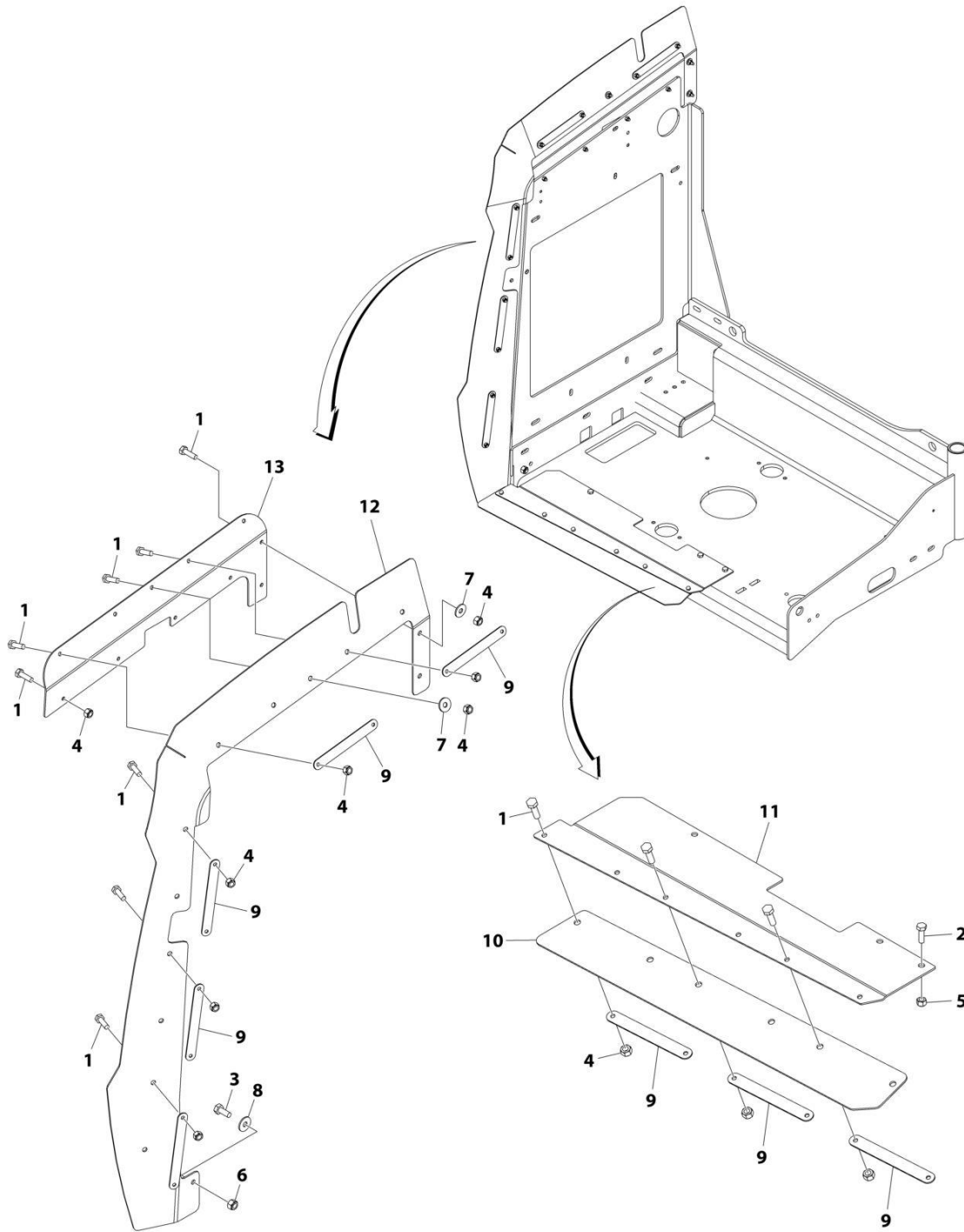
## SECTION 3 - ENGINE

**FIGURE 3-33. ENGINE BAFFLE INSTALLATION - ABS HOODS (DEUTZ & GM ENGINES)**

ITEM	PART NUMBER	QTY	DESCRIPTION	REV
	1001170662	Ref	ENGINE BAFFLE INSTALLATION	F
1	0760610	24	Bolt M6 x 20	
2	0760812	2	Bolt M8 x 25	
3	3290605	24	Nut M6 x 1	
4	3290805	2	Nut M8 x 1.25	
5	4811702	4	Washer M6	
6	1001167164	8	Plate, Support	
7	1001170650	1	Bracket	
9	1001170663	1	Bracket	
10	1001170664	1	Seal	
11	1001211877	1	Seal	
12	1001211878	1	Seal	

# SECTION 3 - ENGINE

## FIGURE 3-34. ENGINE Baffle INSTALLATION - ABS HOODS (KUBOTA ENGINES)



ART\_1001216547

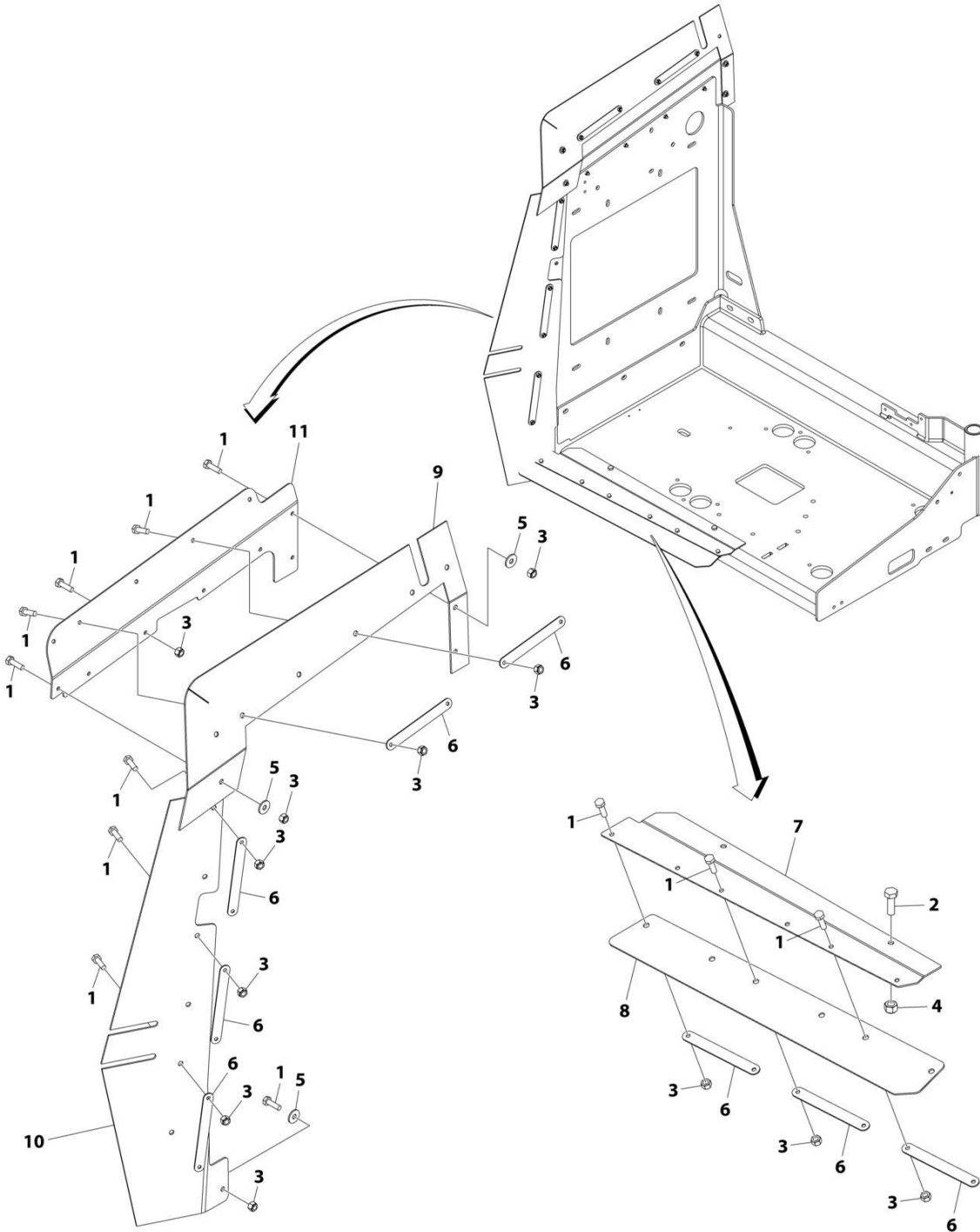
## SECTION 3 - ENGINE

**FIGURE 3-34. ENGINE BAFFLE INSTALLATION - ABS HOODS (KUBOTA ENGINES)**

ITEM	PART NUMBER	QTY	DESCRIPTION	REV
	1001216547	Ref	KUBOTA ENGINE BAFFLE INSTALLATION	B
1	0760610	24	Bolt M6 x 20	
2	0760812	3	Bolt M8 x 25	
3	0761012	1	Bolt M10 x 25	
4	3290605	23	Nut M6 x 1	
5	3290805	3	Nut M8 x 1.25	
6	3291005	1	Nut M10	
7	4811702	3	Washer M6	
8	4812002	1	Washer M10	
9	1001167164	8	Plate, Support	
10	1001170664	1	Seal	
11	1001216512	1	Bracket	
12	1001216548	1	Seal	
13	1001216549	1	Bracket	

# SECTION 3 - ENGINE

## FIGURE 3-35. ENGINE Baffle INSTALLATION - STEEL HOODS



ART\_1001223454



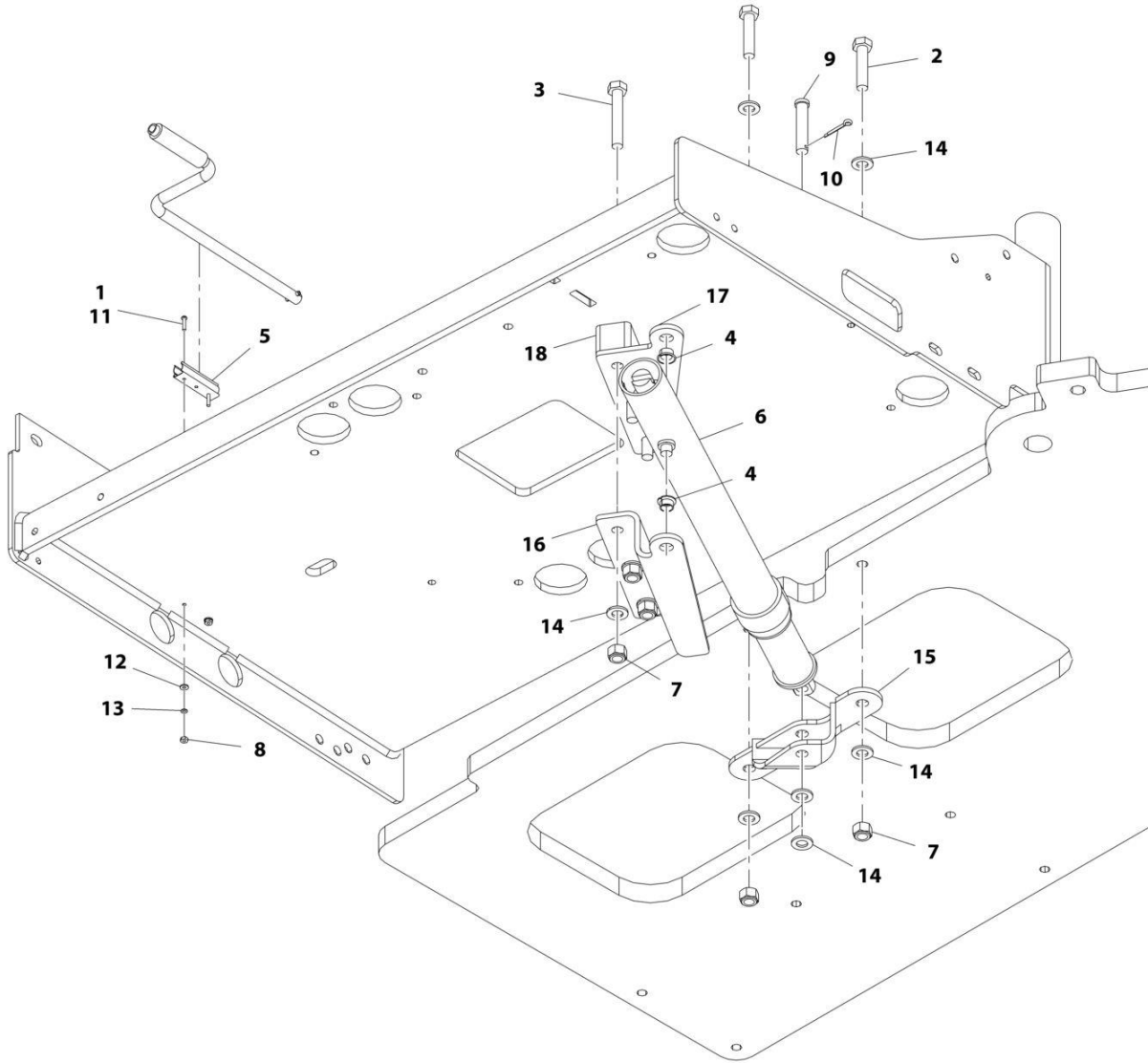
## SECTION 3 - ENGINE

### FIGURE 3-35. ENGINE BAFFLE INSTALLATION - STEEL HOODS

ITEM	PART NUMBER	QTY	DESCRIPTION	REV
	1001223454	Ref	STEEL HOOD ENGINE BAFFLE INSTALLATION	A
1	0760610	25	Bolt M6 x 20	
2	0760812	2	Bolt M8 x 25	
3	3290605	25	Nut M6 x 1	
4	3290805	2	Nut M8 x 1.25	
5	4811702	5	Washer M6	
6	1001167164	8	Plate, Support	
7	1001170663	1	Bracket	
8	1001170664	1	Seal	
9	1001223309	1	Seal	
10	1001223310	1	Seal	
11	1001223328	1	Bracket	

# SECTION 3 - ENGINE

## FIGURE 3-36. ENGINE TRAY JACK (USA BUILT MACHINES)



ART\_1001164202

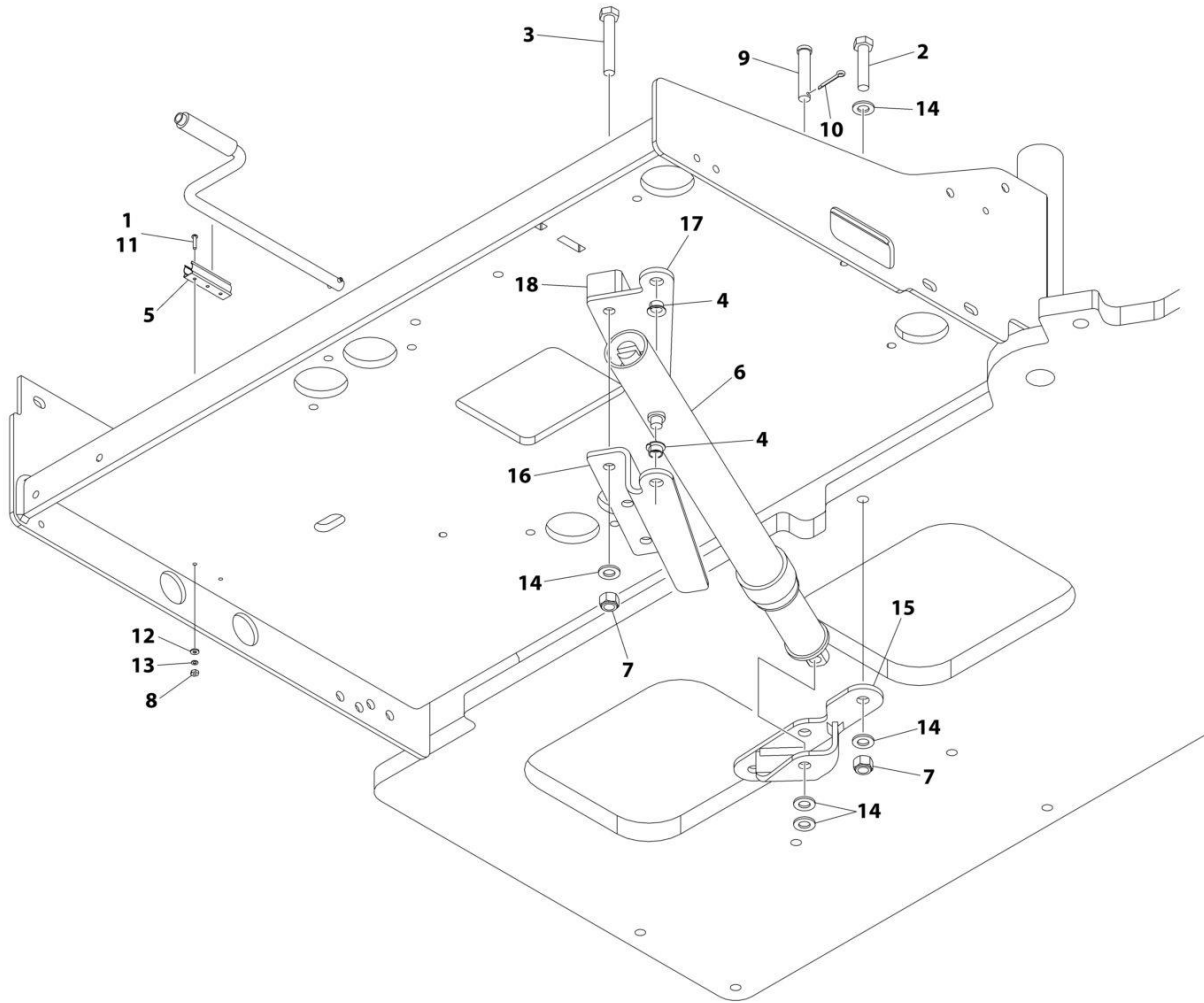
## SECTION 3 - ENGINE

**FIGURE 3-36. ENGINE TRAY JACK (USA BUILT MACHINES)**

ITEM	PART NUMBER	QTY	DESCRIPTION	REV
	1001164202	Ref	ENGINE TRAY JACK	E
1	0100011	AR	Compound, Locking	
2	0701219	2	Bolt M12 x 55	
3	0701223	AR	Bolt M12 x 75	
3	0701224	AR	Bolt M12 x 80	
4	0962051	2	Bearing	
5	1380147	1	Clip	
6	2840016	1	Screw Jack Assembly	
6	7024598	1	Handle	
6	7016322	1	Wiper	
7	3291205	5	Nut M12 x 1.75	
8	3310601	2	Nut #6	
9	3430820	1	Pin, Clevis	
10	3450404	1	Pin, Cotter	
11	3910610	2	Screw 6 x 5/8	
12	4750600	2	Washer #6	
13	4770600	2	Washer Star #6	
14	4812100	9	Washer M12	
15	1001166894	1	Support, Engine Tray Jack	
16	1001175073	1	Support, Engine Tray Jack	
17	1001175074	1	Support, Engine Tray Jack	
18	1001175075	1	Shim	

# SECTION 3 - ENGINE

## FIGURE 3-37. ENGINE TRAY JACK (ROMANIAN BUILT MACHINES)



ART\_1001243870

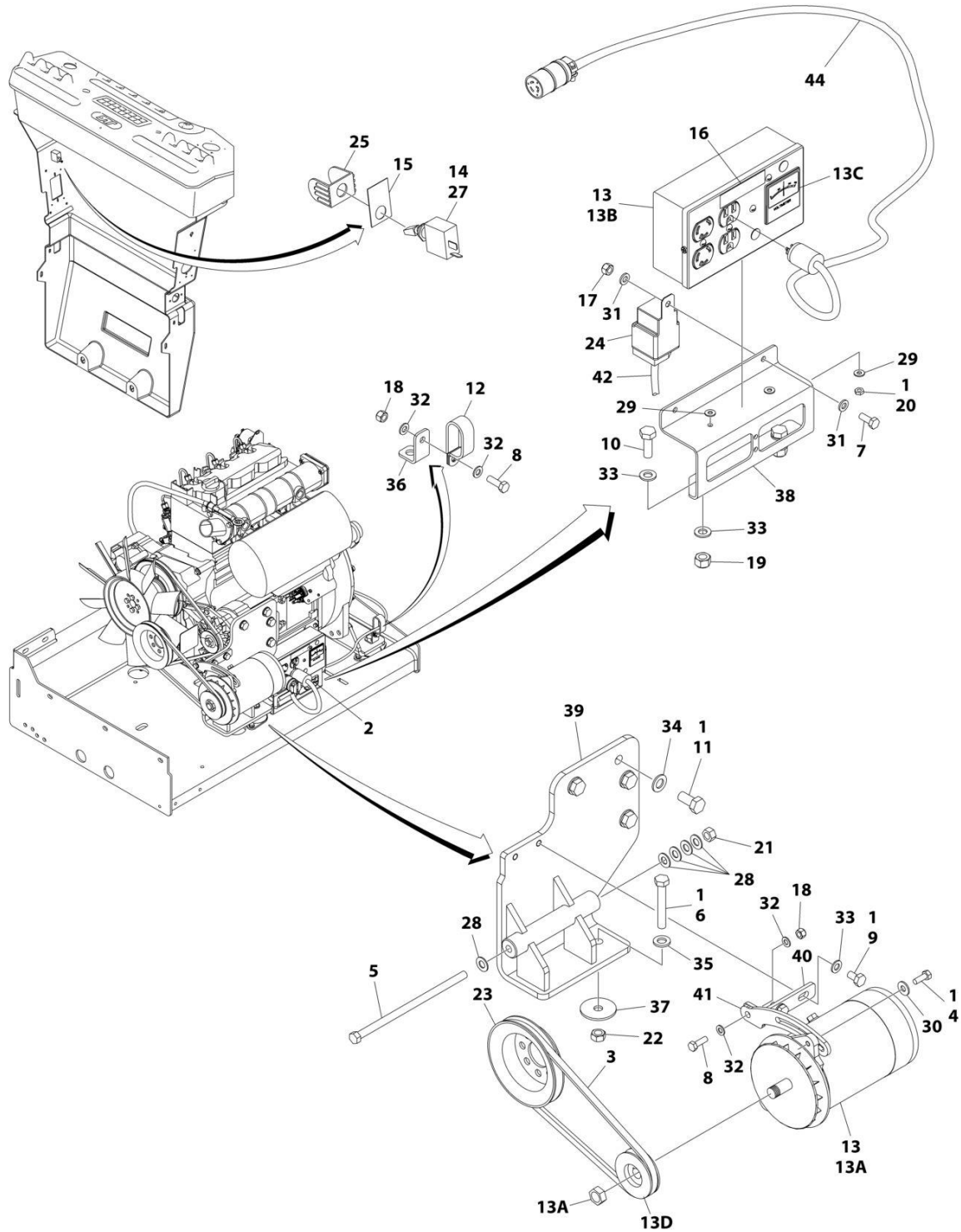
## SECTION 3 - ENGINE

**FIGURE 3-37. ENGINE TRAY JACK (ROMANIAN BUILT MACHINES)**

ITEM	PART NUMBER	QTY	DESCRIPTION	REV
	1001243870	Ref	ENGINE TRAY JACK	B
1	0100011	AR	Compound, Locking	
2	0701219	2	Bolt M12 x 55	
3	0701223	3	Bolt	
4	0962051	2	Bearing	
5	1380147	1	Clip	
6	2840016	1	Screw Jack Assembly	
6	7024598	1	Handle	
6	7016322	1	Wiper	
7	3291205	5	Nut M12 x 1.75	
8	3310601	2	Nut #6	
9	3430820	1	Pin, Clevis	
10	3450404	1	Pin, Cotter	
11	3910610	2	Screw 6 x 5/8	
12	4750600	2	Washer #6	
13	4770600	2	Washer #6	
14	4812100	9	Washer M12	
15	1001166894	1	Support, Engine Tray Jack	
16	1001175073	1	Support, Engine Tray Jack	
17	1001175074	1	Support, Engine Tray Jack	
18	1001243869	1	Shim	

# SECTION 3 - ENGINE

## FIGURE 3-38. GENERATOR INSTALLATION - 2500W/60HZ (DEUTZ D2011 ENGINE)



ART\_1001180798

## SECTION 3 - ENGINE

**FIGURE 3-38. GENERATOR INSTALLATION - 2500W/60HZ (DEUTZ D2011 ENGINE)**

ITEM	PART NUMBER	QTY	DESCRIPTION	REV
	1001180798	Ref	GENERATOR INSTALLATION - 2500W/60HZ (DEUTZ D2011 ENGINE)	B
1	0100011	AR	Compound, Locking	
2	0100048	AR	Grease, Dielectric	
3	0480122	1	Belt	
4	0641507	1	Bolt 5/16 x 7/8	
5	0641772	1	Bolt 7/16 x 9	
6	0711224	1	Bolt M12 x 80 Grade 10.9	
7	0760608	1	Bolt M6 x 16	
8	0760812	2	Bolt M8 x 25	
9	0761009	2	Bolt M10 x 18	
10	0761014	2	Bolt M10 x 30	
11	0771414	4	Bolt M14 x 30 Grade 10.9	
12	1321716	1	Clamp	
13	2460055	1	Generator and Control Box Assembly	
13A	7012558	1	Generator	
	See Note	Ref	Note: Replacement Generators come standard with p/n 3580134 pulley. This pulley may not be correct for all applications. Refer to pulley options below.	
13A	7026199	1	Armature with Slip Rings	
13A	7012513	3	Cap, Brush Holder	
13A	7020108	4	Brush	
13A	7020109	4	Holder, Brush	
13A	7012514	1	Fan	
13A	7020110	1	Bell, Front	
13A	7020111	1	Bell, Rear	
13A	7020190	1	Bearing	
13B	7019680	1	Box, Control	
13B	4460190	1	Receptacle, Standard	
13B	4460027	1	Receptacle, Twistlock	
13B	4360542	1	Breaker, Circuit	
13B	3520028	1	Plug, Hole	
13B	4460961	1	Connector - 4 Position	
13B	4460705	4	Pin, Male	
13B	4460321	1	Connector - 4 Position (Note: Mate to p/n 4460961 Purchase Separately)	
13B	4460268	3	Socket, Female (Note: Mate to p/n 4460705 Purchase Separately)	
13C	2420203	1	Voltmeter	
13D	3580276	1	Pulley	
13D	7027887	1	Key, Woodruff	
14	2820031	AR	Heat Shrink	
15	See Note	1	Nameplate (Note: Not Available for Purchase)	
16	3251243	1	Nameplate 120V-60Hz	
17	3290605	1	Nut M6	
18	3290805	2	Nut M8	
19	3291005	2	Nut M10	
20	3311001	2	Nut #10	
21	3311705	1	Nut 7/16	
22	3331211	1	Nut M12	
23	3580158	1	Pulley	

## SECTION 3 - ENGINE

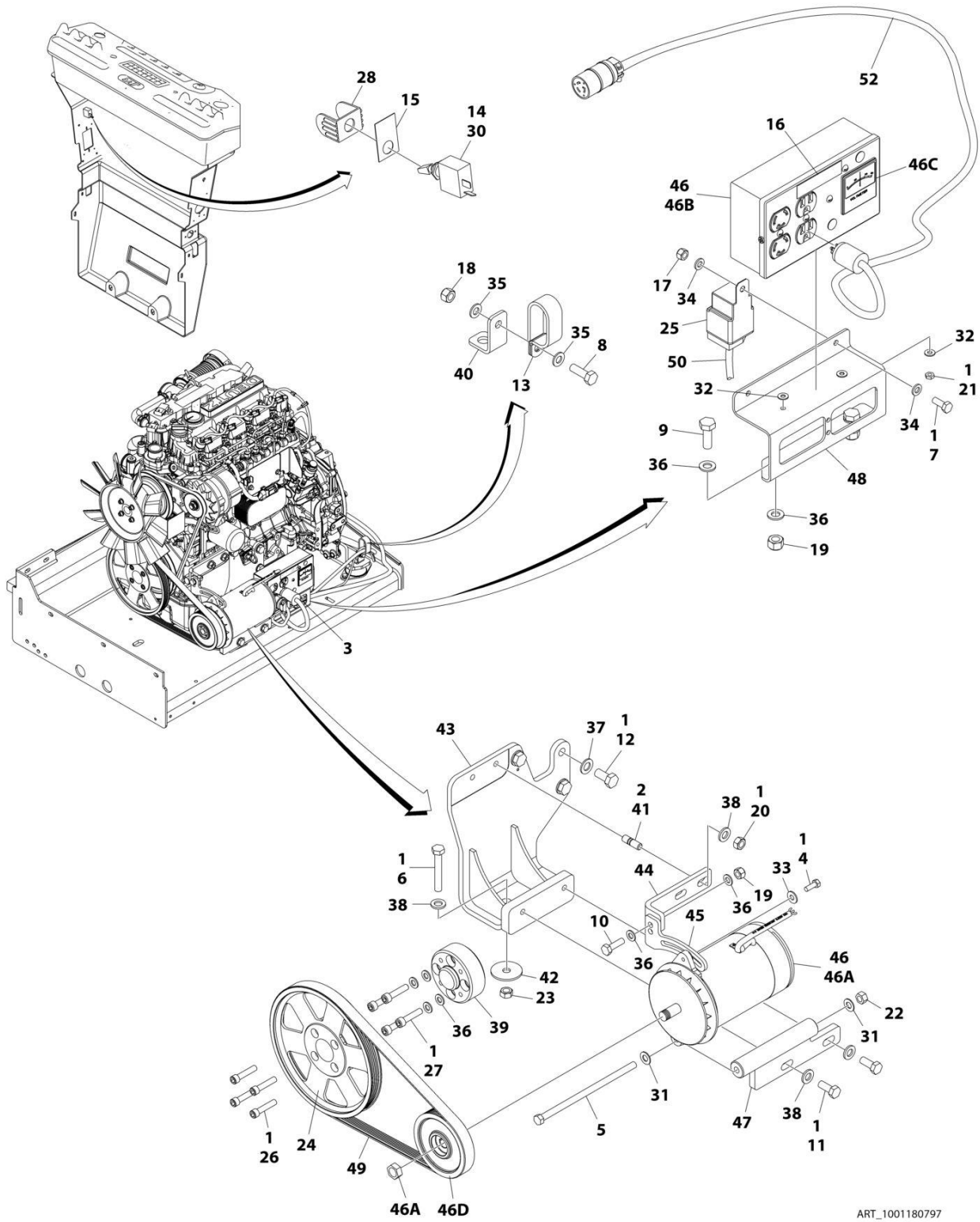
ITEM	PART NUMBER	QTY	DESCRIPTION	REV
24	3740080	1	Relay	
25	4060802	1	Guard, Switch	
26	4240099	AR	Tie-Strap (Not Shown)	
27	4360336	1	Switch, Toggle	
28	4711700	5	Washer 7/16	
29	4751000	4	Washer #10	
30	4751500	1	Washer 5/16	
31	4811700	2	Washer M6	
32	4811900	4	Washer M8	
33	4812000	6	Washer M10	
34	4812200	4	Washer M14	
35	5241200	1	Washer M12 Hardened	
36	1001148641	1	Bracket	
37	1001168018	1	Washer, Snubbing	
38	1001183477	1	Support	
39	1001184637	1	Mount, Engine	
40	1001184644	1	Support	
41	1001184645	1	Bracket	
42	1001187522	1	Harness, Generator (See Separate Breakdown in ELECTRICAL SECTION)	
43	1001188731	1	Wiring Diagram (Not Shown)	
43	4922641	1	Harness, On/Off Switch (Not Shown - Located at Platform)	
44	1001182296	1	Harness, Inverter	
44	1060494	10 ft/3.5m	Cable, Electrical - 12/3	
44	4460134	1	Receptacle, Female	
44	4460138	1	Plug, Male	





# SECTION 3 - ENGINE

## FIGURE 3-39. GENERATOR INSTALLATION - 2500W/60HZ (DEUTZ D2.9L4 ENGINE)



ART\_1001180797

## SECTION 3 - ENGINE

**FIGURE 3-39. GENERATOR INSTALLATION - 2500W/60HZ (DEUTZ D2.9L4 ENGINE)**

ITEM	PART NUMBER	QTY	DESCRIPTION	REV
	1001180797	Ref	GENERATOR INSTALLATION - 2500W/60HZ (DEUTZ D2.9L4 ENGINE)	F
1	0100011	AR	Compound, Locking	
2	0100019	AR	Compound, Locking	
3	0100048	AR	Grease, Dielectric	
4	0641507	1	Bolt 5/16 x 7/8	
5	0641772	1	Bolt 7/16 x 9	
6	0711224	AR	Bolt M12 x 80 Grade 10.9	
7	0760608	1	Bolt M6 x 16	
8	0760812	1	Bolt M8 x 25	
9	0761014	2	Bolt M10 x 30	
10	0761015	1	Bolt M10 x 35	
11	0761214	2	Bolt M12 x 30	
12	0771414	3	Bolt M14 x 30 Grade 10.9	
13	1321716	1	Clamp	
14	2820031	AR	Heat Shrink	
15	See Note	1	Nameplate (Note: Not Available for Purchase)	
16	3251243	1	Nameplate 120V-60Hz	
17	3290605	1	Nut M6	
18	3290805	1	Nut M8	
19	3291005	3	Nut M10	
20	3291201	2	Nut M12	
21	3311001	2	Nut #10	
22	3311705	1	Nut 7/16	
23	3331211	AR	Nut M12	
24	3580320	1	Pulley	
25	3740080	1	Relay	
26	3931628	4	Capscrew 3/8 x 1-3/4	
27	4032014	4	Bolt M10 x 50	
28	4060802	1	Guard, Switch	
29	4240099	AR	Tie-Strap (Not Shown)	
30	4360336	1	Switch, Toggle	
31	4711700	2	Washer 7/16	
32	4751000	4	Washer #10	
33	4751500	1	Washer 5/16	
34	4811700	2	Washer M6	
35	4811900	2	Washer M8	
36	4812000	AR	Washer M10	
37	4812200	AR	Washer M14	
38	5241200	AR	Washer M12 Hardened	
39	1001135679	1	Adapter	
40	1001148641	1	Bracket	
41	1001155041	2	Stud	
42	1001168018	AR	Washer, Snubbing	
43	1001168207	Ref	Support	
44	1001179836	1	Mount, Upper Generator	
45	1001179837	1	Arm Adjustment	
46	1001180001	1	Generator	
46A	7026199	1	Armature with Slip Rings	
46A	7012513	3	Cap, Brush Holder	

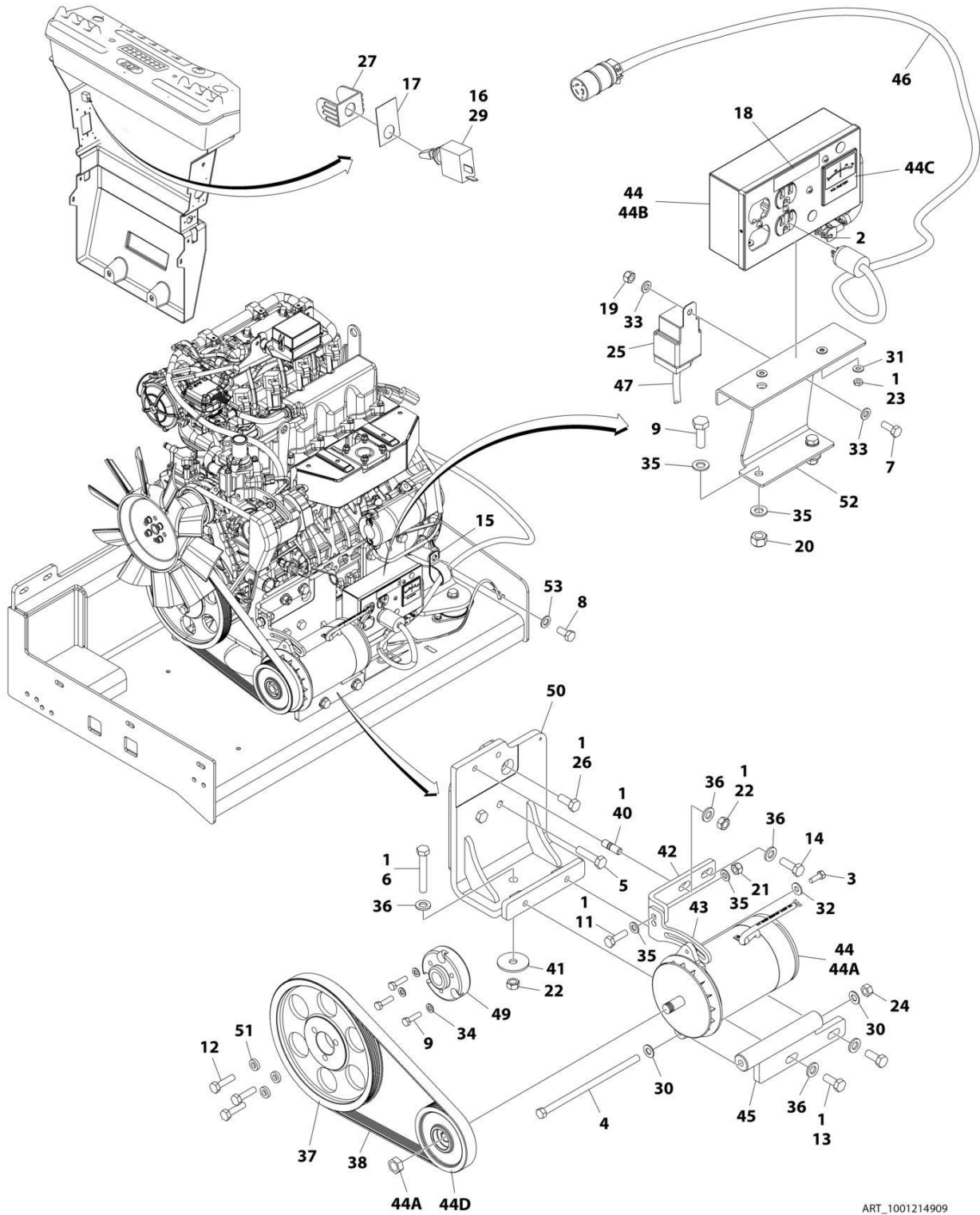
## SECTION 3 - ENGINE

ITEM	PART NUMBER	QTY	DESCRIPTION	REV
46A	7020108	4	Brush	
46A	7020109	4	Holder, Brush	
46A	7012514	1	Fan	
46A	7020110	1	Bell, Front	
46A	7020111	1	Bell, Rear	
46A	7020190	1	Bearing	
46B	7019680	1	Box, Control	
46B	4460190	1	Receptacle, Standard	
46B	4460027	1	Receptacle, Twistlock	
46B	4360542	1	Breaker, Circuit	
46B	3520028	1	Plug, Hole	
46B	4460961	1	Connector - 4 Position	
46B	4460705	4	Pin, Male	
46B	4460321	1	Connector - 4 Position (Note: Mate to p/n 4460961 Purchase Separately)	
46B	4460268	3	Socket, Female (Note: Mate to p/n 4460705 Purchase Separately)	
46C	2420203	1	Voltmeter	
46D	1001179893	1	Pulley	
46D	7027887	1	Key, Woodruff	
47	1001181243	1	Mount, Lower Generator	
48	1001183477	1	Support	
49	1001148138	1	Belt	
50	1001187522	1	Harness, Generator (See Separate Breakdown in ELECTRICAL SECTION)	
51	1001188731	1	Wiring Diagram (Not Shown)	
51	4922641	1	Harness, On/Off Switch (Not Shown - Located at Platform)	
52	1001182296	1	Harness, Inverter	
52	1060494	10 ft/3.5m	Cable, Electrical - 12/3	
52	4460134	1	Receptacle, Female	
52	4460138	1	Plug, Male	



# SECTION 3 - ENGINE

## FIGURE 3-40. GENERATOR INSTALLATION - 2500W/60HZ (KUBOTA ENGINE)



ART\_1001214909

## SECTION 3 - ENGINE

**FIGURE 3-40. GENERATOR INSTALLATION - 2500W/60HZ (KUBOTA ENGINE)**

ITEM	PART NUMBER	QTY	DESCRIPTION	REV
	1001214909	Ref	GENERATOR INSTALLATION - 2500W/60Hz (KUBOTA ENGINE)	E
1	0100011	AR	Compound, Locking	
2	0100048	AR	Grease, Dielectric	
3	0641507	1	Bolt 5/16 x 7/8	
4	0641772	1	Bolt 7/16 x 9	
5	1001217344	2	Bolt M12 x 50	
6	0711224	AR	Bolt M12 x 80 Grade 10.9	
6	0701224	AR	Bolt M12 x 80	
7	0760608	1	Bolt M6 x 16	
8	1001217345	1	Bolt M14 x 30	
9	0760814	5	Bolt M8 x 30	
11	0761015	1	Bolt M10 x 35	
12	0761016	3	Bolt M10 x 40	
13	0761214	2	Bolt M12 x 30	
14	0761215	1	Bolt M12 x 35	
15	84521061	1	Clamp	
16	2820031	AR	Heat Shrink	
17	See Note	1	Nameplate (Note: Not Available for Purchase)	
18	3251243	1	Nameplate 120V-60Hz	
19	3290605	1	Nut M6	
20	3290805	2	Nut M8	
21	3291005	1	Nut M10	
22	3291201	2	Nut M12	
23	3311001	2	Nut #10	
24	3311705	1	Nut 7/16	
25	3740080	1	Relay	
26	1001217342	1	Bolt M12 x 30	
27	4060802	1	Guard, Switch	
28	4240099	AR	Tie-Strap (Not Shown)	
29	4360336	1	Switch, Toggle	
30	4711700	2	Washer 7/16	
31	4751000	4	Washer #10	
32	4751500	1	Washer 5/16	
33	4811700	2	Washer M6	
34	4811900	5	Washer M8	
35	4812000	4	Washer M10	
36	5241200	1	Washer M12 Hardened	
37	1001147233	1	Pulley	
38	1001148138	1	Belt	
40	1001155041	1	Stud	
41	1001168018	1	Washer, Snubbing	
42	1001179836	1	Mount, Upper Generator	
43	1001179837	1	Arm Adjustment	
44	1001180001	1	Generator	
44A	7026199	1	Armature with Slip Rings	
44A	7012513	3	Cap, Brush Holder	
44A	7020108	4	Brush	
44A	7020109	4	Holder, Brush	
44A	7012514	1	Fan	
44A	7020110	1	Bell, Front	

## SECTION 3 - ENGINE

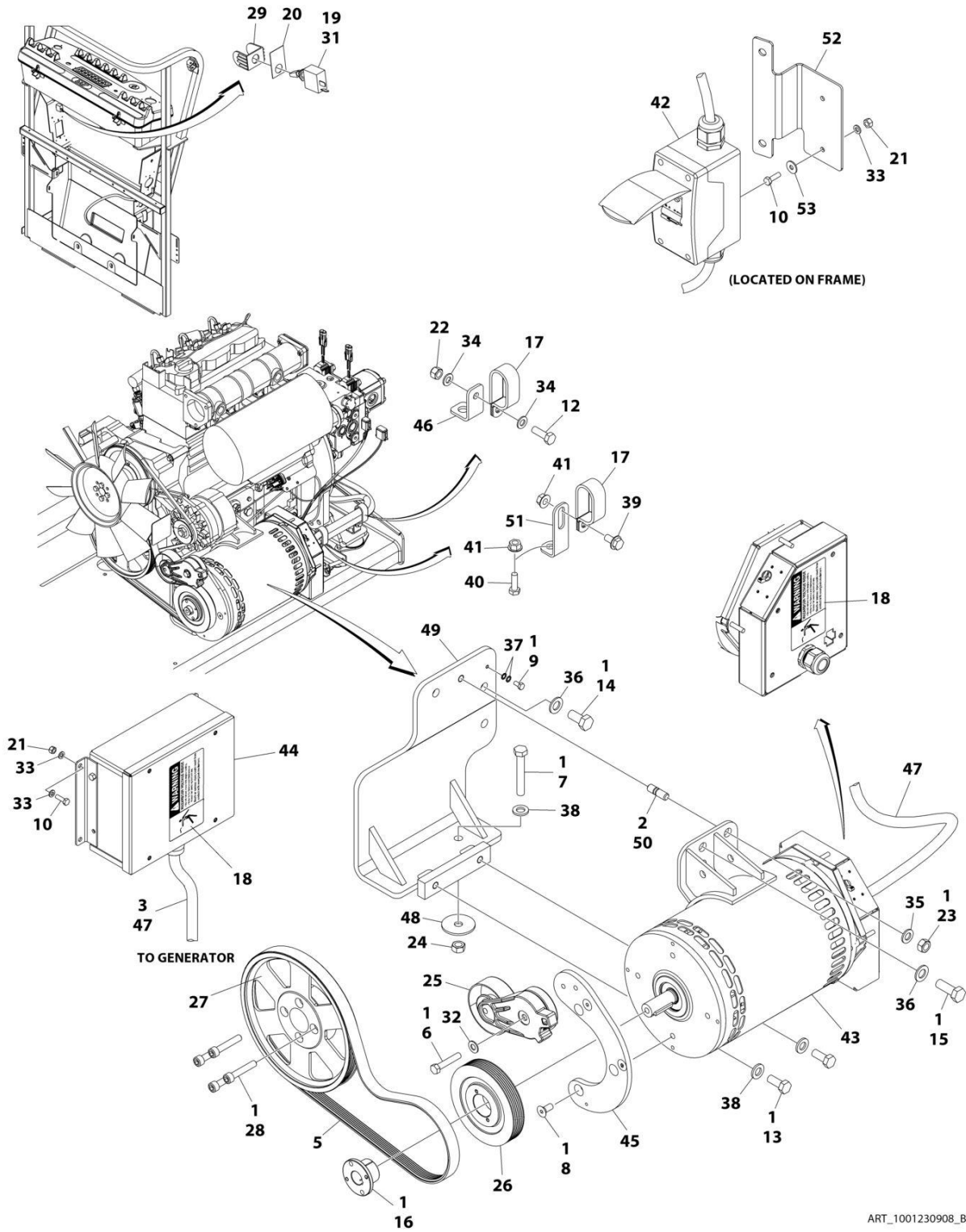
ITEM	PART NUMBER	QTY	DESCRIPTION	REV
44A	7020111	1	Bell, Rear	
44A	7020190	1	Bearing	
44B	7019680	1	Box, Control	
44B	4460190	1	Receptacle, Standard	
44B	4460027	1	Receptacle, Twistlock	
44B	4360542	1	Breaker, Circuit	
44B	3520028	1	Plug, Hole	
44B	4460961	1	Connector - 4 Position	
44B	4460705	4	Pin, Male	
44B	4460321	1	Connector - 4 Position (Note: Mate to p/n 4460961 Purchase Separately)	
44B	4460268	3	Socket, Female (Note: Mate to p/n 4460705 Purchase Separately)	
44C	2420203	1	Voltmeter	
44D	1001179893	1	Pulley	
44D	7027887	1	Key, Woodruff	
45	1001181243	1	Mount, Lower Generator	
46	1001182296	1	Harness, Inverter	
46	1060494	10 ft/ 3.5m	Cable, Electrical - 12/3	
46	4460134	1	Receptacle, Female	
46	4460138	1	Plug, Male	
47	1001187522	1	Harness, Generator (See Separate Breakdown in ELECTRICAL SECTION)	
48	1001188731	1	Wiring Diagram (Not Shown)	
48	4922641	1	Harness, On/Off Switch (Not Shown - Located at Platform)	
49	1001213029	1	Adapter, Pulley	
50	1001214546	1	Support	
51	1001216805	1	Spacer	
52	1001216840	1	Support	
53	4812200	1	Washer M14	





# SECTION 3 - ENGINE

## FIGURE 3-41. GENERATOR INSTALLATION - 4000W/50HZ (DEUTZ D2011 ENGINES)



## SECTION 3 - ENGINE

**FIGURE 3-41. GENERATOR INSTALLATION - 4000W/50HZ (DEUTZ D2011 ENGINES)**

ITEM	PART NUMBER	QTY	DESCRIPTION	REV
	1001230908	Ref	4000W/50Hz GENERATOR INSTALLATION - DEUTZ D2011 ENGINES	B
1	0100011	AR	Compound, Locking	
2	0100019	AR	Compound, Locking	
3	0100048	AR	Grease, Dielectric	
4	0100079	AR	Sealant (Not Shown)	
5	0480126	1	Belt	
6	0641616	1	Bolt 3/8 x 2	
7	0711224	1	Bolt M12 x 80 Grade 10.9	
8	0741607	3	Screw 3/8 x 7/8	
9	0760606	1	Bolt M6 x 12	
10	0760610	6	Bolt M6 x 20	
12	0760812	1	Bolt M8 x 25	
13	0761214	2	Bolt M12 x 30	
14	0771414	2	Bolt M14 x 30 Grade 10.9	
15	0771416	1	Bolt M14 x 40	
16	0962520	1	Bushing	
17	1321716	2	Clamp	
18	1705489	2	Decal - Hazardous Voltage	
19	2820031	0.3 ft/ 0.1m	Heat Shrink	
20	3251102	1	Nameplate, Generator	
21	3290605	6	Nut M6	
22	3290805	1	Nut M8	
23	3291201	1	Nut M12	
24	3331211	1	Nut M12	
25	3580317	1	Pulley	
26	3580319	1	Pulley	
27	3580320	1	Pulley	
28	4032015	4	Bolt M10 x 55	
29	4060802	1	Guard, Switch	
30	4240099	AR	Tie-Strap (Not Shown)	
31	4360336	1	Switch, Toggle	
32	4711600	1	Washer 3/8	
33	4811700	10	Washer M6	
34	4811900	2	Washer M8	
35	4812100	1	Washer M12	
36	4812200	3	Washer M14	
37	4871700	2	Washer M6	
38	5241200	3	Washer M12 Hardened	
39	5250808	1	Bolt M8 x 16	
40	5250810	1	Bolt M8 x 20	
41	5260800	2	Flange Nut M8	
42	1001096070	1	Breaker Box Kit (50Hz) (See Separate Breakdown in ELECTRICAL Section)	
43	1001138565	1	Generator Assembly	
43	70003709	1	Ring, Retaining (External)	
43	70003708	1	Ring, Retaining (Internal)	
43	70001966	1	Bearing	
43	70004092	1	Endbell (Shaft End)	

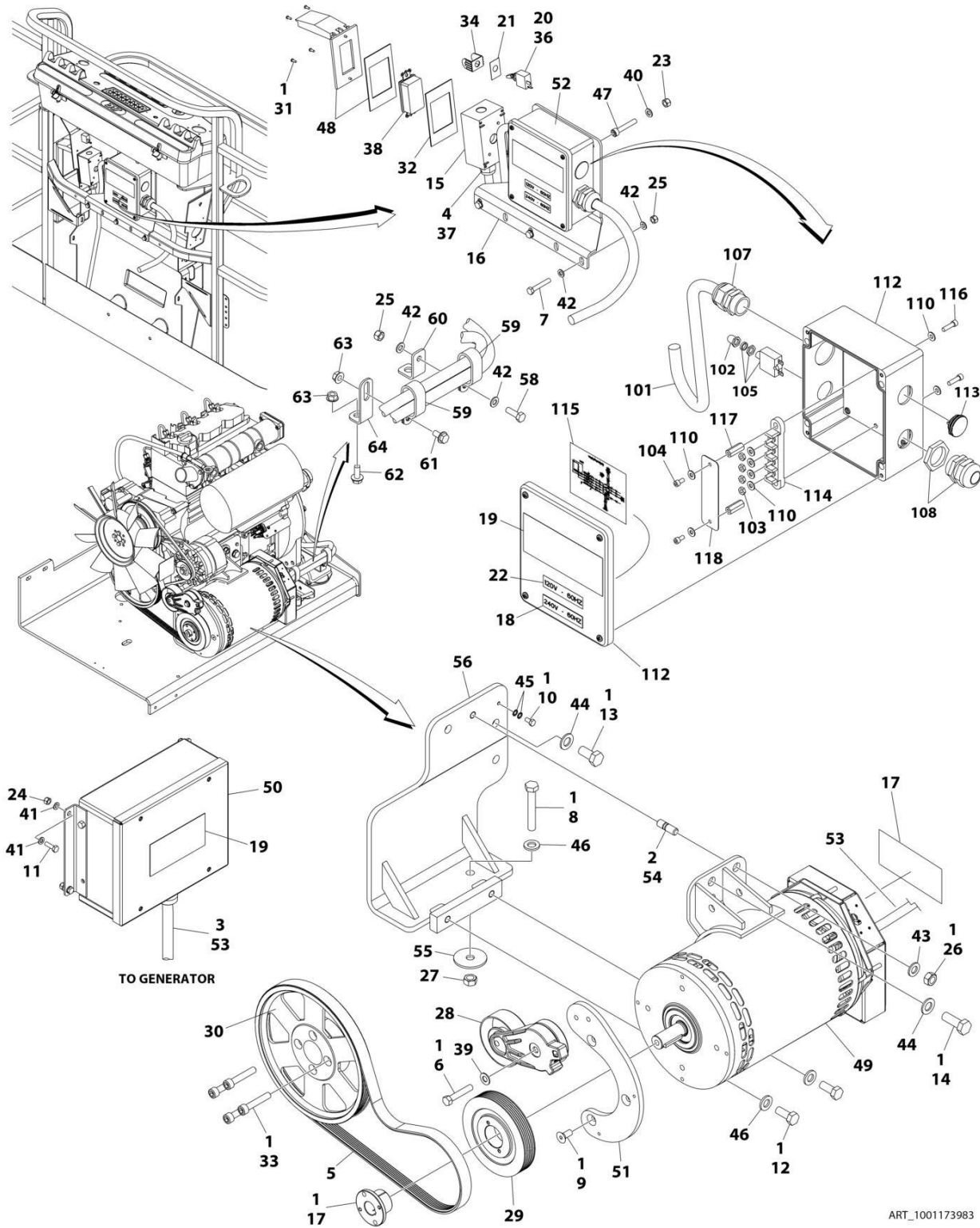
## SECTION 3 - ENGINE

ITEM	PART NUMBER	QTY	DESCRIPTION	REV
43	70004171	1	Key	
43	70004676	1	Rotor	
43	70004677	1	Stator	
43	70004678	1	Endbell (Rear)	
43	70004679	1	Cover, Endbell (Rear)	
43	70004680	1	Enclosure, Wiring	
43	70004681	1	Cover, Enclosure	
43	70004682	1	Switch, Reset (Located on Enclosure Cover)	
43	70004683	1	Connector, Strain Relief (Located on Enclosure Cover)	
44	1001138566	1	Box, Control	
45	1001139357	1	Mount, Tensioner	
46	1001148641	1	Bracket	
47	1001152532	1	Harness, Generator (See Separate Breakdown in ELECTRICAL Section)	
48	1001168018	1	Washer, Snubbing	
49	1001173925	1	Mount	
50	1001196382	1	Stud	
51	1001223122	1	Support, P-Clamp	
52	1001230784	1	Bracket	
53	4811702	2	Washer M6	
		Ref	ELECTRICAL DIAGRAM COMPONENTS	
101	4922641	1	Generator Switch Harness (Not Shown)	



# SECTION 3 - ENGINE

## FIGURE 3-42. GENERATOR INSTALLATION - 4000W/60HZ (DEUTZ D2011 ENGINE)



ART\_1001173983

## SECTION 3 - ENGINE

**FIGURE 3-42. GENERATOR INSTALLATION - 4000W/60HZ (DEUTZ D2011 ENGINE)**

ITEM	PART NUMBER	QTY	DESCRIPTION	REV
	1001173983	Ref	GENERATOR INSTALLATION - 4000W/60HZ (DEUTZ D2011 ENGINE)	F
1	0100011	AR	Compound, Locking	
2	0100019	AR	Compound, Locking	
3	0100048	AR	Grease, Dielectric	
4	0100079	AR	Sealant	
5	0480128	1	Belt	
6	0641616	1	Bolt 3/8 x 2	
7	0700818	3	Bolt M8 x 50	
8	0711224	1	Bolt M12 x 80 Grade 10.9	
9	0741607	3	Screw 3/8 x 7/8	
10	0760606	1	Bolt M6 x 12	
11	0760610	4	Bolt M6 x 20	
12	0761214	2	Bolt M12 x 30	
13	0771414	2	Bolt M14 x 30 Grade 10.9	
14	0771416	1	Bolt M14 x 40	
15	0860038	1	Box, Switch	
16	0902888	1	Bracket	
17	0962520	1	Bushing	
18	1705374	1	Decal - 240V-60Hz	
19	1705387	3	Decal - Hazardous Voltage	
20	2820031	AR	Heat Shrink	
21	See Note	1	Nameplate (Note: Not Available for Purchase)	
22	3251243	1	Nameplate 120V-60Hz	
23	3290505	4	Nut M5	
24	3290605	4	Nut M6	
25	3290805	4	Nut M8	
26	3291201	2	Nut M12	
27	3331211	1	Nut M12	
28	3580317	1	Pulley	
29	3580318	1	Pulley	
30	3580320	1	Pulley	
31	3910606	4	Screw #6 x 3/8	
32	3960422	1	Gasket	
33	4032015	4	Bolt M10 x 55	
34	4060802	1	Guard, Switch	
35	4240099	AR	Tie-Strap (Not Shown)	
36	4360336	1	Switch, Toggle	
37	4460071	1	Connector, Strain Relief	
38	4460346	1	Receptacle	
39	4711600	1	Washer 3/8	
40	4811600	4	Washer M5	
41	4811700	8	Washer M6	
42	4811900	8	Washer M8	
43	4812100	1	Washer M12	
44	4812200	3	Washer M14	
45	4871700	2	Washer M6	
46	5241200	3	Washer M12 Hardened	
47	1001104029	4	Screw M5 x 30	
48	1001110873	1	Shield, Cover	

## SECTION 3 - ENGINE

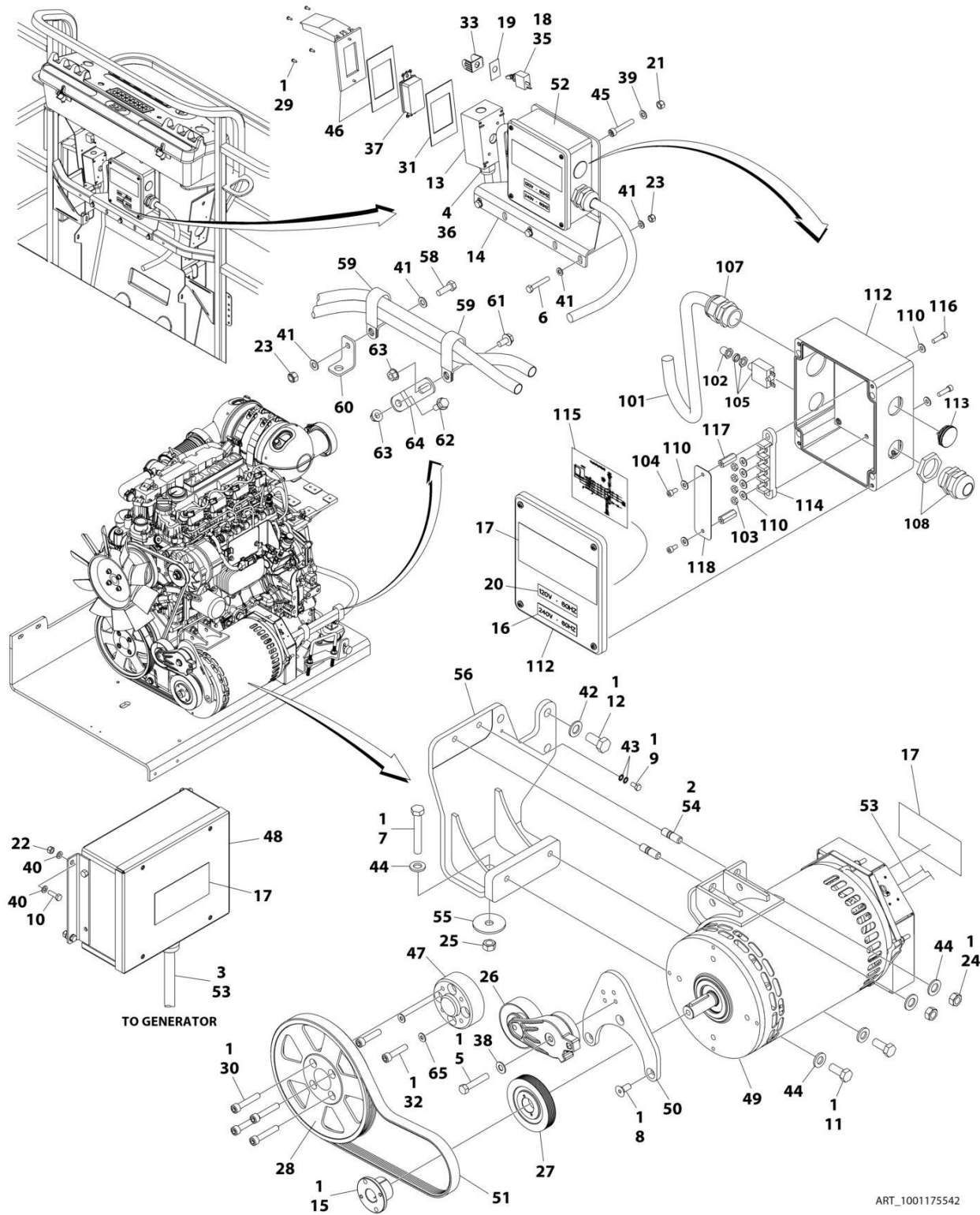
ITEM	PART NUMBER	QTY	DESCRIPTION	REV
49	1001129858	1	Generator	
49	70003709	1	Ring, Retaining (External)	
49	70003708	1	Ring, Retaining (Internal)	
49	70001966	1	Bearing	
49	70004092	1	Endbell (Shaft End)	
49	70004171	1	Key	
49	70004676	1	Rotor	
49	70004684	1	Stator	
49	70004678	1	Endbell (Rear)	
49	70004679	1	Cover, Endbell (Rear)	
49	70004680	1	Enclosure, Wiring	
49	70004685	1	Cover, Enclosure	
49	70004682	1	Switch, Reset (Located on Enclosure Cover)	
49	70004098	1	Connector, Strain Relief (Located on Enclosure Cover)	
50	1001138566	1	Box, Control	
50	70006552	1	Capacitor	
50	70006553	1	Relay	
51	1001139357	1	Mount, Tensioner	
52	1001152457	1	Generator Junction Box Assembly (See Items 101-118 for Breakdown)	
53	1001152532	1	Harness, Generator (See Separate Breakdown in ELECTRICAL SECTION)	
54	1001196382	1	Stud	
55	1001168018	1	Washer, Snubbing	
56	1001173925	1	Mount	
57	1001175631	1	Wiring Diagram (Not Shown)	
57	4922641	1	Harness, On/Off Switch (Not Shown - Located at Platform)	
58	0760812	1	Bolt M8 x 25	
59	1321716	2	Clamp	
60	1001148641	1	Bracket	
61	5250808	1	Bolt M8 x 16	
62	5250810	1	Bolt M8 x 20	
63	5260800	2	Nut M8	
64	1001223122	1	Support	
	1001152457	Ref	GENERATOR JUNCTION BOX COMPONENTS	
101	1001179154	2.5 ft/ 0.8m	Cable, Electrical - 12/3	
102	3300396	1	Cover, Breaker	
103	3311001	4	Nut #10	
104	3900300	2	Screw	
105	4360070	1	Breaker, Circuit - 15Amp	
107	4460425	1	Connector, Strain Relief (LH Side)	
108	4460426	1	Connector, Strain Relief (RH Side)	
110	4711000	8	Washer #10	
112	1001152456	1	Box, Junction	
113	1001152525	1	Plug	
114	1001152530	1	Terminal, Block	
115	1001153260	1	Decal - Wiring Diagram	
116	3900267	2	Screw	
117	1001158008	2	Stand-Off	
118	1001158363	1	Cover, Terminal Block	





# SECTION 3 - ENGINE

## FIGURE 3-43. GENERATOR INSTALLATION - 4000W/60HZ (DEUTZ D2.9L4 ENGINE)



ART\_1001175542

## SECTION 3 - ENGINE

**FIGURE 3-43. GENERATOR INSTALLATION - 4000W/60HZ (DEUTZ D2.9L4 ENGINE)**

ITEM	PART NUMBER	QTY	DESCRIPTION	REV
	1001175542	Ref	GENERATOR INSTALLATION - 4000W/60HZ (DEUTZ D2.9L4 ENGINE)	J
1	0100011	AR	Compound, Locking	
2	0100019	AR	Compound, Locking	
3	0100048	AR	Grease, Dielectric	
4	0100079	AR	Sealant	
5	0641616	1	Bolt 3/8 x 2	
6	0700818	3	Bolt M8 x 50	
7	0711224	AR	Bolt M12 x 80 Grade 10.9	
8	0741607	3	Screw 3/8 x 7/8	
9	0760606	1	Bolt M6 x 12	
10	0760610	4	Bolt M6 x 20	
11	0761212	2	Bolt M12 x 25	
12	0771414	AR	Bolt M14 x 30 Grade 10.9	
13	0860038	1	Box, Switch	
14	0902888	1	Bracket	
15	0962520	1	Bushing	
16	1705374	1	Decal - 240V-60Hz	
17	1705387	3	Decal - Hazardous Voltage	
18	2820031	AR	Heat Shrink	
19	See Note	1	Nameplate (Note: Not Available for Purchase)	
20	3251243	1	Nameplate 120V-60Hz	
21	3290505	4	Nut M5	
22	3290605	4	Nut M6	
23	3290805	4	Nut M8	
24	3291201	2	Nut M12	
25	3331211	AR	Nut M12	
26	3580317	1	Pulley	
27	3580318	1	Pulley	
28	3580320	1	Pulley	
29	3910606	4	Screw #6 x 3/8	
30	3931628	4	Capscrew 3/8 x 1-3/4	
31	3960422	1	Gasket	
32	4032014	4	Capscrew M10 x 50	
33	4060802	1	Guard, Switch	
34	4240099	AR	Tie-Strap (Not Shown)	
35	4360336	1	Switch, Toggle	
36	4460071	1	Connector, Strain Relief	
37	4460346	1	Receptacle	
38	4711600	1	Washer 3/8	
39	4811600	4	Washer M5	
40	4811700	8	Washer M6	
41	4811900	8	Washer M8	
42	4812200	AR	Washer M14	
43	4871700	2	Washer M6	
44	5241200	AR	Washer M12 Hardened	
45	1001104029	4	Screw M5 x 30	
46	1001110873	1	Shield, Cover	
47	1001135679	1	Adapter	
48	1001138566	1	Box, Control	

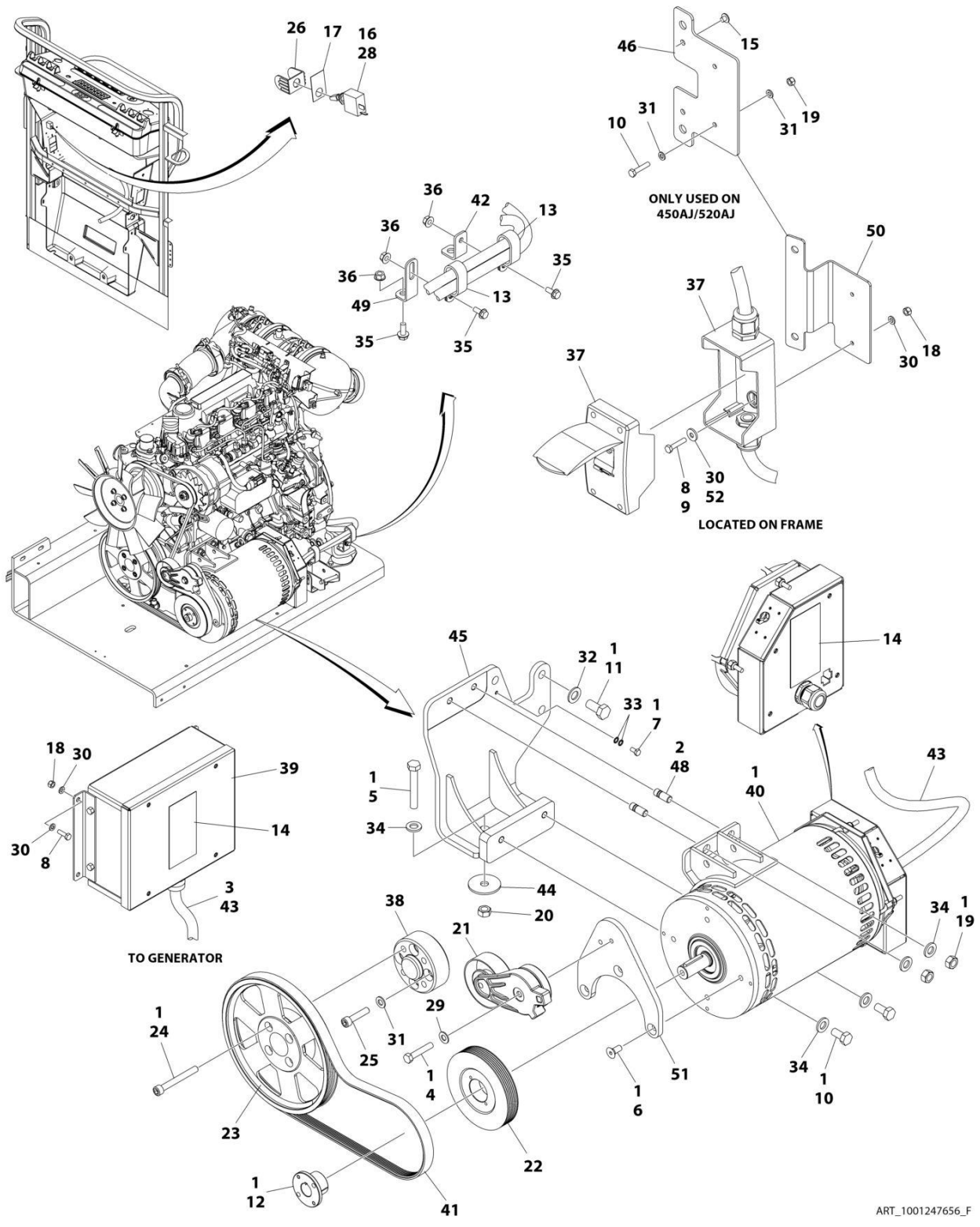
## SECTION 3 - ENGINE

ITEM	PART NUMBER	QTY	DESCRIPTION	REV
49	1001140346	1	Generator Assembly	
49	70003709	1	Ring, Retaining (External)	
49	70003708	1	Ring, Retaining (Internal)	
49	70001966	1	Bearing	
49	70004092	1	Endbell (Shaft End)	
49	70004099	1	Key	
49	70004676	1	Rotor	
49	70004687	1	Stator	
49	70004678	1	Endbell (Rear)	
49	70004679	1	Cover, Endbell (Rear)	
49	70004680	1	Enclosure, Wiring	
49	70004685	1	Cover, Enclosure	
49	70004682	1	Switch, Reset (Located on Enclosure Cover)	
49	70004098	1	Connector, Strain Relief (Located on Enclosure Cover)	
50	1001142643	1	Support	
51	1001142646	1	Belt	
52	1001152457	1	Generator Junction Box Assembly (See Items 101-118 for Breakdown)	
53	1001152532	1	Harness, Generator (See Separate Breakdown in ELECTRICAL SECTION)	
54	1001196382	2	Stud	
55	1001168018	AR	Washer, Snubbing	
56	1001168207	Ref	Support	
57	1001175631	1	Wiring Diagram (Not Shown)	
57	4922641	1	Harness, On/Off Switch (Not Shown - Located at Platform)	
58	0760812	1	Bolt M8 x 25	
59	1321716	2	Clamp	
60	1001148641	1	Bracket	
61	5250808	1	Bolt M8 x 16	
62	5250810	1	Bolt M8 x 20	
63	5260800	2	Nut M8	
64	1001223122	1	Support	
65	4812000	4	Washer M10	
	1001152457	Ref	GENERATOR JUNCTION BOX COMPONENTS	
101	1001179154	2.5 ft/ 0.8m	Cable, Electrical - 12/3	
102	3300396	1	Cover, Breaker	
103	3311001	4	Nut #10	
104	3900300	2	Screw	
105	4360070	1	Breaker, Circuit - 15Amp	
107	4460425	1	Connector, Strain Relief (LH Side)	
108	4460426	1	Connector, Strain Relief (RH Side)	
110	4711000	8	Washer #10	
112	1001152456	1	Box, Junction	
113	1001152525	1	Plug	
114	1001152530	1	Terminal, Block	
115	1001153260	1	Decal - Wiring Diagram	
116	3900267	2	Screw	
117	1001158008	2	Stand-Off	
118	1001158363	1	Cover, Terminal Block	



# SECTION 3 - ENGINE

## FIGURE 3-44. GENERATOR INSTALLATION - 4000W/50HZ (DEUTZ STAGE V ENGINE)



ART\_1001247656\_F

## SECTION 3 - ENGINE

**FIGURE 3-44. GENERATOR INSTALLATION - 4000W/50HZ (DEUTZ STAGE V ENGINE)**

ITEM	PART NUMBER	QTY	DESCRIPTION	REV
	1001247656	Ref	GENERATOR INSTALLATION - 4000W/50HZ (DEUTZ (STAGE V) ENGINE)	F
1	0100011	AR	Compound, Locking	
2	0100019	AR	Compound, Locking	
3	0100048	AR	Grease, Dielectric	
4	0641616	1	Bolt 3/8 x 2	
5	0711224	AR	Bolt M12 x 80	
6	0741607	3	Screw 3/8 x 7/8	
7	0760606	1	Bolt M6 x 12	
8	0760610	AR	Bolt M6 x 20	
9	0760614	AR	Bolt M6 x 30	
10	0761212	2	Bolt M12 x 25	
11	0771414	AR	Bolt M14 x 30	
12	0962520	1	Bushing	
13	1321716	2	Clamp	
14	1705489	2	Decal - Hazardous Voltage	
15	2080040	2	Fastener, Huck	
16	2820031	0.33 ft /0.10m	Heat Shrink	
17	3251102	1	Nameplate, Generator	
18	3290605	AR	Nut M6	
19	3291201	2	Nut M12	
20	3331211	AR	Nut M12	
21	3580317	1	Pulley	
22	3580319	1	Pulley	
23	1001260432	1	Pulley	
24	1001261085	4	Capscrew M10 x 85	
25	1001261045	4	Capscrew M10 x 45	
26	4060802	1	Guard, Switch	
27	4240099	AR	Tie-Strap (Not Shown)	
28	4360336	1	Switch, Toggle	
29	4711600	1	Washer 3/8	
30	4811700	12	Washer M6	
31	4812000	4	Washer M14	
32	4812200	AR	Washer M14	
33	4871700	2	Washer M6	
34	5241200	AR	Washer M12 Hardened	
35	5250810	3	Bolt M8 x 20	
36	5260800	3	Nut M8	
37	1001096070	1	Breaker Box Kit (50Hz) (See Separate Breakdown in ELECTRICAL Section)	
38	1001135679	1	Adapter	
39	1001138566	1	Box, Control	
40	1001140347	1	Generator, 4000W/ 50HZ - Deutz Engine	
40	70003709	1	Ring, Retaining (External)	
40	70003708	1	Ring, Retaining (Internal)	
40	70001966	1	Bearing	
40	70004092	1	Endbell (Shaft End)	
40	70004099	1	Key	
40	70004676	1	Rotor	

## SECTION 3 - ENGINE

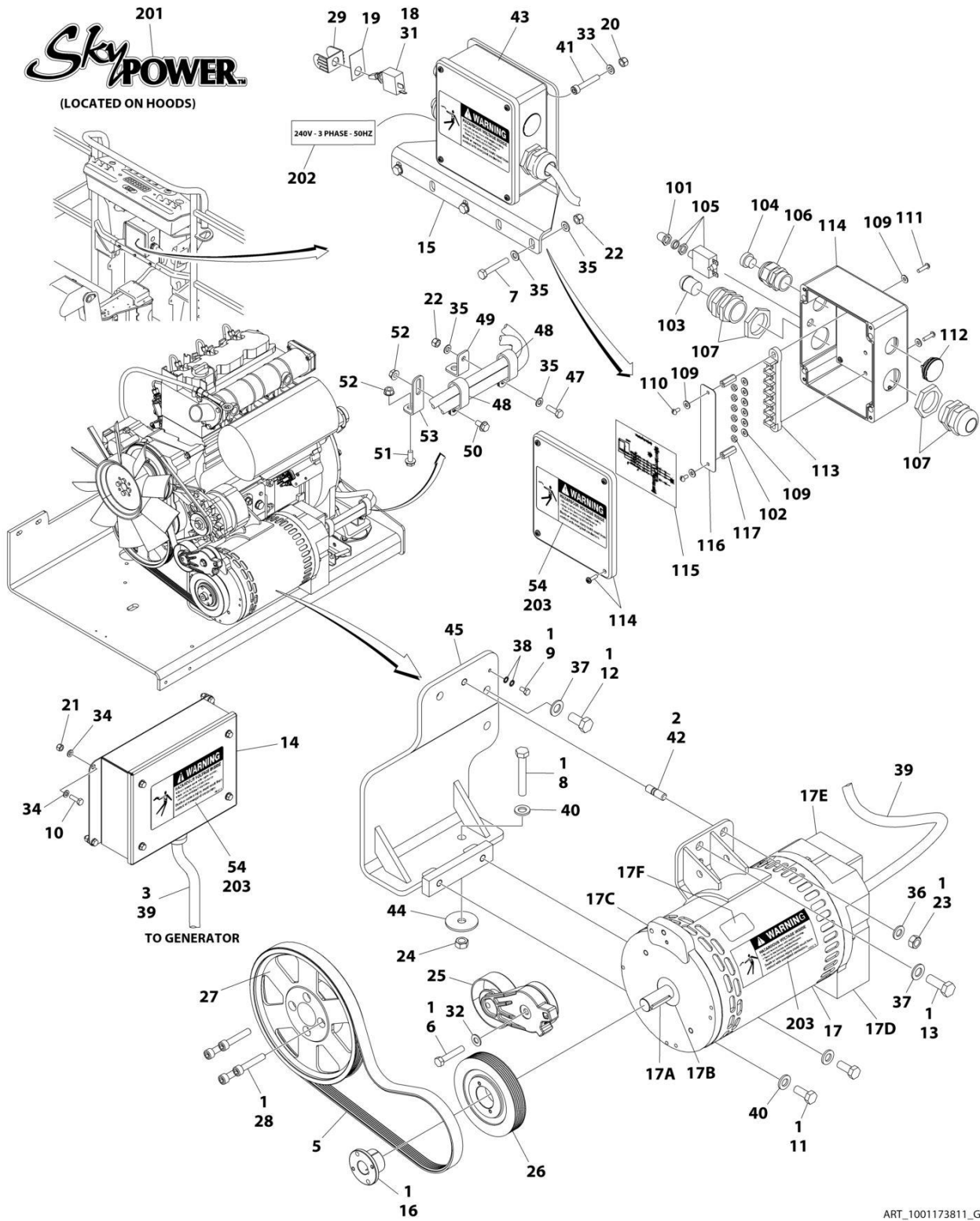
ITEM	PART NUMBER	QTY	DESCRIPTION	REV
40	70004686	1	Stator	
40	70004678	1	Endbell (Rear)	
40	70004679	1	Cover, Endbell (Rear)	
40	70004680	1	Enclosure, Wiring	
40	70004681	1	Cover, Enclosure	
40	70004682	1	Switch, Reset (Located on Enclosure Cover)	
40	70004683	1	Connector, Strain Relief (Located on Enclosure Cover)	
41	1001148059	1	Belt, Generator	
42	1001148641	1	Bracket	
43	1001152532	1	Harness, Generator (See Separate Breakdown in ELECTRICAL Section)	
44	1001168018	AR	Washer, Snubbing	
45	1001168207	AR	Support (Prior to PVC 2107)	
46	1001174158	1	Mount	
47	1001174675	1	Wiring Diagram (Not Shown)	
48	1001196382	2	Stud	
49	1001223122	1	Support	
50	1001230784	1	Bracket	
51	1001248190	1	Support	
52	4811702	4	Washer M6	
		Ref	ELECTRICAL DIAGRAM COMPONENTS	
101	4922641	1	Generator Switch Harness (Not Shown)	





# SECTION 3 - ENGINE

## FIGURE 3-45. GENERATOR INSTALLATION - 7500W/50HZ (DEUTZ D2011 ENGINE)



ART\_1001173811\_G

## SECTION 3 - ENGINE

**FIGURE 3-45. GENERATOR INSTALLATION - 7500W/50HZ (DEUTZ D2011 ENGINE)**

ITEM	PART NUMBER	QTY	DESCRIPTION	REV
	1001173811	Ref	GENERATOR INSTALLATION - 7500W/50HZ (DEUTZ D2011 ENGINE)	G
1	0100011	AR	Compound, Locking	
2	0100019	AR	Compound, Locking	
3	0100048	AR	Grease, Dielectric	
4	0100079	AR	Sealant (Not Shown)	
5	0480126	1	Belt	
6	0641616	1	Bolt 3/8 x 2	
7	0700818	3	Bolt M8 x 50	
8	0711224	1	Bolt M12 x 80 Grade 10.9	
9	0760606	1	Bolt M6 x 12	
10	0760610	4	Bolt M6 x 20	
11	0761214	2	Bolt M12 x 30	
12	0771414	2	Bolt M14 x 30 Grade 10.9	
13	0771416	1	Bolt M14 x 40	
14	0861572	1	Control Box Assembly	
14	7024488	1	Card, Circuit - Generator Power	
14	See Note	NSS	Fuse (Note: Not Available - Purchase Locally)	
14	7024489	1	Card, Circuit - Control	
14	70000619	1	Harness, Control Box (Internal)	
15	0902888	1	Bracket	
16	0962520	1	Bushing	
17	2460048	1	Generator Assembly	
17	70001100	1	Rotor (Includes p/n 70001384 & 70000863) (Not Shown)	
17	70001384	1	Bearing, Ball Radial (Not Shown)	
17	70000863	1	Fan (Not Shown)	
17	70002088	1	Stator (Not Shown)	
17	70002297	1	Stud	
17	70003631	1	Brushholder Assembly (Not Shown)	
17A	70004171	1	Key	
17B	70001966	1	Bearing, Ball Radial (Located in Belt Tensioner Endbell)	
17B	70003708	1	Ring, Internal Retaining (Located in Belt Tensioner Endbell)	
17B	70003709	1	Ring, External Retaining (Located in Belt Tensioner Endbell)	
17C	70001953	1	Endbell, Belt Tensioner	
17D	70004169	1	Endbell, Brush Block	
17E	70004169	1	Shroud	
17E	See Note	NSS	Insulator, Endbell (Note: Not Available for Purchase)	
17E	7027799	1	Block, Connector 6 Position (Not Shown)	
17E	70002460	1	Nut, Brass (Attaches p/n 7027799 to Cover) (Not Shown)	
17E	7024485	1	Breaker, Circuit 30Amp (Not Shown)	
17E	70001696	1	Boot, Breaker (Not Shown)	
17E	7026626	1	Connector, 6 Position (Includes Seal) (Not Shown - Plugs into Item 39)	
17E	7026597	1	Connector, with Leads (Not Shown)	
17E	7026188	1	Clamp, Cable Options (Not Shown)	
17E	70004169	1	Plate, End Panel	
17E	70001974	1	Decal - Terminal Connections	
17F	70001973	1	Decal - Warning Moving Parts	
18	2820031	AR	Heat Shrink	
19	3252764	1	Nameplate	

## SECTION 3 - ENGINE

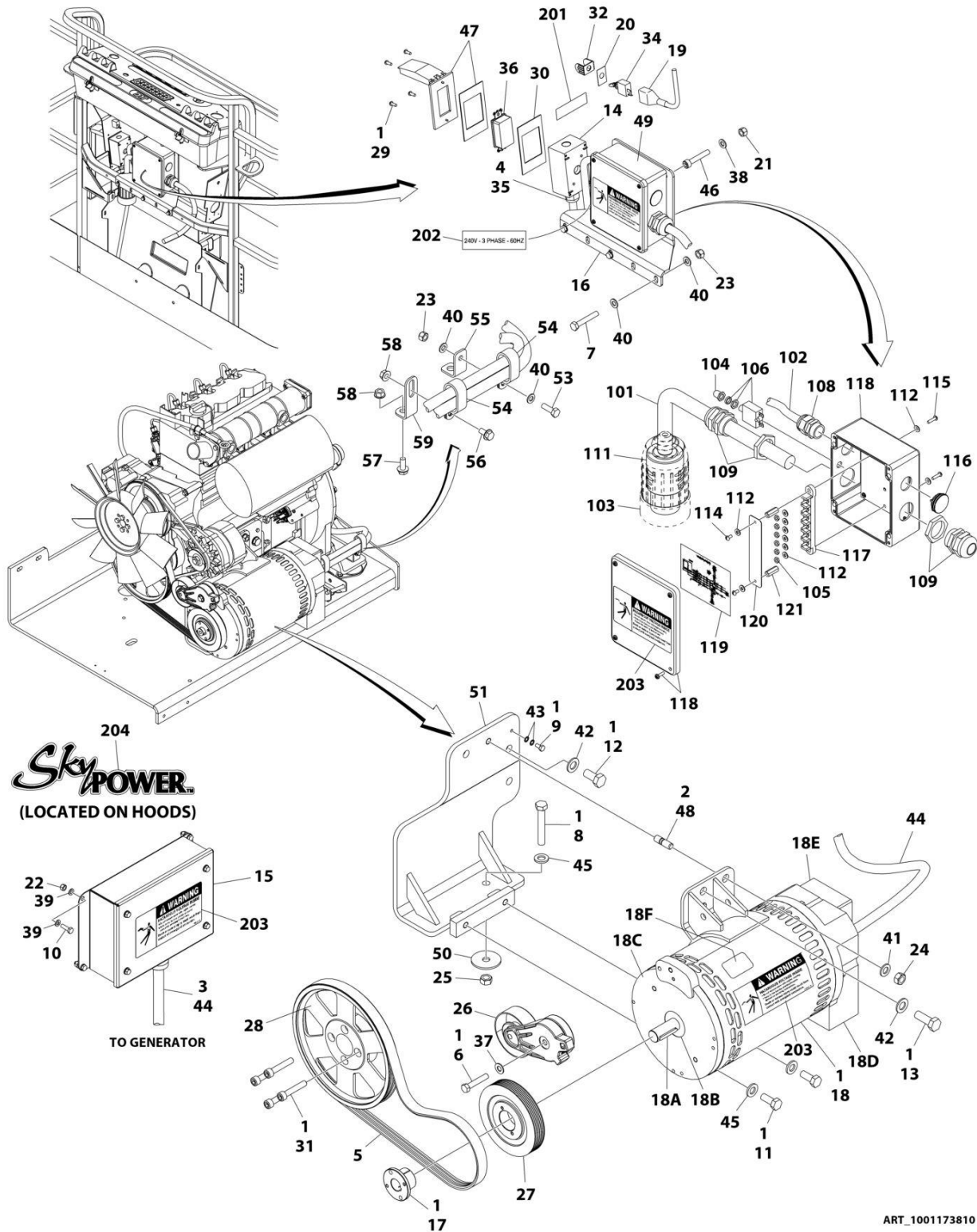
ITEM	PART NUMBER	QTY	DESCRIPTION	REV
20	3290505	4	Nut M5	
21	3290605	4	Nut M6	
22	3290805	4	Nut M8	
23	3291201	1	Nut M12	
24	3331211	1	Nut M12	
25	3580317	1	Pulley	
26	3580319	1	Pulley	
27	3580320	1	Pulley	
28	4032015	4	Bolt M10 x 55	
29	4060802	1	Guard, Switch	
30	4240099	AR	Tie-Strap (Not Shown)	
31	4360336	1	Switch, Toggle	
32	4711600	1	Washer 3/8	
33	4811600	4	Washer M5	
34	4811700	8	Washer M6	
35	4811900	8	Washer M8	
36	4812100	1	Washer M12	
37	4812200	3	Washer M14	
38	4871700	2	Washer M6	
39	4922925	1	Harness, Generator	
39	4460225	1	Plug, Male 6 Position (Plugs into Generator)	
39	See Note	NSS	Socket, Female (Use with 4460225)	
39	See Note	NSS	Seal, Plug (Use with 4460225)	
39	See Note	NSS	Seal, Interface (Use with 4460225)	
40	5241200	3	Washer M12 Hardened	
41	1001104029	4	Screw M5 x 30	
42	1001196382	1	Stud	
43	1001157525	1	Junction Box Assembly (See Items 101-117 for Breakdown)	
44	1001168018	1	Washer, Snubbing	
45	1001173925	1	Mount	
46	1001174675	1	Wiring Diagram (Not Shown)	
46	4922641	1	Harness, On/Off Switch (Not Shown - Located at Platform)	
47	0760812	1	Bolt M8 x 25	
48	1321716	2	Clamp	
49	1001148641	1	Bracket	
50	5250808	1	Bolt M8 x 16	
51	5250810	1	Bolt M8 x 20	
52	5260800	2	Nut M8	
53	1001223122	1	Support	
54	1705489	2	Decal - Hazardous Voltage	
	1001157525	Ref	JUNCTION BOX ASSEMBLY	B
101	3300396	1	Cover, Fuse	
102	3311001	6	Nut #10	
103	3520189	1	Plug	
104	3520192	1	Plug	
105	4360070	1	Circuit Breaker - 15Amp	
106	4460425	1	Connector, Strain Relief	
107	4460426	2	Connector, Strain Relief	
109	4711000	10	Flatwasher #10	
110	10702077	2	Screw #10 x 3/8	
111	10702082	2	Screw #10 x 3/4	

## SECTION 3 - ENGINE

ITEM	PART NUMBER	QTY	DESCRIPTION	REV
112	1001152525	1	Plug	
113	1001157520	1	Block, Terminal	
114	1001157521	1	Box, Junction	
115	1001157528	1	Decal - Wiring Schematic	
116	1001158007	1	Cover, PVC	
117	1001158008	2	Stand-Off	
	0272589	Ref	DECAL INSTALLATION	A
201	1705460	2	Decal - SkyPower	
202	1705461	1	Decal - 240V - 3 Phase - 50Hz	
203	1705489	3	Decal - Hazardous Voltage	

# SECTION 3 - ENGINE

## FIGURE 3-46. GENERATOR INSTALLATION - 7500W/60HZ (DEUTZ D2011 ENGINE)



ART\_1001173810

## SECTION 3 - ENGINE

**FIGURE 3-46. GENERATOR INSTALLATION - 7500W/60HZ (DEUTZ D2011 ENGINE)**

ITEM	PART NUMBER	QTY	DESCRIPTION	REV
	1001173810	Ref	GENERATOR INSTALLATION - 7500W/60Hz (DEUTZ D2011 ENGINE)	F
1	0100011	AR	Compound, Locking	
2	0100019	AR	Compound, Locking	
3	0100048	AR	Grease, Dielectric	
4	0100079	AR	Sealant	
5	0480128	1	Belt	
6	0641616	1	Bolt 3/8 x 2	
7	0700818	3	Bolt M8 x 50	
8	0711224	1	Bolt M12 x 80 Grade 10.9	
9	0760606	1	Bolt M6 x 12	
10	0760610	4	Bolt M6 x 20	
11	0761214	2	Bolt M12 x 30	
12	0771414	2	Bolt M14 x 30 Grade 10.9	
13	0771416	1	Bolt M14 x 40	
14	0860038	1	Box, Switch	
15	0861538	1	Control Box Assembly	
15	7024488	1	Card, Circuit - Generator Power	
15	See Note	NSS	Fuse (Note: Not Available - Purchase Locally)	
15	7024489	1	Card, Circuit - Control	
15	70000619	1	Harness, Control Box (Internal)	
16	0902888	1	Bracket	
17	0962520	1	Bushing	
18	2460048	1	Generator Assembly	
18	70001100	1	Rotor (Includes p/n 70001384 & 70000863) (Not Shown)	
18	70001384	1	Bearing, Ball Radial (Not Shown)	
18	70000863	1	Fan (Not Shown)	
18	70002088	1	Stator (Not Shown)	
18	70002297	1	Stud	
18	70003631	1	Brushholder Assembly (Not Shown)	
18A	70004171	1	Key	
18B	70001966	1	Bearing, Ball Radial (Located in Belt Tensioner Endbell)	
18B	70003708	1	Ring, Internal Retaining (Located in Belt Tensioner Endbell)	
18B	70003709	1	Ring, External Retaining (Located in Belt Tensioner Endbell)	
18C	70001953	1	Endbell, Belt Tensioner	
18D	70004169	1	Endbell, Brush Block	
18E	70004169	1	Shroud	
18E	See Note	NSS	Insulator, Endbell (Note: Not Available for Purchase)	
18E	7027799	1	Block, Connector 6 Position (Not Shown)	
18E	70002460	1	Nut, Brass (Attaches p/n 7027799 to Cover) (Not Shown)	
18E	7024485	1	Breaker, Circuit 30Amp (Not Shown)	
18E	70001696	1	Boot, Breaker (Not Shown)	
18E	7026626	1	Connector, 6 Position (Includes Seal) (Not Shown - Plugs into Item 39)	
18E	7026597	1	Connector, with Leads (Not Shown)	
18E	7026188	1	Clamp, Cable Options (Not Shown)	
18E	70004169	1	Plate, End Panel	
18E	70001974	1	Decal - Terminal Connections	
18F	70001973	1	Decal - Warning Moving Parts	
19	2820031	AR	Heat Shrink	

## SECTION 3 - ENGINE

ITEM	PART NUMBER	QTY	DESCRIPTION	REV
20	3252764	1	Nameplate	
21	3290505	4	Nut M5	
22	3290605	4	Nut M6	
23	3290805	4	Nut M8	
24	3291201	1	Nut M12	
25	3331211	1	Nut M12	
26	3580317	1	Pulley	
27	3580318	1	Pulley	
28	3580320	1	Pulley	
29	3910606	4	Screw #6 x 3/8	
30	3960422	1	Gasket	
31	4032015	4	Bolt M10 x 55	
32	4060802	1	Guard, Switch	
33	4240099	AR	Tie-Strap (Not Shown)	
34	4360336	1	Switch, Toggle	
35	4460071	1	Connector, Strain Relief	
36	4460346	1	Receptacle	
37	4711600	1	Washer 3/8	
38	4811600	4	Washer M5	
39	4811700	8	Washer M6	
40	4811900	8	Washer M8	
41	4812100	1	Washer M12	
42	4812200	3	Washer M14	
43	4871700	2	Washer M6	
44	4922925	1	Harness, Generator	
44	4460225	1	Plug, Male 6 Position (Plugs into Generator)	
44	See Note	NSS	Socket, Female (Use with 4460225)	
44	See Note	NSS	Seal, Plug (Use with 4460225)	
44	See Note	NSS	Seal, Interface (Use with 4460225)	
45	5241200	3	Washer M12 Hardened	
46	1001104029	4	Screw M5 x 30	
47	1001110873	1	Shield, Cover	
48	1001196382	1	Stud	
49	1001157592	1	Junction Box Assembly Options (See Items 101-121 for Breakdown)	
50	1001168018	1	Washer, Snubbing	
51	1001173925	1	Mount	
52	1001174675	1	Wiring Diagram (Not Shown)	
52	4922641	1	Harness, On/Off Switch (Not Shown - Located at Platform)	
53	0760812	1	Bolt M8 x 25	
54	1321716	2	Clamp	
55	1001148641	1	Bracket	
56	5250808	1	Bolt M8 x 16	
57	5250810	1	Bolt M8 x 20	
58	5260800	2	Nut M8	
59	1001223122	1	Support	
	1001157592	Ref	JUNCTION BOX ASSEMBLY	C
101	1060343	1.5 ft /0.5m	Cable, Electrical 10/4	
102	1001179154	2.5 ft /0.8m	Cable, Electrical 12/3	
103	1671092	1	Cover	

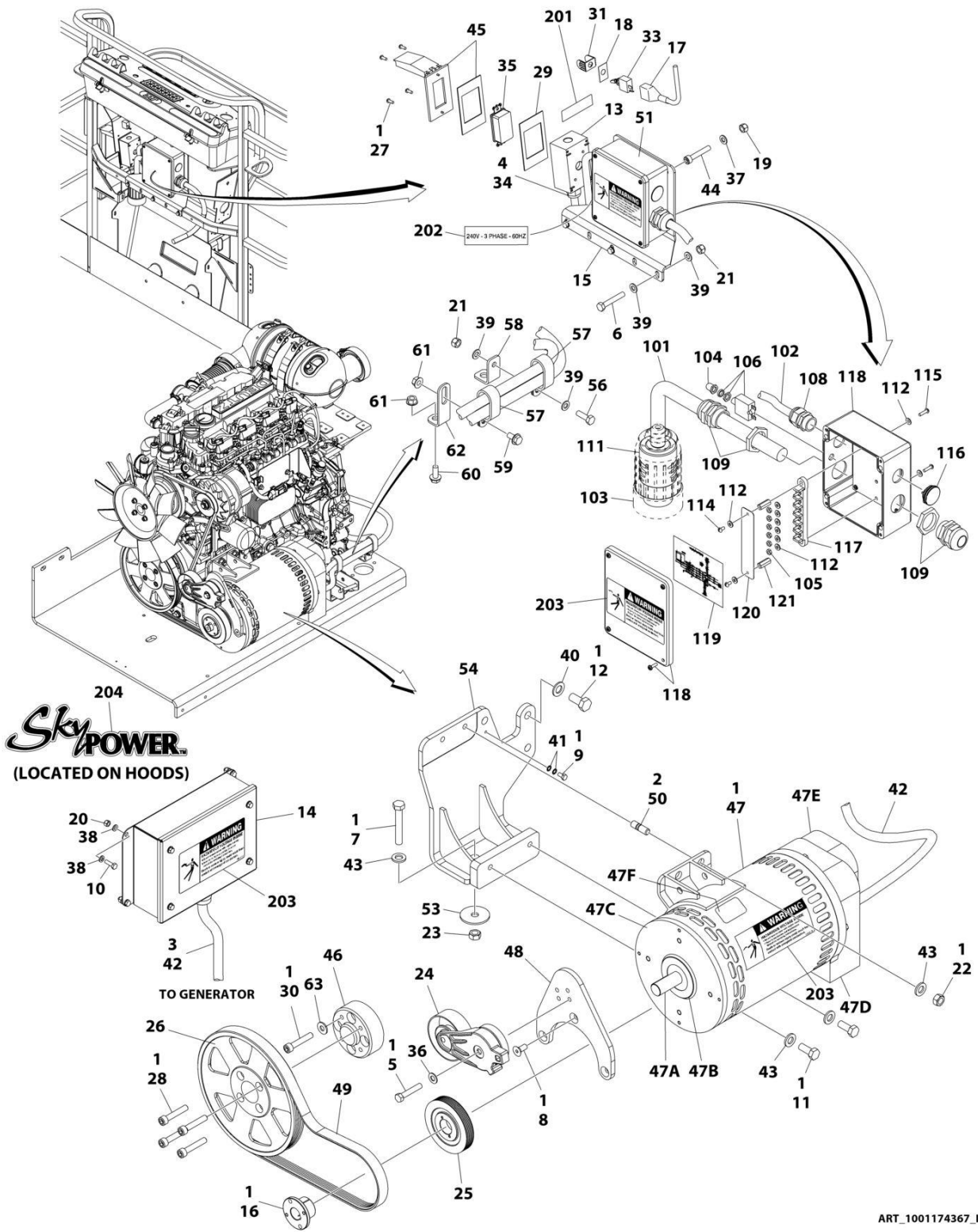


## SECTION 3 - ENGINE

ITEM	PART NUMBER	QTY	DESCRIPTION	REV
104	3300396	1	Cover, Fuse	
105	3311001	6	Nut #10	
106	4360070	1	Circuit Breaker - 15Amp	
108	4460425	1	Connector, Strain Relief	
109	4460426	2	Connector, Strain Relief	
111	4460963	1	Connector	
112	4711000	10	Flatwasher #10	
114	10702077	2	Screw #10 x 3/8	
115	10702082	2	Screw #10 x 3/4	
116	1001152525	1	Plug	
117	1001157520	1	Block, Terminal	
118	1001157521	1	Box, Junction	
119	1001157528	1	Decal - Wiring Schematic	
120	1001158007	1	Cover, PVC	
121	1001158008	2	Stand-Off	
	0272435	Ref	DECAL INSTALLATION	D
	0273380	Ref	DECAL INSTALLATION	B
201	3251243	1	Decal - 120V - 60Hz	
202	1705375	1	Decal - 240V - 3 Phase - 60Hz	
203	1705387	3	Decal - Hazardous Voltage	
204	1705460	2	Decal - SkyPower	

# SECTION 3 - ENGINE

## FIGURE 3-47. GENERATOR INSTALLATION - 7500W/60HZ (DEUTZ D2.9L4 ENGINE)



ART\_1001174367\_I

## SECTION 3 - ENGINE

**FIGURE 3-47. GENERATOR INSTALLATION - 7500W/60HZ (DEUTZ D2.9L4 ENGINE)**

ITEM	PART NUMBER	QTY	DESCRIPTION	REV
	1001174367	Ref	GENERATOR INSTALLATION - 7500W/60Hz (DEUTZ D2.9L4 ENGINE)	J
1	0100011	AR	Compound, Locking	
2	0100019	AR	Compound, Locking	
3	0100048	AR	Grease, Dielectric	
4	0100079	AR	Sealant	
5	0641616	1	Bolt 3/8 x 2	
6	0700818	3	Bolt M8 x 50	
7	0711224	Ref	Bolt M12 x 80 Grade 10.9	
8	0741607	3	Screw 3/8 x 7/8	
9	0760606	1	Bolt M6 x 12	
10	0760610	4	Bolt M6 x 20	
11	0761212	2	Bolt M12 x 25	
12	0771414	Ref	Bolt M14 x 30 Grade 10.9	
13	0860038	1	Box, Switch	
14	0861538	1	Control Box Assembly	
14	7024488	1	Card, Circuit - Generator Power	
14	See Note	NSS	Fuse (Note: Not Available - Purchase Locally)	
14	7024489	1	Card, Circuit - Control	
14	70000619	1	Harness, Control Box (Internal)	
15	0902888	1	Bracket	
16	0962520	1	Bushing	
17	2820031	AR	Heat Shrink	
18	3252764	1	Nameplate	
19	3290505	4	Nut M5	
20	3290605	4	Nut M6	
21	3290805	4	Nut M8	
22	3291201	2	Nut M12	
23	3331211	Ref	Nut M12	
24	3580317	1	Pulley	
25	3580318	1	Pulley	
26	3580320	1	Pulley	
27	3910606	4	Screw #6 x 3/8	
28	3931628	4	Capscrew 3/8 x 1-3/4	
29	3960422	1	Gasket	
30	4032014	4	Bolt M10 x 50	
31	4060802	1	Guard, Switch	
32	4240099	AR	Tie-Strap (Not Shown)	
33	4360336	1	Switch, Toggle	
34	4460071	1	Connector, Strain Relief	
35	4460346	1	Receptacle	
36	4711600	1	Washer 3/8	
37	4811600	4	Washer M5	
38	4811700	8	Washer M6	
39	4811900	8	Washer M8	
40	4812200	Ref	Washer M14	
41	4871700	2	Washer M6	
42	4922925	1	Harness, Generator	
42	4460225	1	Plug, Male 6 Position (Plugs into Generator)	
42	See Note	NSS	Socket, Female (Use with 4460225)	

## SECTION 3 - ENGINE

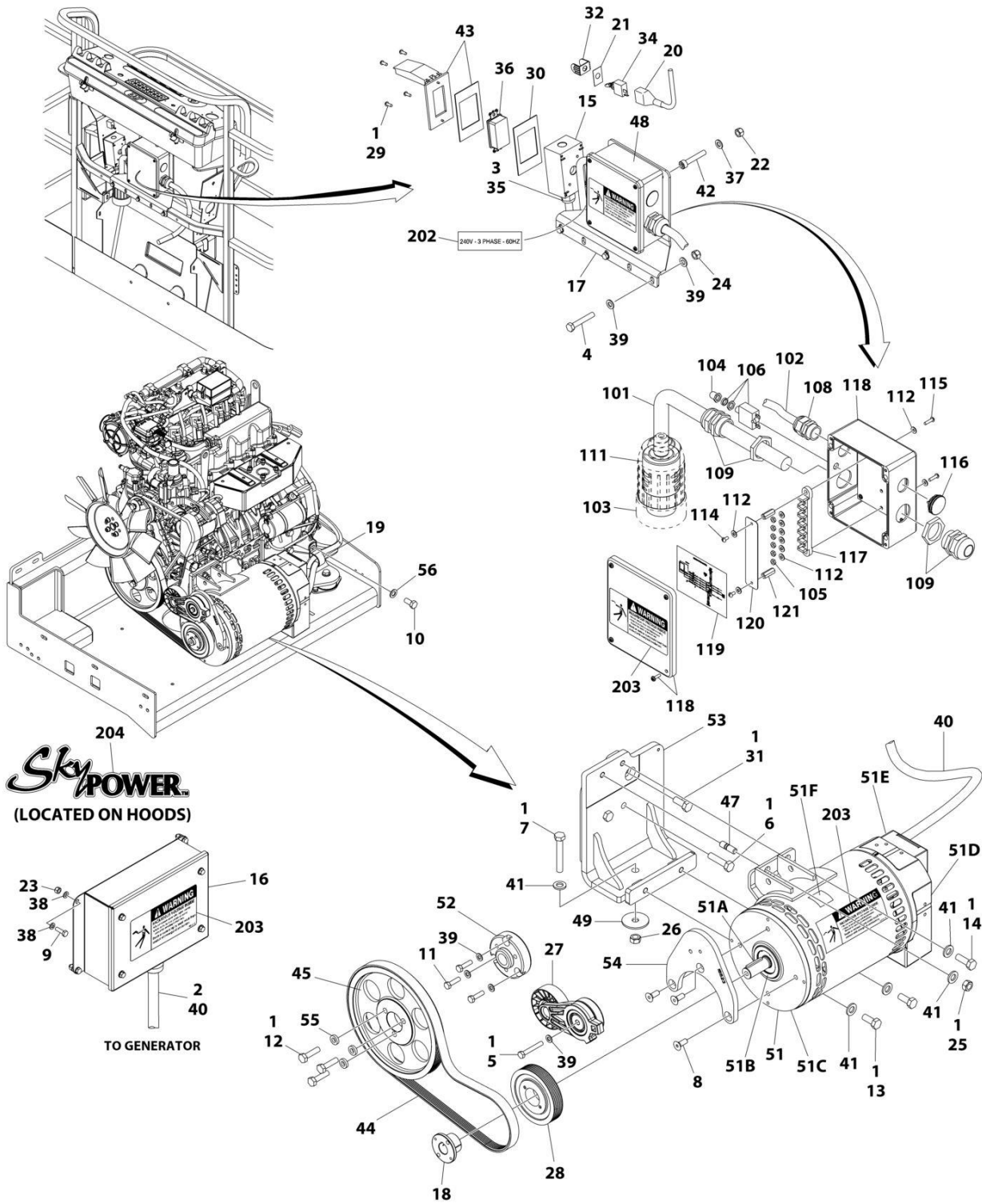
ITEM	PART NUMBER	QTY	DESCRIPTION	REV
42	See Note	NSS	Seal, Plug (Use with 4460225)	
42	See Note	NSS	Seal, Interface (Use with 4460225)	
43	5241200	5	Washer M12 Hardened	
44	1001104029	4	Screw M5 x 30	
45	1001110873	1	Shield, Cover	
46	1001135679	1	Adapter	
47	1001212223	1	Generator Assembly	
47	70001100	1	Rotor (Includes p/n 70001384 & 70000863) (Not Shown)	
47	70001384	1	Bearing, Ball Radial (Not Shown)	
47	70000863	1	Fan (Not Shown)	
47	70006093	1	Stator (Not Shown)	
47	70002297	1	Stud	
47	70003631	1	Brushholder Assembly (Not Shown)	
47A	70004099	1	Key	
47B	70001966	1	Bearing, Ball Radial (Located in Belt Tensioner Endbell)	
47B	70003708	1	Ring, Internal Retaining (Located in Belt Tensioner Endbell)	
47B	70003709	1	Ring, External Retaining (Located in Belt Tensioner Endbell)	
47C	70004092	1	Endbell, Belt Tensioner	
47D	70004094	1	Endbell, Brush Block	
47E	70006094	1	Shroud	
47E	70002291	1	Insulator, Endbell	
47E	7027799	1	Block, Connector 6 Position (Not Shown)	
47E	70002460	1	Nut, Brass (Attaches p/n 7027799 to Cover) (Not Shown)	
47E	70006095	1	Breaker, Circuit 30Amp (Not Shown)	
47E	70006096	1	Guard, Breaker (Not Shown)	
47E	7026626	1	Connector, 6 Position (Includes Seal) (Not Shown - Plugs into Item 36)	
47E	7026597	1	Connector, with Leads (Not Shown)	
47E	70004098	1	Clamp, Cable (Not Shown)	
47E	70006097	1	Plate, End Panel	
47E	70001974	1	Decal - Terminal Connections	
47F	70001973	1	Decal - Warning Moving Parts	
48	1001142643	1	Support	
49	1001142646	1	Belt	
50	1001196382	2	Stud	
51	1001157592	1	Junction Box Assembly Options (See Items 101-121 for Breakdown)	
53	1001168018	Ref	Washer, Snubbing	
54	1001168207	Ref	Support	
55	1001174675	1	Wiring Diagram (Not Shown)	
55	4922641	1	Harness, On/Off Switch (Not Shown - Located at Platform)	
56	0760812	1	Bolt M8 x 25	
57	1321716	2	Clamp	
58	1001148641	1	Bracket	
59	5250808	1	Bolt M8 x 16	
60	5250810	1	Bolt M8 x 20	
61	5260800	2	Nut M8	
62	1001223122	1	Support	
63	4812000	4	Washer M10	
	1001157592	Ref	JUNCTION BOX ASSEMBLY	C
101	1060343	1.5 ft/ 0.5m	Cable, Electrical 10/4	

## SECTION 3 - ENGINE

ITEM	PART NUMBER	QTY	DESCRIPTION	REV
102	1001179154	2.5 ft/ 0.8m	Cable, Electrical 12/3	
103	1671092	1	Cover	
104	3300396	1	Cover, Fuse	
105	3311001	6	Nut #10	
106	4360070	1	Circuit Breaker - 15Amp	
108	4460425	1	Connector, Strain Relief	
109	4460426	2	Connector, Strain Relief	
111	4460963	1	Connector	
112	4711000	10	Flatwasher #10	
114	10702077	2	Screw #10 x 3/8	
115	10702082	2	Screw #10 x 3/4	
116	1001152525	1	Plug	
117	1001157520	1	Block, Terminal	
118	1001157521	1	Box, Junction	
119	1001157528	1	Decal - Wiring Schematic	
120	1001158007	1	Cover, PVC	
121	1001158008	2	Stand-Off	
	0272435	Ref	DECAL INSTALLATION	D
	0273380	Ref	DECAL INSTALLATION	B
201	3251243	1	Decal - 120V - 60Hz	
202	1705375	1	Decal - 240V - 3 Phase - 60Hz	
203	1705387	3	Decal - Hazardous Voltage	
204	1705460	2	Decal - SkyPower	

# SECTION 3 - ENGINE

## FIGURE 3-48. GENERATOR INSTALLATION - 7500W/60HZ (KUBOTA ENGINE)



ART\_1001214910

## SECTION 3 - ENGINE

**FIGURE 3-48. GENERATOR INSTALLATION - 7500W/60HZ (KUBOTA ENGINE)**

ITEM	PART NUMBER	QTY	DESCRIPTION	REV
	1001214910	Ref	GENERATOR INSTALLATION - 7500W/60HZ (KUBOTA ENGINE)	C
1	0100011	AR	Compound, Locking	
2	0100048	AR	Grease, Dielectric	
3	0100079	AR	Sealant	
4	0700818	3	Bolt M8 x 50	
5	0700819	1	Bolt M8 x 55	
6	1001217344	2	Bolt M12 x 50	
7	0711224	AR	Bolt M12 x 80 Grade 10.9	
7	0701224	AR	Bolt M12 x 80	
8	0741608	3	Screw 3/8 x 1	
9	0760610	4	Bolt M6 x 20	
10	1001217345	1	Bolt M14 x 30	
11	0760814	3	Bolt M8 x 30	
12	0701016	3	Bolt M10 x 40	
13	0761214	2	Bolt M12 x 30	
14	0761215	1	Bolt M12 x 35	
15	0860038	1	Box, Switch	
16	0861538	1	Control Box Assembly	
16	7024488	1	Card, Circuit - Generator Power	
16	See Note	NSS	Fuse (Note: Not Available - Purchase Locally)	
16	7024489	1	Card, Circuit - Control	
16	70000619	1	Harness, Control Box (Internal)	
17	0902888	1	Bracket	
18	0962520	1	Bushing	
19	84521062	1	Clamp	
20	2820031	AR	Heat Shrink	
21	3252764	1	Nameplate	
22	3290505	4	Nut M5	
23	3290605	4	Nut M6	
24	3290805	3	Nut M8	
25	3291201	AR	Nut M12	
26	3331211	AR	Nut M12	
27	3580317	1	Pulley	
28	3580318	1	Pulley	
29	3910606	4	Screw #6 x 3/8	
30	3960422	1	Gasket	
31	1001217342	1	Bolt M12 x 30	
32	4060802	1	Guard, Switch	
33	4240099	AR	Tie-Strap (Not Shown)	
34	4360336	1	Switch, Toggle	
35	4460071	1	Connector, Strain Relief	
36	4460346	1	Receptacle	
37	4811600	4	Washer M5	
38	4811700	8	Washer M6	
39	4811900	10	Washer M8	
40	4922925	1	Harness, Generator	
40	4460225	1	Plug, Male - 6 Position (Plugs into Generator)	
40	See Note	NSS	Socket, Female (Use with 4460225)	
40	See Note	NSS	Seal, Plug (Use with 4460225)	
40	See Note	NSS	Seal, Interface (Use with 4460225)	

## SECTION 3 - ENGINE

ITEM	PART NUMBER	QTY	DESCRIPTION	REV
41	5241200	5	Washer M12 Hardened	
42	1001104029	4	Screw M5 x 30	
43	1001110873	1	Shield, Cover	
44	0480129	1	Belt	
45	1001147233	1	Pulley	
47	1001155041	1	Stud	
48	1001157592	1	Junction Box Assembly (See Items 101-121 for Breakdown)	
49	1001168018	1	Washer, Snubbing	
50	1001174675	1	Wiring Diagram (Not Shown)	
50	4922641	1	Harness, On/Off Switch (Not Shown - Located at Platform)	
51	1001212223	1	Generator Assembly	
51	70001100	1	Rotor (Includes p/n 70001384 & 70000863) (Not Shown)	
51	70001384	1	Bearing, Ball Radial (Not Shown)	
51	70000863	1	Fan (Not Shown)	
51	70006093	1	Stator (Not Shown)	
51	70002297	1	Stud	
51	70003631	1	Brushholder Assembly (Not Shown)	
51A	70004099	1	Key	
51B	70001966	1	Bearing, Ball Radial (Located in Belt Tensioner Endbell)	
51B	70003708	1	Ring, Internal Retaining (Located in Belt Tensioner Endbell)	
51B	70003709	1	Ring, External Retaining (Located in Belt Tensioner Endbell)	
51C	70004092	1	Endbell, Belt Tensioner	
51D	70004094	1	Endbell, Brush Block	
51E	70006094	1	Shroud	
51E	70002291	1	Insulator, Endbell	
51E	7027799	1	Block, Connector 6 Position (Not Shown)	
51E	70002460	1	Nut, Brass (Attaches p/n 7027799 to Cover) (Not Shown)	
51E	70006095	1	Breaker, Circuit 30Amp (Not Shown)	
51E	70006096	1	Guard, Breaker (Not Shown)	
51E	7026626	1	Connector, 6 Position (Includes Seal) (Not Shown - Plugs into Item 36)	
51E	70004098	1	Clamp, Cable (Not Shown)	
51E	70006097	1	Plate, End Panel	
51E	70001974	1	Decal - Terminal Connections	
51F	70001973	1	Decal - Warning Moving Parts	
52	1001213029	1	Adapter, Pulley	
53	1001214546	1	Support	
54	1001215523	1	Support	
55	1001216805	3	Spacer	
56	4812200	1	Washer M14	
	1001157592	Ref	JUNCTION BOX ASSEMBLY	C
101	1060343	1.5 ft/ 0.5m	Cable, Electrical 10/4	
102	1001179154	2.5 ft/ 0.8m	Cable, Electrical 12/3	
103	1671092	1	Cover	
104	3300396	1	Cover, Fuse	
105	3311001	6	Nut #10	
106	4360070	1	Circuit Breaker - 15Amp	
108	4460425	1	Connector, Strain Relief	
109	4460426	2	Connector, Strain Relief	
111	4460963	1	Connector	



## SECTION 3 - ENGINE

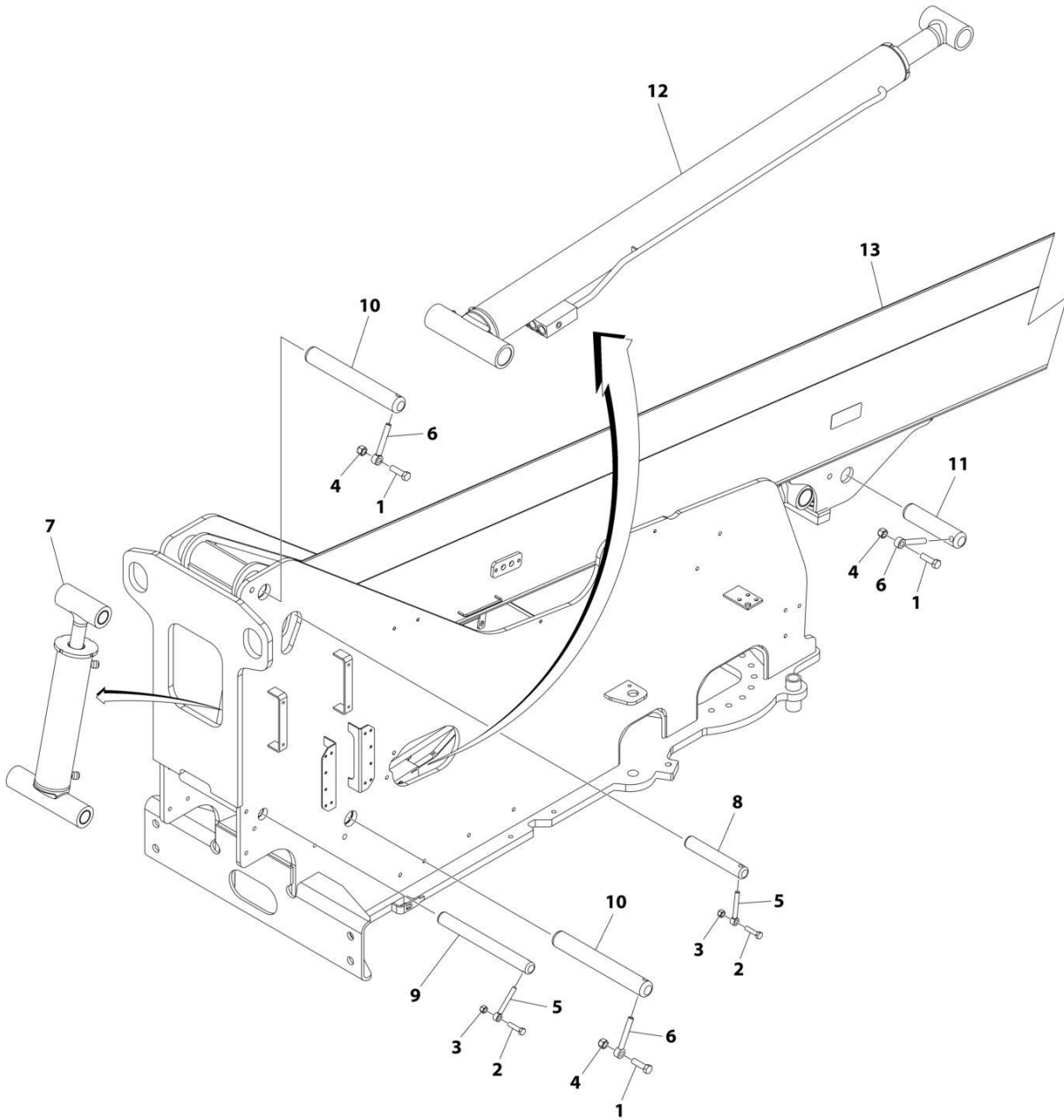
ITEM	PART NUMBER	QTY	DESCRIPTION	REV
112	4711000	10	Washer #10	
114	10702077	2	Screw #10 x 3/8	
115	10702082	2	Screw #10 x 3/4	
116	1001152525	1	Plug	
117	1001157520	1	Block, Terminal	
118	1001157521	1	Box, Junction	
119	1001157528	1	Decal - Wiring Schematic	
120	1001158007	1	Cover, PVC	
121	1001158008	2	Stand-Off	
	0272435	Ref	DECAL INSTALLATION	D
	0273380	Ref	DECAL INSTALLATION	B
201	3251243	1	Decal - 120V - 60Hz	
202	1705375	1	Decal - 240V-3 Phase-60Hz	
203	1705387	3	Decal - Hazardous Voltage	
204	1705460	2	Decal - SkyPower	



**SECTION 4 - BOOM**

# SECTION 4 - BOOM

## FIGURE 4-1. BOOM AND CYLINDERS INSTALLATION (400S)



ART\_1001244873

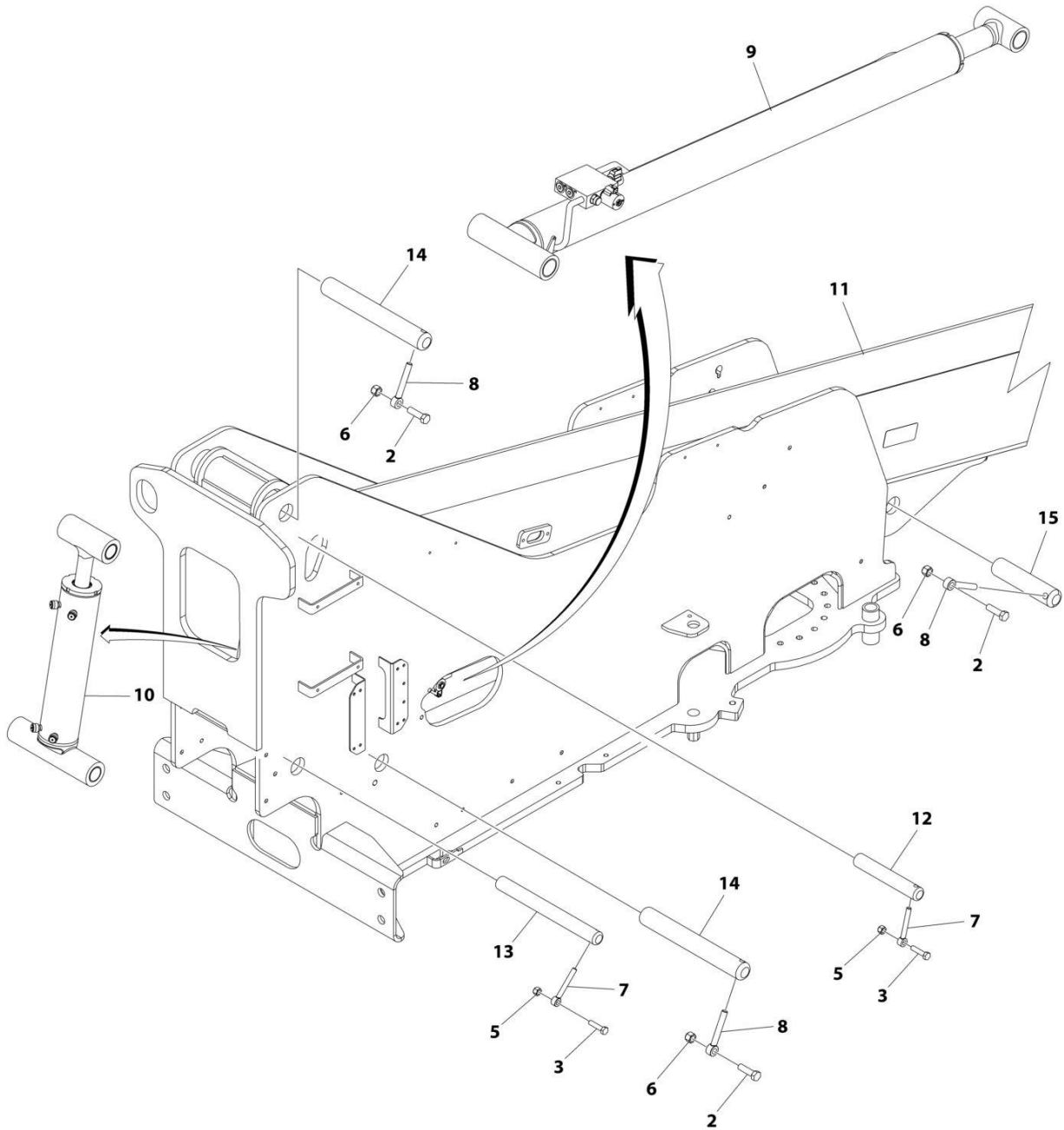
## SECTION 4 - BOOM

**FIGURE 4-1. BOOM AND CYLINDERS INSTALLATION (400S)**

ITEM	PART NUMBER	QTY	DESCRIPTION	REV
	1001244873	Ref	BOOM AND CYLINDERS INSTALLATION	A
1	0701619	3	Bolt, M16 x 55	
2	0761218	2	Bolt, M12 x 50	
3	3291205	2	Nut, Lock M12 x 1.75	
4	3291605	3	Nut, Lock M16 x 2	
5	3841203	2	Keeper, Pin	
6	3841258	3	Keeper, Pin	
7	1001163385	1	Master Cylinder Assembly (See Separate Breakdown in CYLINDER SECTION)	
8	1001168843	1	Pin	
9	1001168844	1	Pin	
10	1001168845	2	Pin	
11	1001168854	1	Pin	
12	1001228092	1	Lift Cylinder Assembly (See Separate Breakdown in CYLINDER SECTION)	
13	1001244874	1	Main Boom Assembly (See Separate Breakdown in this Section)	

# SECTION 4 - BOOM

## FIGURE 4-2. BOOM AND CYLINDERS INSTALLATION (USA BUILT MACHINES) (460SJ)



ART\_1001169669

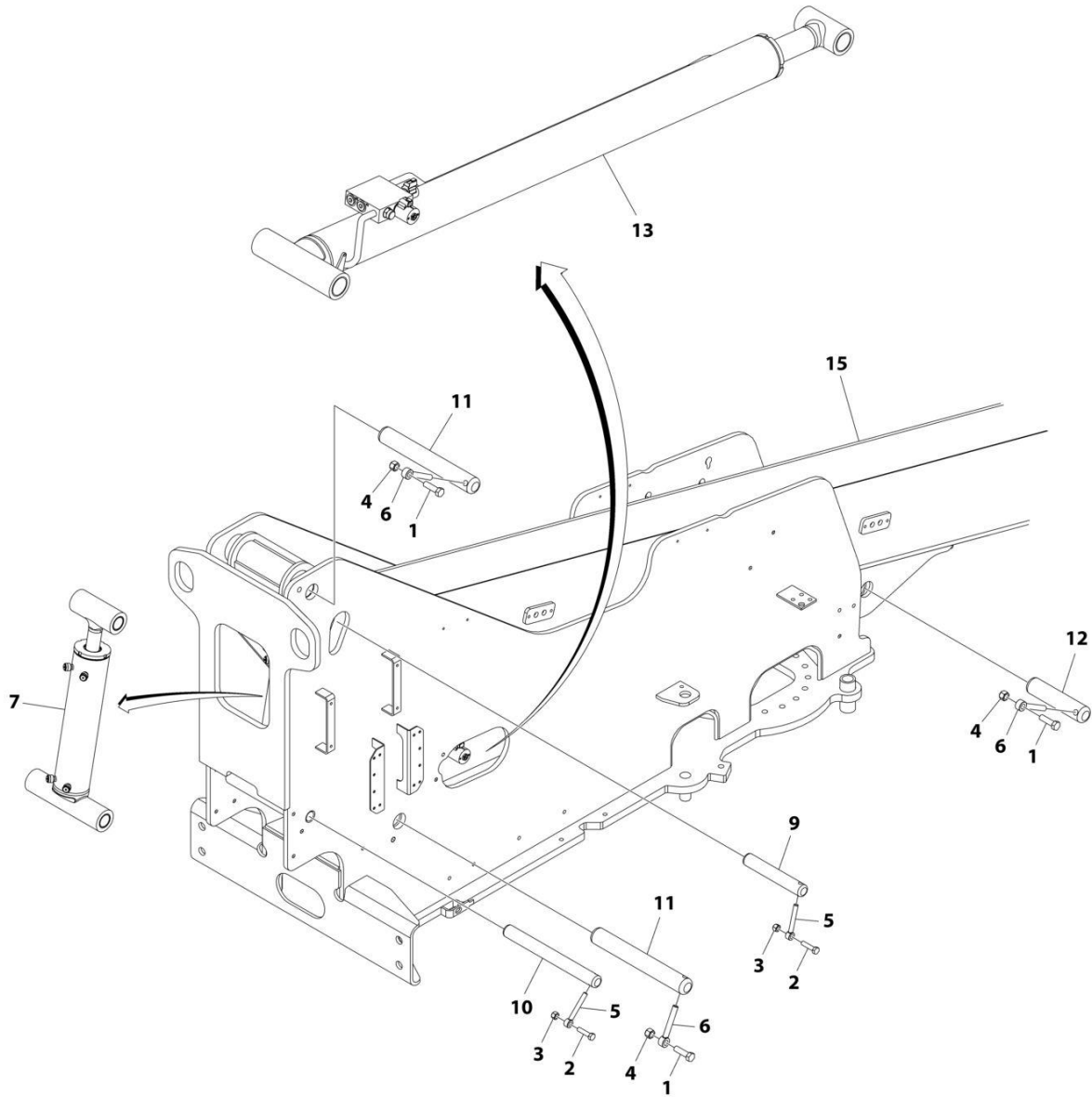
## SECTION 4 - BOOM

**FIGURE 4-2. BOOM AND CYLINDERS INSTALLATION (USA BUILT MACHINES) (460SJ)**

ITEM	PART NUMBER	QTY	DESCRIPTION	REV
	1001169669	Ref	BOOM AND CYLINDERS INSTALLATION	H
2	0701619	3	Bolt M16 x 55	
3	0761218	2	Bolt M12 x 50	
5	3291205	2	Nut M12 x 1.75	
6	3291605	3	Nut M16 x 2	
7	3841203	2	Keeper, Pin	
8	3841258	3	Keeper, Pin	
9	1001228092	1	Lift Cylinder Assembly (See Separate Breakdown in CYLINDER SECTION)	
10	1001163385	1	Master Cylinder Assembly (See Separate Breakdown in CYLINDER SECTION)	
11	1001163482	1	Main Boom Assembly (See Separate Breakdown in this Section)	
12	1001168843	1	Pin	
13	1001168844	1	Pin	
14	1001168845	2	Pin	
15	1001168854	1	Pin	

# SECTION 4 - BOOM

## FIGURE 4-3. BOOM AND CYLINDERS INSTALLATION (ROMANIAN BUILT MACHINES) (460SJ)



ART\_1001221481



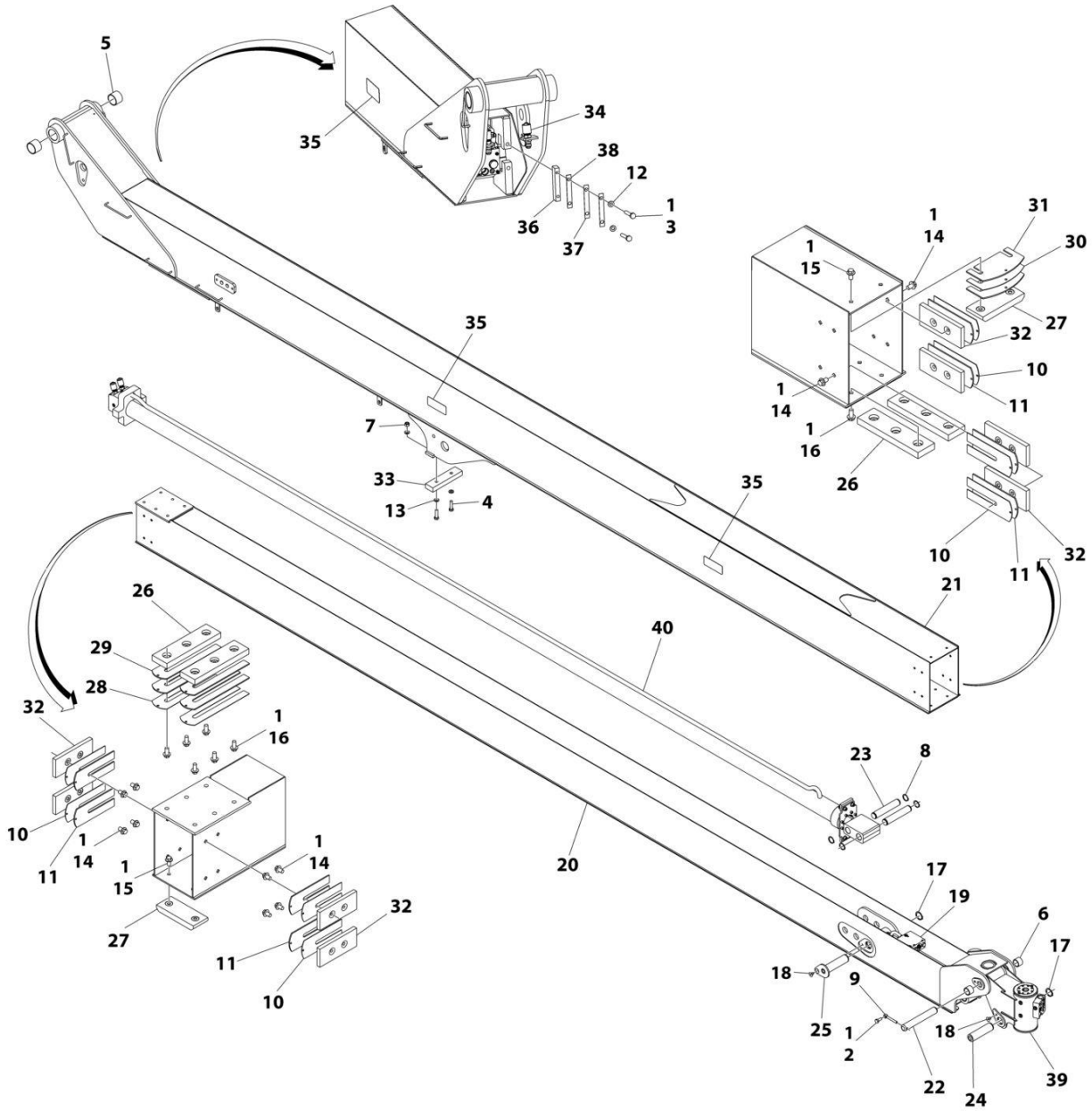
## SECTION 4 - BOOM

**FIGURE 4-3. BOOM AND CYLINDERS INSTALLATION (ROMANIAN BUILT MACHINES) (460SJ)**

ITEM	PART NUMBER	QTY	DESCRIPTION	REV
	1001221481	Ref	BOOM AND CYLINDERS INSTALLATION	D
1	0701619	3	Bolt, M16 x 55	
2	0761218	2	Bolt, M12 x 50	
3	3291205	2	Nut, Lock M12 x 1.75	
4	3291605	3	Nut, Lock M16 x 2	
5	3841203	2	Keeper, Pin	
6	3841258	3	Keeper, Pin	
7	1001163385	1	Master Cylinder Assembly (See Separate Breakdown in CYLINDER SECTION)	
9	1001168843	1	Pin	
10	1001168844	1	Pin	
11	1001168845	2	Pin	
12	1001168854	1	Pin	
13	1001228092	1	Lift Cylinder Assembly (See Separate Breakdown in CYLINDER SECTION)	
15	1001221482	1	Main Boom Assembly (See Separate Breakdown in this Section)	

# SECTION 4 - BOOM

## FIGURE 4-4. MAIN BOOM ASSEMBLY (400S)



ART\_1001244874

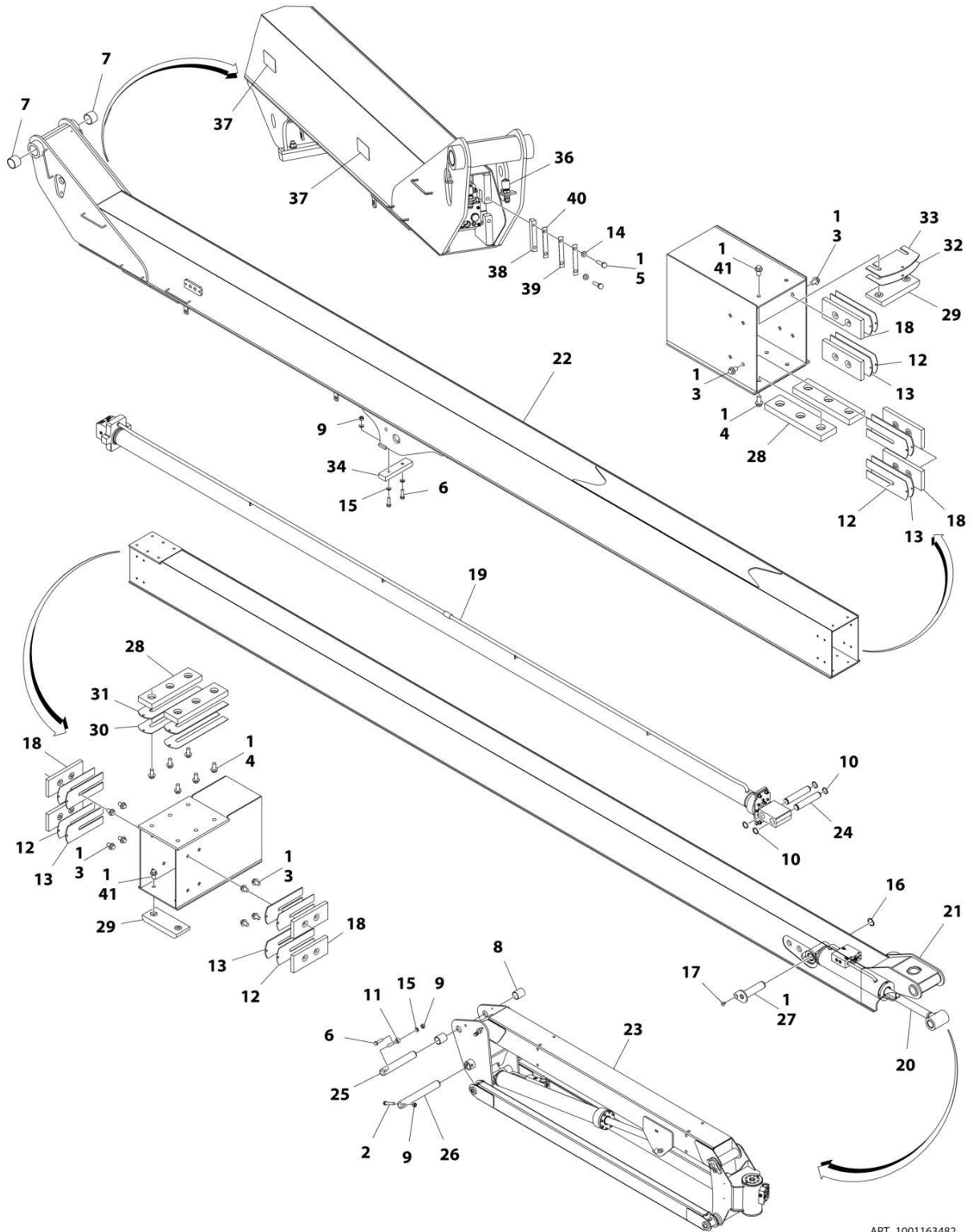
## SECTION 4 - BOOM

**FIGURE 4-4. MAIN BOOM ASSEMBLY (400S)**

ITEM	PART NUMBER	QTY	DESCRIPTION	REV
	1001244874	Ref	MAIN BOOM ASSEMBLY	B
1	0100011	AR	Compound, Locking	
2	0761012	1	Bolt M10 x 25	
3	0761019	4	Bolt M10 x 55	
4	0761217	2	Bolt M12 x 45	
5	0961950	2	Bearing	
6	0961951	2	Bushing	
7	3291205	2	Nut M12	
8	3760133	4	Ring	
9	3841143	1	Keeper, Pin	
10	4070897	AR	Shim 18 Ga	
11	4070898	AR	Shim 11 Ga	
12	4812000	4	Washer M10	
13	4812100	4	Washer M12	
14	5251008	16	Bolt M10 x 16	
15	5251009	4	Bolt M10 x 18	
16	5251011	12	Bolt M10 x 22	
17	1001099560	2	Ring, Retaining	
18	1001137032	2	Screw M10 x 16	
19	1001163386	1	Level (Platform Slave) Cylinder Assembly (See Separate Breakdown in CYLINDER SECTION)	
20	1001163459	1	Fly, Boom	
21	1001163470	1	Base, Boom	
22	1001168841	1	Pin	
23	1001168842	2	Pin	
24	1001168848	1	Pin	
25	1001168849	1	Pin	
26	1001169284	4	Pad	
27	1001169285	2	Pad	
28	1001169286	AR	Shim	
29	1001169287	AR	Shim	
30	1001169288	AR	Shim	
31	1001169289	AR	Shim	
32	1001169380	8	Pad	
33	1001171067	1	Pad	
34	1001171112	2	Hose	
35	1001171324	6	Cover	
36	1001171667	2	Bar	
37	1001171966	AR	Shim 20Ga	
38	1001171967	AR	Shim 16Ga	
39	1001221927	1	Platform Rotator Assembly (See Separate Breakdown in this Section)	
40	1001251075	1	Telescope Cylinder Assembly (See Separate Breakdown in CYLINDER SECTION)	

# SECTION 4 - BOOM

## FIGURE 4-5. MAIN BOOM ASSEMBLY (USA BUILT MACHINES) (460SJ)



ART\_1001163482

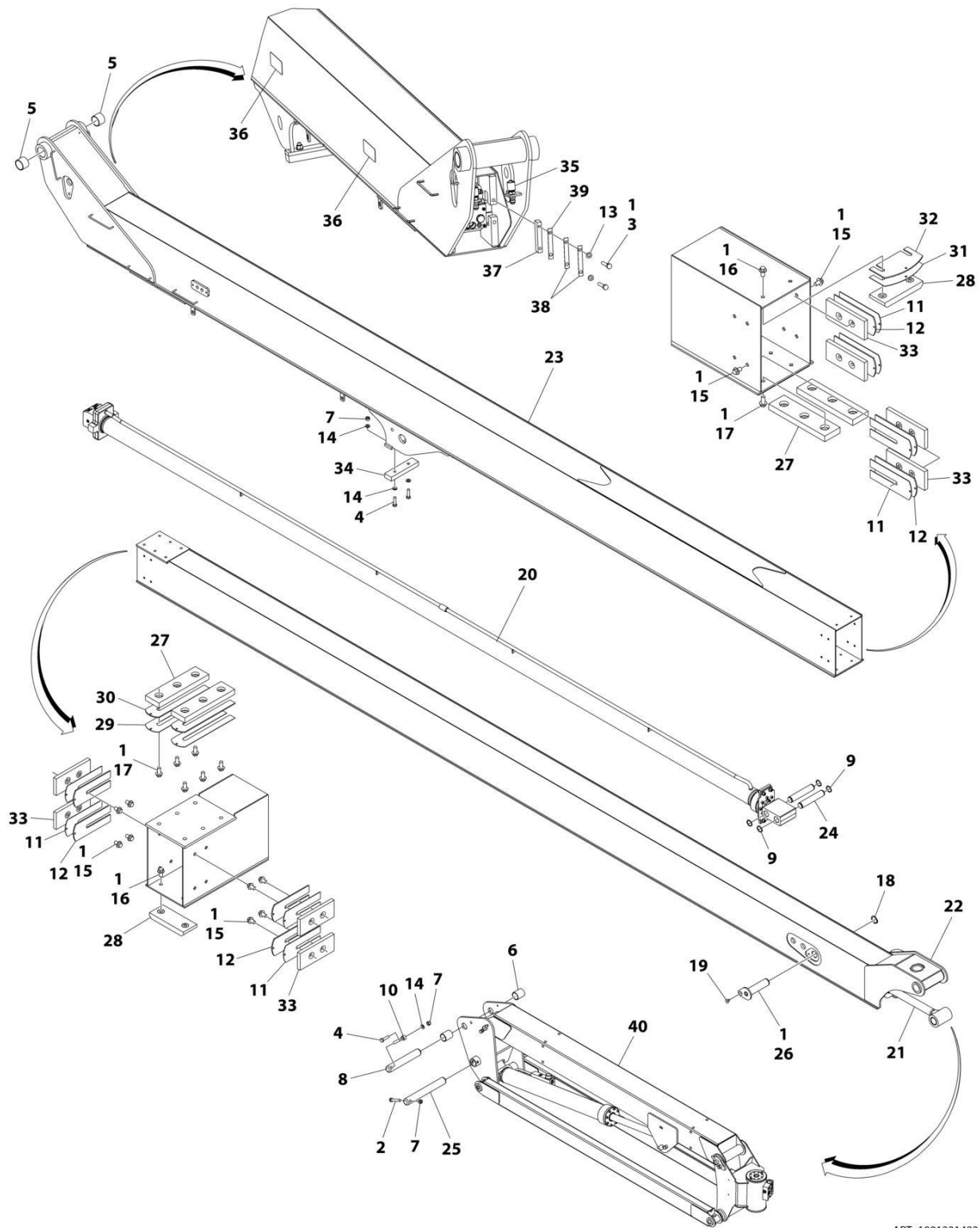
## SECTION 4 - BOOM

**FIGURE 4-5. MAIN BOOM ASSEMBLY (USA BUILT MACHINES) (460SJ)**

ITEM	PART NUMBER	QTY	DESCRIPTION	REV
	1001163482	Ref	MAIN BOOM ASSEMBLY	J
1	0100011	AR	Compound, Locking	
2	0701222	1	Bolt M12 x 70	
3	5251008	16	Bolt M10 x 16	
4	5251011	12	Bolt M10 x 22	
5	0761019	4	Bolt M10 x 55	
6	0761217	3	Bolt M12 x 45	
7	0961950	2	Bearing	
8	0962348	2	Bearing	
9	3291205	4	Nut M12 x 1.75	
10	3760133	4	Ring, Retaining	
11	3841203	1	Keeper, Pin	
12	4070897	AR	Shim, 18Ga	
13	4070898	AR	Shim, 11Ga	
14	4812000	4	Washer, M10	
15	4812100	5	Washer, M12	
16	1001099560	1	Ring, Retaining	
17	1001137032	1	Screw M10 x 16	
18	1001169380	8	Pad	
19	1001251075	1	Telescope Cylinder Assembly (See Separate Breakdown in CYLINDER SECTION)	
20	1001163386	1	Level (Platform Slave) Cylinder Assembly (See Separate Breakdown in CYLINDER SECTION)	
21	1001163483	1	Fly, Boom	
22	1001163492	1	Base, Boom	
23	1001247048	1	Jib Boom Assembly (See Separate Breakdown in this Section)	
24	1001168842	2	Pin	
25	3422793	1	Pin	
26	1001168847	1	Pin	
27	1001168849	1	Pin	
28	1001169284	4	Pad	
29	1001169285	2	Pad	
30	1001169286	AR	Shim	
31	1001169287	AR	Shim	
32	1001169288	AR	Shim	
33	1001169289	AR	Shim	
34	1001171067	1	Pad	
36	1001171112	2	Hose	
37	1001171324	2	Cover	
38	1001171667	2	Bar	
39	1001171966	AR	Shim, 20Ga	
40	1001171967	AR	Shim, 16Ga	
41	5251009	4	Bolt M10 x 18	

# SECTION 4 - BOOM

## FIGURE 4-6. MAIN BOOM ASSEMBLY (ROMANIAN BUILT MACHINES) (460SJ)



ART\_1001221482

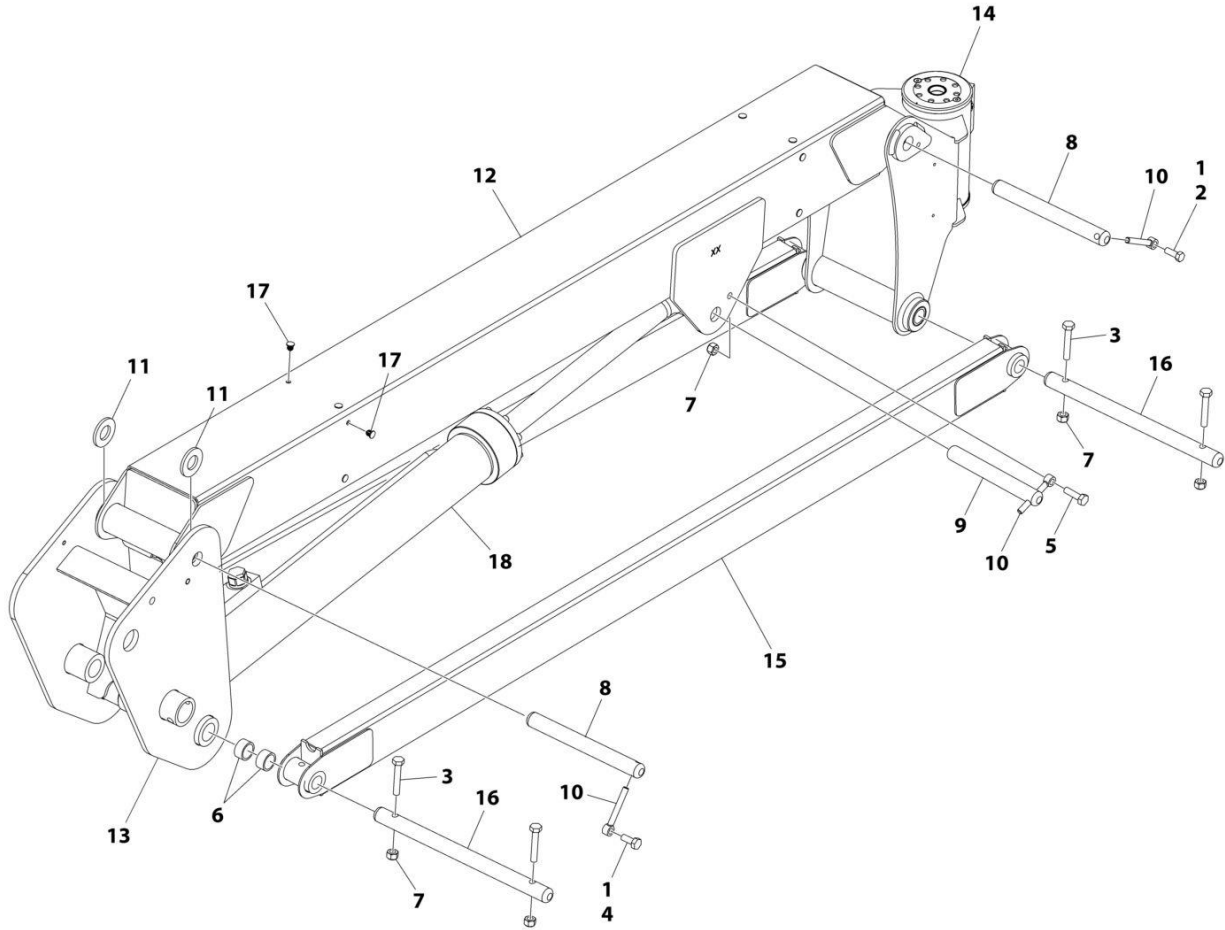
## SECTION 4 - BOOM

**FIGURE 4-6. MAIN BOOM ASSEMBLY (ROMANIAN BUILT MACHINES) (460SJ)**

ITEM	PART NUMBER	QTY	DESCRIPTION	REV
	1001221482	Ref	MAIN BOOM ASSEMBLY	F
1	0100011	AR	Compound, Locking	
2	0701222	1	Bolt, M12 x 70	
3	0761019	4	Bolt, M10 x 55	
4	0761217	3	Bolt, M12 x 45	
5	0961950	2	Bearing	
6	0962348	2	Bearing	
7	3291205	4	Nut, Lock M12 x 1.75	
8	3422793	1	Pin	
9	3760133	4	Ring, Retaining	
10	3841203	1	Keeper, Pin	
11	4070897	AR	Shim, 18Ga	
12	4070898	AR	Shim, 11Ga	
13	4812000	4	Washer, M10	
14	4812100	5	Washer, M12	
15	5251008	16	Bolt, M10 x 16	
16	5251009	4	Bolt, M10 x 18	
17	5251011	12	Bolt, M10 x 22	
18	1001099560	1	Ring, Retaining	
19	1001137032	1	Screw M10 x 16	
20	1001251075	1	Telescope Cylinder Assembly (See Separate Breakdown in CYLINDER SECTION)	
21	1001163386	1	Level (Platform Slave) Cylinder Assembly (See Separate Breakdown in CYLINDER SECTION)	
22	1001163483	1	Fly, Boom	
23	1001163492	1	Base, Boom	
24	1001168842	2	Pin	
25	1001168847	1	Pin	
26	1001168849	1	Pin	
27	1001169284	4	Pad	
28	1001169285	2	Pad	
29	1001169286	AR	Shim	
30	1001169287	AR	Shim	
31	1001169288	AR	Shim	
32	1001169289	AR	Shim	
33	1001169380	8	Pad	
34	1001171067	1	Pad	
35	1001171112	2	Hose	
36	1001171324	AR	Cover	
37	1001171667	2	Bar	
38	1001171966	AR	Shim, 20Ga	
39	1001171967	AR	Shim, 16Ga	
40	1001247623	1	Jib Boom Assembly (See Separate Breakdown in this Section)	

# SECTION 4 - BOOM

## FIGURE 4-7. JIB BOOM ASSEMBLY (USA BUILT MACHINES) (460SJ)



ART\_1001247048



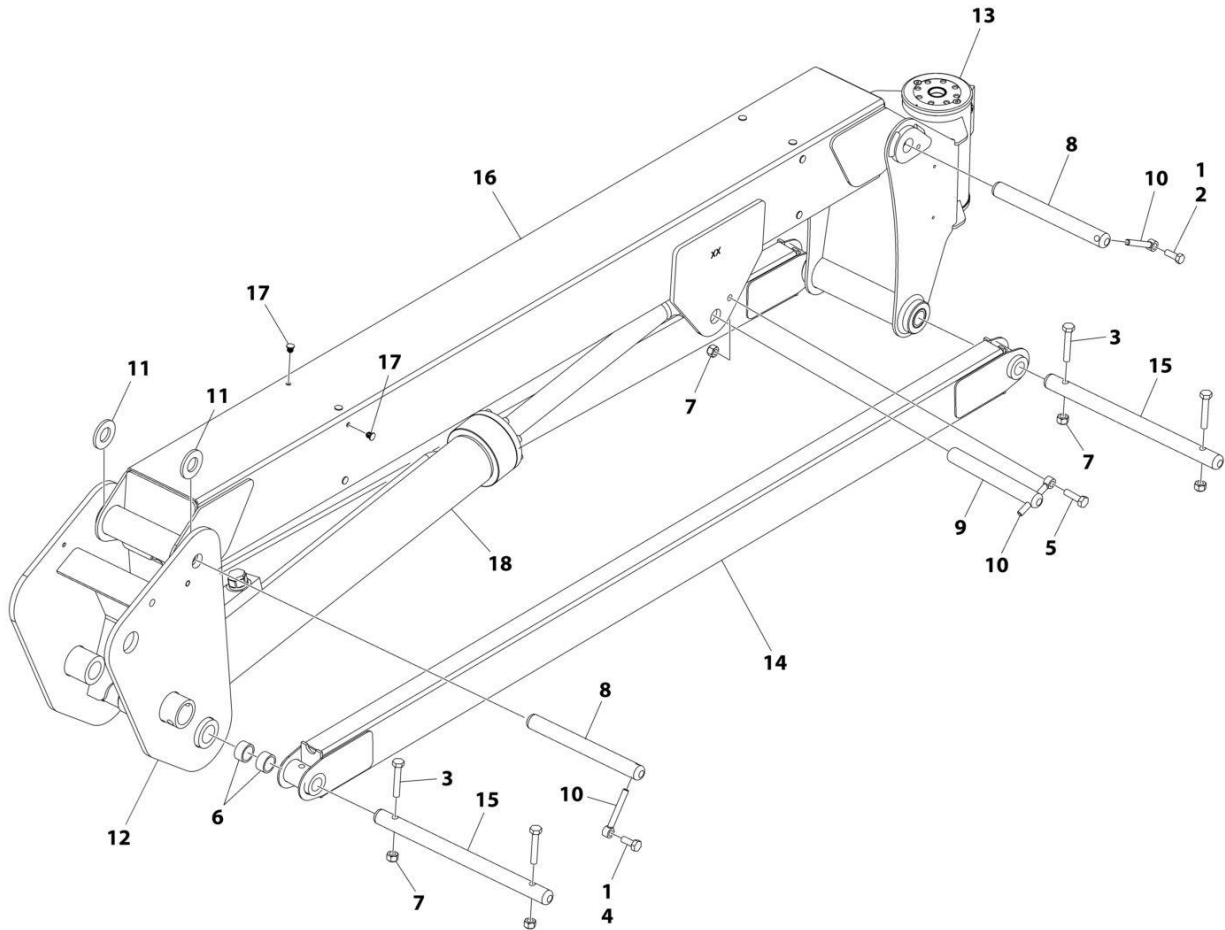
## SECTION 4 - BOOM

**FIGURE 4-7. JIB BOOM ASSEMBLY (USA BUILT MACHINES) (460SJ)**

ITEM	PART NUMBER	QTY	DESCRIPTION	REV
	1001247048	Ref	JIB BOOM ASSEMBLY	B
1	0100011	AR	Compound, Locking	
2	0641608	1	Bolt 3/8 x 1	
3	0701020	4	Bolt M10 x 60	
4	0761012	1	Bolt M10 x 25	
5	0761015	1	Bolt M10 x 35	
6	0961947	4	Bearing	
7	3291005	5	Nut M10	
8	3422860	2	Pin	
9	3422867	1	Pin	
10	3841143	3	Keeper, Pin	
11	4740439	2	Washer, Thrust	
12	4844816	1	Tube (Upper)	
12	0962335	4	Bushing	
13	1001165567	1	Pivot	
14	1001181051	1	Rotator Assembly (See Separate Breakdown in this Section)	
15	4844817	2	Tube, Lower	
16	3422861	2	Pin	
17	1001223899	8	Fastener	
18	1001248012	1	Lift Cylinder Assembly - Jib (See Separate Breakdown in CYLINDER SECTION)	

# SECTION 4 - BOOM

## FIGURE 4-8. JIB BOOM ASSEMBLY (ROMANIAN BUILT MACHINES) (460SJ)



ART\_1001247623

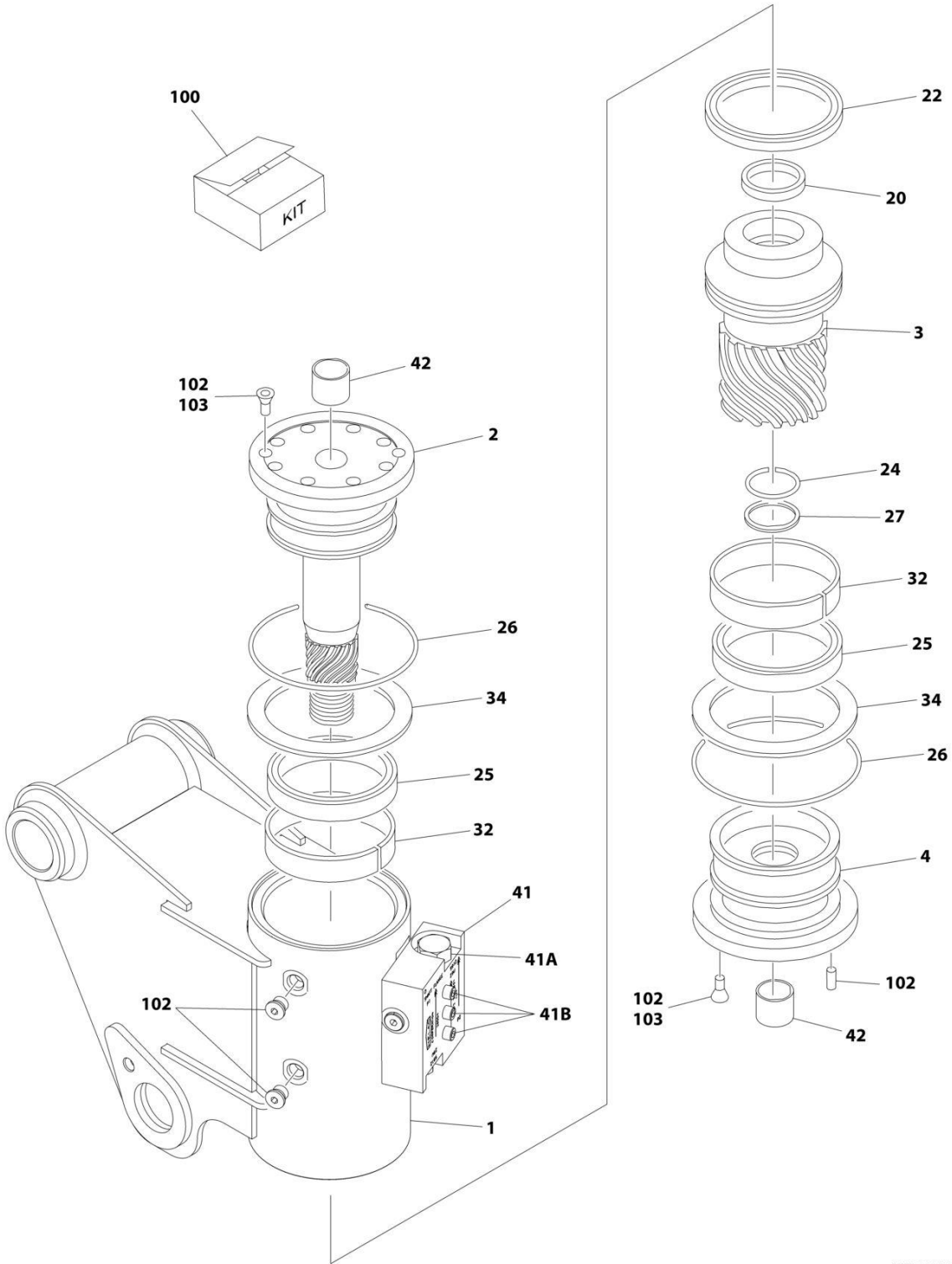
## SECTION 4 - BOOM

**FIGURE 4-8. JIB BOOM ASSEMBLY (ROMANIAN BUILT MACHINES) (460SJ)**

ITEM	PART NUMBER	QTY	DESCRIPTION	REV
	1001247623	Ref	JIB BOOM ASSEMBLY	B
1	0100011	AR	Compound, Locking	
2	0641608	1	Bolt 3/8 x 1	
3	0701020	4	Bolt M10 x 60	
4	0761012	1	Bolt M10 x 25	
5	0761015	1	Bolt M10 x 35	
6	0961947	4	Bearing	
7	3291005	5	Nut M10	
8	3422860	2	Pin	
9	3422867	1	Pin	
10	3841143	3	Keeper, Pin	
11	4740439	2	Washer, Thrust	
12	1001165567	1	Pivot	
13	1001181051	1	Rotator Assembly (See Separate Breakdown in this Section)	
14	1001221486	2	Tube, Lower	
15	3422861	2	Pin	
16	1001221484	1	Tube (Upper)	
16	0962335	4	Bushing	
17	1001223899	8	Fastener	
18	1001248012	1	Lift Cylinder Assembly - Jib (See Separate Breakdown in CYLINDER SECTION)	

# SECTION 4 - BOOM

## FIGURE 4-9. ROTATOR ASSEMBLY (400S)



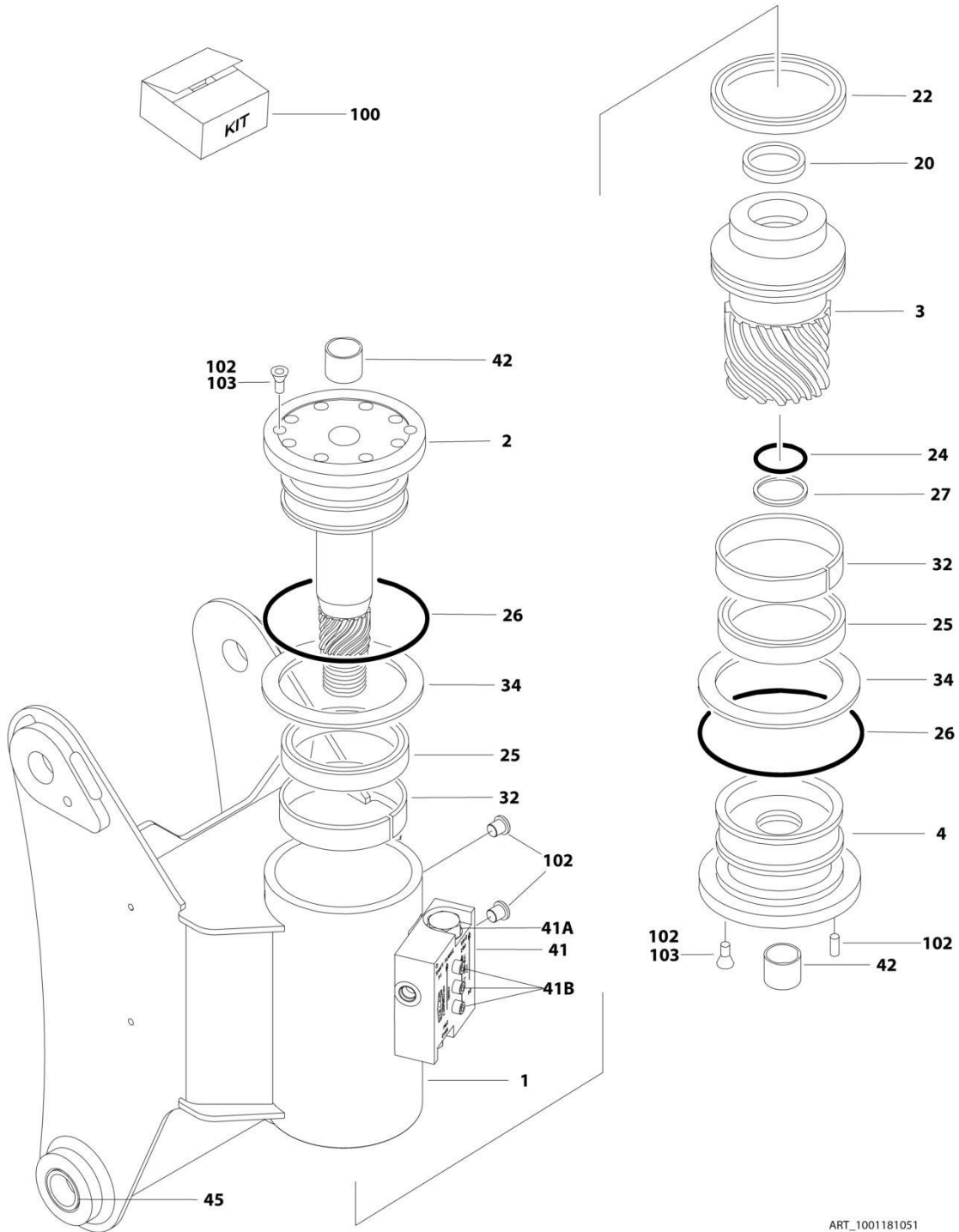
ART\_1001221927

FIGURE 4-9. ROTATOR ASSEMBLY (400S)

ITEM	PART NUMBER	QTY	DESCRIPTION	REV
	1001221927	Ref	ROTATOR ASSEMBLY	A
1	See Note	NSS	Housing/Ring Gear Assembly (Note: Not Available - Purchase Complete Rotator Assembly)	
2	7017162	1	Shaft Weldment	
3	7017163	1	Piston/Sleeve Assembly	
4	7017164	1	Cap, End	
20	See Note	NSS	T-Seal (Note: Use Item 100)	
22	See Note	NSS	T-Seal (Note: Use Item 100)	
24	See Note	NSS	O-Ring (Note: Use Item 100)	
25	See Note	NSS	Seal (Note: Use Item 100)	
26	See Note	NSS	O-Ring (Note: Use Item 100)	
27	See Note	NSS	Ring, Back-up (Note: Use Item 100)	
32	See Note	NSS	Ring, Wear (Note: Use Item 101)	
34	See Note	NSS	Washer, Thrust (Note: Use Item 101)	
40	70006580	1	Tube, Stop (Not Shown)	
41	7017172	AR	Valve Assembly	
41A	7017192	2	Cartridge, Valve	
41A	See Note	NSS	Seal Kit - 7017192 Valve (Note: Not Available for Purchase)	
41B	See Note	3	Bolt 1/4 x 1-1/2 (Grade 8) (Note: Not Available - Purchase Locally)	
42	7017195	2	Bushing	
100	70000342	1	Seal Kit (Includes Items 20, 22, 24, 25, 27)	
101	7017159	1	Bearing Kit (Includes Items 32 & 34)	
102	7017142	1	Hardware Kit	
103	70001697	4	Screw, Countersunk 1/4 x 3/8 Grade 8	

# SECTION 4 - BOOM

## FIGURE 4-10. ROTATOR ASSEMBLY (460SJ)



ART\_1001181051

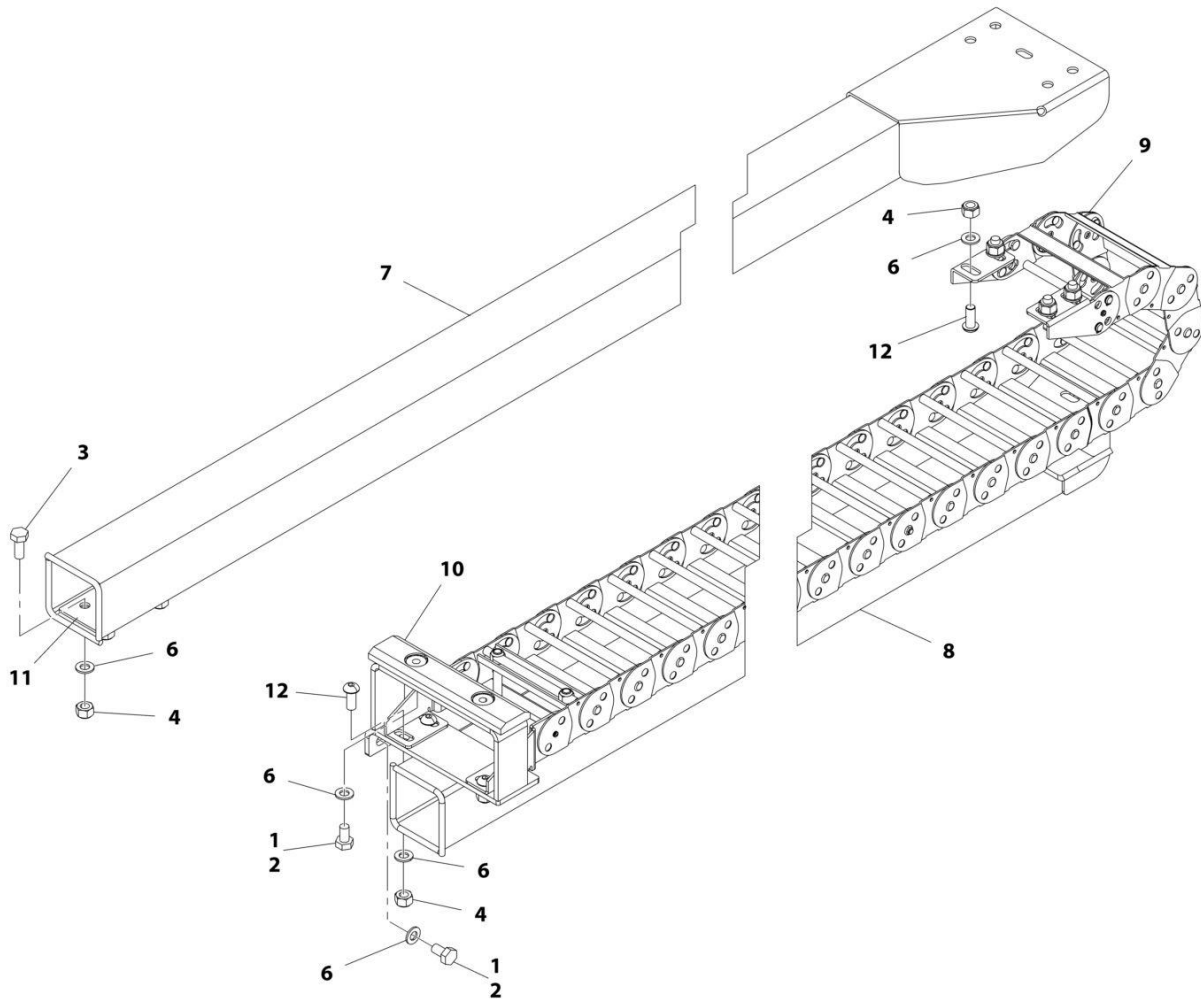
**SECTION 4 - BOOM**

**FIGURE 4-10. ROTATOR ASSEMBLY (460SJ)**

ITEM	PART NUMBER	QTY	DESCRIPTION	REV
	1001181051	Ref	ROTATOR ASSEMBLY	A
1	See Note	NSS	Housing/Ring Gear Assembly (Note: Not Available - Purchase Complete Rotator Assembly)	
2	7017162	1	Shaft Weldment	
3	7017163	1	Piston/Sleeve Assembly	
4	7017164	1	Cap, End	
20	See Note	NSS	T-Seal (Note: Use Item 100)	
22	See Note	NSS	T-Seal (Note: Use Item 100)	
24	See Note	NSS	O-Ring (Note: Use Item 100)	
25	See Note	NSS	Seal (Note: Use Item 100)	
26	See Note	NSS	O-Ring (Note: Use Item 100)	
27	See Note	NSS	Ring, Back-up (Note: Use Item 100)	
32	See Note	NSS	Ring, Wear (Note: Use Item 101)	
34	See Note	NSS	Washer, Thrust (Note: Use Item 101)	
41	7017172	AR	Valve Assembly	
41A	7017192	2	Cartridge, Valve	
41A	See Note	NSS	Seal Kit - 7017192 Valve (Note: Not Available for Purchase)	
41B	See Note	3	Bolt 1/4-20NC x 1-1/2 Grade 8 (Note: Not Available - Purchase Locally)	
42	7017195	2	Bushing	
45	7017150	2	Bushing	
100	70000342	1	Seal Kit (Includes Items 20, 22, 24, 25, 27 & 33)	
101	7017159	1	Bearing Kit (Includes Items 32 & 34)	
102	7017142	1	Hardware Kit	
103	70001697	4	Screw, Countersunk 1/4 x 3/8 Grade 8	

# SECTION 4 - BOOM

## FIGURE 4-11. POWER TRACK INSTALLATION (USA BUILT MACHINES)



ART\_1001165538



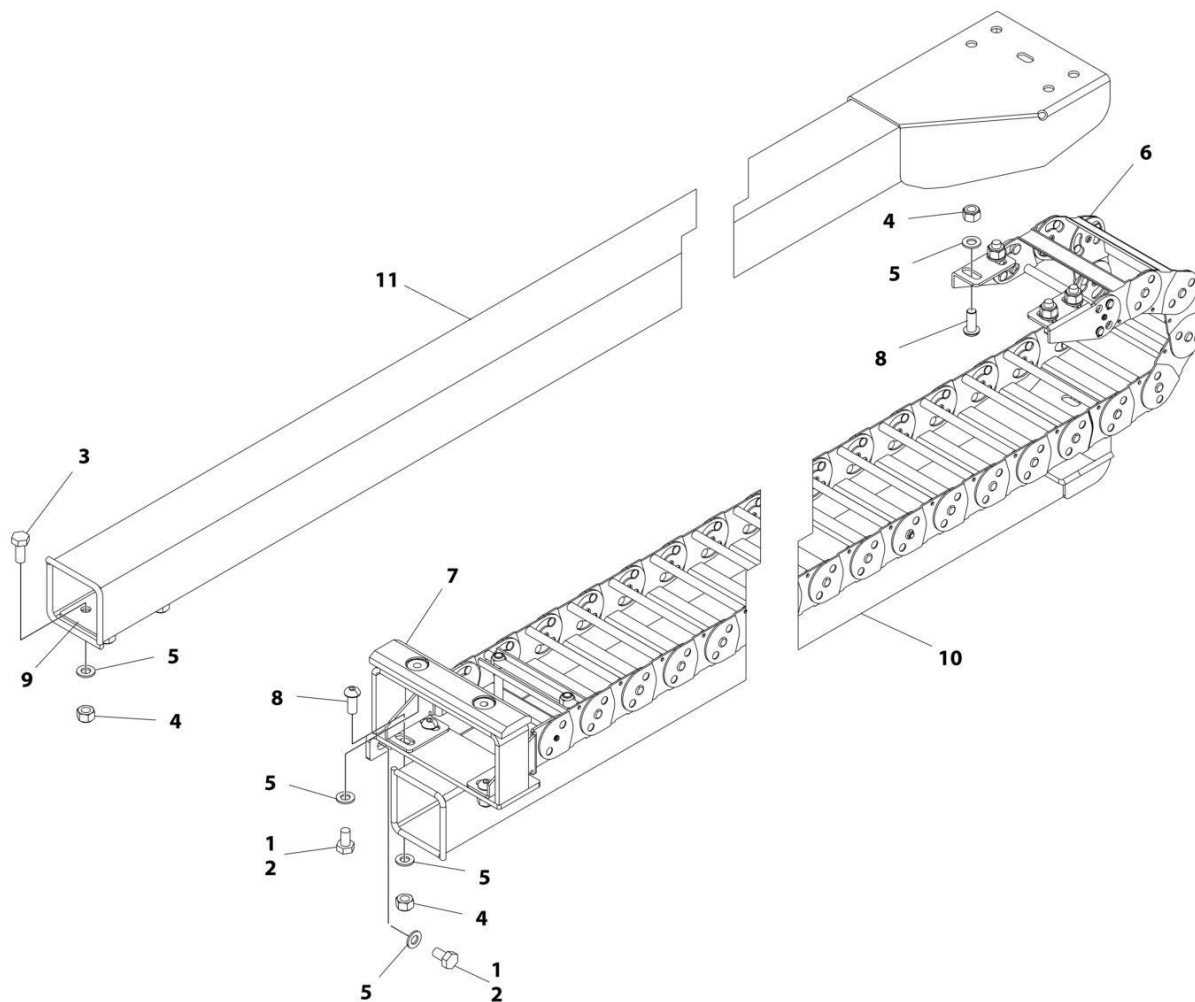
## SECTION 4 - BOOM

**FIGURE 4-11. POWER TRACK INSTALLATION (USA BUILT MACHINES)**

ITEM	PART NUMBER	QTY	DESCRIPTION	REV
	1001165538	Ref	POWER TRACK INSTALLATION	E
1	0100011	AR	Compound, Locking	
2	0761009	10	Bolt M10 x 18	
3	0761012	4	Bolt M10 x 25	
4	3291005	12	Nut M10	
6	4812000	22	Washer M10	
7	1001165531	1	Tube, Push	
8	1001165534	1	Tube, Carrier	
9	1001224888	1	Power Track	
9	70006255	1	Repair Section without Clamp - 10 Links	
9	70006270	1	Feet, Mounting (Includes 1 each Left and Right Mounting Feet)	
10	1001169611	1	Pad, Wear	
11	1001176899	1	Plate, Support	
12	1001173763	8	Screw M10 x 25	

# SECTION 4 - BOOM

## FIGURE 4-12. POWER TRACK INSTALLATION (ROMANIAN BUILT MACHINES)



ART\_1001220920

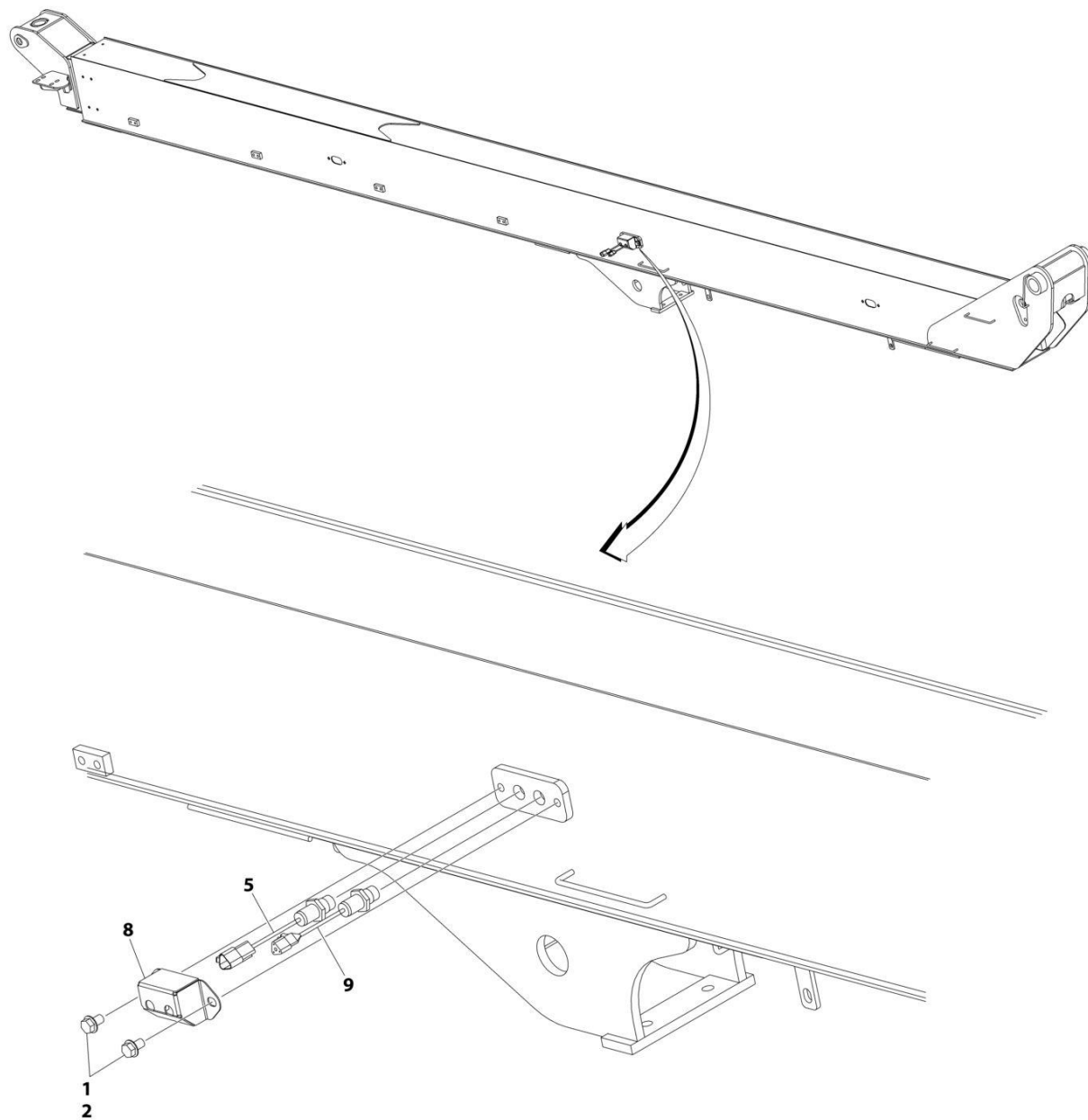
## SECTION 4 - BOOM

**FIGURE 4-12. POWER TRACK INSTALLATION (ROMANIAN BUILT MACHINES)**

ITEM	PART NUMBER	QTY	DESCRIPTION	REV
	1001220920	Ref	POWER TRACK INSTALLATION	B
1	0100011	AR	Compound, Locking	
2	0761009	10	Bolt M10 x 18	
3	0761012	4	Bolt M10 x 25	
4	3291005	12	Nut M10	
5	4812000	22	Washer M10	
6	1001224888	1	Power Track	
6	70002011	1	Repair Section without Clamp - 10 Links	
6	70005106	1	Repair Section with Clamp - 10 Links	
6	70005107	1	Feet, Mounting (Includes 1 each Left and Right Mounting Feet)	
7	1001169611	1	Pad, Wear	
8	1001173763	8	Screw M10 x 25	
9	1001176899	1	Plate, Support	
10	1001220921	1	Tube, Carrier	
11	1001220924	1	Tube, Push	

# SECTION 4 - BOOM

## FIGURE 4-13. CAPACITY SWITCH INSTALLATION



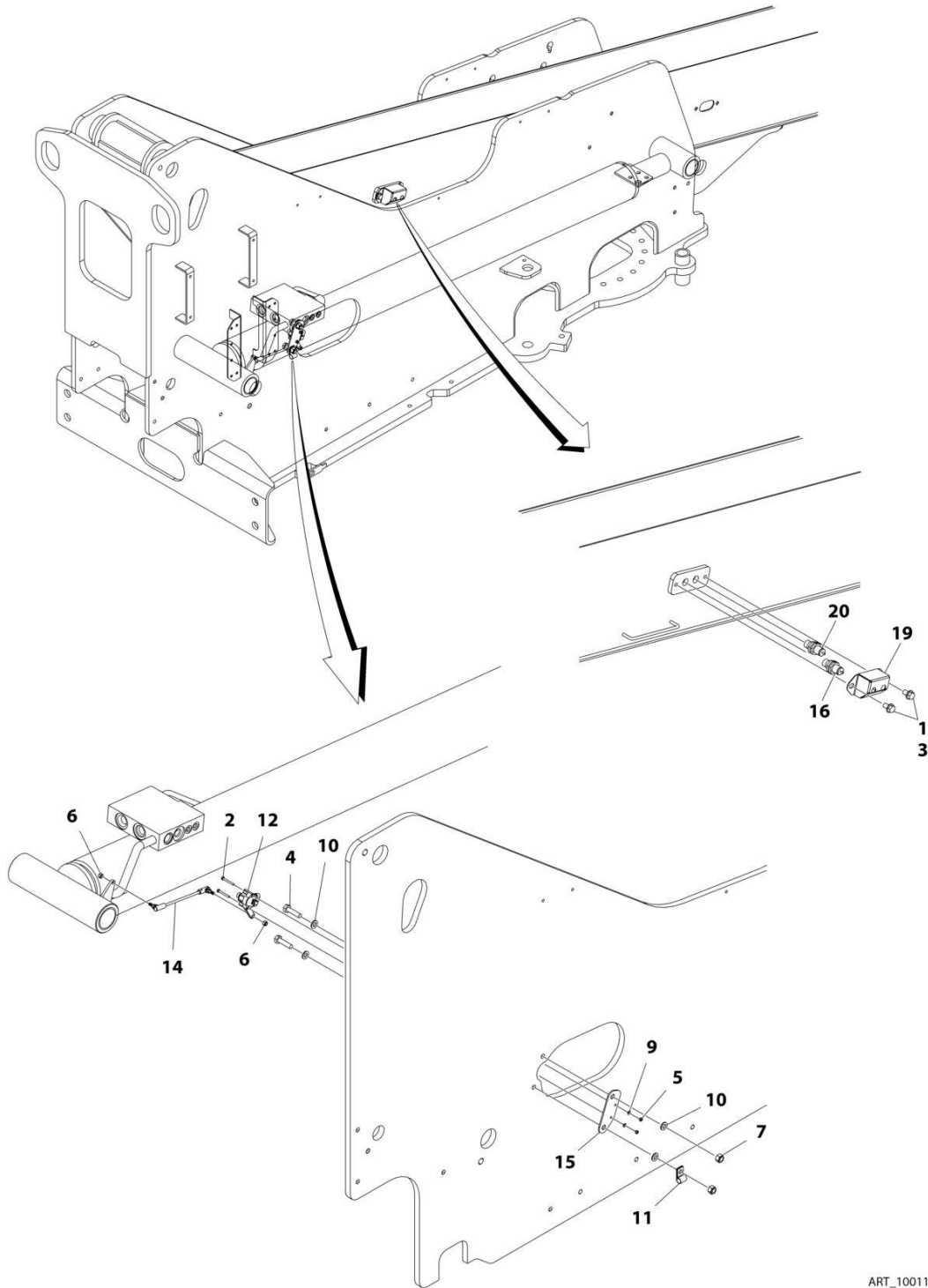
ART\_1001173233

FIGURE 4-13. CAPACITY SWITCH INSTALLATION

ITEM	PART NUMBER	QTY	DESCRIPTION	REV
	1001173233	Ref	CAPACITY SWITCH INSTALLATION	D
1	0100011	AR	Compound, Locking	
2	5251008	2	Bolt, M10 x 16	
5	1001170847	1	Sensor, Proximity	
5	4460536	1	Connector - 3 Position	
5	4460464	3	Pin, Male	
8	1001204715	1	Bracket, Cover	
9	1001182570	1	Sensor, Proximity	
9	4460539	1	Connector 3 Position	
9	4460465	3	Socket, Female	

# SECTION 4 - BOOM

## FIGURE 4-14. TRANSPORT SWITCHES INSTALLATION



ART\_1001170642

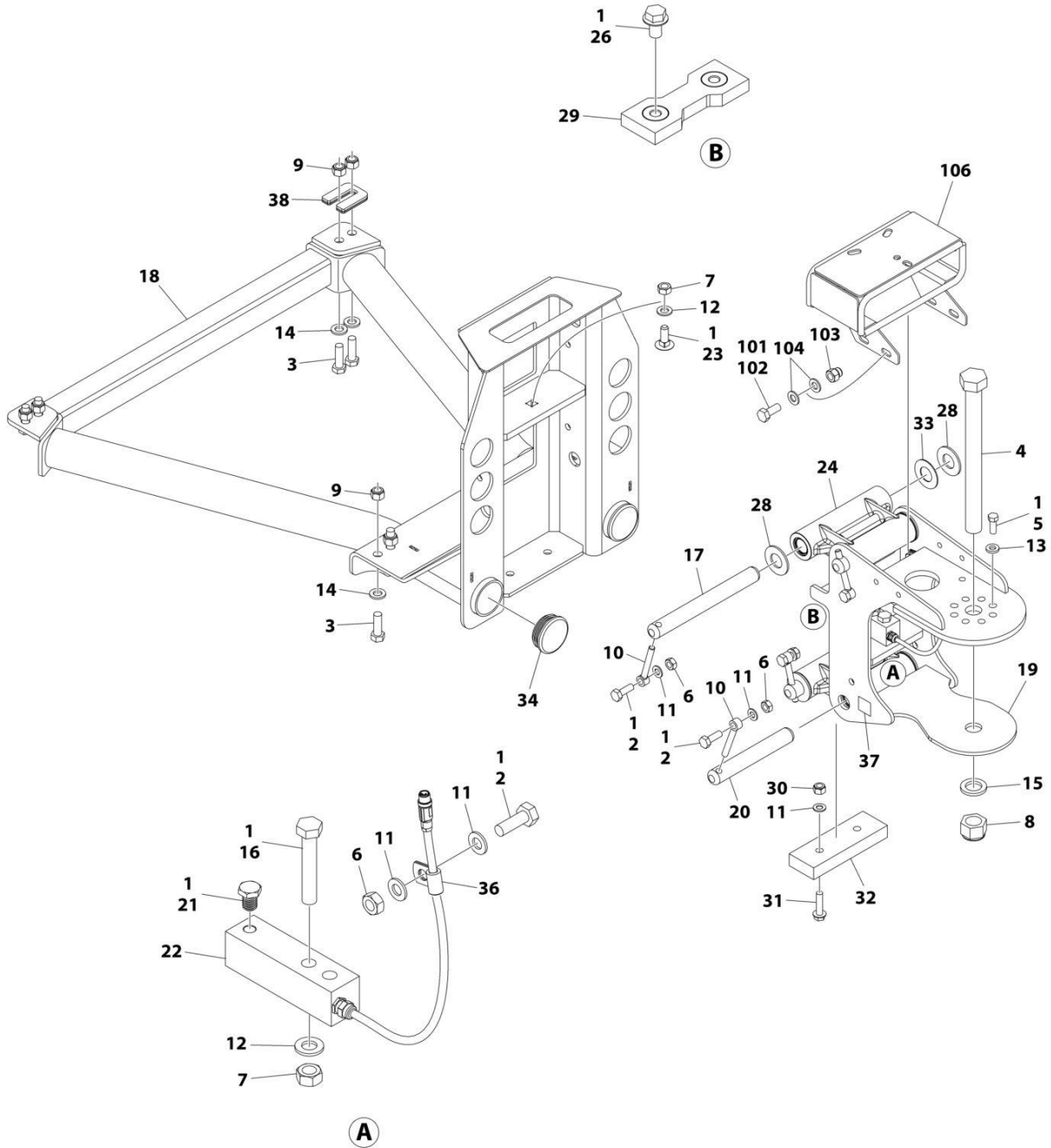
## SECTION 4 - BOOM

**FIGURE 4-14. TRANSPORT SWITCHES INSTALLATION**

ITEM	PART NUMBER	QTY	DESCRIPTION	REV
	1001170642	Ref	TRANSPORT SWITCHES INSTALLATION	I
1	0100011	AR	Compound, Locking	
2	0760415	2	Bolt M4 x 35	
3	5251008	2	Bolt M10 x 16	
4	0761016	2	Bolt M10 x 40	
5	3290405	2	Nut M4 x 0.7	
6	3290605	2	Nut M6 x 1	
7	3291005	2	Nut M10 x 1.5	
9	4811400	2	Washer M4	
10	4812000	4	Washer M10	
11	8406110	1	Clip	
12	1001118971	1	Angle, Sensor	
14	1001170564	1	Link, Sensor	
15	1001170565	1	Bracket	
16	1001170847	1	Sensor, Proximity	
16	4460536	1	Connector - 3 Position	
16	4460464	3	Pin, Male	
19	1001204715	1	Bracket, Switch Cover	
20	1001182570	1	Sensor, Proximity	
20	4460539	1	Connector - 3 Position	
20	4460465	3	Socket, Female	
21	1001288195	1	Boom Angle Sensr Jumper Harness	

# SECTION 4 - BOOM

## FIGURE 4-15. PLATFORM SUPPORT INSTALLATION - WITH 1 CELL LSS



ART\_1001167596\_N



## SECTION 4 - BOOM

**FIGURE 4-15. PLATFORM SUPPORT INSTALLATION - WITH 1 CELL LSS**

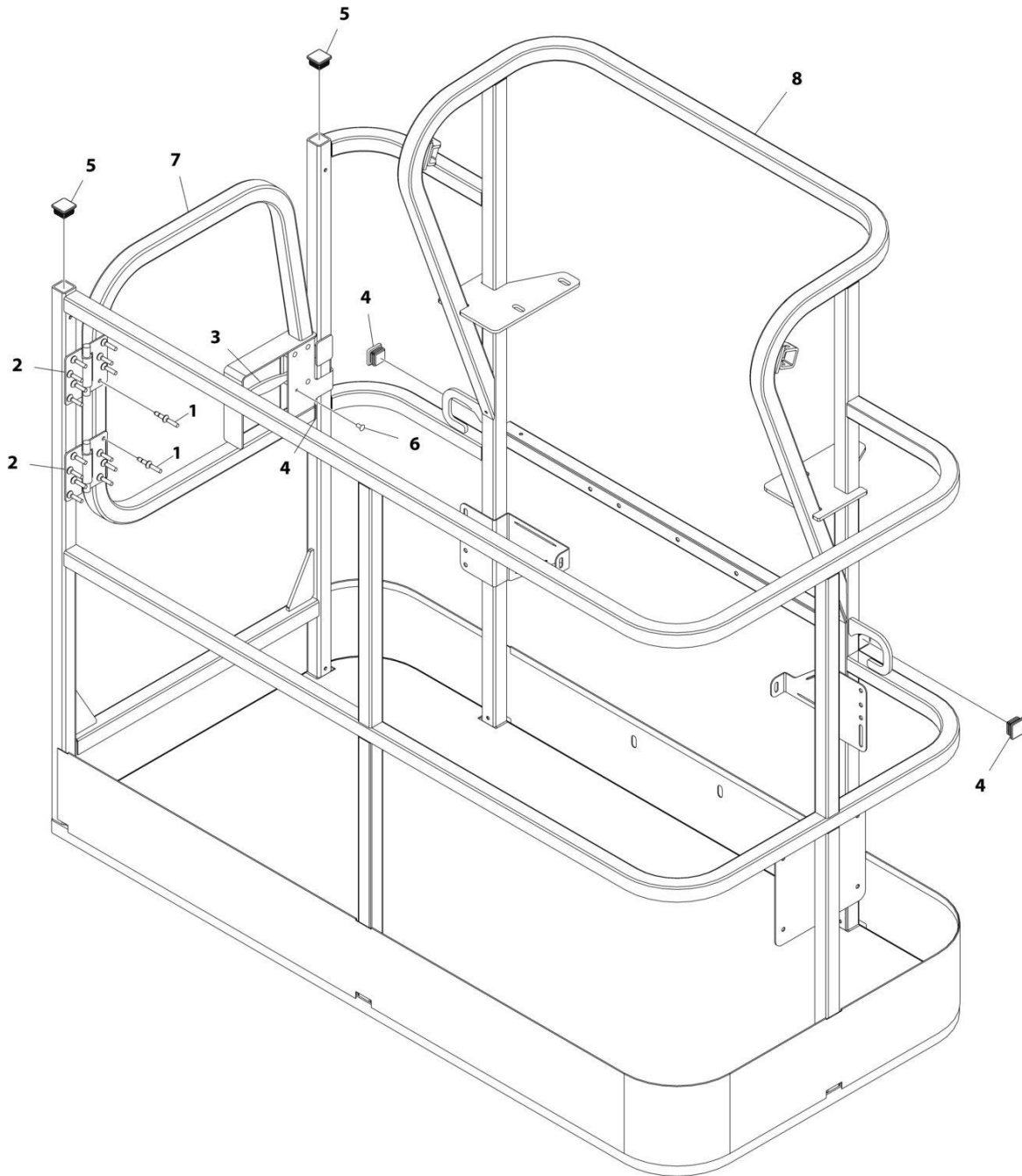
ITEM	PART NUMBER	QTY	DESCRIPTION	REV
	1001167596	Ref	PLATFORM SUPPORT INSTALLATION	N
1	0100011	AR	Compound, Locking	
2	0761014	5	Bolt M10 x 30	
3	0761216	8	Bolt M12 x 40	
4	1001255133	1	Bolt 1 x 11 GRD8	
5	0681608	8	Bolt 3/8 x 1 GRD8	
6	3291001	5	Nut M10	
7	3291201	3	Nut M12	
8	1001174040	1	Nut 1	
9	3291205	8	Nut M12	
10	3841143	4	Keeper, Pin	
11	4812000	8	Washer M10	
12	4812100	3	Washer M12	
13	4891600	8	Washer 3/8	
14	5241200	8	Washer M12	
15	4892600001	1	Washer 1	
16	1001098828	2	Bolt M12 x 70 CL10.9	
17	1001167565	2	Pin	
18	1001200494	1	Support, Platform	
19	1001167567	1	Support, Rotator	
20	1001168402	2	Pin	
21	1001188622	1	Screw	
22	1001247468	1	Loadcell	
23	1001188844	1	Bolt M12 x 35	
24	1001201351	2	Link	
24	1001187382	4	Bearing	
24	1001187383	4	Seal	
26	5251008	2	Bolt M10 x 16 CL10.9	
28	1001189002	8	Bearing	
29	1001190985	1	Pad, Wear	
30	3291005	2	Nut M10	
31	5251016	2	Bolt M10 x 40 CL10.9	
32	1001200491	1	Pad, Wear	
33	1001189001	4	Bearing	
34	1001204725	2	Plug	
36	91203039	1	Clamp	
37	1001216630	2	Decal - Tie Down/No Lift	
38	1001238421	Ref	Kit, Platform Leveling (Not Shown)	
	1001202687	Ref	VALVE MOUNT INSTALLATION	B
101	0100011	AR	Compound, Locking	
102	0760810	4	Bolt M8 x 20	
103	3290806	4	Nut M8	
104	4811900	8	Washer M8	
106	1001208994	1	Mount, Valve	



**SECTION 5 - PLATFORM**

# SECTION 5 - PLATFORM

FIGURE 5-1. PLATFORM ASSEMBLY - 30IN X 5FT (76.2CM X 1.52M) WITH SWING GATE (USA BUILT MACHINES)



ART\_1001186386

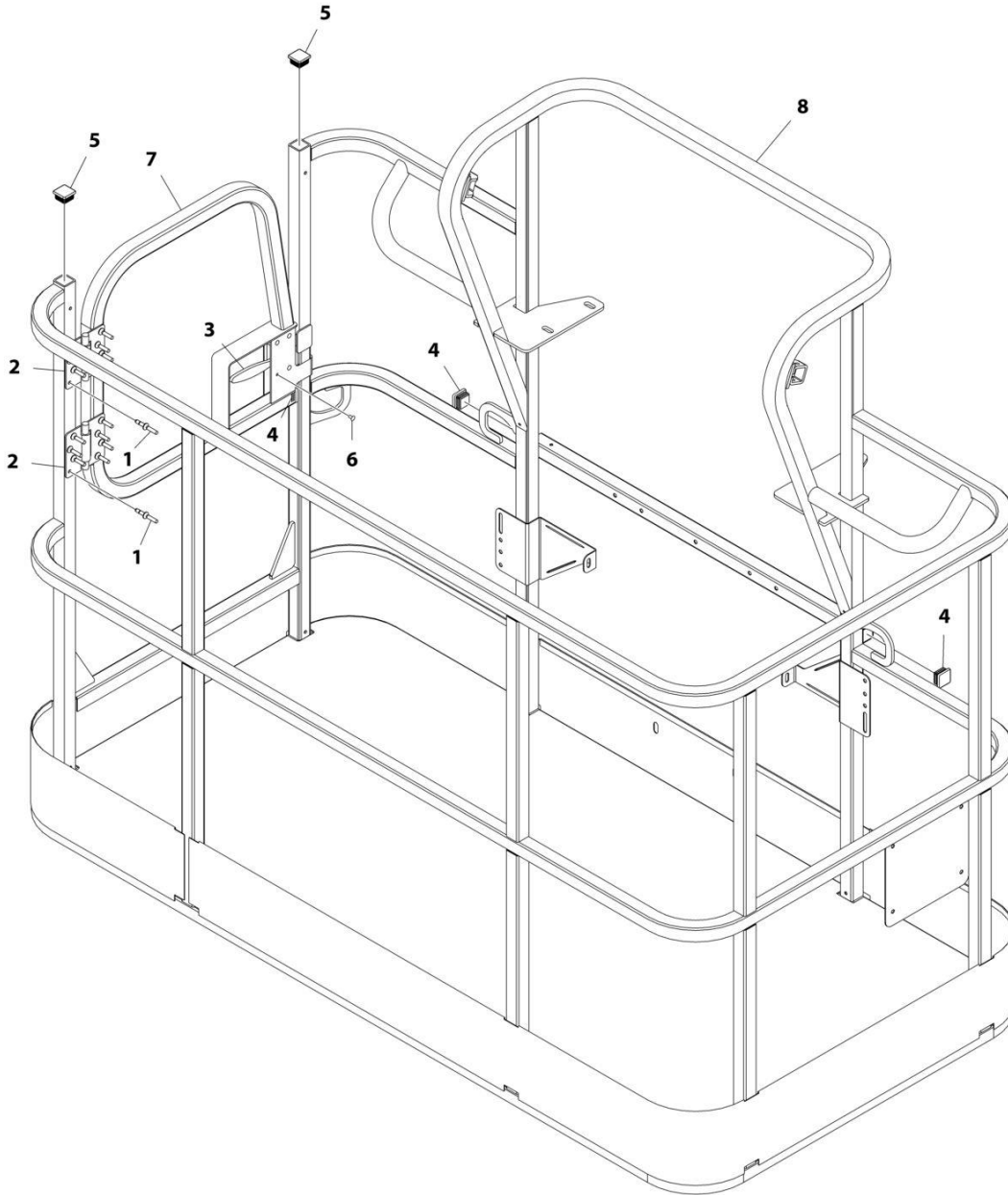
## SECTION 5 - PLATFORM

**FIGURE 5-1. PLATFORM ASSEMBLY - 30IN X 5FT (76.2CM X 1.52M) WITH SWING GATE (USA BUILT MACHINES)**

ITEM	PART NUMBER	QTY	DESCRIPTION	REV
	1001186386	Ref	PLATFORM ASSEMBLY	C
		Ref	Note: Platform and Mesh must be ordered separately for Platforms with Mesh. See SPECIAL OPTIONS SECTION for Mesh Installations.	
		Ref	Note: Replacement Decals Must be Ordered Separately - See DECALS SECTION.	
1	2080040	16	Fastener, Huck	
2	2600281	2	Hinge, Self-Closing	
3	2940074	1	Latch	
4	3520072	3	Plug	
5	3520198	2	Plug	
6	3820020	4	Rivet	
7	1001144629	1	Gate	
8	See Note	NSS	Platform (Note: Not Available - Purchase Platform Assembly)	

# SECTION 5 - PLATFORM

FIGURE 5-2. PLATFORM ASSEMBLY - 36IN X 6FT (91.5CM X 1.83M) WITH SWING GATE (USA BUILT MACHINES)



ART\_1001186384

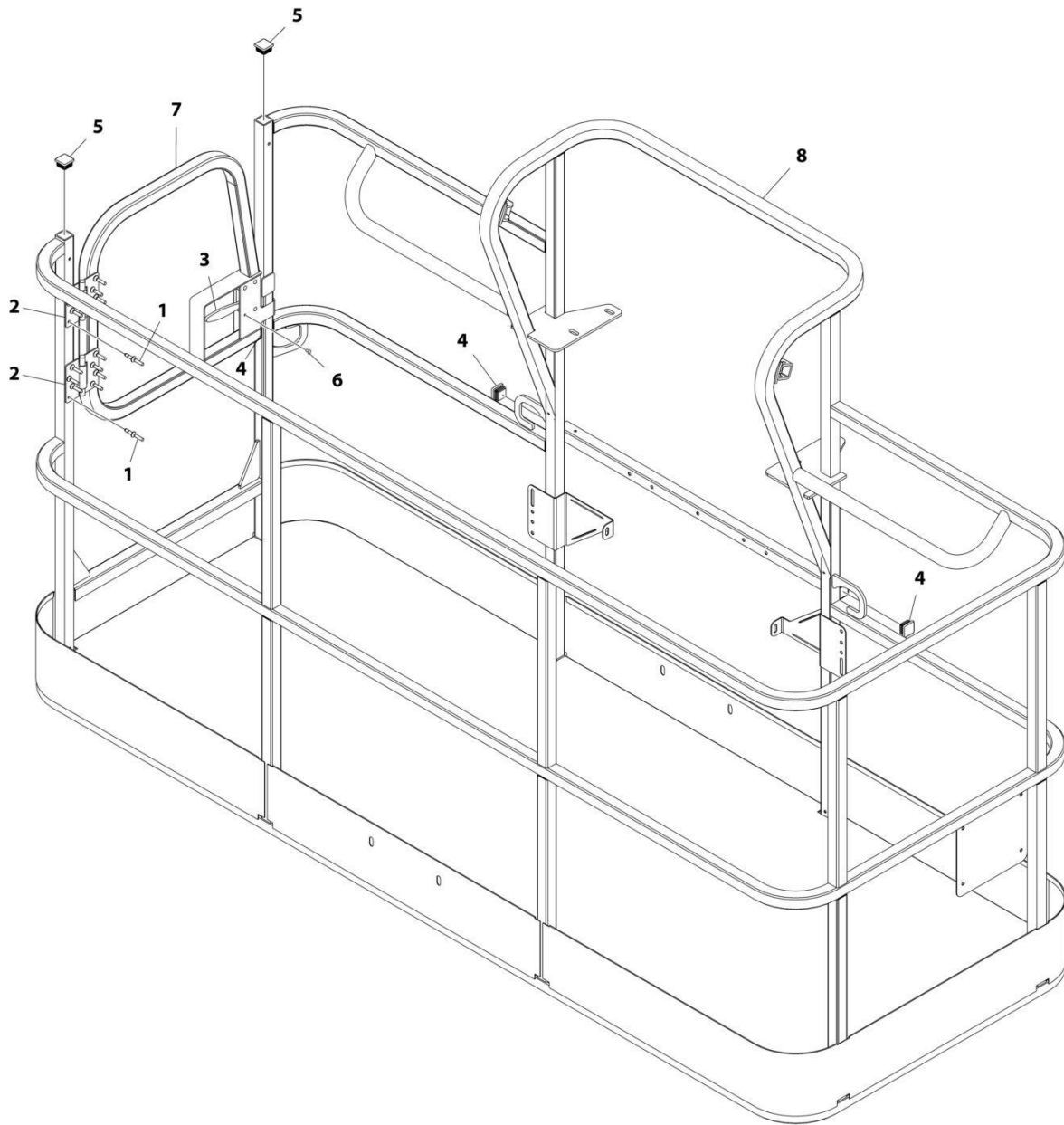
## SECTION 5 - PLATFORM

**FIGURE 5-2. PLATFORM ASSEMBLY - 36IN X 6FT (91.5CM X 1.83M) WITH SWING GATE (USA BUILT MACHINES)**

ITEM	PART NUMBER	QTY	DESCRIPTION	REV
	1001186384	Ref	PLATFORM ASSEMBLY - 36IN X 6FT (91.5CM X 1.83M) WITH SWING GATE	C
	See Note	Ref	Note: Platform and Mesh must be ordered separately for Platforms with Mesh. See SPECIAL OPTIONS SECTION for Mesh Installations.	
	See Note	Ref	Note: Replacement Decals Must be Ordered Separately - See DECALS SECTION.	
1	2080040	16	Fastener, Huck	
2	2600281	2	Hinge	
3	2940074	1	Latch	
4	3520072	3	Plug	
5	3520198	2	Plug	
6	3820020	4	Rivet	
7	1001144629	1	Gate	
8	See Note	NSS	Platform (Note: Not Available - Purchase Platform Assembly)	

# SECTION 5 - PLATFORM

FIGURE 5-3. PLATFORM ASSEMBLY - 36IN X 8FT (91.5CM X 2.44M) WITH SWING GATE (USA BUILT MACHINES)



ART\_1001186383



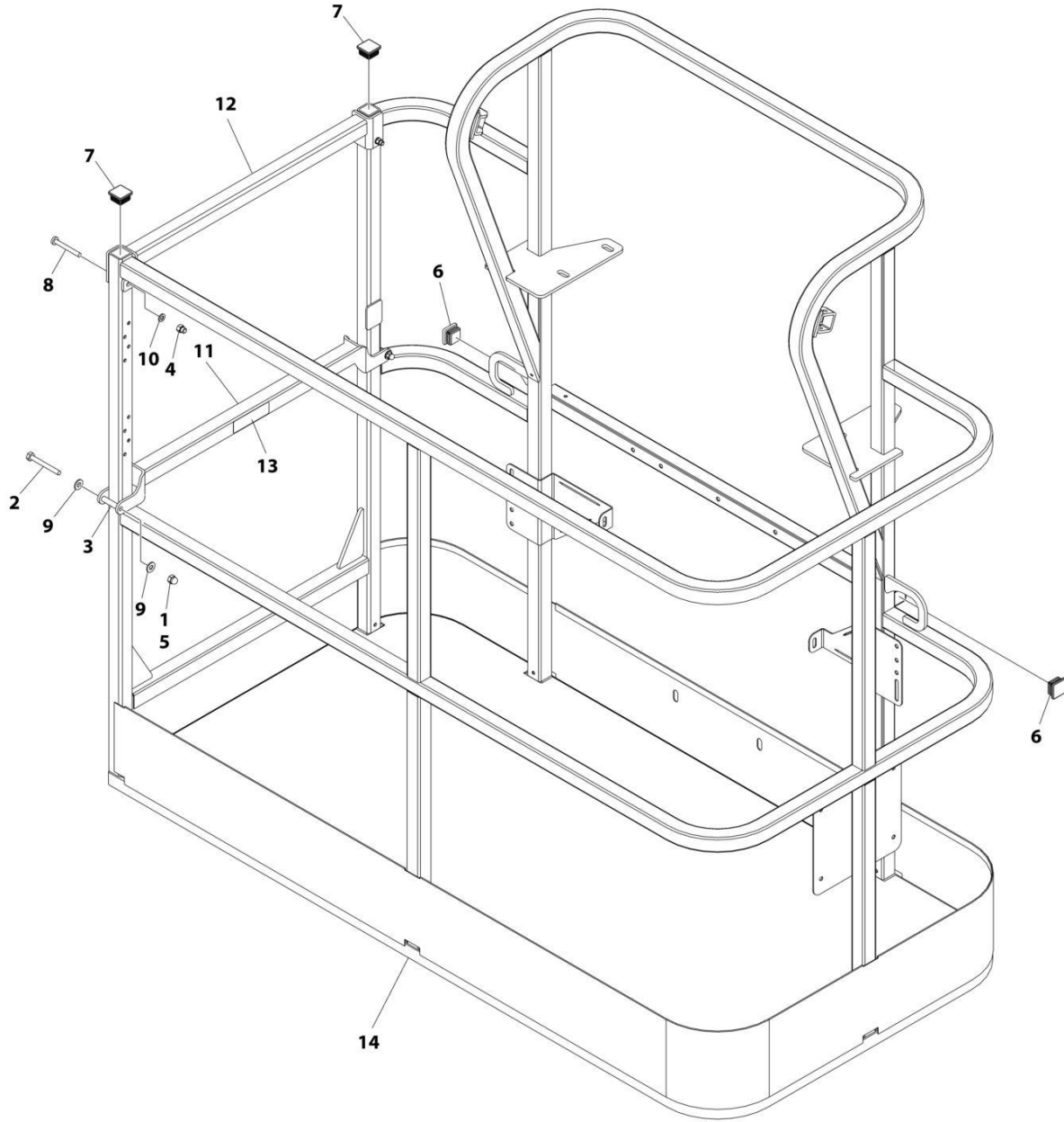
## SECTION 5 - PLATFORM

**FIGURE 5-3. PLATFORM ASSEMBLY - 36IN X 8FT (91.5CM X 2.44M) WITH SWING GATE (USA BUILT MACHINES)**

ITEM	PART NUMBER	QTY	DESCRIPTION	REV
	1001186383	Ref	PLATFORM ASSEMBLY - 36IN X 8FT (91.5CM X 2.44M) WITH SWING GATE	D
		Ref	Note: Platform and Mesh must be ordered separately for Platforms with Mesh. See SPECIAL OPTIONS SECTION for Mesh Installations.	
		Ref	Note: Replacement Decals Must be Ordered Separately - See DECALS SECTION.	
1	2080040	16	Fastener, Huck	
2	2600281	2	Hinge	
3	2940074	1	Latch	
4	3520072	3	Plug	
5	3520198	2	Plug	
6	3820020	4	Rivet	
7	1001144629	1	Gate	
8	See Note	NSS	Platform (Note: Not Available - Purchase Platform Assembly)	

# SECTION 5 - PLATFORM

FIGURE 5-4. PLATFORM ASSEMBLY - 30IN X 5FT (76.2CM X 1.52M) WITH DROP BAR (USA BUILT MACHINES)



ART\_1001186377

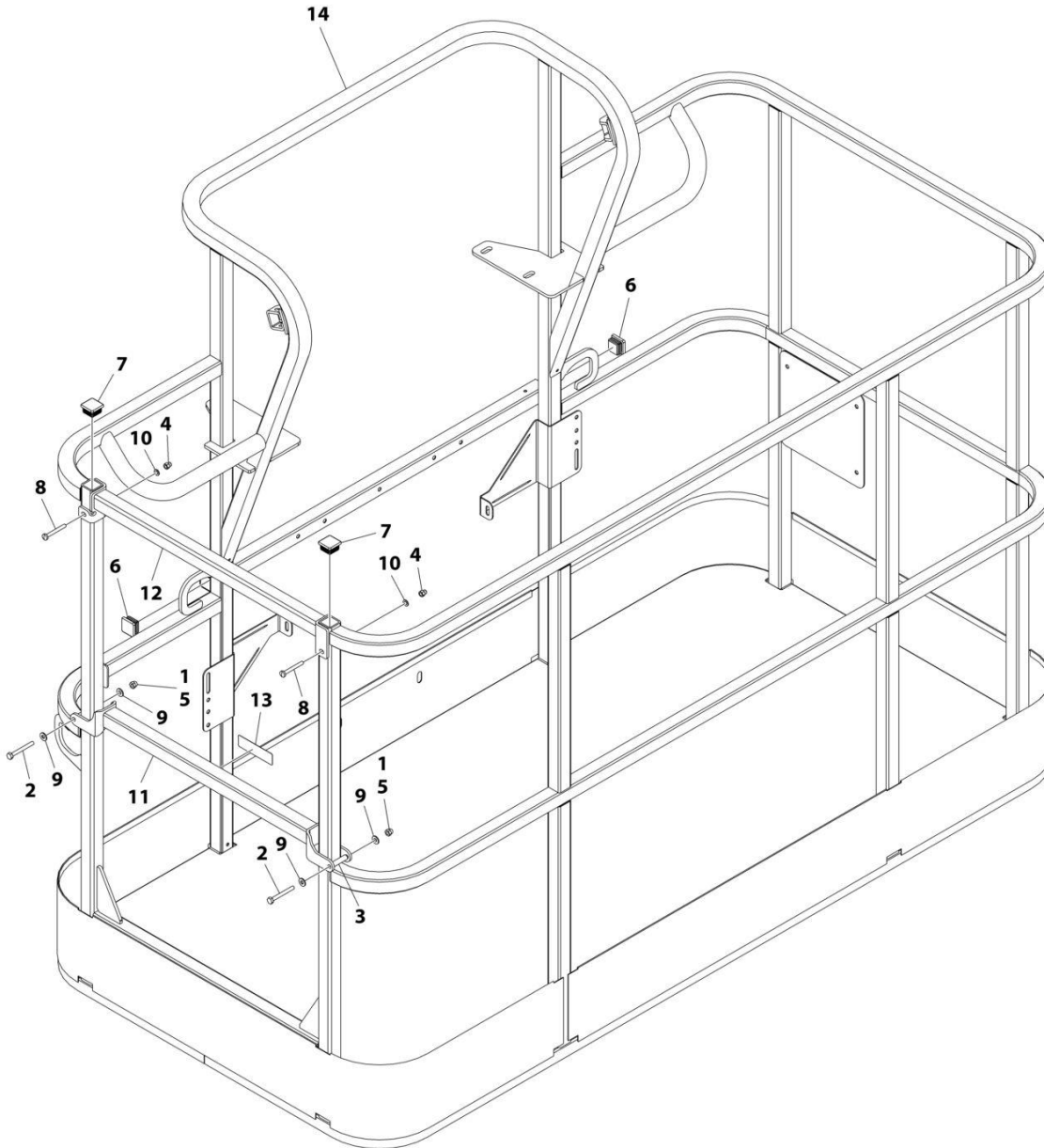
## SECTION 5 - PLATFORM

**FIGURE 5-4. PLATFORM ASSEMBLY - 30IN X 5FT (76.2CM X 1.52M) WITH DROP BAR (USA BUILT MACHINES)**

ITEM	PART NUMBER	QTY	DESCRIPTION	REV
	1001186377	Ref	PLATFORM ASSEMBLY	C
		Ref	Note: Platform and Mesh must be ordered separately for Platforms with Mesh. See SPECIAL OPTIONS SECTION for Mesh Installations.	
		Ref	Note: Replacement Decals Must be Ordered Separately - See DECALS SECTION.	
1	0100011	AR	Compound, Locking	
2	0641420	2	Bolt 1/4 x 2-1/2	
3	0961845	2	Bushing	
4	3290606	2	Nut M6	
5	3300151	2	Nut 1/4	
6	3520072	2	Plug	
7	3520198	2	Plug	
8	4010618	2	Screw M6 x 50	
9	4711400	4	Washer 1/4	
10	4811700	2	Washer M6	
11	1001138494	1	Bar, Drop	
12	1001138514	1	Rail (Top)	
13	1001140429	1	Decal - Drop Bar	
14	See Note	NSS	Platform (Note: Not Available - Purchase Platform Assembly)	

# SECTION 5 - PLATFORM

FIGURE 5-5. PLATFORM ASSEMBLY - 36IN X 6FT (91.5CM X 1.83M) WITH DROP BAR (USA BUILT MACHINES)



ART\_1001186379

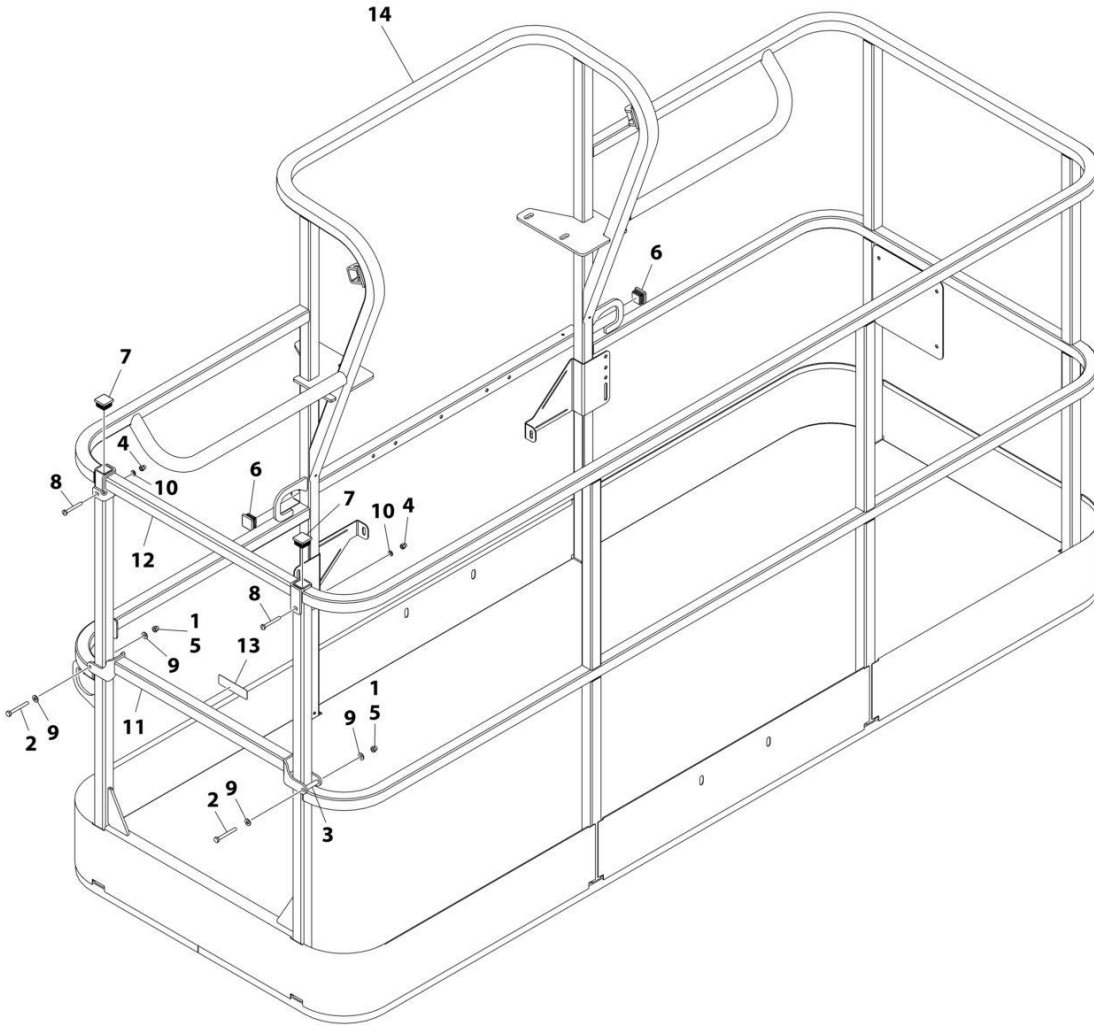
## SECTION 5 - PLATFORM

**FIGURE 5-5. PLATFORM ASSEMBLY - 36IN X 6FT (91.5CM X 1.83M) WITH DROP BAR (USA BUILT MACHINES)**

ITEM	PART NUMBER	QTY	DESCRIPTION	REV
	1001186379	Ref	PLATFORM ASSEMBLY - 36IN X 6FT (91.5CM X 1.83M) WITH DROP BAR	B
		Ref	Note: Platform and Mesh must be ordered separately for Platforms with Mesh. See SPECIAL OPTIONS SECTION for Mesh Installations.	
		Ref	Note: Replacement Decals Must be Ordered Separately - See DECALS SECTION.	
1	0100011	AR	Compound, Locking	
2	0641418	2	Bolt 1/4 x 2-1/4	
3	0961845	2	Bushing	
4	3290606	2	Nut M6	
5	3300151	2	Nut 1/4	
6	3520072	2	Plug	
7	3520198	2	Plug	
8	4010618	2	Screw M6 x 50	
9	4711400	4	Washer 1/4	
10	4811700	2	Washer M6	
11	1001138494	1	Bar, Drop	
12	1001138514	1	Rail (Top)	
13	1001140429	1	Decal - Drop Bar	
14	See Note	NSS	Platform (Note: Not Available - Purchase Platform Assembly)	

# SECTION 5 - PLATFORM

FIGURE 5-6. PLATFORM ASSEMBLY - 36IN X 8FT (91.5CM X 2.44M) WITH DROP BAR (USA BUILT MACHINES)



ART\_1001186382

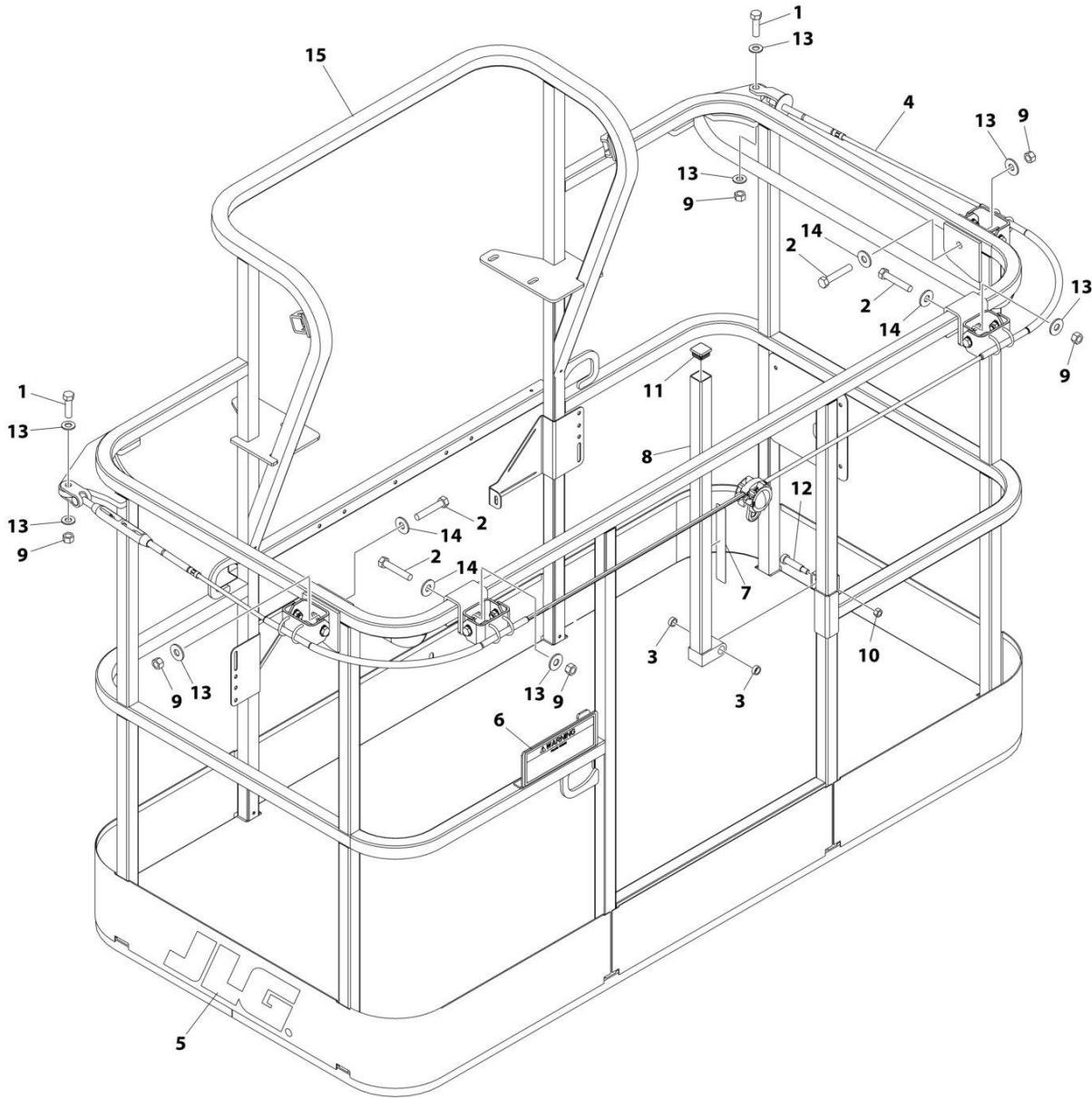
## SECTION 5 - PLATFORM

**FIGURE 5-6. PLATFORM ASSEMBLY - 36IN X 8FT (91.5CM X 2.44M) WITH DROP BAR (USA BUILT MACHINES)**

ITEM	PART NUMBER	QTY	DESCRIPTION	REV
	1001186382	Ref	PLATFORM ASSEMBLY - 36IN X 8FT (91.5CM X 2.44M) WITH DROP BAR	C
		Ref	Note: Platform and Mesh must be ordered separately for Platforms with Mesh. See SPECIAL OPTIONS SECTION for Mesh Installations.	
		Ref	Note: Replacement Decals Must be Ordered Separately - See DECALS SECTION.	
1	0100011	AR	Compound, Locking	
2	0641418	2	Bolt 1/4 x 2-1/4	
3	0961845	2	Bushing	
4	3290606	2	Nut M6	
5	3300151	2	Nut 1/4	
6	3520072	2	Plug	
7	3520198	2	Plug	
8	4010618	2	Screw M6 x 50	
9	4711400	4	Washer 1/4	
10	4811700	2	Washer M6	
11	1001138494	1	Bar, Drop	
12	1001138514	1	Rail (Top)	
13	1001140429	1	Decal - Drop Bar	
14	See Note	NSS	Platform (Note: Not Available - Purchase Platform Assembly)	

# SECTION 5 - PLATFORM

FIGURE 5-7. PLATFORM ASSEMBLY - 36IN X 6FT (91.5CM X 1.83M) WITH FALL ARREST (ALL SPECS EXCEPT CE AND AUSTRALIAN SPECS) (USA BUILT MACHINES)



ART\_1001186333



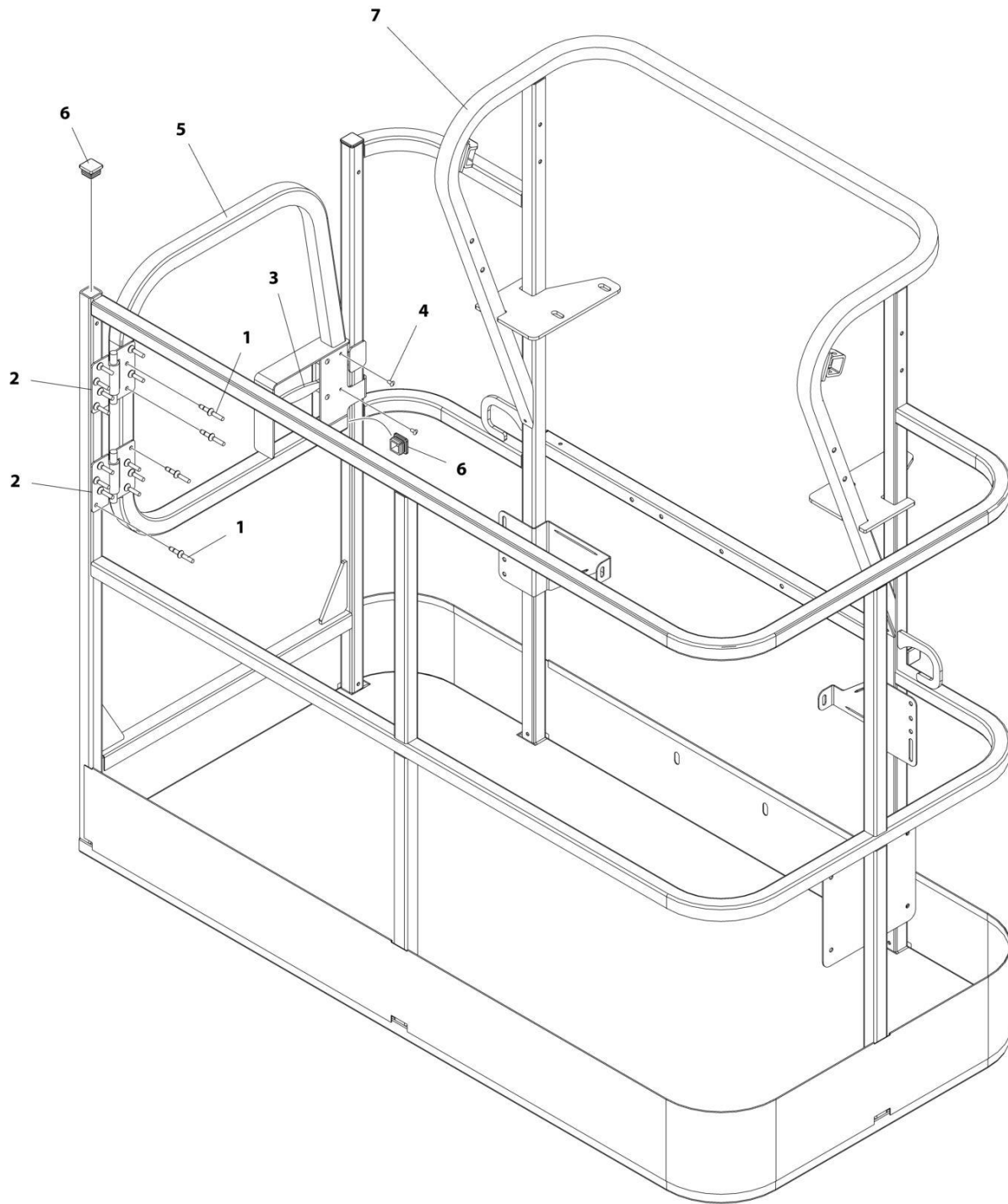
## SECTION 5 - PLATFORM

**FIGURE 5-7. PLATFORM ASSEMBLY - 36IN X 6FT (91.5CM X 1.83M) WITH FALL ARREST (ALL SPECS EXCEPT CE AND AUSTRALIAN SPECS) (USA BUILT MACHINES)**

ITEM	PART NUMBER	QTY	DESCRIPTION	REV
	1001186333	Ref	PLATFORM ASSEMBLY	C
		Ref	Note: Replacement Decals Must be Ordered Separately - See DECALS SECTION.	
1	0681814	2	Bolt 1/2 x 1-3/4 Grade 8	
2	0681822	4	Bolt 1/2 x 2-3/4 Grade 8	
3	0962270	2	Bearing	
4	1001203655	1	Cable	
5	1702773	1	Decal - JLG	
6	1705014	1	Decal - Safety	
7	1706385	1	Decal - Drop Bar	
8	2410014	1	Bar, Drop	
9	3271805	6	Nut 1/2 Grade 8	
10	3311605	1	Nut 3/8	
11	3520072	1	Plug	
12	3900054	1	Bolt 1/2 x 1-3/4	
13	4711800	8	Washer 1/2	
14	4751800	4	Washer 1/2	
15	See Note	NSS	Platform (Note: Not Available - Purchase Platform Assembly)	

# SECTION 5 - PLATFORM

FIGURE 5-8. PLATFORM ASSEMBLY - 30IN X 5FT (76CM X 1.52M) WITH SWING GATE (ROMANIAN BUILT MACHINES)



ART\_1001188315

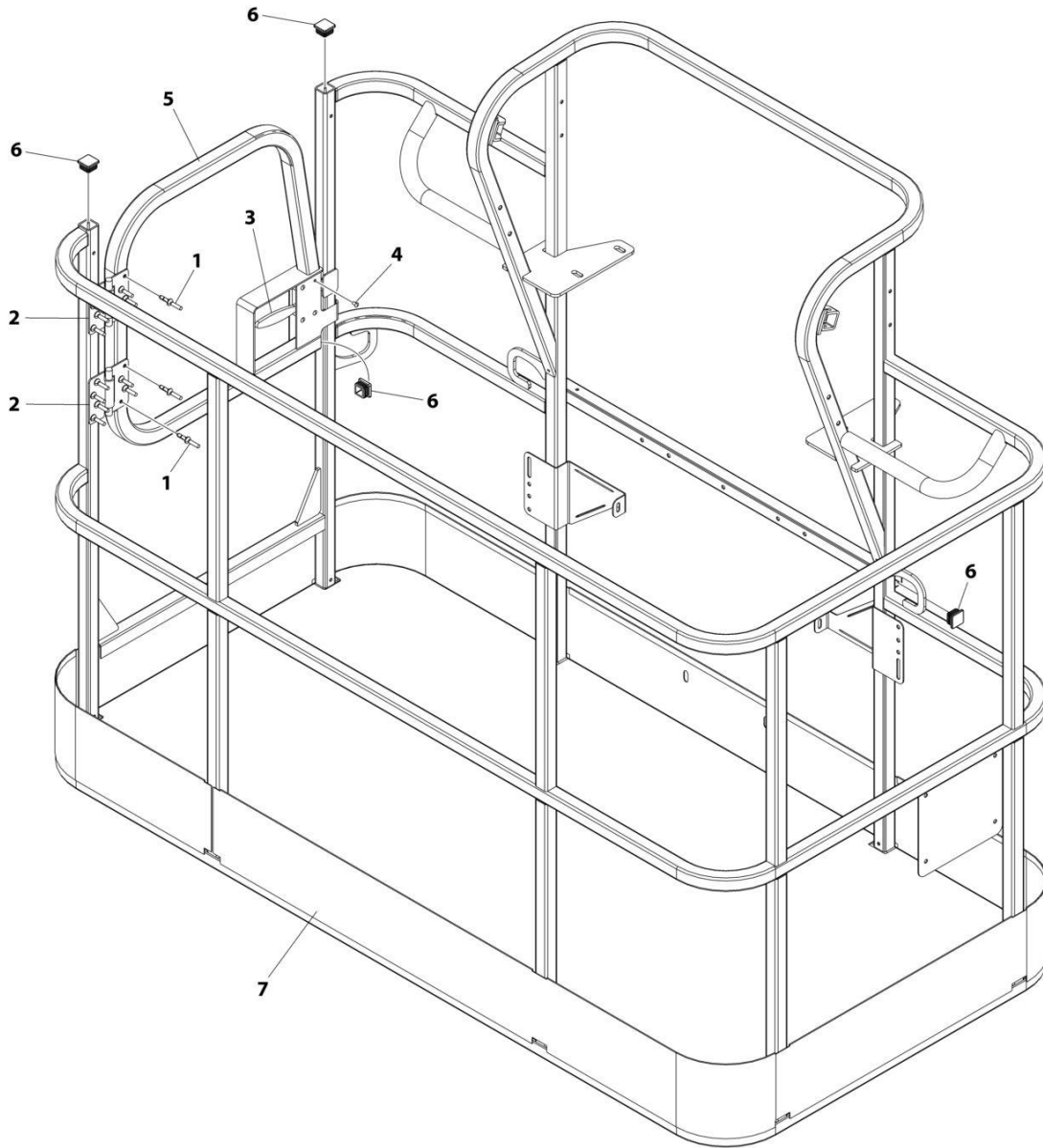
## SECTION 5 - PLATFORM

**FIGURE 5-8. PLATFORM ASSEMBLY - 30IN X 5FT (76CM X 1.52M) WITH SWING GATE (ROMANIAN BUILT MACHINES)**

ITEM	PART NUMBER	QTY	DESCRIPTION	REV
	1001188315	Ref	PLATFORM ASSEMBLY	E
	See Note	Ref	Note: Platform and Mesh must be ordered separately for Platforms with Mesh. See SPECIAL OPTIONS SECTION for Mesh Installations.	
	See Note	Ref	Note: Replacement Decals Must be Ordered Separately - See DECALS SECTION.	
1	2080040	16	Fastener, Huck	
2	2600281	2	Hinge	
3	2940074	1	Latch	
4	3820020	4	Rivet	
5	1001144629	1	Gate	
6	1001145781	5	Plug	
7	See Note	NSS	Platform (Note: Not Available - Purchase Platform Assembly)	

# SECTION 5 - PLATFORM

FIGURE 5-9. PLATFORM ASSEMBLY - 36IN X 6FT (92CM X 1.83M) WITH SWING GATE (ROMANIAN BUILT MACHINES)



ART\_1001188305

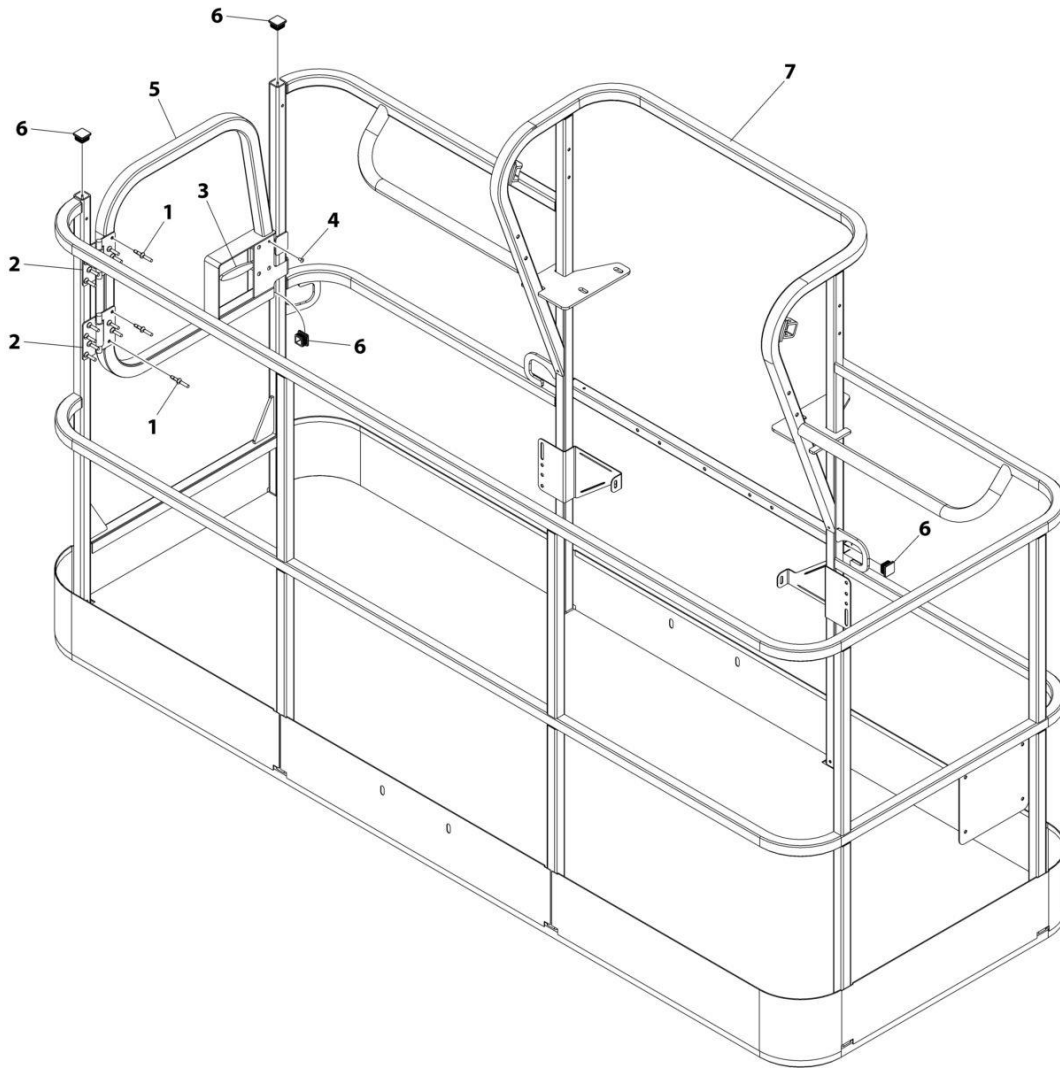
## SECTION 5 - PLATFORM

**FIGURE 5-9. PLATFORM ASSEMBLY - 36IN X 6FT (92CM X 1.83M) WITH SWING GATE (ROMANIAN BUILT MACHINES)**

ITEM	PART NUMBER	QTY	DESCRIPTION	REV
	1001188305	Ref	PLATFORM ASSEMBLY - 36IN X 6FT (91.5CM X 1.83M) WITH SWING GATE	D
	See Note	Ref	Note: Platform and Mesh must be ordered separately for Platforms with Mesh. See SPECIAL OPTIONS SECTION for Mesh Installations.	
	See Note	Ref	Note: Replacement Decals Must be Ordered Separately - See DECALS SECTION.	
1	2080040	16	Fastener, Huck	
2	2600281	2	Hinge	
3	2940074	1	Latch	
4	3820020	4	Rivet	
5	1001144629	1	Gate	
6	1001145781	5	Plug	
7	See Note	NSS	Platform (Note: Not Available - Purchase Platform Assembly)	

# SECTION 5 - PLATFORM

FIGURE 5-10. PLATFORM ASSEMBLY - 36IN X 8FT (91.5CM X 2.44M) WITH SWING GATE (ROMANIAN BUILT MACHINES)



ART\_1001188308

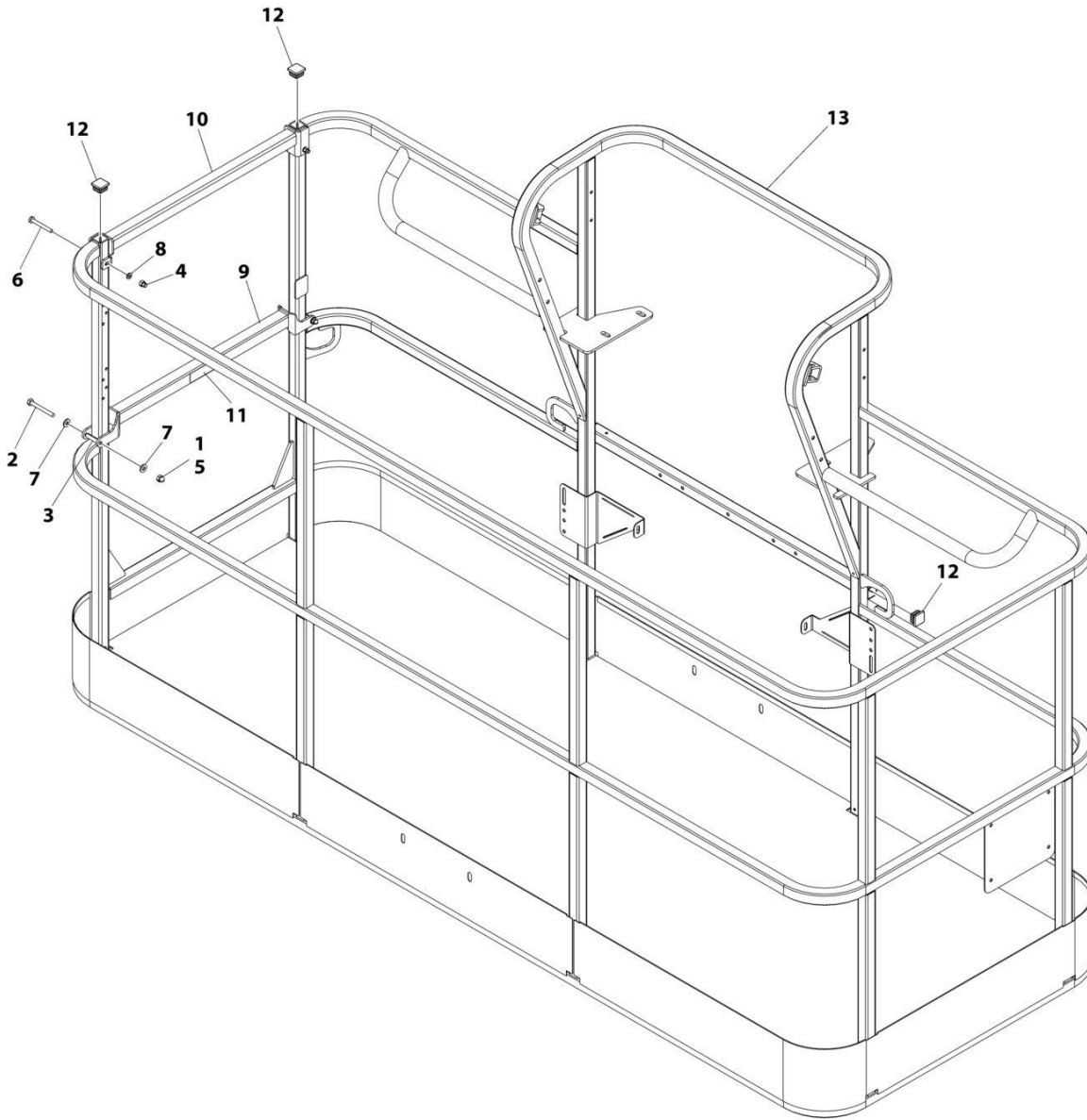
## SECTION 5 - PLATFORM

**FIGURE 5-10. PLATFORM ASSEMBLY - 36IN X 8FT (91.5CM X 2.44M) WITH SWING GATE  
(ROMANIAN BUILT MACHINES)**

ITEM	PART NUMBER	QTY	DESCRIPTION	REV
	1001188308	Ref	PLATFORM ASSEMBLY - 36IN X 8FT (91.5CM X 2.44M) WITH SWING GATE	F
	See Note	Ref	Note: Platform and Mesh must be ordered separately for Platforms with Mesh. See SPECIAL OPTIONS SECTION for Mesh Installations.	
	See Note	Ref	Note: Replacement Decals Must be Ordered Separately - See DECALS SECTION.	
1	2080040	16	Fastener, Huck	
2	2600281	2	Hinge	
3	2940074	1	Latch	
4	3820020	4	Rivet	
5	1001144629	1	Gate	
6	1001145781	5	Plug	
7	See Note	NSS	Platform (Note: Not Available - Purchase Platform Assembly)	

# SECTION 5 - PLATFORM

FIGURE 5-11. PLATFORM ASSEMBLY - 36IN X 8FT (91.5CM X 2.44M) WITH DROP BAR (ROMANIAN BUILT MACHINES)



ART\_1001188309



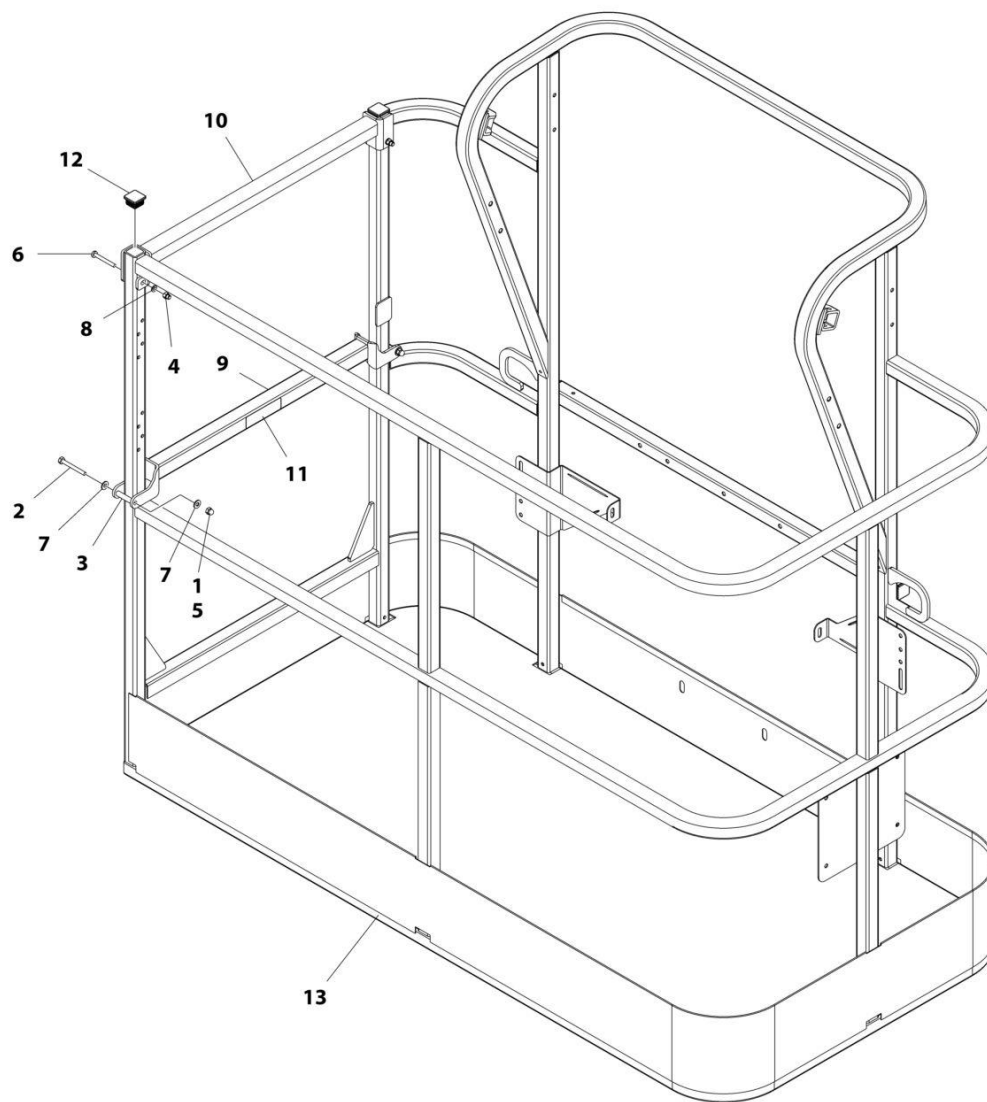
## SECTION 5 - PLATFORM

**FIGURE 5-11. PLATFORM ASSEMBLY - 36IN X 8FT (91.5CM X 2.44M) WITH DROP BAR (ROMANIAN BUILT MACHINES)**

ITEM	PART NUMBER	QTY	DESCRIPTION	REV
	1001188309	Ref	PLATFORM ASSEMBLY - 36IN X 8FT (91.5CM X 2.44M) WITH DROP BAR	B
	See Note	Ref	Note: Platform and Mesh must be ordered separately for Platforms with Mesh. See SPECIAL OPTIONS SECTION for Mesh Installations.	
	See Note	Ref	Note: Replacement Decals Must be Ordered Separately - See DECALS SECTION.	
1	0100011	AR	Compound, Locking	
2	0641418	2	Bolt 1/4 x 2-1/4	
3	0961845	2	Bushing	
4	3290606	2	Nut M6	
5	3300151	2	Nut 1/4	
6	4010618	2	Screw M6 x 50	
7	4711400	4	Washer 1/4	
8	4811700	2	Washer M6	
9	1001138494	1	Bar, Drop	
10	1001138514	1	Rail (Top)	
11	1001140429	1	Decal - Drop Bar	
12	1001145781	4	Plug	
13	See Note	NSS	Platform (Note: Not Available - Purchase Platform Assembly)	

## SECTION 5 - PLATFORM

FIGURE 5-12. PLATFORM ASSEMBLY - 30IN X 5FT (76CM X 1.52M) WITH DROP BAR (ROMANIAN BUILT MACHINES)



ART\_1001188314

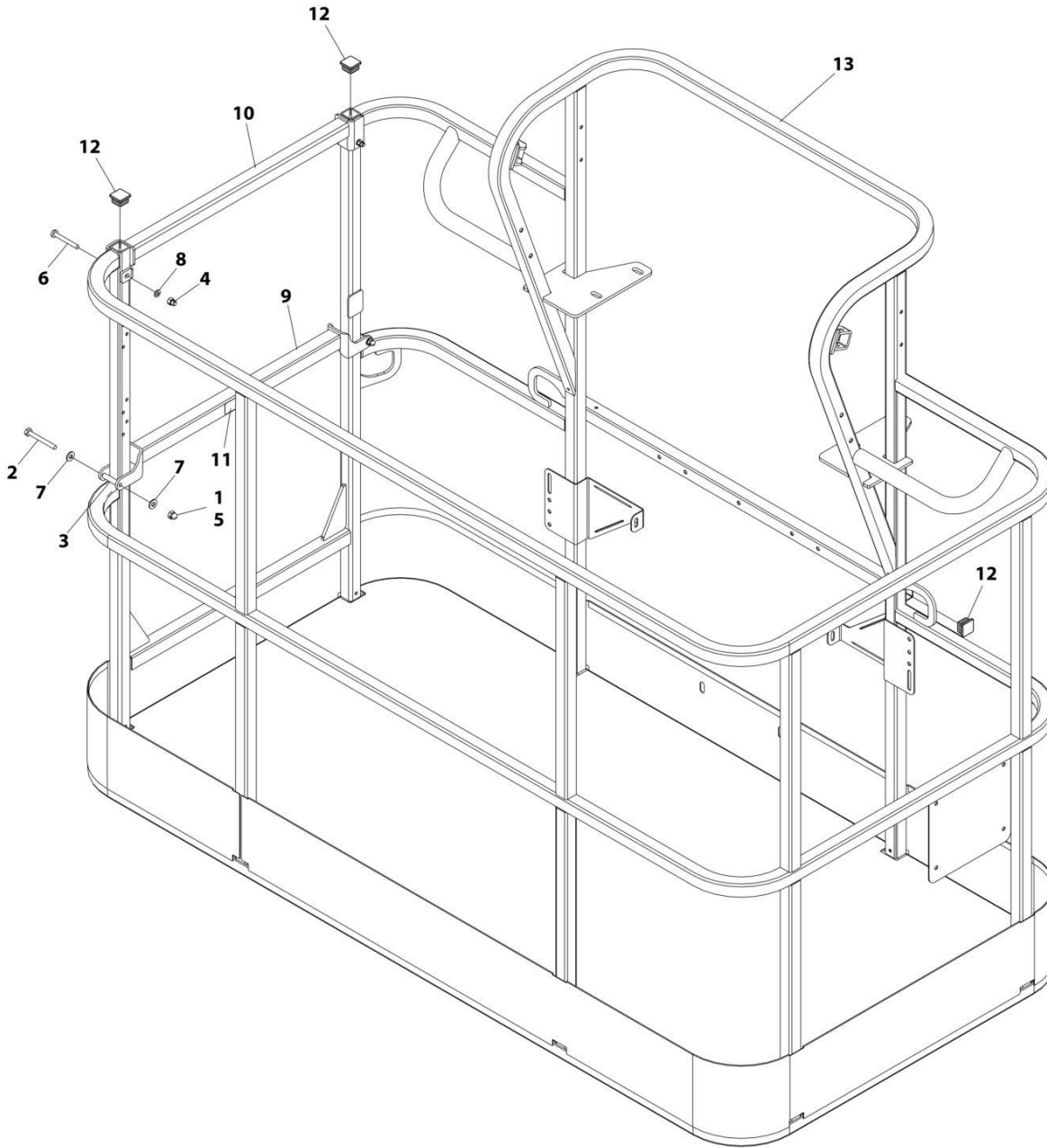
## SECTION 5 - PLATFORM

**FIGURE 5-12. PLATFORM ASSEMBLY - 30IN X 5FT (76CM X 1.52M) WITH DROP BAR (ROMANIAN BUILT MACHINES)**

ITEM	PART NUMBER	QTY	DESCRIPTION	REV
	1001188314	Ref	PLATFORM ASSEMBLY	C
	See Note	Ref	Note: Platform and Mesh must be ordered separately for Platforms with Mesh. See SPECIAL OPTIONS SECTION for Mesh Installations.	
	See Note	Ref	Note: Replacement Decals Must be Ordered Separately - See DECALS SECTION.	
1	0100011	AR	Compound, Locking	
2	0641418	2	Bolt 1/4 x 2-1/4	
3	0961845	2	Bushing	
4	3290606	2	Nut M6	
5	3300151	2	Nut 1/4	
6	4010618	2	Screw M6 x 50	
7	4711400	4	Washer 1/4	
8	4811700	2	Washer M6	
9	1001138494	1	Bar, Drop	
10	1001138514	1	Rail (Top)	
11	1001140429	1	Decal - Drop Bar	
12	1001145781	4	Plug	
13	See Note	NSS	Platform (Note: Not Available - Purchase Platform Assembly)	

# SECTION 5 - PLATFORM

FIGURE 5-13. PLATFORM ASSEMBLY - 36IN X 6FT (91.5CM X 1.83M) WITH DROP BAR (ROMANIAN BUILT MACHINES)



ART\_1001188306

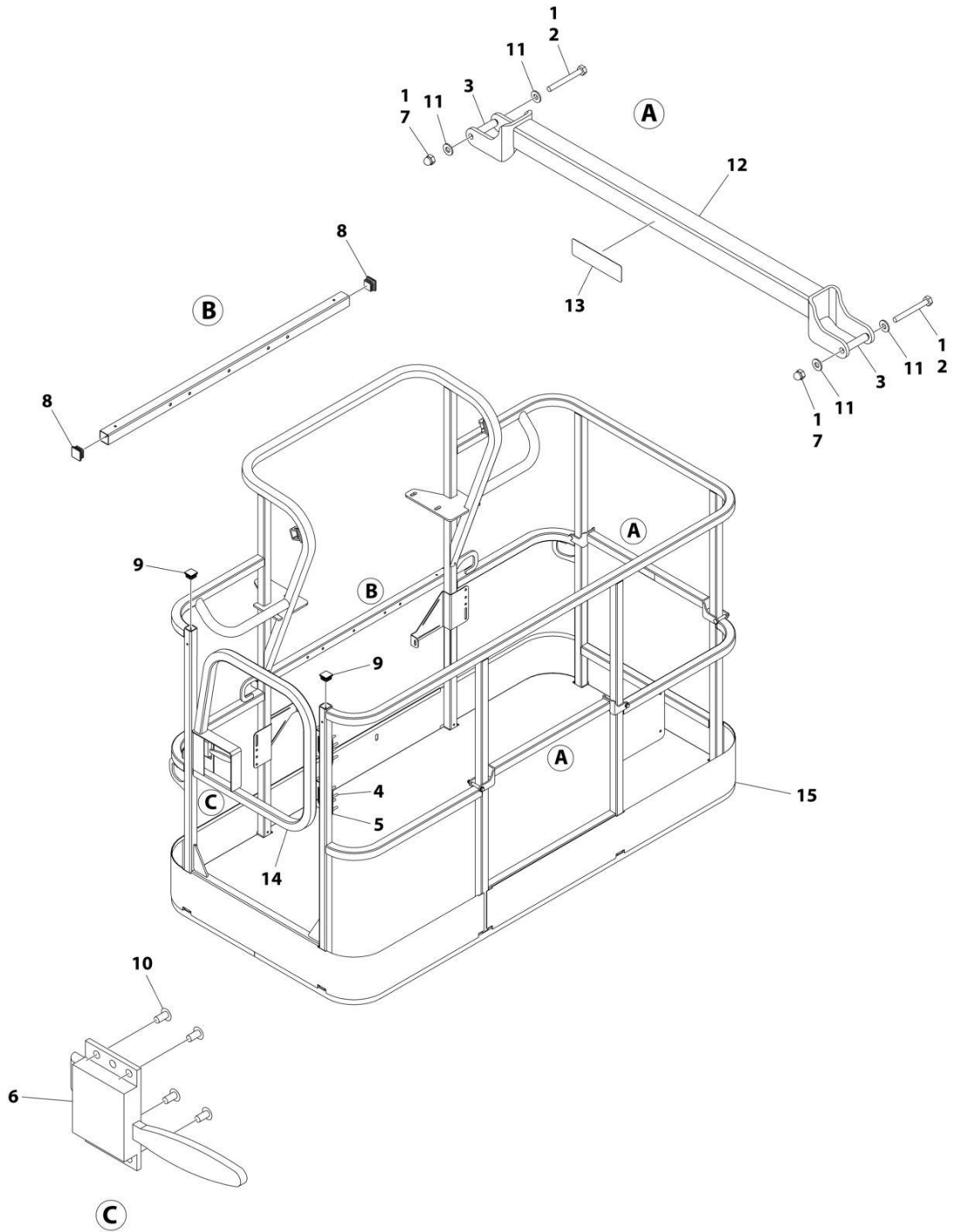
## SECTION 5 - PLATFORM

**FIGURE 5-13. PLATFORM ASSEMBLY - 36IN X 6FT (91.5CM X 1.83M) WITH DROP BAR (ROMANIAN BUILT MACHINES)**

ITEM	PART NUMBER	QTY	DESCRIPTION	REV
	1001188306	Ref	PLATFORM ASSEMBLY - 36IN X 6FT (91.5CM X 1.83M) WITH DROP BAR	C
	See Note	Ref	Note: Platform and Mesh must be ordered separately for Platforms with Mesh. See SPECIAL OPTIONS SECTION for Mesh Installations.	
	See Note	Ref	Note: Replacement Decals Must be Ordered Separately - See DECALS SECTION.	
1	0100011	AR	Compound, Locking	
2	0641418	2	Bolt 1/4 x 2-1/4	
3	0961845	2	Bushing	
4	3290606	2	Nut M6	
5	3300151	2	Nut 1/4	
6	4010618	2	Screw M6 x 50	
7	4711400	4	Washer 1/4	
8	4811700	2	Washer M6	
9	1001138494	1	Bar, Drop	
10	1001138514	1	Rail (Top)	
11	1001140429	1	Decal - Drop Bar	
12	1001145781	4	Plug	
13	See Note	NSS	Platform (Note: Not Available - Purchase Platform Assembly)	

# SECTION 5 - PLATFORM

FIGURE 5-14. PLATFORM ASSEMBLY - 36IN X 6FT (91.5CM X 1.83M) TRI-ENTRY WITH GATE



ART\_1001228376

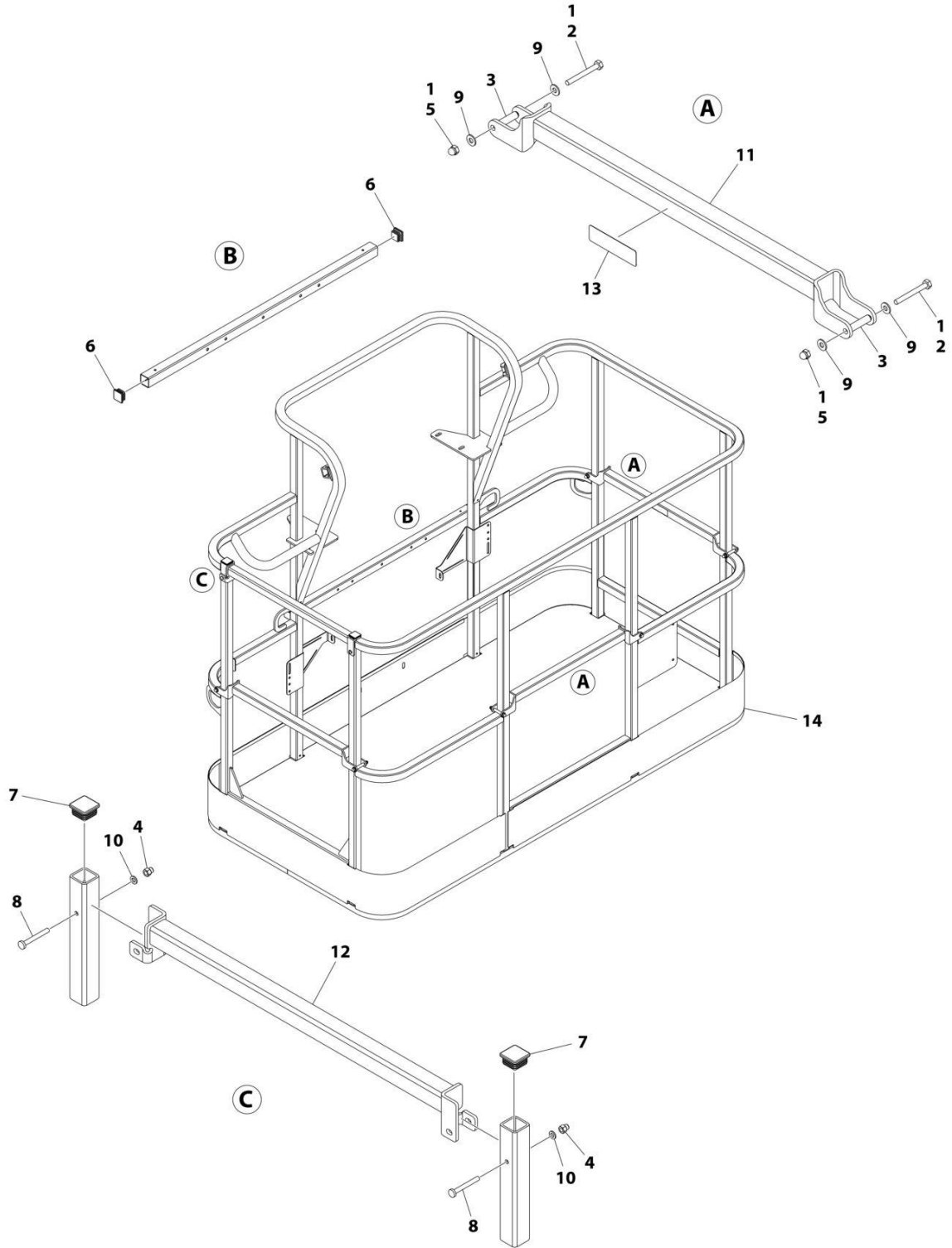
## SECTION 5 - PLATFORM

**FIGURE 5-14. PLATFORM ASSEMBLY - 36IN X 6FT (91.5CM X 1.83M) TRI-ENTRY WITH GATE**

ITEM	PART NUMBER	QTY	DESCRIPTION	REV
	1001228376	Ref	PLATFORM ASSEMBLY - 36IN x 6FT (91.5CM x 1.83M)	B
		Ref	Note: Platform and Mesh must be ordered separately for Platforms with Mesh. See SPECIAL OPTIONS SECTION for Mesh Installations.	
		Ref	Note: Replacement Decals Must be Ordered Separately - See DECAL SECTION.	
1	0100011	AR	Compound, Locking	
2	0641418	4	Bolt 1/4 x 2-1/4	
3	0961845	4	Bushing	
4	2080040	16	Fastener	
5	2600281	2	Hinge	
6	2940074	1	Latch	
7	3300151	4	Nut 1/4	
8	3520072	3	Plug	
9	3520198	2	Plug	
10	3820020	4	Rivet	
11	4711400	8	Washer 1/4	
12	1001138494	2	Bar, Drop	
13	1001140429	2	Decal - Drop Bar	
14	1001144629	1	Gate	
15	See Note	NSS	Platform (Note: Not Available - Purchase Platform Assembly)	

# SECTION 5 - PLATFORM

FIGURE 5-15. PLATFORM ASSEMBLY - 36IN X 6FT (91.5CM X 1.83M) TRI-ENTRY WITH DROPBAR



ART\_1001228377



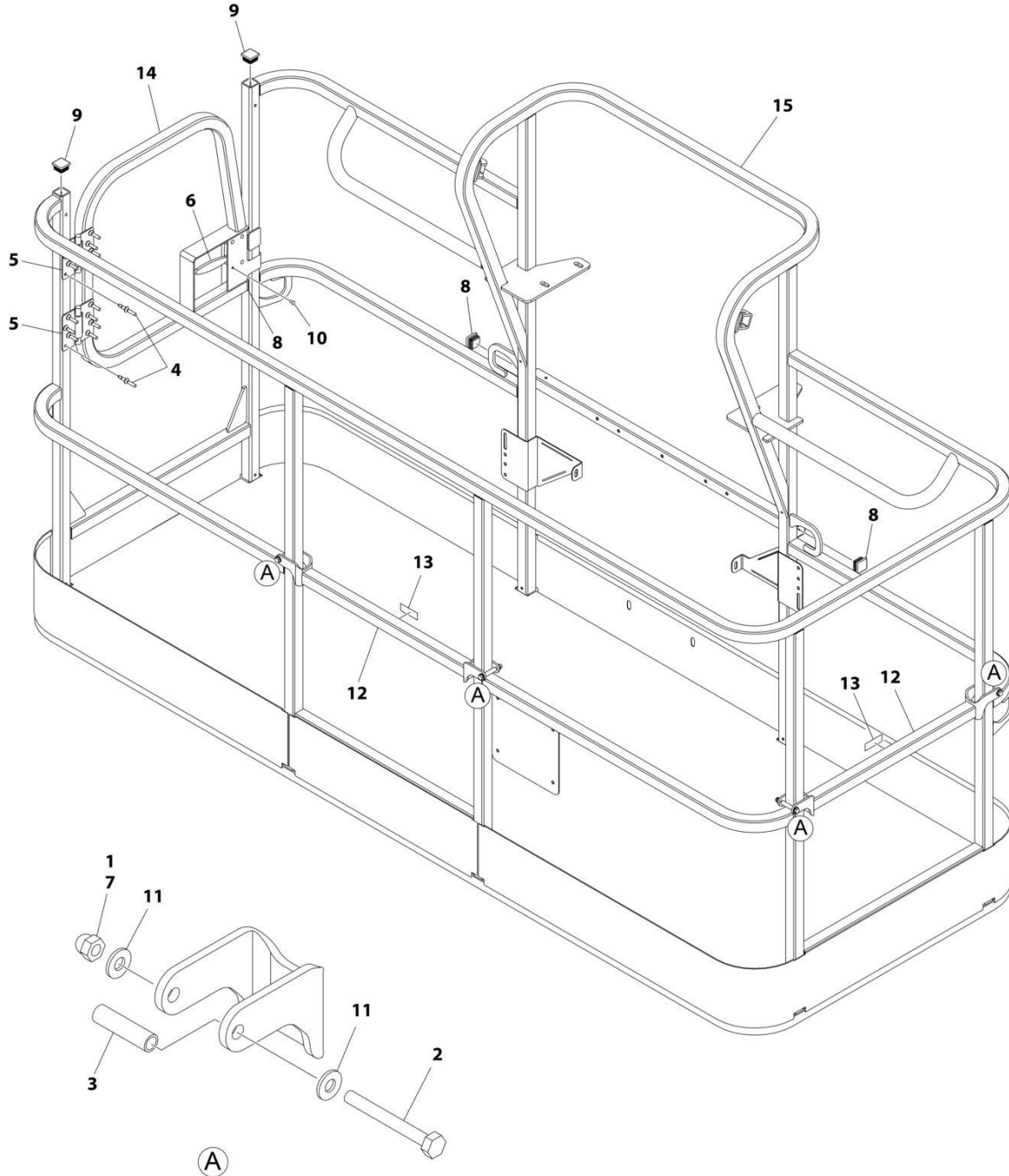
## SECTION 5 - PLATFORM

**FIGURE 5-15. PLATFORM ASSEMBLY - 36IN X 6FT (91.5CM X 1.83M) TRI-ENTRY WITH DROPBAR**

ITEM	PART NUMBER	QTY	DESCRIPTION	REV
	1001228377	Ref	PLATFORM ASSEMBLY - 36IN x 6FT (91.5CM x 1.83M)	B
		Ref	Note: Platform and Mesh must be ordered separately for Platforms with Mesh. See SPECIAL OPTIONS SECTION for Mesh Installations.	
		Ref	Note: Replacement Decals Must be Ordered Separately - See DECAL SECTION.	
1	0100011	1	Compound, Locking	
2	0641418	6	Bolt 1/4 x 2-1/4	
3	0961845	6	Bushing	
4	3290606	2	Nut M6	
5	3300151	6	Nut 1/4	
6	3520072	2	Plug	
7	3520198	2	Plug	
8	4010618	2	Screw M6 x 50	
9	4711400	12	Washer 1/4	
10	4811700	2	Washer M6	
11	1001138494	3	Bar, Drop	
12	1001138514	1	Rail (Top)	
13	1001140429	3	Decal - Drop Bar	
14	See Note	NSS	Platform, Weldment (Note: Not Available - Purchase Platform Assembly)	

# SECTION 5 - PLATFORM

FIGURE 5-16. PLATFORM ASSEMBLY - 36IN X 8FT (91.5CM X 2.44M) WITH TRI-ENTRY (1 GATE/2 DROP BARS)



ART\_1001228243

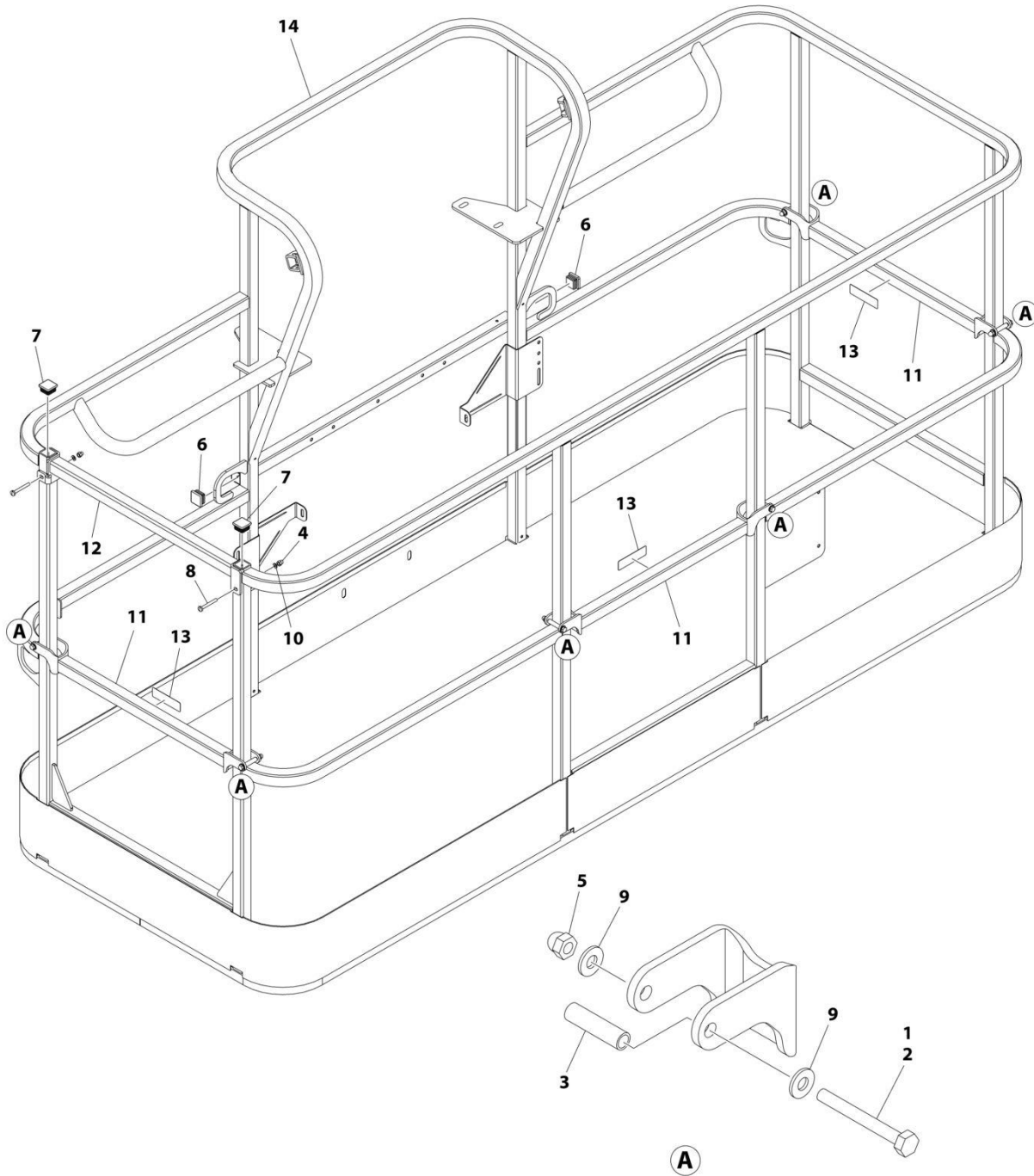
## SECTION 5 - PLATFORM

**FIGURE 5-16. PLATFORM ASSEMBLY - 36IN X 8FT (91.5CM X 2.44M) WITH TRI-ENTRY (1 GATE/2 DROP BARS)**

ITEM	PART NUMBER	QTY	DESCRIPTION	REV
	1001228243	Ref	PLATFORM ASSEMBLY - 36IN X 8FT (91.5CM X 2.44M) WITH TRI-ENTRY	A
		Ref	Note: Platform and Mesh must be ordered separately for Platforms with Mesh. See SPECIAL OPTIONS SECTION for Mesh Installations.	
1	0100011	AR	Compound, Locking	
2	0641418	4	Bolt 1/4 x 2-1/4	
3	0961845	4	Bushing	
4	2080040	16	Fastener, Huck	
5	2600281	2	Hinge, Self-Closing	
6	2940074	1	Latch	
7	3300151	4	Nut 1/4	
8	3520072	3	Cap, Plug	
9	3520198	2	Cap, Plug	
10	3820020	4	Rivet	
11	4711400	8	Washer 1/4	
12	1001138494	2	Bar, Drop	
13	1001140429	2	Decal - Drop Bar	
14	1001144629	1	Gate, Weldment	
15	See Note	1	Platform (Note: Not Available - Purchase Platform Assembly)	

# SECTION 5 - PLATFORM

FIGURE 5-17. PLATFORM ASSEMBLY - 36IN X 8FT (91.5CM X 2.44M) WITH TRI-ENTRY (3 DROP BARS)



ART\_1001228375

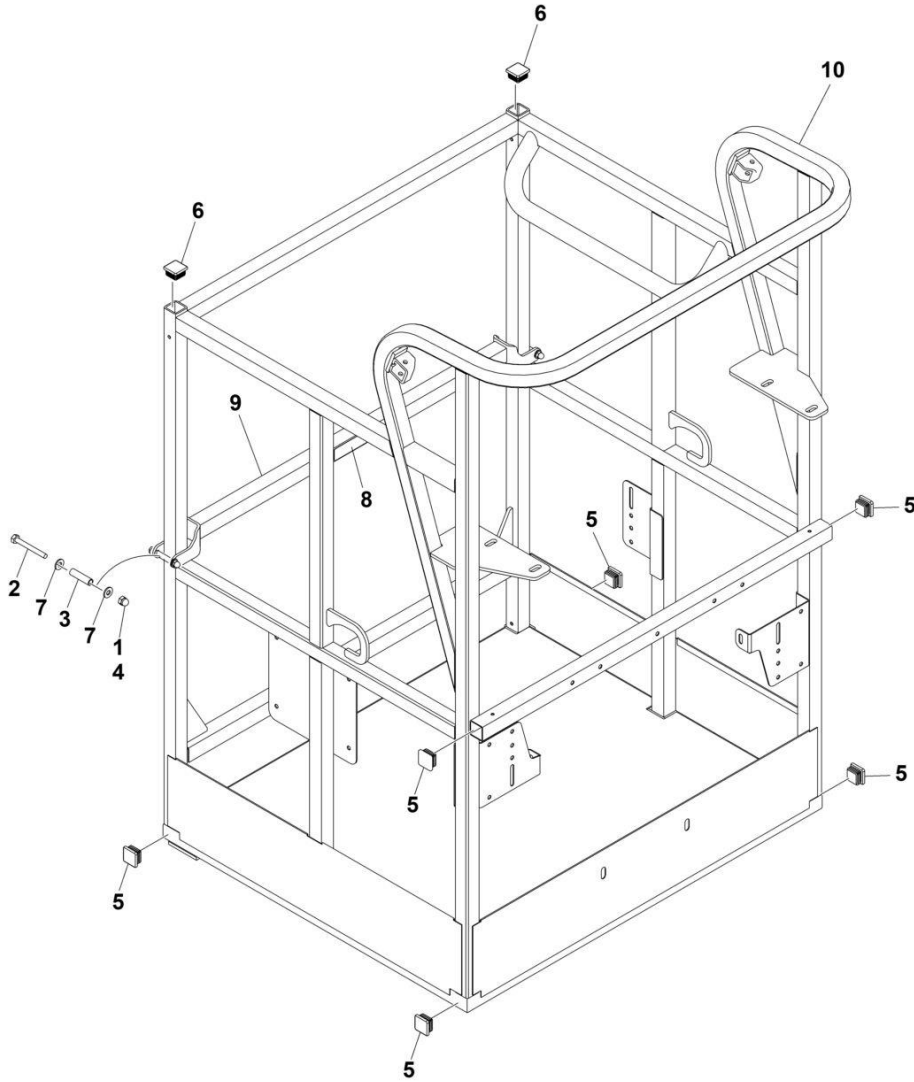
## SECTION 5 - PLATFORM

**FIGURE 5-17. PLATFORM ASSEMBLY - 36IN X 8FT (91.5CM X 2.44M) WITH TRI-ENTRY (3 DROP BARS)**

ITEM	PART NUMBER	QTY	DESCRIPTION	REV
	1001228375	Ref	PLATFORM ASSEMBLY - 36IN X 8FT (91.5CM X 2.44M) WITH TRI-ENTRY	A
		Ref	Note: Platform and Mesh must be ordered separately for Platforms with Mesh. See SPECIAL OPTIONS SECTION for Mesh Installations.	
		Ref	Note: Replacement Decals Must be Ordered Separately - See DECAL SECTION.	
1	0100011	AR	Compound, Locking	
2	0641418	6	Bolt 1/4 x 2-1/4	
3	0961845	6	Bushing	
4	3290606	2	Nut M6 x 1	
5	3300151	6	Nut 1/4	
6	3520072	2	Cap, Plug	
7	3520198	2	Cap, Plug	
8	4010618	2	Screw M6 x 50	
9	4711400	12	Washer 1/4	
10	4811700	2	Washer M6	
11	1001138494	3	Bar, Drop	
12	1001138514	1	Rail (Top)	
13	1001140429	3	Decal - Drop Bar	
14	See Note	1	Platform (Note: Not Available - Purchase Platform Assembly)	

# SECTION 5 - PLATFORM

FIGURE 5-18. PLATFORM ASSEMBLY - 30IN X 3FT (76CM X .91M) - DROP BAR ENTRY



ART\_1001228215

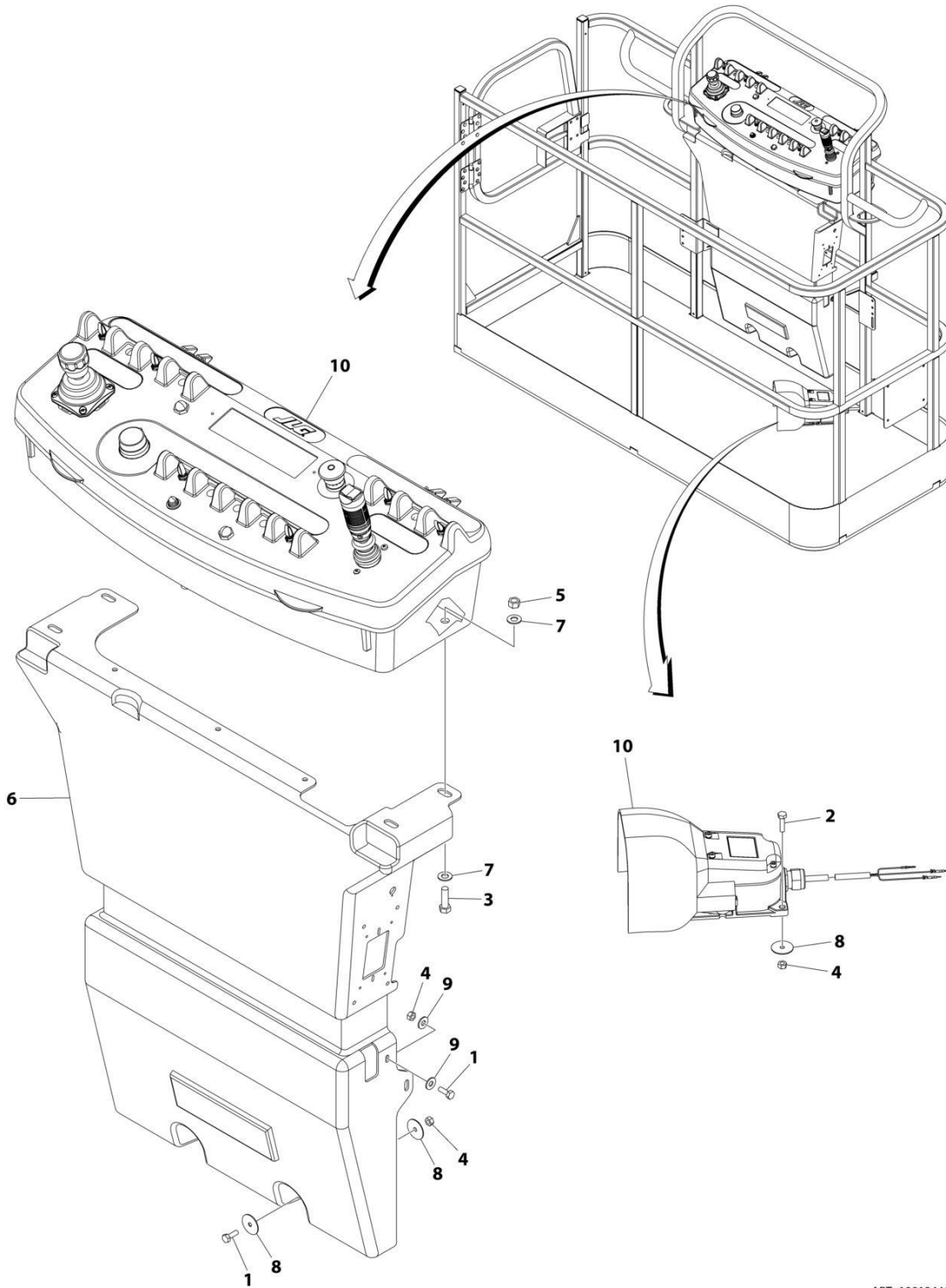
## SECTION 5 - PLATFORM

**FIGURE 5-18. PLATFORM ASSEMBLY - 30IN X 3FT (76CM X .91M) - DROP BAR ENTRY**

ITEM	PART NUMBER	QTY	DESCRIPTION	REV
	1001228215	Ref	PLATFORM ASSEMBLY	A
	See Note	Ref	Note: Platform and Mesh must be ordered separately for Platforms with Mesh. See SPECIAL OPTIONS SECTION for Mesh Installations.	
	See Note	Ref	Note: Replacement Decals Must be Ordered Separately - See DECAL SECTION.	
1	0100011	AR	Compound, Locking	
2	0641418	2	Bolt 1/4 x 2-1/4	
3	0961845	2	Bushing	
4	3300151	2	Nut 1/4	
5	3520072	6	Cap, Plug	
6	3520198	2	Cap, Plug	
7	4711400	4	Washer 1/4	
8	1001140429	1	Decal - Drop Bar	
9	1001226872	1	Bar, Drop	
10	See Note	NSS	Platform (Note: Not Available - Purchase Platform Assembly)	

# SECTION 5 - PLATFORM

## FIGURE 5-19. PLATFORM CONSOLE BOX INSTALLATION



ART\_1001244975



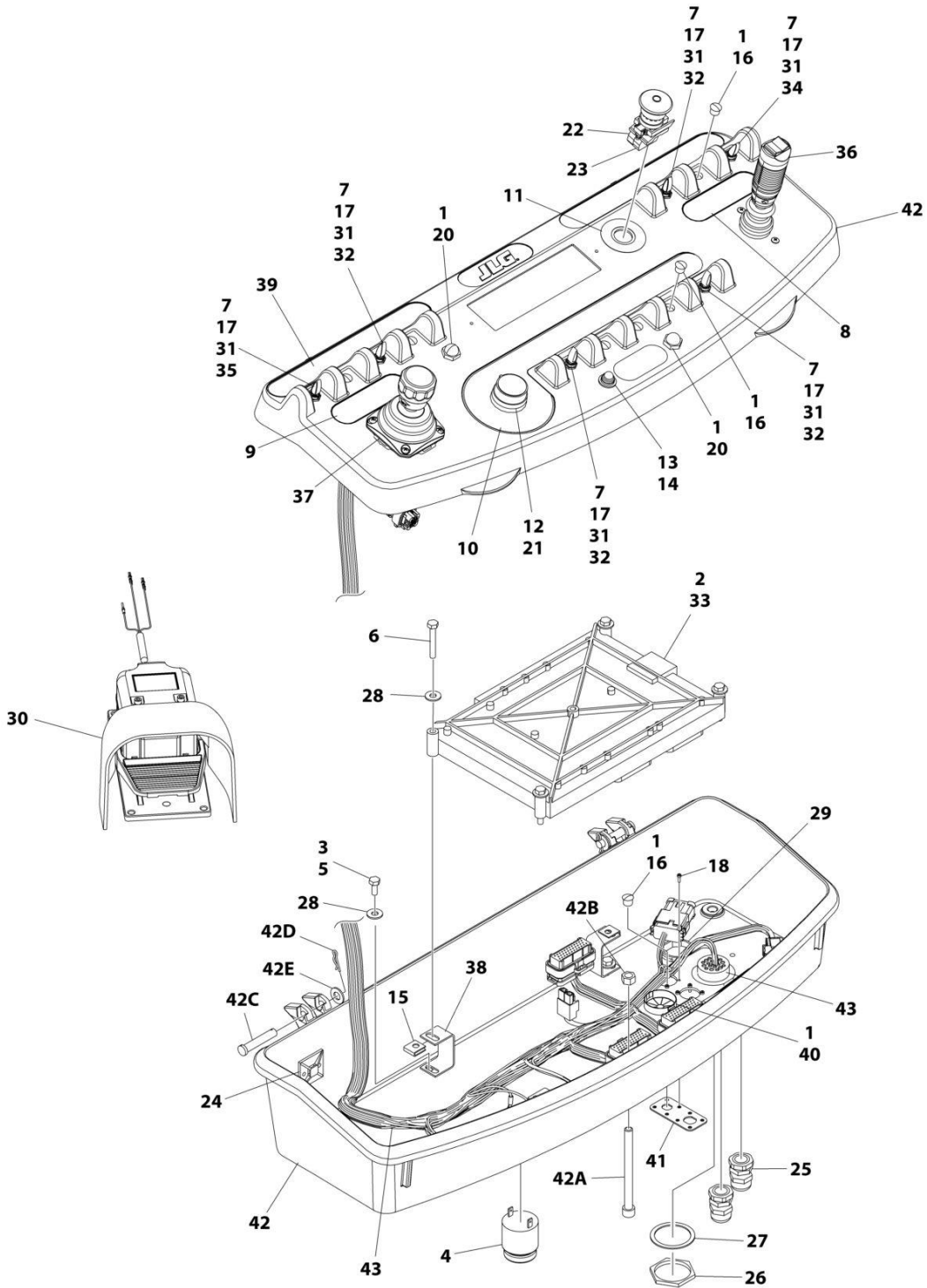
## SECTION 5 - PLATFORM

### FIGURE 5-19. PLATFORM CONSOLE BOX INSTALLATION

ITEM	PART NUMBER	QTY	DESCRIPTION	REV
	1001244975	Ref	PLATFORM CONSOLE BOX INSTALLATION	A
1	0641406	4	Bolt, 1/4 x 3/4	
2	0641408	3	Bolt, 1/4 x 1	
3	0641610	4	Bolt, 3/8 x 1-1/4	
4	3311405	7	Nut, Lock 1/4	
5	3311605	4	Nut, Lock 3/8	
6	3380434	1	Panel, Decal Mount	
7	4751600	8	Washer, 3/8	
8	4740362	7	Washer, 1/4	
9	4751400	4	Washer, 1/4	
10	1001244976	1	Platform Console Box Assembly (See Separate Breakdown in this Section)	

# SECTION 5 - PLATFORM

## FIGURE 5-20. PLATFORM CONSOLE BOX ASSEMBLY



ART\_1001244976

## SECTION 5 - PLATFORM

**FIGURE 5-20. PLATFORM CONSOLE BOX ASSEMBLY**

ITEM	PART NUMBER	QTY	DESCRIPTION	REV
	1001244976	Ref	PLATFORM CONSOLE BOX ASSEMBLY	A
1	0100009	AR	Sealant	
2	0100048	AR	Adhesive	
3	0100035	AR	Compound, Locking	
4	0140011	1	Alarm	
5	0641405	4	Bolt 1/4 x 5/8	
6	0641414	4	Bolt 1/4 x 1-3/4	
7	4740397	6	Spacer	
8	1702565	1	Decal - Drive and Steer	
9	1702566	1	Decal - Lift and Swing	
10	1702567	1	Decal - Function Speed	
11	1704260	1	Decal - EMS	
12	2560136	1	Handle, Knob	
13	2920028	1	Light, Indicator	
14	2920029	1	Bulb, Light	
15	3300353	4	Nut, Tinnerman	
16	3520054	7	Plug	
17	3790012	6	O-Ring	
18	3900349	8	Screw M2.5	
19	4240099	AR	Tie-Strap (Not Shown)	
20	4360387	2	Switch, Pushbutton	
21	4360407	1	Switch, Potentiometer	
22	4360475	1	Switch, Emergency	
22	7020175	1	Cap, Red	
22	7020176	1	Contact Block	
23	4360476	1	Block, Contact	
24	4460234	6	Terminal	
25	4460428	2	Connector, Strain Relief	
26	4460470	1	Nut, Terminal	
27	4460471	1	Washer	
28	4751400	8	Washer 1/4	
29	1001110434	1	Plug	
30	1001117174	1	Footswitch Assembly (See Separate Breakdown in this Section)	
31	1001155044	6	Nut 15/32	
32	1001155045	4	Switch, Toggle	
33	1001157196	1	Controller, Module (Note: Re-calibration Required when Replaced)	
34	1001159256	1	Switch, Toggle	
35	1001161709	1	Switch, Toggle	
36	1001166538	NLA	Controller Assembly (Drive and Steer) (Use p/n 1001212415) (See Separate Breakdown in this Section)	
37	1001166539	1	Controller Assembly (Lift and Swing) (See Separate Breakdown in this Section)	
38	1001172760	4	Bracket	
39	1001184626	1	Decal - Horn	
40	1001185281	1	Plug	
41	1001213882	1	Connector Mount	
42	1001215228	1	Platform Console Box	
42A	0630568	1	Capscrew 3/8 x 4-1/2	
42B	3311601	1	Nut 3/8	
42C	3430616	2	Pin	

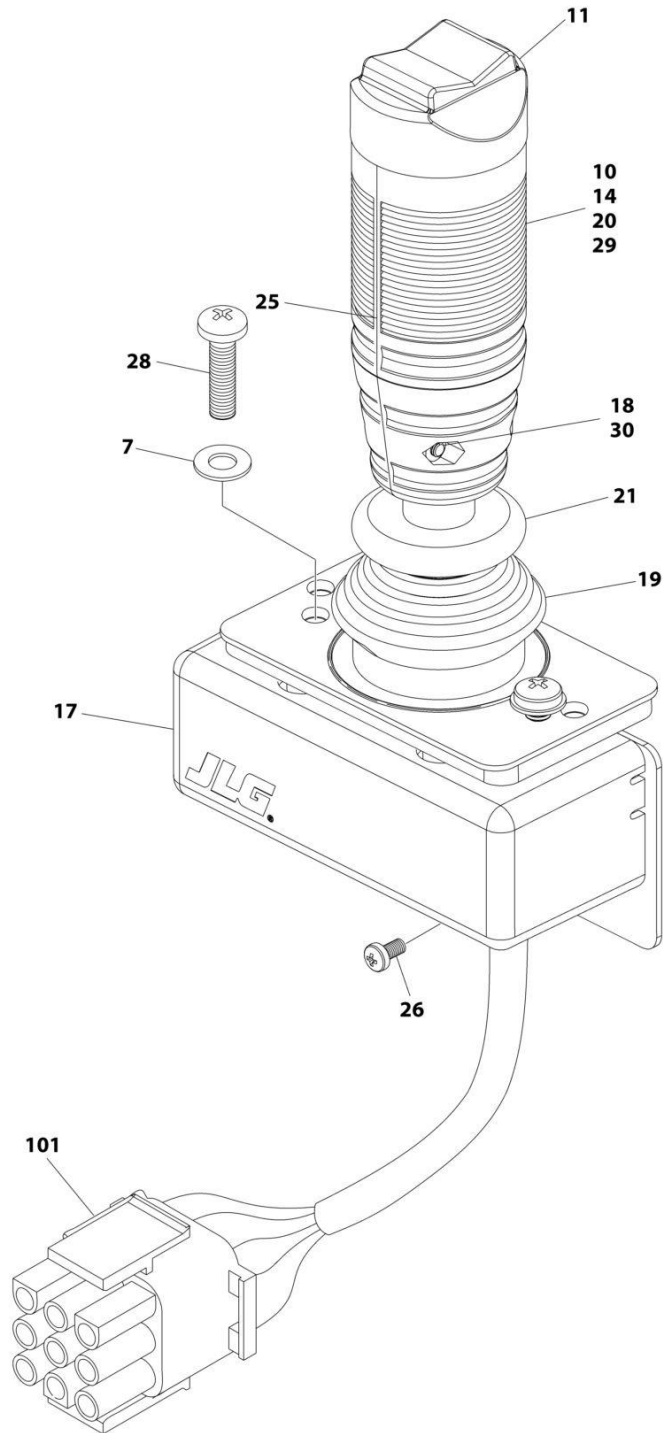
## SECTION 5 - PLATFORM

ITEM	PART NUMBER	QTY	DESCRIPTION	REV
42D	3470003	2	Hairpin	
42E	4711600	2	Washer 3/8	
43	1001238254	1	Harness, Platform Console Box (See Separate Breakdown in ELECTRICAL SECTION)	



# SECTION 5 - PLATFORM

## FIGURE 5-21. CONTROLLER ASSEMBLY (DRIVE AND STEER)



ART\_1001166538

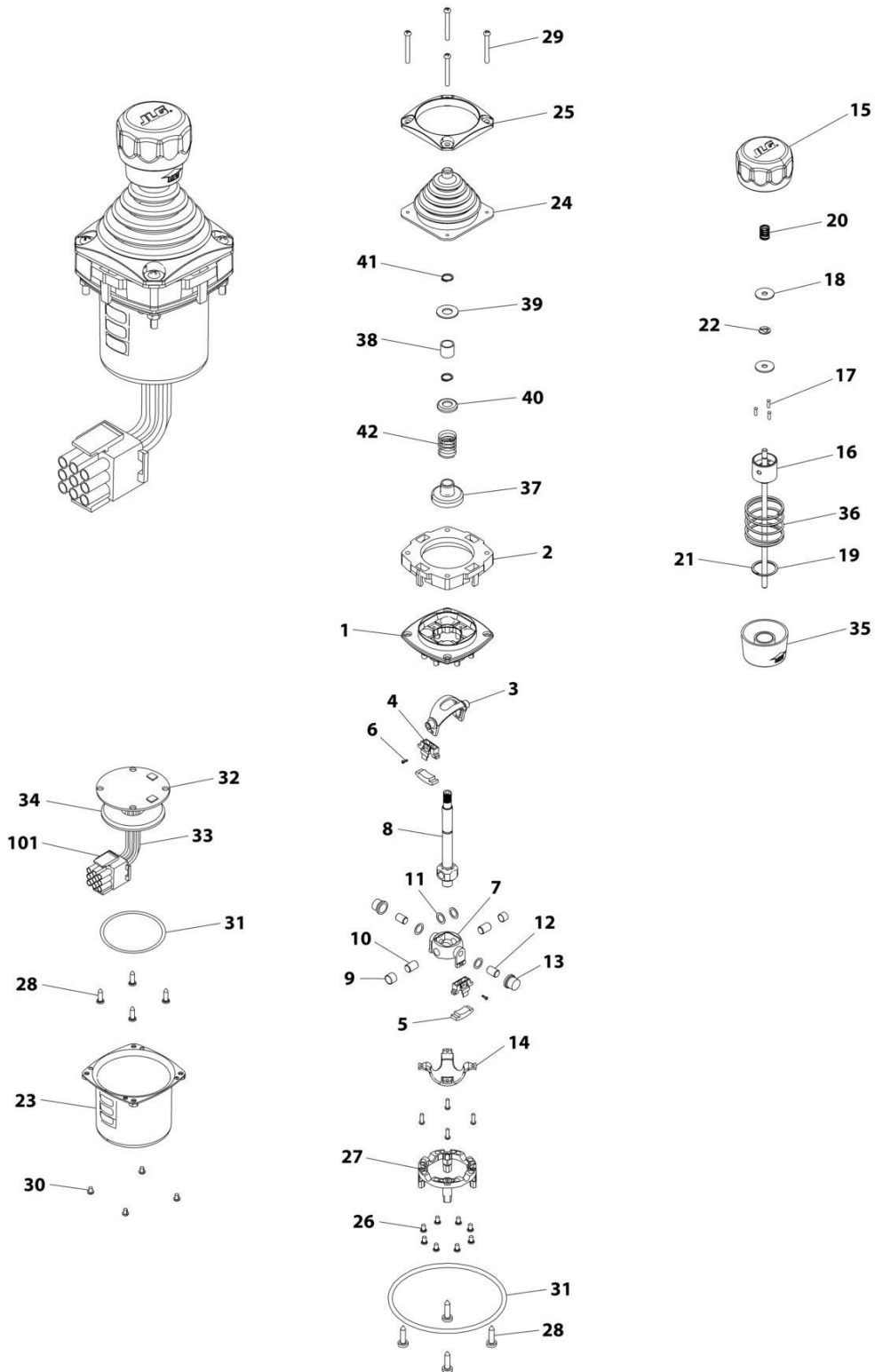
## SECTION 5 - PLATFORM

**FIGURE 5-21. CONTROLLER ASSEMBLY (DRIVE AND STEER)**

ITEM	PART NUMBER	QTY	DESCRIPTION	REV
	1001166538	Ref	CONTROLLER ASSEMBLY - DRIVE AND STEER	G
		Ref	Note: For Replacement, Use p/n 1001212415.	
7	70004738	2	Washer	
10	70004739	1	Roller	
11	70004740	1	Boot, Switch	
14	70004741	2	Half, Handle	
17	70004742	1	Enclosure	
18	70004743	4	Nut	
19	70004744	NLA	Boot, Controller (Use p/n 70005230 Boot/Base Assembly)	
20	70004745	NLA	Tube, Locking (Use p/n 70005230 Boot/Base Assembly)	
21	70004746	NLA	Disc, Locking (Use p/n 70005230 Boot/Base Assembly)	
25	70004747	2	Seal, Rope	
26	70004748	1	Screw M3 x 6	
28	70004749	2	Screw M5 x 20	
29	70004750	1	Pin, Dowel	
30	70004751	4	Screw M3 x 16	
101	4460265	1	Connector - 9 Position	
101	4460226	7	Socket, Female	

# SECTION 5 - PLATFORM

## FIGURE 5-22. CONTROLLER ASSEMBLY (LIFT AND SWING)



ART\_1001166539



## SECTION 5 - PLATFORM

**FIGURE 5-22. CONTROLLER ASSEMBLY (LIFT AND SWING)**

ITEM	PART NUMBER	QTY	DESCRIPTION	REV
	1001166539	Ref	CONTROLLER ASSEMBLY	E
		Ref	Note: Original Equipment Controller May Have Been Replaced with Service Replacement Controller. Visually Identify Controller Before Ordering Parts.	
		Ref	Note: For Replacement, Use p/n 1001129555	
1	See Note	NSS	Main Cast Body (Note: Not Available - Purchase Complete Assembly)	
2	70004752	1	Adapter	
3	See Note	NSS	Pivot Arm, Plastic (Note: Not Available - Purchase Complete Assembly)	
4	See Note	NSS	Holder, Magnet (Note: Not Available - Purchase Complete Assembly)	
5	See Note	NSS	Arc, Magnet (Note: Not Available - Purchase Complete Assembly)	
6	See Note	NSS	Screw (Note: Not Available for Purchase)	
7	See Note	NSS	Pivot Arm, Cast (Note: Not Available - Purchase Complete Assembly)	
8	See Note	NSS	Shaft, Main (Note: Not Available - Purchase Complete Assembly)	
9	See Note	NSS	Bearing (Note: Not Available - Purchase Complete Assembly)	
10	See Note	NSS	Pin (Note: Not Available - Purchase Complete Assembly)	
11	See Note	NSS	Shim (Note: Not Available - Purchase Complete Assembly)	
12	See Note	NSS	Pin (Note: Not Available - Purchase Complete Assembly)	
13	See Note	NSS	Bearing (Note: Not Available - Purchase Complete Assembly)	
14	See Note	NSS	Dome, Centering (Note: Not Available - Purchase Complete Assembly)	
15	70004753	1	Cap	
16	70004754	1	Insert, Cap	
17	70004755	3	Pin	
18	70004756	2	Washer	
19	70004757	1	Pin, Centering	
20	70004758	1	Spring	
21	70004759	1	Ring, Retaining	
22	70004760	1	E-Ring	
23	70004761	1	Can, Enclosure	
24	70004762	1	Boot	
25	70004763	1	Bezel	
26	See Note	NSS	Screw (Note: Not Available for Purchase)	
27	See Note	NSS	Base Mounting (Note: Not Available - Purchase Complete Assembly)	
28	See Note	NSS	Screw (Note: Not Available for Purchase)	
29	70004764	4	Screw	
30	70004765	4	Screw	
31	70004766	1	O-Ring	
32	See Note	NSS	Plate (Note: Not Available - Purchase Complete Assembly)	
33	See Note	NSS	Harness (Note: Not Available - Purchase Complete Assembly)	
34	70004767	1	Grommet, Rubber	
35	70004768	1	Housing	
36	70004769	1	Spring	
37	70004770	1	Stopper	
38	70004771	1	Spacer	
39	70004772	1	Washer	
40	70004773	1	Disc	

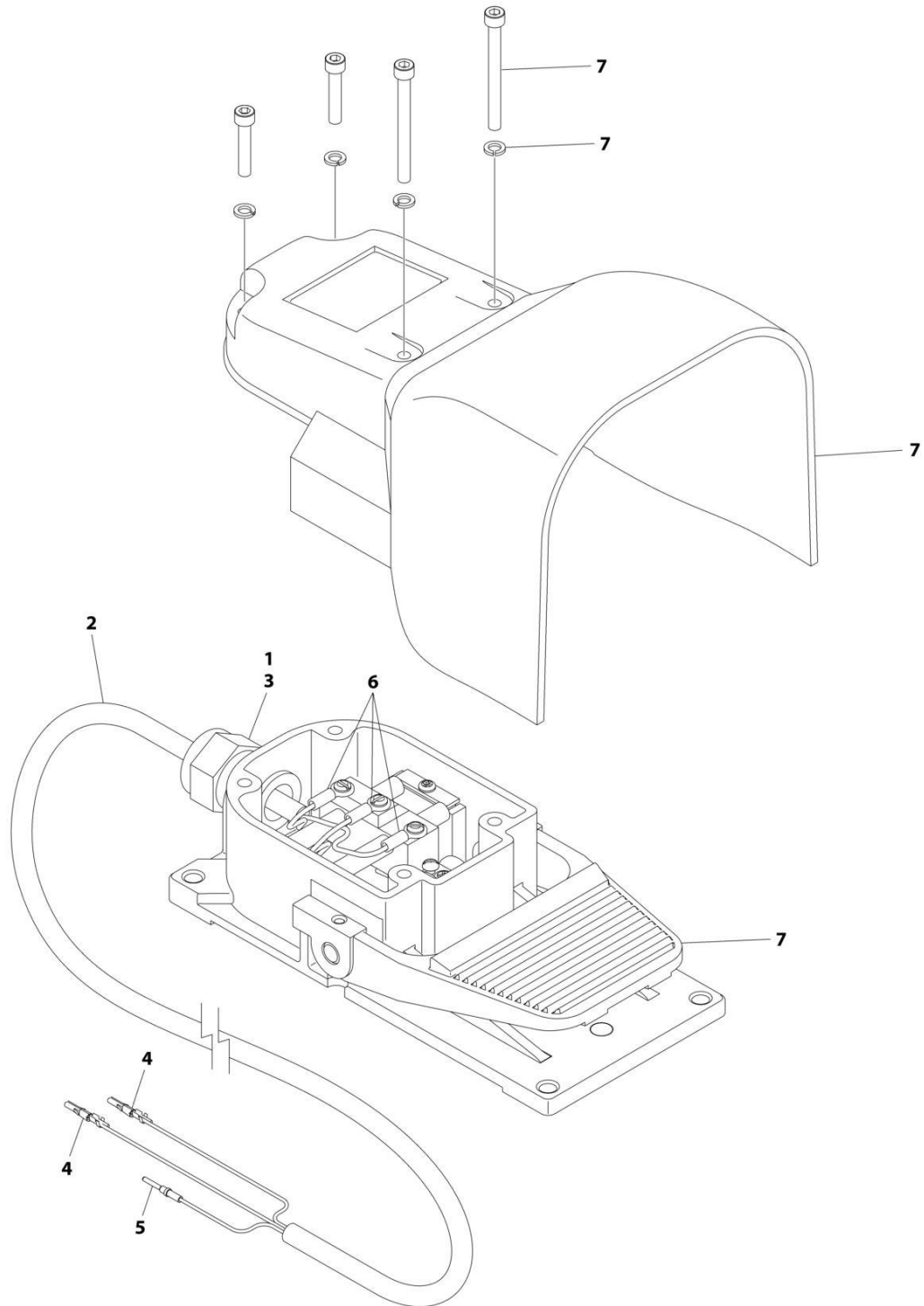
## SECTION 5 - PLATFORM

ITEM	PART NUMBER	QTY	DESCRIPTION	REV
41	70004774	2	Ring, Retaining	
42	70004775	1	Spring	
101	4460265	1	Connector - 9 Position	
101	4460226	6	Socket, Female	



# SECTION 5 - PLATFORM

## FIGURE 5-23. FOOTSWITCH ASSEMBLY



ART\_100117174

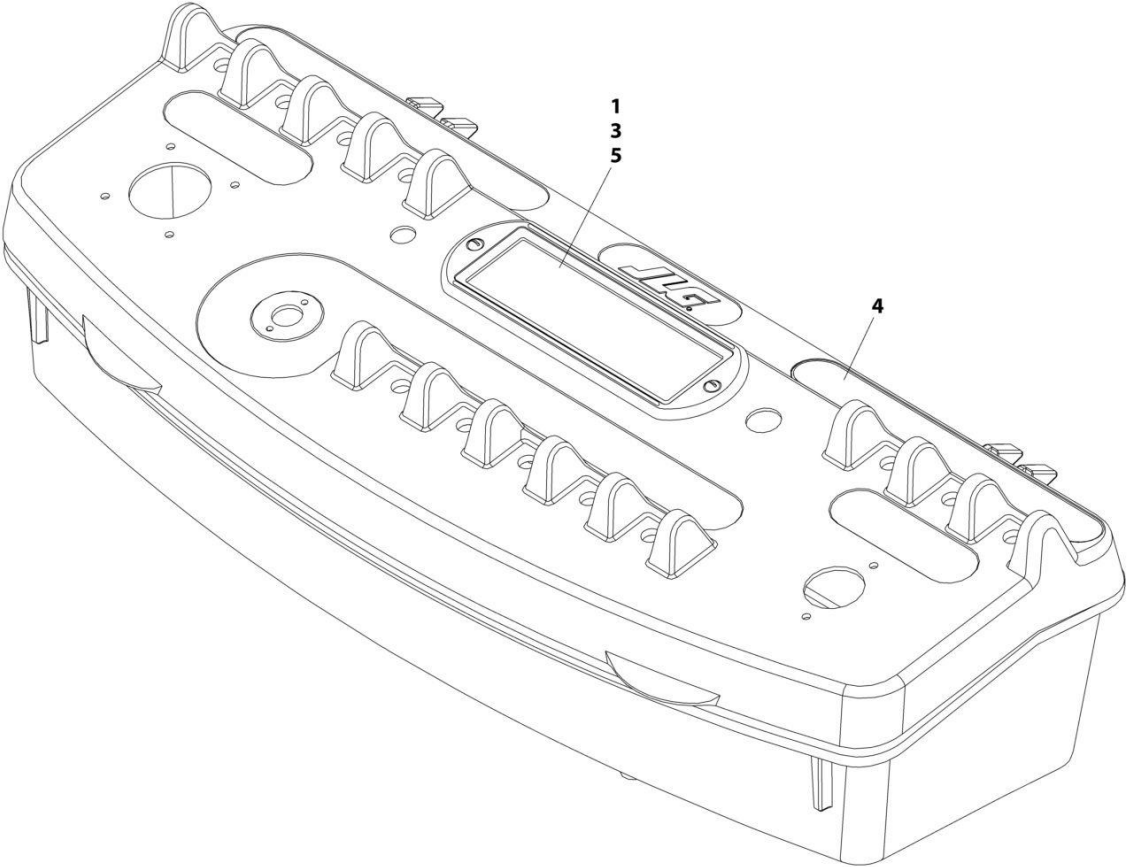
## SECTION 5 - PLATFORM

**FIGURE 5-23. FOOTSWITCH ASSEMBLY**

ITEM	PART NUMBER	QTY	DESCRIPTION	REV
	1001117174	Ref	FOOTSWITCH ASSEMBLY	C
1	0100020	AR	Sealant	
2	1060918	7.5 ft/ 2.3m	Cable, Electrical - 18/3	
3	4460071	1	Connector, Strain Relief	
4	4460226	2	Socket, Female	
5	4460464	1	Pin, Male	
6	1001098122	3	Terminal	
7	1001117172	1	Footswitch	
7	70002902	1	Switch, 20Amp	
7	70002903	1	Gasket	
7	70002905	1	Cover	
7	70002904	1	Kit, Replacement Bolt	

**SECTION 5 - PLATFORM**

**FIGURE 5-24. LIGHT PANEL INSTALLATION**



ART\_1001242680\_2OF2

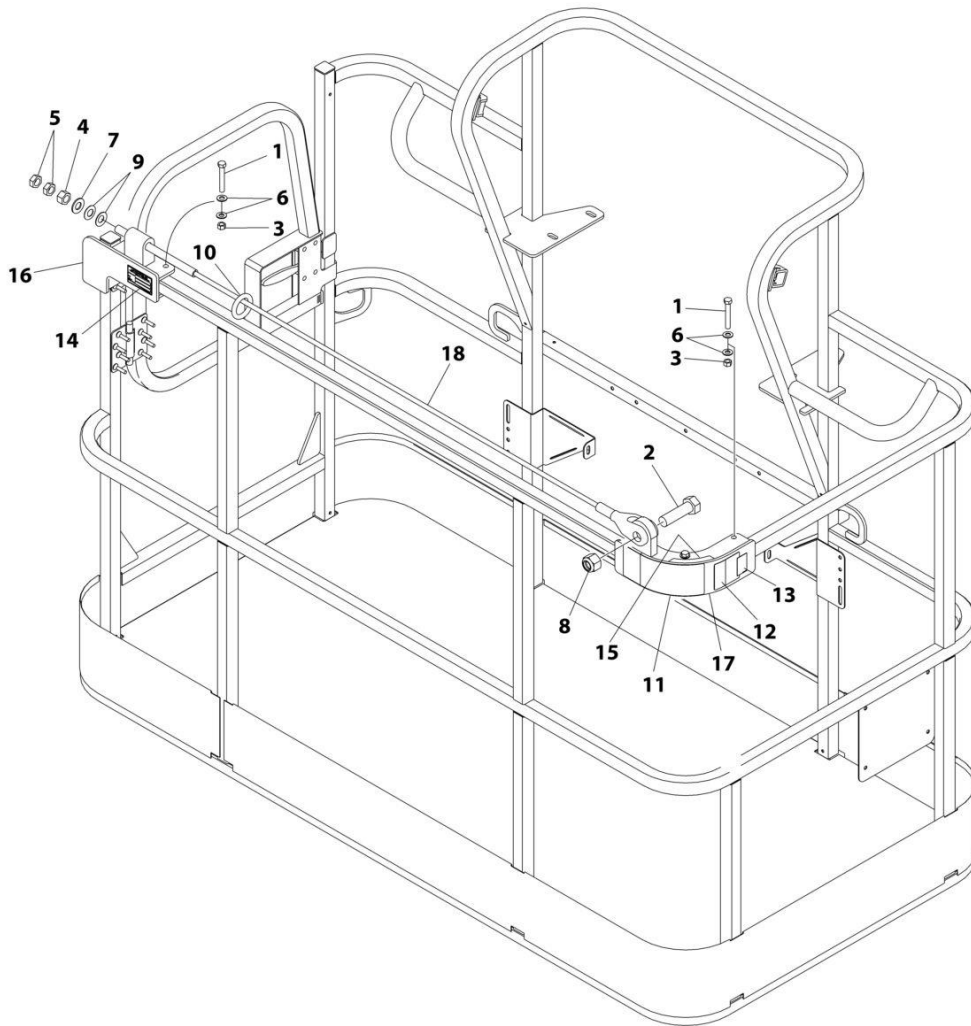
## SECTION 5 - PLATFORM

### FIGURE 5-24. LIGHT PANEL INSTALLATION

ITEM	PART NUMBER	QTY	DESCRIPTION	REV
	1001242680	Ref	LIGHT PANEL INSTALLATION	A
1	0100035	AR	Compound, Locking	
3	3911010	2	Screw #10 x 5/8	
4	1001184618	1	Decal - Stop and Auxiliary Power	
5	1001237544	1	Light Panel Electrical Assembly	
5	1001236087	1	Overlay	
5	1001187807	1	Light Panel PCB	

# SECTION 5 - PLATFORM

FIGURE 5-25. FALL ARREST (BOLT-ON) INSTALLATION - 5FTX3FT PLATFORM (ALL SPECS EXCEPT CE & UK CA SPECS) (OPTIONAL)



ART\_1001257275



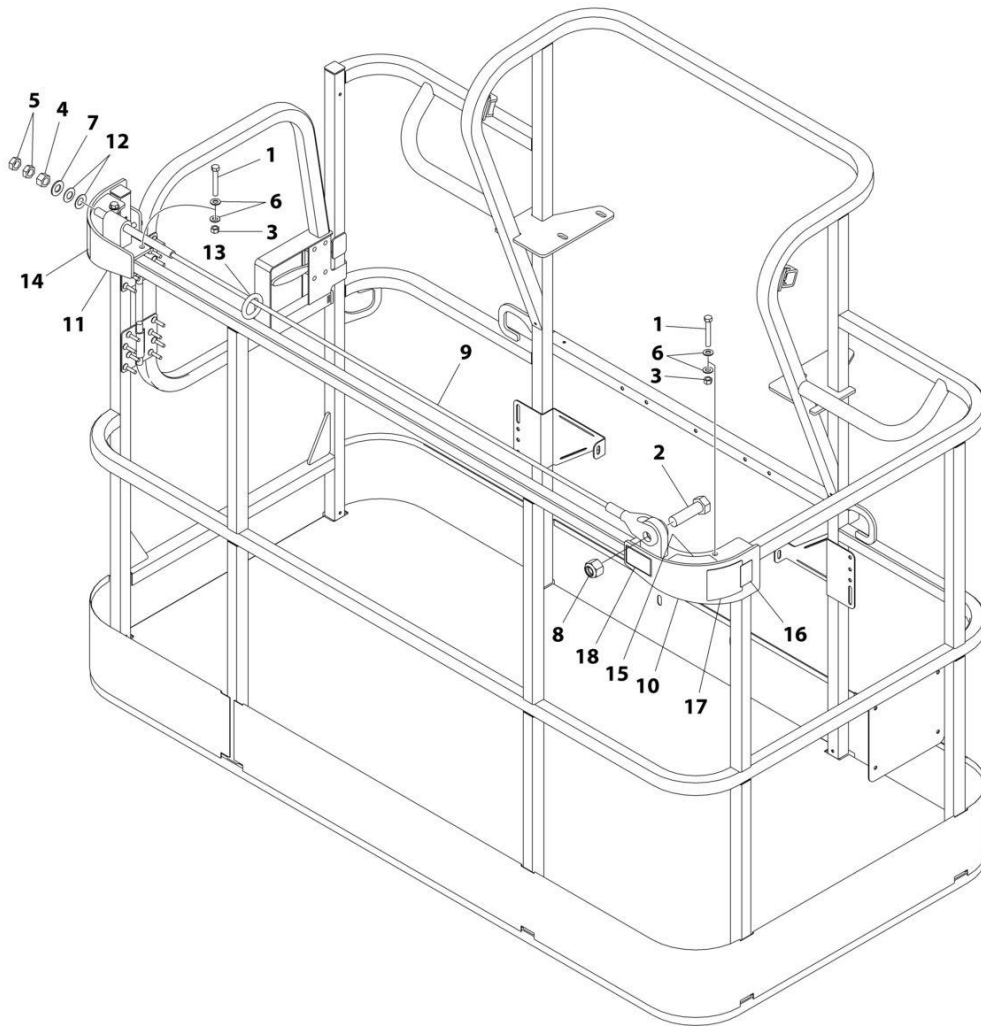
## SECTION 5 - PLATFORM

**FIGURE 5-25. FALL ARREST (BOLT-ON) INSTALLATION - 5FTX3FT PLATFORM (ALL SPECS EXCEPT CE & UK CA SPECS) (OPTIONAL)**

ITEM	PART NUMBER	QTY	DESCRIPTION	REV
	1001257275	Ref	FALL ARREST INSTALLATION (BOLT - ON) 6FT/1.82M PLATFORM	A
1	0681620	6	Bolt 3/8 x 2-1/2	
2	0682424	1	Bolt 7/8 x 3	
3	3271605	6	Nut 3/8	
4	3272001	1	Nut 5/8	
5	3312002	2	Nut 5/8	
6	4711600	12	Washer 3/8	
7	4712000	1	Washer 5/8	
8	88521214	1	Nut 7/8	
9	1001236891	2	Washer	
10	1001236895	1	Ring	
11	1001238263	1	Decal - Warning Falling Hazard	
12	1001248140	1	Decal - Bolt Fall Arrest Re-Cert	
13	1001248141	1	Decal - Incription	
14	See Note	NSS	Nameplate - Manufacturers Serial Number (Note: Not Available for Purchase)	
15	1001252629	1	Decal - Weight	
16	1001257271	1	Bracket (RH)	
17	1001257274	1	Bracket (LH)	
18	1001258005	1	Rope	

# SECTION 5 - PLATFORM

FIGURE 5-26. FALL ARREST (BOLT-ON) INSTALLATION - 6FTX3FT PLATFORM (ALL SPECS EXCEPT CE & UK CA SPECS) (OPTIONAL)



ART\_1001236747

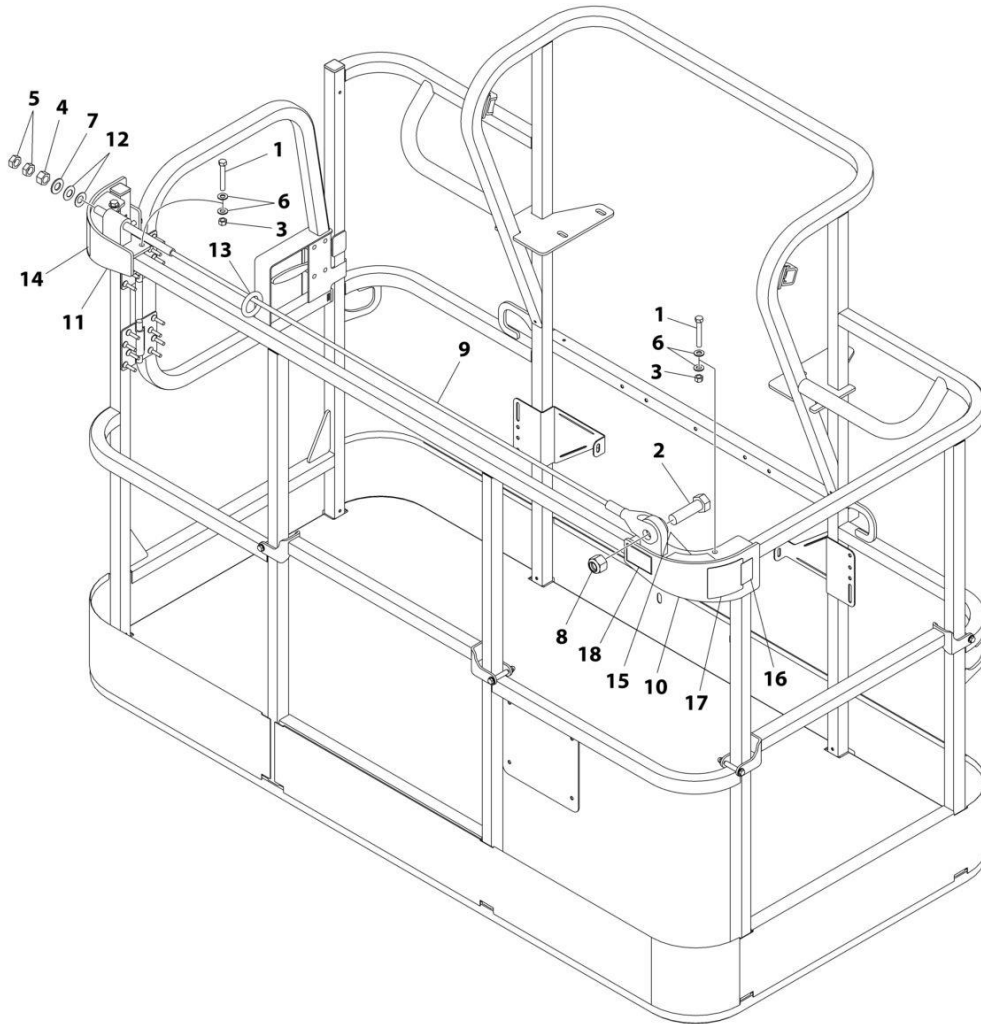
## SECTION 5 - PLATFORM

**FIGURE 5-26. FALL ARREST (BOLT-ON) INSTALLATION - 6FTX3FT PLATFORM (ALL SPECS EXCEPT CE & UK CA SPECS) (OPTIONAL)**

ITEM	PART NUMBER	QTY	DESCRIPTION	REV
	1001236747	Ref	FALL ARREST INSTALLATION (BOLT - ON) 6FT/1.82M PLATFORM	C
1	0681620	6	Bolt 3/8 x 2-1/2	
2	0682424	1	Bolt 7/8 x 3	
3	3271605	6	Nut 3/8	
4	3272001	1	Nut 5/8	
5	3312002	2	Nut 5/8	
6	4711600	12	Washer 3/8	
7	4712000	1	Washer 5/8	
8	88521214	1	Nut 7/8	
9	1001231950	1	Rope	
10	1001232010	1	Bracket (RH)	
11	1001232011	1	Bracket (LH)	
12	1001236891	2	Washer	
13	1001236895	1	Ring	
14	1001238263	1	Decal - Warning Falling Hazard	
15	1001252629	1	Decal - Weight	
16	1001248140	1	Decal - Bolt Fall Arrest Re-Cert	
17	1001248141	1	Decal - Inscription	

# SECTION 5 - PLATFORM

FIGURE 5-27. FALL ARREST (BOLT-ON) INSTALLATION - 6FTX3FT TRI-ENTRY PLATFORM (ALL SPECS EXCEPT CE & UK CA SPECS) (OPTIONAL)



ART\_1001238463

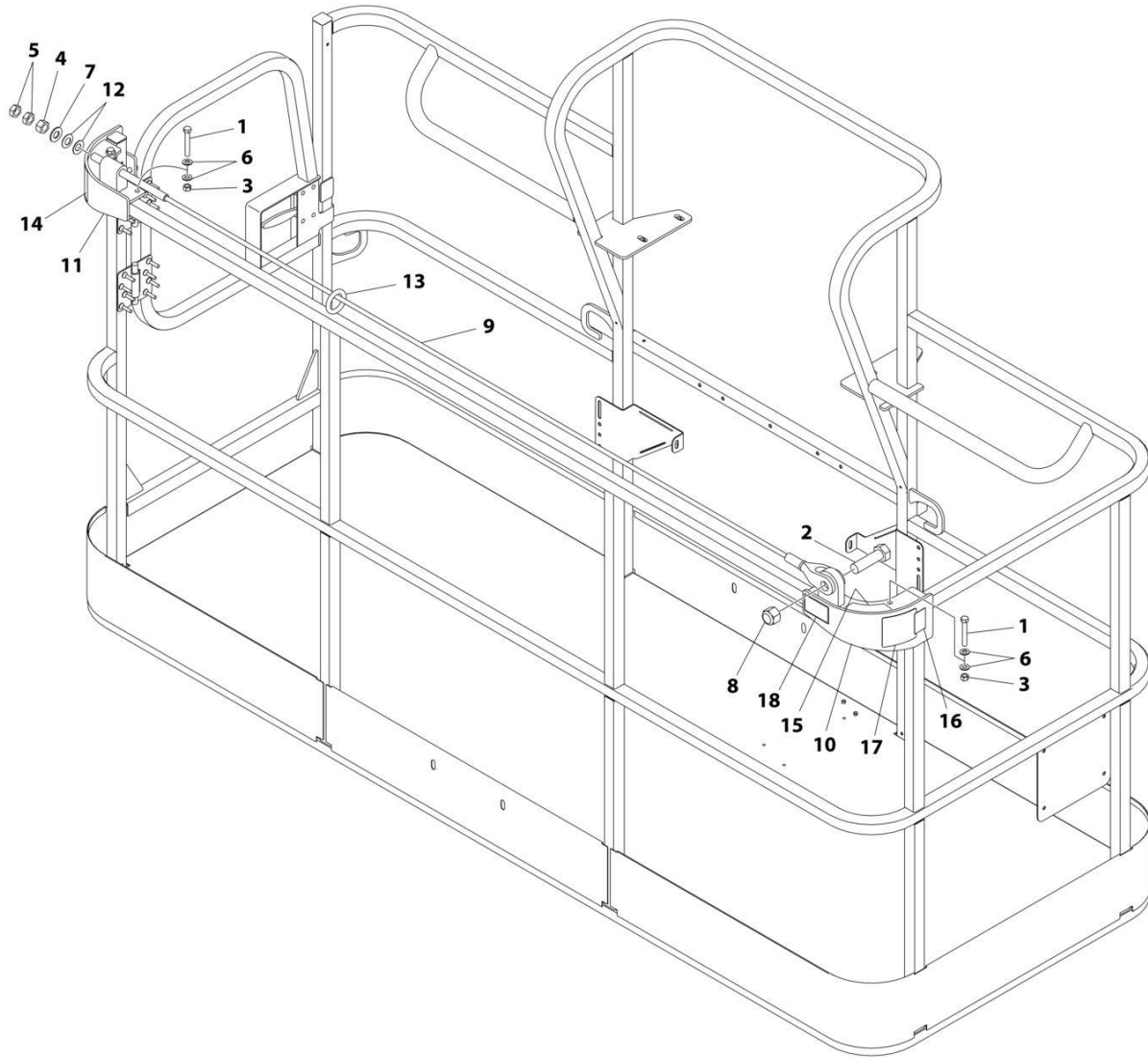
## SECTION 5 - PLATFORM

**FIGURE 5-27. FALL ARREST (BOLT-ON) INSTALLATION - 6FTX3FT TRI-ENTRY PLATFORM (ALL SPECS EXCEPT CE & UK CA SPECS) (OPTIONAL)**

ITEM	PART NUMBER	QTY	DESCRIPTION	REV
	1001238463	Ref	FALL ARREST INSTALLATION (BOLT - ON) 6FT/1.82M PLATFORM	C
1	0681620	6	Bolt 3/8 x 2-1/2	
2	0682424	1	Bolt 7/8 x 3	
3	3271605	6	Nut 3/8	
4	3272001	1	Nut 5/8	
5	3312002	2	Nut 5/8	
6	4711600	12	Washer 3/8	
7	4712000	1	Washer 5/8	
8	88521214	1	Nut 7/8	
9	1001231950	1	Rope	
10	1001232010	1	Bracket (RH)	
11	1001232011	1	Bracket (LH)	
12	1001236891	2	Washer	
13	1001236895	1	Ring	
14	1001238263	1	Decal - Warning Falling Hazard	
15	1001252629	1	Decal - Weight	
16	1001248140	1	Decal - Bolt Fall Arrest Re-Cert	
17	1001248141	1	Decal - Inscription	

# SECTION 5 - PLATFORM

FIGURE 5-28. FALL ARREST (BOLT-ON) INSTALLATION - 8FTX3FT PLATFORM (ALL SPECS EXCEPT CE & UK CA SPECS) (OPTIONAL)



ART\_1001236746

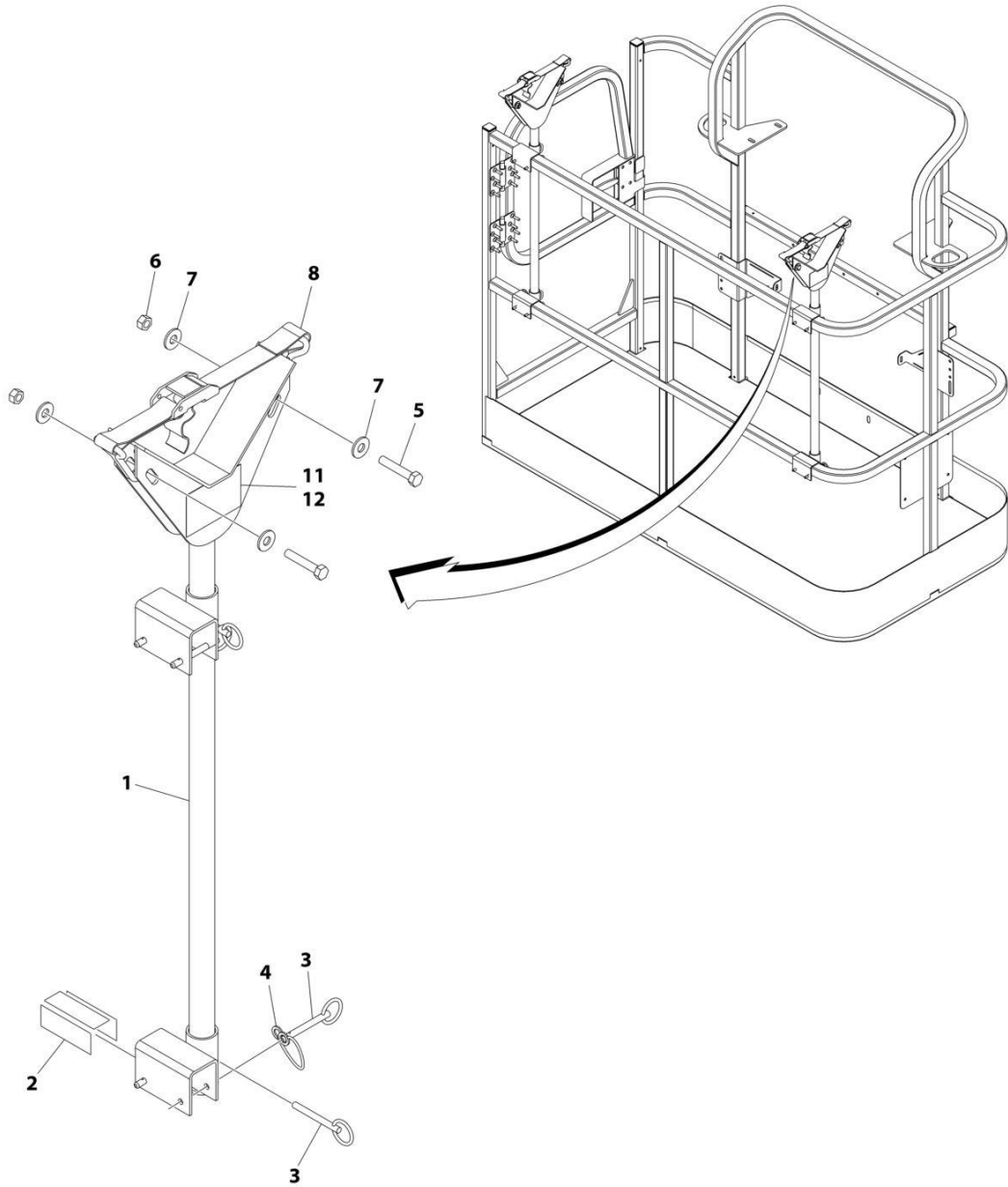
## SECTION 5 - PLATFORM

**FIGURE 5-28. FALL ARREST (BOLT-ON) INSTALLATION - 8FTX3FT PLATFORM (ALL SPECS EXCEPT CE & UK CA SPECS) (OPTIONAL)**

ITEM	PART NUMBER	QTY	DESCRIPTION	REV
	1001236746	Ref	FALL ARREST INSTALLATION (BOLT - ON) 8FT/2.4M PLATFORM	C
1	0681620	6	Bolt 3/8 x 2-1/2	
2	0682424	1	Bolt 7/8 x 3	
3	3271605	6	Nut 3/8	
4	3272001	1	Nut 5/8	
5	3312002	2	Nut 5/8	
6	4711600	12	Washer 3/8	
7	4712000	1	Washer 5/8	
8	88521214	1	Nut 7/8	
9	1001231949	1	Rope	
10	1001232010	1	Bracket (RH)	
11	1001232011	1	Bracket (LH)	
12	1001236891	2	Washer	
13	1001236895	1	Ring	
14	1001238263	1	Decal - Warning Falling Hazard	
15	1001252629	1	Decal - Weight 23LBS/10.4KG	
16	1001248140	1	Decal - Bolt Fall Arrest Re-Cert	
17	1001248141	1	Decal - Inscription	

# SECTION 5 - PLATFORM

FIGURE 5-29. PIPE RACK INSTALLATION (ALL SPECS EXCEPT AUSTRALIAN SPEC)



ART\_0257728\_E



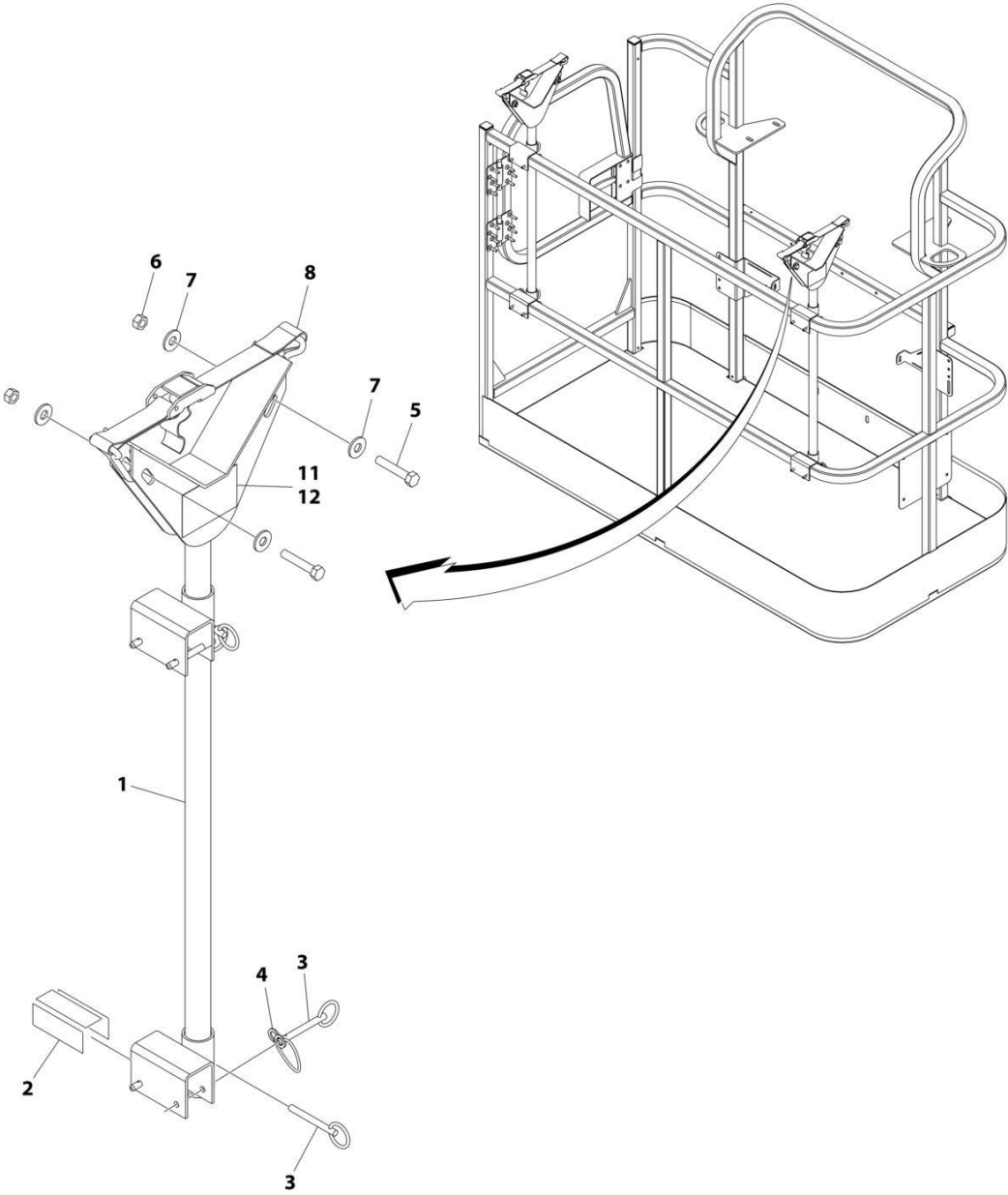
## SECTION 5 - PLATFORM

**FIGURE 5-29. PIPE RACK INSTALLATION (ALL SPECS EXCEPT AUSTRALIAN SPEC)**

ITEM	PART NUMBER	QTY	DESCRIPTION	REV
	0257728	Ref	PIPE RACK INSTALLATION	E
1	4845582	2	Rack, Pipe	
2	4420062	AR	Tape	
3	3422661	10	Pin	
4	1060379	4	Lanyard	
5	0641514	4	Bolt 5/16 x 1-3/4	
6	3311505	4	Nut 5/16	
7	4751500	8	Washer 5/16	
8	0480100	2	Tie-Down	
11	1001252946	2	Decal - Capacity (500-600LBS/2227-272KG Zones)	
12	1001252947	2	Decal - Capacity (660-1000LBS/299-454KG Zones)	

**SECTION 5 - PLATFORM**

**FIGURE 5-30. PIPE RACK INSTALLATION (AUSTRALIAN SPEC)**



ART\_0274661\_C

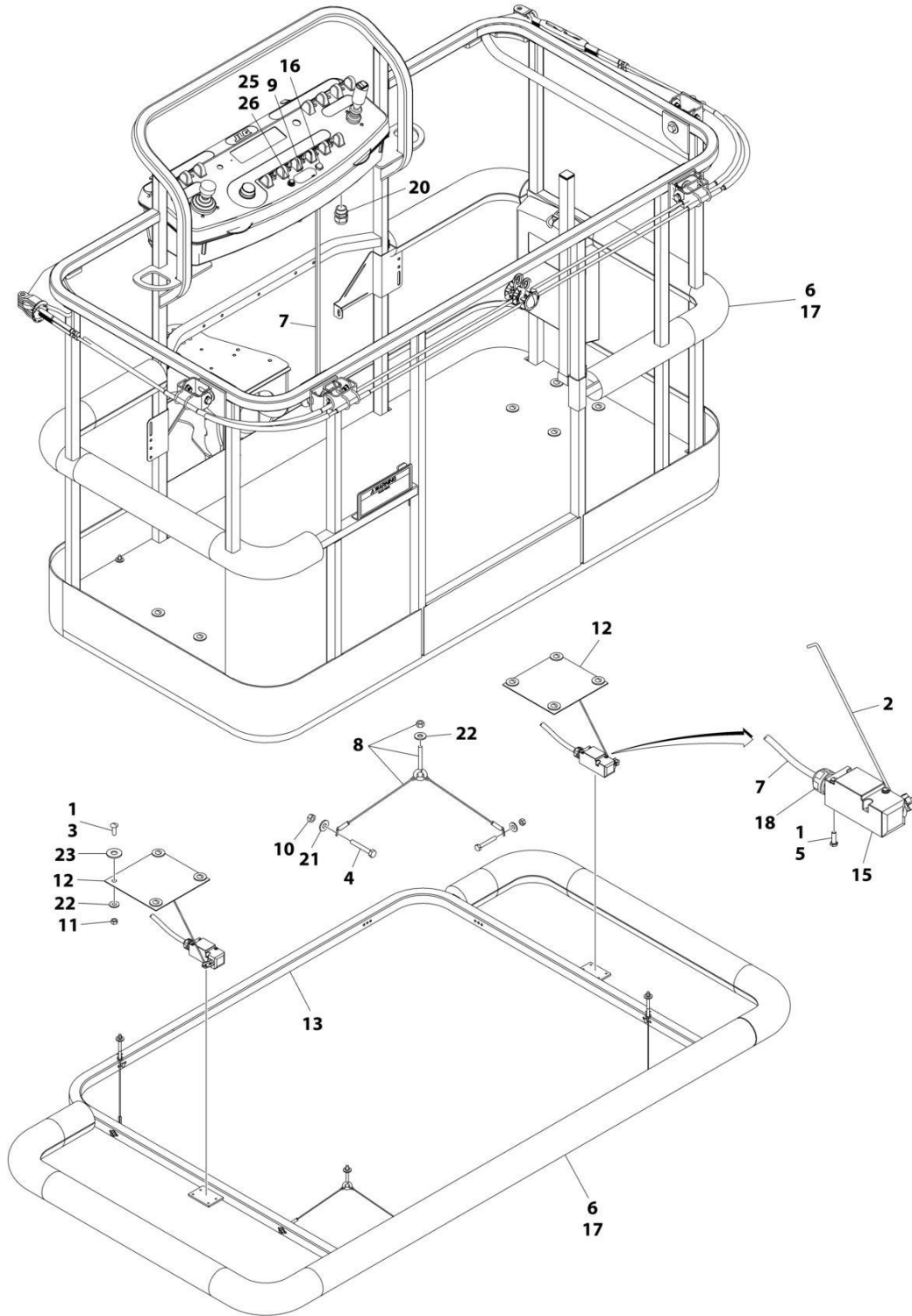
## SECTION 5 - PLATFORM

**FIGURE 5-30. PIPE RACK INSTALLATION (AUSTRALIAN SPEC)**

ITEM	PART NUMBER	QTY	DESCRIPTION	REV
	0274661	Ref	PIPE RACK INSTALLATION	C
1	4845582	2	Rack, Pipe	
2	4420062	AR	Tape	
3	3422661	10	Pin	
4	1060379	4	Lanyard	
5	0641514	4	Bolt 5/16 x 1-3/4	
6	3311505	4	Nut 5/16	
7	4751500	8	Washer 5/16	
8	0480100	2	Tie-Down	
11	1001252946	2	Decal - Capacity (1) (500-600LBSS/227-272KG Zones) (1200SJP,1250AJP,1350SJP,1500SJ,400S,450A,450AJ,460SJ,520AJ,800S,860SJ)	
12	1001252947	2	Decal - Capacity (2) (660-1000LBSS/299-454KG Zones)	

# SECTION 5 - PLATFORM

## FIGURE 5-31. SOFT TOUCH INSTALLATION - 6FT (1.83M) FALL ARREST PLATFORM (OPTIONAL)



ART\_1001108256

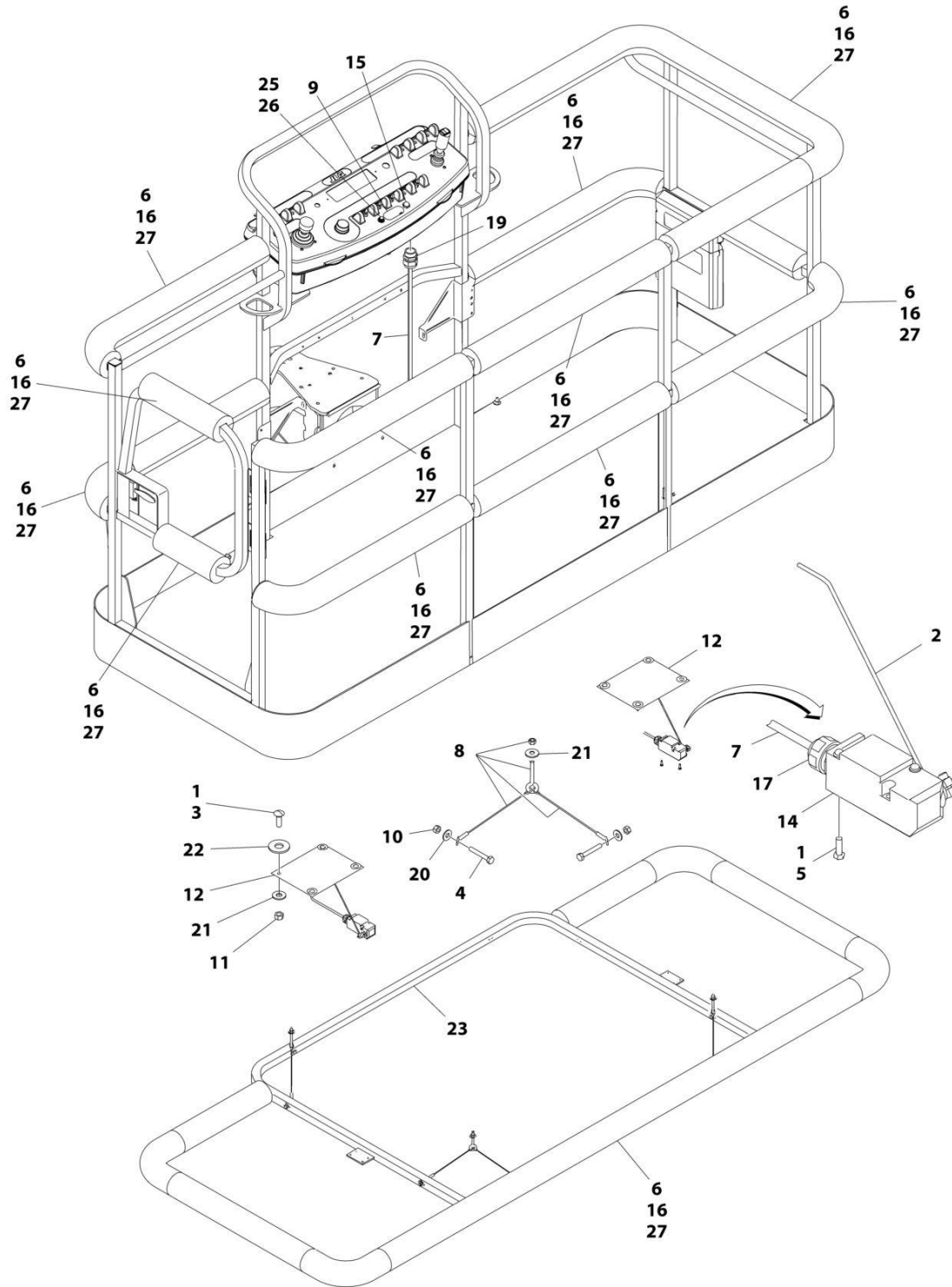
## SECTION 5 - PLATFORM

**FIGURE 5-31. SOFT TOUCH INSTALLATION - 6FT (1.83M) FALL ARREST PLATFORM (OPTIONAL)**

ITEM	PART NUMBER	QTY	DESCRIPTION	REV
	1001108256	Ref	SOFT TOUCH INSTALLATION	C
1	0100011	AR	Compound, Locking	
2	0200048	2	Arm, Switch	
3	0630462	8	Bolt	
4	0641414	8	Bolt 1/4 x 1-3/4	
5	0731005	4	Bolt #10 x 5/8	
6	0940177	1	Bumper Kit (Includes Corners and Enough Straight Material for One Platform)	
6	0940092	8	Bumper (Corner)	
6	0940094	AR	Bumper (12ft Length)	
7	1060341	23 ft/7m	Cable, Soft Touch - 16/2	
8	1060903	4	Wire Rope and Eyebolt Assembly	
9	1702938	1	Decal - Soft Touch Override	
10	3311401	8	Nut 1/4	
11	3311501	8	Nut 5/16	
12	3575359	2	Plate, Switch Strike	
13	3641569	1	Rail, Soft Touch	
14	4240099	7	Tie-Strap (Not Shown)	
15	4360057	2	Switch, Limit	
16	4360387	1	Switch, Push Button	
17	4420068	AR	Tape, Adhesive	
17	1001197017	AR	Tie-Strap	
18	4460049	2	Connector, Strain Relief	
19	4460234	7	Tie-Strap (Not Shown)	
20	4460425	1	Connector, Strain Relief	
21	4751400	8	Washer 1/4	
22	4751500	9	Washer 5/16	
23	4751800	8	Washer 1/2	
25	2920028	1	Light, Indicator	
26	2920029	1	Bulb, Light	

# SECTION 5 - PLATFORM

## FIGURE 5-32. SOFT TOUCH INSTALLATION - 8FT (2.4M) PLATFORM (OPTIONAL)



ART\_0272427

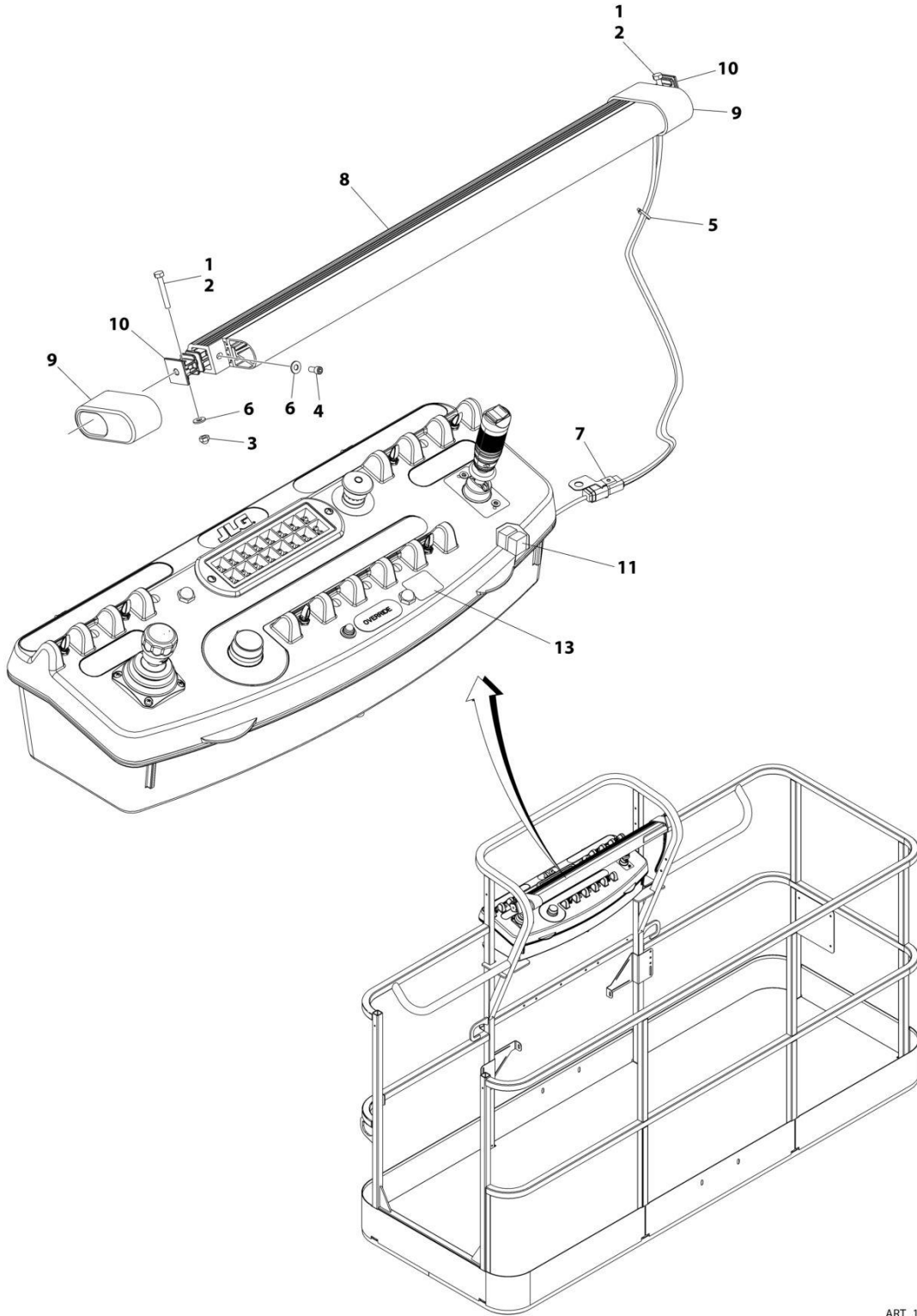
## SECTION 5 - PLATFORM

**FIGURE 5-32. SOFT TOUCH INSTALLATION - 8FT (2.4M) PLATFORM (OPTIONAL)**

ITEM	PART NUMBER	QTY	DESCRIPTION	REV
	0272427	Ref	SOFT TOUCH SYSTEM INSTALLATION	G
1	0100011	AR	Compound, Locking	
2	0200048	2	Arm, Switch	
3	0630462	8	Bolt	
4	0641414	8	Bolt 1/4 x 1-3/4	
5	0721005	4	Bolt #10 x 5/8	
6	0940103	1	Bumper Kit (Includes Corners and Enough Straight Material for One Platform)	
6	0940092	12	Bumper (Corner)	
6	0940094	AR	Bumper (12ft Length)	
7	1060341	23 ft/7m	Cable, Electrical - 16/2	
8	1060903	4	Wire Rope and Eyebolt Assembly	
9	1702938	1	Decal - Soft Touch Override	
10	3311401	8	Nut 1/4	
11	3311501	8	Nut 5/16	
12	3574091	2	Plate, Switch Strike	
13	4240099	7	Tie-Strap (Not Shown)	
14	4360057	2	Switch, Limit	
15	4360387	1	Switch, Push Button	
16	4420068	AR	Tape, Adhesive	
16	1001197017	AR	Tie-Strap	
17	4460049	2	Connector, Strain Relief	
18	4460234	7	Tie-Strap (Not Shown)	
19	4460425	1	Connector, Strain Relief	
20	4751400	8	Washer 1/4	
21	4751500	12	Washer 5/16	
22	4751800	8	Washer 1/2	
23	4846673	1	Rail, Soft Touch	
24	4933218	1	Soft Touch Wiring Diagram (Not Shown - Reference Only)	
25	2920028	1	Light, Indicator	
26	2920029	1	Bulb, Light	

# SECTION 5 - PLATFORM

## FIGURE 5-33. SKYGUARD BAR INSTALLATION



ART\_1001238495



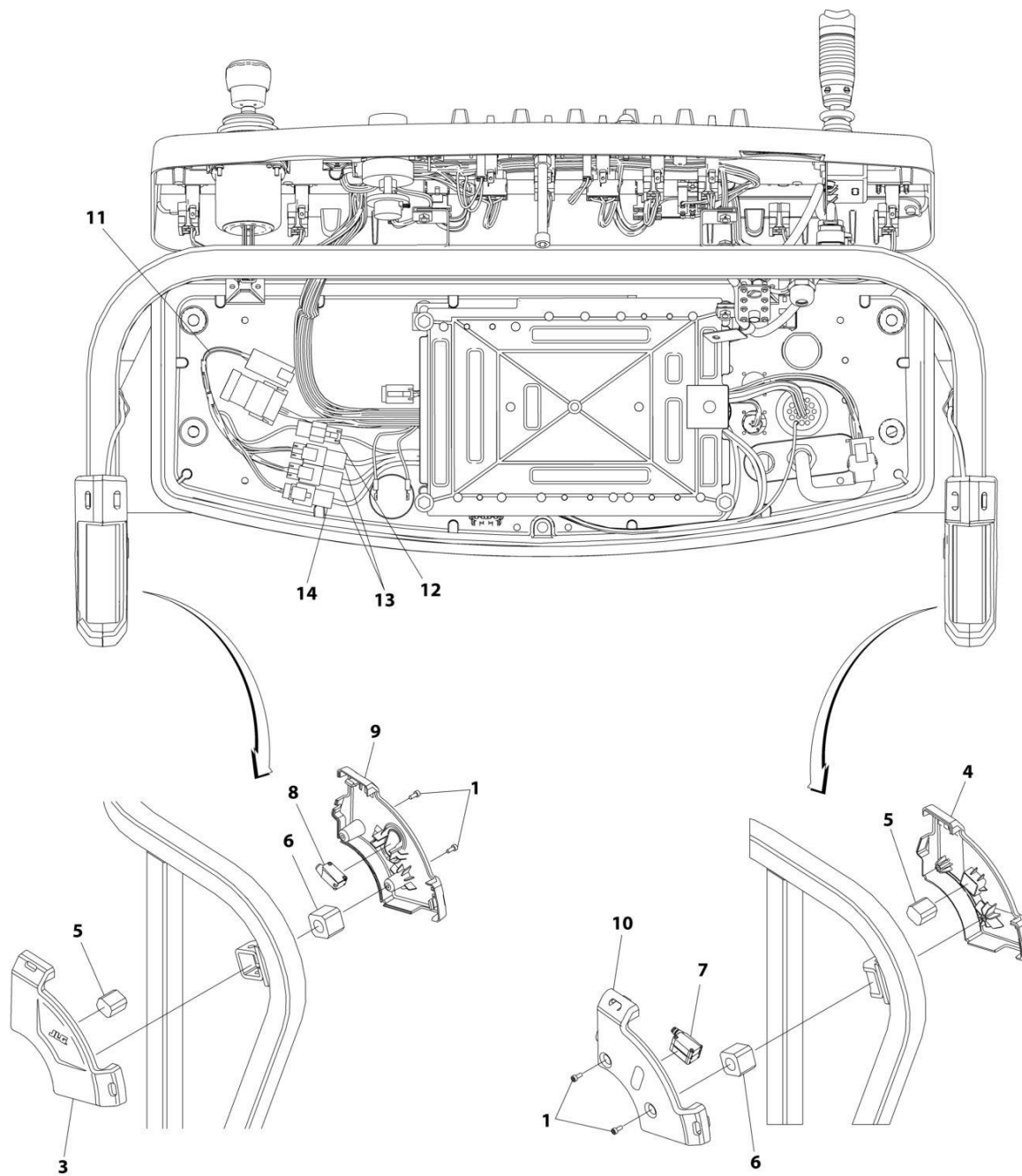
## SECTION 5 - PLATFORM

**FIGURE 5-33. SKYGUARD BAR INSTALLATION**

ITEM	PART NUMBER	QTY	DESCRIPTION	REV
	1001238495	Ref	SKYGUARD BAR INSTALLATION	A
1	0100011	AR	Compound, Locking	
2	0641414	2	Bolt 1/4 x 1-3/4	
3	3300430	2	Nut 1/4	
4	3931408	2	Capscrew 1/4 x 1/2	
5	4240033	8	Tie-Strap	
6	4711400	6	Washer 1/4	
7	1001120328	1	Mount	
8	1001137673	1	SkyGuard Switch Assembly	
9	1001186517	2	Cover, Platform Sensor	
10	1001209664	2	Support, Block	
11	1001186431	2	Relay	
12	1001225580	1	Interface Harness Assembly (Not Shown - Located Inside Console Box) (See Separate Breakdown in ELECTRICAL Section)	
13	1001144433	1	Decal - No Weight SkyGuard	

# SECTION 5 - PLATFORM

## FIGURE 5-34. SKYEYE INSTALLATION



ART\_1001229341

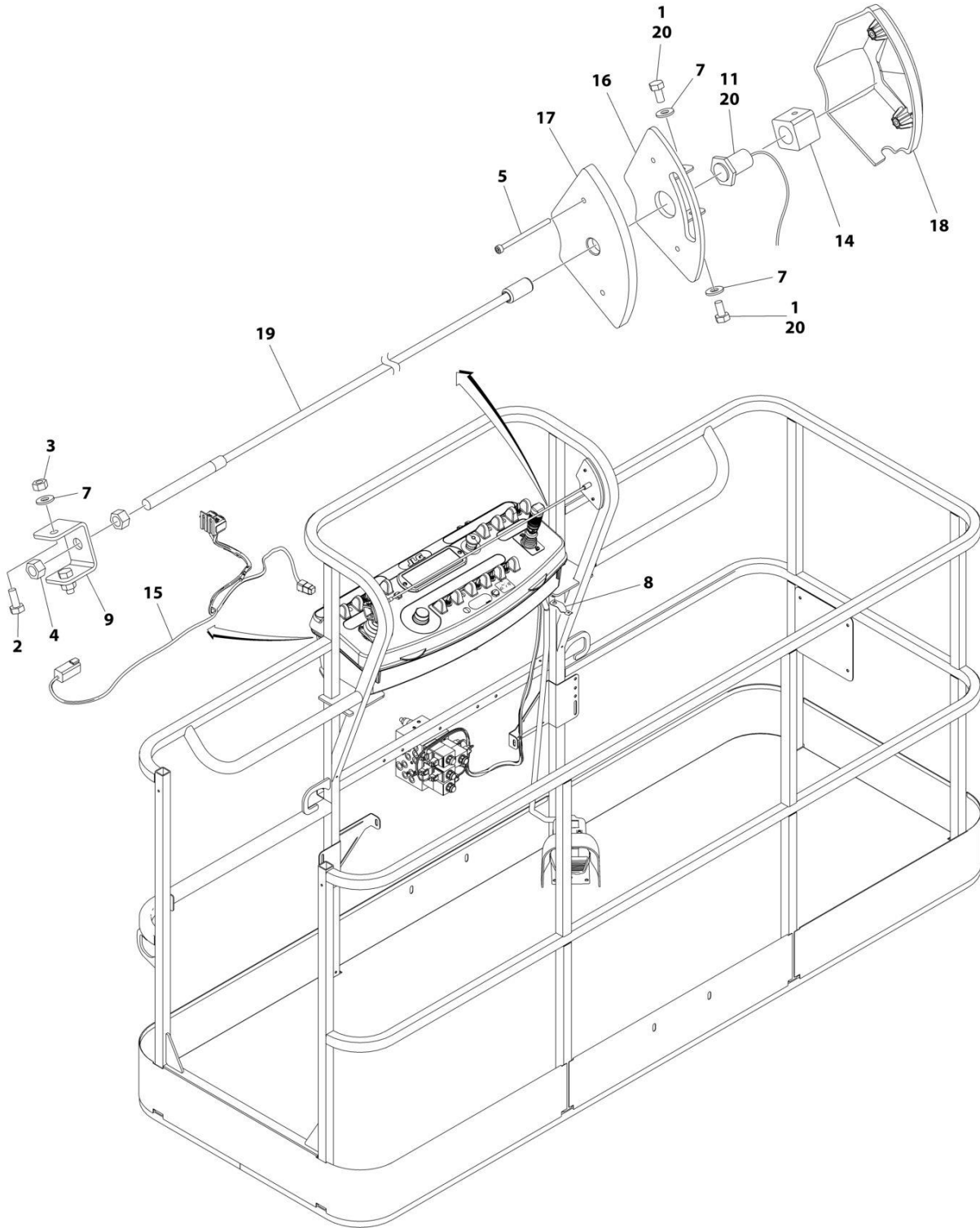
## SECTION 5 - PLATFORM

### FIGURE 5-34. SKYEYE INSTALLATION

ITEM	PART NUMBER	QTY	DESCRIPTION	REV
	1001229341	Ref	SKYEYE INSTALLATION	B
1	4031505	4	Bolt M4 x 10	
2	4240033	AR	Tie-Strap (Not Shown)	
3	1001227633	1	Housing, LH Outer	
4	1001227634	1	Housing, RH Outer	
5	1001227985	2	Shim	
6	1001227987	2	Shim	
7	1001228224	2	Sensor, Receiver	
8	1001228225	1	Sensor, Emitter	
9	1001232164	1	Housing, LH Inner	
10	1001232165	1	Housing, RH Inner	
11	1001237865	1	Harness, Skyeeye Intermediate (See Separate Breakdown in ELECTRICAL Section)	
12	1001238319	NLA	Harness, Skyeeye Drain Jumper	
12	1001187674	1	Plug, Male - 2 Position	
12	4460942	1	Terminal	
12	4460466	1	Plug, Terminal	
12	4460508	1	Pin, Male	
13	1001237863	2	Harness, Skyeeye Receiver (See Separate Breakdown in ELECTRICAL Section)	
14	1001237864	1	Harness, Skyeeye Emitter (See Separate Breakdown in ELECTRICAL Section)	

**SECTION 5 - PLATFORM**

**FIGURE 5-35. SKYLINE INSTALLATION**



ART\_1001238559\_D

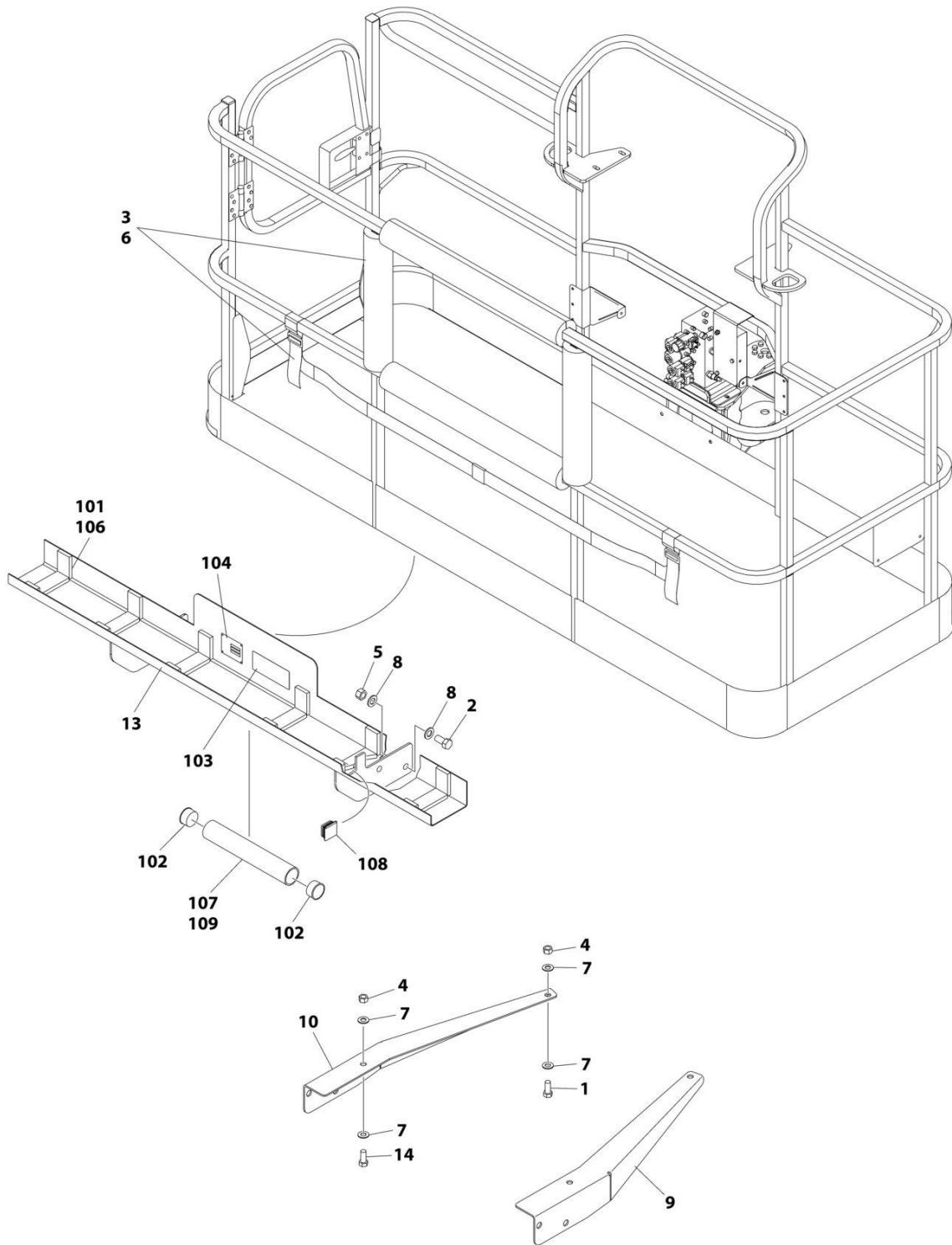
## SECTION 5 - PLATFORM

### FIGURE 5-35. SKYLINE INSTALLATION

ITEM	PART NUMBER	QTY	DESCRIPTION	REV
	1001238559	Ref	SKYLINE INSTALLATION	D
1	0641404	2	Bolt 1/4 x 1/2	
2	0641405	2	Bolt 1/4 x 5/8	
3	3311405	2	Nut 1/4	
4	3311601	2	Nut 3/8	
5	4031516	2	Capscrew M4 x 60	
6	4240033	AR	Tie-Strap (Not Shown)	
7	4711400	4	Washer 1/4	
8	1001120328	1	Mount	
9	1001232642	1	Bracket	
11	1001232667	1	Sensor, Proximity	
11	1001311034	1	Sensor, Proximity	
14	1001236552	1	Block	
15	1001238418	1	Harness, Skyline (See Separate Breakdown in ELECTRICAL Section)	
16	1001238472	1	Mount	
17	1001254473	1	Housing, LH	
18	1001241965	1	Housing, RH	
19	1001254472	1	Rod	
20	0100011	AR	Compound, Locking	

# SECTION 5 - PLATFORM

## FIGURE 5-36. SKYGLAZIER INSTALLATION



ART\_1001172578\_C

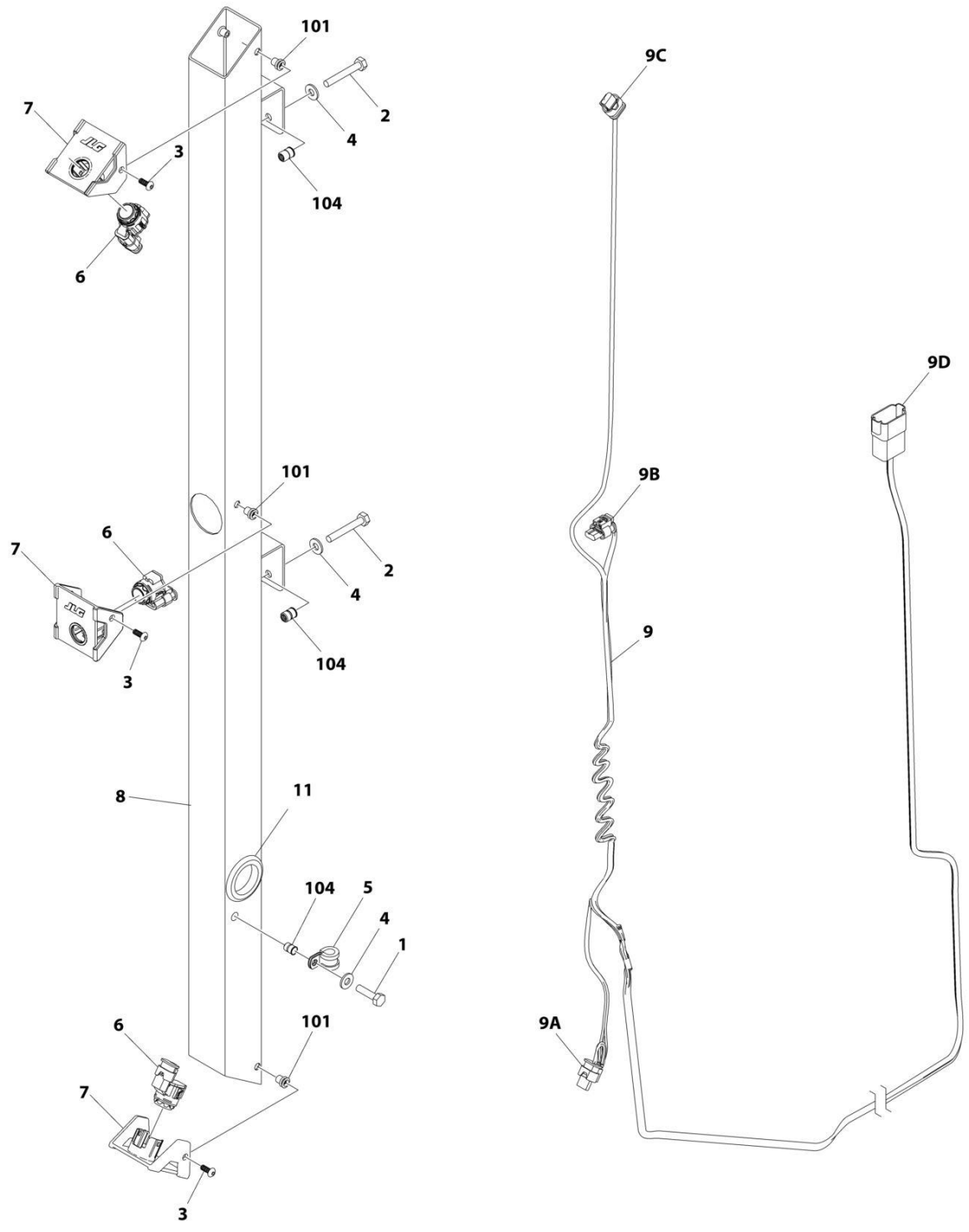
## SECTION 5 - PLATFORM

**FIGURE 5-36. SKYGLAZIER INSTALLATION**

ITEM	PART NUMBER	QTY	DESCRIPTION	REV
	1001172578	Ref	SKYGLAZIER INSTALLATION	C
1	0642012	2	Bolt 5/8 x 1-1/2	
2	0642212	4	Bolt 3/4 x 1-1/2	
3	2902212	1	Bumpers and Strap Kit	
3	0940102	1	Bumper Only	
3	4240149	1	Strap Only	
4	3312005	1	Nut 5/8	
5	3312205	4	Nut 3/4	
6	4420014	AR	Tape	
7	4712000	6	Washer 5/8	
8	4712200	8	Washer 3/4	
9	1001099366	1	Support	
10	1001099367	1	Support	
13	1001172577	1	Tray Assembly (See Items 101-109 for Breakdown)	
14	8310129	2	Bolt 3/4 x 2-1/2	
	1001172577	Ref	TRAY ASSEMBLY	C
101	0100081	AR	Adhesive	
102	1120555	2	Cap, Tube	
103	1701509	1	Decal - Manual	
104	See Note	NSS	Nameplate - Serial Number (Note: Not Available for Purchase)	
106	3340956	1	Pad Kit	
107	3460334	1	Tube	
108	3520071	2	Plug	
109	4420066	AR	Tape, Double Sided	

# SECTION 5 - PLATFORM

## FIGURE 5-37. SKYSENSE MID TUBE SENSOR ASSEMBLY



ART\_1001243205



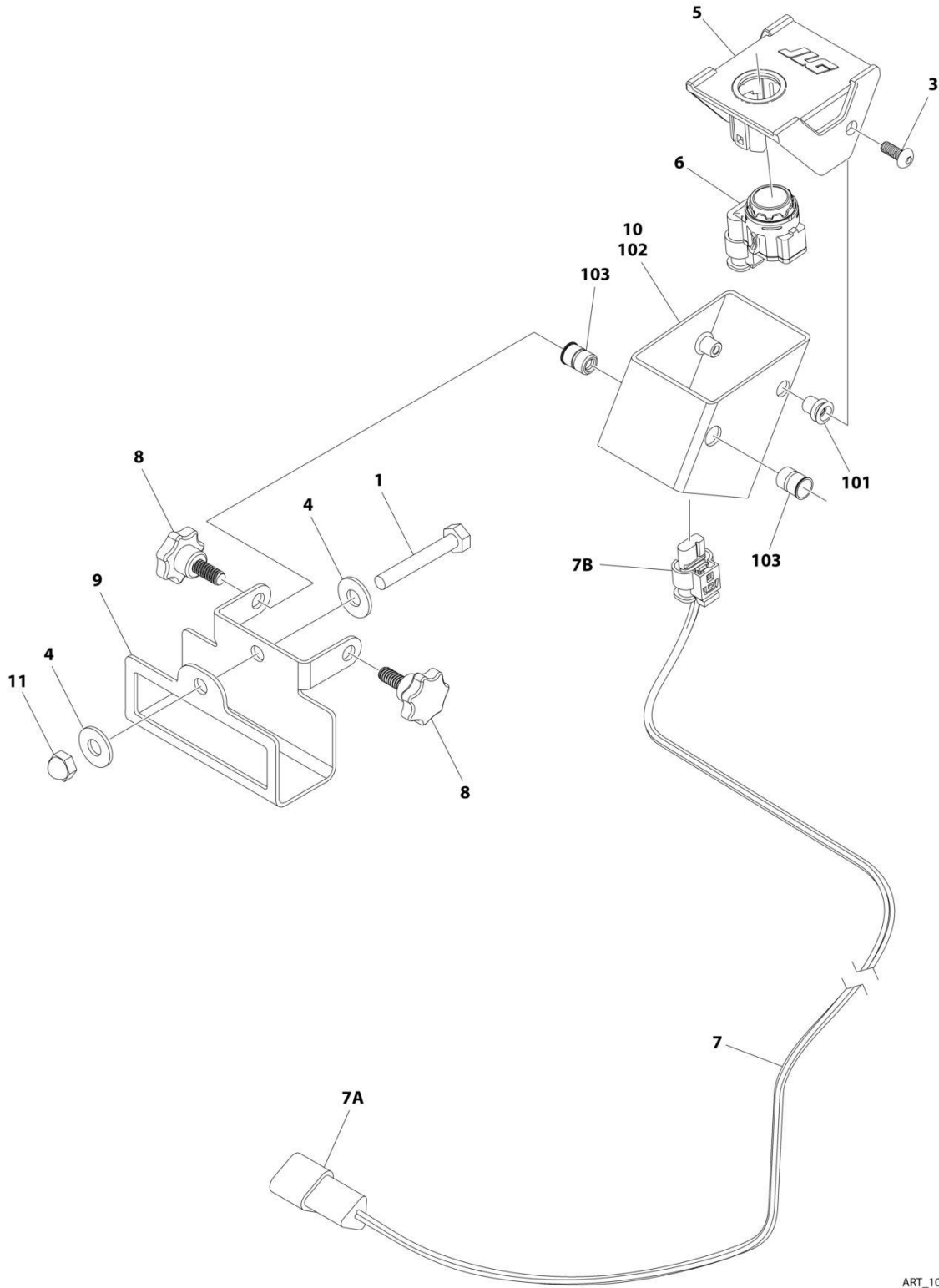
## SECTION 5 - PLATFORM

**FIGURE 5-37. SKYSENSE MID TUBE SENSOR ASSEMBLY**

ITEM	PART NUMBER	QTY	DESCRIPTION	REV
	1001243205	Ref	SKYSENSE MID TUBE SENSOR ASSEMBLY	C
1	0641408	1	Bolt 1/4 x 1	
2	0641414	2	Bolt 1/4 x 1-3/4	
3	1001260525	6	Screw #10 x 1/2	
4	4711400	3	Washer 1/4	
5	1001260524	1	Clamp	
6	1001237902	3	Sensor, SkySense	
7	1001241162	3	Mount, Sensor	
8	1001243092	1	Tube Assembly (Includes items 101 through 104)	C
9	1001244336	1	Harness, SkySense Mid Tube	D
9A	1001237898	1	Connector	
9A	1001237888	3	Terminal	
9B	1001237898	1	Connector	
9B	1001237888	3	Terminal	
9C	1001237898	1	Connector	
9C	1001237888	3	Terminal	
9D	4460931	1	Connector	
9D	4460943	7	Pin	
9D	4460466	1	Plug	
10	1001246389	1	Decal (Not Shown)	
11	1001247252	1	Grommet	
101	2080069	6	Fastener	
104	1001258730	3	Rivnut	

# SECTION 5 - PLATFORM

## FIGURE 5-38. SKYSENSE OVERHEAD SENSOR ASSEMBLY



ART\_1001244733

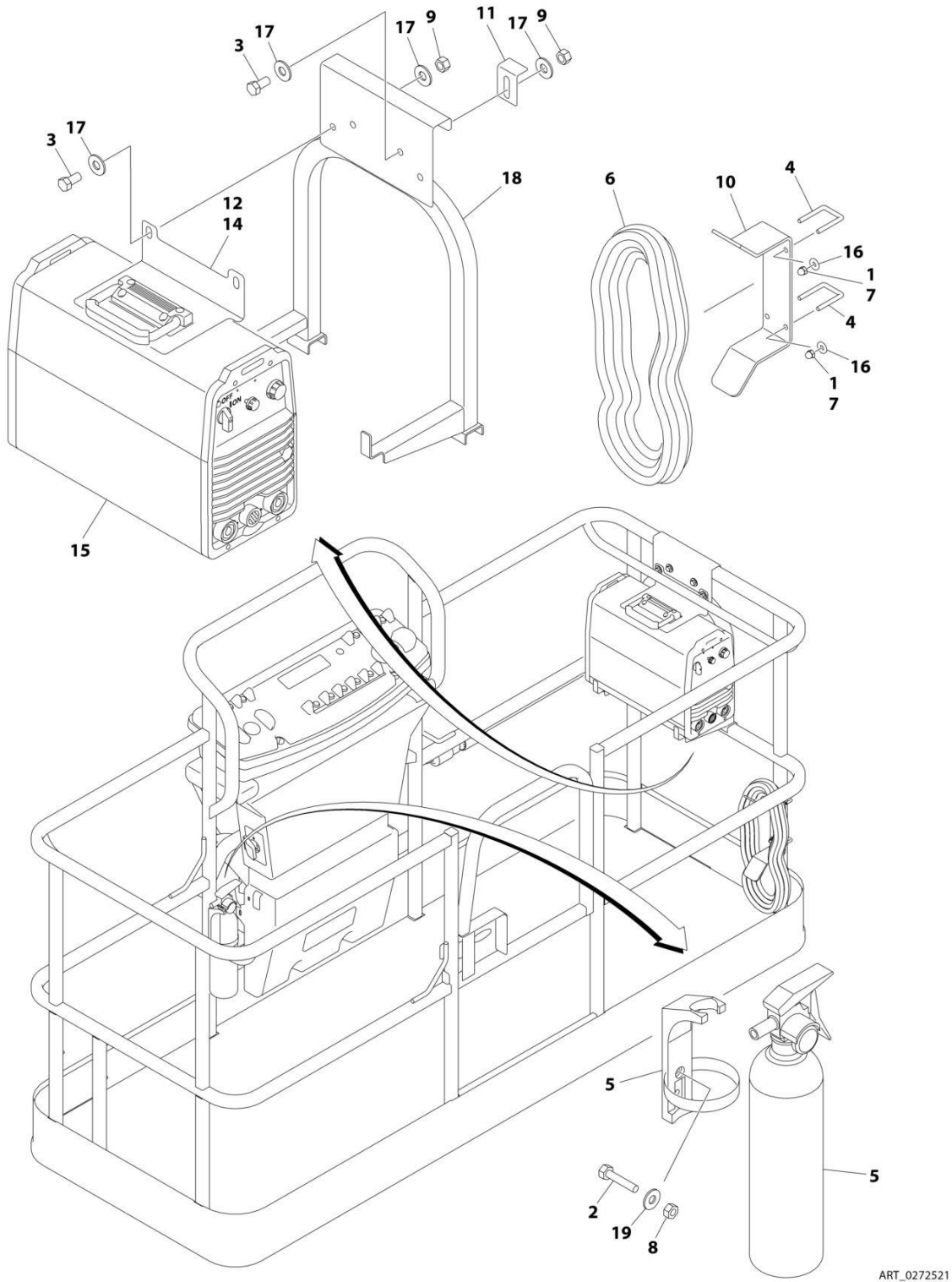
## SECTION 5 - PLATFORM

**FIGURE 5-38. SKYSENSE OVERHEAD SENSOR ASSEMBLY**

ITEM	PART NUMBER	QTY	DESCRIPTION	REV
	1001244733	Ref	SKYSENSE OVERHEAD SENSOR ASSEMBLY	D
1	0641414	1	Bolt 1/4 x 1-3/4	
3	1001260525	2	Screw #10 x 1/2	
4	4751400	2	Washer 1/4	
5	1001237891	1	Mount, Sensor	
6	1001237902	1	Sensor, SkySense	
7	1001244335	1	Harness, SkySense Overhead	D
7A	4460536	1	Connector	
7A	4460943	3	Pin	
7B	1001237898	1	Connector	
7B	1001237888	1	Terminal	
8	1001244671	2	Knob	
9	1001244709	1	Bracket, Mounting	
10	1001244732	1	Housing Assembly (Includes items 101 through 103)	B
11	3300430	1	Nut	
101	2080069	2	Fastener	
102	1001244710	1	Housing, Sensor	
103	1001258730	2	Rivnut	

# SECTION 5 - PLATFORM

## FIGURE 5-39. SKYWELDER INSTALLATION (50HZ)



ART\_0272521

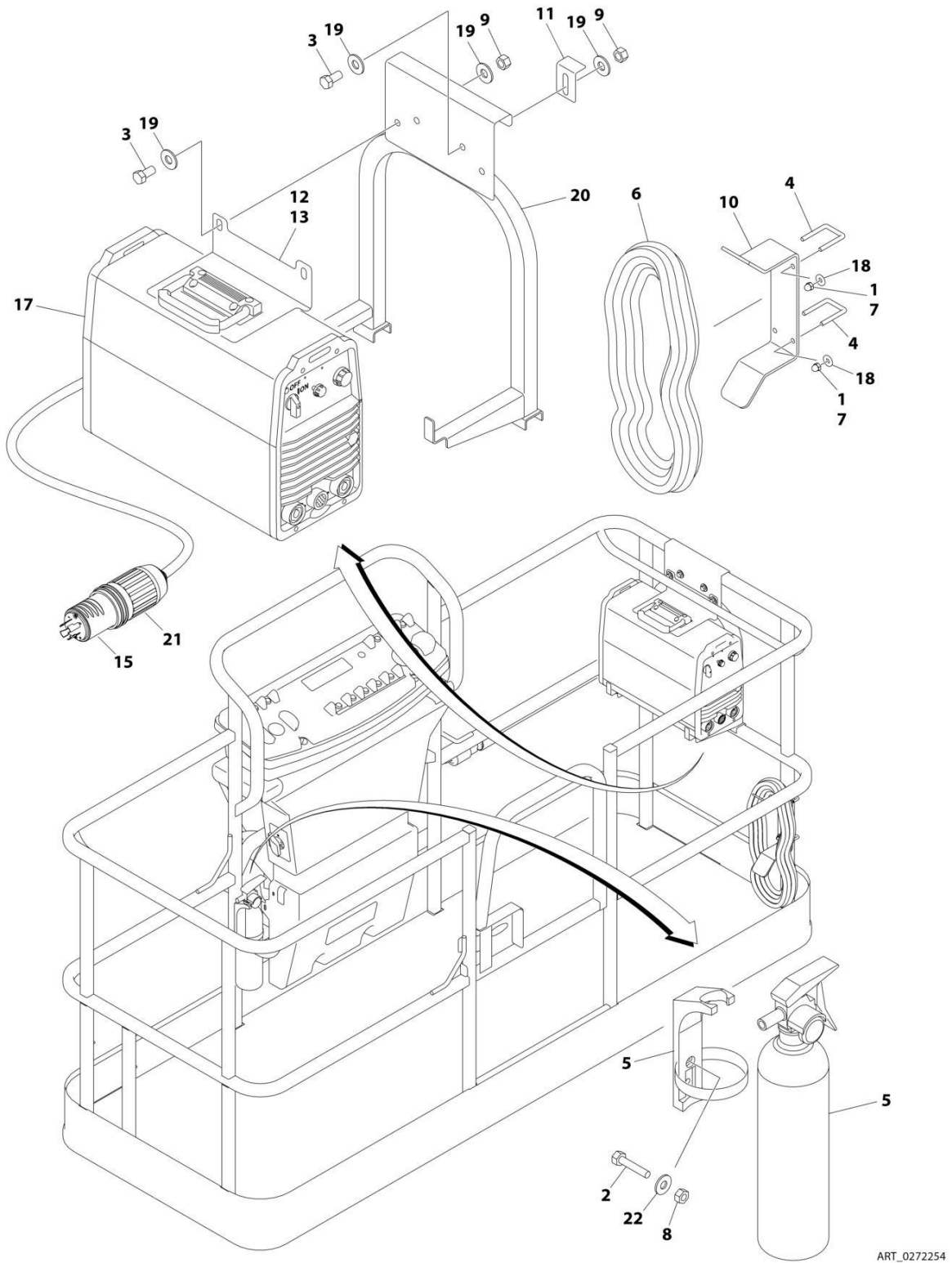
## SECTION 5 - PLATFORM

**FIGURE 5-39. SKYWELDER INSTALLATION (50HZ)**

ITEM	PART NUMBER	QTY	DESCRIPTION	REV
	0272521	Ref	SKYWELDER INSTALLATION	F
1	0100011	AR	Compound, Locking	
2	0630518	2	Screw #10 x 3/4	
3	0641606	4	Bolt 3/8 x 3/4	
4	1320302	2	U-Clamp	
5	2030010	1	Extinguisher, Fire	
6	2902217	1	Weld Leads Kit	
7	3300151	4	Nut 1/4	
8	3311005	2	Nut #10	
9	3311605	4	Nut 3/8	
10	3573400	1	Bracket	
11	3577121	2	Angle	
12	3573642	1	Plate	
13	4240099	AR	Tie-Strap (Not Shown)	
14	4420037	AR	Tape	
15	4530028	1	Welder Assembly (See Separate Breakdown in this Section)	
16	4751400	4	Washer 1/4	
17	4751600	8	Washer 3/8	
18	4846627	1	Support	
19	4751000	2	Washer #10	

# SECTION 5 - PLATFORM

## FIGURE 5-40. SKYWELDER INSTALLATION (60HZ)



ART\_0272254

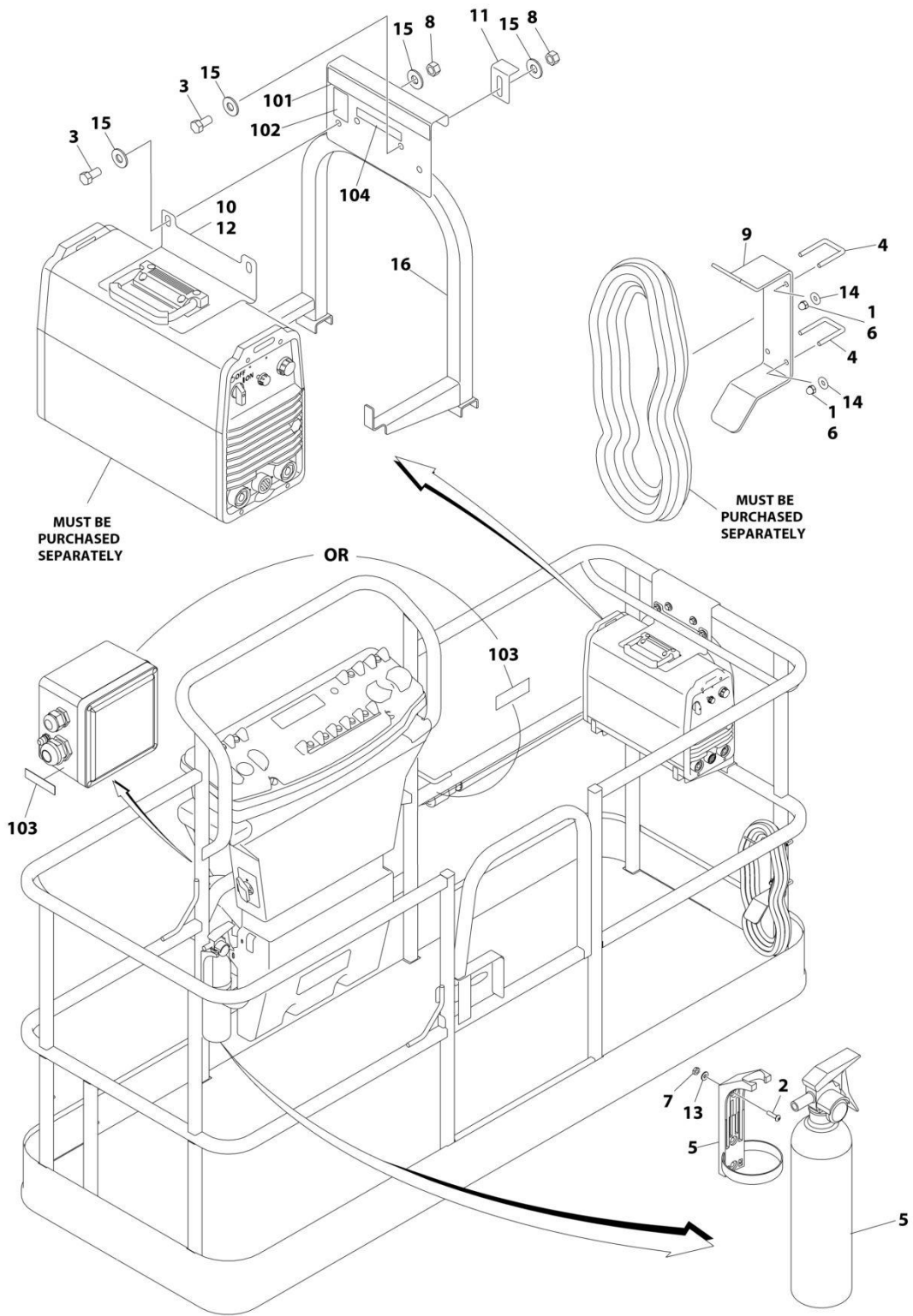
## SECTION 5 - PLATFORM

**FIGURE 5-40. SKYWELDER INSTALLATION (60HZ)**

ITEM	PART NUMBER	QTY	DESCRIPTION	REV
	0272254	Ref	SKYWELDER INSTALLATION	1
1	0100011	AR	Compound, Locking	
2	0630518	2	Screw #10 x 3/4	
3	0641606	4	Bolt 3/8 x 3/4	
4	1320302	2	U-Clamp	
5	2030010	1	Extinguisher, Fire	
6	2902217	1	Weld Leads Kit	
7	3300151	4	Nut 1/4	
8	3311005	2	Nut #10	
9	3311605	4	Nut 3/8	
10	3573400	1	Bracket	
11	3577121	2	Angle	
12	3573642	1	Plate	
13	4420037	AR	Tape	
14	4240099	AR	Tie-Strap (Not Shown)	
15	4460962	1	Plug, Male Twistlock	
17	4530028	1	Welder Assembly (See Separate Breakdown in this Section)	
18	4751400	4	Washer 1/4	
19	4751600	8	Washer 3/8	
20	4846627	1	Support	
21	1671093	1	Cover, Plug	
22	4751000	2	Washer #10	

# SECTION 5 - PLATFORM

## FIGURE 5-41. SKYWELDER PREP PACKAGE (60HZ)



ART\_1001128527\_B



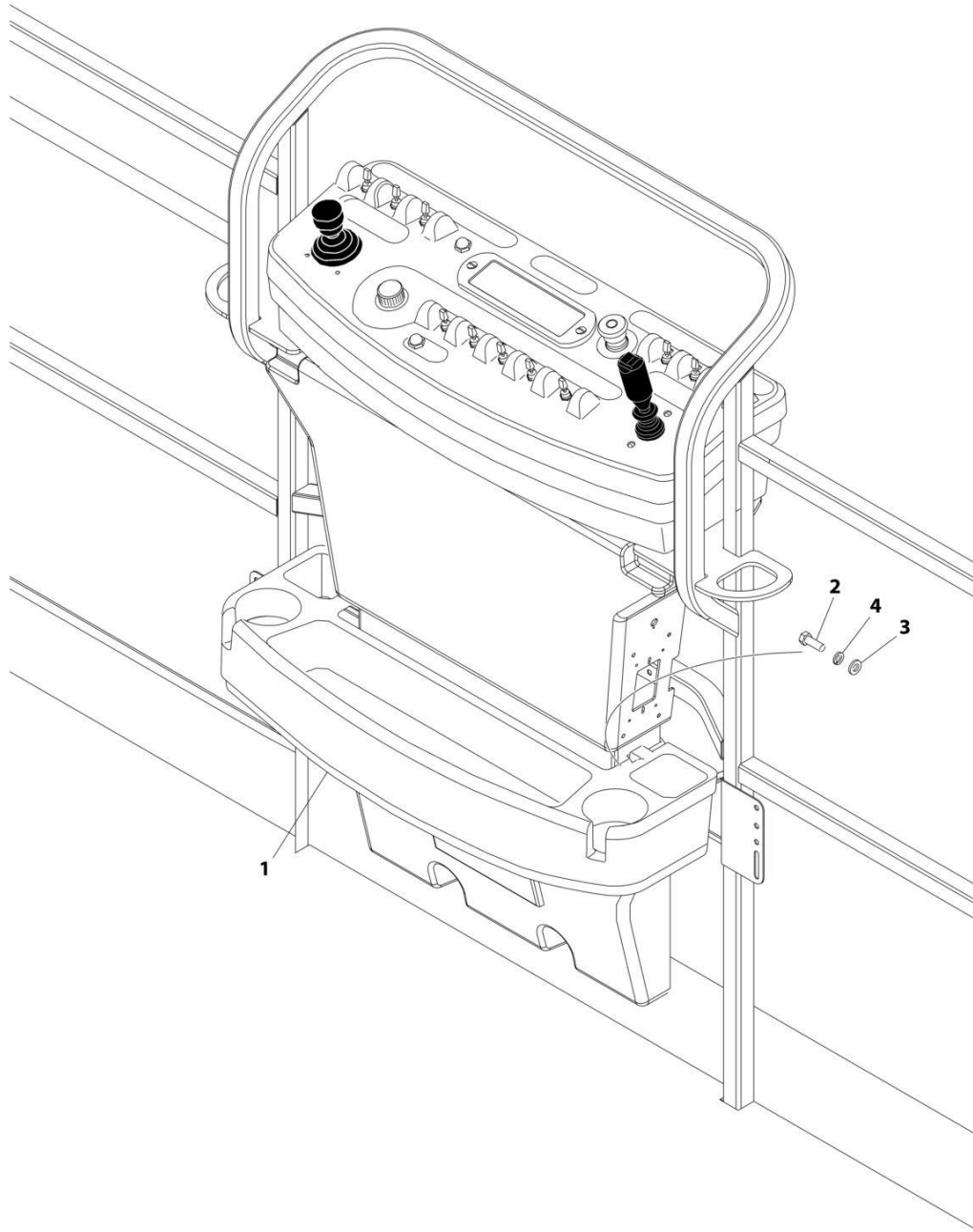
## SECTION 5 - PLATFORM

**FIGURE 5-41. SKYWELDER PREP PACKAGE (60HZ)**

ITEM	PART NUMBER	QTY	DESCRIPTION	REV
	1001128527	Ref	SKYWELDER PREP PACKAGE	B
1	0100011	AR	Compound, Locking	
2	0630518	2	Screw #10 x 3/4	
3	0641606	4	Bolt 3/8 x 3/4	
4	1320302	2	U-Clamp	
5	2030010	1	Extinguisher, Fire	
6	3300151	4	Nut 1/4	
7	3311005	2	Nut #10	
8	3311605	4	Nut 3/8	
9	3573400	1	Bracket	
10	3573642	1	Plate	
11	3577121	2	Angle	
12	4420037	AR	Tape	
13	4751000	2	Washer #10	
14	4751400	4	Washer 1/4	
15	4751600	8	Washer 3/8	
16	4846627	1	Support	
	1001128556	Ref	SKYWELDER DECAL INSTALLATION	C
101	1702868	1	Decal - No Hands	
102	1705305	1	Decal - Weld Lead	
103	1705375	1	Decal - 240V - 3 Phase - 60Hz	
104	1001228988	1	Decal - Weight	

# SECTION 5 - PLATFORM

## FIGURE 5-42. TRAY INSTALLATION



ART\_1580012

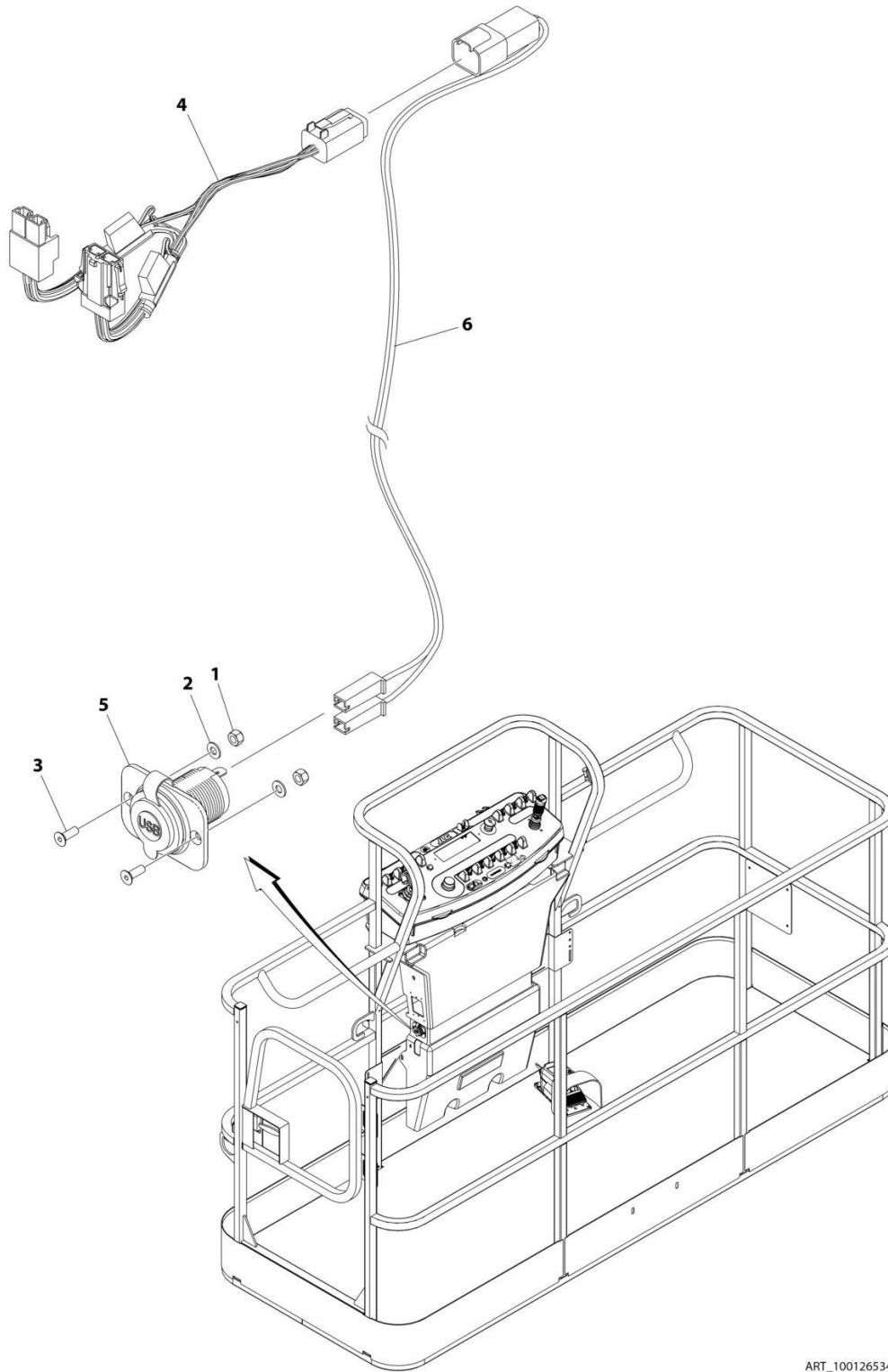
## SECTION 5 - PLATFORM

### FIGURE 5-42. TRAY INSTALLATION

ITEM	PART NUMBER	QTY	DESCRIPTION	REV
	1580012	Ref	TRAY ASSEMBLY	C
1	See Note	NSS	Tray, Storage (Center) (Note: Purchase p/n 1580012)	
2	0641406	2	Bolt 1/4 x 3/4	
3	4751400	2	Washer 1/4	
4	4761400	2	Washer 1/4	

# SECTION 5 - PLATFORM

## FIGURE 5-43. USB CHARGER INSTALLATION



ART\_1001265342

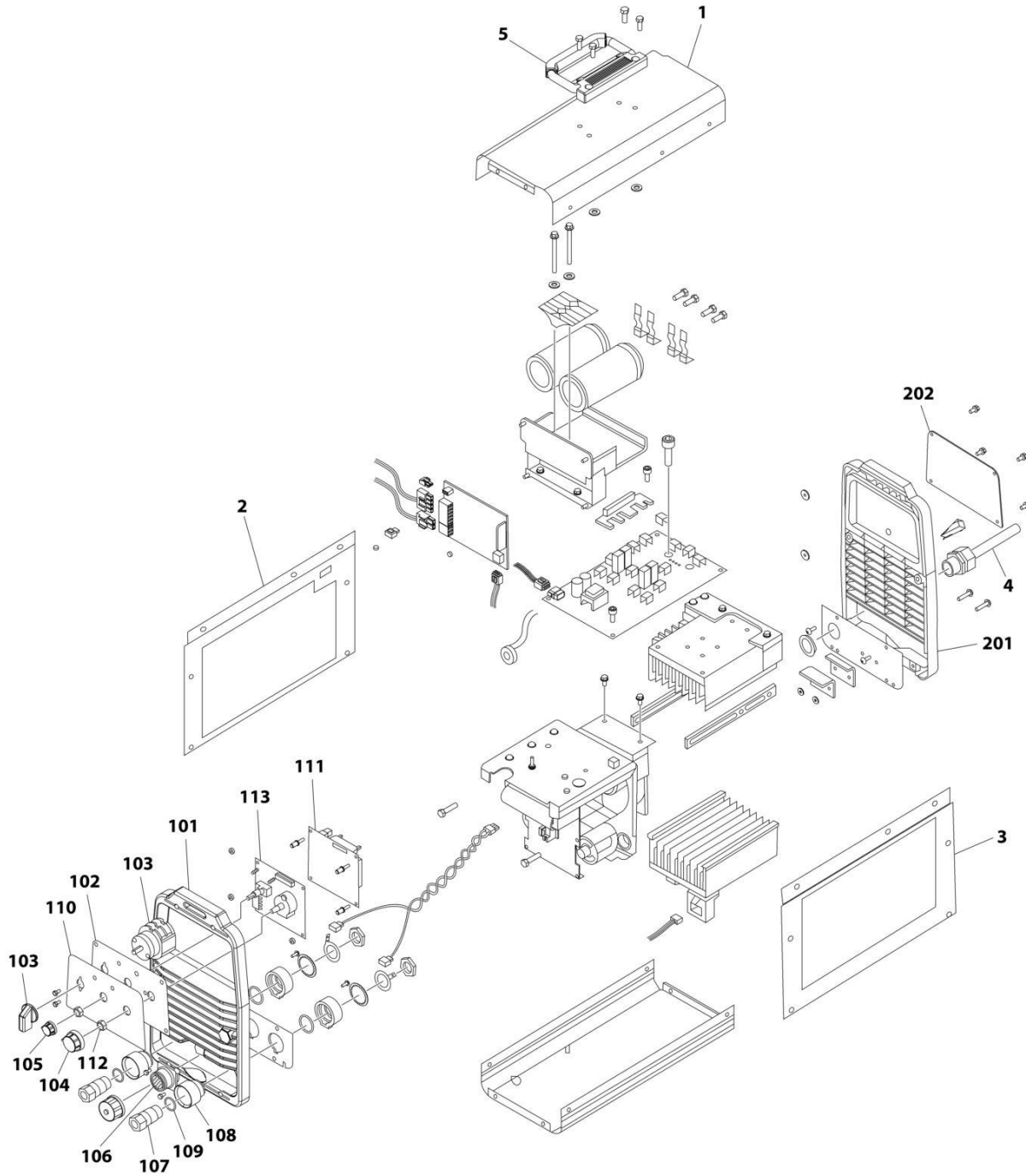
## SECTION 5 - PLATFORM

**FIGURE 5-43. USB CHARGER INSTALLATION**

ITEM	PART NUMBER	QTY	DESCRIPTION	REV
	1001265342	Ref	USB CHARGER INSTALLATION	A
1	3290405	2	Nut M4	
2	4811400	2	Washer M4	
3	1001097244	2	Screw M4 x 12	
4	1001120484	1	Harness, Work Lights	
4	4460879	1	Plug, Male - 2 Position	
4	4460887	2	Terminal	
4	2400060	2	Fuseholder Includes Cover	
4	8229249	2	Fuse, 3 Amp	
4	4460884	1	Connector - 4 Position	
4	4460465	4	Socket, Female	
4	1001120471	1	Connector - 2 Position	
4	1001120477	2	Terminal	
5	1001210636	1	Receptacle, USB	
6	1001265163	1	Harness, USB	A
6	4460260	2	Cover, Terminal	
6	4460259	2	Terminal	
6	4460932	1	Receptacle, Bussbar - 4 Position	
6	4460464	2	Pin, Male	
6	4460466	2	Plug, Terminal	

# SECTION 5 - PLATFORM

## FIGURE 5-44. WELDER ASSEMBLY



ART\_4530028

## SECTION 5 - PLATFORM

### FIGURE 5-44. WELDER ASSEMBLY

ITEM	PART NUMBER	QTY	DESCRIPTION	REV
	4530028	Ref	WELDER ASSEMBLY	B
		Ref	Note: For Other Components, contact your Miller Welder Dealer.	
1	7027773	1	Cover, Top	
1	7027774	1	Decal - Static Precautionary Warning	
2	See Note	NSS	Panel, LH Side (Note: Part of Item 1. Purchase Item 1)	
3	See Note	NSS	Panel, RH Side (Note: Part of Item 1. Purchase Item 1)	
4	7024467	1	Cable, Power	
4	7027775	1	Decal - Electrical Shock Warning (Not Shown)	
5	7027776	1	Handle, Carrying	
101	7024462	1	Panel, Front	
102	7024463	1	Panel, Console	
103	7024469	1	Switch with Lead	
104	7024470	1	Knob	
105	7024471	1	Knob	
106	7024472	1	Receptacle with Leads and Plugs	
107	7024473	2	Receptacle, Twistlock Female	
108	7024474	2	Insulator	
109	7024475	2	O-Ring	
110	7027777	1	Nameplate	
111	7027779	1	Circuit Card Assembly (Process Control)	
112	7024478	2	Nut	
113	7027778	1	Circuit Card Assembly (Operator Interface)	
201	7024462	1	Panel, Rear	
202	7027780	1	Panel, Cover	

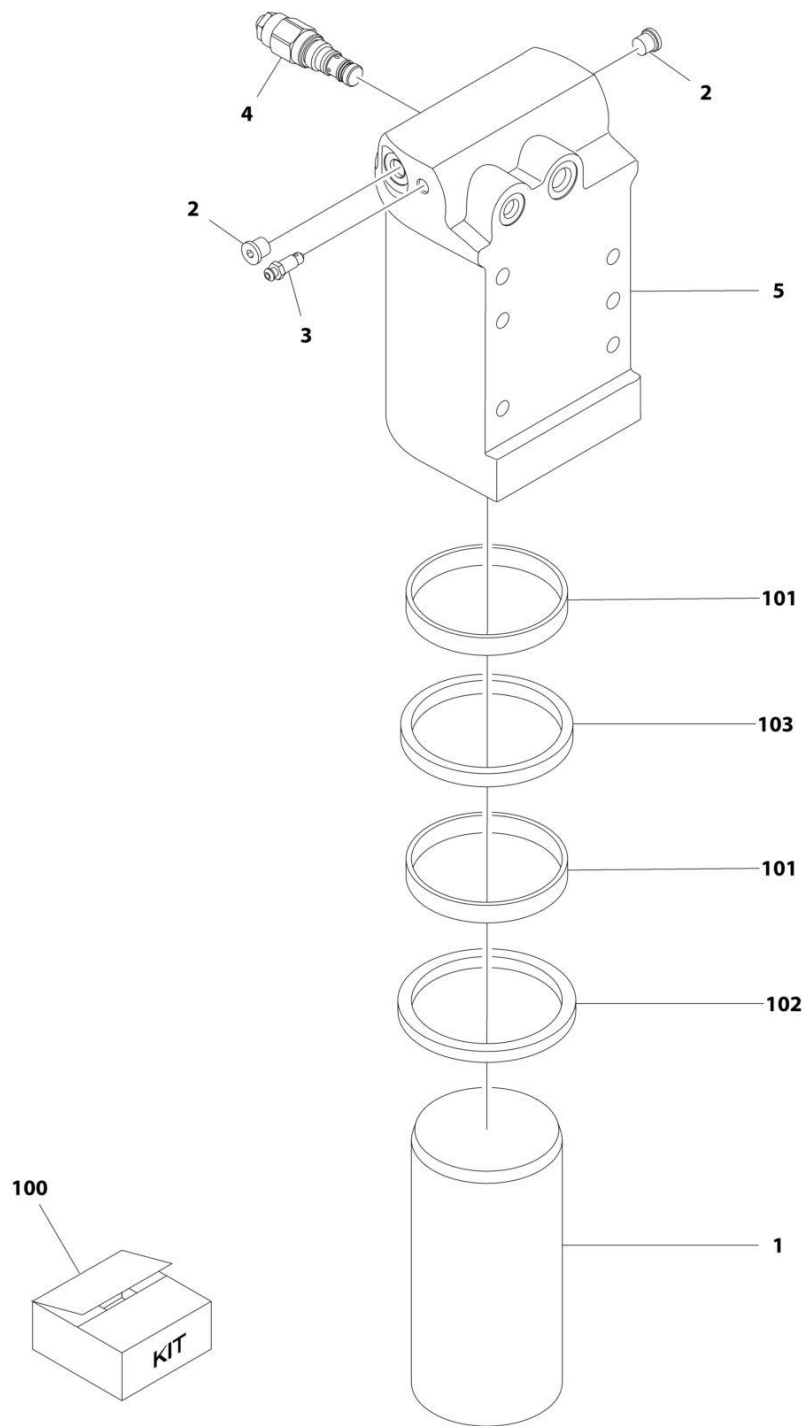




**SECTION 6 - CYLINDER**

# SECTION 6 - CYLINDER

## FIGURE 6-1. AXLE LOCKOUT CYLINDER ASSEMBLY



ART\_1001163580

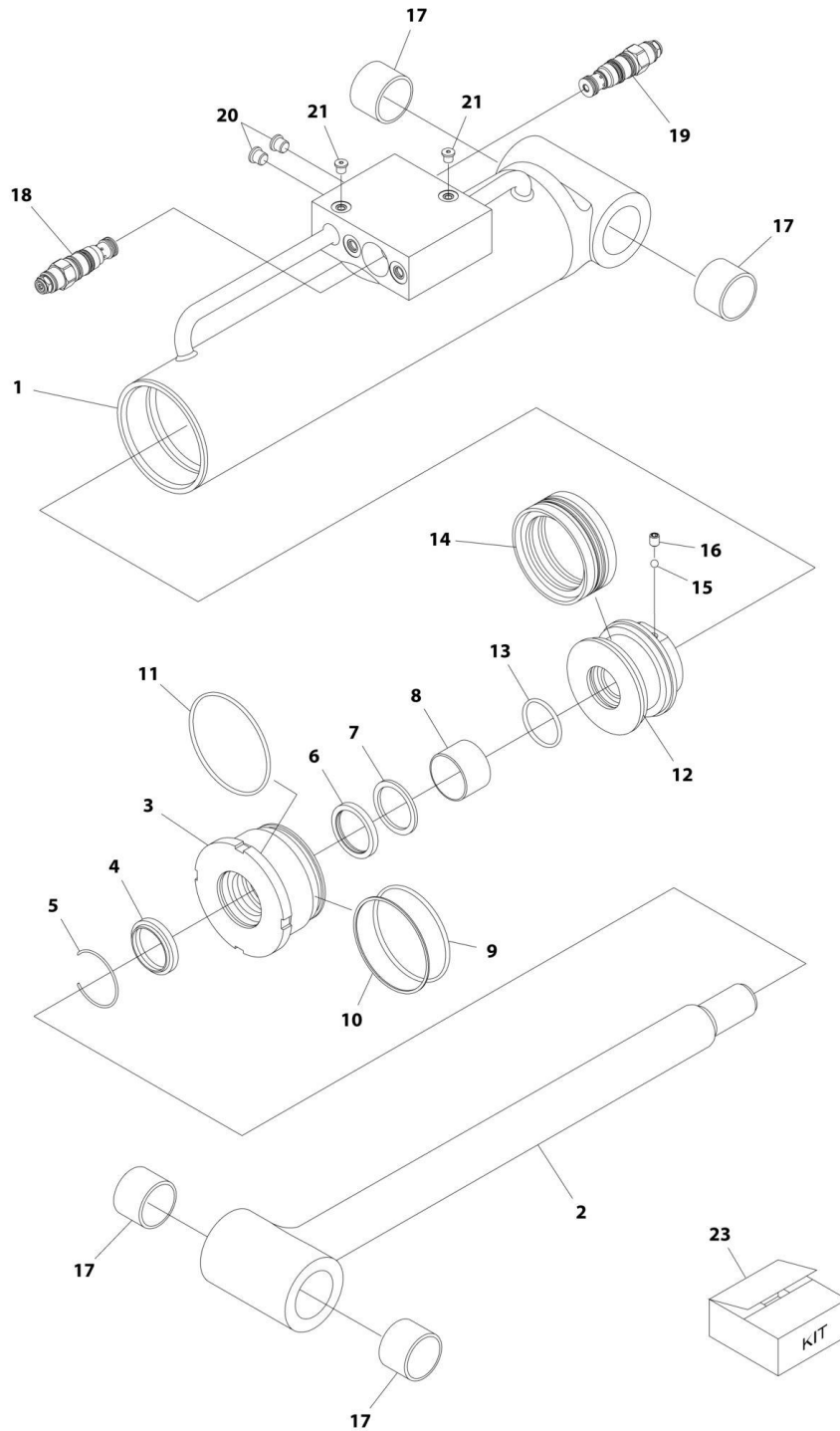
## SECTION 6 - CYLINDER

**FIGURE 6-1. AXLE LOCKOUT CYLINDER ASSEMBLY**

ITEM	PART NUMBER	QTY	DESCRIPTION	REV
	1001163580	Ref	AXLE LOCKOUT CYLINDER ASSEMBLY	I
		Ref	Note: Original Cylinder May Have Been Replaced with Service Replacement. Identify PN Stamped on Cylinder Before Ordering Parts.	
1	1684290	1	Rod	
2	2220883	2	Plug #4	
3	4640858	1	Valve, Bleeder	
4	1001117372	1	Cartridge, Valve	
4	70002842	1	Seal Kit - 1001117372 Valve	
5	1001164817	1	Barrel	
100	2902266	NLA	Seal Kit - 1001163590 Cylinder (Includes Items 101-103)	
101	See Note	NSS	Ring, Wear (Note: Use Item 100)	
102	See Note	NSS	Seal (Note: Use Item 100)	
103	See Note	NSS	Wiper (Note: Use Item 100)	

# SECTION 6 - CYLINDER

## FIGURE 6-2. LEVEL (PLATFORM SLAVE) CYLINDER ASSEMBLY



ART\_1001163386

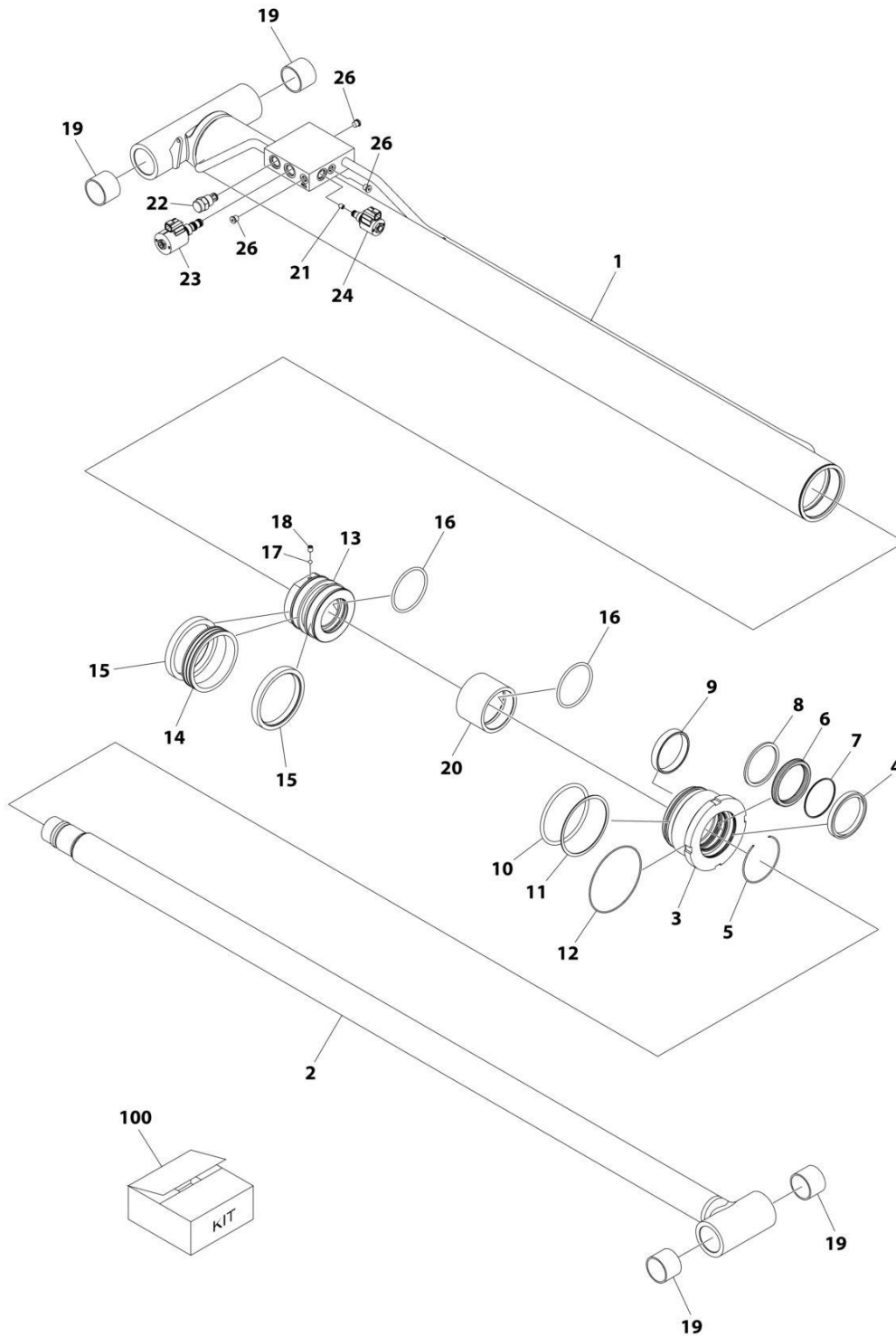
## SECTION 6 - CYLINDER

**FIGURE 6-2. LEVEL (PLATFORM SLAVE) CYLINDER ASSEMBLY**

ITEM	PART NUMBER	QTY	DESCRIPTION	REV
	1001163386	Ref	LEVEL (PLATFORM SLAVE) CYLINDER ASSEMBLY	G
		Ref	Note: Original Cylinder May Have Been Replaced with Service Replacement. Identify PN Stamped on Cylinder Before Ordering Parts.	
1	70005147	1	Barrel	
2	70005148	1	Rod	
3	70005142	1	Head	
4	See Note	NSS	Wiper (Note: Use Item 23)	
5	70002373	1	Ring, Retaining	
6	See Note	NSS	Seal, Rod (Note: Use Item 23)	
7	See Note	NSS	Ring, Back-up (Note: Use Item 23)	
8	70005143	1	Bearing, Dry	
9	See Note	NSS	O-Ring (Note: Use Item 23)	
10	See Note	NSS	Ring, Back-up (Note: Use Item 23)	
11	See Note	NSS	O-Ring (Note: Use Item 23)	
12	70005144	1	Piston	
13	See Note	NSS	O-Ring (Note: Use Item 23)	
14	See Note	NSS	Seal, Piston (Note: Use Item 23)	
15	70022564	1	Ball	
16	70023369	1	Setscrew	
17	70005145	4	Bearing	
18	1001168209	1	Cartridge, Valve	
18	2900770	1	Seal Kit - 1001168209 Valve	
19	1001168210	1	Cartridge, Valve	
19	2900770	1	Seal Kit - 1001168210 Valve	
20	70023370	1	Plug 7/16	
21	2220881	1	Plug, O-Ring 5/16	
23	70005149	1	Seal Kit - 1001163386 Cylinder (Includes Items 4, 6, 7, 9, 10, 11, 13 & 14)	

# SECTION 6 - CYLINDER

## FIGURE 6-3. LIFT CYLINDER ASSEMBLY - MAIN BOOM



ART\_1001228092

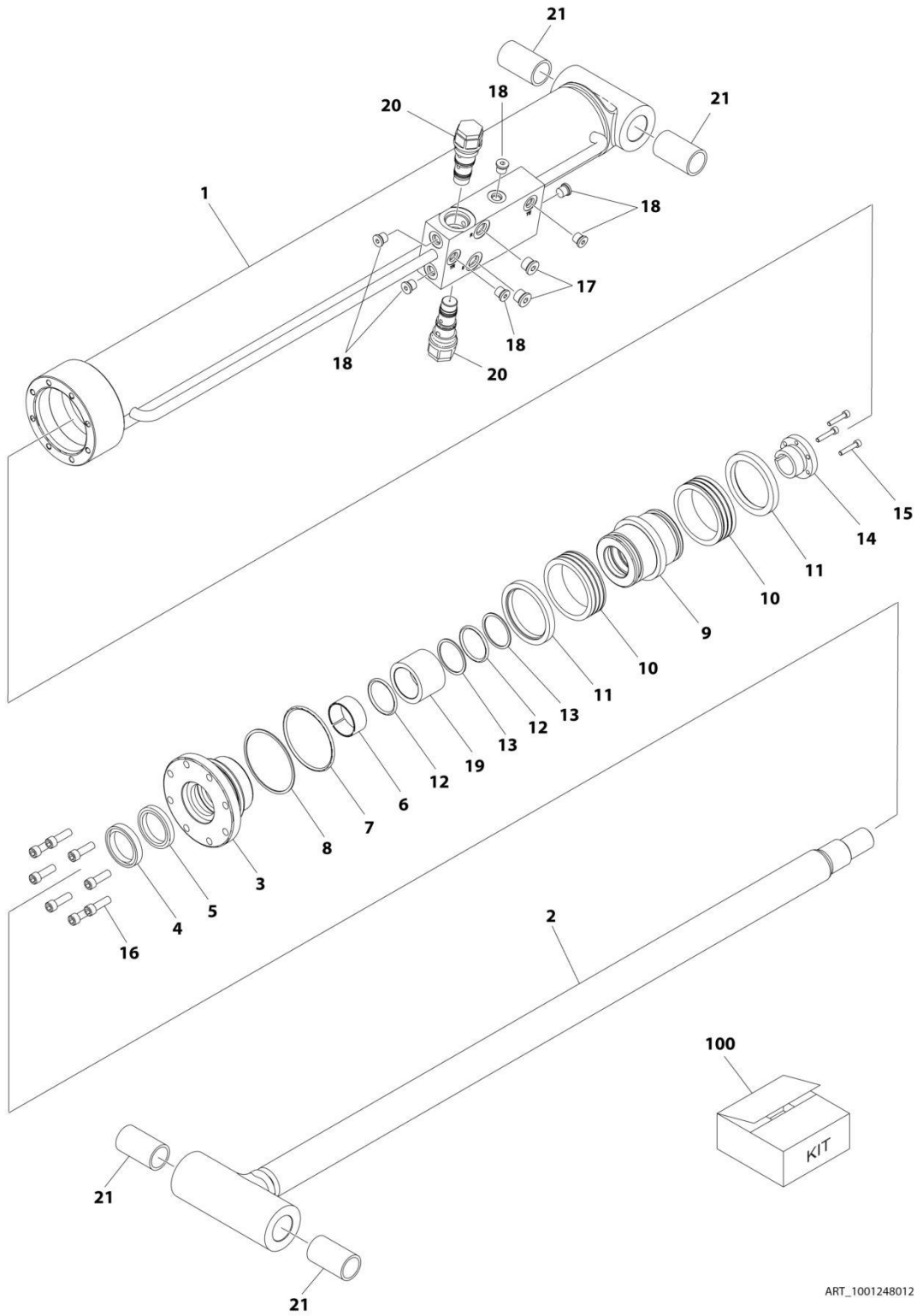
## SECTION 6 - CYLINDER

**FIGURE 6-3. LIFT CYLINDER ASSEMBLY - MAIN BOOM**

ITEM	PART NUMBER	QTY	DESCRIPTION	REV
	1001228092	Ref	LIFT CYLINDER ASSEMBLY - MAIN BOOM	C
		Ref	Note: Original Cylinder May Have Been Replaced with Service Replacement. Identify PN Stamped on Cylinder Before Ordering Parts.	
1	See Note	NSS	Barrel (Use p/n 1001228092)	
2	70006702	1	Rod	
3	70006703	1	Head	
4	See Note	NSS	Wiper (Note: Use Item 100)	
5	70050795	1	Ring, Retainer	
6	See Note	NSS	Seal, Rod (Note: Use Item 100)	
7	See Note	NSS	O-Ring (Note: Use Item 100)	
8	See Note	NSS	Ring (Note: Use Item 100)	
9	70006636	1	Ring, Wear	
10	See Note	NSS	O-Ring (Note: Use Item 100)	
11	See Note	NSS	Ring, Back-up (Note: Use Item 100)	
12	See Note	NSS	O-Ring (Note: Use Item 100)	
13	70006704	1	Piston	
14	See Note	NSS	Seal (Note: Use Item 100)	
15	See Note	NSS	Ring, Wear (Note: Use Item 100)	
16	See Note	NSS	Seal (Note: Use Item 100)	
17	70022564	1	Ball	
18	70023369	1	Setscrew M8 x 10	
19	0961950	4	Bearing	
20	70006705	1	Spacer	
21	70004231	1	Orifice	
22	4641390	1	Cartridge, Check Valve	
22	7017496	1	Seal Kit - 4641390 Valve	
23	1001206625	1	Cartridge, Valve (Includes Coil)	
23	70006104	1	Cartridge, Less Coil	
23	70006105	1	Seal Kit - 70006104 & 1001206625 Cartridges	
23	70003788	1	Coil	
23	7022390	1	Nut, Coil	
24	1001164709	1	Cartridge, Valve (Includes Coil)	
24	7017467	1	Cartridge, Less Coil	
24	7012998	1	Seal Kit - 7017467 & 1001164709 Cartridges	
24	70002386	1	Coil	
26	2220883	3	Plug #4	
100	70006706	1	Seal Kit - 1001228092 Cylinder (Includes Item 4, 6-8, 10-12 & 14-16)	

# SECTION 6 - CYLINDER

## FIGURE 6-4. LIFT CYLINDER ASSEMBLY - JIB



ART\_1001248012



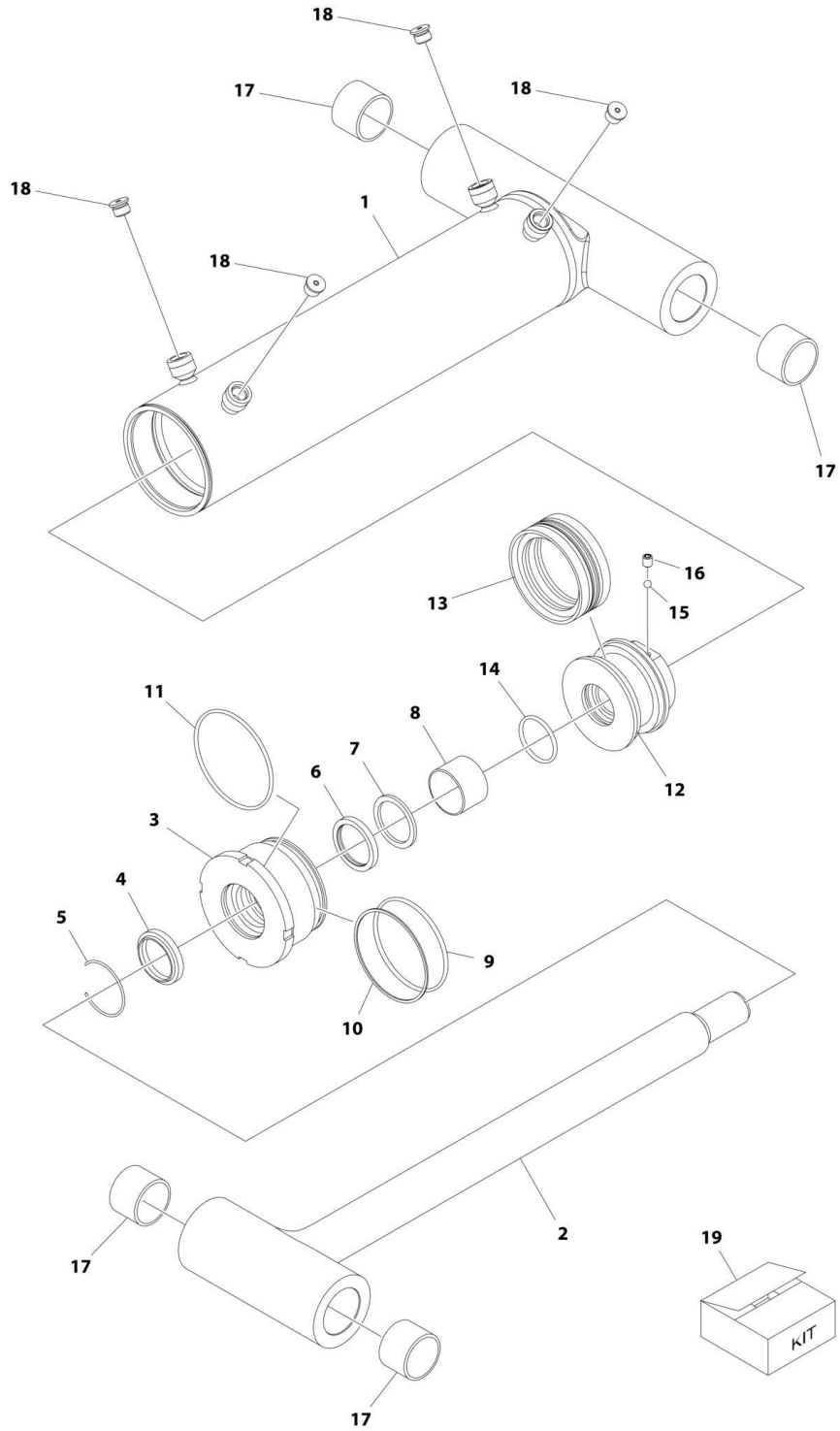
## SECTION 6 - CYLINDER

**FIGURE 6-4. LIFT CYLINDER ASSEMBLY - JIB**

ITEM	PART NUMBER	QTY	DESCRIPTION	REV
	1001248012	Ref	LIFT CYLINDER ASSEMBLY - JIB	C
		Ref	Note: Original Cylinder May Have Been Replaced with Service Replacement. Identify PN Stamped on Cylinder Before Ordering Parts.	
1	See Note	NSS	Barrel (Note: Not Available for Purchase)	
2	70006734	1	Rod	
3	70006649	1	Head	
4	See Note	NSS	Wiper (Note: Use Item 100)	
5	See Note	NSS	Seal, Rod (Note: Use Item 100)	
6	See Note	NSS	Ring, Wear (Note: Use Item 100)	
7	See Note	NSS	O-Ring (Note: Use Item 100)	
8	See Note	NSS	Ring, Back-up (Note: Use Item 100)	
9	70006650	1	Piston	
10	See Note	NSS	Seal (Note: Use Item 100)	
11	See Note	NSS	Ring, Lock (Note: Use Item 100)	
12	See Note	NSS	O-Ring (Note: Use Item 100)	
13	See Note	NSS	Ring, Back-up (Note: Use Item 100)	
14	0961893	1	Bushing, Tapered	
15	0630534	3	Capscrew, Socket Head #10 x 1	
16	70006735	8	Capscrew 5/16	
17	2220885	2	Plug, O-Ring	
18	2220883	6	Plug, O-Ring	
19	70006736	1	Spacer	
20	4640509	2	Cartridge, Valve	
20	2900792	2	Seal Kit - 4640509 Valve	
21	0962336	4	Bushing	
100	1001138795	1	Seal Kit (Includes Items 4-8 & 10-13)	

# SECTION 6 - CYLINDER

## FIGURE 6-5. MASTER CYLINDER ASSEMBLY



ART\_1001163385

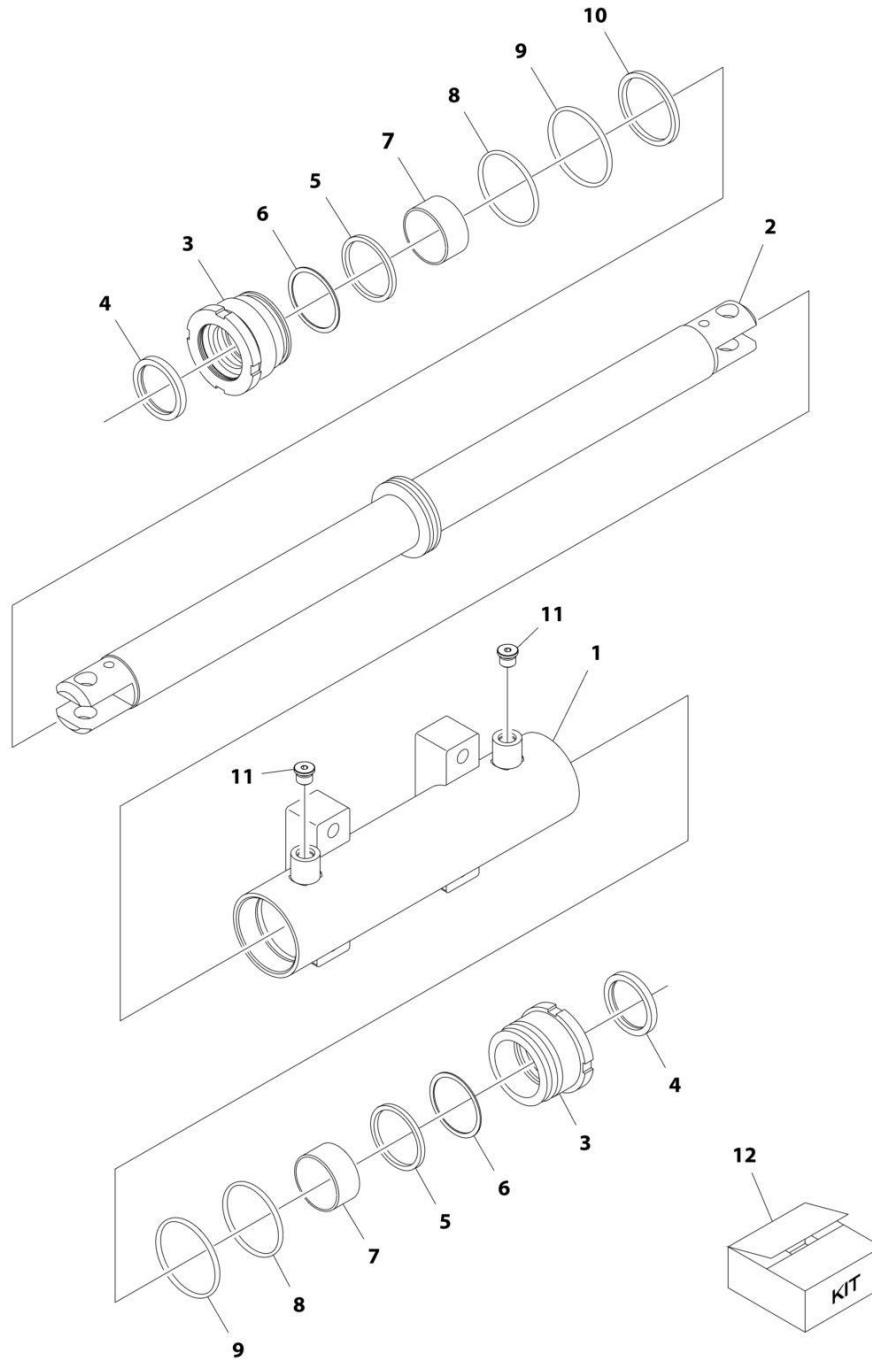
## SECTION 6 - CYLINDER

### FIGURE 6-5. MASTER CYLINDER ASSEMBLY

ITEM	PART NUMBER	QTY	DESCRIPTION	REV
	1001163385	Ref	MASTER CYLINDER ASSEMBLY	F
		Ref	Note: Original Cylinder May Have Been Replaced with Service Replacement. Identify PN Stamped on Cylinder Before Ordering Parts.	
1	70005140	1	Barrel	
2	70005141	1	Rod	
3	70005142	1	Head, Cylinder	
4	See Note	NSS	Wiper (Note: Use Item 19)	
5	70002373	1	Ring, Retaining	
6	See Note	NSS	Seal, Rod (Note: Use Item 19)	
7	See Note	NSS	Ring, Back-up (Note: Use Item 19)	
8	70005143	1	Bearing, Dry	
9	See Note	NSS	O-Ring (Note: Use Item 19)	
10	See Note	NSS	Ring, Back-up (Note: Use Item 19)	
11	See Note	NSS	O-Ring (Note: Use Item 19)	
12	70005144	1	Piston	
13	See Note	NSS	Seal, Piston	
14	See Note	NSS	O-Ring (Note: Use Item 19)	
15	70022564	1	Ball	
16	70023369	1	Setscrew M8 x 31.75	
17	70005145	4	Bearing	
18	700023371	4	Plug 9/16	
19	70005146	1	Seal Kit - 1001163385 Cylinder (Includes Items 4, 6, 7, 9, 10, 11, 13 & 14)	

# SECTION 6 - CYLINDER

## FIGURE 6-6. STEER CYLINDER ASSEMBLY



ART\_1001163178

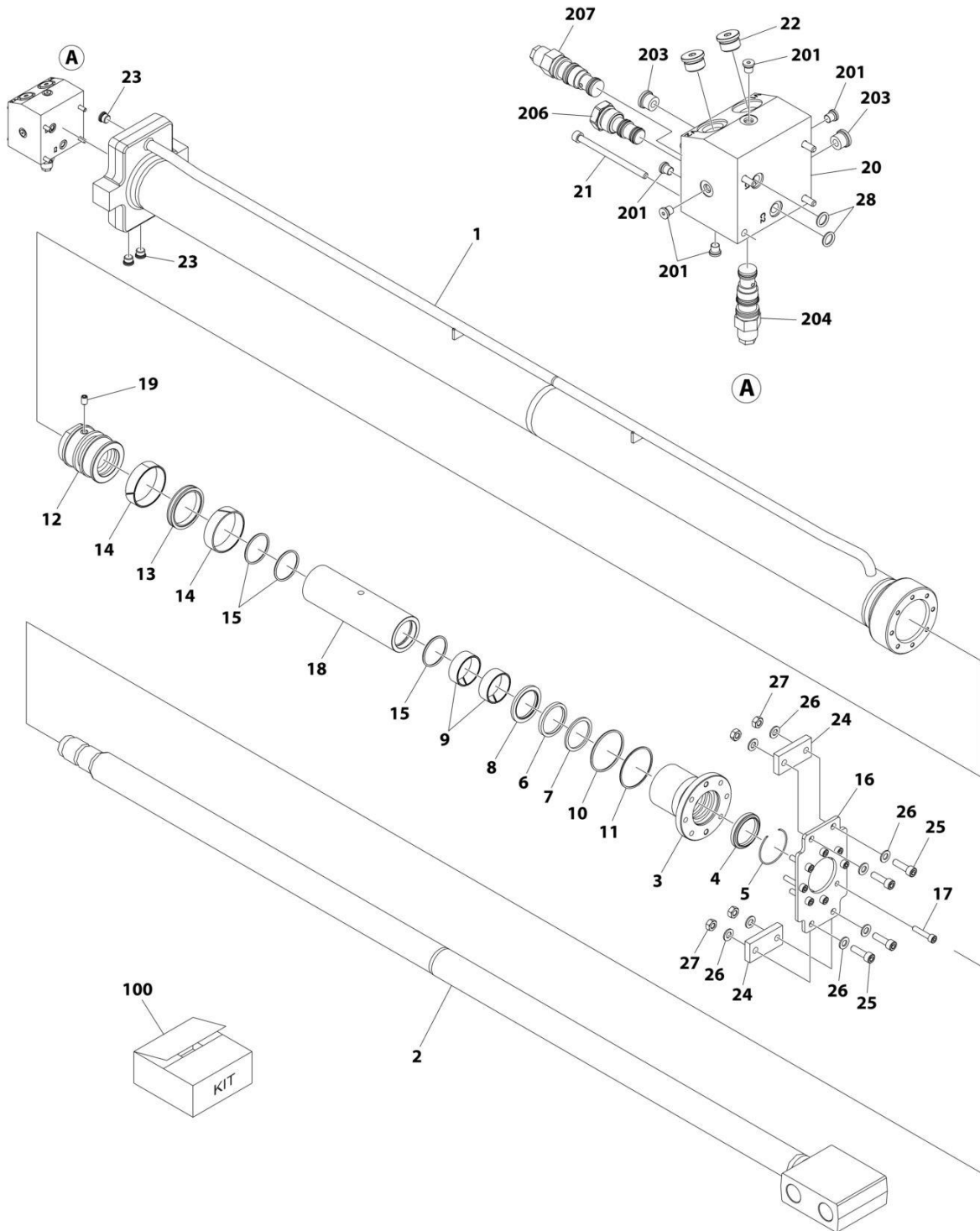
## SECTION 6 - CYLINDER

**FIGURE 6-6. STEER CYLINDER ASSEMBLY**

ITEM	PART NUMBER	QTY	DESCRIPTION	REV
	1001163178	Ref	STEER CYLINDER ASSEMBLY	E
		Ref	Note: Original Cylinder May Have Been Replaced with Service Replacement. Identify PN Stamped on Cylinder Before Ordering Parts.	
1	70005150	1	Barrel	
2	70005151	1	Rod	
3	70005152	2	Head	
4	See Note	NSS	Wiper (Note: Use Item 12)	
5	See Note	NSS	Seal, Rod (Note: Use Item 12)	
6	See Note	NSS	Ring, Back-up (Note: Use Item 12)	
7	70005153	2	Bearing, Dry	
8	See Note	NSS	O-Ring (Note: Use Item 12)	
9	See Note	NSS	O-Ring (Note: Use Item 12)	
10	See Note	NSS	Seal, Piston (Note: Use Item 12)	
11	See Note	2	Plug 9/16 (Note: Not Available for Purchase)	
12	70005154	1	Seal Kit - 1001163178 Cylinder (Includes Items 4-6 & 8-10)	

# SECTION 6 - CYLINDER

## FIGURE 6-7. TELESCOPE CYLINDER ASSEMBLY



ART\_1001251075

## SECTION 6 - CYLINDER

### FIGURE 6-7. TELESCOPE CYLINDER ASSEMBLY

ITEM	PART NUMBER	QTY	DESCRIPTION	REV
	1001251075	Ref	TELESCOPE CYLINDER ASSEMBLY	B
		Ref	Note: Original Cylinder May Have Been Replaced with Service Replacement. Identify PN Stamped on Cylinder Before Ordering Parts.	
1	See Note	NSS	Barrel (Note: Purchase Complete Assembly)	
2	70007062	1	Rod	
3	70007063	1	Head	
4	See Note	NSS	Wiper (Note: Use Item 100)	
5	70002412	1	Ring, Retaining	
6	See Note	NSS	Seal (Note: Use Item 100)	
7	See Note	NSS	Ring, Back-up (Note: Use Item 100)	
8	See Note	NSS	Ring, Wear (Note: Use Item 100)	
9	See Note	NSS	Ring, Wear (Note: Use Item 100)	
10	See Note	NSS	O-Ring (Note: Use Item 100)	
11	See Note	NSS	Ring, Back-up (Note: Use Item 100)	
12	70007064	1	Piston	
13	See Note	NSS	Seal (Note: Use Item 100)	
14	See Note	NSS	Ring, Wear (Note: Use Item 100)	
15	See Note	NSS	O-Ring (Note: Use Item 100)	
16	70007065	1	Plate	
17	70007066	8	Capscrew	
18	70007067	1	Spacer	
19	70006817	1	Set Screw	
20	1001166997	1	Valve Block Assembly (See Items 201-207 for Breakdown)	
21	70007068	4	Capscrew	
22	2220886	2	Plug, O-Ring	
23	2220885	3	Plug	
24	70007069	2	Pad, Wear	
25	70007070	4	Bolt	
26	70006344	8	Washer	
27	70007071	4	Nut	
28	See Note	NSS	O-Ring (Note: Use Item 100)	
100	70007072	1	Seal Kit - 1001251075 Cylinder (Includes Items 4, 6-11, 13-15 & 28)	
	1001166997	Ref	VALVE BLOCK ASSEMBLY	
201	2220881	5	Plug	
203	2220885	2	Plug	
204	4640452	1	Cartridge, Counterbalance Valve	
204	2900770	1	Seal Kit - 4640452 Valve	
206	1001165363	1	Cartridge, Shuttle Valve	
206	7012518	1	Seal Kit - 1001165363 Valve	
207	1001168209	1	Cartridge, Counterbalance Valve	
207	2900770	1	Seal Kit - 1001168209 Valve	

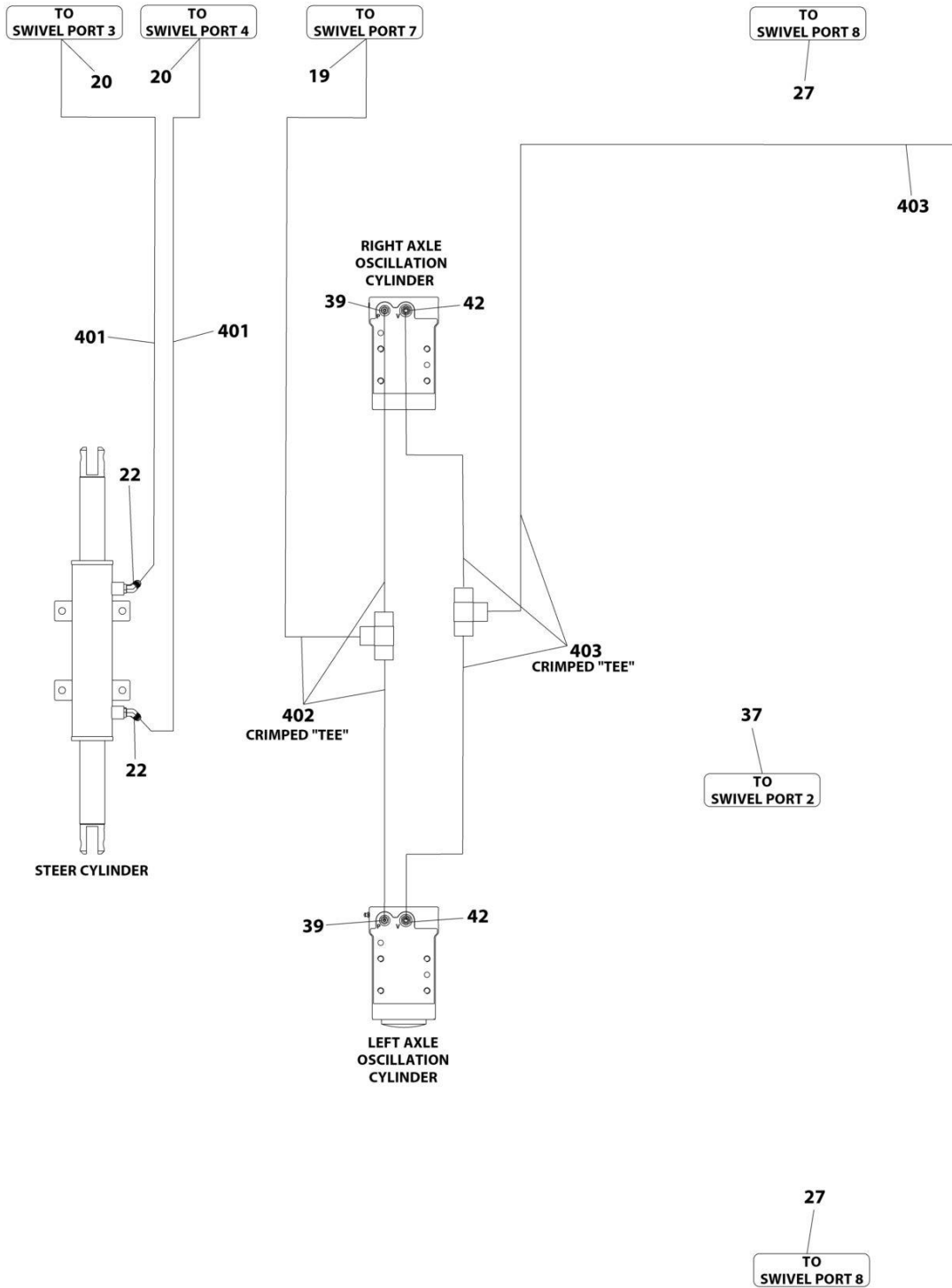




**SECTION 7 - HYDRAULIC**

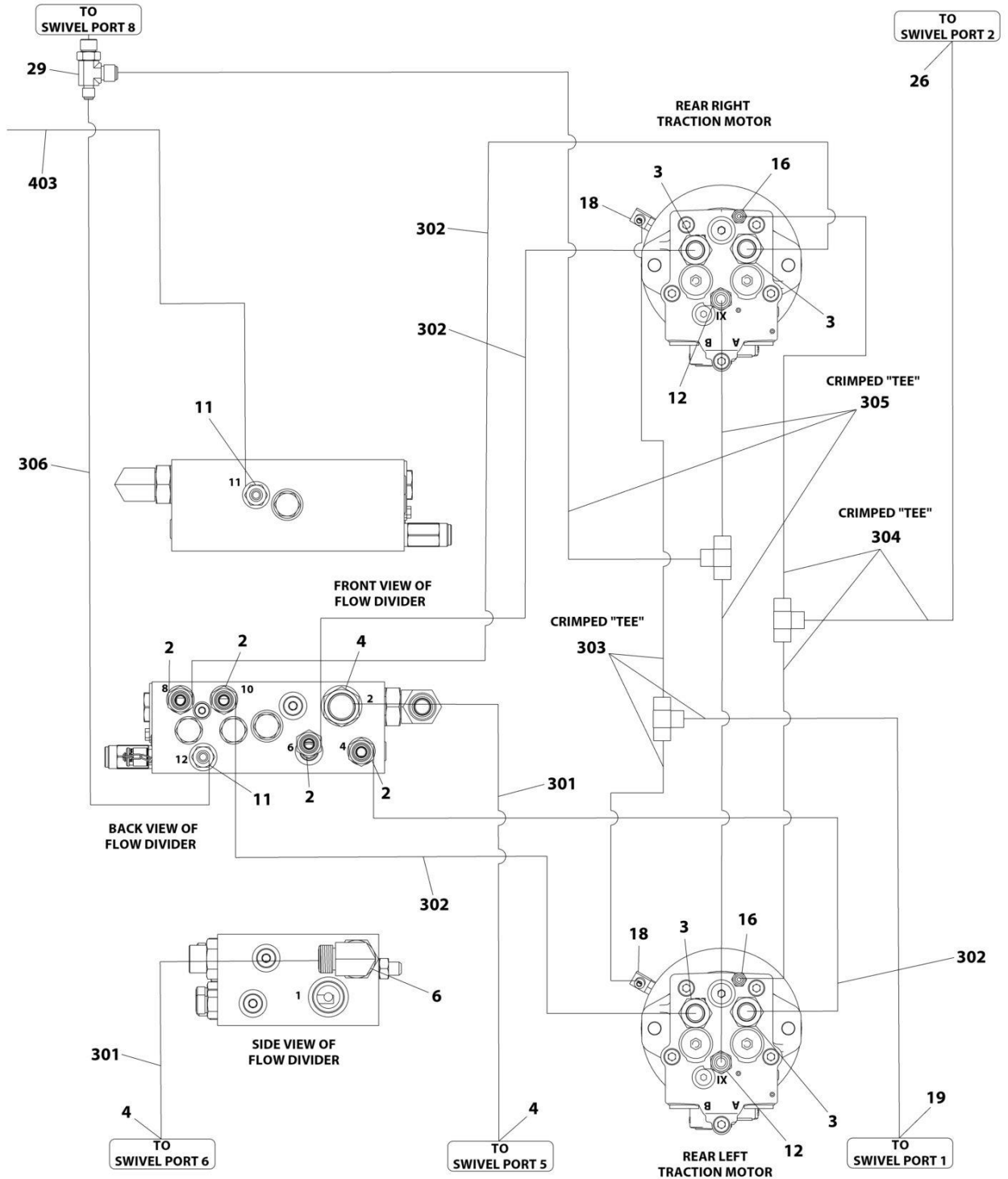
# SECTION 7 - HYDRAULIC

## FIGURE 7-1. 2WD HYDRAULIC SYSTEM INSTALLATION (400S)



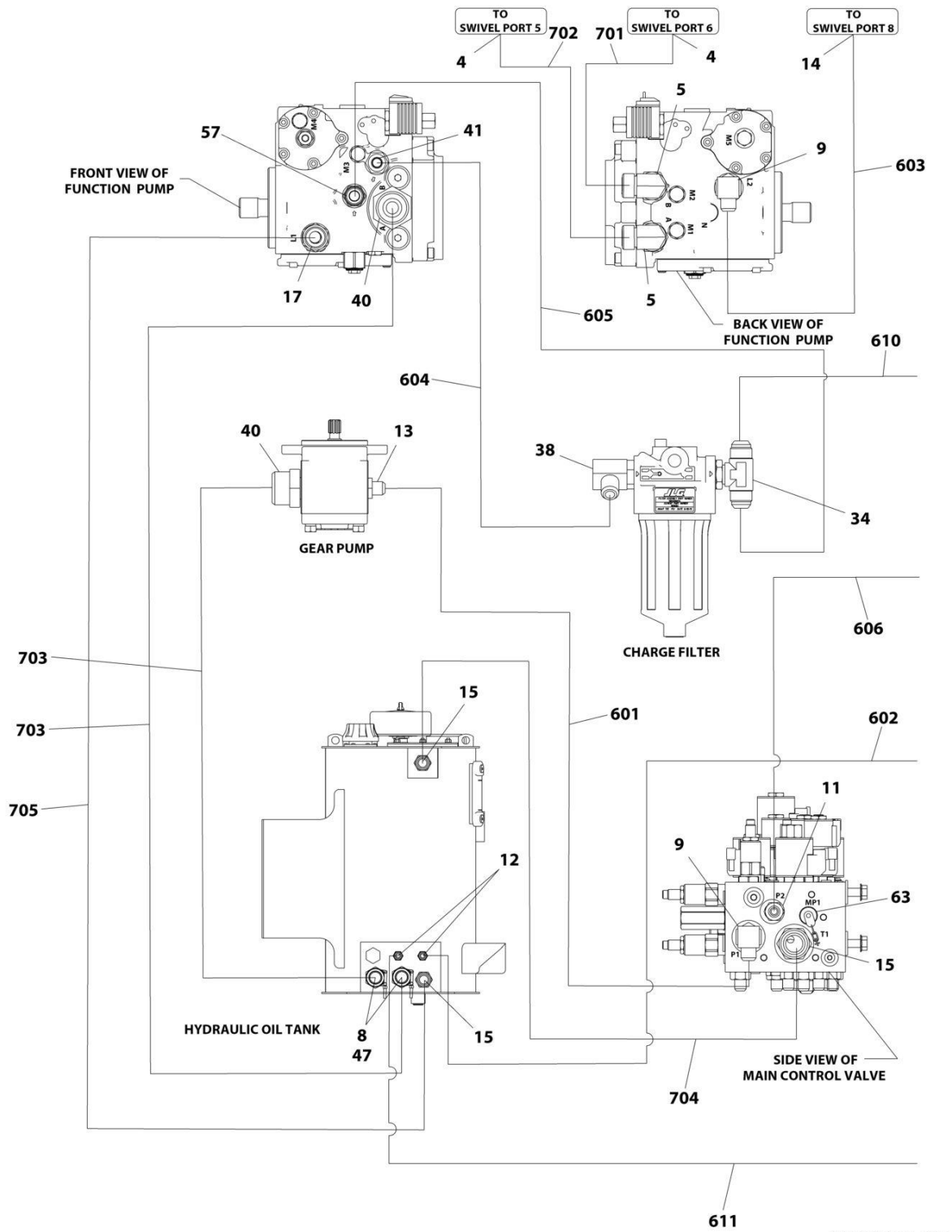
ART\_1001216801\_10F6

# SECTION 7 - HYDRAULIC



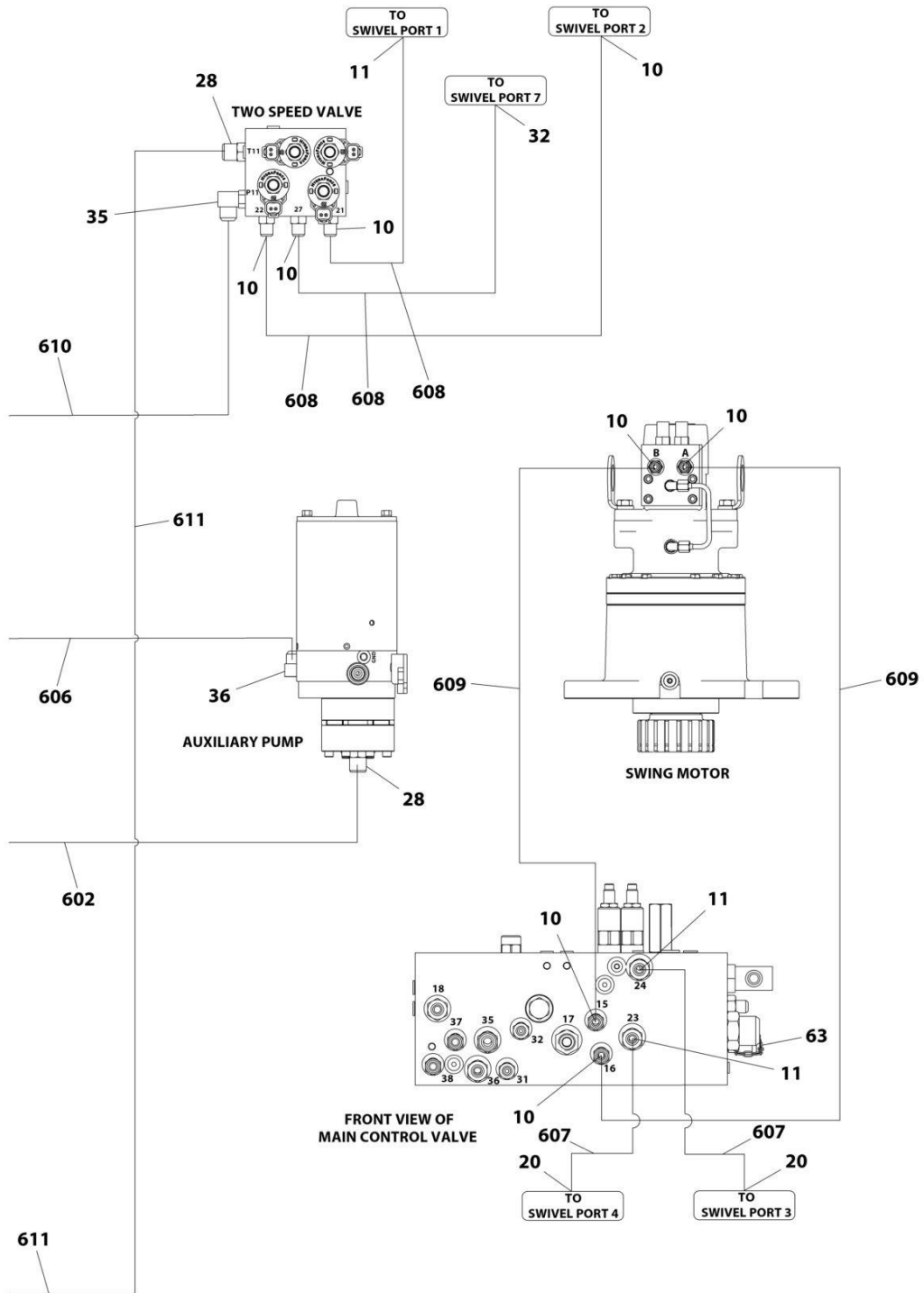
ART\_1001216801\_20F6

# SECTION 7 - HYDRAULIC



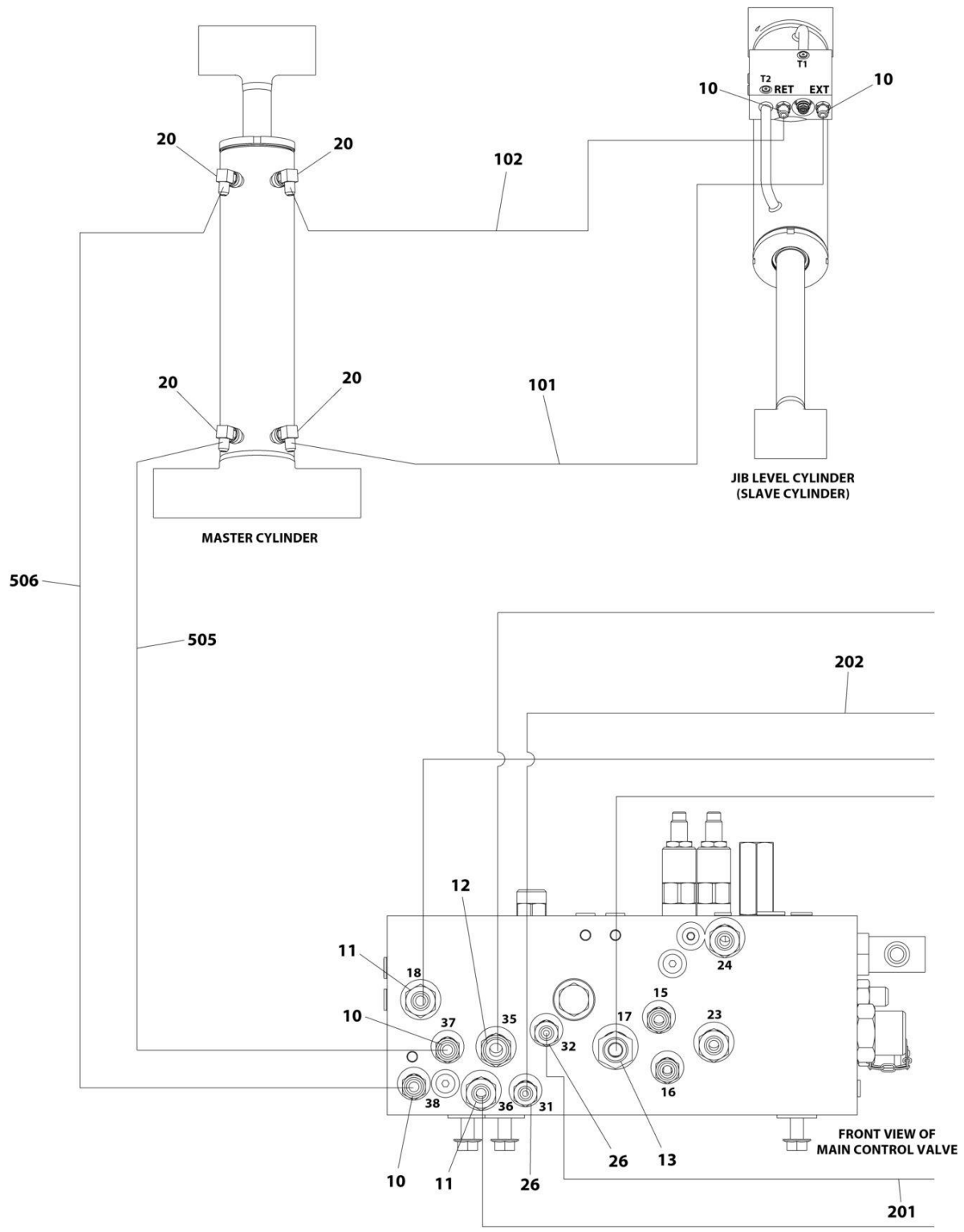
ART\_1001216801\_30F6

# SECTION 7 - HYDRAULIC



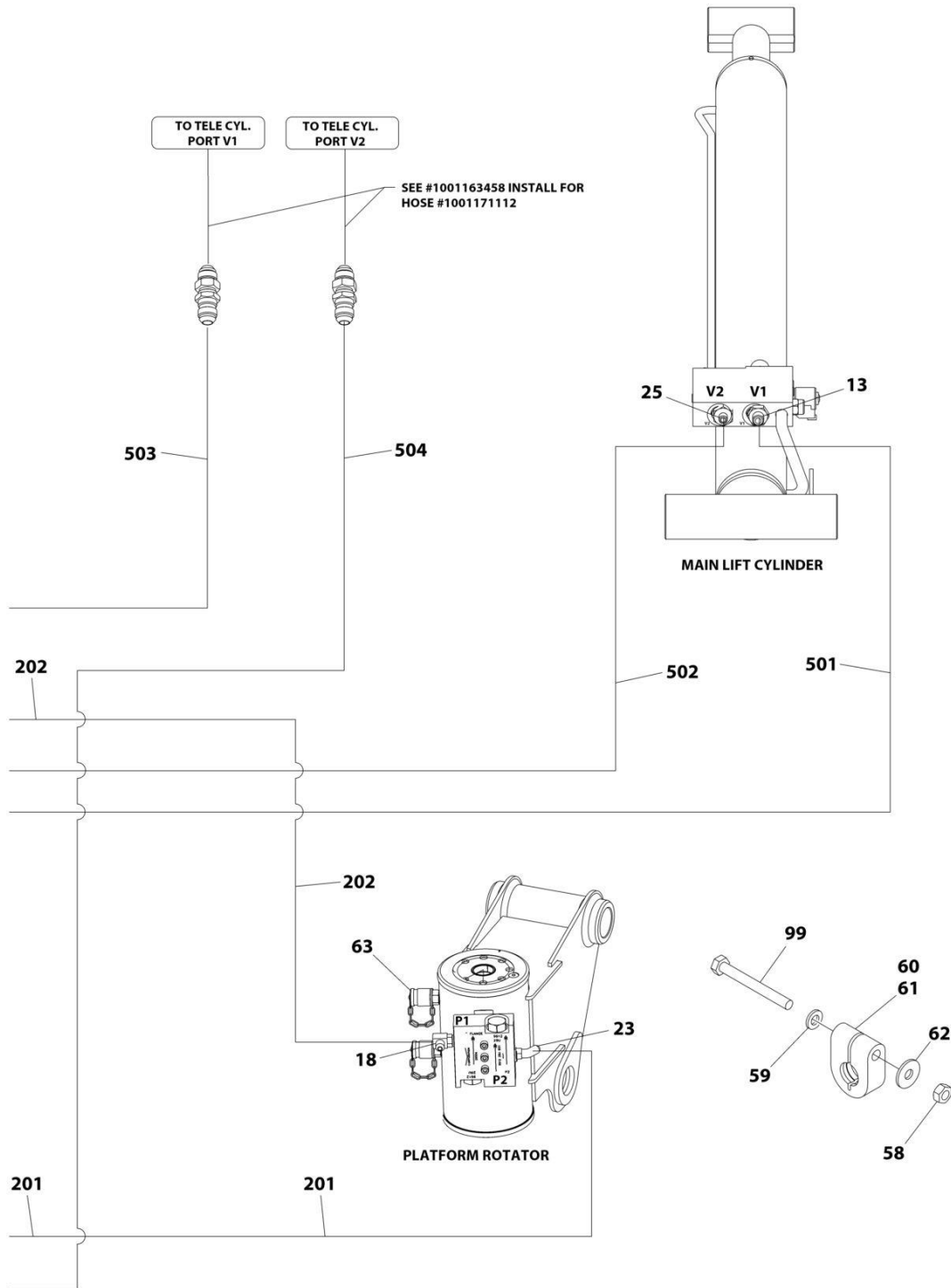
ART\_1001216801\_4OF6

# SECTION 7 - HYDRAULIC



ART\_1001216801\_50F6

# SECTION 7 - HYDRAULIC



ART\_1001216801\_6OF6

# SECTION 7 - HYDRAULIC

## FIGURE 7-1. 2WD HYDRAULIC SYSTEM INSTALLATION (400S)

ITEM	PART NUMBER	QTY	DESCRIPTION	REV
	1001216801	Ref	2WD HYDRAULIC SYSTEM INSTALLATION	E
2	2110810	4	Fitting, Straight ORFS/ORB	
3	2110812	4	Fitting, Straight ORFS/ORB	
4	2111216	5	Fitting, Straight ORFS/ORB	
5	2131212	2	Fitting, 90 ORFS/ORB	
6	2131216	1	Fitting, 90 ORFS/ORB	
8	1001202910	2	Fitting, Straight MORB	
9	2220366	2	Fitting, 90 JIC/ORB	
10	2220371	12	Fitting, Straight JIC/ORB	
11	2220372	8	Fitting, Straight JIC/ORB	
12	2220373	5	Fitting, Straight JIC/ORB	
13	2220374	3	Fitting, Straight JIC/ORB	
14	2220375	1	Fitting, Straight JIC/ORB	
15	2220377	3	Fitting, Straight JIC/ORB	
16	2220415	2	Fitting, Straight JIC/ORB	
17	2220451	1	Fitting, Straight JIC/ORB	
18	2220466	3	Fitting, 90 JIC/ORB	
19	2220468	2	Fitting, Straight JIC/ORB	
20	2220473	8	Fitting, 90 JIC/ORB	
22	2220501	2	Fitting, 45 JIC/ORB	
23	2220502	1	Fitting, 45 JIC/ORB	
25	2220497	1	Fitting, Straight JIC/ORB	
26	2220582	3	Fitting, Straight JIC/ORB	
27	2220238	2	Plug ORB	
28	2220600	2	Fitting, Straight JIC/ORB	
29	1001197272	1	Fitting, Tee JIC/ORB/JIC	
32	2220628	1	Fitting, 90 JIC/ORB	
34	2220695	1	Fitting, Tee JIC/ORB/JIC	
35	2220726	1	Fitting, 90 JIC/ORB	
36	2220775	1	Fitting, 90 JIC/ORB	
37	2220237	1	Plug ORB	
38	2220906	1	Fitting, 90 JIC/ORB	
39	2220923	2	Fitting, Straight JIC/ORB	
40	2220946	2	Fitting, Straight JIC/ORB	
41	2220947	1	Fitting, Straight JIC/ORB	
42	2220998	2	Fitting, Straight JIC/ORB	
44	4240018	13	Tie-Strap (Not Shown)	
47	80633030	2	Clamp	
49	1001098928	1	Clamp (Not Shown)	
57	88662037	1	Fitting, Straight JIC/ORB	
58	3290601	2	Nut M6 x 1	
59	4811700	2	Washer M6	
60	1001191275	1	Clamp	
61	1001191276	1	Clamp	
62	4811702	2	Washer M6	
63	2221086	3	Fitting, Diagnostic Test Port	
99	0700619	2	Bolt M6 x 55	
101	1001173909	1	Hose	
102	1001173937	1	Hose	
201	1001172694	1	Hose	

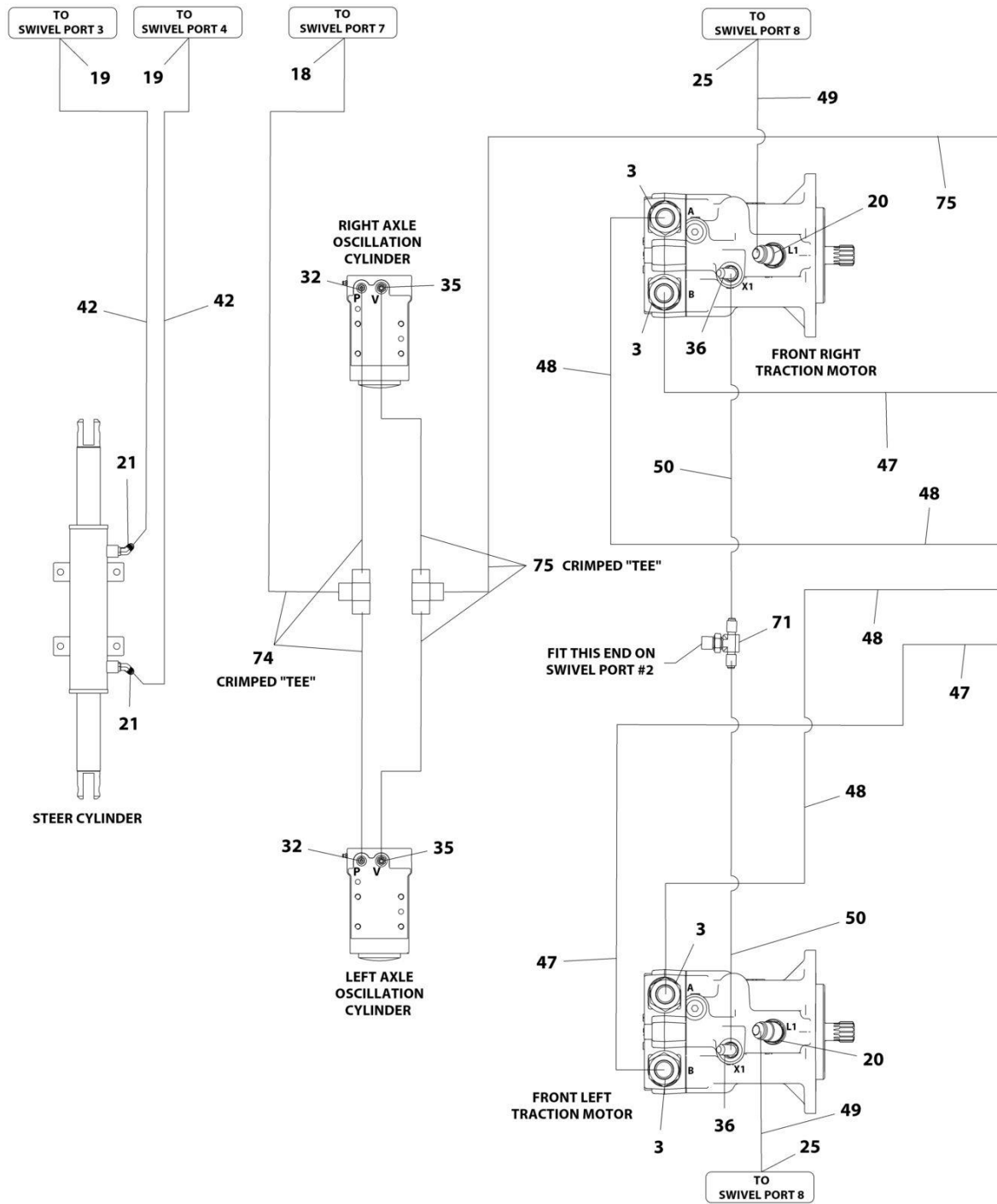


## SECTION 7 - HYDRAULIC

ITEM	PART NUMBER	QTY	DESCRIPTION	REV
202	1001172696	1	Hose	
301	1001172695	2	Hose	
302	1001172697	4	Hose	
303	1001184561	1	Hose	
304	1001184562	1	Hose	
305	1001184563	1	Hose	
306	1001197284	1	Hose	
401	1001172692	2	Hose	
402	1001184542	1	Hose	
403	1001184543	1	Hose	
501	1001173901	1	Hose	
502	1001173902	1	Hose	
503	1001173903	1	Hose	
504	1001173904	1	Hose	
505	1001173907	1	Hose	
506	1001173908	1	Hose	
601	2752500	1	Hose	
602	1001172716	1	Hose	
603	1001172717	1	Hose	
604	1001172718	1	Hose	
605	1001172719	1	Hose	
606	1001172721	1	Hose	
607	1001172722	2	Hose	
608	1001172723	3	Hose	
609	1001173900	1	Hose	
610	1001181075	1	Hose	
611	1001193654	1	Hose	
701	1001173898	1	Hose	
702	1001181074	1	Hose	
703	1001207332	1	Hose	
704	1001207333	1	Hose	
705	1001216655	1	Hose	

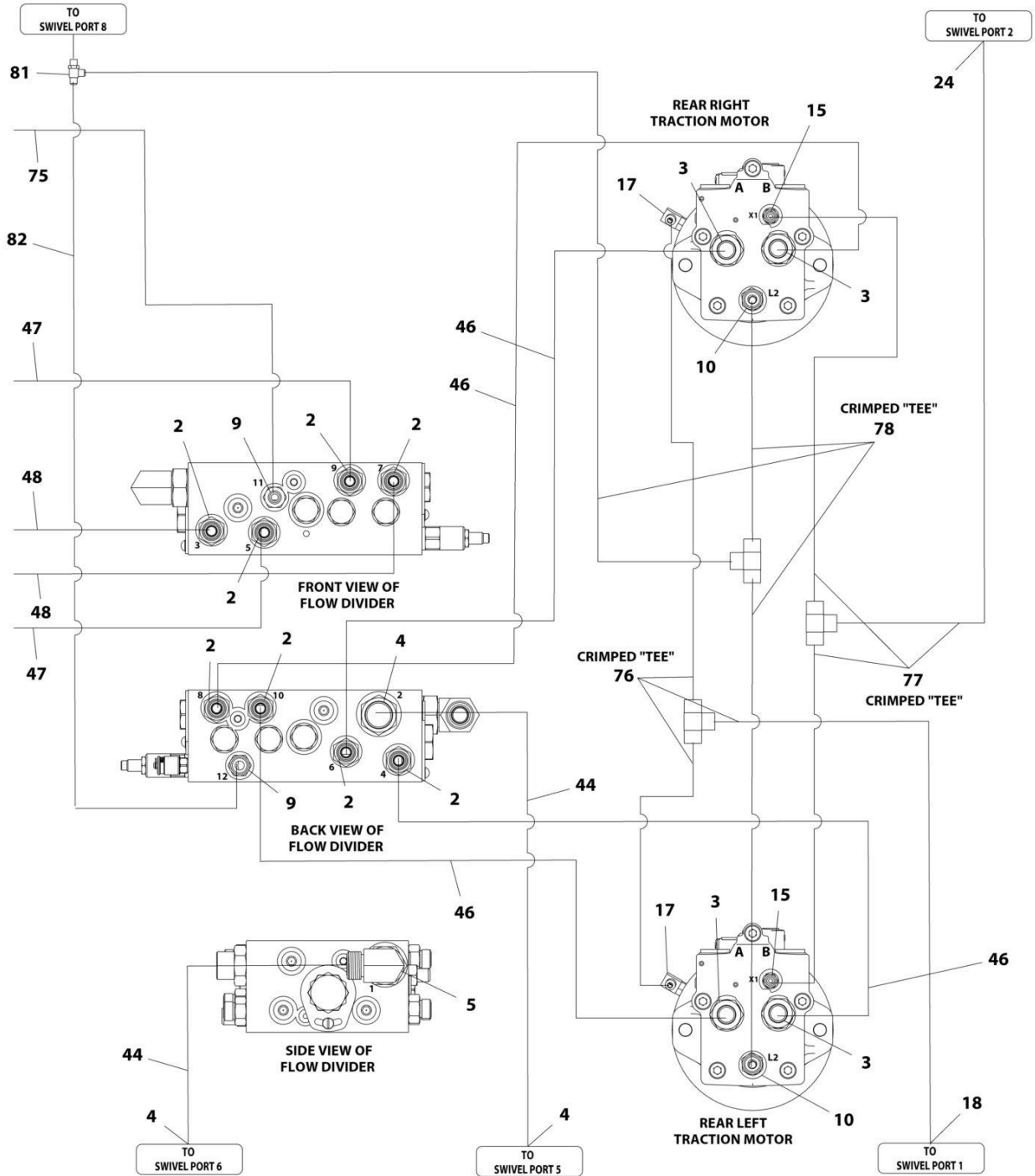
# SECTION 7 - HYDRAULIC

## FIGURE 7-2. 4WD HYDRAULIC SYSTEM INSTALLATION (ALL MACHINES) (400S)



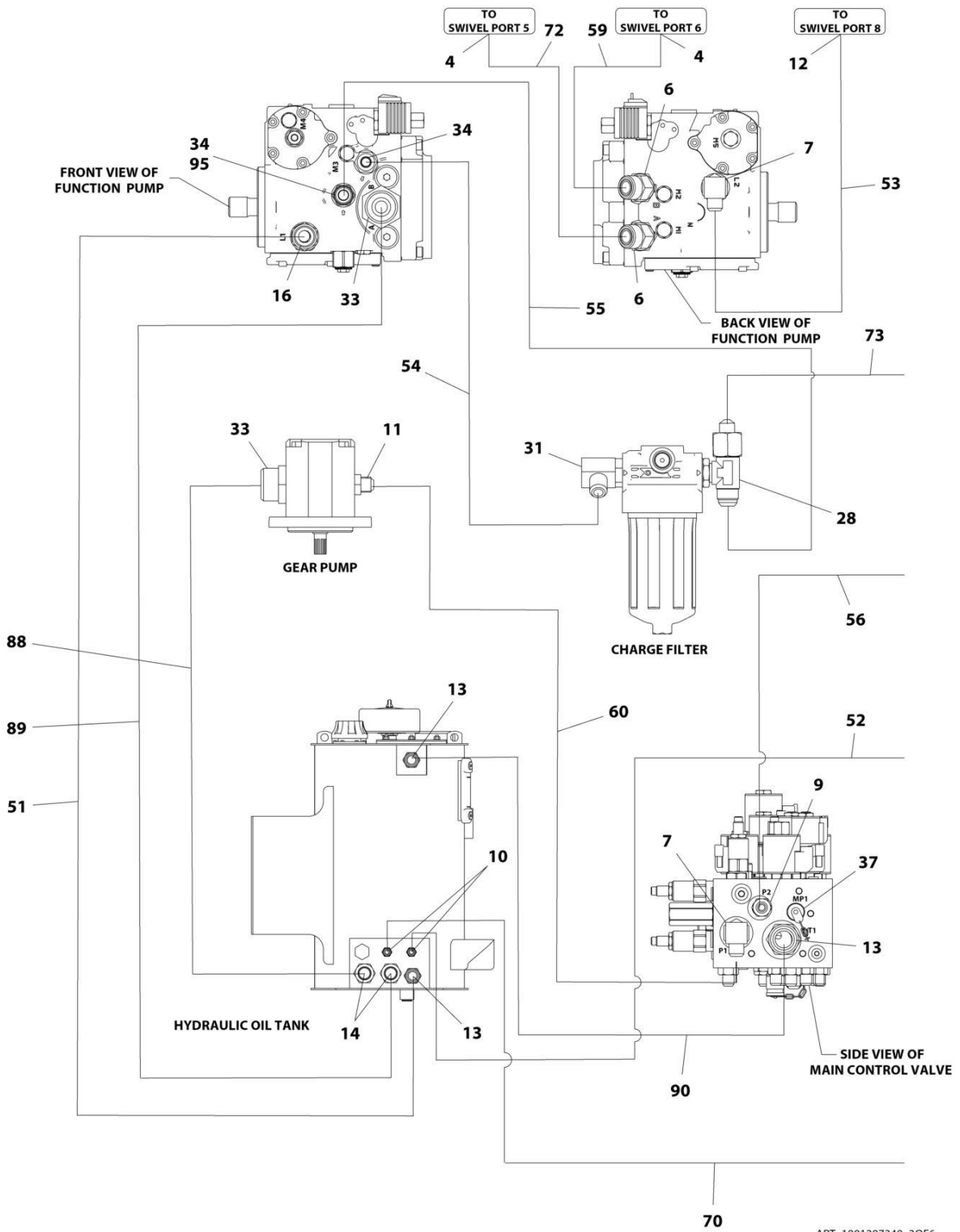
ART\_1001207340\_10F6

# SECTION 7 - HYDRAULIC



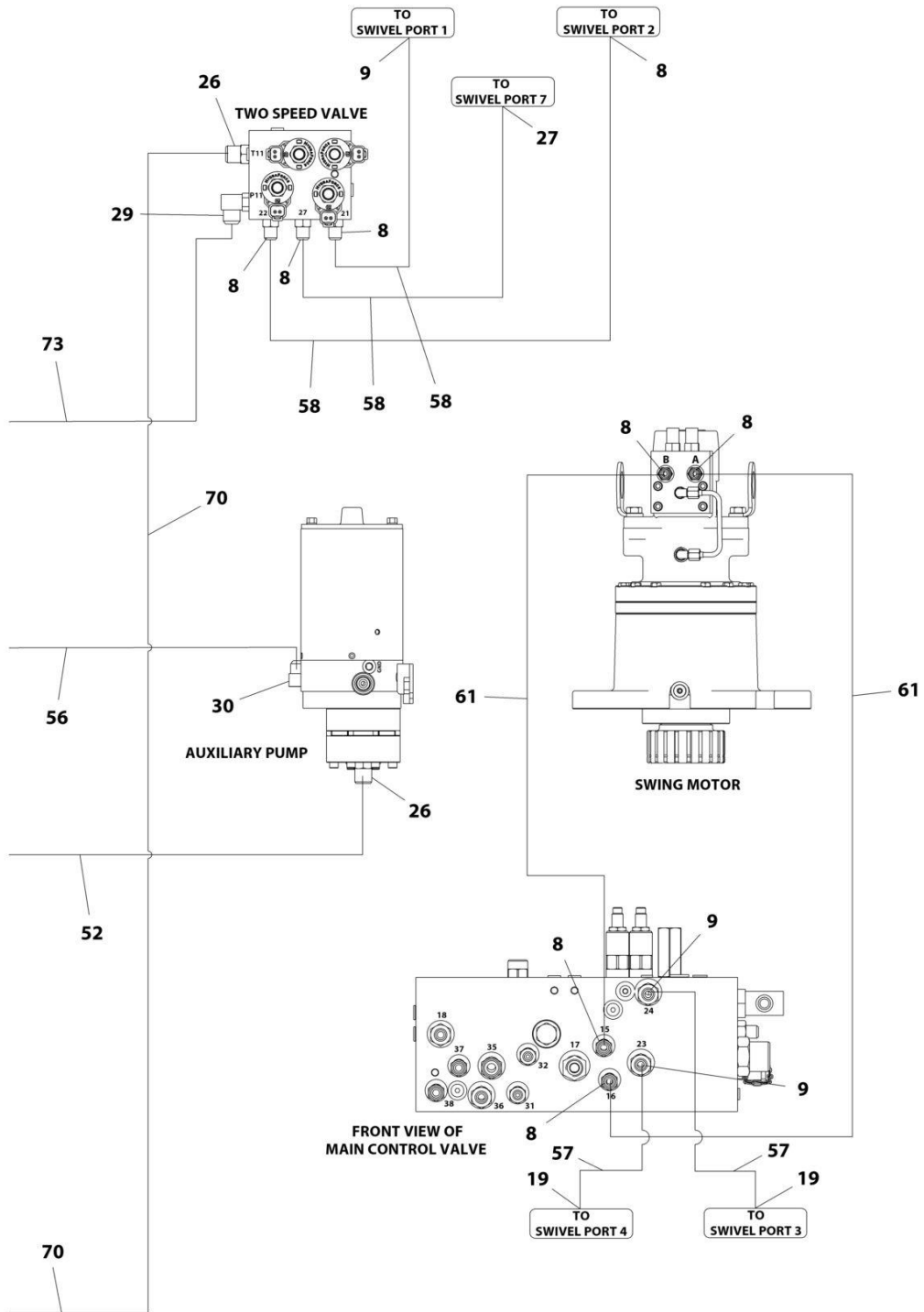
ART\_1001207340\_20F6

# SECTION 7 - HYDRAULIC



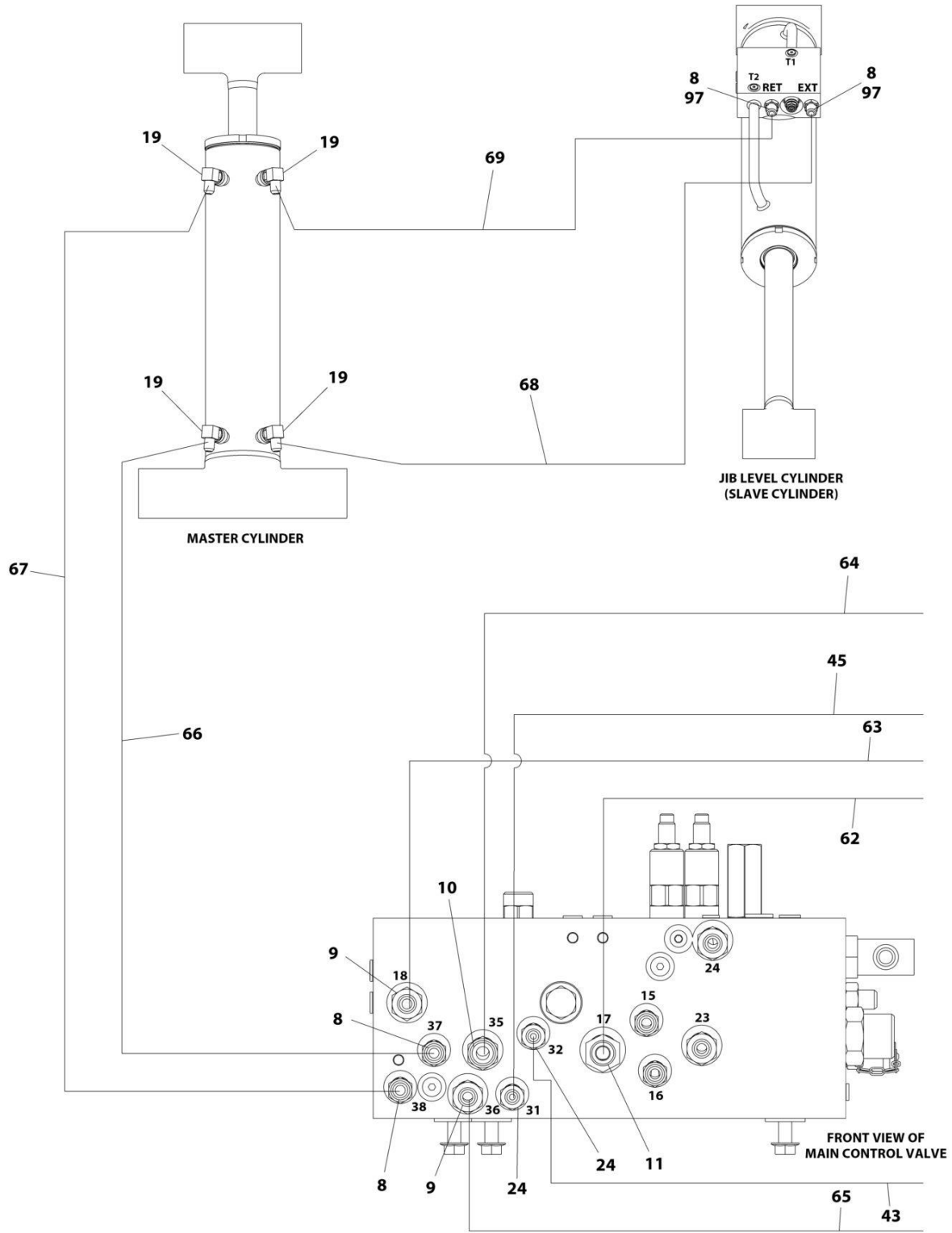
ART\_1001207340\_30F6

# SECTION 7 - HYDRAULIC



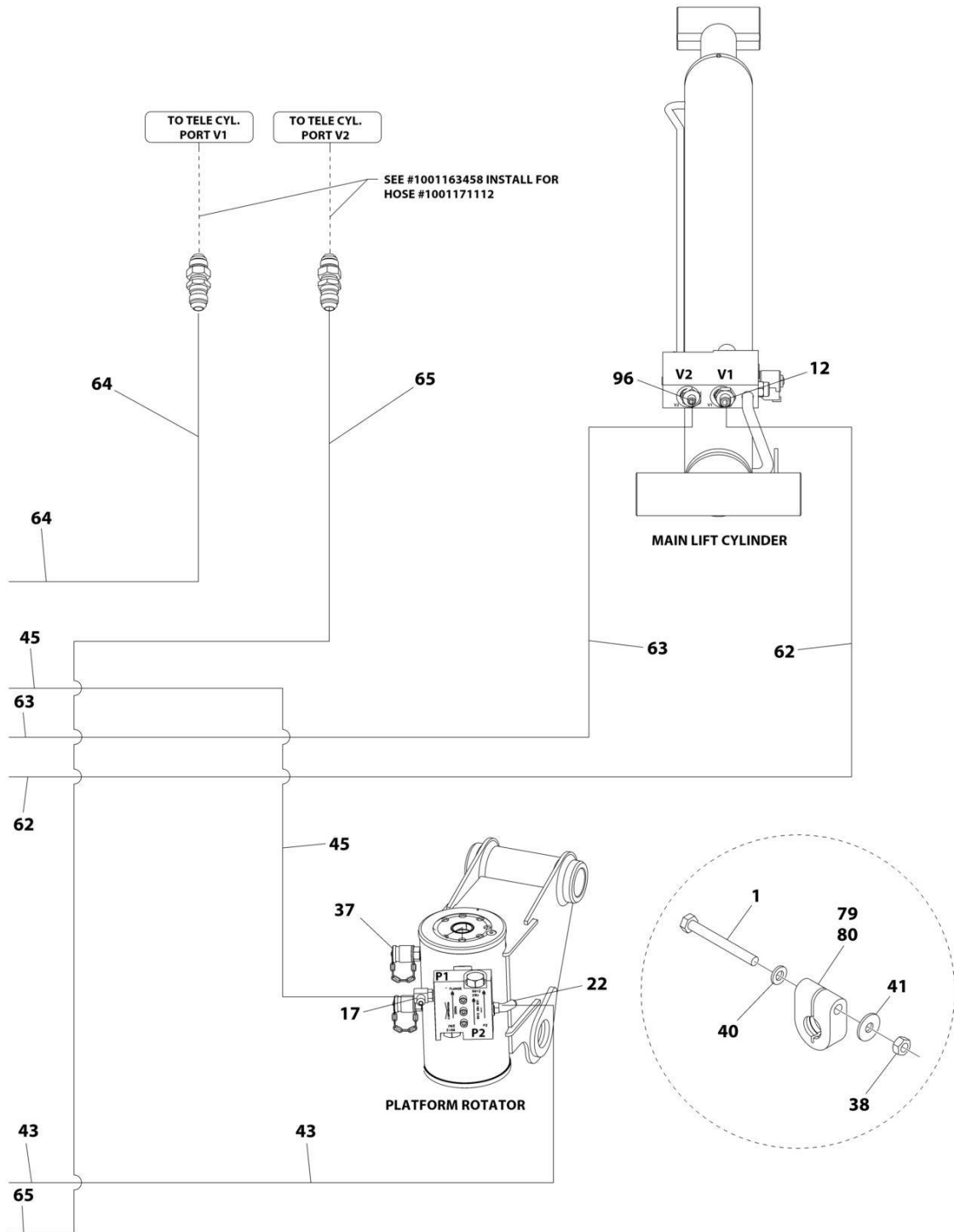
ART\_1001207340\_40F6

# SECTION 7 - HYDRAULIC



ART\_1001207340\_50F6

# SECTION 7 - HYDRAULIC



ART\_1001207340\_6OF6

# SECTION 7 - HYDRAULIC

**FIGURE 7-2. 4WD HYDRAULIC SYSTEM INSTALLATION (ALL MACHINES) (400S)**

ITEM	PART NUMBER	QTY	DESCRIPTION	REV
	1001207340	Ref	4WD HYDRAULIC SYSTEM INSTALLATION	F
1	0700619	2	Bolt, M6 x 55	
2	2110810	8	Fitting, Straight ORFS/ORB	
3	2110812	8	Fitting, Straight ORFS/ORB	
4	2111216	5	Fitting, Straight ORFS/ORB	
5	2131216	1	Fitting, 90 ORFS/ORB	
6	2131212	2	Fitting, 90 ORFS/ORB	
7	2220366	2	Fitting, 90 JIC/ORB	
8	2220371	10	Fitting, Straight JIC/ORB	
9	2220372	8	Fitting, Straight JIC/ORB	
10	2220373	5	Fitting, Straight JIC/ORB	
11	2220374	AR	Fitting, Straight JIC/ORB	
12	2220375	AR	Fitting, Straight JIC/ORB	
13	2220377	3	Fitting, Straight JIC/ORB	
14	1001202910	2	Fitting, Straight MORB	
15	2220415	2	Fitting, Straight JIC/ORB	
16	2220451	1	Fitting, Straight JIC/ORB	
17	2220466	3	Fitting, 90 JIC/ORB	
18	2220468	2	Fitting, Straight JIC/ORB	
19	2220473	8	Fitting, 90 JIC/ORB	
20	2220500	2	Fitting, 45 JIC/ORB	
21	2220501	2	Fitting, 45 JIC/ORB	
22	2220502	1	Fitting, 45 JIC/ORB	
24	2220582	3	Fitting, Straight JIC/ORB	
25	2220596	2	Fitting, 90 JIC/ORB	
26	2220600	2	Fitting, Straight JIC/ORB	
27	2220628	1	Fitting, 90 JIC/ORB	
28	2220695	1	Fitting, Tee JIC/ORB/JIC	
29	2220726	1	Fitting, 90 JIC/ORB	
30	2220775	1	Fitting, 90 JIC/ORB	
31	2220906	1	Fitting, 90 JIC/ORB	
32	2220923	2	Fitting, Straight JIC/ORB	
33	2220946	2	Fitting, Straight JIC/ORB	
34	2220947	AR	Fitting, Straight JIC/ORB	
35	2220998	2	Fitting, Straight JIC/ORB	
36	2221040	2	Fitting, 45 JIC/ORB	
37	2221086	3	Fitting, Diagnostic Test Port	
38	3290601	2	Nut, M6 x 1	
39	4240018	20	Tie-Strap (Not Shown)	
40	4811700	2	Washer, M6	
41	4811702	2	Washer, M6	
42	1001172692	2	Hose	
43	1001172694	1	Hose	
44	1001172695	2	Hose	
45	1001172696	1	Hose	
46	1001172697	4	Hose	
47	1001172698	2	Hose	
48	1001172699	2	Hose	
49	1001172703	2	Hose	
50	1001172707	2	Hose	

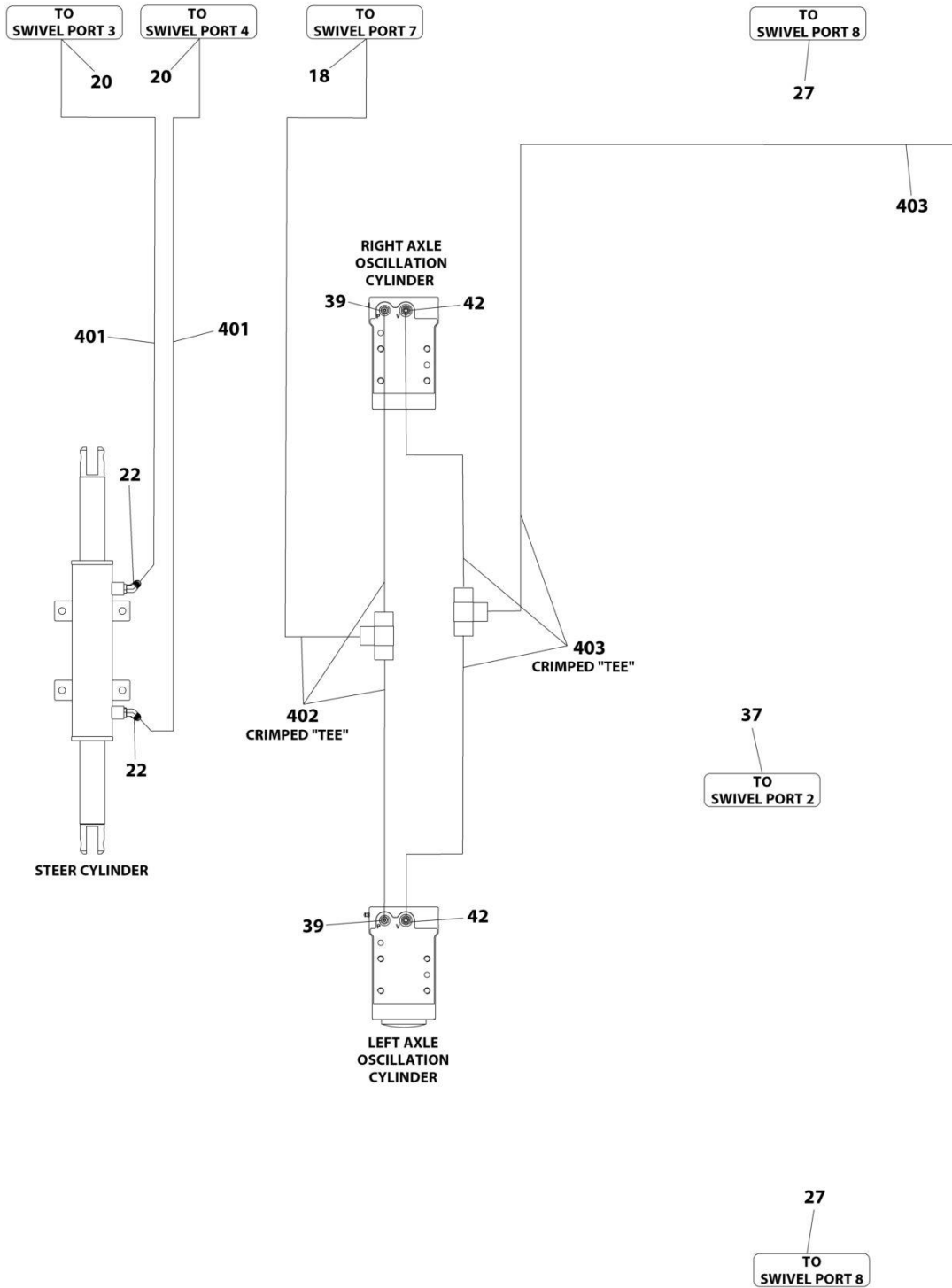


## SECTION 7 - HYDRAULIC

ITEM	PART NUMBER	QTY	DESCRIPTION	REV
51	1001216655	1	Hose	
52	1001172716	1	Hose	
53	1001172717	1	Hose	
54	1001172718	1	Hose	
55	1001172719	1	Hose	
56	1001172721	1	Hose	
57	1001172722	2	Hose	
58	1001172723	3	Hose	
59	1001173898	1	Hose	
60	2752500	1	Hose	
61	1001173900	2	Hose	
62	1001173901	1	Hose	
63	1001173902	1	Hose	
64	1001173903	1	Hose	
65	1001173904	1	Hose	
66	1001173907	1	Hose	
67	1001173908	1	Hose	
68	1001173909	1	Hose	
69	1001173937	1	Hose	
70	1001193654	1	Hose	
71	1001175024	1	Fitting, Tee JIC/JIC/ORB	
72	1001181074	1	Hose	
73	1001181075	1	Hose	
74	1001184542	1	Hose	
75	1001184543	1	Hose	
76	1001184561	1	Hose	
77	1001184562	1	Hose	
78	1001184563	1	Hose	
79	1001191275	1	Clamp	
80	1001191276	1	Clamp	
81	1001197272	1	Fitting, Tee JIC/ORB/JIC	
82	1001197284	1	Hose	
88	1001207332	1	Hose	
89	1001207332	1	Hose	
90	1001207333	1	Hose	
94	80633030	2	Clamp, Hose (Not Shown)	
95	88662037	AR	Fitting, Straight JIC/ORB	
96	2220497	AR	Fitting, Straight JIC/ORB	
97	2220603	AR	Fitting, Straight JIC/ORB	

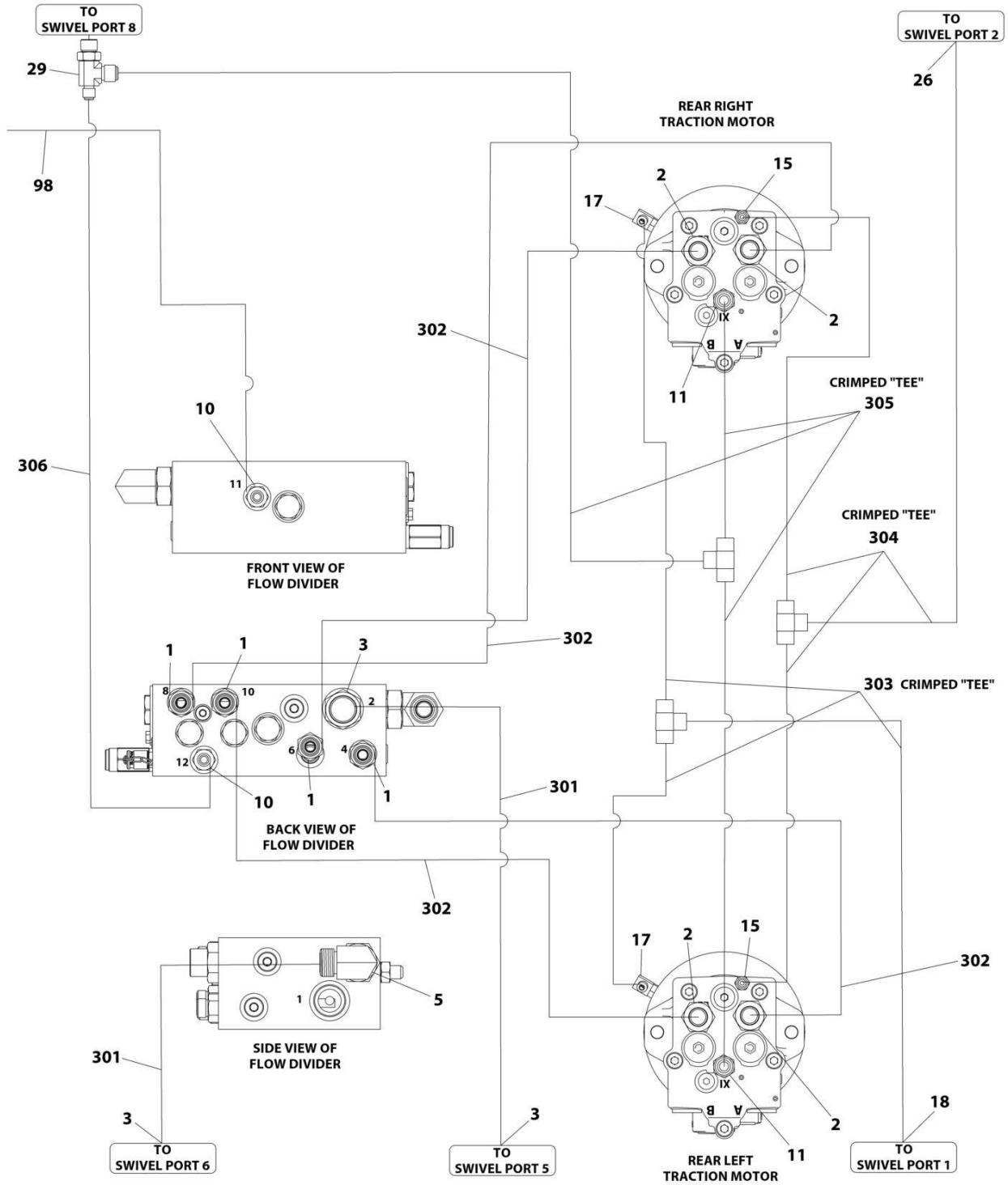
# SECTION 7 - HYDRAULIC

## FIGURE 7-3. 2WD HYDRAULIC SYSTEM INSTALLATION (460SJ)



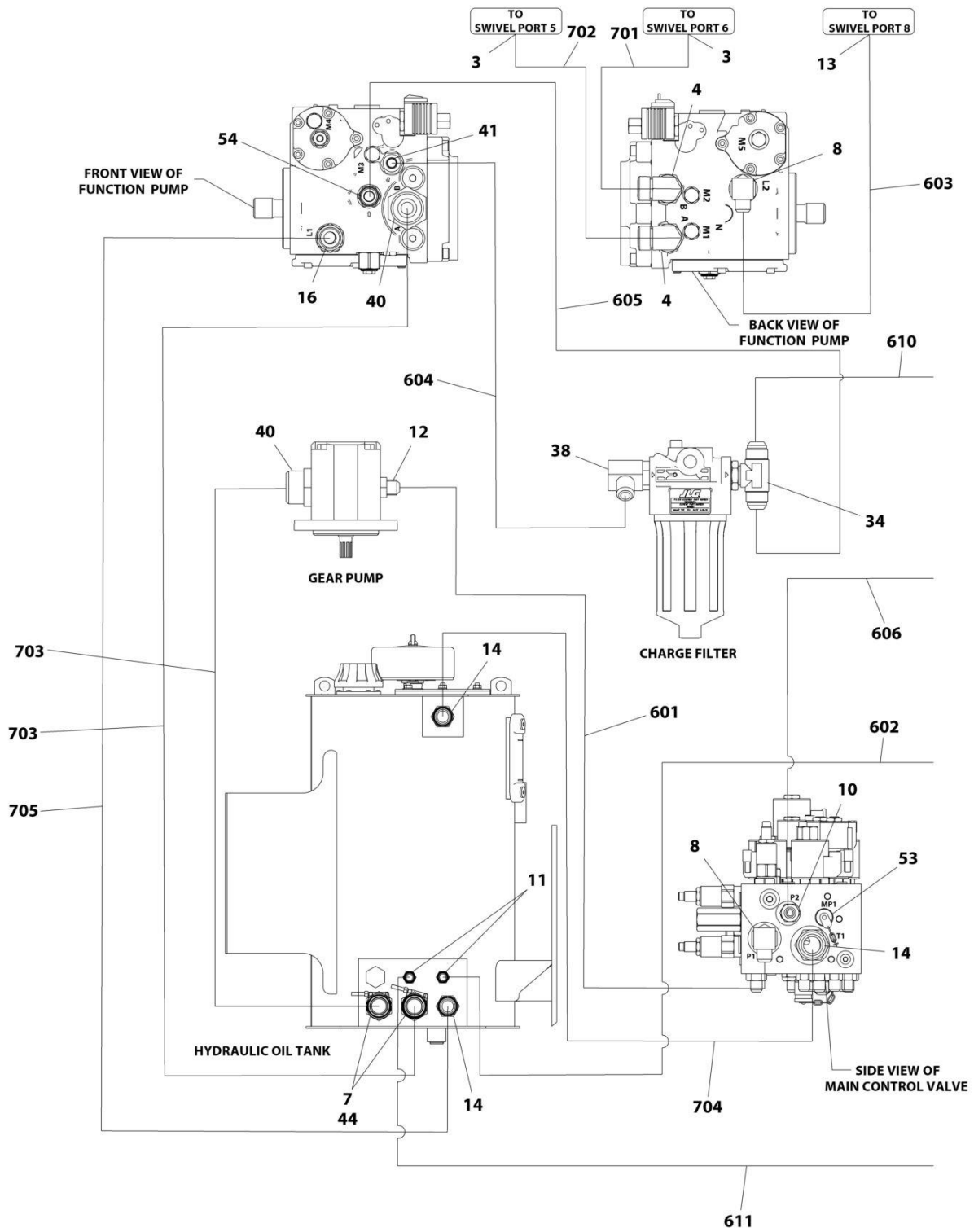
ART\_1001216800\_1OF6

# SECTION 7 - HYDRAULIC



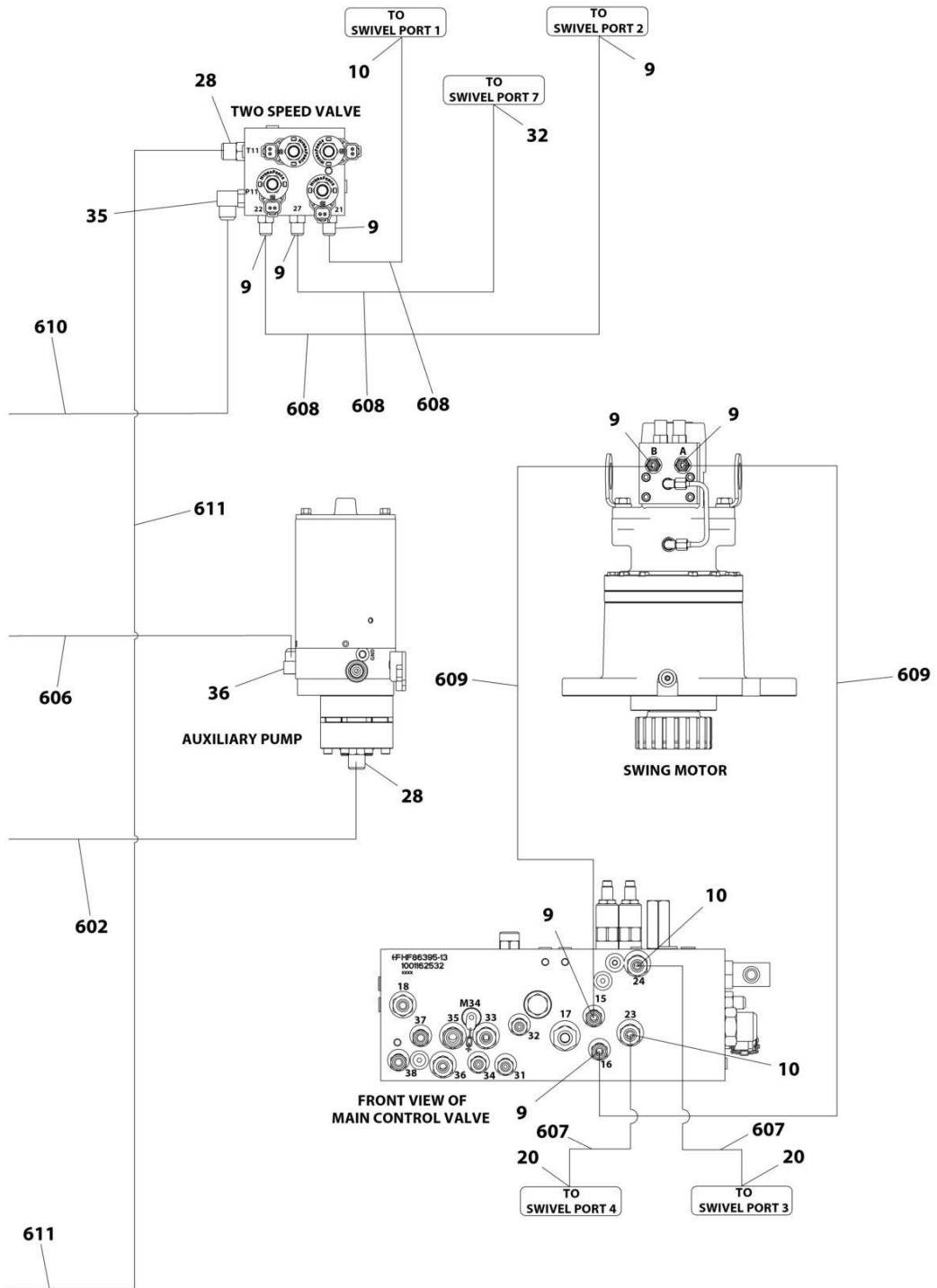
ART\_1001216800\_20F6

# SECTION 7 - HYDRAULIC



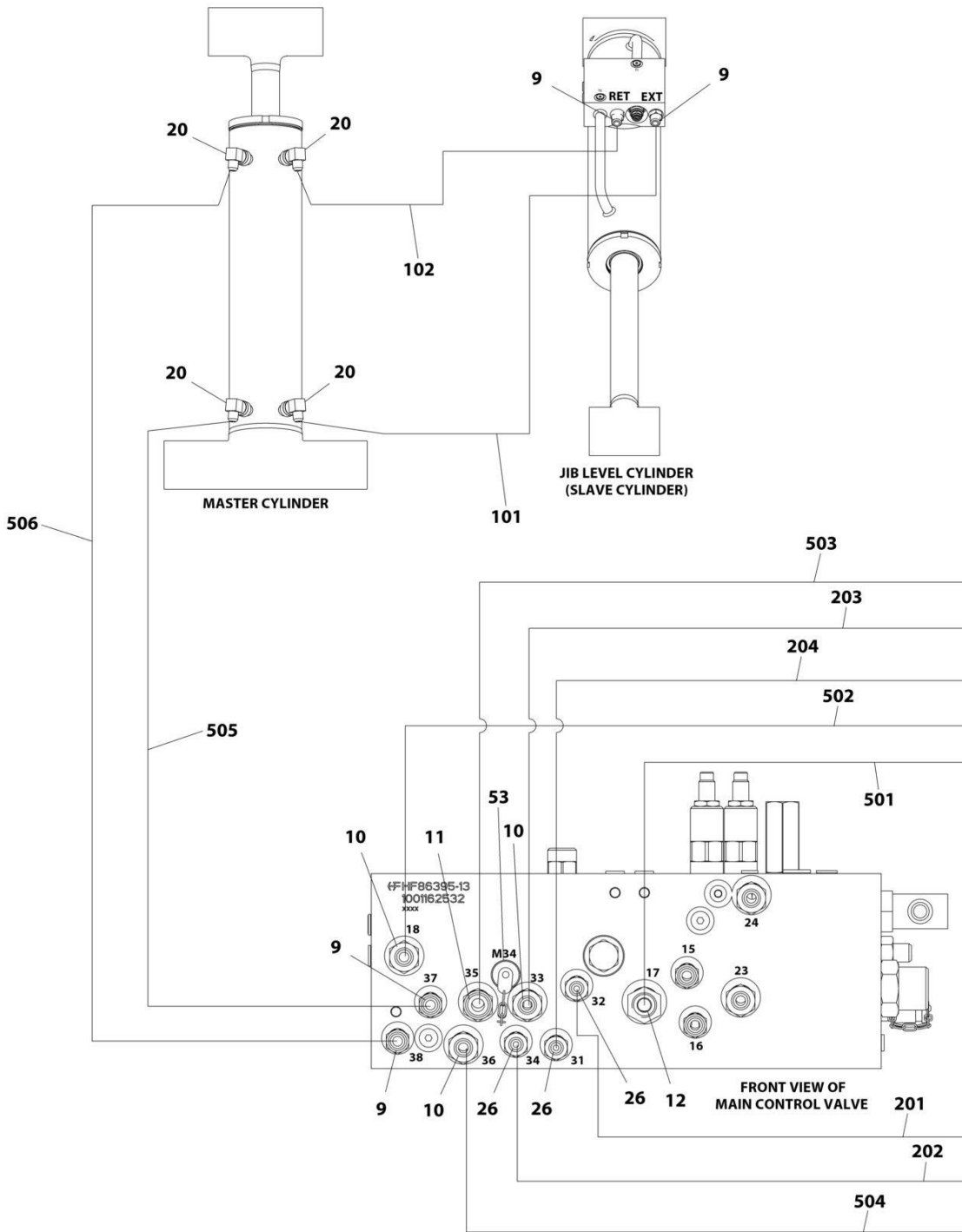
ART\_1001216800\_30F6

# SECTION 7 - HYDRAULIC



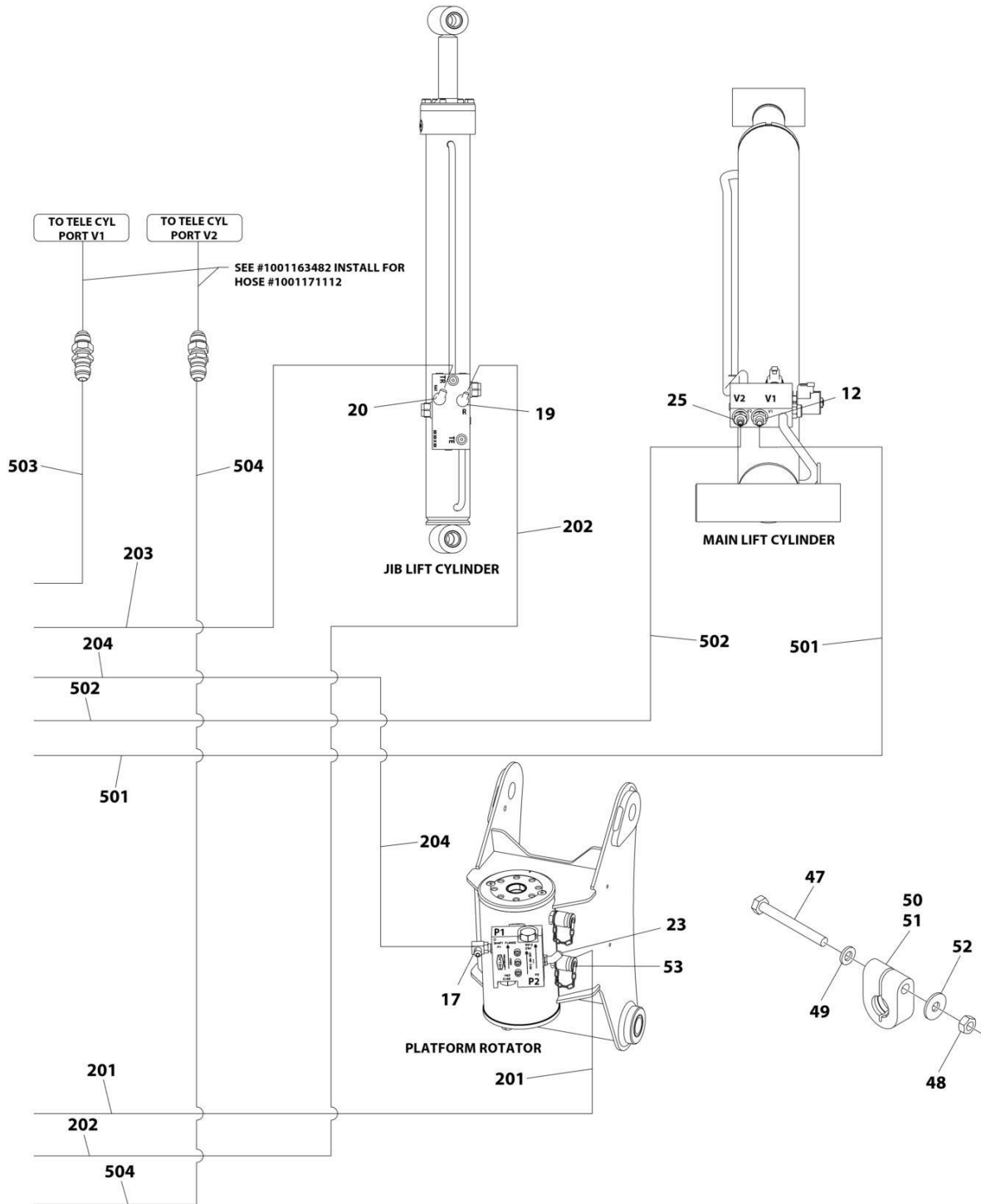
ART\_1001216800\_40F6

# SECTION 7 - HYDRAULIC



ART\_1001216800\_50F6

# SECTION 7 - HYDRAULIC



ART\_1001216800\_6OF6

# SECTION 7 - HYDRAULIC

## FIGURE 7-3. 2WD HYDRAULIC SYSTEM INSTALLATION (460SJ)

ITEM	PART NUMBER	QTY	DESCRIPTION	REV
	1001216800	Ref	2WD HYDRAULIC SYSTEM INSTALLATION	E
1	2110810	4	Fitting, Straight ORFS/ORB	
2	2110812	4	Fitting, Straight ORFS/ORB	
3	2111216	5	Fitting, Straight ORFS/ORB	
4	2131212	2	Fitting, 90 ORFS/ORB	
5	2131216	1	Fitting, 90 ORFS/ORB	
7	1001202910	2	Fitting, Straight MORB	
8	2220366	2	Fitting, 90 JIC/ORB	
9	2220371	12	Fitting, Straight JIC/ORB	
10	2220372	9	Fitting, Straight JIC/ORB	
11	2220373	5	Fitting, Straight JIC/ORB	
12	2220374	3	Fitting, Straight JIC/ORB	
13	2220375	1	Fitting, Straight JIC/ORB	
14	2220377	3	Fitting, Straight JIC/ORB	
15	2220415	2	Fitting, Straight JIC/ORB	
16	2220451	1	Fitting, Straight JIC/ORB	
17	2220466	3	Fitting, 90 JIC/ORB	
18	2220468	2	Fitting, Straight JIC/ORB	
19	2220472	1	Fitting, 90 JIC/ORB	
20	2220473	9	Fitting, 90 JIC/ORB	
22	2220501	2	Fitting, 45 JIC/ORB	
23	2220502	1	Fitting, 45 JIC/ORB	
25	2220497	1	Fitting, Straight JIC/ORB	
26	2220582	4	Fitting, Straight JIC/ORB	
27	2220238	2	Plug	
28	2220600	2	Fitting, Straight JIC/ORB	
29	1001197272	1	Fitting, Tee JIC/ORB/JIC	
32	2220628	1	Fitting, 90 JIC/ORB	
34	2220695	1	Fitting, Tee JIC/ORB/JIC	
35	2220726	1	Fitting, 90 JIC/ORB	
36	2220775	1	Fitting, 90 JIC/ORB	
37	2220237	1	Plug #6	
38	2220906	1	Fitting, 90 JIC/ORB	
39	2220923	2	Fitting, Straight JIC/ORB	
40	2220946	2	Fitting, Straight JIC/ORB	
41	2220947	1	Fitting, Straight JIC/ORB	
42	2220998	2	Fitting, Straight JIC/ORB	
43	4240018	15	Tie-Strap (Not Shown)	
44	80633030	2	Clamp	
46	1001098928	1	Clamp (Not Shown)	
47	0700619	2	Bolt M6 x 55	
48	3290601	2	Nut M6	
49	4811700	2	Washer M6	
50	1001191275	1	Clamp	
51	1001191276	1	Clamp	
52	4811702	1	Washer M6	
53	2221086	4	Fitting, Diagnostic Test Port	
54	88662037	1	Fitting, Straight JIC/ORB	
101	1001173909	1	Hose	
102	1001173937	1	Hose	

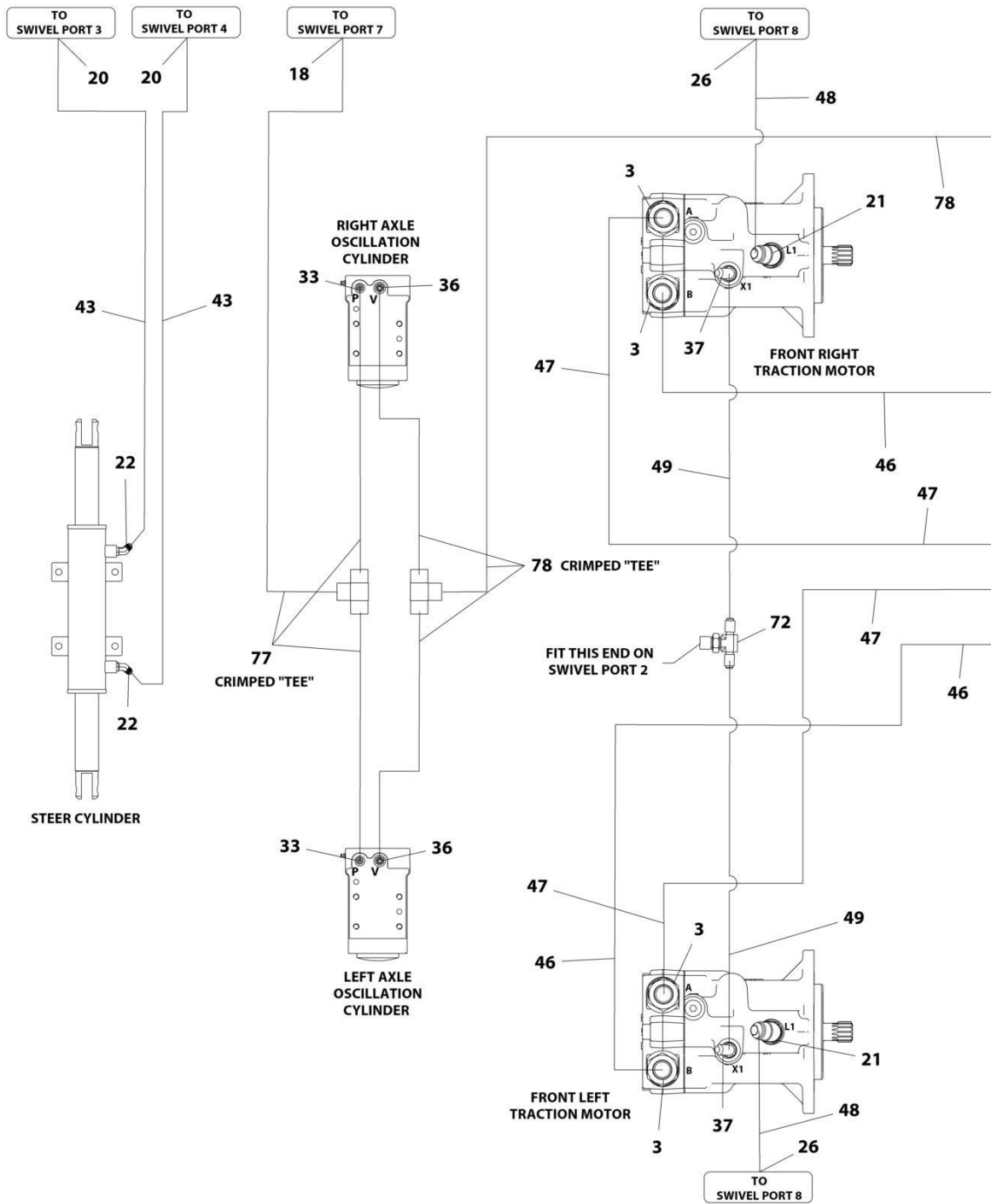


## SECTION 7 - HYDRAULIC

ITEM	PART NUMBER	QTY	DESCRIPTION	REV
201	1001173905	1	Hose	
202	1001173906	1	Hose	
203	1001181076	1	Hose	
204	1001181077	1	Hose	
301	1001172695	2	Hose	
302	1001172697	4	Hose	
303	1001184561	1	Hose	
304	1001184562	1	Hose	
305	1001184563	1	Hose	
306	1001197284	1	Hose	
401	1001172692	2	Hose	
402	1001184542	1	Hose	
403	1001184543	1	Hose	
501	1001173901	1	Hose	
502	1001173902	1	Hose	
503	1001173903	1	Hose	
504	1001173904	1	Hose	
505	1001173907	1	Hose	
506	1001173908	1	Hose	
601	2752500	1	Hose	
602	1001172716	1	Hose	
603	1001172717	1	Hose	
604	1001172718	1	Hose	
605	1001172719	1	Hose	
606	1001172721	1	Hose	
607	1001172722	2	Hose	
608	1001172723	3	Hose	
609	1001173900	2	Hose	
610	1001181075	1	Hose	
611	1001193654	1	Hose	
701	1001173898	1	Hose	
702	1001181074	1	Hose	
703	1001207332	1	Hose	
704	1001207333	1	Hose	
705	1001216655	1	Hose	

# SECTION 7 - HYDRAULIC

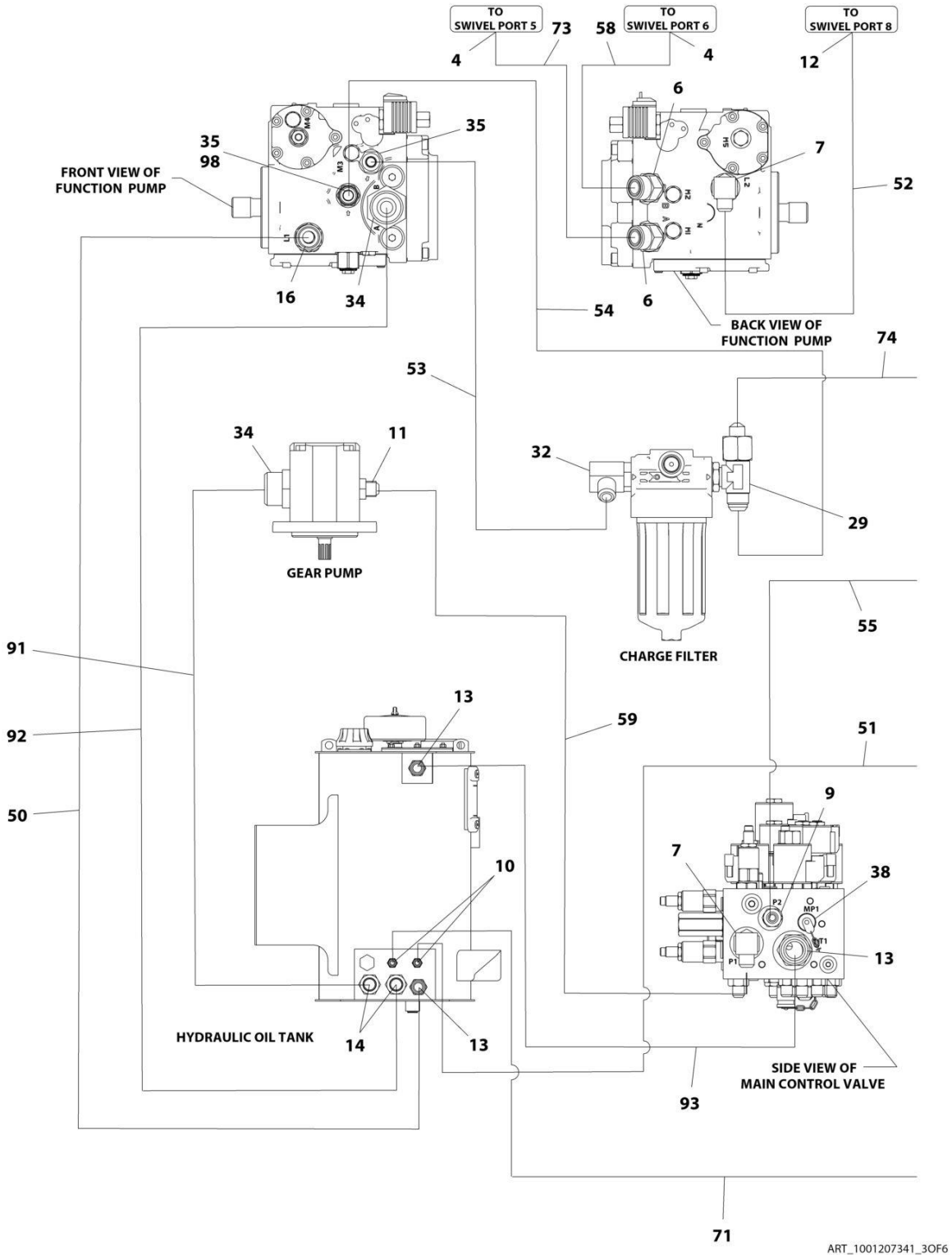
## FIGURE 7-4. 4WD HYDRAULIC SYSTEM INSTALLATION (ALL MACHINES) (460SJ)



ART\_1001207341\_10F6

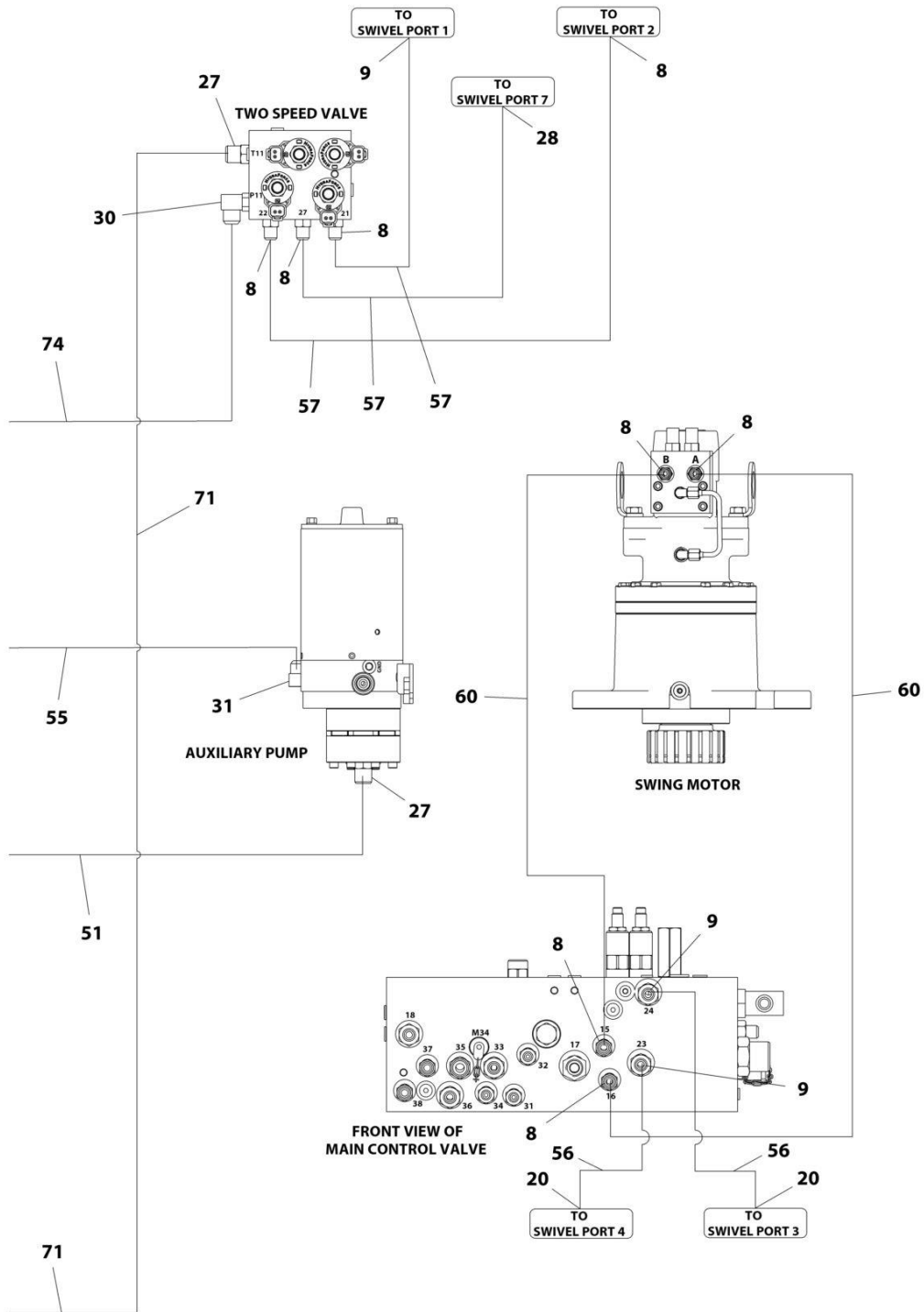


# SECTION 7 - HYDRAULIC



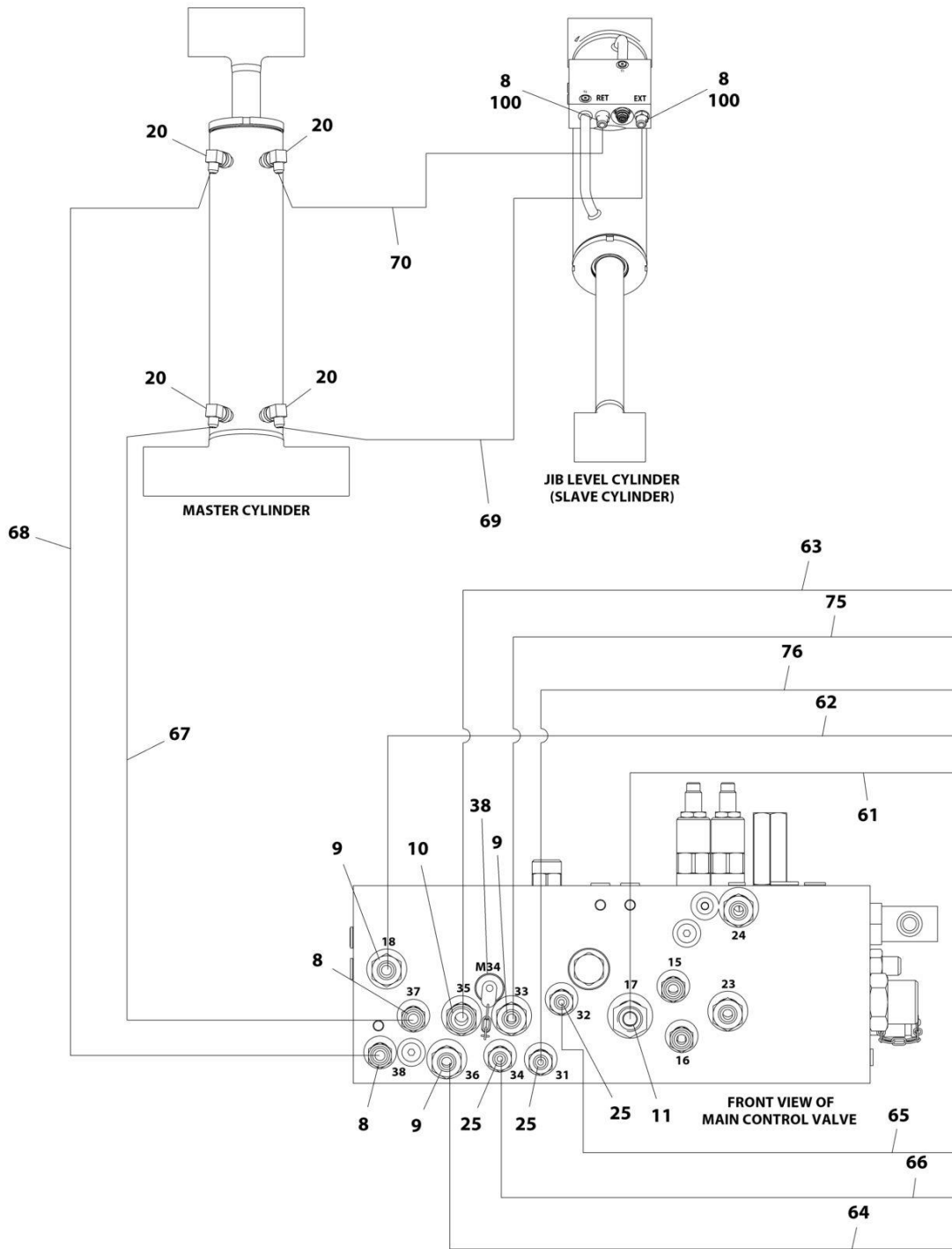
ART\_1001207341\_30F6

# SECTION 7 - HYDRAULIC



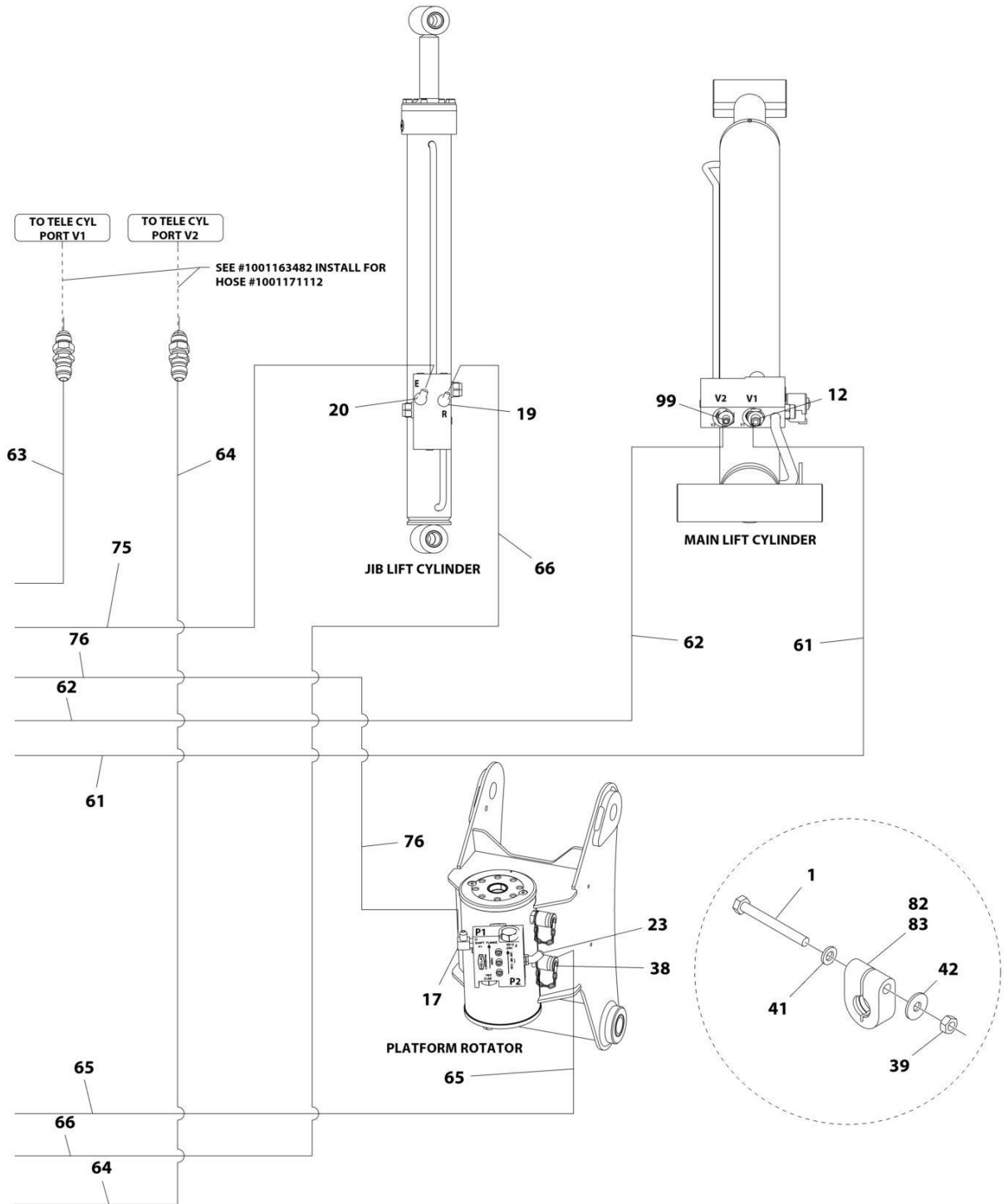
ART\_1001207341\_40F6

# SECTION 7 - HYDRAULIC



ART\_1001207341\_SOF6

# SECTION 7 - HYDRAULIC



ART\_1001207341\_6OF6

# SECTION 7 - HYDRAULIC

**FIGURE 7-4. 4WD HYDRAULIC SYSTEM INSTALLATION (ALL MACHINES) (460SJ)**

ITEM	PART NUMBER	QTY	DESCRIPTION	REV
	1001207341	Ref	4WD HYDRAULIC SYSTEM INSTALLATION	F
1	0760619	2	Bolt, M6 x 55	
2	2110810	8	Fitting, Straight ORFS/ORB	
3	2110812	8	Fitting, Straight ORFS/ORB	
4	2111216	5	Fitting, Straight ORFS/ORB	
5	2131216	1	Fitting, 90 ORFS/ORB	
6	2131212	2	Fitting, 90 ORFS/ORB	
7	2220366	2	Fitting, 90 JIC/ORB	
8	2220371	10	Fitting, Straight JIC/ORB	
9	2220372	9	Fitting, Straight JIC/ORB	
10	2220373	5	Fitting, Straight JIC/ORB	
11	2220374	AR	Fitting, Straight JIC/ORB	
12	2220375	AR	Fitting, Straight JIC/ORB	
13	2220377	3	Fitting, Straight JIC/ORB	
14	1001202910	2	Fitting, Straight MORB	
15	2220415	2	Fitting, Straight JIC/ORB	
16	2220451	1	Fitting, Straight JIC/ORB	
17	2220466	3	Fitting, 90 JIC/ORB	
18	2220468	2	Fitting, Straight JIC/ORB	
19	2220472	1	Fitting, 90 JIC/ORB	
20	2220473	9	Fitting, 90 JIC/ORB	
21	2220500	2	Fitting, 45 JIC/ORB	
22	2220501	2	Fitting, 45 JIC/ORB	
23	2220502	1	Fitting, 45 JIC/ORB	
25	2220582	4	Fitting, Straight JIC/ORB	
26	2220596	2	Fitting, 90 JIC/ORB	
27	2220600	2	Fitting, Straight JIC/ORB	
28	2220628	1	Fitting, 90 JIC/ORB	
29	2220695	1	Fitting, Tee JIC/ORB/JIC	
30	2220726	1	Fitting, 90 JIC/ORB	
31	2220775	1	Fitting, 90 JIC/ORB	
32	2220906	1	Fitting, 90 JIC/ORB	
33	2220923	2	Fitting, Straight JIC/ORB	
34	2220946	2	Fitting, Straight JIC/ORB	
35	2220947	AR	Fitting, Straight JIC/ORB	
36	2220998	2	Fitting, Straight JIC/ORB	
37	2221040	2	Fitting, 45 JIC/ORB	
38	2221086	4	Fitting, Diagnostic Test Port	
39	3290601	2	Nut, M6 x 1	
40	4240018	22	Tie-Strap (Not Shown)	
41	4811700	2	Washer, M6	
42	4811702	2	Washer, M6	
43	1001172692	2	Hose	
44	1001172695	1	Hose	
45	1001172697	4	Hose	
46	1001172698	2	Hose	
47	1001172699	2	Hose	
48	1001172703	2	Hose	
49	1001172707	2	Hose	
50	1001216655	1	Hose	



## SECTION 7 - HYDRAULIC

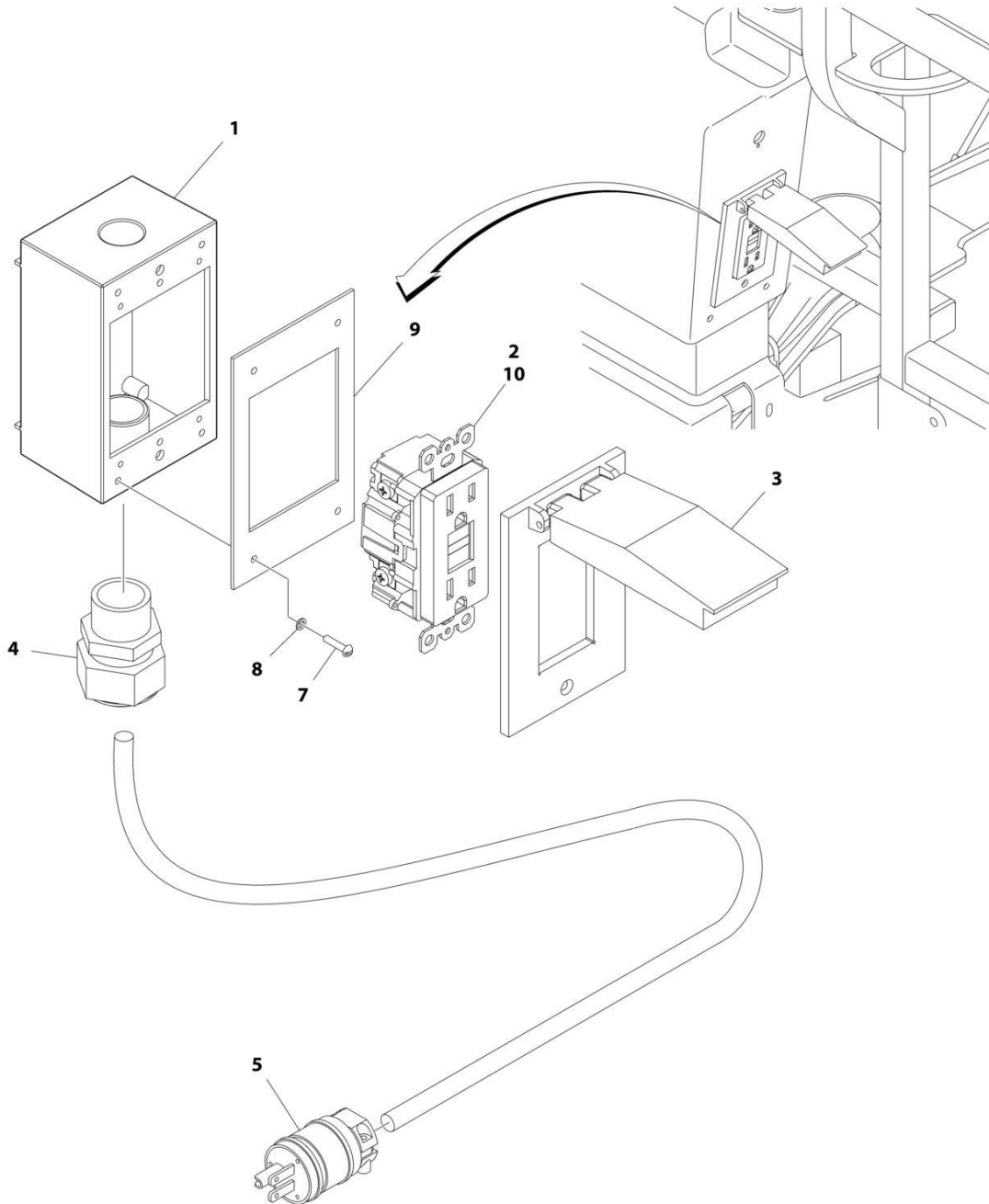
ITEM	PART NUMBER	QTY	DESCRIPTION	REV
51	1001172716	1	Hose	
52	1001172717	1	Hose	
53	1001172718	1	Hose	
54	1001172719	1	Hose	
55	1001172721	1	Hose	
56	1001172722	2	Hose	
57	1001172723	3	Hose	
58	1001173898	1	Hose	
59	2752500	1	Hose	
60	1001173900	2	Hose	
61	1001173901	1	Hose	
62	1001173902	1	Hose	
63	1001173903	1	Hose	
64	1001173904	1	Hose	
65	1001173905	1	Hose	
66	1001173906	1	Hose	
67	1001173907	1	Hose	
68	1001173908	1	Hose	
69	1001173909	1	Hose	
70	1001173937	1	Hose	
71	1001193654	1	Hose	
72	1001175024	1	Fitting, Tee JIC/JIC/ORB	
73	1001181074	1	Hose	
74	1001181075	1	Hose	
75	1001181076	1	Hose	
76	1001181077	1	Hose	
77	1001184542	1	Hose	
78	1001184543	1	Hose	
79	1001184561	1	Hose	
80	1001184562	1	Hose	
81	1001184563	1	Hose	
82	1001191275	1	Clamp	
83	1001191276	1	Clamp	
84	1001197272	1	Fitting, Tee JIC/ORB/JIC	
85	1001197284	1	Hose	
91	1001207332	1	Hose	
92	1001207332	1	Hose	
93	1001207333	1	Hose	
97	80633030	2	Clamp (Not Shown)	
98	88662037	1	Fitting, Straight JIC/ORB	
99	2220497	1	Fitting, Straight JIC/ORB	
100	2220603	AR	Fitting, Straight JIC/ORB	



**SECTION 8 - ELECTRICAL**

# SECTION 8 - ELECTRICAL

FIGURE 8-1. AC BOX AT PLATFORM INSTALLATION - 110V (ANSI, ANSI EXPORT(HRC), CSA AND JAPANESE SPECS)



ART\_0270022

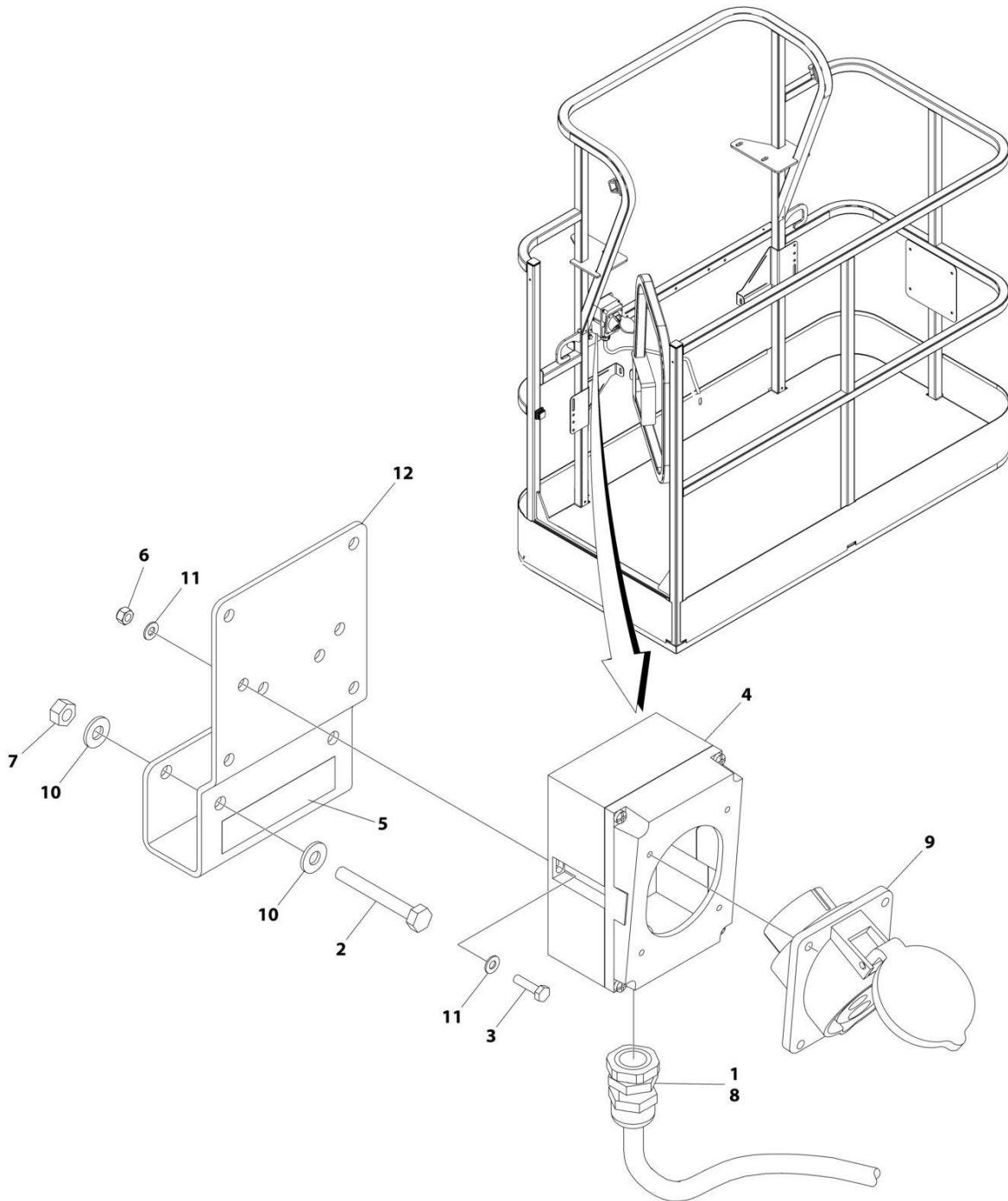
## SECTION 8 - ELECTRICAL

**FIGURE 8-1. AC BOX AT PLATFORM INSTALLATION - 110V (ANSI, ANSI EXPORT(HRC), CSA AND JAPANESE SPECS)**

ITEM	PART NUMBER	QTY	DESCRIPTION	REV
	0270022	Ref	AC BOX AT PLATFORM INSTALLATION - 110V	4-B
1	0860038	1	Box, Switch	
2	4460346	1	Receptacle	
3	1001110873	1	Shield, Cover	
4	4460071	1	Connector, Strain Relief	
5	4460205	1	Plug, Male	
7	3910610	4	Screw #6 x 5/8	
8	4760600	4	Washer #6	
9	3960422	1	Gasket	
10	4460315	1	Terminal, Spade	

# SECTION 8 - ELECTRICAL

FIGURE 8-2. AC BOX AT PLATFORM INSTALLATION - 110V IEC YELLOW (CE & UK CA SPECS WITH 4000W/50HZ GENERATOR)



ART\_1001194203

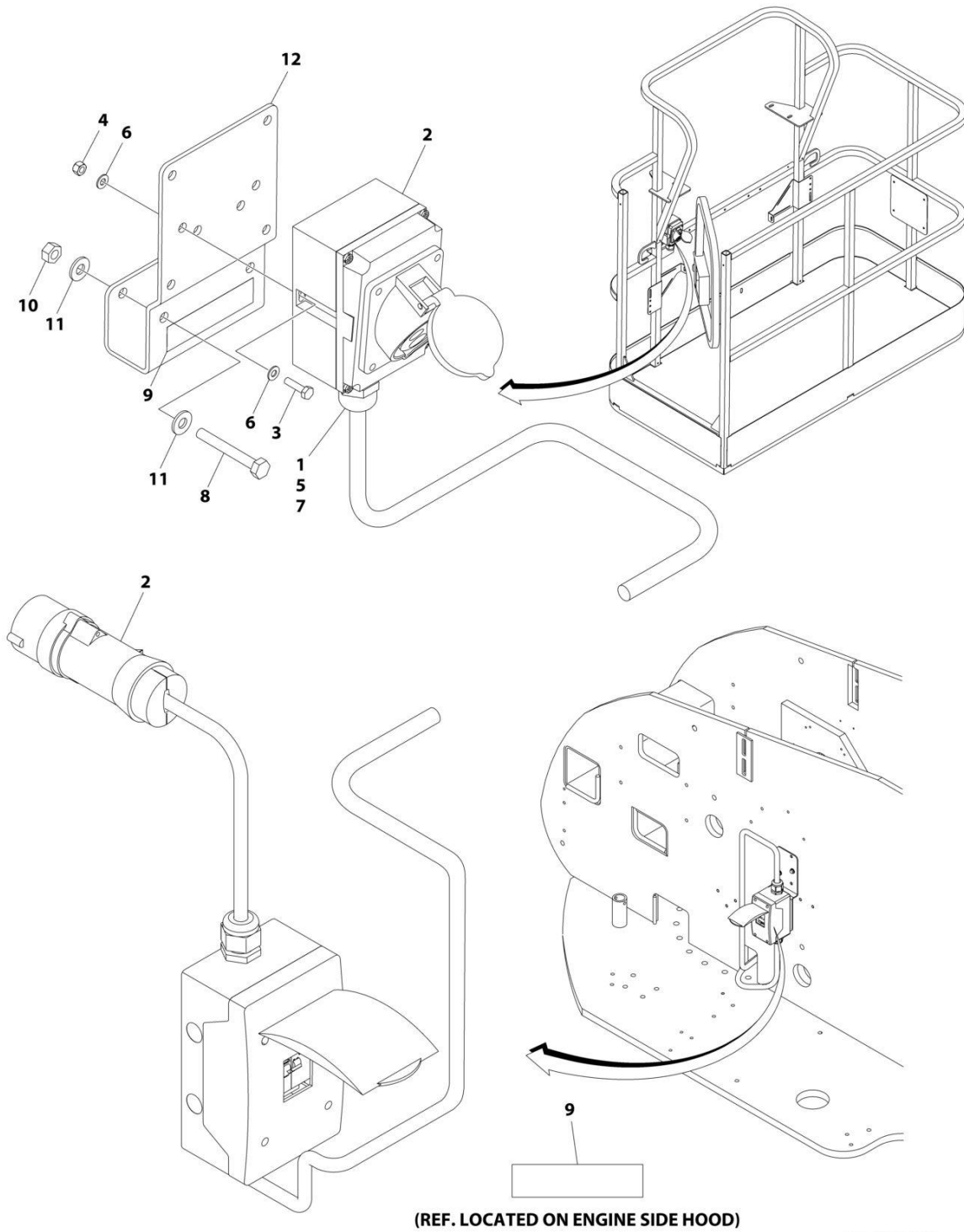
## SECTION 8 - ELECTRICAL

**FIGURE 8-2. AC BOX AT PLATFORM INSTALLATION - 110V IEC YELLOW (CE & UK CA SPECS WITH 4000W/50HZ GENERATOR)**

ITEM	PART NUMBER	QTY	DESCRIPTION	REV
	1001194203	Ref	AC BOX AT PLATFORM INSTALLATION	B
1	0100020	AR	Sealant, Pipe	
2	0641416	2	Bolt 1/4 x 2	
3	0700408	2	Bolt M4 x 16	
4	0861781	1	Box, Switch	
5	1705325	1	Decal - 110V	
6	3290405	2	Nut M4	
7	3311405	2	Nut 1/4	
8	4460968	1	Connector, Strain Relief	
9	4461198	1	Receptacle	
10	4711400	4	Washer 1/4	
11	4811400	4	Washer M4	
12	1001193018	1	Bracket, AC Receptacle	

# SECTION 8 - ELECTRICAL

FIGURE 8-3. AC BOX AT PLATFORM - 110V IEC YELLOW (CE & UK CA SPEC WITHOUT GENERATOR)



ART\_1001091969



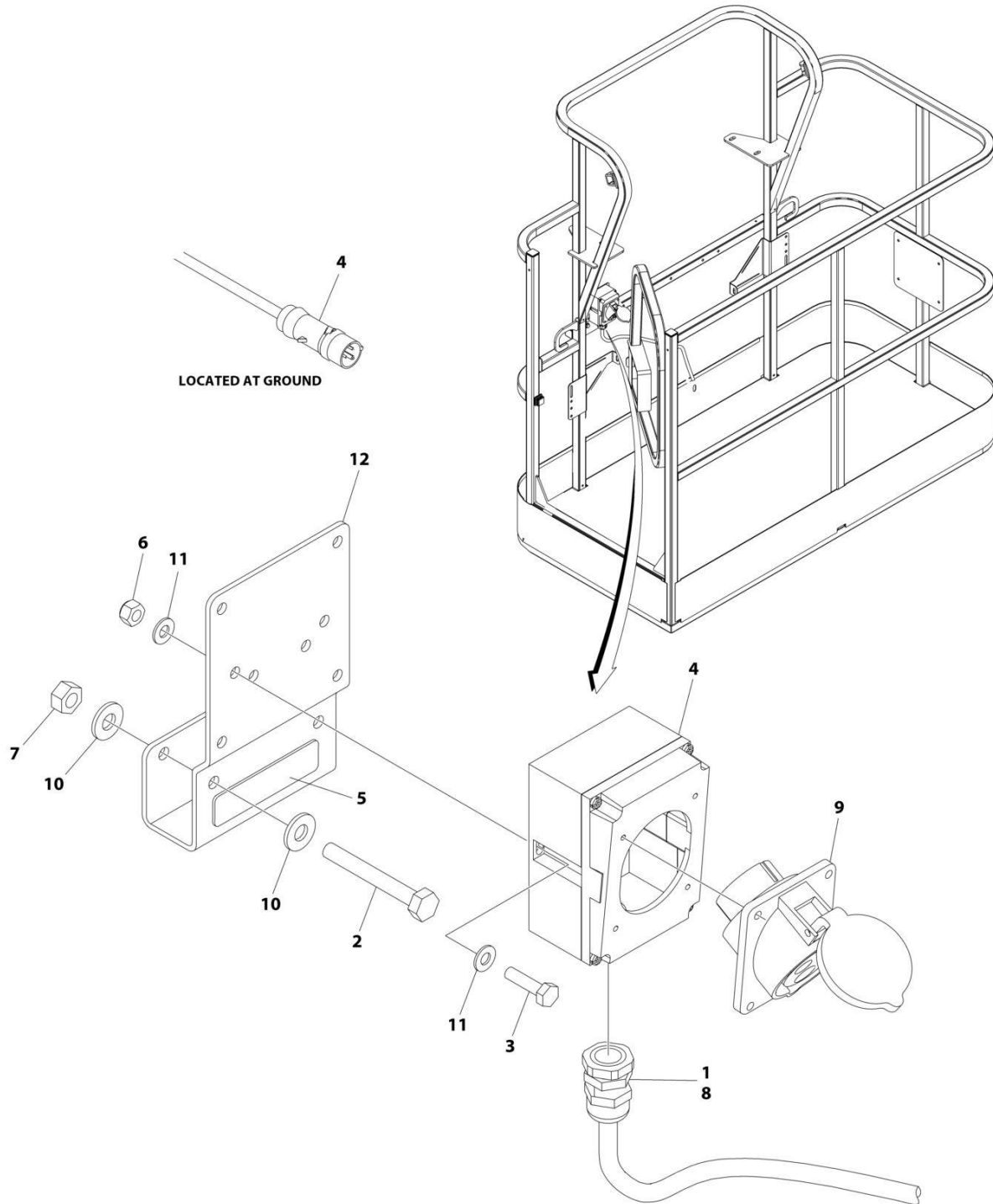
## SECTION 8 - ELECTRICAL

**FIGURE 8-3. AC BOX AT PLATFORM - 110V IEC YELLOW (CE & UK CA SPEC WITHOUT GENERATOR)**

ITEM	PART NUMBER	QTY	DESCRIPTION	REV
	1001091969	Ref	AC BOX AT PLATFORM INSTALLATION - 110V IEC YELLOW	D
1	0100020	AR	Sealant, Pipe	
2	0275216	1	Receptacle Box Kit (See Separate Breakdown in this Section)	
3	0700408	2	Bolt M4 x 16	
4	3290405	2	Nut M4	
5	1001101196	1	Adapter	
6	4811400	4	Washer M4	
7	1001101191	1	Connector, Strain Relief	
8	0641416	2	Bolt 1/4 x 2	
9	1705325	2	Decal - 110V	
10	3311405	2	Nut 1/4	
11	4711400	4	Washer 1/4	
12	1001193018	1	Bracket	

# SECTION 8 - ELECTRICAL

FIGURE 8-4. AC BOX AT PLATFORM INSTALLATION - 220V IEC BLUE (CE & UK CA SPECS WITH 4000W/50HZ GENERATOR)



ART\_1001194204

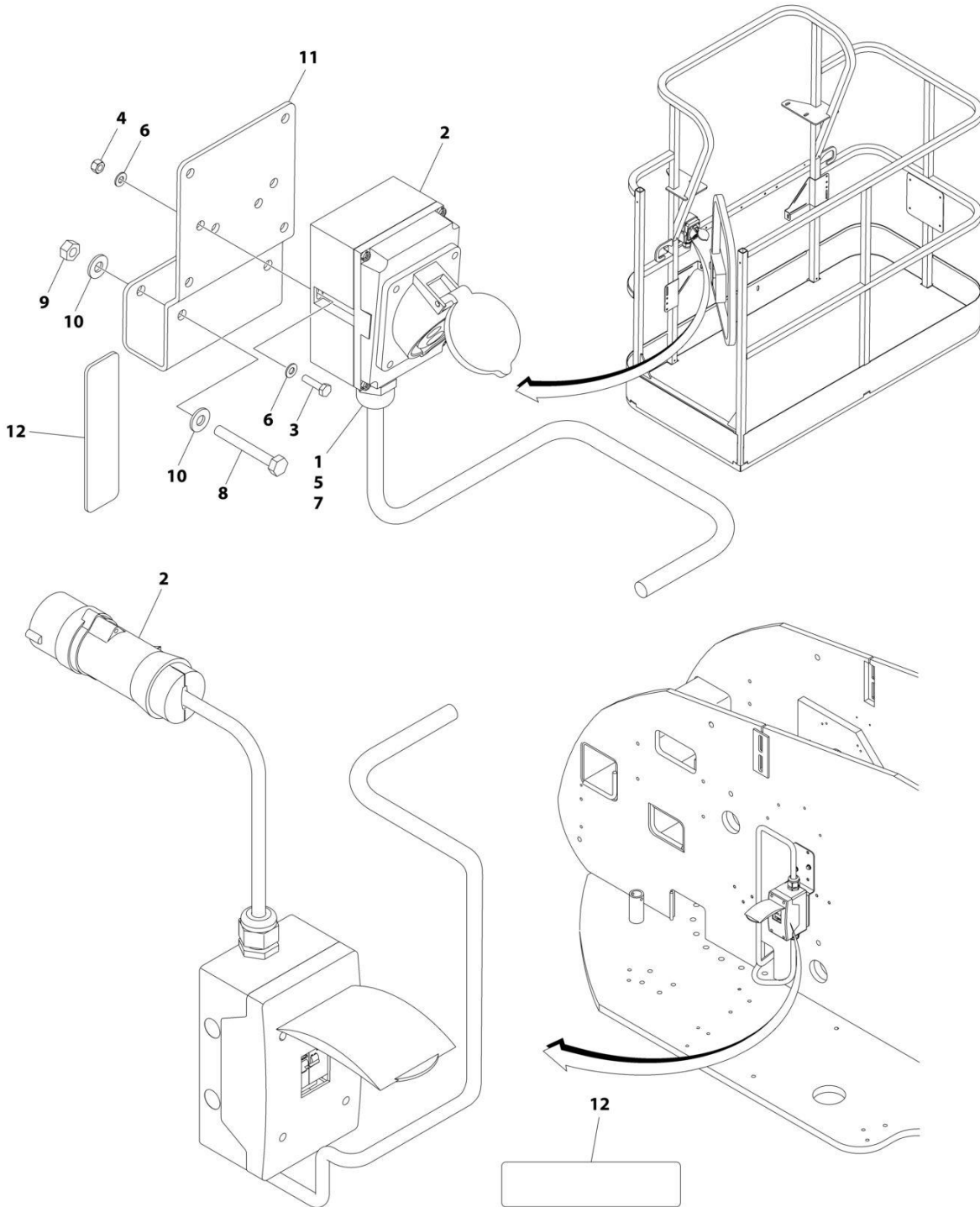
## SECTION 8 - ELECTRICAL

**FIGURE 8-4. AC BOX AT PLATFORM INSTALLATION - 220V IEC BLUE (CE & UK CA SPECS WITH 4000W/50HZ GENERATOR)**

ITEM	PART NUMBER	QTY	DESCRIPTION	REV
	1001194204	Ref	AC BOX AT PLATFORM INSTALLATION	B
1	0100020	AR	Sealant, Pipe	
2	0641416	2	Bolt 1/4 x 2	
3	0700408	2	Bolt M4 x 16	
4	0861781	1	Box, Switch	
5	3251242	1	Decal - 240V/50Hz	
6	3290405	2	Nut M4	
7	3311405	2	Nut 1/4	
8	4460968	1	Connector, Strain Relief	
9	4461201	1	Receptacle	
10	4711400	4	Washer 1/4	
11	4811400	4	Washer M4	
12	1001193018	1	Bracket, AC Receptacle	

# SECTION 8 - ELECTRICAL

FIGURE 8-5. AC BOX AT PLATFORM - 220V IEC BLUE (CE & UK CA SPEC WITHOUT GENERATOR)



(REF. LOCATED ON ENGINE SIDE HOOD)

ART\_1001091970

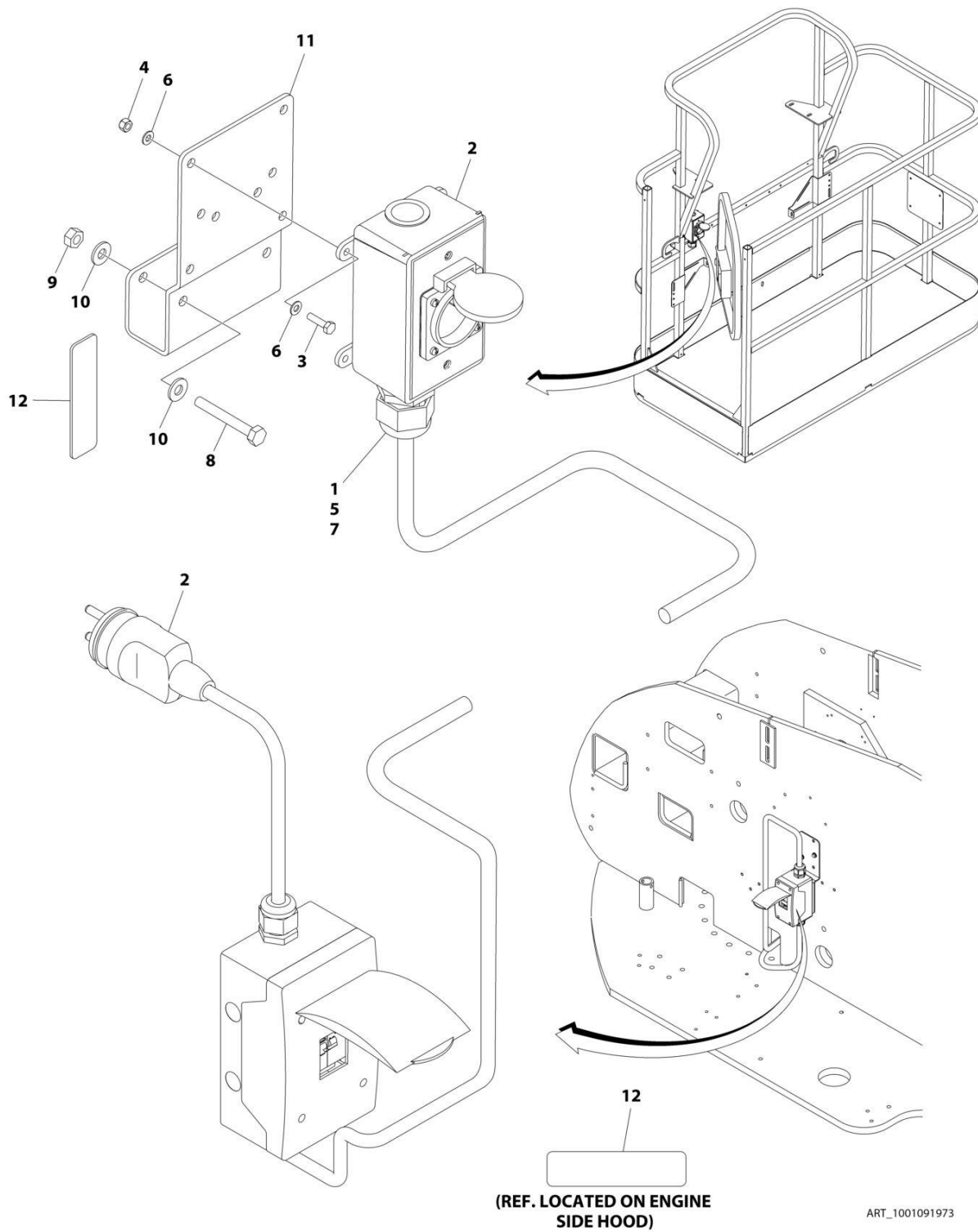
## SECTION 8 - ELECTRICAL

**FIGURE 8-5. AC BOX AT PLATFORM - 220V IEC BLUE (CE & UK CA SPEC WITHOUT GENERATOR)**

ITEM	PART NUMBER	QTY	DESCRIPTION	REV
	1001091970	Ref	AC BOX AT PLATFORM INSTALLATION - 220V IEC BLUE	D
1	0100020	AR	Sealant, Pipe	
2	0275217	1	Receptacle Box Kit (See Separate Breakdown in this Section)	
3	0700408	2	Bolt M4 x 16	
4	3290405	2	Nut M4	
5	1001101196	1	Adapter	
6	4811400	4	Washer M4	
7	1001101191	1	Connector, Strain Relief	
8	0641416	2	Bolt 1/4 x 2	
9	3311405	2	Nut 1/4	
10	4711400	4	Washer 1/4	
11	1001193018	1	Bracket	
12	3251242	2	Decal - 240V/50Hz	

# SECTION 8 - ELECTRICAL

FIGURE 8-6. AC BOX AT PLATFORM - 220V CEE7 2IN X 4IN POST GROUND (CE & UK CA SPEC WITHOUT GENERATOR)



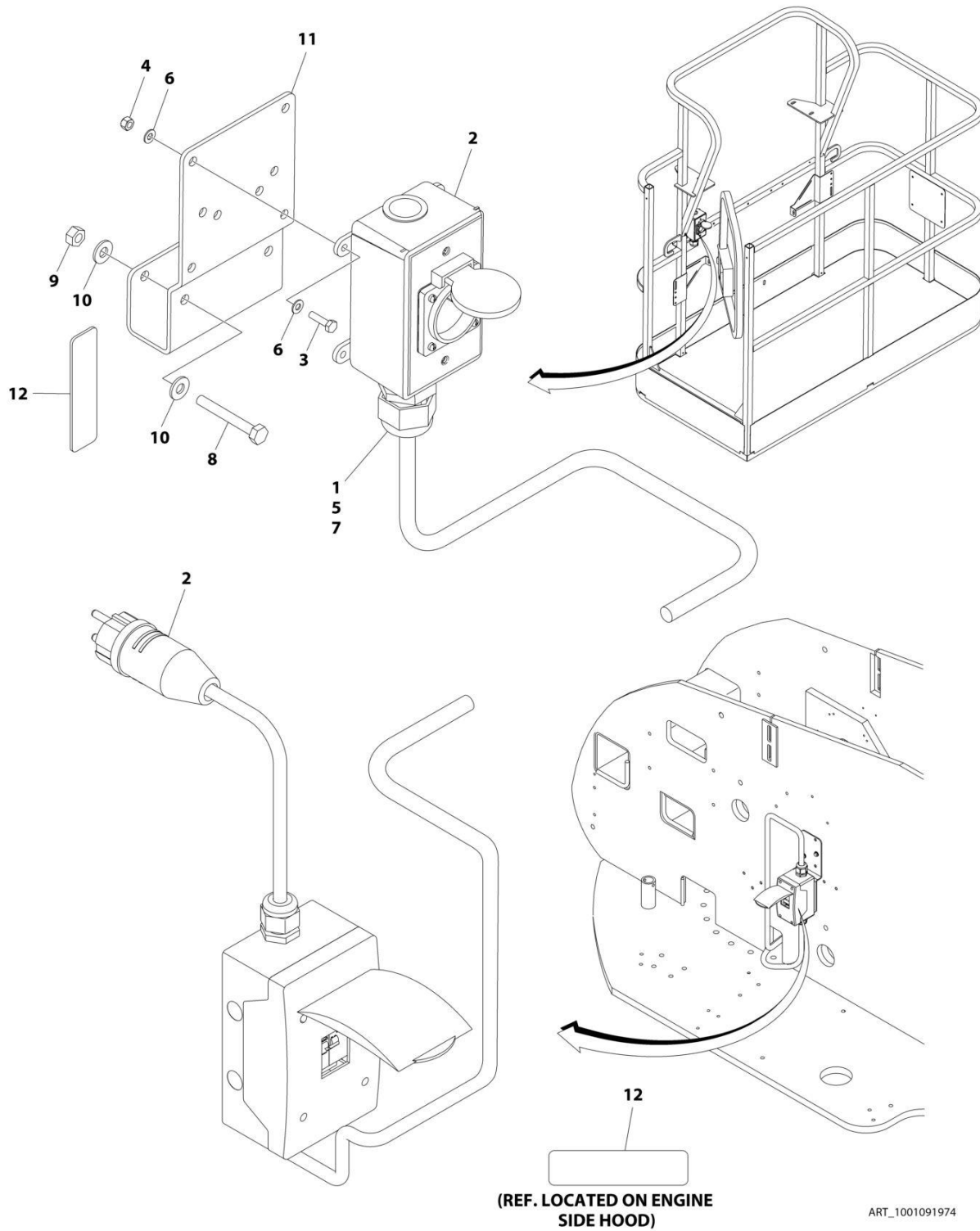
## SECTION 8 - ELECTRICAL

**FIGURE 8-6. AC BOX AT PLATFORM - 220V CEE7 2IN X 4IN POST GROUND (CE & UK CA SPEC WITHOUT GENERATOR)**

ITEM	PART NUMBER	QTY	DESCRIPTION	REV
	1001091973	Ref	AC BOX AT PLATFORM INSTALLATION - 220V CEE7 2X4 BOX POST GROUND	F
1	0100020	AR	Sealant, Pipe	
2	0275452	1	Receptacle Box Kit (See Separate Breakdown in this Section)	
3	0700408	4	Bolt M4 x 16	
4	3290405	4	Nut M4	
5	1001101197	1	Adapter	
6	4811400	8	Washer M4	
7	1001101191	1	Connector, Strain Relief	
8	0641416	2	Bolt 1/4 x 2	
9	3311405	2	Nut 1/4	
10	4711400	4	Washer 1/4	
11	1001193018	1	Bracket	
12	3251242	2	Decal - 240V/50Hz	
13	4460806	2	Terminal, Fork (Not Shown)	
14	1001205958	1	Terminal (Not Shown)	

# SECTION 8 - ELECTRICAL

FIGURE 8-7. AC BOX AT PLATFORM - 220V CEE7 2IN X 4IN SIDE GROUND (CE & UK CA SPEC WITHOUT GENERATOR)





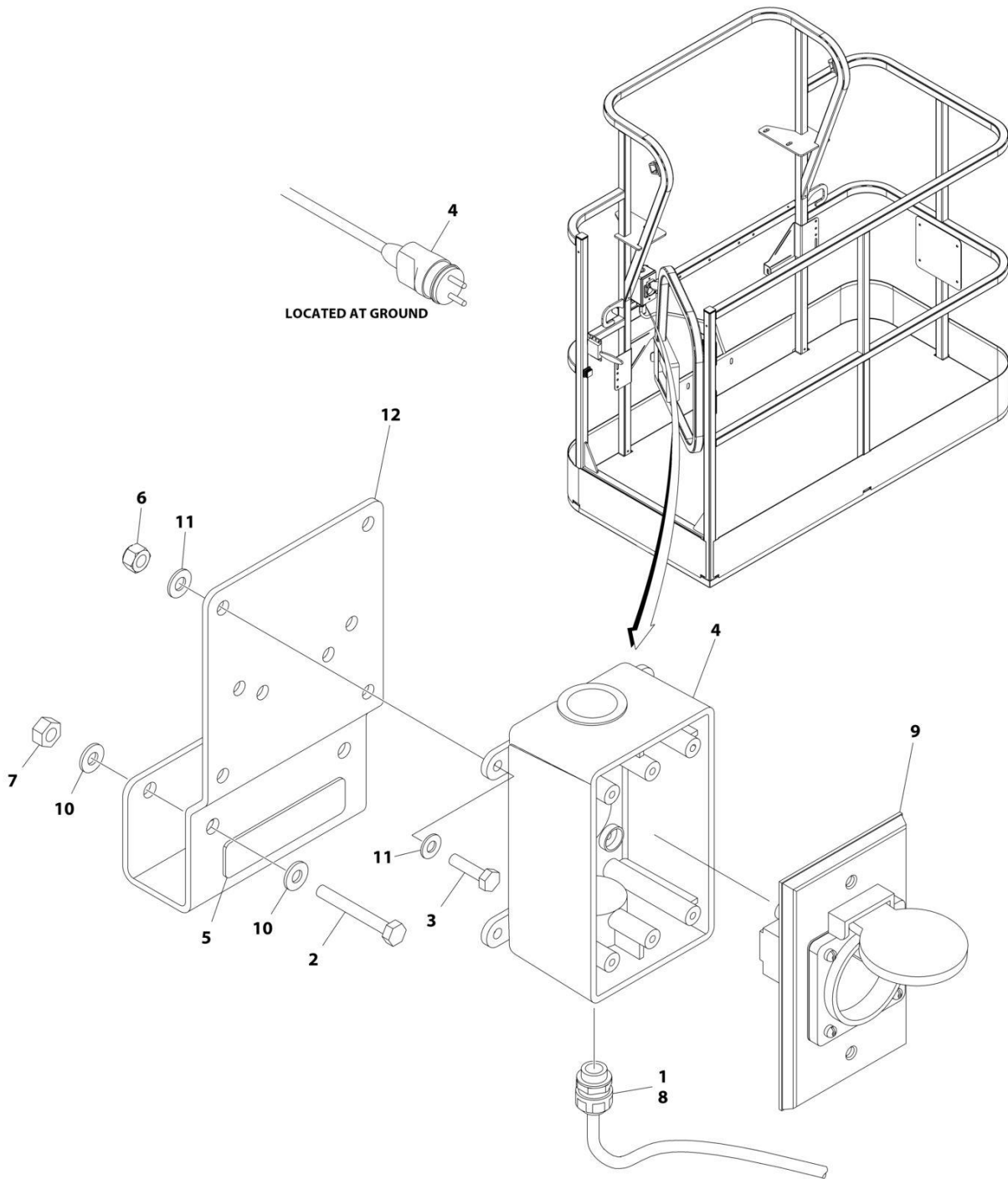
## SECTION 8 - ELECTRICAL

**FIGURE 8-7. AC BOX AT PLATFORM - 220V CEE7 2IN X 4IN SIDE GROUND (CE & UK CA SPEC WITHOUT GENERATOR)**

ITEM	PART NUMBER	QTY	DESCRIPTION	REV
	1001091974	Ref	AC BOX AT PLATFORM INSTALLATION - 220V CEE7 2X4 BOX SIDE GROUND	F
1	0100020	AR	Sealant, Pipe	
2	0275453	1	Receptacle Box Kit (See Separate Breakdown in this Section)	
3	0700408	4	Bolt M4 x 16	
4	3290405	4	Nut M4	
5	1001101197	1	Adapter	
6	4811400	8	Washer M4	
7	1001101191	1	Connector, Strain Relief	
8	0641416	2	Bolt 1/4 x 2	
9	3311405	2	Nut 1/4	
10	4711400	4	Washer 1/4	
11	1001193018	1	Bracket	
12	3251242	2	Decal - 240V/50Hz	
13	4460806	2	Terminal, Fork (Not Shown)	
14	1001205958	1	Terminal (Not Shown)	

# SECTION 8 - ELECTRICAL

FIGURE 8-8. AC BOX AT PLATFORM INSTALLATION - 220V CEE7 2IN X 4IN POST GROUND (CE & UK CA SPECS WITH 4000W/50HZ GENERATOR)



ART\_1001194197

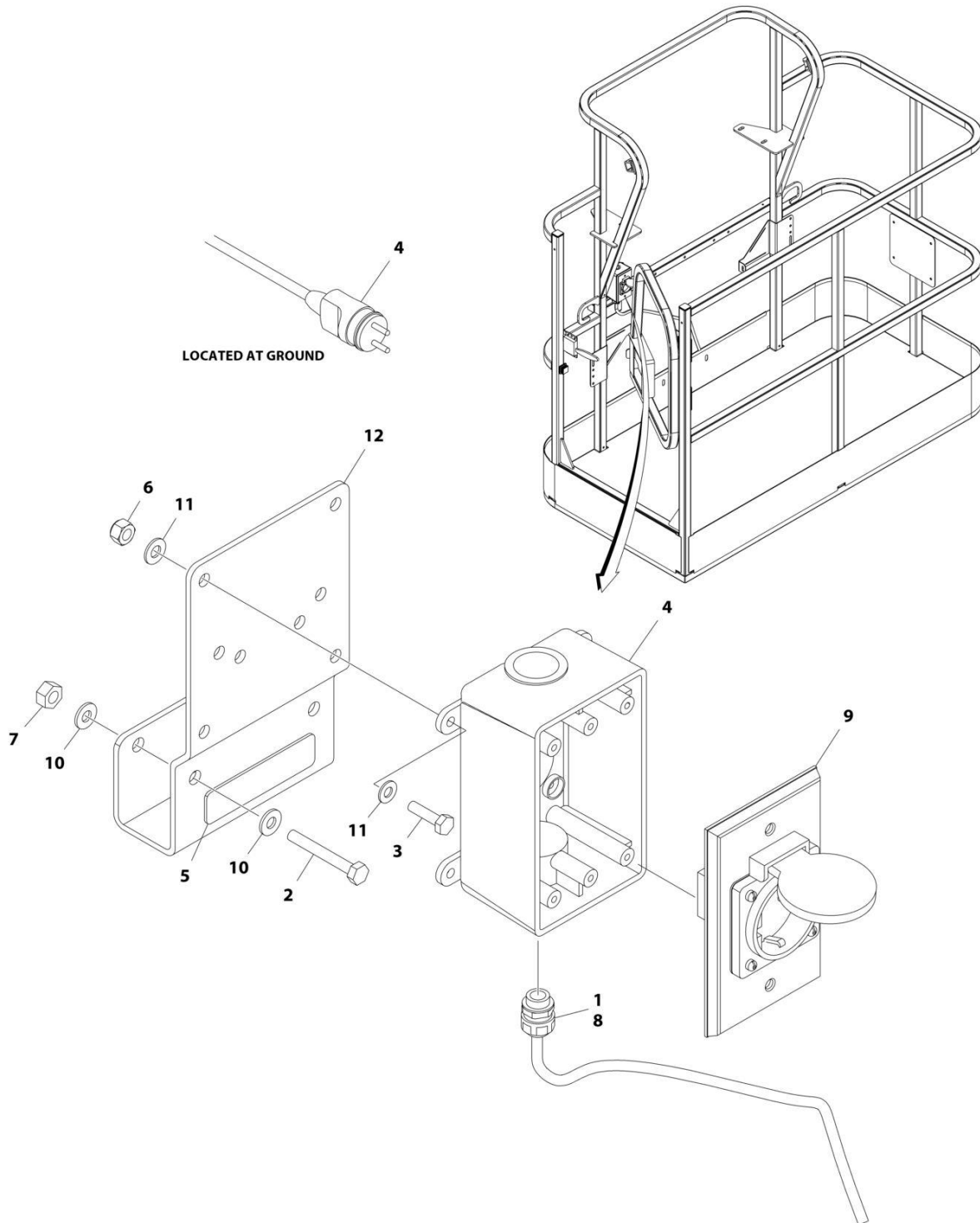
## SECTION 8 - ELECTRICAL

**FIGURE 8-8. AC BOX AT PLATFORM INSTALLATION - 220V CEE7 2IN X 4IN POST GROUND (CE & UK CA SPECS WITH 4000W/50HZ GENERATOR)**

ITEM	PART NUMBER	QTY	DESCRIPTION	REV
	1001194197	Ref	AC BOX AT PLATFORM INSTALLATION	B
1	0100020	AR	Sealant, Pipe	
2	0641416	2	Bolt 1/4 x 2	
3	0700408	4	Bolt M4 x 16	
4	0861731	1	Box, Switch	
5	3251242	1	Decal - 240V/50Hz	
6	3290405	4	Nut M4	
7	3311405	2	Nut 1/4	
8	4460662	1	Connector, Strain Relief	
9	4461244	1	Receptacle	
10	4711400	4	Washer 1/4	
11	4811400	8	Washer M4	
12	1001193018	1	Bracket, AC Receptacle	
13	4460806	2	Terminal, Fork (Not Shown)	
14	1001205958	1	Terminal (Not Shown)	

# SECTION 8 - ELECTRICAL

FIGURE 8-9. AC BOX AT PLATFORM INSTALLATION - 220V CEE7 2IN X 4IN SIDE GROUND (CE & UK CA SPECS WITH 4000W/50HZ GENERATOR)



ART\_1001194198

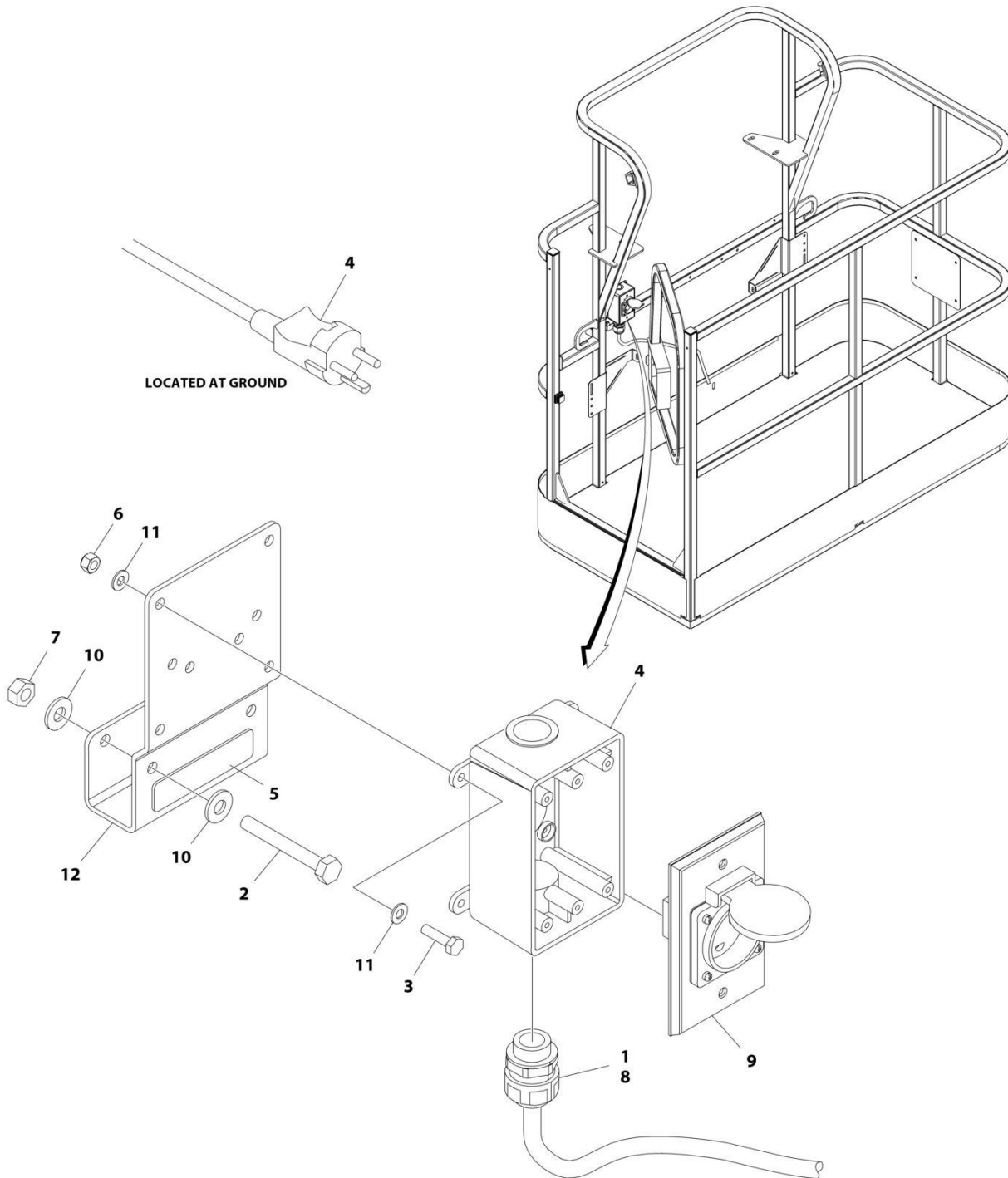
## SECTION 8 - ELECTRICAL

**FIGURE 8-9. AC BOX AT PLATFORM INSTALLATION - 220V CEE7 2IN X 4IN SIDE GROUND (CE & UK CA SPECS WITH 4000W/50HZ GENERATOR)**

ITEM	PART NUMBER	QTY	DESCRIPTION	REV
	1001194198	Ref	AC BOX AT PLATFORM INSTALLATION	B
1	0100020	AR	Sealant, Pipe	
2	0641416	2	Bolt 1/4 x 2	
3	0700408	4	Bolt M4 x 16	
4	0861731	1	Box, Switch	
5	3251242	1	Decal - 240V/50Hz	
6	3290405	4	Nut M4	
7	3311405	2	Nut 1/4	
8	4460662	1	Connector, Strain Relief	
9	4461245	1	Receptacle	
10	4711400	4	Washer 1/4	
11	4811400	8	Washer M4	
12	1001193018	1	Bracket, AC Receptacle	
13	4460806	2	Terminal, Fork (Not Shown)	
14	1001205958	1	Terminal (Not Shown)	

# SECTION 8 - ELECTRICAL

FIGURE 8-10. AC BOX AT PLATFORM INSTALLATION - 220V AFSINT107 (CE & UK CA SPECS WITH 4000W/50HZ GENERATOR)



ART\_1001194200

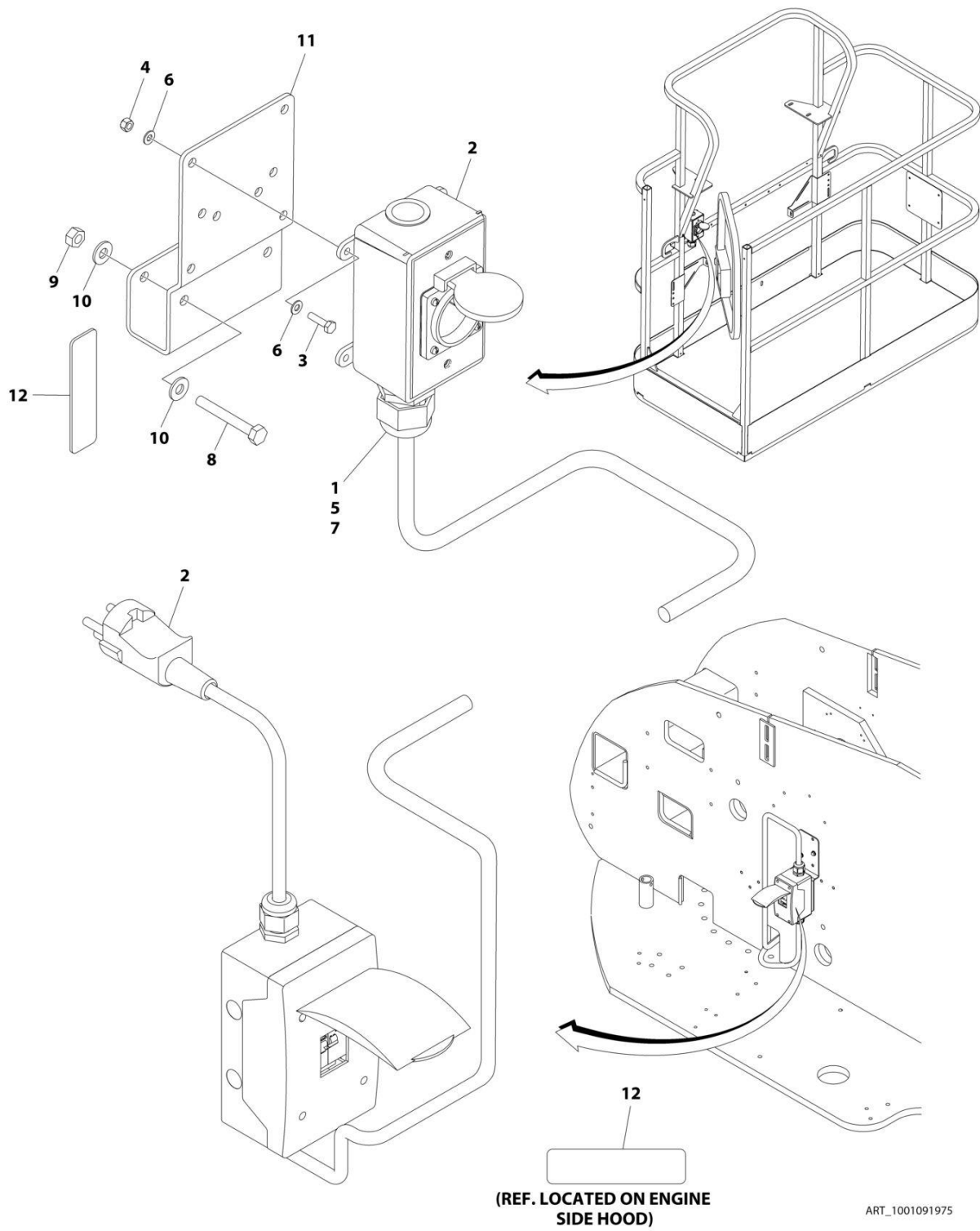
## SECTION 8 - ELECTRICAL

**FIGURE 8-10. AC BOX AT PLATFORM INSTALLATION - 220V AFSINT107 (CE & UK CA SPECS WITH 4000W/50HZ GENERATOR)**

ITEM	PART NUMBER	QTY	DESCRIPTION	REV
	1001194200	Ref	AC BOX AT PLATFORM INSTALLATION	B
1	0100020	AR	Sealant, Pipe	
2	0641416	2	Bolt 1/4 x 2	
3	0700408	4	Bolt M4 x 16	
4	0861731	1	Box, Switch	
5	3251242	1	Decal - 240V/50Hz	
6	3290405	4	Nut M4	
7	3311405	2	Nut 1/4	
8	4460662	1	Connector, Strain Relief	
9	4461246	1	Receptacle	
10	4711400	4	Washer 1/4	
11	4811400	8	Washer M4	
12	1001193018	1	Bracket, AC Receptacle	
13	1001205958	1	Terminal (Not Shown)	

# SECTION 8 - ELECTRICAL

## FIGURE 8-11. AC BOX AT PLATFORM - 220V AFSINT107 (CE & UK CA SPEC WITHOUT GENERATOR)





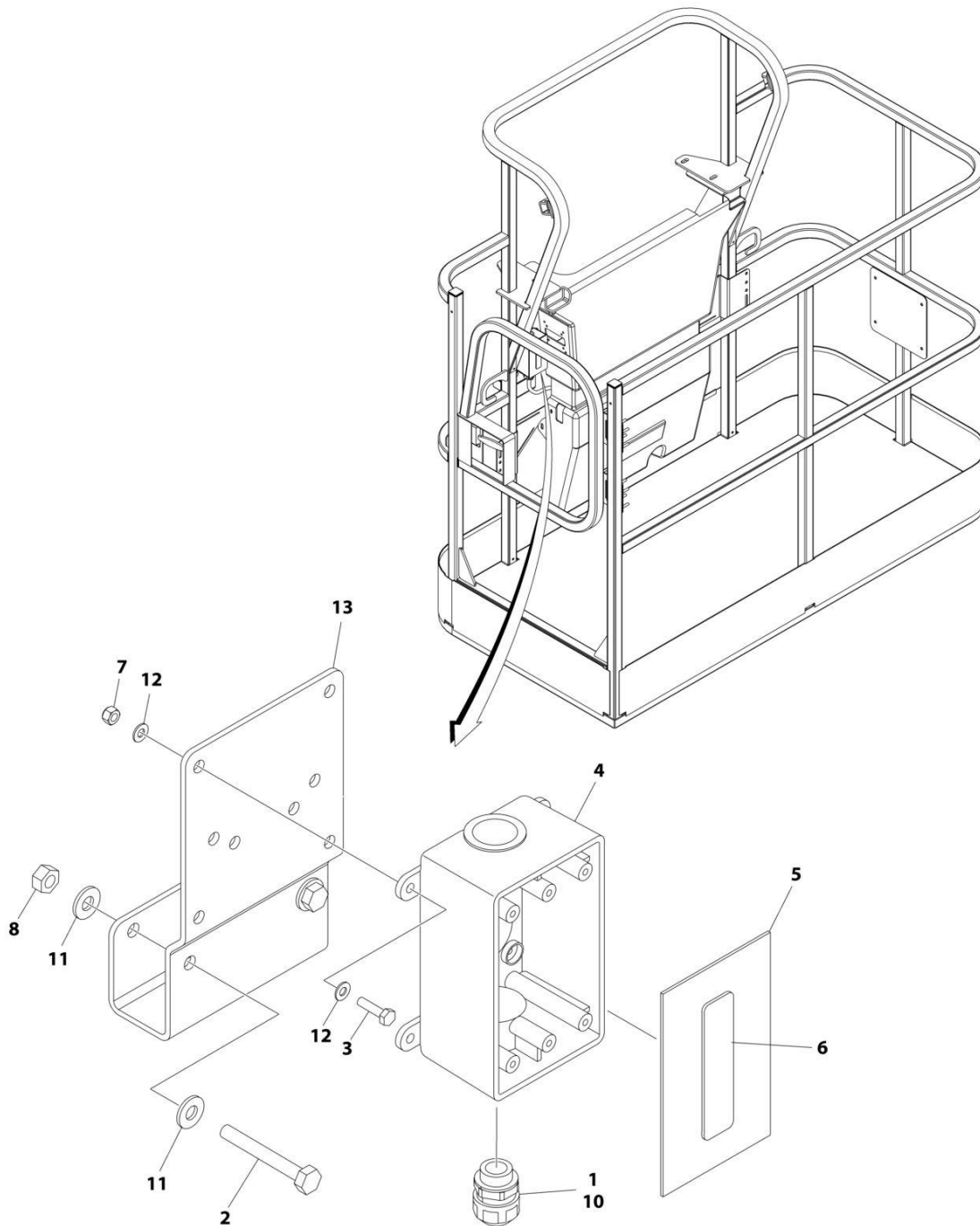
## SECTION 8 - ELECTRICAL

**FIGURE 8-11. AC BOX AT PLATFORM - 220V AFSINT107 (CE & UK CA SPEC WITHOUT GENERATOR)**

ITEM	PART NUMBER	QTY	DESCRIPTION	REV
	1001091975	Ref	AC BOX AT PLATFORM INSTALLATION - 220V AFSINT 107 2X4 BOX KEYED GROUND	F
1	0100020	AR	Sealant, Pipe	
2	0275454	1	Receptacle Box Kit (See Separate Breakdown in this Section)	
3	0700408	4	Bolt M4 x 16	
4	3290405	4	Nut M4	
5	1001101197	1	Adapter	
6	4811400	8	Washer M4	
7	1001101191	1	Connector, Strain Relief	
8	0641416	2	Bolt 1/4 x 2	
9	3311405	2	Nut 1/4	
10	4711400	4	Washer 1/4	
11	1001193018	1	Bracket	
12	3251242	2	Decal - 240V/50Hz	
13	1001205958	3	Terminal (Not Shown)	

# SECTION 8 - ELECTRICAL

FIGURE 8-12. AC BOX AT PLATFORM INSTALLATION - 220V CUSTOMER SUPPLIED COMPONENTS  
(ALL SPECS EXCEPT CSA SPECS)



ART\_1001194365

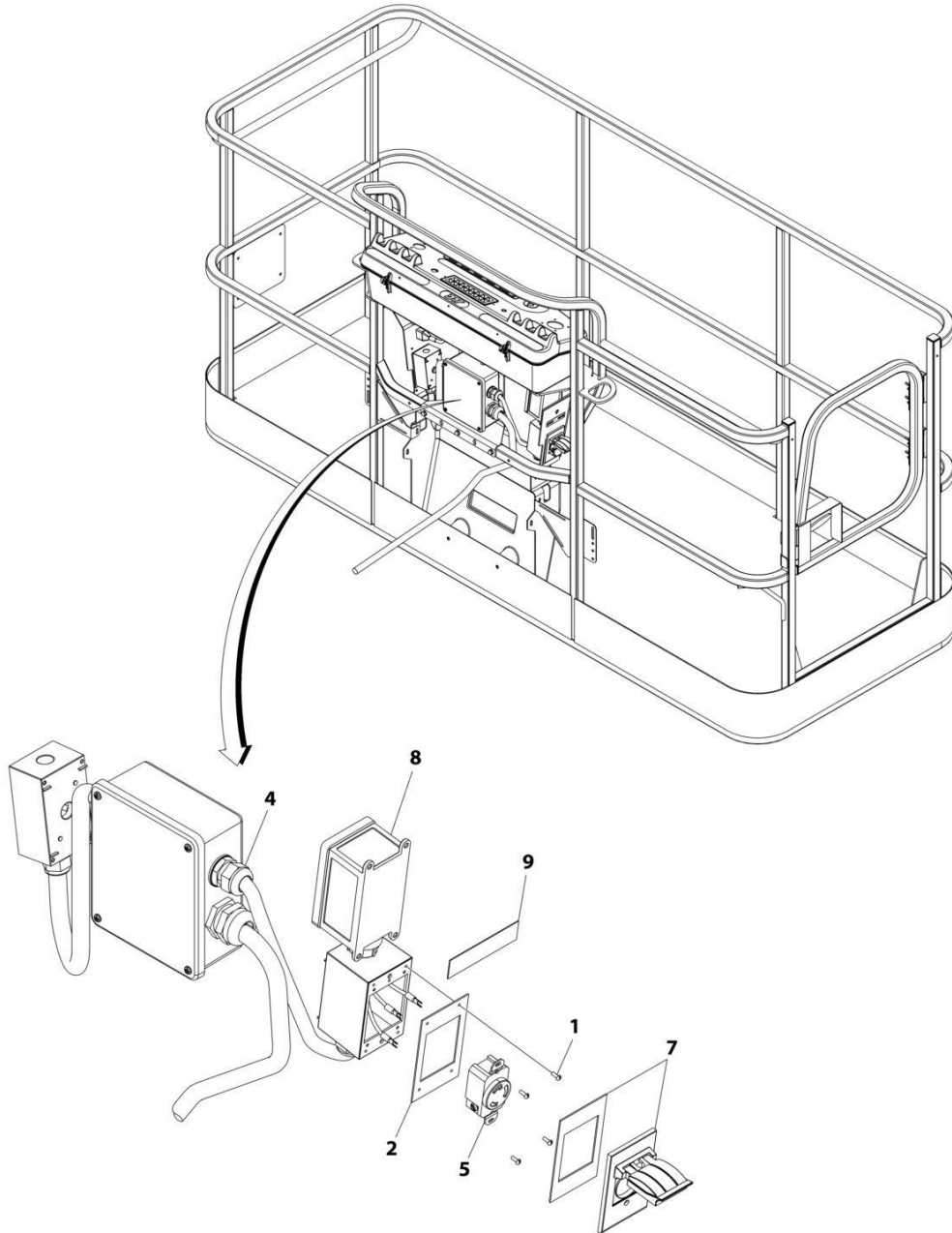
## SECTION 8 - ELECTRICAL

**FIGURE 8-12. AC BOX AT PLATFORM INSTALLATION - 220V CUSTOMER SUPPLIED COMPONENTS  
(ALL SPECS EXCEPT CSA SPECS)**

ITEM	PART NUMBER	QTY	DESCRIPTION	REV
	1001194365	Ref	AC BOX AT PLATFORM INSTALLATION - BOX WITH COVER (2X4 BOX)	A
1	0100020	AR	Sealant	
2	0641416	2	Bolt 1/4 x 2	
3	0700408	4	Bolt M4 x 16	
4	0861731	1	Box, Switch	
5	1670603	1	Cover	
6	3251242	1	Decal - 240V/50Hz	
7	3290405	4	Nut M4	
8	3311405	2	Nut 1/4	
9	4460384	3	Terminal (Not Shown)	
10	4460662	1	Connector, Strain Relief	
11	4711400	4	Washer 1/4	
12	4811400	8	Washer M4	
13	1001193018	1	Bracket, AC Receptacle	

## SECTION 8 - ELECTRICAL

FIGURE 8-13. AC BOX AT PLATFORM INSTALLATION - 240V (WITH 4000W GENERATOR) (ANSI, ANSI EXPORT(HRC), CSA AND JAPANESE SPECS)



ART\_1001171131

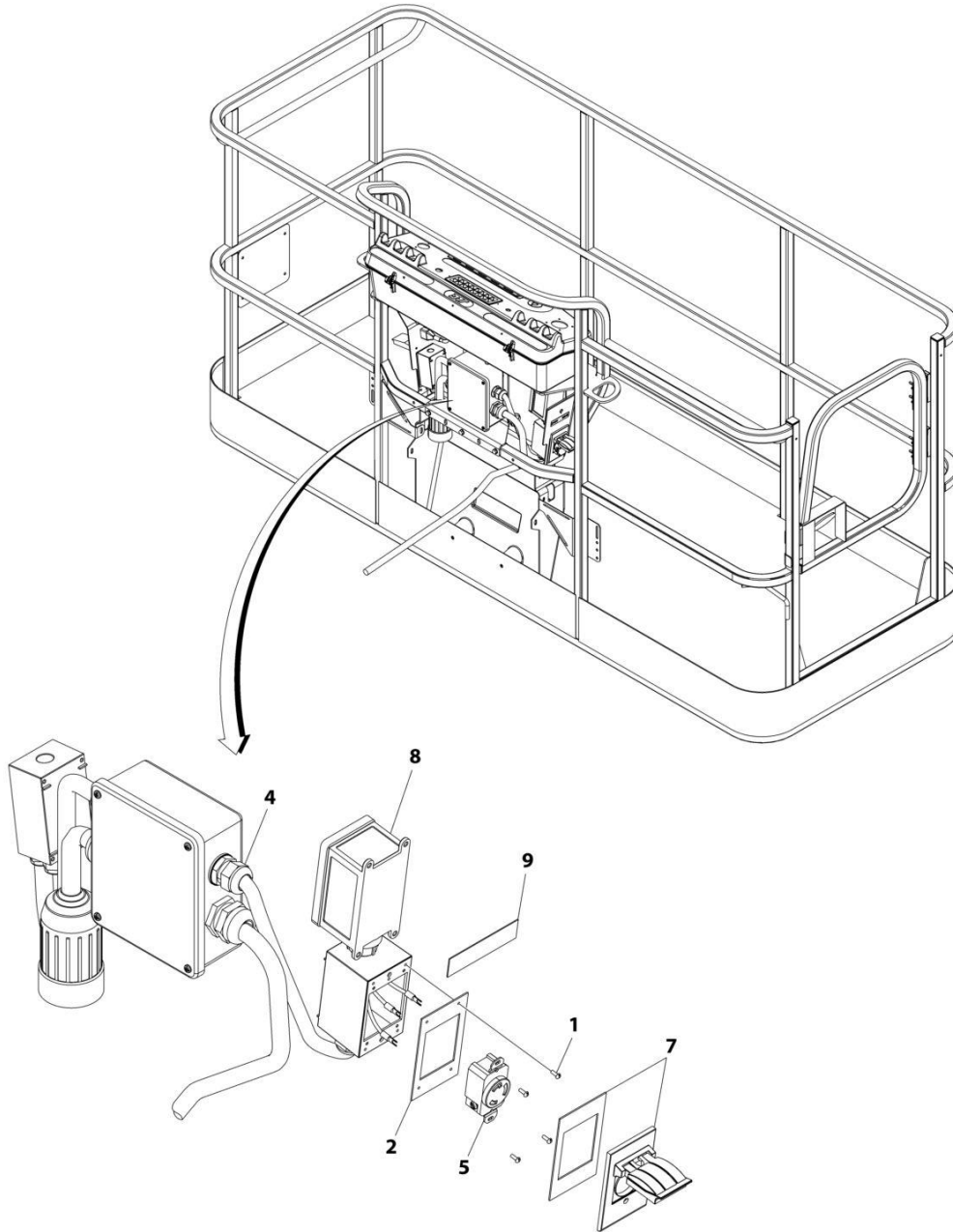
## SECTION 8 - ELECTRICAL

**FIGURE 8-13. AC BOX AT PLATFORM INSTALLATION - 240V (WITH 4000W GENERATOR) (ANSI, ANSI EXPORT(HRC), CSA AND JAPANESE SPECS)**

ITEM	PART NUMBER	QTY	DESCRIPTION	REV
	1001171131	Ref	AC BOX AT PLATFORM INSTALLATION - 240V RECEPTACLE	B
1	3910606	4	Screw 6 x 3/8	
2	3960422	1	Gasket	
3	4240018	AR	Tie-Strap (Not Shown)	
4	4460425	1	Connector, Strain Relief	
5	1001176862	1	Receptacle	
7	1001110872	1	Cover, Receptacle	
8	1001159120	1	Receptacle/Breaker Box Assembly	
8	1001148675	1	Box, Receptacle	
8	1001159118	1	Breaker GFCI 30Amp 240VAC	
8	4460612	1	Connector, Strain Relief	
8	1001159119	1	Connector (Between Boxes)	
9	1705374	1	Decal - 240V/60Hz	

## SECTION 8 - ELECTRICAL

FIGURE 8-14. AC BOX AT PLATFORM INSTALLATION - 240V (WITH 7500W SKYPOWER GENERATOR) (ANSI, ANSI EXPORT(HRC), CSA AND JAPANESE SPECS)



ART\_1001159121

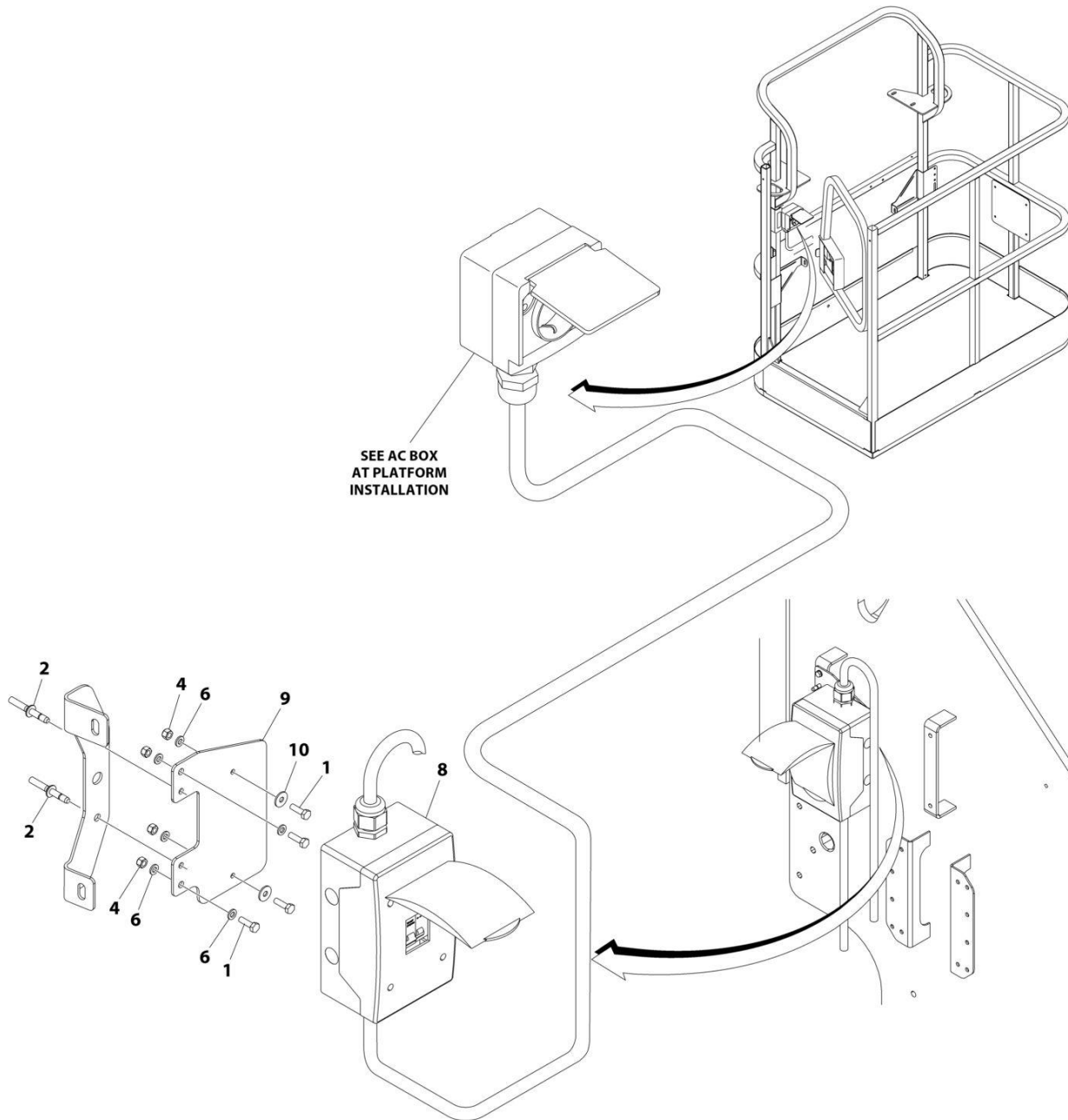
## SECTION 8 - ELECTRICAL

**FIGURE 8-14. AC BOX AT PLATFORM INSTALLATION - 240V (WITH 7500W SKYPOWER GENERATOR) (ANSI, ANSI EXPORT(HRC), CSA AND JAPANESE SPECS)**

ITEM	PART NUMBER	QTY	DESCRIPTION	REV
	1001159121	Ref	AC BOX AT PLATFORM INSTALLATION - 240V RECEPTACLE	B
1	3910606	4	Screw 6 x 3/8	
2	3960422	1	Gasket	
3	4240018	AR	Tie-Strap (Not Shown)	
4	4460425	1	Connector, Strain Relief	
5	4460958	1	Receptacle	
7	1001110872	1	Cover, Receptacle	
8	1001159120	1	Receptacle/Breaker Box Assembly	
8	1001148675	1	Box, Receptacle	
8	1001159118	1	Breaker Box Assembly	
8	4460612	1	Connector, Strain Relief	
8	1001159119	1	Connector (Between Boxes)	
9	1705374	1	Decal - 240V/60Hz	

# SECTION 8 - ELECTRICAL

## FIGURE 8-15. AC CABLE INSTALLATION - WITH THREE BREAKERS (CE & UK CA SPECS)



ART\_1001209677\_B



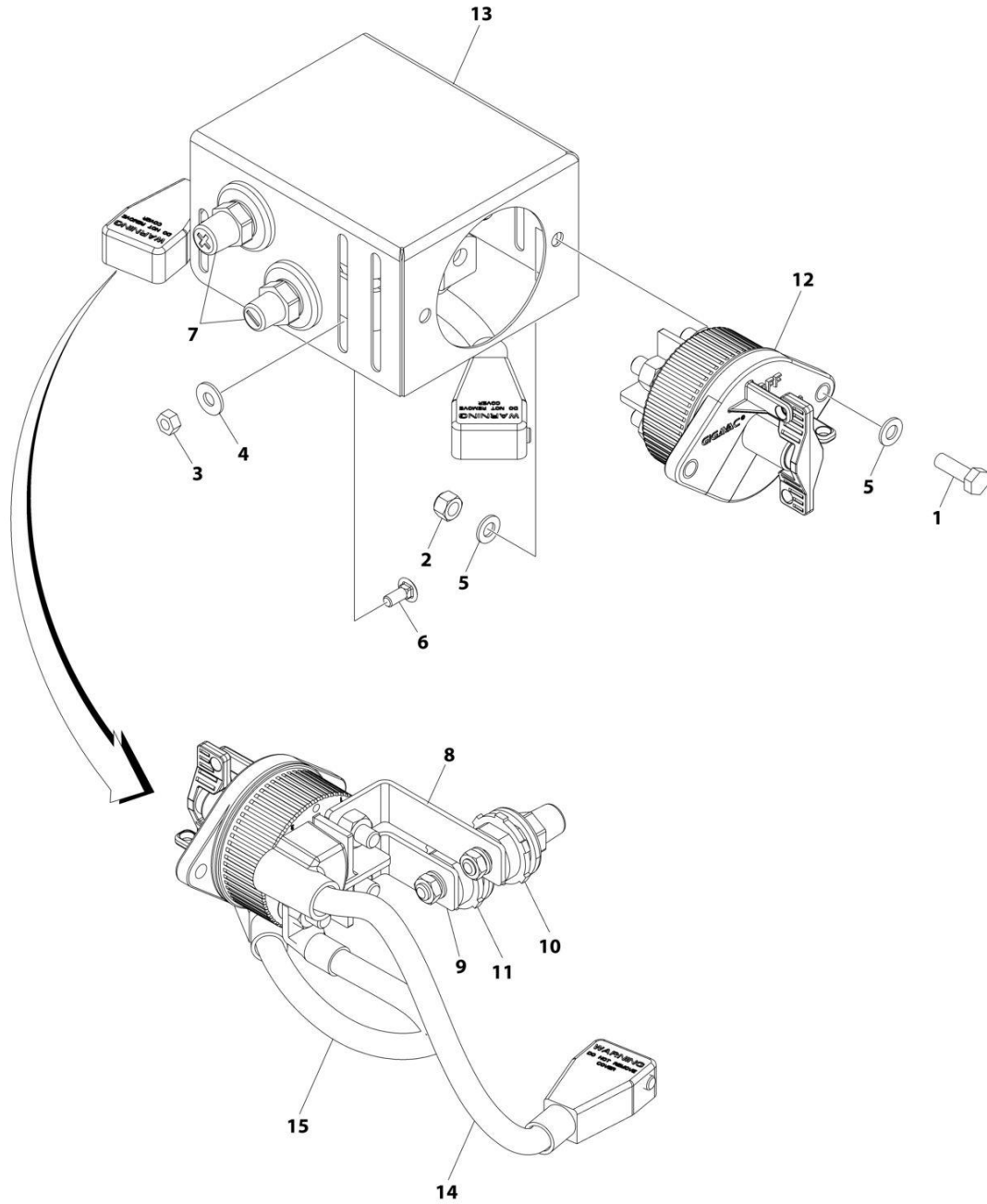
## SECTION 8 - ELECTRICAL

**FIGURE 8-15. AC CABLE INSTALLATION - WITH THREE BREAKERS (CE & UK CA SPECS)**

ITEM	PART NUMBER	QTY	DESCRIPTION	REV
	1001209677	Ref	AC CABLE INSTALLATION - WITH THREE BREAKERS	B
1	0760610	4	Bolt M6 x 20	
2	2080040	2	Fastener, Huck	
4	3290605	4	Nut M6	
6	4811700	6	Washer M6	
8	1001152485	1	Breaker Box Kit (See Separate Breakdown in this Section)	
9	1001209832	1	Bracket	
10	4811702	2	Washer M6	

# SECTION 8 - ELECTRICAL

## FIGURE 8-16. BATTERY DISCONNECT SWITCH



ART\_1001236304

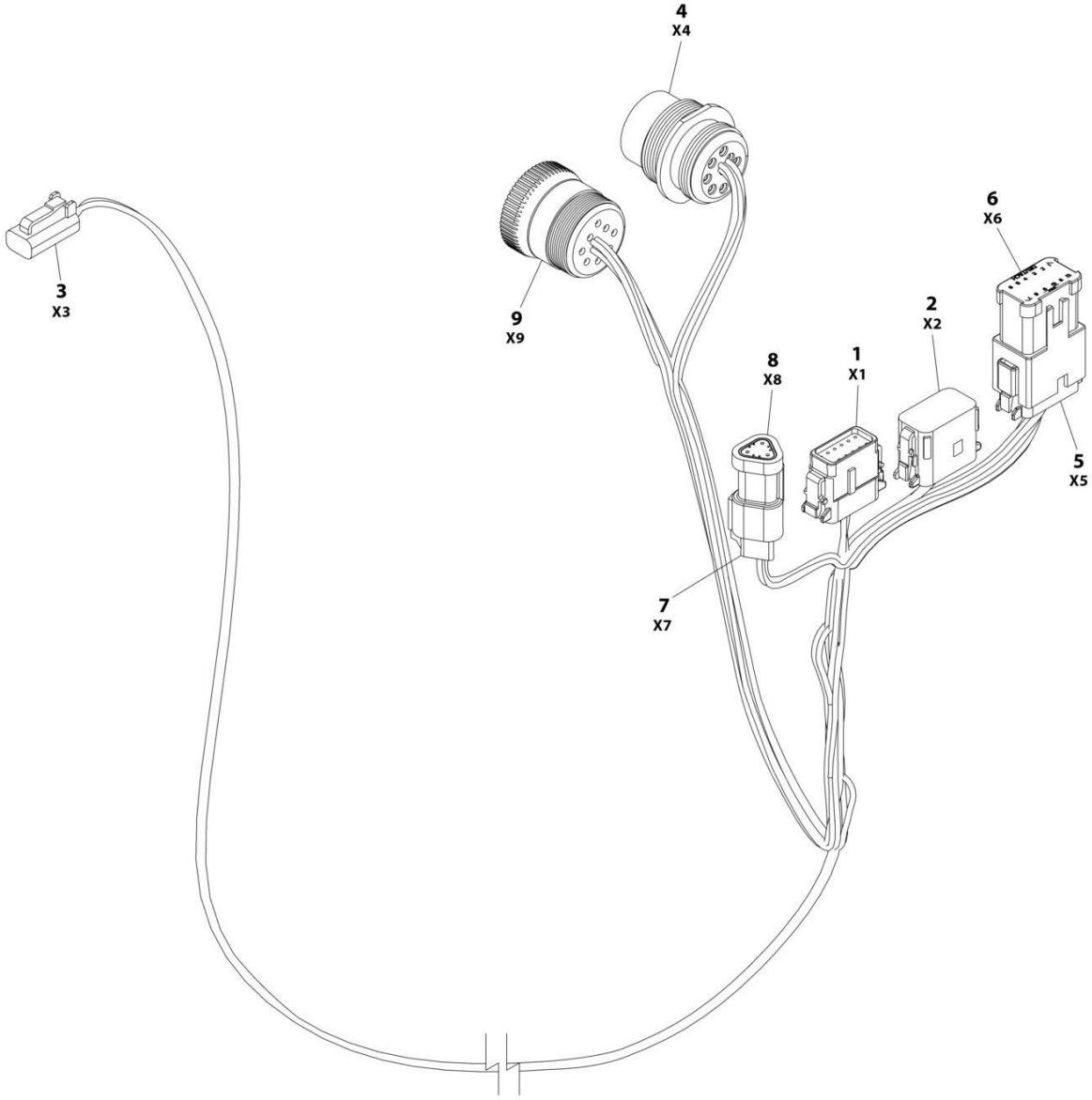
## SECTION 8 - ELECTRICAL

**FIGURE 8-16. BATTERY DISCONNECT SWITCH**

ITEM	PART NUMBER	QTY	DESCRIPTION	REV
	1001236304	Ref	BATTERY DISCONNECT SWITCH INSTALLATION	A
1	0760812	2	Bolt M8 x 25	
2	3290805	2	Nut M8	
3	3311405	3	Nut 1/4	
4	4751400	3	Washer 1/4	
5	4811900	4	Washer M8	
6	88411013	3	Bolt 1/4 x 3/4	
7	1001206476	1	Connectors, Post	
8	1001209432	1	Bussbar	
9	1001209474	1	Bussbar	
10	1001214570	1	Connector (Red)	
11	1001214571	1	Connector (Black)	
12	1001225346	1	Switch, Battery	
13	1001226531	1	Mount	
14	1001236504	1	Cable, Battery (+)	
15	1001236505	1	Cable, Battery (-)	

# SECTION 8 - ELECTRICAL

## FIGURE 8-17. BEACON HARNES (BLUE/RED BEACON LIGHT)



ART\_1001142736

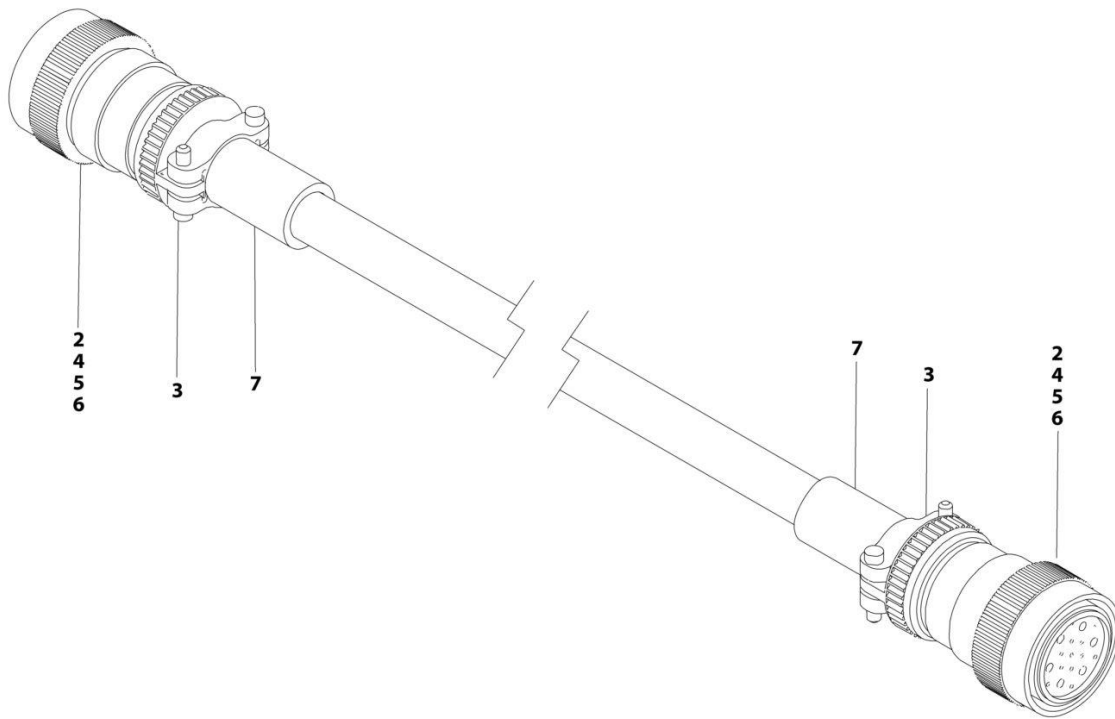
## SECTION 8 - ELECTRICAL

**FIGURE 8-17. BEACON HARNESS (BLUE/RED BEACON LIGHT)**

ITEM	PART NUMBER	QTY	DESCRIPTION	REV
	1001142736	Ref	STROBE LIGHT HARNESS	F
1	1001116808	1	Plug, Male - 12 Position	
1	4460928	3	Socket, Female	
1	4460518	9	Plug, Terminal	
2	1001116774	1	Plug, Male - 12 Position	
2	4460928	3	Socket, Female	
2	4460518	9	Plug, Terminal	
3	4460891	1	Plug, Male - 2 Position	
3	4460465	2	Socket, Female	
4	1001112612	1	Connector - 9 Position	
4	4460464	6	Pin, Male	
4	4460466	3	Plug, Terminal	
5	4460933	1	Plug, Male - 12 Position	
5	4460465	12	Socket, Female	
6	1001119020	1	Bussbar - 12 Position	
7	4461095	1	Plug, Male - 3 Position	
7	4460465	3	Socket, Female	
8	4461070	1	Bussbar - 3 Position	
9	1001112796	1	Connector - 9 Position	
9	4460465	6	Socket, Female	
9	4460466	3	Plug, Terminal	

# SECTION 8 - ELECTRICAL

## FIGURE 8-18. BOOM HARNESS (400S)



ART\_1001176952

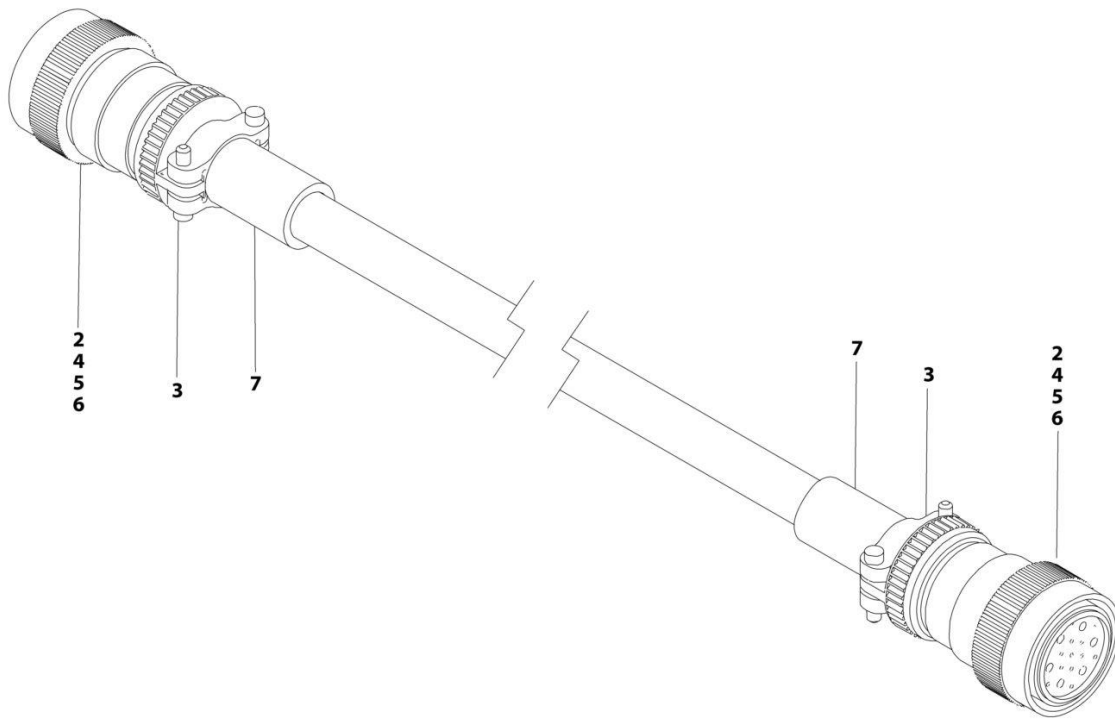
## SECTION 8 - ELECTRICAL

### FIGURE 8-18. BOOM HARNESS (400S)

ITEM	PART NUMBER	QTY	DESCRIPTION	REV
	1001176952	Ref	BOOM HARNESS	C
2	4460865	2	Connector - 19 Position	
3	4460473	2	Clamp	
4	4460465	20	Socket, Female	
5	4460509	8	Socket, Female	
6	4460466	10	Plug, Socket	
7	1001226400	AR	Heat Shrink	

# SECTION 8 - ELECTRICAL

## FIGURE 8-19. BOOM HARNESS (460SJ)



ART\_1001176953



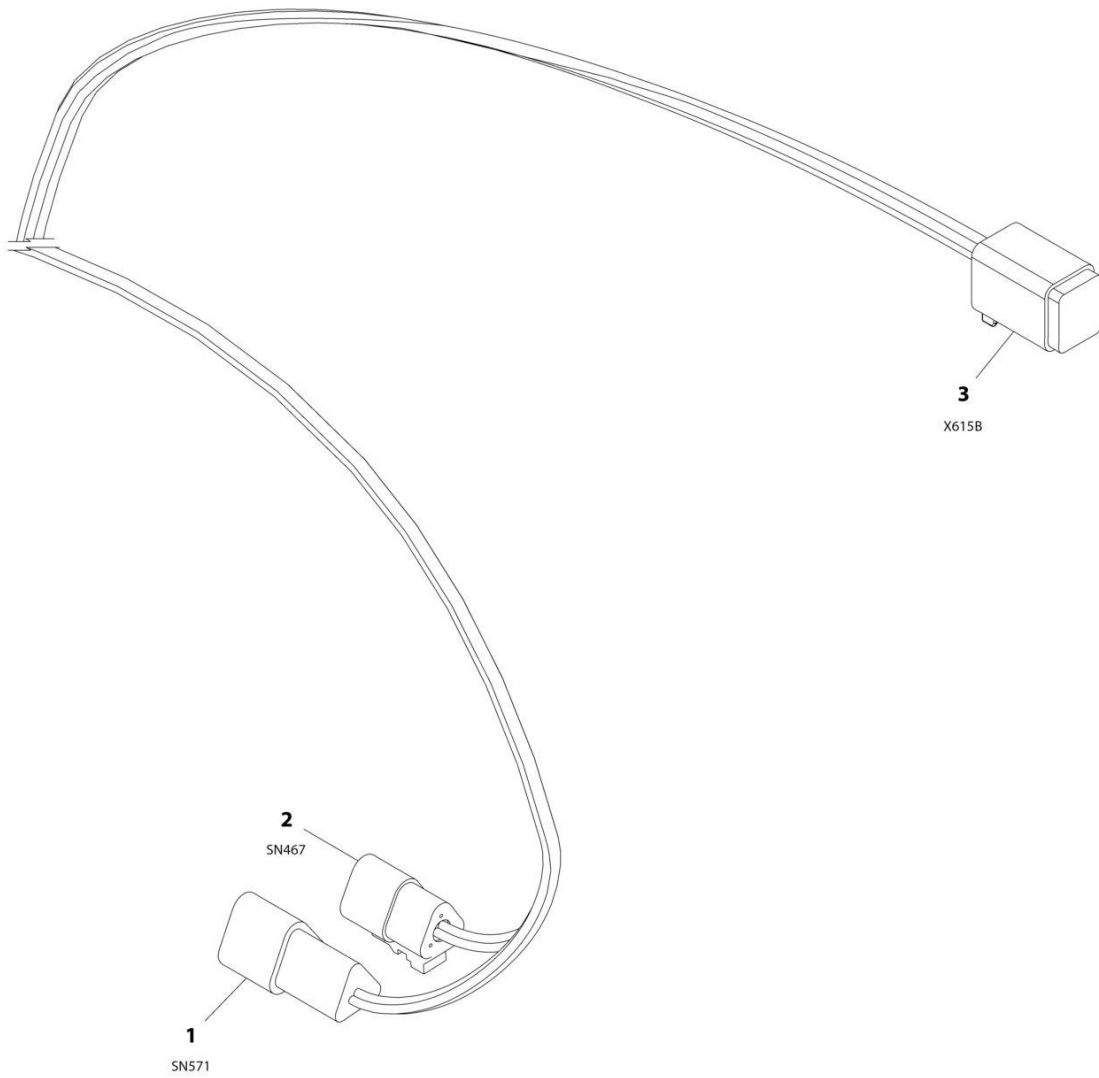
## SECTION 8 - ELECTRICAL

### FIGURE 8-19. BOOM HARNESS (460SJ)

ITEM	PART NUMBER	QTY	DESCRIPTION	REV
	1001176953	Ref	BOOM HARNESS	C
2	4460865	2	Connector - 19 Position	
3	4460473	2	Clamp	
4	4460465	20	Socket, Female	
5	4460509	8	Socket, Female	
6	4460466	10	Plug, Socket	
7	1001226400	AR	Heat Shrink	

# SECTION 8 - ELECTRICAL

## FIGURE 8-20. BOOM CAPACITY PROXIMITY SWITCH HARNESS (400S)



ART\_1001173807

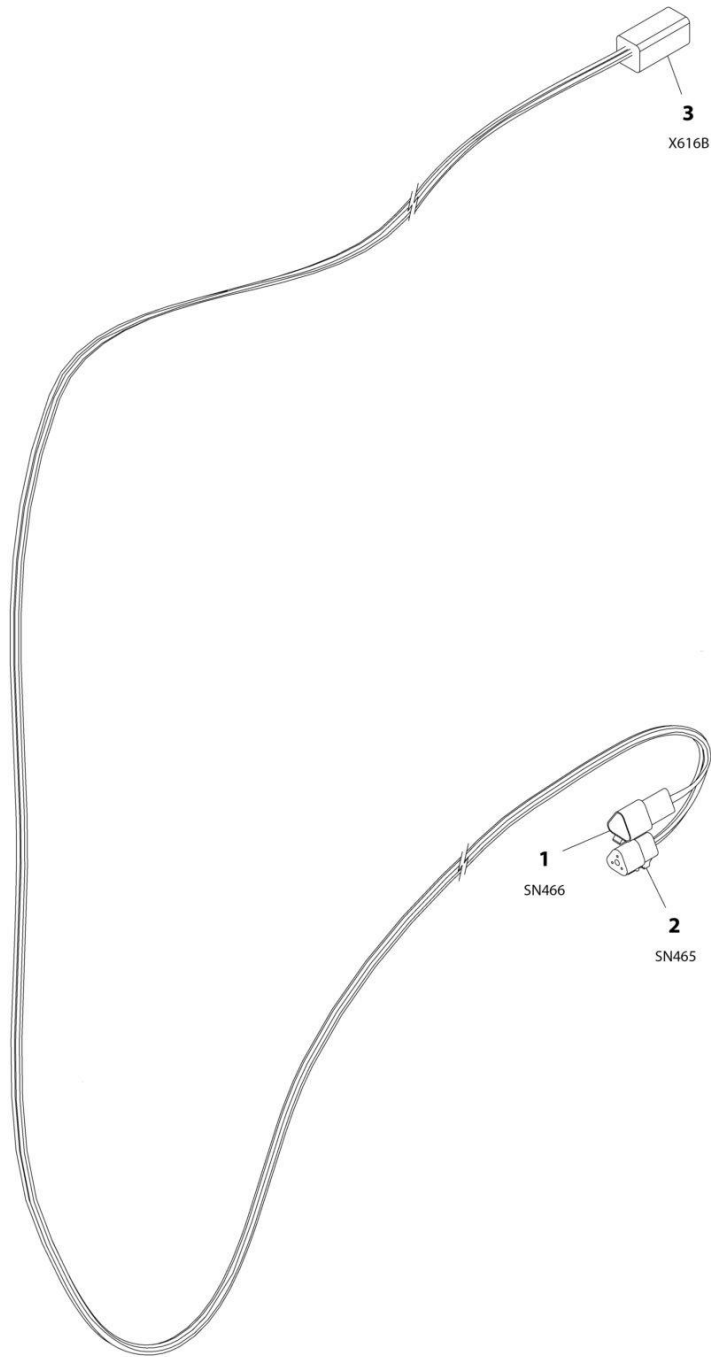
## SECTION 8 - ELECTRICAL

**FIGURE 8-20. BOOM CAPACITY PROXIMITY SWITCH HARNESS (400S)**

ITEM	PART NUMBER	QTY	DESCRIPTION	REV
	1001173807	Ref	BOOM CAPACITY PROXIMITY SWITCH HARNESS	C
1	4460536	1	Receptacle, Female - 3 Position	
1	4460464	3	Pin, Male	
2	4460539	1	Plug, Male - 3 Position	
2	4460465	1	Socket, Female	
3	4460930	1	Plug, Male - 8 Position	
3	4460465	6	Socket, Female	
3	4460466	2	Plug, Terminal	

# SECTION 8 - ELECTRICAL

## FIGURE 8-21. BOOM TELE IN PROXIMITY SWITCH HARNESS



ART\_1001173808

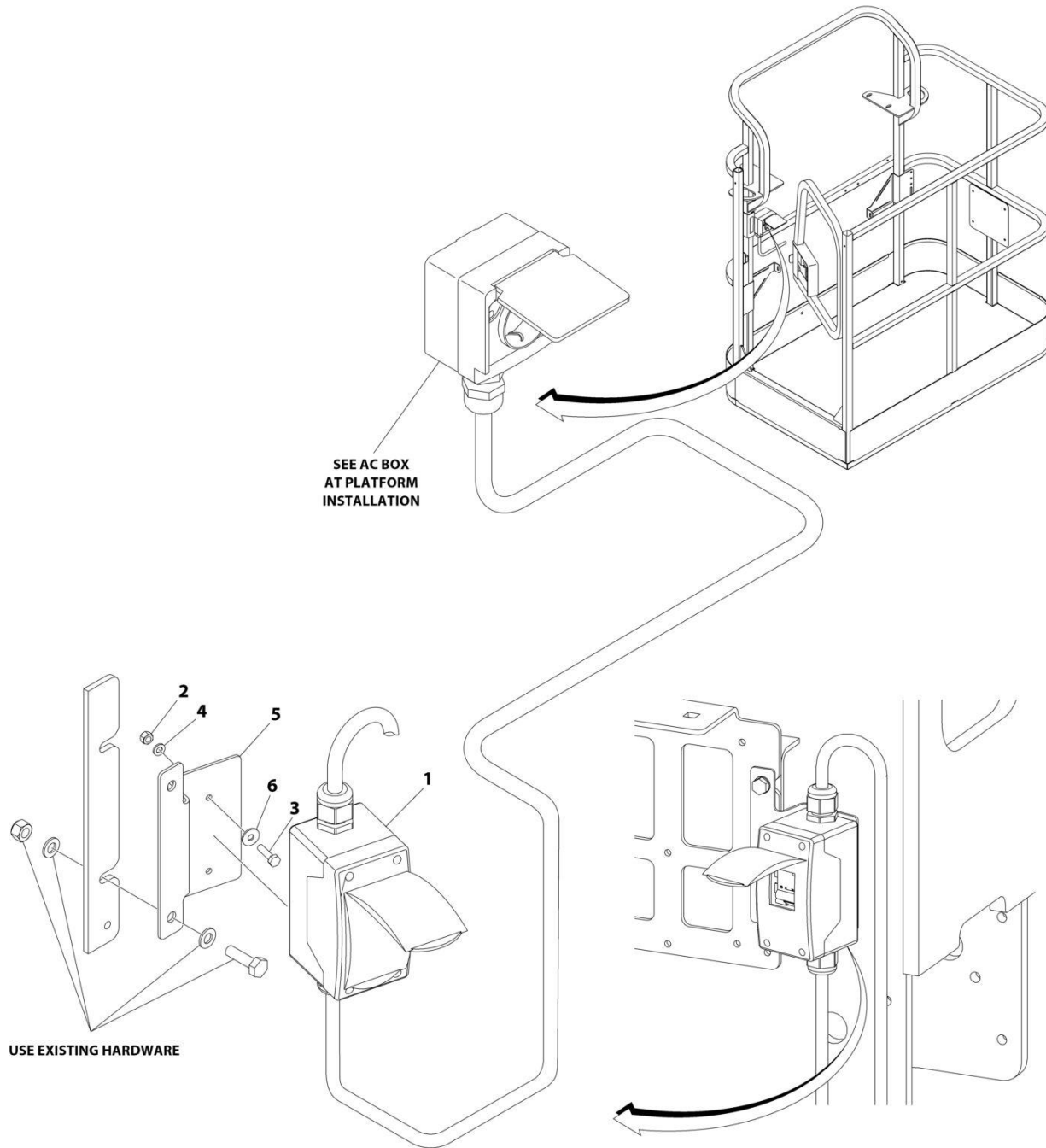
## SECTION 8 - ELECTRICAL

**FIGURE 8-21. BOOM TELE IN PROXIMITY SWITCH HARNESS**

ITEM	PART NUMBER	QTY	DESCRIPTION	REV
	1001173808	Ref	BOOM TELE IN PROXIMITY SWITCH HARNESS	C
1	4460536	1	Receptacle, Female - 3 Position	
1	4460464	3	Pin, Male	
2	4460539	1	Plug, Male - 3 Position	
2	4460465	1	Socket, Female	
3	4460899	1	Receptacle, Female - 6 Position	
3	4460464	1	Pin, Male	

# SECTION 8 - ELECTRICAL

## FIGURE 8-22. BREAKER BOX INSTALLATION - 110/220V 16AMP BREAKER (CE & UK CA SPEC)



ART\_1001230907

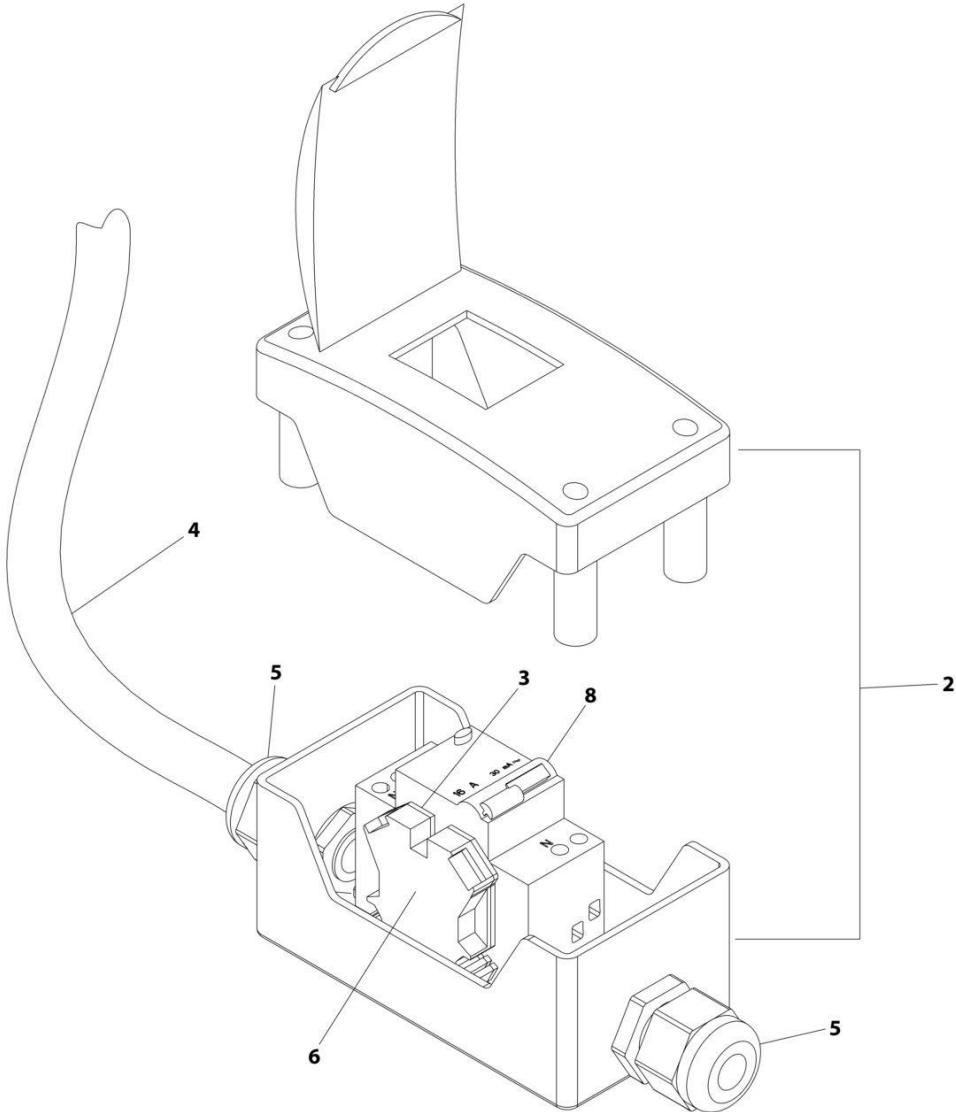
## SECTION 8 - ELECTRICAL

**FIGURE 8-22. BREAKER BOX INSTALLATION - 110/220V 16AMP BREAKER (CE & UK CA SPEC)**

ITEM	PART NUMBER	QTY	DESCRIPTION	REV
	1001230907	Ref	BREAKER BOX INSTALLATION - 110/220V 16AMP BREAKER	C
1	2902549	1	Breaker Box Kit (See Separate Breakdown in this Section)	
2	3290405	2	Nut M4	
2	3290605	2	Nut M6	
3	4010405	2	Screw M4 x 10	
3	0760614	2	Screw M6 x 30	
4	1001091102	2	Washer M4	
4	4811700	2	Washer M6	
5	1001230784	1	Bracket	
6	4811702	2	Washer M6	

**SECTION 8 - ELECTRICAL**

**FIGURE 8-23. BREAKER BOX KIT - 110/220V 16AMP BREAKER (CE & UK CA SPEC)**



ART\_2902549



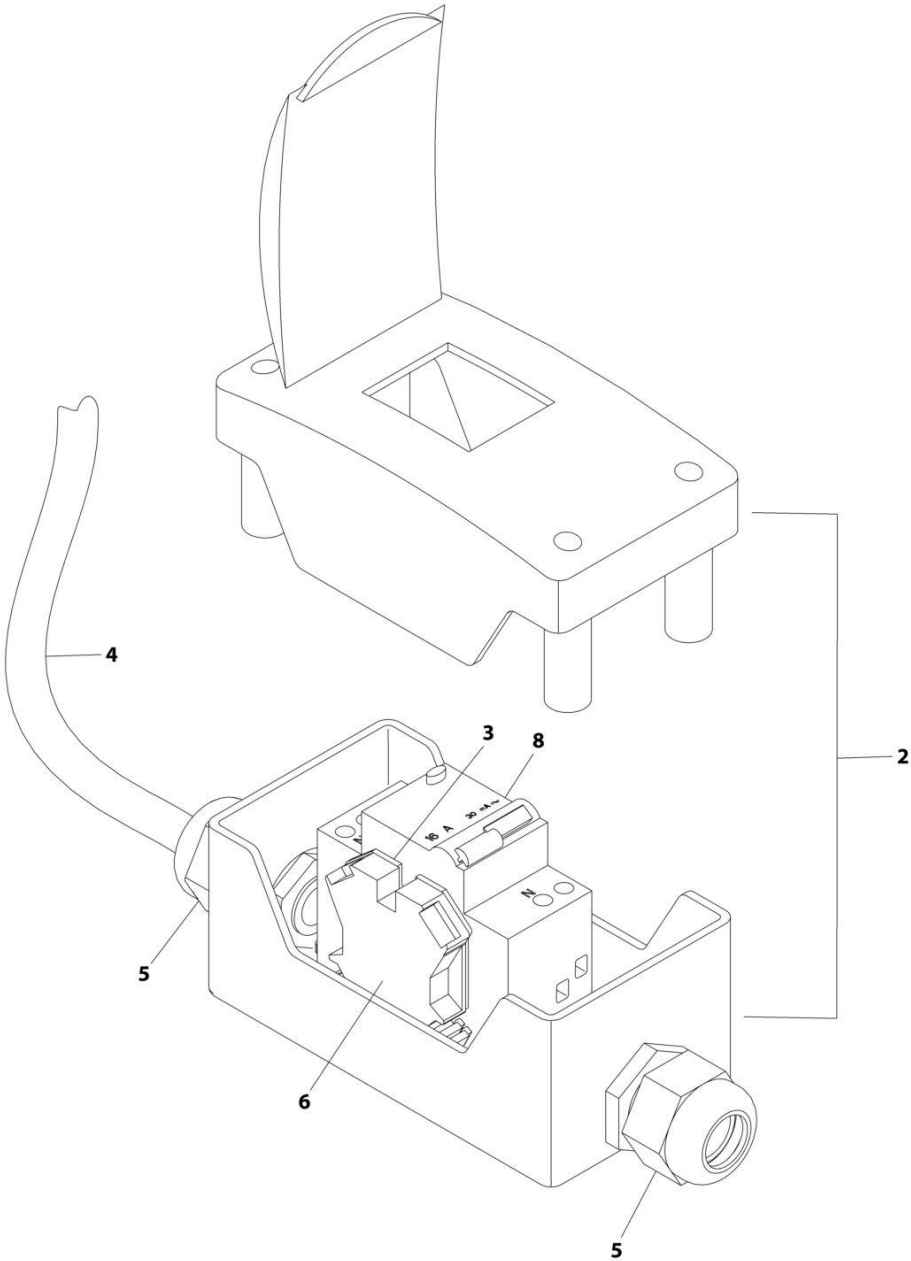
## SECTION 8 - ELECTRICAL

**FIGURE 8-23. BREAKER BOX KIT - 110/220V 16AMP BREAKER (CE & UK CA SPEC)**

ITEM	PART NUMBER	QTY	DESCRIPTION	REV
	2902549	Ref	BREAKER BOX KIT - 110/220V 16AMP BREAKER	F
2	0861880	1	Box	
3	4460956	1	Barrier, Terminal	
4	1060908	6 ft/1.8m	Cable, 12/3	
5	1001097150	2	Connector, Strain Relief	
6	4460957	1	Block, Terminal	
8	1001181045	1	Breaker, Combination 16Amp/30mAmp	

**SECTION 8 - ELECTRICAL**

**FIGURE 8-24. BREAKER BOX KIT - 30MA/16 AMP**



ART\_1001096070

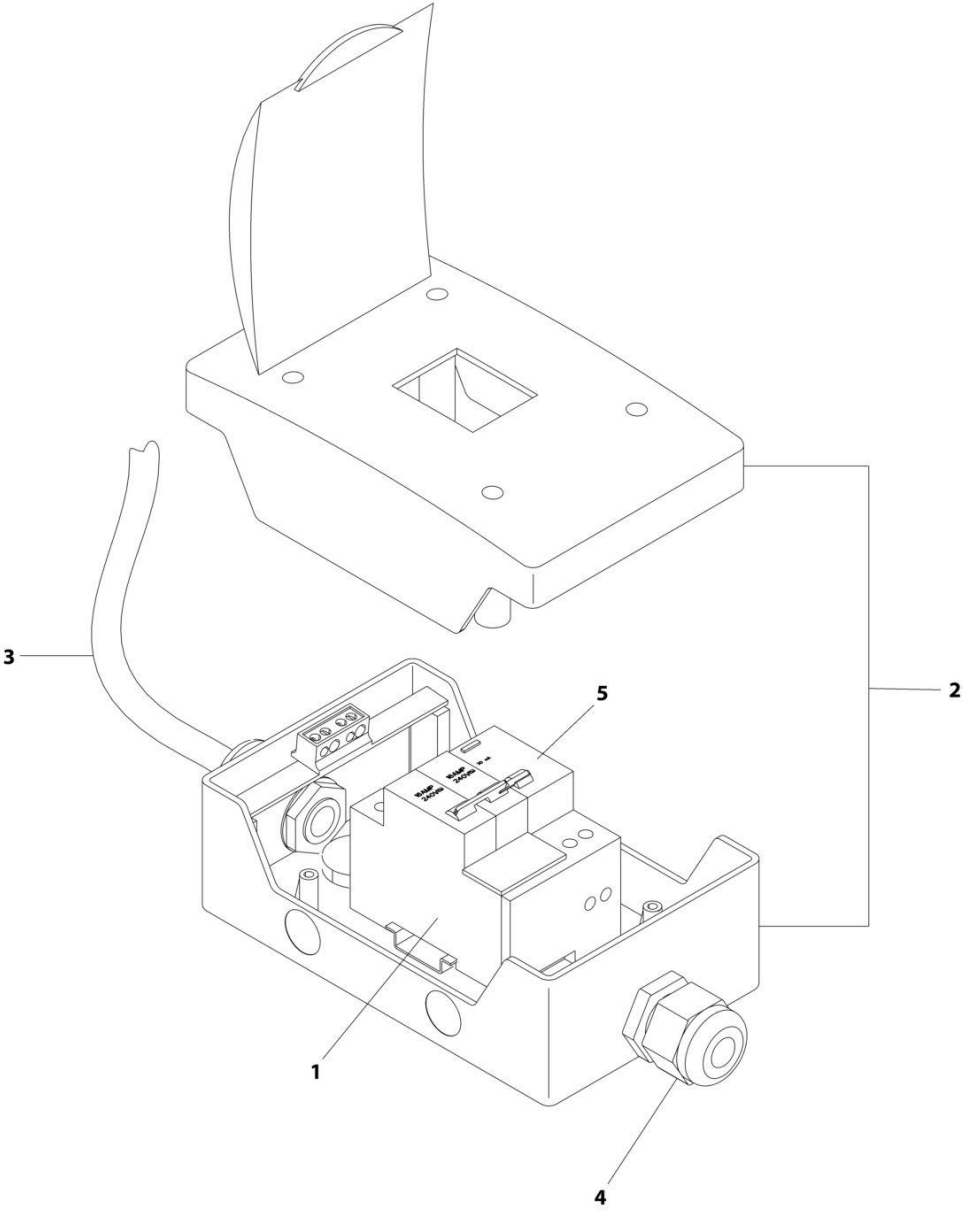
## SECTION 8 - ELECTRICAL

### FIGURE 8-24. BREAKER BOX KIT - 30MA/16 AMP

ITEM	PART NUMBER	QTY	DESCRIPTION	REV
	1001096070	Ref	BREAKER BOX KIT	E
2	0861880	1	Box	
3	4460956	1	Barrier, Terminal Block End	
4	1060908	12 ft/ 3.6m	Cable, 12/3	
5	1001097150	2	Connector, Strain Relief	
6	4460957	1	Block, Terminal	
8	1001181045	1	Breaker, 16Amp	

**SECTION 8 - ELECTRICAL**

**FIGURE 8-25. BREAKER BOX KIT WITH THREE BREAKERS**



ART\_1001152485

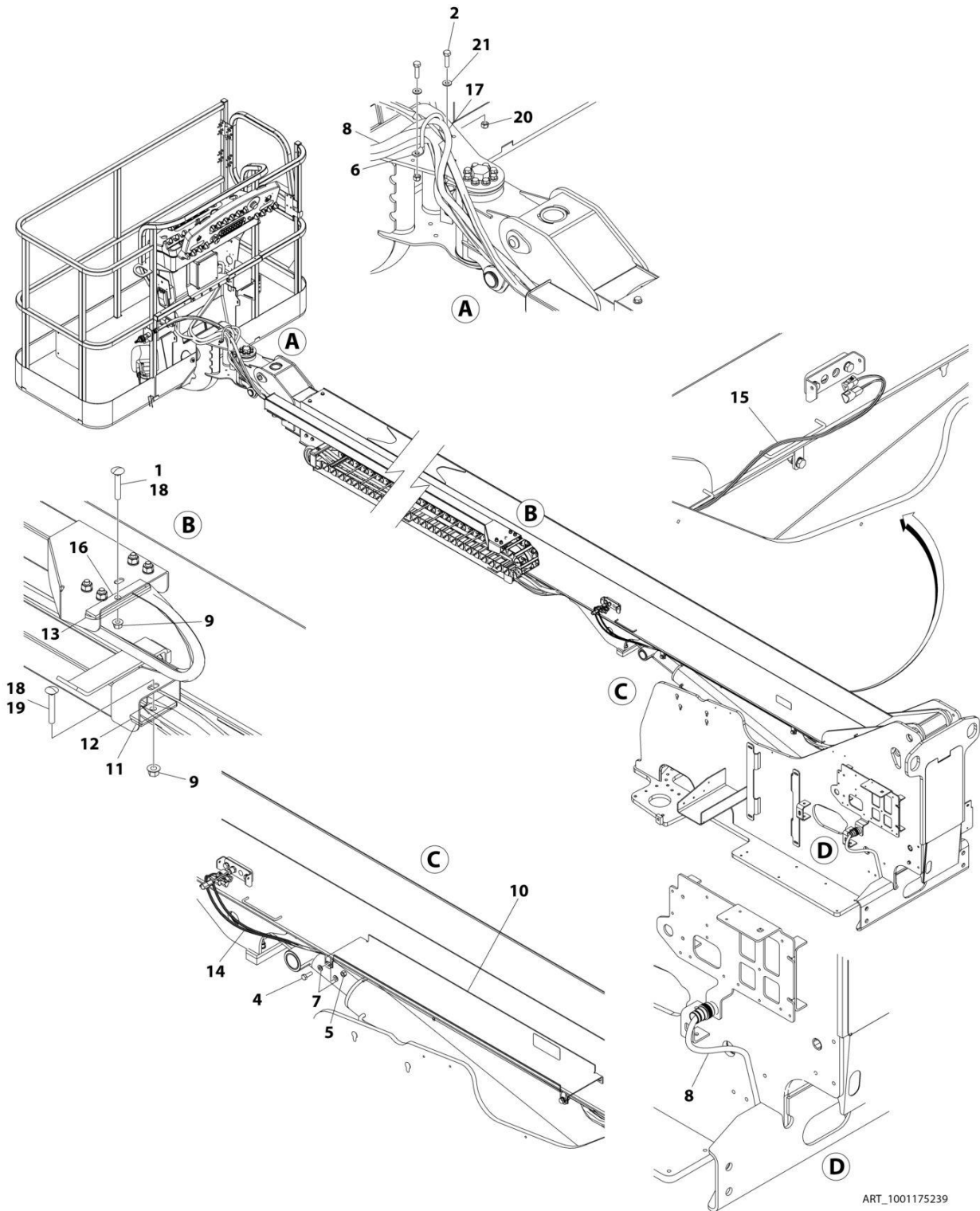
## SECTION 8 - ELECTRICAL

**FIGURE 8-25. BREAKER BOX KIT WITH THREE BREAKERS**

ITEM	PART NUMBER	QTY	DESCRIPTION	REV
	1001152485	Ref	BREAKER BOX KIT WITH THREE BREAKERS	F
1	1001189172	1	Breaker 16 Amp Double	
2	1001152483	1	Box	
3	1060908	6 ft/1.8m	Cable, 12/3	
4	1001097150	2	Connector, Strain Relief	
5	1001189171	1	Breaker, 30mA	

# SECTION 8 - ELECTRICAL

FIGURE 8-26. CABLES AND CLAMPS INSTALLATION (4000W GENERATOR 60HZ) (ANSI, ANSI EXPORT, CSA AND JAPANESE SPECS) (400S)



ART\_1001175239

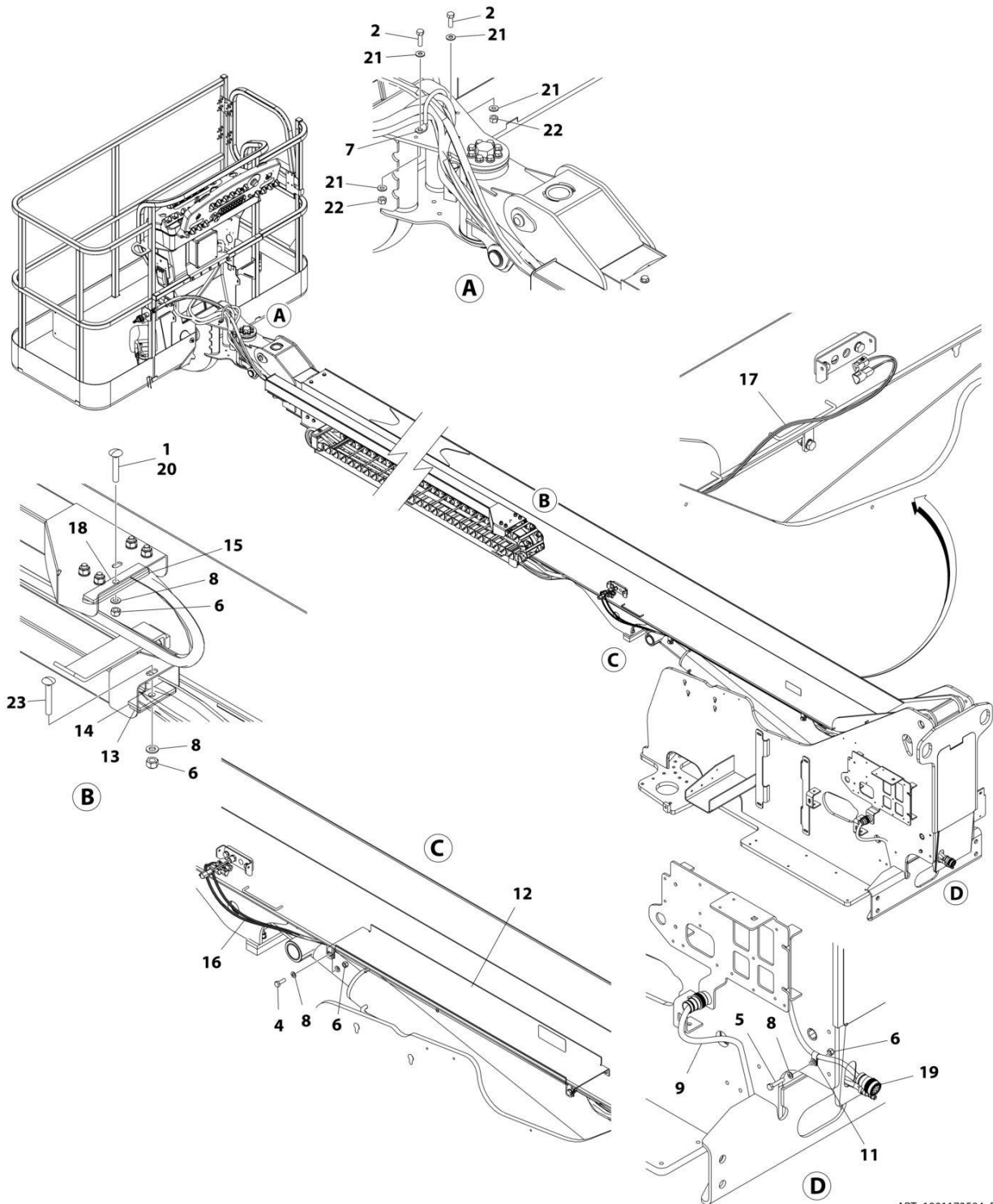
## SECTION 8 - ELECTRICAL

**FIGURE 8-26. CABLES AND CLAMPS INSTALLATION (4000W GENERATOR 60HZ) (ANSI, ANSI EXPORT, CSA AND JAPANESE SPECS) (400S)**

ITEM	PART NUMBER	QTY	DESCRIPTION	REV
	1001175239	Ref	CABLES AND CLAMPS INSTALLATION	D
1	0630563	1	Bolt, Carriage M10 x 60	
2	0760814	2	Bolt, M8 x 30	
4	0761014	4	Bolt M10 x 30	
5	3291005	4	Nut M10	
6	3841340	1	Hose Loop	
7	4812000	8	Washer M10	
8	1001176952	1	Harness, Main Boom Cable (See Separate Breakdown in this Section)	
9	5261018	2	Nut M10	
10	1001172128	1	Bracket, Hose Cover	
11	1001173456	1	Clamp	
12	1001173665	1	Clamp	
13	1001173761	1	Bracket	
14	1001173807	1	Harness, Capacity Switch (See Separate Breakdown in this Section)	
15	1001173808	1	Harness, Telescope In Proximity Sensors (See Separate Breakdown in this Section)	
16	1001173927	1	Clamp	
17	1001175170	1	Cable, Electrical 12/3	
18	0100081	AR	Adhesive	
19	1001181329	1	Bolt, Carriage M10 x 70	
20	3290805	3	Nut M8	
21	4811900	4	Washer M8	

# SECTION 8 - ELECTRICAL

FIGURE 8-27. CABLES AND CLAMPS INSTALLATION (4000W GENERATOR 50HZ) (ANSI, ANSI EXPORT, CSA, CHINA AND JAPANESE SPECS) (400S)





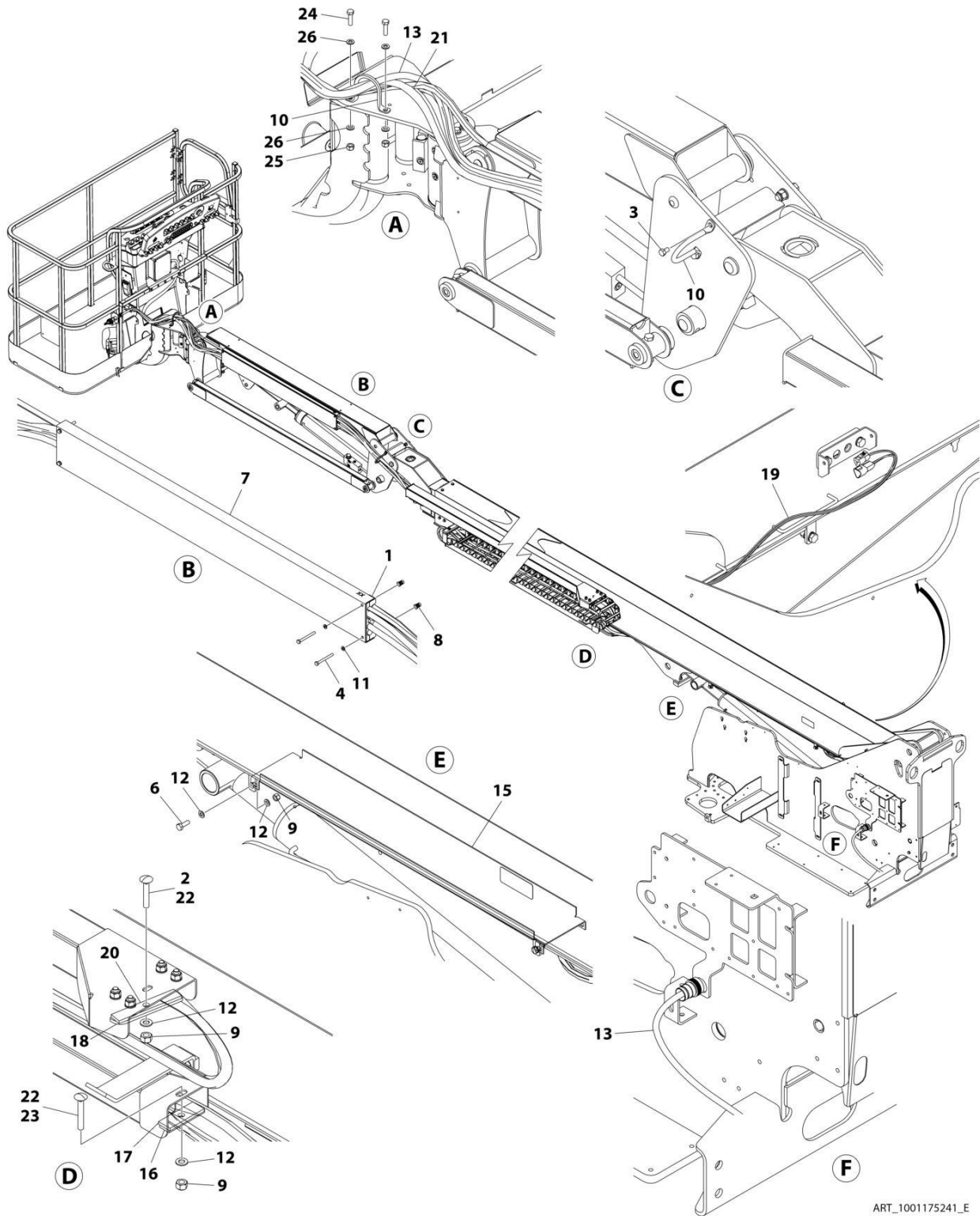
## SECTION 8 - ELECTRICAL

**FIGURE 8-27. CABLES AND CLAMPS INSTALLATION (4000W GENERATOR 50HZ) (ANSI, ANSI EXPORT, CSA, CHINA AND JAPANESE SPECS) (400S)**

ITEM	PART NUMBER	QTY	DESCRIPTION	REV
	1001173594	Ref	CABLES AND CLAMPS INSTALLATION	E
1	0630563	1	Bolt Carriage M10 x 60	
2	0760814	1	Bolt M8 x 30	
4	0761014	4	Bolt M10 x 30	
5	0761018	1	Bolt M10 x 50	
6	3291005	7	Nut Lock M10 x 1.5	
7	3841340	1	Hose Loop	
8	4812000	12	Washer, M10	
9	1001176952	1	Harness, Main Boom Cable (See Separate Breakdown in this Section)	
11	8406110	1	Clip	
12	1001172128	1	Bracket, Hose Cover	
13	1001173456	1	Clamp	
14	1001173665	1	Clamp	
15	1001173761	1	Bracket	
16	1001173807	1	Harness, Capacity Switch (See Separate Breakdown in this Section)	
17	1001173808	1	Harness, Telescope In Proximity Sensors (See Separate Breakdown in this Section)	
18	1001173927	1	Clamp	
19	1001203434	1	Cable, Electrical 12/3	
20	0100081	AR	Adhesive	
21	4811900	4	Washer M8	
22	3290805	2	Nut M8	
23	1001181329	1	Bolt M10 x 70	

# SECTION 8 - ELECTRICAL

FIGURE 8-28. CABLES AND CLAMPS INSTALLATION (4000W GENERATOR 60HZ) (ANSI, ANSI EXPORT, CSA AND JAPANESE SPECS) (460SJ)



ART\_1001175241\_E

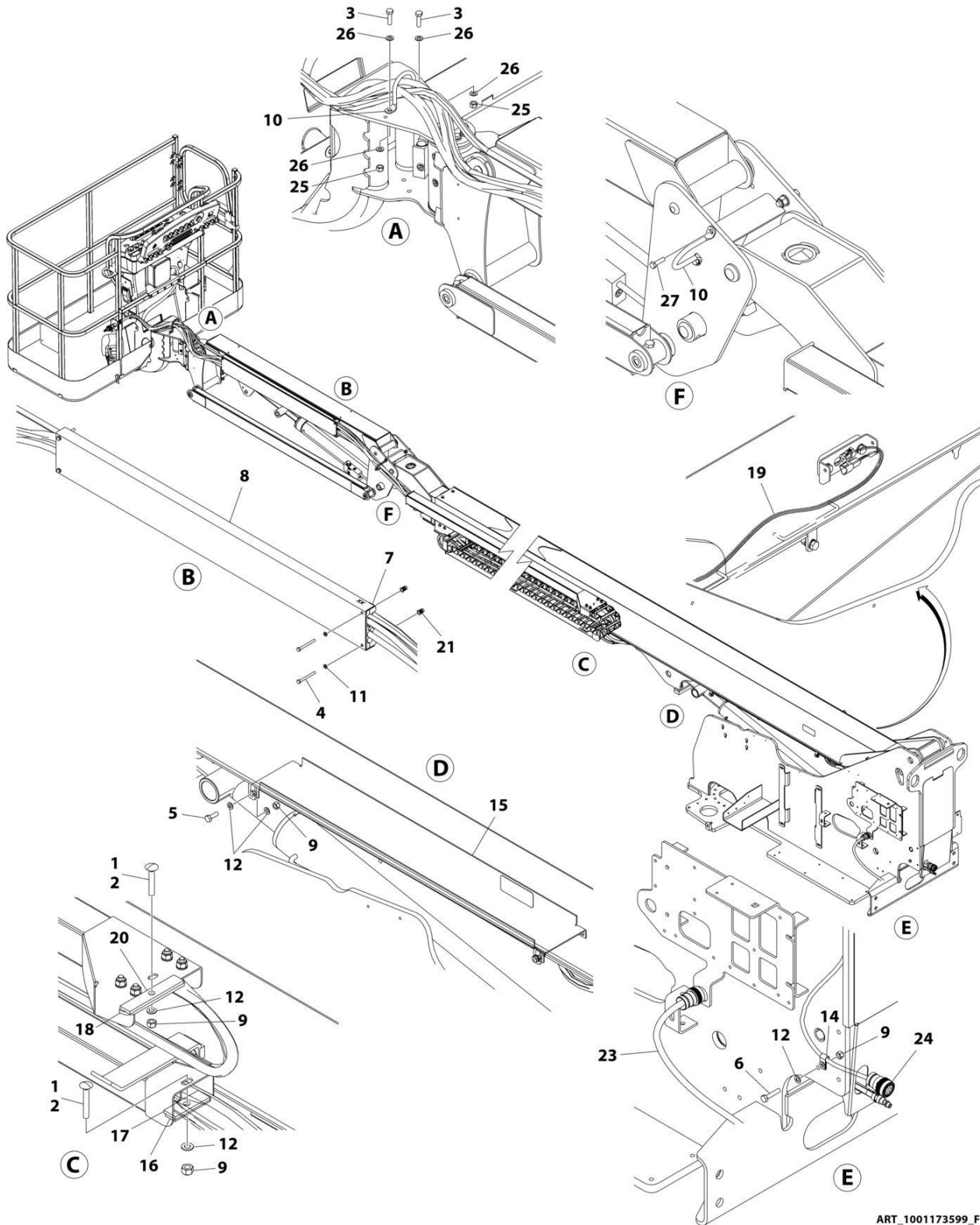
## SECTION 8 - ELECTRICAL

**FIGURE 8-28. CABLES AND CLAMPS INSTALLATION (4000W GENERATOR 60HZ) (ANSI, ANSI EXPORT, CSA AND JAPANESE SPECS) (460SJ)**

ITEM	PART NUMBER	QTY	DESCRIPTION	REV
	1001175241	Ref	CABLES AND CLAMPS INSTALLATION	E
1	0561237	2	Block, Clamp	
2	0630563	1	Bolt, Carriage M10 x 60	
3	0641504	1	Bolt 5/16 x 1/2	
4	0700620	4	Bolt M6 x 60	
6	0761014	4	Bolt M10 x 30	
7	1670769	1	Cover	
8	1001176636	4	Nut M6	
8	1001260680	4	Rivnut M6	
9	3291005	6	Nut M10	
10	3841340	2	Hose Loop	
11	4811700	4	Washer M6	
12	4812000	10	Washer M10	
13	1001176953	1	Harness, Main Boom Cable (See Separate Breakdown in this Section)	
15	1001172128	1	Bracket, Hose Cover	
16	1001173456	1	Clamp	
17	1001173665	1	Clamp	
18	1001173761	1	Bracket	
19	1001173808	1	Harness, Telescope in Proximity Sensors (See Separate Breakdown in this Section)	
20	1001173927	1	Clamp	
21	1001175171	1	Cable, Electrical 12/3	
22	0100081	AR	Adhesive	
23	1001181329	1	Bolt, Carriage M10 x 70	
24	0760814	2	Bolt M8 x 30	
25	3290805	2	Nut M8	
23	4811900	4	Washer M8	

# SECTION 8 - ELECTRICAL

## FIGURE 8-29. CABLES AND CLAMPS INSTALLATION (4000W GENERATOR 50HZ) (ALL SPECS) (460SJ)



ART\_1001173599\_F

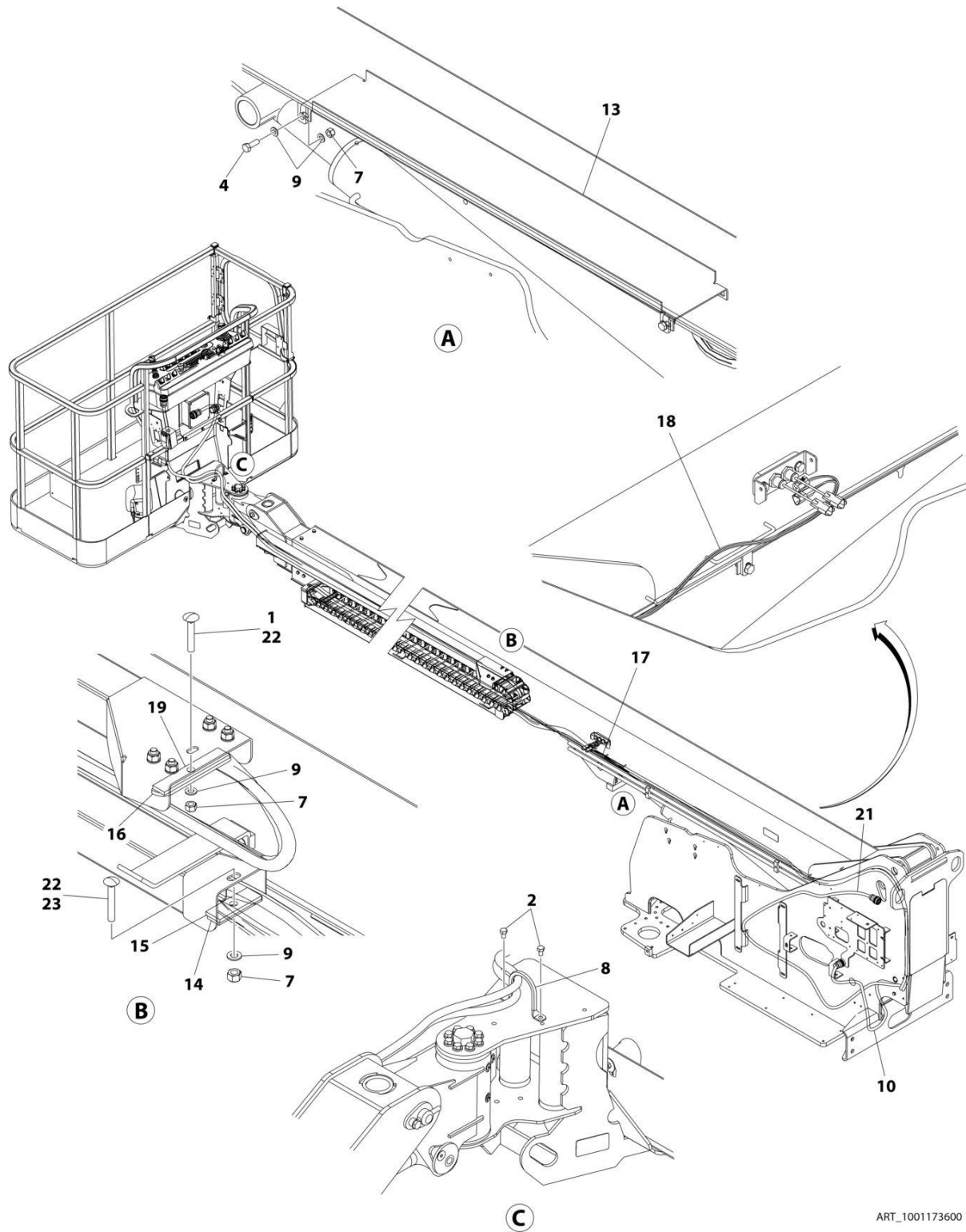
## SECTION 8 - ELECTRICAL

**FIGURE 8-29. CABLES AND CLAMPS INSTALLATION (4000W GENERATOR 50HZ) (ALL SPECS)  
(460SJ)**

ITEM	PART NUMBER	QTY	DESCRIPTION	REV
	1001173599	Ref	CABLES AND CLAMPS INSTALLATION	F
1	0100081	1	Adhesive	
2	0630563	2	Bolt, Carriage M10 x 60	
3	0760814	2	Bolt M8 x 30	
4	0641418	4	Bolt 1/4 x 2-1/4	
4	0700620	4	Bolt M6 x 60	
5	0761014	4	Bolt, M10 x 30	
6	0761018	1	Bolt, M10 x 50	
7	1001203459	2	Block, Clamp	
8	1670769	1	Cover	
9	3291005	7	Nut, Lock M10 x 1.5	
10	3841340	2	Hose Loop	
11	4811700	4	Washer, M6	
12	4812000	12	Washer, M10	
14	8406110	1	Clip	
15	1001172128	1	Bracket, Hose Cover	
16	1001173456	1	Clamp	
17	1001173665	1	Clamp	
18	1001173761	1	Bracket	
19	1001173808	1	Harness, Telescope In Proximity Sensors (See Separate Breakdown in this Section)	
20	1001173927	1	Clamp	
21	1001176636	4	Nut M6	
21	1001260680	4	Rivnut M6	
23	1001176953	1	Harness, Main Boom Cable (See Separate Breakdown in this Section)	
24	1001203435	1	Cable, Electrical 12/3	
25	3290805	2	Nut, Lock M8	
26	4811900	4	Washer M8	
27	0641504	2	Bolt 5/16 x 1/2	

# SECTION 8 - ELECTRICAL

FIGURE 8-30. CABLES AND CLAMPS INSTALLATION (7500W GENERATOR) (ANSI, ANSI EXPORT, CSA, CHINA AND JAPANESE SPECS) (400S)



ART\_1001173600

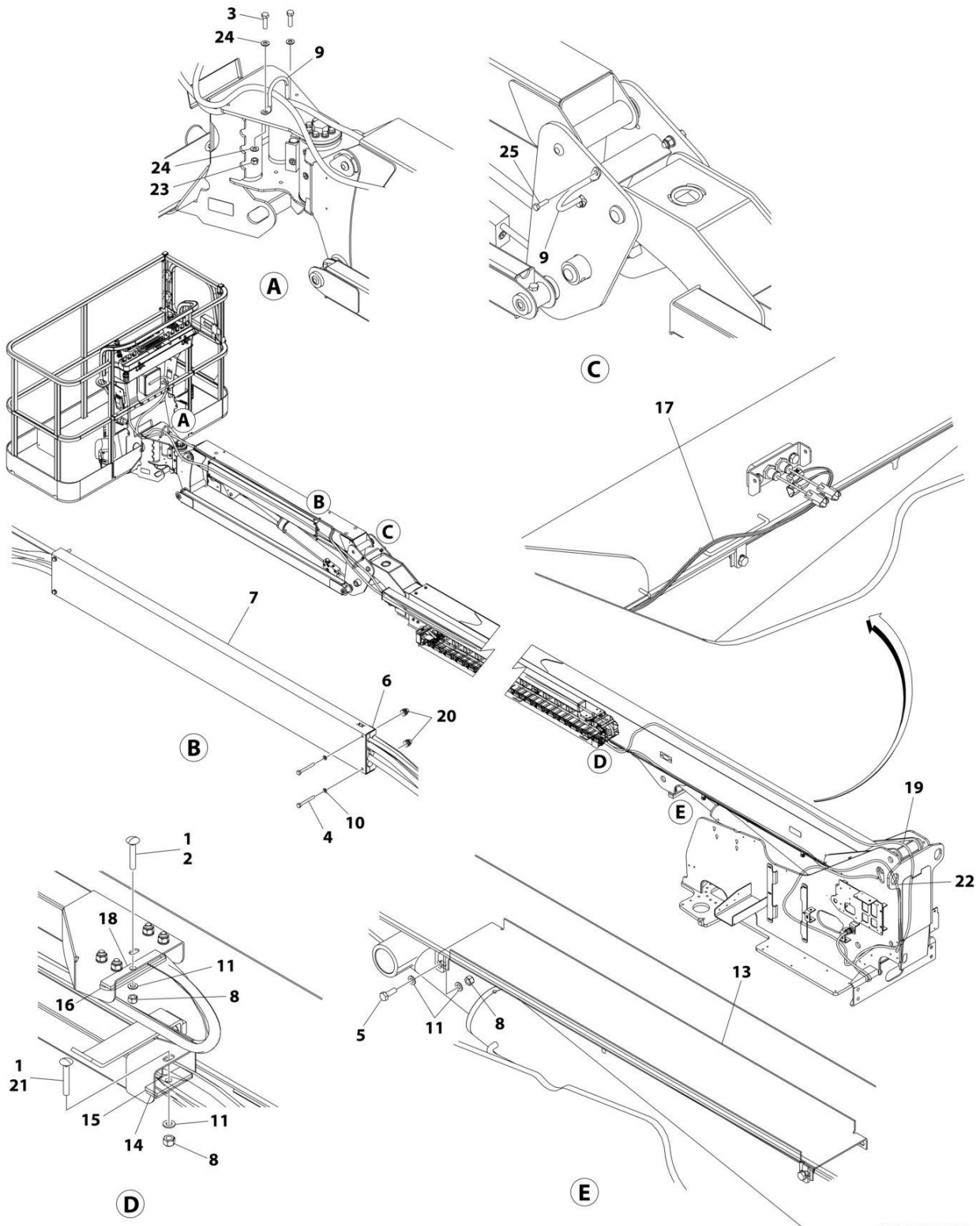
## SECTION 8 - ELECTRICAL

**FIGURE 8-30. CABLES AND CLAMPS INSTALLATION (7500W GENERATOR) (ANSI, ANSI EXPORT, CSA, CHINA AND JAPANESE SPECS) (400S)**

ITEM	PART NUMBER	QTY	DESCRIPTION	REV
	1001173600	Ref	CABLES AND CLAMPS INSTALLATION	E
1	0630563	1	Bolt, Carriage M10 x 60	
2	0641504	2	Bolt, 5/16 x 1/2	
4	0761014	4	Bolt, M10 x 30	
7	3291005	6	Nut, Lock M10 x 1.5	
8	3841340	1	Hose Loop	
9	4812000	10	Washer, M10	
10	1001176952	1	Harness, Main Boom Cable (See Separate Breakdown in this Section)	
13	1001172128	1	Bracket, Hose Cover	
14	1001173456	1	Clamp	
15	1001173665	1	Clamp	
16	1001173761	1	Bracket	
17	1001173807	1	Harness, Capacity Switch (See Separate Breakdown in this Section)	
18	1001173808	1	Harness, Telescope In Proximity Sensors (See Separate Breakdown in this Section)	
19	1001173927	1	Clamp	
21	4922802	1	Cable, Electrical 8/5	
22	0100081	1	Adhesive	
23	1001181319	1	Bolt, Carriage M10 x 70	

# SECTION 8 - ELECTRICAL

FIGURE 8-31. CABLES AND CLAMPS INSTALLATION (7500W GENERATOR) (ALL SPECS EXCEPT CE & UK CA SPECS) (460SJ)



ART\_1001173605



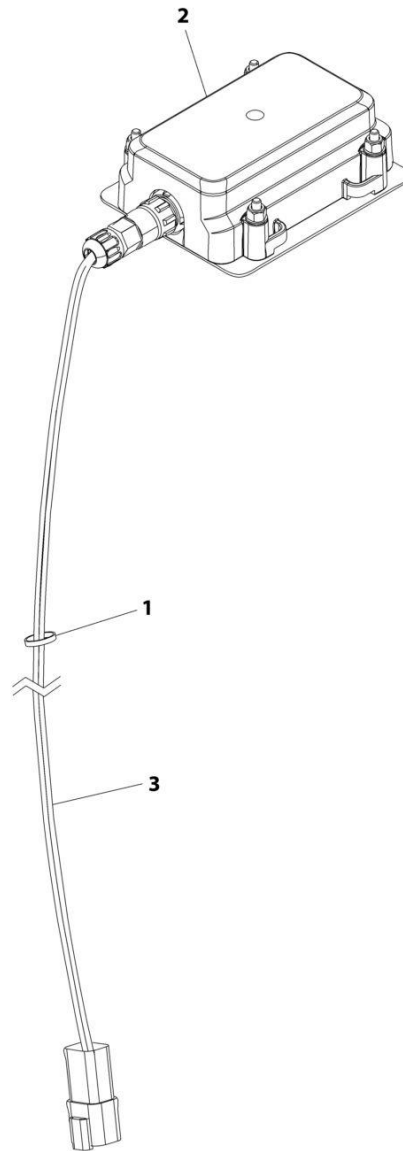
## SECTION 8 - ELECTRICAL

**FIGURE 8-31. CABLES AND CLAMPS INSTALLATION (7500W GENERATOR) (ALL SPECS EXCEPT CE & UK CA SPECS) (460SJ)**

ITEM	PART NUMBER	QTY	DESCRIPTION	REV
	1001173605	Ref	CABLES AND CLAMPS INSTALLATION	G
1	0100081	1	Adhesive	
2	0630563	1	Bolt, Carriage M10 x 60	
3	0760814	2	Bolt M8 x 30	
4	0700620	4	Bolt M6 x 60	
5	0761014	4	Bolt M10 x 30	
6	1001203459	2	Block, Clamp	
7	1670769	1	Cover	
8	3291005	6	Nut M10	
9	3841340	2	Hose Loop	
10	4811700	4	Washer M6	
11	4812000	10	Washer M10	
13	1001172128	1	Bracket, Hose Cover	
14	1001173456	1	Clamp	
15	1001173665	1	Clamp	
16	1001173761	1	Bracket	
17	1001173808	1	Harness, Telescope In Proximity Sensors (See Separate Breakdown in this Section)	
18	1001173927	1	Clamp	
19	4922803	1	Cable, Electrical 8/5	
20	1001176636	4	Nut, Rivet M6	
20	1001260680	4	Rivnut M6	
21	1001181329	1	Bolt, Carriage M10 x 70	
22	1001176953	1	Harness, Main Boom (See Separate Breakdown in this Section)	
23	3290805	2	Nut, Lock M8	
24	4811900	4	Washer M8	
25	0641504	2	Bolt 5/16 x 1/2	

## SECTION 8 - ELECTRICAL

FIGURE 8-32. CLEARSKY 3-WIRE CONNECTION INSTALLATION



ART\_1001276610

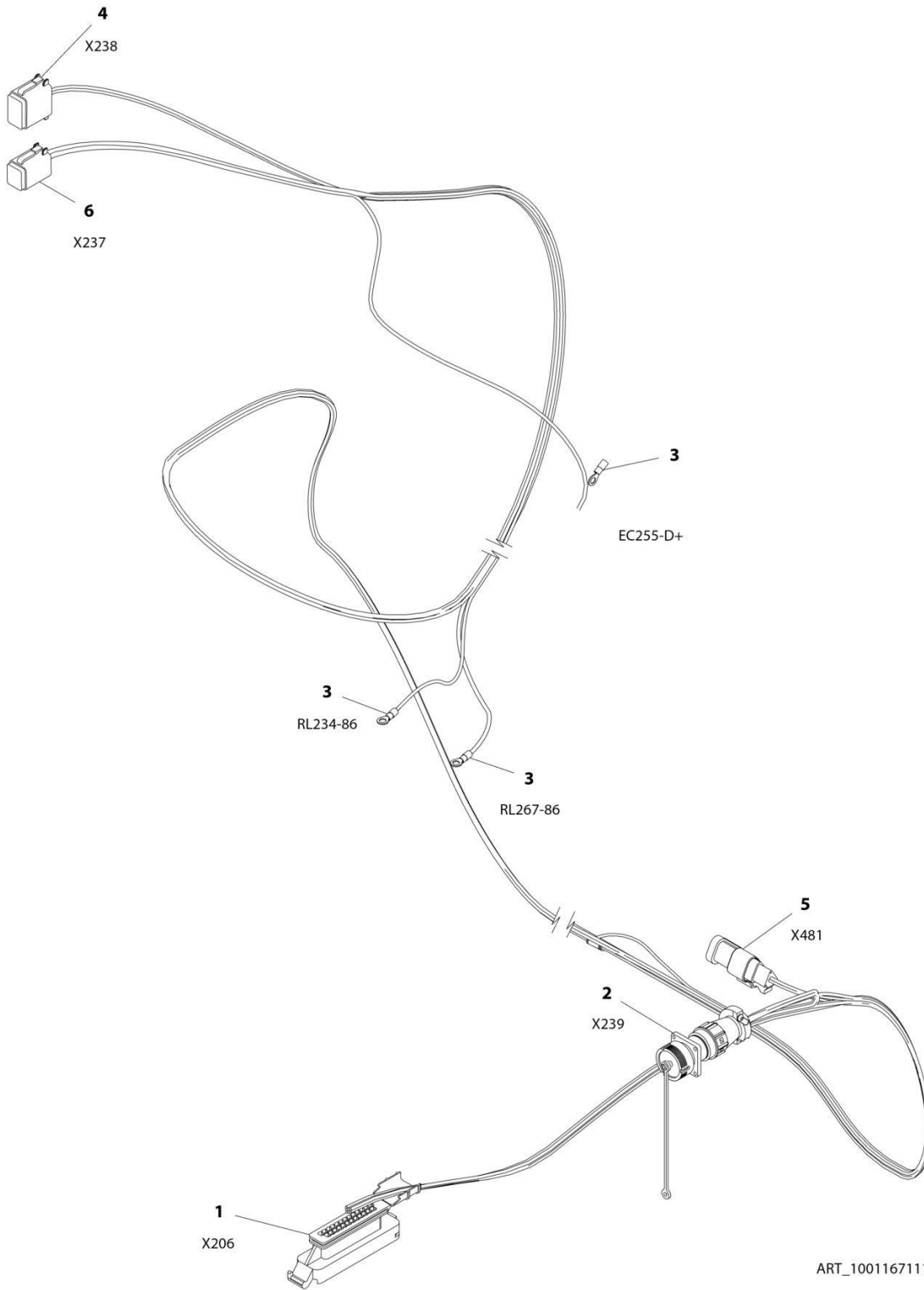
## SECTION 8 - ELECTRICAL

### FIGURE 8-32. CLEARSKY 3-WIRE CONNECTION INSTALLATION

ITEM	PART NUMBER	QTY	DESCRIPTION	REV
	1001276610	Ref	CLEARSKY INSTALLATION 3-WIRE CONNECTION	A
1	4240032	AR	Tie-Strap	
2	1001272659	1	Telematics Control Module Assembly (Note: Re-calibration Required when Replaced)	
3	1001273012	1	ClearSky Harness (See Separate Breakdown in this Section)	

# SECTION 8 - ELECTRICAL

## FIGURE 8-33. ENGINE HARNESS - DEUTZ D2011



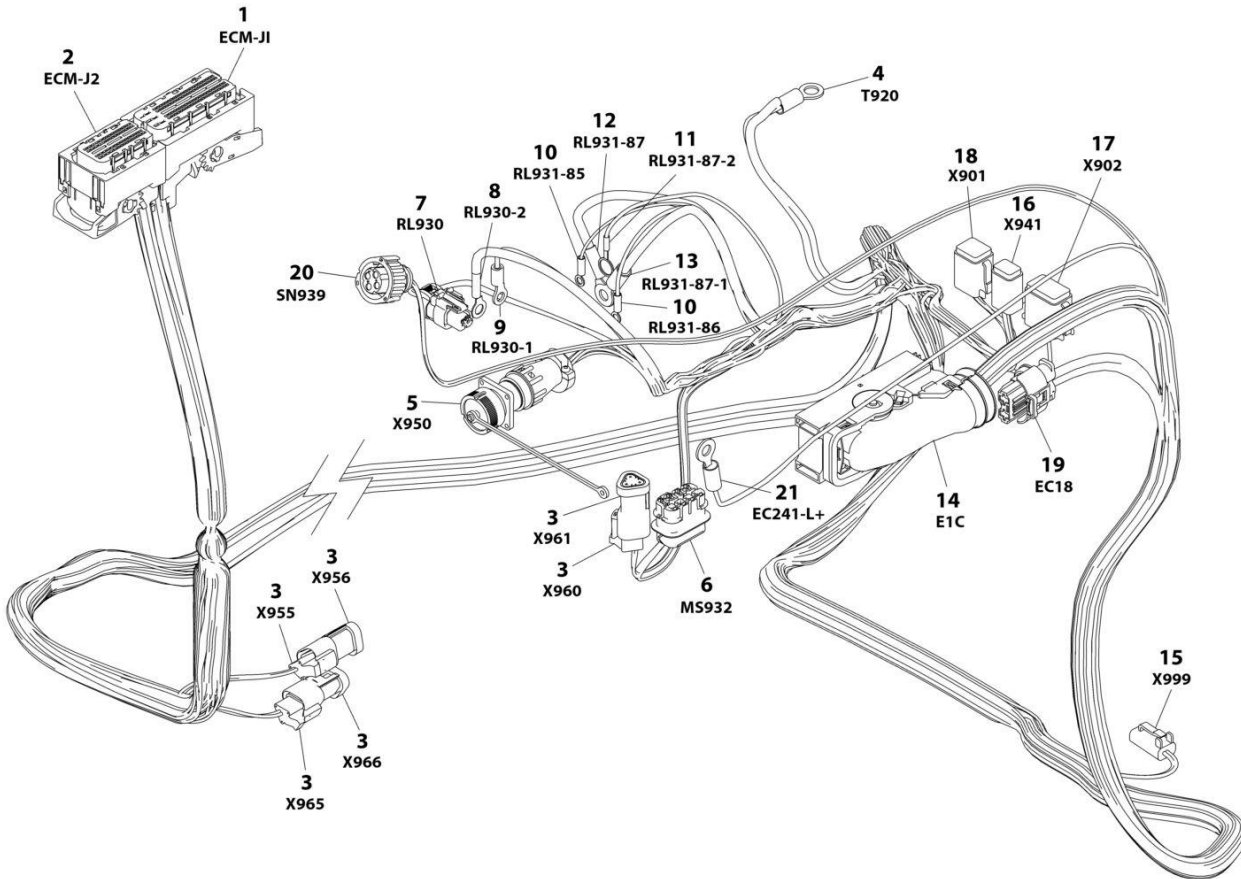
## SECTION 8 - ELECTRICAL

**FIGURE 8-33. ENGINE HARNESS - DEUTZ D2011**

ITEM	PART NUMBER	QTY	DESCRIPTION	REV
	1001167111	Ref	ENGINE HARNESS - DEUTZ D2011	B
1	4461052	1	Connector - 25 Position	
1	4461005	7	Terminal	
1	4461008	18	Plug, Terminal	
2	2902443	1	Receptacle Kit	
2	4461071	8	Socket, Female	
2	4461072	1	Receptacle with Flange - 8 Position	
2	4461073	1	Cap, Dust	
2	4461074	1	Shell, Black	
3	4460313	3	Terminal, Ring	
4	4460930	1	Plug, Male - 8 Position	
4	4460465	2	Socket, Female	
4	4460466	6	Seal, Terminal	
5	4461095	1	Plug, Male - 3 Position	
5	4460465	3	Socket, Female	
6	4460894	1	Plug, Male - 6 Position	
6	4460465	6	Socket, Female	

# SECTION 8 - ELECTRICAL

## FIGURE 8-34. ENGINE HARNESS - DEUTZ D2.9L4



ART\_1001167108\_L

## SECTION 8 - ELECTRICAL

### FIGURE 8-34. ENGINE HARNESS - DEUTZ D2.9L4

ITEM	PART NUMBER	QTY	DESCRIPTION	REV
	1001167108	Ref	ENGINE HARNESS - DEUTZ D2.9L4	L
1	1001133956	1	Connector, 94 Position	
1	1001182361	6	Terminal	
1	1001126351	2	Terminal	
1	1001230934	17	Terminal	
1	1001230935	63	Plug, Terminal	
1	1001256507	4	Terminal	
1	1001230936	2	Plug, Terminal	
1	1001182365	6	Seal	
2	1001133957	1	Connector - 60 Position	
2	1001230936	11	Plug, Terminal	
2	1001126351	13	Terminal	
2	1001230935	19	Plug, Terminal	
2	1001230934	11	Terminal	
2	1001252527	4	Terminal	
2	1001256507	2	Terminal	
3	4461095	3	Plug, Male - 3 Position	
3	4460944	6	Socket, Female	
3	4460466	3	Plug, Terminal	
3	4461070	3	Connector, Female with Resistor 3 Position	
4	8220115	1	Terminal, Ring	
5	2902443	1	Receptacle Kit	
5	4461071	8	Socket, Female	
5	4461072	1	Receptacle with Flange - 8 Position	
5	4461073	1	Cap, Dust	
5	4461074	1	Shell, Black	
6	80484084	1	Connector - 8 Position	
6	4460746	3	Terminal	
6	1001234800	1	Terminal	
6	4460748	4	Plug, Terminal	
6	4460458	4	Seal	
6	8229242	1	Fuse - 5Amp	
6	80983191	1	Fuse - 10Amp	
6	1001147264	1	Cap	
7	1001116952	1	Plug, Male - 2 Position	
7	4460465	2	Socket, Female	
8	1001117106	1	Terminal, Ring	
9	4460043	1	Terminal, Ring	
10	4460247	2	Terminal, Ring	
11	4460703	1	Terminal, Ring	
12	8220164	1	Terminal, Ring	
13	1001117107	1	Terminal, Ring	
14	1001126362	1	Connector - 62 Position	
14	1001126363	25	Terminal	
14	1001126391	21	Seal, Terminal	
14	1001126392	10	Terminal	
14	4461008	4	Seal, Terminal	
14	1001126365	2	Terminal	
14	1001223459	10	Seal, Terminal	
14	1001126364	23	Seal, Terminal	

## SECTION 8 - ELECTRICAL

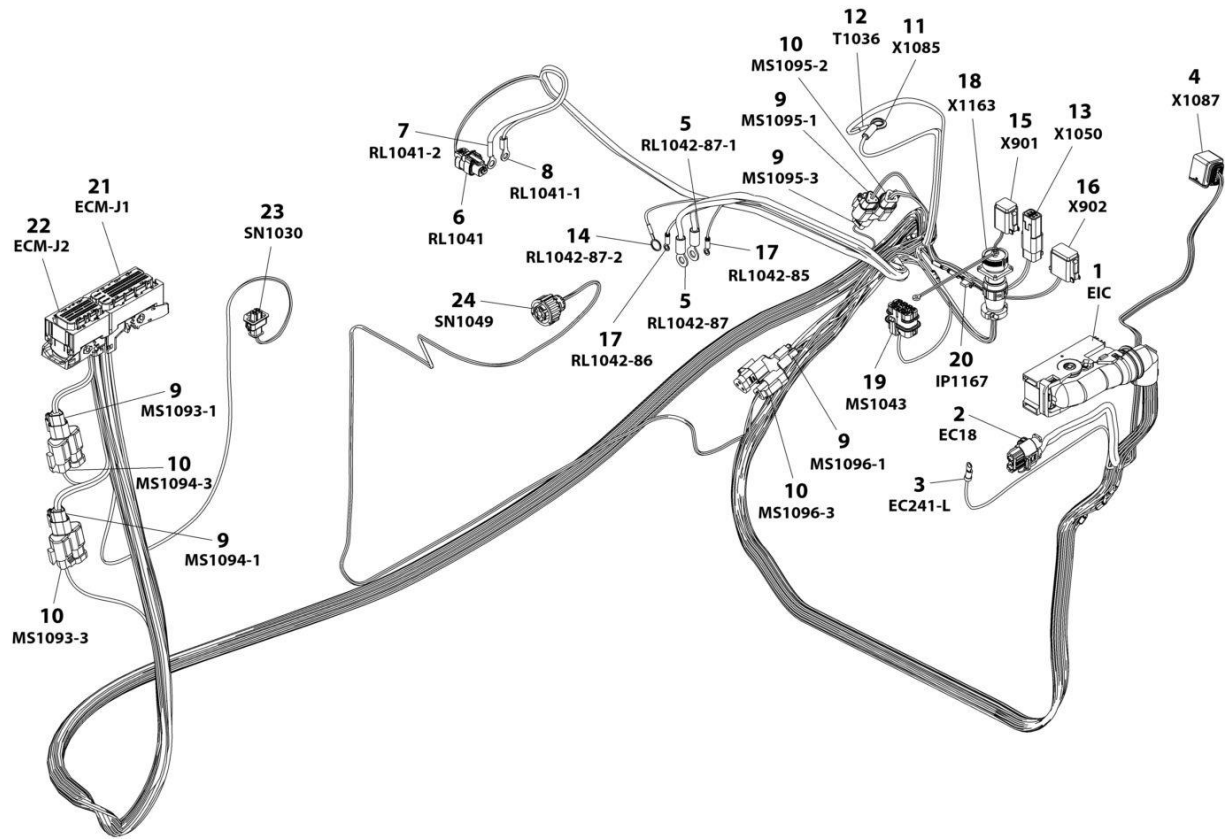
ITEM	PART NUMBER	QTY	DESCRIPTION	REV
14	1001256506	2	Seal, Terminal	
14	4461054	2	Seal, Terminal	
15	4460891	1	Plug, Male - 2 Position	
15	4460465	2	Socket, Female	
16	1001220379	1	Plug, Male - 4 Position	
16	4460465	2	Socket, Female	
16	4460942	2	Socket, Female	
17	4460930	1	Plug, Male - 8 Position	
17	4460465	1	Socket, Female	
17	4460466	7	Seal, Terminal	
18	4460894	1	Plug, Male - 6 Position	
18	4460465	3	Socket, Female	
18	4460944	2	Socket, Female	
18	4460466	1	Plug, Terminal	
19	1001142938	1	Connector - 2 Position	
19	1001142940	2	Terminal	
19	1001142941	2	Seal, Terminal	
20	1001133714	1	Plug, Male - 4 Position	
20	1001133715	3	Terminal	
20	1001135651	1	Plug, Terminal	
20	1001135650	3	Seal	
21	4460042	1	Terminal, Ring	





# SECTION 8 - ELECTRICAL

## FIGURE 8-35. ENGINE HARNESS - DEUTZ (STAGE V)



ART\_1001245839

## SECTION 8 - ELECTRICAL

### FIGURE 8-35. ENGINE HARNESS - DEUTZ (STAGE V)

ITEM	PART NUMBER	QTY	DESCRIPTION	REV
	1001245839	Ref	ENGINE HARNESS - DEUTZ (STAGE V)	F
1	1001126362	1	Connector - 62 Position	
1	1001126363	37	Terminal	
1	1001126391	7	Seal, Terminal	
1	1001126392	12	Terminal	
1	4461008	4	Seal, Terminal	
1	1001167632	2	Terminal	
1	1001126364	36	Seal, Terminal	
1	1001223459	12	Seal, Terminal	
1	4461054	2	Seal, Terminal	
2	1001142938	1	Connector - 2 Position	
2	1001142940	2	Terminal	
2	1001142941	2	Seal, Terminal	
3	4460042	1	Terminal, Ring	
4	1001239202	1	Connector - 8 Position	
4	1001126363	7	Terminal	
4	1001126391	1	Seal, Terminal	
4	1001126364	7	Seal, Terminal	
5	1001117107	2	Terminal, Ring	
6	1001116952	1	Plug, Male - 2 Position	
6	4460465	2	Socket, Female	
7	1001117106	1	Terminal, Ring	
8	4460043	1	Terminal, Ring	
9	1001116812	5	Connector, 3 Position	
9	4460944	10	Socket, Female	
9	4460466	5	Plug, Terminal	
10	4460539	4	Plug, Male - 3 Position	
10	4460944	8	Socket, Female	
10	4460466	4	Plug, Terminal	
11	8220164	1	Terminal, Ring	
12	4460019	1	Terminal, Ring	
13	4460884	1	Plug, Male - 4 Position	
13	4460465	2	Socket, Female	
13	4460942	2	Socket, Female	
14	4460703	1	Terminal, Ring	
15	4460894	1	Plug, Male - 6 Position	
15	4460465	2	Socket, Female	
15	4460944	2	Socket, Female	
15	4460465	2	Socket, Female	
16	4460930	1	Plug, Male - 8 Position	
16	4460465	1	Socket, Female	
16	4460466	7	Plug, Terminal	
17	4460247	2	Terminal, Ring	
18	2902443	1	Receptacle Kit	
18	4461071	8	Socket, Female	
18	4461072	1	Receptacle with Flange - 8 Position	
18	4461073	1	Cap, Dust	
18	4461074	1	Shell, Black	
19	80484084	1	Connector - 8 Position	
19	4460746	3	Terminal	

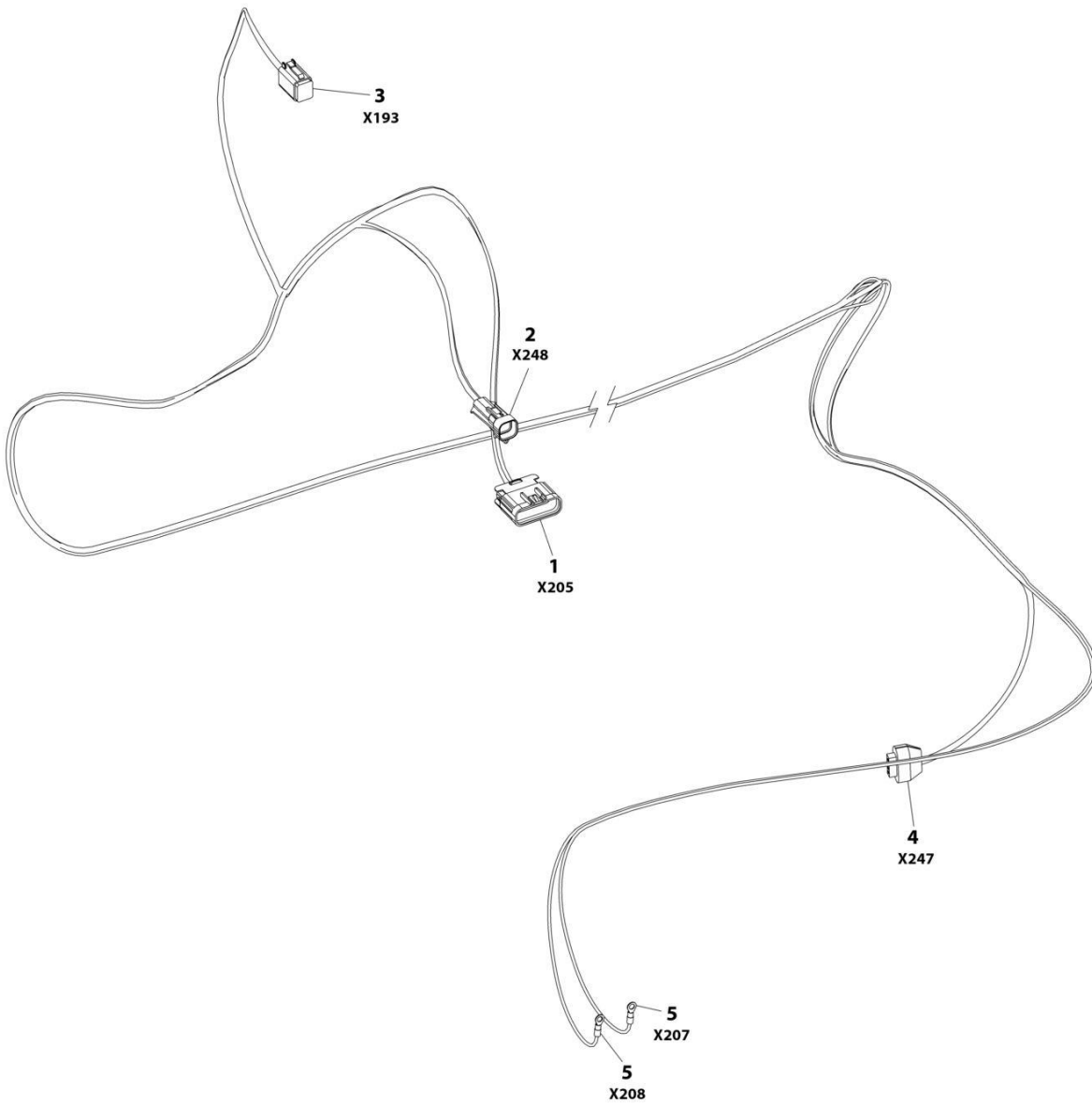
## SECTION 8 - ELECTRICAL

ITEM	PART NUMBER	QTY	DESCRIPTION	REV
19	1001234800	1	Terminal	
19	4460748	4	Plug, Terminal	
19	4460458	4	Seal	
20	1001170764	1	Holder, Fuse	
20	1001197719	1	Fuse 0.5 Watt	
21	1001133956	1	Connector, 94 Position	
21	1001182361	8	Terminal	
21	1001126351	3	Terminal	
21	1001230934	25	Terminal	
21	1001230935	55	Plug, Terminal	
21	1001252527	4	Terminal	
21	1001230936	1	Plug, Terminal	
21	1001182365	8	Seal	
22	1001133957	1	Connector - 60 Position	
22	1001230936	11	Plug, Terminal	
22	1001126351	13	Terminal	
22	1001230935	10	Plug, Terminal	
22	1001230934	26	Terminal	
23	1001126487	1	Connector - 2 Position	
23	1001167635	2	Terminal	
23	1001126485	2	Seal	
24	1001133714	1	Plug, Male - 4 Position	
24	1001133715	3	Terminal	
24	1001135651	1	Plug, Terminal	
24	1001135650	2	Seal	



# SECTION 8 - ELECTRICAL

## FIGURE 8-36. ENGINE HARNESS - KUBOTA



ART\_1001213599

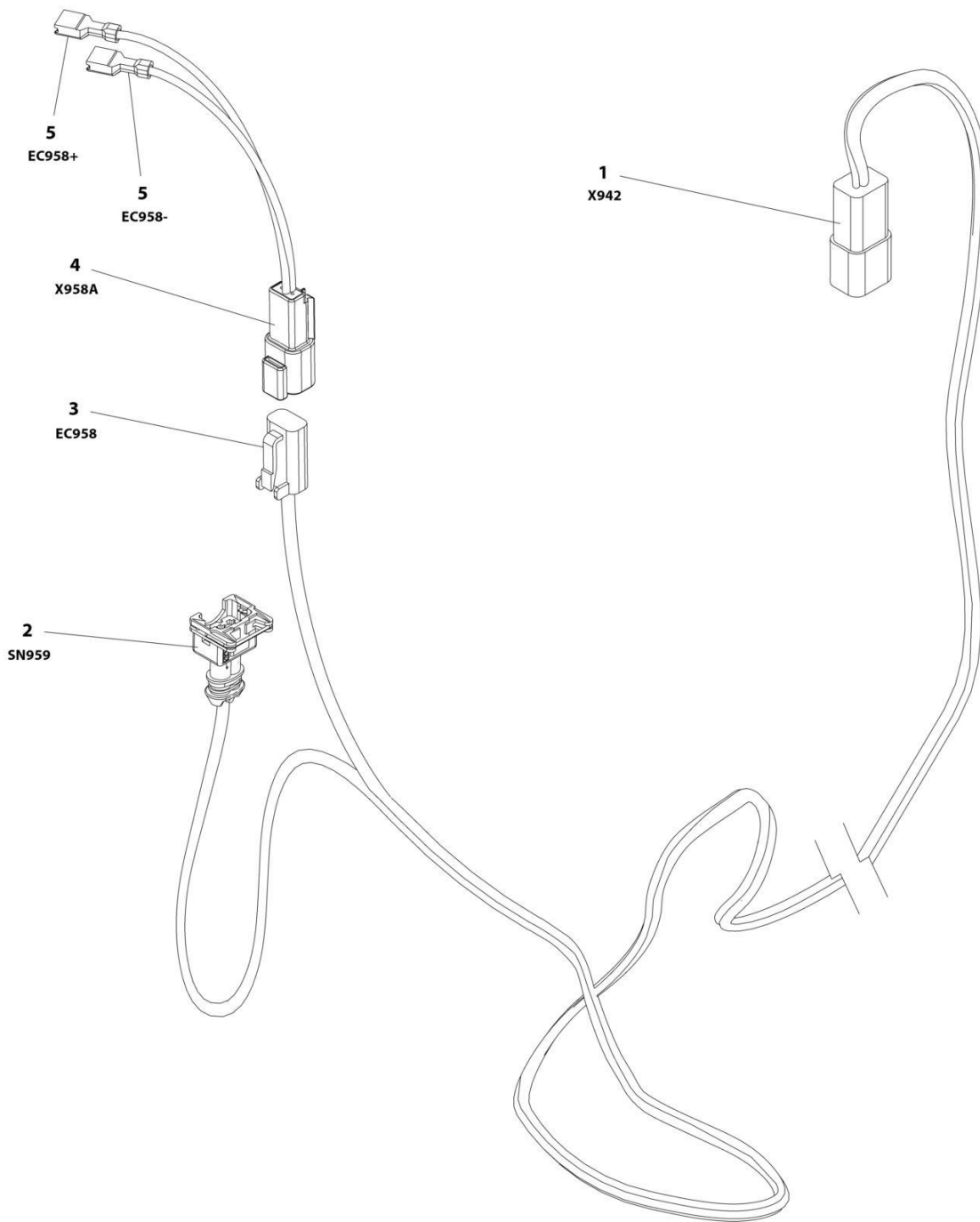
## SECTION 8 - ELECTRICAL

### FIGURE 8-36. ENGINE HARNESS - KUBOTA

ITEM	PART NUMBER	QTY	DESCRIPTION	REV
	1001213599	Ref	ENGINE HARNESS - KUBOTA	C
1	4461109	1	Plug, Male - 16 Position	
1	4461111	7	Terminal	
1	4461113	9	Plug	
2	4461124	1	Connector - 4 Position	
2	4460693	4	Terminal	
3	4460894	1	Plug, Male - 6 Position	
3	4460465	5	Socket, Female	
3	4460466	1	Plug, Terminal	
4	4461121	1	Plug, Male - 4 Position	
4	4461122	4	Terminal	
4	4461123	4	Seal	
5	4460042	2	Terminal, Ring	

# SECTION 8 - ELECTRICAL

## FIGURE 8-37. FUEL HARNESS - DEUTZ D2.9L4 ENGINE



ART\_1001173342



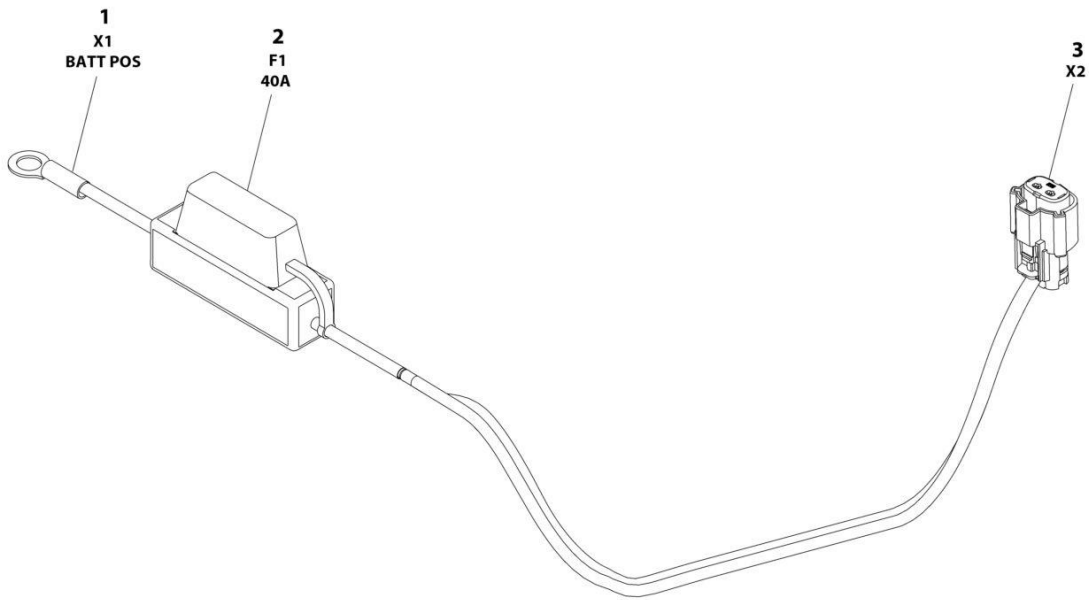
## SECTION 8 - ELECTRICAL

### FIGURE 8-37. FUEL HARNESS - DEUTZ D2.9L4 ENGINE

ITEM	PART NUMBER	QTY	DESCRIPTION	REV
	1001173342	Ref	FUEL HARNESS - DEUTZ D2.9L4 ENGINE	C
1	4460932	1	Receptacle, Female - 4 Position	
1	4460464	2	Pin, Male	
1	4460941	2	Pin, Male	
2	1001116983	1	Plug, Male - 2 Position	
2	1001116710	2	Socket, Female	
3	4460891	1	Plug, Male - 2 Position	
3	4460942	2	Socket, Female	
4	4460897	1	Receptacle, Female - 2 Position	
4	4460941	2	Pin, Male	
5	8220051	2	Coupler, Female	

# SECTION 8 - ELECTRICAL

## FIGURE 8-38. FUEL HARNESS - KUBOTA ENGINE



ART\_1001229798

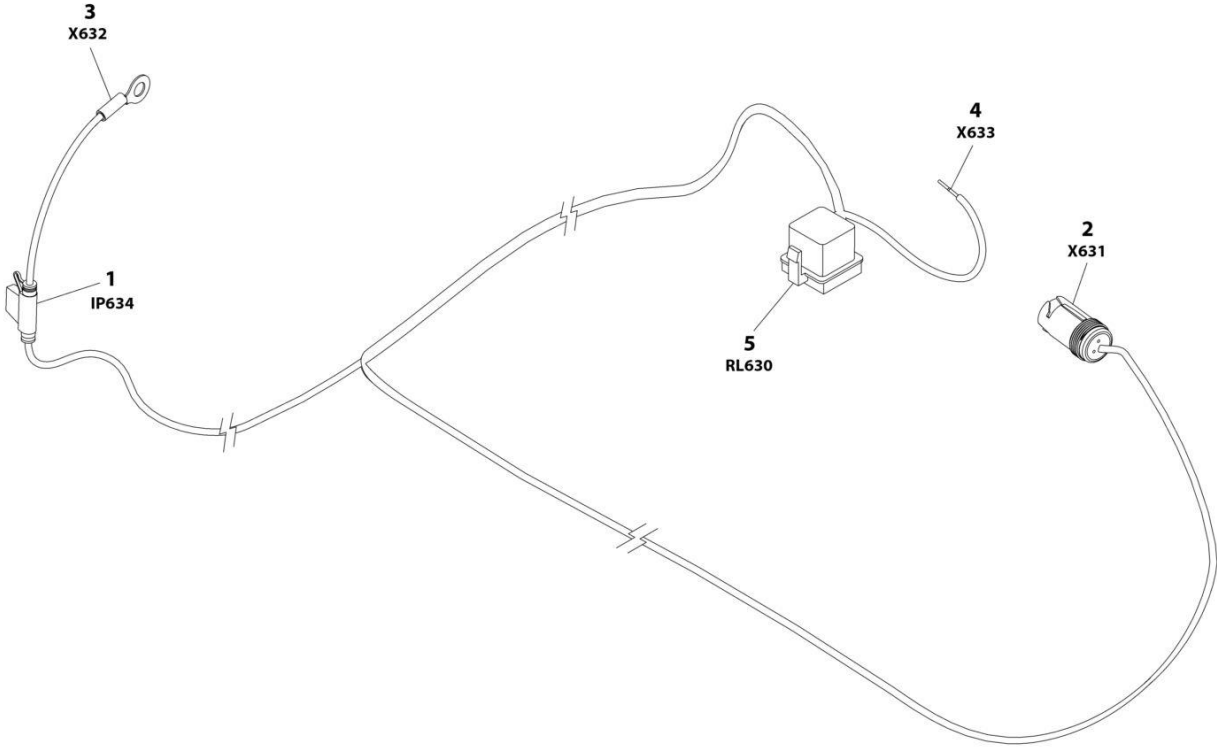
## SECTION 8 - ELECTRICAL

### FIGURE 8-38. FUEL HARNESS - KUBOTA ENGINE

ITEM	PART NUMBER	QTY	DESCRIPTION	REV
	1001229798	Ref	FUEL HARNESS - KUBOTA ENGINE	A
1	4460977	1	Terminal, Ring	
2	2400082	1	Fuse 40Amp	
3	1001229795	1	Connector - 2 Position	
3	1001229796	1	Socket, Female	

**SECTION 8 - ELECTRICAL**

**FIGURE 8-39. GENERATOR HARNESS - 2500W**



ART\_1001187522

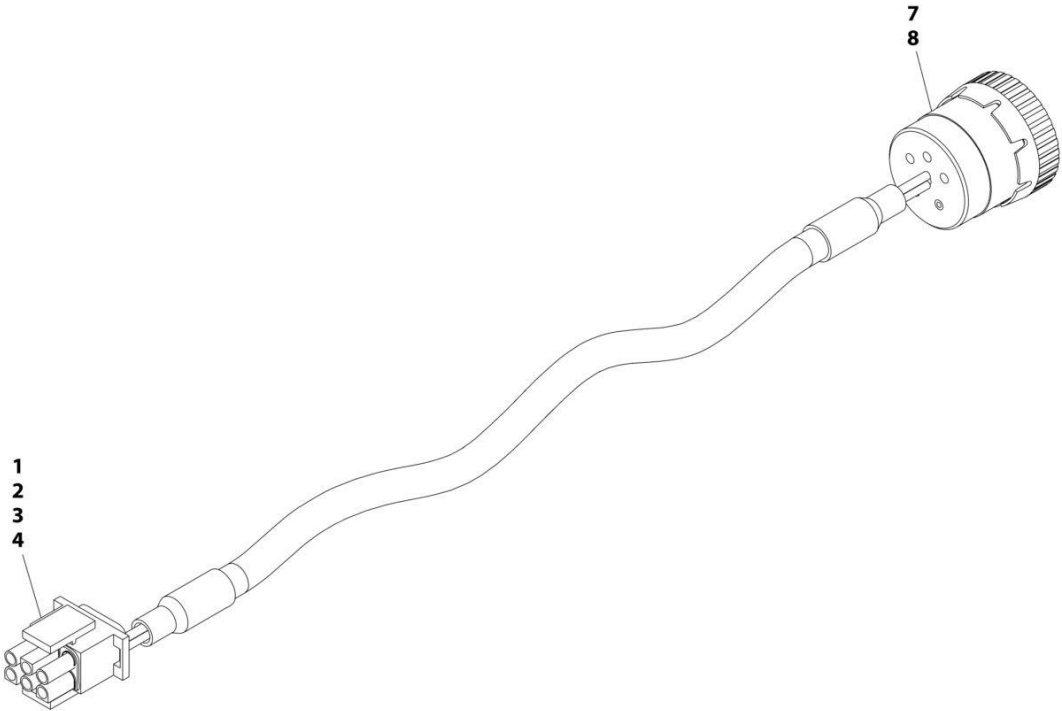
## SECTION 8 - ELECTRICAL

### FIGURE 8-39. GENERATOR HARNESS - 2500W

ITEM	PART NUMBER	QTY	DESCRIPTION	REV
	1001187522	Ref	GENERATOR HARNESS - 2500W	B
1	2400066	1	Fuseholder - 30Amp (Includes Cover)	
1	8229245	1	Fuse 30Amp	
2	1001154726	1	Receptacle, Female - 3 Position	
2	4460464	2	Pin, Male	
2	4460466	1	Plug, Terminal	
3	8220045	1	Terminal, Ring	
4	4460906	1	Socket, Female	
5	1001117057	1	Connector, Relay	
5	1001116734	2	Terminal	
5	1001116732	2	Terminal	
5	3740080	1	Relay	

**SECTION 8 - ELECTRICAL**

**FIGURE 8-40. GENERATOR HARNESS - 4000W**



ART\_1001152532

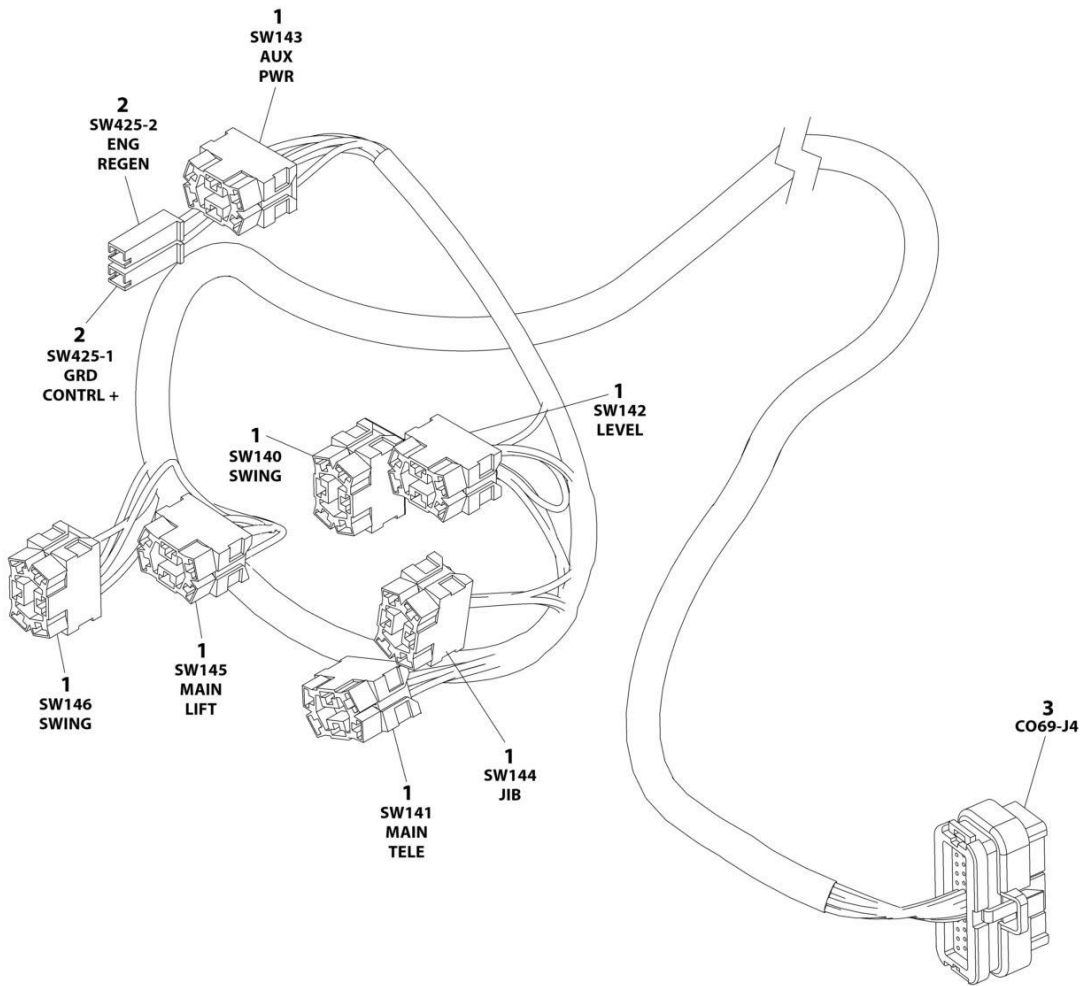
## SECTION 8 - ELECTRICAL

### FIGURE 8-40. GENERATOR HARNESS - 4000W

ITEM	PART NUMBER	QTY	DESCRIPTION	REV
	1001152532	Ref	GENERATOR HARNESS	A
1	4460225	1	Connector - 6 Position	
2	4460268	2	Socket, Female	
3	4460807	1	Seal	
4	4460808	1	Seal	
7	4460465	2	Socket, Female	
8	77363233	1	Connector - 6 Position	

# SECTION 8 - ELECTRICAL

## FIGURE 8-41. GROUND CONTROL BOX HARNESS



ART\_1001238161



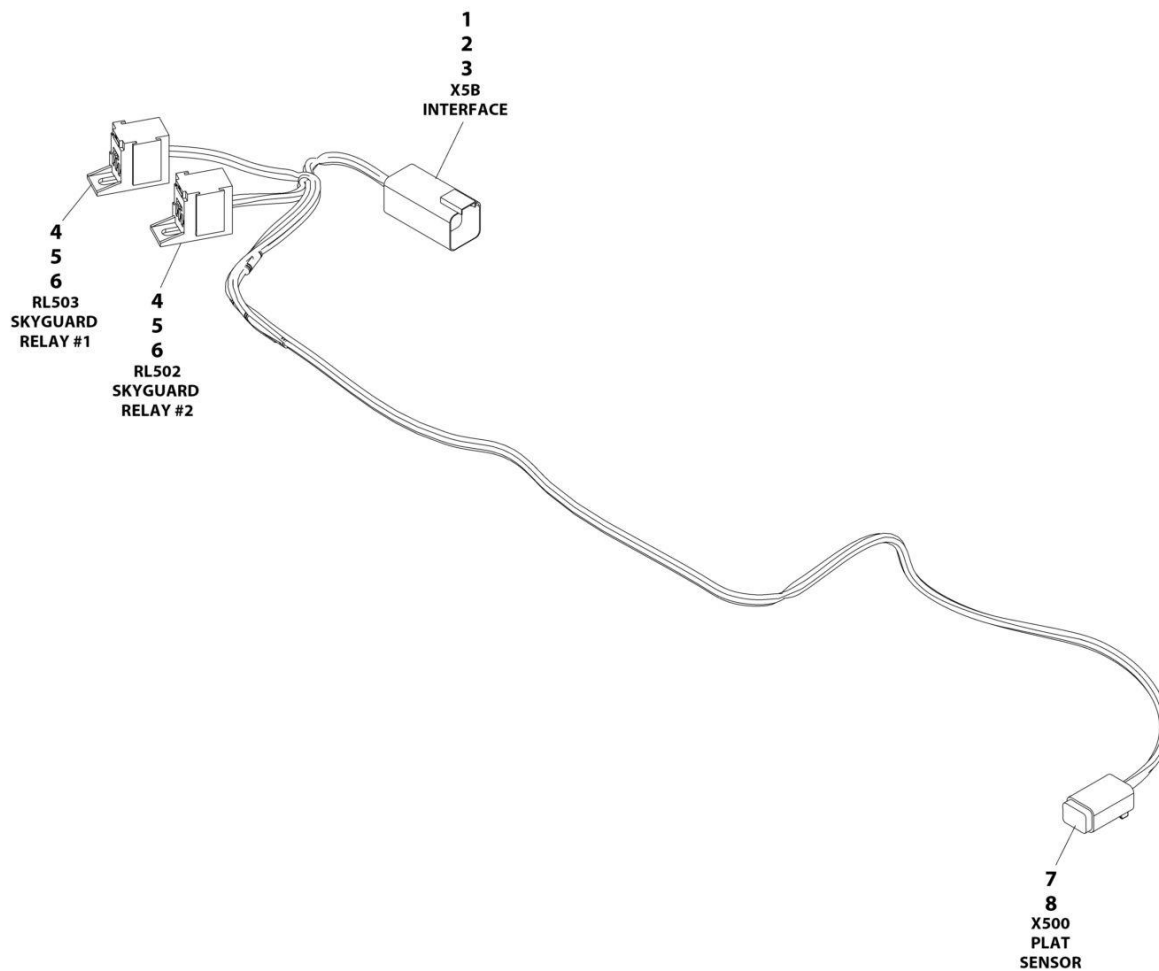
## SECTION 8 - ELECTRICAL

### FIGURE 8-41. GROUND CONTROL BOX HARNESS

ITEM	PART NUMBER	QTY	DESCRIPTION	REV
	1001238161	Ref	GROUND CONTROL BOX HARNESS	C
1	4460418	7	Connector - 6 Position	
1	4460419	27	Terminal	
2	4460260	2	Housing, Terminal	
2	4460259	2	Terminal	
3	4460876	1	Connector - 35 Position	
3	4460871	16	Socket, Female	
3	4460905	19	Plug, Terminal	

# SECTION 8 - ELECTRICAL

## FIGURE 8-42. INTERFACE HARNESS - WITH 1 CELL LSS



ART\_1001225580\_E

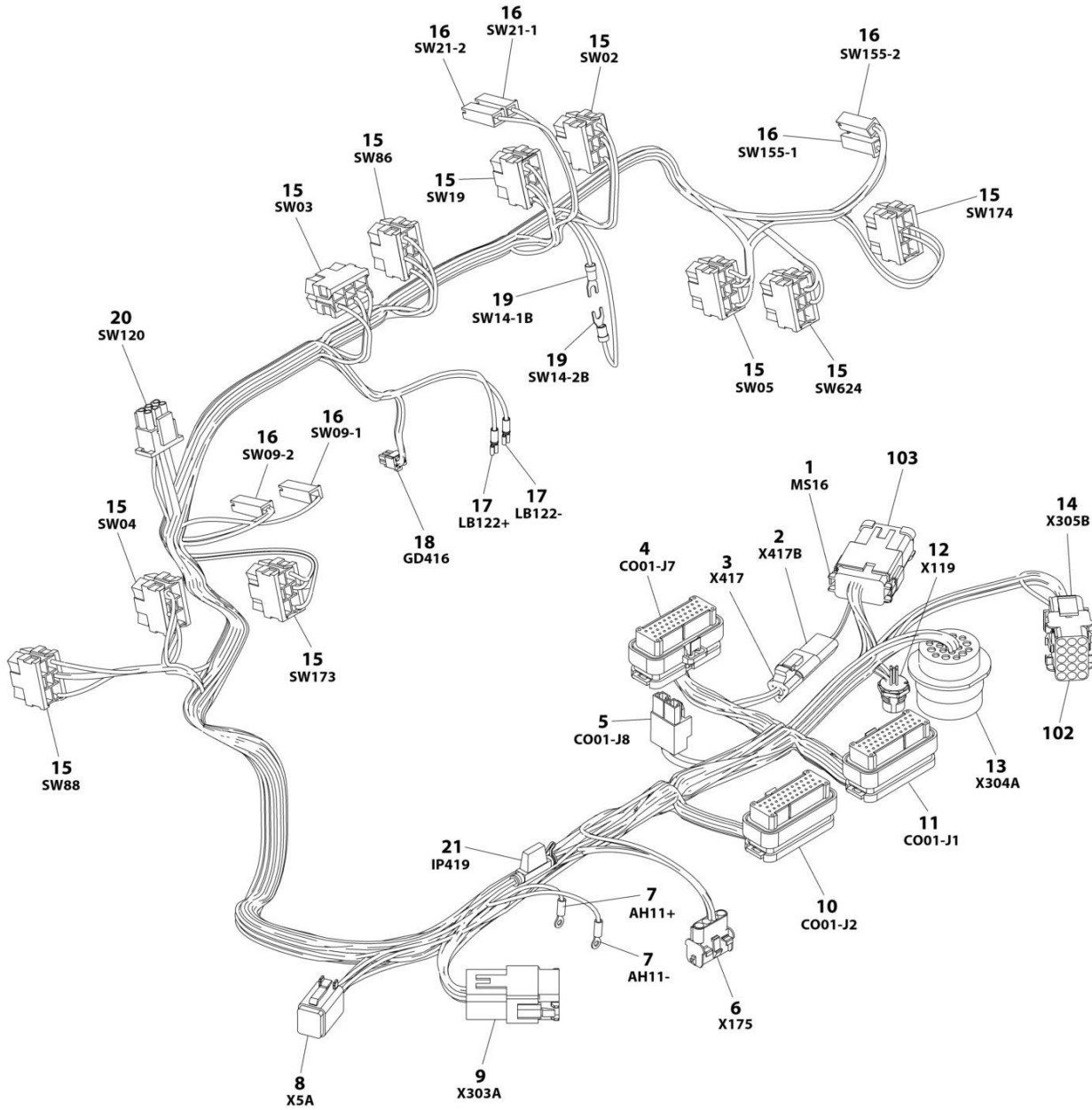
## SECTION 8 - ELECTRICAL

### FIGURE 8-42. INTERFACE HARNESS - WITH 1 CELL LSS

ITEM	PART NUMBER	QTY	DESCRIPTION	REV
	1001225580	Ref	PLATFORM INTERFACE HARNESS - WITH 1 CELL LSS	E
1	4460899	1	Connector	
2	4460464	4	Terminal	
3	4460466	2	Plug	
4	1001186432	2	Connector	
5	1001253375	4	Terminal	
6	1001104519	4	Terminal	
7	4460884	1	Connector	
8	4460465	4	Terminal	

# SECTION 8 - ELECTRICAL

## FIGURE 8-43. PLATFORM CONSOLE BOX HARNESS



ART\_1001238254

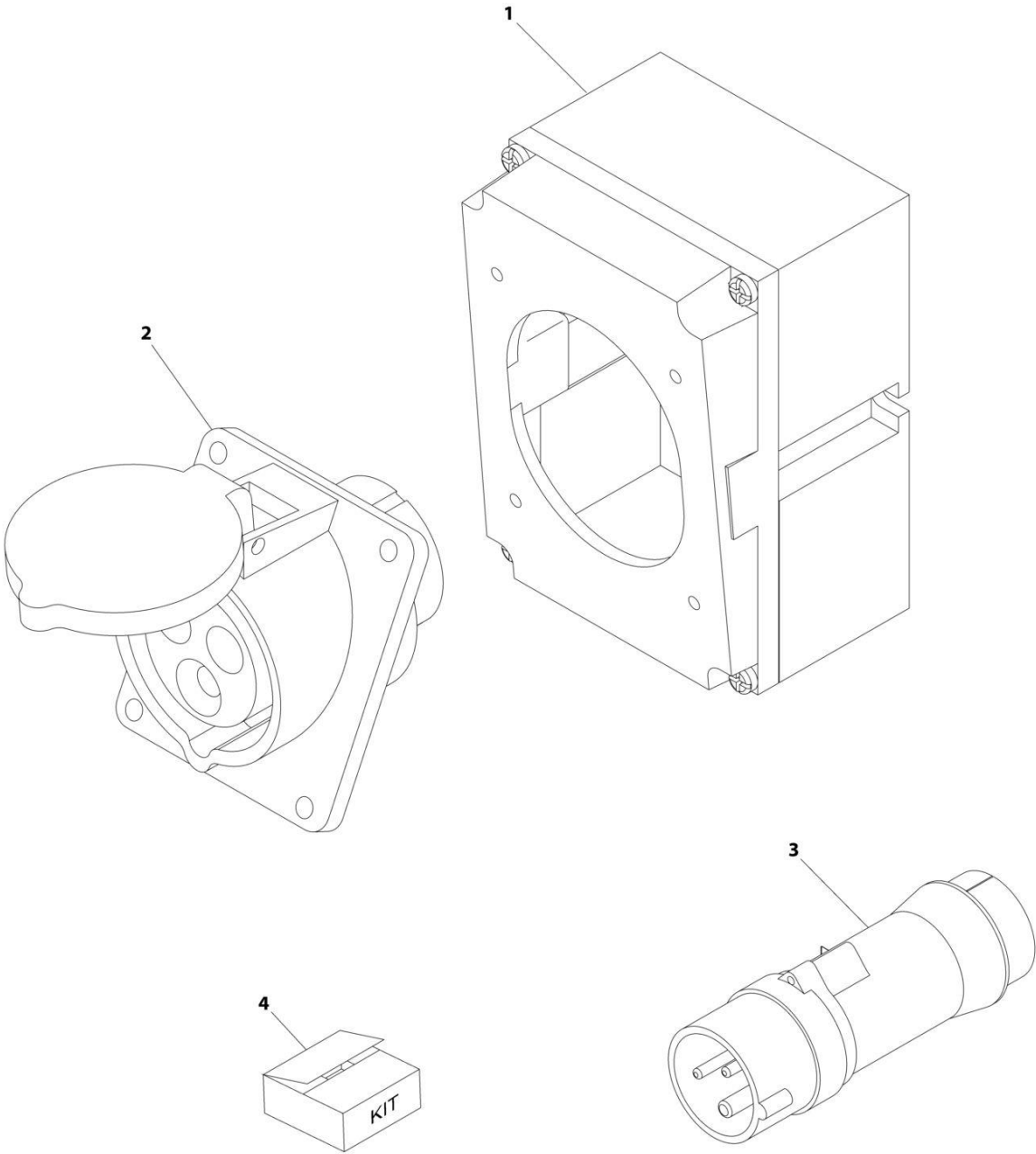
## SECTION 8 - ELECTRICAL

**FIGURE 8-43. PLATFORM CONSOLE BOX HARNESS**

ITEM	PART NUMBER	QTY	DESCRIPTION	REV
	1001238254	Ref	PLATFORM CONSOLE BOX HARNESS	I
1	4460933	1	Plug, Male - 12 Position	
1	4460465	10	Socket, Female	
1	4460466	2	Plug, Terminal	
2	4460536	1	Receptacle, Female - 3 Position	
2	4460464	2	Pin, Male	
2	4460466	1	Plug, Terminal	
3	4460539	1	Plug, Male - 3 Position	
3	4460465	2	Socket, Female	
3	4460466	1	Plug, Terminal	
4	4460873	1	Connector - 35 Position	
4	4460871	21	Socket, Female	
4	4460905	14	Plug, Terminal	
5	4460879	1	Plug, Male - 2 Position	
5	4460887	2	Terminal	
6	4460761	1	Receptacle, Female - 4 Position	
6	4460267	4	Pin, Male	
7	1001098122	2	Terminal, Ring	
8	4460894	1	Plug, Male - 6 Position	
8	4460465	6	Socket, Female	
9	4460970	1	Receptacle, Female - 12 Position	
9	1001116693	11	Pin, Male	
9	4460466	1	Plug, Terminal	
10	4460875	1	Connector - 35 Position	
10	4460871	12	Socket, Female	
10	4460905	23	Plug, Terminal	
11	4460874	1	Connector - 35 Position	
11	4460871	27	Socket, Female	
11	4460905	8	Plug, Terminal	
12	1001213447	1	Connector - 4 Position	
12	See Note	NSS	Terminal (Note: Purchase p/n 1001213447)	
13	4460866	1	Connector - 19 Position	
13	4460464	5	Pin, Male	
13	4460466	11	Plug, Terminal	
13	4460508	1	Pin, Male	
14	4460434	1	Connector - 15 Position	
14	4460267	8	Pin. Male	
15	4460418	10	Connector - 6 Position	
15	4460419	45	Terminal	
16	4460260	6	Housing, Terminal	
16	4460259	8	Terminal	
17	1001271497	2	Terminal	
18	1001237667	1	Plug, Male - 6 Position	
18	1001237668	4	Terminal	
19	4460183	2	Terminal, Fork	
20	4460225	1	Plug, Male - 6 Position	
20	4460227	6	Pin, Male (Note: Used on Pump Potentiometer Connection Only)	
21	2400060	1	Fuse Holder	
102	4460708	1	Connector, Bussbar - 15 Position	
103	1001125677	1	Connector, Bussbar - 12 Position	

**SECTION 8 - ELECTRICAL**

**FIGURE 8-44. RECEPTACLE BOX KIT - 110V IEC YELLOW (CE & UK CA SPEC)**



ART\_0275216

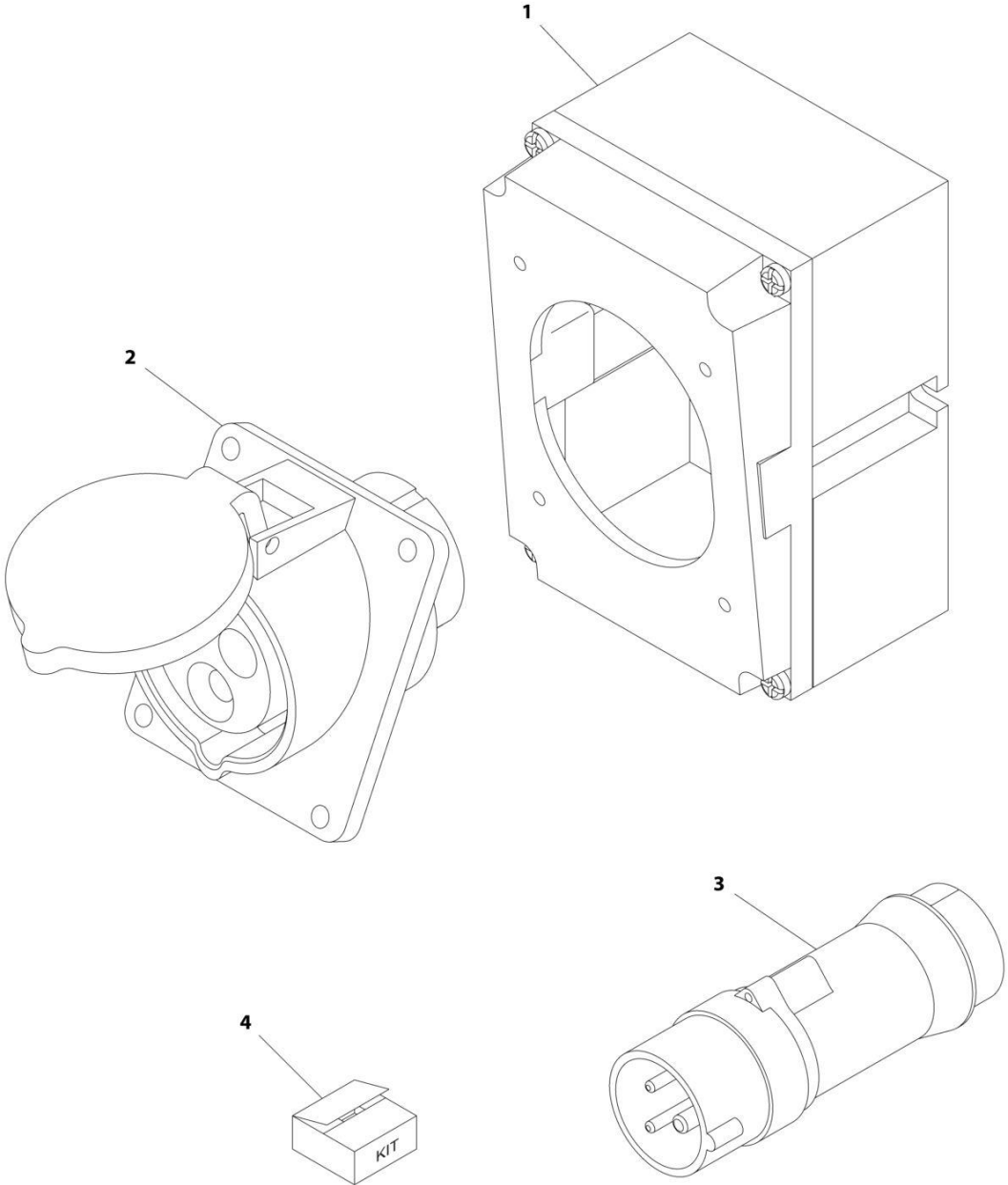
## SECTION 8 - ELECTRICAL

**FIGURE 8-44. RECEPTACLE BOX KIT - 110V IEC YELLOW (CE & UK CA SPEC)**

ITEM	PART NUMBER	QTY	DESCRIPTION	REV
	0275216	Ref	RECEPTACLE BOX KIT - 110V IEC YELLOW	B
1	0861781	1	Box, Switch	
2	4461198	1	Receptacle	
3	4461196	1	Plug, Male	
4	1001100341	1	Plug and Socket Kit (Includes Items 1-3 and Female Plug p/n 4461197)	

**SECTION 8 - ELECTRICAL**

**FIGURE 8-45. RECEPTACLE BOX KIT - 220V IEC BLUE (CE & UK CA SPEC)**



ART\_0275217



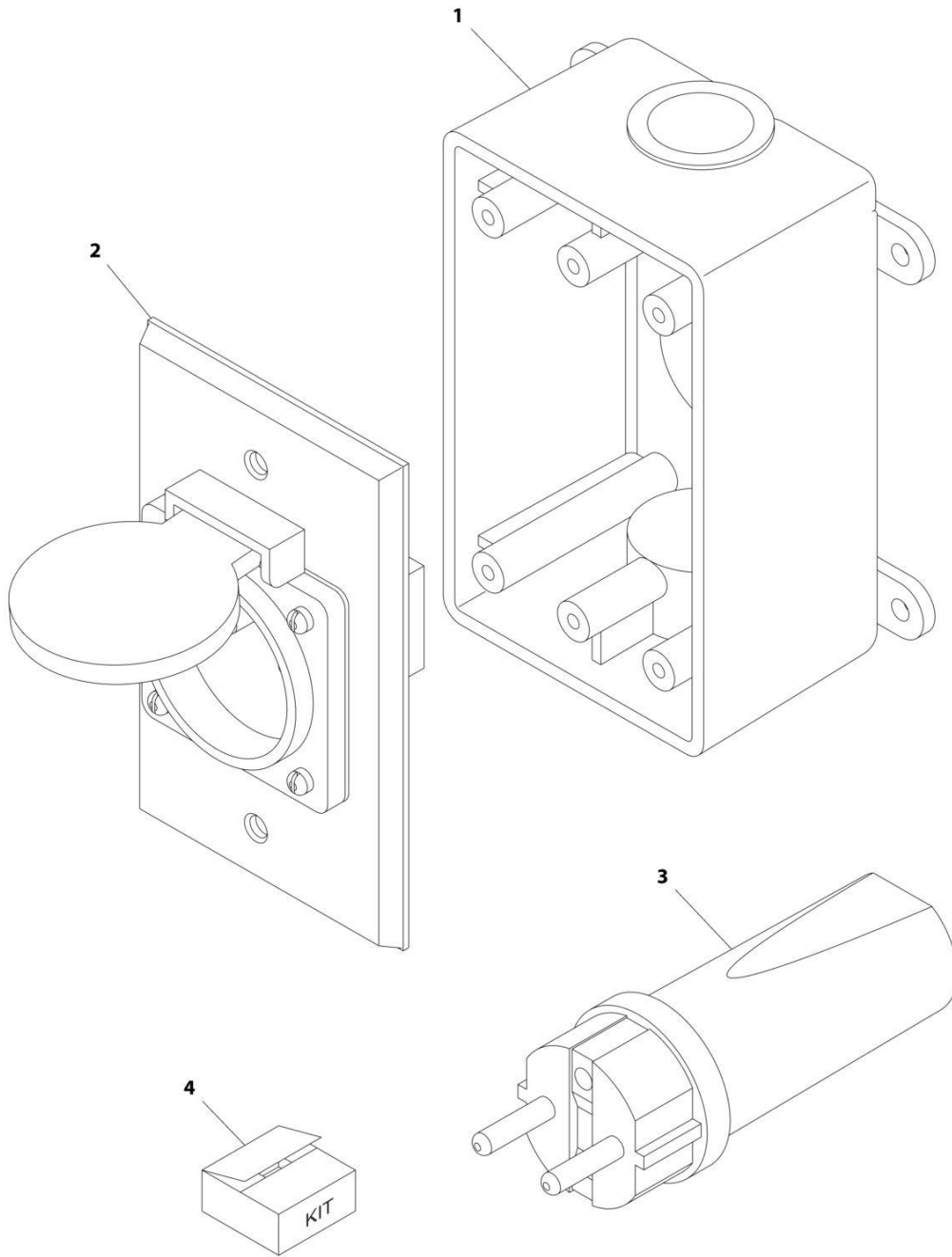
## SECTION 8 - ELECTRICAL

**FIGURE 8-45. RECEPTACLE BOX KIT - 220V IEC BLUE (CE & UK CA SPEC)**

ITEM	PART NUMBER	QTY	DESCRIPTION	REV
	0275217	Ref	RECEPTACLE BOX KIT - 220V IEC BLUE	B
1	0861781	1	Box, Switch	
2	4461201	1	Receptacle	
3	4461199	1	Plug, Male	
4	1001100342	1	Plug and Socket Kit (Includes Items 1-3 and Female Plug p/n 4461200)	

# SECTION 8 - ELECTRICAL

FIGURE 8-46. RECEPTACLE BOX KIT - 220V CEE7 POST GROUND 2IN X 4IN (CE & UK CA SPEC)



ART\_0275452

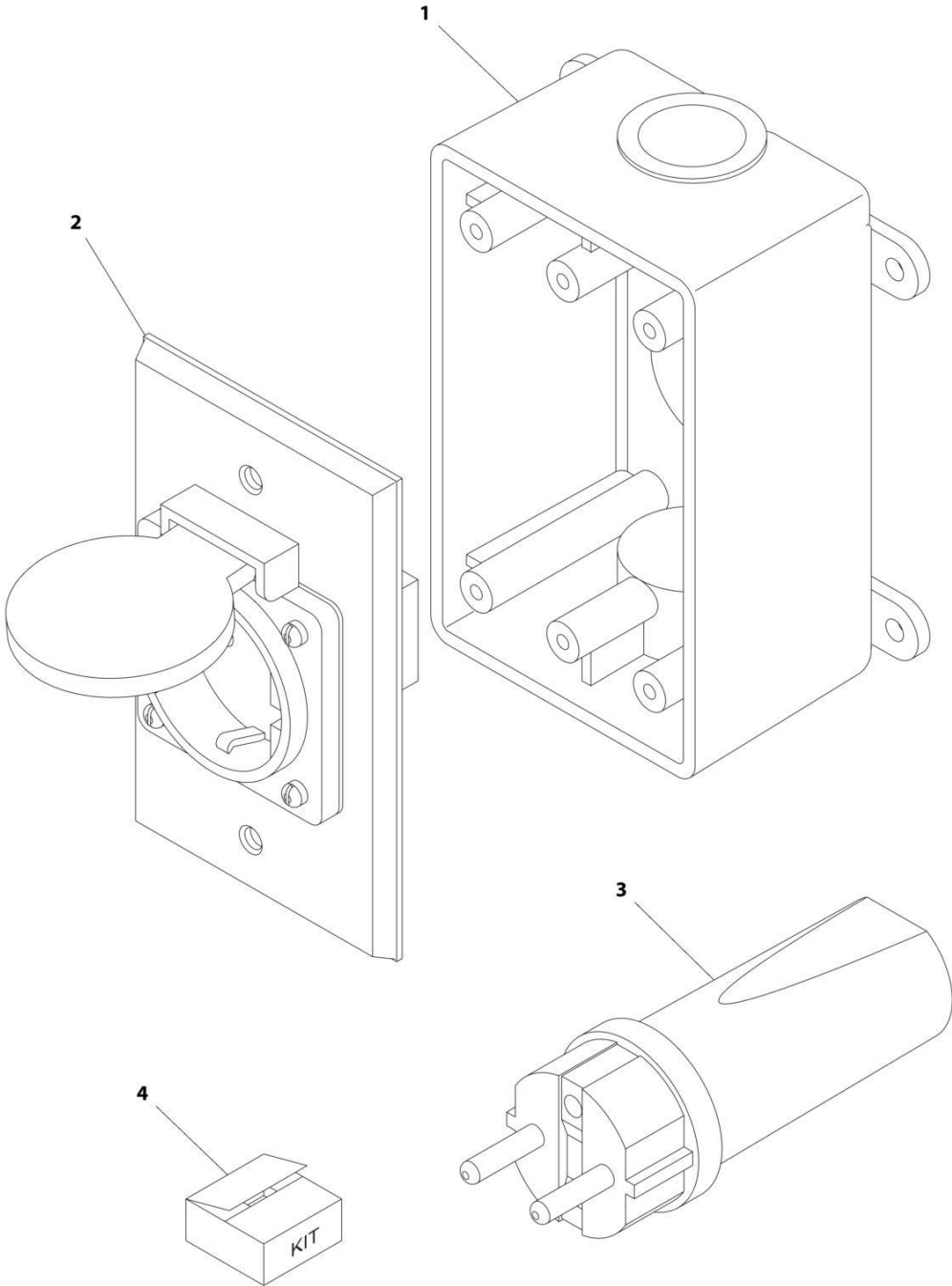
## SECTION 8 - ELECTRICAL

**FIGURE 8-46. RECEPTACLE BOX KIT - 220V CEE7 POST GROUND 2IN X 4IN (CE & UK CA SPEC)**

ITEM	PART NUMBER	QTY	DESCRIPTION	REV
	0275452	Ref	RECEPTACLE BOX KIT - 220V CEE7 POST GROUND	C
1	0861731	1	Box, Switch	
2	4461244	1	Receptacle	
3	4461205	1	Plug, Male	
4	1001100345	1	Plug and Socket Kit (Includes Items 1-3 and Female Plug p/n 4461206)	

**SECTION 8 - ELECTRICAL**

**FIGURE 8-47. RECEPTACLE BOX KIT - 220V CEE7 SIDE GROUND 2IN X 4IN (CE & UK CA SPEC)**



ART\_0275453

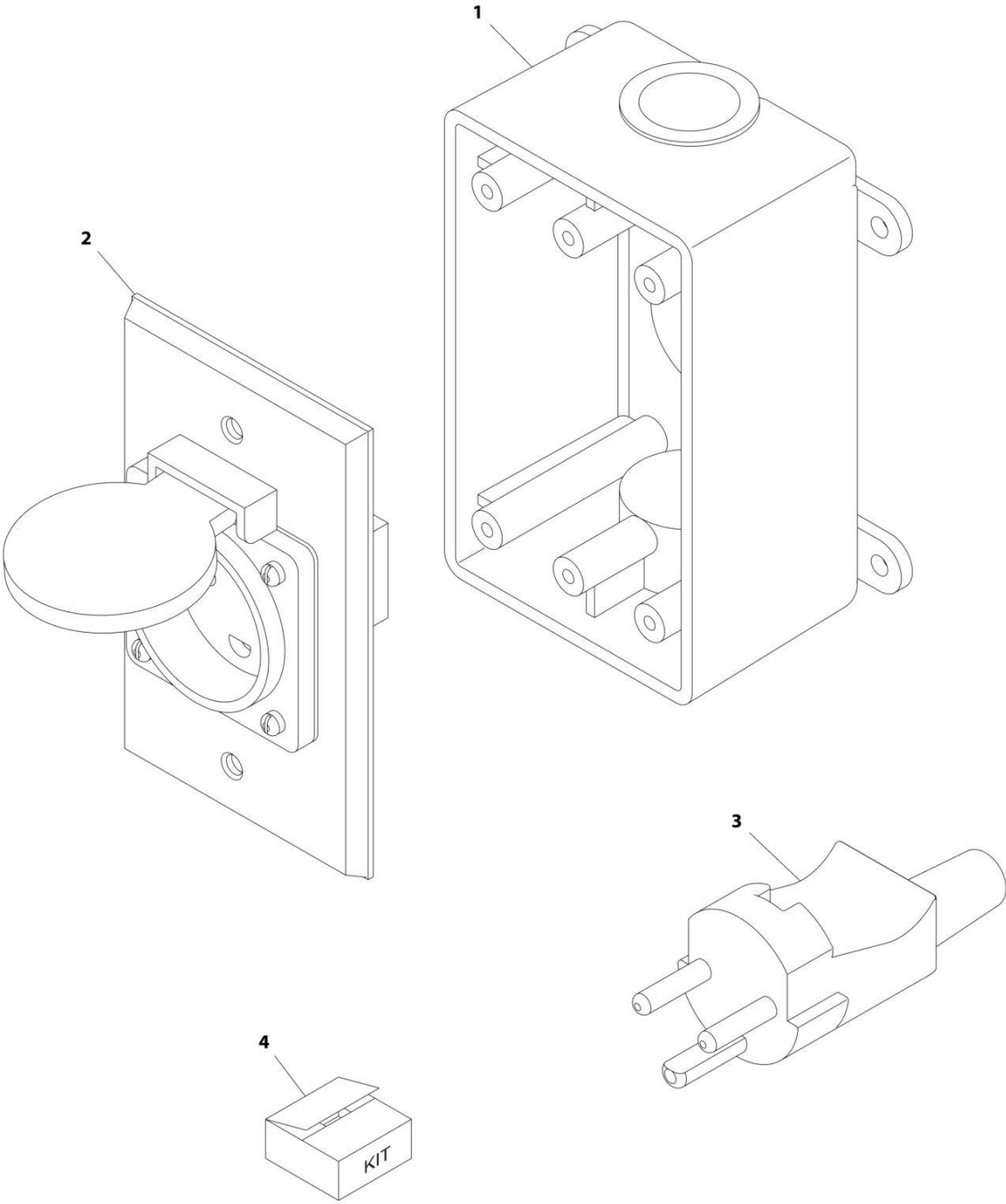
## SECTION 8 - ELECTRICAL

**FIGURE 8-47. RECEPTACLE BOX KIT - 220V CEE7 SIDE GROUND 2IN X 4IN (CE & UK CA SPEC)**

ITEM	PART NUMBER	QTY	DESCRIPTION	REV
	0275453	Ref	RECEPTACLE BOX KIT - 220V CEE7 SIDE GROUND	B
1	0861731	1	Box, Switch	
2	4461245	1	Receptacle	
3	4461205	1	Plug, Male	
4	1001100347	1	Plug and Socket Kit (Includes Items 1-3 and Female Plug p/n 4461206)	

**SECTION 8 - ELECTRICAL**

**FIGURE 8-48. RECEPTACLE BOX KIT - 220V AFSINT 107 (CE & UK CA SPEC)**



ART\_0275454

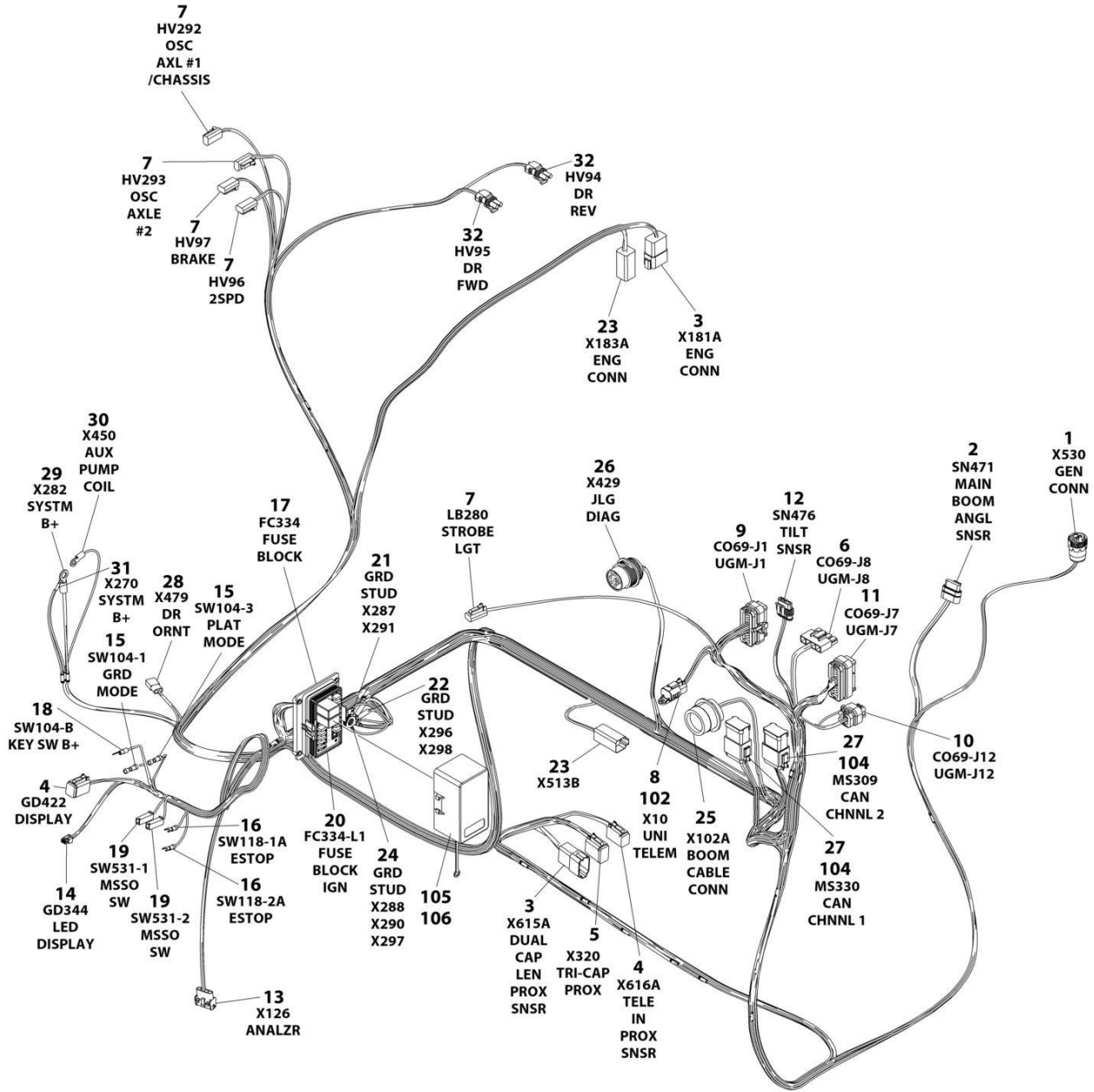
## SECTION 8 - ELECTRICAL

**FIGURE 8-48. RECEPTACLE BOX KIT - 220V AFSINT 107 (CE & UK CA SPEC)**

ITEM	PART NUMBER	QTY	DESCRIPTION	REV
	0275454	Ref	RECEPTACLE BOX KIT - 220V AFSINT 107	B
1	0861731	1	Box, Switch	
2	4461246	1	Receptacle	
3	4461249	1	Plug, Male	
4	1001100346	1	Plug and Socket Kit (Includes Items 1-3 and Female Plug p/n 4461250)	

# SECTION 8 - ELECTRICAL

## FIGURE 8-49. TURNTABLE HARNESS



ART\_1001237849



## SECTION 8 - ELECTRICAL

### FIGURE 8-49. TURNTABLE HARNESS

ITEM	PART NUMBER	QTY	DESCRIPTION	REV
	1001237849	Ref	TURNTABLE HARNESS	G
1	4460967	1	Connector - 3 Position	
1	4460465	3	Socket, Female	
2	1001230931	1	Plug, Male - 6 Position	
2	1001116748	6	Terminal, Female	
3	4460931	2	Receptacle, Female - 8 Position	
3	4460464	11	Pin, Male	
3	4460466	5	Plug, Terminal	
4	4460894	2	Plug, Male - 6 Position	
4	4460465	10	Socket, Female	
4	4460466	2	Plug, Terminal	
5	4460930	1	Plug, Male - 8 Position	
5	4460465	6	Socket, Female	
5	4460466	2	Plug, Terminal	
6	4460878	1	Plug, Male - 4 Position	
6	4460887	AR	Terminal	
7	4460891	5	Plug, Male - 2 Position	
7	4460465	10	Socket, Female	
8	4460884	1	Plug, Male - 4 Position	
8	4460465	4	Socket, Female	
9	4460874	1	Connector - 35 Position	
9	4460871	22	Socket, Female	
9	4460905	13	Plug, Terminal	
10	1001113961	1	Plug, Male - 8 Position	
10	4460871	5	Socket, Female	
10	4460905	3	Plug, Terminal	
11	4460873	1	Connector - 35 Position	
11	4460871	35	Socket, Female	
11	4460905	10	Plug, Terminal	
12	1001103012	1	Plug, Male - 4 Position	
12	1001107854	2	Socket, Female	
12	1001196589	2	Terminal	
12	1001116763	AR	Seal, Red	
12	1001104498	4	Seal, Yellow	
13	1001119032	1	Receptacle, Female - 4 Position	
13	1001118378	4	Pin, Male	
14	1001237667	1	Plug, Male - 6 Position	
14	1001237668	5	Terminal	
15	4460042	2	Terminal, Fork	
16	4460183	2	Terminal, Fork	
17	1001196602	1	Fuse Box Assembly	
17	8220098	AR	Terminal	
17	1001116725	6	Terminal	
17	8220097	18	Terminal	
17	4460748	10	Plug, Terminal	
17	4460458	AR	Seal	
17	80963067	6	Seal (for 1001116725 Terminal)	
17	1001196636	2	Connector with Diode	
17	8229244	3	Fuse 15Amp	
17	8229242	6	Fuse 5Amp	

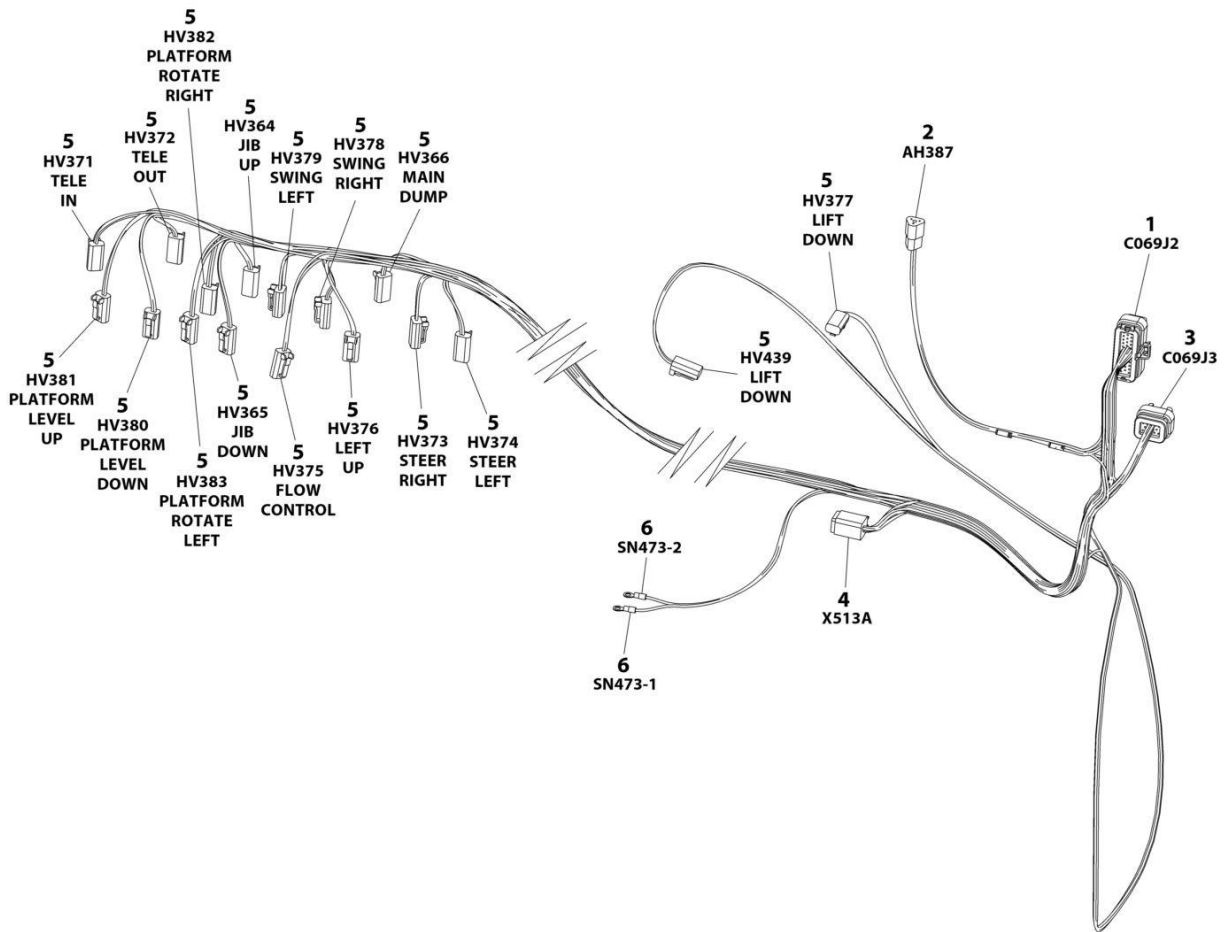
## SECTION 8 - ELECTRICAL

ITEM	PART NUMBER	QTY	DESCRIPTION	REV
17	1001196634	2	Fuse - 2 Amp	
17	1001095704	2	Relay 35Amp	
18	4460313	1	Terminal, Fork	
19	4460260	2	Housing, Terminal	
19	4460259	2	Terminal	
20	1001117106	1	Terminal, Ring	
21	1001187078	2	Terminal, Ring	
22	1001117110	2	Terminal, Ring	
23	4460899	2	Connector - 6 Position	
23	4460464	7	Pin, Male	
23	4460466	5	Plug, Terminal	
24	1001187077	3	Terminal, Ring	
25	4460866	1	Connector - 19 Position	
25	4460464	6	Pin, Male	
25	4460508	2	Pin, Male	
25	4460466	11	Plug, Terminal	
26	1001112612	1	Connector - 9 Position	
26	4460464	5	Pin, Male	
26	4460466	4	Plug, Terminal	
27	4460933	2	Plug, Male - 12 Position	
27	4460465	16	Socket, Female	
27	4460466	8	Plug, Terminal	
27	1001119020	2	Bussbar - 12 Position	
28	4460424	1	Plug, Male - 2 Position	
28	4460226	2	Socket, Female	
29	8220045	1	Terminal, Ring	
30	4460702	1	Terminal, Ring	
31	4460703	1	Terminal, Ring	
32	4460742	2	Plug, Male - 2 Position	
32	4460743	1	Socket, Female	
32	4460458	4	Seal	
102	1001192401	1	Cap, Dust	
104	1001125677	2	Bussbar - 12 Position	
105	1001196604	1	Cover, Fuse Box	
106	1001190921	1	Seal, Cover	



# SECTION 8 - ELECTRICAL

## FIGURE 8-50. VALVE HARNESS - MAIN VALVE



ART\_1001238160

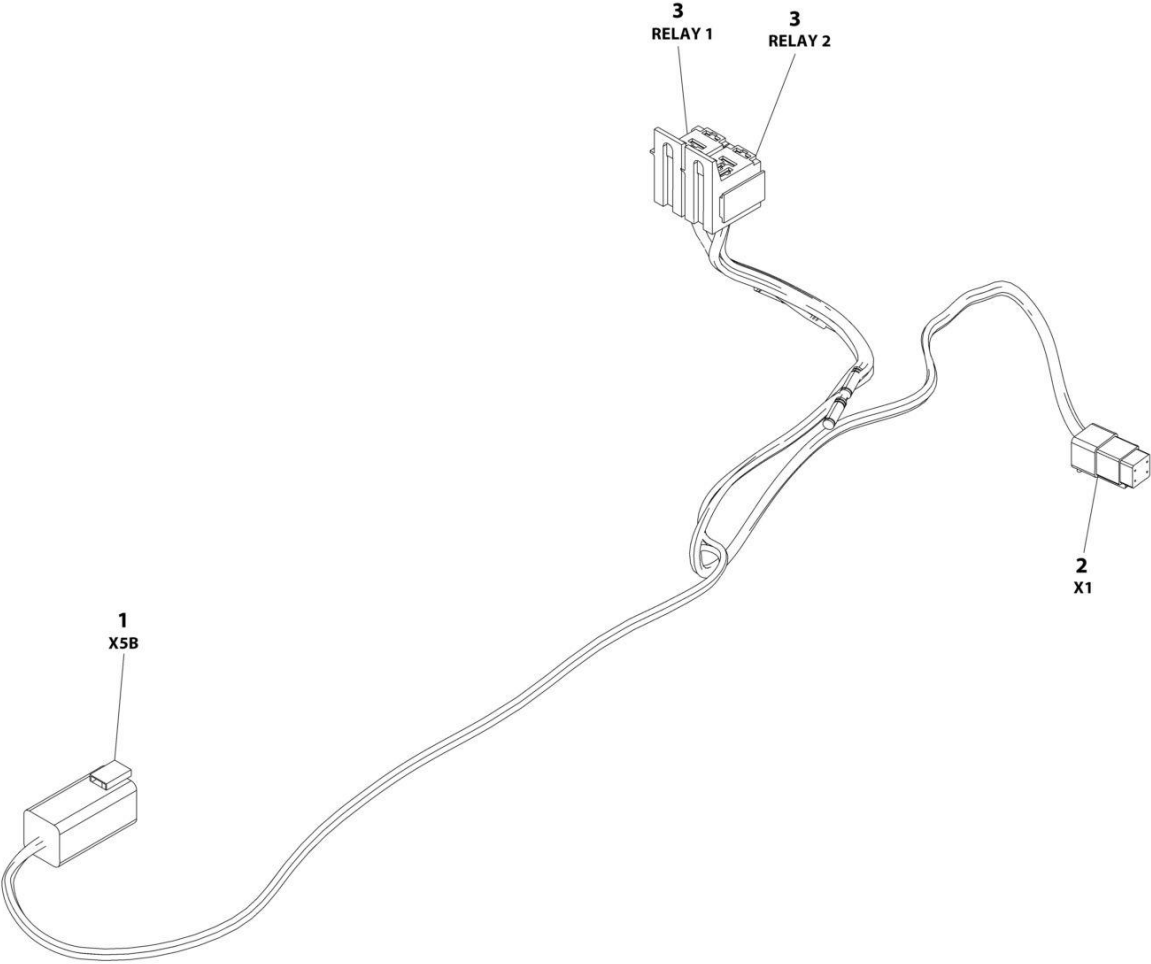
## SECTION 8 - ELECTRICAL

**FIGURE 8-50. VALVE HARNESS - MAIN VALVE**

ITEM	PART NUMBER	QTY	DESCRIPTION	REV
	1001238160	Ref	VALVE HARNESS - MAIN VALVE	C
1	4460875	1	Connector - 35 Position	
1	4460871	27	Socket, Female	
1	4460905	8	Plug, Terminal	
2	4460539	1	Plug, Male - 3 Position	
2	4460465	3	Socket, Female	
3	4460872	1	Connector - 14 Position	
3	4460871	8	Socket, Female	
3	4460905	6	Plug, Terminal	
4	4460894	1	Plug, Male - 6 Position	
4	4460465	5	Socket, Female	
4	4460466	1	Plug, Terminal	
5	4460891	17	Plug, Male - 2 Position	
5	4460465	34	Socket, Female	
6	4460313	2	Terminal, Ring	

**SECTION 8 - ELECTRICAL**

**FIGURE 8-51. SKYLINE HARNESS**



ART\_1001238418

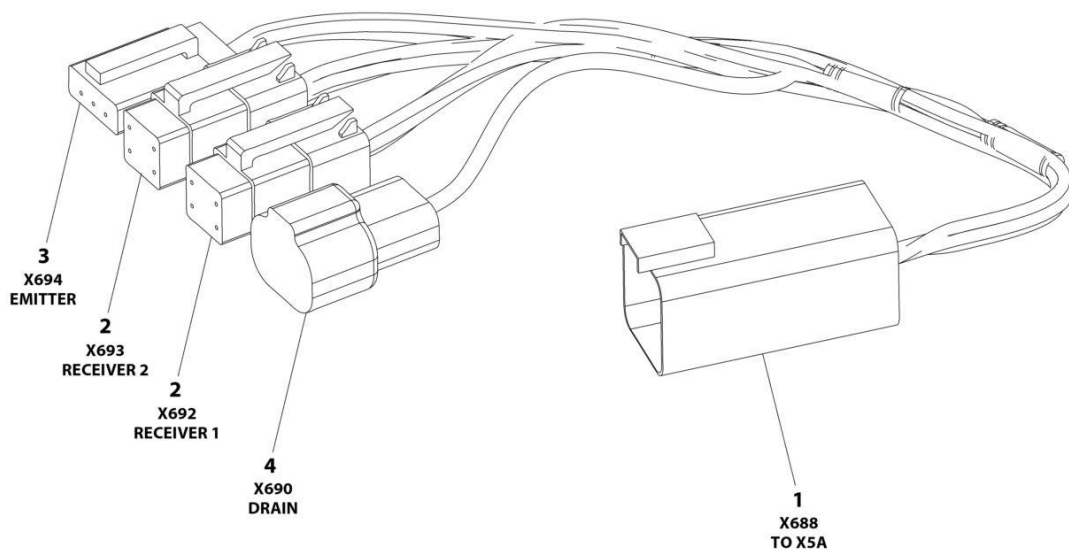
## SECTION 8 - ELECTRICAL

### FIGURE 8-51. SKYLINE HARNESS

ITEM	PART NUMBER	QTY	DESCRIPTION	REV
	1001238418	Ref	SKYLINE HARNESS	B
1	4460899	1	Connector - 6 Position	
1	4460464	4	Pin, Male	
1	4460466	2	Plug, Terminal	
2	4461077	1	Connector - 4 Position	
2	1001126009	4	Socket, Female	
3	1001186432	2	Plug, Relay	
3	1001118388	5	Terminal	
3	1001118384	3	Terminal	
3	3740086	2	Relay	

# SECTION 8 - ELECTRICAL

## FIGURE 8-52. SKYEYE INTERMEDIATE HARNESS



ART\_1001237865



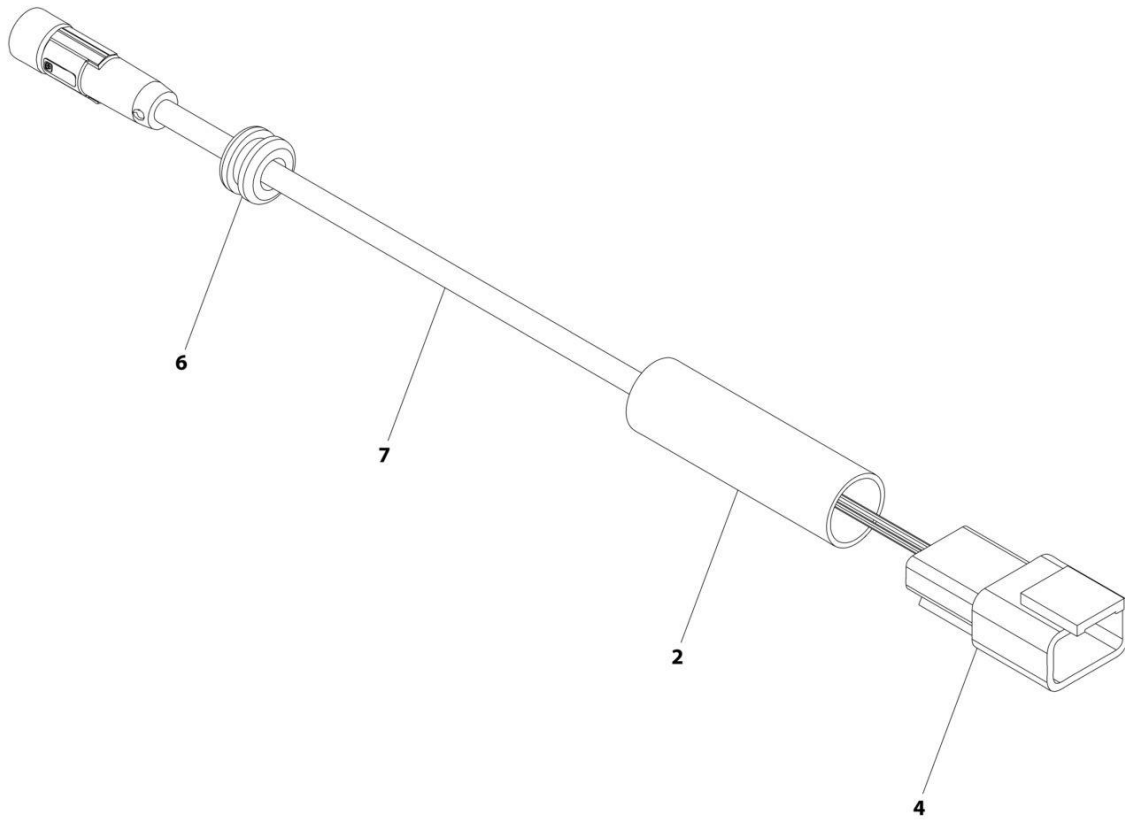
## SECTION 8 - ELECTRICAL

### FIGURE 8-52. SKYEYE INTERMEDIATE HARNESS

ITEM	PART NUMBER	QTY	DESCRIPTION	REV
	1001237865	Ref	SKYEYE INTERMEDIATE HARNESS	A
1	4460899	1	Connector - 6 Position	
1	4460943	4	Pin, Male	
1	4460466	2	Plug, Terminal	
2	4461077	2	Connector - 4 Position	
2	1001119619	8	Socket, Female	
3	4460911	1	Connector - 3 Position	
3	1001119619	3	Socket, Female	
4	1001187681	1	Connector - 2 Position	
4	4460941	1	Pin, Male	
4	4460466	1	Plug, Terminal	

# SECTION 8 - ELECTRICAL

## FIGURE 8-53. SKYEYE RECEIVER HARNESS



ART\_1001237863\_B

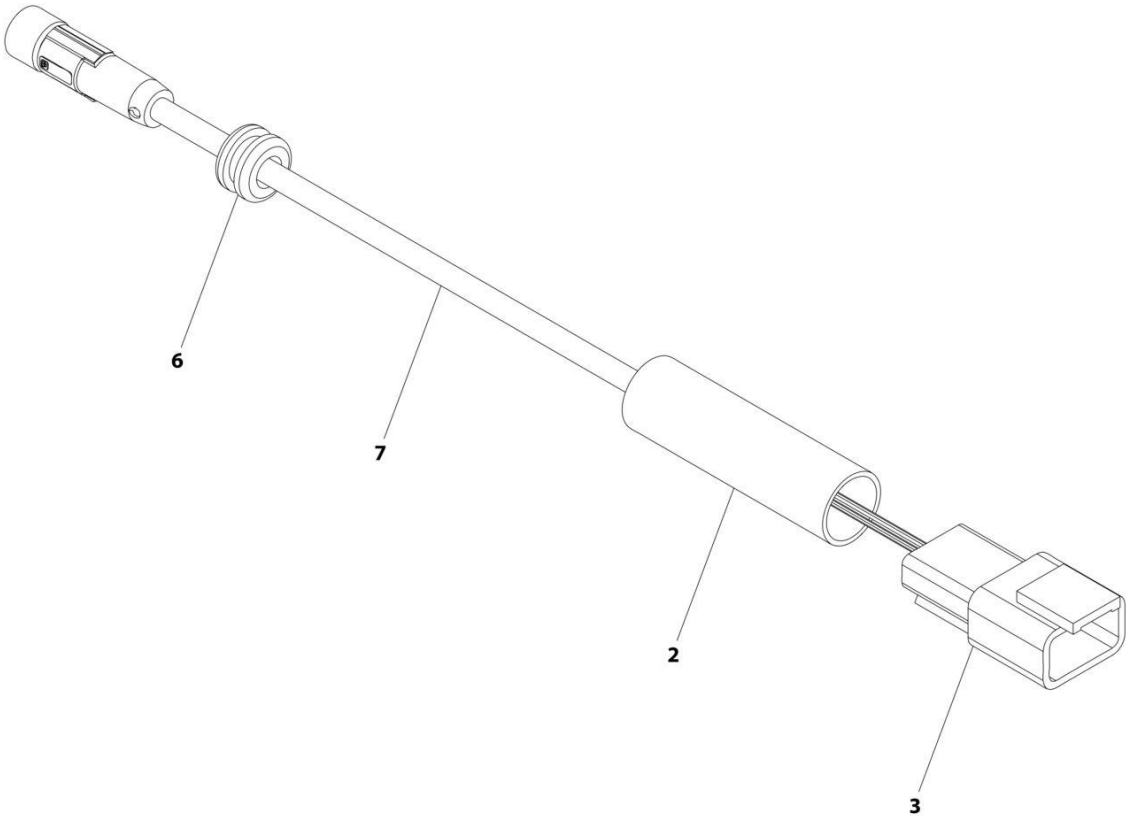
## SECTION 8 - ELECTRICAL

### FIGURE 8-53. SKYEYE RECEIVER HARNESS

ITEM	PART NUMBER	QTY	DESCRIPTION	REV
	1001237863	Ref	SKYEYE RECEIVER HARNESS	B
2	2820247	AR	Tubing, Heat Shrink	
4	1001097051	1	Connector - 4 Position	
4	1001119620	4	Pin, Male	
6	1001227996	1	Grommet	
7	1001258495	1	Cable, M8 Female Cordset	

**SECTION 8 - ELECTRICAL**

**FIGURE 8-54. SKYEYE EMITTER HARNESS**



ART\_1001237864\_B

## SECTION 8 - ELECTRICAL

### FIGURE 8-54. SKYEYE EMITTER HARNESS

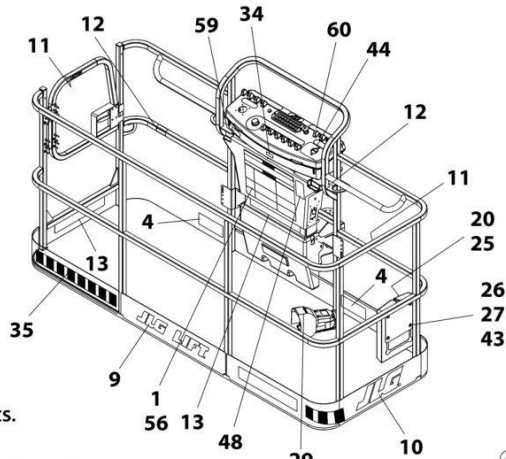
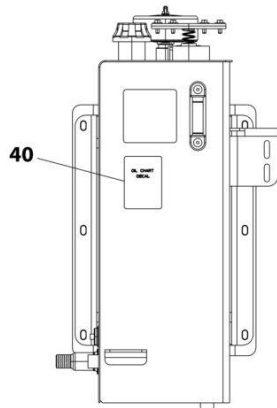
ITEM	PART NUMBER	QTY	DESCRIPTION	REV
	1001237864	Ref	SKYEYE EMITTER HARNESS	B
2	2820247	AR	Tubing, Heat Shrink	
3	4460910	1	Connector - 3 Position	
3	1001119620	3	Pin, Male	
6	1001227996	1	Grommet	
7	1001258495	1	Cable, M8 Female Cordset	



**SECTION 9 - DECAL**

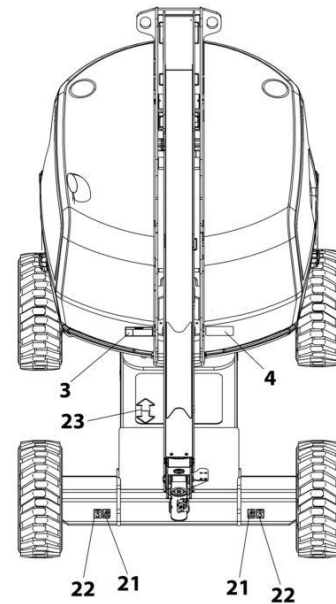
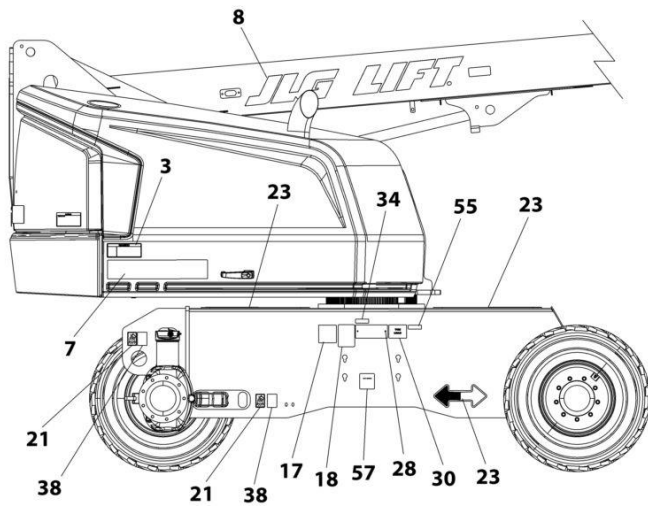
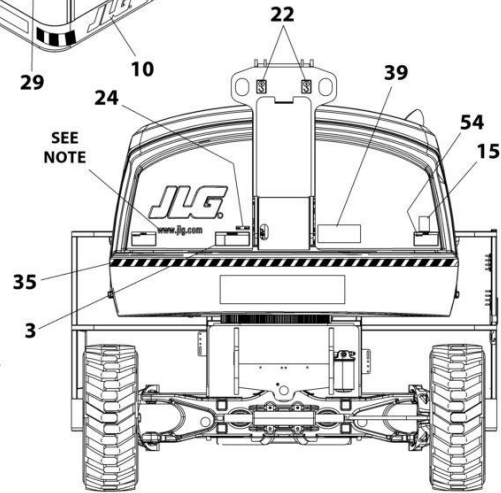
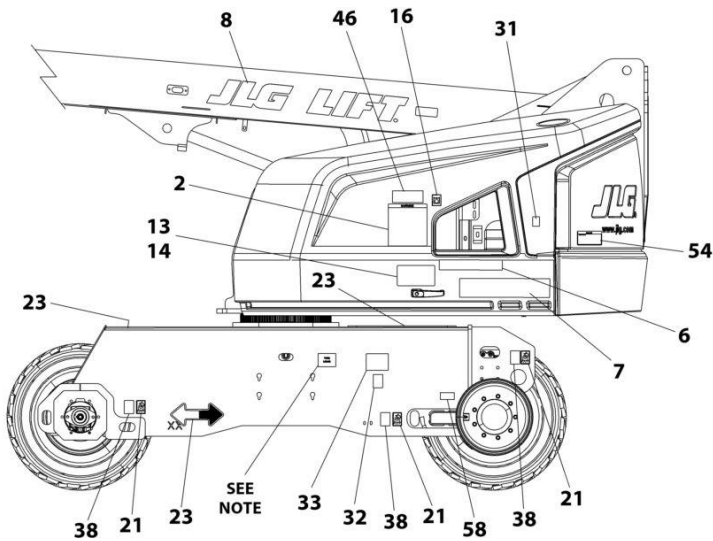
# SECTION 9 - DECAL

FIGURE 9-1. DECAL INSTALLATION - ANSI, ANSI EXPORT AND CSA SPECS - ENGLISH (400S)



NOTE: ITEMS SHOWN MAY NOT BE REQUIRED FOR ALL SPECS. REFER TO PART LIST FOR USAGE.

NOTE: ADDITIONAL DECALS ARE CALLED OUT ON DECALS INSTALLATION - OPTIONS.



ART\_1001242538



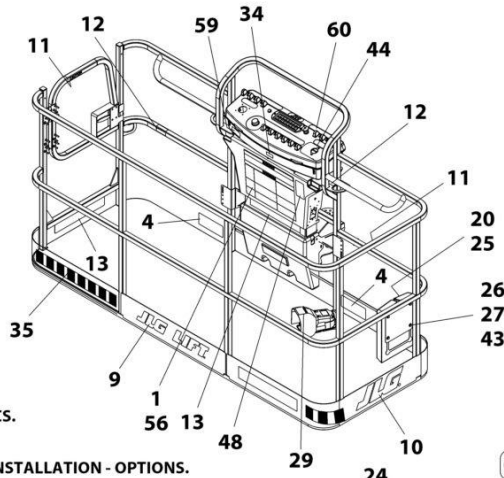
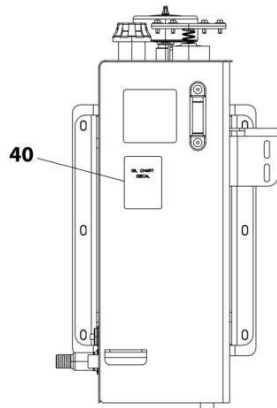
**SECTION 9 - DECAL**

**FIGURE 9-1. DECAL INSTALLATION - ANSI, ANSI EXPORT AND CSA SPECS - ENGLISH (400S)**

ITEM	PART NUMBER	QTY	DESCRIPTION	REV
	1001250764	Ref	DECAL INSTALLATION - REFERENCE CHART	J
	1001242538	Ref	DECAL INSTALLATION - ENGLISH	E
1	1703797	1	Decal - Danger/Warning (Platform)	
2	1703798	1	Decal - Danger/Warning (Ground Control)	
3	1703805	4	Decal - Danger/Electrocution	
4	1703804	4	Decal - Warning Crushing	
11	1702868	2	Decal - No Hands	
13	1001254665	1	Decal - Capacity (Platform)	
14	1001254666	1	Decal - Capacity (Ground Control)	
16	1701504	1	Decal - Hydraulic Oil	
17	See Note	NSS	Decal - Bar Code (Note: Not Available for Purchase)	
18	1001131269	1	Decal - Patent	
20	1701509	1	Decal - Manual	
21	1702300	8	Decal - Tie Down	
22	1701500	4	Decal - Lift	
23	1701529	4	Decal - Arrow	
24	3251243	1	Nameplate - 120V-60Hz	
25	0860520	1	Box, Manual Storage	
26	4751400	4	Washer, 1/4	
27	3311405	4	Nut, Lock 1/4	
28	3820001	2	Rivet	
29	3252347	1	Decal - Footswitch	
38	1701499	6	Decal - No Lift	
40	1704412	1	Decal - Hydraulic Oil Chart	
43	0641406	4	Bolt, 1/4 x 3/4	
44	1705351	1	Decal - Drive/Steer Instructions	
54	1703953	2	Decal - Warning Crushing	
57	1001223055	1	Decal - Yearly Inspection	
58	1001223453	1	Decal - ICES	

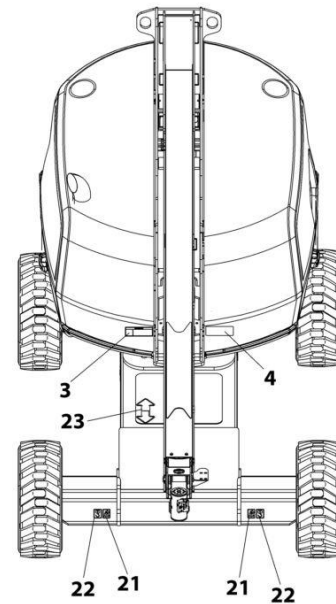
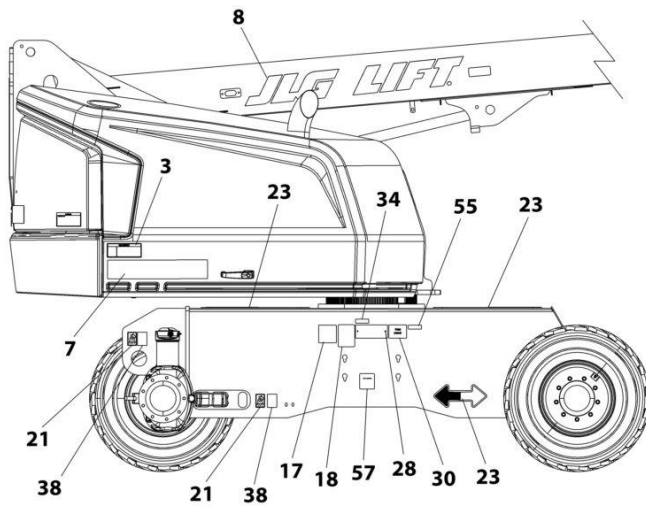
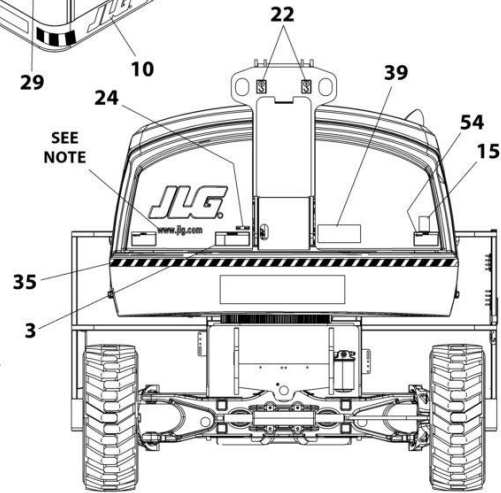
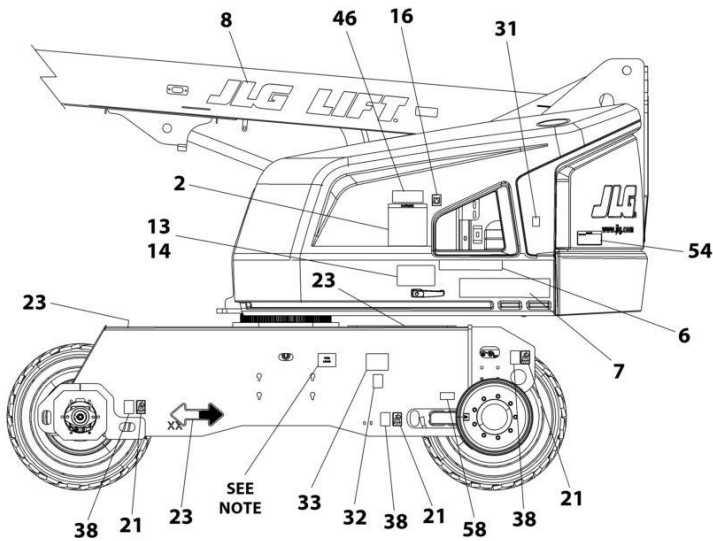
# SECTION 9 - DECAL

## FIGURE 9-2. DECAL INSTALLATION - ANSI, ANSI EXPORT AND CSA SPECS - ENGLISH (460SJ)



NOTE: ITEMS SHOWN MAY NOT BE REQUIRED FOR ALL SPECS. REFER TO PART LIST FOR USAGE.

NOTE: ADDITIONAL DECALS ARE CALLED OUT ON DECALS INSTALLATION - OPTIONS.



ART\_1001242559

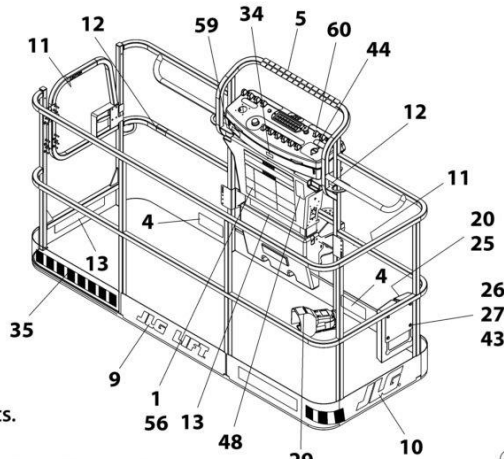
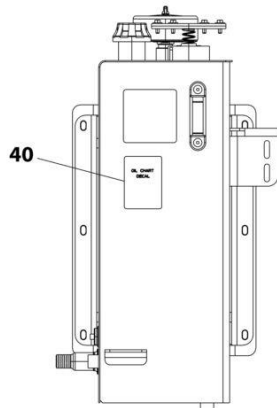
**SECTION 9 - DECAL**

**FIGURE 9-2. DECAL INSTALLATION - ANSI, ANSI EXPORT AND CSA SPECS - ENGLISH (460SJ)**

ITEM	PART NUMBER	QTY	DESCRIPTION	REV
	1001250764	Ref	DECAL INSTALLATION - REFERENCE CHART	J
	1001242559	Ref	DECAL INSTALLATION - ENGLISH	E
1	1703797	1	Decal - Danger/Warning (Platform)	
2	1703798	1	Decal - Danger/Warning (Ground Control)	
3	1703805	3	Decal - Danger/Electrocution	
4	1703804	3	Decal - Warning Crushing	
11	1702868	2	Decal - No Hands	
13	1001254750	2	Decal - Warning Dual Capacity (ANSI)	
16	1701504	1	Decal - Hydraulic Oil	
17	See Note	NSS	Decal - Bar Code (Note: Not Available for Purchase)	
18	1001131269	1	Decal - Patent	
20	1701509	1	Decal - Manual	
21	1702300	8	Decal - Tie Down	
22	1701500	4	Decal - Lift	
23	1701529	4	Decal - Arrow	
24	3251243	1	Nameplate - 120V-60Hz	
25	0860520	1	Box, Manual Storage	
26	4751400	4	Washer, 1/4	
27	3311405	4	Nut, Lock 1/4	
28	3820001	2	Rivet	
29	3252347	1	Decal - Footswitch	
38	1701499	6	Decal - No Lift	
40	1704412	1	Decal - Hydraulic Oil Chart	
43	0641406	4	Bolt, 1/4 x 3/4	
44	1705351	1	Decal - Drive/Steer Instructions	
54	1703953	2	Decal - Warning Crushing	
57	1001223055	1	Decal - Yearly Inspection	
58	1001223453	1	Decal - ICES	

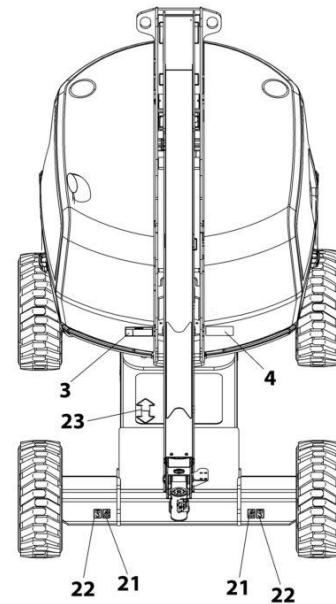
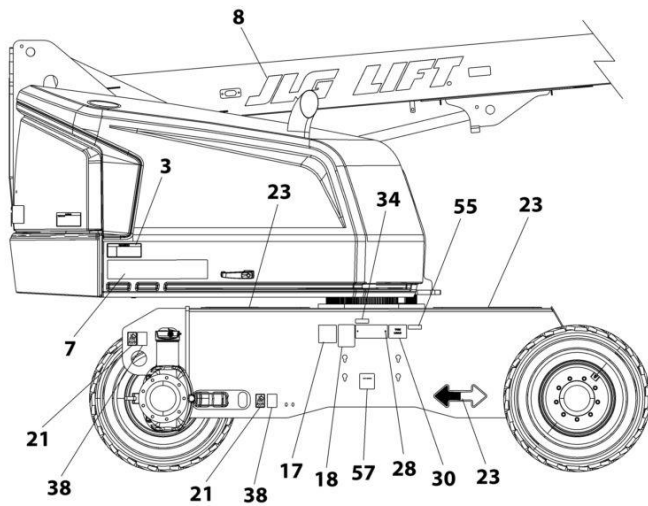
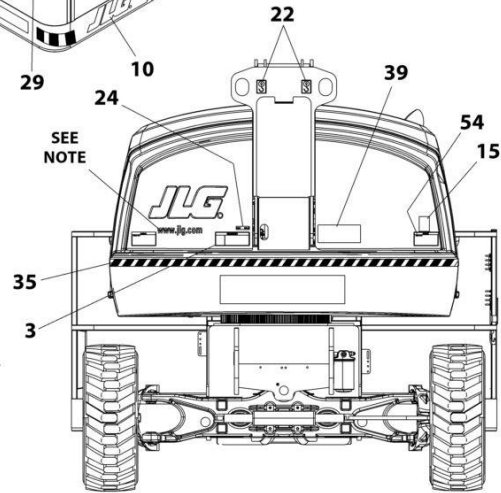
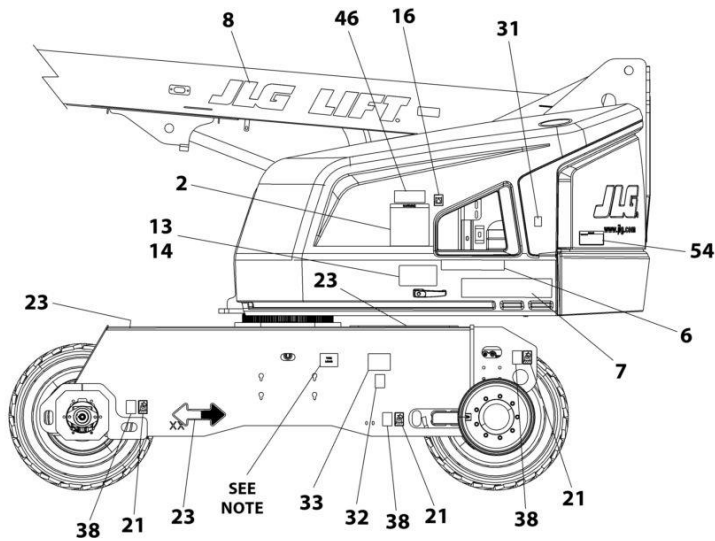
# SECTION 9 - DECAL

## FIGURE 9-3. DECAL INSTALLATION - AUSTRALIAN SPEC (460SJ)



NOTE: ITEMS SHOWN MAY NOT BE REQUIRED FOR ALL SPECS. REFER TO PART LIST FOR USAGE.

NOTE: ADDITIONAL DECALS ARE CALLED OUT ON DECALS INSTALLATION - OPTIONS.



ART\_1001171382

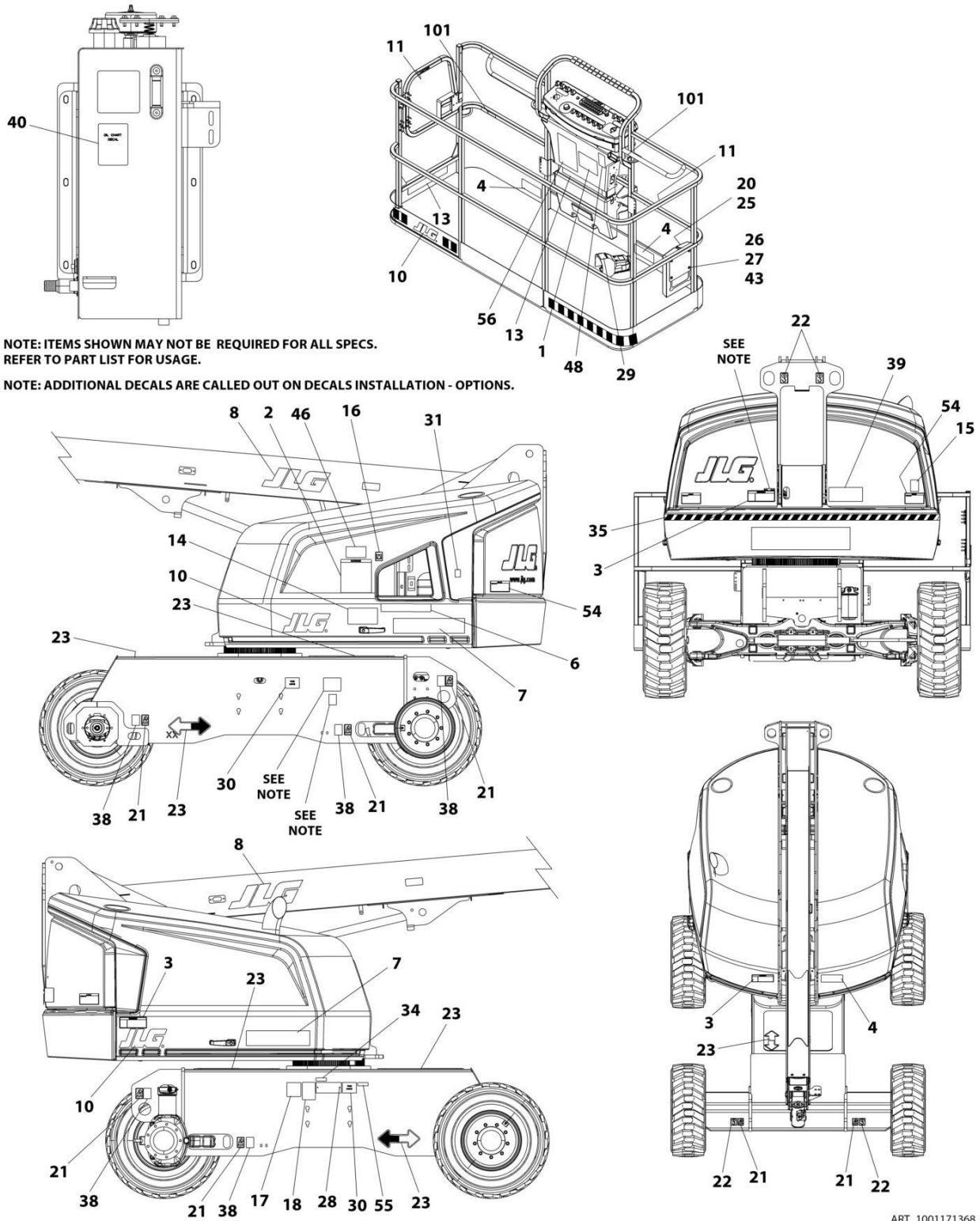
**SECTION 9 - DECAL**

**FIGURE 9-3. DECAL INSTALLATION - AUSTRALIAN SPEC (460SJ)**

ITEM	PART NUMBER	QTY	DESCRIPTION	REV
	1001250764	Ref	DECAL INSTALLATION - REFERENCE CHART	J
	1001171382	Ref	DECAL INSTALLATION - AUSTRALIAN SPEC	H
1	1705921	1	Decal - Tipping/Electrocution (Platform)	
2	1705822	1	Decal - Electrocution/Safety Manual	
3	1705961	3	Decal - Electrocution	
13	1001171339	3	Decal - Capacity (Platform)	
15	1001204510	1	Decal - Sound Power Level	
16	1701504	1	Decal - Hydraulic Oil	
17	See Note	NSS	Decal - Bar Code (Note: Not Available for Purchase)	
20	1701509	1	Decal - Manual	
21	1702300	8	Decal - Tie Down	
22	1701500	4	Decal - Lift	
23	1701529	4	Decal - Arrow	
25	0860520	1	Box, Manual Storage	
26	4751400	4	Washer, 1/4	
27	3311405	4	Nut, Lock 1/4	
28	3820001	2	Rivet	
29	1705828	1	Decal - Footswitch	
38	1701499	6	Decal - No Lift	
40	1704412	1	Decal - Hydraulic Oil Chart	
43	0641406	4	Bolt, 1/4 x 3/4	
46	1001112551	1	Decal - Emergency Controls	
54	1701518	5	Decal - Warning Crushing	

# SECTION 9 - DECAL

## FIGURE 9-4. DECAL INSTALLATION - CE & UK CA SPEC (460SJ)



NOTE: ITEMS SHOWN MAY NOT BE REQUIRED FOR ALL SPECS. REFER TO PART LIST FOR USAGE.

NOTE: ADDITIONAL DECALS ARE CALLED OUT ON DECALS INSTALLATION - OPTIONS.

ART\_1001171368

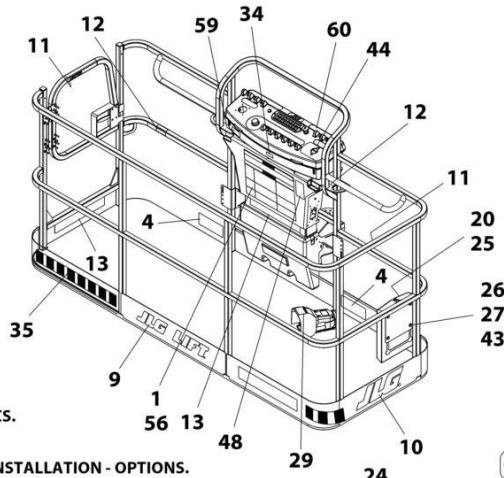
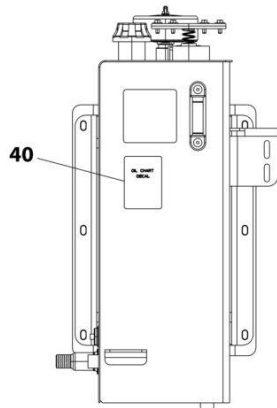
**SECTION 9 - DECAL**

**FIGURE 9-4. DECAL INSTALLATION - CE & UK CA SPEC (460SJ)**

ITEM	PART NUMBER	QTY	DESCRIPTION	REV
	1001217488	Ref	DECAL INSTALLATION - REFERENCE CHART (TURNTABLE)	F
	1001171368	Ref	DECAL INSTALLATION - CE & UK CA SPEC	L
1	1705921	1	Decal - Tipping/Electrocution (Platform)	
2	1705822	1	Decal - Electrocution/Safety Manual	
3	1705961	3	Decal - Electrocution	
8	1001159323	1	Decal - JLG 8 in Black	
10	1702773	1	Decal - JLG 5	
13	1001171339	2	Decal - Capacity (Platform)	
16	1701504	1	Decal - Hydraulic Oil	
17	See Note	NSS	Decal - Bar Code (Note: Not Available for Purchase)	
20	1701509	1	Decal - Manual	
21	1702300	8	Decal - Tie Down	
22	1701500	4	Decal - Lift	
23	1701529	4	Decal - Arrow	
25	0860520	1	Box, Manual Storage	
26	4751400	4	Washer, 1/4	
27	3311405	4	Nut, Lock 1/4	
28	3820001	2	Rivet	
29	1705828	1	Decal - Footswitch	
38	1701499	6	Decal - No Lift	
40	1704412	1	Decal - Hydraulic Oil Chart	
43	0641406	4	Bolt, 1/4 x 3/4	
46	1001189882	1	Decal - MSSO	
54	1701518	5	Decal - Warning Crushing	
100	1001232066	1	Decal - Platform Lanyard Kit (Not Shown)	
101	1704277	3	Decal - Attach Lanyard Here	

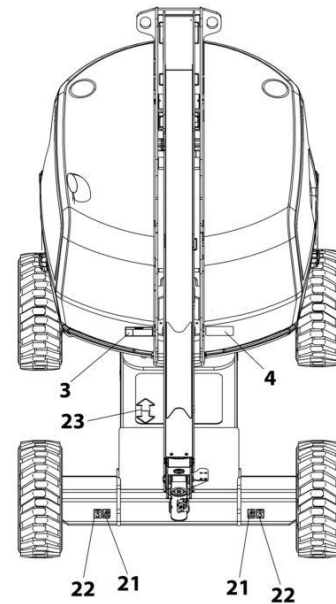
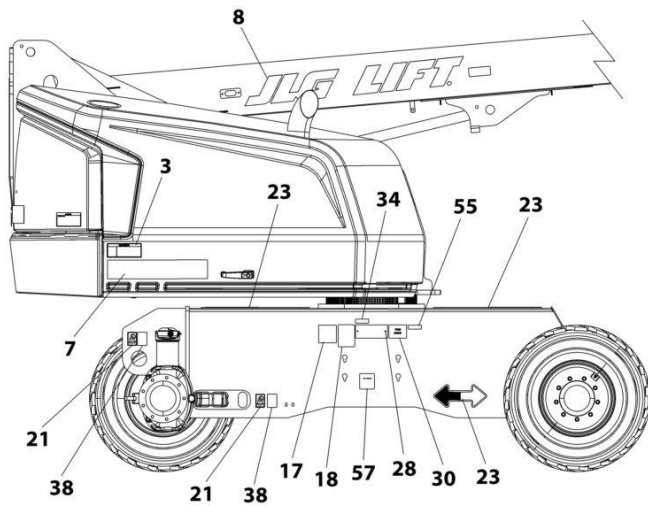
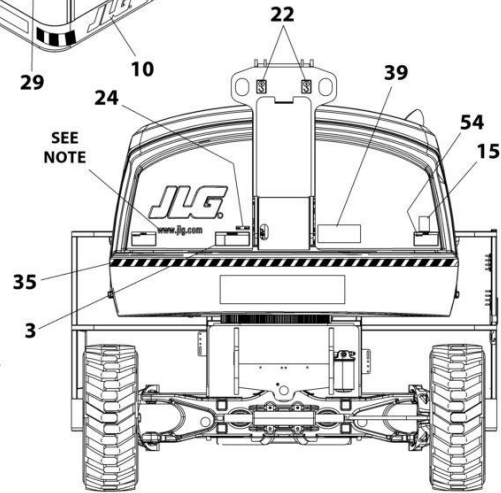
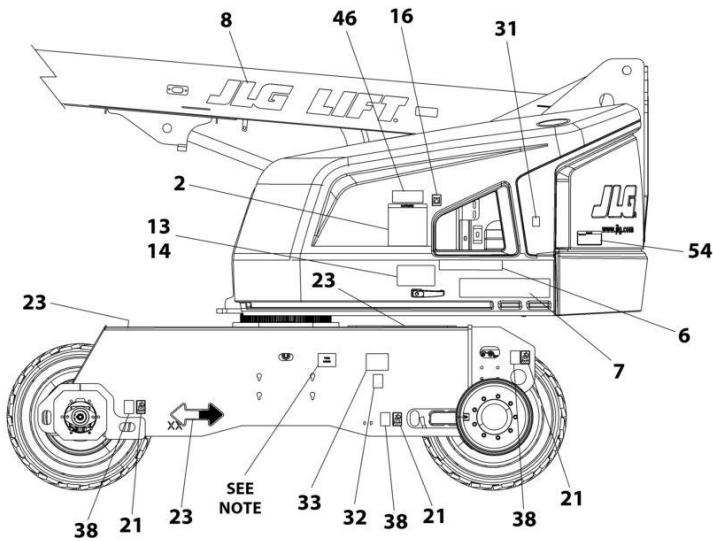
# SECTION 9 - DECAL

FIGURE 9-5. INSTALLATION - BRAZIL SPEC (DUAL LANGUAGE - PORTUGUESE/SPANISH) (400S)



NOTE: ITEMS SHOWN MAY NOT BE REQUIRED FOR ALL SPECS. REFER TO PART LIST FOR USAGE.

NOTE: ADDITIONAL DECALS ARE CALLED OUT ON DECALS INSTALLATION - OPTIONS.



ART\_1001242571\_E



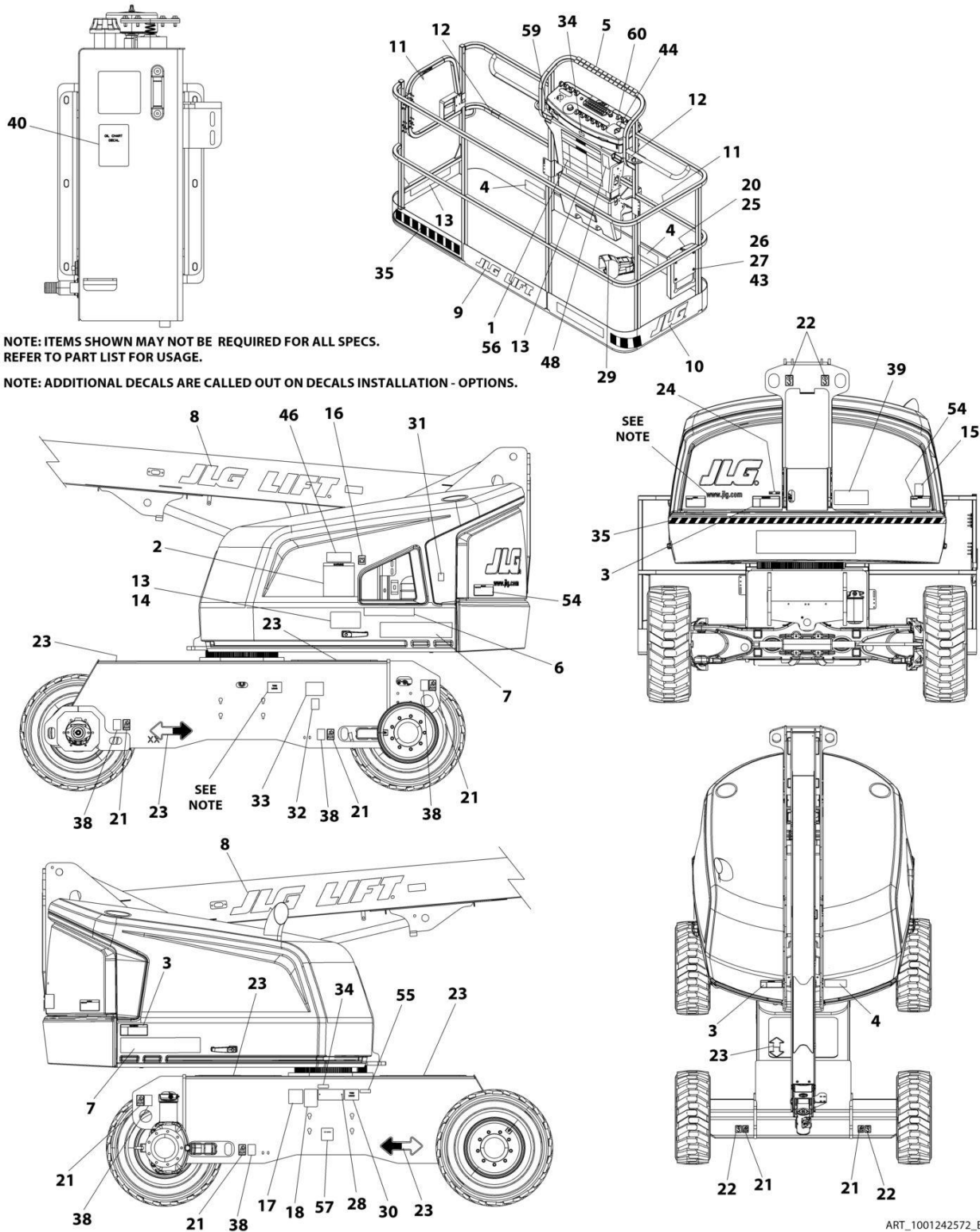
**SECTION 9 - DECAL**

**FIGURE 9-5. INSTALLATION - BRAZIL SPEC (DUAL LANGUAGE - PORTUGUESE/SPANISH) (400S)**

ITEM	PART NUMBER	QTY	DESCRIPTION	REV
	1001250764	Ref	DECAL INSTALLATION - REFERENCE CHART	J
	1001242571	Ref	DECAL INSTALLATION - BRAZIL SPEC (DUAL LANGUAGE - PORTUGUESE/SPANISH)	E
1	1703928	1	Decal - Danger/Warning (Platform)	
2	1703934	1	Decal - Danger/Warning (Ground Control)	
3	1703940	3	Decal - Danger/Electrocution	
4	1703952	3	Decal - Warning Crushing	
11	1704002	2	Decal - No Hands	
13	1001254673	1	Decal - Warning Dual Capacity	
14	1001254674	1	Decal - Warning Dual Capacity	
16	1701504	1	Decal - Hydraulic Oil	
17	See Note	NSS	Decal - Bar Code (Note: Not Available for Purchase)	
20	1701509	1	Decal - Manual	
21	1702300	8	Decal - Tie Down	
22	1701500	4	Decal - Lift	
23	1701529	4	Decal - Arrow	
24	3251243	1	Nameplate - 120V-60Hz	
25	0860520	1	Box, Manual Storage	
26	4751400	4	Washer, 1/4	
27	3311405	4	Nut, Lock 1/4	
28	3820001	2	Rivet	
29	1703985	1	Decal - Footswitch	
38	1701499	6	Decal - No Lift	
40	1704412	1	Decal - Hydraulic Oil Chart	
43	0641406	4	Bolt, 1/4 x 3/4	
44	1001113680	1	Decal - Drive/Steer Instruction	
54	1703946	2	Decal - Warning Crushing	
57	1001224052	1	Decal - Yearly Inspection	

# SECTION 9 - DECAL

FIGURE 9-6. DECAL INSTALLATION - BRAZIL SPEC (DUAL LANGUAGE - PORTUGUESE/SPANISH) (460SJ)



ART\_1001242572\_E

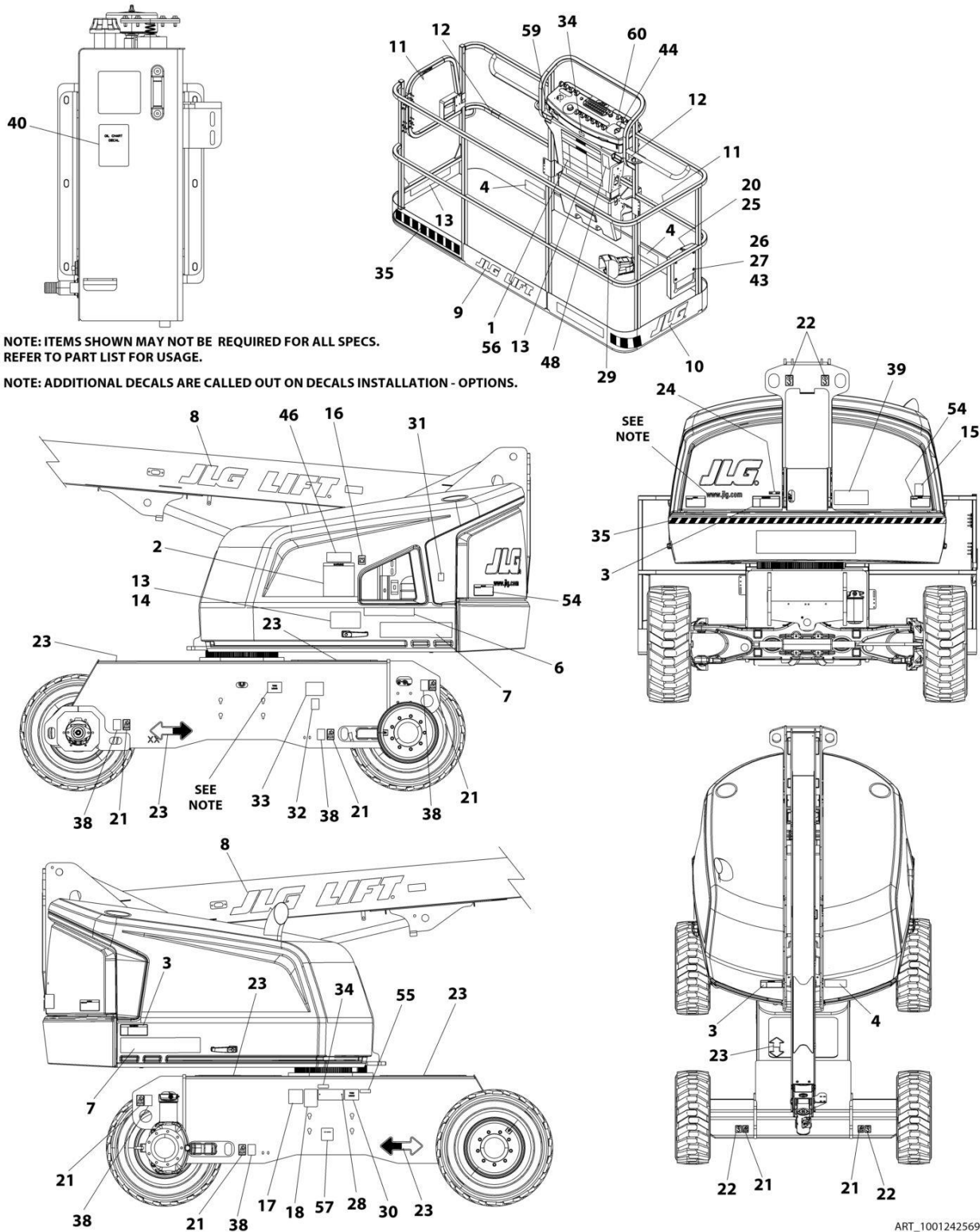
**SECTION 9 - DECAL**

**FIGURE 9-6. DECAL INSTALLATION - BRAZIL SPEC (DUAL LANGUAGE - PORTUGUESE/SPANISH)  
(460SJ)**

ITEM	PART NUMBER	QTY	DESCRIPTION	REV
	1001250764	Ref	DECAL INSTALLATION - REFERENCE CHART	J
	1001242572	Ref	DECAL INSTALLATION - BRAZIL SPEC (DUAL LANGUAGE - PORTUGUESE/SPANISH)	E
1	1703928	1	Decal - Danger/Warning (Platform)	
2	1703934	1	Decal - Danger/Warning (Ground Control)	
3	1703940	3	Decal - Danger/Electrocution	
4	1703952	3	Decal - Warning Crushing	
11	1704002	2	Decal - No Hands	
13	1001254754	2	Decal - Capacity	
16	1701504	1	Decal - Hydraulic Oil	
17	See Note	NSS	Decal - Bar Code (Note: Not Available for Purchase)	
20	1701509	1	Decal - Manual	
21	1702300	8	Decal - Tie Down	
22	1701500	4	Decal - Lift	
23	1701529	4	Decal - Arrow	
24	3251243	1	Nameplate - 120V-60Hz	
25	0860520	1	Box, Manual Storage	
26	4751400	4	Washer, 1/4	
27	3311405	4	Nut, Lock 1/4	
28	3820001	2	Rivet	
29	1703985	1	Decal - Footswitch	
38	1701499	6	Decal - No Lift	
40	1704412	1	Decal - Hydraulic Oil Chart	
43	0641406	4	Bolt, 1/4 x 3/4	
44	1001113680	1	Decal - Drive/Steer Instruction	
54	1703946	2	Decal - Warning Crushing	
57	1001224052	1	Decal - Yearly Inspection	

# SECTION 9 - DECAL

FIGURE 9-7. DECAL INSTALLATION - CHINESE SPEC (DUAL LANGUAGE - ENGLISH/CHINESE) (400S)



ART\_1001242569

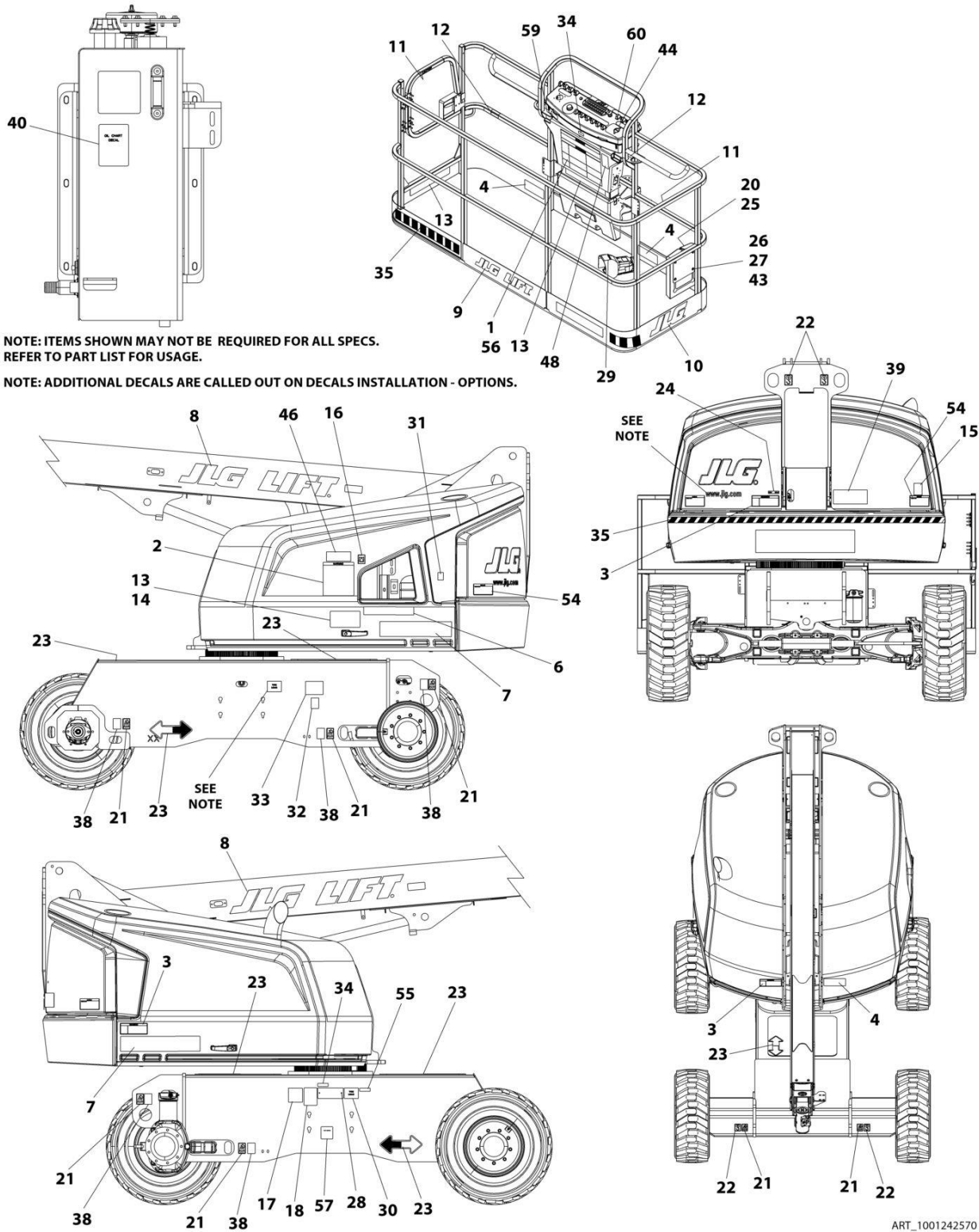
**SECTION 9 - DECAL**

**FIGURE 9-7. DECAL INSTALLATION - CHINESE SPEC (DUAL LANGUAGE - ENGLISH/CHINESE)  
(400S)**

ITEM	PART NUMBER	QTY	DESCRIPTION	REV
	1001250764	Ref	DECAL INSTALLATION - REFERENCE CHART	J
	1001242569	Ref	DECAL INSTALLATION - CHINESE SPEC (DUAL LANGUAGE - ENGLISH/CHINESE)	D
1	1703925	1	Decal - Danger/Warning (Platform)	
2	1703931	1	Decal - Danger/Warning (Ground Control)	
3	1703937	3	Decal - Danger/Electrocution	
4	1703949	3	Decal - Warning Crushing	
13	1001254671	1	Decal - Warning Dual Capacity	
14	1001254672	1	Decal - Warning Dual Capacity	
16	1701504	1	Decal - Hydraulic Oil	
17	See Note	NSS	Decal - Bar Code (Note: Not Available for Purchase)	
20	1701509	1	Decal - Manual	
21	1702300	8	Decal - Tie Down	
22	1701500	4	Decal - Lift	
23	1701529	4	Decal - Arrow	
25	0860520	1	Box, Manual Storage	
26	4751400	4	Washer, 1/4	
27	3311405	4	Nut, Lock 1/4	
28	3820001	2	Rivet	
29	1703982	1	Decal - Footswitch	
38	1701499	6	Decal - No Lift	
40	1704412	1	Decal - Hydraulic Oil Chart	
43	0641406	4	Bolt, 1/4 x 3/4	
44	1705430	1	Decal - Drive/Steer Instruction	
54	1703943	2	Decal - Warning Crushing	
57	1001224050	1	Decal - Yearly Inspection (Not Shown)	

# SECTION 9 - DECAL

FIGURE 9-8. DECAL INSTALLATION - CHINESE SPEC (DUAL LANGUAGE - ENGLISH/CHINESE) (460SJ)



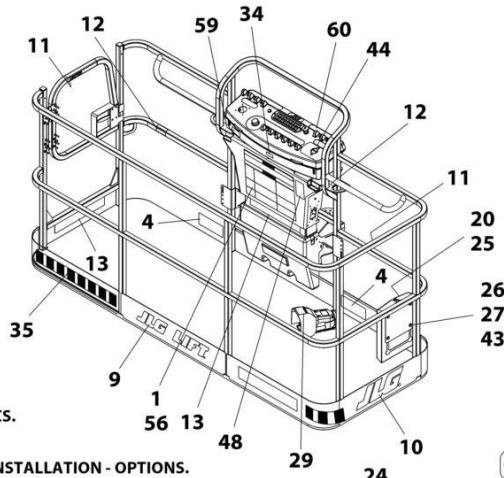
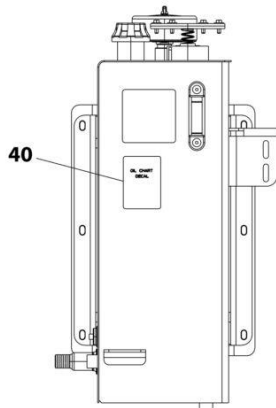
**SECTION 9 - DECAL**

**FIGURE 9-8. DECAL INSTALLATION - CHINESE SPEC (DUAL LANGUAGE - ENGLISH/CHINESE)  
(460SJ)**

ITEM	PART NUMBER	QTY	DESCRIPTION	REV
	1001250764	Ref	DECAL INSTALLATION - REFERENCE CHART	J
	1001242570	Ref	DECAL INSTALLATION - CHINESE SPEC (DUAL LANGUAGE - ENGLISH/CHINESE)	D
1	1703925	1	Decal - Danger/Warning (Platform)	
2	1703931	1	Decal - Danger/Warning (Ground Control)	
3	1703937	3	Decal - Danger/Electrocution	
4	1703949	3	Decal - Warning Crushing	
13	1001254753	2	Decal - Warning Dual Capacity	
16	1701504	1	Decal - Hydraulic Oil	
17	See Note	NSS	Decal - Bar Code (Note: Not Available for Purchase)	
20	1701509	1	Decal - Manual	
21	1702300	8	Decal - Tie Down	
22	1701500	4	Decal - Lift	
23	1701529	4	Decal - Arrow	
25	0860520	1	Box, Manual Storage	
26	4751400	4	Washer, 1/4	
27	3311405	4	Nut, Lock 1/4	
28	3820001	2	Rivet	
29	1703982	1	Decal - Footswitch	
38	1701499	6	Decal - No Lift	
40	1704412	1	Decal - Hydraulic Oil Chart	
43	0641406	4	Bolt, 1/4 x 3/4	
44	1705430	1	Decal - Drive/Steer Instruction	
54	1703943	2	Decal - Warning Crushing	
57	1001224050	1	Decal - Yearly Inspection (Not Shown)	

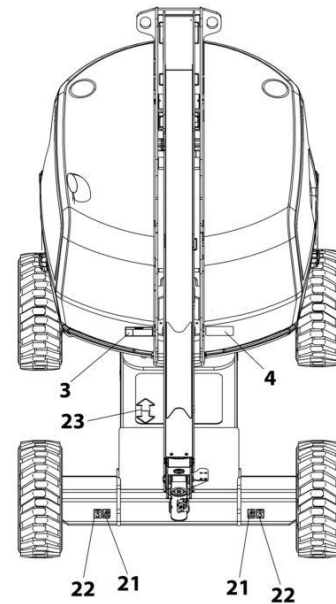
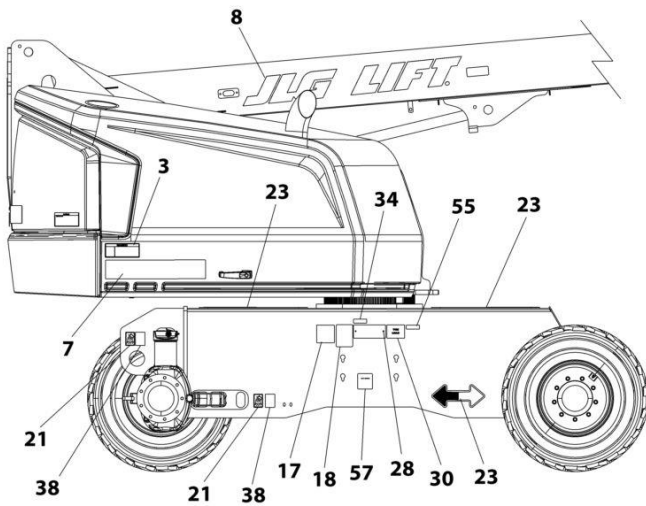
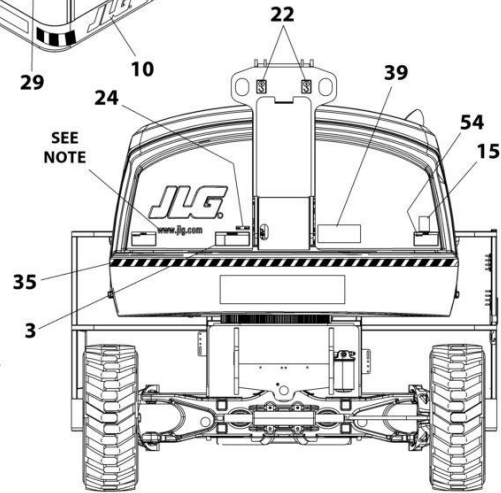
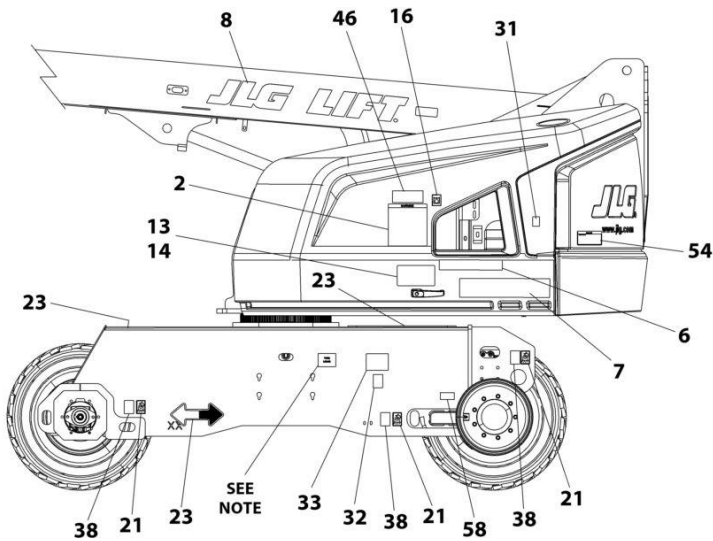
# SECTION 9 - DECAL

FIGURE 9-9. DECAL INSTALLATION - CSA SPEC (DUAL LANGUAGE - ENGLISH/FRENCH) (400S)



NOTE: ITEMS SHOWN MAY NOT BE REQUIRED FOR ALL SPECS. REFER TO PART LIST FOR USAGE.

NOTE: ADDITIONAL DECALS ARE CALLED OUT ON DECALS INSTALLATION - OPTIONS.



ART\_1001242567



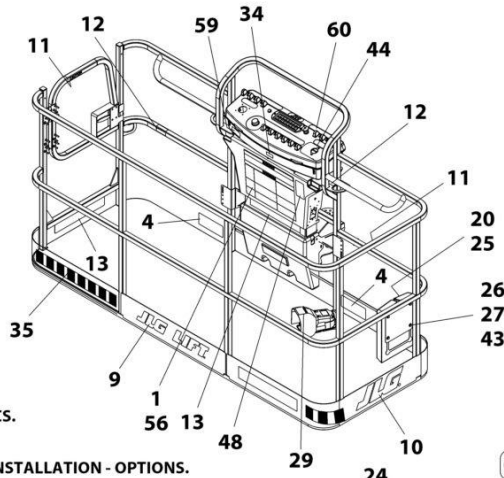
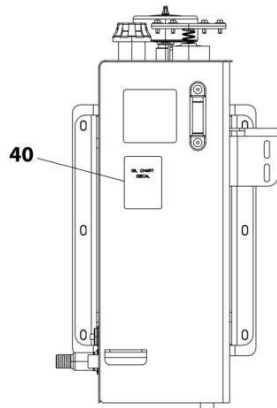
## SECTION 9 - DECAL

**FIGURE 9-9. DECAL INSTALLATION - CSA SPEC (DUAL LANGUAGE - ENGLISH/FRENCH) (400S)**

ITEM	PART NUMBER	QTY	DESCRIPTION	REV
	1001250764	Ref	DECAL INSTALLATION - REFERENCE CHART	J
	1001242567	Ref	DECAL INSTALLATION - CSA SPEC (DUAL LANGUAGE - ENGLISH/FRENCH)	E
1	1703924	1	Decal - Danger/Warning (Platform)	
2	1703930	1	Decal - Danger/Warning (Ground Control)	
3	1703936	3	Decal - Danger/Electrocution	
4	1703948	3	Decal - Warning Crushing	
11	1704000	2	Decal - No Hands	
13	1001254667	1	Decal - Warning Dual Capacity	
14	1001254668	1	Decal - Warning Dual Capacity	
16	1701504	1	Decal - Hydraulic Oil	
17	See Note	NSS	Decal - Bar Code (Note: Not Available for Purchase)	
18	1001131269	1	Decal - Patent	
20	1701509	1	Decal - Manual	
21	1702300	8	Decal - Tie Down	
22	1701500	4	Decal - Lift	
23	1701529	4	Decal - Arrow	
24	3251243	1	Nameplate - 120V-60Hz	
25	0860520	1	Box, Manual Storage	
26	4751400	4	Washer, 1/4	
27	3311405	4	Nut, Lock 1/4	
28	3820001	2	Rivet	
29	1703984	1	Decal - Footswitch	
38	1701499	6	Decal - No Lift	
40	1704412	1	Decal - Hydraulic Oil Chart	
43	0641406	4	Bolt, 1/4 x 3/4	
44	1705429	1	Decal - Drive/Steer Instruction	
54	1703942	2	Decal - Warning Crushing	
57	1001223971	1	Decal - Yearly Inspection (Not Shown)	
58	1001223453	1	Decal - ICES	

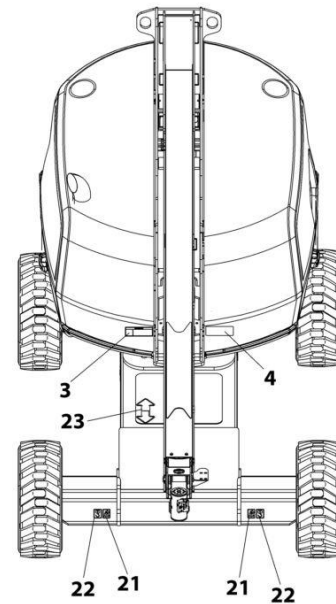
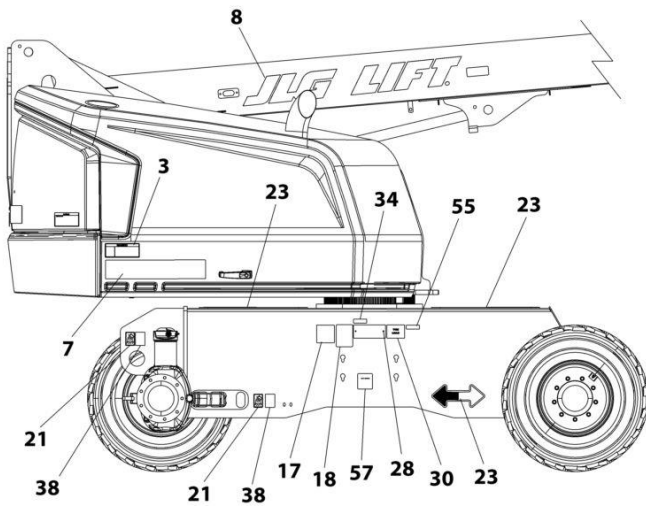
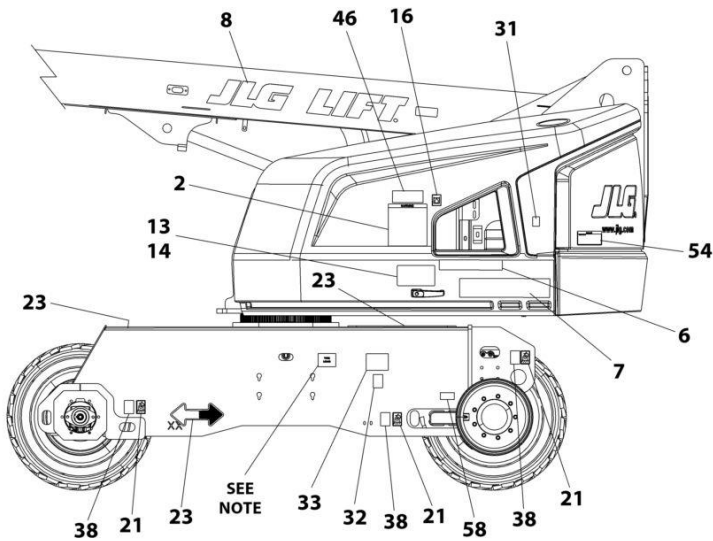
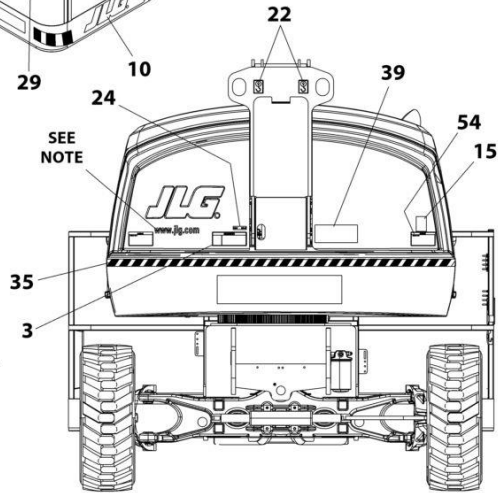
# SECTION 9 - DECAL

FIGURE 9-10. DECAL INSTALLATION - CSA SPEC (DUAL LANGUAGE - ENGLISH/FRENCH) (460SJ)



NOTE: ITEMS SHOWN MAY NOT BE REQUIRED FOR ALL SPECS. REFER TO PART LIST FOR USAGE.

NOTE: ADDITIONAL DECALS ARE CALLED OUT ON DECALS INSTALLATION - OPTIONS.



ART\_1001242568

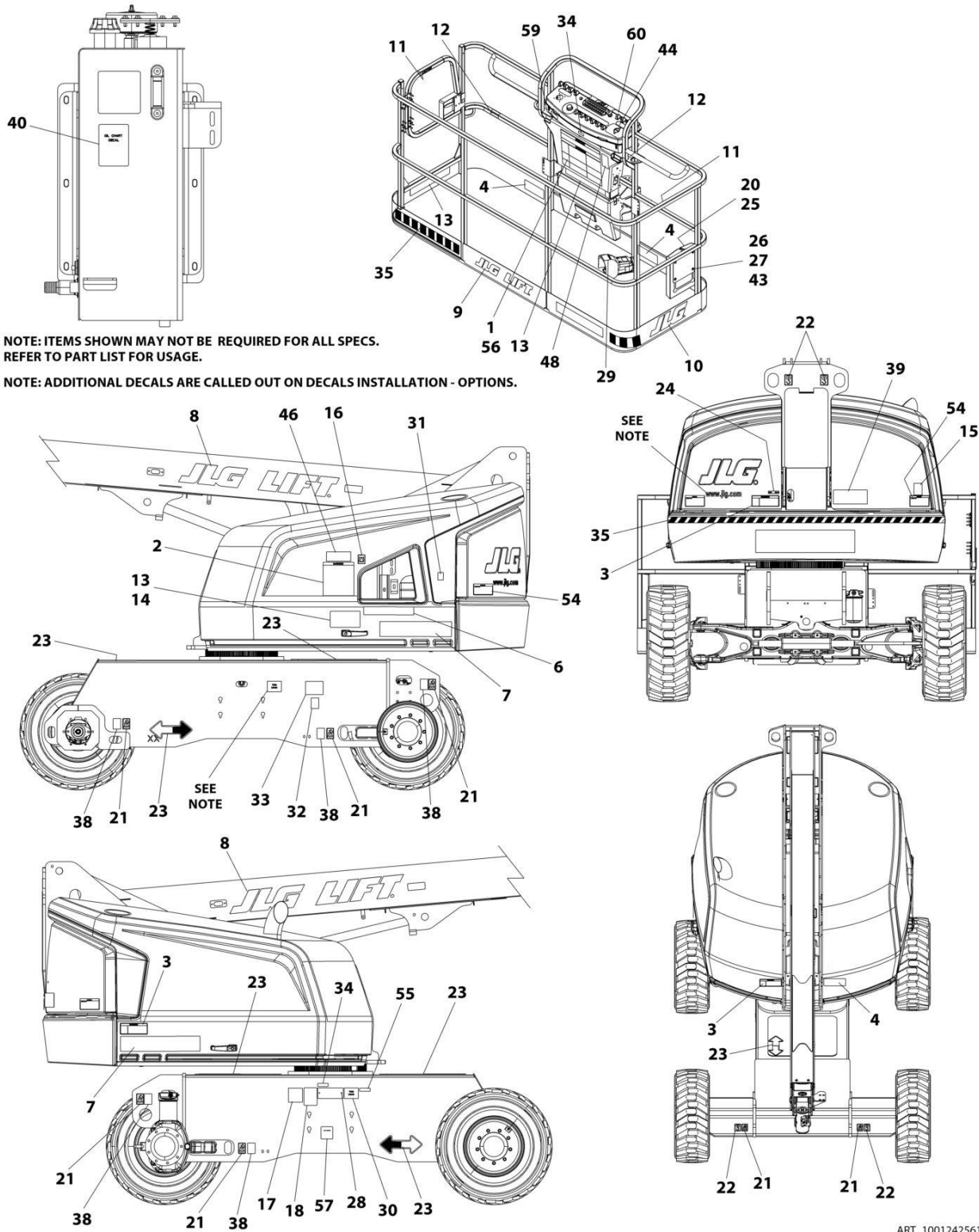
## SECTION 9 - DECAL

**FIGURE 9-10. DECAL INSTALLATION - CSA SPEC (DUAL LANGUAGE - ENGLISH/FRENCH) (460SJ)**

ITEM	PART NUMBER	QTY	DESCRIPTION	REV
	1001250764	Ref	DECAL INSTALLATION - REFERENCE CHART	J
	1001242568	Ref	DECAL INSTALLATION - CSA SPEC (DUAL LANGUAGE - ENGLISH/FRENCH)	E
1	1703924	1	Decal - Danger/Warning (Platform)	
2	1703930	1	Decal - Danger/Warning (Ground Control)	
3	1703936	3	Decal - Danger/Electrocution	
4	1703948	3	Decal - Warning Crushing	
11	1704000	2	Decal - No Hands	
13	1001254751	2	Decal - Warning Dual Capacity	
16	1701504	1	Decal - Hydraulic Oil	
17	See Note	NSS	Decal - Bar Code (Note: Not Available for Purchase)	
18	1001131269	1	Decal - Patent	
20	1701509	1	Decal - Manual	
21	1702300	8	Decal - Tie Down	
22	1701500	4	Decal - Lift	
23	1701529	4	Decal - Arrow	
24	3251243	1	Nameplate - 120V-60Hz	
25	0860520	1	Box, Manual Storage	
26	4751400	4	Washer, 1/4	
27	3311405	4	Nut, Lock 1/4	
28	3820001	2	Rivet	
29	1703984	1	Decal - Footswitch	
38	1701499	6	Decal - No Lift	
40	1704412	1	Decal - Hydraulic Oil Chart	
43	0641406	4	Bolt, 1/4 x 3/4	
44	1705429	1	Decal - Drive/Steer Instruction	
54	1703942	2	Decal - Warning Crushing	
57	1001223971	1	Decal - Yearly Inspection (Not Shown)	
58	1001223453	1	Decal - ICES	

# SECTION 9 - DECAL

## FIGURE 9-11. DECAL INSTALLATION - JAPANESE SPEC (DUAL LANGUAGE - ENGLISH/JAPANESE) (400S)



ART\_1001242561

**SECTION 9 - DECAL**

**FIGURE 9-11. DECAL INSTALLATION - JAPANESE SPEC (DUAL LANGUAGE - ENGLISH/JAPANESE)  
(400S)**

ITEM	PART NUMBER	QTY	DESCRIPTION	REV
	1001250764	Ref	DECAL INSTALLATION - REFERENCE CHART	J
	1001242561	Ref	DECAL INSTALLATION - JAPANESE SPEC (DUAL LANGUAGE - ENGLISH/JAPANESE)	D
1	1703926	1	Decal - Danger/Warning (Platform)	
2	1703932	1	Decal - Danger/Warning (Ground Control)	
3	1703938	3	Decal - Danger/Electrocution	
4	1703950	3	Decal - Warning Crushing	
13	1001254677	1	Decal - Warning Dual Capacity	
14	1001254678	1	Decal - Warning Dual Capacity	
16	1701504	1	Decal - Hydraulic Oil	
17	See Note	NSS	Decal - Bar Code (Note: Not Available for Purchase)	
20	1701509	1	Decal - Manual	
21	1702300	8	Decal - Tie Down	
22	1701500	4	Decal - Lift	
23	1701529	4	Decal - Arrow	
25	0860520	1	Box, Manual Storage	
26	4751400	4	Washer, 1/4	
27	3311405	4	Nut, Lock 1/4	
28	3820001	2	Rivet	
29	1703980	1	Decal - Footswitch	
38	1701499	6	Decal - No Lift	
40	1704412	1	Decal - Hydraulic Oil Chart	
43	0641406	4	Bolt, 1/4 x 3/4	
44	1705426	1	Decal - Drive/Steer Instruction	
54	1703944	2	Decal - Warning Crushing	
57	1001224053	1	Decal - Yearly Inspection (Not Shown)	



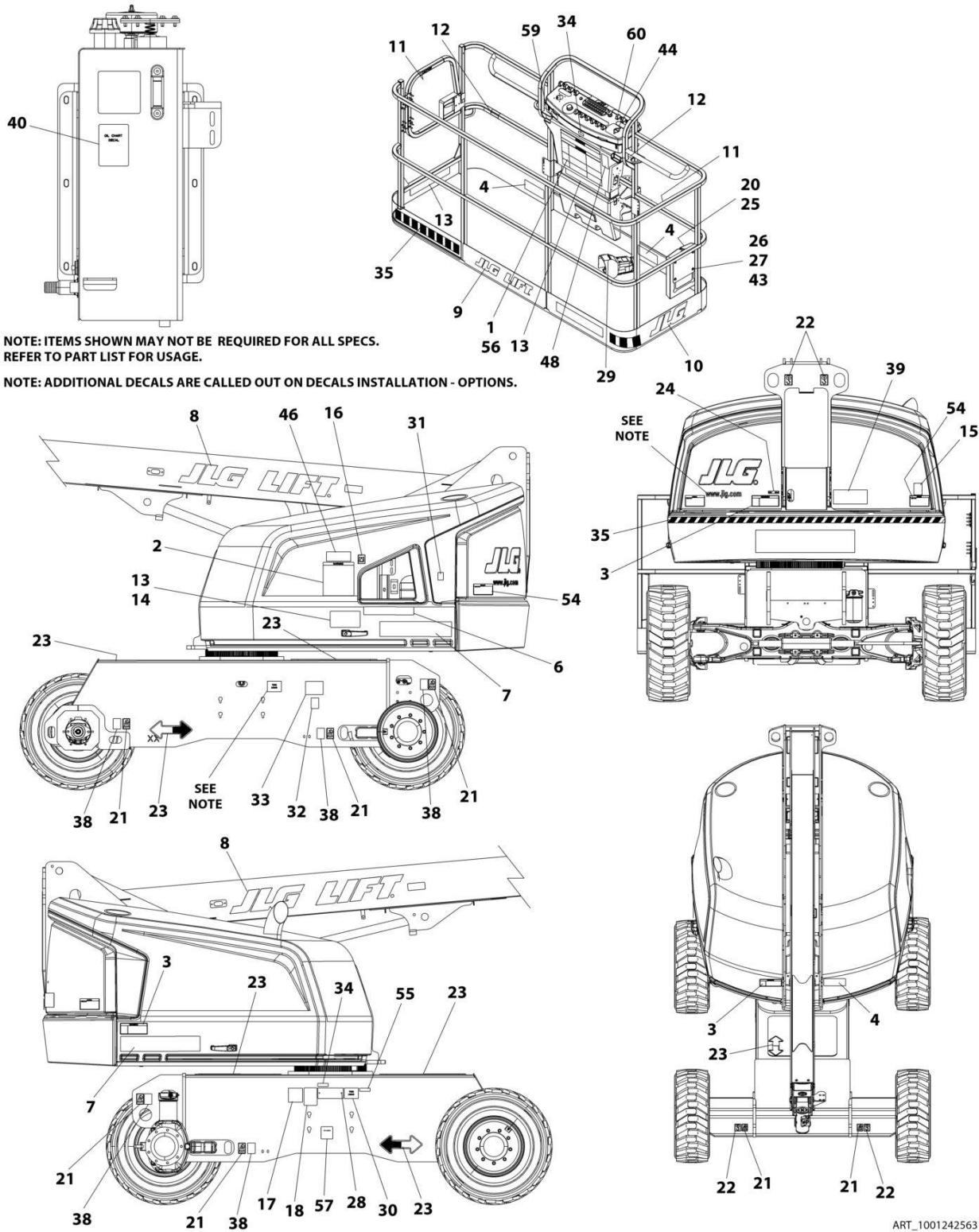
## SECTION 9 - DECAL

**FIGURE 9-12. DECAL INSTALLATION - JAPANESE SPEC (DUAL LANGUAGE - ENGLISH/JAPANESE)  
(460SJ)**

ITEM	PART NUMBER	QTY	DESCRIPTION	REV
	1001250764	Ref	DECAL INSTALLATION - REFERENCE CHART	J
	1001242562	Ref	DECAL INSTALLATION - JAPANESE SPEC (DUAL LANGUAGE - ENGLISH/JAPANESE)	D
1	1703926	1	Decal - Danger/Warning (Platform)	
2	1703932	1	Decal - Danger/Warning (Ground Control)	
3	1703938	3	Decal - Danger/Electrocution	
4	1703950	3	Decal - Warning Crushing	
13	1001254756	2	Decal - Warning Dual Capacity	
16	1701504	1	Decal - Hydraulic Oil	
17	See Note	NSS	Decal - Bar Code (Note: Not Available for Purchase)	
20	1701509	1	Decal - Manual	
21	1702300	8	Decal - Tie Down	
22	1701500	4	Decal - Lift	
23	1701529	4	Decal - Arrow	
25	0860520	1	Box, Manual Storage	
26	4751400	4	Washer, 1/4	
27	3311405	4	Nut, Lock 1/4	
28	3820001	2	Rivet	
29	1703980	1	Decal - Footswitch	
38	1701499	6	Decal - No Lift	
40	1704412	1	Decal - Hydraulic Oil Chart	
43	0641406	4	Bolt, 1/4 x 3/4	
44	1705426	1	Decal - Drive/Steer Instruction	
54	1703944	2	Decal - Warning Crushing	
57	1001224053	1	Decal - Yearly Inspection (Not Shown)	

# SECTION 9 - DECAL

## FIGURE 9-13. DECAL INSTALLATION - KOREAN SPEC (DUAL LANGUAGE - ENGLISH/KOREAN) (400S)



ART\_1001242563



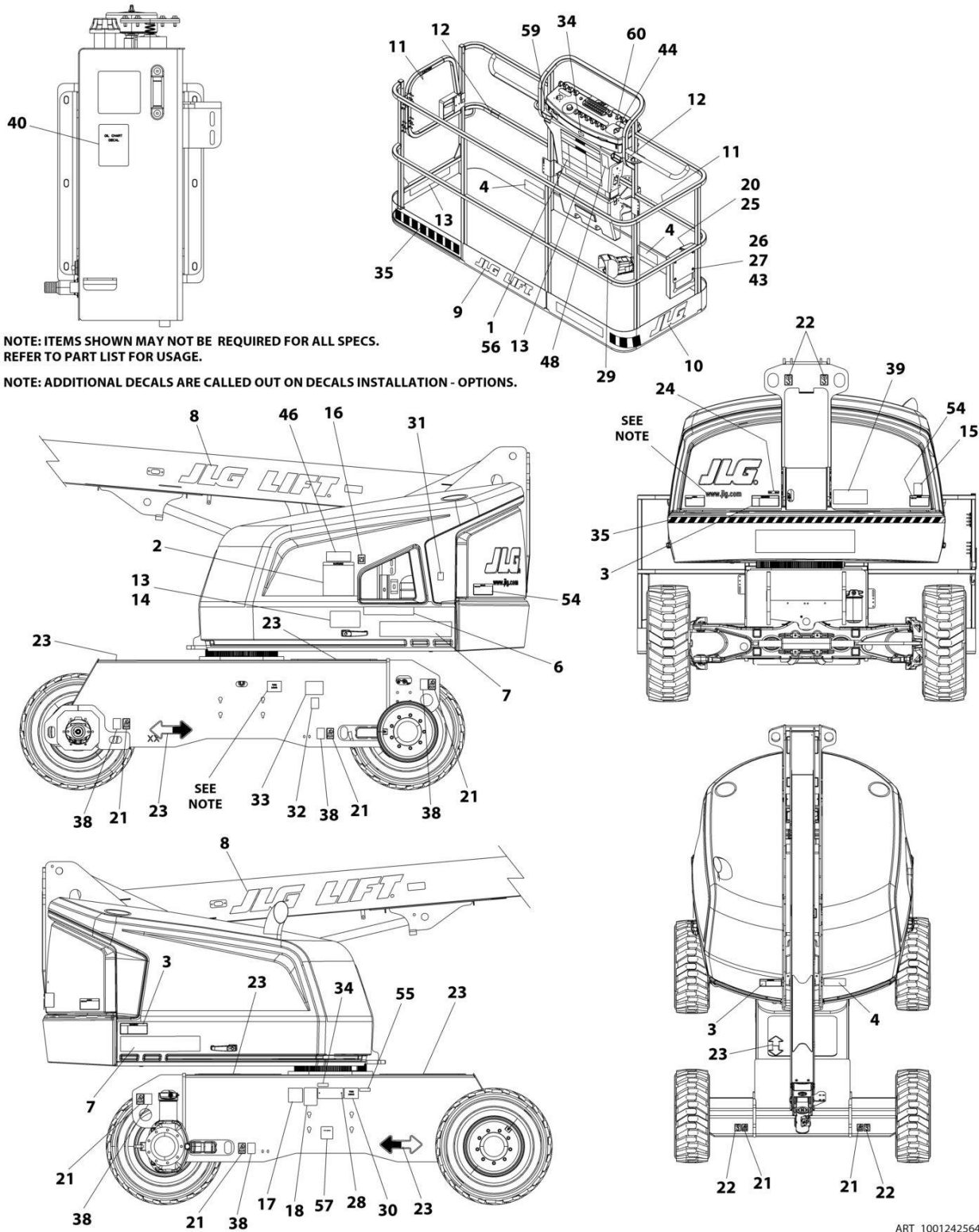
**SECTION 9 - DECAL**

**FIGURE 9-13. DECAL INSTALLATION - KOREAN SPEC (DUAL LANGUAGE - ENGLISH/KOREAN)  
(400S)**

ITEM	PART NUMBER	QTY	DESCRIPTION	REV
	1001250764	Ref	DECAL INSTALLATION - REFERENCE CHART	J
	1001242563	Ref	DECAL INSTALLATION - KOREAN SPEC (DUAL LANGUAGE - ENGLISH/KOREAN)	D
1	1703927	1	Decal - Danger/Warning (Platform)	
2	1703933	1	Decal - Danger/Warning (Ground Control)	
3	1703939	3	Decal - Danger/Electrocution	
4	1703951	3	Decal - Warning Crushing	
13	1001254669	1	Decal - Warning Dual Capacity	
14	1001254670	1	Decal - Warning Dual Capacity	
16	1701504	1	Decal - Hydraulic Oil	
17	See Note	NSS	Decal - Bar Code (Note: Not Available for Purchase)	
20	1701509	1	Decal - Manual	
21	1702300	8	Decal - Tie Down	
22	1701500	4	Decal - Lift	
23	1701529	4	Decal - Arrow	
25	0860520	1	Box, Manual Storage	
26	4751400	4	Washer, 1/4	
27	3311405	4	Nut, Lock 1/4	
28	3820001	2	Rivet	
29	1703981	1	Decal - Footswitch	
38	1701499	6	Decal - No Lift	
40	1704412	1	Decal - Hydraulic Oil Chart	
43	0641406	4	Bolt, 1/4 x 3/4	
44	1705427	1	Decal - Drive/Steer Instruction	
54	1703945	2	Decal - Warning Crushing	
57	1001224048	1	Decal - Yearly Inspection (Not Shown)	

# SECTION 9 - DECAL

FIGURE 9-14. DECAL INSTALLATION - KOREAN SPEC (DUAL LANGUAGE - ENGLISH/KOREAN) (460SJ)



ART\_1001242564

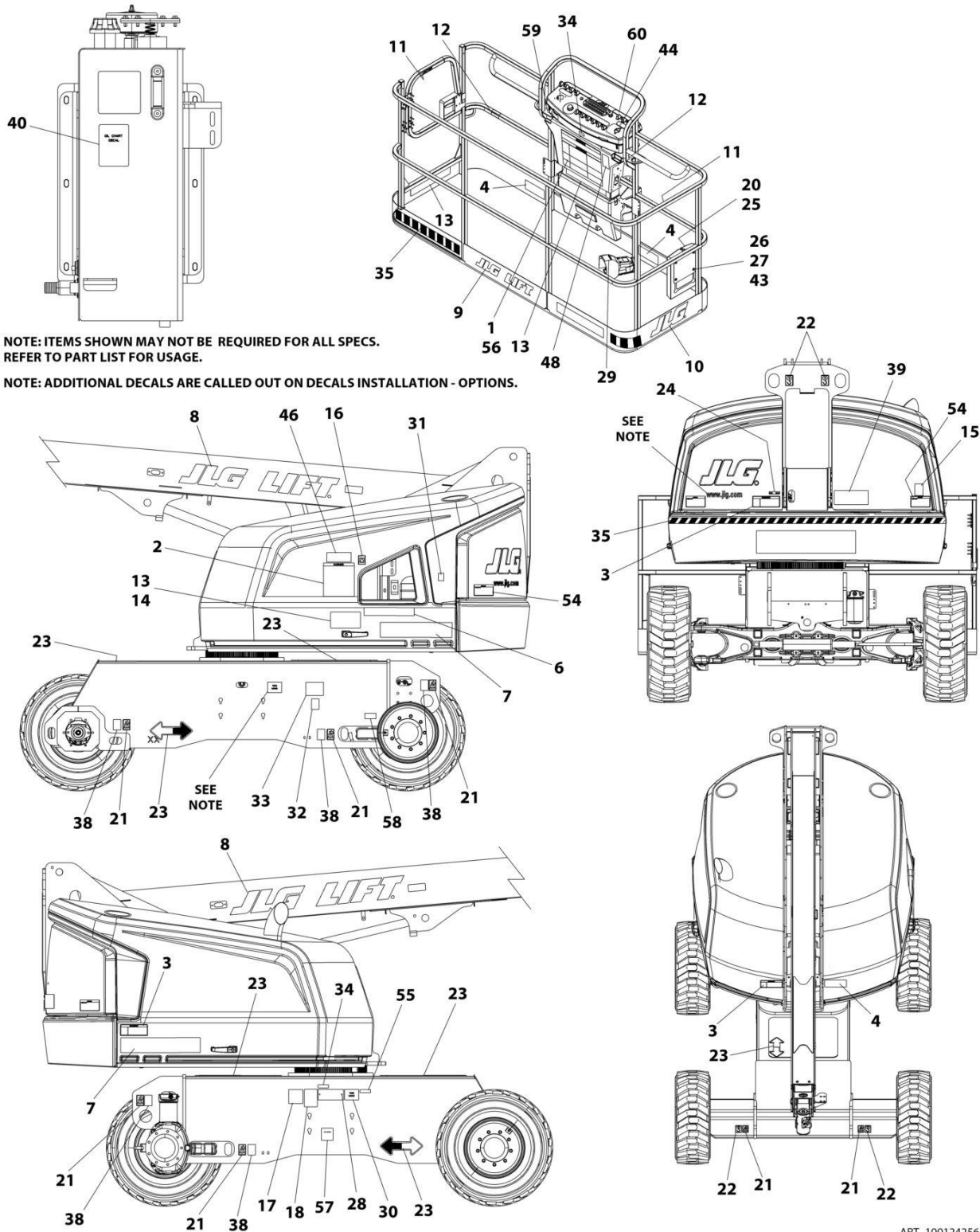
## SECTION 9 - DECAL

**FIGURE 9-14. DECAL INSTALLATION - KOREAN SPEC (DUAL LANGUAGE - ENGLISH/KOREAN)  
(460SJ)**

ITEM	PART NUMBER	QTY	DESCRIPTION	REV
	1001250764	Ref	DECAL INSTALLATION - REFERENCE CHART	K
	1001242564	Ref	DECAL INSTALLATION - KOREAN SPEC (DUAL LANGUAGE - ENGLISH/KOREAN)	D
1	1703927	1	Decal - Danger/Warning (Platform)	
2	1703933	1	Decal - Danger/Warning (Ground Control)	
3	1703939	3	Decal - Danger/Electrocution	
4	1703951	3	Decal - Warning Crushing	
13	1001254752	2	Decal - Warning Dual Capacity	
16	1701504	1	Decal - Hydraulic Oil	
17	See Note	NSS	Decal - Bar Code (Note: Not Available for Purchase)	
20	1701509	1	Decal - Manual	
21	1702300	8	Decal - Tie Down	
22	1701500	4	Decal - Lift	
23	1701529	4	Decal - Arrow	
25	0860520	1	Box, Manual Storage	
26	4751400	4	Washer, 1/4	
27	3311405	4	Nut, Lock 1/4	
28	3820001	2	Rivet	
29	1703981	1	Decal - Footswitch	
38	1701499	6	Decal - No Lift	
40	1704412	1	Decal - Hydraulic Oil Chart	
43	0641406	4	Bolt, 1/4 x 3/4	
44	1705427	1	Decal - Drive/Steer Instruction	
54	1703945	2	Decal - Warning Crushing	
57	1001224048	1	Decal - Yearly Inspection (Not Shown)	

# SECTION 9 - DECAL

## FIGURE 9-15. DECAL INSTALLATION - LATIN AMERICAN SPEC (DUAL LANGUAGE - ENGLISH/SPANISH) (400S)



ART\_1001242565

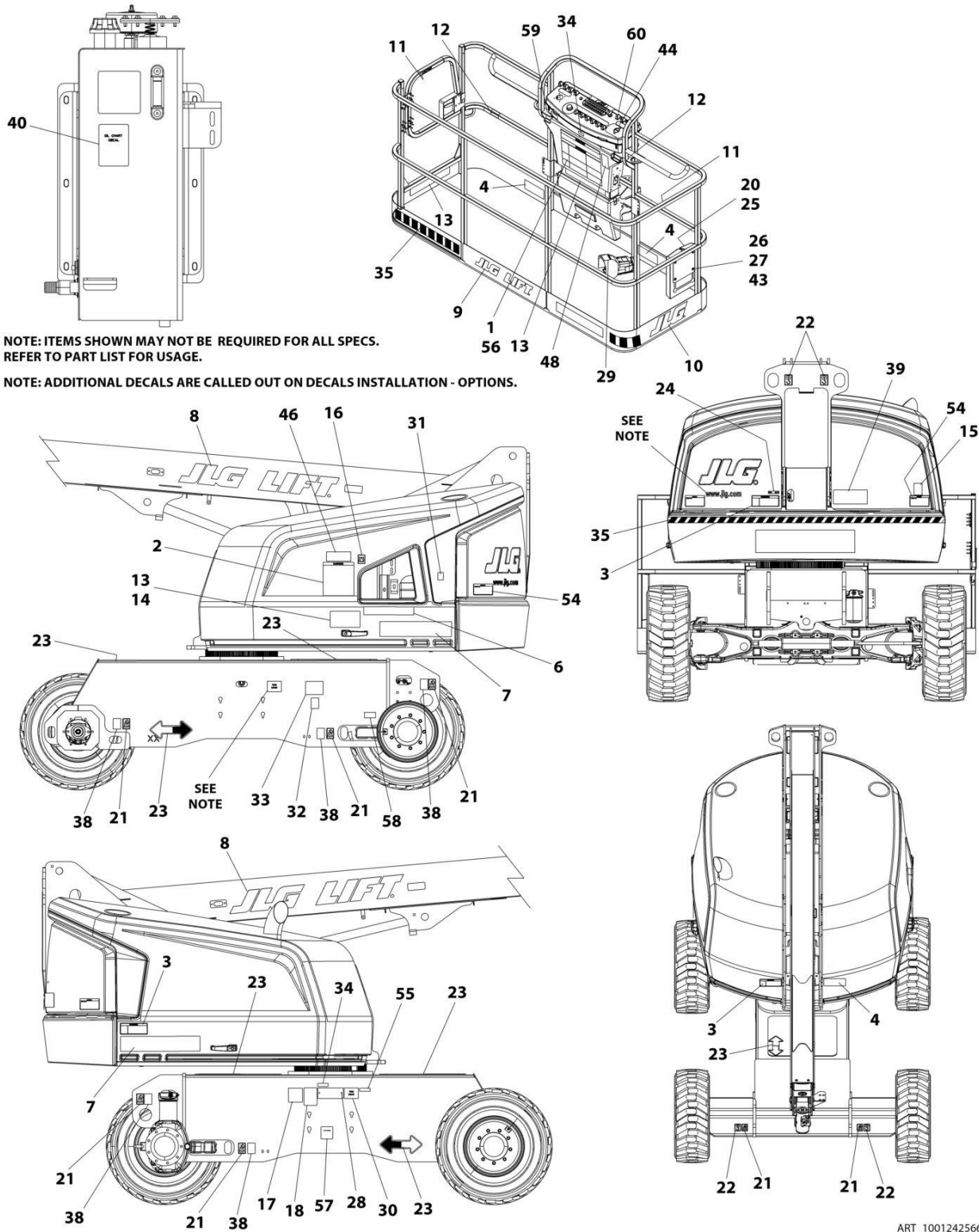
**SECTION 9 - DECAL**

**FIGURE 9-15. DECAL INSTALLATION - LATIN AMERICAN SPEC (DUAL LANGUAGE - ENGLISH/SPANISH) (400S)**

ITEM	PART NUMBER	QTY	DESCRIPTION	REV
	1001250764	Ref	DECAL INSTALLATION - REFERENCE CHART	J
	1001242565	Ref	DECAL INSTALLATION - LATIN AMERICAN SPEC (DUAL LANGUAGE - ENGLISH/SPANISH)	D
1	1703923	1	Decal - Danger/Warning (Platform)	
2	1703929	1	Decal - Danger/Warning (Ground Control)	
3	1703935	3	Decal - Danger/Electrocution	
4	1703947	3	Decal - Warning Crushing	
11	1704001	2	Decal - No Hands	
13	1001254675	2	Decal - Warning Dual Capacity	
14	1001254676	1	Decal - Warning Dual Capacity	
16	1701504	1	Decal - Hydraulic Oil	
17	See Note	NSS	Decal - Bar Code (Note: Not Available for Purchase)	
20	1701509	1	Decal - Manual	
21	1702300	8	Decal - Tie Down	
22	1701500	4	Decal - Lift	
23	1701529	4	Decal - Arrow	
24	3251243	1	Nameplate - 120V-60Hz	
25	0860520	1	Box, Manual Storage	
26	4751400	4	Washer, 1/4	
27	3311405	4	Nut, Lock 1/4	
28	3820001	2	Rivet	
29	1703983	1	Decal - Footswitch	
38	1701499	6	Decal - No Lift	
40	1704412	1	Decal - Hydraulic Oil Chart	
43	0641406	4	Bolt, 1/4 x 3/4	
44	1705910	1	Decal - Drive/Steer Instruction	
54	1703941	2	Decal - Warning Crushing	
57	1001224049	1	Decal - Yearly Inspection (Not Shown)	
58	1001223453	1	Decal - ICES	

# SECTION 9 - DECAL

## FIGURE 9-16. DECAL INSTALLATION - LATIN AMERICAN SPEC (DUAL LANGUAGE - ENGLISH/SPANISH) (460SJ)



ART\_1001242566

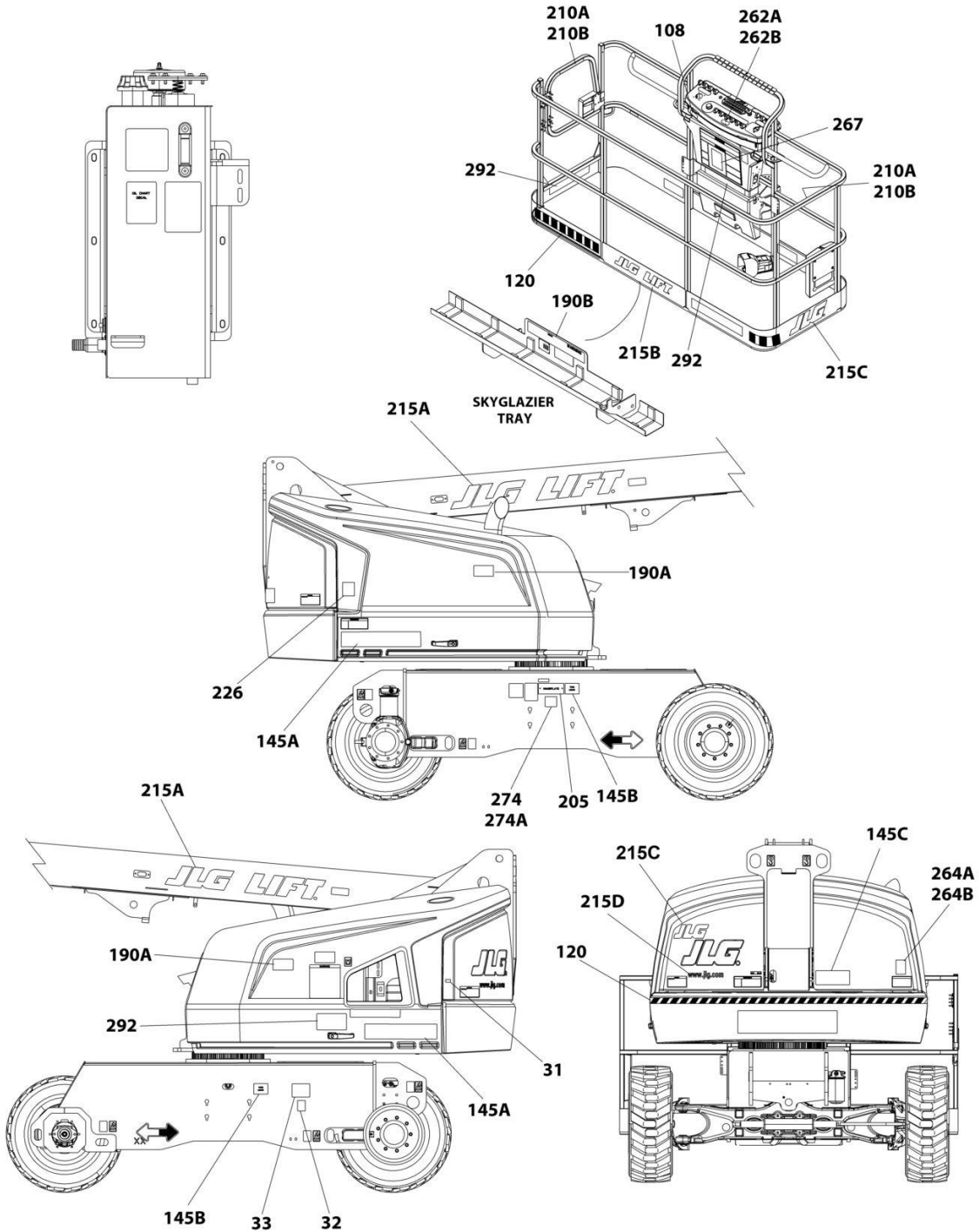
## SECTION 9 - DECAL

**FIGURE 9-16. DECAL INSTALLATION - LATIN AMERICAN SPEC (DUAL LANGUAGE - ENGLISH/SPANISH) (460SJ)**

ITEM	PART NUMBER	QTY	DESCRIPTION	REV
	1001250764	Ref	DECAL INSTALLATION - REFERENCE CHART	J
	1001242566	Ref	DECAL INSTALLATION - LATIN AMERICAN SPEC (DUAL LANGUAGE - ENGLISH/SPANISH)	D
1	1703923	1	Decal - Danger/Warning (Platform)	
2	1703929	1	Decal - Danger/Warning (Ground Control)	
3	1703935	3	Decal - Danger/Electrocution	
4	1703947	3	Decal - Warning Crushing	
11	1704001	2	Decal - No Hands	
13	1001254755	2	Decal - Warning Dual Capacity	
16	1701504	1	Decal - Hydraulic Oil	
17	See Note	NSS	Decal - Bar Code (Note: Not Available for Purchase)	
20	1701509	1	Decal - Manual	
21	1702300	8	Decal - Tie Down	
22	1701500	4	Decal - Lift	
23	1701529	4	Decal - Arrow	
24	3251243	1	Nameplate - 120V-60Hz	
25	0860520	1	Box, Manual Storage	
26	4751400	4	Washer, 1/4	
27	3311405	4	Nut, Lock 1/4	
28	3820001	2	Rivet	
29	1703983	1	Decal - Footswitch	
38	1701499	6	Decal - No Lift	
40	1704412	1	Decal - Hydraulic Oil Chart	
43	0641406	4	Bolt, 1/4 x 3/4	
44	1705910	1	Decal - Drive/Steer Instruction	
54	1703941	2	Decal - Warning Crushing	
57	1001224049	1	Decal - Yearly Inspection (Not Shown)	
58	1001223453	1	Decal - ICES	

# SECTION 9 - DECAL

## FIGURE 9-17. DECAL INSTALLATION - OPTIONS



ART\_DECAL\_OPTIONS



## SECTION 9 - DECAL

**FIGURE 9-17. DECAL INSTALLATION - OPTIONS**

ITEM	PART NUMBER	QTY	DESCRIPTION	REV
	1001250764	Ref	DECAL INSTALLATION - REFERENCE CHART	G
	1001245658	Ref	DECAL INSTALLATION - OPTIONS	M
31	1701505	1	Decal - Diesel Fuel	
31	1701542	1	Decal - Gas	
32	1701543	1	Decal - LPG	
33	1700818	1	Decal - LP Gas Liquid Withdrawal System (ANSI and CSA Spec)	
33	1704271	1	Decal - LP Gas Liquid Withdrawal System (CSA Spec)	
33	1702720	1	Decal - LP Gas Liquid Withdrawal System (ANSI Export and China Specs)	
33	1001119661	1	Decal - LP Gas Liquid Withdrawal System (ANSI, ANSI Export and China Specs)	
108	1001231801	1	Decal - Proposition 65 (Diesel Machines) (USA Built Machines)	
120	1001178415	Ref	Warning Strip Installation (Not Shown)	A
120	4420051	14.5 ft /4.42m	Tape, Safety	
145	1001174349	Ref	Decal - Model Designation (Not Shown) (400S)	C
145	1001174350	Ref	Decal - Model Designation (Not Shown) (460SJ)	C
145A	1001267304	2	Decal - Model (400S)	
145A	1001267305	2	Decal - Model (460SJ)	
145B	1001195745	2	Decal - Max Tire Load (400S)	
145B	1001195746	2	Decal - Max Tire Load (460SJ)	
145C	1001177451	1	Decal - Lift Diagram	
190	1001172570	Ref	Decal - SkyGlazier Installation (ANSI and CSA Specs) (English Decals)	C
190	1001172571	Ref	Decal - SkyGlazier Installation (ANSI Export Specs) (Spanish Decals)	B
190	1001172572	Ref	Decal - SkyGlazier Installation (ANSI Export Specs) (Portuguese Decals)	B
190	1001172620	Ref	Decal - SkyGlazier Installation (Australian Specs) (Australian Decals)	C
190A	1705358	2	Decal - SkyGlazier	
190B	1001199035	2	Decal - SkyGlazier Capacity (ANSI and CSA Specs) (English)	
190B	1001172564	2	Decal - SkyGlazier Capacity (ANSI Export Specs) (Spanish)	
190B	1001172565	2	Decal - SkyGlazier Capacity (ANSI Export Specs) (Portuguese)	
190B	1001199036	2	Decal - SkyGlazier Capacity (Australian Specs) (Australian)	
205	See Note	NSS	Nameplate - Serial Number (Note: Not Available for Purchase)	
210A	1702868	2	Decal - No Hands	
210B	1704000	2	Decal - No Hands	
215	1001178433	Ref	Decal Installation - JLG Logo (Not Shown) (All Specs except Australian, CE & UK CA Specs)	A
215A	1702861	2	Decal - JLG	
215B	1702774	1	Decal - JLG	
215C	1702773	1	Decal - JLG	
215D	1704885	1	Decal - Website	
215	1001243700	Ref	Decal Installation - JLG Logo (Not Shown) (Australian Specs)	
215A	1702861	2	Decal - JLG	
215B	1702774	1	Decal - JLG	
215C	1702773	2	Decal - JLG	
215D	1704885	1	Decal - Website	
215	1001243699	Ref	Decal Installation - JLG Logo (Not Shown) (CE & UK CA Specs)	
215C	1702773	1	Decal - JLG	

## SECTION 9 - DECAL

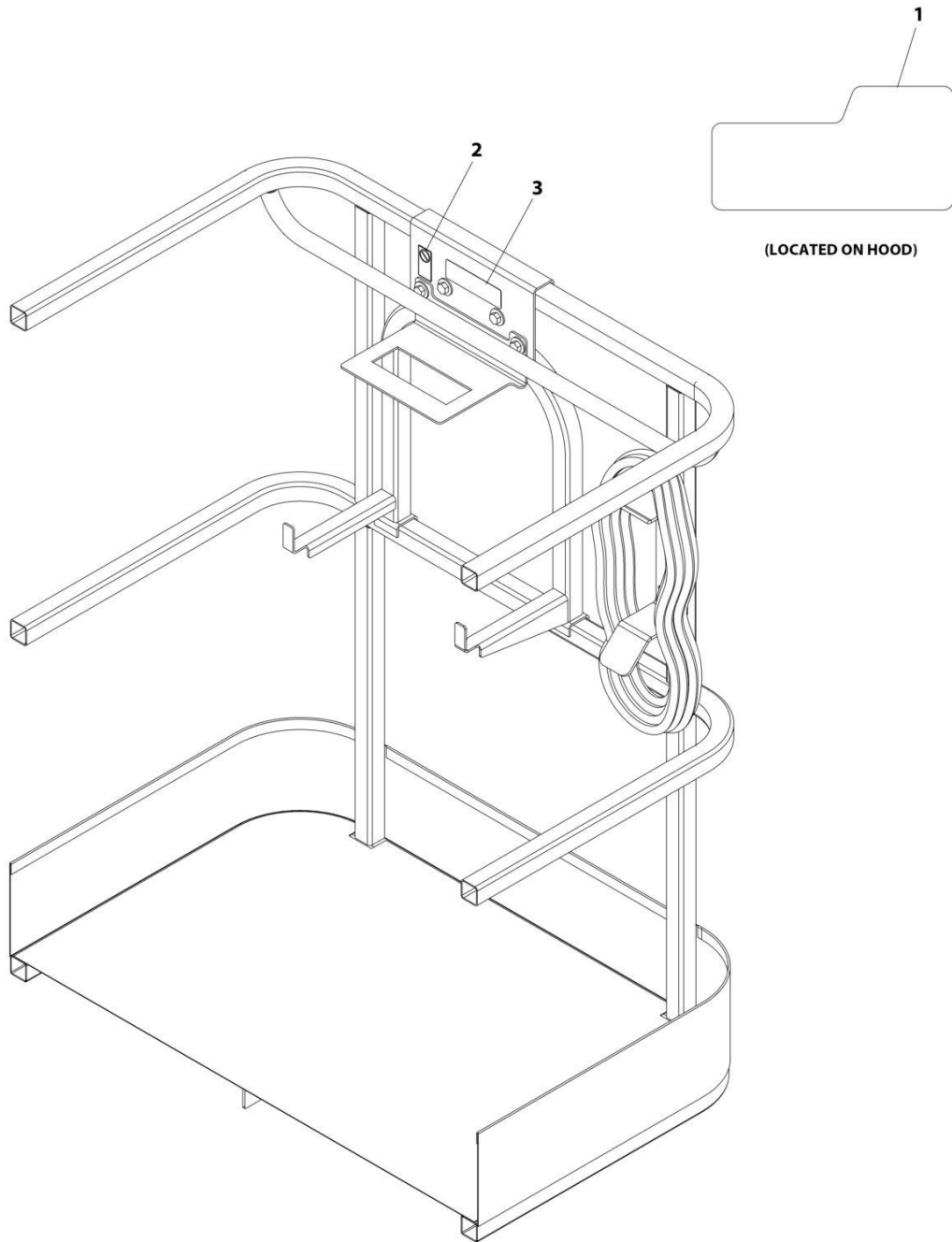
ITEM	PART NUMBER	QTY	DESCRIPTION	REV
226		Ref	Decal - Warning Explosion/Fire (Diesel Machines Only)	
226	1704972	1	Decal - Warning Explosion/Fire (ANSI and CSA Spec)	
226	1706064	1	Decal - Warning Explosion/Fire (CSA Spec - Dual Language English/French)	
226	1706098	1	Decal - Warning Explosion/Fire (Australian, CE & UK CA Specs)	
226	1706059	1	Decal - Warning Explosion/Fire (Brazil Spec - Dual Language English/Portuguese)	
226	1706060	1	Decal - Warning Explosion/Fire (Chinese Spec - Dual Language English/Chinese)	
226	1706061	1	Decal - Warning Explosion/Fire (Korean Spec - Dual Language English/Korean)	
226	1706062	1	Decal - Warning Explosion/Fire (Japanese Spec - Dual Language English/Japanese)	
226	1706063	1	Decal - Warning Explosion/Fire (Latin American - Dual Language English/Spanish)	
253	1001143852	1	Decal - Emission Compliance (Machines with Diesel Engines) (ANSI Export, Australian, CE, China & UK CA Specs) (Not Shown)	
262A	1001141300	Ref	Decal - SkyGuard Override	
262B	1001141302	Ref	Decal - SkyGuard/Soft Touch Override	
264A	1001204510	Ref	Decal - Sound Power Level - 102Db	
264B	1001130492	Ref	Decal - Sound Power Level - 105Db	
267	1001200128	Ref	Decal - Quick Start Guide (CE & UK CA Spec) (French Decal) (For LOXAM Rentals Only)	
267	1001200129	Ref	Decal - Quick Start Guide (CE & UK CA Spec) (Dutch Decal) (For LOXAM Rentals Only)	
267	1001200130	Ref	Decal - Quick Start Guide (CE & UK CA Spec) (German Decal) (For LOXAM Rentals Only)	
267	1001200131	Ref	Decal - Quick Start Guide (CE & UK CA Spec) (Danish Decal) (For LOXAM Rentals Only)	
267	1001200132	Ref	Decal - Quick Start Guide (CE & UK CA Spec) (Swedish Decal) (For LOXAM Rentals Only)	
267	1001200133	Ref	Decal - Quick Start Guide (CE & UK CA Spec) (Spanish Decal) (For LOXAM Rentals Only)	
267	1001200134	Ref	Decal - Quick Start Guide (CE & UK CA Spec) (Norwegian Decal) (For LOXAM Rentals Only)	
267	1001181145	Ref	Decal - Quick Start Guide (CE & UK CA Spec) (English Decal) (For LOXAM Rentals Only)	
274	1001214029	1	Decal - EAC Installation (CIS and Russia Specs)	
274A	1001173703	1	Decal - EAC	
292	1001171335	1	Decal - Dual Capacity (ANSI Spec)	
292	1001171337	1	Decal - Max Capacity (ANSI Spec)	
292	1001171359	1	Decal - Dual Capacity (Brazil Spec - Dual Language Portuguese/Spanish)	
292	1001171361	1	Decal - Max Capacity (Brazil Spec - Dual Language Portuguese/Spanish)	
292	1001171355	1	Decal - Dual Capacity (Chinese Spec - Dual Language English/Chinese)	
292	1001171357	1	Decal - Max Capacity (Chinese Spec - Dual Language English/Chinese)	
292	1001171351	1	Decal - Dual Capacity (CSA Spec - Dual Language English/French)	
292	1001171353	1	Decal - Max Capacity (CSA Spec - Dual Language English/French)	
292	1001171345	1	Decal - Dual Capacity (Korean Spec - Dual Language English/Korean)	

**SECTION 9 - DECAL**

<b>ITEM</b>	<b>PART NUMBER</b>	<b>QTY</b>	<b>DESCRIPTION</b>	<b>REV</b>
292	1001171347	1	Decal - Max Capacity (Korean Spec - Dual Language English/Korean)	
292	1001171349	1	Decal - Dual Capacity (Latin American - Dual Language English/Spanish)	
292	1001171337	1	Decal - Max Capacity (Latin American - Dual Language English/Spanish)	
292	1001171341	1	Decal - Dual Capacity (Japanese Spec - Dual Language English/Japanese)	
292	1001171343	1	Decal - Max Capacity (Japanese Spec - Dual Language English/Japanese)	

# SECTION 9 - DECAL

## FIGURE 9-18. SKYWELDER DECAL INSTALLATION - 50HZ



ART\_0272588

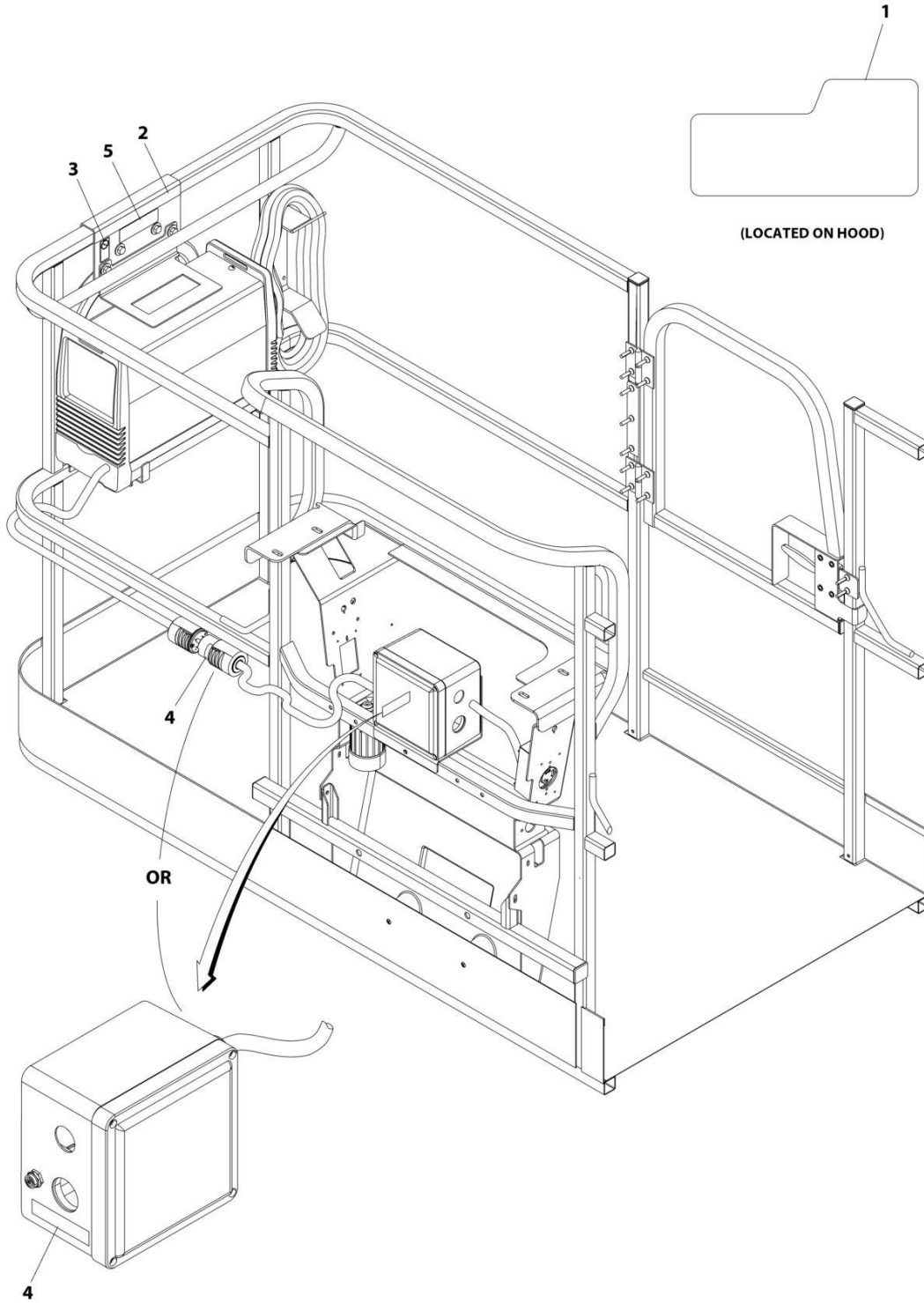
## SECTION 9 - DECAL

**FIGURE 9-18. SKYWELDER DECAL INSTALLATION - 50HZ**

ITEM	PART NUMBER	QTY	DESCRIPTION	REV
	0272588	Ref	SKYWELDER DECAL INSTALLATION - 50Hz	B
1	1705355	2	Decal - SkyWelder	
2	1705305	1	Decal - Weld Lead	
3	1001228988	1	Decal - Weight	

# SECTION 9 - DECAL

## FIGURE 9-19. SKYWELDER DECAL INSTALLATION - 60HZ



ART\_0272448\_C

**SECTION 9 - DECAL**

**FIGURE 9-19. SKYWELDER DECAL INSTALLATION - 60HZ**

<b>ITEM</b>	<b>PART NUMBER</b>	<b>QTY</b>	<b>DESCRIPTION</b>	<b>REV</b>
	0272448	Ref	SKYWELDER DECAL INSTALLATION - 60Hz	C
1	1705355	2	Decal - SkyWelder	
2	1702868	1	Decal - No Hands	
3	1705305	1	Decal - Weld Lead	
4	1705375	1	Decal - 240V - 3 Phase - 60Hz	
5	1001228988	1	Decal - Weight	





**SECTION 10 - RECOMMENDED SERVICE PARTS STOCK**

**SECTION 10 - RECOMMENDED SERVICE PARTS STOCK**

# SECTION 10 - RECOMMENDED SERVICE PARTS STOCK

## FIGURE 10-1. RECOMMENDED SERVICE PARTS STOCK

ITEM	PART NUMBER	QTY	DESCRIPTION	REV
		Ref	Note: The following list will service one machine (built to current production per date on the front cover) with emergency repair parts which can be installed in the field. Parts from the list should be replaced when inventory is depleted to keep service parts stock supplied. For further information, contact your JLG dealer or the JLG Industries Parts Department.	
	4360542	1	Breaker, Circuit (2500W Generators)	
	4360070	1	Breaker, Circuit - 15Amp (4000W/60Hz and 7500W Generators)	
	1001189172	1	Breaker 16 Amp Double (Breaker Box with Three Breakers)	
	7024485	1	Breaker, Circuit 30Amp (7500W Generators)	
	70006095	1	Breaker, Circuit 30Amp (7500W/60Hz Generators)	
	1001189171	1	Breaker, 30mA (Breaker Box with Three Breakers)	
	1001181045	1	Breaker, Combination 16Amp (Breaker Box with Single Breaker)	
	1001159118	1	Breaker GFCI 30Amp 240VAC (240V AC Box at Platform)	
	70002386	1	Coil (Main Valve, Axle Valve & Lift Cylinder)	
	70003788	1	Coil (Main Valve & Lift Cylinder)	
	70005219	1	Coil (Main Valve)	
	70004897	1	Coil (Piston Pump)	
	1001166538	1	Controller, Drive/Steer	
	1001166539	1	Controller, Lift/Swing	
	1001196636	2	Diode, 1Amp (Turntable Harness)	
	70010383	12	Element, Charge Pump (Control Valves)	
		Ref	Engine - Deutz D2011	
	70003783	12	Element, Air Cleaner	
	7020023	12	Filter, Fuel	
	70003463	12	Filter, Fuel - RME Resistant	
	7016331	12	Filter, Oil	
	3740140	1	Relay, 12v	
		Ref	Engine - Deutz D2.9L4	
	70003783	12	Element, Air Cleaner	
	70023592	2	Fuse, 20A	
	70023593	2	Fuse, 30A	
	70004058	1	Relay	
	1001117308	1	Relay, 200Amp	
	1001138228	1	Relay, Power Module	
		Ref	Engine - Deutz D2.9L4 (Stage V)	
	70003783	12	Element, Air Cleaner	
	70025161	12	Filter, Fuel	
	70025153	12	Filter, Fuel Pre	
	7016331	12	Filter, Oil	
	70029512	1	Module, Engine Control	
	1001117308	1	Relay, 200Amp	
	1001138228	1	Relay, Power Module	
		Ref	Engine - Kubota	
	70004020	12	Element, Air Filter	
	7017932	12	Element, Breather	
	7017992	12	Filter, Fuel	
	70006023	12	Filter, Oil	
	2400082	2	Fuse, 40A	

## SECTION 10 - RECOMMENDED SERVICE PARTS STOCK

ITEM	PART NUMBER	QTY	DESCRIPTION	REV
	70006061	1	Module, Engine Control	
	1001196634	2	Fuse, 2A (Breather Heater Installation & Turntable Harness)	
	8229249	2	Fuse, 3A (USB Charger)	
	8229242	2	Fuse, 5A (Engine Harness D2.9L4 & Turntable Harness)	
	80983191	2	Fuse, 10A (Engine Harness D2.9L4)	
	8229244	2	Fuse, 15A (Turntable Harness)	
	8229245	2	Fuse, 30A (2500W Generator Harness)	
	2860030	1	Key, Replacement	
	2940074	1	Latch (Platforms with Swing Gate)	
	1001247468	1	Loadcell (Platform Support)	
	1001142683	1	Module, Beacon (Blue and Red Beacons)	
	1001170094	1	Module, Ground Control	
	1001157196	1	Module, Platform	
	70006553	1	Relay (4000W Generator)	
	3740086	1	Relay, 20Amp (SkyLine)	
	3740080	1	Relay, 20/40Amp (2500W Generators)	
	1001095704	1	Relay, 35Amp (Turntable Harness)	
	1001118971	1	Sensor, Angle (Transport Switches)	
	1001228225	1	Sensor, Emitter (SkyEye)	
	1001231195	1	Sensor, Fuel Level	
	4360057	1	Sensor, Limit (Soft Touch)	
	1001232667	1	Sensor, Proximity (SkyLine)	
	1001170847	1	Sensor, Proximity (Boom Switches)	
	1001182570	1	Sensor, Proximity (Boom Switches)	
	4360517	1	Sensor, Proximity (Rotary Coupling)	
	1001228224	1	Sensor, Receiver (SkyEye)	
	1001137673	1	Switch Bar Assembly (SkyGuard)	
	1001237902	1	Sensor, SkySense	
	1001219601	1	Sensor, Tilt (Electrical Panel)	
	1001225346	1	Switch, Battery (Battery Disconnect)	
	4360475	1	Switch, Emergency Stop	
	1001117174	1	Switch, Foot	
	4360469	1	Switch, Key	
	4360407	1	Switch, Potentiometer	
	4360387	1	Switch, Pushbutton Yellow (Ground Control, Console Box & Soft Touch))	
	1001161710	1	Switch, Toggle (Engine Install)	
	4360336	1	Switch, Toggle (Generator)	
	1001155045	1	Switch, Toggle (Ground Control & Console Box)	
	1001159256	1	Switch, Toggle (Console Box)	
	1001161709	1	Switch, Toggle (Console Box)	
	4360328	1	Switch, Toggle (Jib Switch)	



**SECTION 11 - SPECIAL OPTIONS**

# SECTION 11 - SPECIAL OPTIONS

## FIGURE 11-1. SPECIAL OPTIONS/ACCESSORIES/KITS

ITEM	PART NUMBER	QTY	DESCRIPTION	REV
		Ref	Note: This list is to accommodate machines ordered with special equipment. Options may not be applicable to all models. For more specific parts information contact JLG Parts Department.	
	1001174347	Ref	Airline Installation (400S)	
	1001174348	Ref	Airline Installation (460SJ)	
	1001204996	Ref	Arctic Package with SkyPower Installation Kit (400S)	
	1001204997	Ref	Arctic Package without SkyPower Installation Kit (400S)	
	1001205008	Ref	Arctic Package with SkyPower Installation Kit (460SJ)	
	1001205009	Ref	Arctic Package without SkyPower Installation Kit (460SJ)	
	2915102	Ref	Bearing Kit	
		Ref	Bolt on Fall Arrest Kits:	
	1001269629	Ref	Bolt on Fall Arrest 30x60" Kit	
	1001269630	Ref	Bolt on Fall Arrest 30x48" Kit	
	1001269631	Ref	Bolt on Fall Arrest 30x72" Kit	
	1001237883	Ref	Bolt on Fall Arrest - 72in Standard Platform	
	1001237882	Ref	Bolt on Fall Arrest - 96in Standard Platform	
	1001171499	Ref	Boom and Chassis Bellows Installation (400S)	
	1001171500	Ref	Boom and Chassis Bellows Installation (460SJ)	
	1001206437	Ref	Boom Wear Pad Kit	
	1001172630	Ref	Boom Wiper Installation	
	1001172045	Ref	Cable Carrier Tray Installation (Australian Specs) (460SJ)	
	1001243183	Ref	ClearSky (Telematics) Added-on-Kit (Dealer Installed) (ANSI, ANSI Export, CSA, CE & UK CA Specs)	
	1001243184	Ref	ClearSky (Telematics) Added-on-Kit (Dealer Installed) (CE & UK CA Specs)	
	1001246142	Ref	ClearSky (Telematics) Added-on-Kit (Dealer Installed) (Australian Spec)	
	1001242639	Ref	ClearSky (Telematics) Access Control Installation (Dealer Installed) (ANSI, ANSI Export, CSA, CE & UK CA Specs)	
	1001227453	Ref	ClearSky 4G Installation (All Specs Except China Specs)	
	1001246457	Ref	ClearSky 4G Installation (China Specs)	
	1001228955	Ref	ClearSky 3G Installation (ANSI Export, CE, Japanese & UK CA Specs)	
	1001246456	Ref	ClearSky 3G Installation (Australian Specs)	
	1001229107	Ref	ClearSky (Telematics) Installation (CSA Specs) <b>(Prior to SN 0300288057)</b>	
	1001233237	Ref	ClearSky Installation (ANSI Export, CE, Japanese & UK CA Specs) <b>(Prior to SN 0300288057)</b>	
	1001276610	Ref	ClearSky (Telematics) Installation (Factory Installed) 3-Wire Connection (All Except China Specs) <b>(SN 0300288057 to Present)</b>	
	1001262959	Ref	ClearSky Voltage Regulator Relocation Kit	
	1001183207	Ref	Cold Weather Package - Deutz D2011 Engines	
	1001183206	Ref	Cold Weather Package - Deutz D2.9L4 Engines	
	1001255807	Ref	Cold Weather Package - Deutz D2.9L4 Engines (Stage V)	
	1001216914	Ref	Cold Weather Package - Kubota Engines	
	1001177840	Ref	Container/Transport Wheels Installation - 12 x 16.5 Tires	
	1001177841	Ref	Container/Transport Wheels Installation - 14 x 17.5 Tires	
	0272031	Ref	Container/Transport Wheels Installation - 33/16LI x 16.1 Foam Filled Sand Tires	
	1001233047	Ref	Crankcase Breather Heater Kit - Deutz T4F Engine	

## SECTION 11 - SPECIAL OPTIONS

ITEM	PART NUMBER	QTY	DESCRIPTION	REV
	1001177524	Ref	Cribbing Switch Installation (ANSI and CSA Specs)	
		Ref	Decal Installations:	
	1001178435	Ref	Decal - ClearSky	
	1702868	Ref	Decal - No Hands (English Language) (Used with Mesh to Top Rail Platform)	
	1704000	Ref	Decal - No Hands (English and French Dual Language) (Used with Mesh to Top Rail Platform)	
		Ref	Decal Kits:	
	1001270508	Ref	Machine Decal Kit	
	1001270509	Ref	Platform Decal Kit	
	1001270510	Ref	Platform Console Box Decal Kit	
	1001270514	Ref	Machine Decal Kit (ANSI 9220)	
	1001272196	Ref	Platform Decal Kit (ANSI 9220)	
	1001272082	Ref	Platform Console Box Decal Kit (ANSI 9220) (400S)	
	1001272083	Ref	Platform Console Box Decal Kit (ANSI 9220) (460SJ)	
	1001214833	Ref	Engine Block Heater - Kubota Engines	
	1001172751	Ref	Fan Cover Installation - Deutz D2.9L4 Engines/Deutz D2.9L4 Engines (Stage V)	
	1001204481	Ref	Filter Kit - Combined (Hydraulic Oil/Air & Engine Air/Fuel Oil) (Deutz D2011)	
	1001204482	Ref	Filter Kit - Combined (Hydraulic Oil/Air & Engine Air/Fuel Oil) (Deutz D2.9L4)	
	1001225794	Ref	Filter Kit - Combined (Hydraulic Oil/Air & Engine Air/Fuel Oil) (Deutz D2.3L3)	
	1001117294	Ref	Footswitch Shield Installation	
	1001220004	Ref	Ground Control Module Cover Kit	
	1001206439	Ref	Hose Kit - Power Track (Upper) (400S)	
	1001206440	Ref	Hose Kit - Power Track (Upper) (460SJ)	
	1001270503	Ref	Hose Kit - Power Track (Upper) (460SJ)	
	1001241396	Ref	Hostile Environment Kit (400S)	
	1001241402	Ref	Hostile Environment Kit (460SJ)	
	1001258230	Ref	Hydraulic Load Installation (Factory Installed)	
	1001268737	Ref	Jib Link Kit	
		Ref	Light Installations:	
	1001174926	Ref	Chassis Illumination	
	1001174925	Ref	Headlights and Taillights	
	1001120466	Ref	Platform Worklights	
	1001202749	Ref	Lockable Fuel Cap Cover - Black	
	1001191395	Ref	Lockable Fuel Cap Cover - Green (ANSI and ANSI Export Specs)	
	1001191394	Ref	Lockable Fuel Cap Cover - Red (ANSI and ANSI Export Specs)	
	1001183407	Ref	Low Temperature Cutout Installation (Russian Specs)	
	1001253618	Ref	Module Box Assembly Kit (Service Kit for P/N 1001246867)	
	1001253619	Ref	Module Box Assembly Kit (Service Kit for P/N 1001246860)	
	1001173664	Ref	Oil Cooler Installation - Deutz D2011 Engines	
	1001164493	Ref	Oil Cooler Installation - Deutz D2.9L4 Engines/Deutz D2.9L4 Engines (Stage V)	
	1001216552	Ref	Oil Cooler Installation - Kubota Engines	
	1580013	Ref	Platform Corner Storage Tray	
	1001195304	Ref	Platform Cover Installation - Clear	
	1001266290	Ref	Platform Cover Installation - Steel	
	1001270482	Ref	Platform Cover Installation - Steel (Dealer Installed)	
	1001219794	Ref	Platform Hose and Cable Protection (400S)	
	1001258715	Ref	Platform Hose and Cable Protection (460SJ)	

## SECTION 11 - SPECIAL OPTIONS

ITEM	PART NUMBER	QTY	DESCRIPTION	REV
	1001238421	Ref	Platform Leveling Kit	
		Ref	Platform Mesh to Mid Rail Add-On Kits - Dealer Installed:	
	1001214478	Ref	30in x 4ft (76cm x 1.22m)	
	1001214515	Ref	30in x 5ft (76cm x 1.52m)	
	1001214540	Ref	36in x 6ft (91.5cm x 1.83m)	
	1001214548	Ref	36in x 8ft (91.5cm x 2.44m)	
		Ref	Platform Mesh to Top Rail Add-On Kits - Dealer Installed:	
	1001214552	Ref	30in x 4ft (76cm x 1.22m)	
	1001214559	Ref	30in x 5ft (76cm x 1.52m)	
	1001214560	Ref	30in x 6ft (76cm x 1.83m)	
	1001214561	Ref	36in x 6ft (91.5cm x 1.83m)	
	1001214562	Ref	36in x 8ft (91.5cm x 2.44m)	
		Ref	Platform Mesh Add-On Kits - Factory Installed:	
	1001271642	Ref	Platform Mesh to Toprail Installation - 36 x 72 Platforms (ANSI and CSA Specs)	
	1001269187	Ref	Platform Mesh to Toprail Installation - 36 x 96 Platforms (ANSI and CSA Specs)	
	1001269389	Ref	Platform Mesh to Midrail Installation - 36 x 96 Platforms (ANSI, ANSI Export(LRC), Australian and China Specs)	
		Ref	Platform Plastic Mesh Add-On Kits - Factory Installed:	
	1001266489	Ref	Platform Plastic Mesh to Toprail Installation - 36 x 72 Platforms (ANSI and CSA Specs)	
	1001266056	Ref	Platform Plastic Mesh to Toprail Installation - 36 x 96 Platforms (ANSI and CSA Specs)	
	1001266098	Ref	Platform Plastic Mesh to Midrail Installation - 36 x 96 Platforms (ANSI, ANSI Export(LRC), Australian and China Specs)	
		Ref	Rail Extensions:	
	0272733	Ref	Platform Rail Extension Installation - 36 x 72 Platforms	
	0272725	Ref	Platform Rail Extension Installation - 36 x 96 Platforms	
	1001233079	Ref	Pump Rotation Kit	
	1001247800	Ref	Quad Tracks Replacement Kit	
		Ref	SkyGuard Kits:	
	1001247073	Ref	SkyEye Retrofit Kit	
	1001241547	Ref	SkyEye Housing Repair Kit - LH	
	1001241548	Ref	SkyEye Housing Repair Kit - RH	
	1001250595	Ref	SkyGuard 6-Pin Retrofit Installation Kit	
	1001203510	Ref	SkyGuard Kit, Without Beacon	
	1001203512	Ref	SkyGuard Kit, With Blue Beacon	
	1001210037	Ref	SkyGuard Kit, With Red Beacon	
	1001250035	Ref	SkyGuard Platform Sensor Kit	
	1001249052	Ref	SkyGuard Retrofit Kit	
	1001262016	Ref	SkyLine Kit	
		Ref	SkySense Installations:	
	1001250465	Ref	SkySense (EDS) Level 1 Booms (2-Bar) Installation (Factory Installed)	
	1001250466	Ref	SkySense (EDS) Level 2 Booms (3-Bar) Installation (Factory Installed)	
	1001252033	Ref	SkySense (EDS) Level 1 Booms (2-Bar) Installation Kit (Dealer Installed)	
	1001252034	Ref	SkySense (EDS) Level 2 Booms (3-Bar) Installation Kit (Dealer Installed)	
		Ref	Amber Beacon Installations:	
	1001178951	Ref	Platform Mounted (Amber)	
	1001177570	Ref	Platform/Ground Mounted (Amber)	



## SECTION 11 - SPECIAL OPTIONS

ITEM	PART NUMBER	QTY	DESCRIPTION	REV
	1001231235	Ref	Sky Welder Locking Bracket	
		Ref	Tools For Service:	
	1001249695	Ref	Analyzer & Cable Kit	
	1001249941	Ref	Analyzer Kit (Battery Powered)	
	1001137005	Ref	Tools - Cable Kit, Software	
	7002821	Ref	Tools - Crimper, Wire	
	7002823	Ref	Tools - Pin Extractor - Universal (For Electrical Connectors with Pins and Sockets)	
	4460467	Ref	Tools - Pin Extractor - 16-18 Gauge (For Removal of Pin/Sockets from Deutsch Connectors)	
	4460510	Ref	Tools - Pin Extractor - 12-14 Gauge (For Removal of Pin/Sockets from Deutsch Connectors)	
	7016654	Ref	Tools - Screwdriver, Magnetic	
	7002822	Ref	Tools - Screwdriver, Potentiometer	
	7004275	Ref	Tools - Seal Tool 1in (For Cylinders)	
	7004276	Ref	Tools - Seal Tool 1-1/2in (For Cylinders)	
	7002828	Ref	Tools - Stripper, Wire	
	70004185	Ref	Tools - Torque Multiplier	
	1001236496	Ref	Wet Stacking Prevention Kit	
	1001263176	Ref	White Noise Alarm (Factory Installed)	
	1001270716	Ref	White Noise Alarm (Dealer Installed)	
	1001270755	Ref	White Noise Ambient Alarm (Dealer Installed)	
	1001209059	Ref	Work Surface Installation	



**PART NUMBER INDEX**

## SECTION 11 - SPECIAL OPTIONS

0080201.....278, 292	0274661 ..... 459	0681822 ..... 409	0760610.. 67, 69, 99, 101,
0080231.....196, 208	0275216 ..... 545, 631	0682014 ..... 41, 43, 45	137, 139, 141, 143,
0100009.....435	0275217 ..... 549, 633	0682026 ..... 177	183, 189, 196, 201,
0100011.... 17, 19, 21, 25,	0275452 ..... 551, 635	0682040 ..... 39	208, 217, 222, 228,
27, 41, 43, 45, 67, 69,	0275453 ..... 553, 637	0682424 ... 449, 451, 453,	234, 245, 252, 271,
81, 83, 95, 97, 99, 109,	0275454 ..... 561, 639	455	278, 285, 292, 309,
111, 124, 128, 132,	0360406 ..... 39	0700408 ... 543, 545, 547,	311, 313, 331, 335,
137, 139, 141, 143,	0363019 ..... 37, 39	549, 551, 553, 555,	339, 343, 347, 351,
146, 149, 151, 155,	0400075 ..... 67, 69	557, 559, 561, 563	355, 359, 569
183, 189, 193, 196,	0440162 ... 189, 201, 216,	0700610 ..... 190, 202	0760612 95, 97, 101, 278,
201, 205, 208, 216,	228, 245, 271, 285	0700612 ..... 99	292
219, 222, 228, 231,	0440240 ..... 177	0700614 ..... 189, 201	0760613.....216, 228, 245
234, 245, 249, 252,	0440271 ..... 27	0700619 .... 512, 520, 528	0760614.... 137, 139, 141,
263, 271, 275, 278,	0480100 ..... 457, 459	0700620 ... 101, 595, 597,	143, 149, 151, 197,
285, 289, 292, 315,	0480122 ..... 319	601	209, 343, 583
317, 319, 323, 327,	0480126 ..... 331, 347	0700810 ..... 278, 292	0760615.....75, 77
331, 335, 339, 343,	0480128 ..... 335, 351	0700814 ..... 278, 292	0760619.....536
347, 351, 355, 359,	0480129 ..... 360	0700815 ..... 278, 292	0760808....222, 234, 254,
371, 373, 375, 377,	0561237 ..... 595	0700816 ..... 280, 294	278, 292
379, 385, 387, 389,	0630462 ..... 461, 463	0700817 ... 189, 201, 216,	0760810....224, 236, 252,
391, 393, 403, 405,	0630518 .... 477, 479, 481	228, 245, 271, 285	393
407, 417, 419, 421,	0630534 ..... 497	0700818 ... 335, 339, 347,	0760812....222, 234, 252,
423, 425, 427, 429,	0630563 ... 591, 593, 595,	351, 355, 359	271, 278, 285, 292,
431, 461, 463, 465,	597, 599, 601	0700819 ..... 359	309, 311, 313, 319,
469, 477, 479, 481	0630568 ..... 435	0700821 ... 189, 201, 216,	323, 331, 336, 340,
0100019.. 41, 43, 45, 159,	0630613 ... 124, 128, 132,	228	348, 352, 356, 571
177, 323, 331, 335,	146	0700822 ..... 245	0760814.... 196, 208, 222,
339, 343, 347, 351, 355	0641404 ..... 469	0701016 .... 280, 294, 359	234, 252, 278, 292,
0100020.....23, 189, 196,	0641405 ..... 435, 469	0701017 .... 216, 228, 245	327, 359, 591, 593,
201, 208, 216, 222,	0641406 ... 433, 483, 657,	0701018 ... 165, 167, 169,	595, 597, 601
223, 228, 234, 245,	659, 661, 663, 665,	171	0760815.... 196, 208, 224,
252, 271, 278, 285,	667, 669, 671, 673,	0701020 ... 165, 167, 169,	236, 252, 278, 292
292, 445, 543, 545,	675, 677, 679, 681,	171, 377, 379	0760816..... 37, 124, 128,
547, 549, 551, 553,	683, 685, 687	0701216 ..... 278, 292	132, 146, 280, 294
555, 557, 559, 561, 563	0641408 ..... 433, 473	0701217 ..... 17	0761009.... 319, 385, 387
0100035.... 113, 165, 167,	0641410 ... 137, 139, 141,	0701219 ..... 315, 317	0761010.....81, 83
169, 171, 265, 435, 447	143, 149, 151	0701220 ..... 155	0761011.....25, 27
0100048.....73, 319, 323,	0641414 ... 435, 461, 463,	0701222 ..... 373, 375	0761012.... 41, 43, 45, 67,
327, 331, 335, 339,	465, 473, 475	0701223 ..... 315, 317	69, 124, 128, 132, 137,
343, 347, 351, 355,	0641416 ... 543, 545, 547,	0701224 ... 278, 292, 315,	139, 141, 143, 146,
359, 435	549, 551, 553, 555,	327, 359	311, 371, 377, 379,
0100079.... 331, 335, 339,	557, 559, 561, 563	0701617 ..... 27	385, 387
347, 351, 355, 359	0641418 ... 405, 407, 417,	0701618 ..... 159	0761014.. 95, 97, 99, 124,
0100081.... 196, 208, 222,	419, 421, 423, 425,	0701619 .... 365, 367, 369	128, 132, 146, 149,
234, 252, 280, 294,	427, 429, 431, 597	0711214 .... 222, 234, 252	151, 157, 165, 167,
471, 591, 593, 595,	0641420 ..... 403	0711220 ..... 25, 27	169, 171, 222, 234,
597, 599, 601	0641504 .... 37, 189, 201,	0711224 ... 196, 208, 222,	245, 252, 271, 278,
0140011 ..... 435	217, 228, 245, 271,	234, 252, 319, 323,	285, 292, 319, 323,
0140043..... 101	285, 595, 597, 599, 601	327, 331, 335, 339,	393, 591, 593, 595,
0181949..... 23	0641507 ... 319, 323, 327	343, 347, 351, 355, 359	597, 599, 601
0200048..... 461, 463	0641514 ..... 457, 459	0711629 ..... 27	0761015 81, 83, 189, 196,
0257728..... 457	0641606 .... 477, 479, 481	0721005 ..... 463	201, 208, 216, 222,
0270022..... 541	0641608 ..... 377, 379	0721006 ..... 263, 265	228, 234, 245, 252,
0270092..... 29	0641610 .... 263, 265, 433	0731005 . 95, 97, 99, 165,	271, 278, 285, 292,
0270653..... 31	0641612 ..... 23, 37	167, 169, 171, 461	323, 327, 377, 379
0271998..... 33	0641616 ... 331, 335, 339,	0741606 .... 222, 234, 252	0761016.... 79, 95, 97, 99,
0272031 ..... 702	343, 347, 351, 355	0741607 ... 331, 335, 339,	222, 234, 252, 278,
0272254 ..... 479	0641772 .... 319, 323, 327	343, 355	292, 327, 391
0272427 ..... 463	0641812 ... 193, 205, 219,	0741608 ..... 359	0761018..... 593, 597
0272435 ..... 353, 357, 361	231, 249, 275, 289	0760415 ..... 391	0761019.... 371, 373, 375
0272448 ..... 695	0642012 ..... 471	0760605 ..... 278, 292	0761210..... 37, 222, 234,
0272521 ..... 477	0642212 ..... 471	0760606 ... 278, 292, 331,	252
0272588 ..... 693	0681608 .... 224, 236, 393	335, 339, 343, 347,	0761212.... 222, 234, 252,
0272589 ..... 349	0681620 ... 449, 451, 453,	351, 355	339, 343, 355
0272725 ..... 704	455	0760607 .... 224, 236, 252	0761214.... 323, 327, 331,
0272733 ..... 704	0681810 ..... 43, 45	0760608 ... 146, 149, 151,	335, 347, 351, 359
0273380 ..... 353, 357, 361	0681814 ..... 409	278, 292, 319, 323, 327	0761215.... 155, 327, 359

## SECTION 11 - SPECIAL OPTIONS

0761216 ..... 393	1001096070..... 331, 343, 587	1001117372.....491	1001138228 ..... 223, 235, 253, 698
0761217 .... 371, 373, 375	1001097051..... 651	1001118274.....280	1001138248 ..... 197, 209, 223, 235, 253, 280, 294
0761218 .... 365, 367, 369	1001097150..... 585, 587, 589	1001118378.....641	1001138494 ..... 403, 405, 407, 417, 419, 421, 423, 425, 427, 429
0761615 ..... 17	1001097244.....485	1001118384.....647	1001138514 ..... 403, 405, 407, 417, 419, 421, 425, 429
0761620 ..... 159	1001098122..... 445, 629	1001118388.....647	1001138565 ..... 331
0771212 ... 217, 229, 245, 252	100109828.....393	1001118878.....223, 235, 253	1001138566 ..... 332, 336, 339, 343
0771414 ... 196, 208, 222, 234, 252, 319, 323, 331, 335, 339, 343, 347, 351, 355	1001098928..... 512, 528	1001118971.....391, 699	1001138795 ..... 497
0771416 ... 331, 335, 347, 351	1001099366..... 471	1001118972....19, 21, 41, 43, 45, 95, 97, 99, 165, 167, 169, 171, 272, 286	1001138827 ..... 223, 235
0772018 ..... 159	1001099367..... 471	1001119020.....573, 642	1001139240 ..... 223, 235
0811608 ..... 41	1001099560..... 371, 373, 375	1001119032.....641	1001139357 ..... 332, 336
0860038 ... 335, 339, 351, 355, 359, 541	1001100341..... 631	1001119278.....201, 228, 285	1001139384 ..... 137, 139, 141, 143, 149, 151
0860520 ... 657, 659, 661, 663, 665, 667, 669, 671, 673, 675, 677, 679, 681, 683, 685, 687	1001100342..... 633	1001119619..... 649	1001139586 ..... 27
0861538 .... 351, 355, 359	1001100345..... 635	1001119620..... 651, 653	1001139654 ..... 245
0861572 ..... 347	1001100346..... 639	1001119661.....689	1001139819 ..... 197, 208
0861731 ... 555, 557, 559, 563, 635, 637, 639	1001100347..... 637	1001120471.....485	1001140312 ..... 236
0861781 ... 543, 547, 631, 633	1001101191..... 545, 549, 551, 553, 561	1001120484.....485	1001140346 ..... 340
0861880 ..... 585, 587	1001101196..... 545, 549	1001125387.....217, 229	1001140347 ..... 343
0902733 ..... 37	1001101197..... 551, 553, 561	1001125677..... 629, 642	1001140429 ..... 403, 405, 407, 417, 419, 421, 423, 425, 427, 429, 431
0902734 ..... 37	1001103012..... 641	1001126009..... 647	1001140564 ..... 223, 235
0902888 ... 335, 339, 347, 351, 355, 359	1001104029..... 335, 339, 348, 352, 356, 360	1001126351..... 607, 612	1001141300 ..... 690
0940049. 95, 97, 99, 124, 128, 132, 146	1001104498..... 641	1001126362..... 607, 611	1001141302 ..... 690
0940092 ..... 461, 463	1001104519..... 627	1001126363..... 607, 611	1001141304 ..... 223, 235, 253
0940094 ..... 461, 463	1001106736..... 101	1001126364..... 607, 611	1001141694 ..... 197, 208, 223, 235, 253
0940102 ..... 471	1001107854..... 641	1001126365..... 607	1001141870 ..... 263, 265
0940103 ..... 463	1001108256..... 461	1001126391..... 607, 611	1001141995 ..... 197, 208, 223, 235, 253, 279, 293
0940177 ..... 461	1001110434..... 435	1001126392..... 607, 611	1001142501 ..... 217, 228, 245, 263, 265
0961845 ... 403, 405, 407, 417, 419, 421, 423, 425, 427, 429, 431	1001110872..... 565, 567	1001126485..... 612	1001142643 ..... 340, 356
0961893 ..... 497	1001110873..... 335, 339, 352, 356, 360, 541	1001126487..... 612	1001142646 ..... 340, 356
0961947 ..... 377, 379	1001111424.. 67, 69, 196, 208, 223, 235	1001128527..... 481	1001142683 .. 75, 77, 699
0961948 ..... 25, 27	1001112551..... 661	1001128556..... 481	1001142736 .. 75, 77, 573
0961950 ..... 17, 371, 373, 375, 495	1001112612..... 573, 642	1001129858..... 336	1001142938 ..... 608, 611
0961951 ... 196, 208, 222, 234, 252, 278, 292, 371	1001112796..... 573	1001130492..... 690	1001142940 ..... 608, 611
0962051 ..... 315, 317	1001113047..... 146	1001131269..... 657, 659, 673, 675	1001142941 ..... 608, 611
0962270 ..... 409	1001113680..... 665, 667	1001132195..... 196, 208	1001143390 ..... 197, 208, 223, 235, 253
0962292 ..... 27	1001113961..... 641	1001132196..... 196, 208	1001143797 ..... 223, 235, 253
0962335 ..... 377, 379	1001116693..... 629	1001133714..... 608, 612	1001143852 ..... 690
0962336 ..... 497	1001116710..... 617	1001133715..... 608, 612	1001144116 ..... 223, 235, 253
0962348 ..... 27, 373, 375	1001116725..... 641	1001133956..... 607, 612	1001144433 ..... 465
0962520 ... 331, 335, 339, 343, 347, 351, 355, 359	1001116732..... 621	1001133957..... 607, 612	1001144629 ..... 397, 399, 401, 411, 413, 415, 423, 427
1001001939 ..... 280	1001116734..... 621	1001134488..... 223, 235	1001145781 ..... 411, 413, 415, 417, 419, 421
1001091102 23, 135, 583	1001116748..... 641	1001134543..... 159	1001146397 ..... 33
1001091969 ..... 545	1001116774..... 573	1001135196..... 189, 201, 216, 228, 245, 271, 285	1001146588 ..... 246, 254
1001091970 ..... 549	1001116808..... 573	1001135650..... 608, 612	1001147233 ..... 327, 360
1001091973 ..... 551	1001116812..... 611	1001135651..... 608, 612	1001147264 ..... 607
1001091974 ..... 553	1001116952..... 607, 611	1001135679..... 323, 339, 343, 356	1001147274 ..... 29, 31
1001091975 ..... 561	1001116983..... 617	1001136834..... 223, 235, 253	1001147812 ..... 279, 293
1001093382 ..... 67, 69	1001117057..... 621	1001137005..... 705	1001147813 ..... 280, 294
1001095704 ..... 642, 699	1001117106..... 607, 611, 642	1001137032..... 371, 373, 375	
	1001117107..... 607, 611	1001137336..... 280, 294	
	1001117110..... 642	1001137673..... 465, 699	
	1001117140..... 146	1001138173..... 196, 208, 223, 235, 253, 279, 293	
	1001117172..... 445	1001138175..... 196, 208, 223, 235, 253, 279, 293	
	1001117174..... 435, 445, 699		
	1001117294..... 703		
	1001117308..... 223, 235, 253, 698		

## SECTION 11 - SPECIAL OPTIONS

1001148059.....344	1001159118 ..... 565, 567, 698	1001165722 ..... 223, 235, 253	1001168166.....224, 235, 253, 279, 293
1001148138.....324, 327	1001159119 ..... 565, 567	1001165849 ..... 223, 235, 253	1001168173..... 124, 128, 132
1001148641 ..... 190, 202, 320, 323, 332, 336, 340, 344, 348, 352, 356	1001159120 ..... 565, 567	1001166000 ..... 219, 222	1001168207..... 323, 340, 344, 356
1001148675.....565, 567	1001159121 ..... 567	1001166001 ..... 216, 219	1001168209..... 493, 503
1001148865.....29	1001159162 ..... 101	1001166002 ..... 216	1001168210..... 493
1001148866 .....29	1001159256 ..... 435, 699	1001166003 ..... 228	1001168402..... 393
1001148869 .....31	1001161709 ..... 435, 699	1001166021 ..... 189, 193	1001168841..... 371
1001148870.....31	1001161710 ..... 271, 285, 699	1001166022 ..... 189	1001168842..... 371, 373, 375
1001148875.....33	1001162335 ..... 224, 236, 263	1001166023 ..... 201	1001168843..... 365, 367, 369
1001148876.....33	1001162531 ..... 81, 85	1001166478 ..... 37	1001168844..... 365, 367, 369
1001149160.....124, 128, 132, 146, 279, 293	1001162532 ..... 83, 89	1001166538 ..... 435, 439, 698	1001168845..... 365, 367, 369
1001149639.....279, 293	1001162537 ..... 43, 45, 63	1001166539 ..... 435, 441, 698	1001168847..... 373, 375
1001149953.....29, 31, 33	1001162538 ..... 81, 83, 93	1001166563 ..... 17	1001168848..... 371
1001150324.....17, 95, 97, 99	1001162995 ..... 17	1001166710 ..... 165, 167, 169, 171	1001168849..... 371, 373, 375
1001150326 .....17	1001163178 .. 25, 27, 501	1001166717 ..... 197, 209	1001168854..... 365, 367, 369
1001150918.....202, 229, 285	1001163179 ..... 25, 27	1001166718 ..... 197, 209, 223, 235, 253, 279, 293	1001168855..... 155
1001150998..... 197, 209	1001163385 ..... 365, 367, 369, 499	1001166894 ..... 315, 317	1001168992..... 177
1001151393.....115, 117, 119, 121	1001163386 ..... 371, 373, 375, 493	1001166921 ..... 223, 235, 253	1001169046..... 124, 128, 132, 146
1001152456.....336, 340	1001163405 ..... 25, 27	1001166922 ..... 223, 235	1001169054.....224, 236, 253, 279, 293
1001152457 .....336, 340	1001163418 ..... 165, 167	1001166924 ..... 223, 235, 253	1001169060..... 43
1001152483.....589	1001163459 ..... 371	1001166970 ..... 216, 229, 245	1001169086..... 19
1001152485.....569, 589	1001163470 ..... 371	1001166997 ..... 503	1001169138..... 224, 236, 253, 279, 293
1001152489.....223, 235, 253	1001163482 ..... 367, 373	1001167036 ..... 193, 205, 219, 231, 249, 275, 289, 303	1001169185..... 155
1001152525.....336, 340, 349, 353, 357, 361	1001163483 ..... 373, 375	1001167038 ..... 189, 201	1001169191..... 79
1001152530.....336, 340	1001163492 ..... 373, 375	1001167108 ..... 223, 235, 607	1001169192..... 79
1001152532 .....332, 336, 340, 344, 623	1001163580 ..... 17, 491	1001167111 ..... 197, 209, 605	1001169193..... 79
1001153260.....336, 340	1001163671 ..... 169, 171	1001167159 ..... 124, 128, 132	1001169284..... 371, 373, 375
1001154405.....216, 228, 245, 263, 265	1001163715 ..... 25, 27	1001167164 ..... 309, 311, 313	1001169285..... 371, 373, 375
1001154726.....621	1001163716 ..... 25, 27	1001167512 ..... 189, 202, 216, 229, 245, 271, 285	1001169286..... 371, 373, 375
1001155041 .....323, 327, 360	1001163722 ..... 27	1001167520 ..... 197, 209, 223, 235, 253	1001169287..... 371, 373, 375
1001155043.....103, 105, 107	1001163724 ..... 27	1001167565 ..... 393	1001169288..... 371, 373, 375
1001155044 97, 103, 105, 107, 271, 285, 435	1001163726 ..... 27	1001167567 ..... 393	1001169289..... 371, 373, 375
1001155045.....103, 105, 107, 435, 699	1001163959 ..... 41, 43, 45	1001167596 ..... 393	1001169380..... 371, 373, 375
1001155823 .....216, 228, 245	1001164092 ..... 25	1001167632 ..... 611	1001169496..... 181
1001156107 ..... 189, 201, 246	1001164094 ..... 17	1001167635 ..... 612	1001169582..... 181
1001156819.....271, 286	1001164095 ..... 27	1001167916 ..... 81	1001169611..... 385, 387
1001157196.....435, 699	1001164202 ..... 315	1001167917 ..... 83	1001169669..... 367
1001157520.....349, 353, 357, 361	1001164209 ..... 25, 27	1001167918 ..... 146	1001169761..... 23
1001157521 ..... 349, 353, 357, 361	1001164493 ..... 703	1001168018 ..... 197, 209, 223, 235, 253, 279, 293, 320, 323, 327, 332, 336, 340, 344, 348, 352, 356, 360	1001169823..... 189, 202, 216, 229, 245
1001157525.....348	1001164552 ..... 17	1001168026 ..... 223, 235, 253	1001169955..... 19, 21
1001157528.....349, 353, 357, 361	1001164709 ..... 495	1001168059 ..... 197, 209	1001169967..... 224, 236, 253, 279, 293
1001157592 .....352, 356, 360	1001164817 ..... 491	1001168099 ..... 223, 235, 253	1001169973..... 19
1001158007 .....349, 353, 357, 361	1001165035 ..... 216, 229, 245		1001170035..... 224, 236, 253, 279, 293
1001158008.....336, 340, 349, 353, 357, 361	1001165060 ..... 124, 128, 132		1001170094..... 101, 699
1001158363.....336, 340	1001165363 ..... 503		1001170145..... 69
	1001165388 ..... 197, 209, 223, 235, 253		
	1001165389 ..... 197, 209		
	1001165405 ..... 223, 235, 253		
	1001165406 ..... 223, 235, 253		
	1001165531 ..... 385		
	1001165534 ..... 385		
	1001165538 ..... 385		
	1001165567 ..... 377, 379		
	1001165721 ..... 223, 235		

## SECTION 11 - SPECIAL OPTIONS

1001170224 .....	307	1001172572.....	689	1001173901.....	513, 521,	1001177524 .....	703
1001170475 .....	143	1001172577.....	471	529, 537		1001177570 .....	704
1001170551 .....	124, 128,	1001172578.....	471	1001173902.....	513, 521,	1001177840 .....	702
137		1001172594.....	216, 229	529, 537		1001177841 .....	702
1001170552 .....	124, 128,	1001172620.....	689	1001173903.....	513, 521,	1001178228 .....	139
141		1001172630.....	702	529, 537		1001178415 .....	689
1001170564 .....	391	1001172692.....	513, 520,	1001173904.....	513, 521,	1001178433 .....	689
1001170565 .....	391	529, 536		529, 537		1001178435 .....	703
1001170642 .....	391	1001172694.....	512, 520	1001173905.....	529, 537	1001178788 .....	223, 235,
1001170650 .....	309	1001172695.....	513, 520,	1001173906.....	529, 537	253	
1001170662 .....	309	529, 536		1001173907.....	513, 521,	1001178859 .....	197, 209
1001170663 .....	309, 313	1001172696.....	513, 520	529, 537		1001178876 .....	224, 236
1001170664 .....	309, 311,	1001172697.....	513, 520,	1001173908.....	513, 521,	1001178951 .....	704
313		529, 536		529, 537		1001179154 .....	336, 340,
1001170693 .....	197, 209,	1001172698.....	520, 536	1001173909.....	512, 521,	352, 357, 360	
211		1001172699.....	520, 536	528, 537		1001179836 .....	323, 327
1001170736 .....	37	1001172703.....	520, 536	1001173925.....	332, 336,	1001179837 .....	323, 327
1001170764 .....	612	1001172707.....	520, 536	348, 352		1001179893 .....	324, 328
1001170847 .....	389, 391,	1001172716.....	513, 521,	1001173927.....	591, 593,	1001179903 .....	224, 236,
699		529, 537		595, 597, 599, 601		253	
1001170850 .....	124, 128,	1001172717.....	513, 521,	1001173937.....	512, 521,	1001180001 .....	323, 327
132		529, 537		528, 537		1001180620 .....	224, 236,
1001171067 .....	371, 373,	1001172718.....	513, 521,	1001173983.....	335	253, 279, 293	
375		529, 537		1001174040.....	393	1001180797 .....	323
1001171112 .....	371, 373,	1001172719.....	513, 521,	1001174098.....	124, 128,	1001180798 .....	319
375		529, 537		132, 146		1001181045 .....	585, 587,
1001171131 .....	565	1001172721.....	513, 521,	1001174158.....	344	698	
1001171324 .....	371, 373,	529, 537		1001174347.....	702	1001181051 .....	377, 379,
375		1001172722.....	513, 521,	1001174348.....	702	383	
1001171335 .....	690	529, 537		1001174349.....	689	1001181074 .....	513, 521,
1001171337 .....	690, 691	1001172723.....	513, 521,	1001174350.....	689	529, 537	
1001171339 .....	661, 663	529, 537		1001174367.....	355	1001181075 .....	513, 521,
1001171341 .....	691	1001172751.....	703	1001174486.....	271, 285	529, 537	
1001171343 .....	691	1001172757.....	95, 97, 99,	1001174675.....	344, 348,	1001181076 .....	529, 537
1001171345 .....	690	101		352, 356, 360		1001181077 .....	529, 537
1001171347 .....	691	1001172760.....	435	1001174777.....	231, 234	1001181145 .....	690
1001171349 .....	691	1001172816.....	73	1001174778.....	229, 231	1001181243 .....	324, 328
1001171351 .....	690	1001173233.....	389	1001174783.....	205, 208	1001181319 .....	599
1001171353 .....	690	1001173342.....	216, 229,	1001174784.....	202, 205	1001181329 .....	591, 593,
1001171355 .....	690	246, 617		1001174925.....	703	595, 601	
1001171357 .....	690	1001173354.....	124, 128,	1001174926.....	703	1001181405 .....	73
1001171359 .....	690	132, 146		1001175024.....	521, 537	1001181895 .....	236
1001171361 .....	690	1001173356.....	124	1001175068.....	307	1001181913 .....	37
1001171368 .....	663	1001173456.....	591, 593,	1001175071.....	307	1001182155 .....	37
1001171382 .....	661	595, 597, 599, 601		1001175073.....	315, 317	1001182245 .....	21
1001171482 .....	103, 105,	1001173535.....	278, 292	1001175074.....	315, 317	1001182250 .....	21
107		1001173594.....	593	1001175075.....	315	1001182296 .....	320, 324,
1001171499 .....	702	1001173599.....	597	1001175170.....	591	328	
1001171500 .....	702	1001173600.....	599	1001175171.....	595	1001182361 .....	607, 612
1001171667 .....	371, 373,	1001173605.....	601	1001175239.....	591	1001182365 .....	607, 612
375		1001173664.....	703	1001175241.....	595	1001182570 .....	389, 391,
1001171953 .....	193, 205,	1001173665.....	591, 593,	1001175542.....	339	699	
219, 231, 249, 275, 289		595, 597, 599, 601		1001175631.....	336, 340	1001182806 .....	183
1001171954 .....	193, 205,	1001173703.....	690	1001176330.....	279, 293	1001183206 .....	702
219, 231, 249, 275, 289		1001173761.....	591, 593,	1001176469.....	119, 121	1001183207 .....	702
1001171966 .....	371, 373,	595, 597, 599, 601		1001176636.....	595, 597,	1001183407 .....	703
375		1001173763.....	385, 387	601		1001183477 .....	320, 324
1001171967 .....	371, 373,	1001173807.....	579, 591,	1001176848.....	25, 27	1001184542 .....	513, 521,
375		593, 599		1001176862.....	565	529, 537	
1001172045 .....	702	1001173808.....	581, 591,	1001176899.....	385, 387	1001184543 .....	513, 521,
1001172128 .....	591, 593,	593, 595, 597, 599, 601		1001176952.....	575, 591,	529, 537	
595, 597, 599, 601		1001173810.....	351	593, 599		1001184561 .....	513, 521,
1001172195 .....	189, 202	1001173811.....	347	1001176953.....	577, 595,	529, 537	
1001172564 .....	689	1001173898.....	513, 521,	597, 601		1001184562 .....	513, 521,
1001172565 .....	689	529, 537		1001177359.....	224, 236,	529, 537	
1001172570 .....	689	1001173900.....	513, 521,	253		1001184563 .....	513, 521,
1001172571 .....	689	529, 537		1001177451.....	689	529, 537	

## SECTION 11 - SPECIAL OPTIONS

1001184618.....	447	1001194204.....	547	1001206314.....	124, 128, 132, 146	1001214207.....	193, 205, 219, 231, 249, 275, 289
1001184626.....	435	1001194365.....	563	1001206402.....	146	1001214233.....	279, 293
1001184637.....	320	1001195039.....	272, 286	1001206403.....	146	1001214234.....	279, 293
1001184644.....	320	1001195304.....	703	1001206404.....	146, 149	1001214269.....	293
1001184645.....	320	1001195745.....	689	1001206405.....	149	1001214276.....	279, 293
1001185281.....	435	1001195746.....	689	1001206418.....	146, 151	1001214277.....	279, 293
1001185821.....	67, 69, 71	1001196382.....	332, 336, 340, 344, 348, 352, 356	1001206437.....	702	1001214278.....	279, 293
1001186333.....	409	1001196589.....	641	1001206439.....	703	1001214307.....	279, 293
1001186377.....	403	1001196602.....	641	1001206440.....	703	1001214317.....	41, 61
1001186379.....	405	1001196604.....	642	1001206476.....	571	1001214478.....	704
1001186382.....	407	1001196634.....	261, 642, 699	1001206625.....	495	1001214502.....	271, 286
1001186383.....	401	1001196636.....	641, 698	1001206917.....	165, 169, 173	1001214508.....	279, 293
1001186384.....	399	1001197017.....	461, 463	1001207004.....	77	1001214515.....	704
1001186386.....	397	1001197272.....	512, 521, 528, 537	1001207332.....	513, 521, 529, 537	1001214540.....	328, 360
1001186431.....	627, 647	1001197284.....	513, 521, 529, 537	1001207333.....	513, 521, 529, 537	1001214548.....	704
1001186432.....	627, 647	1001197719.....	612	1001207340.....	520	1001214552.....	704
1001186517.....	465	1001199035.....	689	1001207341.....	536	1001214553.....	279, 293
1001187077.....	642	1001199036.....	689	1001207349.....	165	1001214555.....	279, 293
1001187078.....	642	1001199177.....	173, 175	1001207350.....	169	1001214556.....	279, 293
1001187382.....	393	1001199207.....	124, 128, 132, 146	1001207726.....	151	1001214558.....	279, 293
1001187383.....	393	1001199901.....	124, 128, 132, 146	1001208874.....	81, 83	1001214559.....	704
1001187522.....	320, 324, 328, 621	1001200128.....	690	1001208994.....	393	1001214560.....	704
1001187674.....	467	1001200129.....	690	1001209059.....	705	1001214561.....	704
1001187681.....	649	1001200130.....	690	1001209432.....	571	1001214562.....	704
1001187807.....	153, 447	1001200131.....	690	1001209474.....	571	1001214570.....	571
1001188305.....	413	1001200132.....	690	1001209618.....	183	1001214571.....	571
1001188306.....	421	1001200133.....	690	1001209664.....	465	1001214598.....	279, 294
1001188308.....	415	1001200134.....	690	1001209677.....	569	1001214599.....	280, 294
1001188309.....	417	1001200458.....	137, 141	1001209832.....	569	1001214664.....	280, 294
1001188314.....	419	1001200491.....	393	1001209844.....	279, 293, 301	1001214694.....	280, 294
1001188315.....	411	1001200494.....	393	1001210037.....	704	1001214833.....	703
1001188334.....	155	1001200910.....	75	1001210636.....	485	1001214841.....	280, 294
1001188622.....	393	1001201351.....	393	1001211336.....	169, 171	1001214909.....	327
1001188731.....	320, 324, 328	1001201633.....	141	1001211633.....	146	1001214910.....	359
1001188844.....	393	1001201634.....	141	1001211636.....	146	1001214975.....	197, 209
1001188972.....	201, 228, 285	1001201635.....	137	1001211794.....	279, 293	1001215125.....	280, 294
1001189001.....	393	1001201636.....	137	1001211797.....	279, 293	1001215228.....	435
1001189002.....	393	1001202298.....	124, 128	1001211877.....	309	1001215259.....	271, 286
1001189171.....	589, 698	1001202687.....	393	1001211878.....	309	1001215373.....	101
1001189172.....	589, 698	1001202749.....	703	1001212223.....	356, 360	1001215509.....	41
1001189882.....	663	1001202830.....	139	1001212257.....	271, 285	1001215523.....	360
1001190368.....	25, 27	1001202831.....	143	1001212819.....	146	1001215801.....	271, 286
1001190663.....	183	1001202910.....	512, 520, 528, 536	1001212822.....	146	1001215869.....	280, 294
1001190921.....	642	1001203434.....	593	1001212989.....	279, 293	1001216080.....	286
1001190985.....	393	1001203435.....	597	1001212993.....	279, 293	1001216396.....	271, 286
1001191275.....	512, 521, 528, 537	1001203459.....	597, 601	1001213029.....	328, 360	1001216397.....	271, 286
1001191276.....	512, 521, 528, 537	1001203510.....	704	1001213062.....	271, 285	1001216399.....	272, 286
1001191394.....	703	1001203512.....	704	1001213305.....	279, 293	1001216512.....	311
1001191395.....	703	1001203655.....	409	1001213425.....	279, 293	1001216547.....	311
1001191620.....	224, 236, 253	1001204481.....	703	1001213426.....	279, 293	1001216548.....	311
1001192401.....	642	1001204482.....	703	1001213447.....	629	1001216549.....	311
1001193018.....	543, 545, 547, 549, 551, 553, 555, 557, 559, 561, 563	1001204510.....	661, 690	1001213482.....	279, 293	1001216552.....	703
1001193336.....	165, 167	1001204715.....	389, 391	1001213599.....	271, 285, 615	1001216598.....	128
1001193654.....	513, 521, 529, 537	1001204725.....	393	1001213824.....	279, 293	1001216630.....	393
1001194197.....	555	1001204996.....	702	1001213882.....	435	1001216655.....	513, 521, 529, 536
1001194198.....	557	1001204997.....	702	1001214029.....	690	1001216800.....	528
1001194200.....	559	1001205008.....	702	1001214138.....	279, 293	1001216801.....	512
1001194203.....	543	1001205009.....	702	1001214162.....	41	1001216805.....	328, 360
		1001205958.....	551, 553, 555, 557, 559, 561	1001214174.....	41, 53	1001216825.....	280, 294
				1001214205.....	279, 293	1001216840.....	328
						1001216914.....	702
						1001217342.....	327, 359
						1001217343.....	278, 292
						1001217344.....	327, 359



## SECTION 11 - SPECIAL OPTIONS

1001217345 ..... 272, 286, 327, 359	1001228224..... 467, 699	1001235528..... 109, 111, 113	1001239202 ..... 611
1001217488 ..... 663	1001228225..... 467, 699	1001235529..... 109, 111, 113	1001239293 97, 105, 119
1001217494 ..... 271, 278, 286, 292	1001228243..... 427	1001235531 ..... 105, 111	1001239294 ..... 95, 103
1001217785 ..... 271, 285	1001228375..... 429	1001235949..... 254, 265	1001239512 .... 95, 97, 99
1001218538 ..... 179	1001228376..... 423	1001236087..... 447	1001239802 ..... 23
1001218676 ..... 179	1001228377..... 425	1001236091..... 153	1001241162 ..... 473
1001219130 ..... 179	1001228406..... 124, 128, 132, 146	1001236250..... 271	1001241283 ..... 132
1001219134 ..... 146	1001228487..... 159, 162	1001236252..... 285	1001241288 ..... 132
1001219601 ..... 101, 699	1001228492..... 159	1001236254..... 271, 275	1001241291 ..... 132, 139
1001219794 ..... 703	1001228955..... 702	1001236256..... 275, 278	1001241292 ..... 132, 143
1001220004 ..... 703	1001228988..... 481, 693, 695	1001236257 ..... 279, 293	1001241396 ..... 703
1001220266 ..... 246	1001229107..... 702	1001236258..... 286, 289	1001241402 ..... 703
1001220379 ..... 608	1001229341..... 467	1001236259..... 289, 292	1001241547 ..... 704
1001220920 ..... 387	1001229795..... 619	1001236303..... 67	1001241548 ..... 704
1001220921 ..... 387	1001229796..... 619	1001236304..... 571	1001241965 ..... 469
1001220924 ..... 387	1001229798..... 272, 286, 619	1001236393..... 279, 293, 297	1001242106 ..... 97
1001221402 ..... 115	1001230635..... 223, 235, 253	1001236496..... 705	1001242538 ..... 657
1001221403 ..... 117	1001230784..... 332, 344, 583	1001236504..... 571	1001242559 ..... 659
1001221405 ..... 119	1001230907..... 583	1001236505..... 571	1001242561 ..... 677
1001221481 ..... 369	1001230908..... 331	1001236552..... 469	1001242562 ..... 679
1001221482 ..... 369, 375	1001230931..... 641	1001236746..... 455	1001242563 ..... 681
1001221484 ..... 379	1001230934..... 607, 612	1001236747..... 451	1001242564 ..... 683
1001221486 ..... 379	1001230935..... 607, 612	1001236780..... 253	1001242565 ..... 685
1001221927 ..... 371, 381	1001230936..... 607, 612	1001236891..... 449, 451, 453, 455	1001242566 ..... 687
1001222043 ..... 146	1001231195..... 165, 167, 169, 171, 699	1001236895..... 449, 451, 453, 455	1001242567 ..... 673
1001222044 ..... 146	1001231235..... 705	1001236965..... 95	1001242568 ..... 675
1001222139 ..... 115	1001231801..... 689	1001237544..... 447	1001242569 ..... 669
1001222140 ..... 117	1001231886..... 183	1001237546..... 153	1001242570 ..... 671
1001222142 ..... 119	1001231949..... 455	1001237549..... 157	1001242571 ..... 665
1001223055 ..... 657, 659	1001231950..... 451, 453	1001237667 ..... 629, 641	1001242572 ..... 667
1001223122 ..... 254, 332, 336, 340, 344, 348, 352, 356	1001232010..... 451, 453, 455	1001237668..... 629, 641	1001242639 ..... 702
1001223309 ..... 313	1001232011..... 451, 453, 455	1001237822..... 95, 97, 99	1001242680 ..... 153, 447
1001223310 ..... 313	1001232066..... 663	1001237849..... 95, 97, 99, 641	1001242851 ..... 75
1001223328 ..... 313	1001232164..... 467	1001237863..... 467, 651	1001242852 ..... 77
1001223387 ..... 146	1001232165..... 467	1001237864..... 467, 653	1001243092 ..... 473
1001223453 ..... 657, 659, 673, 675, 685, 687	1001232545..... 253, 257	1001237865..... 467, 649	1001243183 ..... 702
1001223454 ..... 313	1001232642..... 469	1001237882..... 702	1001243184 ..... 702
1001223459 ..... 607, 611	1001232667..... 469, 699	1001237883..... 702	1001243205 ..... 473
1001223899 ..... 377, 379	1001232842..... 261	1001237888..... 473, 475	1001243414 ..... 124, 128, 132, 146
1001223971 ..... 673, 675	1001232907..... 157	1001237891..... 475	1001243699 ..... 689
1001224048 ..... 681, 683	1001232908..... 157	1001237898..... 473, 475	1001243700 ..... 689
1001224049 ..... 685, 687	1001232913..... 157	1001237902..... 473, 475, 699	1001243869 ..... 317
1001224050 ..... 669, 671	1001232915..... 157	1001238160..... 95, 97, 99, 645	1001243870 ..... 317
1001224052 ..... 665, 667	1001232916..... 157	1001238161..... 95, 97, 99, 625	1001243895 ..... 261
1001224053 ..... 677, 679	1001232917..... 157	1001238254..... 436, 629	1001244283 ..... 245
1001224888 ..... 385, 387	1001233047..... 702	1001238263..... 449, 451, 453, 455	1001244285 ..... 246, 249
1001225346 ..... 571, 699	1001233048..... 157	1001238319..... 467	1001244286 ..... 249, 252
1001225430 ..... 239	1001233075..... 157	1001238418..... 469, 647	1001244335 ..... 475
1001225580 ..... 465, 627	1001233076..... 157	1001238421..... 393, 704	1001244336 ..... 473
1001225794 ..... 703	1001233077..... 157	1001238463..... 453	1001244462 ..... 135
1001226400 ..... 575, 577	1001233079..... 704	1001238472..... 469	1001244467 ..... 475
1001226531 ..... 571	1001233139..... 25	1001238495..... 465	1001244709 ..... 475
1001226872 ..... 431	1001233237..... 702	1001238559..... 469	1001244710 ..... 475
1001227453 ..... 702	1001233412..... 157	100123886..... 109	1001244732 ..... 475
1001227633 ..... 467	1001233413..... 157	100123887..... 103, 109	1001244733 ..... 475
1001227634 ..... 467	1001233436..... 157	1001238911..... 254	1001244873 ..... 365
1001227985 ..... 467	1001233763..... 229, 261	1001238932..... 67	1001244874 ..... 365, 371
1001227987 ..... 467	1001234800..... 607, 612		1001244975 ..... 433
1001227996 ..... 651, 653	1001235527..... 111		1001244976 ..... 433, 435
1001228092 ..... 365, 367, 369, 495			1001245305 ..... 246
1001228215 ..... 431			1001245317 ..... 113

## SECTION 11 - SPECIAL OPTIONS

1001245839.....254, 611	1001254671.....669	1001270755.....705	1701500....657, 659, 661,
1001245993.....99	1001254672.....669	1001271497.....629	663, 665, 667, 669,
1001246087.....179	1001254673.....665	1001271642.....704	671, 673, 675, 677,
1001246142.....702	1001254674.....665	1001272082.....703	679, 681, 683, 685, 687
1001246389.....473	1001254675.....685	1001272083.....703	1701504....657, 659, 661,
1001246456.....702	1001254676.....685	1001272196.....703	663, 665, 667, 669,
1001246457.....702	1001254677.....677	1001272659.....603	671, 673, 675, 677,
1001247048.....373, 377	1001254678.....677	1001273012.....603	679, 681, 683, 685, 687
1001247073.....704	1001254750.....659	1001276610.....603, 702	1701505....189, 201, 216,
1001247252.....473	1001254751.....675	1001278022.....45, 59	228, 245, 689
1001247359.....280, 294	1001254752.....683	1001285010.....45	1701509....471, 657, 659,
1001247468.....393, 699	1001254753.....671	1001285811.....135	661, 663, 665, 667,
1001247623.....375, 379	1001254754.....667	1001285891.....135	669, 671, 673, 675,
1001247656.....343	1001254755.....687	1001285892.....135	677, 679, 681, 683,
1001247800.....704	1001254756.....679	1001286148.....167, 171,	685, 687
1001248012.....377, 379,	1001255133.....393	175	1701518.....661, 663
497	1001255807.....702	1001286149.....167	1701529....657, 659, 661,
1001248140.....449, 451,	1001256506.....608	1001286150.....171	663, 665, 667, 669,
453, 455	1001256507.....607	1001288195.....391	671, 673, 675, 677,
1001248141.....449, 451,	1001256879.....246	1001311034.....469	679, 681, 683, 685, 687
453, 455	1001257271.....449	1060341.....461, 463	1701542....271, 285, 689
1001248190.....344	1001257274.....449	1060343....352, 356, 360	1701543....271, 285, 689
1001249052.....704	1001257275.....449	1060379.....457, 459	1702300....657, 659, 661,
1001249695.....705	1001258005.....449	1060494....320, 324, 328	663, 665, 667, 669,
1001249941.....705	1001258230.....703	1060626....201, 228, 285	671, 673, 675, 677,
1001249965.....224, 236,	1001258495.....651, 653	1060903.....461, 463	679, 681, 683, 685, 687
239	1001258715.....703	1060908....585, 587, 589	1702565.....435
1001250035.....704	1001258730.....473, 475	1060918.....445	1702566.....435
1001250287.....124, 132,	1001258804.....254	1062255.....246	1702567.....435
146	1001259230.....139, 143	10702077.348, 353, 357,	1702720.....689
1001250288.....128	1001260412.....224, 236,	361	1702773....409, 663, 689
1001250289.....124, 128,	254	10702082.348, 353, 357,	1702774.....689
132, 146	1001260420.....224, 235,	361	1702861.....689
1001250465.....704	253	1120555.....471	1702868....481, 657, 659,
1001250466.....704	1001260432.....343	1260017.....181	689, 695, 703
1001250595.....704	1001260524.....473	1300018.....35	1702938.....461, 463
1001250681.....95, 97, 99	1001260525.....473, 475	1320016.....196, 208	1702941....201, 228, 285
1001250764.....657, 659,	1001260680.....595, 597,	1320061.....245	1702942....201, 228, 285
661, 665, 667, 669,	601	1320176.....307	1702943....201, 228, 285
671, 673, 675, 677,	1001261045.....343	1320187...189, 201, 216,	1702944....201, 228, 285
679, 681, 683, 685,	1001261085.....343	228, 245	1702968.....37
687, 689	1001262016.....704	1320190...189, 201, 216,	1703162....196, 208, 222,
1001251075.....371, 373,	1001262959.....702	228, 245	234, 252, 278, 292
375, 503	1001263176.....705	1320218.....23	1703797.....657, 659
1001252033.....704	1001265163.....485	1320220.....23	1703798.....657, 659
1001252034.....704	1001265342.....485	1320223....201, 228, 285	1703804.....657, 659
1001252527.....607, 612	1001266056.....704	1320224.....190, 202	1703805.....657, 659
1001252629.....449, 451,	1001266098.....704	1320302....477, 479, 481	1703923.....685, 687
453, 455	1001266290.....703	1321283.....271, 285	1703924.....673, 675
1001252946.....457, 459	1001266489.....704	1321716...165, 167, 169,	1703925.....669, 671
1001252947.....457, 459	1001267304.....689	171, 222, 234, 252,	1703926.....677, 679
1001253375.....627	1001267305.....689	319, 323, 331, 336,	1703927.....681, 683
1001253618.....703	1001268737.....703	340, 343, 348, 352, 356	1703928.....665, 667
1001253619.....703	1001269187.....704	1380147.....315, 317	1703929.....685, 687
1001253892.....139	1001269297.....35	1580011.....278, 292	1703930.....673, 675
1001253893.....143	1001269298.....35	1580012.....483	1703931.....669, 671
1001253896.....139	1001269389.....704	1580013.....703	1703932.....677, 679
1001253897.....143	1001269629.....702	1670603.....563	1703933.....681, 683
1001253903.....139, 143	1001269630.....702	1670769....595, 597, 601	1703934.....665, 667
1001254472.....469	1001269631.....702	1671092....352, 357, 360	1703935.....685, 687
1001254473.....469	1001270482.....703	1671093.....479	1703936.....673, 675
1001254665.....657	1001270503.....703	1684290.....491	1703937.....669, 671
1001254666.....657	1001270508.....703	1700818.....689	1703938.....677, 679
1001254667.....673	1001270509.....703	1701499...657, 659, 661,	1703939.....681, 683
1001254668.....673	1001270510.....703	663, 665, 667, 669,	1703940.....665, 667
1001254669.....681	1001270514.....703	671, 673, 675, 677,	1703941.....685, 687
1001254670.....681	1001270716.....705	679, 681, 683, 685, 687	1703942.....673, 675

## SECTION 11 - SPECIAL OPTIONS

1703943 .....	669, 671	2080040 ...	343, 397, 399, 401, 411, 413, 415, 423, 427, 569	2220582....	512, 520, 528, 536	2720644 .....	278, 292
1703944 .....	677, 679	2080069 .....	473, 475	2220596.....	520, 536	2750532 ...	189, 201, 217, 229, 245
1703945 .....	681, 683	2110810 ...	512, 520, 528, 536	2220600....	512, 520, 528, 536	2752500 ...	513, 521, 529, 537
1703946 .....	665, 667	2110812 ...	512, 520, 528, 536	2220603.....	521, 537	2780267 ....	41, 43, 45, 47
1703947 .....	685, 687	2111216 ...	512, 520, 528, 536	2220628....	512, 520, 528, 536	2780268 .....	43, 45, 51
1703948 .....	673, 675	2131212 ...	512, 520, 528, 536	2220648.....	23	2820031 ...	319, 323, 327, 331, 335, 339, 343, 347, 351, 355, 359
1703949 .....	669, 671	2131216 ...	512, 520, 528, 536	2220695....	512, 520, 528, 536	2820035 .....	261
1703950 .....	677, 679	2180125 .....	23	2220726....	512, 520, 528, 536	2820247 .....	651, 653
1703951 .....	681, 683	2180348 ...	189, 201, 271, 285	2220767....	216, 228, 245	2840016 .....	315, 317
1703952 .....	665, 667	2180387 .....	23	2220775....	512, 520, 528, 536	2860030 ...	115, 117, 119, 121, 699
1703953 .....	657, 659	2180388 .....	23	2220881.....	493, 503	2900756 .....	63
1703980 .....	677, 679	2180389 .....	23	2220883....	55, 57, 61, 63, 86, 90, 93, 491, 495, 497	2900770 .	85, 89, 90, 493, 503
1703981 .....	681, 683	2180418 .....	23	2220885.....	497, 503	2900792 .....	497
1703982 .....	669, 671	2180504 .....	280, 294	2220886.....	55, 57, 503	2902065 ...	196, 209, 222, 234, 252, 267
1703983 .....	685, 687	2180832 ...	216, 228, 245	2220887.....	173, 175	2902212 .....	471
1703984 .....	673, 675	2220005 .....	23	2220888.....	57	2902217 .....	477, 479
1703985 .....	665, 667	2220124 .....	79	2220906....	512, 520, 528, 536	2902266 .....	491
1704000 ...	673, 675, 689, 703	2220237 .....	512, 528	2220923....	512, 520, 528, 536	2902443 ....	605, 607, 611
1704001 .....	685, 687	2220238 .....	37, 155, 512, 528	2220946....	512, 520, 528, 536	2902549 .....	583, 585
1704002 .....	665, 667	2220261 .....	23, 278, 292	2220998....	512, 520, 528, 536	2915102 .....	702
1704260 .....	435	2220273 .....	79	2221018.....	23	2920028 ....	435, 461, 463
1704271 .....	689	2220313 ...	189, 201, 216, 228, 245	2221019.....	23	2920029 ....	435, 461, 463
1704277 .....	663	2220315 ...	196, 208, 222, 234, 252, 278, 292	2221024.....	23	2940045 .....	151
1704412 ...	657, 659, 661, 663, 665, 667, 669, 671, 673, 675, 677, 679, 681, 683, 685, 687	2220366 ...	512, 520, 528, 536	2221040.....	520, 536	2940074 ...	397, 399, 401, 411, 413, 415, 423, 427, 699
1704578 .....	37	2220371 ...	512, 520, 528, 536	2221052.....	37	2940173 ...	137, 139, 141, 143, 149, 151
1704885 .....	689	2220372 .....	37, 512, 520, 528, 536	2221086.....	63, 512, 520, 528, 536	3020039 .....	17
1704972 .....	690	2220373 ...	512, 520, 528, 536	2400060....	261, 485, 629	3160348 .....	43, 57
1705014 .....	409	2220374 ...	512, 520, 528, 536	2400066.....	621	3160351 .....	41, 55
1705305 ...	481, 693, 695	2220375 ...	512, 520, 528, 536	2400082.....	619, 698	3250872 .....	37
1705325 .....	543, 545	2220377 ...	512, 520, 528, 536	2410014.....	409	3251102 .....	331, 343
1705351 .....	657, 659	2220415 ...	512, 520, 528, 536	2420203....	319, 324, 328	3251242 ...	547, 549, 551, 553, 555, 557, 559, 561, 563
1705355 .....	693, 695	2220451 ...	196, 208, 512, 520, 528, 536	24431386.....	272, 286	3251243 ...	319, 323, 327, 335, 339, 353, 357, 361, 667, 659, 665, 667, 673, 675, 685, 687
1705358 .....	689	2220466 ...	512, 520, 528, 536	2460048.....	347, 351	3252347 .....	657, 659
1705374 ...	335, 339, 565, 567	2220468 ...	512, 520, 528, 536	2460055.....	319	3252764 ...	347, 352, 355, 359
1705375 ...	353, 357, 361, 481, 695	2220472 .....	528, 536	2540020.....	75, 77	3271601 ...	124, 128, 132, 146
1705387 ...	335, 339, 353, 357, 361	2220473 ...	512, 520, 528, 536	2560136.....	435	3271605 ...	449, 451, 453, 455
1705426 .....	677, 679	2220497 ...	512, 521, 528, 537	2560187....	137, 139, 141, 143, 149, 151	3271805 .....	409
1705427 .....	681, 683	2220500 .....	520, 536	2580024....	201, 228, 285	3272001 ...	449, 451, 453, 455
1705429 .....	673, 675	2220501 ...	512, 520, 528, 536	2580062.....	208	3290401 .....	23
1705430 .....	669, 671	2220502 ...	512, 520, 528, 536	2600281....	397, 399, 401, 411, 413, 415, 423, 427	3290405 ...	135, 391, 485, 543, 545, 547, 549, 551, 553, 555, 557, 559, 561, 563, 583
1705460 ...	349, 353, 357, 361	2220579 .....	37	2720015....	222, 234, 252	3290505 .....	73, 335, 339, 348, 352, 355, 359
1705461 .....	349			2720058....	189, 201, 280, 294	3290601 ...	137, 139, 141, 143, 149, 151, 183, 512, 520, 528, 536
1705489 ...	331, 343, 348, 349			2720144.....	23		
1705822 .....	661, 663			2720271.....	280, 294		
1705828 .....	661, 663			2720340....	222, 234, 252		
1705910 .....	685, 687			2720392.....	23		
1705921 .....	661, 663			2720398.....	196, 209		
1705961 .....	661, 663			2720447.....	196, 209		
1706059 .....	690			2720615.....	280, 294		
1706060 .....	690						
1706061 .....	690						
1706062 .....	690						
1706063 .....	690						
1706064 .....	690						
1706098 .....	690						
1706385 .....	409						
2030010 ....	477, 479, 481						
2060025 .....	196, 208						

## SECTION 11 - SPECIAL OPTIONS

3290605.....67, 69, 75, 77, 95, 97, 99, 101, 146, 151, 189, 196, 201, 208, 216, 222, 228, 234, 245, 252, 271, 285, 309, 311, 313, 319, 323, 327, 331, 335, 339, 343, 348, 352, 355, 359, 391, 569, 583	3311401 ..... 461, 463 3311405... 433, 469, 543, 545, 547, 549, 551, 553, 555, 557, 559, 561, 563, 571, 657, 659, 661, 663, 665, 667, 669, 671, 673, 675, 677, 679, 681, 683, 685, 687 3311501. 95, 97, 99, 124, 128, 132, 146, 173, 461, 463 3311505... 124, 128, 132, 457, 459 3311601 ..... 23, 124, 128, 132, 146, 435, 469 3311605..... 37, 224, 236, 263, 265, 409, 433, 477, 479, 481 3311705 .... 319, 323, 327 3311801 ..... 41, 43, 45 3312002 ... 449, 451, 453, 455 3312005 ..... 39, 471 3312205 ..... 471 3321001 67, 69, 196, 208, 223, 235 3331211 ... 319, 323, 331, 335, 339, 343, 348, 352, 355, 359 3331215 ... 196, 208, 222, 234, 252 3340956 ..... 471 3380434 ..... 433 3420352 ..... 39 3420372 ..... 39 3421565 ..... 181 3422532 ... 189, 201, 216, 228, 245, 271, 285 3422661 ..... 457, 459 3422793 ..... 373, 375 3422848 ..... 27 3422860 ..... 377, 379 3422861 ..... 377, 379 3422867 ..... 377, 379 3423304 ..... 25, 27 3430616 ..... 435 3430820 ..... 315, 317 3450404 ..... 315, 317 3460334 ..... 471 3470003 ..... 436 3520028 ... 319, 324, 328 3520054 ... 196, 208, 224, 236, 252, 435 3520071 ..... 471 3520072 ... 397, 399, 401, 403, 405, 407, 409, 423, 425, 427, 429, 431 3520189 ..... 348 3520192 ..... 348 3520198 ... 397, 399, 401, 403, 405, 407, 423, 425, 427, 429, 431 3573400 .... 477, 479, 481 3573642 .... 477, 479, 481 3574091 ..... 463 3575359 ..... 461	3577121 .... 477, 479, 481 3580158 ..... 319 3580276 ..... 319 3580317 ... 331, 335, 339, 343, 348, 352, 355, 359 3580318 ... 335, 339, 352, 355, 359 3580319 .... 331, 343, 348 3580320 ... 323, 331, 335, 339, 348, 352, 355 3641569 ..... 461 3740067 67, 69, 196, 208 3740080 ... 320, 323, 327, 621, 699 3740086 ..... 647, 699 3740140 .... 196, 208, 698 3760133 .... 371, 373, 375 3760170 ..... 39, 181 3790012 97, 99, 271, 285, 435 3790152 ... 193, 205, 219, 231, 249, 275, 289 3820001 .... 37, 657, 659, 661, 663, 665, 667, 669, 671, 673, 675, 677, 679, 681, 683, 685, 687 3820020 ... 397, 399, 401, 411, 413, 415, 423, 427 3841143 25, 27, 189, 201, 216, 228, 245, 271, 285, 371, 377, 379, 393 3841203 ... 365, 367, 369, 373, 375 3841258 .... 17, 365, 367, 369 3841340 ... 591, 593, 595, 597, 599, 601 3900054 ..... 409 3900267 ..... 336, 340 3900295 ..... 27 3900300 ..... 336, 340 3900332 ..... 23 3900349 ..... 435 3910408 ..... 222, 234 3910606 ... 335, 339, 352, 355, 359, 565, 567 3910610 .... 315, 317, 541 3910804 ... 115, 117, 119, 121 3911010 75, 77, 153, 447 3931408 ..... 465 3931512 .... 222, 234, 252 3931618 ... 193, 205, 219, 231, 249, 275, 289 3931628 .... 323, 339, 355 3960389 ..... 157 3960407 ..... 196, 208 3960422 ... 335, 339, 352, 355, 359, 541, 565, 567 3960526 ..... 41, 43, 45 4010405 ..... 583 4010618 ... 403, 405, 407, 417, 419, 421, 425, 429 4031505 ..... 467 4031507 ..... 135 4031516 ..... 469	4031914..... 222, 234, 252 4032014..... 323, 339, 355 4032015..... 331, 335, 348, 352 4060802.... 320, 323, 327, 331, 335, 339, 343, 348, 352, 355, 359 4060805.... 196, 209, 222, 234, 252, 280, 294 4070450..... 39 4070560..... 39 4070561..... 39 4070897.... 371, 373, 375 4070898.... 371, 373, 375 4071009..... 159 4160182.... 124, 128, 132 4240018.... 512, 520, 528, 536, 565, 567 4240032..... 73, 603 4240033.... 465, 467, 469 4240099.... 75, 77, 95, 97, 99, 189, 196, 201, 208, 216, 222, 228, 234, 252, 261, 271, 278, 285, 292, 320, 323, 327, 331, 335, 339, 343, 348, 352, 355, 359, 435, 461, 463, 477, 479 4240149..... 471 4280296..... 19, 21 4360057.... 461, 463, 699 4360070.... 336, 340, 348, 353, 357, 360, 698 4360274..... 121 4360328..... 97, 99, 699 4360336.... 320, 323, 327, 331, 335, 339, 343, 348, 352, 355, 359, 699 4360387.... 119, 121, 435, 461, 463, 699 4360407..... 435, 699 4360469.... 115, 117, 119, 121, 699 4360475.... 103, 105, 107, 435, 699 4360476.... 103, 105, 107, 435 4360517..... 155, 699 4360542.... 319, 324, 328, 698 4400275..... 23 4420014..... 471 4420037.... 477, 479, 481 4420051..... 37, 689 4420062..... 457, 459 4420066..... 471 4420068..... 461, 463 4460019..... 611 4460027.... 319, 324, 328 4460042.... 608, 611, 615, 641 4460043.... 261, 607, 611 4460049..... 461, 463 4460071.... 335, 339, 352, 355, 359, 445, 541 4460134.... 320, 324, 328
---	--	---	---

## SECTION 11 - SPECIAL OPTIONS

4460138 .... 320, 324, 328	4460612 ..... 565, 567	4461008..... 605, 607, 611	4740362 ..... 433
4460183 ..... 629, 641	4460662 ... 555, 557, 559, 563	4461052..... 605	4740397 ..... 97, 435
4460190 .... 319, 324, 328	4460693 ..... 615	4461054..... 608, 611	4740439 ..... 377, 379
4460205 ..... 541	4460702 ..... 642	4461070..... 573, 607	4740491 ..... 27
4460225 ... 348, 352, 355, 359, 623, 629	4460703 .... 607, 611, 642	4461071..... 605, 607, 611	4750600 ..... 315, 317
4460226 ... 439, 442, 445, 642	4460705 .... 319, 324, 328	4461072..... 605, 607, 611	4751000 ... 165, 167, 169, 171, 320, 323, 327, 477, 479, 481
4460227 ..... 629	4460708 ..... 629	4461074..... 605, 607, 611	4751400 ... 173, 175, 433, 435, 461, 463, 475, 477, 479, 481, 483, 571, 657, 659, 661, 663, 665, 667, 669, 671, 673, 675, 677, 679, 681, 683, 685, 687
4460234 ..... 73, 435, 461, 463	4460722 ..... 261	4461077..... 647, 649	4751500 ... 320, 323, 327, 457, 459, 461, 463
4460247 ..... 607, 611	4460742 ..... 642	4461095..... 573, 605, 607	4751600 ... 224, 236, 433, 477, 479, 481
4460259 ... 485, 625, 629, 642	4460743 ..... 642	4461109..... 615	4751800 .... 409, 461, 463
4460260 ... 485, 625, 629, 642	4460746 ..... 607, 611	4461111..... 615	4752000 ..... 39
4460265 ..... 439, 442	4460748 .... 607, 612, 641	4461113..... 615	4760600 ..... 541
4460267 ..... 629	4460761 ..... 629	4461121..... 615	476100067, 69, 196, 208, 223, 235
4460268 ... 319, 324, 328, 623	4460806 ... 551, 553, 555, 557	4461122..... 615	4761400 ..... 483
4460313 .... 605, 642, 645	4460807 ..... 623	4461124..... 615	4770600 ..... 315, 317
4460315 ..... 541	4460808 ..... 623	4461196..... 631	4811400 ... 391, 485, 543, 545, 547, 549, 551, 553, 555, 557, 559, 561, 563
4460321 .... 319, 324, 328	4460865 ..... 575, 577	4461198..... 543, 631	4811600 .... 73, 335, 339, 348, 352, 355, 359
4460346 ... 335, 339, 352, 355, 359, 541	4460866 ..... 629, 642	4461199..... 633	4811700 ... 67, 69, 75, 77, 95, 97, 101, 137, 139, 141, 143, 149, 151, 183, 189, 196, 201, 208, 216, 222, 228, 234, 245, 252, 271, 278, 285, 292, 320, 323, 327, 331, 335, 339, 343, 348, 352, 355, 359, 403, 405, 407, 417, 419, 421, 425, 429, 512, 520, 528, 536, 569, 583, 595, 597, 601
4460384 ..... 563	4460871 ... 183, 625, 629, 641, 645	4461201..... 547, 633	4811702 ... 224, 236, 246, 252, 278, 292, 309, 311, 313, 332, 344, 512, 520, 528, 536, 569, 583
4460418 ..... 625, 629	4460872 ..... 645	4461205..... 635, 637	4811900 ..... 37, 146, 189, 196, 202, 208, 216, 222, 228, 234, 245, 252, 271, 278, 285, 292, 320, 323, 327, 331, 335, 339, 348, 352, 355, 359, 393, 571, 591, 593, 595, 597, 601
4460419 ..... 625, 629	4460873 ..... 629, 641	4461244..... 555, 635	4811902 ... 124, 128, 132, 189, 201, 216, 228, 245, 254, 278, 292
4460424 ..... 642	4460874 ..... 629, 641	4461245..... 557, 637	4812000 ... 41, 43, 45, 67, 69, 79, 81, 83, 95, 97, 99, 124, 128, 132, 137, 139, 141, 143, 146,
4460425 ... 336, 340, 348, 353, 357, 360, 461, 463, 565, 567	4460875 ..... 629, 645	4461246..... 559, 639	
4460426 ... 336, 340, 348, 353, 357, 360	4460876 ..... 625	4461249..... 639	
4460428 ..... 435	4460878 ..... 641	4520216..... 29	
4460434 ..... 629	4460879 ..... 485, 629	4520240..... 31	
4460458 ... 607, 612, 641, 642	4460884 ... 485, 611, 627, 641	4520259..... 33	
4460464 ..... 73, 389, 391, 445, 485, 573, 579, 581, 617, 621, 627, 629, 641, 642, 647	4460887 .... 485, 629, 641	4530028..... 477, 479, 487	
4460465 ... 183, 389, 391, 485, 573, 575, 577, 579, 581, 605, 607, 608, 611, 615, 623, 627, 629, 641, 642, 645	4460891 ... 183, 573, 608, 617, 641, 645	4640261..... 37	
4460466 95, 97, 272, 286, 467, 473, 485, 573, 575, 577, 579, 605, 607, 608, 611, 615, 621, 627, 629, 641, 642, 645, 647, 649	4460894 ... 605, 608, 611, 615, 629, 641, 645	4640452..... 503	
4460467 ..... 705	4460897 .. 73, 75, 77, 617	4640509..... 497	
4460470 .. 95, 97, 99, 435	4460899 ... 581, 627, 642, 647, 649	4640751..... 222, 234, 252	
4460471 .. 95, 97, 99, 435	4460905 ... 625, 629, 641, 645	4640858..... 491	
4460473 ..... 575, 577	4460906 ..... 621	4641122..... 29, 31, 33, 35	
4460496 ..... 95, 97, 99	4460910 ..... 653	4641390..... 495	
4460497 ..... 95, 97, 99	4460911 ..... 649	4641040..... 222, 234	
4460508 .... 467, 629, 642	4460928 ..... 573	4710000..... 75, 77, 95, 97, 99, 263, 265, 336, 340, 348, 353, 357, 361	
4460509 ..... 575, 577	4460930 ..... 97, 272, 286, 579, 605, 608, 611, 641	4711400 .... 137, 139, 141, 143, 149, 151, 403, 405, 407, 417, 419, 421, 423, 425, 427, 429, 431, 465, 469, 473, 543, 545, 547, 549, 551, 553, 555, 557, 559, 561, 563	
4460510 ..... 705	4460931 95, 97, 473, 641	471150067, 69, 124, 128, 132, 189, 201, 217, 222, 228, 234, 245, 252, 271, 285	
4460518 ..... 573	4460932 ..... 485, 617	4711600 .... 124, 128, 132, 146, 263, 265, 331, 335, 339, 343, 348, 352, 355, 436, 449, 451, 453, 455	
4460536 ... 101, 389, 391, 475, 579, 581, 629	4460933 .... 573, 629, 642	4711700..... 99, 320, 323, 327	
4460539 ... 389, 391, 579, 581, 611, 629, 645	4460941 ..... 617, 649	4711800..... 409	
	4460942 ... 467, 608, 611, 617	4712000.... 449, 451, 453, 455, 471	
	4460943 75, 77, 101, 473, 475, 649	4712200..... 471	
	4460944 .... 607, 608, 611	4740086..... 25, 27	
	4460956 ..... 585, 587	4740155..... 27	
	4460957 ..... 585, 587	4740158..... 17	
	4460958 ..... 567		
	4460961 .... 319, 324, 328		
	4460962 ..... 479		
	4460963 .... 353, 357, 360		
	4460967 ..... 641		
	4460968 ..... 543, 547		
	4460970 ..... 629		
	4460977 ..... 619		
	4461005 ..... 605		

## SECTION 11 - SPECIAL OPTIONS

149, 151, 157, 165, 167, 169, 171, 189, 196, 201, 208, 216, 222, 228, 234, 245, 252, 271, 278, 285, 292, 320, 323, 327, 340, 343, 356, 371, 373, 375, 385, 387, 391, 393, 591, 593, 595, 597, 599, 601	5250810 ... 224, 236, 331, 336, 340, 343, 348, 352, 356 5251008 ... 371, 373, 375, 389, 391, 393 5251009 ... 371, 373, 375 5251011 ... 371, 373, 375 5251012 . 41, 43, 45, 109, 111, 113, 146 5251014 ... 19, 21, 81, 83, 124, 128, 132 5251016 ..... 17, 393 5251215 ... 189, 201, 216, 228, 245, 254, 271, 285 5260800 ... 331, 336, 340, 343, 348, 352, 356 5261000 .... 109, 111, 113 5261018 .... 137, 141, 591 5261200 ... 189, 201, 216, 228, 245, 254, 271, 285	70001973 . 347, 351, 356, 360 70001974 . 347, 351, 356, 360 70002011 ..... 387 70002057 ..... 162 7000206 ..... 47, 51 70002063 ..... 93 70002088 ..... 347, 351 70002112 ..... 173, 175 70002209 ..... 63 70002234 ..... 212 70002257 ..... 304 7000229 ..... 47, 51 70002291 ..... 356, 360 70002297 . 347, 351, 356, 360 7000230 ..... 47, 51 70002316 ..... 297 70002318 ..... 297 7000232 ..... 47, 51 70002326 ..... 297 700023371 ..... 499 70002373 ..... 493, 499 70002386 86, 90, 93, 495, 698 70002390 ..... 61 70002412 ..... 503 7000246 ..... 47, 51 70002460 . 347, 351, 356, 360 7000248 ..... 47, 51 7000253 ..... 47, 51 7000257 ..... 47, 51 7000258 ..... 47, 51 7000261 ..... 47, 51 7000262 ..... 47, 51 7000263 ..... 47, 51 70002718 ..... 211, 239 70002838 ..... 173, 175 70002842 ..... 491 70002902 ..... 445 70002903 ..... 445 70002904 ..... 445 70002905 ..... 445 70002962 ..... 63 70002974 ..... 85, 89 70003023 ..... 85, 89 70003024 ..... 85, 89 70003408 ..... 85, 89 70003463 ..... 211, 698 70003464 ..... 211 70003468 ..... 212 70003469 ..... 212 70003472 ..... 211 70003473 ..... 211 70003475 ..... 211 70003479 ..... 211 70003480 ..... 211 70003481 ..... 211 70003612 ..... 71 70003631 . 347, 351, 356, 360 70003708 . 331, 336, 340, 343, 347, 351, 356, 360 70003709 . 331, 336, 340, 343, 347, 351, 356, 360	70003783.. 197, 209, 223, 235, 253, 698 70003788..... 86, 90, 495, 698 70003931..... 212 70003932..... 212 70003977..... 85, 89 70004000..... 71 70004013..... 71 70004014..... 71 70004017..... 63 70004020... 280, 294, 698 70004056..... 212 70004058..... 212, 698 70004059..... 212 70004060..... 212 70004062..... 212 70004092.. 331, 336, 340, 343, 356, 360 70004094..... 356, 360 70004098.. 336, 340, 356, 360 70004099.. 340, 343, 356, 360 70004102..... 212 70004103..... 212 70004169..... 347, 351 70004171.. 332, 336, 347, 351 70004185..... 705 70004231..... 495 70004267..... 71 70004268..... 211 70004269..... 211 70004270..... 212 70004281..... 239, 257 70004282..... 239 70004469..... 162 70004481..... 162 70004482..... 162 70004494..... 162 70004504..... 257 70004508..... 258 70004577..... 61, 63 70004676.. 332, 336, 340, 343 70004677..... 332 70004678.. 332, 336, 340, 344 70004679.. 332, 336, 340, 344 70004680.. 332, 336, 340, 344 70004681..... 332, 344 70004682.. 332, 336, 340, 344 70004683..... 332, 344 70004684..... 336 70004685..... 336, 340 70004686..... 344 70004687..... 340 70004738..... 439 70004739..... 439 70004740..... 439 70004741..... 439 70004742..... 439 70004743..... 439
4812002.... 81, 83, 95, 97, 99, 124, 128, 132, 146, 165, 167, 169, 171, 254, 311 4812100.... 155, 189, 201, 216, 222, 228, 234, 245, 252, 271, 285, 315, 317, 331, 335, 348, 352, 371, 373, 375, 393 4812102..... 37 4812200.... 196, 208, 222, 234, 252, 272, 286, 320, 323, 328, 331, 335, 339, 343, 348, 352, 355, 360 4844816..... 377 4844817..... 377 4845582..... 457, 459 4846627 .... 477, 479, 481 4846673..... 463 4860214..... 35 4871700 67, 69, 331, 335, 339, 343, 348, 352, 355 4891600 23, 37, 193, 205, 219, 231, 249, 275, 289, 393 4891800... 41, 43, 45, 193, 205, 219, 231, 249, 275, 289 4892000... 41, 43, 45, 177 4892600001..... 393 4922641 .... 320, 324, 328, 332, 336, 340, 344, 348, 352, 356, 360 4922802..... 599 4922803..... 601 4922925.... 348, 352, 355, 359 4923451 ..... 197, 208 4933218..... 463 5240800.... 189, 201, 217, 228, 245, 271, 278, 285, 292 5241200.. 17, 25, 27, 196, 208, 222, 234, 252, 278, 292, 320, 323, 327, 331, 335, 339, 343, 348, 352, 356, 360, 393 5241400..... 278, 292 5241600..... 27, 159 5242000..... 159 5250605..... 278, 292 5250808.... 331, 336, 340, 348, 352, 356	70000342 ..... 381, 383 70000345 ..... 212, 257 700004508 ..... 239 70000619 . 347, 351, 355, 359 70000781 ..... 61, 63 70000787 ..... 212 70000793 ..... 267 70000797 ..... 55, 57 70000800 ..... 211 70000851 ..... 212 70000863 . 347, 351, 356, 360 70000912 ..... 211 70000913 ..... 211 70000914 ..... 211 70000915 ..... 211 70000916 ..... 211 70000917 ..... 211 70000918 ..... 211 70000919 ..... 212 70000931 ..... 212 70001002 ..... 211 70001100 . 347, 351, 356, 360 70001181 ..... 211 70001349 ..... 47, 51 70001384 . 347, 351, 356, 360 70001423 ..... 211 70001435 ..... 212 70001498 ..... 212 70001654 ..... 211 70001655 ..... 211 70001696 ..... 347, 351 70001697 ..... 381, 383 70001844 ..... 212 70001850 ..... 211 70001866 ..... 212 70001868 ..... 212 70001870 .. 211, 240, 258 70001871 ..... 212 70001872 ..... 212 70001953 ..... 347, 351 70001966 . 331, 336, 340, 343, 347, 351, 356, 360		

## SECTION 11 - SPECIAL OPTIONS

70004744	439	70005071	85, 89	70005746	297	70006065	298
70004745	439	70005072	85, 89	70005747	297	70006066	298
70004746	439	70005073	85, 89	70005751	297	70006067	298
70004747	439	70005074	85, 89	70005827	61	70006068	298
70004748	439	70005075	85, 89	70005830	61	70006069	298
70004749	439	70005076	85, 89	70005831	61	70006070	298
70004750	439	70005077	85, 89	70005832	61	70006071	298
70004751	439	70005078	85, 89	70005833	61	70006072	298
70004752	441	70005079	85, 89	70005834	61	70006074	298
70004753	441	70005080	85, 89	70005931	239, 257	70006075	298
70004754	441	70005081	85, 89	70005941	240, 258	70006076	298
70004755	441	70005082	85, 89	70005942	239, 258	70006077	298
70004756	441	70005084	85, 89	70006010	301	70006078	298
70004757	441	70005085	85, 89	70006011	301	70006079	298
70004758	441	70005086	85, 89	70006012	301	70006080	298
70004759	441	70005087	85, 89	70006013	297	70006093	356, 360
70004760	441	70005088	85, 89	70006014	297	70006094	356, 360
70004761	441	70005089	85, 89	70006015	297	70006095	356, 360, 698
70004762	441	70005090	85, 89	70006016	297	70006096	356, 360
70004763	441	70005091	85, 90	70006017	297	70006097	356, 360
70004764	441	70005092	85, 89	70006018	297	70006104	495
70004765	441	70005093	89	70006019	297	70006105	495
70004766	441	70005106	387	70006020	297	70006144	239, 257
70004767	441	70005107	387	70006021	297	70006255	385
70004768	441	70005108	85, 89	70006022	297	70006270	385
70004769	441	70005109	85, 90	70006023	297, 698	70006344	503
70004770	441	70005139	71	70006024	297	70006356	193, 205, 219,
70004771	441	70005140	499	70006025	297	231, 249, 275, 289	
70004772	441	70005141	499	70006026	297	70006379	298
70004773	441	70005142	493, 499	70006027	297	70006552	336
70004774	442	70005143	493, 499	70006028	297	70006553	336, 699
70004775	442	70005144	493, 499	70006029	297	70006580	381
70004794	165, 167, 169, 171	70005145	493, 499	70006030	297	70006636	495
70004829	297	70005146	499	70006031	297	70006639	298
70004883	93	70005147	493	70006032	297	70006640	298
70004884	63, 93	70005148	493	70006033	297	70006649	497
70004885	61, 63	70005149	493	70006034	297	70006650	497
70004886	63	70005150	501	70006035	297	70006652	239
70004889	303	70005151	501	70006036	297	70006702	495
70004890	303	70005152	501	70006037	297	70006703	495
70004891	303	70005153	501	70006038	297	70006704	495
70004892	303	70005154	501	70006039	297	70006705	495
70004893	303	70005171	239	70006040	297	70006706	495
70004894	303	70005172	240, 258	70006041	297	70006734	497
70004895	303	70005173	239	70006042	297	70006735	497
70004896	303	70005177	239	70006043	297	70006736	497
70004897	303, 698	70005182	239	70006044	297	70006817	503
70004898	303	70005183	239	70006045	298	70006990	162
70004899	304	70005184	239, 257	70006046	298	70006994	162
70004900	304	70005217	85, 89	70006047	298	70006997	162
70004901	304	70005218	85, 89	70006048	298	70006998	162
70004902	304	70005219	86, 90, 698	70006049	298	70006999	162
70004903	304	70005317	162	70006050	298	70007001	162
70004904	304	70005318	162	70006051	298	70007002	162
70004905	304	70005504	257	70006052	298	70007003	162
70004906	304	70005710	155	70006053	298	70007004	162
70004907	304	70005711	155	70006054	298	70007006	162
70004908	304	70005712	155	70006055	298	70007022	162
70004909	304	70005713	155	70006056	298	70007023	162
70004910	304	70005714	155	70006057	298	70007024	162
70004911	304	70005715	155	70006058	298	70007025	162
70005065	71	70005716	155	70006059	298	70007026	162
70005066	71	70005724	86, 90	70006060	298	70007027	162
70005067	71	70005726	297	70006061	298, 699	70007028	162
70005068	71	70005727	297	70006062	298	70007029	162
70005069	85, 89	70005737	297	70006063	298	70007030	162
		70005745	297	70006064	298	70007031	162

## SECTION 11 - SPECIAL OPTIONS

70007032.....	162	70024507.....	239	7007439.....	55, 57	7021237.....	303
70007046.....	162	70024513.....	239, 257	7007446.....	55, 57	7021238.....	303
70007062.....	503	70024904.....	240, 258	7007493.....	304	7021239.....	303
70007063.....	503	70024905.....	239	7007495.....	303	7021240.....	303
70007064.....	503	70024906.....	239	7007601.....	47, 51	7021241.....	303
70007065.....	503	70024913.....	258	7007640.....	47, 51	7021242.....	303
70007066.....	503	70024915.....	239	7010429.....	47, 51	7021243.....	303
70007067.....	503	70024916.....	257	7010543.....	93	7021248.....	303
70007068.....	503	70024918.....	257	7012513....	319, 323, 327	7021249.....	55, 57, 303
70007069.....	503	70024925.....	239, 258	7012514....	319, 324, 327	7021253.....	303
70007070.....	503	70024961.....	239, 257	7012518.....	503	7021257.....	303
70007071.....	503	70025082.....	211	7012558.....	319	7021258.....	303
70007072.....	503	70025084.....	211, 212	7012941.....	93	7021259.....	303
7000731.....	48	70025086.....	212	7012967.....	93	7021262.....	303
70007325.....	239	70025088.....	211	7012998.....	495	7021263.....	303
70007326.....	240	70025091.....	211	7016322.....	315, 317	7021265.....	303
70007354.....	239	70025099.....	257	7016331...	211, 240, 258, 698	7021268.....	303
70007603.....	239, 257	70025121.....	212	7016654.....	705	7021275.....	55, 57
70007784.....	257	70025123.....	211, 212	7017059.....	47, 51	7021276.....	55, 57, 304
70007847.....	59	70025130.....	257	7017067.....	47, 51	7021277.....	55, 57, 304
70007848.....	59	70025131.....	212	7017076.....	47, 51	7021278.....	304
70007849.....	59	70025135.....	239	7017070.....	47, 51	7021281.....	303
70007850.....	59	70025139.....	211	7017080.....	47, 51	7021290.....	304
70007851.....	59	70025142.....	257	7017142.....	381, 383	7021293.....	303
70007852.....	59	70025153.....	257, 698	7017150.....	383	7021299.....	304
70007853.....	59	70025160.....	257	7017159.....	381, 383	7021625.....	63
70007854.....	59	70025161.....	257, 698	7017162.....	381, 383	7021639.....	63
70007855.....	59	70025164.....	239, 257	7017163.....	381, 383	7022300.....	303
70007856.....	59	70025168.....	257	7017164.....	381, 383	7022302.....	55, 57
70007857.....	59	70025200.....	239	7017172.....	381, 383	7022305.....	55, 57
70007858.....	59	70025210.....	239	7017192.....	381, 383	7022310.....	57
70007859.....	59	70025231.....	239	7017195.....	381, 383	7022311.....	55, 57
70007860.....	59	70025239.....	239	7017410.....	93	7022312.....	55, 57
70007861.....	59	70025667.....	211	7017467.....	495	7022314.....	55, 57
70007862.....	59	70025693.....	212	7017496.....	61, 63, 495	7022326.....	55, 57
70007863.....	59	70025694.....	212	7017904.....	297	7022328.....	55, 57
70007864.....	59	70026210.....	239, 257	7017932.....	297, 698	7022341.....	303
70007865.....	59	70026444.....	61	7017959.....	298	7022346.....	304
70007866.....	59	70027405.....	257	7017992.....	298, 698	7022347.....	304
70007867.....	59	7002821.....	705	7019680....	319, 324, 328	7022368.....	55, 57
70007868.....	59	7002822.....	705	7020023.....	211, 698	7022371.....	55, 57
70007869.....	59	7002823.....	705	7020026.....	211	7022372.....	57
70007870.....	59	7002828.....	705	7020033.....	53	7022390.....	85, 89, 495
70007871.....	59	70028540.....	239	7020035.....	53	7022397.....	61, 63
70007872.....	59	70029015.....	257	7020036.....	53	7022399....	61, 63, 85, 89
70007873.....	59	70029402.....	257	7020037.....	53	7023154.....	297
70007874.....	59	70029403.....	257	7020038.....	53	7023900.....	85, 89
70007875.....	59	70029404.....	257	7020039.....	53	7023907.....	55, 57
70007876.....	59	70029451.....	239	7020040.....	53	7023908.....	55, 57
70007877.....	59	70029512.....	257, 698	7020041.....	53	7023910.....	55, 57
70007878.....	59	70029797.....	257	7020108....	319, 324, 327	7023936.....	85, 89
70009002..	189, 202, 216, 229	70030360.....	239	7020109....	319, 324, 327	7024182.....	47, 48
70009004.....	189, 201	70030381.....	239	7020110....	319, 324, 327	7024189.....	48
70009005.....	189, 202	70031095.....	240	7020111....	319, 324, 328	7024190.....	48
70009006.....	216, 229	70031136.....	239	7020175...	103, 105, 107, 435	7024191.....	48
70009007.....	216, 229	70031143.....	257	7020176...	103, 105, 107, 435	7024192.....	48
70010383.....	81, 83, 698	70031144.....	257	7020176...	103, 105, 107, 435	7024193.....	48
7001481.....	304	70031145.....	239	7020190....	319, 324, 328	7024194.....	48
7001998.....	47, 51	7004275.....	705	7020403.....	211	7024196.....	48
70022564....	493, 495, 499	7004276.....	705	7020430.....	211	7024197.....	48
70023369...	493, 495, 499	70050795.....	495	7020460.....	211	7024441.....	173, 175
70023370.....	493	7007289.....	304	7020460.....	211	7024462.....	487
70023592...	223, 235, 698	7007415.....	303, 304	7020465....	211, 240, 258	7024463.....	487
70023593...	223, 235, 698	7007419.....	303	7020468.....	211	7024467.....	487
70024494.....	240, 258	7007420.....	303, 304	7020471.....	212	7024469.....	487
70024504.....	239, 257	7007437.....	55, 57	7020479.....	212	7024470.....	487
		7007438.....	55, 57	7020492.....	211, 212	7024471.....	487



## SECTION 11 - SPECIAL OPTIONS

7024472 ..... 487	7026188 ..... 347, 351	82033995.....280, 294	8406101 .... 216, 228, 245
7024473 ..... 487	7026199 .... 319, 323, 327	8220045.....621, 642	8406109... 197, 209, 223,
7024474 ..... 487	7026330 ..... 71	8220051.....617	235, 253, 279, 293
7024475 ..... 487	7026597 .... 347, 351, 356	8220097.....641	8406110... 224, 236, 253,
7024478 ..... 487	7026626 ... 347, 351, 356,	8220098.....641	279, 293, 391, 593, 597
7024485 .... 347, 351, 698	360	8220115.....607	8406201 ... 224, 236, 254,
7024488 ... 347, 351, 355,	7027236 ..... 211	8220164.....607, 611	279, 293
359	7027419 ..... 55	8229242.....607, 641, 699	8410001 ..... 279, 293
7024489 ... 347, 351, 355,	7027773 ..... 487	8229244.....641, 699	8410009 ..... 279, 293
359	7027774 ..... 487	8229245.....621, 699	8410011 ..... 280
7024565 ..... 212	7027775 ..... 487	8229249.....485, 699	8410013 ..... 216, 228
7024579 ..... 211, 240	7027776 ..... 487	8305401 .... 196, 208, 222,	8430007 ..... 245
7024598 ..... 315, 317	7027777 ..... 487	234, 252, 278, 292	84521061 ..... 327
7024705 ..... 47	7027778 ..... 487	8307109.... 196, 208, 222,	84521062 ..... 359
7024712 ..... 47, 51	7027779 ..... 487	234, 253, 278, 292	88411013 ..... 571
7024713 ..... 47, 51	7027780 ..... 487	8310129.....471	88521205 ..... 67, 69
7024714 ..... 47, 51	7027790 ..... 212	8310548.... 196, 208, 223,	88521214. 449, 451, 453,
7024715 ..... 47, 51	7027791 ..... 212	234, 253, 278, 292	455
7024716 ..... 47, 51	7027792 ..... 212	8405006....216, 228, 245,	88662037 . 512, 521, 528,
7024717 ..... 47	7027796 ..... 212	263, 265	537
7024718 ..... 48	7027799 ... 347, 351, 356,	8405007 ....223, 235, 253	90200755 . 124, 128, 132,
7024800 ..... 303	360	8405009.... 189, 201, 223,	146
7024810 ..... 61	7027887 .... 319, 324, 328	235, 253, 279, 293	91164057 ..... 63, 86, 90
7024853 ..... 55	7027903 ..... 212	8405102.....279, 293	91164059 ..... 86, 90
7024854 ..... 55, 57	77363233 ..... 623	8405104....223, 235, 253,	91164079 ..... 63, 86, 90
7024855 ..... 303	80484084 ..... 607, 611	279, 293	91203039 ..... 393
7024857 ..... 303	80633030 . 512, 521, 528,	8405202....223, 235, 253,	91401281 ..... 69
7024858 ..... 303	537	279, 293	
7024868 ..... 55, 57	80963067 ..... 641	8405203.....279, 293	
7024881 ..... 61, 63	80983191 ..... 607, 699	8405204....223, 235, 253	



**Corporate Office  
JLG Industries, Inc.  
1 JLG Drive  
McConnellsburg, PA 17233-9533 USA  
☎ (717) 485-5161 (Corporate)  
☎ (877) 554-5438 (Customer Support)  
📠 (717) 485-6417**

**Visit our website for JLG Worldwide Locations.  
[www.jlg.com](http://www.jlg.com)**



**OSHKOSH™**